

Model: 982-17**Model life 2017>>**

ORDER-INFO

PET CONTAINS THE ORDERING DETAILS FOR ALL MODELS SHOWN IN THE MODEL OVERVIEW.

THE UPDATE SERVICE IS PERFORMED AUTOMATICALLY VIA INTERNET UPDATE.
THE VERSION IS SHOWN IN THE HEADER AS "UPDATE 123/12"

SEATS AND RELATED ITEMS FOR MODELS INTRODUCED BEFORE 1997 ARE SHOWN IN THE STZ CATALOGUE.

SEATS AND RELATED ITEMS FOR MODELS INTRODUCED AFTER 1997 ARE SHOWN IN THE CORRESPONDING VEHICLE CATALOGUES.

ALL ILLUSTRATIONS ARE NON-BINDING.
SUBJECT TO CHANGE.

Model: 982-17

Model life 2017>>

SUMMARY TYPES

VEHICLE TYPE	MY	VIN	ENGINE TYPE
BOXSTER	17	H 98HS2 10061>20000	2 Mot. 184/220 KW
BOXSTER (KOR,CN,MEX,BR)	17	H 98HS2 20061>30000	2 Mot. 184/220 KW
BOXSTER (USA,CDN)	17	H A8HS2 20061>30000	2 Mot. 184/220 KW
BOXSTER "S"	17	H 98HS2 30061>40000	MDD.NC 257 KW
BOXSTER "S" (KOR,CN,MEX,BR)	17	H 98HS2 40061>50000	MDD.NC 257 KW
BOXSTER "S" (USA,CDN)	17	H A8HS2 40061>50000	MDD.NC 257 KW
BOXSTER	18	J 98JS2 00061>10000	MDD.PB 220 KW
BOXSTER (KOR,CN,MEX,BR)	18	J 98JS2 10061>20000	MDD.PB 220 KW
BOXSTER (USA,CDN)	18	J A8JS2 10061>20000	MDD.PB 220 KW
BOXSTER S/GTS	18	J 98JS2 20061>28000	MDJ.UA 269 KW
BOXSTER S/GTS (KOR,CN,MEX,BR)	18	J 98JS2 28061>35000	MDJ.UA 269 KW
BOXSTER S/GTS (USA,CDN)	18	J A8JS2 28061>35000	MDJ.UA 269 KW

Model: 982-17

Model life 2017>>

EXPL. ENGINE-NO.

EXPLANATION OF THE MOTOR-NUMBERS USED IN THE CATALOGUE

=====

DIGIT: 1 2 3 4 5 6 7 8

EXAMPLE: 6 9 5 0 0 1 3 6

= = = =====

! ! ! !

ENGINE TYPE (6 = 6-CYL.-ENGINE)-----+ ! ! !

FROM MY-09 POWER KIT (S) OTHERWISE (_____)-----+ ! ! !

! ! !

ENGINE VERSION-----+ ! !

FROM MY-09 CONUNTRY VERSION (T=Taiwan) OTHERWISE(_____)-----+ ! !

! !

MODEL YEAR-----+ !

!

SERIAL NUMBER-----+ !

Model: 982-17

Model life 2017>>

SUMMARY ENGINES

VEHICLE TYPE	ENGINE			ENGINE NO.	TECHNICAL DATA
	TYPE	MY			
BOXSTER CN	MDD.PA	17 H	DDP	501>060000	4ZYL/2,0L /184 KW
BOXSTER CN C33	MDD.P	17 H	DDP	501>060000	4ZYL/2,0L /184 KW
BOXSTER	MDD.PB	17 H	DDP	501>060000	4ZYL/2,0L /220 KW
BOXSTER "S"	MDD.NC	17 H	DDN	501>060000	4ZYL/2,5L /257 KW
BOXSTER "S" C33	MDD.N	17 H	DDN	501>060000	4ZYL/2,5L /257 KW
BOXSTER CN	MDD.PA	18 J	DDP	501>060000	4ZYL/2,0L /184 KW
BOXSTER	MDD.PB	18 J	DDP	501>060000	4ZYL/2,0L /220 KW
BOXSTER S/GTS MT	MDJ.UA	18 J	DJU	501>060000	4ZYL/2,5L /269 KW
BOXSTER S/GTS C33	MDJ.U	18 J	DJU	501>060000	4ZYL/2,5L /269 KW
BOXSTER S/GTS PDK	MDJ.UB	18 J	DJU	501>060000	4ZYL/2,5L /269 KW

Model: 982-17

Model life 2017>>

SUMM. TRANSMISS.

VEHICLE TYPE	TRANSM.			TRANSMISSION NO.	TECHNICAL DATA
	TYPE	MY			
BOXSTER	G82.00	17 H	G8200 1	002001>999999	6-GANG
BOXSTER S	G82.20	17 H	G8220 1	002001>999999	6-GANG
BOXSTER PDK	CG2.10	17 H	CG210 1	002001>999999	7-GANG
BOXSTER S PDK	CG2.40	17 H	CG240 1	002001>999999	7-GANG
BOXSTER	G82.00	18 J	G8200 1	002001>999999	6-GANG
BOXSTER S	G82.20	18 J	G8220 1	002001>999999	6-GANG
BOXSTER PDK	CG2.10	18 J	CG210 1	002001>999999	7-Gang
BOXSTER S/GTS PDK	CG2.40	18 J	CG240 1	002001>999999	7-Gang

Model: 982-17

Model life 2017>>

LEGENDS/NOTICES

LEGENDS AND NOTICES

=====

IN COLUMN -S- STATUS

- N NEW ADDITION
- P PART ALREADY IN PROGRAMME, BUT NEW AT THIS APPLICATION
- W DELETED AT THIS APPLICATION, BUT CONTINUED TO BE CARRIED
- K RACING PART: MARKETED FROM WEISSACH EMW
- A STOCK TO BE USED UP
- U DELETED WITHOUT REPLACEMENT
- * PART ALSO OR ONLY AVAILABLE IN REPAIR KIT
- > ALSO AVAILABLE IN EXCHANGE

IN COLUMN - ILL. -

- 1 IDENTIFICATION NO. IN ILLUSTRATION
- (1) PART ONLY SIMILAR AS ILLUSTRATED
- PART IS NOT ILLUSTRATED

FIG.-NUMBERS FOR WHICH THERE IS SHOWN NO TEXT ARE NOT VALID FOR THIS EDITION OF CATALOGUE

IN COLUMN -PART NUMBER/CODE-

000 000 000 00 PART NUMBER EQUALS ORDERING NO., IF A CODE IS SHOWN, IT WILL HAVE TO BE PART OF ORDERING NUMBER

01C COLOUR CODE

IN COLUMN -TEXT

INSTALLATION WITH ENGINE OR CHASSIS NUMBER-RANGE

EXAMPLE:

M 66W 00389>>

FROM ENGINE NO.

Model: 982-17**Model life 2017>>**

F

>>99WS6 00889

UP TO CHASSIS NO.

Model: 982-17

Model life 2017>>

LEGENDS/NOTICES

IN COLUMN - QU - = NO. OF PIECES

1 NUMBER PER APPLICATION

X NUMBER AS NEEDED

* AVAILABLE ONLY IN RUNNING LENGTHS 1 = 1 METRE

IN COLUMN - MODEL/SYMBOL -

I650 OPTIONAL EQUIPMENT - SEE I-NO. LIST
-I650 COMPONENT NOT VALID FOR THIS I-NO.

-98 LIMITATION OF MODEL YEAR FOR INSTANCE: VALID UP TO
END OF MODEL YEAR 1997

/LL LHD

/RL RHD

-----+
/V FRONT I
I

/H REAR I
I----> APPLIES TO

/L LEFT I DIRECTION OF TRAVEL
I

/R RIGHT I
-----+

WW THE PART CAN BE USED INSTEAD OF THE
PRECEDING ONE.

Model: 982-17

Model life 2017>>

COUNTRY-EQIPM.

EQUIPMENT BY COUNTRY REGULATIONS

=====

(A)	AUSTRIA
(AG)	ARABIAN GULF STATES
(AUS)	AUSTRALIA
(B)	BELGIUM
(BR)	BRAZIL
(CDN)	CANADA
(CH)	SWITZERLAND
(CN)	PEOPLE'S REPUBLIC OF CHINA
(D)	FEDERAL REPUBLIC OF GERMANY
(DK)	DENMARK
(E)	SPAIN
(F)	FRANCE
(GB)	GREAT BRITAIN
(GR)	GREECE
(HK)	HONGKONG
(I)	ITALY
(J)	JAPAN
(L)	LUXEMBURG
(N)	NORWAY
(NL)	NETHERLANDS
(NZ)	NEW ZEALAND
(P)	PORTUGAL
(ROK)	KOREA
(RC)	TAIWAN
(THA)	THAILAND
(S)	SWEDEN
(SA)	SAUDI ARABIA
(SF)	FINLAND
(USA)	UNITED STATES OF AMERICA

Model: 982-17

Model life 2017>>

(ZA)

SOUTH AFRICA

Model: 982-17

Model life 2017>>

NR	Description
IER1	Region code "ECE" for radio
IER2	Region code "RoW" for radio
IER3	Region code "USA" for radio
IER4	Region code "Mexico/NAR2" for radio
IER5	Region code Japan for radio
IER6	Region code "China" for radio
IER7	Region code "Korea" for radio
IER8	Region code "Taiwan" for radio
IER9	Region code "Rest of ASIA" for radio
IIY0	Model year period from week 01 to week 22
IIY1	Model year period from week 22 to week 45
IIY2	Model year period from week 45 to week 22
II8L	Premium radio (2nd gen.)
IKK1	Refrigerant R134A
IKK3	Refrigerant R1234YF
INZ3	ERA/GLONASS (emergency call)
IQH0	without voice control
IQH1	Voice control system
IQR0	without compass
IQR4	Sport Chrono package
IQR5	Sport Chrono Package Plus
IQU1	TV reception + digital radio reception (DAB) MIB
IQU8	SAT radio reception, USA
IQV0	Without TV and digital radio reception
IQV1	With TV reception
IQV3	HD radio reception (high-definition)
IQV8	HD radio reception and SAT radio XM (SDARS)
IUI2	2 X USB/IPOD interface
IUI4	AUX-IN and USB/IPOD electric interface
IUX6	TPM valve, Silver
IUX7	TPM valve, Black
IXAN	Sport Design package, painted Black
IXAT	SportDesign package
IXDA	Wheel spokes painted Black
IXDG	Rims painted in high-gloss Black
IXDH	Wheel centre painted in Platinum
IXDK	Silky gloss rims, Black Matt
IXDL	Rims painted Jet Black Metallic
IXDM	Decorative dashboard trim, painted
IXEW	Bi-Xenon with dynamic cornering light (Black)
IXFB	Instrument dials painted Bordeaux Red
IXFG	Instrument dials in Guards Red
IXFJ	Instrument dials in Carrara White
IXFL	Instrument dials painted in Luxor Beige
IXFR	Instrument dial painted Racing Yellow
IXGB	Decorative dashboard trim, carbon

Model: 982-17

Model life 2017>>

NR	Description
IXGK	Stopwatch dials, Luxor Beige
IXGL	Stopwatch dials, Racing Yellow
IXGM	Stopwatch dials, White
IXGN	Stopwatch dials, Guards Red
IXGP	Stopwatch dials, Bordeaux Red
IXHB	Centre console trim in leather
IXHC	Shift lever in mahogany
IXHD	PDK selector lever in mahogany
IXHE	Dashboard trim panel in mahogany
IXHG	Centre console trim in mahogany
IXHH	Shift lever, carbon
IXHJ	PDK selector lever, carbon
IXHM	Centre console trim, carbon
IXHN	Seat belts in Racing Yellow
IXHP	Seat belts in Luxor Beige
IXHV	Multi-function sports steering wheel, Mahogany
IXHW	Multi-function sports steering wheel, Carbon
IXHX	*
IXHY	*
IXLF	Sports exhaust system
IXLL	GT sports steering wheel, Alcantara
IXLM	Shift lever, Alcantra
IXLN	PDK selector lever, Alcantra
IXLS	Sports tailpipe 98X
IXLU	Sun visors, Alcantara
IXLW	Sports tailpipe cover, Black
IXLX	Sports exhaust system, black tailpipe
IXMP	Leather sun visor, 2 illuminated vanity mirrors *
IXNS	Leather steering column trim, 4-part
IXPT	Centre console storage bin lid with crest
IXRD	20" Carrera Sport wheel
IXSC	Porsche Crest embossed in headrest
IXSH	Silver seat belts
IXSX	Seat belts in Guards Red
IXTG	Inner door sills in leather
IXUB	Cover on headlight cleaning system, painted
IXUV	Centre console storage bin lid with logo
IXVP	Trim strip including cupholder cover in leather
IXWA	Door panel trim in leather
IXWB	Door panel trim in mahogany
IXWC	Door panel trim in carbon
IXWD	Door panel trim in brushed aluminium
IXWE	Door panel trim, painted
IXWK	Sports seat Plus, leather backrest
IXXB	Door entry guards, stainless steel, illuminated

Model: 982-17

Model life 2017>>

NR	Description
IXXD	Door entry guards, carbon, illuminated
IXXP	Tail lights, darkened
IXXR	Tail lights, darkened
IXXV	Aluminium pedals
IXXZ	Footrest
IXYA	PDK selector lever, aluminium, Exclusive design
IXYB	Fuel tank cap in Aluminium Look
IXYC	Shift lever, aluminium
IXYD	Dashboard trim panel, aluminium
IXYE	Centre console cover, brushed aluminium
IXYG	Centre console trim, painted
IXYH	PDK selector lever, aluminium
IX69	Door entry guards in Carbon with logo
IX70	Door entry guards in stainless steel with logo
IX73	Sports chassis -20 mm, without PASM
I008	Basic 981/991
I009	"s" 981/991
I011	Special model GTS (981/991)
I022	Black-coloured instrument dials, instrument cluster
I023	Silver -coloured instrument dials, instrument cluster
I025	Black-coloured instrument dials, stopwatch
I029	Standard chassis
I030	Sport-type chassis
I031	Sports chassis with PASM and PDCC
I068	PAP right-hand drive version
I070	Pedestrian protection
I072	Version for Mexico
I074	PAP left-hand drive version
I075	China version
I084	Fuel tank, 54-litre
I085	Fuel tank, 64-litre
I089	Exterior package, Black
I098	Left-hand drive version
I099	Right-hand drive version
I1T3	First aid kit, warning triangle
I113	Version for Canada
I121	Sports-look pedals
I122	Footrest, sports look
I140	Dynamic engine mounts (PADM)
I153	Middle radiator
I193	Version for Japan
I196	Battery, 80 Ah
I197	Stronger battery
I2HB	Interior sound measures (shaker)
I200	95 Ah battery
I209	Licence plate holder version 1
I210	Licence plate holder version 2

Model: 982-17

Model life 2017>>

NR	Description
I211	Licence plate holder version 3
I215	Version for Saudi Arabia
I218	Licence plate holder version 4
I219	Differential
I220	Locking differential 40 %
I250	PDK transmission (dual clutch)
I254	Manually retractable exterior mirrors
I255	Manually retractable exterior mirrors with memory
I256	Manually retractable exterior mirrors, with automatic dimming
I257	Manually retractable exterior mirrors, with automatic dimming and memory
I258	Electrically retractable exterior mirrors
I259	Electrically retractable ext. mirrors with memory
I260	Electrically retractable exterior mirrors with automatic dimming
I261	Electrically retractable exterior mirrors with automatic dimming and memory
I263	Left exterior mirror glass, flat
I264	Left exterior mirror glass, convex
I265	Left exterior mirror glass, aspherical
I275	Manual anti-dazzle interior mirror
I276	Automatic anti-dazzle interior mirror
I284	Right exterior mirror glass, convex
I285	Right exterior mirror glass, aspherical
I288	Headlamp washer
I313	Sports seat, left, manual, 2-way
I314	Sports seat, right, manual, 2-way
I316	Sports seat, right, partially electrical, 4-way
I317	Sports seat Plus, left, manual, 2-way
I318	Sports seat Plus, right, manual, 2-way
I319	Sports seat Plus, left, partially electrical, 4-way
I320	Sports seat Plus, right, partially electrical, 4-way
I321	Sports seat, left, electrical, 14-way
I322	Sports seat, right, electrical, 14-way
I323	Sports seat Plus, left, electrical, 18-way
I324	Sports seat Plus, right, electrical, 18-way
I340	Wheel rims painted in basic colour

Model: 982-17

Model life 2017>>

NR	Description
I342	Seat heating, left/right seat
I345	Heated steering wheel
I352	Electronic damper control for PASM and PDCC
I373	Bucket seat, 918 Spyder, left
I374	Bucket seat, 918 Spyder, right
I388	Sports bucket seat, left
I389	Sports bucket seat, right
I395	BOXSTER IIII 18" wheel
I396	18" Cayman (III) wheel
I397	18-inch Boxster II wheel (987)
I398	19" Cayman S wheel
I426	Without rear window wiper
I427	20-inch Carrera Classic wheel (II)
I433	20" Carrera S wheel (4)
I439	20" 911 Turbo 4 wheel
I444	Anti-theft lock, wheel bolts "THATCHAM"
I446	Concave wheel centers with full-colour Porsche Crest
I447	Emergency wheel
I450	Ceramic brake (PCCB)
I454	Automatic speed control
I456	Automatic distance control (ACC)
I457	Lane Change Assist
I465	Rear fog light, left
I466	Rear fog light, right
I470	Rear-axle steering
I475	"PASM" electronic damper control
I477	PASM w/o lowering
I479	Version for Australia
I480	6-speed manual transmission
I482	Tire Pressure Monitoring TPM, 433 MHz
I483	315-MHz TPM, Tire Pressure Monitoring
I484	Version for USA
I487	7-speed manual transmission
I489	Multi-function operation + steering wheel heating
I492	Headlights for left-hand traffic
I493	Balance weights, Black
I498	Deletion of model designation on rear end
I509	Fire extinguisher
I521	Tilt sensor
I523	Immobiliser, 434 MHz
I524	Immobilizer, central locking, 433 MHz
I525	Immobilizer, central locking, 315 MHz
I533	Radio convertible-top operation omitted
I534	Theft security system, 433 MHz
I536	Alarm siren

Model: 982-17 Model life 2017>>

NR	Description
I537	Seat position control for comfort seat, left
I538	Seat position control for comfort seat, right
I541	Active seat ventilation (incl. heated seats)
I544	Anti-theft protection without infrared monitoring, 433 MHz
I546	Roll-over bar in exterior colour
I547	Roll-over bar in Aluminium Look
I551	Wind deflector, manual
I553	Version for USA, Canada
I555	Black seat belts
I560	Advanced airbag
I567	Windscreen tinted, upper part darker coloured
I568	Windscreen without shade band
I572	Manual air-conditioning system
I573	Air conditioner
I581	Centre console, front
I583	Smoker package
I590	Targa bar painted Silver
I601	Xenon lighting system
I602	LED headlights with dynamic cornering light Plus (PDLs Plus)
I603	Bi-Xenon and dynamic cornering light
I607	Garage door opener "Homelink", 315 MHz
I608	Garage door opener "Homelink" 433 MHz
I625	"KESSY" Porsche Entry and Drive
I630	Interior light package
I631	Traffic sign recognition
I632	PDLs+ dynamic high beam
I635	Rear ParkAssist
I636	ParkAssist, front and rear
I638	ParkAssist, front, rear and reversing camera
I642	Start/Stop function
I647	Steering column, mechanically reach/height-adjustable, without ELV
I648	Steering column, electrically reach/height-adjustable, without ELV
I655	Mechanically adjustable steering column with ELV
I656	Electrically adjustable steering column with ELV
I657	Power assisted steering
I658	Servotronic
I664	Orvr

Model: 982-17

Model life 2017>>

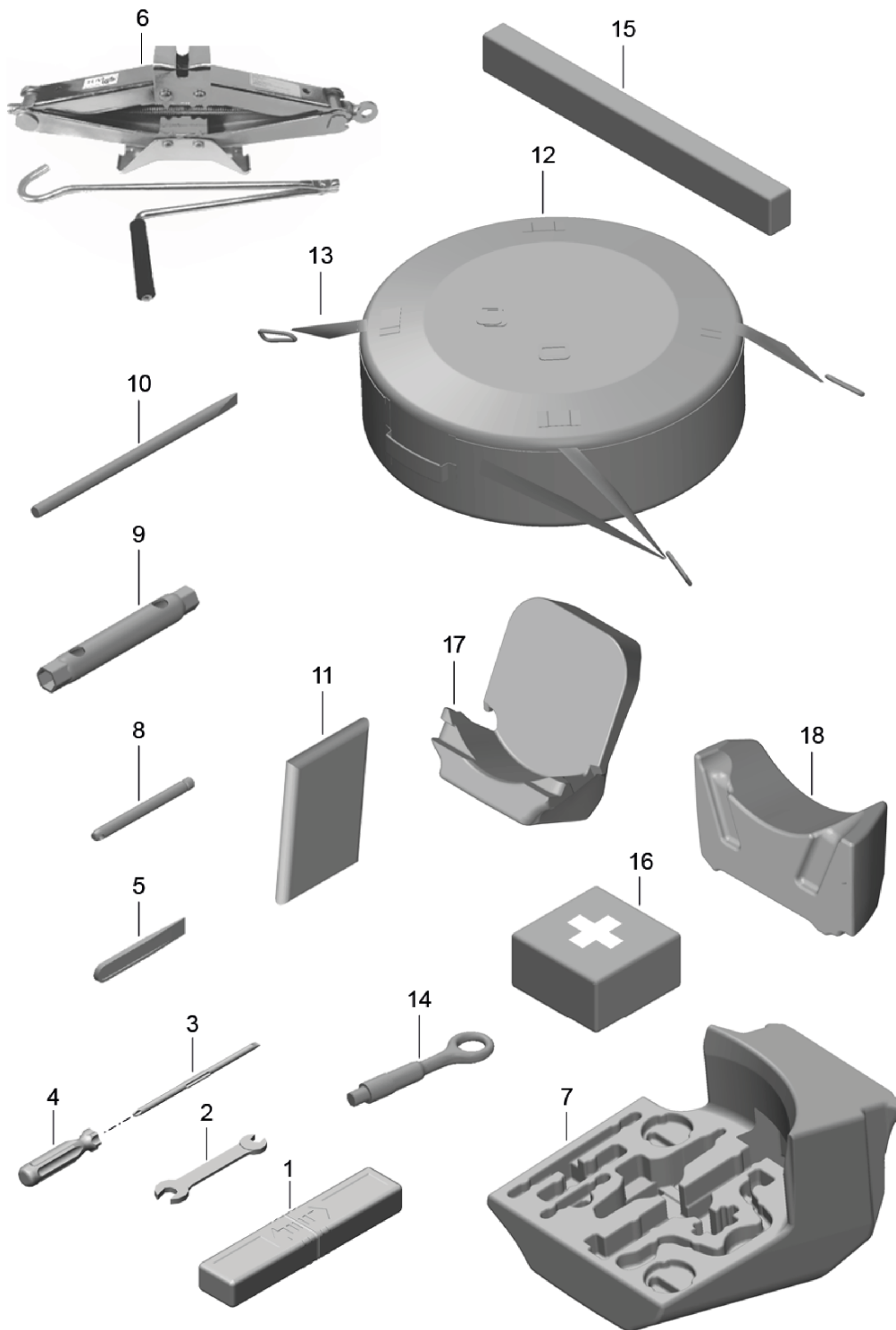
NR	Description
I665	PCM 3 Basic module incl. radio
I680	BOSE sound package
I682	Top Premium sound system
I696	CD radio, Porsche CDR 31
I7G9	VTS preparation and Porsche Car Connect (pcc)
I7I0	VTS security package (incl. PCC) and keypad
I7I2	VTS security package (with PCC)
I7UG	Navigation device, High
I789	Colour to sample
I811	without door panel trim
I812	Door panel trim, galvanised
I852	PDLs+ High beam assist
I855	Sports steering wheel in leather, basic
I858	Sports steering wheel GT, leather
I870	Universal multimedia interface
I899	Isofix child-seat restraint on front passenger side
I9NY	Electronic logbook
I9VJ	Burmester High-End sound system
I9VK	Sound package 1/sound package
I9VL	Bose Premium sound system
I9WC	Without Rear Seat Entertainment and without MirrorLink
I9WT	MIRRORLINK (CARPLAY/NLB)
I9ZC	Telephone module with connection box
I9ZE	Mobile-phone preparation with connection box
I9ZK	Telephone module
I9ZX	Mobile phone preparation
I920	Additional cold protection measures
I946	Seat covers, front, leather/leather/leatherette
I948	Front seat covers in fabric/leather/leather
I950	Alcantara seat covers, front
I951	Seat covers front, Alcantara/leather/leather
I980	Leather package
I981	Leather equipment, without seat covers
I983	Seat covers, front, leather
I990	Seat covers, front, cloth/cloth/leatherette
I991	Steering wheel airbag module in leather
I998	Leather, natural

Model: 982-17

Model life 2017>>

Model: 982-17

Model life 2017>>



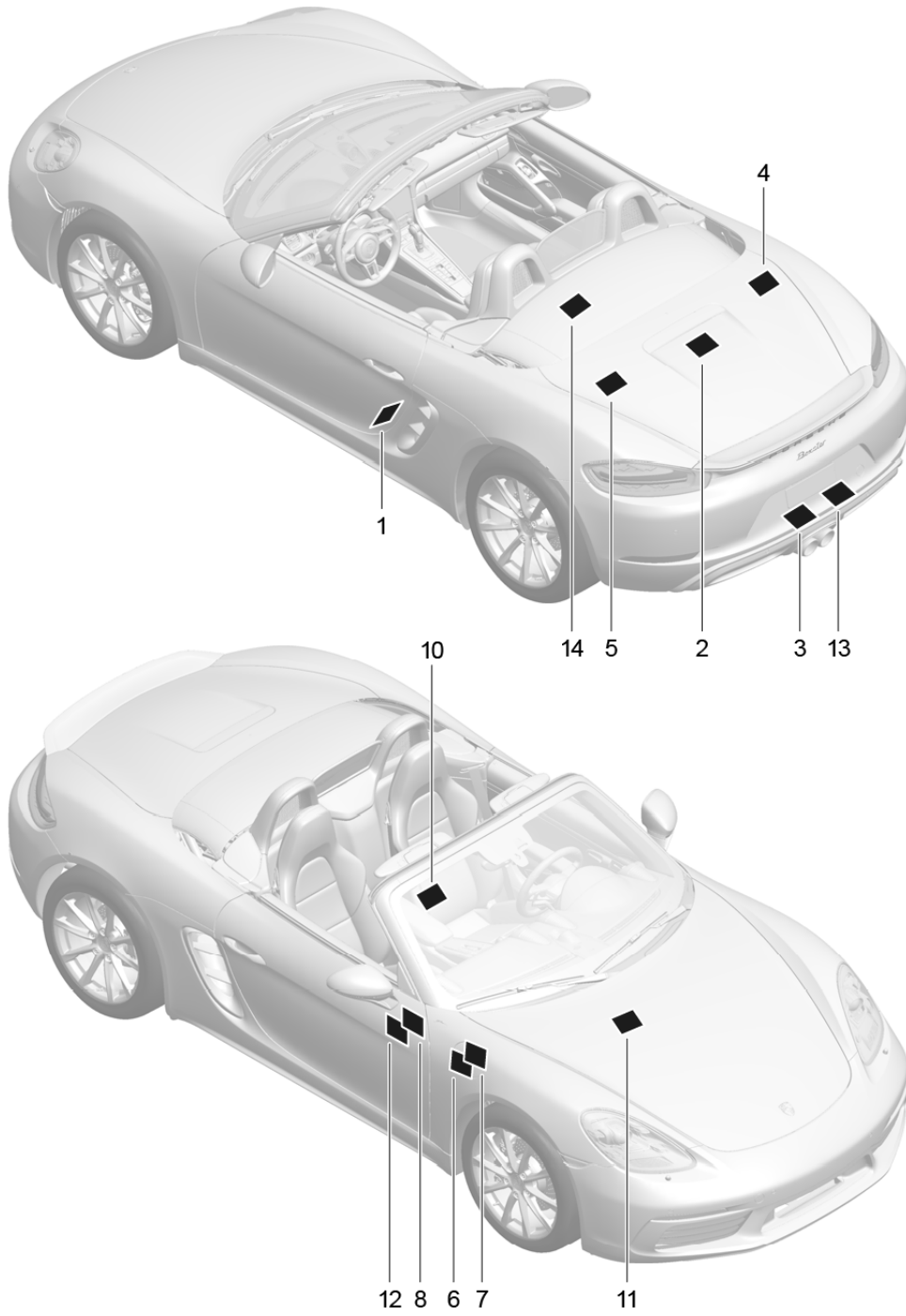
Model: 982-17

Model life 2017>>

Pos	Part Number	Description	Remark	Qty	Model
1	9P1 012 106 A	Tool Jack Tool kit with contents Comprising:		1	
2	971 012 383	Double-end spanner 10 X 13		1	
3	971 012 256	Screwdriver Insert		1	
4	111 012 287	Handle for Screwdriver		1	
5	991 613 299 00	Assembly tool Release Selector lever lock - PDK -		1	
6	996 721 211 00	Scissors type jack		1	I447
7	991 722 101 00	Foam part		1	I447
8	9A7 007 733 00	Threaded bolt for Assembly Wheels		1	I447
9	971 012 219	Rim wrench		1	I447
10	9A7 007 844 00	Operating rod for Rim wrench		1	I447
11	996 361 521 00	Boot		1	I447
12	991 722 061 00	Cover Emergency wheel	-(IND)	1	I447
(12)	982 857 927	Cover Emergency wheel	(IND)	1	I447
13	997 722 073 00	Restraining strap Emergency wheel		1	I447
14	970 721 551 01	Towing lug		1	
(14)	970 721 551 02	Towing lug		1	
15	8K0 860 251	Warning triangle Support Warning triangle See illustrations 8/07/00		1	
16	000 722 041 01	First-aid kit		1	
17	981 722 103 00	Mounting Emergency wheel	-(IND)	1	I447
18	981 722 103 01	Mounting Emergency wheel	(IND)	1	I447

Model: 982-17

Model life 2017>>



Model: 982-17 Model life 2017>>

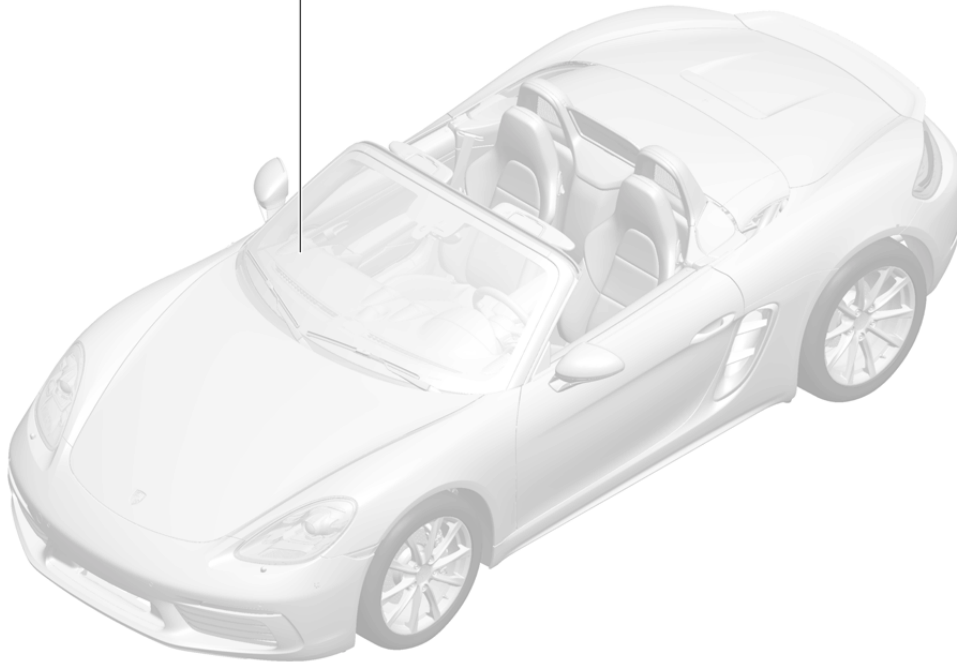
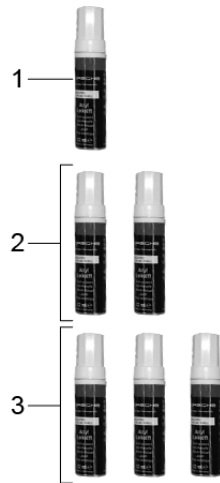
Pos	Part Number	Description	Remark	Qty	Model
		Stickers		1	
		Stickers		1	
		Tyre pressure		1	
1	982 010 000	Sticker		1	I395/396
1	982 010 000 A	Sticker		1	I397/398
1	982 010 000 B	Sticker		1	IXRD
1		Sticker		1	I427/433/439
2	958 701 289 01	Sticker		1	I447
		Emergency wheel			
		Stickers			
(3)	7PP 010 001	Engine specifications		1	I068
		Sticker			
		Engine specifications			
		Emission control			
4	7PP 010 786 T	Sticker		1	
		Engine oil			
		- MOBIL 1 -			
5	9P1 010 867 M	Sticker		1	I193
		Expansion tank			
		Stickers			
		Type of fuel			
6	991 006 117 00	Sticker		1	-I075
(6)	991 006 117 04	Sticker		1	I075
		98 ROZ			
(6)	991 006 117 02	Sticker	(AUS)	1	I479
		96 ROZ			
(6)	991 006 117 03	Sticker	(J)	1	I193
		93 RON/MON/2			
(6)	955 701 676 15	Sticker	(J)	1	I193
		Fuel			
7	955 701 676 10	Sticker	(J)	1	I193
		Fuel filler flap			
8	955 701 435 10	Warning sign		1	I075
		Airbag			
(8)	955 701 435 20	Warning sign		1	I215
		Airbag			
(8)	955 701 435 30	Warning sign		1	I479
		Airbag			
11	955 701 673 00	Sticker	(J)	1	I193
		Battery			
12	970 701 523 00	Sticker	(J)	1	I193
		Recycling			
13	955 701 675 15	Sticker	(J)	1	I193
		Import			
		Japan			
14	982 010 011	Sticker	(USA) -(CDN)	1	IKK1
		Air conditioner			
		Refrigerant			
(14)	982 010 011 A	Sticker	(J)	1	
		Air conditioner			
		Refrigerant			
(14)	982 010 011 B	Sticker	(CN)	1	
		Air conditioner			
		Refrigerant			
(14)	982 010 011 D	Sticker	(CDN) (USA)	1	IKK3
		Air conditioner			
		Refrigerant			

Model: 982-17

Model life 2017>>

PROD.NUMMER PROD.NUMBER	888 0815
FIN VIN	WP1ZZZ12345678912
TYP TYPE	9PAAG1
MOTORKB./GETR.KB ENG.CODE/TRANS.CODE	M5502/C7050
VERTRIEBSFARBCODE SALESNO.	G1
AUSSTATTUNGSCODE INTERIOR CODE	AT
FARBCODE COLORCODE	6B8

7P5_010_732.T



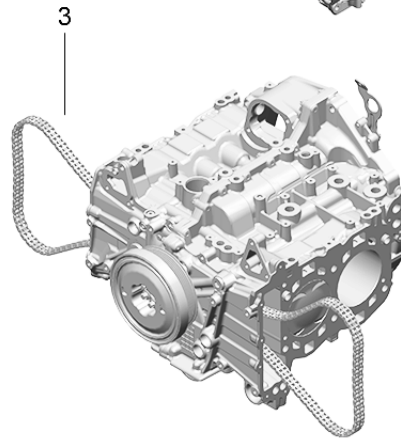
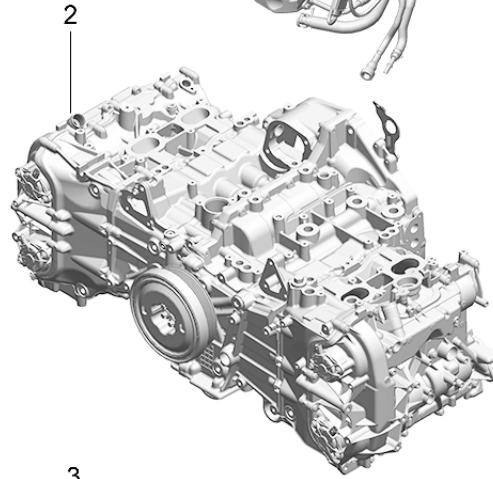
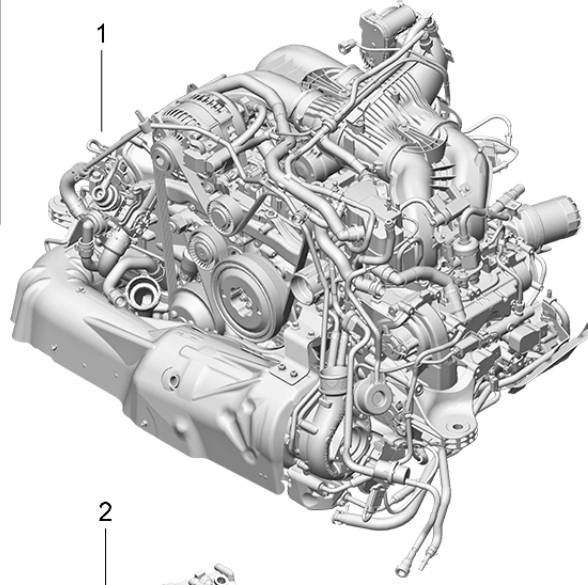
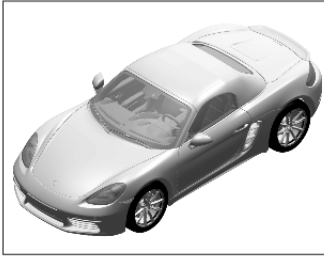
Model: 982-17

Model life 2017>>

Pos	Part Number	Description	Remark	Qty	Model
		Paint touch-up applicator Lacquers Paint identification label see On-board folder Vehicle data carrier			
1	911 095 932 21	Paint touch-up applicator		X	
	911 095 932 21 041	Black			A 1
	911 095 932 21 80K	Guards red			G 1
	911 095 932 21 1S1	Racing Yellow			P 3
	911 095 932 21 C9A	White			O Q
	911 095 932 21 M2A	Lava Orange			H 2
	911 095 932 21 M3C	Carmine red			O L
	911 095 932 21 M5C	Miami Blue			J 5
2	911 095 933 21	Paint touch-up applicator Set Comprising: Paint touch-up applicator Primer Paint touch-up applicator Clear lacquer		X	
	911 095 933 21 M7Z	GT Silver Metallic			U 2
	911 095 933 21 M7S	Achat Grey Metallic			N 0
	911 095 933 21 M7U	Rhodium Silver Metallic			S 2
	911 095 933 21 C9X	Jet Black Metallic			2 T
	911 095 933 21 M5G	Graphite Blue Metallic			A 7
	911 095 933 21 M5F	Midnight Blue Metallic			N 5
3	911 095 933 31	Paint touch-up applicator Set Comprising: Paint touch-up applicator Primer filler Paint touch-up applicator Primer Paint touch-up applicator Clear lacquer		X	
	911 095 933 31 S9R	Carrara White metallic			2 Y

Model: 982-17

Model life 2017>>



Model: 982-17 Model life 2017>>

Pos	Part Number	Description	Remark	Qty	Model
		Replacement engine without Drive plate PDK Transmission without Flywheel Manual transmission with Compressor Air conditioner			MDD.NC/PA/PB
1	9A2 100 920 00	Replacement engine	MA2.20	1	MDD.PA/PB
1	9A2 100 920 X	Replacement engine	MA2.20	1	MDD.PA/PB
(1)	9A2 100 925 00	Replacement engine	MA2.22	1	MDD.NC
(1)	9A2 100 925 X	Replacement engine	MA2.22	1	MDD.NC
2	9A2 100 920 60	Short engine Comprising: Crankcase Cylinder head Valve cover Connecting rod Crankshaft Piston Oil pump Timing chain Parts kit without Gaskets Use also: 99907358901 5Q0253115B 9A210722500 99970768540	MA2.20	1	MDD.PA/PB
2	9A2 100 920 RX	Short engine Comprising: Crankcase Cylinder head Valve cover Connecting rod Crankshaft Piston Oil pump Timing chain Parts kit without Gaskets Use also: 99907358901 5Q0253115B 9A210722500 99970768540	MA2.20	1	MDD.PA/PB
-	982 251 263	Gasket Exhaust manifold Short engine 9A210092060/RX Parts kit for seals Use also: 94611022860 99970118741 9A211051600 94611062860 94611052860 94611042860	MA2.20	2	MDD.PA/PB
				12	
				2	
				1	
				1	
				12	
				2	
				1	
				1	
				4	
				4	
				4	
				4	
				4	
				4	

Model: 982-17

Model life 2017>>

Pos	Part Number	Description	Remark	Qty	Model
-	9A2 110 218 00	9A211051600 94611062860 94611052860 94611042860 9A211032800 99970764340 9A110622603 9A110655900 Gasket Intake distributor Short engine 9A210092560/RX Parts kit for seals Accessories Use also: 99970753040 9A210231200 9A210232200 99970749840 99970760440 99970768940 99970747741 99970758940	MA2.22	4 4 4 4 4 1 1 1 6 1 1 1 1 1 2 2 2	MDD.NC
3	9A2 100 920 50	Short engine Comprising: Crankcase Connecting rod Crankshaft Piston Oil pump Timing chain Parts kit without Gaskets Use also: 99907358901 5Q0253115B 99917015490 9A210722500 99970768540 9A210747500 9A210747300 9A210747100	MA2.20	1 12 2 4 1 1 1 1 1 1	MDD.PA/PB
3	9A2 100 920 TX	Short engine Comprising: Crankcase Connecting rod Crankshaft Piston Oil pump Timing chain Parts kit without Gaskets Use also: 99907358901 5Q0253115B 99917015490 9A210722500 99970768540 9A210747500 9A210747300 9A210747100	MA2.20	1 12 2 4 1 1 1 1 1	MDD.PA/PB

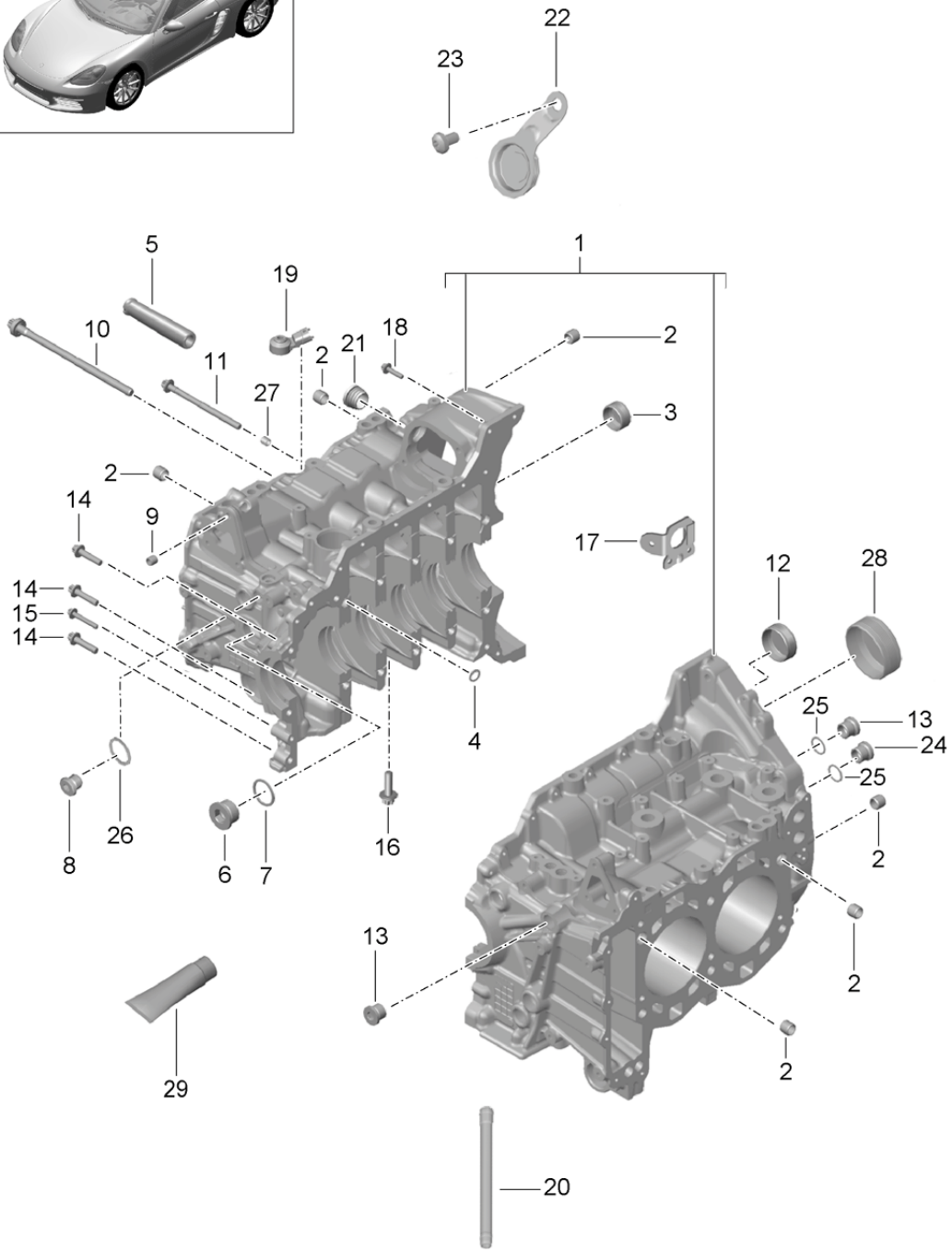
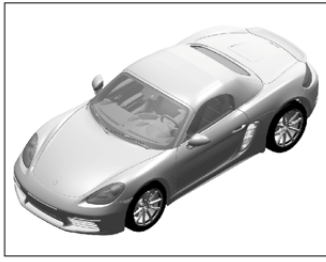
Model: 982-17

Model life 2017>>

Pos	Part Number	Description	Remark	Qty	Model
		Accessories Use also: 99970758940 9A210632530 99970765740 99970751740		2 1 2 2	

Model: 982-17

Model life 2017>>



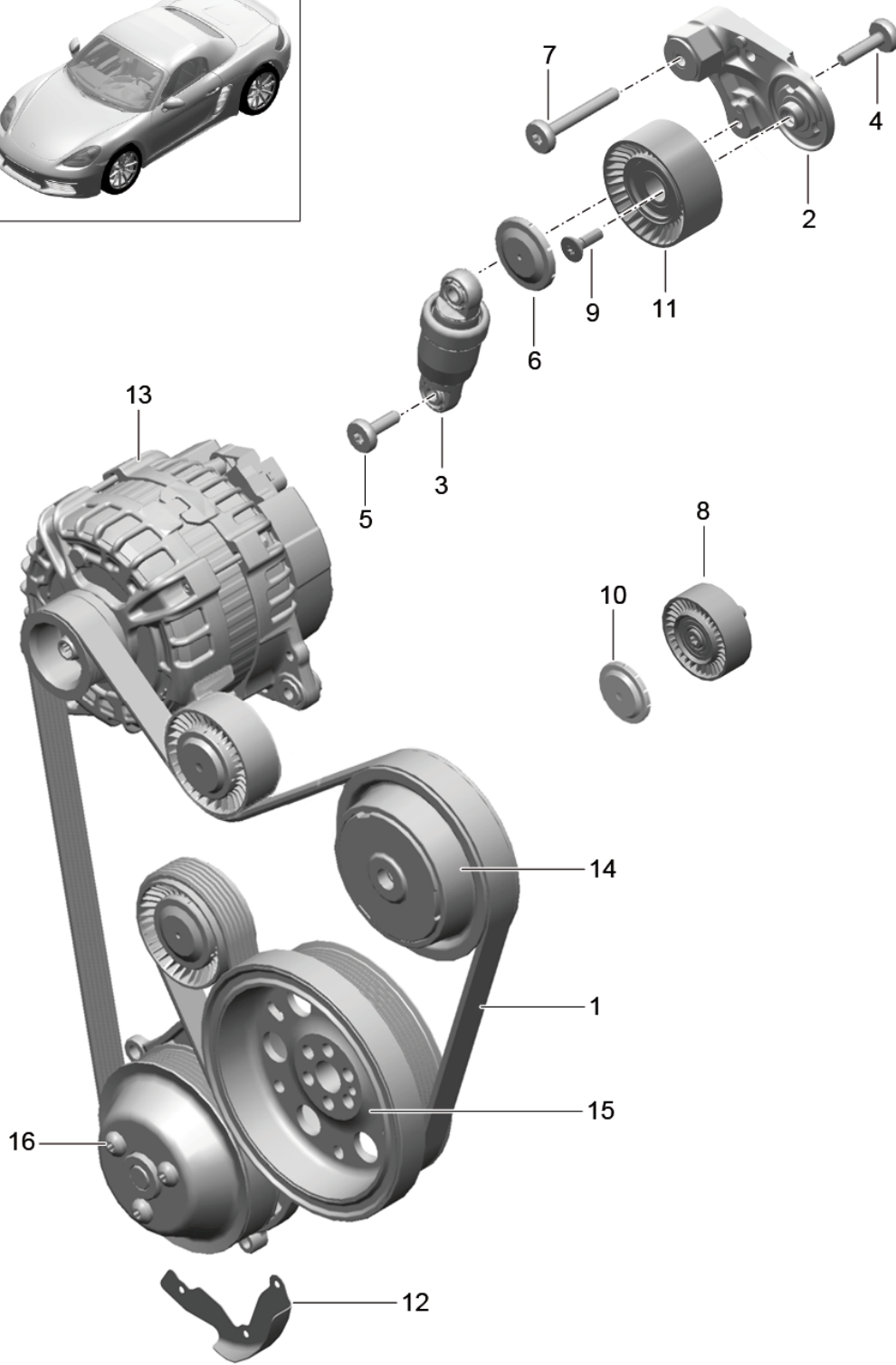
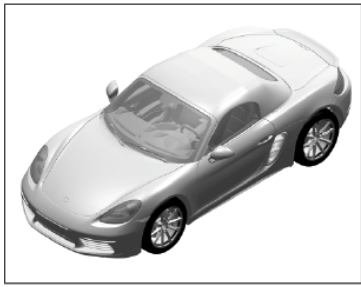
Model: 982-17

Model life 2017>>

Pos	Part Number	Description	Remark	Qty	Model
1	9A2 101 920 01	Crankcase Crankcase D=91		1	MDD . PA / PB
(1)	9A2 101 925 01	Crankcase D=102		1	MDD . NC
2	014 301 153 B	Dowel sleeve		6	
3	9A1 101 215 01	Lid		1	
4	999 707 568 40	O-ring 12,0 X 3,0		1	
5	9A1 101 511 01	Adapter		8	
6	900 219 031 30	Screw plug M30 X 1,5		1	
7	900 123 172 20	Sealing ring A30 X 36		1	
8	999 063 036 01	Screw plug M10 X 1,0 X 11,0		3	
9	999 095 063 01	Dowel sleeve M6 X 10		1	
10	9A1 101 250 01	Outer hexagon round screw M10 X 1,5 X 195		10	
11	900 385 281 01	Torx screw M8 X 120		1	
12	9A1 101 216 01	Lid		1	
13	999 063 039 01	Screw plug M20 X 1,5 X 18		3	
14	900 385 042 01	Torx screw 8 X 35		5	
15	900 385 045 01	Torx screw M6 X 40		1	
16	900 385 019 01	Torx screw BM 6 X 20		5	
17	9A2 101 213 02	Shackle for transportation		1	
18	900 385 072 01	Torx screw M6 X 25		11	
19	997 606 121 00	Knock sensor Information available		2	
20	9A2 101 327 00	Oil tube Return line		2	
21	999 703 081 40	Stopper Crankcase 22,0 X 28,0		1	
22	9A2 101 217 02	Lid Piston pin		1	
23	999 073 236 0A	Oval-head screw M 6 X 10		1	
24	999 063 039 01	Screw plug M 20 X 1,5 X 18		3	
25	900 123 159 20	Sealing ring D 20 X 24		3	
26	900 123 160 20	Sealing ring D 10 X 13,5		3	
27	996 101 225 50	Dowel sleeve		2	
28	9A1 101 216 01	Lid		1	
29	000 043 305 76	Sealing compound 80 ML		X	

Model: 982-17

Model life 2017>>



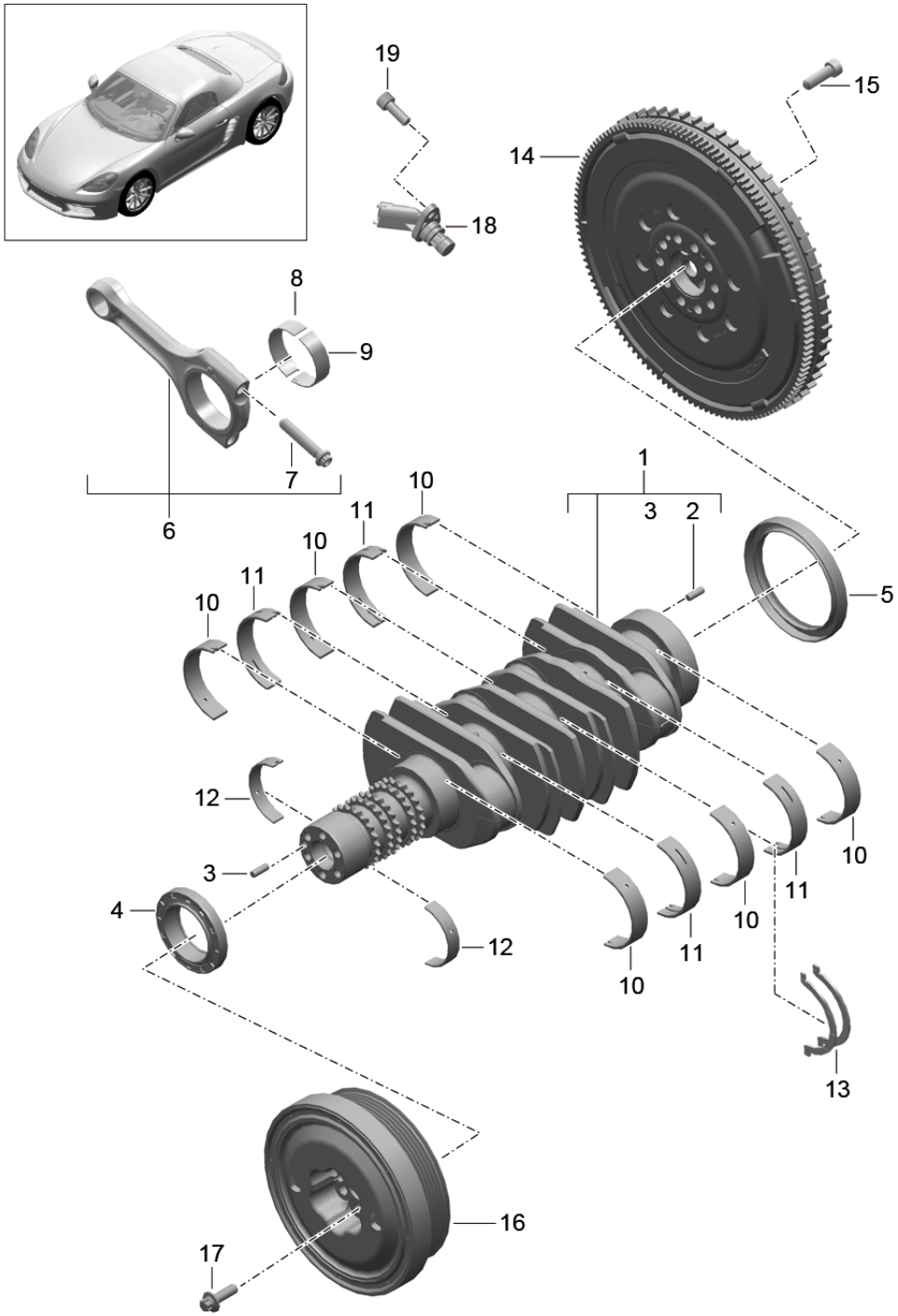
Model: 982-17

Model life 2017>>

Pos	Part Number	Description	Remark	Qty	Model
1	9A2 102 224 00	Belt tensioner V-belt		1	MDD . PA / PB
(1)	9A2 102 225 00	V-belt		1	MDD . NC
2	9A2 102 211 00	Lever Tensioning roller Use also: 9A110221200 99907357901 94810283900		1	
3	948 102 261 00	Tensioner Hydraulic		1	MDD . NC
(3)	9A2 102 261 00	Tensioner Hydraulic		1	MDD . PA / PB
4	999 073 246 02	Outer hexagon round screw M 8 X 33		1	
5	999 073 412 01	Torx screw M 8 X 26		1	
6	948 102 839 00	Protection cap		1	
7	999 073 411 01	Outer hexagon round screw M 8 X 60		1	
8	0PB 145 257	Deflection roller D=70		1	
9	999 073 579 01	Outer hexagon round screw M 10 X 30		1	
10	03G 145 291	Protection cap		1	
11	9A1 102 212 00	Tensioning roller		1	
12	9A2 102 255 00	Heat protection V-belt		1	
13		Generator See illustrations			
14		9/02/05 Pulley Compressor See illustrations			
15		8/13/40 Pulley Crankshaft See illustrations			
16		1/02/00 Pulley Water pump See illustrations			
		1/05/00			

Model: 982-17

Model life 2017>>



Model: 982-17

Model life 2017>>

Pos	Part Number	Description	Remark	Qty	Model
1	9A2 102 076 00	Crankshaft Crankshaft HUB 76,4		1	MDD.PA/PB
(1)	9A2 102 078 00	Crankshaft HUB 76,4		1	MDD.NC
2	900 095 031 00	Tensioning sleeve 6,0 X 16,0		1	
3	900 302 016 00	Straight pin 6,0 X 16,0		1	
4	9A1 101 222 02	Shaft sealing ring 52,5 X 9		1	
5	997 101 212 01	Shaft sealing ring 85 X 105 X 11		1	
6	9A2 103 004 00	Connecting rod Set		1	MDD.PA/PB
(6)	9A1 103 004 70	Comprising: Connecting rods Connecting rod Set		4	
7	9A1 103 115 02	Comprising: Connecting rods Connecting rod bolt M 10 X 1,25 X 51		4	
8	9A1 103 053 03	Connecting-rod bearing Identification Red		8	MDD.PA/PB
8		Connecting-rod bearing Identification Red		4	MDD.NC
(8)	9A1 103 053 04	Connecting-rod bearing Identification Yellow		8	MDD.PA/PB
(8)		Connecting-rod bearing Identification Yellow		4	MDD.NC
(8)	9A1 103 053 05	Connecting-rod bearing Identification Blue		8	MDD.PA/PB
(8)		Connecting-rod bearing Identification Blue		4	MDD.NC
9	9A1 103 073 06	Connecting-rod bearing Identification Red		4	MDD.NC
(9)	9A1 103 073 07	Connecting-rod bearing Identification Yellow		4	MDD.NC
(9)	9A1 103 073 08	Connecting-rod bearing Identification Blue		4	MDD.NC
10	0PB 105 591 A	Crankshaft bearing Identification Red		6	
(10)	0PB 105 591 B	Crankshaft bearing Identification Yellow		6	
(10)	0PB 105 591 C	Crankshaft bearing Identification Blue		6	
11	0PB 105 561 A	Crankshaft bearing with Partial-groove Identification		4	

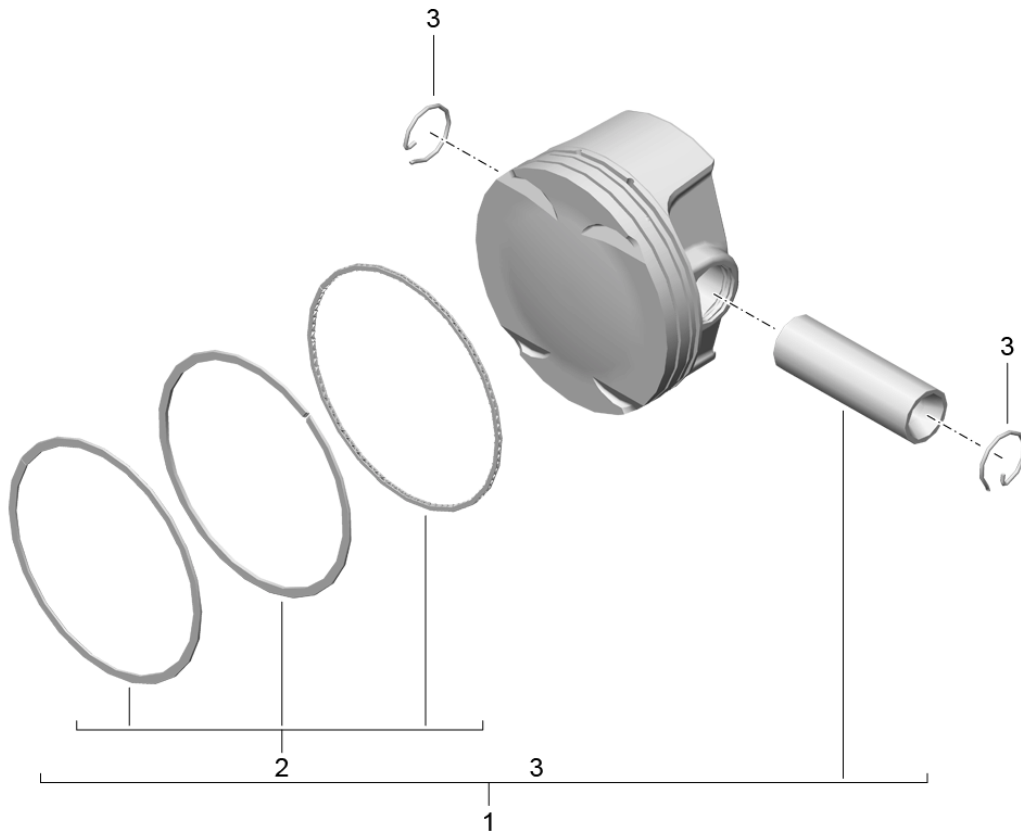
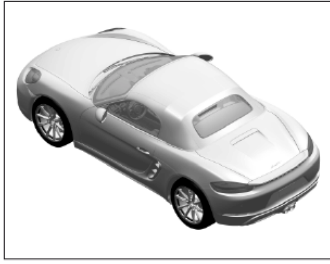
Model: 982-17

Model life 2017>>

Pos	Part Number	Description	Remark	Qty	Model
(11)	0PB 105 561 B	Red Crankshaft bearing with Partial-groove Identification Yellow		4	
(11)	0PB 105 561 C	Crankshaft bearing with Partial-groove Identification Blue		4	
12	0PB 105 589 A	Supporting mount Identification Red		2	
(12)	0PB 105 589 B	Supporting mount Identification Yellow		2	
(12)	0PB 105 589 C	Supporting mount Identification Blue		2	
13	996 101 132 00	Thrust washer D = 63		2	
13	0PB 105 638	Thrust washer D=69		2	
14	982 105 262 A	Double-mass flywheel		1	MDD.NC I480
(14)	982 105 262 B	Double-mass flywheel		1	MDD.PA/PB I480
(14)	982 105 264 A	Double-mass flywheel		1	MDD.NC I250
(14)	982 105 264	Double-mass flywheel		1	MDD.PA/PB I250
15	N 906 651 01	Pan-head screw		10	
16	9A2 102 170 00	Vibration damper		1	MDD.PA/PB
(16)	9A2 102 160 00	Pulley		1	MDD.NC
17	900 385 127 02	Outer hexagon round screw BM 8 X 1 X 25		6	
18	991 606 112 02	Speed sensor		1	
19	N 105 464 03	Pan-head screw M 6 X 16		1	

Model: 982-17

Model life 2017>>



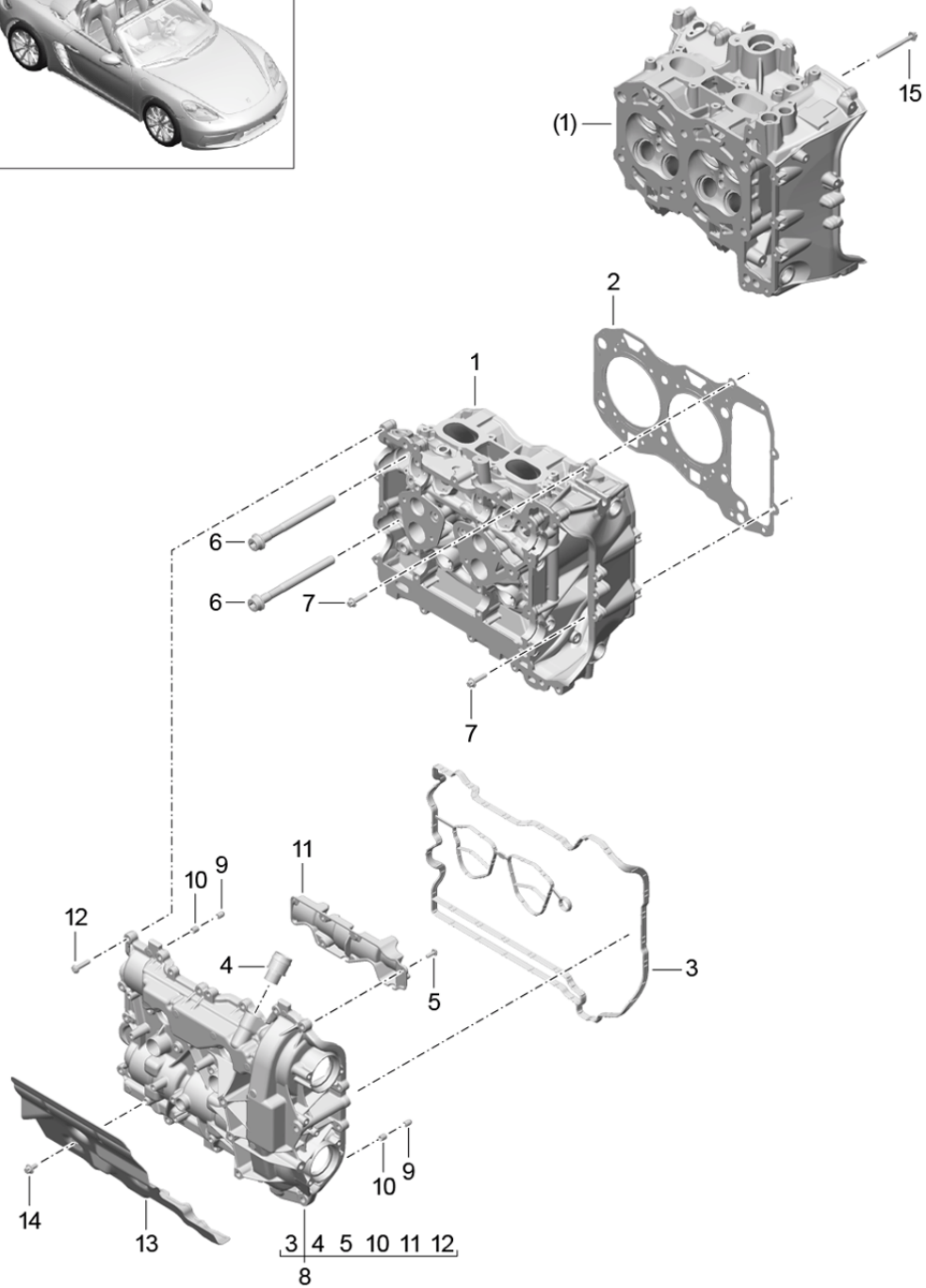
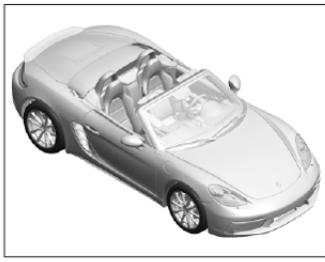
Model: 982-17

Model life 2017>>

Pos	Part Number	Description	Remark	Qty	Model
1	9A2 103 929 00	Piston Piston Tolerance range X Identification -		4	MDD.PA/PB
(1)	9A2 103 929 50	Piston Tolerance range X Identification +		4	MDD.PA/PB
(1)	9A2 103 925 00	Piston Tolerance range X Identification -		4	MDD.NC
(1)	9A2 103 925 50	Piston Tolerance range X Identification +		4	MDD.NC
2	9A2 103 075 00	Set of piston rings		4	MDD.PA/PB
(2)	9A2 103 080 00	Set of piston rings		4	MDD.NC
3	9A1 103 141 01	Circlip D=22		8	MDD.PA/PB
3	9A1 103 241 01	Circlip D=23		8	MDD.NC

Model: 982-17

Model life 2017>>



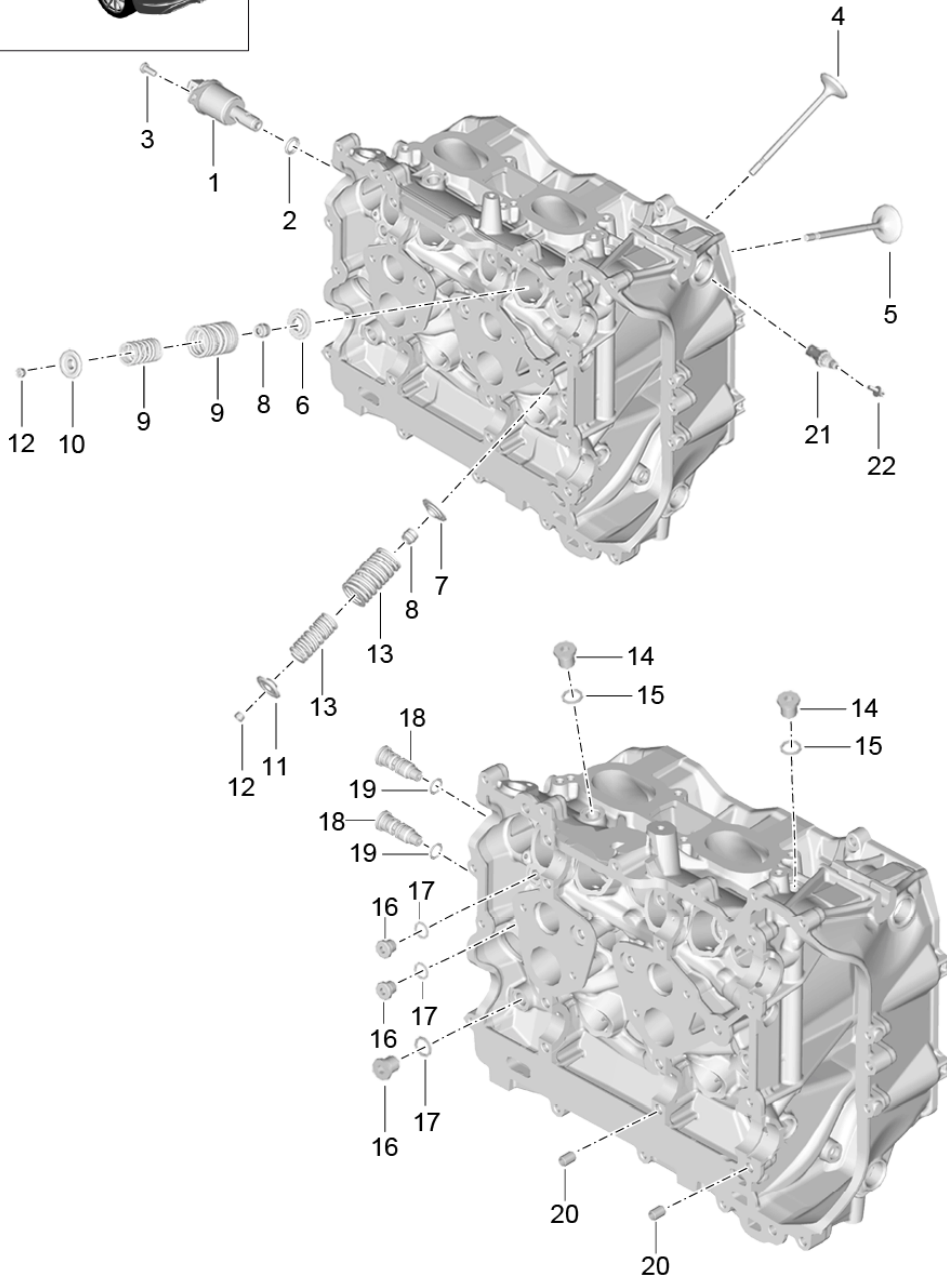
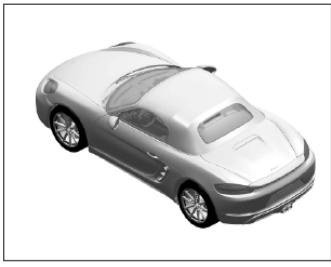
Model: 982-17

Model life 2017>>

Pos	Part Number	Description	Remark	Qty	Model
1	9A2 104 911 00	Cylinder head with Valves Cylinder head gasket Cylinder head cover Cylinder head Cyl. 1 - 2		1	MDD.PA/PB
1	9A2 104 913 00	Cylinder head Cyl. 1 - 2		1	MDD.NC
(1)	9A2 104 912 00	Cylinder head Cyl. 3 - 4		1	MDD.PA/PB
(1)	9A2 104 914 00	Cylinder head Cyl. 3 - 4		1	MDD.NC
2	9A2 104 139 01	Cylinder head gasket Cyl. 1 - 2		1	MDD.PA/PB
2	9A2 104 141 01	Cylinder head gasket Cyl. 1 - 2		1	MDD.NC
(2)	9A2 104 140 01	Cylinder head gasket Cyl. 3 - 4		1	MDD.PA/PB
(2)	9A2 104 142 01	Cylinder head gasket Cyl. 3 - 4		1	MDD.NC
3	9A2 105 570 00	Gasket Cylinder head cover Cyl. 1 - 2		1	
(3)	9A2 105 580 00	Gasket Cylinder head cover Cyl. 3 - 4		1	
4		Connection piece Bleeding Crankcase Not available Valve cover Use		2	
5	N 909 530 04	Fastening screw M 5 X 14		6	
6	9A1 104 191 02	Torx screw M 12 X 1,5 X 140		12	
7	900 385 072 01	Torx screw M 6 X 25		11	
8	9A2 105 311 01	Cylinder head cover with Gasket Cyl. 1 - 2		1	
(8)	9A2 105 321 01	Cylinder head cover with Gasket Cyl. 3 - 4		1	
9	999 012 001 01	Straight pin 8 H 7 X 11		4	
10		Straight pin 8 H 7 X 9		4	
11	9A2 105 597 00	Oil separator Cyl. 1 - 2		1	
(11)	9A2 105 598 00	Oil separator Cyl. 3 - 4		1	
12	9A1 107 313 01	Torx screw M 6 X 25		35	
13	9A2 104 325 00	Heat shield		1	
14	900 385 041 01	Torx screw M 6 X 12		3	
15	900 385 175 01	Outer hexagon round screw BM 6 X 65 Cyl. 3 - 4		1	

Model: 982-17

Model life 2017>>

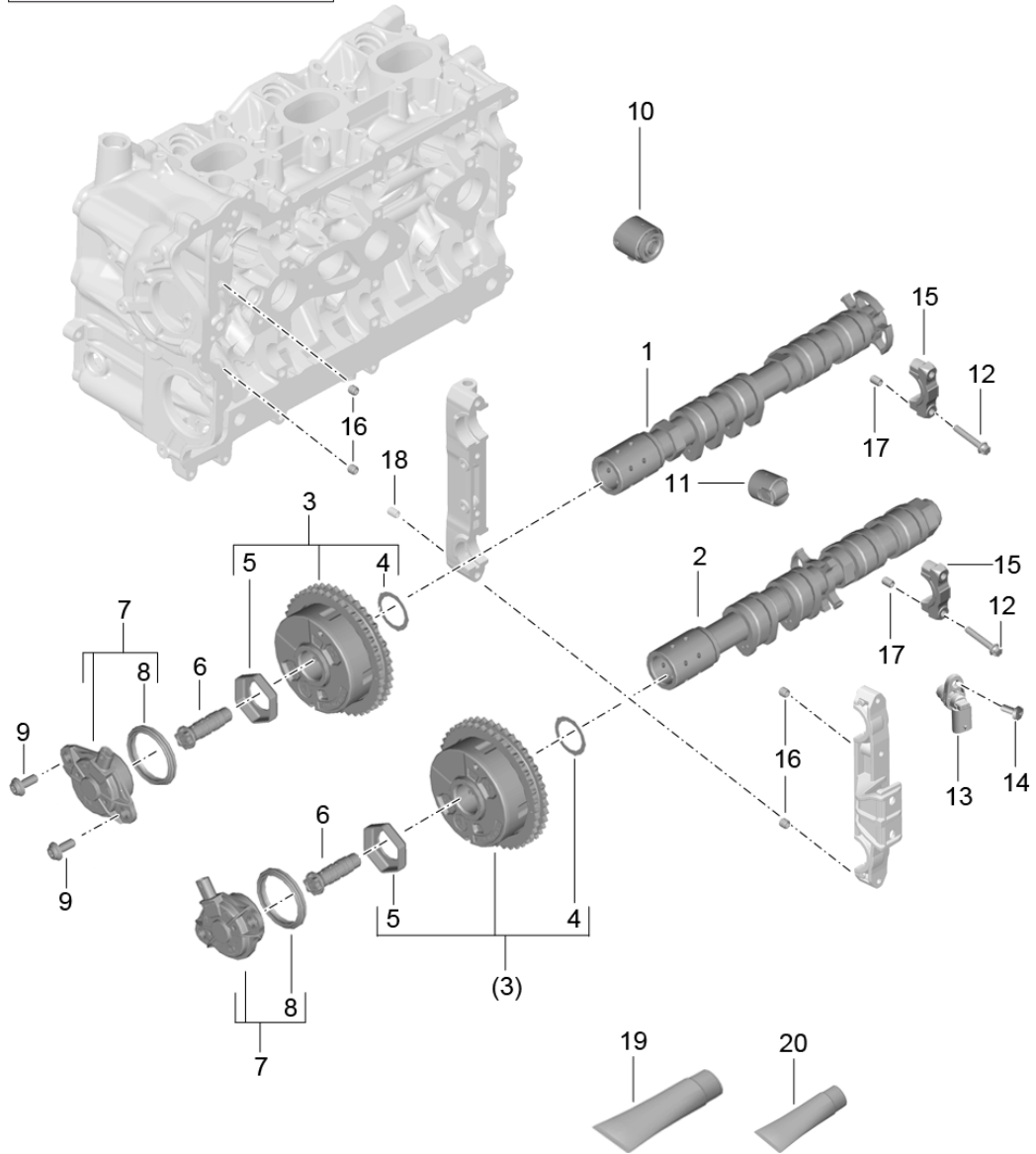
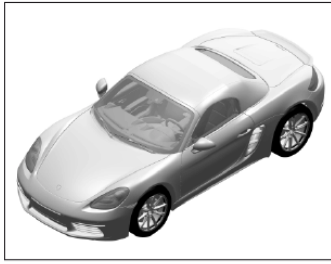


Model: 982-17 Model life 2017>>

Pos	Part Number	Description	Remark	Qty	Model
1	9A1 105 308 04	Cylinder head Accessories Valves Actuator		4	
2	900 331 057 40	VVS O-ring		4	
3	999 073 650 01	VVS 11,2 X 2,65 Torx screw		8	
4	9A2 105 701 00	M 5 X 12 Intake valve		8	MDD.PA/PB
(4)	9A2 105 702 00	Intake valve		8	MDD.NC
5	9A2 105 721 01	Exhaust valve		8	MDD.PA/PB
(5)	9A2 105 722 01	Exhaust valve		8	MDD.NC
6	948 105 153 51	Concave washer Intake Lower		8	
7	9A2 105 831 00	Concave washer Exhaust Lower		8	
8	996 105 115 52	Valve stem seal		16	
9	9A2 105 250 00	Set of valve springs Intake		8	
10	9A1 105 352 00	Concave washer Intake Upper		8	
11	9A2 105 821 00	Concave washer Exhaust Upper		8	
12	996 105 123 52	Valve collet		32	
13	9A2 105 260 00	Set of valve springs Exhaust		8	MDD.PA/PB
(13)	9A2 105 261 00	Set of valve springs Exhaust		8	MDD.NC
14	999 063 037 01	Screw plug M 12 X 1,0 X 15		8	
15	900 123 161 20	Sealing ring 12 X 16		8	
16	999 063 036 01	Screw plug M 10 X 1,0		10	
17	900 123 160 20	Sealing ring D 10 X 13,5		10	
18	9A1 104 250 01	Restrictor		4	
19	999 707 577 40	O-ring 10,0 X 2,50		4	
20	996 104 117 50	Dowel sleeve		12	
21	958 606 623 20	Temperature sensor Coolant		1	
22	900 385 041 01	Torx screw BM 6 X 12		1	

Model: 982-17

Model life 2017>>



Model: 982-17

Model life 2017>>

Pos	Part Number	Description	Remark	Qty	Model
1	9A2 105 501 01	Camshaft Hydraulic valve tappet Camshaft adjuster Camshaft Intake Cyl. 1 - 2		1	MDD.PA/PB
1	9A2 105 503 01	Camshaft Intake Cyl. 1 - 2		1	MDD.NC
(1)	9A2 105 511 01	Camshaft Intake Cyl. 3 - 4		1	MDD.PA/PB
(1)	9A2 105 513 01	Camshaft Intake Cyl. 3 - 4		1	MDD.NC
2	9A2 105 522 02	Camshaft Exhaust Cyl. 1 - 2		1	MDD.PA/PB
2	9A2 105 523 02	Camshaft Exhaust Cyl. 1 - 2		1	MDD.NC
(2)	9A2 105 532 02	Camshaft Exhaust Cyl. 3 - 4		1	MDD.PA/PB
(2)	9A2 105 533 02	Camshaft Exhaust Cyl. 3 - 4		1	MDD.NC
3	946 105 051 76	Camshaft adjuster Intake		2	
(3)	946 105 052 76	Camshaft adjuster Exhaust		2	
4	946 105 155 75	Washer Camshaft adjuster		4	
5	946 105 154 75	Sleeve Camshaft adjuster		4	
6	946 105 054 76	Screw		4	
7	946 105 053 79	Actuator Camshaft		4	
8	999 701 506 41	Sealing ring 42,0 X 51,8 X 4,9		4	
9	N 911 261 01	Pan-head screw M 6 X 14		8	
10	9A1 105 070 04	Hydraulic valve tappet		16	MDD.PA/PB
10		Hydraulic valve tappet Intake		8	MDD.NC
(10)	9A7 109 673 00	Hydraulic valve tappet Exhaust		8	MDD.NC
11	06L 109 311	Cam follower		2	
12	999 073 701 01	Outer hexagon round screw M 6 X 38 X 25		20	
13	946 606 106 00	Hall sender		4	
14	999 073 601 01	Round head screw M6 X 14		4	
15		Housing Matching with: Cylinder head		8	
16	996 104 117 50	Dowel sleeve		12	
17	999 095 078 01	Dowel sleeve 7,5H 7 X 11		12	
18	999 095 079 00	Dowel sleeve 12 M 6 X 25		1	
19	000 043 305 73	Extreme-pressure grease 1 tube		1	

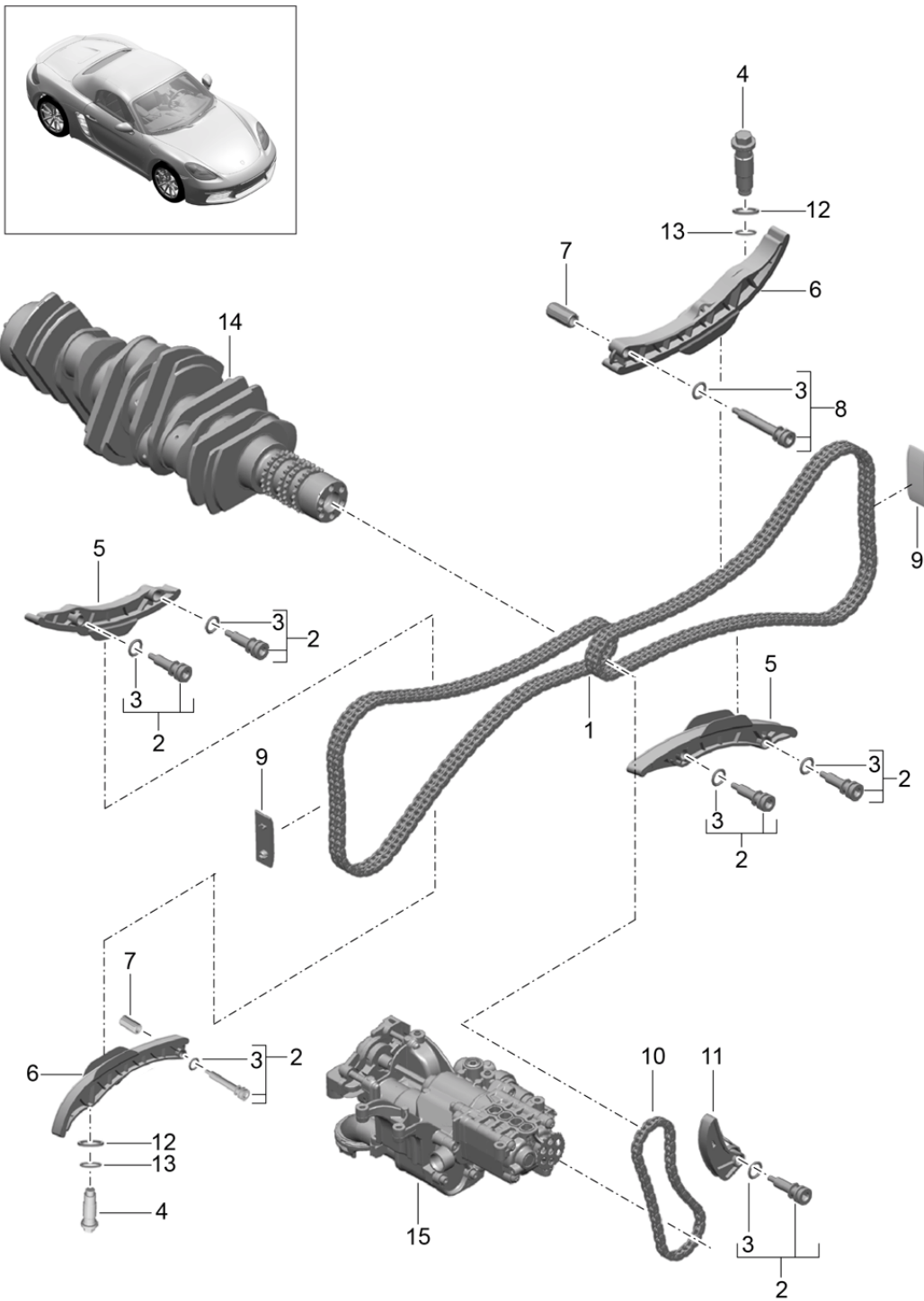
Model: 982-17

Model life 2017>>

Pos	Part Number	Description	Remark	Qty	Model
20	000 043 204 68	80 GR. for Camshaft Grease KLÜBER SYNTHESO GLEP 1		1	

Model: 982-17

Model life 2017>>



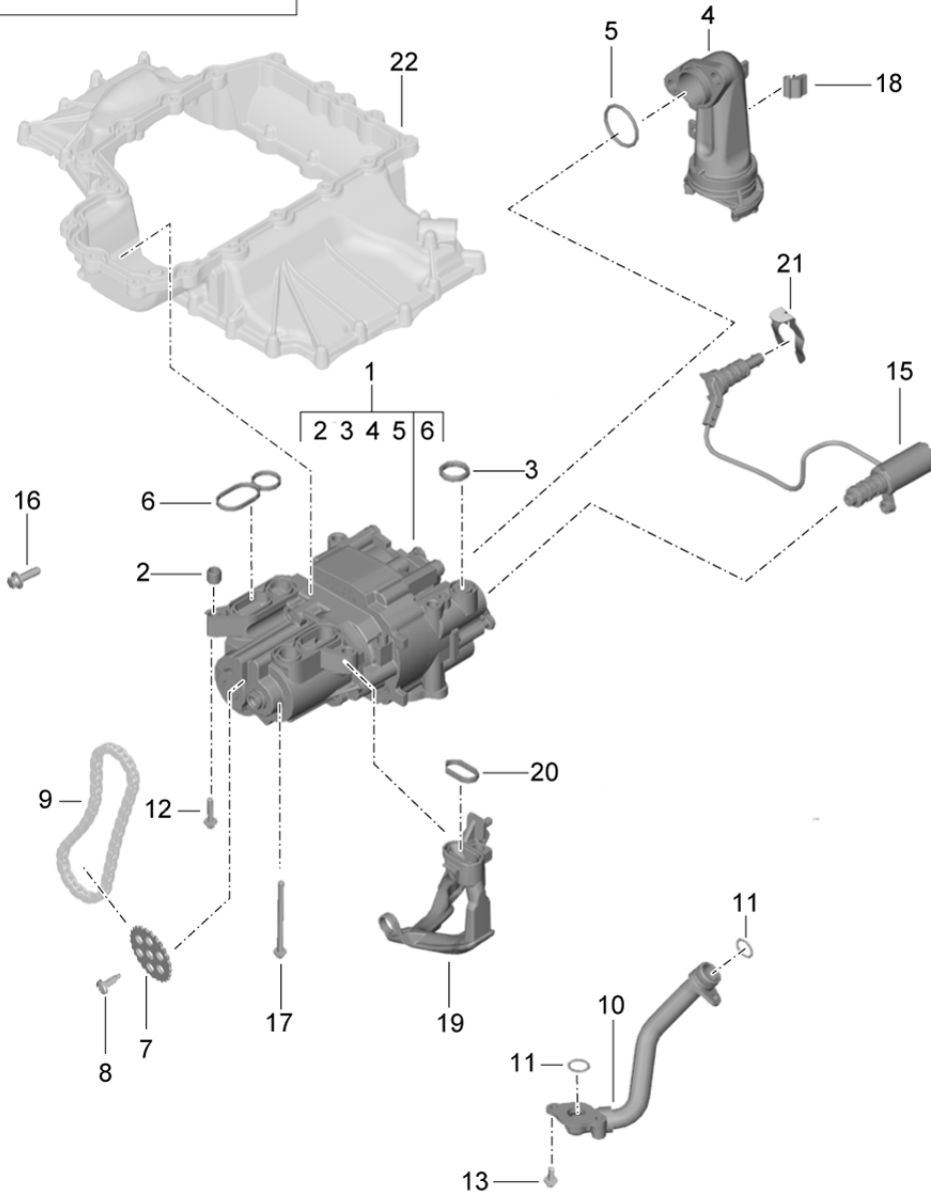
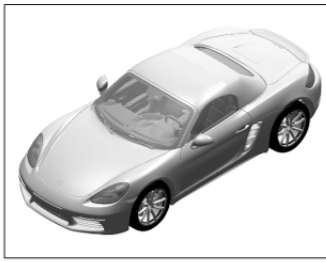
Model: 982-17

Model life 2017>>

Pos	Part Number	Description	Remark	Qty	Model
1	9A2 105 148 01	Valve control Timing chain Camshaft Crankshaft		2	
2	9A1 105 062 01	Pan-head screw Tensioner blade		6	
3	999 707 346 40	O-ring 15,0 X 3,0		2	
4	9A2 105 157 01	Chain adjuster		2	
5	9A2 105 123 01	Guide rail		2	
6	9A2 105 125 01	Tensioner blade		2	
7	9A1 105 165 02	Spacer sleeve		1	
8	9A1 105 063 01	Screw		1	
9	9A1 105 101 03	Guide rail		2	
10	9A1 105 233 02	Timing chain Oil pump Crankshaft		1	
11	9A1 105 235 02	Tensioner blade		1	
12	900 123 011 21	Sealing ring A 22 X 27		2	
13	999 701 066 40	O-ring Chain adjuster		2	
14		Crankshaft See illustrations 1/02/00			
15		Oil pump See illustrations 1/04/00		1	

Model: 982-17

Model life 2017>>



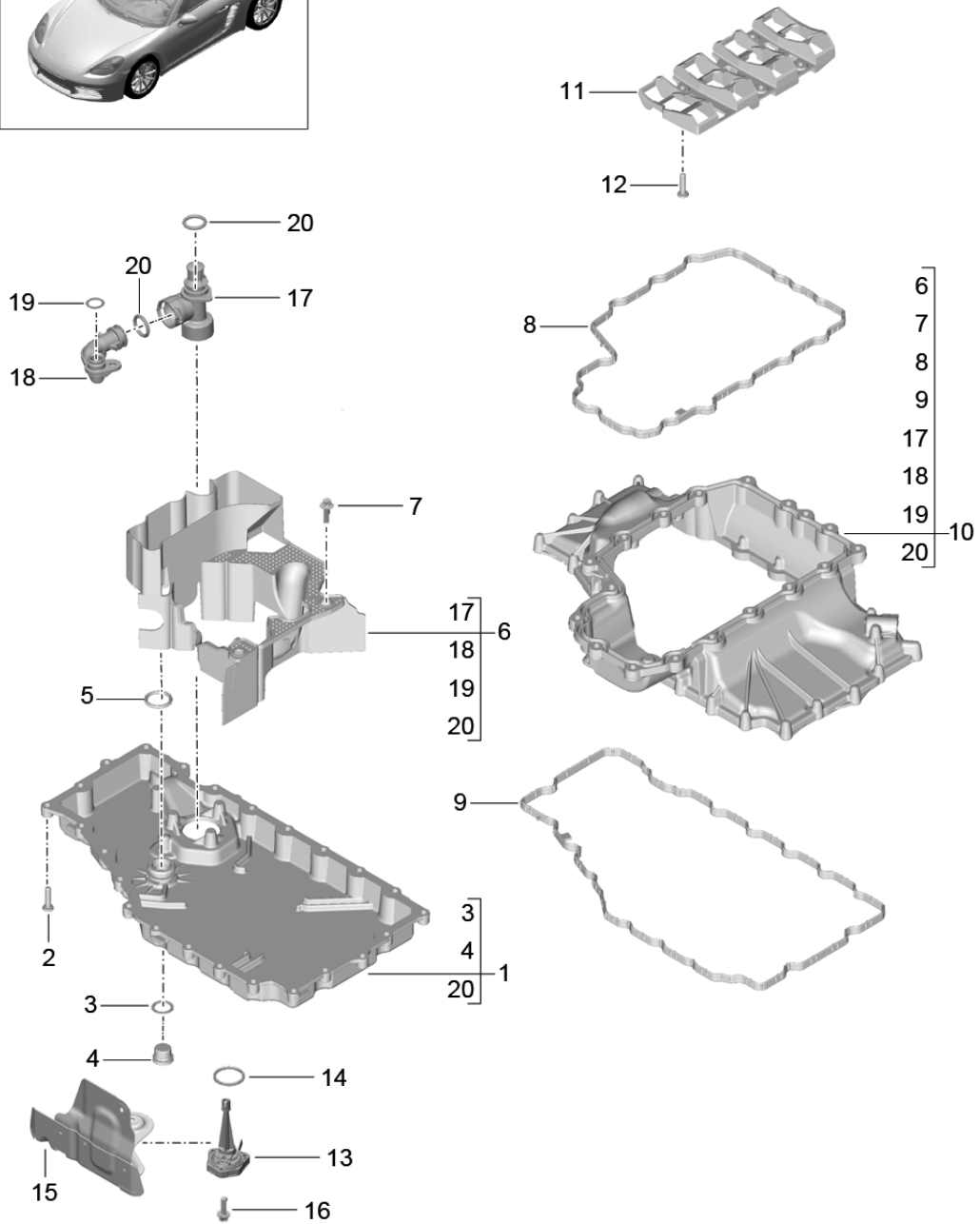
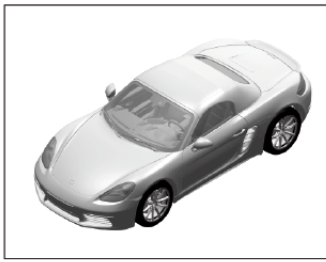
Model: 982-17

Model life 2017>>

Pos	Part Number	Description	Remark	Qty	Model
		Engine lubrication			
		Oil pump			
1	9A7 115 103 00	Oil pump		1	
2	999 095 075 01	Dowel sleeve 8H7 X 7,0		3	
3	0PB 115 131	Gasket		1	
		Oil pump			
4	9A7 115 169 00	Suction tube		1	
5	999 707 667 40	O-ring 30,00 X 2,50		1	
6	0PB 115 189	Gasket		2	
		Oil pump			
7	9A1 105 225 02	Sprocket		1	
		Oil pump			
8	999 073 380 01	Torx screw M 8 X 22		1	
9		Chain			
		Oil pump			
		See illustrations 1/03/15			
10	9A7 115 701 00	Oil tube		1	
		Oil pump			
		Crankcase			
11	999 707 575 40	O-ring 20,00 X 3,00		1	
12	900 385 048 01	Torx screw M6 X 30		3	
13	900 385 009 01	Torx screw M6 X 25		3	
14	999 707 575 40	O-ring 20,00 X 3,00		1	
15	0PB 115 393 B	Control valve		1	
		Oil pump			
16	900 385 019 01	Torx screw M6 X 20		2	
17	900 385 108 02	Torx screw BM 6 X 80		2	
18	N 909 189 01	Cable holder		1	
19	9A7 115 228 00	Oil pipe		1	
		Return line			
20	9A7 115 359 00	Gasket		1	
		Oil pipe			
21	946 107 413 60	Safety clip		1	
		Solenoid valve			
		Oil pump			
21	9A7 115 047 00	Safety clip		1	
		Solenoid valve			
		Oil pump			
22		Oil pan			
		Upper part			
		See illustrations 1/04/02			
23	9A2 107 315 00	Intake pipe		1	

Model: 982-17

Model life 2017>>



Model: 982-17

Model life 2017>>

Pos	Part Number	Description	Remark	Qty	Model
1	9A2 107 307 01	Engine lubrication Oil pan		1	
1	9A2 107 037 01	Oil pan Lower part		1	
1		Oil pan Lower part M >> DDN000787 M DDN001348 >> M >> DDP000740 M DDP001352 >>		1	
2	9A1 107 313 01	Oil pan Lower part Use also: 9A2.107.304.04 9A2.107.337.00 see Technical information TI 75/16 M DDN000788 >> M >> DDN001347 M DDP000741 >> M >> DDP001351		45	
3	900 123 106 30	Torx screw M 6 X 25		1	
4	900 219 020 31	Sealing ring A 18 X 24		1	
5	999 707 513 40	Screw plug M 18 X 1,5		1	
6	9A2 107 026 00	O-ring 23,60 X 3,55		1	
7	900 385 009 01	Bulkhead		10	
8	9A2 107 318 00	Torx screw M6 X 16		1	
9	9A2 107 337 00	Gasket Oil pan Upper part		1	
9		Gasket Oil pan Lower part M >> DDN000787 M DDN001348 >> M >> DDP000740 M DDP001352 >>		1	
10	9A2 107 304 01	Gasket Oil pan Lower part It is necessary to rework see Technical information TI 75/16 M DDN000788 >> M >> DDN001347 M DDP000741 >> M >> DDP001351		1	
10	9A2 107 034 04	Oil pan Upper part		1	
10		Oil pan Upper part M >> DDN000787 M DDN001348 >> M >> DDP000740 M DDP001352 >>		1	
10		Oil pan		1	

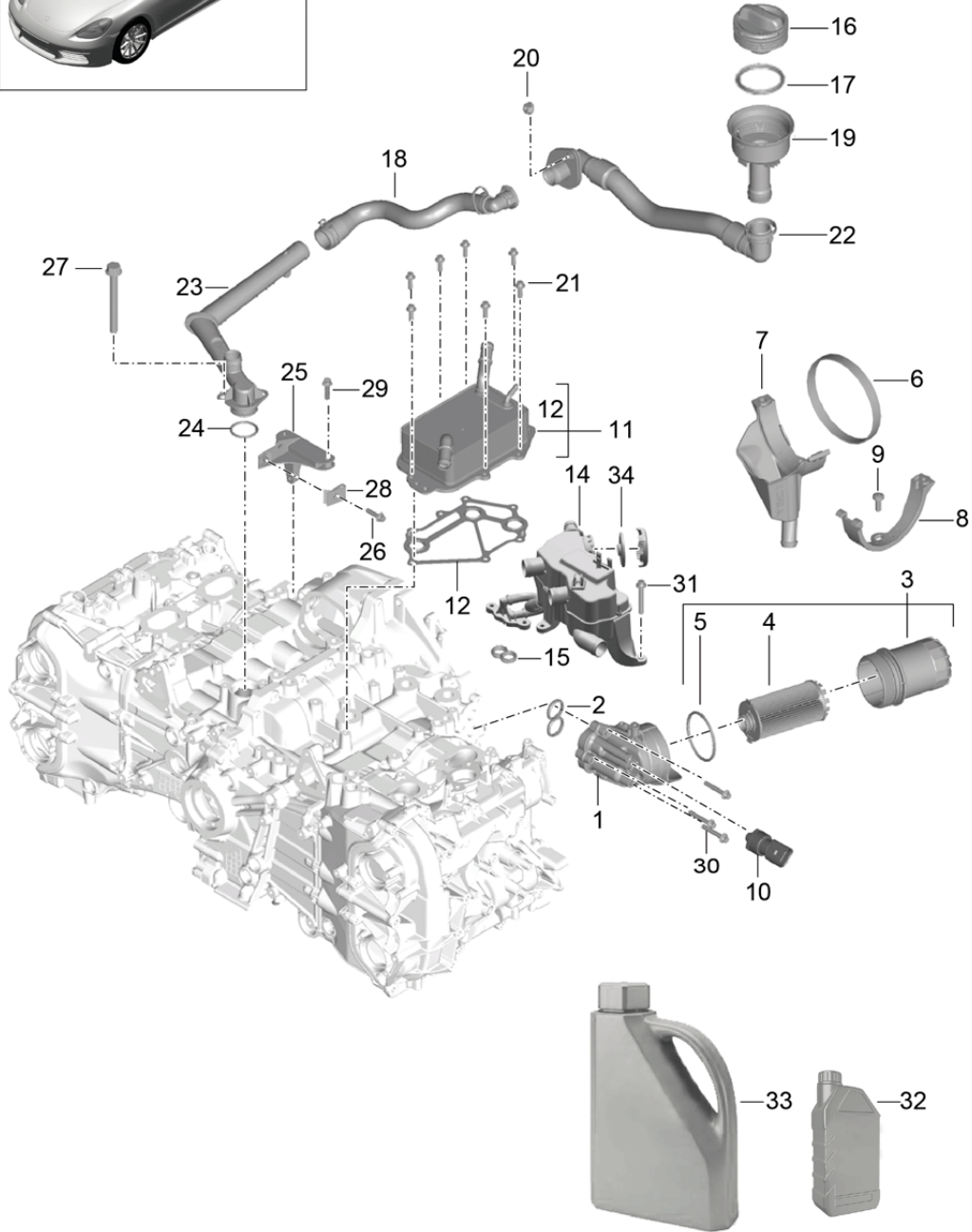
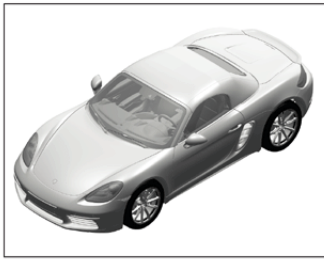
Model: 982-17

Model life 2017>>

Pos	Part Number	Description	Remark	Qty	Model
		Upper part Use also: 9A2.107.037.01 9A2.107.337.00 see Technical information TI 75/16 M DDN000788 >> M >> DDN001347 M DDP000741 >> M >> DDP001351			
11	9A2 101 307 01	Oil separator		1	
11	9A2 101 307 00	Oil separator		1	
12	900 385 019 01	Torx screw M6 X 20		6	
13	9A7 907 660 00	Oil-level sender		1	
14	038 103 196 B	Sealing ring		1	
15	9A2 107 170 02	Heat protection Oil-level sender		1	
16	900 385 041 01	Torx screw BM 6 X 12		4	
17	9A2 107 262 00	Oil tube		1	
18	9A2 107 263 00	Oil tube		1	
19	999 707 637 40	O-ring 15,00 X 3,00		1	
20	948 107 439 10	O-ring Oil separator		2	

Model: 982-17

Model life 2017>>



Model: 982-17

Model life 2017>>

Pos	Part Number	Description	Remark	Qty	Model
1	9A2 107 146 01	Engine lubrication Oil filter Oil inlet Heat exchanger Oil-conducting housing Complete		1	
2	9A2 107 475 00	Gasket Oil-conducting housing		1	
3	9A2 107 024 00	Oil filter Complete		1	
4	9A2 107 225 00	Oil filter Insert		1	
5	999 707 685 40	Use also: 999.707.685.40 O-ring Oil filter 73,00 X 4,00		1	
6	9A2 107 345 00	Rubber sleeve		1	
7	9A2 107 346 00	Oil collection container		1	
8	9A2 107 344 00	Clamping bow		1	
9	999 073 103 01	Round head screw M 6 X 16		1	
10	06E 906 054 C	Pressure sensor		1	
11	9A2 107 451 00	Heat exchanger		1	
11	9A2 107 051 00	Heat exchanger with Gasket		1	
12	9A2 107 471 00	Gasket Heat exchanger		1	
14	9A2 107 042 00	Oil separator		1	
15	9A2 107 473 00	Gasket Oil separator		1	
16	981 107 035 06	Lid Engine oil		1	
16	981 107 035 08	Lid Engine oil		1	
17	999 701 205 40	O-ring Lid 26,50 X 4,00		1	
18	982 115 308 A	Filler tube Engine oil		1	
19	981 107 160 05	Filler tube Engine oil		1	
20	999 084 638 01	Hexagon nut M 6		2	
21	900 385 019 01	Torx screw BM 6 X 45		7	
22	982 115 653 A	Filler tube Engine oil		1	
23	9A2 107 016 00	Filler tube Engine oil		1	
24	999 707 530 40	O-ring Filler tube 34,52 X 3,53		1	
25	982 145 685	Support Filler tube		1	
26	900 385 072 01	Torx screw BM 6 X 25		1	
27	900 378 111 01	Hexagon-head bolt M 6 X 60		1	
28	999 507 246 01	Speed nut M 6		1	
29	999 919 283 01	Lens-head screw		1	

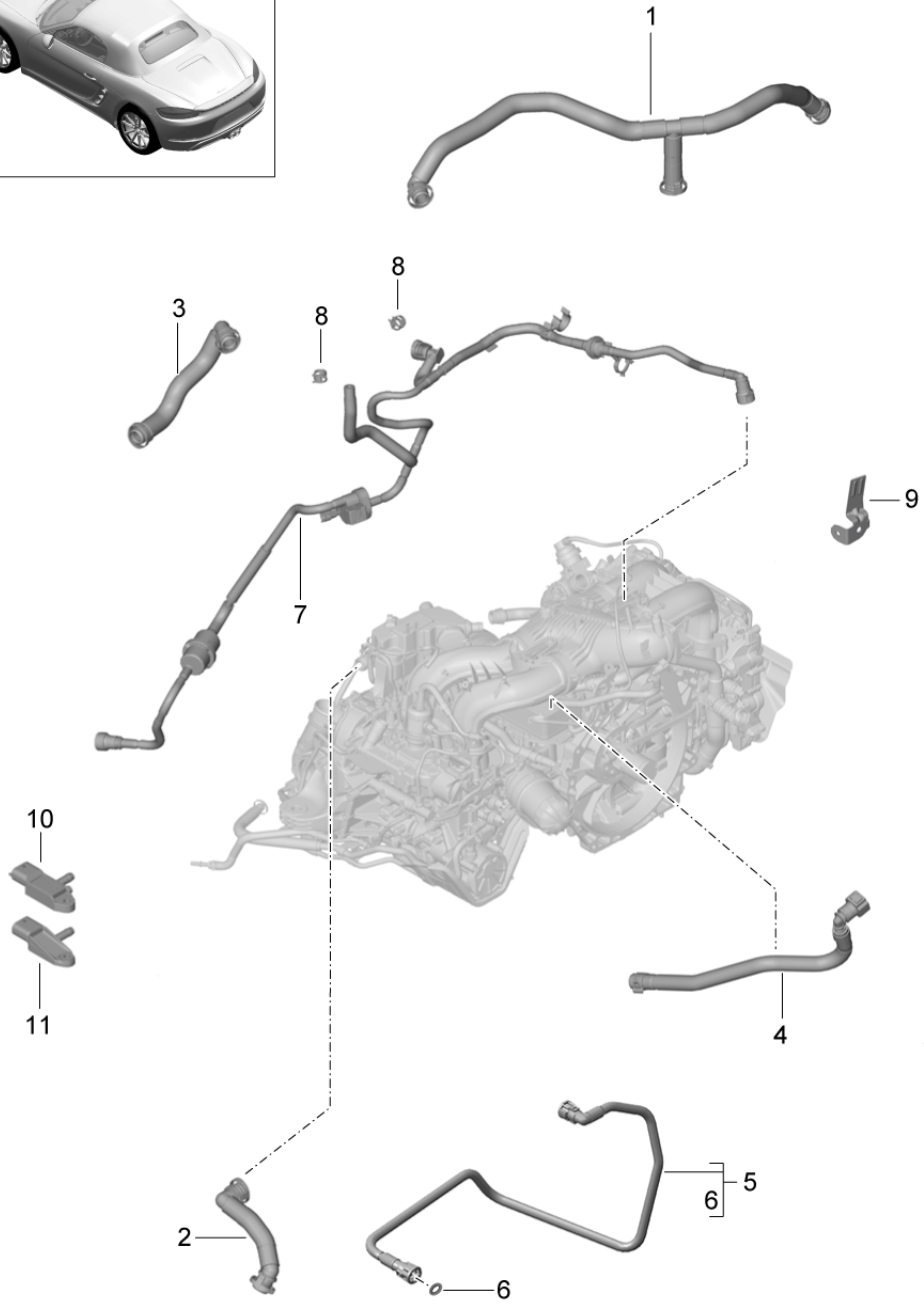
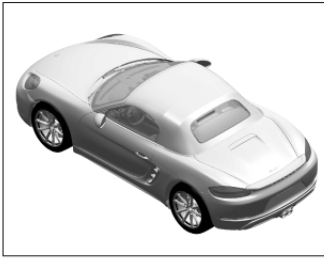
Model: 982-17

Model life 2017>>

Pos	Part Number	Description	Remark	Qty	Model
30	900 385 125 01	6,0 X 18,0 Torx screw		3	
31	999 073 344 01	BM 6 X 45 Round head screw		5	
32	000 043 305 21	M 6 X 20 Engine oil EXXON MOBIL 1 0W-40 1 LITER Container Information available		X	
33	000 043 305 22	Information available Engine oil EXXON MOBIL 1 0W-40 20 LITER Container Information available		X	
34	9A2 107 904 00	Information available Diaphragm Oil separator		1	

Model: 982-17

Model life 2017>>



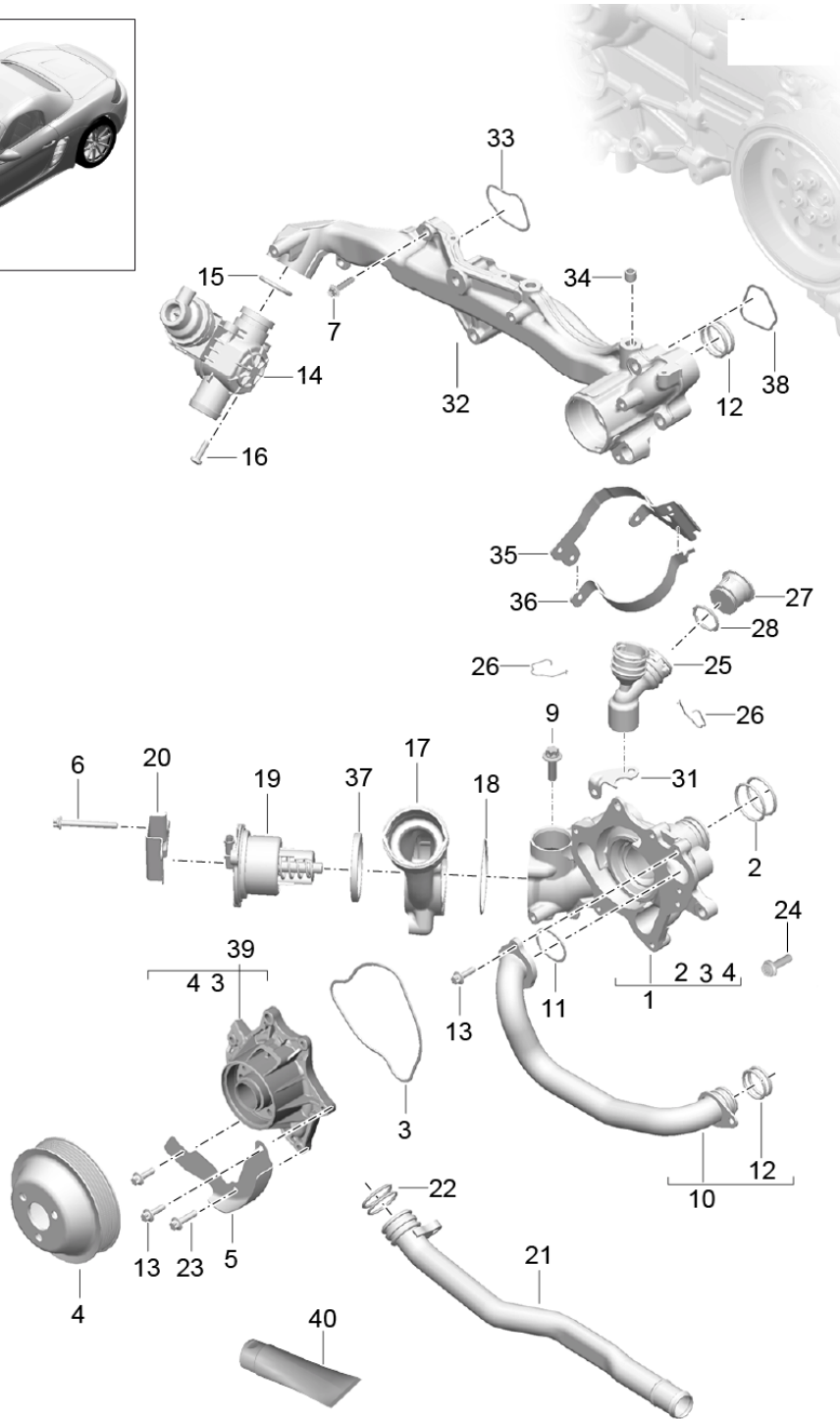
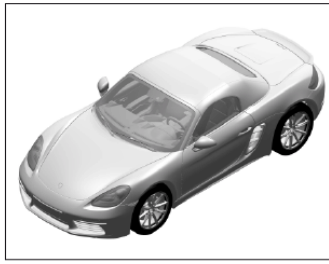
Model: 982-17

Model life 2017>>

Pos	Part Number	Description	Remark	Qty	Model
1	9A2 107 515 02	Crankcase Bleeding Tank ventilation Vacuum pump Vent line Cyl. 1 - 2		1	
2	9A2 107 521 00	Vent line Cyl. 3 - 4		1	
3	9A2 107 520 01	Vent line Full load		1	
4	9A2 107 530 00	Vent line		1	
5	9A2 107 540 01	Vent line		1	
6	999 707 577 40	Crankcase O-ring 10 X 2,5		2	-I011
7	9A2 110 093 02	Vent line Tank ventilation		1	
8	N 910 203 01	Hose clamp 14,5 X 12		2	
9	9A2 110 591 01	Support Tank ventilation		1	
11	9A2 110 595 00	Stopper Tank ventilation		1	

Model: 982-17

Model life 2017>>



Model: 982-17

Model life 2017>>

Pos	Part Number	Description	Remark	Qty	Model
1	9A2 106 040 03	Water cooling Water pump Thermostat housing Unit carrier Water pump Complete		1	
2	999 707 604 40	O-ring 34,0 X 3,0		2	
3	9A1 106 217 00	Gasket Water pump		1	
3	0PC 121 091	Gasket Water pump		1	
4	9A1 106 248 00	Pulley		1	
5	9A2 102 255 00	Heat protection Water pump		1	
6	900 385 111 01	Torx screw BM 6 X 50		3	
7	900 385 042 01	Torx screw M8 X 35		1	
8	900 385 072 01	Torx screw BM 6 X 25		7	
9	900 385 019 01	Torx screw M6 X 20		3	
10	9A2 106 025 30	Connecting tube Cyl. 3 - 4		1	
11	9A2 106 325 30	Gasket		1	
12	999 707 498 40	O-ring 27 X 3		4	
13	900 385 041 01	Torx screw BM 6 X 12		10	
14	9A1 106 555 04	Valve		1	
15	999 707 654 40	O-ring 29,00 X 4,00		2	
16	999 073 344 01	Round head screw M 6 X 20		2	
17	9A2 106 022 01	Water guide housing Complete with Thermostat		1	
18	9A2 106 332 00	Gasket Thermostat		1	
19	9A1 106 226 03	Thermostat		1	
20	9A1 106 450 00	Heat shield		1	
21	9A1 106 627 33	Water tube		1	
22	999 707 657 40	O-ring 31 X 3		2	
23	999 073 601 01	Round head screw M 6 X 14		1	
24	N 106 650 02	Multiple-tooth screw M8X30		3	
25	9A2 106 530 02	Restrictor		1	
26	997 106 802 04	Spring clip D=41		2	
27	9A1 106 546 00	Stopper		2	
28	999 707 590 40	O-ring 21,35 X 3,0		2	
29	900 385 009 01	Torx screw BM 6 X 16		1	
30	999 707 517 40	O-ring 22,00 X 3,00		2	
31	9A2 106 633 02	Support Filler tube		1	
32	9A2 102 014 00	Unit carrier		1	

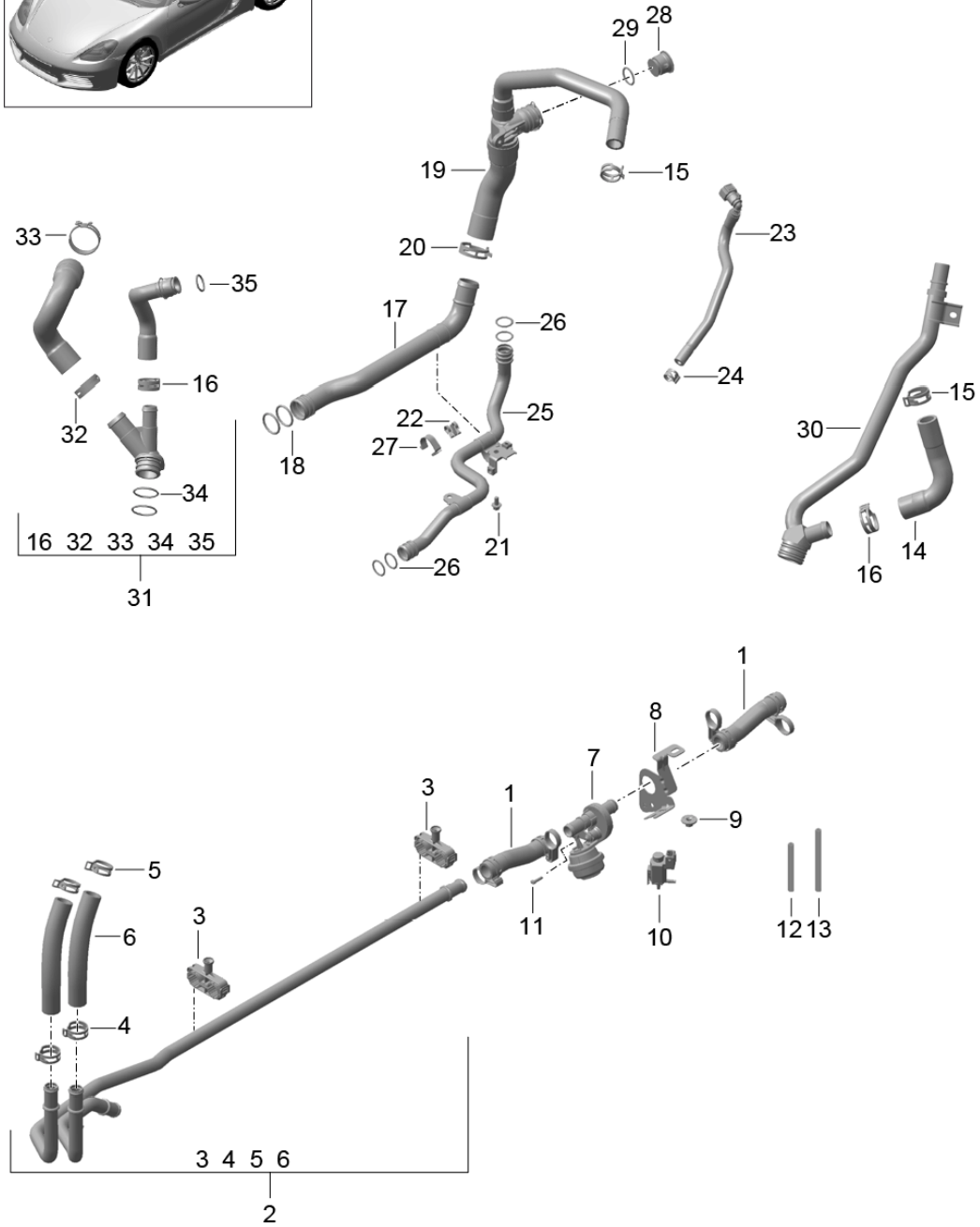
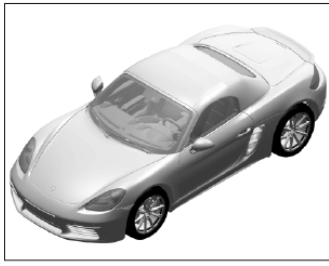
Model: 982-17

Model life 2017>>

Pos	Part Number	Description	Remark	Qty	Model
33	9A2 102 312 00	Gasket Unit carrier Cyl. 1 - 2		1	
34	999 095 063 03	Dowel sleeve M 6 X 10		3	
35	982 965 553	Hose clamp Water pump		1	
36	982 965 558	Support Water pump		1	
37	9A1 106 559 00	Gasket Thermostat		1	
38	9A2 102 322 00	Gasket Unit carrier Cyl. 3 - 4		1	
39	9A2 106 050 01	Water pump with Pulley		1	
40	000 043 303 93	Sealing compound Fixing device DOBOSEAL 08-07 20 ML		X	

Model: 982-17

Model life 2017>>



Model: 982-17

Model life 2017>>

Pos	Part Number	Description	Remark	Qty	Model
1	982 265 055 C	Water cooling Water tube Control Connection Water hose Heating Return line		2	
2	982 265 189	Heater pipeline Supply Complete		1	
3	991 572 823 00	Support Water tube		2	
4	999 512 657 09	Hose clamp B 6 X 12		1	
5	999 512 603 09	Hose clamp A 26 X 12		1	
6	991 572 585 01	Heater hose		2	
7	991 307 573 00	Disc valve		1	
8	982 121 233 B	Support		1	
9	999 049 032 40	Plastic nut T6 22 X 10,5		1	
10	7PP 906 270	Change-over valve		1	
11	999 073 415 01	Round head screw M 4 X 16		1	
-	999 239 031 42	Hose 3,5 X 2,0		*	
12		Hose L = 100 MM		1	
13		Hose L = 160 MM		1	
14	9A2 106 516 30	Water hose Return line		1	
15	999 512 656 09	Hose clamp B 25 X 12		2	
16	999 512 658 09	Hose clamp B 27 X 12		2	
17	9A2 106 620 30	Water tube Supply		1	
18	999 707 689 40	O-ring 27,00 X 3,00		4	
19	9A2 106 510 31	Water hose Supply		1	
20	999 512 664 09	Hose clamp B 36 X 12		1	
21	900 385 041 01	Torx screw M 6 X 12		1	
22	999 507 720 01	Hose holder 22,0 - 25,0		1	
23	9A2 106 550 30	Vent line		1	
24	999 512 650 09	Hose clamp B 14 X 12		1	
25	9A2 106 625 30	Water tube Return line		1	
26	999 707 477 41	O-ring 19,00 X 3,00		4	
27	9A7 971 741 00	Cable terminal		1	
28	9A1 106 546 00	Stopper		1	
29	999 707 590 40	O-ring 21,35 X 3,00		1	
30	9A2 106 610 31	Water line Transmission Return line		1	
31	9A2 106 514 30	Water hose		1	

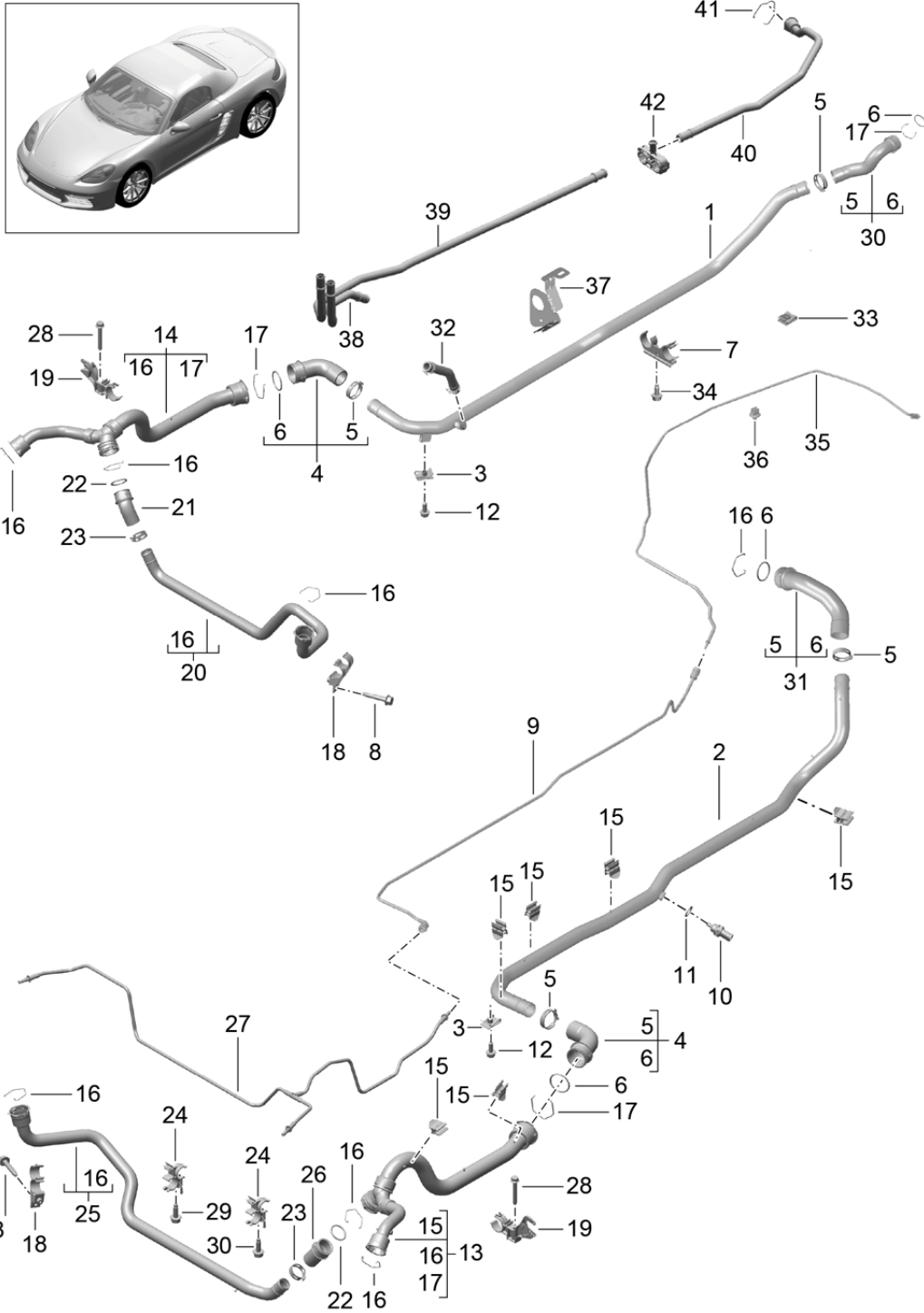
Model: 982-17

Model life 2017>>

Pos	Part Number	Description	Remark	Qty	Model
32	999 512 664 09	Wastegate line Hose clamp B 36 X 12		1	
33	999 512 665 09	Hose clamp B 40 X 12		1	
34	999 707 589 40	O-ring 31,00 X 3,00		2	
35	996 106 801 01	O-ring		1	

Model: 982-17

Model life 2017>>



Model: 982-17

Model life 2017>>

Pos	Part Number	Description	Remark	Qty	Model
1	982 121 524	Water cooling 1 Cooling water tube Vent line		1	
2	982 121 524 B	Cooling water tube Return line		1	
3	999 507 246 01	Speed nut M 6		2	
4	991 106 551 01	Water hose		2	
5	999 512 667 09	Hose clamp B 44 X 12		4	
6	996 106 801 03	O-ring		4	
7	991 106 540 01	Support		1	
8	900 378 141 01	Hexagon-head bolt M 6 X 35		2	
9	982 121 455	Vent line		1	
10	948 606 420 00	Temperature sensor with Sealing ring		1	
11	900 123 111 20	Sealing ring		1	
12	N 105 464 03	Pan-head screw M 6 X 16		1	
13	991 106 751 03	Distributor tube		1	
14	991 106 752 03	Distributor tube		1	
15	991 106 512 02	Support		5	
16	997 106 802 01	Spring		6	
17	997 106 802 03	Spring		2	
18	991 106 525 02	Support		2	
19	991 106 413 03	Support		2	
20	991 106 711 02	Cross tube		1	
21	991 106 724 00	Water hose		1	
22	996 106 801 02	O-ring		2	
23	999 512 664 09	Hose clamp B 36 X 12		2	
24	991 106 527 02	Support		2	
25	991 106 720 02	Cross tube		1	
26	991 106 723 00	Water hose		1	
27	991 106 767 03	Vent line		1	
28	900 378 270 01	Hexagon-head bolt M 6 X 45		2	
29	900 378 173 01	Hexagon-head bolt M 6 X 20		2	
30	982 121 101 A	Water hose Supply		1	
31	982 121 101 C	Water hose Return line		1	
32	981 106 212 02	Water hose Heating Supply		1	
33	999 507 795 09	Speed nut ST 4,8		1	
34	900 378 155 01	Hexagon-head bolt M 6 X 16		2	
35	982 121 533 D	Vent line Expansion tank		1	
36	999 507 947 40	Support Vent line		4	
37	982 121 233 B	Support		1	
38	982 265 381	Water tube Supply		1	
39	982 265 381 A	Water tube Return line		1	

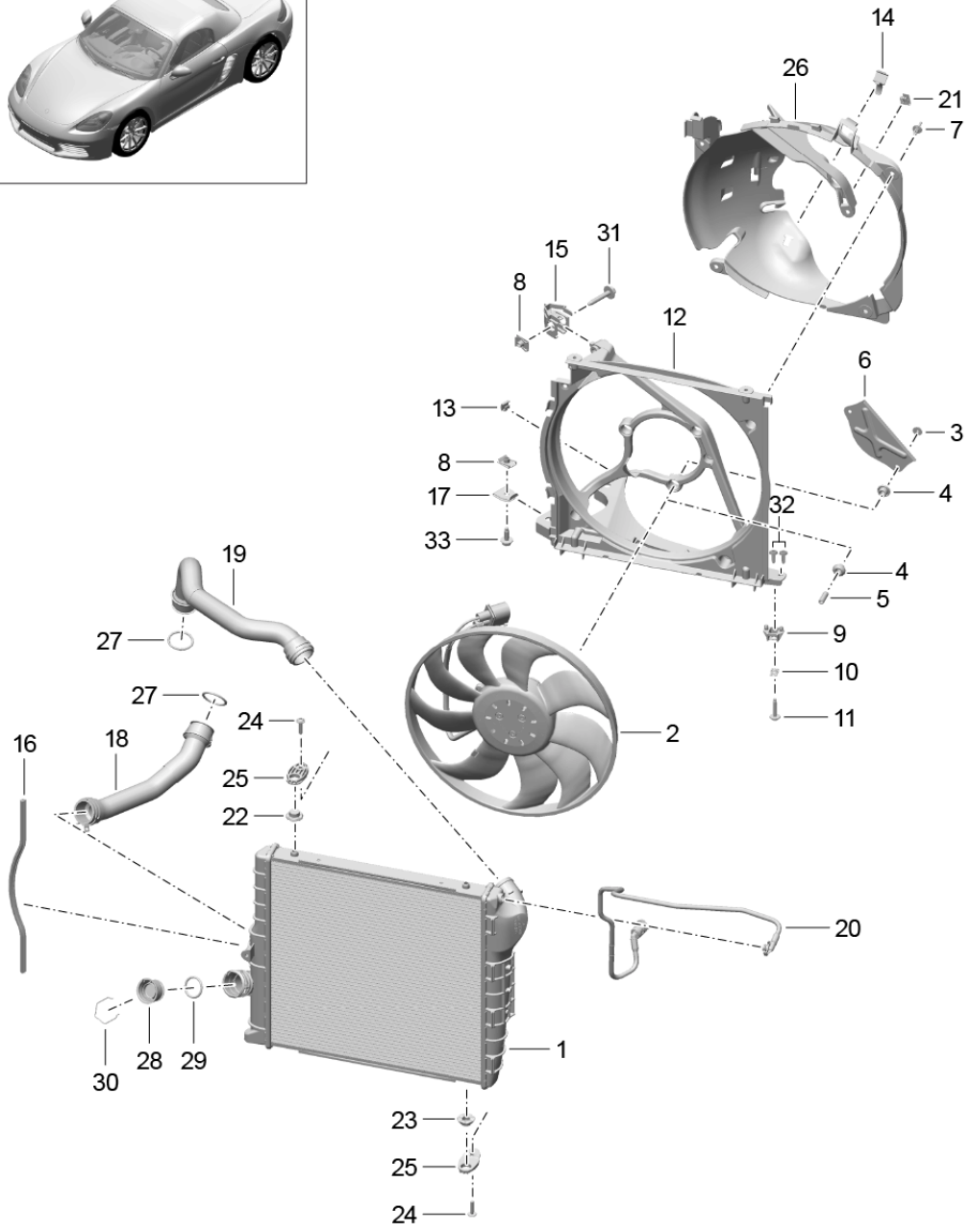
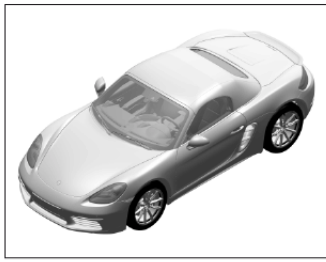
Model: 982-17

Model life 2017>>

Pos	Part Number	Description	Remark	Qty	Model
40	982 265 381 C	Water tube Return line		1	
41	997 106 802 04	Spring clip		1	
42	991 572 823 00	Support		1	

Model: 982-17

Model life 2017>>



Model: 982-17

Model life 2017>>

Pos	Part Number	Description	Remark	Qty	Model
		Water cooling 2			
		Radiator			
		Fan			
		Body front section			
1	9P1 121 251	Radiator	/L	1	
(1)	9P1 121 252	Radiator	/R	1	
2	9P1 959 455 BY	Fan		2	I009
(2)	9P1 959 456 Y	Fan		2	I008
3	999 076 066 09	Hexagon nut M6		6	
4	991 624 173 00	Rubber mounting Fan		12	
5	991 624 175 03	Spacer sleeve Fan		6	
6	9P1 959 541	Cap Fan		2	
7	999 591 525 40	Expansion rivet 7,0 X 14,2		10	
8	999 591 869 03	Speed nut		6	
9	991 106 755 02	Support		2	
9	991 106 755 03	Support Use also: 999.919.306.01		2	
10	999 591 499 03	Speed nut 4,8		2	
11	N 106 998 01	Hexagon-head bolt M 6 X 25		2	
12	9P1 121 383	Bracket Radiator	/L	1	
(12)	9P1 121 384	Bracket Radiator	/R	1	
13	9P1 121 299	Cap Bracket		2	I009
14	9P1 121 724	Support		2	I009
15	991 106 255 02	Cap Assembly aux. material		2	
16	9P1 121 228	Gasket		6	
17	991 106 355 03	Clamp		4	
18	9P1 121 623	Water hose Return line Short	/L	1	
(18)	9P1 121 624	Water hose Return line Short	/R	1	
19	9P1 121 611	Water hose Supply Long	/L	1	
(19)	9P1 121 612	Water hose Supply Long	/R	1	
20	9P1 121 465	Vent line Radiator	/L	1	
(20)	9P1 121 466	Vent line Radiator	/R	1	
21	999 507 759 01	Speed nut ST 4,8		2	
22	991 106 331 01	Rubber mounting Upper		4	
23	991 106 332 00	Rubber mounting Lower		4	
24	999 919 258 01	Screw 6,0 X 25,0		8	
25	9P1 121 241	Support		8	

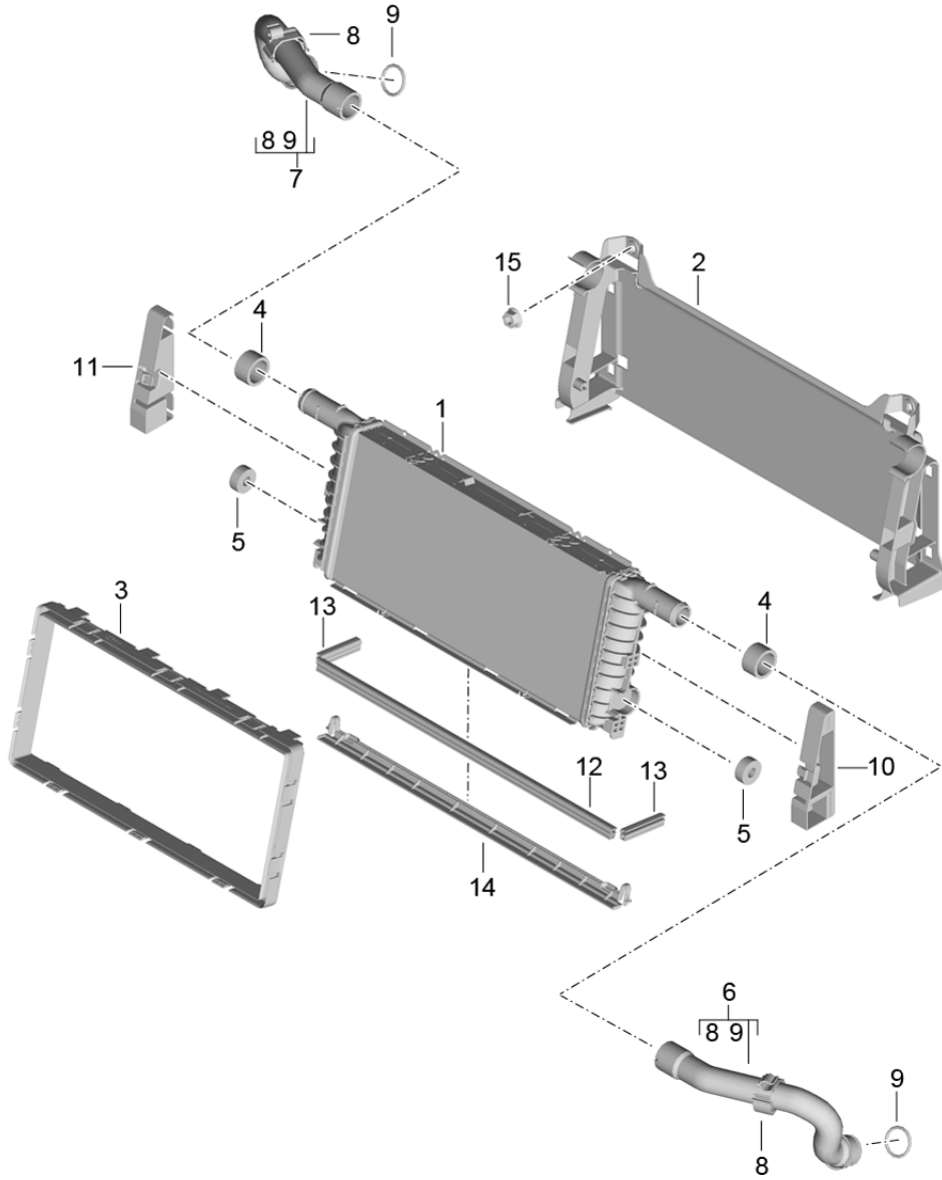
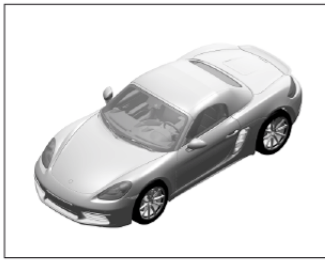
Model: 982-17

Model life 2017>>

Pos	Part Number	Description	Remark	Qty	Model
26	9P1 121 333	Air guide	/L	1	
(26)	9P1 121 334	Air guide	/R	1	
27	996 106 801 02	O-ring		4	
28	991 106 546 01	Stopper		2	
29	996 106 801 05	O-ring		2	
30	997 106 802 00	Spring		2	
31	N 105 728 02	Hexagon-head bolt AM 8 X 50		2	
32	999 919 306 01	Screw Use with 991.106.755.03		4	
33	N 019 530 7	Hexagon-head bolt M8 X 25		4	

Model: 982-17

Model life 2017>>



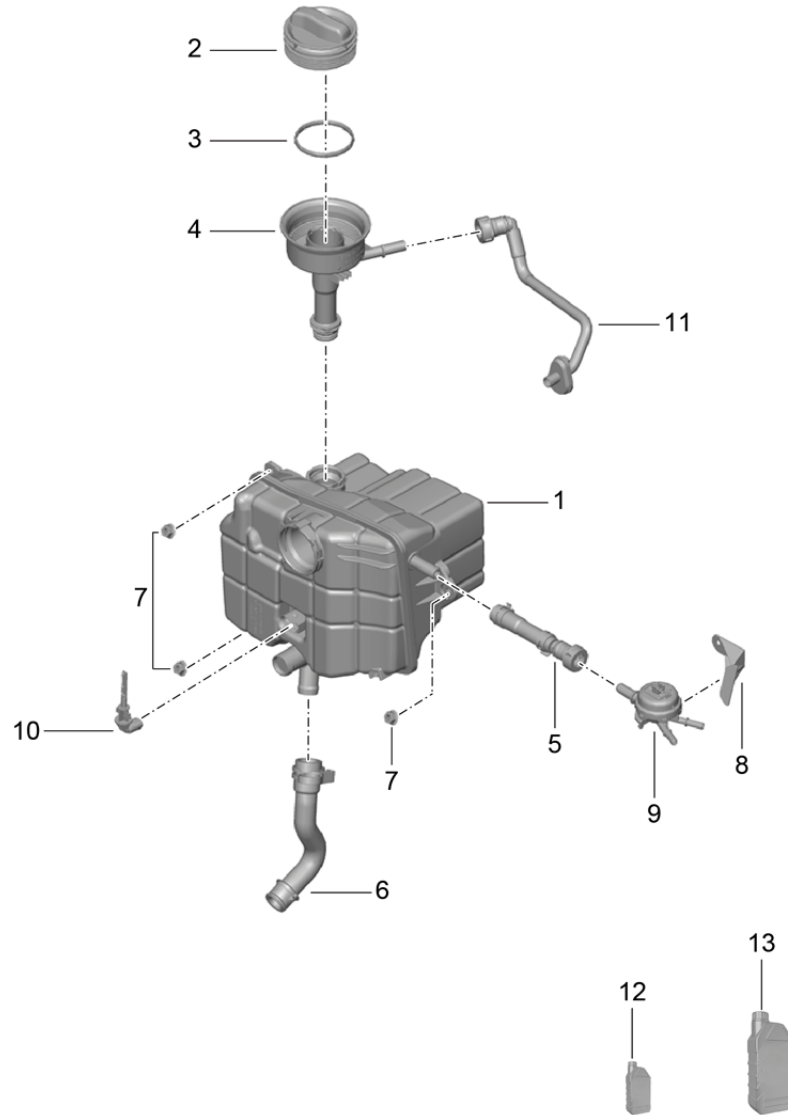
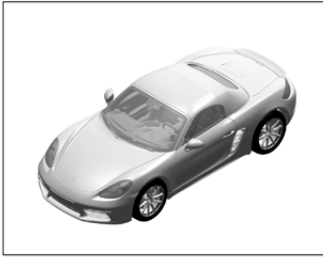
Model: 982-17

Model life 2017>>

Pos	Part Number	Description	Remark	Qty	Model
		Radiator Centre			I153
1	9P1 121 253	Radiator Centre with Air guide Sealing frame		1	
2	9P1 121 291	Air guide Retaining frame		1	
3	991 106 337 01	Sealing frame		1	
4	991 106 537 01	Rubber mounting Upper		2	
5	991 106 538 02	Rubber mounting Lower		2	
6	9P1 121 629 A	Water hose	/L	1	
7	9P1 121 630 A	Water hose	/R	1	
8	9P1 121 125	Support Water hose		2	
9	996 106 801 05	O-ring		4	
10	9P1 121 483	Lid	/L	1	
11	9P1 121 484	Lid	/R	1	
12	9P1 121 687	Gasket		1	
13	9P1 121 687 A	Gasket		2	
14	9P1 121 245	Strip		1	
15	999 084 638 01	Hexagon nut M 6		1	

Model: 982-17

Model life 2017>>



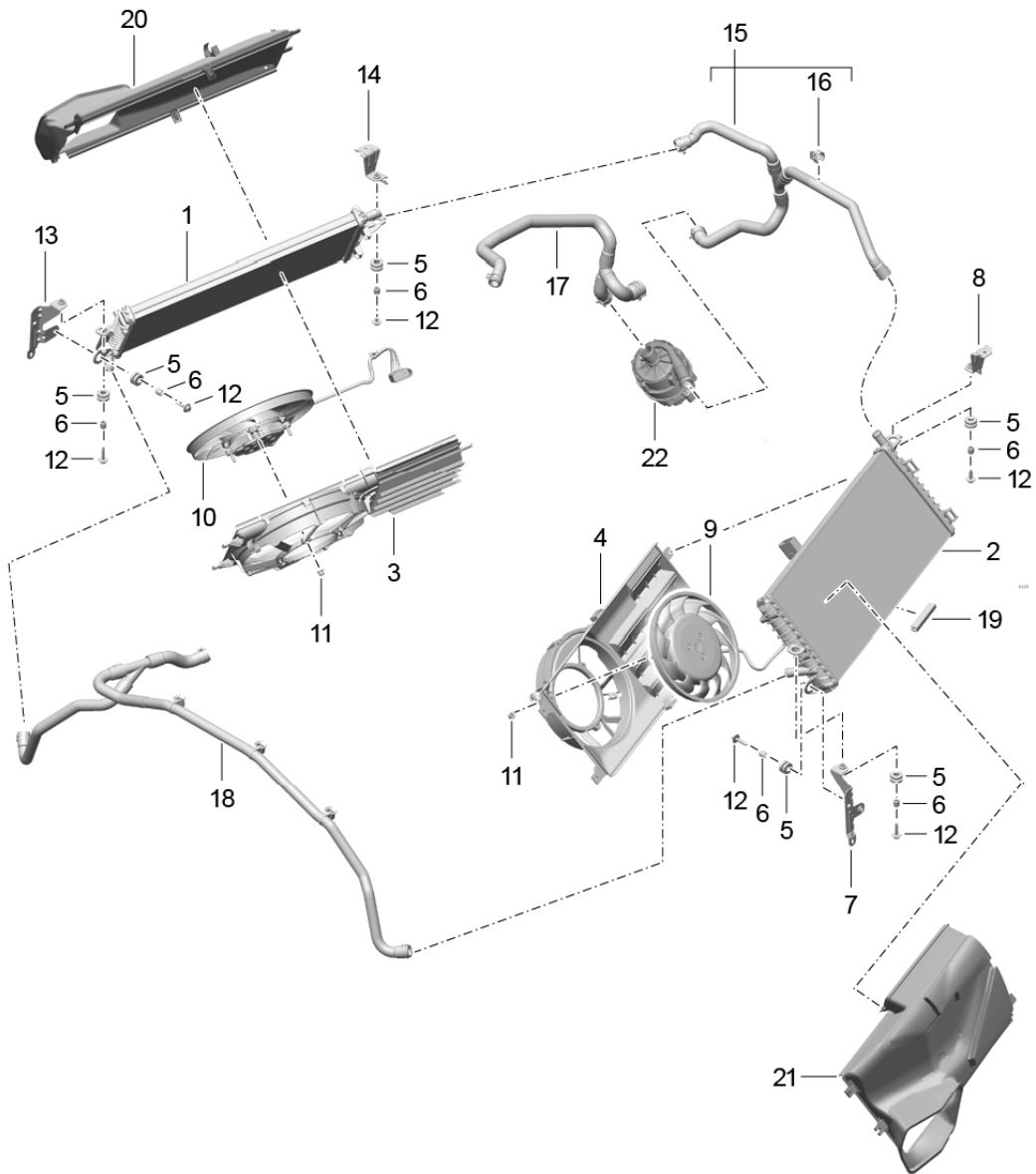
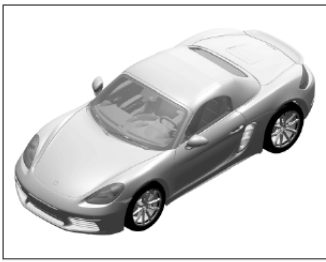
Model: 982-17

Model life 2017>>

Pos	Part Number	Description	Remark	Qty	Model
1	982 121 407 B	Water cooling 3 Water reservoir Expansion tank Coolant		1	
2	982 121 155 B	Lid Coolant		1	
3	982 121 687	Gasket Lid		1	
4	982 121 133 B	Filler neck Coolant		1	
5	982 121 637 A	Filling hose		1	
6	982 121 625 B	Water hose		1	
7	999 084 638 01	Hexagon nut M 6		3	
8	982 121 412 A	Support Expansion tank		1	
9	298 121 671	Valve Coolant		1	
10		Sensor Coolant Not available To Use 982.121.407.B		1	
11	982 121 533 F	Breather pipe Filler neck		1	
12	000 043 301 47	Antifreeze 1 LITER Container		X	
13	000 043 301 48	Antifreeze 20 LITER Container		X	

Model: 982-17

Model life 2017>>



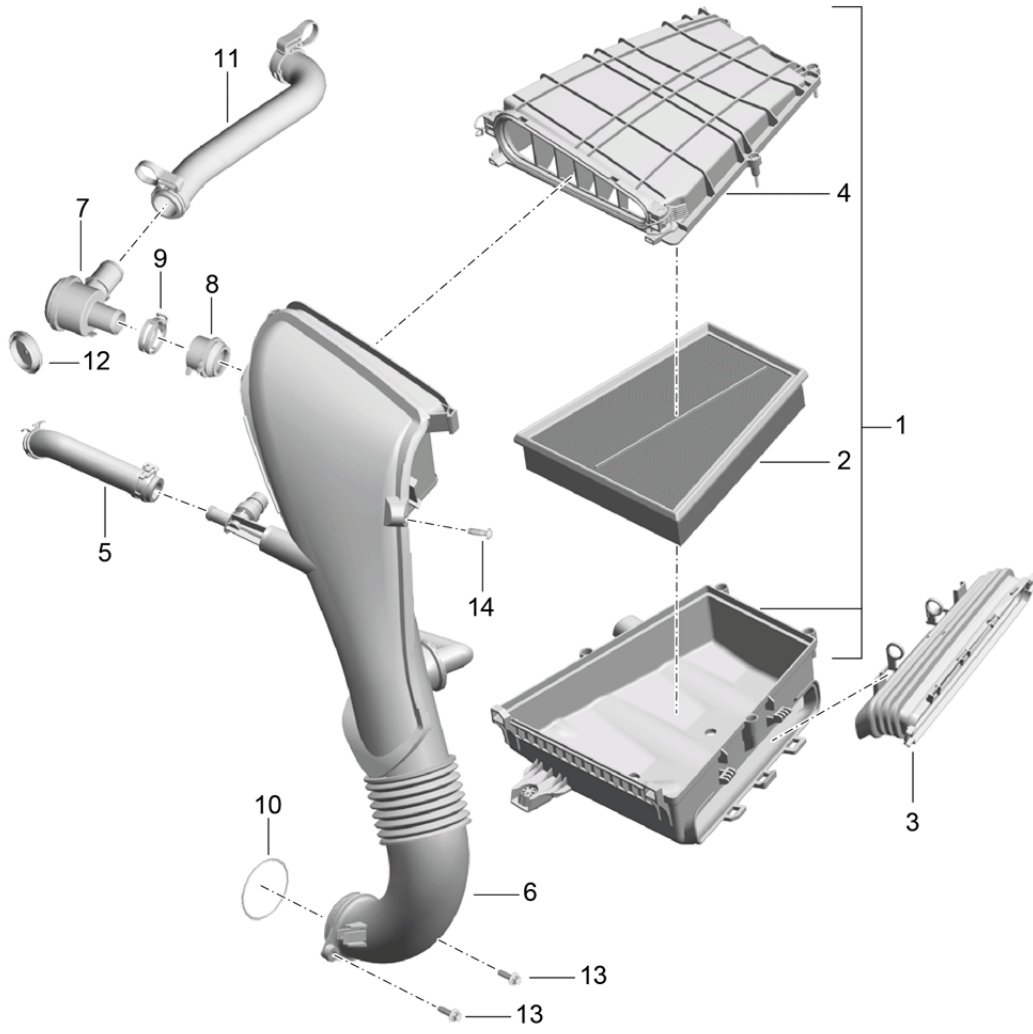
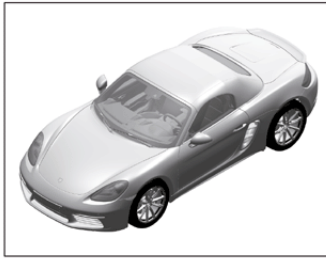
Model: 982-17

Model life 2017>>

Pos	Part Number	Description	Remark	Qty	Model
		Water cooling 4			
		Radiator			
		Fan			
		Rear end			
1	982 121 254	Radiator	/L	1	
2	982 121 254 A	Radiator	/R	1	
3	982 121 197 A	Bracket	/L	1	
		Radiator			
4	982 121 725	Bracket	/R	1	
		Radiator			
5	999 702 246 40	Grommet		6	
		12,0 X 17,0 X 3			
6	900 095 099 09	Roll pin		6	
		12,0 X 14,3			
7	982 121 383 B	Support	/L	1	
		Radiator			
8	982 121 384 B	Support	/R	1	
		Radiator			
9	982 959 455 Y	Fan	/L	1	
		Radiator			
10	982 959 456 Y	Fan	/R	1	
		Radiator			
11	999 084 638 01	Hexagon nut		6	
		M 6			
12	N 909 995 02	Hexagon-head bolt		4	
		M 6 X 25			
13	982 121 383 C	Support	/L	1	
		Radiator			
14	982 121 384 C	Support	/R	1	
		Radiator			
15	982 121 036 B	Water hose		1	
16	999 651 350 40	Clip		1	
17	982 121 030	Water hose		1	
18	982 121 049	Water hose		1	
19	982 121 843	Edge protection		1	
20	982 121 707	Air guide	/L	1	
		Radiator			
21	982 121 710	Air guide	/R	1	
		Radiator			
22	9A7 965 567 00	Water pump		1	
		Coolant			

Model: 982-17

Model life 2017>>

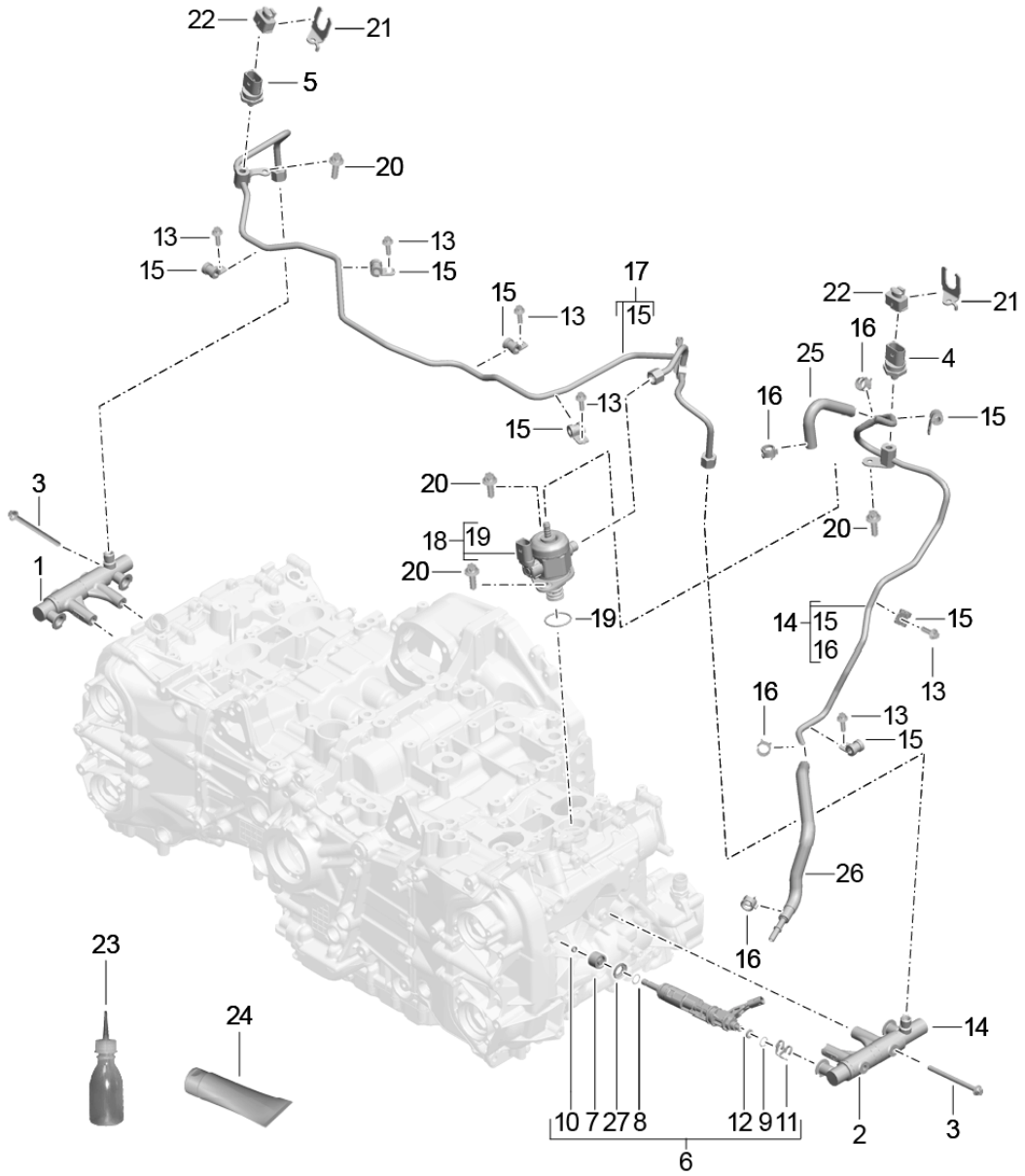
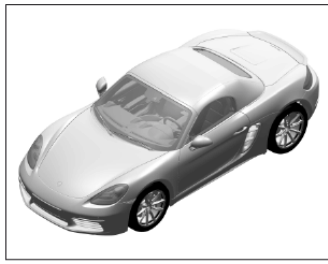


Model: 982-17 Model life 2017>>

Pos	Part Number	Description	Remark	Qty	Model
1	982 129 601 D	Air cleaner Air cleaner Complete with Air cleaner cartridge		1	-I920
(1)	982 129 601 C	Air cleaner Complete with Air cleaner cartridge		1	I920
2	982 129 620 B	Air cleaner cartridge		1	-I920
(2)	982 129 620 A	Air cleaner cartridge		1	I920
3	982 129 527 A	Air guide		1	
4	982 129 613 A	Housing Air cleaner Upper part		1	-I920
(4)	982 129 613 B	Housing Air cleaner Upper part		1	I920
5	982 129 492	Hose		1	
6	982 129 531 A	Suction housing		1	
7	9A1 110 337 70	Shut-off valve		1	
8	9A1 110 662 70	Rubber sleeve		1	
9	999 512 662 09	Hose clamp B 32 X 12		1	
10	999 707 607 40	O-ring 59,00 X 2,50		1	
11	982 129 453	Hose		1	
12	999 703 562 40	Stopper Diaphragm Line		1	
13	900 385 019 01	Torx screw BM 6 X 20		2	
14	N 104 734 02	Lens-head screw		1	

Model: 982-17

Model life 2017>>



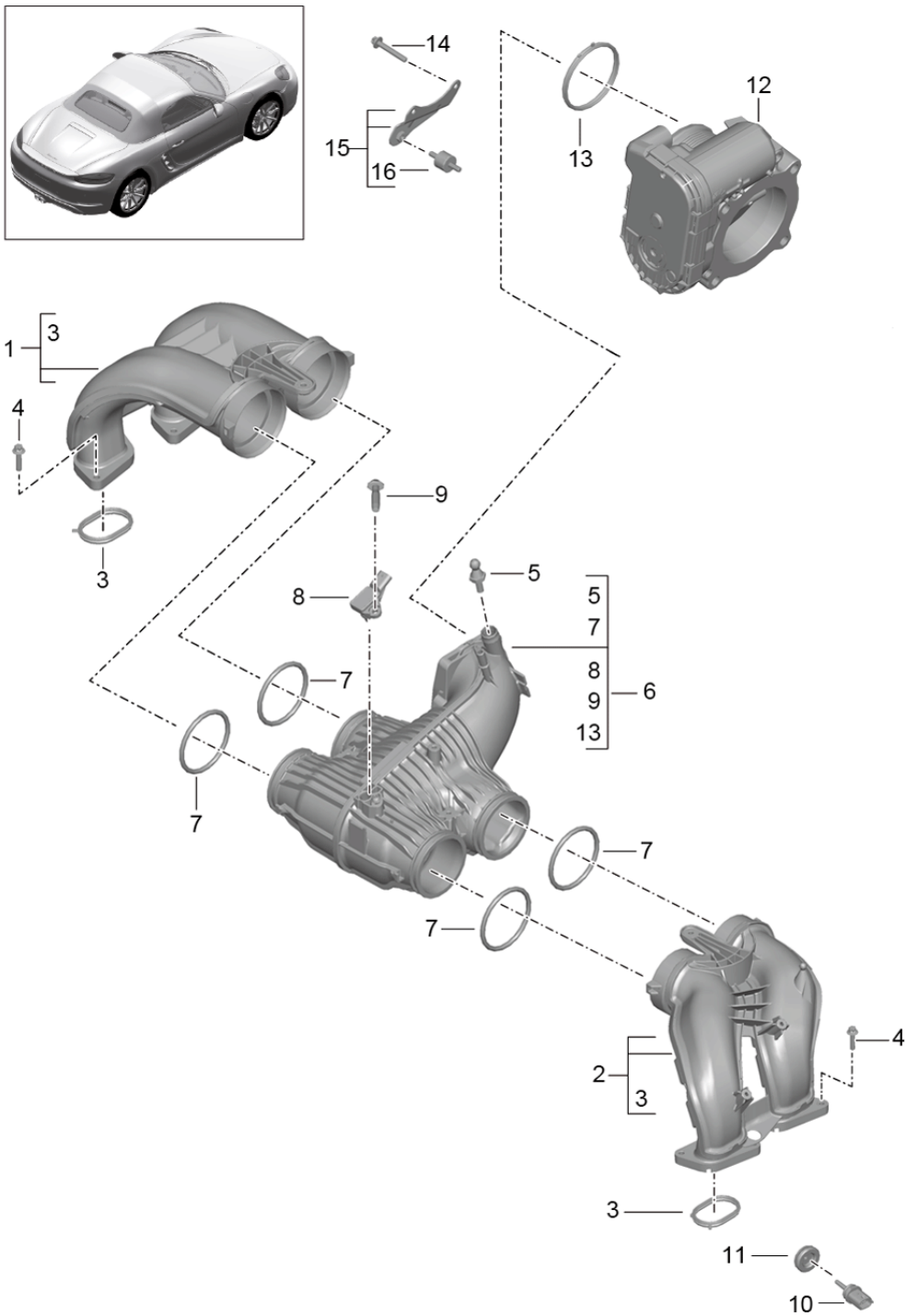
Model: 982-17

Model life 2017>>

Pos	Part Number	Description	Remark	Qty	Model
1	9A2 110 401 00	Fuel collection pipe high-pressure pump		1	
2	9A2 110 402 00	Fuel collection pipe Cyl. 1 - 2		1	
3	9A7 008 053 01	12 point socket M 6 X 85 X 82		4	
3	900 385 172 01	Torx screw M 6 X 85		4	
4	06H 906 051 J	Pressure sensor Low pressure switch		1	
5	9P1 906 051	Pressure sensor		1	
6	9A2 110 316 02	high-pressure injector		4	MDD.PA/PB
(6)	9A2 110 318 02	high-pressure injector		4	MDD.NC
7	9A2 110 516 00	Gasket		4	
8	946 110 628 60	Circlip		4	
9	9A2 110 328 00	Support ring		4	
10	946 110 428 60	Sealing ring		4	
11	946 110 228 60	Support high-pressure injector		4	
12	999 701 187 41	O-ring 5,94 X 3,53		4	
13	999 073 601 01	Round head screw M 6 X 14		6	
14	9A2 110 470 00	Fuel line		1	
15	999 511 801 01	Hose clamp D 8 X 15		7	
16	N 910 203 01	Hose clamp 14,5 X 12		4	
17	9A2 110 450 02	Fuel line		1	
18	9A2 110 315 00	high-pressure pump		2	
(18)	9A2 110 315 AX	high-pressure pump		2	
19	999 701 048 40	O-ring 31,00 X 2,00		2	
20	900 385 019 01	Torx screw BM 6 X 20		6	
21	982 127 585	Hose holder Fuel line 10,0 / 16,0		1	
22	999 653 067 40	Connector Pressure sensor		1	
23	000 043 305 90	Lubricants 50 ML		1	
24	000 043 209 35	Grease MICROGLEIT DF 977		1	
25	9A2 110 567 00	Fuel hose		1	
26	9A2 110 568 00	Fuel hose		1	
27	946 110 528 60	Spacer ring		6	

Model: 982-17

Model life 2017>>



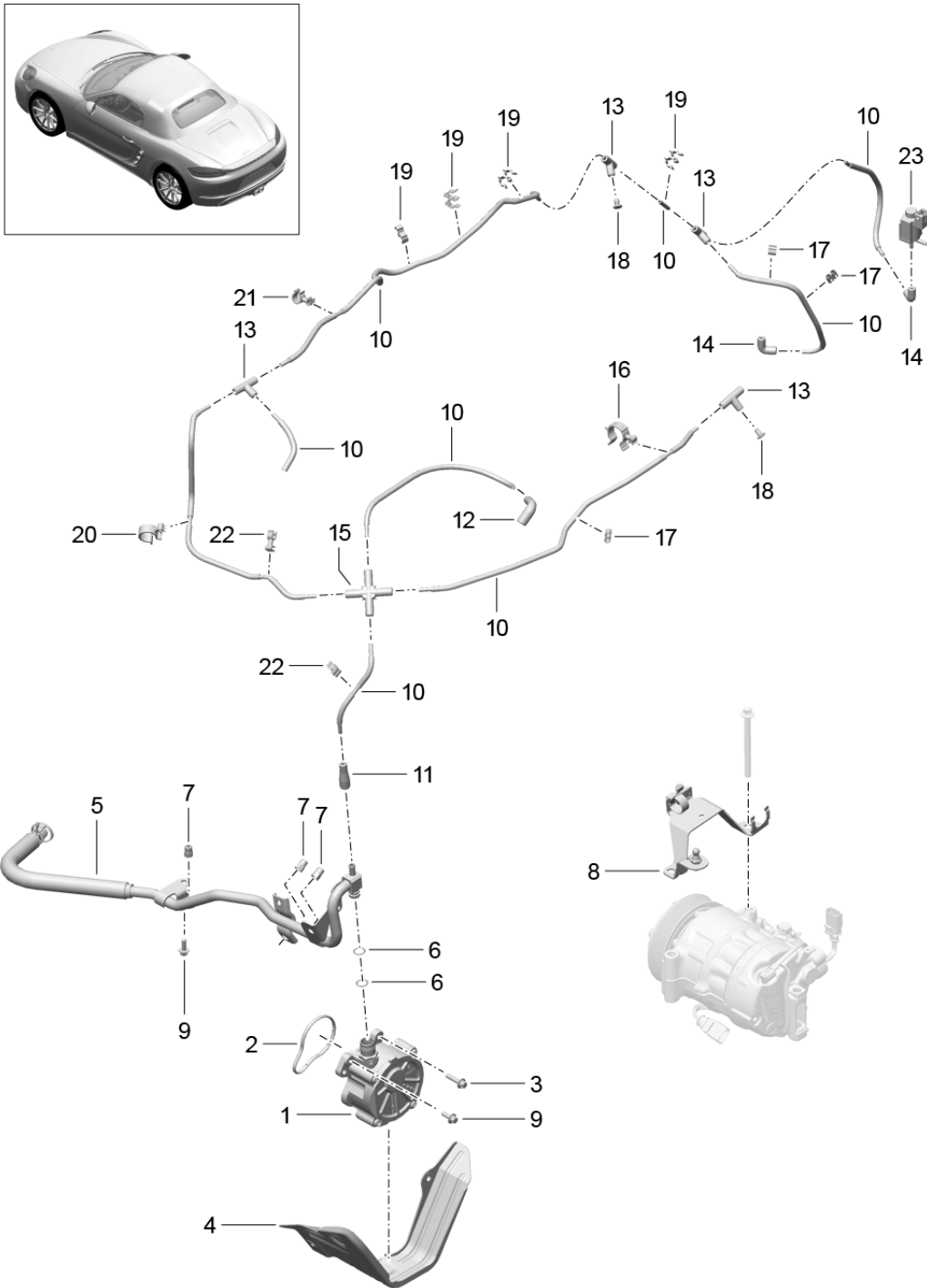
Model: 982-17

Model life 2017>>

Pos	Part Number	Description	Remark	Qty	Model
1	9A2 110 031 00	Intake distributor Throttle body		1	
2	9A2 110 032 00	Intake distributor Cyl. 1 - 2		1	
3	9A2 110 218 00	Intake distributor Cyl. 3 - 4		4	
4	900 385 072 01	Gasket		10	
5	9A7 002 783 00	Torx screw BM 6 X 20		1	
6	9A2 110 064 02	Ball pin A 10 X 12 X M6		1	MDD.PA/PB
(6)	9A2 110 074 02	Distributor tube		1	MDD.NC
7	999 707 683 40	Distributor tube		4	
8	06E 906 051 AA	O-ring 66,04 X 5,33		1	
(8)	9A7 906 051 10	Pressure sensor		1	
9	N 104 734 02	Pressure sensor		1	
10	997 606 213 00	Lens-head screw TP 6 X 20		1	
11	993 110 530 01	Temperature sensor Engine compartment		1	
12	9A7 133 062 00	Grommet		1	
(12)	9A2 605 115 02	Temperature sensor		1	MDD.PA/PB
13	9A2 110 319 00	Throttle body		1	MDD.NC
(13)	9A2 110 320 00	Gasket		1	MDD.PA/PB
14	900 385 045 01	Throttle body		4	MDD.NC
15	9A2 110 240 01	Torx screw BM 6 X 40		1	MDD.PA/PB
(15)	9A2 110 241 01	Support		1	MDD.NC
16	999 703 239 01	Support Throttle body		1	
		Damping piece 20 X 15			

Model: 982-17

Model life 2017>>



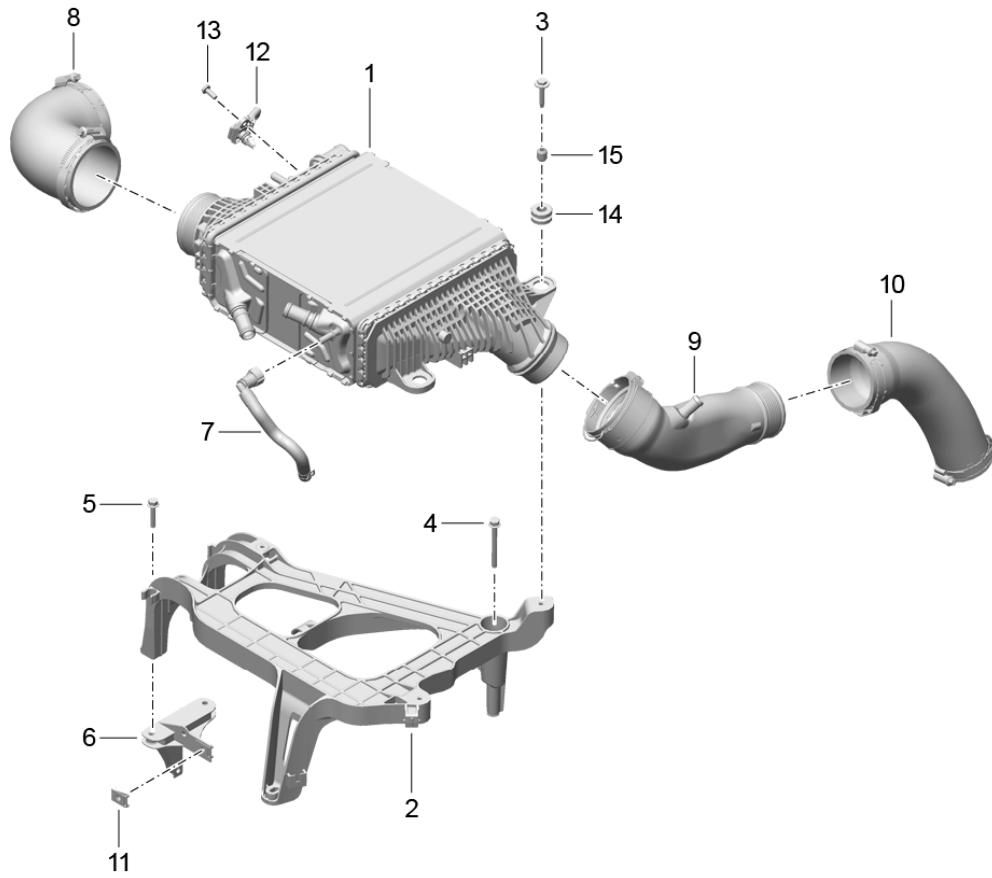
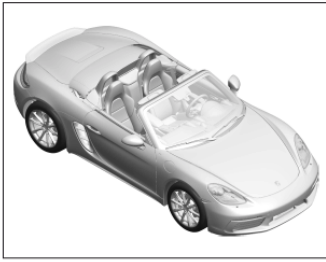
Model: 982-17

Model life 2017>>

Pos	Part Number	Description	Remark	Qty	Model
		Vacuum system			
		Engine			
1	9A7 145 100 00	Vacuum pump		1	
2	9A2 110 710 00	Vacuum pump		1	
		Gasket			
3	900 385 072 01	Vacuum pump		3	
		Torx screw			
		BM 6 X 25			
4	9A2 110 370 01	Heat protection		1	
		Vacuum pump			
5	9A2 110 055 03	Vacuum line		1	
6	999 701 789 40	O-ring		2	
		12 X 2			
7	N 902 631 04	Blind rivet nut		3	
		M 6			
8	982 129 263	Support		1	
		Vacuum line			
9	900 385 009 01	Torx screw		4	
		BM 6 X 16			
10	9A2 110 081 03	Vacuum line		1	
		Complete			
11	9A2 110 650 00	Adapter		1	
12	9A1 110 667 00	Moulded hose		1	
13	06E 133 794	T-piece		4	
14	9A1 110 666 00	Connecting piece		2	
15	9A2 110 651 00	Distributor		1	
		Fourfold			
16	999 507 206 40	Support		1	
		4,3 - 23,0			
17	955 358 547 00	Support		3	
18	999 507 690 40	Stopper		2	
		6,0 X 12			
19	999 507 488 40	Cable holder		4	
		5,0 / 10,0			
20	N 102 810 02	Support		1	
		4,3 / 23,0			
21	999 507 821 40	Line bracket		1	
		4,3 / 11,0			
22	999 507 163 40	Support		3	
		4,3 / 7,2			
23	7FP 906 270	Change-over valve		1	

Model: 982-17

Model life 2017>>



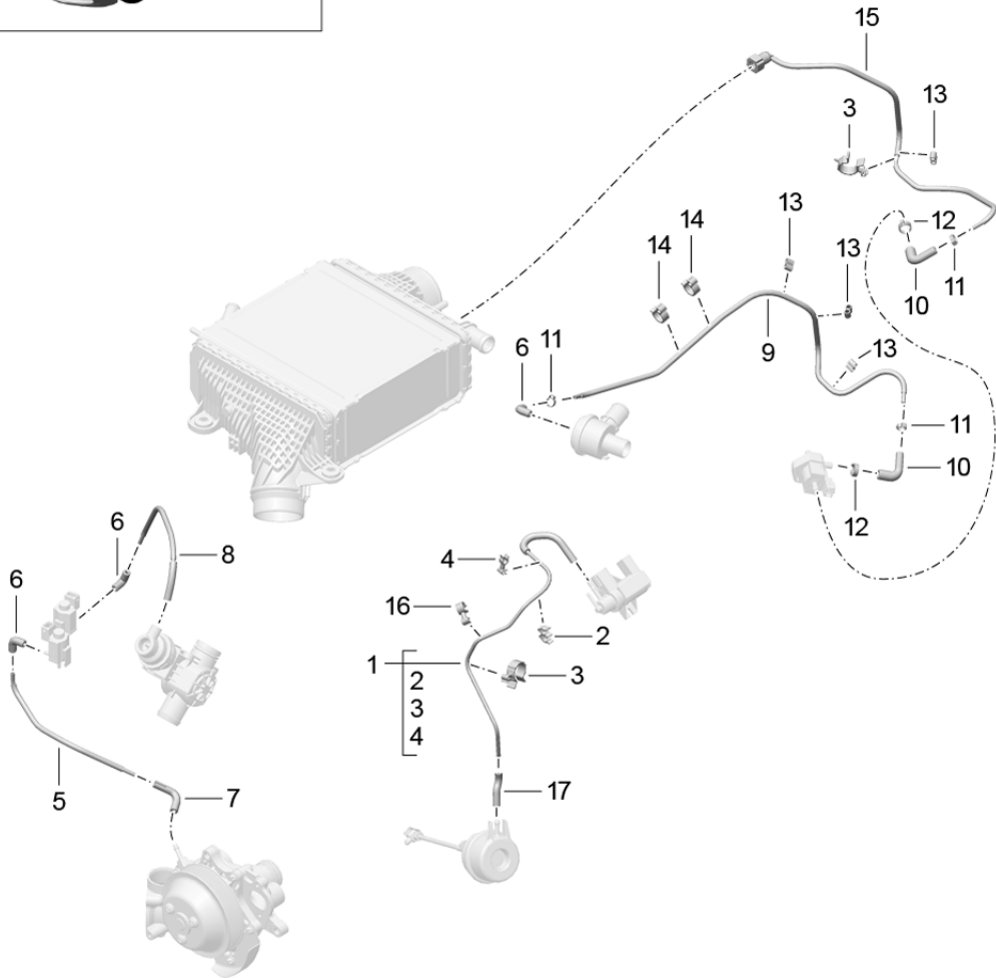
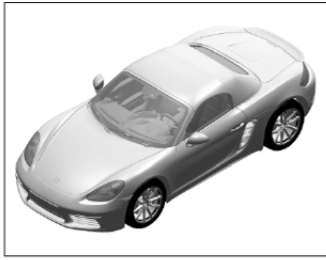
Model: 982-17

Model life 2017>>

Pos	Part Number	Description	Remark	Qty	Model
		Charge air cooler Turbocharging			
1	982 145 621 A	Charge air cooler		1	
2	982 145 645 B	Support		1	
		Charge air cooler			
3	N 106 998 01	Hexagon-head bolt M 6 X 35		3	
		Hexagon-head bolt M 6 X 60			
4	900 378 111 01	Hexagon-head bolt M 6 X 60		1	
		Hexagon-head bolt M 6 X 30			
5	N 107 956 01	Hexagon-head bolt M 6 X 30		3	
6	982 145 685	Support		1	
7	982 121 565	Breather hose with Check valve		1	
8	982 129 498 E	Pressure hose		1	I008
(8)	982 129 498 F	Pressure hose		1	I009
9	982 129 499	Pressure pipe		1	
10	982 129 498 D	Pressure hose		1	
11	999 507 246 01	Speed nut M 6		1	
12	06E 906 051 AA	Pressure sensor		1	
12	9A7 906 051 10	Pressure sensor		1	
13	N 104 734 02	Lens-head screw Pressure sensor		1	
14	999 702 246 40	Grommet 12,0 X 17,0 X 3,0		3	
15	900 095 099 09	Roll pin 12,0 X 14,30		3	

Model: 982-17

Model life 2017>>



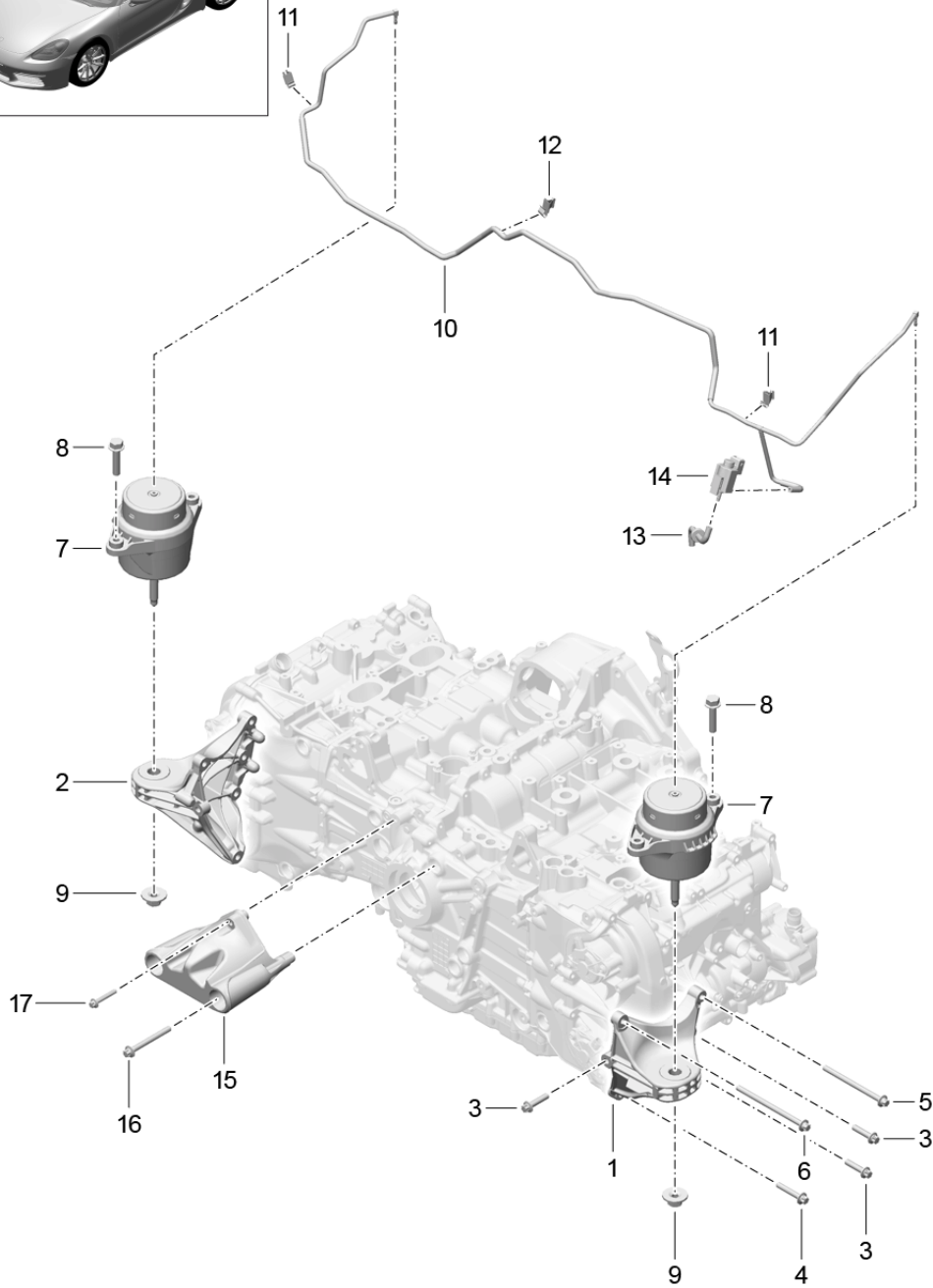
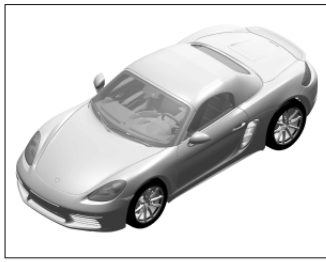
Model: 982-17

Model life 2017>>

Pos	Part Number	Description	Remark	Qty	Model
1	9A2 110 083 01	Control line Boost pressure Water pump Wastegate		1	MDD.PA/PB
1	9A2 110 083 02	Control line Boost pressure		1	MDD.PA/PB
(1)	9A2 110 097 01	Use with 9A2.110.652.00 Control line		1	MDD.NC
(1)	9A2 110 097 02	Boost pressure Control line Boost pressure		1	MDD.NC
2	999 507 488 40	Use with 9A2.110.652.00 Cable holder		2	
3	999 507 206 40	5,0 / 10,0 Support		3	
4	999 507 163 40	4,3 / 23,0 Support		2	
5	9A2 110 085 01	4,3 / 7,2 Control line		1	
6	9A1 110 666 00	Water pump		3	
7	997 110 666 72	Connecting piece		1	
8	9A2 110 087 01	Angled pipe		1	
9	9A2 110 089 01	Control line Wastegate		1	
10	9A1 110 667 00	Control line Recirculating air valve		2	
11	N 102 035 01	Moulded hose		3	
12	999 512 498 00	Clip 9,6 - 11,3		2	
13	955 358 547 00	Hose clamp 13,1 - 15,3		4	
14	999 507 277 40	Support 6,0 / 6,0		2	
15	9A2 110 091 02	Cable holder 6,5 / 18,0		1	
16	999 507 821 40	Pressure line Recirculating air valve		1	
17	9A2 110 652 00	Line bracket 5,2 / 13,0 Adapter Control line		1	
		Use with 9A2.110.083.02 9A2.110.097.02			

Model: 982-17

Model life 2017>>



Model: 982-17

Model life 2017>>

Pos	Part Number	Description	Remark	Qty	Model
1	9A2 105 595 00	Engine suspension Bracket		1	
2	9A2 105 596 00	Engine suspension Cyl. 1 - 2 Bracket		1	
3	900 385 042 01	Engine suspension Cyl. 3 - 4 Torx screw BM 8 X 35		6	
4	900 385 018 02	Outer hexagon round screw BM 8 X 45		2	
5	900 385 173 01	Outer hexagon round screw BM 8 X 110		2	
6	900 385 174 01	Outer hexagon round screw BM 8 X 125		2	
7	982 199 131 B	Hydraulic mount Engine		2	
8	N 106 999 01	Hexagon-head bolt M 10 X 45		4	
9	N 908 484 05	Hexagon nut M 12 X 1,5		2	
10	982 399 467 A	Vacuum line Engine mounting		1	
11	999 651 365 01	Cable clamp 6,0		2	
12	999 651 366 01	Cable clamp 8,0		1	
13	982 399 475	Vacuum line		1	
14	7PP 906 270	Change-over valve		1	
15	9A2 101 477 00	Engine carrier		1	
16	900 385 121 01	Outer hexagon round screw BM 8 X 75		2	
17	900 385 045 01	Torx screw BM 6 X 40		2	

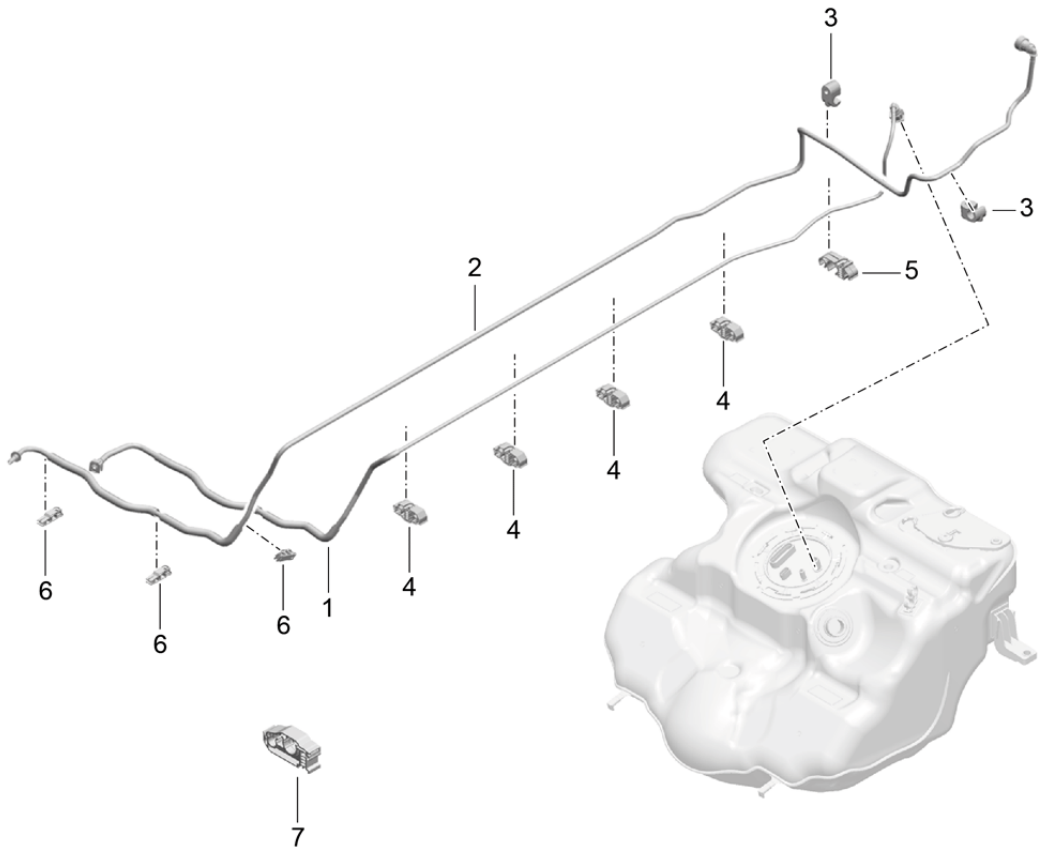
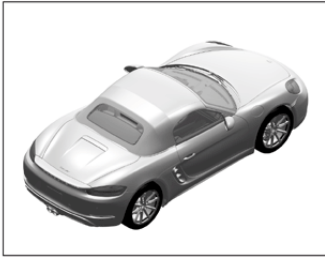
Model: 982-17

Model life 2017>>

Pos	Part Number	Description	Remark	Qty	Model
1	991 620 831 00	Fuel tank Fuel pump Tank gauge		1	
2	991 201 623 00	Fuel tank Union nut		1	
3	9P1 201 194	Flange		1	
4	991 201 733 01	Sealing ring		1	
5	9P1 919 087	Fuel pump with Filter		1	
6	1K0 201 557 A	Sealing ring		1	
7	991 201 021 04	Fuel tank	/LL	1	I085/098
(7)	991 201 022 04	Fuel tank	/RL	1	I085/099
(7)	982 201 021	Fuel tank	/LL	1	I084/098
(7)	982 201 022	Fuel tank	/RL	1	I084/099
8	9P1 201 975	Protective plate		1	I098
(8)	9P1 201 975 A	Protective plate		1	I099
9		Restraining strap To Use Auxiliary support 991.504.233.02		1	
10	N 911 591 01	Combination screw M 8 X 40		2	
11	991 201 044 06	Filler neck		1	-I664
12	N 910 967 02	Round head screw M 6 X 16		2	
13	991 201 812 00	Hose		1	
14	999 512 748 01	Clamp		2	
15	991 201 241 01	Fuel tank cap with Retaining strap		1	-IXYB
(15)	000 044 001 90	Fuel tank cap Aluminium with Retaining strap		1	IXYB
16	000 043 209 02	Additive Fuel 100 ML		X	

Model: 982-17

Model life 2017>>



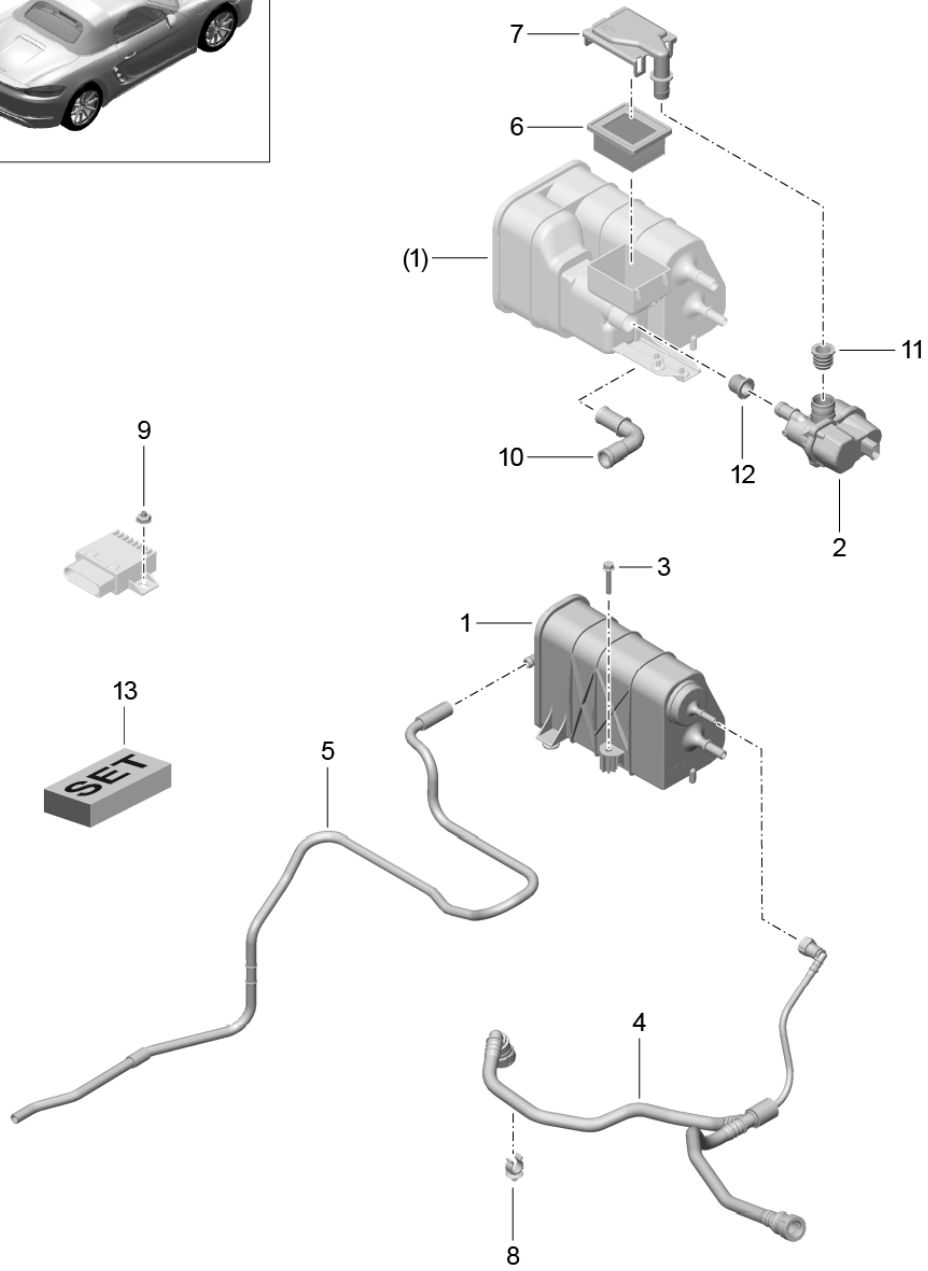
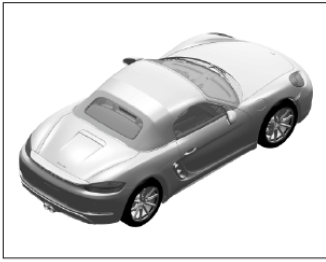
Model: 982-17

Model life 2017>>

Pos	Part Number	Description	Remark	Qty	Model
1	9P2 201 203	Fuel system Front Fuel line Pressure line Front		1	
2	9P2 201 850	Purge-air line Front		1	
3	999 651 416 40	Cable holder 12,0		2	
4	999 507 269 40	Cable holder 8,0 / 12,0		4	
5	999 507 273 40	Cable holder 8,0 / 16,0 / 10,0		1	
6	999 507 917 40	Cable holder 5,0/10,0/12		3	
7	982 127 585	Hose holder Fuel line		1	

Model: 982-17

Model life 2017>>



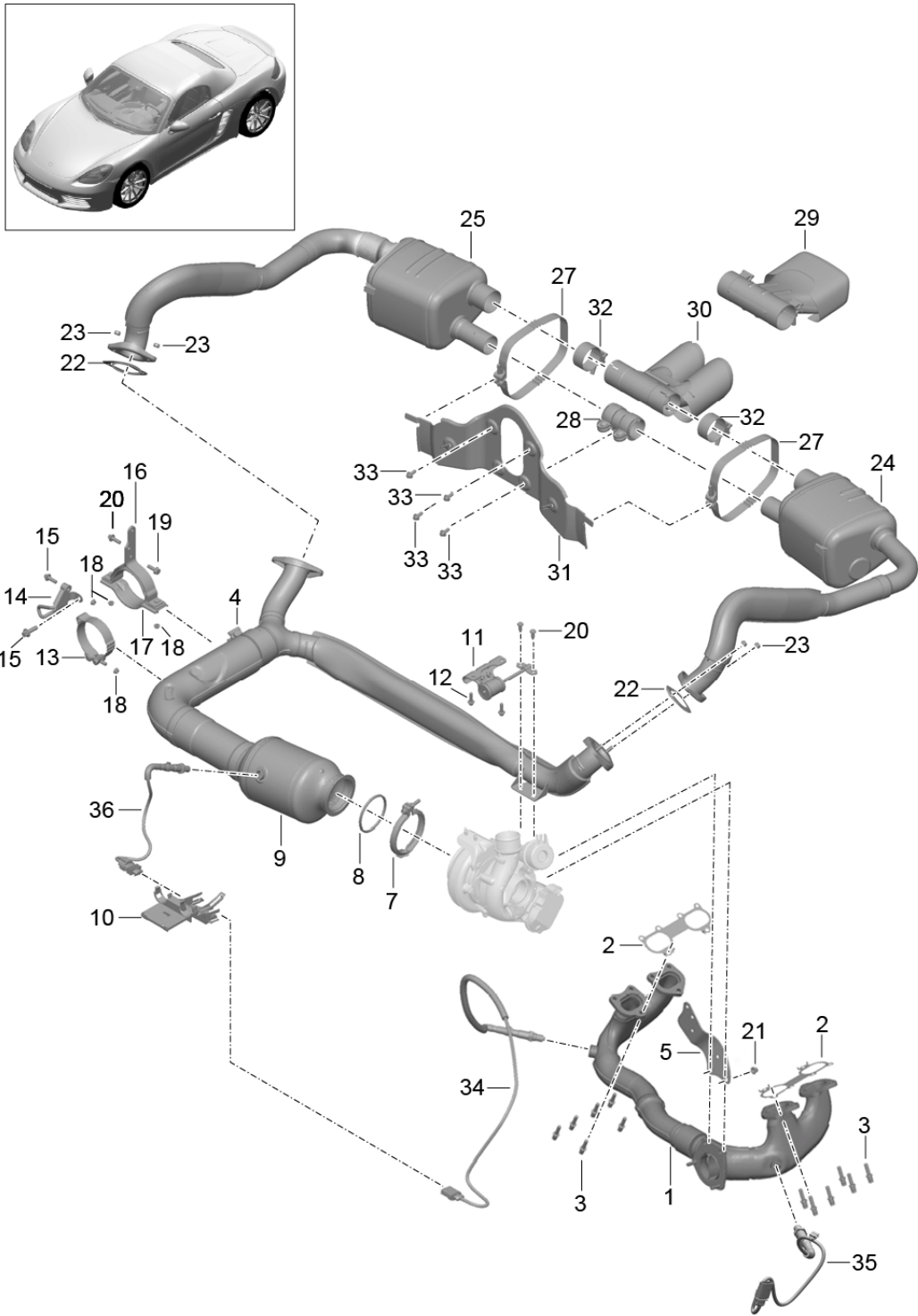
Model: 982-17

Model life 2017>>

Pos	Part Number	Description	Remark	Qty	Model
1	991 201 221 02	Carbon canister		1	-I664
3	900 378 115 01	Carbon canister		1	
		Hexagon-head bolt			
		M 6 X 35			
4	991 201 251 00	Vent line		1	-I664/I098
		Fuel tank			
(4)	991 201 251 04	Vent line		1	I099
		Fuel tank			
5	991 201 361 03	Purge-air line		1	-I664/I098
		Carbon canister			
(5)	991 201 361 05	Purge-air line		1	I099
		Carbon canister			
8	999 507 280 40	Cable holder		1	I099
		16,0			

Model: 982-17

Model life 2017>>



Model: 982-17 Model life 2017>>

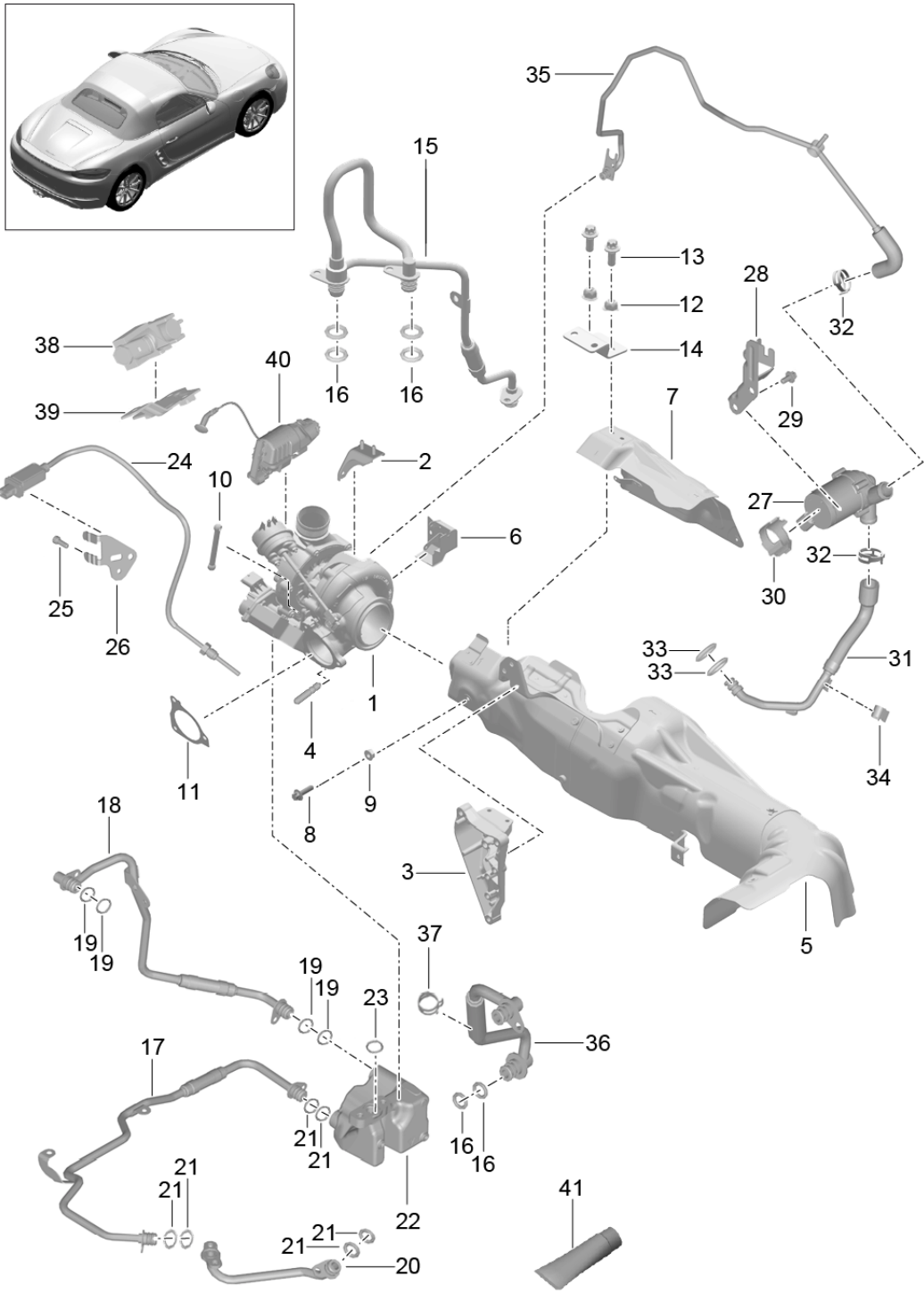
Pos	Part Number	Description	Remark	Qty	Model
		Exhaust system			
		Main exhaust muffler			
		Catalytic converter			
1	982 251 203 C	Exhaust manifold		1	
2	982 251 235 A	Gasket		2	
		Exhaust manifold			
3	999 073 589 01	Outer hexagon round screw		12	
		Exhaust manifold			
		M8X27			
4	982 253 143	Clip		1	
		Cross tube			
5	982 251 305 C	Support		1	
		Catalytic converter			
7	982 251 616	Clip		1	
		Turbocharger			
8	5Q0 253 115 B	Gasket		1	
9	982 254 400 H	Catalytic converter		1	MDD.NC
9	982 254 400 HX	Catalytic converter		1	MDD.NC
(9)	982 254 400 G	Catalytic converter		1	MDD.PA/PB
(9)	982 254 400 GX	Catalytic converter		1	MDD.PA/PB
10	982 971 845 A	Support		1	
		Oxygen sensor			
11	982 251 344 A	Support		1	
12	900 385 001 01	Torx screw		2	
		M8X20			
12	900 378 131 00	Hexagon-head bolt		2	
		M8X28			
13	982 251 571 C	Clamp		1	
14	982 251 347 C	Support		1	
		Use			
		with			
		900.385.042.01			
(14)	982 251 347 D	Support		1	
		Use			
		with			
		900.385.001.02			
15	900 385 042 01	Torx screw		4	
		M8X35			
		Use			
		with			
		982.251.347.C			
(15)	900 385 001 02	Torx screw		4	
		M8X20			
		Use			
		with			
		982.251.347.D			
16	982 251 348 C	Retaining frame		1	
17	982 251 348 D	Support		1	
		Upper part			
18	999 084 457 01	Hexagon nut		4	
		M 8			
18	999 084 642 02	Hexagon nut		4	
		M 8			
19	900 378 022 01	Hexagon-head bolt		1	
		M 8 X 25			
20	900 385 098 01	Torx screw		5	
		M 8 X 25			
21	999 084 642 02	Hexagon nut		7	
		M8			
22	982 251 263	Gasket		2	
23	900 910 003 03	Hexagon nut		4	
24	982 251 051 D	Main exhaust muffler	/L	1	-IXLF/-IXLX
		Left			

Model: 982-17 Model life 2017>>

Pos	Part Number	Description	Remark	Qty	Model
25	982 251 052 E	Main exhaust muffler Right	/R	1	-IXLF/-IXLX
27	982 251 571 E	Clamp		2	
28	981 111 280 00	Clamp		1	
29	982 251 187 K	Tail pipe		1	-IXLF/-IXLS -IXLW/-IXLX I008
30	982 251 187 H	Silver Tail pipe		1	-IXLF/-IXLS -IXLW/-IXLX I009
(30)	982 251 187 J	Silver Tail pipe		1	-IXLF/-IXLX IXLW
(30)	982 251 187 L	Black Tail pipe		1	-IXLF/-IXLX IXLS
31	982 251 225 E	Silver Support Muffler		1	I480
(31)	982 251 225 D	Support Muffler		1	I250
32	981 111 240 00	Clamp Tail pipe		2	
33	900 385 001 02	Torx screw M8X20		4	I480
(33)	900 385 274 01	Torx screw M8X25		4	I250
34	9A2 606 183 01	Oxygen sensor Pre-catalytic converter Right	/R	1	
35	9A2 606 182 00	Oxygen sensor Pre-catalytic converter Left	/L	1	
36	9A2 606 193 00	Oxygen sensor After Catalytic converter		1	

Model: 982-17

Model life 2017>>



Model: 982-17

Model life 2017>>

Pos	Part Number	Description	Remark	Qty	Model
		Turbocharger with Heat protection Oil pipe Water line			
1	9A2 123 021 01	Turbocharger		1	MDD.PA/PB
1	9A2 123 021 02	Turbocharger D >> 15.07.2016		1	MDD.PA/PB
1	9A2 123 021 03	Turbocharger D 18.07.2016>> 18.03.2017		1	MDD.PA/PB
1	9A2 123 021 04	Turbocharger D 20.03.2017>>		1	MDD.PA/PB
1	9A2 123 022 02	Turbocharger		1	MDD.NC -I011
(1)	9A2 123 022 03	Turbocharger D >> 26.09.2016		1	MDD.NC -I011
(1)	9A2 123 022 04	Turbocharger D 27.09.2016>>		1	MDD.NC -I011
2	9A2 123 320 00	Bracket Turbocharger		1	MDD.PA/PB
(2)	9A2 123 321 00	Bracket Turbocharger		1	MDD.NC
3	9A2 123 323 00	Bracket Turbocharger		1	
4	999 061 409 01	Stud M 8 X 28		1	
5	9A2 123 205 01	Heat shield Turbocharger		1	
6	9A2 123 222 00	Heat shield Turbocharger		1	MDD.NC
7	9A2 123 206 01	Heat shield Turbocharger		1	
7	9A2 123 206 02	Heat shield Turbocharger		1	
8	900 385 114 01	Torx screw BM 8 X 25		2	
9	900 377 018 09	Hexagon nut M 6		1	
10	9A2 123 122 00	Connecting rod		1	
11	9A2 123 420 00	Gasket Turbocharger		1	
12	999 084 642 02	Hexagon nut M 8		5	
13	900 385 001 02	Torx screw M 8 X 20		2	
14	9A2 123 325 00	Filler plate Turbocharger		1	
15	9A2 107 220 01	Pressure line Turbocharger		1	
16	999 707 692 40	O-ring 10,00 X 3,00		2	
17	9A2 107 320 02	Intake pipe Turbocharger		1	
18	9A2 107 326 01	Vent line Turbocharger		1	
19	999 707 612 42	O-ring 12,00 X 2,50		12	
20	9A2 107 315 00	Intake pipe Oil pump		1	
21	999 707 612 41	O-ring 12,00 X 2,50		6	

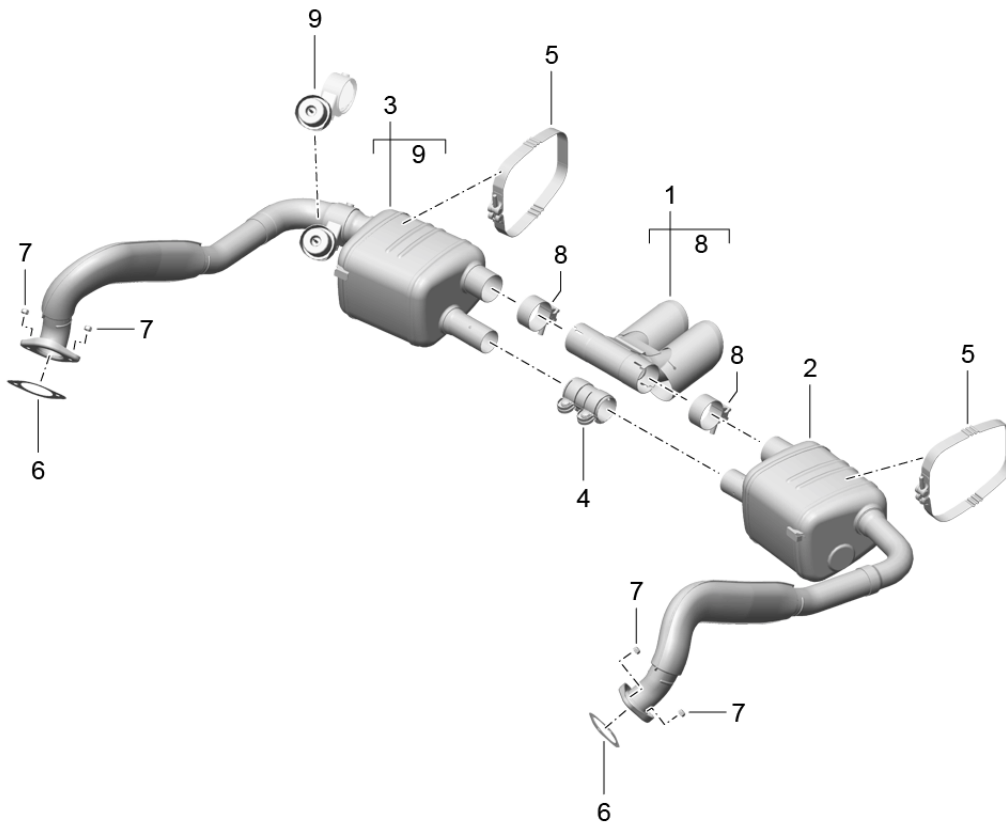
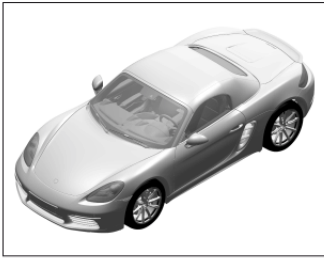
Model: 982-17

Model life 2017>>

Pos	Part Number	Description	Remark	Qty	Model
22	9A2 107 322 20	Oil collection container		1	
23	999 707 387 40	O-ring 15,00 X 2,50		1	
24	9A2 606 260 00	Temperature sensor Turbocharger		1	MDD.NC
25	N 105 464 03	Pan-head screw M 6 X 16		2	
26	9A2 606 150 01	Support Temperature sensor		1	MDD.NC
27	9A2 620 251 00	Water pump Turbocharger		1	
28	9A2 106 632 00	Support Water pump		1	
29	900 385 041 01	Torx screw BM 6 X 12		7	
30	9A2 106 201 70	Support ring Water pump		1	
31	9A2 106 618 31	Water line Turbocharger Supply		1	
32	999 512 658 09	Hose clamp B 27 X 12		4	
33	999 707 688 40	O-ring 13,00 X 3,00		2	
34	999 651 407 01	Cable clamp 12,0 - 14,0		1	
35	9A2 106 075 01	Water line Turbocharger Supply		1	
36	9A2 106 077 00	Water line Turbocharger Return line		1	
37	999 512 686 09	Hose clamp B 17 X 12		2	
38	946 605 155 00	Pressure converter		1	
39	9A2 606 165 00	Support Pressure converter		1	-I011
40	9A1 605 318 00	Adjusting motor Turbocharger		1	
41	000 043 206 95	Grease MICROGLEIT LP475 10GR		X	

Model: 982-17

Model life 2017>>



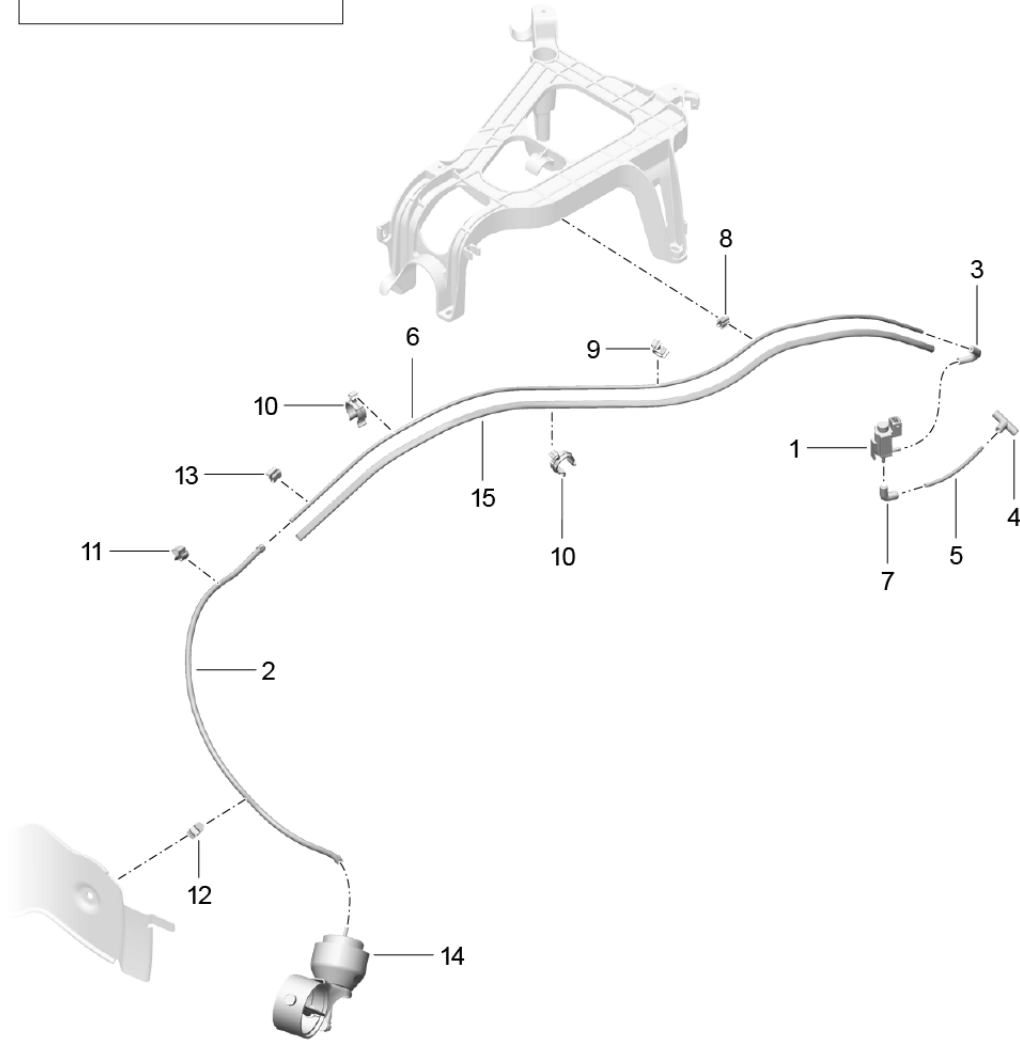
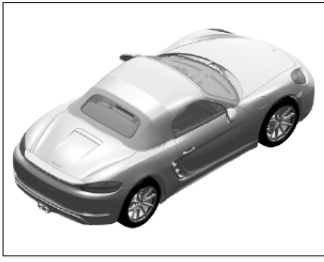
Model: 982-17

Model life 2017>>

Pos	Part Number	Description	Remark	Qty	Model
1	982 251 187 L	Exhaust system Sport Tail pipe		1	IXLF/XLX -IXLS/-IXLW IXLF
(1)	982 251 187 J	Silver Tail pipe		1	-IXLS/-IXLW IXLX
2	982 251 051 C	Black Main exhaust muffler Left	/L	1	IXLF/XLX
3	982 251 052 C	Main exhaust muffler Right	/R	1	IXLF/XLX
4	981 111 280 00	Clamp		1	
5	982 251 571 E	Clamp Main exhaust muffler		2	
6	982 251 263	Gasket		2	
7	900 910 003 03	Hexagon nut M 8		4	
8	981 111 240 00	Clamp Tail pipe		2	
9		Vacuum unit See illustrations 2/02/15		1	

Model: 982-17

Model life 2017>>



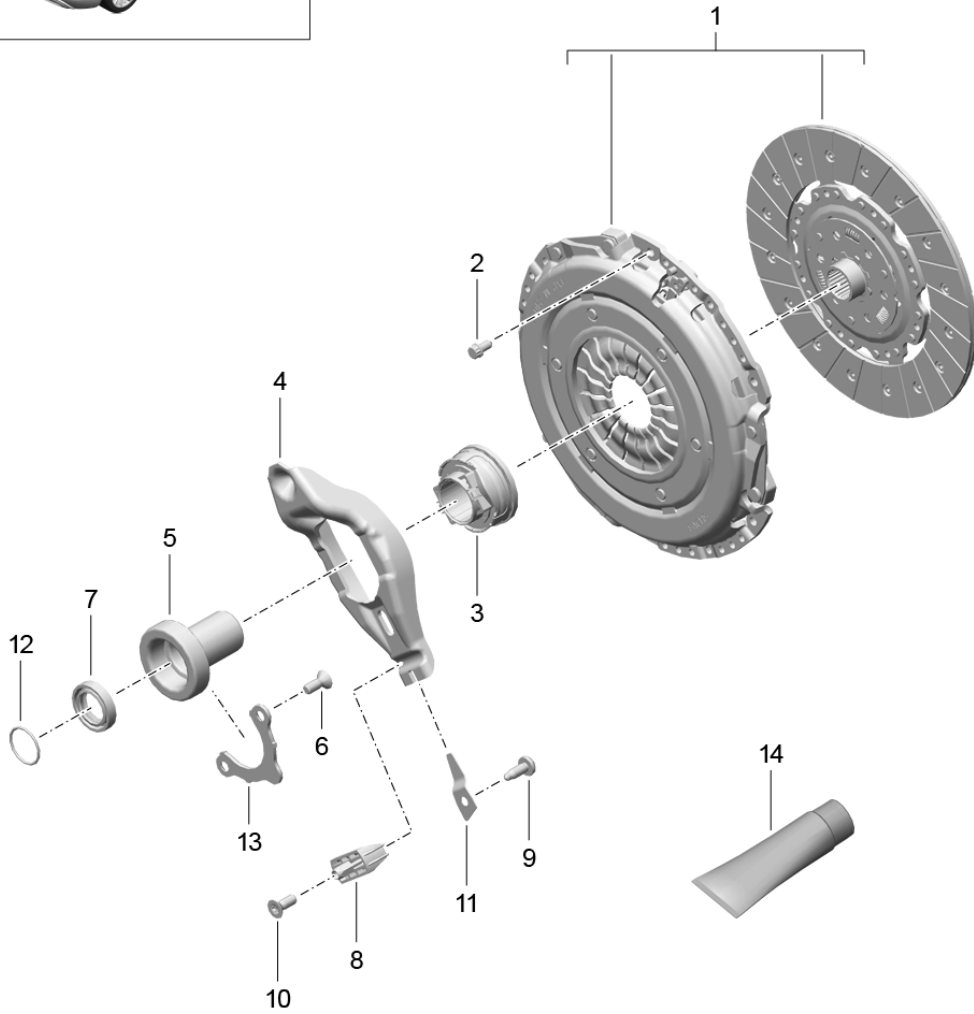
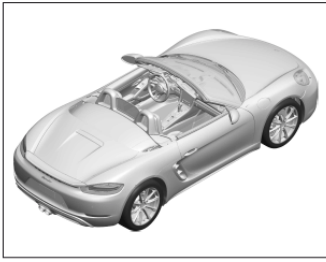
Model: 982-17

Model life 2017>>

Pos	Part Number	Description	Remark	Qty	Model
		Exhaust system Sport Control			IXLF/XLX
1	7PP 906 270	Change-over valve		1	
2	991 111 495 00	Vacuum hose with Clamp		1	
3	928 574 717 07	Moulded hose		1	
3	9P1 129 487	Moulded hose		1	
4	06E 133 794	T-piece		1	
-	900 918 005 40	Pipe		X	
		Vacuum line 5,0 X 1,0			
5		Vacuum line L = 110MM		1	
6		Vacuum line L = 980MM		1	
7	9A1 110 666 00	Connecting piece		1	
8	999 651 401 01	Cable clamp 6,00		1	
9	999 507 821 40	Line bracket 4,30 / 11,00		1	
10	999 591 820 40	Support 4,30 / 25,0		2	I480
10		Support 4,30 / 25,0		1	I250
11	3D0 971 939 B	Cable terminal 6,00 - 9,00		1	I480
11		Cable terminal 6,00 - 9,00		2	I250
12	999 651 360 01	Cable clamp 6,00		1	
13	811 971 848 B	Retaining clip		1	
14		Vacuum unit Not available		2	
15	999 181 327 40	Protective tube 5,0 X 980		1	

Model: 982-17

Model life 2017>>



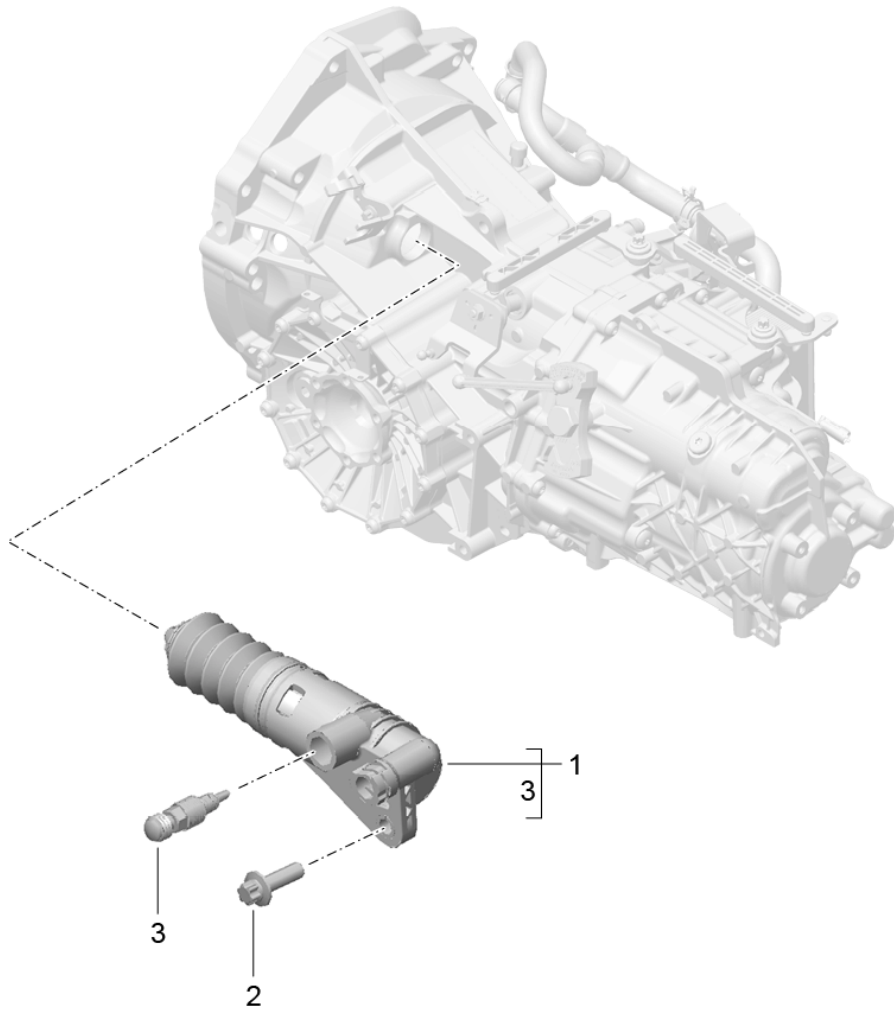
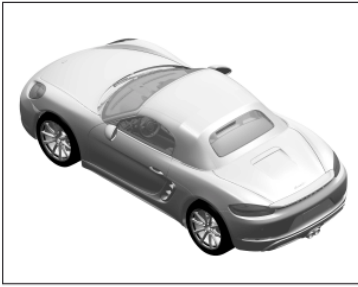
Model: 982-17

Model life 2017>>

Pos	Part Number	Description	Remark	Qty	Model
		Clutch			G82.00 G82.20
1	982 141 015	Clutch Set		1	
2	999 074 151 01	12 point socket BM 7 X 16		6	
3	012 141 165 E	Clutch release bearing		1	
4	982 141 719	Clutch release lever		1	
5	0A2 141 181	Guide sleeve		1	
6	999 073 320 02	Hexagon-head bolt M 8 X 22		2	
7	016 311 113 C	Radial shaft seal		1	
8	01E 141 751 A	Intermediate piece		1	
9	999 073 319 02	Round head screw M 8 X 20,5		1	
10	999 073 320 02	Hexagon-head bolt M 8 X 20,5		2	
11	01E 141 721 A	Leaf spring		1	
12	0A2 311 091 A	O-ring		1	
13	0A2 141 179	Retaining bracket		1	
14	000 043 304 02	Grease Container 50 GR.		1	

Model: 982-17

Model life 2017>>



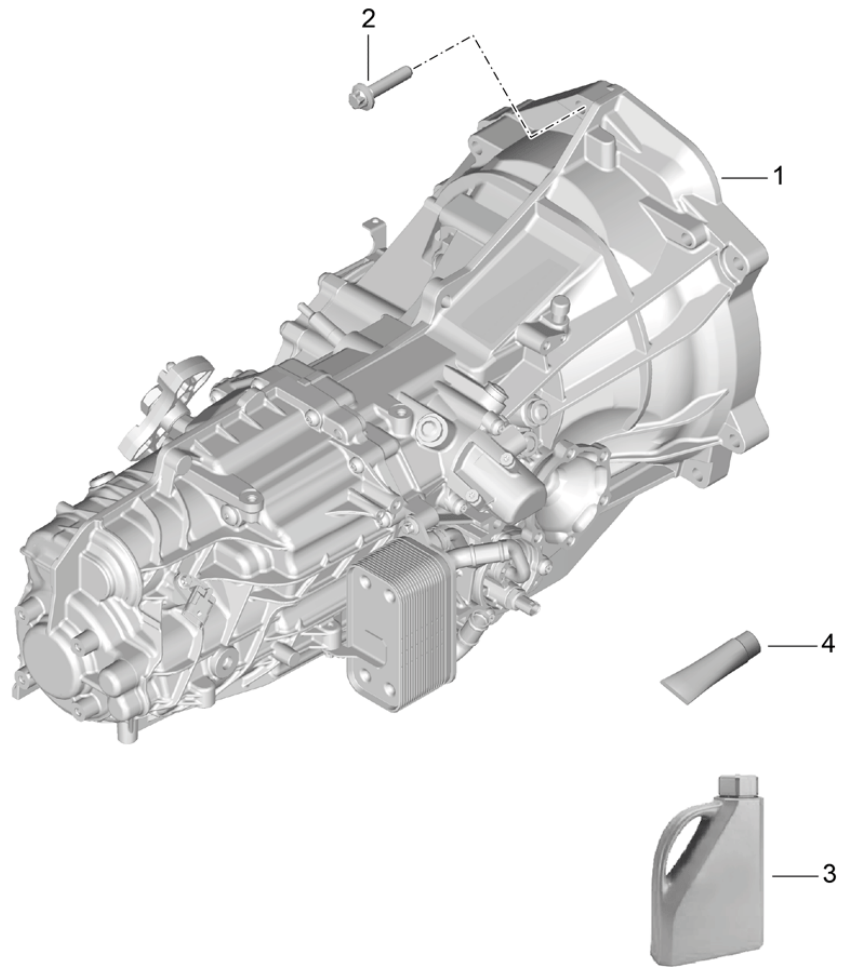
Model: 982-17

Model life 2017>>

Pos	Part Number	Description	Remark	Qty	Model
1	981 116 237 01	Clutch release		1	G82.00
2	900 385 098 01	Clutch operating cylinder		1	G82.20
		Slave cylinder			
		Torx screw		1	
		BM 8 X 25			
3		Bleeder		1	
		To			
		Use			
		Clutch operating cylinder			

Model: 982-17

Model life 2017>>



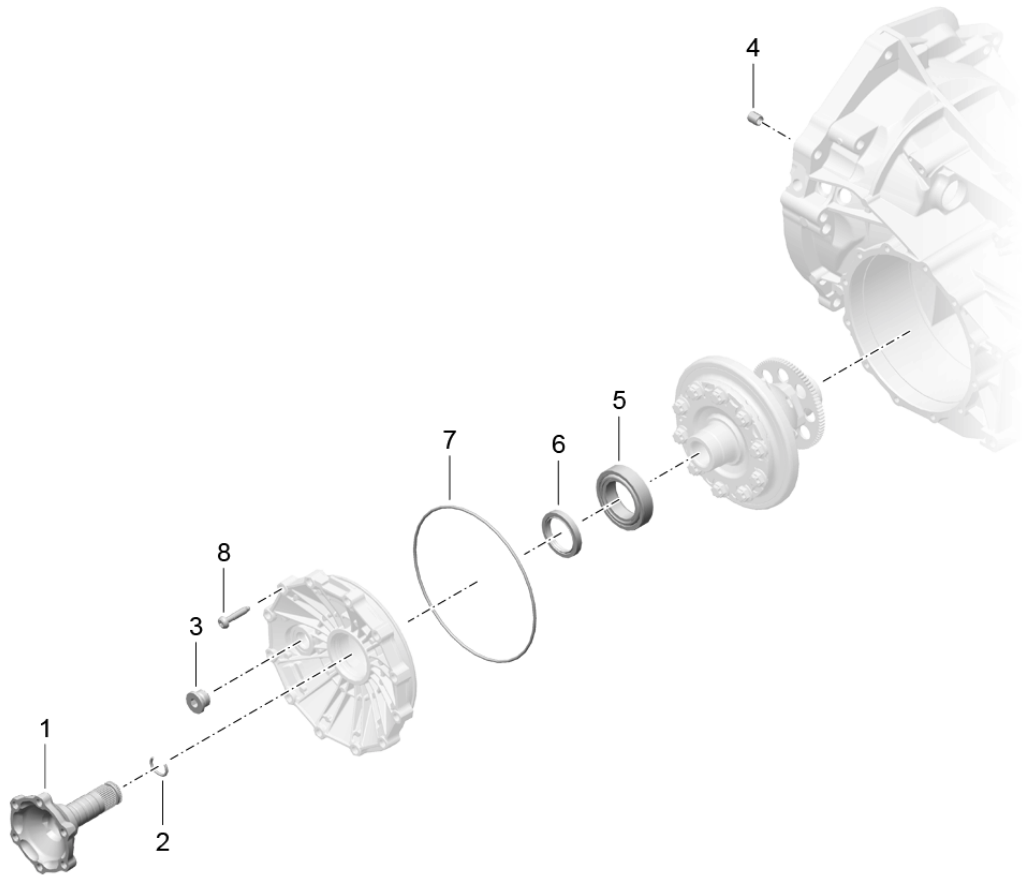
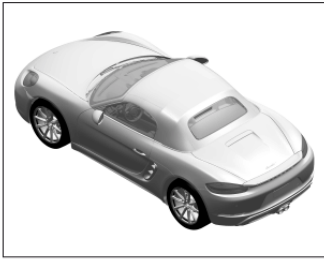
Model: 982-17

Model life 2017>>

Pos	Part Number	Description	Remark	Qty	Model
1	982 300 041	Manual transmission Replacement transmission Transmission		1	G82.00 G82.20 G82.00 I219
1	982 300 041 X	Transmission		1	G82.00 I219
1	982 300 041 A	Transmission		1	G82.00 I219
1	982 300 041 AX	Transmission		1	G82.00 I219
(1)	982 300 042	Transmission		1	G82.00 I220
(1)	982 300 042 X	Transmission		1	G82.00 I220
(1)	982 300 042 A	Transmission		1	G82.00 I220
(1)	982 300 042 AX	Transmission		1	G82.00 I220
(1)	982 300 051	Transmission		1	G82.20 I219
(1)	982 300 051 X	Transmission		1	G82.20 I219
(1)	982 300 051 A	Transmission		1	G82.20 I219
(1)	982 300 051 AX	Transmission		1	G82.20 I219
(1)	982 300 052	Transmission		1	G82.20 I220
(1)	982 300 052 X	Transmission		1	G82.20 I220
(1)	982 300 052 A	Transmission		1	G82.20 I220
(1)	982 300 052 AX	Transmission		1	G82.20 I220
2	999 385 009 01	Outer hexagon round screw BM 12 X 1,5 X 55		6	
3	000 043 204 19	Transmission oil 20 LITER Container		X	
4	000 043 024 00	Extreme-pressure grease for Shaft 1 tube 80 GR.		X	

Model: 982-17

Model life 2017>>



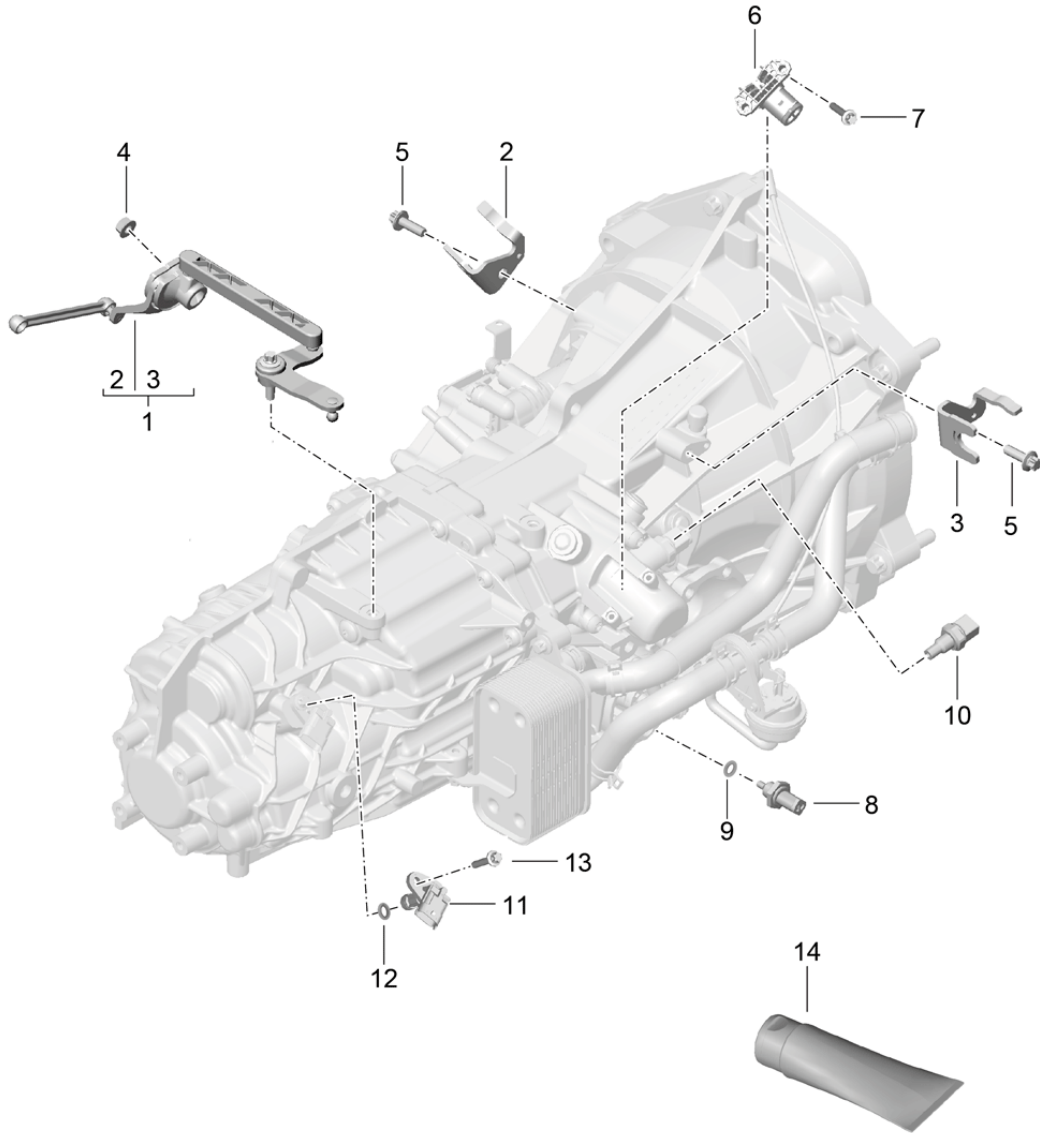
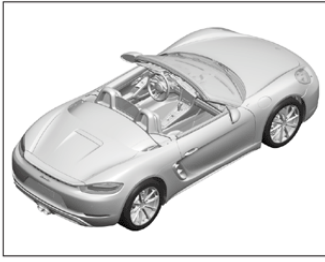
Model: 982-17

Model life 2017>>

Pos	Part Number	Description	Remark	Qty	Model
		Manual transmission			G82.00
		Single parts			G82.20
		Limited-slip differential			
		Joint flange			
1	981 332 209 40	Joint flange		2	G82.00
(1)	982 307 161	Joint flange		2	G82.20
2	012 409 413	Circlip		2	
3	981 301 813 00	Screw plug M18 X 1,5 X 12		1	
4	999 203 003 00	Bearing sleeve 16 X 22 X 20		6	
5	01X 409 123	Taper roller bearing		2	
6	016 409 399 B	Radial shaft seal		2	
		Joint flange			
7	999 701 497 40	O-ring 194,00 X 3,50		1	
8	999 073 368 01	Torx screw M 8 X 42		10	

Model: 982-17

Model life 2017>>



Model: 982-17

Model life 2017>>

Pos	Part Number	Description	Remark	Qty	Model
		Manual transmission			G82.00
		Single parts			G82.20
1		Sensor		1	
		Reverse lever			
		See illustrations			
		7/01/00			
2		Support		1	
		See illustrations			
		7/01/00			
3		Support		1	
		See illustrations			
		7/01/00			
4	900 377 003 03	Hexagon nut		1	
		M 8			
5	900 385 098 01	Torx screw		2	
		BM 8 X 25			
6	981 606 303 00	Sensor		1	
		Neutral			
		Speed			
7	981 606 801 00	Pan-head screw		2	
		M 6 X 18			
8	981 606 420 00	Sensor		1	
		Temperature sensor			
9	900 123 111 20	Sealing ring		1	
		A 14 X 20			
10	01E 941 521 B	Switch		1	
		Back-up light			
11	7PP 905 381 B	Inductive transmitter		1	
		Speed sensor			
12	981 606 805 00	O-ring		1	
		14,4 X 1,98			
13	981 606 803 00	Round head screw		1	
		M 6 X 14			
14	000 043 209 23	Grease		X	
		LIQUI MOLY			
		PU 53 / WDR			
		50 GR.			

Model: 982-17

Model life 2017>>



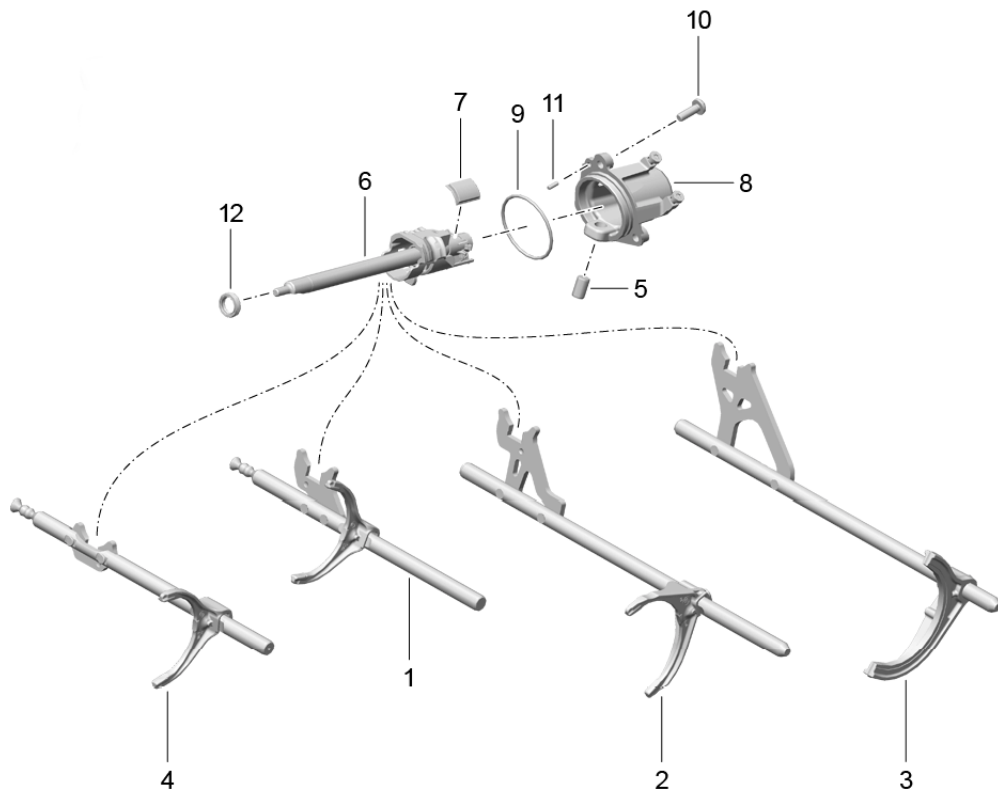
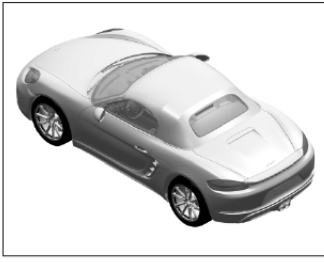
Model: 982-17

Model life 2017>>

Pos	Part Number	Description	Remark	Qty	Model
		Manual transmission Single parts Gears and shafts			G82.00 G82.20

Model: 982-17

Model life 2017>>



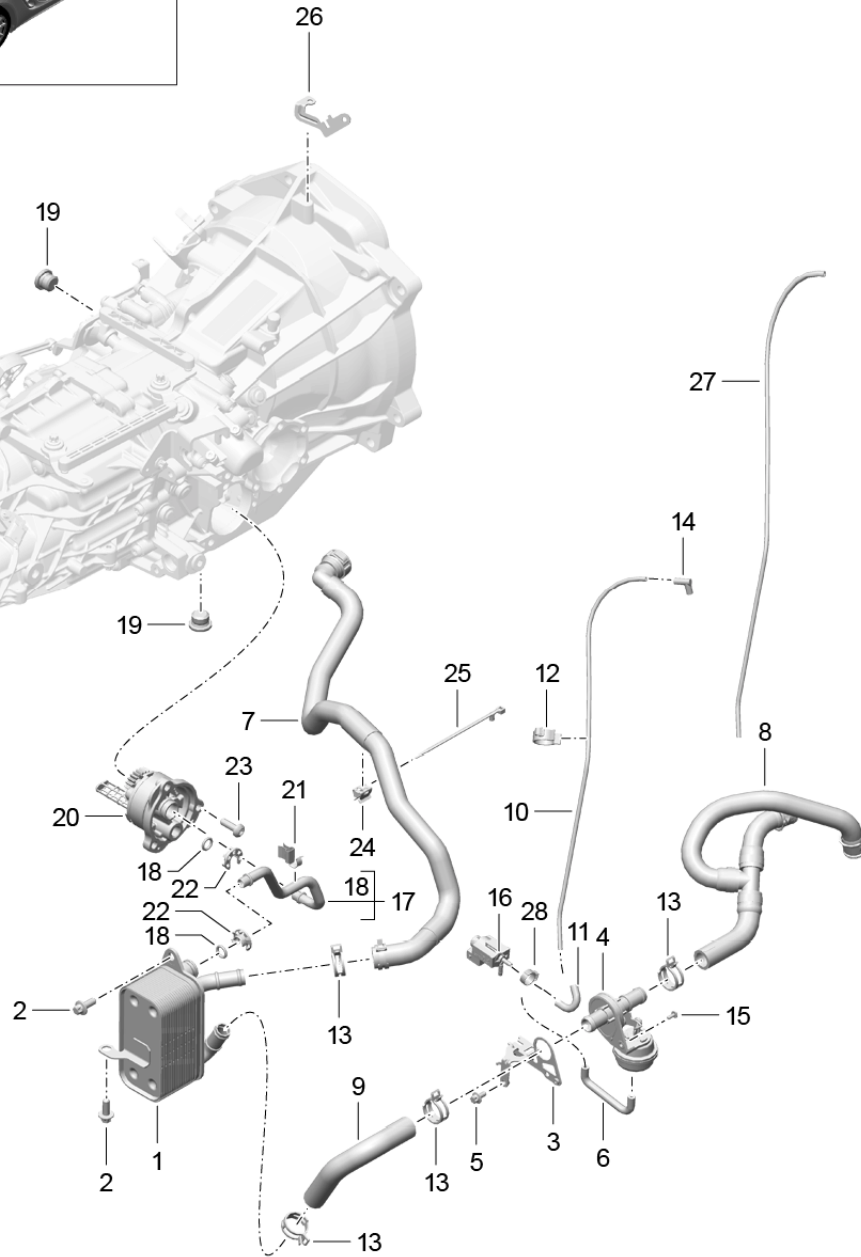
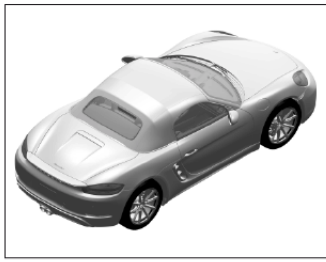
Model: 982-17

Model life 2017>>

Pos	Part Number	Description	Remark	Qty	Model
		Manual transmission			G82.00
		Shift mechanism			G82.20
		Shift rods			
1	981 303 010 00	Gear shift rod		1	
		1st / 2nd gear			
2	981 303 013 00	Gear shift rod		1	
		3rd/4th gear			
3	981 303 015 00	Gear shift rod		1	
		5th and 6th gear			
4	9A7 311 558 00	Gear shift rod		1	
		Reverse gear			
5	981 303 283 00	Sleeve		1	
6	981 303 121 01	Shift rod		1	
7	981 303 321 00	Magnet		1	
8	981 301 063 00	Lid		1	
		Shift rod			
9	010 409 580	O-ring		1	
		Lid			
10	981 307 850 00	Round head screw		3	
11	981 301 801 00	Straight pin		1	
		Lid			
12	012 301 457 B	Shaft sealing ring		1	

Model: 982-17

Model life 2017>>



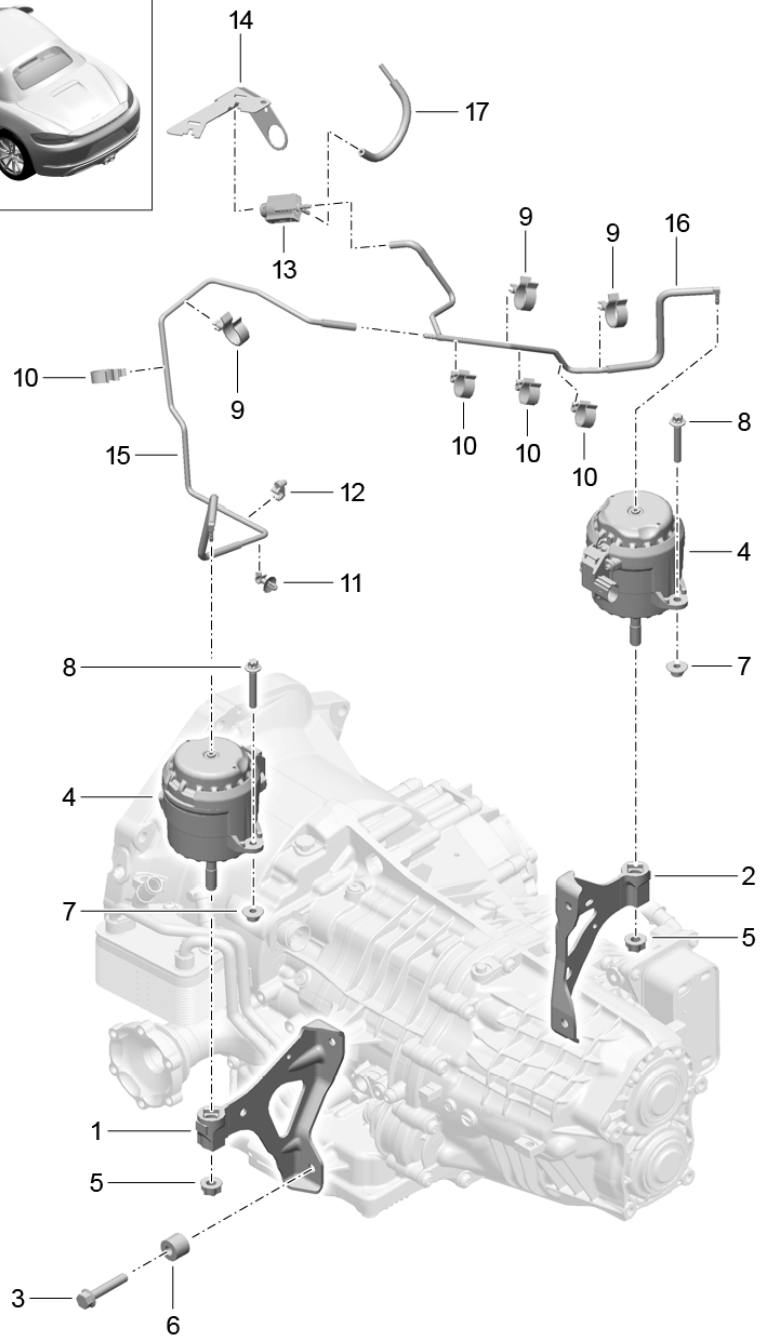
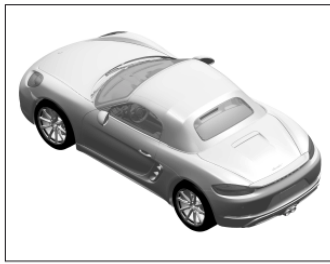
Model: 982-17

Model life 2017>>

Pos	Part Number	Description	Remark	Qty	Model
		Manual transmission			G82.00
		Heat exchanger			G82.20
		Oil tube			
		Water tube			
1	981 307 017 00	Heat exchanger		1	
2	981 307 821 00	Round head screw		3	
		M 8 X 20			
3	981 307 401 00	Support		1	
		Disc valve			
4	991 307 573 00	Disc valve		1	
5	900 385 041 01	Torx screw		2	
		M 6 X 12			
6	9G1 307 673 00	Moulded hose		1	
7	982 317 030 C	Water line		1	
		Coolant			
		Return line			
8	981 307 074 02	Water line		1	
		Coolant			
		Supply			
9	981 307 075 00	Water hose		1	
		Coolant			
		Supply			
-	000 043 205 01	Pipe		*	
		4,0 X 1,0			
		It is necessary to rework			
		Shorten			
10		Vacuum line		1	
		L = 400 MM			
11	928 574 717 07	Moulded hose		1	
11	9P1 129 487	Moulded hose		1	
12	999 507 872 40	Support		1	
13	999 512 589 09	Hose clamp		1	
		25 X 12			
14	948 110 126 00	Connecting piece		1	
15	N 910 682 01	Round head screw		1	
		M 4 X 10			
16	7PP 906 270	Change-over valve		1	
17	981 307 053 00	Line		1	
18	981 307 853 00	O-ring		2	
19	N 910 597 01	Screw plug		2	
20	981 307 023 00	Oil pump		1	
21	981 307 815 00	Clip		1	
22	981 307 825 00	Support		1	
23	981 307 850 00	Round head screw		3	
24	999 591 402 01	Clamp		1	
		9,00			
25	999 513 003 40	Tie-wrap		1	
		3,5 - 102			
26	982 317 359	Support		1	
		Change-over valve			
-	900 918 005 40	Pipe		X	
		5,0 X 1,0			
		It is necessary to rework			
		Shorten			
27		Vacuum line		1	
		L=485 MM			
28	N 102 035 01	Clip		1	
		11,3 X 0,5			

Model: 982-17

Model life 2017>>



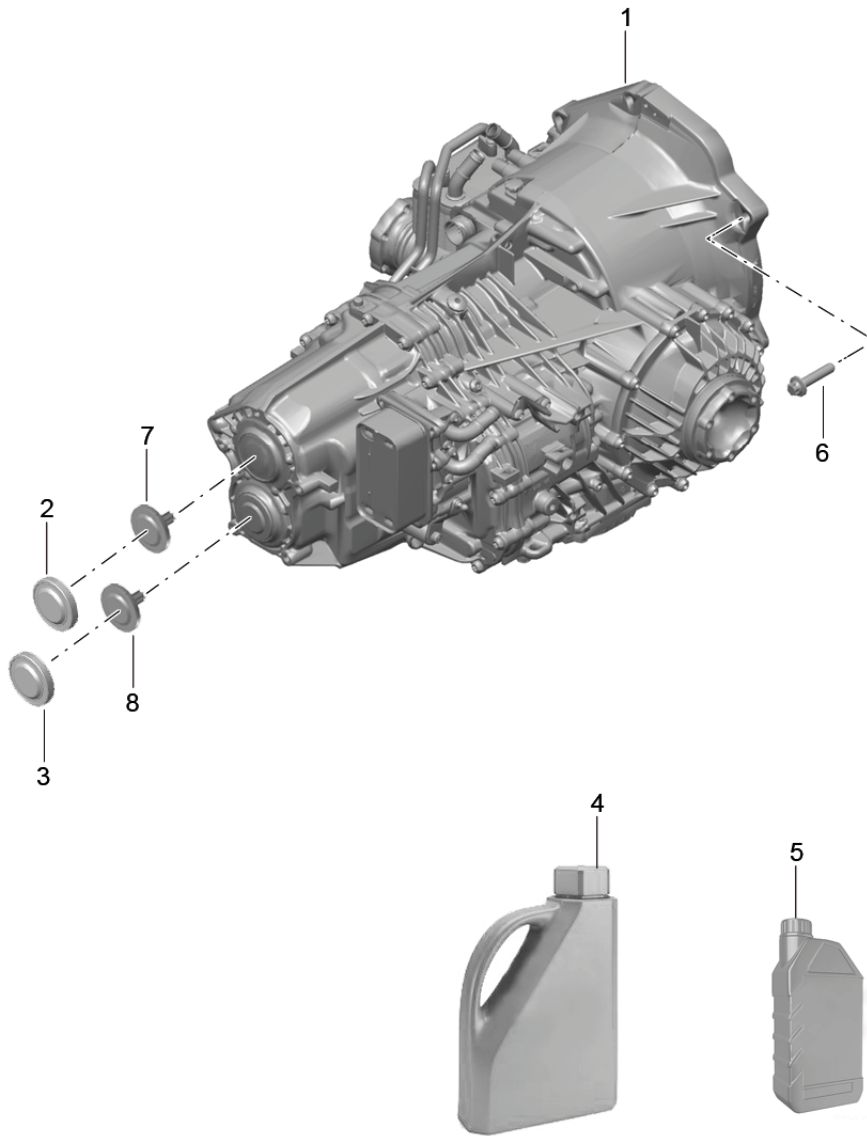
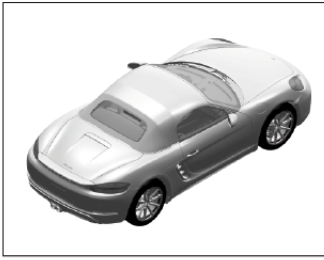
Model: 982-17

Model life 2017>>

Pos	Part Number	Description	Remark	Qty	Model
		Transmission suspension Threaded joint Engine			
1	981 375 195 01	Bracket Left	/L	1	I250
(1)	981 375 181 00	Bracket Left	/L	1	I480
2	981 375 196 01	Bracket Right	/R	1	I250
(2)	981 375 182 00	Bracket Right	/R	1	I480
3	900 378 249 01	Hexagon-head bolt AM 10 X 55		4	I480
(3)	900 378 338 01	Combination screw AM 10 X 30		4	I250
4	982 399 202 A	Hydraulic mount		2	I140
(4)	982 399 201 A	Hydraulic mount		2	-I140
5	999 086 009 02	Nut M 12 X 1,5		2	
6	999 209 118 30	Spacer sleeve 10,2 X 7,4		4	I480
7	999 084 447 01	Hexagon nut M 8		4	
8	900 385 071 01	Torx screw M 8 X 50		4	
9	N 102 448 01	Support		3	I140/480
10	N 102 992 01	Support		4	I140/250
11	N 103 314 01	Support		1	I140/250
12	999 507 586 40	Cable holder		1	I140/480
13	7PP 906 270	Change-over valve		1	-I140
13		Change-over valve		2	I140
14	9G2 307 409 00	Support Change-over valve		1	
15	982 399 465 B	Vacuum line		1	I140/480
(15)	982 399 465 C	Vacuum line		1	I140/250
16	982 399 469 B	Vacuum line		1	I140/480
(16)	982 399 469 C	Vacuum line		1	I140/250
17	982 399 471 B	Vacuum line		1	I140

Model: 982-17

Model life 2017>>



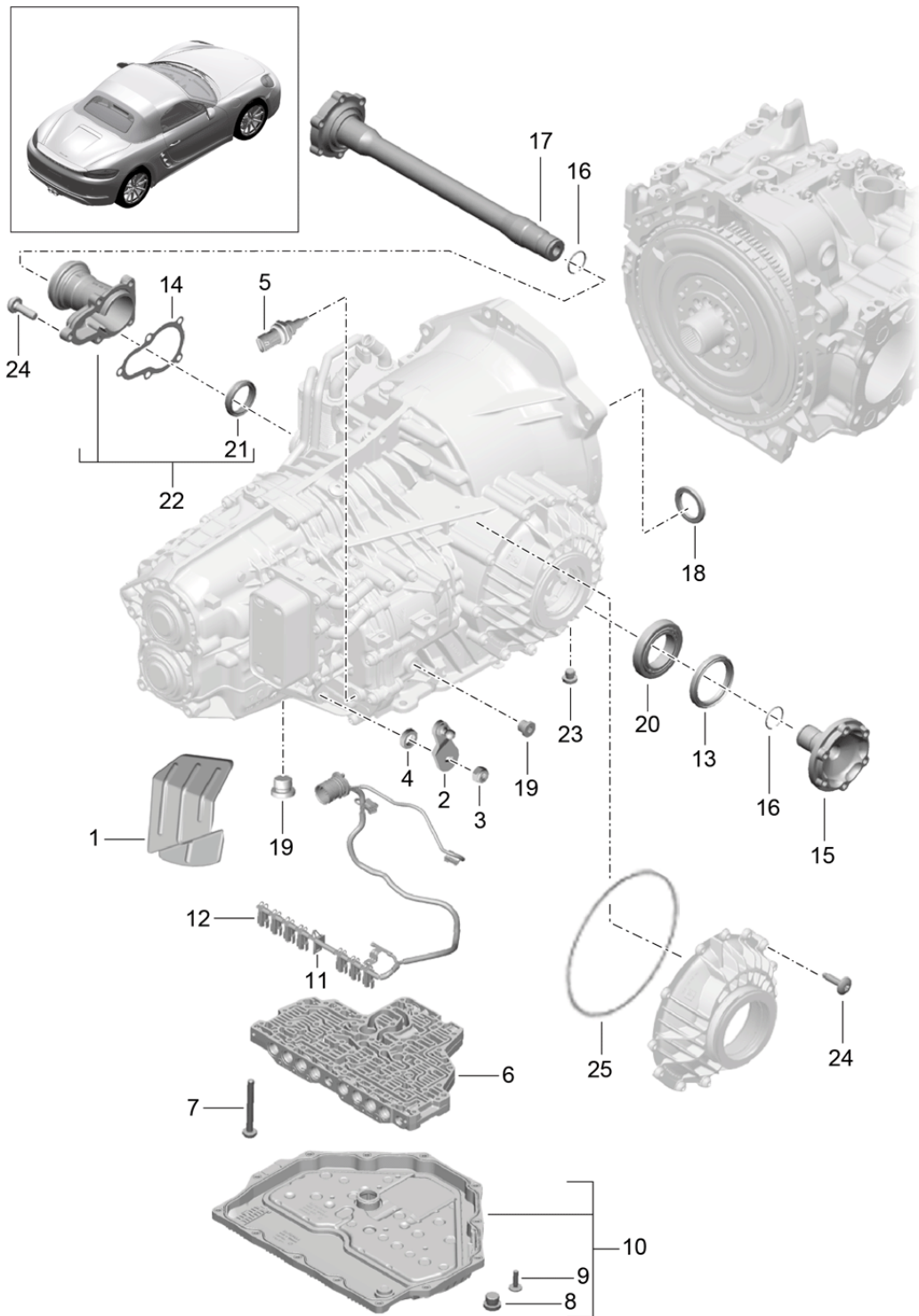
Model: 982-17

Model life 2017>>

Pos	Part Number	Description	Remark	Qty	Model
		- PDK - Transmission			CG2.10 CG2.40
1	9G2 300 011 10	Replacement transmission Transmission		1	CG2.10 I219
1	9G2 300 011 CX	Transmission		1	CG2.10 I219
(1)	9G2 300 021 10	Transmission		1	CG2.10 I220
(1)	9G2 300 021 CX	Transmission		1	CG2.10 I220
(1)	9G2 300 011 41	Transmission		1	CG2.40 I219
(1)	9G2 300 011 DX	with Limited-slip differential Transmission		1	CG2.40 I219
(1)	9G2 300 021 41	with Limited-slip differential Transmission		1	CG2.40 I220
(1)	9G2 300 021 DX	with Limited-slip differential Transmission		1	CG2.40 I220
2	9G1 321 360 00	with Limited-slip differential Lid Transmission case		1	
3	9G2 321 361 00	Rear Lid Transmission case		1	
4	000 043 305 14	Rear Transmission oil PENTOSIN FFL 3 20 LTR. Container		X	
(4)	000 043 305 13	Transmission oil PENTOSIN FFL 3 1 LTR. Container		X	
(5)	000 043 305 55	Transmission oil MOBILUBE PTX 75 W 90 Container 20 LTR.		X	
6	999 385 009 01	Outer hexagon round screw BM 12 X 1,5 X 55		6	
7	9G2 302 377 00	Sealing ring Lid		1	
8	9G1 302 375 00	Sealing ring Lid		1	

Model: 982-17

Model life 2017>>



Model: 982-17 Model life 2017>>

Pos	Part Number	Description	Remark	Qty	Model
		- PDK - Transmission Single parts			CG2.10 CG2.40
1	981 331 198 00	Heat shield		1	
2	9G1 324 135 00	Gearshift lever		1	
3	9G1 324 815 00	Nut M 8 X 1		1	
4	970 324 805 00	Shaft sealing ring 10 X 18 X 5		1	
5	991 606 391 00	Temperature sensor		1	CG2.40
6	9G1 317 015 05	Control unit Use also: 918.317.801.00		1	
6	9G1 317 015 10	Control unit Use also: 918.317.801.00		1	
7	918 317 801 00	Torx screw M 6 X 55 Aluminium		20	
8	9G1 321 825 01	Screw plug		1	
9	9G1 321 801 00	Torx screw M 6 X 25		13	
10	9G1 321 125 00	Oil pan with Gasket		1	
11	9G1 317 697 00	Connector housing Pressure regulator		1	
12	9G1 317 698 00	Connector housing Solenoid valve		1	
13	9G2 332 803 01	Shaft sealing ring 62 X 80 X 75		1	
14	9G1 321 259 00	Gasket		1	
15	9G2 332 208 40	Joint flange Short Use also: 9G1.332.820.00		1	CG2.40
(15)	9G2 332 208 25	Joint flange Short Use also: 9G1.332.820.00		1	CG2.10
16	9G1 332 820 00	Circlip		2	
17	9G2 332 209 40	Joint flange Long Use also: 9G1.332.820.00		1	CG2.40
(17)	9G2 332 209 25	Joint flange Long Use also: 9G1.332.820.00		1	CG2.10
18	9G1 116 807 00	Shaft sealing ring 40 X 57 X 6		1	
19	970 321 805 00	Screw plug M 18 X 1,5 with Sealing ring		3	
20	9G1 332 806 01	Shaft sealing ring 40 X 52 / 55 X 7 /18.8		1	
21	9G1 332 804 01	Shaft sealing ring 42 X 55 X 7		1	
22	9G1 321 059 00	Housing neck with Needle-roller bearing		1	
23	970 321 871 00	Screw plug		1	

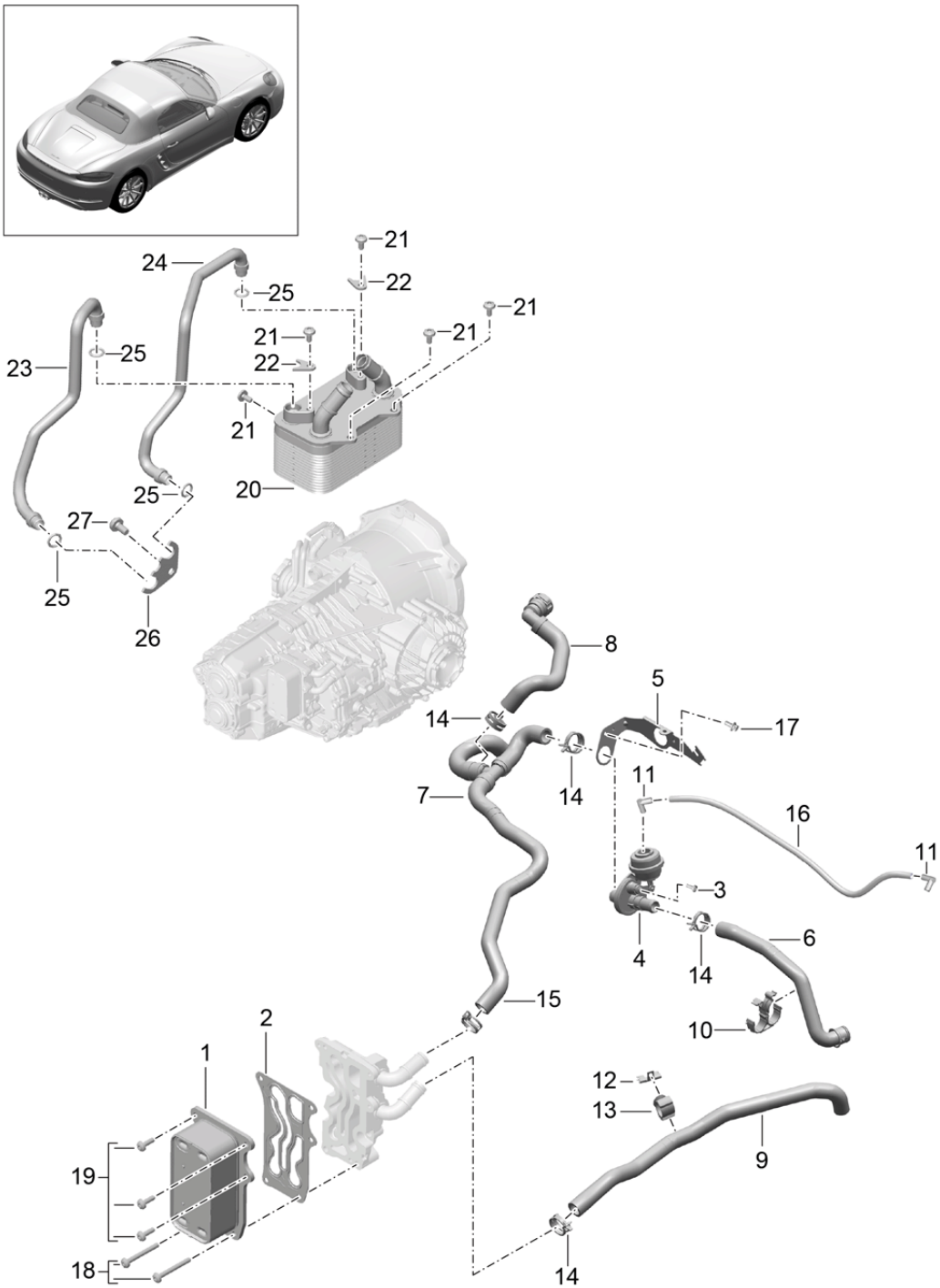
Model: 982-17

Model life 2017>>

Pos	Part Number	Description	Remark	Qty	Model
24	9G1 332 801 00	M10X1 Torx screw		17	
25	9G2 321 815 00	O-ring Housing cover 200 X 3		1	

Model: 982-17

Model life 2017>>



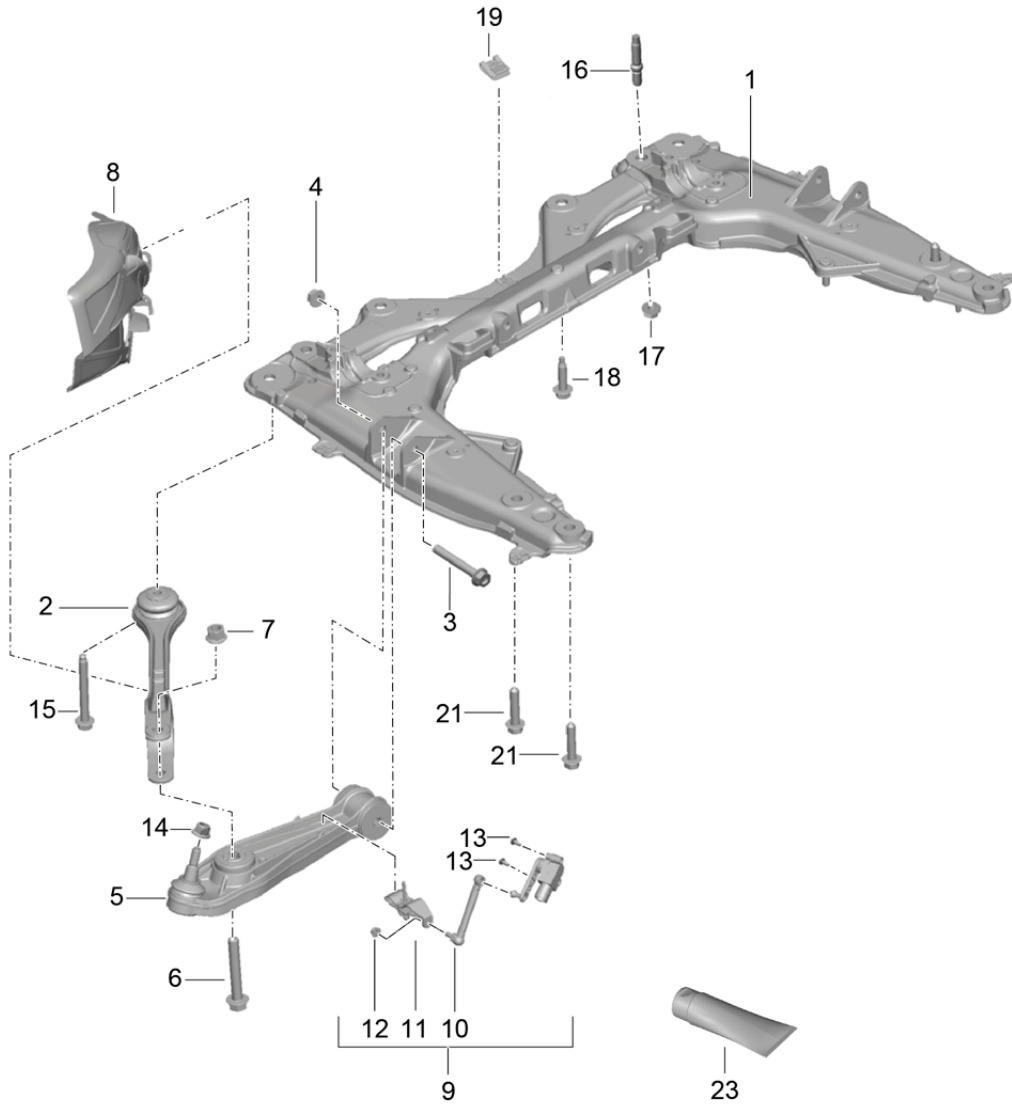
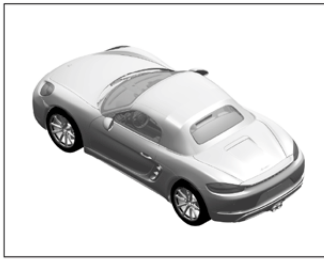
Model: 982-17

Model life 2017>>

Pos	Part Number	Description	Remark	Qty	Model
		- PDK - Transmission Heat exchanger Oil tube Water tube			CG2.10 CG2.40
1	9G2 307 019 00	Heat exchanger		1	
2	9G2 307 241 00	Gasket Heat exchanger		1	
3	N 910 682 01	Round head screw		1	
4	9P1 317 233	Disc valve		1	
5	9G2 307 409 04	Support Disc valve		1	
6	9G2 307 063 00	Water hose Coolant Supply		1	
7	9G2 307 065 00	Water hose Coolant Supply		1	
8	9G2 307 078 01	Water hose Coolant		1	
9	9G2 307 079 04	Return line Water hose Coolant		1	
10	999 507 281 40	Return line Cable holder 25,00 / 25,00		1	
11	948 110 126 00	Connecting piece		2	
12	999 507 609 01	Clamp 3,00 - 4,00		2	
13	999 507 793 40	Hose holder 23,0		2	
14	999 512 589 09	Hose clamp		6	
15	999 512 656 09	Hose clamp A 25 X 12 B 25 X 12		1	
-	900 918 005 40	Pipe 5,0 X 1,0 It is necessary to rework Shorten		X	
16		Vacuum line L = 110 MM		1	
17	900 385 041 01	Torx screw BM 6 X 12		1	
18	991 307 823 00	Round head screw Heat exchanger		2	
19	991 307 822 00	Round head screw Heat exchanger		3	
20	9G2 307 017 00	Heat exchanger		1	
21	9G1 307 813 00	Torx screw M 6 X 12		6	
22	9G1 307 245 00	Retaining bracket		2	
23	9G2 307 087 05	Oil pipe Return line		1	
24	9G2 307 085 05	Oil pipe Supply		1	
25	9G1 307 891 00	Sealing ring 12,5 X 2,5		4	
26	9G2 307 255 00	Retaining bracket		1	
27	9G1 307 802 00	Torx screw M 8 X 15		1	

Model: 982-17

Model life 2017>>



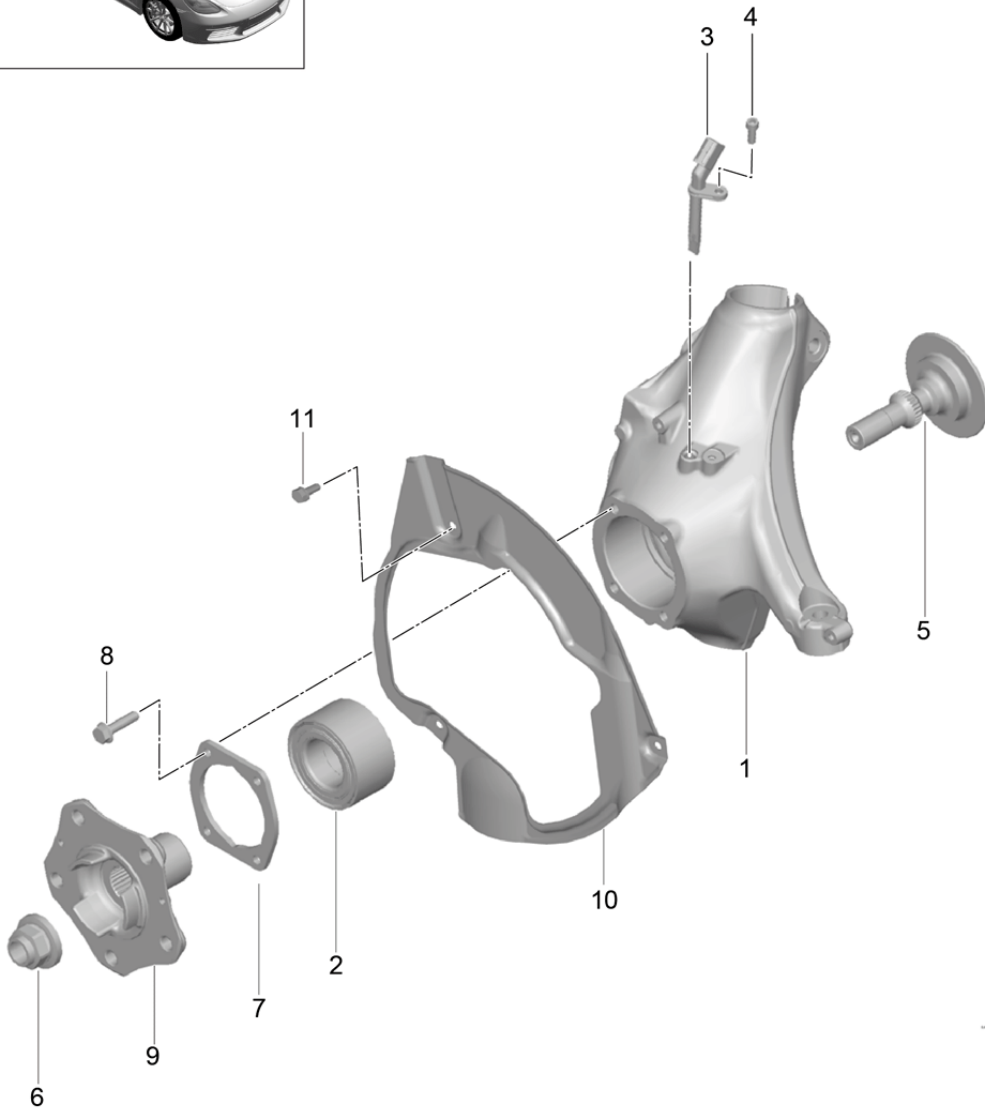
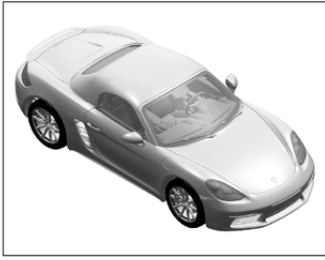
Model: 982-17

Model life 2017>>

Pos	Part Number	Description	Remark	Qty	Model
		Cross member			
		Wishbone			
1	991 341 081 16	Cross member		1	
2	991 341 043 03	Control arm		2	
3	9A7 008 209 00	Hexagon-head bolt		2	
		M 12 X 1,5 X 90			
4	999 084 445 01	Lock nut		2	
		M 12 X 1,5			
5	991 341 053 01	Wishbone		2	
6	999 072 892 01	Hexagon-head bolt		2	
		AM 14 X 1,5 X 95			
7	900 380 012 01	Hexagon nut		2	
		M 14 X 1,5			
(8)	981 341 483 00	Spoiler	/L	1	
(8)	981 341 484 00	Spoiler	/R	1	
9	991 343 021 01	Sensor		1	I029
(9)		Sensor		2	I030/475/477
10	991 343 327 00	Strut		1	I029
(10)		Strut		2	I030/475/477
11	996 341 371 03	Support		1	I029
(11)		Support		2	I030/475/477
12	900 380 015 01	Hexagon nut		1	I029
		M 6			
(12)		Hexagon nut		2	I030/475/477
		M 6			
13	N 104 857 03	Round head screw		2	I029
		M 5 X 12			
(13)		Round head screw		4	I030/475/477
		M 5 X 12			
14	999 084 449 09	Lock nut		2	
		M 12 X 1,5			
15	999 072 864 01	Hexagon-head bolt		2	
		AM 12 X 1,5 X 105			
16	999 061 125 01	Stud		2	
		M 12 X 1,5			
17	N 909 167 01	Hexagon nut		2	
		M 12 X 1,5			
18	999 072 863 01	Hexagon-head bolt		2	
		AM12X1,5X50			
19	999 507 795 09	Speed nut		5	
		ST 4,8			
21	N 911 489 01	Combination screw		4	
		M 12 X 1,5 X 60			
23	9A7 915 576 01	Corrosion protection		1	

Model: 982-17

Model life 2017>>



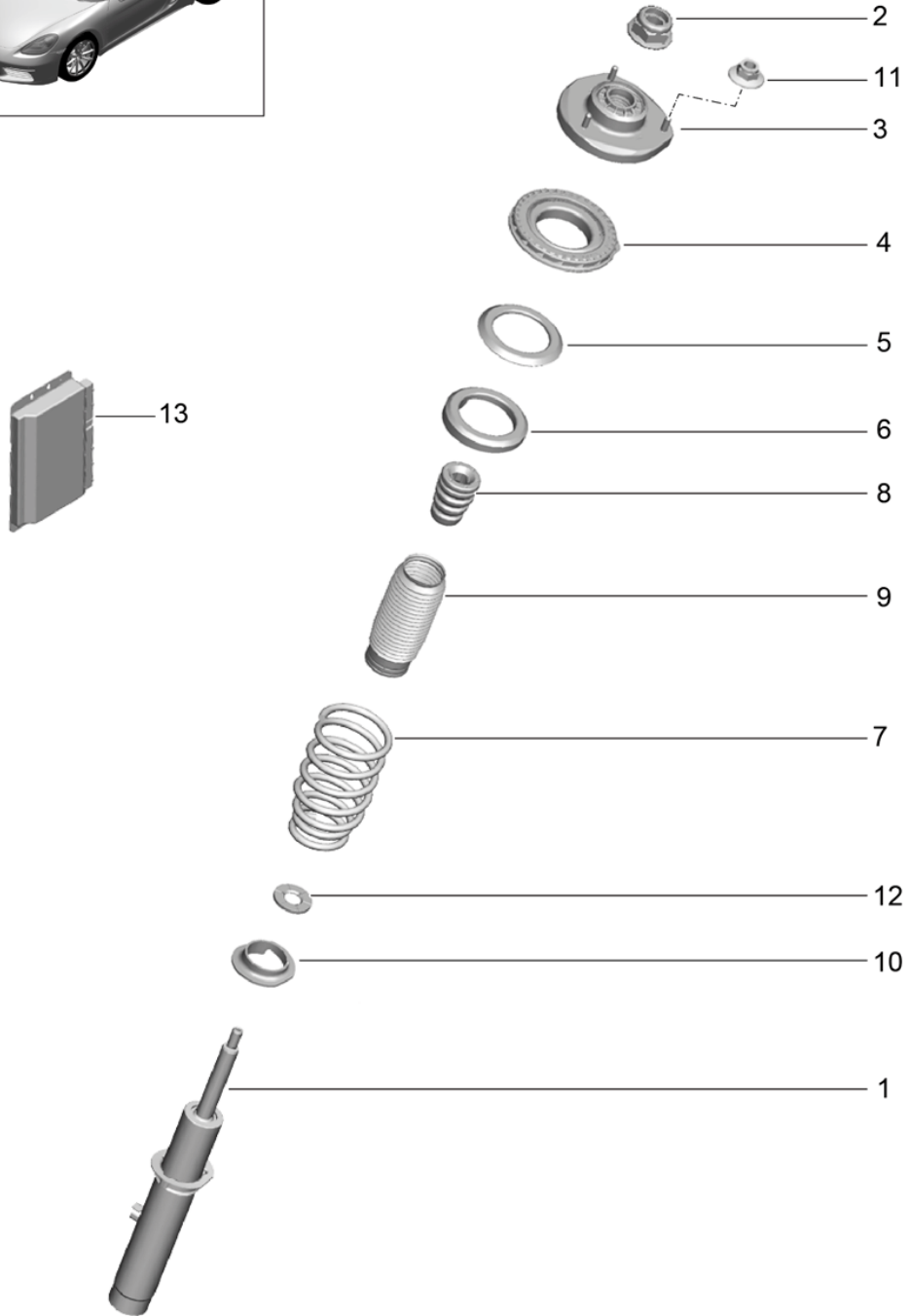
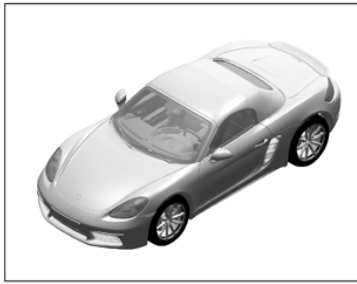
Model: 982-17

Model life 2017>>

Pos	Part Number	Description	Remark	Qty	Model
1	991 341 157 05	Wheel carrier			
		Wheel hub			
(1)	991 341 158 05	Wheel carrier	/L	1	
2	9P1 407 621	Wheel carrier	/R	1	
3	9P1 407 621	Angular-contact bearing		2	
4	991 606 407 01	Speed sensor		2	
5	900 067 117 04	Pan-head screw		2	
		M 6 X 16			
6	9P1 407 123	Tension bolt		2	
7	WHT 007 021	Hexagon nut		2	
		M 22 X 1,5 S			
8	986 331 661 20	Lid		2	
9	999 217 042 03	Hexagon-head bolt		8	
		M 8 X 35			
10	991 341 605 03	Wheel hub		2	
(10)	981 351 801 00	Cover plate	/L	1	-I450
(10)	981 351 802 00	Cover plate	/R	1	-I450
(10)	991 351 801 01	Cover plate	/L	1	I450
(10)	991 351 802 01	Cover plate	/R	1	I450
11	999 217 116 01	Hexagon-head bolt		6	
		M 6 X 16			

Model: 982-17

Model life 2017>>



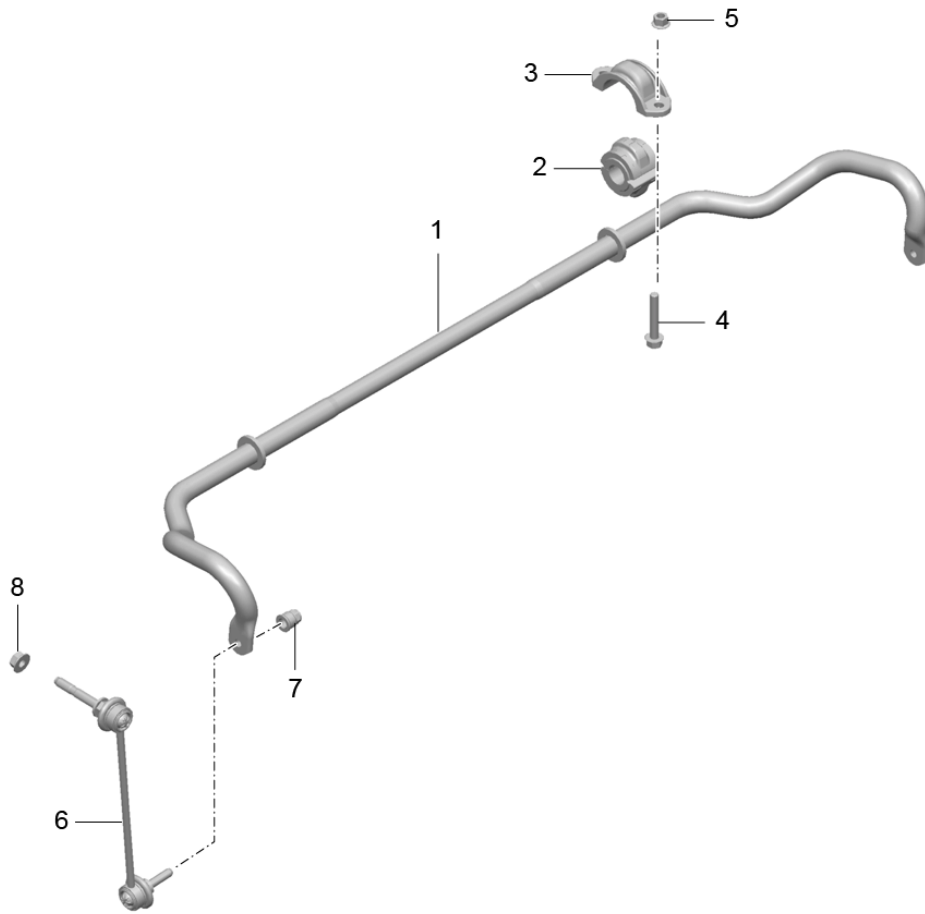
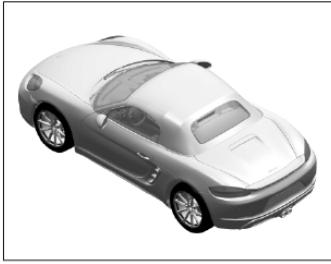
Model: 982-17

Model life 2017>>

Pos	Part Number	Description	Remark	Qty	Model
		suspension			
		Shock absorber strut			
1	982 413 029 B	Shock absorber		2	I029
(1)	982 413 031 B	Shock absorber		2	I475/477
(1)	982 413 031 C	Shock absorber		2	I030
2	999 084 133 01	Hexagon nut M 14 X 1,5		2	
3	991 343 015 02	Supporting mount		2	
4	991 343 501 03	Bearing		2	
5	991 343 513 00	Washer		2	
6	991 343 511 01	Desk pad		2	
		Upper			
7	982 411 105	Coil spring		1	I029
	982 411 105 504	Set Identification Squirrel Grey Yellow			
(7)	982 411 105 A	Coil spring		1	I475/477
	982 411 105 A 504	Set Identification Fire Red Yellow			
(7)	982 411 105 B	Coil spring		1	I030
	982 411 105 B 504	Set Identification Fire Red Deer Brown			
8	991 343 301 03	Additional spring		2	I475/477
(8)	991 343 301 04	Additional spring		2	I029
(8)	991 343 301 05	Additional spring		2	I030
9	991 343 509 02	Bellows		2	I475/477
(9)	991 343 509 01	Bellows		2	I029/030 I029
10	991 343 525 02	Base Lower		2	
11	999 084 447 01	Hexagon nut		6	
12	991 343 561 01	Washer Base Lower		1	
13	991 618 440 26	Control unit		1	I030/475 -I140/I477
(13)	991 618 450 26	Control unit		1	I030/475 I140/477
(13)	991 618 465 26	Control unit D >> 04.05.2016		1	I029/140
(13)	991 618 465 27	Control unit D 09.05.2016>>		1	I029/140

Model: 982-17

Model life 2017>>



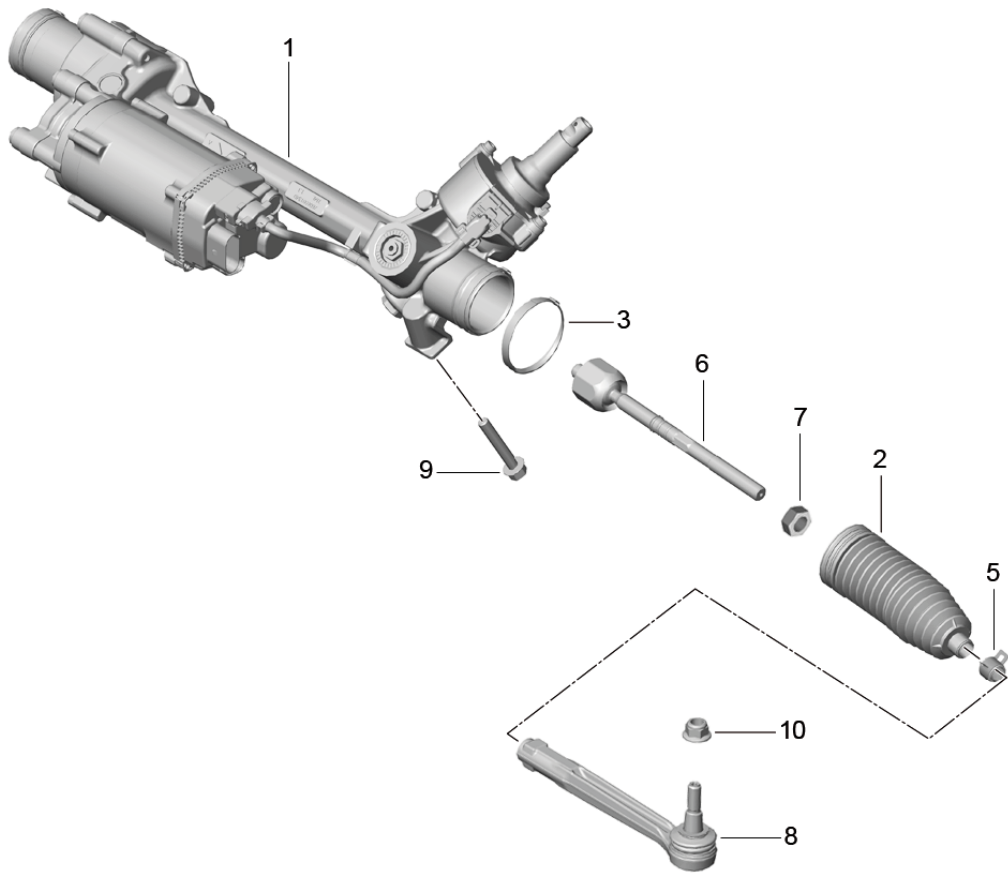
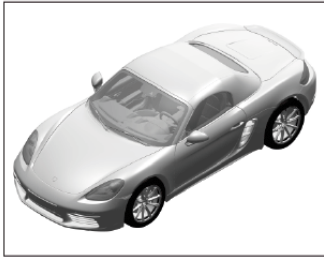
Model: 982-17

Model life 2017>>

Pos	Part Number	Description	Remark	Qty	Model
1	991 343 705 11	Stabiliser Stabiliser Identification Blue		1	I029/475/477
(1)	991 343 705 16	Stabiliser Identification Yellow		1	-I011/I030
2	991 343 792 07	Stabiliser mounting		2	I029/475/477
(2)	991 343 792 09	Stabiliser mounting		2	-I011/I030
3	991 343 777 00	Clip		2	
4	999 072 836 01	Hexagon-head bolt AM 10 X 60		4	
5	900 380 008 01	Hexagon nut M 10		4	
6	991 343 069 02	Stabiliser mounting	/L	1	
(6)	991 343 070 02	Stabiliser mounting	/R	1	
7	999 084 123 09	Hexagon nut M 10 Lower		2	
8	999 084 445 01	Lock nut M 12 X 1,5 Upper		2	

Model: 982-17

Model life 2017>>



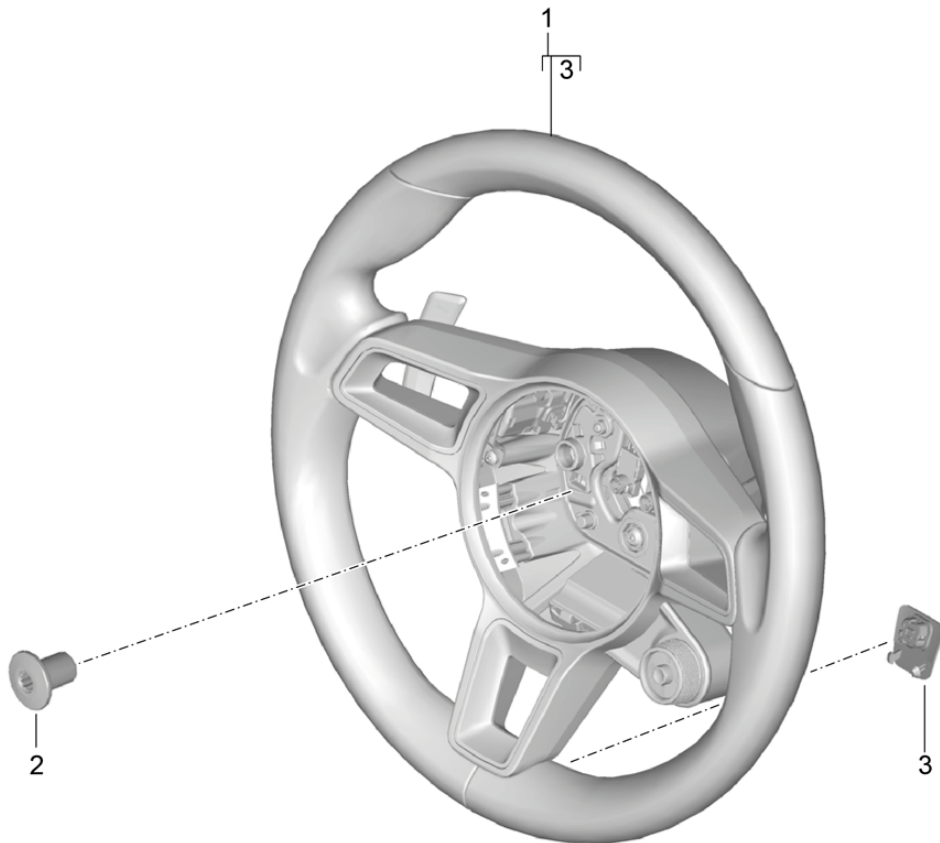
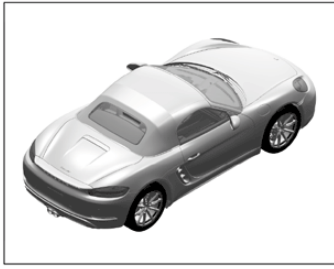
Model: 982-17

Model life 2017>>

Pos	Part Number	Description	Remark	Qty	Model
		Steering gear			
		Steering parts			
1	991 347 011 65	Steering gear		1	I098/657/658
(1)	991 347 012 65	Steering gear		1	I099/657/658
2	991 347 191 01	Bellows		2	
3	991 347 293 01	Clamping ring		2	
5	991 347 375 01	Clamping ring		2	
6	991 347 322 00	Joint		2	
7	999 034 037 01	Hexagon nut M 14 X 1,5		2	
8	991 347 131 00	Track rod		2	
9	999 072 836 01	Hexagon-head bolt AM 10 X 60		2	
10	999 084 449 09	Lock nut M 12 X 1,5		2	

Model: 982-17

Model life 2017>>



Model: 982-17 Model life 2017>>

Pos	Part Number	Description	Remark	Qty	Model
1	9P1 419 091 EG	Steering wheels PDK Steering wheel		1	I250 -I489/IQR0 I855
	9P1 419 091 EG A34	Leather Black			+AD,+AG,+AJ, +AS,+AZ, +BM,+BT,+BW, +PM,+PT,+PW, +TD,+99, +FD,+FG,+FJ, +FS,+FZ, +UD,+UG,+UJ, +US,+UZ, +HZ,+TG, +SZ, +LZ, +BY,+NE,
	9P1 419 091 EG OE5	Agate Grey			
	9P1 419 091 EG 9J9	Luxor Beige			
	9P1 419 091 EG OH7	Graphite Blue			
	9P1 419 091 EG OK6	Saddle Tan			
	9P1 419 091 EG OG6	Bordeaux Red			
(1)	9P1 419 091 EG 6H6	Espresso		1	-I489/IQR4 IQR5/855
	9P1 419 091 EH	Steering wheel			
	9P1 419 091 EH A34	Leather Black			+AD,+AG,+AJ, +AS,+AZ, +BM,+BT,+BW, +PM,+PT,+PW, +TD,+99, +FD,+FG,+FJ, +FS,+FZ, +UD,+UG,+UJ, +US,+UZ, +HZ,+TG, +SZ, +LZ, +BY,+NE,
	9P1 419 091 EH OE5	Agate Grey			
	9P1 419 091 EH 9J9	Luxor Beige			
	9P1 419 091 EH OH7	Graphite Blue			
	9P1 419 091 EH OK6	Saddle Tan			
	9P1 419 091 EH OG6	Bordeaux Red			
	9P1 419 091 EH 6H6	Espresso			
(1)	95B 419 091 AK	Steering wheel		1	IQR0/489/855
	95B 419 091 AK A34	Leather Black			+AD,+AG,+AJ, +AS,+AZ, +BM,+BT,+BW, +PM,+PT,+PW, +TD,+99, +FD,+FG,+FJ, +FS,+FZ, +UD,+UG,+UJ, +US,+UZ, +HZ,+TG, +SZ, +LZ, +BY,+NE,
	95B 419 091 AK OE5	Agate Grey			
	95B 419 091 AK 9J9	Luxor Beige			
	95B 419 091 AK OH7	Graphite Blue			
	95B 419 091 AK OK6	Saddle Tan			
	95B 419 091 AK OG6	Bordeaux Red			
	95B 419 091 AK 6H6	Espresso			
(1)	9P1 419 091 EJ	Steering wheel		1	IQR4/QR5/489 I855
	9P1 419 091 EJ A34	Leather Black			+AD,+AG,+AJ, +AS,+AZ, +BM,+BT,+BW, +PM,+PT,+PW, +TD,+99, +FD,+FG,+FJ, +FS,+FZ, +UD,+UG,+UJ, +US,+UZ, +HZ,+TG, +SZ, +LZ, +BY,+NE,
	9P1 419 091 EJ OE5	Agate Grey			
	9P1 419 091 EJ 9J9	Luxor Beige			
	9P1 419 091 EJ OH7	Graphite Blue			
	9P1 419 091 EJ OK6	Saddle Tan			

Model: 982-17

Model life 2017>>

Pos	Part Number	Description	Remark	Qty	Model
(1)	9P1 419 091 EJ OG6	Bordeaux Red		1	+LZ, +BY,+NE, IQR0/XHW/489
	9P1 419 091 EJ 6H6	Espresso			
	9P1 419 091 EK	Steering wheel Carbon			
	9P1 419 091 EK A34	Black			
	9P1 419 091 EK OE5	Agate Grey			+AD,+AG,+AJ, +AS,+AZ, +BM,+BT,+BW, +PM,+PT,+PW, +TD,+99, +FD,+FG,+FJ, +FS,+FZ, +UD,+UG,+UJ, +US,+UZ, +HZ,+TG, +SZ,
	9P1 419 091 EK 9J9	Luxor Beige			+LZ, +BY,+NE, IQR4/QR5/XHW I489
(1)	9P1 419 091 EK OH7	Graphite Blue		1	+AD,+AG,+AJ, +AS,+AZ, +BM,+BT,+BW, +PM,+PT,+PW, +TD,+99, +FD,+FG,+FJ, +FS,+FZ, +UD,+UG,+UJ, +US,+UZ, +HZ,+TG, +SZ,
	9P1 419 091 EK OK6	Saddle Tan			
	9P1 419 091 EK OG6	Bordeaux Red			
	9P1 419 091 EK 6H6	Espresso			
(1)	9P1 419 091 EM	Steering wheel Carbon		1	+LZ, +BY,+NE, IQR4/QR5/XHW I489
	9P1 419 091 EM A34	Black			
	9P1 419 091 EM OE5	Agate Grey			
	9P1 419 091 EM 9J9	Luxor Beige			
(1)	9P1 419 091 EM OH7	Graphite Blue		1	+AD,+AG,+AJ, +AS,+AZ, +BM,+BT,+BW, +PM,+PT,+PW, +TD,+99, +FD,+FG,+FJ, +FS,+FZ, +UD,+UG,+UJ, +US,+UZ, +HZ,+TG, +SZ,
	9P1 419 091 EM OK6	Saddle Tan			
	9P1 419 091 EM OG6	Bordeaux Red			
	9P1 419 091 EM 6H6	Espresso			
(1)	9P1 419 091 EL	Steering wheel Mahogany Yachting		1	+LZ, +BY,+NE, IQR0/XHV/489
	9P1 419 091 EL A34	Black			
	9P1 419 091 EL OE5	Agate Grey			
	9P1 419 091 EL 9J9	Luxor Beige			
(1)	9P1 419 091 EL OH7	Graphite Blue		1	+AD,+AG,+AJ, +AS,+AZ, +BM,+BT,+BW, +PM,+PT,+PW, +TD,+99, +FD,+FG,+FJ, +FS,+FZ, +UD,+UG,+UJ, +US,+UZ, +HZ,+TG, +SZ,
	9P1 419 091 EL OK6	Saddle Tan			
	9P1 419 091 EL OG6	Bordeaux Red			
	9P1 419 091 EL 6H6	Espresso			
(1)	9P1 419 091 EN	Steering wheel Mahogany Yachting		1	+LZ, +BY,+NE, IQR4/QR5/XHV I489
	9P1 419 091 EN A34	Black			
	9P1 419 091 EN OE5	Agate Grey			
	9P1 419 091 EN 9J9	Luxor Beige			
(1)	9P1 419 091 EN OH7	Graphite Blue		1	+AD,+AG,+AJ, +AS,+AZ, +BM,+BT,+BW, +PM,+PT,+PW, +TD,+99, +FD,+FG,+FJ, +FS,+FZ, +UD,+UG,+UJ, +US,+UZ, +HZ,+TG, +SZ,
	9P1 419 091 EN OK6	Saddle Tan			
	9P1 419 091 EN OG6	Bordeaux Red			
	9P1 419 091 EN OG6	Bordeaux Red			

Model: 982-17

Model life 2017>>

Pos	Part Number	Description	Remark	Qty	Model
(1)	9P1 419 091 EN 6H6 9P1 419 091 FD	Espresso Steering wheel		1	+BY,+NE, -I489/IQR0 I858
	9P1 419 091 FD A34	Leather GT Black			+AD,+AG,+AJ, +AS,+AZ, +BM,+BT,+BW, +PM,+PT,+PW, +TD,+99, +FD,+FG,+FJ, +FS,+FZ, +UD,+UG,+UJ, +US,+UZ, +HZ,+TG, +SZ, +LZ, +BY,+NE, -I489/IQR4 IQR5/858
	9P1 419 091 FD OE5	Agate Grey			
	9P1 419 091 FD 9J9	Luxor Beige			
	9P1 419 091 FD OH7	Graphite Blue			
	9P1 419 091 FD OK6	Saddle Tan			
	9P1 419 091 FD OG6	Bordeaux Red			
(1)	9P1 419 091 FD 6H6 9P1 419 091 FF	Espresso Steering wheel		1	+BY,+NE, -I489/IQR4 IQR5/858
	9P1 419 091 FF A34	Leather GT Black			+AD,+AG,+AJ, +AS,+AZ, +BM,+BT,+BW, +PM,+PT,+PW, +TD,+99, +FD,+FG,+FJ, +FS,+FZ, +UD,+UG,+UJ, +US,+UZ, +HZ,+TG, +SZ, +LZ, +BY,+NE, IQR0/489/858
	9P1 419 091 FF OE5	Agate Grey			
	9P1 419 091 FF 9J9	Luxor Beige			
	9P1 419 091 FF OH7	Graphite Blue			
	9P1 419 091 FF OK6	Saddle Tan			
	9P1 419 091 FF OG6	Bordeaux Red			
	9P1 419 091 FF 6H6	Espresso			
(1)	9P1 419 091 FH 9P1 419 091 FH A34	Steering wheel Leather GT Black		1	+AD,+AG,+AJ, +AS,+AZ, +BM,+BT,+BW, +PM,+PT,+PW, +TD,+99, +FD,+FG,+FJ, +FS,+FZ, +UD,+UG,+UJ, +US,+UZ, +HZ,+TG, +SZ, +LZ, +BY,+NE, IQR4/QR5/489 I858
	9P1 419 091 FH OE5	Agate Grey			
	9P1 419 091 FH 9J9	Luxor Beige			
	9P1 419 091 FH OH7	Graphite Blue			
	9P1 419 091 FH OK6	Saddle Tan			
	9P1 419 091 FH OG6	Bordeaux Red			
	9P1 419 091 FH 6H6	Espresso			
(1)	9P1 419 091 FK 9P1 419 091 FK A34	Steering wheel Leather GT Black		1	+AD,+AG,+AJ, +AS,+AZ, +BM,+BT,+BW, +PM,+PT,+PW, +TD,+99, +FD,+FG,+FJ, +FS,+FZ, +UD,+UG,+UJ, +US,+UZ, +HZ,+TG, +SZ, +LZ, +BY,+NE, IQR4/QR5/489 I858
	9P1 419 091 FK OE5	Agate Grey			
	9P1 419 091 FK 9J9	Luxor Beige			

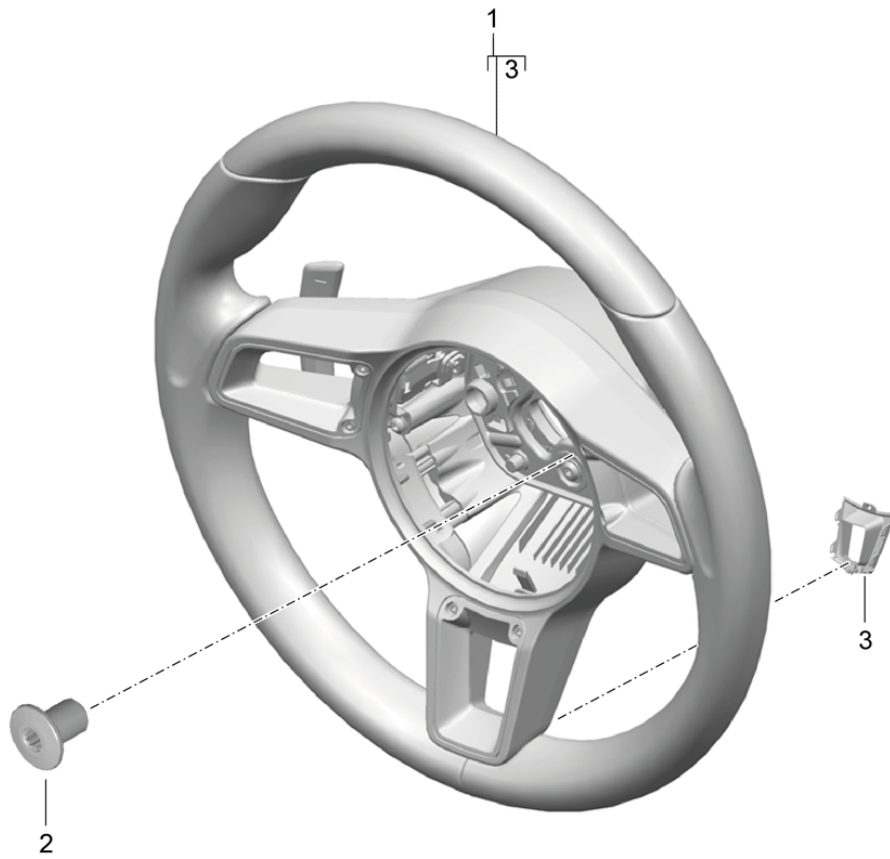
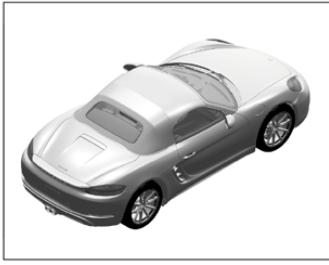
Model: 982-17

Model life 2017>>

Pos	Part Number	Description	Remark	Qty	Model
(1)	9P1 419 091 FK OH7 9P1 419 091 FK OK6 9P1 419 091 FK OG6 9P1 419 091 FK 6H6 9P1 419 091 FE	Graphite Blue Saddle Tan Bordeaux Red Espresso Steering wheel		1	+US, +UZ, +HZ, +TG, +SZ, +LZ, +BY, +NE, -I489/IQR0 IXLL
(1)	9P1 419 091 FE 2W0 9P1 419 091 FG	Alcantara GT Black Steering wheel		1	-I489/IQR4 IQR5/XLL
(1)	9P1 419 091 FG 2W0 9P1 419 091 FJ	Alcantara GT Black Steering wheel		1	IQR0/XLL/489
(1)	9P1 419 091 FJ 2W0 9P1 419 091 FL	Alcantara GT Black Steering wheel		1	IQR4/QR5/XLL I489
2	9P1 419 091 FL 2W0 N 910 207 01	Alcantara GT Black Screw		1	
(2)	N 907 991 02	M 18 X 1,5 X 26 D >> 24.01.2017 Multiple-tooth screw		1	
3	95B 951 527 95B 951 527 6N3	M18 X 1,5 X 18 D 25.01.2017>> Switch Heating Steering wheel Black mat		1	I489

Model: 982-17

Model life 2017>>



Model: 982-17 Model life 2017>>

Pos	Part Number	Description	Remark	Qty	Model
1	9P1 419 091 DS	Steering wheels Manual transmission Steering wheel		1	I480 -I489/IQR0 I855
	9P1 419 091 DS A34	Leather Black			+AD,+AG,+AJ, +AS,+AZ, +BM,+BT,+BW, +PM,+PT,+PW, +TD,+99, +FD,+FG,+FJ, +FS,+FZ, +UD,+UG,+UJ, +US,+UZ, +HZ,+TG, +SZ, +LZ, +BY,+NE, -I489/IQR4 IQR5/855
	9P1 419 091 DS OE5	Agate Grey			
	9P1 419 091 DS 9J9	Luxor Beige			
	9P1 419 091 DS OH7	Graphite Blue			
	9P1 419 091 DS OK6	Saddle Tan			
	9P1 419 091 DS OG6	Bordeaux Red			
(1)	9P1 419 091 DS 6H6	Espresso		1	-I489/IQR4 IQR5/855
	9P1 419 091 DT	Steering wheel			
	9P1 419 091 DT A34	Leather Black			+AD,+AG,+AJ, +AS,+AZ, +BM,+BT,+BW, +PM,+PT,+PW, +TD,+99, +FD,+FG,+FJ, +FS,+FZ, +UD,+UG,+UJ, +US,+UZ, +HZ,+TG, +SZ, +LZ, +BY,+NE, IQR0/489/855
	9P1 419 091 DT OE5	Agate Grey			
	9P1 419 091 DT 9J9	Luxor Beige			
	9P1 419 091 DT OH7	Graphite Blue			
	9P1 419 091 DT OK6	Saddle Tan			
	9P1 419 091 DT OG6	Bordeaux Red			
	9P1 419 091 DT 6H6	Espresso			
(1)	9P1 419 091 EA	Steering wheel		1	IQR0/489/855
	9P1 419 091 EA A34	Leather Black			+AD,+AG,+AJ, +AS,+AZ, +BM,+BT,+BW, +PM,+PT,+PW, +TD,+99, +FD,+FG,+FJ, +FS,+FZ, +UD,+UG,+UJ, +US,+UZ, +HZ,+TG, +SZ, +LZ, +BY,+NE, IQR4/QR5/489 I855
	9P1 419 091 EA OE5	Agate Grey			
	9P1 419 091 EA 9J9	Luxor Beige			
	9P1 419 091 EA OH7	Graphite Blue			
	9P1 419 091 EA OK6	Saddle Tan			
	9P1 419 091 EA OG6	Bordeaux Red			
	9P1 419 091 EA 6H6	Espresso			
(1)	9P1 419 091 EB	Steering wheel		1	IQR4/QR5/489 I855
	9P1 419 091 EB A34	Leather Black			+AD,+AG,+AJ, +AS,+AZ, +BM,+BT,+BW, +PM,+PT,+PW, +TD,+99, +FD,+FG,+FJ, +FS,+FZ, +UD,+UG,+UJ, +US,+UZ, +HZ,+TG, +SZ, +LZ, +BY,+NE, IQR4/QR5/489 I855
	9P1 419 091 EB OE5	Agate Grey			
	9P1 419 091 EB 9J9	Luxor Beige			
	9P1 419 091 EB OH7	Graphite Blue			
	9P1 419 091 EB OK6	Saddle Tan			

Model: 982-17

Model life 2017>>

Pos	Part Number	Description	Remark	Qty	Model
(1)	9P1 419 091 EB OG6	Bordeaux Red		1	+LZ, +BY,+NE, IQR0/XHW/489 +AD,+AG,+AJ, +AS,+AZ, +BM,+BT,+BW, +PM,+PT,+PW, +TD,+99, +FD,+FG,+FJ, +FS,+FZ, +UD,+UG,+UJ, +US,+UZ, +HZ,+TG, +SZ, +LZ, +BY,+NE, IQR4/QR5/XHW I489
	9P1 419 091 EB 6H6	Espresso			
	9P1 419 091 EC	Steering wheel Carbon			
	9P1 419 091 EC A34	Black			
	9P1 419 091 EC OE5	Agate Grey			
	9P1 419 091 EC 9J9	Luxor Beige			
	9P1 419 091 EC OH7	Graphite Blue			
(1)	9P1 419 091 EC OK6	Saddle Tan		1	+LZ, +BY,+NE, IQR4/QR5/XHW I489 +AD,+AG,+AJ, +AS,+AZ, +BM,+BT,+BW, +PM,+PT,+PW, +TD,+99, +FD,+FG,+FJ, +FS,+FZ, +UD,+UG,+UJ, +US,+UZ, +HZ,+TG, +SZ, +LZ, +BY,+NE, IQR0/XHV/489 +AD,+AG,+AJ, +AS,+AZ, +BM,+BT,+BW, +PM,+PT,+PW, +TD,+99, +FD,+FG,+FJ, +FS,+FZ, +UD,+UG,+UJ, +US,+UZ, +HZ,+TG, +SZ, +LZ, +BY,+NE, IQR4/QR5/XHW I489
	9P1 419 091 EC OG6	Bordeaux Red			
	9P1 419 091 EC 6H6	Espresso			
	9P1 419 091 ED	Steering wheel Carbon			
	9P1 419 091 ED A34	Black			
	9P1 419 091 ED OE5	Agate Grey			
	9P1 419 091 ED 9J9	Luxor Beige			
	9P1 419 091 ED OH7	Graphite Blue			
	9P1 419 091 ED OK6	Saddle Tan			
	9P1 419 091 ED OG6	Bordeaux Red			
	9P1 419 091 ED 6H6	Espresso			
	9P1 419 091 EE	Steering wheel Mahogany Yachting			
	9P1 419 091 EE A34	Black			
	9P1 419 091 EE OE5	Agate Grey			
(1)	9P1 419 091 EE 9J9	Luxor Beige		1	+AD,+AG,+AJ, +AS,+AZ, +BM,+BT,+BW, +PM,+PT,+PW, +TD,+99, +FD,+FG,+FJ, +FS,+FZ, +UD,+UG,+UJ, +US,+UZ, +HZ,+TG, +SZ, +LZ, +BY,+NE, IQR4/QR5/XHW I489 +AD,+AG,+AJ, +AS,+AZ, +BM,+BT,+BW, +PM,+PT,+PW, +TD,+99, +FD,+FG,+FJ, +FS,+FZ, +UD,+UG,+UJ, +US,+UZ, +HZ,+TG, +SZ, +LZ, +BY,+NE, IQR4/QR5/XHW I489
	9P1 419 091 EE OH7	Graphite Blue			
	9P1 419 091 EE OK6	Saddle Tan			
	9P1 419 091 EE OG6	Bordeaux Red			
	9P1 419 091 EE 6H6	Espresso			
	9P1 419 091 EF	Steering wheel Mahogany Yachting			
	9P1 419 091 EF A34	Black			
	9P1 419 091 EF OE5	Agate Grey			
	9P1 419 091 EF 9J9	Luxor Beige			
	9P1 419 091 EF OH7	Graphite Blue			
	9P1 419 091 EF OK6	Saddle Tan			
	9P1 419 091 EF OG6	Bordeaux Red			

Model: 982-17 Model life 2017>>

Pos	Part Number	Description	Remark	Qty	Model
(1)	9P1 419 091 EF 6H6 9P1 419 091 EP	Espresso Steering wheel		1	+BY, +NE, -I489/IQR0 I858
		Leather GT			
	9P1 419 091 EP A34	Black			+AD, +AG, +AJ, +AS, +AZ, +BM, +BT, +BW, +PM, +PT, +PW, +TD, +99, +FD, +FG, +FJ, +FS, +FZ, +UD, +UG, +UJ, +US, +UZ, +HZ, +TG, +SZ, +LZ, +BY, +NE, -I489/IQR4 IQR5/858
	9P1 419 091 EP OE5	Agate Grey			
	9P1 419 091 EP 9J9	Luxor Beige			
	9P1 419 091 EP OH7	Graphite Blue			
	9P1 419 091 EP OK6	Saddle Tan			
	9P1 419 091 EP OG6	Bordeaux Red			
(1)	9P1 419 091 EP 6H6 9P1 419 091 ER	Espresso Steering wheel		1	+BY, +NE, -I489/IQR4 IQR5/858
		Leather GT			
	9P1 419 091 ER A34	Black			+AD, +AG, +AJ, +AS, +AZ, +BM, +BT, +BW, +PM, +PT, +PW, +TD, +99, +FD, +FG, +FJ, +FS, +FZ, +UD, +UG, +UJ, +US, +UZ, +HZ, +TG, +SZ, +LZ, +BY, +NE, IQR0/489/858
	9P1 419 091 ER OE5	Agate Grey			
	9P1 419 091 ER 9J9	Luxor Beige			
	9P1 419 091 ER OH7	Graphite Blue			
	9P1 419 091 ER OK6	Saddle Tan			
	9P1 419 091 ER OG6	Bordeaux Red			
	9P1 419 091 ER 6H6	Espresso			
(1)	9P1 419 091 ET	Steering wheel		1	IQR0/489/858
		Leather GT			
	9P1 419 091 ET A34	Black			+AD, +AG, +AJ, +AS, +AZ, +BM, +BT, +BW, +PM, +PT, +PW, +TD, +99, +FD, +FG, +FJ, +FS, +FZ, +UD, +UG, +UJ, +US, +UZ, +HZ, +TG, +SZ, +LZ, +BY, +NE, IQR4/QR5/489 I858
	9P1 419 091 ET OE5	Agate Grey			
	9P1 419 091 ET 9J9	Luxor Beige			
	9P1 419 091 ET OH7	Graphite Blue			
	9P1 419 091 ET OK6	Saddle Tan			
	9P1 419 091 ET OG6	Bordeaux Red			
	9P1 419 091 ET 6H6	Espresso			
(1)	9P1 419 091 FB	Steering wheel		1	IQR4/QR5/489 I858
		Leather GT			
	9P1 419 091 FB A34	Black			+AD, +AG, +AJ, +AS, +AZ, +BM, +BT, +BW, +PM, +PT, +PW, +TD, +99, +FD, +FG, +FJ, +FS, +FZ, +UD, +UG, +UJ,
	9P1 419 091 FB OE5	Agate Grey			
	9P1 419 091 FB 9J9	Luxor Beige			

Model: 982-17 Model life 2017>>

Pos	Part Number	Description	Remark	Qty	Model
(1)	9P1 419 091 FB OH7 9P1 419 091 FB OK6 9P1 419 091 FB OG6 9P1 419 091 FB 6H6 9P1 419 091 EQ	Graphite Blue Saddle Tan Bordeaux Red Espresso Steering wheel		1	+US, +UZ, +HZ, +TG, +SZ, +LZ, +BY, +NE, -I489/IQR0 IXLL
(1)	9P1 419 091 EQ 2W0 9P1 419 091 ES	Alcantara GT Black Steering wheel		1	-I489/IQR4 IQR5/XLL
(1)	9P1 419 091 ES 2W0 9P1 419 091 FA	Alcantara GT Black Steering wheel		1	IQR0/XLL/489
(1)	9P1 419 091 FA 2W0 9P1 419 091 FC	Alcantara GT Black Steering wheel		1	IQR4/QR5/XLL I489
2	9P1 419 091 FC 2W0 N 910 207 01	Alcantara GT Black Screw		1	
(2)	N 907 991 02	M 18 X 1,5 X 26 D >> 24.01.2017 Multiple-tooth screw		1	
3	95B 951 527 95B 951 527 6N3	M18 X 1,5 X 18 D 25.01.2017>> Switch Heating Steering wheel Black mat		1	I489

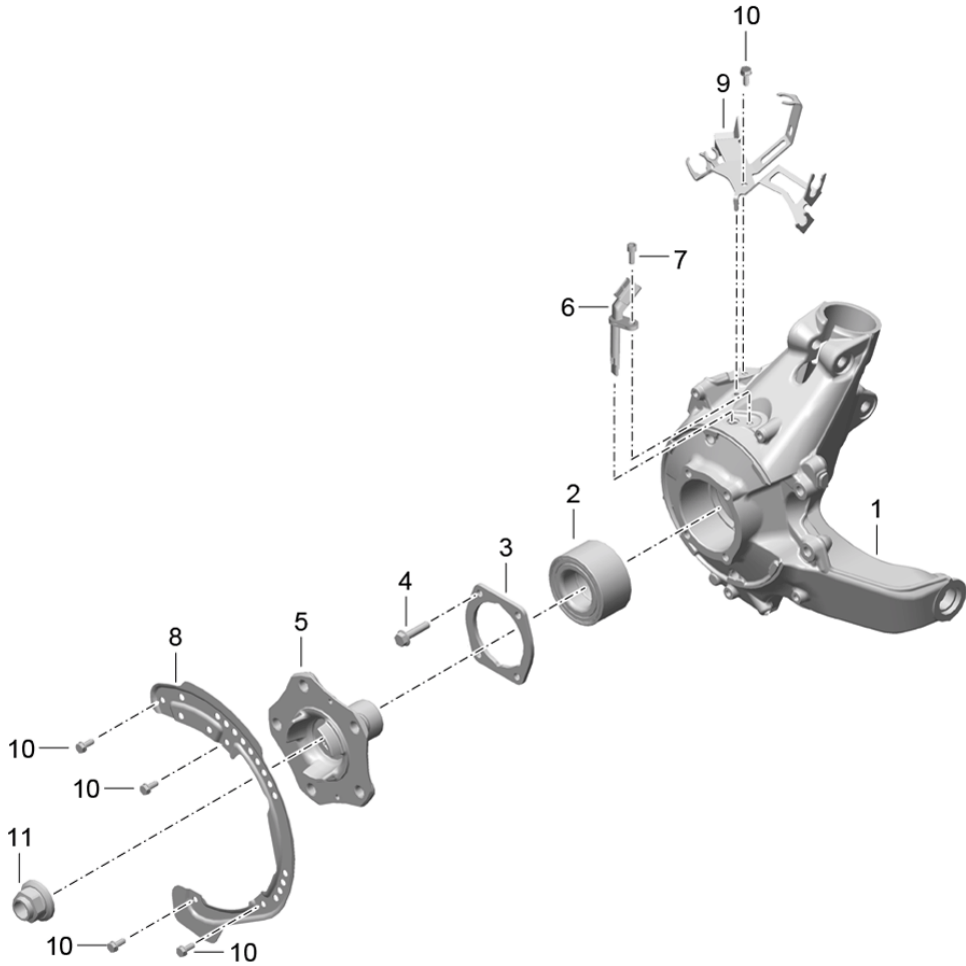
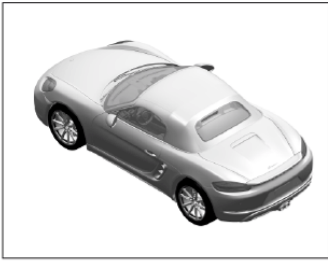
Model: 982-17

Model life 2017>>

Pos	Part Number	Description	Remark	Qty	Model
1	991 347 015 24	Steering column		1	I647
(1)	991 347 015 33	Steering shaft		1	I648
(1)	991 347 015 06	Steering column		1	I655
(1)	991 347 015 15	Steering column		1	I656
2	4H0 907 705 K	Control unit		1	I648/656
3	7PP 905 852 C	Control unit		1	I655/656
4	8E0 035 413	Screw		2	I648/656
		M 5 X 10			
6	991 347 023 03	Steering shaft		1	I098
(6)	991 347 024 03	Steering shaft		1	I099
7	WHT 004 955 A	Torx screw		2	
		M 8 X 30			
8	991 347 037 02	Bellows		1	
10	999 084 630 01	Hexagon nut		1	
		M 8			
11	970 347 175 00	Handle		1	I647/655
	970 347 175 00 1E0	Black			
12	N 104 857 03	Round head screw		1	
		M 5 X 12			
13	N 907 988 05	Collar nut		4	
		M 8			

Model: 982-17

Model life 2017>>



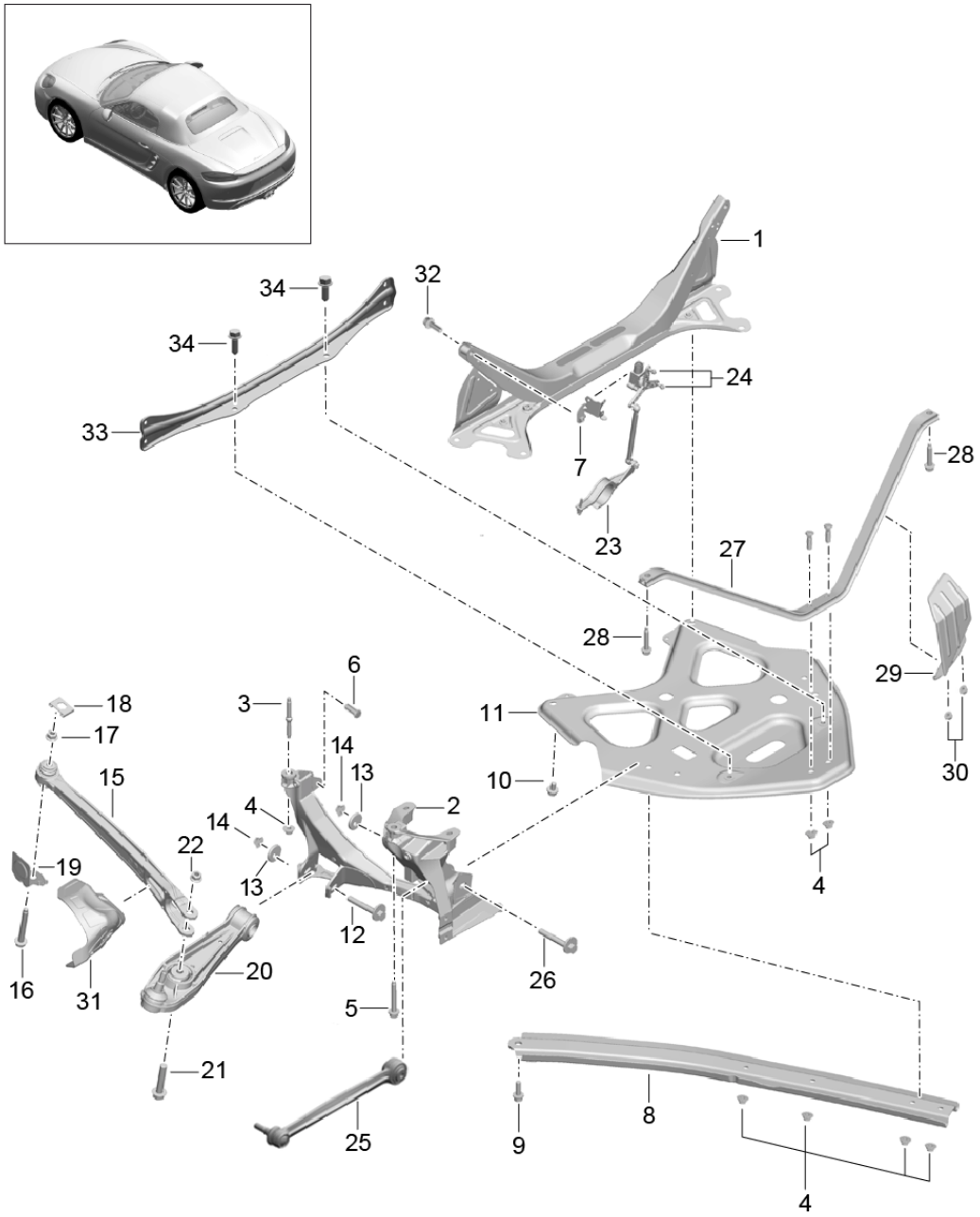
Model: 982-17

Model life 2017>>

Pos	Part Number	Description	Remark	Qty	Model
		Rear axle			
		Wheel carrier			
		Wheel hub			
1	982 505 051 A	Wheel carrier	/L	1	
(1)	982 505 052 A	Wheel carrier	/R	1	
2	982 507 625	Angular-contact bearing		2	
3	986 331 661 20	Lid		2	
4	999 217 042 03	Hexagon-head bolt M 8 X 35		8	
5	991 341 605 03	Wheel hub		2	
6	991 606 407 01	Speed sensor		2	
7	900 067 117 04	Pan-head screw M 6 X 16		2	
8	981 352 801 02	Cover plate	/L	1	
(8)	981 352 802 02	Cover plate	/R	1	
9	981 355 501 01	Support	/L	1	
(9)	981 355 502 01	Support	/R	1	
10	999 217 116 01	Hexagon-head bolt M6 X 16		10	
11	WHT 007 021	Hexagon nut M 22 X 1,5		2	

Model: 982-17

Model life 2017>>



Model: 982-17

Model life 2017>>

Pos	Part Number	Description	Remark	Qty	Model
		Rear axle Side section Bracket Control arm Cross member		1	
1	982 505 099 C			1	
2	981 331 051 06	Side section	/L	1	
(2)	981 331 052 06	Side section	/R	1	
3	999 061 120 01	Stud M 10 X 100		2	
4	999 076 053 01	Hexagon nut M 10		12	
5	999 072 843 01	Combination screw M 10 X 80 PA		2	
6	999 072 829 01	Hexagon-head bolt M 10 X 45		2	
7	982 907 347 B	Support	/L	1	I029/030/475 I477
(7)	982 907 333 A	Sensor Support Sensor	/R	1	I030/475/477
8	982 505 477	Strut	/L	1	
(8)	982 505 478	Strut	/R	1	
9	999 072 840 01	Hexagon-head bolt AM 10 X 35		2	
10	999 072 844 01	Combination screw AM 10 X 20		2	
11	981 331 261 11	Bracket		1	
12	997 331 217 03	Eccentric screw M 12 X 1,5 X 100		2	
13	996 331 219 00	Eccentric washer		4	
14	999 084 445 01	Lock nut M 12 X 1,5		4	
15	982 501 401	Control arm		2	
16	999 072 875 01	Hexagon-head bolt AM 12 X 1,5 X 95		2	
17	999 084 445 01	Lock nut M 12 X 1,5		2	
18	982 501 299	Nut lock		2	
19	982 501 812 A	Protective plate Only Right	/R	1	
20	981 331 053 00	Wishbone		2	
21	999 072 890 01	Hexagon-head bolt AM 14 X 1,5 X 75		2	
22	900 380 012 01	Hexagon nut M 14 X 1,5		2	
23	982 616 214	Sensor	/L	1	
(23)	982 616 214 A	Sensor	/R	1	I030/475/477
24	N 104 857 03	Round head screw M 5 X 12 - W		2	
25	981 331 045 02	Track rod		2	
26	997 331 217 02	Eccentric screw M 12 X 1,5 X 83		2	
27	981 331 093 01	Strut		1	
28	999 072 837 01	Hexagon-head bolt AM 10 X 55 - PA		2	
29	981 331 198 00	Heat shield		1	I250
30	900 380 015 01	Hexagon nut M 6		2	I250
31	982 505 569	Spoiler	/L	1	
(31)	982 505 570	Spoiler	/R	1	
32	900 378 115 01	Hexagon-head bolt AM 6 X 35		1	I029

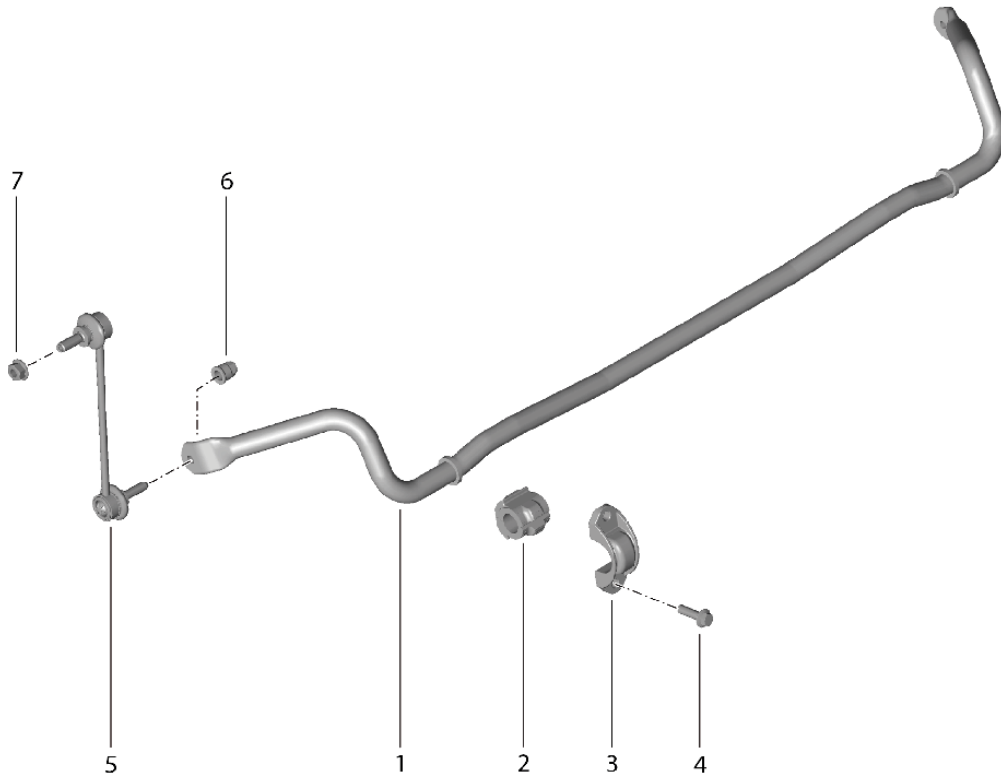
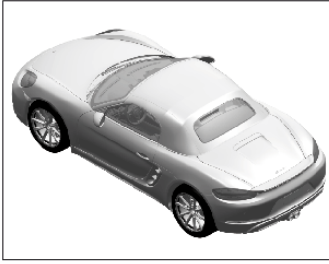
Model: 982-17

Model life 2017>>

Pos	Part Number	Description	Remark	Qty	Model
(32)		Hexagon-head bolt AM 6 X 35		2	I030/475/477
33	982 505 475	Transverse strut		1	
34	N 106 421 01	Hexagon-head bolt M 8 X 25		2	

Model: 982-17

Model life 2017>>



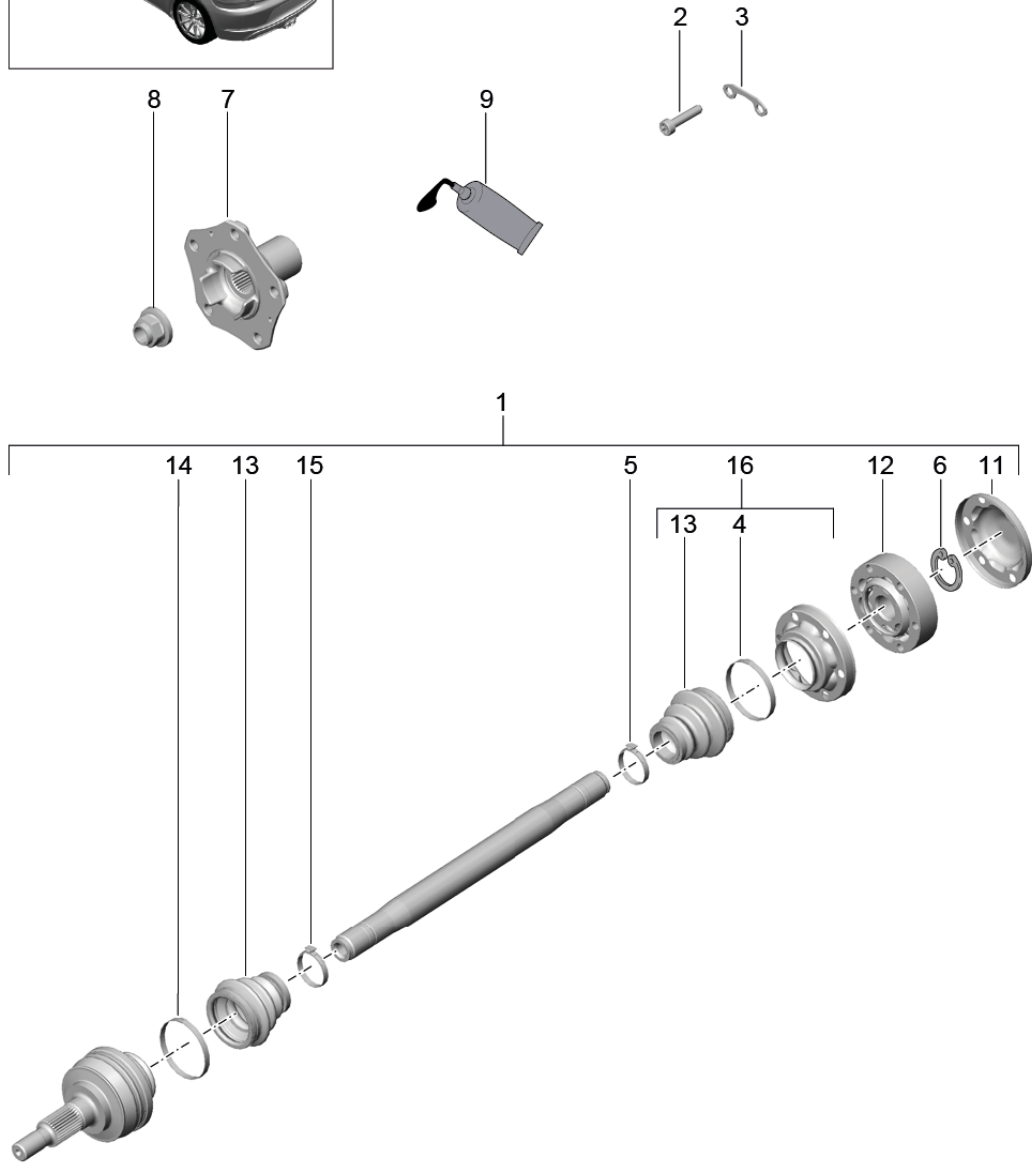
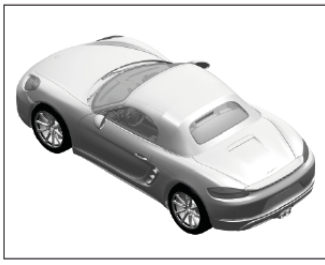
Model: 982-17

Model life 2017>>

Pos	Part Number	Description	Remark	Qty	Model
1	981 333 703 13	Stabiliser		1	I029
(1)	981 333 703 14	Stabiliser		1	I219/475/477
(1)	981 333 703 15	Stabiliser		1	I220/475/477
(1)	981 333 703 16	Stabiliser		1	-I011/I030
2	996 333 792 27	Stabiliser mounting		2	I219/475/477
(2)	996 333 792 29	Stabiliser mounting		2	I220/475/477
(2)	997 333 792 90	Stabiliser mounting		2	-I011/I029
		Information available			I030
					-I011/I029
					I030
3	981 333 777 00	Bearing clamp		2	
4	900 378 159 01	Hexagon-head bolt AM 8 X 60		4	
5	997 343 069 04	Stabiliser mounting	/L	2	
(5)	997 343 070 04	Stabiliser mounting	/R	2	
6	999 084 123 09	Hexagon nut M 10		2	
7	999 084 445 01	Lock nut M 12 X 1,5 Stabiliser		2	

Model: 982-17

Model life 2017>>



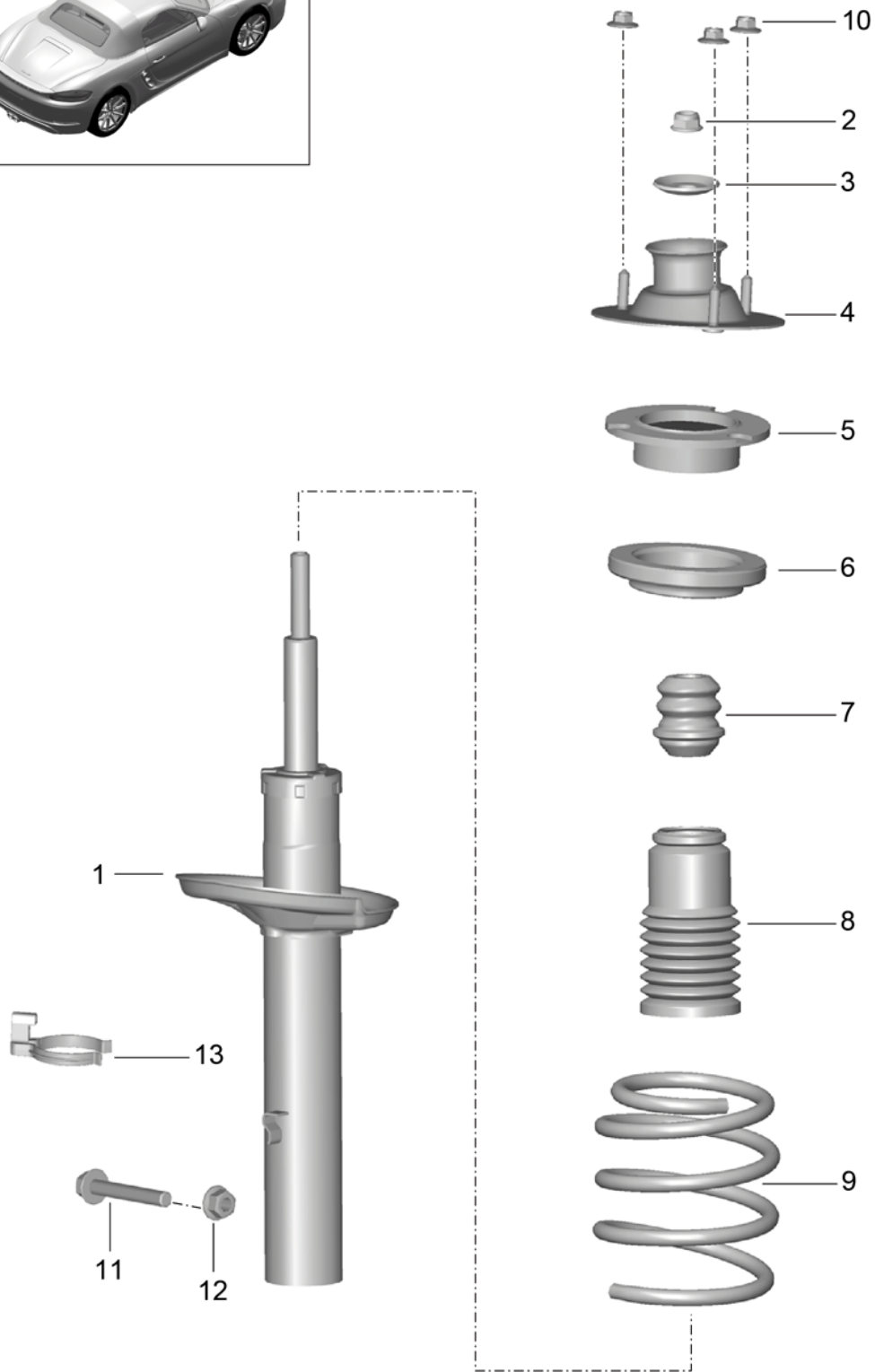
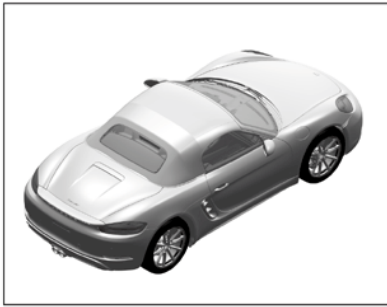
Model: 982-17

Model life 2017>>

Pos	Part Number	Description	Remark	Qty	Model
		Drive shaft			
		Wheel hub			
1	981 332 024 10	Drive shaft	/L	1	I008/480
(1)	981 332 024 30	Drive shaft	/R	1	I008/480
(1)	981 332 024 60	Drive shaft		2	I008/250
(1)	982 501 201 D	Drive shaft	/L	1	I009/480
(1)	982 501 202 D	Drive shaft	/R	1	I009/480
(1)	982 501 203 C	Drive shaft		2	I009/250
2	999 510 047 01	Pan-head screw		12	I008
		M 10 X 46,5			
(2)	N 105 234 02	Pan-head screw		12	I009
		AM 10 X 52			
3	9P1 501 375	Plate		6	I008
(3)	9A7 407 357 00	Plate		6	I009
4	996 332 957 00	Clip		4	I008
		73 MM			
(4)	999 512 783 01	Hose clamp		2	I009
5	996 332 257 00	Clip		4	
		34 MM			
6	900 041 014 00	Circlip		4	
7	991 341 605 03	Wheel hub		2	
8	WHT 007 021	Hexagon nut		2	
		M 22 X 1,5			
9	000 043 110 01	Grease		X	
		1 100-gramme tube			
11	997 332 267 00	Lid		2	I008
(11)	982 501 147	Lid		2	I009
12	991 332 030 00	Joint		2	I008
(12)	982 501 517	Joint		2	I009
13	996 332 293 00	Dust bellows		4	I008
		Information available			I008
(13)	970 332 293 00	Bellows		2	I009
14	996 332 957 00	Clip		4	I008
		73 MM			
(14)	999 512 783 01	Hose clamp		2	I009
15	996 332 257 00	Clip		4	
		34 MM			
16	997 332 955 00	Bellows		2	I008
		with			
		Cap			
(16)	982 501 135 B	Bellows		2	I009
		with			
		Cap			

Model: 982-17

Model life 2017>>

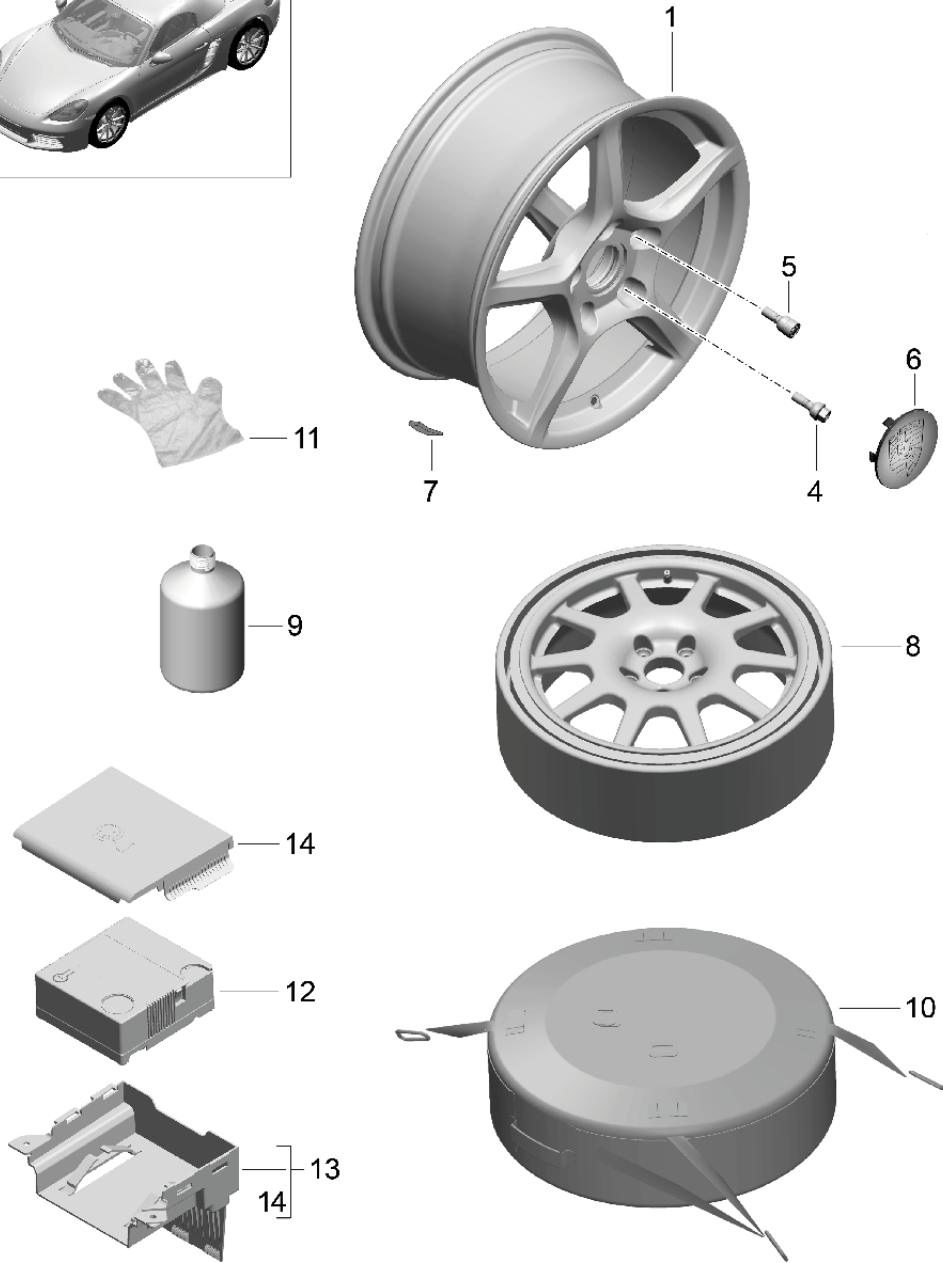
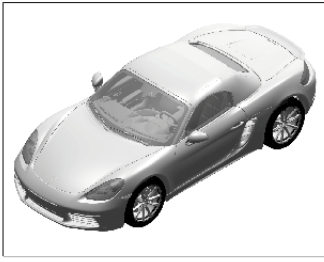


Model: 982-17 Model life 2017>>

Pos	Part Number	Description	Remark	Qty	Model
		Shock absorber			
		Coil spring			
1	982 513 029 B	Shock absorber		2	I029
(1)	982 513 031 A	Shock absorber		2	I030
(1)	982 513 031 B	Shock absorber		2	I475/477
2	999 084 133 01	Hexagon nut		2	
		M 14 X 1,5			
3	981 333 207 00	Stop washer		4	
4	981 333 059 01	Supporting mount		2	
5	981 333 509 00	Centring ring		2	
		Identification			
		Yellow			
		3MM			
(5)	981 333 509 01	Centring ring		2	
		Identification			
		Blue			
		6,5MM			
6	981 333 504 01	Spring hanger		2	
7	987 333 301 00	Additional spring		2	
8	981 333 505 00	Bellows		2	
9	982 511 115	Coil spring		1	I029/480
	982 511 115 504	1 set			
		Identification			
		Squirrel Grey			
		Violet			
(9)	982 511 115 A	Coil spring		1	I029/250
	982 511 115 A 504	1 set			
		Identification			
		Squirrel Grey			
		Fire Red			
(9)	982 511 115 B	Coil spring		1	I475/477/480
	982 511 115 B 504	1 set			
		Identification			
		Fire Red			
		Orange			
(9)	982 511 115 C	Coil spring		1	I250/475/477
	982 511 115 C 504	1 set			
		Identification			
		Fire Red			
		Fire Red			
(9)	982 511 115 D	Coil spring		1	I030/480
	982 511 115 D 504	1 set			
		Identification			
		Fire Red			
		Violet			
(9)	982 511 115 E	Coil spring		1	I030/250
	982 511 115 E 504	1 set			
		Identification			
		Fire Red			
		Squirrel Grey			
10	999 084 447 01	Hexagon nut		6	
		M 8			
11	999 072 868 01	Hexagon-head bolt		2	
		M 12 X 1,5 X 80			
12	999 084 445 01	Lock nut		2	
		M 12 X 1,5			
13	991 343 571 00	Spacer		2	I477

Model: 982-17

Model life 2017>>



Model: 982-17 Model life 2017>>

Pos	Part Number	Description	Remark	Qty	Model
		Wheels Part number Disc wheel without Hub cap And Wheel bolts			
1	982 601 025 M	Disc wheel 8,0JX18 ET 57	/V	2	I395
	982 601 025 M 8Z8	Brilliant Silver			I340
(1)	982 601 025 P	Disc wheel 8,0JX18 ET 57	/V	2	I396
	982 601 025 P 8Z8	Brilliant Silver			I340
(1)	982 601 025	Disc wheel 8,0JX19 ET 57	/V	2	I397
	982 601 025 88Z	Brilliant chrome finish			I340
(1)	982 601 025 B	Disc wheel 8,0JX19 ET 57	/V	2	I340/398
	982 601 025 B 88Z	Brilliant chrome finish			I340
(1)	981 362 160 14	Disc wheel 8,0JX20 ET 57	/V	2	I427
	981 362 160 14 OC6	Titanium			I340
(1)	982 601 025 F	Disc wheel 8,5JX20 ET 57	/V	2	I439
	982 601 025 F OC6	Titanium			I340
(1)	982 601 025 H	Disc wheel 8,0JX20 ET 57	/V	2	I433
	982 601 025 H 88Z	Brilliant chrome finish			I340
	982 601 025 H OB5	Platinum satin-matt			IXDH
	982 601 025 H JE1	Black mat			IXDK
	982 601 025 H C9X	Jet Black Metallic			IXDL
	982 601 025 H 041	Black			IXDG
(1)	982 601 025 K	Disc wheel 8,5JX20 ET 57	/V	2	IXRD
	982 601 025 K 041	Black			IXDG
	982 601 025 K OB5	Platinum satin-matt			IXDH
	982 601 025 K C9X	Jet Black Metallic			IXDL
	982 601 025 K OU7	Platinum Silver Metallic			I340
(1)	982 601 025 N	Disc wheel 9,5JX18 ET 48	/H	2	I395
	982 601 025 N 8Z8	Brilliant Silver			I340
(1)	982 601 025 Q	Disc wheel 9,5JX18 ET 49	/H	2	I396
	982 601 025 Q 8Z8	Brilliant Silver			I340
(1)	982 601 025 A	Disc wheel 10,0JX19 ET 45	/H	2	I397
	982 601 025 A 88Z	Brilliant chrome finish			I340
(1)	982 601 025 C	Disc wheel 10,0JX19 ET 50	/H	2	I340/398
	982 601 025 C 88Z	Brilliant chrome finish			I340
(1)	982 601 025 S	Disc wheel	/H	2	I427

Model: 982-17

Model life 2017>>

Pos	Part Number	Description	Remark	Qty	Model
		10,0JX20 ET 45 Titanium			I340
(1)	982 601 025 S OC6 982 601 025 G	Disc wheel 10,5JX20 ET 47 Titanium	/H	2	I439
(1)	982 601 025 G OC6 982 601 025 J	Disc wheel 10,0JX20 ET 45	/H	2	I340 I433
	982 601 025 J 88Z	Brilliant chrome finish			IXDG/340
	982 601 025 J OB5	Platinum satin-matt			IXDH
	982 601 025 J JE1	Black mat			IXDK
	982 601 025 J C9X	Jet Black Metallic			IXDL
	982 601 025 J 041	Black			IXDG
(1)	982 601 025 L	Disc wheel 10,5JX20 ET 51	/H	2	IXRD
	982 601 025 L 041	Black			IXDG
	982 601 025 L OB5	Platinum satin-matt			IXDH
	982 601 025 L C9X	Jet Black Metallic			IXDL
	982 601 025 L OU7	Platinum Silver Metallic			I340
4	WHT 006 978	Wheel bolt M 14 X 1,5 X 44		16	
5	WHT 006 979 A	Set Anti-theft protection 1 set Black		1	-I444
(5)	9A7 006 980 00	Set Anti-theft protection 1 set Black		1	I444
6	7L5 601 151	Hub cap Concave Coloured		4	IXDG/XDH/XDK I433/446
	7L5 601 151 041	Black			IXDG
	7L5 601 151 OB5	Platinum satin-matt			IXDH
	7L5 601 151 JE1	Black mat			IXDK
(6)	7P5 601 151	Hub cap Convex Coloured		4	IXRD/446
	7P5 601 151 041	Black			IXDG
	7P5 601 151 OB5	Platinum satin-matt			IXDH
	7P5 601 151 C9X	Jet Black Metallic			IXDL
	7P5 601 151 OU7	Platinum Silver Metallic			I340
(6)	9P1 601 147	Hub cap Concave		4	-I446/I396
	9P1 601 147 8Z8	Brilliant Silver			I340
(6)	9P1 601 147	Hub cap Concave		4	-I446/I433
	9P1 601 147 88Z	Brilliant chrome finish			I340
(6)	9P1 601 147 A	Hub cap Concave Coloured		4	I396/446
	9P1 601 147 A 8Z8	Brilliant Silver			I340
(6)	9P1 601 147 A	Hub cap Concave Coloured		4	I340/433/446
	9P1 601 147 A 88Z	Brilliant chrome finish			I340
(6)	9P1 601 149	Hub cap Convex		4	-I446/I395
	9P1 601 149 8Z8	Brilliant Silver			I340

Model: 982-17

Model life 2017>>

Pos	Part Number	Description	Remark	Qty	Model
(6)	9P1 601 149	Hub cap Convex		4	-I446/I397 I398
	9P1 601 149 88Z	Brilliant chrome finish			I340
(6)	9P1 601 149	Hub cap Convex		4	-I446/I427
	9P1 601 149 OC6	Titanium			I340
(6)	9P1 601 149 A	Hub cap Convex Coloured		4	I395/446
	9P1 601 149 A 8Z8	Brilliant Silver			I340
(6)	9P1 601 149 A	Hub cap Convex Coloured		4	I397/398/446
	9P1 601 149 A 88Z	Brilliant chrome finish			I340
(6)	9P1 601 149 A	Hub cap Convex Coloured		4	I427/446
	9P1 601 149 A OC6	Titanium			I340
(6)	7PP 601 149 H	Hub cap		4	-I446/I340 I439
(6)	7PP 601 149 J	Hub cap Coloured		4	I340/439/446
7	997 361 405 00	Balance stick-on weight Silver 5.G.		X	
(7)	9P1 601 179	Balance stick-on weight Black 5.G.		X	
(7)	997 361 410 00	Balance stick-on weight Silver 10 G.		X	
(7)	9P1 601 181	Balance stick-on weight Black 10.G.		X	
(7)	997 361 415 00	Balance stick-on weight Silver 15 G.		X	
(7)	9P1 601 182	Balance stick-on weight Black 15.G.		X	
(7)	997 361 420 00	Balance stick-on weight Silver 20 G.		X	
(7)	9P1 601 183	Balance stick-on weight Black 20.G.		X	
(7)	997 361 425 00	Balance stick-on weight Silver 25 G.		X	
(7)	9P1 601 184	Balance stick-on weight Black 25.G.		X	
(7)	997 361 430 00	Balance stick-on weight Silver 30 G.		X	
(7)	9P1 601 185	Balance stick-on weight Black 30.G.		X	
(7)	997 361 435 00	Balance stick-on weight Silver 35 G.		X	
(7)	9P1 601 186	Balance stick-on weight		X	

Model: 982-17

Model life 2017>>

Pos	Part Number	Description	Remark	Qty	Model
(7)	997 361 440 00	Black 35.G. Balance stick-on weight Silver		X	
(7)	9P1 601 187	40 G. Balance stick-on weight Black		X	
(7)	997 361 445 00	40.G. Balance stick-on weight Silver		X	
(7)	9P1 601 188	45 G. Balance stick-on weight Black		X	
(7)	997 361 450 00	45.G. Balance stick-on weight Silver		X	
(7)	9P1 601 189	50 G. Balance stick-on weight Black		X	
(7)	997 361 455 00	50.G. Balance stick-on weight Silver		X	
(7)	9P1 601 190	55 G. Balance stick-on weight Black		X	
(7)	997 361 460 00	55.G. Balance stick-on weight Silver		X	
(7)	9P1 601 191	60 G. Balance stick-on weight Black		X	
(7)	997 361 465 00	60.G. Balance stick-on weight Silver		X	
(7)	9P1 601 192	65 G. Balance stick-on weight Black		X	
(7)	997 361 470 00	65.G. Balance stick-on weight Silver		X	
(7)	9P1 601 193	70 G. Balance stick-on weight Black		X	
(7)	997 361 475 00	70.G. Balance stick-on weight Silver		X	
(7)	9P1 601 194	75 G. Balance stick-on weight Black		X	
(7)	997 361 480 00	75.G. Balance stick-on weight Silver		X	
(7)	9P1 601 195	80 G. Balance stick-on weight Black		X	
(7)	997 361 485 00	80.G. Balance stick-on weight Silver		X	
(7)	9P1 601 196	85 G. Balance stick-on weight Black		X	
(7)	997 361 490 00	85.G. Balance stick-on weight		X	

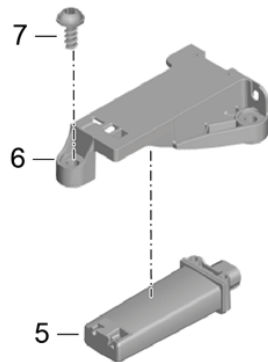
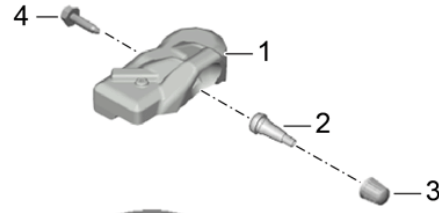
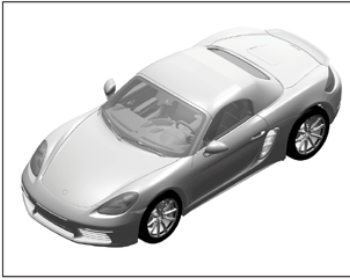
Model: 982-17

Model life 2017>>

Pos	Part Number	Description	Remark	Qty	Model
(7)	9P1 601 197	Silver 90 G. Balance stick-on weight Black 90.G.		X	
8	991 362 020 00	Emergency wheel		1	I447
9	4L0 012 619 B	Bottle of tyre sealant		1	
10	996 361 521 00	Boot Emergency wheel		1	I447
11	999 914 001 40	Plastic gloves		1	I447
12	5N0 012 615 C	Compressor Emergency wheel		1	
13	991 555 575 04	Support with Lid		1	
14	991 555 575 04 1E0	Black		1	
	991 555 765 03	Lid			
	991 555 765 03 1E0	Black			

Model: 982-17

Model life 2017>>



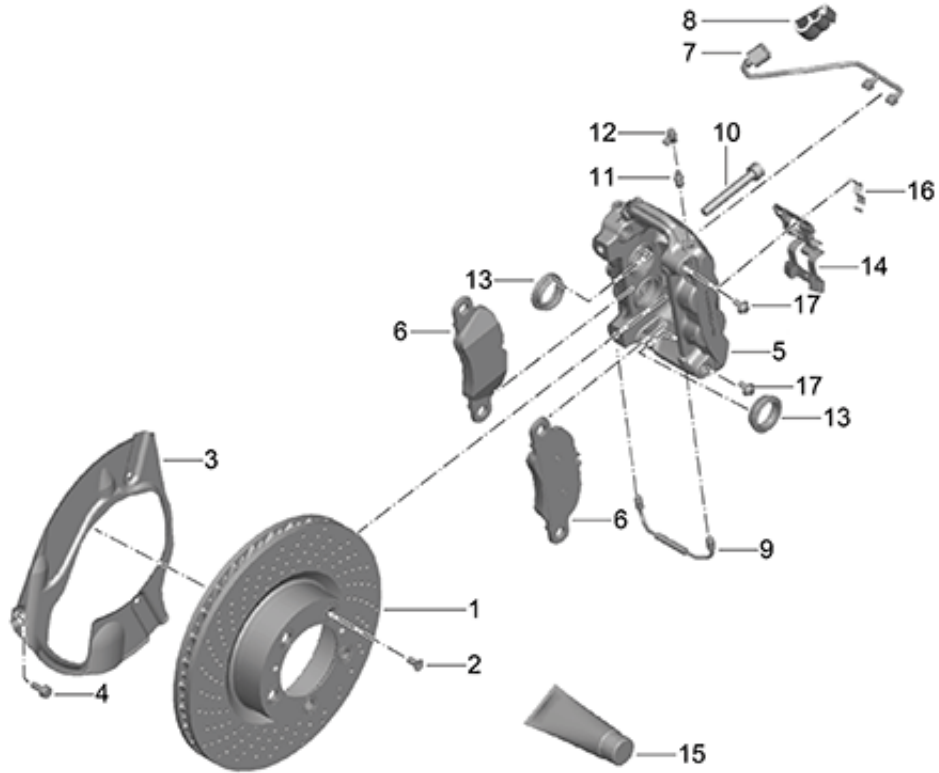
Model: 982-17

Model life 2017>>

Pos	Part Number	Description	Remark	Qty	Model
1	5Q0 907 275 B	Tyre pressure monitoring Sensor		4	I482/483 I482
(1)	5Q0 907 275 C	Tyre pressure monitoring Use also: Valve Information available Sensor		4	I483
2	9P1 601 361	Valve Tyre pressure monitoring Black		4	IUX7
(2)	9P1 601 361 A	Valve Tyre pressure monitoring Silver		4	IUX6
3	WHT 006 913	Cap Black		4	IUX7
(3)	N 908 729 01	Cap Silver		4	IUX6
4	4D0 601 365	Fastening screw		4	
5	7PP 907 273 H	Control unit		1	I482
(5)	9A7 907 273 00	Control unit		1	I483
6	991 618 269 01	Support		1	
7	999 919 241 01	Lens-head screw		2	

Model: 982-17

Model life 2017>>



Model: 982-17

Model life 2017>>

Pos	Part Number	Description	Remark	Qty	Model
1	997 351 401 01	Disc brake			
		Front axle			
(1)	997 351 402 01	Brake disc	/L	1	-I450/I008
(1)	9P1 615 301 A	Brake disc	/R	1	-I450/I008
(1)	9P1 615 302 A	Brake disc	/L	1	-I450/I009
(1)	981 351 031 01	Brake disc	/R	1	-I450/I009
(1)	981 351 032 01	Brake disc	/L	1	I450
2	900 269 047 03	Countersunk-head screw	/R	1	I450
		M 6 X 12 - MK		4	
3	981 351 801 00	Cover plate	/L	1	-I450
(3)	981 351 802 00	Cover plate	/R	1	-I450
(3)	991 351 801 01	Cover plate	/L	1	I450
(3)	991 351 802 01	Cover plate	/R	1	I450
4	999 217 116 01	Hexagon-head bolt		6	
		M6 X 16			
5	997 351 421 0F	Fixed calliper	/L	1	-I450/I008
		without pad			
		Use also:			
		999.067.053.09		2	
5	9P1 615 123 H	Fixed calliper	/L	1	-I450/I008
		without pad			
		Use also:			
		999.067.053.09		2	
(5)	997 351 422 0F	Fixed calliper	/R	1	-I450/I008
		without pad			
		Use also:			
		999.067.053.09		2	
(5)	9P1 615 124 H	Fixed calliper	/R	1	-I450/I008
		without pad			
		Use also:			
		999.067.053.09		2	
(5)	982 615 123 C	Fixed calliper	/L	1	-I450/I009
		without pad			
		Use also:			
		999.067.053.09		2	
(5)	982 615 124 C	Fixed calliper	/R	1	-I450/I009
		without pad			
		Use also:			
		999.067.053.09		2	
(5)	991 351 425 34	Fixed calliper	/L	1	I450
		without pad			
		Use also:			
		999.067.053.09		2	
(5)	9P1 615 123 N	Fixed calliper	/L	1	I450
		without pad			
		Use also:			
		999.067.053.09		2	
(5)	991 351 426 34	Fixed calliper	/R	1	I450
		without pad			
		Use also:			
		999.067.053.09		2	
(5)	9P1 615 124 N	Fixed calliper	/R	1	I450
		without pad			
		Use also:			
		999.067.053.09		2	
6	981 351 939 00	Repair kit		1	-I450/I008
		Brake pad			
		Use also:			
		999.067.053.09		4	
(6)	9P1 698 151 A	Brake pad repair set		1	-I450/I009
		Use also:			
		999.067.053.09		4	

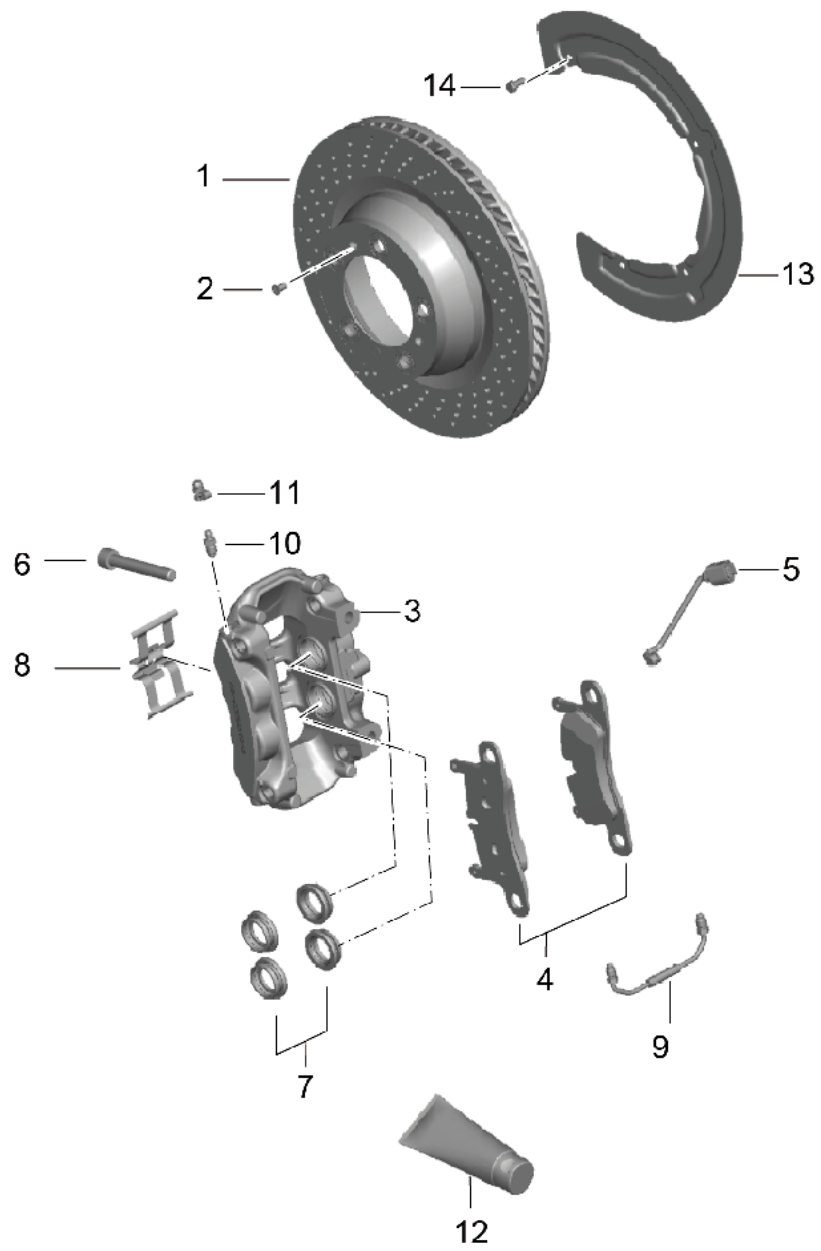
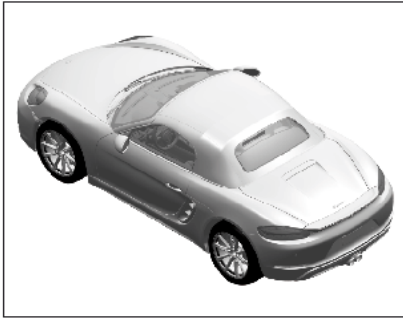
Model: 982-17

Model life 2017>>

Pos	Part Number	Description	Remark	Qty	Model
(6)	991 351 948 02	Brake pad repair set Use also: Mounting parts Use also: 999.067.053.09		1	I450
7	991 609 165 00	Warning contact Brake pad wear indicator		2	-I450
(7)	991 609 181 00	Warning contact Brake pad wear indicator		2	I450
8	944 612 627 00	Line bracket for Warning contact		2	
9	997 351 961 01	Connecting line Fixed calliper		2	-I450/I008
(9)	9P1 615 175	Connecting line Fixed calliper		2	-I450/I009
(9)	991 351 961 11	Connecting line Fixed calliper		2	I450
10	999 067 053 09	Pan-head screw M 12 X 1,5 X 85		4	
11	997 352 919 00	Ventilation valve		1	-I450/I008
(11)	8A0 615 273	Ventilation valve		1	-I450/I009
(11)	997 352 917 00	Ventilation valve		1	I450
12	930 351 927 00	Dust boot		2	-I450/I008
(12)	211 611 483	Dust boot		2	-I450/I009
13	996 351 915 01	Repair kit Protection caps 38 MM		X	-I450
(13)	951 352 917 01	Repair kit Protection caps 30 MM		X	I450
(13)	996 352 915 00	Repair kit Protection caps 32 MM		X	I450
14	997 351 959 01	Spring Repair kit		2	-I450/I008
(14)	9P1 615 157	Spring Repair kit		2	-I450/I009
(14)	970 351 959 01	Spring Repair kit		2	I450
15	000 043 117 00	Brake cylinder paste 50 G		X	
(15)	000 043 020 00	Optimoly 100 G		X	
16	991 352 960 00	Cable holder		2	I450
17	9A7 008 689 00	Shouldered bolt M 8 X 16		4	-I450

Model: 982-17

Model life 2017>>



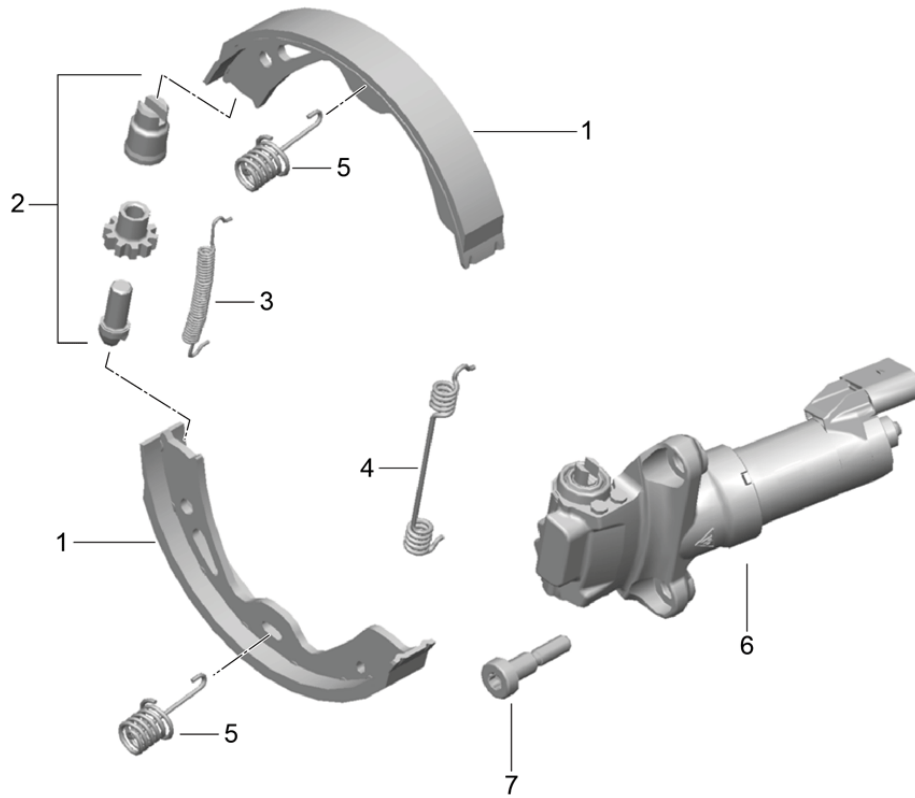
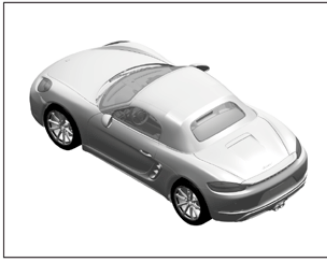
Model: 982-17

Model life 2017>>

Pos	Part Number	Description	Remark	Qty	Model
		Disc brake			
		Rear axle			
1	987 352 401 01	Brake disc		2	-I450
(1)	981 352 031 01	Brake disc	/L	1	I450
(1)	981 352 032 01	Brake disc	/R	1	I450
2	900 269 047 03	Countersunk-head screw M 6 X 12		4	
3	986 352 423 03	Fixed calliper without pad Use also: 999.073.402.01	/L	1	-I450/I008
(3)	986 352 424 03	Fixed calliper without pad Use also: 999.073.402.01	/R	1	-I450/I008
(3)	986 352 423 11	Fixed calliper without pad Use also: 999.073.402.01	/L	1	-I450/I009
(3)	986 352 424 11	Fixed calliper without pad Use also: 999.073.402.01	/R	1	-I450/I009
(3)	996 352 423 32	Fixed calliper without pad Use also: 999.067.053.09	/L	1	I450
(3)	996 352 424 32	Fixed calliper without pad Use also: 999.067.053.09	/R	1	I450
4	987 352 939 01	Brake pad repair set Use also: 999.073.402.01		2	
(4)	997 352 948 00	Brake pad repair set Use also: 999.067.053.09		1	I450
5	981 609 163 00	Brake pad wear indicator		4	
6	999 073 402 01	Pan-head screw M 12 X 1,5 X 72		2	
(6)	999 067 053 09	Pan-head screw M 12 X 1,5 X 85		4	I450
7	951 352 917 00	Repair kit Protection caps 28 MM		1	
(7)	951 352 917 01	Repair kit Protection caps 30 MM		1	
8	996 352 959 01	Repair kit Spring		2	-I450
(8)	996 352 959 30	Repair kit Mounting parts		2	I450
9	996 352 961 02	Connecting line	/L	1	-I450
(9)	996 352 962 02	Connecting line	/R	1	-I450
(9)	996 352 961 31	Connecting line		2	I450
10	997 352 919 00	Ventilation valve		1	-I450
(10)	997 352 917 00	Ventilation valve		4	I450
11	930 351 927 00	Dust boot Repair kit		1	
13	981 352 801 02	Cover plate	/L	1	
(13)	981 352 802 02	Cover plate	/R	1	
14	999 217 116 01	Hexagon-head bolt M 6 X 16		10	

Model: 982-17

Model life 2017>>



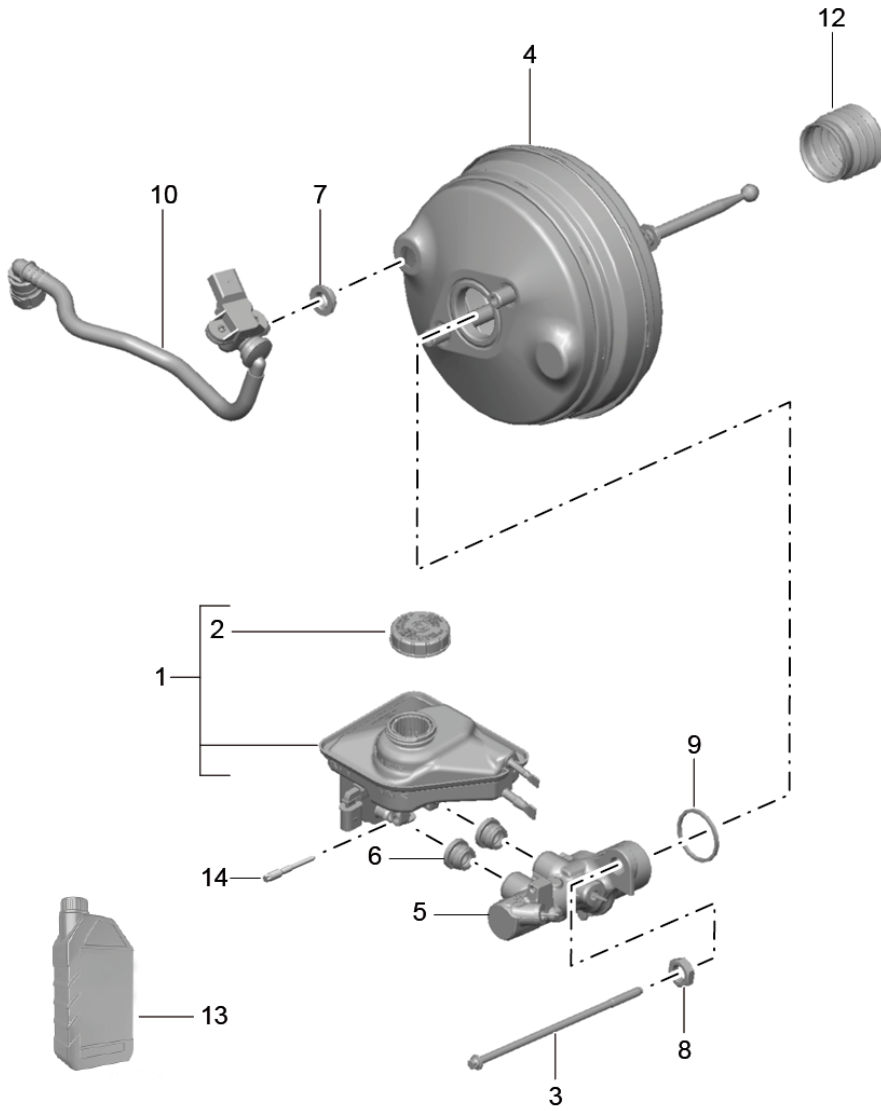
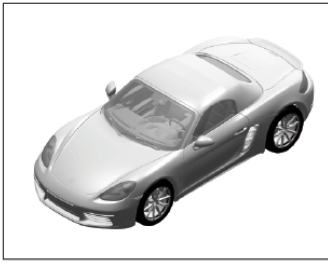
Model: 982-17

Model life 2017>>

Pos	Part Number	Description	Remark	Qty	Model
1	970 352 993 02	Parking brake Brake shoe Repair kit Comprising: Brake shoe Use also: Mounting parts D >> 13.05.2016		1 4	
1	298 698 533	Brake shoe Repair kit Comprising: Brake shoe Use also: Mounting parts D >> 13.05.2016		1 4	
1	971 698 533	Brake shoe Repair kit Comprising: Brake shoe Use also: Mounting parts D >> 13.05.2016		1 4	
2	298 609 723	Adjusting screw		2	
3	298 609 717	Tension spring		2	
4	298 609 715	Tension spring		2	
5	298 609 583	Compression spring		4	
6	298 609 404	Electric motor	/L	1	
(6)	298 609 403	Electric motor	/R	1	
7	999 073 452 01	Screw M 8 X 38		4	

Model: 982-17

Model life 2017>>



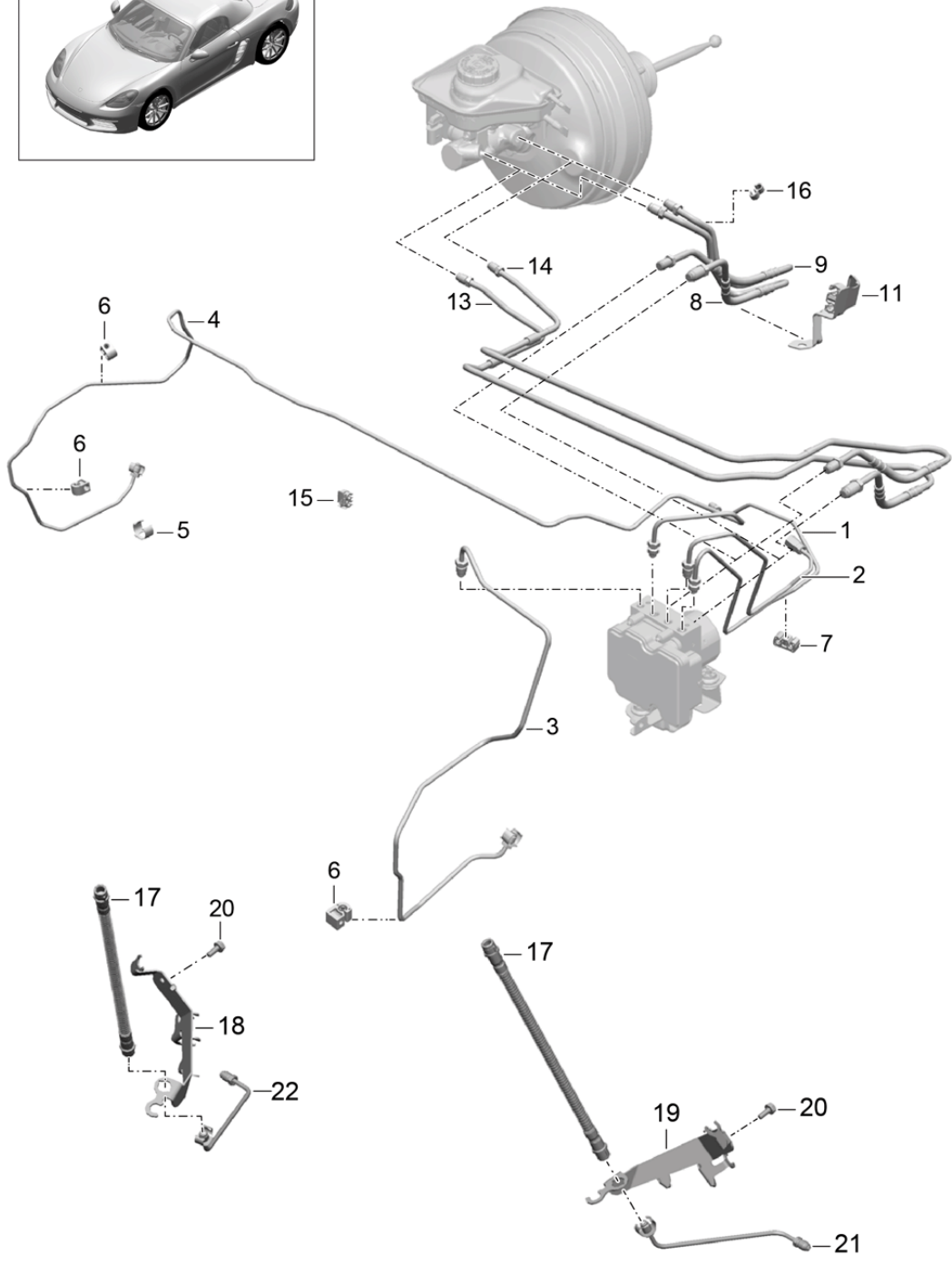
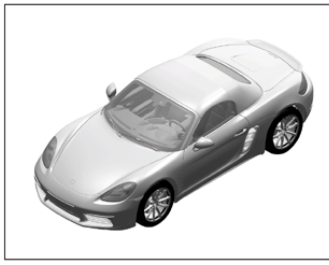
Model: 982-17

Model life 2017>>

Pos	Part Number	Description	Remark	Qty	Model
		Brake master cylinder			
		Brake booster			
1	991 355 013 02	Expansion tank		1	
2	5Q0 611 349 A	Lid	(USA)	1	
(2)	5Q0 611 349 B	Lid	-(USA)	1	
3	991 355 929 00	Pan-head screw M 8 X 196,9 X 31,9		2	
4	991 355 125 28	Brake booster		1	
5	981 355 130 27	Brake master cylinder		1	
6	958 355 922 00	Rubber seal		2	
7		Expansion tank Gasket Only together with Brake booster		1	
8	970 355 925 00	Nut M 16 X 8		2	
9	993 355 212 00	Gasket		2	
10	991 355 577 04	Vacuum line		1	I098
(10)	991 355 578 02	Vacuum line		1	I099
12	970 355 969 00	Bellows		1	
13	000 043 305 52	Brake fluid DOT 4 1 LTR.		X	
14	WHT 005 308	Outer hexagon round screw M 5 X 51		1	

Model: 982-17

Model life 2017>>



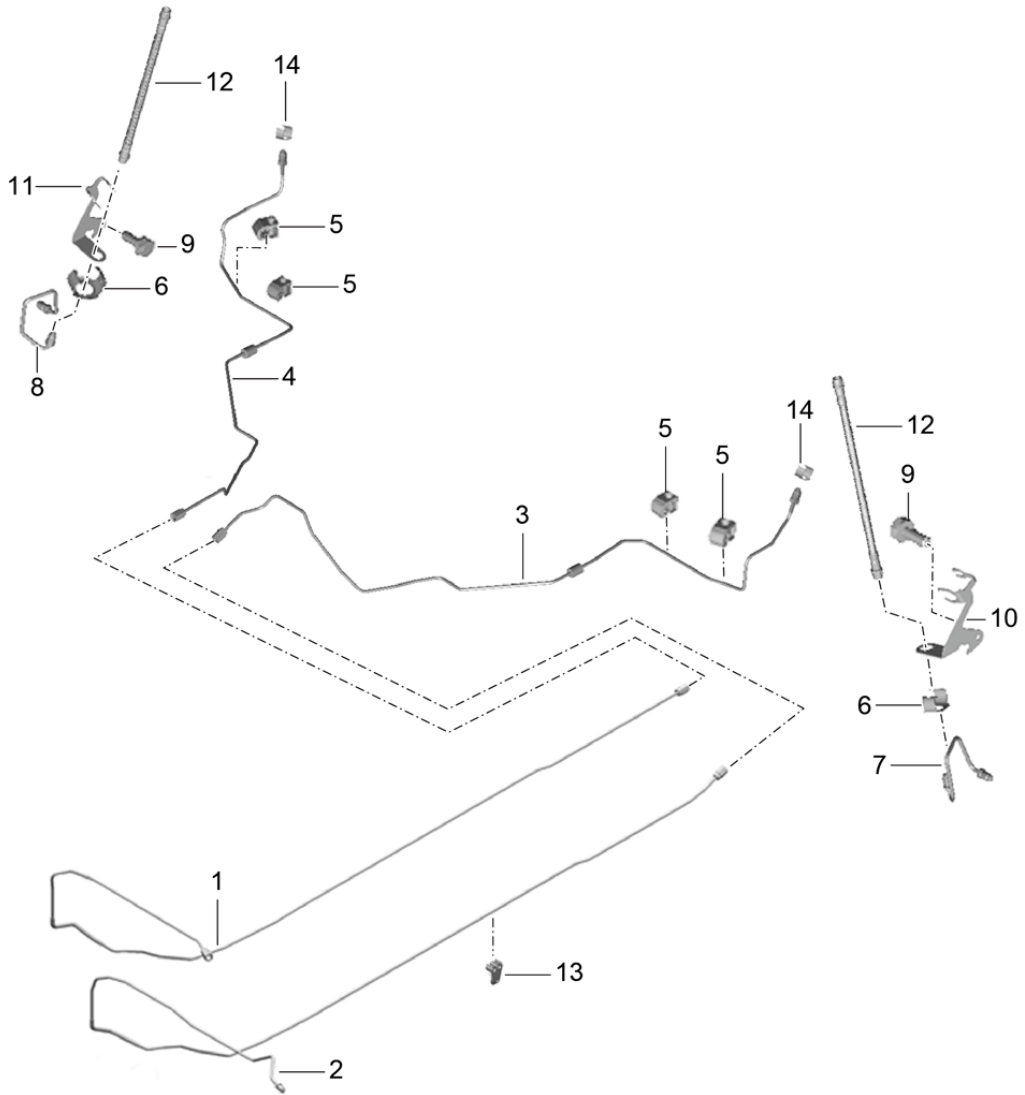
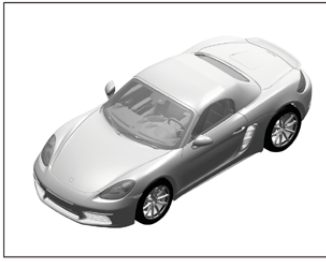
Model: 982-17

Model life 2017>>

Pos	Part Number	Description	Remark	Qty	Model
		Brake lines			
		Body front section			
		Front			
1	991 355 316 12	Brake line		1	
2	991 355 315 07	Brake line		1	
3	991 355 175 05	Brake line		1	
4	991 355 176 06	Brake line		1	
6	95B 611 797	Support		4	
		4,75-6,0			
7	8K0 611 797 G	Line bracket		2	
		Information available			
8	991 355 311 30	Brake line		1	I098
9	991 355 313 29	Brake line		1	I098
11	991 355 509 10	Support		1	I099
13	991 355 312 31	Brake line		1	I099
14	991 355 314 30	Brake line		1	I099
15	991 355 508 01	Support		2	I099
16	999 591 897 40	Support		1	I098
		8,00/8,00			
(16)		Support		3	I099
		8,00/8,00			
17	991 355 137 01	Brake hose		2	
18	9P1 611 845	Support	/L	1	
19	9P1 611 846	Support	/R	1	
20	999 217 116 01	Hexagon-head bolt		2	
		M 6 X 16			
21	991 355 581 02	Brake line	/L	1	-I450
(21)	991 355 581 03	Brake line	/L	1	I450
22	991 355 582 02	Brake line	/R	1	-I450
(22)	991 355 582 03	Brake line	/R	1	I450

Model: 982-17

Model life 2017>>



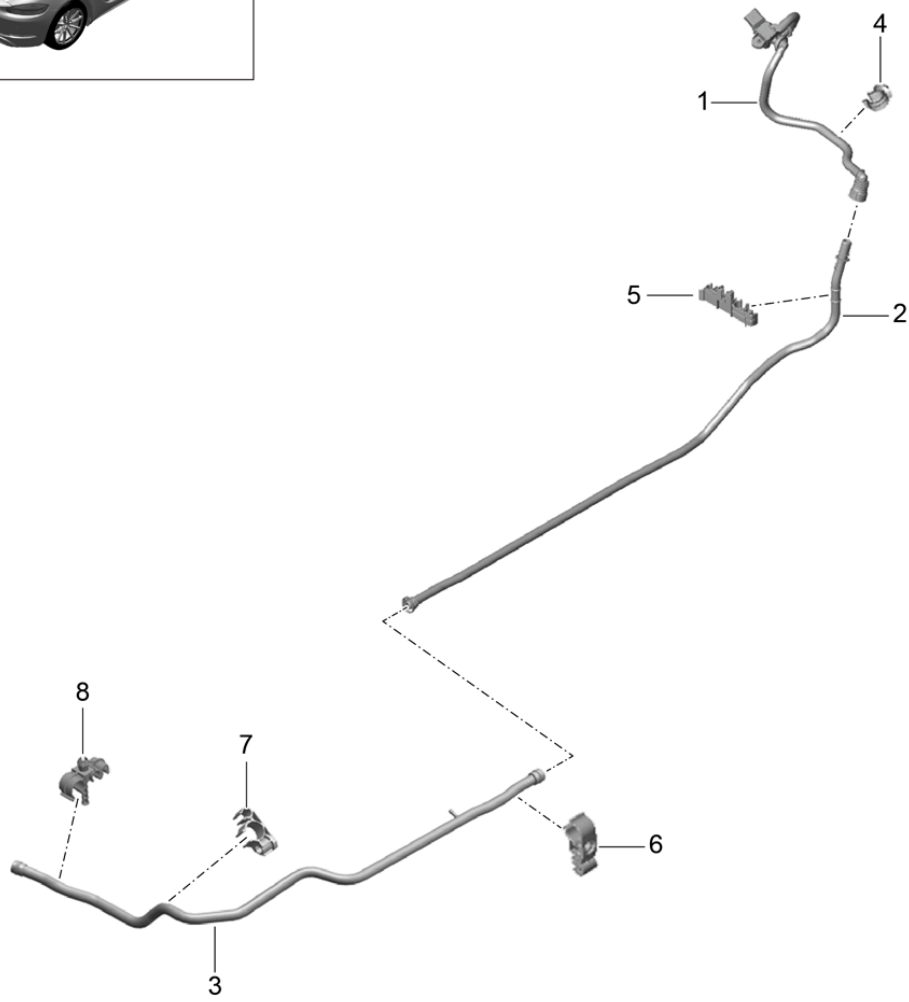
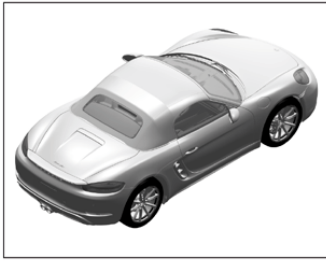
Model: 982-17

Model life 2017>>

Pos	Part Number	Description	Remark	Qty	Model
		Brake lines			
		Underbody			
		Centre			
		Rear			
1	991 355 179 11	Brake line		1	
2	991 355 177 13	Brake line		1	
3	982 611 741 A	Brake line	/L	1	
4	982 611 742 A	Brake line	/R	1	
5	9A7 616 739 00	Fixing clip 2 X 6,1 X 8		3	I480
(5)	95B 611 797	Support 4,75-6,0		1	I480
(5)		Support 4,75-6,0		4	I250
6	982 611 793 A	Support		2	
		Brake line			
7	981 355 581 02	Brake line	/L	1	-I450
(7)	981 355 581 03	Brake line	/L	1	I450
8	981 355 582 02	Brake line	/R	1	-I450
(8)	981 355 582 03	Brake line	/R	1	I450
9	999 217 116 01	Hexagon-head bolt M 6 X 16		2	
10	981 355 501 01	Support	/L	1	
		Brake hose			
11	981 355 502 01	Support	/R	1	
		Brake hose			
12	991 355 137 01	Brake hose		2	
13	991 355 510 02	Support		2	
		Clip			
14	997 355 331 00	Retainer spring		2	

Model: 982-17

Model life 2017>>



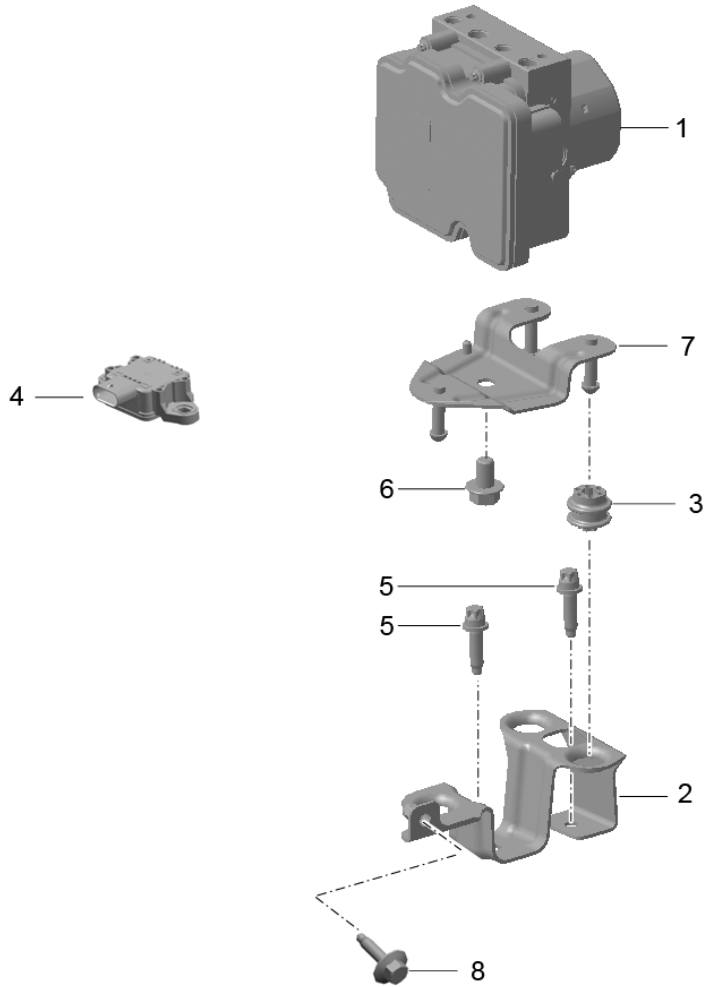
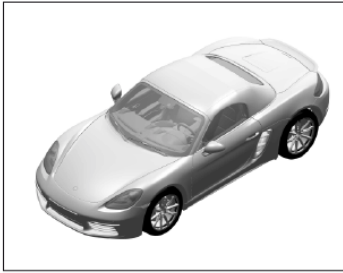
Model: 982-17

Model life 2017>>

Pos	Part Number	Description	Remark	Qty	Model
		Vacuum line Brake booster Front Centre Rear			
1	991 355 577 04	Vacuum line	/LL	1	I098
(1)	991 355 578 02	Vacuum line	/RL	1	I099
2	991 355 571 02	Vacuum line		1	
3	982 611 923	Vacuum line		1	
4	999 507 968 41	Clip 15,0		1	
5	991 355 507 50	Support		1	
6	991 355 512 02	Vacuum line Support		1	
7	982 611 791 A	Vacuum line Support		1	
8	982 611 793 A	Vacuum line Support Vacuum line		1	

Model: 982-17

Model life 2017>>



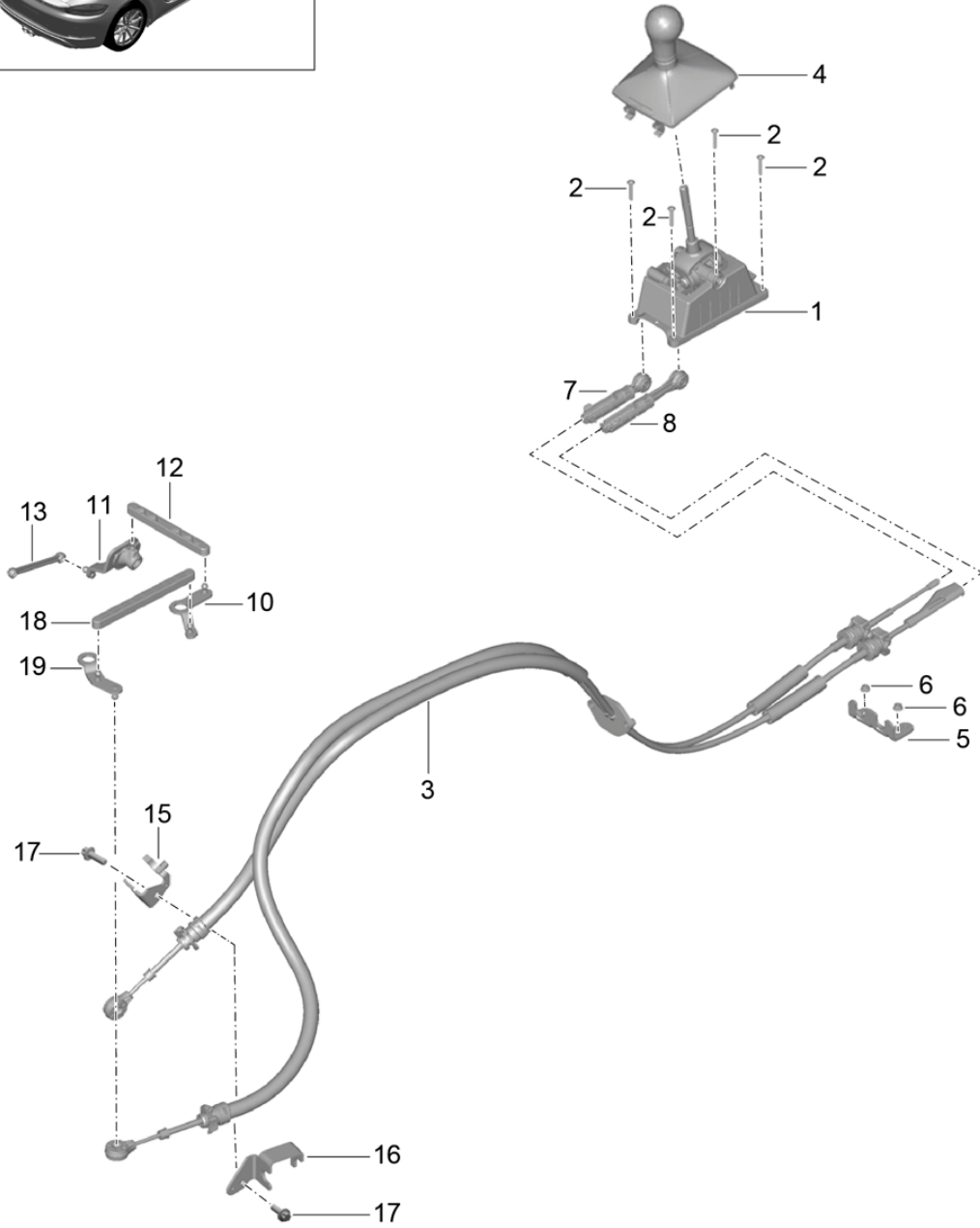
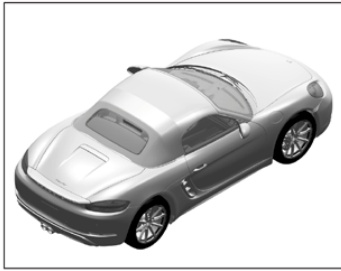
Model: 982-17

Model life 2017>>

Pos	Part Number	Description	Remark	Qty	Model
		Hydraulic unit Anti-lock brake system Control			
1	982 698 517	Hydraulic unit		1	
2	991 355 033 01	Support		1	
3	958 355 177 10	Buffer		3	
4	991 606 145 03	Sensor		1	
5	999 073 556 01	Hexagon-head bolt M 8 X 30		2	
6	900 378 346 01	Hexagon-head bolt M 10 X 1 X 16		1	
7	991 355 135 01	Support Upper		1	
8	N 909 995 02	Hexagon-head bolt AM 6 X 25		1	

Model: 982-17

Model life 2017>>



Model: 982-17 Model life 2017>>

Pos	Part Number	Description	Remark	Qty	Model
		Transmission control Manual transmission			I480
1	981 424 010 00	Gearshift bracket		1	
2	999 919 281 01	Oval-head screw 5 X 30		4	
3	982 711 007	Cable		1	
4	982 711 141 P	Transmission control Gearshift knob		1	-IXHC/-IXHH -IXLM/-IXYC
	982 711 141 P 8YR	Leather Black			
(4)	982 711 141 Q	Gearshift knob Carbon		1	IXHH
	982 711 141 Q 8YR	Black			+AD,+AG,+AJ, +AS,+AZ, +BM,+BT,+BW, +PM,+PT,+PW, +TD,+99, +FD,+FG,+FJ, +FS,+FZ, +UD,+UG,+UJ, +US,+UZ, +SZ, +LZ, +HZ,+TG, +NE,+BY, IXHC
	982 711 141 Q PL1	Agate Grey			
	982 711 141 Q 9H6	Luxor Beige			
	982 711 141 Q OK6	Saddle Tan			
	982 711 141 Q OG6	Bordeaux Red			
	982 711 141 Q OH7	Graphite Blue			
	982 711 141 Q 8C0	Espresso			
(4)	982 711 141 R	Gearshift knob Mahogany		1	IXHC
	982 711 141 R 8YR	Black			+AD,+AG,+AJ, +AS,+AZ, +BM,+BT,+BW, +PM,+PT,+PW, +TD,+99, +FD,+FG,+FJ, +FS,+FZ, +UD,+UG,+UJ, +US,+UZ, +SZ, +LZ, +HZ,+TG, +NE,+BY, IXYC
	982 711 141 R PL1	Agate Grey			
	982 711 141 R 9H6	Luxor Beige			
	982 711 141 R OK6	Saddle Tan			
	982 711 141 R OG6	Bordeaux Red			
	982 711 141 R OH7	Graphite Blue			
	982 711 141 R 8C0	Espresso			
(4)	982 711 141 S	Gearshift knob Aluminium		1	IXYC
	982 711 141 S 8YR	Black			+AD,+AG,+AJ, +AS,+AZ, +BM,+BT,+BW, +PM,+PT,+PW, +TD,+99, +FD,+FG,+FJ, +FS,+FZ, +UD,+UG,+UJ, +US,+UZ, +SZ, +LZ, +HZ,+TG, +NE,+BY, IXLM
	982 711 141 S PL1	Agate Grey			
	982 711 141 S 9H6	Luxor Beige			
	982 711 141 S OK6	Saddle Tan			
	982 711 141 S OG6	Bordeaux Red			
	982 711 141 S OH7	Graphite Blue			
	982 711 141 S 8C0	Espresso			
(4)	982 711 141 T	Gearshift knob Alcantara		1	IXLM
	982 711 141 T 2W0	Black			
5	991 424 163 00	Bearing bracket		1	
6	999 084 629 01	Hexagon nut BM 6		2	
7	991 424 145 00	Fastening part		1	

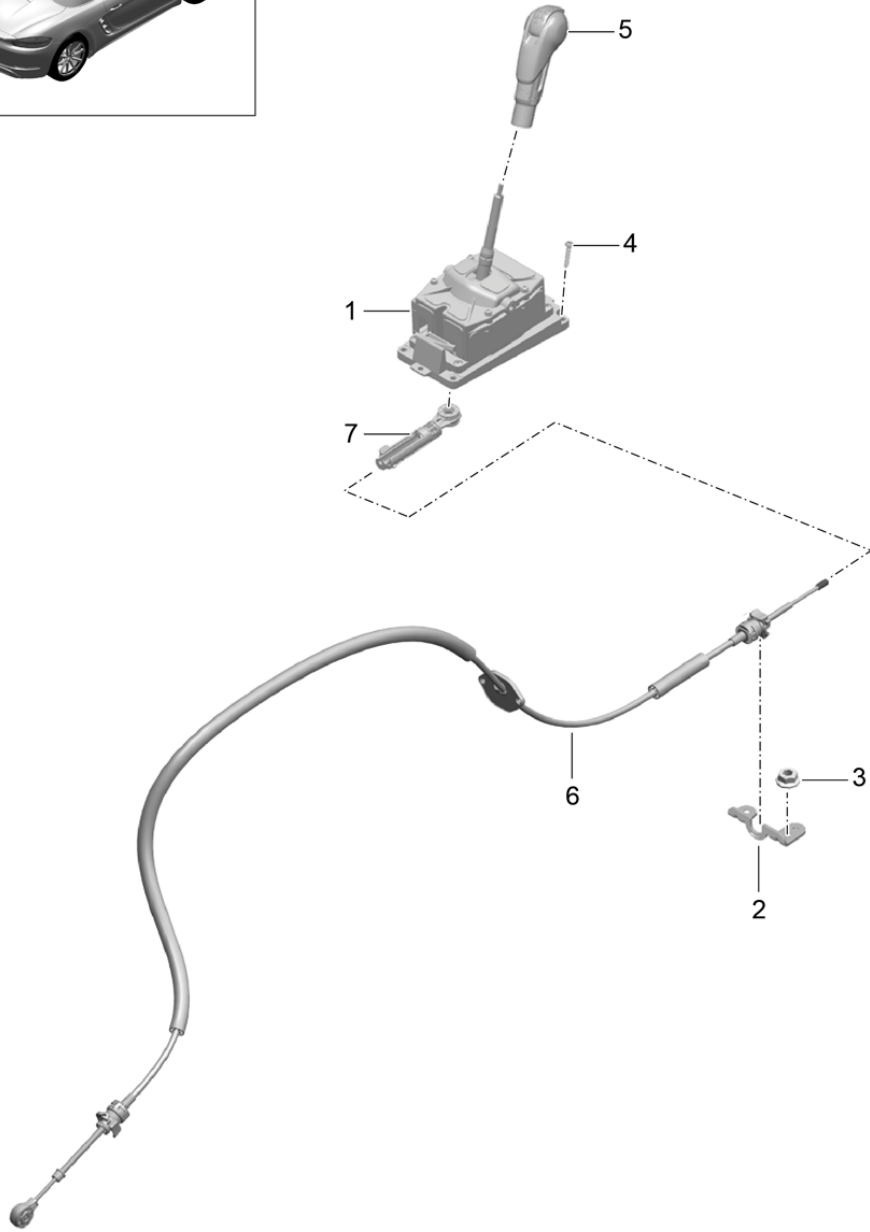
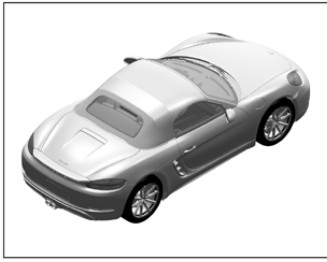
Model: 982-17

Model life 2017>>

Pos	Part Number	Description	Remark	Qty	Model
8	991 424 147 00	for Cable Adjustable Fastening part		1	
9	000 043 205 93	for Cable Adjustable Grease 1 100-gramme tube		X	
10	982 711 201	Reverse lever Transmission control Front		1	
11	981 424 023 00	Lever		1	
12	987 424 131 10	Joint rod		1	
13	981 424 035 00	Connecting rod		1	
15	981 424 065 02	Support		1	
16	982 711 583	Support		1	
17	900 385 098 01	Torx screw BM 8 X 25		2	
18	982 711 364	Joint rod		1	
19	982 711 202	Reverse lever Transmission control Rear		1	

Model: 982-17

Model life 2017>>



Model: 982-17

Model life 2017>>

Pos	Part Number	Description	Remark	Qty	Model
1	9G1 426 011 10	Selector lever PDK Support with Housing		1	I250
2	9G1 426 209 00	Bearing bracket		1	
3	999 084 629 01	Hexagon nut M 6 SB		2	
4	999 919 281 01	Oval-head screw 5 X 30		4	
5	9G1 426 069 30	Selector knob		1	-IXHD/-IXHJ -IXLN/-IXYA -IXYH
	9G1 426 069 30 8YR	Leather Black			+AD,+AG,+AJ, +AS,+AZ, +BM,+BT,+BW, +PM,+PT,+PW, +TD,+99, +LZ, +FD,+FG,+FJ, +FS,+FZ, +HZ,+TG, +SZ, +NE,+BY, +UD,+UG,+UJ, +US,+UZ, IXYA
	9G1 426 069 30 OG6	Bordeaux Red			
	9G1 426 069 30 PL1	Agate Grey			
	9G1 426 069 30 OH7	Graphite Blue			
	9G1 426 069 30 OK6	Saddle Tan			
	9G1 426 069 30 8C0	Espresso			
	9G1 426 069 30 9H6	Luxor Beige			
(5)	9G1 426 980 11	Selector lever Aluminium		1	+AD,+AG,+AJ, +AS,+AZ, +BM,+BT,+BW, +PM,+PT,+PW, +TD,+99, +LZ, +FD,+FG,+FJ, +FS,+FZ, +HZ,+TG, +SZ, +NE,+BY, +UD,+UG,+UJ, +US,+UZ, IXYA
	9G1 426 980 11 8YR	Black			
	9G1 426 980 11 OG6	Bordeaux Red			
	9G1 426 980 11 PL1	Agate Grey			
	9G1 426 980 11 OH7	Graphite Blue			
	9G1 426 980 11 OK6	Saddle Tan			
	9G1 426 980 11 8C0	Espresso			
	9G1 426 980 11 9H6	Luxor Beige			
(5)	9G1 426 980 13	Selector knob Carbon		1	IXHJ
	9G1 426 980 13 8YR	Black			+AD,+AG,+AJ, +AS,+AZ, +BM,+BT,+BW, +PM,+PT,+PW, +TD,+99, +LZ, +FD,+FG,+FJ, +FS,+FZ, +HZ,+TG, +SZ, +NE,+BY, +UD,+UG,+UJ, +US,+UZ, IXHD
	9G1 426 980 13 OG6	Bordeaux Red			
	9G1 426 980 13 PL1	Agate Grey			
	9G1 426 980 13 OH7	Graphite Blue			
	9G1 426 980 13 OK6	Saddle Tan			
	9G1 426 980 13 8C0	Espresso			
	9G1 426 980 13 9H6	Luxor Beige			
(5)	9G1 426 980 14	Selector knob Mahogany		1	IXHD
	9G1 426 980 14 8YR	Black			+AD,+AG,+AJ, +AS,+AZ, +BM,+BT,+BW, +PM,+PT,+PW,

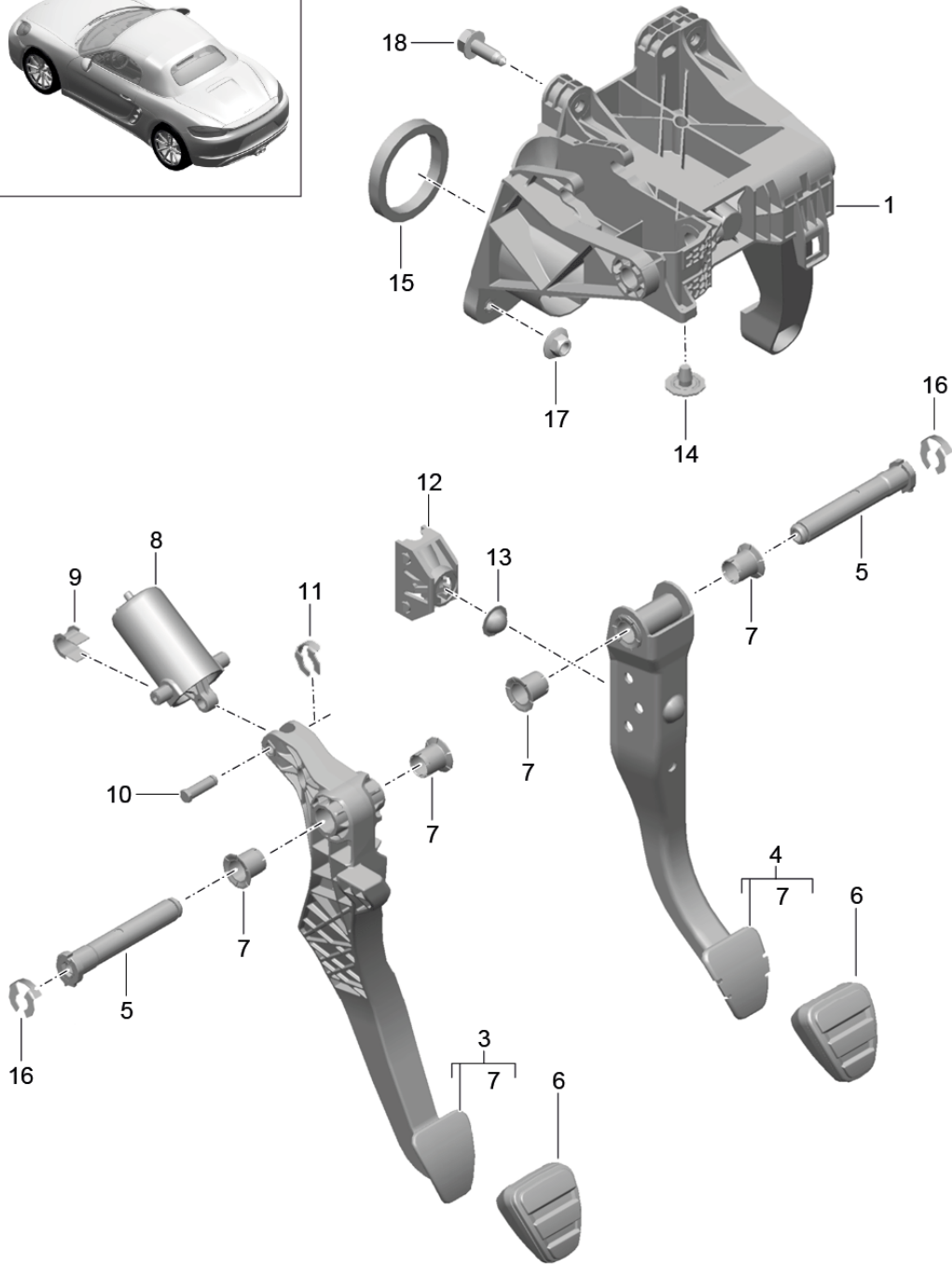
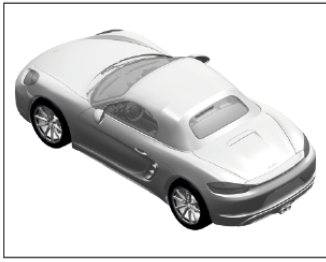
Model: 982-17

Model life 2017>>

Pos	Part Number	Description	Remark	Qty	Model
	9G1 426 980 14 OG6	Bordeaux Red			+TD,+99,
	9G1 426 980 14 PL1	Agate Grey			+LZ,
	9G1 426 980 14 OH7	Graphite Blue			+FD,+FG,+FJ,
	9G1 426 980 14 OK6	Saddle Tan			+FS,+FZ,
	9G1 426 980 14 8C0	Espresso			+HZ,+TG,
	9G1 426 980 14 9H6	Luxor Beige			+SZ,
(5)	9G1 426 980 15	Selector knob		1	+NE,+BY,
		Aluminium			+UD,+UG,+UJ,
	9G1 426 980 15 8YR	Black			+US,+UZ,
					IXYH
	9G1 426 980 15 OG6	Bordeaux Red			+AD,+AG,+AJ,
	9G1 426 980 15 PL1	Agate Grey			+AS,+AZ,
	9G1 426 980 15 OH7	Graphite Blue			+BM,+BT,+BW,
	9G1 426 980 15 OK6	Saddle Tan			+PM,+PT,+PW,
	9G1 426 980 15 8C0	Espresso			+TD,+99,
	9G1 426 980 15 9H6	Luxor Beige			+LZ,
(5)	9G1 426 980 16	Selector knob		1	+FD,+FG,+FJ,
		Alcantara			+FS,+FZ,
	9G1 426 980 16 2W0	Black			+HZ,+TG,
					+SZ,
6	982 713 266	Cable		1	+NE,+BY,
7	9G1 426 035 00	Fastening part		1	+UD,+UG,+UJ,
		for			+US,+UZ,
		Bearing bracket			IXLN
		Adjustable			

Model: 982-17

Model life 2017>>



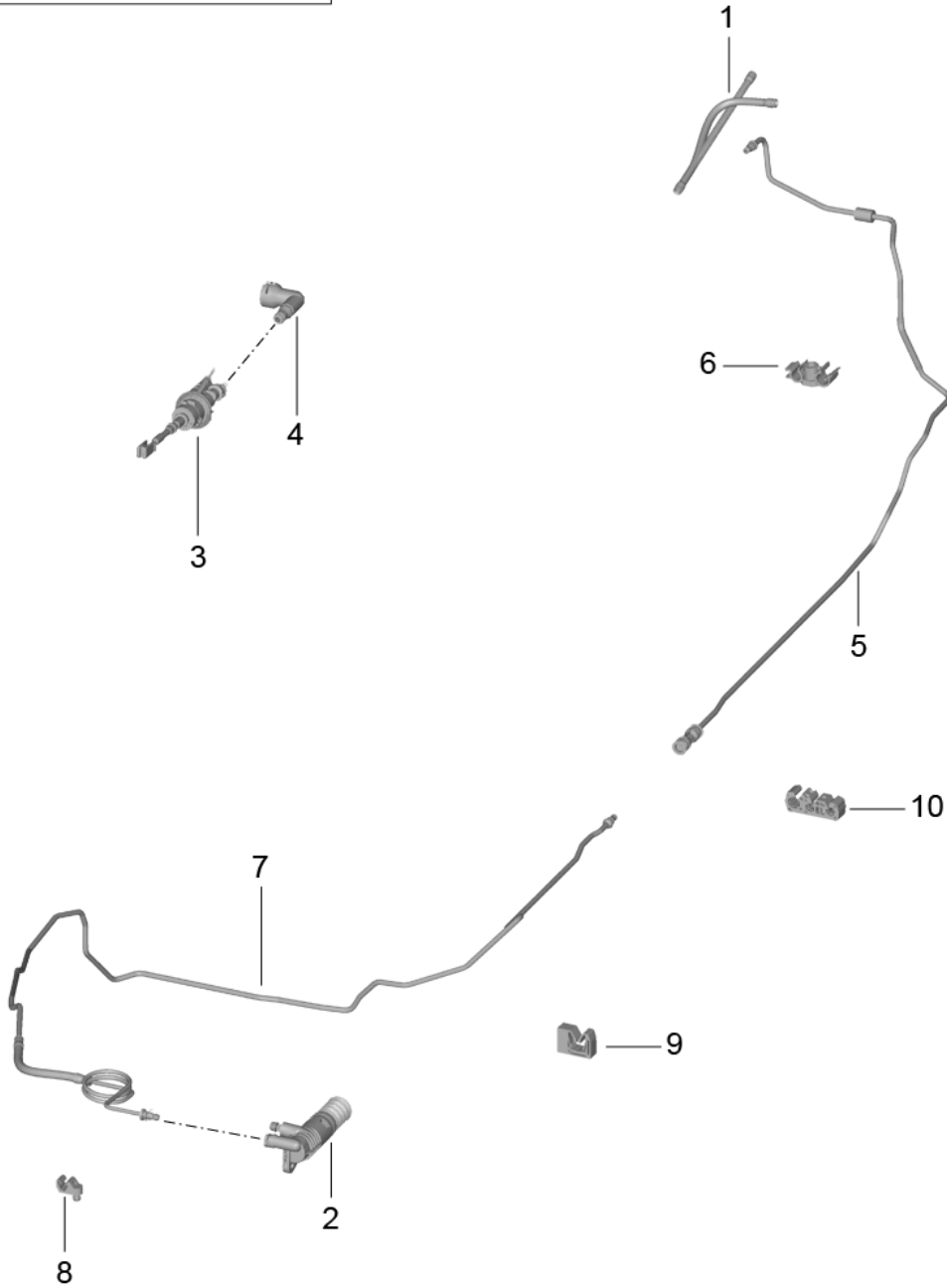
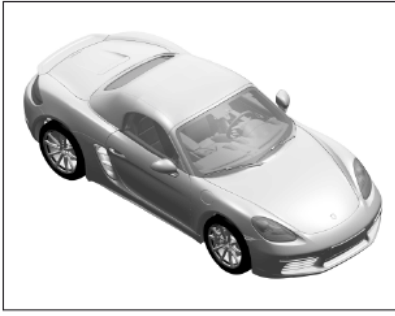
Model: 982-17

Model life 2017>>

Pos	Part Number	Description	Remark	Qty	Model
1	991 423 065 01	Pedals Bearing bracket		1	I098
(1)	991 423 066 00	Bearing bracket		1	I099
3	991 423 039 01	Clutch pedal		1	I098/480
		Use also: 991.423.111.00		1	
(3)	991 423 040 01	Clutch pedal		1	I099/480
		Use also: 991.423.111.00		1	
4	991 423 041 01	Brake pedal		1	I098/480
		Use also: 991.423.111.00		1	
(4)	991 423 042 01	Brake pedal		1	I099/480
		Use also: 991.423.111.00		1	
5	991 423 283 00	Bearing pin Clutch pedal Brake pedal		2	I098
(5)	991 423 284 00	Bearing pin		1	I099
6	997 423 910 00	Pedal cap		2	-IXXV
(6)	991 423 111 01	Pedal cap		2	IXXV/480
7	7PP 721 113	Bush		2	I480
(7)	7PP 721 113 A	Bush		2	
8	991 423 081 11	Clutch power spring		1	I480
9	955 423 581 00	Bearing shell Clutch power spring		2	I480
10	996 423 315 06	Bolt Clutch power spring D >> 19.05.2016		1	
(10)	992 721 737	Bolt Clutch power spring D 20.05.2016>>		1	
11	999 166 022 01	Kl-lock Bolt D >> 19.05.2016		1	
(11)	N 908 874 02	Kl-lock Bolt D 20.05.2016>>		1	
12	1J0 721 165	Mounting Push rod		1	
13	955 423 341 00	Bearing shell Mounting		1	
14	955 423 720 00	Rubber stop		2	I480
15	991 423 275 00	Gasket Firewall		1	I098
(15)	991 423 276 01	Gasket Firewall		1	I099
16	999 166 092 01	Kl-lock KL 16		1	I480
17	N 907 611 03	Nut M 8		2	
18	900 378 180 01	Hexagon-head bolt AM 8 X 25 - PA		2	

Model: 982-17

Model life 2017>>



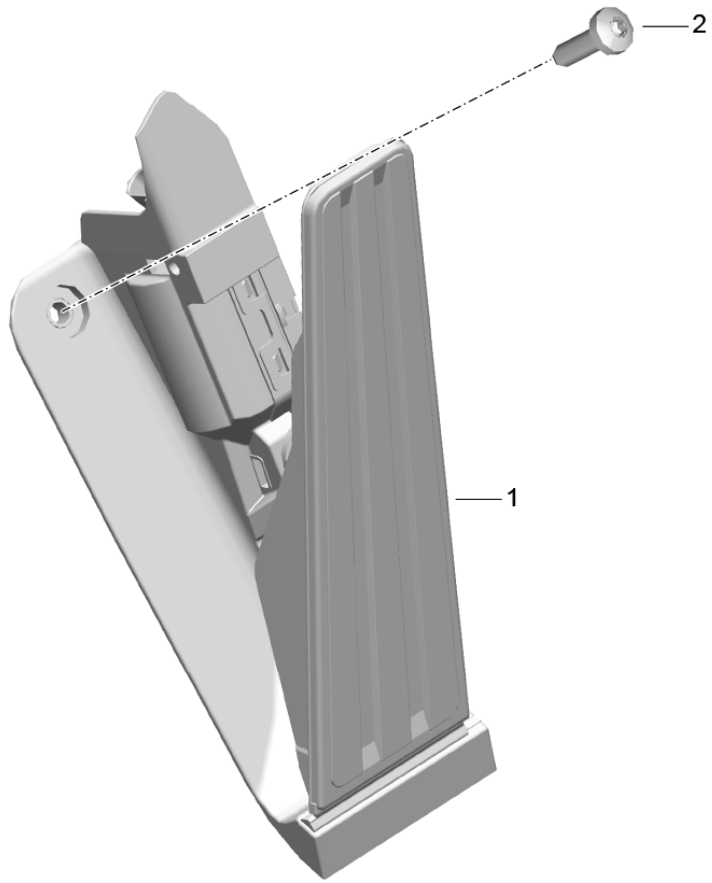
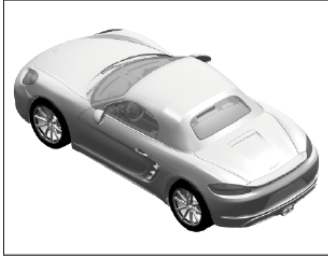
Model: 982-17

Model life 2017>>

Pos	Part Number	Description	Remark	Qty	Model
		clutch actuation Clutch master cylinder Clutch operating cylinder Lines			I480
1	991 423 137 03	Intake pipe		1	I098
(1)	991 423 138 02	Clutch master cylinder Intake pipe		1	I099
2	981 116 237 01	Clutch master cylinder		1	
3	991 423 171 00	Slave cylinder		1	
4	991 423 151 00	Clutch master cylinder		1	I099
5	991 423 107 10	Angled pipe		1	I098
(5)	991 423 108 10	Clutch pipeline		1	I099
6	991 423 514 02	Clutch pipeline		5	
7	982 721 387 A	Support		1	
		Clutch pipeline with Clutch hose			
8	999 507 586 40	Cable holder		1	
		Clutch hose Transmission			
9	999 591 922 40	Support		2	
10	9A7 616 739 00	Fixing clip		3	

Model: 982-17

Model life 2017>>



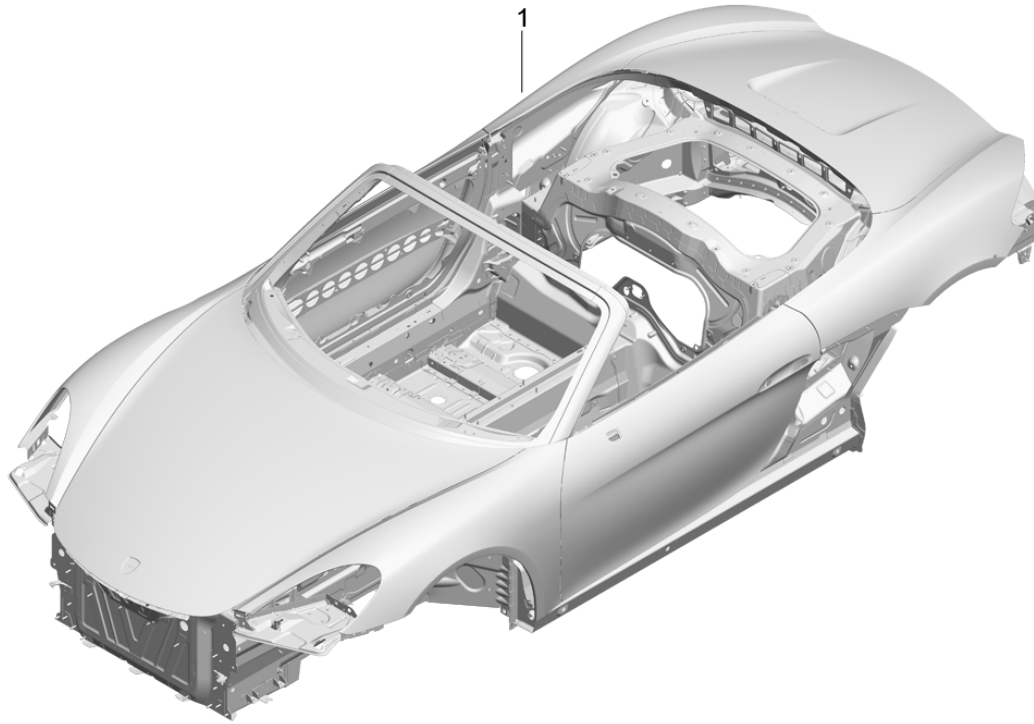
Model: 982-17

Model life 2017>>

Pos	Part Number	Description	Remark	Qty	Model
		Pedals			
1	982 723 507 A	Accelerator control		1	-IXXV/-I121
(1)	298 721 507 K	Accelerator control		1	I121
(1)	298 721 507 L	Accelerator control		1	IXXV
2	999 073 378 05	Round head screw M 6 X 20		1	

Model: 982-17

Model life 2017>>

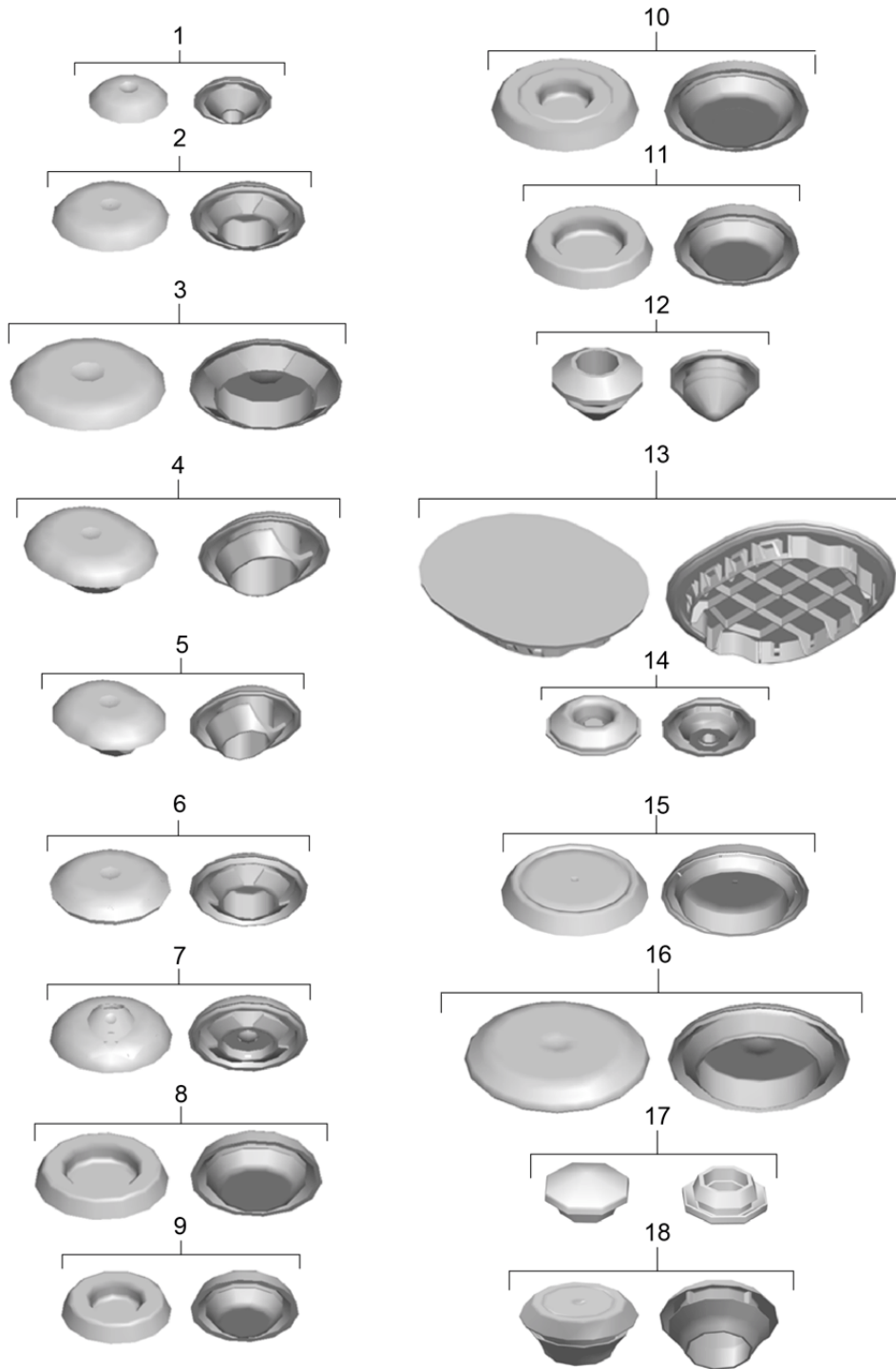


Model: 982-17 Model life 2017>>

Pos	Part Number	Description	Remark	Qty	Model
		Body in white Prime coated Sealed with Underbody protection with Doors/lids/wings BodysHELLS can only only available from current Model year available The data required for your order Can be found on the Vehicle data carrier in On-board folder Please indicate this data in your order Vehicle data carrier Vehicle Ident. No. Order type Country equipment Optional extras Additional applications Indicate colour			
A					
B					
C					
D					
E					
F					
G					
1	982 800 049 Y	Body in white	/LL	1	IQU8/098
	982 800 049 Y GRV	Prime coated			
1	982 800 049 AY	Body in white	/RL	1	IQU8/099
	982 800 049 AY GRV	Prime coated			
1	982 800 049 BY	Body in white	/LL	1	IQV0/098
	982 800 049 BY GRV	Prime coated			
1	982 800 049 CY	Body in white	/RL	1	IQV0/099
	982 800 049 CY GRV	Prime coated			

Model: 982-17

Model life 2017>>



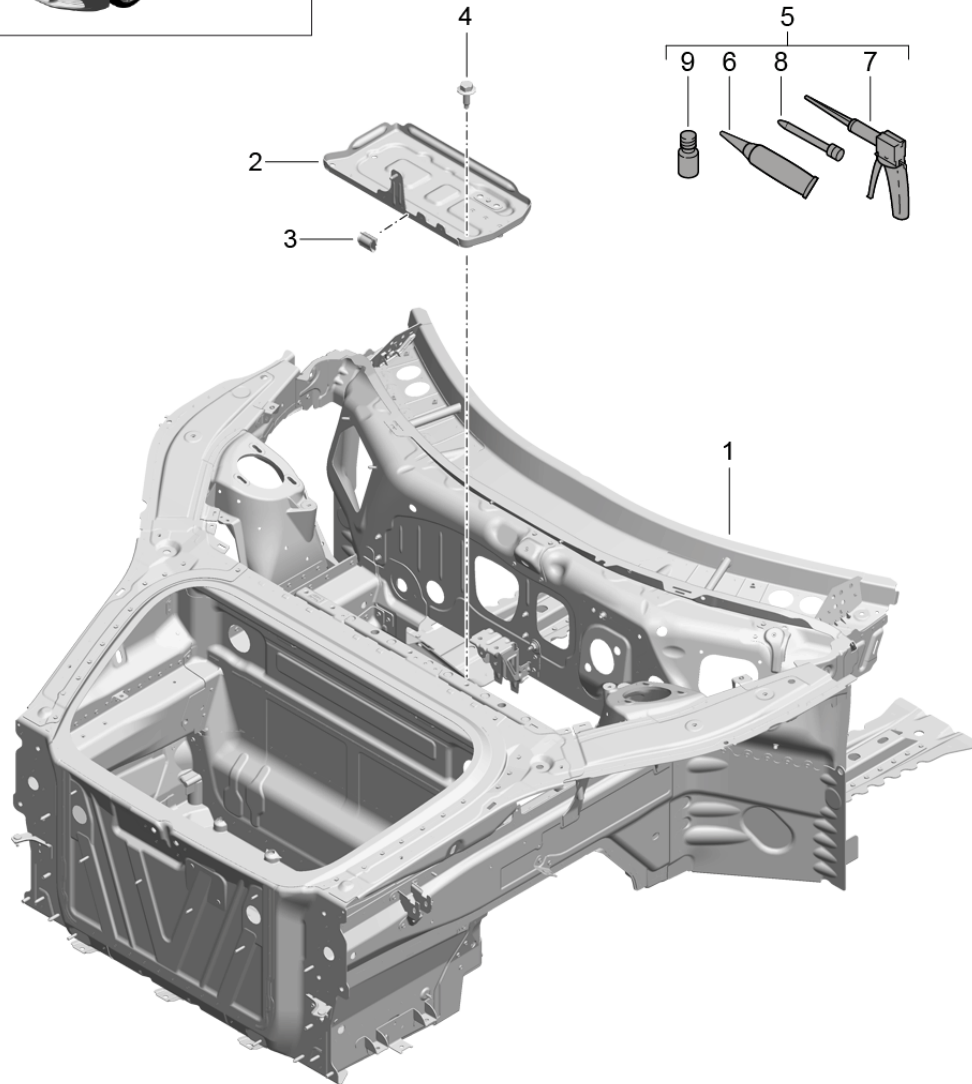
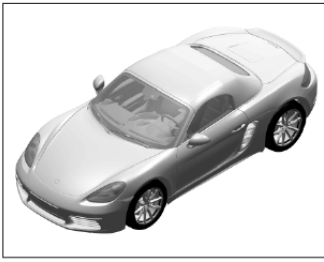
Model: 982-17

Model life 2017>>

Pos	Part Number	Description	Remark	Qty	Model
1	955 504 281 00	Stopper Stopper Hole 10 MM		X	
2	955 504 182 00	Stopper Hole 20 MM		X	
3	955 504 183 00	Stopper Hole 30 MM		X	
4	955 504 184 00	Stopper Hole 20 MM X 25 MM		X	
5	955 504 185 00	Stopper Hole 15 MM X 20 MM		X	
6	955 504 187 00	Stopper Hole 20 MM		X	
7	955 512 188 00	Water drain valve Hole 20 MM		X	
8	191 971 928	Stopper Hole 27 MM		X	
9	999 703 196 40	Lid Hole 20 MM		X	
10	999 703 195 40	Rubber sleeve Hole 30 MM		X	
11	999 703 543 40	Lid Hole 25 MM		X	
12	999 703 466 40	Stopper Hole 15 MM		X	
13	999 703 553 40	Lid Hole 70 MM X 89,6 MM		X	
14	999 703 556 40	Lid Hole 15 MM		X	
15	999 703 021 40	Lid Hole 50 MM		X	
16	N 909 649 01	Stopper Hole 40 MM		X	
17	999 703 563 40	Stopper Wheel housing Front 7,0 MM X11,5 MM		X	
18	999 703 555 40	Stopper Side member Rear 24,0X2,50		X	

Model: 982-17

Model life 2017>>



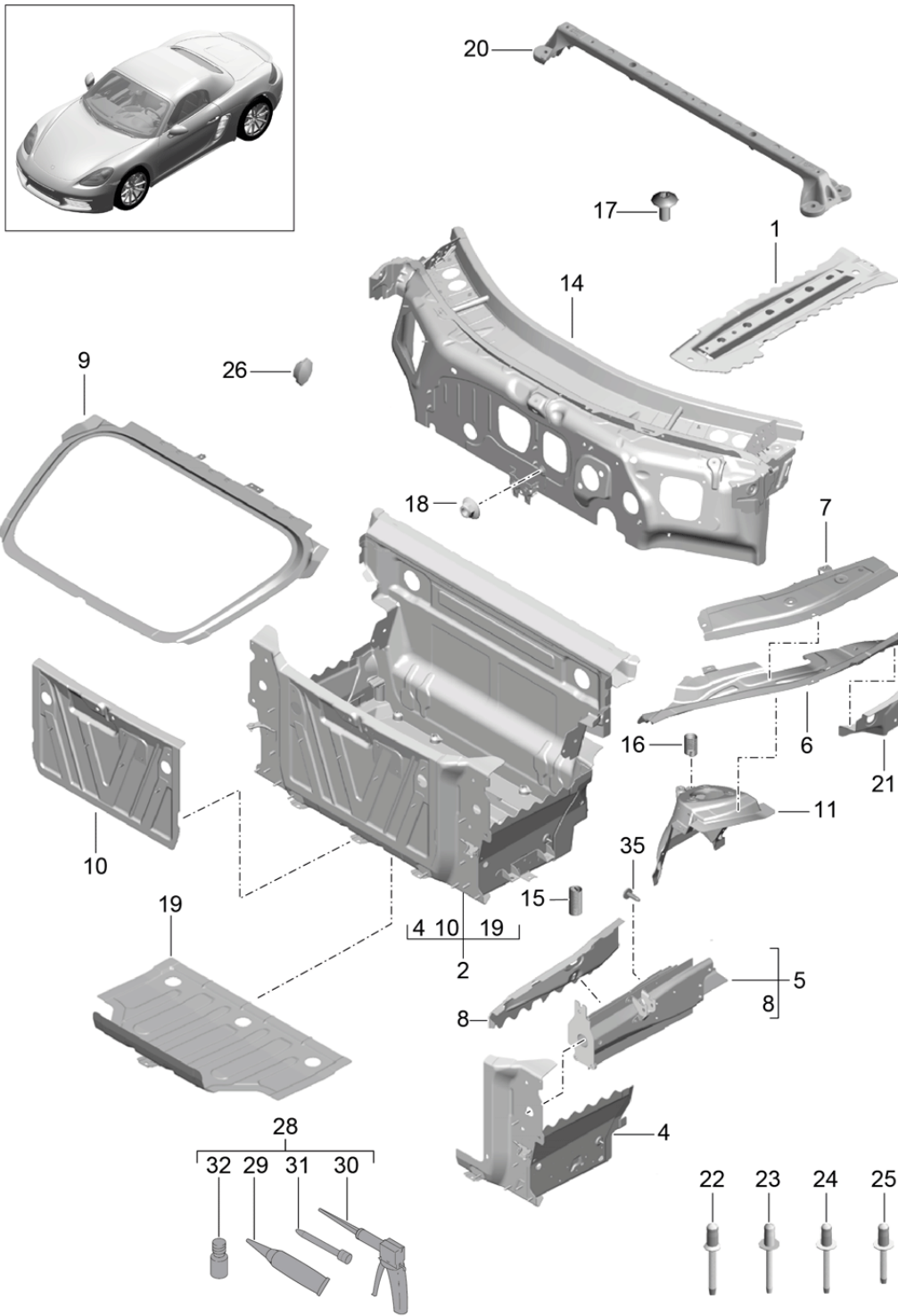
Model: 982-17

Model life 2017>>

Pos	Part Number	Description	Remark	Qty	Model
1	981 501 981 00 981 501 981 00 GRV	Body front section Complete Body front section Prime coated Use also: 000.043.206.30 Processing instructions See technical manual	/LL	1	I098
(1)	981 501 981 01 981 501 981 01 GRV	Body front section Prime coated Use also: 000.043.206.30 Processing instructions See technical manual	/RL	1	I099
2	9P1 804 825	Carrier plate for battery	/LL	1	I098
(2)	9P1 804 825 A	Carrier plate for battery	/RL	1	I099
3	999 591 545 01	Cable clamp		3	
4	N 102 400 03	Hexagon-head bolt M8X32		4	
5	000 043 206 29	Adhesive set		1	
6	000 043 206 30	Adhesive		1	
7	000 043 206 31	Tool		1	
8	000 043 206 32	Mixing tube		1	
9	000 043 206 33	Activator		1	

Model: 982-17

Model life 2017>>



Model: 982-17 Model life 2017>>

Pos	Part Number	Description	Remark	Qty	Model
1	991 501 125 00	Body front section Single parts Connecting piece Rear	/L	1	
1	991 501 125 00 GRV	Prime coated			
1	991 501 126 00	Connecting piece Rear	/R	1	
	991 501 126 00 GRV	Prime coated			
2	991 501 201 00	Luggage compartment liner		1	
	991 501 201 00 GRV	Prime coated			
4	991 501 911 00	Side section Luggage compartment	/L	1	
	991 501 911 00 GRV	Prime coated			
(4)	991 501 912 00	Side section Luggage compartment	/R	1	
	991 501 912 00 GRV	Prime coated			
5	991 501 913 01	Bracket Sub-part	/L	1	
	991 501 913 01 GRV	Prime coated Workshop manual Attention			
(5)	991 501 914 01	Bracket Sub-part	/R	1	
	991 501 914 01 GRV	Prime coated Workshop manual Attention			
6	991 501 387 00	Side member Upper Outer	/L	1	
	991 501 387 00 GRV	Prime coated			
(6)	991 501 388 00	Side member Upper Outer	/R	1	
	991 501 388 00 GRV	Prime coated			
7	991 501 397 00	Side member Upper	/L	1	
	991 501 397 00 GRV	Prime coated			
(7)	991 501 398 00	Side member Upper	/R	1	
	991 501 398 00 GRV	Prime coated			
8	991 501 535 01	Wheel housing	/L	1	
	991 501 535 01 GRV	Prime coated			
(8)	991 501 536 01	Wheel housing	/R	1	
	991 501 536 01 GRV	Prime coated			
9	991 501 231 02	Sealing frame Luggage compartment		1	
	991 501 231 02 GRV	Prime coated			
10	991 501 431 02	Terminal piece Of		1	
	991 501 431 02 GRV	Prime coated			
11	991 501 477 00	Mounting Spring strut	/L	1	
	991 501 477 00 GRV	Prime coated			
(11)	991 501 478 00	Mounting Spring strut	/R	1	
	991 501 478 00 GRV	Prime coated			
14	991 502 331 00	Firewall Upper	/LL	1	I098
	991 502 331 00 GRV	Prime coated			
(14)	991 502 331 00	Firewall Upper	/RL	1	I099
	991 502 331 00 GRV	Prime coated			
15	999 504 266 01	Threaded insert		X	

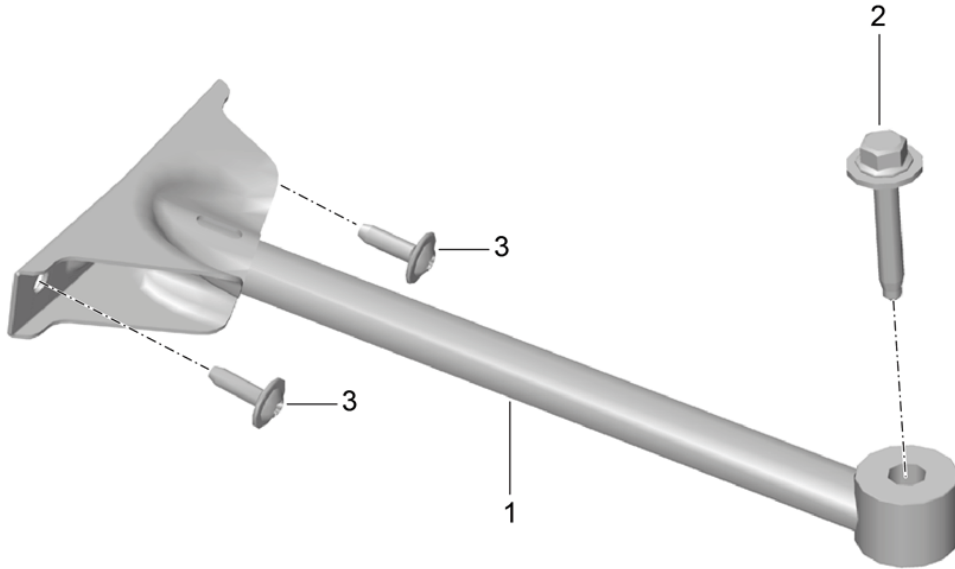
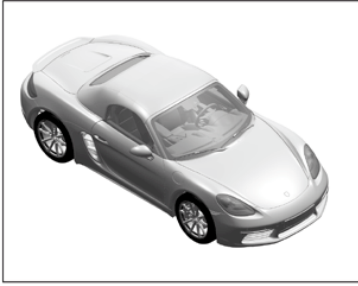
Model: 982-17

Model life 2017>>

Pos	Part Number	Description	Remark	Qty	Model
16	999 504 262 01	M12X1,5X28 Cross member Luggage compartment Threaded insert M8X15 Mounting Spring strut		X	
17	999 073 549 01	Lens-head screw M 8 X 16		X	
18	N 907 988 05	Collar nut M8		1	
19	991 501 479 00	Boot floor plate		1	
20	991 501 479 00 GRV	Prime coated		1	
21	9P1 804 471	Cross member		1	
21	991 502 547 00	Side member	/L	1	
	991 502 547 00 GRV	Prime coated		1	
(21)	991 502 548 00	Side member	/R	1	
	991 502 548 00 GRV	Prime coated		1	
		When required order also: Blind rivet Adhesive set see Technical manual Group 5			
22	999 190 227 01	Blind rivet 6,5 X 12,5		X	
23	999 190 228 01	Blind rivet 6,4 X 11,5		X	
24	999 190 229 01	Blind rivet 6,5 X 10,5		X	
25	999 190 230 01	Blind rivet 6,5 X 14,5		X	
26		Stopper Wheel housing Front See illustrations 8/01/02 POSITION 17		1	
28	000 043 206 29	Adhesive set		1	
29	000 043 206 30	Adhesive		1	
30	000 043 206 31	Tool		1	
31	000 043 206 32	Mixing tube		1	
32	000 043 206 33	Activator		1	
35	999 073 577 01	Torx screw		X	

Model: 982-17

Model life 2017>>



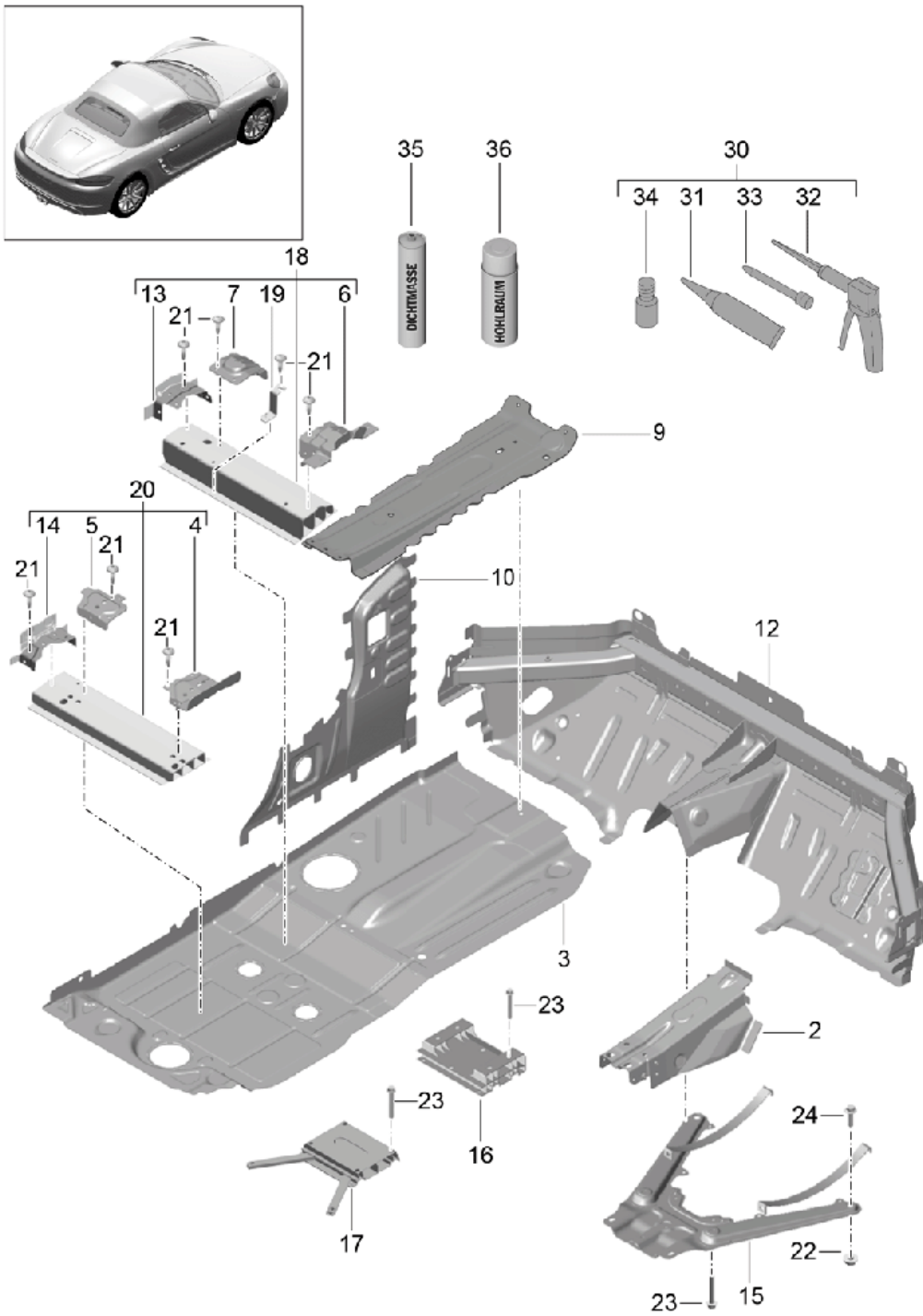
Model: 982-17

Model life 2017>>

Pos	Part Number	Description	Remark	Qty	Model
1	991 504 537 01	Dome strut		1	
(1)	991 504 538 01	Strut	/L	1	
2	N 105 728 02	Strut	/R	1	
		Hexagon-head bolt		1	
		M8X50			
3	999 073 322 02	Oval-head screw		4	
		M6X20			

Model: 982-17

Model life 2017>>



Model: 982-17 Model life 2017>>

Pos	Part Number	Description	Remark	Qty	Model
2	991 501 309 00	Floor Centre Bracket Front		1	
	991 501 309 00 GRV	Prime coated Use also: 000.043.206.30			
3	991 501 251 03	Floor Outer	/L	1	
	991 501 251 03 GRV	Prime coated Use also: 000.043.206.30			
(3)	991 501 252 03	Floor Outer	/R	1	
	991 501 252 03 GRV	Prime coated Use also: 000.043.206.30			
4	991 501 645 00	Reinforcement Seat support Inner rear	/L	1	
	991 501 645 00 GRV	Prime coated			
(4)	991 501 646 00	Reinforcement Seat support Inner rear	/R	1	
	991 501 646 00 GRV	Prime coated			
5	991 501 581 00	Reinforcement Seat support Rear Outer	/L	1	
	991 501 581 00 GRV	Prime coated			
(5)	991 501 582 00	Reinforcement Seat support Rear Outer	/R	1	
	991 501 582 00 GRV	Prime coated			
6	991 501 687 00	Reinforcement Seat support Inner rear	/L	1	
	991 501 687 00 GRV	Prime coated			
(6)	991 501 688 00	Reinforcement Seat support Inner rear	/R	1	
	991 501 688 00 GRV	Prime coated			
7	991 501 583 00	Reinforcement Seat support Front Outer		2	
	991 501 583 00 GRV	Prime coated			
9	991 501 297 00	Connecting piece	/L	1	
	991 501 297 00 GRV	Prime coated Use also: 000.043.206.30			
9	991 501 298 00	Connecting piece	/R	1	
	991 501 298 00 GRV	Prime coated Use also: 000.043.206.30			
10	991 502 639 00	Separator A-pillar	/L	1	
	991 502 639 00 GRV	Prime coated Use also: 000.043.206.30			
(10)	991 502 640 00	Separator A-pillar	/R	1	

Model: 982-17

Model life 2017>>

Pos	Part Number	Description	Remark	Qty	Model
	991 502 640 00 GRV	Prime coated			
		Use also:			
		000.043.206.30			
12	991 501 951 08	Firewall	/LL	1	I098
		Lower			
	991 501 951 08 GRV	Prime coated			
		Use also:			
		000.043.206.30			
(12)	991 501 951 09	Firewall	/RL	1	I099
		Lower			
	991 501 951 09 GRV	Prime coated			
		Use also:			
		000.043.206.30			
13	991 501 893 00	Bracket	/L	1	
		Front			
	991 501 893 00 GRV	Prime coated			
(13)	991 501 894 00	Bracket	/R	1	
		Front			
	991 501 894 00 GRV	Prime coated			
14	991 501 891 00	Bracket	/L	1	
		Rear			
	991 501 891 00 GRV	Prime coated			
(14)	991 501 892 00	Bracket	/R	1	
		Rear			
	991 501 892 00 GRV	Prime coated			
15	991 504 233 02	Auxiliary support		1	
		Body front section			
16	981 504 633 00	Transverse strut		1	
		Tunnel			
18	991 501 453 00	Seat support	/L	1	
	991 501 453 00 GRV	Prime coated			
		Front			
		Complete			
(18)	991 501 454 00	Seat support	/R	1	
	991 501 454 00 GRV	Prime coated			
		Front			
		Complete			
19	991 501 635 02	Support		1	
	991 501 635 02 GRV	Prime coated			
		Front			
		Right			
		AUDIOKOMPONENTE			
20	991 501 493 00	Seat support	/L	1	
	991 501 493 00 GRV	Prime coated			
		Rear			
		Complete			
(20)	991 501 494 00	Seat support	/R	1	
	991 501 494 00 GRV	Prime coated			
		Rear			
		Complete			
21	999 073 917 01	Lens-head screw		X	
		M5X20			
22	999 084 648 01	Hexagon nut		X	
		M 10			
23	900 378 255 01	Hexagon-head bolt		4	
		M 10 X 70			
24	999 072 063 02	Hexagon-head bolt		6	
		M 10 X 40			
30	000 043 206 29	Adhesive set		1	
31	000 043 206 30	Adhesive		1	
32	000 043 206 31	Tool		1	
33	000 043 206 32	Mixing tube		1	
34	000 043 206 33	Activator		1	

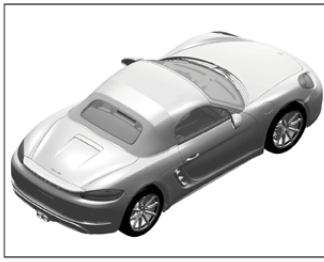
Model: 982-17

Model life 2017>>

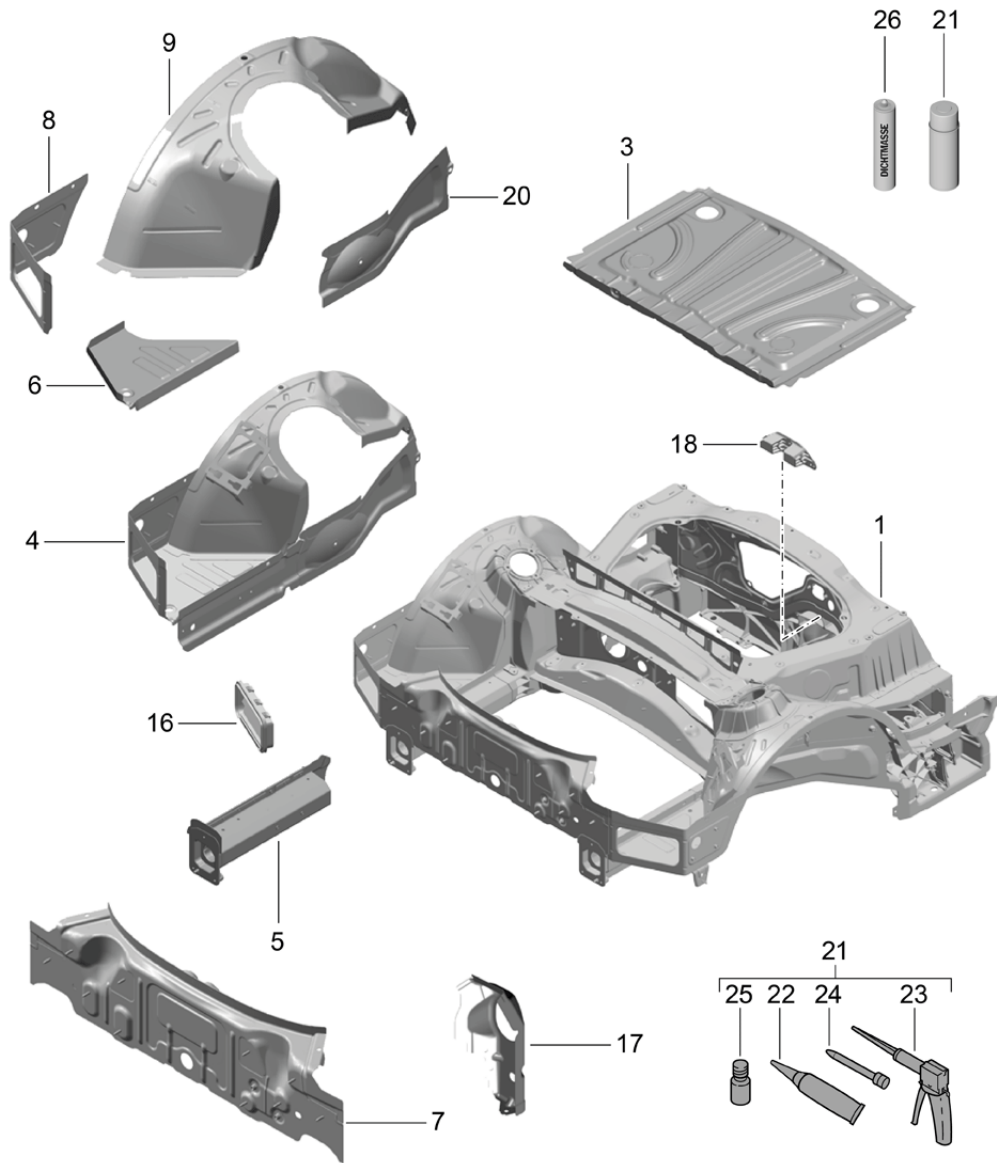
Pos	Part Number	Description	Remark	Qty	Model
35	000 043 305 32	Sealing compound		1	
36	000 043 204 85	Cavity preservation		1	

Model: 982-17

Model life 2017>>



- 15 — [part]
- 14 — [part]
- 13 — [part]
- 19 — [part]
- 10 — [part]
- 11 — [part]
- 12 — [part]



Model: 982-17 Model life 2017>>

Pos	Part Number	Description	Remark	Qty	Model
1	982 813 017 Y 982 813 017 Y GRV	Rear end Rear end Prime coated Use also: 000.043.206.30		1	
3	981 501 571 01 981 501 571 01 GRV	Floor Prime coated Use also: 000.043.206.30		1	
5	981 501 977 00 981 501 977 00 GRV	Bracket Prime coated Use also: 000.043.206.30	/L	1	
(5)	981 501 978 00 981 501 978 00 GRV	Bracket Prime coated Use also: 000.043.206.30	/R	1	
6	981 501 523 00 981 501 523 00 GRV	Floor section Prime coated	/L	1	
(6)	981 501 524 00 981 501 524 00 GRV	Floor section Prime coated	/R	1	
7	981 501 243 02 981 501 243 02 GRV	Terminal piece Prime coated Use also: 000.043.206.30		1	
8	981 501 651 01 981 501 651 01 GRV	Corner panel Luggage compartment Prime coated	/L	1	
(8)	981 501 552 01 981 501 552 01 GRV	Corner panel Prime coated Luggage compartment	/R	1	
9	981 501 983 00 981 501 983 00 GRV	Wheel housing Inner Prime coated Use also: 000.043.206.30	/L	1	
(9)	981 501 984 00 981 501 984 00 GRV	Wheel housing Inner Prime coated Use also: 000.043.206.30	/R	1	
10	999 500 196 01	Nut M8		X	
11	999 025 285 31	Washer 8,4X20X1,5		X	
12	999 504 267 01	Threaded insert M10X27		X	
13	999 504 268 01	Threaded insert M10X20		X	
14	999 504 263 01	Threaded insert M12X1,5X22		X	
15	999 504 262 01	Threaded insert M8X15		X	
16	981 572 043 00	Bleeding Frame		2	
17	981 501 695 00 981 501 695 00 GRV	Closing element Prime coated	/L	1	
(17)	981 501 696 00 981 501 696 00 GRV	Closing element Prime coated	/R	1	
18	982 803 461 982 803 461 GRV	Reinforcement Crash protection Prime coated		1	
19	N 019 530 7	Hexagon-head bolt		3	

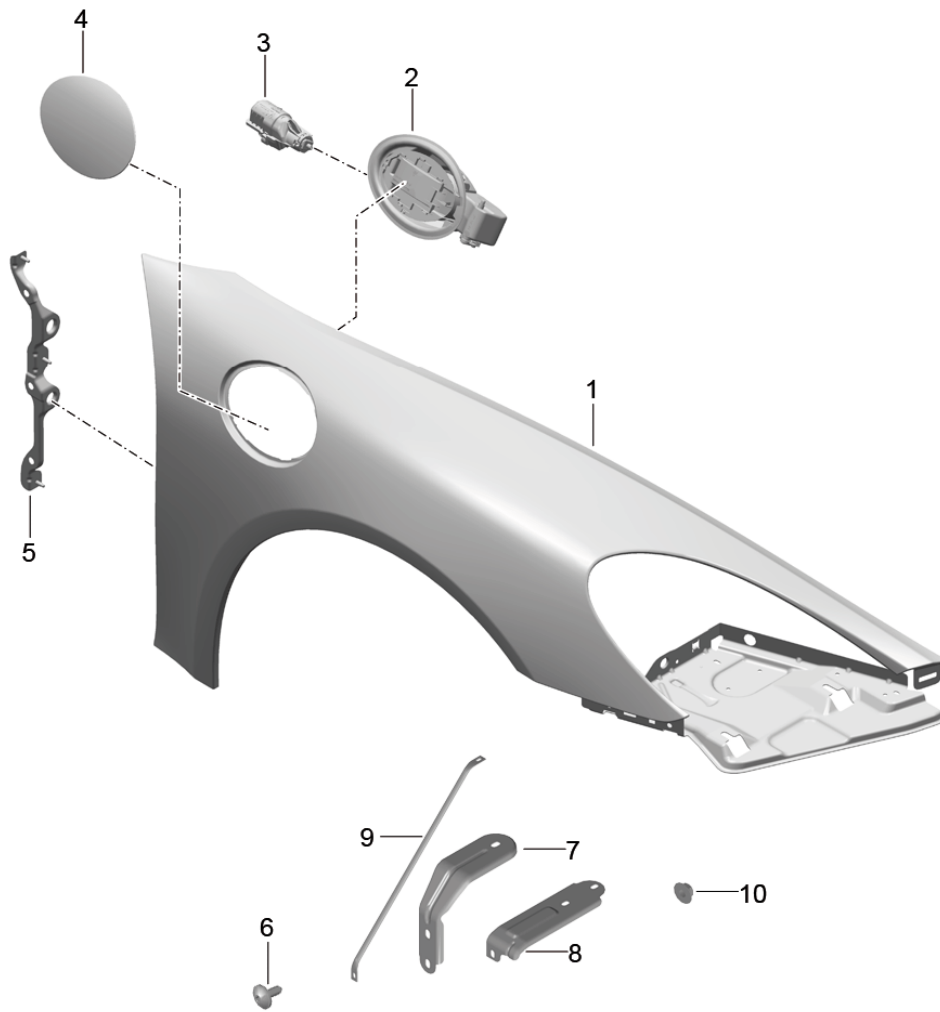
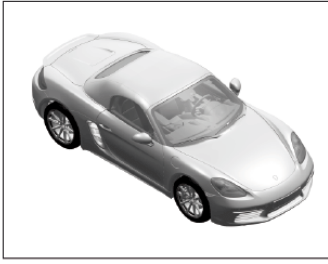
Model: 982-17

Model life 2017>>

Pos	Part Number	Description	Remark	Qty	Model
20	981 501 693 01	M8X25 Closing element Bracket	/L	1	
	981 501 693 01 GRV	Prime coated			
(20)	981 501 694 01	Closing element Bracket	/R	1	
	981 501 694 01 GRV	Prime coated			
21	000 043 206 29	Adhesive set Body Comprising:		X	
22	000 043 206 30	Adhesive		1	
23	000 043 206 31	Tool		1	
24	000 043 206 32	Mixing tube		1	
25	000 043 207 70	Activator		1	
26	000 043 305 32	Sealing compound		1	
21	000 043 305 51	Cavity preservation		1	

Model: 982-17

Model life 2017>>



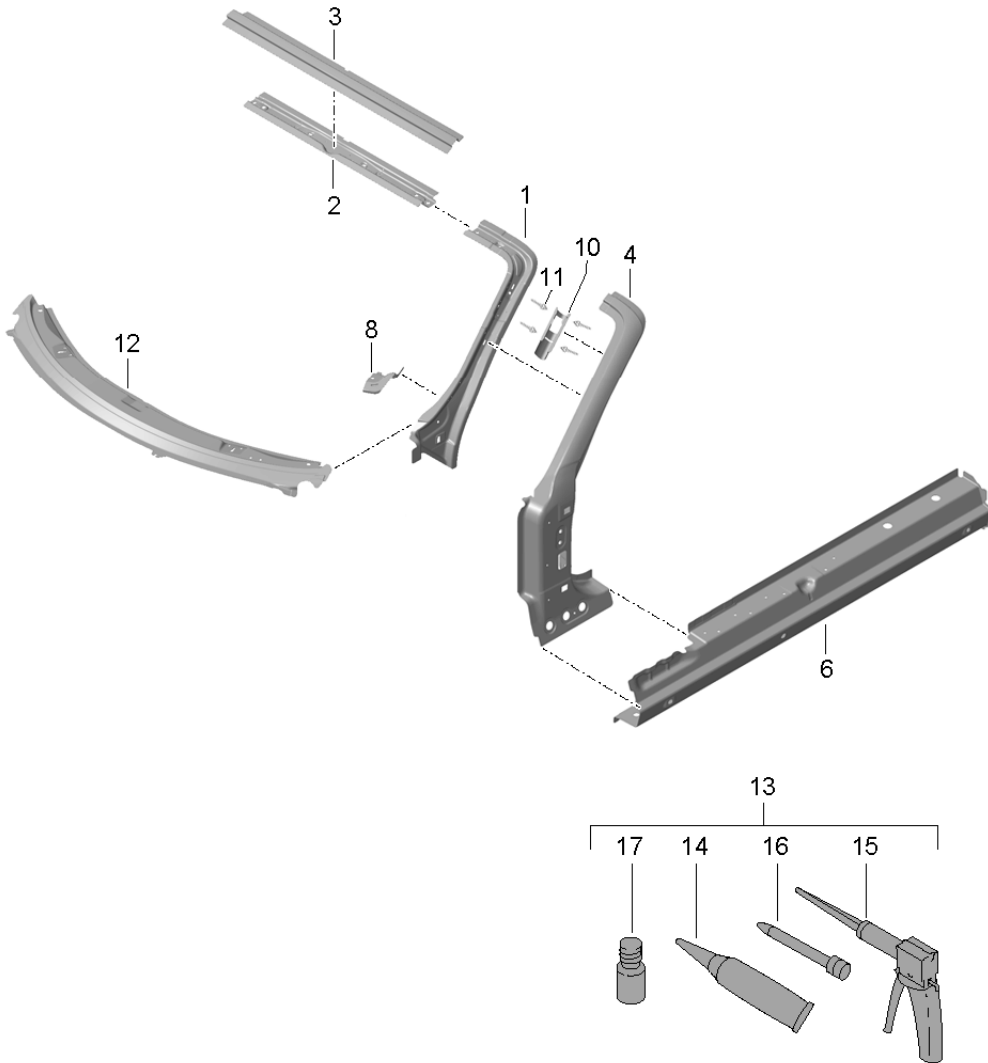
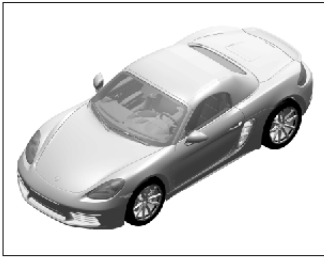
Model: 982-17

Model life 2017>>

Pos	Part Number	Description	Remark	Qty	Model
(1)	982 821 021 Y	Wing	/L	1	
	982 821 021 Y GRV	Prime coated			
1	982 821 022 Y	Wing	/R	1	
	982 821 022 Y GRV	Prime coated			
2	982 809 930	Cup		1	
		Fuel filler flap			
3	991 504 414 03	Actuator		1	
		Fuel filler flap			
4	982 809 905 Y	Fuel filler flap		1	
	982 809 905 Y GRV	Prime coated			
5	981 502 347 00	Support	/L	1	
		Wing			
	981 502 347 00 GRV	Prime coated			
(5)	981 502 348 00	Support	/R	1	
		Wing			
	981 502 348 00 GRV	Prime coated			
6	N 910 423 01	Oval-head screw		X	
		M 6 X 16			
7	991 503 555 00	Bracket		2	
		Headlamp casing			
8	991 503 557 00	Support	/L	1	
		Headlamp casing			
(8)	991 503 558 00	Support	/R	1	
		Headlamp casing			
9	991 503 441 01	Strut		2	
		Headlamp casing			
10	999 076 066 09	Hexagon nut		X	
		M6			

Model: 982-17

Model life 2017>>

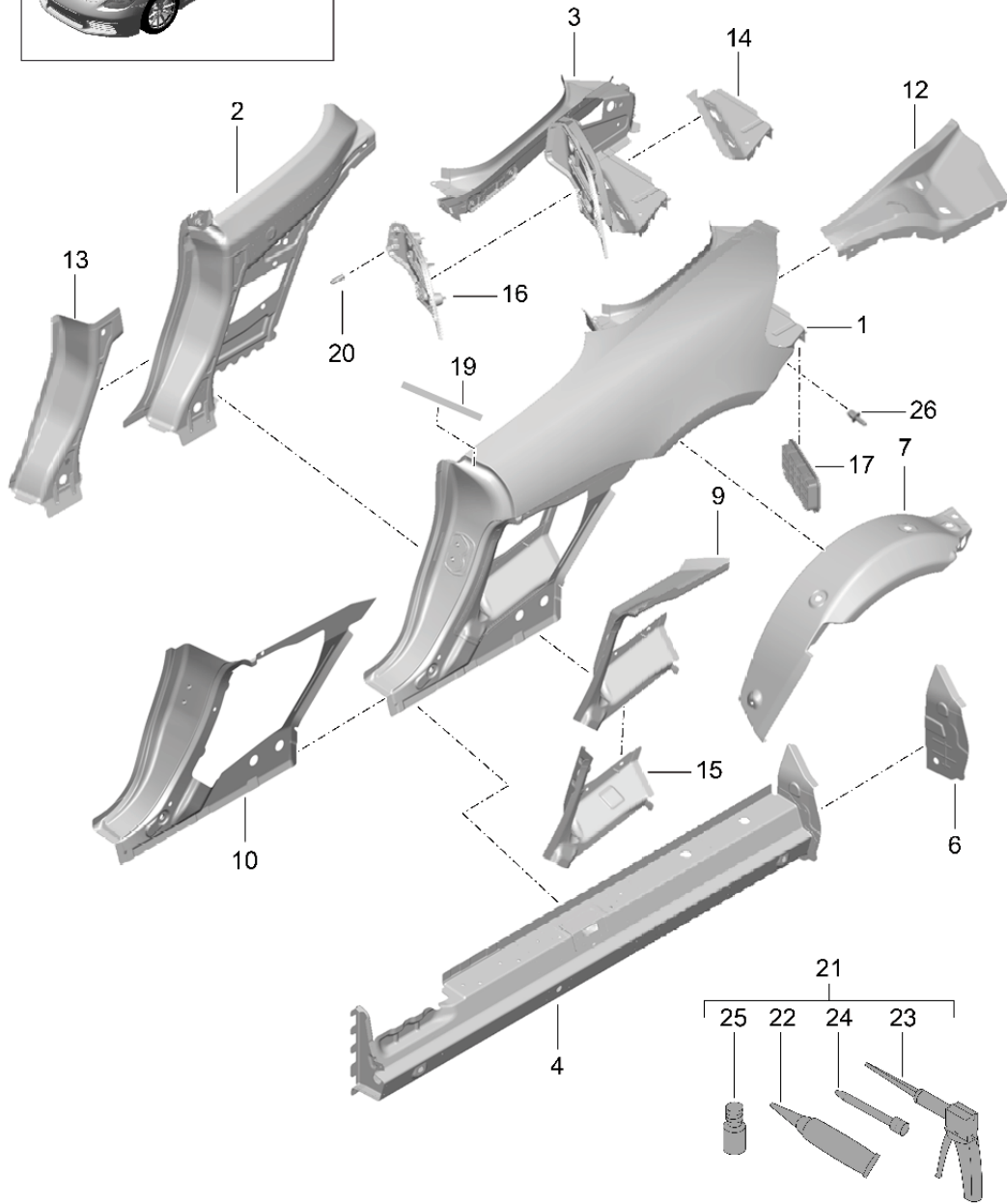
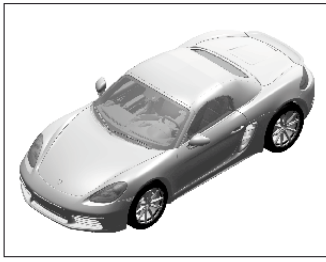


Model: 982-17 Model life 2017>>

Pos	Part Number	Description	Remark	Qty	Model
1	981 502 205 00	Cowl A-pillar	/L	1	
	981 502 205 00 GRV	Prime coated Inner			
(1)	981 502 206 00	A-pillar	/R	1	
	981 502 206 00 GRV	Prime coated Inner			
2	981 502 629 00	Frame		1	
	981 502 629 00 GRV	Prime coated Cowl Upper			
3	981 502 529 00	Frame		1	
	981 502 529 00 GRV	Prime coated Cowl			
4	981 502 135 00	Reinforcement	/L	1	
	981 502 135 00 GRV	Prime coated			
(4)	981 502 136 00	Reinforcement	/R	1	
	981 502 136 00 GRV	Prime coated			
6	981 502 163 00	Reinforcement	/L	1	
	981 502 163 00 GRV	Prime coated Door sill A-pillar			
(6)	981 502 164 00	Reinforcement	/R	1	
	981 502 164 00 GRV	Prime coated Door sill A-pillar			
8	991 502 657 00	Bracket	/L	1	
	991 502 657 00 GRV	Prime coated			
(8)	991 502 658 00	Bracket	/R	1	
	991 502 658 00 GRV	Prime coated			
12	991 502 137 00	Cowl Lower Outer		1	
	991 502 137 00 GRV	Prime coated			
13	000 043 206 29	Adhesive set		1	
14	000 043 206 30	Adhesive		1	
15	000 043 206 31	Tool		1	
16	000 043 206 32	Mixing tube		1	
17	000 043 206 33	Activator		1	

Model: 982-17

Model life 2017>>



Model: 982-17 Model life 2017>>

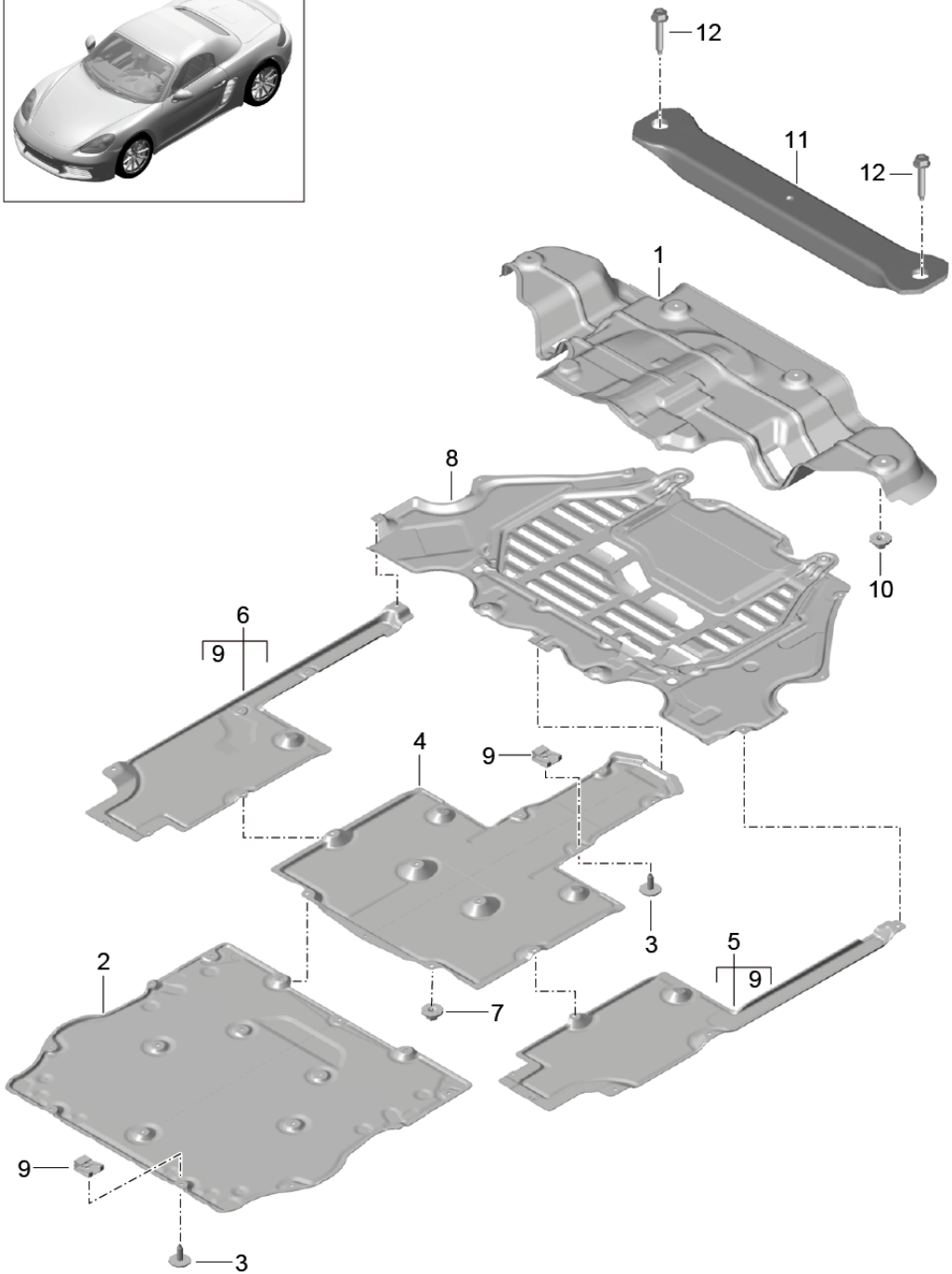
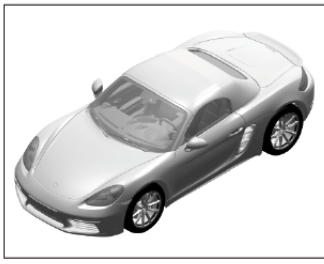
Pos	Part Number	Description	Remark	Qty	Model
1	982 809 085 Y	Side section	/L	1	
	982 809 085 Y GRV	Prime coated			
(1)	982 809 086 Y	Side section	/R	1	
	982 809 086 Y GRV	Prime coated			
2	981 502 983 01	Side section	/L	1	
	981 502 983 01 GRV	Prime coated			
		Inner front			
(2)	981 502 984 01	Side section	/R	1	
	981 502 984 01 GRV	Prime coated			
		Inner front			
3	982 809 639 Y	Sealing channel	/L	1	
	982 809 639 Y GRV	Prime coated			
(3)	982 809 640 Y	Sealing channel	/R	1	
	982 809 640 Y GRV	Prime coated			
4	981 502 963 00	Reinforcement	/L	1	
	981 502 963 00 GRV	Prime coated			
		Door sill			
		A-pillar			
(4)	981 502 964 00	Reinforcement	/R	1	
	981 502 964 00 GRV	Prime coated			
		Door sill			
		A-pillar			
6	981 502 815 00	Connecting piece	/L	1	
	981 502 815 00 GRV	Prime coated			
		Wheel housing			
(6)	981 502 816 00	Connecting piece	/R	1	
	981 502 816 00 GRV	Prime coated			
		Wheel housing			
7	981 502 515 00	Wheel housing	/L	1	
	981 502 515 00 GRV	Prime coated			
		Outer			
(7)	981 502 516 00	Wheel housing	/R	1	
	981 502 516 00 GRV	Prime coated			
		Outer			
9	981 502 961 00	Reinforcement	/L	1	
	981 502 961 00 GRV	Prime coated			
		Side section			
(9)	981 502 962 00	Reinforcement	/R	1	
	981 502 962 00 GRV	Prime coated			
		Side section			
10	982 809 085 BY	Side section	/L	1	
	982 809 085 BY GRV	Prime coated			
		Sub-part			
(10)	982 809 086 BY	Side section	/R	1	
	982 809 086 BY GRV	Prime coated			
		Sub-part			
12	981 502 105 00	Side section	/L	1	
	981 502 105 00 GRV	Prime coated			
		Inner rear			
(12)	981 502 106 00	Side section	/R	1	
	981 502 106 00 GRV	Prime coated			
		Inner rear			
13	981 502 531 01	B-pillar	/L	1	
	981 502 531 01 GRV	Prime coated			
		Outer			
(13)	981 502 532 01	B-pillar	/R	1	
	981 502 532 01 GRV	Prime coated			
		Outer			
14	981 502 563 00	Floor	/L	1	
	981 502 563 00 GRV	Prime coated			
		Rear light			
(14)	981 502 564 00	Floor	/R	1	

Model: 982-17 Model life 2017>>

Pos	Part Number	Description	Remark	Qty	Model
	981 502 564 00 GRV	Prime coated Rear light			
15	981 502 493 01	Reinforcement	/L	1	
	981 502 493 01 GRV	Prime coated			
(15)	981 502 494 01	Reinforcement	/R	1	
	981 502 494 01 GRV	Prime coated			
16	981 503 695 00	Gasket Side section	/L	1	
(16)	981 503 696 00	Gasket Side section	/R	1	
17	981 572 043 00	Bleeding Frame		X	
19	991 537 237 01	Protective film Side section Left And Right		2	
20	999 516 045 01	Information available Threaded bolt Side section T6X18		X	
21	000 043 206 29	Adhesive set Body Comprising:		X	
22	000 043 206 30	Adhesive		1	
23	000 043 206 31	Tool		1	
24	000 043 206 32	Mixing tube		1	
25	000 043 206 33	Activator		1	
26	999 080 057 01	Blind rivet screw Side section Mount Support Lateral M 6 X 15		X	

Model: 982-17

Model life 2017>>



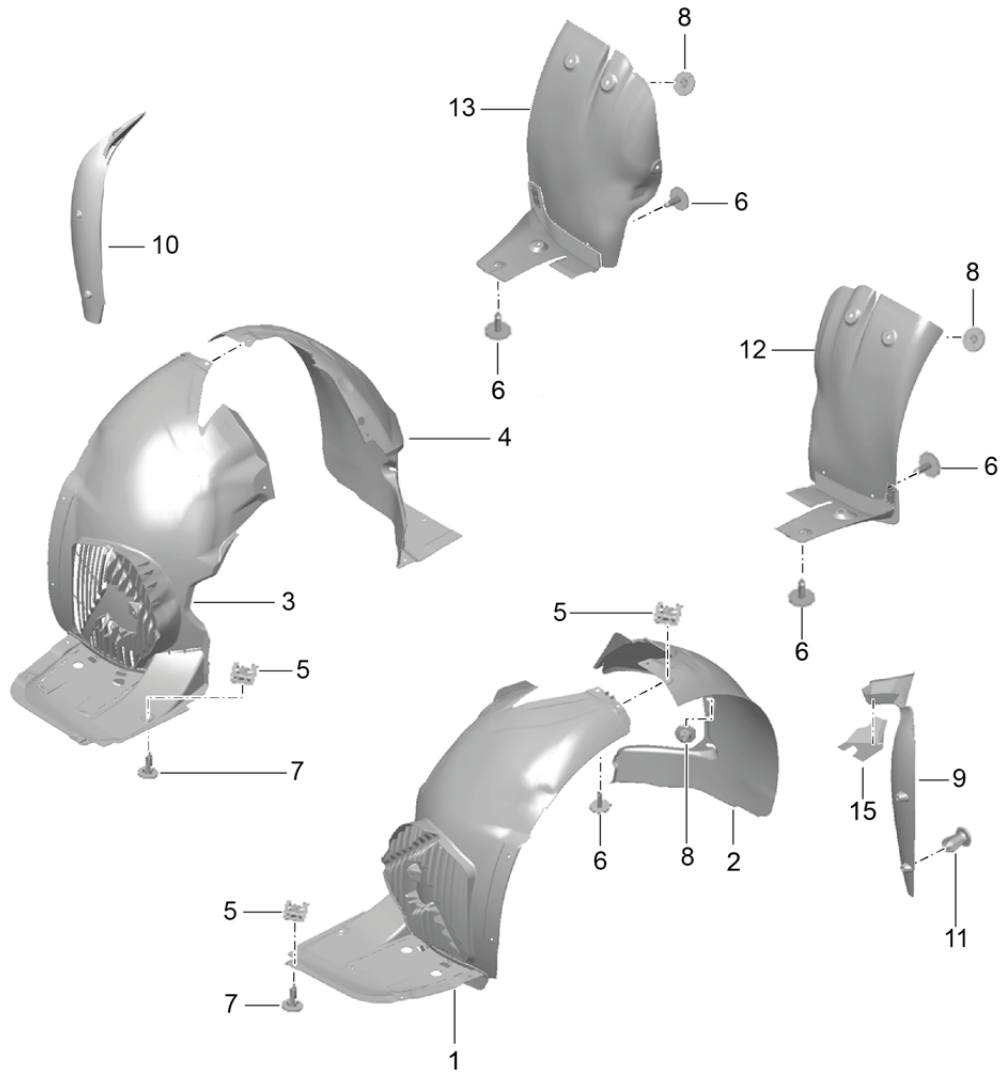
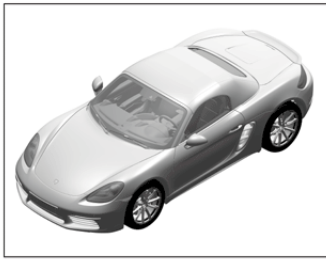
Model: 982-17

Model life 2017>>

Pos	Part Number	Description	Remark	Qty	Model
1	981 504 405 01	Lining Underbody Heat protection plate Boot floor plate		1	
2	991 504 601 04	Cover Front		1	
3	999 073 505 01	Tapping screw ST 4,8x16		X	
4	991 504 603 00	Cover Centre		1	
5	991 504 605 00	Cover Centre Left	/L	1	
6	991 504 606 00	Cover Centre Right	/R	1	
7	999 049 032 40	Plastic nut T6/22x10,5		X	
8	982 825 253	Cover Underbody Rear		1	
9	999 507 795 09	Speed nut ST 4,8		2	
10	999 049 039 01	Hexagon nut T6		6	
11	981 504 843 00	Transverse strut Bulkhead Rear end		1	
12	999 072 837 01	Hexagon-head bolt M10 X 55		2	

Model: 982-17

Model life 2017>>

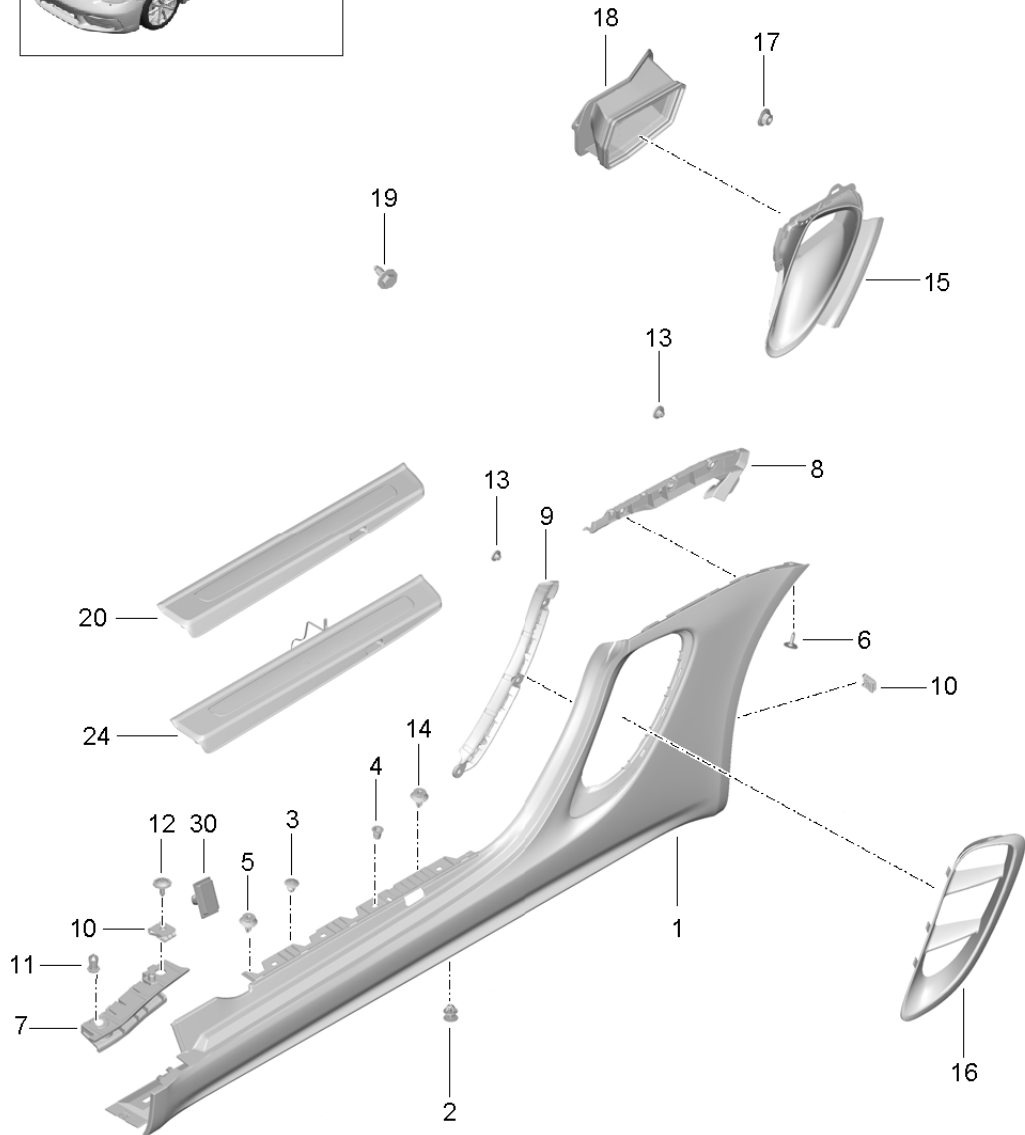
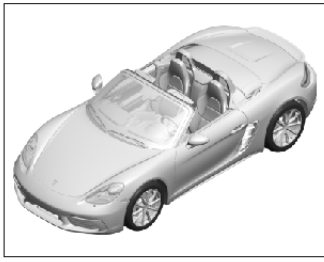


Model: 982-17 Model life 2017>>

Pos	Part Number	Description	Remark	Qty	Model
1	982 809 957	Linings Wheel housing Wheel-housing liner	/L	1	
2	981 504 503 01	Front Front Wheel-housing liner	/L	1	
3	982 809 958	Rear Wheel-housing liner	/R	1	
4	981 504 504 00	Front Front Wheel-housing liner	/R	1	
5	999 507 309 02	Rear Speed nut		X	
6	999 073 505 01	ST 4,8 Tapping screw		X	
7	999 073 227 09	ST 4,8x16 Tapping screw		2	
8	999 049 032 40	ST 4,8x19 Plastic nut		12	
9	981 504 641 00	T6/22x10,5 Cover	/L	1	
10	981 504 641 00 1E0	A-pillar Black			
10	981 504 642 00	Cover	/R	1	
11	981 504 642 00 1E0	A-pillar Black			
11	999 591 712 40	Expansion rivet		6	
12	981 504 505 01	6,0X12,0 Wheel-housing liner	/L	1	
13	981 504 506 01	Rear Front Wheel-housing liner	/R	1	
15	991 555 747 00	Rear Front Cover	/L	1	
(15)	991 555 747 00 1E0	A-pillar Wing Black			
	991 555 748 00	Cover	/R	1	
	991 555 748 00 1E0	A-pillar Wing Black			

Model: 982-17

Model life 2017>>



Model: 982-17

Model life 2017>>

Pos	Part Number	Description	Remark	Qty	Model
		Sill cover And Ventilation Engine compartment			
1	982 853 563	Sill cover	/L	1	
	982 853 563 G2X	Prime coated			
(1)	982 853 564	Sill cover	/R	1	
	982 853 564 G2X	Prime coated			
2	981 504 597 00	Mounting parts		2	
		Sill cover			
3	999 591 413 40	Fixing clip		8	
		9,80			
4	999 702 403 40	Grommet		8	
		9,5X14			
5	999 507 999 40	Fixing clip		8	
		8,1X2,00			
6	999 073 231 09	Tapping screw		2	
		ST4,8X16-C			
7	982 854 541	Retaining strip	/L	1	
		Front			
		Wing			
(7)	982 854 542	Retaining strip	/R	1	
		Front			
		Wing			
8	982 854 943	Retaining strip	/L	1	
		Rear			
		Side section			
(8)	982 854 944	Retaining strip	/R	1	
		Rear			
		Side section			
9	982 854 945	Retaining strip	/L	1	
		Centre			
(9)	982 854 946	Retaining strip	/R	1	
		Centre			
10	999 507 795 09	Speed nut		4	
		ST 4,8			
11	999 591 712 40	Expansion rivet		2	
		6,0X12,0			
12	999 073 505 01	Tapping screw		2	
		ST4,8X16-C			
13	999 049 032 40	Plastic nut		12	
		T6/22X10,5			
14	999 507 999 40	Fixing clip		8	
		8,1X2,00			
15	982 815 265	Frame	/L	1	
		Air inlet			
	982 815 265 OK1	Black mat/satin black			
(15)	982 815 266	Frame	/R	1	
		Air inlet			
	982 815 266 OK1	Black mat/satin black			
16	982 853 189	Air inlet	/L	1	
		with			
		Disc			
	982 853 189 OK1	Black mat/satin black			
(16)	982 853 190	Air inlet	/R	1	
		with			
		Disc			
	982 853 190 OK1	Black mat/satin black			
17	999 076 078 01	Hexagon nut		4	
		M6			
18	982 819 657	Air duct	/L	1	
		with			
		Gasket			

Model: 982-17 Model life 2017>>

Pos	Part Number	Description	Remark	Qty	Model
(18)	982 819 658	Air duct with Gasket	/R	1	
19	900 075 510 01	Combination screw M6X20-PA		6	
20	981 504 467 09	Scuff plate	/L	1	Boxster I008
	981 504 467 09 1E0	Sill cover Black			
20	981 504 467 10	Scuff plate	/L	1	Boxster S I009
	981 504 467 10 1E0	Sill cover Black			
(20)	981 504 468 09	Scuff plate	/R	1	Boxster I008
	981 504 468 09 1E0	Sill cover Black			
(20)	981 504 468 10	Scuff plate	/R	1	Boxster S I009
	981 504 468 10 1E0	Sill cover Black			
24	981 504 981 16	Scuff plate	/L	1	IX70/008
	981 504 981 16 1E0	Sill cover Logo Boxster Stainless steel Black			
(24)	981 504 982 16	Scuff plate	/R	1	IX70/008
	981 504 982 16 1E0	Sill cover Logo Boxster Stainless steel Black			
(24)	981 504 981 40	Scuff plate	/L	1	IXXB/008
	981 504 981 40 1E0	Sill cover Logo Boxster Stainless steel with Illumination Black			
(24)	981 504 982 40	Scuff plate	/R	1	IXXB/008
	981 504 982 40 1E0	Sill cover Logo Boxster Stainless steel with Illumination Black			
(24)	981 504 981 18	Scuff plate	/L	1	IX69/008
	981 504 981 18 1E0	Sill cover Logo Boxster Carbon Black			
(24)	981 504 982 18	Scuff plate	/R	1	IX69/008
	981 504 982 18 1E0	Sill cover Logo Boxster Carbon Black			
(24)	981 504 981 41	Scuff plate	/L	1	IXXD/008
		Sill cover			

Model: 982-17

Model life 2017>>

Pos	Part Number	Description	Remark	Qty	Model
(24)	981 504 981 41 1E0 981 504 982 41	Logo Boxster Carbon with Illumination Black Scuff plate Sill cover	/R	1	IXXD/008
(24)	981 504 982 41 1E0 981 504 981 20	Logo Boxster Carbon with Illumination Black Scuff plate Sill cover	/L	1	IX70/009
(24)	981 504 981 20 1E0 981 504 982 20	Logo Boxster S Stainless steel Black Scuff plate Sill cover	/R	1	IX70/009
(24)	981 504 982 20 1E0 981 504 981 42	Logo Boxster S Stainless steel Black Scuff plate Sill cover	/L	1	IXXB/009
(24)	981 504 981 42 1E0 981 504 982 42	Logo Boxster S Stainless steel with Illumination Black Scuff plate Sill cover	/R	1	IXXB/009
(24)	981 504 982 42 1E0 981 504 981 22	Logo Boxster S Carbon Black Scuff plate Sill cover	/L	1	IX69/009
(24)	981 504 981 22 1E0 981 504 982 22	Logo Boxster S Carbon Black Scuff plate Sill cover	/R	1	IX69/009
(24)	981 504 982 22 1E0 981 504 981 43	Logo Boxster S Carbon with Illumination Black Scuff plate Sill cover	/L	1	IXXD/009
(24)	981 504 981 43 1E0 981 504 982 43	Logo Boxster S Carbon with Illumination Black Scuff plate	/R	1	IXXD/009

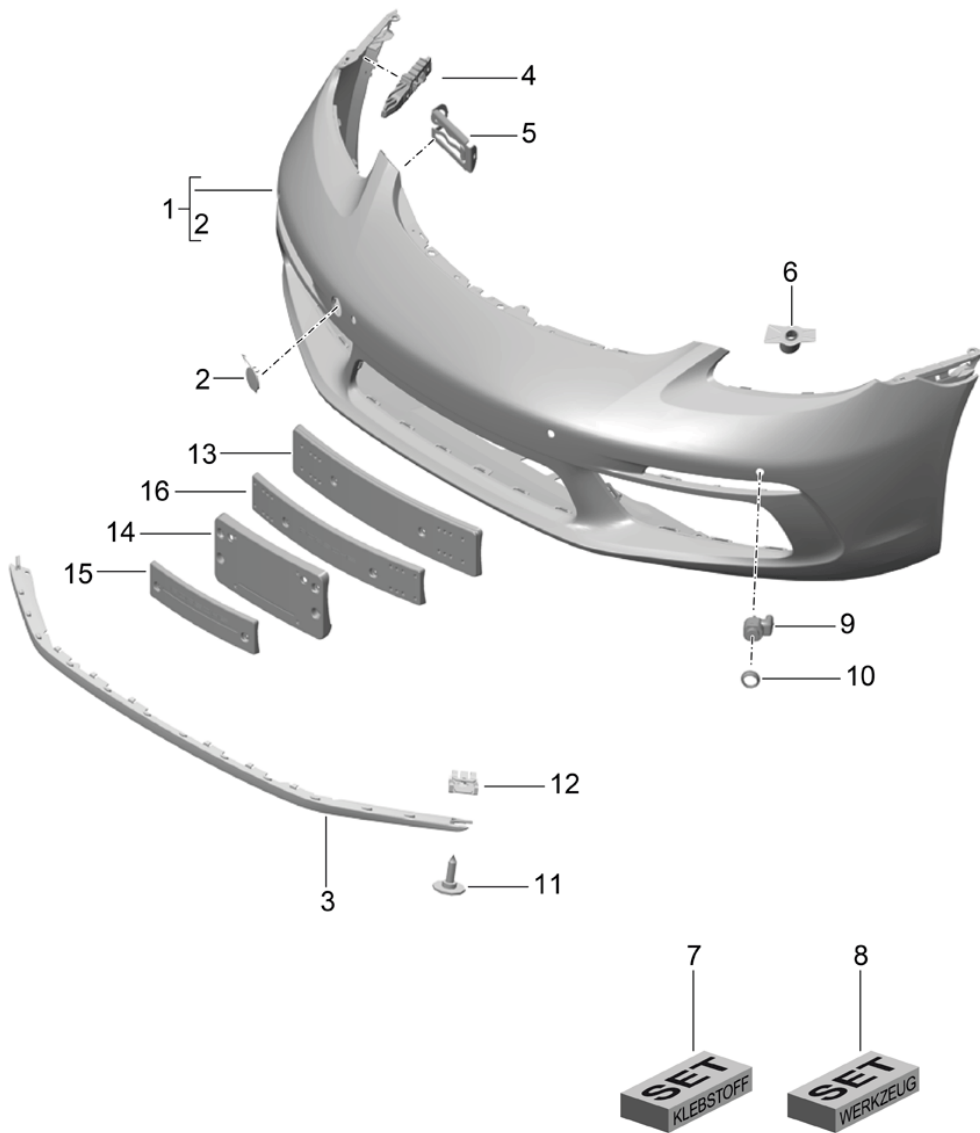
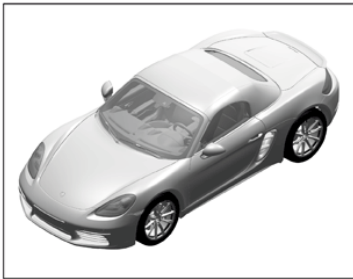
Model: 982-17

Model life 2017>>

Pos	Part Number	Description	Remark	Qty	Model
30	981 504 982 43 1E0 999 902 062 41	Sill cover Logo Boxster S Carbon with Illumination Black Velcro fastener Clip		X	

Model: 982-17

Model life 2017>>



Model: 982-17 Model life 2017>>

Pos	Part Number	Description	Remark	Qty	Model
1	982 898 041	Bumper Front Lining		1	-I288/-I636 -I638
(1)	982 898 041 G2X 982 898 041 A	Of Prime coated Lining		1	-I636/-I638 I288
(1)	982 898 041 A G2X 982 898 041 B	Of Prime coated Lining		1	-I288/I636 I638
(1)	982 898 041 B G2X 982 898 041 C	Of Prime coated Lining		1	I288/636/638
2	982 898 041 C G2X 982 807 499	Of Prime coated Towing lug		1	
3	982 807 499 G2X 982 807 110 A	Prime coated Spoiler lip		1	
4	982 807 110 A OK1 982 807 055	Short Black mat Support	/L	1	
(4)	982 807 056	Cover Support Cover	/R	1	
5	981 505 719 01	Fixing device		2	
6	982 807 463	Retainer plate	/L	1	I288
(6)	982 807 464	Headlight washer system Use also: 000.043.300.47 Retainer plate Headlight washer system Use also: 000.043.300.47	/R	1	I288
7	000 043 300 47	Set Adhesive Including 5-fold Mixing tube Support Headlight washer system When required order also:		1	
8	000 043 300 48	Tool for Adhesive		1	
9	5Q0 919 275 B	Sensor ParkAssist Inner		2	
(9)	5Q0 919 275 B G2X 5Q0 919 275 C	Prime coated Sender ParkAssist Outer		2	
10	5Q0 919 275 C G2X 5Q0 919 133	Prime coated Sealing ring Sensor ParkAssist		4	
11	5Q0 919 133 9B9 999 073 227 09	Satin black Tapping screw ST4,8X19		6	
12	999 507 309 02	Speed nut ST 4,8		X	
13	982 807 813	Assembly kit	ECE	1	-I075/I211

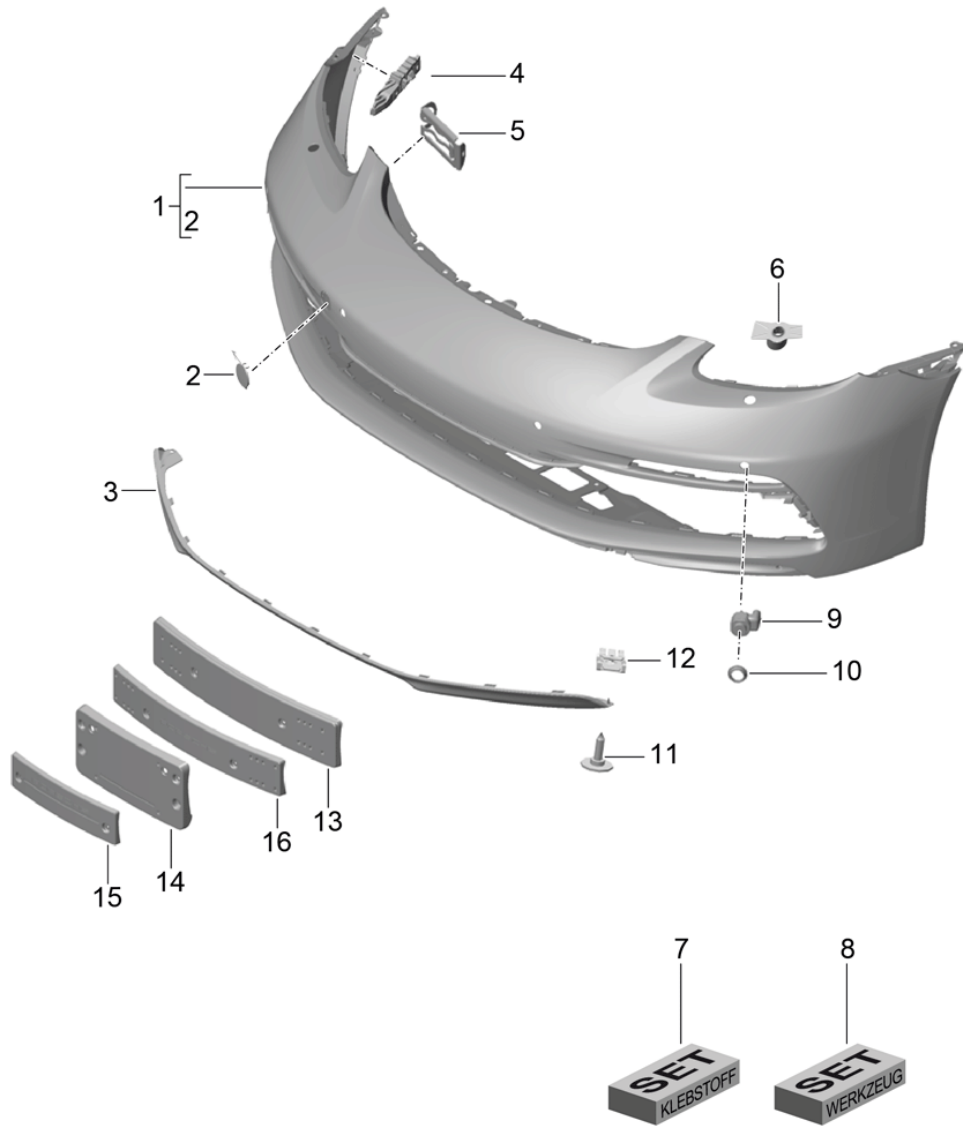
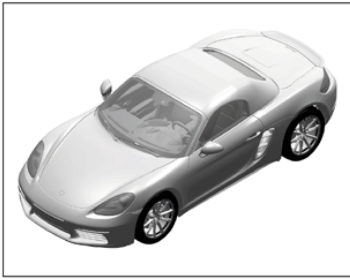
Model: 982-17

Model life 2017>>

Pos	Part Number	Description	Remark	Qty	Model
14	982 807 813 OK1	Number plate	Japan	1	-I456/I209
	982 807 813 B	Bracket Black mat Assembly kit			
(14)	982 807 813 B OK1	Number plate	Japan ACC	1	I209/456
	982 807 813 E	Bracket Black mat Assembly kit			
15	982 807 813 E OK1	Number plate	RDW	1	I210
	982 807 813 D	Bracket Black mat Assembly kit			
16	982 807 813 D OK1	Number plate	China	1	I075/211
	982 807 813 F	Bracket Black mat Assembly kit			
	982 807 813 F OK1	Number plate			

Model: 982-17

Model life 2017>>



Model: 982-17 Model life 2017>>

Pos	Part Number	Description	Remark	Qty	Model
1	982 898 041 D	Bumper Front Sport Design package Lining Front Prime coated		1	IXAN/XAT
(1)	982 898 041 E	Lining Front Prime coated		1	I288
(1)	982 898 041 F	Lining Front Prime coated		1	-I288/I636 I638
(1)	982 898 041 G	Lining Front Prime coated		1	I288/636/638
2	982 807 397	Towing lug		1	
	982 807 397 G2X	Prime coated			
3	982 807 547	Spoiler lip		1	
	982 807 547 G2X	Prime coated			
4	982 807 055	Support Cover	/L	1	
(4)	982 807 056	Support Cover	/R	1	
5	981 505 719 01	Fixing device		2	
6	982 807 463	Retainer plate Headlight washer system Use also: 000.043.300.47	/L	1	I288
(6)	982 807 464	Retainer plate Headlight washer system Use also: 000.043.300.47	/R	1	I288
7	000 043 300 47	Set Adhesive Including 5-fold Mixing tube Support Headlight washer system When required order also:		1	
8	000 043 300 48	Tool for Adhesive		1	
9	5Q0 919 275 B	Sensor ParkAssist Inner		2	
(9)	5Q0 919 275 B G2X	Prime coated			
	5Q0 919 275 C	Sender ParkAssist Outer		2	
	5Q0 919 275 C G2X	Prime coated			
10	5Q0 919 133	Sealing ring Sensor ParkAssist		4	
	5Q0 919 133 9B9	Satin black			
11	999 073 227 09	Tapping screw ST4,8X19		18	
12	999 507 309 02	Speed nut ST 4,8		X	
13	982 807 813 G	Assembly kit Number plate Bracket	ECE	1	-I075/I211

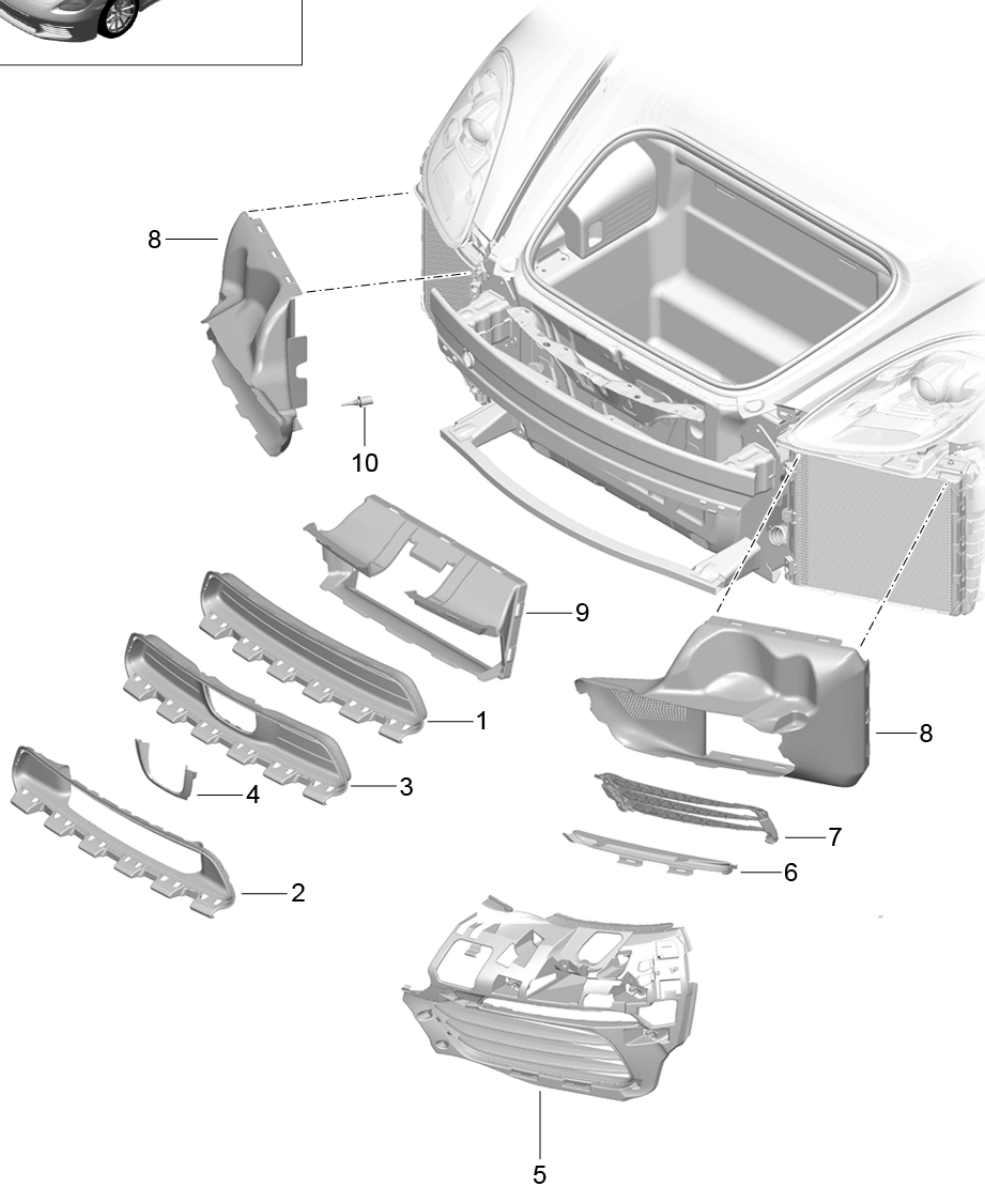
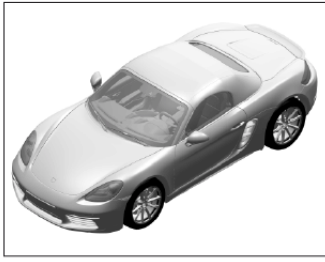
Model: 982-17

Model life 2017>>

Pos	Part Number	Description	Remark	Qty	Model
14	982 807 813 G OK1 982 807 813 J	Black mat Assembly kit Number plate Bracket	Japan	1	-I456/I209
(14)	982 807 813 J OK1 982 807 813 M	Black mat Assembly kit Number plate Bracket	Japan ACC	1	I209/456
15	982 807 813 M OK1 982 807 813 L	Black mat Assembly kit Number plate Bracket	RDW	1	I210
16	982 807 813 L OK1 982 807 813 N	Black mat Assembly kit Number plate Bracket	China	1	I075/211
	982 807 813 N OK1	Black mat			

Model: 982-17

Model life 2017>>

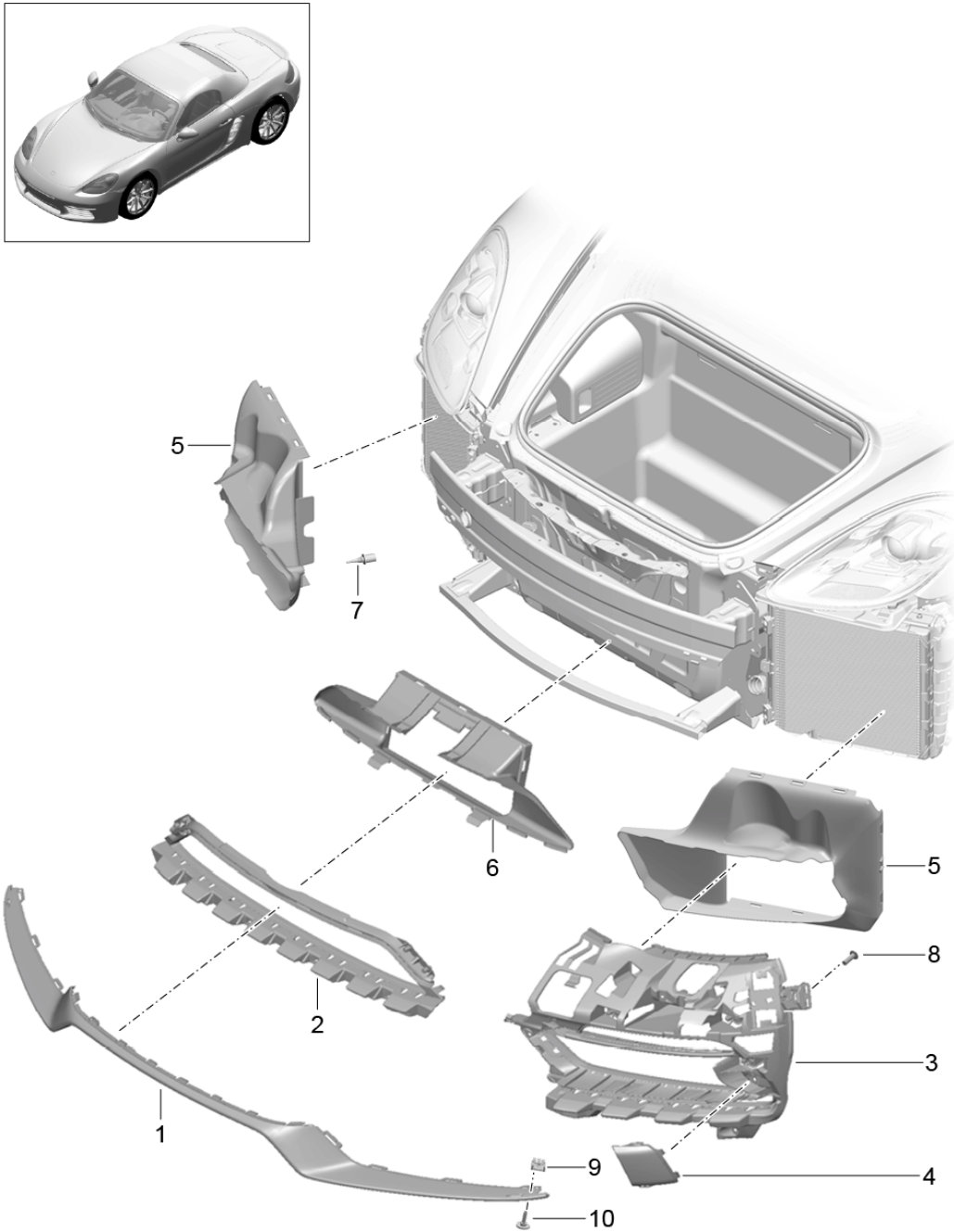


Model: 982-17 Model life 2017>>

Pos	Part Number	Description	Remark	Qty	Model
1	982 807 681	Air guide Bumper Front Grille Centre Closed		1	
2	982 807 681 OK1 982 807 681 A	Black mat Grille Centre open		1	
3	982 807 681 A OK1 982 807 681 B	Black mat Grille Centre ACC		1	
4	982 807 681 B OK1 982 807 644	Black mat Cover Centre ACC		1	
5	982 807 644 OK1 982 807 683	Black mat Grille Lateral	/L	1	
(5)	982 807 683 OK1 982 807 684	Black mat Grille Lateral	/R	1	
6	982 807 684 OK1 982 807 819	Black mat Cover Grille	/L	1	I008
(6)	982 807 819 OK1 982 807 820	Black mat Cover Grille	/R	1	I008
7	982 807 820 OK1 982 807 333	Black mat Support Vanes	/L	1	
(7)	982 807 334	Support Vanes	/R	1	
8		Air guide Lateral See illustrations 8/13/20		1	
9	982 121 291	Air guide Centre		1	I153
(9)	982 121 291 OK1 982 121 291 A	Black mat Air guide Centre ACC		1	I153/456
10	982 121 291 A OK1 958 505 535 00	Black mat Sensor Ambient temperature gauge		1	

Model: 982-17

Model life 2017>>

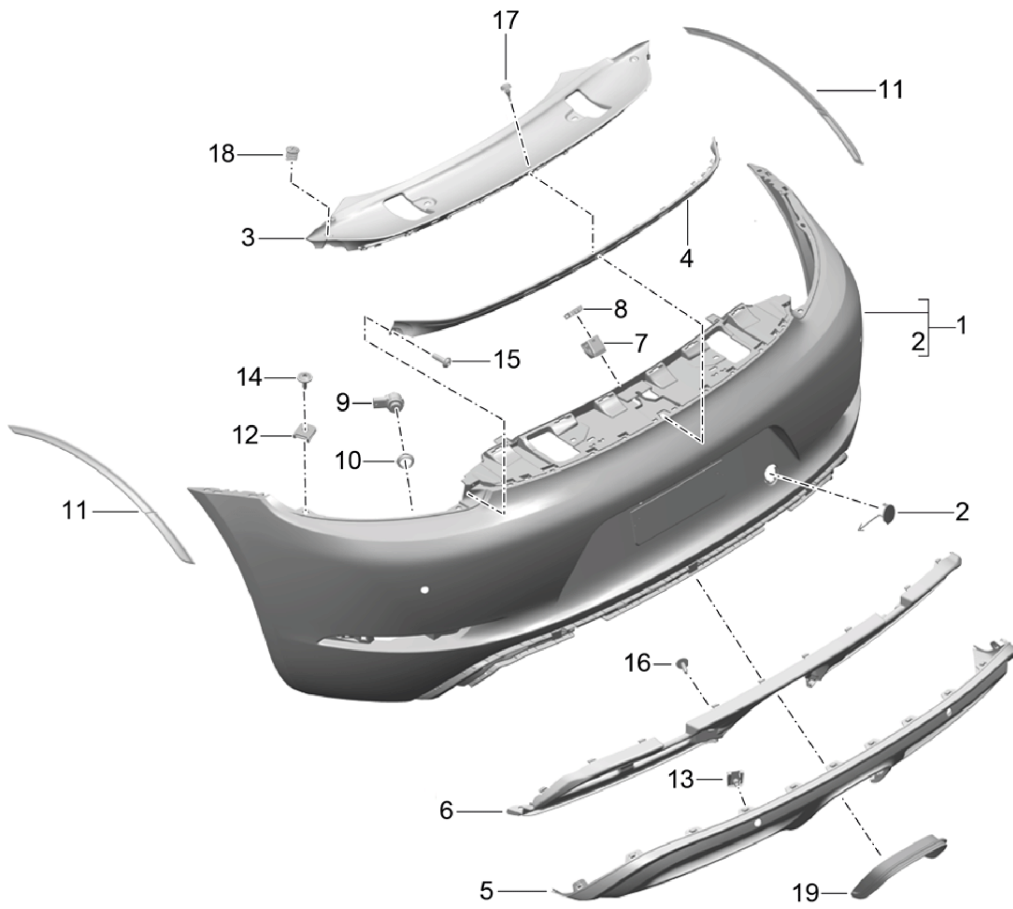
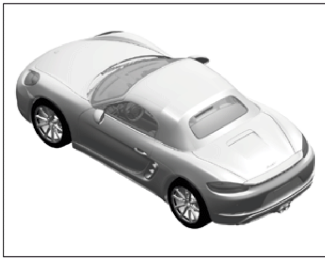


Model: 982-17 Model life 2017>>

Pos	Part Number	Description	Remark	Qty	Model
		Air guide			IXAN/XAT
		Bumper			
		Front			
		Sport Design package			
1	982 807 725	Front end cover		1	
	982 807 725 G2X	Prime coated			
2	982 807 682	Grille		1	
		Centre			
		open			
	982 807 682 OK1	Black mat			
3	982 807 697	Grille	/L	1	
		Left			
	982 807 697 OK1	Black mat			
(3)	982 807 698	Grille	/R	1	
		Right			
	982 807 698 OK1	Black mat			
4	982 807 945	Cover	/L	1	IXAT
		Air guide			
		Lateral			
	982 807 945 OK1	Black mat			
(4)	982 807 945	Cover	/L	1	IXAN
		Air guide			
		Lateral			
	982 807 945 041	Black			
(4)	982 807 946	Cover	/R	1	IXAT
		Air guide			
		Lateral			
	982 807 946 OK1	Black mat			
(4)	982 807 946	Cover	/R	1	IXAN
		Air guide			
		Lateral			
	982 807 946 041	Black			
5	982 121 735	Air guide	/L	1	
	982 121 735 OK1	Black mat			
(5)	982 121 736	Air guide	/R	1	
	982 121 736 OK1	Black mat			
6	982 121 699	Air guide		1	I153
		Centre			
	982 121 699 OK1	Black mat			
(6)	982 121 699 A	Air guide		1	I153/456
		Centre			
		ACC			
	982 121 699 A OK1	Black mat			
7	958 505 535 00	Sensor		1	
		Ambient temperature gauge			
8	999 919 246 01	Oval-head screw		8	
		6,0 X 18,0 - Q			
9	999 507 309 02	Speed nut		6	
		ST 4,8			
10	999 073 227 09	Tapping screw		6	
		ST4,8X19			

Model: 982-17

Model life 2017>>



Model: 982-17 Model life 2017>>

Pos	Part Number	Description	Remark	Qty	Model
1	982 898 352	Bumper Rear Lining		1	-I635/-I636 -I638
1	982 898 352 G2X	Prime coated			
1	982 898 352 A	Lining		1	I635/636
1	982 898 352 A G2X	Prime coated			
1	982 898 352 B	Lining		1	I638
1	982 898 352 B G2X	Prime coated			
2	982 807 442	Cover		1	-I533
		Towing lug			
	982 807 442 G2X	Prime coated			
3	982 807 417	Cover		1	
		Upper			
	982 807 417 OK1	Black mat			
4	982 807 659	Cover		1	
		Upper			
	982 807 659 041	Black			
5	982 807 983	Cover		1	-I635/-I636 -I638
		Lower			
	982 807 983 OK1	Black mat			
5	982 898 307	Cover		1	I635/636/638
		Lower			
5	982 898 307 A	Cover		1	IXAN/XAT/635 I636/638
		Lower			
	982 898 307 A G2X	Prime coated			
6	982 807 125	Support		1	
		Lower			
	982 807 125 OK1	Black mat			
7	991 505 899 01	Support		1	I638
		Reversing camera			
	991 505 899 01 OK1	Black mat			
8	991 505 901 01	Clip		1	I638
		Reversing camera			
9	5Q0 919 275 B	Sensor		2	
		ParkAssist			
		Outer			
	5Q0 919 275 B G2X	Prime coated			
(9)	9P1 919 275 A	Sensor		2	
		ParkAssist			
		Inner			
	9P1 919 275 A G2X	Prime coated			
10	5Q0 919 133	Sealing ring		4	
		Sensor			
		ParkAssist			
	5Q0 919 133 9B9	Satin black			
11	982 853 025	Set		1	I193
		Wheel cover			
		Japan			
	982 853 025 G2X	Prime coated			
12	999 507 309 02	Speed nut		X	
		ST 4,8			
13	999 507 856 01	Speed nut		X	
		M6			
14	999 073 227 09	Tapping screw		X	
		ST4,8X19			
15	999 919 246 01	Oval-head screw		10	
		6,0X18,0-Q ST 26 D0			
16	999 073 322 02	Oval-head screw		2	
		M6X20-SC			
17	999 703 272 40	Buffer		1	

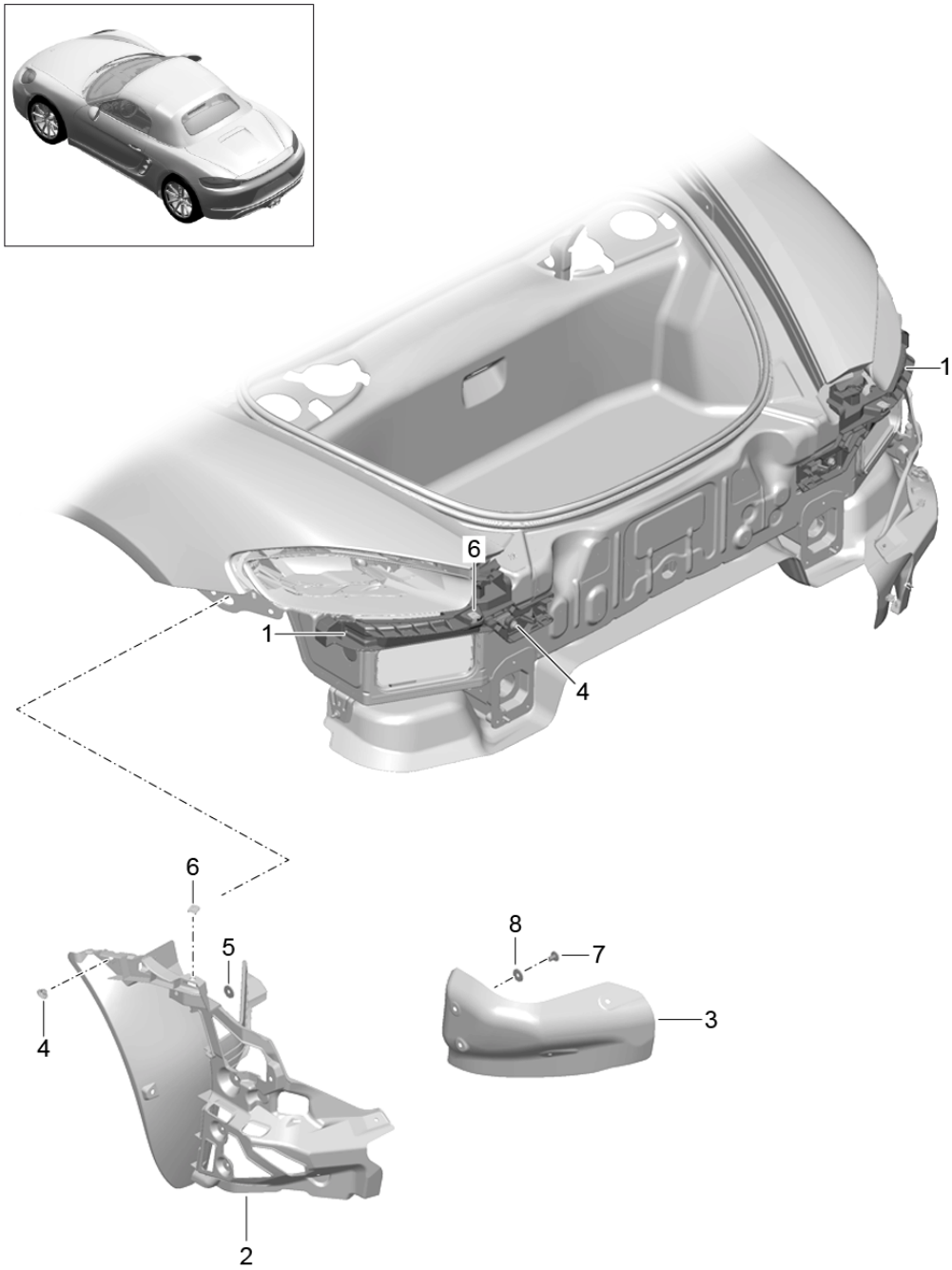
Model: 982-17

Model life 2017>>

Pos	Part Number	Description	Remark	Qty	Model
18	999 703 503 40	5,0X8X13,0 Buffer		2	
19	982 815 099	5,0X8X13,0 Heat protection		1	
	982 815 099 OK1	Tail pipe Black mat			

Model: 982-17

Model life 2017>>

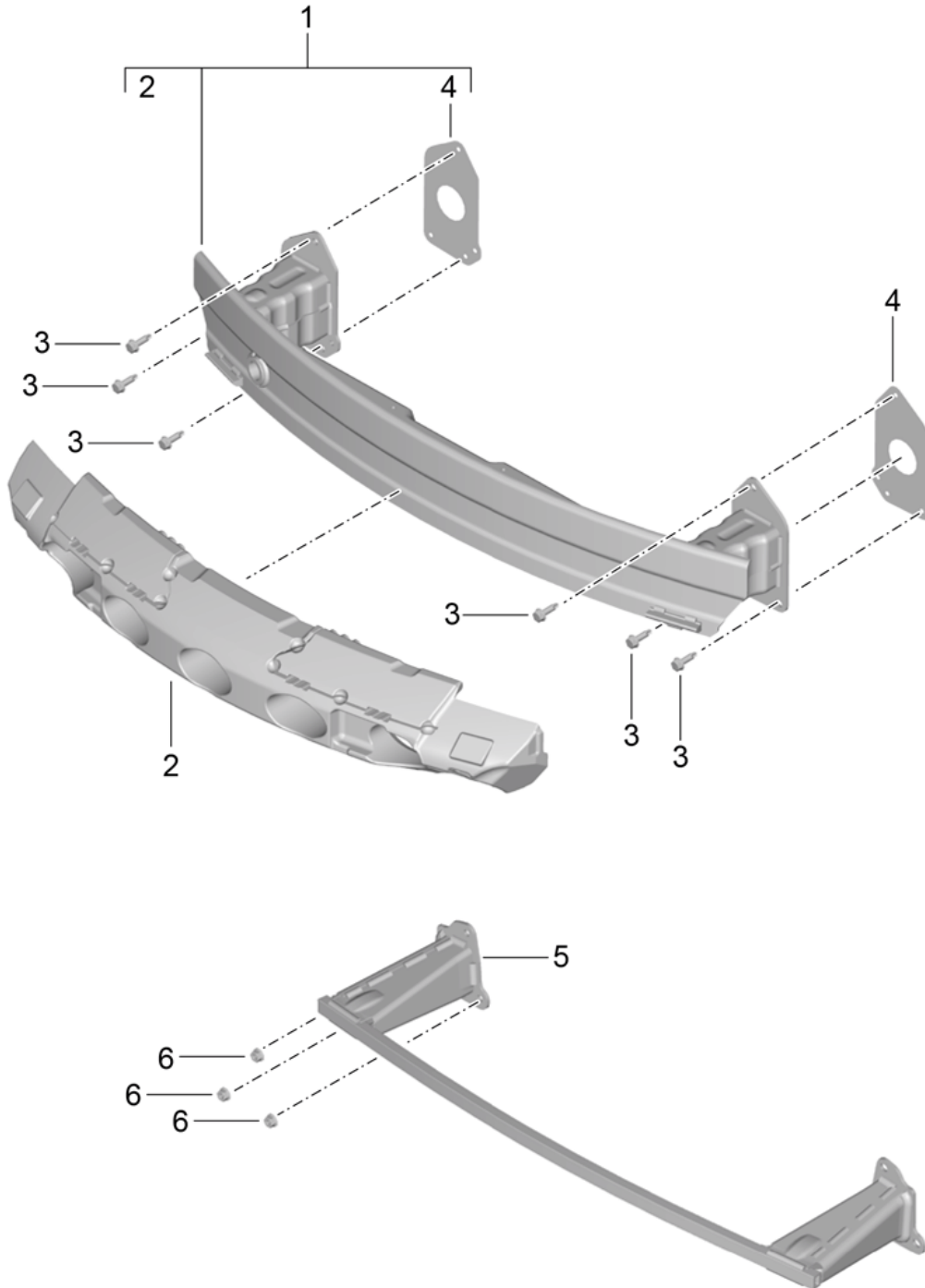
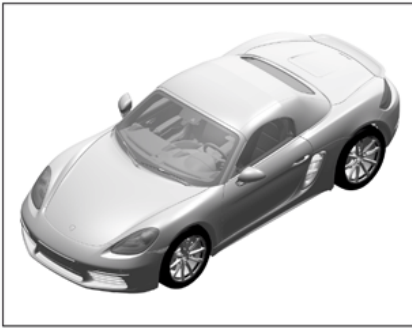


Model: 982-17 Model life 2017>>

Pos	Part Number	Description	Remark	Qty	Model
		Mounting parts			
		Bumper			
		Rear			
1	982 807 861	Attachment strip	/L	1	
		Left			
(1)	982 807 862	Attachment strip	/R	1	
		Right			
2	982 807 147	Support	/L	1	
		Lateral			
(2)	982 807 148	Support	/R	1	
		Lateral			
3	982 825 729	Heat protection	/L	1	
		Cover			
		Lateral			
(3)	982 825 730	Heat protection	/R	1	
		Cover			
		Lateral			
4	999 076 042 01	Hexagon nut		4	
		M 6			
5	999 049 032 40	Plastic nut		2	
		T6/22X10,5			
6	999 507 309 02	Speed nut		X	
		ST 4,8			
7	999 190 115 30	Blind rivet		8	
		A 6,4X10,0			
8	900 151 006 03	Washer		8	
		6			

Model: 982-17

Model life 2017>>



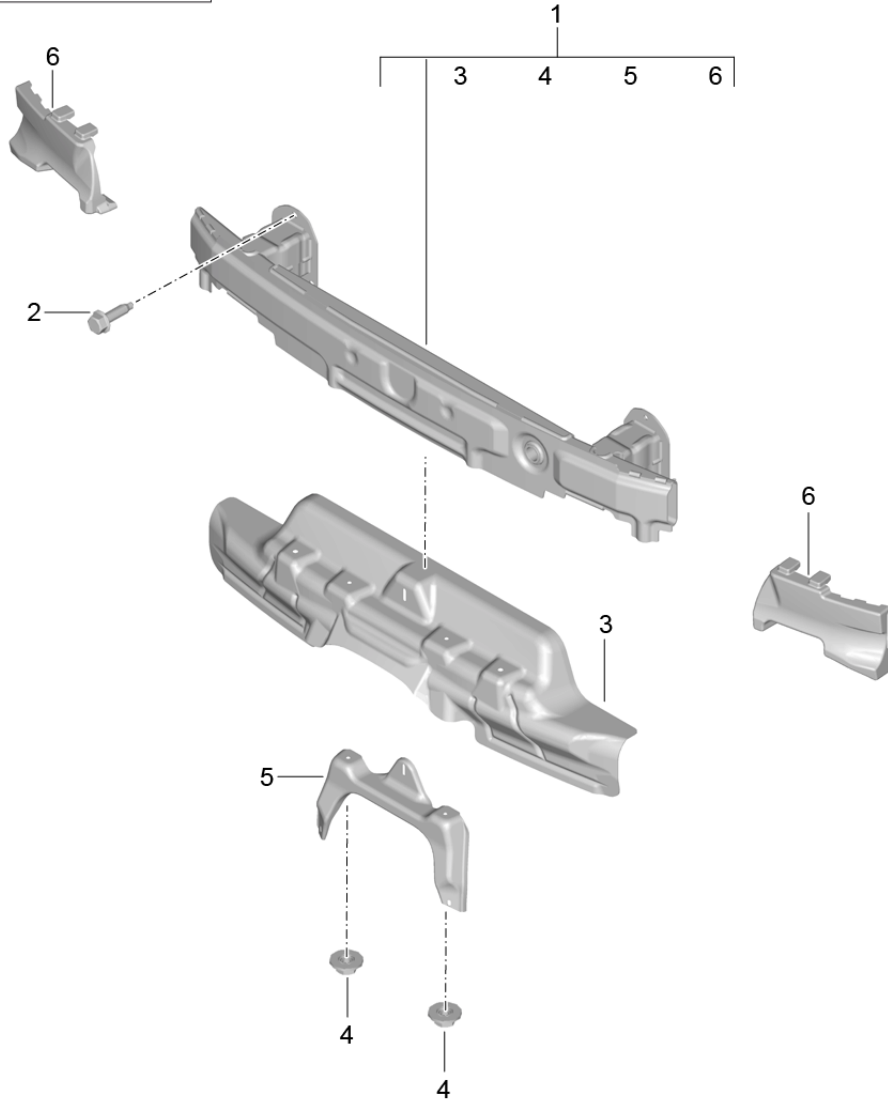
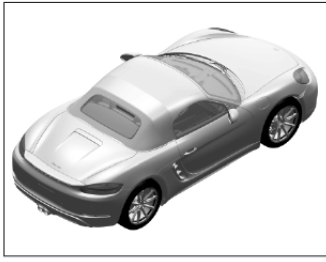
Model: 982-17

Model life 2017>>

Pos	Part Number	Description	Remark	Qty	Model
1	982 807 109	Bumper reinforcement Front Bumper reinforcement Complete with Foam part Front		1	
2	982 807 231	Foam part Bumper reinforcement		1	
3	900 378 351 01	Hexagon-head bolt M 8 X 30		6	
4	991 505 771 00	Seal Impact absorber		2	
5	991 505 531 04	Bracket Pedestrian protection Front		1	I070
(5)	991 505 531 05	Bracket Protective bracket Front		1	-I070
(5)	991 505 531 07	Bracket Protective bracket Front		1	IXAN/XAT
(5)	982 807 113	Bracket Protective bracket Front		1	-I070/IXAN IXAT
6	N 106 092 04	Hexagon nut M 8		6	

Model: 982-17

Model life 2017>>



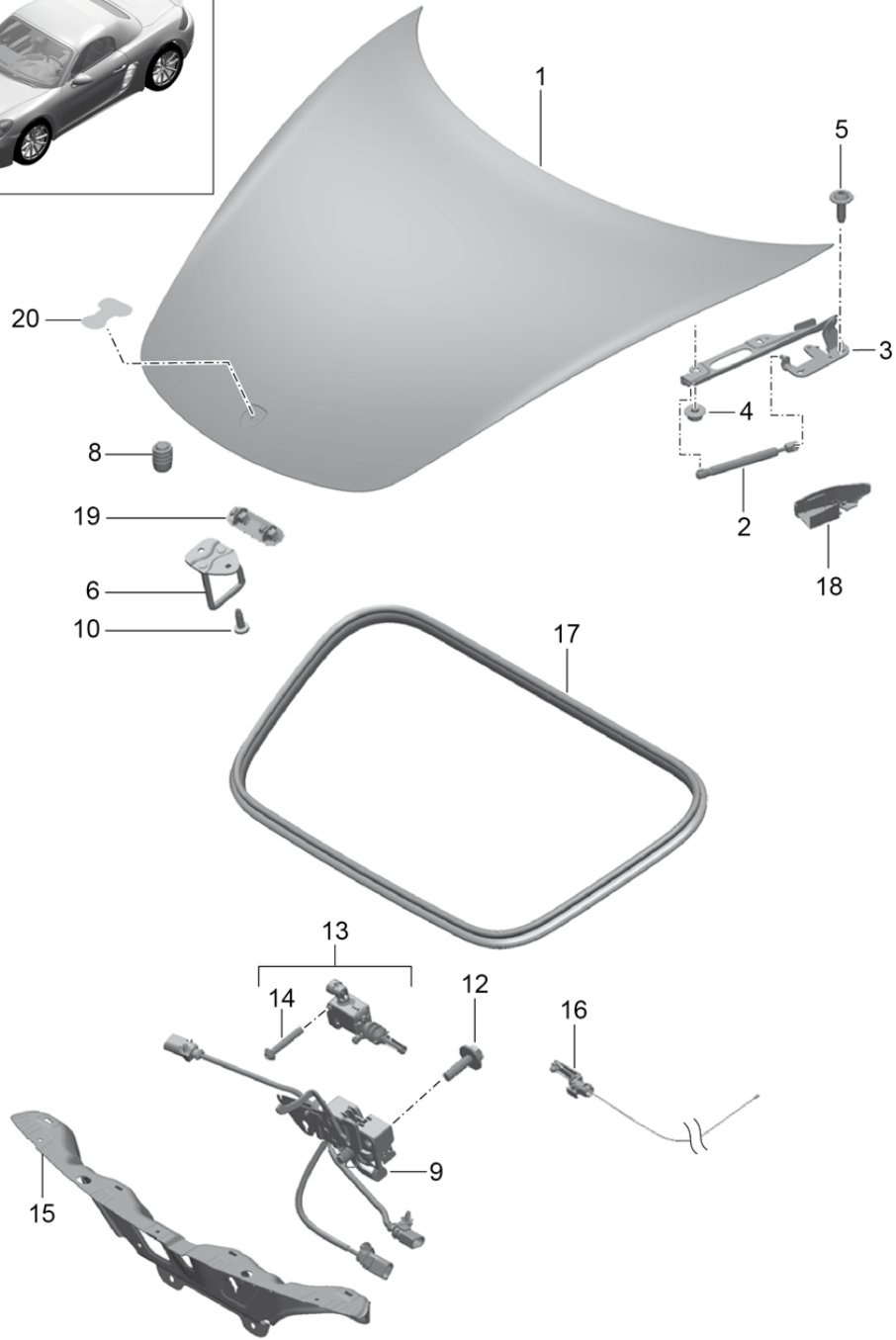
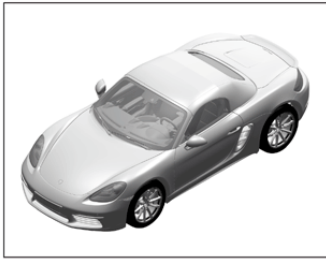
Model: 982-17

Model life 2017>>

Pos	Part Number	Description	Remark	Qty	Model
1	982 807 089	Bumper reinforcement Rear		1	
2	900 378 351 01	Bumper reinforcement Rear with Heat protection		6	
3	982 825 747	Hexagon-head bolt M 8 X 30		1	
4	999 076 091 01	Heat protection Centre		5	
5	982 807 384	Hexagon nut M6-S		1	
6	982 807 603	Bracket Rear Lower	/L	1	
(6)	982 807 604	Attachment Bracket	/R	1	

Model: 982-17

Model life 2017>>



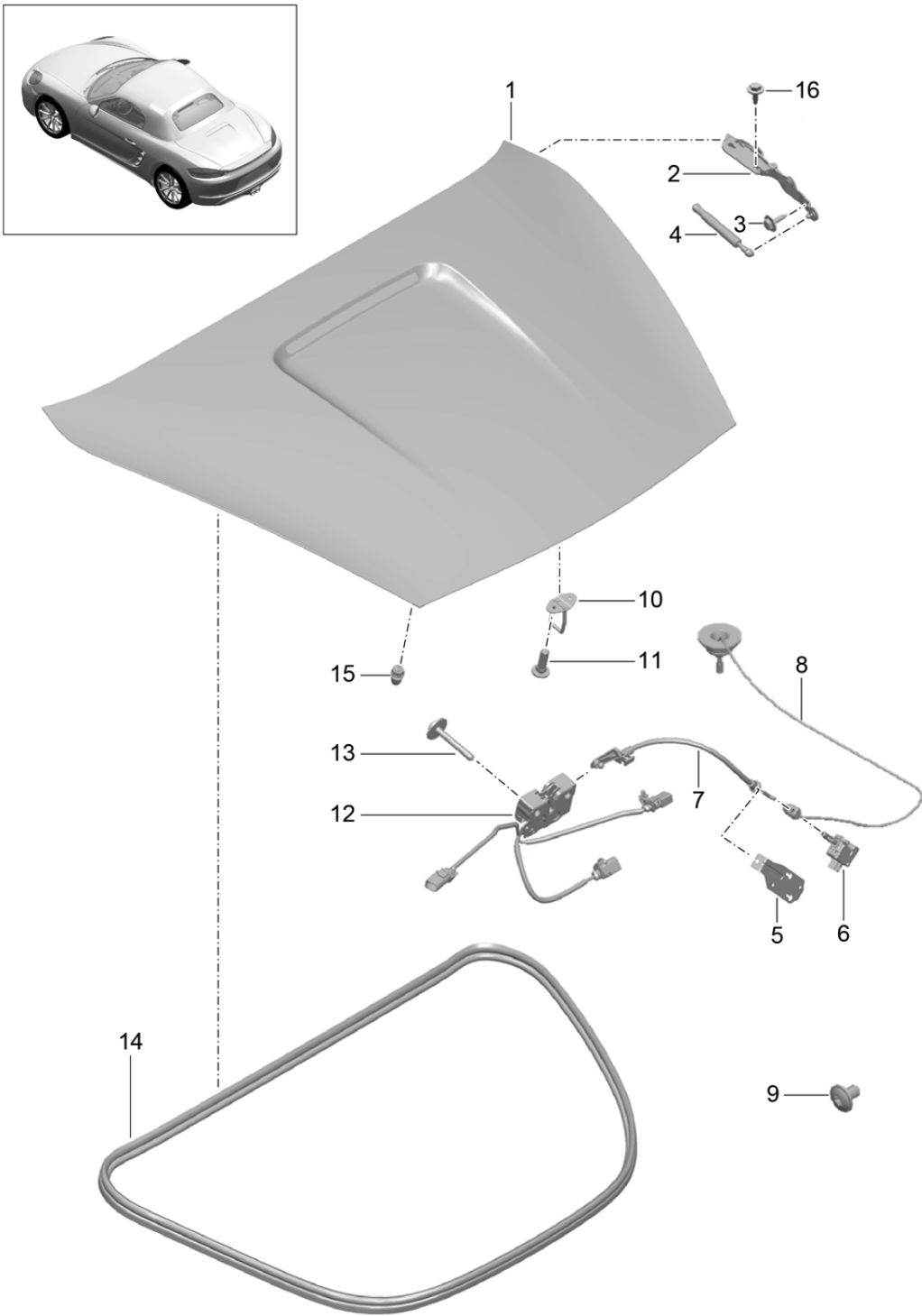
Model: 982-17

Model life 2017>>

Pos	Part Number	Description	Remark	Qty	Model
		Lid			
		Front			
1	991 511 011 04	Lid		1	
	991 511 011 04 GRV	Prime coated			
2	991 511 551 00	Gas-pressure spring		2	
3	991 511 151 03	Hinge	/L	1	
(3)	991 511 152 03	Hinge	/R	1	
4	999 076 048 02	Hexagon nut		4	
		M6			
5	N 911 883 02	Oval-head screw		4	
		M6 X 20			
6	991 511 051 00	Lock upper part		1	
7	900 075 520 01	Combination screw		2	
		M6X22			
8	999 703 140 41	Rubber buffer		2	
9	991 511 033 05	Lock lower part		1	
10	999 073 378 02	Round head screw		2	
		M6 X 20			
12	900 075 520 01	Combination screw		2	
		M6 X 22			
15	9P1 806 623	Support		1	
16	991 511 217 01	Cable		1	
		Emergency operation			
17	991 511 611 03	Gasket		1	
		Lid			
18	991 511 651 02	Hose holder	/L	1	
	991 511 651 02 1E0	Black			
(18)	991 511 652 02	Hose holder	/R	1	
	991 511 652 02 1E0	Black			
19	991 511 649 00	Protection cap		1	
20	999 911 756 41	Adhesive film		1	

Model: 982-17

Model life 2017>>



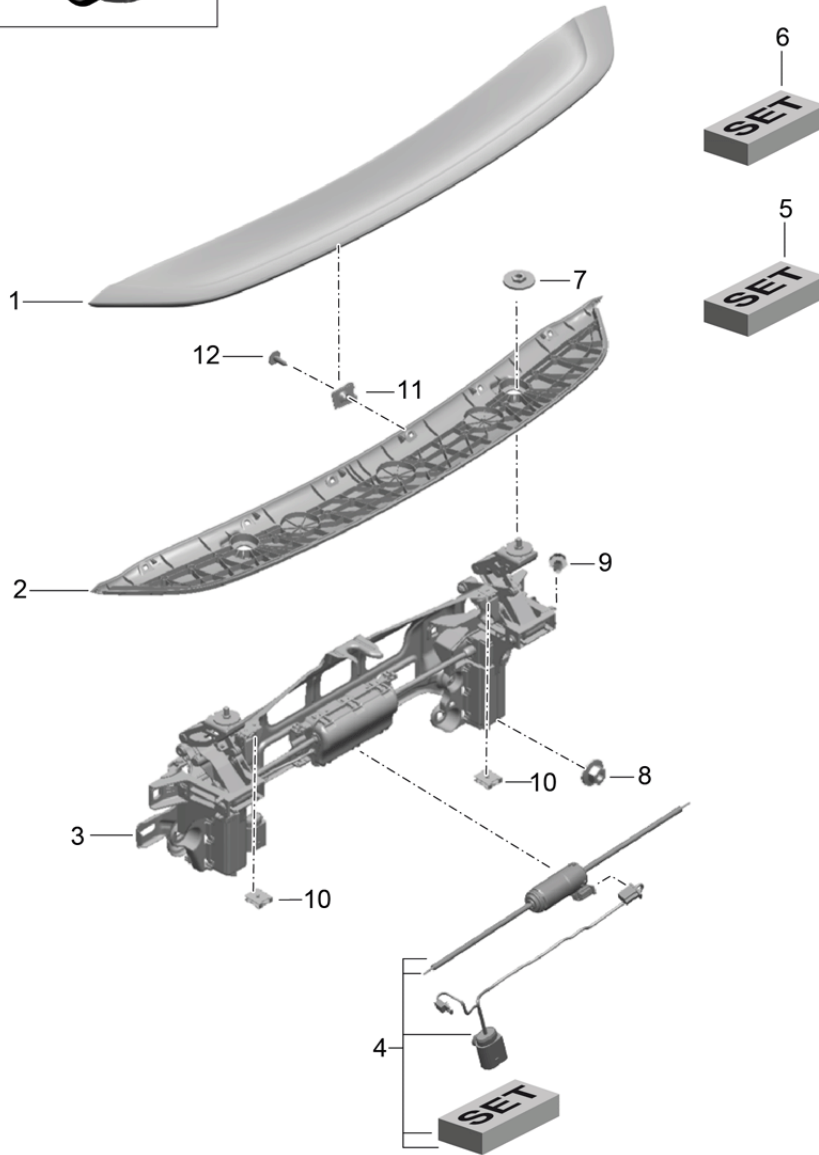
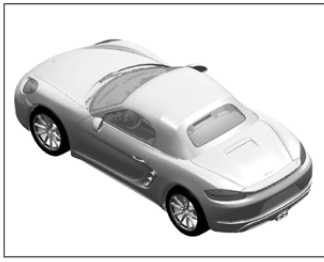
Model: 982-17

Model life 2017>>

Pos	Part Number	Description	Remark	Qty	Model
1	981 512 011 05	Lid Rear		1	IQV0
	981 512 011 05 GRV	Prime coated			
(1)	981 512 011 06	Lid		1	IQU8
	981 512 011 06 GRV	Prime coated			
2	981 512 151 02	Hinge	/L	1	
(2)	981 512 152 02	Hinge	/R	1	
3	900 075 510 01	Combination screw M6X20		4	
4	981 512 551 02	Gas-pressure spring		1	
5	991 504 563 00	Support		1	
6	981 624 118 00	Actuator		1	
7	981 512 217 01	Bowden cable		1	
8	981 512 521 00	Cable Emergency operation		1	
9	999 919 717 01	Oval-head screw M5X27		2	
10	981 512 051 00	Catch bar		1	
11	999 073 378 01	Round head screw M6X20		2	
12	981 512 053 00	Lid lock		1	
13	900 075 504 01	Combination screw M6X45		2	
14	981 512 911 02	Gasket		1	
15	987 512 987 00	Actuator		2	
16	999 075 082 01	Combination screw M6X24		4	

Model: 982-17

Model life 2017>>



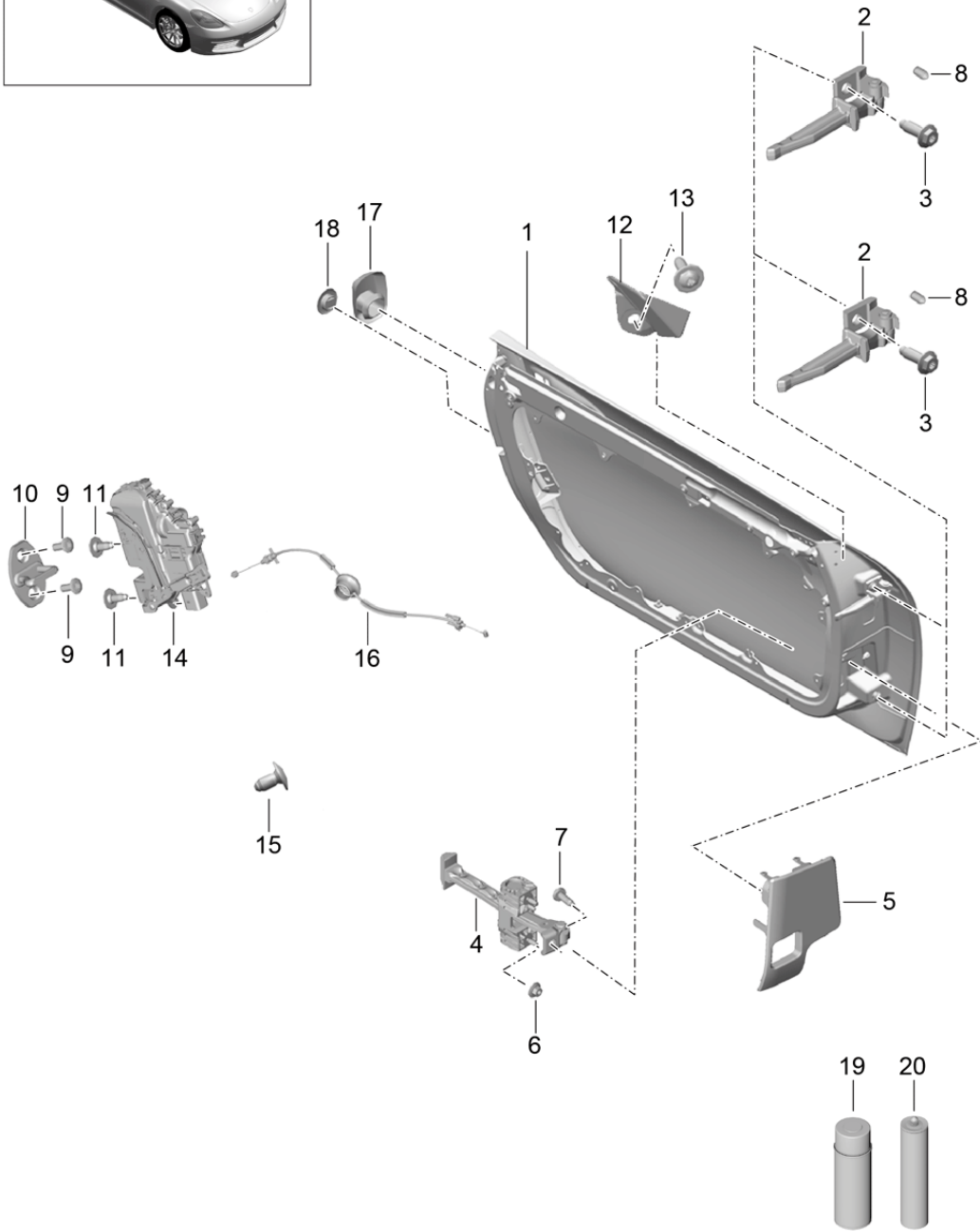
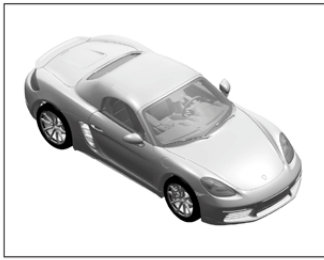
Model: 982-17

Model life 2017>>

Pos	Part Number	Description	Remark	Qty	Model
1	982 827 934	Rear spoiler Rear spoiler Upper part		1	
2	982 827 934 G2X 982 827 677 C	Prime coated Rear spoiler Lower part		1	
3	982 827 204 A	Driving mechanism Rear spoiler Complete		1	
4	982 898 148	Mount Set Rear spoiler Driving mechanism electrical components		1	
5	982 898 222	Mount Set Rear spoiler Driving mechanism		1	
6	982 898 125	Mount Set Rear spoiler Upper part		1	
7	999 076 063 01	Combined nut M8X1		2	
8	999 076 094 01	Combined nut M6		8	
9	999 703 503 40	Buffer 6,0X11,5X14		2	
10	981 504 963 00	Bracket		2	
11	999 507 795 09	Speed nut ST 4,8		X	
12	999 507 785 01	Speed nut ST 4,2		6	
13	N 909 868 03	Round head screw Mount Rear spoiler Upper part		6	

Model: 982-17

Model life 2017>>



Model: 982-17 Model life 2017>>

Pos	Part Number	Description	Remark	Qty	Model
1	982 831 051 Y 982 831 051 Y GRV	Door in white Installation parts Door lock Door Prime coated Use also: 9P1.837.111 9P1.837.111.A	/L	1	
(1)	982 831 052 Y 982 831 052 Y GRV	Door Prime coated Use also: 9P1.837.111 P9P1.837.111.A	/R	1	
2	991 531 319 00	Hinge	/L	2	
(2)	991 531 320 00	Hinge	/R	2	
3	999 072 068 01	Pan-head screw M 10 X 33		2	
4	991 537 151 00	Door arrester		2	
6	999 076 042 01	Hexagon nut M 6		4	
7	999 073 138 01	Round head screw M 8 X 25		2	
8	958 537 947 00	Cap Hinge		4	
9	N 910 174 01	Countersunk-head screw M 8 X 22		4	
10	3C0 837 767 A	Catch bar		2	
11	WHT 003 688	Combination screw M 8 X 14		3	
12	981 537 831 00	Support Wing	/L	1	
(12)	981 537 831 00 1E0 981 537 832 00	Black Support Wing	/R	1	
	981 537 832 00 1E0	Black			
13	999 073 322 02	Oval-head screw M6X20-SC		1	
14	9A7 837 215 05	Door lock	/LL /L	1	-I072/-I553 I098/480/534
(14)	9A7 837 215 06	Door lock	/LL /L	1	I072/098/480 I534
(14)		Door lock	/LL /L	1	-I072/-I534 I098/480
(14)		Door lock	/LL /L	1	I072/098/480 I534
(14)	9A7 837 216 05	Door lock	/LL /R	1	-I072/-I553 I098/534
(14)	9A7 837 216 06	Door lock	/LL /R	1	I072/098/534
(14)		Door lock	/LL /R	1	-I534/I098
(14)	9A7 837 315 00	Door lock	/LL /L	1	-I072/-I553 I098/250/534
(14)	9A7 837 315 01	Door lock	/LL /L	1	I072/098/250 I534
(14)		Door lock	/LL /L	1	-I534/I098 I250
(14)	9A7 837 415 05	Door lock	/RL /L	1	I099/534
(14)		Door lock	/RL /L	1	-I534/I099
(14)	9A7 837 416 05	Door lock	/RL /R	1	I099/480/534
(14)		Door lock	/RL /R	1	-I534/I099
(14)	9A7 837 616 00	Door lock	/RL /R	1	I099/250/534
(14)	9A7 837 616 01	Door lock	/RL /R	1	-I534/I099 I250
15	WHT 003 688	Combination screw		4	

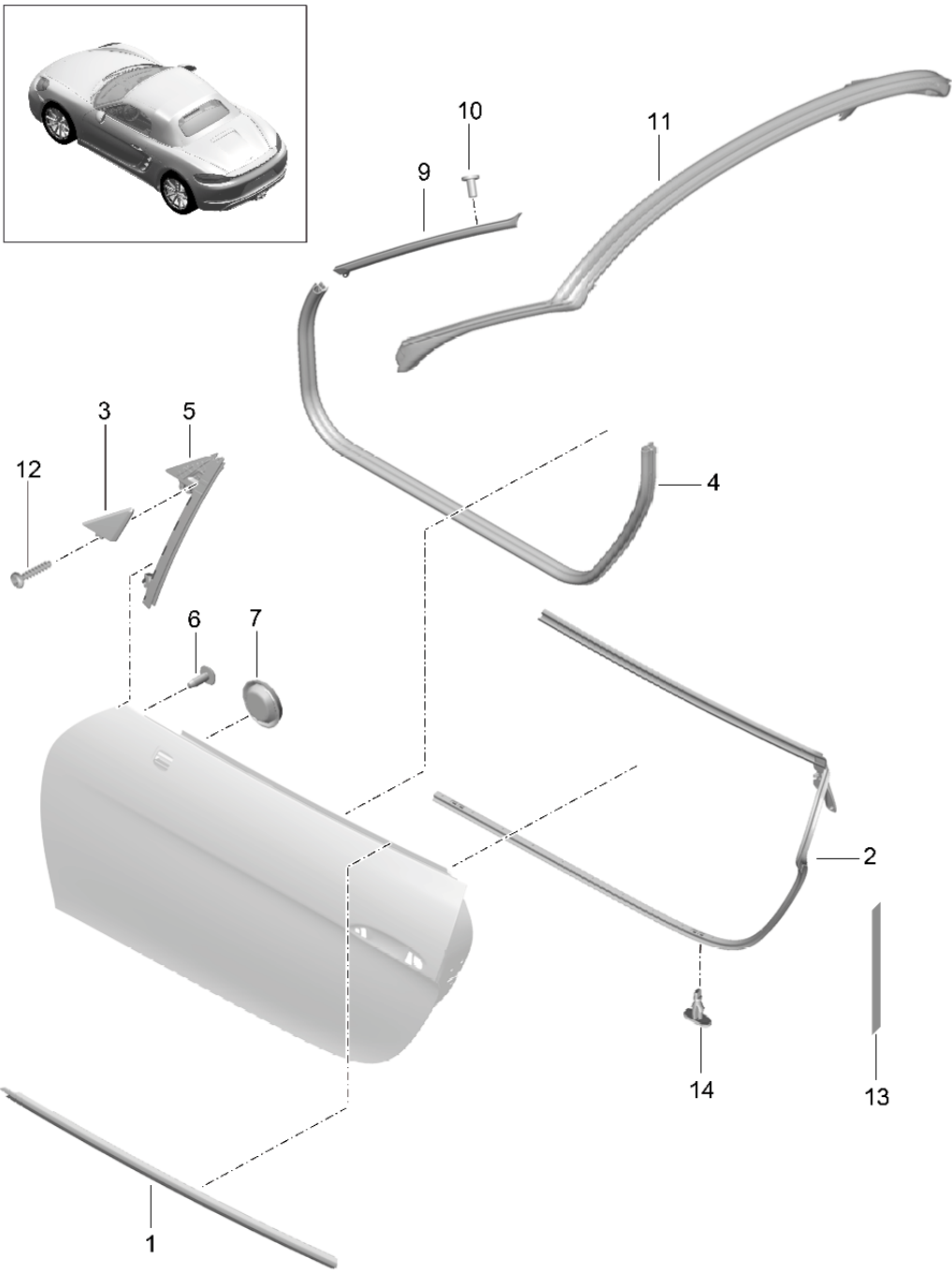
Model: 982-17

Model life 2017>>

Pos	Part Number	Description	Remark	Qty	Model
16	991 537 319 00	M8X16 Bowden cable		2	
17	9P1 837 111	Door lock Cover		1	
18	9P1 837 111 1E0	Door frame Black		1	
	9P1 837 111 A	Cover Emergency operation Door frame			
19	9P1 837 111 A 1E0	Black		1	
	000 043 305 51	Cavity preservation		1	
20	000 043 207 67	Sealing compound		1	

Model: 982-17

Model life 2017>>



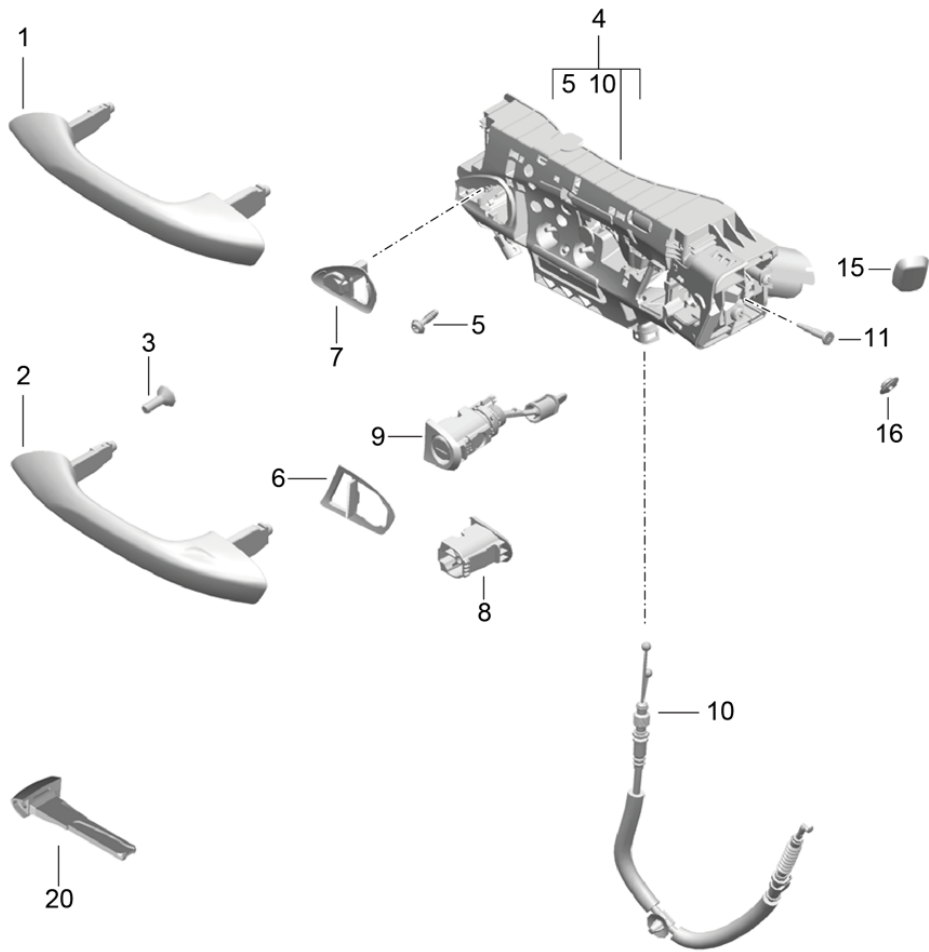
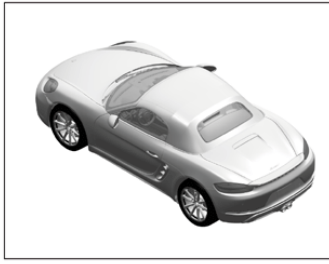
Model: 982-17

Model life 2017>>

Pos	Part Number	Description	Remark	Qty	Model
1	981 537 085 03	Door seal And Moulding Gasket	/L	1	
(1)	981 537 086 03	Door channel Outer Gasket	/R	1	
2	981 537 377 02	Door channel Inner Gasket	/L	1	
(2)	981 537 378 02	Door channel Outer Gasket	/R	1	
3	991 537 551 03	Cover Outer	/L	1	
(3)	991 537 551 03 1E0	Black			
	991 537 552 03	Cover Outer	/R	1	
4	991 537 552 03 1E0	Black			
	981 537 075 00	Gasket Inner		2	
5	991 537 431 04	Window guide	/L	1	
(5)	991 537 432 04	Window guide	/R	1	
6	999 073 333 09	Oval-head screw M6X16-SC		6	
7	999 703 543 40	Lid 25,0X35,0		1	
9	981 537 481 05	Moulding Roof frame Lateral	/L	1	
(9)	981 537 482 05	Moulding Roof frame Lateral	/R	1	
10	999 190 445 37	Blind rivet		8	
11	981 537 077 04	Gasket Windscreen frame		1	
12	999 919 718 01	Oval-head screw M4X18		1	
13	999 911 201 40	Sealing strap 1000 X 10 X 3 MM		1	
14	999 507 304 41	Clip		X	

Model: 982-17

Model life 2017>>



Model: 982-17 Model life 2017>>

Pos	Part Number	Description	Remark	Qty	Model
1	9P1 837 165 Y	Door handle Door handle Basic Prime coated	/L	1	
(1)	9P1 837 166 Y	Door handle Door handle Basic Prime coated	/R	1	
2	9P1 837 165 AY	Door handle Door handle Kessy Prime coated	/L	1	
(2)	9P1 837 166 AY	Door handle Door handle Kessy Prime coated	/R	1	
3	900 144 183 01	Tapping screw ST2.9X5.4		1	
4	982 837 885 B	Supporting bow Supporting bow Left	/LL /L	1	I098
(4)	982 837 886 B	Supporting bow Supporting bow Right	/LL /R	1	I098
(4)	982 837 885 C	Supporting bow Supporting bow Left	/RL /L	1	I099
(4)	982 837 886 C	Supporting bow Supporting bow Right	/RL /R	1	I099
5	999 919 311 01	Oval-head screw 5.0X18.0		3	
6	9P1 837 209	Desk pad Desk pad Lock cylinder	/L	1	
(6)	9P1 837 210	Desk pad Desk pad Lock cylinder	/R	1	
7	9P1 837 161	Support Support Supporting bow	/L	1	
(7)	9P1 837 162	Support Support Supporting bow	/R	1	
8	9P1 837 469	Support Support Supporting bow	/RL /L	1	I099
(8)	9P1 837 470	Support Support Supporting bow	/LL /R	1	I098
9	982 800 375 B	Set of locks with stipulated lock number Comprising: Lock cylinder Emergency key Key tag Vehicle Ident. No. And State lock number	/LL	1	I098
(9)	982 800 375 C	Set of locks with stipulated lock number Comprising: Lock cylinder Emergency key Key tag Vehicle Ident. No. And State lock number	/RL	1	I099
10	9P1 837 017	Bowden cable Bowden cable Supporting bow		1	
11	WHT 002 684	Fit bolt Fit bolt M 4GFX5X29		1	
15	9P1 837 111	Cover Cover Door frame		1	
	9P1 837 111 1E0	Black Black Cover		1	
16	9P1 837 111 A	Cover Cover Door frame		1	

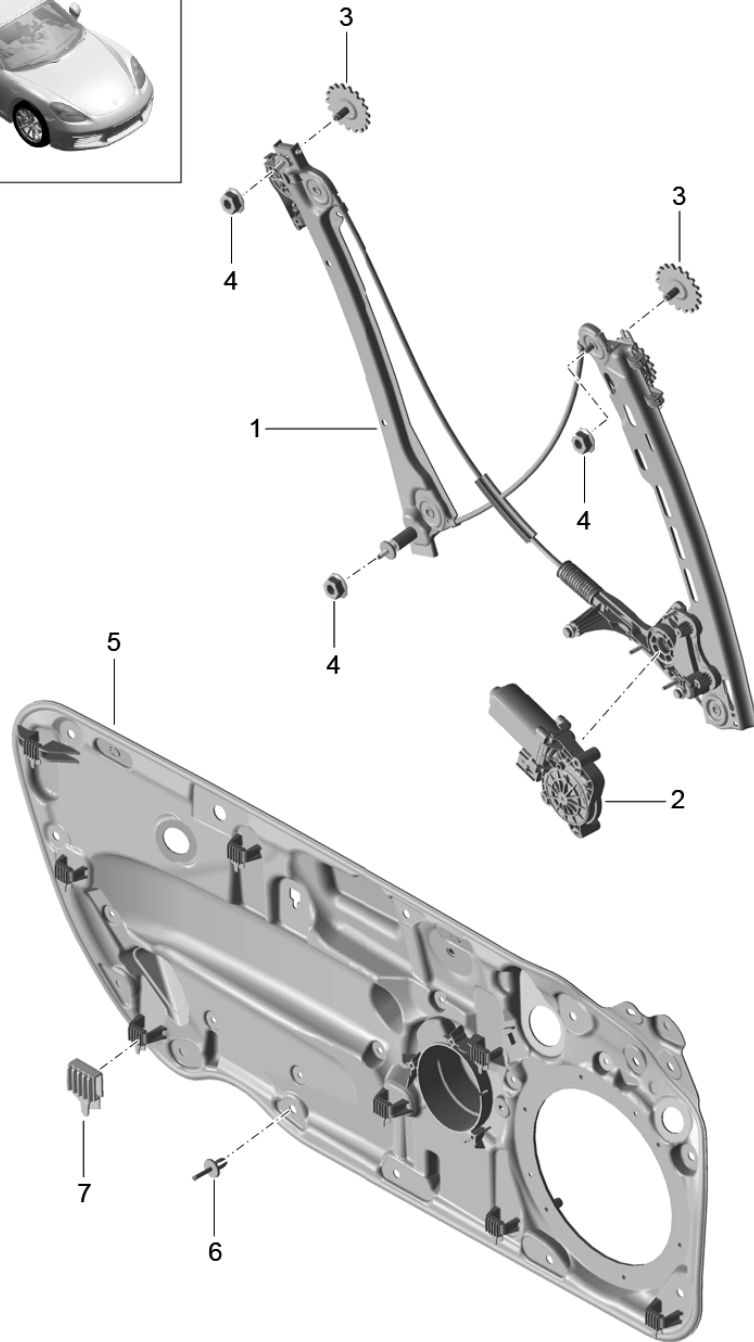
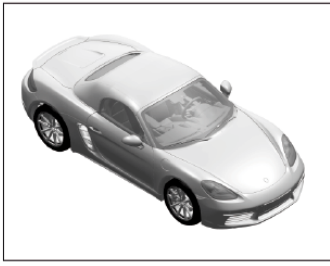
Model: 982-17

Model life 2017>>

Pos	Part Number	Description	Remark	Qty	Model
	9P1 837 111 A 1E0	Emergency operation Black			

Model: 982-17

Model life 2017>>



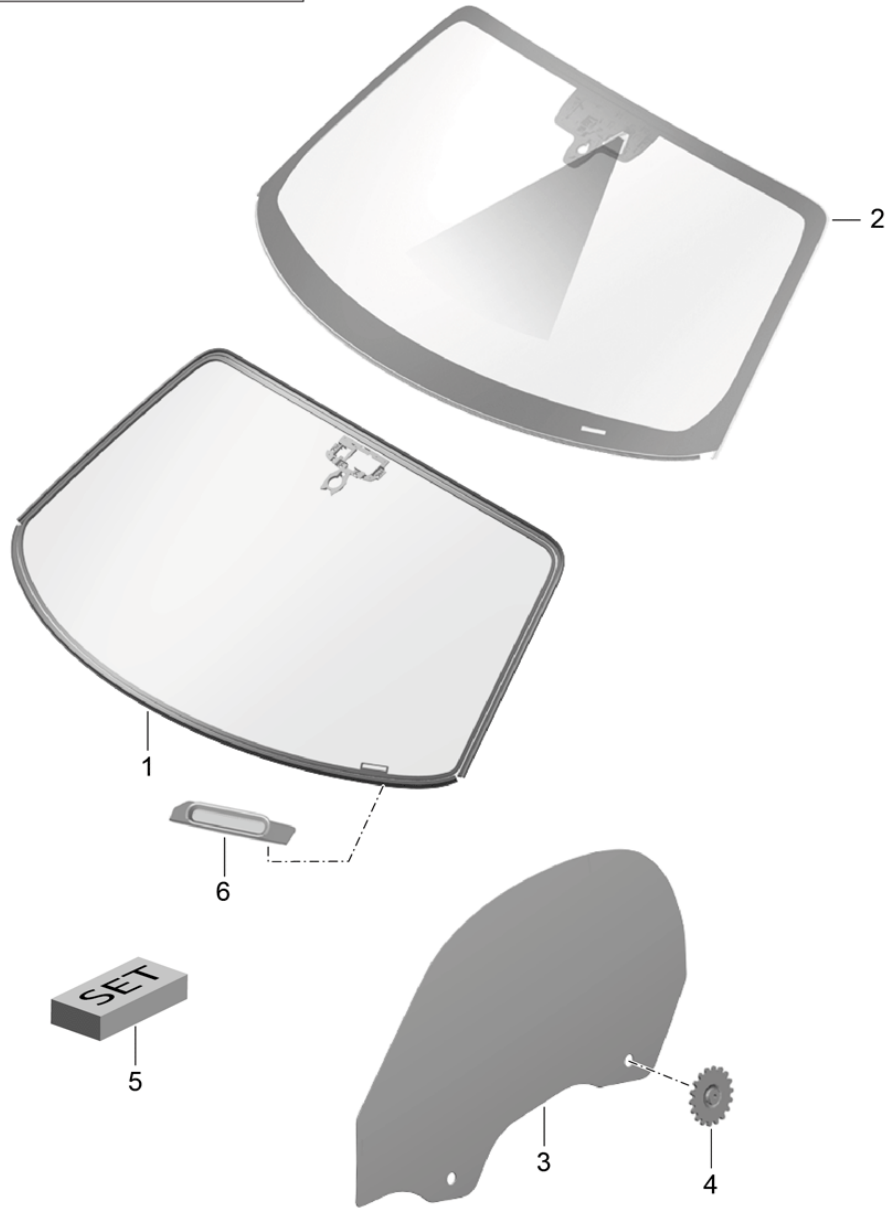
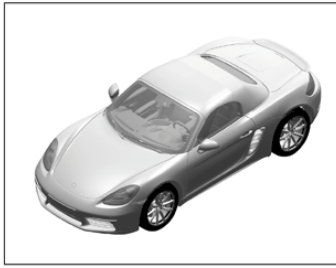
Model: 982-17

Model life 2017>>

Pos	Part Number	Description	Remark	Qty	Model
1	991 542 975 01	Power windows Power windows without Electric motor	/L	1	
(1)	991 542 976 01	Power windows without Electric motor	/R	1	
2	991 624 101 02	Electric motor Power windows Connector housing 2-pole	/L	1	
2	991 624 102 02	Electric motor Power windows Connector housing 2-pole	/R	1	
3	991 542 551 04	Mount Side window		2	
4	900 377 018 09	Hexagon nut M 6		3	
5	991 537 221 01	Assembly frame	/L	1	
(5)	991 537 222 01	Assembly frame	/R	1	
6	999 591 525 40	Expansion rivet 7,0X14,2		13	
7	991 537 557 00	Rubber ply		8	

Model: 982-17

Model life 2017>>



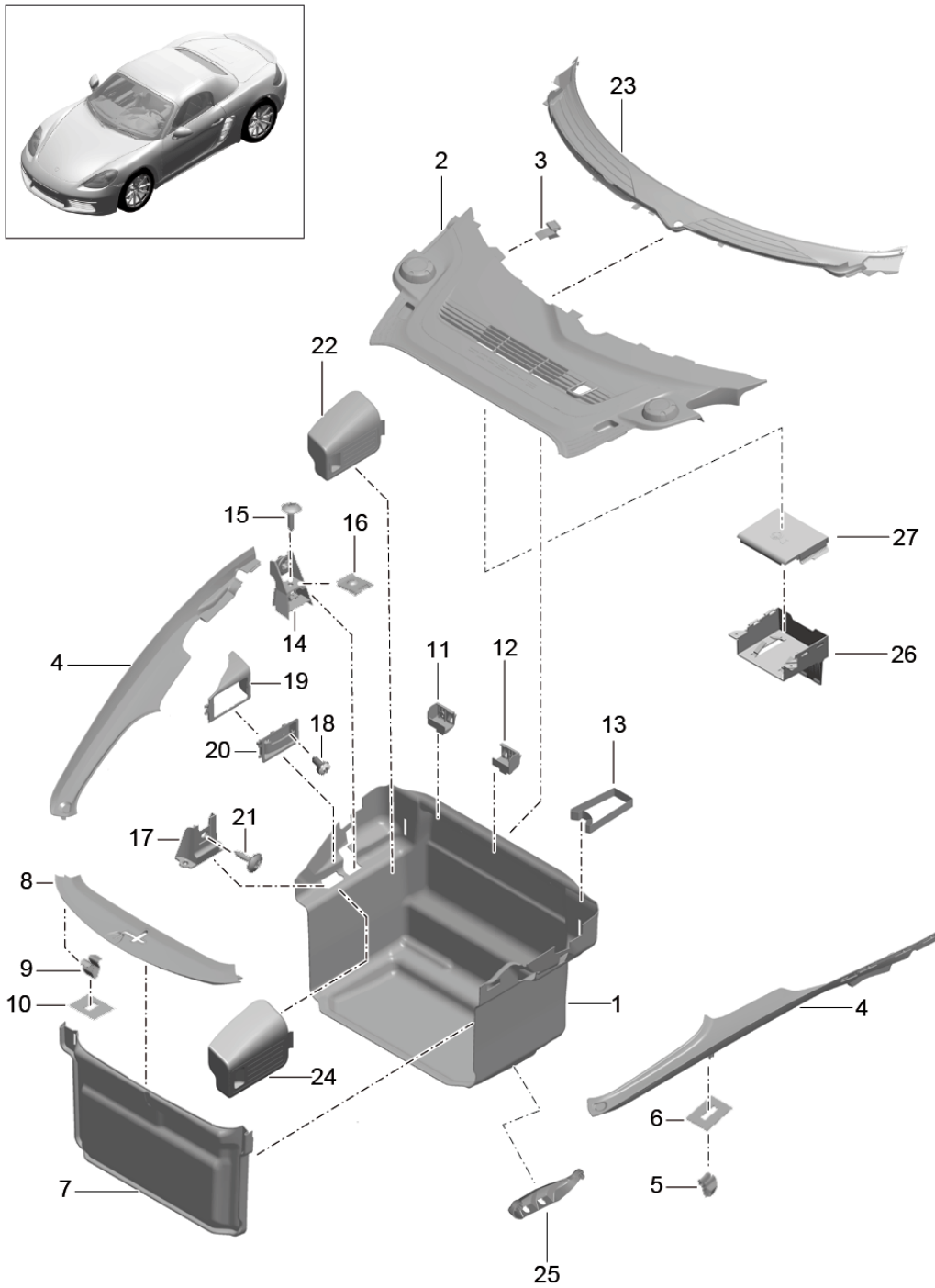
Model: 982-17

Model life 2017>>

Pos	Part Number	Description	Remark	Qty	Model
1	982 845 011	window glazing Windscreen		1	-IER5/IQU8 IQV0/568
		without Camera Use also: 000.043.305.35		1	
(1)	982 845 011 A	Windscreen		1	-IER5/IQU8 IQV0/567
		without Camera Use also: 000.043.305.35		1	
(1)	982 845 011 B	Windscreen		1	-IER5/IQU1 IQV1/QV3/567
		without Camera Use also: 000.043.305.35		1	
(1)	982 845 011 C	Windscreen		1	IER5/568
		without Camera Use also: 000.043.305.35		1	
(1)	982 845 011 D	Windscreen		1	IER5/567
		without Camera Use also: 000.043.305.35		1	
2	982 845 011 E	Windscreen		1	-IER5/IQU8 IQV0/567
		with Camera Use also: 000.043.305.35		1	
(2)	982 845 011 F	Windscreen		1	-IER5/IQU1 IQV1/QV3/567
		with Camera Use also: 000.043.305.35		1	
(2)	982 845 011 G	Windscreen		1	IER5/568
		with Camera Use also: 000.043.305.35		1	
(2)	982 845 011 H	Windscreen		1	IER5/567
		with Camera Use also: 000.043.305.35		1	
3		Side window Doors			
3	981 542 511 02	Door window glass	/L	1	
(3)	981 542 512 02	Door window glass	/R	1	
4	991 542 551 04	Mount		2	
		Door window glass			
5	000 043 305 35	Adhesive set		1	
6	991 552 571 00	Support		1	
		Chassis number			

Model: 982-17

Model life 2017>>



Model: 982-17 Model life 2017>>

Pos	Part Number	Description	Remark	Qty	Model
1	981 551 045 00	Luggage compartment Front Lining		1	-I193/-I553
1	981 551 045 00 A31 981 551 045 04	Luggage compartment Front Black Lining		1	I193
2	981 551 045 04 A31 991 555 367 06	Luggage compartment Front Black Cover		1	I098
(2)	991 555 367 06 1E0 991 555 367 07	Upper Black Cover		1	I099
3	991 555 367 07 1E0 991 555 773 00	Upper Black Support		2	
4	991 555 466 03	Lid Cover	/R	1	
(4)	991 555 466 03 1E0 991 555 465 03	Wing Black Cover	/L	1	
5	991 555 465 03 1E0 999 507 130 01	Wing Black U-clamp		3	
6	999 507 130 01	Cover		3	
7	999 209 113 40	Spacer Clamp Cover		3	
8	981 551 051 00 981 551 051 00 A31	Lining Lock carrier Black		1	
9	991 555 411 02 991 555 411 02 1E0	Cover Lock Black		1	
10	999 507 047 01	Clamp		4	
11	999 209 084 40	Covering for lock Spacer Clamp		4	
12	991 551 802 00 991 551 802 00 1E0	Covering for lock Support Warning triangle Black	/R	1	-I193/-I553
13	991 551 801 00 991 551 801 00 1E0	Support Warning triangle Black	/L	1	-I193/-I553
14	997 551 741 00	Retaining strap First-aid kit		1	
15	991 551 825 00	Support Cover Front with Rubber sleeve		2	
16	999 073 418 01	Tapping screw 4,8 X 19 Support Cover Front		2	I553
22	999 591 348 01 991 551 422 00	Speed nut Cover		1	-I553
23	991 551 422 00 1E0 991 555 563 06	Bottle of tyre sealant Black Cover		1	I098

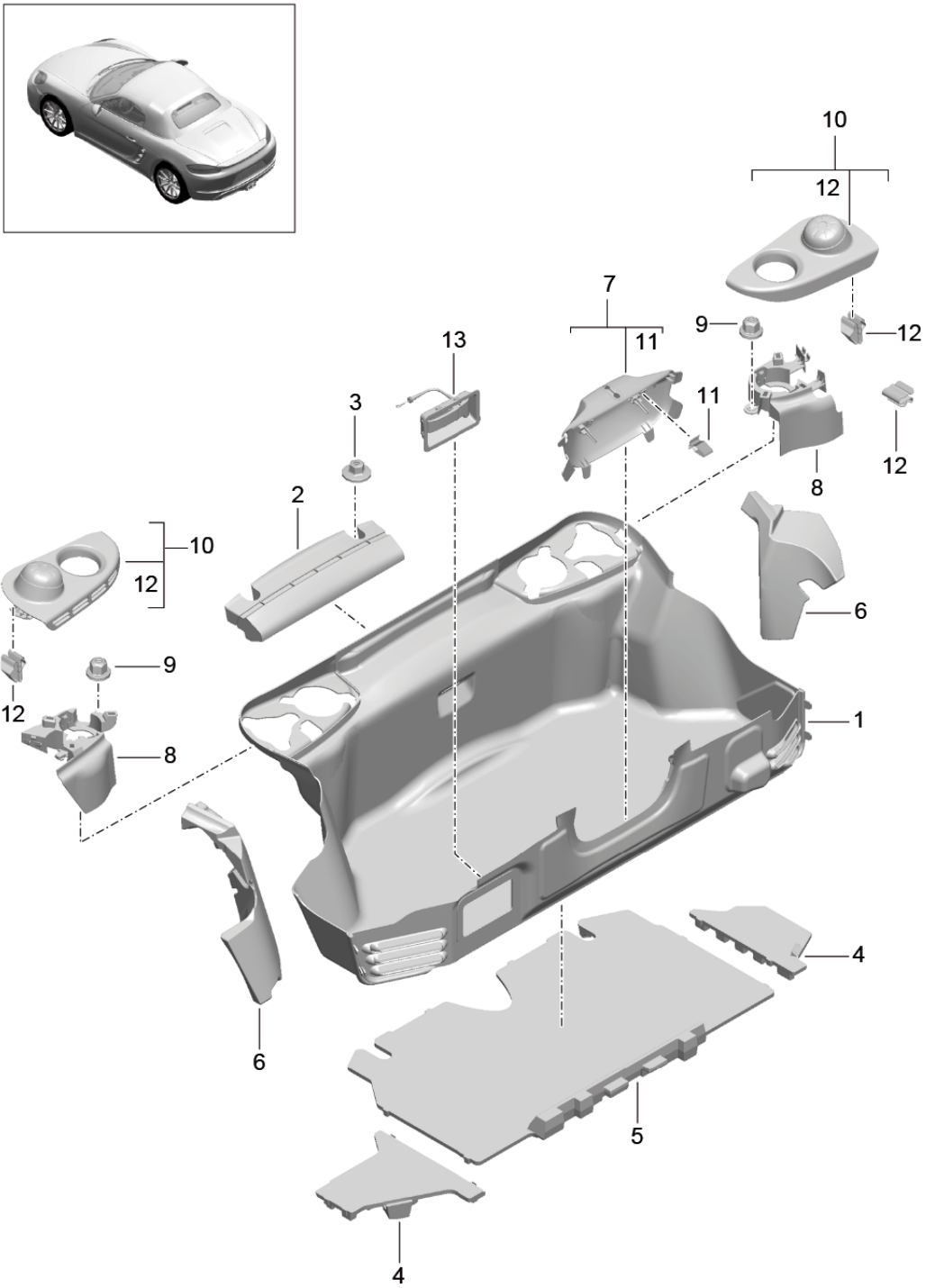
Model: 982-17

Model life 2017>>

Pos	Part Number	Description	Remark	Qty	Model
(23)	991 555 563 06 1E0	Cowl Black			
	991 555 563 07	Cover		1	I099
		Cowl			
	991 555 563 07 1E0	Black			
24	991 551 421 02	Cover		1	
		Tool			
	991 551 421 02 1E0	Black			
25	981 610 113 00	Cover		2	
		Ground distributor			
26	991 555 775 04	Support		1	
		Compressor			
		Emergency wheel			
27	991 555 765 03	Lid		1	
		Compressor			
		Emergency wheel			
	991 555 765 03 1E0	Black			

Model: 982-17

Model life 2017>>



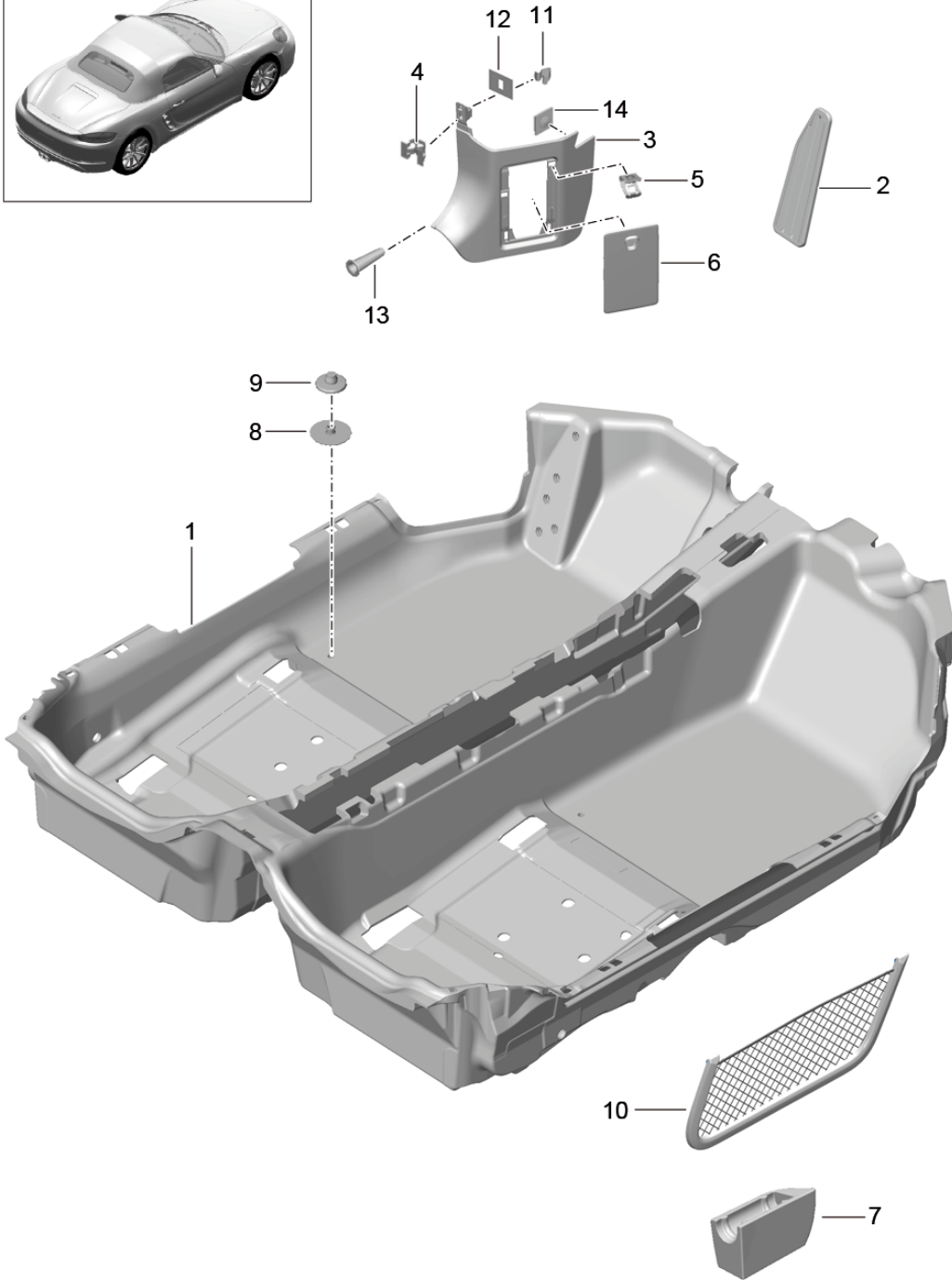
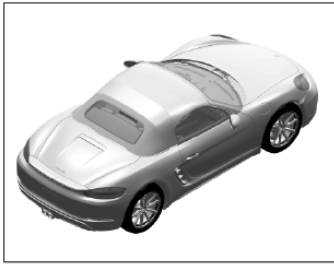
Model: 982-17

Model life 2017>>

Pos	Part Number	Description	Remark	Qty	Model
1	982 863 462 B	Luggage compartment Rear Carpet Lining		1	
2	982 863 462 B A31 982 863 849 A	Luggage compartment Black Carpet Support		1	
3	999 049 032 40	Plastic nut		2	
4	981 551 765 00	Base Carpet	/L	1	
(4)	981 551 766 01	Luggage compartment Base Carpet	/R	1	
5	981 551 764 02	Luggage compartment Base Carpet		1	
6	982 861 827	Luggage compartment Centre Support	/L	1	
(6)	982 861 828	Support	/R	1	
7	981 551 251 02	Covering for lock Luggage compartment		1	
8	981 551 251 02 1E0 982 863 253	Black Assembly frame Service Cup	/L	1	
(8)	982 863 254	Assembly frame Service Cup	/R	1	
9	999 049 033 40	Plastic nut T6/16,0		2	
10	981 551 381 01	Cover Service Cup	/L	1	
(10)	981 551 381 01 1E0 981 551 382 01	Black Cover Service Cup	/R	1	
11	981 551 382 01 1E0 999 507 681 01	Black Clamp		2	
12	999 507 130 01	U-clamp		3	

Model: 982-17

Model life 2017>>



Model: 982-17 Model life 2017>>

Pos	Part Number	Description	Remark	Qty	Model
1	981 551 011 06	Carpet Carpet		1	-I388/-I389 I098/581
	981 551 011 06 GDE	Carpet Black			+AD,+AG,+AJ +AS,+PM,+PT +PW,+AZ,+BM +BT,+BW,+TD +UD,+UG,+UJ +US,+UZ +FD,+FG,+FJ +FS,+FZ, +NE,+BY +SZ
	981 551 011 06 GFE	Luxor Beige			+LZ +HZ,+TG
	981 551 011 06 GHE	Agate Grey			
	981 551 011 06 GKE	Espresso			
	981 551 011 06 GIE	Saddle Tan			
	981 551 011 06 GUE	Bordeaux Red			
	981 551 011 06 GTE	Graphite Blue			
(1)	981 551 011 07	Carpet		1	-I388/-I389 I099/581
	981 551 011 07 GDE	Carpet Black			+AD,+AG,+AJ +AS,+PM,+PT +PW,+AZ,+BM +BT,+BW,+TD +UD,+UG,+UJ +US,+UZ +FD,+FG,+FJ +FS,+FZ +NE,+BY +SZ
	981 551 011 07 GFE	Luxor Beige			+LZ +HZ,+TG
	981 551 011 07 GHE	Agate Grey			
	981 551 011 07 GKE	Espresso			
	981 551 011 07 GIE	Saddle Tan			
	981 551 011 07 GUE	Bordeaux Red			
	981 551 011 07 GTE	Graphite Blue			
(1)	981 551 011 10	Carpet		1	I098/388/389 I581
	981 551 011 10 GDE	Carpet Black			+AD,+AG,+AJ +AS,+PM,+PT +PW,+AZ,+BM +BT,+BW,+TD +UD,+UG,+UJ +US,+UZ +FD,+FG,+FJ +FS,+FZ, +NE,+BY +SZ
	981 551 011 10 GFE	Luxor Beige			+LZ +HZ,+TG
	981 551 011 10 GHE	Agate Grey			
	981 551 011 10 GKE	Espresso			
	981 551 011 10 GIE	Saddle Tan			
	981 551 011 10 GUE	Bordeaux Red			
	981 551 011 10 GTE	Graphite Blue			
(1)	981 551 011 11	Carpet		1	I099/388/389 I581
	981 551 011 11 GDE	Carpet Black			+AD,+AG,+AJ +AS,+PM,+PT +PW,+AZ,+BM +BT,+BW,+TD +UD,+UG,+UJ +US,+UZ +FD,+FG,+FJ +FS,+FZ, +NE,+BY +SZ
	981 551 011 11 GFE	Luxor Beige			+LZ +HZ,+TG
	981 551 011 11 GHE	Agate Grey			
	981 551 011 11 GKE	Espresso			
	981 551 011 11 GIE	Saddle Tan			
	981 551 011 11 GUE	Bordeaux Red			
	981 551 011 11 GTE	Graphite Blue			
(1)	981 551 011 12	Carpet		1	-I388/-I389 -I581/I098

Model: 982-17 Model life 2017>>

Pos	Part Number	Description	Remark	Qty	Model
	981 551 011 12 GDE	Carpet Black			+AD,+AG,+AJ +AS,+PM,+PT +PW,+AZ,+BM +BT,+BW,+TD +UD,+UG,+UJ +US,+UZ
	981 551 011 12 GFE	Luxor Beige			+FD,+FG,+FJ +FS,+FZ, +NE,+BY +SZ
	981 551 011 12 GHE	Agate Grey			+LZ
	981 551 011 12 GKE	Espresso			+HZ,+TG
	981 551 011 12 GIE	Saddle Tan			-I388/-I389
	981 551 011 12 GUE	Bordeaux Red			-I581/I099
(1)	981 551 011 12 GTE	Graphite Blue		1	
	981 551 011 13	Carpet			
	981 551 011 13 GDE	Carpet Black			+AD,+AG,+AJ +AS,+PM,+PT +PW,+AZ,+BM +BT,+BW,+TD +UD,+UG,+UJ +US,+UZ
	981 551 011 13 GFE	Luxor Beige			+FD,+FG,+FJ +FS,+FZ, +NE,+BY +SZ
	981 551 011 13 GHE	Agate Grey			+LZ
	981 551 011 13 GKE	Espresso			+HZ,+TG
	981 551 011 13 GIE	Saddle Tan			-I581/I098
	981 551 011 13 GUE	Bordeaux Red			I388/389
(1)	981 551 011 13 GTE	Graphite Blue		1	
	981 551 011 14	Carpet			
	981 551 011 14 GDE	Carpet Black			+AD,+AG,+AJ +AS,+PM,+PT +PW,+AZ,+BM +BT,+BW,+TD +UD,+UG,+UJ +US,+UZ
	981 551 011 14 GFE	Luxor Beige			+FD,+FG,+FJ +FS,+FZ, +NE,+BY +SZ
	981 551 011 14 GHE	Agate Grey			+LZ
	981 551 011 14 GKE	Espresso			+HZ,+TG
	981 551 011 14 GIE	Saddle Tan			-I581/I099
	981 551 011 14 GUE	Bordeaux Red			I388/389
(1)	981 551 011 14 GTE	Graphite Blue		1	
	981 551 011 15	Carpet			
	981 551 011 15 GDE	Carpet Black			+AD,+AG,+AJ +AS,+PM,+PT +PW,+AZ,+BM +BT,+BW,+TD +UD,+UG,+UJ +US,+UZ
	981 551 011 15 GFE	Luxor Beige			+FD,+FG,+FJ +FS,+FZ, +NE,+BY +SZ
	981 551 011 15 GHE	Agate Grey			+LZ
	981 551 011 15 GKE	Espresso			+HZ,+TG
	981 551 011 15 GIE	Saddle Tan			-I581/I098
	981 551 011 15 GUE	Bordeaux Red			I122
(1)	981 551 011 15 GTE	Graphite Blue		1	
2	991 551 611 01	Cover		1	
	991 551 611 01 1E0	Foot support Black			
(2)	991 551 612 01	Cover		1	-IXXZ/I099

Model: 982-17

Model life 2017>>

Pos	Part Number	Description	Remark	Qty	Model
		Foot support			I122
3	991 551 612 01 1E0	Black			
	991 555 101 01	Lining	/L	1	
		Fusebox			
	991 555 101 01 A75	Black			+AD, +AG, +AJ +AS, +PM, +PT +PW, +AZ, +BM +BT, +BW, +TD +UD, +UG, +UJ +US, +UZ
	991 555 101 01 T75	Luxor Beige			+FD, +FG, +FJ +FS, +FZ, +NE, +BY
	991 555 101 01 C75	Agate Grey			+SZ
	991 555 101 01 R75	Espresso			+LZ
	991 555 101 01 CH6	Saddle Tan			+HZ, +TG
	991 555 101 01 OG6	Bordeaux Red			
(3)	991 555 101 01 OH7	Graphite Blue			
	991 555 102 02	Lining	/R	1	
		Fusebox			
	991 555 102 02 A75	Black			+AD, +AG, +AJ +AS, +PM, +PT +PW, +AZ, +BM +BT, +BW, +TD +UD, +UG, +UJ +US, +UZ
	991 555 102 02 T75	Luxor Beige			+FD, +FG, +FJ +FS, +FZ, +NE, +BY
	991 555 102 02 C75	Agate Grey			+SZ
	991 555 102 02 R75	Espresso			+LZ
	991 555 102 02 CH6	Saddle Tan			+HZ, +TG
	991 555 102 02 OG6	Bordeaux Red			
	991 555 102 02 OH7	Graphite Blue			
4	999 507 533 02	Clamp		2	
		8,0 X 10,0			
5	999 507 552 01	Spring clamp		4	
		9,0 X 13,0			
6	991 555 421 03	Lid	/L	1	
		Lining			
		Fusebox			
		Complete			
	991 555 421 03 1E0	Black			+AD, +AG, +AJ +AS, +PM, +PT +PW, +AZ, +BM +BT, +BW, +TD +UD, +UG, +UJ +US, +UZ
	991 555 421 03 4H0	Luxor Beige			+FD, +FG, +FJ +FS, +FZ, +NE, +BY
	991 555 421 03 OP1	Agate Grey			+SZ
	991 555 421 03 7N0	Espresso			+LZ
	991 555 421 03 OM8	Saddle Tan			+HZ, +TG
	991 555 421 03 OG6	Bordeaux Red			
	991 555 421 03 OH7	Graphite Blue			
(6)	991 555 622 02	Lid	/R	1	
		Lining			
		Fusebox			
	991 555 622 02 1E0	Black			+AD, +AG, +AJ +AS, +PM, +PT +PW, +AZ, +BM +BT, +BW, +TD +UD, +UG, +UJ +US, +UZ
	991 555 622 02 4H0	Luxor Beige			+FD, +FG, +FJ +FS, +FZ, +NE, +BY
	991 555 622 02 OP1	Agate Grey			+SZ
	991 555 622 02 7N0	Espresso			+LZ

Model: 982-17 Model life 2017>>

Pos	Part Number	Description	Remark	Qty	Model
7	991 555 622 02 OM8	Saddle Tan		1	+SZ
	991 555 622 02 OG6	Bordeaux Red			+LZ
	991 555 622 02 OH7	Graphite Blue			+HZ, +TG
	991 555 718 00	Support			I193
8	955 551 227 02	Warning light		4	
		Support			
9	955 551 229 02	Carpet		4	
		Cap			
10	955 551 229 02 1E0	Black		1	+AD, +AG, +AJ +AS, +PM, +PT +PW, +AZ, +BM +BT, +BW, +TD +TG
	955 551 229 02 4H0	Luxor Beige			+UD, +UG, +UJ +US, +UZ
	955 551 229 02 OP1	Agate Grey			+FD, +FG, +FJ +FS, +FZ,
	955 551 229 02 7N0	Espresso			+NE, +BY
	955 551 229 02 OM8	Saddle Tan			+SZ
	955 551 229 02 OG6	Bordeaux Red			+LZ
	955 551 229 02 OH7	Graphite Blue			+HZ
	981 551 547 00	Luggage net			I098
	981 551 547 00 1E0	Tunnel			
	981 551 547 00 1E0	Black			+AD, +AG, +AJ +AS, +PM, +PT +PW, +AZ, +BM +BT, +BW, +TD +UD, +UG, +UJ +US, +UZ
(10)	981 551 547 00 4H0	Luxor Beige		1	+FD, +FG, +FJ +FS, +FZ,
	981 551 547 00 OP1	Agate Grey			+NE, +BY
	981 551 547 00 7N0	Espresso			+SZ
	981 551 547 00 OM8	Saddle Tan			+LZ
	981 551 547 00 OG6	Bordeaux Red			+HZ, +TG
	981 551 547 00 OH7	Graphite Blue			
	981 551 548 00	Luggage net			I099
	981 551 548 00 1E0	Tunnel			
	981 551 548 00 1E0	Black			+AD, +AG, +AJ +AS, +PM, +PT +PW, +AZ, +BM +BT, +BW, +TD +UD, +UG, +UJ +US, +UZ
	981 551 548 00 4H0	Luxor Beige			+FD, +FG, +FJ +FS, +FZ,
11	999 507 047 01	Agate Grey		1	+NE, +BY
		Espresso			+SZ
		Saddle Tan			+LZ
		Bordeaux Red			+HZ, +TG
		Graphite Blue			
		Clamp			
		Metal			
		Fusebox			
12	999 209 084 40	A-pillar		1	
		Spacer			
		Fusebox			
13	996 555 857 00	A-pillar		1	
		Grommet			
		Fusebox			
14	999 902 059 40	A-pillar		1	
		Retaining strap			
		Fusebox			

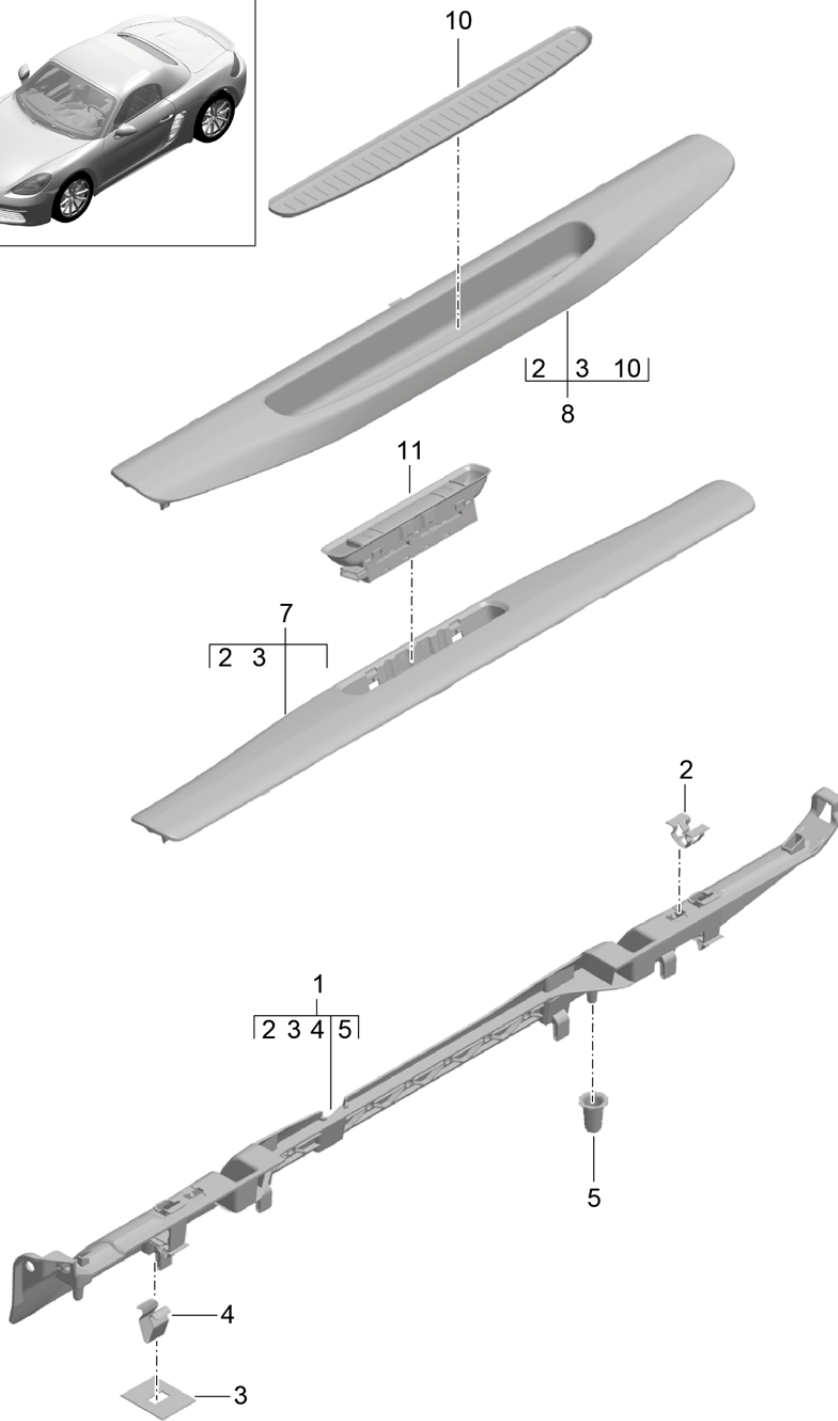
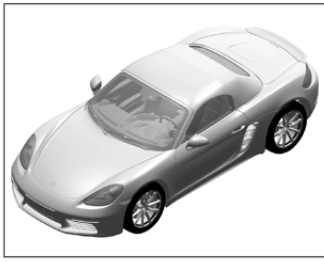
Model: 982-17

Model life 2017>>

Pos	Part Number	Description	Remark	Qty	Model
		A-pillar			

Model: 982-17

Model life 2017>>



Model: 982-17 Model life 2017>>

Pos	Part Number	Description	Remark	Qty	Model
1	991 555 619 03	Lining Door sill Inner Support	/L	1	
(1)	991 555 620 03	Door sill Support	/R	1	
2	999 507 839 01	Clamp		X	
3	999 209 084 40	Spacer		X	
4	999 507 533 02	Clamp		10	
5	997 555 857 00	Grommet		4	
7	991 555 119 04	Lining Door sill Driver's side Inner	/LL	1	-IXTG/I098
(7)	991 555 119 04 1E0 991 555 120 00	Black Lining Door sill Driver's side Inner	/RL	1	-IXTG/I099
(7)	991 555 120 00 1E0 991 555 985 01	Black Lining Door sill Driver's side Inner	/LL	1	IXTG/098
	991 555 985 01 A11	Leather Black			+AD,+AG,+AJ +AS,+PM,+PT +PW,+AZ,+BM +BT,+BW
	991 555 985 01 7J0	Luxor Beige			+UD,+UG,+UJ +US,+UZ
	991 555 985 01 OA1	Agate Grey			+FD,+FD,+FJ +FS,+FZ
	991 555 985 01 6J0	Espresso			+NE,+BY
	991 555 985 01 OK6	Saddle Tan			+SZ
	991 555 985 01 OG6	Bordeaux Red			+LZ
	991 555 985 01 OH7	Graphite Blue			+HZ,+TG
(7)	991 555 985 01 JHB 991 555 986 01	Black/Dark Silver Lining Door sill Driver's side Inner Leather	/RL	1	+TD IXTG/099
	991 555 986 01 A11	Black			+AD,+AG,+AJ +AS,+PM,+PT +PW,+AZ,+BM +BT,+BW
	991 555 986 01 7J0	Luxor Beige			+UD,+UG,+UJ +US,+UZ
	991 555 986 01 OA1	Agate Grey			+FD,+FD,+FJ +FS,+FZ
	991 555 986 01 6J0	Espresso			+NE,+BY
	991 555 986 01 OK6	Saddle Tan			+SZ
	991 555 986 01 OG6	Bordeaux Red			+LZ
	991 555 986 01 OH7	Graphite Blue			+HZ,+TG
	991 555 986 01 JHB	Black/Dark Silver			+TD
8	991 555 122 04	Lining Door sill Passenger's side Inner	/LL	1	-IXTG/I098
(8)	991 555 122 04 1E0 991 555 121 00	Black Lining	/RL	1	-IXTG/I099

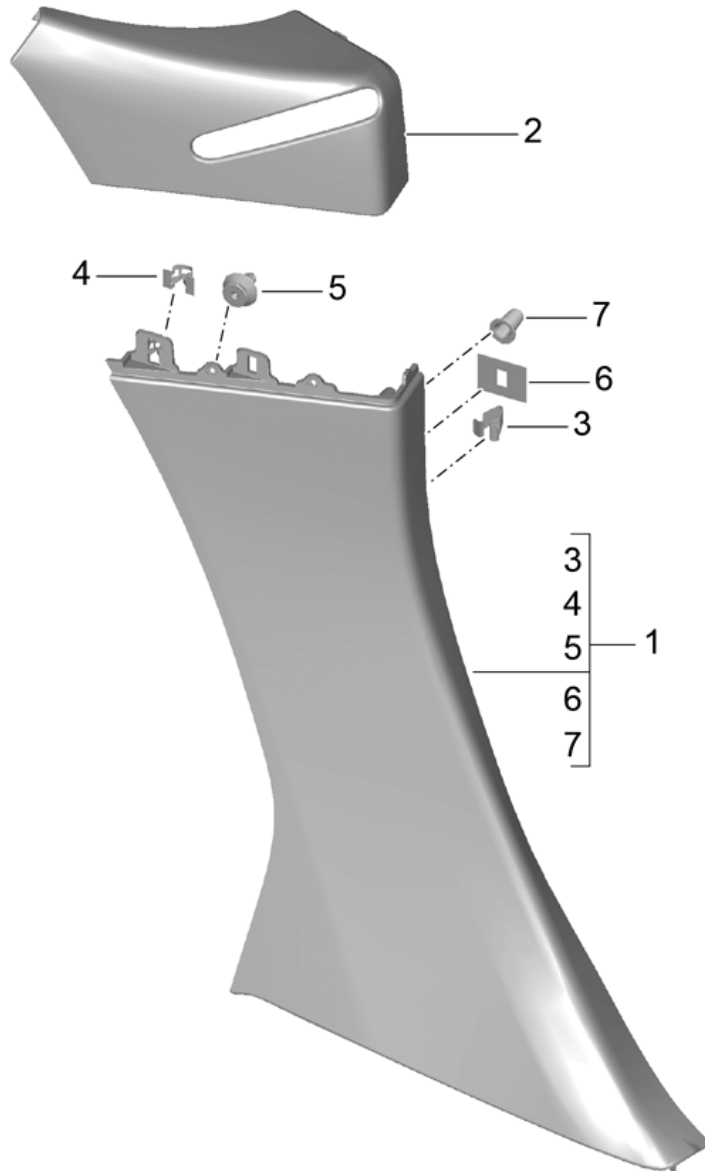
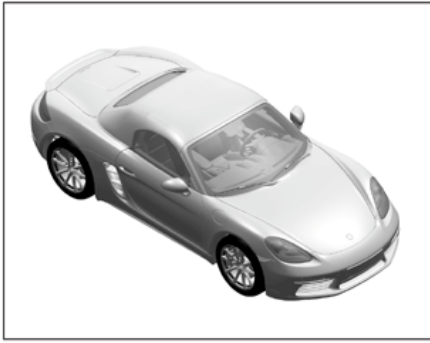
Model: 982-17

Model life 2017>>

Pos	Part Number	Description	Remark	Qty	Model
(8)	991 555 121 00 1E0 991 555 988 01	Door sill Passenger's side Inner Black Lining	/LL	1	IXTG/098
	991 555 988 01 A11	Door sill Passenger's side Inner Leather Black			+AD, +AG, +AJ +AS, +PM, +PT +PW, +AZ, +BM +BT, +BW +UD, +UG, +UJ +US, +UZ
	991 555 988 01 7J0	Luxor Beige			+FD, +FD, +FJ +FS, +FZ +NE, +BY +SZ
	991 555 988 01 OA1	Agate Grey			+LZ +HZ, +TG +TD
(8)	991 555 988 01 6J0 991 555 988 01 OK6 991 555 988 01 OG6 991 555 988 01 0H7 991 555 988 01 JHB 991 555 987 01	Espresso Saddle Tan Bordeaux Red Graphite Blue Black/Dark Silver Lining	/RL	1	IXTG/099
	991 555 987 01 A11	Door sill Passenger's side Inner Leather Black			+AD, +AG, +AJ +AS, +PM, +PT +PW, +AZ, +BM +BT, +BW +UD, +UG, +UJ +US, +UZ
	991 555 987 01 7J0	Luxor Beige			+FD, +FD, +FJ +FS, +FZ +NE, +BY +SZ
	991 555 987 01 OA1	Agate Grey			+LZ +HZ, +TG +TD
	991 555 987 01 6J0 991 555 987 01 OK6 991 555 987 01 OG6 991 555 987 01 0H7 991 555 987 01 JHB	Espresso Saddle Tan Bordeaux Red Graphite Blue Black/Dark Silver			+TD
10	991 555 613 00	Insert		1	
11		Door sill Switch		1	

Model: 982-17

Model life 2017>>



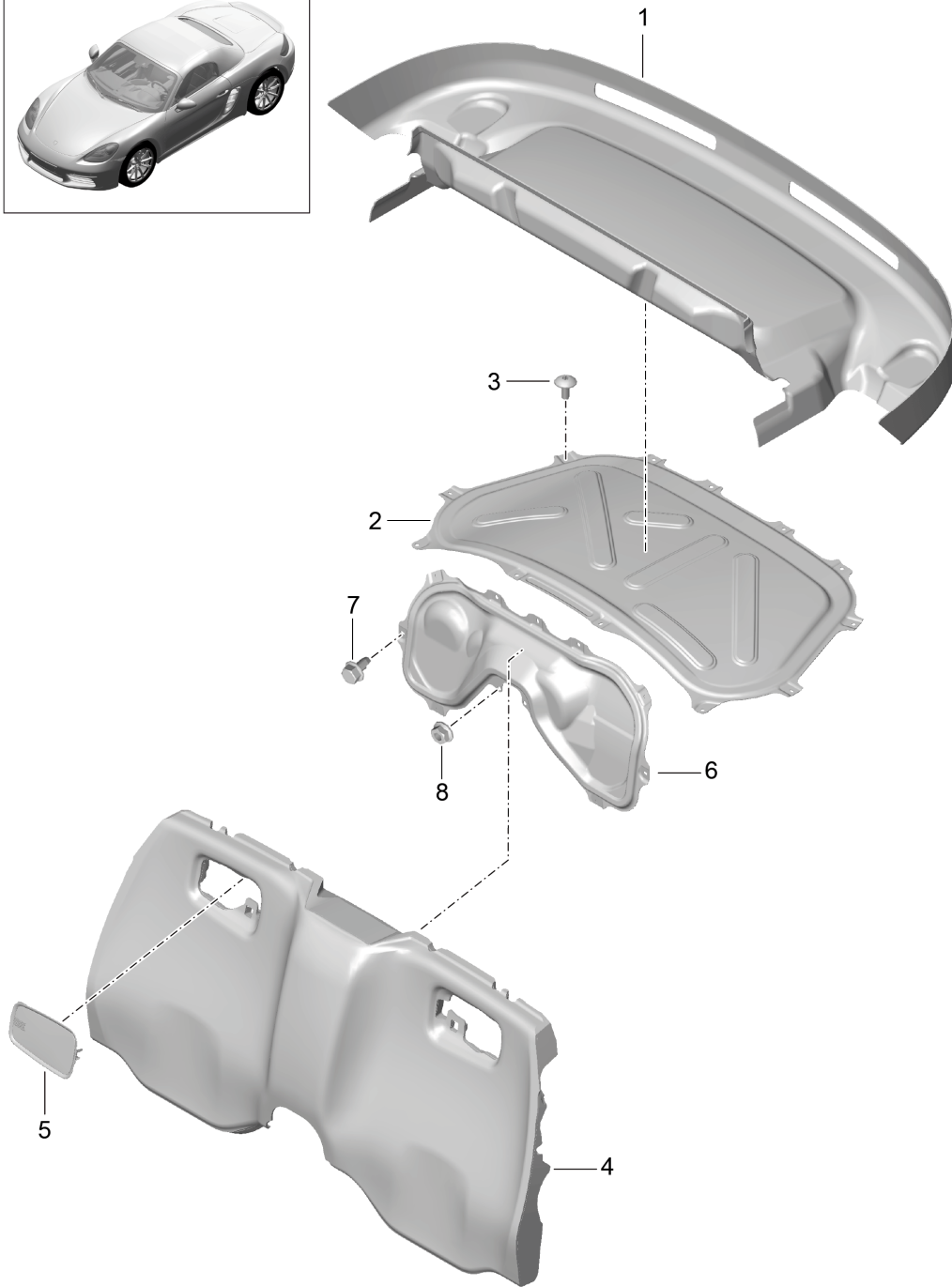
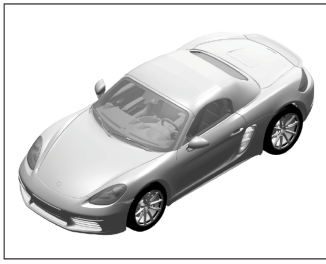
Model: 982-17

Model life 2017>>

Pos	Part Number	Description	Remark	Qty	Model
4	999 507 533 02	Side trim panel B-pillar Belt Clamp		1	
5	999 507 999 40	Side trim panel B-pillar Belt Fixing clip		1	
6	999 209 084 40	Side trim panel B-pillar Belt Spacer		1	
7	997 555 857 00	Side trim panel B-pillar Belt Grommet		1	

Model: 982-17

Model life 2017>>



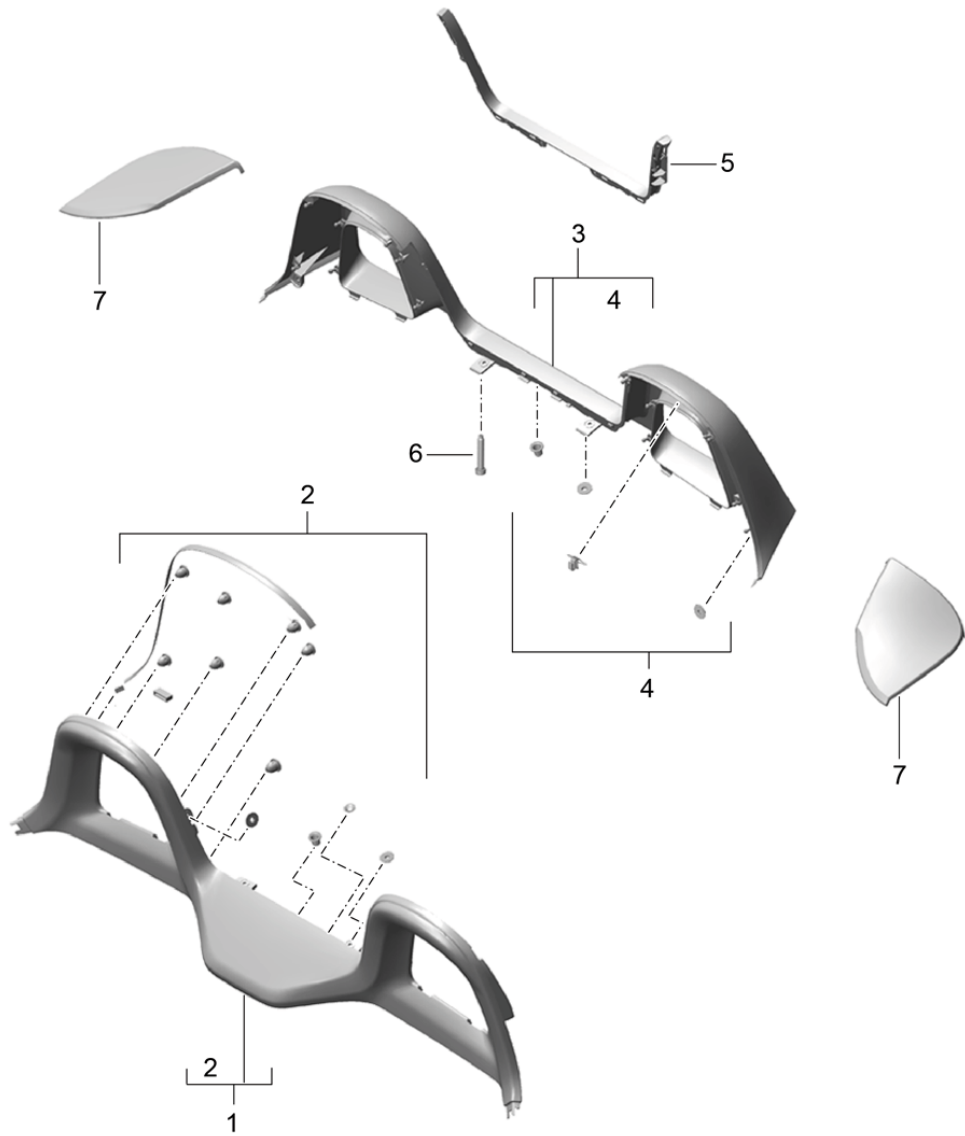
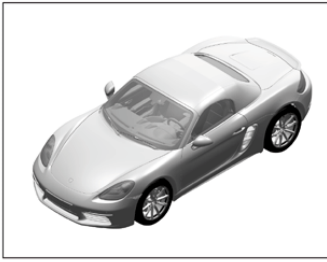
Model: 982-17

Model life 2017>>

Pos	Part Number	Description	Remark	Qty	Model
1	981 551 039 02	Linings Engine compartment Carpet Lining Engine compartment		1	
2	981 551 039 02 A31 982 827 015 A	Black Lid Engine compartment		1	
3	999 073 404 01	Oval-head screw M6X14		12	
4	981 551 035 13 981 551 035 13 A75 981 551 035 13 C75 981 551 035 13 T75 981 551 035 13 OL7 981 551 035 13 OG6 981 551 035 13 OH7 981 551 035 13 R75	Lining Rear wall Black Agate Grey Luxor Beige Saddle Tan Bordeaux Red Graphite Blue Espresso		1	+AD, +AG, +AJ +AS, +PM, +PT +PW, +AZ, +BM +BT, +BW, +TD +FD, +FG, +FJ +FS, +FZ +UD, +UG, +UJ +US, +UZ +SZ +LZ +HZ, +TG +NE, +BY
5	981 551 037 02 981 551 037 02 1E0	Cover Loudspeaker Black		1	
6	982 827 014 A	Lid Bulkhead		1	
7	900 378 169 01	Engine compartment Hexagon-head bolt M6X12		9	
8	999 084 629 01	Hexagon nut M6		2	

Model: 982-17

Model life 2017>>



Model: 982-17 Model life 2017>>

Pos	Part Number	Description	Remark	Qty	Model
1	981 555 311 02	Linings Roll-over bar Lining Roll-over bar Front		1	
	981 555 311 02 1E0	Black			+AD, +AG, +AJ +AS, +PM, +PT +PW, +AZ, +BM +BT, +BW, +TD +UD, +UG, +UJ +US, +UZ
	981 555 311 02 4H0	Luxor Beige			+FD, +FG, +FJ +FS, +FZ
	981 555 311 02 OP1	Agate Grey			+NE, +BY
	981 555 311 02 7N0	Espresso			+SZ
	981 555 311 02 OM8	Saddle Tan			+LZ
	981 555 311 02 OG6	Bordeaux Red			+HZ, +TG
	981 555 311 02 OH7	Graphite Blue			
1	981 555 311 05	Lining Roll-over bar Front		1	
	981 555 311 05 5Q0	Black			+AD, +AG, +AJ +AS, +PM, +PT +PW, +AZ, +BM +BT, +BW, +TD +UD, +UG, +UJ +US, +UZ
	981 555 311 05 6W0	Luxor Beige			+FD, +FG, +FJ +FS, +FZ
	981 555 311 05 OA6	Agate Grey			+NE, +BY
	981 555 311 05 3T0	Espresso			+SZ
	981 555 311 05 OL7	Saddle Tan			+LZ
	981 555 311 05 OG6	Bordeaux Red			+HZ, +TG
	981 555 311 05 OH7	Graphite Blue			
2	981 555 911 00	Parts kit Fastening part for Lining Roll-over bar Front		1	
3	981 555 331 02	Lining Roll-over bar Rear		1	-I546/-I547
(3)	981 555 331 02 1E0	Black		1	I546
(3)	981 555 331 05	Lining Roll-over bar Rear Prime coated		1	I547
(3)	981 555 331 04	Lining Roll-over bar Rear		1	I547
4	981 555 331 04 V04	Galvano silver		1	
	981 555 931 00	Parts kit Fastening part for Lining Roll-over bar Rear		1	
5	981 555 751 02	Cover strip		1	-I551
(5)	981 555 751 02 1E0	Black Guide		1	I551
(6)	999 073 498 01	See illustrations 8/11/55 Oval-head screw M5X20		6	

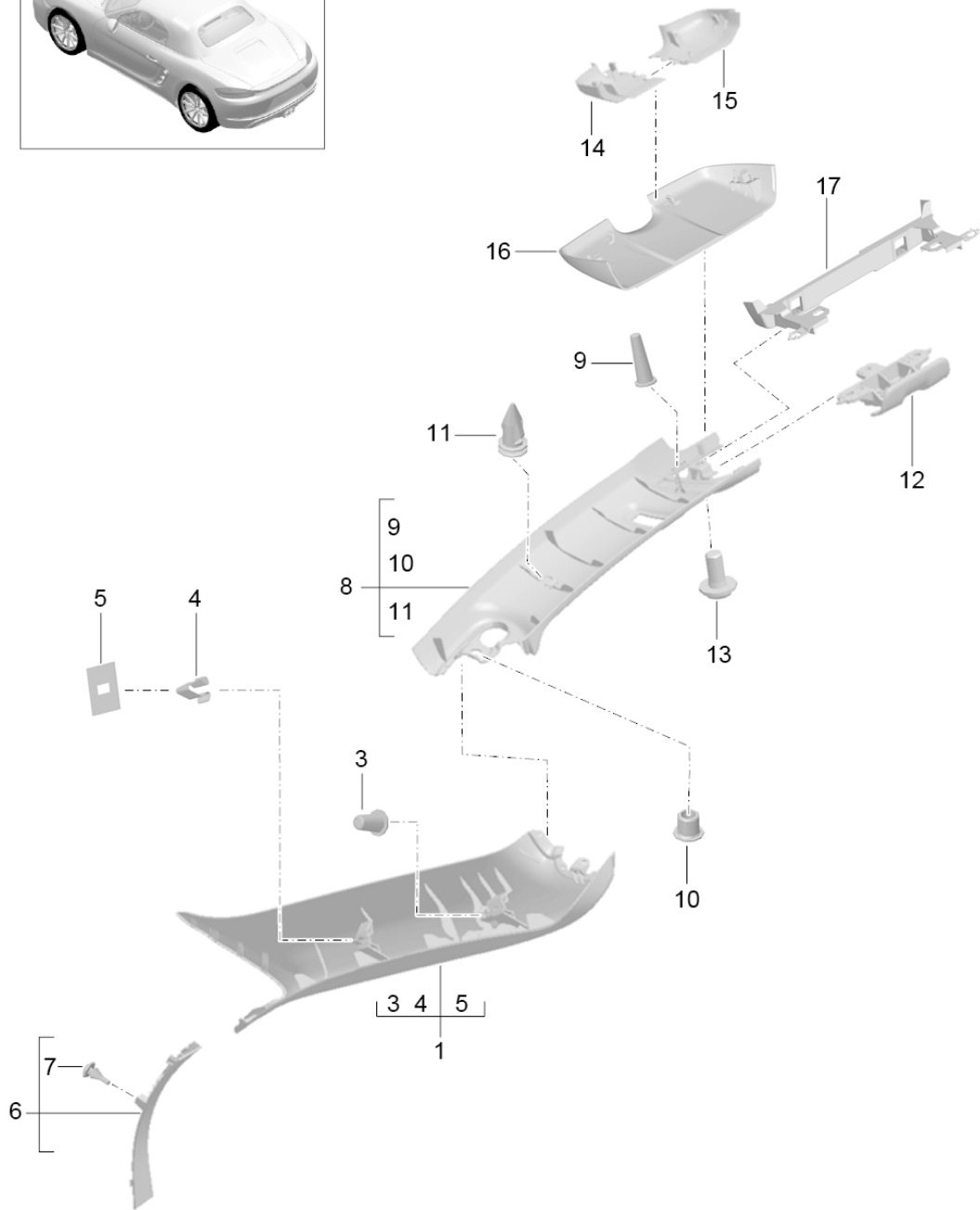
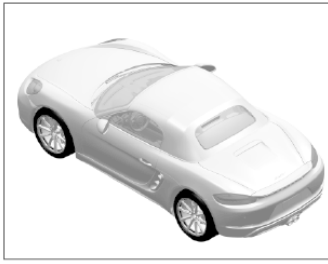
Model: 982-17

Model life 2017>>

Pos	Part Number	Description	Remark	Qty	Model
7	981 555 263 02	Upper part	/L	1	-I546/-I547 -I789
	981 555 263 02 1E0	Black			
(7)	981 555 263 08	Upper part Prime coated	/L	1	I546/789
(7)	981 555 263 07	Upper part	/L	1	-I789/I547
	981 555 263 07 V04	Galvano silver			
(7)	981 555 264 02	Upper part	/R	1	-I546/-I547 -I789
	981 555 264 02 1E0	Black			
(7)	981 555 264 08	Upper part Prime coated	/R	1	I546/789
(7)	981 555 264 07	Upper part	/R	1	-I789/I547
	981 555 264 07 V04	Galvano silver			

Model: 982-17

Model life 2017>>



Model: 982-17 Model life 2017>>

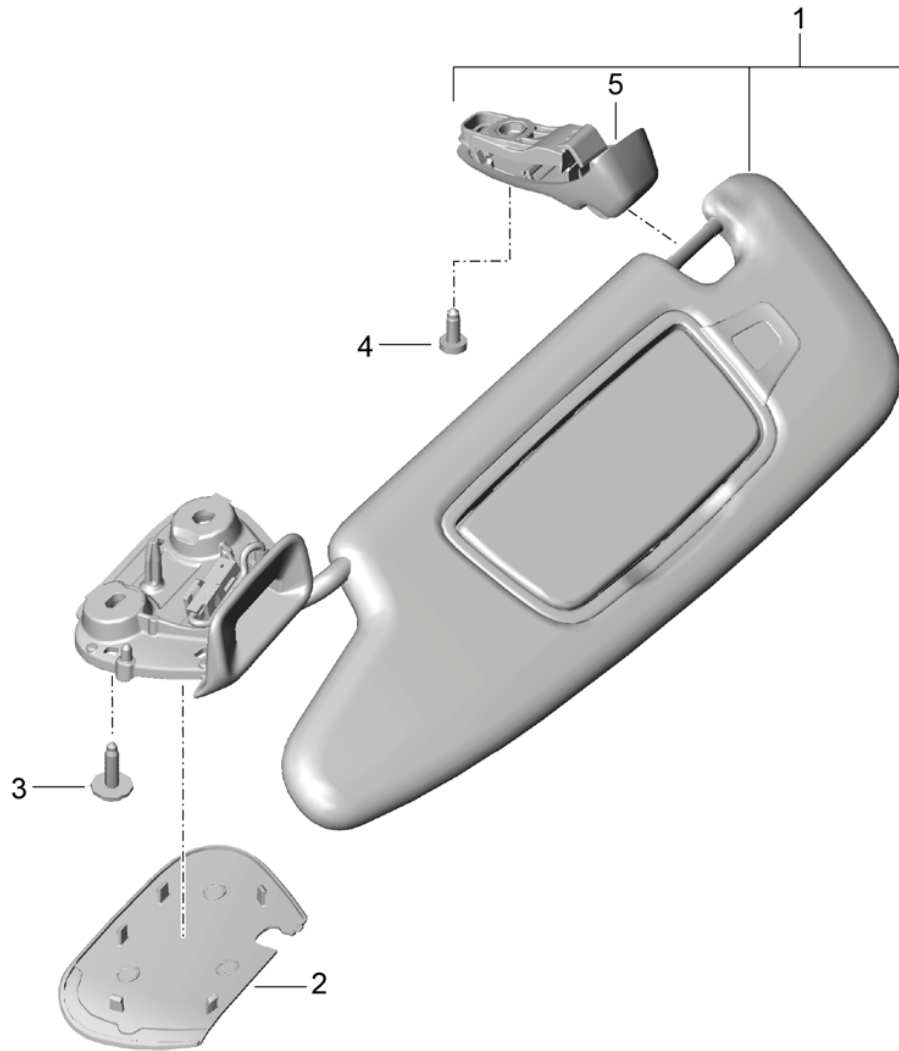
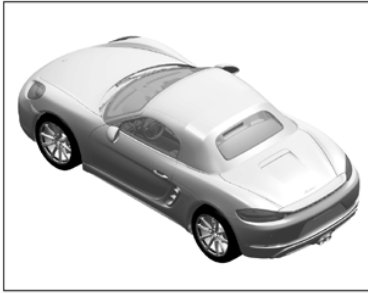
Pos	Part Number	Description	Remark	Qty	Model
1	982 867 233	A-pillar Windscreen frame Lining	/L	1	
	982 867 233 1E0	A-pillar Black			+AD, +FD, +UD +AG, +FG, +UG +AJ, +FJ, +UJ, +AS, +FS, +PM +PT, +PW, +AZ +FZ, +SZ, +LZ +HZ, +BM, +BT +BW, +TD, +TG +NE, +BY, +US, +UZ,
(1)	982 867 233 4H0	Luxor Beige Lining	/R	1	
	982 867 234	A-pillar Black			+AD, +FD, +UD +AG, +FG, +UG +AJ, +FJ, +UJ, +AS, +FS, +PM +PT, +PW, +AZ +FZ, +SZ, +LZ +HZ, +BM, +BT +BW, +TD, +TG +NE, +BY, +US, +UZ,
	982 867 234 4H0	Luxor Beige			
3	997 555 857 00	Grommet Centring journal		2	
4	955 555 278 00	Clip		4	
5	999 209 084 40	Spacer 25 X 20 X 0,5		4	
6	991 555 185 01	Lining A-pillar Lower	/L	1	
	991 555 185 01 1E0	Black			+AD, +AG, +AJ +AS, +PM, +PT +PW, +AZ, +BM +BT, +BW, +TD +UD, +UG, +UJ +US, +UZ +FD, +FG, +FJ +FS, +FZ +NE, +BY +SZ +LZ +HZ, +TG
	991 555 185 01 4H0	Luxor Beige			
	991 555 185 01 OP1	Agate Grey			
	991 555 185 01 7N0	Espresso			
	991 555 185 01 OM8	Saddle Tan			
	991 555 185 01 OG6	Bordeaux Red			
	991 555 185 01 OH7	Graphite Blue			
(6)	991 555 186 01	Lining A-pillar Lower	/R	1	
	991 555 186 01 1E0	Black			+AD, +AG, +AJ +AS, +PM, +PT +PW, +AZ, +BM +BT, +BW, +TD +UD, +UG, +UJ +US, +UZ +FD, +FG, +FJ +FS, +FZ +NE, +BY +SZ +LZ +HZ, +TG
	991 555 186 01 4H0	Luxor Beige			
	991 555 186 01 OP1	Agate Grey			
	991 555 186 01 7N0	Espresso			
	991 555 186 01 OM8	Saddle Tan			
	991 555 186 01 OG6	Bordeaux Red			
	991 555 186 01 OH7	Graphite Blue			
7	999 703 041 40	Rubber buffer 4 X 6 X 9,3		2	

Model: 982-17 Model life 2017>>

Pos	Part Number	Description	Remark	Qty	Model
8	981 555 059 03	Lining Windscreen frame part Inner	/L	1	
	981 555 059 03 1E0	Black			+AD,+FD,+UD +AG,+FG,+UG +AJ,+FJ,+UJ, +AS,+FS,+PM +PT,+PW,+AZ +FZ,+SZ,+LZ +HZ,+BM,+BT +BW,+TD,+TG +NE,+BY, +US,+UZ,
(8)	981 555 059 03 4H0	Luxor Beige			
	981 555 060 03	Lining Windscreen frame part Inner	/R	1	
	981 555 060 03 1E0	Black			+AD,+FD,+UD +AG,+FG,+UG +AJ,+FJ,+UJ, +AS,+FS,+PM +PT,+PW,+AZ +FZ,+SZ,+LZ +HZ,+BM,+BT +BW,+TD,+TG +NE,+BY, +US,+UZ,
	981 555 060 03 4H0	Luxor Beige			
9	996 555 857 00	Grommet		2	
10	999 209 116 01	Spacer sleeve 8,0 X 2,0		2	
11	999 591 143 40	Clamp 12,0 X 2,0		2	
12	991 561 235 04	Mounting Lock bearing		1	
	991 561 235 04 5Q0	Black			
13	999 015 025 09	Lens-head screw M 6 X 12		2	
14	981 555 525 00	Cover		1	-I631/-I632 -I852
		GPS-ANTENNE Left			
	981 555 525 00 1E0	Black			
15	981 555 526 00	Cover		1	-I631/-I632 -I852
		GPS-ANTENNE Right			
	981 555 526 00 1E0	Black			
16	981 555 525 01	Cover		1	I631/632/852
		GPS-ANTENNE Complete			
	981 555 525 01 1E0	Black			
17	981 555 825 01	Retaining frame		1	I631/632/852
		Cover			
	981 555 825 01 1E0	Black			

Model: 982-17

Model life 2017>>



Model: 982-17

Model life 2017>>

Pos	Part Number	Description	Remark	Qty	Model
1	981 731 031 54 981 731 031 54 OF7	Sun visors Sun visor Black	/L	1	I098/630 +AD,+FD,+UD +AG,+FG,+UG +AJ,+FJ,+UJ +AS,+FS,+PM +PT,+PW,+AZ +FZ,+SZ,+HZ +BM,+BT,+BW +TD,+TG,+NE +BY, +US,+UZ,+LZ
(1)	981 731 031 54 OE6 981 731 032 58 981 731 032 58 OF7	Luxor Beige Sun visor Black	/R -(CN)	1	I098/630 +AD,+FD,+UD +AG,+FG,+UG +AJ,+FJ,+UJ +AS,+FS,+PM +PT,+PW,+AZ +FZ,+SZ,+HZ +BM,+BT,+BW +TD,+TG,+NE +BY, +US,+UZ,+LZ
(1)	981 731 032 58 OE6 981 731 031 58 981 731 031 58 OF7	Luxor Beige Sun visor Black	/L	1	I099/630 +AD,+FD,+UD +AG,+FG,+UG +AJ,+FJ,+UJ +AS,+FS,+PM +PT,+PW,+AZ +FZ,+SZ,+HZ +BM,+BT,+BW +TD,+TG,+NE +BY, +US,+UZ,+LZ
(1)	981 731 031 58 OE6 981 731 032 54 981 731 032 54 OF7	Luxor Beige Sun visor Black	/R	1	I099/630 +AD,+FD,+UD +AG,+FG,+UG +AJ,+FJ,+UJ +AS,+FS,+PM +PT,+PW,+AZ +FZ,+SZ,+HZ +BM,+BT,+BW +TD,+TG,+NE +BY, +US,+UZ,+LZ
(1)	981 731 032 54 OE6 981 731 032 66 981 731 032 66 OF7	Luxor Beige Sun visor Black	/R (CN)	1	I098/630 +AD,+FD,+UD +AG,+FG,+UG +AJ,+FJ,+UJ +AS,+FS,+PM +PT,+PW,+AZ +FZ,+SZ,+HZ +BM,+BT,+BW +TD,+TG,+NE +BY, +US,+UZ,+LZ
(1)	981 731 032 66 OE6 981 731 031 56 981 731 031 56 OF7	Luxor Beige Sun visor without Light Black	/L	1	-I630/I098 +AD,+FD,+UD +AG,+FG,+UG +AJ,+FJ,+UJ +AS,+FS,+PM

Model: 982-17 Model life 2017>>

Pos	Part Number	Description	Remark	Qty	Model
(1)	981 731 031 56 OE6 981 731 032 59	Luxor Beige Sun visor without Light	/R -(CN)	1	+PT,+PW,+AZ +FZ,+SZ,+HZ +BM,+BT,+BW +TD,+TG,+NE +BY, +US,+UZ,+LZ -I630/I098
	981 731 032 59 OF7	Black			+AD,+FD,+UD +AG,+FG,+UG +AJ,+FJ,+UJ +AS,+FS,+PM +PT,+PW,+AZ +FZ,+SZ,+HZ +BM,+BT,+BW +TD,+TG,+NE +BY, +US,+UZ,+LZ -I630/I098
(1)	981 731 032 59 OE6 981 731 031 59	Luxor Beige Sun visor without Light	/L	1	+US,+UZ,+LZ -I630/I099
	981 731 031 59 OF7	Black			+AD,+FD,+UD +AG,+FG,+UG +AJ,+FJ,+UJ +AS,+FS,+PM +PT,+PW,+AZ +FZ,+SZ,+HZ +BM,+BT,+BW +TD,+TG,+NE +BY, +US,+UZ,+LZ -I630/I099
(1)	981 731 031 59 OE6 981 731 032 56	Luxor Beige Sun visor without Light	/R	1	+US,+UZ,+LZ -I630/I099
	981 731 032 56 OF7	Black			+AD,+FD,+UD +AG,+FG,+UG +AJ,+FJ,+UJ +AS,+FS,+PM +PT,+PW,+AZ +FZ,+SZ,+HZ +BM,+BT,+BW +TD,+TG,+NE +BY, +US,+UZ,+LZ -I630/I098
(1)	981 731 032 56 OE6 981 731 032 67	Luxor Beige Sun visor without Light	/R (CN)	1	+US,+UZ,+LZ -I630/I098
	981 731 032 67 OF7	Black			+AD,+FD,+UD +AG,+FG,+UG +AJ,+FJ,+UJ +AS,+FS,+PM +PT,+PW,+AZ +FZ,+SZ,+HZ +BM,+BT,+BW +TD,+TG,+NE +BY, +US,+UZ,+LZ
2	981 731 032 67 OE6	Luxor Beige			+US,+UZ,+LZ
	981 731 831 03	Lid	/L	1	
	981 731 831 03 1E0	Black			
(2)	981 731 832 03	Lid	/R	1	
	981 731 832 03 1E0	Black			
3	999 073 223 01	Combination screw		4	

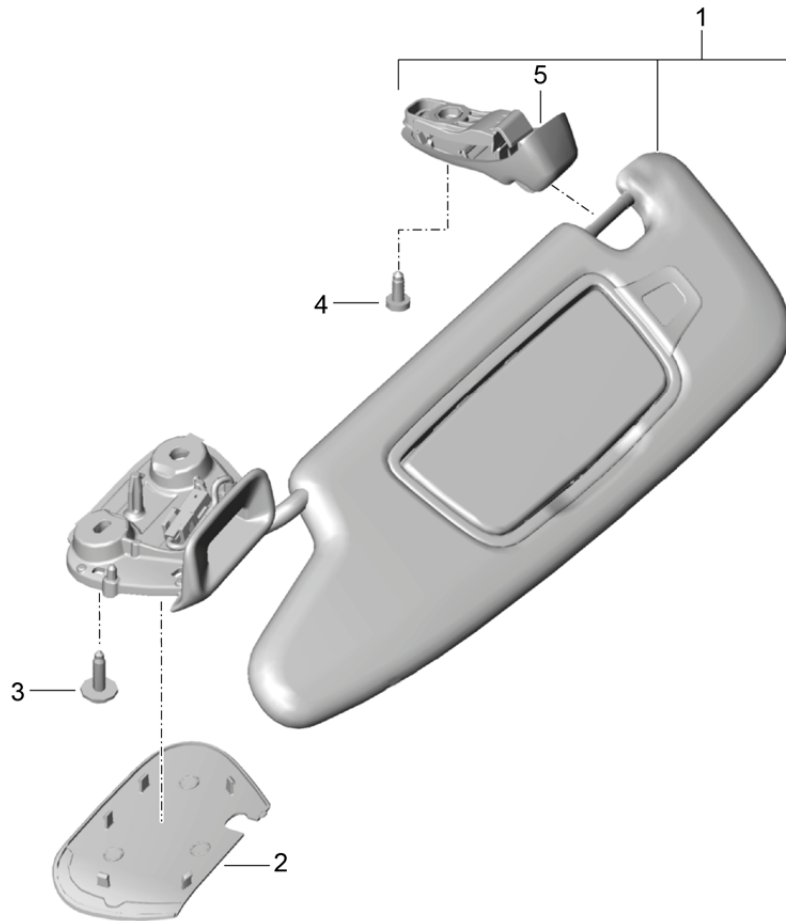
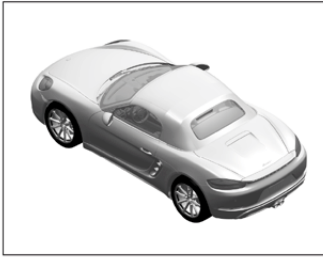
Model: 982-17

Model life 2017>>

Pos	Part Number	Description	Remark	Qty	Model
4	999 073 350 01	M6X25 Screw		2	
5	981 731 931 00	M6X16 Repair kit Bearing Inner	/L	1	
(5)	981 731 932 00	Repair kit Bearing Inner	/R	1	

Model: 982-17

Model life 2017>>



Model: 982-17 Model life 2017>>

Pos	Part Number	Description	Remark	Qty	Model
		Sun visors Leather			IXLU/XMP
1	981 731 981 22	Alcantara Sun visor Left	/L	1	IXMP/098
	981 731 981 22 A11	Black			+AD,+FD,+UD +AG,+FG,+UG +AJ,+FJ,+UJ +AS,+FS,+PM +PT,+PW,+AZ +FZ,+SZ,+LZ +HZ,+BM,+BT +BW,+TD,+TG +NE,+BY, +US,+UZ
1	981 731 981 22 7J0	Luxor Beige			
	981 731 981 22	Sun visor Left	/L	1	IXMP/074
	981 731 981 22 A11	Black			+AD,+FD,+UD +AG,+FG,+UG +AJ,+FJ,+UJ +AS,+FS,+PM +PT,+PW,+AZ +FZ,+SZ,+LZ +HZ,+BM,+BT +BW,+TD,+TG +NE,+BY, +US,+UZ
(1)	981 731 981 22 7J0	Luxor Beige			
	981 731 982 22	Sun visor Right	/R	1	IXMP/074
	981 731 982 22 A11	Black			+AD,+FD,+UD +AG,+FG,+UG +AJ,+FJ,+UJ +AS,+FS,+PM +PT,+PW,+AZ +FZ,+SZ,+LZ +HZ,+BM,+BT +BW,+TD,+TG +NE,+BY, +US,+UZ
(1)	981 731 982 22 7J0	Luxor Beige			
	981 731 982 22	Sun visor Right	/R	1	IXMP/099
	981 731 982 22 A11	Black			+AD,+FD,+UD +AG,+FG,+UG +AJ,+FJ,+UJ +AS,+FS,+PM +PT,+PW,+AZ +FZ,+SZ,+LZ +HZ,+BM,+BT +BW,+TD,+TG +NE,+BY, +US,+UZ
(1)	981 731 982 22 7J0	Luxor Beige			
	981 731 981 30	Sun visor	/L	1	IXMP/099
	981 731 981 30 A11	Black			+AD,+FD,+UD +AG,+FG,+UG +AJ,+FJ,+UJ +AS,+FS,+PM +PT,+PW,+AZ +FZ,+SZ,+LZ +HZ,+BM,+BT +BW,+TD,+TG +NE,+BY, +US,+UZ
(1)	981 731 981 30 7J0	Luxor Beige			
	981 731 982 30	Sun visor	/R	1	IXMP/098

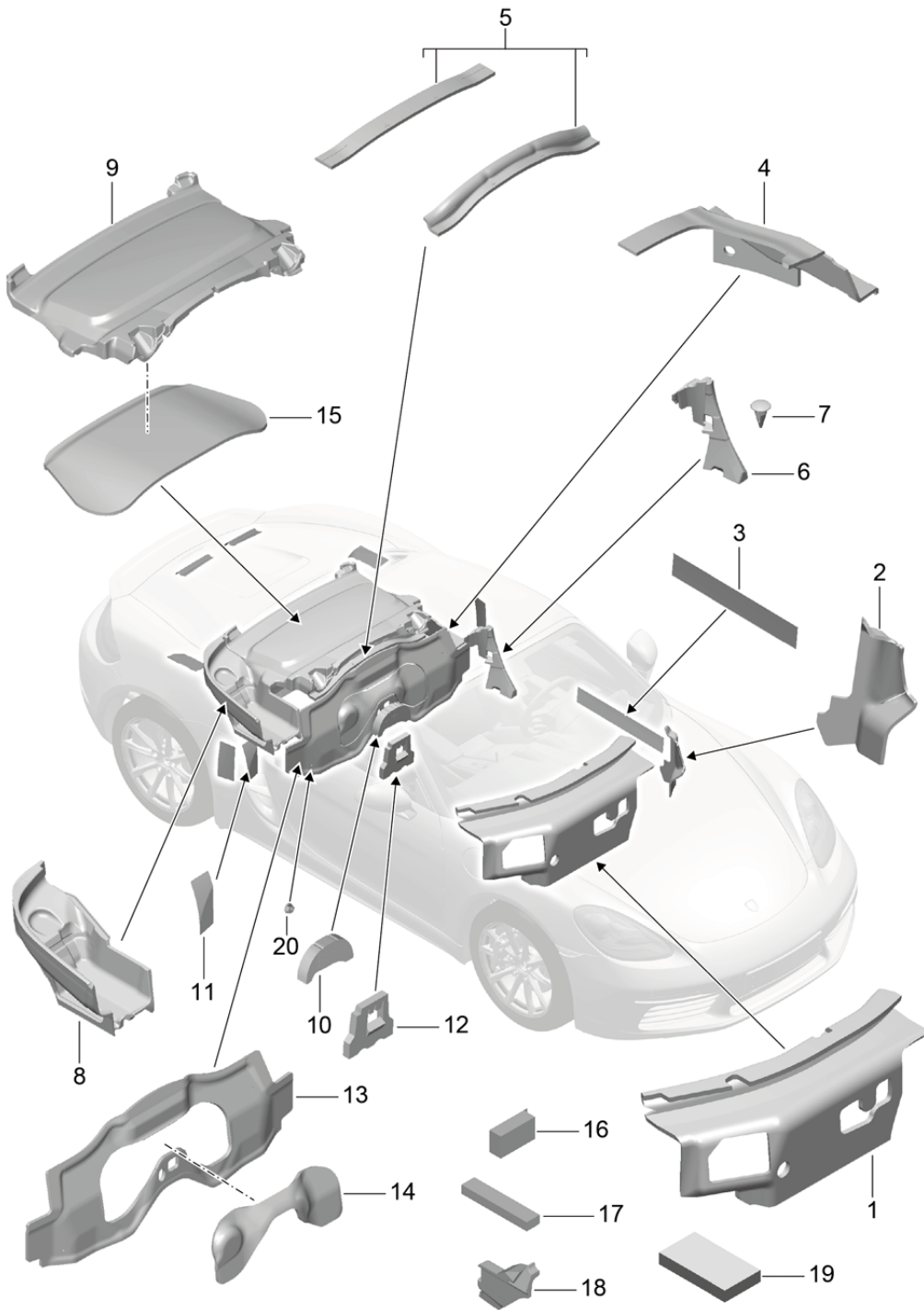
Model: 982-17

Model life 2017>>

Pos	Part Number	Description	Remark	Qty	Model
	981 731 982 30 A11	Black			+AD,+FD,+UD +AG,+FG,+UG +AJ,+FJ,+UJ +AS,+FS,+PM +PT,+PW,+AZ +FZ,+SZ,+LZ +HZ,+BM,+BT +BW,+TD,+TG +NE,+BY, +US,+UZ
(1)	981 731 982 30 7J0 981 731 981 25	Luxor Beige Sun visor Left	/L	1	IXLU/098
(1)	981 731 981 25 2W0 981 731 981 25	Black Sun visor Left	/L	1	IXLU/074
(1)	981 731 981 25 2W0 981 731 982 25	Black Sun visor Right	/R	1	IXLU/074
(1)	981 731 982 25 2W0 981 731 982 25	Black Sun visor Right	/R	1	IXLU/099
(1)	981 731 982 25 2W0 981 731 981 31	Black Sun visor	/L	1	IXLU/099
(1)	981 731 981 31 2W0 981 731 982 31	Black Sun visor	/R	1	IXLU/098
2	981 731 982 31 2W0 981 731 831 03	Black Lid	/L	1	
(2)	981 731 831 03 1E0 981 731 832 03	Black Lid	/R	1	
3	981 731 832 03 1E0 999 073 223 01	Black Combination screw M6X25		4	
4	999 073 350 01	Screw M6X16		2	
5	981 731 931 00	Repair kit Bearing Inner	/L	1	
(5)	981 731 932 00	Repair kit Bearing Inner	/R	1	

Model: 982-17

Model life 2017>>



Model: 982-17 Model life 2017>>

Pos	Part Number	Description	Remark	Qty	Model
1	991 556 723 01	Body Sound proofing 1 Sound absorber	/LL	1	I098
(1)	991 556 724 01	Firewall Sound absorber	/RL	1	I099
2	991 556 605 02	Firewall Sound absorber	/L	1	
(2)	991 556 606 01	Wheel housing Front Sound absorber	/R	1	
3	997 556 531 01	Wheel housing Front Insulation		2	
4	981 556 721 01	Door Sound absorber	/L	1	
(4)	981 556 722 02	Engine compartment Lateral Sound absorber	/R	1	
5	981 556 645 02	Engine compartment Lateral Sound absorber		2	
6	981 556 603 01	Engine compartment Front and rear Sound absorber	/L	1	
(6)	981 556 604 01	Cover Belt Sound absorber	/R	1	
7	999 703 259 40	Cover Belt Stopper		2	
8	981 556 624 02	Sound absorber Cover Belt	/R	1	
(8)	981 556 623 02	Sound absorber Convertible top compartm. Tray	/L	1	
9	982 863 545	Lower Sound absorber		1	
10	981 556 683 01	Tray Convertible top Rear Sound absorber		1	
11	991 556 503 00	Centre console Rear Insulation		1	
12	981 556 681 02	Inner Sound absorber		1	
13	982 863 309	Seal Tunnel Sound absorber		1	
14	981 556 745 02	Bulkhead Engine compartment Sound absorber		1	
15	981 556 743 02	Bulkhead Passenger compartment Sound absorber		1	
16	991 572 529 00	Engine compartment cover Passenger compartment Foam part		1	

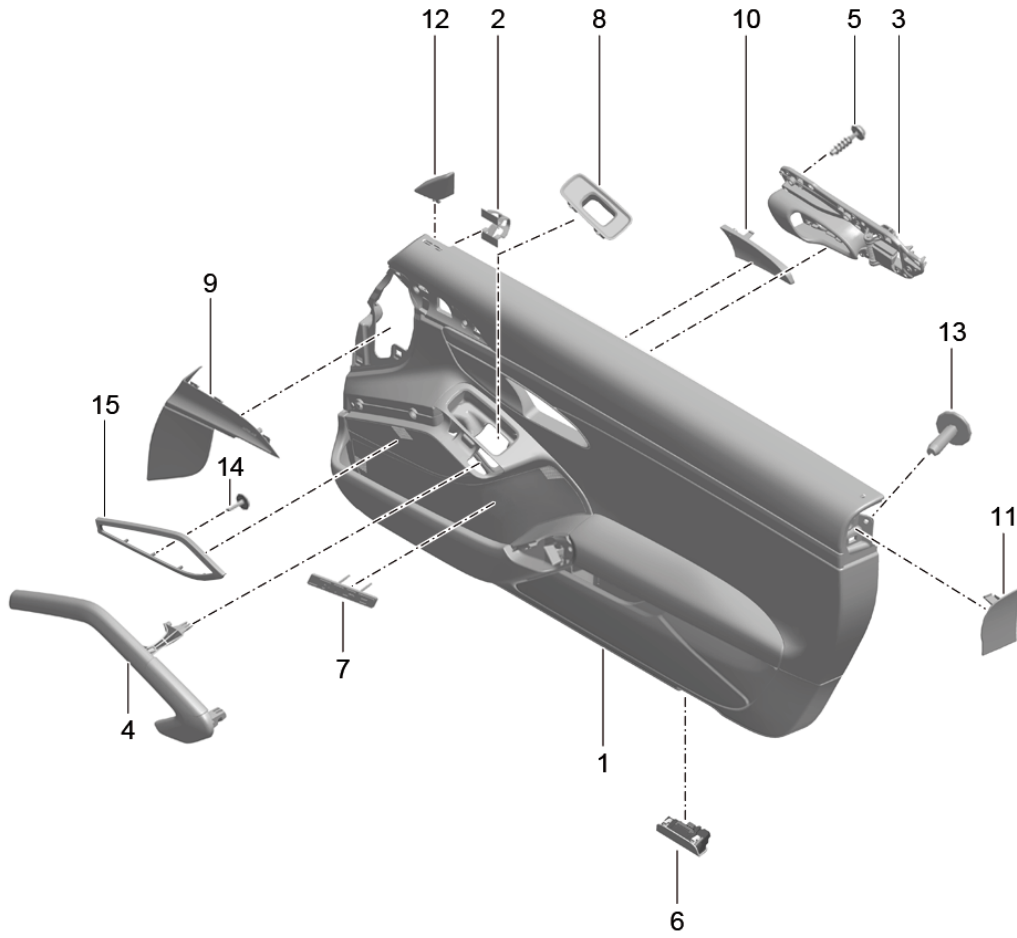
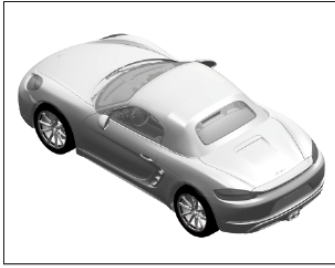
Model: 982-17

Model life 2017>>

Pos	Part Number	Description	Remark	Qty	Model
17	991 572 525 01	Fuel tank Foam part		1	
18	991 572 522 03	Fuel tank Foam part		1	
19	9P1 864 714	Fuel tank Foam part Bracket		1	
20	999 049 039 01	Fuel tank Firewall Hexagon nut Bulkhead		1	

Model: 982-17

Model life 2017>>



Model: 982-17 Model life 2017>>

Pos	Part Number	Description	Remark	Qty	Model
		Door trim panel			-I980/-I981 I811
1	981 555 203 00	Accessories slush technology Door trim panel	/L	1	-I537/-I625 I008/9VK
		slush technology			
	981 555 203 00 DK4	Black			+AD,+AG,+AJ
	981 555 203 00 OU4	Agate Grey			+FD,+FG,+FJ
	981 555 203 00 DM5	Luxor Beige			+UD,+UG,+UJ
(1)	981 555 204 00	Door trim panel	/R	1	-I538/-I625 I008/9VK
		slush technology			
	981 555 204 00 DK4	Black			+AD,+AG,+AJ
	981 555 204 00 OU4	Agate Grey			+FD,+FG,+FJ
	981 555 204 00 DM5	Luxor Beige			+UD,+UG,+UJ
(1)	981 555 203 01	Door trim panel	/L	1	-I537/-I625 I008/9VL
		slush technology			
	981 555 203 01 DK4	Black			+AD,+AG,+AJ
	981 555 203 01 OU4	Agate Grey			+FD,+FG,+FJ
	981 555 203 01 DM5	Luxor Beige			+UD,+UG,+UJ
(1)	981 555 204 01	Door trim panel	/R	1	-I538/-I625 I008/9VL
		slush technology			
	981 555 204 01 DK4	Black			+AD,+AG,+AJ
	981 555 204 01 OU4	Agate Grey			+FD,+FG,+FJ
	981 555 204 01 DM5	Luxor Beige			+UD,+UG,+UJ
(1)	981 555 203 02	Door trim panel	/L	1	-I537/-I625 I008/9VJ
		slush technology			
	981 555 203 02 DK4	Black			+AD,+AG,+AJ
	981 555 203 02 OU4	Agate Grey			+FD,+FG,+FJ
	981 555 203 02 DM5	Luxor Beige			+UD,+UG,+UJ
(1)	981 555 204 02	Door trim panel	/R	1	-I538/-I625 I008/9VJ
		slush technology			
	981 555 204 02 DK4	Black			+AD,+AG,+AJ
	981 555 204 02 OU4	Agate Grey			+FD,+FG,+FJ
	981 555 204 02 DM5	Luxor Beige			+UD,+UG,+UJ
(1)	981 555 203 03	Door trim panel	/LL /L	1	-I625/I008 I098/537/9VK
		slush technology			
	981 555 203 03 DK4	Black			+AD,+AG,+AJ
	981 555 203 03 OU4	Agate Grey			+FD,+FG,+FJ
	981 555 203 03 DM5	Luxor Beige			+UD,+UG,+UJ
(1)	981 555 204 03	Door trim panel	/RL /R	1	-I625/I008 I099/538/9VK
		slush technology			
	981 555 204 03 DK4	Black			+AD,+AG,+AJ
	981 555 204 03 OU4	Agate Grey			+FD,+FG,+FJ
	981 555 204 03 DM5	Luxor Beige			+UD,+UG,+UJ
(1)	981 555 203 04	Door trim panel	/LL /L	1	-I625/I008 I098/537/9VL
		slush technology			
	981 555 203 04 DK4	Black			+AD,+AG,+AJ
	981 555 203 04 OU4	Agate Grey			+FD,+FG,+FJ
	981 555 203 04 DM5	Luxor Beige			+UD,+UG,+UJ
(1)	981 555 204 04	Door trim panel	/RL /R	1	-I625/I008 I099/538/9VL
		slush technology			
	981 555 204 04 DK4	Black			+AD,+AG,+AJ
	981 555 204 04 OU4	Agate Grey			+FD,+FG,+FJ

Model: 982-17 Model life 2017>>

Pos	Part Number	Description	Remark	Qty	Model
(1)	981 555 204 04 DM5 981 555 203 05	Luxor Beige Door trim panel slush technology	/LL /L	1	+UD, +UG, +UJ -I625/I008 I098/537/9VJ
	981 555 203 05 DK4	Black			+AD, +AG, +AJ
	981 555 203 05 OU4	Agate Grey			+FD, +FG, +FJ
(1)	981 555 203 05 DM5 981 555 204 05	Luxor Beige Door trim panel slush technology	/RL /R	1	+UD, +UG, +UJ -I625/I008 I099/538/9VJ
	981 555 204 05 DK4	Black			+AD, +AG, +AJ
	981 555 204 05 OU4	Agate Grey			+FD, +FG, +FJ
(1)	981 555 204 05 DM5 981 555 203 18	Luxor Beige Door trim panel slush technology	/L	1	+UD, +UG, +UJ -I537/I008 I625/9VK
	981 555 203 18 DK4	Black			+AD, +AG, +AJ
	981 555 203 18 OU4	Agate Grey			+FD, +FG, +FJ
(1)	981 555 203 18 DM5 981 555 204 18	Luxor Beige Door trim panel slush technology	/R	1	+UD, +UG, +UJ -I538/I008 I625/9VK
	981 555 204 18 DK4	Black			+AD, +AG, +AJ
	981 555 204 18 OU4	Agate Grey			+FD, +FG, +FJ
(1)	981 555 204 18 DM5 981 555 203 19	Luxor Beige Door trim panel slush technology	/L	1	+UD, +UG, +UJ -I537/I008 I625/9VL
	981 555 203 19 DK4	Black			+AD, +AG, +AJ
	981 555 203 19 OU4	Agate Grey			+FD, +FG, +FJ
(1)	981 555 203 19 DM5 981 555 204 19	Luxor Beige Door trim panel slush technology	/R	1	+UD, +UG, +UJ -I538/I008 I625/9VL
	981 555 204 19 DK4	Black			+AD, +AG, +AJ
	981 555 204 19 OU4	Agate Grey			+FD, +FG, +FJ
(1)	981 555 204 19 DM5 981 555 203 20	Luxor Beige Door trim panel slush technology	/L	1	+UD, +UG, +UJ -I537/I008 I625/9VJ
	981 555 203 20 DK4	Black			+AD, +AG, +AJ
	981 555 203 20 OU4	Agate Grey			+FD, +FG, +FJ
(1)	981 555 203 20 DM5 981 555 204 20	Luxor Beige Door trim panel slush technology	/R	1	+UD, +UG, +UJ -I538/I008 I625/9VJ
	981 555 204 20 DK4	Black			+AD, +AG, +AJ
	981 555 204 20 OU4	Agate Grey			+FD, +FG, +FJ
(1)	981 555 204 20 DM5 981 555 203 21	Luxor Beige Door trim panel slush technology	/LL /L	1	+UD, +UG, +UJ I008/098/537 I625/9VK
	981 555 203 21 DK4	Black			+AD, +AG, +AJ
	981 555 203 21 OU4	Agate Grey			+FD, +FG, +FJ
(1)	981 555 203 21 DM5 981 555 204 21	Luxor Beige Door trim panel slush technology	/RL /R	1	+UD, +UG, +UJ I008/099/538 I625/9VK
	981 555 204 21 DK4	Black			+AD, +AG, +AJ
	981 555 204 21 OU4	Agate Grey			+FD, +FG, +FJ
(1)	981 555 204 21 DM5 981 555 203 22	Luxor Beige Door trim panel slush technology	/LL /L	1	+UD, +UG, +UJ I008/098/537 I625/9VL

Model: 982-17 Model life 2017>>

Pos	Part Number	Description	Remark	Qty	Model
(1)	981 555 203 22 DK4	slush technology Black	/RL /R	1	+AD,+AG,+AJ +FD,+FG,+FJ +UD,+UG,+UJ I008/099/538 I625/9VL
	981 555 203 22 OU4	Agate Grey			
	981 555 203 22 DM5	Luxor Beige			
	981 555 204 22	Door trim panel			
(1)	981 555 204 22 DK4	slush technology Black	/LL /L	1	+AD,+AG,+AJ +FD,+FG,+FJ +UD,+UG,+UJ I008/098/537 I625/9VJ
	981 555 204 22 OU4	Agate Grey			
	981 555 204 22 DM5	Luxor Beige			
	981 555 203 23	Door trim panel			
(1)	981 555 203 23 DK4	slush technology Black	/RL /R	1	+AD,+AG,+AJ +FD,+FG,+FJ +UD,+UG,+UJ I008/099/538 I625/9VJ
	981 555 203 23 OU4	Agate Grey			
	981 555 203 23 DM5	Luxor Beige			
	981 555 204 23	Door trim panel			
(1)	981 555 204 23 DK4	slush technology Black	/L	1	+AD,+AG,+AJ +FD,+FG,+FJ +UD,+UG,+UJ -I537/-I625 I009/9VK
	981 555 204 23 OU4	Agate Grey			
	981 555 204 23 DM5	Luxor Beige			
	991 555 203 00	Door trim panel			
(1)	991 555 203 00 DK4	slush technology Black	/R	1	+AD,+AG,+AJ +FD,+FG,+FJ +UD,+UG,+UJ -I538/-I625 I009/9VK
	991 555 203 00 OU4	Agate Grey			
	991 555 203 00 DM5	Luxor Beige			
	991 555 204 00	Door trim panel			
(1)	991 555 204 00 DK4	slush technology Black	/L	1	+AD,+AG,+AJ +FD,+FG,+FJ +UD,+UG,+UJ -I537/-I625 I009/9VL
	991 555 204 00 OU4	Agate Grey			
	991 555 204 00 DM5	Luxor Beige			
	991 555 203 01	Door trim panel			
(1)	991 555 203 01 DK4	slush technology Black	/R	1	+AD,+AG,+AJ +FD,+FG,+FJ +UD,+UG,+UJ -I538/-I625 I009/9VL
	991 555 203 01 OU4	Agate Grey			
	991 555 203 01 DM5	Luxor Beige			
	991 555 204 01	Door trim panel			
(1)	991 555 204 01 DK4	slush technology Black	/L	1	+AD,+AG,+AJ +FD,+FG,+FJ +UD,+UG,+UJ -I537/-I625 I009/9VJ
	991 555 204 01 OU4	Agate Grey			
	991 555 204 01 DM5	Luxor Beige			
	991 555 203 02	Door trim panel			
(1)	991 555 203 02 DK4	slush technology Black	/R	1	+AD,+AG,+AJ +FD,+FG,+FJ +UD,+UG,+UJ -I538/-I625 I009/9VJ
	991 555 203 02 OU4	Agate Grey			
	991 555 203 02 DM5	Luxor Beige			
	991 555 204 02	Door trim panel			
(1)	991 555 204 02 DK4	slush technology Black	/LL /L	1	+AD,+AG,+AJ +FD,+FG,+FJ +UD,+UG,+UJ -I625/I009 I098/537/9VK
	991 555 204 02 OU4	Agate Grey			
	991 555 204 02 DM5	Luxor Beige			
	991 555 203 06	Door trim panel			
(1)	991 555 203 06 DK4	slush technology Black			+AD,+AG,+AJ +FD,+FG,+FJ
	991 555 203 06 OU4	Agate Grey			

Model: 982-17 Model life 2017>>

Pos	Part Number	Description	Remark	Qty	Model
(1)	991 555 203 06 DM5 991 555 204 06	Luxor Beige Door trim panel slush technology	/RL /R	1	+UD, +UG, +UJ -I625/I009 I099/538/9VK
	991 555 204 06 DK4	Black			+AD, +AG, +AJ
	991 555 204 06 OU4	Agate Grey			+FD, +FG, +FJ
(1)	991 555 204 06 DM5 991 555 203 07	Luxor Beige Door trim panel slush technology	/LL /L	1	+UD, +UG, +UJ -I625/I009 I098/537/9VL
	991 555 203 07 DK4	Black			+AD, +AG, +AJ
	991 555 203 07 OU4	Agate Grey			+FD, +FG, +FJ
(1)	991 555 203 07 DM5 991 555 204 07	Luxor Beige Door trim panel slush technology	/RL /R	1	+UD, +UG, +UJ -I625/I009 I099/538/9VL
	991 555 204 07 DK4	Black			+AD, +AG, +AJ
	991 555 204 07 OU4	Agate Grey			+FD, +FG, +FJ
(1)	991 555 204 07 DM5 991 555 203 08	Luxor Beige Door trim panel slush technology	/LL /L	1	+UD, +UG, +UJ -I625/I009 I098/537/9VJ
	991 555 203 08 DK4	Black			+AD, +AG, +AJ
	991 555 203 08 OU4	Agate Grey			+FD, +FG, +FJ
(1)	991 555 203 08 DM5 991 555 204 08	Luxor Beige Door trim panel slush technology	/RL /R	1	+UD, +UG, +UJ -I625/I009 I099/538/9VJ
	991 555 204 08 DK4	Black			+AD, +AG, +AJ
	991 555 204 08 OU4	Agate Grey			+FD, +FG, +FJ
(1)	991 555 204 08 DM5 991 555 203 12	Luxor Beige Door trim panel slush technology	/L	1	+UD, +UG, +UJ -I537/I009 I625/9VK
	991 555 203 12 DK4	Black			+AD, +AG, +AJ
	991 555 203 12 OU4	Agate Grey			+FD, +FG, +FJ
(1)	991 555 203 12 DM5 991 555 204 12	Luxor Beige Door trim panel slush technology	/R	1	+UD, +UG, +UJ -I538/I009 I625/9VK
	991 555 204 12 DK4	Black			+AD, +AG, +AJ
	991 555 204 12 OU4	Agate Grey			+FD, +FG, +FJ
(1)	991 555 204 12 DM5 991 555 203 13	Luxor Beige Door trim panel slush technology	/L	1	+UD, +UG, +UJ -I537/I009 I625/9VL
	991 555 203 13 DK4	Black			+AD, +AG, +AJ
	991 555 203 13 OU4	Agate Grey			+FD, +FG, +FJ
(1)	991 555 203 13 DM5 991 555 204 13	Luxor Beige Door trim panel slush technology	/R	1	+UD, +UG, +UJ -I538/I009 I625/9VL
	991 555 204 13 DK4	Black			+AD, +AG, +AJ
	991 555 204 13 OU4	Agate Grey			+FD, +FG, +FJ
(1)	991 555 204 13 DM5 991 555 203 14	Luxor Beige Door trim panel slush technology	/L	1	+UD, +UG, +UJ -I538/I009 I625/9VJ
	991 555 203 14 DK4	Black			+AD, +AG, +AJ
	991 555 203 14 OU4	Agate Grey			+FD, +FG, +FJ
(1)	991 555 203 14 DM5 991 555 204 14	Luxor Beige Door trim panel slush technology	/R	1	+UD, +UG, +UJ -I538/I009 I625/9VJ

Model: 982-17 Model life 2017>>

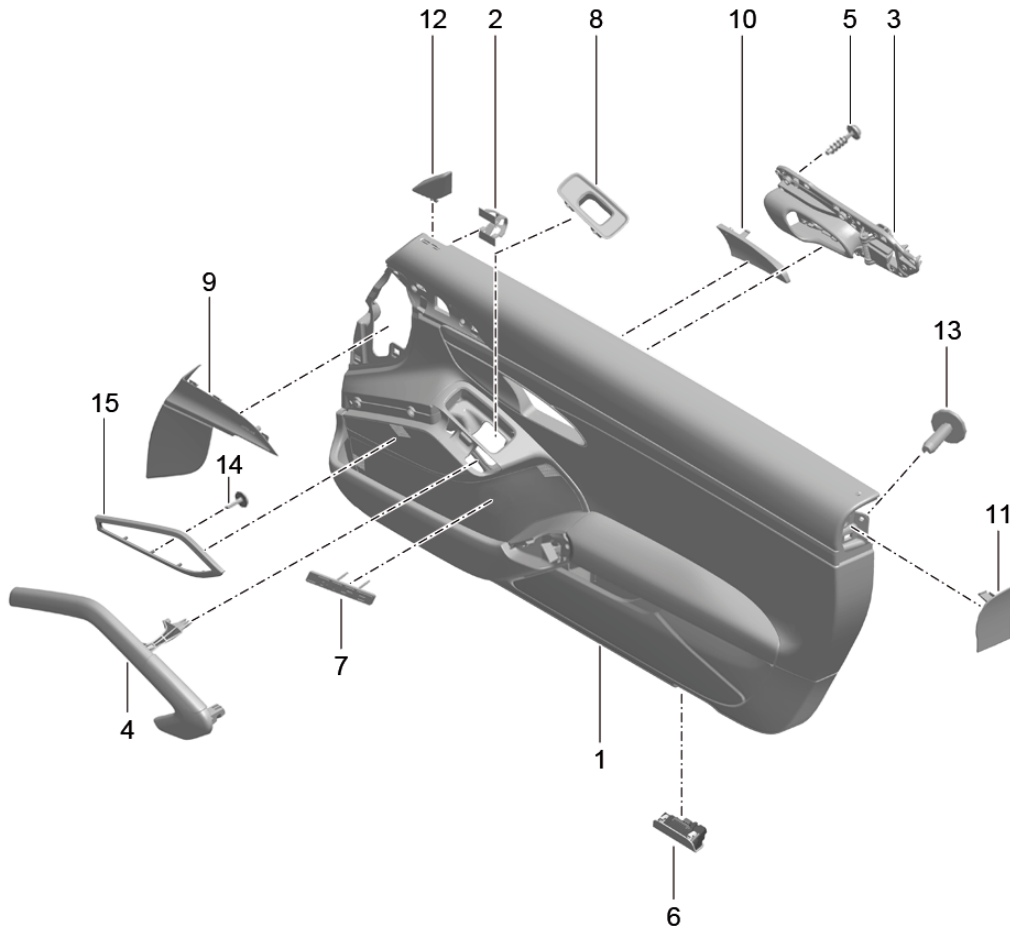
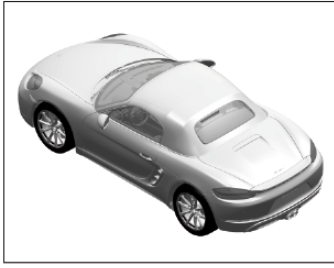
Pos	Part Number	Description	Remark	Qty	Model
(1)	991 555 204 14 DK4	slush technology Black	/LL /L	1	+AD,+AG,+AJ +FD,+FG,+FJ +UD,+UG,+UJ I009/098/537 I625/9VK
	991 555 204 14 OU4	Agate Grey			
	991 555 204 14 DM5	Luxor Beige			
	991 555 203 18	Door trim panel			
(1)	991 555 203 18 DK4	slush technology Black	/RL /R	1	+AD,+AG,+AJ +FD,+FG,+FJ +UD,+UG,+UJ I009/099/538 I625/9VK
	991 555 203 18 OU4	Agate Grey			
	991 555 203 18 DM5	Luxor Beige			
	991 555 204 18	Door trim panel			
(1)	991 555 204 18 DK4	slush technology Black	/LL /L	1	+AD,+AG,+AJ +FD,+FG,+FJ +UD,+UG,+UJ I009/098/537 I625/9VL
	991 555 204 18 OU4	Agate Grey			
	991 555 204 18 DM5	Luxor Beige			
	991 555 203 19	Door trim panel			
(1)	991 555 203 19 DK4	slush technology Black	/RL /R	1	+AD,+AG,+AJ +FD,+FG,+FJ +UD,+UG,+UJ I009/099/538 I625/9VL
	991 555 203 19 OU4	Agate Grey			
	991 555 203 19 DM5	Luxor Beige			
	991 555 204 19	Door trim panel			
(1)	991 555 204 19 DK4	slush technology Black	/LL /L	1	+AD,+AG,+AJ +FD,+FG,+FJ +UD,+UG,+UJ I009/098/537 I625/9VJ
	991 555 204 19 OU4	Agate Grey			
	991 555 204 19 DM5	Luxor Beige			
	991 555 203 20	Door trim panel			
(1)	991 555 203 20 DK4	slush technology Black	/RL /R	1	+AD,+AG,+AJ +FD,+FG,+FJ +UD,+UG,+UJ I009/099/538 I625/9VJ
	991 555 203 20 OU4	Agate Grey			
	991 555 203 20 DM5	Luxor Beige			
	991 555 204 20	Door trim panel			
2	991 555 204 20 DK4	slush technology Black		4	+AD,+AG,+AJ +FD,+FG,+FJ +UD,+UG,+UJ
	991 555 204 20 OU4	Agate Grey			
	991 555 204 20 DM5	Luxor Beige			
	999 507 533 02	Clamp 8,0 X 10,0 /2,5			
3	991 555 521 00	Door opener	/L	1	
(3)	991 555 521 00 V08	Galvano silver	/L	1	
	991 555 521 01	Door opener			
(3)	991 555 521 01 V08	Galvano silver	/R	1	
	991 555 522 00	Door opener			
(3)	991 555 522 00 V08	Galvano silver	/R	1	
	991 555 522 01	Door opener			
4	991 555 522 01 V08	Galvano silver	/L	1	
	981 555 533 00	Handle			
(4)	981 555 533 00 1E0	Black	/R	1	+AD,+AG,+AJ +FD,+FG,+FJ +UD,+UG,+UJ
	981 555 533 00 OP1	Agate Grey			
	981 555 533 00 4H0	Luxor Beige			
	981 555 534 00	Handle			
5	981 555 534 00 1E0	Black		9	+AD,+AG,+AJ +FD,+FG,+FJ +UD,+UG,+UJ
	981 555 534 00 OP1	Agate Grey			
	981 555 534 00 4H0	Luxor Beige			
6	999 919 262 01	Oval-head screw 4,0 X 16,0		2	
7	1K0 947 419 A	Reflector		2	
	7PP 945 699	Logo Bose		2	I9VL

Model: 982-17 Model life 2017>>

Pos	Part Number	Description	Remark	Qty	Model
8	991 555 723 02	Support frame Switch		1	
	991 555 723 02 1E0	Black			
9	991 555 721 02	Cover Front	/L	1	
	991 555 721 02 5Q0	Black			+AD, +AG, +AJ
	991 555 721 02 OA6	Agate Grey			+FD, +FG, +FJ
	991 555 721 02 6W0	Luxor Beige			+UD, +UG, +UJ
(9)	991 555 722 02	Cover Front	/R	1	
	991 555 722 02 5Q0	Black			+AD, +AG, +AJ
	991 555 722 02 OA6	Agate Grey			+FD, +FG, +FJ
	991 555 722 02 6W0	Luxor Beige			+UD, +UG, +UJ
10	7PP 837 247	Trim cover Door opener	/L	1	
	7PP 837 247 1E0	Black			
(10)	7PP 837 248	Trim cover Door opener	/R	1	
	7PP 837 248 1E0	Black			
11	991 555 683 01	Cover Airbag	/L	1	
	991 555 683 01 5Q0	Black			+AD, +AG, +AJ
	991 555 683 01 OA6	Agate Grey			+FD, +FG, +FJ
	991 555 683 01 6W0	Luxor Beige			+UD, +UG, +UJ
(11)	991 555 684 01	Cover Airbag	/R	1	
	991 555 684 01 5Q0	Black			+AD, +AG, +AJ
	991 555 684 01 OA6	Agate Grey			+FD, +FG, +FJ
	991 555 684 01 6W0	Luxor Beige			+UD, +UG, +UJ
12	991 555 741 00	Trim cover Door glass frame	/L	1	
	991 555 741 00 1E0	Black			
(12)	991 555 742 00	Trim cover Door glass frame	/R	1	
	991 555 742 00 1E0	Black			
13	999 073 322 02	Oval-head screw M 6 X 20		8	
14	999 919 203 07	Oval-head screw M 3 X 10		10	
15	991 555 581 00	Trim frame Loudspeaker grille	/L	1	I9VJ
	991 555 581 00 V08	Galvano silver			
(15)	991 555 582 00	Trim frame Loudspeaker grille	/R	1	I9VJ
	991 555 582 00 V08	Galvano silver			

Model: 982-17

Model life 2017>>



Model: 982-17 Model life 2017>>

Pos	Part Number	Description	Remark	Qty	Model
		Door trim panel			-I981/I811 I980
(1)	991 555 203 00	Accessories slush technology Leather package Door trim panel	/L	1	-I537/-I625 I9VK
		slush technology Leather package			
	991 555 203 00 DK4	Black			+AS
	991 555 203 00 OU4	Agate Grey			+FS
	991 555 203 00 DM5	Luxor Beige			+US
(1)	991 555 203 00	Door trim panel	/L	1	-I537/-I625 I9VK
		slush technology Leather package two-colour			
	991 555 203 00 GUL	Black/Bordeaux Red			+PM
	991 555 203 00 GUM	Black/Luxor Beige			+PT
	991 555 203 00 GUN	Black/Chalk			+PW
(1)	991 555 204 00	Door trim panel	/R	1	-I538/-I625 I9VK
		slush technology Leather package			
	991 555 204 00 DK4	Black			+AS
	991 555 204 00 OU4	Agate Grey			+FS
	991 555 204 00 DM5	Luxor Beige			+US
(1)	991 555 204 00	Door trim panel	/R	1	-I538/-I625 I9VK
		slush technology Leather package two-colour			
	991 555 204 00 GUL	Black/Bordeaux Red			+PM
	991 555 204 00 GUM	Black/Luxor Beige			+PT
	991 555 204 00 GUN	Black/Chalk			+PW
(1)	991 555 203 01	Door trim panel	/L	1	-I537/-I625 I9VL
		slush technology Leather package			
	991 555 203 01 DK4	Black			+AS
	991 555 203 01 OU4	Agate Grey			+FS
	991 555 203 01 DM5	Luxor Beige			+US
(1)	991 555 203 01	Door trim panel	/L	1	-I537/-I625 I9VL
		slush technology Leather package two-colour			
	991 555 203 01 GUL	Black/Bordeaux Red			+PM
	991 555 203 01 GUM	Black/Luxor Beige			+PT
	991 555 203 01 GUN	Black/Chalk			+PW
(1)	991 555 204 01	Door trim panel	/R	1	-I538/-I625 I9VL
		slush technology Leather package			
	991 555 204 01 DK4	Black			+AS
	991 555 204 01 OU4	Agate Grey			+FS
	991 555 204 01 DM5	Luxor Beige			+US
(1)	991 555 204 01	Door trim panel	/R	1	-I538/-I625 I9VL
		slush technology Leather package two-colour			
	991 555 204 01 GUL	Black/Bordeaux Red			+PM

Model: 982-17 Model life 2017>>

Pos	Part Number	Description	Remark	Qty	Model
(1)	991 555 204 01 GUM	Black/Luxor Beige		1	+PT
	991 555 204 01 GUN	Black/Chalk			+PW
	991 555 203 02	Door trim panel	/L		-I537/-I625
		slush technology Leather package			I9VJ
(1)	991 555 203 02 DK4	Black		1	+AS
	991 555 203 02 OU4	Agate Grey			+FS
	991 555 203 02 DM5	Luxor Beige			+US
	991 555 203 02	Door trim panel	/L		-I537/-I625
(1)		slush technology Leather package two-colour		1	I9VJ
	991 555 203 02 GUL	Black/Bordeaux Red			+PM
	991 555 203 02 GUM	Black/Luxor Beige			+PT
	991 555 203 02 GUN	Black/Chalk			+PW
(1)	991 555 204 02	Door trim panel	/R	1	-I538/-I625
		slush technology Leather package			I9VJ
	991 555 204 02 DK4	Black			+AS
	991 555 204 02 OU4	Agate Grey			+FS
(1)	991 555 204 02 DM5	Luxor Beige		1	+US
	991 555 204 02	Door trim panel	/R		-I538/-I625
		slush technology Leather package two-colour			I9VJ
	991 555 204 02 GUL	Black/Bordeaux Red			+PM
(1)	991 555 204 02 GUM	Black/Luxor Beige		1	+PT
	991 555 204 02 GUN	Black/Chalk			+PW
	991 555 203 06	Door trim panel	/LL /L		-I625/I098
		slush technology Leather package			I537/9VK
(1)	991 555 203 06 DK4	Black		1	+AS
	991 555 203 06 OU4	Agate Grey			+FS
	991 555 203 06 DM5	Luxor Beige			+US
	991 555 203 06	Door trim panel	/LL /L		-I625/I098
(1)		slush technology Leather package two-colour		1	I537/9VK
	991 555 203 06 GUL	Black/Bordeaux Red			+PM
	991 555 203 06 GUM	Black/Luxor Beige			+PT
	991 555 203 06 GUN	Black/Chalk			+PW
(1)	991 555 204 06	Door trim panel	/RL /R	1	-I625/I099
		slush technology Leather package			I538/9VK
	991 555 204 06 DK4	Black			+AS
	991 555 204 06 OU4	Agate Grey			+FS
(1)	991 555 204 06 DM5	Luxor Beige		1	+US
	991 555 204 06	Door trim panel	/RL /R		-I625/I099
		slush technology Leather package two-colour			I538/9VK
	991 555 204 06 GUL	Black/Bordeaux Red			+PM
(1)	991 555 204 06 GUM	Black/Luxor Beige		1	+PT
	991 555 204 06 GUN	Black/Chalk			+PW
	991 555 203 07	Door trim panel	/LL /L		-I625/I098
		slush technology Leather package			

Model: 982-17

Model life 2017>>

Pos	Part Number	Description	Remark	Qty	Model
		slush technology Leather package			I537/9VL
	991 555 203 07 DK4	Black			+AS
	991 555 203 07 OU4	Agate Grey			+FS
	991 555 203 07 DM5	Luxor Beige			+US
(1)	991 555 203 07	Door trim panel	/LL /L	1	-I625/I098 I537/9VL
		slush technology Leather package two-colour			
	991 555 203 07 GUL	Black/Bordeaux Red			+PM
	991 555 203 07 GUM	Black/Luxor Beige			+PT
	991 555 203 07 GUN	Black/Chalk			+PW
(1)	991 555 204 07	Door trim panel	/RL /R	1	-I625/I099 I538/9VL
		slush technology Leather package			
	991 555 204 07 DK4	Black			+AS
	991 555 204 07 OU4	Agate Grey			+FS
	991 555 204 07 DM5	Luxor Beige			+US
(1)	991 555 204 07	Door trim panel	/RL /R	1	-I625/I099 I538/9VL
		slush technology Leather package two-colour			
	991 555 204 07 GUL	Black/Bordeaux Red			+PM
	991 555 204 07 GUM	Black/Luxor Beige			+PT
	991 555 204 07 GUN	Black/Chalk			+PW
(1)	991 555 203 08	Door trim panel	/LL /L	1	-I625/I098 I537/9VJ
		slush technology Leather package			
	991 555 203 08 DK4	Black			+AS
	991 555 203 08 OU4	Agate Grey			+FS
	991 555 203 08 DM5	Luxor Beige			+US
(1)	991 555 203 08	Door trim panel	/LL /L	1	-I625/I098 I537/9VJ
		slush technology Leather package two-colour			
	991 555 203 08 GUL	Black/Bordeaux Red			+PM
	991 555 203 08 GUM	Black/Luxor Beige			+PT
	991 555 203 08 GUN	Black/Chalk			+PW
(1)	991 555 204 08	Door trim panel	/RL /R	1	-I625/I099 I538/9VJ
		slush technology Leather package			
	991 555 204 08 DK4	Black			+AS
	991 555 204 08 OU4	Agate Grey			+FS
	991 555 204 08 DM5	Luxor Beige			+US
(1)	991 555 204 08	Door trim panel	/RL /R	1	-I625/I099 I538/9VJ
		slush technology Leather package two-colour			
	991 555 204 08 GUL	Black/Bordeaux Red			+PM
	991 555 204 08 GUM	Black/Luxor Beige			+PT
	991 555 204 08 GUN	Black/Chalk			+PW
(1)	991 555 203 12	Door trim panel	/L	1	-I537/I625 I9VK
		slush technology Leather package			

Model: 982-17

Model life 2017>>

Pos	Part Number	Description	Remark	Qty	Model
(1)	991 555 203 12 DK4	Black	/L	1	+AS
	991 555 203 12 OU4	Agate Grey			+FS
	991 555 203 12 DM5	Luxor Beige			+US
	991 555 203 12	Door trim panel			-I537/I625 I9VK
(1)		slush technology	/R	1	+PM
		Leather package			+PT
		two-colour			+PW
	991 555 203 12 GUL	Black/Bordeaux Red			-I538/I625 I9VK
(1)	991 555 203 12 GUM	Black/Luxor Beige	/R	1	+AS
	991 555 203 12 GUN	Black/Chalk			+FS
	991 555 204 12	Door trim panel			+US
		slush technology			-I538/I625 I9VK
(1)		Leather package	/R	1	+AS
		two-colour			+FS
	991 555 204 12 DK4	Black			+US
	991 555 204 12 OU4	Agate Grey			-I538/I625 I9VK
(1)	991 555 204 12 DM5	Luxor Beige	/R	1	+AS
	991 555 204 12	Door trim panel			+FS
		slush technology			+US
		Leather package			-I537/I625 I9VL
(1)		two-colour	/L	1	+PM
	991 555 204 12 GUL	Black/Bordeaux Red			+PT
	991 555 204 12 GUM	Black/Luxor Beige			+PW
	991 555 204 12 GUN	Black/Chalk			-I537/I625 I9VL
(1)	991 555 203 13	Door trim panel	/L	1	+AS
		slush technology			+FS
		Leather package			+US
		two-colour			-I537/I625 I9VL
(1)	991 555 203 13 DK4	Black	/L	1	+AS
	991 555 203 13 OU4	Agate Grey			+FS
	991 555 203 13 DM5	Luxor Beige			+US
	991 555 203 13	Door trim panel			-I537/I625 I9VL
(1)		slush technology	/R	1	+PM
		Leather package			+PT
		two-colour			+PW
	991 555 203 13 GUL	Black/Bordeaux Red			-I538/I625 I9VL
(1)	991 555 203 13 GUM	Black/Luxor Beige	/R	1	+AS
	991 555 203 13 GUN	Black/Chalk			+FS
	991 555 204 13	Door trim panel			+US
		slush technology			-I538/I625 I9VL
(1)		Leather package	/R	1	+AS
		two-colour			+FS
	991 555 204 13 DK4	Black			+US
	991 555 204 13 OU4	Agate Grey			-I538/I625 I9VL
(1)	991 555 204 13 DM5	Luxor Beige	/R	1	+AS
	991 555 204 13	Door trim panel			+FS
		slush technology			+US
		Leather package			-I537/I625 I9VL
(1)		two-colour	/L	1	+PM
	991 555 204 13 GUL	Black/Bordeaux Red			+PT
	991 555 204 13 GUM	Black/Luxor Beige			+PW
	991 555 204 13 GUN	Black/Chalk			-I537/I625 I9VJ
(1)	991 555 203 14	Door trim panel	/L	1	+AS
		slush technology			+FS
		Leather package			+US
		two-colour			-I537/I625 I9VJ
(1)	991 555 204 13 DK4	Black	/L	1	+AS
	991 555 204 13 OU4	Agate Grey			+FS
	991 555 204 13 DM5	Luxor Beige			+US
	991 555 203 14	Door trim panel			-I537/I625 I9VJ
(1)		slush technology	/L	1	+AS
		Leather package			+FS
		two-colour			+US
	991 555 203 14 DK4	Black			-I537/I625 I9VJ
(1)	991 555 203 14 OU4	Agate Grey	/L	1	+AS
	991 555 203 14 DM5	Luxor Beige			+FS
		slush technology			+US
		Leather package			-I537/I625 I9VJ

Model: 982-17

Model life 2017>>

Pos	Part Number	Description	Remark	Qty	Model
(1)	991 555 203 14	Door trim panel slush technology Leather package two-colour	/L	1	-I537/I625 I9VJ
	991 555 203 14 GUL	Black/Bordeaux Red			+PM
	991 555 203 14 GUM	Black/Luxor Beige			+PT
	991 555 203 14 GUN	Black/Chalk			+PW
(1)	991 555 204 14	Door trim panel slush technology Leather package	/R	1	-I538/I625 I9VJ
	991 555 204 14 DK4	Black			+AS
	991 555 204 14 OU4	Agate Grey			+FS
	991 555 204 14 DM5	Luxor Beige			+US
(1)	991 555 204 14	Door trim panel slush technology Leather package two-colour	/R	1	-I538/I625 I9VJ
	991 555 204 14 GUL	Black/Bordeaux Red			+PM
	991 555 204 14 GUM	Black/Luxor Beige			+PT
	991 555 204 14 GUN	Black/Chalk			+PW
(1)	991 555 203 18	Door trim panel slush technology Leather package	/LL /L	1	I098/537/625 I9VK
	991 555 203 18 DK4	Black			+AS
	991 555 203 18 OU4	Agate Grey			+FS
	991 555 203 18 DM5	Luxor Beige			+US
(1)	991 555 203 18	Door trim panel slush technology Leather package two-colour	/LL /L	1	I098/537/625 I9VK
	991 555 203 18 GUL	Black/Bordeaux Red			+PM
	991 555 203 18 GUM	Black/Luxor Beige			+PT
	991 555 203 18 GUN	Black/Chalk			+PW
(1)	991 555 204 18	Door trim panel slush technology Leather package	/RL /R	1	I099/538/625 I9VK
	991 555 204 18 DK4	Black			+AS
	991 555 204 18 OU4	Agate Grey			+FS
	991 555 204 18 DM5	Luxor Beige			+US
(1)	991 555 204 18	Door trim panel slush technology Leather package two-colour	/RL /R	1	I099/538/625 I9VK
	991 555 204 18 GUL	Black/Bordeaux Red			+PM
	991 555 204 18 GUM	Black/Luxor Beige			+PT
	991 555 204 18 GUN	Black/Chalk			+PW
(1)	991 555 203 19	Door trim panel slush technology Leather package	/LL /L	1	I098/537/625 I9VL
	991 555 203 19 DK4	Black			+AS
	991 555 203 19 OU4	Agate Grey			+FS
	991 555 203 19 DM5	Luxor Beige			+US
(1)	991 555 203 19	Door trim panel slush technology	/LL /L	1	I098/537/625 I9VL

Model: 982-17

Model life 2017>>

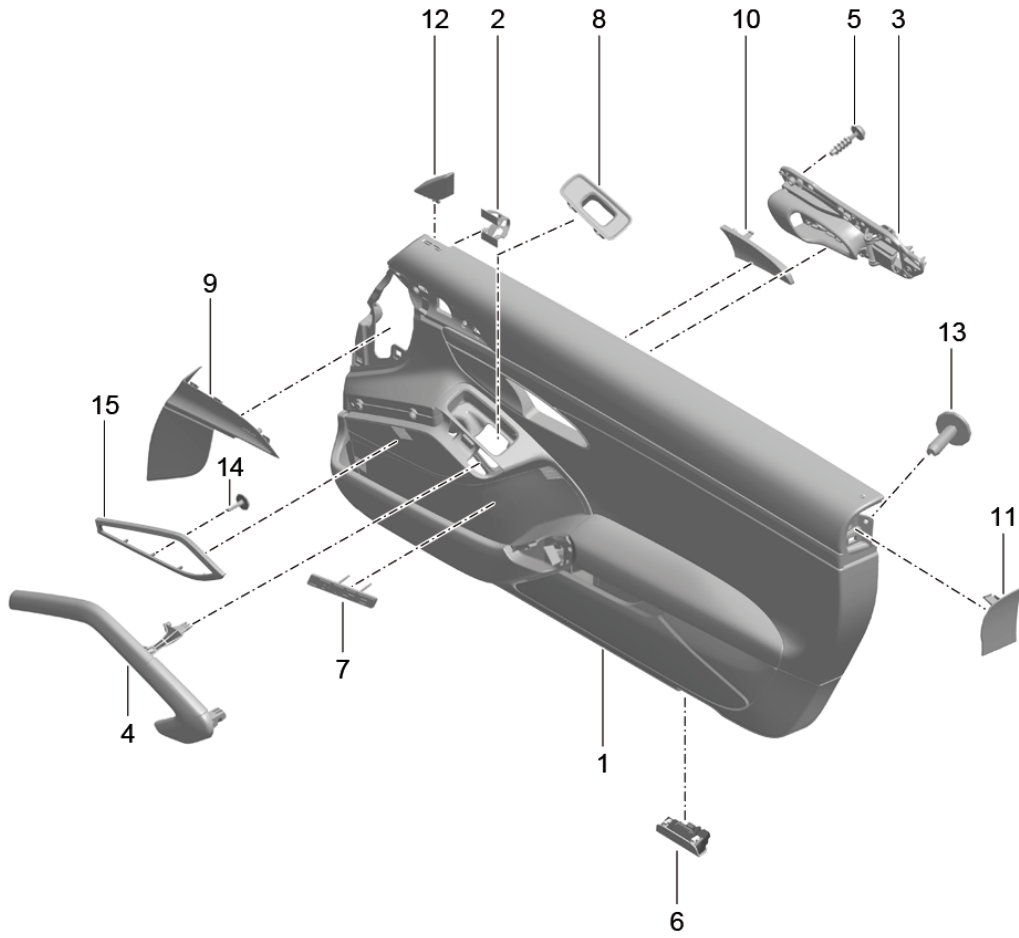
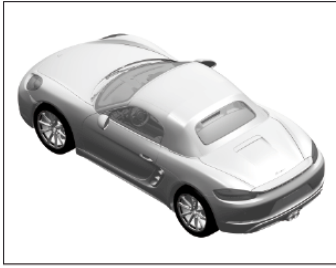
Pos	Part Number	Description	Remark	Qty	Model
(1)	991 555 203 19 GUL	Leather package two-colour Black/Bordeaux Red			+PM
	991 555 203 19 GUM	Black/Luxor Beige			+PT
	991 555 203 19 GUN	Black/Chalk			+PW
	991 555 204 19	Door trim panel	/RL /R	1	I099/538/625 I9VL
(1)	991 555 204 19 DK4	slush technology Leather package Black			+AS
	991 555 204 19 OU4	Agate Grey			+FS
	991 555 204 19 DM5	Luxor Beige			+US
	991 555 204 19	Door trim panel	/RL /R	1	I099/538/625 I9VL
(1)	991 555 204 19 GUL	slush technology Leather package two-colour Black/Bordeaux Red			+PM
	991 555 204 19 GUM	Black/Luxor Beige			+PT
	991 555 204 19 GUN	Black/Chalk			+PW
	991 555 203 20	Door trim panel	/LL /L	1	I098/537/625 I9VJ
(1)	991 555 203 20 DK4	slush technology Leather package Black			+AS
	991 555 203 20 OU4	Agate Grey			+FS
	991 555 203 20 DM5	Luxor Beige			+US
	991 555 203 20	Door trim panel	/LL /L	1	I098/537/625 I9VJ
(1)	991 555 203 20 GUL	slush technology Leather package two-colour Black/Bordeaux Red			+PM
	991 555 203 20 GUM	Black/Luxor Beige			+PT
	991 555 203 20 GUN	Black/Chalk			+PW
	991 555 204 20	Door trim panel	/RL /R	1	I099/538/625 I9VJ
(1)	991 555 204 20 DK4	slush technology Leather package Black			+AS
	991 555 204 20 OU4	Agate Grey			+FS
	991 555 204 20 DM5	Luxor Beige			+US
	991 555 204 20	Door trim panel	/RL /R	1	I099/538/625 I9VJ
2	991 555 204 20 GUL	slush technology Leather package two-colour Black/Bordeaux Red			+PM
	991 555 204 20 GUM	Black/Luxor Beige			+PT
	991 555 204 20 GUN	Black/Chalk			+PW
	999 507 533 02	Clamp 8,0 X 10,0 /2,5		4	
3	991 555 521 02	Door opener	/L	1	
(3)	991 555 521 02 V08	Galvano silver			
	991 555 522 02	Door opener	/R	1	
4	991 555 522 02 V08	Galvano silver			
	991 555 533 00	Handle Leather	/L	1	
	991 555 533 00 A11	Black			+AS
	991 555 533 00 OA1	Agate Grey			+FS
	991 555 533 00 7J0	Luxor Beige			+US, +PT
	991 555 533 00 OG6	Bordeaux Red			+PM
	991 555 533 00 OL8	Chalk			+PW

Model: 982-17 Model life 2017>>

Pos	Part Number	Description	Remark	Qty	Model
(4)	991 555 534 00	Handle Leather	/R	1	
	991 555 534 00 A11	Black			+AS
	991 555 534 00 OA1	Agate Grey			+FS
	991 555 534 00 7J0	Luxor Beige			+US, +PT
	991 555 534 00 OG6	Bordeaux Red			+PM
	991 555 534 00 OL8	Chalk			+PW
5	999 919 262 01	Oval-head screw 4,0 X 16,0		9	
6	1K0 947 419 A	Reflector		2	
7	7PP 945 699	Logo Bose		2	I9VL
8	991 555 723 02	Support frame Switch		1	
	991 555 723 02 1E0	Black			
9	991 555 721 02	Cover Front	/L	1	
	991 555 721 02 5Q0	Black			+AS, +PM, +PT
	991 555 721 02 OA6	Agate Grey			+PW
	991 555 721 02 6W0	Luxor Beige			+FS
(9)	991 555 722 02	Cover Front	/R	1	+US
	991 555 722 02 5Q0	Black			+AS, +PM, +PT
	991 555 722 02 OA6	Agate Grey			+PW
	991 555 722 02 6W0	Luxor Beige			+FS
10	7PP 837 247	Trim cover Door opener	/L	1	+US
	7PP 837 247 1E0	Black			
(10)	7PP 837 248	Trim cover Door opener	/R	1	
	7PP 837 248 1E0	Black			
11	991 555 683 01	Cover Airbag	/L	1	
	991 555 683 01 5Q0	Black			+AS, +PM, +PT
	991 555 683 01 OA6	Agate Grey			+PW
	991 555 683 01 6W0	Luxor Beige			+FS
(11)	991 555 684 01	Cover Airbag	/R	1	+US
	991 555 684 01 5Q0	Black			+AS, +PM, +PT
	991 555 684 01 OA6	Agate Grey			+PW
	991 555 684 01 6W0	Luxor Beige			+FS
12	991 555 741 00	Trim cover Door glass frame	/L	1	+US
	991 555 741 00 1E0	Black			
(12)	991 555 742 00	Trim cover Door glass frame	/R	1	
	991 555 742 00 1E0	Black			
13	999 073 322 02	Oval-head screw M 6 X 20		8	
14	999 919 203 07	Oval-head screw M 3 X 10		10	
15	991 555 581 00	Trim frame Loudspeaker grille	/L	1	I9VJ
	991 555 581 00 V08	Galvano silver			
(15)	991 555 582 00	Trim frame Loudspeaker grille	/R	1	I9VJ
	991 555 582 00 V08	Galvano silver			

Model: 982-17

Model life 2017>>



Model: 982-17 Model life 2017>>

Pos	Part Number	Description	Remark	Qty	Model
		Door trim panel			I812/981
		Accessories			
		Leather			
(1)	991 555 203 03	Door trim panel	/L	1	-I537/-I625 I9VK
		Leather			
	991 555 203 03 A11	Black			+AZ
	991 555 203 03 OA1	Agate Grey			+FZ
	991 555 203 03 OK6	Saddle Tan			+SZ
	991 555 203 03 7J0	Luxor Beige			+UZ
	991 555 203 03 OG6	Bordeaux Red			+LZ
	991 555 203 03 OH7	Graphite Blue			+HZ
	991 555 203 03 6J0	Espresso			+NE
	991 555 203 03 JHB	Black/Dark Silver			+TD
(1)	991 555 203 03	Door trim panel	/L	1	-I537/-I625 I9VK
		Leather			
		two-colour			
	991 555 203 03 GUG	Black/Bordeaux Red			+BM
	991 555 203 03 DTO	Black/Luxor Beige			+BT
	991 555 203 03 GUH	Black/Chalk			+BW
	991 555 203 03 GRG	Espresso/Cognac			+BY
	991 555 203 03 GTG	Graphite Blue/Chalk			+TG
(1)	991 555 204 03	Door trim panel	/R	1	-I538/-I625 I9VK
		Leather			
	991 555 204 03 A11	Black			+AZ
	991 555 204 03 OA1	Agate Grey			+FZ
	991 555 204 03 OK6	Saddle Tan			+SZ
	991 555 204 03 7J0	Luxor Beige			+UZ
	991 555 204 03 OG6	Bordeaux Red			+LZ
	991 555 204 03 OH7	Graphite Blue			+HZ
	991 555 204 03 6J0	Espresso			+NE
	991 555 204 03 JHB	Black/Dark Silver			+TD
(1)	991 555 204 03	Door trim panel	/R	1	-I538/-I625 I9VK
		Leather			
		two-colour			
	991 555 204 03 GUG	Black/Bordeaux Red			+BM
	991 555 204 03 DTO	Black/Luxor Beige			+BT
	991 555 204 03 GUH	Black/Chalk			+BW
	991 555 204 03 GRG	Espresso/Cognac			+BY
	991 555 204 03 GTG	Graphite Blue/Chalk			+TG
(1)	991 555 203 04	Door trim panel	/L	1	-I537/-I625 I9VL
		Leather			
	991 555 203 04 A11	Black			+AZ
	991 555 203 04 OA1	Agate Grey			+FZ
	991 555 203 04 OK6	Saddle Tan			+SZ
	991 555 203 04 7J0	Luxor Beige			+UZ
	991 555 203 04 OG6	Bordeaux Red			+LZ
	991 555 203 04 OH7	Graphite Blue			+HZ
	991 555 203 04 6J0	Espresso			+NE
	991 555 203 04 JHB	Black/Dark Silver			+TD
(1)	991 555 203 04	Door trim panel	/L	1	-I537/-I625 I9VL
		Leather			
		two-colour			
	991 555 203 04 GUG	Black/Bordeaux Red			+BM
	991 555 203 04 DTO	Black/Luxor Beige			+BT
	991 555 203 04 GUH	Black/Chalk			+BW
	991 555 203 04 GRG	Espresso/Cognac			+BY
	991 555 203 04 GTG	Graphite Blue/Chalk			+TG

Model: 982-17 Model life 2017>>

Pos	Part Number	Description	Remark	Qty	Model
(1)	991 555 204 04	Door trim panel	/R	1	-I538/-I625 I9VL
		Leather			
	991 555 204 04 A11	Black			+AZ
	991 555 204 04 OA1	Agate Grey			+FZ
	991 555 204 04 OK6	Saddle Tan			+SZ
	991 555 204 04 7J0	Luxor Beige			+UZ
	991 555 204 04 OG6	Bordeaux Red			+LZ
	991 555 204 04 OH7	Graphite Blue			+HZ
	991 555 204 04 6J0	Espresso			+NE
	991 555 204 04 JHB	Black/Dark Silver			+TD
(1)	991 555 204 04	Door trim panel	/R	1	-I538/-I625 I9VL
		Leather			
		two-colour			
	991 555 204 04 GUG	Black/Bordeaux Red			+BM
	991 555 204 04 DTO	Black/Luxor Beige			+BT
	991 555 204 04 GUH	Black/Chalk			+BW
	991 555 204 04 GRG	Espresso/Cognac			+BY
	991 555 204 04 GTG	Graphite Blue/Chalk			+TG
(1)	991 555 203 05	Door trim panel	/L	1	-I537/-I625 I9VJ
		Leather			
	991 555 203 05 A11	Black			+AZ
	991 555 203 05 OA1	Agate Grey			+FZ
	991 555 203 05 OK6	Saddle Tan			+SZ
	991 555 203 05 7J0	Luxor Beige			+UZ
	991 555 203 05 OG6	Bordeaux Red			+LZ
	991 555 203 05 OH7	Graphite Blue			+HZ
	991 555 203 05 6J0	Espresso			+NE
	991 555 203 05 JHB	Black/Dark Silver			+TD
(1)	991 555 203 05	Door trim panel	/L	1	-I537/-I625 I9VJ
		Leather			
		two-colour			
	991 555 203 05 GUG	Black/Bordeaux Red			+BM
	991 555 203 05 DTO	Black/Luxor Beige			+BT
	991 555 203 05 GUH	Black/Chalk			+BW
	991 555 203 05 GRG	Espresso/Cognac			+BY
	991 555 203 05 GTG	Graphite Blue/Chalk			+TG
(1)	991 555 204 05	Door trim panel	/R	1	-I538/-I625 I9VJ
		Leather			
	991 555 204 05 A11	Black			+AZ
	991 555 204 05 OA1	Agate Grey			+FZ
	991 555 204 05 OK6	Saddle Tan			+SZ
	991 555 204 05 7J0	Luxor Beige			+UZ
	991 555 204 05 OG6	Bordeaux Red			+LZ
	991 555 204 05 OH7	Graphite Blue			+HZ
	991 555 204 05 6J0	Espresso			+NE
	991 555 204 05 JHB	Black/Dark Silver			+TD
(1)	991 555 204 05	Door trim panel	/R	1	-I538/-I625 I9VJ
		Leather			
		two-colour			
	991 555 204 05 GUG	Black/Bordeaux Red			+BM
	991 555 204 05 DTO	Black/Luxor Beige			+BT
	991 555 204 05 GUH	Black/Chalk			+BW
	991 555 204 05 GRG	Espresso/Cognac			+BY
	991 555 204 05 GTG	Graphite Blue/Chalk			+TG
(1)	991 555 203 09	Door trim panel	/LL /L	1	-I625/I098 I537/9VK
		Leather			

Model: 982-17 Model life 2017>>

Pos	Part Number	Description	Remark	Qty	Model
	991 555 203 09 A11	Black			+AZ
	991 555 203 09 OA1	Agate Grey			+FZ
	991 555 203 09 OK6	Saddle Tan			+SZ
	991 555 203 09 7J0	Luxor Beige			+UZ
	991 555 203 09 OG6	Bordeaux Red			+LZ
	991 555 203 09 OH7	Graphite Blue			+HZ
	991 555 203 09 6J0	Espresso			+NE
	991 555 203 09 JHB	Black/Dark Silver			+TD
(1)	991 555 203 09	Door trim panel	/LL /L	1	-I625/I098 I537/9VK
		Leather two-colour			
	991 555 203 09 GUG	Black/Bordeaux Red			+BM
	991 555 203 09 DTO	Black/Luxor Beige			+BT
	991 555 203 09 GUH	Black/Chalk			+BW
	991 555 203 09 GRG	Espresso/Cognac			+BY
	991 555 203 09 GTG	Graphite Blue/Chalk			+TG
(1)	991 555 204 09	Door trim panel	/RL /R	1	-I625/I099 I538/9VK
		Leather			
	991 555 204 09 A11	Black			+AZ
	991 555 204 09 OA1	Agate Grey			+FZ
	991 555 204 09 OK6	Saddle Tan			+SZ
	991 555 204 09 7J0	Luxor Beige			+UZ
	991 555 204 09 OG6	Bordeaux Red			+LZ
	991 555 204 09 OH7	Graphite Blue			+HZ
	991 555 204 09 6J0	Espresso			+NE
	991 555 204 09 JHB	Black/Dark Silver			+TD
(1)	991 555 204 09	Door trim panel	/RL /R	1	-I625/I099 I538/9VK
		Leather two-colour			
	991 555 204 09 GUG	Black/Bordeaux Red			+BM
	991 555 204 09 DTO	Black/Luxor Beige			+BT
	991 555 204 09 GUH	Black/Chalk			+BW
	991 555 204 09 GRG	Espresso/Cognac			+BY
	991 555 204 09 GTG	Graphite Blue/Chalk			+TG
(1)	991 555 203 10	Door trim panel	/LL /L	1	-I625/I098 I537/9VL
		Leather			
	991 555 203 10 A11	Black			+AZ
	991 555 203 10 OA1	Agate Grey			+FZ
	991 555 203 10 OK6	Saddle Tan			+SZ
	991 555 203 10 7J0	Luxor Beige			+UZ
	991 555 203 10 OG6	Bordeaux Red			+LZ
	991 555 203 10 OH7	Graphite Blue			+HZ
	991 555 203 10 6J0	Espresso			+NE
	991 555 203 10 JHB	Black/Dark Silver			+TD
(1)	991 555 203 10	Door trim panel	/LL /L	1	-I625/I098 I537/9VL
		Leather two-colour			
	991 555 203 10 GUG	Black/Bordeaux Red			+BM
	991 555 203 10 DTO	Black/Luxor Beige			+BT
	991 555 203 10 GUH	Black/Chalk			+BW
	991 555 203 10 GRG	Espresso/Cognac			+BY
	991 555 203 10 GTG	Graphite Blue/Chalk			+TG
(1)	991 555 204 10	Door trim panel	/RL /R	1	-I625/I099 I538/9VL
		Leather			
	991 555 204 10 A11	Black			+AZ
	991 555 204 10 OA1	Agate Grey			+FZ
	991 555 204 10 OK6	Saddle Tan			+SZ

Model: 982-17 Model life 2017>>

Pos	Part Number	Description	Remark	Qty	Model
(1)	991 555 204 10 7J0	Luxor Beige			+UZ
	991 555 204 10 OG6	Bordeaux Red			+LZ
	991 555 204 10 OH7	Graphite Blue			+HZ
	991 555 204 10 6J0	Espresso			+NE
	991 555 204 10 JHB	Black/Dark Silver			+TD
	991 555 204 10	Door trim panel	/RL /R	1	-I625/I099 I538/9VL
		Leather two-colour			
	991 555 204 10 GUG	Black/Bordeaux Red			+BM
	991 555 204 10 DTO	Black/Luxor Beige			+BT
	991 555 204 10 GUH	Black/Chalk			+BW
(1)	991 555 204 10 GRG	Espresso/Cognac			+BY
	991 555 204 10 GTG	Graphite Blue/Chalk			+TG
	991 555 203 11	Door trim panel	/LL /L	1	-I625/I098 I537/9VJ
		Leather			
	991 555 203 11 A11	Black			+AZ
	991 555 203 11 OA1	Agate Grey			+FZ
	991 555 203 11 OK6	Saddle Tan			+SZ
	991 555 203 11 7J0	Luxor Beige			+UZ
	991 555 203 11 OG6	Bordeaux Red			+LZ
	991 555 203 11 OH7	Graphite Blue			+HZ
(1)	991 555 203 11 6J0	Espresso			+NE
	991 555 203 11 JHB	Black/Dark Silver			+TD
	991 555 203 11	Door trim panel	/LL /L	1	-I625/I098 I537/9VJ
		Leather two-colour			
	991 555 203 11 GUG	Black/Bordeaux Red			+BM
	991 555 203 11 DTO	Black/Luxor Beige			+BT
	991 555 203 11 GUH	Black/Chalk			+BW
	991 555 203 11 GRG	Espresso/Cognac			+BY
	991 555 203 11 GTG	Graphite Blue/Chalk			+TG
	991 555 204 11	Door trim panel	/RL /R	1	-I625/I099 I538/9VJ
(1)		Leather			
	991 555 204 11 A11	Black			+AZ
	991 555 204 11 OA1	Agate Grey			+FZ
	991 555 204 11 OK6	Saddle Tan			+SZ
	991 555 204 11 7J0	Luxor Beige			+UZ
	991 555 204 11 OG6	Bordeaux Red			+LZ
	991 555 204 11 OH7	Graphite Blue			+HZ
	991 555 204 11 6J0	Espresso			+NE
	991 555 204 11 JHB	Black/Dark Silver			+TD
	991 555 204 11	Door trim panel	/RL /R	1	-I625/I099 I538/9VJ
(1)		Leather two-colour			
	991 555 204 11 GUG	Black/Bordeaux Red			+BM
	991 555 204 11 DTO	Black/Luxor Beige			+BT
	991 555 204 11 GUH	Black/Chalk			+BW
	991 555 204 11 GRG	Espresso/Cognac			+BY
	991 555 204 11 GTG	Graphite Blue/Chalk			+TG
	991 555 203 15	Door trim panel	/L	1	-I537/I625 I9VK
		Leather			
	991 555 203 15 A11	Black			+AZ
	991 555 203 15 OA1	Agate Grey			+FZ
991 555 203 15 OK6	Saddle Tan			+SZ	
991 555 203 15 7J0	Luxor Beige			+UZ	
991 555 203 15 OG6	Bordeaux Red			+LZ	
991 555 203 15 OH7	Graphite Blue			+HZ	

Model: 982-17 Model life 2017>>

Pos	Part Number	Description	Remark	Qty	Model		
(1)	991 555 203 15 6J0	Espresso	/L	1	+NE		
	991 555 203 15 JHB	Black/Dark Silver			+TD		
	991 555 203 15	Door trim panel			-I537/I625		
		Leather			I9VK		
	991 555 203 15 GUG	Black/Bordeaux Red			+BM		
	991 555 203 15 DTO	Black/Luxor Beige			+BT		
	991 555 203 15 GUH	Black/Chalk			+BW		
	991 555 203 15 GRG	Espresso/Cognac			+BY		
	991 555 203 15 GTG	Graphite Blue/Chalk			+TG		
	991 555 204 15	Door trim panel			-I538/I625		
(1)	991 555 204 15	Door trim panel	/R	1	I9VK		
		Leather			+AZ		
	991 555 204 15 A11	Black			+FZ		
	991 555 204 15 OA1	Agate Grey			+SZ		
	991 555 204 15 OK6	Saddle Tan			+UZ		
	991 555 204 15 7J0	Luxor Beige			+LZ		
	991 555 204 15 OG6	Bordeaux Red			+HZ		
	991 555 204 15 OH7	Graphite Blue			+NE		
	991 555 204 15 6J0	Espresso			+TD		
	991 555 204 15 JHB	Black/Dark Silver			-I538/I625		
(1)	991 555 204 15	Door trim panel	/R	1	I9VK		
		Leather			+BM		
	991 555 204 15 GUG	Black/Bordeaux Red			+BT		
	991 555 204 15 DTO	Black/Luxor Beige			+BW		
	991 555 204 15 GUH	Black/Chalk			+BY		
	991 555 204 15 GRG	Espresso/Cognac			+TG		
	991 555 204 15 GTG	Graphite Blue/Chalk			-I537/I625		
	991 555 203 16	Door trim panel	/L	1	I9VL		
		Leather			+AZ		
	991 555 203 16 A11	Black			+FZ		
(1)	991 555 203 16 OA1	Agate Grey	/L	1	+SZ		
	991 555 203 16 OK6	Saddle Tan			+UZ		
	991 555 203 16 7J0	Luxor Beige			+LZ		
	991 555 203 16 OG6	Bordeaux Red			+HZ		
	991 555 203 16 OH7	Graphite Blue			+NE		
	991 555 203 16 6J0	Espresso			+TD		
	991 555 203 16 JHB	Black/Dark Silver			-I537/I625		
	991 555 203 16	Door trim panel			I9VL		
		Leather					+BM
	991 555 203 16 GUG	Black/Bordeaux Red					+BT
(1)	991 555 203 16 DTO	Black/Luxor Beige	/R	1	+BW		
	991 555 203 16 GUH	Black/Chalk			+BY		
	991 555 203 16 GRG	Espresso/Cognac			+TG		
	991 555 203 16 GTG	Graphite Blue/Chalk			-I538/I625		
	991 555 204 16	Door trim panel			I9VL		
		Leather					+AZ
	991 555 204 16 A11	Black					+FZ
	991 555 204 16 OA1	Agate Grey					+SZ
	991 555 204 16 OK6	Saddle Tan					+UZ
	991 555 204 16 7J0	Luxor Beige					+LZ
(1)	991 555 204 16 OG6	Bordeaux Red	/R	1	+HZ		
	991 555 204 16 OH7	Graphite Blue			+NE		
	991 555 204 16 6J0	Espresso			+TD		
	991 555 204 16 JHB	Black/Dark Silver			-I538/I625		
	991 555 204 16	Door trim panel			I9VL		
		Leather					+AZ
	991 555 204 16 A11	Black					+FZ
	991 555 204 16 OA1	Agate Grey					+SZ
	991 555 204 16 OK6	Saddle Tan					+UZ
	991 555 204 16 7J0	Luxor Beige					+LZ

Model: 982-17 Model life 2017>>

Pos	Part Number	Description	Remark	Qty	Model
		Leather two-colour			I9VL
	991 555 204 16 GUG	Black/Bordeaux Red			+BM
	991 555 204 16 DTO	Black/Luxor Beige			+BT
	991 555 204 16 GUH	Black/Chalk			+BW
	991 555 204 16 GRG	Espresso/Cognac			+BY
	991 555 204 16 GTG	Graphite Blue/Chalk			+TG
(1)	991 555 203 17	Door trim panel	/L	1	-I537/I625 I9VJ
		Leather			
	991 555 203 17 A11	Black			+AZ
	991 555 203 17 OA1	Agate Grey			+FZ
	991 555 203 17 OK6	Saddle Tan			+SZ
	991 555 203 17 7J0	Luxor Beige			+UZ
	991 555 203 17 OG6	Bordeaux Red			+LZ
	991 555 203 17 OH7	Graphite Blue			+HZ
	991 555 203 17 6J0	Espresso			+NE
	991 555 203 17 JHB	Black/Dark Silver			+TD
(1)	991 555 203 17	Door trim panel	/L	1	-I537/I625 I9VJ
		Leather			
	991 555 203 17 GUG	Black/Bordeaux Red			+BM
	991 555 203 17 DTO	Black/Luxor Beige			+BT
	991 555 203 17 GUH	Black/Chalk			+BW
	991 555 203 17 GRG	Espresso/Cognac			+BY
	991 555 203 17 GTG	Graphite Blue/Chalk			+TG
(1)	991 555 204 17	Door trim panel	/R	1	-I538/I625 I9VJ
		Leather			
	991 555 204 17 A11	Black			+AZ
	991 555 204 17 OA1	Agate Grey			+FZ
	991 555 204 17 OK6	Saddle Tan			+SZ
	991 555 204 17 7J0	Luxor Beige			+UZ
	991 555 204 17 OG6	Bordeaux Red			+LZ
	991 555 204 17 OH7	Graphite Blue			+HZ
	991 555 204 17 6J0	Espresso			+NE
	991 555 204 17 JHB	Black/Dark Silver			+TD
(1)	991 555 204 17	Door trim panel	/R	1	-I538/I625 I9VJ
		Leather			
	991 555 204 17 GUG	Black/Bordeaux Red			+BM
	991 555 204 17 DTO	Black/Luxor Beige			+BT
	991 555 204 17 GUH	Black/Chalk			+BW
	991 555 204 17 GRG	Espresso/Cognac			+BY
	991 555 204 17 GTG	Graphite Blue/Chalk			+TG
(1)	991 555 203 21	Door trim panel	/LL /L	1	I098/537/625 I9VK
		Leather			
	991 555 203 21 A11	Black			+AZ
	991 555 203 21 OA1	Agate Grey			+FZ
	991 555 203 21 OK6	Saddle Tan			+SZ
	991 555 203 21 7J0	Luxor Beige			+UZ
	991 555 203 21 OG6	Bordeaux Red			+LZ
	991 555 203 21 OH7	Graphite Blue			+HZ
	991 555 203 21 6J0	Espresso			+NE
	991 555 203 21 JHB	Black/Dark Silver			+TD
(1)	991 555 203 21	Door trim panel	/LL /L	1	I098/537/625 I9VK
		Leather			
		two-colour			

Model: 982-17

Model life 2017>>

Pos	Part Number	Description	Remark	Qty	Model
(1)	991 555 203 21 GUG	Black/Bordeaux Red			+BM
	991 555 203 21 DTO	Black/Luxor Beige			+BT
	991 555 203 21 GUH	Black/Chalk			+BW
	991 555 203 21 GRG	Espresso/Cognac			+BY
	991 555 203 21 GTG	Graphite Blue/Chalk			+TG
	991 555 204 21	Door trim panel	/RL /R	1	I099/538/625 I9VK
		Leather			
	991 555 204 21 A11	Black			+AZ
	991 555 204 21 OA1	Agate Grey			+FZ
	991 555 204 21 OK6	Saddle Tan			+SZ
(1)	991 555 204 21 7J0	Luxor Beige			+UZ
	991 555 204 21 OG6	Bordeaux Red			+LZ
	991 555 204 21 OH7	Graphite Blue			+HZ
	991 555 204 21 6J0	Espresso			+NE
	991 555 204 21 JHB	Black/Dark Silver			+TD
	991 555 204 21	Door trim panel	/RL /R	1	I099/538/625 I9VK
		Leather			
		two-colour			
	991 555 204 21 GUG	Black/Bordeaux Red			+BM
	991 555 204 21 DTO	Black/Luxor Beige			+BT
(1)	991 555 204 21 GUH	Black/Chalk			+BW
	991 555 204 21 GRG	Espresso/Cognac			+BY
	991 555 204 21 GTG	Graphite Blue/Chalk			+TG
	991 555 203 22	Door trim panel	/LL /L	1	I098/537/625 I9VL
		Leather			
	991 555 203 22 A11	Black			+AZ
	991 555 203 22 OA1	Agate Grey			+FZ
	991 555 203 22 OK6	Saddle Tan			+SZ
	991 555 203 22 7J0	Luxor Beige			+UZ
	991 555 203 22 OG6	Bordeaux Red			+LZ
(1)	991 555 203 22 OH7	Graphite Blue			+HZ
	991 555 203 22 6J0	Espresso			+NE
	991 555 203 22 JHB	Black/Dark Silver			+TD
	991 555 203 22	Door trim panel	/LL /L	1	I098/537/625 I9VL
		Leather			
		two-colour			
	991 555 203 22 GUG	Black/Bordeaux Red			+BM
	991 555 203 22 DTO	Black/Luxor Beige			+BT
	991 555 203 22 GUH	Black/Chalk			+BW
	991 555 203 22 GRG	Espresso/Cognac			+BY
(1)	991 555 203 22 GTG	Graphite Blue/Chalk			+TG
	991 555 204 22	Door trim panel	/RL /R	1	I099/538/625 I9VL
		Leather			
	991 555 204 22 A11	Black			+AZ
	991 555 204 22 OA1	Agate Grey			+FZ
	991 555 204 22 OK6	Saddle Tan			+SZ
	991 555 204 22 7J0	Luxor Beige			+UZ
	991 555 204 22 OG6	Bordeaux Red			+LZ
	991 555 204 22 OH7	Graphite Blue			+HZ
	991 555 204 22 6J0	Espresso			+NE
(1)	991 555 204 22 JHB	Black/Dark Silver			+TD
	991 555 204 22	Door trim panel	/RL /R	1	I099/538/625 I9VL
		Leather			
		two-colour			
	991 555 204 22 GUG	Black/Bordeaux Red			+BM
	991 555 204 22 DTO	Black/Luxor Beige			+BT
	991 555 204 22 GUH	Black/Chalk			+BW

Model: 982-17 Model life 2017>>

Pos	Part Number	Description	Remark	Qty	Model		
(1)	991 555 204 22 GRG	Espresso/Cognac		1	+BY		
	991 555 204 22 GTG	Graphite Blue/Chalk			+TG		
	991 555 203 23	Door trim panel	/LL /L		I098/537/625		
		Leather			I9VJ		
	991 555 203 23 A11	Black			+AZ		
	991 555 203 23 OA1	Agate Grey			+FZ		
	991 555 203 23 OK6	Saddle Tan			+SZ		
	991 555 203 23 7J0	Luxor Beige			+UZ		
	991 555 203 23 OG6	Bordeaux Red			+LZ		
	991 555 203 23 OH7	Graphite Blue			+HZ		
(1)	991 555 203 23 6J0	Espresso		1	+NE		
	991 555 203 23 JHB	Black/Dark Silver			+TD		
	991 555 203 23	Door trim panel	/LL /L		I098/537/625		
		Leather			I9VJ		
		two-colour					
	991 555 203 23 GUG	Black/Bordeaux Red			+BM		
	991 555 203 23 DTO	Black/Luxor Beige			+BT		
	991 555 203 23 GUH	Black/Chalk			+BW		
	991 555 203 23 GRG	Espresso/Cognac			+BY		
	991 555 203 23 GTG	Graphite Blue/Chalk			+TG		
(1)	991 555 204 23	Door trim panel	/RL /R	1	I099/538/625		
		Leather			I9VJ		
	991 555 204 23 A11	Black			+AZ		
	991 555 204 23 OA1	Agate Grey			+FZ		
	991 555 204 23 OK6	Saddle Tan			+SZ		
	991 555 204 23 7J0	Luxor Beige			+UZ		
	991 555 204 23 OG6	Bordeaux Red			+LZ		
	991 555 204 23 OH7	Graphite Blue			+HZ		
	991 555 204 23 6J0	Espresso			+NE		
	991 555 204 23 JHB	Black/Dark Silver			+TD		
(1)	991 555 204 23	Door trim panel	/RL /R	1	I099/538/625		
		Leather			I9VJ		
		two-colour					
	991 555 204 23 GUG	Black/Bordeaux Red			+BM		
	991 555 204 23 DTO	Black/Luxor Beige			+BT		
	991 555 204 23 GUH	Black/Chalk			+BW		
	991 555 204 23 GRG	Espresso/Cognac			+BY		
	991 555 204 23 GTG	Graphite Blue/Chalk			+TG		
	2	999 507 533 02	Clamp			4	
			8,0 X 10,0 /2,5				
3	991 555 521 02	Door opener	/L	1			
(3)	991 555 521 02 V08	Galvano silver		1			
	991 555 522 02	Door opener	/R				
4	991 555 522 02 V08	Galvano silver		1			
	991 555 533 00	Handle	/L				
(4)		Leather		1			
	991 555 533 00 A11	Black			+AZ		
	991 555 533 00 OA1	Agate Grey			+FZ		
	991 555 533 00 OK6	Saddle Tan			+SZ		
	991 555 533 00 7J0	Luxor Beige			+UZ, +BT		
	991 555 533 00 OG6	Bordeaux Red			+LZ, +BM		
	991 555 533 00 OH7	Graphite Blue			+HZ		
	991 555 533 00 6J0	Espresso			+NE		
	991 555 533 00 7F0	Cognac			+BY		
	991 555 533 00 OL8	Chalk			+BW, +TG		
991 555 533 00 JHB	Black/Dark Silver		+TD				
(4)	991 555 534 00	Handle	/R	1			
		Leather					
	991 555 534 00 A11	Black			+AZ		

Model: 982-17 Model life 2017>>

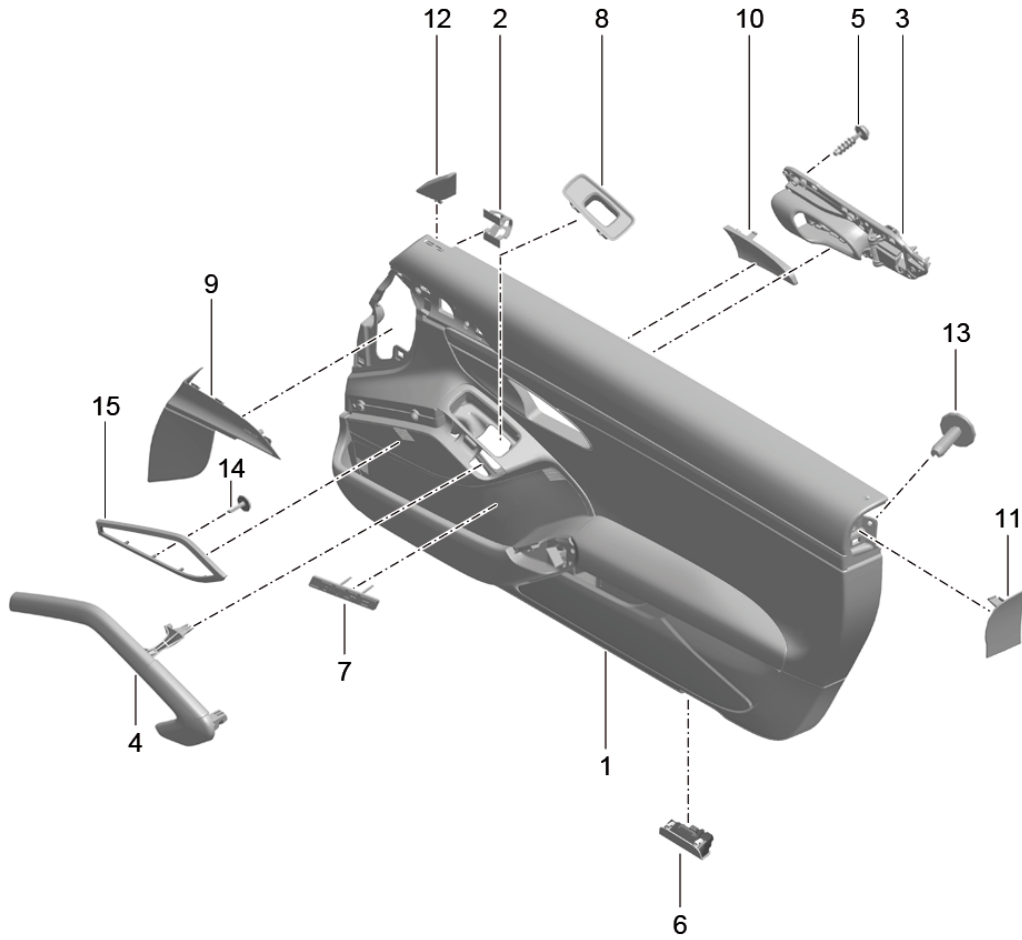
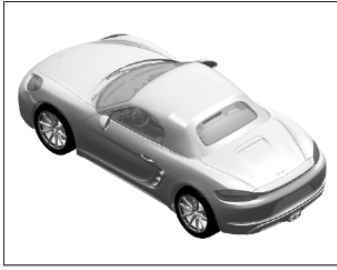
Pos	Part Number	Description	Remark	Qty	Model
	991 555 534 00 OA1	Agate Grey			+FZ
	991 555 534 00 OK6	Saddle Tan			+SZ
	991 555 534 00 7J0	Luxor Beige			+UZ, +BT
	991 555 534 00 OG6	Bordeaux Red			+LZ, +BM
	991 555 534 00 OH7	Graphite Blue			+HZ
	991 555 534 00 6J0	Espresso			+NE
	991 555 534 00 7F0	Cognac			+BY
	991 555 534 00 OL8	Chalk			+BW, +TG
	991 555 534 00 JHB	Black/Dark Silver			+TD
5	999 919 262 01	Oval-head screw 4,0 X 16,0		9	
6	1K0 947 419 A	Reflector		2	
7	7PP 945 699	Logo Bose		2	I9VL
8	991 555 723 02	Support frame Switch Passenger's side		1	
9	991 555 723 02 1E0	Black			
	991 555 721 02	Cover Front	/L	1	
	991 555 721 02 5Q0	Black			+AZ, +BM, +BT +BW, +TD
	991 555 721 02 OA6	Agate Grey			+FZ
	991 555 721 02 OL7	Saddle Tan			+SZ
	991 555 721 02 6W0	Luxor Beige			+UZ
	991 555 721 02 OG6	Bordeaux Red			+LZ
	991 555 721 02 OH7	Graphite Blue			+HZ, +TG
	991 555 721 02 3T0	Espresso			+NE, +BY
(9)	991 555 722 02	Cover Front	/R	1	
	991 555 722 02 5Q0	Black			+AZ, +BM, +BT +BW, +TD
	991 555 722 02 OA6	Agate Grey			+FZ
	991 555 722 02 OL7	Saddle Tan			+SZ
	991 555 722 02 6W0	Luxor Beige			+UZ
	991 555 722 02 OG6	Bordeaux Red			+LZ
	991 555 722 02 OH7	Graphite Blue			+HZ, +TG
	991 555 722 02 3T0	Espresso			+NE, +BY
10	7PP 837 247	Trim cover Door opener	/L	1	
	7PP 837 247 1E0	Black			
(10)	7PP 837 248	Trim cover Door opener	/R	1	
	7PP 837 248 1E0	Black			
11	991 555 683 01	Cover Airbag	/L	1	
	991 555 683 01 5Q0	Black			+AZ, +BT, +BM +BW, +TD
	991 555 683 01 OA6	Agate Grey			+FZ
	991 555 683 01 OL7	Saddle Tan			+SZ
	991 555 683 01 6W0	Luxor Beige			+UZ
	991 555 683 01 OG6	Bordeaux Red			+LZ
	991 555 683 01 OH7	Graphite Blue			+HZ, +TG
	991 555 683 01 3T0	Espresso			+NE, +BY
(11)	991 555 684 01	Cover Airbag	/R	1	
	991 555 684 01 5Q0	Black			+AZ, +BT, +BM +BW, +TD
	991 555 684 01 OA6	Agate Grey			+FZ
	991 555 684 01 OL7	Saddle Tan			+SZ
	991 555 684 01 6W0	Luxor Beige			+UZ
	991 555 684 01 OG6	Bordeaux Red			+LZ
	991 555 684 01 OH7	Graphite Blue			+HZ, +TG

Model: 982-17 Model life 2017>>

Pos	Part Number	Description	Remark	Qty	Model
12	991 555 684 01 3T0	Espresso			+NE , +BY
	991 555 741 00	Trim cover	/L	1	
(12)	991 555 741 00 1E0	Door glass frame Black			
	991 555 742 00	Trim cover	/R	1	
	991 555 742 00 1E0	Door glass frame Black			
13	999 073 322 02	Oval-head screw M 6 X 20		8	
14	999 919 203 07	Oval-head screw M 3 X 10		10	
15	991 555 581 00	Trim frame	/L	1	I9VJ
	991 555 581 00 V08	Loudspeaker grille Galvano silver			
(15)	991 555 582 00	Trim frame	/R	1	I9VJ
	991 555 582 00 V08	Loudspeaker grille Galvano silver			

Model: 982-17

Model life 2017>>



Model: 982-17 Model life 2017>>

Pos	Part Number	Description	Remark	Qty	Model
		Door trim panel Accessories Moulding Leather			IXWA/981
(1)	991 555 993 06	Door trim panel Leather	/L	1	-I625/I9VK
	991 555 993 06 A11	Black			+AZ
	991 555 993 06 OA1	Agate Grey			+FZ
	991 555 993 06 OH7	Graphite Blue			+HZ
	991 555 993 06 OK6	Saddle Tan			+SZ
	991 555 993 06 7J0	Luxor Beige			+UZ
	991 555 993 06 OG6	Bordeaux Red			+LZ
	991 555 993 06 6J0	Espresso			+NE
	991 555 993 06 JHB	Black/Dark Silver			+TD
(1)	991 555 993 06	Door trim panel Leather two-colour	/L	1	-I625/I9VK
	991 555 993 06 DTO	Black/Luxor Beige			+BT
	991 555 993 06 GUG	Black/Bordeaux Red			+BM
	991 555 993 06 GUH	Black/Chalk			+BW
	991 555 993 06 GTG	Graphite Blue/Chalk			+TG
	991 555 993 06 GRG	Espresso/Cognac			+BY
(1)	991 555 994 06	Door trim panel Leather	/R	1	-I625/I9VK
	991 555 994 06 A11	Black			+AZ
	991 555 994 06 OA1	Agate Grey			+FZ
	991 555 994 06 OH7	Graphite Blue			+HZ
	991 555 994 06 OK6	Saddle Tan			+SZ
	991 555 994 06 7J0	Luxor Beige			+UZ
	991 555 994 06 OG6	Bordeaux Red			+LZ
	991 555 994 06 6J0	Espresso			+NE
	991 555 994 06 JHB	Black/Dark Silver			+TD
(1)	991 555 994 06	Door trim panel Leather two-colour	/R	1	-I625/I9VK
	991 555 994 06 DTO	Black/Luxor Beige			+BT
	991 555 994 06 GUG	Black/Bordeaux Red			+BM
	991 555 994 06 GUH	Black/Chalk			+BW
	991 555 994 06 GTG	Graphite Blue/Chalk			+TG
	991 555 994 06 GRG	Espresso/Cognac			+BY
(1)	991 555 993 07	Door trim panel Leather	/L	1	-I625/I9VL
	991 555 993 07 A11	Black			+AZ
	991 555 993 07 OA1	Agate Grey			+FZ
	991 555 993 07 OH7	Graphite Blue			+HZ
	991 555 993 07 OK6	Saddle Tan			+SZ
	991 555 993 07 7J0	Luxor Beige			+UZ
	991 555 993 07 OG6	Bordeaux Red			+LZ
	991 555 993 07 6J0	Espresso			+NE
	991 555 993 07 JHB	Black/Dark Silver			+TD
(1)	991 555 993 07	Door trim panel Leather two-colour	/L	1	-I625/I9VL
	991 555 993 07 DTO	Black/Luxor Beige			+BT
	991 555 993 07 GUG	Black/Bordeaux Red			+BM
	991 555 993 07 GUH	Black/Chalk			+BW
	991 555 993 07 GTG	Graphite Blue/Chalk			+TG
	991 555 993 07 GRG	Espresso/Cognac			+BY
(1)	991 555 994 07	Door trim panel Leather	/R	1	-I625/I9VL
	991 555 994 07 A11	Black			+AZ
	991 555 994 07 OA1	Agate Grey			+FZ
	991 555 994 07 OH7	Graphite Blue			+HZ

Model: 982-17 Model life 2017>>

Pos	Part Number	Description	Remark	Qty	Model
	991 555 994 07 OK6	Saddle Tan			+SZ
	991 555 994 07 7J0	Luxor Beige			+UZ
	991 555 994 07 OG6	Bordeaux Red			+LZ
	991 555 994 07 6J0	Espresso			+NE
	991 555 994 07 JHB	Black/Dark Silver			+TD
(1)	991 555 994 07	Door trim panel Leather two-colour	/R	1	-I625/I9VL
	991 555 994 07 DTO	Black/Luxor Beige			+BT
	991 555 994 07 GUG	Black/Bordeaux Red			+BM
	991 555 994 07 GUH	Black/Chalk			+BW
	991 555 994 07 GTG	Graphite Blue/Chalk			+TG
	991 555 994 07 GRG	Espresso/Cognac			+BY
(1)	991 555 993 08	Door trim panel Leather	/L	1	-I625/I9VJ
	991 555 993 08 A11	Black			+AZ
	991 555 993 08 OA1	Agate Grey			+FZ
	991 555 993 08 OH7	Graphite Blue			+HZ
	991 555 993 08 OK6	Saddle Tan			+SZ
	991 555 993 08 7J0	Luxor Beige			+UZ
	991 555 993 08 OG6	Bordeaux Red			+LZ
	991 555 993 08 6J0	Espresso			+NE
	991 555 993 08 JHB	Black/Dark Silver			+TD
(1)	991 555 993 08	Door trim panel Leather two-colour	/L	1	-I625/I9VJ
	991 555 993 08 DTO	Black/Luxor Beige			+BT
	991 555 993 08 GUG	Black/Bordeaux Red			+BM
	991 555 993 08 GUH	Black/Chalk			+BW
	991 555 993 08 GTG	Graphite Blue/Chalk			+TG
	991 555 993 08 GRG	Espresso/Cognac			+BY
(1)	991 555 994 08	Door trim panel Leather	/R	1	-I625/I9VJ
	991 555 994 08 A11	Black			+AZ
	991 555 994 08 OA1	Agate Grey			+FZ
	991 555 994 08 OH7	Graphite Blue			+HZ
	991 555 994 08 OK6	Saddle Tan			+SZ
	991 555 994 08 7J0	Luxor Beige			+UZ
	991 555 994 08 OG6	Bordeaux Red			+LZ
	991 555 994 08 6J0	Espresso			+NE
	991 555 994 08 JHB	Black/Dark Silver			+TD
(1)	991 555 994 08	Door trim panel Leather two-colour	/R	1	-I625/I9VJ
	991 555 994 08 DTO	Black/Luxor Beige			+BT
	991 555 994 08 GUG	Black/Bordeaux Red			+BM
	991 555 994 08 GUH	Black/Chalk			+BW
	991 555 994 08 GTG	Graphite Blue/Chalk			+TG
	991 555 994 08 GRG	Espresso/Cognac			+BY
(1)	991 555 993 09	Door trim panel Leather	/LL /L	1	-I625/I098 I537/9VK
	991 555 993 09 A11	Black			+AZ
	991 555 993 09 OA1	Agate Grey			+FZ
	991 555 993 09 OH7	Graphite Blue			+HZ
	991 555 993 09 OK6	Saddle Tan			+SZ
	991 555 993 09 7J0	Luxor Beige			+UZ
	991 555 993 09 OG6	Bordeaux Red			+LZ
	991 555 993 09 6J0	Espresso			+NE
	991 555 993 09 JHB	Black/Dark Silver			+TD
(1)	991 555 993 09	Door trim panel Leather	/LL /L	1	-I625/I098 I537/9VK

Model: 982-17 Model life 2017>>

Pos	Part Number	Description	Remark	Qty	Model
		two-colour			
	991 555 993 09 DTO	Black/Luxor Beige			+BT
	991 555 993 09 GUG	Black/Bordeaux Red			+BM
	991 555 993 09 GUH	Black/Chalk			+BW
	991 555 993 09 GTG	Graphite Blue/Chalk			+TG
	991 555 993 09 GRG	Espresso/Cognac			+BY
(1)	991 555 994 09	Door trim panel	/RL /R	1	-I625/I099 I538/9VK
		Leather			
	991 555 994 09 A11	Black			+AZ
	991 555 994 09 OA1	Agate Grey			+FZ
	991 555 994 09 OH7	Graphite Blue			+HZ
	991 555 994 09 OK6	Saddle Tan			+SZ
	991 555 994 09 7J0	Luxor Beige			+UZ
	991 555 994 09 OG6	Bordeaux Red			+LZ
	991 555 994 09 6J0	Espresso			+NE
	991 555 994 09 JHB	Black/Dark Silver			+TD
(1)	991 555 994 09	Door trim panel	/RL /R	1	-I625/I099 I538/9VK
		Leather			
		two-colour			
	991 555 994 09 DTO	Black/Luxor Beige			+BT
	991 555 994 09 GUG	Black/Bordeaux Red			+BM
	991 555 994 09 GUH	Black/Chalk			+BW
	991 555 994 09 GTG	Graphite Blue/Chalk			+TG
	991 555 994 09 GRG	Espresso/Cognac			+BY
(1)	991 555 993 10	Door trim panel	/LL /L	1	-I625/I098 I537/9VL
		Leather			
	991 555 993 10 A11	Black			+AZ
	991 555 993 10 OA1	Agate Grey			+FZ
	991 555 993 10 OH7	Graphite Blue			+HZ
	991 555 993 10 OK6	Saddle Tan			+SZ
	991 555 993 10 7J0	Luxor Beige			+UZ
	991 555 993 10 OG6	Bordeaux Red			+LZ
	991 555 993 10 6J0	Espresso			+NE
	991 555 993 10 JHB	Black/Dark Silver			+TD
(1)	991 555 993 10	Door trim panel	/LL /L	1	-I625/I098 I537/9VL
		Leather			
		two-colour			
	991 555 993 10 DTO	Black/Luxor Beige			+BT
	991 555 993 10 GUG	Black/Bordeaux Red			+BM
	991 555 993 10 GUH	Black/Chalk			+BW
	991 555 993 10 GTG	Graphite Blue/Chalk			+TG
	991 555 993 10 GRG	Espresso/Cognac			+BY
(1)	991 555 994 10	Door trim panel	/RL /R	1	-I625/I099 I538/9VL
		Leather			
	991 555 994 10 A11	Black			+AZ
	991 555 994 10 OA1	Agate Grey			+FZ
	991 555 994 10 OH7	Graphite Blue			+HZ
	991 555 994 10 OK6	Saddle Tan			+SZ
	991 555 994 10 7J0	Luxor Beige			+UZ
	991 555 994 10 OG6	Bordeaux Red			+LZ
	991 555 994 10 6J0	Espresso			+NE
	991 555 994 10 JHB	Black/Dark Silver			+TD
(1)	991 555 994 10	Door trim panel	/RL /R	1	-I625/I099 I538/9VL
		Leather			
		two-colour			
	991 555 994 10 DTO	Black/Luxor Beige			+BT
	991 555 994 10 GUG	Black/Bordeaux Red			+BM

Model: 982-17

Model life 2017>>

Pos	Part Number	Description	Remark	Qty	Model
(1)	991 555 994 10	GUH Black/Chalk	/LL /L	1	+BW
	991 555 994 10	GTG Graphite Blue/Chalk			+TG
	991 555 994 10	GRG Espresso/Cognac			+BY
	991 555 993 11	Door trim panel			-I625/I098
		Leather			I537/9VJ
	991 555 993 11	A11 Black			+AZ
	991 555 993 11	OA1 Agate Grey			+FZ
	991 555 993 11	OH7 Graphite Blue			+HZ
	991 555 993 11	OK6 Saddle Tan			+SZ
	991 555 993 11	7J0 Luxor Beige			+UZ
(1)	991 555 993 11	OG6 Bordeaux Red	/LL /L	1	+LZ
	991 555 993 11	6J0 Espresso			+NE
	991 555 993 11	JHB Black/Dark Silver			+TD
	991 555 993 11	Door trim panel			-I625/I098
		Leather			I537/9VJ
		two-colour			
	991 555 993 11	DTO Black/Luxor Beige			+BT
	991 555 993 11	GUG Black/Bordeaux Red			+BM
	991 555 993 11	GUH Black/Chalk			+BW
	991 555 993 11	GTG Graphite Blue/Chalk			+TG
(1)	991 555 993 11	GRG Espresso/Cognac	/RL /R	1	+BY
	991 555 994 11	Door trim panel			-I625/I099
		Leather			I538/9VJ
	991 555 994 11	A11 Black			+AZ
	991 555 994 11	OA1 Agate Grey			+FZ
	991 555 994 11	OH7 Graphite Blue			+HZ
	991 555 994 11	OK6 Saddle Tan			+SZ
	991 555 994 11	7J0 Luxor Beige			+UZ
	991 555 994 11	OG6 Bordeaux Red			+LZ
	991 555 994 11	6J0 Espresso			+NE
(1)	991 555 994 11	JHB Black/Dark Silver	/RL /R	1	+TD
	991 555 994 11	Door trim panel			-I625/I099
		Leather			I538/9VJ
		two-colour			
	991 555 994 11	DTO Black/Luxor Beige			+BT
	991 555 994 11	GUG Black/Bordeaux Red			+BM
	991 555 994 11	GUH Black/Chalk			+BW
	991 555 994 11	GTG Graphite Blue/Chalk			+TG
	991 555 994 11	GRG Espresso/Cognac			+BY
	991 555 993 36	Door trim panel			I625/9VK
(1)	991 555 993 36	A11 Black	/L	1	+AZ
	991 555 993 36	OA1 Agate Grey			+FZ
	991 555 993 36	OH7 Graphite Blue			+HZ
	991 555 993 36	OK6 Saddle Tan			+SZ
	991 555 993 36	7J0 Luxor Beige			+UZ
	991 555 993 36	OG6 Bordeaux Red			+LZ
	991 555 993 36	6J0 Espresso			+NE
	991 555 993 36	JHB Black/Dark Silver			+TD
	991 555 993 36	Door trim panel			I625/9VK
		Leather			
	two-colour				
(1)	991 555 993 36	DTO Black/Luxor Beige	/L	1	+BT
	991 555 993 36	GUG Black/Bordeaux Red			+BM
	991 555 993 36	GUH Black/Chalk			+BW
	991 555 993 36	GTG Graphite Blue/Chalk			+TG
	991 555 993 36	GRG Espresso/Cognac			+BY
	991 555 994 36	Door trim panel			I625/9VK
		Leather			
		two-colour			
	991 555 993 36	DTO Black/Luxor Beige			+BT
	991 555 993 36	GUG Black/Bordeaux Red			+BM
991 555 993 36	GUH Black/Chalk	+BW			
991 555 993 36	GTG Graphite Blue/Chalk	+TG			
991 555 993 36	GRG Espresso/Cognac	+BY			
(1)	991 555 994 36	Door trim panel	/R	1	I625/9VK
		Leather			

Model: 982-17 Model life 2017>>

Pos	Part Number	Description	Remark	Qty	Model
	991 555 994 36 A11	Black			+AZ
	991 555 994 36 OA1	Agate Grey			+FZ
	991 555 994 36 OH7	Graphite Blue			+HZ
	991 555 994 36 OK6	Saddle Tan			+SZ
	991 555 994 36 7J0	Luxor Beige			+UZ
	991 555 994 36 OG6	Bordeaux Red			+LZ
	991 555 994 36 6J0	Espresso			+NE
	991 555 994 36 JHB	Black/Dark Silver			+TD
(1)	991 555 994 36	Door trim panel Leather two-colour	/R	1	I625/9VK
	991 555 994 36 DTO	Black/Luxor Beige			+BT
	991 555 994 36 GUG	Black/Bordeaux Red			+BM
	991 555 994 36 GUH	Black/Chalk			+BW
	991 555 994 36 GTG	Graphite Blue/Chalk			+TG
	991 555 994 36 GRG	Espresso/Cognac			+BY
(1)	991 555 993 37	Door trim panel Leather	/L	1	I625/9VL
	991 555 993 37 A11	Black			+AZ
	991 555 993 37 OA1	Agate Grey			+FZ
	991 555 993 37 OH7	Graphite Blue			+HZ
	991 555 993 37 OK6	Saddle Tan			+SZ
	991 555 993 37 7J0	Luxor Beige			+UZ
	991 555 993 37 OG6	Bordeaux Red			+LZ
	991 555 993 37 6J0	Espresso			+NE
	991 555 993 37 JHB	Black/Dark Silver			+TD
(1)	991 555 993 37	Door trim panel Leather two-colour	/L	1	I625/9VL
	991 555 993 37 DTO	Black/Luxor Beige			+BT
	991 555 993 37 GUG	Black/Bordeaux Red			+BM
	991 555 993 37 GUH	Black/Chalk			+BW
	991 555 993 37 GTG	Graphite Blue/Chalk			+tg
	991 555 993 37 GRG	Espresso/Cognac			+BY
(1)	991 555 994 37	Door trim panel Leather	/R	1	I625/9VL
	991 555 994 37 A11	Black			+AZ
	991 555 994 37 OA1	Agate Grey			+FZ
	991 555 994 37 OH7	Graphite Blue			+HZ
	991 555 994 37 OK6	Saddle Tan			+SZ
	991 555 994 37 7J0	Luxor Beige			+UZ
	991 555 994 37 OG6	Bordeaux Red			+LZ
	991 555 994 37 6J0	Espresso			+NE
	991 555 994 37 JHB	Black/Dark Silver			+TD
(1)	991 555 994 37	Door trim panel Leather two-colour	/R	1	I625/9VL
	991 555 994 37 DTO	Black/Luxor Beige			+BT
	991 555 994 37 GUG	Black/Bordeaux Red			+BM
	991 555 994 37 GUH	Black/Chalk			+BW
	991 555 994 37 GTG	Graphite Blue/Chalk			+TG
	991 555 994 37 GRG	Espresso/Cognac			+BY
(1)	991 555 993 38	Door trim panel Leather	/L	1	I625/9VJ
	991 555 993 38 A11	Black			+AZ
	991 555 993 38 OA1	Agate Grey			+FZ
	991 555 993 38 OH7	Graphite Blue			+HZ
	991 555 993 38 OK6	Saddle Tan			+SZ
	991 555 993 38 7J0	Luxor Beige			+UZ
	991 555 993 38 OG6	Bordeaux Red			+LZ
	991 555 993 38 6J0	Espresso			+NE
	991 555 993 38 JHB	Black/Dark Silver			+TD
(1)	991 555 993 38	Door trim panel	/L	1	I625/9VJ

Model: 982-17

Model life 2017>>

Pos	Part Number	Description	Remark	Qty	Model
		Leather two-colour			
	991 555 993 38 DTO	Black/Luxor Beige			+BT
	991 555 993 38 GUG	Black/Bordeaux Red			+BM
	991 555 993 38 GUH	Black/Chalk			+BW
	991 555 993 38 GTG	Graphite Blue/Chalk			+TG
	991 555 993 38 GRG	Espresso/Cognac			+BY
(1)	991 555 994 38	Door trim panel	/R	1	I625/9VJ
		Leather			
	991 555 994 38 A11	Black			+AZ
	991 555 994 38 OA1	Agate Grey			+FZ
	991 555 994 38 OH7	Graphite Blue			+HZ
	991 555 994 38 OK6	Saddle Tan			+SZ
	991 555 994 38 7J0	Luxor Beige			+UZ
	991 555 994 38 OG6	Bordeaux Red			+LZ
	991 555 994 38 6J0	Espresso			+NE
	991 555 994 38 JHB	Black/Dark Silver			+TD
(1)	991 555 994 38	Door trim panel	/R	1	I625/9VJ
		Leather			
		two-colour			
	991 555 994 38 DTO	Black/Luxor Beige			+BT
	991 555 994 38 GUG	Black/Bordeaux Red			+BM
	991 555 994 38 GUH	Black/Chalk			+BW
	991 555 994 38 GTG	Graphite Blue/Chalk			+TG
	991 555 994 38 GRG	Espresso/Cognac			+BY
(1)	991 555 993 39	Door trim panel	/LL /L	1	I098/537/625 I9VK
		Leather			
	991 555 993 39 A11	Black			+AZ
	991 555 993 39 OA1	Agate Grey			+FZ
	991 555 993 39 OH7	Graphite Blue			+HZ
	991 555 993 39 OK6	Saddle Tan			+SZ
	991 555 993 39 7J0	Luxor Beige			+UZ
	991 555 993 39 OG6	Bordeaux Red			+LZ
	991 555 993 39 6J0	Espresso			+NE
	991 555 993 39 JHB	Black/Dark Silver			+TD
(1)	991 555 993 39	Door trim panel	/LL /L	1	I098/537/625 I9VK
		Leather			
		two-colour			
	991 555 993 39 DTO	Black/Luxor Beige			+BT
	991 555 993 39 GUG	Black/Bordeaux Red			+BM
	991 555 993 39 GUH	Black/Chalk			+BW
	991 555 993 39 GTG	Graphite Blue/Chalk			+TG
	991 555 993 39 GRG	Espresso/Cognac			+BY
(1)	991 555 994 39	Door trim panel	/RL /R	1	I099/538/625 I9VK
		Leather			
	991 555 994 39 A11	Black			+AZ
	991 555 994 39 OA1	Agate Grey			+FZ
	991 555 994 39 OH7	Graphite Blue			+HZ
	991 555 994 39 OK6	Saddle Tan			+SZ
	991 555 994 39 7J0	Luxor Beige			+UZ
	991 555 994 39 OG6	Bordeaux Red			+LZ
	991 555 994 39 6J0	Espresso			+NE
	991 555 994 39 JHB	Black/Dark Silver			+TD
(1)	991 555 994 39	Door trim panel	/RL /R	1	I099/538/625 I9VK
		Leather			
		two-colour			
	991 555 994 39 DTO	Black/Luxor Beige			+BT
	991 555 994 39 GUG	Black/Bordeaux Red			+BM
	991 555 994 39 GUH	Black/Chalk			+BW

Model: 982-17 Model life 2017>>

Pos	Part Number	Description	Remark	Qty	Model
(1)	991 555 994 39 GTG	Graphite Blue/Chalk		1	+TG
	991 555 994 39 GRG	Espresso/Cognac			+BY
	991 555 993 40	Door trim panel	/LL /L		I098/537/625
		Leather			I9VL
	991 555 993 40 A11	Black			+AZ
	991 555 993 40 OA1	Agate Grey			+FZ
	991 555 993 40 OH7	Graphite Blue			+HZ
	991 555 993 40 OK6	Saddle Tan			+SZ
	991 555 993 40 7J0	Luxor Beige			+UZ
	991 555 993 40 OG6	Bordeaux Red			+LZ
(1)	991 555 993 40 6J0	Espresso		+NE	
	991 555 993 40 JHB	Black/Dark Silver		+TD	
	991 555 993 40	Door trim panel	/LL /L	I098/537/625	
		Leather		I9VL	
		two-colour			
	991 555 993 40 DTO	Black/Luxor Beige		+BT	
	991 555 993 40 GUG	Black/Bordeaux Red		+BM	
	991 555 993 40 GUH	Black/Chalk		+BW	
	991 555 993 40 GTG	Graphite Blue/Chalk		+TG	
	991 555 993 40 GRG	Espresso/Cognac		+BY	
(1)	991 555 994 40	Door trim panel	/RL /R	I099/538/625	
		Leather		I9VL	
	991 555 994 40 A11	Black		+AZ	
	991 555 994 40 OA1	Agate Grey		+FZ	
	991 555 994 40 OH7	Graphite Blue		+HZ	
	991 555 994 40 OK6	Saddle Tan		+SZ	
	991 555 994 40 7J0	Luxor Beige		+UZ	
	991 555 994 40 OG6	Bordeaux Red		+LZ	
	991 555 994 40 6J0	Espresso		+NE	
	991 555 994 40 JHB	Black/Dark Silver		+TD	
(1)	991 555 994 40	Door trim panel	/RL /R	I099/538/625	
		Leather		I9VL	
		two-colour			
	991 555 994 40 DTO	Black/Luxor Beige		+BT	
	991 555 994 40 GUG	Black/Bordeaux Red		+BM	
	991 555 994 40 GUH	Black/Chalk		+BW	
	991 555 994 40 GTG	Graphite Blue/Chalk		+TG	
	991 555 994 40 GRG	Espresso/Cognac		+BY	
	(1)	991 555 993 41	Door trim panel	/LL /L	I098/537/625
			Leather		I9VJ
991 555 993 41 A11		Black		+AZ	
991 555 993 41 OA1		Agate Grey		+FZ	
991 555 993 41 OH7		Graphite Blue		+HZ	
991 555 993 41 OK6		Saddle Tan		+SZ	
991 555 993 41 7J0		Luxor Beige		+UZ	
991 555 993 41 OG6		Bordeaux Red		+LZ	
991 555 993 41 6J0		Espresso		+NE	
991 555 993 41 JHB		Black/Dark Silver		+TD	
(1)	991 555 993 41	Door trim panel	/LL /L	I098/537/625	
		Leather		I9VJ	
		two-colour			
	991 555 993 41 DTO	Black/Luxor Beige		+BT	
	991 555 993 41 GUG	Black/Bordeaux Red		+BM	
	991 555 993 41 GUH	Black/Chalk		+BW	
	991 555 993 41 GTG	Graphite Blue/Chalk		+TG	
	991 555 993 41 GRG	Espresso/Cognac		+BY	
	(1)	991 555 994 41	Door trim panel	/RL /R	I099/538/625
			Leather		
		two-colour			
991 555 993 41 DTO		Black/Luxor Beige		+BT	
991 555 993 41 GUG		Black/Bordeaux Red		+BM	
991 555 993 41 GUH		Black/Chalk		+BW	
991 555 993 41 GTG		Graphite Blue/Chalk		+TG	
991 555 993 41 GRG		Espresso/Cognac		+BY	
(1)		991 555 994 41	Door trim panel	/RL /R	I099/538/625
			Leather		
		two-colour			
	991 555 993 41 DTO	Black/Luxor Beige		+BT	
	991 555 993 41 GUG	Black/Bordeaux Red		+BM	
	991 555 993 41 GUH	Black/Chalk		+BW	
	991 555 993 41 GTG	Graphite Blue/Chalk		+TG	
	991 555 993 41 GRG	Espresso/Cognac		+BY	
	(1)	991 555 994 41	Door trim panel	/RL /R	I099/538/625
			Leather		
		two-colour			
991 555 993 41 DTO		Black/Luxor Beige		+BT	
991 555 993 41 GUG		Black/Bordeaux Red		+BM	
991 555 993 41 GUH		Black/Chalk		+BW	
991 555 993 41 GTG		Graphite Blue/Chalk		+TG	
991 555 993 41 GRG		Espresso/Cognac		+BY	
(1)		991 555 994 41	Door trim panel	/RL /R	I099/538/625
			Leather		
		two-colour			
	991 555 993 41 DTO	Black/Luxor Beige		+BT	
	991 555 993 41 GUG	Black/Bordeaux Red		+BM	
	991 555 993 41 GUH	Black/Chalk		+BW	
	991 555 993 41 GTG	Graphite Blue/Chalk		+TG	
	991 555 993 41 GRG	Espresso/Cognac		+BY	
	(1)	991 555 994 41	Door trim panel	/RL /R	I099/538/625
			Leather		
		two-colour			
991 555 993 41 DTO		Black/Luxor Beige		+BT	
991 555 993 41 GUG		Black/Bordeaux Red		+BM	
991 555 993 41 GUH		Black/Chalk		+BW	
991 555 993 41 GTG		Graphite Blue/Chalk		+TG	
991 555 993 41 GRG		Espresso/Cognac		+BY	
(1)		991 555 994 41	Door trim panel	/RL /R	I099/538/625
			Leather		
		two-colour			
	991 555 993 41 DTO	Black/Luxor Beige		+BT	
	991 555 993 41 GUG	Black/Bordeaux Red		+BM	
	991 555 993 41 GUH	Black/Chalk		+BW	
	991 555 993 41 GTG	Graphite Blue/Chalk		+TG	
	991 555 993 41 GRG	Espresso/Cognac		+BY	
	(1)	991 555 994 41	Door trim panel	/RL /R	I099/538/625
			Leather		
		two-colour			
991 555 993 41 DTO		Black/Luxor Beige		+BT	
991 555 993 41 GUG		Black/Bordeaux Red		+BM	
991 555 993 41 GUH		Black/Chalk		+BW	
991 555 993 41 GTG		Graphite Blue/Chalk		+TG	
991 555 993 41 GRG		Espresso/Cognac		+BY	
(1)		991 555 994 41	Door trim panel	/RL /R	I099/538/625
			Leather		
		two-colour			
	991 555 993 41 DTO	Black/Luxor Beige		+BT	
	991 555 993 41 GUG	Black/Bordeaux Red		+BM	
	991 555 993 41 GUH	Black/Chalk		+BW	
	991 555 993 41 GTG	Graphite Blue/Chalk		+TG	
	991 555 993 41 GRG	Espresso/Cognac		+BY	
	(1)	991 555 994 41	Door trim panel	/RL /R	I099/538/625
			Leather		
		two-colour			
991 555 993 41 DTO		Black/Luxor Beige		+BT	
991 555 993 41 GUG		Black/Bordeaux Red		+BM	
991 555 993 41 GUH		Black/Chalk		+BW	
991 555 993 41 GTG		Graphite Blue/Chalk		+TG	
991 555 993 41 GRG		Espresso/Cognac		+BY	

Model: 982-17

Model life 2017>>

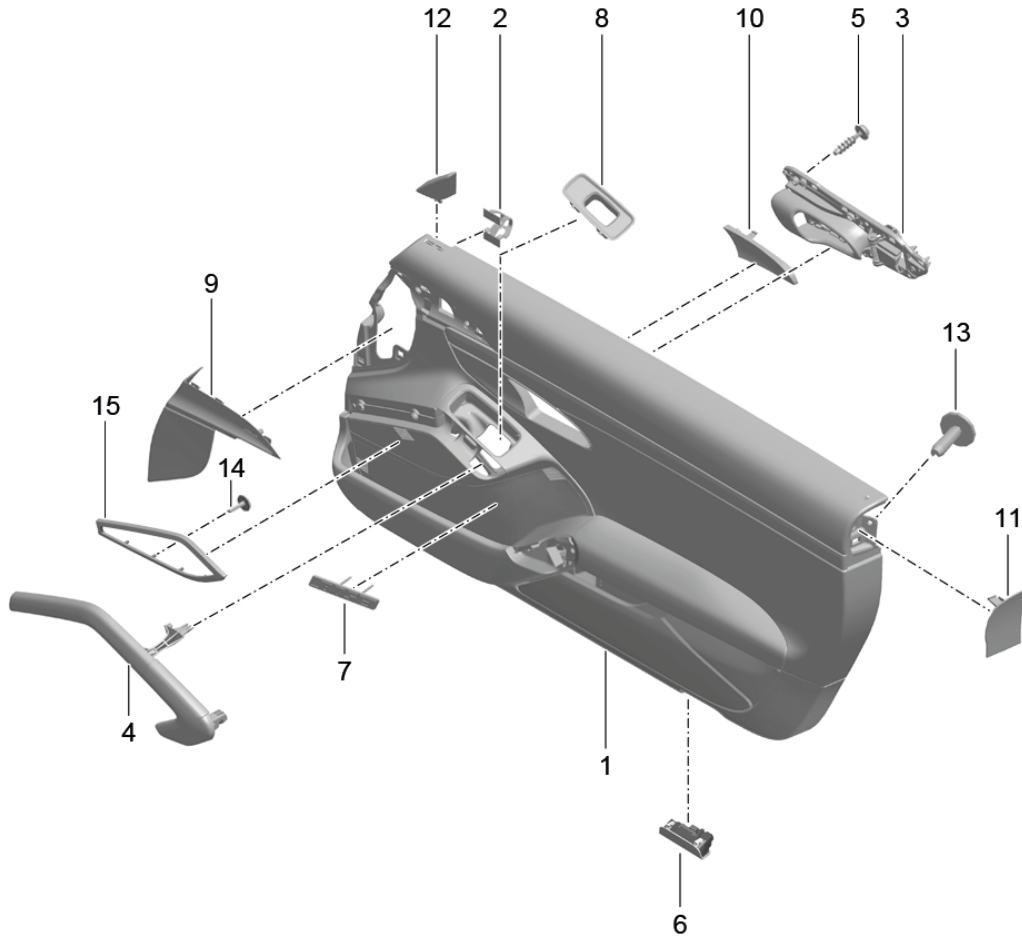
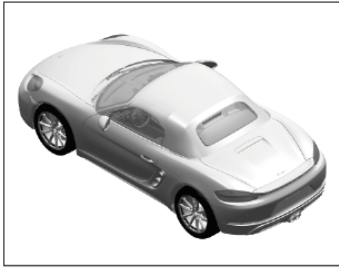
Pos	Part Number	Description	Remark	Qty	Model
		Leather			I9VJ
	991 555 994 41 A11	Black			+AZ
	991 555 994 41 OA1	Agate Grey			+FZ
	991 555 994 41 OH7	Graphite Blue			+HZ
	991 555 994 41 OK6	Saddle Tan			+SZ
	991 555 994 41 7J0	Luxor Beige			+UZ
	991 555 994 41 OG6	Bordeaux Red			+LZ
	991 555 994 41 6J0	Espresso			+NE
	991 555 994 41 JHB	Black/Dark Silver			+TD
(1)	991 555 994 41	Door trim panel	/RL /R	1	I099/538/625 I9VJ
		Leather			
		two-colour			
	991 555 994 41 DTO	Black/Luxor Beige			+BT
	991 555 994 41 GUG	Black/Bordeaux Red			+BM
	991 555 994 41 GUH	Black/Chalk			+BW
	991 555 994 41 GTG	Graphite Blue/Chalk			+TG
	991 555 994 41 GRG	Espresso/Cognac			+BY
2	999 507 533 02	Clamp		4	
		8,0 X 10,0 /2,5			
3	991 555 521 02	Door opener	/L	1	
	991 555 521 02 V08	Galvano silver			
(3)	991 555 522 02	Door opener	/R	1	
	991 555 522 02 V08	Galvano silver			
4	991 555 533 00	Handle	/L	1	
		Leather			
	991 555 533 00 A11	Black			+AZ
	991 555 533 00 OA1	Agate Grey			+FZ
	991 555 533 00 OK6	Saddle Tan			+SZ
	991 555 533 00 7J0	Luxor Beige			+UZ, +BT
	991 555 533 00 OG6	Bordeaux Red			+LZ, +BM
	991 555 533 00 OH7	Graphite Blue			+HZ
	991 555 533 00 6J0	Espresso			+NE
	991 555 533 00 7F0	Cognac			+BY
	991 555 533 00 OL8	Chalk			+BW, +TG
	991 555 533 00 JHB	Black/Dark Silver			+TD
(4)	991 555 534 00	Handle	/R	1	
		Leather			
	991 555 534 00 A11	Black			+AZ
	991 555 534 00 OA1	Agate Grey			+FZ
	991 555 534 00 OK6	Saddle Tan			+SZ
	991 555 534 00 7J0	Luxor Beige			+UZ, +BT
	991 555 534 00 OG6	Bordeaux Red			+LZ, +BM
	991 555 534 00 OH7	Graphite Blue			+HZ
	991 555 534 00 6J0	Espresso			+NE
	991 555 534 00 7F0	Cognac			+BY
	991 555 534 00 OL8	Chalk			+BW, +TG
	991 555 534 00 JHB	Black/Dark Silver			+TD
5	999 919 262 01	Oval-head screw		9	
		4,0 X 16,0			
6	1K0 947 419 A	Reflector		2	
7	7PP 945 699	Logo		2	I9VL
		Bose			
8	991 555 723 02	Support frame		1	
		Switch			
	991 555 723 02 1E0	Black			
9	991 555 721 02	Cover	/L	1	
		Front			
	991 555 721 02 5Q0	Black			+AZ, +BM, +BT
					+BW, +TD
	991 555 721 02 OA6	Agate Grey			+FZ
	991 555 721 02 OL7	Saddle Tan			+SZ

Model: 982-17 Model life 2017>>

Pos	Part Number	Description	Remark	Qty	Model	
(9)	991 555 721 02 6W0	Luxor Beige			+UZ	
	991 555 721 02 OG6	Bordeaux Red			+LZ	
	991 555 721 02 OH7	Graphite Blue			+HZ, +TG	
	991 555 721 02 3T0	Espresso			+NE, +BY	
	991 555 722 02	Cover	/R	1		
		Front				
	991 555 722 02 5Q0	Black			+AZ, +BM, +BT	
					+BW, +TD	
		991 555 722 02 OA6	Agate Grey			+FZ
		991 555 722 02 OL7	Saddle Tan			+SZ
10	991 555 722 02 6W0	Luxor Beige			+UZ	
	991 555 722 02 OG6	Bordeaux Red			+LZ	
	991 555 722 02 OH7	Graphite Blue			+HZ, +TG	
	991 555 722 02 3T0	Espresso			+NE, +BY	
	7PP 837 247	Trim cover	/L	1		
		Door opener				
	7PP 837 247 1E0	Black				
	(10)	7PP 837 248	Trim cover	/R	1	
		Door opener				
		7PP 837 248 1E0	Black			
11	991 555 683 01	Cover	/L	1		
		Airbag				
	991 555 683 01 5Q0	Black			+AZ, +BT, +BM	
					+BW, +TD	
		991 555 683 01 OA6	Agate Grey			+FZ
		991 555 683 01 OL7	Saddle Tan			+SZ
		991 555 683 01 6W0	Luxor Beige			+UZ
		991 555 683 01 OG6	Bordeaux Red			+LZ
		991 555 683 01 OH7	Graphite Blue			+HZ, +TG
		991 555 683 01 3T0	Espresso			+NE, +BY
(11)	991 555 684 01	Cover	/R	1		
		Airbag				
	991 555 684 01 5Q0	Black			+AZ, +BT, +BM	
					+BW, +TD	
		991 555 684 01 OA6	Agate Grey			+FZ
		991 555 684 01 OL7	Saddle Tan			+SZ
		991 555 684 01 6W0	Luxor Beige			+UZ
		991 555 684 01 OG6	Bordeaux Red			+LZ
		991 555 684 01 OH7	Graphite Blue			+HZ, +TG
		991 555 684 01 3T0	Espresso			+NE, +BY
12	991 555 741 00	Trim cover	/L	1		
		Door glass frame				
	991 555 741 00 1E0	Black				
	(12)	991 555 742 00	Trim cover	/R	1	
		Door glass frame				
		991 555 742 00 1E0	Black			
	13	999 073 322 02	Oval-head screw M 6 X 20		8	
	14	999 919 203 07	Oval-head screw M 3 X 10		10	
	15	991 555 581 00	Trim frame	/L	1	I9VJ
			Loudspeaker grille			
(15)	991 555 581 00 V08	Galvano silver				
	991 555 582 00	Trim frame	/R	1	I9VJ	
		Loudspeaker grille				
	991 555 582 00 V08	Galvano silver				

Model: 982-17

Model life 2017>>



Model: 982-17 Model life 2017>>

Pos	Part Number	Description	Remark	Qty	Model
		Door trim panel Accessories Leather Moulding Mahogany			IXWB/981
1	991 555 993 18	Door trim panel Leather	/L	1	-I625/I9VK
	991 555 993 18 A11	Black			+AZ
	991 555 993 18 OA1	Agate Grey			+FZ
	991 555 993 18 OH7	Graphite Blue			+HZ
	991 555 993 18 OK6	Saddle Tan			+SZ
	991 555 993 18 7J0	Luxor Beige			+UZ
	991 555 993 18 OG6	Bordeaux Red			+LZ
	991 555 993 18 6J0	Espresso			+NE
	991 555 993 18 JHB	Black/Dark Silver			+TD
(1)	991 555 993 18	Door trim panel Leather two-colour	/L	1	-I625/I9VK
	991 555 993 18 DTO	Black/Luxor Beige			+BT
	991 555 993 18 GUG	Black/Bordeaux Red			+BM
	991 555 993 18 GUH	Black/Chalk			+BW
	991 555 993 18 GTG	Graphite Blue/Chalk			+TG
	991 555 993 18 GRG	Espresso/Cognac			+BY
(1)	991 555 994 18	Door trim panel Leather	/R	1	-I625/I9VK
	991 555 994 18 A11	Black			+AZ
	991 555 994 18 OA1	Agate Grey			+FZ
	991 555 994 18 OH7	Graphite Blue			+HZ
	991 555 994 18 OK6	Saddle Tan			+SZ
	991 555 994 18 7J0	Luxor Beige			+UZ
	991 555 994 18 OG6	Bordeaux Red			+LZ
	991 555 994 18 6J0	Espresso			+NE
	991 555 994 18 JHB	Black/Dark Silver			+TD
(1)	991 555 994 18	Door trim panel Leather two-colour	/R	1	-I625/I9VK
	991 555 994 18 DTO	Black/Luxor Beige			+BT
	991 555 994 18 GUG	Black/Bordeaux Red			+BM
	991 555 994 18 GUH	Black/Chalk			+BW
	991 555 994 18 GTG	Graphite Blue/Chalk			+TG
	991 555 994 18 GRG	Espresso/Cognac			+BY
(1)	991 555 993 19	Door trim panel Leather	/L	1	-I625/I9VL
	991 555 993 19 A11	Black			+AZ
	991 555 993 19 OA1	Agate Grey			+FZ
	991 555 993 19 OH7	Graphite Blue			+HZ
	991 555 993 19 OK6	Saddle Tan			+SZ
	991 555 993 19 7J0	Luxor Beige			+UZ
	991 555 993 19 OG6	Bordeaux Red			+LZ
	991 555 993 19 6J0	Espresso			+NE
	991 555 993 19 JHB	Black/Dark Silver			+TD
(1)	991 555 993 19	Door trim panel Leather two-colour	/L	1	-I625/I9VL
	991 555 993 19 DTO	Black/Luxor Beige			+BT
	991 555 993 19 GUG	Black/Bordeaux Red			+BM
	991 555 993 19 GUH	Black/Chalk			+BW
	991 555 993 19 GTG	Graphite Blue/Chalk			+TG
	991 555 993 19 GRG	Espresso/Cognac			+BY
(1)	991 555 994 19	Door trim panel Leather	/R	1	-I625/I9VL
	991 555 994 19 A11	Black			+AZ
	991 555 994 19 OA1	Agate Grey			+FZ

Model: 982-17

Model life 2017>>

Pos	Part Number	Description	Remark	Qty	Model
	991 555 994 19 OH7	Graphite Blue			+HZ
	991 555 994 19 OK6	Saddle Tan			+SZ
	991 555 994 19 7J0	Luxor Beige			+UZ
	991 555 994 19 OG6	Bordeaux Red			+LZ
	991 555 994 19 6J0	Espresso			+NE
	991 555 994 19 JHB	Black/Dark Silver			+TD
(1)	991 555 994 19	Door trim panel	/R	1	-I625/I9VL
		Leather			
		two-colour			
	991 555 994 19 DTO	Black/Luxor Beige			+BT
	991 555 994 19 GUG	Black/Bordeaux Red			+BM
	991 555 994 19 GUH	Black/Chalk			+BW
	991 555 994 19 GTG	Graphite Blue/Chalk			+TG
	991 555 994 19 GRG	Espresso/Cognac			+BY
(1)	991 555 993 20	Door trim panel	/L	1	-I625/I9VJ
		Leather			
	991 555 993 20 A11	Black			+AZ
	991 555 993 20 OA1	Agate Grey			+FZ
	991 555 993 20 OH7	Graphite Blue			+HZ
	991 555 993 20 OK6	Saddle Tan			+SZ
	991 555 993 20 7J0	Luxor Beige			+UZ
	991 555 993 20 OG6	Bordeaux Red			+LZ
	991 555 993 20 6J0	Espresso			+NE
	991 555 993 20 JHB	Black/Dark Silver			+TD
(1)	991 555 993 20	Door trim panel	/L	1	-I625/I9VJ
		Leather			
		two-colour			
	991 555 993 20 DTO	Black/Luxor Beige			+BT
	991 555 993 20 GUG	Black/Bordeaux Red			+BM
	991 555 993 20 GUH	Black/Chalk			+BW
	991 555 993 20 GTG	Graphite Blue/Chalk			+TG
	991 555 993 20 GRG	Espresso/Cognac			+BY
(1)	991 555 994 20	Door trim panel	/R	1	-I625/I9VJ
		Leather			
	991 555 994 20 A11	Black			+AZ
	991 555 994 20 OA1	Agate Grey			+FZ
	991 555 994 20 OH7	Graphite Blue			+HZ
	991 555 994 20 OK6	Saddle Tan			+SZ
	991 555 994 20 7J0	Luxor Beige			+UZ
	991 555 994 20 OG6	Bordeaux Red			+LZ
	991 555 994 20 6J0	Espresso			+NE
	991 555 994 20 JHB	Black/Dark Silver			+TD
(1)	991 555 994 20	Door trim panel	/R	1	-I625/I9VJ
		Leather			
		two-colour			
	991 555 994 20 DTO	Black/Luxor Beige			+BT
	991 555 994 20 GUG	Black/Bordeaux Red			+BM
	991 555 994 20 GUH	Black/Chalk			+BW
	991 555 994 20 GTG	Graphite Blue/Chalk			+TG
	991 555 994 20 GRG	Espresso/Cognac			+BY
(1)	991 555 993 21	Door trim panel	/LL /L	1	-I625/I098 I537/9VK
		Leather			
	991 555 993 21 A11	Black			+AZ
	991 555 993 21 OA1	Agate Grey			+FZ
	991 555 993 21 OH7	Graphite Blue			+HZ
	991 555 993 21 OK6	Saddle Tan			+SZ
	991 555 993 21 7J0	Luxor Beige			+UZ
	991 555 993 21 OG6	Bordeaux Red			+LZ
	991 555 993 21 6J0	Espresso			+NE
	991 555 993 21 JHB	Black/Dark Silver			+TD
(1)	991 555 993 21	Door trim panel	/LL /L	1	-I625/I098 I537/9VK

Model: 982-17 Model life 2017>>

Pos	Part Number	Description	Remark	Qty	Model
		Leather two-colour			
	991 555 993 21 DTO	Black/Luxor Beige			+BT
	991 555 993 21 GUG	Black/Bordeaux Red			+BM
	991 555 993 21 GUH	Black/Chalk			+BW
	991 555 993 21 GTG	Graphite Blue/Chalk			+TG
	991 555 993 21 GRG	Espresso/Cognac			+BY
(1)	991 555 994 21	Door trim panel	/RL /R	1	-I625/I099 I538/9VK
		Leather			
	991 555 994 21 A11	Black			+AZ
	991 555 994 21 OA1	Agate Grey			+FZ
	991 555 994 21 OH7	Graphite Blue			+HZ
	991 555 994 21 OK6	Saddle Tan			+SZ
	991 555 994 21 7J0	Luxor Beige			+UZ
	991 555 994 21 OG6	Bordeaux Red			+LZ
	991 555 994 21 6J0	Espresso			+NE
	991 555 994 21 JHB	Black/Dark Silver			+TD
(1)	991 555 994 21	Door trim panel	/RL /R	1	-I625/I099 I538/9VK
		Leather			
	991 555 994 21 DTO	Black/Luxor Beige			+BT
	991 555 994 21 GUG	Black/Bordeaux Red			+BM
	991 555 994 21 GUH	Black/Chalk			+BW
	991 555 994 21 GTG	Graphite Blue/Chalk			+TG
	991 555 994 21 GRG	Espresso/Cognac			+BY
(1)	991 555 993 22	Door trim panel	/LL /L	1	-I625/I098 I537/9VL
		Leather			
	991 555 993 22 A11	Black			+AZ
	991 555 993 22 OA1	Agate Grey			+FZ
	991 555 993 22 OH7	Graphite Blue			+HZ
	991 555 993 22 OK6	Saddle Tan			+SZ
	991 555 993 22 7J0	Luxor Beige			+UZ
	991 555 993 22 OG6	Bordeaux Red			+LZ
	991 555 993 22 6J0	Espresso			+NE
	991 555 993 22 JHB	Black/Dark Silver			+TD
(1)	991 555 993 22	Door trim panel	/LL /L	1	-I625/I098 I537/9VL
		Leather			
	991 555 993 22 DTO	Black/Luxor Beige			+BT
	991 555 993 22 GUG	Black/Bordeaux Red			+BM
	991 555 993 22 GUH	Black/Chalk			+BW
	991 555 993 22 GTG	Graphite Blue/Chalk			+TG
	991 555 993 22 GRG	Espresso/Cognac			+BY
(1)	991 555 994 22	Door trim panel	/RL /R	1	-I625/I099 I538/9VL
		Leather			
	991 555 994 22 A11	Black			+AZ
	991 555 994 22 OA1	Agate Grey			+FZ
	991 555 994 22 OH7	Graphite Blue			+HZ
	991 555 994 22 OK6	Saddle Tan			+SZ
	991 555 994 22 7J0	Luxor Beige			+UZ
	991 555 994 22 OG6	Bordeaux Red			+LZ
	991 555 994 22 6J0	Espresso			+NE
	991 555 994 22 JHB	Black/Dark Silver			+TD
(1)	991 555 994 22	Door trim panel	/RL /R	1	-I625/I099 I538/9VL
		Leather			
	991 555 994 22 DTO	Black/Luxor Beige			+BT

Model: 982-17 Model life 2017>>

Pos	Part Number	Description	Remark	Qty	Model
(1)	991 555 994 22 GUG	Black/Bordeaux Red			+BM
	991 555 994 22 GUH	Black/Chalk			+BW
	991 555 994 22 GTG	Graphite Blue/Chalk			+TG
	991 555 994 22 GRG	Espresso/Cognac			+BY
	991 555 993 23	Door trim panel	/LL /L	1	-I625/I098 I537/9VJ
		Leather			
	991 555 993 23 A11	Black			+AZ
	991 555 993 23 OA1	Agate Grey			+FZ
	991 555 993 23 OH7	Graphite Blue			+HZ
	991 555 993 23 OK6	Saddle Tan			+SZ
(1)	991 555 993 23 7J0	Luxor Beige			+UZ
	991 555 993 23 OG6	Bordeaux Red			+LZ
	991 555 993 23 6J0	Espresso			+NE
	991 555 993 23 JHB	Black/Dark Silver			+TD
	991 555 993 23	Door trim panel	/LL /L	1	-I625/I098 I537/9VJ
		Leather			
		two-colour			
	991 555 993 23 DTO	Black/Luxor Beige			+BT
	991 555 993 23 GUG	Black/Bordeaux Red			+BM
	991 555 993 23 GUH	Black/Chalk			+BW
(1)	991 555 993 23 GTG	Graphite Blue/Chalk			+TG
	991 555 993 23 GRG	Espresso/Cognac			+BY
	991 555 994 23	Door trim panel	/RL /R	1	-I625/I099 I538/9VJ
		Leather			
	991 555 994 23 A11	Black			+AZ
	991 555 994 23 OA1	Agate Grey			+FZ
	991 555 994 23 OH7	Graphite Blue			+HZ
	991 555 994 23 OK6	Saddle Tan			+SZ
	991 555 994 23 7J0	Luxor Beige			+UZ
	991 555 994 23 OG6	Bordeaux Red			+LZ
(1)	991 555 994 23 6J0	Espresso			+NE
	991 555 994 23 JHB	Black/Dark Silver			+TD
	991 555 994 23	Door trim panel	/RL /R	1	-I625/I099 I538/9VJ
		Leather			
		two-colour			
	991 555 994 23 DTO	Black/Luxor Beige			+BT
	991 555 994 23 GUG	Black/Bordeaux Red			+BM
	991 555 994 23 GUH	Black/Chalk			+BW
	991 555 994 23 GTG	Graphite Blue/Chalk			+TG
	991 555 994 23 GRG	Espresso/Cognac			+BY
(1)	991 555 993 48	Door trim panel	/L	1	I625/9VK
		Leather			
	991 555 993 48 A11	Black			+AZ
	991 555 993 48 OA1	Agate Grey			+FZ
	991 555 993 48 OH7	Graphite Blue			+HZ
	991 555 993 48 OK6	Saddle Tan			+SZ
	991 555 993 48 7J0	Luxor Beige			+UZ
	991 555 993 48 OG6	Bordeaux Red			+LZ
	991 555 993 48 6J0	Espresso			+NE
	991 555 993 48 JHB	Black/Dark Silver			+TD
(1)	991 555 993 48	Door trim panel	/L	1	I625/9VK
		Leather			
		two-colour			
	991 555 993 48 DTO	Black/Luxor Beige			+BT
	991 555 993 48 GUG	Black/Bordeaux Red			+BM
	991 555 993 48 GUH	Black/Chalk			+BW
	991 555 993 48 GTG	Graphite Blue/Chalk			+TG
	991 555 993 48 GRG	Espresso/Cognac			+BY
	991 555 994 48	Door trim panel	/R	1	I625/9VK

Model: 982-17 Model life 2017>>

Pos	Part Number	Description	Remark	Qty	Model
	991 555 994 48 A11	Leather Black			+AZ
	991 555 994 48 OA1	Agate Grey			+FZ
	991 555 994 48 OH7	Graphite Blue			+HZ
	991 555 994 48 OK6	Saddle Tan			+SZ
	991 555 994 48 7J0	Luxor Beige			+UZ
	991 555 994 48 OG6	Bordeaux Red			+LZ
	991 555 994 48 6J0	Espresso			+NE
	991 555 994 48 JHB	Black/Dark Silver			+TD
(1)	991 555 994 48	Door trim panel	/R	1	I625/9VK
		Leather two-colour			
	991 555 994 48 DTO	Black/Luxor Beige			+BT
	991 555 994 48 GUG	Black/Bordeaux Red			+BM
	991 555 994 48 GUH	Black/Chalk			+BW
	991 555 994 48 GTG	Graphite Blue/Chalk			+TG
	991 555 994 48 GRG	Espresso/Cognac			+BY
(1)	991 555 993 49	Door trim panel	/L	1	I625/9VL
		Leather			
	991 555 993 49 A11	Black			+AZ
	991 555 993 49 OA1	Agate Grey			+FZ
	991 555 993 49 OH7	Graphite Blue			+HZ
	991 555 993 49 OK6	Saddle Tan			+SZ
	991 555 993 49 7J0	Luxor Beige			+UZ
	991 555 993 49 OG6	Bordeaux Red			+LZ
	991 555 993 49 6J0	Espresso			+NE
	991 555 993 49 JHB	Black/Dark Silver			+TD
(1)	991 555 993 49	Door trim panel	/L	1	I625/9VL
		Leather two-colour			
	991 555 993 49 DTO	Black/Luxor Beige			+BT
	991 555 993 49 GUG	Black/Bordeaux Red			+BM
	991 555 993 49 GUH	Black/Chalk			+BW
	991 555 993 49 GTG	Graphite Blue/Chalk			+TG
	991 555 993 49 GRG	Espresso/Cognac			+BY
(1)	991 555 994 49	Door trim panel	/R	1	I625/9VL
		Leather			
	991 555 994 49 A11	Black			+AZ
	991 555 994 49 OA1	Agate Grey			+FZ
	991 555 994 49 OH7	Graphite Blue			+HZ
	991 555 994 49 OK6	Saddle Tan			+SZ
	991 555 994 49 7J0	Luxor Beige			+UZ
	991 555 994 49 OG6	Bordeaux Red			+LZ
	991 555 994 49 6J0	Espresso			+NE
	991 555 994 49 JHB	Black/Dark Silver			+TD
(1)	991 555 994 49	Door trim panel	/R	1	I625/9VL
		Leather two-colour			
	991 555 994 49 DTO	Black/Luxor Beige			+BT
	991 555 994 49 GUG	Black/Bordeaux Red			+BM
	991 555 994 49 GUH	Black/Chalk			+BW
	991 555 994 49 GTG	Graphite Blue/Chalk			+TG
	991 555 994 49 GRG	Espresso/Cognac			+BY
(1)	991 555 993 50	Door trim panel	/L	1	I625/9VJ
		Leather			
	991 555 993 50 A11	Black			+AZ
	991 555 993 50 OA1	Agate Grey			+FZ
	991 555 993 50 OH7	Graphite Blue			+HZ
	991 555 993 50 OK6	Saddle Tan			+SZ
	991 555 993 50 7J0	Luxor Beige			+UZ
	991 555 993 50 OG6	Bordeaux Red			+LZ
	991 555 993 50 6J0	Espresso			+NE
	991 555 993 50 JHB	Black/Dark Silver			+TD

Model: 982-17 Model life 2017>>

Pos	Part Number	Description	Remark	Qty	Model
(1)	991 555 993 50	Door trim panel Leather two-colour	/L	1	I625/9VJ
	991 555 993 50 DTO	Black/Luxor Beige			+BT
	991 555 993 50 GUG	Black/Bordeaux Red			+BM
	991 555 993 50 GUH	Black/Chalk			+BW
	991 555 993 50 GTG	Graphite Blue/Chalk			+TG
	991 555 993 50 GRG	Espresso/Cognac			+BY
(1)	991 555 994 50	Door trim panel Leather	/R	1	I625/9VJ
	991 555 994 50 A11	Black			+AZ
	991 555 994 50 OA1	Agate Grey			+FZ
	991 555 994 50 OH7	Graphite Blue			+HZ
	991 555 994 50 OK6	Saddle Tan			+SZ
	991 555 994 50 7J0	Luxor Beige			+UZ
	991 555 994 50 OG6	Bordeaux Red			+LZ
	991 555 994 50 6J0	Espresso			+NE
	991 555 994 50 JHB	Black/Dark Silver			+TD
(1)	991 555 994 50	Door trim panel Leather two-colour	/R	1	I625/9VJ
	991 555 994 50 DTO	Black/Luxor Beige			+BT
	991 555 994 50 GUG	Black/Bordeaux Red			+BM
	991 555 994 50 GUH	Black/Chalk			+BW
	991 555 994 50 GTG	Graphite Blue/Chalk			+BG
	991 555 994 50 GRG	Espresso/Cognac			+BY
(1)	991 555 993 51	Door trim panel Leather	/LL /L	1	I098/537/625 I9VK
	991 555 993 51 A11	Black			+AZ
	991 555 993 51 OA1	Agate Grey			+FZ
	991 555 993 51 OH7	Graphite Blue			+HZ
	991 555 993 51 OK6	Saddle Tan			+SZ
	991 555 993 51 7J0	Luxor Beige			+UZ
	991 555 993 51 OG6	Bordeaux Red			+LZ
	991 555 993 51 6J0	Espresso			+NE
	991 555 993 51 JHB	Black/Dark Silver			+TD
(1)	991 555 993 51	Door trim panel Leather two-colour	/LL /L	1	I098/537/625 I9VK
	991 555 993 51 DTO	Black/Luxor Beige			+BT
	991 555 993 51 GUG	Black/Bordeaux Red			+BM
	991 555 993 51 GUH	Black/Chalk			+BW
	991 555 993 51 GTG	Graphite Blue/Chalk			+TG
	991 555 993 51 GRG	Espresso/Cognac			+BY
(1)	991 555 994 51	Door trim panel Leather	/RL /R	1	I099/538/625 I9VK
	991 555 994 51 A11	Black			+AZ
	991 555 994 51 OA1	Agate Grey			+FZ
	991 555 994 51 OH7	Graphite Blue			+HZ
	991 555 994 51 OK6	Saddle Tan			+SZ
	991 555 994 51 7J0	Luxor Beige			+UZ
	991 555 994 51 OG6	Bordeaux Red			+LZ
	991 555 994 51 6J0	Espresso			+NE
	991 555 994 51 JHB	Black/Dark Silver			+TD
(1)	991 555 994 51	Door trim panel Leather two-colour	/RL /R	1	I099/538/625 I9VK
	991 555 994 51 DTO	Black/Luxor Beige			+BT
	991 555 994 51 GUG	Black/Bordeaux Red			+BM

Model: 982-17

Model life 2017>>

Pos	Part Number	Description	Remark	Qty	Model
(1)	991 555 994 51 GUH	Black/Chalk			+BW
	991 555 994 51 GTG	Graphite Blue/Chalk			+TG
	991 555 994 51 GRG	Espresso/Cognac			+BY
	991 555 993 52	Door trim panel	/LL /L	1	I098/537/625 I9VL
		Leather			
	991 555 993 52 A11	Black			+AZ
	991 555 993 52 OA1	Agate Grey			+FZ
	991 555 993 52 OH7	Graphite Blue			+HZ
	991 555 993 52 OK6	Saddle Tan			+SZ
	991 555 993 52 7J0	Luxor Beige			+UZ
(1)	991 555 993 52 OG6	Bordeaux Red			+LZ
	991 555 993 52 6J0	Espresso			+NE
	991 555 993 52 JHB	Black/Dark Silver			+TD
	991 555 993 52	Door trim panel	/LL /L	1	I098/537/625 I9VL
		Leather			
		two-colour			
	991 555 993 52 DTO	Black/Luxor Beige			+BT
	991 555 993 52 GUG	Black/Bordeaux Red			+BM
	991 555 993 52 GUH	Black/Chalk			+BW
	991 555 993 52 GTG	Graphite Blue/Chalk			+BG
(1)	991 555 993 52 GRG	Espresso/Cognac			+BY
	991 555 994 52	Door trim panel	/RL /R	1	I099/538/625 I9VL
		Leather			
	991 555 994 52 A11	Black			+AZ
	991 555 994 52 OA1	Agate Grey			+FZ
	991 555 994 52 OH7	Graphite Blue			+HZ
	991 555 994 52 OK6	Saddle Tan			+SZ
	991 555 994 52 7J0	Luxor Beige			+UZ
	991 555 994 52 OG6	Bordeaux Red			+LZ
	991 555 994 52 6J0	Espresso			+NE
(1)	991 555 994 52 JHB	Black/Dark Silver			+TD
	991 555 994 52	Door trim panel	/RL /R	1	I099/538/625 I9VL
		Leather			
		two-colour			
	991 555 994 52 DTO	Black/Luxor Beige			+BT
	991 555 994 52 GUG	Black/Bordeaux Red			+BM
	991 555 994 52 GUH	Black/Chalk			+BW
	991 555 994 52 GTG	Graphite Blue/Chalk			+BG
	991 555 994 52 GRG	Espresso/Cognac			+BY
	(1)	991 555 993 53	Door trim panel	/LL /L	1
		Leather			
991 555 993 53 A11		Black			+AZ
991 555 993 53 OA1		Agate Grey			+FZ
991 555 993 53 OH7		Graphite Blue			+HZ
991 555 993 53 OK6		Saddle Tan			+SZ
991 555 993 53 7J0		Luxor Beige			+UZ
991 555 993 53 OG6		Bordeaux Red			+LZ
991 555 993 53 6J0		Espresso			+NE
991 555 993 53 JHB		Black/Dark Silver			+TD
(1)	991 555 993 53	Door trim panel	/LL /L	1	I098/537/625 I9VJ
		Leather			
		two-colour			
	991 555 993 53 DTO	Black/Luxor Beige			+BT
	991 555 993 53 GUG	Black/Bordeaux Red			+BM
	991 555 993 53 GUH	Black/Chalk			+BW
	991 555 993 53 GTG	Graphite Blue/Chalk			+BG
	991 555 993 53 GRG	Espresso/Cognac			+BY

Model: 982-17 Model life 2017>>

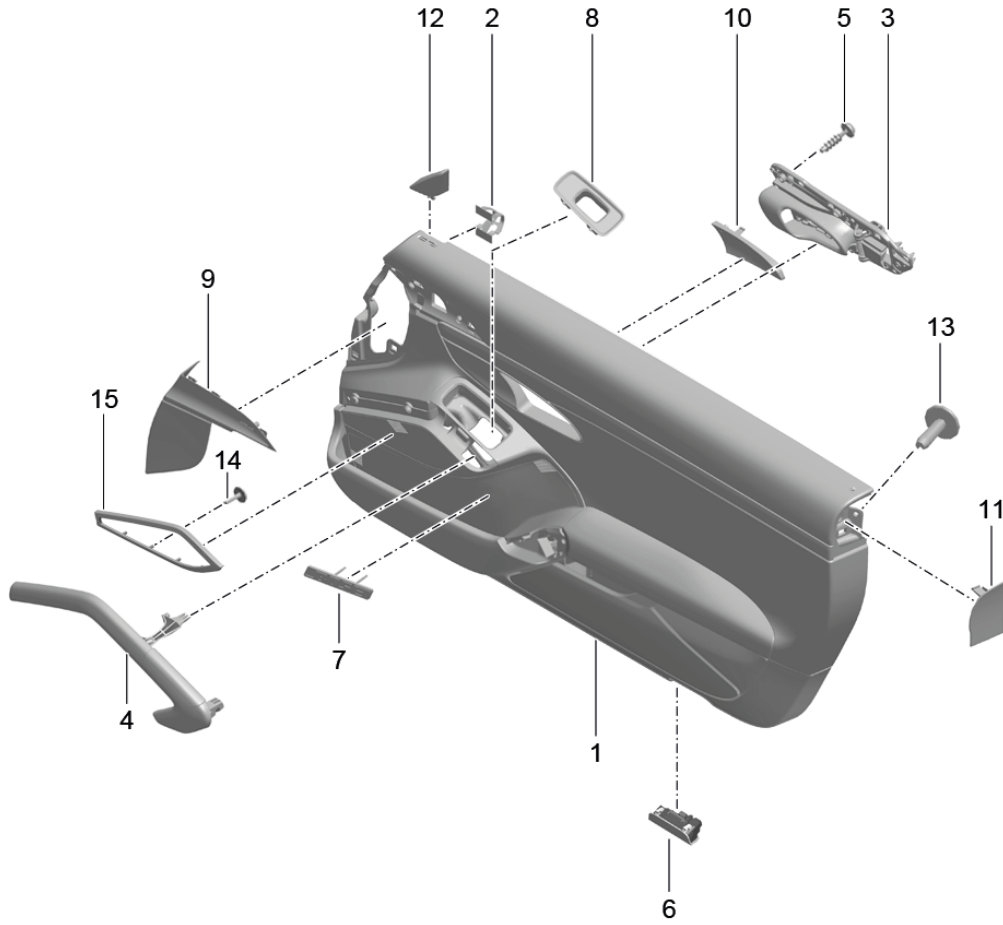
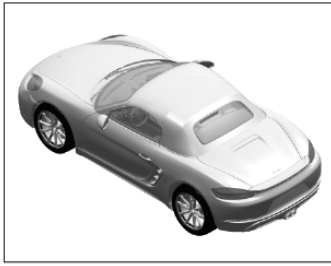
Pos	Part Number	Description	Remark	Qty	Model
(1)	991 555 994 53	Door trim panel	/RL /R	1	I099/538/625 I9VJ
		Leather			
	991 555 994 53 A11	Black			+AZ
	991 555 994 53 OA1	Agate Grey			+FZ
	991 555 994 53 OH7	Graphite Blue			+HZ
	991 555 994 53 OK6	Saddle Tan			+SZ
	991 555 994 53 7J0	Luxor Beige			+UZ
	991 555 994 53 OG6	Bordeaux Red			+LZ
	991 555 994 53 6J0	Espresso			+NE
	991 555 994 53 JHB	Black/Dark Silver			+TD
(1)	991 555 994 53	Door trim panel	/RL /R	1	I099/538/625 I9VJ
		Leather			
		two-colour			
	991 555 994 53 DTO	Black/Luxor Beige			+BT
	991 555 994 53 GUG	Black/Bordeaux Red			+BM
	991 555 994 53 GUH	Black/Chalk			+BW
	991 555 994 53 GTG	Graphite Blue/Chalk			+BG
	991 555 994 53 GRG	Espresso/Cognac			+BY
2	999 507 533 02	Clamp		4	
		8,0 X 10,0 /2,5			
3	991 555 521 02	Door opener	/L	1	
	991 555 521 02 V08	Galvano silver			
(3)	991 555 522 02	Door opener	/R	1	
	991 555 522 02 V08	Galvano silver			
4	991 555 533 00	Handle	/L	1	
		Leather			
	991 555 533 00 A11	Black			+AZ
	991 555 533 00 OA1	Agate Grey			+FZ
	991 555 533 00 OK6	Saddle Tan			+SZ
	991 555 533 00 7J0	Luxor Beige			+UZ, +BT
	991 555 533 00 OG6	Bordeaux Red			+LZ, +BM
	991 555 533 00 OH7	Graphite Blue			+HZ
	991 555 533 00 6J0	Espresso			+NE
	991 555 533 00 7F0	Cognac			+BY
	991 555 533 00 OL8	Chalk			+BW, +TG
	991 555 533 00 JHB	Black/Dark Silver			+TD
(4)	991 555 534 00	Handle	/R	1	
		Leather			
	991 555 534 00 A11	Black			+AZ
	991 555 534 00 OA1	Agate Grey			+FZ
	991 555 534 00 OK6	Saddle Tan			+SZ
	991 555 534 00 7J0	Luxor Beige			+UZ, +BT
	991 555 534 00 OG6	Bordeaux Red			+LZ, +BM
	991 555 534 00 OH7	Graphite Blue			+HZ
	991 555 534 00 6J0	Espresso			+NE
	991 555 534 00 7F0	Cognac			+BY
	991 555 534 00 OL8	Chalk			+BW, +TG
	991 555 534 00 JHB	Black/Dark Silver			+TD
5	999 919 262 01	Oval-head screw		9	
		4,0 X 16,0			
6	1K0 947 419 A	Reflector		2	
7	7PP 945 699	Logo		2	I9VL
		Bose			
8	991 555 723 02	Support frame		1	
		Switch			
	991 555 723 02 1E0	Black			
9	991 555 721 02	Cover	/L	1	
		Front			
	991 555 721 02 5Q0	Black			+AZ, +BM, +BT
					+BW, +TD
	991 555 721 02 OA6	Agate Grey			+FZ

Model: 982-17 Model life 2017>>

Pos	Part Number	Description	Remark	Qty	Model
	991 555 721 02 OL7	Saddle Tan			+SZ
	991 555 721 02 6W0	Luxor Beige			+UZ
	991 555 721 02 OG6	Bordeaux Red			+LZ
	991 555 721 02 OH7	Graphite Blue			+HZ, +TG
	991 555 721 02 3T0	Espresso			+NE, +BY
(9)	991 555 722 02	Cover	/R	1	
		Front			
	991 555 722 02 5Q0	Black			+AZ, +BM, +BT +BW, +TD
	991 555 722 02 OA6	Agate Grey			+FZ
	991 555 722 02 OL7	Saddle Tan			+SZ
	991 555 722 02 6W0	Luxor Beige			+UZ
	991 555 722 02 OG6	Bordeaux Red			+LZ
	991 555 722 02 OH7	Graphite Blue			+HZ, +TG
	991 555 722 02 3T0	Espresso			+NE, +BY
10	7PP 837 247	Trim cover	/L	1	
		Door opener			
	7PP 837 247 1E0	Black			
(10)	7PP 837 248	Trim cover	/R	1	
		Door opener			
	7PP 837 248 1E0	Black			
11	991 555 683 01	Cover	/L	1	
		Airbag			
	991 555 683 01 5Q0	Black			+AZ, +BT, +BM +BW, +TD
	991 555 683 01 OA6	Agate Grey			+FZ
	991 555 683 01 OL7	Saddle Tan			+SZ
	991 555 683 01 6W0	Luxor Beige			+UZ
	991 555 683 01 OG6	Bordeaux Red			+LZ
	991 555 683 01 OH7	Graphite Blue			+HZ, +TG
	991 555 683 01 3T0	Espresso			+NE, +BY
(11)	991 555 684 01	Cover	/R	1	
		Airbag			
	991 555 684 01 5Q0	Black			+AZ, +BT, +BM +BW, +TD
	991 555 684 01 OA6	Agate Grey			+FZ
	991 555 684 01 OL7	Saddle Tan			+SZ
	991 555 684 01 6W0	Luxor Beige			+UZ
	991 555 684 01 OG6	Bordeaux Red			+LZ
	991 555 684 01 OH7	Graphite Blue			+HZ, +TG
	991 555 684 01 3T0	Espresso			+NE, +BY
12	991 555 741 00	Trim cover	/L	1	
		Door glass frame			
	991 555 741 00 1E0	Black			
(12)	991 555 742 00	Trim cover	/R	1	
		Door glass frame			
	991 555 742 00 1E0	Black			
13	999 073 322 02	Oval-head screw		8	
		M 6 X 20			
14	999 919 203 07	Oval-head screw		10	
		M 3 X 10			
15	991 555 581 00	Trim frame	/L	1	I9VJ
		Loudspeaker grille			
	991 555 581 00 V08	Galvano silver			
(15)	991 555 582 00	Trim frame	/R	1	I9VJ
		Loudspeaker grille			
	991 555 582 00 V08	Galvano silver			

Model: 982-17

Model life 2017>>



Model: 982-17 Model life 2017>>

Pos	Part Number	Description	Remark	Qty	Model
		Door trim panel Accessories Moulding Carbon			IXWC/981
(1)	991 555 993 12	Door trim panel Leather	/L	1	-I625/I9VK
	991 555 993 12 A11	Black			+AZ
	991 555 993 12 OA1	Agate Grey			+FZ
	991 555 993 12 OH7	Graphite Blue			+HZ
	991 555 993 12 OK6	Saddle Tan			+SZ
	991 555 993 12 7J0	Luxor Beige			+UZ
	991 555 993 12 OG6	Bordeaux Red			+LZ
	991 555 993 12 6J0	Espresso			+NE
	991 555 993 12 JHB	Black/Dark Silver			+TD
(1)	991 555 993 12	Door trim panel Leather two-colour	/L	1	-I625/I9VK
	991 555 993 12 DTO	Black/Luxor Beige			+BT
	991 555 993 12 GUG	Black/Bordeaux Red			+BM
	991 555 993 12 GUH	Black/Chalk			+BW
	991 555 993 12 GTG	Graphite Blue/Chalk			+TG
	991 555 993 12 GRG	Espresso/Cognac			+BY
(1)	991 555 994 12	Door trim panel Leather	/R	1	-I625/I9VK
	991 555 994 12 A11	Black			+AZ
	991 555 994 12 OA1	Agate Grey			+FZ
	991 555 994 12 OH7	Graphite Blue			+HZ
	991 555 994 12 OK6	Saddle Tan			+SZ
	991 555 994 12 7J0	Luxor Beige			+UZ
	991 555 994 12 OG6	Bordeaux Red			+LZ
	991 555 994 12 6J0	Espresso			+NE
	991 555 994 12 JHB	Black/Dark Silver			+TD
(1)	991 555 994 12	Door trim panel Leather two-colour	/R	1	-I625/I9VK
	991 555 994 12 DTO	Black/Luxor Beige			+BT
	991 555 994 12 GUG	Black/Bordeaux Red			+BM
	991 555 994 12 GUH	Black/Chalk			+BW
	991 555 994 12 GTG	Graphite Blue/Chalk			+TG
	991 555 994 12 GRG	Espresso/Cognac			+BY
(1)	991 555 993 13	Door trim panel Leather	/L	1	-I625/I9VL
	991 555 993 13 A11	Black			+AZ
	991 555 993 13 OA1	Agate Grey			+FZ
	991 555 993 13 OH7	Graphite Blue			+HZ
	991 555 993 13 OK6	Saddle Tan			+SZ
	991 555 993 13 7J0	Luxor Beige			+UZ
	991 555 993 13 OG6	Bordeaux Red			+LZ
	991 555 993 13 6J0	Espresso			+NE
	991 555 993 13 JHB	Black/Dark Silver			+TD
(1)	991 555 993 13	Door trim panel Leather two-colour	/L	1	-I625/I9VL
	991 555 993 13 DTO	Black/Luxor Beige			+BT
	991 555 993 13 GUG	Black/Bordeaux Red			+BM
	991 555 993 13 GUH	Black/Chalk			+BW
	991 555 993 13 GTG	Graphite Blue/Chalk			+TG
	991 555 993 13 GRG	Espresso/Cognac			+BY
(1)	991 555 994 13	Door trim panel Leather	/R	1	-I625/I9VL
	991 555 994 13 A11	Black			+AZ
	991 555 994 13 OA1	Agate Grey			+FZ
	991 555 994 13 OH7	Graphite Blue			+HZ

Model: 982-17 Model life 2017>>

Pos	Part Number	Description	Remark	Qty	Model
	991 555 994 13 OK6	Saddle Tan			+SZ
	991 555 994 13 7J0	Luxor Beige			+UZ
	991 555 994 13 OG6	Bordeaux Red			+LZ
	991 555 994 13 6J0	Espresso			+NE
	991 555 994 13 JHB	Black/Dark Silver			+TD
(1)	991 555 994 13	Door trim panel Leather two-colour	/R	1	-I625/I9VL
	991 555 994 13 DTO	Black/Luxor Beige			+BT
	991 555 994 13 GUG	Black/Bordeaux Red			+BM
	991 555 994 13 GUH	Black/Chalk			+BW
	991 555 994 13 GTG	Graphite Blue/Chalk			+TG
	991 555 994 13 GRG	Espresso/Cognac			+BY
(1)	991 555 993 14	Door trim panel Leather	/L	1	-I625/I9VJ
	991 555 993 14 A11	Black			+AZ
	991 555 993 14 OA1	Agate Grey			+FZ
	991 555 993 14 OH7	Graphite Blue			+HZ
	991 555 993 14 OK6	Saddle Tan			+SZ
	991 555 993 14 7J0	Luxor Beige			+UZ
	991 555 993 14 OG6	Bordeaux Red			+LZ
	991 555 993 14 6J0	Espresso			+NE
	991 555 993 14 JHB	Black/Dark Silver			+TD
(1)	991 555 993 14	Door trim panel Leather two-colour	/L	1	-I625/I9VJ
	991 555 993 14 DTO	Black/Luxor Beige			+BT
	991 555 993 14 GUG	Black/Bordeaux Red			+BM
	991 555 993 14 GUH	Black/Chalk			+BW
	991 555 993 14 GTG	Graphite Blue/Chalk			+TG
	991 555 993 14 GRG	Espresso/Cognac			+BY
(1)	991 555 994 14	Door trim panel Leather	/R	1	-I625/I9VJ
	991 555 994 14 A11	Black			+AZ
	991 555 994 14 OA1	Agate Grey			+FZ
	991 555 994 14 OH7	Graphite Blue			+HZ
	991 555 994 14 OK6	Saddle Tan			+SZ
	991 555 994 14 7J0	Luxor Beige			+UZ
	991 555 994 14 OG6	Bordeaux Red			+LZ
	991 555 994 14 6J0	Espresso			+NE
	991 555 994 14 JHB	Black/Dark Silver			+TD
(1)	991 555 994 14	Door trim panel Leather two-colour	/R	1	-I625/I9VJ
	991 555 994 14 DTO	Black/Luxor Beige			+BT
	991 555 994 14 GUG	Black/Bordeaux Red			+BM
	991 555 994 14 GUH	Black/Chalk			+BW
	991 555 994 14 GTG	Graphite Blue/Chalk			+TG
	991 555 994 14 GRG	Espresso/Cognac			+BY
(1)	991 555 993 15	Door trim panel Leather	/LL /L	1	-I625/I098 I537/9VK
	991 555 993 15 A11	Black			+AZ
	991 555 993 15 OA1	Agate Grey			+FZ
	991 555 993 15 OH7	Graphite Blue			+HZ
	991 555 993 15 OK6	Saddle Tan			+SZ
	991 555 993 15 7J0	Luxor Beige			+UZ
	991 555 993 15 OG6	Bordeaux Red			+LZ
	991 555 993 15 6J0	Espresso			+NE
	991 555 993 15 JHB	Black/Dark Silver			+TD
(1)	991 555 993 15	Door trim panel Leather	/LL /L	1	-I625/I098 I537/9VK

Model: 982-17

Model life 2017>>

Pos	Part Number	Description	Remark	Qty	Model
		two-colour			
	991 555 993 15 DTO	Black/Luxor Beige			+BT
	991 555 993 15 GUG	Black/Bordeaux Red			+BM
	991 555 993 15 GUH	Black/Chalk			+BW
	991 555 993 15 GTG	Graphite Blue/Chalk			+TG
	991 555 993 15 GRG	Espresso/Cognac			+BY
(1)	991 555 994 15	Door trim panel	/RL /R	1	-I625/I099 I538/9VK
		Leather			
	991 555 994 15 A11	Black			+AZ
	991 555 994 15 OA1	Agate Grey			+FZ
	991 555 994 15 OH7	Graphite Blue			+HZ
	991 555 994 15 OK6	Saddle Tan			+SZ
	991 555 994 15 7J0	Luxor Beige			+UZ
	991 555 994 15 OG6	Bordeaux Red			+LZ
	991 555 994 15 6J0	Espresso			+NE
	991 555 994 15 JHB	Black/Dark Silver			+TD
(1)	991 555 994 15	Door trim panel	/RL /R	1	-I625/I099 I538/9VK
		Leather			
		two-colour			
	991 555 994 15 DTO	Black/Luxor Beige			+BT
	991 555 994 15 GUG	Black/Bordeaux Red			+BM
	991 555 994 15 GUH	Black/Chalk			+BW
	991 555 994 15 GTG	Graphite Blue/Chalk			+TG
	991 555 994 15 GRG	Espresso/Cognac			+BY
(1)	991 555 993 16	Door trim panel	/LL /L	1	-I625/I098 I537/9VL
		Leather			
	991 555 993 16 A11	Black			+AZ
	991 555 993 16 OA1	Agate Grey			+FZ
	991 555 993 16 OH7	Graphite Blue			+HZ
	991 555 993 16 OK6	Saddle Tan			+SZ
	991 555 993 16 7J0	Luxor Beige			+UZ
	991 555 993 16 OG6	Bordeaux Red			+LZ
	991 555 993 16 6J0	Espresso			+NE
	991 555 993 16 JHB	Black/Dark Silver			+TD
(1)	991 555 993 16	Door trim panel	/LL /L	1	-I625/I098 I537/9VK
		Leather			
		two-colour			
	991 555 993 16 DTO	Black/Luxor Beige			+BT
	991 555 993 16 GUG	Black/Bordeaux Red			+BM
	991 555 993 16 GUH	Black/Chalk			+BW
	991 555 993 16 GTG	Graphite Blue/Chalk			+TG
	991 555 993 16 GRG	Espresso/Cognac			+BY
(1)	991 555 994 16	Door trim panel	/RL /R	1	-I625/I099 I538/9VL
		Leather			
	991 555 994 16 A11	Black			+AZ
	991 555 994 16 OA1	Agate Grey			+FZ
	991 555 994 16 OH7	Graphite Blue			+HZ
	991 555 994 16 OK6	Saddle Tan			+SZ
	991 555 994 16 7J0	Luxor Beige			+UZ
	991 555 994 16 OG6	Bordeaux Red			+LZ
	991 555 994 16 6J0	Espresso			+NE
	991 555 994 16 JHB	Black/Dark Silver			+TD
(1)	991 555 994 16	Door trim panel	/RL /R	1	-I625/I099 I538/9VL
		Leather			
		two-colour			
	991 555 994 16 DTO	Black/Luxor Beige			+BT
	991 555 994 16 GUG	Black/Bordeaux Red			+BM

Model: 982-17 Model life 2017>>

Pos	Part Number	Description	Remark	Qty	Model
(1)	991 555 994 16 GUH	Black/Chalk	/LL /L	1	+BW
	991 555 994 16 GTG	Graphite Blue/Chalk			+TG
	991 555 994 16 GRG	Espresso/Cognac			+BY
	991 555 993 17	Door trim panel			-I625/I098
		Leather			I537/9VJ
	991 555 993 17 A11	Black			+AZ
	991 555 993 17 OA1	Agate Grey			+FZ
	991 555 993 17 OH7	Graphite Blue			+HZ
	991 555 993 17 OK6	Saddle Tan			+SZ
	991 555 993 17 7J0	Luxor Beige			+UZ
991 555 993 17 OG6	Bordeaux Red	+LZ			
991 555 993 17 6J0	Espresso	+NE			
991 555 993 17 JHB	Black/Dark Silver	+TD			
(1)	991 555 993 17	Door trim panel	/LL /L	1	-I625/I098 I537/9VJ
		Leather			
		two-colour			
991 555 993 17 DTO	Black/Luxor Beige				+BT
991 555 993 17 GUG	Black/Bordeaux Red				+BM
991 555 993 17 GUH	Black/Chalk				+BW
991 555 993 17 GTG	Graphite Blue/Chalk				+TG
991 555 993 17 GRG	Espresso/Cognac				+BY
(1)	991 555 994 17	Door trim panel	/RL /R	1	-I625/I099 I538/9VJ
		Leather			
991 555 994 17 A11	Black				+AZ
991 555 994 17 OA1	Agate Grey				+FZ
991 555 994 17 OH7	Graphite Blue				+HZ
991 555 994 17 OK6	Saddle Tan				+SZ
991 555 994 17 7J0	Luxor Beige				+UZ
991 555 994 17 OG6	Bordeaux Red				+LZ
991 555 994 17 6J0	Espresso				+NE
991 555 994 17 JHB	Black/Dark Silver				+TD
(1)	991 555 994 17	Door trim panel	/RL /R	1	-I625/I099 I538/9VJ
		Leather			
		two-colour			
991 555 994 17 DTO	Black/Luxor Beige				+BT
991 555 994 17 GUG	Black/Bordeaux Red				+BM
991 555 994 17 GUH	Black/Chalk				+BW
991 555 994 17 GTG	Graphite Blue/Chalk				+TG
991 555 994 17 GRG	Espresso/Cognac				+BY
(1)	991 555 993 42	Door trim panel	/L	1	I625/9VK
		Leather			
991 555 993 42 A11	Black				+AZ
991 555 993 42 OA1	Agate Grey				+FZ
991 555 993 42 OH7	Graphite Blue				+HZ
991 555 993 42 OK6	Saddle Tan				+SZ
991 555 993 42 7J0	Luxor Beige				+UZ
991 555 993 42 OG6	Bordeaux Red				+LZ
991 555 993 42 6J0	Espresso				+NE
991 555 993 42 JHB	Black/Dark Silver				+TD
(1)	991 555 993 42	Door trim panel	/L	1	I625/9VK
		Leather			
		two-colour			
991 555 993 42 DTO	Black/Luxor Beige				+BT
991 555 993 42 GUG	Black/Bordeaux Red				+BM
991 555 993 42 GUH	Black/Chalk				+BW
991 555 993 42 GTG	Graphite Blue/Chalk				+TG
991 555 993 42 GRG	Espresso/Cognac				+BY
(1)	991 555 994 42	Door trim panel	/R	1	I625/9VK
		Leather			

Model: 982-17 Model life 2017>>

Pos	Part Number	Description	Remark	Qty	Model
	991 555 994 42 A11	Black			+AZ
	991 555 994 42 OA1	Agate Grey			+FZ
	991 555 994 42 OH7	Graphite Blue			+HZ
	991 555 994 42 OK6	Saddle Tan			+SZ
	991 555 994 42 7J0	Luxor Beige			+UZ
	991 555 994 42 OG6	Bordeaux Red			+LZ
	991 555 994 42 6J0	Espresso			+NE
	991 555 994 42 JHB	Black/Dark Silver			+TD
(1)	991 555 994 42	Door trim panel Leather two-colour	/R	1	I625/9VK
	991 555 994 42 DTO	Black/Luxor Beige			+BT
	991 555 994 42 GUG	Black/Bordeaux Red			+BM
	991 555 994 42 GUH	Black/Chalk			+BW
	991 555 994 42 GTG	Graphite Blue/Chalk			+TG
	991 555 994 42 GRG	Espresso/Cognac			+BY
(1)	991 555 993 43	Door trim panel Leather	/L	1	I625/9VL
	991 555 993 43 A11	Black			+AZ
	991 555 993 43 OA1	Agate Grey			+FZ
	991 555 993 43 OH7	Graphite Blue			+HZ
	991 555 993 43 OK6	Saddle Tan			+SZ
	991 555 993 43 7J0	Luxor Beige			+UZ
	991 555 993 43 OG6	Bordeaux Red			+LZ
	991 555 993 43 6J0	Espresso			+NE
	991 555 993 43 JHB	Black/Dark Silver			+TD
(1)	991 555 993 43	Door trim panel Leather two-colour	/L	1	I625/9VL
	991 555 993 43 DTO	Black/Luxor Beige			+BT
	991 555 993 43 GUG	Black/Bordeaux Red			+BM
	991 555 993 43 GUH	Black/Chalk			+BW
	991 555 993 43 GTG	Graphite Blue/Chalk			+TG
	991 555 993 43 GRG	Espresso/Cognac			+BY
(1)	991 555 994 43	Door trim panel Leather	/R	1	I625/9VL
	991 555 994 43 A11	Black			+AZ
	991 555 994 43 OA1	Agate Grey			+FZ
	991 555 994 43 OH7	Graphite Blue			+HZ
	991 555 994 43 OK6	Saddle Tan			+SZ
	991 555 994 43 7J0	Luxor Beige			+UZ
	991 555 994 43 OG6	Bordeaux Red			+LZ
	991 555 994 43 6J0	Espresso			+NE
	991 555 994 43 JHB	Black/Dark Silver			+TD
(1)	991 555 994 43	Door trim panel Leather two-colour	/R	1	I625/9VL
	991 555 994 43 DTO	Black/Luxor Beige			+BT
	991 555 994 43 GUG	Black/Bordeaux Red			+BM
	991 555 994 43 GUH	Black/Chalk			+BW
	991 555 994 43 GTG	Graphite Blue/Chalk			+TG
	991 555 994 43 GRG	Espresso/Cognac			+BY
(1)	991 555 993 44	Door trim panel Leather	/L	1	I625/9VJ
	991 555 993 44 A11	Black			+AZ
	991 555 993 44 OA1	Agate Grey			+FZ
	991 555 993 44 OH7	Graphite Blue			+HZ
	991 555 993 44 OK6	Saddle Tan			+SZ
	991 555 993 44 7J0	Luxor Beige			+UZ
	991 555 993 44 OG6	Bordeaux Red			+LZ
	991 555 993 44 6J0	Espresso			+NE
	991 555 993 44 JHB	Black/Dark Silver			+TD
(1)	991 555 993 44	Door trim panel	/L	1	I625/9VJ

Model: 982-17 Model life 2017>>

Pos	Part Number	Description	Remark	Qty	Model
		Leather two-colour			
	991 555 993 44 DTO	Black/Luxor Beige			+BT
	991 555 993 44 GUG	Black/Bordeaux Red			+BM
	991 555 993 44 GUH	Black/Chalk			+BW
	991 555 993 44 GTG	Graphite Blue/Chalk			+TG
	991 555 993 44 GRG	Espresso/Cognac			+BY
(1)	991 555 994 44	Door trim panel	/R	1	I625/9VJ
		Leather			
	991 555 994 44 A11	Black			+AZ
	991 555 994 44 OA1	Agate Grey			+FZ
	991 555 994 44 OH7	Graphite Blue			+HZ
	991 555 994 44 OK6	Saddle Tan			+SZ
	991 555 994 44 7J0	Luxor Beige			+UZ
	991 555 994 44 OG6	Bordeaux Red			+LZ
	991 555 994 44 6J0	Espresso			+NE
	991 555 994 44 JHB	Black/Dark Silver			+TD
(1)	991 555 994 44	Door trim panel	/R	1	I625/9VJ
		Leather			
		two-colour			
	991 555 994 44 DTO	Black/Luxor Beige			+BT
	991 555 994 44 GUG	Black/Bordeaux Red			+BM
	991 555 994 44 GUH	Black/Chalk			+BW
	991 555 994 44 GTG	Graphite Blue/Chalk			+TG
	991 555 994 44 GRG	Espresso/Cognac			+BY
(1)	991 555 993 45	Door trim panel	/LL /L	1	I098/537/625 I9VK
		Leather			
	991 555 993 45 A11	Black			+AZ
	991 555 993 45 OA1	Agate Grey			+FZ
	991 555 993 45 OH7	Graphite Blue			+HZ
	991 555 993 45 OK6	Saddle Tan			+SZ
	991 555 993 45 7J0	Luxor Beige			+UZ
	991 555 993 45 OG6	Bordeaux Red			+LZ
	991 555 993 45 6J0	Espresso			+NE
	991 555 993 45 JHB	Black/Dark Silver			+TD
(1)	991 555 993 45	Door trim panel	/LL /L	1	I098/537/625 I9VK
		Leather			
		two-colour			
	991 555 993 45 DTO	Black/Luxor Beige			+BT
	991 555 993 45 GUG	Black/Bordeaux Red			+BM
	991 555 993 45 GUH	Black/Chalk			+BW
	991 555 993 45 GTG	Graphite Blue/Chalk			+TG
	991 555 993 45 GRG	Espresso/Cognac			+BY
(1)	991 555 994 45	Door trim panel	/RL /R	1	I099/538/625 I9VK
		Leather			
	991 555 994 45 A11	Black			+AZ
	991 555 994 45 OA1	Agate Grey			+FZ
	991 555 994 45 OH7	Graphite Blue			+HZ
	991 555 994 45 OK6	Saddle Tan			+SZ
	991 555 994 45 7J0	Luxor Beige			+UZ
	991 555 994 45 OG6	Bordeaux Red			+LZ
	991 555 994 45 6J0	Espresso			+NE
	991 555 994 45 JHB	Black/Dark Silver			+TD
(1)	991 555 994 45	Door trim panel	/RL /R	1	I099/538/625 I9VK
		Leather			
		two-colour			
	991 555 994 45 DTO	Black/Luxor Beige			+BT
	991 555 994 45 GUG	Black/Bordeaux Red			+BM
	991 555 994 45 GUH	Black/Chalk			+BW

Model: 982-17 Model life 2017>>

Pos	Part Number	Description	Remark	Qty	Model		
(1)	991 555 994 45 GTG	Graphite Blue/Chalk	/LL /L	1	+TG		
	991 555 994 45 GRG	Espresso/Cognac			+BY		
	991 555 993 46	Door trim panel			I098/537/625		
		Leather			I9VL		
	991 555 993 46 A11	Black			+AZ		
	991 555 993 46 OA1	Agate Grey			+FZ		
	991 555 993 46 OH7	Graphite Blue			+HZ		
	991 555 993 46 OK6	Saddle Tan			+SZ		
	991 555 993 46 7J0	Luxor Beige			+UZ		
	991 555 993 46 OG6	Bordeaux Red			+LZ		
(1)	991 555 993 46 6J0	Espresso	/LL /L	1	+NE		
	991 555 993 46 JHB	Black/Dark Silver			+TD		
	991 555 993 46	Door trim panel			I098/537/625		
		Leather			I9VL		
		two-colour					
	991 555 993 46 DTO	Black/Luxor Beige			+BT		
	991 555 993 46 GUG	Black/Bordeaux Red			+BM		
	991 555 993 46 GUH	Black/Chalk			+BW		
	991 555 993 46 GTG	Graphite Blue/Chalk			+TG		
	991 555 993 46 GRG	Espresso/Cognac			+BY		
(1)	991 555 994 46	Door trim panel	/RL /R	1	I099/538/625		
		Leather			I9VL		
	991 555 994 46 A11	Black			+AZ		
	991 555 994 46 OA1	Agate Grey			+FZ		
	991 555 994 46 OH7	Graphite Blue			+HZ		
	991 555 994 46 OK6	Saddle Tan			+SZ		
	991 555 994 46 7J0	Luxor Beige			+UZ		
	991 555 994 46 OG6	Bordeaux Red			+LZ		
	991 555 994 46 6J0	Espresso			+NE		
	991 555 994 46 JHB	Black/Dark Silver			+TD		
(1)	991 555 994 46	Door trim panel	/RL /R	1	I099/538/625		
		Leather			I9VL		
		two-colour					
	991 555 994 46 DTO	Black/Luxor Beige			+BT		
	991 555 994 46 GUG	Black/Bordeaux Red			+BM		
	991 555 994 46 GUH	Black/Chalk			+BW		
	991 555 994 46 GTG	Graphite Blue/Chalk			+TG		
	991 555 994 46 GRG	Espresso/Cognac			+BY		
	991 555 993 47	Door trim panel			/LL /L	1	I098/537/625
		Leather			I9VJ		
(1)	991 555 993 47 A11	Black	/LL /L	1	+AZ		
	991 555 993 47 OA1	Agate Grey			+FZ		
	991 555 993 47 OH7	Graphite Blue			+HZ		
	991 555 993 47 OK6	Saddle Tan			+SZ		
	991 555 993 47 7J0	Luxor Beige			+UZ		
	991 555 993 47 OG6	Bordeaux Red			+LZ		
	991 555 993 47 6J0	Espresso			+NE		
	991 555 993 47 JHB	Black/Dark Silver			+TD		
	991 555 993 47	Door trim panel			I098/537/625		
		Leather			I9VJ		
	two-colour						
(1)	991 555 993 47 DTO	Black/Luxor Beige	/RL /R	1	+BT		
	991 555 993 47 GUG	Black/Bordeaux Red			+BM		
	991 555 993 47 GUH	Black/Chalk			+BW		
	991 555 993 47 GTG	Graphite Blue/Chalk			+TG		
	991 555 993 47 GRG	Espresso/Cognac			+BY		
	991 555 994 47	Door trim panel			I099/538/625		

Model: 982-17

Model life 2017>>

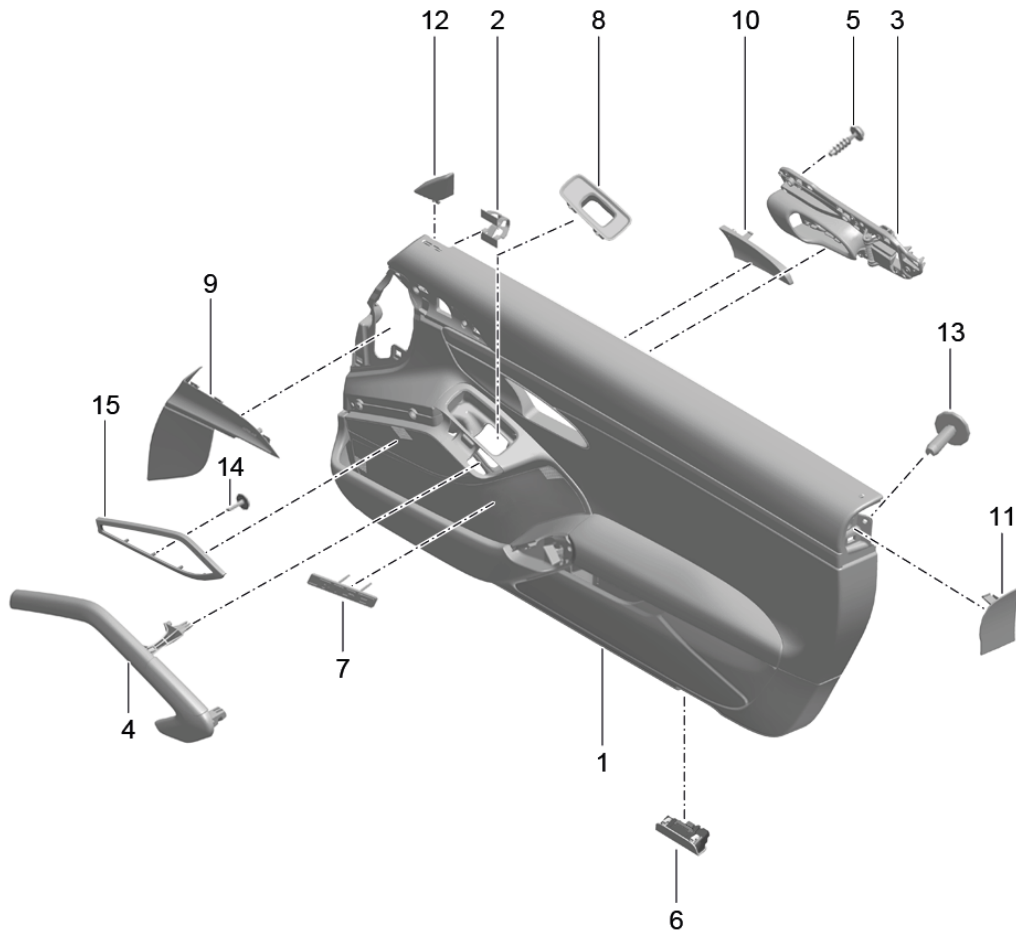
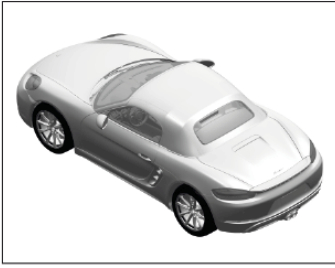
Pos	Part Number	Description	Remark	Qty	Model
		Leather			I9VJ
	991 555 994 47 A11	Black			+AZ
	991 555 994 47 OA1	Agate Grey			+FZ
	991 555 994 47 OH7	Graphite Blue			+HZ
	991 555 994 47 OK6	Saddle Tan			+SZ
	991 555 994 47 7J0	Luxor Beige			+UZ
	991 555 994 47 OG6	Bordeaux Red			+LZ
	991 555 994 47 6J0	Espresso			+NE
	991 555 994 47 JHB	Black/Dark Silver			+TD
(1)	991 555 994 47	Door trim panel	/RL /R	1	I099/538/625 I9VJ
		Leather			
		two-colour			
	991 555 994 47 DTO	Black/Luxor Beige			+BT
	991 555 994 47 GUG	Black/Bordeaux Red			+BM
	991 555 994 47 GUH	Black/Chalk			+BW
	991 555 994 47 GTG	Graphite Blue/Chalk			+TG
	991 555 994 47 GRG	Espresso/Cognac			+BY
2	999 507 533 02	Clamp		4	
		8,0 X 10,0 /2,5			
3	991 555 521 01	Door opener	/L	1	
	991 555 521 01 V08	Galvano silver			
(3)	991 555 522 01	Door opener	/R	1	
	991 555 522 01 V08	Galvano silver			
4	991 555 533 00	Handle	/L	1	
		Leather			
	991 555 533 00 A11	Black			+AZ
	991 555 533 00 OA1	Agate Grey			+FZ
	991 555 533 00 OK6	Saddle Tan			+SZ
	991 555 533 00 7J0	Luxor Beige			+UZ, +BT
	991 555 533 00 OG6	Bordeaux Red			+LZ, +BM
	991 555 533 00 OH7	Graphite Blue			+HZ
	991 555 533 00 6J0	Espresso			+NE
	991 555 533 00 7F0	Cognac			+BY
	991 555 533 00 OL8	Chalk			+BW, +TG
	991 555 533 00 JHB	Black/Dark Silver			+TD
(4)	991 555 534 00	Handle	/R	1	
		Leather			
	991 555 534 00 A11	Black			+AZ
	991 555 534 00 OA1	Agate Grey			+FZ
	991 555 534 00 OK6	Saddle Tan			+SZ
	991 555 534 00 7J0	Luxor Beige			+UZ, +BT
	991 555 534 00 OG6	Bordeaux Red			+LZ, +BM
	991 555 534 00 OH7	Graphite Blue			+HZ
	991 555 534 00 6J0	Espresso			+NE
	991 555 534 00 7F0	Cognac			+BY
	991 555 534 00 OL8	Chalk			+BW, +TG
	991 555 534 00 JHB	Black/Dark Silver			+TD
5	999 919 262 01	Oval-head screw		9	
		4,0 X 16,0			
6	970 632 135 00	Door guard light		2	
7	7PP 945 699	Logo		2	I9VL
		Bose			
8	991 555 723 02	Support frame		1	
		Switch			
	991 555 723 02 1E0	Black			
9	991 555 721 02	Cover	/L	1	
		Front			
	991 555 721 02 5Q0	Black			+AZ, +BM, +BT
					+BW, +TD
	991 555 721 02 OA6	Agate Grey			+FZ
	991 555 721 02 OL7	Saddle Tan			+SZ

Model: 982-17 Model life 2017>>

Pos	Part Number	Description	Remark	Qty	Model
(9)	991 555 721 02 6W0	Luxor Beige			+UZ
	991 555 721 02 OG6	Bordeaux Red			+LZ
	991 555 721 02 OH7	Graphite Blue			+HZ, +TG
	991 555 721 02 3T0	Espresso			+NE, +BY
	991 555 722 02	Cover	/R	1	
		Front			
	991 555 722 02 5Q0	Black			+AZ, +BM, +BT
					+BW, +TD
	991 555 722 02 OA6	Agate Grey			+FZ
	991 555 722 02 OL7	Saddle Tan			+SZ
10	991 555 722 02 6W0	Luxor Beige			+UZ
	991 555 722 02 OG6	Bordeaux Red			+LZ
	991 555 722 02 OH7	Graphite Blue			+HZ, +TG
	991 555 722 02 3T0	Espresso			+NE, +BY
	7PP 837 247	Trim cover	/L	1	
		Door opener			
	7PP 837 247 1E0	Black			
	(10) 7PP 837 248	Trim cover	/R	1	
		Door opener			
	7PP 837 248 1E0	Black			
11	991 555 683 01	Cover	/L	1	
		Airbag			
	991 555 683 01 5Q0	Black			+AZ, +BT, +BM
					+BW, +TD
	991 555 683 01 OA6	Agate Grey			+FZ
	991 555 683 01 OL7	Saddle Tan			+SZ
	991 555 683 01 6W0	Luxor Beige			+UZ
	991 555 683 01 OG6	Bordeaux Red			+LZ
	991 555 683 01 OH7	Graphite Blue			+HZ, +TG
	991 555 683 01 3T0	Espresso			+NE, +BY
(11)	991 555 684 01	Cover	/R	1	
		Airbag			
	991 555 684 01 5Q0	Black			+AZ, +BT, +BM
					+BW, +TD
	991 555 684 01 OA6	Agate Grey			+FZ
	991 555 684 01 OL7	Saddle Tan			+SZ
	991 555 684 01 6W0	Luxor Beige			+UZ
	991 555 684 01 OG6	Bordeaux Red			+LZ
	991 555 684 01 OH7	Graphite Blue			+HZ, +TG
	991 555 684 01 3T0	Espresso			+NE, +BY
12	991 555 741 00	Trim cover	/L	1	
		Door glass frame			
	991 555 741 00 1E0	Black			
	(12) 991 555 742 00	Trim cover	/R	1	
		Door glass frame			
	991 555 742 00 1E0	Black			
	13 999 073 322 02	Oval-head screw		8	
		M 6 X 20			
	14 999 919 203 07	Oval-head screw		10	
		M 3 X 10			
15	991 555 581 00	Trim frame	/L	1	I9VJ
		Loudspeaker grille			
(15)	991 555 581 00 V08	Galvano silver			
	991 555 582 00	Trim frame	/R	1	I9VJ
		Loudspeaker grille			
	991 555 582 00 V08	Galvano silver			

Model: 982-17

Model life 2017>>



Model: 982-17 Model life 2017>>

Pos	Part Number	Description	Remark	Qty	Model
		Door trim panel Accessories Moulding Aluminium, brushed			IXWD/981
(1)	991 555 993 24	Door trim panel Leather	/L	1	-I625/I9VK
	991 555 993 24 A11	Black			+AZ
	991 555 993 24 OA1	Agate Grey			+FZ
	991 555 993 24 OH7	Graphite Blue			+HZ
	991 555 993 24 OK6	Saddle Tan			+SZ
	991 555 993 24 7J0	Luxor Beige			+UZ
	991 555 993 24 OG6	Bordeaux Red			+LZ
	991 555 993 24 6J0	Espresso			+NE
	991 555 993 24 JHB	Black/Dark Silver			+TD
(1)	991 555 993 24	Door trim panel Leather two-colour	/L	1	-I625/I9VK
	991 555 993 24 DTO	Black/Luxor Beige			+BT
	991 555 993 24 GUG	Black/Bordeaux Red			+BM
	991 555 993 24 GUH	Black/Chalk			+BW
	991 555 993 24 GTG	Graphite Blue/Chalk			+TG
	991 555 993 24 GRG	Espresso/Cognac			+BY
(1)	991 555 994 24	Door trim panel Leather	/R	1	-I625/I9VK
	991 555 994 24 A11	Black			+AZ
	991 555 994 24 OA1	Agate Grey			+FZ
	991 555 994 24 OH7	Graphite Blue			+HZ
	991 555 994 24 OK6	Saddle Tan			+SZ
	991 555 994 24 7J0	Luxor Beige			+UZ
	991 555 994 24 OG6	Bordeaux Red			+LZ
	991 555 994 24 6J0	Espresso			+NE
	991 555 994 24 JHB	Black/Dark Silver			+TD
(1)	991 555 994 24	Door trim panel Leather two-colour	/R	1	-I625/I9VK
	991 555 994 24 DTO	Black/Luxor Beige			+BT
	991 555 994 24 GUG	Black/Bordeaux Red			+BM
	991 555 994 24 GUH	Black/Chalk			+BW
	991 555 994 24 GTG	Graphite Blue/Chalk			+TG
	991 555 994 24 GRG	Espresso/Cognac			+BY
(1)	991 555 993 25	Door trim panel Leather	/L	1	-I625/I9VL
	991 555 993 25 A11	Black			+AZ
	991 555 993 25 OA1	Agate Grey			+FZ
	991 555 993 25 OH7	Graphite Blue			+HZ
	991 555 993 25 OK6	Saddle Tan			+SZ
	991 555 993 25 7J0	Luxor Beige			+UZ
	991 555 993 25 OG6	Bordeaux Red			+LZ
	991 555 993 25 6J0	Espresso			+NE
	991 555 993 25 JHB	Black/Dark Silver			+TD
(1)	991 555 993 25	Door trim panel Leather two-colour	/L	1	-I625/I9VL
	991 555 993 25 DTO	Black/Luxor Beige			+BT
	991 555 993 25 GUG	Black/Bordeaux Red			+BM
	991 555 993 25 GUH	Black/Chalk			+BW
	991 555 993 25 GTG	Graphite Blue/Chalk			+TG
	991 555 993 25 GRG	Espresso/Cognac			+BY
(1)	991 555 994 25	Door trim panel Leather	/R	1	-I625/I9VL
	991 555 994 25 A11	Black			+AZ
	991 555 994 25 OA1	Agate Grey			+FZ
	991 555 994 25 OH7	Graphite Blue			+HZ

Model: 982-17 Model life 2017>>

Pos	Part Number	Description	Remark	Qty	Model
	991 555 994 25 OK6	Saddle Tan			+SZ
	991 555 994 25 7J0	Luxor Beige			+UZ
	991 555 994 25 OG6	Bordeaux Red			+LZ
	991 555 994 25 6J0	Espresso			+NE
	991 555 994 25 JHB	Black/Dark Silver			+TD
(1)	991 555 994 25	Door trim panel Leather two-colour	/R	1	-I625/I9VL
	991 555 994 25 DTO	Black/Luxor Beige			+BT
	991 555 994 25 GUG	Black/Bordeaux Red			+BM
	991 555 994 25 GUH	Black/Chalk			+BW
	991 555 994 25 GTG	Graphite Blue/Chalk			+TG
	991 555 994 25 GRG	Espresso/Cognac			+BY
(1)	991 555 993 26	Door trim panel Leather	/L	1	-I625/I9VJ
	991 555 993 26 A11	Black			+AZ
	991 555 993 26 OA1	Agate Grey			+FZ
	991 555 993 26 OH7	Graphite Blue			+HZ
	991 555 993 26 OK6	Saddle Tan			+SZ
	991 555 993 26 7J0	Luxor Beige			+UZ
	991 555 993 26 OG6	Bordeaux Red			+LZ
	991 555 993 26 6J0	Espresso			+NE
	991 555 993 26 JHB	Black/Dark Silver			+TD
(1)	991 555 993 26	Door trim panel Leather two-colour	/L	1	-I625/I9VJ
	991 555 993 26 DTO	Black/Luxor Beige			+BT
	991 555 993 26 GUG	Black/Bordeaux Red			+BM
	991 555 993 26 GUH	Black/Chalk			+BW
	991 555 993 26 GTG	Graphite Blue/Chalk			+TG
	991 555 993 26 GRG	Espresso/Cognac			+BY
(1)	991 555 994 26	Door trim panel Leather	/R	1	-I625/I9VJ
	991 555 994 26 A11	Black			+AZ
	991 555 994 26 OA1	Agate Grey			+FZ
	991 555 994 26 OH7	Graphite Blue			+HZ
	991 555 994 26 OK6	Saddle Tan			+SZ
	991 555 994 26 7J0	Luxor Beige			+UZ
	991 555 994 26 OG6	Bordeaux Red			+LZ
	991 555 994 26 6J0	Espresso			+NE
	991 555 994 26 JHB	Black/Dark Silver			+TD
(1)	991 555 994 26	Door trim panel Leather two-colour	/R	1	-I625/I9VJ
	991 555 994 26 DTO	Black/Luxor Beige			+BT
	991 555 994 26 GUG	Black/Bordeaux Red			+BM
	991 555 994 26 GUH	Black/Chalk			+BW
	991 555 994 26 GTG	Graphite Blue/Chalk			+TG
	991 555 994 26 GRG	Espresso/Cognac			+BY
(1)	991 555 993 27	Door trim panel Leather	/LL /L	1	-I625/I098 I537/9VK
	991 555 993 27 A11	Black			+AZ
	991 555 993 27 OA1	Agate Grey			+FZ
	991 555 993 27 OH7	Graphite Blue			+HZ
	991 555 993 27 OK6	Saddle Tan			+SZ
	991 555 993 27 7J0	Luxor Beige			+UZ
	991 555 993 27 OG6	Bordeaux Red			+LZ
	991 555 993 27 6J0	Espresso			+NE
	991 555 993 27 JHB	Black/Dark Silver			+TD
(1)	991 555 993 27	Door trim panel Leather	/LL /L	1	-I625/I098 I537/9VK

Model: 982-17 Model life 2017>>

Pos	Part Number	Description	Remark	Qty	Model
		two-colour			
	991 555 993 27 DTO	Black/Luxor Beige			+BT
	991 555 993 27 GUG	Black/Bordeaux Red			+BM
	991 555 993 27 GUH	Black/Chalk			+BW
	991 555 993 27 GTG	Graphite Blue/Chalk			+TG
	991 555 993 27 GRG	Espresso/Cognac			+BY
(1)	991 555 994 27	Door trim panel	/RL /R	1	-I625/I099 I538/9VK
		Leather			
	991 555 994 27 A11	Black			+AZ
	991 555 994 27 OA1	Agate Grey			+FZ
	991 555 994 27 OH7	Graphite Blue			+HZ
	991 555 994 27 OK6	Saddle Tan			+SZ
	991 555 994 27 7J0	Luxor Beige			+UZ
	991 555 994 27 OG6	Bordeaux Red			+LZ
	991 555 994 27 6J0	Espresso			+NE
	991 555 994 27 JHB	Black/Dark Silver			+TD
(1)	991 555 994 27	Door trim panel	/RL /R	1	-I625/I099 I538/9VK
		Leather			
		two-colour			
	991 555 994 27 DTO	Black/Luxor Beige			+BT
	991 555 994 27 GUG	Black/Bordeaux Red			+BM
	991 555 994 27 GUH	Black/Chalk			+BW
	991 555 994 27 GTG	Graphite Blue/Chalk			+TG
	991 555 994 27 GRG	Espresso/Cognac			+BY
(1)	991 555 993 28	Door trim panel	/LL /L	1	-I625/I098 I537/9VL
		Leather			
	991 555 993 28 A11	Black			+AZ
	991 555 993 28 OA1	Agate Grey			+FZ
	991 555 993 28 OH7	Graphite Blue			+HZ
	991 555 993 28 OK6	Saddle Tan			+SZ
	991 555 993 28 7J0	Luxor Beige			+UZ
	991 555 993 28 OG6	Bordeaux Red			+LZ
	991 555 993 28 6J0	Espresso			+NE
	991 555 993 28 JHB	Black/Dark Silver			+TD
(1)	991 555 993 28	Door trim panel	/LL /L	1	-I625/I098 I537/9VL
		Leather			
		two-colour			
	991 555 993 28 DTO	Black/Luxor Beige			+BT
	991 555 993 28 GUG	Black/Bordeaux Red			+BM
	991 555 993 28 GUH	Black/Chalk			+BW
	991 555 993 28 GTG	Graphite Blue/Chalk			+TG
	991 555 993 28 GRG	Espresso/Cognac			+BY
(1)	991 555 994 28	Door trim panel	/RL /R	1	-I625/I099 I538/9VL
		Leather			
	991 555 994 28 A11	Black			+AZ
	991 555 994 28 OA1	Agate Grey			+FZ
	991 555 994 28 OH7	Graphite Blue			+HZ
	991 555 994 28 OK6	Saddle Tan			+SZ
	991 555 994 28 7J0	Luxor Beige			+UZ
	991 555 994 28 OG6	Bordeaux Red			+LZ
	991 555 994 28 6J0	Espresso			+NE
	991 555 994 28 JHB	Black/Dark Silver			+TD
(1)	991 555 994 28	Door trim panel	/RL /R	1	-I625/I099 I538/9VL
		Leather			
		two-colour			
	991 555 994 28 DTO	Black/Luxor Beige			+BT
	991 555 994 28 GUG	Black/Bordeaux Red			+BM

Model: 982-17

Model life 2017>>

Pos	Part Number	Description	Remark	Qty	Model	
(1)	991 555 994 28 GUH	Black/Chalk			+BW	
	991 555 994 28 GTG	Graphite Blue/Chalk			+TG	
	991 555 994 28 GRG	Espresso/Cognac			+BY	
	991 555 993 29	Door trim panel	/LL /L	1	-I625/I098 I537/9VJ	
		Leather				
	991 555 993 29 A11	Black			+AZ	
	991 555 993 29 OA1	Agate Grey			+FZ	
	991 555 993 29 OH7	Graphite Blue			+HZ	
	991 555 993 29 OK6	Saddle Tan			+SZ	
	991 555 993 29 7J0	Luxor Beige			+UZ	
(1)	991 555 993 29 OG6	Bordeaux Red			+LZ	
	991 555 993 29 6J0	Espresso			+NE	
	991 555 993 29 JHB	Black/Dark Silver			+TD	
	991 555 993 29	Door trim panel	/LL /L	1	-I625/I098 I537/9VJ	
		Leather				
		two-colour				
	991 555 993 29 DTO	Black/Luxor Beige			+BT	
	991 555 993 29 GUG	Black/Bordeaux Red			+BM	
	991 555 993 29 GUH	Black/Chalk			+BW	
	991 555 993 29 GTG	Graphite Blue/Chalk			+TG	
(1)	991 555 993 29 GRG	Espresso/Cognac			+BY	
	991 555 994 29	Door trim panel	/RL /R	1	-I625/I099 I538/9VJ	
		Leather				
	991 555 994 29 A11	Black			+AZ	
	991 555 994 29 OA1	Agate Grey			+FZ	
	991 555 994 29 OH7	Graphite Blue			+HZ	
	991 555 994 29 OK6	Saddle Tan			+SZ	
	991 555 994 29 7J0	Luxor Beige			+UZ	
	991 555 994 29 OG6	Bordeaux Red			+LZ	
	991 555 994 29 6J0	Espresso			+NE	
(1)	991 555 994 29 JHB	Black/Dark Silver			+TD	
	991 555 994 29	Door trim panel	/RL /R	1	-I625/I099 I538/9VJ	
		Leather				
		two-colour				
	991 555 994 29 DTO	Black/Luxor Beige			+BT	
	991 555 994 29 GUG	Black/Bordeaux Red			+BM	
	991 555 994 29 GUH	Black/Chalk			+BW	
	991 555 994 29 GTG	Graphite Blue/Chalk			+TG	
	991 555 994 29 GRG	Espresso/Cognac			+BY	
	(1)	991 555 993 54	Door trim panel	/L	1	I625/9VK
		Leather				
991 555 993 54 A11		Black			+AZ	
991 555 993 54 OA1		Agate Grey			+FZ	
991 555 993 54 OH7		Graphite Blue			+HZ	
991 555 993 54 OK6		Saddle Tan			+SZ	
991 555 993 54 7J0		Luxor Beige			+UZ	
991 555 993 54 OG6		Bordeaux Red			+LZ	
991 555 993 54 6J0		Espresso			+NE	
991 555 993 54 JHB		Black/Dark Silver			+TD	
(1)	991 555 993 54	Door trim panel	/L	1	I625/9VK	
		Leather				
		two-colour				
	991 555 993 54 DTO	Black/Luxor Beige			+BT	
	991 555 993 54 GUG	Black/Bordeaux Red			+BM	
	991 555 993 54 GUH	Black/Chalk			+BW	
	991 555 993 54 GTG	Graphite Blue/Chalk			+TG	
	991 555 993 54 GRG	Espresso/Cognac			+BY	
	(1)	991 555 994 54	Door trim panel	/R	1	I625/9VK
			Leather			

Model: 982-17 Model life 2017>>

Pos	Part Number	Description	Remark	Qty	Model
	991 555 994 54 A11	Black			+AZ
	991 555 994 54 OA1	Agate Grey			+FZ
	991 555 994 54 OH7	Graphite Blue			+HZ
	991 555 994 54 OK6	Saddle Tan			+SZ
	991 555 994 54 7J0	Luxor Beige			+UZ
	991 555 994 54 OG6	Bordeaux Red			+LZ
	991 555 994 54 6J0	Espresso			+NE
	991 555 994 54 JHB	Black/Dark Silver			+TD
(1)	991 555 994 54	Door trim panel Leather two-colour	/R	1	I625/9VK
	991 555 994 54 DTO	Black/Luxor Beige			+BT
	991 555 994 54 GUG	Black/Bordeaux Red			+BM
	991 555 994 54 GUH	Black/Chalk			+BW
	991 555 994 54 GTG	Graphite Blue/Chalk			+TG
	991 555 994 54 GRG	Espresso/Cognac			+BY
(1)	991 555 993 55	Door trim panel Leather	/L	1	I625/9VL
	991 555 993 55 A11	Black			+AZ
	991 555 993 55 OA1	Agate Grey			+FZ
	991 555 993 55 OH7	Graphite Blue			+HZ
	991 555 993 55 OK6	Saddle Tan			+SZ
	991 555 993 55 7J0	Luxor Beige			+UZ
	991 555 993 55 OG6	Bordeaux Red			+LZ
	991 555 993 55 6J0	Espresso			+NE
	991 555 993 55 JHB	Black/Dark Silver			+TD
(1)	991 555 993 55	Door trim panel Leather two-colour	/L	1	I625/9VL
	991 555 993 55 DTO	Black/Luxor Beige			+BT
	991 555 993 55 GUG	Black/Bordeaux Red			+BM
	991 555 993 55 GUH	Black/Chalk			+BW
	991 555 993 55 GTG	Graphite Blue/Chalk			+TG
	991 555 993 55 GRG	Espresso/Cognac			+BY
(1)	991 555 994 55	Door trim panel Leather	/R	1	I625/9VL
	991 555 994 55 A11	Black			+AZ
	991 555 994 55 OA1	Agate Grey			+FZ
	991 555 994 55 OH7	Graphite Blue			+HZ
	991 555 994 55 OK6	Saddle Tan			+SZ
	991 555 994 55 7J0	Luxor Beige			+UZ
	991 555 994 55 OG6	Bordeaux Red			+LZ
	991 555 994 55 6J0	Espresso			+NE
	991 555 994 55 JHB	Black/Dark Silver			+TD
(1)	991 555 994 55	Door trim panel Leather two-colour	/R	1	I625/9VL
	991 555 994 55 DTO	Black/Luxor Beige			+BT
	991 555 994 55 GUG	Black/Bordeaux Red			+BM
	991 555 994 55 GUH	Black/Chalk			+BW
	991 555 994 55 GTG	Graphite Blue/Chalk			+TG
	991 555 994 55 GRG	Espresso/Cognac			+BY
(1)	991 555 993 56	Door trim panel Leather	/L	1	I625/9VJ
	991 555 993 56 A11	Black			+AZ
	991 555 993 56 OA1	Agate Grey			+FZ
	991 555 993 56 OH7	Graphite Blue			+HZ
	991 555 993 56 OK6	Saddle Tan			+SZ
	991 555 993 56 7J0	Luxor Beige			+UZ
	991 555 993 56 OG6	Bordeaux Red			+LZ
	991 555 993 56 6J0	Espresso			+NE
	991 555 993 56 JHB	Black/Dark Silver			+TD
(1)	991 555 993 56	Door trim panel	/L	1	I625/9VJ

Model: 982-17 Model life 2017>>

Pos	Part Number	Description	Remark	Qty	Model
		Leather two-colour			
	991 555 993 56 DTO	Black/Luxor Beige			+BT
	991 555 993 56 GUG	Black/Bordeaux Red			+BM
	991 555 993 56 GUH	Black/Chalk			+BW
	991 555 993 56 GTG	Graphite Blue/Chalk			+TG
	991 555 993 56 GRG	Espresso/Cognac			+BY
(1)	991 555 994 56	Door trim panel	/R	1	I625/9VJ
		Leather			
	991 555 994 56 A11	Black			+AZ
	991 555 994 56 OA1	Agate Grey			+FZ
	991 555 994 56 OH7	Graphite Blue			+HZ
	991 555 994 56 OK6	Saddle Tan			+SZ
	991 555 994 56 7J0	Luxor Beige			+UZ
	991 555 994 56 OG6	Bordeaux Red			+LZ
	991 555 994 56 6J0	Espresso			+NE
	991 555 994 56 JHB	Black/Dark Silver			+TD
(1)	991 555 994 56	Door trim panel	/R	1	I625/9VJ
		Leather			
		two-colour			
	991 555 994 56 DTO	Black/Luxor Beige			+BT
	991 555 994 56 GUG	Black/Bordeaux Red			+BM
	991 555 994 56 GUH	Black/Chalk			+BW
	991 555 994 56 GTG	Graphite Blue/Chalk			+TG
	991 555 994 56 GRG	Espresso/Cognac			+BY
(1)	991 555 993 57	Door trim panel	/LL /L	1	I098/537/625 I9VK
		Leather			
	991 555 993 57 A11	Black			+AZ
	991 555 993 57 OA1	Agate Grey			+FZ
	991 555 993 57 OH7	Graphite Blue			+HZ
	991 555 993 57 OK6	Saddle Tan			+SZ
	991 555 993 57 7J0	Luxor Beige			+UZ
	991 555 993 57 OG6	Bordeaux Red			+LZ
	991 555 993 57 6J0	Espresso			+NE
	991 555 993 57 JHB	Black/Dark Silver			+TD
(1)	991 555 993 57	Door trim panel	/LL /L	1	I098/537/625 I9VK
		Leather			
		two-colour			
	991 555 993 57 DTO	Black/Luxor Beige			+BT
	991 555 993 57 GUG	Black/Bordeaux Red			+BM
	991 555 993 57 GUH	Black/Chalk			+BW
	991 555 993 57 GTG	Graphite Blue/Chalk			+TG
	991 555 993 57 GRG	Espresso/Cognac			+BY
(1)	991 555 994 57	Door trim panel	/RL /R	1	I099/538/625 I9VK
		Leather			
	991 555 994 57 A11	Black			+AZ
	991 555 994 57 OA1	Agate Grey			+FZ
	991 555 994 57 OH7	Graphite Blue			+HZ
	991 555 994 57 OK6	Saddle Tan			+SZ
	991 555 994 57 7J0	Luxor Beige			+UZ
	991 555 994 57 OG6	Bordeaux Red			+LZ
	991 555 994 57 6J0	Espresso			+NE
	991 555 994 57 JHB	Black/Dark Silver			+TD
(1)	991 555 994 57	Door trim panel	/RL /R	1	I099/538/625 I9VK
		Leather			
		two-colour			
	991 555 994 57 DTO	Black/Luxor Beige			+BT
	991 555 994 57 GUG	Black/Bordeaux Red			+BM
	991 555 994 57 GUH	Black/Chalk			+BW

Model: 982-17 Model life 2017>>

Pos	Part Number	Description	Remark	Qty	Model
(1)	991 555 994 57 GTG	Graphite Blue/Chalk		1	+TG +BY I098/537/625 I9VL
	991 555 994 57 GRG	Espresso/Cognac			
	991 555 993 58	Door trim panel	/LL /L		
		Leather			
	991 555 993 58 A11	Black			
	991 555 993 58 OA1	Agate Grey			
	991 555 993 58 OH7	Graphite Blue			
	991 555 993 58 OK6	Saddle Tan			
	991 555 993 58 7J0	Luxor Beige			
	991 555 993 58 OG6	Bordeaux Red			
(1)	991 555 993 58 6J0	Espresso		1	+AZ +FZ +HZ +SZ +UZ +LZ +NE +TD I098/537/625 I9VL
	991 555 993 58 JHB	Black/Dark Silver			
	991 555 993 58	Door trim panel	/LL /L		
		Leather			
		two-colour			
	991 555 993 58 DTO	Black/Luxor Beige			
	991 555 993 58 GUG	Black/Bordeaux Red			
	991 555 993 58 GUH	Black/Chalk			
	991 555 993 58 GTG	Graphite Blue/Chalk			
	991 555 993 58 GRG	Espresso/Cognac			
(1)	991 555 994 58	Door trim panel	/RL /R	1	+BT +BM +BW +TG +BY I099/538/625 I9VL
		Leather			
	991 555 994 58 A11	Black			
	991 555 994 58 OA1	Agate Grey			
	991 555 994 58 OH7	Graphite Blue			
	991 555 994 58 OK6	Saddle Tan			
	991 555 994 58 7J0	Luxor Beige			
	991 555 994 58 OG6	Bordeaux Red			
	991 555 994 58 6J0	Espresso			
	991 555 994 58 JHB	Black/Dark Silver			
(1)	991 555 994 58	Door trim panel	/RL /R	1	+TD I099/538/625 I9VL
		Leather			
		two-colour			
	991 555 994 58 DTO	Black/Luxor Beige			
	991 555 994 58 GUG	Black/Bordeaux Red			
	991 555 994 58 GUH	Black/Chalk			
	991 555 994 58 GTG	Graphite Blue/Chalk			
	991 555 994 58 GRG	Espresso/Cognac			
	991 555 993 59	Door trim panel	/LL /L		
		Leather			
(1)	991 555 993 59 A11	Black		1	+AZ +FZ +HZ +SZ +UZ +LZ +NE +TD I098/537/625 I9VJ
	991 555 993 59 OA1	Agate Grey			
	991 555 993 59 OH7	Graphite Blue			
	991 555 993 59 OK6	Saddle Tan			
	991 555 993 59 7J0	Luxor Beige			
	991 555 993 59 OG6	Bordeaux Red			
	991 555 993 59 6J0	Espresso			
	991 555 993 59 JHB	Black/Dark Silver			
	991 555 993 59	Door trim panel	/LL /L		
		Leather			
	two-colour				
(1)	991 555 993 59 DTO	Black/Luxor Beige		1	+BT +BM +BW +TG +BY I099/538/625
	991 555 993 59 GUG	Black/Bordeaux Red			
	991 555 993 59 GUH	Black/Chalk			
	991 555 993 59 GTG	Graphite Blue/Chalk			
	991 555 993 59 GRG	Espresso/Cognac			
	991 555 994 59	Door trim panel	/RL /R		

Model: 982-17

Model life 2017>>

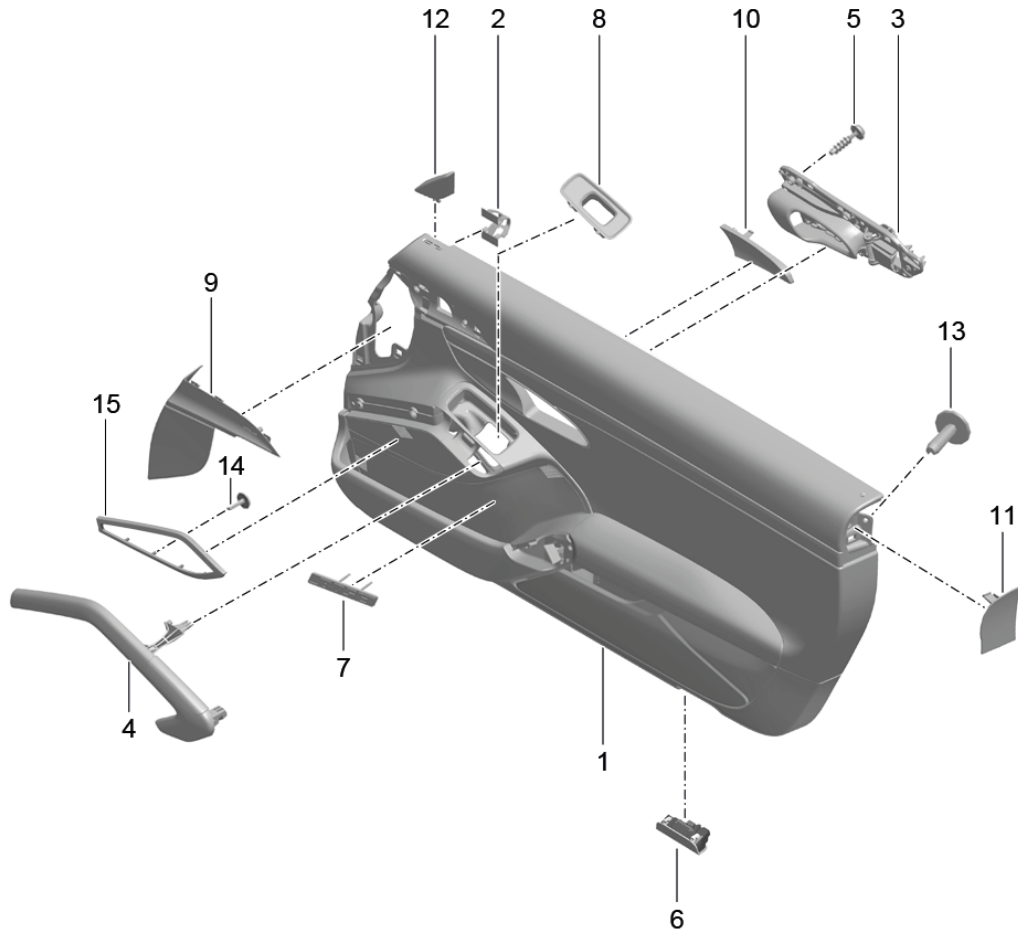
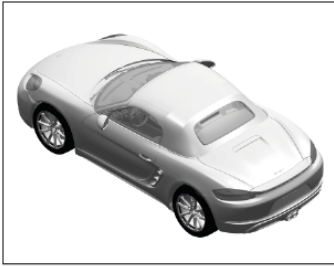
Pos	Part Number	Description	Remark	Qty	Model
		Leather			I9VJ
	991 555 994 59 A11	Black			+AZ
	991 555 994 59 OA1	Agate Grey			+FZ
	991 555 994 59 OH7	Graphite Blue			+HZ
	991 555 994 59 OK6	Saddle Tan			+SZ
	991 555 994 59 7J0	Luxor Beige			+UZ
	991 555 994 59 OG6	Bordeaux Red			+LZ
	991 555 994 59 6J0	Espresso			+NE
	991 555 994 59 JHB	Black/Dark Silver			+TD
(1)	991 555 994 59	Door trim panel	/RL /R	1	I099/538/625 I9VJ
		Leather			
		two-colour			
	991 555 994 59 DTO	Black/Luxor Beige			+BT
	991 555 994 59 GUG	Black/Bordeaux Red			+BM
	991 555 994 59 GUH	Black/Chalk			+BW
	991 555 994 59 GTG	Graphite Blue/Chalk			+TG
	991 555 994 59 GRG	Espresso/Cognac			+BY
2	999 507 533 02	Clamp		4	
		8,0 X 10,0 /2,5			
3	991 555 521 01	Door opener	/L	1	
	991 555 521 01 V08	Galvano silver			
(3)	991 555 522 01	Door opener	/R	1	
	991 555 522 01 V08	Galvano silver			
4	991 555 533 00	Handle	/L	1	
		Leather			
	991 555 533 00 A11	Black			+AZ
	991 555 533 00 OA1	Agate Grey			+FZ
	991 555 533 00 OK6	Saddle Tan			+SZ
	991 555 533 00 7J0	Luxor Beige			+UZ, +BT
	991 555 533 00 OG6	Bordeaux Red			+LZ, +BM
	991 555 533 00 OH7	Graphite Blue			+HZ
	991 555 533 00 6J0	Espresso			+NE
	991 555 533 00 7F0	Cognac			+BY
	991 555 533 00 OL8	Chalk			+BW, +TG
	991 555 533 00 JHB	Black/Dark Silver			+TD
(4)	991 555 534 00	Handle	/R	1	
		Leather			
	991 555 534 00 A11	Black			+AZ
	991 555 534 00 OA1	Agate Grey			+FZ
	991 555 534 00 OK6	Saddle Tan			+SZ
	991 555 534 00 7J0	Luxor Beige			+UZ, +BT
	991 555 534 00 OG6	Bordeaux Red			+LZ, +BM
	991 555 534 00 OH7	Graphite Blue			+HZ
	991 555 534 00 6J0	Espresso			+NE
	991 555 534 00 7F0	Cognac			+BY
	991 555 534 00 OL8	Chalk			+BW, +TG
	991 555 534 00 JHB	Black/Dark Silver			+TD
5	999 919 262 01	Oval-head screw		9	
		4,0 X 16,0			
6	970 632 135 00	Door guard light		2	
7	7PP 945 699	Logo		2	I9VL
		Bose			
8	991 555 723 02	Support frame		1	
		Switch			
	991 555 723 02 1E0	Black			
9	991 555 721 02	Cover	/L	1	
		Front			
	991 555 721 02 5Q0	Black			+AZ, +BM, +BT
					+BW, +TD
	991 555 721 02 OA6	Agate Grey			+FZ
	991 555 721 02 OL7	Saddle Tan			+SZ

Model: 982-17 Model life 2017>>

Pos	Part Number	Description	Remark	Qty	Model
(9)	991 555 721 02 6W0	Luxor Beige			+UZ
	991 555 721 02 OG6	Bordeaux Red			+LZ
	991 555 721 02 OH7	Graphite Blue			+HZ, +TG
	991 555 721 02 3T0	Espresso			+NE, +BY
	991 555 722 02	Cover	/R	1	
		Front			
	991 555 722 02 5Q0	Black			+AZ, +BM, +BT
					+BW, +TD
	991 555 722 02 OA6	Agate Grey			+FZ
	991 555 722 02 OL7	Saddle Tan			+SZ
10	991 555 722 02 6W0	Luxor Beige			+UZ
	991 555 722 02 OG6	Bordeaux Red			+LZ
	991 555 722 02 OH7	Graphite Blue			+HZ, +TG
	991 555 722 02 3T0	Espresso			+NE, +BY
	7PP 837 247	Trim cover	/L	1	
		Door opener			
	7PP 837 247 1E0	Black			
	(10) 7PP 837 248	Trim cover	/R	1	
		Door opener			
	7PP 837 248 1E0	Black			
11	991 555 683 01	Cover	/L	1	
		Airbag			
	991 555 683 01 5Q0	Black			+AZ, +BT, +BM
					+BW, +TD
	991 555 683 01 OA6	Agate Grey			+FZ
	991 555 683 01 OL7	Saddle Tan			+SZ
	991 555 683 01 6W0	Luxor Beige			+UZ
	991 555 683 01 OG6	Bordeaux Red			+LZ
	991 555 683 01 OH7	Graphite Blue			+HZ, +TG
	991 555 683 01 3T0	Espresso			+NE, +BY
(11)	991 555 684 01	Cover	/R	1	
		Airbag			
	991 555 684 01 5Q0	Black			+AZ, +BT, +BM
					+BW, +TD
	991 555 684 01 OA6	Agate Grey			+FZ
	991 555 684 01 OL7	Saddle Tan			+SZ
	991 555 684 01 6W0	Luxor Beige			+UZ
	991 555 684 01 OG6	Bordeaux Red			+LZ
	991 555 684 01 OH7	Graphite Blue			+HZ, +TG
	991 555 684 01 3T0	Espresso			+NE, +BY
12	991 555 741 00	Trim cover	/L	1	
		Door glass frame			
	991 555 741 00 1E0	Black			
	(12) 991 555 742 00	Trim cover	/R	1	
		Door glass frame			
	991 555 742 00 1E0	Black			
	13 999 073 322 02	Oval-head screw		8	
		M 6 X 20			
	14 999 919 203 07	Oval-head screw		10	
		M 3 X 10			
15	991 555 581 00	Trim frame	/L	1	I9VJ
		Loudspeaker grille			
(15)	991 555 581 00 V08	Galvano silver			
	991 555 582 00	Trim frame	/R	1	I9VJ
		Loudspeaker grille			
	991 555 582 00 V08	Galvano silver			

Model: 982-17

Model life 2017>>



Model: 982-17 Model life 2017>>

Pos	Part Number	Description	Remark	Qty	Model
		Door trim panel Leather Accessories Moulding Lacquered in your order Vehicle Ident. No. And Indicate colour			IXWE/981
1	991 555 993 00	Door trim panel Leather	/L	1	-I625/I9VK
	991 555 993 00 A11	Black			+AZ
	991 555 993 00 OA1	Agate Grey			+FZ
	991 555 993 00 OH7	Graphite Blue			+HZ
	991 555 993 00 OK6	Saddle Tan			+SZ
	991 555 993 00 7J0	Luxor Beige			+UZ
	991 555 993 00 OG6	Bordeaux Red			+LZ
	991 555 993 00 6J0	Espresso			+NE
	991 555 993 00 JHB	Black/Dark Silver			+TD
(1)	991 555 993 00	Door trim panel Leather two-colour	/L	1	-I625/I9VK
	991 555 993 00 DTO	Black/Luxor Beige			+BT
	991 555 993 00 GUG	Black/Bordeaux Red			+BM
	991 555 993 00 GUH	Black/Chalk			+BW
	991 555 993 00 GTG	Graphite Blue/Chalk			+TG
	991 555 993 00 GRG	Espresso/Cognac			+BY
(1)	991 555 994 00	Door trim panel Leather	/R	1	-I625/I9VK
	991 555 994 00 A11	Black			+AZ
	991 555 994 00 OA1	Agate Grey			+FZ
	991 555 994 00 OH7	Graphite Blue			+HZ
	991 555 994 00 OK6	Saddle Tan			+SZ
	991 555 994 00 7J0	Luxor Beige			+UZ
	991 555 994 00 OG6	Bordeaux Red			+LZ
	991 555 994 00 6J0	Espresso			+NE
	991 555 994 00 JHB	Black/Dark Silver			+TD
(1)	991 555 994 00	Door trim panel Leather two-colour	/R	1	-I625/I9VK
	991 555 994 00 DTO	Black/Luxor Beige			+BT
	991 555 994 00 GUG	Black/Bordeaux Red			+BM
	991 555 994 00 GUH	Black/Chalk			+BW
	991 555 994 00 GTG	Graphite Blue/Chalk			+TG
	991 555 994 00 GRG	Espresso/Cognac			+BY
(1)	991 555 993 01	Door trim panel Leather	/L	1	-I625/I9VL
	991 555 993 01 A11	Black			+AZ
	991 555 993 01 OA1	Agate Grey			+FZ
	991 555 993 01 OH7	Graphite Blue			+HZ
	991 555 993 01 OK6	Saddle Tan			+SZ
	991 555 993 01 7J0	Luxor Beige			+UZ
	991 555 993 01 OG6	Bordeaux Red			+LZ
	991 555 993 01 6J0	Espresso			+NE
	991 555 993 01 JHB	Black/Dark Silver			+TD
(1)	991 555 993 01	Door trim panel Leather two-colour	/L	1	-I625/I9VL
	991 555 993 01 DTO	Black/Luxor Beige			+BT
	991 555 993 01 GUG	Black/Bordeaux Red			+BM
	991 555 993 01 GUH	Black/Chalk			+BW
	991 555 993 01 GTG	Graphite Blue/Chalk			+TG
	991 555 993 01 GRG	Espresso/Cognac			+BY

Model: 982-17 Model life 2017>>

Pos	Part Number	Description	Remark	Qty	Model
(1)	991 555 994 01	Door trim panel Leather	/R	1	-I625/I9VL
	991 555 994 01 A11	Black			+AZ
	991 555 994 01 OA1	Agate Grey			+FZ
	991 555 994 01 OH7	Graphite Blue			+HZ
	991 555 994 01 OK6	Saddle Tan			+SZ
	991 555 994 01 7J0	Luxor Beige			+UZ
	991 555 994 01 OG6	Bordeaux Red			+LZ
	991 555 994 01 6J0	Espresso			+NE
	991 555 994 01 JHB	Black/Dark Silver			+TD
(1)	991 555 994 01	Door trim panel Leather	/R	1	-I625/I9VL
		two-colour			
	991 555 994 01 DTO	Black/Luxor Beige			+BT
	991 555 994 01 GUG	Black/Bordeaux Red			+BM
	991 555 994 01 GUH	Black/Chalk			+BW
	991 555 994 01 GTG	Graphite Blue/Chalk			+TG
	991 555 994 01 GRG	Espresso/Cognac			+BY
(1)	991 555 993 02	Door trim panel Leather	/L	1	-I625/I9VJ
		two-colour			
	991 555 993 02 A11	Black			+AZ
	991 555 993 02 OA1	Agate Grey			+FZ
	991 555 993 02 OH7	Graphite Blue			+HZ
	991 555 993 02 OK6	Saddle Tan			+SZ
	991 555 993 02 7J0	Luxor Beige			+UZ
	991 555 993 02 OG6	Bordeaux Red			+LZ
	991 555 993 02 6J0	Espresso			+NE
	991 555 993 02 JHB	Black/Dark Silver			+TD
(1)	991 555 993 02	Door trim panel Leather	/L	1	-I625/I9VJ
		two-colour			
	991 555 993 02 DTO	Black/Luxor Beige			+BT
	991 555 993 02 GUG	Black/Bordeaux Red			+BM
	991 555 993 02 GUH	Black/Chalk			+BW
	991 555 993 02 GTG	Graphite Blue/Chalk			+TG
	991 555 993 02 GRG	Espresso/Cognac			+BY
(1)	991 555 994 02	Door trim panel Leather	/R	1	-I625/I9VJ
		two-colour			
	991 555 994 02 A11	Black			+AZ
	991 555 994 02 OA1	Agate Grey			+FZ
	991 555 994 02 OH7	Graphite Blue			+HZ
	991 555 994 02 OK6	Saddle Tan			+SZ
	991 555 994 02 7J0	Luxor Beige			+UZ
	991 555 994 02 OG6	Bordeaux Red			+LZ
	991 555 994 02 6J0	Espresso			+NE
	991 555 994 02 JHB	Black/Dark Silver			+TD
(1)	991 555 994 02	Door trim panel Leather	/R	1	-I625/I9VJ
		two-colour			
	991 555 994 02 DTO	Black/Luxor Beige			+BT
	991 555 994 02 GUG	Black/Bordeaux Red			+BM
	991 555 994 02 GUH	Black/Chalk			+BW
	991 555 994 02 GTG	Graphite Blue/Chalk			+TG
	991 555 994 02 GRG	Espresso/Cognac			+BY
(1)	991 555 993 03	Door trim panel Leather	/LL /L	1	-I625/I098 I537/9VK
		two-colour			
	991 555 993 03 A11	Black			+AZ
	991 555 993 03 OA1	Agate Grey			+FZ
	991 555 993 03 OH7	Graphite Blue			+HZ
	991 555 993 03 OK6	Saddle Tan			+SZ
	991 555 993 03 7J0	Luxor Beige			+UZ
	991 555 993 03 OG6	Bordeaux Red			+LZ

Model: 982-17 Model life 2017>>

Pos	Part Number	Description	Remark	Qty	Model	
(1)	991 555 993 03 6J0	Espresso			+NE	
	991 555 993 03 JHB	Black/Dark Silver			+TD	
	991 555 993 03	Door trim panel	/LL /L	1	-I625/I098 I537/9VK	
		Leather				
		two-colour				
	991 555 993 03 DTO	Black/Luxor Beige			+BT	
	991 555 993 03 GUG	Black/Bordeaux Red			+BM	
	991 555 993 03 GUH	Black/Chalk			+BW	
	991 555 993 03 GTG	Graphite Blue/Chalk			+TG	
	991 555 993 03 GRG	Espresso/Cognac			+BY	
(1)	991 555 994 03	Door trim panel	/RL /R	1	-I625/I099 I538/9VK	
		Leather				
	991 555 994 03 A11	Black			+AZ	
	991 555 994 03 OA1	Agate Grey			+FZ	
	991 555 994 03 OH7	Graphite Blue			+HZ	
	991 555 994 03 OK6	Saddle Tan			+SZ	
	991 555 994 03 7J0	Luxor Beige			+UZ	
	991 555 994 03 OG6	Bordeaux Red			+LZ	
	991 555 994 03 6J0	Espresso			+NE	
	991 555 994 03 JHB	Black/Dark Silver			+TD	
(1)	991 555 994 03	Door trim panel	/RL /R	1	-I625/I099 I538/9VK	
		Leather				
		two-colour				
	991 555 994 03 DTO	Black/Luxor Beige			+BT	
	991 555 994 03 GUG	Black/Bordeaux Red			+BM	
	991 555 994 03 GUH	Black/Chalk			+BW	
	991 555 994 03 GTG	Graphite Blue/Chalk			+TG	
	991 555 994 03 GRG	Espresso/Cognac			+BY	
	(1)	991 555 993 04	Door trim panel	/LL /L	1	-I625/I098 I537/9VL
			Leather			
991 555 993 04 A11		Black			+AZ	
991 555 993 04 OA1		Agate Grey			+FZ	
991 555 993 04 OH7		Graphite Blue			+HZ	
991 555 993 04 OK6		Saddle Tan			+SZ	
991 555 993 04 7J0		Luxor Beige			+UZ	
991 555 993 04 OG6		Bordeaux Red			+LZ	
991 555 993 04 6J0		Espresso			+NE	
991 555 993 04 JHB		Black/Dark Silver			+TD	
(1)	991 555 993 04	Door trim panel	/LL /L	1	-I625/I098 I537/9VL	
		Leather				
		two-colour				
	991 555 993 04 DTO	Black/Luxor Beige			+BT	
	991 555 993 04 GUG	Black/Bordeaux Red			+BM	
	991 555 993 04 GUH	Black/Chalk			+BW	
	991 555 993 04 GTG	Graphite Blue/Chalk			+TG	
	991 555 993 04 GRG	Espresso/Cognac			+BY	
	(1)	991 555 994 04	Door trim panel	/RL /R	1	-I625/I099 I538/9VL
			Leather			
991 555 994 04 A11		Black			+AZ	
991 555 994 04 OA1		Agate Grey			+FZ	
991 555 994 04 OH7		Graphite Blue			+HZ	
991 555 994 04 OK6		Saddle Tan			+SZ	
991 555 994 04 7J0		Luxor Beige			+UZ	
991 555 994 04 OG6		Bordeaux Red			+LZ	
991 555 994 04 6J0		Espresso			+NE	
991 555 994 04 JHB		Black/Dark Silver			+TD	
(1)	991 555 994 04	Door trim panel	/RL /R	1	-I625/I099	

Model: 982-17 Model life 2017>>

Pos	Part Number	Description	Remark	Qty	Model
		Leather two-colour			I538/9VL
	991 555 994 04 DTO	Black/Luxor Beige			+BT
	991 555 994 04 GUG	Black/Bordeaux Red			+BM
	991 555 994 04 GUH	Black/Chalk			+BW
	991 555 994 04 GTG	Graphite Blue/Chalk			+TG
	991 555 994 04 GRG	Espresso/Cognac			+BY
(1)	991 555 993 05	Door trim panel	/LL /L	1	-I625/I098 I537/9VJ
		Leather			
	991 555 993 05 A11	Black			+AZ
	991 555 993 05 OA1	Agate Grey			+FZ
	991 555 993 05 OH7	Graphite Blue			+HZ
	991 555 993 05 OK6	Saddle Tan			+SZ
	991 555 993 05 7J0	Luxor Beige			+UZ
	991 555 993 05 OG6	Bordeaux Red			+LZ
	991 555 993 05 6J0	Espresso			+NE
	991 555 993 05 JHB	Black/Dark Silver			+TD
(1)	991 555 993 05	Door trim panel	/LL /L	1	-I625/I098 I537/9VJ
		Leather			
	991 555 993 05 DTO	Black/Luxor Beige			+BT
	991 555 993 05 GUG	Black/Bordeaux Red			+BM
	991 555 993 05 GUH	Black/Chalk			+BW
	991 555 993 05 GTG	Graphite Blue/Chalk			+TG
	991 555 993 05 GRG	Espresso/Cognac			+BY
(1)	991 555 994 05	Door trim panel	/RL /R	1	-I625/I099 I538/9VJ
		Leather			
	991 555 994 05 A11	Black			+AZ
	991 555 994 05 OA1	Agate Grey			+FZ
	991 555 994 05 OH7	Graphite Blue			+HZ
	991 555 994 05 OK6	Saddle Tan			+SZ
	991 555 994 05 7J0	Luxor Beige			+UZ
	991 555 994 05 OG6	Bordeaux Red			+LZ
	991 555 994 05 6J0	Espresso			+NE
	991 555 994 05 JHB	Black/Dark Silver			+TD
(1)	991 555 994 05	Door trim panel	/RL /R	1	-I625/I099 I538/9VJ
		Leather			
	991 555 994 05 DTO	Black/Luxor Beige			+BT
	991 555 994 05 GUG	Black/Bordeaux Red			+BM
	991 555 994 05 GUH	Black/Chalk			+BW
	991 555 994 05 GTG	Graphite Blue/Chalk			+TG
	991 555 994 05 GRG	Espresso/Cognac			+BY
(1)	991 555 993 30	Door trim panel	/L	1	I625/9VK
		Leather			
	991 555 993 30 A11	Black			+AZ
	991 555 993 30 OA1	Agate Grey			+FZ
	991 555 993 30 OH7	Graphite Blue			+HZ
	991 555 993 30 OK6	Saddle Tan			+SZ
	991 555 993 30 7J0	Luxor Beige			+UZ
	991 555 993 30 OG6	Bordeaux Red			+LZ
	991 555 993 30 6J0	Espresso			+NE
	991 555 993 30 JHB	Black/Dark Silver			+TD
(1)	991 555 993 30	Door trim panel	/L	1	I625/9VK
		Leather			
	991 555 993 30 DTO	Black/Luxor Beige			+BT
	991 555 993 30 GUG	Black/Bordeaux Red			+BM

Model: 982-17

Model life 2017>>

Pos	Part Number	Description	Remark	Qty	Model
(1)	991 555 993 30 GUH	Black/Chalk	/R	1	+BW
	991 555 993 30 GTG	Graphite Blue/Chalk			+TG
	991 555 993 30 GRG	Espresso/Cognac			+BY
	991 555 994 30	Door trim panel			I625/9VK
		Leather			
	991 555 994 30 A11	Black			+AZ
	991 555 994 30 OA1	Agate Grey			+FZ
	991 555 994 30 OH7	Graphite Blue			+HZ
	991 555 994 30 OK6	Saddle Tan			+SZ
	991 555 994 30 7J0	Luxor Beige			+UZ
(1)	991 555 994 30 OG6	Bordeaux Red	/R	1	+LZ
	991 555 994 30 6J0	Espresso			+NE
	991 555 994 30 JHB	Black/Dark Silver			+TD
	991 555 994 30	Door trim panel			I625/9VK
		Leather			
		two-colour			
	991 555 994 30 DTO	Black/Luxor Beige			+BT
	991 555 994 30 GUG	Black/Bordeaux Red			+BM
	991 555 994 30 GUH	Black/Chalk			+BW
	991 555 994 30 GTG	Graphite Blue/Chalk			+TG
(1)	991 555 994 30 GRG	Espresso/Cognac	/L	1	+BY
	991 555 993 31	Door trim panel			I625/9VL
		Leather			
	991 555 993 31 A11	Black			+AZ
	991 555 993 31 OA1	Agate Grey			+FZ
	991 555 993 31 OH7	Graphite Blue			+HZ
	991 555 993 31 OK6	Saddle Tan			+SZ
	991 555 993 31 7J0	Luxor Beige			+UZ
	991 555 993 31 OG6	Bordeaux Red			+LZ
	991 555 993 31 6J0	Espresso			+NE
(1)	991 555 993 31 JHB	Black/Dark Silver	/L	1	+TD
	991 555 993 31	Door trim panel			I625/9VL
		Leather			
		two-colour			
	991 555 993 31 DTO	Black/Luxor Beige			+BT
	991 555 993 31 GUG	Black/Bordeaux Red			+BM
	991 555 993 31 GUH	Black/Chalk			+BW
	991 555 993 31 GTG	Graphite Blue/Chalk			+TG
	991 555 993 31 GRG	Espresso/Cognac			+BY
	991 555 994 31	Door trim panel			I625/9VL
(1)		Leather	/R	1	
	991 555 994 31 A11	Black			+AZ
	991 555 994 31 OA1	Agate Grey			+FZ
	991 555 994 31 OH7	Graphite Blue			+HZ
	991 555 994 31 OK6	Saddle Tan			+SZ
	991 555 994 31 7J0	Luxor Beige			+UZ
	991 555 994 31 OG6	Bordeaux Red			+LZ
	991 555 994 31 6J0	Espresso			+NE
	991 555 994 31 JHB	Black/Dark Silver			+TD
	991 555 994 31	Door trim panel			I625/9VL
(1)		Leather	/L	1	
		two-colour			
	991 555 994 31 DTO	Black/Luxor Beige			+BT
	991 555 994 31 GUG	Black/Bordeaux Red			+BM
	991 555 994 31 GUH	Black/Chalk			+BW
	991 555 994 31 GTG	Graphite Blue/Chalk			+TG
	991 555 994 31 GRG	Espresso/Cognac			+BY
	991 555 993 32	Door trim panel			I625/9VJ
		Leather			
		two-colour			
(1)	991 555 993 32 A11	Black	/R	1	+AZ
	991 555 993 32 OA1	Agate Grey			+FZ
	991 555 993 32 OH7	Graphite Blue			+HZ
	991 555 993 32 OK6	Saddle Tan			+SZ

Model: 982-17 Model life 2017>>

Pos	Part Number	Description	Remark	Qty	Model
(1)	991 555 993 32 7J0	Luxor Beige			+UZ
	991 555 993 32 OG6	Bordeaux Red			+LZ
	991 555 993 32 6J0	Espresso			+NE
	991 555 993 32 JHB	Black/Dark Silver			+TD
	991 555 993 32	Door trim panel	/L	1	I625/9VJ
		Leather			
		two-colour			
	991 555 993 32 DTO	Black/Luxor Beige			+BT
	991 555 993 32 GUG	Black/Bordeaux Red			+BM
	991 555 993 32 GUH	Black/Chalk			+BW
(1)	991 555 993 32 GTG	Graphite Blue/Chalk			+TG
	991 555 993 32 GRG	Espresso/Cognac			+BY
	991 555 994 32	Door trim panel	/R	1	I625/9VJ
		Leather			
	991 555 994 32 A11	Black			+AZ
	991 555 994 32 OA1	Agate Grey			+FZ
	991 555 994 32 OH7	Graphite Blue			+HZ
	991 555 994 32 OK6	Saddle Tan			+SZ
	991 555 994 32 7J0	Luxor Beige			+UZ
	991 555 994 32 OG6	Bordeaux Red			+LZ
(1)	991 555 994 32 6J0	Espresso			+NE
	991 555 994 32 JHB	Black/Dark Silver			+TD
	991 555 994 32	Door trim panel	/R	1	I625/9VJ
		Leather			
		two-colour			
	991 555 994 32 DTO	Black/Luxor Beige			+BT
	991 555 994 32 GUG	Black/Bordeaux Red			+BM
	991 555 994 32 GUH	Black/Chalk			+BW
	991 555 994 32 GTG	Graphite Blue/Chalk			+TG
	991 555 994 32 GRG	Espresso/Cognac			+BY
(1)	991 555 993 33	Door trim panel	/LL /L	1	I098/537/625 I9VK
		Leather			
	991 555 993 33 A11	Black			+AZ
	991 555 993 33 OA1	Agate Grey			+FZ
	991 555 993 33 OH7	Graphite Blue			+HZ
	991 555 993 33 OK6	Saddle Tan			+SZ
	991 555 993 33 7J0	Luxor Beige			+UZ
	991 555 993 33 OG6	Bordeaux Red			+LZ
	991 555 993 33 6J0	Espresso			+NE
	991 555 993 33 JHB	Black/Dark Silver			+TD
(1)	991 555 993 33	Door trim panel	/LL /L	1	I098/537/625 I9VK
		Leather			
		two-colour			
	991 555 993 33 DTO	Black/Luxor Beige			+BT
	991 555 993 33 GUG	Black/Bordeaux Red			+BM
	991 555 993 33 GUH	Black/Chalk			+BW
	991 555 993 33 GTG	Graphite Blue/Chalk			+TG
	991 555 993 33 GRG	Espresso/Cognac			+BY
	991 555 994 33	Door trim panel	/RL /R	1	I099/538/625 I9VK
		Leather			
(1)	991 555 994 33 A11	Black			+AZ
	991 555 994 33 OA1	Agate Grey			+FZ
	991 555 994 33 OH7	Graphite Blue			+HZ
	991 555 994 33 OK6	Saddle Tan			+SZ
	991 555 994 33 7J0	Luxor Beige			+UZ
	991 555 994 33 OG6	Bordeaux Red			+LZ
	991 555 994 33 6J0	Espresso			+NE
	991 555 994 33 JHB	Black/Dark Silver			+TD
	991 555 994 33	Door trim panel	/RL /R	1	I099/538/625 I9VK

Model: 982-17

Model life 2017>>

Pos	Part Number	Description	Remark	Qty	Model
		Leather two-colour			
	991 555 994 33 DTO	Black/Luxor Beige			+BT
	991 555 994 33 GUG	Black/Bordeaux Red			+BM
	991 555 994 33 GUH	Black/Chalk			+BW
	991 555 994 33 GTG	Graphite Blue/Chalk			+TG
	991 555 994 33 GRG	Espresso/Cognac			+BY
(1)	991 555 993 34	Door trim panel	/LL /L	1	I098/537/625 I9VL
		Leather			
	991 555 993 34 A11	Black			+AZ
	991 555 993 34 OA1	Agate Grey			+FZ
	991 555 993 34 OH7	Graphite Blue			+HZ
	991 555 993 34 OK6	Saddle Tan			+SZ
	991 555 993 34 7J0	Luxor Beige			+UZ
	991 555 993 34 OG6	Bordeaux Red			+LZ
	991 555 993 34 6J0	Espresso			+NE
	991 555 993 34 JHB	Black/Dark Silver			+TD
(1)	991 555 993 34	Door trim panel	/LL /L	1	I098/537/625 I9VL
		Leather			
	991 555 993 34 DTO	Black/Luxor Beige			+BT
	991 555 993 34 GUG	Black/Bordeaux Red			+BM
	991 555 993 34 GUH	Black/Chalk			+BW
	991 555 993 34 GTG	Graphite Blue/Chalk			+TG
	991 555 993 34 GRG	Espresso/Cognac			+BY
(1)	991 555 994 34	Door trim panel	/RL /R	1	I099/538/625 I9VL
		Leather			
	991 555 994 34 A11	Black			+AZ
	991 555 994 34 OA1	Agate Grey			+FZ
	991 555 994 34 OH7	Graphite Blue			+HZ
	991 555 994 34 OK6	Saddle Tan			+SZ
	991 555 994 34 7J0	Luxor Beige			+UZ
	991 555 994 34 OG6	Bordeaux Red			+LZ
	991 555 994 34 6J0	Espresso			+NE
	991 555 994 34 JHB	Black/Dark Silver			+TD
(1)	991 555 994 34	Door trim panel	/RL /R	1	I099/538/625 I9VL
		Leather			
	991 555 994 34 DTO	Black/Luxor Beige			+BT
	991 555 994 34 GUG	Black/Bordeaux Red			+BM
	991 555 994 34 GUH	Black/Chalk			+BW
	991 555 994 34 GTG	Graphite Blue/Chalk			+TG
	991 555 994 34 GRG	Espresso/Cognac			+BY
(1)	991 555 993 35	Door trim panel	/LL /L	1	I098/537/625 I9VJ
		Leather			
	991 555 993 35 A11	Black			+AZ
	991 555 993 35 OA1	Agate Grey			+FZ
	991 555 993 35 OH7	Graphite Blue			+HZ
	991 555 993 35 OK6	Saddle Tan			+SZ
	991 555 993 35 7J0	Luxor Beige			+UZ
	991 555 993 35 OG6	Bordeaux Red			+LZ
	991 555 993 35 6J0	Espresso			+NE
	991 555 993 35 JHB	Black/Dark Silver			+TD
(1)	991 555 993 35	Door trim panel	/LL /L	1	I098/537/625 I9VJ
		Leather			
	991 555 993 35 DTO	Black/Luxor Beige			+BT

Model: 982-17 Model life 2017>>

Pos	Part Number	Description	Remark	Qty	Model
(1)	991 555 993 35 GUG	Black/Bordeaux Red			+BM
	991 555 993 35 GUH	Black/Chalk			+BW
	991 555 993 35 GTG	Graphite Blue/Chalk			+TG
	991 555 993 35 GRG	Espresso/Cognac			+BY
	991 555 994 35	Door trim panel	/RL /R	1	I099/538/625 I9VJ
		Leather			
	991 555 994 35 A11	Black			+AZ
	991 555 994 35 OA1	Agate Grey			+FZ
	991 555 994 35 OH7	Graphite Blue			+HZ
	991 555 994 35 OK6	Saddle Tan			+SZ
(1)	991 555 994 35 7J0	Luxor Beige			+UZ
	991 555 994 35 OG6	Bordeaux Red			+LZ
	991 555 994 35 6J0	Espresso			+NE
	991 555 994 35 JHB	Black/Dark Silver			+TD
	991 555 994 35	Door trim panel	/RL /R	1	I099/538/625 I9VJ
		Leather			
		two-colour			
	991 555 994 35 DTO	Black/Luxor Beige			+BT
	991 555 994 35 GUG	Black/Bordeaux Red			+BM
	991 555 994 35 GUH	Black/Chalk			+BW
2	991 555 994 35 GTG	Graphite Blue/Chalk			+TG
	991 555 994 35 GRG	Espresso/Cognac			+BY
	999 507 533 02	Clamp		4	
		8,0 X 10,0 /2,5			
3	991 555 521 01	Door opener	/L	1	
(3)	991 555 521 01 V08	Galvano silver			
	991 555 522 01	Door opener	/R	1	
	991 555 522 01 V08	Galvano silver			
(4)	991 555 533 00	Handle	/L	1	
		Leather			
	991 555 533 00 A11	Black			+AZ
	991 555 533 00 OA1	Agate Grey			+FZ
	991 555 533 00 OK6	Saddle Tan			+SZ
	991 555 533 00 7J0	Luxor Beige			+UZ, +BT
	991 555 533 00 OG6	Bordeaux Red			+LZ, +BM
	991 555 533 00 OH7	Graphite Blue			+HZ
	991 555 533 00 6J0	Espresso			+NE
	991 555 533 00 7F0	Cognac			+BY
	991 555 533 00 OL8	Chalk			+BW, +TG
	991 555 533 00 JHB	Black/Dark Silver			+TD
	991 555 534 00	Handle	/R	1	
		Leather			
	991 555 534 00 A11	Black			+AZ
	991 555 534 00 OA1	Agate Grey			+FZ
	991 555 534 00 OK6	Saddle Tan			+SZ
	991 555 534 00 7J0	Luxor Beige			+UZ, +BT
	991 555 534 00 OG6	Bordeaux Red			+LZ, +BM
	991 555 534 00 OH7	Graphite Blue			+HZ
991 555 534 00 6J0	Espresso			+NE	
991 555 534 00 7F0	Cognac			+BY	
991 555 534 00 OL8	Chalk			+BW, +TG	
991 555 534 00 JHB	Black/Dark Silver			+TD	
5	999 919 262 01	Oval-head screw		9	
		4,0 X 16,0			
6	970 632 135 00	Door guard light		2	
7	7PP 945 699	Logo		2	I9VL
		Bose			
8	991 555 723 02	Support frame		1	
		Switch			
9	991 555 723 02 1E0	Black			
	991 555 721 02	Cover	/L	1	

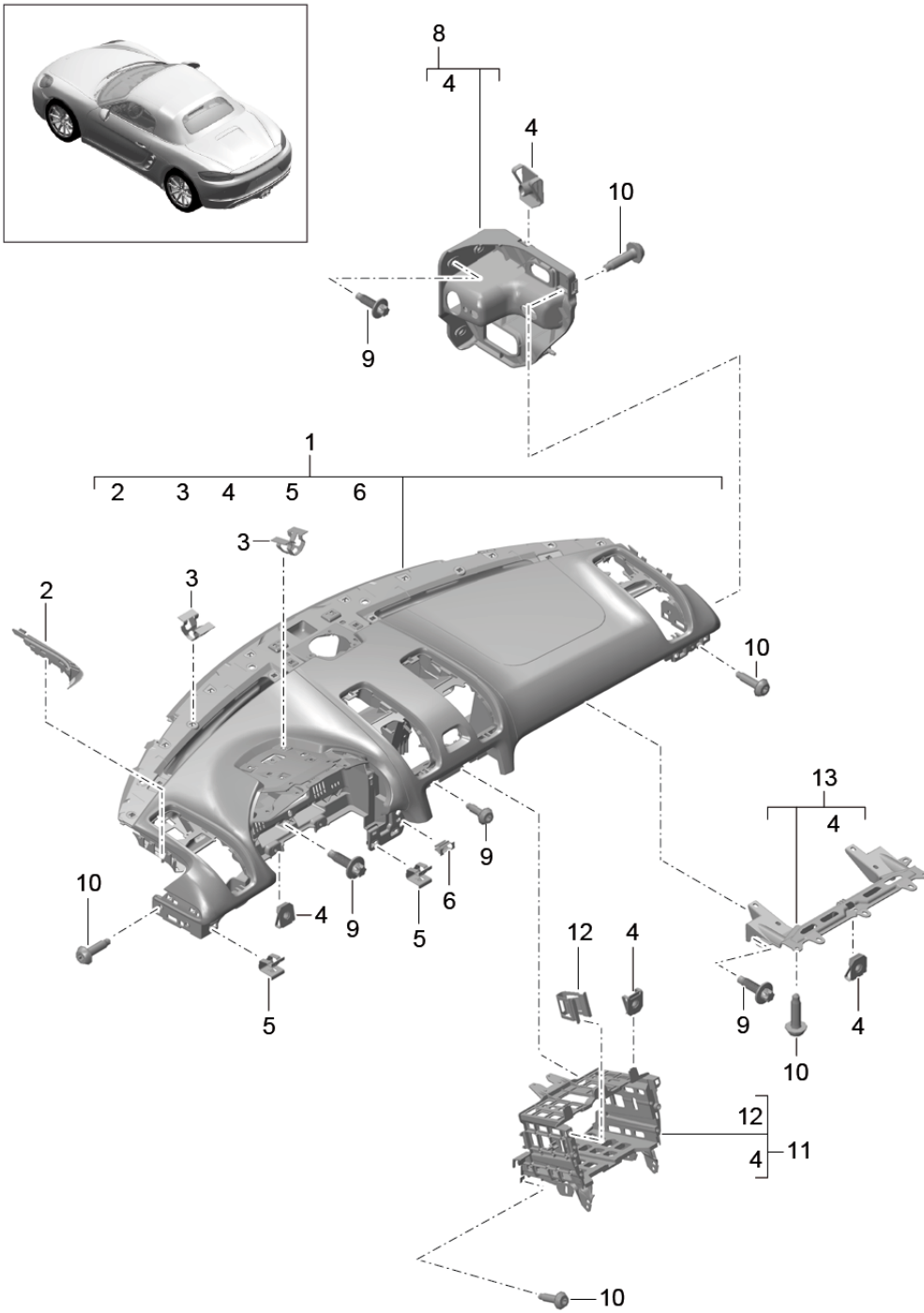
Model: 982-17

Model life 2017>>

Pos	Part Number	Description	Remark	Qty	Model
	991 555 721 02 5Q0	Front Black			+AZ, +BM, +BT +BW, +TD
	991 555 721 02 OA6	Agate Grey			+FZ
	991 555 721 02 OL7	Saddle Tan			+SZ
	991 555 721 02 6W0	Luxor Beige			+UZ
	991 555 721 02 OG6	Bordeaux Red			+LZ
	991 555 721 02 OH7	Graphite Blue			+HZ, +TG
	991 555 721 02 3T0	Espresso			+NE, +BY
(9)	991 555 722 02	Cover Front	/R	1	
	991 555 722 02 5Q0	Black			+AZ, +BM, +BT +BW, +TD
	991 555 722 02 OA6	Agate Grey			+FZ
	991 555 722 02 OL7	Saddle Tan			+SZ
	991 555 722 02 6W0	Luxor Beige			+UZ
	991 555 722 02 OG6	Bordeaux Red			+LZ
	991 555 722 02 OH7	Graphite Blue			+HZ, +TG
	991 555 722 02 3T0	Espresso			+NE, +BY
10	7PP 837 247	Trim cover Door opener	/L	1	
	7PP 837 247 1E0	Black			
(10)	7PP 837 248	Trim cover Door opener	/R	1	
	7PP 837 248 1E0	Black			
11	991 555 683 01	Cover Airbag	/L	1	
	991 555 683 01 5Q0	Black			+AZ, +BT, +BM +BW, +TD
	991 555 683 01 OA6	Agate Grey			+FZ
	991 555 683 01 OL7	Saddle Tan			+SZ
	991 555 683 01 6W0	Luxor Beige			+UZ
	991 555 683 01 OG6	Bordeaux Red			+LZ
	991 555 683 01 OH7	Graphite Blue			+HZ, +TG
	991 555 683 01 3T0	Espresso			+NE, +BY
(11)	991 555 684 01	Cover Airbag	/R	1	
	991 555 684 01 5Q0	Black			+AZ, +BT, +BM +BW, +TD
	991 555 684 01 OA6	Agate Grey			+FZ
	991 555 684 01 OL7	Saddle Tan			+SZ
	991 555 684 01 6W0	Luxor Beige			+UZ
	991 555 684 01 OG6	Bordeaux Red			+LZ
	991 555 684 01 OH7	Graphite Blue			+HZ, +TG
	991 555 684 01 3T0	Espresso			+NE, +BY
12	991 555 741 00	Trim cover Door glass frame	/L	1	
	991 555 741 00 1E0	Black			
(12)	991 555 742 00	Trim cover Door glass frame	/R	1	
	991 555 742 00 1E0	Black			
13	999 073 322 02	Oval-head screw M 6 X 20		8	
14	999 919 203 07	Oval-head screw M 3 X 10		10	
15	991 555 581 00	Trim frame Loudspeaker grille	/L	1	I9VJ
	991 555 581 00 V08	Galvano silver			
(15)	991 555 582 00	Trim frame Loudspeaker grille	/R	1	I9VJ
	991 555 582 00 V08	Galvano silver			

Model: 982-17

Model life 2017>>



Model: 982-17

Model life 2017>>

Pos	Part Number	Description	Remark	Qty	Model
1	982 857 003 F	Dashbord trim Upper part with Mounting parts Accessories See illustrations 8/09/05 Dashbord	/LL	1	-I980/-I981 I098
(1)	982 857 003 F DK4	Upper part slush technology Black			+AD,+AG,+AJ
	982 857 003 F OU4	Agate Grey			+FD,+FG,+FJ
	982 857 003 F DM5	Luxor Beige			+UD,+UG,+UJ
(1)	982 857 003 G	Dashbord	/RL	1	-I980/-I981 I099
	982 857 003 G DK4	Upper part slush technology Black			+AD,+AG,+AJ
	982 857 003 G OU4	Agate Grey			+FD,+FG,+FJ
	982 857 003 G DM5	Luxor Beige			+UD,+UG,+UJ
(1)	982 857 003 H	Dashbord	/LL	1	I098/980
	982 857 003 H DK4	Upper part slush technology Black			+AS,+PM,+PT, +PW
	982 857 003 H OU4	Agate Grey			+FS
	982 857 003 H DM5	Luxor Beige			+US
(1)	982 857 003 J	Dashbord	/RL	1	I099/980
	982 857 003 J DK4	Upper part slush technology Black			+AS,+PM,+PT, +PW
	982 857 003 J OU4	Agate Grey			+FS
	982 857 003 J DM5	Luxor Beige			+US
(1)	982 857 003 N	Dashbord	/LL	1	I098/981
	982 857 003 N A11	Upper part Leather Black			+AZ
	982 857 003 N OA1	Agate Grey			+FZ
	982 857 003 N OK6	Saddle Tan			+SZ
	982 857 003 N 7J0	Luxor Beige			+UZ
	982 857 003 N OG6	Bordeaux Red			+LZ
	982 857 003 N OH7	Graphite Blue			+HZ
	982 857 003 N 6J0	Espresso			+NE
	982 857 003 N GUF	Black/Bordeaux Red			+BM
	982 857 003 N DTK	Black/Luxor Beige			+BT
	982 857 003 N GUJ	Black/Chalk			+BW
	982 857 003 N JHB	Black/Dark Silver			+TD
	982 857 003 N GTF	Graphite Blue/Chalk			+TG
	982 857 003 N GRF	Espresso/Cognac			+BY
(1)	982 857 003 M	Dashbord	/RL	1	I099/981
	982 857 003 M A11	Upper part Leather Black			+AZ
	982 857 003 M OA1	Agate Grey			+FZ
	982 857 003 M OK6	Saddle Tan			+SZ
	982 857 003 M 7J0	Luxor Beige			+UZ
	982 857 003 M OG6	Bordeaux Red			+LZ
	982 857 003 M OH7	Graphite Blue			+HZ
	982 857 003 M 6J0	Espresso			+NE
	982 857 003 M GUF	Black/Bordeaux Red			+BM
	982 857 003 M DTK	Black/Luxor Beige			+BT

Model: 982-17 Model life 2017>>

Pos	Part Number	Description	Remark	Qty	Model
	982 857 003 M GUJ	SCHWARZ/KREIDE			+BW
	982 857 003 M JHB	Black/Dark Silver			+TD
	982 857 003 M GTF	Graphite Blue/Chalk			+TG
	982 857 003 M GRF	Espresso/Cognac			+BY
2	982 860 437 A	Insert A-pillar Left	/L	1	
(2)	982 860 438 A	Insert A-pillar Right	/R	1	
3	999 507 533 02	Clamp Mount Cover		26	
4	999 507 556 01	Speed nut M5		X	
5	8E0 853 107	Clip		4	
6	955 552 107 00	Fixing clip		2	
8	991 552 619 00	Support Retaining frame	/L	1	
(8)	991 552 620 00	Support Retaining frame	/R	1	
9	999 919 278 01	Outer hexagon round screw M6 X 20		X	
10	999 073 498 01	Oval-head screw M5X20		X	
11	982 857 273 A	Support frame PCM/ MIB		1	
12	8T0 853 107	Clamp		2	
13	991 552 360 02	Support Airbag Passenger's side		1	

Model: 982-17 Model life 2017>>

Pos	Part Number	Description	Remark	Qty	Model
1	991 552 381 02	Accessories Dashboard trim Upper part Moulding	/LL	1	-IXDM/-IXGB -IXHE/-IXVP -IXYD/I098
(1)	991 552 381 02 V08 991 552 382 02	Driver's side with Illumination Galvano silver Moulding	/RL	1	-IXDM/-IXGB -IXHE/-IXVP -IXYD/I099
2	991 552 382 02 V08 991 552 383 01	Driver's side with Illumination Galvano silver Moulding	/LL	1	-IXDM/-IXGB -IXHE/-IXVP -IXYD/I098
(2)	991 552 383 01 V08 991 552 384 01	Driver's side Galvano silver Moulding	/RL	1	-IXDM/-IXGB -IXHE/-IXVP -IXYD/I099
3	991 552 384 01 V08 982 857 054 D	Driver's side Galvano silver Cover Instrument cluster	/LL	1	I098
(3)	982 857 054 D 5Q0 982 857 054 D OA6 982 857 054 D 6W0 982 857 054 D OL7 982 857 054 D OG6 982 857 054 D OH7 982 857 054 D 3T0 982 857 054 E 982 857 054 E 5Q0 982 857 054 E OA6 982 857 054 E 6W0 982 857 054 E OL7 982 857 054 E OG6 982 857 054 E OH7 982 857 054 E 3T0	Black Agate Grey Luxor Beige Saddle Tan Bordeaux Red Graphite Blue Espresso Cover Instrument cluster Black Agate Grey Luxor Beige Saddle Tan Bordeaux Red Graphite Blue Espresso	/RL	1	+AD,+AG,+AJ, +AS,+PM,+PT, +PW,+AZ,+BM, +BT,+BW,+TD +FD,+FG,+FJ, +FS,+FZ +UD,+UG,+UJ, +US,+UZ +SZ +LZ +HZ,+TG +NE,+BY I099 +AD,+AG,+AJ, +AS,+PM,+PT, +PW,+AZ,+BM, +BT,+BW,+TD +FD,+FG,+FJ, +FS,+FZ +UD,+UG,+UJ, +US,+UZ +SZ +LZ +HZ,+TG +NE,+BY
4	999 507 533 02	Clamp		X	
5	999 507 971 01	Speed nut ST4,2		2	
6	991 552 194 02	Support	/LL	1	-IXDM/-IXGB -IXHE/-IXVP -IXYD/I098
	991 552 194 02 V08	Beverages Galvano silver			

Model: 982-17 Model life 2017>>

Pos	Part Number	Description	Remark	Qty	Model
(6)	991 552 193 02	Support	/RL	1	-IXDM/-IXGB -IXHE/-IXVP -IXYD/I099
	991 552 193 02 V08	Beverages Galvano silver			
7	991 552 388 01	Moulding	/LL	1	-IXDM/-IXGB -IXHE/-IXVP -IXYD/I098
	991 552 388 01 V08	Passenger's side Galvano silver			
(7)	991 552 387 01	Moulding	/RL	1	-IXDM/-IXGB -IXHE/-IXVP -IXYD/I099
	991 552 387 01 V08	Passenger's side Galvano silver			
8	991 552 980 20	Set	/LL	1	IXVP/098
	991 552 980 20 A11	Moulding Including Support Beverages Black			+AD,+AG,+AJ, +AS,+PM,+PT, +PW,+AZ,+TD +FD,+FG,+FJ, +FS,+FZ +UD,+UG,+UJ, +US,+UZ,+BT +SZ
	991 552 980 20 OA1	Agate Grey			+LZ,+BM +HZ
	991 552 980 20 7J0	Luxor Beige			+BW,+TG +NE
	991 552 980 20 OK6	Saddle Tan			+BY
	991 552 980 20 OG6	Bordeaux Red			
	991 552 980 20 OH7	Graphite Blue			
	991 552 980 20 OL8	Chalk			
	991 552 980 20 6J0	Espresso			
	991 552 980 20 7F0	Cognac			
(8)	991 552 980 20	Set	/RL	1	IXVP/099
	991 552 980 20 A11	Moulding Including Support Beverages Black			+AD,+AG,+AJ, +AS,+PM,+PT, +PW,+AZ,+TD +FD,+FG,+FJ, +FS,+FZ +UD,+UG,+UJ, +US,+UZ,+BT +SZ
	991 552 980 20 OA1	Agate Grey			+LZ,+BM +HZ
	991 552 980 20 7J0	Luxor Beige			+BW,+TG +NE
	991 552 980 20 OK6	Saddle Tan			+BY
	991 552 980 20 OG6	Bordeaux Red			
	991 552 980 20 OH7	Graphite Blue			
	991 552 980 20 OL8	Chalk			
	991 552 980 20 6J0	Espresso			
	991 552 980 20 7F0	Cognac			
(8)	991 552 980 21	Set	/LL	1	IXGB/098
	991 552 980 21 BX3	Moulding Including Support Beverages Carbon, fine high-gloss			
(8)	991 552 981 21	Set	/RL	1	IXGB/099
	991 552 981 21 BX3	Moulding Including Support Beverages Carbon, fine high-gloss			

Model: 982-17

Model life 2017>>

Pos	Part Number	Description	Remark	Qty	Model
(8)	991 552 980 22	Set Moulding Including Support Beverages	/LL	1	IXHE/098
(8)	991 552 980 22 S65 991 552 981 22	Mahogany Set Moulding Including Support Beverages	/RL	1	IXHE/099
(8)	991 552 981 22 S65 991 552 980 23	Mahogany Set Moulding Including Support Beverages	/LL	1	IXYD/098
(8)	991 552 980 23 U03 991 552 981 23	Aluminium, brushed Set Moulding Including Support Beverages	/RL	1	IXYD/099
(8)	991 552 981 23 U03 991 552 980 24	Aluminium, brushed Set Moulding Including Support Beverages	/LL	1	IXDM/098
	991 552 980 24 041	Black			+A1
	991 552 980 24 M5C	Miami Blue			+J5
	991 552 980 24 84A	Guards red			+G1
	991 552 980 24 M2A	Lava Orange			+H2
	991 552 980 24 M3C	Carmine red			+OL
	991 552 980 24 1S1	Racing Yellow			+P3
	991 552 980 24 C9A	White			+0Q
	991 552 980 24 C9X	Jet Black Metallic			+2T
	991 552 980 24 M7S	Achat Grey Metallic			+N0
	991 552 980 24 M8Y	Mahogany Metallic			+Y8
	991 552 980 24 M5G	Graphite Blue Metallic			+A7
	991 552 980 24 M5F	Midnight Blue Metallic			+N5
	991 552 980 24 M5J	Sapphire Blue Metallic			+N1
	991 552 980 24 M7Z	GT Silver Metallic			+U2
	991 552 980 24 M7U	Rhodium Silver Metallic			+S2
	991 552 980 24 S9R	Carrara White metallic			+2Y
(8)	991 552 981 24	Set Moulding Including Support Beverages	/RL	1	IXDM/099
	991 552 981 24 041	Black			+A1
	991 552 981 24 M5C	Miami Blue			+J5
	991 552 981 24 84A	Guards red			+G1
	991 552 981 24 M2A	Lava Orange			+H2
	991 552 981 24 M3C	Carmine red			+OL
	991 552 981 24 1S1	Racing Yellow			+P3
	991 552 981 24 C9A	White			+0Q
	991 552 981 24 C9X	Jet Black Metallic			+2T
	991 552 981 24 M7S	Achat Grey Metallic			+N0
	991 552 981 24 M8Y	Mahogany Metallic			+Y8
	991 552 981 24 M5G	Graphite Blue Metallic			+A7
	991 552 981 24 M5F	Midnight Blue Metallic			+N5
	991 552 981 24 M5J	Sapphire Blue Metallic			+N1

Model: 982-17 Model life 2017>>

Pos	Part Number	Description	Remark	Qty	Model
9	991 552 981 24 M7Z	GT Silver Metallic			+U2
	991 552 981 24 M7U	Rhodium Silver Metallic			+S2
	991 552 981 24 S9R	Carrara White metallic			+2Y
	991 552 711 00	Cover	/L	1	
(9)	991 552 712 00	Defroster			
	991 552 712 00	Cover	/R	1	
10	999 702 559 40	Defroster			
11	999 702 559 40	Grommet		X	
(11)	982 857 995 A	Lid	/L	1	I981
	982 857 995 A 1E0	Lateral			
	982 857 995 A 1E0	Black			+AZ, +BM, +BT, +BW
	982 857 995 A OP1	Agate Grey			+FZ
	982 857 995 A OM8	Saddle Tan			+SZ
	982 857 995 A 4H0	Luxor Beige			+UZ
	982 857 995 A OG6	Bordeaux Red			+LZ
	982 857 995 A OH7	Graphite Blue			+HZ
	982 857 995 A 7N0	Espresso			+NE, +BY
	982 857 996 A	Lid	/R	1	I981
	982 857 996 A 1E0	Lateral			
982 857 996 A 1E0	Black			+AZ, +BM, +BT, +BW	
982 857 996 A OP1	Agate Grey			+FZ	
982 857 996 A OM8	Saddle Tan			+SZ	
982 857 996 A 4H0	Luxor Beige			+UZ	
982 857 996 A OG6	Bordeaux Red			+LZ	
982 857 996 A OH7	Graphite Blue			+HZ	
982 857 996 A 7N0	Espresso			+NE, +BY	
12	999 073 273 09	Oval-head screw		4	
13	982 858 189 D	M5X10			
	982 858 189 D	Cover		1	IQR0
(13)	982 858 189 D 5Q0	Centre			
	982 858 189 D 5Q0	Black			+AD, +AG, +AJ, +AS, +PM, +PT, +PW, +AZ, +BM, +BT, +BW, +TD
	982 858 189 D OA6	Agate Grey			+FD, +FG, +FJ, +FS, +FZ
	982 858 189 D 6W0	Luxor Beige			+UD, +UG, +UJ, +US, +UZ
	982 858 189 D OL7	Saddle Tan			+SZ
	982 858 189 D OG6	Bordeaux Red			+LZ
	982 858 189 D OH7	Graphite Blue			+HZ, +TG
	982 858 189 D 3T0	Espresso			+NE, +BY
	982 858 189 E	Cover		1	IQR4/QR5
	982 858 189 E 5Q0	Centre			
	982 858 189 E 5Q0	Black			+AD, +AG, +AJ, +AS, +PM, +PT, +PW, +AZ, +BM, +BT, +BW, +TD
	982 858 189 E OA6	Agate Grey			+FD, +FG, +FJ, +FS, +FZ
	982 858 189 E 6W0	Luxor Beige			+UD, +UG, +UJ, +US, +UZ
982 858 189 E OL7	Saddle Tan			+SZ	
982 858 189 E OG6	Bordeaux Red			+LZ	
982 858 189 E OH7	Graphite Blue			+HZ, +TG	
982 858 189 E 3T0	Espresso			+NE, +BY	
14	999 073 498 01	Oval-head screw		1	
15	999 073 498 01	M5X20			
	982 857 303 A	Instrument box		1	I980/981
	982 857 303 A A11	Black			+AS, +AZ
	982 857 303 A OA1	Agate Grey			+FS, +FZ

Model: 982-17

Model life 2017>>

Pos	Part Number	Description	Remark	Qty	Model	
16	982 857 303 A 7J0	Luxor Beige		1	+US, +PT, +UZ	
	982 857 303 A OG6	Bordeaux Red			+PM, +LZ	
	982 857 303 A OL8	Chalk			+PW	
	982 857 303 A OK6	Saddle Tan			+SZ	
	982 857 303 A OH7	Graphite Blue			+HZ	
	982 857 303 A 6J0	Espresso			+NE	
	982 857 303 A GUF	Black/Bordeaux Red			+BM	
	982 857 303 A DTK	Black/Luxor Beige			+BT	
	982 857 303 A GUJ	SCHWARZ/KREIDE			+BW	
	982 857 303 A JHB	Black/Dark Silver			+TD	
	982 857 303 A GTF	Graphite Blue/Chalk			+TG	
	982 857 303 A GRF	Espresso/Cognac			+BY	
	982 858 365 C	Defroster trim Leather			/L	I981
	982 858 365 C 5Q0	Black				+AZ, +BM, +BT, +BW, +TD
	982 858 365 C OA6	Agate Grey				+FZ
	982 858 365 C OL7	Saddle Tan				+SZ
982 858 365 C 6W0	Luxor Beige		+UZ			
982 858 365 C OG6	Bordeaux Red		+LZ			
982 858 365 C OH7	Graphite Blue		+HZ, +TG			
982 858 365 C 3T0	Espresso		+NE, +BY			
(16)	982 858 366 C	Defroster trim Leather	/R	1	I981	
	982 858 366 C 5Q0	Black			+AZ, +BM, +BT, +BW, +TD	
	982 858 366 C OA6	Agate Grey			+FZ	
	982 858 366 C OL7	Saddle Tan			+SZ	
	982 858 366 C 6W0	Luxor Beige			+UZ	
	982 858 366 C OG6	Bordeaux Red			+LZ	
	982 858 366 C OH7	Graphite Blue			+HZ, +TG	
	982 858 366 C 3T0	Espresso			+NE, +BY	
17	982 819 701 C	Side vent	/L	1		
	982 819 701 C 5Q0	Black			+AD, +AG, +AJ, +AS, +PM, +PT, +PW, +AZ, +BM, +BT, +BW, +TD	
	982 819 701 C OA6	Agate Grey			+FD, +FG, +FJ, +FS, +FZ	
	982 819 701 C 6W0	Luxor Beige			+UD, +UG, +UJ, +US, +UZ	
	982 819 701 C OL7	Saddle Tan			+SZ	
	982 819 701 C OG6	Bordeaux Red			+LZ	
	982 819 701 C OH7	Graphite Blue			+HZ, +TG	
	982 819 701 C 3T0	Espresso			+NE, +BY	
(17)	982 819 702 C	Side vent	/R	1		
	982 819 702 C 5Q0	Black			+AD, +AG, +AJ, +AS, +PM, +PT, +PW, +AZ, +BM, +BT, +BW, +TD	
	982 819 702 C OA6	Agate Grey			+FD, +FG, +FJ, +FS, +FZ	
	982 819 702 C 6W0	Luxor Beige			+UD, +UG, +UJ, +US, +UZ	
	982 819 702 C OL7	Saddle Tan			+SZ	
	982 819 702 C OG6	Bordeaux Red			+LZ	
	982 819 702 C OH7	Graphite Blue			+HZ, +TG	
	982 819 702 C 3T0	Espresso			+NE, +BY	
18	982 819 201 C	Centre nozzle	/L	1		
	982 819 201 C 5Q0	Black			+AD, +AG, +AJ, +AS, +PM, +PT, +PW, +AZ, +BM, +BT, +BW, +TD	

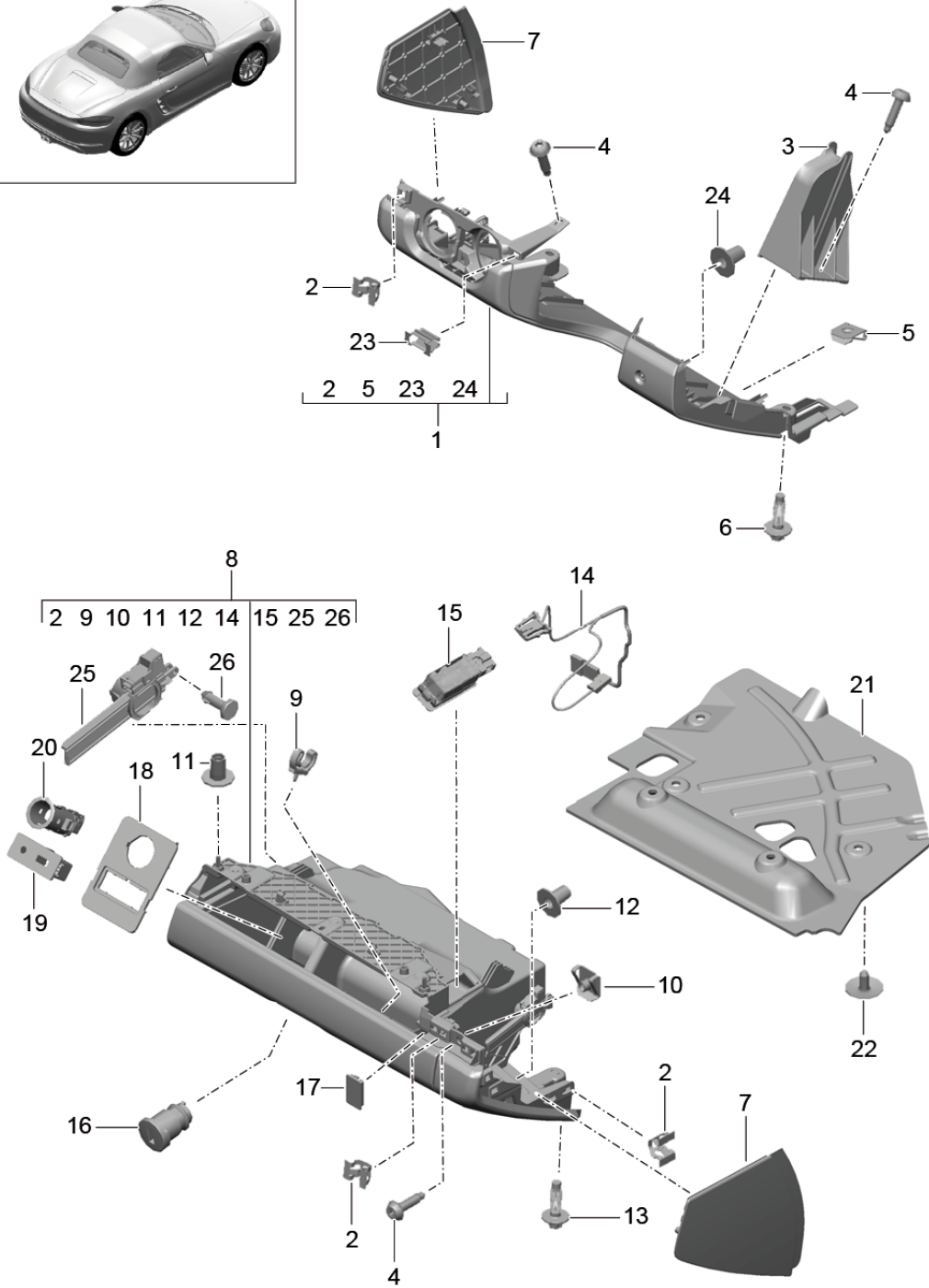
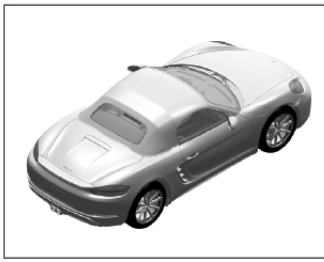
Model: 982-17

Model life 2017>>

Pos	Part Number	Description	Remark	Qty	Model
(18)	982 819 201 C OA6	Agate Grey	/R	1	+FD, +FG, +FJ, +FS, +FZ
	982 819 201 C 6W0	Luxor Beige			+UD, +UG, +UJ, +US, +UZ
	982 819 201 C OL7	Saddle Tan			+SZ
	982 819 201 C OG6	Bordeaux Red			+LZ
	982 819 201 C OH7	Graphite Blue			+HZ, +TG
	982 819 201 C 3T0	Espresso			+NE, +BY
	982 819 202 C	Centre nozzle			
	982 819 202 C 5Q0	Black			
	982 819 202 C OA6	Agate Grey			+AD, +AG, +AJ, +AS, +PM, +PT, +PW, +AZ, +BM, +BT, +BW, +TD
	982 819 202 C 6W0	Luxor Beige			+FD, +FG, +FJ, +FS, +FZ
19	982 819 202 C OL7	Saddle Tan		X	+UD, +UG, +UJ, +US, +UZ
	982 819 202 C OG6	Bordeaux Red			+SZ
	982 819 202 C OH7	Graphite Blue			+LZ
	982 819 202 C 3T0	Espresso			+HZ, +TG
	999 507 533 02	Clamp			+NE, +BY
		Defroster trim			

Model: 982-17

Model life 2017>>



Model: 982-17

Model life 2017>>

Pos	Part Number	Description	Remark	Qty	Model
1	991 552 201 14	Glove compartment And Lining Driver's side Dashboard trim	/LL	1	-I981/I098
	991 552 201 14 DK4	Lower part Black			+AD,+AG,+AJ, +AS,+PM,+PT, +PW
	991 552 201 14 OS2	Agate Grey			+FD,+FG,+FJ, +FS
	991 552 201 14 DM5	Luxor Beige			+UD,+UG,+UJ, +US
(1)	991 552 202 10	Dashboard trim Lower part	/RL	1	-I981/I099
	991 552 202 10 DK4	Black			+AD,+AG,+AJ, +AS,+PM,+PT, +PW
	991 552 202 10 OS2	Agate Grey			+FD,+FG,+FJ, +FS
	991 552 202 10 DM5	Luxor Beige			+UD,+UG,+UJ, +US
(1)	991 552 201 15	Dashboard trim Lower part Leather	/LL	1	I098/981
	991 552 201 15 A11	Black			+AZ,+TD
	991 552 201 15 OA1	Agate Grey			+FZ
	991 552 201 15 OK6	Saddle Tan			+SZ
	991 552 201 15 7J0	Luxor Beige			+UZ,+BT
	991 552 201 15 OG6	Bordeaux Red			+LZ,+BM
	991 552 201 15 OH7	Graphite Blue			+HZ
	991 552 201 15 OL8	Chalk			+BW,+TG
	991 552 201 15 6J0	Espresso			+NE
	991 552 201 15 7F0	Cognac			+BY
(1)	991 552 202 11	Dashboard trim Lower part Leather	/RL	1	I099/981
	991 552 202 11 A11	Black			+AZ,+TD
	991 552 202 11 OA1	Agate Grey			+FZ
	991 552 202 11 OK6	Saddle Tan			+SZ
	991 552 202 11 7J0	Luxor Beige			+UZ,+BT
	991 552 202 11 OG6	Bordeaux Red			+LZ,+BM
	991 552 202 11 OH7	Graphite Blue			+HZ
	991 552 202 11 OL8	Chalk			+BW,+TG
	991 552 202 11 6J0	Espresso			+NE
	991 552 202 11 7F0	Cognac			+BY
2	999 507 533 02	Clamp		2	
4	999 073 498 01	Oval-head screw M5X20		X	
5	999 507 556 01	Speed nut M5		2	
6	999 919 278 01	Outer hexagon round screw 6X20		2	
7	991 552 405 02	Cover Left	/L	1	
	991 552 405 02 5Q0	Black			+AD,+AG,+AJ, +AS,+PM,+PT, +PW,+AZ,+TD
	991 552 405 02 OA6	Agate Grey			+FD,+FG,+FJ, +FS,+FZ
	991 552 405 02 6W0	Luxor Beige			+UD,+UG,+UJ, +US,+UZ,+BT
	991 552 405 02 OL7	Saddle Tan			+SZ

Model: 982-17 Model life 2017>>

Pos	Part Number	Description	Remark	Qty	Model
(7)	991 552 405 02 OG6	Bordeaux Red	/R	1	+LZ, +BM
	991 552 405 02 OH7	Graphite Blue			+HZ
	991 552 405 02 OL8	Chalk			+BW, +TG
	991 552 405 02 3T0	Espresso			+NE
	991 552 405 02 2S0	Cognac			+BY
	991 552 406 02	Cover			
		Right			
	991 552 406 02 5Q0	Black			+AD, +AG, +AJ, +AS, +PM, +PT, +PW, +AZ, +TD
	991 552 406 02 OA6	Agate Grey			+FD, +FG, +FJ, +FS, +FZ
	991 552 406 02 6W0	Luxor Beige			+UD, +UG, +UJ, +US, +UZ, +BT
991 552 406 02 OL7	Saddle Tan	+SZ			
991 552 406 02 OG6	Bordeaux Red	+LZ, +BM			
991 552 406 02 OH7	Graphite Blue	+HZ			
991 552 406 02 OL8	Chalk	+BW, +TG			
991 552 406 02 3T0	Espresso	+NE			
991 552 406 02 2S0	Cognac	+BY			
8	991 552 204 16	Glove compartment Complete	/LL	1	-I981/I098
	991 552 204 16 DK4	Black			+AD, +AG, +AJ, +AS, +PM, +PT, +PW
	991 552 204 16 OS2	Agate Grey			+FD, +FG, +FJ, +FS
	991 552 204 16 DM5	Luxor Beige			+UD, +UG, +UJ, +US
(8)	991 552 203 16	Glove compartment Complete	/RL	1	-I981/I099
	991 552 203 16 DK4	Black			+AD, +AG, +AJ, +AS, +PM, +PT, +PW
	991 552 203 16 OS2	Agate Grey			+FD, +FG, +FJ, +FS
	991 552 203 16 DM5	Luxor Beige			+UD, +UG, +UJ, +US
(8)	991 552 204 15	Glove compartment Complete	/LL	1	I098/981
		Leather			
	991 552 204 15 A11	Black			+AZ, +TD
	991 552 204 15 OA1	Agate Grey			+FZ
	991 552 204 15 OK6	Saddle Tan			+SZ
	991 552 204 15 7J0	Luxor Beige			+UZ, +BT
	991 552 204 15 OG6	Bordeaux Red			+LZ, +BM
	991 552 204 15 OH7	Graphite Blue			+HZ
	991 552 204 15 OL8	Chalk			+BW, +TG
	991 552 204 15 6J0	Espresso			+NE
	991 552 204 15 7F0	Cognac			+BY
(8)	991 552 203 15	Glove compartment Complete	/RL	1	I099/981
		Leather			
	991 552 203 15 A11	Black			+AZ, +TD
	991 552 203 15 OA1	Agate Grey			+FZ
	991 552 203 15 OK6	Saddle Tan			+SZ
	991 552 203 15 7J0	Luxor Beige			+UZ, +BT
	991 552 203 15 OG6	Bordeaux Red			+LZ, +BM
	991 552 203 15 OH7	Graphite Blue			+HZ
	991 552 203 15 OL8	Chalk			+BW, +TG
	991 552 203 15 6J0	Espresso			+NE
	991 552 203 15 7F0	Cognac			+BY
9	996 552 813 00	Support		2	

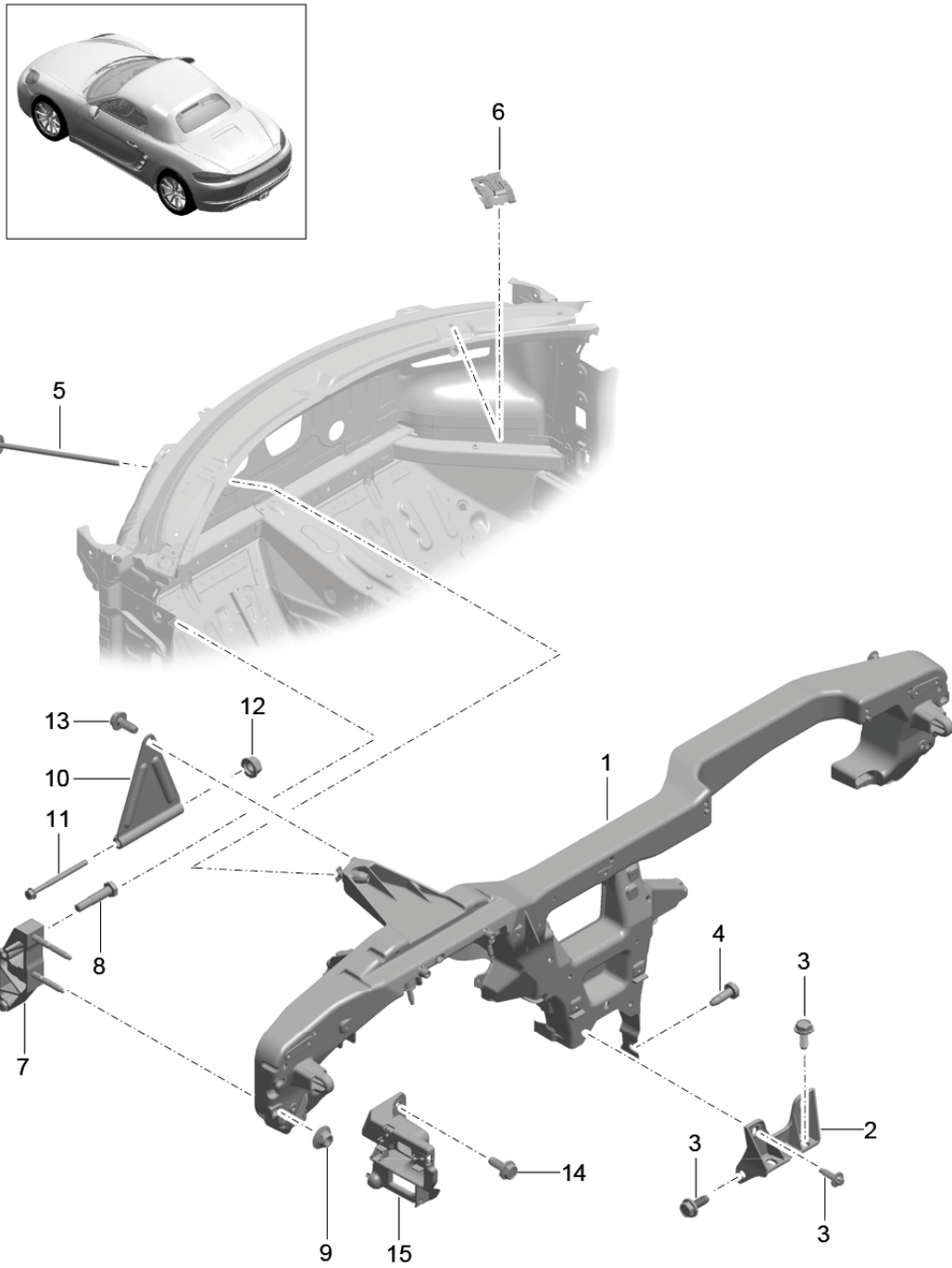
Model: 982-17

Model life 2017>>

Pos	Part Number	Description	Remark	Qty	Model
10	999 507 556 01	Pin Speed nut M5		1	
11	999 702 560 40	Grommet		X	
12	999 702 559 40	Grommet		X	
13	999 919 278 01	Outer hexagon round screw 6 X 20		2	
16	996 552 915 01	Lock cylinder Glove compartment Vehicle Ident. No. Indicate		1	
17	9P1 857 115	Cover Switch-off Airbag		1	-I899
18	991 552 601 02	Cover Multimedia interface		1	
19	991 552 601 02 1E0	Black Plug socket #SIEHE BILDТАFEL 9/11/00		1	I665/696/870
21	991 552 414 00	Lining Footwell Passenger's side	/LL	1	I098
(21)	991 552 413 00	Lining Footwell Passenger's side	/RL	1	I099
22	1H0 819 943	Screw Mount Lining Footwell		X	
23	955 552 107 00	Fixing clip		1	
24	999 702 559 40	Grommet		3	
25	991 552 484 00	Damper Glove compartment	/LL	1	I098
(25)	991 552 483 00	Damper Glove compartment	/RL	1	I099
26	991 552 803 00	Bolt Mount Damper		1	

Model: 982-17

Model life 2017>>



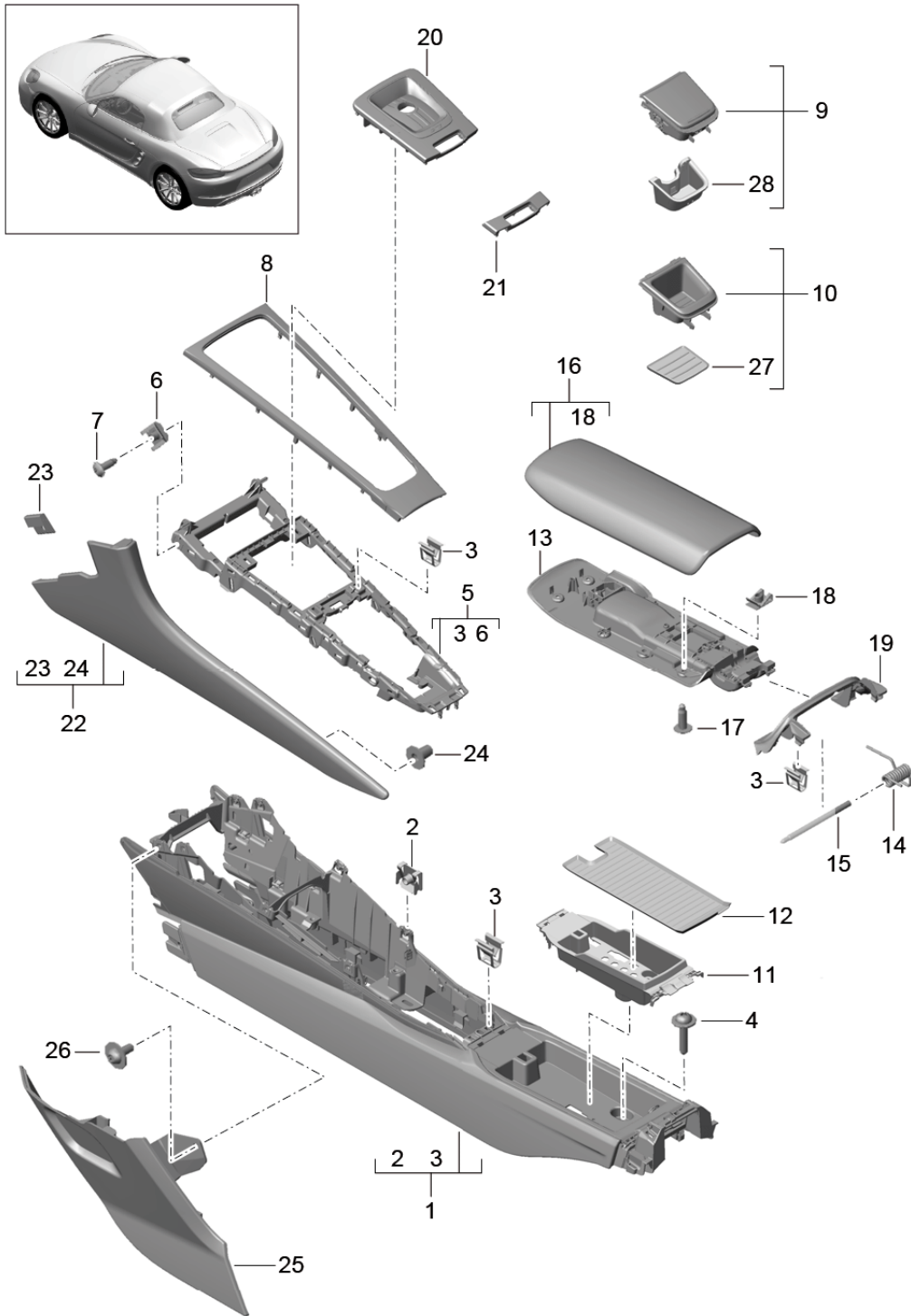
Model: 982-17

Model life 2017>>

Pos	Part Number	Description	Remark	Qty	Model
		Retaining frame Dashboard			
1	991 504 063 02	Retaining frame	/LL	1	I098
(1)	991 504 063 03	Retaining frame	/RL	1	I099
2	991 504 615 00	Support Tunnel		1	
3	999 143 014 01	Hexagon-head bolt M8X27		5	
4	999 073 138 01	Round head screw M8X25		1	
5	999 073 587 01	Combination screw M8X195		1	
6	8E0 857 117	Clamp Dashboard Cowl panel		2	
7	991 504 407 02	Support A-pillar		2	
8	900 919 009 01	Fit bolt M8X45		4	
9	N 907 611 03	Nut M8		4	
10	991 504 653 01	Support Steering column		1	
11	N 106 366 01	Hexagon-head bolt M8X110X80		1	
12	999 084 630 01	Hexagon nut M8		1	
13	999 143 014 01	Hexagon-head bolt M8X27		1	
14	999 919 278 01	Outer hexagon round screw M6X20		6	
15		Support Retaining frame See illustrations 8/09/00		1	

Model: 982-17

Model life 2017>>



Model: 982-17 Model life 2017>>

Pos	Part Number	Description	Remark	Qty	Model
1	9P1 858 186	Centre console Bracket		1	
	9P1 858 186 PT7	Centre console Black			+AD, +AG, +AJ, +AS, +PM, +PT, +PW, +AZ, +TD
	9P1 858 186 OQ7	Agate Grey			+FD, +FG, +FJ, +FS, +FZ
	9P1 858 186 PU8	Luxor Beige			+UD, +UG, +UJ, +US, +UZ, +BT
	9P1 858 186 CH6	Saddle Tan			+SZ
	9P1 858 186 OG6	Bordeaux Red			+LZ, +BM
	9P1 858 186 OH7	Graphite Blue			+HZ
	9P1 858 186 OL8	Chalk			+BW, +TG
	9P1 858 186 OP4	Espresso			+NE
	9P1 858 186 OM2	Cognac			+BY
2	999 591 145 01	Speed nut M 5		8	
3	8T0 853 107	Clamp		X	
4	N 105 355 02	Pan-head screw M 6 X 30		6	
5	991 553 263 01	Bracket Cover		1	
6	999 507 556 01	Speed nut M 5		2	
7	999 073 459 01	Oval-head screw M 5 X 16		6	
8	991 553 261 00	Cover		1	-IXHB/-IXHG -IXHM/-IXYE -IXYG
(8)	991 553 261 00 V08	Centre console Galvano silver		1	
	991 553 981 00	Cover			IXYG
	991 553 981 00 041	Centre console Black			
	991 553 981 00 M5C	Miami Blue			
	991 553 981 00 84A	Guards red			
	991 553 981 00 M2A	Lava Orange			
	991 553 981 00 M3C	Carminie red			
	991 553 981 00 1S1	Racing Yellow			
	991 553 981 00 C9A	White			
	991 553 981 00 C9X	Jet Black Metallic			
	991 553 981 00 M7S	Achat Grey Metallic			
	991 553 981 00 M8Y	Mahogany Metallic			
	991 553 981 00 M5G	Graphite Blue Metallic			
	991 553 981 00 M5F	Midnight Blue Metallic			
	991 553 981 00 M5J	Sapphire Blue Metallic			
	991 553 981 00 M7Z	GT Silver Metallic			
	991 553 981 00 M7U	Rhodium Silver Metallic			
	991 553 981 00 S9R	Carrara White metallic			
(8)	991 553 981 01	Cover		1	IXHB
	991 553 981 01 A11	Centre console Black			+AD, +AG, +AJ, +AS, +PM, +PT, +PW, +AZ, +BM, +BT, +BW, +TD
	991 553 981 01 OA1	Agate Grey			+FD, +FG, +FJ, +FS, +FZ
	991 553 981 01 7J0	Luxor Beige			+UD, +UG, +UJ, +US, +UZ
	991 553 981 01 OK6	Saddle Tan			+SZ
	991 553 981 01 OG6	Bordeaux Red			+LZ
	991 553 981 01 OH7	Graphite Blue			+HZ, +TG

Model: 982-17 Model life 2017>>

Pos	Part Number	Description	Remark	Qty	Model
(8)	991 553 981 01 6J0	Espresso		1	+NE, +BY
	991 553 981 02	Cover			IXHM
	991 553 981 02 BX3	Centre console			
(8)	991 553 981 03	Carbon, fine high-gloss		1	IXHG
	991 553 981 03 S65	Cover			
(8)	991 553 981 04	Mahogany		1	IXYE
	991 553 981 04 U03	Centre console			
9	991 553 141 02	Aluminium, brushed		1	I583
	991 553 141 02 DML	Ashtray			
10	991 553 143 00	Matt Black/hi-gloss chrome		1	-I583
	991 553 143 00 A05	Shelf			
11	9P1 858 331	Black		6	
	9P1 858 331 1E0	Shelf			
12	9P1 857 130	Centre console		1	
	9P1 857 130	Black			
13	9P1 857 479	Insert		1	
	9P1 857 479 1E0	Shelf			
14	9P1 858 989	Lid		1	
	9P1 858 989	Inner			
15	991 553 447 00	Black		1	
	991 553 447 00	Torsion spring			
16	982 857 151	Lid		1	-IXPT/-IXUV -I009/-I980 -I981/I008
	982 857 151	Lid			
	982 857 151 DK4	Centre console slush technology			
	982 857 151 OS2	Black			+AD, +AG, +AJ
	982 857 151 DM5	Agate Grey			+FD, +FG, +FJ
(16)	9P1 857 151	Luxor Beige		1	+UD, +UG, +UJ -IXPT/-IXUV I980/981
	9P1 857 151	Lid			
	9P1 857 151 A11	Leather with Decorative stitching			
	9P1 857 151 OA1	Black			+AD, +AG, +AJ, +AS, +AZ
	9P1 857 151 7J0	Agate Grey			+FD, +FG, +FJ, +FS, +FZ
	9P1 857 151 OG6	Luxor Beige			+UD, +UG, +UJ, +US, +PT, +UZ, +BT
	9P1 857 151 OL8	Bordeaux Red			+PM, +LZ, +BM
	9P1 857 151 OK6	Chalk			+PW, +BW, +TG
	9P1 857 151 OH7	Saddle Tan			+SZ
	9P1 857 151 6J0	Graphite Blue			+HZ
	9P1 857 151 7F0	Espresso			+NE
	9P1 857 151 JHB	Cognac			+BY
(16)	9P1 857 151 B	Black/Dark Silver		1	+TD
	9P1 857 151 B A11	Lid			IXPT/980/981
	9P1 857 151 B OA1	with Crest And Decorative stitching			
	9P1 857 151 B 7J0	Black			+AS, +AZ
	9P1 857 151 B OG6	Agate Grey			+FS, +FZ
	9P1 857 151 B OL8	Luxor Beige			+US, +PT, +UZ, +BT
	9P1 857 151 B OH7	Bordeaux Red			+PM, +LZ, +BM

Model: 982-17

Model life 2017>>

Pos	Part Number	Description	Remark	Qty	Model
(16)	9P1 857 151 B OL8	Chalk		1	+PW,+BW,+TG
	9P1 857 151 B OK6	Saddle Tan			+SZ
	9P1 857 151 B OH7	Graphite Blue			+HZ
	9P1 857 151 B 6J0	Espresso			+NE
	9P1 857 151 B 7F0	Cognac			+BY
	9P1 857 151 B JHB	Black/Dark Silver			+TD
	9P1 857 151 AG	Lid			IXUV/008/098
		with			I980/981
		Logo			
		And			
	Decorative stitching				
	9P1 857 151 AG A11	Black			+AS,+AZ,+TD
	9P1 857 151 AG OA1	Agate Grey			+FS,+FZ
	9P1 857 151 AG 7J0	Luxor Beige			+US,+PT,+UZ, +BT
	9P1 857 151 AG OG6	Bordeaux Red			+PM,+LZ,+BM
	9P1 857 151 AG OL8	Chalk			+PW,+BW,+TG
	9P1 857 151 AG OK6	Saddle Tan			+SZ
	9P1 857 151 AG OH7	Graphite Blue			+HZ
	9P1 857 151 AG 6J0	Espresso			+NE
	9P1 857 151 AG 7F0	Cognac			+BY
(16)	9P1 857 151 AH	Lid		1	IXUV/008/099
		with			I980/981
		Logo			
		And			
		Decorative stitching			
	9P1 857 151 AH A11	Black			+AS,+AZ,+TD
	9P1 857 151 AH OA1	Agate Grey			+FS,+FZ
	9P1 857 151 AH 7J0	Luxor Beige			+US,+PT,+UZ, +BT
	9P1 857 151 AH OG6	Bordeaux Red			+PM,+LZ,+BM
	9P1 857 151 AH OL8	Chalk			+PW,+BW,+TG
	9P1 857 151 AH OK6	Saddle Tan			+SZ
	9P1 857 151 AH OH7	Graphite Blue			+HZ
	9P1 857 151 AH 6J0	Espresso			+NE
	9P1 857 151 AH 7F0	Cognac			+BY
(16)	9P1 857 151 AJ	Lid		1	IXUV/009/098
		with			I980/981
		Logo			
		And			
		Decorative stitching			
	9P1 857 151 AJ A11	Black			+AS,+AZ,+TD
	9P1 857 151 AJ OA1	Agate Grey			+FS,+FZ
	9P1 857 151 AJ 7J0	Luxor Beige			+US,+PT,+UZ, +BT
	9P1 857 151 AJ OG6	Bordeaux Red			+PM,+LZ,+BM
	9P1 857 151 AJ OL8	Chalk			+PW,+BW,+TG
	9P1 857 151 AJ OK6	Saddle Tan			+SZ
	9P1 857 151 AJ OH7	Graphite Blue			+HZ
	9P1 857 151 AJ 6J0	Espresso			+NE
	9P1 857 151 AJ 7F0	Cognac			+BY
(16)	9P1 857 151 AK	Lid		1	IXUV/009/099
		with			I980/981
		Logo			
		And			
		Decorative stitching			
	9P1 857 151 AK A11	Black			+AS,+AZ,+TD
	9P1 857 151 AK OA1	Agate Grey			+FS,+FZ
	9P1 857 151 AK 7J0	Luxor Beige			+US,+PT,+UZ,

Model: 982-17 Model life 2017>>

Pos	Part Number	Description	Remark	Qty	Model
	9P1 857 151 AK OG6	Bordeaux Red			+BT
	9P1 857 151 AK OL8	Chalk			+PM, +LZ, +BM
	9P1 857 151 AK OK6	Saddle Tan			+PW, +BW, +TG
	9P1 857 151 AK OH7	Graphite Blue			+SZ
	9P1 857 151 AK 6J0	Espresso			+HZ
	9P1 857 151 AK 7F0	Cognac			+NE
17	999 073 459 01	Oval-head screw M5 X 16		8	+BY
18	999 507 274 02	Speed nut M 5		8	
19	981 553 251 01	Trim cover Centre console Rear		1	
	981 553 251 01 1E0	Black			+AD, +AG, +AJ, +AS, +PM, +PT, +PW, +AZ, +TD +FD, +FG, +FJ, +FS, +FZ
	981 553 251 01 OP1	Agate Grey			+UD, +UG, +UJ, +US, +UZ, +BT
	981 553 251 01 4H0	Luxor Beige			+SZ
	981 553 251 01 OM8	Saddle Tan			+LZ, +BM
	981 553 251 01 OG6	Bordeaux Red			+HZ
	981 553 251 01 OH7	Graphite Blue			+BW, +TG
	981 553 251 01 OL8	Chalk			+NE
	981 553 251 01 7N0	Espresso			+BY
20	9P1 858 401 E	Cover PDK		1	I250
	9P1 858 401 E DRZ	Black/Galvano Silver			
21	991 553 651 01	Cover Logo		1	I480
	991 553 651 01 A05	Black mat			
22	991 553 131 02	Cover Centre console slush technology	/L	1	-I981
	991 553 131 02 DK4	Black			+AD, +AG, +AJ, +AS, +PM, +PT, +PW
	991 553 131 02 OU4	Agate Grey			+FD, +FG, +FJ, +FS
	991 553 131 02 DM5	Luxor Beige			+UD, +UG, +UJ, +US
(22)	991 553 132 02	Cover Centre console slush technology	/R	1	-I981
	991 553 132 02 DK4	Black			+AD, +AG, +AJ, +AS, +PM, +PT, +PW
	991 553 132 02 OU4	Agate Grey			+FD, +FG, +FJ, +FS
	991 553 132 02 DM5	Luxor Beige			+UD, +UG, +UJ, +US
(22)	982 858 065 A	Cover Centre console Leather	/L	1	I981
	982 858 065 A A11	Black			+AZ
	982 858 065 A OA1	Agate Grey			+FZ
	982 858 065 A OK6	Saddle Tan			+SZ
	982 858 065 A 7J0	Luxor Beige			+UZ
	982 858 065 A OG6	Bordeaux Red			+LZ
	982 858 065 A OH7	Graphite Blue			+HZ
	982 858 065 A 6J0	Espresso			+NE

Model: 982-17 Model life 2017>>

Pos	Part Number	Description	Remark	Qty	Model
	982 858 065 A GUF	Black/Bordeaux Red			+BM
	982 858 065 A DTK	Black/Luxor Beige			+BT
	982 858 065 A GUJ	Black/Chalk			+BW
	982 858 065 A JHB	Black/Dark Silver			+TD
	982 858 065 A GTF	Graphite Blue/Chalk			+TG
	982 858 065 A GRF	Espresso/Cognac			+BY
(22)	982 858 066 A	Cover	/R	1	I981
		Centre console			
		Leather			
	982 858 066 A A11	Black			+AZ
	982 858 066 A OA1	Agate Grey			+FZ
	982 858 066 A OK6	Saddle Tan			+SZ
	982 858 066 A 7J0	Luxor Beige			+UZ
	982 858 066 A OG6	Bordeaux Red			+LZ
	982 858 066 A OH7	Graphite Blue			+HZ
	982 858 066 A 6J0	Espresso			+NE
	982 858 066 A GUF	Black/Bordeaux Red			+BM
	982 858 066 A DTK	Black/Luxor Beige			+BT
	982 858 066 A GUJ	Black/Chalk			+BW
	982 858 066 A JHB	Black/Dark Silver			+TD
	982 858 066 A GTF	Graphite Blue/Chalk			+TG
	982 858 066 A GRF	Espresso/Cognac			+BY
23	991 553 823 00	Rubber ply		2	
24	999 702 299 40	Grommet		2	
		6,5 X 8,5 X 1,0			
25	991 553 151 04	Trim cover	/L	1	I098
		Footwell outlet vent			
	991 553 151 04 1E0	Black			+AD, +AG, +AJ, +AS, +PM, +PT, +PW, +AZ, +TD
	991 553 151 04 OP1	Agate Grey			+FD, +FG, +FJ, +FS, +FZ
	991 553 151 04 4H0	Luxor Beige			+UD, +UG, +UJ, +US, +UZ, +BT
	991 553 151 04 OM8	Saddle Tan			+SZ
	991 553 151 04 OG6	Bordeaux Red			+LZ, +BM
	991 553 151 04 OH7	Graphite Blue			+HZ
	991 553 151 04 OL8	Chalk			+BW, +TG
	991 553 151 04 7N0	Espresso			+NE
	991 553 151 04 8P0	Cognac			+BY
(25)	991 553 152 05	Trim cover	/R	1	I098
		Footwell outlet vent			
	991 553 152 05 1E0	Black			+AD, +AG, +AJ, +AS, +PM, +PT, +PW, +AZ, +TD
	991 553 152 05 OP1	Agate Grey			+FD, +FG, +FJ, +FS, +FZ
	991 553 152 05 4H0	Luxor Beige			+UD, +UG, +UJ, +US, +UZ, +BT
	991 553 152 05 OM8	Saddle Tan			+SZ
	991 553 152 05 OG6	Bordeaux Red			+LZ, +BM
	991 553 152 05 OH7	Graphite Blue			+HZ
	991 553 152 05 OL8	Chalk			+BW, +TG
	991 553 152 05 7N0	Espresso			+NE
	991 553 152 05 8P0	Cognac			+BY
(25)	991 553 151 05	Trim cover	/L	1	I099
		Footwell outlet vent			
	991 553 151 05 1E0	Black			+AD, +AG, +AJ, +AS, +PM, +PT, +PW, +AZ, +TD
	991 553 151 05 OP1	Agate Grey			+FD, +FG, +FJ, +FS, +FZ
	991 553 151 05 4H0	Luxor Beige			+UD, +UG, +UJ,

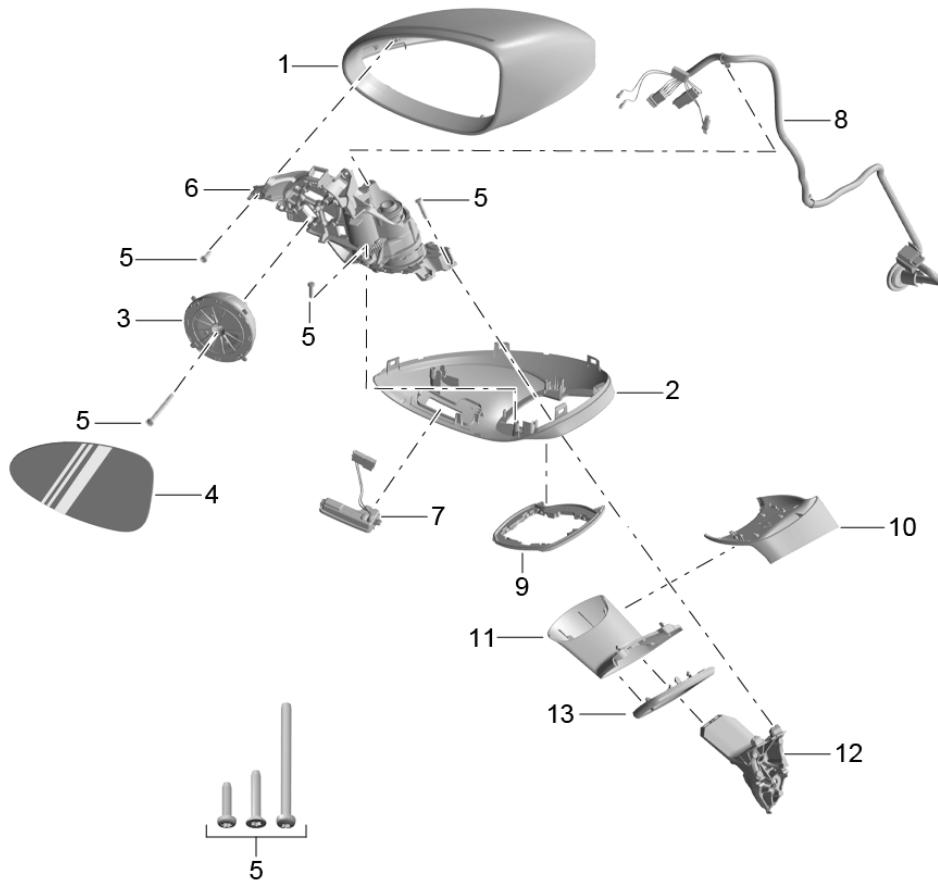
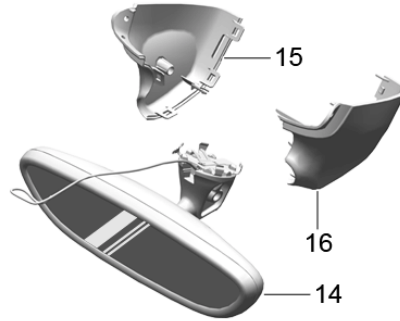
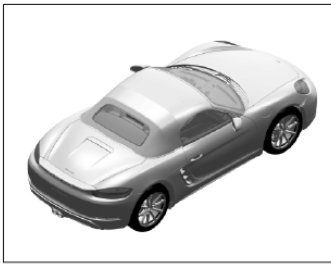
Model: 982-17

Model life 2017>>

Pos	Part Number	Description	Remark	Qty	Model
	991 553 151 05 OM8	Saddle Tan			+US, +UZ, +BT
	991 553 151 05 OG6	Bordeaux Red			+SZ
	991 553 151 05 OH7	Graphite Blue			+LZ, +BM
	991 553 151 05 OL8	Chalk			+HZ
	991 553 151 05 7N0	Espresso			+BW, +TG
	991 553 151 05 8P0	Cognac			+NE
(25)	991 553 152 04	Trim cover	/R	1	+BY
		Footwell outlet vent			I099
	991 553 152 04 1E0	Black			+AD, +AG, +AJ,
					+AS, +PM, +PT,
					+PW, +AZ, +TD
	991 553 152 04 OP1	Agate Grey			+FD, +FG, +FJ,
					+FS, +FZ
	991 553 152 04 4H0	Luxor Beige			+UD, +UG, +UJ,
					+US, +UZ, +BT
	991 553 152 04 OM8	Saddle Tan			+SZ
	991 553 152 04 OG6	Bordeaux Red			+LZ, +BM
	991 553 152 04 OH7	Graphite Blue			+HZ
	991 553 152 04 OL8	Chalk			+BW, +TG
	991 553 152 04 7N0	Espresso			+NE
	991 553 152 04 8P0	Cognac			+BY
26	999 073 295 A2	Oval-head screw		2	
		M 5 X 12			
27	991 553 625 00	Insert		1	
		Shelf			
28	991 553 341 01	Insert		1	I583
		Ashtray			
	991 553 341 01 1E0	Black			

Model: 982-17

Model life 2017>>



Model: 982-17 Model life 2017>>

Pos	Part Number	Description	Remark	Qty	Model
1	982 858 653	Door mirror Interior mirror Mirror housing	/LL /L	1	I098
	982 858 653 G2X	Door mirror Upper part Prime coated			
(1)	982 858 654	Mirror housing	/LL /R	1	I098
	982 858 654 G2X	Door mirror Upper part Prime coated			
(1)	982 858 653 A	Mirror housing	/RL /L	1	I099
	982 858 653 A G2X	Door mirror Upper part Prime coated			
(1)	982 858 654 A	Mirror housing	/RL /R	1	I099
	982 858 654 A G2X	Door mirror Upper part Prime coated			
2	982 857 185	Door mirror	/LL /L	1	I098/254/255 I256/257
	982 857 185 OK1	Cover Lower Black mat/satin black			
(2)	982 857 185 B	Door mirror	/LL /L	1	I098/258/259 I260/261
	982 857 185 B OK1	Cover Lower Black mat/satin black			
(2)	982 857 185 A	Door mirror	/RL /L	1	I099/254/255 I256/257
	982 857 185 A OK1	Cover Lower Black mat/satin black			
(2)	982 857 185 C	Door mirror	/RL /L	1	I099/258/259 I260/261
	982 857 185 C OK1	Cover Lower Black mat/satin black			
(2)	982 857 186	Door mirror	/LL /R	1	I098/254/255 I256/257
	982 857 186 OK1	Cover Lower Black mat/satin black			
(2)	982 857 186 B	Door mirror	/LL /R	1	I098/258/259 I260/261
	982 857 186 B OK1	Cover Lower Black mat/satin black			
(2)	982 857 186 A	Door mirror	/RL /R	1	I099/254/255 I256/257
	982 857 186 A OK1	Cover Lower Black mat/satin black			
(2)	982 857 186 C	Door mirror	/RL /R	1	I099/258/259 I260/261
	982 857 186 C OK1	Cover Lower Black mat/satin black			
3	7PP 959 578 D	Adjusting motor		2	-I537/-I538
(3)	7PP 959 578 E	Door mirror Adjusting motor		2	I537/538
4	982 857 521	Door mirror Mirror glass	L	1	I098/254/255

Model: 982-17 Model life 2017>>

Pos	Part Number	Description	Remark	Qty	Model
					I258/259/263
(4)	982 857 521 A	Plane Mirror glass	L	1	I098/254/255 I258/259/265
(4)	982 857 521 C	Aspherical Mirror glass	L	1	I098/256/257 I260/261/263
(4)	982 857 521 D	Plane Mirror glass	L	1	I098/256/257 I260/261/265
(4)	982 857 521 B	Aspherical Mirror glass	/RL /L	1	I099/254/255 I258/259/264
(4)	982 857 521 E	Convex Mirror glass	/RL /L	1	I099/256/257 I260/261/264
(4)	982 857 522	Convex Mirror glass	R	1	-I553/I098 I254/255/258 I259/284
(4)	982 857 522 B	Convex Mirror glass	R	1	I098/099/215 I254/255/258 I259
(4)	982 857 522 C	Convex Mirror glass	R	1	-I553/I098 I099/256/257 I260/261/263 I284
(4)	982 857 522 E	Convex Mirror glass	R	1	I098/099/215 I256/257/260 I261/284
(4)	982 857 522 F	Convex Mirror glass	R	1	-I553/I098 I099/254/255 I258/259/285
(4)	982 857 522 G	Aspherical Mirror glass	R	1	-I553/I256 I257/260/261 I285
5	982 898 813	Aspherical Repair kit Screw 3X17 3X40 3X12		1 3 1 5	
6	982 858 317	Mirror base	/LL /L	1	I098/254/255 I256/257
(6)	982 858 317 A	Upper part Manually adjustable Mirror base	/RL /L	1	I099/254/255 I256/257
(6)	982 858 317 B	Upper part Manually adjustable Mirror base	/LL /L	1	I098/258/259 I260/261
(6)	982 858 317 C	Upper part Electrically adjustable Mirror base	/RL /L	1	I099/258/259 I260/261
		Upper part Electrically adjustable			

Model: 982-17 Model life 2017>>

Pos	Part Number	Description	Remark	Qty	Model
(6)	982 858 318	Mirror base Upper part Manually adjustable	/LL /R	1	I098/254/255 I256/257
(6)	982 858 318 A	Mirror base Upper part Manually adjustable	/RL /R	1	I099/254/255 I256/257
(6)	982 858 318 B	Mirror base Upper part Electrically adjustable	/LL /R	1	I098/258/259 I260/261
(6)	982 858 318 C	Mirror base Upper part Electrically adjustable	/RL /R	1	I099/258/259 I260/261
7	9P9 949 133	Light Door mirror	/L	1	I258/259/260 I261
(7)	9P9 949 134	Light Door mirror	/R	1	I258/259/260 I261
8	982 972 235	Wiring harness Mirror housing		1	I254
(8)	982 972 235 A	Wiring harness Mirror housing		1	I255
(8)	982 972 235 B	Wiring harness Mirror housing		1	I256
(8)	982 972 235 C	Wiring harness Mirror housing		1	I257
(8)	982 972 235 D	Wiring harness Mirror housing		1	I258
(8)	982 972 235 E	Wiring harness Mirror housing		1	I259
(8)	982 972 235 F	Wiring harness Mirror housing		1	I260
(8)	982 972 235 G	Wiring harness Mirror housing		1	I261
9	982 857 555	Gasket Housing Mirror base	/L	1	
(9)	982 857 556	Upper Gasket Housing Mirror base	/R	1	
10	982 857 109	Upper Mirror base	/L	1	I254/255/256 I257/258/259 I260/261
10	982 857 109 OK1 982 857 110	Cover Inner Black mat/satin black Mirror base	/R	1	I254/255/256 I257/258/259 I260/261
11	982 857 110 OK1 982 857 112	Cover Inner Black mat/satin black Mirror base	/L	1	I254/255/256 I257/258/259 I260/261
		Cover Outer			

Model: 982-17 Model life 2017>>

Pos	Part Number	Description	Remark	Qty	Model
(11)	982 857 112 OK1 982 857 113	Black mat/satin black Mirror base	/R	1	I254/255/256 I257/258/259 I260/261
		Cover Outer			
12	982 857 113 OK1 982 857 539	Black mat/satin black Mirror base	/L	1	
		Lower part			
(12)	982 857 540	Mirror base	/R	1	
		Lower part			
13	982 857 679	Gasket Mirror base	/L	1	
		Housing Lower			
(13)	982 857 680	Gasket Mirror base	/R	1	
		Housing Lower			
14	991 731 511 03	Interior mirror		1	I275
	991 731 511 03 4PK	Satin black			
(14)	991 731 511 04	Interior mirror		1	I276
	991 731 511 04 4PK	Satin black			
15	991 731 811 01	Cover Interior mirror	/L	1	
		Mirror base			
	991 731 811 01 1E0	Black			
16	991 731 812 01	Cover Interior mirror	/R	1	
		Mirror base			
	991 731 812 01 1E0	Black			

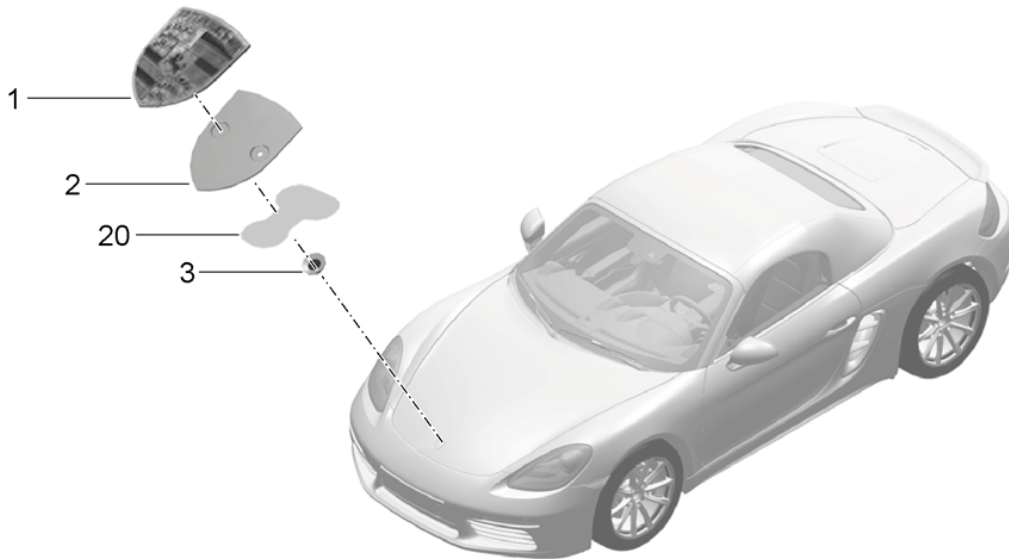
Model: 982-17

Model life 2017>>

5 — *Boxster*

6 — *S*

7 — *718*



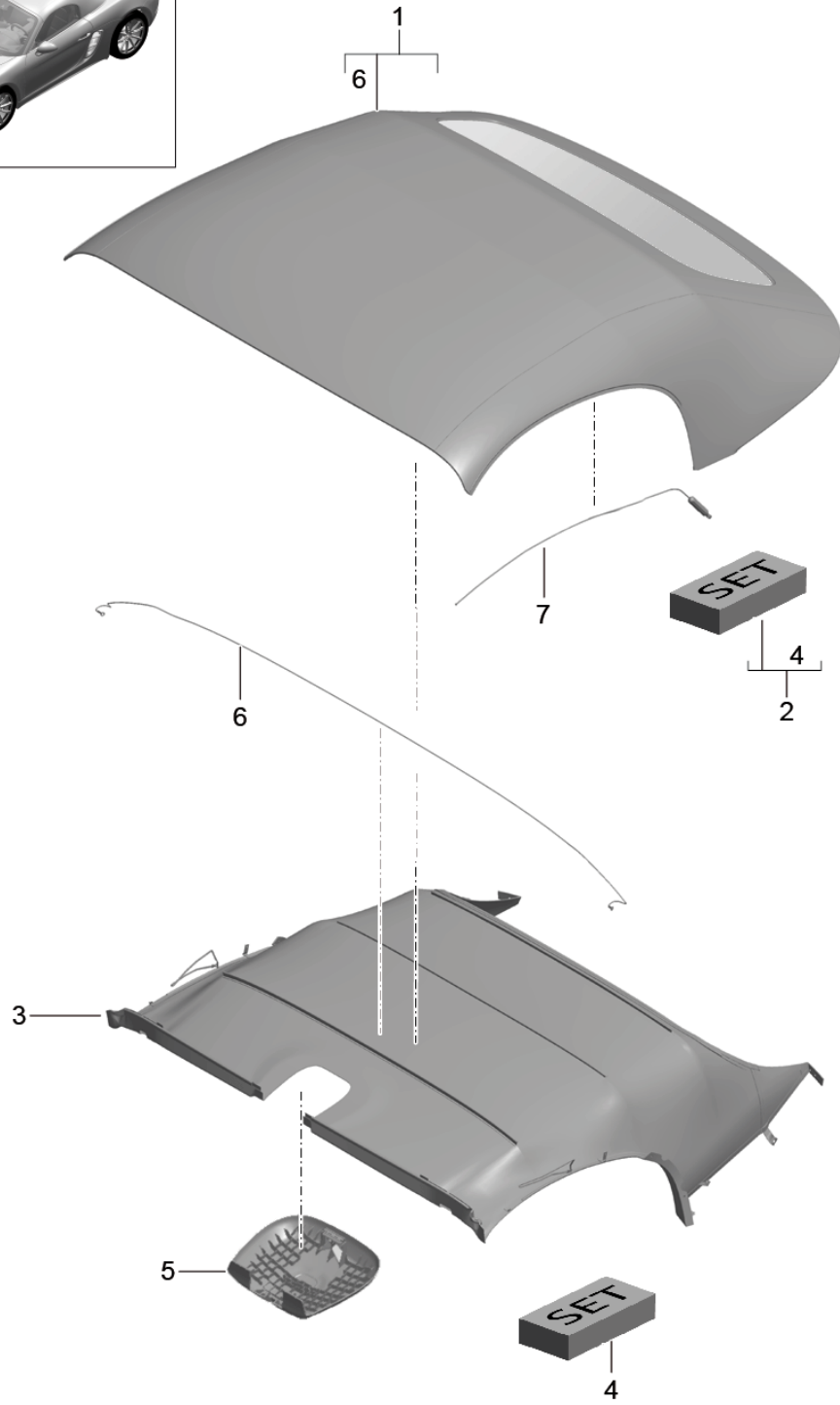
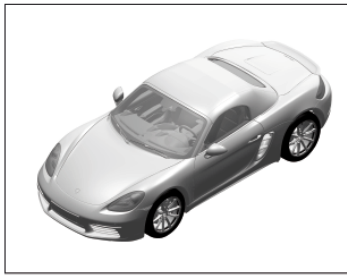
Model: 982-17

Model life 2017>>

Pos	Part Number	Description	Remark	Qty	Model
(1)	991 559 211 00	Insignias Decorative fittings Lid emblem Front		1	
2	991 559 215 02	Desk pad		1	
3	999 591 423 03	Tapping nut 3,0		2	
5	981 559 237 01	Logo *BOXSTER*		1	
6	981 559 243 01	Chrome Logo *S*		1	
7	982 853 675 A	Chrome Logo *718*		1	
20	999 911 756 41	Chrome Adhesive film		1	

Model: 982-17

Model life 2017>>



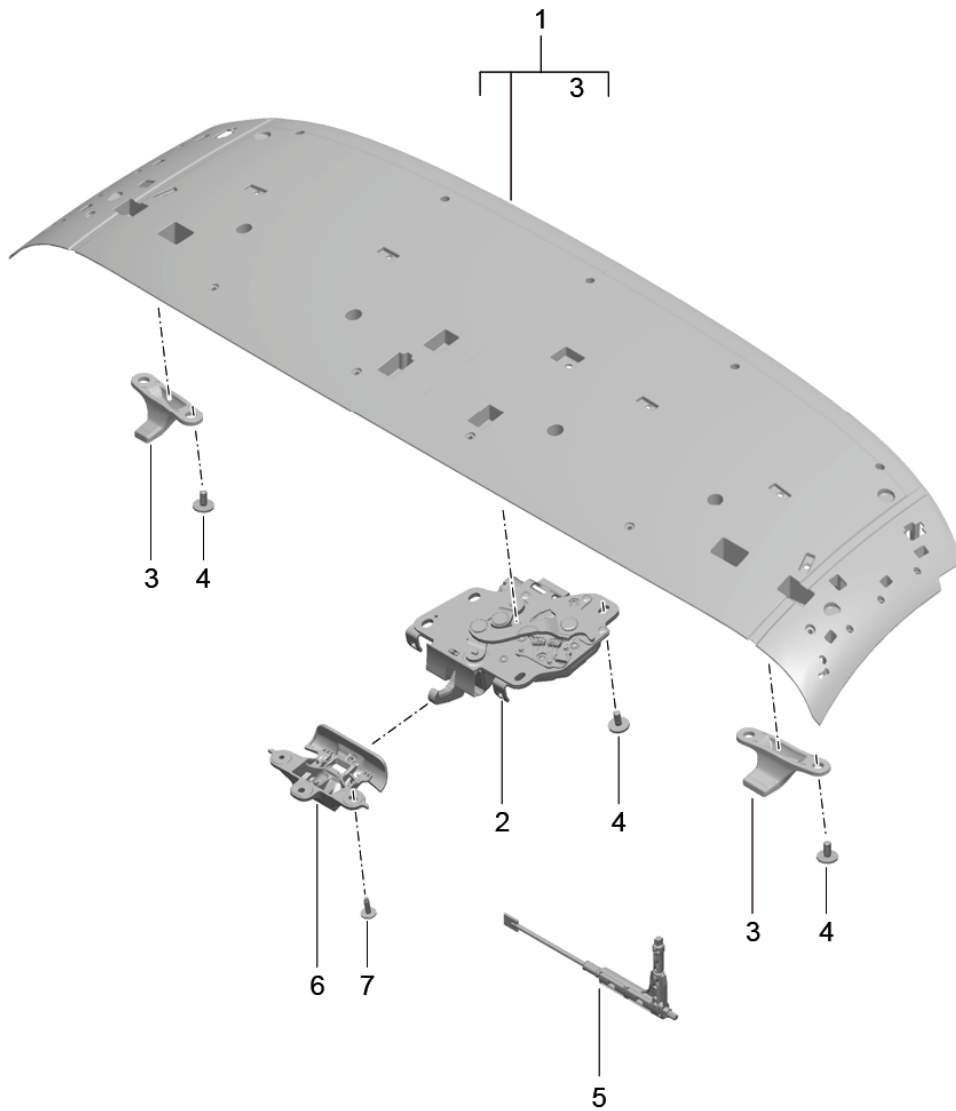
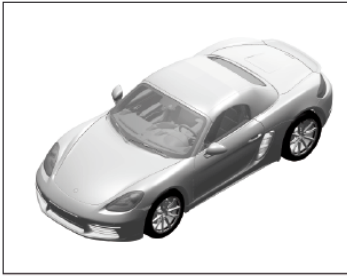
Model: 982-17

Model life 2017>>

Pos	Part Number	Description	Remark	Qty	Model
1	981 561 015 04	Convertible top covering Roofliner Convertible top covering Use also: 981.561.955.06		1	
	981 561 015 04 A27	Black			
	981 561 015 04 G25	Blue			
	981 561 015 04 L25	Red			
	981 561 015 04 R25	Brown			
2	981 561 955 06	Assembly kit Convertible top covering with Retaining strip And Mounting parts		1	
3	981 561 025 01	Roofliner		1	
	981 561 025 01 PT7	Black			
	981 561 025 01 PU8	Luxor Beige			
4	981 561 953 02	Assembly kit Roofliner		1	
5	981 561 855 01	Lining Catch		1	
	981 561 855 01 PT7	Black			
	981 561 855 01 PU8	Luxor Beige			
6	981 561 957 00	Repair kit Tension rope Transverse		1	
7	981 561 939 00	Repair kit Tension rope Lateral		1	

Model: 982-17

Model life 2017>>



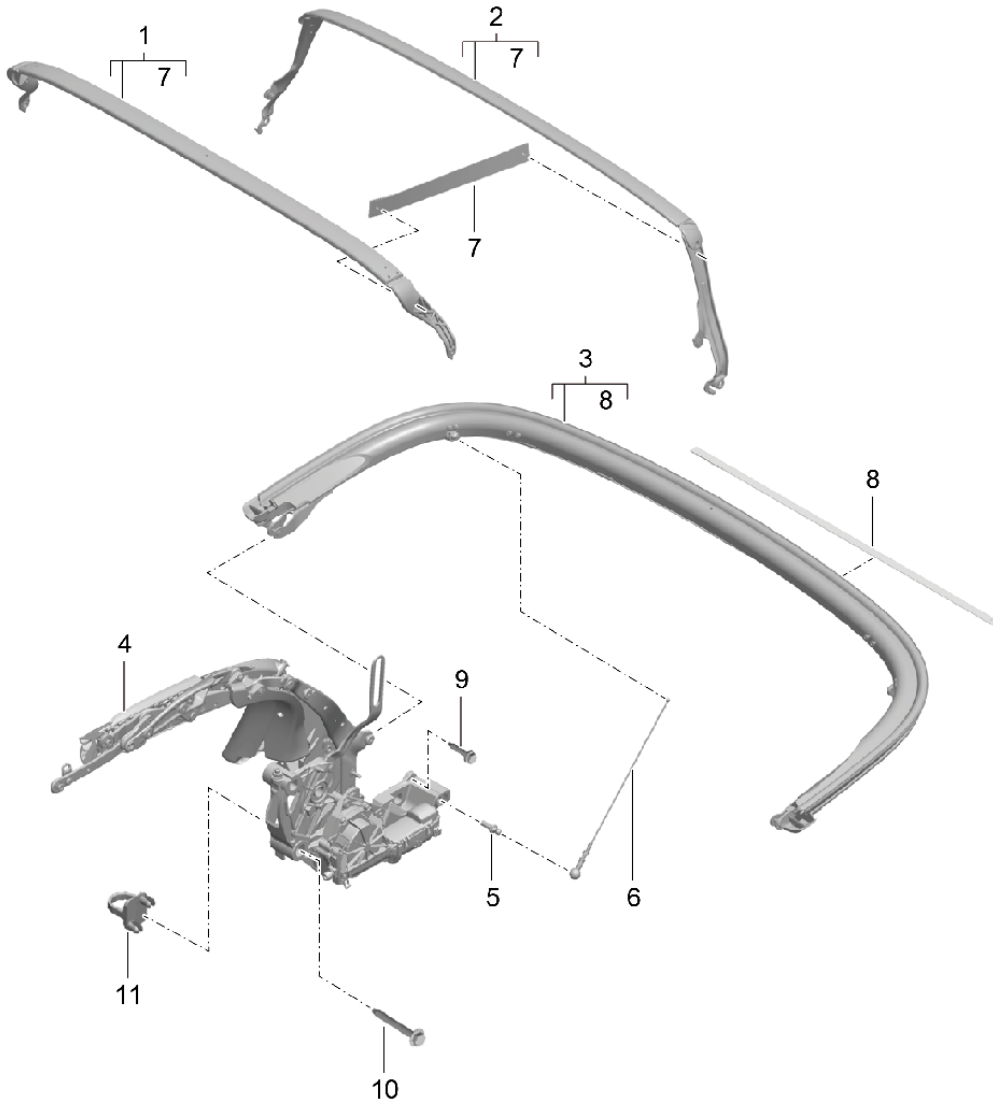
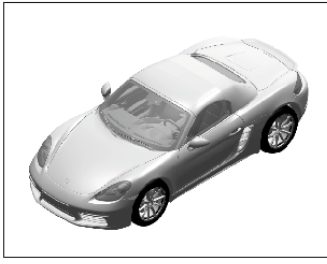
Model: 982-17

Model life 2017>>

Pos	Part Number	Description	Remark	Qty	Model
1	981 561 911 02	Convertible top frame Front Roof frame Catch Roof frame Front		1	
2	991 561 117 03	Catch		1	
3	991 561 605 00	Centring journal Left		1	
(3)	991 561 606 00	Centring journal Right		1	
4	991 561 965 01	Set of fastening parts for Catch And Centring journal		1	
5		Tool Emergency operation See illustrations 0/01/00		1	
6	991 561 235 04	Mounting Catch		1	
	991 561 235 04 5Q0	Black			
7	999 073 223 01	Combination screw M6X25		3	

Model: 982-17

Model life 2017>>



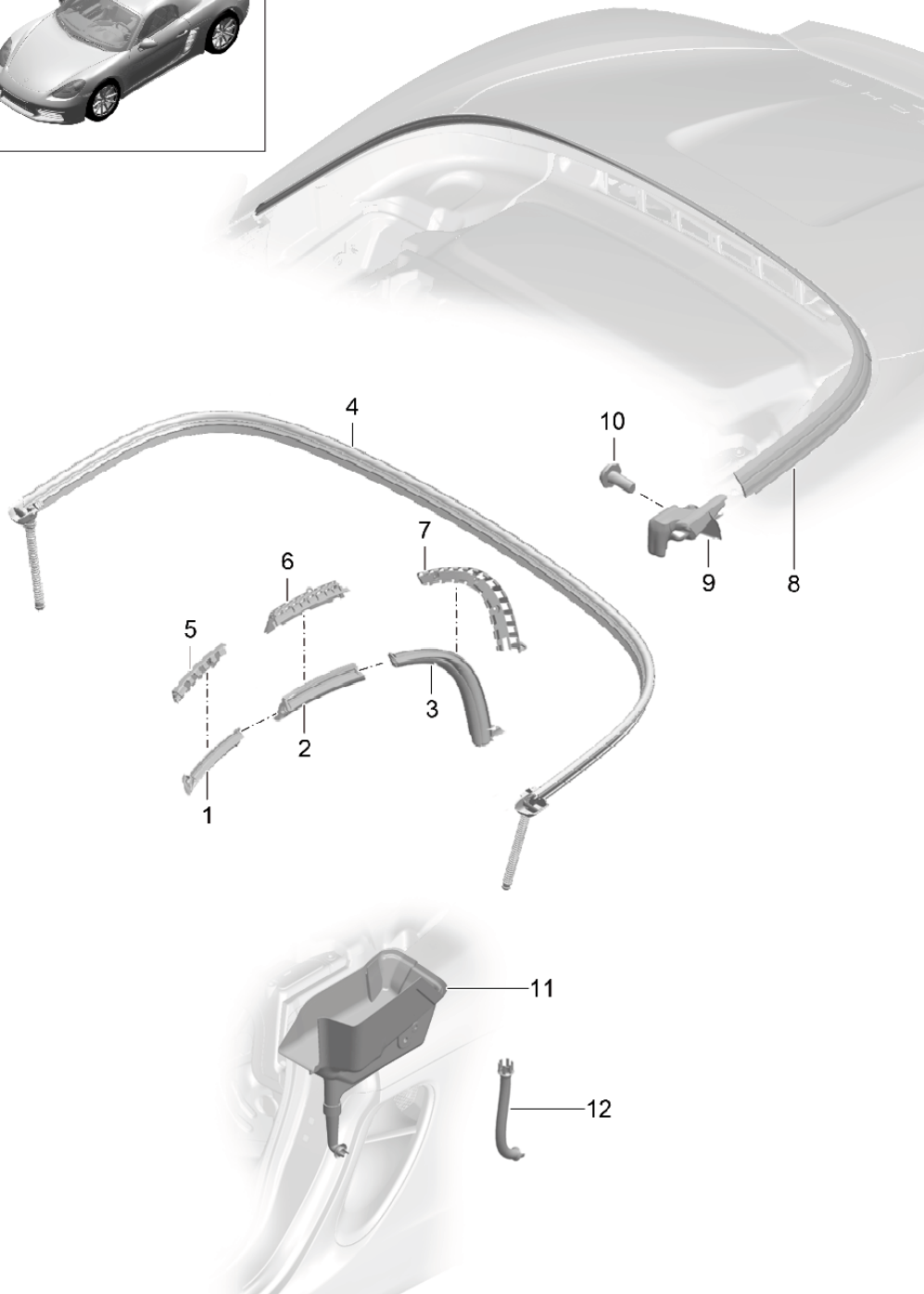
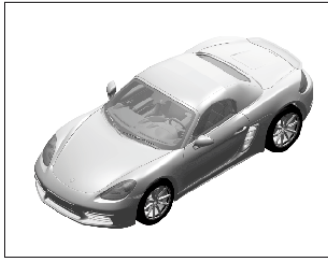
Model: 982-17

Model life 2017>>

Pos	Part Number	Description	Remark	Qty	Model
		Convertible top frame Single parts			
1	981 561 917 00	Main folding top bow Set		1	
2	981 561 919 00	Roof strut Set		1	
3	981 561 915 00	Roof strut Set		1	
4	981 561 913 02	Convertible top frame Left Set		1	
(4)	981 561 914 02	Convertible top frame Right Set		1	
5	981 561 929 00	Ball pin Repair kit		1	
6	981 561 433 00	Tension rope Roof strut Repair kit		2	
7	981 561 941 00	Restraining strap for Roof strut		1	
(8)	981 561 945 00	Main folding top bow Retaining strap for Service Repair kit		1	
9	900 075 521 01	Fastening screw Convertible top support M10X55		2	
10	999 072 066 01	Hexagon-head bolt Roll-over bar Convertible top support M10X80		4	
11	981 561 437 00	Support Water hose		2	

Model: 982-17

Model life 2017>>



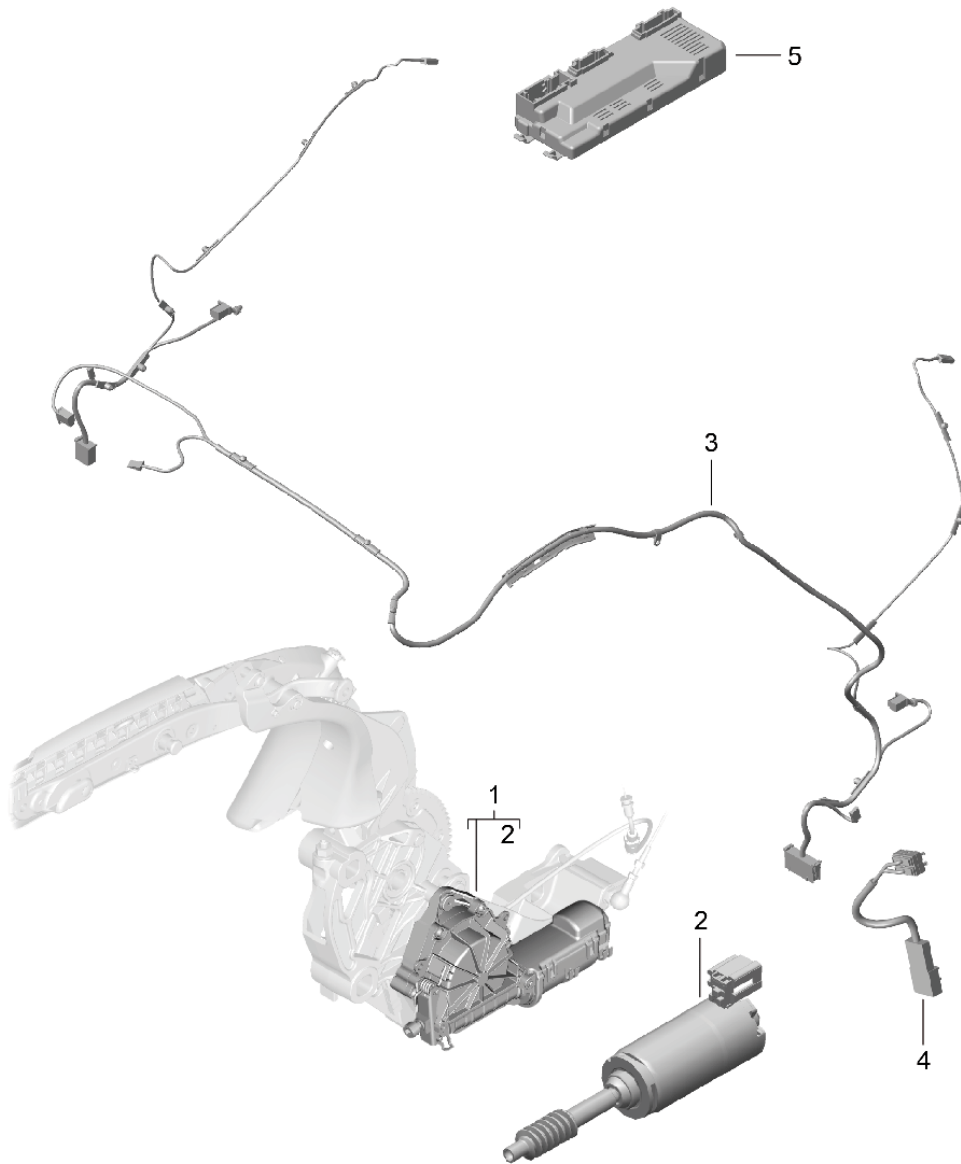
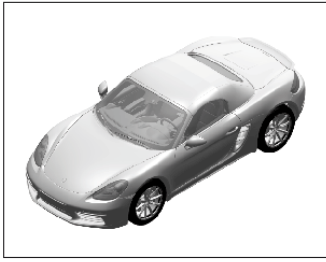
Model: 982-17

Model life 2017>>

Pos	Part Number	Description	Remark	Qty	Model
		Convertible top Seal			
1	981 561 327 00	Water drip pan Gasket	/L	1	
(1)	981 561 328 00	Front Gasket	/R	1	
2	981 561 329 00	Front Gasket	/L	1	
(2)	981 561 330 00	Centre Gasket	/R	1	
3	981 561 331 02	Centre Gasket	/L	1	
(3)	981 561 332 02	Left Gasket	/R	1	
(4)	981 561 931 02	Right Repair kit		1	
		Gasket Roof strut with Water drain hose			
5	981 561 933 00	Repair kit	/L	1	
(5)	981 561 934 00	Retaining strip Front Repair kit	/R	1	
6	981 561 935 00	Retaining strip Front Repair kit	/L	1	
(6)	981 561 936 00	Centre Repair kit	/R	1	
7	981 561 937 00	Retaining strip Centre Repair kit	/L	1	
(7)	981 561 938 00	Retaining strip Rear Repair kit	/R	1	
8	981 504 197 05	Retaining strip Rear Gasket		1	
9	981 561 475 07	Body Gasket	/L	1	
(9)	981 561 476 07	B-pillar Gasket	/R	1	
10	999 073 268 A2	B-pillar Oval-head screw M5X12		4	
11	981 561 805 03	Water drip pan	/L	1	
(11)	981 561 806 03	Water drip pan	/R	1	
12	981 504 397 03	Water drain hose B-pillar		2	

Model: 982-17

Model life 2017>>



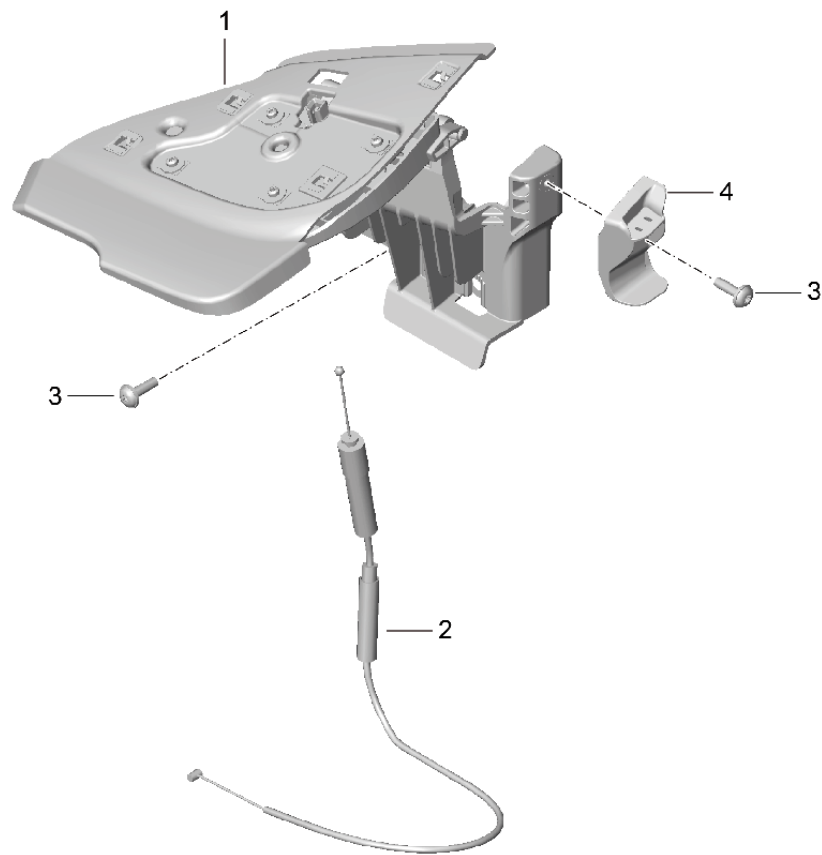
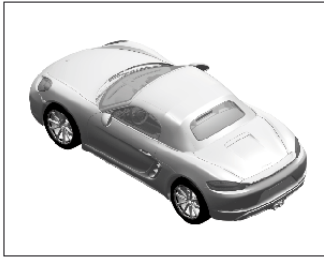
Model: 982-17

Model life 2017>>

Pos	Part Number	Description	Remark	Qty	Model
1	981 561 923 01	Convertible top Driving mechanism Wiring harness Transmission	/L	1	
(1)	981 561 924 01	Driving mechanism Transmission	/R	1	
2	981 561 925 01	Driving mechanism Electric motor	/L	1	
(2)	981 561 926 01	Driving mechanism Electric motor	/R	1	
3	982 972 383 A	Driving mechanism Wiring harness	/L	1	
(3)	982 972 383	Wiring harness	/R	1	
4	981 561 943 00	Repair kit Microswitch	/L	1	
(4)	981 561 944 00	Convertible top support Repair kit Microswitch	/R	1	
5	981 618 121 03	Convertible top support Control unit Driving mechanism Convertible top		1	

Model: 982-17

Model life 2017>>



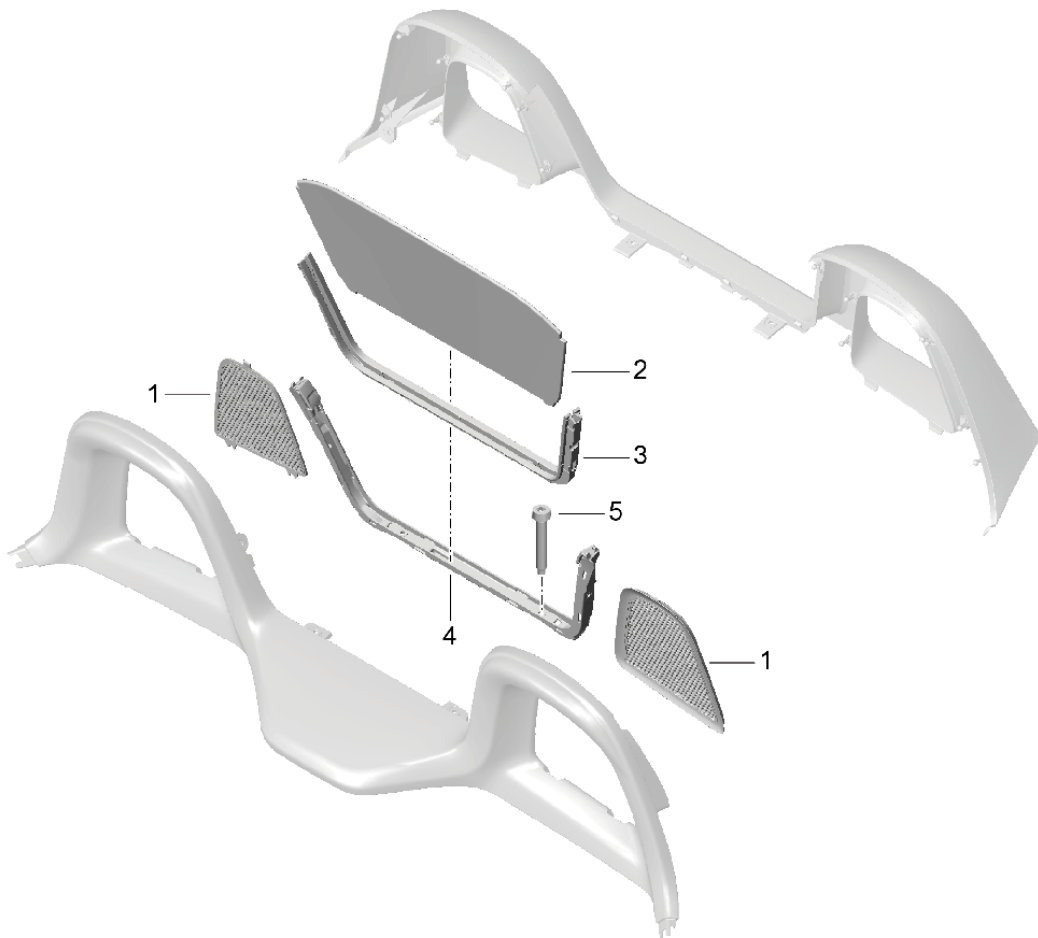
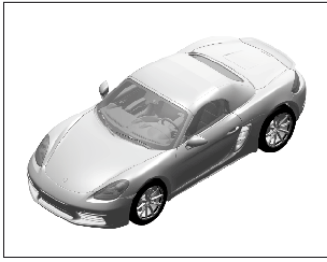
Model: 982-17

Model life 2017>>

Pos	Part Number	Description	Remark	Qty	Model
1	981 561 175 06	Flap Lateral Convertible top	/L	1	
(1)	981 561 175 06 1E0	Black			
	981 561 176 06	Flap Lateral	/R	1	
	981 561 176 06 1E0	Black			
2	981 561 431 00	Bowden cable Actuator		2	
3	N 106 610 02	Oval-head screw M6X20		X	
4	981 580 463 02	Base Centring journal	/L	1	
(4)	981 580 464 02	Base Centring journal	/R	1	

Model: 982-17

Model life 2017>>



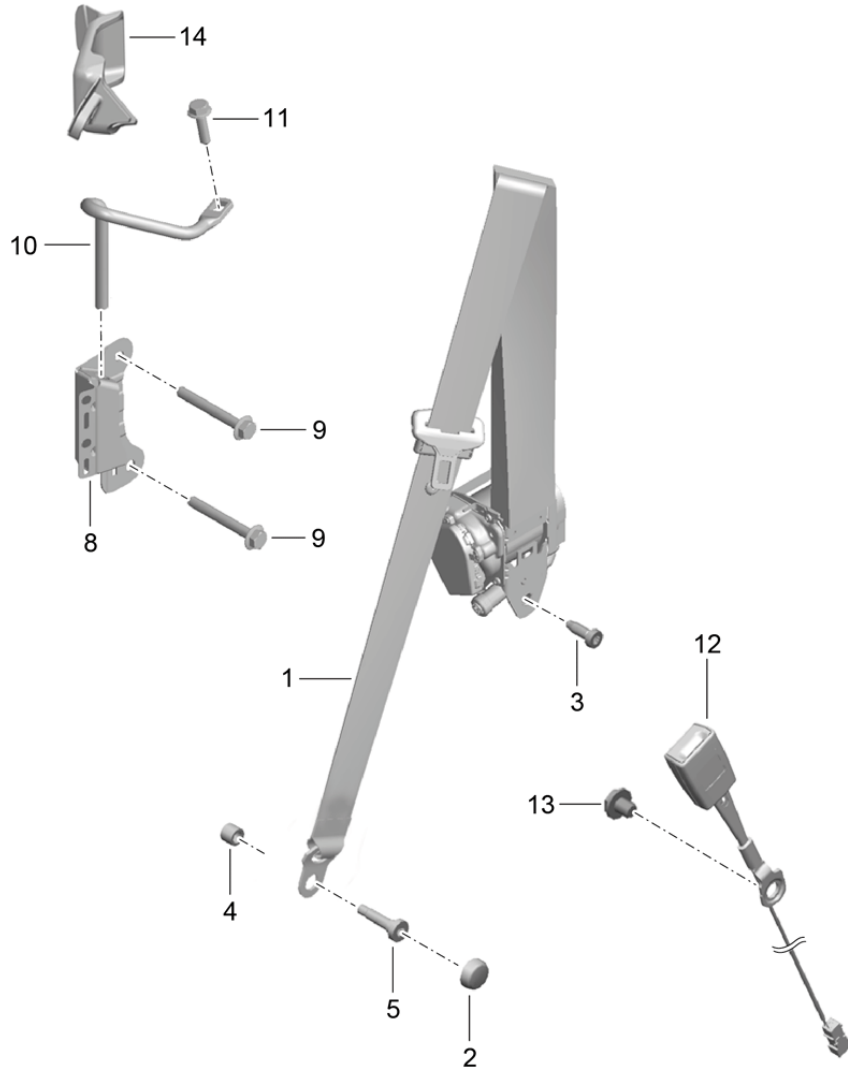
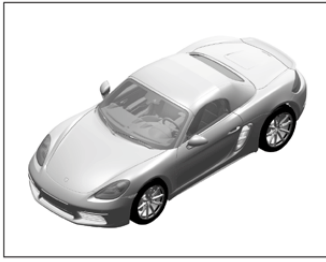
Model: 982-17

Model life 2017>>

Pos	Part Number	Description	Remark	Qty	Model
1	981 561 583 02	Wind deflector Side section	/L	1	I551
(1)	981 561 584 02	Wind deflector Side section	/R	1	
2	981 561 921 01	Wind deflector Centre part		1	
		Wind deflector with Bag Black			
3	981 561 730 03	Insert		1	
4	981 561 650 03	Guide		1	
	981 561 650 03 1E0	Black			
5	900 976 011 01	Pan-head screw M5X30		X	

Model: 982-17

Model life 2017>>



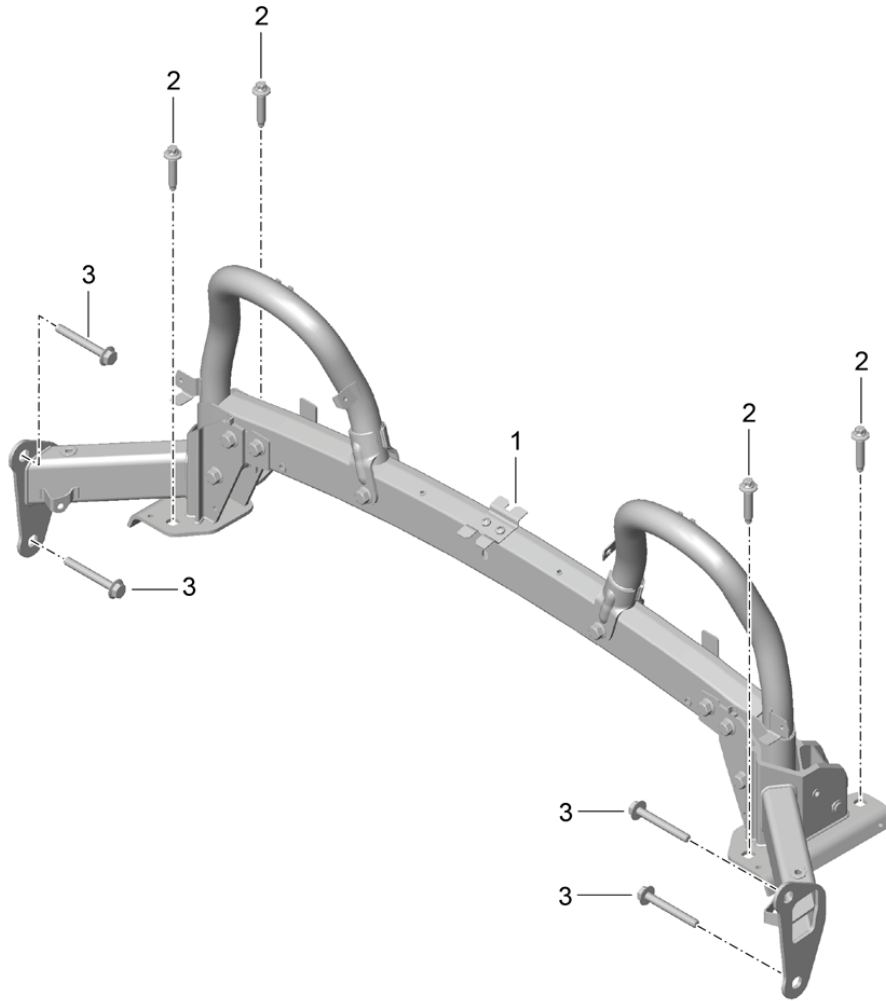
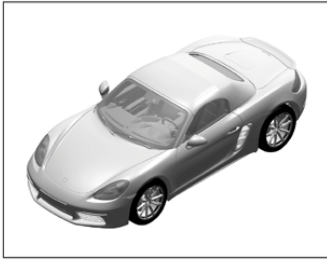
Model: 982-17

Model life 2017>>

Pos	Part Number	Description	Remark	Qty	Model
1	981 803 033 03	Seat belt		2	
	981 803 033 03 A23	Black			I555
	981 803 033 03 1S1	Racing Yellow			IXHN
	981 803 033 03 62S	Luxor Beige			IXHP
	981 803 033 03 U01	Silver			IXSH
	981 803 033 03 N13	Guards red			IXSX
2	991 803 295 00	Cap		2	
3	N 989 261 02	Fastening screw 7/16-20UNF		2	
4	999 924 064 03	Spacer sleeve		2	
5	999 510 048 01	Pan-head screw 7/16-20UNF		2	
(5)	999 075 057 09	Hexagon-head bolt		2	I373/374
8	981 803 581 00	Mounting Left		1	
(8)	981 803 582 00	Mounting Right		1	
9	999 072 066 01	Hexagon-head bolt M10X80		4	
10	981 803 815 00	Relay lever Left		1	
(10)	981 803 816 00	Relay lever Right		1	
11	N 106 296 02	Hexagon-head bolt M10X35		2	
12	991 803 183 00	Seat-belt buckle Driver's side	/LL	1	I098
(12)	991 803 183 05	Seat-belt buckle Passenger's side	/RL	1	I099
(12)	991 803 184 06	Seat-belt buckle Passenger's side	/LL	1	I098
(12)	991 803 184 02	Seat-belt buckle Driver's side	/RL	1	I099
13	999 218 101 02	Hexagon-head bolt 7/16-20UNF Mount		2	
14	981 803 835 01	Seat-belt buckle Guide	/L	1	
(14)	981 803 836 01	Seat belt Guide	/R	1	
		Seat belt			

Model: 982-17

Model life 2017>>



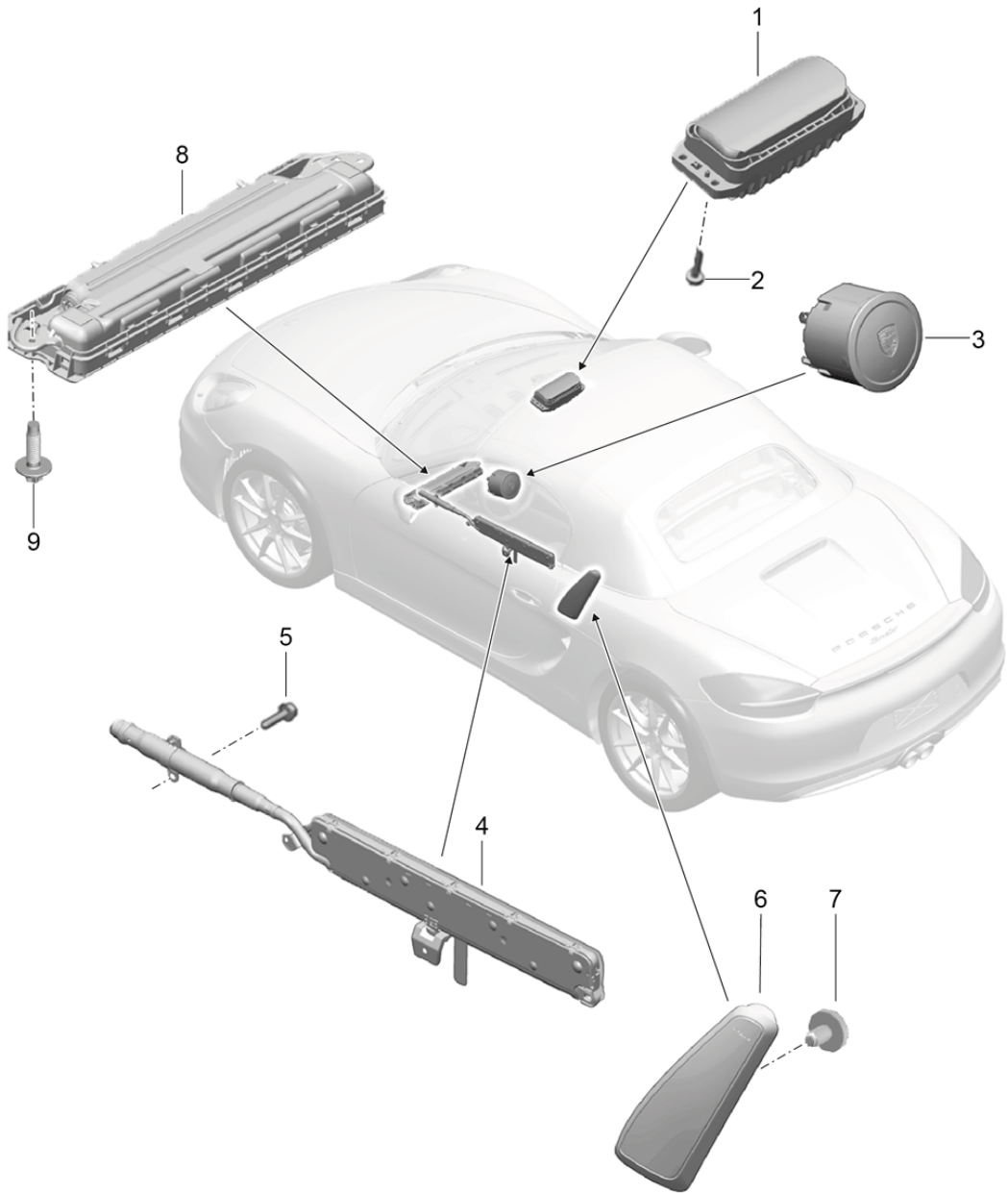
Model: 982-17

Model life 2017>>

Pos	Part Number	Description	Remark	Qty	Model
1	981 580 149 00	Roll-over bar Roll-over bar Complete		1	
2	900 385 133 01	Screw M10X50		4	
3	999 072 066 01	Hexagon-head bolt M10X80		4	

Model: 982-17

Model life 2017>>



Model: 982-17 Model life 2017>>

Pos	Part Number	Description	Remark	Qty	Model
1	991 803 071 00	Airbag Airbag unit Passenger's side		1	
2	N 911 859 01	Fastening screw Airbag unit Passenger's side M6X28		4	
3	982 880 201 B 982 880 201 B 5Q0	Airbag unit Driver's side Black		1	-I991 +AD,+FD,+UD +AG,+FG,+UG +AJ,+FJ,+UJ +AS,+FS,+US +PM,+PT,+PW +UD,+UG,+UJ +US
	982 880 201 B 6W0	Luxor Beige			+FD,+FG,+FJ +FS
	982 880 201 B OA6	Agate Grey			I991
(3)	982 880 201 C 982 880 201 C A34	Airbag unit Driver's side Leather Black		1	+AD,+FD,+UD +AG,+FG,+UG +AJ,+FJ,+UJ +AS,+FS,+US +PM,+PT,+AZ +FZ,+SZ,+UZ +LZ,+HZ,+BM +BT,+BW,+TD +TG,+NE,+BY +UD,+UG,+UJ +US,+PW,+UZ +FD,FG,+FJ +FS,+FZ +NE,+BY
	982 880 201 C 9J9	Luxor Beige			+SZ
	982 880 201 C OE5	Agate Grey			+LZ
	982 880 201 C 6H6	Espresso			+HZ,+TG
	982 880 201 C OK6	Saddle Tan			
	982 880 201 C OG6	Bordeaux Red			
	982 880 201 C OH7	Graphite Blue			
4	991 803 091 02	Head airbag Door Left	/L	1	
(4)	991 803 092 02	Head airbag Door Right	/R	1	
5	N 911 087 01	Hexagon-head bolt M6X25		4	
6	991 803 081 01 991 803 081 01 5Q0	Side airbag Seat Left Black	/L	1	+AD,+AG,+AJ +AS,+PM,+PT +PW,+AZ,+TD +UD,+UG,+UJ +US,+UZ,+BT
	991 803 081 01 6W0	Luxor Beige			+AJ,+FJ,+UJ, +AZ,+FZ,+SZ +UZ,+LZ,+HZ +BM,+BT,+BW +TD,+TG,+NE +BY
	991 803 081 01 D20	Silver Grey Metallic			+FD,+FG,+FJ, +FS,+FZ
	991 803 081 01 OA6	Agate Grey			+NE
	991 803 081 01 3T0	Espresso			

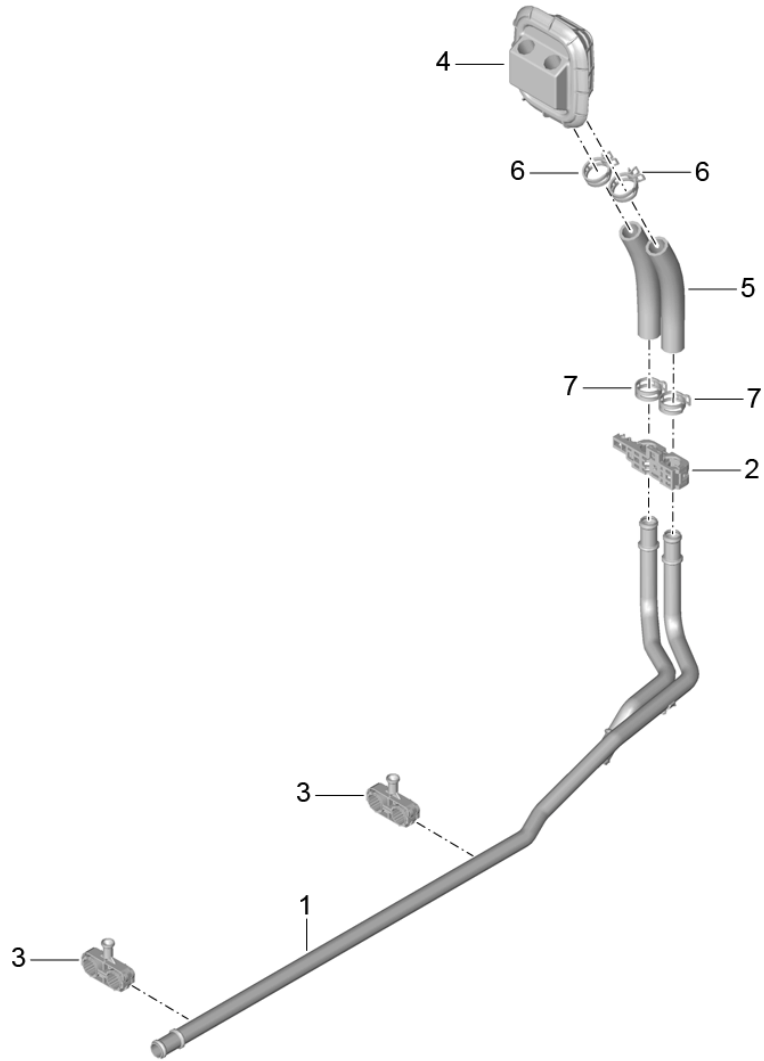
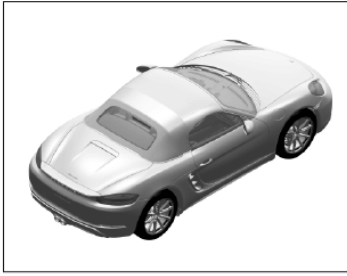
Model: 982-17

Model life 2017>>

Pos	Part Number	Description	Remark	Qty	Model
6	991 803 081 01 OL7	Saddle Tan	/R	1	+SZ
	991 803 081 01 OG6	Bordeaux Red			+LZ, +BM
	991 803 081 01 OH7	Graphite Blue			+HZ
	991 803 081 01 OL8	Chalk			+BW, +TG
	991 803 081 01 2S0	Cognac			+BY
	991 803 082 01	Side airbag Seat Right			
	991 803 082 01 5Q0	Black			+AD, +AG, +AJ +AS, +PM, +PT +PW, +AZ, +TD +UD, +UG, +UJ +US, +UZ, +BT
	991 803 082 01 6W0	Luxor Beige			+AJ, +FJ, +UJ, +AZ, +FZ, +SZ +UZ, +LZ, +HZ +BM, +BT, +BW +TD, +TG, +NE
	991 803 082 01 D20	Silver Grey Metallic			+BY
	991 803 082 01 OA6	Agate Grey			+FD, +FG, +FJ, +FS, +FZ
7	991 803 082 01 3T0	Espresso	+NE		
	991 803 082 01 OL7	Saddle Tan	+SZ		
	991 803 082 01 OG6	Bordeaux Red	+LZ, +BM		
	991 803 082 01 OH7	Graphite Blue	+HZ		
	991 803 082 01 OL8	Chalk	+BW, +TG		
	991 803 082 01 2S0	Cognac	+BY		
	999 073 306 09	Screw Side airbag Seat M6X10			

Model: 982-17

Model life 2017>>



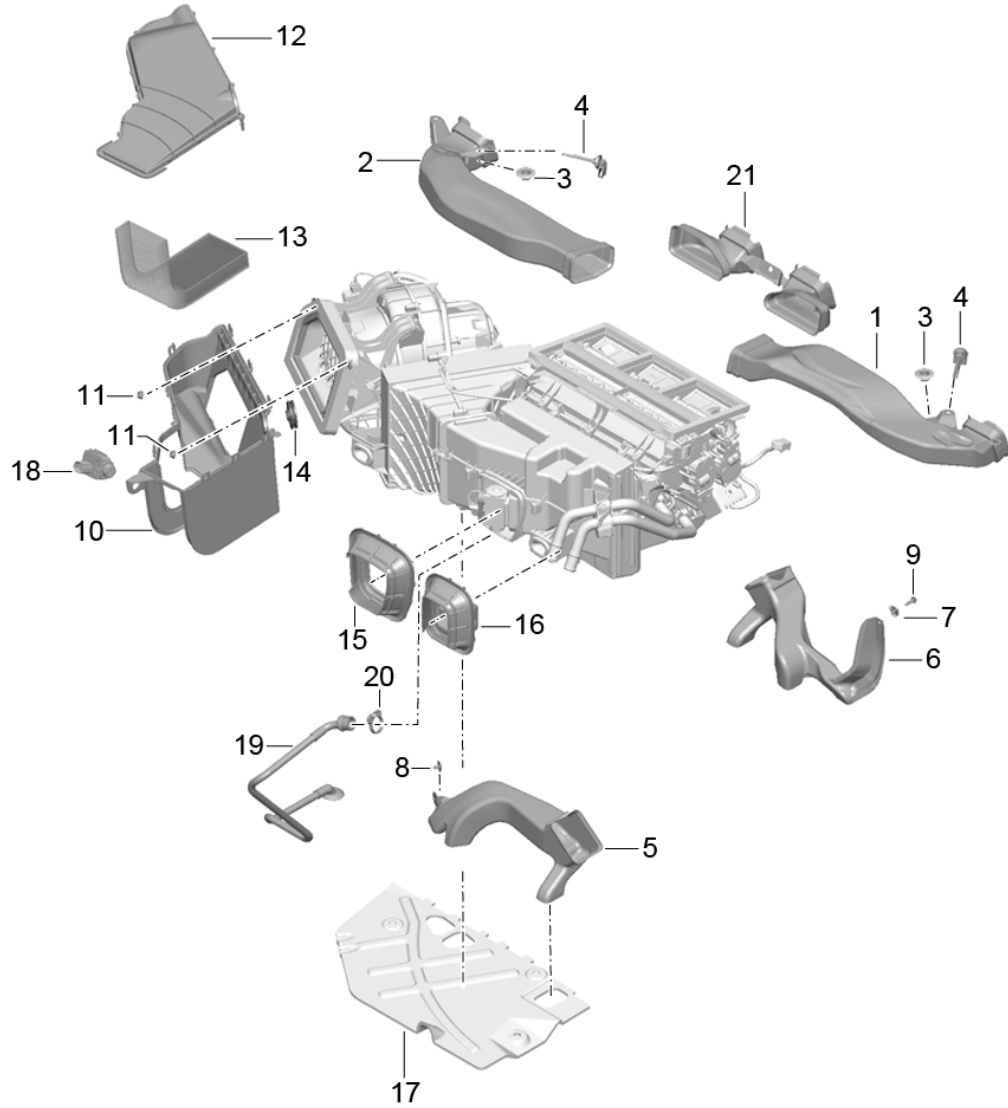
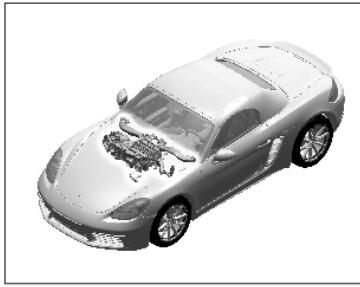
Model: 982-17

Model life 2017>>

Pos	Part Number	Description	Remark	Qty	Model
		Heating Feed line Return line			
1	982 265 189	Heater pipeline		1	
2	991 572 825 01	Support		1	
3	991 572 823 00	Support Double		2	
4	991 572 263 01	Gasket Cross panel Heater pipeline		1	
5	991 572 585 01	Heater hose		2	
6	999 512 603 09	Hose clamp A26X12		2	
7	999 512 657 09	Hose clamp B26X12		2	

Model: 982-17

Model life 2017>>



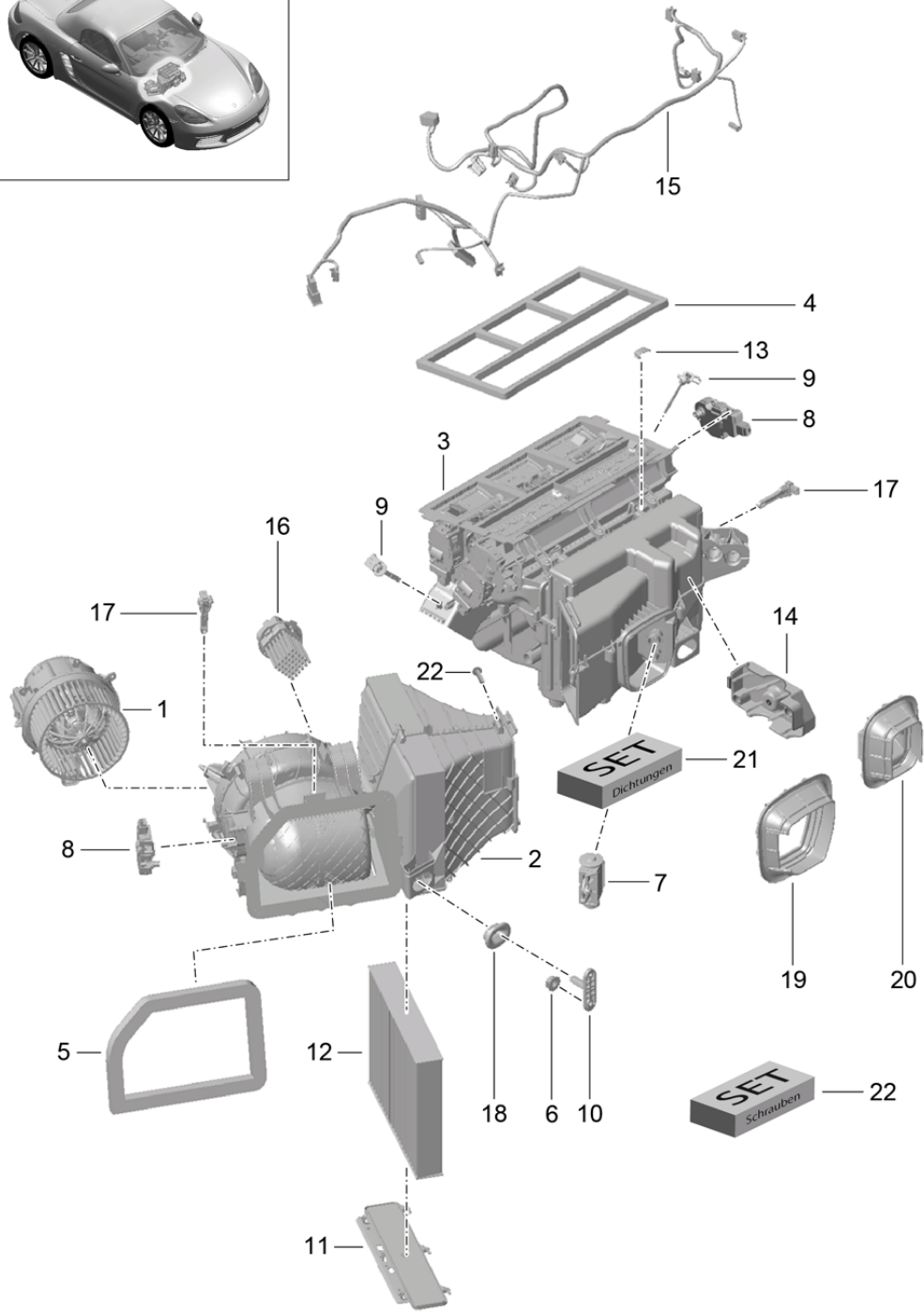
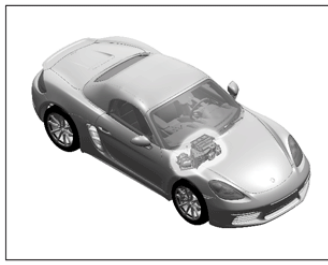
Model: 982-17

Model life 2017>>

Pos	Part Number	Description	Remark	Qty	Model
1	982 820 157	Air guide Air distributor	/LL /L	1	I098
(1)	982 820 157 A	Air guide Lateral	/RL /L	1	I099
2	982 820 158	Air guide Lateral	/LL /R	1	I098
(2)	982 820 158 A	Air guide Lateral	/RL /R	1	I099
3	999 703 462 40	Lid 10,0X65		2	I572
4	970 653 253 00	Sensor Temperature sensor		2	
5	991 572 693 00	Footwell outlet vent Driver's side	/LL	1	I098
(5)	991 572 694 00	Footwell outlet vent Driver's side	/RL	1	I099
6	991 572 793 02	Footwell outlet vent Passenger's side	/RL	1	I099
(6)	991 572 794 02	Footwell outlet vent Passenger's side	/LL	1	I098
7	999 507 556 01	Speed nut M 5		2	
8	1H0 819 943	Screw Passenger's side		1	
9	999 073 498 01	Oval-head screw M5X20 Driver's side		1	
10	991 572 072 01	Lower part Air intake	/LL	1	I098
(10)	991 572 071 00	Lower part Air intake	/RL	1	I099
11	900 377 018 09	Hexagon nut M6		2	
12	991 572 272 01	Lid Air intake	/L	1	I098
(12)	991 572 271 00	Lid Air intake	/RL	1	I099
13	991 572 371 00	Air cleaner Air intake		1	
14	991 572 471 01	Grommet Air intake		1	
15	991 573 769 01	Grommet Firewall Expansion valve		1	I572/573
16	991 572 263 01	Gasket Cross panel Heater pipeline		1	
17		Lining Cold air Cover See illustrations 8/09/10		1	
18	7PP 907 659	Sensor		1	
19	991 573 794 00	Water drain tube		1	I572/573
20	999 512 418 40	Hose clamp 22,7-24,7		1	I572/573
21	982 820 560	Air guide Intermediate piece Centre		1	

Model: 982-17

Model life 2017>>



Model: 982-17

Model life 2017>>

Pos	Part Number	Description	Remark	Qty	Model
		Air conditioner			
		And			
		Single parts			
1	991 573 922 00	Blower	/LL	1	I098
(1)	991 573 922 01	Blower	/RL	1	I099
2	991 573 912 06	Fan housing	/LL	1	I098/573
		Complete			
		with			
		Engine			
(2)	981 573 912 02	Fan housing	/LL	1	I098/572
		Complete			
		with			
		Engine			
(2)	991 573 912 07	Fan housing	/RL	1	I099/573
		Complete			
		with			
		Engine			
(2)	981 573 912 03	Fan housing	/RL	1	I099/572
		Complete			
		with			
		Engine			
3	991 573 914 08	Distributor	/LL	1	I098/573
(3)	981 573 914 06	Distributor	/LL	1	I098/572
(3)	991 573 914 09	Distributor	/RL	1	I099/573
(3)	981 573 914 07	Distributor	/RL	1	I099/572
4	991 573 851 00	Gasket		1	
		Air distributor			
5	991 573 850 00	Gasket	/LL	1	I098
		Blower			
(5)	991 573 849 00	Gasket	/RL	1	I099
		Blower			
6	900 377 018 09	Hexagon nut		2	
		M6			
7	991 573 921 00	Expansion valve		1	
		R134A			
		Use also:			
		8K0.820.261			
(7)	991 573 921 01	Expansion valve		1	
		R1234YF			
		Use also:			
		8K0.820.261			
8	991 624 425 03	Electric motor		X	
		2-zone			
9	970 653 253 00	Blower outlet sensor		2	I573
		Temperature sensor			
10	991 572 481 00	Support		2	
		Air conditioner			
11	991 573 916 00	Lid		1	
		for			
		Filter			
12	991 573 623 00	Passenger compart. filter		1	
13	928 570 423 00	Tensioning spring		3	
		Fan housing			
14	991 573 913 00	Pipe holder	/RL	1	I099
15	9P3 971 565	Wiring harness	/LL	1	I098/573
(15)	9P4 971 565	Wiring harness	/RL	1	I099/573
16	991 624 423 01	Regulator		1	I573
		for			
		Blower			
17	970 653 257 00	Temperature sensor		1	
		for			
		Evaporator			
18	991 572 875 00	Grommet		2	

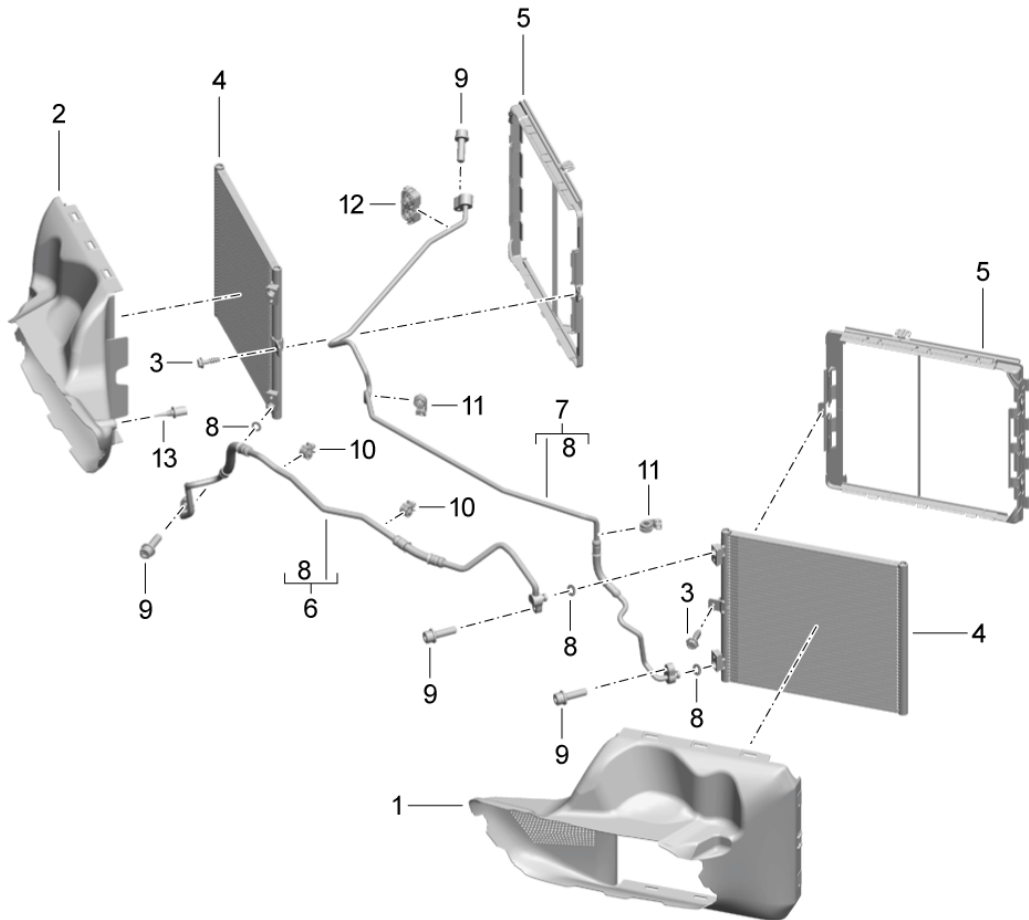
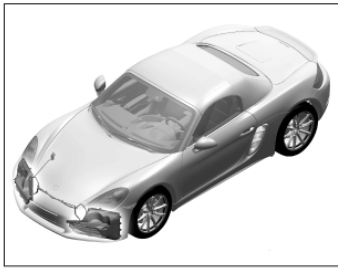
Model: 982-17

Model life 2017>>

Pos	Part Number	Description	Remark	Qty	Model
19	991 573 769 01	Air conditioner Grommet Firewall		1	I573
20	991 572 263 01	Expansion valve Gasket Firewall		1	
21	8K0 820 261	Heater pipeline Gasket set		1	
22	8K0 898 540	Expansion valve Parts kit Screw		1	

Model: 982-17

Model life 2017>>



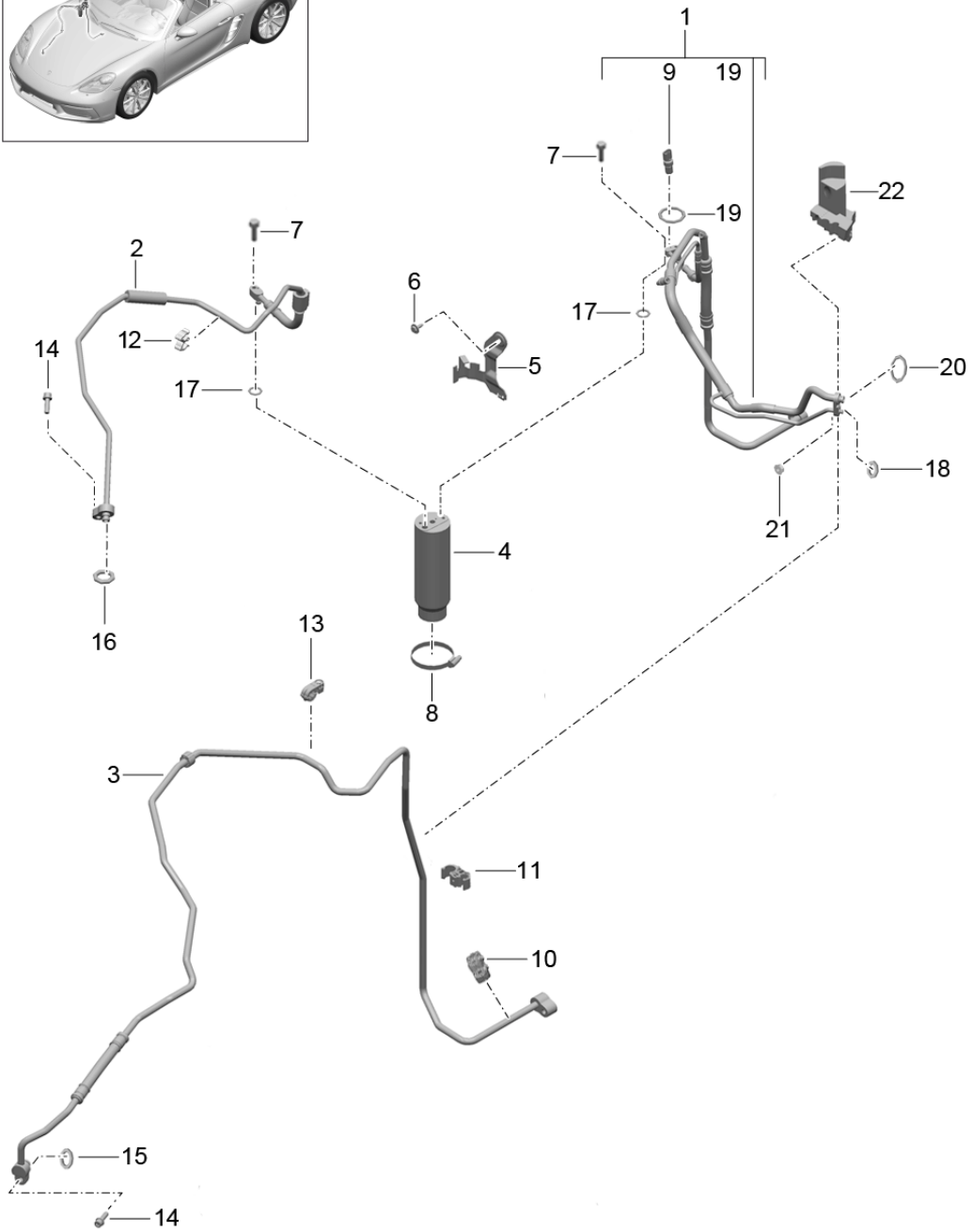
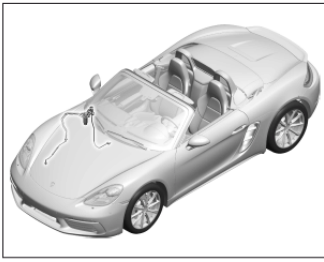
Model: 982-17

Model life 2017>>

Pos	Part Number	Description	Remark	Qty	Model
		Refrigerant circuit			
		Front			
1	982 121 333 B	Air guide	/L	1	-IXAT
		Lateral			
	982 121 333 B OK1	Black mat			
(1)	982 121 735	Air guide	/L	1	IXAT
		Lateral			
	982 121 735 OK1	Black mat			
2	982 121 334 B	Air guide	/R	1	-IXAN/-IXAT
		Lateral			
	982 121 334 B OK1	Black mat			
(2)	982 121 736	Air guide	/R	1	IXAN/XAT
		Lateral			
	982 121 736 OK1	Black mat			
3	999 919 133 09	Hexagon-head bolt		2	
		6,0X20,0			
4	9P1 820 411	Condenser		2	
5	9P1 820 860	Sealing frame		2	
6	982 260 335 C	Pressure line		1	
		Between			
		Condenser			
7	982 260 335 D	Pressure line		1	-I070
		Condenser			
		Wheel housing			
(7)	982 260 335 E	Pressure line	(D) (GB)	1	I070
		Condenser			
		Wheel housing			
8	999 707 557 41	O-ring		3	
		11X2.5			
9	N 104 144 02	Pan-head screw		4	
		M 8X28			
10	991 573 839 01	Support		2	
11	971 260 197	Support		1	
12	991 573 841 00	Support		1	
13	958 505 535 00	Sensor		1	

Model: 982-17

Model life 2017>>



Model: 982-17

Model life 2017>>

Pos	Part Number	Description	Remark	Qty	Model
1	991 573 102 00	Refrigerant circuit Lines Desiccator Of Heat exchanger Line R134A	/LL	1	IKK1/098
(1)	991 573 102 02	Heat exchanger Line R1234YF	/LL	1	IKK3/098
(1)	991 573 102 01	Heat exchanger Line R134A	/RL	1	IKK1/099
(1)	991 573 102 03	Heat exchanger Line R1234YF	/RL	1	IKK3/099
2	991 573 108 03	Pressure line Desiccator for Expansion valve		1	
3	991 573 094 05	Wheel housing panel Pressure line Underbody for Condenser Front		1	
4	944 573 143 01	Desiccator		1	
5	991 573 451 01	Support Desiccator		1	
6	900 075 510 01	Combination screw M6X20		1	
7	900 075 340 01	Combination screw M6X22		2	
8	999 512 349 01	Hose clamp A 50-70/ 9		1	
9	955 613 137 03	Pressure sensor		1	
10	991 573 843 00	Support Refrigerant line Underbody		1	
11	991 573 825 01	Support Refrigerant line		1	
12	999 507 287 40	Wheel housing Cable holder Refrigerant line		1	
13	971 260 197	Wheel housing Support Refrigerant line		1	
14	N 104 144 02	Pan-head screw M 8X28		2	
15	999 707 557 41	O-ring 11X2.5		3	
16	999 707 556 41	O-ring 9,5X2,5		1	
17	999 707 660 40	O-ring 7X1.9		1	
18	999 707 652 40	O-ring 7.5X2.1		1	
19	999 707 555 41	O-ring 10.8X1.82		1	
20	999 707 558 41	O-ring 13.7X2.5		1	
21	900 377 018 09	Hexagon nut M6		1	

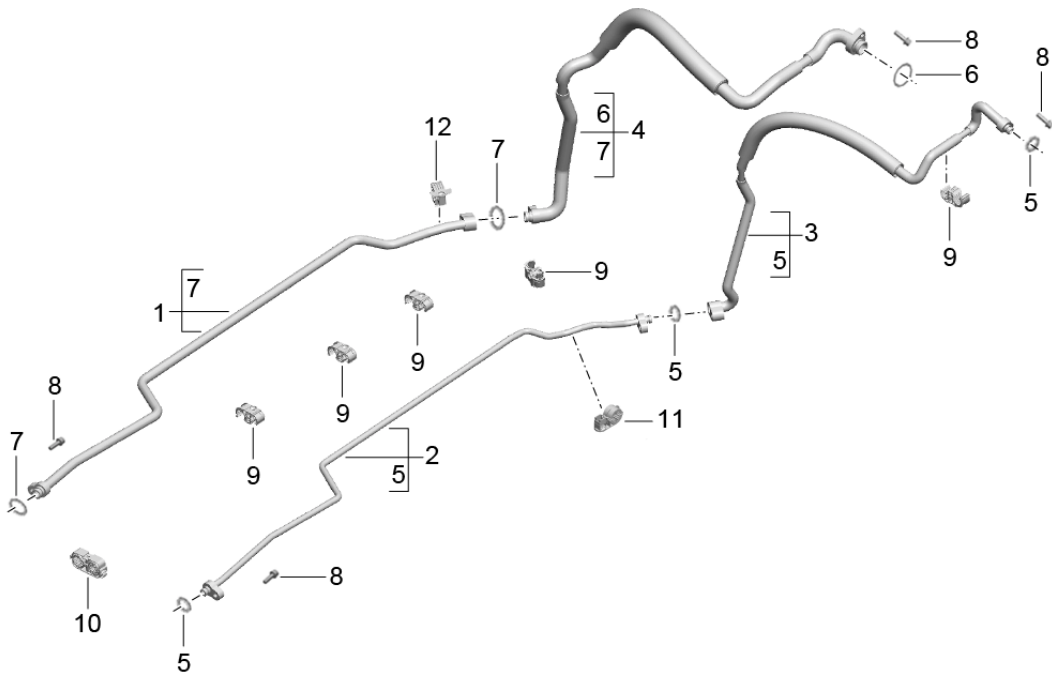
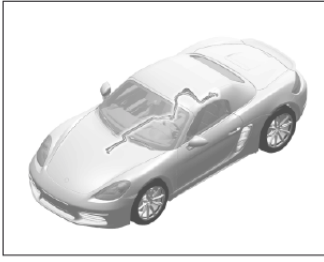
Model: 982-17

Model life 2017>>

Pos	Part Number	Description	Remark	Qty	Model
22	991 572 512 00	Foam part	/LL	1	I098
(22)	991 572 513 01	Foam part	/RL	1	I099

Model: 982-17

Model life 2017>>



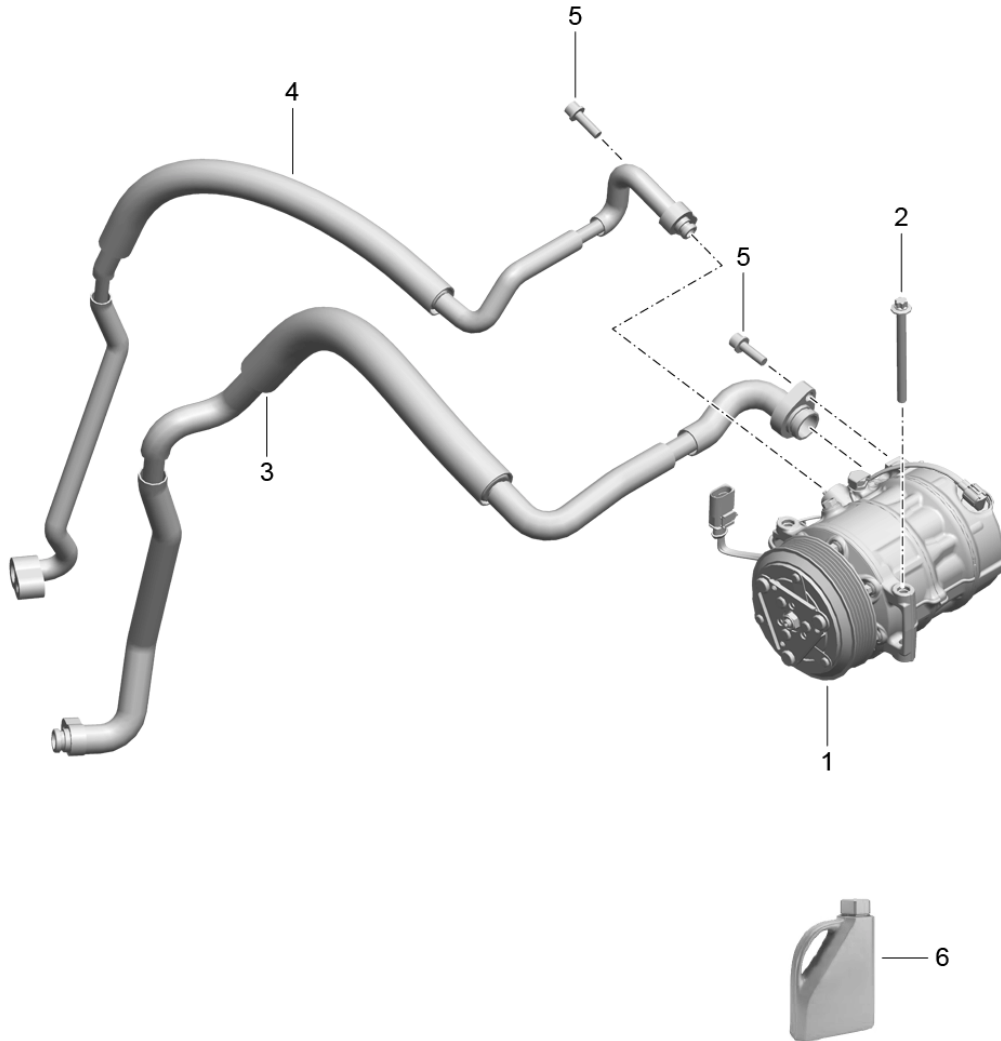
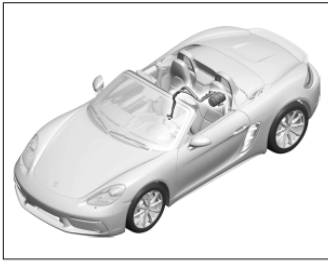
Model: 982-17

Model life 2017>>

Pos	Part Number	Description	Remark	Qty	Model
1	991 573 091 02	Refrigerant circuit Underbody And Rear end Intake pipe Wheel housing Front for Underbody		1	
2	991 573 092 02	Pressure line Underbody for Wheel housing Front		1	
3	9A2 573 097 03	Pressure line Underbody for Compressor		1	
4	9A2 573 099 03	Intake pipe Underbody for Compressor		1	
5	999 707 557 41	O-ring 11.00X2.50		3	
6	999 707 439 41	O-ring 23.80X2.40		1	
7	999 707 653 40	O-ring 16.70X2.50		2	
8	N 104 144 02	Pan-head screw M 8X28		4	
9	991 573 825 01	Support		4	
10	991 573 843 00	Support		1	
11	971 260 197	Support		1	
12	991 573 829 01	Support		1	

Model: 982-17

Model life 2017>>



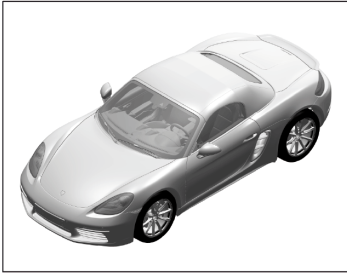
Model: 982-17

Model life 2017>>

Pos	Part Number	Description	Remark	Qty	Model
1	9P1 820 803 B	Compressor		1	
(1)	9P1 820 803 BX	Air conditioner Compressor		1	
2	N 107 822 01	Compressor Replacement parts		3	
3		Hexagon-head bolt BM8X95X80		1	
4		Intake pipe See illustrations 8/13/30 POS.3		1	
5	N 104 144 02	Pressure line See illustrations 8/13/30 POS.4		2	
6	9A7 573 900 00	Pan-head screw M8X28-U		1	
(6)		Refrigerant Oil Compressor 250 ML Refrigerant for R1234YF 5 KG See workshop manual 8X00IN		1	

Model: 982-17

Model life 2017>>



Model: 982-17

Model life 2017>>

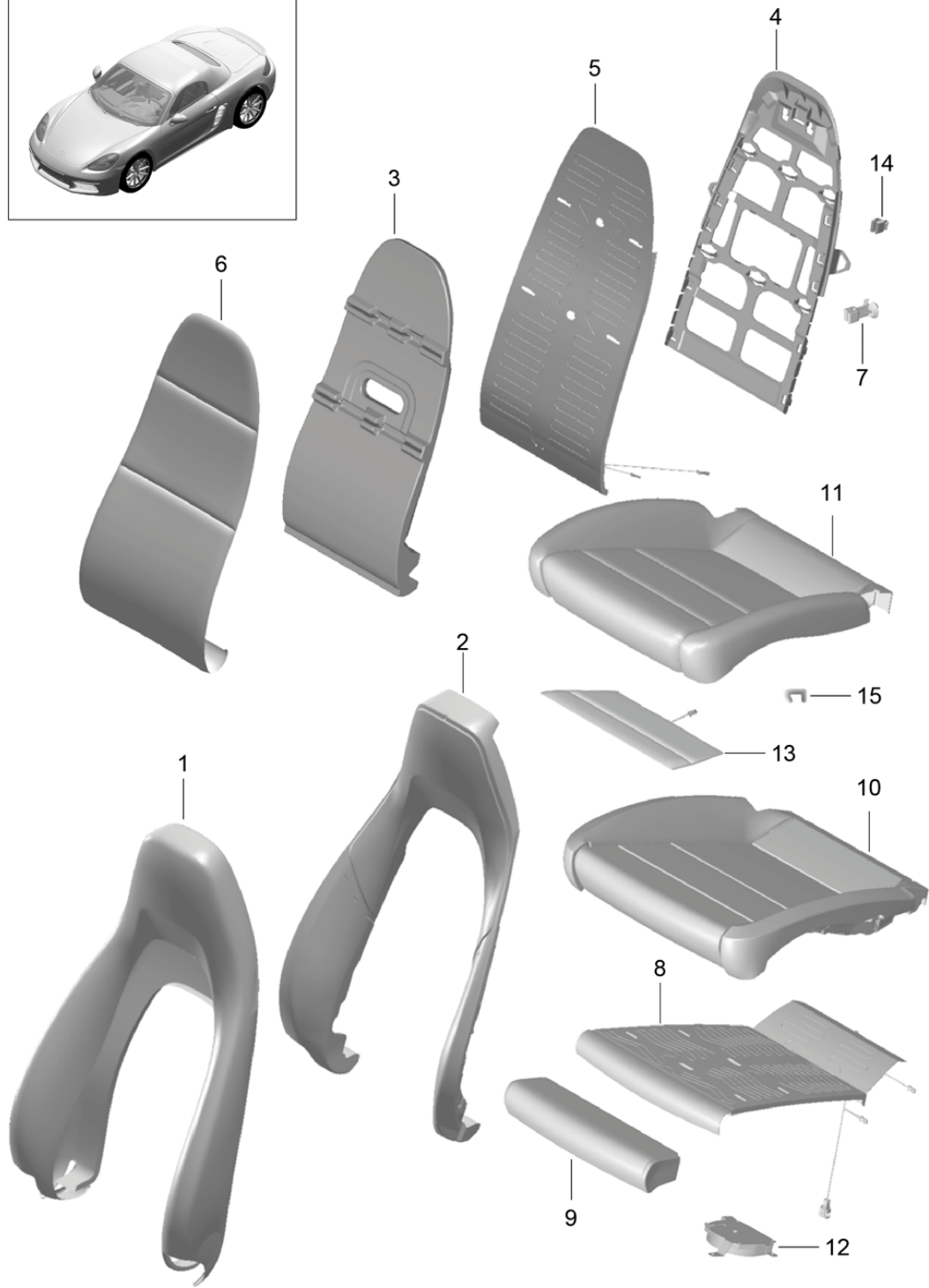
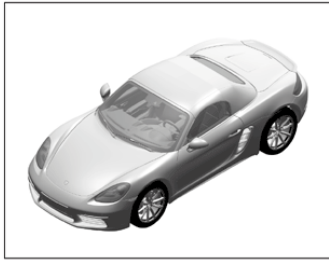
Pos	Part Number	Description	Remark	Qty	Model
		Front seat			I313/314/317 I318/321/322 I323/324/388 I389
		Sports seat			
		Sports seat Plus			
		Bucket seat			
		Not available			
		Cover			
		Rail			
1	991 521 359 00	Rail	/L	1	I313/317
		Front seat			
	991 521 359 00 1E0	Black			
(1)	991 521 360 00	Rail	/R	1	I314/318
		Front seat			
	991 521 360 00 1E0	Black			
(1)	991 521 361 00	Rail	/L	1	I314/318/321 I322/323/324 I389
		Front seat			
	991 521 361 00 1E0	Black			
(1)	991 521 362 00	Rail	/R	1	I313/317/321 I322/323/324 I388
		Front seat			
	991 521 362 00 1E0	Black			
2	991 521 315 00	Trim cover	/L	1	-IXWK/I321 I323
		Mounting component			
		Front seat			
	991 521 315 00 D20	Silver Grey Metallic			
(2)	991 521 316 00	Trim cover	/R	1	-IXWK/I322 I324
		Mounting component			
		Front seat			
	991 521 316 00 D20	Silver Grey Metallic			
3	991 521 335 01	Trim cover		1	-IXWK/I321 I323
		Mounting component			
		Front seat			
		Inner			
	991 521 335 01 D20	Silver Grey Metallic			
(3)	991 521 336 01	Trim cover		1	-IXWK/I322 I324
		Mounting component			
		Front seat			
		Inner			
	991 521 336 01 D20	Silver Grey Metallic			
(3)	991 521 338 01	Trim cover		1	-IXWK/I321 I323
		Mounting component			
		Front seat			
		Inner			
	991 521 338 01 D20	Silver Grey Metallic			
(3)	991 521 337 01	Trim cover		1	-IXWK/I322 I324
		Mounting component			
		Front seat			
		Inner			
	991 521 337 01 D20	Silver Grey Metallic			
(3)	981 521 338 01	Trim cover		1	I313/317
		Mounting component			
		Front seat			

Model: 982-17 Model life 2017>>

Pos	Part Number	Description	Remark	Qty	Model
(3)	981 521 338 01 1E0 981 521 337 01	Inner Tunnel Black Trim cover Mounting component Front seat Inner Tunnel		1	I314/318
(3)	981 521 337 01 1E0 981 521 335 01	Black Trim cover Mounting component Front seat Inner		1	I313/317
(3)	981 521 335 01 1E0 981 521 336 01	Black Trim cover Mounting component Front seat Inner		1	I314/318
4	981 521 336 01 1E0 9A7 007 483 00	Black Outer hexagon round screw Seat rail Front seat Floor section		4	

Model: 982-17

Model life 2017>>



Model: 982-17 Model life 2017>>

Pos	Part Number	Description	Remark	Qty	Model
		Foam part			I313/314/321 I322
1	991 521 141 12	Cover Sports seat Backrest cover	/L	1	-I541/I313 I321/946
	991 521 141 12 GDB	Outer part Sports seat Black			+AG, +AS, +PM +PT, +PW +FG, +FS +UG, +US
(1)	991 521 141 12 GHB	Agate Grey			
	991 521 141 12 GFB	Luxor Beige			
	991 521 141 13	Backrest cover	/L	1	-I541/-I998 I313/321/983
	991 521 141 13 GDC	Outer part Sports seat Black			+AZ +FZ +SZ
	991 521 141 13 GHC	Agate Grey			
	991 521 141 13 DUE	Saddle Tan			
	991 521 141 13 GFC	Luxor Beige			+UZ, +BT
	991 521 141 13 GUC	Bordeaux Red			+LZ, +BM
	991 521 141 13 GTC	Graphite Blue			+HZ
	991 521 141 13 GVC	Chalk			+BW
(1)	991 521 141 14	Backrest cover	/L	1	I313/321/541 I946
	991 521 141 14 GDB	Outer part Sports seat Black			+AG, +AS, +PM +PT, +PW +FG, +FS +UG, +US
	991 521 141 14 GHB	Agate Grey			
	991 521 141 14 GFB	Luxor Beige			
(1)	991 521 141 15	Backrest cover	/L	1	-I998/I313 I321/541/983
	991 521 141 15 GDC	Outer part Sports seat Black			+AZ +FZ +SZ
	991 521 141 15 GHC	Agate Grey			
	991 521 141 15 DUE	Saddle Tan			
	991 521 141 15 GFC	Luxor Beige			+UZ, +BT
	991 521 141 15 GUC	Bordeaux Red			+LZ, +BM
	991 521 141 15 GTC	Graphite Blue			+HZ
	991 521 141 15 GVC	Chalk			+BW
(1)	991 521 141 16	Backrest cover	/L	1	-I541/I313 I321/983/998
	991 521 141 16 GKC	Outer part Sports seat Espresso			+NE +BY
	991 521 141 16 GRC	Cognac			
(1)	991 521 141 17	Backrest cover	/L	1	I313/321/541 I983/998
	991 521 141 17 GKC	Outer part Sports seat Espresso			+NE +BY
	991 521 141 17 GRC	Cognac			
(1)	981 521 141 01	Backrest cover	/L	1	I314/950
	981 521 141 01 1D0	Outer part Sports seat Black			+AD +FD
	981 521 141 01 OW7	Agate Grey			
	981 521 141 01 2E0	Luxor Beige			+UD
(1)	991 521 981 10	Backrest cover	/L	1	-I541/IXSC I313/321/946
		Outer part			

Model: 982-17

Model life 2017>>

Pos	Part Number	Description	Remark	Qty	Model
		Sports seat Porsche crest			
	991 521 981 10 GDB	Black			+AG, +AS
	991 521 981 10 GHB	Agate Grey			+FG, +FS
	991 521 981 10 GFB	Luxor Beige			+UG, +US
	991 521 981 10 GUB	Black/Bordeaux Red			+PM
	991 521 981 10 GFF	Black/Luxor Beige			+PT
	991 521 981 10 GVB	Black/Chalk			+PW
(1)	991 521 981 11	Backrest cover	/L	1	IXSC/313/321 I541/946
		Outer part Sports seat Porsche crest			
	991 521 981 11 GDB	Black			+AG, +AS
	991 521 981 11 GHB	Agate Grey			+FG, +FS
	991 521 981 11 GFB	Luxor Beige			+UG, +US
	991 521 981 11 GUB	Black/Bordeaux Red			+PM
	991 521 981 11 GFF	Black/Luxor Beige			+PT
	991 521 981 11 GVB	Black/Chalk			+PW
(1)	991 521 981 12	Backrest cover	/L	1	-I541/-I998 IXSC/313/321 I983
		Outer part Sports seat Porsche crest			
	991 521 981 12 GDC	Black			+AZ
	991 521 981 12 GHC	Agate Grey			+FZ
	991 521 981 12 DUE	Saddle Tan			+SZ
	991 521 981 12 GFC	Luxor Beige			+UZ, +BT
	991 521 981 12 GUC	Bordeaux Red			+LZ, +BM
	991 521 981 12 GTC	Graphite Blue			+HZ
	991 521 981 12 GVC	Chalk			+BW
(1)	991 521 981 13	Backrest cover	/L	1	-I998/IXSC I313/321/541 I983
		Outer part Sports seat Porsche crest			
	991 521 981 13 GDC	Black			+AZ
	991 521 981 13 GHC	Agate Grey			+FZ
	991 521 981 13 DUE	Saddle Tan			+SZ
	991 521 981 13 GFC	Luxor Beige			+UZ, +BT
	991 521 981 13 GUC	Bordeaux Red			+LZ, +BM
	991 521 981 13 GTC	Graphite Blue			+HZ
	991 521 981 13 GVC	Chalk			+BW
(1)	991 521 981 14	Backrest cover	/L	1	-I541/IXSC I313/321/983 I998
		Outer part Sports seat Porsche crest			
	991 521 981 14 GKC	Espresso			+NE
	991 521 981 14 GRC	Cognac			+BY
(1)	991 521 981 15	Backrest cover	/L	1	IXSC/313/321 I541/983/998
		Outer part Sports seat Porsche crest			
	991 521 981 15 GKC	Espresso			+NE
	991 521 981 15 GRC	Cognac			+BY
(1)	991 521 142 12	Backrest cover	/R	1	-I541/I314 I322/946
		Outer part			

Model: 982-17 Model life 2017>>

Pos	Part Number	Description	Remark	Qty	Model
	991 521 142 12 GDB	Sports seat Black			+AG, +AS, +PM +PT, +PW
	991 521 142 12 GHB	Agate Grey			+FG, +FS
	991 521 142 12 GFB	Luxor Beige			+UG, +US
(1)	991 521 142 13	Backrest cover	/R	1	-I541/I314 I322/983
		Outer part Sports seat			
	991 521 142 13 GDC	Black			+AZ
	991 521 142 13 GHC	Agate Grey			+FZ
	991 521 142 13 DUE	Saddle Tan			+SZ
	991 521 142 13 GFC	Luxor Beige			+UZ, +BT
	991 521 142 13 GUC	Bordeaux Red			+LZ, +BM
	991 521 142 13 GTC	Graphite Blue			+HZ
	991 521 142 13 GVC	Chalk			+BW
(1)	991 521 142 14	Backrest cover	/R	1	I314/322/541 I946
		Outer part Sports seat			
	991 521 142 14 GDB	Black			+AG, +AS, +PM +PT, +PW
	991 521 142 14 GHB	Agate Grey			+FG, +FS
	991 521 142 14 GFB	Luxor Beige			+UG, +US
(1)	991 521 142 15	Backrest cover	/R	1	-I998/I314 I322/541/983
		Outer part Sports seat			
	991 521 142 15 GDC	Black			+AZ
	991 521 142 15 GHC	Agate Grey			+FZ
	991 521 142 15 DUE	Saddle Tan			+SZ
	991 521 142 15 GFC	Luxor Beige			+UZ, +BT
	991 521 142 15 GUC	Bordeaux Red			+LZ, +BM
	991 521 142 15 GTC	Graphite Blue			+HZ
	991 521 142 15 GVC	Chalk			+BW
(1)	991 521 142 16	Backrest cover	/R	1	-I541/I314 I322/983/998
		Outer part Sports seat			
	991 521 142 16 GKC	Espresso			+NE
	991 521 142 16 GRC	Cognac			+BY
(1)	991 521 142 17	Backrest cover	/R	1	I314/322/541 I983/998
		Outer part Sports seat			
	991 521 142 17 GKC	Espresso			+NE
	991 521 142 17 GRC	Cognac			+BY
(1)	981 521 142 01	Backrest cover	/R	1	I313/950
		Outer part Sports seat			
	981 521 142 01 1D0	Black			+AD
	981 521 142 01 OW7	Agate Grey			+FD
	981 521 142 01 2E0	Luxor Beige			+UD
(1)	991 521 982 10	Backrest cover	/R	1	-I541/IXSC I314/322/946
		Outer part Sports seat Porsche crest			
	991 521 982 10 GDB	Black			+AG, +AS
	991 521 982 10 GHB	Agate Grey			+FG, +FS
	991 521 982 10 GFB	Luxor Beige			+UG, +US
	991 521 982 10 GUB	Black/Bordeaux Red			+PM
	991 521 982 10 GFF	Black/Luxor Beige			+PT

Model: 982-17

Model life 2017>>

Pos	Part Number	Description	Remark	Qty	Model
(1)	991 521 982 10 GVB 991 521 982 11	Black/Chalk Backrest cover Outer part Sports seat Porsche crest	/R	1	+PW IXSC/314/322 I541/946
	991 521 982 11 GDB 991 521 982 11 GHB 991 521 982 11 GFB 991 521 982 11 GUB 991 521 982 11 GFF	Black Agate Grey Luxor Beige Black/Bordeaux Red Black/Luxor Beige			+AG, +AS +FG, +FS +UG, +US +PM +PT
(1)	991 521 982 11 GVB 991 521 982 12	Black/Chalk Backrest cover Outer part Sports seat Porsche crest	/R	1	+PW -I541/-I998 IXSC/314/322 I983
	991 521 982 12 GDC 991 521 982 12 GHC 991 521 982 12 DUE 991 521 982 12 GFC 991 521 982 12 GUC 991 521 982 12 GTC 991 521 982 12 GVC	Black Agate Grey Saddle Tan Luxor Beige Bordeaux Red Graphite Blue Chalk			+AZ +FZ +SZ +UZ, +BT +LZ, +BM +HZ +BW
(1)	991 521 982 12 GVC 991 521 982 13	Chalk Backrest cover Outer part Sports seat Porsche crest	/R	1	-I998/IXSC I314/322/541 I983
	991 521 982 13 GDC 991 521 982 13 GHC 991 521 982 13 DUE 991 521 982 13 GFC 991 521 982 13 GUC 991 521 982 13 GTC 991 521 982 13 GVC	Black Agate Grey Saddle Tan Luxor Beige Bordeaux Red Graphite Blue Chalk			+AZ +FZ +SZ +UZ, +BT +LZ, +BM +HZ +BW
(1)	991 521 982 13 GVC 991 521 982 14	Chalk Backrest cover Outer part Sports seat Porsche crest	/R	1	-I541/IXSC I314/322/983 I998
	991 521 982 14 GKC 991 521 982 14 GRC	Espresso Cognac			+NE +BY
(1)	991 521 982 14 GRC 991 521 982 15	Cognac Backrest cover Outer part Sports seat Porsche crest	/R	1	IXSC/314/322 I541/983/998
	991 521 982 15 GKC 991 521 982 15 GRC	Espresso Cognac			+NE +BY
2	991 521 535 00	Foam part		1	-I541/I313 I314/321/322
(2)	991 521 535 01	Backrest Outer Foam part		1	I313/314/321 I322/541
3	991 521 581 01	Backrest Outer Foam part	/L /R	1	I313/314/321 I322/541

Model: 982-17 Model life 2017>>

Pos	Part Number	Description	Remark	Qty	Model
(3)	991 521 581 00	Backrest Centre part Sports seat Foam part	/L /R	1	-I541/I313 I314/321/322
4	991 521 551 00	Backrest Centre part Sports seat Cushion carrier	/L /R	1	I313/314/321 I322
5	991 521 731 01	Backrest Sports seat Airbag	/L /R	1	I313/314/321 I322/541
6	991 521 151 00	Backrest Sports seat Backrest cushion cover	/L /R	1	-I541/I313 I314/321/322 I946
(6)	991 521 151 00 21U 991 521 151 00 OF6 991 521 151 00 32X 991 521 151 00	Centre part Sports seat Black Agate Grey Luxor Beige Backrest cushion cover	/L /R	1	+AG,+AS +FG,+FS +UG,+US -I541/I313 I314/321/322 I946
(6)	991 521 151 00 OG6 991 521 151 00 OL8 991 521 151 00 9H6 991 521 151 01	Centre part Sports seat Black/Bordeaux Red Black/Chalk Black/Luxor Beige Backrest cushion cover	/L /R	1	+PM +PW +PT -I541/-I998 I313/314/321 I322/983
(6)	991 521 151 01 8YR 991 521 151 01 PL1 991 521 151 01 9H6 991 521 151 01 OK6 991 521 151 01 OG6 991 521 151 01 OH7 991 521 151 01 OL8 991 521 151 02	Centre part Sports seat Black Agate Grey Luxor Beige Saddle Tan Bordeaux Red Graphite Blue Chalk Backrest cushion cover	/L /R	1	+AJ,+AZ +FJ,+FZ +UJ,+UZ,+BT +SZ +LZ,+BM +HZ +BW I313/314/321 I322/541/946
(6)	991 521 151 02 21U 991 521 151 02 OF6 991 521 151 02 32X 991 521 151 02	Centre part Sports seat Black Agate Grey Luxor Beige Backrest cushion cover	/L /R	1	+AG,+AS +FG,+FS +UG,+US I313/314/321 I322/541/946
(6)	991 521 151 02 OG6 991 521 151 02 OL8 991 521 151 02 9H6 991 521 151 03	Centre part Sports seat Black/Bordeaux Red Black/Chalk Black/Luxor Beige Backrest cushion cover	/L /R	1	+PM +PW +PT -I998/I313 I314/321/322 I541/983
		Centre part Sports seat			

Model: 982-17

Model life 2017>>

Pos	Part Number	Description	Remark	Qty	Model
	991 521 151 03 8YR	Black			+AJ, +AZ
	991 521 151 03 PL1	Agate Grey			+FJ, +FZ
	991 521 151 03 9H6	Luxor Beige			+UJ, +UZ, +BT
	991 521 151 03 OK6	Saddle Tan			+SZ
	991 521 151 03 OG6	Bordeaux Red			+LZ, +BM
	991 521 151 03 OH7	Graphite Blue			+HZ
	991 521 151 03 OL8	Chalk			+BW
(6)	991 521 151 05	Backrest cushion cover	/L /R	1	-I541/I313 I314/321/322 I983/998
		Centre part			
		Sports seat			
	991 521 151 05 8C0	Espresso			+NE
	991 521 151 05 9EF	Cognac			+BY
(6)	991 521 151 06	Backrest cushion cover	/L /R	1	I313/314/321 I322/541/983 I998
		Centre part			
		Sports seat			
	991 521 151 06 8C0	Espresso			+NE
	991 521 151 06 9EF	Cognac			+BY
(6)	981 521 151 00	Backrest cushion cover	/L /R	1	-I541/I313 I314/321/322 I946
		Centre part			
		Sports seat			
	981 521 151 00 2W0	Black			+AD
	981 521 151 00 OU5	Agate Grey			+FD
	981 521 151 00 9U1	Luxor Beige			+UD
7	991 521 899 00	Clip	/L /R	1	I313/314/321 I322
		Cushion			
		Backrest			
		Sports seat			
8	991 521 721 04	Airbag with heating Seat cushion		1	I313/314/541
		Sports seat			
(8)	991 521 721 05	Airbag with heating Seat cushion		1	I321/322/541
		Sports seat			
		Position			
		Deep			
		Adjustable			
9	991 521 539 00	Foam part		1	-I541/I321 I322
		Seat cushion			
		Sports seat			
		Position			
		Deep			
		Adjustable			
(9)	991 521 539 01	Foam part		1	I321/322/541
		Seat cushion			
		Sports seat			
		Position			
		Deep			
		Adjustable			
10	991 521 571 00	Foam part	/L	1	-I541/I313
		Seat cushion			
		Sports seat			
(10)	991 521 571 01	Foam part	/L	1	I313/541
		Seat cushion			

Model: 982-17 Model life 2017>>

Pos	Part Number	Description	Remark	Qty	Model
(10)	991 521 572 08	Sports seat Foam part	/R	1	-I541/-I560 I314
(10)	991 521 572 09	Seat cushion Sports seat Foam part	/R	1	-I560/I314 I541
(10)	991 521 571 02	Seat cushion Sports seat Foam part	/L	1	-I541/I321
(10)	991 521 571 03	Seat cushion Sports seat Adjustable Foam part	/L	1	I321/541
(10)	991 521 572 10	Seat cushion Sports seat Adjustable Foam part	/R	1	-I541/-I560 I322
(10)	991 521 572 11	Seat cushion Sports seat Adjustable Foam part	/R	1	-I560/I322 I541
(10)	991 521 572 19	Seat cushion Sports seat Adjustable Foam part	/R	1	I322/541/560
11	991 521 161 26	Passenger's side Cover for cushion	/L	1	-I541/I313 I946
	991 521 161 26 GDB	Sports seat Black			+AG, +AS
	991 521 161 26 GHB	Agate Grey			+FG, +FS
	991 521 161 26 GFB	Luxor Beige			+UG, +US
	991 521 161 26 GUB	Black/Bordeaux Red			+PM
	991 521 161 26 GFF	Black/Luxor Beige			+PT
	991 521 161 26 GVB	Black/Chalk			+PW
(11)	991 521 161 27	Cover for cushion	/L	1	-I541/-I998 I313/983
	991 521 161 27 GDC	Sports seat Black Black			+AZ
	991 521 161 27 GHC	Agate Grey			+FZ
	991 521 161 27 DUE	Saddle Tan			+SZ
	991 521 161 27 GFC	Luxor Beige			+UZ, +BT
	991 521 161 27 GUC	Bordeaux Red			+LZ, +BM
	991 521 161 27 GTC	Graphite Blue			+HZ
	991 521 161 27 GVC	Chalk			+BW
(11)	991 521 161 29	Cover for cushion	/L	1	I313/541/946
	991 521 161 29 GDB	Sports seat Black			+AG, +AS
	991 521 161 29 GHB	Agate Grey			+FG, +FS
	991 521 161 29 GFB	Luxor Beige			+UG, +US
	991 521 161 29 GUB	Black/Bordeaux Red			+PM
	991 521 161 29 GFF	Black/Luxor Beige			+PT
	991 521 161 29 GVB	Black/Chalk			+PW
(11)	991 521 161 30	Cover for cushion	/L	1	-I998/I313 I541/983
		Sports seat			

Model: 982-17 Model life 2017>>

Pos	Part Number	Description	Remark	Qty	Model
	991 521 161 30 GDC	Black			+AZ
	991 521 161 30 GHC	Agate Grey			+FZ
	991 521 161 30 DUE	Saddle Tan			+SZ
	991 521 161 30 GFC	Luxor Beige			+UZ, +BT
	991 521 161 30 GUC	Bordeaux Red			+LZ, +BM
	991 521 161 30 GTC	Graphite Blue			+HZ
	991 521 161 30 GVC	Chalk			+BW
(11)	991 521 161 32	Cover for cushion	/L	1	-I541/I321 I946
		Sports seat			
	991 521 161 32 GDB	Black			+AG, +AS
	991 521 161 32 GHB	Agate Grey			+FG, +FS
	991 521 161 32 GFB	Luxor Beige			+UG, +US
	991 521 161 32 GUB	Black/Bordeaux Red			+PM
	991 521 161 32 GFF	Black/Luxor Beige			+PT
	991 521 161 32 GVB	Black/Chalk			+PW
(11)	991 521 161 33	Cover for cushion	/L	1	-I541/-I998 I321/983
		Sports seat			
	991 521 161 33 GDC	Black			+AZ
	991 521 161 33 GHC	Agate Grey			+FZ
	991 521 161 33 DUE	Saddle Tan			+SZ
	991 521 161 33 GFC	Luxor Beige			+UZ, +BT
	991 521 161 33 GUC	Bordeaux Red			+LZ, +BM
	991 521 161 33 GTC	Graphite Blue			+HZ
	991 521 161 33 GVC	Chalk			+BW
(11)	991 521 161 35	Cover for cushion	/L	1	I321/541/946
		Sports seat			
	991 521 161 35 GDB	Black			+AG, +AS
	991 521 161 35 GHB	Agate Grey			+FG, +FS
	991 521 161 35 GFB	Luxor Beige			+UG, +US
	991 521 161 35 GUB	Black/Bordeaux Red			+PM
	991 521 161 35 GFF	Black/Luxor Beige			+PT
	991 521 161 35 GVB	Black/Chalk			+PW
(11)	991 521 161 36	Cover for cushion	/L	1	-I998/I321 I541/983
		Sports seat			
	991 521 161 36 GDC	Black			+AZ
	991 521 161 36 GHC	Agate Grey			+FZ
	991 521 161 36 DUE	Saddle Tan			+SZ
	991 521 161 36 GFC	Luxor Beige			+UZ, +BT
	991 521 161 36 GUC	Bordeaux Red			+LZ, +BM
	991 521 161 36 GTC	Graphite Blue			+HZ
	991 521 161 36 GVC	Chalk			+BW
(11)	991 521 161 31	Cover for cushion	/L	1	I313/541/983 I998
		Sports seat			
	991 521 161 31 GKC	Espresso			+NE
	991 521 161 31 GRC	Cognac			+BY
(11)	991 521 161 34	Cover for cushion	/L	1	I321/983/998
		Sports seat			
	991 521 161 34 GKC	Espresso			+NE
	991 521 161 34 GRC	Cognac			+BY
(11)	991 521 161 37	Cover for cushion	/L	1	I321/541/983 I998
		Sports seat			
	991 521 161 37 GKC	Espresso			+NE
	991 521 161 37 GRC	Cognac			+BY
(11)	991 521 161 28	Cover for cushion	/L	1	-I541/I313 I983/998
		Sports seat			
	991 521 161 28 GKC	Espresso			+NE
	991 521 161 28 GRC	Cognac			+BY

Model: 982-17 Model life 2017>>

Pos	Part Number	Description	Remark	Qty	Model
(11)	981 521 161 00	Cover for cushion Sports seat	/L	1	I313/950
	981 521 161 00 GDA	Black			+AD
	981 521 161 00 YBI	Agate Grey			+FD
	981 521 161 00 GFA	Luxor Beige			+UD
(11)	991 521 162 26	Cover for cushion Sports seat	/R	1	-I541/I314 I946
	991 521 162 26 GDB	Black			+AG, +AS
	991 521 162 26 GHB	Agate Grey			+FG, +FS
	991 521 162 26 GFB	Luxor Beige			+UG, +US
	991 521 162 26 GUB	Black/Bordeaux Red			+PM
	991 521 162 26 GFF	Black/Luxor Beige			+PT
	991 521 162 26 GVB	Black/Chalk			+PW
(11)	991 521 162 27	Cover for cushion Sports seat	/R	1	-I541/-I998 I314/983
	991 521 162 27 GDC	Black			+AZ
	991 521 162 27 GHD	Black			+FZ
	991 521 162 27 GHC	Agate Grey			+SZ
	991 521 162 27 DUE	Saddle Tan			+UZ, +BT
	991 521 162 27 GFC	Luxor Beige			+LZ, +BM
	991 521 162 27 GUC	Bordeaux Red			+HZ
	991 521 162 27 GTC	Graphite Blue			+BW
	991 521 162 27 GVC	Chalk			
(11)	991 521 162 29	Cover for cushion Sports seat	/R	1	I314/541/946
	991 521 162 29 GDB	Black			+AG, +AS
	991 521 162 29 GHB	Agate Grey			+FG, +FS
	991 521 162 29 GFB	Luxor Beige			+UG, +US
	991 521 162 29 GUB	Black/Bordeaux Red			+PM
	991 521 162 29 GFF	Black/Luxor Beige			+PT
	991 521 162 29 GVB	Black/Chalk			+PW
(11)	991 521 162 30	Cover for cushion Sports seat	/R	1	-I998/I314 I541/983
	991 521 162 30 GDC	Black			+AZ
	991 521 162 30 GHC	Agate Grey			+FZ
	991 521 162 30 DUE	Saddle Tan			+SZ
	991 521 162 30 GFC	Luxor Beige			+UZ, +BT
	991 521 162 30 GUC	Bordeaux Red			+LZ, +BM
	991 521 162 30 GTC	Graphite Blue			+HZ
	991 521 162 30 GVC	Chalk			+BW
(11)	991 521 162 32	Cover for cushion Sports seat	/R	1	-I541/I322 I946
	991 521 162 32 GDB	Black			+AG, +AS
	991 521 162 32 GHB	Agate Grey			+FG, +FS
	991 521 162 32 GFB	Luxor Beige			+UG, +US
	991 521 162 32 GUB	Black/Bordeaux Red			+PM
	991 521 162 32 GFF	Black/Luxor Beige			+PT
	991 521 162 32 GVB	Black/Chalk			+PW
(11)	991 521 162 33	Cover for cushion Sports seat	/R	1	-I541/-I998 I322/983
	991 521 162 33 GDC	Black			+AZ
	991 521 162 33 GHC	Agate Grey			+FZ
	991 521 162 33 DUE	Saddle Tan			+SZ
	991 521 162 33 GFC	Luxor Beige			+UZ, +BT
	991 521 162 33 GUC	Bordeaux Red			+LZ, +BM
	991 521 162 33 GTC	Graphite Blue			+HZ
	991 521 162 33 GVC	Chalk			+BW
(11)	991 521 162 35	Cover for cushion	/R	1	I322/541/946

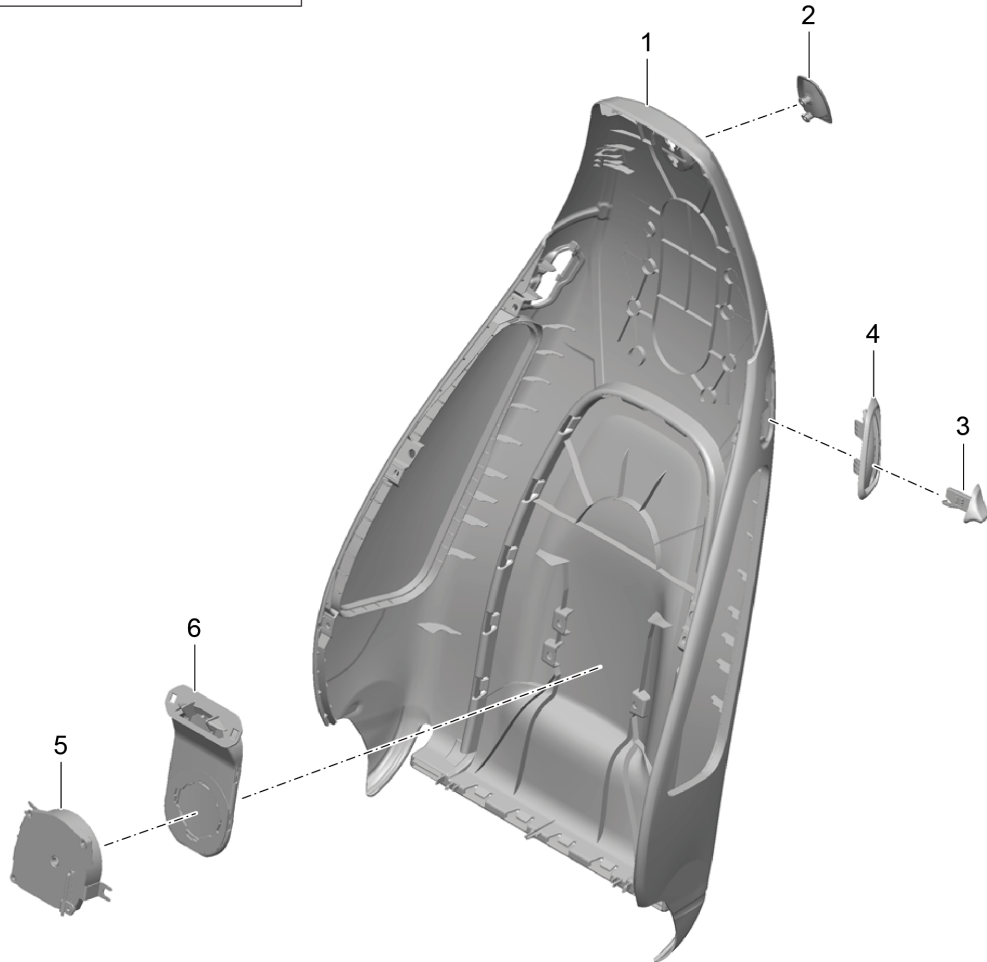
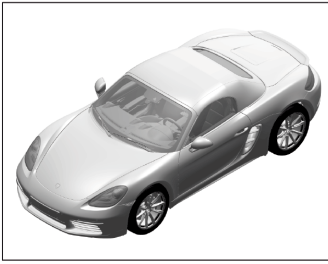
Model: 982-17

Model life 2017>>

Pos	Part Number	Description	Remark	Qty	Model
	991 521 162 35 GDB	Sports seat Black			+AG, +AS
	991 521 162 35 GHB	Agate Grey			+FG, +FS
	991 521 162 35 GFB	Luxor Beige			+UG, +US
	991 521 162 35 GUB	Black/Bordeaux Red			+PM
	991 521 162 35 GFF	Black/Luxor Beige			+PT
	991 521 162 35 GVB	Black/Chalk			+PW
(11)	991 521 162 36	Cover for cushion	/R	1	-I998/I322 I541/983
	991 521 162 36 GDC	Sports seat Black			+AZ
	991 521 162 36 GHC	Agate Grey			+FZ
	991 521 162 36 DUE	Saddle Tan			+SZ
	991 521 162 36 GFC	Luxor Beige			+UZ, +BT
	991 521 162 36 GUC	Bordeaux Red			+LZ, +BM
	991 521 162 36 GTC	Graphite Blue			+HZ
	991 521 162 36 GVC	Chalk			+BW
(11)	991 521 162 31	Cover for cushion	/R	1	I314/541/983 I998
	991 521 162 31 GKC	Sports seat Espresso			+NE
	991 521 162 31 GRC	Cognac			+BY
(11)	991 521 162 34	Cover for cushion	/R	1	-I541/I322 I983/998
	991 521 162 34 GKC	Sports seat Espresso			+NE
	991 521 162 34 GRC	Cognac			+BY
(11)	991 521 162 37	Cover for cushion	/R	1	I322/541/983 I998
	991 521 162 37 GKC	Sports seat Espresso			+NE
	991 521 162 37 GRC	Cognac			+BY
(11)	991 521 162 28	Cover for cushion	/R	1	-I541/I314 I983/998
	991 521 162 28 GKC	Sports seat Espresso			+NE
	991 521 162 28 GRC	Cognac			+BY
(11)	981 521 162 00	Cover for cushion	/R	1	I314/950
	981 521 162 00 GDA	Sports seat Black			+AD
	981 521 162 00 YBI	Agate Grey			+FD
	981 521 162 00 GFA	Luxor Beige			+UD
12	997 624 335 00	Electric motor		1	I541
		Seat cushion			
13	991 653 115 03	Sports seat Heating element		1	-I541/I321 I322/342
		Seat cushion			
		Sports seat			
		Adjustable			
		Deep			
14	991 521 891 00	Clip		5	I313/314/321 I322
15	N 015 261 2	Backrest cover Clamp Mount Cover for cushion		1	

Model: 982-17

Model life 2017>>



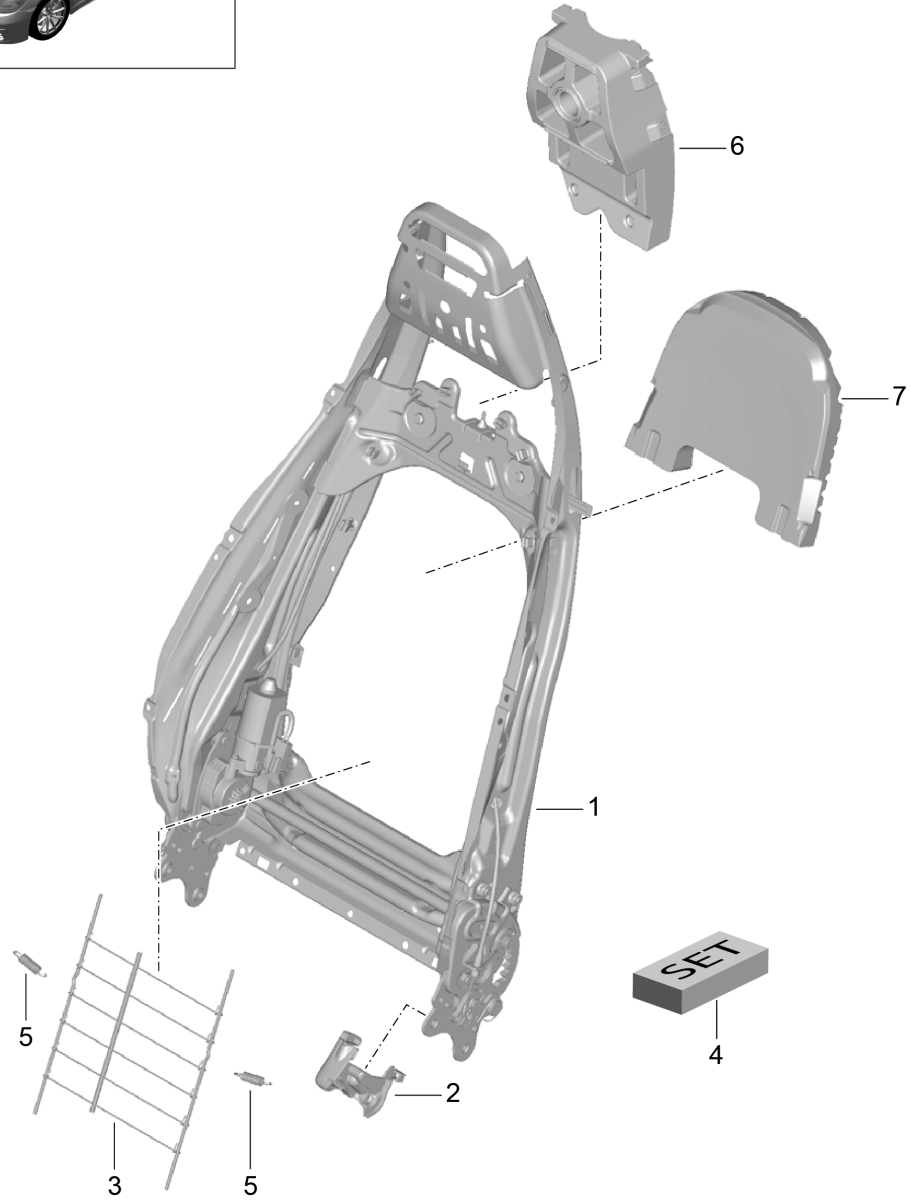
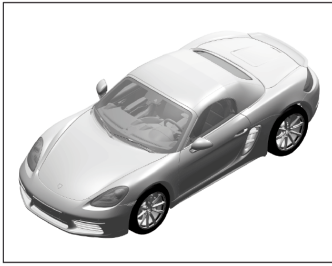
Model: 982-17

Model life 2017>>

Pos	Part Number	Description	Remark	Qty	Model
		Backrest shell			I313/314/321 I322
1	981 521 303 00	Sports seat Accessories Backrest shell	/L	1	I313/321
	981 521 303 00 1E0	Sports seat Black			
(1)	981 521 304 00	Backrest shell	/R	1	I314/322
	981 521 304 00 1E0	Sports seat Black			
2	991 521 373 00	Coat hook		1	I313/314/321 I322
	991 521 373 00 D20	Backrest shell Silver Grey Metallic			
3	991 521 623 00	Control button	/L	1	I313/314/321 I322
	991 521 623 00 V08	Backrest locking lever Galvano silver			
(3)	991 521 624 00	Control button	/R	1	I313/314/321 I322
	991 521 624 00 V08	Backrest locking lever Galvano silver			
4	991 521 621 00	Rosette	/L	1	I313/314/321 I322
	991 521 621 00 D20	Control button Backrest locking lever Silver Grey Metallic			
(4)	991 521 622 00	Rosette	/R	1	I313/314/321 I322
	991 521 622 00 D20	Control button Backrest locking lever Silver Grey Metallic			
5	997 624 337 00	Electric motor		1	I313/314/321 I322/541
6	997 521 733 00	Backrest Air duct		1	I313/314/321 I322/541
		Backrest			

Model: 982-17

Model life 2017>>



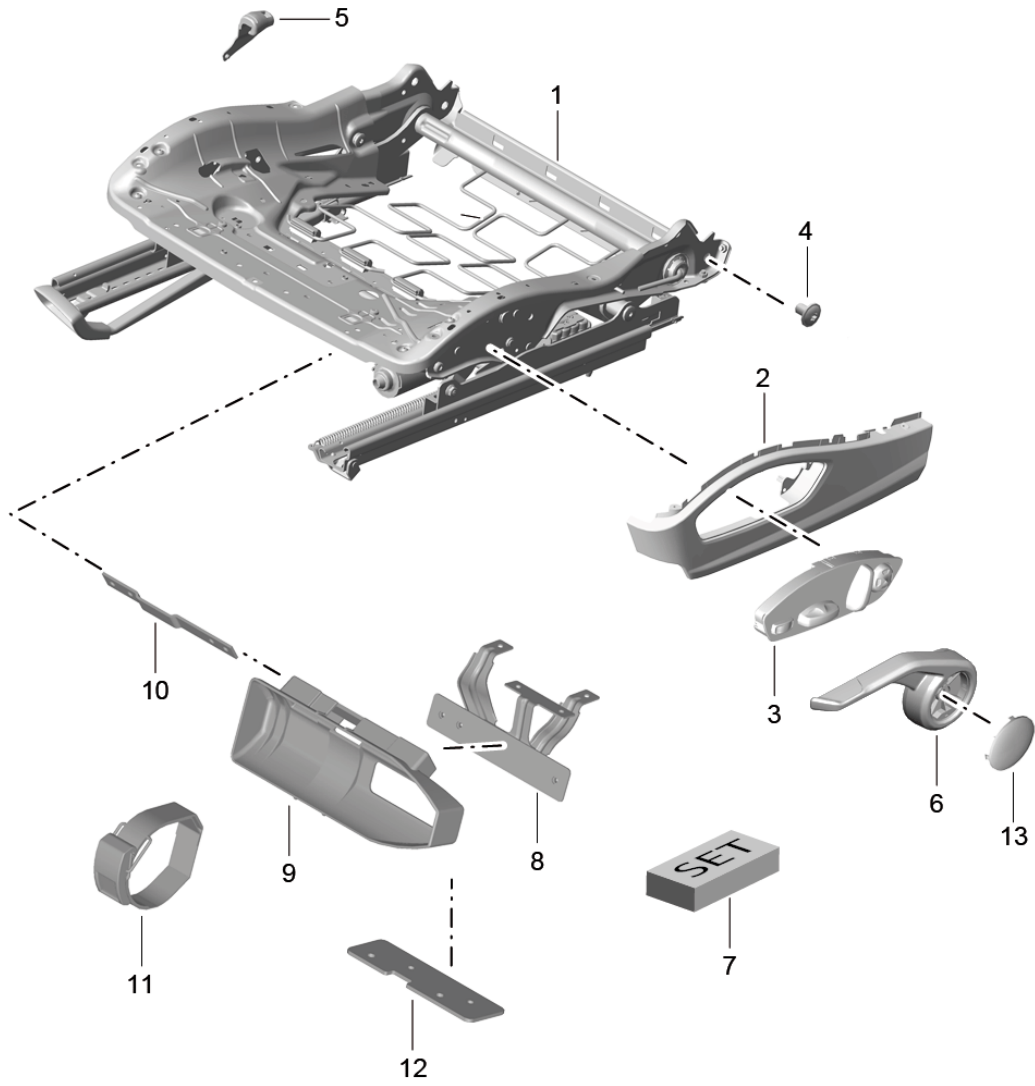
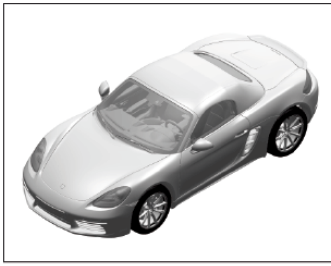
Model: 982-17

Model life 2017>>

Pos	Part Number	Description	Remark	Qty	Model
		Backrest frame			I313/314/321 I322
1	9P1 881 045 E	Lumbar support Sports seat Accessories Backrest frame Sports seat without Memory		1	I313/314
(1)	9P1 881 045 F	Backrest frame Sports seat with Memory		1	I321/322
2	991 521 335 01	Cover Mounting component Inner	/L	1	I321
2	991 521 335 01 D20 991 521 338 01	Silver Grey Metallic Cover Mounting component Inner Tunnel	/L	1	I321
(2)	991 521 338 01 D20 991 521 336 01	Silver Grey Metallic Cover Mounting component Inner	/R	1	I322
(2)	991 521 336 01 D20 991 521 337 01	Silver Grey Metallic Cover Mounting component Inner Tunnel	/R	1	I322
3	991 521 337 01 D20 991 521 855 00	Silver Grey Metallic Grille	/L /R	1	I313/314/321 I322
4	991 521 902 00	Backrest frame Repair kit Connecting piece		1	
5	991 521 893 00	Backrest frame Sports seat Tension spring	/L /R	1	I313/314/321 I322
6	991 521 887 00	Grille Backrest frame Foam part		1	I313/314/321 I322
7	991 521 897 00	Head rest Backrest frame Sports seat Foam part		1	I313/314/321 I322
		Backrest Backrest frame Sports seat			

Model: 982-17

Model life 2017>>



Model: 982-17 Model life 2017>>

Pos	Part Number	Description	Remark	Qty	Model
		Seat adjuster			I313/314/321 I322
1	9P2 881 105 A	Sports seat Accessories Support Fire extinguisher Seat adjuster	/L	1	I313
(1)	9P2 881 106 A	Sports seat Manually Seat adjuster	/R	1	I314
(1)	9P1 881 105 G	Sports seat Manually Seat adjuster	/L	1	I321
(1)	9P1 881 106 G	Sports seat Electric with Memory Seat adjuster	/R	1	I322
2	991 521 325 00	Sports seat Electric Trim for switch	/L	1	I321
(2)	991 521 325 00 D20 991 521 326 00	Silver Grey Metallic Trim for switch Sports seat Electric	/R	1	I322
(2)	991 521 326 00 D20 981 521 325 00	Silver Grey Metallic Trim for switch Sports seat	/L	1	I313
(2)	981 521 325 00 1E0 981 521 326 00	Black Trim for switch Sports seat Manually	/R	1	I314
3	981 521 326 00 1E0 7PP 959 748 AA	Black Switch insert Module Sports seat Electric	/R	1	I322
(3)	7PP 959 748 AA DMN 7PP 959 747 AA	Galvano silver Switch insert Module Sports seat Electric	/L	1	I321
4	7PP 959 747 AA DMN 999 073 538 01	Galvano silver Oval-head screw		4	I313/314/321 I322
5	991 521 612 00	A 10 X 13 Protective plate Seat-belt buckle Seat adjuster		1	I314/322/560
6	981 521 627 00	Front seat Actuating lever Height adjustment Seat adjuster	/L	1	I313
(6)	981 521 627 00 1E0 981 521 628 00	Black Actuating lever Height adjustment Seat adjuster	/R	1	I314

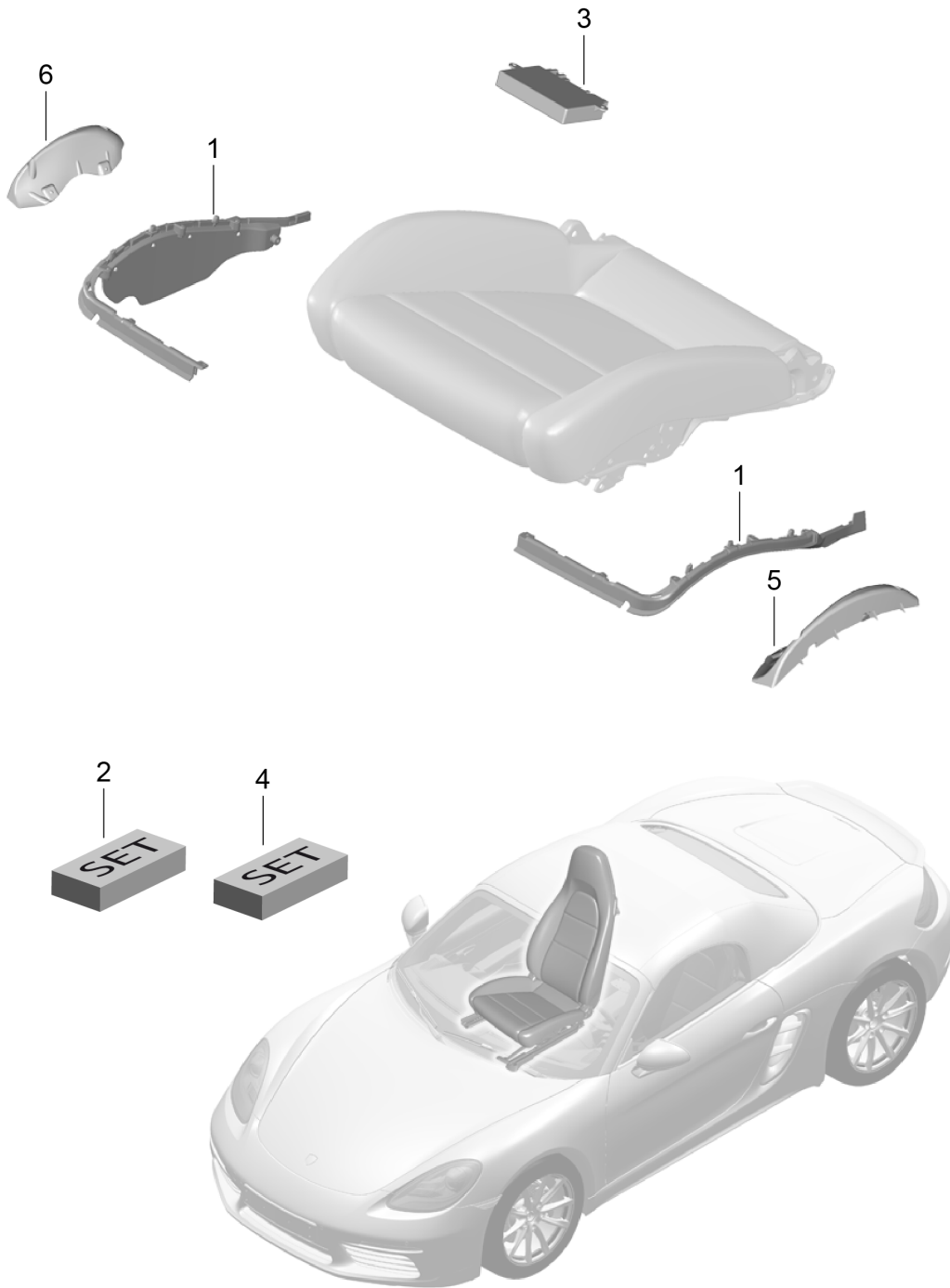
Model: 982-17

Model life 2017>>

Pos	Part Number	Description	Remark	Qty	Model
8	981 521 628 00 1E0 9P1 860 232	Front seat Black Support		1	I099/509
(8)	9P1 860 232 A	Fire extinguisher Support		1	I098/509
9	7PP 882 650	Fire extinguisher Cup		1	I509
10	7PP 882 649	Fire extinguisher Insert Cup		1	I509
11	7PP 882 645	Fire extinguisher Restraining strap		1	I509
12	997 521 841 01	Fire extinguisher Reinforcement Front Support		1	I509
(12)	997 521 843 01	Fire extinguisher Reinforcement Rear Support		1	I509
13	981 521 629 00 981 521 629 00 1E0	Fire extinguisher Cap Actuating lever Black		2	I313/314

Model: 982-17

Model life 2017>>



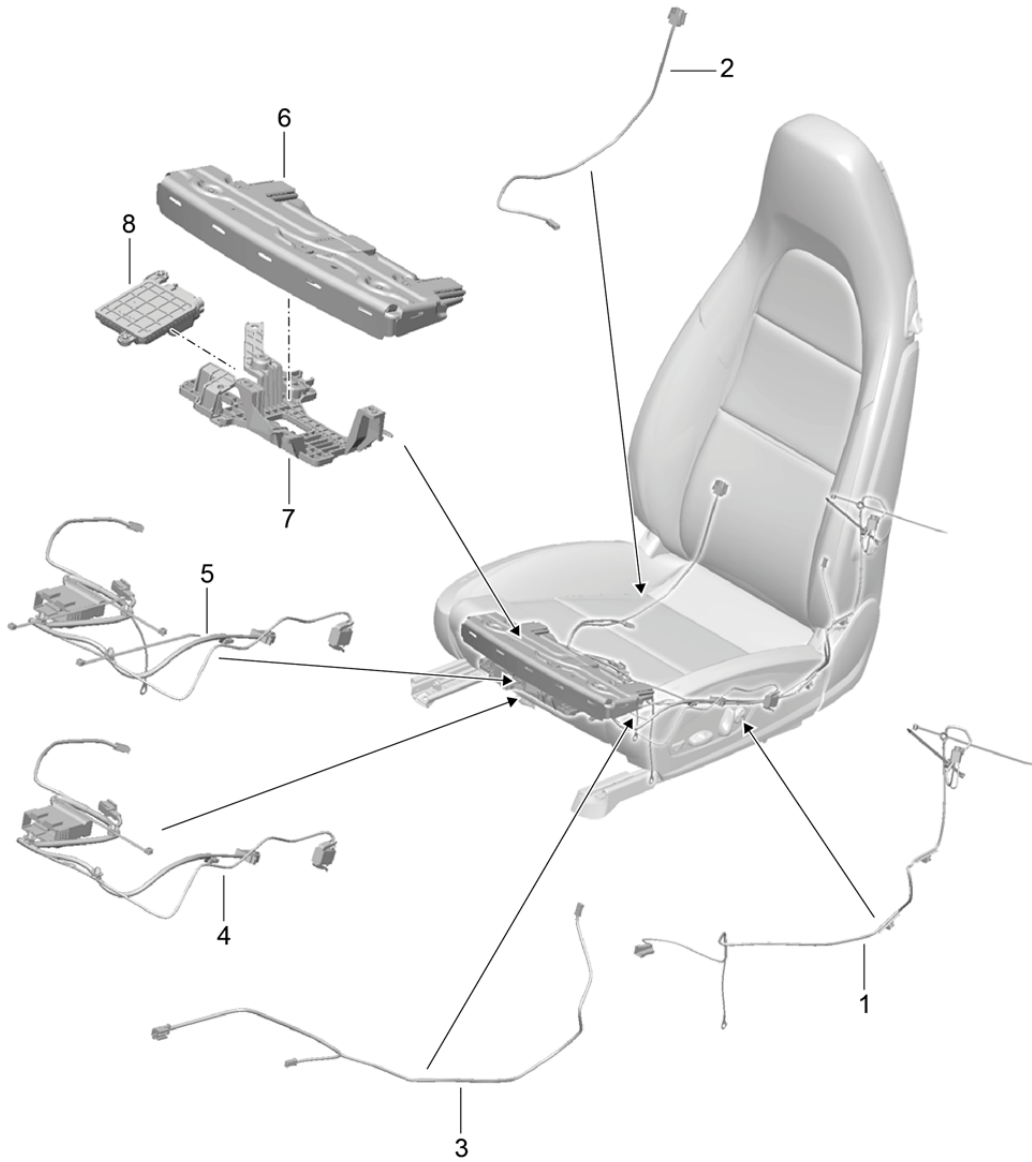
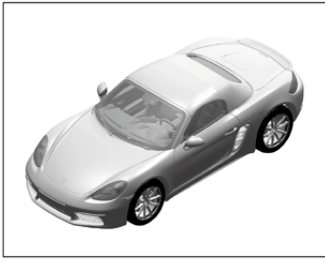
Model: 982-17

Model life 2017>>

Pos	Part Number	Description	Remark	Qty	Model
		Cushion carrier			I313/314/321 I322
1	991 521 547 00	Frame Seat surface Sports seat	/R	1	I314/322
(1)	991 521 548 00	Frame Cushion carrier Seat surface Sports seat Inner	/L	1	I313/321
(1)	991 521 545 00	Frame Cushion carrier Seat surface Sports seat Outer	/L	1	I313/321
(1)	991 521 546 00	Frame Cushion carrier Seat surface Sports seat Outer	/R	1	I314/322
3	970 618 537 13	Control unit Seat adjuster Memory		1	I321/322
(5)	970 521 519 00	Supporting plate Left		1	I321/322
(6)	970 521 520 00	Supporting plate Right		1	I321/322

Model: 982-17

Model life 2017>>



Model: 982-17

Model life 2017>>

Pos	Part Number	Description	Remark	Qty	Model
		Wiring harnesses Switch Control unit Electric motor Sports seat			I313/314/321 I322
1	9P1 972 171	Wiring harness	/L	1	I313/321
(1)	991 622 796 00	Airbag Wiring harness	/R	1	I314/322
		Airbag Seat			
(1)	9P1 972 173	D >> 22.06.2015 Wiring harness	/R	1	I314/322
		Airbag Seat			
(1)	9P1 972 173 A	D 23.06.2015>> 03.11.2016 Wiring harness	/R	1	I314/322
		Airbag Seat			
2	991 622 787 02	D 04.11.2016>> Wiring harness		1	I313/314
		Backrest frame Adjustment Tilt angle			
(2)	9P1 971 369	Wiring harness	/L	1	I321
		Backrest frame Adjustment Tilt angle Lumbar			
(2)	9P1 971 370	Memory Wiring harness	/R	1	I322
		Backrest frame Adjustment Tilt angle Lumbar			
(2)	9P1 971 369 A	ADAPTIV Wiring harness	/L /R	1	
		Backrest frame Adjustment Tilt angle Lumbar Memory			
(2)	9P1 971 370 A	ADAPTIV It is necessary to rework Wiring harness	/R	1	I324
		Backrest frame Adjustment Tilt angle Lumbar			
3	991 622 797 00	ADAPTIV Wiring harness		1	I313/314/321 I322/541
		Fan Seat Vented			
4	981 622 761 02	Wiring harness	/L	1	-I342/-I590 I313
		Seat			
(4)	981 622 762 02	Wiring harness	/R	1	-I342/-I560 I314
		Seat			
(4)	9P3 971 391 B	Wiring harness	/LL	1	-I342/-I560 I098/321
		Seat			

Model: 982-17

Model life 2017>>

Pos	Part Number	Description	Remark	Qty	Model
(4)	9P3 971 392 B	Driver's side Wiring harness	/LL	1	-I342/-I560 I098/322
(4)	9P4 971 391 B	Seat Passenger's side Wiring harness	/RL	1	-I342/-I560 I099/322
(4)	9P4 971 392 B	Seat Driver's side Wiring harness	/RL	1	-I342/-I560 I099/321
(4)	981 622 769 02	Seat Passenger's side Wiring harness	/L	1	-I342/I313 I560
(4)	981 622 770 02	Seat Wiring harness	/R	1	-I342/I314 I560
(4)	9P1 971 391 B	Seat Wiring harness	/L	1	-I342/I321 I323/560
(4)	9P1 971 392 B	Seat Left Wiring harness	/R	1	-I342/I322 I560
5	981 622 761 02	Seat Right Wiring harness	/L	1	-I342/-I560 I313
(5)	981 622 776 02	Seat with heating Wiring harness	/R	1	-I560/I314 I342
(5)	9P3 971 391 C	Seat with heating Wiring harness	/LL	1	-I560/I098 I321/342
(5)	9P3 971 392 C	Seat with heating Wiring harness		1	-I560
(5)	9P4 971 391 C	Seat Passenger's side It is necessary to rework Wiring harness	/RL	1	-I560/I099 I322/342
(5)	9P4 971 392 C	Seat with heating Passenger's side Wiring harness	/RL	1	-I560/I099 I321/342
(5)	981 622 781 02	Seat with heating Driver's side Wiring harness	/L	1	I313/342/560
(5)	981 622 782 02	Seat Sports seat Manually Sports seat Plus Manually Wiring harness	/R	1	I314/342/560
		Seat Sports seat Manually			

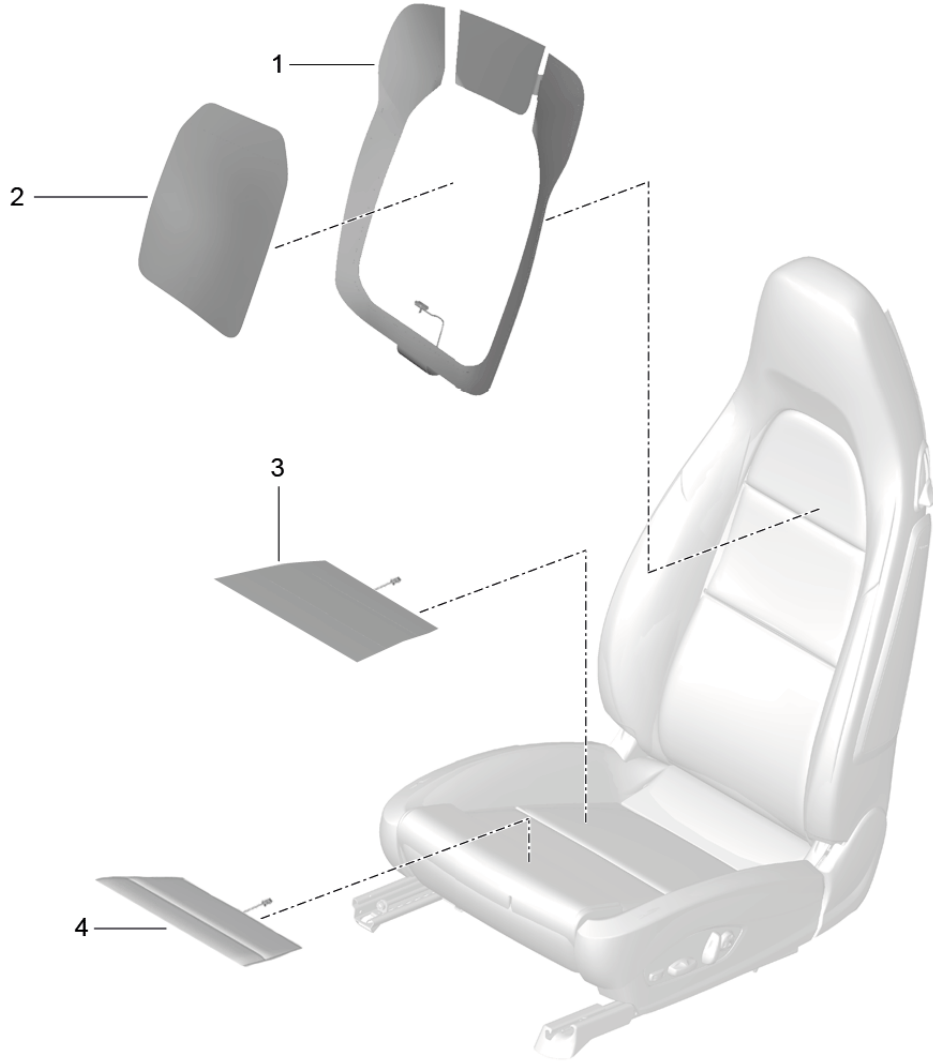
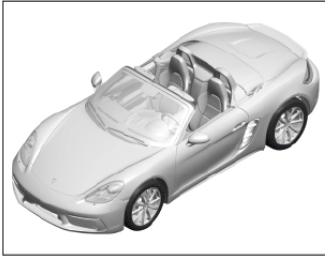
Model: 982-17

Model life 2017>>

Pos	Part Number	Description	Remark	Qty	Model
(5)	9P1 971 391 C	Sports seat Plus Manually Wiring harness Seat Driver's side		1	
(5)	9P1 971 392 C	It is necessary to rework Wiring harness Seat Right	/R	1	
6	970 521 749 00	Electric drive Seat adjuster Wide Deep Adjustable		1	I321/322
7	991 521 643 02	Support Electronic component Seat adjuster Sports seat		1	I321/322
(7)	991 521 643 00	Support Electronic component Seat adjuster Sports seat		1	-I541/I313 I314
(7)	991 521 643 01	Support Electronic component Seat adjuster Sports seat		1	I313/314/541
8	970 618 245 03	Control unit Seat occupancy detection		1	I314/322/560

Model: 982-17

Model life 2017>>



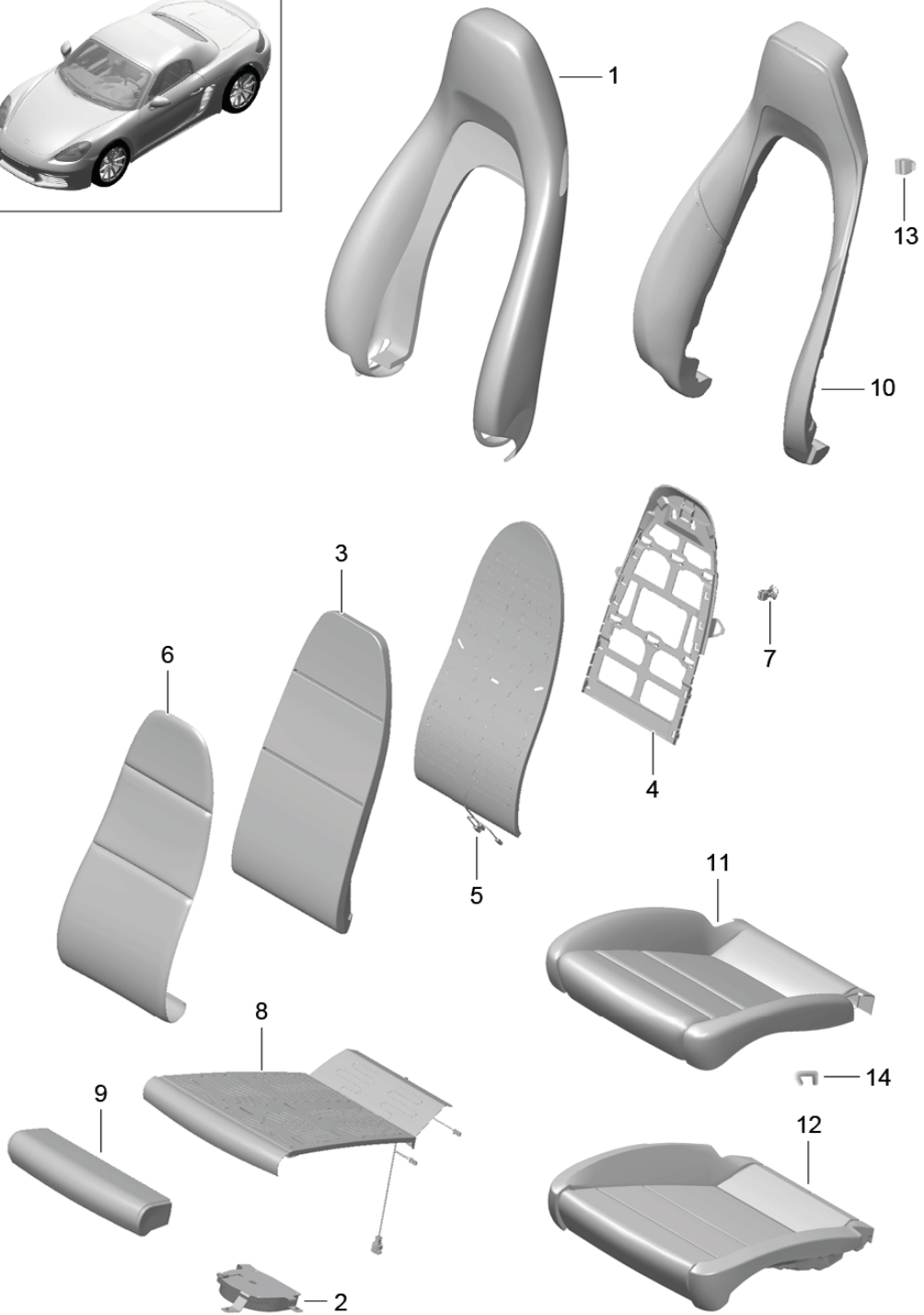
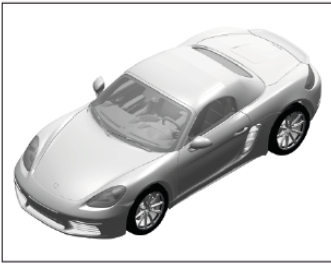
Model: 982-17

Model life 2017>>

Pos	Part Number	Description	Remark	Qty	Model
		Heating element			-I541/I313 I314/317/318 I321/322/323 I324
1	991 653 107 02	Backrest side bolster Centre part Seat surface Heating element		1	-I541/I313 I314/321/322 I342
(1)	991 653 127 02	Backrest side bolster Left Heating element		1	-I541/I317 I318/323/324 I342
(1)	991 653 108 02	Backrest side bolster Left Heating element		1	-I541/I313 I314/321/322 I342
(1)	991 653 126 02	Backrest side bolster Right Heating element		1	-I541/I317 I318/323/324 I342
2	991 653 106 02	Backrest side bolster Right Heating element		1	-I541/I313 I314/317/318 I321/322/324 I342
3	991 653 105 03	Centre part Backrest Heating element		1	-I541/I313 I314/342
(3)	991 653 125 03	Seat cushion Heating element		2	-I541/I317 I318/342
4	991 653 135 03	Seat cushion Heating element		1	-I541/I323 I324/342
		Seat cushion Adjustable Deep			

Model: 982-17

Model life 2017>>



Model: 982-17

Model life 2017>>

Pos	Part Number	Description	Remark	Qty	Model
		Foam part			I317/318/323 I324
1	991 521 141 04	Cover Sports seat Plus Backrest cover	/L /R	1	-I541/-I998 I317/318/323 I324/983
		Outer part Sports seat Plus			
	991 521 141 04 GDC	Black			+AZ,+AJ
	991 521 141 04 GHC	Agate Grey			+FJ,+FZ
	991 521 141 04 GFC	Luxor Beige			+UJ,+UZ,+BT
	991 521 141 04 GTC	Graphite Blue			+HZ
	991 521 141 04 DUE	Saddle Tan			+SZ
	991 521 141 04 GUC	Bordeaux Red			+LZ,+BM
	991 521 141 04 GVC	Chalk			+BW
(1)	991 521 141 05	Backrest cover	/L /R	1	-I998/I317 I318/323/324 I541/983
		Outer part Sports seat Plus			
	991 521 141 05 GDC	Black			+AZ,+AJ
	991 521 141 05 GHC	Agate Grey			+FJ,+FZ
	991 521 141 05 GFC	Luxor Beige			+UJ,+UZ,+BT
	991 521 141 05 GTC	Graphite Blue			+HZ
	991 521 141 05 DUE	Saddle Tan			+SZ
	991 521 141 05 GUC	Bordeaux Red			+LZ,+BM
	991 521 141 05 GVC	Chalk			+BW
(1)	991 521 141 08	Backrest cover	/L /R	1	-I541/I317 I318/323/324 I983/998
		Outer part Sports seat Plus			
	991 521 141 08 GKC	Espresso			+NE
	991 521 141 08 GRC	Cognac			+BY
(1)	991 521 141 09	Backrest cover	/L /R	1	I317/318/323 I324/541/983 I998
		Outer part Sports seat Plus			
	991 521 141 09 GKC	Espresso			+NE
	991 521 141 09 GRC	Cognac			+BY
(1)	9P1 881 806	Backrest cover	/L /R	1	
		Outer part Sports seat Plus			
	9P1 881 806 JHD	Black/Dark Silver			+TD
	9P1 881 806 GTB	Graphite Blue/Chalk			+TG
(1)	991 521 981 06	Backrest cover	/L /R	1	-I541/-I998 IXSC/317/318 I323/324/983
		Outer part Sports seat Plus Porsche crest			
	991 521 981 06 GDC	Black			+AZ,+AJ
	991 521 981 06 GHC	Agate Grey			+FJ,+FZ
	991 521 981 06 GFC	Luxor Beige			+UJ,+UZ,+BT
	991 521 981 06 GTC	Graphite Blue			+HZ
	991 521 981 06 DUE	Saddle Tan			+SZ
	991 521 981 06 GUC	Bordeaux Red			+LZ,+BM
	991 521 981 06 GVC	Chalk			+BW
(1)	991 521 981 07	Backrest cover	/L /R	1	-I998/IXSC I317/318/323 I324/541/983

Model: 982-17

Model life 2017>>

Pos	Part Number	Description	Remark	Qty	Model
		Outer part Sports seat Plus Porsche crest			
	991 521 981 07 GDC	Black			+AZ, +AJ
	991 521 981 07 GHC	Agate Grey			+FJ, +FZ
	991 521 981 07 GFC	Luxor Beige			+UJ, +UZ, +BT
	991 521 981 07 GTC	Graphite Blue			+HZ
	991 521 981 07 DUE	Saddle Tan			+SZ
	991 521 981 07 GUC	Bordeaux Red			+LZ, +BM
	991 521 981 07 GVC	Chalk			+BW
(1)	991 521 981 08	Backrest cover	/L /R	1	-I541/IXSC I317/318/323 I324/983/998
		Outer part Sports seat Plus Porsche crest			
	991 521 981 08 GKC	Espresso			+NE
	991 521 981 08 GRC	Cognac			+BY
(1)	991 521 981 09	Backrest cover	/L /R	1	IXSC/317/318 I323/324/541 I983/998
		Outer part Sports seat Plus Porsche crest			
	991 521 981 09 GKC	Espresso			+NE
	991 521 981 09 GRC	Cognac			+BY
2	997 624 335 00	Electric motor		1	I541
		Seat cushion			
3	991 521 581 00	Sports seat Plus Foam part	/L /R	1	-I541/I317 I318/323/324
		Backrest Centre part Sport version			
(3)	991 521 581 01	Foam part	/L /R	1	I317/318/323 I324/541
		Backrest Centre part Sport version			
4	991 521 551 00	Cushion carrier	/L /R	1	I317/318/323 I324
		Backrest Sport version			
5	991 521 731 01	Airbag	/L /R	1	I317/318/323 I324/541
		Backrest Sport version			
6	991 521 151 01	Backrest cushion cover	/L /R	1	-I541/-I998 I317/318/323 I324/983
		Centre part Sport version			
	991 521 151 01 8YR	Black			+AJ, +AZ
	991 521 151 01 PL1	Agate Grey			+FJ, +FZ
	991 521 151 01 9H6	Luxor Beige			+UJ, +UZ, +BT
	991 521 151 01 OH7	Graphite Blue			+HZ
	991 521 151 01 OK6	Saddle Tan			+SZ
	991 521 151 01 OG6	Bordeaux Red			+LZ, +BM
	991 521 151 01 OL8	Chalk			+BW
(6)	991 521 151 03	Backrest cushion cover	/L /R	1	-I998/I317 I318/323/324 I541/983
		Centre part			

Model: 982-17

Model life 2017>>

Pos	Part Number	Description	Remark	Qty	Model
		Sport version			
	991 521 151 03 8YR	Black			+AJ, +AZ
	991 521 151 03 PL1	Agate Grey			+FJ, +FZ
	991 521 151 03 9H6	Luxor Beige			+UJ, +UZ, +BT
	991 521 151 03 OH7	Graphite Blue			+HZ
	991 521 151 03 OK6	Saddle Tan			+SZ
	991 521 151 03 OG6	Bordeaux Red			+LZ, +BM
	991 521 151 03 OL8	Chalk			+BW
(6)	991 521 151 05	Backrest cushion cover	/L /R	1	-I541/I317 I318/323/324 I983/998
		Centre part			
		Sport version			
	991 521 151 05 8C0	Espresso			+NE
	991 521 151 05 9EF	Cognac			+BY
(6)	991 521 151 06	Backrest cushion cover	/L /R	1	I317/318/323 I324/541/983 I998
		Centre part			
		Sport version			
	991 521 151 06 8C0	Espresso			+NE
	991 521 151 06 9EF	Cognac			+BY
7	991 521 899 00	Clip	/L /R	1	I317/318/323 I324
		Cushion			
		Backrest			
		Sport version			
8	991 521 721 04	Airbag with heating Seat cushion		1	I317/318/541
		Sports seat			
(8)	991 521 721 05	Airbag with heating Seat cushion Sports seat		1	I323/324/541
		Position			
		Deep			
		Adjustable			
9	991 521 539 00	Foam part		1	-I541/I323 I324
		Seat cushion			
		Sport version			
		Position			
		Deep			
		Adjustable			
(9)	991 521 539 01	Foam part Seat cushion Sport version		1	I323/324/541
		Position			
		Deep			
		Adjustable			
10	991 521 535 02	Foam part	/L /R	1	-I541/I317 I318/983
		Backrest			
		Outer part			
		Sport version			
(10)	991 521 535 03	Foam part	/L /R	1	I317/318/541
		Backrest			
		Outer part			
		Sport version			
(10)	991 521 535 04	Foam part	/L /R	1	-I541/I323 I324/983
		Backrest			

Model: 982-17 Model life 2017>>

Pos	Part Number	Description	Remark	Qty	Model
(10)	991 521 535 05	Outer part Sports seat Plus Foam part Backrest	/L /R	1	I323/324/541
11	991 521 161 38	Outer part Sports seat Plus Cover for cushion	/L	1	-I541/-I998 I317/983
	991 521 161 38 GDC	Sports seat Plus Black			+AZ,+AJ
	991 521 161 38 GHC	Agate Grey			+FJ,+FZ
	991 521 161 38 GFC	Luxor Beige			+UJ,+UZ,+BT
	991 521 161 38 GTC	Graphite Blue			+HZ
	991 521 161 38 DUE	Saddle Tan			+SZ
	991 521 161 38 GUC	Bordeaux Red			+LZ,+BM
	991 521 161 38 GVC	Chalk			+BW
(11)	991 521 161 40	Cover for cushion	/L	1	-I998/I317 I541/983
	991 521 161 40 GDC	Sports seat Plus Black			+AZ,+AJ
	991 521 161 40 GHC	Agate Grey			+FJ,+FZ
	991 521 161 40 GFC	Luxor Beige			+UJ,+UZ,+BT
	991 521 161 40 GTC	Graphite Blue			+HZ
	991 521 161 40 DUE	Saddle Tan			+SZ
	991 521 161 40 GUC	Bordeaux Red			+LZ,+BM
	991 521 161 40 GVC	Chalk			+BW
(11)	991 521 161 42	Cover for cushion	/L	1	-I541/-I998 I323/983
	991 521 161 42 GDC	Sports seat Plus Black			+AZ,+AJ
	991 521 161 42 GHC	Agate Grey			+FJ,+FZ
	991 521 161 42 GFC	Luxor Beige			+UJ,+UZ,+BT
	991 521 161 42 GTC	Graphite Blue			+HZ
	991 521 161 42 DUE	Saddle Tan			+SZ
	991 521 161 42 GUC	Bordeaux Red			+LZ,+BM
	991 521 161 42 GVC	Chalk			+BW
(11)	991 521 161 44	Cover for cushion	/L	1	-I998/I323 I541/983
	991 521 161 44 GDC	Sports seat Plus Black			+AZ,+AJ
	991 521 161 44 GHC	Agate Grey			+FJ,+FZ
	991 521 161 44 GFC	Luxor Beige			+UJ,+UZ,+BT
	991 521 161 44 GTC	Graphite Blue			+HZ
	991 521 161 44 DUE	Saddle Tan			+SZ
	991 521 161 44 GUC	Bordeaux Red			+LZ,+BM
	991 521 161 44 GVC	Chalk			+BW
(11)	991 521 161 39	Cover for cushion	/L	1	-I541/I317 I983/998
	991 521 161 39 GKC	Sports seat Plus Espresso			+NE
	991 521 161 39 GRC	Cognac			+BY
(11)	991 521 161 41	Cover for cushion	/L	1	I317/541/983 I998
	991 521 161 41 GKC	Sports seat Plus Espresso			+NE
	991 521 161 41 GRC	Cognac			+BY
(11)	991 521 161 43	Cover for cushion	/L	1	-I541/I323 I983/998
	991 521 161 43 GKC	Sports seat Plus Espresso			+NE
	991 521 161 43 GRC	Cognac			+BY
(11)	991 521 161 45	Cover for cushion	/L	1	I323/541/983 I998

Model: 982-17

Model life 2017>>

Pos	Part Number	Description	Remark	Qty	Model
(11)	991 521 161 45 GKC	Sports seat Plus Espresso	/R	1	+NE +BY -I541/-I998 I318/983
	991 521 161 45 GRC	Cognac			
	991 521 162 38	Cover for cushion			
	991 521 162 38 GDC	Sports seat Plus Black			
	991 521 162 38 GHC	Black			
	991 521 162 38 GFC	Agate Grey			
	991 521 162 38 GTC	Luxor Beige			
	991 521 162 38 DUE	Graphite Blue			
	991 521 162 38 GUC	Saddle Tan			
	991 521 162 38 GVC	Bordeaux Red			
(11)	991 521 162 40	Chalk Cover for cushion	/R	1	+AZ, +AJ +FJ, +FZ +UJ, +UZ, +BT +HZ +SZ +LZ, +BM +BW -I998/I318 I541/983
	991 521 162 40 GDC	Sports seat Plus Black			
	991 521 162 40 GHC	Black			
	991 521 162 40 GFC	Agate Grey			
	991 521 162 40 GTC	Luxor Beige			
	991 521 162 40 DUE	Graphite Blue			
	991 521 162 40 GUC	Saddle Tan			
	991 521 162 40 GVC	Bordeaux Red			
	991 521 162 40 GVC	Chalk			
	991 521 162 42	Chalk Cover for cushion			
(11)	991 521 162 42 GDC	Sports seat Plus Black	/R	1	+AZ, +AJ +FJ, +FZ +UJ, +UZ, +BT +HZ +SZ +LZ, +BM +BW -I541/-I998 I324/983
	991 521 162 42 GHC	Black			
	991 521 162 42 GFC	Agate Grey			
	991 521 162 42 GTC	Luxor Beige			
	991 521 162 42 DUE	Graphite Blue			
	991 521 162 42 GUC	Saddle Tan			
	991 521 162 42 GVC	Bordeaux Red			
	991 521 162 42 GVC	Chalk			
	991 521 162 44	Chalk Cover for cushion			
	(11)	991 521 162 44 GDC			
991 521 162 44 GHC		Black			
991 521 162 44 GFC		Agate Grey			
991 521 162 44 GTC		Luxor Beige			
991 521 162 44 DUE		Graphite Blue			
991 521 162 44 GUC		Saddle Tan			
991 521 162 44 GVC		Bordeaux Red			
991 521 162 44 GVC		Chalk			
991 521 162 39		Chalk Cover for cushion			
(11)		991 521 162 39 GKC	Sports seat Plus Espresso	/R	1
	991 521 162 39 GRC	Cognac			
	991 521 162 41	Cover for cushion			
(11)	991 521 162 41 GKC	Sports seat Plus Espresso	/R	1	+NE +BY I318/541/983 I998
	991 521 162 41 GRC	Cognac			
	991 521 162 43	Cover for cushion			
(11)	991 521 162 43 GKC	Sports seat Plus Espresso	/R	1	+NE +BY -I541/I324 I983/998
	991 521 162 43 GRC	Cognac			
	991 521 162 45	Cover for cushion			
(11)	991 521 162 45 GKC	Sports seat Plus Espresso	/R	1	+NE +BY I324/541/983 I998
	991 521 162 45 GKC	Espresso			

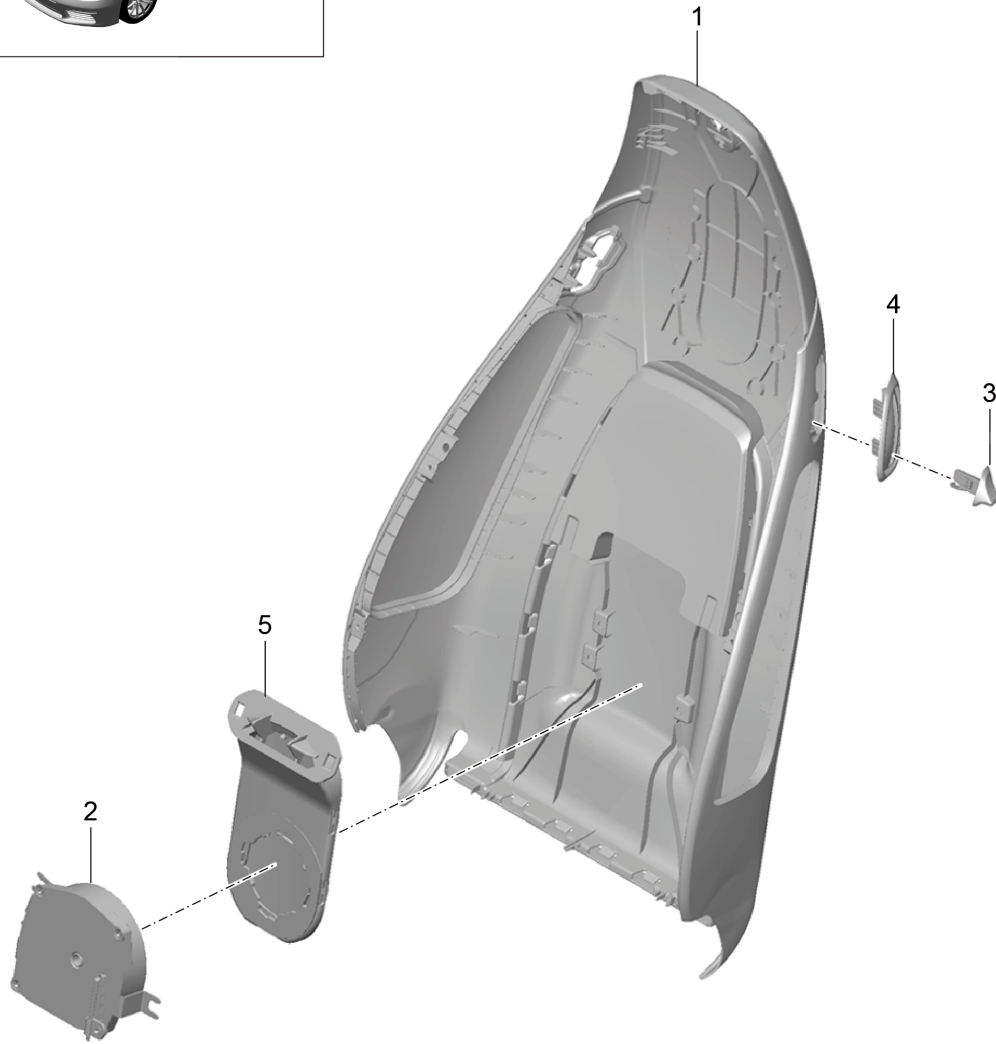
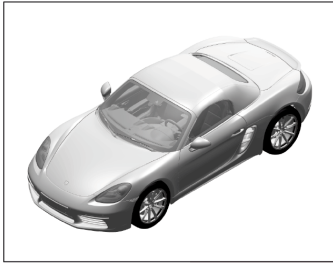
Model: 982-17

Model life 2017>>

Pos	Part Number	Description	Remark	Qty	Model
(11)	991 521 162 45 GRC 9P1 881 405	Cognac Cover for cushion Sports seat Plus Left	/L	1	+BY
	9P1 881 405 JHD	Black/Dark Silver			+TD
	9P1 881 405 GTB	Graphite Blue/Chalk			+TG
(11)	9P1 881 406	Cover for cushion Sports seat Plus Right	/R	1	
	9P1 881 406 JHD	Black/Dark Silver			+TD
	9P1 881 406 GTB	Graphite Blue/Chalk			+TG
(11)	9P1 881 405 A	Cover for cushion Sports seat Plus Left	/L	1	-I541/I323 I948
	9P1 881 405 A JHD	Black/Dark Silver			+TD
	9P1 881 405 A GTB	Graphite Blue/Chalk			+TG
(11)	9P1 881 406 A	Cover for cushion Sports seat Plus Right	/R	1	-I541/I324 I948
	9P1 881 406 A JHD	Black/Dark Silver			+TD
	9P1 881 406 A GTB	Graphite Blue/Chalk			+TG
12	991 521 571 04	Foam part Seat cushion Sports seat Plus	/L	1	-I541/I317 I983
(12)	991 521 571 05	Foam part Seat cushion Sports seat Plus	/L	1	I317/541
(12)	991 521 572 12	Foam part Seat cushion Sports seat Plus	/R	1	-I541/-I560 I318/983
(12)	991 521 572 13	Foam part Seat cushion Sports seat Plus	/R	1	-I560/I318 I541
(12)	991 521 571 06	Foam part Seat cushion Sports seat Plus	/L	1	-I541/I323 I983
(12)	991 521 571 07	Adjustable Foam part Seat cushion Sports seat Plus	/L	1	I323/541
(12)	991 521 572 14	Adjustable Foam part Seat cushion Sports seat Plus	/R	1	-I541/-I560 I324/983
(12)	991 521 572 15	Adjustable Foam part Seat cushion Sports seat Plus	/R	1	-I560/I324 I541
13	991 521 891 00	Clip Backrest cover		5	
14	N 015 261 2	Clamp Mount Cover for cushion		1	

Model: 982-17

Model life 2017>>



Model: 982-17 Model life 2017>>

Pos	Part Number	Description	Remark	Qty	Model
		Backrest shell			I317/318/323 I324
1	991 521 303 03	Sports seat Plus Accessories Backrest shell	/L	1	-IXWK/I317 I323
(1)	991 521 303 03 D20	Sport version			
	991 521 304 03	Silver Grey Metallic Backrest shell	/R	1	-IXWK/I318 I324
(1)	991 521 304 03 D20	Sport version			
	991 521 985 01	Silver Grey Metallic Backrest shell	/L	1	-I998/IXWK I323/983
	991 521 985 01 A11	Sports seat Plus Black			+AJ,+AZ
	991 521 985 01 OA1	Agate Grey			+FJ,+FZ
	991 521 985 01 7J0	Luxor Beige			+UJ,+UZ,+BT
	991 521 985 01 OK6	Saddle Tan			+SZ
	991 521 985 01 OG6	Bordeaux Red			+LZ,+BM
	991 521 985 01 OH7	Graphite Blue			+HZ
	991 521 985 01 OL8	Chalk			+BW
(1)	991 521 986 01	Backrest shell	/R	1	-I998/IXWK I324/983
	991 521 986 01 A11	Sports seat Plus Black			+AJ,+AZ
	991 521 986 01 OA1	Agate Grey			+FJ,+FZ
	991 521 986 01 7J0	Luxor Beige			+UJ,+UZ,+BT
	991 521 986 01 OK6	Saddle Tan			+SZ
	991 521 986 01 OG6	Bordeaux Red			+LZ,+BM
	991 521 986 01 OH7	Graphite Blue			+HZ
	991 521 986 01 OL8	Chalk			+BW
(1)	991 521 985 02	Backrest shell	/L	1	IXWK/323/983 I998
	991 521 985 02 6J0	Sports seat Plus Leather Espresso			+NE
	991 521 985 02 7F0	Cognac			+BY
(1)	991 521 986 02	Backrest shell	/R	1	IXWK/324/983 I998
	991 521 986 02 6J0	Sports seat Plus Leather Espresso			+NE
	991 521 986 02 7F0	Cognac			+BY
2	997 624 337 00	Electric motor		1	I541
3	991 521 623 00	Backrest Control button	/L	1	I317/318/323 I324
(3)	991 521 623 00 V08	Backrest locking lever Sport version Galvano silver			
	991 521 624 00	Control button	/R	1	I317/318/323 I324
4	991 521 624 00 V08	Backrest locking lever Sport version Galvano silver			
	991 521 621 01	Rosette	/L	1	-IXWK/I317 I318/323/324
(4)	991 521 621 01 D20	Control button Sport version Backrest locking lever Silver Grey Metallic			
	991 521 622 01	Rosette	/R	1	-IXWK/I317

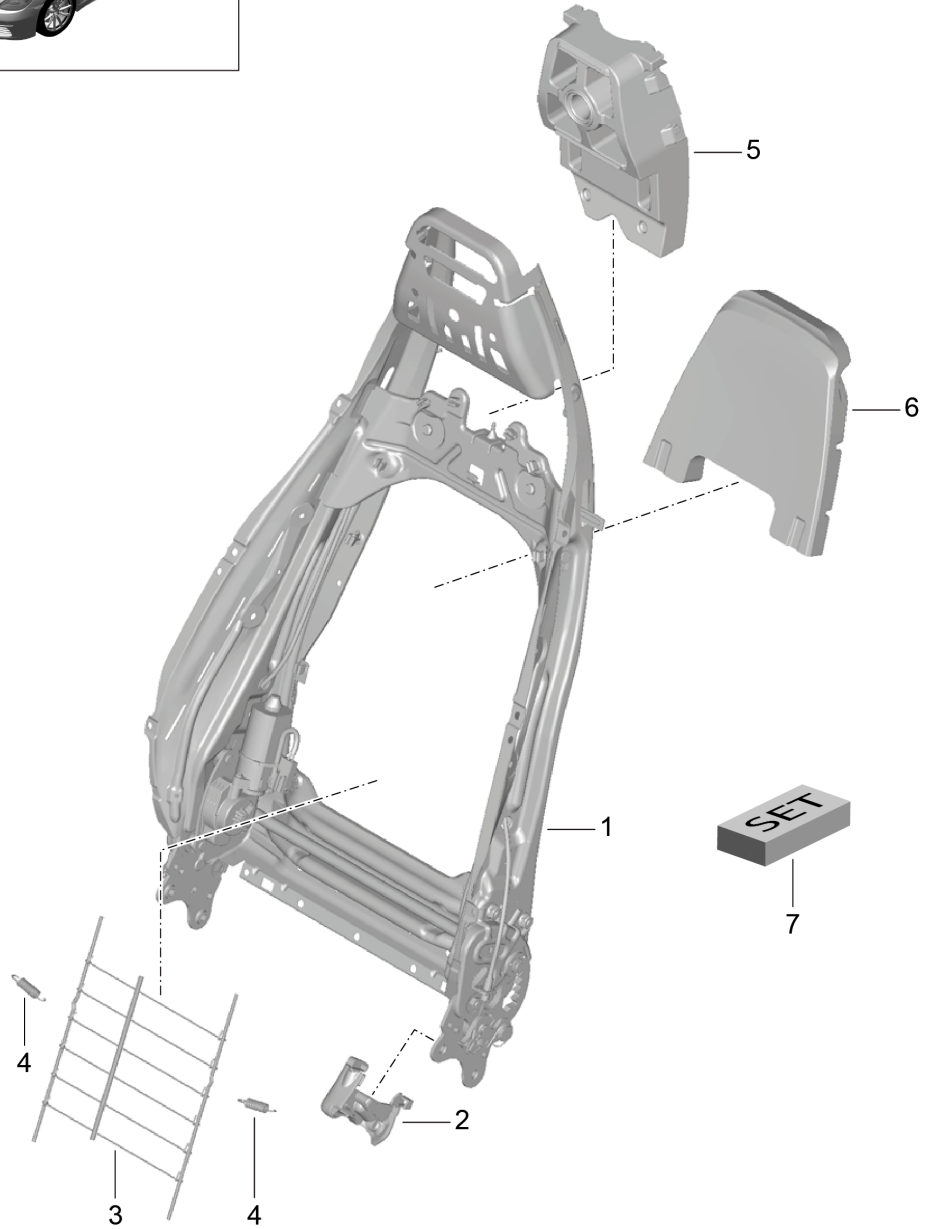
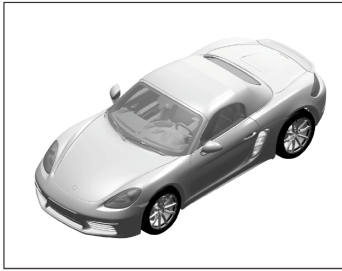
Model: 982-17

Model life 2017>>

Pos	Part Number	Description	Remark	Qty	Model
5	991 521 622 01 D20 997 521 733 00	Control button Sport version Backrest locking lever Silver Grey Metallic Air duct Backrest		1	I318/323/324 I317/318/323 I324/541

Model: 982-17

Model life 2017>>



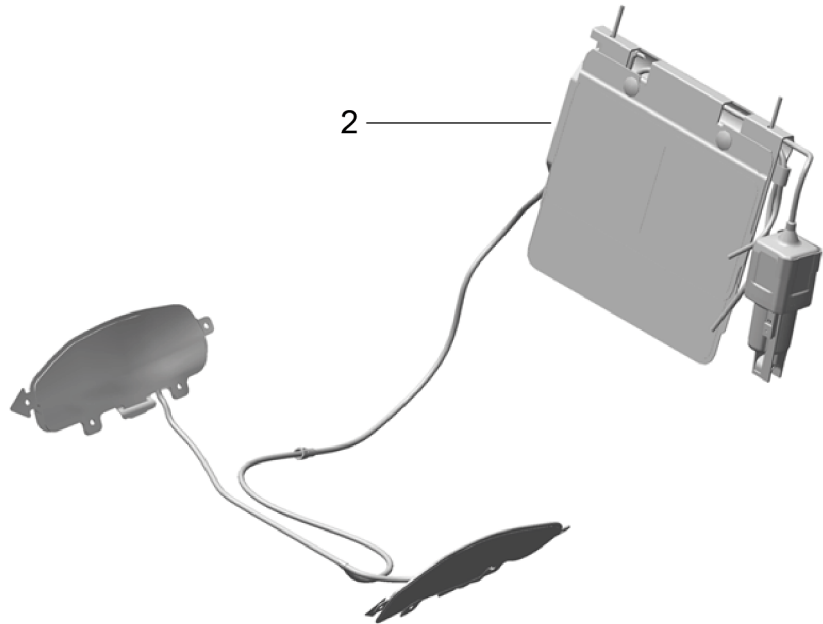
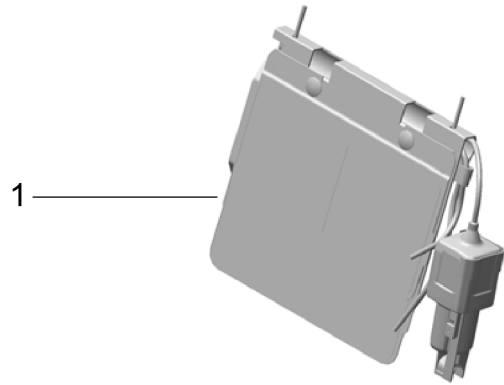
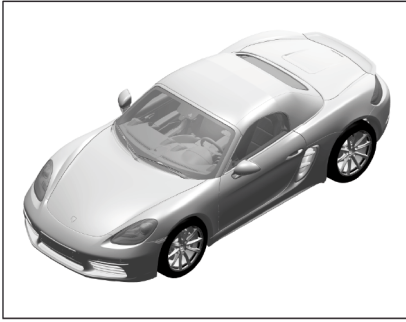
Model: 982-17

Model life 2017>>

Pos	Part Number	Description	Remark	Qty	Model
		Backrest frame			I317/318/323 I324
1	9P1 881 045 E	Sports seat Plus Accessories Backrest frame Sport version without Memory		1	I317/318
(1)	9P1 881 045 F	Backrest frame Sport version with Memory		1	I323/324
2	991 521 335 01	Cover	/L	1	-IXWK/I321 I323
		Mounting component Inner Sport version			
(2)	991 521 335 01 D20 991 521 338 01	Silver Grey Metallic Cover	/L	1	-IXWK/I321 I323
		Mounting component Inner Tunnel Sport version			
(2)	991 521 338 01 D20 991 521 336 01	Silver Grey Metallic Cover	/R	1	-IXWK/I322 I324
		Mounting component Inner Sport version			
(2)	991 521 336 01 D20 991 521 337 01	Silver Grey Metallic Cover	/R	1	-IXWK/I322 I324
		Mounting component Inner Tunnel Sport version			
3	991 521 337 01 D20 991 521 855 00	Silver Grey Metallic Grille		1	I317/318/323 I324
4	991 521 893 00	Backrest frame Tension spring	/L /R	1	I317/318/323 I324
5	991 521 887 02	Grille Backrest frame Foam part		1	I317/318/323 I324
6	991 521 897 01	Head rest Backrest frame Sport version Foam part		1	I317/318/323 I324
7	991 521 902 00	Backrest Backrest frame Sport version Repair kit Backrest Mounting parts		1	

Model: 982-17

Model life 2017>>



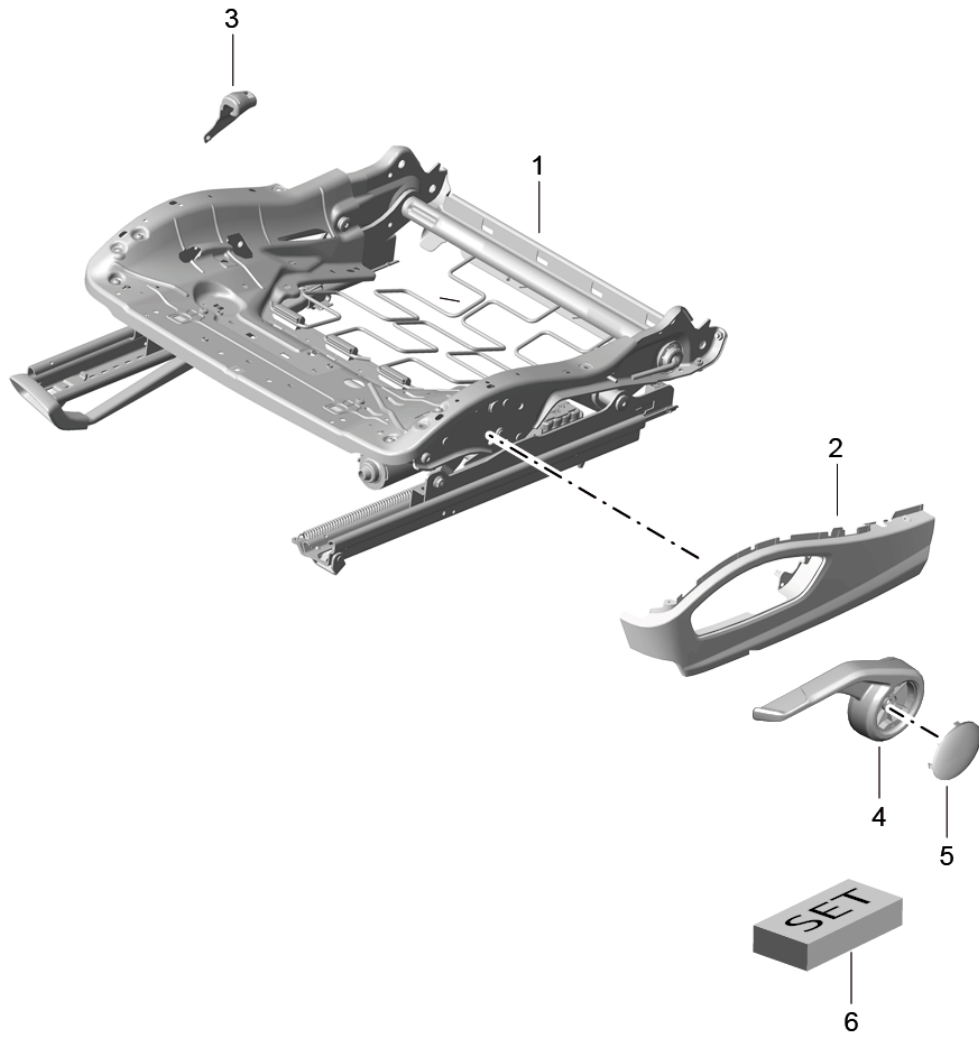
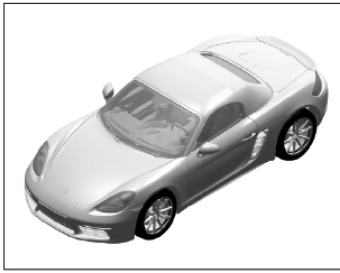
Model: 982-17

Model life 2017>>

Pos	Part Number	Description	Remark	Qty	Model
		Lumbar support			I321/322/323 I324
1	991 521 394 00	Accessories Lumbar support Units without Memory		1	I322
(1)	991 521 393 00	Lumbar support Units with Memory		1	I321
2	991 521 394 01	Lumbar support Units without Memory		1	I324
(2)	991 521 393 01	Lumbar support Units with Memory		1	I323

Model: 982-17

Model life 2017>>



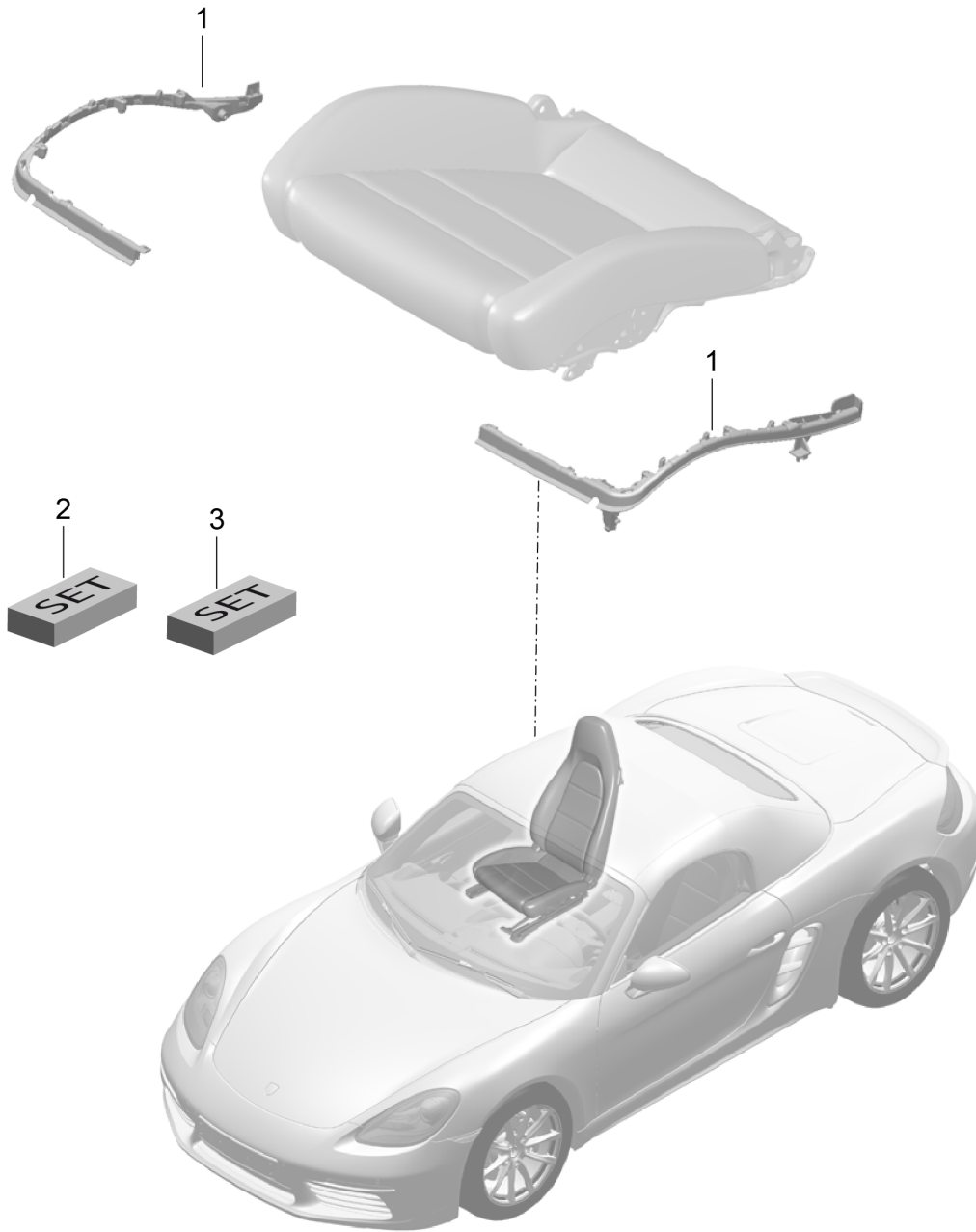
Model: 982-17

Model life 2017>>

Pos	Part Number	Description	Remark	Qty	Model
		Seat adjuster			I317/318/323 I324
1	9P2 881 105 A	Sports seat Plus Accessories Repair kit Seat occupancy detection Trim for switch Seat adjuster	/L	1	I317
(1)	9P2 881 106 A	Sports seat Manually Seat adjuster	/R	1	I318
(1)	9P1 881 105 G	Sports seat Manually Seat adjuster	/L	1	I323
(1)	9P1 881 106 G	Sports seat Electric with Memory Seat adjuster	/R	1	I324
2	991 521 325 00	Sports seat Plus Trim for switch	/L	1	-IXWK/I323
(2)	991 521 325 00 D20	Silver Grey Metallic Trim for switch	/R	1	-IXWK/I324
(2)	991 521 326 00 D20	Sports seat Plus Silver Grey Metallic Trim for switch	/L	1	I317
(2)	981 521 325 00 1E0	Sports seat Plus Black Trim for switch	/R	1	I318
3	991 521 612 00	Sports seat Plus Black Protective plate Seat-belt buckle		1	I318/324/560
4	981 521 627 00	Seat adjuster Front seat Actuating lever Height adjustment	/L	1	I317
(4)	981 521 627 00 1E0	Seat adjuster Front seat Black Actuating lever Height adjustment	/R	1	I318
5	981 521 628 00	Seat adjuster Front seat Black Cap		1	I317/318
6	991 618 947 02	Actuating lever Black Repair kit		1	-I541/I322 I560
(6)	991 618 948 02	Seat occupancy detection Repair kit Seat occupancy detection		1	I322/541/560

Model: 982-17

Model life 2017>>



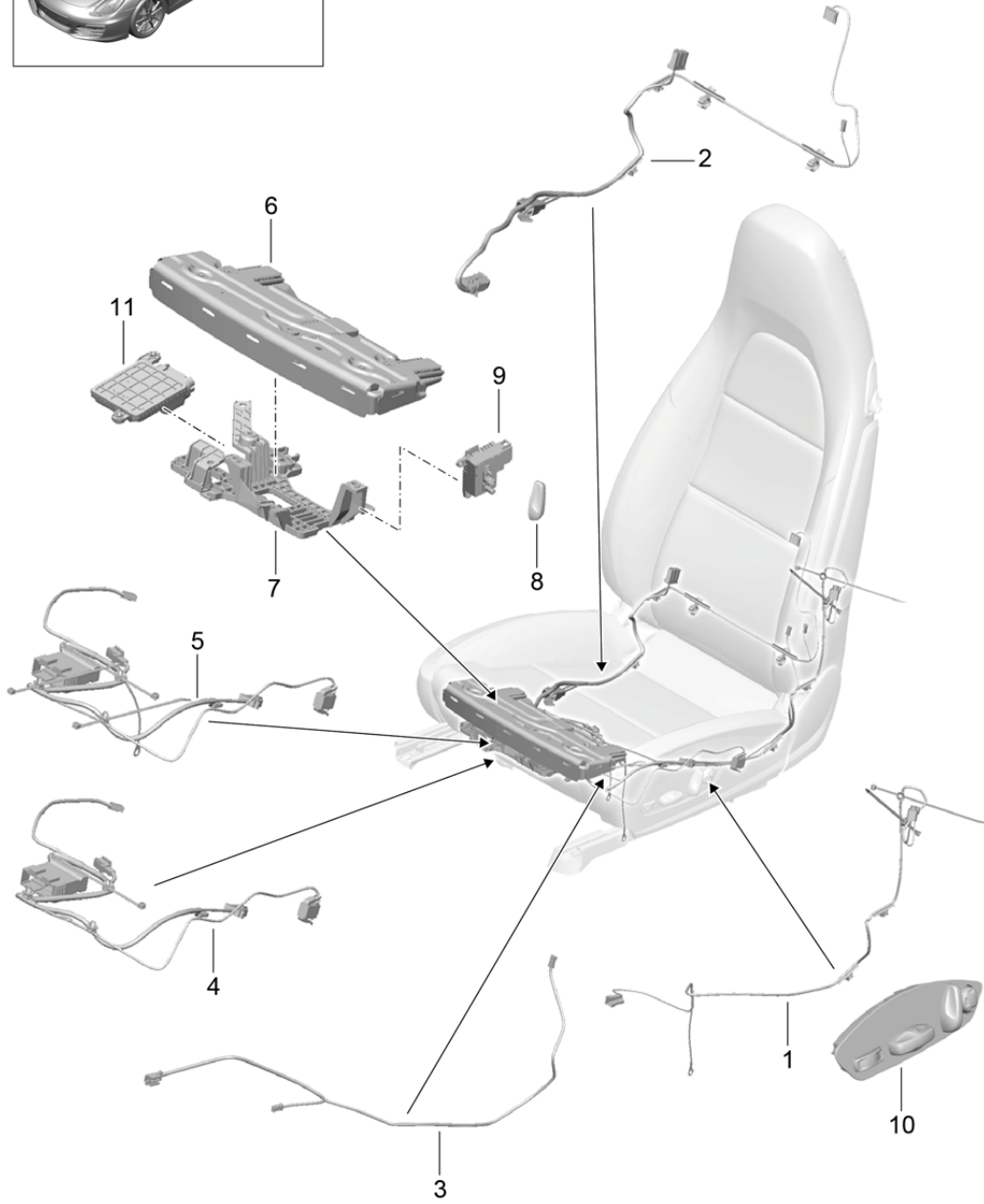
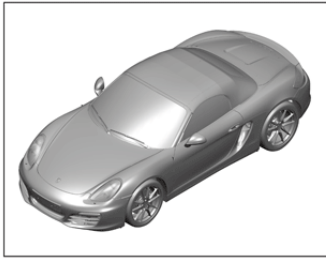
Model: 982-17

Model life 2017>>

Pos	Part Number	Description	Remark	Qty	Model
		Cushion carrier			I317/318/323 I324
1	991 521 547 00	Frame Seat surface Sports seat Plus Repair kit Seat occupancy detection	/R	1	I318/324
(1)	991 521 548 00	Frame Cushion carrier Seat surface Sports seat Plus Inner	/L	1	I317/323
(1)	991 521 545 00	Frame Cushion carrier Seat surface Sports seat Plus Inner	/L	1	I317/323
(1)	991 521 546 00	Frame Cushion carrier Seat surface Sports seat Plus Outer	/R	1	I318/324

Model: 982-17

Model life 2017>>



Model: 982-17

Model life 2017>>

Pos	Part Number	Description	Remark	Qty	Model
		Wiring harnesses Switch Control unit Electric motor Sports seat			I317/318/323 I324
1	9P1 972 171	Wiring harness	/L	1	I317/323
(1)	991 622 796 00	Airbag Wiring harness	/R	1	I318/324
		Airbag Seat			
(1)	9P1 972 173	D >> 22.06.2015 Wiring harness	/R	1	I318/324
		Airbag Seat			
(1)	9P1 972 173 A	D 23.06.2015>> 03.11.2016 Wiring harness	/R	1	I318/324
		Airbag Seat			
2	991 622 787 02	D 04.11.2016>> Wiring harness		1	I317/318
		Backrest frame Adjustment Tilt angle			
(2)	9P1 971 369 A	Wiring harness		1	I323
		Backrest frame Adjustment Tilt angle			
(2)	9P1 971 370 A	Lumbar Memory ADAPTIV Wiring harness		1	I324
		Backrest frame Adjustment Tilt angle			
3	991 622 797 00	Lumbar ADAPTIV Wiring harness		1	I317/318/323 I324/541
		Fan Seat Vented			
4	981 622 761 02	Wiring harness	/L	1	-I342/-I560 I317
		Seat			
(4)	981 622 762 02	Wiring harness	/R	1	-I342/-I560 I318
		Seat			
(4)	9P3 971 391 B	Wiring harness	/LL	1	-I342/-I560 I098/321
		Seat			
(4)	9P3 971 392 B	Driver's side Wiring harness	/LL	1	-I342/-I560 I098/322
		Seat			
(4)	9P4 971 391 B	Passenger's side Wiring harness	/RL	1	-I342/-I560 I099/322
		Seat			
(4)	9P4 971 392 B	Driver's side Wiring harness	/RL	1	-I342/-I560 I099/321
		Seat			

Model: 982-17 Model life 2017>>

Pos	Part Number	Description	Remark	Qty	Model
(4)	981 622 769 02	Passenger's side Wiring harness	/L	1	-I342/I317 I560
(4)	981 622 770 02	Seat Wiring harness	/R	1	-I342/I318 I560
(4)	9P1 971 391 B	Seat Wiring harness	/L	1	-I342/I321 I323/560
(4)	9P1 971 392 B	Seat Left Wiring harness	/R	1	-I342/I322 I560
5	981 622 775 02	Seat Right Wiring harness	/L	1	-I560/I317 I342
(5)	981 622 776 02	Seat with heating Wiring harness	/R	1	-I560/I318 I342
(5)	9P3 971 391 C	Seat with heating Wiring harness	/LL	1	-I560/I098 I321/342
(5)	9P3 971 392 C	Seat with heating Wiring harness		1	-I560
(5)	9P4 971 391 C	Seat Passenger's side It is necessary to rework Wiring harness	/RL	1	-I560/I099 I322/342
(5)	9P4 971 392 C	Seat with heating Passenger's side Wiring harness	/RL	1	-I560/I099 I321/342
(5)	981 622 781 02	Seat with heating Driver's side Wiring harness	/L	1	I317/342/560
(5)	981 622 782 02	Seat with heating Wiring harness	/R	1	I318/342/560
(5)	9P1 971 391 C	Seat with heating Wiring harness		1	
(5)	9P1 971 392 C	Seat Driver's side It is necessary to rework Wiring harness	/R	1	
6	970 521 749 00	Right Electric drive Seat adjuster Wide Deep		1	I323/324
7	991 521 643 02	Adjustable Support Electronic component Seat adjuster Sports seat		1	I323/324

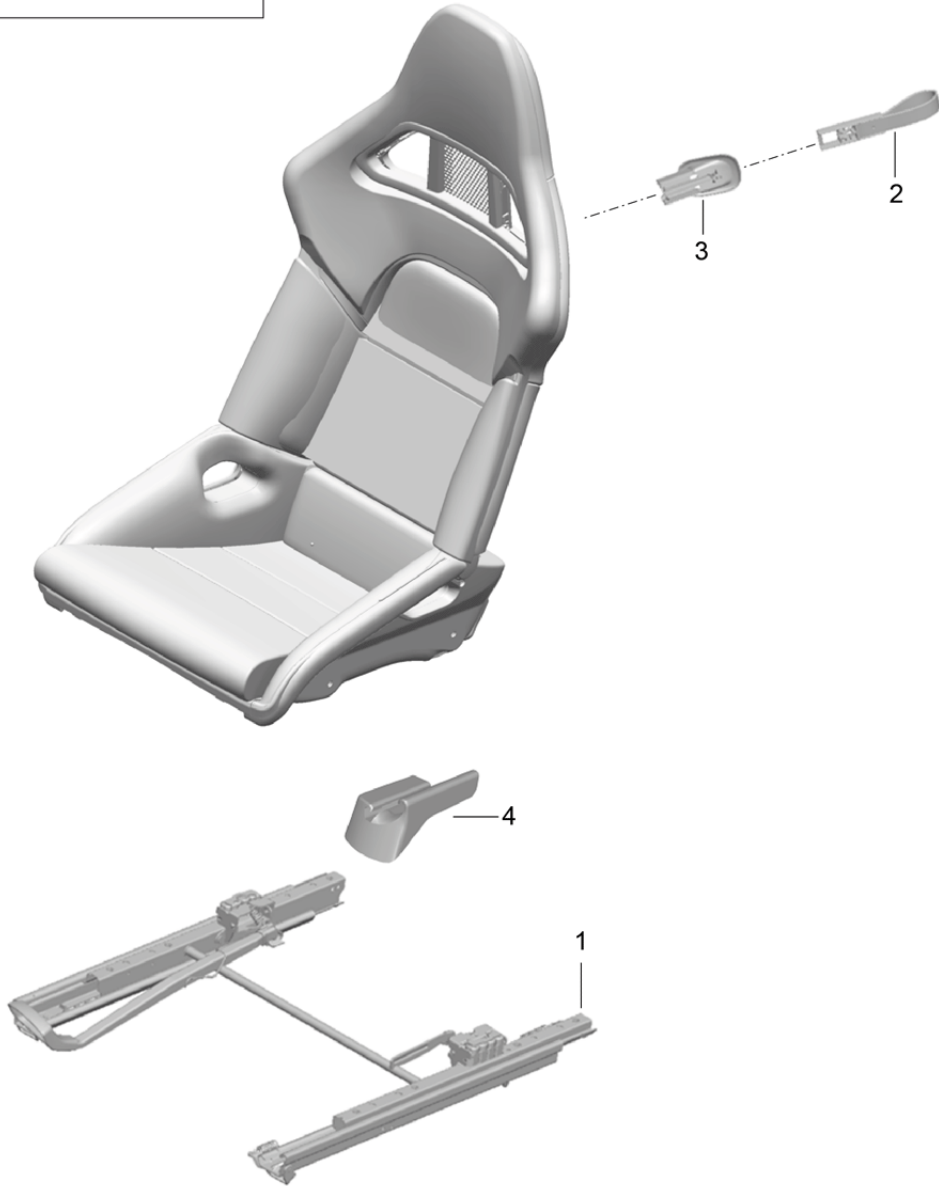
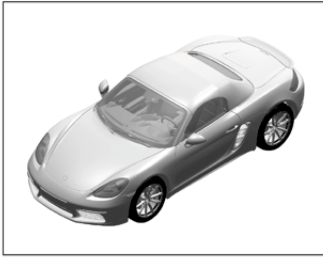
Model: 982-17

Model life 2017>>

Pos	Part Number	Description	Remark	Qty	Model
(7)	991 521 643 00	Support Electronic component Seat adjuster Sports seat		1	-I541/I317 I318
(7)	991 521 643 01	Support Electronic component Seat adjuster Sports seat		1	I317/318/541
8	981 613 713 00	Control button Seat adjuster Sports seat		1	I317/318
9	981 613 713 00 1E0 997 613 713 01	Black Switch Seat adjuster Sports seat	/L	1	I317
(9)	997 613 714 01	Switch Seat adjuster Sports seat	/R	1	I318
(10)	7PP 959 747 AB	Switch insert Seat adjuster	/L	1	I323
(10)	7PP 959 747 AB DMN 7PP 959 748 AB	Galvano silver Switch insert Seat adjuster	/R	1	I324
11	7PP 959 748 AB DMN 970 618 245 03	Galvano silver Control unit Seat occupancy detection		1	I318/324/560

Model: 982-17

Model life 2017>>

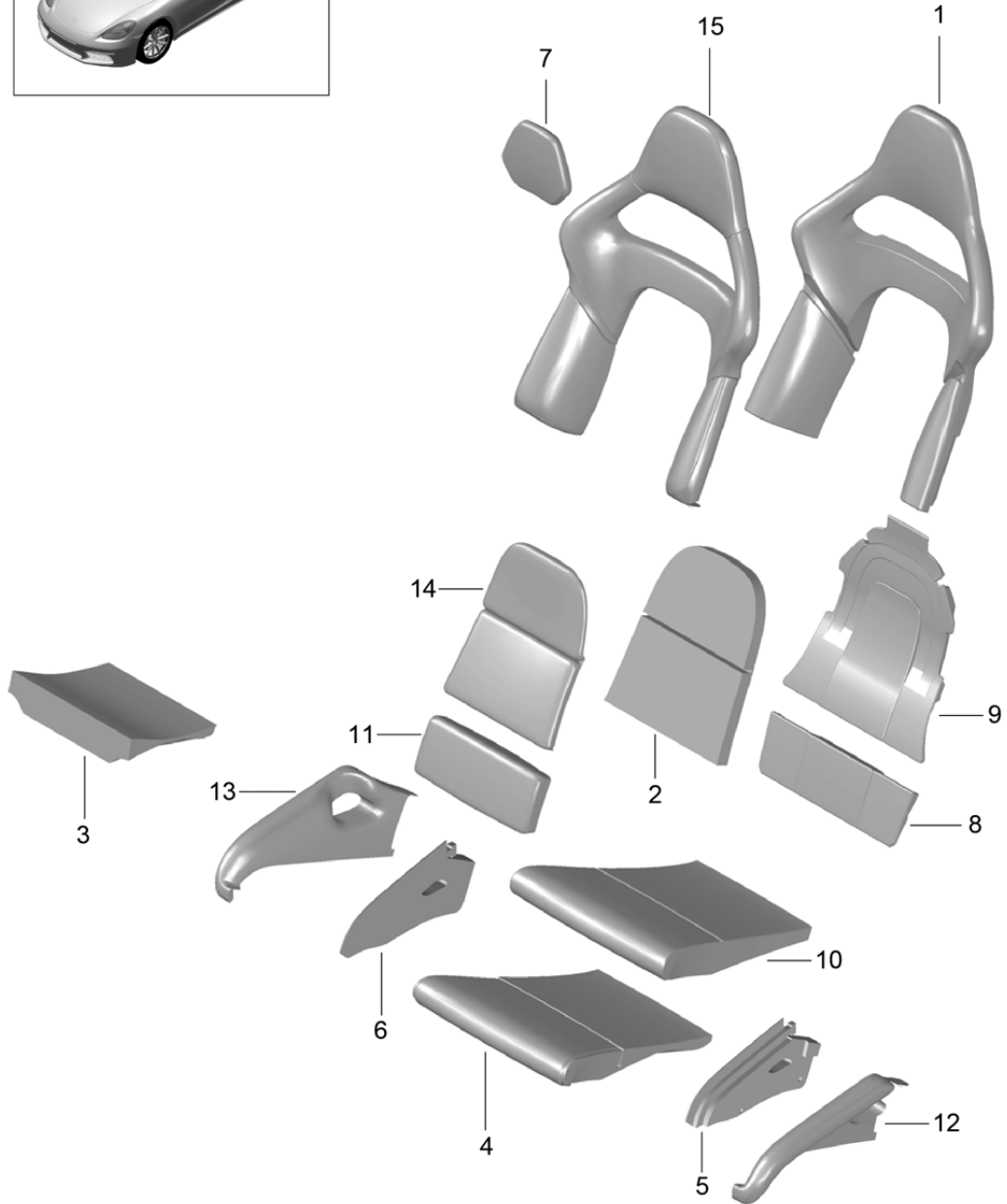
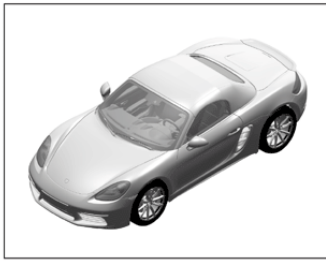


Model: 982-17 Model life 2017>>

Pos	Part Number	Description	Remark	Qty	Model
		Bucket seat Collapsible Complete Not available			I388/389
1	997 521 429 01	Set Seat rail Driver's side	/L	1	I388
(1)	997 521 430 02	Set Seat rail Driver's side	/R	1	I389
2	991 521 541 00	Traction noose Backrest frame	/L	1	I388
(2)	991 521 541 00 A80	Black			
	991 521 542 00	Traction noose Backrest frame	/R	1	I389
	991 521 542 00 A80	Black			
3	997 521 538 00	Rosette Traction noose Backrest frame	/R	1	I389
(3)	997 521 538 00 01C	Satin black			
	997 521 537 00	Rosette Traction noose Backrest frame	/L	1	I388
	997 521 537 00 01C	Satin black			
4	991 521 359 00	Rail Seat rail Manually	/L	1	I317/388
(4)	991 521 359 00 1E0	Black			
	991 521 360 00	Rail Seat rail Manually	/R	1	I318/389
(4)	991 521 360 00 1E0	Black			
	991 521 361 00	Rail Seat rail	/R	1	I318/323/324 I389
(4)	991 521 361 00 1E0	Black			
	991 521 362 00	Rail Seat rail	/L	1	I317/323/324 I389
	991 521 362 00 1E0	Black			

Model: 982-17

Model life 2017>>



Model: 982-17

Model life 2017>>

Pos	Part Number	Description	Remark	Qty	Model
		Foam part Cover Seat and backrest surface Bucket seat Collapsible			I388/389
1	997 521 447 00	Foam part Backrest Outer part		1	I388/389
2	991 521 448 00	Foam part Backrest Centre part		1	I388/389
3	997 521 441 00	Foam part Seat cushion Rear		1	I388/389
4	991 521 440 01	Foam part Seat cushion Front		1	I388/389
5	997 521 443 00	Foam part Seat cushion Lateral Outer Left	/L	1	I388
(5)	997 521 444 00	Foam part Seat cushion Lateral Inner Left	/L	1	I388
6	997 521 446 00	Foam part Seat cushion Lateral Outer Right	/R	1	I389
(6)	997 521 445 00	Foam part Seat cushion Lateral Inner Right	/R	1	I389
7	997 521 458 00	Foam part Head rest		1	I388/389
8	991 521 456 00	Foam part Seat cushion Rear		1	I388/389
9	997 521 457 00	Foam part Backrest		1	I388/389
10	991 521 380 03	Cover for cushion Front		1	-I998/I388 I389/983
	991 521 380 03 8YR	Black			+AJ, +AZ
	991 521 380 03 PL1	Agate Grey			+FJ, +FZ
	991 521 380 03 OK6	Saddle Tan			+SZ
	991 521 380 03 9H6	Luxor Beige			+UJ+UZ, +BT
	991 521 380 03 OG6	Bordeaux Red			+LZ, +BM
	991 521 380 03 OH7	Graphite Blue			+HZ
	991 521 380 03 OL8	Chalk			+BW
(10)	991 521 380 04	Cover for cushion Front		1	I388/389/983 I998
	991 521 380 04 8C0	Espresso			+NE
	991 521 380 04 9EF	Cognac			+BY
11	997 521 381 00	Cover for cushion Rear		1	-I998/I388 I389/983
	997 521 381 00 8YR	Black			+AJ, +AZ

Model: 982-17 Model life 2017>>

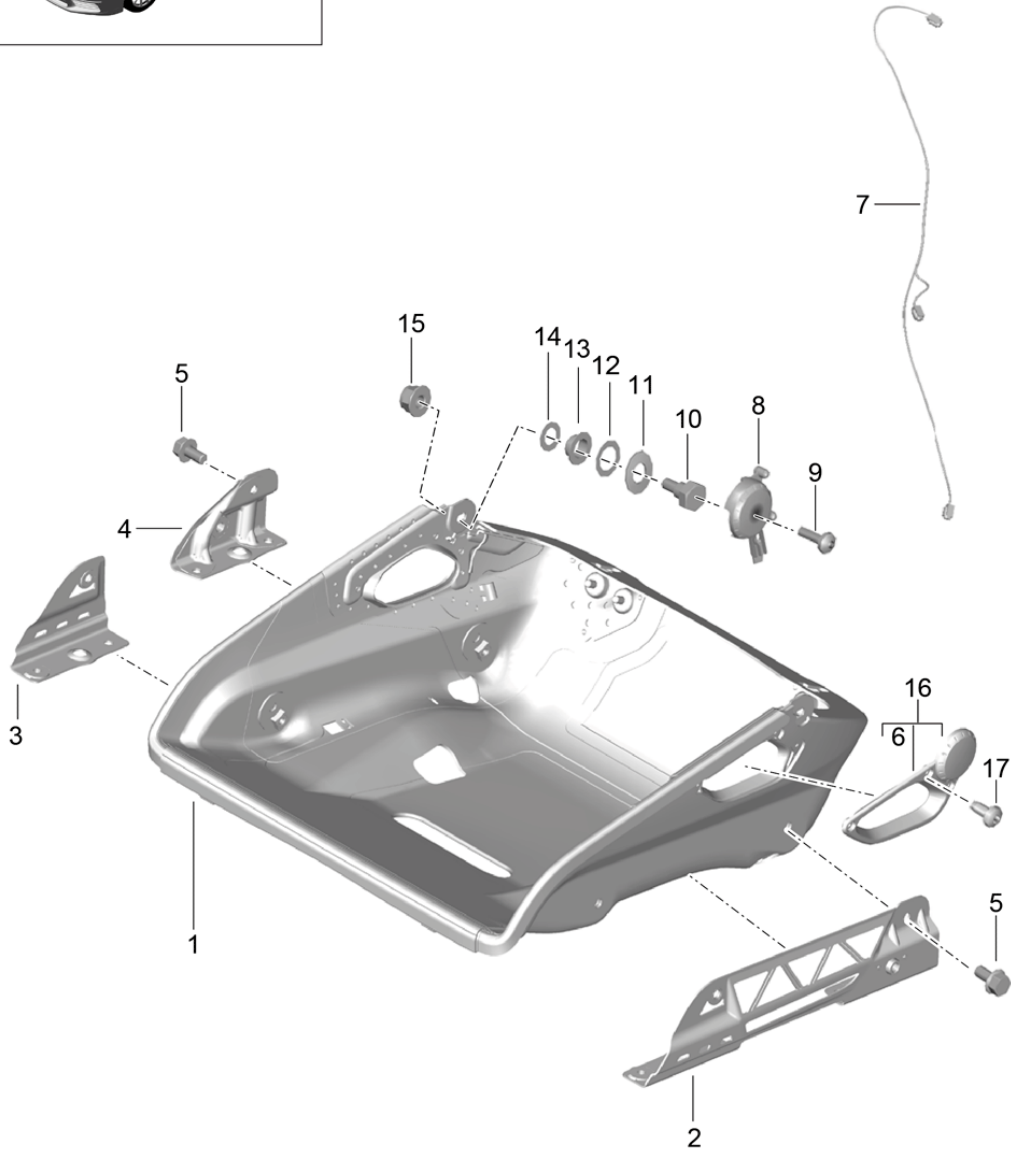
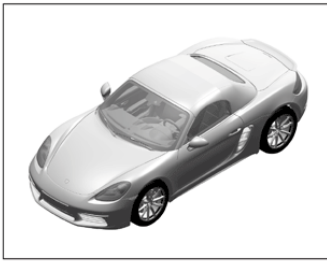
Pos	Part Number	Description	Remark	Qty	Model
	997 521 381 00 PL1	Agate Grey			+FJ,+FZ
	997 521 381 00 OK6	Saddle Tan			+SZ
	997 521 381 00 9H6	Luxor Beige			+UJ,+UZ,+BT
	997 521 381 00 OG6	Bordeaux Red			+LZ,+BM
	997 521 381 00 OH7	Graphite Blue			+HZ
	997 521 381 00 OL8	Chalk			+BW
(11)	991 521 381 00	Cover for cushion		1	I388/389/983 I998
		Rear			
	991 521 381 00 8C0	Espresso			+NE
	991 521 381 00 9EF	Cognac			+BY
12	991 521 383 01	Cover	/L	1	-I998/I388 I983
		Lateral			
		Outer			
	991 521 383 01 8YR	Black			+AJ,+AZ
	991 521 383 01 PL1	Agate Grey			+FJ,+FZ
	991 521 383 01 OK6	Saddle Tan			+SZ
	991 521 383 01 9H6	Luxor Beige			+UJ,+UZ,+BT
	991 521 383 01 OG6	Bordeaux Red			+LZ,+BM
	991 521 383 01 OH7	Graphite Blue			+HZ
	991 521 383 01 OL8	Chalk			+BW
(12)	991 521 383 00	Cover	/L	1	I388/983/998
		Lateral			
		Outer			
	991 521 383 00 8C0	Espresso			+NE
	991 521 383 00 9EF	Cognac			+BY
(12)	991 521 384 01	Cover	/L	1	-I998/I388 I983
		Lateral			
		Inner			
	991 521 384 01 8YR	Black			+AJ,+AZ
	991 521 384 01 PL1	Agate Grey			+FJ,+FZ
	991 521 384 01 OK6	Saddle Tan			+SZ
	991 521 384 01 9H6	Luxor Beige			+UJ,+UZ,+BT
	991 521 384 01 OG6	Bordeaux Red			+LZ,+BM
	991 521 384 01 OH7	Graphite Blue			+HZ
	991 521 384 01 OL8	Chalk			+BW
(12)	991 521 384 00	Cover	/L	1	I388/983/998
		Lateral			
		Inner			
	991 521 384 00 8C0	Espresso			+NE
	991 521 384 00 9EF	Cognac			+BY
(13)	991 521 386 01	Cover	/R	1	-I998/I389 I983
		Lateral			
		Outer			
	991 521 386 01 8YR	Black			+AJ,+AZ
	991 521 386 01 PL1	Agate Grey			+FJ,+FZ
	991 521 386 01 OK6	Saddle Tan			+SZ
	991 521 386 01 9H6	Luxor Beige			+UJ,+UZ,+BT
	991 521 386 01 OG6	Bordeaux Red			+LZ,+BM
	991 521 386 01 OH7	Graphite Blue			+HZ
	991 521 386 01 OL8	Chalk			+BW
(13)	991 521 386 00	Cover	/R	1	I389/983/998
		Lateral			
		Outer			
	991 521 386 00 8C0	Espresso			+NE
	991 521 386 00 9EF	Cognac			+BY
(13)	991 521 385 01	Cover	/R	1	-I998/I389 I983
		Lateral			
		Inner			

Model: 982-17 Model life 2017>>

Pos	Part Number	Description	Remark	Qty	Model
(13)	991 521 385 01 8YR	Black	/R	1	+AJ, +AZ
	991 521 385 01 PL1	Agate Grey			+FJ, +FZ
	991 521 385 01 OK6	Saddle Tan			+SZ
	991 521 385 01 9H6	Luxor Beige			+UJ, +UZ, +BT
	991 521 385 01 OG6	Bordeaux Red			+LZ, +BM
	991 521 385 01 OH7	Graphite Blue			+HZ
	991 521 385 01 OL8	Chalk			+BW
	991 521 385 00	Cover			I389/983/998
		Lateral			
		Inner			
	991 521 385 00 8C0	Espresso			+NE
	991 521 385 00 9EF	Cognac			+BY
	14	997 521 387 00			Cover
		Centre part			
		Backrest			
997 521 387 00 8YR		Black	+AJ, +AZ		
997 521 387 00 PL1		Agate Grey	+FJ, +FZ		
997 521 387 00 OK6		Saddle Tan	+SZ		
997 521 387 00 9H6		Luxor Beige	+UJ, +UZ, +BT		
997 521 387 00 OG6		Bordeaux Red	+LZ, +BM		
997 521 387 00 OH7		Graphite Blue	+HZ		
997 521 387 00 OL8		Chalk	+BW		
991 521 387 00		Cover	I388/389/983 I998		
		Centre part			
		Backrest			
991 521 387 00 8C0	Espresso	+NE			
991 521 387 00 9EF	Cognac	+BY			
15	991 521 388 01	Cover		1	-I998/I388 I389/983
		Backrest			
		Outer			
	991 521 388 01 8YR	Black			+AJ, +AZ
	991 521 388 01 PL1	Agate Grey			+FJ, +FZ
	991 521 388 01 OK6	Saddle Tan			+SZ
	991 521 388 01 9H6	Luxor Beige			+UJ, +UZ, +BT
	991 521 388 01 OG6	Bordeaux Red			+LZ, +BM
	991 521 388 01 OH7	Graphite Blue			+HZ
	991 521 388 01 OL8	Chalk			+BW
	991 521 388 00	Cover			I388/389/983 I998
		Backrest			
		Outer			
991 521 388 00 8C0	Espresso	+NE			
991 521 388 00 9EF	Cognac	+BY			
(15)	991 521 981 16	Backrest cover		1	-I998/IXSC I388/389/983
		Outer part with Porsche crest			
	991 521 981 16 GDC	Black			+AJ, +AZ
	991 521 981 16 GHC	Agate Grey			+FJ, +FZ
	991 521 981 16 GFC	Luxor Beige			+UJ, +UZ, +BT
	991 521 981 16 DUE	Saddle Tan			+SZ
	991 521 981 16 GUC	Bordeaux Red			+LZ, +BM
	991 521 981 16 GTC	Graphite Blue			+HZ
	991 521 981 16 GVC	Chalk			+BW
	991 521 981 17	Backrest cover			IXSC/388/389 I983/998
		Outer part			
	991 521 981 17 GKC	Espresso			+NE
	991 521 981 17 GRC	Cognac			+BY

Model: 982-17

Model life 2017>>



Model: 982-17 Model life 2017>>

Pos	Part Number	Description	Remark	Qty	Model
		Bucket seat Collapsible Seat adjuster Accessories			I388/389
1	991 521 281 00	Cup	/L	1	I388
		Seat adjuster without Seat occupancy detection			
2	997 521 433 01	Adapter		1	I388
		Seat adjuster Outer			
(2)	997 521 434 01	Left Adapter		1	I389
		Seat adjuster Outer			
		Right			
3	997 521 436 01	Adapter		1	I388
		Seat adjuster Inner front			
		Right			
(3)	997 521 435 01	Adapter		1	I389
		Seat adjuster Inner front			
		Left without Seat occupancy detection			
4	997 521 438 01	Adapter		1	I388
		Seat adjuster Inner rear			
		Right			
(4)	997 521 437 01	Adapter		1	I389
		Seat adjuster Inner rear			
		Left without Seat occupancy detection			
6	997 521 561 00	Cover	/L	1	I388/389
		Seat belt Lower			
(6)	997 521 561 00 01C	Satin black			
	997 521 562 00	Cover	/R	1	I388/389
		Seat belt Lower			
	997 521 562 00 01C	Satin black			
7	991 622 759 00	Wiring harness		1	-I342/I388 I389
		Side airbag			
8	997 521 563 00	Cover	/L	1	I388/389
		Hinge Inner			
(8)	997 521 563 00 01C	Satin black			
	997 521 564 00	Cover	/R	1	I388/389
		Hinge Inner			
	997 521 564 00 01C	Satin black			
9	999 073 456 01	Round head screw M4 X 12		2	
		Mount Cover			
		Inner			
10	997 521 690 01	Bearing pin Backrest shell		2	I388/389
		Cup			

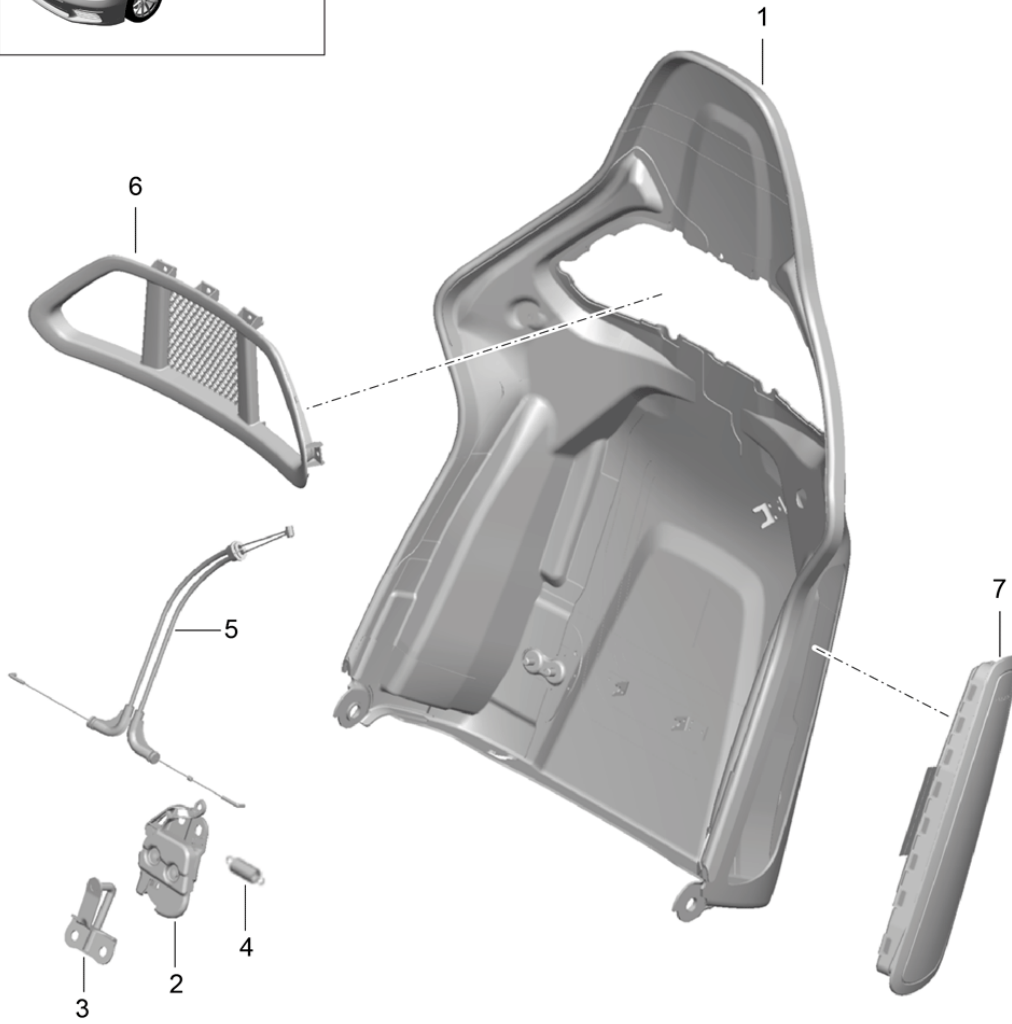
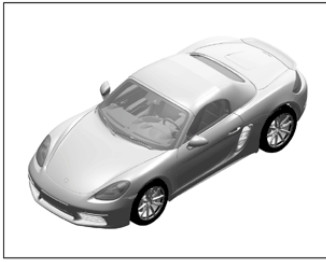
Model: 982-17

Model life 2017>>

Pos	Part Number	Description	Remark	Qty	Model
11	999 523 019 01	Lower Cup spring A25		2	
12	999 234 034 00	Shim 12 X 18 X 0,2		2	
13	999 924 136 40	Plain bearing F12 X 5 X 14		2	
14	999 025 122 40	Thrust washer 20 X 12 X 0,5		2	
15	900 380 024 01	Outer hexagon round nut M8		2	
16	997 521 561 00	Cover Seat belt Lower	/L	1	I388/389
(16)	997 521 561 00 01C	Satin black			
	997 521 562 00	Cover Seat belt Lower	/R	1	I388/389
	997 521 562 00 01C	Satin black			
17	999 141 049 01	Lens-head screw M5 X 10 Mount Cover		6	

Model: 982-17

Model life 2017>>

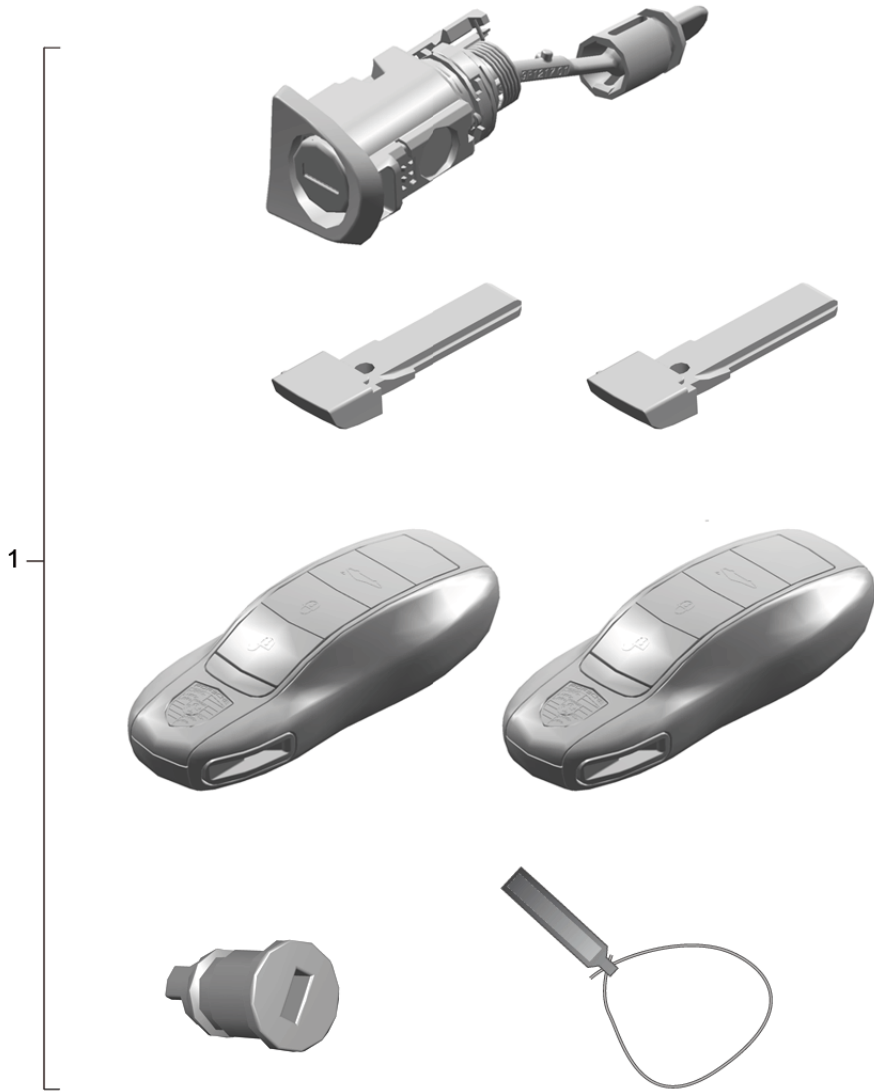
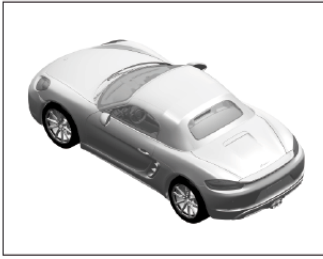


Model: 982-17 Model life 2017>>

Pos	Part Number	Description	Remark	Qty	Model
		Backrest shell Bucket seat Collapsible Accessories			I388/389
1	991 521 271 00	Backrest shell Bucket seat Collapsible	/L	1	I388
(1)	991 521 272 00	Backrest shell Bucket seat Collapsible	/R	1	I389
2	997 521 651 00	Lock Backrest	/L	1	I388/389
(2)	997 521 652 00	Lock Backrest	/R	1	I388/389
3	997 521 660 01	Closing element Lock		2	I388/389
4	997 521 650 00	Backrest shell Tension spring Lock		2	I388/389
5	997 521 640 01	Backrest Bowden cable Release		1	I388/389
6	997 521 330 00	Backrest Cover Seat belt Front		1	I388/389
(6)	997 521 330 00 01C 997 521 531 00	Satin black Cover Seat belt Rear		1	I388/389
7	997 521 531 00 01C 997 803 081 02	Satin black Side airbag Front seat	/L	1	I388
(7)	997 803 081 02 A03 997 803 082 02	Black Side airbag Front seat	/R	1	I389
	997 803 082 02 A03	Black			

Model: 982-17

Model life 2017>>



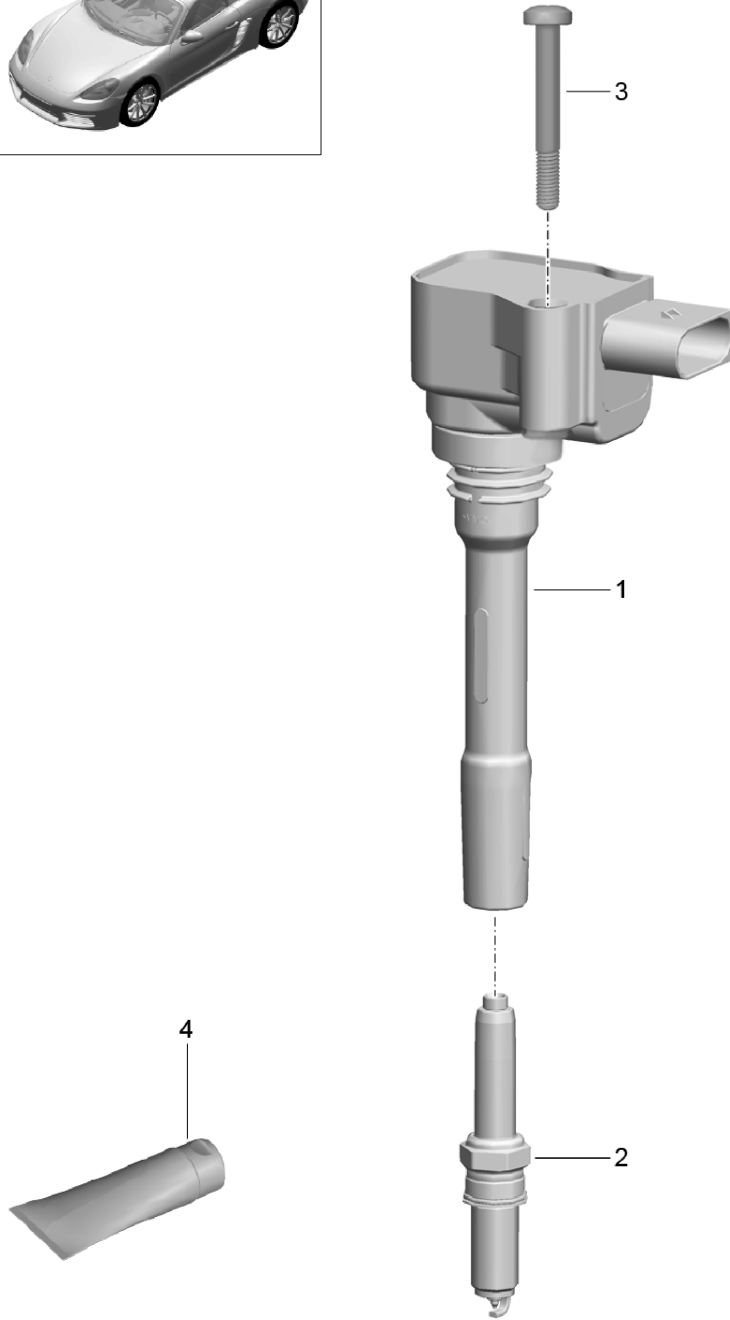
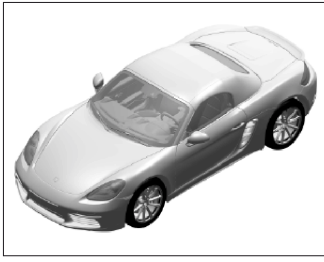
Model: 982-17

Model life 2017>>

Pos	Part Number	Description	Remark	Qty	Model
		Repair kit			
		Set of locks			
		Comprising:			
		Halter		1	
		Outer door handle			
		Emergency key		2	
		Key tag		1	
		Glove compartment lock		1	
		Key cover		2	
1	982 800 375 D	Set of locks	/LL	1	I098/524
(1)	982 800 375 E	Set of locks	/RL	1	I099/524
(1)	982 800 375 F	Set of locks	/LL	1	I098/523
(1)	982 800 375 G	Set of locks	/RL	1	I099/523
(1)	982 800 375 H	Set of locks	/LL	1	I072/098/525
(1)	982 800 375 J	Set of locks	/RL	1	I068/099/525
(1)	982 800 375 K	Set of locks	/LL	1	-I072/-I553 I098/525
(1)	982 800 375 L	Set of locks	/RL	1	-I068/-I074 I099/525

Model: 982-17

Model life 2017>>



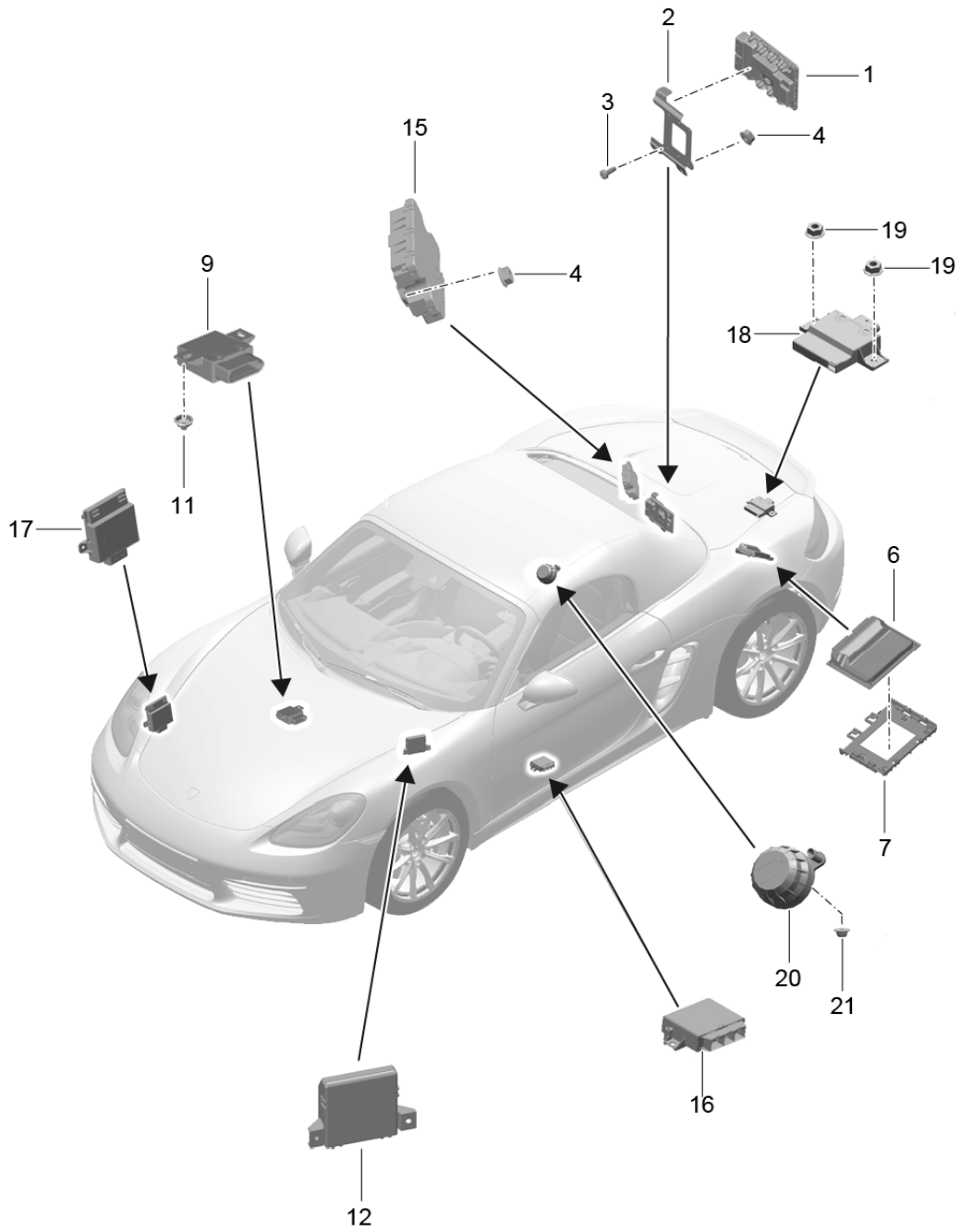
Model: 982-17

Model life 2017>>

Pos	Part Number	Description	Remark	Qty	Model
1	9A2 602 104 02	Ignition system Ignition coil with Screw		4	
2	999 170 154 90	Spark plug ZR5 Use also: 000.043.210.83		4	MDD.PA/PB
(2)	9A7 905 606 00	Spark plug NGK Use also: 000.043.210.83		X 4	MDD.NC
3	999 073 703 01	Round head screw M 6 X 46,5		X 4	
4	000 043 210 83	Grease for Ignition coil		1	

Model: 982-17

Model life 2017>>



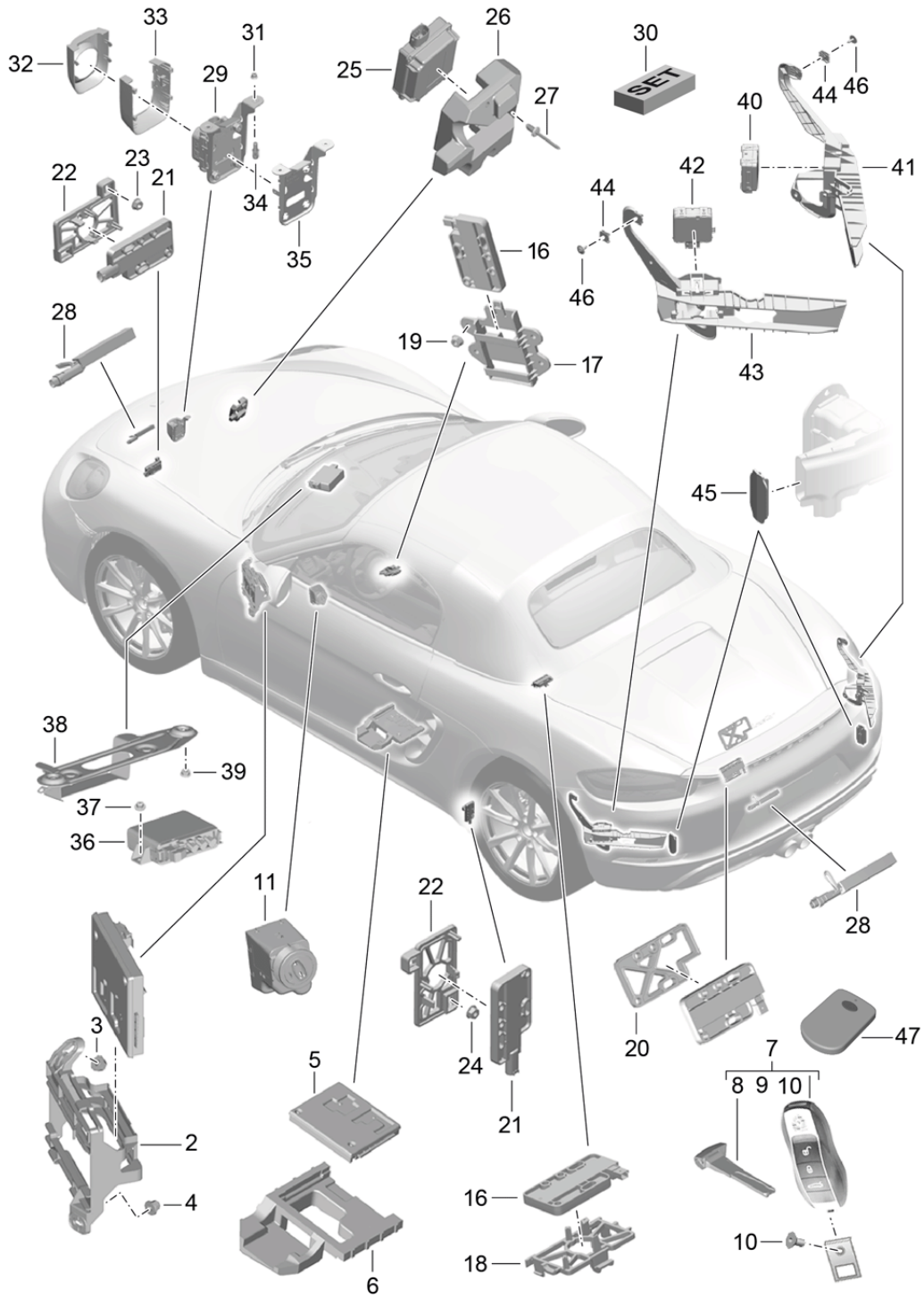
Model: 982-17

Model life 2017>>

Pos	Part Number	Description	Remark	Qty	Model
1	982 907 309 A	Control units Control unit		1	
2	982 907 645	- dme - Support Control unit		1	
3	999 141 044 09	- dme - Oval-head screw M 6 X 16		6	
4	999 084 638 01	Hexagon nut M 6		2	
6	991 618 272 05	Control unit - PDK -		1	I250
7	981 618 255 02	Support STEUERGERÄT - PDK -		1	I250
(9)	991 618 025 02	Control unit Fuel pump		1	
11	999 049 025 09	Collar nut T 5		2	
12	95B 907 530 H	Control unit Gateway		1	
15	991 618 145 04	Control unit Electric parking brake		1	
16	95B 919 475 K	Control unit ParkAssist		1	I636/638
(16)	991 618 185 10	Control unit ParkAssist		1	I635
17	7PP 959 663 D	Voltage converter Start/Stop		1	I642
18	982 907 159 B	Control unit Pulse sender		1	I2HB
19	999 084 638 01	Hexagon nut		2	I2HB
20	982 907 601	Pulse sender		1	I2HB
21	N 908 877 03	Hexagon nut		1	I2HB

Model: 982-17

Model life 2017>>



Model: 982-17

Model life 2017>>

Pos	Part Number	Description	Remark	Qty	Model
		Control units Electronics Body front section Rear end Handheld transmitter Ignition starter switch Antenna Garage door opener Sensor Interior monitoring			
(1)	9A7 907 064 00	Control unit Electronics		1	I523
(1)	9A7 907 064 01	Body front section Control unit Electronics		1	
(1)	9A7 907 064 02	Body front section Control unit Electronics Body front section		1	I524 I525/625
2	991 610 111 00	Support		1	I098
(2)	991 610 113 00	Support		1	I099
3	999 084 638 01	Hexagon nut M 6		1	
4	999 076 081 40	Plastic nut T 5		1	
5	9A7 907 279 00	Control unit Electronics Rear end		1	
6	991 618 325 00	Support		1	
7		Handheld transmitter Key cover See technical information Service Group 5 Document 5708 31/12		1	
(7)	991 637 953 03	Handheld transmitter Key cover Vehicle Ident. No. Indicate D >> 03.11.2016		1	I524
(7)	991 637 953 10	Handheld transmitter Key cover Vehicle Ident. No. Indicate D 04.11.2016>>		1	I524
(7)	991 637 961 03	Handheld transmitter Key cover Vehicle Ident. No. Indicate D >> 03.11.2016		1	I523
(7)	991 637 961 10	Handheld transmitter Key cover Vehicle Ident. No. Indicate D 04.11.2016>>		1	I523
(7)	991 637 955 03	Handheld transmitter Key cover Vehicle Ident. No. Indicate D >> 03.11.2016		1	I525
(7)	991 637 955 10	Handheld transmitter Key cover		1	I525

Model: 982-17

Model life 2017>>

Pos	Part Number	Description	Remark	Qty	Model
8	958 538 916 00	Vehicle Ident. No. Indicate D 04.11.2016>> Emergency key with stipulated lock number Vehicle Ident. No. Indicate		1	
9	991 637 301 00	Eye		1	
10	991 637 303 00	Countersunk-head screw		1	
11	7PP 905 865 F	Control unit Ignition starter switch D >> 25.09.2016		1	
16	7PP 962 132 A	Antenna Inner		3	I625
17	991 637 335 01	Support Antenna		1	I625
18	981 637 333 03	Support Antenna		1	I625
19	999 507 074 02	Tapping nut		4	I625
20	970 637 331 01	Support Antenna		1	I625
21	7PP 962 132	Antenna Outer		3	I625
22	991 637 331 00	Support Antenna		3	I625
23	999 084 638 01	Hexagon nut M 6		2	I625
24	999 049 033 40	Plastic nut T 6		4	I625
25	8K0 907 410	Control unit Garage door opener		1	I608
(25)	8K0 907 410 C	Control unit Garage door opener		1	I607
26	991 618 267 00	Support		1	
27	999 190 310 30	Blind rivet		1	I607/608
28	991 637 133 01	Sensor Lid Lining Front		2	
29	991 605 085 04	Control unit Distance sensor Including		1	I456
30	970 605 901 00	Support Repair kit Comprising: Clip Adjusting screw Screw Clip		1	I456
31	N 102 058 02	Hexagon nut M 6		2	
32	991 605 186 00	Trim cover		1	I153
	991 605 186 00 1E0	Black			
(32)	991 605 190 01	Trim cover		1	-I153
	991 605 190 01 1E0	Black			
33	991 605 188 00	Trim cover		1	
	991 605 188 00 1E0	Black			
34	999 080 056 01	Fastening screw		2	
35	991 605 285 01	Support for Control unit Distance sensor		1	
36	9A7 637 620 01	Control unit		1	

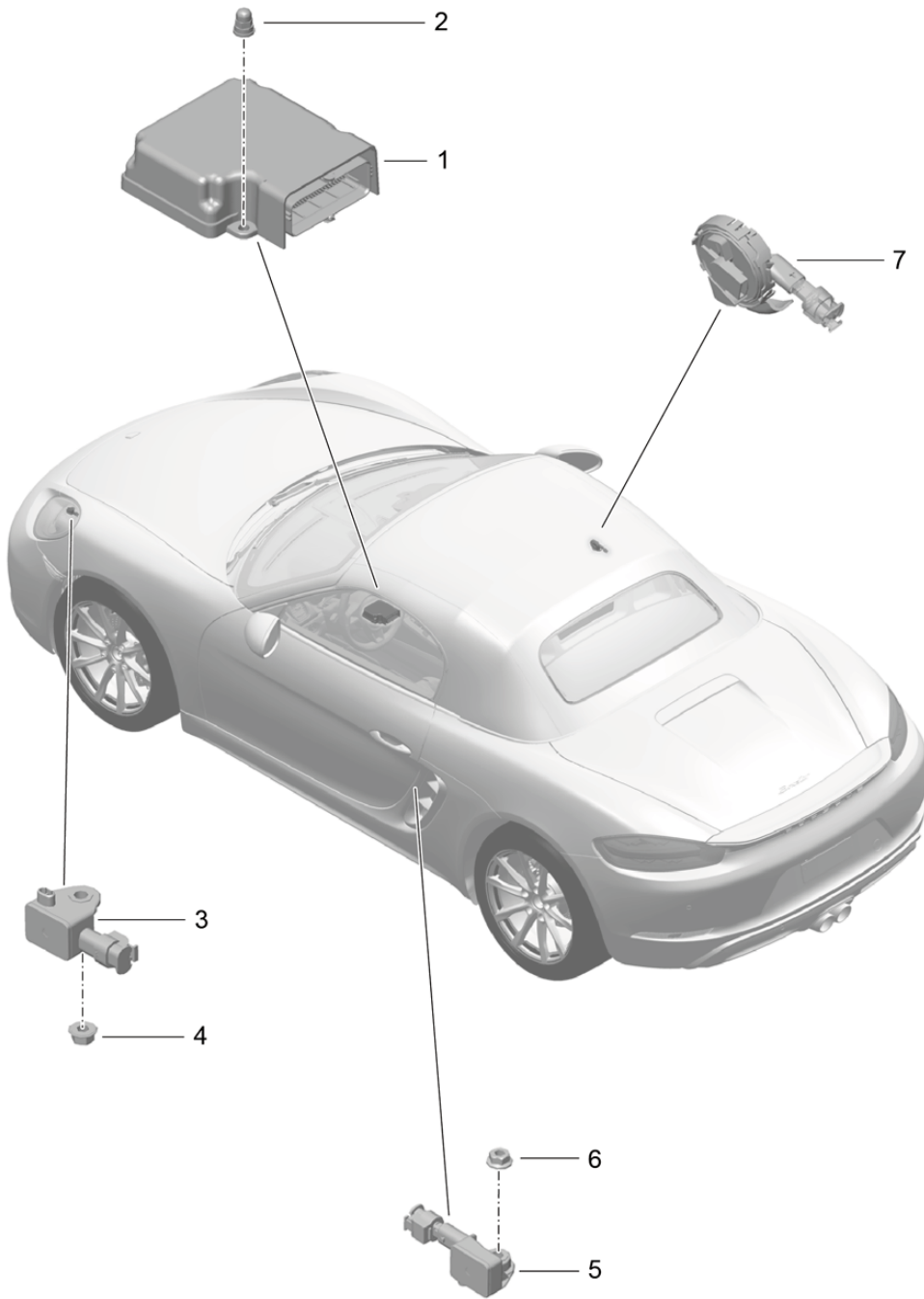
Model: 982-17

Model life 2017>>

Pos	Part Number	Description	Remark	Qty	Model
37	900 377 010 01	VTS vehicle tracking Hexagon nut		2	
38	9P1 035 317	Support Control unit		1	
39	999 076 081 40	VTS vehicle tracking Plastic nut		2	
40	9P1 907 566 B	Control unit Lane Change Assistant MASTER See workshop manual 917055		1	
(40)	9P1 907 566 C	D >> 29.07.2016 Control unit Lane Change Assistant MASTER D 29.08.2016>>		1	
41	982 907 510 B	Support Control unit Lane Change Assistant MASTER		1	
42	9P1 907 590 B	Control unit Lane Change Assistant SLAVE See workshop manual 917055		1	
(42)	9P1 907 590 C	D >> 29.07.2016 Control unit Lane Change Assistant SLAVE D 29.08.2016>>		1	
43	982 907 509 B	Support Control unit Lane Change Assistant SLAVE		1	
44	999 507 309 02	Speed nut		1	
45	982 907 243 A	Cover Control unit Lane Change Assistant		2	
46	999 073 505 01	Tapping screw		4	
47	7PP 862 077	System Card VTS vehicle tracking Information available Alarm siren See illustrations 9/03/00		1	I7I2

Model: 982-17

Model life 2017>>



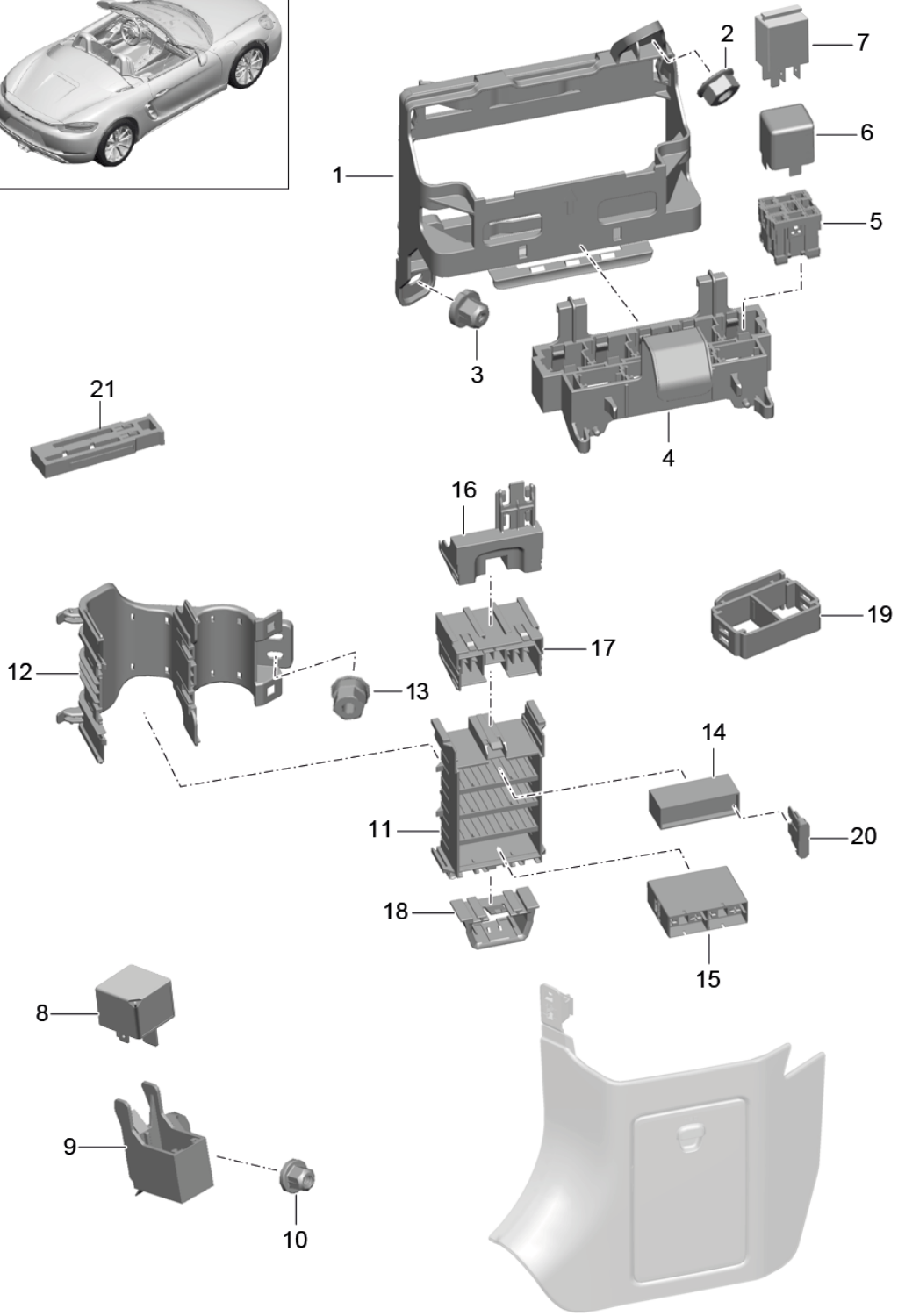
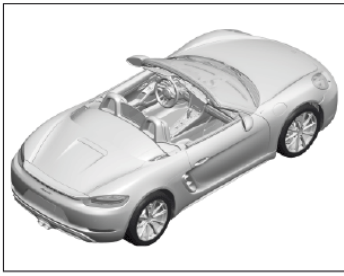
Model: 982-17

Model life 2017>>

Pos	Part Number	Description	Remark	Qty	Model
		Control unit Sensor Airbag Airbag unit See illustrations 8/12/50 Switch Airbag See illustrations 9/03/05			
1	991 618 201 09	Control unit		1	
2	999 070 015 02	Cap nut M 6		3	
3	991 618 223 01	Front sensor		2	
4	999 084 638 01	Hexagon nut M 6		2	
5	991 618 221 01	Sensor Side airbag		2	
6	999 084 629 01	Hexagon nut M 6		2	
7	9P1 959 354	Pressure sensor Doors		2	

Model: 982-17

Model life 2017>>



Model: 982-17 Model life 2017>>

Pos	Part Number	Description	Remark	Qty	Model
		Central electrical system			
		Dashboard			
1	991 610 111 00	Support	/LL	1	I098
(1)	991 610 113 00	Support	/RL	1	I099
2	999 084 638 01	Hexagon nut M 6		1	
3	999 076 081 40	Plastic nut T 5		1	
4	991 610 105 00	Support frame		1	
		Relay carrier			
5	443 937 527	Relay carrier for Relay K 3,K 4,K 5		X	
(5)	999 650 538 40	Relay carrier for Relay K 6		X	
6		Relay			
(6)	958 615 008 01	Relay Radiator fan 1		1	
		Relay socket/code:	K1		
(6)		Relay Radiator fan 2		1	
		Relay socket/code:	K2		
(6)	999 657 016 90	Relay Emergency operation Lid		1	
		Relay socket/code:	K3		
7	958 615 010 00	Relay Fanfare		1	
		Relay socket/code:	K8		
8	4H0 951 253 C	Relay Fuel pump		1	
		Luggage compartment			
9	991 610 151 00	Relay holder		1	
		Fuel pump			
10	999 049 033 40	Plastic nut T 6		1	
11	991 610 101 00	Bracket		2	
12	991 610 103 00	Cover		2	
13	999 516 032 01	Hexagon nut M 6		2	
14	999 650 209 40	Fuse holder		6	
15	999 650 750 40	Fuse holder		2	
16	991 610 104 00	Cover		1	
17	991 610 102 00	Support Lock Left	/L	1	
18	991 610 120 00	Support Plug socket Diagnostic connector	/L	1	
19	991 610 127 00	Support Connection point		5	
20	999 607 082 00	Lock 5 A		X	
(20)	999 607 083 00	Lock 7 , 5 A		X	
(20)	999 607 084 00	Lock 10 A		X	
(20)	999 607 085 00	Lock 15 A		X	
(20)	999 607 086 00	Lock		X	

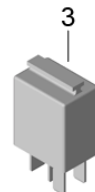
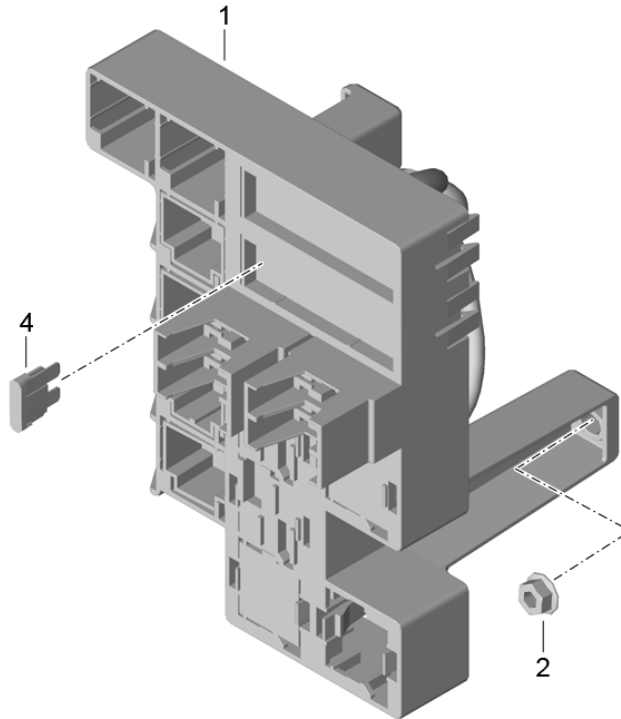
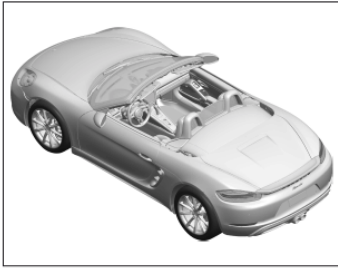
Model: 982-17

Model life 2017>>

Pos	Part Number	Description	Remark	Qty	Model
(20)	999 607 087 00	20 A Lock		X	
(20)	999 607 088 00	25 A Lock		X	
(20)	999 607 089 00	30 A Lock		X	
(20)	999 607 111 00	40 A Lock		X	
(20)	999 607 072 00	25 A Large Lock		X	
(20)	999 607 073 00	30 A Large Lock		X	
(20)	999 607 019 00	40 A Large Lock		X	
21	991 610 340 00	50 A Large Terminal clamp Emergency operation		1	
-		Lid Cover for Housing Lock See illustrations 8/07/10		X	

Model: 982-17

Model life 2017>>



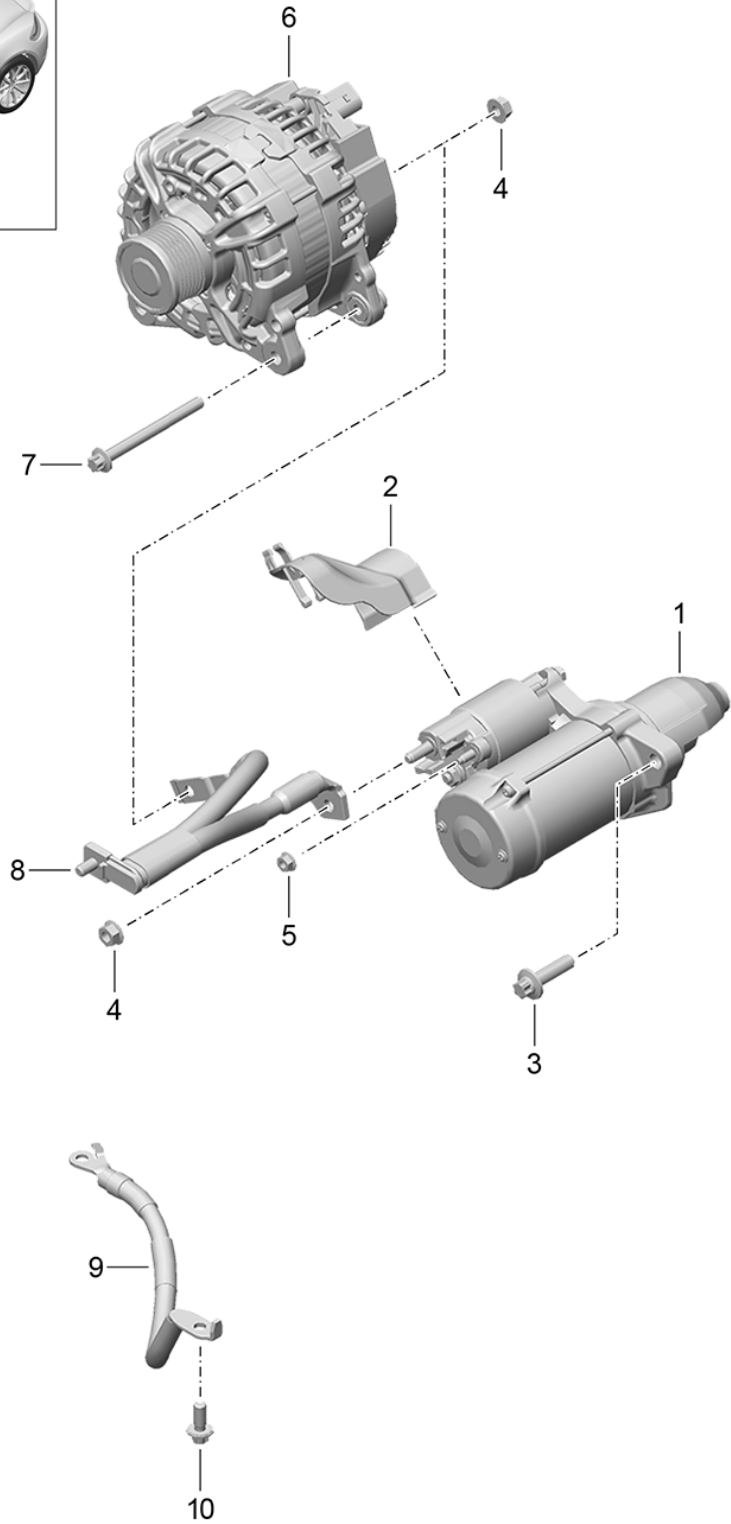
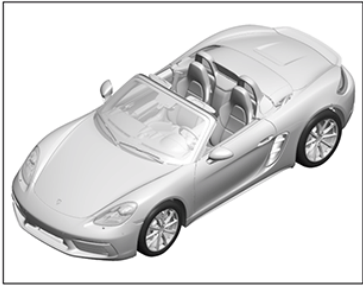
Model: 982-17

Model life 2017>>

Pos	Part Number	Description	Remark	Qty	Model
		Central electrical system			
		Luggage compartment			
		Rear			
1	982 971 706 A	Relay carrier 2		1	
		with			
		Wiring harness			
2	999 084 638 01	Hexagon nut		3	
		M 6			
3		Relay			
(3)	958 615 010 00	Relay		1	
		Rear window heating			
		Relay socket/code:	K1		
(3)	955 615 025 10	Relay		1	
		- dme -			
		Relay socket/code:	K2		
(3)	999 657 014 90	Relay		1	
		Catch			
		Hook			
		Relay socket/code:	K3		
(3)	955 615 027 00	Relay		1	
		Starter			
		Relay socket/code:	K4		
4	999 607 082 00	Lock		X	
		5 A			
(4)	999 607 084 00	Lock		X	
		10 A			
(4)	999 607 085 00	Lock		X	
		15 A			
(4)	999 607 087 00	Lock		X	
		25 A			
(4)	999 607 073 00	Lock		X	
		40 A			
		Large			

Model: 982-17

Model life 2017>>



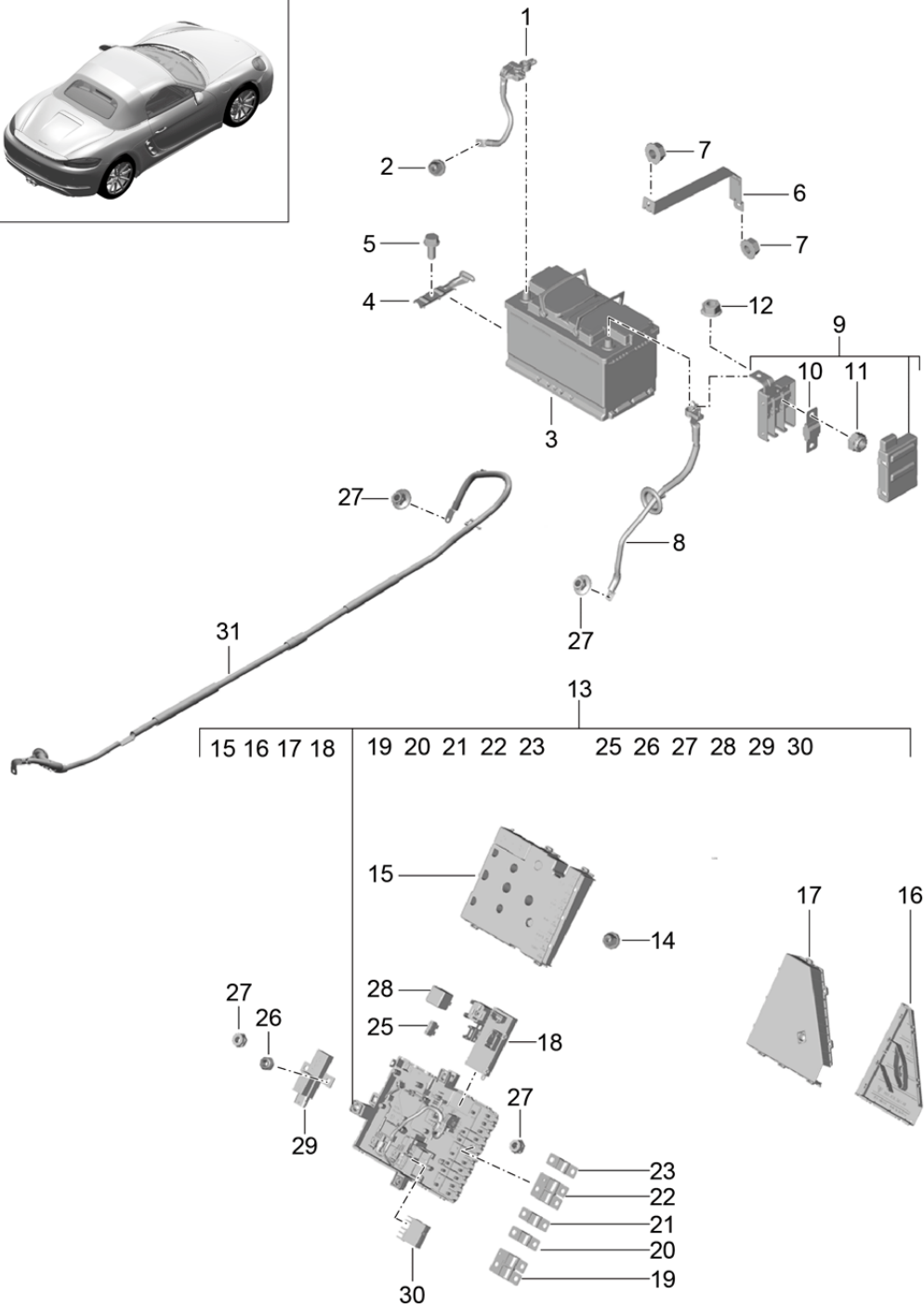
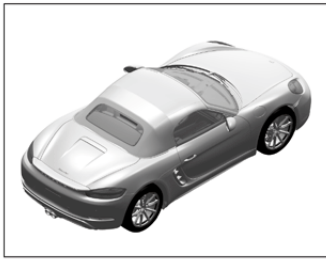
Model: 982-17

Model life 2017>>

Pos	Part Number	Description	Remark	Qty	Model
		Starter			
		Generator			
		Ground cable			
1	9A2 604 111 00	Starter		1	
1	9A2 604 111 X	Starter		1	
2	9A2 607 211 02	Protection cap		1	
		Starter			
3	900 385 097 01	Torx screw		2	
		BM 10 X 35			
4	900 377 003 01	Hexagon nut		1	
		M8			
5	900 377 010 02	Hexagon nut		1	
		M6			
6	9A2 603 018 00	Generator		1	
6	9A2 603 018 X	Generator		1	
(6)	9A2 603 022 00	Generator		1	
(6)	9A2 603 022 X	Generator		1	
7	900 385 102 01	Torx screw		2	
		BM 8 X 90			
8	9A2 607 078 00	Wiring harness		1	
		with			
		Connection point			
		Generator			
		Starter			
(8)	9A2 607 079 00	Wiring harness		1	
		with			
		Connection point			
		Generator			
		Starter			
9	9A2 607 037 02	Ground cable		1	
		Engine			
		Body			
10	900 385 001 03	Torx screw		1	
		BM 8 X 20			
		Ground cable			
		Body			

Model: 982-17

Model life 2017>>



Model: 982-17

Model life 2017>>

Pos	Part Number	Description	Remark	Qty	Model
		Battery			
1	991 611 043 03	Power distributor		1	I098
(1)	991 611 044 03	Ground strap	/LL	1	I099
2	999 084 447 01	Ground strap	/RL	1	
		Hexagon nut		1	
		M 8			
3	958 611 075 21	Battery	-(BR)	1	I197
		75 AH			
(3)	999 611 080 12	Battery	-(BR)	1	I196
		80 AH			
(3)	999 611 095 12	Battery	-(BR)	1	I200
		95 AH			
4	991 611 209 01	Rail	/LL	1	I098
		Battery			
(4)	991 611 210 01	Rail	/RL	1	I099
		Battery			
5	900 378 017 01	Hexagon-head bolt		1	
		M 8 X 20			
6	991 611 212 00	Retaining bar		1	
		Battery			
7	900 377 003 03	Hexagon nut		2	
		M 8			
8	991 611 013 01	Cable	/LL	1	I098
		Battery			
		Power distributor			
(8)	991 611 014 01	Cable	/RL	1	I099
		Battery			
		Power distributor			
9	991 610 321 00	Fuse box		1	
		Battery			
10	999 607 095 00	Lock		1	
		80 A			
(10)	999 607 092 00	Lock		2	
		60 A			
		Use also:			
11	900 084 122 02	Hexagon nut		6	
		M 5			
12	900 377 001 00	Hexagon nut		1	
		M 6			
13	991 610 301 04	Power distributor		1	
		Complete			
		When required order also:			
		Position			
		14			
14	999 049 033 40	Plastic nut		3	
		T 6			
15	991 610 305 00	Lid		1	
16	991 610 307 00	Cable guide		1	
		Lower part			
17	991 610 309 00	Cable guide		1	
		Upper part			
18	991 618 075 01	Control unit		1	
19	999 607 054 00	Lock		1	
		100 A			
		60 A			
20	999 607 099 00	Lock		1	
		40 A			
21	999 607 095 00	Lock		1	
		80 A			
22	999 607 055 00	Lock		1	
		100 A			
		40 A			
23	999 607 092 00	Lock		1	

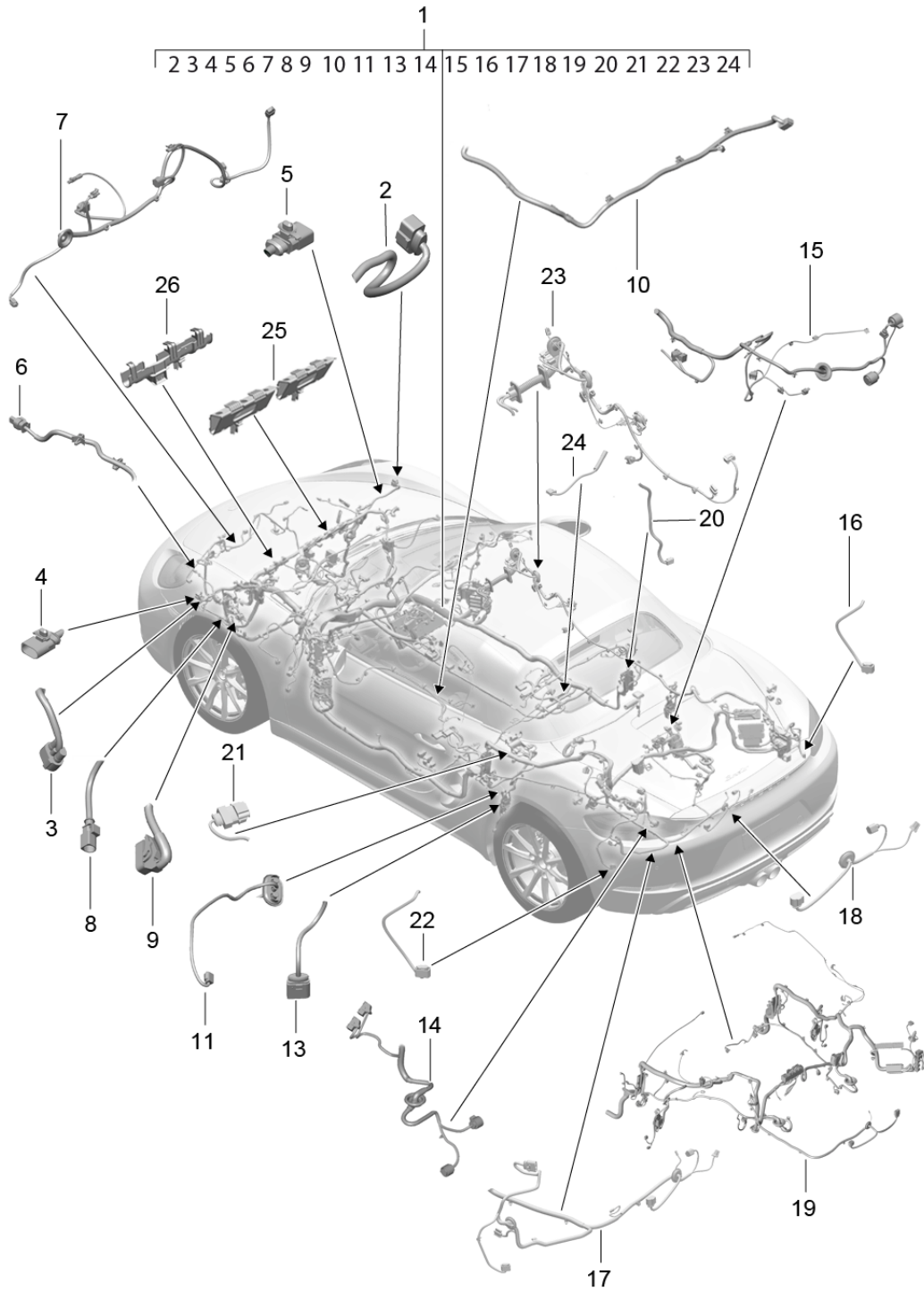
Model: 982-17

Model life 2017>>

Pos	Part Number	Description	Remark	Qty	Model
25	999 607 082 00	60 A Lock		1	
26	900 084 122 02	5 A Hexagon nut		X	
27	900 084 123 02	M 5 Hexagon nut		X	
28	8D0 951 253	M 8 Relay		1	
29	999 657 020 90	Relay		2	
30	999 657 021 90	Relay		1	
31	9P0 971 345	Cable	/LL	1	I098
		Battery			
		Connection point			
(31)	9P9 971 345	Cable	/RL	1	I099
		Battery			
		Connection point			

Model: 982-17

Model life 2017>>



Model: 982-17 Model life 2017>>

Pos	Part Number	Description	Remark	Qty	Model
1	991 612 901 00	Wiring harnesses Passenger compartment And Sub-part Wiring harness Passenger compartment Vehicle Ident. No. Indicate		1	
2	991 612 920 03	Wiring harness Sub-part Headlamp Left And Right		1	IXEW/601/603
(2)	991 612 920 11	It is necessary to rework Wiring harness Sub-part Headlamp Left And Right		1	I602
3	991 612 921 01	It is necessary to rework Wiring harness Sub-part Blower Radiator Left And Right		1	
4	991 612 922 03	It is necessary to rework Wiring harness Sub-part Connection point Lining Front Left	/L	1	-I625/-I635 -I636/-I638
(4)	991 612 922 52	It is necessary to rework Wiring harness Sub-part Connection point Lining Front Left	/L	1	-I635/-I636 -I638/I625
(4)	991 612 922 53	It is necessary to rework Wiring harness Sub-part Connection point Lining Front Left	/L	1	I625/635/636 I638
5	991 612 937 02	It is necessary to rework Wiring harness Sub-part Connection point Lining Front Right	/R	1	I635/636/638
6	991 612 923 01	It is necessary to rework Wiring harness Sub-part		1	

Model: 982-17

Model life 2017>>

Pos	Part Number	Description	Remark	Qty	Model
7	991 612 924 11	Sensor Airbag Front Left And Right It is necessary to rework Wiring harness Sub-part Body front section		1	I098/454
(7)	991 612 924 53	It is necessary to rework Wiring harness Sub-part Body front section		1	I098/456
(7)	991 612 938 11	It is necessary to rework Wiring harness Sub-part Body front section		1	I099/454
(7)	991 612 938 53	It is necessary to rework Wiring harness Sub-part Body front section		1	I099/456
8	991 612 926 00	It is necessary to rework Wiring harness Sub-part Connection point Front axle Left And Right		2	
9	991 612 940 02	It is necessary to rework Wiring harness Sub-part Control unit Hydraulic unit		1	
10	991 612 925 03	It is necessary to rework Wiring harness Sub-part Control unit Tyre pressure monitoring		1	I482
(10)	991 612 925 11	It is necessary to rework Wiring harness Sub-part Control unit Tyre pressure monitoring		1	I483
11	981 612 928 12	It is necessary to rework Wiring harness Sub-part Antenna Wheel housing Rear Left And Right		1	I625
13	991 612 930 01	It is necessary to rework Wiring harness Sub-part Connection point Rear axle Left And Right It is necessary to rework		1	

Model: 982-17

Model life 2017>>

Pos	Part Number	Description	Remark	Qty	Model
14	981 612 936 02	Wiring harness Sub-part - PDK - Transmission with Connector Control unit It is necessary to rework		1	I250
15	981 612 958 01	Wiring harness Sub-part Manual transmission with Connector Control unit It is necessary to rework		1	-I140/I480
(15)	981 612 958 02	Wiring harness Sub-part Manual transmission with Connector Control unit It is necessary to rework		1	I140/480
16	981 612 933 00	Wiring harness Sub-part Rear light Right It is necessary to rework		1	
17	981 612 934 03	Wiring harness Sub-part Rear light Left And Lining Rear end It is necessary to rework		1	
18	981 612 935 30	Wiring harness Sub-part Lining Rear end Left And Rear spoiler It is necessary to rework		1	
19	991 612 951 02	Wiring harness Sub-part Rear end Electronics		1	
20	981 612 929 02	Wiring harness Sub-part Self-levelling sensor Rear Electronics		1	I030/475/477
21	991 612 956 01	Wiring harness Sub-part Control unit VTS vehicle tracking It is necessary to rework		1	I7G9/7I0/7I2
22	991 612 950 00	Wiring harness Sub-part Control unit ParkAssist It is necessary to rework		1	I635/636/638
23	991 612 952 02	Wiring harness		1	IQU1/QV1

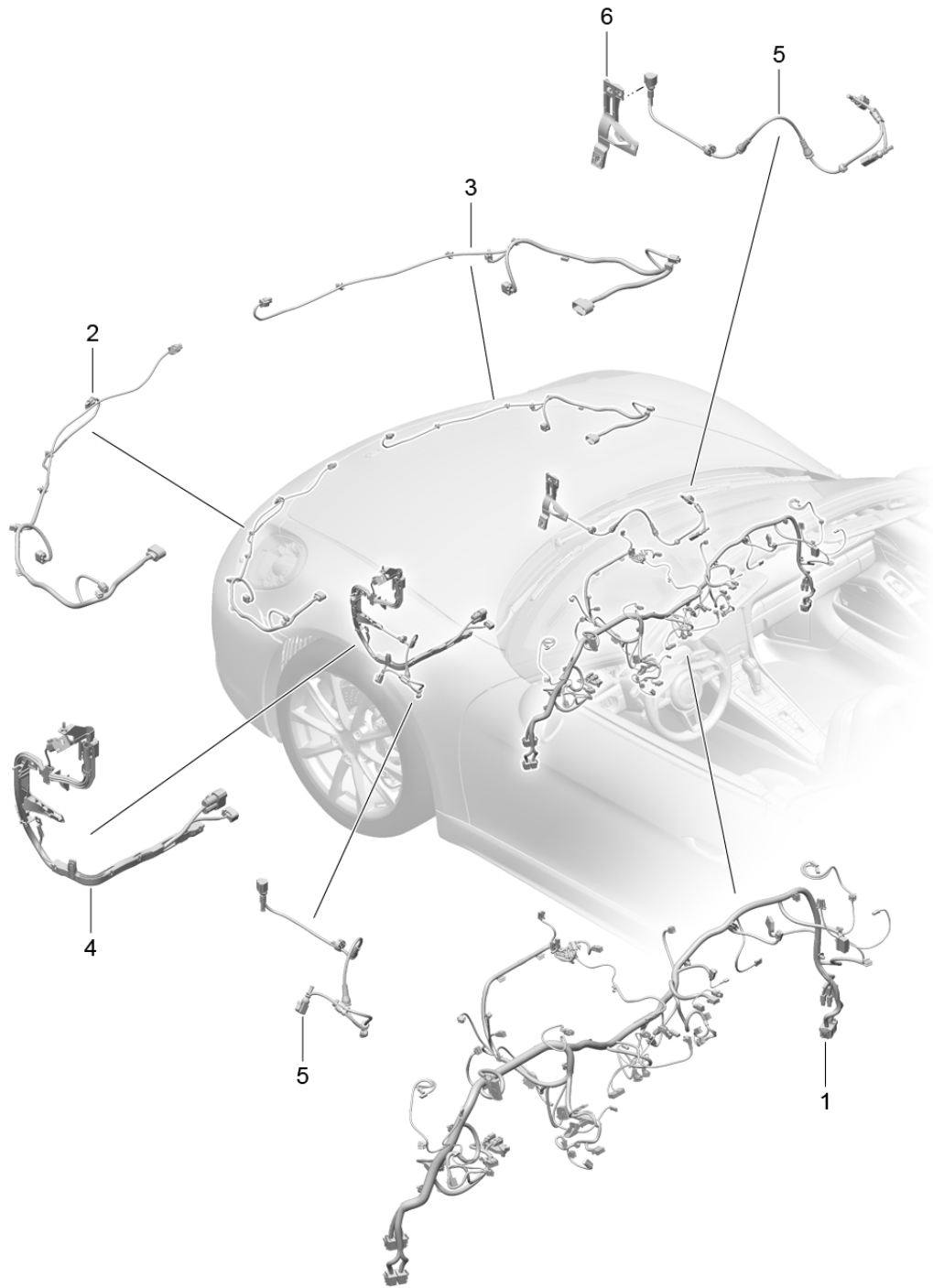
Model: 982-17

Model life 2017>>

Pos	Part Number	Description	Remark	Qty	Model
24	991 612 954 02	Sub-part Control unit TV It is necessary to rework Wiring harness		1	I9VL
(24)	991 612 955 02	Sub-part Booster Bose It is necessary to rework Wiring harness		1	I9VJ
25	991 610 233 01	Sub-part Booster Burmester It is necessary to rework Cable guide		2	
26	991 610 234 01	Bulkhead Cable guide Bulkhead		1	

Model: 982-17

Model life 2017>>



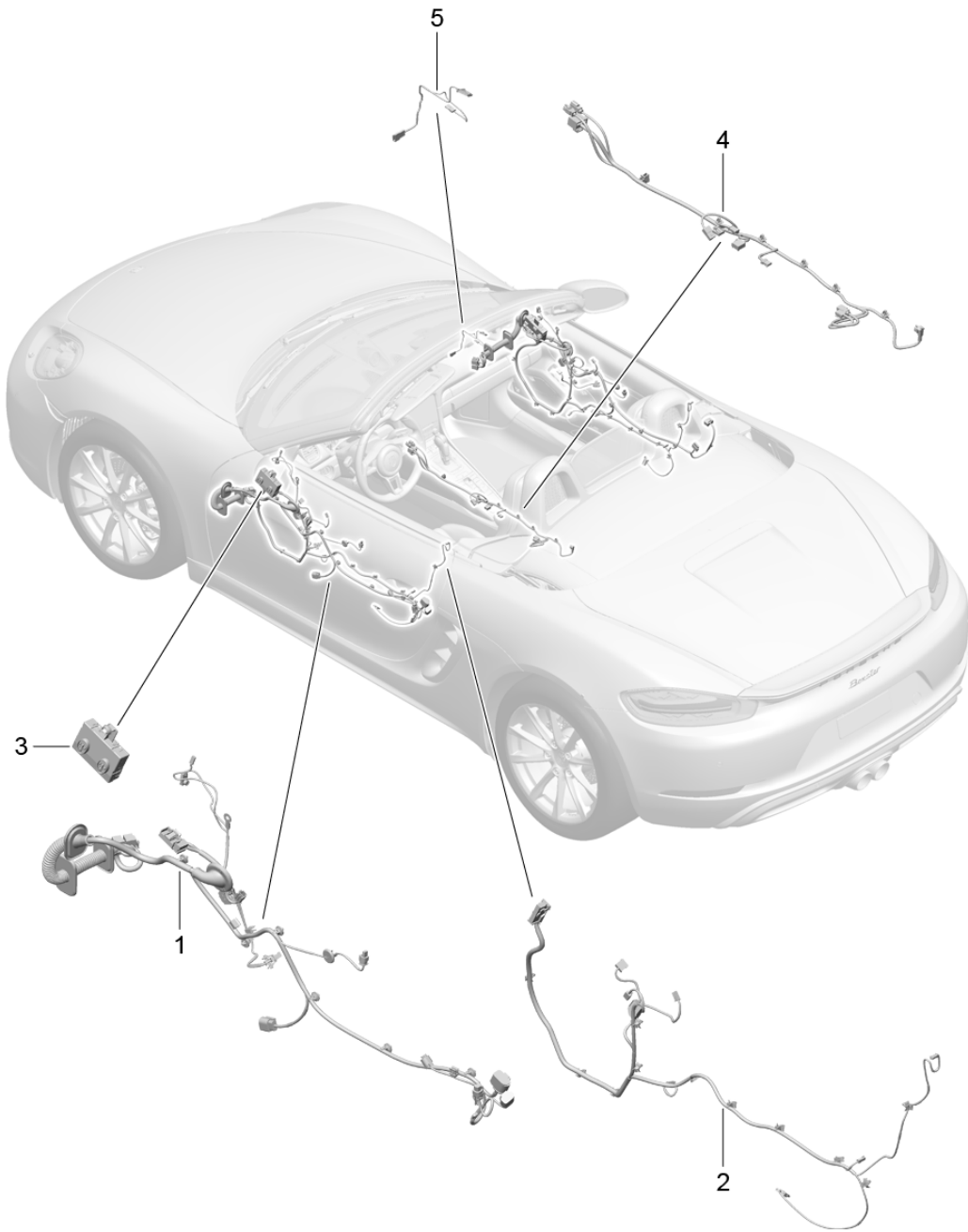
Model: 982-17

Model life 2017>>

Pos	Part Number	Description	Remark	Qty	Model
1	991 612 902 00	Wiring harnesses Dashboard Lining Front Steering Front-axle final drive		1	
2	982 972 155 E	Wiring harness Dashboard Vehicle Ident. No. Indicate		1	I9ZK/9ZX
(2)	982 972 155 G	Wiring harness Lining Front Left		1	I9ZC/9ZE
3	982 972 156 B	Wiring harness Lining Front Right		1	I9ZE/9ZX
(3)	982 972 156 C	Wiring harness Lining Front Right		1	I9ZC/9ZK
4	9P3 971 111	Wiring harness Steering		1	I098
(4)	9P4 971 111	Wiring harness Steering		1	I099
5	991 609 137 00	Wiring harness Front axle		1	
6	991 610 133 00	Support Connection point Wiring harness Front axle		1	

Model: 982-17

Model life 2017>>



Model: 982-17

Model life 2017>>

Pos	Part Number	Description	Remark	Qty	Model
		Wiring harnesses Doors Centre console Control unit Doors Convertible top control			
1	9P3 971 029 AC	Wiring harness Assembly frame Driver's door	/LL	1	I098/250/9VK
(1)	9P3 971 029 AD	Wiring harness Assembly frame Driver's door	/LL	1	I098/250/9VL
(1)	9P3 971 029 AE	Wiring harness Assembly frame Driver's door	/LL	1	I098/250/9VJ
(1)	9P3 971 029 Q	Wiring harness Assembly frame Driver's door	/LL	1	I098/487/9VK
(1)	9P3 971 029 R	Wiring harness Assembly frame Driver's door	/LL	1	I098/487/9VL
(1)	9P3 971 029 S	Wiring harness Assembly frame Driver's door	/LL	1	I098/487/9VJ
(1)	9P3 971 687 J	Wiring harness Assembly frame Passenger's door	/LL	1	I098/9VK
(1)	9P3 971 687 K	Wiring harness Assembly frame Passenger's door	/LL	1	I098/9VL
(1)	9P3 971 687 L	Wiring harness Assembly frame Passenger's door	/LL	1	I098/9VJ
(1)	9P4 971 030 AC	Wiring harness Assembly frame Driver's door	/RL	1	I099/250/9VK
(1)	9P4 971 030 AD	Wiring harness Assembly frame Driver's door	/RL	1	I099/250/9VL
(1)	9P4 971 030 AE	Wiring harness Assembly frame Driver's door	/RL	1	I099/250/9VJ
(1)	9P4 971 030 Q	Wiring harness Assembly frame Driver's door	/RL	1	I099/487/9VK
(1)	9P4 971 030 R	Wiring harness Assembly frame Driver's door	/RL	1	I099/487/9VL
(1)	9P4 971 030 S	Wiring harness Assembly frame Driver's door	/RL	1	I099/487/9VJ
(1)	9P4 971 688 J	Wiring harness Assembly frame Passenger's door	/RL	1	I099/9VK
(1)	9P4 971 688 K	Wiring harness Assembly frame Passenger's door	/RL	1	I099/9VL
(1)	9P4 971 688 L	Wiring harness Assembly frame Passenger's door	/RL	1	I099/9VJ
2	982 971 035 G	Wiring harness Door panel Driver's door		1	

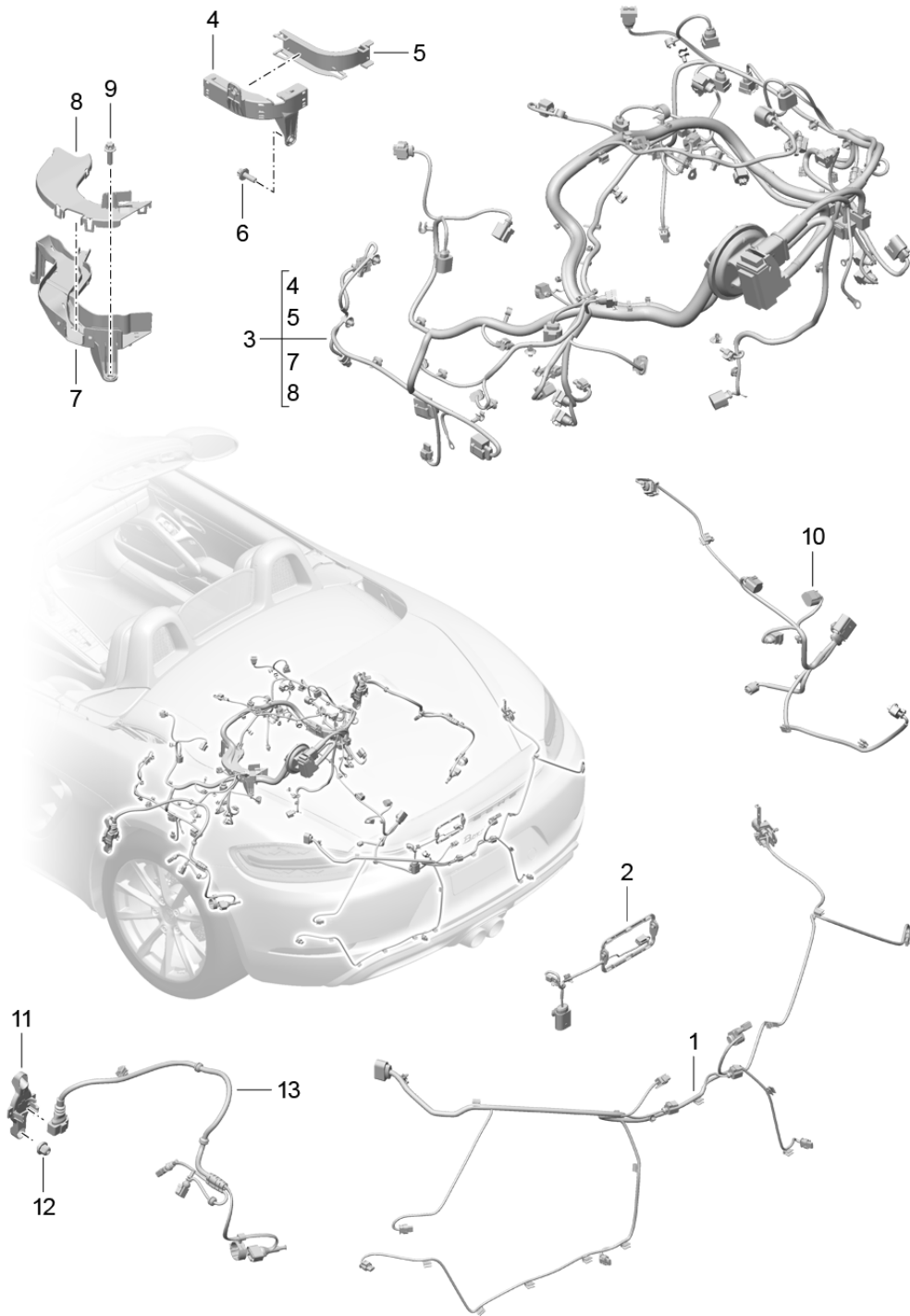
Model: 982-17

Model life 2017>>

Pos	Part Number	Description	Remark	Qty	Model
(2)	982 971 036 C	Wiring harness Door panel		1	
3	4H0 959 793 AC	Passenger's door Control unit Door		1	
(3)	4H0 959 792 S	Driver's side Control unit Door		1	
4	9P1 971 641 C	Passenger's door Wiring harness Centre console		1	-INZ3/-IUI4
(4)	9P1 971 641 B	Wiring harness Centre console		1	-INZ3/IUI4
(4)	9P1 971 641 E	Wiring harness Centre console		1	-IUI4/INZ3
5	991 612 701 00	Wiring harness Glove compartment		1	

Model: 982-17

Model life 2017>>



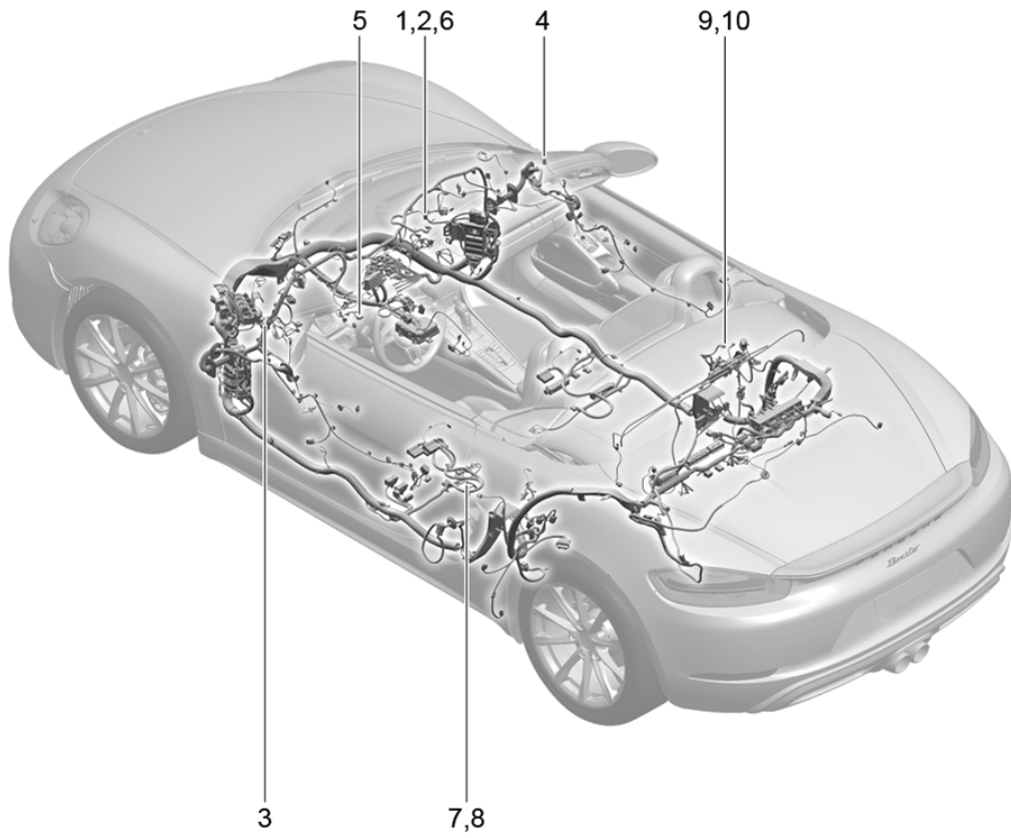
Model: 982-17

Model life 2017>>

Pos	Part Number	Description	Remark	Qty	Model
1	9P9 971 174 E	Wiring harnesses Lining Rear Engine Transmission Rear axle Wiring harness		1	I098
(1)	9P0 971 174 E	Lining Rear Wiring harness		1	I099
2	982 974 224	Lining Rear Wiring harness Mount Set Rear spoiler Driving mechanism		1	
3	9A2 607 055 03	Including Wiring harness Engine		1	
(3)	9A2 607 060 03	Wiring harness Engine		1	
4	9A2 607 175 00	Cable guide Cyl. 1 - 2		1	
5	9A2 607 185 00	Lid Cable guide Cyl. 1 - 2		1	
6	900 385 009 01	Torx screw BM 6X16		2	
7	9A2 607 176 00	Cable guide Cyl. 3 - 4		1	
8	9A2 607 186 00	Lid Cable guide Cyl. 3 - 4		1	
9	900 385 019 01	Torx screw BM 6 X 20		2	
10	982 971 771 A	Wiring harness Manual transmission		1	-I140/I480
(10)	982 971 771 B	Wiring harness Manual transmission		1	I140/480
(10)	982 971 661 B	Wiring harness PDK		1	I250
11	981 610 135 00	Cover Connection point Wiring harness Rear axle		2	
12	999 049 033 40	Plastic nut T 6		4	
13	981 609 133 01	Wiring harness Rear axle Wiring harness Front axle See illustrations 9/02/10		2	

Model: 982-17

Model life 2017>>



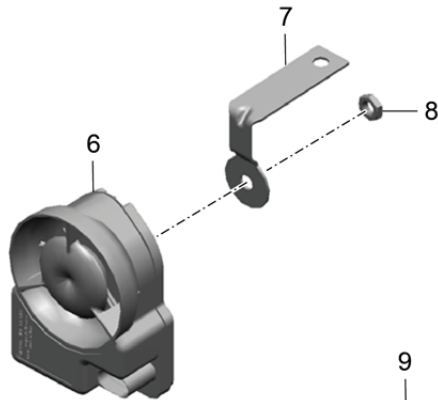
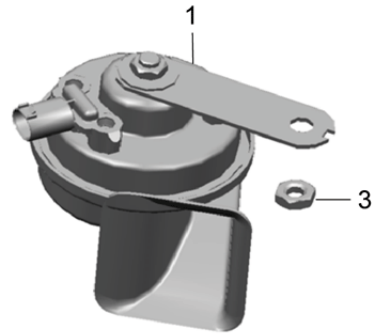
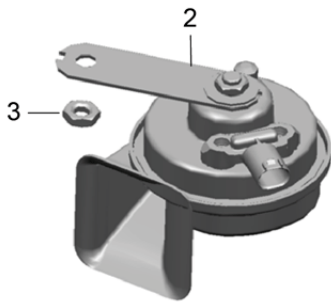
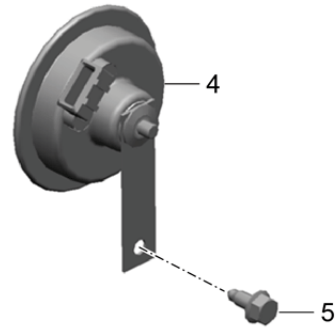
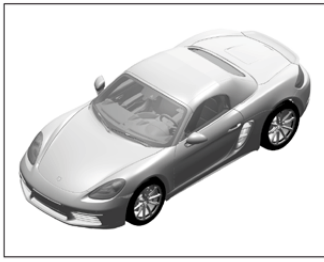
Model: 982-17

Model life 2017>>

Pos	Part Number	Description	Remark	Qty	Model
1	991 612 082 00	Wiring harnesses Airbag Seat belt Wiring harness Airbag unit Passenger's side Setting 1 To Connection point Dashboard Connector Light green		1	
2	991 612 083 00	Wiring harness Airbag unit Passenger's side Setting2 To Connection point Dashboard Connector Yellow		1	
3	991 612 090 00	Wiring harness Airbag unit Driver's door To Connection point Door		1	
4	991 612 091 00	Wiring harness Airbag unit Passenger's door To Connection point Door		1	
7	981 612 084 00	Wiring harness Seat-belt tensioner Driver's side To Control unit Airbag Connector Yellow		1	
9	981 612 085 00	Wiring harness Seat-belt tensioner Passenger's side To Control unit Airbag Connector Yellow		1	

Model: 982-17

Model life 2017>>



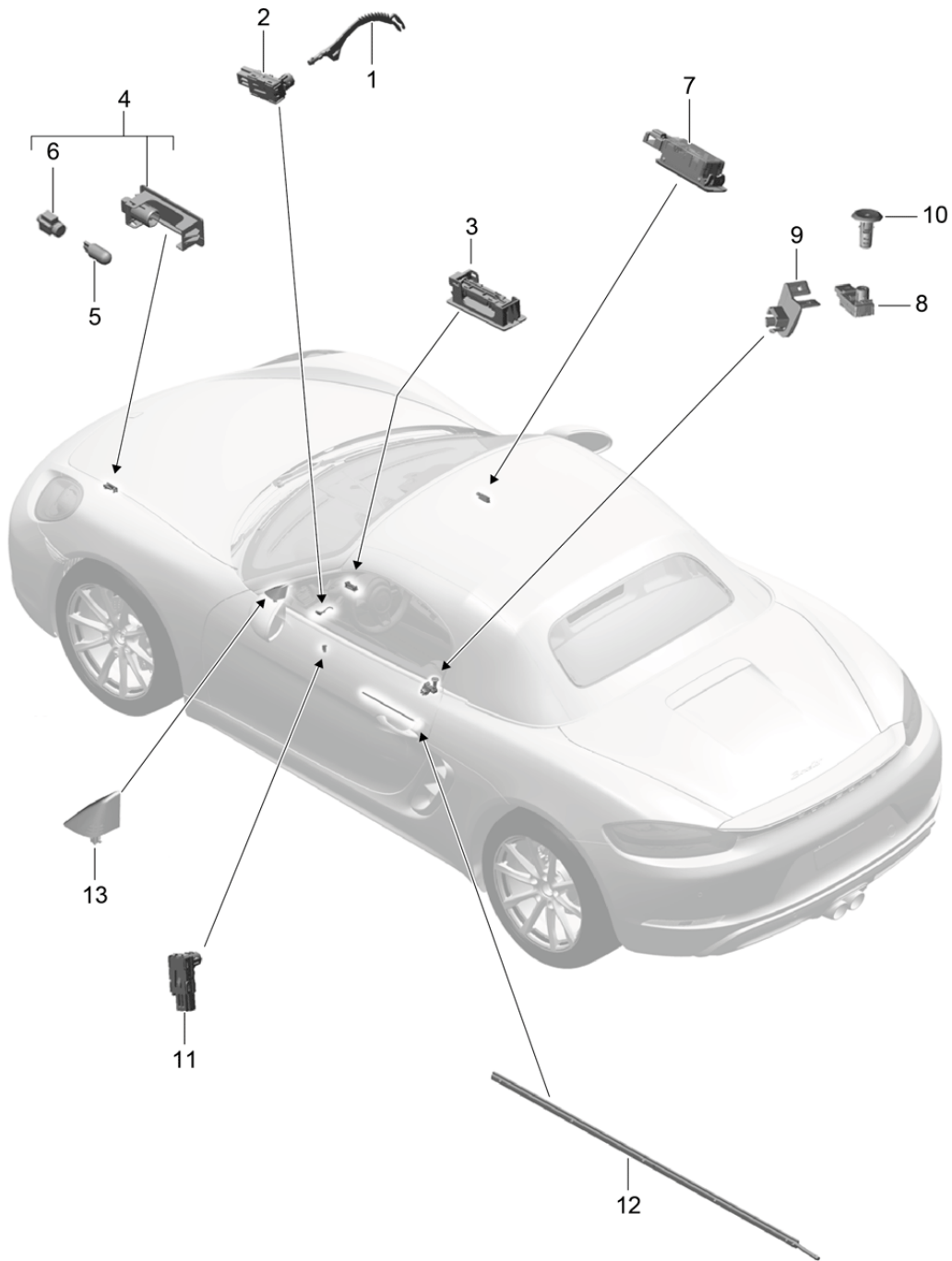
Model: 982-17

Model life 2017>>

Pos	Part Number	Description	Remark	Qty	Model
1	991 635 159 01	Fanfare Horn Alarm system Fanfare High-pitched with Support Use also: 991 612 947 00		1	
2	991 635 160 01	Fanfare Low-pitched with Support Use also: 991 612 947 00		1	
3	N 106 092 04	Hexagon nut M 8		2	
4	9P1 951 101	Horn for Alarm system When required order also: 9P1.998.003.A	-17	1	IIY0/534/544
(4)		Horn for Alarm system	17-	1	I534/544
5	900 378 176 01	Hexagon-head bolt M 8 X 20		1	I534/544
6	1K8 951 605 B	Alarm siren Information available		1	I536
7	991 637 419 01	Support		1	I536
8	N 106 092 01	Hexagon nut M 8		1	I536
9	9P1 998 003 A	Wiring harness Modification kit Horn		1	IIY0/534/544

Model: 982-17

Model life 2017>>



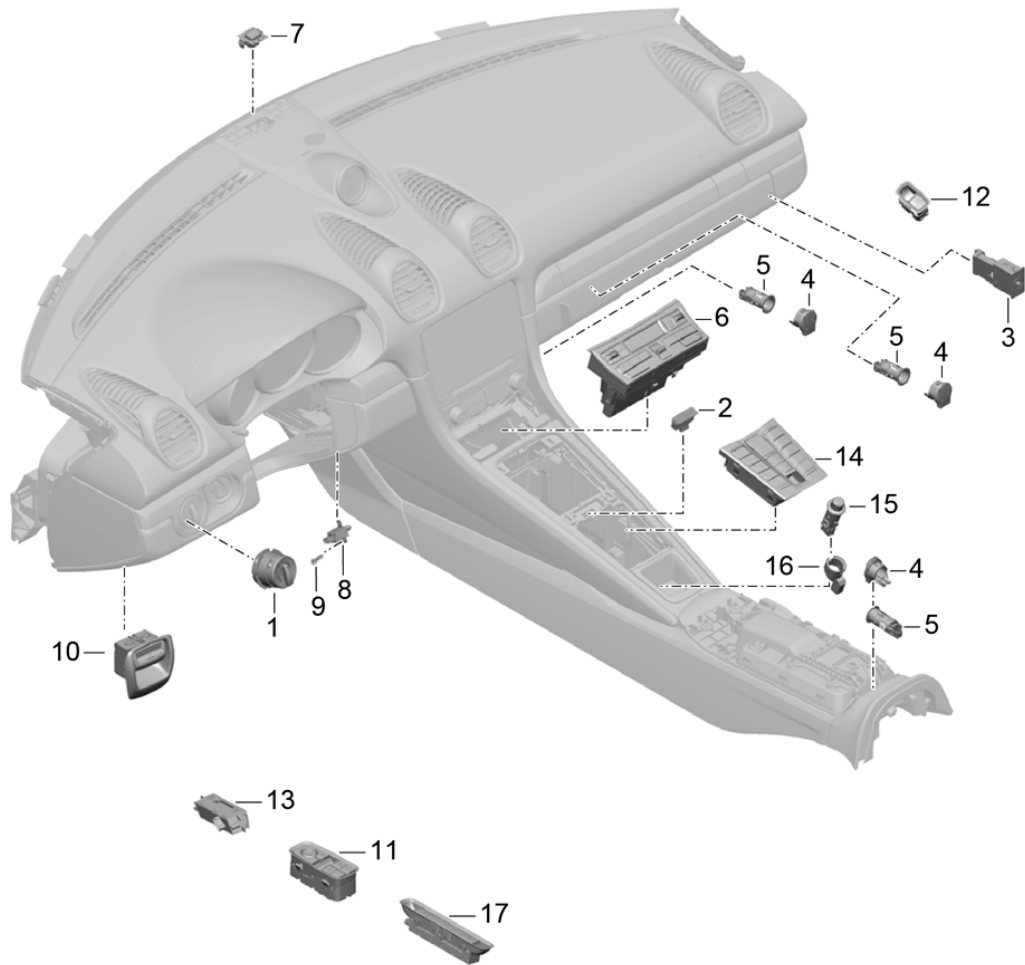
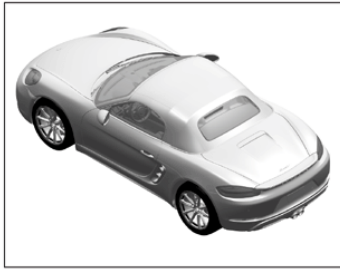
Model: 982-17

Model life 2017>>

Pos	Part Number	Description	Remark	Qty	Model
		Interior lights Door guard light Footwell light Luggage compartment lamp Glove compartment light Light Door mirror			
1	991 632 131 00	Light guide	/LL	1	I098
		Ignition starter switch			
(1)	991 632 132 00	Light guide	/RL	1	I099
		Ignition starter switch			
2	7PP 947 101	Light		4	
		Centre console			
3	991 632 133 00	Footwell light Included LED module		2	I630
4	991 632 020 00	Light		2	-I630
(4)	991 632 137 00	Light Included LED module		2	I630
		Luggage compartment			
5	999 631 134 90	Bulb X6 W		2	-I630
6	970 632 187 00	Bulb socket		2	-I630
7	991 632 071 00	Glove compartment light		1	
8	991 616 115 00	Indicator light Immobiliser Door		2	I625
9	991 616 119 00	Support		2	I625
10	991 616 117 00	Sleeve		2	I625
	991 616 117 00 1E0	Black			
	991 616 117 00 4H0	Luxor Beige			
	991 616 117 00 OP1	Agate Grey			
	991 616 117 00 7N0	Espresso			
	991 616 117 00 OG6	Bordeaux Red			
	991 616 117 00 OH7	Graphite Blue			
11	991 632 085 00	Light	/L	1	I630
		Door handle Left			
(11)	991 632 086 00	Light	/R	1	I630
		Door handle Right			
12	991 632 189 00	Light guide Shelf Left	/L	1	I630
(12)	991 632 190 00	Light guide Shelf Right	/R	1	I630
13	9P1 953 039 E	Light Lane Change Assistant Left		1	I457
(13)	9P1 953 040 E	Light Lane Change Assistant Right		1	I457

Model: 982-17

Model life 2017>>



Model: 982-17 Model life 2017>>

Pos	Part Number	Description	Remark	Qty	Model
1	970 613 533 09	Switch Control part Air conditioner		1	
2	970 613 533 09 DML	Light switch Matt Black/hi-gloss chrome		1	
2	991 613 332 01	Combined switch Hazard warning light sw. Central locking system		1	
3	991 613 332 01 A05	Black mat		1	
3	958 613 165 00	Switch Airbag		1	
4	997 652 104 00	Clamping ring with Lid		3	
5	970 652 105 00	Plug socket		3	
6	982 907 039 J	Control part		1	-I342/-I541 I572
(6)	982 907 039 J DML	Air conditioner Matt Black/hi-gloss chrome		1	-I541/I342 I572
(6)	982 907 039 K	Control part		1	I342/541/572
(6)	982 907 039 K DML	Air conditioner Matt Black/hi-gloss chrome		1	-I342/-I541 I573
(6)	982 907 039 L	Control part		1	-I541/I342 I573
(6)	982 907 039 L DML	Air conditioner Matt Black/hi-gloss chrome		1	I342/541/573
(6)	9P1 907 039 J	Control part		1	-I342/-I541 I573
(6)	9P1 907 039 J DML	Air conditioner Matt Black/hi-gloss chrome		1	-I541/I342 I573
(6)	9P1 907 039 K	Control part		1	I342/541/573
(6)	9P1 907 039 K DML	Air conditioner Matt Black/hi-gloss chrome		1	-I342/-I541 I573
(6)	9P1 907 039 L	Control part		1	-I541/I342 I573
(6)	9P1 907 039 L DML	Air conditioner Matt Black/hi-gloss chrome		1	I342/541/573
7	982 907 539 A	Sensor		1	
8	991 653 241 02	Air conditioner Temperature sensor Inner		1	I573
9	999 919 167 09	Oval-head screw 3,0 X 10,0		2	I573
10	991 613 251 00	Switch Electric parking brake		1	
11	991 613 251 00 1E0	Black		1	I254/255/256 I257
11	991 613 151 02	Switch		1	I258/259/260 I261
(11)	991 613 151 02 DML	Power windows Door mirror Driver's side Matt Black/hi-gloss chrome		1	I258/259/260 I261
12	991 613 155 02	Switch		1	
12	7PP 959 855 E	Power windows Door mirror Driver's side Matt Black/hi-gloss chrome		1	
13	7PP 959 855 E DML	Switch		1	
13	970 613 103 51	Power windows Passenger's side Matt Black/hi-gloss chrome Memory switch		1	I537

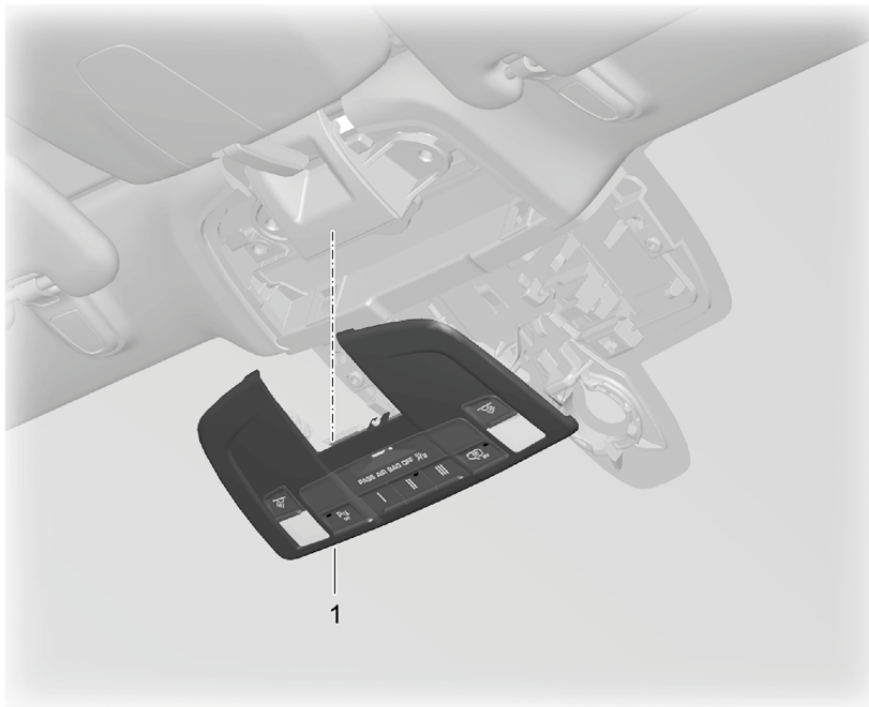
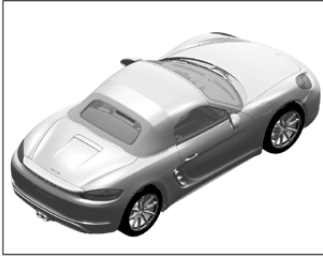
Model: 982-17

Model life 2017>>

Pos	Part Number	Description	Remark	Qty	Model
(13)	970 613 103 51 DML	Matt Black/hi-gloss chrome			
	970 613 104 51	Memory switch		1	I538
	970 613 104 51 DML	Matt Black/hi-gloss chrome			
14	991 613 961 50	Combined switch		1	
		Centre console			
		Repair kit			
	991 613 961 50 DML	Matt Black/hi-gloss chrome			
15	970 652 101 00	Cigarette lighter		1	I583
	970 652 101 00 A05	Black mat			
16	7PP 919 341	Tensioning sleeve		1	I583
		Headlight unit			
17	991 613 105 01	Switch		1	
		Lid			
		Front and rear			
	991 613 105 01 A05	Black mat			

Model: 982-17

Model life 2017>>



Model: 982-17 Model life 2017>>

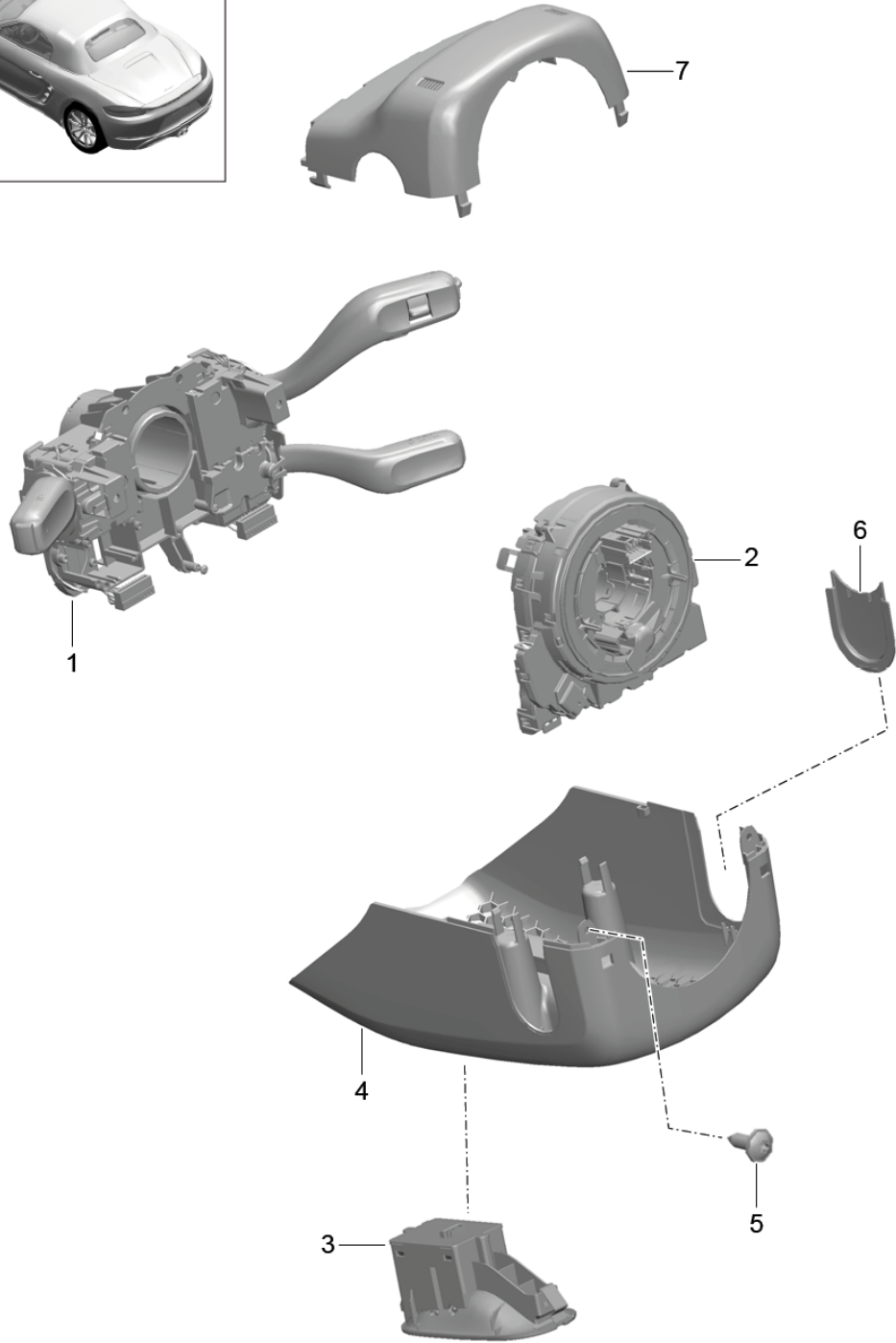
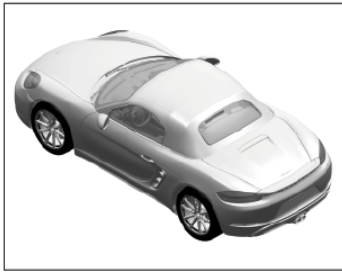
Pos	Part Number	Description	Remark	Qty	Model
1	991 613 422 10	Bracket Roof Bracket		1	-I560/-I607 -I630/-I636 -I638/-I899
(1)	991 613 422 10 1E0 991 613 423 10	Roof Black Bracket		1	-I607/-I630 -I636/-I638 I560
(1)	991 613 423 10 1E0 991 613 423 10	Roof Black Bracket		1	-I607/-I608 -I630/-I636 -I638/I899
(1)	991 613 423 10 1E0 991 613 424 10	Roof Black Bracket		1	-I630/-I636 -I638/I560 I607
(1)	991 613 424 10 1E0 991 613 424 10	Roof Black Bracket		1	-I630/-I636 -I638/I607 I608/899
(1)	991 613 424 10 1E0 991 613 425 10	Roof Black Bracket		1	-I560/-I630 -I636/-I638 -I899/I607 I608
(1)	991 613 425 10 1E0 991 613 433 10	Roof Black Bracket		1	-I560/-I607 -I630/-I899 I636/638
(1)	991 613 433 10 1E0 991 613 434 10	Roof Black Bracket		1	-I607/-I630 I560/636/638
(1)	991 613 434 10 1E0 991 613 434 10	Roof Black Bracket		1	-I607/-I630 I636/638/899
(1)	991 613 434 10 1E0 991 613 435 10	Roof Black Bracket		1	-I630/I560 I607/636/638
(1)	991 613 435 10 1E0 991 613 435 10	Roof Black Bracket		1	-I630/I607 I608/636/638 I899
(1)	991 613 435 10 1E0 991 613 436 10	Roof Black Bracket		1	-I560/-I630 -I899/I607 I608/636/638
(1)	991 613 436 10 1E0 991 613 622 10	Roof Black Bracket		1	-I560/-I607 -I636/-I638 -I899/I630

Model: 982-17 Model life 2017>>

Pos	Part Number	Description	Remark	Qty	Model
(1)	991 613 622 10 1E0 991 613 623 10	Roof Black Bracket		1	-I607/-I636 -I638/I560 I630
(1)	991 613 623 10 1E0 991 613 623 10	Roof Black Bracket		1	-I607/-I608 -I636/-I638 I630/899
(1)	991 613 623 10 1E0 991 613 624 10	Roof Black Bracket		1	-I636/-I638 I560/607/630
(1)	991 613 624 10 1E0 991 613 624 10	Roof Black Bracket		1	-I636/-I638 I607/608/630 I899
(1)	991 613 624 10 1E0 991 613 625 10	Roof Black Bracket		1	-I560/-I636 -I638/-I899 I607/608/630
(1)	991 613 625 10 1E0 991 613 633 10	Roof Black Bracket		1	-I560/-I607 -I899/I630 I636/638
(1)	991 613 633 10 1E0 991 613 634 10	Roof Black Bracket		1	-I607/I560 I630/636/638
(1)	991 613 634 10 1E0 991 613 634 10	Roof Black Bracket		1	-I607/I630 I636/638/899
(1)	991 613 634 10 1E0 991 613 635 10	Roof Black Bracket		1	I560/607/630 I636/638
(1)	991 613 635 10 1E0 991 613 635 10	Roof Black Bracket		1	I607/608/630 I636/638/899
(1)	991 613 635 10 1E0 991 613 636 10	Roof Black Bracket		1	-I560/-I899 I607/608/630 I636/638
	991 613 636 10 1E0	Roof Black			

Model: 982-17

Model life 2017>>



Model: 982-17 Model life 2017>>

Pos	Part Number	Description	Remark	Qty	Model
1	991 613 043 50	Steering column switch Steering column switch		1	-I454/-I456 -I489/IQH0 I288/426/9WC
(1)	991 613 043 50 1E0 970 613 043 50	Black Steering column switch		1	-I489/IQH0 I288/426/454 I9WC
(1)	970 613 043 50 1E0 991 613 045 50	Black Steering column switch		1	-I454/-I456 IQH0/288/426 I489/9WC
(1)	991 613 045 50 1E0 970 613 045 50	Black Steering column switch		1	IQH0/288/426 I454/489/9WC
(1)	970 613 045 50 1E0 970 613 047 50	Black Steering column switch		1	-I489/IQH0 I288/426/456 I9WC
(1)	970 613 047 50 1E0 970 613 049 50	Black Steering column switch		1	IQH0/288/426 I456/489/9WC
(1)	970 613 049 50 1E0 991 613 051 50	Black Steering column switch		1	-I454/-I456 -I489/IQH0 I288/426/9WT
(1)	991 613 051 50 1E0 991 613 051 50	Black Steering column switch		1	-I454/-I456 -I489/IQH1 I288/426
(1)	991 613 051 50 1E0 970 613 051 50	Black Steering column switch		1	-I489/IQH0 I288/426/454 I9WT
(1)	970 613 051 50 1E0 970 613 051 50	Black Steering column switch		1	-I489/IQH1 I288/426/454
(1)	970 613 051 50 1E0 991 613 053 50	Black Steering column switch		1	-I454/-I456 IQH0/288/426 I489/9WT
(1)	991 613 053 50 1E0 991 613 053 50	Black Steering column switch		1	-I454/-I456 IQH1/288/426 I489
(1)	991 613 053 50 1E0 970 613 053 50	Black Steering column switch		1	IQH0/288/426 I454/489/9WT
(1)	970 613 053 50 1E0 970 613 053 50	Black Steering column switch		1	IQH1/288/426 I454/489
(1)	970 613 053 50 1E0 970 613 055 50	Black Steering column switch		1	-I489/IQH0 I288/426/456 I9WT
(1)	970 613 055 50 1E0 970 613 055 50	Black Steering column switch		1	-I489/IQH1 I288/426/456
(1)	970 613 055 50 1E0 970 613 057 50	Black Steering column switch		1	IQH0/288/426 I456/489/9WT
(1)	970 613 057 50 1E0 970 613 057 50	Black Steering column switch		1	IQH1/288/426

Model: 982-17 Model life 2017>>

Pos	Part Number	Description	Remark	Qty	Model
					I456/489
(1)	970 613 057 50 1E0 991 613 011 50	Black Steering column switch		1	-I288/-I454 -I456/-I489 IQH0/426/9WC
(1)	991 613 011 50 1E0 970 613 011 50	Black Steering column switch		1	-I288/-I489 IQH0/426/454 I9WC
(1)	970 613 011 50 1E0 991 613 013 50	Black Steering column switch		1	-I288/-I454 -I456/IQH0 I426/489/9WC
(1)	991 613 013 50 1E0 970 613 013 50	Black Steering column switch		1	-I288/IQH0 I426/454/489 I9WC
(1)	970 613 013 50 1E0 970 613 015 50	Black Steering column switch		1	-I288/-I489 IQH0/426/456 I9WC
(1)	970 613 015 50 1E0 970 613 017 50	Black Steering column switch		1	-I288/IQH0 I426/456/489 I9WC
(1)	970 613 017 50 1E0 991 613 019 50	Black Steering column switch		1	-I288/-I454 -I456/-I489 IQH0/426/9WT
(1)	991 613 019 50 1E0 991 613 019 50	Black Steering column switch		1	-I454/-I456 -I489/IQH1 I288/426
(1)	991 613 019 50 1E0 970 613 019 50	Black Steering column switch		1	-I288/-I489 IQH0/426/454 I9WT
(1)	970 613 019 50 1E0 970 613 019 50	Black Steering column switch		1	-I288/-I489 IQH1/426/454
(1)	970 613 019 50 1E0 991 613 021 50	Black Steering column switch		1	-I288/-I454 -I456/IQH0 I426/489/9WT
(1)	991 613 021 50 1E0 991 613 021 50	Black Steering column switch		1	-I288/-I454 -I456/IQH1 I426/489
(1)	991 613 021 50 1E0 970 613 021 50	Black Steering column switch		1	-I288/IQH0 I426/454/489 I9WT
(1)	970 613 021 50 1E0 970 613 021 50	Black Steering column switch		1	-I288/IQH1 I426/454/489
(1)	970 613 021 50 1E0 970 613 023 50	Black Steering column switch		1	-I288/-I489 IQH0/426/456 I9WT
(1)	970 613 023 50 1E0 970 613 023 50	Black Steering column switch		1	-I288/-I489 IQH1/426/456
	970 613 023 50 1E0	Black			

Model: 982-17 Model life 2017>>

Pos	Part Number	Description	Remark	Qty	Model
(1)	970 613 025 50	Steering column switch		1	-I288/IQH0 I426/456/489 I9WT
	970 613 025 50 1E0	Black			
(1)	970 613 025 50	Steering column switch		1	-I288/IQH1 I426/456/489
	970 613 025 50 1E0	Black			
2	9A7 953 568 01	Control unit Steering column switch with Spring Steering-angle sensor without Heating Steering wheel		1	
(2)	9A7 953 568 11	Control unit Steering column switch with Spring Steering-angle sensor with Heating Steering wheel		1	
3	7PP 953 519 E	Switch Adjustment Steering column		1	
	7PP 953 519 E IVI	Black mat			
4	991 552 475 00	Switch housing Lower		1	-IXNS/I647 I655
	991 552 475 00 1E0	Black			
(4)	991 552 983 00	Switch housing Lower		1	-I489/IXNS I454/456/647 I655
	991 552 983 00 A11	Black			
	991 552 983 00 7J0	Luxor Beige			
	991 552 983 00 OA1	Agate Grey			
	991 552 983 00 6J0	Espresso			
	991 552 983 00 OK6	Saddle Tan			
	991 552 983 00 OG6	Bordeaux Red			
	991 552 983 00 OH7	Graphite Blue			
	991 552 983 00 JHB	Black/Dark Silver			
(4)	991 552 983 02	Switch housing Lower		1	-I454/-I456 -I489/IXNS I647/655
	991 552 983 02 A11	Black			
	991 552 983 02 7J0	Luxor Beige			
	991 552 983 02 OA1	Agate Grey			
	991 552 983 02 6J0	Espresso			
	991 552 983 02 OK6	Saddle Tan			
	991 552 983 02 OG6	Bordeaux Red			
	991 552 983 02 OH7	Graphite Blue			
	991 552 983 02 JHB	Black/Dark Silver			
(4)	991 552 983 04	Switch housing Lower		1	IXNS/454/489 I647/655/656
	991 552 983 04 A11	Black			
	991 552 983 04 7J0	Luxor Beige			

Model: 982-17 Model life 2017>>

Pos	Part Number	Description	Remark	Qty	Model	
(4)	991 552 983 04 OA1	Agate Grey		1	-I454/-I456 IXNS/489/647 I655	
	991 552 983 04 6J0	Espresso				
	991 552 983 04 OK6	Saddle Tan				
	991 552 983 04 OG6	Bordeaux Red				
	991 552 983 04 OH7	Graphite Blue				
	991 552 983 04 JHB	Black/Dark Silver				
	991 552 983 06	Switch housing				
		Lower				
		Leather				
		991 552 983 06 A11	Black			
(4)	991 552 983 06 7J0	Luxor Beige		1	-IXNS/I648 I656	
	991 552 983 06 OA1	Agate Grey				
	991 552 983 06 6J0	Espresso				
	991 552 983 06 OK6	Saddle Tan				
	991 552 983 06 OG6	Bordeaux Red				
	991 552 983 06 OH7	Graphite Blue				
	991 552 983 06 JHB	Black/Dark Silver				
	991 552 475 01	Switch housing				
		Lower				
		991 552 475 01 1E0	Black			
(4)	991 552 983 01	Switch housing		1	-I489/IXNS I454/456/648 I656	
		Lower				
		Leather				
		991 552 983 01 A11	Black			
		991 552 983 01 7J0	Luxor Beige			
		991 552 983 01 OA1	Agate Grey			
		991 552 983 01 6J0	Espresso			
		991 552 983 01 OK6	Saddle Tan			
		991 552 983 01 OG6	Bordeaux Red			
		991 552 983 01 OH7	Graphite Blue			
(4)	991 552 983 01 JHB	Black/Dark Silver		1	-I454/-I456 -I489/IXNS I648/656	
	991 552 983 03	Switch housing				
		Lower				
		Leather				
		991 552 983 03 A11	Black			
		991 552 983 03 7J0	Luxor Beige			
		991 552 983 03 OA1	Agate Grey			
		991 552 983 03 6J0	Espresso			
		991 552 983 03 OK6	Saddle Tan			
		991 552 983 03 OG6	Bordeaux Red			
(4)	991 552 983 03 OH7	Graphite Blue		1	IXNS/454/456 I489/648/656	
	991 552 983 03 JHB	Black/Dark Silver				
	991 552 983 05	Switch housing				
		Lower				
		Leather				
		991 552 983 05 A11	Black			
		991 552 983 05 7J0	Luxor Beige			
		991 552 983 05 OA1	Agate Grey			
		991 552 983 05 6J0	Espresso			
		991 552 983 05 OK6	Saddle Tan			
(4)	991 552 983 05 OG6	Bordeaux Red		1	-I454/-I456 IXNS/489/648	
	991 552 983 05 OH7	Graphite Blue				
	991 552 983 05 JHB	Black/Dark Silver				
	991 552 983 07	Switch housing				

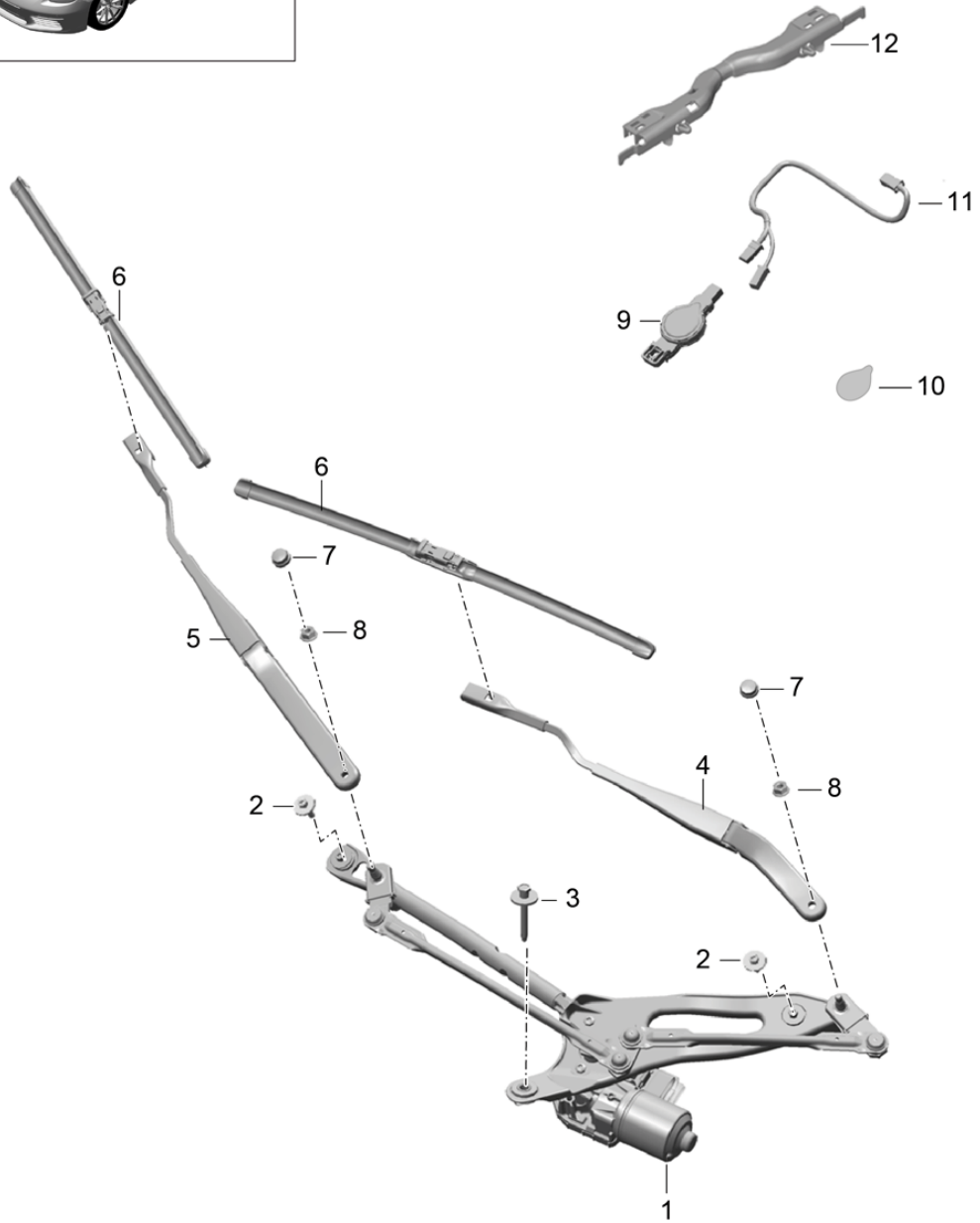
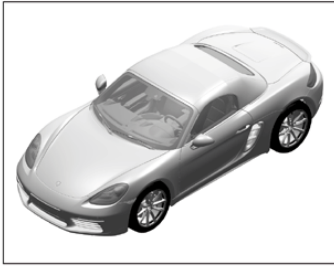
Model: 982-17

Model life 2017>>

Pos	Part Number	Description	Remark	Qty	Model
		Lower Leather			I656
	991 552 983 07 A11	Black			
	991 552 983 07 7J0	Luxor Beige			
	991 552 983 07 OA1	Agate Grey			
	991 552 983 07 6J0	Espresso			
	991 552 983 07 OK6	Saddle Tan			
	991 552 983 07 OG6	Bordeaux Red			
	991 552 983 07 OH7	Graphite Blue			
	991 552 983 07 JHB	Black/Dark Silver			
5	999 073 155 09	Tapping screw ST 4,2 X 13		4	
6	991 552 675 00	Cover		X	
	991 552 675 00 1E0	Black			
7	991 552 473 01	Switch housing Upper		1	-IXNS
	991 552 473 01 1E0	Black			
(7)	991 552 984 00	Switch housing Upper Leather		1	IXNS
	991 552 984 00 A11	Black			
	991 552 984 00 7J0	Luxor Beige			
	991 552 984 00 OA1	Agate Grey			
	991 552 984 00 6J0	Espresso			
	991 552 984 00 OK6	Saddle Tan			
	991 552 984 00 OG6	Bordeaux Red			
	991 552 984 00 OH7	Graphite Blue			
	991 552 984 00 JHB	Black/Dark Silver			

Model: 982-17

Model life 2017>>



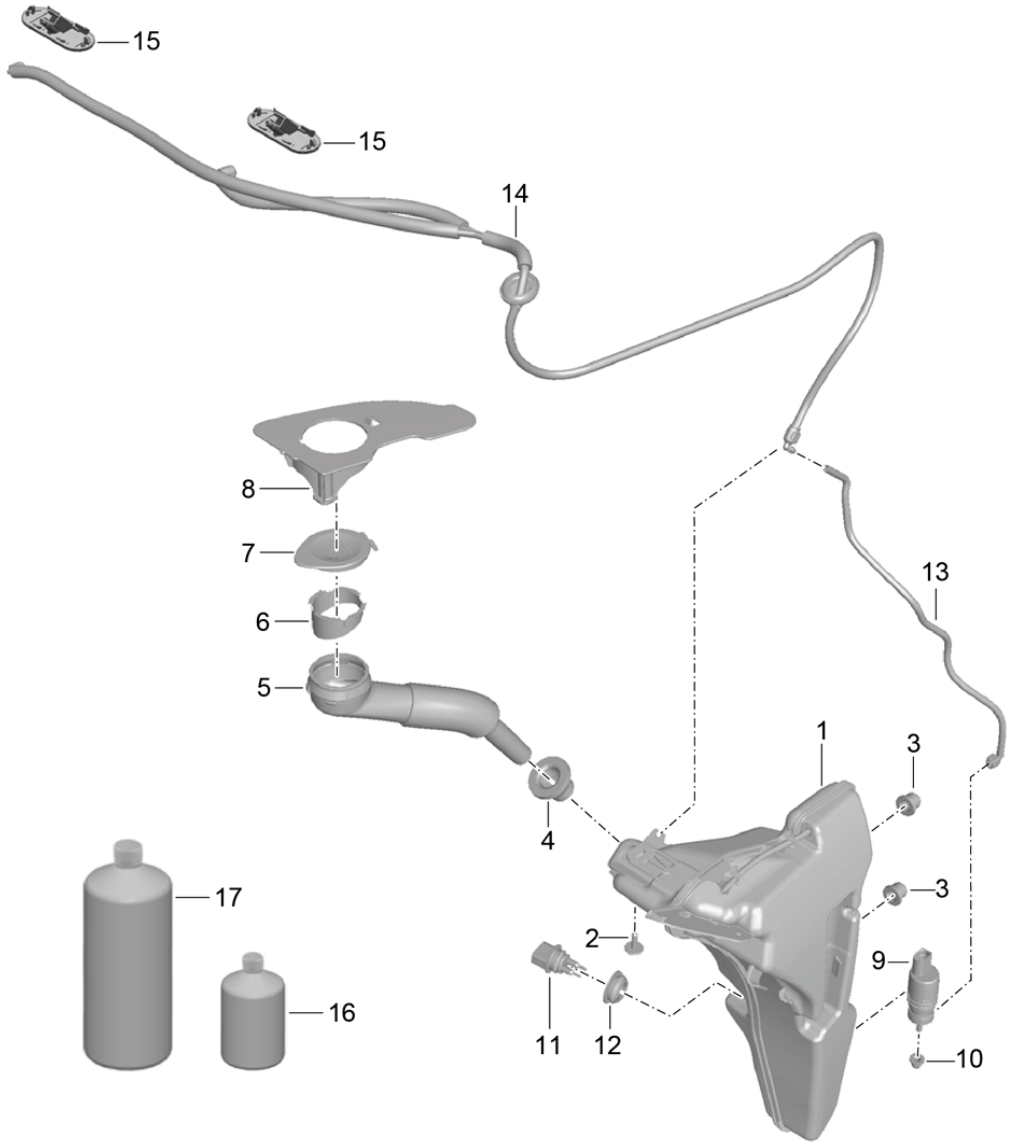
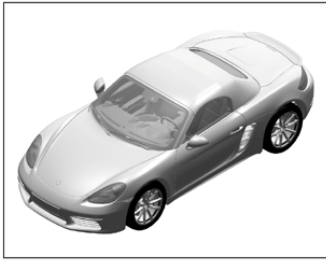
Model: 982-17

Model life 2017>>

Pos	Part Number	Description	Remark	Qty	Model
1	991 628 035 07	Windscreen wiper system Rain sensor Wiper motor with Crank drive	/LL	1	I098
(1)	991 628 036 07	Wiper motor with Crank drive	/RL	1	I099
2	900 387 017 02	Combination screw M 6 X 25 SC		2	
3	999 141 304 01	Combination screw M 8 X 66		1	
4	991 628 121 02	Wiper arm Driver's side	/LL	1	I098
(4)	991 628 131 03	Wiper arm Passenger's side	/RL	1	I099
5	991 628 122 03	Wiper arm Passenger's side	/LL	1	I098
(5)	991 628 132 02	Wiper arm Driver's side	/RL	1	I099
6	991 628 901 00	Wiper blade Set Driver's side	/LL	1	I098
(6)	991 628 903 00	Passenger's side Wiper blade Set Driver's side Passenger's side	/RL	1	I099
7	991 628 305 00	Cap		2	
8	N 106 092 04	Hexagon nut Mount Wiper arm		2	
9	991 615 108 01	Rain sensor		1	
10	9A7 955 609 00	Adhesive film Rain sensor		1	
11	9P1 971 103	Wiring harness		1	-I631/-I632 -I852
(11)	9P1 971 103 A	Rain sensor Wiring harness Rain sensor		1	I631/632/852
12	981 610 119 00	Support Wiring harness Rain sensor		1	

Model: 982-17

Model life 2017>>



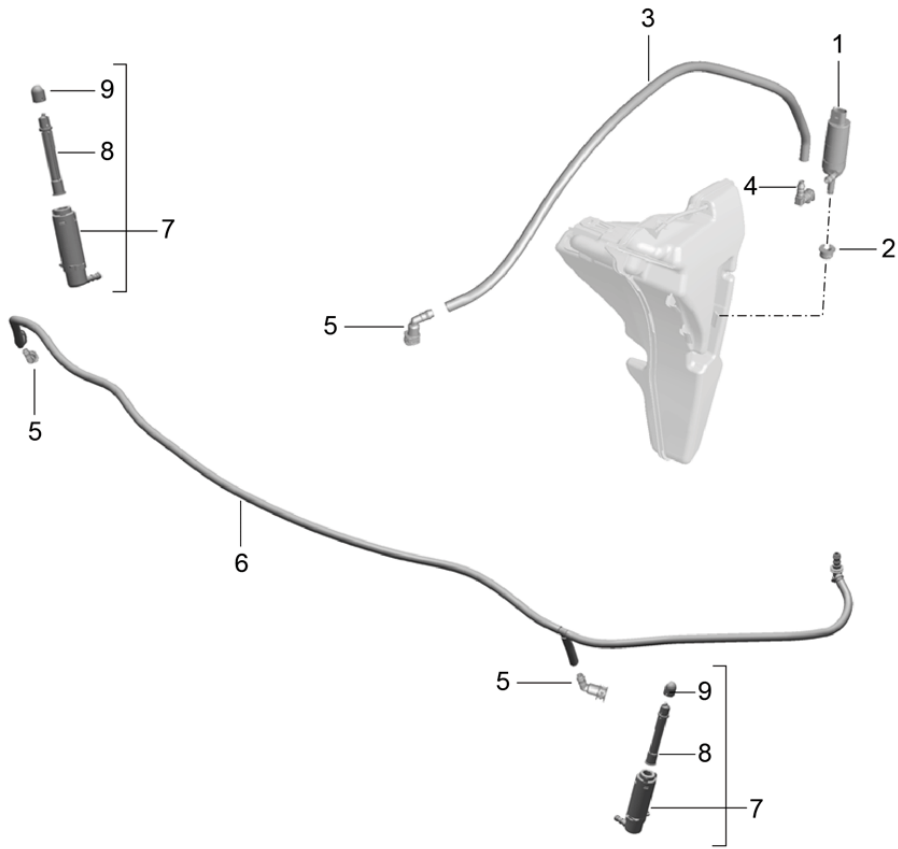
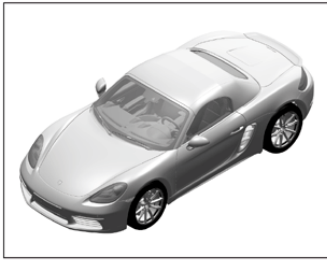
Model: 982-17

Model life 2017>>

Pos	Part Number	Description	Remark	Qty	Model
1	991 528 701 00	Windscreen washer system		1	-I288
(1)	991 528 703 00	Water reservoir		1	I288
2	N 911 883 01	Outer hexagon round screw M 6 X 20		1	
3	999 702 221 40	Grommet		2	
4	955 528 711 01	Gasket		1	
5	991 528 403 00	Filler neck		1	
6	8Z0 955 485	Strainer		1	
7	991 528 413 00	Lid		1	
8	991 528 503 01	Support		1	
9	1K5 955 651	Pump		1	
10	958 628 712 00	Gasket		1	
11	955 628 105 00	Tank gauge switch		1	
12	955 528 721 00	Gasket		1	
13	991 628 669 00	Line Pump Connection point		1	
14	991 628 667 05	Line Connection point		1	
15	991 628 073 00	Nozzle Nozzle Not Heated Information available		2	
16	999 901 017 42	Window cleaner 250 ML Summer		X	
17	999 901 033 40	Window cleaner 1000 ML Winter		X	

Model: 982-17

Model life 2017>>



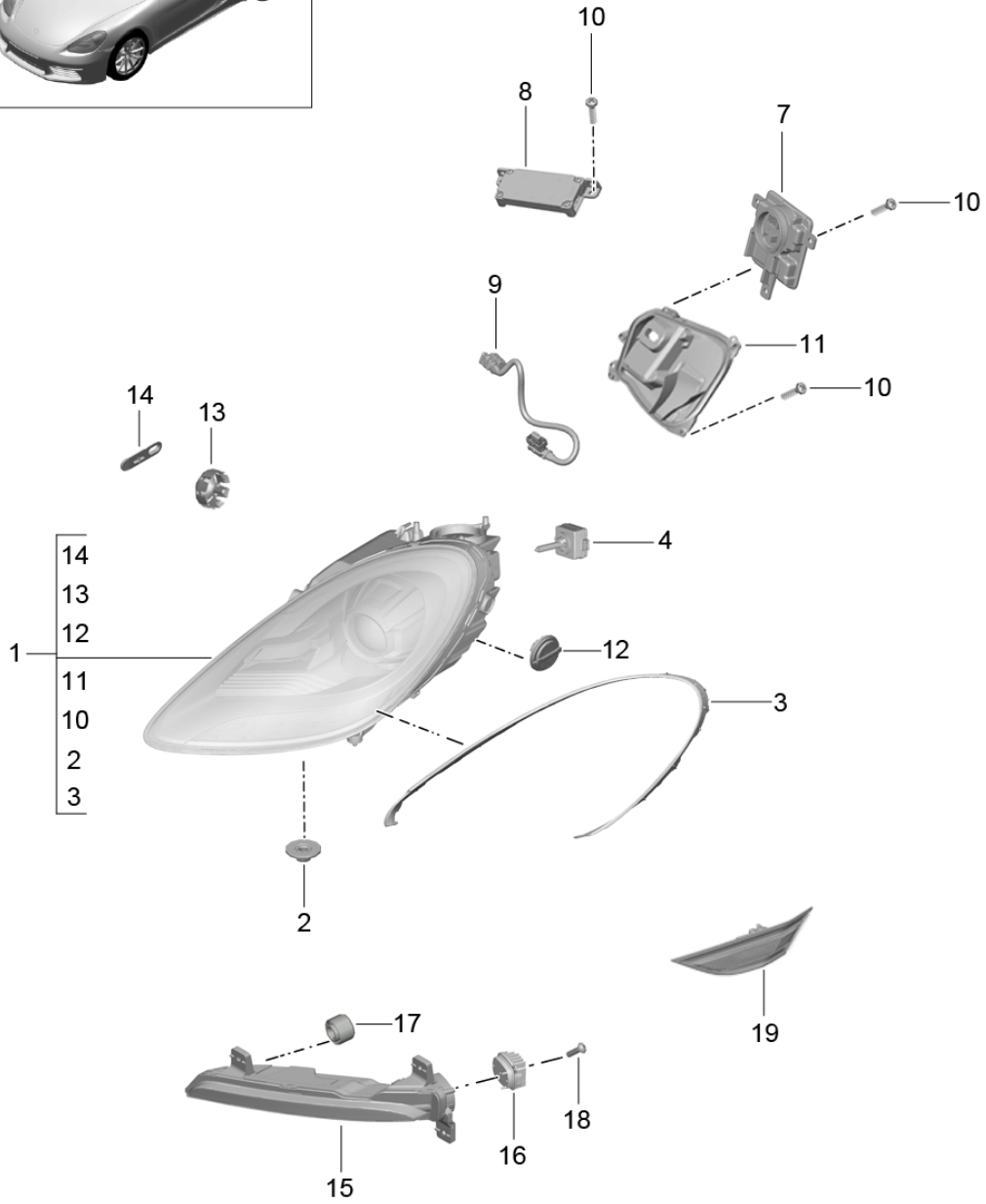
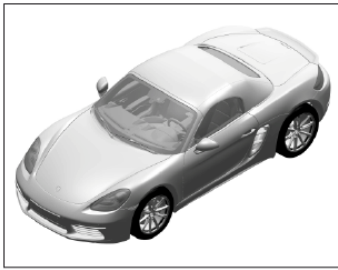
Model: 982-17

Model life 2017>>

Pos	Part Number	Description	Remark	Qty	Model
		Headlight washer system			I288
1	958 624 502 00	Pump		1	
2	431 955 465 A	Gasket		1	
-	000 043 204 79	Hose		*	
		8 X 3			
3		905 MM		1	
4	8E0 955 665	Angled pipe		1	
5	997 628 205 00	Clutch		3	
6	982 955 944 A	Hose		1	
7	997 628 163 01	Nozzle		2	-I011
		Chrome			
		Including			
		Nozzle head			
8	997 628 263 00	Nozzle head		2	-I011
		Chrome			
9	997 628 981 02	Cap		2	IXUB
		Prime coated			

Model: 982-17

Model life 2017>>



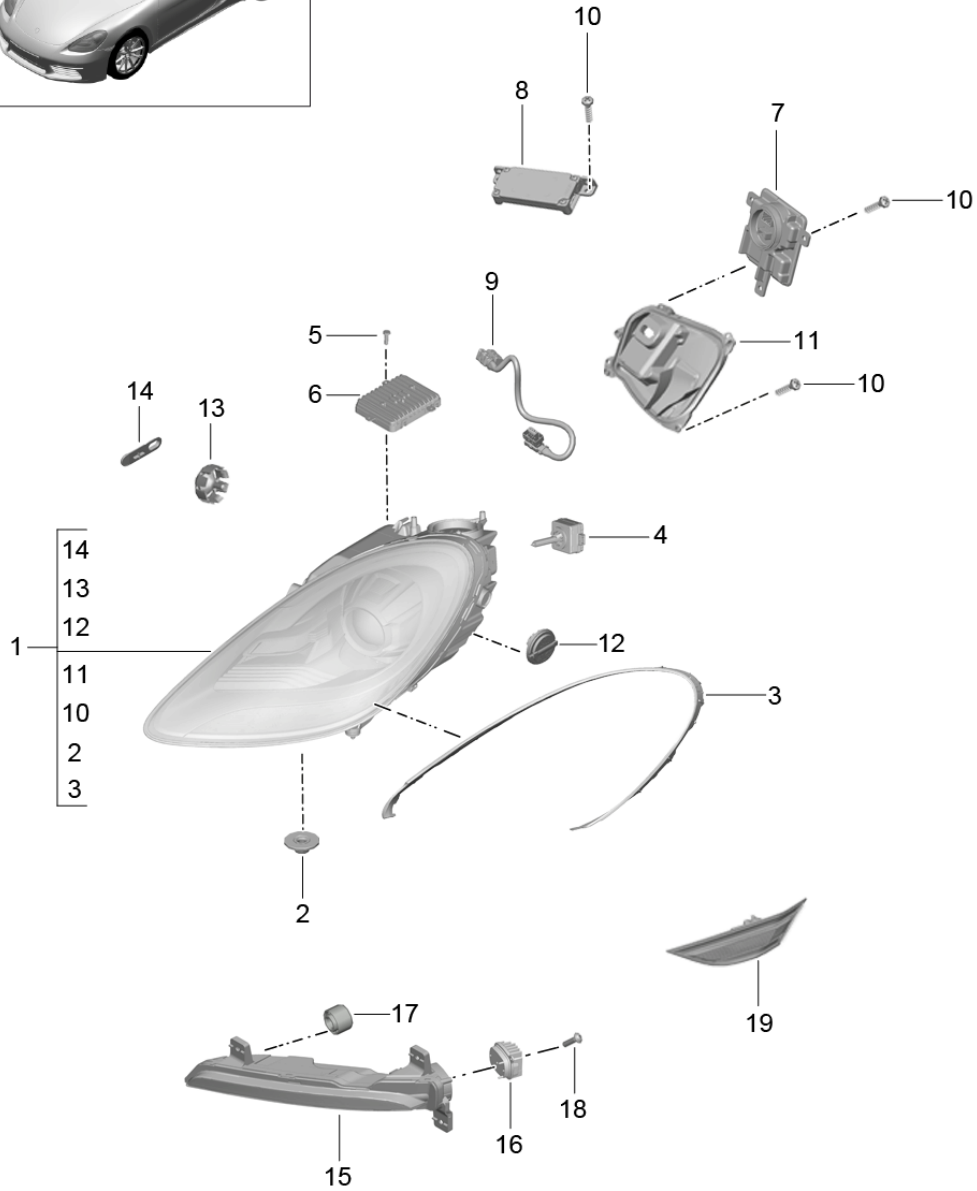
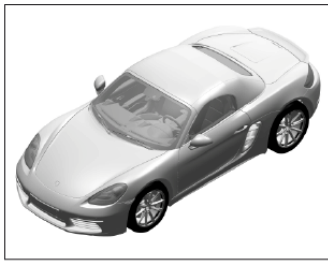
Model: 982-17

Model life 2017>>

Pos	Part Number	Description	Remark	Qty	Model
		Headlamp Additional headlamp Direction indicator light Side marker light Direction indicator light Headlamp without Control unit And Gas-discharge lamp XENON			I601
1	982 941 029 K	Headlamp	/L	1	-I492
(1)	982 941 030 K	Headlamp	/R	1	-I492
(1)	982 941 029 L	Headlamp	/L	1	I492
(1)	982 941 030 L	Headlamp	/R	1	I492
2	991 631 371 01	Lock nut		4	
3	982 941 119	Gasket	/L	1	
(3)	982 941 120	Gasket	/R	2	
4	999 631 072 90	Gas-discharge lamp D8S		2	
7	8K0 941 597 F	Control unit XENON		2	
8	7PP 941 597 B	Control unit LED Daytime driving lights		1	
9	981 631 323 10	Cable		2	
10	991 631 377 00	Screw 4,0 X 16		18	
11	982 941 607	Cap	/L	1	
(11)	982 941 608	Cap	/R	1	
12	997 631 267 01	Ventilation component		2	
14	991 631 101 00	Stopper		6	
15	982 953 041 B	Additional headlamp	/L	1	
(15)	982 953 042 B	Additional headlamp	/R	1	
16	9P1 953 249	LED module	/L	1	
(16)	9P1 953 249 A	LED module	/R	1	
17	987 631 291 00	Cap		2	
18	999 919 246 01	Oval-head screw 6,0 X 18,0		6	
19	991 631 255 05	Direction indicator light	/L	1	
(19)	991 631 256 05	Direction indicator light	/R	1	

Model: 982-17

Model life 2017>>



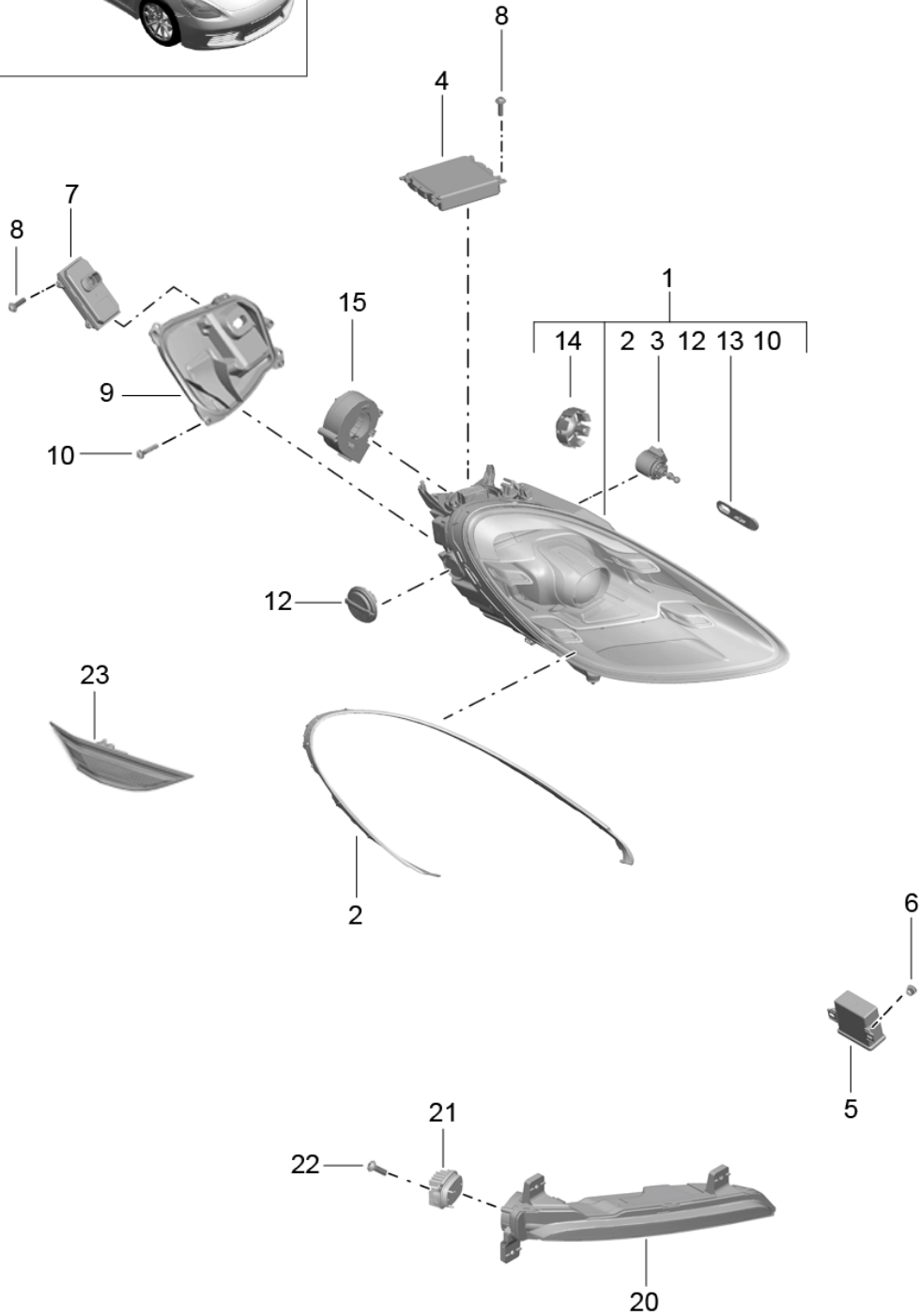
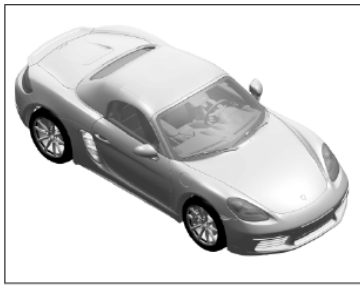
Model: 982-17

Model life 2017>>

Pos	Part Number	Description	Remark	Qty	Model
		Headlamp Additional headlamp Direction indicator light Side marker light Direction indicator light Headlamp without Control unit And Gas-discharge lamp XENON			I603
1	982 941 043 K	Headlamp	/L	1	-I492/I603
(1)	982 941 077	Headlamp	/L	1	-I492/IXEW
(1)	982 941 044 K	Headlamp	/R	1	-I492/I603
(1)	982 941 078	Headlamp	/R	1	-I492/IXEW
(1)	982 941 043 L	Headlamp	/L	1	I492/603
(1)	982 941 077 A	Headlamp	/L	1	IXEW/492
(1)	982 941 044 L	Headlamp	/R	1	I492/603
(1)	982 941 078 A	Headlamp	/R	1	IXEW/492
2	991 631 371 01	Lock nut		4	
3	982 941 119	Gasket	/L	1	
(3)	982 941 120	Gasket	/R	2	
4	999 631 070 90	Gas-discharge lamp D3S		2	
5	991 631 327 03	Electric motor Headlight levelling system		2	
6	991 618 321 32	Control unit Headlight levelling system		2	
7	8K0 941 597 E	Control unit XENON		2	
8	7PP 941 597 B	Control unit LED Daytime driving lights		1	
9	991 631 323 10	Cable		2	
10	991 631 377 00	Screw 4,0 X 16		10	
11	982 941 607	Cap	/L	1	
(11)	982 941 608	Cap	/R	1	
12	997 631 267 01	Ventilation component		2	
14	991 631 101 00	Stopper Additional headlamp		6	
15	982 953 041 B	Additional headlamp	/L	1	I603
15	982 953 351	Additional headlamp	/L	1	-I603
(15)	982 953 042 B	Additional headlamp	/R	1	I603
(15)	982 953 352	Additional headlamp	/R	1	-I603
16	9P1 953 249	LED module	/L	1	
(16)	9P1 953 249 A	LED module	/R	1	
17	987 631 291 00	Cap		2	
18	999 919 246 01	Oval-head screw 6,0 X 18,0		6	
19	991 631 255 05	Direction indicator light	/L	1	
(19)	991 631 256 05	Direction indicator light	/R	1	

Model: 982-17

Model life 2017>>



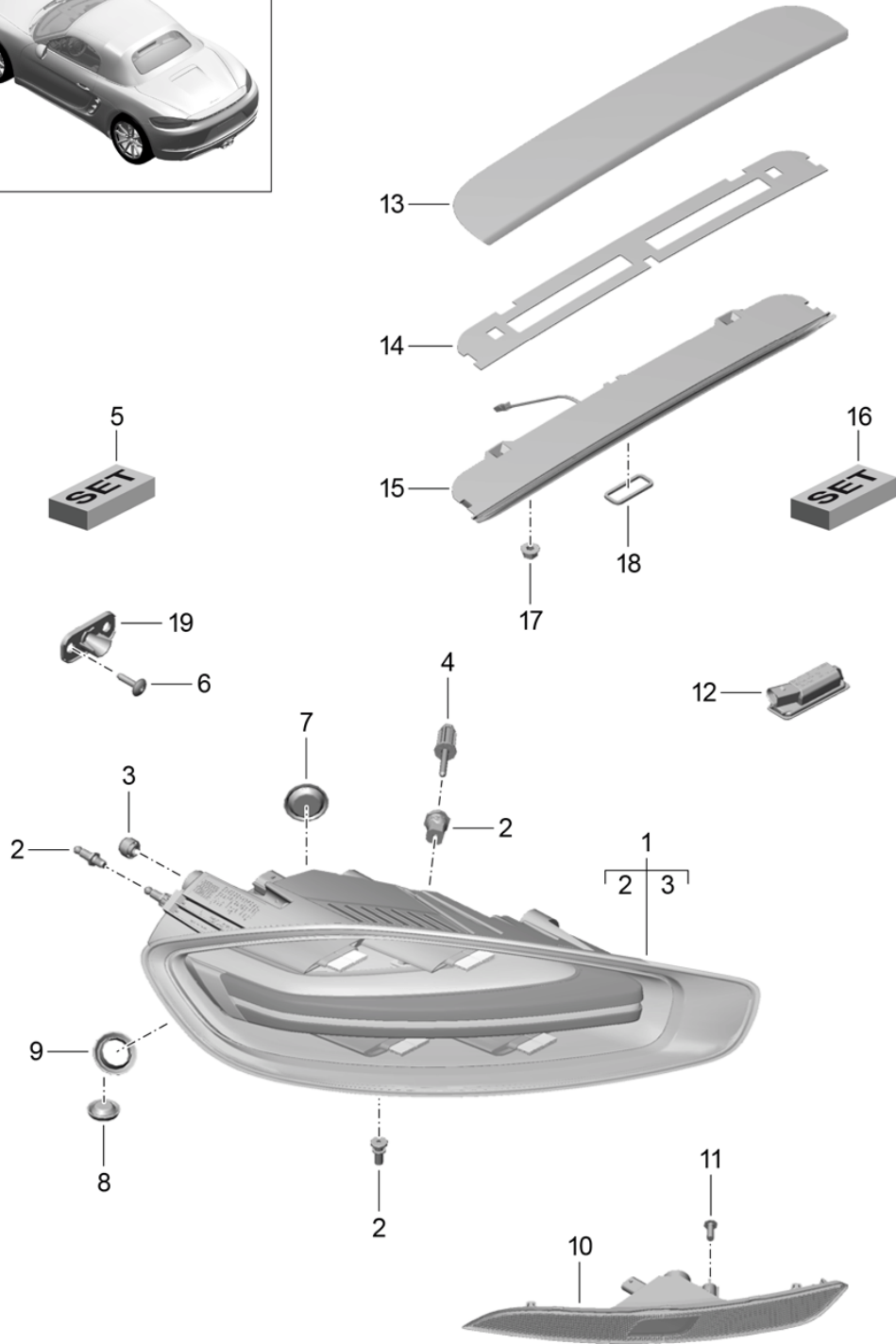
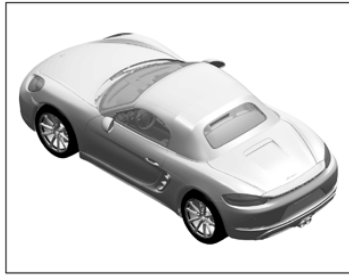
Model: 982-17

Model life 2017>>

Pos	Part Number	Description	Remark	Qty	Model
		Headlamp Additional headlamp Direction indicator light Side marker light Direction indicator light Headlamp without Control units Fan			I602
1	982 941 039 K	LED headlights	/L	1	-I492
(1)	982 941 040 K	LED headlights	/R	1	-I492
(1)	982 941 040 N	LED headlights	/R	1	-I492
(1)	982 941 039 L	LED headlights	/L	1	I492
(1)	982 941 040 L	LED headlights	/R	1	I492
(1)	982 941 040 P	LED headlights	/R	1	I492
2	982 941 119	Gasket	/L	1	
(2)	982 941 120	Gasket	/R	1	
3	991 631 327 03	Electric motor Headlight levelling system		2	
4	7PP 941 572 BB	Control unit LED module		2	
5	9A7 907 357 00	Control unit Headlight levelling system		1	
6	999 049 033 40	Plastic nut T6X16		2	
7	7PP 941 329 T	Control unit Power electronics		2	
8	999 919 159 09	Oval-head screw 4,0 X 12,0		14	
9	982 941 627	Protective cap	/L	1	
(9)	982 941 628	Protective cap	/R	1	
10	991 631 377 00	Screw		10	
12	997 631 267 01	Ventilation component		2	
13	991 631 101 00	Stopper		6	
15	9A7 907 463 00	Fan		2	
20	982 953 041 B	Additional headlamp	/L	1	
(20)	982 953 042 B	Additional headlamp	/R	1	
21	9P1 953 249	LED module	/L	1	
(21)	9P1 953 249 A	LED module	/R	1	
22	999 919 246 01	Oval-head screw 6,0 X 18,0		6	
23	991 631 255 05	Direction indicator light	/L	1	
(23)	991 631 256 05	Direction indicator light	/R	1	

Model: 982-17

Model life 2017>>



Model: 982-17 Model life 2017>>

Pos	Part Number	Description	Remark	Qty	Model
1	982 945 095 H	Rear light License plate light Additional brake light Rear fog light	/L	1	-IXXP
(1)	982 945 095 M	Rear light D >> 24.10.2016	/L	1	-IXXP
(1)	982 945 096 H	Rear light D >> 24.10.2016	/R	1	-IXXP
(1)	982 945 096 M	Rear light D 25.10.2016>>	/R	1	-IXXP
(1)	9P0 945 095	Rear light D >> 24.10.2016	/L	1	IXXP
(1)	9P0 945 095 B	Rear light D 25.10.2016>>	/L	1	IXXP
(1)	9P0 945 096	Rear light D >> 24.10.2016	/R	1	IXXP
(1)	9P0 945 096 B	Rear light D 25.10.2016>>	/R	1	IXXP
2	981 631 925 00	Repair kit Support		2	
3	987 631 291 00	Cap		6	
4	9A7 007 785 00	Ventilation component Combination screw M 6 X 70		2	
5	982 998 021	Repair kit SBBR Comprising: 987 631 291 00 999 073 131 02 982 945 067 Y		2	
6	999 073 131 02	Oval-head screw M 6 X 25		4	
7	999 703 195 40	Rubber sleeve D=30MM		2	
8	999 703 196 40	Lid D=20MM		2	
9	999 702 297 40	Grommet		2	
10	982 945 703 H	Rear fog light Reflector	/L	1	I098/465
(10)	982 945 704 H	Rear fog light Reflector	/R	1	-I466/I098
(10)	982 945 703 J	Rear fog light Reflector	/L	1	-I465/I099
(10)	982 945 704 J	Rear fog light Reflector	/R	1	I099/466
11	999 919 246 01	Oval-head screw 6X18		2	
12	1K8 943 021 C	License plate light		2	
13	982 827 699	Cover Additional brake light Prime coated		1	
14	982 827 972	Adhesive tape		1	
15	982 945 087 B	Additional brake light Raised		1	
16	982 998 022	Repair kit Brake light Raised		1	
17	900 377 009 01	Hexagon nut M5		2	
18	982 945 197	Gasket		1	
19	982 945 067 Y	Retainer plate		2	

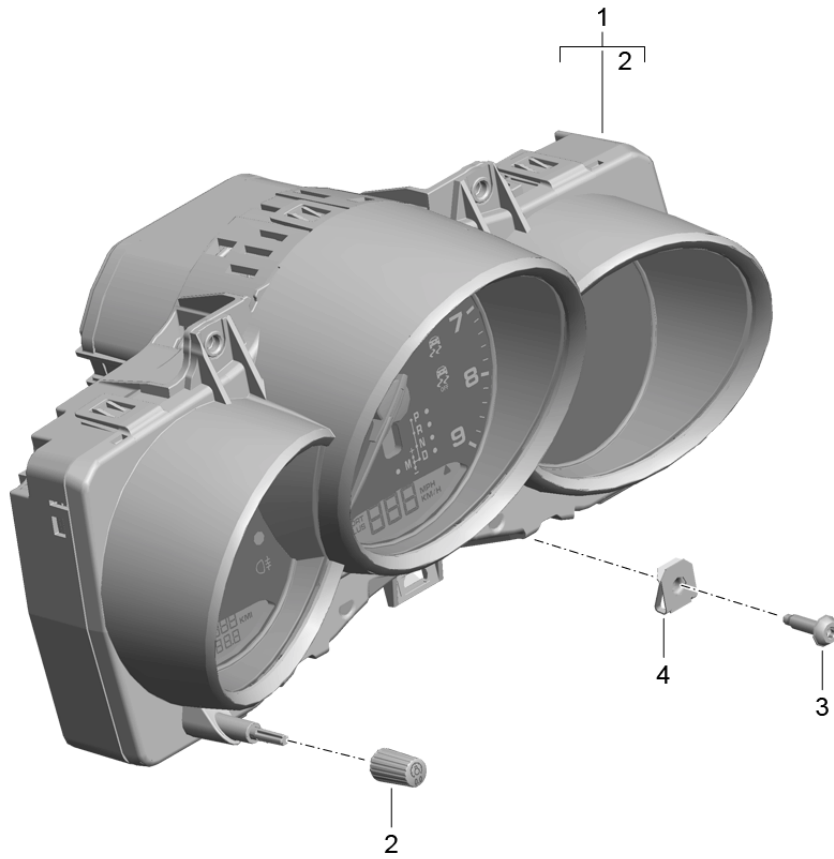
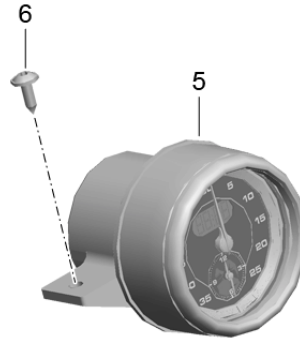
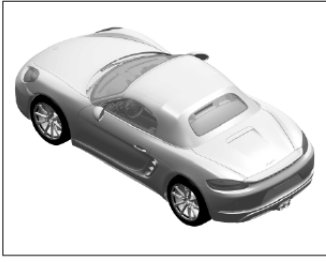
Model: 982-17

Model life 2017>>

Pos	Part Number	Description	Remark	Qty	Model
		Rear light			

Model: 982-17

Model life 2017>>



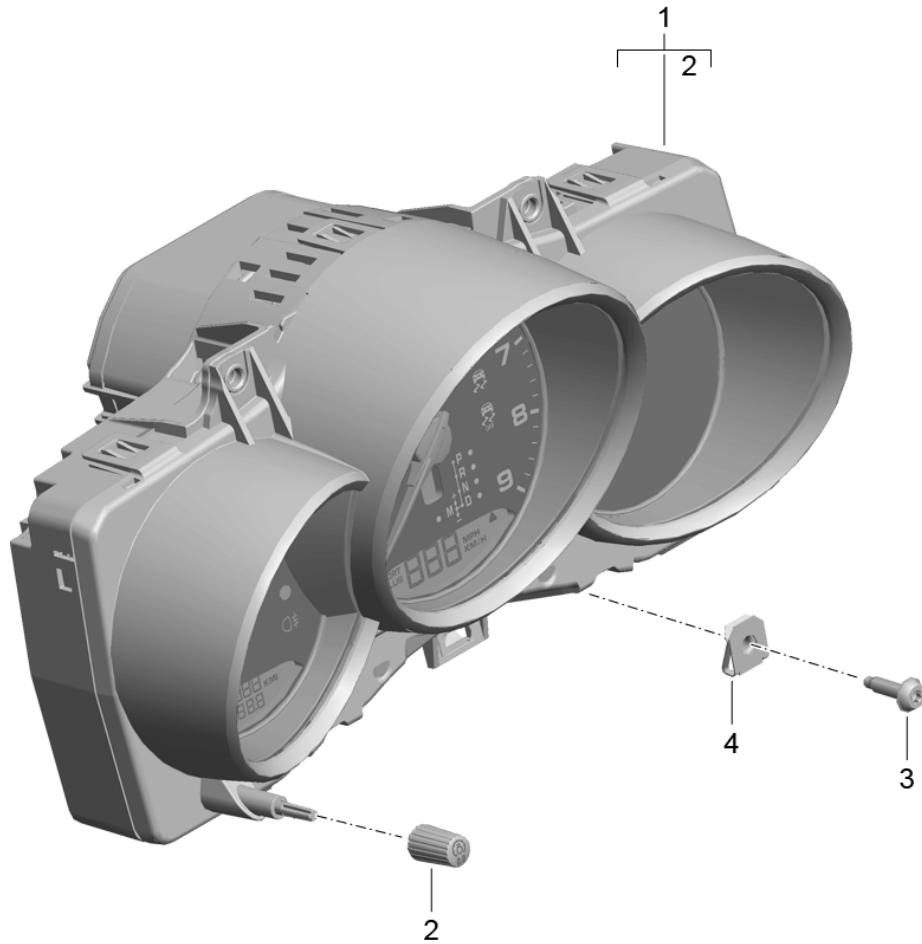
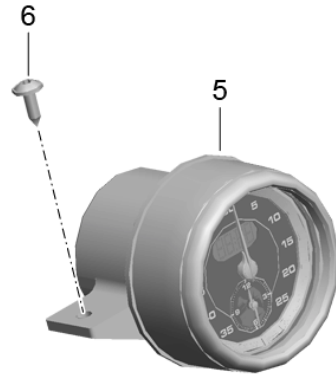
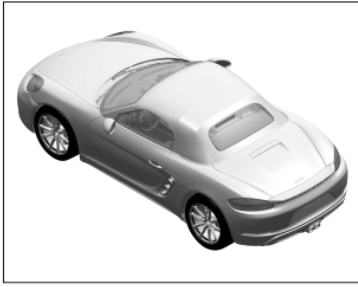
Model: 982-17

Model life 2017>>

Pos	Part Number	Description	Remark	Qty	Model
		Instruments			I022/023
		Stopwatch			
1	982 920 810 F	Instrument cluster	-(GB)	1	I022/480
		Complete			
	982 920 810 F A05	Black mat			
(1)	982 920 910 F	Instrument cluster	-(GB)	1	I022/250
		Complete			
	982 920 910 F A05	Black mat			
(1)	982 920 850 F	Instrument cluster	(GB)	1	I022/480
		Complete			
	982 920 850 F A05	Black mat			
(1)	982 920 950 F	Instrument cluster	(GB)	1	I022/250
		Complete			
	982 920 950 F A05	Black mat			
(1)	982 920 810 G	Instrument cluster	-(GB)	1	I023/480
		Complete			
	982 920 810 G A05	Silver-black			
(1)	982 920 910 G	Instrument cluster	-(GB)	1	I023/250
		Complete			
	982 920 910 G A05	Black mat			
(1)	982 920 850 G	Instrument cluster	(GB)	1	I023/480
		Complete			
	982 920 850 G A05	Black mat			
(1)	982 920 950 G	Instrument cluster	(GB)	1	I023/250
		Complete			
	982 920 950 G A05	Black mat			
2	991 641 911 00	Knob		1	
		Actuator			
		Trip meter			
3	999 073 498 01	Oval-head screw		4	
		M 5 X 20			
4	999 507 556 01	Speed nut		4	
5	982 919 203 D	Stopwatch		1	I025
	982 919 203 D DAP	Matt Black/Galvano Silver			
6	999 073 155 09	Tapping screw		2	
		ST 4,2 X 13			

Model: 982-17

Model life 2017>>



Model: 982-17

Model life 2017>>

Pos	Part Number	Description	Remark	Qty	Model
		Instruments			-I022/-I023
		Stopwatch			
1	9P9 920 810 F	Instrument cluster	-(GB)	1	I008/480
		Complete			
	9P9 920 810 F C9A	White			IXFJ
	9P9 920 810 F 84A	Guards red			IXFG
	9P9 920 810 F 6W0	Luxor Beige			IXFL
	9P9 920 810 F OG6	Bordeaux Red			IXFB
	9P9 920 810 F 1S1	Racing Yellow			IXFR
(1)	9P9 920 910 F	Instrument cluster	-(GB)	1	I008/250
		Complete			
	9P9 920 910 F C9A	White			IXFJ
	9P9 920 910 F 84A	Guards red			IXFG
	9P9 920 910 F 6W0	Luxor Beige			IXFL
	9P9 920 910 F OG6	Bordeaux Red			IXFB
	9P9 920 910 F 1S1	Racing Yellow			IXFR
(1)	9P9 920 850 F	Instrument cluster		1	I008/480
		Complete			
	9P9 920 850 F C9A	White			IXFJ
	9P9 920 850 F 84A	Guards red			IXFG
	9P9 920 850 F 6W0	Luxor Beige			IXFL
	9P9 920 850 F OG6	Bordeaux Red			IXFB
	9P9 920 850 F 1S1	Racing Yellow			IXFR
(1)	9P9 920 950 F	Instrument cluster		1	I008/250
		Complete			
	9P9 920 950 F C9A	White			IXFJ
	9P9 920 950 F 84A	Guards red			IXFG
	9P9 920 950 F 6W0	Luxor Beige			IXFL
	9P9 920 950 F OG6	Bordeaux Red			IXFB
	9P9 920 950 F 1S1	Racing Yellow			IXFR
(1)	9P9 920 810 G	Instrument cluster	-(GB)	1	I009/480
		Complete			
	9P9 920 810 G C9A	White			IXFJ
	9P9 920 810 G 84A	Guards red			IXFG
	9P9 920 810 G 6W0	Luxor Beige			IXFL
	9P9 920 810 G OG6	Bordeaux Red			IXFB
	9P9 920 810 G 1S1	Racing Yellow			IXFR
(1)	9P9 920 910 G	Instrument cluster	-(GB)	1	I009/250
		Complete			
	9P9 920 910 G C9A	White			IXFJ
	9P9 920 910 G 84A	Guards red			IXFG
	9P9 920 910 G 6W0	Luxor Beige			IXFL
	9P9 920 910 G OG6	Bordeaux Red			IXFB
	9P9 920 910 G 1S1	Racing Yellow			IXFR
(1)	9P9 920 850 G	Instrument cluster		1	I009/480
		Complete			
	9P9 920 850 G C9A	White			IXFJ
	9P9 920 850 G 84A	Guards red			IXFG
	9P9 920 850 G 6W0	Luxor Beige			IXFL
	9P9 920 850 G OG6	Bordeaux Red			IXFB
	9P9 920 850 G 1S1	Racing Yellow			IXFR
(1)	9P9 920 950 G	Instrument cluster		1	I009/250
		Complete			
	9P9 920 950 G C9A	White			IXFJ
	9P9 920 950 G 84A	Guards red			IXFG
	9P9 920 950 G 6W0	Luxor Beige			IXFL
	9P9 920 950 G OG6	Bordeaux Red			IXFB
	9P9 920 950 G 1S1	Racing Yellow			IXFR
2	991 641 911 00	Knob		1	
		Actuator			
		Trip meter			
3	999 073 498 01	Oval-head screw		4	
		M 5 X 20			

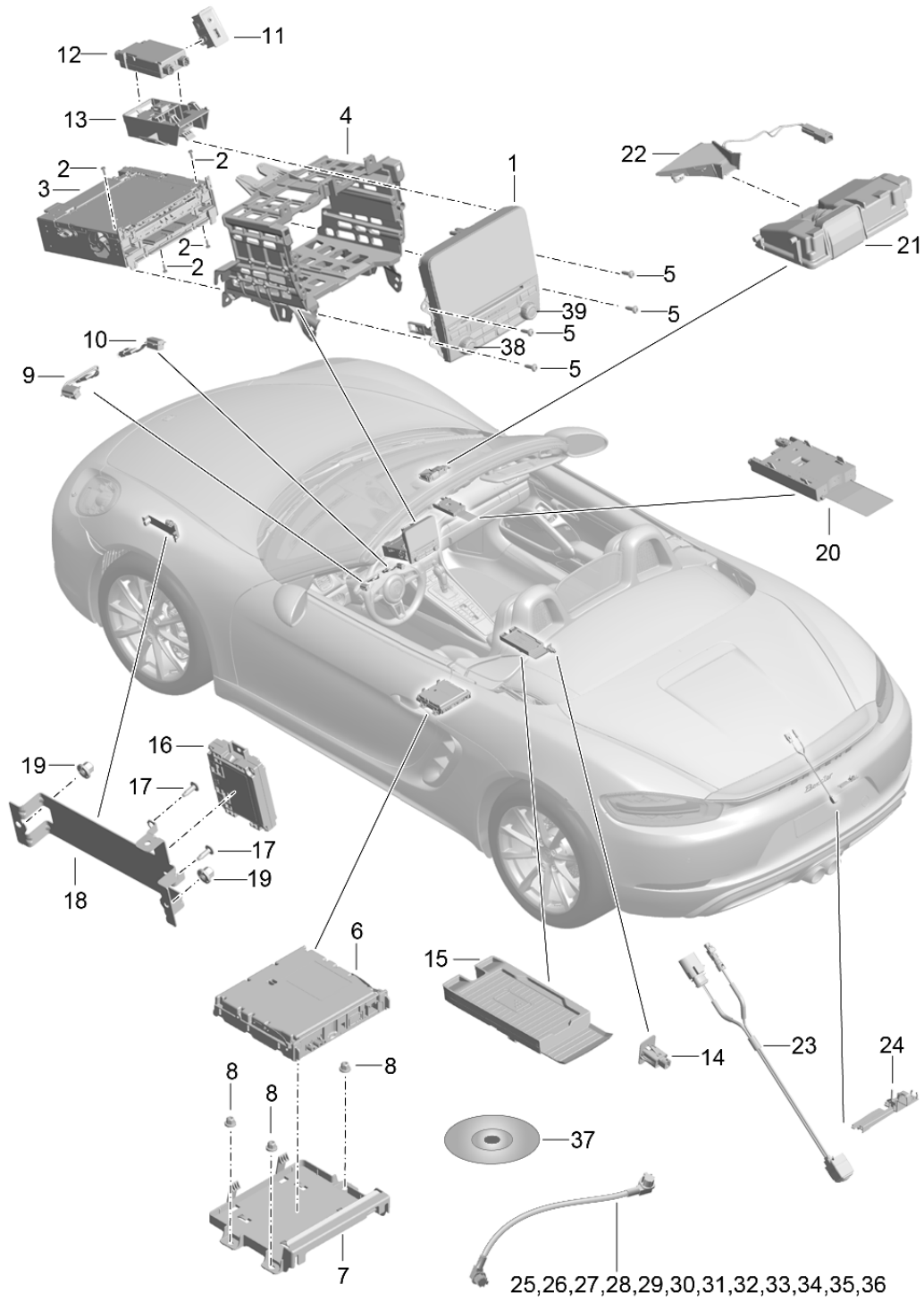
Model: 982-17

Model life 2017>>

Pos	Part Number	Description	Remark	Qty	Model
4	999 507 556 01	Speed nut		4	
5	9P9 919 203 B	Stopwatch		1	IXGM
	9P9 919 203 B C9A	White			
(5)	9P9 919 203 C	Stopwatch		1	IXGN
	9P9 919 203 C 84A	Guards red			
(5)	9P9 919 203	Stopwatch		1	IXGK
	9P9 919 203 6W0	Luxor Beige			
(5)	9P9 919 203 D	Stopwatch		1	IXGP
	9P9 919 203 D OG6	Bordeaux Red			
(5)	9P9 919 203 A	Stopwatch		1	IXGL
	9P9 919 203 A 1S1	Racing Yellow			
(5)	982 919 203 D	Stopwatch		1	I025
	982 919 203 D DAP	Matt Black/Galvano Silver			
6	999 073 155 09	Tapping screw ST 4,2 X 13		2	

Model: 982-17

Model life 2017>>



Model: 982-17

Model life 2017>>

Pos	Part Number	Description	Remark	Qty	Model
1	9P1 919 606 D	Control part Navigation system Central computer TV Microphone Camera Screen		1	II8L/9ZC/9ZK
(1)	9P1 919 606 D DML	Matt Black/hi-gloss chrome			
(1)	9P1 919 606 X	Screen		1	II8L/9ZC/9ZK
(1)	9P1 919 606 X DML	Matt Black/hi-gloss chrome			
(1)	9P1 919 607 B	Screen		1	II8L/9ZE/9ZX
(1)	9P1 919 607 B DML	Matt Black/hi-gloss chrome			
(1)	9P1 919 607 X	Screen		1	II8L/9ZE/9ZX
(1)	9P1 919 607 X DML	Matt Black/hi-gloss chrome			
2	9A7 008 064 00	Round head screw M 2,5 X 10		4	
3	9P1 035 035 D	Control unit Central computer		1	IER1/QU1/QV3 I9ZC/9ZK
3	9P1 035 035 X	Control unit Central computer		1	IER1/QU1/QV3 I9ZC/9ZK
(3)	9P1 035 036 D	Control unit Central computer		1	IER1/QV0/QV1 I9ZC/9ZK
(3)	9P1 035 036 X	Control unit Central computer		1	IER1/QV0/QV1 I9ZC/9ZK
(3)	9P1 035 037 D	Control unit Central computer		1	IER1/QU1/QV3 I9ZE/9ZX
(3)	9P1 035 037 X	Control unit Central computer		1	IER1/QU1/QV3 I9ZE/9ZX
(3)	9P1 035 038 D	Control unit Central computer		1	IER1/QV0/QV1 I9ZE/9ZX
(3)	9P1 035 038 X	Control unit Central computer		1	IER1/QV0/QV1 I9ZE/9ZX
(3)	9P1 035 039 D	Control unit Central computer		1	IER2/QV0/QV1 I9ZC/9ZK
(3)	9P1 035 039 X	Control unit Central computer		1	IER2/QV0/QV1 I9ZC/9ZK
(3)	9P1 035 040 D	Control unit Central computer		1	IER2/QV0/QV1 I9ZE/9ZX
(3)	9P1 035 040 X	Control unit Central computer		1	IER2/QV0/QV1 I9ZE/9ZX
(3)	9P1 035 041 D	Control unit Central computer		1	IER2/QU1/QV3 I9ZC/9ZK
(3)	9P1 035 041 X	Control unit Central computer		1	IER2/QU1/QV3 I9ZC/9ZK
(3)	9P1 035 868 D	Control unit Central computer		1	IER2/QU1/QV3 I9ZE/9ZX
(3)	9P1 035 868 X	Control unit Central computer		1	IER2/QU1/QV3 I9ZE/9ZX

Model: 982-17

Model life 2017>>

Pos	Part Number	Description	Remark	Qty	Model
(3)	9P1 035 890 D	Control unit Central computer		1	IER3/9ZC/9ZK
(3)	9P1 035 890 X	Control unit Central computer		1	IER3/9ZC/9ZK
(3)	9P1 035 892 D	Control unit Central computer		1	IER3/9ZE/9ZX
(3)	9P1 035 892 X	Control unit Central computer		1	IER3/9ZE/9ZX
(3)	9P1 035 893 D	Control unit Central computer		1	IER4/QV0
(3)	9P1 035 893 X	Control unit Central computer		1	IER4/QV0
(3)	9P1 035 894 C	Control unit Central computer		1	IER6/9ZC/9ZK
(3)	9P1 035 894 X	Control unit Central computer		1	IER6/9ZC/9ZK
(3)	9P1 035 895 C	Control unit Central computer		1	IER6/9ZE/9ZX
(3)	9P1 035 895 X	Control unit Central computer		1	IER6/9ZE/9ZX
(3)	9P1 035 896 C	Control unit Central computer		1	IER8/9ZE/9ZX
(3)	9P1 035 896 X	Control unit Central computer		1	IER8/9ZE/9ZX
(3)	9P1 035 897 C	Control unit Central computer	(J)	1	IER5/9ZC/9ZK
(3)	9P1 035 897 X	Control unit Central computer	(J)	1	IER5/9ZC/9ZK
(3)	9P1 035 898 C	Control unit Central computer	(J)	1	IER5/9ZE/9ZX
(3)	9P1 035 898 X	Control unit Central computer	(J)	1	IER5/9ZE/9ZX
(3)	9P1 035 899 C	Control unit Central computer		1	IER7/9ZE/9ZX
(3)	9P1 035 899 X	Control unit Central computer		1	IER7/9ZE/9ZX
4	982 857 273 A	Support frame Central computer with Screen		1	
5	999 073 498 01	Oval-head screw M5X20		X	
6	9A7 919 191 00	Receiving part TV		1	IER1/ER2/ER8 IQU1/QV1
(6)	9A7 919 192 00	Receiving part TV		1	IER6/QU1/QV1
(6)	9A7 919 146 00	Receiving part TV		1	IER7/QU1/QV1
(6)	9A7 919 129 00	Receiving part TV		1	IER5/QU1/QV1
7	9P1 919 159	Support Receiving part TV		1	IQU1/QV1
8	999 049 033 40	Plastic nut		3	IQU1/QV1
9	991 646 307 02	Microphone		1	I9VK/9ZC/9ZE I9ZK/9ZX
(9)	991 646 309 02	Left Microphone		1	I9VJ/9VL/9ZC I9ZE/9ZK/9ZX
10	991 646 313 02	Left Microphone		1	II8L

Model: 982-17 Model life 2017>>

Pos	Part Number	Description	Remark	Qty	Model
11	9A7 642 222 00	Right Multimedia interface		1	IUI2
12	9A7 642 953 00	USB distributor		1	IER5/UI4
12		USB distributor		1	IUI2/UI4
(12)	9A7 642 953 02	USB distributor		1	IER5/UI2
13	9P1 035 925 A	Support USB distributor		1	IUI2/UI4
14	9P1 035 222	Multimedia interface		1	IER1/ER2/ER3 IER4/ER5/ER6 IER7/ER8/UI2
15	9P1 035 502 A	Coupler box		1	I9ZC/9ZE
	9P1 035 502 A 1E0	Black			
16	9A7 646 456 00	Booster Mobile phone		1	I9ZC/9ZE
17	999 073 459 01	Oval-head screw		2	I9ZC/9ZE
18	9P1 035 205	Support Booster		1	I9ZC/9ZE
19	999 049 033 40	Plastic nut		2	I9ZC/9ZE
20	9A7 919 813 00	Card reader		1	IER5
21	7PP 980 653 D	Camera		1	-I632/-I852 I631
(21)		Windscreen Camera		1	-I631/I632 I852
22	991 555 715 00	Windscreen Cover		1	-I632/-I852 I631
(22)		with Heating Cover		1	-I631/I632 I852
23	95B 980 551 K	with Heating Reversing camera		1	I638
24	991 642 222 00	Support Connector Reversing camera		1	I638
25	9P1 979 001	Connecting line Coupler box Centre console 800 MM		1	I9ZC/9ZE
26	9P1 979 002	Connecting line USB adapter Centre console 1025 MM		1	IUI2
27	9P1 979 018	Connecting line USB adapter Centre console 600 MM		1	IUI2
28	9P3 979 001	Connecting line Instrument cluster Centre console 730 MM		1	I098/7UG
29	9P4 979 001	Connecting line Instrument cluster Centre console 1100 MM		1	I099/7UG
30	9P1 979 008	Connecting line Reversing camera 1350 MM		1	I638
31	9P1 979 016	Connecting line Reversing camera 4100 MM		1	I638

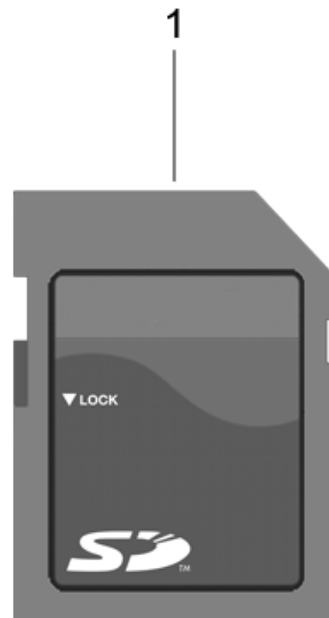
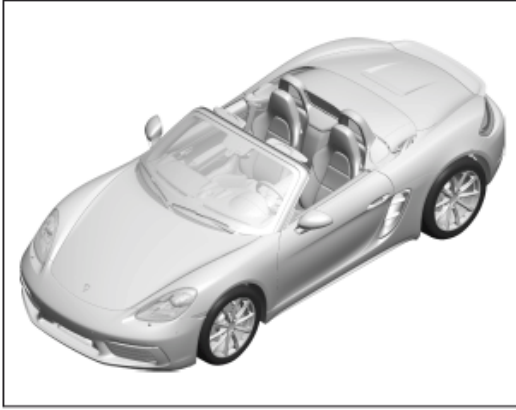
Model: 982-17

Model life 2017>>

Pos	Part Number	Description	Remark	Qty	Model
32	9P1 979 022	Connecting line Reversing camera Lining Rear 950 MM		1	I638
33	9P1 979 004	Connecting line USB adapter USB distributor 850 MM		1	IER1/ER2/ER3 IER4/ER6/ER7 IER8/I8L/UI2
34	9P1 979 005	Connecting line USB adapter Central computer 890 MM		1	IER5
35	9P4 979 022	Connecting line Receiving part TV		1	IER1/ER2/ER3 IER4/ER6/ER7 IER8/I8L/UI2
36	9P1 970 349	Central computer Connecting line Screen Central computer 250 MM		1	
37	958 919 855 00	CD-ROM Logbook		1	I9NY
38	9P1 919 069	Rotary knob Screen		1	
39	9P1 919 070	Left Rotary knob Screen Right		1	

Model: 982-17

Model life 2017>>



Model: 982-17

Model life 2017>>

Pos	Part Number	Description	Remark	Qty	Model
1	9P1 909 000 G	SD card Data Navigation for Update	-17	1	IER1
1	9P1 909 000 T	SD card Data Navigation	18-	1	IER1
1	9P1 909 000 H	SD card Data Navigation	-17	1	IER3/ER4
1	9P1 909 000 AA	SD card Data Navigation	18-	1	IER3/ER4
1	9P1 909 000 J	SD card Data Navigation	-17	1	IER2
1	9P1 909 000 AB	SD card Data Navigation	18-	1	IER2
1	9P1 909 000 L	SD card Data Navigation	-17	1	IER5
1	9P1 909 000 AD	SD card Data Navigation	18-	1	IER5
1	9P1 909 000 N	SD card Data Navigation	-17	1	IER8
1	9P1 909 000 AF	SD card Data Navigation	18-	1	IER8
1	9P1 906 961	SD card Software Central computer	-17	1	IER1/ER2
1	9P1 919 360 B	SD card Software Central computer	18-	1	IER1/ER2
1	9P1 906 961 A	SD card Software Central computer	-17	1	IER3/ER4
1	9P1 919 360 C	SD card Software Central computer	18-	1	IER3/ER4
1	9P1 906 961 B	SD card Software Central computer		1	IER6
1	9P1 919 360	D >> 08.11.2016 SD card Software Central computer	-17	1	IER6
1	9P1 919 360 D	D 09.11.2016>> SD card Software Central computer	18-	1	IER6
1	9P1 919 360 A	SD card Software Central computer	-17	1	IER5
1	9P1 919 360 E	SD card Software	18-	1	IER5

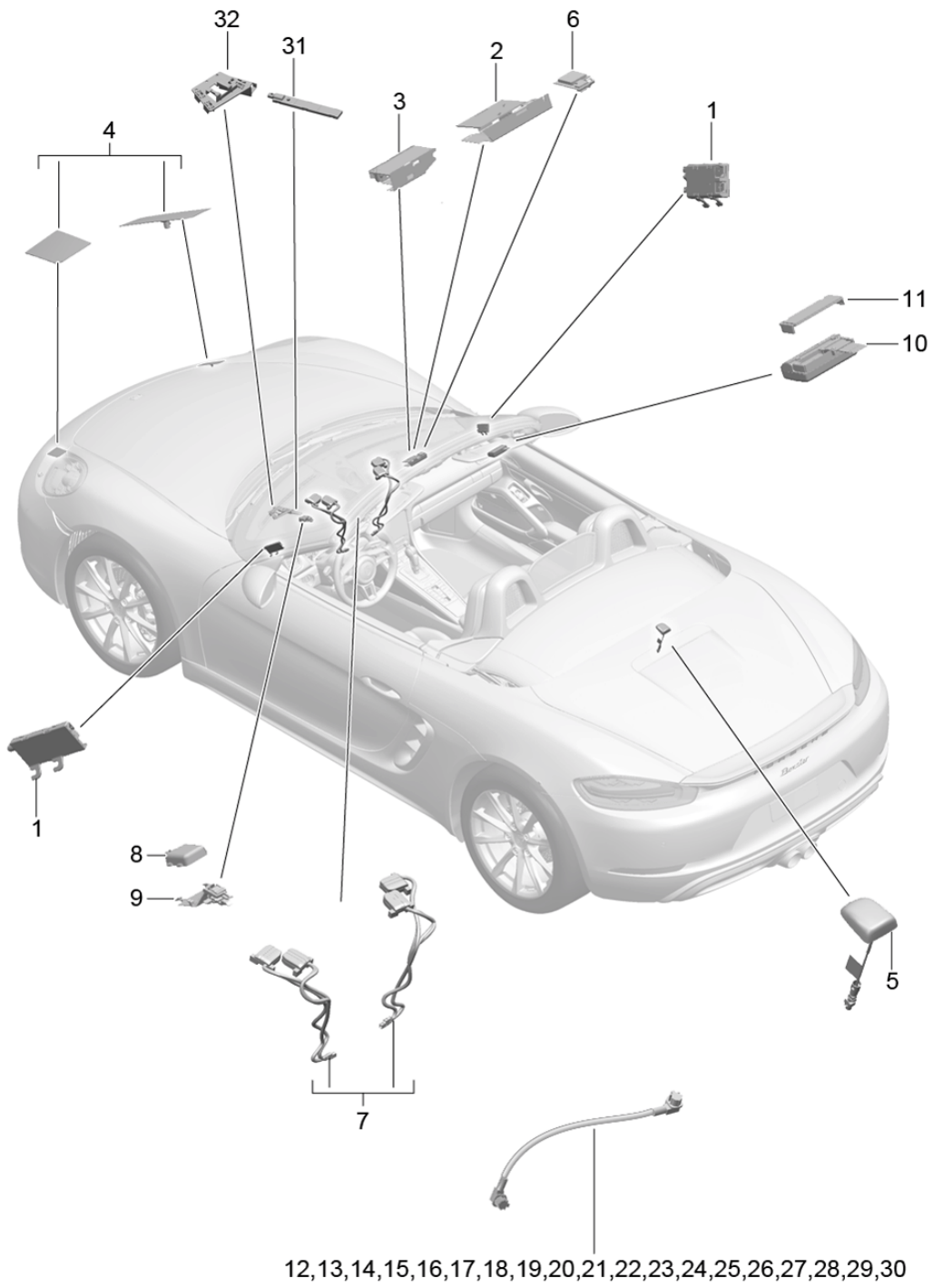
Model: 982-17

Model life 2017>>

Pos	Part Number	Description	Remark	Qty	Model
1	9P1 906 961 D	Central computer SD card Software	-17	1	IER8
1	9P1 919 360 F	Central computer SD card Software	18-	1	IER8
1	9P1 906 961 E	Central computer SD card Software	-17	1	IER7
1	9P1 919 360 G	Central computer SD card Software Central computer	18-	1	IER7

Model: 982-17

Model life 2017>>



Model: 982-17 Model life 2017>>

Pos	Part Number	Description	Remark	Qty	Model
1	9P1 035 225	Antenna Lines Antenna booster		1	/R IER1/ER2/ER3 IER4/ER6/ER7 IER8/QU8/QV0 IQV3
(1)	9P1 035 225 A	A-pillar Right Antenna booster		1	/R IER5/QV0
(1)	9P1 035 225 C	A-pillar Right Antenna booster		1	/R IER1/ER2/ER3 IER4/ER6/ER7 IER8/QU1/QV1
(1)	9P1 035 225 D	A-pillar Right Antenna booster		1	/R IER5/QV1
(1)	9P1 035 225 B	A-pillar Right Antenna booster		1	/L IER1/ER2/ER3 IER4/ER6/ER7 IER8/QV3
(1)	9P1 035 225 E	A-pillar Left Antenna booster		1	/L IER1/ER2/ER3 IER4/ER6/ER8 IQV1
(1)	9P1 035 225 F	A-pillar Left Antenna booster		1	/L IER5/QV1
(1)	9P1 035 225 G	A-pillar Left Antenna booster		1	/L IER1/ER2/ER3 IER4/ER6/ER8 IQU1
2	971 035 503	A-pillar Left Antenna		1	-I631/-I632 -I852/I9ZC I9ZK
3	971 035 503 A	Telephone Antenna		1	-I632/-I852 I631/9ZC/9ZK
(3)		Telephone Data Antenna		1	-I631/I632 I852/9ZC/9ZK
(3)		Telephone Data Antenna		1	I631/632/852 I9ZC/9ZK
4	982 035 510 A	Telephone Data Antenna Telephone		2	I9ZC

Model: 982-17

Model life 2017>>

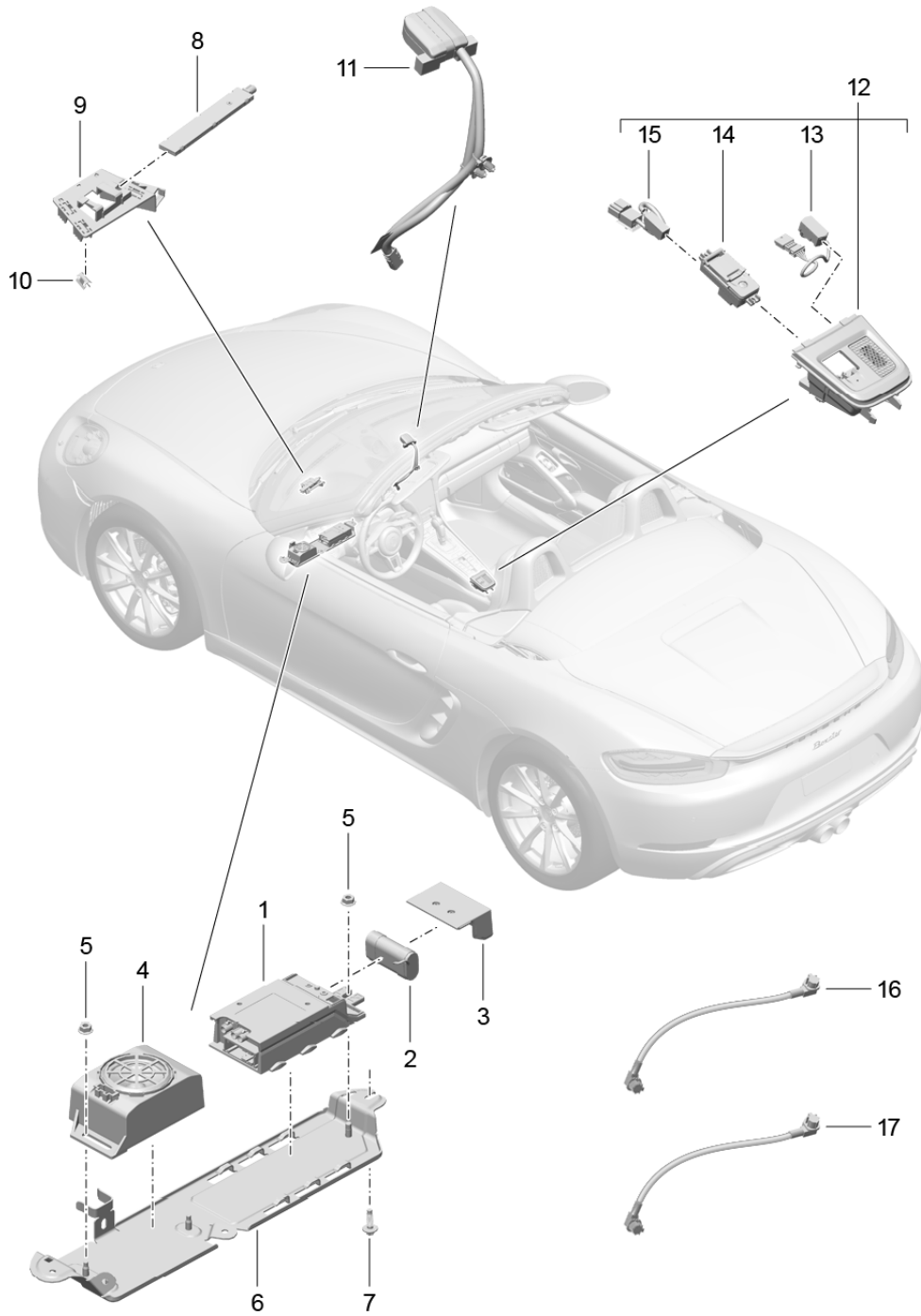
Pos	Part Number	Description	Remark	Qty	Model
(4)		Front apron Antenna Telephone		1	I9ZE/9ZK
5	9P1 035 510	Front apron Antenna Digital Radio		1	IQU8/789
6	7PP 035 504 A	Antenna Navigation		1	I7UG
7	991 647 053 01	Antenna VTS vehicle tracking		1	I7G9/7I0/7I2
8	9A7 647 504 00	Antenna ETC		1	IER5
9	9P1 035 755	Support Antenna ETC		1	IER5
10	9A7 647 504 10	Antenna VICS		1	IER5
11	9A7 647 720 00	Support Antenna VICS		1	IER5
12	9P4 979 002	Single line Antenna ETC		1	IER5
13	9P3 979 008	Single line Antenna		1	IER5/I8L/QV0
(13)	9P3 979 009	Single line Antenna Right		1	/R IER5/I8L/QV1
(13)	9P3 979 013	Single line Antenna Left		1	/L IER5/I8L/QV1
14	9P3 979 023	Single line Antenna GSM		1	I7G9/7I0/7I2
15	9P4 979 005	Single line Antenna GPS		1	I7UG
16	9P4 979 006	Single line Antenna GPS VTS vehicle tracking		1	I7G9/7I0/7I2
17	9P3 979 007	Single line Antenna GSM VTS vehicle tracking		1	I7G9/7I0/7I2
18	9P3 979 018	Single line Antenna GSM		1	-I631/-I632 -I852/I9ZC I9ZK
19	9P3 979 019	Single line Antenna GSM		1	-I632/-I852 I631/9ZC/9ZK
(19)		Single line Antenna GSM		1	I632/852/9ZC I9ZK
20	9P1 979 010	Single line Antenna		1	IQU8

Model: 982-17 Model life 2017>>

Pos	Part Number	Description	Remark	Qty	Model
21	9P1 979 015	Digital Radio Single line Antenna Centre console VTS vehicle tracking		1	I7G9/7I0/7I2
22	9P3 979 010	Single line		1	IER1/ER2/ER3 IER4/ER6/ER7 IER8/I8L/QU8 IQV0 IQV3
23	9P3 979 011	Antenna Single line		1	IER1/ER2/ER3 IER4/ER6/ER8 II8L/QU1/QV1
24	9P3 979 012	Antenna Single line		1	IER1/ER2/ER3 IER4/ER6/ER8 II8L/QU1
25	9P3 979 014	Antenna Single line Antenna		1	IQV3
26	9P3 979 015	DAB Single line		1	IER1/ER2/ER3 IER4/ER6/ER8 II8L/QV1
27	9P3 979 016	Antenna without DAB Single line		1	I9ZC
28	9P3 979 017	Antenna FRONT luggage compartment Single line		1	I9ZC
29	982 979 004	Antenna Centre console Booster Single line		1	I9ZC/9ZE
30	982 979 003	Antenna Telephone Front apron Single line		1	I9ZC/9ZK
31	9A7 035 504 00	Antenna Telephone Front apron Antenna		1	I7G9/7I0/7I2
32	9P1 035 525	GSM Support Antenna GSM		1	I7G9/7I0/7I2

Model: 982-17

Model life 2017>>



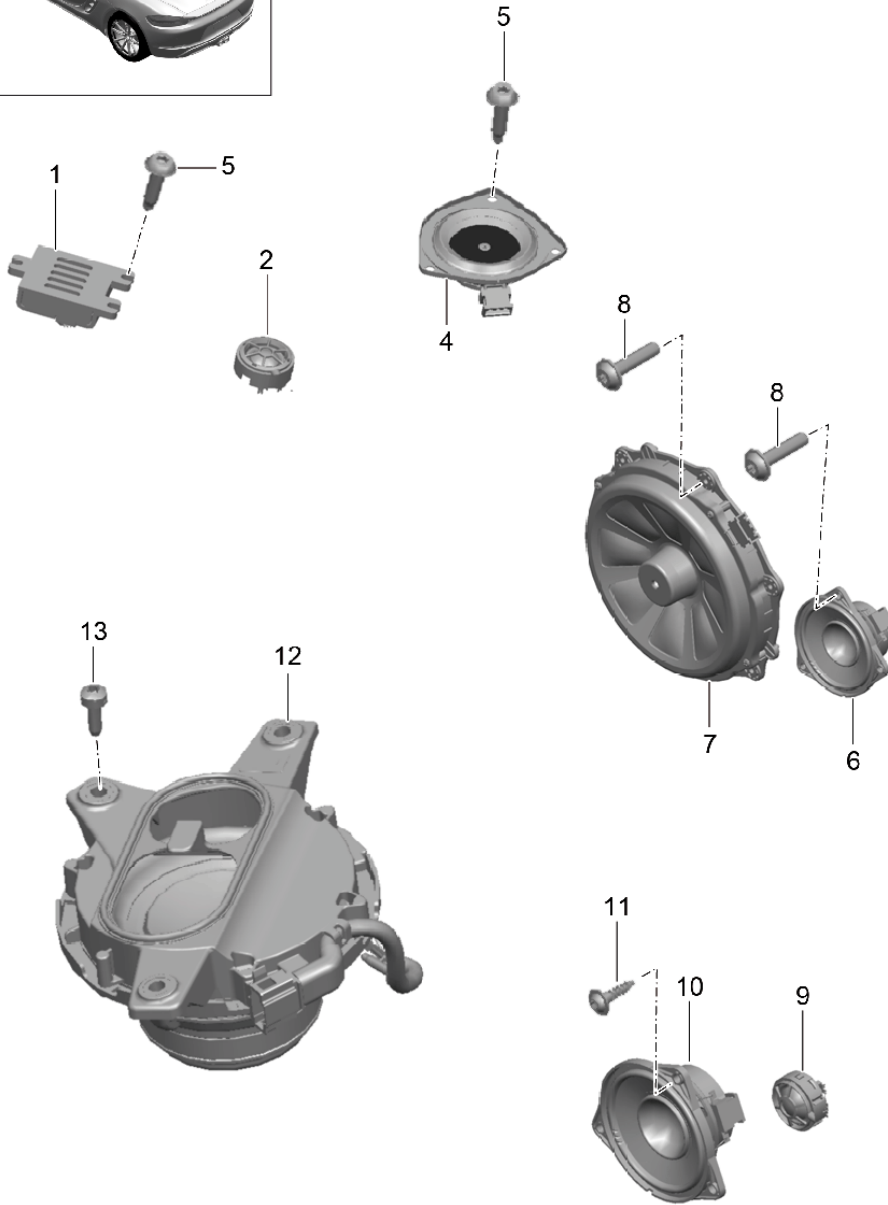
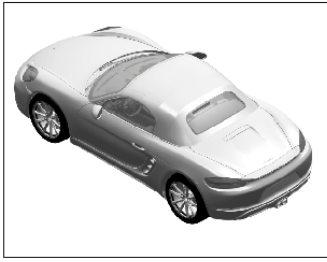
Model: 982-17

Model life 2017>>

Pos	Part Number	Description	Remark	Qty	Model
1	9P1 035 284 B	Emergency call system Control unit Communication Box		1	INZ3
2	9P1 915 611	Battery for Communication Box		1	
3	9P1 035 215	Lid for Communication Box		1	
4	7PP 035 709 A	Loudspeaker		1	
5	900 377 010 01	Hexagon nut		4	
6	9P1 035 206	Support		1	
7	999 919 278 01	Outer hexagon round screw		2	
8	9A7 035 504 00	Antenna GSM		1	
9	9P1 035 525	Support Antenna		1	
10	N 107 297 01	U-clamp Support		3	
11	9P1 035 504	Antenna GPS		1	
12	982 857 200 982 857 200 A05	Cover Centre console Black Including		1	-I583
13	9P1 035 712	Microphone		1	
14	9P1 959 511 9P1 959 511 6N3	Switch Black		1	
15	9P1 971 659	Adapter Line		1	
16	9P1 979 023	Single line for Control unit Emergency call system To Antenna GSM 1250 MM Connector housing Black And Connector housing Violet		1	
17	9P1 979 024	Single line for Control unit Emergency call system To Antenna GPS 1300 MM Connector housing Blue And Connector housing Black		1	

Model: 982-17

Model life 2017>>

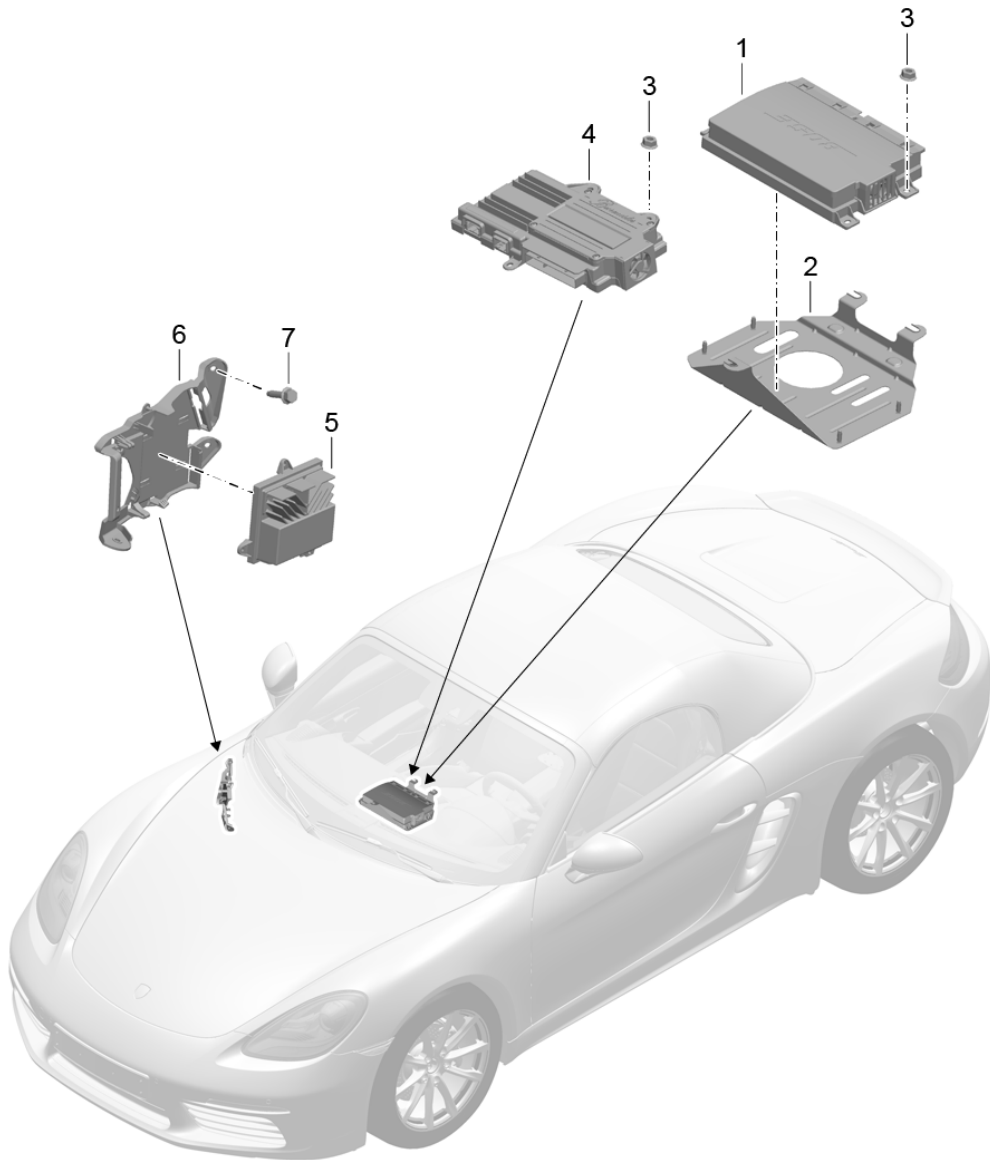


Model: 982-17 Model life 2017>>

Pos	Part Number	Description	Remark	Qty	Model
1	7PP 035 411 E	Loudspeaker Tweeter Dashboard		2	I9VJ
2	7PP 035 411 D	Tweeter Dashboard		2	I9VL
(2)	7PP 035 411	Tweeter Dashboard		2	I9VK
4	7PP 035 828 E	Loudspeaker Dashboard Centre		1	I9VJ
(4)	7PP 035 828 D	Loudspeaker Dashboard Centre		1	I9VL
5	999 073 498 01	Oval-head screw M 5 X 20		9	
6	7PP 035 415 G	Mid-range loudspeaker Door		2	I9VJ
(6)	7PP 035 415 F	Mid-range loudspeaker Door		2	I9VL
(6)	7PP 035 415 J	Mid-range loudspeaker Door		2	I9VK
7	7PP 035 454 H	Woofers Door		2	I9VJ
(7)	9A7 645 555 14	Woofers Door		2	I9VL
(7)	7PP 035 454 L	Woofers Door		2	I9VK
8	999 919 209 09	Oval-head screw 5,0 X 22,0		12	
9	7PP 035 411	Tweeter Rear		2	I9VK
(9)	7PP 035 411 D	Tweeter Rear		2	I9VL
(9)	7PP 035 411 E	Tweeter Rear		2	I9VJ
(9)	7PP 035 412 A	Tweeter Door Rear		2	I9VJ
10	7PP 035 415 G	Mid-range loudspeaker Rear		2	I9VJ
(10)	7PP 035 415 F	Mid-range loudspeaker Rear		2	I9VL
(10)	7PP 035 415 J	Mid-range loudspeaker Rear		2	I9VK
11	999 919 250 01	Lens-head screw 4,0 X 16,0		6	
12	991 645 575 00	Subwoofer	/LL	1	I098/9VJ
(12)	991 645 565 00	Subwoofer	/LL	1	I098/9VL
(12)	991 645 576 00	Subwoofer	/RL	1	I099/9VJ
(12)	991 645 566 00	Subwoofer	/RL	1	I099/9VL
13	999 073 382 01	Combination screw M 6 X 20		3	I680/682

Model: 982-17

Model life 2017>>



Model: 982-17

Model life 2017>>

Pos	Part Number	Description	Remark	Qty	Model
1	9A7 645 443 10	Booster		1	I9VJ/9VL
2	9P1 035 251 B	Booster Support		1	I9VL
3	999 084 638 01	Booster Hexagon nut		4	I9VL
4	9P1 035 223 B	Booster		3	I9VJ
5	9P1 035 465 A	Additional amplifier Subwoofer		1	I9VJ
6	991 645 521 00	Support Additional amplifier Subwoofer	/LL	1	I098/9VJ
(6)	991 645 522 00	Support Additional amplifier Subwoofer	/RL	1	I099/9VJ
7	900 378 317 01	Hexagon-head bolt M 6 X 25		1	I9VJ