

Model: 991G13**Model life 2013>>**

ORDER-INFO

PET CONTAINS THE ORDERING DETAILS FOR ALL MODELS SHOWN IN THE MODEL OVERVIEW.

THE UPDATE SERVICE IS PERFORMED AUTOMATICALLY VIA INTERNET UPDATE.
THE VERSION IS SHOWN IN THE HEADER AS "UPDATE 123/12"

SEATS AND RELATED ITEMS FOR MODELS INTRODUCED BEFORE 1997 ARE SHOWN IN THE STZ CATALOGUE.

SEATS AND RELATED ITEMS FOR MODELS INTRODUCED AFTER 1997 ARE SHOWN IN THE CORRESPONDING VEHICLE CATALOGUES.

ALL ILLUSTRATIONS ARE NON-BINDING.
SUBJECT TO CHANGE.

Model: 991G13

Model life 2013>>

EXPLANAT.- VIN

EXPLANATION OF THE ABRIDGED VERSION OF THE VEHICLE IDENT. NUMBERS (VIN)
 =====
 USED IN THE CATALOGUE
 =====

DIGIT:		1	2	3	4	5	6	7	8	9	10	11	12	13	14	15	16	17
--------	--	---	---	---	---	---	---	---	---	---	----	----	----	----	----	----	----	----

EXAMPLE:		W	P	0	Z	Z	Z	9	9	Z	5	S	7	0	0	1	2	5
----------	--	---	---	---	---	---	---	---	---	---	---	---	---	---	---	---	---	---

								===		=	=	=							=====
								!		!	!	!							!

VEHICLE TYPE 1ST+2ND DIGIT-----+										!	!	!							!
----------------------------------	--	--	--	--	--	--	--	--	--	---	---	---	--	--	--	--	--	--	---

MODEL YEAR-----+										!	!	!							!
------------------	--	--	--	--	--	--	--	--	--	---	---	---	--	--	--	--	--	--	---

MANUFACTURING LOCATION-----+										!	!	!							!
------------------------------	--	--	--	--	--	--	--	--	--	---	---	---	--	--	--	--	--	--	---

VEHICLE TYPE 3RD DIGIT-----+													!						!
------------------------------	--	--	--	--	--	--	--	--	--	--	--	--	---	--	--	--	--	--	---

SERIAL NUMBER-----+																			!
---------------------	--	--	--	--	--	--	--	--	--	--	--	--	--	--	--	--	--	--	---

Model: 991G13

Model life 2013>>

SUMMARY TYPES

VEHICLE TYPE	MY	VIN	ENGINE TYPE	
991 GT3	14 E	99ES1 80061>83000	MA1.75	350 KW
991 GT3 (KOR,CN,MEX,BR)	14 E	99ES1 83061>85000	MA1.75	350 KW
991 GT3 (USA,CDN)	14 E	A9ES1 83061>85000	MA1.75	350 KW
991 GT3	15 F	99FS1 82061>85000	MA1.75	350 KW
991 GT3 (KOR,CN,MEX,BR)	15 F	99FS1 82061>85000	MA1.75	350 KW
991 GT3 (USA,CDN)	15 F	A9FS1 82061>85000	MA1.75	350 KW
991 GT3 RS	15 F	99FS1 85061>88000	MA1.76	373 KW
991 GT3 RS (KOR,CN,MEX,BR)	15 F	99FS1 85061>88000	MA1.76	373 KW
991 GT3 RS (USA,CDN)	15 F	A9FS1 85061>88000	MA1.76	373 KW
991 GT3	16 G	99GS1 83061>84000	MA1.75	350 KW
991 GT3 (KOR,CN,MEX,BR)	16 G	99GS1 84061>85000	MA1.75	350 KW
991 GT3 (USA,CDN)	16 G	A9GS1 84061>85000	MA1.75	350 KW
991 GT3 RS	16 G	99GS1 85061>87000	MA1.76	373 KW
991 GT3 RS (KOR,CN,MEX,BR)	16 G	99GS1 87061>88000	MA1.76	373 KW
991 GT3 RS (USA,CDN)	16 G	A9GS1 87061>88000	MA1.76	373 KW
991 GT3 RS	16 G	99GS1 88061>92000	MA1.76	373 KW
991 GT3 RS (KOR,CN,MEX,BR)	16 G	99GS1 92061>94000	MA1.76	373 KW
991 GT3 RS (USA,CDN)	16 G	A9GS1 92061>94000	MA1.76	373 KW
991 R	16 G	99GS1 94001>95000	MA1.76	373 KW
991 R (KOR,CN,MEX,BR)	16 G	99GS1 95001>96000	MA1.76	373 KW
991 R (USA,CDN)	16 G	A9GS1 95001>96000	MA1.76	373 KW
991 GT3 RS	17 H	99HS1 85061>87000	MA1.76	373 KW
991 GT3 RS (KOR,CN,MEX,BR)	17 H	99HS1 87061>88000	MA1.76	373 KW
991 GT3 RS (USA,CDN)	17 H	A9HS1 87061>88000	MA1.76	373 KW
991 II GT3	18 J	99JS1 64061>74000	MA1.77	368 KW
991 II GT3 (KOR,CN,MEX,BR)	18 J	99JS1 74061>80000	MA1.77	368 KW
991 II GT3 (USA,CDN)	18 J	A9JS1 74061>80000	MA1.77	368 KW

Model: 991G13

Model life 2013>>

EXPL. ENGINE-NO.

EXPLANATION OF THE MOTOR-NUMBERS USED IN THE CATALOGUE

=====

DIGIT:	1 2 3	4 5 6 7 8
EXAMPLE:	6 9 5	0 0 1 3 6
	= = =	=====
	! ! !	!
ENGINE TYPE (6 = 6-CYL.-ENGINE)-----+	! !	!
FROM MY-09 POWER KIT (S) OTHERWISE (____)-----+	! !	!
	! !	!
ENGINE VERSION-----+	!	!
FROM MY-09 CONUNTRY VERSION (T=Taiwan) OTHERWISE(____)+	!	!
	!	!
MODEL YEAR-----+		!
		!
SERIAL NUMBER-----+		!

Model: 991G13

Model life 2013>>

SUMMARY ENGINES

VEHICLE TYPE	ENGINE		ENGINE NO.	TECHNICAL DATA
	TYPE	MY		
991 GT3	MA1.75	14 E ___E	00501>60000	6ZYL/3,8L /350 KW
991 GT3	MA1.75	15 F ___F	00501>60000	6ZYL/3,8L /350 KW
991 GT3 RS	MA1.76	15 F ___F	00501>60000	6ZYL/4,0L /373 KW
991 GT3	MA1.75	16 G ___G	00501>60000	6ZYL/3,8L /350 KW
991 GT3 RS	MA1.76	16 G ___G	00501>60000	6ZYL/4,0L /373 KW
991 R	MA1.76	16 G ___G	00501>60000	6ZYL/4,0L /373 KW
991 GT3	MA1.75	17 H ___H	00501>60000	6ZYL/3,8L /350 KW
991 GT3 RS	MA1.76	17 H ___H	00501>60000	6ZYL/4,0L /373 KW
991 GT3	MDG.GA	18 J ___J	00501>60000	6ZYL/4,0L /368 KW
991 GT3 C33	MDG.G	18 ___J	00501>60000	6ZYL/4,0L /368 KW

Model: 991G13

Model life 2013>>

EXPL. TRANSM. NO.

EXPLANATION OF THE TRANSMISSION-NUMBERS USED IN THE CATALOGUE

=====

DIGIT:	1	2	3	4	5	6	7	8	9	10	11
EXAMPLE:	G	9	7	0	1	1	0	0	5	4	3
	=	=====				=	=====				
	!		!			!			!		!
	!		!			!			!		!
TRANSMISSION TYPE-----+			!			!			!		!
			!			!			!		!
TRANSMISSION VERSION-----+						!			!		!
						!			!		!
INDEX OF VARIANTS-----+									!		!
									!		!
SERIAL NUMBER-----+											!

Model: 991G13**Model life 2013>>**

SUMM. TRANSMISS.

VEHICLE TYPE	TRANSM.		TRANSMISSION NO.	TECHNICAL DATA
	TYPE	MY		
991 GT3	CG1.90	14 E	CG190 1 002001>999999	7-GANG
991 GT3	CG1.90	15 F	CG190 1 002001>999999	7-GANG
991 GT3 RS	CG1.95	15 F	CG195 1 002001>999999	7-GANG
991 GT3	CG1.90	16 G	CG190 1 002001>999999	7-GANG
991 GT3 RS	CG1.95	16 G	CG195 1 002001>999999	7-GANG
991 R	G91.90	16 G	G9190 1 002001>999999	6-GANG
991 GT3	CG1.90	17 H	CG190 1 002001>999999	7-GANG
991 GT3 RS	CG1.95	17 H	CG195 1 002001>999999	7-GANG

Model: 991G13

Model life 2013>>

LEGENDS/NOTICES

LEGENDS AND NOTICES

=====

IN COLUMN -S- STATUS

- N NEW ADDITION
- P PART ALREADY IN PROGRAMME, BUT NEW AT THIS APPLICATION
- W DELETED AT THIS APPLICATION, BUT CONTINUED TO BE CARRIED
- K RACING PART: MARKETED FROM WEISSACH EMW
- A STOCK TO BE USED UP
- U DELETED WITHOUT REPLACEMENT
- * PART ALSO OR ONLY AVAILABLE IN REPAIR KIT
- > ALSO AVAILABLE IN EXCHANGE

IN COLUMN - ILL. -

- 1 IDENTIFICATION NO. IN ILLUSTRATION
- (1) PART ONLY SIMILAR AS ILLUSTRATED
- PART IS NOT ILLUSTRATED

FIG.-NUMBERS FOR WHICH THERE IS SHOWN NO TEXT ARE NOT VALID FOR THIS EDITION OF CATALOGUE

IN COLUMN -PART NUMBER/CODE-

000 000 000 00 PART NUMBER EQUALS ORDERING NO., IF A CODE IS SHOWN, IT WILL HAVE TO BE PART OF ORDERING NUMBER

01C COLOUR CODE

IN COLUMN -TEXT

INSTALLATION WITH ENGINE OR CHASSIS NUMBER-RANGE

EXAMPLE:

M 66W 00389>>

FROM ENGINE NO.

Model: 991G13

Model life 2013>>

F

>>99WS6 00889

UP TO CHASSIS NO.

Model: 991G13

Model life 2013>>

LEGENDS/NOTICES

IN COLUMN - QU - = NO. OF PIECES

1 NUMBER PER APPLICATION

X NUMBER AS NEEDED

* AVAILABLE ONLY IN RUNNING LENGTHS 1 = 1 METRE

IN COLUMN - MODEL/SYMBOL -

I650 OPTIONAL EQUIPMENT - SEE I-NO. LIST
-I650 COMPONENT NOT VALID FOR THIS I-NO.

-98 LIMITATION OF MODEL YEAR FOR INSTANCE: VALID UP TO
END OF MODEL YEAR 1997

/LL LHD

/RL RHD

-----+
/V FRONT I
I

/H REAR I
I----> APPLIES TO

/L LEFT I DIRECTION OF TRAVEL
I

/R RIGHT I
-----+

WW THE PART CAN BE USED INSTEAD OF THE
PRECEDING ONE.

Model: 991G13

Model life 2013>>

COUNTRY-EQIPM.

EQUIPMENT BY COUNTRY REGULATIONS

=====

(A)	AUSTRIA
(AG)	ARABIAN GULF STATES
(AUS)	AUSTRALIA
(B)	BELGIUM
(BR)	BRAZIL
(CDN)	CANADA
(CH)	SWITZERLAND
(CN)	PEOPLE'S REPUBLIC OF CHINA
(D)	FEDERAL REPUBLIC OF GERMANY
(DK)	DENMARK
(E)	SPAIN
(F)	FRANCE
(GB)	GREAT BRITAIN
(GR)	GREECE
(HK)	HONGKONG
(I)	ITALY
(J)	JAPAN
(L)	LUXEMBURG
(N)	NORWAY
(NL)	NETHERLANDS
(NZ)	NEW ZEALAND
(P)	PORTUGAL
(ROK)	KOREA
(RC)	TAIWAN
(THA)	THAILAND
(S)	SWEDEN
(SA)	SAUDI ARABIA
(SF)	FINLAND
(USA)	UNITED STATES OF AMERICA

Model: 991G13

Model life 2013>>

(ZA)

SOUTH AFRICA

Model: 991G13

Model life 2013>>

NR	Description
IER1	Region code "ECE" for radio
IER2	Region code "RoW" for radio
IER3	Region code "USA" for radio
IER4	Region code "Mexico/NAR2" for radio
IER5	Region code Japan for radio
IER6	Region code "China" for radio
IER7	Region code "Korea" for radio
IER8	Region code "Taiwan" for radio
IER9	Region code "Rest of ASIA" for radio
IIY1	Model year period from week 22 to week 45
IIY2	Model year period from week 45 to week 22
II8L	Premium radio (2nd gen.)
IKK1	Refrigerant R134A
IM9I	*
INZ3	ERA/GLONASS (emergency call)
IQR0	without compass/Sport Chrono/analogue clock
IQR5	Sport Chrono Package Plus
IQU1	TV reception + digital radio reception (DAB) MIB
IQU8	SAT radio reception, USA
IQV0	Without TV/SAT/DAB reception
IQV1	With TV reception/TV tuner
IQV3	HD radio reception (high-definition)
IUI2	2 X USB/IPOD interface
IUX5	Standard valve
IUX6	TPM valve, Silver
IUX7	TPM valve, Black
IXAA	Aerokit Cup
IXAF	Turbo aerokit
IXAG	Carrera - rear spoiler
IXAH	Carrera 4S aerokit
IXAJ	Painted sill covers
IXAS	Sport Design front apron
IXAT	SportDesign package
IXCA	Dashboard trim strip (3-part) sports seats
IXCB	Instrument surround sports seats
IXCC	Side air vents sports seats
IXCD	Center air vent bracket sports seats
IXCE	Rear center console sports seats
IXCG	Sports seat backrest in Aluminium Look finish
IXCH	Side/centre air vent slats, sports seats
IXCK	Rear center console in Galvano Silver
IXCL	Instrument surround in Galvano Silver
IXCN	Side air vents in Aluminium Look finish (997)
IXCS	SportDesign mirror, lower shell, Black
IXCW	Aluminium Look trim on belt opening in B-pillar
IXCY	Center air vent in Aluminium Look finish
IXCZ	Short shifter

Model: 991G13

Model life 2013>>

NR	Description
IXDA	Wheel spokes painted Black
IXDG	Rims painted in high-gloss Black
IXDH	Wheel centre painted in Platinum
IXDJ	Decorative trim on gear lever/selector, painted
IXDK	Silky gloss rims, Black Matt
IXDM	Decorative dashboard trim, painted
IXDP	Instrument cluster frame, painted
IXDR	Painted trim on belt opening in B-pillar
IXDS	Ignition lock surround in leather
IXDU	Leather trim on belt opening in B-pillar
IXDV	Dashboard end-trim in leather
IXDX	Mirror attachment point finisher, leather
IXDZ	Selector lever cover in leather
IXD9	Wheel painted in body colour
IXEA	Passive handset in leather
IXES	Preparation, illuminated door entry guard
IXEX	Headlights, Black
IXEY	LED headlights, dynamic Cornering light
IXE8	Gear lever knob aluminium/dark burr maple/leather
IXE9	Handbrake lever aluminium/dark burr maple/leather
IXFD	Instrument dials in Sand Beige
IXFE	Instrument dials in Terracotta
IXFF	Instrument dials in Brown/Natural
IXFG	Instrument dials in Guards Red
IXFH	Instrument dials in Speed Yellow
IXFJ	Instrument dials in Carrara White
IXFL	Instrument dials painted in Luxor Beige
IXFP	Handbrake lever Aluminium II
IXFR	Instrument dial painted Racing Yellow
IXGB	Decorative dashboard trim, carbon
IXGC	Dashboard carbon/Alcantara
IXGD	Parking brake handle carbon/Alcantara
IXGE	Handle recess insert, carbon
IXGT	*
IXHB	Centre console trim in leather
IXHC	Shift lever in mahogany
IXHD	PDK selector lever in mahogany
IXHE	Dashboard trim panel in mahogany
IXHF	Multi-function steering wheel in mahogany
IXHG	Centre console trim in mahogany
IXHH	Shift lever, carbon
IXHJ	PDK selector lever, carbon
IXHL	Multi-function steering wheel, carbon
IXHM	Centre console trim, carbon
IXHS	Rear centre tunnel in leather

Model: 991G13

Model life 2013>>

NR	Description
IXJJ	Carbon trim on belt opening in B-pillar
IXJL	Makassar Ebony side air vent
IXJM	Sycamore side air vent
IXJN	Makassar Ebony center air vent
IXJP	Sycamore center air vent
IXJR	Makassar Ebony windscreen defroster panel
IXJS	Sycamore windscreen defroster panel
IXJT	Makassar Ebony rear center console
IXJU	Sycamore rear center console
IXJW	Exterior mirror top half, Carbon
IXJ4	Leather cover for ignition lock surround
IXKB	Side air vent in light burr maple
IXKC	Side air vent in dark burr maple
IXKD	Side air vent in Carbon
IXKG	"Defroster trim in light burr maple; leather"
IXKH	"Defroster trim in dark burr maple; leather"
IXKJ	Defroster trim in Carbon/leather
IXKL	Leather speaker covers
IXKM	Speaker covers in light burr maple
IXKN	Speaker covers in dark burr maple
IXKP	Carbon speaker covers
IXKR	Center air vent bracket in light burr maple
IXKS	Center air vent bracket in dark burr maple
IXLF	Sports exhaust system
IXLG	Centre console storage bin cover in Alcantara, with logo
IXLK	SportDesign steering wheel, Alcantara
IXLS	Sports tailpipe 98X
IXLT	Sports tailpipes, 997
IXLU	Sun visors, Alcantara
IXMA	Rooflining in leather
IXME	Rear section of centre console painted
IXMF	Front center console including 2 storage bins, leather
IXMJ	Rear section of centre console in Carbon
IXMK	Roll-over bar in exterior color
IXML	Rear center console in light burr maple
IXMP	Leather sun visor, 2 illuminated vanity mirrors *
IXMR	Sun visor in leather, 2 illuminated vanity mirrors,
IXMZ	Rear section of centre console in leather
IXNB	Rear center console in dark burr maple
IXNG	Instrument surround in leather
IXNN	Center air vent bracket in leather
IXNR	Carbon center air vent bracket
IXNS	Leather steering column trim, 4-part
IXNU	Leather trim strip (dashboard)
IXNV	Trim strip (dashboard) in light burr maple

Model: 991G13

Model life 2013>>

NR	Description
IXNW	Trim strip (dashboard) in dark burr maple
IXNX	Carbon trim strip (dashboard)
IXN3	Dashboard side air vent in leather
IXPA	3-spoke sports steering wheel in leather interior co
IXPB	3-spoke sports steering wheel, light burr maple, leather
IXPC	3-spoke sports steering wheel, dark burr maple, leather
IXPD	3-spoke sports steering wheel, Carbon/leather
IXPG	3-spoke sports steering wheel, sports seats
IXPL	Privacy glazing
IXPR	Rear window with privacy-glazing
IXPT	Centre console storage bin lid with crest
IXPU	Multi-function steering wheel Galvano Silver, new generation
IXPV	Multi-function steering wheel, Galvano Silver
IXPW	Instrument surround in light burr maple
IXPX	Instrument surround in dark burr maple *
IXPY	Carbon instrument surround
IXRB	18-inch Sport Classic II wheel
IXRC	18-inch SportTechno wheel
IXRL	18-inch SportDesign wheel
IXRN	17-mm spacers, rear
IXRP	5-mm spacers, front/rear
IXRR	19-in. Carrera Sport wheel
IXRS	19" Sport Classic WHEEL
IXRT	20-inch Sport Techno wheel
IXSA	Painted sports seat backrest
IXSB	Leather sports seat backrest
IXSC	Porsche Crest embossed in headrest
IXSD	Front seat controls in leather
IXSE	Bucket seat, left
IXSF	Bucket seat, right
IXSG	Racing bucket seat, left
IXSH	Silver seat belts
IXSJ	6-point harness
IXSL	6-point safety catch
IXSM	Racing safety cage
IXSN	Omission of rear seats
IXSR	Carbon back for bucket seat, right
IXSS	Carbon back for bucket seat, left
IXST	Seat belts in Sand Beige
IXSU	Upholstered seat
IXSW	Seat belts in Maritime Blue
IXSX	Seat belts in Guards Red
IXSY	Seat belts in Speed Yellow

Model: 991G13

Model life 2013>>

NR	Description
IXTG	Inner door sills in leather
IXTJ	Door panel parts in light burr maple
IXTK	Door panel parts in dark burr maple
IXTL	Door panel parts in Carbon
IXTR	Door panel parts in Aluminium Look finish
IXTT	Makassar Ebony door panel parts
IXTU	Sycamore door panel parts
IXTV	Leather door panel parts
IXTW	Door panel parts in Galvano Silver
IXUA	Spoiler lip painted
IXUB	Cover on headlight cleaning system, painted
IXUC	Model designation painted
IXUV	Centre console storage bin lid with logo
IXUX	Rear backrest release loop in leather
IXVM	Leather center air vent
IXVP	Trim strip including cupholder cover in leather
IXVR	Side/centre air vent in leather
IXVT	Cover for loudspeakers, doors and rear in leather
IXV1	Defroster trim in leather
IXWA	Door panel trim in leather
IXWB	Door panel trim in mahogany
IXWC	Door panel trim in carbon
IXWD	Door panel trim in brushed aluminium
IXWE	Door panel trim, painted
IXWJ	Sports seat Plus, painted backrest
IXWK	Sports seat Plus, leather backrest
IXWL	Sports seat Plus package, leather backrest
IXWR	PDK gate frame in Aluminium Look
IXWS	PDK gate frame painted
IXWT	PDK gate frame painted Black
IXWU	PDK gate frame in leather
IXXB	Door entry guards, stainless steel, illuminated
IXXD	Door entry guards, carbon, illuminated
IXXF	Red tail lights
IXXG	Tail lights in clear glass look
IXXH	Alcantara sun visor
IXXJ	Alcantara interior light cover
IXXK	Front seat covers in woven leather
IXXL	Rear seat covers in woven leather
IXXM	Without chequered flag design (seat)
IXXP	Tail lights, darkened
IXXR	Tail lights, darkened
IXXV	Sports-look pedals

Model: 991G13

Model life 2013>>

NR	Description
IXXZ	Footrest
IXX1	Floor mats, logo, leather border
IXX2	Illuminated footwell
IXYA	PDK selector lever (EXC)
IXYB	Fuel tank cap in Aluminium Look
IXYC	Shift lever, aluminium
IXYD	Dashboard trim panel, aluminium
IXYE	Centre console cover, brushed aluminium
IXYG	Centre console trim, painted
IXYH	PDK selector lever, aluminium
IXY5	Tiptronic gear selector gate in leather
IXZB	Carbon centre air vent
IXZD	Interior light surround in leather
IX45	Instrument dial in interior color
IX46	Tiptronic selector lever in aluminium/leather
IX47	Gear lever knob in Carbon/leather
IX50	Powerkit 331/340 kW
IX51	Powerkit 250 kW
IX54	Stainless steel tailpipes
IX58	Handbrake lever in Carbon/leather
IX69	Door entry guards in Carbon with logo
IX70	Door entry guards in stainless steel with logo
IX71	Instrument dial painted/Aluminium Look finish
IX72	Gear lever knob aluminium/light burr maple/leather
IX73	Sports chassis -20 mm, without PASM
IX74	Sports suspension (exclusive)
IX75	Differential lock (exclusive)
IX76	Inner door sill guard, left/right
IX91	Handbrake lever aluminium/light burr maple/leather
IX97	Gear lever knob in aluminium/leather
IX98	Handbrake lever in aluminium/leather
IX99	Natural leather
I003	Clubsport package
I004	RS version
I008	Basic 981/991
I009	"s" 981/991
I011	Special model GTS (981/991)
I012	Special model China Style Edition
I013	Special model Black Edition
I019	Special model 911 Carrera 4 GTS
I022	Black-coloured instrument dials, instrument cluster
I023	Silver -coloured instrument dials, instrument cluster
I024	Version for Greece
I025	Black-coloured instrument dials, stopwatch
I026	Silver-coloured instrument dials, stopwatch
I029	Standard chassis
I030	Sport-type chassis

Model: 991G13

Model life 2013>>

NR	Description
I031	Sports chassis with PASM and PDCC
I032	Touring suspension
I034	Version for Italy
I038	911 R
I039	*
I058	Impact absorbers, front and rear
I061	Version for Great Britain
I062	Version for Sweden
I063	Version Luxemburg
I064	Version for Netherlands
I065	Version for Denmark
I066	Version for Norway
I067	Version for Finland
I068	PAP right-hand drive version
I069	Other country version
I070	Pedestrian protection
I071	EU country version
I072	Version for Mexico
I073	Version for Russia
I074	PAP left-hand drive version
I075	China version
I082	Fuel tank, 90-litre
I086	Korea version
I098	Left-hand drive version
I099	Right-hand drive version
I111	Version for Austria
I113	Version for Canada
I114	Version for Taiwan
I119	Version for Spain
I124	Version for France
I126	Control and indications in French lettering
I127	Control and indications in Swedish lettering
I130	Control and indications in English lettering
I140	Dynamic engine mounts (PADM)
I145	Compression variant
I150	Operation with leaded gas
I153	Middle radiator
I155	Sound symposer
I170	Acoustic package RoW
I171	Acoustic package USA
I172	Acoustic package PAP, China, Korea
I176	Sports exhaust system
I181	Standard climatic zones
I182	Hot country
I183	Super-hot country
I187	Single-mass flywheel, 911 R
I192	Lightweight battery 40 AH

Model: 991G13

Model life 2013>>

NR	Description
I193	Version for Japan
I194	Battery, 60 Ah
I195	Battery, 70 Ah
I196	Battery, 80 Ah
I197	Stronger battery
I198	Enhanced starter motor (1.7 kW)
I199	Battery disconnection switch
I200	95 Ah battery
I209	Licence plate holder version 1
I210	Licence plate holder version 2
I211	Licence plate holder version 3
I214	*
I215	Version for Saudi Arabia
I218	Licence plate holder version 4
I219	Differential
I220	Locking differential 40 %
I221	PTV Plus, el. controlled rear-diff. lock
I225	Version for Belgium
I250	PDK transmission (dual clutch)
I254	Manually retractable exterior mirrors
I255	Manually retractable exterior mirrors with memory
I256	Manually retractable exterior mirrors, with automatic dimming
I257	Manually retractable exterior mirrors, with automatic dimming and memory
I258	Electrically retractable exterior mirrors
I259	Electrically retractable ext. mirrors with memory
I260	Electrically retractable exterior mirrors with automatic dimming
I261	Electrically retractable exterior mirrors with automatic dimming and memory
I263	Left exterior mirror glass, flat
I264	Left exterior mirror glass, convex
I265	Automatic anti-dazzle interior mirror with rain sensor
I266	Automatic anti-dazzle door mirror
I267	Automatically dimmable interior and door mirrors
I268	Rain sensor
I270	Door mirrors -flat - driver's side, electrically adjustable and heatable
I271	Door mirrors -aspherical- driver's side, electrically adjustable and heatable
I273	Door mirrors, electrically adjustable and heatable

Model: 991G13

Model life 2013>>

NR	Description
I274	Vanity mirror, illuminated
I275	Manual anti-dazzle interior mirror
I276	Automatic anti-dazzle interior mirror
I277	Version for Switzerland
I284	Right exterior mirror glass, convex
I285	Right exterior mirror glass, aspherical
I288	Headlamp washer
I301	Transmission ratio long
I305	Gear lever in Alcantara, Black
I306	GTX shift lever, leather
I308	Selector lever in Alcantara, Black
I309	*
I310	PDK gear selector EXC
I313	Sports seat, left, manual, 2-way
I314	Sports seat, right, manual, 2-way
I315	Sports seat, left, partially electrical, 4-way
I316	Sports seat, right, partially electrical, 4-way
I317	Sports seat Plus, left, manual, 2-way
I318	Sports seat Plus, right, manual, 2-way
I319	Sports seat Plus, left, partially electrical, 4-way
I320	Sports seat Plus, right, partially electrical, 4-way
I321	Sports seat, left, electrical, 14-way
I322	Sports seat, right, electrical, 14-way
I323	Sports seat Plus, left, electrical, 18-way
I324	Sports seat Plus, right, electrical, 18-way
I325	Version for South Africa/New Zealand
I335	Automatic seat belt, 3-point, rear
I338	Rear-wheel drive
I339	All-wheel drive
I340	Wheel rims painted in basic colour
I341	Rims, painted white
I342	Seat heating, left/right seat
I345	Heated steering wheel
I346	Rims, painted Silver
I352	Electronic damper control for PASM and PDCC
I369	Standard seat, left
I370	Standard seat, right

Model: 991G13

Model life 2013>>

NR	Description
I371	Bucket seat, 918 Spyder, left (harder)
I373	Bucket seat, 918 Spyder, left
I374	Bucket seat, 918 Spyder, right
I375	Sports seat, backrest shell, left
I376	Sports seat, backrest shell, right
I377	Sports seat, backrest shell, left, electrically adjustable
I378	Sports seat, backrest shell, right, electrically adjustable
I388	Sports bucket seat, left
I389	Sports bucket seat, right
I392	17-inch Carrera wheel
I393	17-inch Boxster II wheel (987)
I395	BOXSTER IIII 18" wheel
I396	18" Cayman (III) wheel
I397	18-inch Boxster II wheel (987)
I398	19" Cayman S wheel
I399	CAYMAN II 17" wheel
I400	Boxster S III 19" wheel
I401	18-in. Cayman S wheel
I402	Carrera 3 wheel 18-inch
I403	Carrera S wheel 19-inch
I404	19" Turbo-1 wheel
I405	Carrera Classic wheel 19-inch
I406	Carrera GT wheel 19-inch/20-inch
I407	SportDesign wheel 19-inch
I410	18" Turbo-2/Panamera wheel
I411	18-inch Carrera wheel -->2005 19-inch Carrera wheel 2012-->
I414	Carrera S Facelift 18" wheel
I415	18-inch Turbo-Look II wheel
I416	18-inch GT3 wheel
I418	18-inch Turbo II wheel in GT Silver
I419	Carrera S Facelift 19" wheel
I421	Turbo 2 wheel, 19"
I422	Turbo wheel, 19" ; , central lock
I423	20-inch Carrera S wheel (III)
I424	Cd compartment
I425	Rear window wiper
I426	Without rear window wiper
I427	20-inch Carrera Classic wheel (II)
I428	20-inch Sport Design wheel (II)
I430	GT3 wheel, 19" ; , central lock
I431	Central wheel lock, GT3, 20" wheel
I432	19" Carrera wheel (6)
I437	Comfort seat, left, electrically adjustable

Model: 991G13

Model life 2013>>

NR	Description
I438	Comfort seat, right, electrically adjustable
I439	20" 911 Turbo 4 wheel
I440	Antenna diversity
I441	Radio preparation
I444	Anti-theft lock, wheel bolts "THATCHAM"
I446	Concave wheel centers with full-colour Porsche Crest
I447	Emergency wheel
I448	Brake pad; sport version
I450	Ceramic brake (PCCB)
I451	Multi-function steering wheel, Makassar Ebony, touch + feel
I452	Multi-function steering wheel, Sycamore, touch + feel
I453	Multi-function steering wheel, Carbon, touch + feel
I454	Automatic speed control
I456	Automatic distance control (ACC)
I459	3-spoke airbag steering wheel, touch + feel
I460	20" RS Spyder Design wheel
I461	External antenna
I465	Rear fog light, left
I466	Rear fog light, right
I470	Rear-axle steering
I474	Front-axle lift function
I475	"PASM" electronic damper control
I476	Porsche Stability Management (PSM)
I477	PASM w/o lowering
I478	Central wheel lock
I479	Version for Australia
I480	6-speed manual transmission
I482	Tire Pressure Monitoring TPM, 433 MHz
I483	315-MHz TPM, Tire Pressure Monitoring
I484	Version for USA
I486	6-speed GT sports manual transmission
I487	7-speed manual transmission
I488	Inscriptions in German language
I490	Sound system "ASK"
I492	Headlights for left-hand traffic
I493	Balance weights, Black
I498	Deletion of model designation on rear end
I499	Version for Germany
I501	Car cover
I509	Fire extinguisher
I513	Lumbar support, right seat
I514	GTS logo with model designation in Silver

Model: 991G13

Model life 2013>>

NR	Description
I515	GTS logo with model designation in Black
I521	Tilt sensor
I523	Immobiliser, 434 MHz
I524	Immobilizer, central locking, 433 MHz
I525	Immobilizer, central locking, 315 MHz
I529	SportDesign exterior mirror
I532	Alarm system remote control omitted
I533	Radio convertible-top operation omitted
I534	Theft security system, 433 MHz
I535	Theft security system, 315 MHz
I536	-07 Alarm siren and tilt sensor 08- Alarm siren
I537	Seat position control for comfort seat, left
I538	Seat position control for comfort seat, right
I539	Mechanical seat height adjustment, left
I540	Mechanical seat height adjustment, right
I541	Active seat ventilation (incl. heated seats)
I542	Active seat ventilation, front and rear (incl. heated seats)
I544	Anti-theft protection without infrared monitoring, 433 MHz
I545	Anti-theft protection without infrared monitoring, 315 MHz
I546	Roll-over bar in exterior colour
I547	Roll-over bar in Aluminium Look
I549	Roof Transport System
I550	Hard top
I551	Wind deflector
I552	Electric wind deflector
I553	Version for USA, Canada
I554	Front spoiler lip included
I555	Black seat belts
I559	High-gloss mouldings
I560	Advanced airbag
I562	Airbag, driver's side and front passenger's side
I563	Side airbag
I566	Front fog lights, white
I567	Windscreen tinted, upper part darker coloured
I568	Windscreen without shade band
I571	Activated charcoal filter
I572	Manual air-conditioning system
I573	Air conditioner
I574	Without air conditioner

Model: 991G13

Model life 2013>>

NR	Description
I575	Luggage compartment cooling system
I578	6-point seat belt, driver
I579	6-point seat belt, passenger
I581	Centre console, front
I582	Safety cage in Lava Orange
I583	Smoker package
I584	Storage box on engine cover
I586	Lumbar support, left seat
I587	Safety cage in White
I590	Steel doors
I594	Alcantara rooflining
I595	Safety cage in Black
I599	Aluminium doors
I601	Xenon lighting system
I602	LED headlights with dynamic cornering light Plus (PDLs Plus)
I603	Bi-Xenon and dynamic cornering light
I605	LED daytime driving lights
I606	Daytime driving lights
I607	Garage door opener "Homelink", 315 MHz
I608	Garage door opener "Homelink" 433 MHz
I609	without radio
I610	DVD navigation, "Europe package"
I611	DVD navigation South Africa
I612	DVD navigation middle east
I613	DVD navigation australia
I614	DVD navigation asia-pacific
I615	DVD navigation system, North America
I616	DVD, Navigation Russia
I617	DVD Navigation China
I618	Preparation for telephone installation
I619	Mobile phone preparation (BLUETOOTH) without console
I621	12-V socket, passenger's side, footwell
I625	"KESSY" Porsche Entry and Drive
I630	Interior light package
I631	Traffic sign recognition
I632	PDLs+ dynamic high beam
I635	Parking assistant
I636	ParkAssist, front and rear
I638	ParkAssist, front, rear and reversing camera
I639	Sport Chrono package
I640	Sport Chrono Package Plus
I641	electronic logbook
I642	Start/Stop function
I643	Track app
I647	Steering column, mechanically

Model: 991G13

Model life 2013>>

NR	Description
	reach/height-adjustable, without ELV
I648	Steering column, electrically reach/height-adjustable, without ELV
I650	Electrical sliding roof
I651	Electric window opener
I652	Without sliding/tilting roof
I653	External-sliding glass sunroof
I655	Steering column with mech. reach/height adjustment
I656	Steering column with electric reach/ height adjustment and memory
I657	Power assisted steering
I659	On-board computer
I660	Obd 2
I661	Stricter emission-control concept
I663	Fuel pump activation
I664	Orvr
I665	-2008 PCM 2, 2009- PCM 3 basic module incl. radio
I666	-2008 PCM 2, 2009- PCM 3 telephone (GSM)
I668	PCM2 telephone handset
I669	PCM 3 - Telephone handset (BLUETOOTH)
I670	PCM2 navigation
I671	Voice control system
I672	-2008 PCM 2, 2009- PCM 3 Offroad navigation
I673	Navigation system preparation, China
I674	"Vehicle Tracking System" preparation
I675	Without radio preparation (Japan navigation system)
I676	TV tuner
I677	"Driver card" antenna
I678	Alarm system connection
I679	Restart inhibitor
I680	BOSE sound package
I682	Top Premium sound system
I685	Rear seat assembly
I686	SAT radio reception XM (SDARS)
I688	HD radio reception
I689	Preperation for CD autochanger
I690	SDARS + HD radio reception
I691	Digital radio reception DAB
I692	CD autochanger "Porsche"
I693	Integrated CD/DVD autochanger
I694	CD radio "PORSCHE CDR 24"
I696	CD radio, Porsche CDR 31
I697	CD radio "Porsche CDR-23"
I7G9	VTS preparation and Porsche Car Connect (pcc)

Model: 991G13

Model life 2013>>

NR	Description
I7I0	VTS security package (incl. PCC) and keypad
I7I2	VTS security package (with PCC)
I7UG	Navigation device, High
I703	without Clubsport package
I711	Omission underbody protection
I751	PCCB, front axle and rear axle 3K
I756	Special model "911 Sport Classic"
I77J	Navigation software Argentina
I77K	Navigation software Chile
I788	Painted plastic components, door panel
I789	Colour to sample
I796	Full leather trim natural leather
I798	Full leather trim special leather
I799	Full leather trim by choice
I8AA	*
I801	Makassar Ebony wood package, dark (matt satin finish)
I802	Sycamore package, light (matt satin finish)
I803	Carbon package
I804	GT2 Carbon exterior package
I805	Lifestyle package
I810	Floor mats
I811	without door panel trim
I812	Door panel trim, galvanised
I814	Door panel trims in brushed aluminium Anthracite
I815	Door panel trim, brushed aluminium, Black
I816	Centre console trim, brushed aluminium, Anthracite
I820	Dashboard trim, brushed aluminium, Anthracite
I840	Sports steering wheel (for PDK with paddle)
I841	Basic steering wheel Smooth leather
I843	Sports steering wheel in Alcantara
I844	Multi-function steering wheel Smooth leather
I845	Multi-function steering wheel Carbon
I847	Multi-function steering wheel Makassar
I852	PDLs+ High beam assist
I870	Universal multimedia interface
I877	Sports steering wheel, Alcantara
I878	Sports steering wheel, leather
I886	*
I887	12 o'clock marking Yellow
I888	12 o'clock marking Lava Orange
I899	Isofix child-seat restraint on front passenger side
I9VJ	Top Premium sound system
I9VK	Sound package 1/sound package
I9VL	Bose Premium sound system

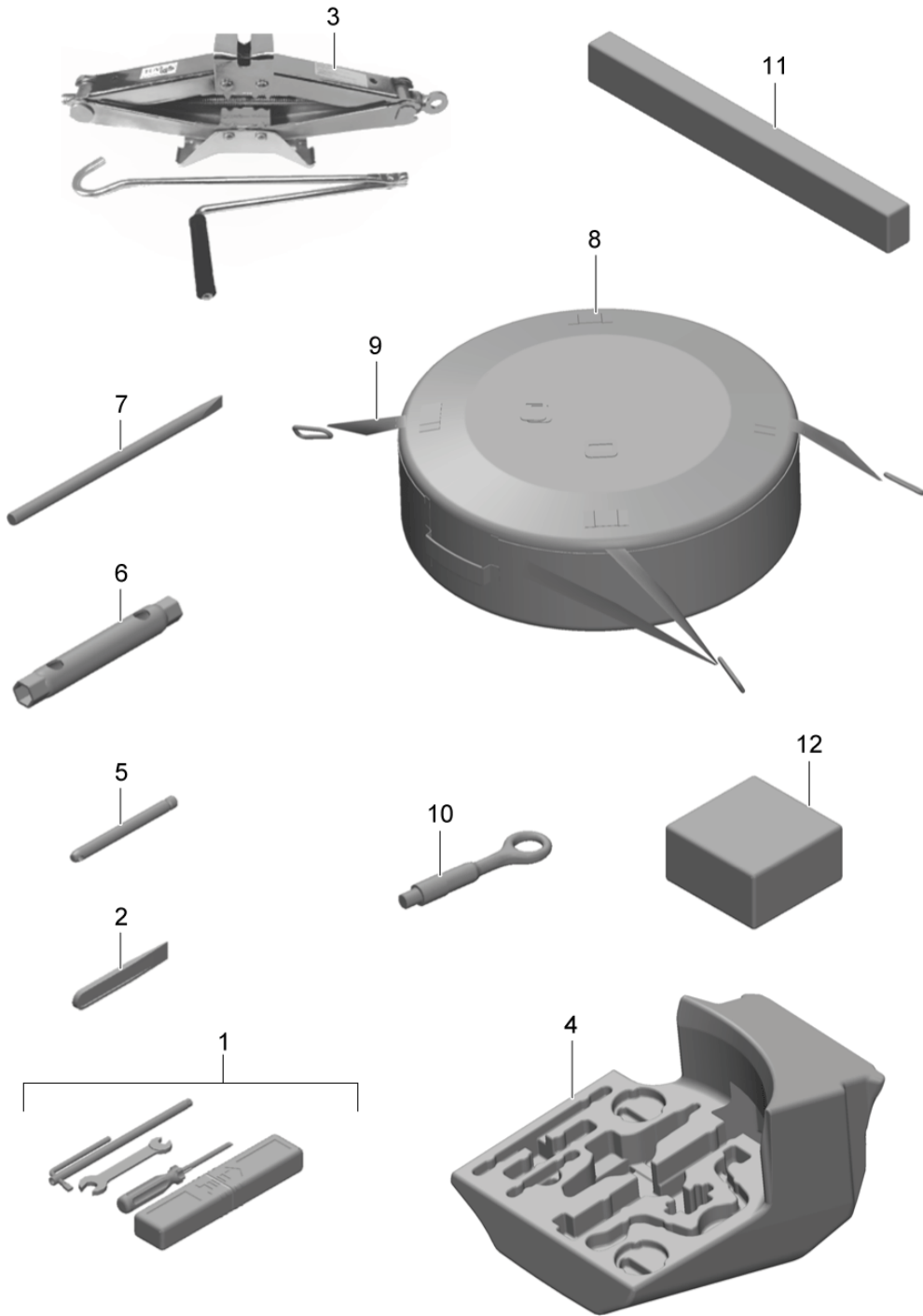
Model: 991G13

Model life 2013>>

NR	Description
I9ZC	Telephone module with connection box
I9ZE	Mobile-phone preparation with connection box
I9ZK	Telephone module
I9ZX	Mobile phone preparation
I903	Film strip, Red
I904	Film strip, Green
I911	Model designation 911
I912	without ID plate
I931	Rear seat covers in Alcantara/leatherette
I932	Rear seat covers in Alcantara/leather
I936	Seat covers, rear, leather
I937	Seat covers, rear, leatherette
I939	Seat covers, rear, draped leather
I940	Seat covers rear, ruff.leather/leather/leatherette Soft ruffled leather, embossed
I946	Seat covers, front, leather/leather/leatherette
I948	Front seat covers in fabric/leather/leather
I950	Alcantara seat covers, front
I951	Seat covers front, Alcantara/leather/leather
I970	Two-tone interior
I971	"TORO" embossed leather
I975	Alcantara interior
I980	Leather package
I981	Leather equipment, without seat covers
I982	Seat covers, front, draped leather/leather/leather
I983	Seat covers, front, leather
I984	Leather interior, authentic
I985	Seat covers, leather/leather/leatherette, 2
I990	Seat covers, front, cloth/cloth/leatherette
I991	Steering wheel airbag module in leather
I998	Leather, natural
I999	Passenger compartment monitoring sensor for leather colour of choice

Model: 991G13

Model life 2013>>

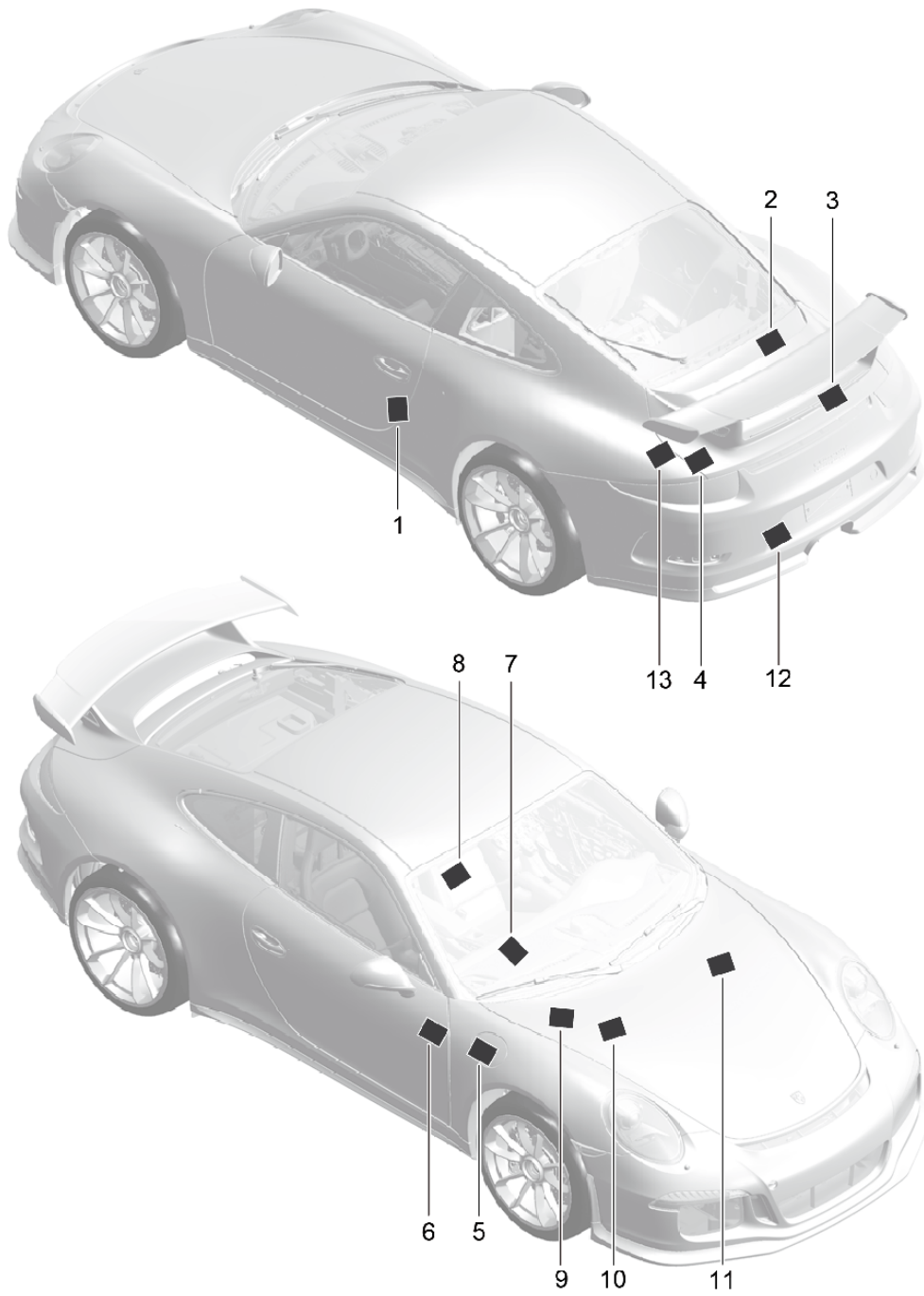


Model: 991G13 Model life 2013>>

Pos	Part Number	Description	Remark	Qty	Model
1	997 721 115 00	Tool Jack Tool kit with contents Comprising:		1	
-	477 012 229	Double-end spanner 10 X 13		1	
-	477 012 231	Screwdriver		1	
-	111 012 287	Handle for Screwdriver		1	
-	999 571 077 02	Socket wrench - 5 - for Headlamp		1	
2	991 613 299 00	Assembly tool Release Selector lever lock - PDK -		1	I250
3	996 721 211 00	Scissors type jack		1	I447
4	991 722 101 00	Foam part		1	I447
5	999 571 074 30	Threaded bolt for Assembly Wheels		1	I447
6	477 012 221 A	Rim wrench		1	I447
7	999 571 070 30	Operating rod for Rim wrench		1	I447
-	996 361 521 00	Boot		1	I447
8	991 722 061 00	Cover Emergency wheel		1	-I450/I447
(8)	991 722 061 01	Cover Emergency wheel		1	I447/450
9	997 722 073 00	Restraining strap Emergency wheel		1	I447
10	970 721 551 01	Towing lug		1	
(10)	970 721 551 02	Towing lug		1	
11	8K0 860 251	Warning triangle Support		1	
-		Warning triangle See illustrations 8/07/00			
12	000 722 041 00	First-aid kit Information available		1	
-	991 722 115 80	Fire extinguisher with Support		1	I003

Model: 991G13

Model life 2013>>



Model: 991G13 Model life 2013>>

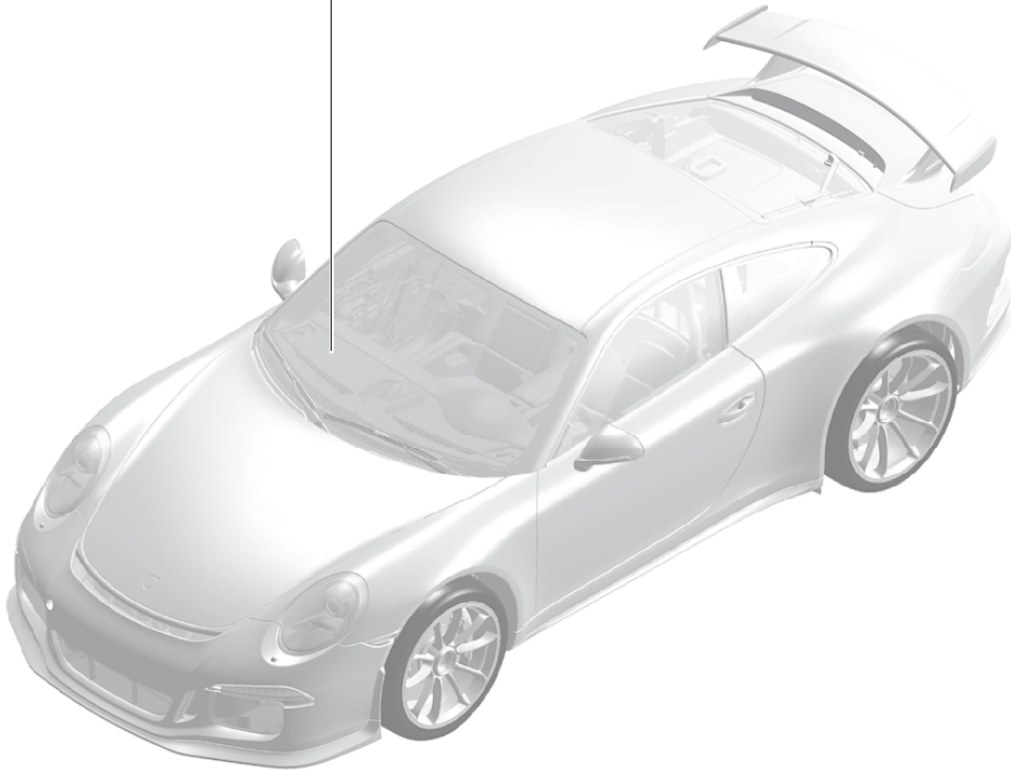
Pos	Part Number	Description	Remark	Qty	Model
		Stickers		1	
		Stickers		1	
		Tyre pressure		1	
(1)	991 701 286 92	Sticker	GT3 -17	1	I431/482/483
(1)	991 701 287 05	Sticker	GT3 18-	1	I431/482/483
(1)	991 701 286 95	Sticker	GT3RS -16	1	I448
-	958 701 289 01	Sticker		1	I447
		Emergency wheel			
		Stickers			
		Engine specifications			
3	7PP 010 751 C	Sticker		1	I068
3	955 006 675 00	Sticker	(J)	1	I193
		Motor fan			
3	7PP 010 786 T	Sticker		1	
		Engine oil			
		- MOBIL 1 -			
4	9P1 010 867 M	Sticker	(J)	1	I193
		Expansion tank			
		Stickers			
		Type of fuel			
5	991 006 117 00	Sticker		1	-I075
		98 ROZ			
5	991 006 117 04	Sticker		1	I075
		98 ROZ			
5	991 006 117 02	Sticker	(AUS)	1	I479
		96 ROZ			
5	955 701 676 15	Sticker	(J)	1	I193
		Fuel			
5	955 701 676 10	Sticker	(J)	1	I193
		Fuel filler flap			
6	955 701 435 10	Warning sign	-17	1	I075
		Airbag			
(6)	955 701 435 20	Warning sign	(PME) -17	1	I215
		Airbag			
(6)	955 701 435 30	Warning sign	(AUS) -17	1	I479
		Airbag			
(6)	9A7 001 029 00	Warning sign	(AUS) 18-	1	
		Airbag			
(6)	970 701 523 00	Sticker	(J)	1	I193
		Recycling			
8	991 701 531 00	Sticker	(J)	2	I193
		Airbag			
(9)	991 701 521 00	Sticker	(J)	1	I193
		Air conditioner			
10	955 701 673 00	Sticker	(J)	1	I193
		Battery			
11	955 701 675 05	Sticker	(J)	1	I193
		Brake fluid			
12	955 701 675 15	Sticker	(J)	1	I193
		Import			
		Japan			
13	991 006 207 80	Sticker	-17	1	
		Oil level			
13	991 006 207 90	Sticker	18-	1	
		Oil level			

Model: 991G13

Model life 2013>>

PROD.NUMMER PROD.NUMBER	888 0815
FIN VIN	WP1ZZZ12345678912
TYP TYPE	9PAAG1
MOTORKB./GETR.KB ENG.CODE/TRANS.CODE	M5502/C7050
VERTRIEBSFARBCODE SALESNO.	G1
AUSSTATTUNGSCODE INTERIOR CODE	AT
FARBCODE COLORCODE	6B8

7P5.010.732.T



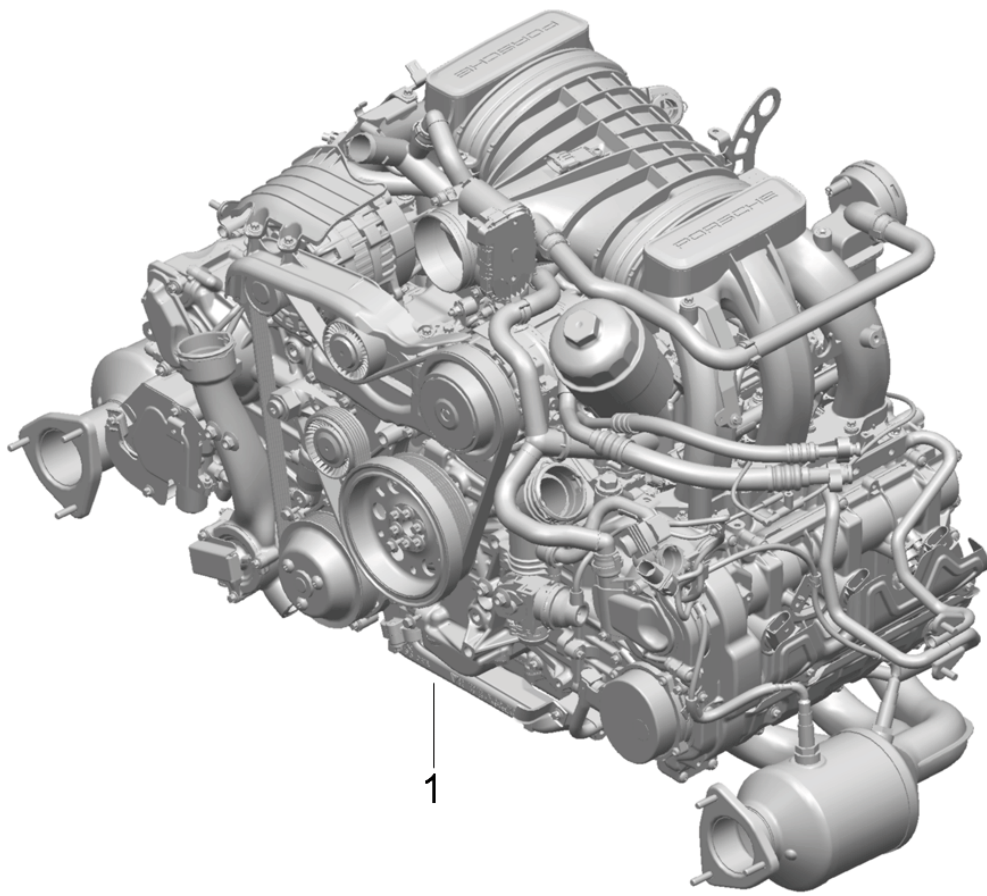
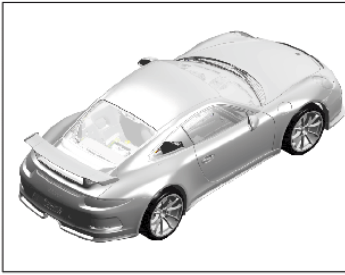
Model: 991G13

Model life 2013>>

Pos	Part Number	Description	Remark	Qty	Model
		Paint touch-up applicator Lacquers Paint identification label see On-board folder Vehicle data carrier			
-	911 095 932 20	Paint touch-up applicator		X	
	911 095 932 20 041	Black			A 1
	911 095 932 20 80K	Guards red			G 1
	911 095 932 20 1S1	Racing Yellow			P 3
	911 095 932 20 C9A	White			O Q
	911 095 932 20 M2A	Lava Orange			H 2
	911 095 932 20 M4A	Ultraviolet			G 7
-	911 095 932 21	Paint touch-up applicator		X	
	911 095 932 21 M3C	Carmine red			O L
	911 095 932 21 M5C	Miami Blue			J 5
	911 095 932 21 M9A	Chalk			3H
-	911 095 933 20	Paint touch-up applicator Set Comprising: Paint touch-up applicator Primer Paint touch-up applicator Clear lacquer		X	
	911 095 933 20 C9Z	Basalt black metallic			Z 4
	911 095 933 20 M7Z	GT Silver Metallic			U 2
	911 095 933 20 M5X	Dark Blue Metallic			N 4
	911 095 933 20 M8S	Anthracite Brown Metallic			G 0
	911 095 933 20 M7S	Achat Grey Metallic			N 0
	911 095 933 20 5P1	Lime Gold Metallic			R 2
	911 095 933 20 M8Y	Mahogany Metallic			Y 8
	911 095 933 20 8L1	Amaranth Red Metallic			L 6
	911 095 933 20 M7U	Rhodium Silver Metallic			S 2
	911 095 933 20 M5J	Sapphire Blue Metallic			N 1
3	911 095 933 31	Paint touch-up applicator Set Comprising: Paint touch-up applicator Primer filler Paint touch-up applicator Primer Paint touch-up applicator Clear lacquer		X	
	911 095 933 31 S9R	Carrara White metallic			2 Y

Model: 991G13

Model life 2013>>



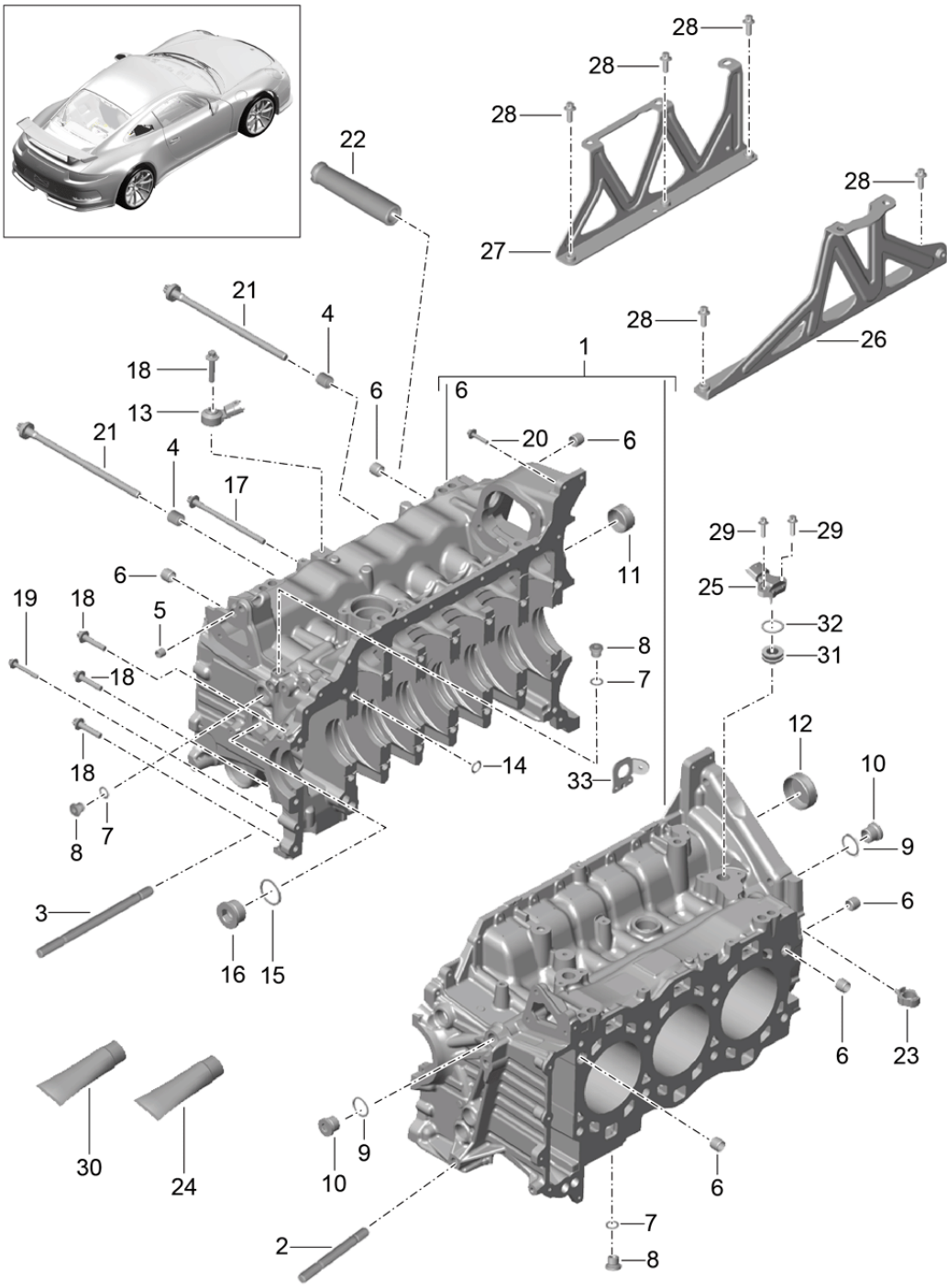
1

Model: 991G13 Model life 2013>>

Pos	Part Number	Description	Remark	Qty	Model
		Replacement engine			MA1.75 MA1.76 MDG.GA
1	9A1 100 975 00	Replacement engine	GT3 14	1	MA1.75 I573
1	9A1 100 975 AX	Replacement engine	GT3 14	1	MA1.75 I573
1	9A1 100 975 10	Replacement engine	GT3 14	1	MA1.75 I573
1	9A1 100 975 KX	Replacement engine	GT3 14	1	MA1.75 I573
1	9A1 100 975 01	Replacement engine	GT3 15	1	MA1.75 I573
1	9A1 100 975 02	Replacement engine	GT3 15-	1	MA1.75 I573
1	9A1 100 975 BX	Replacement engine	GT3 15	1	MA1.75 I573
1	9A1 100 975 DX	Replacement engine	GT3 15-	1	MA1.75 I573
1	9A1 100 975 03	Replacement engine	GT3 16	1	MA1.75 I573
1	9A1 100 975 DX	Replacement engine	GT3 16	1	MA1.75 I573
1	9A1 100 977 00	Replacement engine	GT3 18-	1	MDG.GA I573
1	9A1 100 977 X	Replacement engine	GT3 18-	1	MDG.GA I573
1	9A1 100 976 00	Replacement engine	GT3 RS 15	1	MA1.76 I573
1	9A1 100 976 X	Replacement engine	GT3 RS 15	1	MA1.76 I573
1	9A1 100 976 01	Replacement engine	GT3 RS 15	1	MA1.76 I574
1	9A1 100 976 AX	Replacement engine	GT3 RS 15	1	MA1.76 I574
1	9A1 100 976 02	Replacement engine	GT3 RS 16-	1	MA1.76 -I038/I573
1	9A1 100 976 BX	Replacement engine	GT3 RS 16-	1	MA1.76 -I038/I573
1	9A1 100 976 03	Replacement engine	GT3 RS 16-	1	MA1.76 -I038/I574
1	9A1 100 976 CX	Replacement engine	GT3 RS 16-	1	MA1.76 -I038/I574
1	9A1 100 976 10	Replacement engine	991 R 16-	1	I038/486/573
1	9A1 100 976 KX	Replacement engine	991 R 16-	1	I038/486/573
1	9A1 100 976 11	Replacement engine	991 R 16-	1	I038/486/574
1	9A1 100 976 LX	Replacement engine	991 R 16-	1	I038/486/574
2	000 043 303 61	Repair kit Engine Setting 1		1	
2	000 043 303 62	Repair kit Engine Setting2		1	
2	000 043 303 63	Repair kit Engine Setting 3		1	
2	000 043 303 64	Repair kit Engine Stage 4		1	

Model: 991G13

Model life 2013>>



Model: 991G13

Model life 2013>>

Pos	Part Number	Description	Remark	Qty	Model
1	9A1 101 938 90	Crankcase	GT3	1	MA1.75
1	9A1 101 938 96	Crankcase with studs	GT3 RS	1	MA1.76
1	9A1 101 945 91	Crankcase with studs	GT3	1	MDG.GA
2	900 060 112 01	Stud M 10 X 80		1	
3	900 060 113 01	Stud M 10 X 140		1	
4	996 101 225 50	Dowel sleeve		2	
5	999 095 063 01	Dowel sleeve M 6 X 10		1	
6	014 301 153 B	Dowel sleeve		6	
7	900 123 160 30	Sealing ring D 10 X 13,5		3	
7	900 123 160 20	Sealing ring D 10 X 13,5		3	
8	999 063 036 01	Screw plug M 10 X 1 X 11		3	MA1.75/76
8		Screw plug M 10 X 1 X 11		10	MDG.GA
9	900 123 159 30	Sealing ring D 20 X 24		2	
9	900 123 159 20	Sealing ring D 20 X 24		2	
10	999 063 039 01	Screw plug M 20 X 1,5 X 18		2	
11	9A1 101 215 01	Lid		1	
12	9A1 101 216 01	Lid M 8 X 35		1	
13	997 606 121 00	Knock sensor A 22 X 27 Information available		2	MA1.75/76
13	0PB 905 377	Knock sensor A 22 X 27		2	MDG.GA
14	999 707 568 40	O-ring 12,00 X 3,00		1	
15	900 123 015 30	Sealing ring 30 X 36		1	MA1.75/76
15	900 123 172 20	Sealing ring 30 X 36		1	MDG.GA
16	900 219 025 30	Screw plug M 30 X 1,5		1	MA1.75/76
16	900 219 031 30	Screw plug M 30 X 1,5		1	MDG.GA
17	900 385 281 01	Torx screw BM 8 X 120		1	
18	900 385 042 01	Torx screw BM 8 X 35		5	MA1.75/76
18		Torx screw BM 8 X 35		3	MDG.GA
19	900 385 045 01	Crankcase Torx screw BM 8 X 40		1	
20	900 385 072 01	Torx screw M 6 X 25		14	
21	9A1 101 250 01	Outer hexagon round screw Main bearing		14	
22	9A1 101 511 01	Adapter		12	
23	999 507 075 40	Cable holder		1	
24	000 043 207 31	Sealing compound		X	

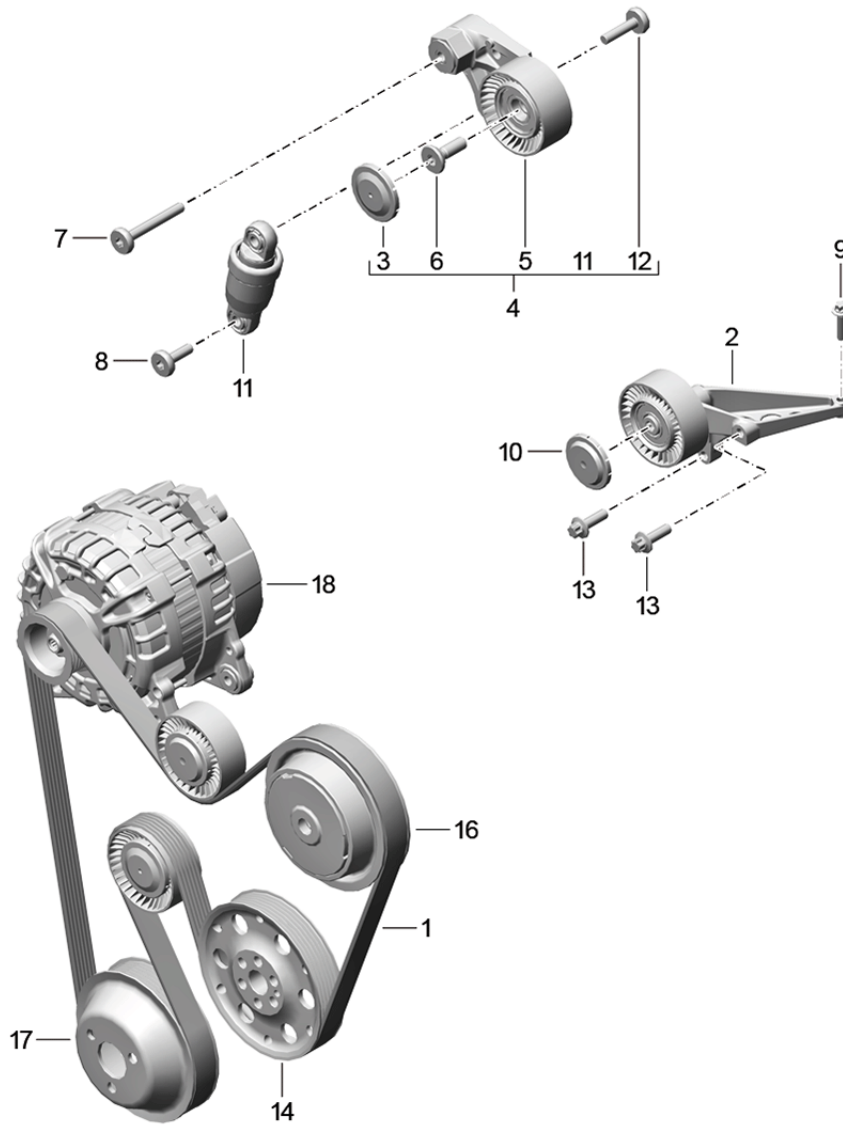
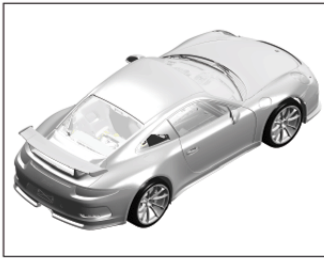
Model: 991G13

Model life 2013>>

Pos	Part Number	Description	Remark	Qty	Model
25	948 606 213 00	30 GR. DREI BOND SILICON 2210 Oil pressure sender with		1	
26	991 504 377 90	Temperature sensor Support		1	MA1.75
26		Engine cover Cyl. 1 - 3 Support		1	MA1.76 -I038
26	991 504 377 91	Engine cover Cyl. 1 - 3 Support		1	MA1.76 -I038
26	991 504 377 95	Engine cover Cyl. 1 - 3 Support		1	MA1.76 I038
26		Engine cover Cyl. 1 - 3 Support		1	MA1.76 I038
(26)	991 504 377 97	Engine cover Cyl. 1 - 3 Support		1	MDG.GA
27	991 504 378 90	Engine cover Cyl. 1 - 3 Support		1	MA1.75
27		Engine cover Cyl. 4 - 6 Support		1	MA1.76 -I038
27	991 504 378 95	Engine cover Cyl. 4 - 6 Support		1	MA1.76 I038
27	991 504 378 97	Engine cover Cyl. 4 - 6 Support		1	MDG.GA
28	900 385 001 01	Torx screw BM 8 X 20		5	
29	900 385 019 01	Torx screw BM 6 X 20		2	MA1.75
30	000 043 209 40	Sealing compound 30 GR.		X	
30	000 043 203 73	DREI BOND 1209 Sealing compound 30 GR.		X	
31	9A1 107 314 90	DREI BOND 1209 Adapter		1	MA1.75/76
31	9A1 107 314 91	Pressure sensor Adapter		1	MDG.GA
32	999 707 496 40	Pressure sensor O-ring		1	
33	9A1 101 213 22	23,00 X 3,00 Shackle for transportation		1	MDG.GA

Model: 991G13

Model life 2013>>

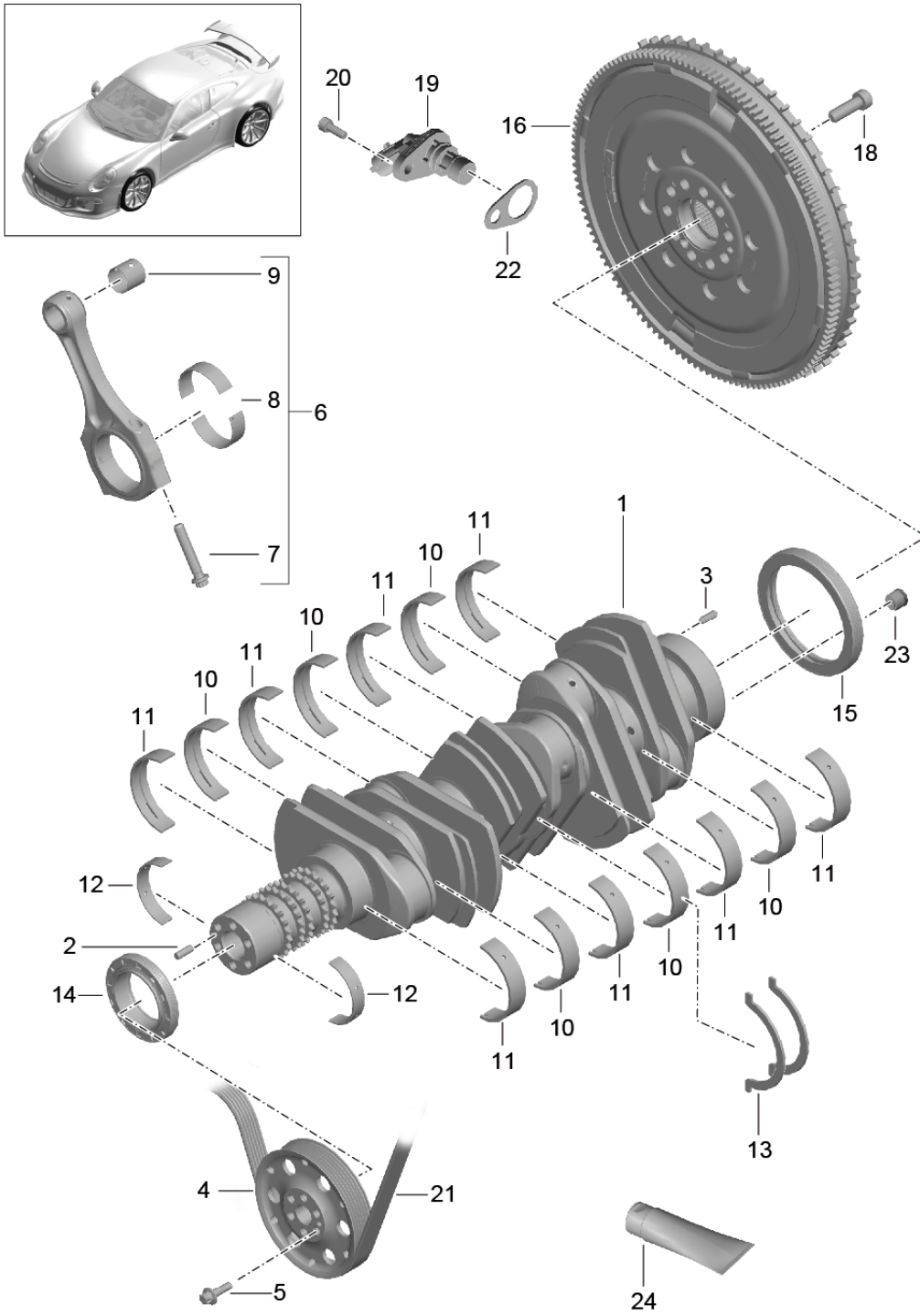


Model: 991G13 Model life 2013>>

Pos	Part Number	Description	Remark	Qty	Model
1	9A1 102 218 90	Belt tensioner		1	MA1.75
1		Belt drive		1	MA1.76
		V-belt			MDG.GA
		V-belt			I573
1	9A1 102 218 91	V-belt		1	MA1.76
					MDG.GA
					I574
2	9A1 102 030 90	Bracket with Deflection roller		1	MA1.75/76
2	9A1 102 030 92	Bracket with Deflection roller		1	MDG.GA
3	948 102 839 00	Protection cap		1	
4	9A1 102 211 01	Tensioning roller Lever		1	
4	9A2 102 211 00	Tensioning roller Lever		1	
		Tensioning roller			
		Use also:			
		9A110221200			
		99907357901			
		94810283900			
4	9A2 102 016 00	Belt tensioner Complete		1	
5	9A1 102 212 00	Tensioning roller		1	
6	999 073 579 01	Outer hexagon round screw M 10 X 30		1	
7	999 073 411 01	Outer hexagon round screw M 8 X 60		1	
8	999 073 412 01	Torx screw M 8 X 26		1	
9	900 385 072 01	Torx screw BM 6 X 25		1	
10	03G 145 291	Protection cap		1	
11	948 102 261 00	Tensioner Hydraulic		1	
12	999 073 246 09	Torx screw M 8 X 33		1	
12	999 073 246 02	Outer hexagon round screw M 8 X 33		1	
13	900 385 098 01	Torx screw M 8 X 25		2	
14	900 385 048 01	Torx screw BM 6 X 30		1	
15		Pulley Crankshaft		1	
		See illustrations			
		1/02/00			
16		Pulley Compressor		1	
		See illustrations			
		8/13/15			
17		Pulley Water pump		1	
		See illustrations			
		1/05/00			
18		Generator		1	
		See illustrations			
		9/02/05			

Model: 991G13

Model life 2013>>



Model: 991G13

Model life 2013>>

Pos	Part Number	Description	Remark	Qty	Model
1	9A1 102 077 91	Crankshaft		1	MA1.75
1	9A1 102 077 94	Crankshaft		1	MA1.75
(1)	9A1 102 081 92	Crankshaft		1	MA1.76
(1)	9A1 102 081 82	Crankshaft		1	MDG.GA
2	900 095 031 00	Tensioning sleeve 6 X 16		1	
3	900 302 016 00	Straight pin 6,0 X 16,0		1	
4	9A1 102 224 90	Pulley		1	MA1.75/76
4	9A1 102 224 91	Pulley		1	MDG.GA
5	900 385 127 01	Outer hexagon round screw BM 8 X 1 X 25		6	
5	900 385 127 02	Outer hexagon round screw BM 8 X 1 X 25		6	
6	9A1 103 170 92	Connecting rod	GT3	6	MA1.75
6	9A1 103 170 95	Connecting rod	GT3	6	MA1.75
6	9A1 103 170 96	Connecting rod	GT3	6	MA1.75
6	9A1 103 017 97	Connecting rod	GT3	6	MA1.75
6	9A1 103 017 99	Connecting rod see Technical information Group 1 Document 1330 99/15	GT3	6	MA1.75
6	9A1 103 017 81	Connecting rod	GT3 RS	6	MA1.76
6	9A1 103 017 84	Connecting rod	GT3 RS	6	MA1.76
6	9A1 103 015 84	Connecting rod	GT3 RS	6	MA1.76
6	9A1 103 015 86	Connecting rod see Technical information Group 1 Document 1330 99/15	GT3 RS	6	MA1.76
6	9A1 103 085 92	Connecting rod	GT3	6	MDG.GA
7	9A1 103 115 91	Connecting rod bolt	GT3	12	
7	9A1 103 115 92	Connecting rod bolt	GT3	12	MA1.75
7	9A1 103 115 84	Connecting rod bolt	GT3 RS	12	MA1.76
7	9A1 103 295 90	Connecting rod bolt	GT3	12	MDG.GA
8	9A1 103 053 A1	Connecting-rod bearing Lid Identification Red		6	MA1.76
8	9A1 103 053 A4	Connecting-rod bearing Lid Identification Red		6	MA1.75
8	9A1 103 057 90	Connecting-rod bearing Lid Identification Red see Technical information Group 1 Document 1330 99/15		6	MA1.75/76
8	9A1 103 067 90	Connecting-rod bearing Lid Identification Red		6	MDG.GA
(8)	9A1 103 053 A2	Connecting-rod bearing Lid Identification		6	MA1.76

Model: 991G13

Model life 2013>>

Pos	Part Number	Description	Remark	Qty	Model
(8)	9A1 103 053 A5	Yellow Connecting-rod bearing Lid Identification		6	MA1.75
(8)	9A1 103 057 91	Yellow Connecting-rod bearing Lid Identification Yellow see Technical information Group 1 Document 1330 99/15		6	MA1.75/76
(8)	9A1 103 067 91	Connecting-rod bearing Lid Identification Yellow		6	MDG.GA
(8)	9A1 103 053 A3	Connecting-rod bearing Lid Identification Blue		6	MA1.76
(8)	9A1 103 053 A6	Connecting-rod bearing Lid Identification Blue		6	MA1.75
(8)	9A1 103 057 92	Connecting-rod bearing Lid Identification Blue see Technical information Group 1 Document 1330 99/15		6	MA1.75/76
(8)	9A1 103 067 92	Connecting-rod bearing Lid Identification Blue		6	MDG.GA
8	9A1 103 073 A1	Connecting-rod bearing Rod Identification Red		6	MA1.76
8	9A1 103 073 A4	Connecting-rod bearing Rod Identification Red		6	MA1.75
8	9A1 103 077 90	Connecting-rod bearing Rod Identification Red see Technical information Group 1 Document 1330 99/15		6	MA1.75/76
8	9A1 103 087 90	Connecting-rod bearing Rod Identification Red		6	MDG.GA
(8)	9A1 103 073 A2	Connecting-rod bearing Rod Identification		6	MA1.76

Model: 991G13

Model life 2013>>

Pos	Part Number	Description	Remark	Qty	Model
(8)	9A1 103 073 A5	Yellow Connecting-rod bearing Rod Identification		6	MA1.75
(8)	9A1 103 077 91	Yellow Connecting-rod bearing Rod Identification Yellow see Technical information Group 1 Document 1330 99/15		6	MA1.75/76
(8)	9A1 103 087 91	Connecting-rod bearing Rod Identification Yellow		6	MDG.GA
(8)	9A1 103 073 A3	Connecting-rod bearing Rod Identification Blue		6	MA1.76
(8)	9A1 103 073 A6	Connecting-rod bearing Rod Identification Blue		6	MA1.75
(8)	9A1 103 077 92	Connecting-rod bearing Rod Identification Blue see Technical information Group 1 Document 1330 99/15		6	MA1.75/76
(8)	9A1 103 087 92	Connecting-rod bearing Rod Identification Blue		6	MDG.GA
9	9A1 103 124 90	Connecting rod bush D = 23		6	MA1.75
10	9A1 101 063 96	Main bearing Identification Red		6	MA1.75/76
10	9A1 101 073 90	Main bearing Identification Red		6	MDG.GA
(10)	9A1 101 063 97	Main bearing Identification Yellow		6	MA1.75/76
(10)	9A1 101 073 91	Main bearing Identification Yellow		6	MDG.GA
(10)	9A1 101 063 98	Main bearing Identification Blue		6	MA1.75/76
(10)	9A1 101 073 92	Main bearing Identification Blue		6	MDG.GA
11	9A1 101 064 00	Crankshaft bearing Identification Red		8	
(11)	9A1 101 064 01	Crankshaft bearing		8	

Model: 991G13 Model life 2013>>

Pos	Part Number	Description	Remark	Qty	Model
(11)	9A1 101 064 02	Identification Yellow Crankshaft bearing		8	
12	9A1 101 052 00	Identification Blue Supporting mount		2	MA1.75/76
12	0PB 105 589 E	Identification Red Supporting mount		2	MDG.GA
(12)	9A1 101 052 01	Identification Red Supporting mount		2	MA1.75/76
(12)	0PB 105 589 F	Identification Yellow Supporting mount		2	MDG.GA
(12)	9A1 101 052 02	Identification Yellow Supporting mount		2	MA1.75/76
(12)	0PB 105 589 G	Identification Blue Supporting mount		2	MDG.GA
13	996 101 132 00	Thrust washer D = 63		2	MA1.75/76
13	0PB 105 638	Thrust washer D = 63		2	MA1.75/76
13	9A1 101 131 91	Thrust washer D = 74,5		2	MDG.GA
14	9A1 101 222 90	Shaft sealing ring		1	
15	9A1 101 223 90	Shaft sealing ring		1	
16	991 114 020 90	Double-mass flywheel		1	MA1.75/76
16	991 114 020 91	Double-mass flywheel		1	I250 MDG.GA
(16)	9P1 105 262 B	Double-mass flywheel		1	I250 MA1.76 -I187/I038
(16)		Double-mass flywheel		1	I486 MDG.GA
(16)	9P1 105 262 D	Double-mass flywheel		1	I486 MDG.GA
(16)	9P1 105 269	Single-mass flywheel		1	I486 MA1.76 I038/187/486
18	N 906 651 01	with Washer Pan-head screw M 10 X 1 X 29		10	
19	991 606 112 00	Speed sensor		1	MA1.75 CG1.90
19	991 606 112 02	Use also: 991.606.912.00 Speed sensor		1	MA1.76 CG1.95
19		Use also: 991.606.912.00 D >> 26.06.2016 Speed sensor		1	MA1.76 CG1.95
19		D 27.06.2016>> Speed sensor		1	G91.90
20	900 387 264 01	Pan-head screw M 6 X 16		1	

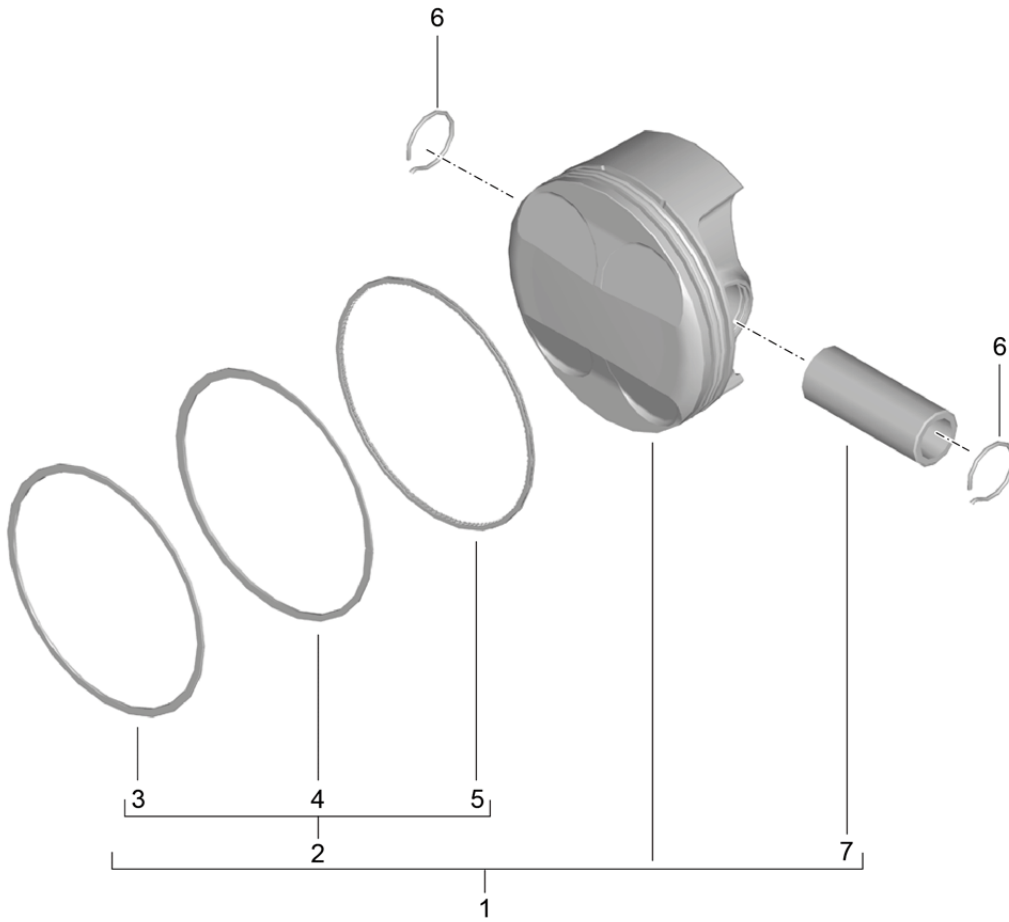
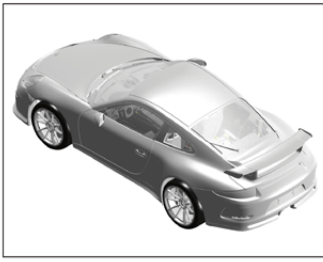
Model: 991G13

Model life 2013>>

Pos	Part Number	Description	Remark	Qty	Model
20	N 105 464 03	Pan-head screw M 6 X 16		1	
21		V-belt See illustrations 1/01/10			
22	991 606 912 00	Spacer Speed sensor D >> 26.06.2016		1	CG1.90/95
23	999 501 220 01	Stopper Crankshaft STP - 8		11	MDG.GA
24	000 043 204 17	Extreme-pressure grease OPTIPIT 08110-210 100GR TUBE		1	

Model: 991G13

Model life 2013>>



Model: 991G13 Model life 2013>>

Pos	Part Number	Description	Remark	Qty	Model
1	9A1 103 038 95	Piston Piston Complete		6	MA1.75
1	9A1 103 038 96	Piston Piston Complete		6	MA1.75
1	9A1 103 043 90	Piston Cyl. 1 - 3 Complete		3	MA1.76
1	9A1 103 043 91	Piston Cyl. 1 - 3 Complete		3	MA1.76
1	9A1 103 043 93	Piston Cyl. 1 - 3 Complete		3	MA1.76
1	9A1 103 145 92	Piston Cyl. 1 - 3 Complete		3	MDG.GA
(1)	9A1 103 044 90	Piston Cyl. 4 - 6 Complete		3	MA1.76
(1)	9A1 103 044 91	Piston Cyl. 4 - 6 Complete		3	MA1.76
(1)	9A1 103 044 93	Piston Cyl. 4 - 6 Complete		3	MA1.76
(1)	9A1 103 146 92	Piston Cyl. 4 - 6 Complete		3	MDG.GA
2	9A1 103 075 92	Piston ring Set Use with 9A1.103.038.95		6	MA1.75
2	9A1 103 075 93	Piston ring Set Use with 9A1.103.038.95		6	MA1.75
2	9A1 103 075 94	Piston ring Set Use with 9A1.103.038.96 9A1.103.038.97		6	MA1.75
2	9A1 103 075 95	Piston ring Set Use with 9A1.103.038.96 9A1.103.038.97		6	MA1.75
2		Piston ring Set		6	MA1.76
2	9A1 103 247 90	Piston ring Set		6	MDG.GA
6	9A1 103 241 91	Circlip Use with 9A1.103.038.97		12	MA1.75
6		Circlip Use		12	MA1.76

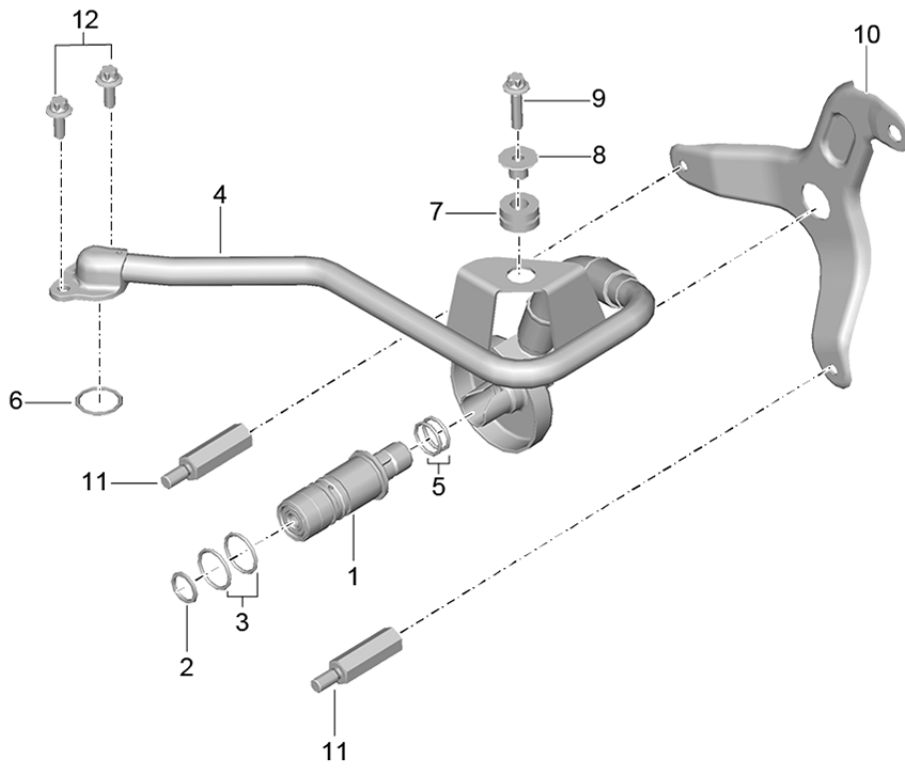
Model: 991G13

Model life 2013>>

Pos	Part Number	Description	Remark	Qty	Model
(6)	9A1 103 241 92	with 9A1.103.044.92 9A1.103.043.92 D >> 17.12.2016 Circlip Use		12	MA1.75
(6)		with 9A1.103.038.98 Circlip Use		12	MA1.76
(6)		with 9A1.103.044.93 9A1.103.043.93 D 19.12.2016>> Circlip		12	MDG.GA
7	9A1 103 260 91	Piston pin		6	MA1.75/76
7	9A1 103 260 92	Piston pin		6	MDG.GA

Model: 991G13

Model life 2013>>



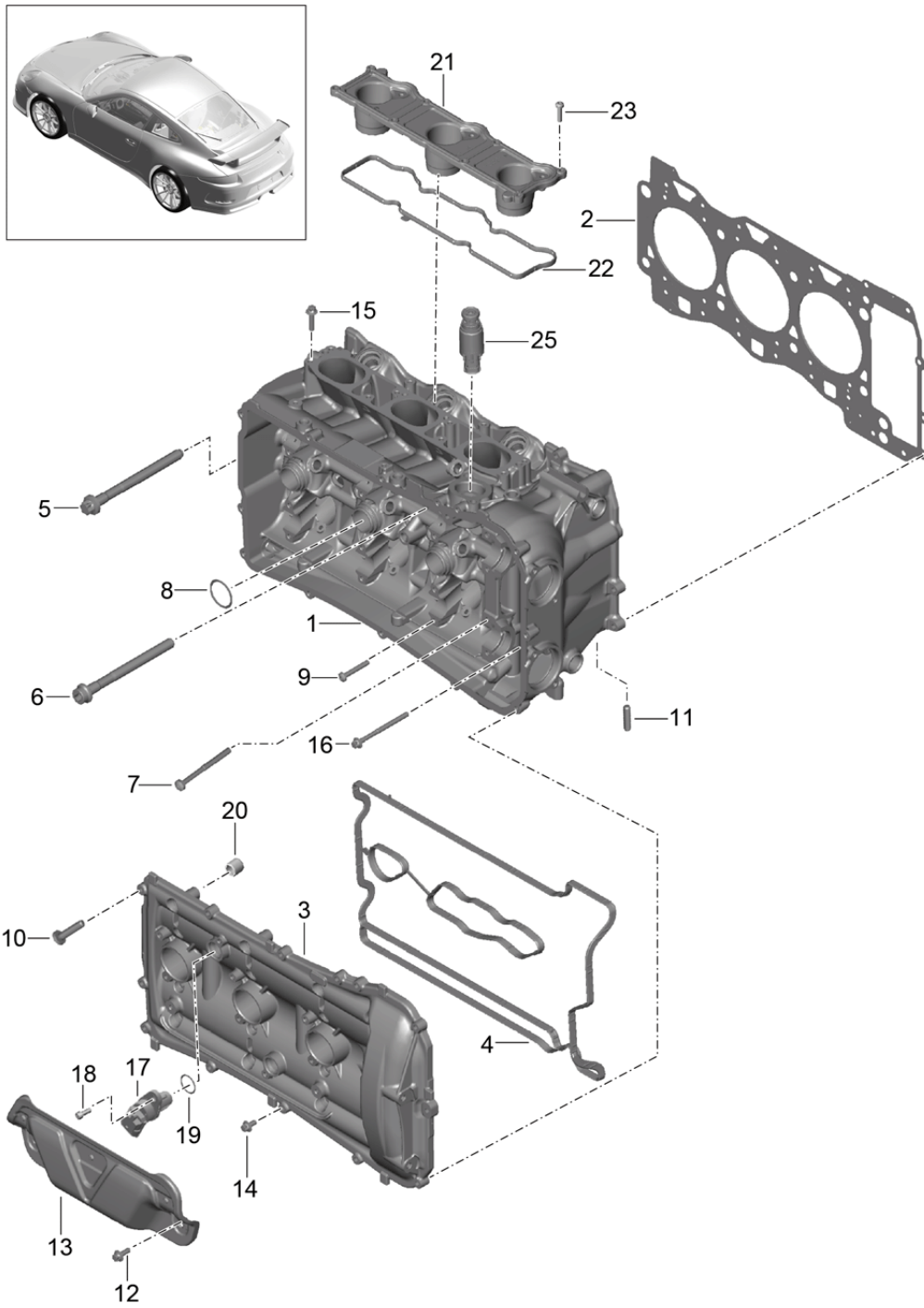
Model: 991G13

Model life 2013>>

Pos	Part Number	Description	Remark	Qty	Model
		Crankshaft			MDG.GA
		Oil supply			
1	9A1 102 041 82	Oil tube		1	
		Oil supply			
		Crankshaft			
2	918 102 411 00	Sealing ring		1	
		Oil tube			
3	999 707 155 42	O-ring		2	
		Oil tube			
		20,00 X 2,0			
4	9A1 107 167 92	Oil pipe		1	
5	999 707 699 40	O-ring		2	
		16, X 2,0			
6	999 707 472 40	O-ring		1	
		20,0 X 2,5			
7	N 900 377 01	Grommet		1	
8	9A1 107 643 91	Sleeve		1	
9	900 385 072 01	Torx screw		1	
		BM 6 X 25			
10	9A1 102 441 94	Retaining bracket		1	
11	9A1 102 331 90	Screw socket		1	
12	900 385 276 09	Torx screw		2	
		BM 6 X 60			

Model: 991G13

Model life 2013>>



Model: 991G13 Model life 2013>>

Pos	Part Number	Description	Remark	Qty	Model
1	9A1 104 011 90	Cylinder head with Valves Cylinder head gasket Valve cover Cylinder head Complete		1	MA1.75
1	9A1 104 911 90	Complete with Valve cover Cyl. 1 - 3 Cylinder head		1	MA1.75
1	9A1 104 911 X	Complete with Valve cover Cyl. 1 - 3 M >> F 03047 Cylinder head		1	MA1.75
1	9A1 104 911 93	Complete with Valve cover Valves Cyl. 1 - 3 M >> F 03047 Cylinder head		1	MA1.75
1		Complete with Valve cover Valves Cyl. 1 - 3 M F 03048 >> Cylinder head		1	MA1.76
1	9A1 104 911 AX	Complete with Valve cover Valves Cyl. 1 - 3 Cylinder head		1	MA1.76
1	9A1 104 911 95	Complete with Valve cover Valves Cyl. 1 - 3 D 11.07.2015>> Cylinder head		1	MA1.75/76
1	9A1 104 911 BX	Complete with Valve cover Valves Cyl. 1 - 3 D 11.07.2015>> Cylinder head		1	MA1.75/76
(1)	9A1 104 012 90	Complete with Valve cover Cyl. 4 - 6 Cylinder head		1	MA1.75
(1)	9A1 104 912 90	Complete with		1	MA1.75

Model: 991G13 Model life 2013>>

Pos	Part Number	Description	Remark	Qty	Model
(1)	9A1 104 912 X	Valve cover Cyl. 4 - 6 M >> F 03047 Cylinder head Complete with Valve cover Cyl. 4 - 6 M >> F 03047		1	MA1.75
(1)	9A1 104 912 93	Cylinder head Complete with Valve cover Valves Cyl. 4 - 6		1	MA1.76
(1)	9A1 104 912 AX	Cylinder head Complete with Valve cover Valves Cyl. 4 - 6		1	MA1.76
(1)	9A1 104 912 95	Cylinder head Complete with Valve cover Valves Cyl. 4 - 6		1	MA1.75/76
(1)	9A1 104 912 BX	D 11.07.2015>> Cylinder head Complete with Valve cover Valves Cyl. 4 - 6 D 11.07.2015>>		1	MA1.75/76
2	9A1 104 149 00	Cylinder head gasket Cyl. 1 - 3		1	MA1.75/76
(2)	9A1 104 149 05	Cylinder head gasket Cyl. 1 - 3		1	MDG.GA
(2)	9A1 104 148 00	Cylinder head gasket Cyl. 4 - 6		1	
3	9A1 105 231 90	Valve cover Cyl. 1 - 3 To Use		1	
(3)	9A1 105 232 90	Cylinder head Valve cover Cyl. 4 - 6 To Use		1	
4	9A1 105 731 90	Cylinder head Gasket Valve cover Cyl. 1 - 3		1	
(4)	9A1 105 732 90	Gasket Valve cover Cyl. 4 - 6		1	
5	9A1 104 191 00	Torx screw Cylinder head		4	
6	9A1 104 191 02	M 12 X 1,5 X 140 Torx screw Cylinder head M 12 X 1,5 X 140		12	

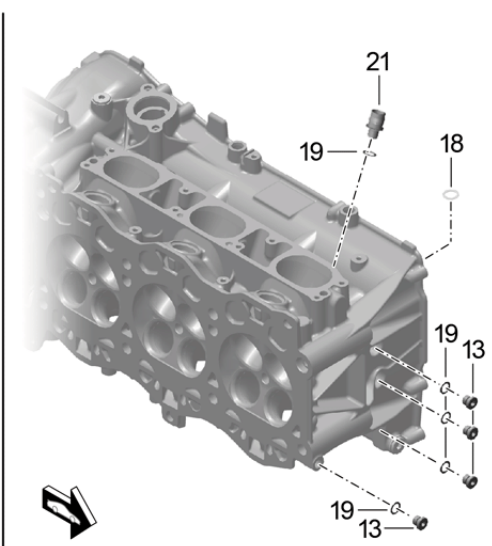
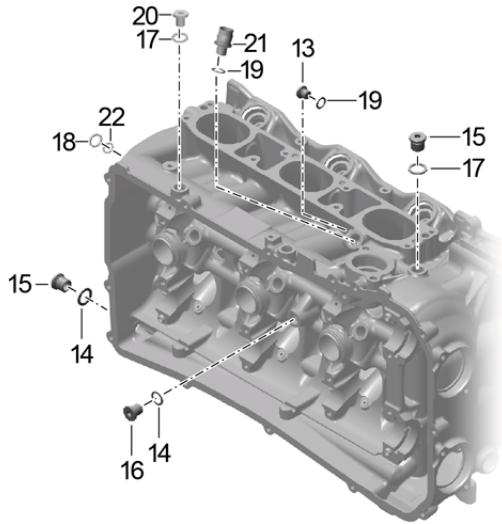
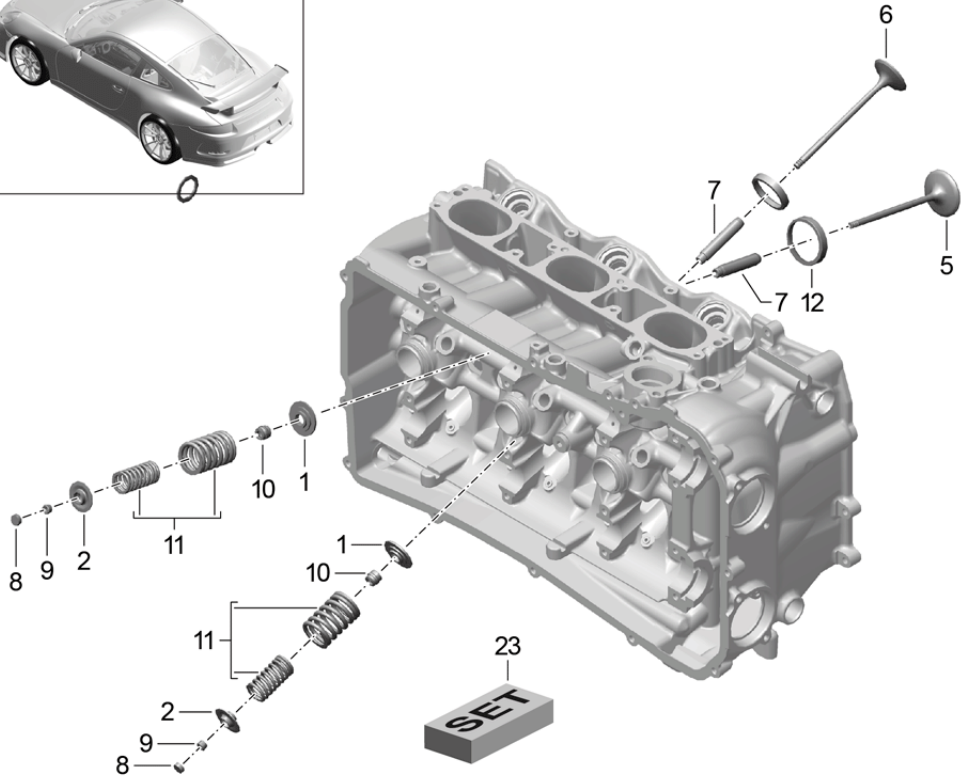
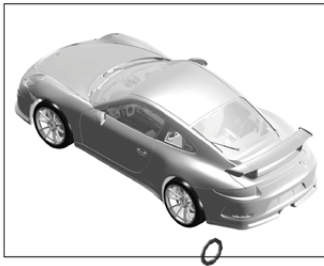
Model: 991G13

Model life 2013>>

Pos	Part Number	Description	Remark	Qty	Model
7	N 106 268 01	Oval-head screw M 6 X 70		4	
8	999 707 495 40	O-ring		3	MA1.75/76
8		O-ring		6	MDG.GA
9	N 105 821 03	Oval-head screw M 6 X 40		28	
10	9A1 107 313 00	Torx screw M 6 X 25		40	MA1.75
(10)	9A1 107 313 01	Torx screw M 6 X 25		40	MA1.76 MDG.GA
11	999 060 002 01	Threaded bolt M 8 X 33		18	
12	900 385 009 01	Torx screw BM 6 X 16		12	
13	9A1 104 311 90	Heat protection		2	MA1.75
13	9A1 104 311 92	Heat protection		2	MA1.76
13	9A1 104 311 93	Heat protection		2	MA1.76 MDG.GA
14	900 385 041 01	D 09.09.2015>> Torx screw BM 6 X 12		8	
15	900 385 072 01	Torx screw BM 6 X 25		12	
16	900 385 108 02	Torx screw BM 6 X 80		2	
17	997 606 106 03	Hall sender		4	MA1.75/76
17	991 606 106 10	Hall sender Cyl. 1 - 3		2	MA1.75/76
(17)	991 606 106 20	Hall sender Cyl. 4 - 6		2	MA1.75/76
(17)	946 606 106 00	Hall sender with O-ring		4	MDG.GA
18	N 105 464 03	Pan-head screw M 6 X 16		4	
19	999 707 404 40	O-ring 17,05 X 1,78 To Use 997.606.106.03		4	MA1.75/76
20	999 095 075 01	Dowel sleeve 8H 7X7		8	MA1.75/76
20		Dowel sleeve 8H 7X7		4	MDG.GA
21	9A1 105 113 96	Service cover with Gasket		2	MDG.GA
22	9A1 105 531 96	Gasket Service cover		2	MDG.GA
23	N 105 995 02	Round head screw M5 X 20		16	MDG.GA

Model: 991G13

Model life 2013>>



Model: 991G13

Model life 2013>>

Pos	Part Number	Description	Remark	Qty	Model
		Cylinder head Accessories Valves			
1	9A1 105 151 90	Concave washer Lower		24	MA1.75/76
(1)	9A1 105 151 98	Concave washer Lower		24	MDG.GA
2	9A1 105 150 90	Concave washer Upper		24	
(2)	9A1 105 150 92	Concave washer Upper		24	MDG.GA
5	9A1 105 310 90	Valve Intake		12	MA1.75
5	9A1 105 310 95	Valve Intake		12	MA1.76
5	9A1 105 310 93	Valve Intake		12	MDG.GA
6	9A1 105 320 90	Valve Exhaust		12	MA1.75
6	9A1 105 320 95	Valve Exhaust		12	MA1.76
6	9A1 105 320 93	Valve Exhaust		12	MDG.GA
7	9A1 104 252 90	Valve guide		24	
8	9A1 105 425 91	Shim		24	
8	9A1 105 425 93	Shim see Technical information TI 59/15		24	MA1.75/76
9	996 105 123 52	Valve collet		48	MA1.75/76
9	955 106 105 00	Valve collet		48	MDG.GA
10	996 105 115 52	Valve stem seal		24	
11	9A1 105 110 90	Set Valve spring M >> F 03047		24	MA1.75
11	9A1 105 110 91	Set Valve spring		24	MA1.75/76
11	9A1 105 110 96	Set Valve spring		24	MDG.GA
13	900 219 023 01	Screw plug M 10 X 1		10	MA1.75/76
13	999 063 036 01	Screw plug M 10 X 1		10	MA1.75/76
14	900 123 111 21	Sealing ring 14 X 20		4	
15	999 063 038 01	Screw plug M 14 X 1,5 X 14		3	
16	999 063 037 01	Screw plug M 12 X 1,5 X 15		3	MA1.75/76
(16)		Screw plug M 12 X 1,5 X 15		1	MDG.GA
17	900 123 161 30	Sealing ring D 12 X 16		3	
18	900 123 161 20	Sealing ring D 12 X 16		7	MA1.75/76
18		Sealing ring D 12 X 16		5	MDG.GA
19	900 123 160 30	Sealing ring D 10 X 13,5 Aluminium		10	
19	900 123 160 20	Sealing ring D 10 X 13,5 Copper		10	MA1.75/76

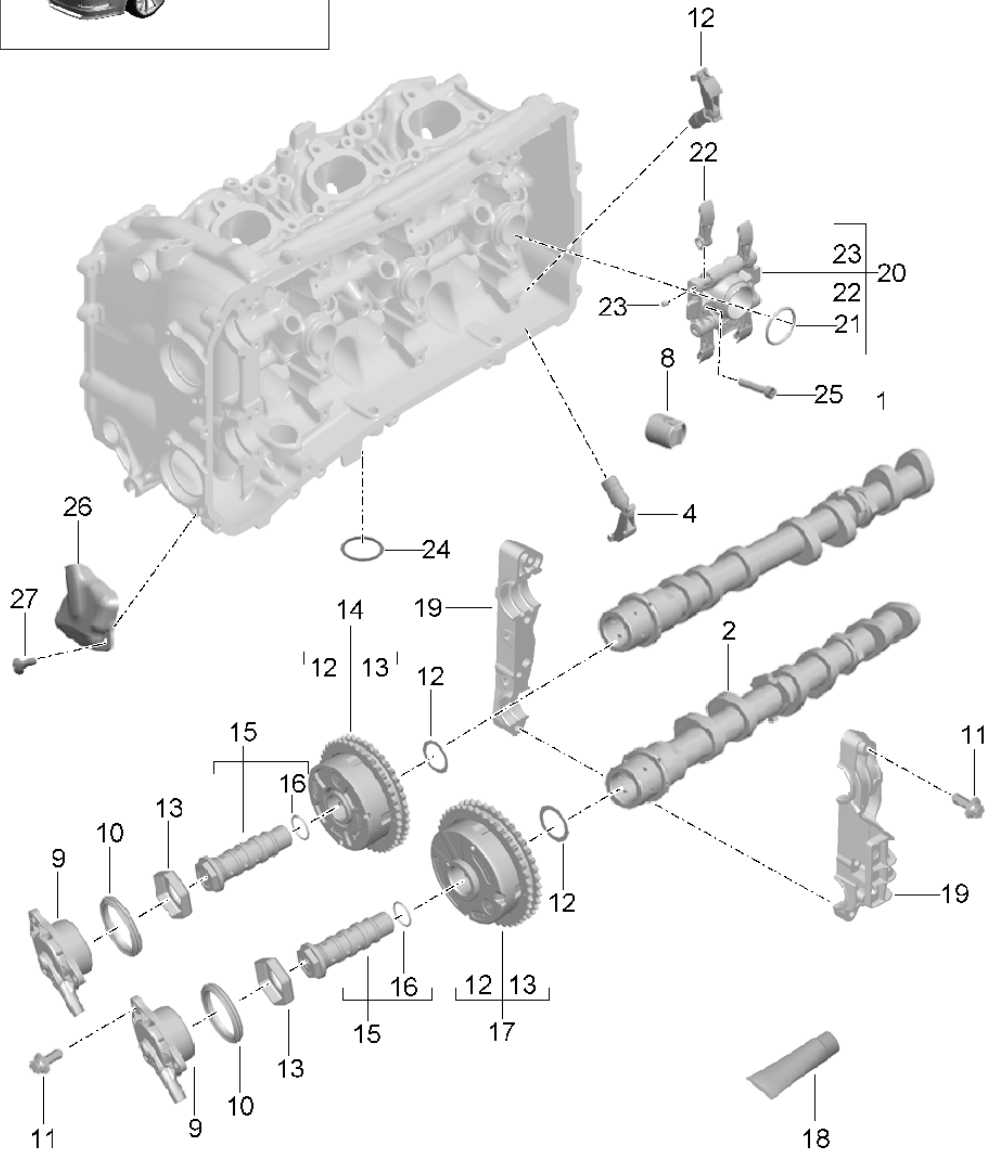
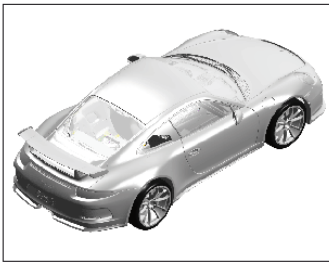
Model: 991G13

Model life 2013>>

Pos	Part Number	Description	Remark	Qty	Model
19		Sealing ring D 10 X 13,5		12	MDG.GA
20	900 219 006 01	Copper Screw plug M 12 X 1,5		6	MA1.75/76
20		Screw plug M 12 X 1,5		4	MDG.GA
21	918 104 523 00	Screw socket		2	MDG.GA
22	900 123 003 30	Sealing ring A10 X 14		2	MDG.GA
23	9A1 105 903 00	Shim Repair kit		1	

Model: 991G13

Model life 2013>>



Model: 991G13 Model life 2013>>

Pos	Part Number	Description	Remark	Qty	Model
1	9A1 105 275 92	Camshaft Valve control Camshaft Intake Cyl. 1 - 3 M >> F 03047		1	MA1.75
1	9A1 105 275 93	Camshaft Intake Cyl. 1 - 3 M F 03048 >>		1	MA1.75
1	9A1 105 275 A1	Camshaft Intake Cyl. 1 - 3 see Technical information TI 59/15		1	MA1.75
1	9A1 105 275 93	Camshaft Intake Cyl. 1 - 3 M >> G 05373		1	MA1.76
1	9A1 105 275 A1	Camshaft Intake Cyl. 1 - 3 M G 05374 >>		1	MA1.76
1	9A1 105 375 94	Camshaft Intake Cyl. 1 - 3		1	MDG.GA
(1)	9A1 105 276 92	Camshaft Intake Cyl. 4 - 6 M >> F 03047		1	MA1.75
(1)	9A1 105 276 93	Camshaft Intake Cyl. 4 - 6 M F 03048 >>		1	MA1.75
(1)	9A1 105 276 A1	Camshaft Intake Cyl. 4 - 6 see Technical information TI 59/15		1	MA1.75
(1)	9A1 105 276 93	Camshaft Intake Cyl. 4 - 6 M >> G 05373		1	MA1.76
(1)	9A1 105 276 A1	Camshaft Intake Cyl. 4 - 6 M G 05374 >>		1	MA1.76
(1)	9A1 105 376 94	Camshaft Intake Cyl. 4 - 6		1	MDG.GA
2	9A1 105 277 92	Camshaft Exhaust Cyl. 1 - 3 M >> F 03047		1	MA1.75
2	9A1 105 277 93	Camshaft Exhaust Cyl. 1 - 3 M F 03048 >>		1	MA1.75
2	9A1 105 277 A1	Camshaft Exhaust Cyl. 1 - 3		1	MA1.75

Model: 991G13

Model life 2013>>

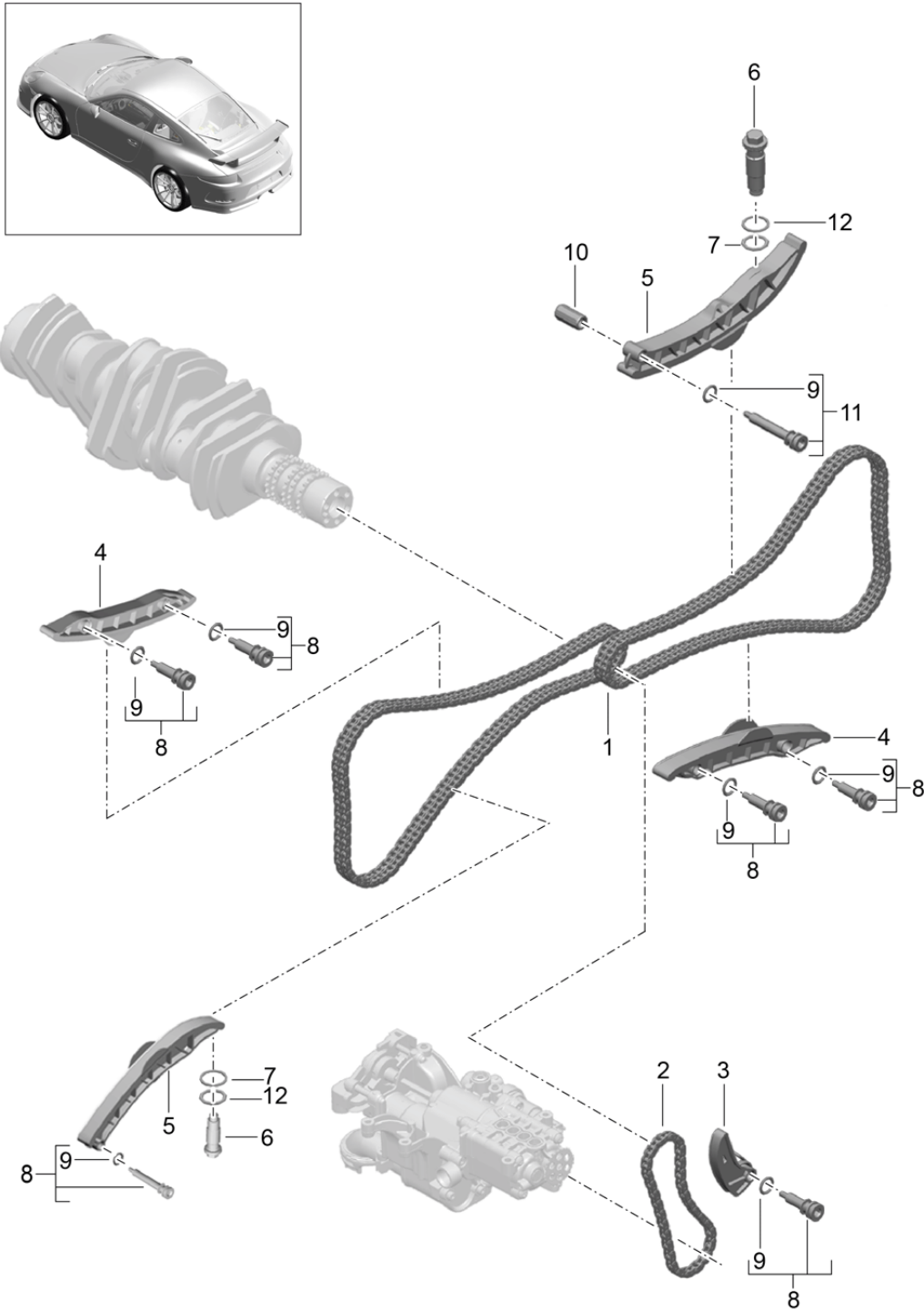
Pos	Part Number	Description	Remark	Qty	Model
		see Technical information TI 59/15			
2	9A1 105 277 93	Camshaft Exhaust Cyl. 1 - 3 M >> G 05373		1	MA1.76
2	9A1 105 277 A1	Camshaft Exhaust Cyl. 1 - 3 M G 05374 >>		1	MA1.76
2	9A1 105 377 94	Camshaft Exhaust Cyl. 1 - 3		1	MDG.GA
(2)	9A1 105 278 92	Camshaft Exhaust Cyl. 4 - 6 M >> F 03047		1	MA1.75
(2)	9A1 105 278 93	Camshaft Exhaust Cyl. 4 - 6 M F 03048 >>		1	MA1.75
(2)	9A1 105 278 A1	Camshaft Exhaust Cyl. 4 - 6 see Technical information TI 59/15		1	MA1.75
(2)	9A1 105 278 93	Camshaft Exhaust Cyl. 4 - 6 M >> G 05373		1	MA1.76
(2)	9A1 105 278 A1	Camshaft Exhaust Cyl. 4 - 6 M G 05374 >>		1	MA1.76
(2)	9A1 105 378 94	Camshaft Exhaust Cyl. 4 - 6		1	MDG.GA
3	9A1 105 035 91	Valve lever Intake see Technical information TI 59/15		12	MA1.75/76
4	9A1 105 036 91	Valve lever Exhaust see Technical information TI 59/15		12	MA1.75/76
8	06L 109 311	Cam follower		2	
9	946 105 053 76	Actuator Camshaft		4	MA1.75
(9)	946 105 053 77	Actuator Camshaft		4	MA1.76
(9)	946 105 053 79	Actuator Camshaft		4	MA1.76
(9)	0PB 109 259	Actuator Camshaft		4	MDG.GA
10	999 701 506 40	Sealing ring 42,0 X 51,8 X 4,9		4	MA1.75
(10)	999 701 506 41	Sealing ring 42,0 X 51,8 X 4,9		4	MA1.75/76
(10)	9A7 008 348 00	Sealing ring		4	MDG.GA

Model: 991G13 Model life 2013>>

Pos	Part Number	Description	Remark	Qty	Model
11	900 385 009 01	42,0 X 51,8 X 4,9 Torx screw		8	
12	946 105 155 75	BM 6 X 16 Washer		4	MA1.75
12	9A7 008 224 00	Washer		4	MA1.76 MDG.GA
13	946 105 154 75	Sleeve		4	MA1.75
13	9A7 008 299 00	Sleeve		4	MA1.76 MDG.GA
14	946 105 051 75	Camshaft adjuster Intake		2	MA1.75
14	946 105 051 76	Camshaft adjuster Intake		2	MA1.76
14	0PB 109 083	Camshaft adjuster Intake		2	MDG.GA
15	946 105 054 75	Screw Camshaft adjuster		4	MA1.75
15	946 105 054 76	Screw Camshaft adjuster		4	MA1.75
15	946 105 054 77	Screw Camshaft adjuster		4	MA1.76
15	0PB 109 257	Screw Camshaft adjuster		4	MDG.GA
16	946 105 156 75	Piston ring Screw Single parts Not available		4	
17	9A1 105 054 90	Camshaft adjuster Exhaust		2	MA1.75
17	9A1 105 054 91	Camshaft adjuster Exhaust		2	MA1.76
17	0PB 109 084 A	Camshaft adjuster Exhaust		2	MDG.GA
19	9A1 104 267 90	Bearing Lower Cyl. 4 - 6		1	MA1.75/76
(19)	9A1 104 267 96	Bearing Lower Cyl. 4 - 6		1	MDG.GA
20	9A1 105 161 94	Bearing bracket with Valve lever		6	MDG.GA
21	999 707 358 40	O-ring 30,00 X 3,00		12	MDG.GA
22		Bearing bracket Valve lever Not available To Use 9A1.105.161.94		24	MDG.GA
23	999 501 222 01	Sealing plug Bearing bracket		24	MDG.GA
24	999 707 547 40	O-ring 28,00 X 3,00		6	MDG.GA
25	900 387 023 02	Pan-head screw M6 X 30		12	MDG.GA
26	9A1 105 690 90	Heat shield Camshaft adjuster		2	MDG.GA
27	999 073 189 01	Round head screw M6 X 12		4	MDG.GA

Model: 991G13

Model life 2013>>



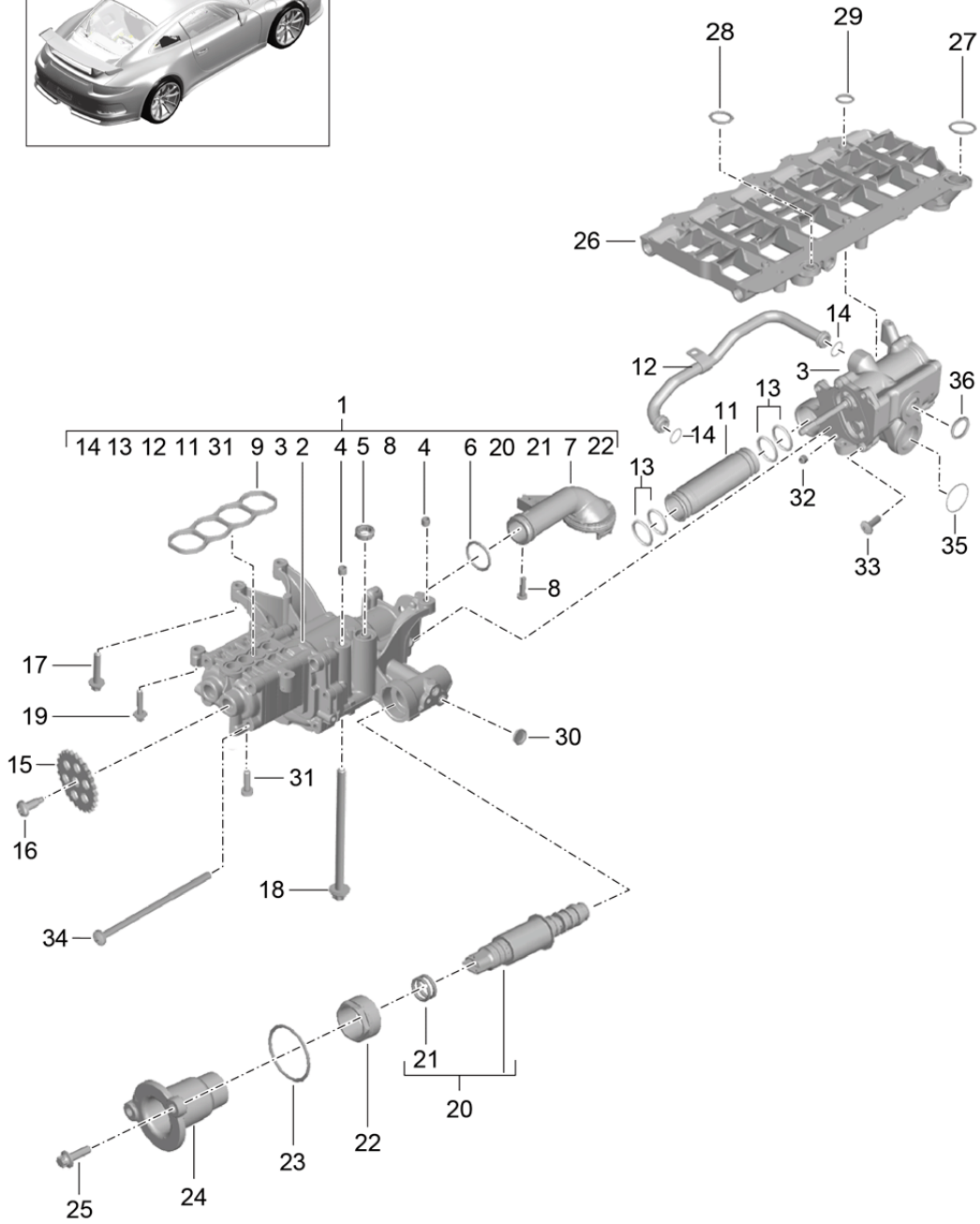
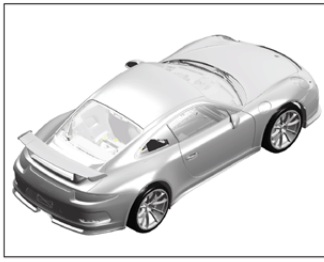
Model: 991G13

Model life 2013>>

Pos	Part Number	Description	Remark	Qty	Model
1	9A1 105 142 02	Chain adjuster Valve control Timing chain Camshaft Crankshaft		2	MA1.75
1	9A1 105 142 03	Timing chain Camshaft Crankshaft		2	MA1.75
1	9A1 105 142 90	Timing chain Camshaft Crankshaft		2	MA1.76
1	9A1 105 142 91	Timing chain Camshaft Crankshaft		2	MDG.GA
2	9A1 105 233 02	Timing chain Oil pump Crankshaft		1	MA1.75
2	9A1 105 233 91	Timing chain Oil pump Crankshaft		1	MA1.76
2	9A1 105 233 90	Timing chain Oil pump Crankshaft		1	MDG.GA
3	9A1 105 235 02	Tensioner blade		1	
4	9A1 105 153 03	Guide rail		2	
4	9A1 105 153 04	Guide rail		2	
5	9A1 105 155 03	Tensioner blade		2	MA1.75
5	9A1 105 155 04	Tensioner blade		2	MA1.76 MDG.GA
6	9A1 105 157 02	Chain adjuster		2	MA1.75
6	9A1 105 157 03	Chain adjuster		2	MA1.76
6	9A1 105 157 04	Chain adjuster		2	MDG.GA
7	900 123 118 30	Sealing ring A 22 X 27		2	
7	N 013 827 7	Sealing ring A 22 X 27		2	
8	9A1 105 162 01	Screw Tensioner blade		6	MA1.75
8	9A1 105 062 01	Pan-head screw		6	MA1.76 MDG.GA
9	999 707 346 40	Tensioner blade O-ring 15,0 X 3,0		7	
10	9A1 105 165 02	Spacer sleeve		1	MA1.75/76
10	9A7 008 298 00	Spacer sleeve		1	MDG.GA
11	9A1 105 163 01	Screw		1	MA1.75
11	9A1 105 063 01	Screw		1	MA1.76 MDG.GA
12	999 701 066 40	O-ring Chain adjuster		2	
-		Grease KLÜBER SYNTHESO GLEP1		X	
-		Crankshaft See illustrations 1/02/00		X	
-		Oil pump See illustrations 1/04/00		X	

Model: 991G13

Model life 2013>>



Model: 991G13 Model life 2013>>

Pos	Part Number	Description	Remark	Qty	Model
		Oil pump			MA1.75
1	9A1 107 051 90	Oil pump Complete	-15	1	MA1.76 MA1.75
1	9A1 107 051 91	Oil pump Complete	-15	1	MA1.75
1	9A1 107 051 92	Oil pump Complete	-15	1	MA1.75
1	9A1 107 051 93	Oil pump		1	MA1.76 -I038
1	9A1 107 051 94	Complete Oil pump		1	MA1.76 I038
1	9A1 107 051 93	Complete Oil pump Complete	16-	1	MA1.75
2	9A1 107 050 12	Oil pump		1	
2	9A1 107 050 90	Oil pump		1	MA1.75
2	9A1 107 050 91	Oil pump		1	MA1.76
3		Oil pump Not available To Use 9A1.107.051.90		1	
4	996 106 103 50	Dowel sleeve 8,2 X 7,0		2	
5	9A1 107 327 00	Sealing ring		1	
6	999 707 375 40	O-ring 30,00 X 3,00		1	
7	9A1 107 075 10	Suction tube		1	
8	999 073 102 01	Round head screw M6 X 25		1	
9	9A1 107 370 90	Gasket		1	
(9)	9A1 107 370 00	Gasket		1	
11	9A1 107 361 90	Oil tube		1	MA1.75
11	9A1 107 361 91	Oil tube		1	MA1.76 -I038
11	9A1 107 361 93	Oil tube		1	MA1.76 I038
12	9A1 107 301 90	Return pipe		1	
13	999 701 666 40	O-ring 29,2 X 3,0		4	
14	999 707 631 40	O-ring 16,00 X 2,00		2	
15	9A1 105 225 02	Sprocket Oil pump		1	
16	999 073 380 01	Torx screw M8 X 22		1	
17	900 385 125 01	Torx screw M 6 X 45		1	
18	900 385 171 01	Torx screw M 6 X 110		1	
19	900 385 048 01	Torx screw M6 X 30		5	
20	948 107 113 11	Solenoid valve		1	
21	999 707 567 40	O-ring 17,00 X 3,00		2	
22	999 261 024 01	Union nut M36 X 1,0 X 12		1	
23	999 707 570 40	O-ring 44,00 X 3,00		1	
24	9A1 107 330 01	Joint flange Control valve		1	

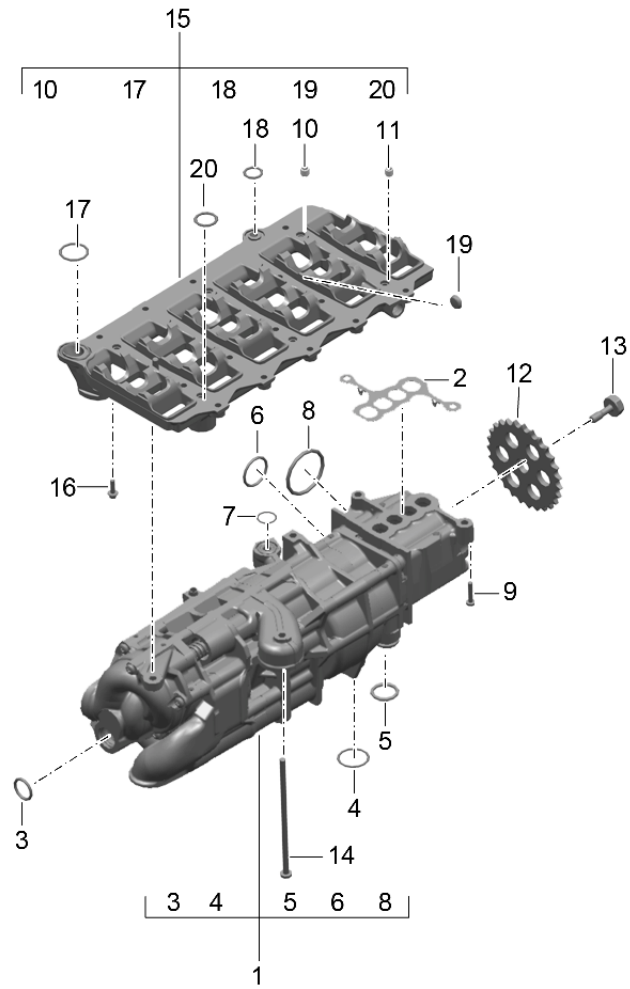
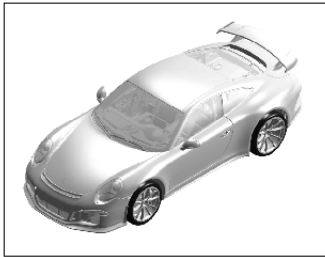
Model: 991G13

Model life 2013>>

Pos	Part Number	Description	Remark	Qty	Model
25	900 385 019 01	Torx screw M6 X 20		2	
26	9A1 107 039 90	Oil separator		1	MA1.75
26	9A1 107 039 91	Oil separator		1	MA1.75
26	9A1 107 039 92	Oil separator		1	MA1.76
27	999 707 496 40	O-ring 23 X 3		2	
28	999 707 582 41	O-ring 13 X 3		1	
29	999 707 346 40	O-ring 15 X 3		1	
31	900 385 070 01	Torx screw BM 6 X 50		3	
33	999 073 334 00	Round head screw M 6 X 16		4	
33	999 073 103 01	Round head screw M 6 X 16		4	
34	999 073 381 01	Round head screw M 6 X 110		1	MA1.75
35	999 707 581 41	O-ring 54,0 X 3,0		2	
36	999 707 595 40	O-ring 20,00 X 4,00		2	
-		Chain Oil pump See illustrations 1/03/15			

Model: 991G13

Model life 2013>>



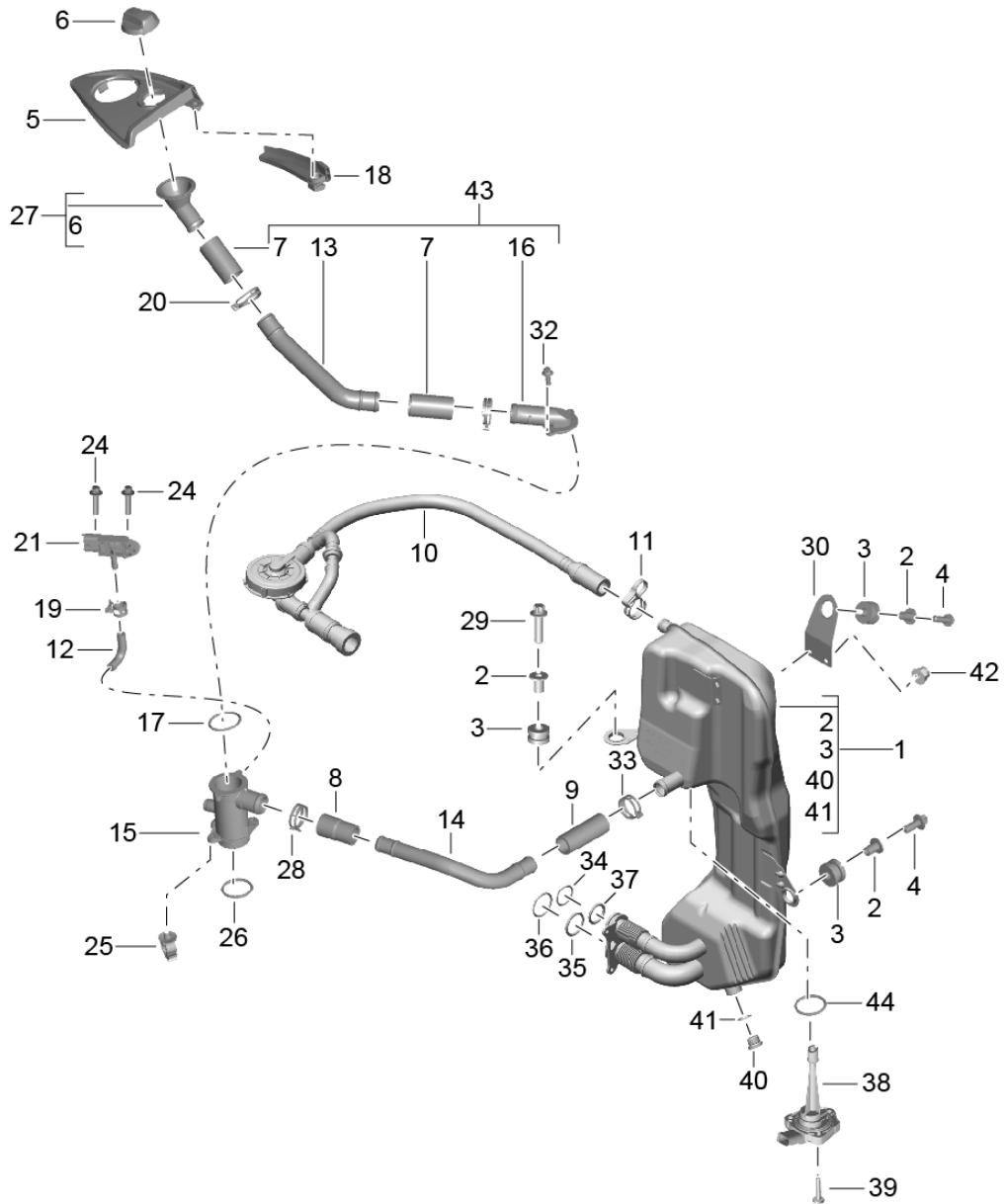
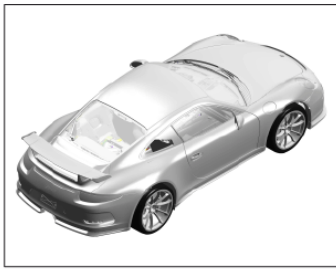
Model: 991G13

Model life 2013>>

Pos	Part Number	Description	Remark	Qty	Model
1	9A1 107 056 92	Oil pump Oil pump Complete		1	MDG.GA
2	9A1 107 653 91	Gasket		1	
3	999 707 696 40	Oil pump O-ring 18,00 X 3,00		1	
4	999 707 697 40	O-ring 11,00 X 3,00		1	
5	999 707 698 40	O-ring 17,00 X 2,50		1	
6	999 707 547 40	O-ring 28,00 X 3,00		1	
7	999 707 647 40	O-ring 15,00 X 3,60		1	
8	999 707 494 40	O-ring 33,00 X 3,00		1	
9	999 073 706 01	Round head screw M6 X 30		4	
10	996 106 103 50	Dowel sleeve 8,2 X 7,0		6	
11	996 106 103 49	Dowel sleeve 8,2 X 8,0		1	
12	9A1 105 225 93	Sprocket		1	
13	9A1 105 729 92	Oil pump Round head screw M7 X 22		1	
14	9A1 107 751 91	Outer hexagon round screw BM6 X 140		2	
15	9A1 107 039 96	Oil separator		1	
16	900 385 019 01	Torx screw BM 6 X 20		11	
17	999 707 496 40	O-ring 23 X 3		4	
18	999 707 582 41	O-ring 13 X 3		1	
19	900 036 033 01	Lid B 12		3	
20	999 707 346 40	O-ring 15,00 X 3,00		1	
-		Chain Oil pump See illustrations 1/03/15			

Model: 991G13

Model life 2013>>



Model: 991G13

Model life 2013>>

Pos	Part Number	Description	Remark	Qty	Model
		Engine lubrication			MA1.75/76
		Oil tank			
		Bleeding			
1	9A1 207 070 90	Oil tank		1	MA1.75
1	9A1 207 070 91	Oil tank		1	MA1.75
1	9A1 207 070 93	Oil tank		1	MA1.76
1	9A1 207 070 A0	Oil tank		1	MA1.76
2	999 209 037 01	Spacer sleeve 8,4 X 1,8		3	
2		Spacer sleeve 8,4 X 1,8		2	
		Use with 9A1.207.070.A0			
3	999 702 193 40	Rubber sleeve 12,2 X 24,0 X 6,0		3	
3		Rubber sleeve 12,2 X 24,0 X 6,0		2	
		Use with 9A1.207.070.A0			
4	900 385 042 01	Torx screw BM 8 X 35		2	
5	991 107 274 02	Cup Oil inlet with Oil filler cover		1	MA1.75
5	991 107 274 03	Cup Oil inlet with Oil filler cover		1	MA1.76 -I038
(5)	991 107 273 04	Filler tube Oil inlet with Oil filler cover		1	MA1.76 I038
6	991 107 475 01	Oil filler cover		1	
6	9P1 115 423	Oil filler cover		1	MA1.76 I038
7	9A1 207 271 91	Hose Oil inlet		1	
8	9A1 207 273 91	Hose Oil inlet		1	
9	9A1 207 274 90	Hose Oil inlet		1	
10	9A1 107 510 91	Vent line Crankcase Use with 991.110.270.81		1	MA1.75
10	9A1 107 510 93	Vent line Crankcase with Diaphragm Use with 991.110.270.82		1	
11	999 512 662 09	Hose clamp B 32 X 12		4	
12	9A1 207 297 91	Vacuum line		1	
13	9A1 207 371 90	Pipe		1	MA1.75/76
15	9A1 207 375 91	Adapter Oil inlet		1	
(15)	9A1 207 275 91	Adapter		1	

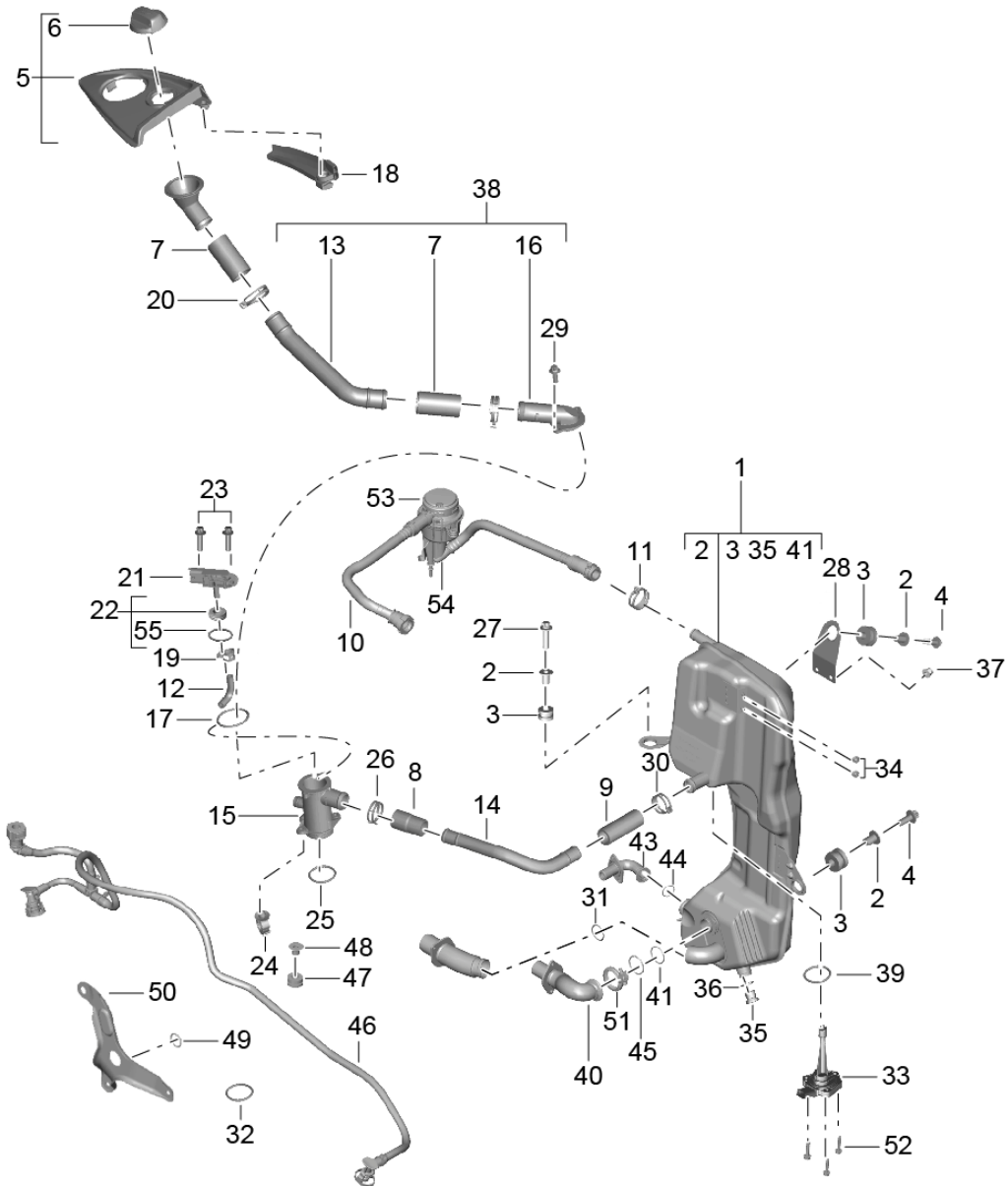
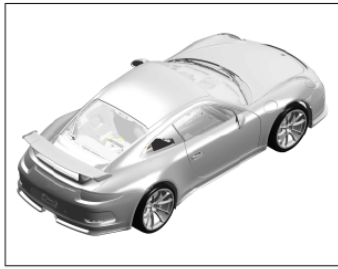
Model: 991G13

Model life 2013>>

Pos	Part Number	Description	Remark	Qty	Model
		Oil inlet Complete with Pressure sensor Oil hose			
16	9A1 207 377 90	Lid		1	
17	999 707 177 40	O-ring 38,0 X 2,0		1	
18	991 106 473 00	Gasket		1	
19	999 512 596 09	Hose clamp A 13 X 12		2	
20	999 512 610 09	Hose clamp A 38 X 12		4	
21	9A1 606 114 00	Pressure sensor		1	
24	900 385 019 01	Torx screw BM 6 X 20		2	
25	999 511 239 40	Cable holder 6,0 - 12,0		2	
26	999 707 348 40	O-ring 42,00 X 4,0		2	
28	999 512 709 01	Hose clamp B 35 X 12		1	
29	900 385 116 01	Torx screw M 8 X 30		1	
30	9A1 207 471 90	Fastening angle		1	
32	900 385 009 01	Oil tank Torx screw M 6 X 16		2	
33	999 512 743 01	Hose clamp B 32 X 12		1	
34	999 707 495 40	O-ring 31,00 X 3,0		1	
35	999 707 664 40	O-ring 32,00 X 4,0		1	
36	999 707 665 40	O-ring 36,00 X 3,0		1	
37	999 707 666 40	O-ring 24,00 X 4,0		1	
38	958 606 160 10	Oil-level sender		1	
39	9A1 107 313 00	Torx screw M6 X 25		3	
(39)	900 377 010 02	Hexagon nut M 6 Use with 9A1.207.070.A0		3	
40	900 219 015 00	Screw plug M18 X 1,5		1	
41	900 123 009 20	Sealing ring A 18 X 24		1	
41	N 013 832 6	Sealing ring A 18 X 22		1	
42	900 380 022 01	Hexagon nut M 6		2	
42	900 377 010 01	Hexagon nut M 6		2	
43	9A1 207 277 91	Oil filler cover Complete		1	
44	038 103 196 B	Sealing ring Oil-level sender		1	

Model: 991G13

Model life 2013>>



Model: 991G13

Model life 2013>>

Pos	Part Number	Description	Remark	Qty	Model
		Engine lubrication			MDG.GA
		Oil tank			
		Bleeding			
1	9A1 207 070 98	Oil tank		1	
2	999 209 037 01	Spacer sleeve		2	
		8,4 X 1,8			
3	999 702 193 40	Rubber sleeve		2	
		12,2 X 24,0 X 6,0			
4	999 073 601 01	Round head screw		6	
		M6 X 14			
5	9P1 115 653	Filler tube		1	
		Oil inlet			
6	9P1 115 423	Oil filler cover		1	
7	9A1 207 271 91	Hose		1	
		Oil inlet			
8	9A1 207 273 91	Hose		1	
		Oil inlet			
9	9A1 207 274 90	Hose		1	
		Oil inlet			
10	9A1 107 510 99	Vent line		1	
		Crankcase			
		with			
		Diaphragm			
11	999 512 662 09	Hose clamp		4	
		B 32 X 12			
12	9A1 207 297 91	Vacuum line		1	
13	9A1 207 371 95	Pipe		1	
		Oil inlet			
14	9A1 207 373 90	Pipe		1	
15	9A1 207 375 91	Adapter		1	
		Oil inlet			
16	9A1 207 377 90	Lid		1	
17	999 707 177 40	O-ring		1	MA1.75/76
		38,0 X 2,0			
17	999 707 712 01	O-ring		1	MDG.GA
		38,0 X 2,0			
18	991 106 473 00	Gasket		1	
19	999 512 596 09	Hose clamp		2	
		A 13 X 12			
20	999 512 610 09	Hose clamp		4	
		A 38 X 12			
21	7P5 906 051	Pressure sensor		1	
22	9A1 107 314 91	Adapter		1	
		Pressure sensor			
23	900 385 019 01	Torx screw		2	
		BM 6 X 20			
24	999 511 239 40	Cable holder		2	
		6,0 - 12,0			
25	999 707 348 40	O-ring		2	
		42,00 X 4,0			
26	999 512 709 01	Hose clamp		1	
		B 35 X 12			
27	900 385 116 01	Torx screw		3	
		M 8 X 30			
28	9A1 207 471 90	Fastening angle		1	
		Oil tank			
29	900 385 009 01	Torx screw		2	
		M 6 X 16			
30	999 512 743 01	Hose clamp		1	
		B 32 X 12			
31	999 707 495 41	O-ring		4	
		31,00 X 3,0			
32	999 707 665 40	O-ring		3	

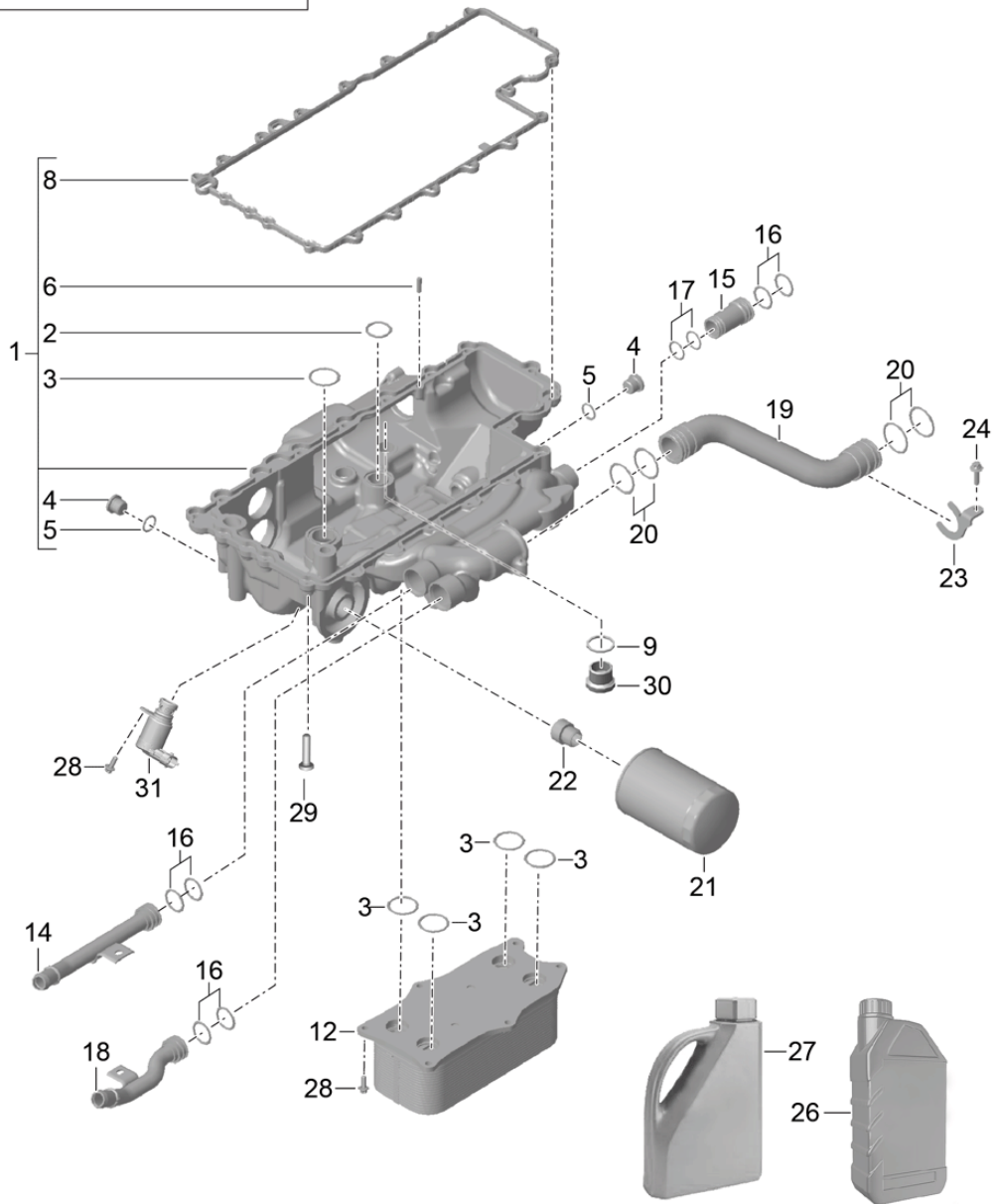
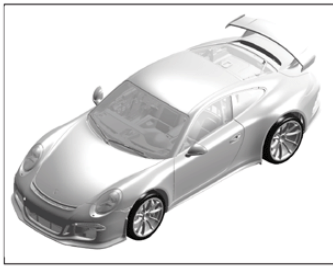
Model: 991G13

Model life 2013>>

Pos	Part Number	Description	Remark	Qty	Model
33	958 606 160 11	36,00 X 3,0 Oil-level sender		1	
34	9A1 107 313 01	Torx screw M6 X 25		3	
35	900 219 015 00	Screw plug M18 X 1,5		1	
36	N 013 832 6	Sealing ring A 18 X 22		1	
37	900 377 010 01	Hexagon nut M 6		2	
38	9A1 207 277 95	Oil filler cover Complete		1	
39	038 103 196 B	Sealing ring Oil-level sender		1	
40	9A1 207 104 91	Oil pipe Return line to tank		1	
41	999 707 693 40	O-ring 32,00 X 2,50		1	
42	9A1 207 102 91	Oil pipe Supply		1	
43	9A1 107 410 92	Vent line		1	
43	9A1 107 410 93	Vent line		1	
44	999 707 709 40	O-ring 22,00 X 2,00		1	
45	999 707 409 41	O-ring 26,00 X 3,00		1	
46	9A1 107 233 92	Ventilation pipe Cylinder head		1	
47	N 900 377 01	Grommet 10,0 X 15,0		1	
48	9A1 107 643 91	Sleeve		1	
49	999 707 699 40	O-ring 16,00 X 2,00		1	
50	9A1 102 441 94	Retaining bracket		1	
51	999 512 205 01	Hose clamp 29,00		1	
52	900 377 010 02	Hexagon nut M6		3	
53	918 107 031 01	Oil separator		1	
54	9A1 107 610 93	Support Oil separator		1	
55	999 707 496 40	O-ring 23,0 X 3,0		1	

Model: 991G13

Model life 2013>>



Model: 991G13 Model life 2013>>

Pos	Part Number	Description	Remark	Qty	Model
		Oil filter			
		Bracket			
1	9A1 107 061 90	Oil-conducting housing		1	MA1.75
1	9A1 107 061 91	Oil-conducting housing		1	MA1.76
1	9A1 107 063 92	Oil-conducting housing		1	MDG.GA
2	999 707 496 40	O-ring		4	
		23,00 X 3,0			
3	999 707 547 40	O-ring		5	MA1.75/76
		28,00 X 3,0			
3		O-ring		1	MDG.GA
		28,00 X 3,0			
4	900 219 004 01	Screw plug		2	MA1.75/76
		M 16 X 1,5			
4		Screw plug		1	MDG.GA
		M 16 X 1,5			
5	900 123 131 30	Sealing ring		2	MA1.75/76
		A 16 X 20			
5		Sealing ring		1	MDG.GA
		A 16 X 20			
6	900 302 046 01	Straight pin		2	MA1.75/76
		5,0 X 18			
6		Straight pin		1	MDG.GA
		5,0 X 18			
8	9A1 107 315 03	Gasket		1	
9	900 123 159 30	Sealing ring		2	MA1.75/76
		20 X 24			
9	900 123 159 20	Sealing ring		2	MDG.GA
		20 X 24			
10	999 707 495 41	O-ring		4	MDG.GA
		31,00 X 3,00			
12	9A1 107 450 90	Heat exchanger		1	MA1.75
		Use also:			
		900.385.009.01		6	
		M6 X 16			
12	9A1 107 450 91	Heat exchanger		1	MA1.76
		Use also:			
		900.385.019.01		6	
		M6 X 20			
12	9A1 107 450 95	Heat exchanger		1	MDG.GA
		Use also:			
		900.385.019.01		6	
		M6 X 20			
14	9A1 106 620 90	Water tube		1	MA1.75/76
		Intake			
14	9A1 106 620 96	Water tube		1	MDG.GA
		Intake			
15	9A1 106 621 90	Water tube		1	MA1.75
		Intake			
15	9A1 106 621 91	Water tube		1	MA1.75
		Intake			
15	9A1 106 621 92	Water tube		1	MA1.76
		Intake			
15	9A1 106 621 97	Water tube		1	MDG.GA
		Intake			
16	999 707 517 40	O-ring		2	MA1.75/76
		22,00 X 3,0			
16	999 707 517 41	O-ring		2	MDG.GA
		22,00 X 3,0			
17	999 707 155 40	O-ring		2	MA1.75/76
		20,00 X 2,0			
17	999 707 155 42	O-ring		2	MDG.GA
		20,00 X 2,0			
18	9A1 106 625 90	Water tube		1	MA1.75/76

Model: 991G13 Model life 2013>>

Pos	Part Number	Description	Remark	Qty	Model
18	9A1 106 625 95	Intake Water tube		1	MDG.GA
19	9A1 106 626 90	Intake Water tube		1	MA1.75
19	9A1 106 626 91	Return line Water tube		1	MA1.75
19	9A1 106 626 92	Return line Water tube		1	MA1.76
19	9A1 106 626 96	Return line Water tube		1	MDG.GA
20	999 707 589 40	O-ring 31,00 X 3,00		4	
20	999 707 691 40	O-ring 31,00 X 3,00		4	
21	9A1 107 203 90	Oil filter	-15	1	MA1.75
21	9A1 107 203 91	Oil filter	16-	1	MA1.75
21		Oil filter		1	MA1.76 MDG.GA
22	9A1 107 575 90	Adapter Oil filter	-15	1	MA1.75
22	9A1 107 575 91	Adapter Oil filter	16-	1	MA1.75
22		Adapter		1	MA1.76 MDG.GA
23	9A1 107 441 90	Oil filter Retaining bracket		1	MA1.75/76
24	900 385 019 01	Torx screw M 6 X 20		6	
24	900 385 009 01	Torx screw BM 6 X 16		6	
26	000 043 301 19	Engine oil EXXON MOBIL 1 0W-40 1 LITER Container Information available		X	
27	000 043 301 21	Engine oil EXXON MOBIL 1 0W-40 20 LITER Container Information available		X	
28	900 385 009 01	Torx screw M6 X 16 Use with 9A1.107.450.90		6	MA1.75/76
(28)	900 385 019 01	Torx screw M6 X 20 Use with 9A1.107.450.91		6	MA1.75/76
(28)		Torx screw M6 X 20		6	MDG.GA
29	9A1 107 313 00	Torx screw M6 X 25		18	MA1.75/76
29	9A1 107 313 01	Torx screw M6 X 25		20	MDG.GA
30	999 063 039 01	Screw plug M20X1,5X18		2	
31	9A1 107 357 93	Valve Spray nozzle		1	MA1.75/76
32	999 707 665 41	Oil O-ring		3	

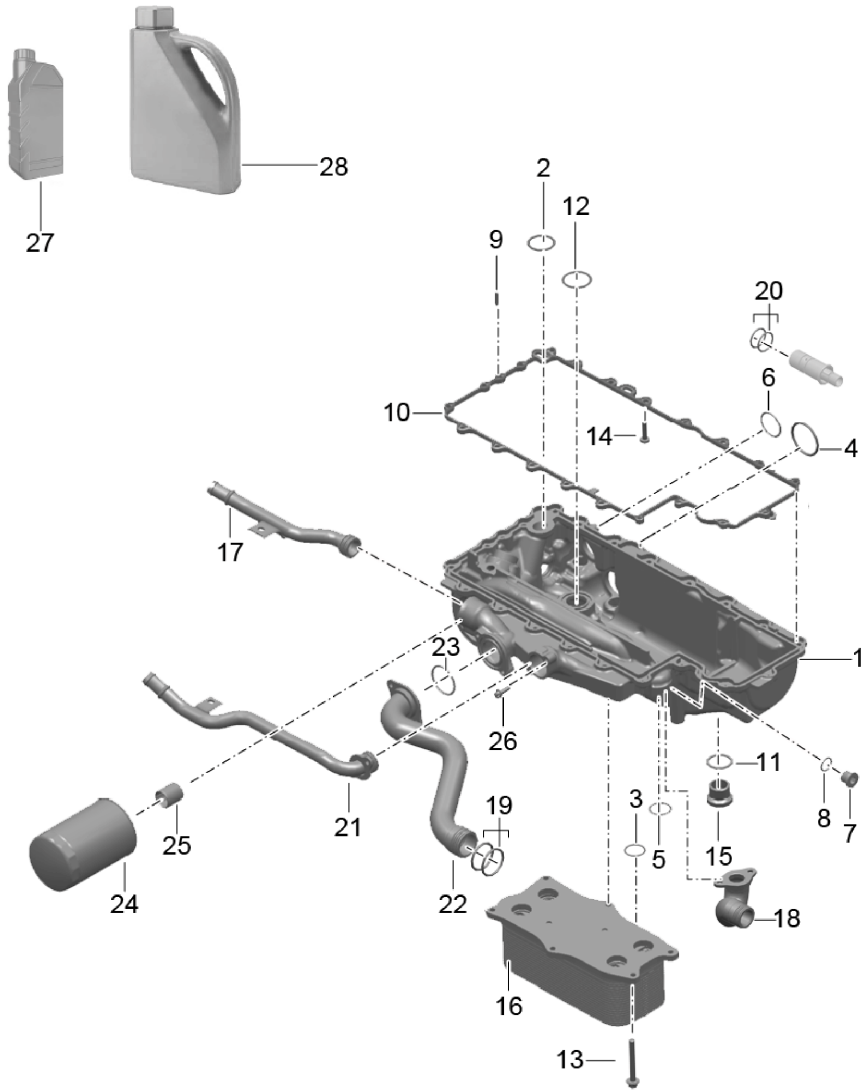
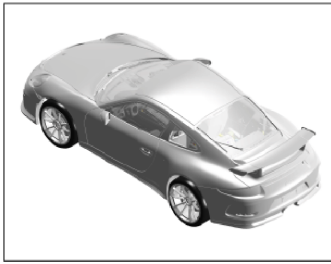
Model: 991G13

Model life 2013>>

Pos	Part Number	Description	Remark	Qty	Model
33	999 707 481 41	36,00 X 3,00 O-ring		1	
34	999 701 924 41	24,00 X 3,00 O-ring 40,00 X 3,00		1	

Model: 991G13

Model life 2013>>

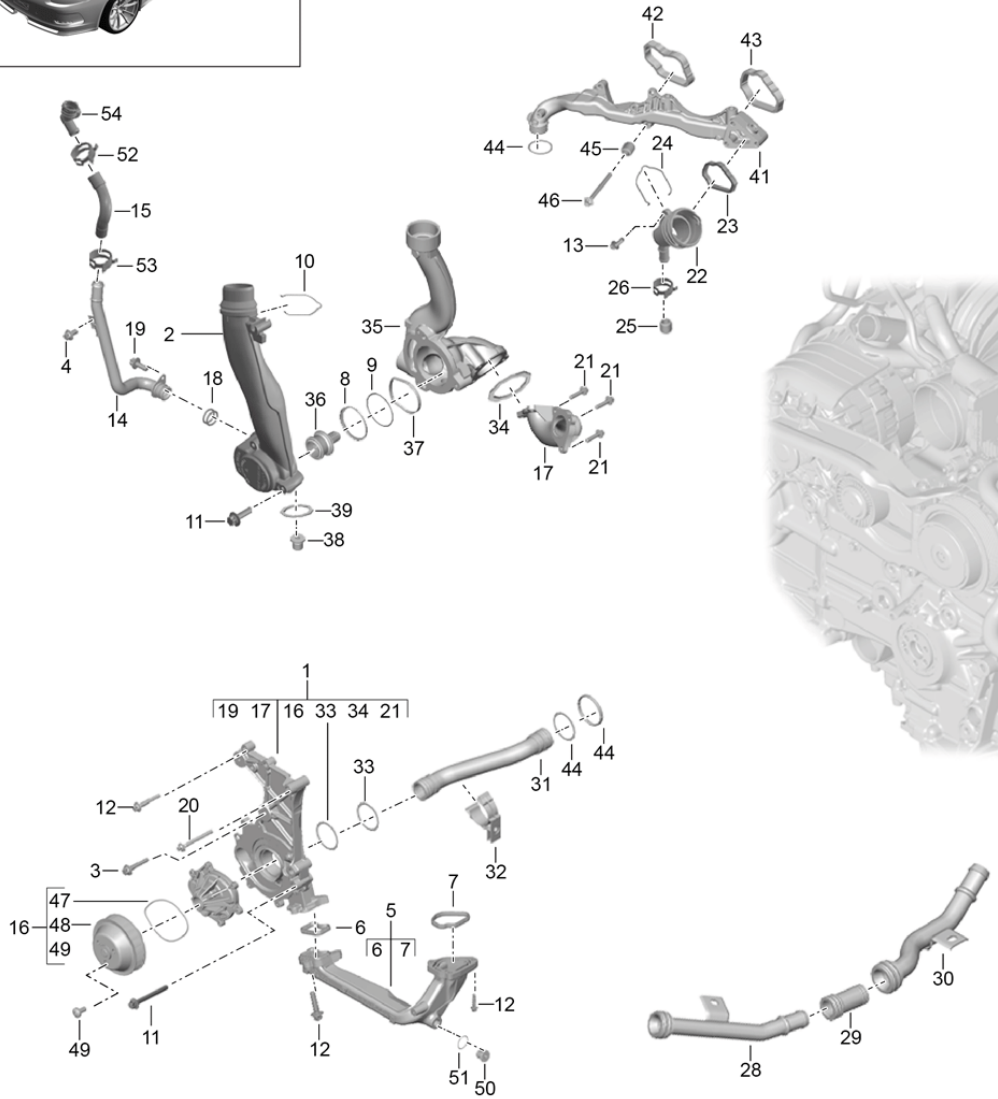
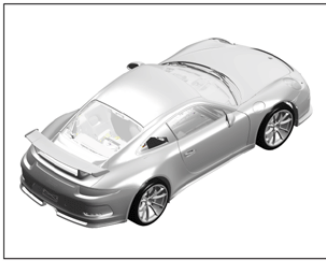


Model: 991G13 Model life 2013>>

Pos	Part Number	Description	Remark	Qty	Model
		Oil filter Bracket			MDG.GA
1	9A1 107 063 92	Oil-conducting housing		1	
2	999 707 496 40	O-ring 23,00 X 3,0		1	
3	999 707 547 40	O-ring 28,00 X 3,0		5	
4	999 707 665 41	O-ring 36,00 X 3,00		3	
5	999 707 481 41	O-ring 24,00 X 3,00		1	
7	900 219 004 01	Screw plug M 16 X 1,5		1	
8	900 123 131 30	Sealing ring A 16 X 20		1	
9	900 302 046 01	Straight pin 5,0 X 18		1	
10	9A1 107 315 03	Gasket		1	
11	900 123 159 20	Sealing ring 20 X 24		2	
12	999 707 495 41	O-ring 31,00 X 3,00		4	
13	900 385 019 01	Torx screw M6 X 20		6	
14	9A1 107 313 01	Torx screw M6 X 25		20	
15	999 063 039 01	Screw plug M20X1,5X18		2	
16	9A1 107 450 95	Heat exchanger Use also: 900.385.019.01		1	
		M6 X 20		6	
17	9A1 106 620 96	Water tube Return line		1	
18	9A1 106 621 97	Water tube Intake		1	
19	999 707 517 41	O-ring 22,00 X 3,0		2	
20	999 707 155 42	O-ring 20,00 X 2,0		2	
21	9A1 106 625 96	Water tube Intake		1	
22	9A1 106 626 97	Water tube Return line		1	
23	999 707 691 40	O-ring 31,00 X 3,00		4	
24	9A1 107 203 91	Oil filter		1	
25	9A1 107 575 91	Adapter Oil filter		1	
26	900 385 009 01	Torx screw BM 6 X 16		6	
27	000 043 301 19	Engine oil EXXON MOBIL 1 0W-40 1 LITER Container Information available		X	
28	000 043 301 21	Engine oil EXXON MOBIL 1 0W-40 20 LITER Container Information available		X	

Model: 991G13

Model life 2013>>



Model: 991G13

Model life 2013>>

Pos	Part Number	Description	Remark	Qty	Model
1	9A1 106 039 01	Water pump Water pump housing Water pump housing Complete		1	MA1.75/76
1	9A1 106 039 90	Water pump housing Complete		1	MDG.GA
1	9A1 106 039 91	Water pump housing Complete		1	MDG.GA
2	9A1 106 111 90	Water guide housing		1	MA1.75
2	9A1 106 111 91	Water guide housing D >> 15.11.2016		1	MA1.76
2	9A1 106 111 95	Water guide housing Use with 9A1.106.150.95 9A1.106.225.97 999.707.710.40 D 16.11.2016>>		1	MA1.76
2	9A1 106 111 96	Water guide housing Use with 9A1.106.150.95 9A1.106.225.97 999.707.710.40		1	MDG.GA
3	900 385 270 01	Outer hexagon round screw BM 6 X 35		1	
4	900 385 009 01	Torx screw BM 6 X 16		1	
5	9A1 106 026 31	Water tube		1	MA1.75/76
5	9A1 106 025 91	Water tube		1	MDG.GA
6	9A1 106 325 00	Gasket		1	MA1.75/76
7	9A1 106 326 00	Gasket		1	MA1.75/76
7	0PB 121 149	Gasket		1	MDG.GA
8	9A1 106 558 00	Sealing ring Thermostat		1	
9	999 707 625 40	O-ring 59 X 2,5 Thermostat insert		1	
10	997 106 802 03	Spring		2	
11	900 385 070 01	Torx screw BM 6 X 50		4	MA1.75/76
11		Torx screw BM 6 X 50		5	MDG.GA
12	900 385 071 01	Torx screw BM 8 X 50		3	
13	900 385 115 01	Torx screw M 8 X 70		3	
14	9A1 106 851 90	Line Filler neck		1	
15	9A1 106 852 90	Hose		1	
16	9A1 106 048 02	Water pump Complete		1	
17	9A1 106 238 00	Water tube		1	
18	999 707 658 40	O-ring 23 X 3		2	
19	900 385 019 01	Torx screw M6 X 20		4	
20	900 385 098 01	Torx screw BM8 X 25		1	
21	900 385 072 01	Torx screw BM6 X 25		7	
22	9A1 106 031 90	Connection piece Coolant		1	

Model: 991G13 Model life 2013>>

Pos	Part Number	Description	Remark	Qty	Model
(22)	9A1 106 031 91	Connection piece Coolant		1	
23	9A1 102 322 00	Gasket		1	
24	997 106 802 03	Spring		1	
25	9A1 106 531 90	Stopper		1	
26	999 512 657 09	Hose clamp B 26 X 12		1	
27	9A1 106 631 00	Support		1	MA1.75
27	9A1 106 631 01	Support		1	MA1.76 MDG.GA
32	991 106 415 01	Support Water tube		4	MA1.75
32	991 106 415 02	Support Water tube		4	MA1.76 MDG.GA
33	999 707 604 40	O-ring 34,00 X 3,00		2	
34	9A1 106 215 00	Gasket		2	
35	9A1 106 150 01	Housing Thermostat		1	
(35)	9A1 106 150 95	D >> 15.11.2016 Housing Thermostat Use with 9A1.106.111.95 999.707.710.40		1	MA1.75 MA1.76
36	9A1 106 225 01	Thermostat insert		1	MA1.75/76
36	9A1 106 225 02	Thermostat insert		1	MA1.75/76
36	9A1 106 225 97	Thermostat insert Use with O-ring 999.707.710.40		1	
37	9A1 106 305 00	Gasket Thermostat Use with 9A1.106.111.90 9A1.106.111.91 9A1.106.011.92 9A1.106.225.01 9A1.106.225.02		1	MA1.75
37	9A1 106 305 95	D >> 15.11.2016 Gasket Thermostat Use with 9A1.106.111.95 9A1.106.111.96		1	MA1.76 MA1.75/76
(37)	999 707 710 40	O-ring Thermostat Use with 9A1.106.111.95 9A1.106.111.96 9A1.106.225.97		1	
38	900 219 018 30	D 16.11.2016>> Screw plug M 14 X 1,5		1	MA1.76
38	999 063 038 01	Screw plug M 14 X 1,5		1	

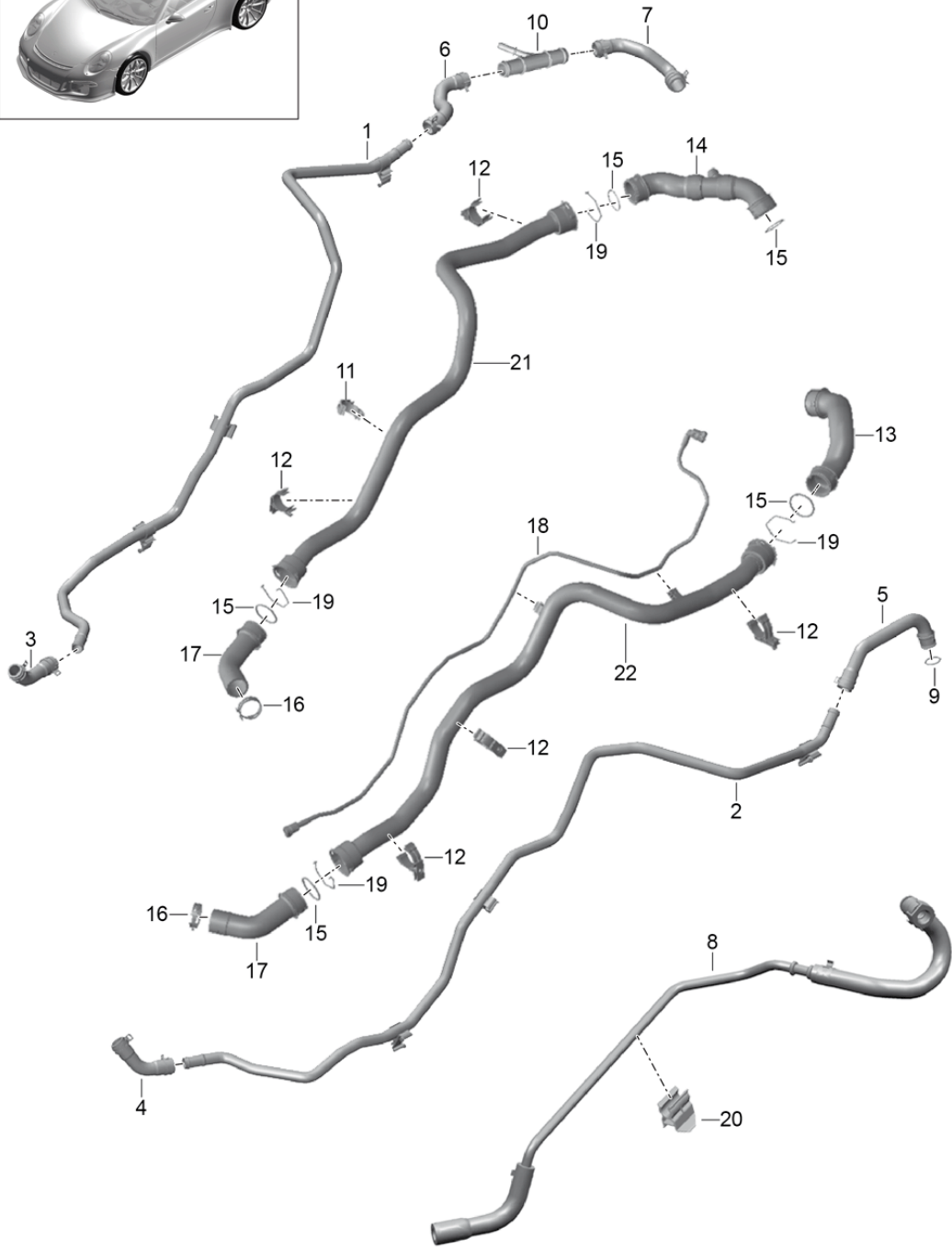
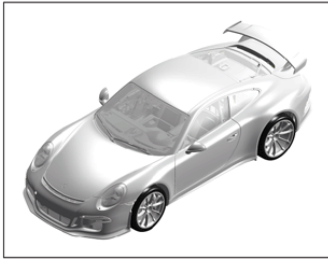
Model: 991G13

Model life 2013>>

Pos	Part Number	Description	Remark	Qty	Model
39	900 123 104 30	Sealing ring A 14 X 18		1	
39	900 123 007 30	Sealing ring A 14 X 18		1	
39	900 123 173 20	Sealing ring A 14 X 18		1	
41	9A1 102 012 02	Unit carrier		1	
42	9A1 102 312 00	Gasket		1	
43	9A1 102 322 00	Gasket		1	
44	999 707 589 40	O-ring 31,00 X 3,0		2	
45	999 095 063 03	Dowel sleeve M 6 X 10		3	
46	900 385 115 01	Torx screw M 8 X 70		3	
(46)	900 385 071 01	Torx screw M 8 X 50		2	MA1.75/76
(46)		Torx screw M 8 X 50		1	MDG.GA
47	9A1 106 217 00	Gasket Water pump		1	
48	9A1 106 248 00	Pulley Water pump		1	
49	999 073 104 01	Torx screw M 8 X 16		3	
50	900 219 018 30	Screw plug M 14 X 1,5		1	
50	999 063 038 01	Screw plug M 14 X 1,5		1	
50	999 926 030 01	Bleeder screw Plastic material M 10 X 1,0		1	
51	900 123 104 30	Sealing ring A 14 X 18		1	
51	900 123 173 20	Sealing ring A 14 X 18		1	
52	999 512 661 09	Hose clamp		1	
53	999 512 658 09	Hose clamp		1	
54	9A1 106 535 00	Clutch		1	
55	999 707 691 40	O-ring 31,00 X 3,00		4	
56	948 606 420 01	Temperature sensor		1	
57	900 123 111 21	Sealing ring 14 X 20		1	

Model: 991G13

Model life 2013>>



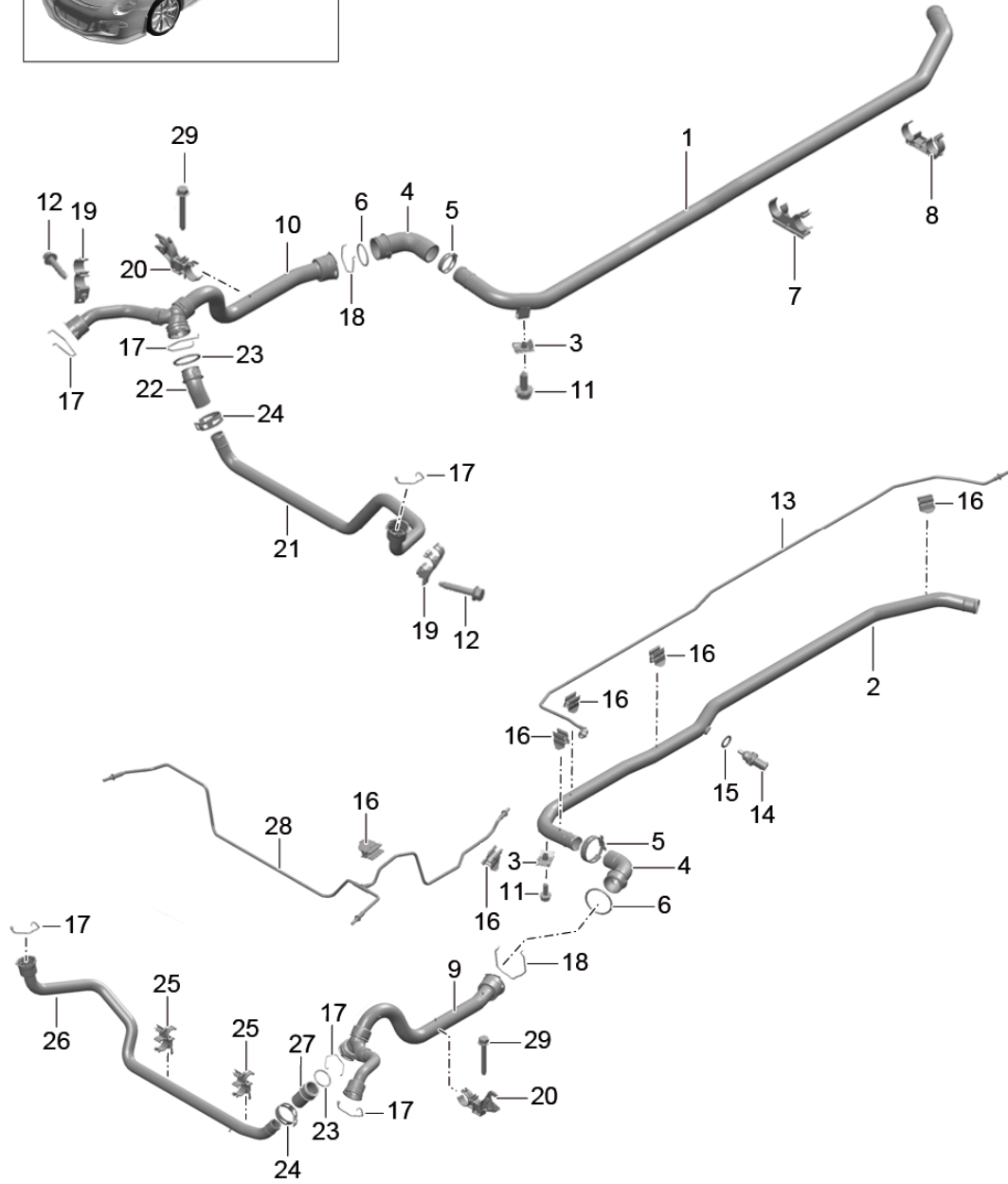
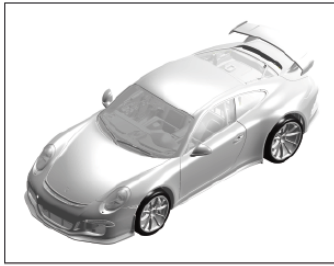
Model: 991G13

Model life 2013>>

Pos	Part Number	Description	Remark	Qty	Model
1	991 106 181 03	Water cooling 1 Rear end Heating Bleeding Heater pipeline Supply		1	
2	991 106 182 03	Heater pipeline Return line		1	
3	991 106 212 01	Water hose		1	
4	991 106 222 01	Water hose		1	
5	991 106 822 01	Water hose Return line		1	
6	991 106 814 02	Water hose		1	
7	991 106 813 04	Heater hose Supply	-16	1	
7	9P1 121 393	Heater hose Supply	17-	1	
8	9A1 106 550 90	Vent line		1	
9	996 106 801 03	O-ring		2	
9	996 106 801 01	O-ring		1	
10	991 106 563 90	Distributor Coolant		1	
11	991 106 417 03	Support Water tube		2	
12	991 106 415 02	Support Water tube		4	
13	991 106 832 80	Water hose		1	
14	991 106 833 01	Water hose		1	
15	996 106 801 03	O-ring		6	
16	999 512 667 09	Hose clamp		4	
17	991 106 740 01	Water hose		2	
18	991 106 681 02	Vent line		1	
19	997 106 802 03	Spring		2	
20	991 106 512 02	Support		2	
21	991 106 610 02	Cooling water tube Supply		1	
22	991 106 809 02	Cooling water tube Return line		1	

Model: 991G13

Model life 2013>>



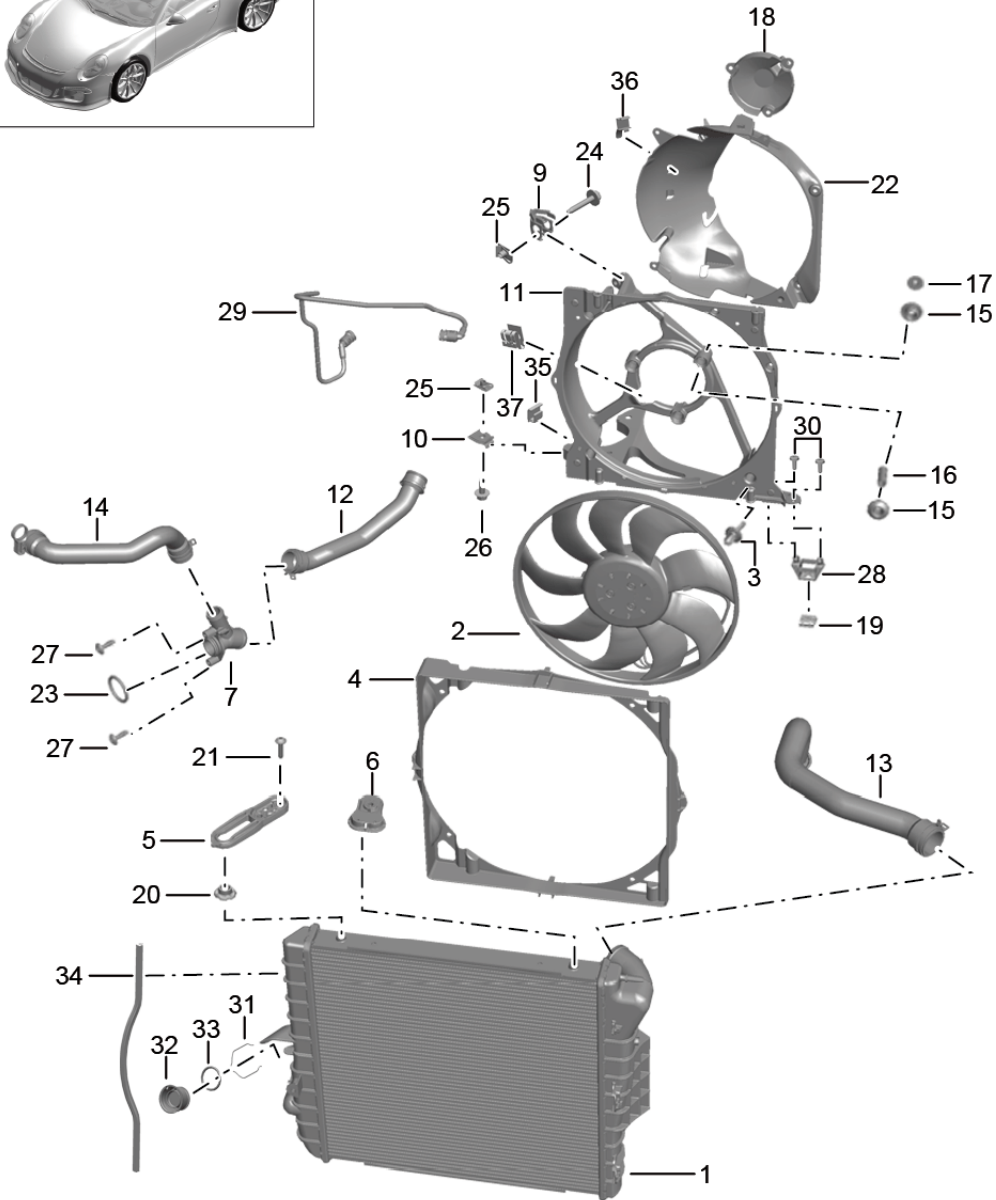
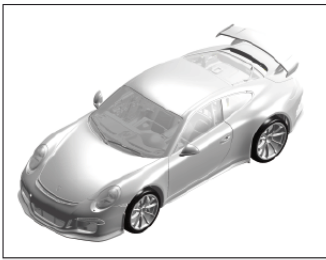
Model: 991G13

Model life 2013>>

Pos	Part Number	Description	Remark	Qty	Model
1	991 106 651 02	Water cooling 2 Body front section Cooling water tube Supply		1	
2	991 106 652 02	Cooling water tube Return line		1	
3	999 507 246 01	Speed nut		2	
4	991 106 551 01	Water hose		2	
5	999 512 667 09	Hose clamp B 44 X 12		2	
6	996 106 801 03	O-ring Cross tube		2	
7	991 106 540 01	Support		1	
8	991 106 541 01	Support		1	
9	991 106 751 03	Distributor tube Supply		1	
10	991 106 752 03	Distributor tube Return line		1	
11	N 106 532 01	Hexagon-head bolt M 6 X 16		2	
12	900 378 141 01	Hexagon-head bolt M 6 X 35		2	
13	991 106 227 03	Vent line		1	
14	948 606 420 01	Temperature sensor		1	
14	948 606 420 00	Temperature sensor with Sealing ring		1	
15	900 123 111 21	Sealing ring 14 X 20		1	
16	991 106 512 02	Support		6	
17	997 106 802 01	Spring		6	
18	997 106 802 03	Spring		2	
19	991 106 525 02	Support		2	
20	991 106 413 03	Support		2	
21	991 106 711 02	Cross tube		1	
22	991 106 724 00	Water hose		1	
23	996 106 801 02	O-ring		2	
24	999 512 664 09	Hose clamp B 36 X 12		2	
25	991 106 527 02	Support		2	
26	991 106 720 02	Cross tube		1	
27	991 106 723 00	Water hose		1	
28	991 106 767 03	Vent line		1	
29	900 378 270 01	Hexagon-head bolt M 6 X 45		2	

Model: 991G13

Model life 2013>>



Model: 991G13 Model life 2013>>

Pos	Part Number	Description	Remark	Qty	Model
		Water cooling 3 Radiator Fan			
1	991 106 141 01	Radiator	/L	1	MA1.75/76
1	9P1 121 251	Radiator	/L	1	MDG.GA
(1)	991 106 142 01	Radiator	/R	1	MA1.75/76
(1)	9P1 121 252	Radiator	/R	1	MDG.GA
2	991 624 937 02	Fan		2	MA1.75
2	991 624 937 03	Fan		2	MA1.76 -I038
		D >> 03.09.2015			
2		Fan	/R	1	MA1.76 I038
2	991 624 937 04	Fan		2	-I038
		D 04.09.2015>>			
3	999 507 292 40	Expansion rivet 5,9 X 10,3		2	MA1.75/76
3	999 591 525 40	Expansion rivet 7,0 X 14,2		17	MA1.75/76
3		Expansion rivet 7,0 X 14,2		10	MDG.GA
4	991 106 241 01	Frame		2	MA1.75/76
5	991 106 242 01	Support		4	MA1.75/76
5	991 106 242 02	Support		4	MA1.75/76
6	991 106 243 01	Support		4	MA1.75/76
6	9P1 121 241	Support		4	MDG.GA
7	991 106 245 00	Distributor		2	MA1.75/76
9	991 106 255 02	Cap		2	
		Assembly aux. material			
10	991 106 355 02	Clamp		4	MA1.75
10	991 106 355 03	Clamp		4	MA1.76 MDG.GA
11	991 106 165 01	Bracket Radiator	/L	1	MA1.75/76
11	9P1 121 383	Bracket Radiator	/L	1	MDG.GA
(11)	991 106 166 01	Bracket Radiator	/R	1	MA1.75/76
(11)	9P1 121 384	Bracket Radiator	/R	1	MDG.GA
12	991 106 635 01	Water hose Return line Short	/L	1	MA1.75/76
12	9P1 121 623	Water hose Return line Short	/L	1	MDG.GA
(12)	991 106 636 01	Water hose Return line Short	/R	1	MA1.75/76
(12)	9P1 121 624	Water hose Return line Short	/R	1	MDG.GA
13	991 106 631 01	Water hose Supply Long	/L	1	MA1.75/76
13	9P1 121 611	Water hose Supply Long	/L	1	MDG.GA
(13)	991 106 632 01	Water hose Supply Long	/R	1	MA1.75/76
(13)	9P1 121 612	Water hose Supply Long	/R	1	MDG.GA

Model: 991G13

Model life 2013>>

Pos	Part Number	Description	Remark	Qty	Model
14		Long Water hose See illustrations 1/05/20		1	
15	991 624 173 00	Rubber mounting Fan		6	MA1.76
15		Rubber mounting Fan		12	MA1.75 MDG.GA
16	991 624 177 01	Spacer sleeve Fan		6	MA1.75/76
17	999 076 066 09	Hexagon nut M 6	-17	3	
17		Hexagon nut M 6	18-	6	
18	991 624 133 01	Cap Fan	-17	1	
19	999 591 938 03	Speed nut ST 4,8	-17	2	
20	991 106 331 01	Rubber mounting Upper		4	
21	999 919 258 01	Screw 6,0 X 25,0		12	MA1.75/76
21		Screw 6,0 X 25,0		8	MDG.GA
22	991 106 351 01	Air guide	/L	1	MA1.75/76
22	9P1 121 333	Air guide	/L	1	MDG.GA
(22)	991 106 352 01	Air guide	/R	1	MA1.75/76
(22)	9P1 121 334	Air guide	/R	1	MDG.GA
23	996 106 801 02	O-ring		4	
24	N 105 728 02	Hexagon-head bolt M 8 X 50		2	
25	999 591 869 03	Speed nut M 8		6	
26	999 072 048 01	Hexagon-head bolt M 8 X 25		4	MA1.75
26	N 019 530 7	Hexagon-head bolt M 8 X 25		4	MA1.76 MDG.GA
27	999 919 292 01	Oval-head screw 7,0 X 20,0	-17	4	
28	991 106 755 02	Support		2	
28	991 106 755 03	Support Use also: 999.919.306.01		2	MA1.75/76
28	992 121 277	Support Use also: 999.919.306.01		2	MDG.GA
29	991 106 865 01	Vent line	/L	1	MA1.75/76
29	9P1 121 465	Vent line	/L	1	MDG.GA
(29)	991 106 866 01	Vent line	/R	1	MA1.75/76
(29)	9P1 121 466	Vent line	/R	1	MDG.GA
-	9P1 121 137	Adapter	/L	1	MDG.GA
30	999 919 306 01	Screw Use with 991.106.755.03		4	
31	997 106 802 00	Spring		2	MDG.GA
32	991 106 546 01	Stopper		2	MDG.GA
33	996 106 801 05	O-ring		2	MDG.GA
34	9P1 121 228	Gasket		6	MDG.GA
35	9P1 121 299	Cap		2	MDG.GA
36	9P1 121 724	Support		2	MDG.GA

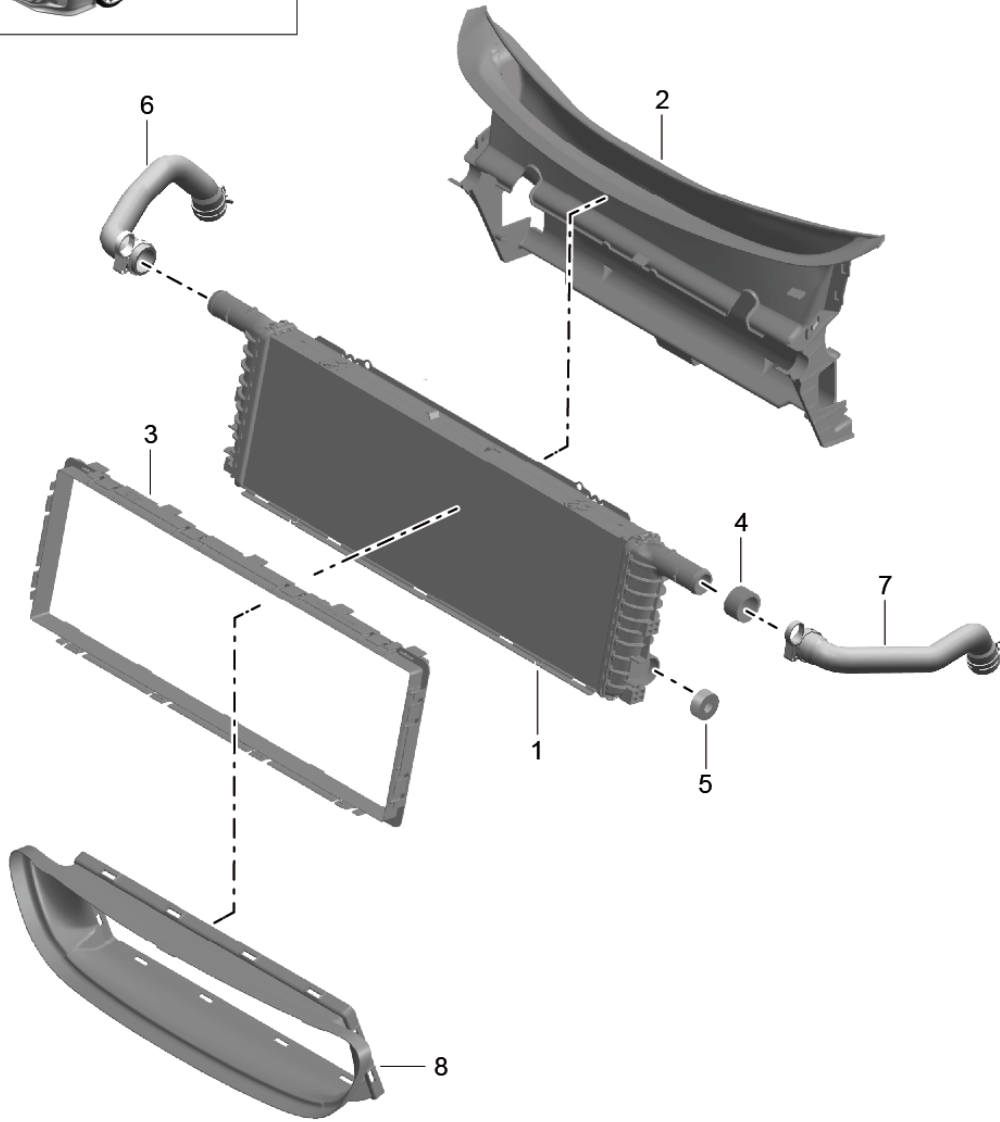
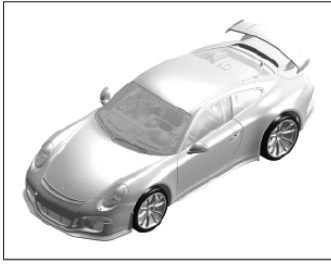
Model: 991G13

Model life 2013>>

Pos	Part Number	Description	Remark	Qty	Model
37	999 507 759 01	Speed nut 4,8		2	MDG.GA
-		Air guide Condenser Sealing frame See illustrations 8/13/20			

Model: 991G13

Model life 2013>>



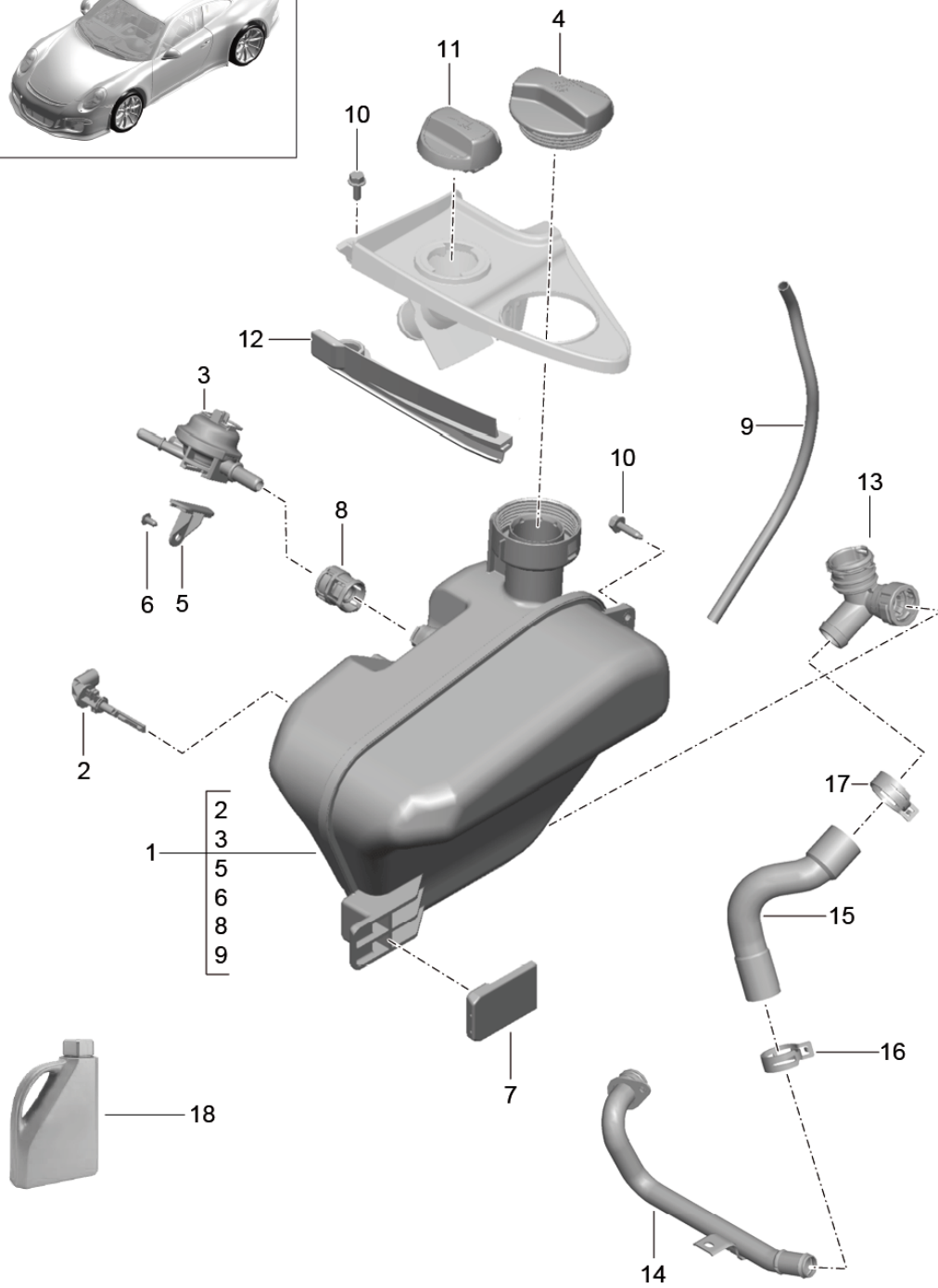
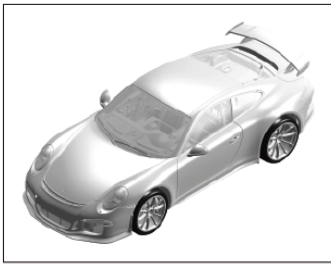
Model: 991G13

Model life 2013>>

Pos	Part Number	Description	Remark	Qty	Model
		Radiator Centre			I153
1	991 106 138 01	Radiator Centre	-15	1	
1	991 106 138 02	Radiator Centre	16-	1	
2	991 106 238 02	Retaining frame		1	
2	991 106 237 01	Retaining frame		1	
2		Retaining frame See illustrations 8/02/00		1	
3	991 106 338 01	Sealing frame		1	
4	991 106 537 01	Rubber mounting Upper		2	
5	991 106 538 02	Rubber mounting Lower		2	MA1.75/76
5	991 106 538 03	Rubber mounting Lower		2	MDG.GA
6	991 106 648 81	Water hose		1	MA1.75/76
6	991 106 648 91	Water hose		1	MDG.GA
7	991 106 649 81	Water hose		1	MA1.75/76
7	991 106 649 91	Water hose		1	MDG.GA
8		Air guide See illustrations 8/02/00		1	

Model: 991G13

Model life 2013>>



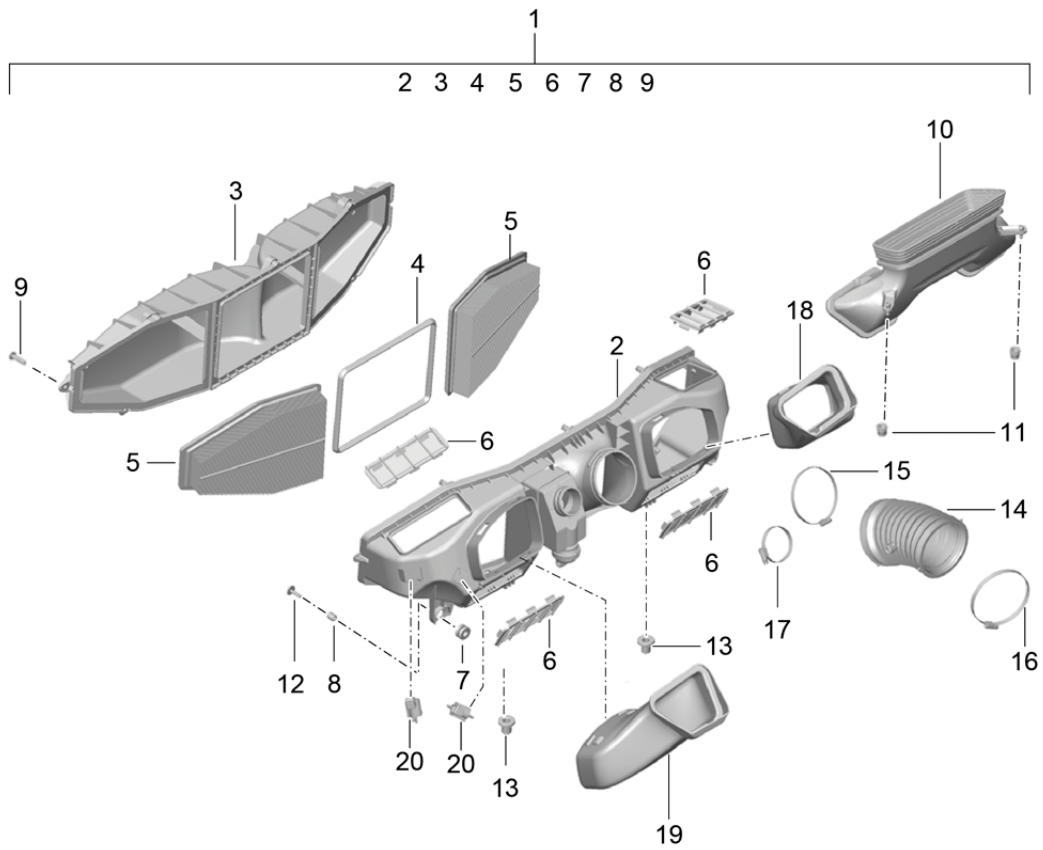
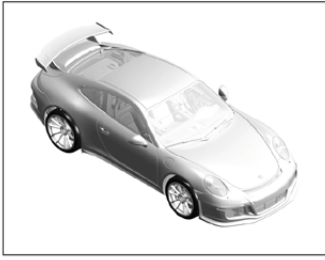
Model: 991G13

Model life 2013>>

Pos	Part Number	Description	Remark	Qty	Model
1	991 106 157 04	Water cooling 4 Water reservoir		1	
2	970 606 503 00	Water reservoir Sensor		1	
3	7P5 121 671	Water reservoir Bleeder valve	-15	1	
3	7P5 121 671 A	Bleeder valve	16-	1	
4	991 106 457 01	Lid Coolant		1	
5	991 106 449 01	Support Bleeder valve		1	
6	999 919 164 01	Oval-head screw M 5 X 12		1	
7	991 106 357 01	Rubber holder		1	
8	999 230 595 40	Clutch		1	
9	991 106 297 00	Overflow hose		1	
10	900 378 317 01	Hexagon-head bolt M 6 X 25		2	
11		Oil filler cover See illustrations 1/04/05		1	
12	991 106 473 00	Gasket		1	
13	9A1 106 535 00	Clutch		1	
14		Line See illustrations 1/05/00		1	
15	9A1 106 852 90	Hose		1	
16	999 512 658 09	Hose clamp B 27 X 12		1	
17	999 512 661 09	Hose clamp B 30 X 12		1	
18	000 043 301 47	Antifreeze 1 LITER Container		X	
(18)	000 043 301 48	Antifreeze 20 LITER Container		X	

Model: 991G13

Model life 2013>>



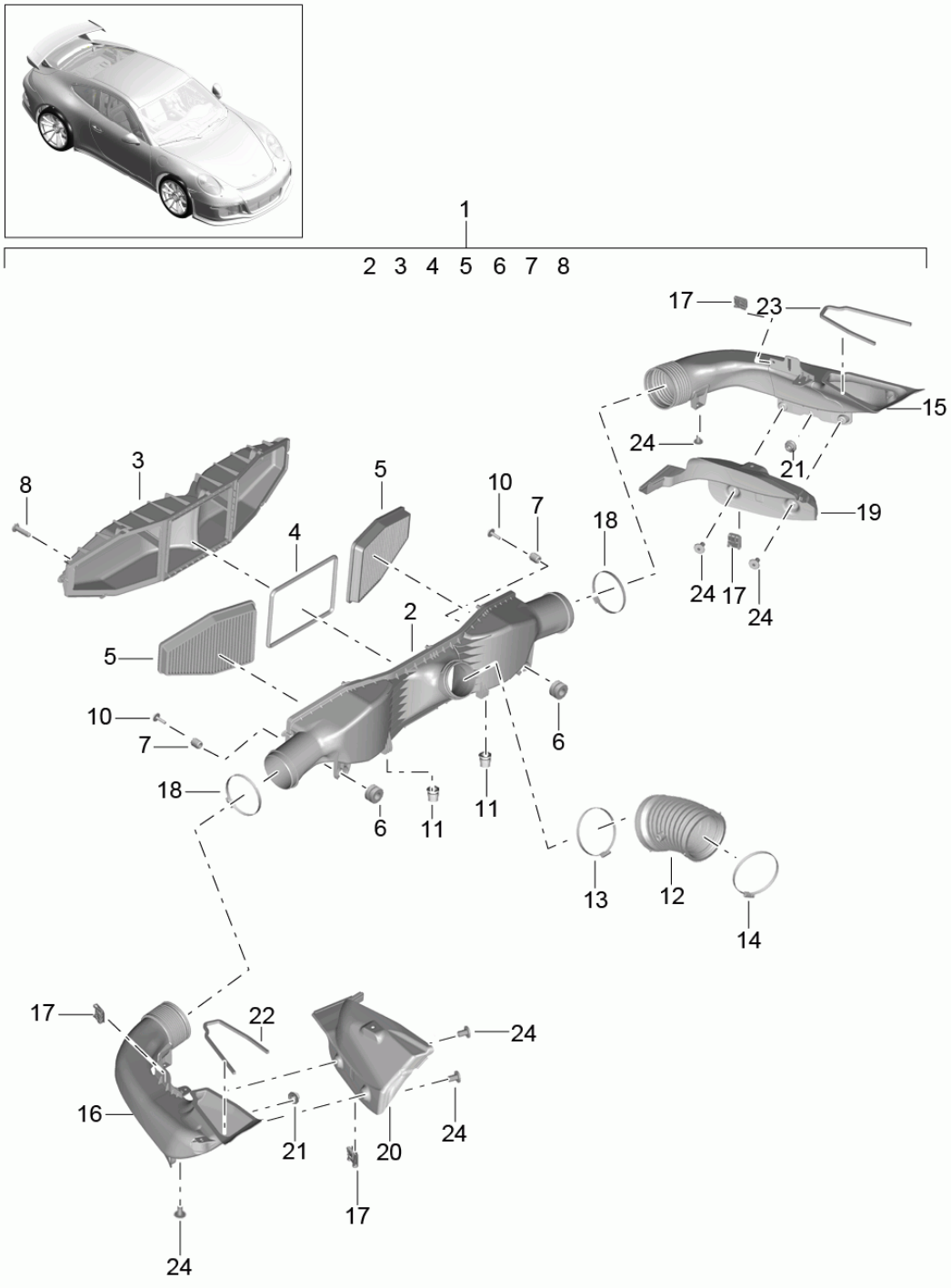
Model: 991G13

Model life 2013>>

Pos	Part Number	Description	Remark	Qty	Model
		Air cleaner	GT3 911 R		MA1.75 MA1.76 I038
1	991 110 022 02	Air cleaner Complete		1	
2	991 110 212 02	Housing		1	
3	991 110 231 01	Housing cover		1	
4	991 110 131 00	Gasket		1	
5	991 110 130 00	Air cleaner cartridge		2	
6	991 110 240 00	Frame		4	
7	999 702 246 40	Grommet		2	
8	999 095 076 01	Dowel sleeve 12,0 X 14,3		2	
9	999 919 237 00	Oval-head screw 5,0 X 20,0		7	
10	991 110 261 02	Air guide		1	
10	991 110 261 03	Air guide		1	
11	997 110 239 00	Mounting Air guide		2	
12	N 106 998 01	Hexagon-head bolt M 6 X 35		2	
13	999 703 267 40	Bush 12,0 X 25,6 X 17,0		2	
14	991 110 270 81	Air guide Use with 9A1.107.510.91		1	
14	991 110 270 82	Air guide Use with 9A1.107.510.92		1	
15	999 512 629 00	Hose clamp 90 - 110		1	
16	N 024 508 5	Hose clamp 80 - 100		1	
17	N 024 505 6	Hose clamp 50 - 70		1	
18	991 110 213 00	Air guide	/L	1	
19	991 110 214 00	Air guide	/R	1	
20	7PP 906 283 C	Change-over valve		2	

Model: 991G13

Model life 2013>>



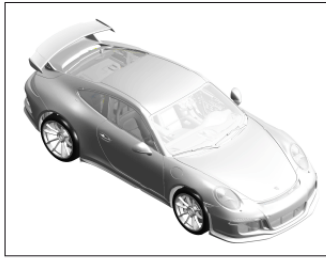
Model: 991G13

Model life 2013>>

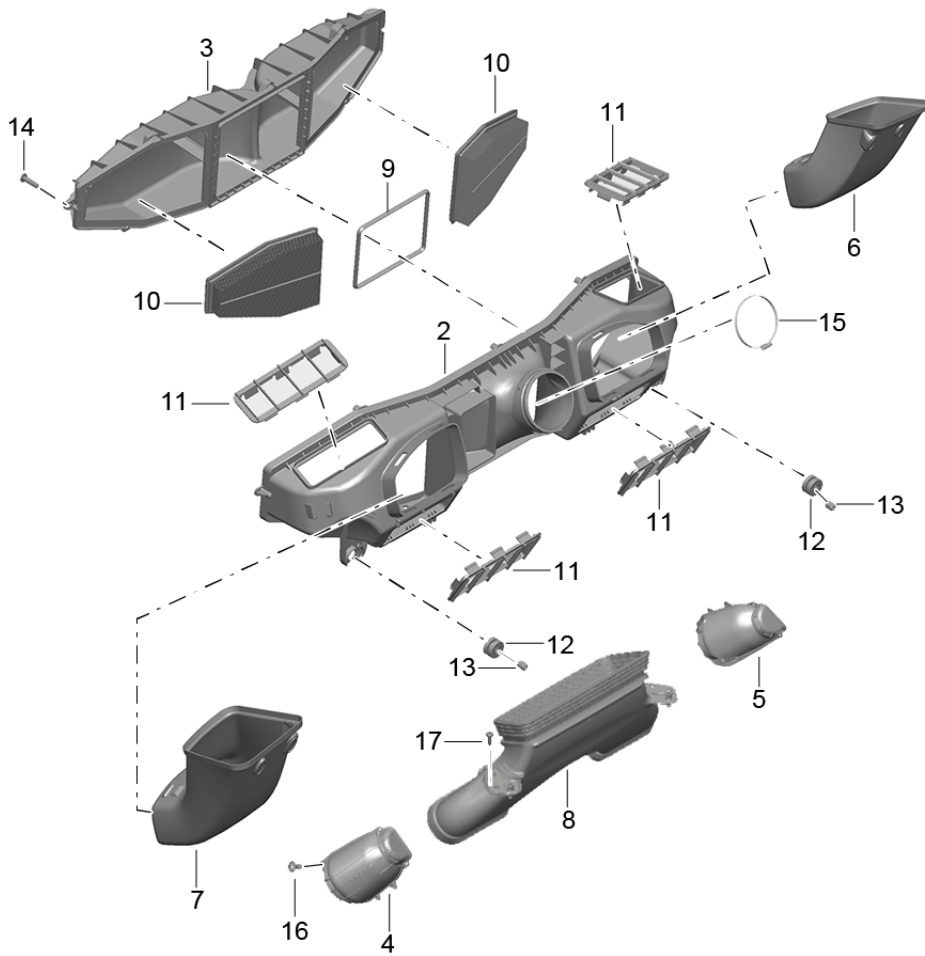
Pos	Part Number	Description	Remark	Qty	Model
		Air cleaner	GT3 RS		MA1.76 -I038
1	991 110 022 92	Air cleaner Complete		1	
2	991 110 212 92	Housing		1	
3	991 110 231 01	Housing cover		1	
4	991 110 131 00	Gasket		1	
5	991 110 130 92	Air cleaner cartridge		2	
6	999 702 246 40	Grommet		2	
7	999 095 076 01	Dowel sleeve 12,0 X 14,3		2	
8	999 919 237 00	Oval-head screw 5,0 X 20,0		7	
9	997 110 239 00	Mounting Air guide		2	
10	N 106 998 01	Hexagon-head bolt M 6 X 35		2	
11	999 703 267 40	Bush 12,0 X 25,6 X 17,0		2	
12	991 110 270 82	Air guide		1	
13	999 512 629 00	Hose clamp 90 - 110		1	
14	N 024 508 5	Hose clamp 80 - 100		1	
15	991 110 225 90	Air guide Left		1	
16	991 110 226 90	Air guide Right		1	
17	999 507 309 02	Speed nut 4,8		4	
18	999 512 539 01	Hose clamp A 90 - 110		2	
19	991 110 425 90	Heat protection Outer Left		1	
20	991 110 426 90	Heat protection Outer Right		1	
21	999 076 042 01	Hexagon nut M 6		4	
22	991 575 789 00	Gasket Left		1	
23	991 575 790 00	Gasket Right		1	
24	999 190 115 30	Blind rivet A 6,4 X 10,0		8	

Model: 991G13

Model life 2013>>



1



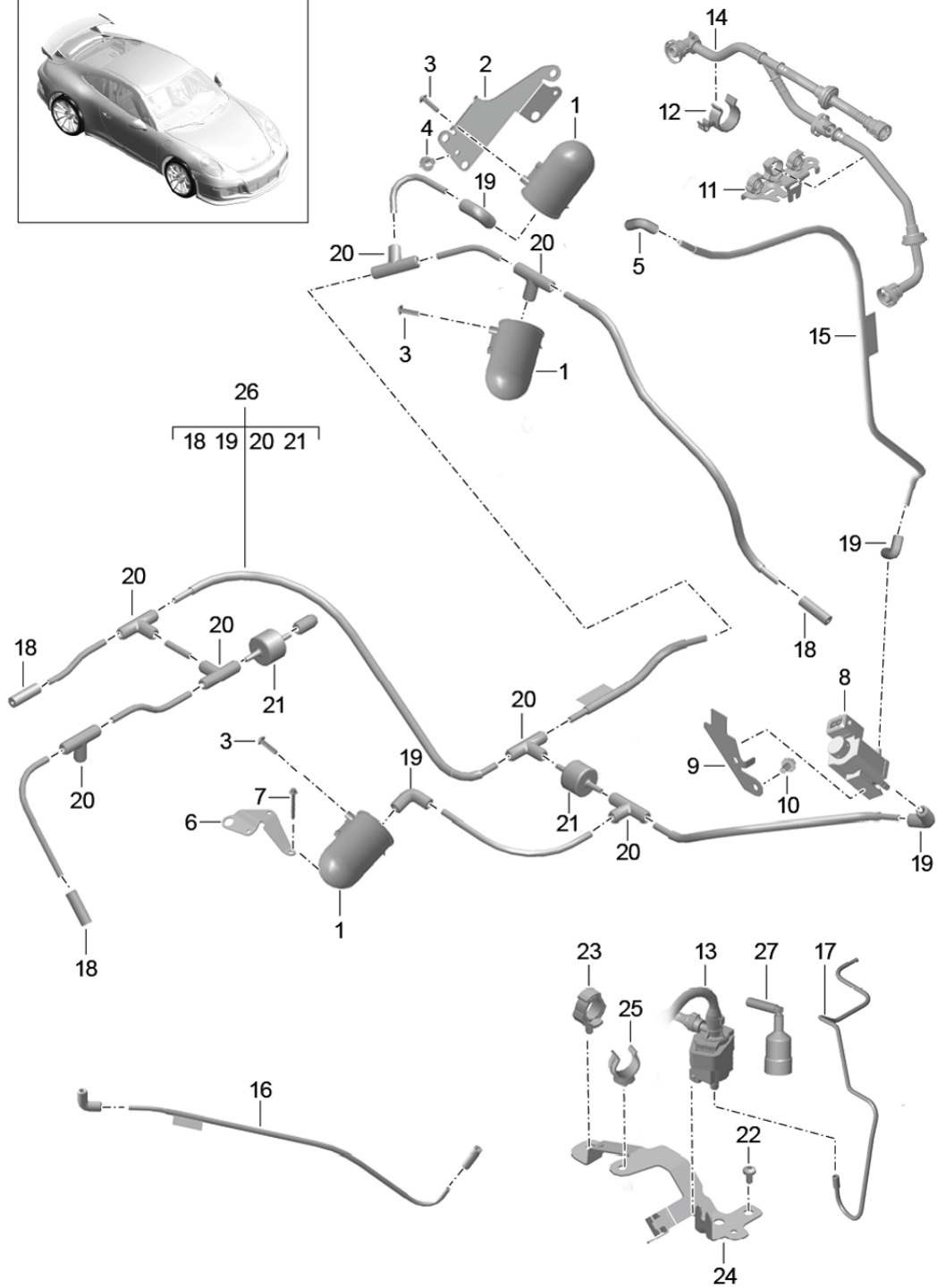
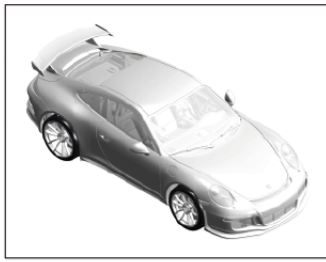
Model: 991G13

Model life 2013>>

Pos	Part Number	Description	Remark	Qty	Model
		Air cleaner			GT3
1	991 110 022 93	Air cleaner Complete		1	MDG.GA -I039
2	991 110 212 02	Housing		1	-I039
3	991 110 231 01	Air cleaner Housing cover		1	-I039
6	991 110 213 90	Air guide Left		1	-I039
7	991 110 214 90	Air guide Right		1	-I039
9	991 110 131 00	Gasket		1	-I039
10	991 110 130 00	Air cleaner Air cleaner cartridge		2	-I039
11	991 110 240 00	Frame		4	-I039
12	999 702 246 40	Air cleaner Grommet 12 X 17X 3		2	
13	999 095 076 01	Dowel sleeve 12,0 X 14,3		2	
14	999 919 237 00	Oval-head screw 5,0 X 20		7	-I039
14		Oval-head screw 5,0 X 20		8	I039
15	999 512 629 00	Hose clamp 90 - 110		1	I039
16	999 919 286 01	Oval-head screw 5,0 X 10,0		8	I039
17	999 919 121 09	Oval-head screw 5,0 X 16,0		4	I039

Model: 991G13

Model life 2013>>



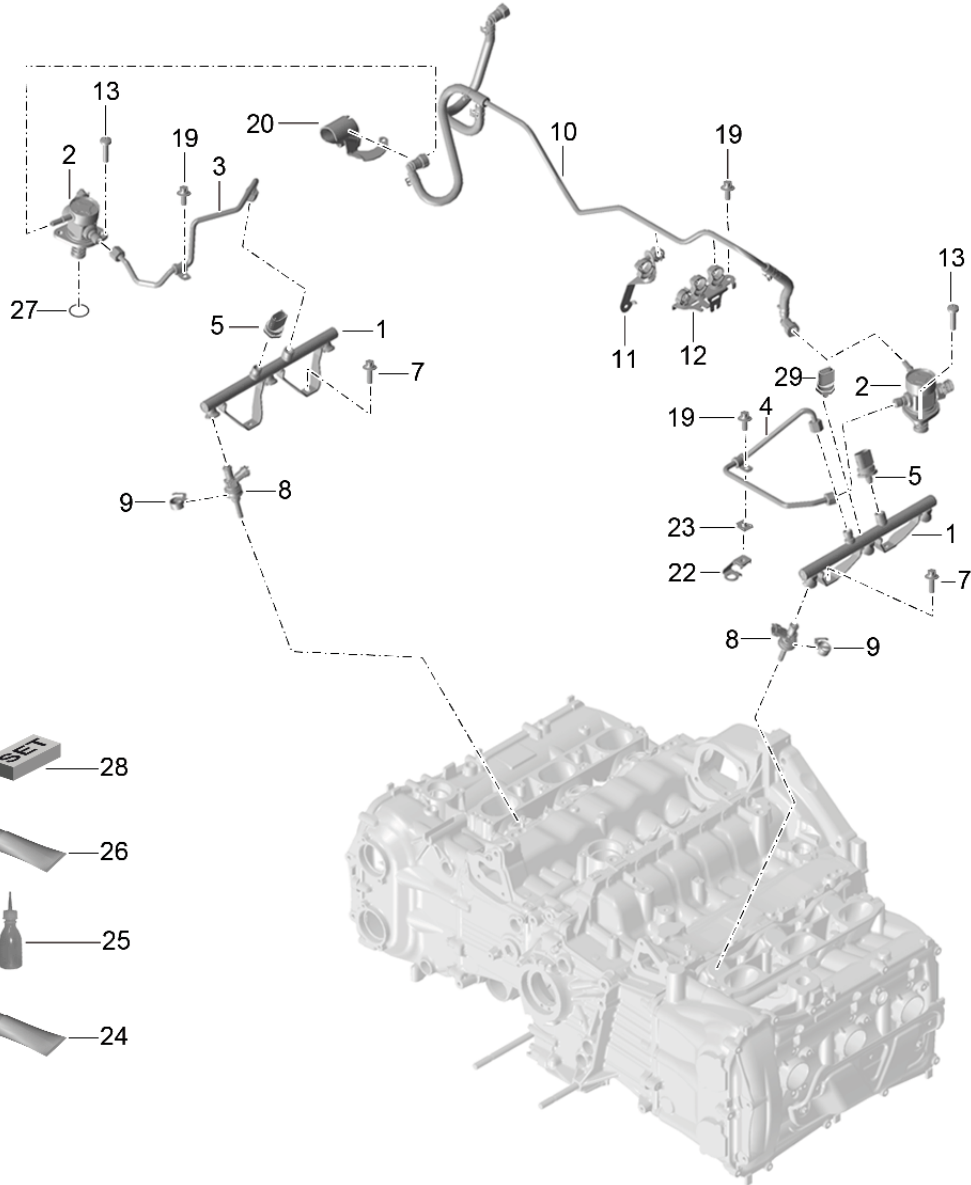
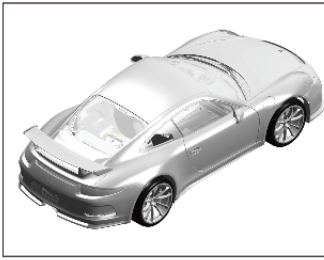
Model: 991G13

Model life 2013>>

Pos	Part Number	Description	Remark	Qty	Model
		Vacuum system			
		Engine			
1	993 110 140 03	Vacuum tank		3	
2	9A1 110 628 90	Support		1	
		Vacuum tank			
3	999 919 209 09	Oval-head screw		3	
		5,0 X 22,0			
4	900 385 099 01	Torx screw		1	
		BM 8 X 12			
5	9A1 207 297 91	Vacuum line		1	
6	9A1 110 627 90	Retaining bracket		1	
		Vacuum tank			
7	900 385 070 01	Torx screw		4	
		M 6 X 50			
8	7PP 906 270	Change-over valve		1	MA1.75/76
8	7PP 906 283 F	Change-over valve		2	MDG.GA
9	9A1 606 517 90	Support		1	
		Change-over valve			
10	900 385 041 01	Torx screw		2	
		BM 6 X 12			
(11)	9A1 110 321 95	Support		1	
		Vacuum line			
		Use			
		with			
		7PP.906.283.F			
12	999 507 872 40	Support		1	
		4,0 / 22,0			
13	997 110 163 90	Control line		1	
		with			
		Change-over valve			
14	9A1 110 081 81	Vacuum line	GT3	1	MA1.75
		Engine			
14	9A1 110 081 82	Vacuum line	GT3 RS	1	MA1.76
		Engine			
15	9A1 110 381 91	Vacuum line		1	MA1.75
		Air injection			
15	9A1 110 381 92	Vacuum line		1	MA1.76
		Air injection			
16	9A1 110 385 90	Vacuum line		1	MA1.75
16	9A1 110 385 91	Vacuum line		1	MA1.76
17	9A1 110 280 91	Air tube		1	
		Valve			
		Exhaust system			
18	9A1 110 755 90	Hose		5	
19	9A1 110 666 00	Connecting piece		6	
20	06E 133 794	T-piece		7	
21	964 110 950 01	Check valve		2	
21	964 110 950 02	Check valve		2	
22	999 073 189 01	Round head screw		1	
		M 6 X 12			
23	999 507 075 40	Cable holder		1	
		4,0 - 12,0			
24	9A1 110 292 01	Support		1	
25	999 507 930 40	Hose holder		1	
		21,0 - 23,0			
26	9A1 110 181 91	Vacuum line		1	
		Complete			

Model: 991G13

Model life 2013>>



Model: 991G13

Model life 2013>>

Pos	Part Number	Description	Remark	Qty	Model
1	9A1 110 859 90	Fuel collection pipe		2	MA1.75/76
(1)	9A1 110 849 90	Fuel collection pipe		1	MDG.GA
(1)	9A1 110 859 91	Fuel collection pipe Cyl. 1 - 3		1	MDG.GA
2	9A1 110 315 90	Fuel collection pipe Cyl. 4 - 6		1	MDG.GA
2	9A1 110 315 90	high-pressure pump		2	MA1.75
2	9A1 110 315 92	high-pressure pump		2	MA1.76
2	9A1 110 315 95	high-pressure pump		2	MDG.GA
3	9A1 110 331 91	Line		1	MA1.75/76
3	9A1 110 331 92	Fuel Line		1	MDG.GA
4	9A1 110 332 91	Fuel Line		1	
5	06J 906 051 F	Fuel Line		2	
7	900 385 009 01	Pressure sensor		4	
8	9A1 110 128 90	Torx screw M6 X 16		6	MA1.75
8	9A1 110 128 91	high-pressure injector Use also: 9A111075991		6	MA1.75
8	9A1 110 128 92	high-pressure injector Use also: 9A111075991		6	MA1.76
(8)	9A1 110 128 90	high-pressure injector Use also: 9A111075991		6	MDG.GA
(8)	9A1 110 928 90	high-pressure injector with Retaining clip		6	MA1.75/76
(8)	9A1 110 928 92	high-pressure injector with Retaining clip		6	MDG.GA
9	9A1 110 759 91	Retaining clip		6	
10	9A1 110 906 91	Fuel line		1	MA1.75
10	9A1 110 906 92	Fuel line		1	MA1.76
10	9A1 110 906 96	Fuel line		1	MDG.GA
11	9A1 110 306 90	Support		1	MA1.75/76
12	9A1 110 321 90	Fuel line		1	MA1.75/76
13	9A1 107 313 00	Support		4	MA1.75/76
13	9A1 107 313 01	Torx screw M6 X 25		4	MDG.GA
17	999 073 189 01	Torx screw M6 X 25		1	
19	900 385 041 01	Round head screw BM 6 X 12		2	
20	9A1 110 515 90	Torx screw BM 6 X 12		1	MA1.75
20	9A1 110 515 91	Support		1	MA1.75
20	9A1 110 515 91	high-pressure pump Support		1	MA1.76 MDG.GA
22	9A1 110 531 90	high-pressure pump Support		2	MA1.75
22	9A1 110 531 91	Line Support		2	MA1.76 MDG.GA
23	999 591 882 01	Line		2	
24	000 043 207 35	Speed nut M 6		1	
25	000 043 303 27	Grease VP 881 Lubricants		1	

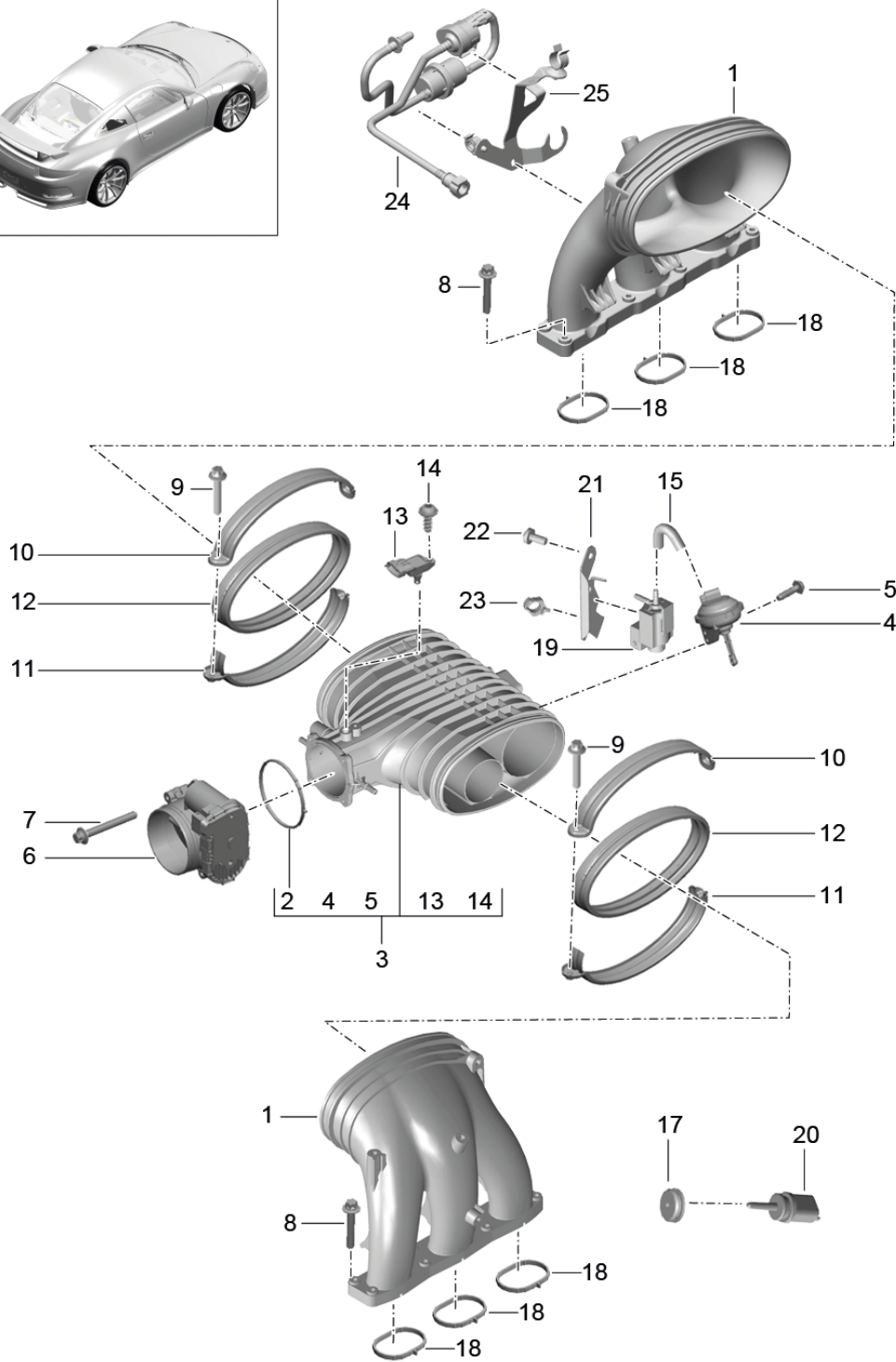
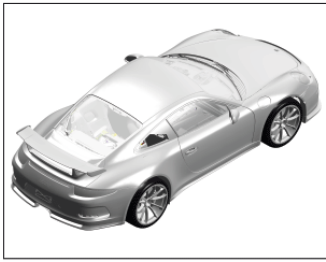
Model: 991G13

Model life 2013>>

Pos	Part Number	Description	Remark	Qty	Model
26	000 043 209 35	OKS 1710 50ML Grease DF 977 S 400ML		1	
27	9A1 110 815 95	Sealing ring high-pressure pump		1	MA1.75/76
28	9A1 110 908 90	Repair kit Injector valve		X	MA1.75/76
28	9A1 110 908 91	Repair kit Injector valve		X	MDG.GA
29	06H 906 051 J	Pressure sensor Low pressure switch		1	

Model: 991G13

Model life 2013>>



Model: 991G13

Model life 2013>>

Pos	Part Number	Description	Remark	Qty	Model
1	9A1 110 015 92	Intake distributor		2	MA1.75/76
1	9A1 110 015 95	Intake distributor		2	MDG.GA
2	9A1 110 220 01	Gasket		1	
3	9A1 110 253 93	Distributor tube		1	
3	9A1 110 253 95	Distributor tube		1	MA1.75
3	9A1 110 253 96	Distributor tube		1	MA1.76
3	9A1 110 253 99	Distributor tube		1	MDG.GA
4	993 110 462 02	Vacuum unit		1	MA1.76
					MDG.GA
5	999 919 265 01	Lens-head screw 5,0 X 18,0		4	
6	997 605 116 01	Throttle body		1	
7	900 385 070 01	Torx screw BM 6 X 50		4	
8	900 385 270 01	Outer hexagon round screw BM 6 X 35		16	
9	900 385 048 01	Torx screw BM 6 X 30		4	MA1.75
		Use with Clip 9A111021390			
(9)	999 073 630 01	Torx screw BM 6 X 30		2	MA1.76
		Use with Clip 9A111021391			MDG.GA
10	9A1 110 212 90	Clip		4	
11	9A1 110 213 90	Clip		2	MA1.75
11	9A1 110 213 91	Clip		2	MA1.76
					MDG.GA
12	9A1 110 685 80	Rubber sleeve		2	MA1.75/76
12		Rubber sleeve		4	MDG.GA
13	948 606 180 00	Pressure sensor		1	
14	999 919 241 01	Lens-head screw M 6 X 15		1	
15	928 574 717 06	Moulded hose		1	
15	928 574 717 07	Moulded hose		1	
15	9P1 129 487	Moulded hose		1	
17	996 110 530 90	Grommet		1	
		Temperature sensor			
18	9A1 110 215 01	Gasket		6	
		Intake distributor			
18	9A1 110 215 90	Gasket		6	
		Intake distributor			
19	7PP 906 270	Change-over valve		1	
19	7PP 906 283 F	Change-over valve		1	MA1.76
		Use also: 991.612.944.00			
19		Change-over valve		2	MDG.GA
20	997 606 213 00	Temperature sensor		1	
		Engine compartment			
21	9A1 606 517 90	Support		1	
22	999 073 189 01	Round head screw M 6X12		3	
23	999 507 075 40	Cable holder 4,0 - 12,0		1	
24	9A1 110 091 90	Vent line Fuel		1	MA1.75

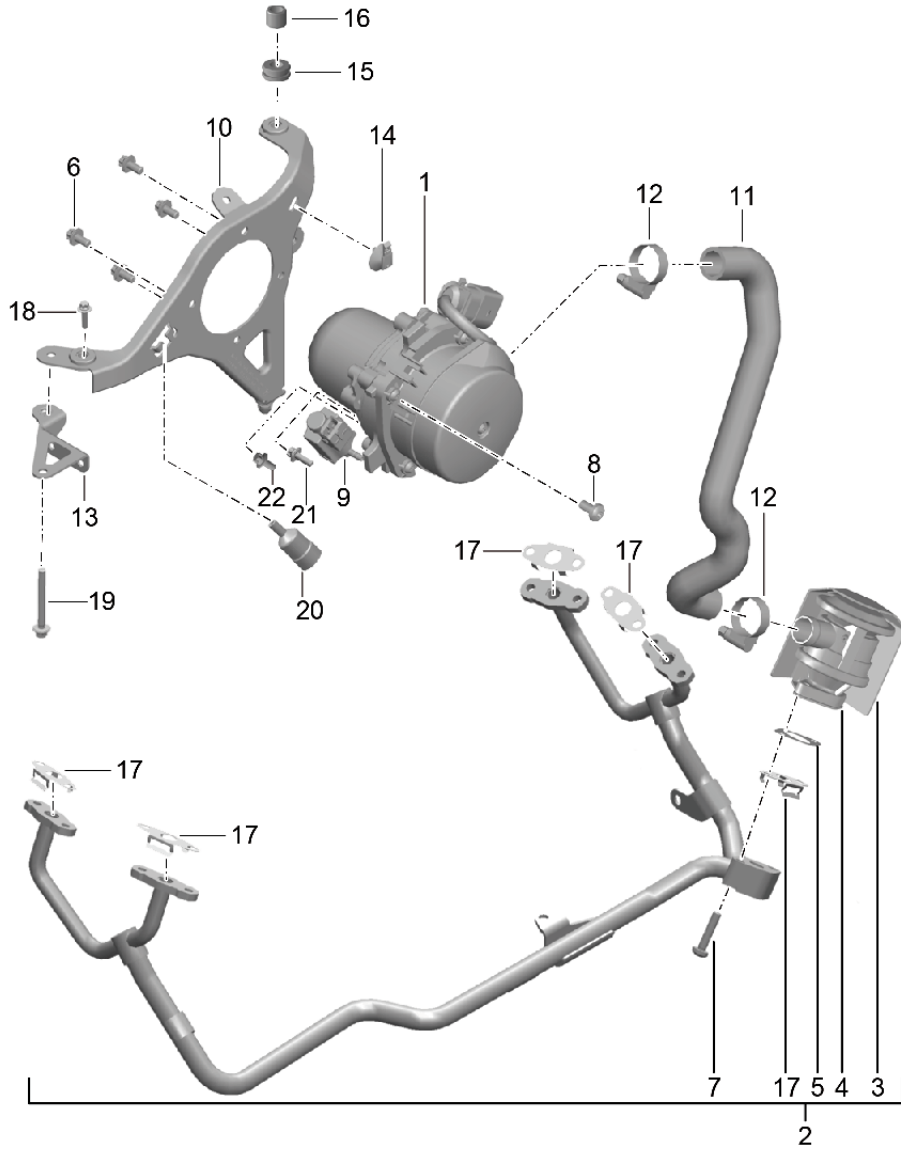
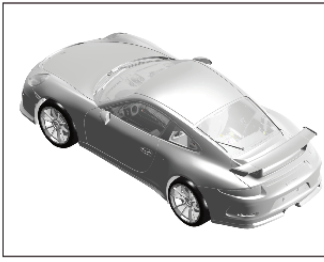
Model: 991G13

Model life 2013>>

Pos	Part Number	Description	Remark	Qty	Model
24	9A1 110 091 91	Vent line Fuel		1	MA1.76
24	9A1 110 091 94	Vent line Fuel		1	MDG.GA
25	9A1 110 296 90	Support Vent line		1	MA1.75
25	9A1 110 296 91	Support Vent line		1	MA1.76
25	9A1 110 296 95	Support Vent line		1	MDG.GA
26	991 612 944 00	Wiring harness		1	MA1.75/76
27	993 110 530 01	Grommet Temperature sensor		1	

Model: 991G13

Model life 2013>>

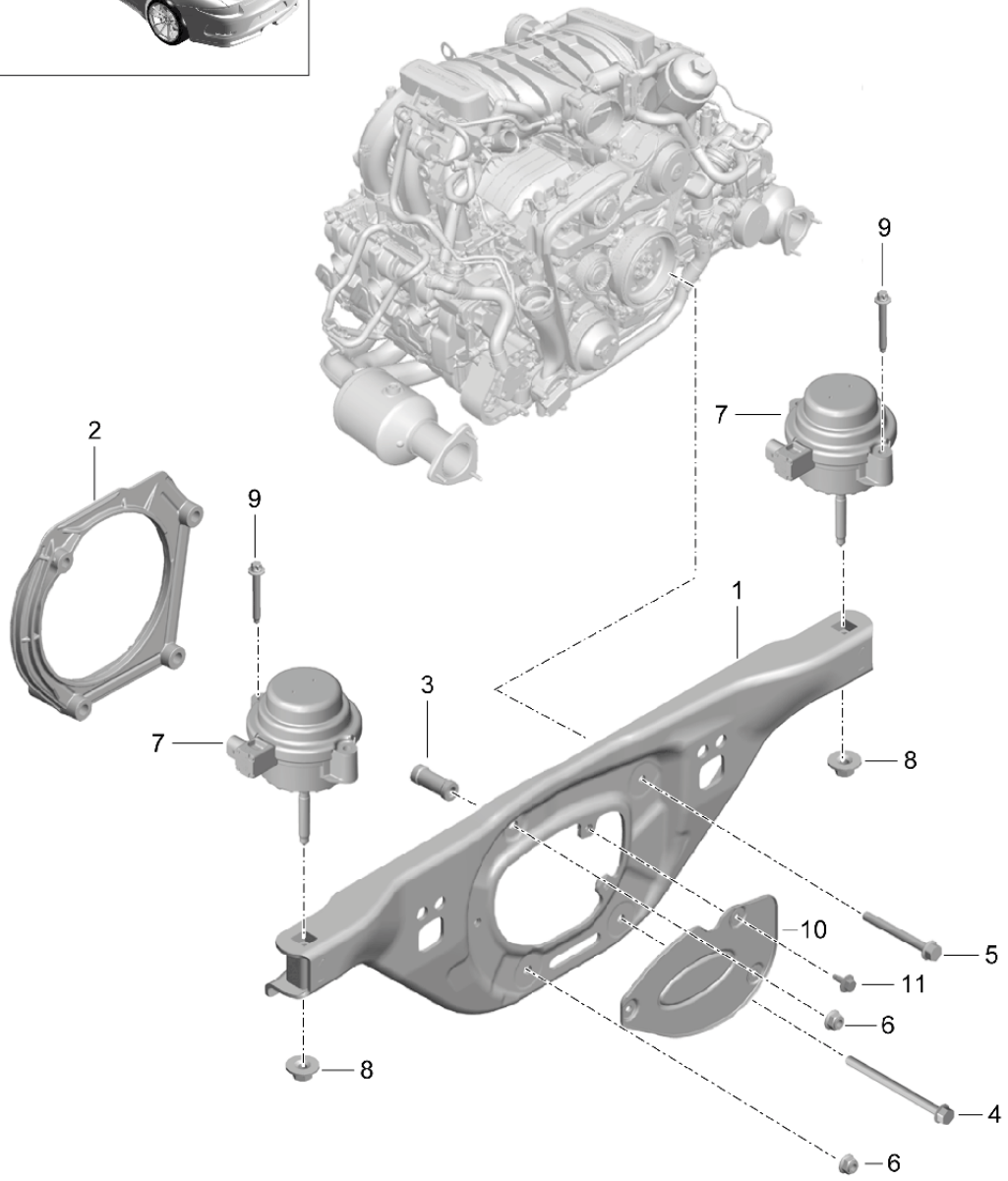
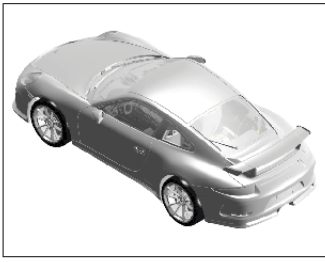


Model: 991G13 Model life 2013>>

Pos	Part Number	Description	Remark	Qty	Model
1	9A1 605 104 72	Air injection Secondary pump		1	MA1.75
1	95B 959 253	Secondary pump		1	MA1.76 MDG.GA
2	9A1 113 189 92	Valve Line Air injection		1	MA1.75/76
2	9A1 113 189 93	Valve Line Air injection		1	MDG.GA
4	997 113 249 90	Shut-off valve		1	
5	993 113 258 51	Gasket		2	
6	900 385 041 02	Outer hexagon round screw M6 X 12		4	
7	999 073 110 01	Round head screw M 6 X 30		2	
8	999 073 189 01	Round head screw M 6 X 12		4	
9	7PP 906 270	Change-over valve		1	MA1.75/76
9	7PP 906 283 E	Change-over valve		1	MDG.GA
10	9A1 113 305 90	Support Secondary pump		1	MA1.75/76
10	9A1 113 305 95	Support Secondary pump		1	MDG.GA
11	9A1 113 339 90	Hose		1	MA1.75
11	9A1 113 239 90	Hose		1	MA1.76
11	9A1 113 239 95	Hose		1	MDG.GA
12	999 512 346 01	Hose clamp 16 - 27		2	
13	9A1 113 385 90	Support		1	
14	999 507 085 40	Clip		1	
15	999 702 319 40	Grommet		2	MDG.GA
16	991 504 867 90	Sleeve		2	
17	9A1 113 258 00	Gasket Line		4	
18	900 385 019 01	Torx screw BM 6 X 20		1	
19	900 385 070 01	Torx screw BM 6 X 50		4	
20	9A1 110 608 90	Air cleaner Secondary pump		1	MDG.GA

Model: 991G13

Model life 2013>>



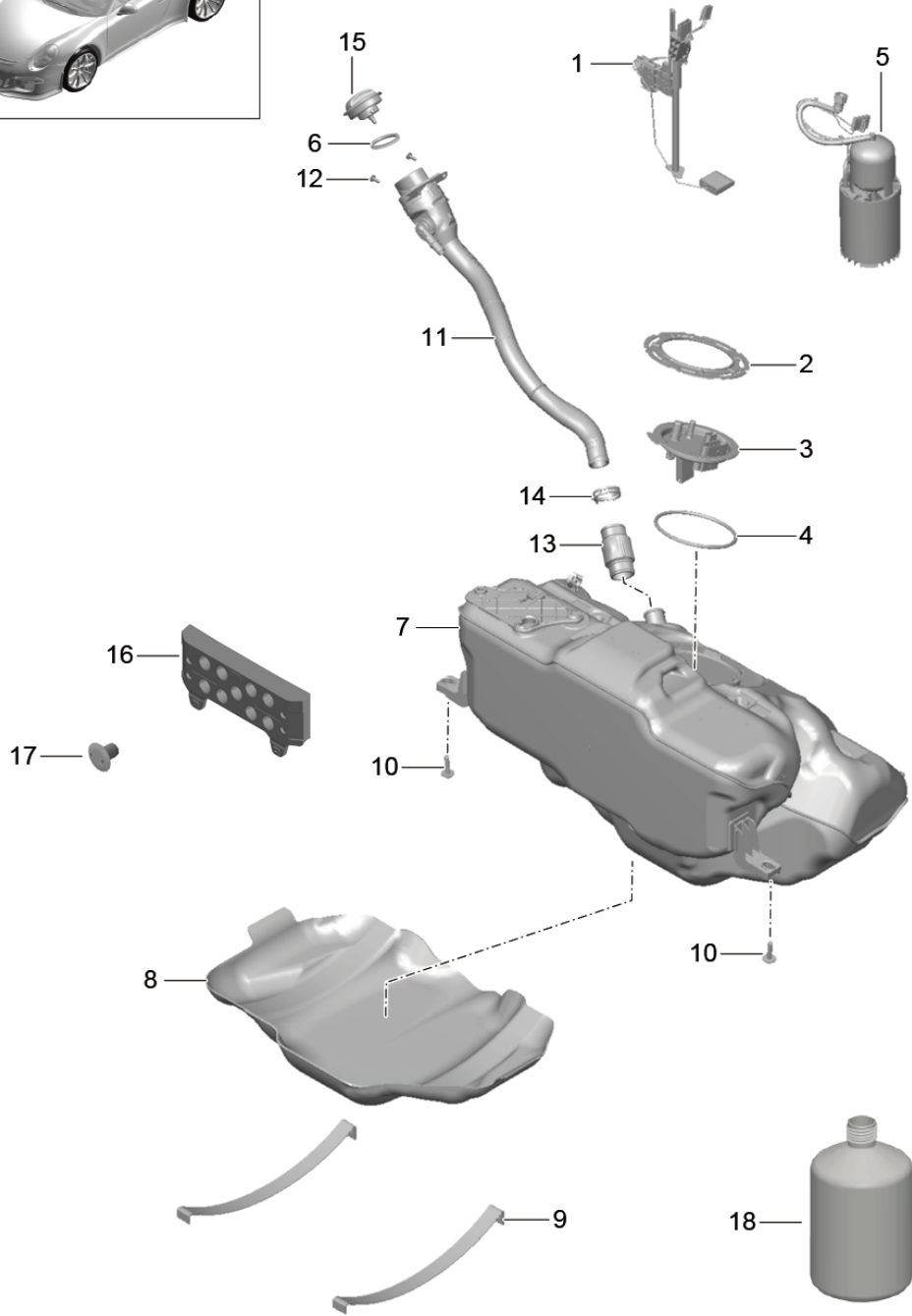
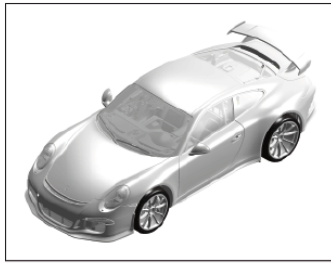
Model: 991G13

Model life 2013>>

Pos	Part Number	Description	Remark	Qty	Model
1	9A1 375 014 08	Engine suspension		1	MA1.75/76
1	9A2 375 056 03	Engine carrier		1	MDG.GA
2	9A1 375 236 04	Engine carrier		1	MA1.75/76
2	9A1 375 236 11	Intermediate flange		1	MDG.GA
3	9A1 375 245 01	Spacer sleeve		1	
		Intermediate flange			
3	9A1 375 245 02	Spacer sleeve		1	MDG.GA
		Intermediate flange			
4	900 378 286 01	Hexagon-head bolt		1	
		M 10 X 135			
5	900 378 332 01	Outer hexagon round screw		1	
		M 10 X 92			
6	900 380 021 01	Hexagon nut		2	
		M 10			
6	N 102 861 10	Hexagon nut		2	
		M 10			
7	991 375 059 81	Hydraulic mount		2	MA1.75 I140
7	991 375 059 84	Hydraulic mount		2	MA1.76 I140
7	991 375 059 86	Hydraulic mount		2	MDG.GA I140
8	N 908 484 05	Hexagon nut		2	
		M 12 X 1,5			
9	900 385 168 01	Outer hexagon round screw		4	I140
		M 8 X 65			
10	9A1 102 251 01	Heat protection		1	
11	N 100 988 08	Hexagon-head bolt		3	MDG.GA
		M6 X 16			
11	N 100 988 11	Hexagon-head bolt		3	MA1.75/76
		M6 X 16			

Model: 991G13

Model life 2013>>



Model: 991G13

Model life 2013>>

Pos	Part Number	Description	Remark	Qty	Model
1	991 620 831 00	Fuel tank Tank gauge		1	
2	991 201 623 00	Fuel tank Union nut		1	
3	991 201 421 00	Flange	-16	1	
3	9P1 201 194	Flange	17-	1	
4	991 201 733 01	Sealing ring		1	
5	991 620 141 00	Fuel pump	-16	1	
5	9P1 919 087 B	Fuel pump	17-	1	
6	1K0 201 557 A	Sealing ring		1	
7	991 201 021 01	Fuel tank		1	/LL MA1.75 -I082/I098
7	991 201 021 04	Fuel tank		1	/LL MA1.75 -I082/I098
7		Fuel tank		1	/LL MA1.76 -I082/I038 I098
7	9P1 201 075	Fuel tank		1	/LL MDG.GA -I082/I098
(7)	991 201 021 90	Fuel tank		1	/LL MA1.75 I082/098
(7)	991 201 021 91	Fuel tank		1	/LL MA1.76 I082/098
(7)	9P1 201 075 B	Fuel tank		1	/LL MDG.GA I082/098
(7)	991 201 022 02	Fuel tank		1	/RL MA1.75 I099
(7)	991 201 022 04	Fuel tank		1	/RL MA1.76 I099
(7)	9P1 201 076	Fuel tank		1	/RL MDG.GA I099
8	991 201 331 00	Protective plate	-15	1	I098
8	9P1 201 975	Protective plate	16-	1	I098
(8)	991 201 331 01	Protective plate	-15	1	I099
(8)	9P1 201 975 A	Protective plate	16-	1	I099
9		Restraining strap To Use Auxiliary support 991.504.233.01		2	
9	991 201 107 01	Restraining strap		1	I082
10	N 911 591 01	Combination screw M 8 X 40		2	-I082
(10)	N 019 530 7	Hexagon-head bolt M 8 X 25		2	I082
11	991 201 044 06	Filler neck		1	-I082/-I664
(11)	991 201 044 10	Filler neck		1	MA1.75 -I664/I082
(11)	991 201 044 12	Filler neck		1	MA1.76 MDG.GA -I664/I082
12	N 910 967 02	Round head screw M 6 X 16		2	

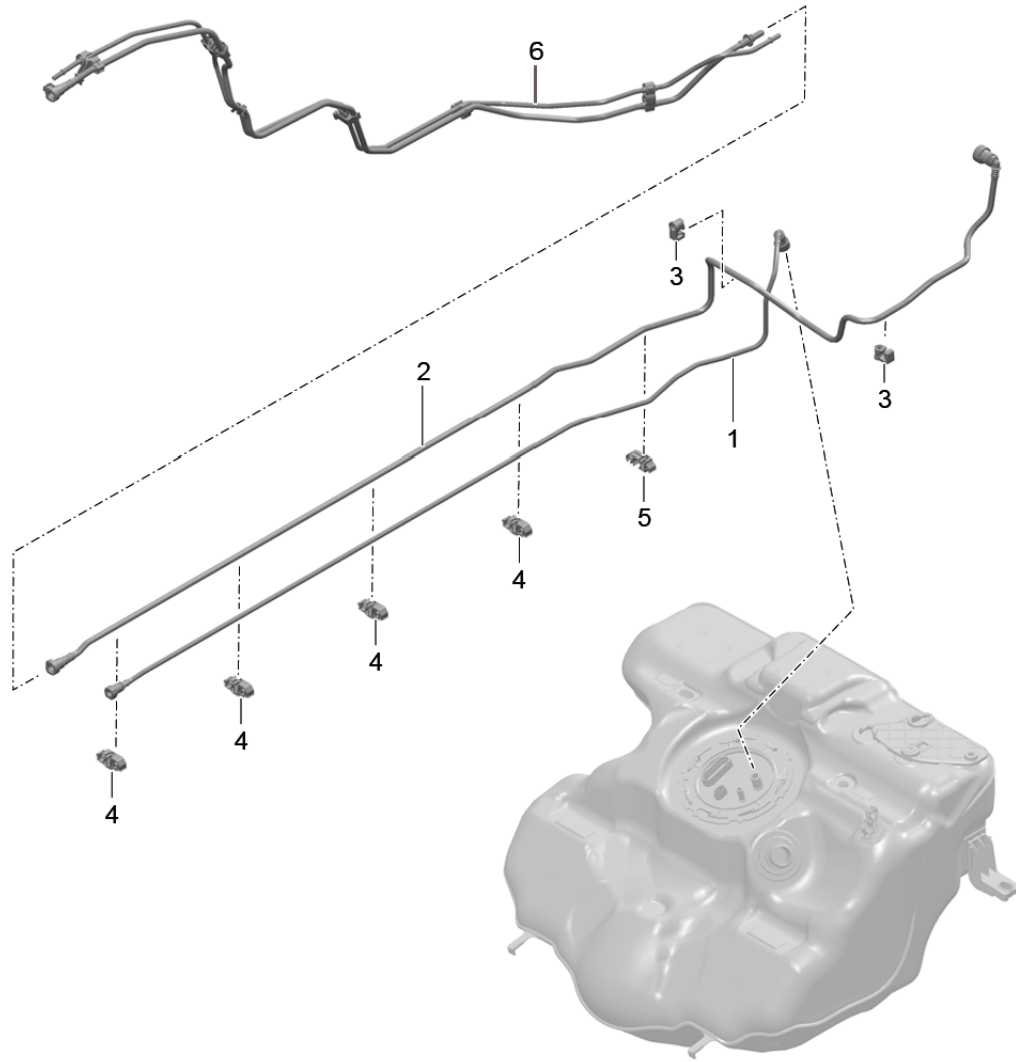
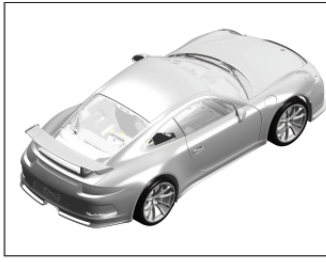
Model: 991G13

Model life 2013>>

Pos	Part Number	Description	Remark	Qty	Model
13	991 201 812 00	Hose		1	
14	999 512 748 01	Clamp B 43 X 12		2	
15	991 201 241 01	Fuel tank cap with Retaining strap		1	-IXYB
(15)	000 044 001 90	Fuel tank cap Aluminium with Retaining strap		1	
16	991 201 811 90	Support	-14	1	MA1.75 -I082
(16)	991 201 811 00	Fuel tank Support	15-	1	MA1.75 -I082
(16)		Fuel tank Support		1	MA1.76 MDG.GA -I082
17	999 049 035 40	Fuel tank Plastic nut T5 30 X 3,0 Use with 991.201.811.90	-14	2	-I082
18	000 043 209 02	Additive Fuel 100 ML		X	

Model: 991G13

Model life 2013>>



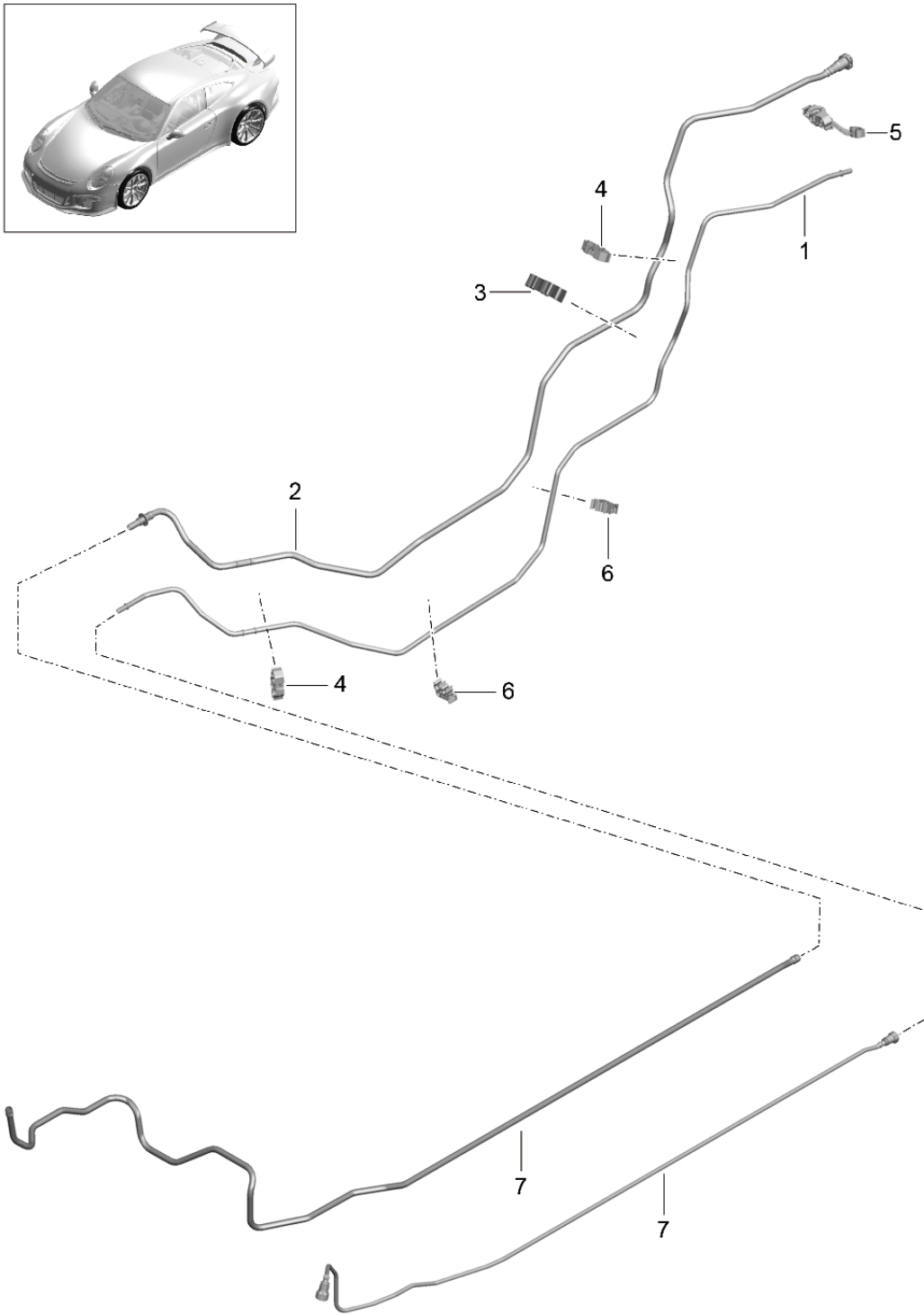
Model: 991G13

Model life 2013>>

Pos	Part Number	Description	Remark	Qty	Model
1	991 201 261 01	Fuel system Front Fuel line		1	MA1.76 I038
(1)	9P1 201 082	Pressure line Front Fuel line		1	MA1.75 MDG.GA
(1)		Pressure line Front Fuel line		1	MA1.76 -I038
2	991 201 351 00	Pressure line Front Purge-air line Front		1	
3	999 651 416 40	Cable holder 12,0		2	
4	999 507 269 40	Cable holder 8,0 / 12,0		4	
5	999 507 273 40	Cable holder 8,0 / 16 / 10		1	
6		Fuel line Rear See illustrations 2/01/10			

Model: 991G13

Model life 2013>>



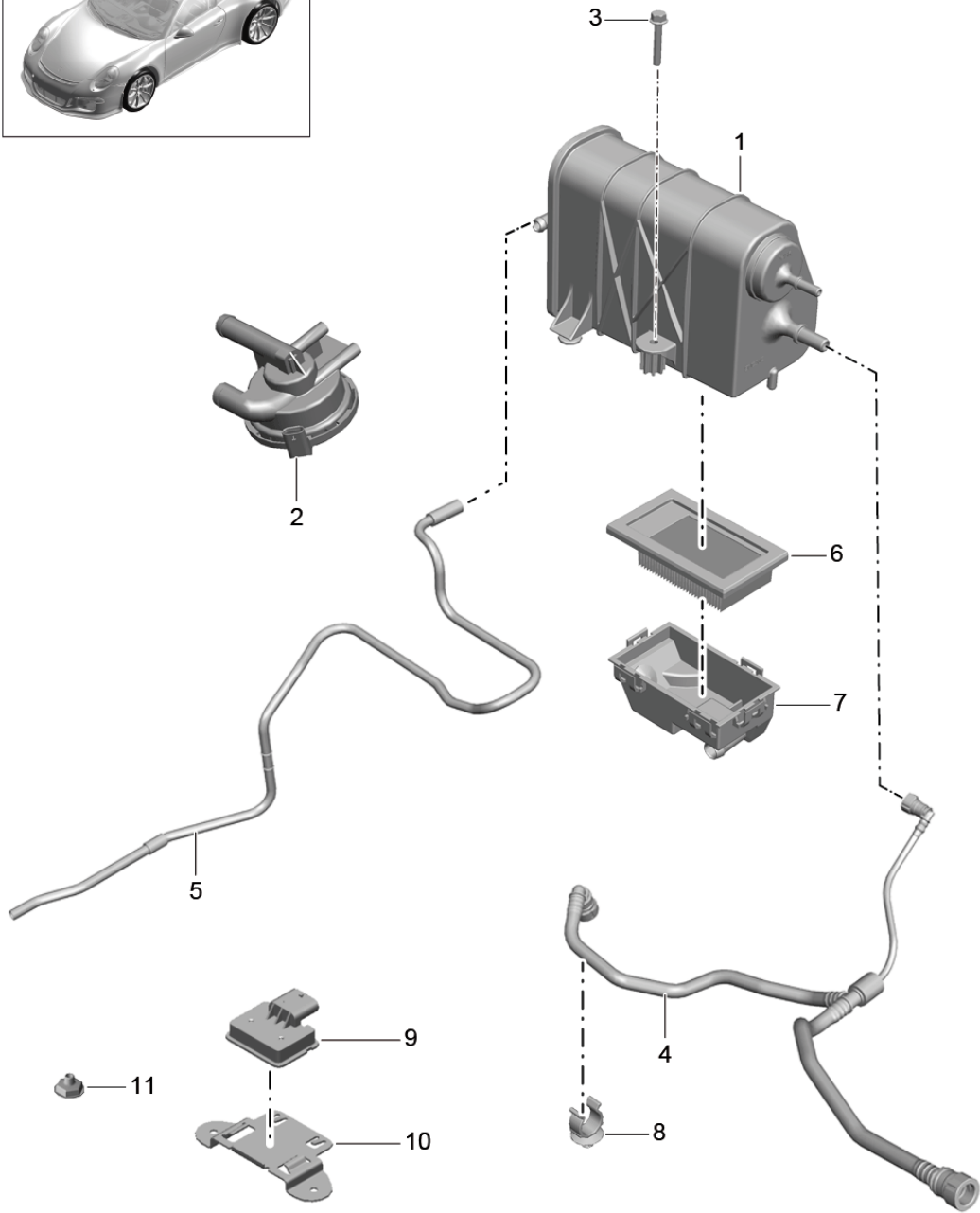
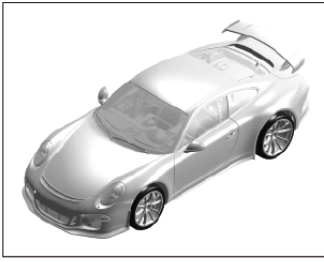
Model: 991G13

Model life 2013>>

Pos	Part Number	Description	Remark	Qty	Model
1	991 201 965 00	Fuel system Rear Fuel line Pressure line Rear		1	
2	991 201 355 03	Purge-air line Rear		1	
3	999 507 488 40	Cable holder 5,0 / 10,0		1	
4	999 507 269 40	Cable holder 8,0 / 12,0		2	
5	991 201 835 00	Cable holder		1	
6	999 507 270 40	Cable holder 8,0 / 10,0		2	
7		Fuel line Front See illustrations 2/01/05			

Model: 991G13

Model life 2013>>

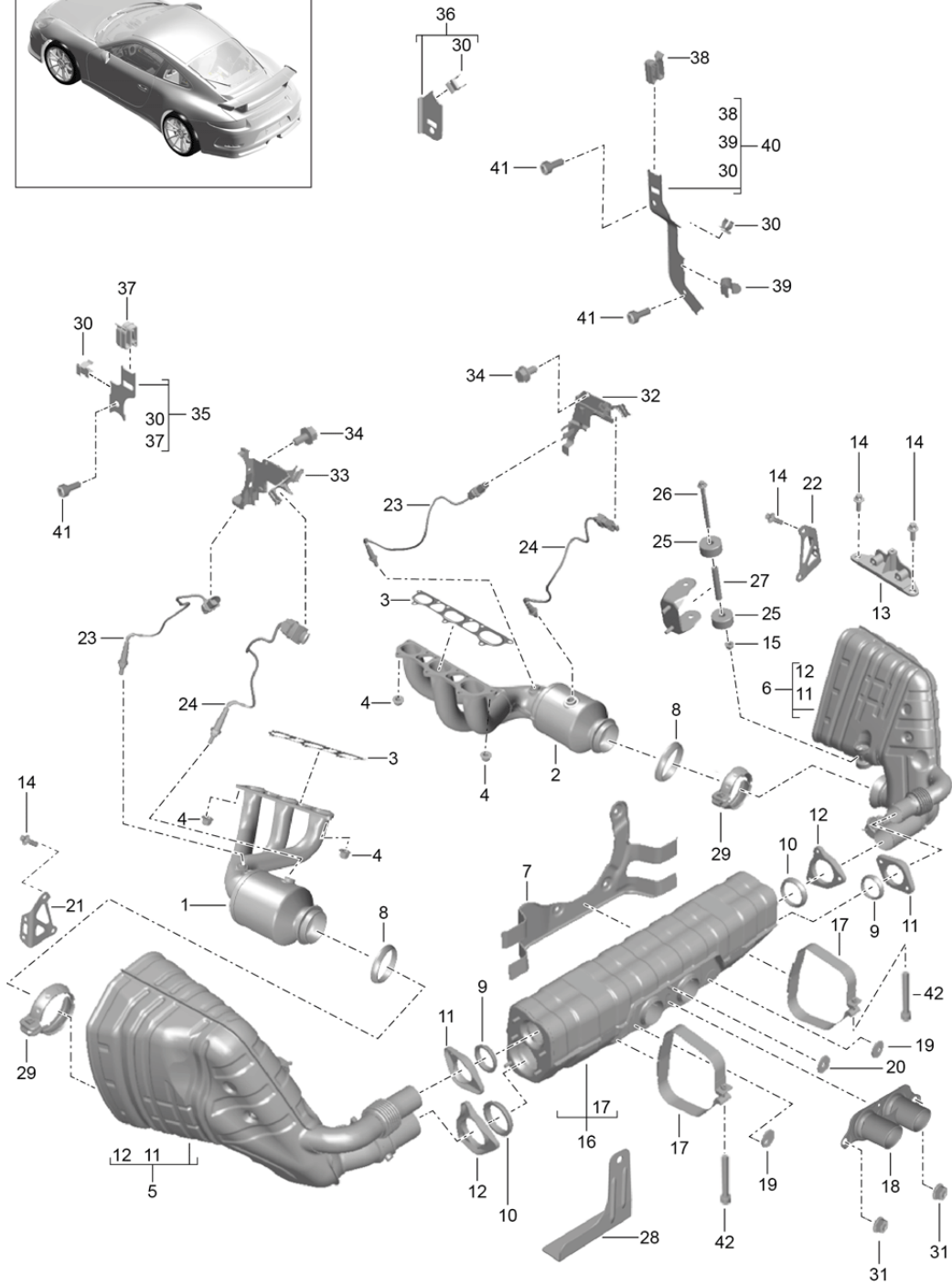
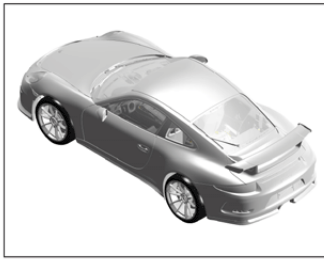


Model: 991G13 Model life 2013>>

Pos	Part Number	Description	Remark	Qty	Model
1	991 201 221 00	Carbon canister Carbon canister D >> 21.07.2015		1	-I664
1	991 201 221 02	Carbon canister Carbon canister D 22.07.2015>>		1	-I664
1	991 201 223 04	Carbon canister		1	-I082/I664
(1)	991 201 223 05	Carbon canister		1	MA1.75 -I082/I664
(1)	991 201 223 06	Carbon canister		1	MA1.76 -I082/I664
(1)	9P1 201 078 A	Carbon canister	17-	1	-I082/I664
3	900 378 115 01	Hexagon-head bolt M 6 X 35		1	
4	991 201 251 00	Vent line Fuel tank		1	-I664/I098
(4)	991 201 251 02	Vent line Fuel tank		1	I099
(4)	991 201 251 04	Vent line Fuel tank		1	I099
5	991 201 361 00	Purge-air line	-14	1	MA1.75 -I664/I098
5	991 201 361 03	Carbon canister Purge-air line	15-	1	-I664/I098
(5)	991 201 361 02	Carbon canister Purge-air line	-14	1	MA1.75 I099
(5)	991 201 361 05	Carbon canister Purge-air line Carbon canister	15-	1	I099
8	999 507 280 40	Cable holder 16,0		1	I099
11	999 049 025 09	Collar nut T5		2	

Model: 991G13

Model life 2013>>



Model: 991G13

Model life 2013>>

Pos	Part Number	Description	Remark	Qty	Model
1	9A1 113 021 90	Exhaust system Exhaust manifold Left with Catalytic converter		1	MA1.75
1	9A1 113 021 91	Exhaust manifold Left with Catalytic converter		1	
1	9A1 113 021 AX	Exhaust manifold Left with Catalytic converter		1	
2	9A1 113 022 90	Exhaust manifold Right with Catalytic converter		1	
2	9A1 113 022 91	Exhaust manifold Right with Catalytic converter		1	
2	9A1 113 022 AX	Exhaust manifold Right with Catalytic converter		1	
3	9A1 111 107 90	Gasket Exhaust manifold		2	
4	999 084 642 02	Hexagon nut M 8		18	
5	997 111 047 82	Front muffler Left Cyl. 1 - 3		1	
5	991 111 047 81	Front muffler Left Cyl. 1 - 3		1	
6	997 111 048 82	Front muffler Right Cyl. 4 - 6		1	
6	991 111 048 81	Front muffler Right Cyl. 4 - 6		1	
7	991 111 473 91	Support Front muffler		1	
8	980 111 561 00	Sealing ring		2	
9	997 111 561 90	Sealing ring		2	
10	997 111 563 90	Sealing ring		2	
11	997 111 461 90	Flange		2	
12	997 111 463 90	Flange		2	
13	997 111 126 30	Bracket Muffler		2	
14	900 385 001 01	Torx screw M 8 X 20		4	
15	900 377 003 01	Hexagon nut M 8		4	
16	997 111 027 92	Muffler		1	
17	997 111 119 70	Restraining strap Muffler		2	
18	991 111 253 90	Tail pipe		1	
19	997 111 753 91	Washer		2	
20	997 111 755 91	Washer		1	
21	9A1 111 471 90	Support Front muffler Left		1	

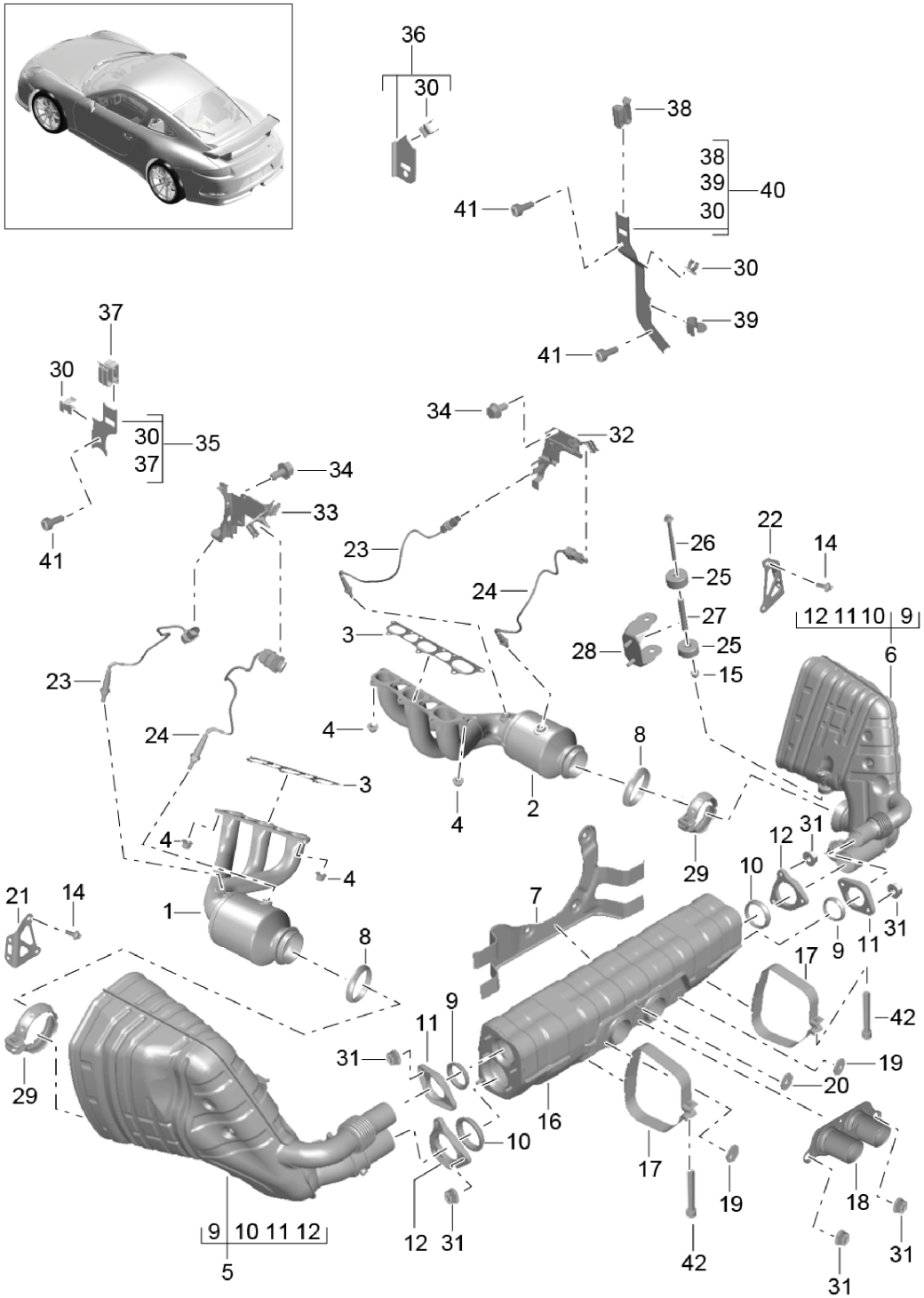
Model: 991G13

Model life 2013>>

Pos	Part Number	Description	Remark	Qty	Model
22	9A1 111 472 90	Cyl. 1 - 3 Support Front muffler Right		1	
23	9A1 606 181 01	Cyl. 4 - 6 Oxygen sensor in front of Catalytic converter		2	
24	9A1 606 191 80	Oxygen sensor After Catalytic converter		2	
25	996 111 229 00	Damping piece		4	
26	900 385 102 01	Torx screw BM 8 X 90		2	
27	997 111 551 90	Sleeve		2	
28	997 111 451 91	Retaining bar		2	
29	997 111 336 90	Clip Catalytic converter		2	
30	999 651 392 07	Cable holder 9,5 - 10,5		3	
31	999 084 649 01	Hexagon nut M 8		13	
32	991 606 256 01	Support Connector Oxygen sensor Cyl. 4 - 6		1	
33	991 606 257 01	Support Connector Oxygen sensor Cyl. 1 - 3		1	
34	900 378 036 01	Hexagon-head bolt M 6 X 12		2	
35	9A1 606 144 01	Support Complete		1	
36	9A1 606 176 00	Support Complete		1	
37	999 651 394 40	Cable holder 6,0		1	
38	999 651 399 40	Line bracket 5,0		1	
39	999 651 407 01	Cable clamp 12,0 - 14,0		1	
40	9A1 606 174 01	Support Complete		1	
41	900 387 021 01	Pan-head screw M 6 X 12		3	
42	900 067 362 01	Pan-head screw M 8 X 50		2	

Model: 991G13

Model life 2013>>



Model: 991G13

Model life 2013>>

Pos	Part Number	Description	Remark	Qty	Model
1	9A1 113 021 91	Exhaust system Exhaust manifold Left with Catalytic converter		1	MA1.76
1	9A1 113 021 BX	Exhaust manifold Left with Catalytic converter		1	
1	9A1 113 021 CX	Exhaust manifold Left with Catalytic converter		1	
2	9A1 113 022 91	Exhaust manifold Right with Catalytic converter		1	
2	9A1 113 022 BX	Exhaust manifold Right with Catalytic converter		1	
2	9A1 113 022 CX	Exhaust manifold Right with Catalytic converter		1	
3	9A1 111 107 90	Gasket Exhaust manifold		2	
4	999 084 642 02	Hexagon nut M 8		18	
5	991 111 047 81	Front muffler Left Cyl. 1 - 3		1	
6	991 111 048 81	Front muffler Right Cyl. 4 - 6		1	
7	991 111 473 91	Support Front muffler		1	
8	980 111 561 00	Sealing ring		2	
9	997 111 561 90	Sealing ring		2	
10	997 111 563 90	Sealing ring		2	
11	997 111 461 93	Flange		2	
12	997 111 463 93	Flange		2	
14	900 385 001 01	Torx screw M 8 X 20		4	
15	900 377 003 01	Hexagon nut M 8		6	
16	997 111 027 99	Muffler		1	
16	991 111 027 90	Muffler		1	
17	997 111 119 70	Restraining strap Muffler		2	
18	991 111 253 91	Tail pipe		1	
18		Tail pipe		1	I038
19	997 111 753 91	Washer		2	
20	997 111 755 91	Washer		1	
21	9A1 111 471 90	Support Front muffler Left Cyl. 1 - 3		1	
22	9A1 111 472 90	Support Front muffler Right Cyl. 4 - 6		1	
23	9A1 606 181 01	Oxygen sensor		2	

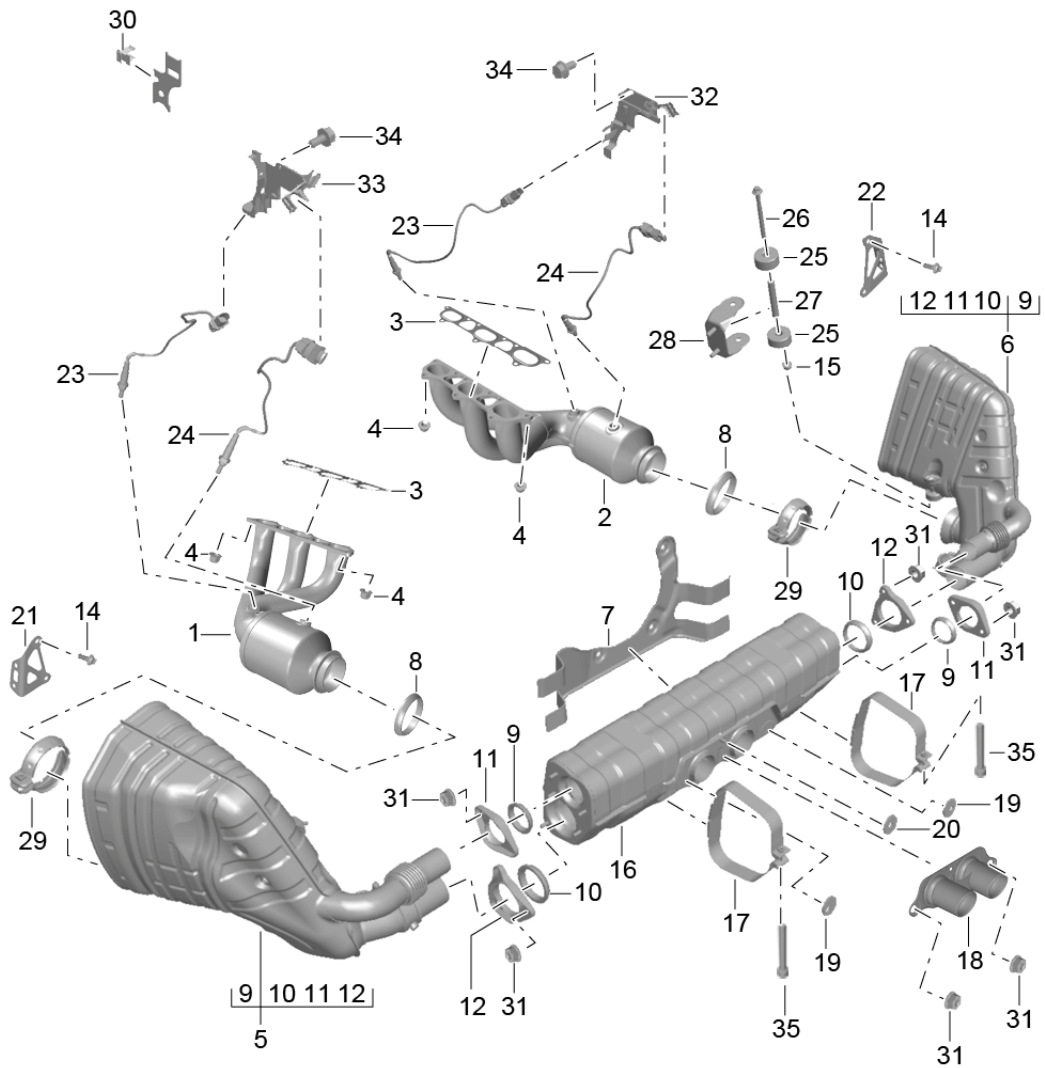
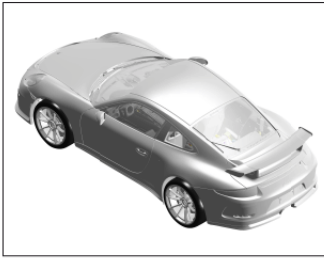
Model: 991G13

Model life 2013>>

Pos	Part Number	Description	Remark	Qty	Model
24	9A1 606 191 80	in front of Catalytic converter Oxygen sensor After Catalytic converter		2	
25	996 111 229 00	Damping piece		4	
26	900 385 102 01	Torx screw BM 8 X 90		2	
27	997 111 551 90	Sleeve		2	
28	997 111 451 91	Retaining bar		2	
29	997 111 336 90	Clip		2	
30	999 651 392 07	Tail pipe Cable holder 9,5 - 10,5		3	
31	999 084 649 01	Hexagon nut M 8		13	
32	991 606 256 01	Support Connector Oxygen sensor		1	
33	991 606 257 01	Support Connector Oxygen sensor		1	
34	900 378 036 01	Hexagon-head bolt M 6 X 12		2	
35	9A1 606 144 01	Support Complete		1	
36	9A1 606 176 00	Support Complete		1	
37	999 651 394 40	Cable holder 6,0		1	
38	999 651 399 40	Line bracket 5,0		1	
39	999 651 407 01	Cable clamp 12,0 - 14,0		1	
40	9A1 606 174 01	Support Complete		1	
41	900 387 021 01	Pan-head screw M 6 X 12		3	
42	900 067 362 01	Pan-head screw M 8 X 50		2	

Model: 991G13

Model life 2013>>



Model: 991G13

Model life 2013>>

Pos	Part Number	Description	Remark	Qty	Model
1	9A1 113 021 95	Exhaust system Exhaust manifold Left with Catalytic converter		1	MDG.GA
1	9A1 113 021 FX	Exhaust manifold Left with Catalytic converter		1	
2	9A1 113 022 95	Exhaust manifold Right with Catalytic converter		1	
2	9A1 113 022 FX	Exhaust manifold Right with Catalytic converter		1	
3	9A1 111 107 90	Gasket Exhaust manifold		2	
4	999 084 642 02	Hexagon nut M 8		18	
5	991 111 047 82	Front muffler Left Cyl. 1 - 3		1	
6	991 111 048 82	Front muffler Right Cyl. 4 - 6		1	
7	991 111 473 91	Support Front muffler		1	
8	980 111 561 00	Sealing ring		2	
9	997 111 561 90	Sealing ring		2	
10	997 111 563 90	Sealing ring		2	
11	997 111 461 93	Flange		2	
12	997 111 463 93	Flange		2	
14	900 385 001 01	Torx screw M 8 X 20		4	
15	900 377 003 01	Hexagon nut M 8		6	
16	997 111 027 92	Muffler		1	
17	997 111 119 70	Restraining strap Muffler		2	
18	991 111 253 95	Tail pipe Black		1	-I032
19	997 111 753 91	Washer		2	
20	997 111 755 91	Washer		1	
21	9A1 111 471 90	Support Front muffler Left Cyl. 1 - 3		1	
22	9A1 111 472 90	Support Front muffler Right Cyl. 4 - 6		1	
23	9A1 606 181 01	Oxygen sensor in front of Catalytic converter		2	
24	9A1 606 191 80	Oxygen sensor After Catalytic converter		2	
25	996 111 229 00	Damping piece		4	
26	900 385 102 01	Torx screw BM 8 X 90		2	
27	997 111 551 90	Sleeve		2	

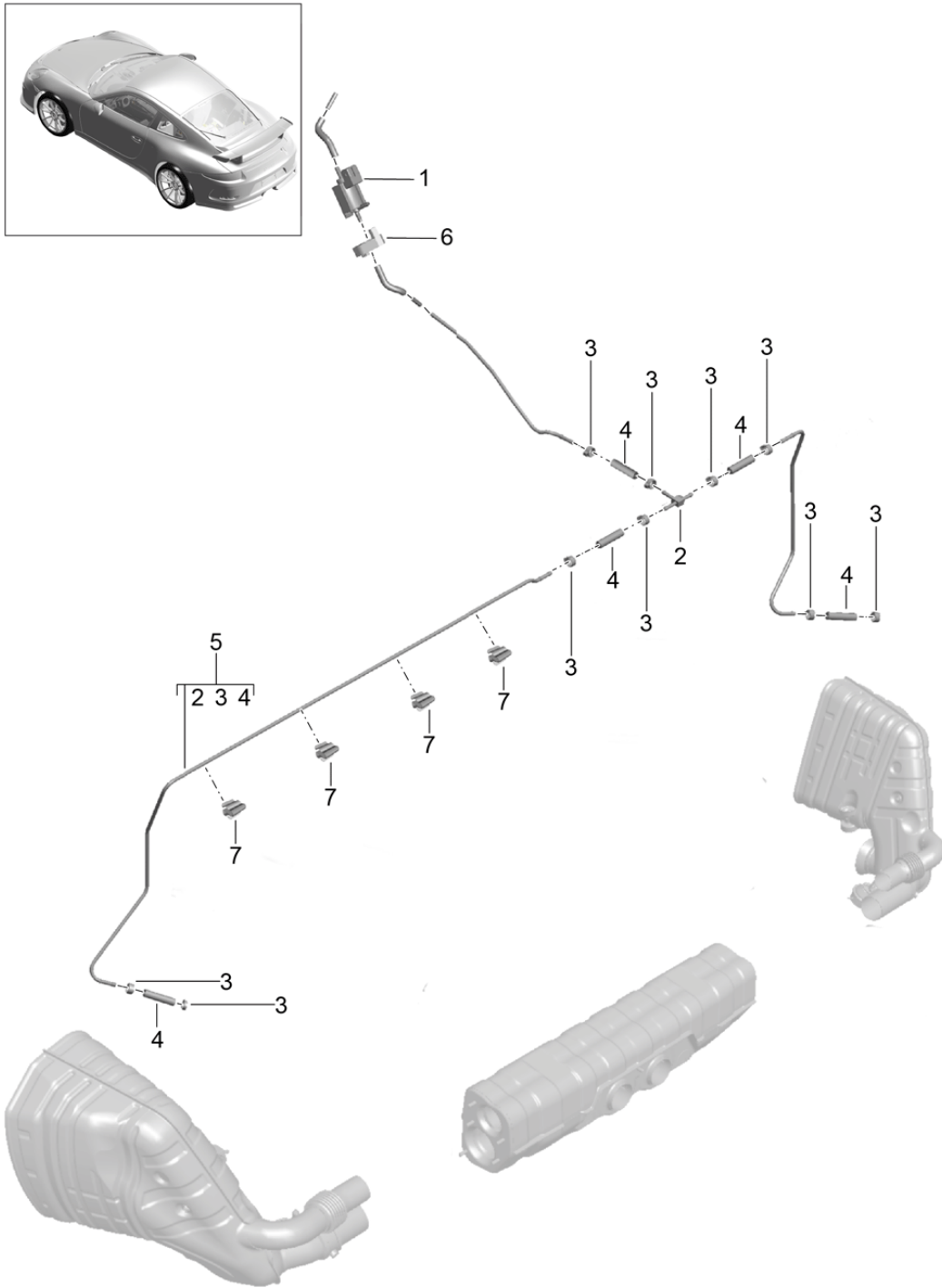
Model: 991G13

Model life 2013>>

Pos	Part Number	Description	Remark	Qty	Model
28	997 111 451 91	Retaining bar		2	
29	997 111 336 90	Clip		2	
		Muffler			
30	999 651 392 07	Cable holder		3	
		9,5 - 10,5			
31	999 084 649 01	Hexagon nut		13	
		M 8			
32	991 606 256 01	Support		1	
		Connector			
		Oxygen sensor			
33	991 606 257 01	Support		1	
		Connector			
		Oxygen sensor			
34	900 378 036 01	Hexagon-head bolt		2	
		M 6 X 12			
35	900 067 362 01	Pan-head screw		2	
		M 8 X 50			

Model: 991G13

Model life 2013>>



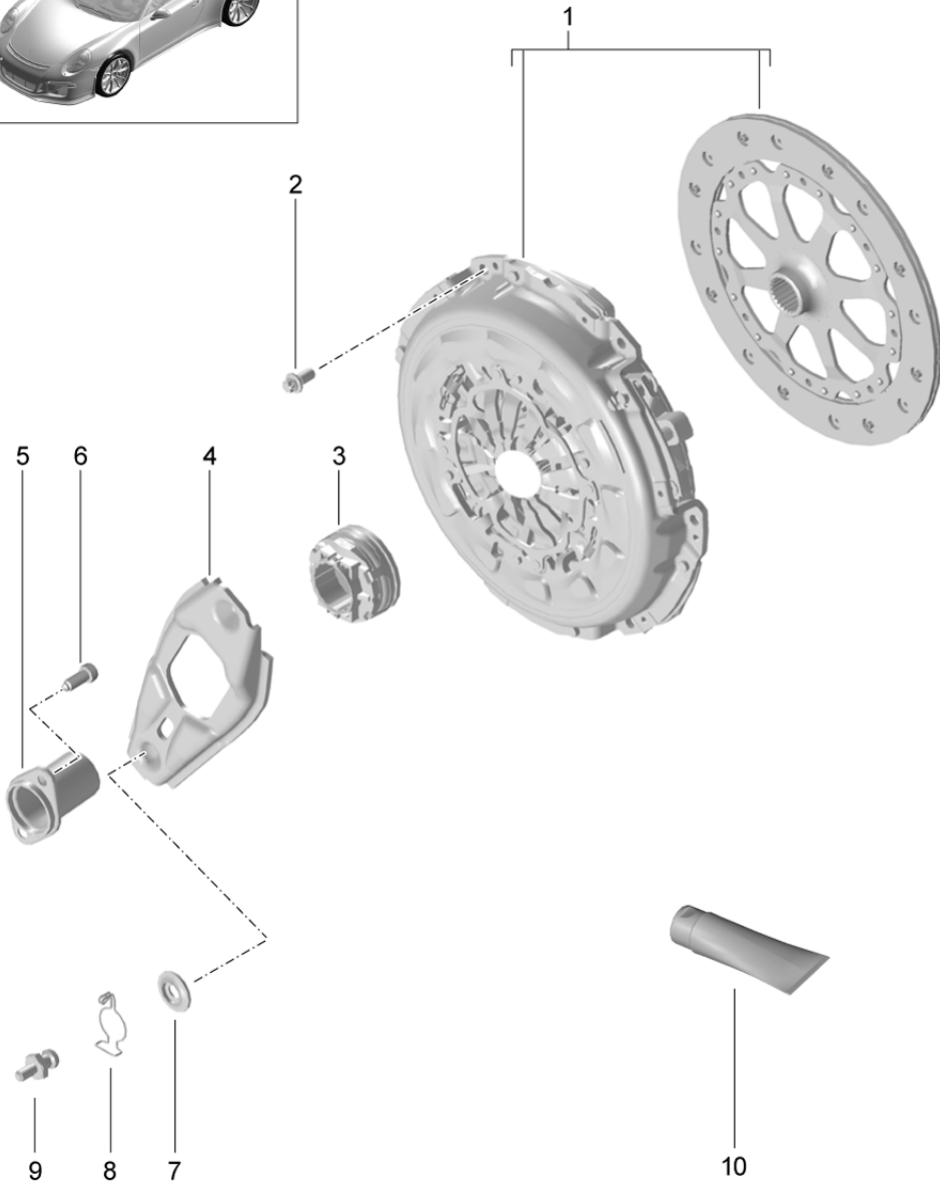
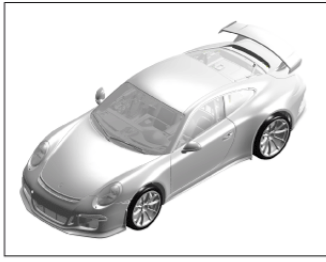
Model: 991G13

Model life 2013>>

Pos	Part Number	Description	Remark	Qty	Model
		Exhaust system Control			
1	9A1 605 165 00	Change-over valve		1	
1	996 605 165 00	Change-over valve		1	
2	999 137 095 02	T-piece		1	
3	999 512 707 00	Hose clamp 9,6 - 11,3		10	
3	999 512 764 00	Hose clamp 9,4		10	
4	999 181 536 40	Hose L = 42MM		5	
5	991 110 161 90	Control line Complete		1	MA1.75
5	991 110 161 91	Control line Complete		1	MA1.76
5	991 110 161 92	Control line Complete		1	MA1.76
5	991 110 161 94	Control line Complete		1	MDG.GA
6	948 605 167 01	Rubber holder Change-over valve		1	
7	999 651 401 01	Cable clamp 6,00		4	MA1.75/76
7		Cable clamp 6,00		6	MDG.GA

Model: 991G13

Model life 2013>>

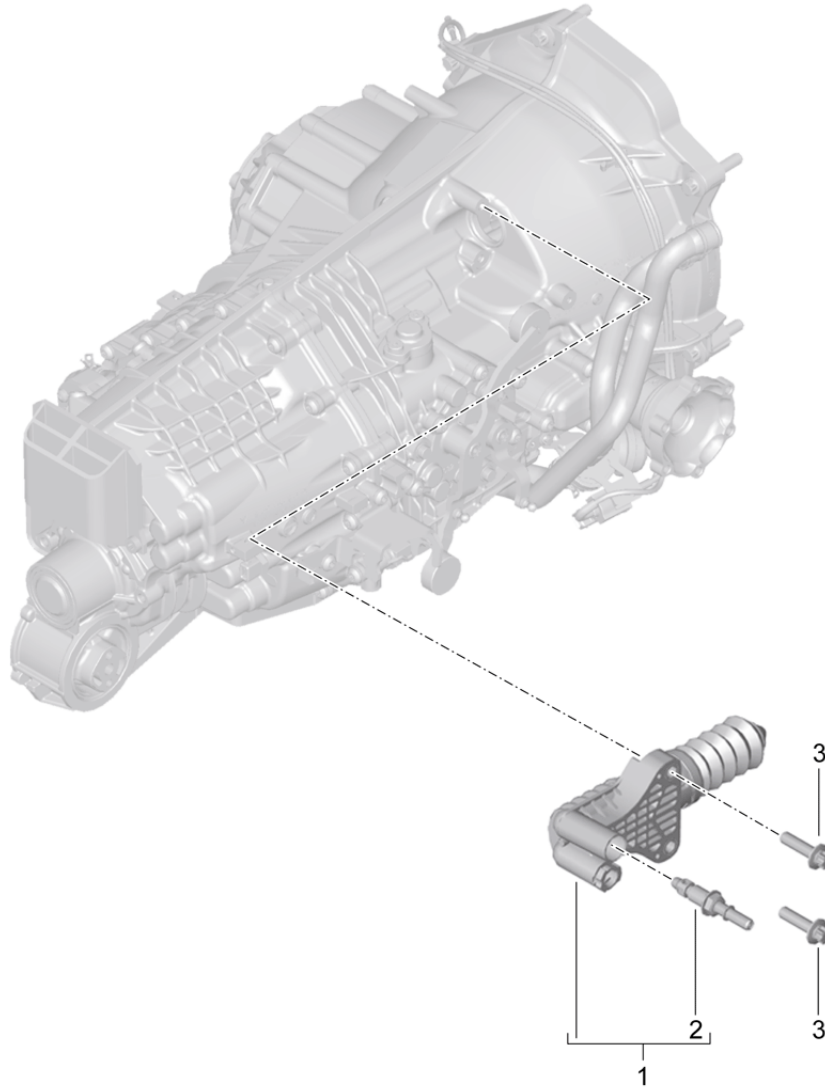
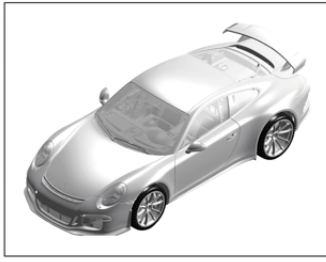


Model: 991G13 Model life 2013>>

Pos	Part Number	Description	Remark	Qty	Model
1	9P1 141 117	Clutch		1	G91.90 I486 MA1.76 -I187/I038 I486
(1)	9P1 141 117 A	Set Double-mass flywheel Clutch		1	MA1.76 I038/187/486
(1)	9P1 141 117 C	Set Single-mass flywheel Clutch		1	MDG.GA I486
2	9A7 004 076 00	Set Single-mass flywheel Torx screw		6	911R MA1.76
(2)	999 510 106 01	M 8 X 16 Torx screw		6	911R MA1.76
(2)		M 8 X 19 Torx screw		6	GT3 MDG.GA
3	012 141 165 E	M 8 X 19 Clutch release bearing		1	
4	9P1 141 719	Clutch release lever		1	
5	996 116 087 01	Guide sleeve	-16	1	
5	9P1 141 181	Guide sleeve	17-	1	
6	N 903 663 01	Pan-head screw M 8 X 22		2	
7	996 116 743 00	Sealing ring	-17	1	
7	9P1 141 143	Sealing ring	18-	1	
8	996 116 741 00	Clamp	-16	1	
8	9P1 141 164	Clamp	17-	1	
9	997 116 716 02	Ball pin	-16	1	
9	9P1 141 777	Ball pin	17-	1	
10	000 043 304 02	Grease Container 50 GR.		1	

Model: 991G13

Model life 2013>>



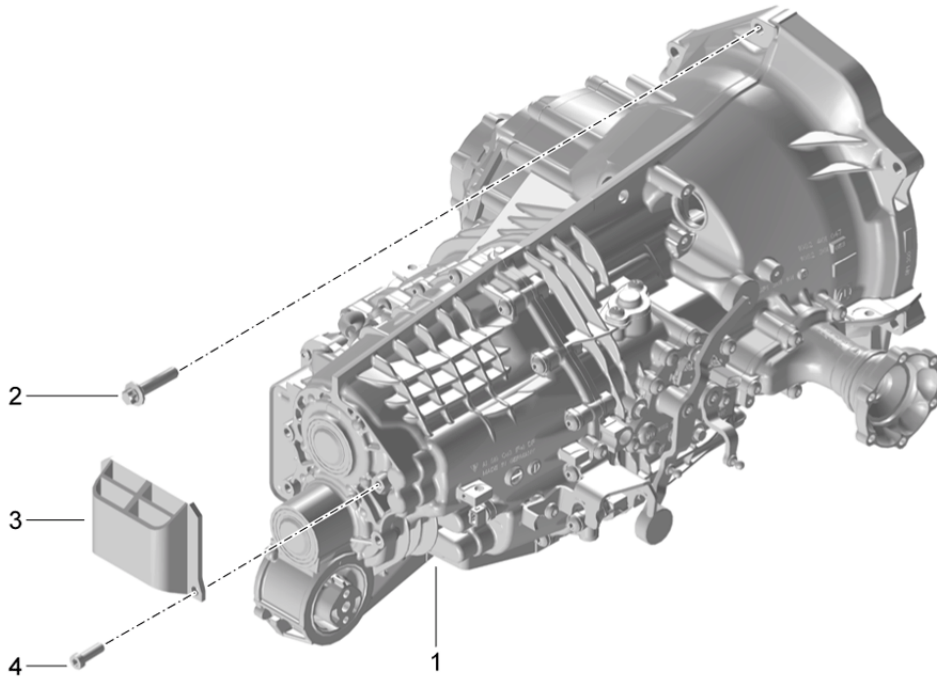
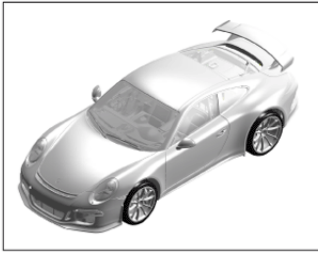
Model: 991G13

Model life 2013>>

Pos	Part Number	Description	Remark	Qty	Model
		Clutch release			G91.90 I486
1	9G1 116 238 01	Clutch operating cylinder	-16	1	
1	9P1 721 263	Clutch operating cylinder	17-	1	
2		Bleeder To Use		1	
3	900 385 096 01	Clutch operating cylinder Torx screw		2	

Model: 991G13

Model life 2013>>



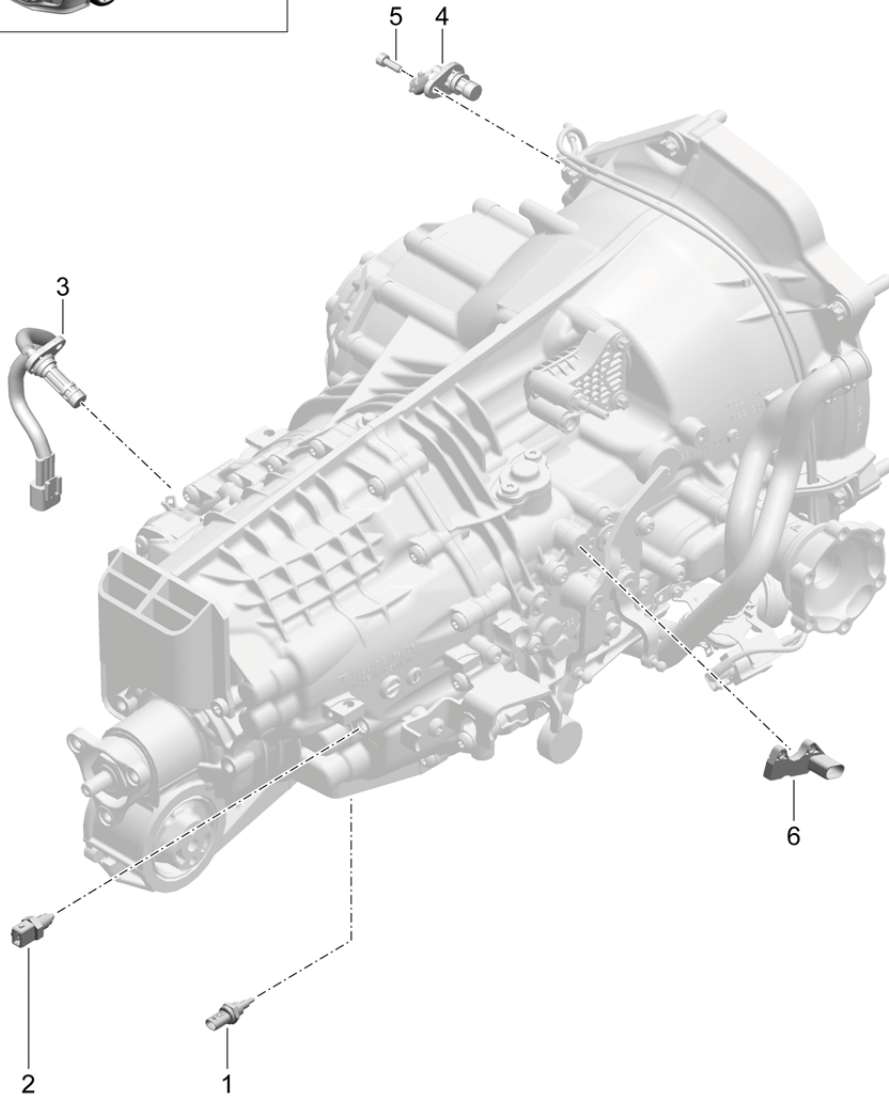
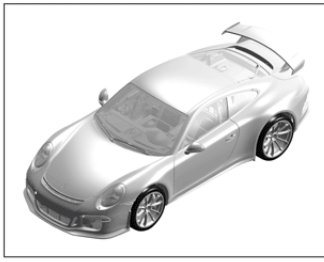
Model: 991G13

Model life 2013>>

Pos	Part Number	Description	Remark	Qty	Model
		Replacement transmission			G91.90
1	9P1 300 064 A	Replacement transmission	-17	1	I486 911R G91.90 I038/220
(1)	9P1 300 064 AX	Replacement transmission	-17	1	911R G91.90 I038/220
(1)	9P1 300 064 B	Replacement transmission	18-	1	GT3 G91.90 I220
(1)	9P1 300 064 BX	Replacement transmission	18-	1	GT3 G91.90 I220
2	999 385 009 01	Outer hexagon round screw BM 12 X 1,5 X 55		6	
3	991 449 105 02	Impact absorber	-16	1	
3	9P1 399 541	Impact absorber	17-	1	
4	999 073 209 01	Pan-head screw M 10 X 20		2	

Model: 991G13

Model life 2013>>



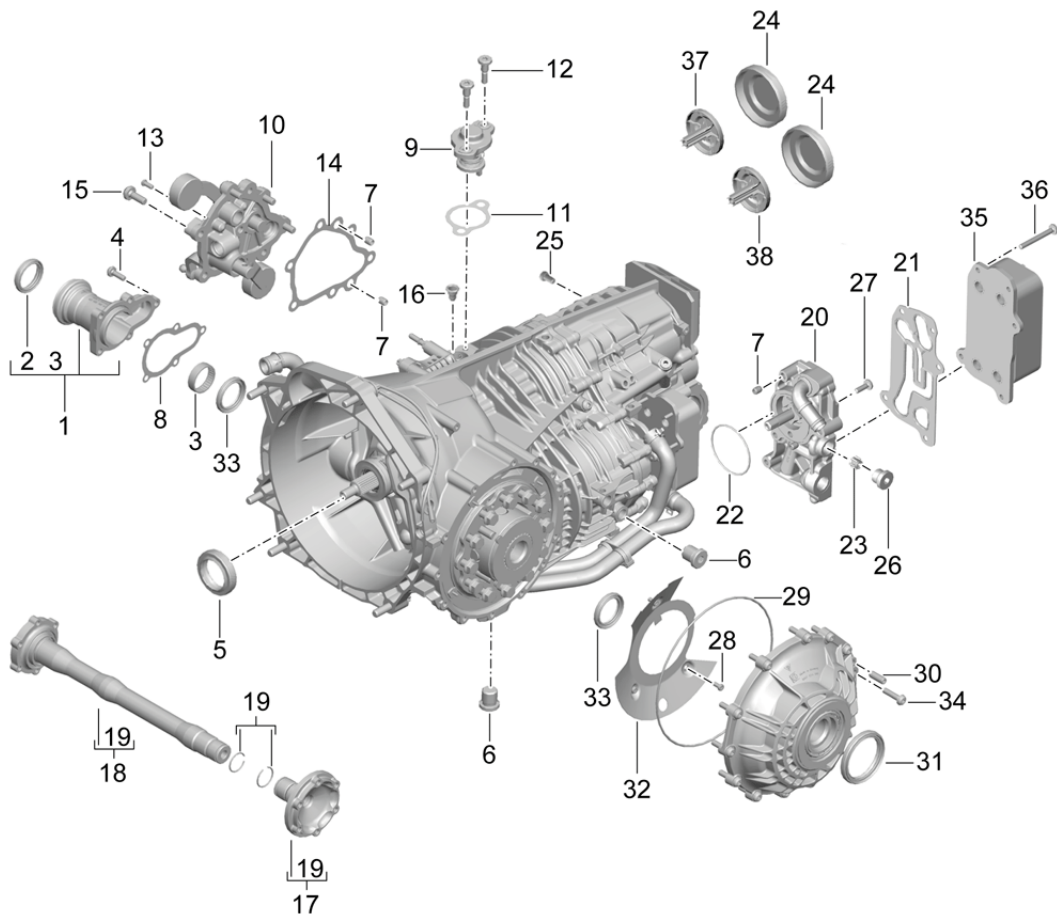
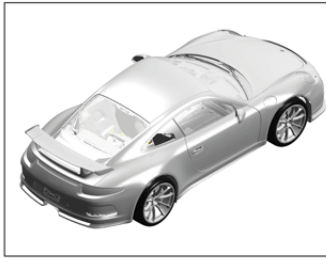
Model: 991G13

Model life 2013>>

Pos	Part Number	Description	Remark	Qty	Model
		Manual transmission			G91.90 I486
		Single parts			
1	991 606 391 00	Temperature sensor		1	
2	991 613 189 01	Switch		1	
		Back-up light			
3	991 606 305 00	Sensor		1	
		Speed sensor			
4	991 606 112 02	Speed sensor		1	
5	N 105 464 03	Pan-head screw		1	
		M 6 X 16			
6	991 606 303 00	Sensor		1	
		Neutral			
		Speed			

Model: 991G13

Model life 2013>>



Model: 991G13

Model life 2013>>

Pos	Part Number	Description	Remark	Qty	Model
		Manual transmission			G91.90 I486
		Single parts			
1	9G1 321 959 00	Housing neck		1	
2	9G1 332 804 00	Shaft sealing ring 42 X 55 X 7		1	
2	9G1 332 804 01	Shaft sealing ring 42 X 55 X 7		1	
3		Needle-roller bearing Not available		1	
		Housing neck 9G1.321.959.00			
		Use			
4	9G1 332 801 00	Torx screw M 8 X 25		5	
5	991 302 801 00	Shaft sealing ring 28 X 41 X 2,8		1	
6	9G1 321 805 00	Screw plug M 18 X 1,5		2	
7	9G1 321 821 00	Dowel sleeve		2	
8	9G1 321 259 00	Gasket		1	
		Housing neck			
9	991 303 103 00	Locking bolt		1	
9	991 303 103 05	Locking bolt		1	
10	991 303 105 01	Lid		1	
11	991 303 802 00	Gasket		1	
12	991 303 804 00	Fit bolt		2	
13	991 303 806 00	Round head screw M 5 X 12		2	
14	991 303 807 00	Gasket		1	
		Lid			
15	991 303 808 00	Round head screw M 8 X 22		7	
16	9G1 321 219 00	Sleeve		1	
		Bleeder			
17	9G1 332 208 55	Joint flange Short		1	
17	9G1 332 208 95	Joint flange Short		1	
18	991 332 209 00	Joint flange Long		1	
18	991 332 209 05	Joint flange Long		1	
19	9G1 332 820 00	Circlip		2	
20	9G1 307 033 01	Housing		1	
		Oil pump			
21	9G1 307 241 00	Gasket		1	
		Use also:			
		99130782200		2	
		99130782300		3	
22	9G1 307 890 00	O-ring		1	
23	9G1 307 893 00	Valve		1	
24	9G1 321 360 00	Lid		2	
26	970 321 805 00	Screw plug M 18 X 1,5		1	
		with			
		Sealing ring			
27	991 307 822 00	Round head screw M 6 X 20		2	
28	9G1 321 809 00	Round head screw		3	
29	9G1 321 815 00	O-ring 221 X 3		1	
30	9G1 321 890 00	Straight pin		1	

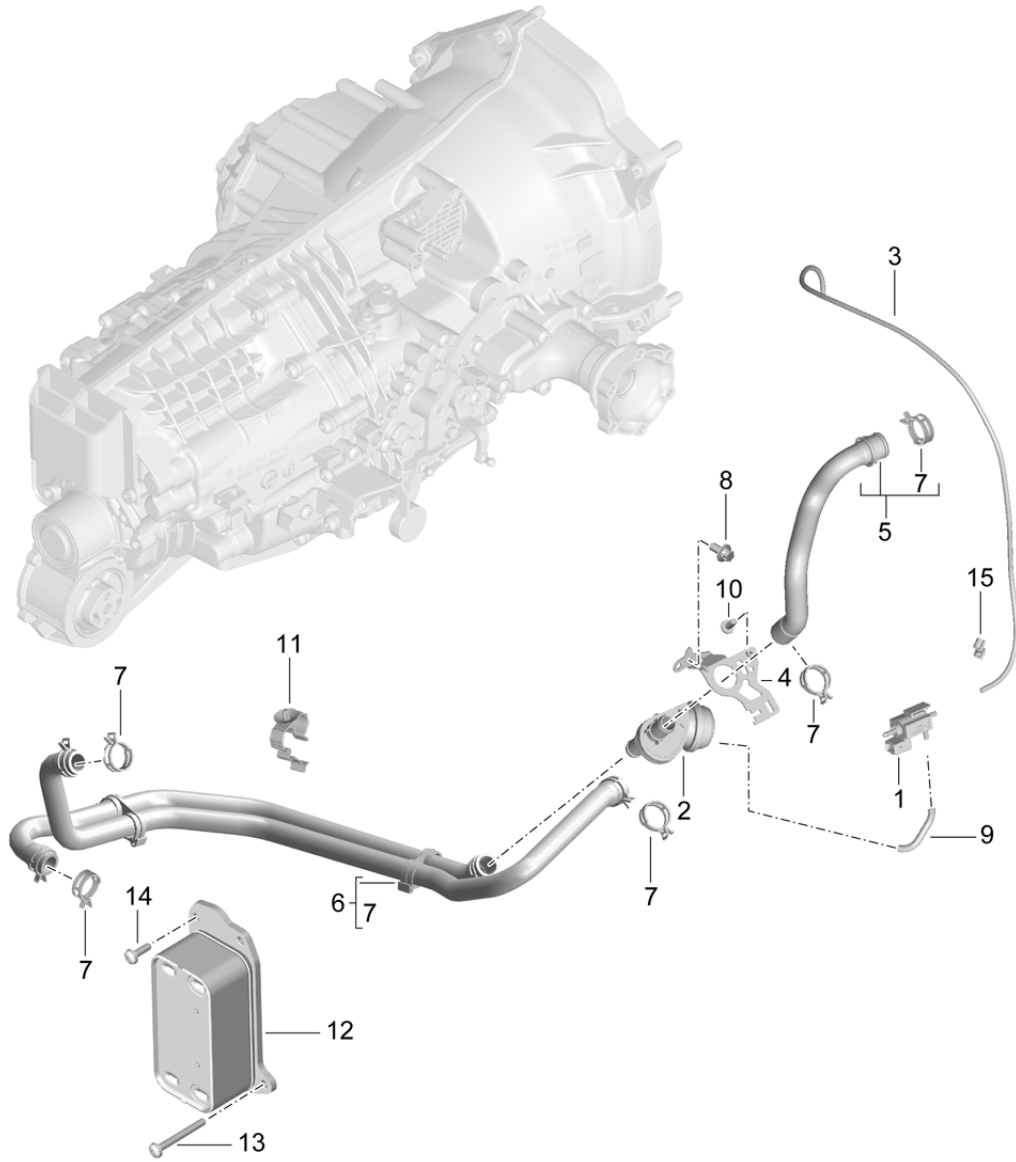
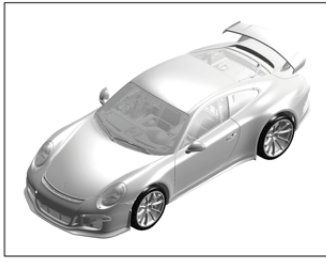
Model: 991G13

Model life 2013>>

Pos	Part Number	Description	Remark	Qty	Model
31	9G1 332 803 00	D 10 X 28 Shaft sealing ring Joint flange 64 X 82 X 8		1	
31	9G1 332 803 01	Shaft sealing ring Joint flange 64 X 82 X 8		1	
32	991 307 104 01	Guide Transmission oil		1	
33	991 332 805 00	Shaft sealing ring 40 X 55 X 7		2	
34	991 332 806 00	Round head screw M 8 X 33,5		13	
35	9G1 307 019 00	Heat exchanger		1	
36	991 307 823 00	Round head screw		3	
37	9G1 302 375 00	Sealing ring Lid		1	
38	9G2 302 377 00	Sealing ring Lid		1	

Model: 991G13

Model life 2013>>



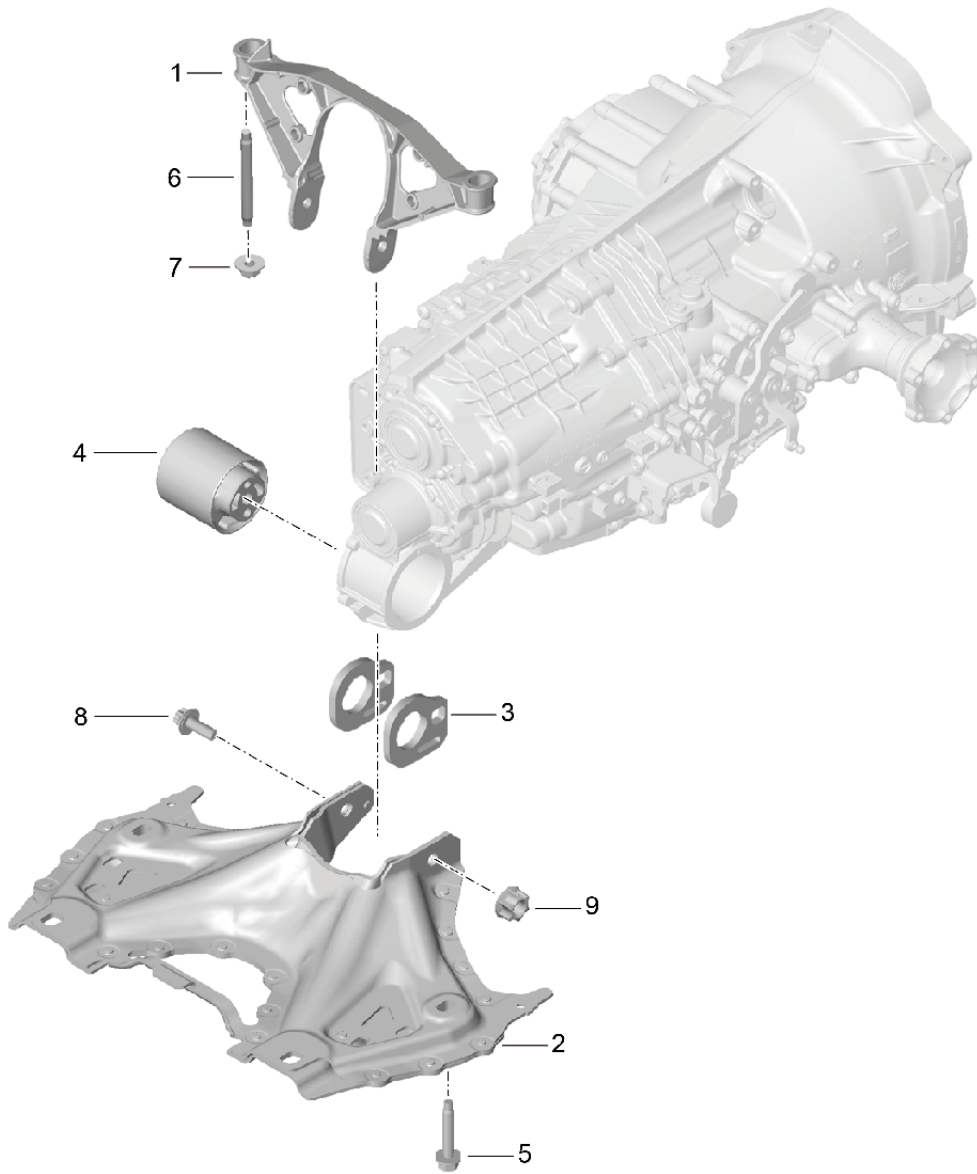
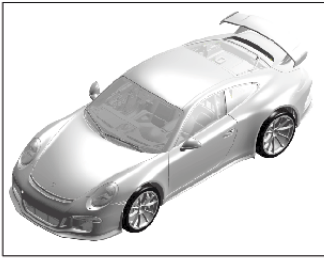
Model: 991G13

Model life 2013>>

Pos	Part Number	Description	Remark	Qty	Model
		Manual transmission			G91.90 I486
		Heat exchanger			
		Oil tube			
		Water tube			
1	7PP 906 270	Change-over valve	-17	1	911R
2	9P1 317 233	Disc valve		1	
2	991 307 573 00	Disc valve		1	
3	9A1 110 387 90	Vacuum line		1	
4	991 307 402 00	Support	-17	1	911R
		Disc valve			
5	9P1 317 031	Water line	-17	1	911R
		Supply			
6	9P1 317 241	Water line	-17	1	911R
6	9P1 317 241 A	Water line	18-	1	GT3
7	999 512 589 09	Hose clamp	-17	6	911R
		A 25 X 12			
7		Hose clamp	18-	4	GT3
		A 25 X 12			
8	900 385 041 01	Torx screw	-17	1	911R
		BM 6 X 12			
9	999 239 044 40	Hose line	-17	1	911R
		3,5 X 2,0 X 130			
10	N 910 682 01	Round head screw	-17	1	911R
		M 4 X 10			
11	999 507 855 40	Cable holder		1	
		22,0 / 22,0			
12	9G1 307 019 00	Heat exchanger		1	
		Use also:			
		9G130724100		1	
		99130782200		2	
		99130782300		3	
13	991 307 823 00	Round head screw		3	
		M 6 X 55			
14	991 307 822 00	Round head screw		3	
		M 6 X 20			
15	N 102 810 02	Support		1	
		Vacuum line			

Model: 991G13

Model life 2013>>



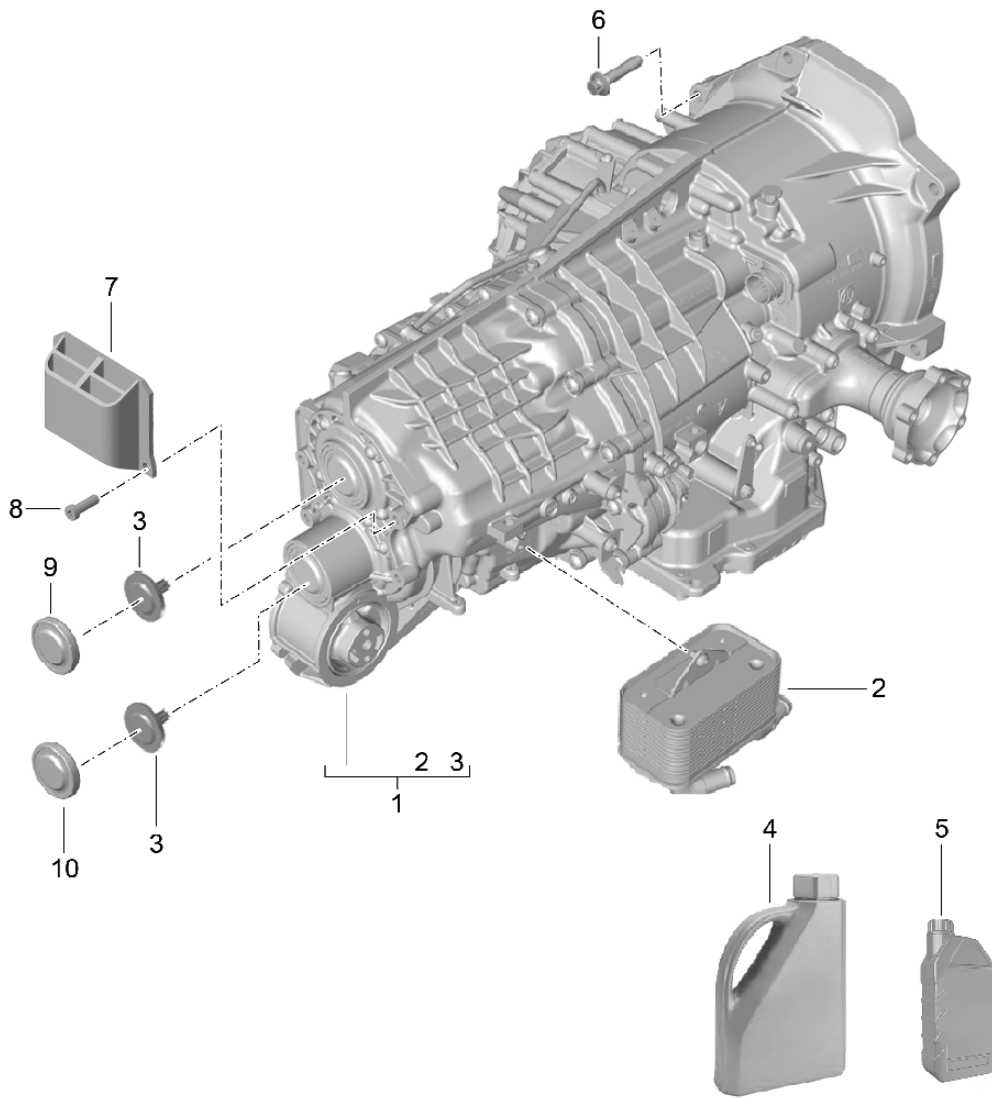
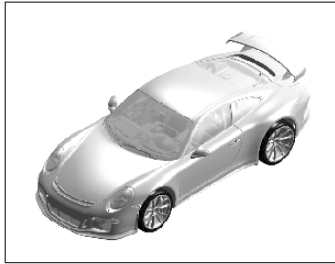
Model: 991G13

Model life 2013>>

Pos	Part Number	Description	Remark	Qty	Model
		Transmission suspension Threaded joint			CG1.90 CG1.95 CG1.92 G91.90
1	991 375 039 03	Transmission carrier	-17	1	CG1.90/92/95 G91.90
2	991 375 114 03	Side member		1	
3	991 375 255 80	Stop		2	
		Transmission mounting			
4	991 375 055 81	Transmission mounting		1	
5	999 072 083 01	Combination screw		2	
		M 10 X 58			
6	999 061 009 01	Stud		2	CG1.90
		M 10 X 102,5			
6	999 061 009 02	Stud		2	CG1.95 G91.90
		M 10 X 102,5			
7	999 084 648 01	Hexagon nut		2	
		M 10			
7	999 076 053 01	Hexagon nut		2	
		M 10			
8	900 385 164 01	Outer hexagon round screw		1	
		BM 12 X 1,5 X 140			
9	999 086 009 02	Nut		1	
		M 12 X 1,5			
10	999 072 063 02	Hexagon-head bolt		2	
		AM 10 X 40			

Model: 991G13

Model life 2013>>



Model: 991G13 Model life 2013>>

Pos	Part Number	Description	Remark	Qty	Model
		- PDK - Transmission Replacement transmission see Technical information Group 3			CG1.90 CG1.92 CG1.95
1	9G1 300 031 90	Transmission		1	CG1.90 I221
		with Limited-slip differential			
1	9G1 300 031 91	Transmission		1	CG1.90 I221
		with Limited-slip differential			
(1)	9G1 300 031 CX	Transmission		1	CG1.90 I221
		with Limited-slip differential			
(1)	9G1 300 031 HX	Transmission		1	CG1.90 I221
		with Limited-slip differential			
1	9G1 300 031 95	Transmission		1	CG1.95 I221
		with Limited-slip differential D >> 26.06.2016			
(1)	9G1 300 031 KX	Transmission		1	CG1.95 I221
		with Limited-slip differential D >> 26.06.2016			
(1)	9G1 300 031 96	Transmission		1	CG1.95 I221
		with Limited-slip differential D 27.06.2016>>			
(1)	9G1 300 031 RX	Transmission		1	CG1.95 I221
		with Limited-slip differential D 27.06.2016>>			
(1)	9G1 300 031 92	Replacement transmission		1	CG1.92 I221
		with Limited-slip differential	18-		
(1)	9G1 300 031 SX	Replacement transmission		1	CG1.92 I221
		with Limited-slip differential	18-		
2		Heat exchanger See illustrations 3/60/00			
3	9G1 321 360 00	Lid Transmission case		2	
4	000 043 207 30	Rear Transmission oil PENTOSIN FFL 3 20 LTR.		X	
(4)	000 043 207 29	Container Transmission oil PENTOSIN FFL 3 1 LTR.		X	

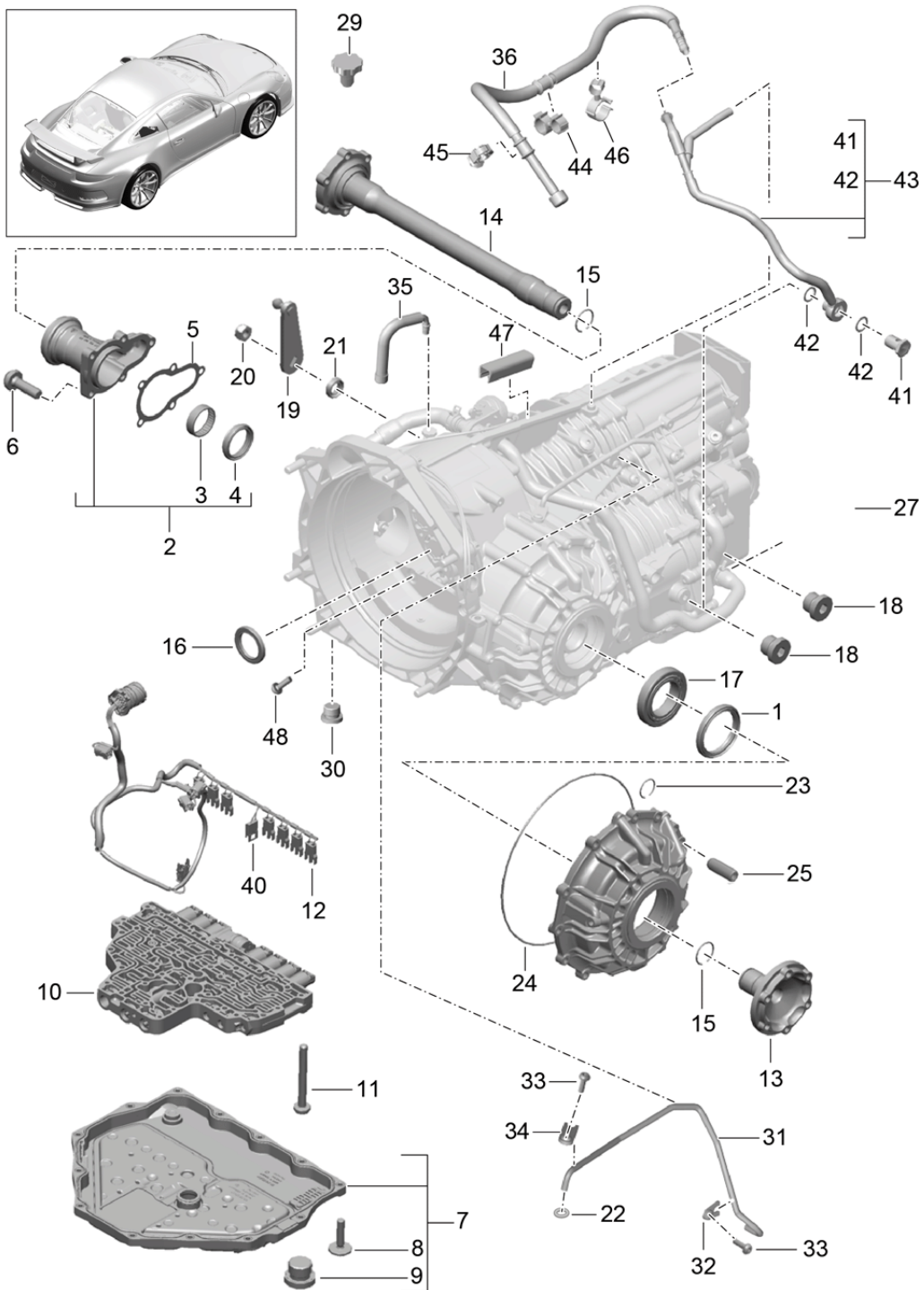
Model: 991G13

Model life 2013>>

Pos	Part Number	Description	Remark	Qty	Model
5	000 043 204 20	Container Transmission oil 75 W 90 MOBILUBE PTX Differential 20 LTR.		X	
6	999 385 009 01	Container Outer hexagon round screw M 12 X 1,5 X 55 Threaded joint Engine and transmission		6	
7	991 449 105 02	Impact absorber		1	CG1.90/95
7	9P1 399 541	Impact absorber		1	CG1.92
8	999 073 209 01	Pan-head screw M 10 X 20		2	
9	9G1 302 375 00	Sealing ring Lid		1	
10	9G1 302 377 91	Sealing ring Lid		1	

Model: 991G13

Model life 2013>>



Model: 991G13 Model life 2013>>

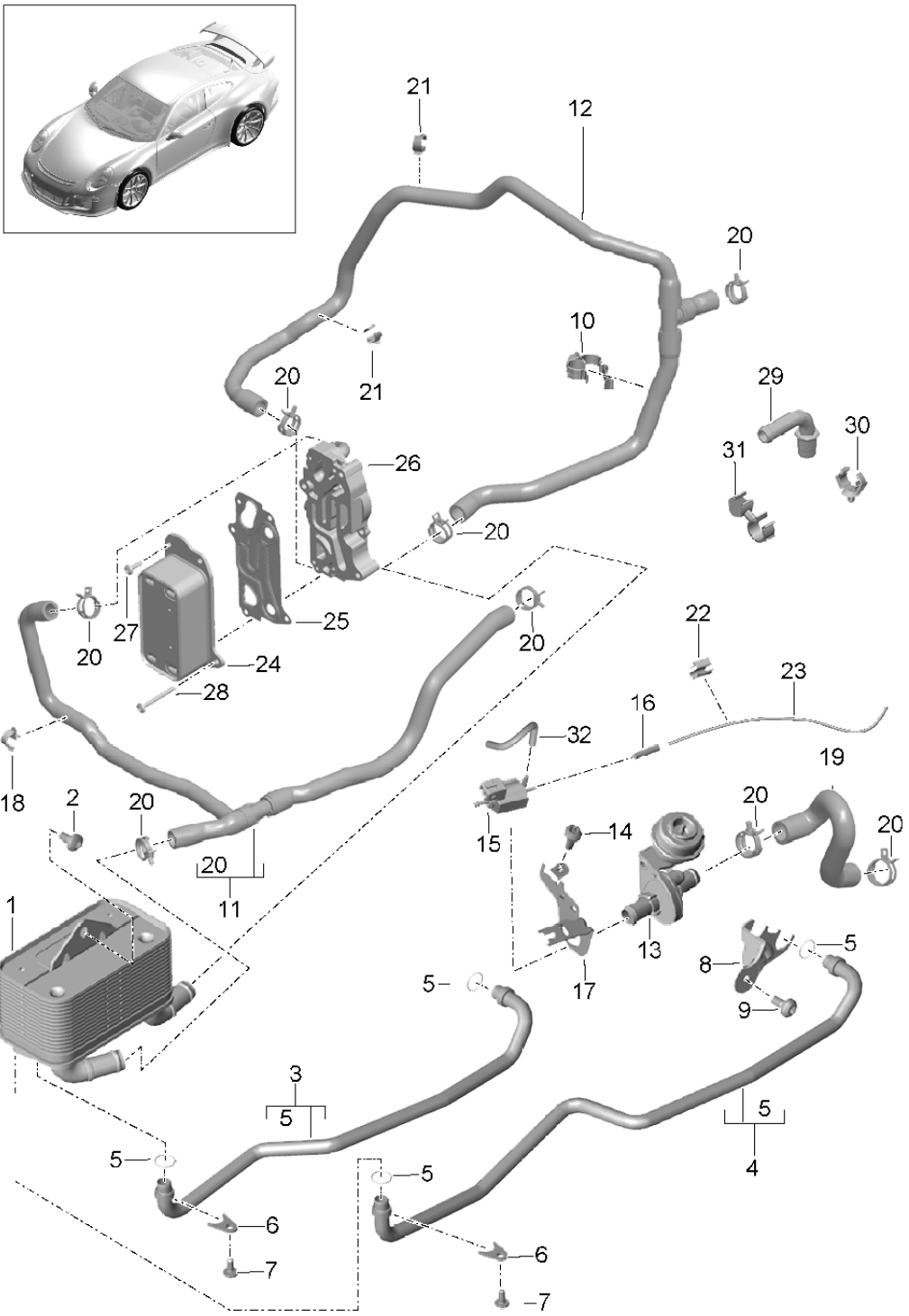
Pos	Part Number	Description	Remark	Qty	Model
		- PDK - Transmission			CG1.90 CG1.92 CG1.95 CG1.90/95
1	9G1 332 806 00	Single parts Shaft sealing ring 40X52 / 55X40		1	
1	9G1 332 806 01	Shaft sealing ring 40X52 / 55X40		1	CG1.92
2	9G1 321 959 00	Housing neck Complete		1	
3	9G1 332 850 00	Needle-roller bearing 42,0 X 47,0 X 13,0		1	
4	9G1 332 804 00	Shaft sealing ring 42 X 55 X 7		2	CG1.90/95
4	9G1 332 804 01	Shaft sealing ring 42 X 55 X 7		2	CG1.92
5	9G1 321 259 00	Gasket Flange		1	
6	9G1 332 801 00	Torx screw M8 X 25		18	
7	9G1 321 125 00	Oil pan Complete		1	
7	9G1 321 025 00	Oil pan Complete		1	
8	9G1 321 801 00	Torx screw M6 X 25		13	
9	9G1 321 825 01	Screw plug Included		1	
10	9G1 317 015 35	Sealing ring Control unit Hydraulic PDK		1	I221
11	9G1 317 801 00	Screw M6X55		20	
12	9G1 317 698 00	Connector housing Solenoid valve		7	
13	9G1 332 028 55	Joint flange Short		1	CG1.90
13	9G1 332 208 95	Joint flange Short		1	CG1.92/95
14	9G1 332 029 55	Use also: 9G1.332.820.00 Joint flange Long		1 1	CG1.90
14	9G1 332 209 95	Joint flange Long Use also: 9G1.332.820.00		1 1	CG1.92/95
15	9G1 332 820 00	Circlip D36 X 2,6		2	
16	9G1 116 807 00	Shaft sealing ring for Clutch 40 X 57 X 6		1	
17	9G1 332 803 00	Shaft sealing ring 64X82X8		1	
17	9G1 332 803 01	Shaft sealing ring 64X82X8		1	
18	970 321 805 00	Screw plug M 18 X 1,5 with Sealing ring		3	
19	9G1 324 135 05	Gearshift lever		1	
20	9G1 324 815 00	Nut		1	

Model: 991G13 Model life 2013>>

Pos	Part Number	Description	Remark	Qty	Model
21	970 324 805 00	M 8 X 1 Shaft sealing ring		1	
22	9G1 307 892 00	10 X 18 X 5 O-ring		4	I221
23	9G1 321 818 00	Oil tube O-ring		2	I221
24	9G1 321 815 00	O-ring		1	
25	9G1 321 890 00	221 X 3 Straight pin		1	
27	991 606 391 00	D 10 X 28 Temperature sensor		1	
29	9G1 321 215 00	Transmission Cap		1	
-	9G1 321 221 00	Connection piece		2	
30	970 321 871 00	Bleeder Screw plug		1	
31	9G1 307 202 00	Pipeline		1	
32	9G1 307 253 00	Retaining bracket		1	
33	9G1 307 822 00	Round head screw		3	
34	9G1 307 259 00	Retaining bracket		1	
35	9G1 321 011 03	Bleeding		1	
36	9G1 321 011 04	Bleeding		1	
36	0B5 301 675 A	Breather hose		1	
		To Use 9G1.321.211.91 And 9G1.321.011.95			
36	9G1 321 211 91	Bleeding		1	
-	999 507 127 40	Hose holder		1	
		16,0 - 18,5 Use with Bleeding 9G132101104			
-	999 507 909 40	Cable holder		1	
40	9G1 317 697 00	Connector housing		X	
		Pressure regulator			
41	9G1 321 235 90	Banjo bolt		1	
42	900 123 106 30	Sealing ring		2	
43	9G1 321 011 95	A 18X24 Bleeding		1	
44	N 102 627 01	Line bracket		1	
45	999 507 909 40	Cable holder		1	
46	N 105 257 01	Line bracket		1	
47	999 911 764 01	Edge protection		1	
48	9G1 307 816 00	Torx screw		3	
		M6 X 16			

Model: 991G13

Model life 2013>>



Model: 991G13

Model life 2013>>

Pos	Part Number	Description	Remark	Qty	Model
		- PDK - Transmission Heat exchanger Oil tube Water tube			CG1.90 CG1.92 CG1.95
1	9G1 307 017 00	Heat exchanger		1	
2	9G1 307 813 00	Torx screw M 6 X 12		5	
3	9G1 307 087 05	Oil pipe Heat exchanger Supply		1	
4	9G1 307 085 05	Oil pipe Heat exchanger Return line		1	
5	9G1 307 891 00	Sealing ring Oil pipe Heat exchanger		4	
6	9G1 307 245 00	Retaining bracket Oil pipe Heat exchanger		2	
7	9G1 307 813 00	Torx screw M 6 X 12		2	
8	9G1 307 255 00	Retaining bracket Oil tube Transmission		1	
9	9G1 307 802 00	Torx screw M 8 X 15		1	
10	999 507 855 40	Cable holder 12,00 / 12,00		1	
11	9G1 307 735 91	Hose line Coolant Return line		1	
12	9G1 307 713 90	Water hose Coolant		1	CG1.90/95
12	9G1 307 713 91	Water hose Coolant		1	CG1.92
13	991 307 573 00	Disc valve		2	CG1.90
13	9P1 317 233	Disc valve		2	CG1.95
14	N 910 682 01	Round head screw M 4 X 10		3	CG1.90/95
15	7PP 906 270	Change-over valve		2	CG1.90
16	999 239 040 40	Connecting piece		2	
17	9G1 307 411 90	Support Disc valve		1	CG1.90/95
18	999 651 418 01	Support Hose line		1	
19	9G1 307 733 91	Hose line Coolant Supply		1	CG1.90/95
20	999 512 589 09	Hose clamp A 25 X 12		9	
20		Hose clamp A 25 X 12		2	CG1.92
21	999 651 358 01	Support 15 - 21		2	
22	811 971 848 B	Retaining clip 4,8 - 5,3		1	
-	000 043 205 01	Pipe Vacuum line 4,0 X 1,0		*	
23		Vacuum line L = 480MM		1	
24	9G1 307 019 00	Heat exchanger		1	

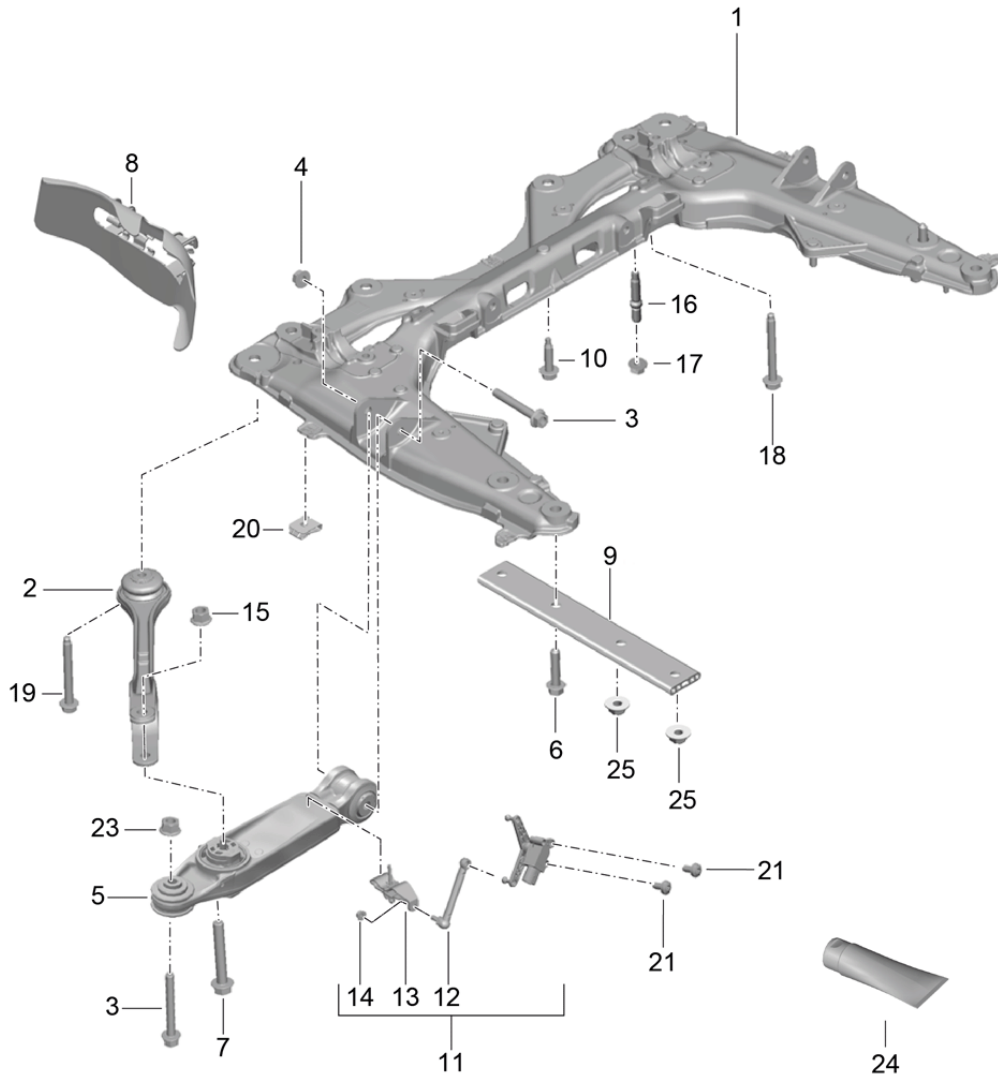
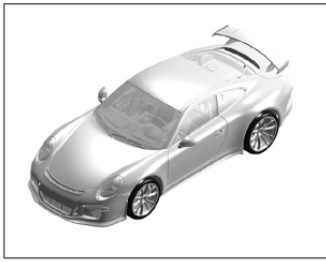
Model: 991G13

Model life 2013>>

Pos	Part Number	Description	Remark	Qty	Model
25	9G1 307 241 00	Use also: 9G130724100 99130782200 99130782300 Gasket Heat exchanger		1 2 3 1	
27	991 307 822 00	Use also: 99130782200 99130782300 Round head screw M 6 X 20		2 3 2	
28	991 307 823 00	Round head screw M 6 X 55		3	
-	999 239 031 42	Hose Vacuum line 3,5 X 2,0	-17	X	
29		Vacuum line L = 100MM		1	
30	999 507 909 40	Cable holder 11,5 - 13,0		1	
31	N 102 627 01	Line bracket Disc valve		1	
32	9G1 307 675 00	Vacuum hose		1	CG1.90/95

Model: 991G13

Model life 2013>>

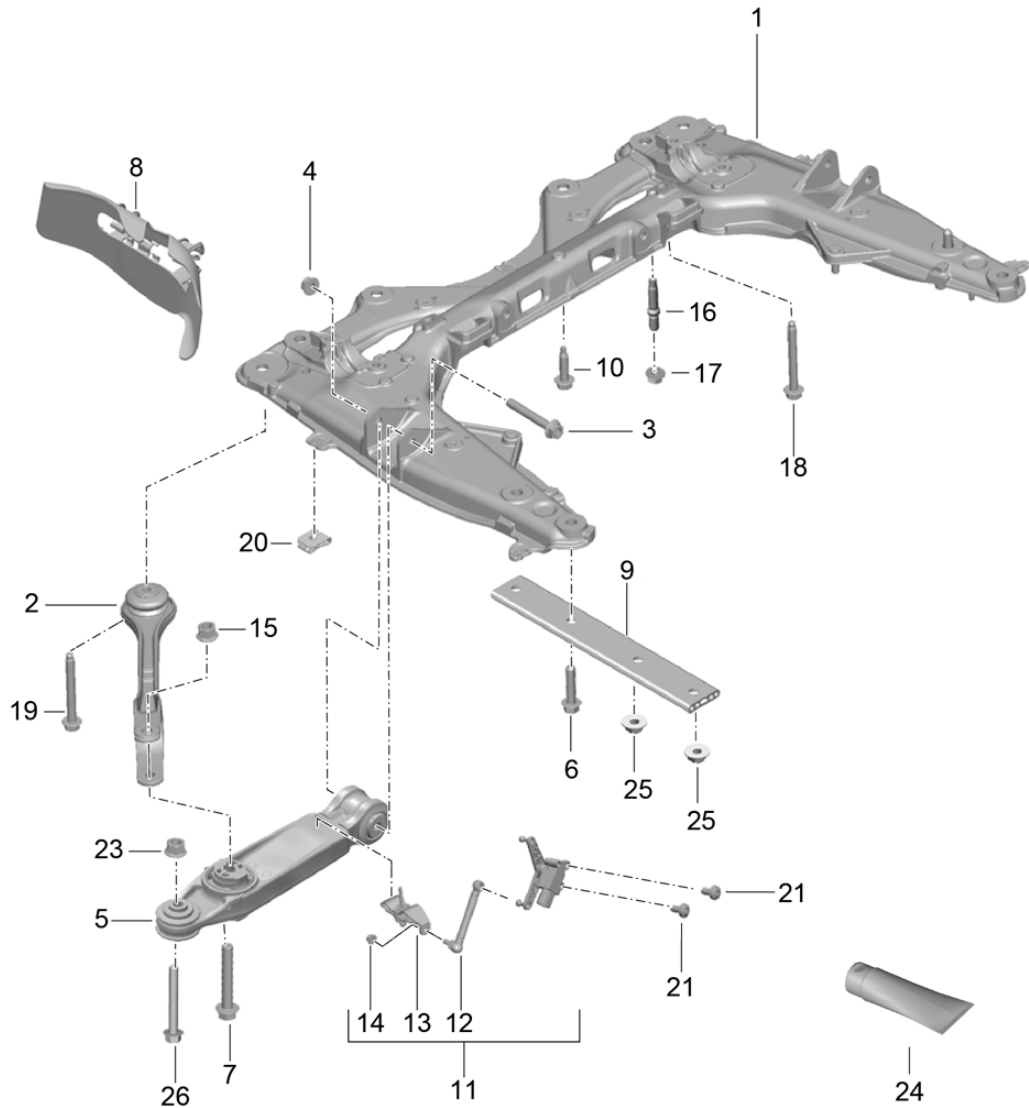
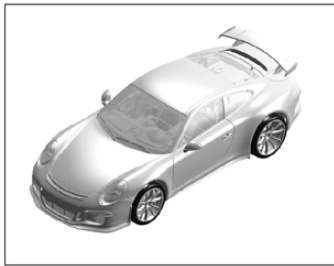


Model: 991G13 Model life 2013>>

Pos	Part Number	Description	Remark	Qty	Model
		Cross member Wishbone	-17		
1	991 341 081 16	Cross member		1	
2	991 341 043 01	Control arm		2	
(2)	991 341 043 02	Control arm		2	
(2)	991 341 043 03	Control arm		2	
(2)	991 341 043 80	Control arm		2	
3	999 072 852 01	Hexagon-head bolt M 12 X 1,5 X 90		2	
(3)	9A7 008 209 00	Hexagon-head bolt M 12 X 1,5 X 90		2	
(3)	999 072 876 01	Hexagon-head bolt M 12 X 1,5 X 95		4	
4	999 084 445 01	Lock nut M 12 X 1,5		2	
5	991 341 041 81	Wishbone	/L	1	
(5)	991 341 041 87	Wishbone	/L	1	
(5)	991 341 041 82	Wishbone	/L	1	
(5)	991 341 042 81	Wishbone	/R	1	
(5)	991 341 042 87	Wishbone	/R	1	
(5)	991 341 042 82	Wishbone	/R	1	
6	N 911 489 01	Combination screw M 12 X 1,5 X 60		4	
7	999 072 892 01	Hexagon-head bolt AM 14 X 1,5 X 92		2	
8	991 341 483 80	Spoiler	/L	1	
(8)	991 341 483 81	Spoiler	/L	1	
(8)	991 341 484 80	Spoiler	/R	1	
(8)	991 341 484 81	Spoiler	/R	1	
9	991 504 741 00	Strut		2	
10	999 072 863 01	Hexagon-head bolt M 12 X 1,5 X 50		2	
11	991 343 021 80	Sensor		2	I475
(11)	991 343 921 80	Sensor		2	I475
12	991 343 327 00	Strut		2	I475
13	996 341 371 03	Support		2	I475
14	900 380 015 01	Hexagon nut M 6		2	
15	900 380 012 01	Hexagon nut M 14 X 1,5		2	
16	999 061 125 01	Stud M 12 X 1,5		4	
17	N 909 167 01	Hexagon nut M 12 X 1,5		4	
18	999 072 836 01	Hexagon-head bolt M 10 X 60		4	
19	999 072 864 01	Hexagon-head bolt AM 12 X 1,5 X 105		2	
20	999 507 795 09	Speed nut ST 4,8		6	
21	N 104 857 03	Round head screw M 5X12		4	I475
23	999 084 449 09	Lock nut M 12 X 1,5		2	
24	9A7 915 576 01	Corrosion protection		1	
25	999 084 648 01	Hexagon nut M 10		4	

Model: 991G13

Model life 2013>>



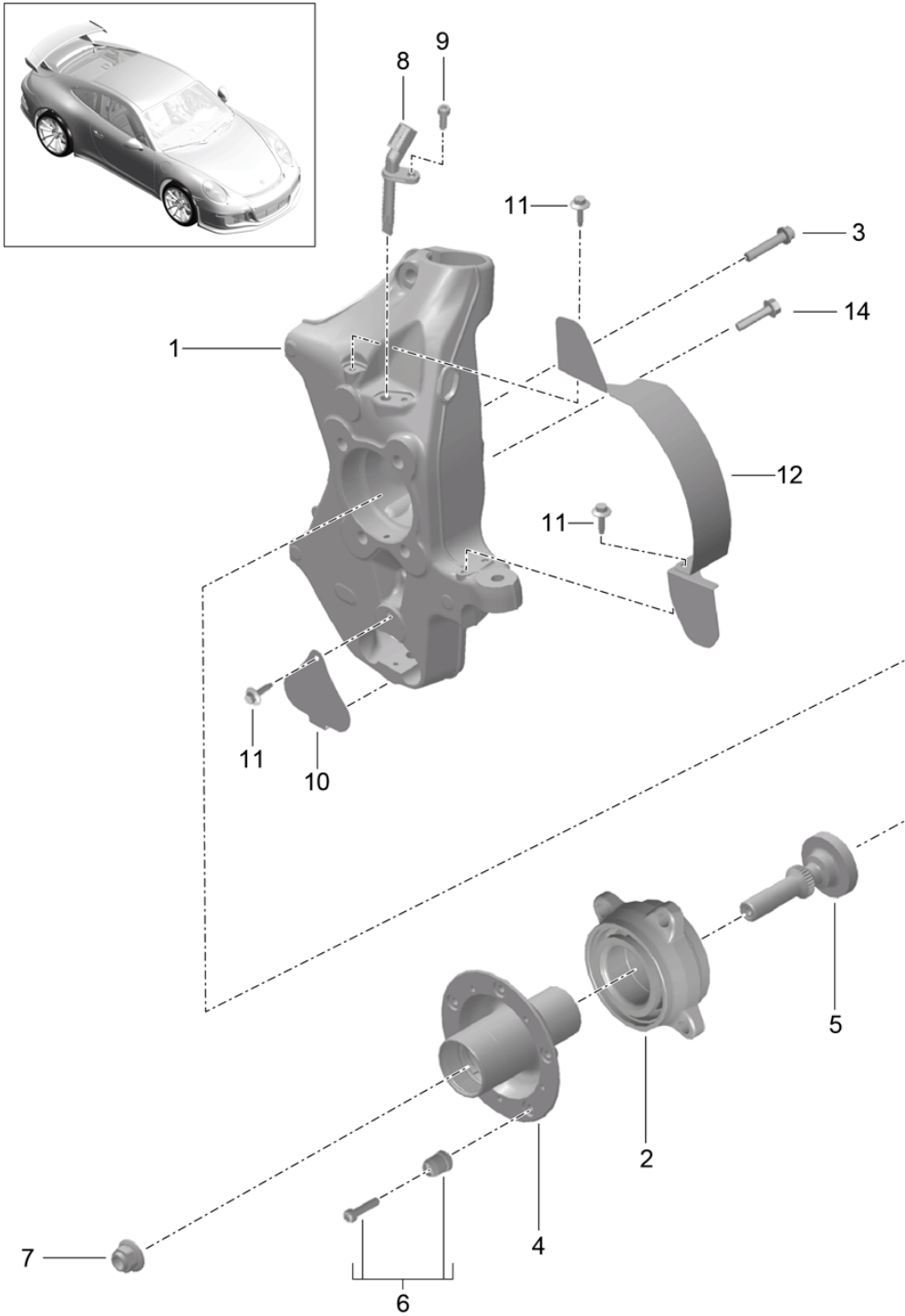
Model: 991G13

Model life 2013>>

Pos	Part Number	Description	Remark	Qty	Model
		Cross member	18-		
		Wishbone			
1	991 341 081 16	Cross member		1	
2	991 341 043 03	Control arm		2	
(3)	9A7 008 209 00	Hexagon-head bolt		2	
		M 12 X 1,5 X 90			
4	999 084 445 01	Lock nut		2	
		M 12 X 1,5			
5	991 341 041 87	Wishbone	/L	1	
(5)	991 341 042 87	Wishbone	/R	1	
6	N 911 489 01	Combination screw		4	
		M 12 X 1,5 X 60			
7	999 072 892 01	Hexagon-head bolt		2	
		AM 14 X 1,5 X 92			
8	991 341 483 80	Spoiler	/L	1	
(8)	991 341 484 80	Spoiler	/R	1	
9	991 504 741 00	Strut		2	
10	999 072 863 01	Hexagon-head bolt		2	
		M 12 X 1,5 X 50			
11	991 343 921 80	Sensor		2	I475
12	991 343 327 00	Strut		2	I475
13	996 341 371 03	Support		2	I475
14	900 380 015 01	Hexagon nut		2	
		M 6			
15	900 380 012 01	Hexagon nut		2	
		M 14 X 1,5			
16	999 061 125 01	Stud		4	
		M 12 X 1,5			
17	N 909 167 01	Hexagon nut		4	
		M 12 X 1,5			
18	999 072 836 01	Hexagon-head bolt		2	
		M 10 X 60			
19	999 072 864 01	Hexagon-head bolt		2	
		AM 12 X 1,5 X 105			
20	999 507 795 09	Speed nut		6	
		ST 4,8			
21	N 104 857 03	Round head screw		4	I475
		M 5X12			
22	996 341 543 95	Adjusting shim		2	
		10 MM			
23	999 084 449 09	Lock nut		2	
		M 12 X 1,5			
24	9A7 915 576 01	Corrosion protection		1	
25	999 084 648 01	Hexagon nut		4	
		M 10			
26	999 072 877 01	Hexagon-head bolt		2	
		M 12 X 1,5 X 95			

Model: 991G13

Model life 2013>>



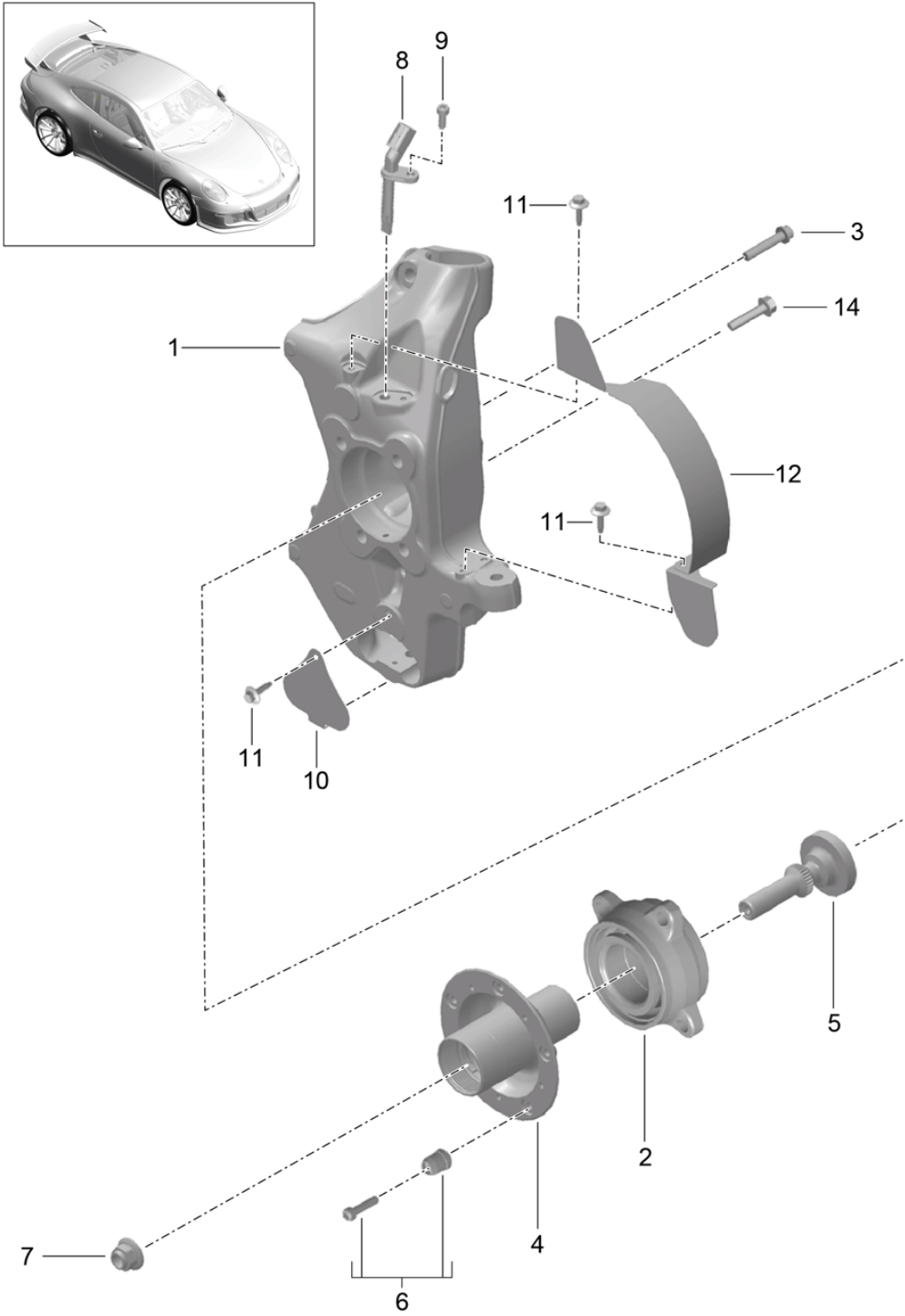
Model: 991G13

Model life 2013>>

Pos	Part Number	Description	Remark	Qty	Model
		Wheel carrier	-17		
		Wheel hub			
1	991 341 157 80	Wheel carrier	/L	1	
(1)	991 341 158 80	Wheel carrier	/R	1	
2	958 331 583 00	Angular-contact bearing		2	
		Use also:			
		Position			
		3 + 7			
3	WHT 004 835	Multiple-tooth screw		8	
		M 12 X 1.25 X 45			
4	991 341 607 80	Wheel hub		2	
(4)	991 341 607 81	Wheel hub		2	
5	991 341 131 80	Tension bolt		2	
6	991 341 905 80	Mounting parts		2	I478
		Comprising:			
		Driving pin		5	
		Fastening screw		5	
7	999 084 135 02	Hexagon nut		2	
		M 22 X 1,5 S			
(7)	WHT 007 021	Hexagon nut		2	
		M 22 X 1,5 S			
8	991 606 407 01	Speed sensor		2	
9	900 067 117 04	Pan-head screw		2	
		M 6 X 16			
10	991 351 801 80	Cover plate		2	
		Wheel carrier			
11	999 217 116 01	Hexagon-head bolt		X	
		M 6 X 16			
12	991 351 603 81	Cover plate	/L	1	
(12)	991 351 604 81	Cover plate	/R	1	
14	900 378 108 01	Hexagon-head bolt		2	
		AM 8 X 35			

Model: 991G13

Model life 2013>>

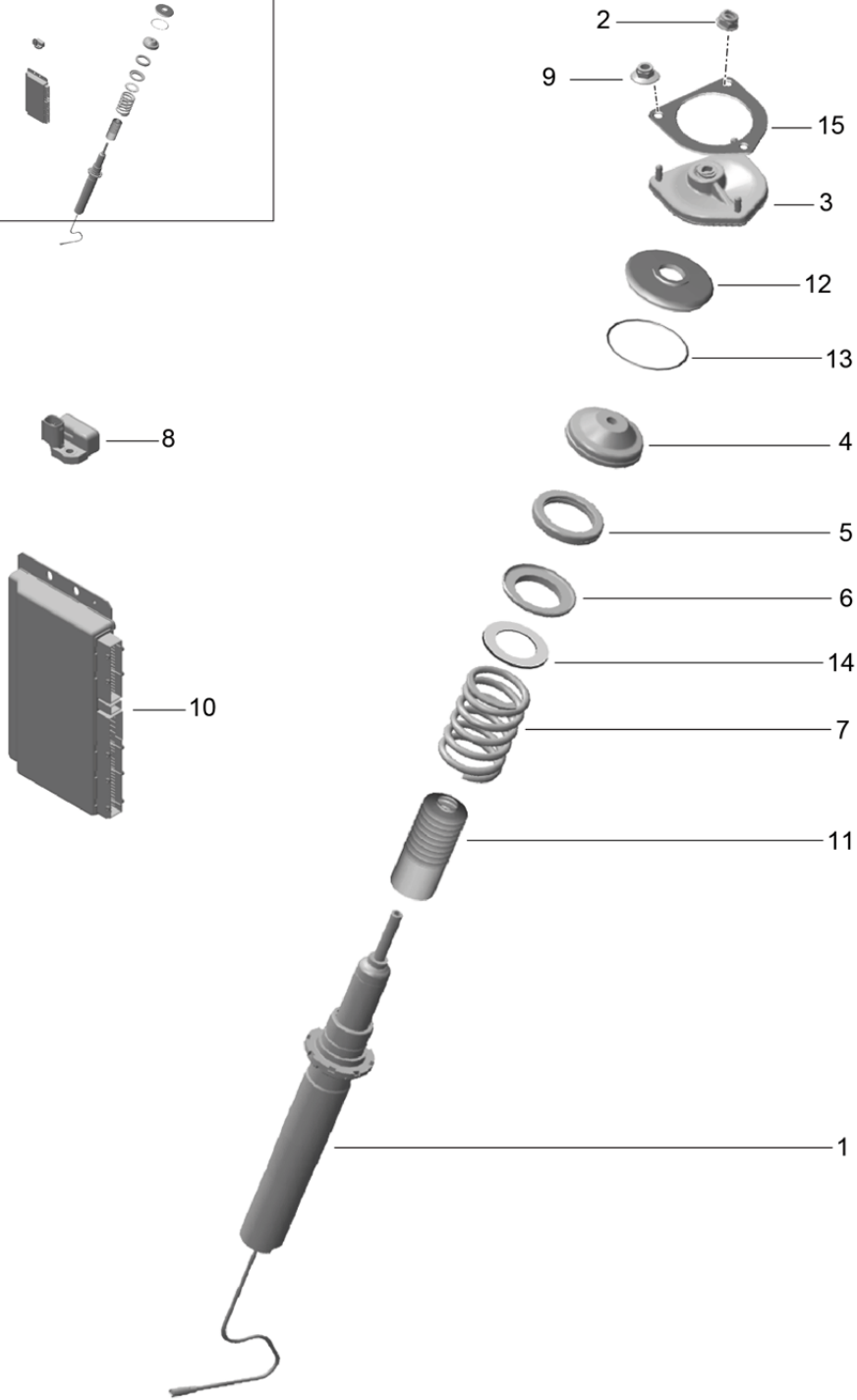
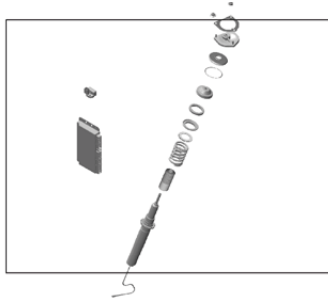


Model: 991G13 Model life 2013>>

Pos	Part Number	Description	Remark	Qty	Model
		Wheel carrier	18-		
		Wheel hub			
1	991 341 157 80	Wheel carrier	/L	1	
(1)	991 341 158 80	Wheel carrier	/R	1	
2	958 331 583 00	Angular-contact bearing		2	
		Use also:			
		Position			
		3 + 7			
3	WHT 004 835	Multiple-tooth screw		8	
		M 12 X 1.25 X 45			
4	991 341 607 81	Wheel hub		2	I478
5	991 341 131 80	Tension bolt		2	
6	991 341 905 80	Mounting parts		2	I478
		Comprising:			
		Driving pin		5	
		Fastening screw		5	
7	WHT 007 021	Hexagon nut		2	
		M 22 X 1,5 S			
8	991 606 407 01	Speed sensor		2	
9	900 067 117 04	Pan-head screw		2	
		M 6 X 16			
10	991 351 801 80	Cover plate		2	
		Wheel carrier			
11	999 217 116 01	Hexagon-head bolt		10	
		M 6 X 16			
12	991 351 603 81	Cover plate	/L	1	
		D >> 31.07.2017			
12	991 351 603 82	Cover plate	/L	1	
		D 01.08.2017>>			
(12)	991 351 604 81	Cover plate	/R	1	
		D >> 31.07.2017			
(12)	991 351 604 82	Cover plate	/R	1	
		D 01.08.2017>>			
14	900 378 108 01	Hexagon-head bolt		2	
		AM 8 X 35			

Model: 991G13

Model life 2013>>

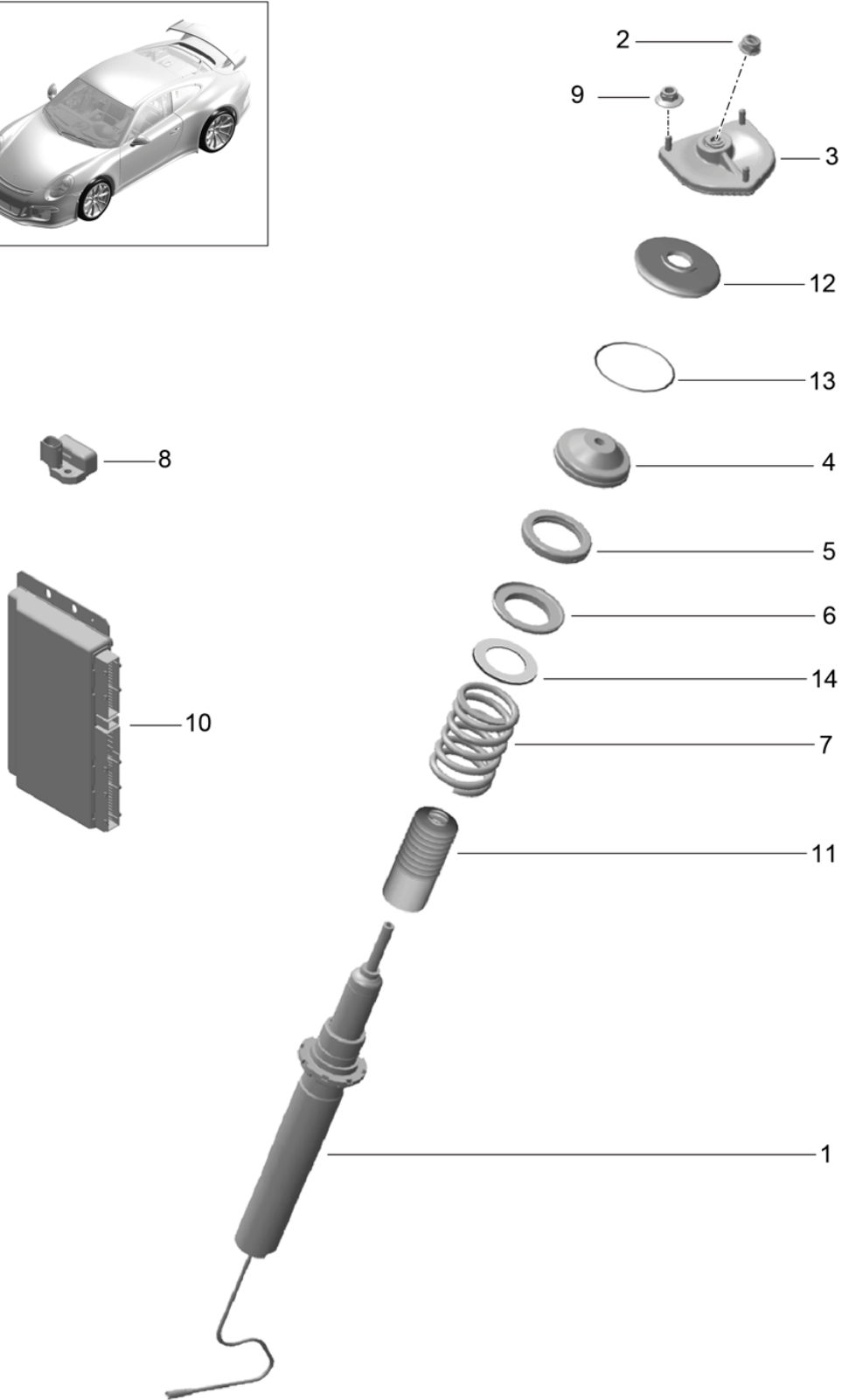
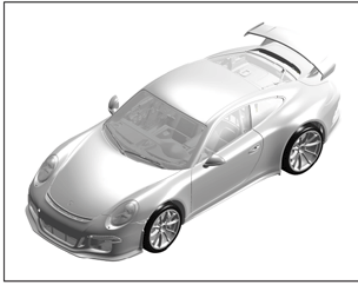


Model: 991G13 Model life 2013>>

Pos	Part Number	Description	Remark	Qty	Model
		Vibration damper	-17		I475
1	991 343 045 82	Vibration damper		2	I474
(1)	991 343 045 86	Vibration damper		2	I474
(1)	991 343 045 80	Vibration damper		2	-I474
(1)	991 343 045 85	Vibration damper		2	-I474
2	999 084 133 01	Hexagon nut M 14 X 1,5		4	
3	991 343 015 80	Supporting mount		2	
(3)	991 343 015 81	Supporting mount without Spacer ring see Technical information GR. 4 NR. 28/16	/L	1	
(3)	991 343 016 81	Supporting mount without Spacer ring see Technical information GR. 4 NR. 28/16	/R	1	
(3)	991 343 915 82	Supporting mount with Spacer ring see Technical information GR. 4 NR. 28/16	/L	1	
(3)	991 343 916 82	Supporting mount with Spacer ring see Technical information GR. 4 NR. 28/16	/R	1	
4	991 343 507 81	Concave washer Upper		2	
(4)	991 343 507 82	Concave washer Upper		2	
5	991 343 501 81	Bearing		2	
6	991 343 517 81	Base Lower		2	
7	991 343 531 80	Coil spring		1	
(7)	991 343 531 80 504	1 set		1	I475
	981 343 531 80	Coil spring		1	
	981 343 531 80 504	1 set		1	
8	991 606 111 00	Acceleration sensor Body		3	
9	999 084 447 01	Hexagon nut M 8		6	
10	991 618 450 11	Control unit		1	I140
(10)	991 618 450 12	Control unit		1	I140
(10)	991 618 450 16	Control unit		1	I140
11	997 343 567 90	Protective tube		2	
12	964 343 186 80	Sealing cap		2	
13	964 343 188 80	Retainer spring		2	
14	991 343 518 80	Base Lower		2	
15	991 343 925 80	Spacer ring see Technical information GR. 4 NR. 28/16		2	

Model: 991G13

Model life 2013>>



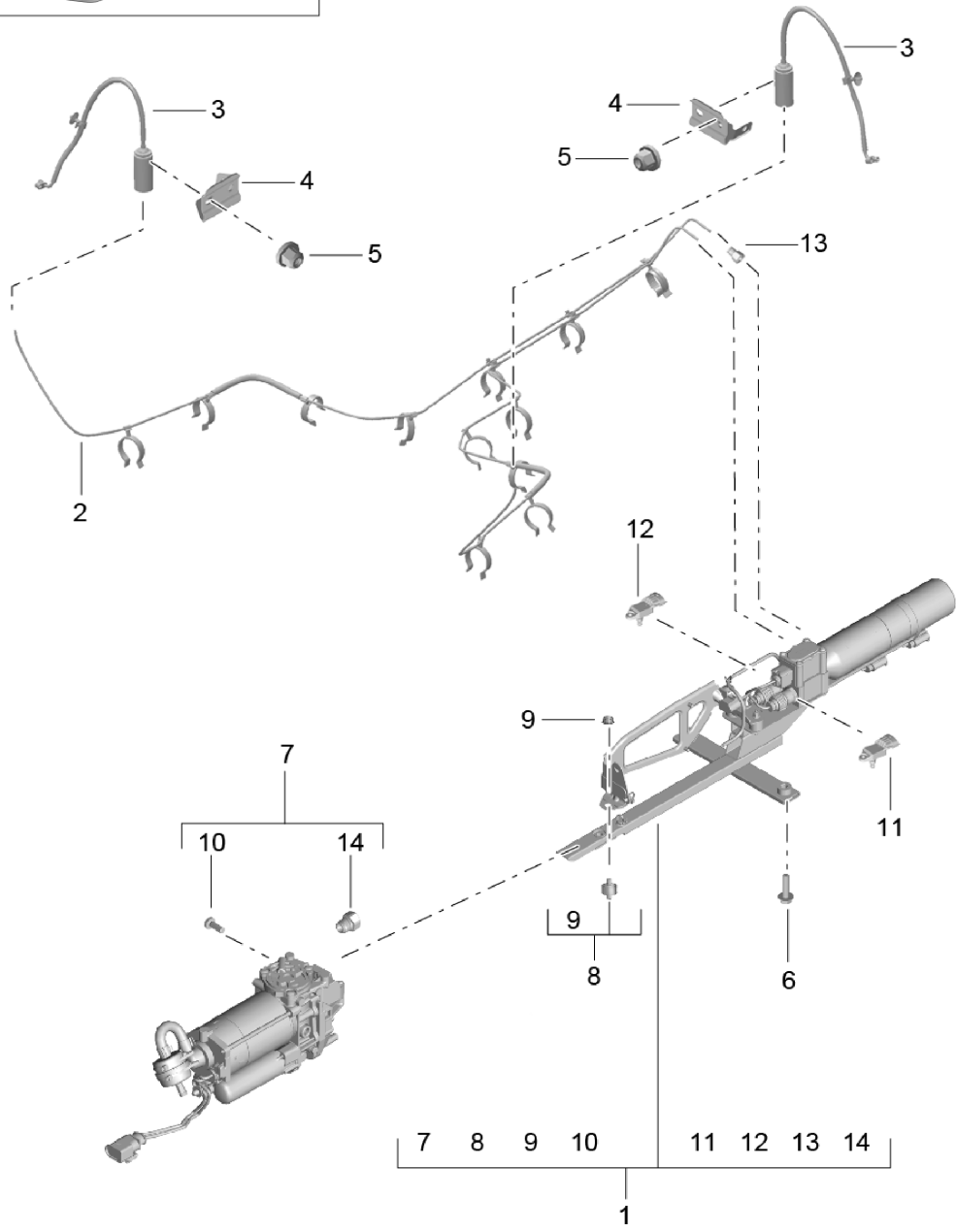
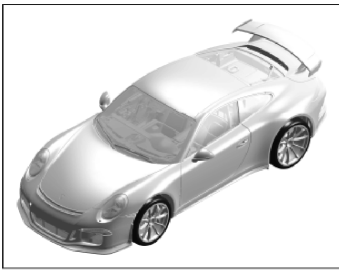
Model: 991G13

Model life 2013>>

Pos	Part Number	Description	Remark	Qty	Model
		Vibration damper	18-		I475
1	991 343 045 82	Vibration damper		2	I474
(1)	991 343 045 80	Vibration damper		2	-I474
2	999 084 133 01	Hexagon nut M 14 X 1,5		2	
3	991 343 015 80	Supporting mount		2	
4	991 343 507 82	Concave washer Upper		2	
5	991 343 501 81	Bearing		2	
6	991 343 517 81	Base Lower		2	
7	981 343 531 80	Coil spring		1	
	981 343 531 80 504	1 set			
8	991 606 111 00	Acceleration sensor Body		3	
9	999 084 447 01	Hexagon nut M 8		6	
10	991 618 450 28	Control unit		1	I140/486
(10)	991 618 450 50	Control unit		1	I140/250
(10)	991 618 450 52	Control unit		1	I140
11	997 343 567 90	Protective tube		2	
12	964 343 186 80	Sealing cap		2	
13	964 343 188 80	Retainer spring		2	
14	991 343 518 80	Base Lower		2	

Model: 991G13

Model life 2013>>



Model: 991G13 Model life 2013>>

Pos	Part Number	Description	Remark	Qty	Model
		Level adjustment	-17		I474
1	991 341 263 90	Front axle Pump Complete		1	
(1)	991 341 263 91	Pump Complete		1	
(1)	991 341 263 92	Pump Complete		1	
(1)	991 341 263 93	Pump Complete		1	
(1)	991 341 263 94	Pump Complete		1	
(1)	991 341 263 95	Pump Complete		1	
(1)	991 341 263 96	Pump Complete		1	
(1)	991 341 263 95	Pump Complete		1	
2	991 341 267 90	Line Set Pump		1	
3	991 341 365 91	Line for Shock absorber Left	/L	1	
(3)	991 341 366 91	Line for Shock absorber Right	/R	1	
4	991 341 857 80	Support Level adjustment	/L	1	
(4)	991 341 858 80	Support Level adjustment	/R	1	
5	999 049 033 40	Plastic nut Support T6/16		4	
6	999 072 063 02	Hexagon-head bolt Line Pump		3	
7	991 341 993 80	AM 10 X 40 Compressor Repair kit Comprising: Compressor Wiring harness Screw Tie-wrap Cable connection		1 1 1 3 2 1	
8	991 341 877 80	Damping piece Repair kit Comprising: Damping piece Nut		3 1 2	
9	991 341 875 80	Hexagon nut M6		1	
10	991 341 873 80	Oval-head screw M6X12		3	
11	991 606 995 80	Pressure sensor Black		1	
12	991 606 993 80	Pressure sensor Blue		1	
13	999 230 598 10	Connecting piece for		2	

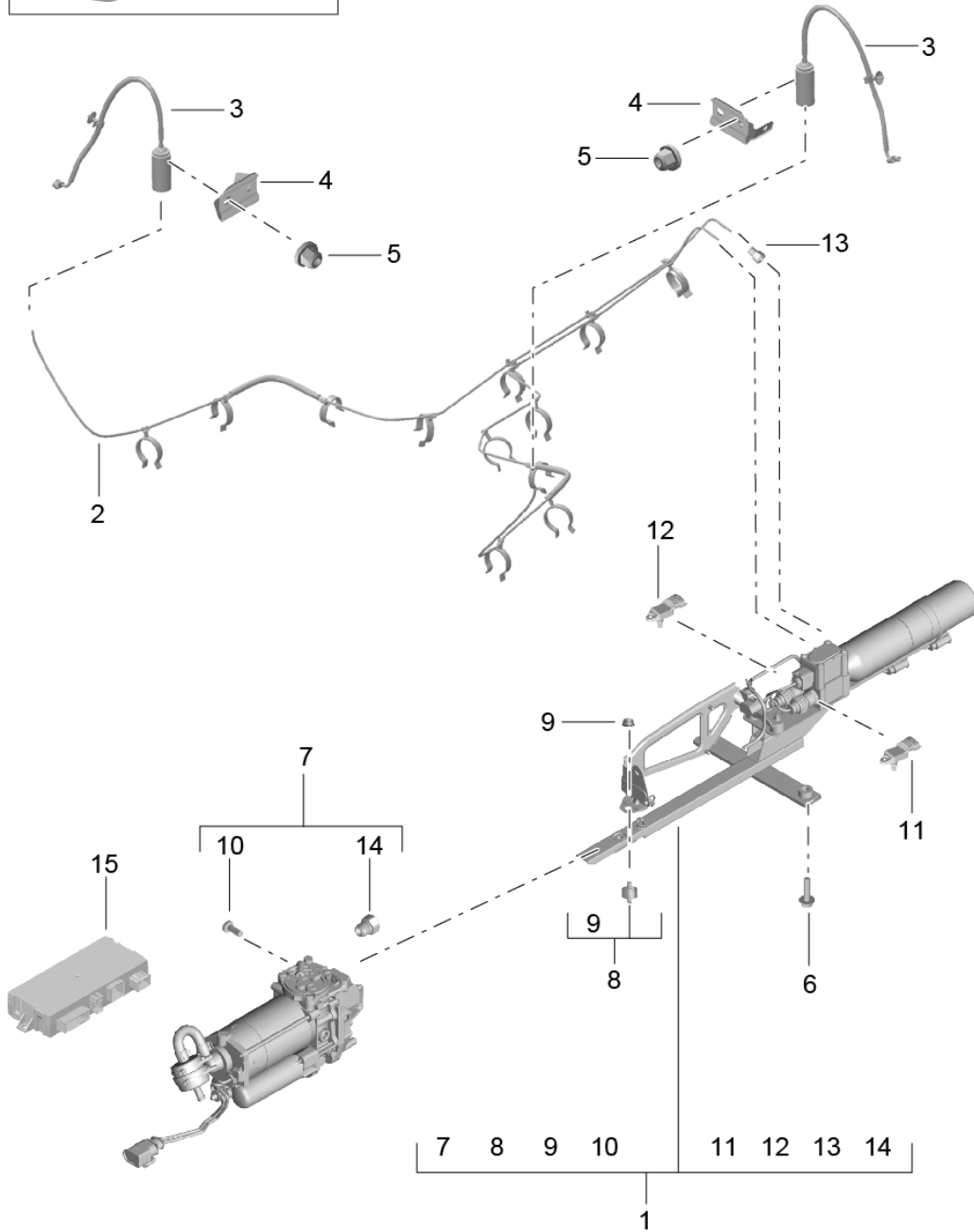
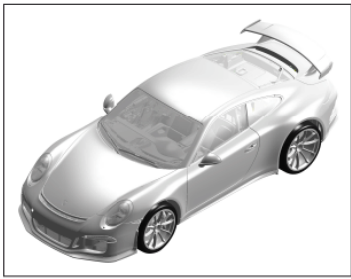
Model: 991G13

Model life 2013>>

Pos	Part Number	Description	Remark	Qty	Model
14	999 230 753 10	Lines VOSS 4,0 Connecting piece for Lines VOSS 6,0 Control unit Level adjustment See illustrations 9/01/03		1	

Model: 991G13

Model life 2013>>



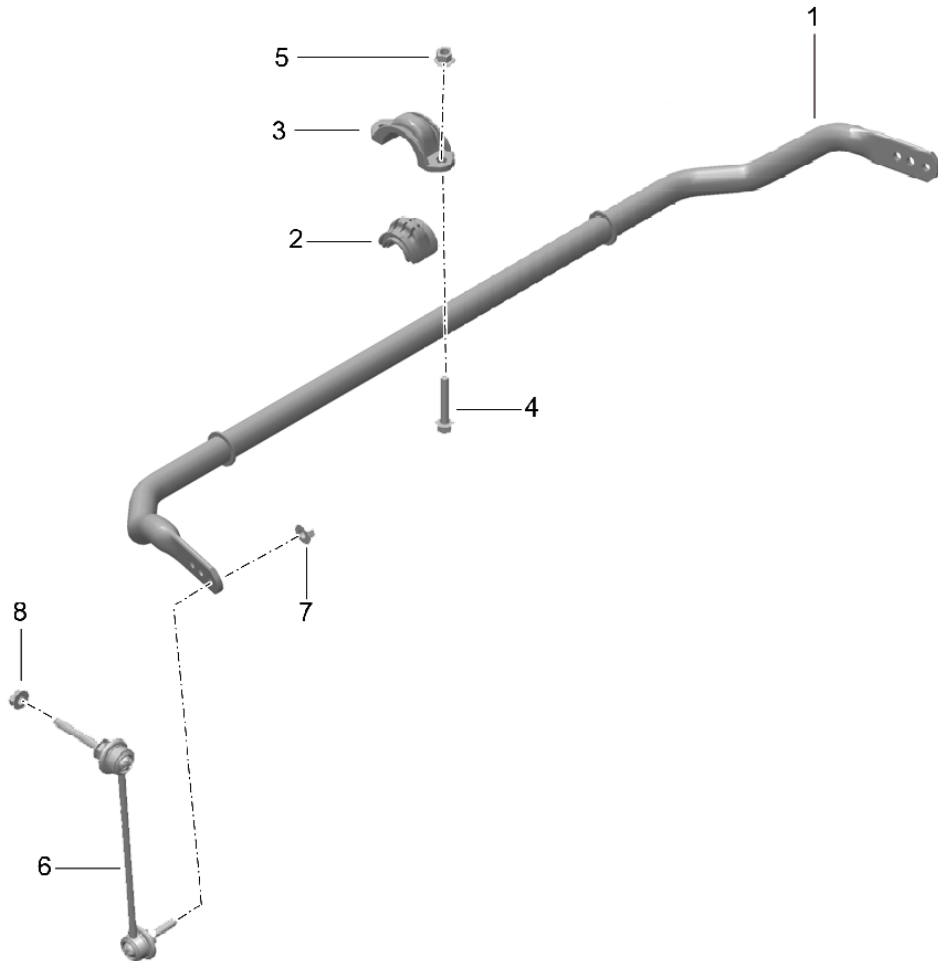
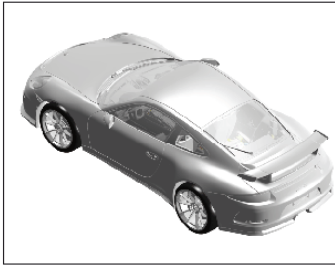
Model: 991G13

Model life 2013>>

Pos	Part Number	Description	Remark	Qty	Model
		Level adjustment	18-		I474
1	991 341 263 97	Front axle Pump Complete		1	
2	991 341 267 90	Line Set Pump		1	
3	991 341 365 91	Line for Shock absorber	/L	1	
(3)	991 341 366 91	Line for Shock absorber	/R	1	
4	991 341 857 80	Support Level adjustment	/L	1	
(4)	991 341 858 80	Support Level adjustment	/R	1	
5	999 049 033 40	Plastic nut Support		4	
6	999 072 063 02	T6/16 Hexagon-head bolt Line Pump		3	
7	991 341 993 80	AM 10 X 40 Compressor Repair kit Comprising:		1	
		Compressor		1	
		Wiring harness		1	
		Screw		3	
		Tie-wrap		2	
		Cable connection		1	
8	991 341 877 80	Damping piece Repair kit Comprising:		3	
		Damping piece		1	
		Nut		2	
9	991 341 875 80	Hexagon nut M6		1	
10	991 341 873 80	Oval-head screw M6X12		3	
11	991 606 995 80	Pressure sensor Black		1	
12	991 606 993 80	Pressure sensor Blue		1	
15		Control unit Level adjustment See illustrations 9/01/03			

Model: 991G13

Model life 2013>>



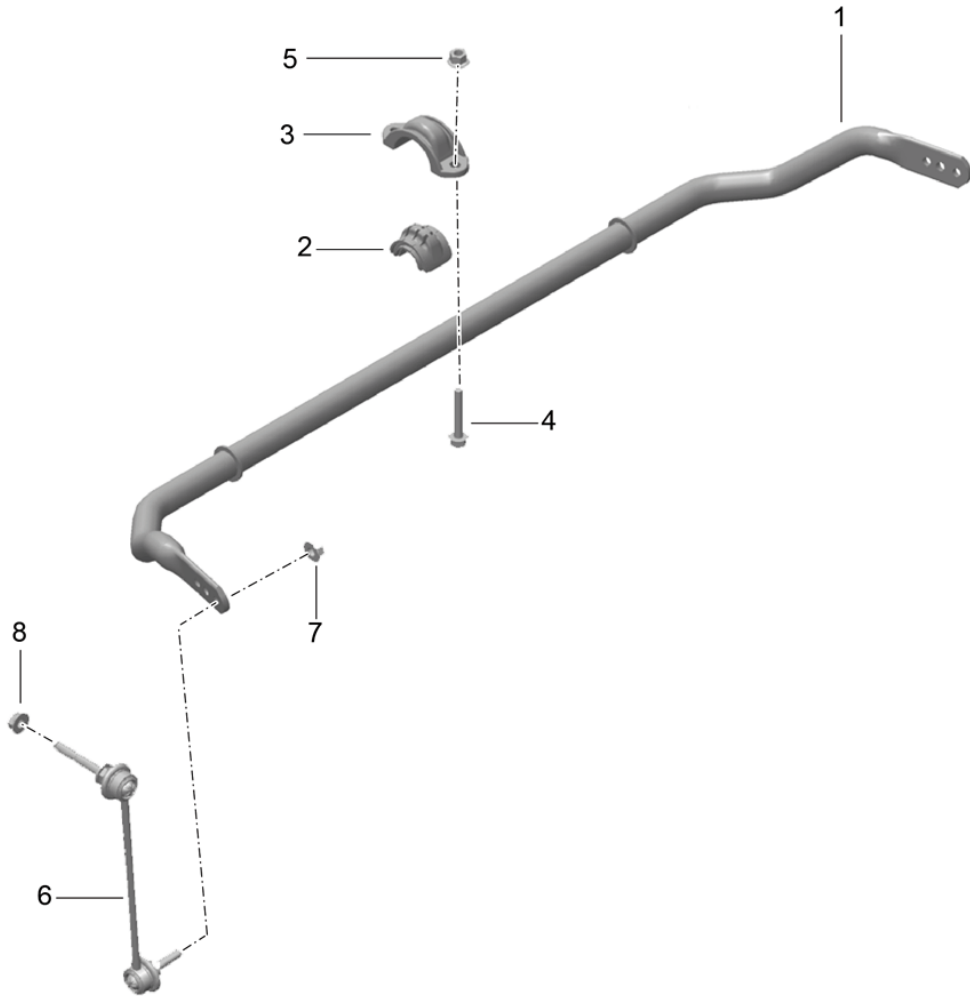
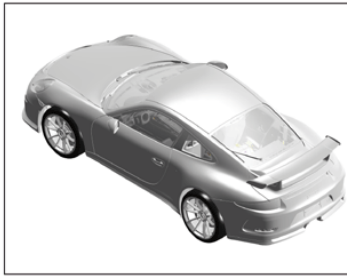
Model: 991G13

Model life 2013>>

Pos	Part Number	Description	Remark	Qty	Model
		Stabiliser	-17		
1	991 343 701 80	Stabiliser		1	
2	991 343 793 02	Stabiliser mounting		4	
3	991 343 777 00	Clip		2	
4	999 072 836 01	Hexagon-head bolt AM 10 X 60		4	
5	900 380 008 01	Hexagon nut M 10		4	
6	991 343 069 80	Stabiliser mounting Set		2	
7	999 084 123 09	Hexagon nut M 10		2	
8	999 084 445 01	Lower Lock nut M 12 Upper		2	

Model: 991G13

Model life 2013>>



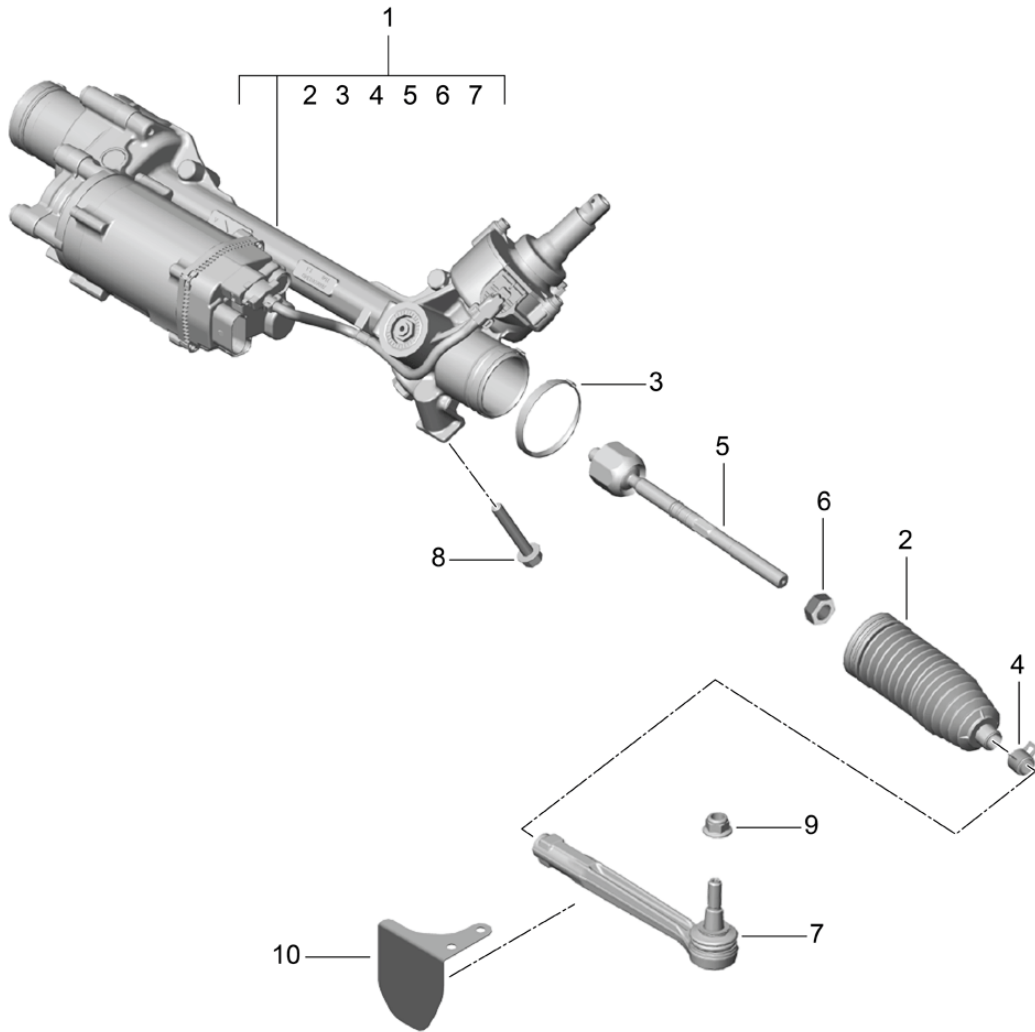
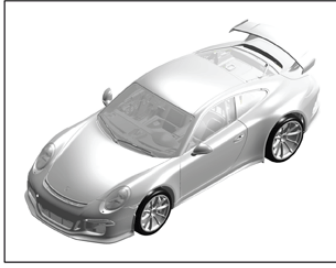
Model: 991G13

Model life 2013>>

Pos	Part Number	Description	Remark	Qty	Model
		Stabiliser	18-		
1	991 343 701 80	Stabiliser		1	
2	991 343 793 02	Stabiliser mounting		4	
3	991 343 777 00	Clip		2	
4	999 072 836 01	Hexagon-head bolt AM 10 X 60		4	
5	900 380 008 01	Hexagon nut M 10		4	
6	991 343 069 80	Stabiliser mounting Set		2	
7	999 084 123 09	Hexagon nut M 10		2	
8	999 084 445 01	Lower Lock nut M 12 Upper		2	

Model: 991G13

Model life 2013>>

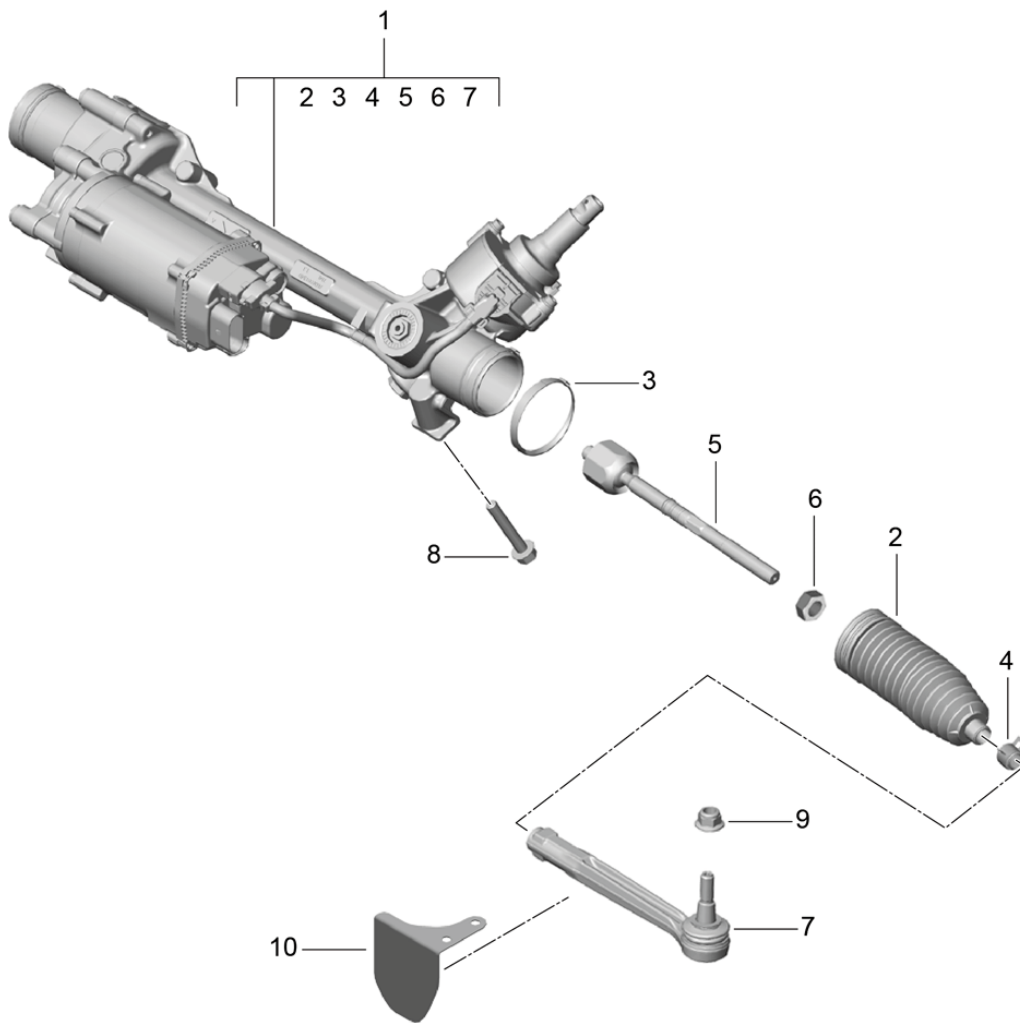
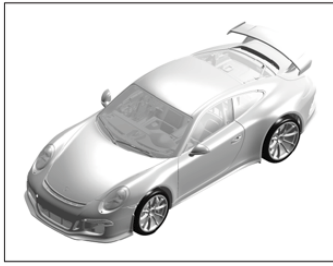


Model: 991G13 Model life 2013>>

Pos	Part Number	Description	Remark	Qty	Model
		Steering gear	-17		
		Steering parts			
1	991 347 011 81	Steering gear		1	I098/657
1	991 347 011 14	Steering gear		1	I098/657
1	991 347 005 14	Steering gear		1	I098/657
		Complete			
(1)	991 347 005 15	Steering gear		1	I098/657
		Complete			
(1)	991 347 005 32	Steering gear		1	I098/657
		Complete			
(1)	991 347 005 84	Steering gear		1	I098/657
		Complete			
(1)	991 347 012 81	Steering gear		1	I099/657
(1)	991 347 012 14	Steering gear		1	I099/657
(1)	991 347 006 14	Steering gear		1	I099/657
		Complete			
(1)	991 347 006 15	Steering gear		1	I099/657
		Complete			
(1)	991 347 006 32	Steering gear		1	I099/657
		Complete			
(1)	991 347 006 84	Steering gear		1	I099/657
		Complete			
2	991 347 191 01	Bellows		2	
3	991 347 293 01	Clamping ring		2	
4	991 347 375 01	Clamping ring		2	
5	991 347 322 00	Joint		2	
(5)	991 347 322 80	Joint		2	
6	999 034 037 01	Hexagon nut		2	
		M 14 X 1,5			
7	991 347 131 00	Track rod		2	
8	999 072 836 01	Hexagon-head bolt		2	
		AM 10 X 60			
9	999 084 449 09	Lock nut		2	
		M 12 X 1,5			
10	991 351 803 80	Cover plate	/L	1	
		Track rod			
(10)	991 351 804 80	Cover plate	/R	1	
		Track rod			

Model: 991G13

Model life 2013>>

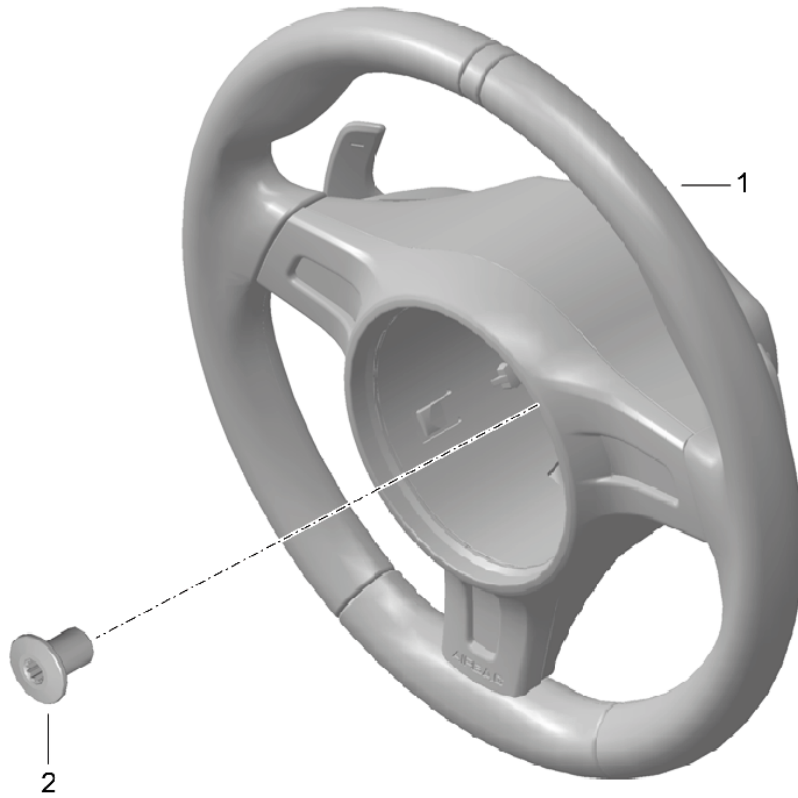
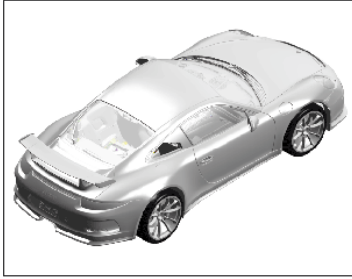


Model: 991G13 Model life 2013>>

Pos	Part Number	Description	Remark	Qty	Model
		Steering gear	18-		
		Steering parts			
1	991 347 005 32	Steering gear		1	I098/657
		Complete			
(1)	991 347 006 32	Steering gear		1	I099/657
		Complete			
2	991 347 191 01	Bellows		2	
3	991 347 293 01	Clamping ring		2	
4	991 347 375 01	Clamping ring		2	
5	991 347 322 00	Joint		2	
6	999 034 037 01	Hexagon nut		2	
		M 14 X 1,5			
7	991 347 131 00	Track rod		2	
8	999 072 836 01	Hexagon-head bolt		2	
		AM 10 X 60			
9	999 084 449 09	Lock nut		2	
		M 12 X 1,5			
10	991 351 803 80	Cover plate	/L	1	
		Track rod			
		D >> 31.07.2017			
10	991 351 803 81	Cover plate	/L	1	
		Track rod			
		D 01.08.2017>>			
(10)	991 351 804 80	Cover plate	/R	1	
		Track rod			
		D >> 31.07.2017			
(10)	991 351 804 81	Cover plate	/R	1	
		Track rod			
		D 01.08.2017>>			

Model: 991G13

Model life 2013>>



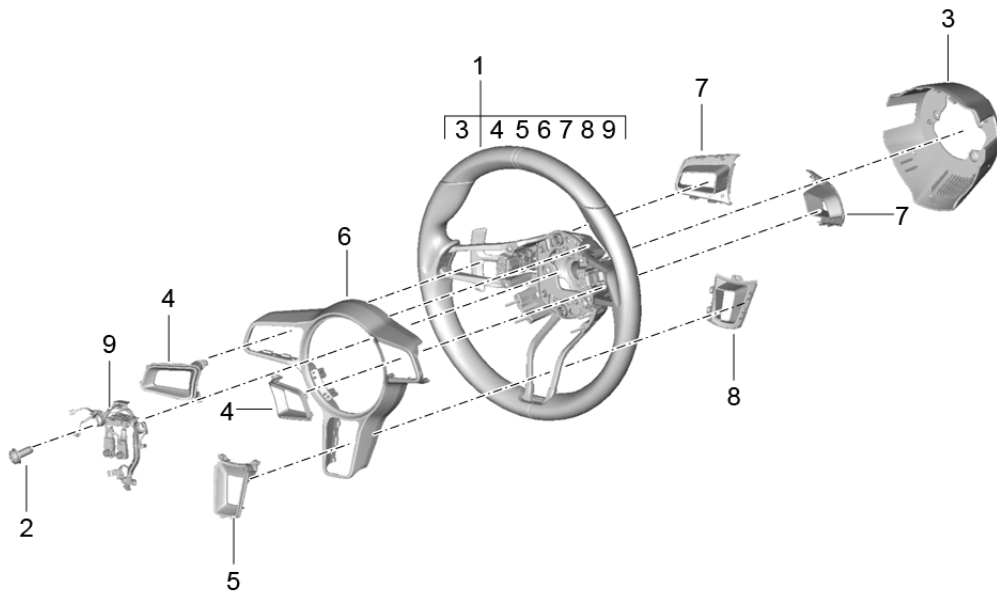
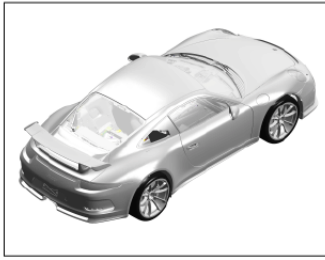
Model: 991G13

Model life 2013>>

Pos	Part Number	Description	Remark	Qty	Model
1	991 347 803 80	Steering wheels Steering wheel Alcantara	-17	1	I250/843
	991 347 803 80 RAG	Black/Platinum Grey			+28,+78
	991 347 803 80 RAH	Black/Guards Red			+68
1	991 347 803 82	Steering wheel Alcantara		1	I250/843
	991 347 803 82 RAG	Black/Platinum Grey			+28,+78
	991 347 803 82 RAH	Black/Guards Red			+68
(1)	991 347 803 81	Steering wheel Leather		1	I250/840
	991 347 803 81 DRN	Black/Platinum Grey			+28,+78
	991 347 803 81 DRO	Black/Guards Red			+68
(1)	991 347 803 83	Steering wheel Leather		1	I250/840
	991 347 803 83 DRN	Black/Platinum Grey			+28,+78
	991 347 803 83 DRO	Black/Guards Red			+68
(1)	9P1 419 091 AD	Steering wheel Alcantara		1	-I888/I250 I877
	9P1 419 091 AD RBA	Black/Lava Orange			+18,+69,+49
	9P1 419 091 AD RBB	Black/Silver			+29,+79,+59
(1)	9P1 419 091 DR	Steering wheel Alcantara		1	I250/877/888
	9P1 419 091 DR RBA	Black/Lava Orange			+18,+49,+69,
(1)	9P1 419 091 AE	Steering wheel Leather		1	I250/878
	9P1 419 091 AE A34	Black			
(1)	9P1 419 091 GA	Steering wheel Leather		1	I486/878
	9P1 419 091 GA JHG	Black/Silver			+12,+16,+22, +26
2	N 910 207 01	Screw M 18 X 1.5 X 26		1	

Model: 991G13

Model life 2013>>

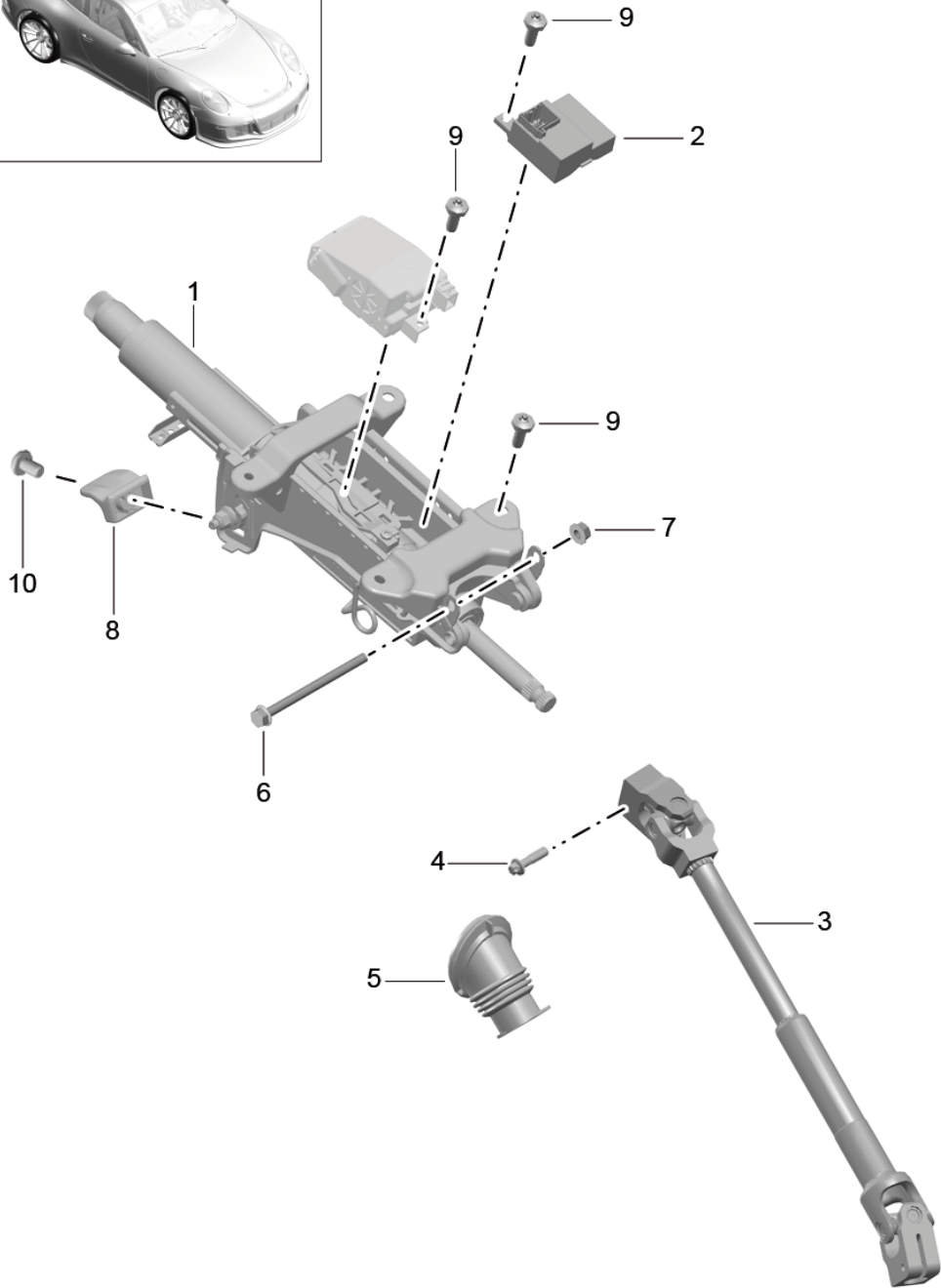
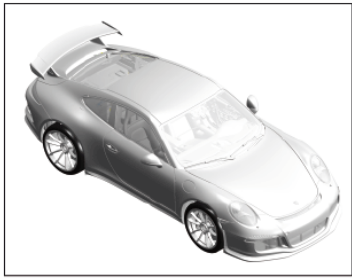


Model: 991G13 Model life 2013>>

Pos	Part Number	Description	Remark	Qty	Model
1	9P1 419 091 GD	Steering wheels Steering wheel	18-	1	-I886/I250 I877
	9P1 419 091 GD RAG	Alcantara Black/Platinum Grey			+28,+78
	9P1 419 091 GD RAH	Black/Guards Red			+68
(1)	9P1 419 091 GD	Steering wheel Alcantara		1	I250/877/886
	9P1 419 091 GD RBU	Black/Platinum Grey			+28,+78
	9P1 419 091 GD RBV	Black/Guards Red			+68
(1)	9P1 419 091 GE	Steering wheel Leather		1	I250/878
	9P1 419 091 GE DRN	Black/Platinum Grey			+28,+78
	9P1 419 091 GE DRO	Black/Guards Red			+68
(1)	9P1 419 091 GF	Steering wheel Alcantara		1	-I886/I486 I877
	9P1 419 091 GF RAG	Black/Platinum Grey			+28,+78
	9P1 419 091 GF RAH	Black/Guards Red			+68
(1)	9P1 419 091 GF	Steering wheel Alcantara		1	I486/877/886
	9P1 419 091 GF RBU	Black/Platinum Grey			+28,+78
	9P1 419 091 GF RBV	Black/Guards Red			+68
(1)	9P1 419 091 GG	Steering wheel Leather		1	I486/878
	9P1 419 091 GG DRN	Black/Platinum Grey			+28,+78
	9P1 419 091 GG DRO	Black/Guards Red			+34,+68
2	N 907 991 02	Multiple-tooth screw M 18 X 1.5 X 18		1	
3	95B 419 798	Cover Rear		1	I250
	95B 419 798 5Q0	Black			
(3)	95B 419 798 B	Cover Rear		1	I486
	95B 419 798 B 5Q0	Black			
4	9P1 419 937 G	Cover Front	/L	1	
	9P1 419 937 G 5Q0	Black			
(4)	9P1 419 936 G	Cover Front	/R	1	
	9P1 419 936 G 5Q0	Black			
5	9P1 419 938 C	Cover Front		1	
	9P1 419 938 C 5Q0	Black			
6	9P1 419 732	Cover Front		1	
	9P1 419 732 5Q0	Black			
7	9P1 419 937 E	Cover Rear	/L	1	
	9P1 419 937 E 5Q0	Black			
(7)	9P1 419 936 E	Cover Rear	/R	1	
	9P1 419 936 E 5Q0	Black			
8	95B 419 938 G	Cover Rear		1	
	95B 419 938 G 5Q0	Black			
9	95B 971 388 B	Wiring harness Steering wheel		1	I250

Model: 991G13

Model life 2013>>



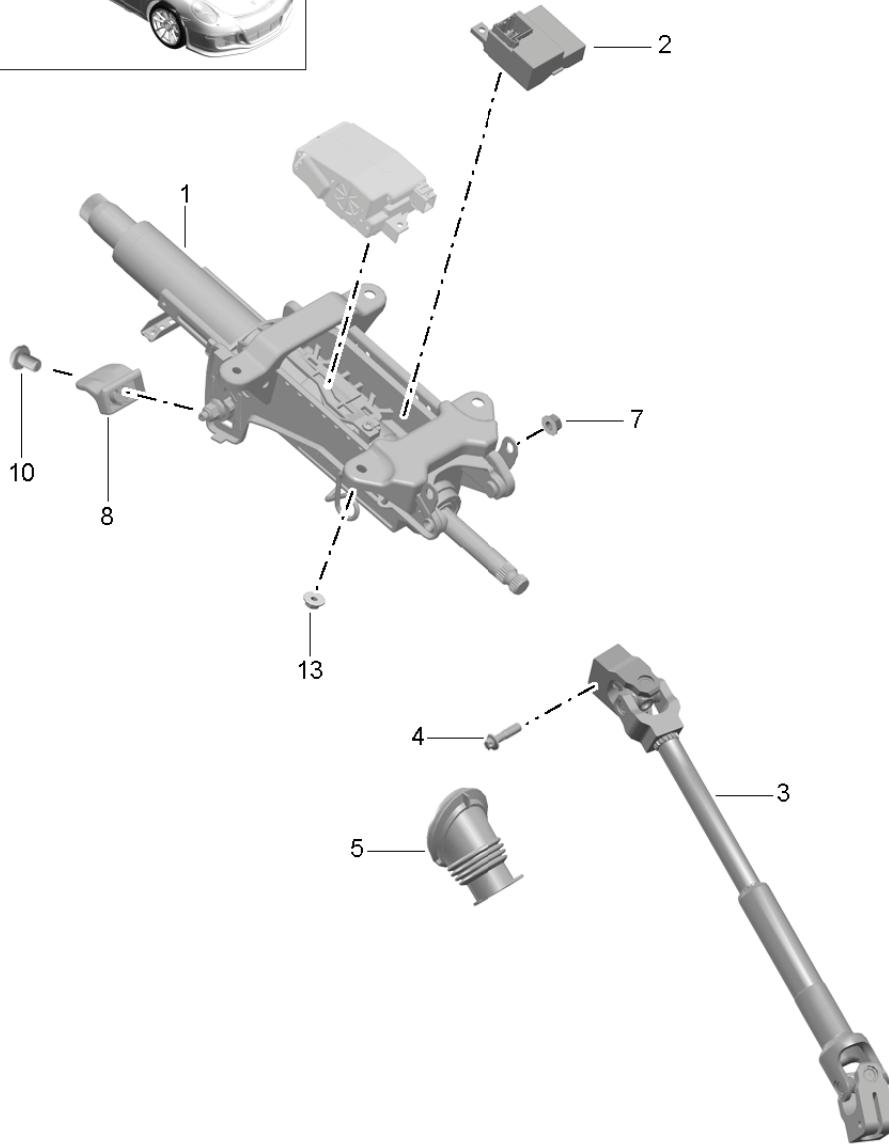
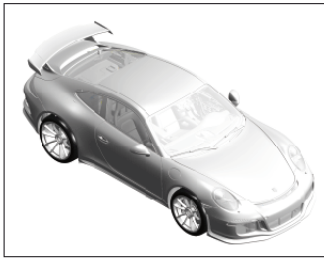
Model: 991G13

Model life 2013>>

Pos	Part Number	Description	Remark	Qty	Model
		Steering column	-17		
		Steering shaft			
1	991 347 015 23	Steering column		1	I647
1	991 347 015 24	Steering column		1	I647
(1)	991 347 015 05	Steering column		1	I655
(1)	991 347 015 06	Steering column		1	I655
(1)	991 347 007 04	Steering column Complete		1	I098/655
(1)	991 347 008 04	Steering column Complete		1	I099/655
2	7PP 905 852 C	Control unit		1	I655
3	991 347 023 03	Steering shaft		1	I098
(3)	991 347 024 03	Steering shaft		1	I099
4	WHT 004 955 A	Torx screw M 8 X 30		2	
5	991 347 037 01	Bellows		1	
(5)	991 347 037 02	Bellows		1	
6	900 378 319 01	Hexagon-head bolt M 8 X 110		1	
7	999 084 457 01	Hexagon nut M 8		1	
8	970 347 175 00	Handle		1	I647/655
	970 347 175 00 1E0	Black			
9	N 104 857 03	Round head screw M5 X 12		6	
10	N 104 066 02	Oval-head screw M 5 X 8		1	I647/655

Model: 991G13

Model life 2013>>



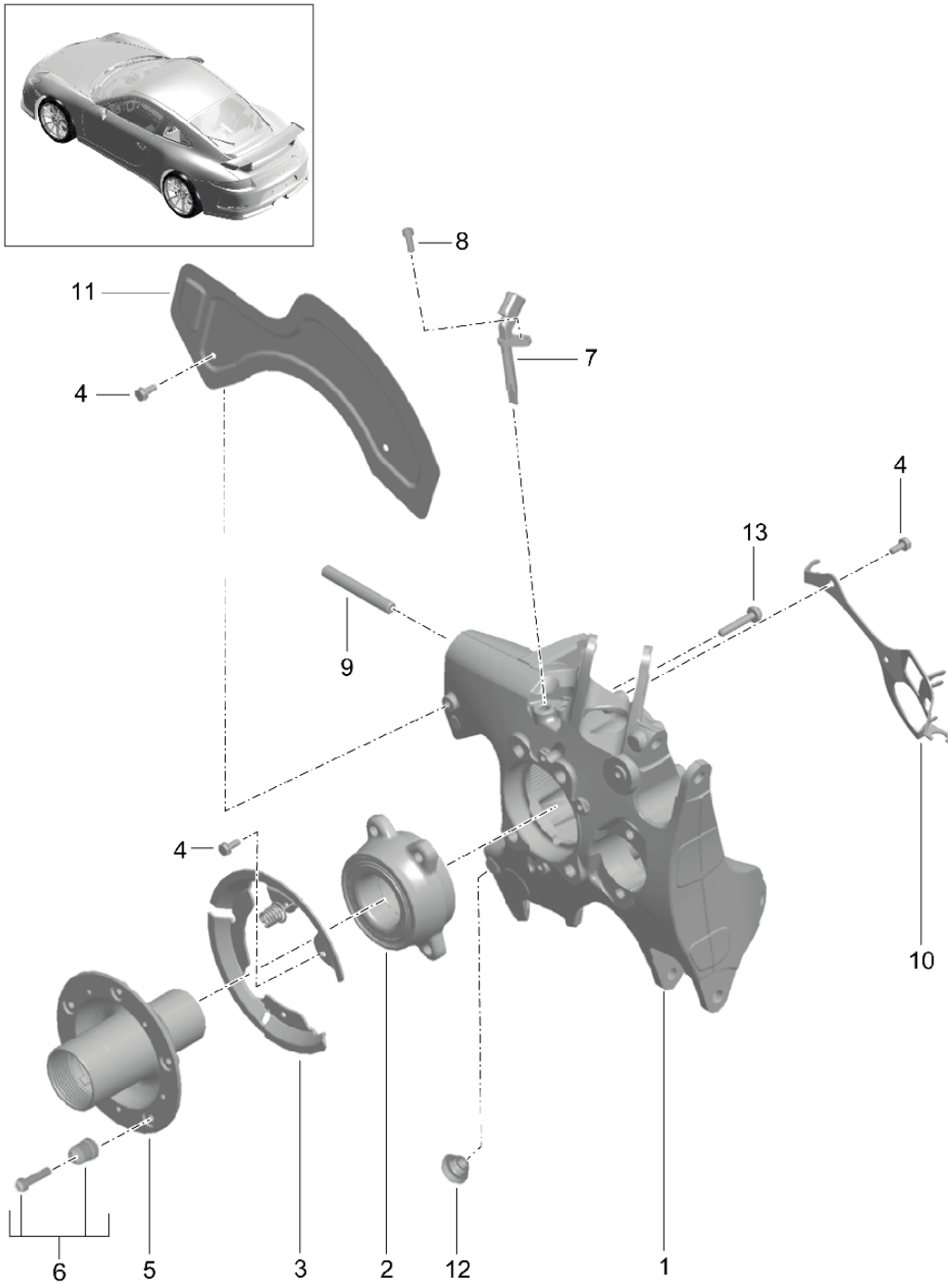
Model: 991G13

Model life 2013>>

Pos	Part Number	Description	Remark	Qty	Model
		Steering column	18-		
		Steering shaft			
1	991 347 015 24	Steering column		1	I647
(1)	991 347 015 06	Steering column		1	I655
2	7PP 905 852 C	Control unit		1	I655
3	991 347 023 03	Steering shaft		1	I098
(3)	991 347 024 03	Steering shaft		1	I099
4	WHT 004 955 A	Torx screw M 8 X 30		2	
5	991 347 037 02	Bellows		1	
7	999 084 630 01	Hexagon nut M 8		1	
8	970 347 175 00	Handle		1	I647/655
	970 347 175 00 1E0	Black			
10	N 104 857 03	Round head screw M 5 X 12		1	
13	N 907 988 05	Collar nut M 8		4	

Model: 991G13

Model life 2013>>

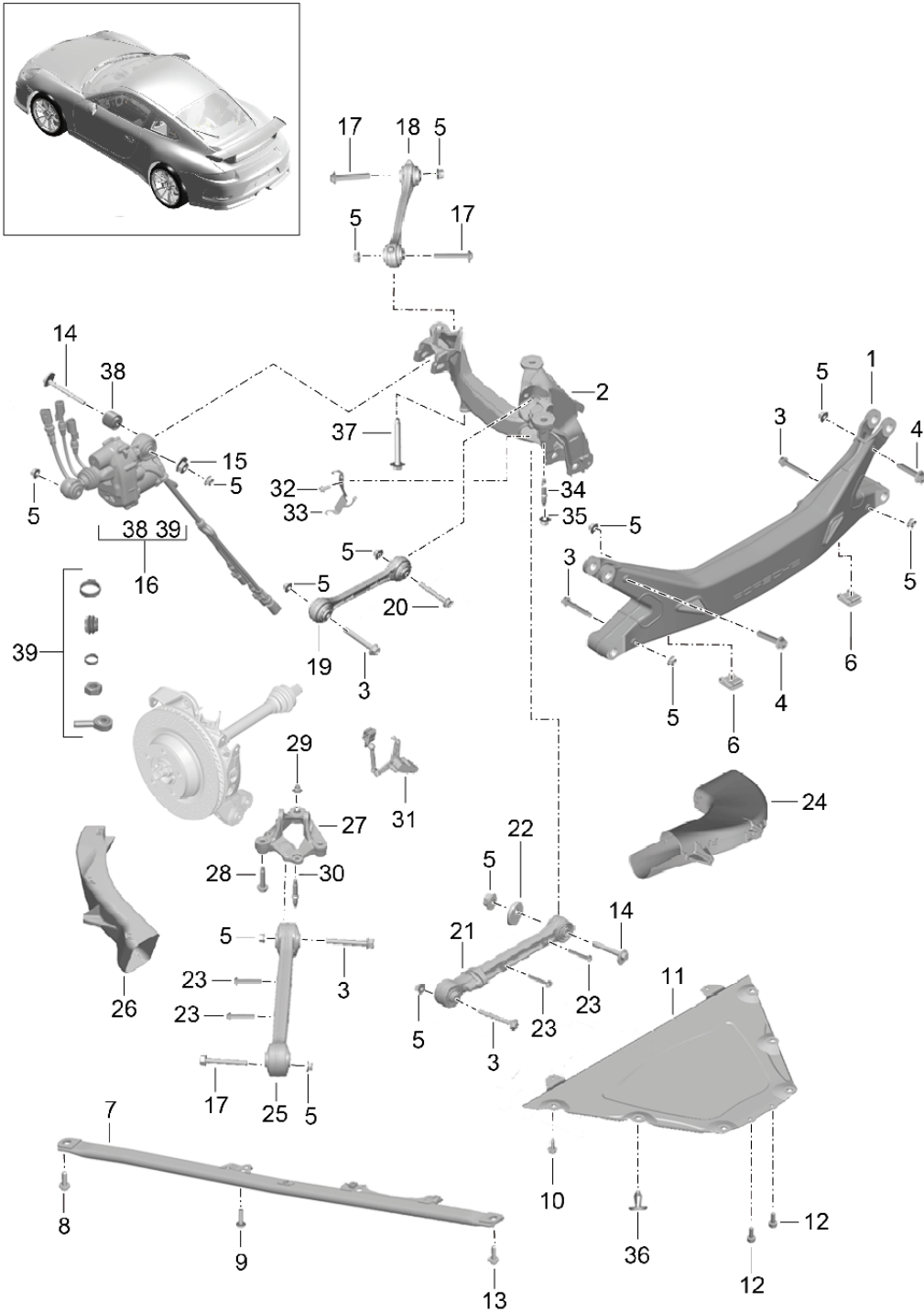


Model: 991G13 Model life 2013>>

Pos	Part Number	Description	Remark	Qty	Model
		Rear axle	-17		
		Wheel carrier			
		Wheel hub			
1	991 331 611 81	Wheel carrier	/L	1	
(1)	991 331 612 81	Wheel carrier	/R	1	
2	958 331 583 00	Angular-contact bearing		2	
		Use also:			
		Position			
		3			
3	991 352 521 80	Retainer plate	/L	1	
		Parking brake			
(3)	991 352 522 80	Retainer plate	/R	1	
		Parking brake			
4	999 217 116 01	Hexagon-head bolt		X	
		M 6X 16			
5	991 331 607 80	Wheel hub		2	I478
5	991 331 607 81	Wheel hub		2	I478
6	991 341 905 80	Mounting parts		2	I478
		Comprising:			
		Driving pin		5	
		Pan-head screw		5	
7	991 606 407 01	Speed sensor		2	
8	900 067 117 04	Pan-head screw		2	
		M6 X 16			
9	999 061 052 01	Stud		2	
		M 12 X 58			
10	991 609 401 80	Support	/L	1	
(10)	991 609 402 80	Support	/R	1	
11	991 352 801 80	Cover plate	/L	1	
(11)	991 352 802 80	Cover plate	/R	1	
12	999 500 205 01	Nut		1	
		M12X1,5			
13	WHT 004 835	Multiple-tooth screw		8	
		M12X1,5X45			

Model: 991G13

Model life 2013>>



Model: 991G13 Model life 2013>>

Pos	Part Number	Description	Remark	Qty	Model
		Rear axle Side section Bracket Control arm	-17		
1	991 331 261 80	Cross member		1	
2	991 331 151 80	Side section	/L	1	
(2)	991 331 152 80	Side section	/R	1	
3	999 072 868 01	Hexagon-head bolt M 12 X 1,5 X 80		8	
4	999 072 859 01	Hexagon-head bolt M 12 X 58		4	
5	999 084 445 01	Lock nut M 12 X 1,5		X	
6	999 507 795 09	Speed nut 4,8		4	
6	999 507 309 02	Speed nut 4,8		4	
7	991 331 087 07	Strut	/L	1	
(7)	991 331 088 07	Strut	/R	1	
8	999 073 443 01	Combination screw M 12 X 1,5 X 40		2	
9	999 073 095 01	Oval-head screw M 8 X 30		2	
10	N 019 530 8	Hexagon-head bolt M8 X 25		6	
11	991 331 070 80	Bracket		1	
12	999 217 116 01	Hexagon-head bolt MM 6 X 16		2	
13	999 072 869 01	Hexagon-head bolt AM 12 X 1,5 X 45		2	
14	970 341 217 00	Eccentric screw		4	
15	970 331 219 00	Eccentric washer		2	I470
16	991 331 057 02	Track rod	/L	1	I470
(16)	991 331 057 04	Track rod	/L	1	I470
(16)	991 331 057 05	Track rod	/L	1	I470
(16)	991 331 057 06	Track rod	/L	1	I470
(16)	991 331 057 07	Track rod	/L	1	I470
(16)	991 331 057 08	Track rod	/L	1	I470
(16)	991 331 058 02	Track rod	/R	1	I470
(16)	991 331 058 04	Track rod	/R	1	I470
(16)	991 331 058 05	Track rod	/R	1	I470
(16)	991 331 058 06	Track rod	/R	1	I470
(16)	991 331 058 07	Track rod	/R	1	I470
(16)	991 331 058 08	Track rod	/R	1	I470
(16)	991 331 057 34	Track rod Adjustable	/L	1	I470
(16)	991 331 058 34	Track rod Adjustable	/R	1	I470
17	999 072 086 01	Hexagon-head bolt M 12 X 1,5 X 75		6	
18	991 331 061 80	Control arm Upper		2	
19	991 331 047 03	Wishbone Upper		2	
20	999 072 852 01	Hexagon-head bolt M 12 X 90		4	
(20)	9A7 008 209 00	D >> 17.10.2013 Hexagon-head bolt M 12 X 90		4	
(20)	999 072 866 01	D >> 17.10.2013 Hexagon-head bolt M 12 X 1,5 X 95 D 18.10.2013>> 12.10.2015		4	

Model: 991G13

Model life 2013>>

Pos	Part Number	Description	Remark	Qty	Model
(20)	999 072 875 01	Hexagon-head bolt M 12 X 95 D 13.10.2015>>		4	
21	991 331 053 80	Wishbone Lower		2	
(21)	991 331 053 81	Wishbone Lower		2	
22	996 331 219 00	Eccentric washer		2	
23	999 919 197 02	Oval-head screw M 6 X 40		8	
24	991 575 431 80	Air duct Wishbone	/L	1	
(24)	991 575 432 80	Air duct Wishbone	/R	1	
25	991 331 043 80	Control arm Rear axle Lower		2	
26	991 331 481 80	Brake ventilation Air duct	/L	1	
26	991 331 481 81	Brake ventilation Air duct	/L	1	
(26)		Brake ventilation Air duct	/L	1	
(26)	991 331 482 80	Brake ventilation Air duct	/R	1	
(26)	991 331 482 81	Brake ventilation Air duct	/R	1	
(26)		Brake ventilation Air duct	/R	1	
27	991 331 329 80	Mounting Control arm	/L	1	
(27)	991 331 330 80	Mounting Control arm	/R	1	
28	999 072 083 01	Combination screw AM 10 X 58		4	
29	999 076 053 01	Hexagon nut M 10		2	
30	999 061 124 01	Stud M 10 X 1,5		2	
31	991 333 021 00	Sensor		2	I475
(31)	991 333 021 04	Sensor		2	I475
-	991 333 327 00	Connecting rod		2	
-	N 104 857 03	Round head screw M 5 X 12		4	
32	999 217 116 01	Hexagon-head bolt M 6 X 16		2	
33	991 609 407 02	Support	/L	1	
(33)	991 609 408 02	Support	/R	1	
34	999 061 127 01	Stud M 12 X 1,5		2	
35	N 909 167 01	Hexagon nut M 12		2	
36	N 107 009 01	Expansion rivet BD 4,5 X 11,5		2	
37	999 072 866 01	Hexagon-head bolt M 12 X 1.5 X 95		2	
(37)	999 072 875 01	Hexagon-head bolt M 12 X 1.5 X 95		2	
38	991 331 375 00	Rubber mounting Steering		2	I470
39	991 331 521 00	Rear axle Assembly kit Steering		2	I470

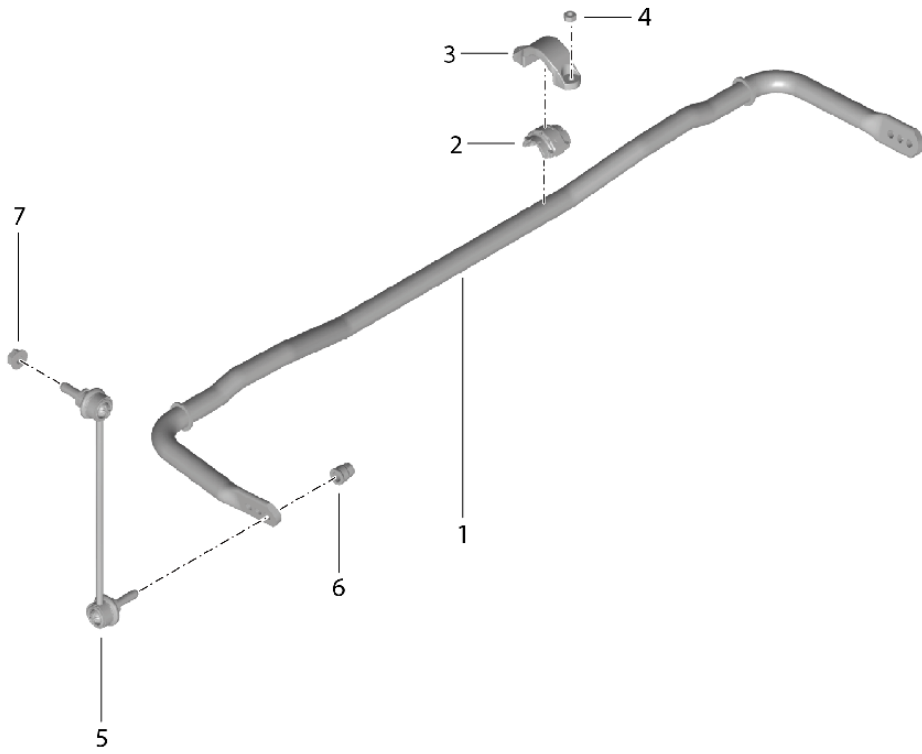
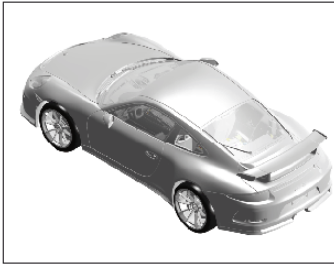
Model: 991G13

Model life 2013>>

Pos	Part Number	Description	Remark	Qty	Model
		Rear axle Comprising: Bellows Ball joint Lock nut Clamp		1 1 1 2	

Model: 991G13

Model life 2013>>



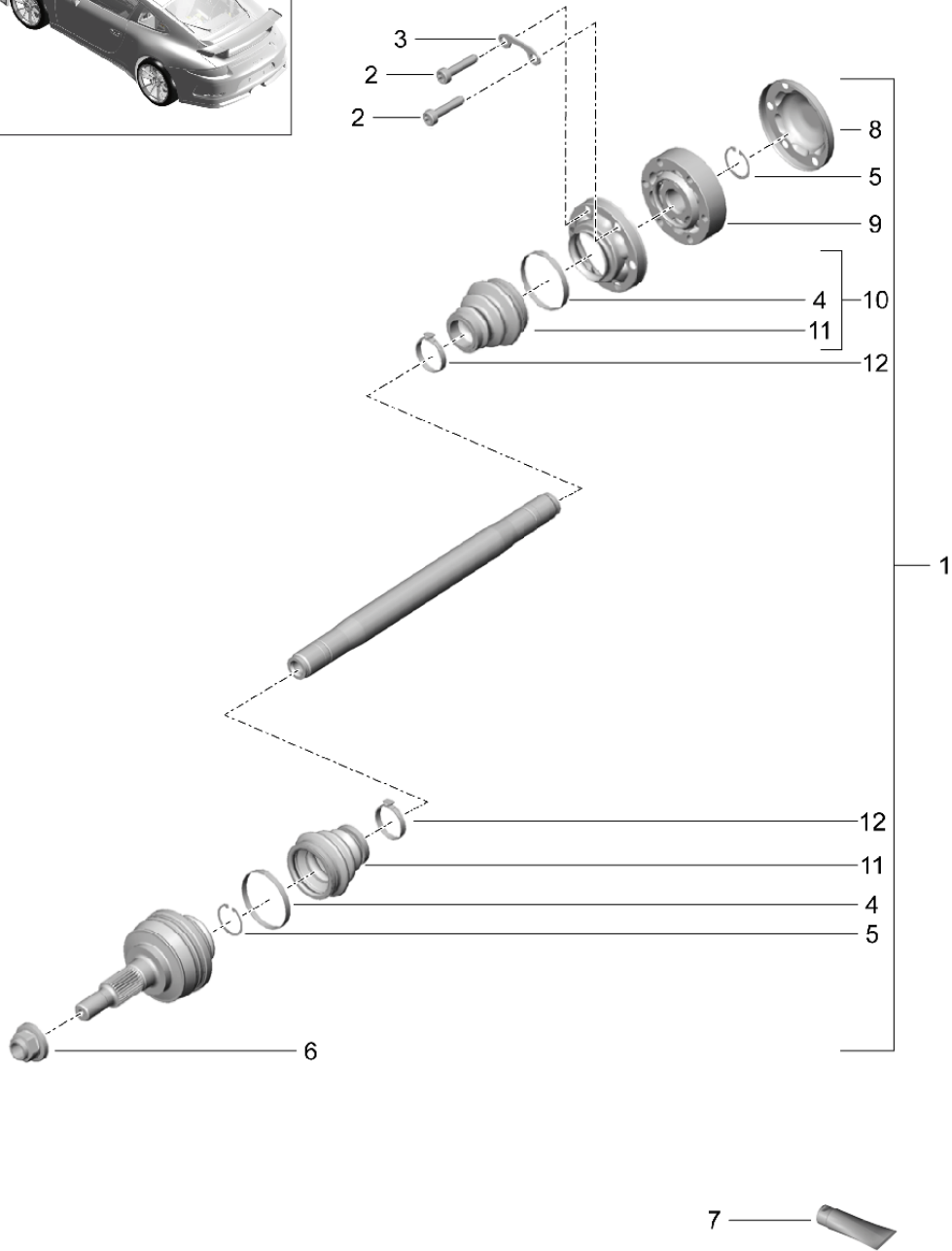
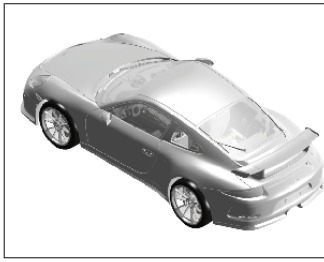
Model: 991G13

Model life 2013>>

Pos	Part Number	Description	Remark	Qty	Model
		Stabiliser	-17		
1	991 333 701 80	Stabiliser		1	
2	991 333 794 80	Stabiliser mounting		4	
3	991 333 777 80	Clip		2	
4	900 076 064 02	Hexagon nut M 8		4	
5	991 333 071 80	Stabiliser mounting	/L	1	
(5)	991 333 072 80	Stabiliser mounting	/R	1	
6	999 084 123 09	Hexagon nut M 10		2	
7	999 084 445 01	Lower Lock nut M 12 X 1,5 Upper		2	

Model: 991G13

Model life 2013>>



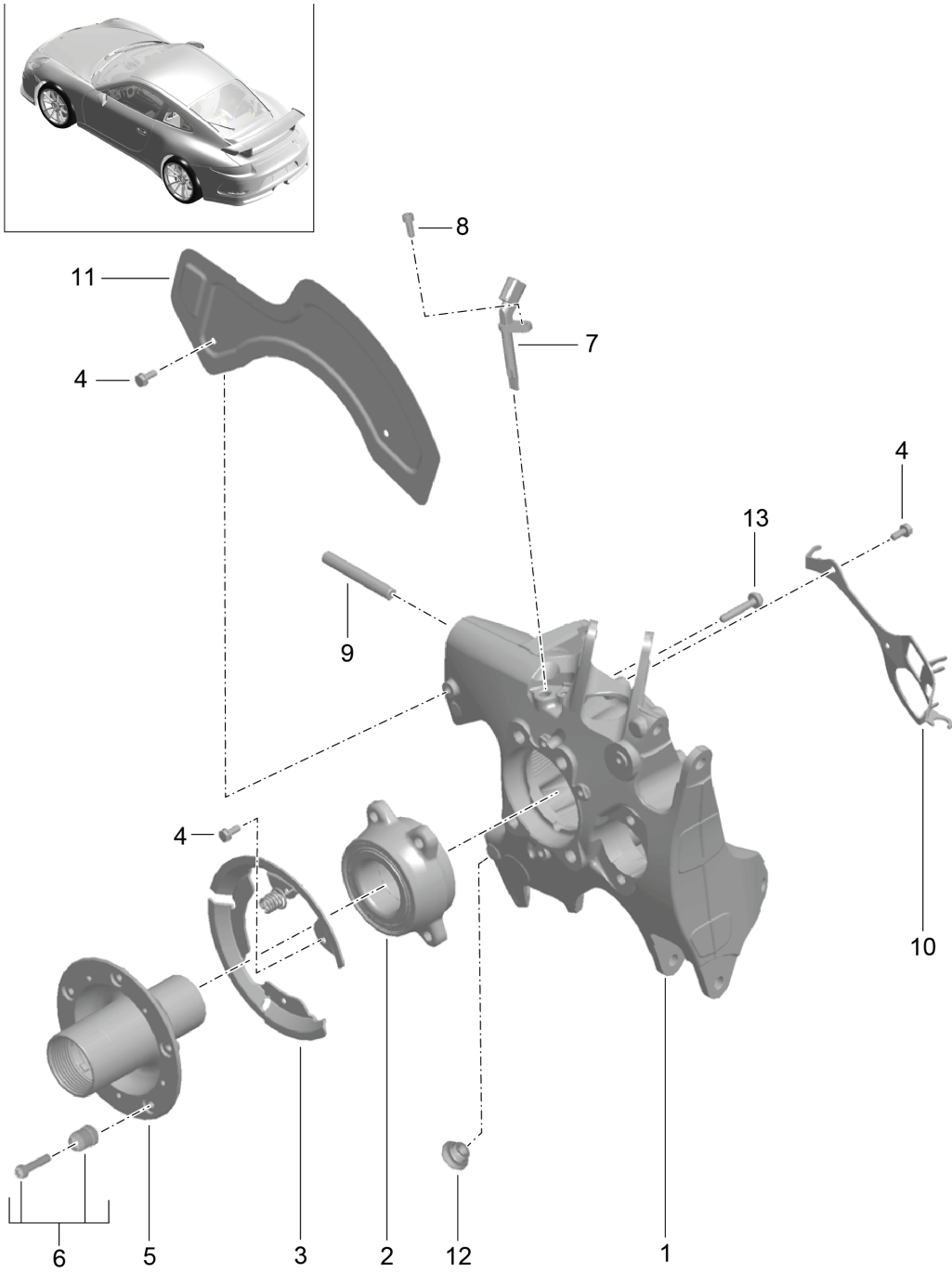
Model: 991G13

Model life 2013>>

Pos	Part Number	Description	Remark	Qty	Model
		Drive shaft	-17		
1	991 332 024 80	Drive shaft		2	
(1)	991 332 024 81	Drive shaft		2	
2	999 073 517 01	Pan-head screw M 10 X 1 X 46,5		12	
3	9P1 501 375	Plate		6	
(3)	955 332 191 21	Plate		6	
4	996 332 957 00	Clip 73 MM		4	
5	900 041 055 01	Circlip		4	
6	999 084 135 01	Hexagon nut M 22 X 1,5		2	
6	999 084 135 02	Hexagon nut M 22 X 1,5		2	
(6)	WHT 007 021	Hexagon nut M 22 X 1,5 S		2	
7	000 043 110 02	Grease 1 100-gramme tube		X	
(7)	000 043 205 36	Sealing compound 1 100-gramme tube		X	
8	997 332 267 00	Lid		2	
9	991 332 030 80	Joint		2	
10	997 332 955 00	Bellows with Cap		2	
11	997 332 293 00	Dust bellows		4	I250
(11)	970 332 293 10	Bellows		4	I250
12	996 332 257 00	Clip		4	

Model: 991G13

Model life 2013>>

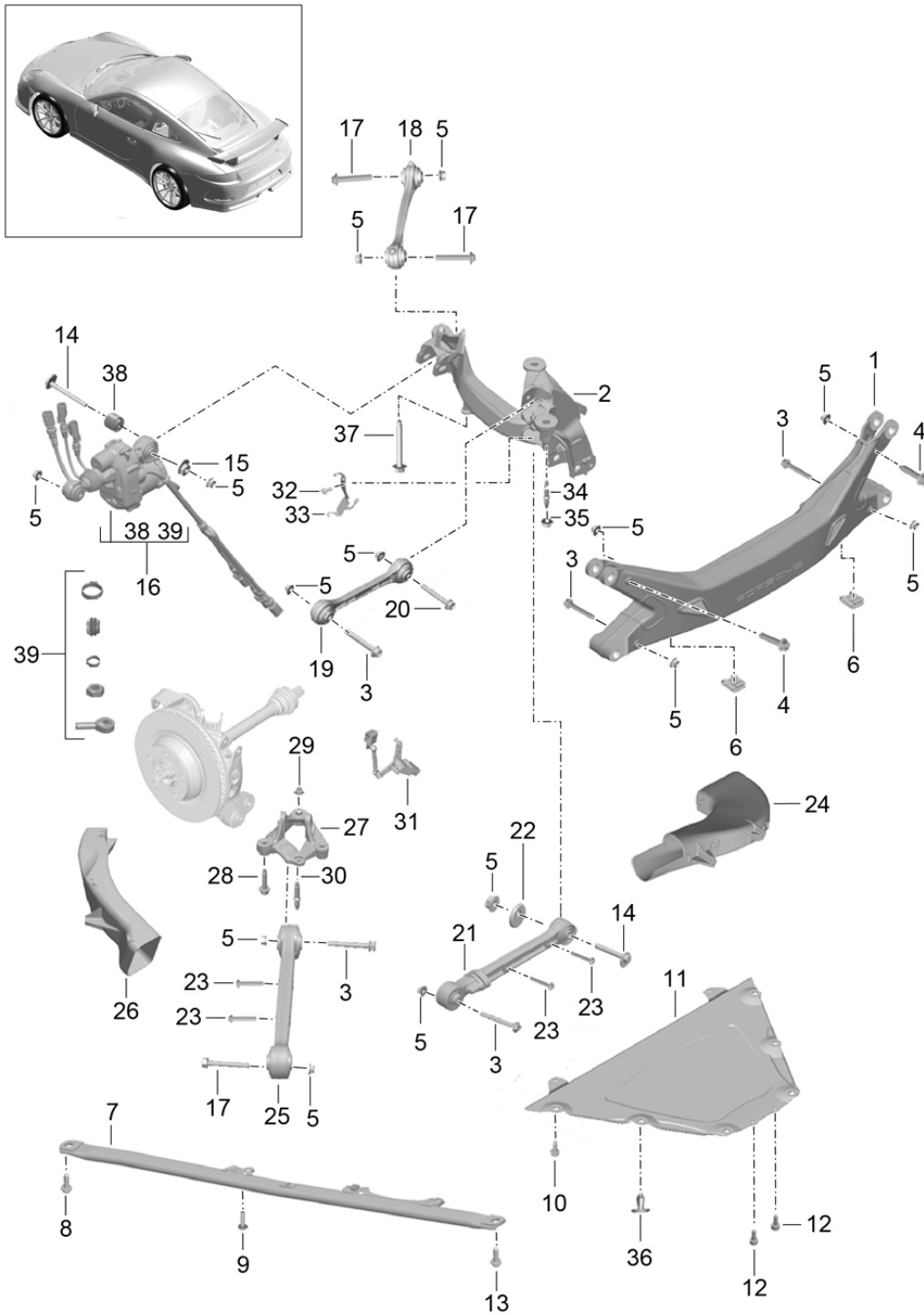


Model: 991G13 Model life 2013>>

Pos	Part Number	Description	Remark	Qty	Model
		Wheel carrier	18-		
		Wheel hub			
1	991 331 611 81	Wheel carrier	/L	1	
(1)	991 331 612 81	Wheel carrier	/R	1	
2	958 331 583 00	Angular-contact bearing		2	
		Use also:			
		Position			
		3			
3	991 352 521 80	Retainer plate	/L	1	
		Parking brake			
(3)	991 352 522 80	Retainer plate	/R	1	
		Parking brake			
4	999 217 116 01	Hexagon-head bolt		14	
		M 6 X 16			
5	991 331 607 81	Wheel hub		2	I478
6	991 341 905 80	Mounting parts		2	I478
		Comprising:			
		Driving pin		5	
		Pan-head screw		5	
7	991 606 407 01	Speed sensor		2	
8	900 067 117 04	Pan-head screw		2	
		M 6 X 16			
9	999 061 052 01	Stud		2	
		M 12 X 58			
10	991 609 401 80	Support	/L	1	
(10)	991 609 401 81	Support	/L	1	
(10)	991 609 402 80	Support	/R	1	
(10)	991 609 402 81	Support	/R	1	
11	991 352 801 80	Cover plate	/L	1	
(11)	991 352 802 80	Cover plate	/R	1	
12	999 500 205 01	Nut		1	
		M 12 X 1,5			
13	WHT 004 835	Multiple-tooth screw		8	
		M 12 X 1,5 X 45			

Model: 991G13

Model life 2013>>



Model: 991G13 Model life 2013>>

Pos	Part Number	Description	Remark	Qty	Model
		Cross member	18-		
		Side section			
		Control arm			
1	991 331 261 81	Cross member		1	
2	991 331 151 81	Side section	/L	1	
		D >> 18.06.2017			
2	991 331 151 82	Side section	/L	1	
		D 19.06.2017>>			
(2)	991 331 152 81	Side section	/R	1	
3	999 072 868 01	Hexagon-head bolt		8	
		M 12 X 1,5 X 80			
4	999 072 859 01	Hexagon-head bolt		4	
		M 12 X 58			
5	999 084 445 01	Lock nut		24	
		M 12 X 1,5			
6	999 507 309 02	Speed nut		4	
		4,8			
7	991 331 087 07	Strut	/L	1	
		D >> 18.04.2017			
(7)	991 331 087 09	Strut	/L	1	
		D 19.04.2017>>			
(7)	991 331 088 07	Strut	/R	1	
		D >> 18.04.2017			
(7)	991 331 088 09	Strut	/R	1	
		D 19.04.2017>>			
8	999 073 443 01	Combination screw		2	
		M 12 X 1,5 X 40			
9	999 073 095 01	Oval-head screw		2	
		M 8 X 30			
10	N 019 530 8	Hexagon-head bolt		6	
		M 8 X 25			
11	991 331 070 80	Bracket		1	
12	999 217 116 01	Hexagon-head bolt		2	
		MM 6 X 16			
13	999 072 869 01	Hexagon-head bolt		2	
		AM 12 X 1,5 X 45			
14	970 341 217 00	Eccentric screw		4	
15	970 331 219 00	Eccentric washer		2	I470
16	991 331 057 83	Track rod	/L	1	I470
		Electrically adjustable			
(16)	991 331 058 83	Track rod	/R	1	I470
		Electrically adjustable			
17	999 072 086 01	Hexagon-head bolt		6	
		M 12 X 1,5 X 75			
18	991 331 061 80	Control arm		2	
		Upper			
19	991 331 047 03	Wishbone		2	
		Upper			
		D >> 31.08.2017			
(19)	9P1 505 397 A	Wishbone		2	
		Upper			
		D 01.09.2017>>			
20	999 072 875 01	Hexagon-head bolt		4	
		M 12 X 95			
21	991 331 053 81	Wishbone		2	
		Lower			
22	996 331 219 00	Eccentric washer		2	
23	999 919 197 02	Oval-head screw		8	
		M 6 X 40			
24	991 575 431 80	Air duct	/L	1	
		Wishbone			
(24)	991 575 432 80	Air duct	/R	1	
		Wishbone			

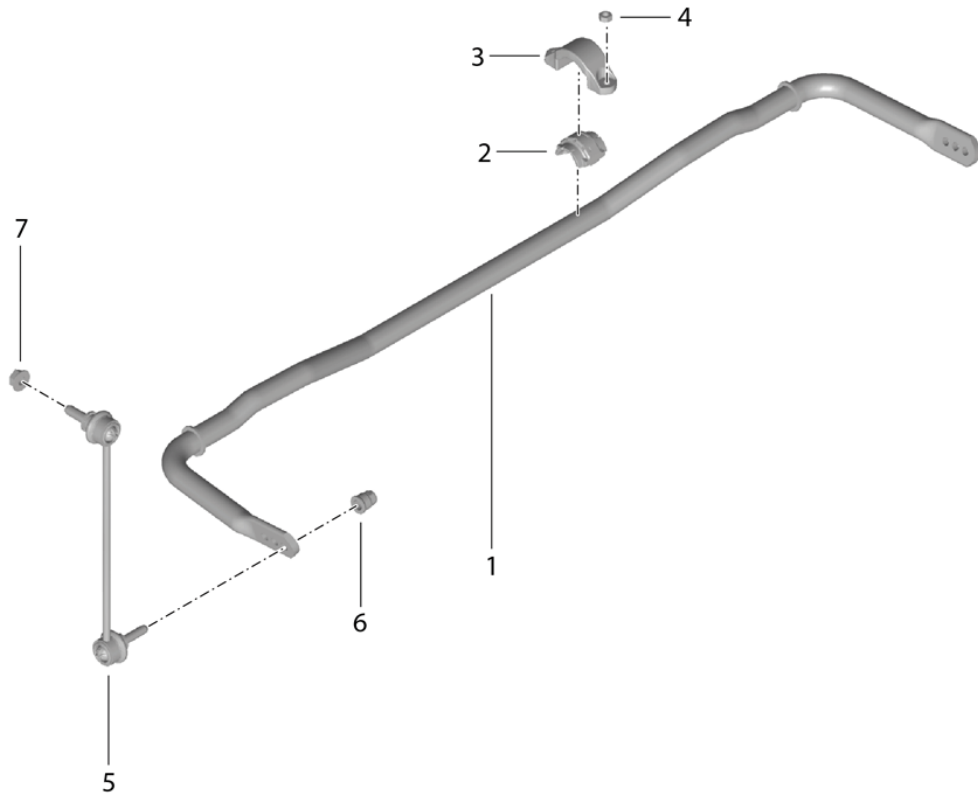
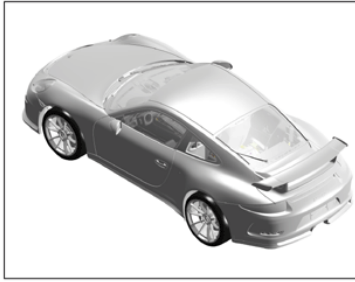
Model: 991G13

Model life 2013>>

Pos	Part Number	Description	Remark	Qty	Model
25	991 331 043 80	Control arm Rear axle Lower		2	
26	991 331 481 81	Brake ventilation Air duct	/L	1	
(26)	991 331 482 81	Brake ventilation Air duct	/R	1	
27	991 331 329 80	Mounting Control arm	/L	1	
(27)	991 331 330 80	Mounting Control arm	/R	1	
28	999 072 083 01	Combination screw AM 10 X 58		4	
29	999 076 053 01	Hexagon nut M 10		2	
30	999 061 124 01	Stud M 10 X 1,5		2	
31	991 333 021 04	Sensor		2	I475
32	999 217 116 01	Hexagon-head bolt M 6 X 16		2	
33	991 609 407 02	Support	/L	1	
(33)	991 609 408 02	Support	/R	1	
34	999 061 127 01	Stud M 12 X 1,5		2	
35	N 909 167 01	Hexagon nut M 12		2	
36	N 107 009 01	Expansion rivet BD 4,5 X 11,5		2	
37	999 072 875 01	Hexagon-head bolt M 12 X 1.5 X 95		4	
40	991 575 117 81	Air guide Drive shaft	/L	1	
(40)	991 575 118 81	Air guide Drive shaft	/R	1	
41	N 912 425 01	Speed nut		2	
42	N 106 795 01	Oval-head sheetmetal screw ST 4,8 X 16		2	

Model: 991G13

Model life 2013>>



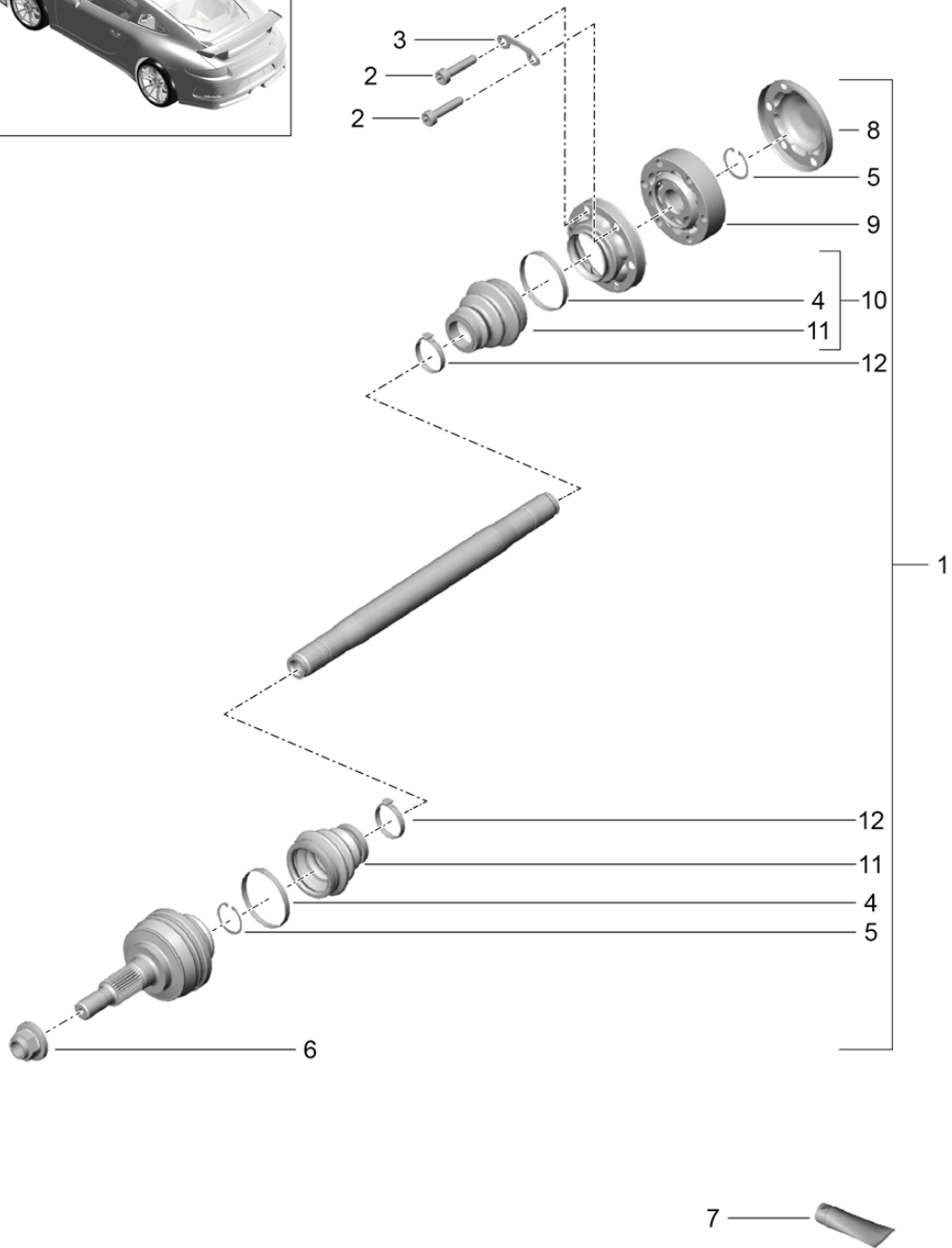
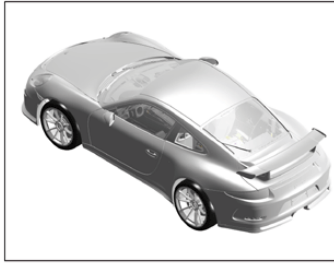
Model: 991G13

Model life 2013>>

Pos	Part Number	Description	Remark	Qty	Model
		Stabiliser	18-		
1	991 333 701 80	Stabiliser		1	
2	991 333 794 80	Stabiliser mounting		4	
3	991 333 777 80	Clip		2	
4	900 076 064 02	Hexagon nut M 8		4	
5	991 333 071 80	Stabiliser mounting	/L	1	
(5)	991 333 072 80	Stabiliser mounting	/R	1	
6	999 084 123 09	Hexagon nut M 10		2	
7	999 084 445 01	Lock nut M 12 X 1,5		2	

Model: 991G13

Model life 2013>>



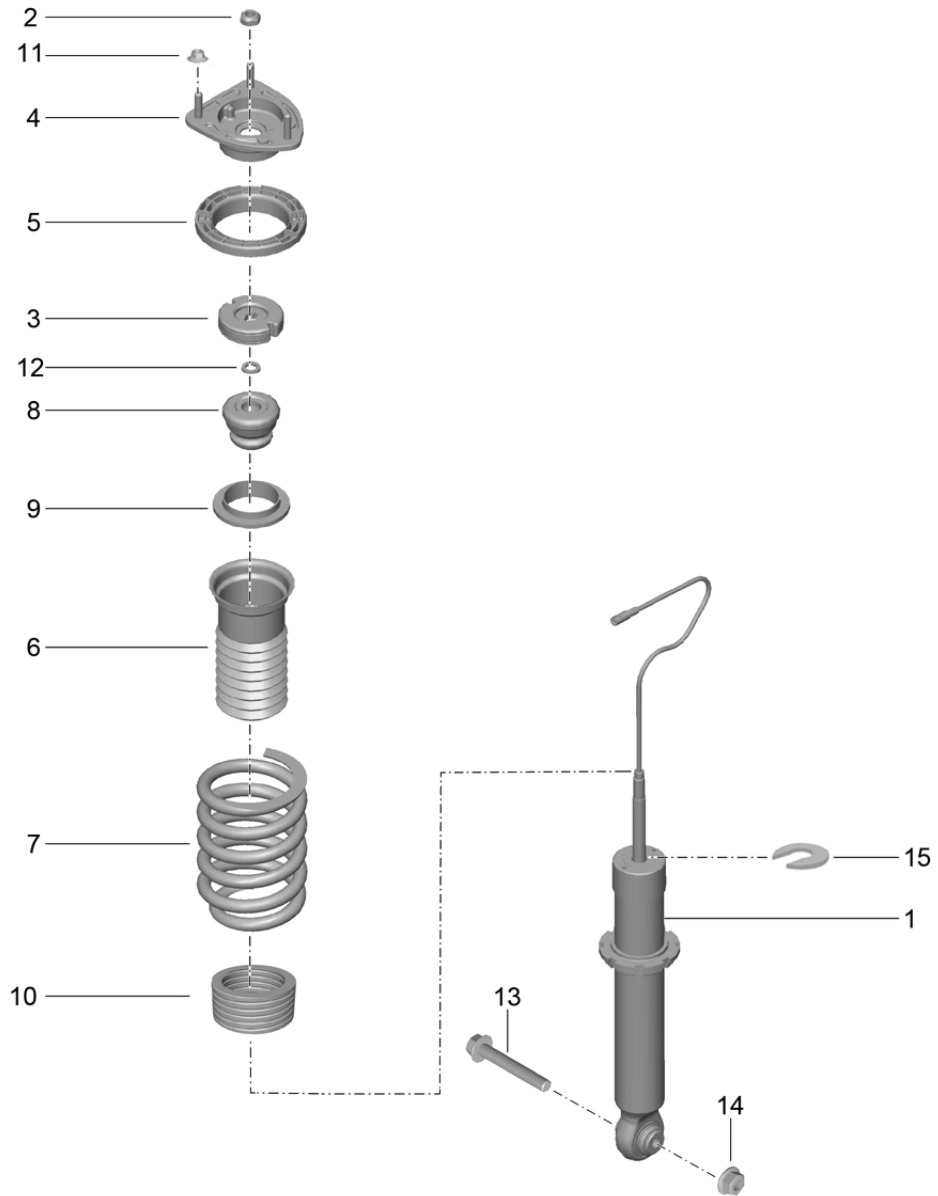
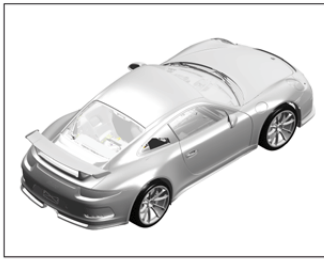
Model: 991G13

Model life 2013>>

Pos	Part Number	Description	Remark	Qty	Model
		Drive shaft	18-		
1	991 332 024 83	Drive shaft		2	
2	999 073 517 01	Pan-head screw M 10 X 1 X 46,5		12	
3	955 332 191 21	Plate		6	
4	996 332 957 00	Clip 73 MM		4	
5	900 041 055 01	Circlip		4	
6	WHT 007 021	Hexagon nut M 22 X 1,5 S		2	
7	000 043 110 02	Grease 1 100-gramme tube		X	
8	997 332 267 00	Lid		2	
9	991 332 030 80	Joint		2	
10	997 332 955 00	Bellows with Cap		2	
11	970 332 293 10	Bellows		4	I250
12	996 332 257 00	Clip		4	

Model: 991G13

Model life 2013>>

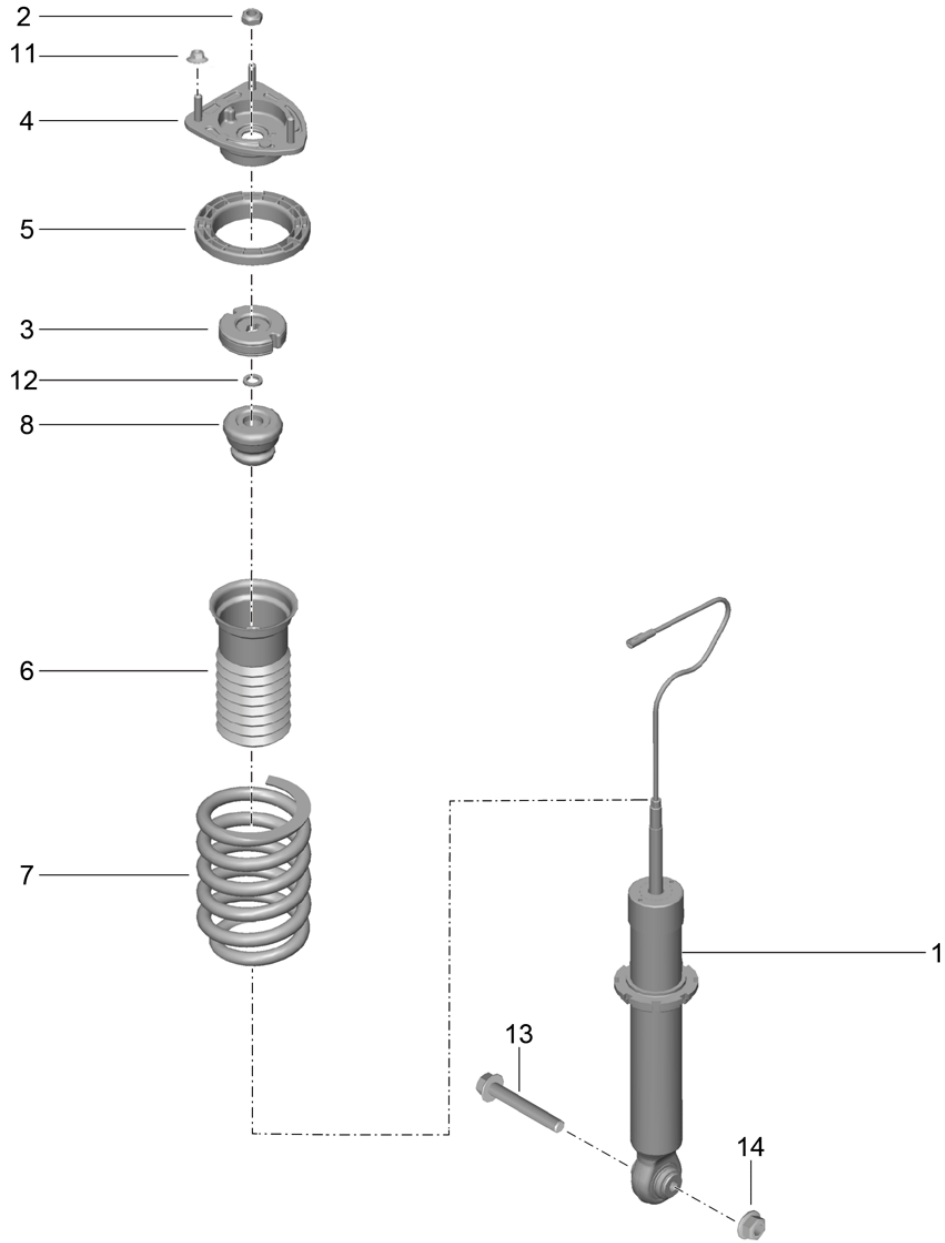
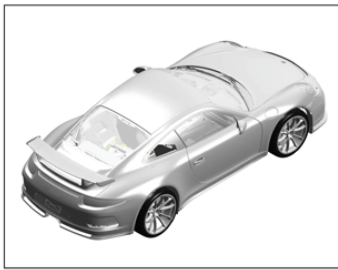


Model: 991G13 Model life 2013>>

Pos	Part Number	Description	Remark	Qty	Model
		Shock absorber	-17		
		Coil spring			
1	991 333 051 81	Shock absorber		2	I475
(1)	991 333 051 85	Shock absorber		2	I475
		D >> 11.12.2016			
(1)	991 333 051 86	Shock absorber		2	I475
		D 12.12.2016>>			
2	999 084 050 02	Hexagon nut		2	
		M 12 X 1			
3	991 333 691 80	Insert		2	
4	991 333 161 01	Supporting mount		2	
(4)	991 333 061 80	Supporting mount		2	
5	991 333 504 81	Base		2	
		Upper			
(5)	991 333 504 82	Base		2	
		Upper			
6	991 333 107 81	Bellows		2	
(6)	991 333 107 82	Bellows		2	
7	991 333 531 81	Coil spring		1	I475
	991 333 531 81 504	1 set			
(7)	991 333 531 82	Coil spring		1	
	991 333 531 82 504	1 set			
8	991 333 105 01	Additional spring		2	
9	997 333 511 80	Intermediate ring		2	
10	997 333 537 81	Additional spring		2	
11	999 084 447 01	Hexagon nut		6	
		M 8			
12	999 025 271 02	Washer		2	
		12,1X19,1X3			
13	999 084 445 01	Lock nut		2	
		M 12 X 1,5			
14	999 072 868 01	Hexagon-head bolt		2	
		M 12 X 1,5 X 80			
15	991 333 955 80	Spacer		2	
		see			
		Technical information			
		GR. 4 NR. 28/16			

Model: 991G13

Model life 2013>>



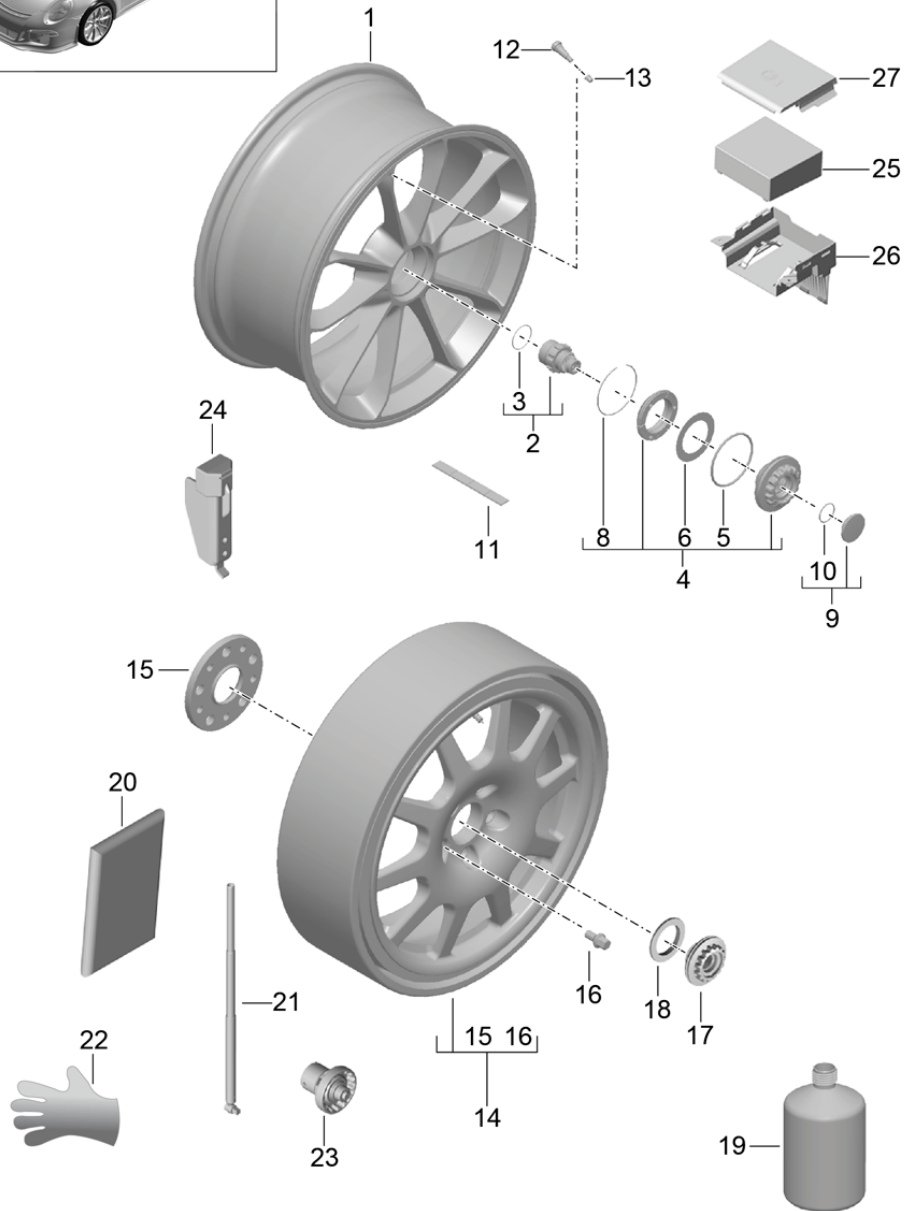
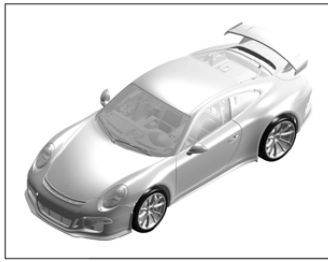
Model: 991G13

Model life 2013>>

Pos	Part Number	Description	Remark	Qty	Model
		Shock absorber	18-		
		Coil spring			
1	991 333 051 87	Shock absorber		2	I475
2	999 084 050 02	Hexagon nut		2	
		M 12 X 1			
3	991 333 691 80	Insert		2	
4	991 333 161 01	Supporting mount		2	
5	991 333 504 81	Base		2	
		Upper			
6	991 333 107 81	Bellows		2	
7	991 333 531 82	Coil spring		1	
	991 333 531 82 504	1 set			
8	991 333 105 01	Additional spring		2	
11	999 084 447 01	Hexagon nut		6	
		M 8			
12	999 025 271 02	Washer		2	
		12,1X19,1X3			
13	999 084 445 01	Lock nut		2	
		M 12 X 1,5			
14	999 072 868 01	Hexagon-head bolt		2	
		M 12 X 1,5 X 80			

Model: 991G13

Model life 2013>>



Model: 991G13 Model life 2013>>

Pos	Part Number	Description	Remark	Qty	Model
		Wheels	-17		
		Central locking			
1	991 362 162 82	Disc wheel	/V	2	
	991 362 162 82 041	Black			I431
	991 362 162 82 OB5	Platinum satin-matt			I340/431
	991 362 162 82 8Z8	Brilliant Silver			I346/431
		9 J X 20			
		ET 55			
1	991 362 162 82	Disc wheel	/V	2	I431
	991 362 162 82 041	Black			IXDG
	991 362 162 82 OB5	Platinum satin-matt			IXDH
	991 362 162 82 OM9	Aluminium White			I340
		9 J X 20			
		ET 55			
(1)	991 362 163 82	Disc wheel	/V	2	
	991 362 163 82 OB5	Platinum satin-matt			I340/448
	991 362 163 82 8Z8	Brilliant Silver			I346/448
	991 362 163 82 JE1	Black mat			IXDK/448
		9,5 J X 20			
		ET 50			
(1)	991 362 168 82	Disc wheel	/H	2	
	991 362 168 82 041	Black			I431
	991 362 168 82 OB5	Platinum satin-matt			IXDG
	991 362 168 82 8Z8	Brilliant Silver			IXDH
		12 J X 20			I340
		ET 47			
(1)	991 362 168 83	Disc wheel	/H	2	
	991 362 168 83 041	Black			I431
	991 362 168 83 OB5	Platinum satin-matt			IXDG
	991 362 168 83 OM9	Aluminium White			IXDH
		12 J X 20			I340
		ET 47			
(1)	991 362 189 82	Disc wheel	/H	2	
	991 362 189 82 OB5	Platinum satin-matt			I340/448
	991 362 189 82 8Z8	Brilliant Silver			I346/448
	991 362 189 82 JE1	Black mat			IXDK/448
		12,5 J X 21			
		ET 48			
2	991 341 251 00	Locking device		2	I478
(2)	991 341 251 01	Locking device		2	I478
3	999 707 012 40	O-ring		4	I478
		37 X 2,5 N			
4	991 361 081 90	Wheel bolt		4	I478
5	999 707 663 40	O-ring		4	I478
		90,00 X 4			
6	991 361 189 00	Washer		4	I478
8	997 361 187 00	Circlip		4	I478
		2,0			
9	991 361 207 90	Hub cap		4	I431
(9)	991 361 207 30	Hub cap		4	I431
(9)	991 361 207 95	Hub cap		4	I448
10	999 707 667 40	O-ring		4	I431/448
		30 X 2,5 N			
11	997 361 405 00	Balance stick-on weight		X	-I493
		5.G.			
(11)	9P1 601 179	Balance stick-on weight		X	I493
		Black			
		5.G.			
(11)	997 361 410 00	Balance stick-on weight		X	-I493
		10 G.			
(11)	9P1 601 181	Balance stick-on weight		X	I493
		Black			
		10.G.			

Model: 991G13

Model life 2013>>

Pos	Part Number	Description	Remark	Qty	Model
(11)	997 361 415 00	Balance stick-on weight 15 G.		X	-I493
(11)	9P1 601 182	Balance stick-on weight Black 15.G.		X	I493
(11)	997 361 420 00	Balance stick-on weight 20 G.		X	-I493
(11)	9P1 601 183	Balance stick-on weight Black 20.G.		X	I493
(11)	997 361 425 00	Balance stick-on weight 25 G.		X	-I493
(11)	9P1 601 184	Balance stick-on weight Black 25.G.		X	I493
(11)	997 361 430 00	Balance stick-on weight 30 G.		X	-I493
(11)	9P1 601 185	Balance stick-on weight Black 30.G.		X	I493
(11)	997 361 435 00	Balance stick-on weight 35 G.		X	-I493
(11)	9P1 601 186	Balance stick-on weight Black 35.G.		X	I493
(11)	997 361 440 00	Balance stick-on weight 40 G.		X	-I493
(11)	9P1 601 187	Balance stick-on weight Black 40.G.		X	I493
(11)	997 361 445 00	Balance stick-on weight 45 G.		X	-I493
(11)	9P1 601 188	Balance stick-on weight Black 45.G.		X	I493
(11)	997 361 450 00	Balance stick-on weight 50 G.		X	-I493
(11)	9P1 601 189	Balance stick-on weight Black 50.G.		X	I493
(11)	997 361 455 00	Balance stick-on weight 55 G.		X	-I493
(11)	9P1 601 190	Balance stick-on weight Black 55.G.		X	I493
(11)	997 361 460 00	Balance stick-on weight 60 G.		X	-I493
(11)	9P1 601 191	Balance stick-on weight Black 60.G.		X	I493
(11)	997 361 465 00	Balance stick-on weight 65 G.		X	-I493
(11)	9P1 601 192	Balance stick-on weight Black 65.G.		X	I493
(11)	997 361 470 00	Balance stick-on weight 70 G.		X	-I493
(11)	9P1 601 193	Balance stick-on weight Black 70.G.		X	I493
(11)	997 361 475 00	Balance stick-on weight 75 G.		X	-I493
(11)	9P1 601 194	Balance stick-on weight		X	I493

Model: 991G13

Model life 2013>>

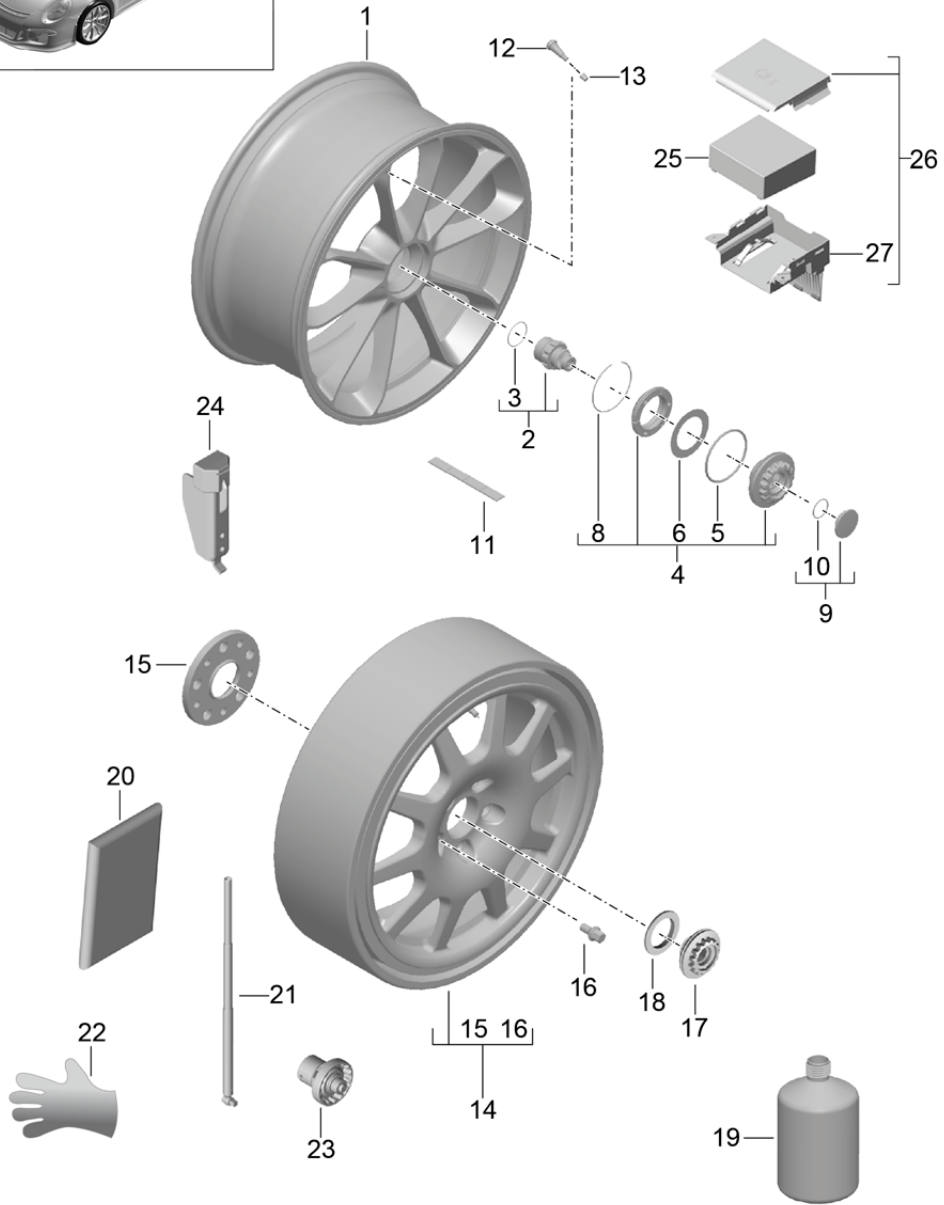
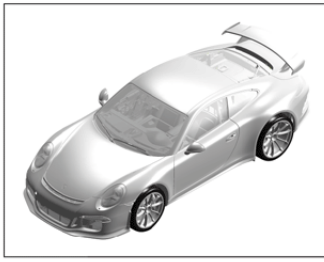
Pos	Part Number	Description	Remark	Qty	Model
(11)	997 361 480 00	Black 75.G. Balance stick-on weight		X	-I493
(11)	9P1 601 195	80 G. Balance stick-on weight		X	I493
(11)	997 361 485 00	Black 80.G. Balance stick-on weight		X	-I493
(11)	9P1 601 196	85 G. Balance stick-on weight		X	I493
(11)	997 361 490 00	Black 85.G. Balance stick-on weight		X	-I493
(11)	9P1 601 197	90 G. Balance stick-on weight		X	I493
12	900 265 001 51	Black 90.G. Rubber valve		4	I447/478
12	311 601 361	Rubber Rubber valve		4	I447/478
(12)	9P1 601 361	Rubber Valve	-16	4	IUX7/482/483
13	993 361 163 10	Tyre pressure monitoring Black Cap		4	I447
(13)	N 908 729 01	for Rubber valve Cap		4	IUX6
(13)	WHT 006 913	Valve Silver Cap		4	IUX7
14	991 362 021 00	Valve Black Emergency wheel		1	I447/478
(14)	991 362 021 02	Emergency wheel		1	I447/478
(14)	991 362 021 01	Emergency wheel		1	I447/478
15	991 362 191 00	Adapter Emergency wheel		1	I447/478
16	991 361 209 00	Wheel bolt Adapter		5	I447/478
17	991 361 181 50	Wheel bolt Central locking		1	I447/478
18	991 362 193 00	Emergency wheel Spacer		1	I447/478
(18)	991 362 195 00	Front axle Spacer		1	I447/478
19	4L0 012 619 A	Rear axle Bottle of tyre sealant		1	
(19)	4L0 012 619 B	Bottle of tyre sealant		1	
(19)	9A7 012 619 02	Bottle of tyre sealant		1	
20	996 361 521 00	Boot		1	I447
21	997 361 161 00	Emergency wheel Extension		1	I447/478
22	999 914 001 40	Emergency wheel Plastic gloves		1	I447
23	991 361 069 00	Tool for		1	I478
24	991 361 079 00	Wheel bolt Release		1	I478
25	997 652 055 00	Tool Compressor for Emergency wheel		1	

Model: 991G13 Model life 2013>>

Pos	Part Number	Description	Remark	Qty	Model
25	5N0 012 615 A	Use also: 991.555.575.02.1E0 Compressor for Emergency wheel		1 1	
(25)	5N0 012 615 C	Use also: 991.555.575.03.1E0 Compressor for Emergency wheel		1 1	
26	991 555 575 02 991 555 575 02 1E0	Use also: 991.555.575.04.1E0 Support Black for Compressor 997.652.055.00 D >> 04.11.2014		1 1	
(26)	991 555 575 03 991 555 575 03 1E0	Support Black for Compressor 5N0.012.615.A D 05.11.2014>> 09.04.2015		1	
(26)	991 555 575 04 991 555 575 04 1E0	Support Black for Compressor 5N0.012.615.C D 10.04.2015>>		1	
27	991 555 765 01 991 555 765 01 1E0	Lid Black for Compressor 997.652.055.00 D >> 04.11.2014		1	
(27)	991 555 765 02 991 555 765 02 1E0	Lid Black for Compressor 5N0.012.615.A D 05.11.2014>> 09.04.2015		1	
(27)	991 555 765 03 991 555 765 03 1E0	Lid Black for Compressor 5N0.012.615.C D 10.04.2015>>		1	

Model: 991G13

Model life 2013>>



Model: 991G13 Model life 2013>>

Pos	Part Number	Description	Remark	Qty	Model
1	991 362 162 82	Wheels Central locking Disc wheel 9 J X 20 ET 55	18- /V	2	IXDH/XDK/340 I341/431
	991 362 162 82 OB5	Platinum satin-matt			IXDH
	991 362 162 82 JE1	Black mat			IXDK
	991 362 162 82 8Z8	Brilliant Silver			I340
	991 362 162 82 OM9	Aluminium White			I341
(1)	991 362 168 83	Disc wheel 12 J X 20 ET 47	/H	2	IXDH/XDK/340 I341/431
	991 362 168 83 OB5	Platinum satin-matt			IXDH
	991 362 168 83 JE1	Black mat			IXDK
	991 362 168 83 8Z8	Brilliant Silver			I340
	991 362 168 83 OM9	Aluminium White			I341
(1)	991 364 162 82	Disc wheel 9 J X 20 ET 55	/V	2	IXGT/431
(1)	991 364 162 82 TR0	Black-red			
(1)	991 364 168 83	Disc wheel 12 J X 20 ET 47	/H	2	IXGT/431
	991 364 168 83 TR0	Black-red			
2	991 341 251 02	Locking device		2	I478
3	999 707 012 40	O-ring 37 X 2,5 N		4	I478
4	991 361 081 90	Wheel bolt		4	I478
5	999 707 663 40	O-ring 90,00 X 4		4	I478
6	991 361 189 00	Washer		4	I478
8	997 361 187 00	Circlip 2,0		4	I478
9	991 361 207 90	Hub cap		4	-I039/I431
(9)	991 361 207 30	Hub cap		4	I039/431
10	999 707 667 40	O-ring 30 X 2,5 N		4	I431/448
11	997 361 405 00	Balance stick-on weight 5.G.		X	-I493
(11)	9P1 601 179	Balance stick-on weight Black 5.G.		X	I493
(11)	997 361 410 00	Balance stick-on weight 10 G.		X	-I493
(11)	9P1 601 181	Balance stick-on weight Black 10.G.		X	I493
(11)	997 361 415 00	Balance stick-on weight 15 G.		X	-I493
(11)	9P1 601 182	Balance stick-on weight Black 15.G.		X	I493
(11)	997 361 420 00	Balance stick-on weight 20 G.		X	-I493
(11)	9P1 601 183	Balance stick-on weight Black 20.G.		X	I493
(11)	997 361 425 00	Balance stick-on weight 25 G.		X	-I493
(11)	9P1 601 184	Balance stick-on weight Black		X	I493

Model: 991G13

Model life 2013>>

Pos	Part Number	Description	Remark	Qty	Model
(11)	997 361 430 00	25.G. Balance stick-on weight		X	-I493
(11)	9P1 601 185	30 G. Balance stick-on weight Black		X	I493
(11)	997 361 435 00	30.G. Balance stick-on weight		X	-I493
(11)	9P1 601 186	35 G. Balance stick-on weight Black		X	I493
(11)	997 361 440 00	35.G. Balance stick-on weight		X	-I493
(11)	9P1 601 187	40 G. Balance stick-on weight Black		X	I493
(11)	997 361 445 00	40.G. Balance stick-on weight		X	-I493
(11)	9P1 601 188	45 G. Balance stick-on weight Black		X	I493
(11)	997 361 450 00	45.G. Balance stick-on weight		X	-I493
(11)	9P1 601 189	50 G. Balance stick-on weight Black		X	I493
(11)	997 361 455 00	50.G. Balance stick-on weight		X	-I493
(11)	9P1 601 190	55 G. Balance stick-on weight Black		X	I493
(11)	997 361 460 00	55.G. Balance stick-on weight		X	-I493
(11)	9P1 601 191	60 G. Balance stick-on weight Black		X	I493
(11)	997 361 465 00	60.G. Balance stick-on weight		X	-I493
(11)	9P1 601 192	65 G. Balance stick-on weight Black		X	I493
(11)	997 361 470 00	65.G. Balance stick-on weight		X	-I493
(11)	9P1 601 193	70 G. Balance stick-on weight Black		X	I493
(11)	997 361 475 00	70.G. Balance stick-on weight		X	-I493
(11)	9P1 601 194	75 G. Balance stick-on weight Black		X	I493
(11)	997 361 480 00	75.G. Balance stick-on weight		X	-I493
(11)	9P1 601 195	80 G. Balance stick-on weight Black		X	I493
(11)	997 361 485 00	80.G. Balance stick-on weight		X	-I493
(11)	9P1 601 196	85 G. Balance stick-on weight Black		X	I493
(11)	997 361 490 00	85.G. Balance stick-on weight		X	-I493
(11)	997 361 490 00	90 G.		X	-I493

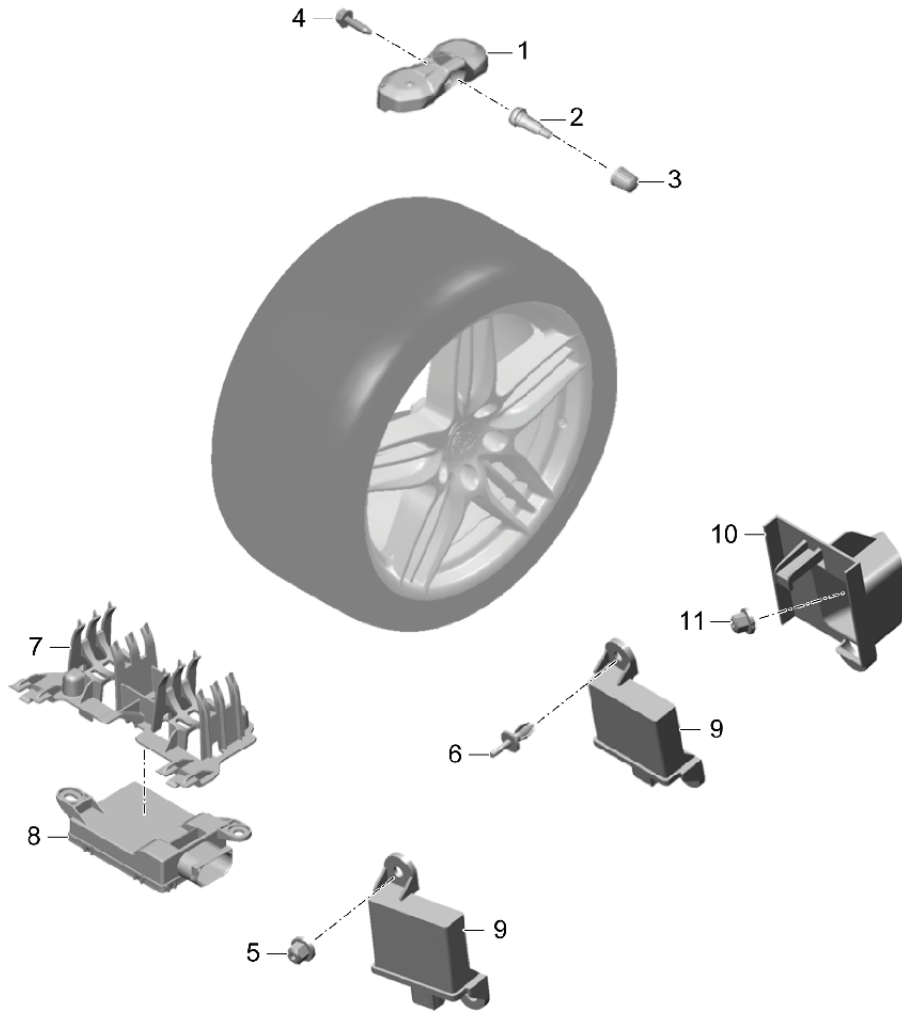
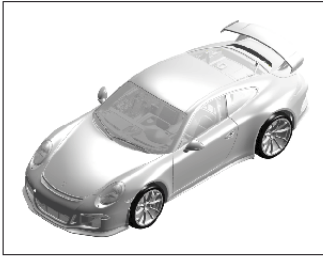
Model: 991G13

Model life 2013>>

Pos	Part Number	Description	Remark	Qty	Model
(11)	9P1 601 197	Balance stick-on weight Black 90.G.		X	I493
12	900 265 001 51	Rubber valve Rubber		1	I447
12	311 601 361	Rubber valve Rubber		1	I447
13	WHT 006 913	Cap Valve Black		4	I447
14	991 362 021 01	Emergency wheel		1	I447/478
15	991 362 191 00	Adapter Emergency wheel		1	I447/478
16	991 361 209 00	Wheel bolt Adapter		5	I447/478
17	991 361 181 50	Wheel bolt Central locking Emergency wheel		1	I447/478
18	991 362 193 00	Spacer Front axle		1	I447/478
(18)	991 362 195 00	Spacer Rear axle		1	I447/478
19	9A7 012 619 02	Bottle of tyre sealant		1	
20	996 361 521 00	Boot Emergency wheel		1	I447
21	997 361 161 00	Extension Emergency wheel		1	I447/478
22	999 914 001 40	Plastic gloves		1	I447
23	991 361 069 00	Tool for Wheel bolt		1	I478
24	991 361 079 00	Release Tool		1	I478
25	9P1 012 615 A	Compressor for Emergency wheel		1	
26	991 555 575 04	Support with Lid		1	
27	991 555 575 04 1E0	Black		1	
	991 555 765 03	Lid			
	991 555 765 03 1E0	Black			

Model: 991G13

Model life 2013>>



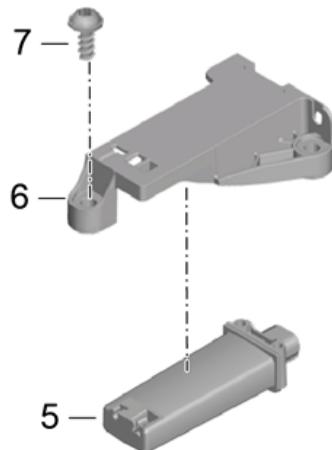
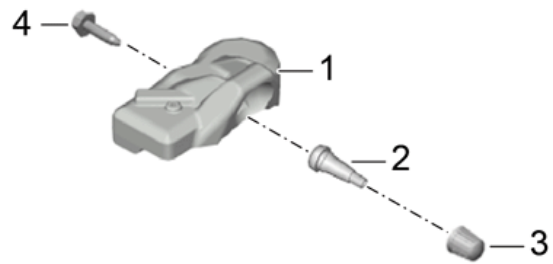
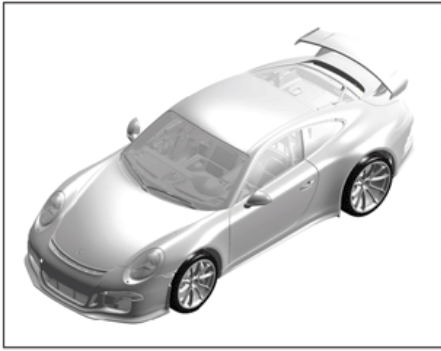
Model: 991G13

Model life 2013>>

Pos	Part Number	Description	Remark	Qty	Model
1	9A7 907 275 02	Tyre pressure monitoring Sensor	-17	4	I482
(1)	7PP 907 275 F	Tyre pressure monitoring Sensor		4	I482
(1)	9A7 907 275 03	Tyre pressure monitoring Information available Sensor		4	I483
(1)	7PP 907 275 G	Tyre pressure monitoring Sensor		4	I483
2	9P1 601 361	Tyre pressure monitoring Information available Valve Aluminium Black	-16	4	IUX7
(2)	9P1 601 361 A	Valve Aluminium Silver	-16	4	IUX6
(2)		Valve Aluminium Silver		4	IUX6
(2)	9P1 601 361 B	Valve Aluminium Silver		4	IUX7
3	N 908 729 01	Cap Silver		4	IUX6
(3)	WHT 006 913	Cap Black		4	IUX7
4	4D0 601 365	Fastening screw		4	
(4)		Fastening screw		4	IUX7
5	999 076 081 40	Plastic nut		6	
6	999 507 196 40	Expansion rivet		2	
7	991 618 259 00	Front Support		1	
8	918 618 103 01	Antenna		1	I483
(8)	918 618 104 01	Antenna		1	I482
9	7PP 907 283	transmitter		4	I482/483
10	991 606 242 00	Support Front		1	I482/483
11	999 049 033 40	Plastic nut		4	I470

Model: 991G13

Model life 2013>>



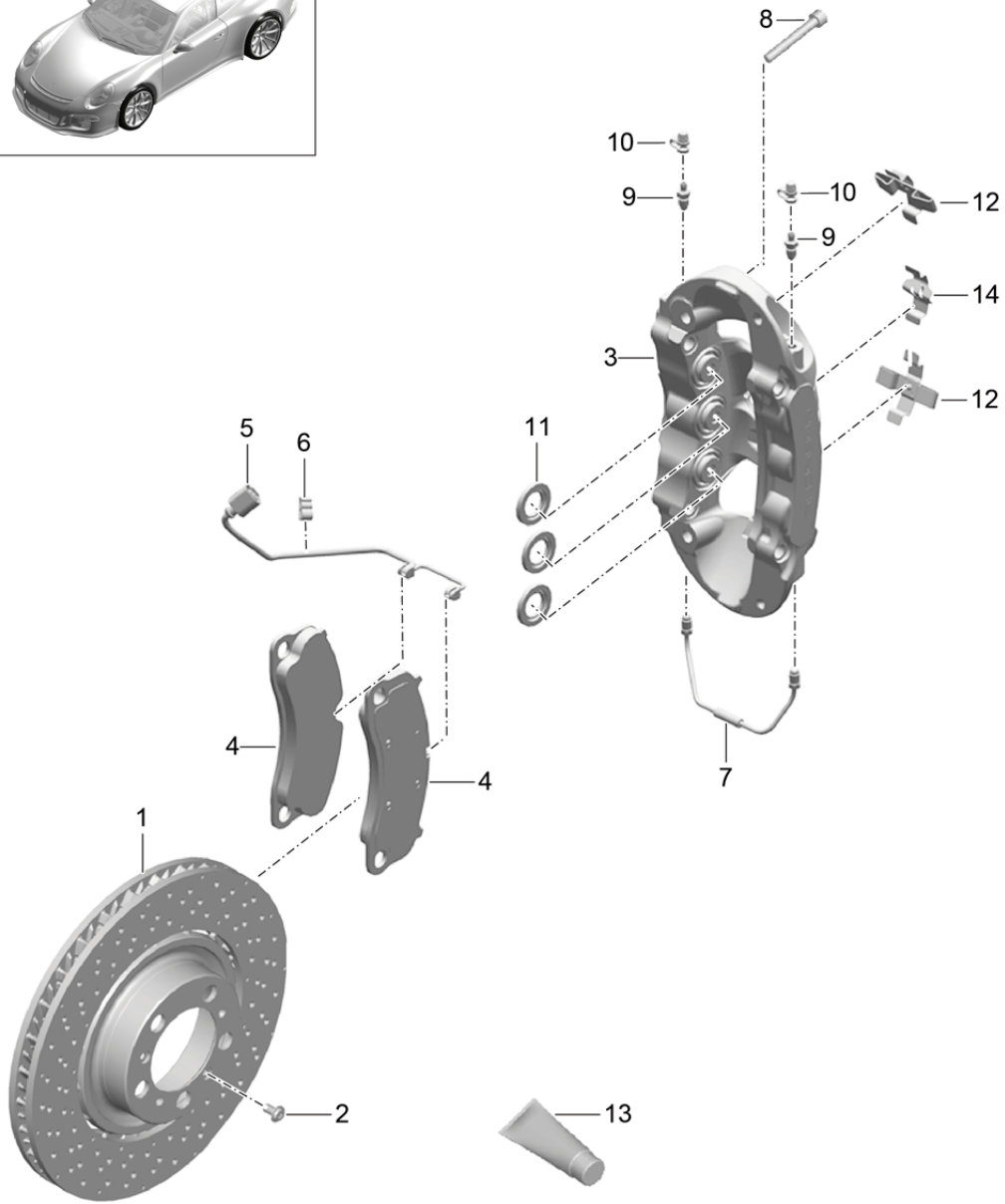
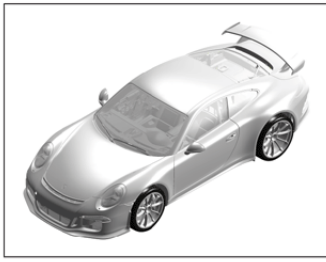
Model: 991G13

Model life 2013>>

Pos	Part Number	Description	Remark	Qty	Model
1	9A7 907 275 02	Tyre pressure monitoring Sensor	18-	4	I482
(1)	9A7 907 275 03	Tyre pressure monitoring Sensor		4	I483
2	9P1 601 361 B	Tyre pressure monitoring Valve Aluminium Black		4	IUX7
(2)	9P1 601 361 C	Tyre pressure monitoring Valve Aluminium Silver		4	IUX6
3	N 908 729 01	Cap Silver		4	IUX6
(3)	WHT 006 913	Cap Black		4	IUX7
4	4D0 601 365	Fastening screw		4	
5	9P1 907 273	Control unit		1	I482
(5)	9P1 907 273 A	Control unit		1	I483
6	991 618 269 01	Support		1	
7	999 919 241 01	Lens-head screw M 6 X 15		2	

Model: 991G13

Model life 2013>>



Model: 991G13 Model life 2013>>

Pos	Part Number	Description	Remark	Qty	Model
		Disc brake	-17		
		Front axle			
1	991 351 405 81	Brake disc	/L	1	-I450
		Use also:			
		991.341.905.80		1	
(1)	991 351 406 81	Brake disc	/R	1	-I450
		Use also:			
		991.341.905.80		1	
(1)	991 351 407 80	Brake disc	/L	1	I450
		Use also:			
		991.341.905.80		1	
(1)	991 351 407 84	Brake disc	/L	1	I450
		Use also:			
		991.341.905.80		1	
(1)	991 351 407 85	Brake disc	/L	1	I450
		Use also:			
		991.341.905.80		1	
(1)	991 351 408 80	Brake disc	/R	1	I450
		Use also:			
		991.341.905.80		1	
(1)	991 351 408 84	Brake disc	/R	1	I450
		Use also:			
		991.341.905.80		1	
(1)	991 351 408 85	Brake disc	/R	1	I450
		Use also:			
		991.341.905.80		1	
2	999 015 025 09	Lens-head screw		4	
		M 6 X 12			
3	991 351 427 80	Fixed calliper	/L	1	-I450
		without pad			
		Use also:			
		999.067.054.09		4	
(3)	991 351 427 82	Fixed calliper	/L	1	-I450
		without pad			
		Use also:			
		999.067.054.09		4	
(3)	991 351 429 80	Fixed calliper	/L	1	I450
		without pad			
		Use also:			
		999.067.054.09		4	
(3)	991 351 429 83	Fixed calliper	/L	1	I450
		without pad			
		Use also:			
		999.067.054.09		4	
(3)	991 351 429 82	Fixed calliper	/L	1	I450
		without pad			
		Use also:			
		999.067.054.09		4	
(3)	991 351 428 80	Fixed calliper	/R	1	-I450
		without pad			
		Use also:			
		999.067.054.09		4	
(3)	991 351 428 82	Fixed calliper	/R	1	-I450
		without pad			
		Use also:			
		999.067.054.09		4	
(3)	991 351 430 80	Fixed calliper	/R	1	I450
		without pad			
		Use also:			
		999.067.054.09		4	
(3)	991 351 430 83	Fixed calliper	/R	1	I450
		without pad			
		Use also:			

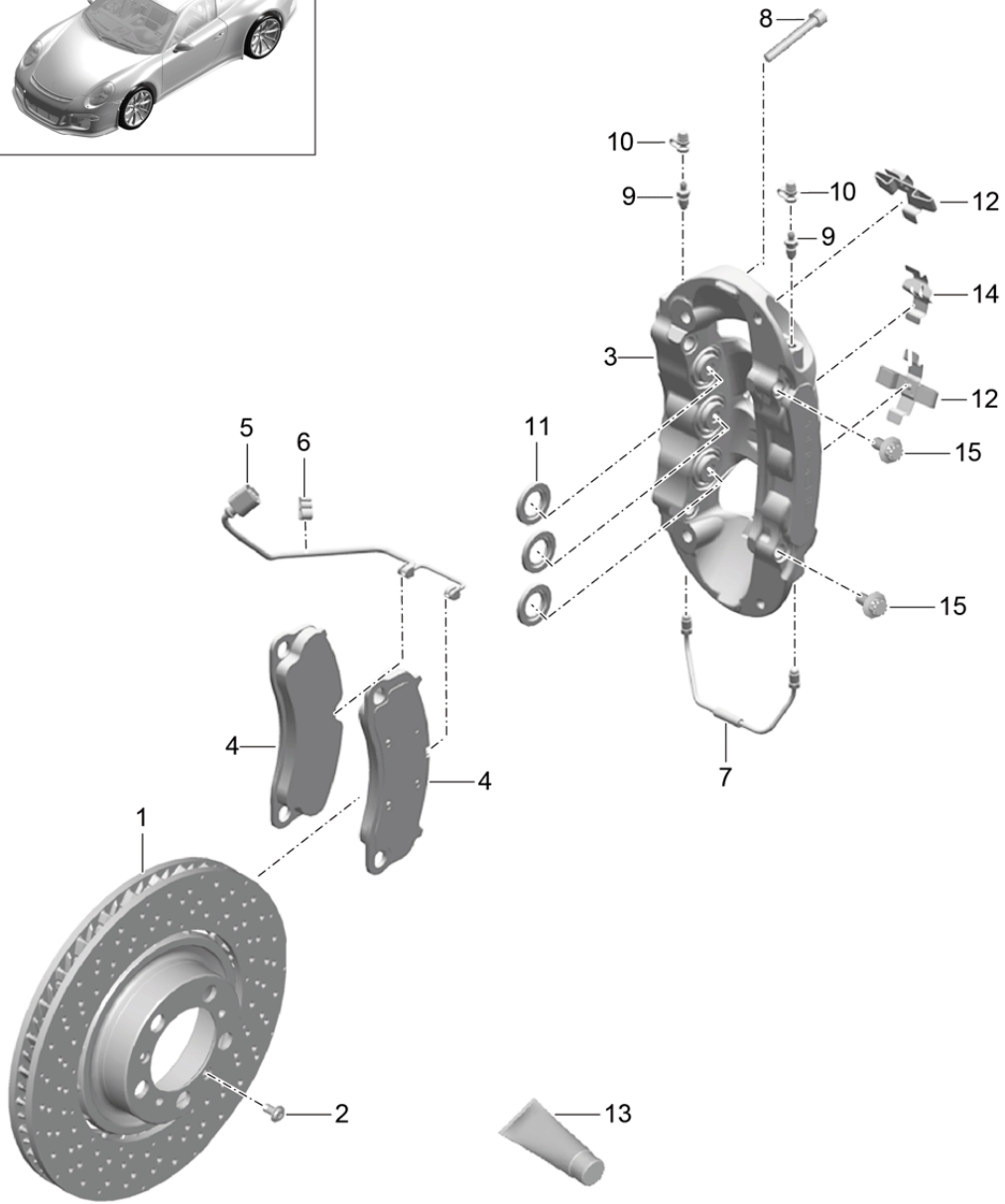
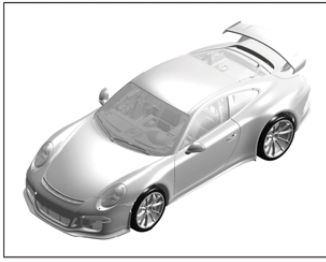
Model: 991G13

Model life 2013>>

Pos	Part Number	Description	Remark	Qty	Model
(3)	991 351 430 82	999.067.054.09 Fixed calliper without pad Use also: 999.067.054.09	/R	4 1	I450
4	991 351 947 81	Brake pad repair set Use also: Mounting parts Use also: 999.067.054.09		4 1	-I450
(4)	991 351 947 82	Brake pad repair set Use also: Mounting parts Use also: 999.067.054.09		4 1	-I450
(4)	991 351 949 80	Brake pad repair set Use also: 999.067.054.09		4 1	I450
(4)	991 351 949 81	Brake pad repair set Use also: 999.067.054.09		4 1	I450
5	991 609 171 00	Warning contact Brake pad wear indicator	-14	4 2	-I450
(5)	991 609 181 00	Warning contact Brake pad wear indicator	15-	2	-I450
(5)	991 609 181 80	Warning contact Brake pad wear indicator When required order also: 9P1.615.133.A		2	
(5)	991 609 181 00	Warning contact Brake pad wear indicator		2	I450
(5)	991 609 181 80	Warning contact Brake pad wear indicator		2	
(5)	991 609 181 00	Warning contact Brake pad wear indicator		2	I450
6	944 612 627 00	Line bracket for Warning contact		2	
7	991 351 961 00	Connecting line	/L	2	
(7)	991 351 962 00	Fixed calliper Connecting line	/R	2	
8	999 067 054 09	Fixed calliper Pan-head screw M 12 X 1,5 X 62		4	
9	8A0 615 273	Ventilation valve		4	
10	211 611 483	Dust boot		4	
11	991 351 913 80	Repair kit Protection caps 30 MM		X	
12	970 351 959 01	Spring Repair kit		2	
13	000 043 117 00	Brake cylinder paste 50 G		X	
(13)	000 043 020 00	Optimoly 100 G		X	
14	9P1 615 133 A	Cable holder Warning contact		2	

Model: 991G13

Model life 2013>>

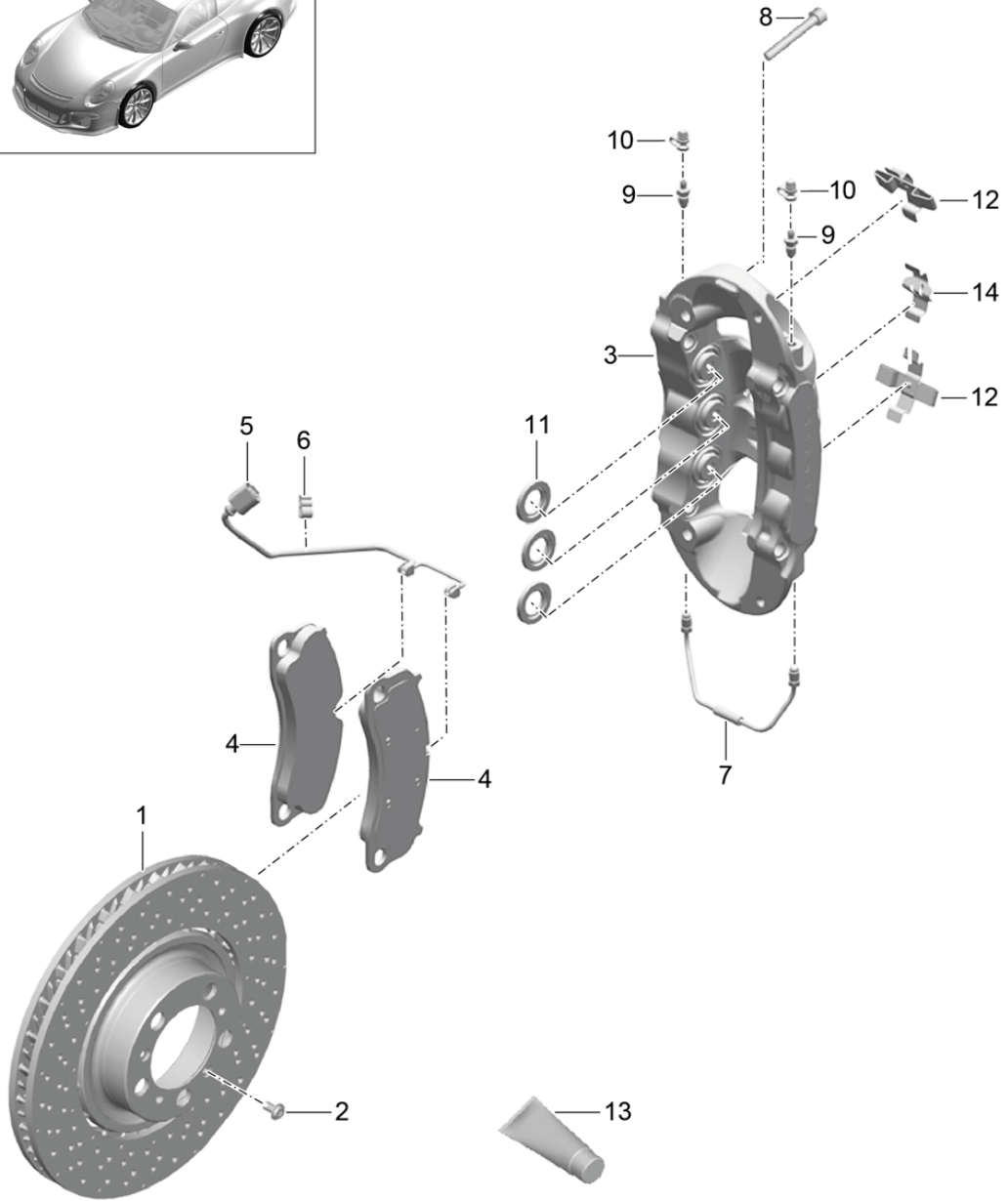
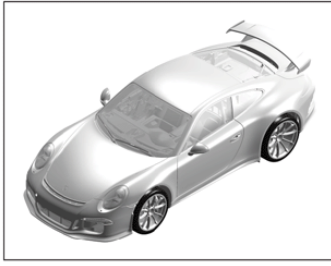


Model: 991G13 Model life 2013>>

Pos	Part Number	Description	Remark	Qty	Model
		Disc brake Front axle	18-		-I450
1	991 351 405 81	Brake disc	/L	1	
		Use also: 991.341.905.80		1	
(1)	991 351 406 81	Brake disc	/R	1	
		Use also: 991.341.905.80		1	
2	999 015 025 09	Lens-head screw M 6 X 12		4	
3	991 351 427 85	Fixed calliper without pad	/L	1	
		Use also: 999.067.054.09		4	
(3)	991 351 428 85	Fixed calliper without pad	/R	1	
		Use also: 999.067.054.09		4	
4	991 351 947 82	Brake pad repair set		1	
		Use also: 999.067.054.09		4	
5	991 609 181 80	Warning contact		2	
		When required order also: 9P1.615.133.A			
6	944 612 627 00	Line bracket for Warning contact		2	
7	991 351 961 01	Connecting line	/L	2	
(7)	991 351 962 01	Connecting line	/R	2	
10	211 611 483	Dust boot		4	
11	991 351 913 80	Repair kit Protection caps 30 MM		X	
13	000 043 305 11	Brake cylinder paste 50 G		X	
(13)	000 043 305 08	Optimoly 100 G		X	

Model: 991G13

Model life 2013>>



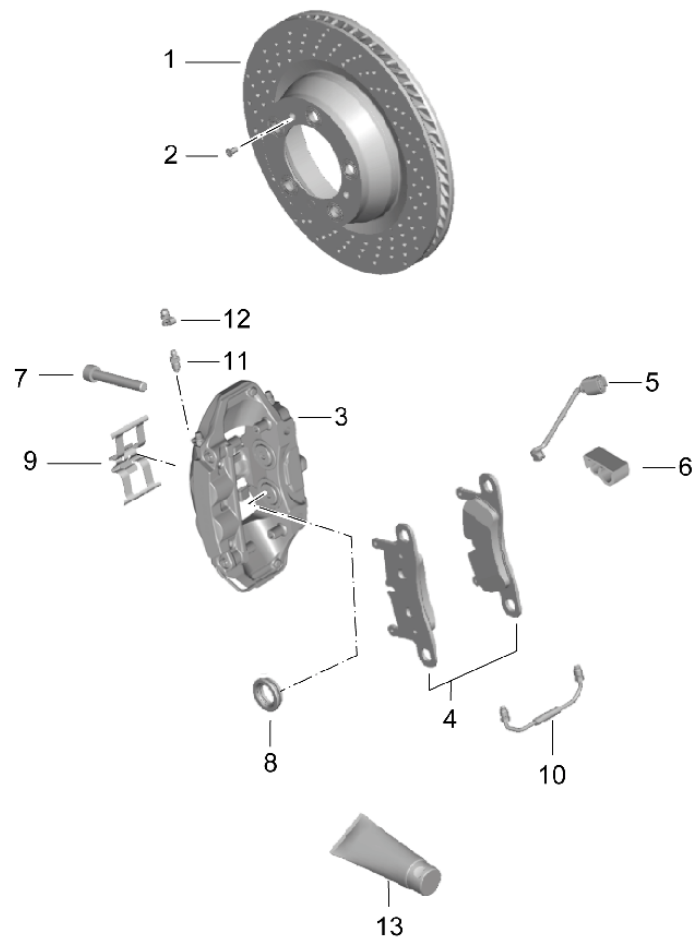
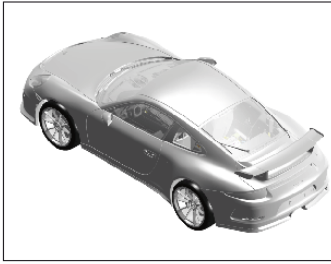
Model: 991G13

Model life 2013>>

Pos	Part Number	Description	Remark	Qty	Model
		Disc brake Front axle PCCB	18-		I450
1	991 351 407 85	Brake disc	/L	1	
		Use also: 991.341.905.80		1	
(1)	991 351 408 85	Brake disc	/R	1	
		Use also: 991.341.905.80		1	
2	999 015 025 09	Lens-head screw M 6 X 12		4	
3	991 351 429 85	Fixed calliper without pad	/L	1	
		Use also: 999.067.054.09		4	
(3)	991 351 430 85	Fixed calliper without pad	/R	1	
		Use also: 999.067.054.09		4	
4	991 351 949 81	Brake pad repair set		1	
		Use also: 999.067.054.09		4	
5	991 609 181 80	Warning contact		2	
6	944 612 627 00	Brake pad wear indicator Line bracket for		2	
		Warning contact			
7	991 351 961 01	Connecting line	/L	2	
		Fixed calliper			
(7)	991 351 962 01	Connecting line	/R	2	
		Fixed calliper			
10	211 611 483	Dust boot		4	
11	991 351 913 80	Repair kit Protection caps 30 MM		X	
13	000 043 305 11	Brake cylinder paste 50 G		X	
(13)	000 043 305 08	Optimoly 100 G		X	
14	9P1 615 133 A	Cable holder Warning contact		2	

Model: 991G13

Model life 2013>>



Model: 991G13 Model life 2013>>

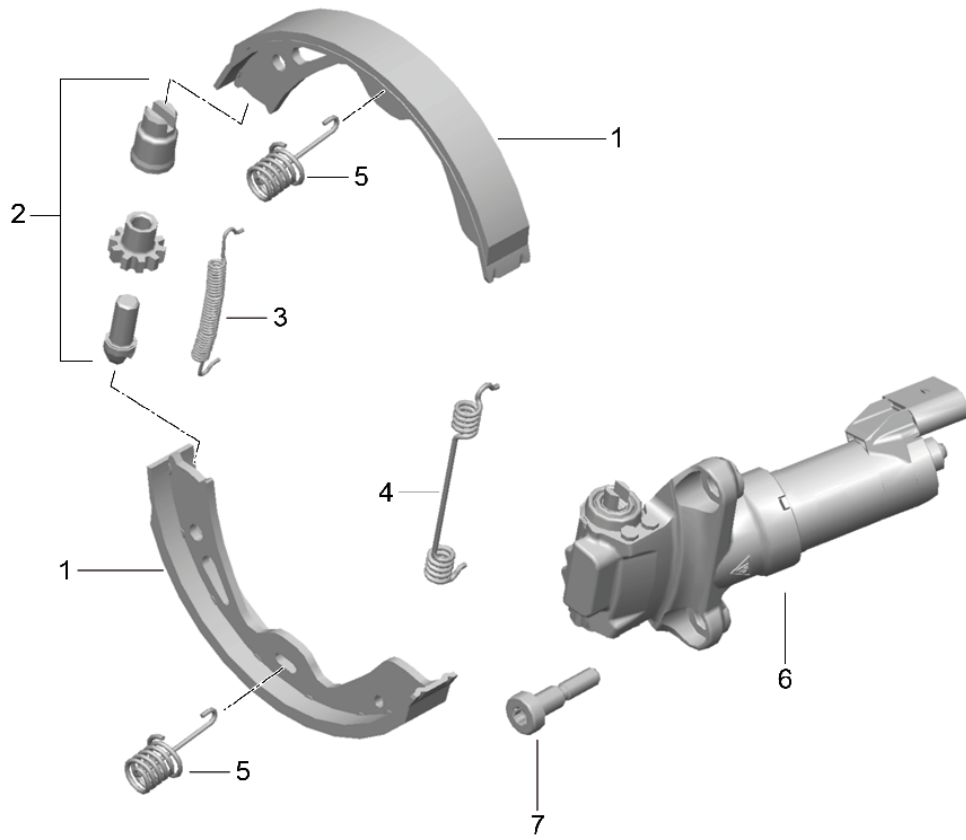
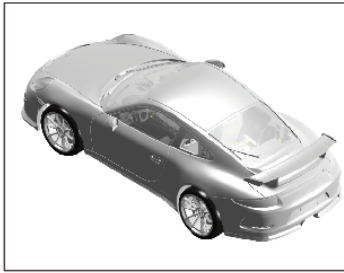
Pos	Part Number	Description	Remark	Qty	Model
		Disc brake	-17		
		Rear axle			
1	991 352 407 80	Brake disc	/L	1	-I450
		Use also:			
		991.341.905.80			
(1)	991 352 409 80	Brake disc	/L	1	I450
		Use also:			
		991.341.905.80			
(1)	991 352 409 83	Brake disc	/L	1	I450
		Use also:			
		991.341.905.80			
(1)	991 352 409 85	Brake disc	/L	1	I450
		Use also:			
		991.341.905.80			
(1)	991 352 409 84	Brake disc	/L	1	I450
		Use also:			
		991.341.905.80			
(1)	991 352 408 80	Brake disc	/R	1	-I450
		Use also:			
		991.341.905.80			
(1)	991 352 410 80	Brake disc	/R	1	I450
		Use also:			
		991.341.905.80			
(1)	991 352 410 83	Brake disc	/R	1	I450
		Use also:			
		991.341.905.80			
(1)	991 352 410 85	Brake disc	/R	1	I450
		Use also:			
		991.341.905.80			
(1)	991 352 410 84	Brake disc	/R	1	I450
		Use also:			
		991.341.905.80			
2	999 015 025 09	Lens-head screw		4	
		M 6 X 12			
3	991 352 427 80	Fixed calliper	/L	1	-I450
		without pad			
		Use also:			
		999.067.053.09		2	
(3)	991 352 427 82	Fixed calliper	/L	1	-I450
		without pad			
		Use also:			
		999.067.053.09		2	
(3)	991 352 429 80	Fixed calliper	/L	1	I450
		without pad			
		Use also:			
		999.067.053.09		2	
(3)	991 352 429 82	Fixed calliper	/L	1	I450
		without pad			
		Use also:			
		999.067.053.09		2	
(3)	991 352 428 80	Fixed calliper	/R	1	-I450
		without pad			
		Use also:			
		999.067.053.09		2	
(3)	991 352 428 82	Fixed calliper	/R	1	-I450
		without pad			
		Use also:			
		999.067.053.09		2	
(3)	991 352 430 80	Fixed calliper	/R	1	I450
		without pad			
		Use also:			
		999.067.053.09		2	
(3)	991 352 430 82	Fixed calliper	/R	1	I450

Model: 991G13 Model life 2013>>

Pos	Part Number	Description	Remark	Qty	Model
		without pad			
		Use also:			
		999.067.053.09		2	
4	991 352 948 80	Brake pad repair set		1	-I450
		Use also:			
		999.067.053.09		4	
(4)	991 352 948 81	Brake pad repair set		1	-I450
		Use also:			
		999.067.053.09		4	
(4)	991 352 949 80	Brake pad repair set		1	I450
		Use also:			
		999.067.053.09		4	
5	991 609 163 00	Warning contact	-15	2	-IIY2/-I450
5	991 609 183 00	Warning contact	-15	2	-IIY2/-I450
(5)	991 609 185 00	Warning contact	15-	2	-I450/IIY2
(5)		Warning contact	16-17	2	-I450
(5)		Warning contact	-15	2	-IIY2/I450
(5)	991 609 181 00	Warning contact	15-	2	IIY2/450
(5)		Warning contact	16-17	2	I450
(5)	991 609 181 80	Warning contact	17-	2	
6	944 612 627 00	Line bracket		2	
		for			
		Warning contact			
7	999 067 053 09	Pan-head screw		4	
		M 12 X 1,5 X 85			
8	991 352 917 80	Set		1	
		Protection caps			
		34 MM			
9	991 352 951 00	Repair kit		2	
		Spring			
10	991 352 961 00	Connecting line		2	
11	997 352 917 00	Ventilation valve		4	
11	997 352 919 00	Ventilation valve		4	
12	211 611 483	Dust boot		4	
13	000 043 117 00	Brake cylinder paste		X	
		50 G			
(13)	000 043 020 00	Optimoly		X	
		100 G			

Model: 991G13

Model life 2013>>



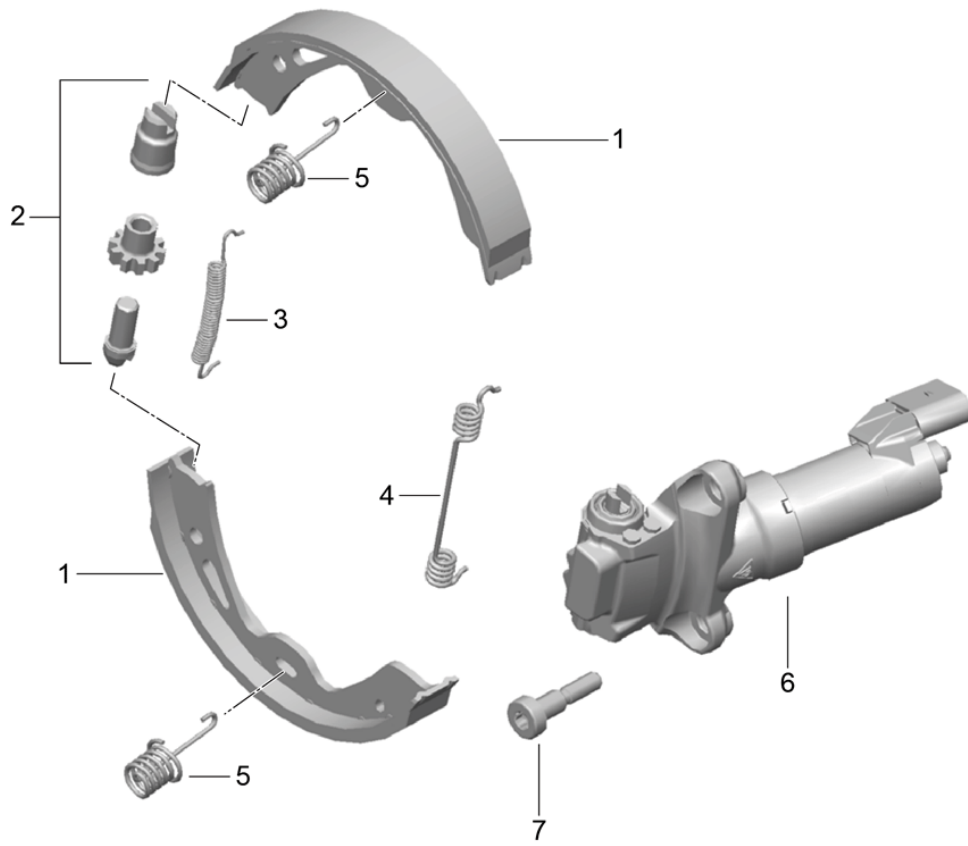
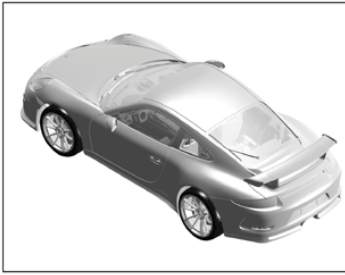
Model: 991G13

Model life 2013>>

Pos	Part Number	Description	Remark	Qty	Model
1	970 352 993 02	Parking brake Brake shoe Repair kit Comprising: 4 X Brake shoe Use also: Mounting parts	-17	1	
1	298 698 533	Brake shoe Repair kit Comprising: Brake shoe Use also: Mounting parts		1	
1	971 698 533	D >> 13.05.2016 Brake shoe Repair kit Comprising: Brake shoe Use also: Mounting parts		1	
(1)	298 698 533	D 16.05.2016>> Brake shoe Repair kit Comprising: 4 X Brake shoe Use also: Mounting parts		4	
2	993 352 071 00	Adjusting screw		1	
(2)	298 609 723	Adjusting screw		2	
3	997 352 721 01	Tension spring		2	
(3)	298 609 717	Tension spring		2	
4	970 352 723 00	Tension spring		2	
(4)	298 609 715	Tension spring		2	
5	997 352 741 02	Compression spring		4	
(5)	298 609 583	Compression spring		4	
6	970 352 091 05	Electric motor	/L	1	
(6)	298 609 403	Electric motor	/L	1	
(6)	970 352 092 05	Electric motor	/R	1	
(6)	298 609 404	Electric motor	/R	1	
7	999 073 452 01	Screw M 8 X 38		4	

Model: 991G13

Model life 2013>>



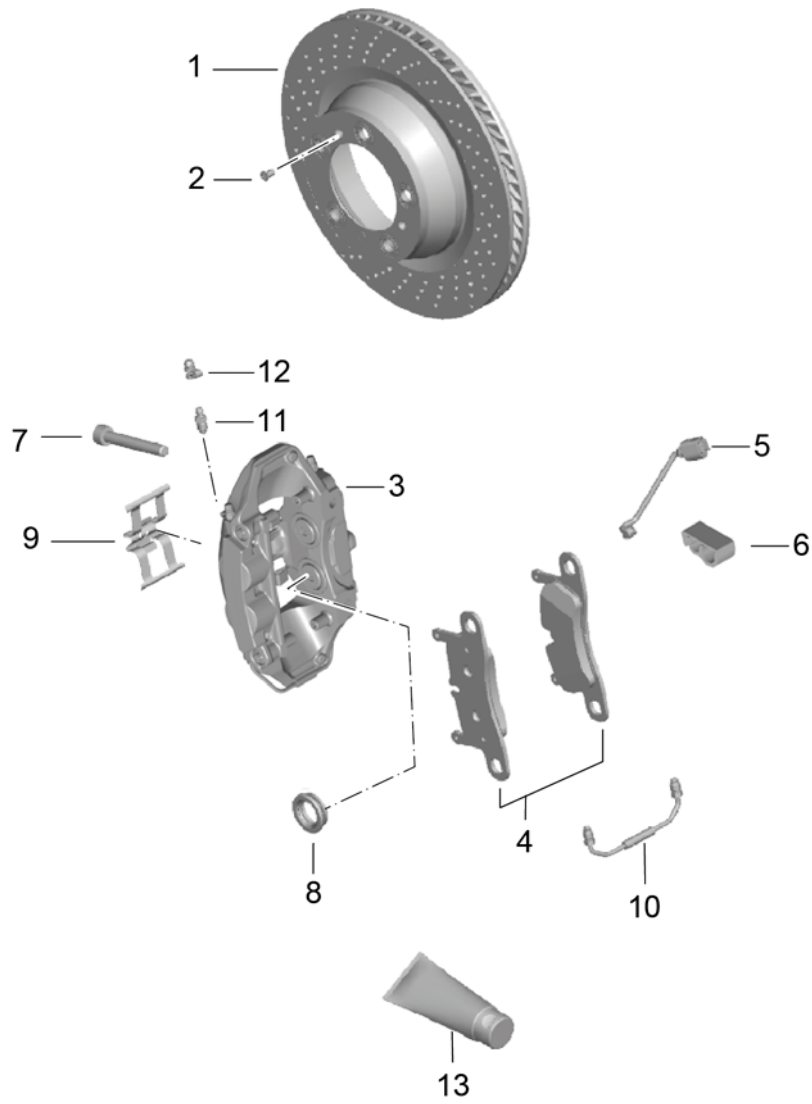
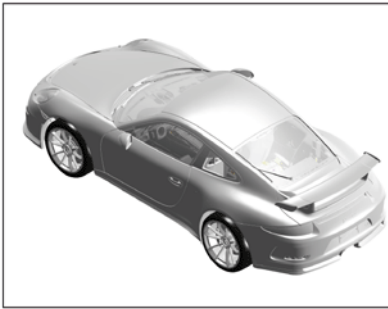
Model: 991G13

Model life 2013>>

Pos	Part Number	Description	Remark	Qty	Model
2	298 609 723	Parking brake	18-		
(3)	298 609 717	Adjusting screw		2	
4	298 609 715	Tension spring		2	
5	298 609 583	Tension spring		2	
6	298 609 403	Compression spring		4	
(6)	298 609 404	Electric motor	/L	1	
7	298 609 404	Electric motor	/R	1	
	999 073 452 01	Screw		4	
		M 8 X 38			

Model: 991G13

Model life 2013>>

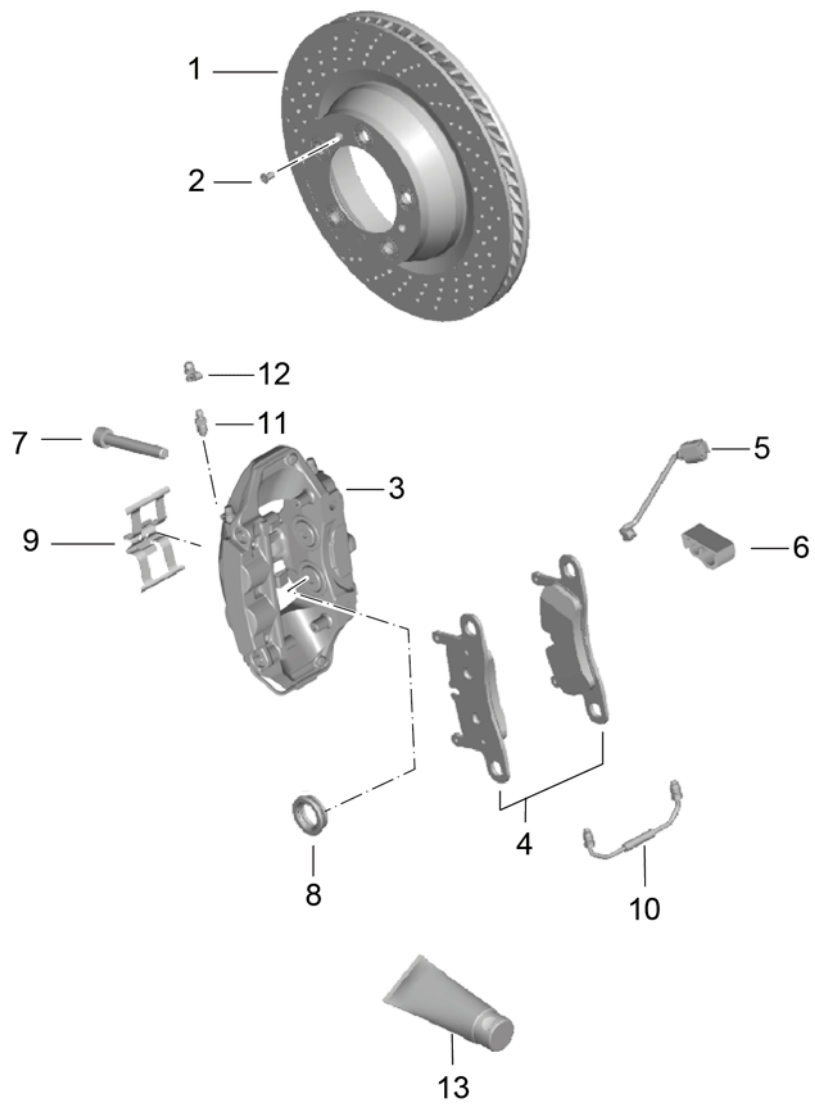
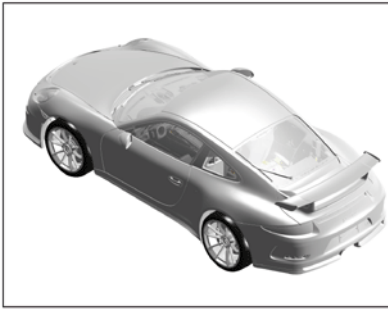


Model: 991G13 Model life 2013>>

Pos	Part Number	Description	Remark	Qty	Model
		Disc brake Rear axle	18-		-I450
1	991 352 407 80	Brake disc Use also: 991.341.905.80	/L	1	
(1)	991 352 408 80	Brake disc Use also: 991.341.905.80	/R	1	
2	999 015 025 09	Lens-head screw M 6 X 12		4	
3	991 352 427 84	Fixed calliper without pad Use also: 999.067.053.09	/L	1	
(3)	991 352 428 84	Fixed calliper without pad Use also: 999.067.053.09	/R	1	
4	991 352 948 82	Brake pad repair set Use also: 999.067.053.09		2 1	
5	991 609 185 00	Warning contact		4 2	
6	944 612 627 00	Line bracket for Warning contact		2	
7	999 067 053 09	Pan-head screw M 12 X 1,5 X 85		4	
8	991 352 917 80	Set Protection caps 34 MM		1	
9	991 352 951 00	Repair kit Spring		2	
10	991 352 961 00	Connecting line		2	
12	211 611 483	Dust boot		4	
13	000 043 305 11	Brake cylinder paste 50 G		X	
(13)	000 043 305 08	Optimoly 100 G		X	

Model: 991G13

Model life 2013>>

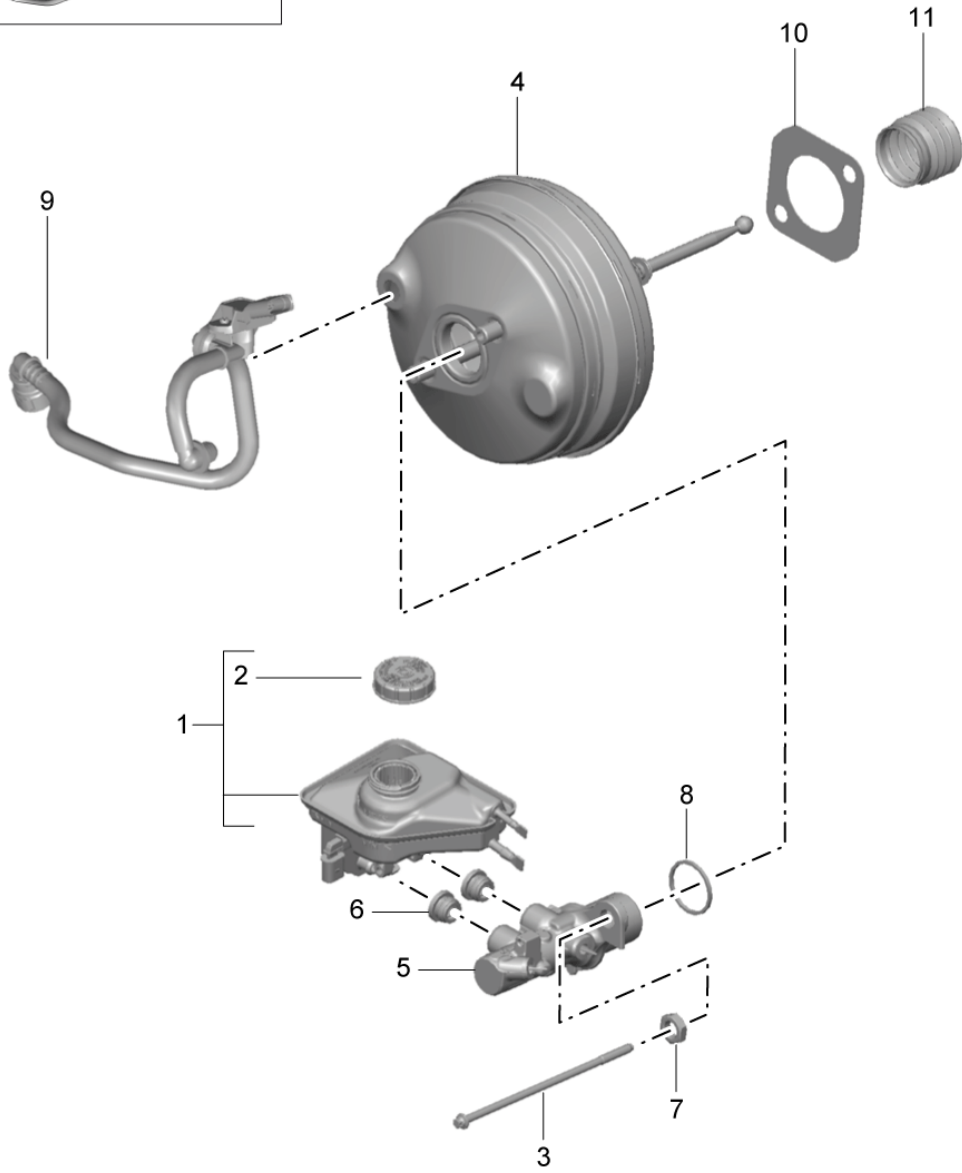
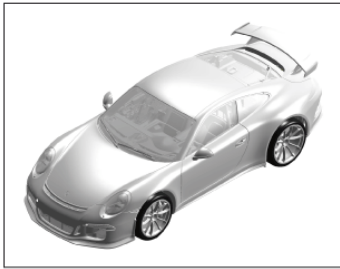


Model: 991G13 Model life 2013>>

Pos	Part Number	Description	Remark	Qty	Model
		Disc brake Rear axle PCCB	18-		I450
1	991 352 409 85	Brake disc	/L	1	
		Use also: 991.341.905.80			
(1)	991 352 410 85	Brake disc	/R	1	
		Use also: 991.341.905.80			
2	999 015 025 09	Lens-head screw M 6 X 12		4	
(3)	991 352 429 84	Fixed calliper without pad	/L	1	
		Use also: 999.067.053.09		2	
(3)	991 352 430 84	Fixed calliper without pad	/R	1	
		Use also: 999.067.053.09		2	
4	991 352 949 80	Brake pad repair set		1	
		Use also: 999.067.053.09		4	
5	991 609 185 00	Warning contact		2	
6	944 612 627 00	Line bracket for Warning contact		2	
7	999 067 053 09	Pan-head screw M 12 X 1,5 X 85		4	
8	991 352 917 80	Set Protection caps 34 MM		1	
9	991 352 951 00	Repair kit Spring		2	
10	991 352 961 00	Connecting line		2	
12	211 611 483	Dust boot		4	
13	000 043 305 11	Brake cylinder paste 50 G		X	
(13)	000 043 305 08	Optimoly 100 G		X	

Model: 991G13

Model life 2013>>



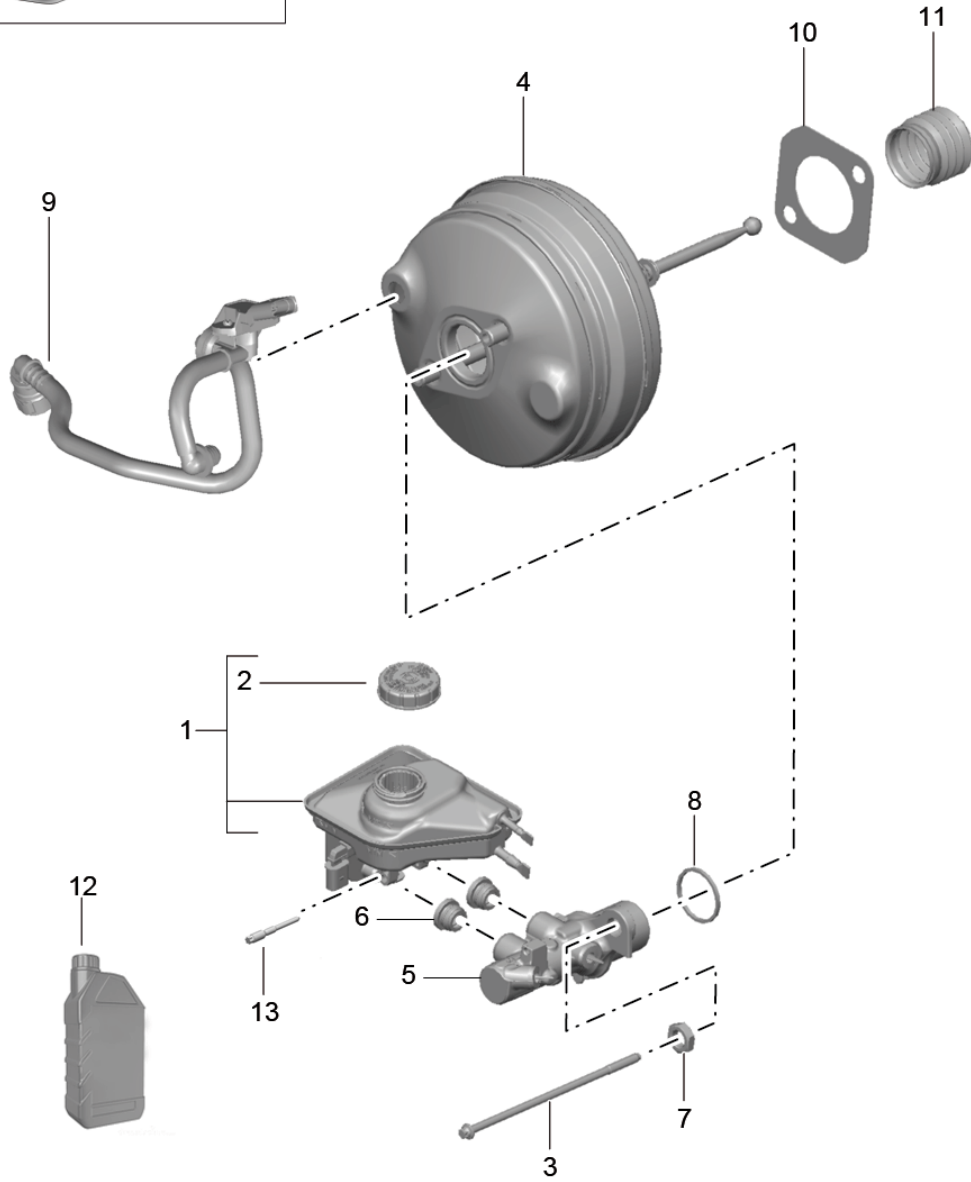
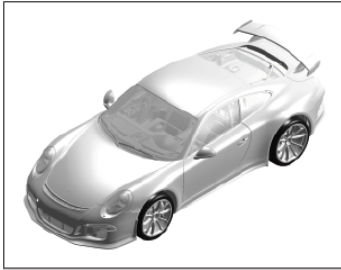
Model: 991G13

Model life 2013>>

Pos	Part Number	Description	Remark	Qty	Model
-	000 043 203 66	Brake master cylinder Brake booster Brake fluid DOT 4 1 LTR.	-17	X	
1	991 355 013 01	Expansion tank		1	
-	WHT 005 308	Outer hexagon round screw M 5 X 51		1	
2	958 355 351 00	Lid		1	
2	5Q0 611 349 A	Lid	(USA)	1	
(2)	5Q0 611 349 B	Lid	-(USA)	1	
3	991 355 929 00	Pan-head screw		2	
4	991 355 125 81	Brake booster for Pedals with Brake light switch D >> 14.03.2014		1	
(4)	991 355 125 82	Brake booster for Brake booster with Brake light switch Integrated D 17.03.2014>>		1	
(4)	991 355 130 80	Brake booster		1	
5	991 355 130 80	Brake master cylinder for Pedals with Brake light switch D >> 14.03.2014		1	
(5)	991 355 130 81	Brake master cylinder for Brake booster with Brake light switch Integrated D 17.03.2014>>		1	
(5)	991 355 130 81	Brake master cylinder		1	
6	970 355 922 00	Gasket		2	
7	970 355 925 00	Nut M 16 X 8		2	
8	993 355 212 00	Gasket		1	
9	991 355 577 05	Vacuum line		1	I098
(9)	991 355 577 04	Vacuum line		1	I098
(9)	991 355 578 03	Vacuum line		1	I099
(9)	991 355 578 02	Vacuum line		1	I099
10	991 355 901 01	Gasket Brake booster Bulkhead		1	
11	970 355 969 00	Bellows		1	

Model: 991G13

Model life 2013>>



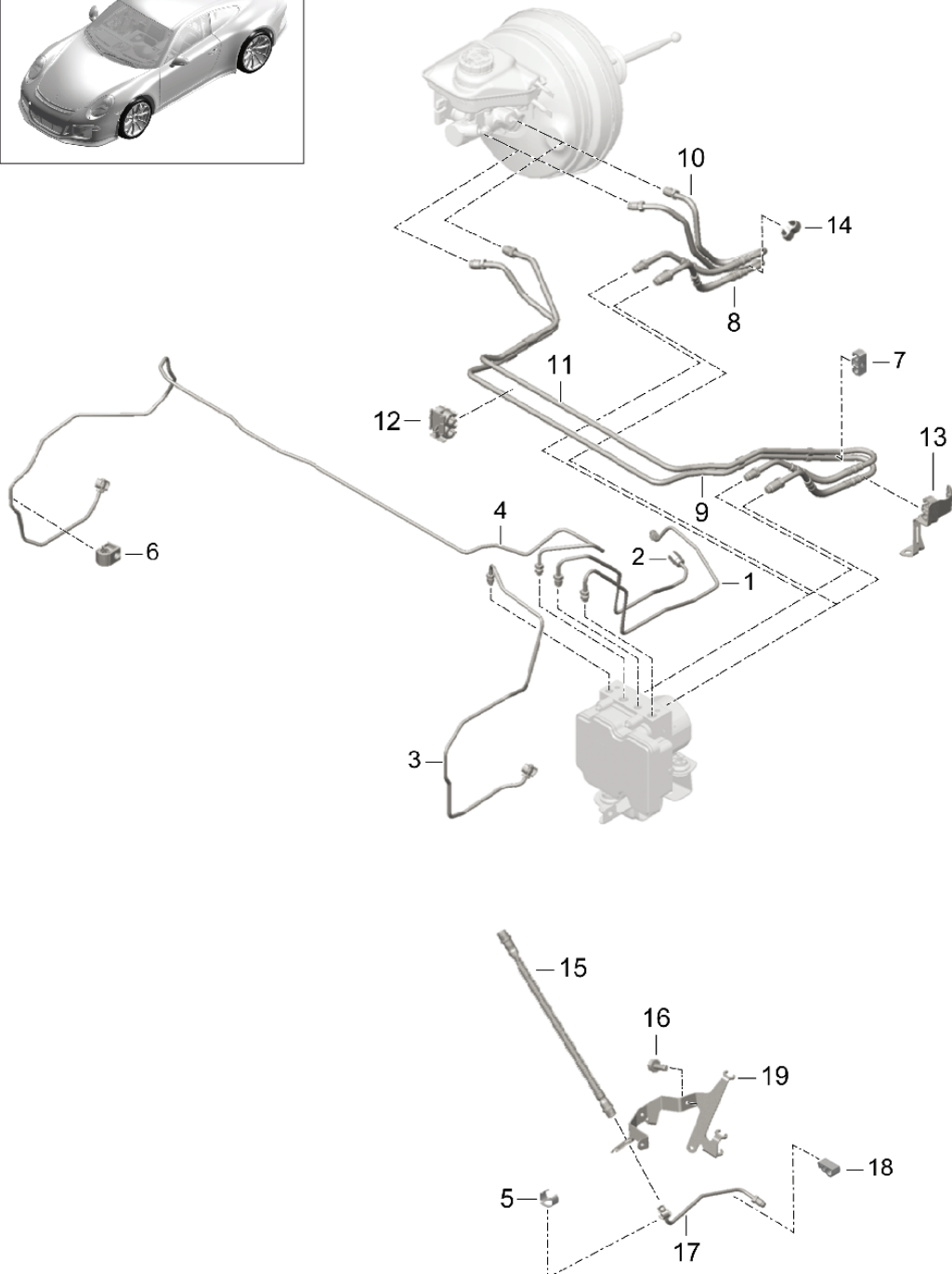
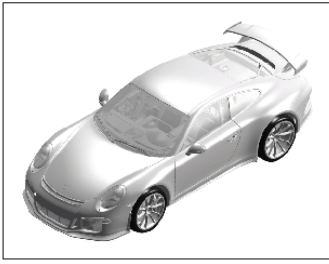
Model: 991G13

Model life 2013>>

Pos	Part Number	Description	Remark	Qty	Model
		Brake master cylinder	18-		
		Brake booster			
1	991 355 013 02	Expansion tank		1	
2	5Q0 611 349 A	Lid		1	I484
(2)	5Q0 611 349 B	Lid		1	-I484
3	991 355 929 00	Pan-head screw		2	
4	991 355 125 82	Brake booster		1	
5	991 355 130 81	Brake master cylinder		1	
6	970 355 922 00	Gasket		2	
7	970 355 925 00	Nut		2	
		M 16 X 8			
8	993 355 212 00	Gasket		1	
9	991 355 577 10	Vacuum line		1	I098
(9)	991 355 578 10	Vacuum line		1	I099
10	991 355 901 01	Gasket		1	
		Brake booster			
		Bulkhead			
11	970 355 969 00	Bellows		1	
12	000 043 305 52	Brake fluid		X	
		DOT 4			
		1 LTR.			
13	WHT 005 308	Outer hexagon round screw		1	
		M 5 X 51			

Model: 991G13

Model life 2013>>



Model: 991G13 Model life 2013>>

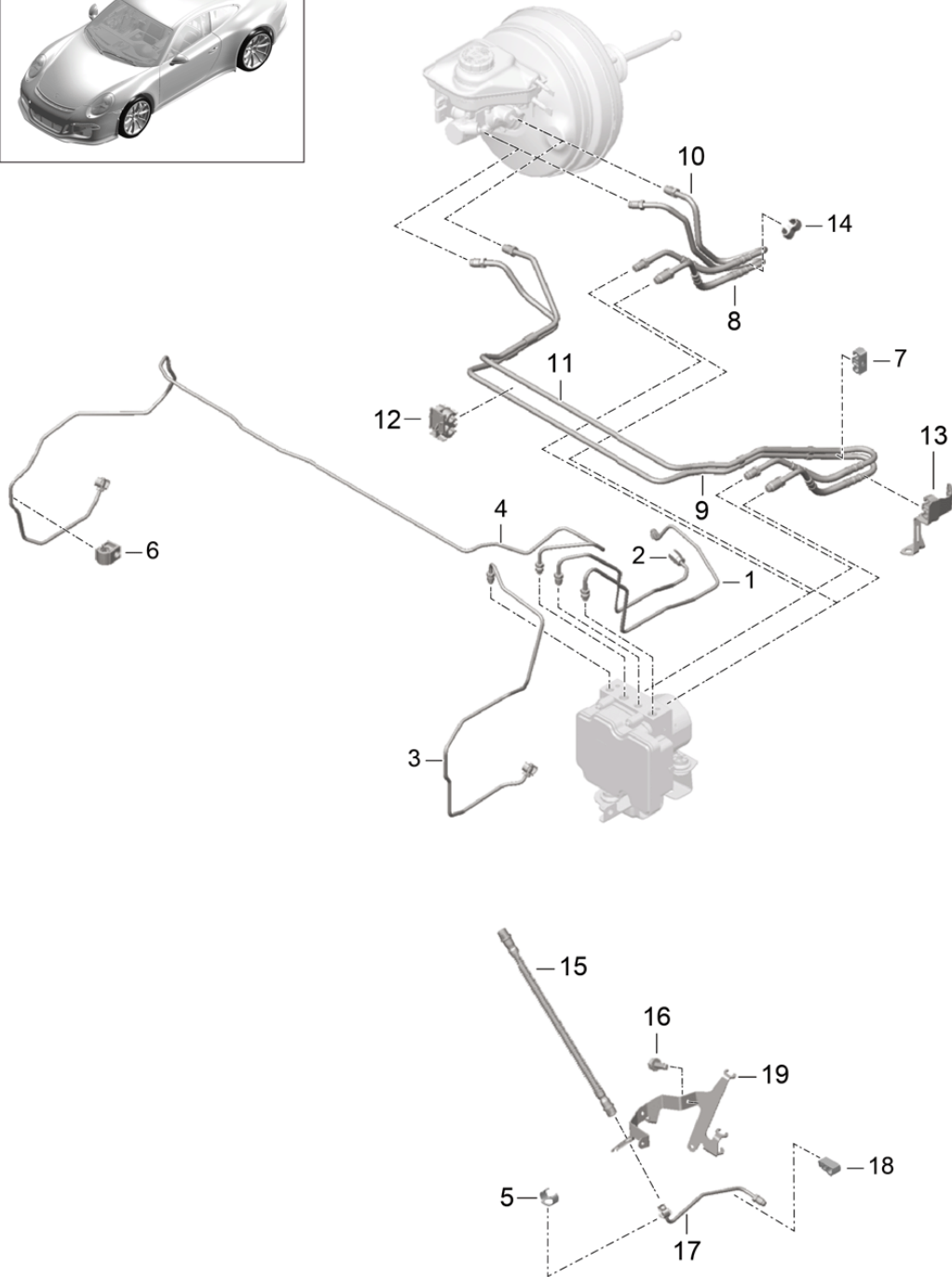
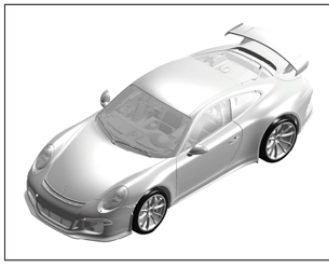
Pos	Part Number	Description	Remark	Qty	Model
		Brake lines	-17		
		Body front section			
		Front			
1	991 355 316 05	Brake line		1	
		D >> 08.01.2014			
(1)	991 355 316 10	Brake line		1	
		D 09.01.2014>> 20.10.2014			
(1)	991 355 316 12	Brake line		1	
		D 21.10.2014>>			
(1)		Brake line		1	
(2)	991 355 315 05	Brake line		1	
		D >> 20.10.2014			
(2)	991 355 315 07	Brake line		1	
		D 21.10.2014>>			
(2)		Brake line		1	
3	991 355 175 03	Brake line		1	
		D >> 20.10.2014			
		F >>99FS1 82481			
		F >>A9FS1 83478			
(3)	991 355 175 05	Brake line		1	
		D 21.10.2014>>			
(3)		Brake line		1	
4	991 355 176 04	Brake line		1	
		D >> 20.10.2014			
(4)	991 355 176 05	Brake line		1	
		D >> 20.10.2014			
		F >>99FS1 82481			
		F >>A9FS1 83478			
(4)	991 355 176 06	Brake line		1	
		D 21.10.2014>>			
(4)		Brake line		1	
5	997 355 331 00	Retainer spring		6	
		Brake line			
6	999 651 409 40	Cable holder		11	
		4,75-6,0			
(6)	95B 611 797	Support		11	
		4,75-6,0			
(6)		Support		11	
		4,75-6,0			
7	8K0 611 797 D	Clip	-16	2	
7	8K0 611 797 G	Line bracket	17-	2	
		Information available	17-		
8	991 355 311 27	Brake line		1	I098
		for			
		Pedals			
		with			
		Brake light switch			
		D >> 20.01.2014			
(8)	991 355 311 28	Brake line		1	I098
		for			
		Brake booster			
		with			
		Brake light switch			
		Integrated			
		D 21.01.2014>> 20.10.2014			
(8)	991 355 311 30	Brake line		1	I098
		D 21.10.2014>>			
(8)		Brake line		1	I098
9	991 355 312 03	Brake line		1	I099
		for			
		Pedals			
		with			
		Brake light switch			

Model: 991G13 Model life 2013>>

Pos	Part Number	Description	Remark	Qty	Model
(9)	991 355 312 04	D >> 20.01.2014 Brake line for Brake booster with Brake light switch Integrated		1	I099
(9)	991 355 312 06	D 21.01.2014>> 20.10.2014 Brake line		1	I099
(9)		D 21.10.2014>>			
10	991 355 313 80	Brake line for Pedals with Brake light switch		1	I098
(10)	991 355 313 27	D >> 14.03.2014 Brake line for Brake booster with Brake light switch Integrated		1	I098
(10)	991 355 313 29	D 17.03.2014>> 20.10.2014 Brake line		1	I098
(10)		D 21.10.2014>>			
11	991 355 314 02	Brake line for Pedals with Brake light switch		1	I099
(11)	991 355 314 03	D >> 14.03.2014 Brake line for Brake booster with Brake light switch Integrated		1	I099
(11)	991 355 314 05	D 17.03.2014>> 20.10.2014 Brake line		1	I099
(11)		D 21.10.2014>>			
12	991 355 508 01	Support		2	I099
13	991 355 509 01	Support		1	I099
14	999 591 897 40	Support 8,00/ 8,00		3	
15	991 355 137 01	Brake hose		2	
16	999 217 116 09	Hexagon-head bolt M 6 X 16		2	
17	991 355 581 80	Brake line	/L	1	-I450
(17)	991 355 581 81	Brake line	/L	1	I450
(17)	991 355 582 80	Brake line	/R	1	-I450
(17)	991 355 582 81	Brake line	/R	1	I450
18	944 612 627 00	Line bracket		2	
19	991 355 501 80	Support Brake hose	/L	1	
(19)	991 355 502 80	Support Brake hose	/R	1	

Model: 991G13

Model life 2013>>

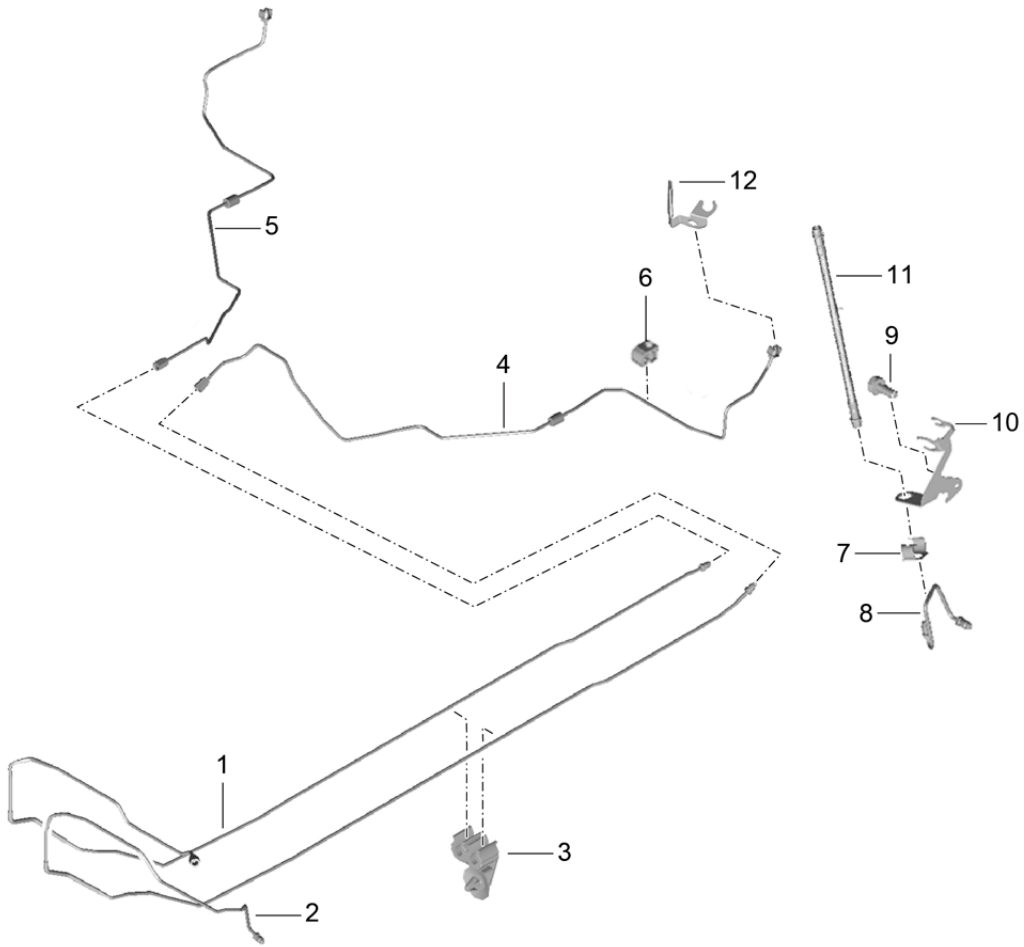
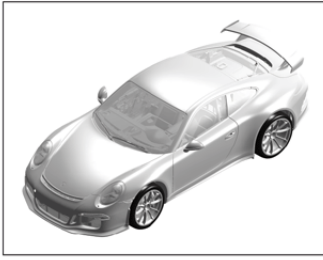


Model: 991G13 Model life 2013>>

Pos	Part Number	Description	Remark	Qty	Model
		Brake lines	18-		
		Body front section			
		Front			
1	991 355 316 12	Brake line		1	
2	991 355 315 07	Brake line		1	
3	991 355 175 05	Brake line		1	
4	991 355 176 06	Brake line		1	
5	997 355 331 00	Retainer spring		2	
		Brake line			
6	95B 611 797	Support		11	
		4,75-6,0			
7	8K0 611 797 G	Line bracket		2	
		Information available			
8	991 355 311 30	Brake line		1	I098
9	991 355 312 06	Brake line		1	I099
10	991 355 313 29	Brake line		1	I098
11	991 355 314 05	Brake line		1	I099
12	991 355 508 01	Support		2	I099
13	991 355 509 10	Support		1	I099
14	999 591 897 40	Support		1	I098
		8,00/ 8,00			
(14)		Support		3	I099
		8,00/ 8,00			
15	991 355 137 01	Brake hose		2	
16	999 217 116 01	Hexagon-head bolt		2	
		M 6 X 16			
17	991 355 581 80	Brake line	/L	1	-I450
(17)	991 355 581 81	Brake line	/L	1	I450
(17)	991 355 582 80	Brake line	/R	1	-I450
(17)	991 355 582 81	Brake line	/R	1	I450
18	944 612 627 00	Line bracket		2	
19	991 355 501 80	Support	/L	1	
		Brake hose			
(19)	991 355 502 80	Support	/R	1	
		Brake hose			

Model: 991G13

Model life 2013>>



Model: 991G13 Model life 2013>>

Pos	Part Number	Description	Remark	Qty	Model
		Brake lines Underbody Centre Rear	-17		
1	991 355 179 80	Brake line D >> 08.01.2014		1	
(1)	991 355 179 81	Brake line D 09.01.2014>> 20.10.2014		1	
(1)	991 355 179 82	Brake line D 21.10.2014>>		1	
(1)		Brake line		1	
2	991 355 177 80	Brake line D >> 08.01.2014		1	
(2)	991 355 177 81	Brake line D >> 08.01.2014		1	
(2)	991 355 177 82	Brake line D 09.01.2014>> 20.10.2014		1	
(2)	991 355 177 83	Brake line D 21.10.2014>>		1	
(2)		Brake line		1	
3	991 355 510 02	Support		2	
4	991 355 189 80	Brake line D >> 20.10.2014	/L	1	
(4)	991 355 189 81	Brake line D 21.10.2014>>	/L	1	
(4)		Brake line	/L	1	
5	991 355 190 80	Brake line D >> 20.10.2014	/R	1	
(5)	991 355 190 81	Brake line D >> 20.10.2014	/R	1	
(5)	991 355 190 06	Brake line D 21.10.2014>>	/R	1	
6	999 651 409 40	Cable holder 4,75 - 6,00		11	
(6)	95B 611 797	Support 4,75-6,0		4	
7	997 355 331 00	Retainer spring		2	
8	991 355 585 02	Brake line	/L	1	-I450
(8)	991 355 586 02	Brake line	/R	1	-I450
(8)	991 355 585 03	Brake line	/L	1	I450
(8)	991 355 586 03	Brake line	/R	1	I450
9	999 217 116 01	Hexagon-head bolt M 6 X 16		2	
10	991 355 503 80	Support	/L	1	-I450
10	991 355 503 82	Support	/L	1	-I450
		Brake hose Wheel carrier			
(10)	991 355 503 81	Support	/L	1	I450
(10)	991 355 503 83	Support	/L	1	I450
		Brake hose Wheel carrier			
(10)	991 355 504 80	Support	/R	1	-I450
(10)	991 355 504 82	Support	/R	1	-I450
		Brake hose Wheel carrier			
(10)	991 355 504 81	Support	/R	1	I450
(10)	991 355 504 83	Support	/R	1	I450
		Brake hose Wheel carrier			
11	991 355 137 01	Brake hose		2	
12	991 355 505 80	Support Brake hose Wheel housing	/L	1	

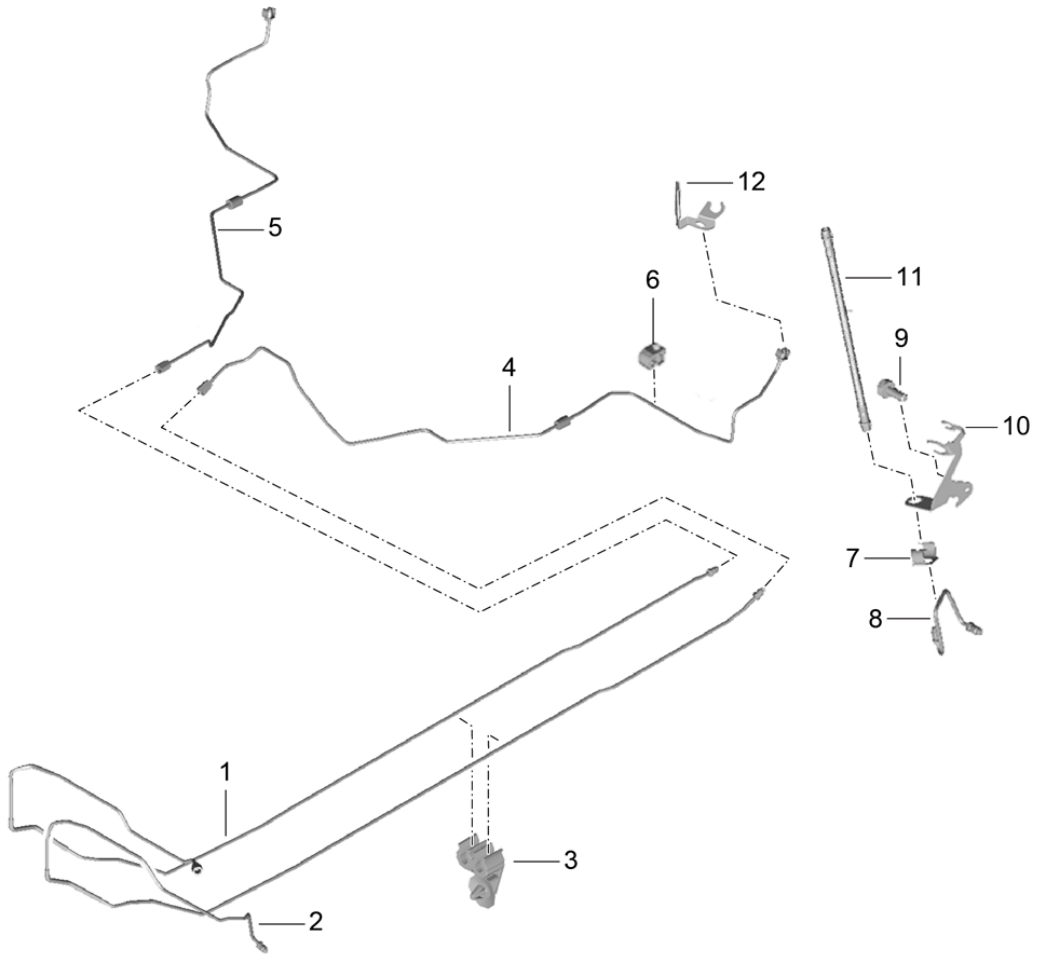
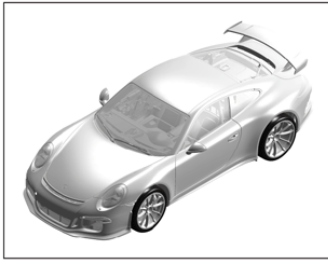
Model: 991G13

Model life 2013>>

Pos	Part Number	Description	Remark	Qty	Model
(12)	991 355 506 80	Support Brake hose Wheel housing	/R	1	

Model: 991G13

Model life 2013>>

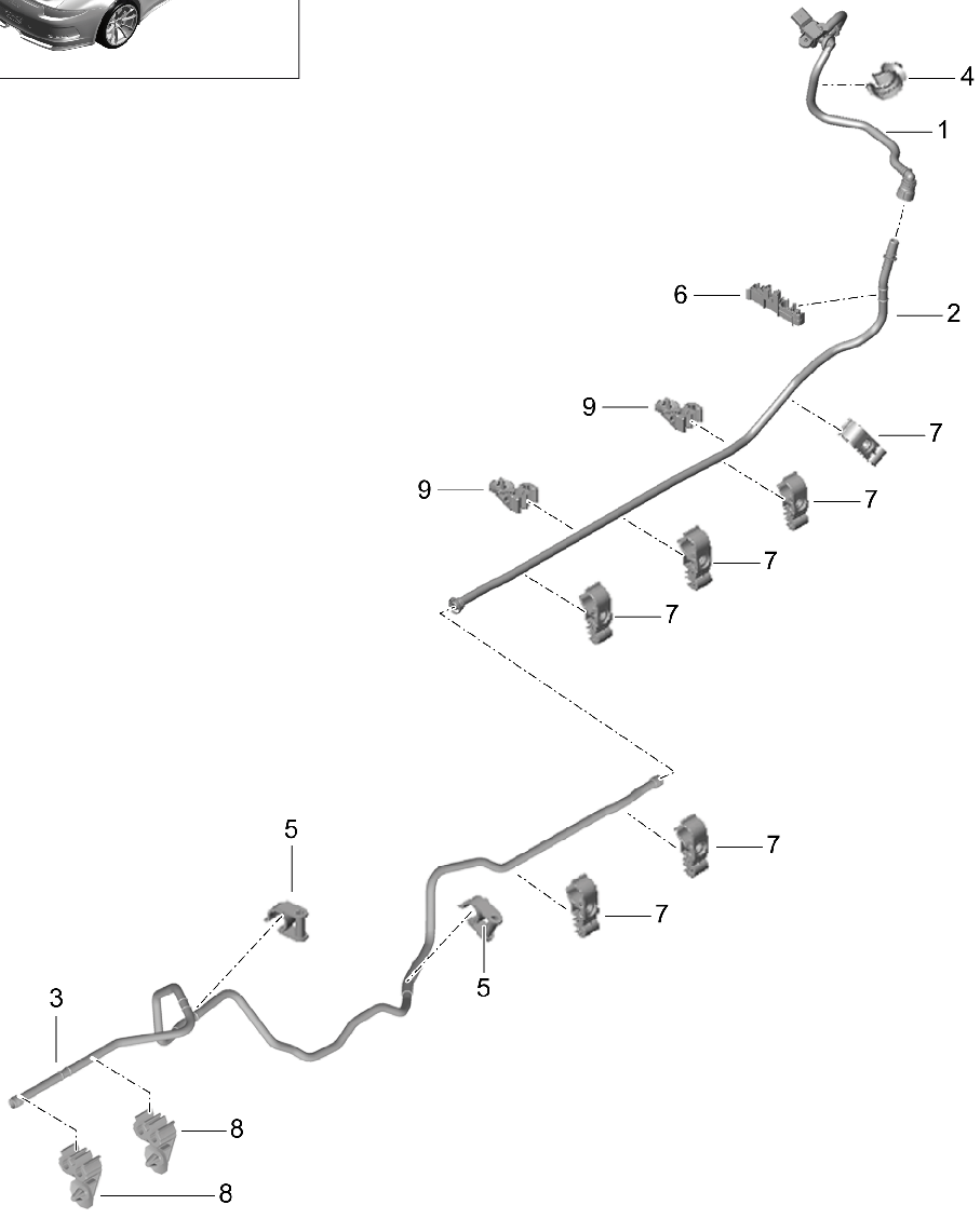
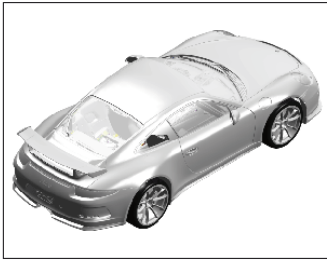


Model: 991G13 Model life 2013>>

Pos	Part Number	Description	Remark	Qty	Model
		Brake lines	18-		
		Underbody			
		Centre			
		Rear			
1	991 355 179 82	Brake line		1	
2	991 355 177 83	Brake line		1	
3	991 355 510 02	Support		2	
4	991 355 189 81	Brake line	/L	1	
5	991 355 190 06	Brake line	/R	1	
6	95B 611 797	Support		4	
		4,75-6,0			
7	997 355 331 00	Retainer spring		2	
8	991 355 585 02	Brake line	/L	1	-I450
(8)	991 355 586 02	Brake line	/R	1	-I450
(8)	991 355 585 03	Brake line	/L	1	I450
(8)	991 355 586 03	Brake line	/R	1	I450
9	999 217 116 01	Hexagon-head bolt		2	
		M 6 X 16			
10	991 355 503 82	Support	/L	1	-I450
		Brake hose			
		Wheel carrier			
(10)	991 355 504 82	Support	/R	1	-I450
		Brake hose			
		Wheel carrier			
(10)	991 355 503 83	Support	/L	1	I450
		Brake hose			
		Wheel carrier			
(10)	991 355 504 83	Support	/R	1	I450
		Brake hose			
		Wheel carrier			
11	991 355 137 01	Brake hose		2	
12	991 355 505 80	Support	/L	1	
		Brake hose			
		Wheel housing			
(12)	991 355 506 80	Support	/R	1	
		Brake hose			
		Wheel housing			

Model: 991G13

Model life 2013>>



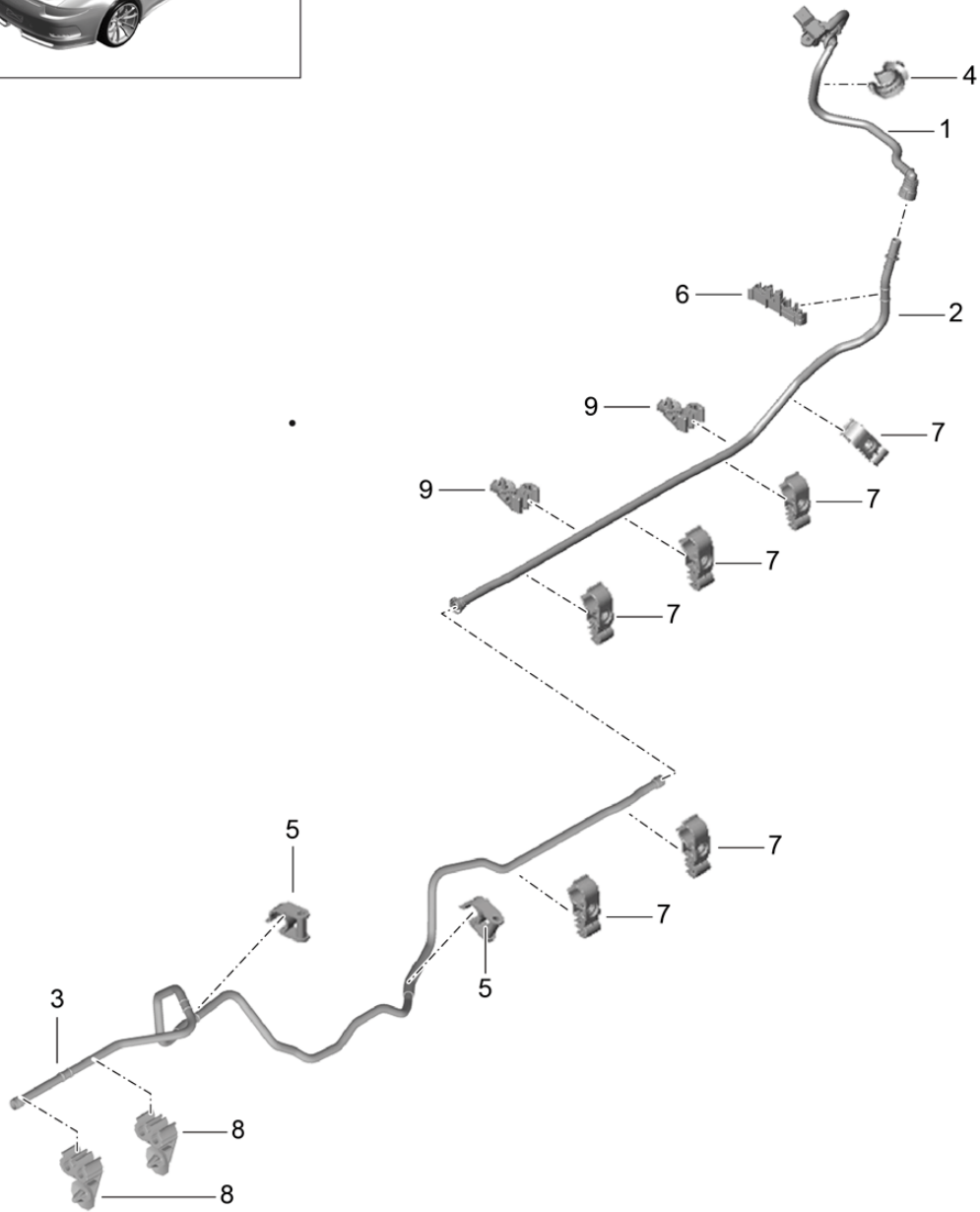
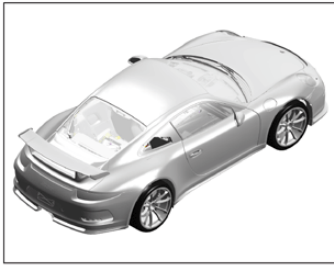
Model: 991G13

Model life 2013>>

Pos	Part Number	Description	Remark	Qty	Model
		Vacuum line Brake booster Front Centre Rear	-17		
1	991 355 577 05	Vacuum line		1	I098
(1)	991 355 577 04	Vacuum line		1	991R
					I098
(1)	991 355 578 03	Vacuum line		1	I099
(1)	991 355 578 02	Vacuum line		1	991R
					I099
2	991 355 571 03	Vacuum line		1	
(2)	991 355 571 02	Vacuum line		1	991R
3	991 355 575 80	Vacuum line Rear		1	
4	999 507 968 41	Clip 15,0		1	
5	999 591 964 40	Support 15,0		2	
6	991 355 507 01	Support		1	
(6)	991 355 507 50	Support		1	991R
(6)	991 355 508 01	Support		2	991R
					I099
7	991 355 512 01	Support		6	
(7)	991 355 512 02	Support		6	991R
8	991 355 510 02	Support		2	
9	991 355 875 80	Support		1	

Model: 991G13

Model life 2013>>



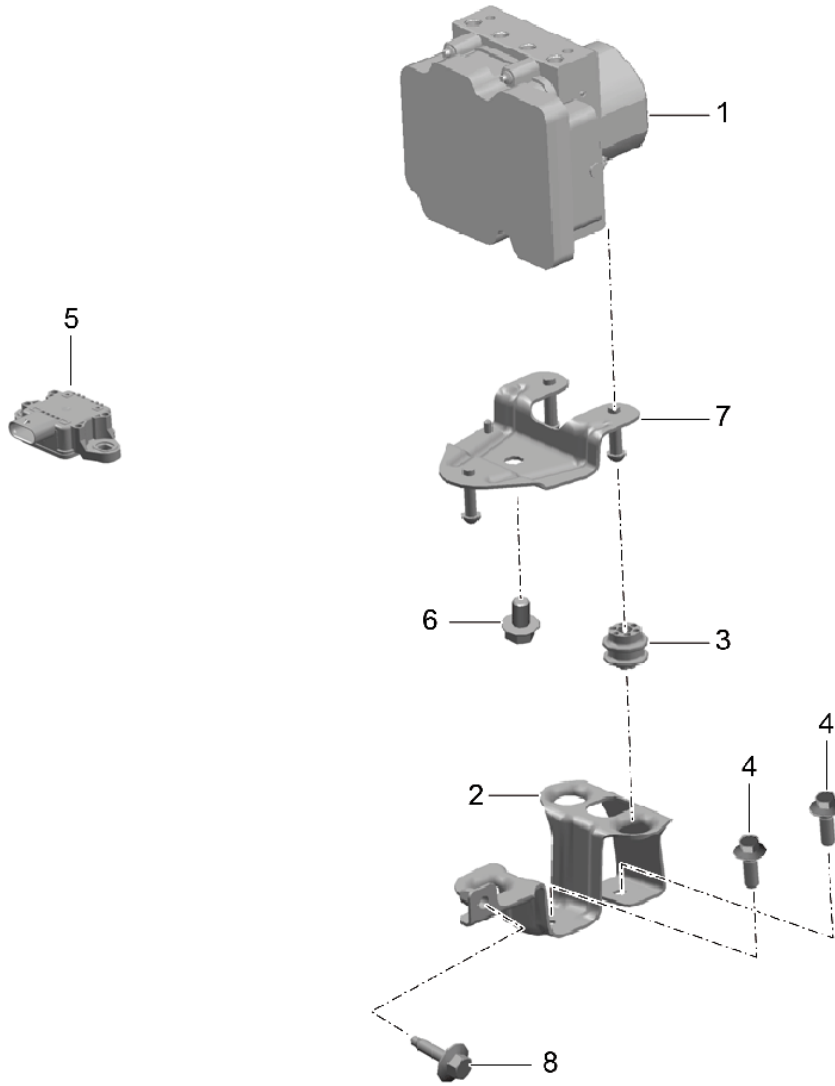
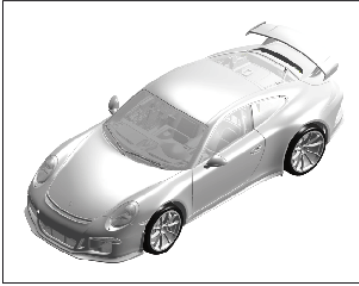
Model: 991G13

Model life 2013>>

Pos	Part Number	Description	Remark	Qty	Model
		Vacuum line	18-		
1	991 355 577 10	Vacuum line		1	I098
(1)	991 355 578 10	Vacuum line		1	I099
2	991 355 571 02	Vacuum line		1	
3	991 355 575 80	Vacuum line		1	
		Rear			
4	999 507 968 41	Clip 15,0		1	
5	999 591 964 40	Support 15,0		2	
6	991 355 507 50	Support		1	
(6)	991 355 508 01	Support		2	I099
7	991 355 512 02	Support		6	
8	991 355 510 02	Support		2	
9	991 355 875 80	Support		1	

Model: 991G13

Model life 2013>>



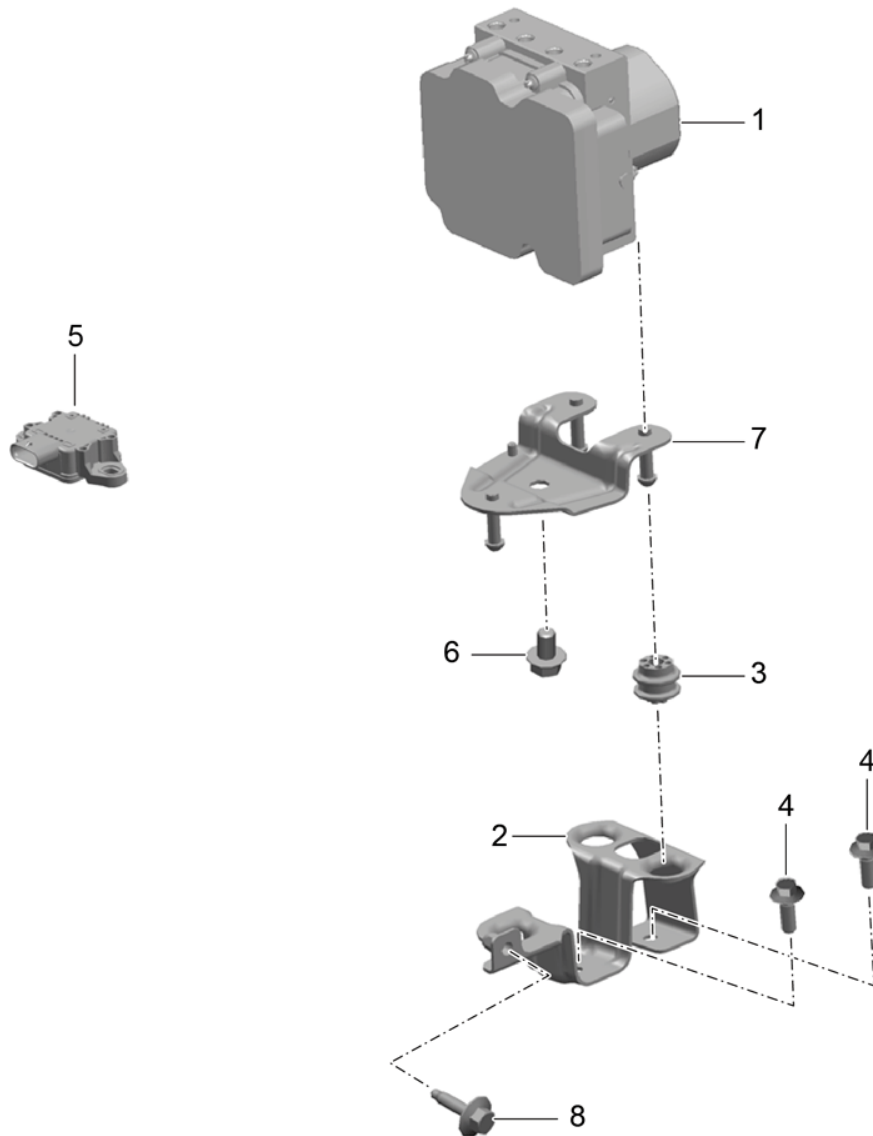
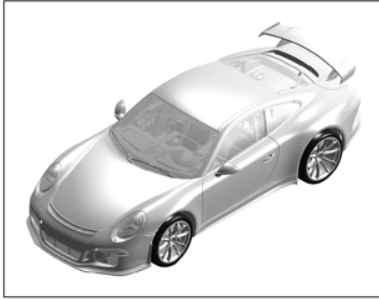
Model: 991G13

Model life 2013>>

Pos	Part Number	Description	Remark	Qty	Model
		Hydraulic unit Anti-lock brake system Control	-17		
1	991 355 955 81	Hydraulic unit		1	
(1)	991 355 955 89	Hydraulic unit		1	
(1)	991 355 955 85	Hydraulic unit		1	
2	991 355 033 01	Support		1	
3	958 355 177 10	Buffer		3	
4	999 073 556 01	Hexagon-head bolt M 8 X 30		2	
5	991 606 145 03	Sensor		1	
6	900 378 346 01	Hexagon-head bolt M 10 X 1 X 16		1	
7	991 355 135 01	Support Upper		1	
8	N 909 995 02	Hexagon-head bolt AM 6 X 25		1	

Model: 991G13

Model life 2013>>



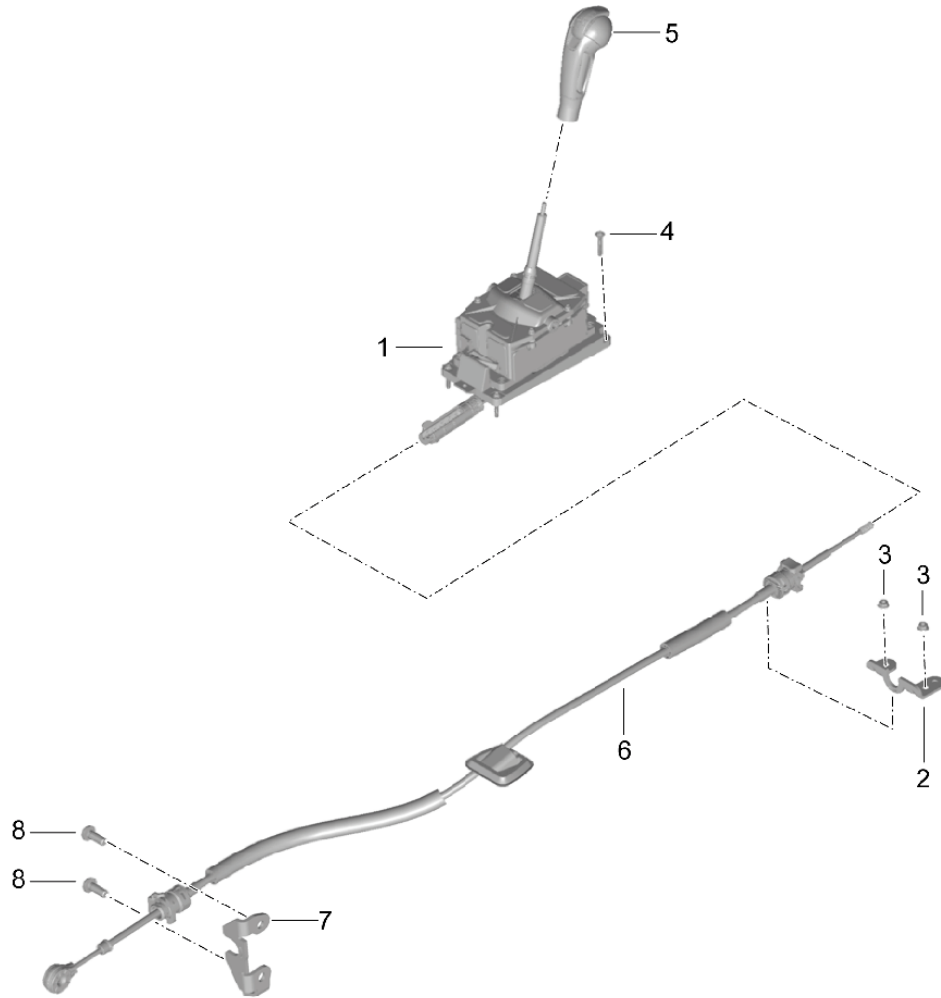
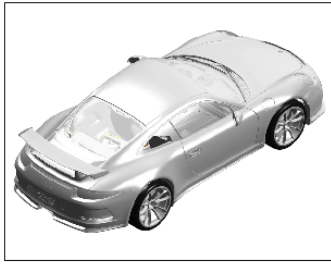
Model: 991G13

Model life 2013>>

Pos	Part Number	Description	Remark	Qty	Model
		Hydraulic unit Anti-lock brake system Control	18-		
1	991 355 955 96	Hydraulic unit		1	
2	991 355 033 01	Support		1	
3	958 355 177 10	Buffer		3	
4	9A7 008 433 00	Combination screw BM 8 X 30		2	
5	991 606 145 03	Sensor		1	
6	900 378 346 01	Hexagon-head bolt M 10 X 1 X 16		1	
7	991 355 135 01	Support Upper		1	
8	N 909 995 02	Hexagon-head bolt AM 6 X 25		1	

Model: 991G13

Model life 2013>>



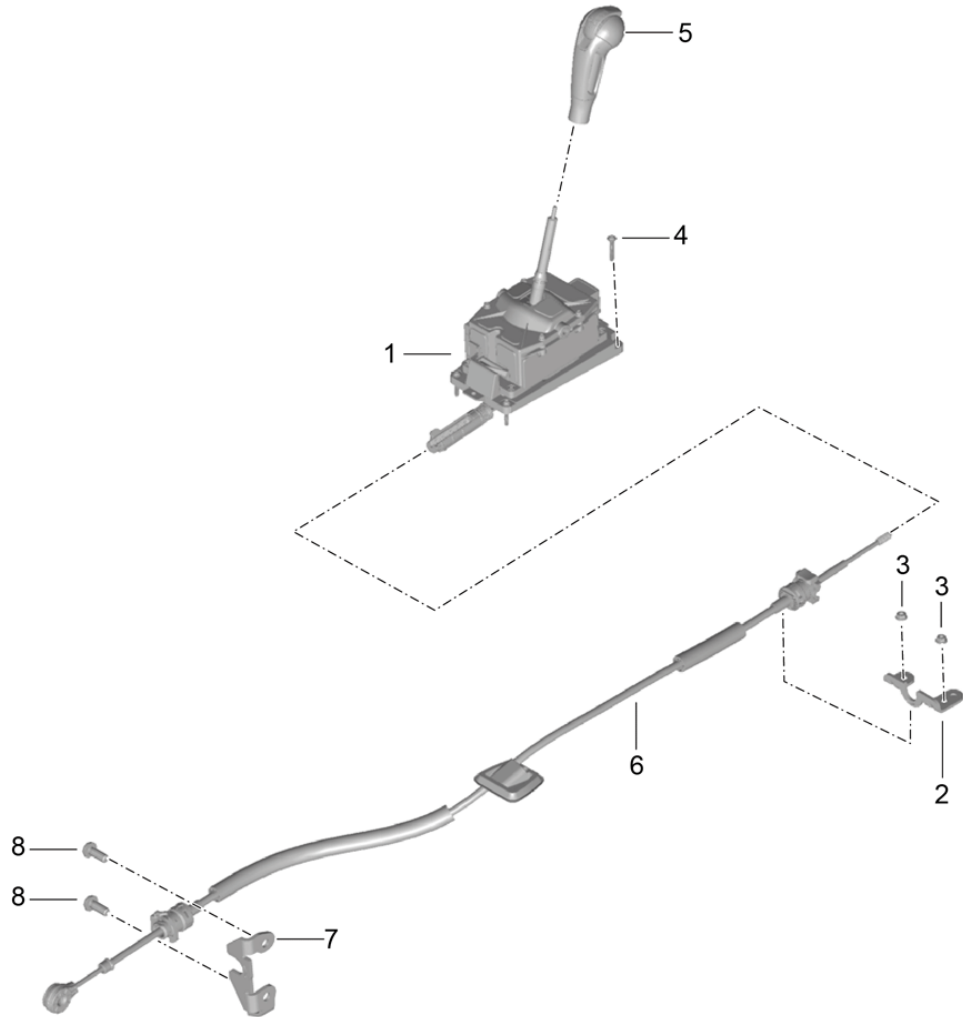
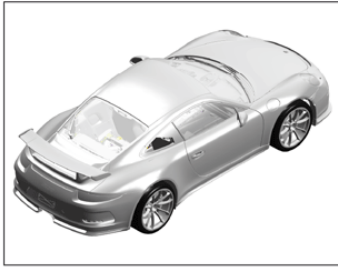
Model: 991G13

Model life 2013>>

Pos	Part Number	Description	Remark	Qty	Model
		Selector lever PDK	-17		I250
1	9G1 426 011 90	Support with Housing		1	
2	9G1 426 209 00	Bearing bracket		1	
3	999 084 629 01	Hexagon nut M 6 SB		2	
4	999 919 281 01	Oval-head screw 5 X 30		4	
5	9G1 426 069 90	Selector knob Alcantara		1	I308
	9G1 426 069 90 2W0	Black D >> 05.03.2015			
(5)	9G1 426 069 91	Selector knob Alcantara		1	I308
	9G1 426 069 91 2W0	Black D 06.03.2015>>			
(5)	9G1 426 069 95	Selector knob Leather		1	-I308
	9G1 426 069 95 8YR	Black			
6	9G1 426 033 10	Cable		1	
7	9G1 426 211 05	Bearing bracket		1	
8	9G1 426 801 00	Round head screw M 8 X 20		2	

Model: 991G13

Model life 2013>>



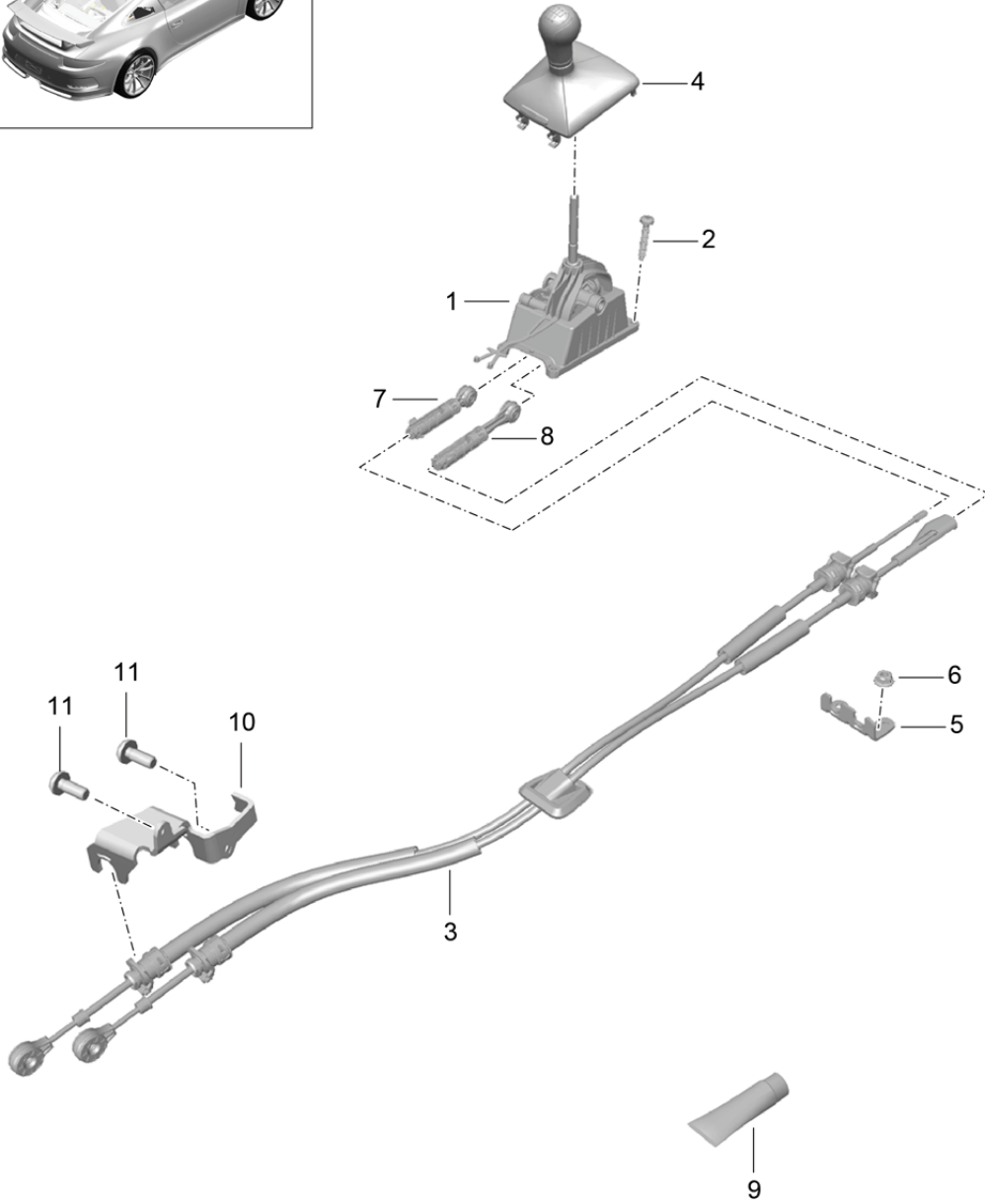
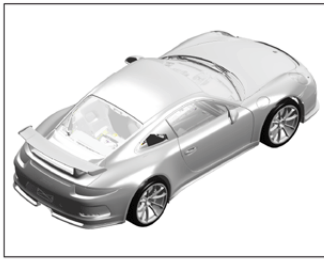
Model: 991G13

Model life 2013>>

Pos	Part Number	Description	Remark	Qty	Model
		Selector lever PDK	18-		I250
1	9G1 426 011 90	Support with Housing		1	
2	9G1 426 209 00	Bearing bracket		1	
3	999 084 629 01	Hexagon nut M 6		2	
4	999 919 281 01	Oval-head screw 5 X 30		4	
5	9G1 426 069 91	Selector knob Alcantara		1	I308
	9G1 426 069 91 2W0	Black			
(5)	9G1 426 069 95	Selector knob Leather		1	I309
	9G1 426 069 95 8YR	Black			
6	9G1 426 033 10	Cable		1	
7	9G1 426 211 05	Bearing bracket		1	
8	9G1 426 801 00	Round head screw M 8 X 20		2	

Model: 991G13

Model life 2013>>



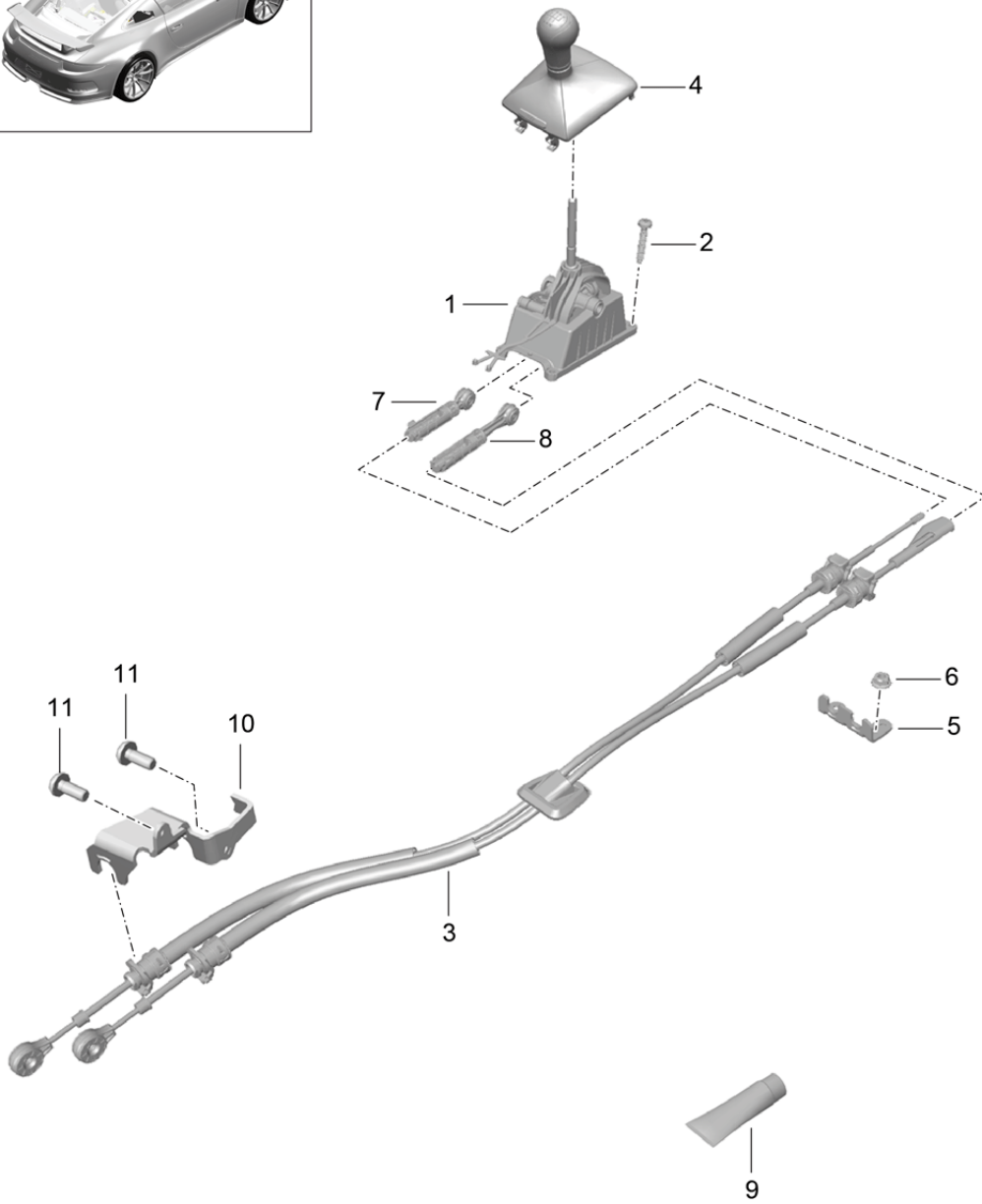
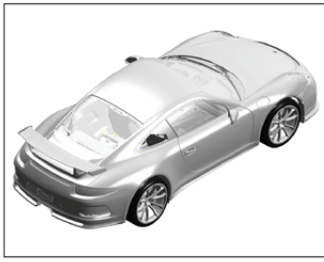
Model: 991G13

Model life 2013>>

Pos	Part Number	Description	Remark	Qty	Model
		Transmission control Manual transmission			I486
1	981 424 010 20	Gearshift bracket		1	
2	999 919 281 01	Oval-head screw 5 X 30		4	
3	991 424 041 05	Cable Transmission control		1	
4	991 424 075 05	Gearshift knob Leather		1	
	991 424 075 05 DSZ	Black/Silver			
5	991 424 163 00	Bearing bracket		1	
6	999 084 629 01	Hexagon nut M 6		2	
7	991 424 145 00	Fastening part for Cable Adjustable		1	
8	991 424 147 00	Fastening part for Cable Adjustable		1	
9	000 043 305 39	Grease 1 100-gramme tube		1	
10	991 424 211 00	Bearing bracket		1	
11	9G1 307 802 00	Torx screw M8X15		2	

Model: 991G13

Model life 2013>>



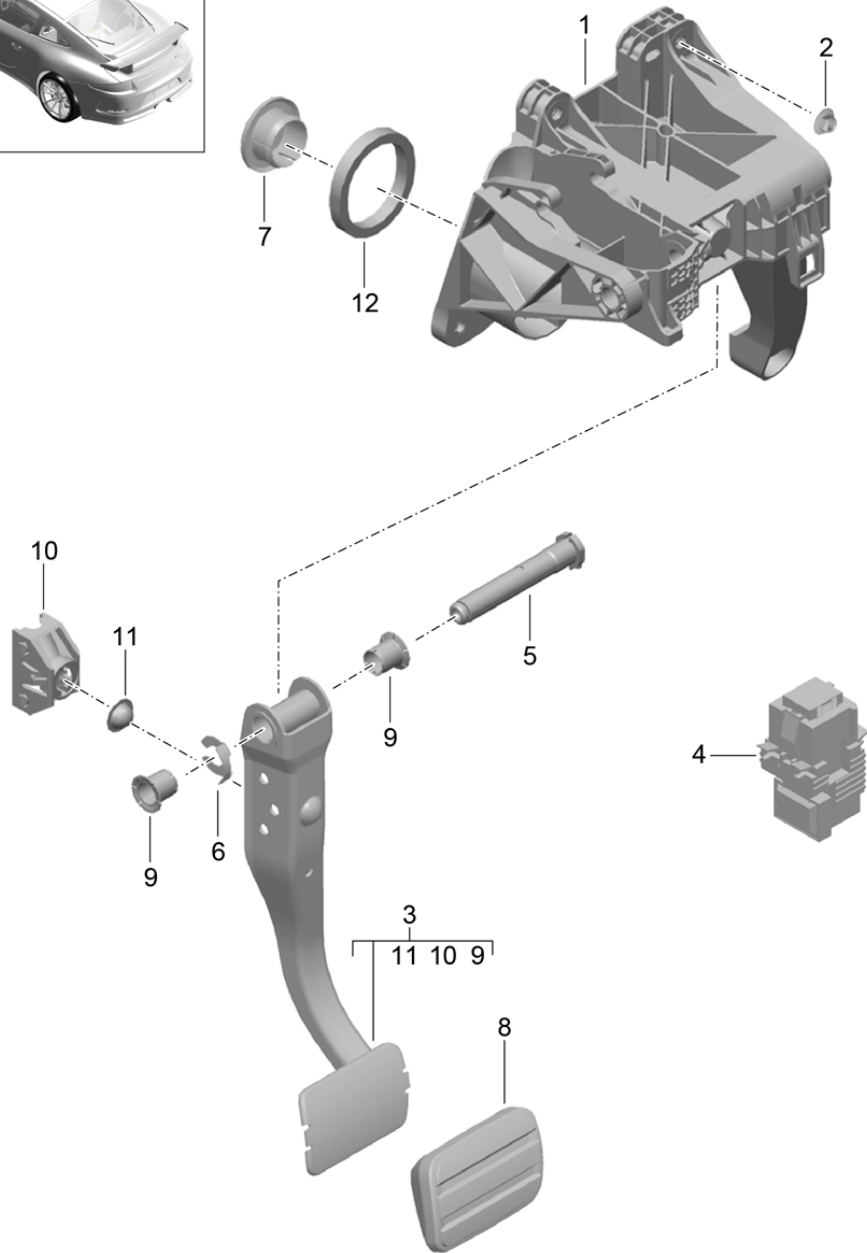
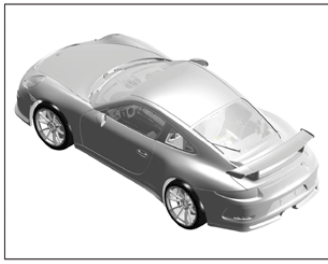
Model: 991G13

Model life 2013>>

Pos	Part Number	Description	Remark	Qty	Model
		Transmission control Manual transmission	18-		I486
1	981 424 010 20	Gearshift bracket		1	
2	999 919 281 01	Oval-head screw 5 X 30		4	
3	991 424 041 05	Cable Transmission control		1	
4	981 424 085 20	Gearshift knob Leather		1	I306
	981 424 085 20 8YR	Black			
(4)	981 424 985 20	Gearshift knob Alcantara		1	I305
	981 424 985 20 2W0	Black			
5	991 424 163 00	Bearing bracket		1	
6	999 084 629 01	Hexagon nut M 6		2	
7	991 424 145 00	Fastening part for Cable Adjustable		1	
8	991 424 147 00	Fastening part for Cable Adjustable		1	
9	000 043 305 39	Grease 1 100-gramme tube		1	
10	991 424 211 00	Bearing bracket		1	
11	9G1 307 802 00	Torx screw M 8 X 15		2	

Model: 991G13

Model life 2013>>

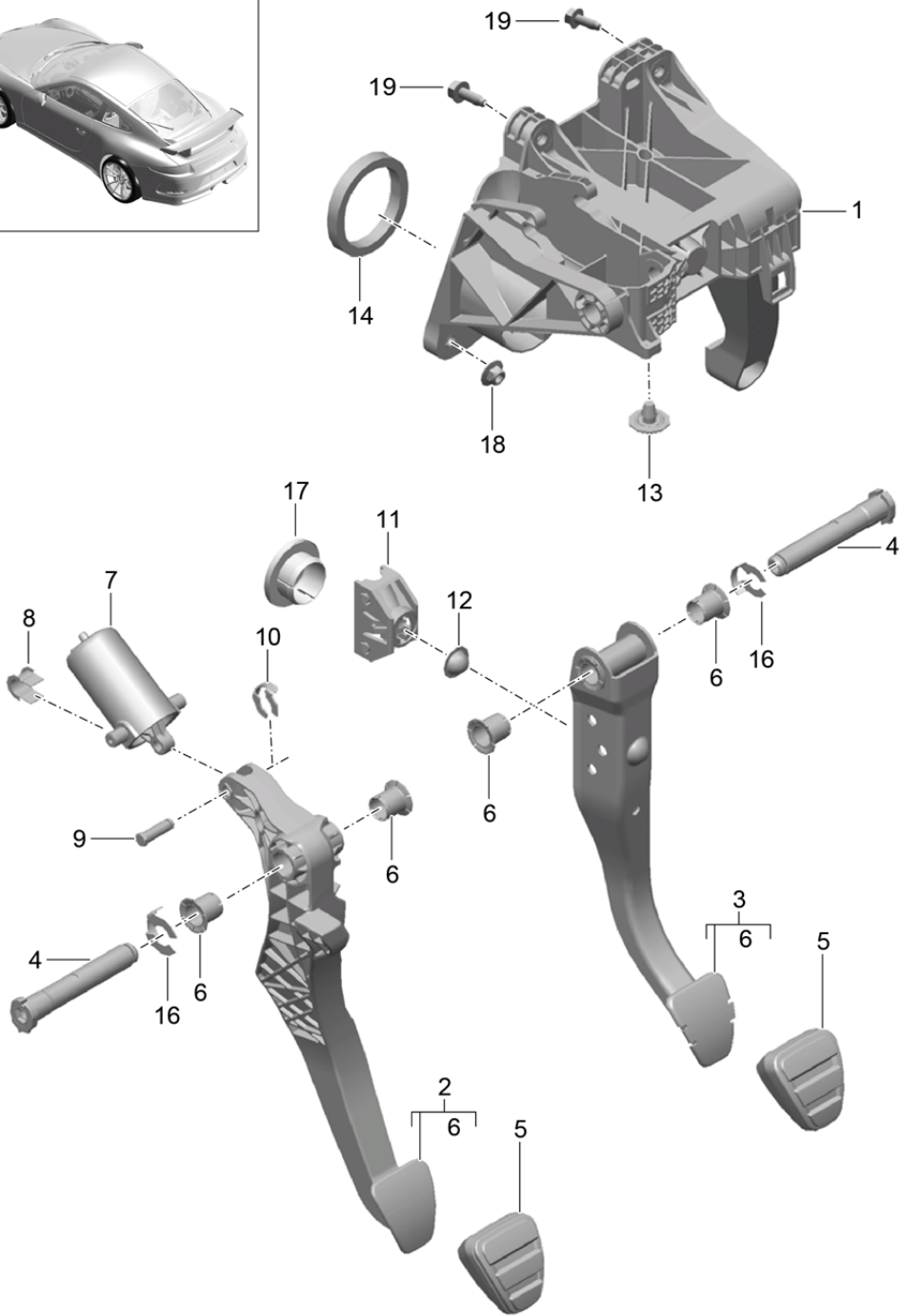
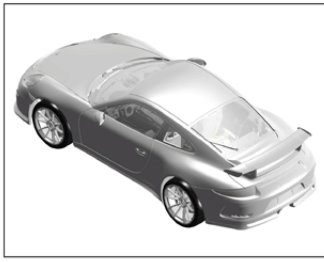


Model: 991G13 Model life 2013>>

Pos	Part Number	Description	Remark	Qty	Model
		Pedals	-17		
1	991 423 065 00	Bearing bracket		1	I098
1	991 423 065 01	Bearing bracket		1	I098
(1)	991 423 066 00	Bearing bracket		1	I099
2	N 907 611 03	Nut M 8		1	
3	991 423 041 20	Brake pedal		1	-IXXV/I098
(3)	991 423 041 21	Brake pedal		1	-IXXV/I098
(3)	991 423 042 20	Brake pedal		1	-IXXV/I099
(3)	991 423 042 21	Brake pedal		1	-IXXV/I099
4	970 606 451 00	Sensor		1	
5	991 423 283 00	Brake pedal Bearing pin		1	I098
(5)	991 423 284 00	Brake pedal Bearing pin		1	I099
6	999 166 092 01	Brake pedal Kl-lock KL 16		2	
7	991 423 291 00	Stopper Firewall		1	
8	997 423 912 00	Pedal cap		1	-IXXV
(8)	991 423 112 00	Pedal cap		1	IXXV
9	7PP 721 113	Bush		2	I487
(9)	7PP 721 113 A	Bush		2	I487
10	1J0 721 165	Mounting Push rod		1	
11	955 423 341 00	Bearing shell Mounting		1	
12	991 423 275 00	Gasket Firewall		1	I098
(12)	991 423 276 00	Gasket Firewall		1	I099
(12)	991 423 276 01	Gasket Firewall		1	I099

Model: 991G13

Model life 2013>>



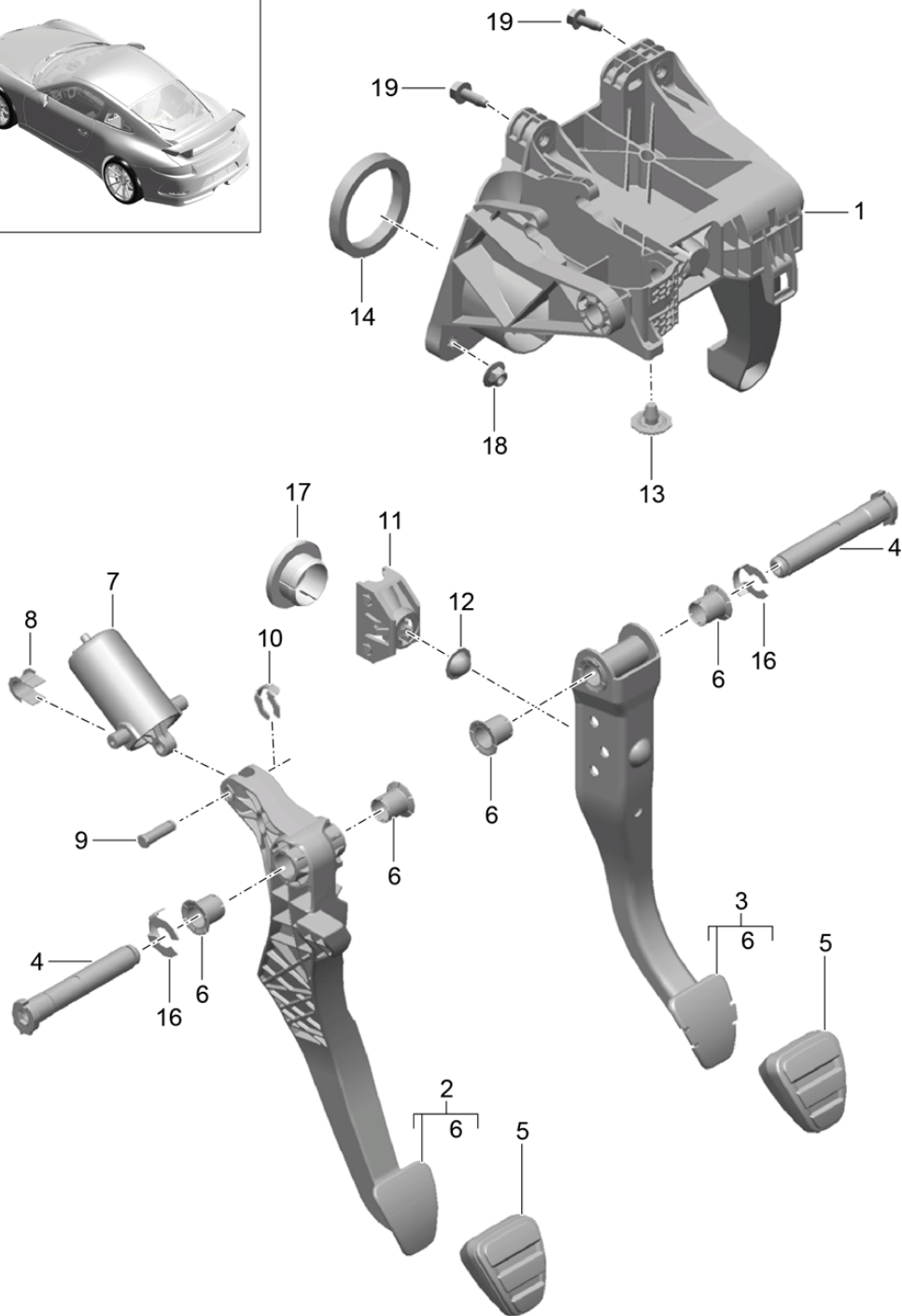
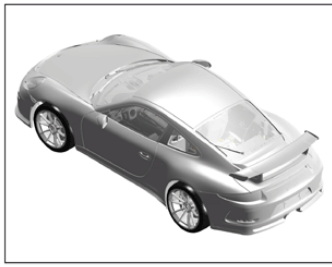
Model: 991G13

Model life 2013>>

Pos	Part Number	Description	Remark	Qty	Model
1	991 423 065 01	Pedals Bearing bracket		1	I098
(1)	991 423 066 00	Bearing bracket		1	I099
2	991 423 039 01	Clutch pedal		1	I098
(2)	991 423 040 01	Clutch pedal		1	I099
3	991 423 041 01	Brake pedal		1	I098
(3)	991 423 042 01	Brake pedal		1	I099
4	991 423 283 00	Bearing pin Brake pedal		1	I098
(4)	991 423 284 00	Bearing pin Brake pedal		1	I099
5	9P1 721 173	Pedal cap		2	
6	7PP 721 113 A	Bush		2	
7	991 423 081 11	Clutch power spring		1	
8	955 423 581 00	Bearing shell Clutch power spring		2	
9	992 721 737	Bolt Clutch power spring		1	I098
10	N 908 874 02	Kl-lock Bolt		1	
11	1J0 721 165	Mounting Push rod		1	
12	955 423 341 00	Bearing shell Mounting		1	
14	991 423 275 00	Gasket Firewall		1	I098
(14)	991 423 276 01	Gasket Firewall		1	I099
16	999 166 092 01	Kl-lock KL 16		2	
18	N 907 611 03	Nut M 8		1	
19	900 378 180 01	Hexagon-head bolt AM 8 X 25		2	

Model: 991G13

Model life 2013>>



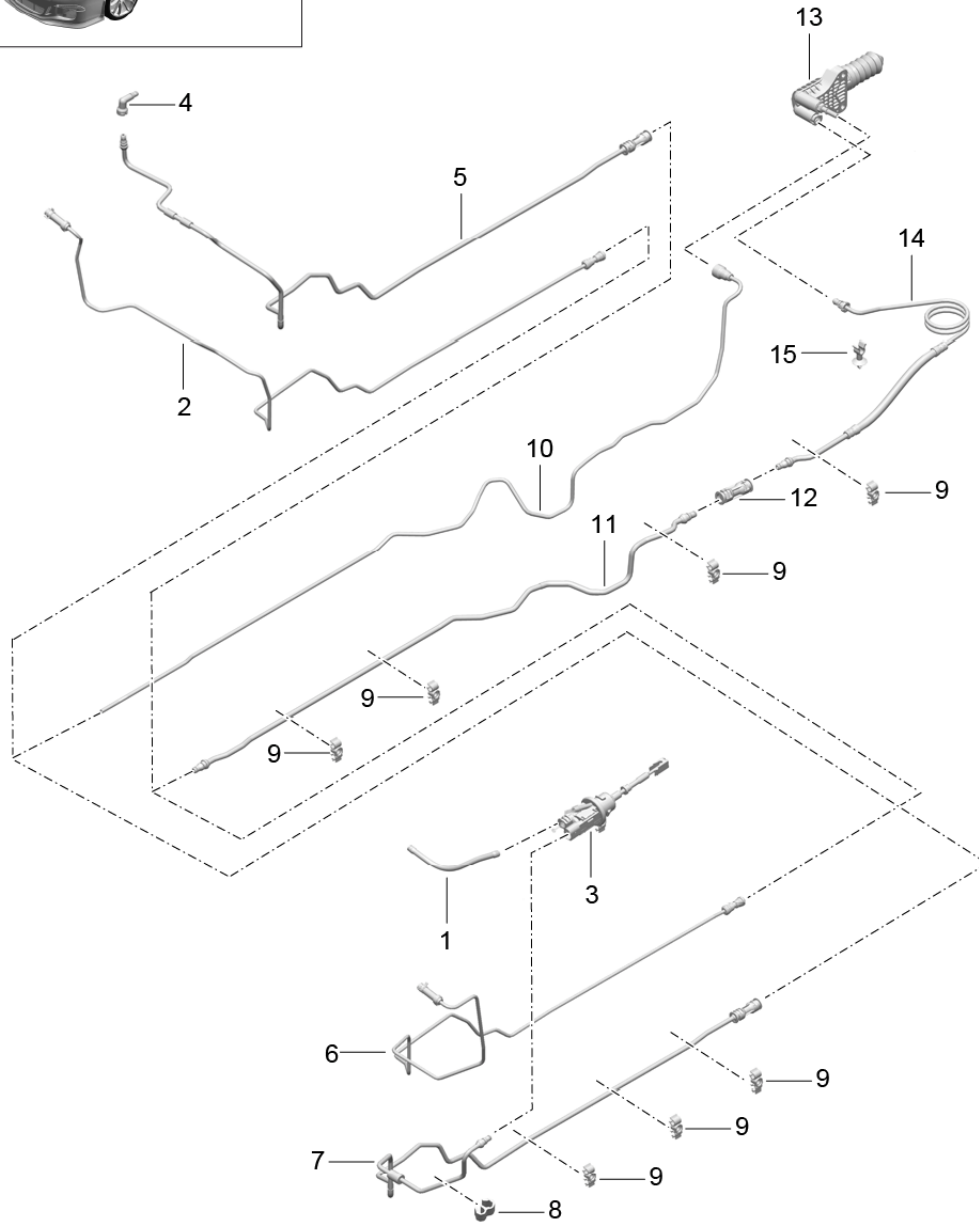
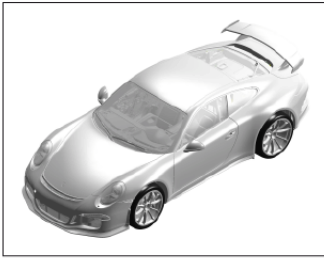
Model: 991G13

Model life 2013>>

Pos	Part Number	Description	Remark	Qty	Model
		Pedals	18-		
1	991 423 065 01	Bearing bracket		1	I098
(1)	991 423 066 00	Bearing bracket		1	I099
2	991 423 039 01	Clutch pedal		1	I098/486
(2)	991 423 040 01	Clutch pedal		1	I099/486
3	991 423 041 01	Brake pedal		1	I098/486
(3)	991 423 042 01	Brake pedal		1	I099/486
(3)	991 423 041 21	Brake pedal		1	I098/250
(3)	991 423 042 21	Brake pedal		1	I099/250
4	991 423 283 00	Bearing pin		1	I098
(4)	991 423 284 00	Brake pedal			
		Bearing pin		1	I099
		Brake pedal			
5	9P1 721 173	Pedal cap		2	-IXXV/I486
(5)	991 423 111 01	Pedal cap		2	IXXV/486
(5)	9P1 721 173 A	Pedal cap		1	-IXXV/I250
(5)	991 423 112 00	Pedal cap		1	IXXV/250
6	7PP 721 113 A	Bush		2	I250
7	991 423 081 11	Clutch power spring		1	I486
8	955 423 581 00	Bearing shell		2	I486
		Clutch power spring			
9	992 721 737	Bolt		1	I486
		Clutch power spring			
10	N 908 874 02	Kl-lock		1	I486
		Bolt			
11	1J0 721 165	Mounting		1	
		Push rod			
12	955 423 341 00	Bearing shell		1	
		Mounting			
13	955 423 720 00	Rubber stop		2	
14	991 423 275 00	Gasket		1	I098
		Firewall			
(14)	991 423 276 01	Gasket		1	I099
		Firewall			
16	9A7 721 431 00	Kl-lock		1	I098/250
(16)		KL 16		1	I099
		KL 16			
17	991 423 291 00	Stopper		1	I250
		Firewall			
18	N 907 611 03	Nut		2	
		M 8			
19	900 378 180 01	Hexagon-head bolt		2	
		AM 8 X 25			

Model: 991G13

Model life 2013>>



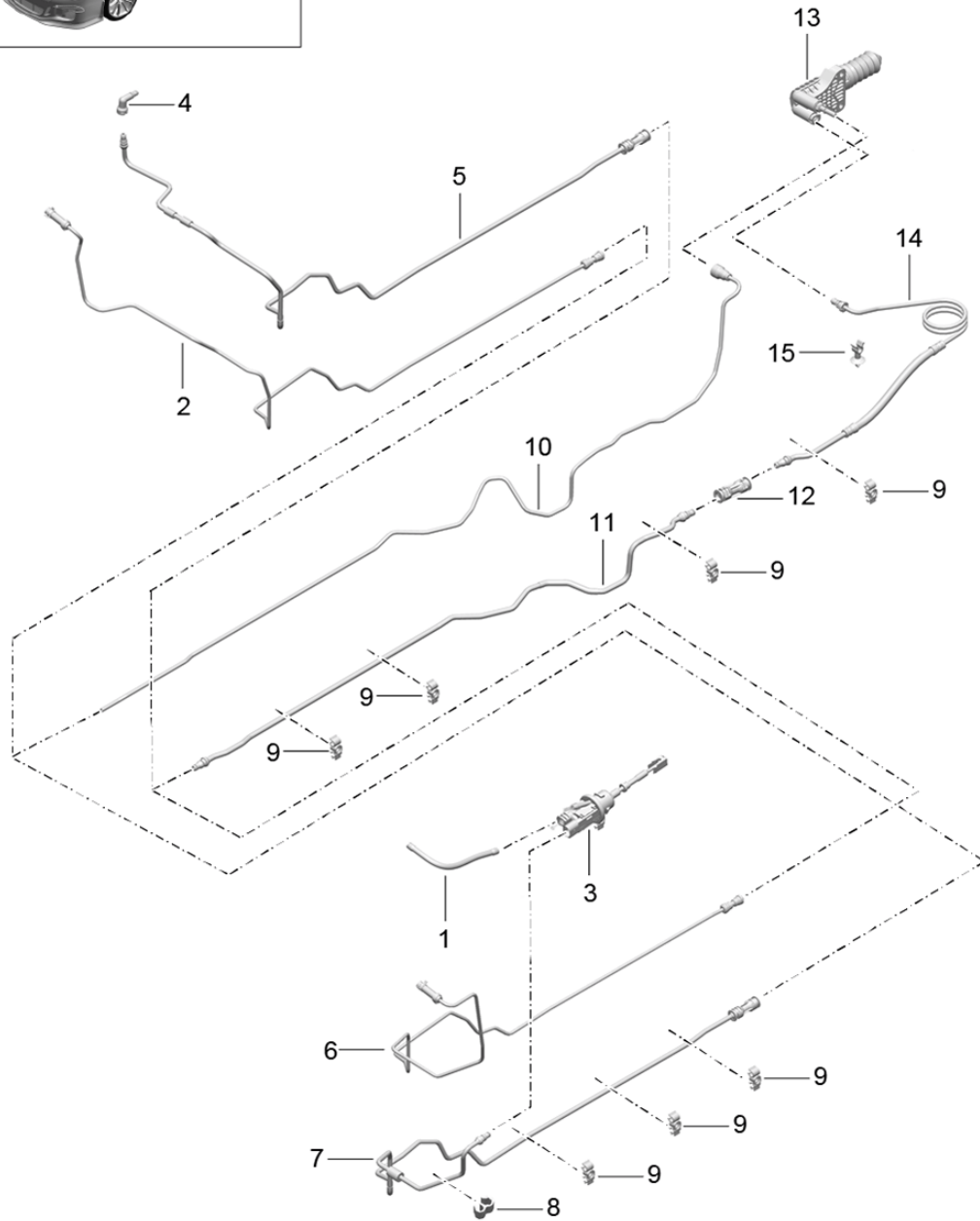
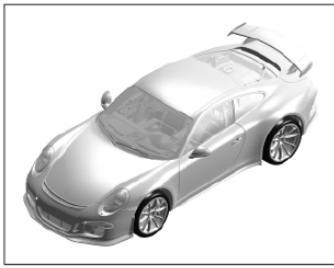
Model: 991G13

Model life 2013>>

Pos	Part Number	Description	Remark	Qty	Model
		clutch actuation Clutch master cylinder Clutch operating cylinder Lines			I486
1	991 423 137 03	Intake pipe		1	I098
		Clutch master cylinder			
(1)	991 423 138 02	Intake pipe		1	I099
		Clutch master cylinder			
2	991 423 190 10	Vent line		1	I099
4	991 423 151 00	Angled pipe		1	I099
5	991 423 108 10	Clutch pipeline		1	I099
6	991 423 191 10	Vent line		1	I098
7	991 423 107 10	Clutch pipeline		1	I098
8	999 507 567 40	Cable holder		1	I098
9	991 423 514 02	Support		8	
10	991 423 193 10	Return line		1	
11	991 423 113 04	Clutch pipeline		1	
13	9G1 116 238 01	Clutch operating cylinder		1	
14	991 423 377 10	Clutch hose		1	
15	999 507 286 40	Support		1	
		Clutch hose			
		Transmission			

Model: 991G13

Model life 2013>>



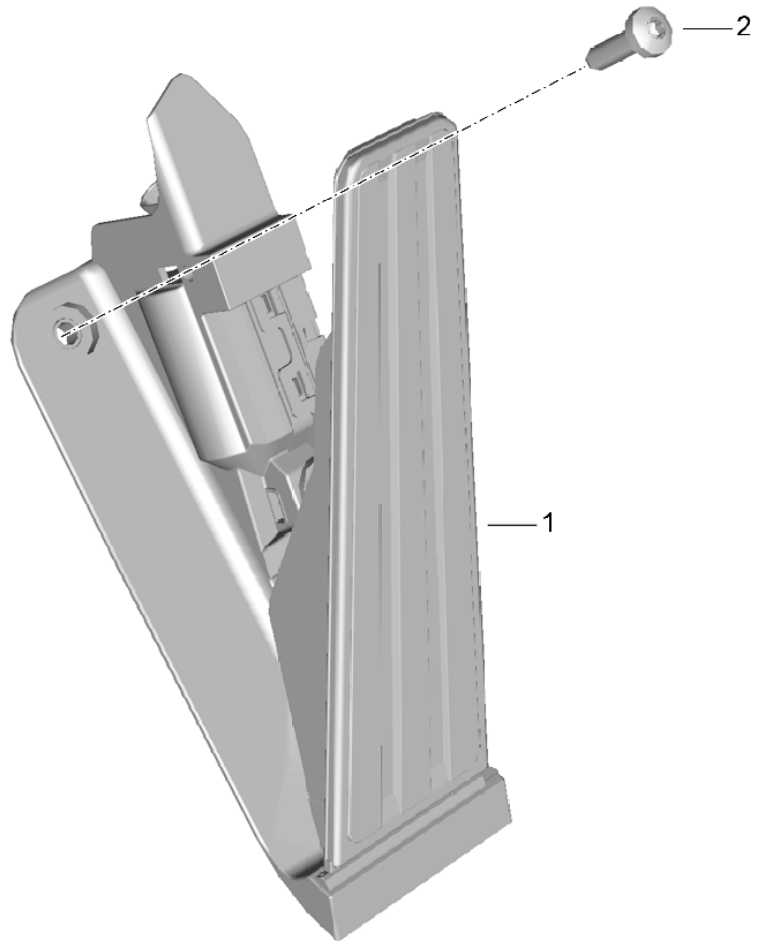
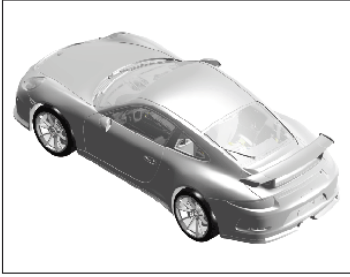
Model: 991G13

Model life 2013>>

Pos	Part Number	Description	Remark	Qty	Model
		clutch actuation	18-		I486
		Clutch master cylinder			
		Clutch operating cylinder			
		Lines			
1	991 423 137 03	Intake pipe		1	I098
		Clutch master cylinder			
(1)	991 423 138 02	Intake pipe		1	I099
		Clutch master cylinder			
2	991 423 190 10	Vent line		1	I099
3	991 423 171 00	Clutch master cylinder		1	
4	991 423 151 00	Angled pipe		1	I099
5	991 423 108 10	Clutch pipeline		1	I099
6	991 423 191 10	Vent line		1	I098
7	991 423 107 10	Clutch pipeline		1	I098
8	999 507 567 40	Cable holder		1	
9	991 423 514 02	Support		8	
10	991 423 193 10	Return line		1	
11	991 423 113 80	Clutch pipeline		1	
13	9P1 721 263	Clutch operating cylinder		1	
14	991 423 377 10	Clutch hose		1	
15	999 507 286 40	Support		1	
		Clutch hose			
		Transmission			

Model: 991G13

Model life 2013>>



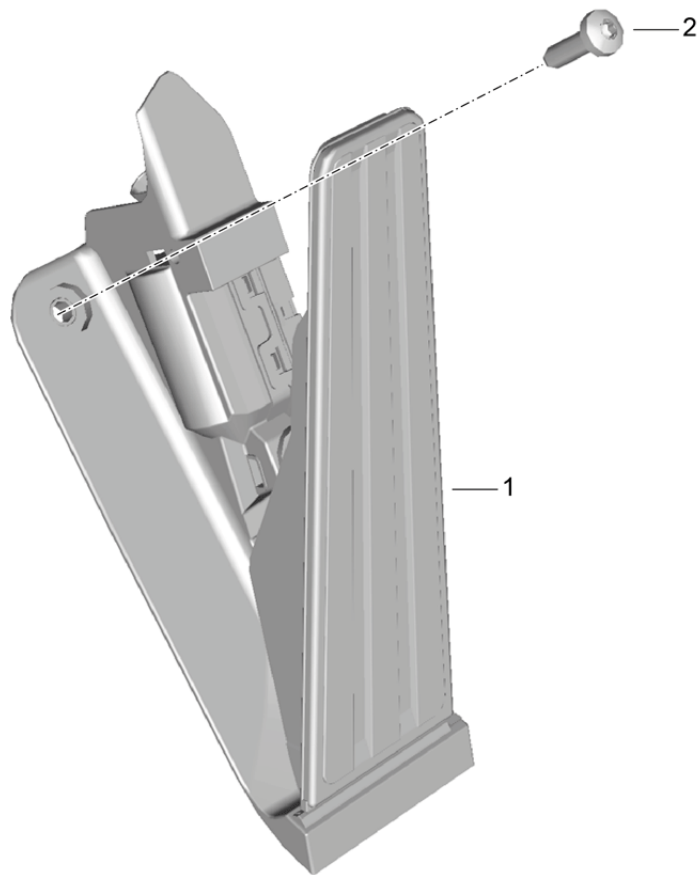
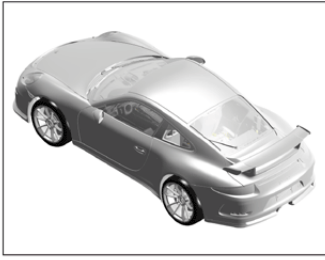
Model: 991G13

Model life 2013>>

Pos	Part Number	Description	Remark	Qty	Model
		Pedals	-17		
1	970 423 019 01	Accelerator control		1	-IXXV
(1)		Accelerator control		1	
(1)	991 423 020 01	Accelerator control		1	IXXV
2	N 106 039 01	Round head screw M 6 X 18 D >> 25.02.2015		1	
2	999 073 378 05	Round head screw M 6 X 20 D 26.02.2015>>		1	

Model: 991G13

Model life 2013>>



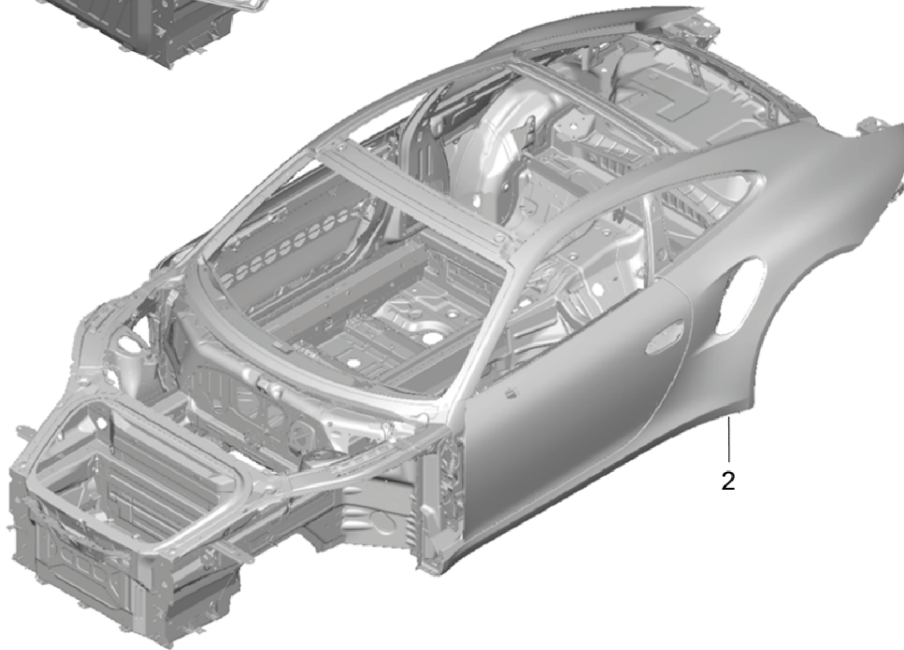
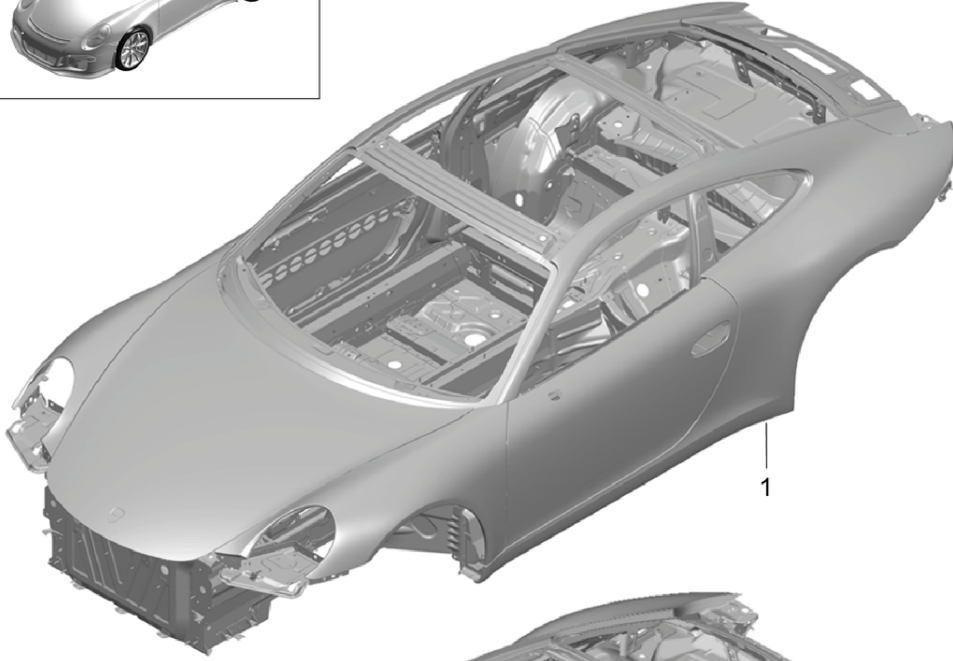
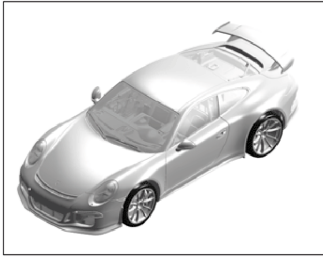
Model: 991G13

Model life 2013>>

Pos	Part Number	Description	Remark	Qty	Model
		Pedals	18-		
		Accelerator control			
1	970 423 019 01	Accelerator control		1	-IXXV
(1)	991 423 020 01	Accelerator control		1	IXXV
2	999 073 378 05	Round head screw M 6 X 20		1	

Model: 991G13

Model life 2013>>



Model: 991G13 Model life 2013>>

Pos	Part Number	Description	Remark	Qty	Model
-		Body in white Prime coated Sealed with Underbody protection with Or without Doors/lids/wings Bodyshells can only only available from current Model year available The data required for your order Can be found on the Vehicle data carrier in On-board folder Please indicate this data in your order			
-		Vehicle data carrier		--	
-		Vehicle Ident. No.		--	
-		Order type		--	
-		Country equipment		--	
-		Optional extras		--	
-		Additional applications		--	
-		Indicate colour		--	
1	991 500 001 91	Body in white	/LL	1	GT3 -I003/I098
		with Accessories			
(1)	991 500 001 91 GRV 991 500 001 92	Prime coated Body in white	/RL	1	GT3 -I003/I099
		with Accessories			
(1)	991 500 001 92 GRV 991 500 001 93	Prime coated Body in white	/LL	1	911R I098
		with Accessories			
(1)	991 500 001 93 GRV 991 500 001 94	Prime coated Body in white	/RL	1	991R I099
		with Accessories			
2	991 500 001 94 GRV	Prime coated Body in white without Accessories		1	
2	991 501 001 93	Body in white	/LL	1	GT3 RS -I003/I098
		without Roof And Carbon Accessories			
(2)	991 501 001 93 GRV 991 501 001 94	Prime coated Body in white	/RL	1	GT3 RS -I003/I099
		without Roof And			

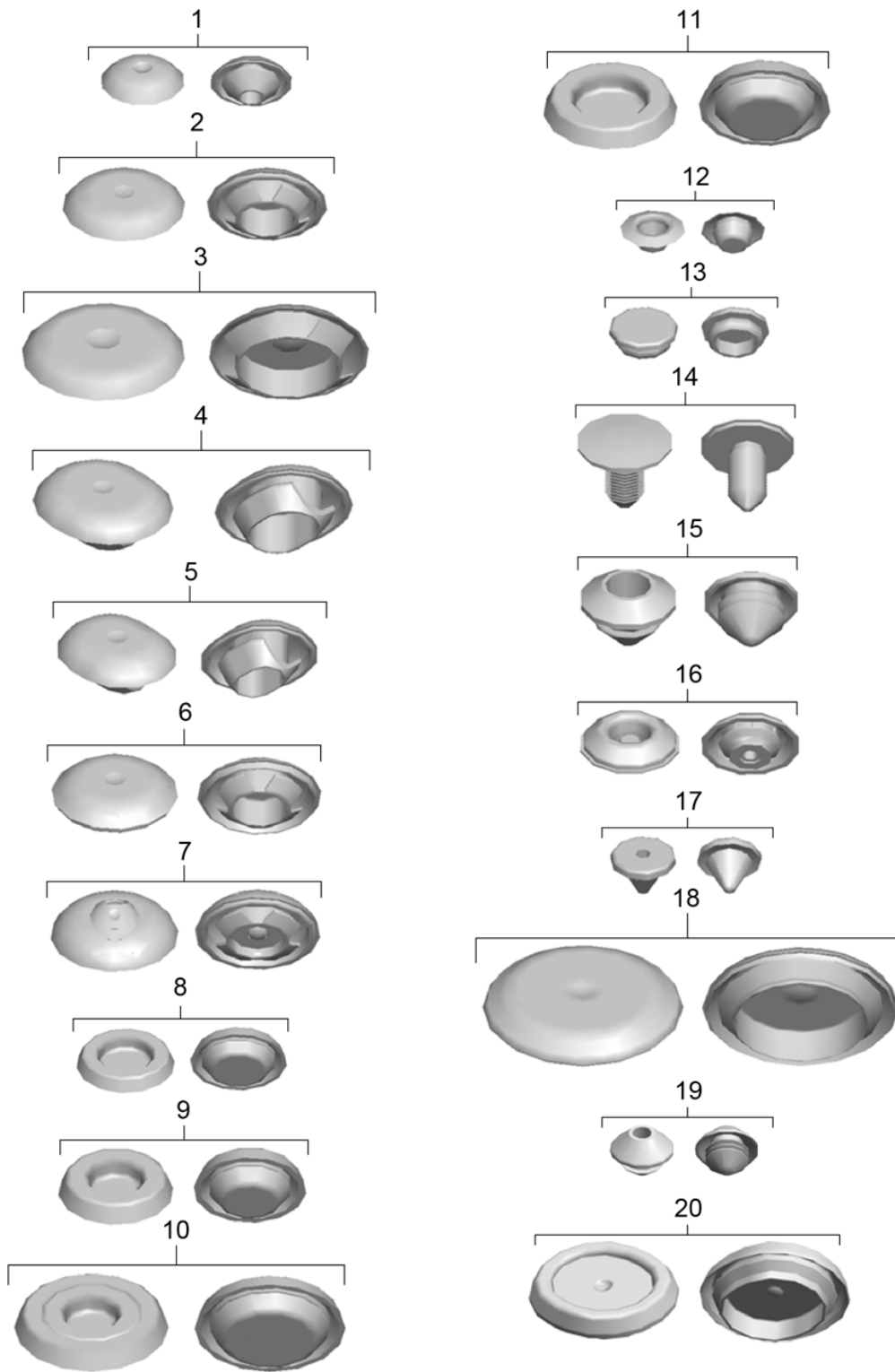
Model: 991G13

Model life 2013>>

Pos	Part Number	Description	Remark	Qty	Model
(2)	991 501 001 94 GRV 991 501 001 95	Carbon Accessories Prime coated Body in white	/LL	1	GT3 RS I099
		without Roof And Carbon Accessories			
(2)	991 501 001 95 GRV 991 501 001 96	Prime coated Body in white	/RL	1	GT3 RS I099
		without Roof And Carbon Accessories			
	991 501 001 96 GRV	Prime coated			

Model: 991G13

Model life 2013>>



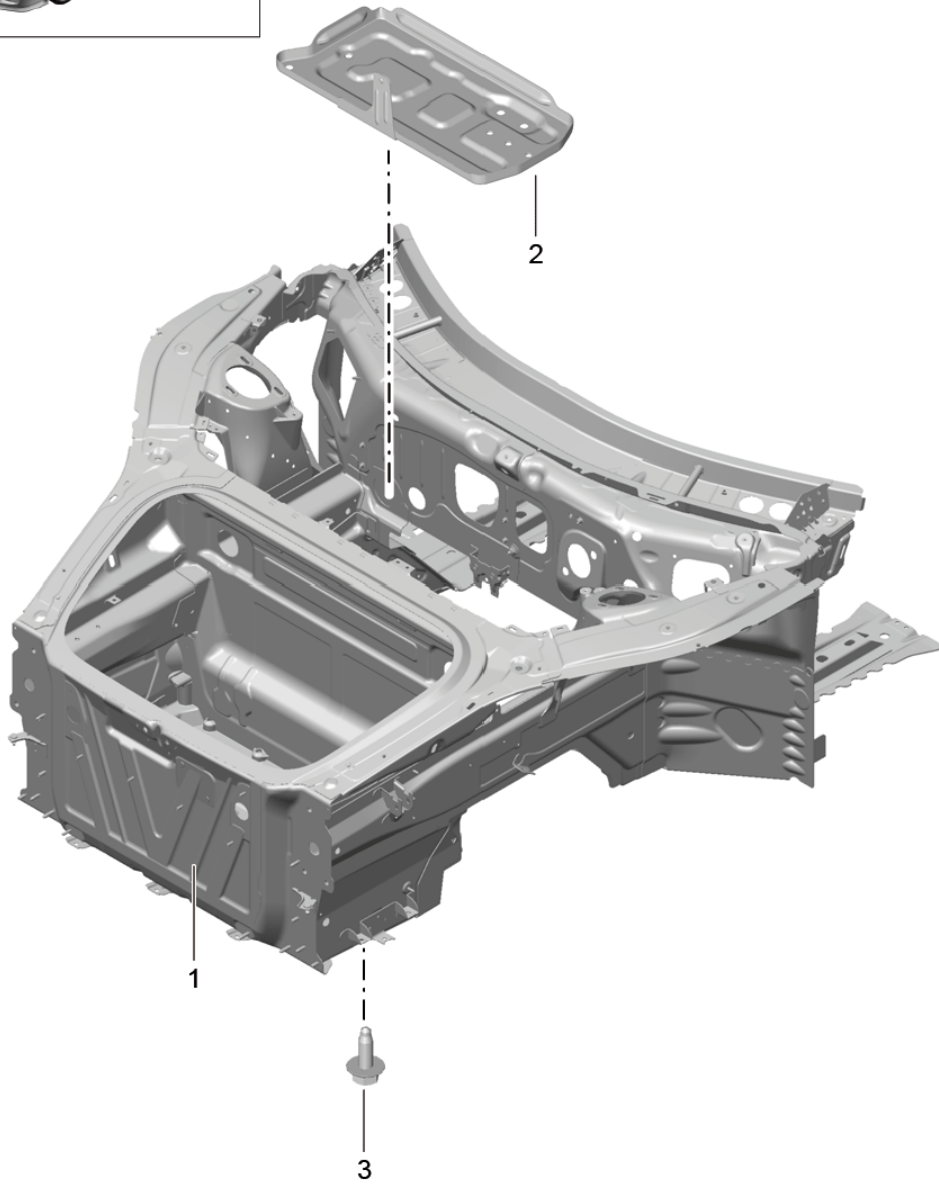
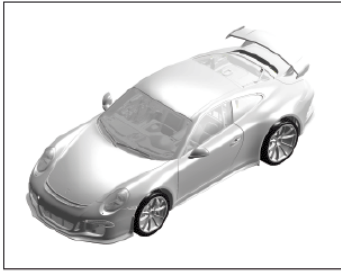
Model: 991G13

Model life 2013>>

Pos	Part Number	Description	Remark	Qty	Model
1	955 504 281 00	Stopper Stopper Hole 10 MM		X	
2	955 504 182 00	Stopper Hole 20 MM		X	
3	955 504 183 00	Stopper Hole 30 MM		X	
4	955 504 184 00	Stopper Hole 20 MM X 25 MM		X	
5	955 504 185 00	Stopper Hole 15 MM X 20 MM		X	
6	955 504 187 00	Stopper Hole 20 MM		X	
7	955 512 188 00	Water drain valve Hole 20 MM		X	
8	955 511 196 00	Stopper Hole 15 MM		X	
9	999 703 196 40	Lid Hole 20 MM		X	
10	999 703 195 40	Rubber sleeve Hole 30 MM		X	
11	999 703 543 40	Lid Hole 25 MM		X	
12	999 703 462 40	Lid Hole 10 MM		X	
13	999 703 421 40	Grommet Hole 15 MM		X	
14	999 507 637 40	Stopper Hole 10 MM		X	
15	999 703 466 40	Stopper Hole 15 MM		X	
16	999 703 556 40	Lid Hole 15 MM		X	
17	999 703 105 50	Stopper Hole 10 MM		X	
18	N 909 649 01	Stopper Hole 40 MM		X	
19	999 703 198 40	Stopper Hole 9,5X16,5 MM		X	
20	999 703 562 40	Stopper Hole Oval 30,0X35,0 MM		X	

Model: 991G13

Model life 2013>>



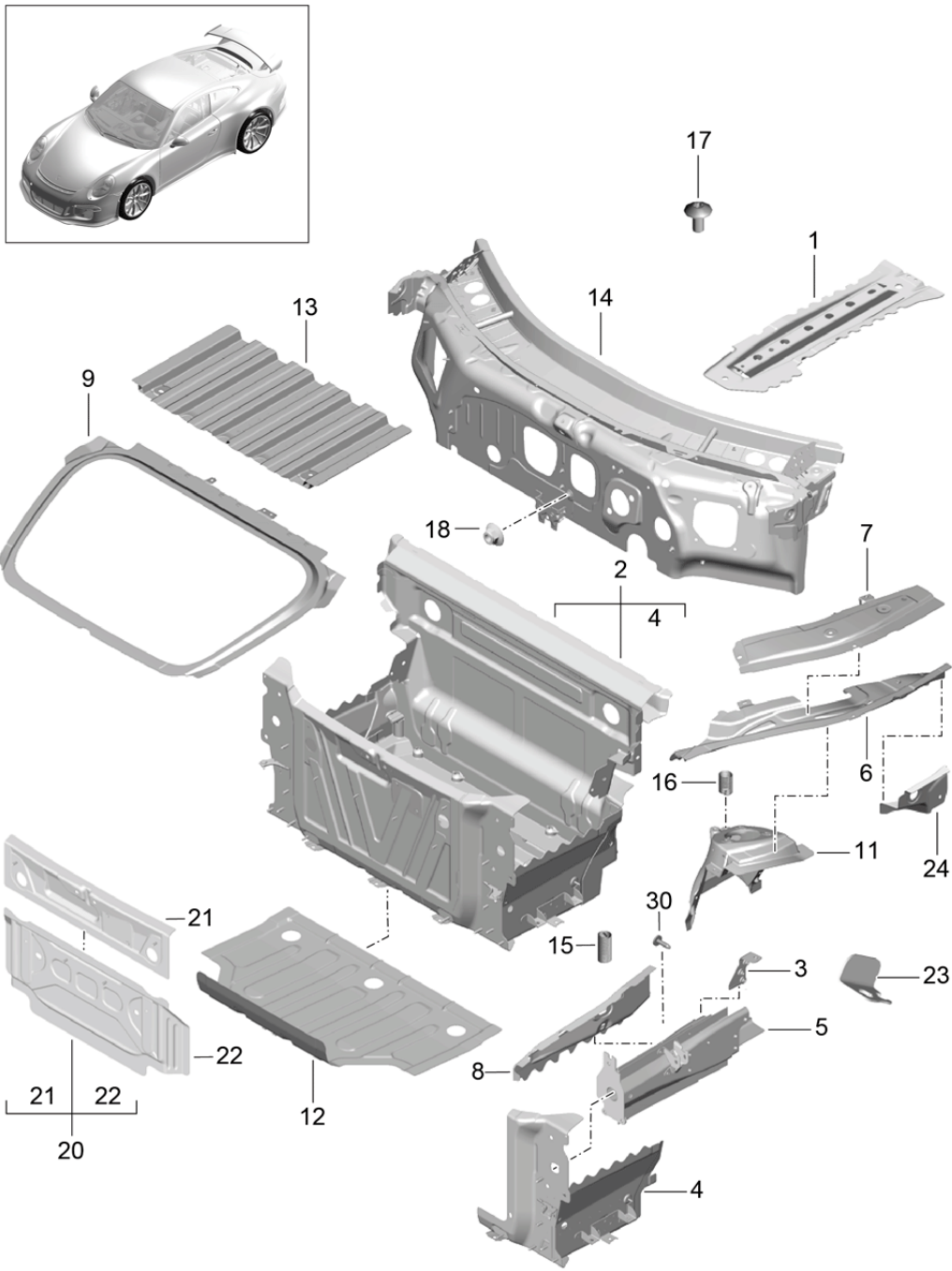
Model: 991G13

Model life 2013>>

Pos	Part Number	Description	Remark	Qty	Model
		Body front section Complete			
1	991 501 991 01	Body front section	/LL	1	I098
	991 501 991 01 GRV	Prime coated			
(1)	991 501 991 03	Body front section	/RL	1	I099
	991 501 991 03 GRV	Prime coated			
2	991 504 151 10	Carrier plate for battery	/LL	1	I098
(2)	991 504 151 11	Carrier plate for battery	/RL	1	I099
3	999 072 048 01	Hexagon-head bolt M8X25		4	
(3)	N 102 400 03	Hexagon-head bolt M8X32	16-	4	

Model: 991G13

Model life 2013>>



Model: 991G13 Model life 2013>>

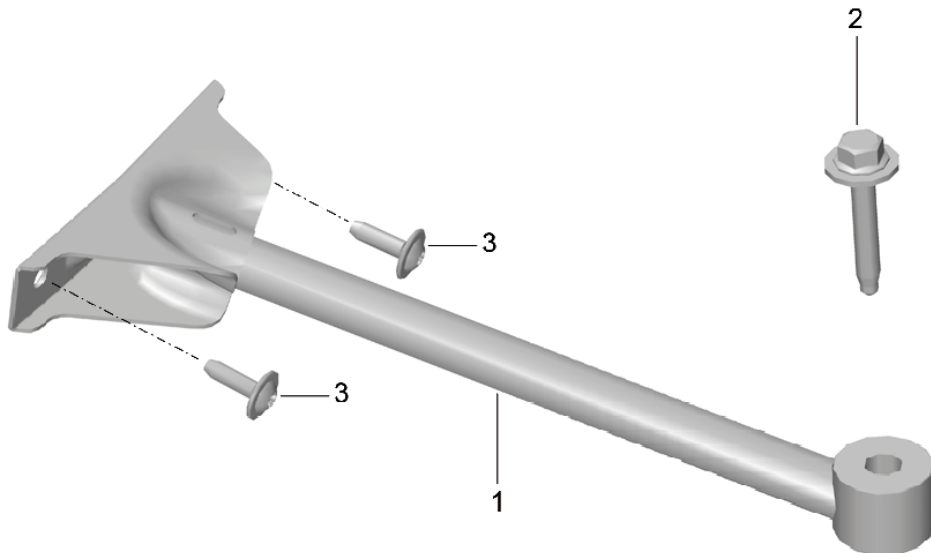
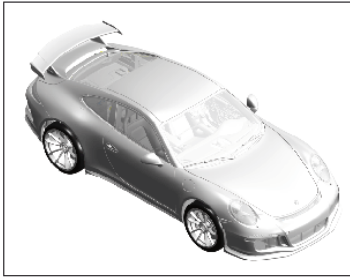
Pos	Part Number	Description	Remark	Qty	Model
1	991 501 125 00	Body front section Single parts Connecting piece Rear	/L	1	
1	991 501 125 00 GRV	Prime coated			
1	991 501 126 00	Connecting piece Rear	/R	1	
	991 501 126 00 GRV	Prime coated			
(2)	991 501 920 01	Luggage compartment liner		1	
	991 501 920 01 GRV	Prime coated			
3	991 501 909 00	Adapter	/L	1	
	991 501 909 00 GRV	Prime coated			
(3)	991 501 910 00	Adapter Bracket Inner	/R	1	
	991 501 910 00 GRV	Prime coated			
(4)	991 501 911 01	Side section Luggage compartment	/L	1	
	991 501 911 01 GRV	Prime coated			
(4)	991 501 912 01	Side section Luggage compartment	/R	1	
	991 501 912 01 GRV	Prime coated			
5	991 501 913 01	Bracket Sub-part	/L	1	
	991 501 913 01 GRV	Prime coated			
(5)	991 501 914 01	Bracket Sub-part	/R	1	
	991 501 914 01 GRV	Prime coated			
6	991 501 387 00	Side member Upper Outer	/L	1	
	991 501 387 00 GRV	Prime coated			
(6)	991 501 388 00	Side member Upper Outer	/R	1	
	991 501 388 00 GRV	Prime coated			
7	991 501 397 00	Side member Upper	/L	1	
	991 501 397 00 GRV	Prime coated			
(7)	991 501 398 00	Side member Upper	/R	1	
	991 501 398 00 GRV	Prime coated			
8	991 501 535 00	Wheel housing	/L	1	
	991 501 535 00 GRV	Prime coated			
(8)	991 501 536 00	Wheel housing	/R	1	
	991 501 536 00 GRV	Prime coated			
9	991 501 231 02	Sealing frame Luggage compartment		1	
	991 501 231 02 GRV	Prime coated			
11	991 501 477 00	Mounting Spring strut	/L	1	
	991 501 477 00 GRV	Prime coated			
(11)	991 501 478 00	Mounting Spring strut	/R	1	
	991 501 478 00 GRV	Prime coated			
-	999 190 227 01	Blind rivet		X	
12	991 501 479 02	Boot floor plate		1	
	991 501 479 02 GRV	Prime coated			
(13)	991 504 303 00	Insert		1	
	991 504 303 00 GRV	Prime coated			
14	991 502 331 00	Firewall Upper	/LL	1	I098
	991 502 331 00 GRV	Prime coated			

Model: 991G13 Model life 2013>>

Pos	Part Number	Description	Remark	Qty	Model
14	991 502 331 01	Firewall Upper	/RL	1	I099
15	991 502 331 01 GRV 999 504 266 01	Prime coated Threaded insert M12X1,5X28 Cross member Luggage compartment		X	
16	999 504 262 01	Threaded insert M8X15 Mounting Spring strut		X	
17	999 073 549 01	Lens-head screw M 8 X 16		X	
18	N 907 988 05	Collar nut M8		1	
19	999 703 556 40	Lid 14,5X0,6		1	
20	991 501 431 01	Terminal piece Of		1	
21	991 501 431 01 GRV 991 501 599 00	Prime coated End plate Upper		1	
22	991 501 599 00 GRV 991 501 531 01	Prime coated End plate Lower		1	
23	991 501 531 01 GRV 991 501 815 00	Prime coated Support Brake line	/L	1	
(23)	991 501 815 00 GRV 991 501 816 00	Prime coated Support Brake line	/R	1	
24	991 501 816 00 GRV 991 502 547 00	Prime coated Side member	/L	1	
(24)	991 502 547 00 GRV 991 502 548 00	Prime coated Side member	/R	1	
	991 502 548 00 GRV	Prime coated see Workshop manual			
-	999 190 227 01	Blind rivet 6,5 X 12,5		X	
-	999 190 228 01	Blind rivet 6,5 X 11,5		X	
-	999 190 229 01	Blind rivet 6,5 X 10,5		X	
-	999 190 230 01	Blind rivet 6,5 X 14,5		X	
-	N 107 608 01	Clinch pin		X	
-	000 043 206 29	Adhesive set		1	
30	999 073 577 01	Torx screw		X	

Model: 991G13

Model life 2013>>



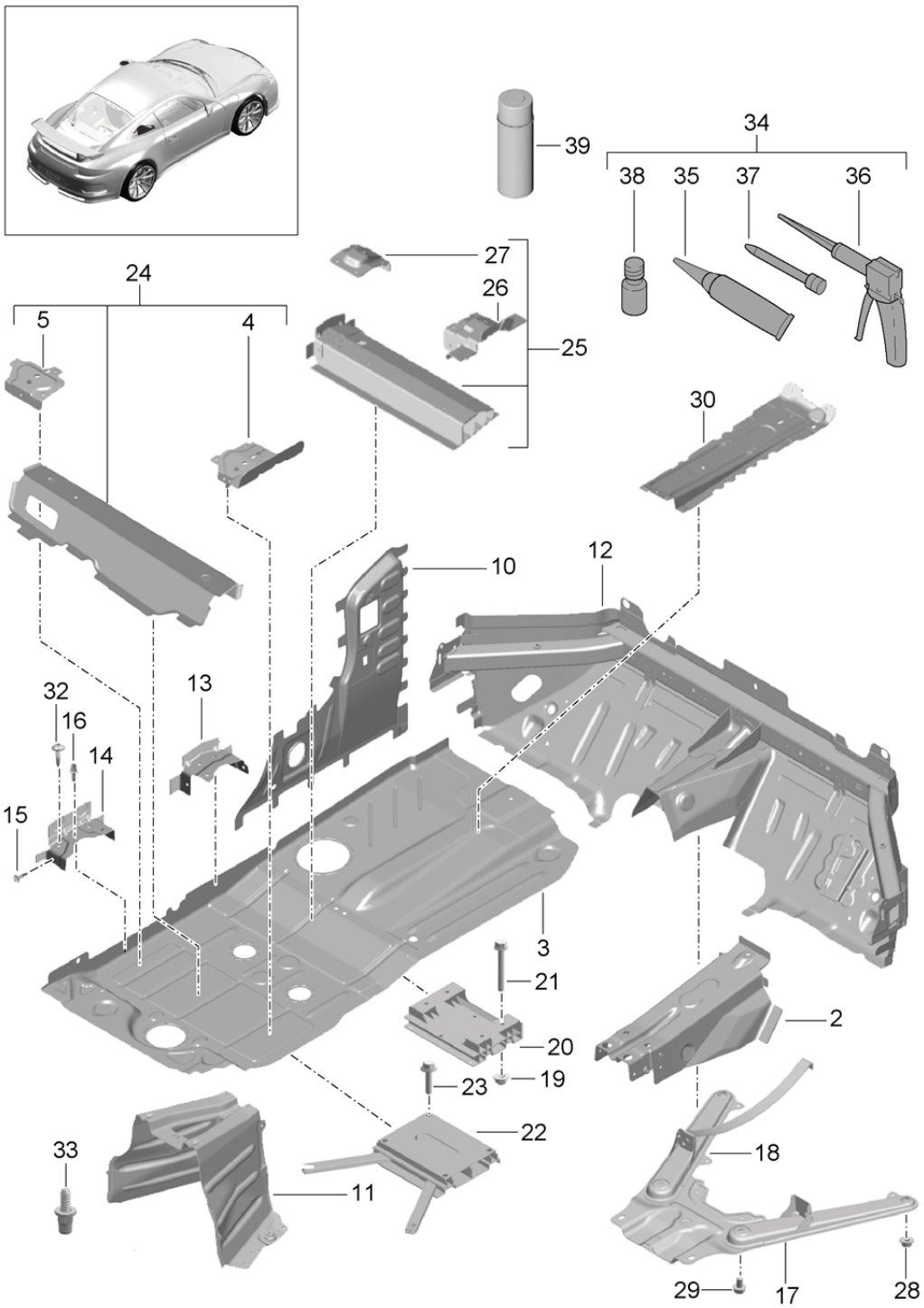
Model: 991G13

Model life 2013>>

Pos	Part Number	Description	Remark	Qty	Model
1	991 504 537 01	Dome strut		1	
(1)	991 504 538 01	Strut	/L	1	
2	N 105 728 02	Strut	/R	1	
		Hexagon-head bolt		1	
		M8X50			
3	999 073 322 02	Oval-head screw		4	
		M6X20			

Model: 991G13

Model life 2013>>



Model: 991G13 Model life 2013>>

Pos	Part Number	Description	Remark	Qty	Model
2	991 501 309 00	Floor Centre Bracket Front		1	
(3)	991 501 309 00 GRV	Prime coated			
	991 501 251 03	Floor Outer	/L	1	
(3)	991 501 251 03 GRV	Prime coated			
	991 501 252 03	Floor Outer	/R	1	
4	991 501 252 03 GRV	Prime coated			
	991 501 645 00	Reinforcement Seat support Inner rear	/L	1	
(4)	991 501 645 00 GRV	Prime coated			
	991 501 646 00	Reinforcement Seat support Inner rear	/R	1	
5	991 501 646 00 GRV	Prime coated			
	991 501 581 00	Reinforcement Seat support Rear Outer	/L	1	
(5)	991 501 581 00 GRV	Prime coated			
	991 501 582 00	Reinforcement Seat support Rear Outer	/R	1	
6	991 501 582 00 GRV	Prime coated			
	991 501 687 00	Reinforcement Seat support Inner rear	/L	1	
(6)	991 501 687 00 GRV	Prime coated			
	991 501 688 00	Reinforcement Seat support Inner rear	/R	1	
7	991 501 688 00 GRV	Prime coated			
	991 501 583 00	Reinforcement Seat support Front Outer		2	
10	991 501 583 00 GRV	Prime coated			
	991 502 639 00	Separator A-pillar	/L	1	
(10)	991 502 639 00 GRV	Prime coated			
	991 502 640 00	Separator A-pillar	/R	1	
11	991 502 640 00 GRV	Prime coated			
	991 501 367 00	Reinforcement Rear		1	
12	991 501 367 00 GRV	Prime coated			
	991 501 951 00	Firewall Lower	/LL	1	I098
(12)	991 501 951 00 GRV	Prime coated			
	991 501 951 01	Firewall Lower	/RL	1	I099
13	991 501 951 01 GRV	Prime coated			
	991 501 893 00	Bracket Front	/L	1	
(13)	991 501 893 00 GRV	Prime coated			
	991 501 894 00	Bracket Front	/R	1	
	991 501 894 00 GRV	Prime coated			

Model: 991G13 Model life 2013>>

Pos	Part Number	Description	Remark	Qty	Model
14	991 501 891 00	Bracket Rear	/L	1	
(14)	991 501 891 00 GRV	Prime coated			
	991 501 892 00	Bracket Rear	/R	1	
	991 501 892 00 GRV	Prime coated			
15	999 073 917 01	Lens-head screw M5X20		X	
16	999 190 501 01	Bolt T6		X	
17	991 504 233 01	Auxiliary support Body front section		1	
19	999 084 648 01	Hexagon nut M 10		4	
20	991 504 823 00	Transverse strut Tunnel		1	
21	900 378 255 01	Hexagon-head bolt M 10 X 70		4	
22	991 504 333 00	Strut Transmission carrier		1	
23	999 072 063 02	Hexagon-head bolt M 10 X 40		6	
24	991 501 993 90	Seat support Rear	/L	1	
(24)	991 501 993 90 GRV	Prime coated			
	991 501 994 90	Seat support Rear	/R	1	
	991 501 994 90 GRV	Prime coated			
25	991 501 453 00	Seat support Front	/L	1	
(25)	991 501 453 00 GRV	Prime coated			
	991 501 454 00	Seat support Front	/R	1	
	991 501 454 00 GRV	Prime coated			
26	991 501 687 00	Reinforcement Seat support Front Inner	/L	1	
(26)	991 501 687 00 GRV	Prime coated			
	991 501 688 00	Reinforcement Seat support Front Inner	/R	1	
	991 501 688 00 GRV	Prime coated			
27	991 501 583 00	Reinforcement Seat support Outer		2	
	991 501 583 00 GRV	Prime coated			
28	999 084 648 01	Hexagon nut M 10		4	
29	900 378 350 01	Hexagon-head bolt M10X16		1	
30	991 501 297 00	Connecting piece	/L	1	
(30)	991 501 297 00 GRV	Prime coated			
	991 501 298 00	Bracket Connecting piece	/R	1	
	991 501 298 00 GRV	Prime coated			
31	991 501 891 00	Bracket Rear	/L	1	
(31)	991 501 891 00 GRV	Prime coated			
	991 501 892 00	Bracket Rear	/R	1	

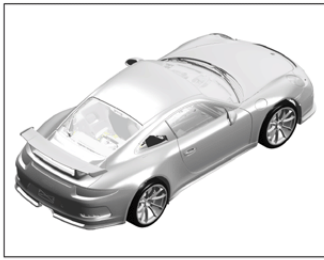
Model: 991G13

Model life 2013>>

Pos	Part Number	Description	Remark	Qty	Model
32	991 501 892 00 GRV 999 073 917 01	Prime coated Lens-head screw M5X20		X	
33	999 190 501 01	Bolt T6		X	
34	000 043 206 29	Adhesive set Body Comprising:		X	
35	000 043 206 30	Adhesive		1	
36	000 043 206 31	Tool		1	
37	000 043 206 32	Mixing tube		1	
38	000 043 207 70	Activator		1	
39	000 043 204 85	Cavity preservation		1	

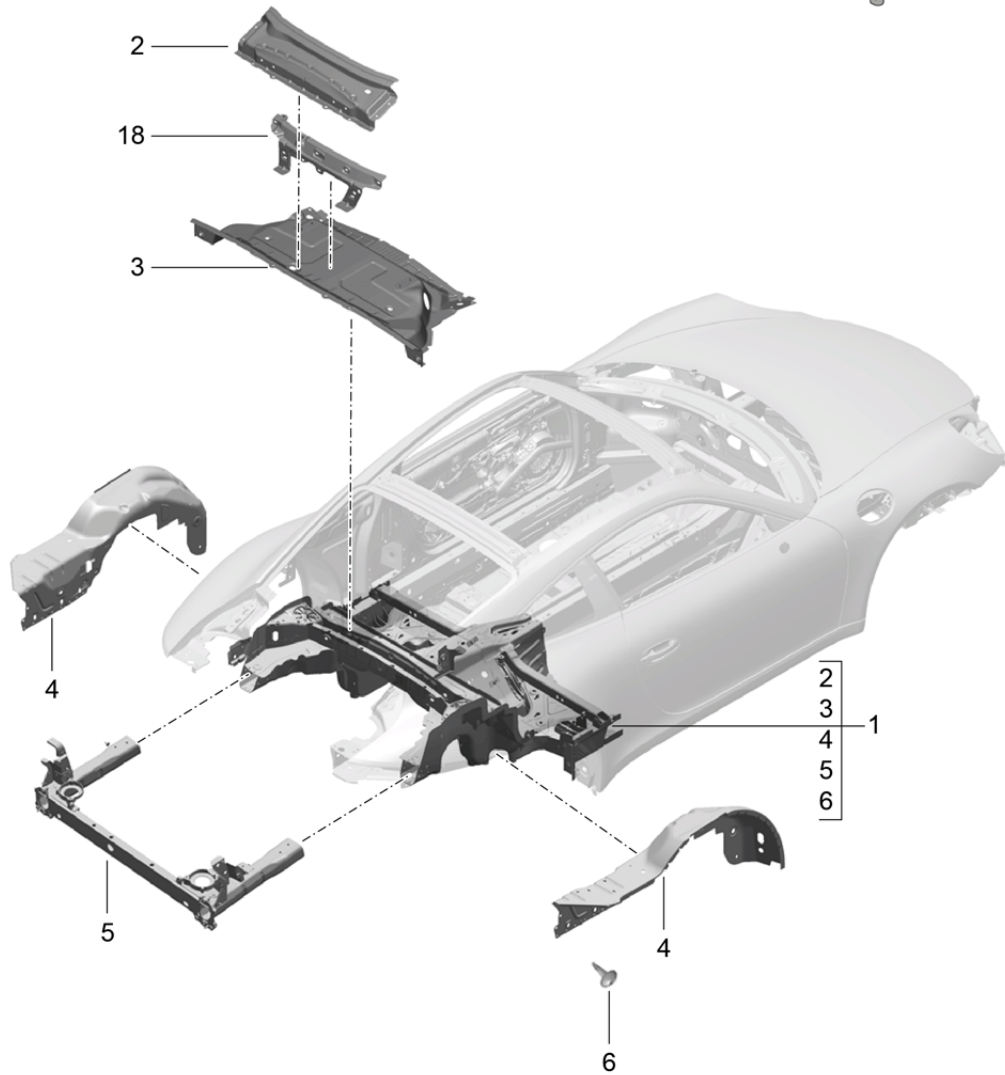
Model: 991G13

Model life 2013>>



- 12 — [part]
- 11 — [part]
- 10 — [part]
- 7 — [part]
- 8 — [part]
- 9 — [part]

- 13 — [part]
- 14 — [part]
- 15 — [part]
- 16 — [part]
- 17 — [part]



Model: 991G13 Model life 2013>>

Pos	Part Number	Description	Remark	Qty	Model
1	991 501 061 90	Rear end Rear end Complete Use also: 000.043.206.30		1 X	
2	991 501 061 90 GRV 991 502 409 00 991 502 409 00 GRV	Prime coated Cross member Prime coated Use also: 000.043.206.30		1	
3	991 502 421 00 991 502 421 00 GRV	Tray Prime coated Use also: 000.043.206.30		1	
(4)	991 501 183 90 991 501 183 90 GRV	Wheel housing Inner Complete Prime coated Use also: 000.043.206.30	/L	1	
(4)	991 501 973 91 991 501 973 91 GRV	Wheel housing Inner Complete Prime coated Use also: 000.043.206.30	/L 14-	1	
(4)	991 501 184 90 991 501 184 90 GRV	Wheel housing Inner Complete Prime coated Use also: 000.043.206.30	/R	1	
(4)	991 501 974 91 991 501 974 91 GRV	Wheel housing Inner Complete Prime coated Use also: 000.043.206.30	/R 14-	1	
5	991 501 903 01 991 501 903 01 GRV	Frame Comprising: Cross member Engine mounting Bracket Prime coated Use also: 000.043.206.30		1	
6	999 073 917 01	Lens-head screw M5X20		X	
7	999 500 196 01	Nut M8		X	
8	999 025 285 31	Washer 8,4X20X1,5		X	
9	999 504 267 01	Threaded insert M10X27		X	
10	999 504 268 01	Threaded insert M10X20		X	
11	999 504 263 01	Threaded insert M12X1,5X22		X	
12	999 504 262 01	Threaded insert M8X15		X	
13	000 043 206 29	Adhesive set		1	
14	000 043 206 30	Adhesive		1	
15	000 043 206 31	Tool		1	

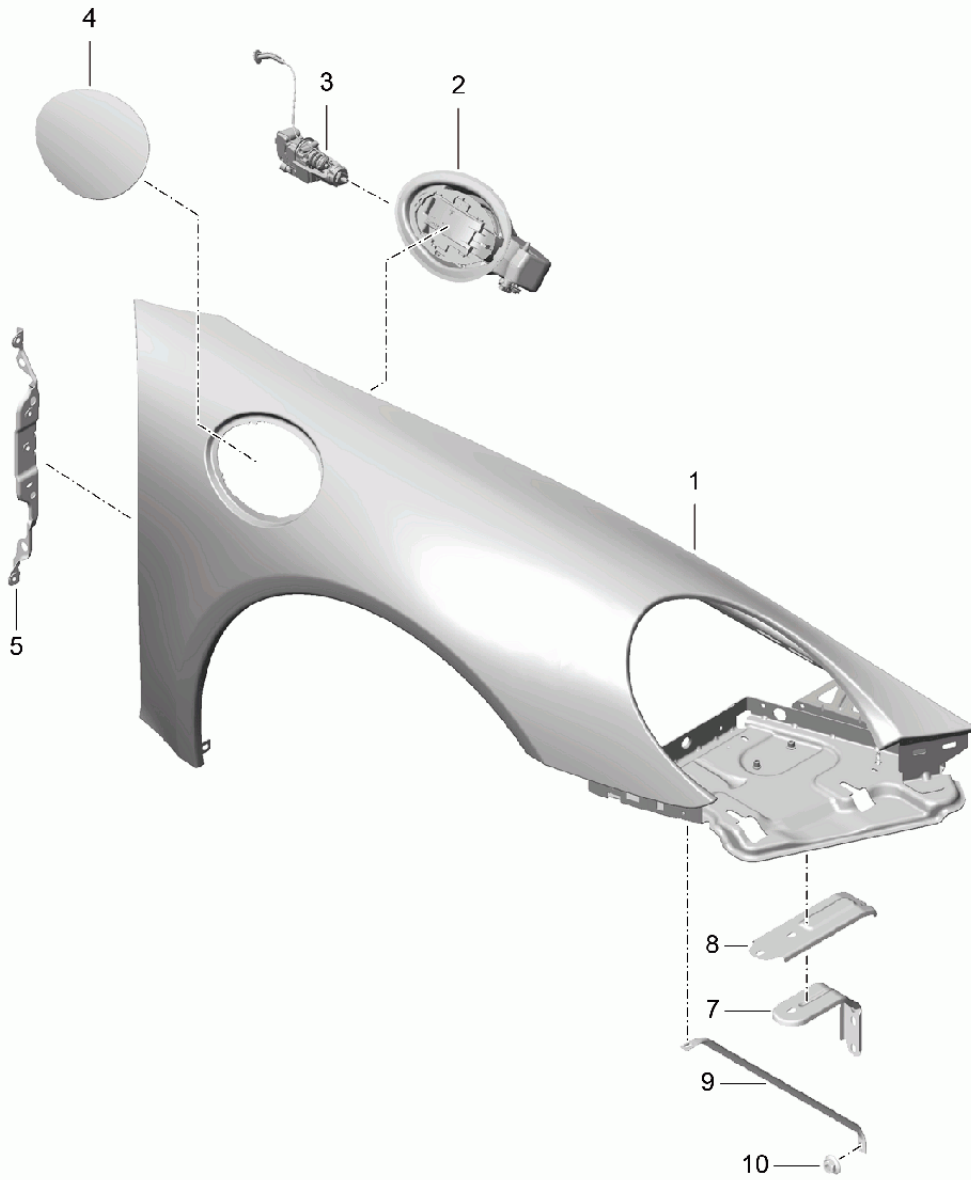
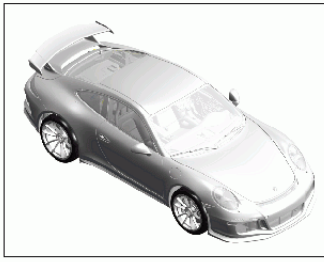
Model: 991G13

Model life 2013>>

Pos	Part Number	Description	Remark	Qty	Model
16	000 043 206 32	Mixing tube		1	
17	000 043 207 70	Activator		1	
18	991 502 573 00	Cross member for Tray		1	Coupe
	991 502 573 00 GRV	Prime coated Use also: 000.043.206.30			

Model: 991G13

Model life 2013>>



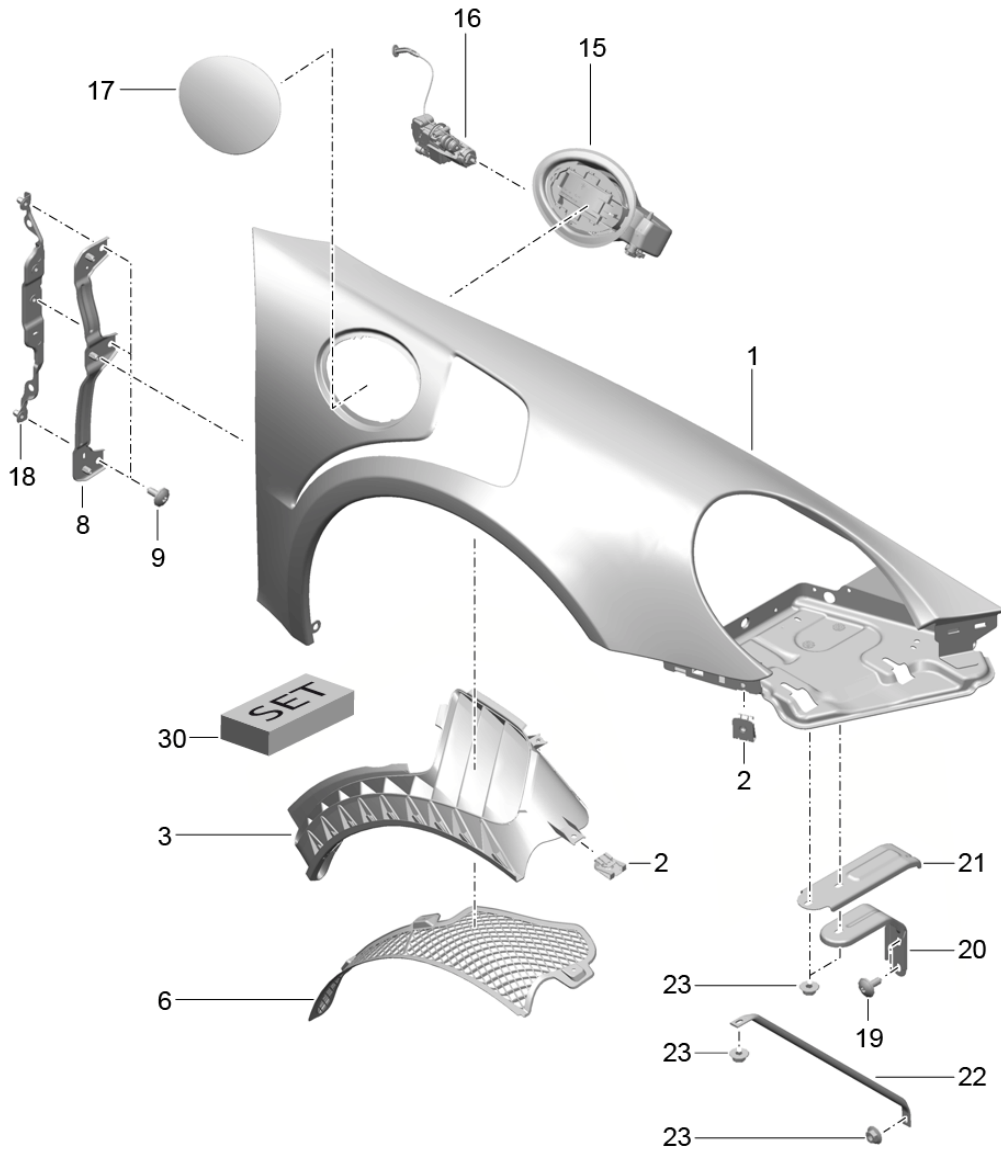
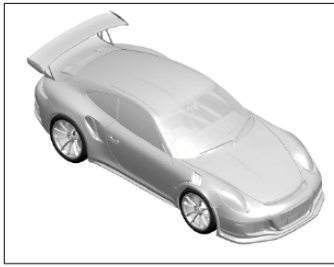
Model: 991G13

Model life 2013>>

Pos	Part Number	Description	Remark	Qty	Model
		Wing			GT3
(1)	991 503 031 00	Wing	/L	1	
	991 503 031 00 GRV	Prime coated			
1	991 503 032 00	Wing	/R	1	
	991 503 032 00 GRV	Prime coated			
2	991 504 142 03	Cup		1	
		Fuel filler flap			
3	991 504 414 01	Actuator		1	
		Fuel filler flap			
4	991 503 034 00	Fuel filler flap		1	
	991 503 034 00 GRV	Prime coated			
(5)	991 502 347 00	Support	/L	1	
		Wing			
	991 502 347 00 GRV	Prime coated			
5	991 502 348 00	Support	/R	1	
		Wing			
	991 502 348 00 GRV	Prime coated			
6	N 910 423 01	Oval-head screw		X	
		M 6 X 16			
7	991 503 555 00	Bracket		2	
		Headlamp casing			
8	991 503 557 00	Support	/L	1	
		Headlamp casing			
(8)	991 503 558 00	Support	/R	1	
		Headlamp casing			
9	991 503 441 01	Strut		2	
		Headlamp casing			
10	999 076 066 09	Hexagon nut		X	
		M6			

Model: 991G13

Model life 2013>>

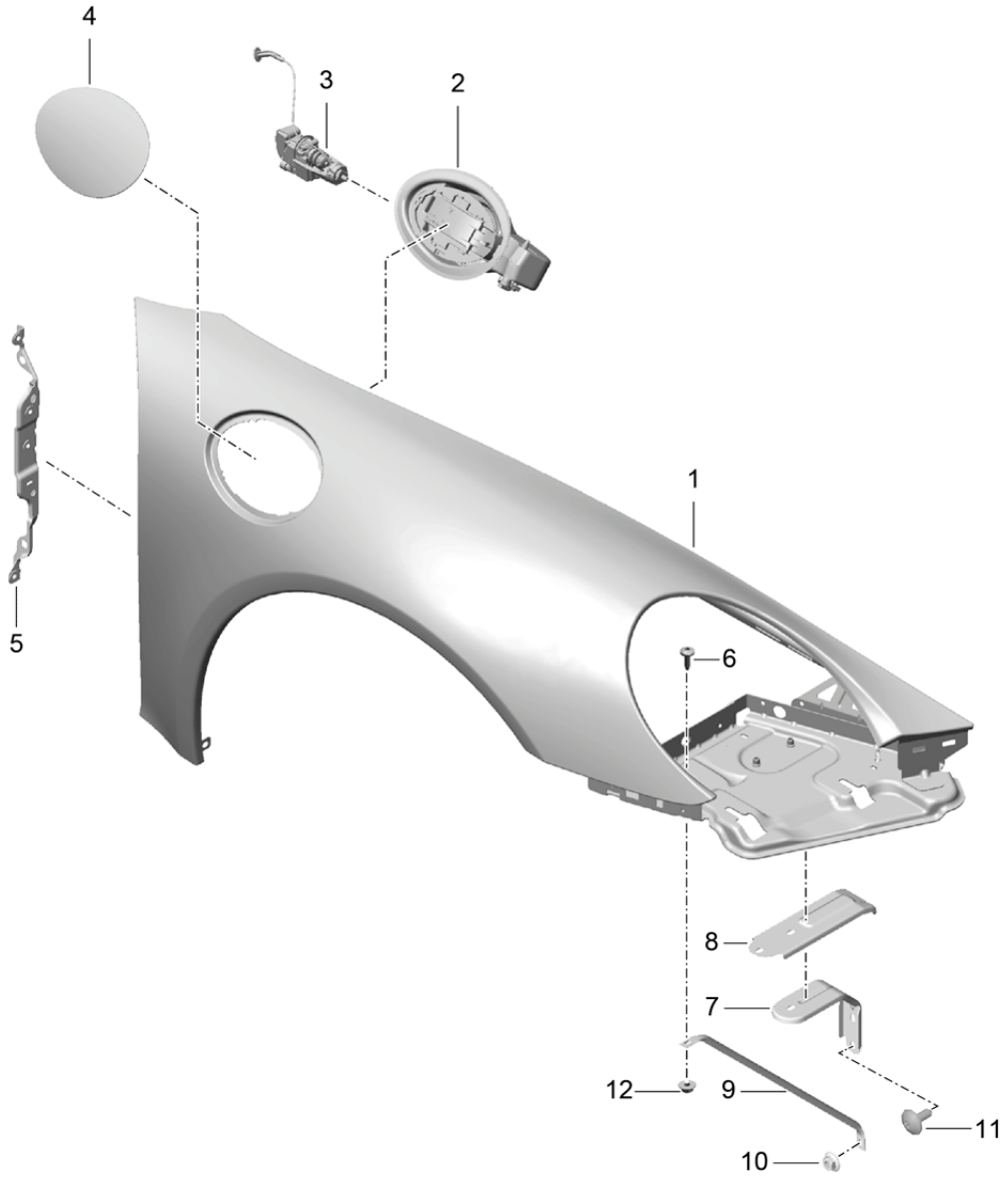
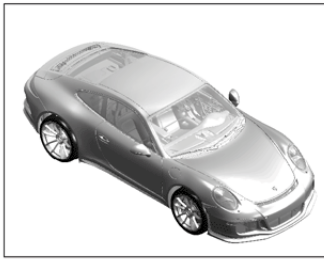


Model: 991G13 Model life 2013>>

Pos	Part Number	Description	Remark	Qty	Model
1	991 503 031 95	Wing Wing Prime coated Use also: POSITION30 POSITION3	/L	1	GT3 RS
(1)	991 503 032 95	Wing Prime coated Use also: POSITION30 POSITION3	/R	1	
2	999 507 795 09	Speed nut ST 4,8		X	
3	991 503 523 90	Air exhaust Use also: POSITION30	/L	1	
(3)	991 503 524 90	Air exhaust Use also: POSITION30	/R	1	
6	991 504 787 90	Grille	/L	1	
(6)	991 504 788 90	Grille	/R	1	
8	991 502 957 90	Adapter Support Wing	/L	1	
(8)	991 502 957 90 GRV 991 502 958 90	Prime coated Adapter Support Wing	/R	1	
9	991 502 958 90 GRV N 910 423 01	Prime coated Oval-head screw M6X16 POS8	/R	X	
15	991 504 142 03	Cup		1	
16	991 504 414 03	Fuel filler flap Actuator		1	
17	991 503 034 00	Fuel filler flap		1	
18	991 503 034 00 GRV 991 502 347 00	Prime coated Support	/L	1	
(18)	991 502 347 00 GRV 991 502 348 00	Prime coated Support Wing	/R	1	
19	991 502 348 00 GRV N 910 423 01	Prime coated Oval-head screw M 6 X 16		X	
20	991 503 555 00	Bracket		2	
21	991 503 557 00	Headlamp casing Support	/L	1	
(21)	991 503 558 00	Headlamp casing Support Headlamp casing	/R	1	
22	991 503 441 01	Strut		2	
23	999 076 066 09	Headlamp casing Hexagon nut M6		X	
30	999 915 920 40	Adhesive set Wing		1	

Model: 991G13

Model life 2013>>

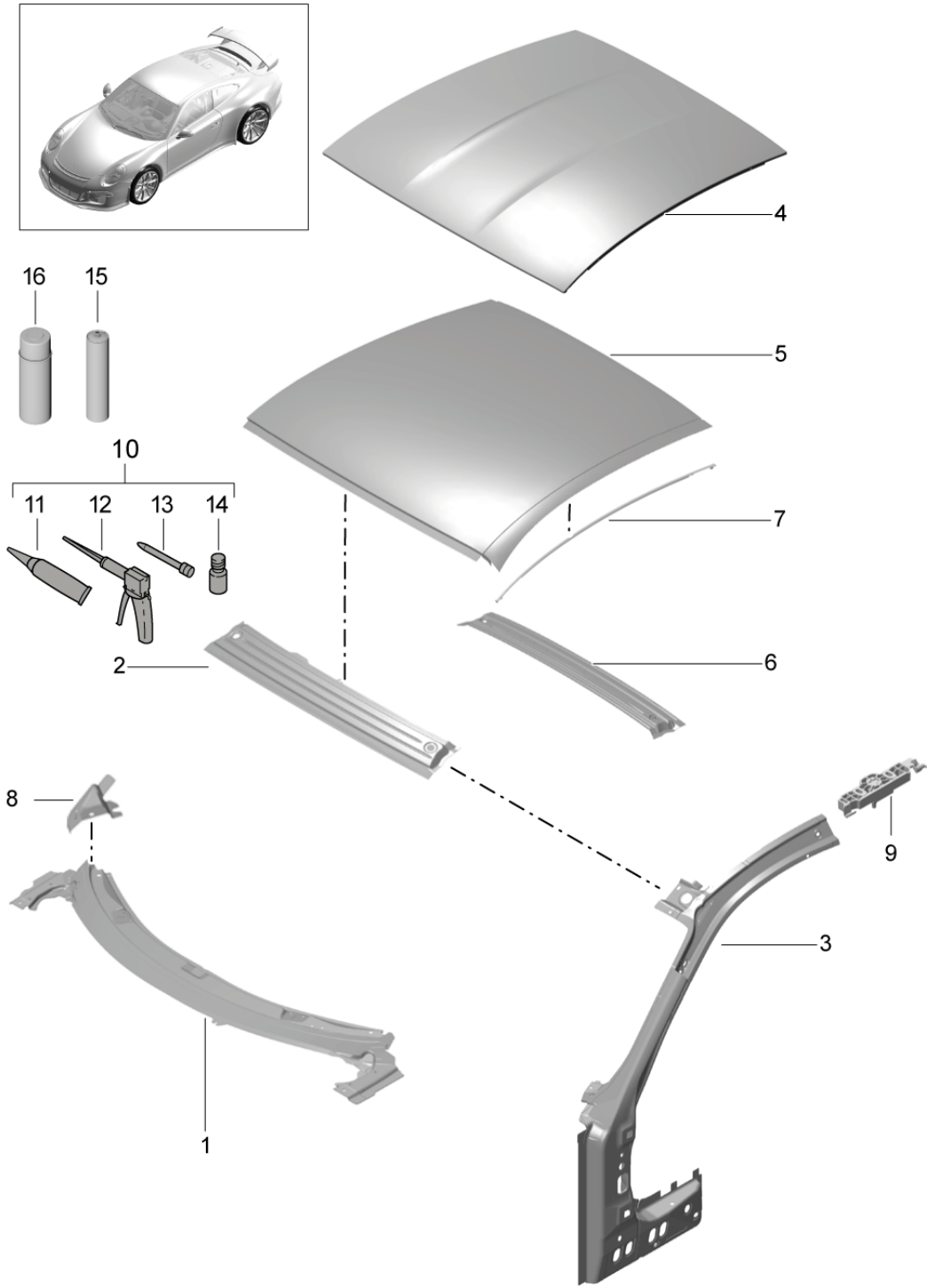
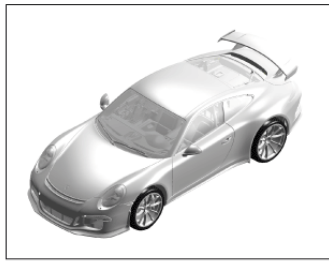


Model: 991G13 Model life 2013>>

Pos	Part Number	Description	Remark	Qty	Model
1	991 503 031 A3	Wing		1	911 R
	991 503 031 A3 GRV	Wing	/L	1	
(1)	991 503 032 A3	Prime coated		1	
	991 503 032 A3 GRV	Wing	/R	1	
2	991 504 142 03	Prime coated		1	
		Cup		1	
3	991 504 414 03	Fuel filler flap		1	
		Actuator		1	
4	991 503 034 00	Fuel filler flap		1	
	991 503 034 00 GRV	Fuel filler flap		1	
5	991 502 347 00	Prime coated		1	
		Support	/L	1	
	991 502 347 00 GRV	Wing		1	
(5)	991 502 348 00	Prime coated		1	
		Support	/R	1	
	991 502 348 00 GRV	Wing		1	
6	999 073 577 01	Prime coated		X	
		Torx screw		X	
		M8X30		2	
7	991 503 555 00	Bracket		2	
		Headlamp casing		1	
8	991 503 557 00	Support	/L	1	
		Headlamp casing		1	
(8)	991 503 558 00	Support	/R	1	
		Headlamp casing		2	
9	991 503 441 01	Strut		2	
		Headlamp casing		X	
10	999 076 066 09	Hexagon nut		X	
		M6		X	
11	999 073 322 04	Oval-head screw		X	
		M6X20		X	
12	999 507 246 01	Speed nut		X	
		M6			

Model: 991G13

Model life 2013>>



Model: 991G13 Model life 2013>>

Pos	Part Number	Description	Remark	Qty	Model
1	991 502 137 00	Cowl Roof Cowl Lower Outer		1	
	991 502 137 00 GRV	Prime coated Use also: 000.043.206.30			
2	991 502 329 00	Cowl Upper		1	
	991 502 329 00 GRV	Prime coated			
3	991 502 035 00	A-pillar Inner	/L	1	
	991 502 035 00 GRV	Prime coated Use also: 000.043.206.30			
(3)	991 502 036 00	A-pillar Inner	/R	1	
	991 502 036 00 GRV	Prime coated Use also: 000.043.206.30			
4	991 503 901 00	Outer roof panel		1	GT3
	991 503 901 00 GRV	Prime coated Use also: 000.043.206.30			
(4)	991 503 901 90	Outer roof panel		1	GT3 I686/690
	991 503 901 90 GRV	Prime coated Use also: 000.043.206.30			
5	991 503 901 91	Outer roof panel		1	GT3 RS
	991 503 901 91 GRV	Prime coated Use also: 000.043.206.30			
(5)	991 503 901 92	Outer roof panel		1	I686/690
	991 503 901 92 GRV	Prime coated Use also: 000.043.206.30			
(5)	991 503 901 92	Outer roof panel		1	991R I686/690
	991 503 901 92 GRV	Prime coated Use also: 000.043.206.30			
6	991 502 269 00	Roof frame Inner Rear		1	
	991 502 269 00 GRV	Prime coated			
7	991 566 901 00	Gasket Outer roof panel	/L	1	
(7)	991 566 902 00	Gasket Outer roof panel	/R	1	
8	991 502 657 00	Bracket	/L	1	
	991 502 657 00 GRV	Prime coated			
(8)	991 502 658 00	Bracket	/R	1	
	991 502 658 00 GRV	Prime coated			
9	991 504 461 00	Plate Roof transport system Workshop manual Attention	/R	2	
(9)	991 504 471 00	Plate Roof transport system Workshop manual Attention	/L	2	

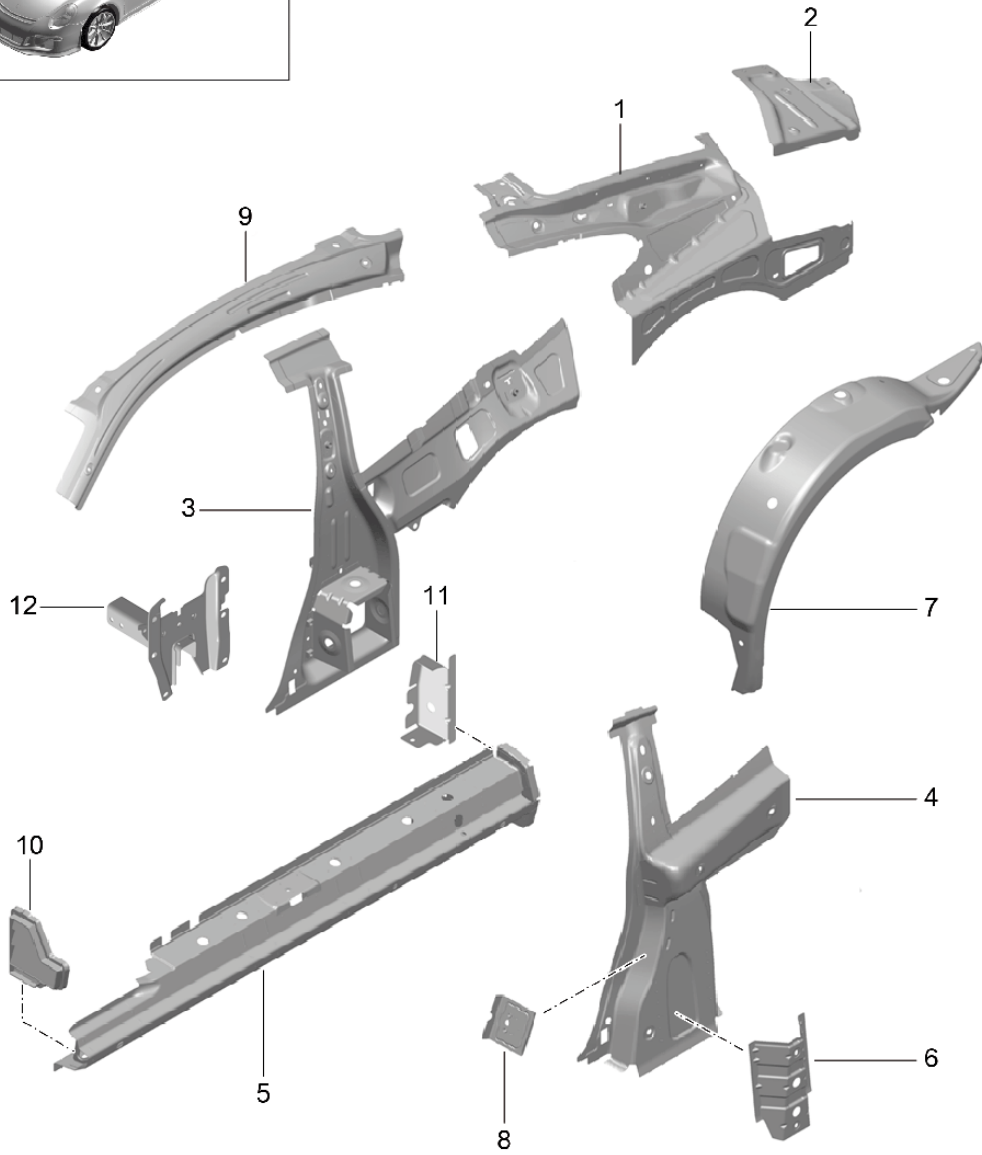
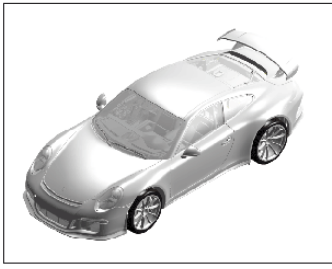
Model: 991G13

Model life 2013>>

Pos	Part Number	Description	Remark	Qty	Model
10	000 043 206 29	Adhesive set		1	
11	000 043 206 30	Adhesive		1	
12	000 043 206 31	Tool		1	
13	000 043 206 32	Mixing tube		1	
14	000 043 207 70	Activator		1	
15	000 043 305 32	Sealing compound		1	
16	000 043 204 85	Cavity preservation		1	

Model: 991G13

Model life 2013>>



Model: 991G13 Model life 2013>>

Pos	Part Number	Description	Remark	Qty	Model
1	991 502 085 00	Side section Inner	/L	1	
(1)	991 502 085 00 GRV	Side section Rear			
	991 502 086 00	Prime coated Side section	/R	1	
	991 502 086 00 GRV	Rear Prime coated			
2	991 502 105 00	Side section Inner	/L	1	
	991 502 105 00 GRV	Rear Prime coated			
(2)	991 502 106 00	Side section Inner	/R	1	
	991 502 106 00 GRV	Rear Prime coated			
3	991 502 391 00	B-pillar Complete	/L	1	
(3)	991 502 391 00 GRV	Prime coated B-pillar	/R	1	
	991 502 392 00	Complete Prime coated			
4	991 502 019 00	Side section Inner	/L	1	
(4)	991 502 019 00 GRV	Prime coated Side section	/R	1	
	991 502 020 00	Inner Prime coated			
5	991 502 563 00	Reinforcement Door sill	/L	1	
(5)	991 502 563 00 GRV	Prime coated Reinforcement	/L	1	
	991 502 564 00	Door sill Prime coated			
6	991 502 709 00	Bracket B-pillar		2	
	991 502 709 00 GRV	Prime coated Wheel housing	/L	1	
7	991 502 515 02	Prime coated Wheel housing	/L	1	GT3 RS
(7)	991 502 315 90	Prime coated Wheel housing	/R	1	
	991 502 516 02	Prime coated Wheel housing	/R	1	GT3 RS
(7)	991 502 316 90	Prime coated Reinforcement		2	
8	991 502 311 01	Prime coated Reinforcement	/L	1	
	991 502 311 01 GRV	A-pillar Upper			
(9)	991 502 465 00	Prime coated Reinforcement	/R	1	
	991 502 466 00	A-pillar Upper			
10	991 572 311 01	Prime coated Water protection	/L	1	
(10)	991 572 312 01	Water protection	/R	1	
11	991 501 747 00	Filler plate	/L	1	
(11)	991 501 747 00 GRV	Prime coated Filler plate	/R	1	
	991 501 748 00	Prime coated Threaded bolt		X	
-	999 190 342 01	T5			

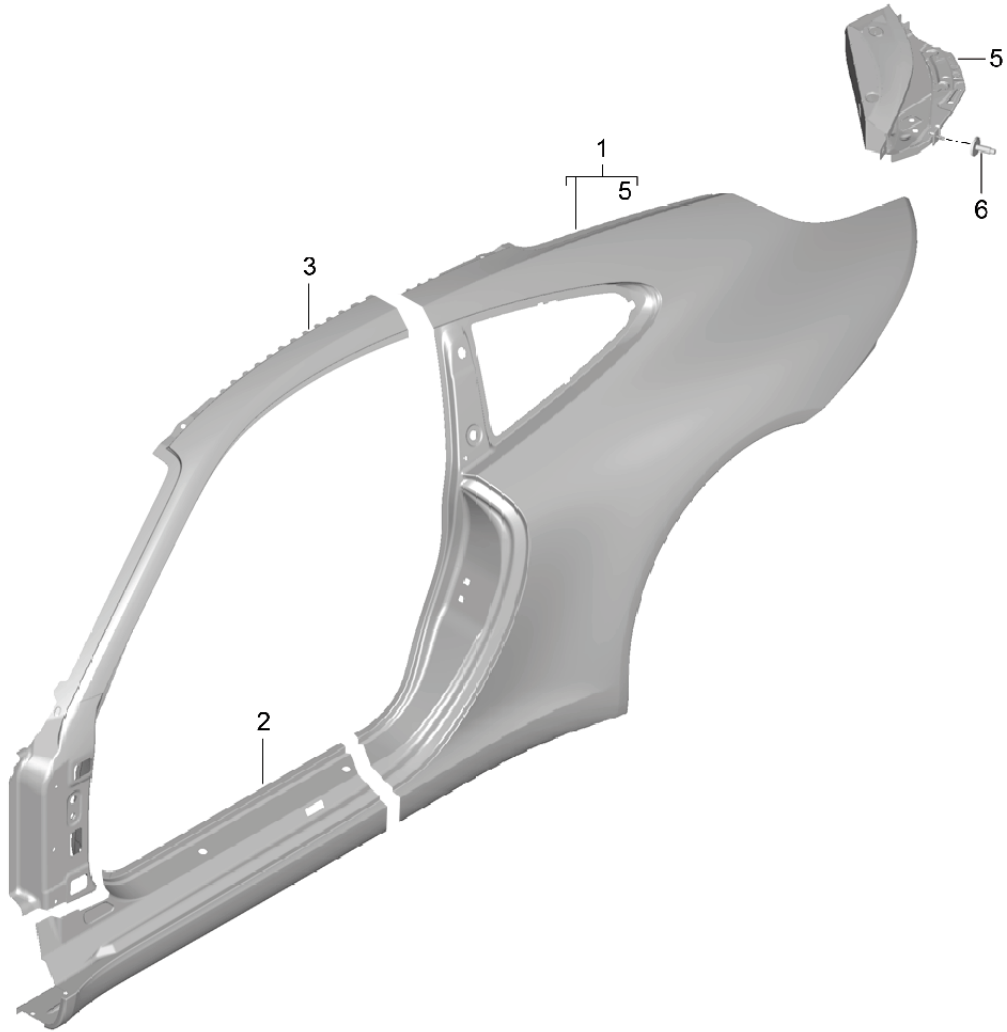
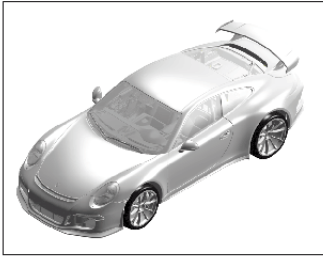
Model: 991G13

Model life 2013>>

Pos	Part Number	Description	Remark	Qty	Model
12	991 502 413 00	Bracket	/L	1	I703
	991 502 413 00 GRV	Prime coated			
(12)	991 502 414 00	Bracket	/R	1	I703
	991 502 414 00 GRV	Prime coated			

Model: 991G13

Model life 2013>>



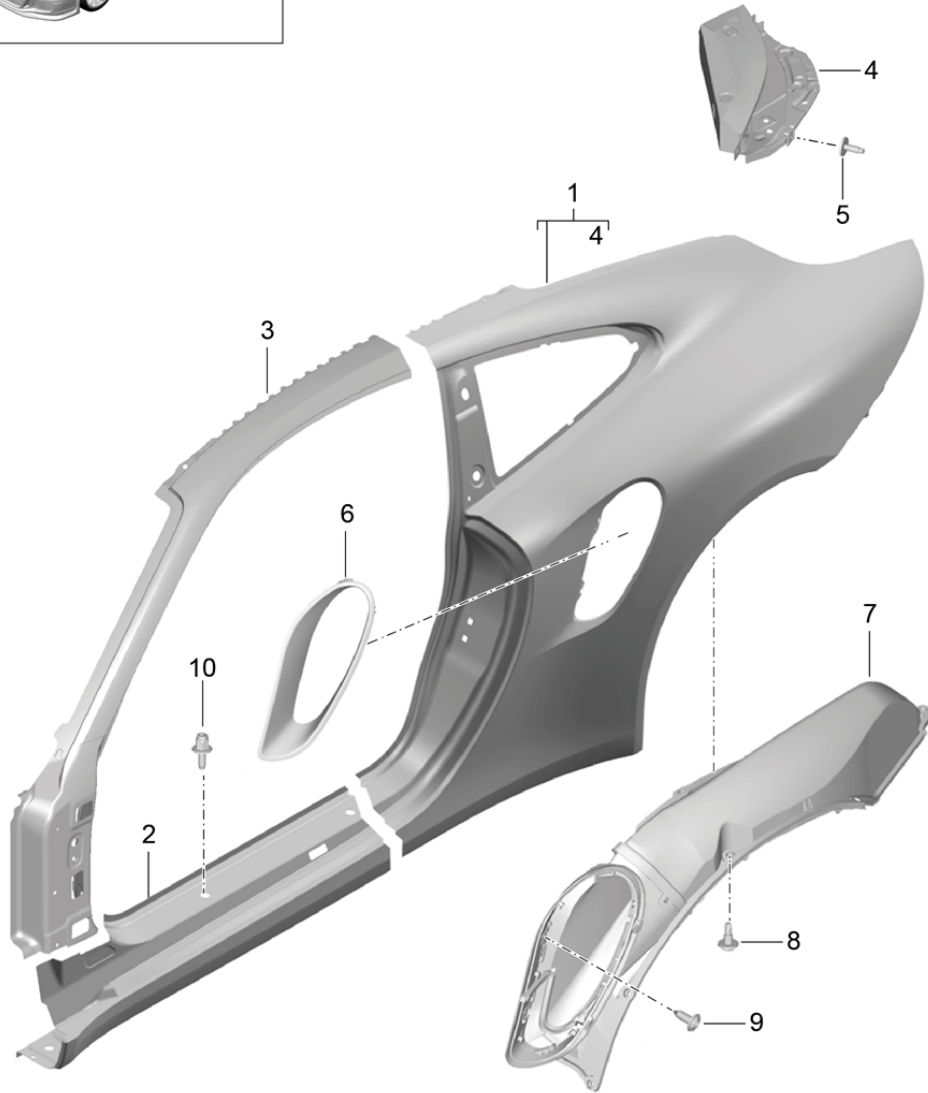
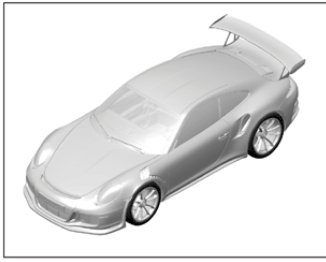
Model: 991G13

Model life 2013>>

Pos	Part Number	Description	Remark	Qty	Model
		Side section Outer			GT3 911 R
1	991 503 961 02	Side section	/L	1	
	991 503 961 02 GRV	Prime coated			
(1)	991 503 962 02	Side section	/R	1	
	991 503 962 02 GRV	Prime coated			
2	991 503 963 02	Door sill	/L	1	
	991 503 963 02 GRV	Prime coated			
(2)	991 503 964 02	Door sill	/R	1	
	991 503 964 02 GRV	Prime coated			
(3)	991 503 965 02	A-pillar	/L	1	
	991 503 965 02 GRV	Prime coated			
(3)	991 503 966 02	A-pillar	/R	1	
	991 503 966 02 GRV	Prime coated			
5	991 502 361 03	Frame for light	/L	1	
	991 502 361 03 GRV	Prime coated			
(5)	991 502 362 03	Frame for light	/R	1	
	991 502 362 03 GRV	Prime coated			
6	999 503 533 02	Weld screw M6X20		X	
-	999 080 057 01	Blind rivet screw Side section M 6 X 15		X	

Model: 991G13

Model life 2013>>

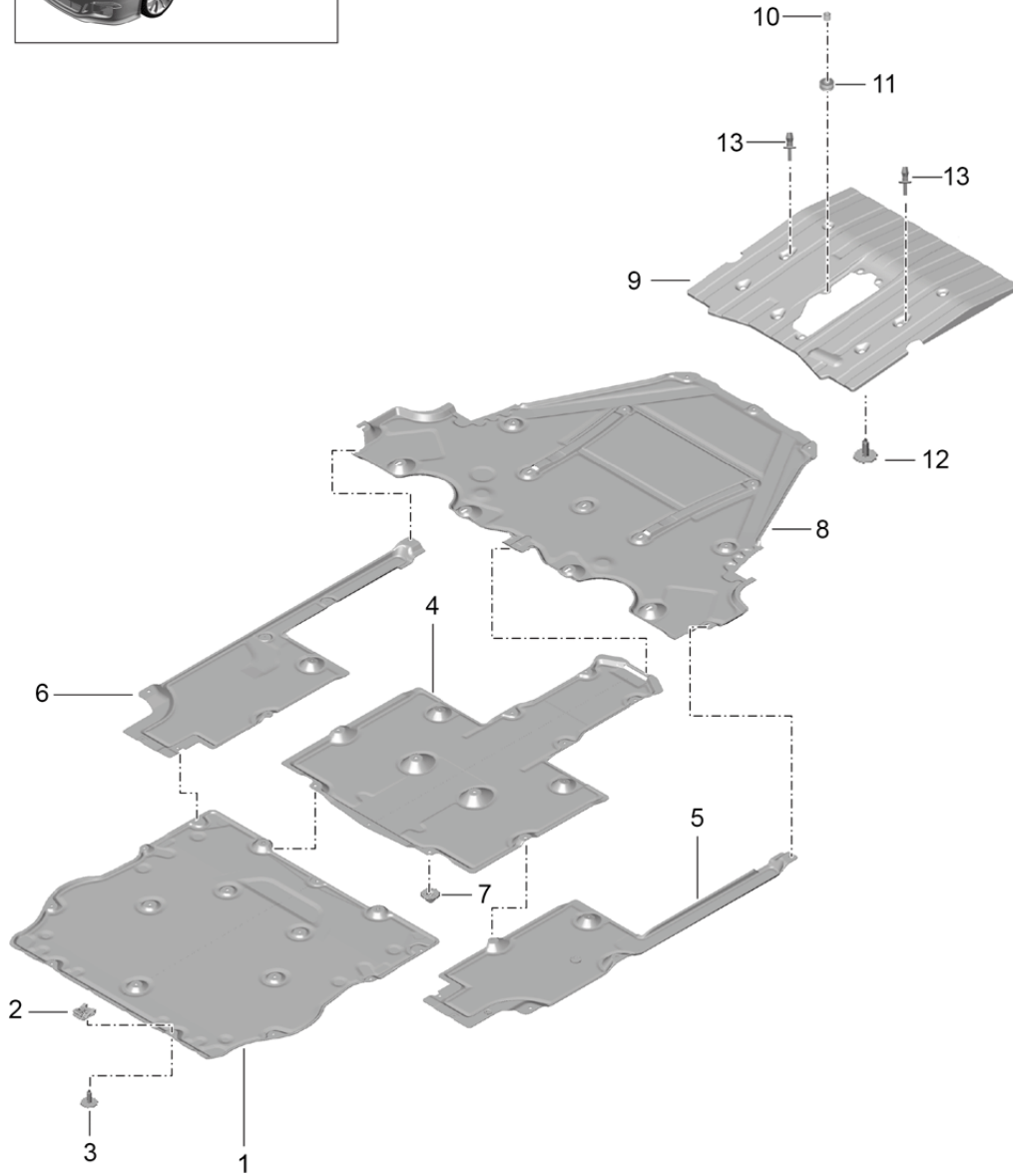
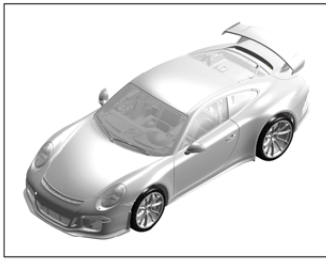


Model: 991G13 Model life 2013>>

Pos	Part Number	Description	Remark	Qty	Model
		Side section Outer			GT3 RS
1	991 503 961 04	Side section	/L	1	
	991 503 961 04 GRV	Prime coated			
(1)	991 503 962 04	Side section	/R	1	
	991 503 962 04 GRV	Prime coated			
2	991 503 963 04	Door sill	/L	1	
	991 503 963 04 GRV	Prime coated			
(2)	991 503 964 04	Door sill	/R	1	
	991 503 964 04 GRV	Prime coated			
3	991 503 965 04	A-pillar	/L	1	
	991 503 965 04 GRV	Prime coated			
(3)	991 503 966 04	A-pillar	/R	1	
	991 503 966 04 GRV	Prime coated			
4	991 502 361 02	Frame for light	/L	1	
	991 502 361 02 GRV	Prime coated			
(4)	991 502 362 02	Frame for light	/R	1	
	991 502 362 02 GRV	Prime coated			
5	999 503 533 02	Weld screw M6X20		X	
6	991 504 371 00	Air inlet	/L	1	
	991 504 371 00 1E0	Black			
(6)	991 504 372 00	Air inlet	/R	1	
	991 504 372 00 1E0	Black			
7	991 504 459 01	Air inlet	/L	1	
	991 504 459 01 1E0	Black			
(7)	991 504 460 01	Air inlet	/R	1	
	991 504 460 01 1E0	Black			
8	999 074 060 09	Hexagon-head bolt M6X18		22	
9	999 073 155 09	Tapping screw ST.4,2X13		4	
10	999 080 057 01	Blind rivet screw Side section M 6 X 15		X	

Model: 991G13

Model life 2013>>

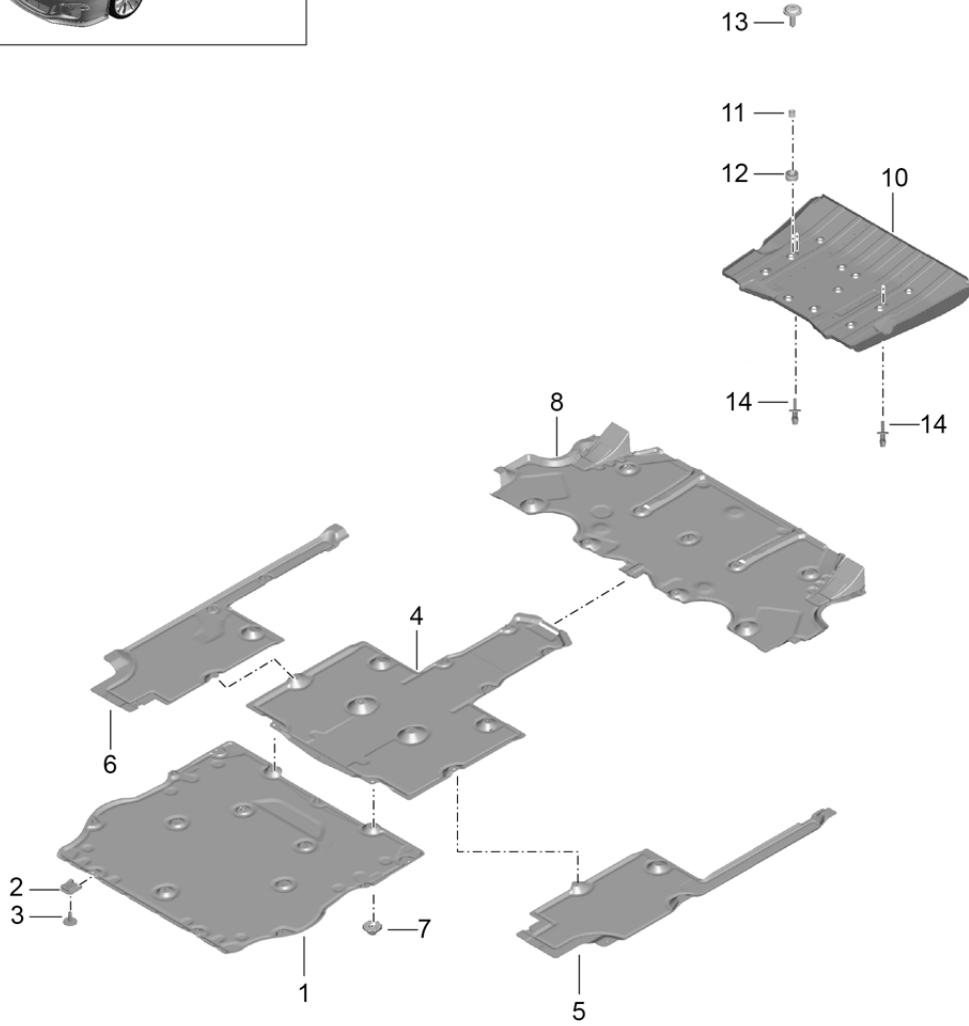
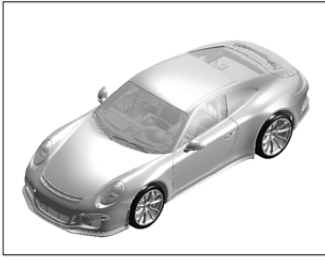


Model: 991G13 Model life 2013>>

Pos	Part Number	Description	Remark	Qty	Model
		Underbody			GT3 / GT3 RS
		Linings			
1	991 504 601 01	Cover	-17	1	
		Front			
1	991 504 601 05	Cover	-17	1	
		Front			
(1)	991 504 601 07	Cover	18-	1	
		Front			
2	999 507 309 02	Speed nut		X	
		ST 4,8			
3	999 073 505 01	Tapping screw		X	
		ST 4,8X16			
4	991 504 603 00	Cover		1	
		Centre			
5	991 504 605 00	Cover	/L	1	
		Centre			
		Left			
6	991 504 606 00	Cover	/R	1	
		Centre			
		Right			
7	999 049 032 40	Plastic nut		X	
		T6/22X10,5			
8	991 504 609 03	Cover		1	
		Underbody			
		Rear			
9	991 504 357 90	Cover	-17	1	
		Underbody			
		Engine			
(9)	991 504 257 97	Cover		1	
		Underbody			
		Engine			
(9)	991 504 257 98	D 16.01.2017>> 31.07.2017		1	
		Cover			
		Underbody			
		Engine			
		D 18.08.2017>>			
10	991 504 867 90	Sleeve		X	
		Underbody			
		Engine			
11	999 702 319 41	Grommet		X	
		Underbody			
		Engine			
12	999 073 348 09	Oval-head screw		11	
		M6 X 20			
13	999 507 196 40	Expansion rivet		X	
		Rear			

Model: 991G13

Model life 2013>>



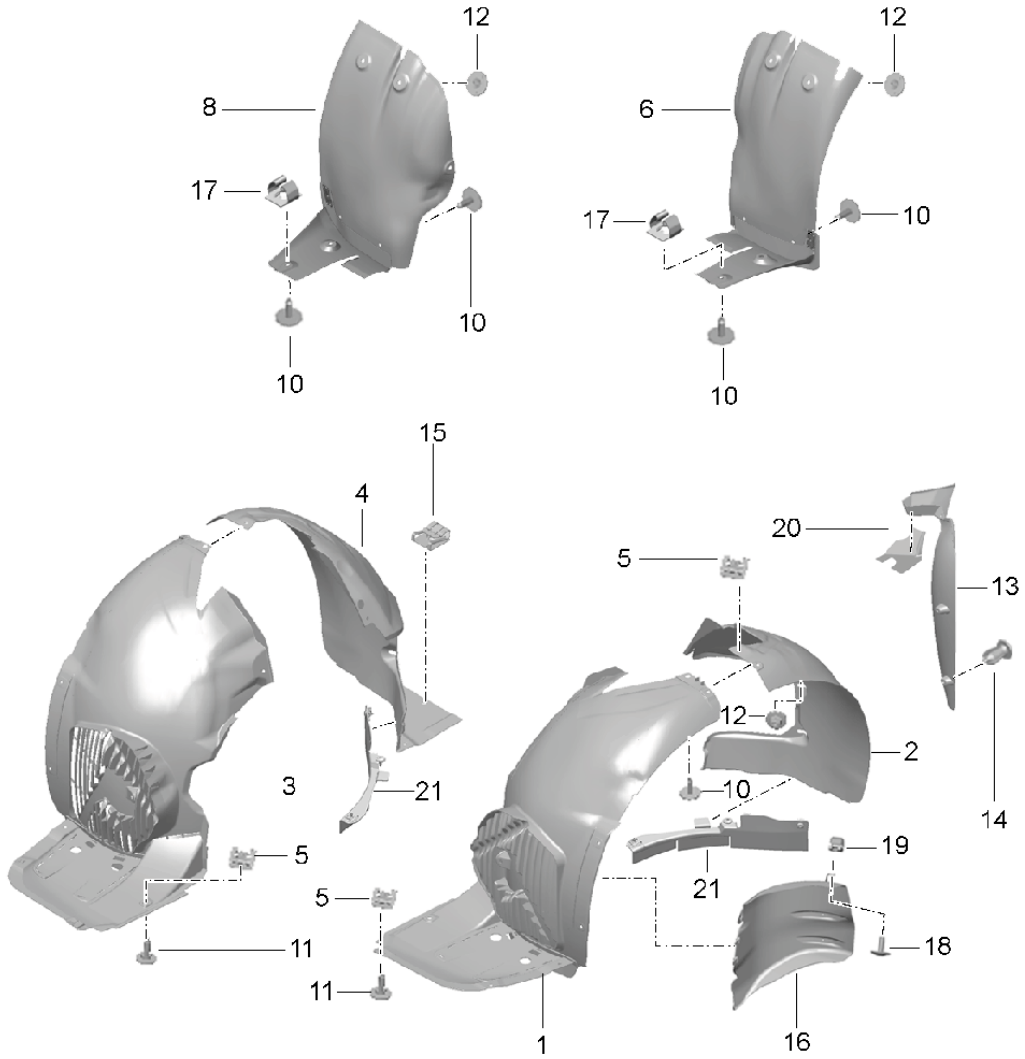
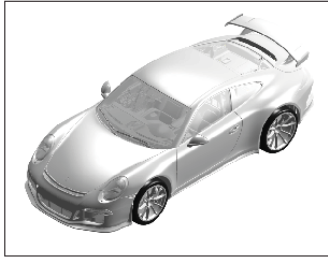
Model: 991G13

Model life 2013>>

Pos	Part Number	Description	Remark	Qty	Model
		Underbody			911 R
		Linings			
1	991 504 601 04	Cover		1	
		Front			
2	999 507 795 09	Speed nut		X	
		ST 4,8			
3	999 073 505 01	Tapping screw		X	
		ST 4,8X16			
4	991 504 603 00	Cover		1	
		Centre			
5	991 504 605 00	Cover	/L	1	
		Centre			
		Left			
6	991 504 606 00	Cover	/R	1	
		Centre			
		Right			
7	999 049 032 40	Plastic nut		X	
		T6/22X10,5			
8	991 504 609 03	Cover		1	
		Underbody			
		Rear			
10	991 504 257 94	Cover		1	
		Underbody			
		Engine			
11	991 504 867 90	Sleeve		X	
		Underbody			
		Engine			
12	999 702 319 41	Grommet		X	
		Underbody			
		Engine			
13	999 073 348 09	Oval-head screw		X	
		M6 X 20			
14	999 507 196 40	Expansion rivet		2	
		Rear			

Model: 991G13

Model life 2013>>



Model: 991G13 Model life 2013>>

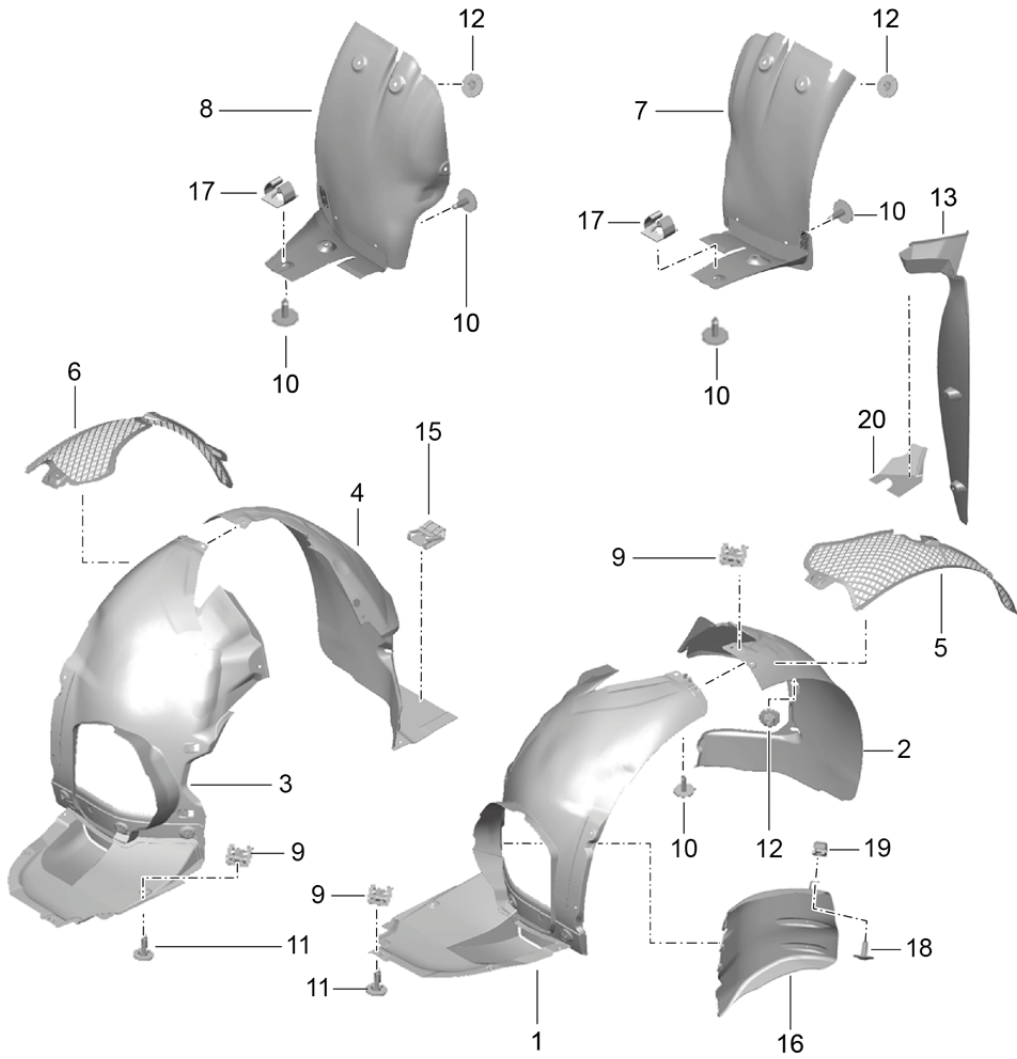
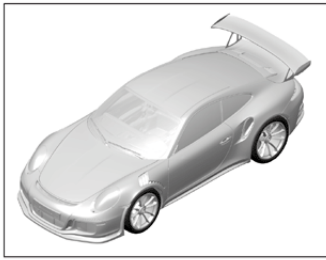
Pos	Part Number	Description	Remark	Qty	Model
		Wheel-housing liner Linings			GT3
1	991 504 501 90	Wheel-housing liner Front	/L -17	1	
1	991 504 501 94	Wheel-housing liner Front	/L -17	1	
(1)	991 504 501 80	Wheel-housing liner Front with Grille	/L 18-	1	
2	991 504 503 01	Wheel-housing liner Front Rear	/L -17	1	
(2)	991 504 503 06	Wheel-housing liner Front Rear	/L 18-	1	
3	991 504 502 90	Wheel-housing liner Front	/R -17	1	
3	991 504 502 94	Wheel-housing liner Front with Grille	/R -17	1	
3	991 504 502 80	Wheel-housing liner Front with Grille	/R 18-	1	
4	991 504 504 01	Wheel-housing liner Front Rear	/R -17	1	
(4)	991 504 504 03	Wheel-housing liner Front Rear	/R	1	
5	999 507 795 09	Speed nut ST 4,8		X	
6	991 504 305 90	Wheel-housing liner Rear Front	/L	1	
8	991 504 306 90	Wheel-housing liner Rear Front	/R	1	
10	999 073 505 01	Tapping screw ST 4,8X16		X	
11	999 073 227 09	Tapping screw ST 4,8X19		4	
12	999 049 032 40	Plastic nut T6/22X10,5		X	
13	991 504 641 00	Cover A-pillar	/L	1	
(13)	991 504 641 00 1E0	Black			
	991 504 642 00	Cover A-pillar	/R	1	
	991 504 642 00 1E0	Black			
14	999 591 712 40	Expansion rivet 6,0X12,0		6	
15	999 507 309 02	Speed nut		X	

Model: 991G13 Model life 2013>>

Pos	Part Number	Description	Remark	Qty	Model
16	991 575 131 81	ST 4,8 Air guide Wheel-housing liner Front Left	/L	1	
(16)	991 575 132 81	Air guide Wheel-housing liner Front Right	/R	1	
17	999 591 855 01	Speed nut ST 4,8		X	
18	999 073 519 01	Tapping screw		X	
19	999 591 855 01	Speed nut Air guide		X	
20	991 555 747 00	Cover A-pillar Wing	/L	1 1 1	
(20)	991 555 747 00 1E0	Black			
	991 555 748 00	Cover A-pillar Wing	/R	1 1 1	
	991 555 748 00 1E0	Black			
21	991 504 455 81	Set Underbody Spoiler	/L	1	
(21)	991 504 455 80	Set Underbody Spoiler	/R	1	

Model: 991G13

Model life 2013>>



Model: 991G13 Model life 2013>>

Pos	Part Number	Description	Remark	Qty	Model
		Wheel-housing liner Linings			GT3 RS
1	991 504 501 93	Wheel-housing liner Front Front with Grille	/L	1	
2	991 504 503 91	Wheel-housing liner Front Rear	/L	1	
2	991 504 503 92	Wheel-housing liner Front Rear When required order also: 999.190.499.01 D >> 15.12.2016	/L	1	
3	991 504 502 93	Wheel-housing liner Front Front with Grille	/R	1	
4	991 504 504 91	Wheel-housing liner Front Rear D >> 15.12.2017	/R	1	
4	991 504 504 92	Wheel-housing liner Front Rear When required order also: 999.190.499.01 D 16.12.2017>>	/R	1	
5	991 504 787 90	Grille Wheel-housing liner Front	/L	1	
6	991 504 788 90	Grille Wheel-housing liner Front	/R	1	
7	991 504 305 91	Wheel-housing liner Rear Front	/L	1	
8	991 504 306 91	Wheel-housing liner Rear Front	/R	1	
9	999 507 795 09	Speed nut ST 4,8		X	
10	999 073 505 01	Tapping screw ST 4,8X16		X	
11	999 073 227 09	Tapping screw ST 4,8X19		X	
12	999 049 032 40	Plastic nut T6/22X10,5		X	
13	991 504 641 00	Cover A-pillar	/L	1	
(13)	991 504 641 00 1E0	Black			
	991 504 642 00	Cover A-pillar	/R	1	
	991 504 642 00 1E0	Black			
15	999 507 309 02	Speed nut ST 4,8		X	
16	991 575 131 81	Air guide Wheel-housing liner Front	/L	1	

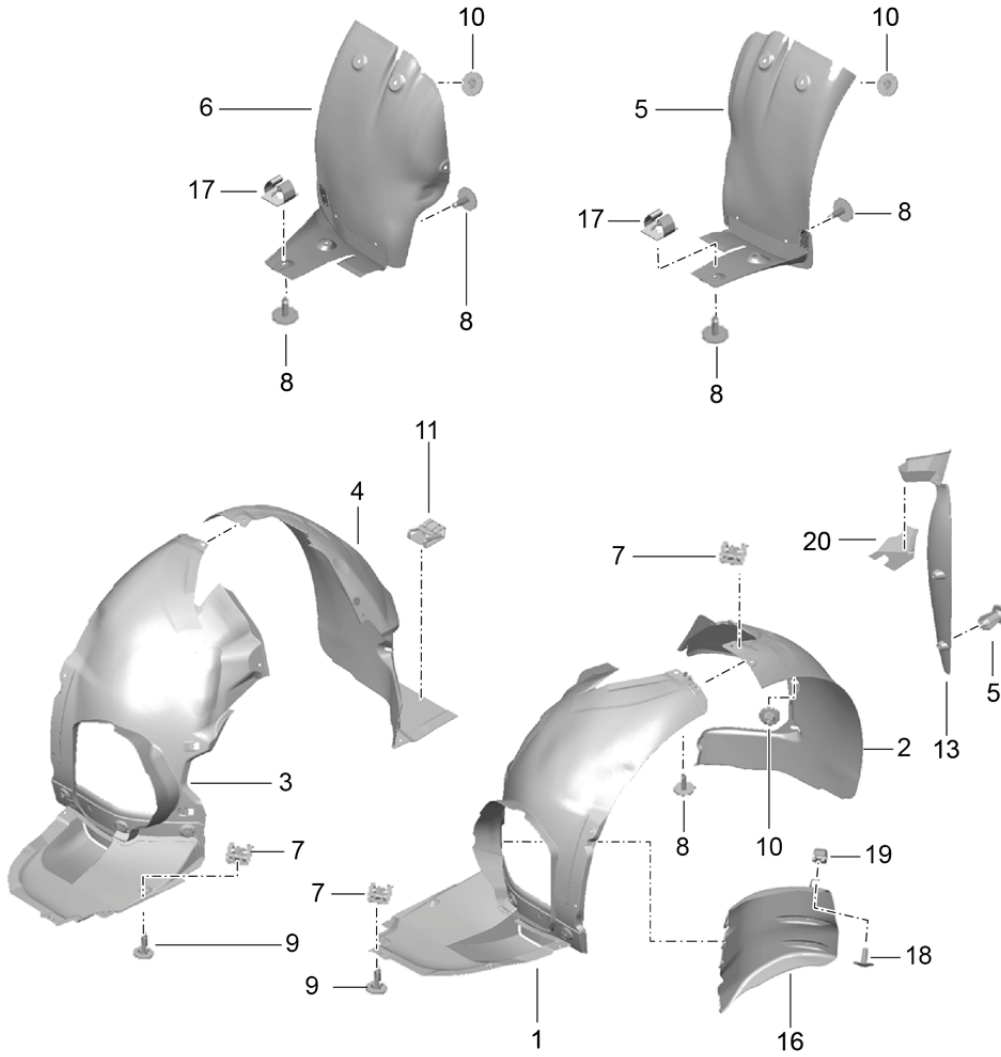
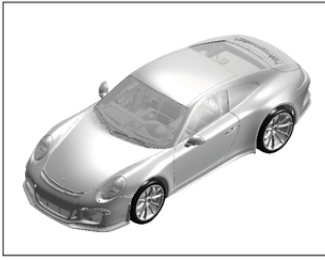
Model: 991G13

Model life 2013>>

Pos	Part Number	Description	Remark	Qty	Model
(16)	991 575 132 81	Left Air guide Wheel-housing liner Front	/R	1	
		Right			
17	999 591 855 01	Speed nut ST 4,8		X	
18	999 073 519 01	Tapping screw Air guide		X	
19	999 591 855 01	Speed nut Air guide		X	
20	991 555 747 00	Cover A-pillar Wing	/L	1 1 1	
	991 555 747 00 1E0	Black			
(20)	991 555 748 00	Cover A-pillar Wing	/R	1 1 1	
	991 555 748 00 1E0	Black			
21	999 190 499 01	Blind rivet screw		2	

Model: 991G13

Model life 2013>>

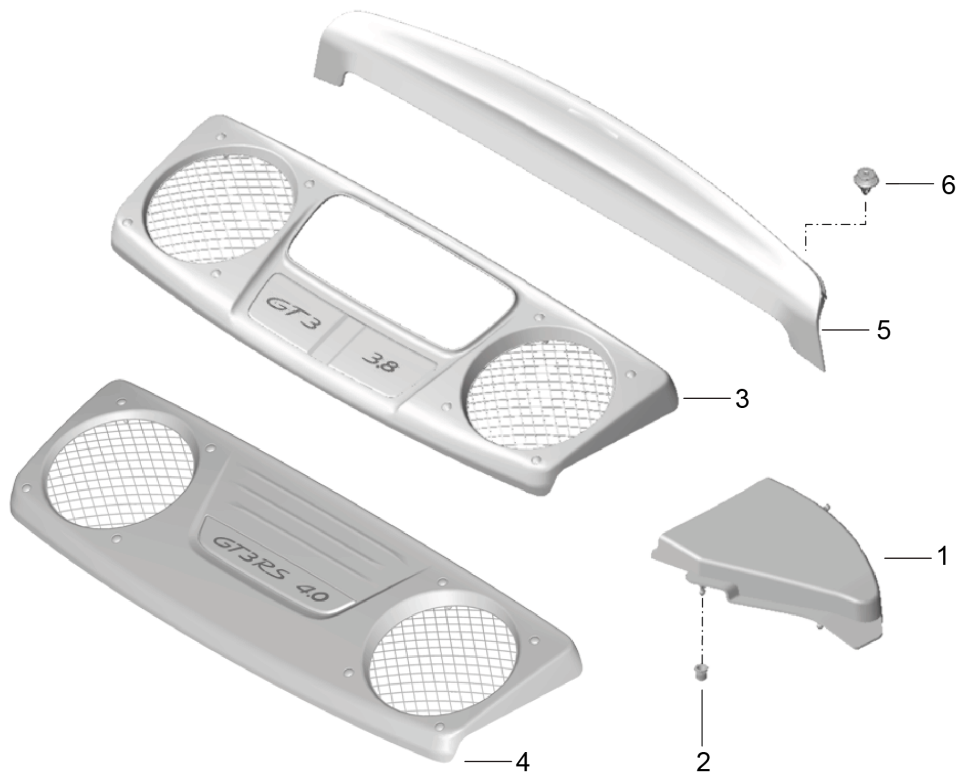
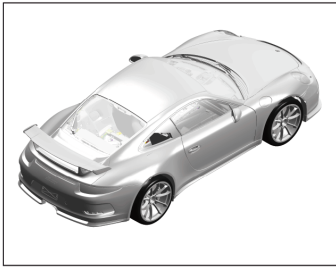


Model: 991G13 Model life 2013>>

Pos	Part Number	Description	Remark	Qty	Model
		Wheel-housing liner Linings			911 R
1	991 504 501 95	Wheel-housing liner Front Front with Grille	/L	1	
2	991 504 503 04	Wheel-housing liner Front Rear	/L	1	
3	991 504 502 95	Wheel-housing liner Front Front with Grille	/R	1	
4	991 504 504 01	Wheel-housing liner Front Rear	/R	1	
5	991 504 305 90	Wheel-housing liner Rear Front	/L	1	
6	991 504 306 90	Wheel-housing liner Rear Front	/R	1	
7	999 507 795 09	Speed nut ST 4,8		X	
8	999 073 505 01	Tapping screw ST 4,8X16		X	
9	999 073 227 09	Tapping screw ST 4,8X19		X	
10	999 049 032 40	Plastic nut T6/22X10,5		X	
11	999 507 309 02	Speed nut ST 4,8		X	
13	991 504 641 00	Cover A-pillar	/L	1	
	991 504 641 00 1E0	Black			
(13)	991 504 642 00	Cover A-pillar	/R	1	
	991 504 642 00 1E0	Black			
16	991 575 131 81	Air guide Wheel-housing liner Front Left	/L	1	
(16)	991 575 132 81	Air guide Wheel-housing liner Front Right	/R	1	
17	999 591 855 01	Speed nut ST 4,8		X	
18	999 073 519 01	Tapping screw Air guide		X	
19	999 591 855 01	Speed nut Air guide		X	
20	991 555 747 00	Cover A-pillar Wing	/L	1 1 1	
	991 555 747 00 1E0	Black			
(20)	991 555 748 00	Cover A-pillar Wing	/R	1 1 1	
	991 555 748 00 1E0	Black			

Model: 991G13

Model life 2013>>



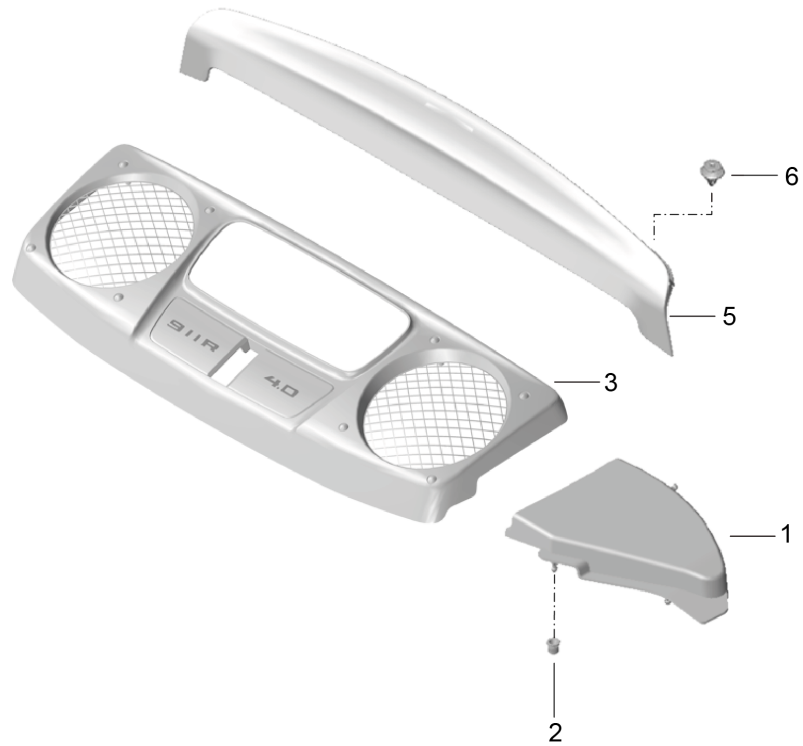
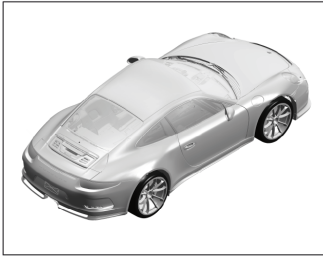
Model: 991G13

Model life 2013>>

Pos	Part Number	Description	Remark	Qty	Model
		Lining			GT3 / GT3 RS
1	991 504 566 01	Engine compartment Cover		1	
	991 504 566 01 1E0	Engine compartment Lateral			
2	997 110 239 00	Black		X	
3	991 504 583 90	Mounting		1	
	991 504 583 90 1E0	Cover			
4	991 504 583 91	Engine compartment Black		1	
	991 504 583 91 1E0	Cover			
5	991 504 585 00	Engine compartment Black		1	
	991 504 585 00 1E0	Cover			
	991 504 585 00 1E0	Cross member			
6	999 507 999 40	Black		5	
		Fixing clip			
		8,1 X 2,00			

Model: 991G13

Model life 2013>>



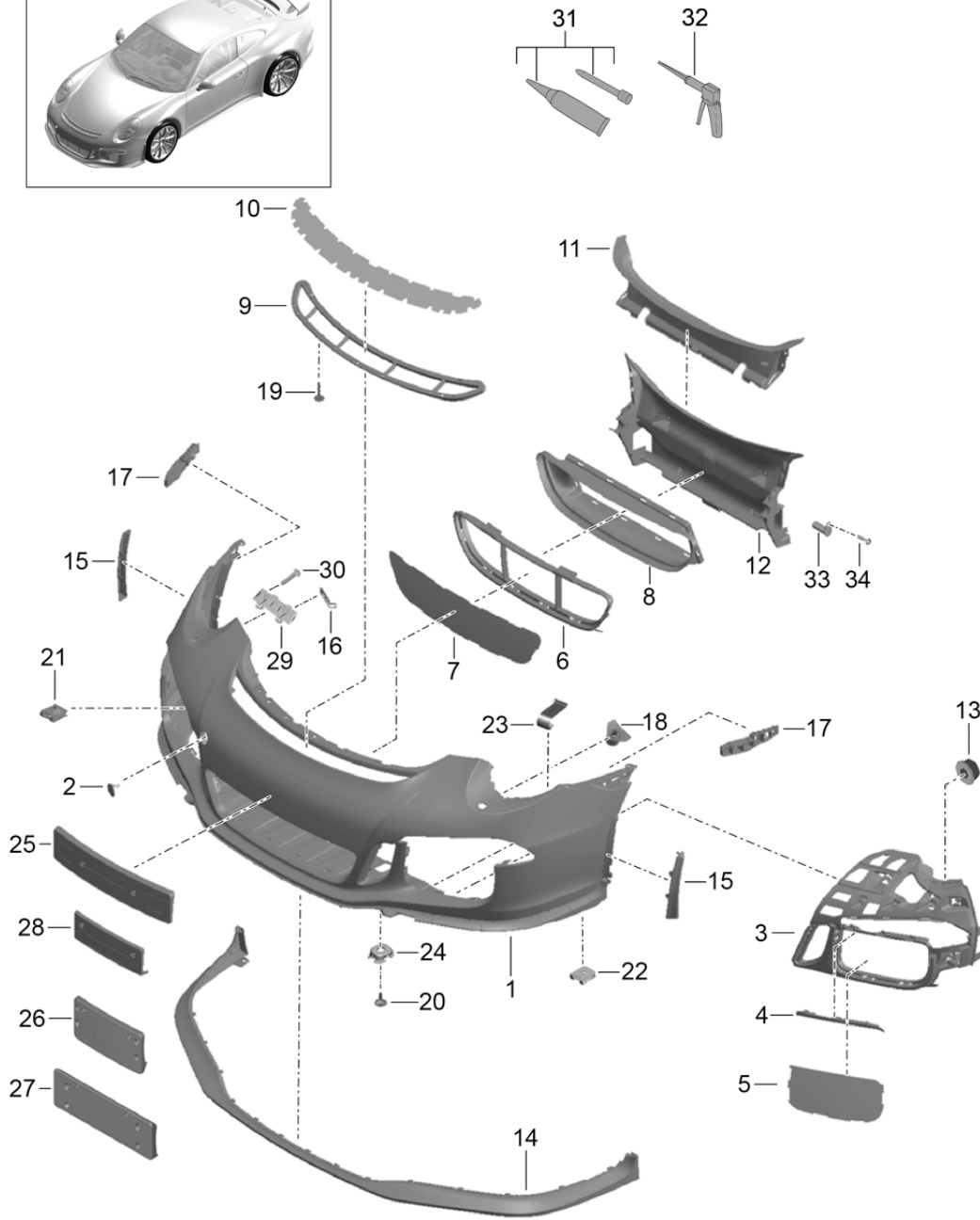
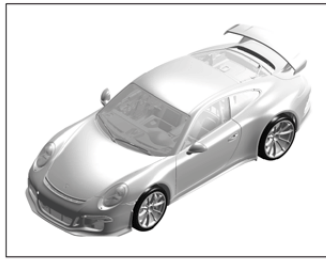
Model: 991G13

Model life 2013>>

Pos	Part Number	Description	Remark	Qty	Model
		Lining			911 R
1	991 504 566 01	Engine compartment Cover		1	
		Engine compartment Lateral			
	991 504 566 01 1E0	Black			
2	997 110 239 00	Mounting		X	
3	991 504 583 93	Cover		1	
		Engine compartment			
	991 504 583 93 1E0	Black			
5	991 504 585 00	Cover		1	
		Cross member			
	991 504 585 00 1E0	Black			
6	999 507 999 40	Fixing clip		5	
		8,1 X 2,00			

Model: 991G13

Model life 2013>>



Model: 991G13 Model life 2013>>

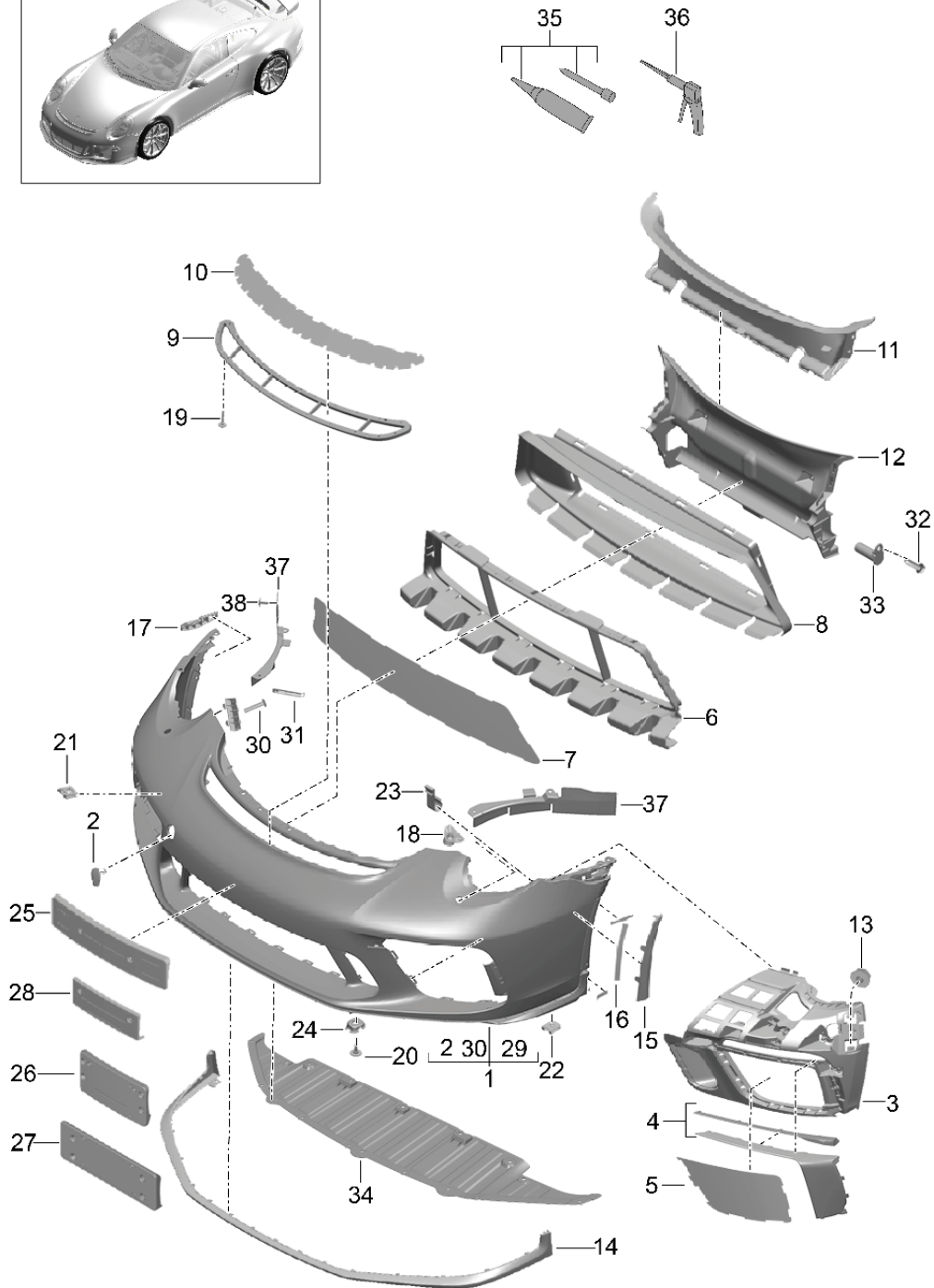
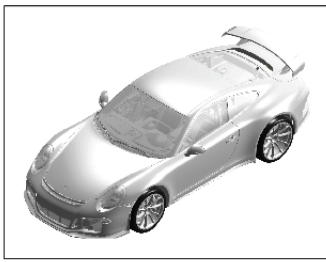
Pos	Part Number	Description	Remark	Qty	Model
		Bumper Spoiler Front			GT3
1	991 505 191 90	Lining Front		1	
		Use also: 991.505.703.91			
2	991 505 703 91	Cover Towing lug Prime coated		1	
3	991 505 563 90	Retaining frame Lateral	/L	1	
	991 505 563 90 1E0	Black			
(3)	991 505 564 90	Retaining frame Lateral	/R	1	
	991 505 564 90 1E0	Black			
4	991 505 715 90	Cover	/L	1	
	991 505 715 90 1E0	Black			
(4)	991 505 716 90	Cover	/R	1	
	991 505 716 90 1E0	Black			
5	991 505 713 91	Ventilation grille Lateral	/L	1	
(5)	991 505 714 91	Ventilation grille Lateral	/R	1	
6	991 505 569 90	Retaining frame Centre		1	
	991 505 569 90 1E0	Black			
7	991 505 711 91	Ventilation grille Centre		1	I153
8	991 575 141 90	Air guide Centre		1	I153
	991 575 141 90 1E0	Black			
9	991 505 567 90	Retaining frame Upper		1	
	991 505 567 90 1E0	Black			
10	991 505 717 91	Grille Air inlet Upper		1	I153
11	991 504 489 90	Air guide		1	
	991 504 489 90 1E0	Black			
12	991 504 487 91	Frame Radiator		1	
	991 504 487 91 1E0	Black			
		Use also: 991.504.587.90 999.919.133.09			
13	999 084 638 01	Hexagon nut M 6-SB		4	
14	991 505 525 90	Spoiler Front		1	I475
	991 505 525 90 1E0	Black			
15	991 505 527 90	Spoiler Lateral	/L	1	I475
	991 505 527 90 1E0	Black			
(15)	991 505 528 90	Spoiler Lateral	/R	1	I475
	991 505 528 90 1E0	Black			
16	997 505 719 00	Fixing device		2	
17	991 505 535 00	Retaining strip Lateral	/L	1	
(17)	991 505 536 00	Retaining strip Lateral	/R	1	
18	991 505 761 00	Retainer plate	/L	1	

Model: 991G13 Model life 2013>>

Pos	Part Number	Description	Remark	Qty	Model
(18)	991 505 762 00	Headlight washer system Use also: 000.043.300.47 Retainer plate	/R	1	
		Headlight washer system Use also: 000.043.300.47			
19	999 919 268 01	Oval-head screw 3,0X13		X	
20	999 073 227 09	Tapping screw ST4,8X19		X	
21	999 507 104 01	Speed nut ST 2,9		6	
22	999 507 795 09	Speed nut ST 4,8		X	
23	999 507 164 01	Cable clamp		7	
24	991 505 313 90	Headlight washer system Repair kit Union		1	
25	991 701 051 90	Assembly kit Support Number plate		1	I211
	991 701 051 90 1E0	Black			
26	991 701 051 92	Assembly kit Support Number plate		1	I209
	991 701 051 92 1E0	Black			
27	991 701 051 94	Assembly kit Support Number plate		1	I075/211
	991 701 051 94 1E0	Black			
28	991 701 051 93	Assembly kit Support Number plate		1	I210
	991 701 051 93 1E0	Black			
29	991 505 317 00	Retainer plate Lining	/L	1	
(29)	991 505 318 00	Retainer plate Lining	/R	1	
30	999 190 191 30	Blind rivet A 3,2X17,0		2	
31	000 043 300 47	Set Adhesive Including 5-fold Mixing tube Support		1	
		Headlight washer system When required order also:			
32	000 043 300 48	Tool for Adhesive		1	
33	991 504 587 90	Bearing pin Radiator		2	
34	999 919 133 09	Hexagon-head bolt 6,0X20,0-H		2	

Model: 991G13

Model life 2013>>



Model: 991G13 Model life 2013>>

Pos	Part Number	Description	Remark	Qty	Model
		Bumper Spoiler Front 2nd GENERATION	18-		GT3 II
1	991 505 313 80	Lining		1	
2	991 505 703 81	Front Cover		1	
3	991 505 563 80	Towing lug Prime coated Retaining frame	/L	1	
		Lateral			
(3)	991 505 563 80 OK1 991 505 564 80	Black mat Retaining frame	/R	1	
		Lateral			
4	991 505 564 80 OK1 991 505 563 80	Black mat Cover	/L	1	
		Retaining frame			
(4)	991 505 563 80 OK1 991 505 564 80	Black mat Cover	/R	1	
		Retaining frame			
5	991 505 564 80 OK1 991 505 713 80	Black mat Ventilation grille	/L	1	
		Lateral			
(5)	991 505 714 80	Ventilation grille	/R	1	
		Lateral			
6	991 505 569 80	Retaining frame		1	
		Centre			
7	991 505 569 80 OK1 991 505 711 80	Black mat Ventilation grille		1	I153
		Centre			
8	991 575 141 80	Air guide		1	I153
		Centre			
9	991 575 141 80 OK1 991 505 567 90	Black mat Retaining frame		1	
		Upper			
10	991 505 567 90 1E0 991 505 717 92	Black Grille		1	I153
		Air inlet			
11	991 504 489 90	Upper		1	
		Air guide			
12	991 504 489 90 1E0 991 504 487 91	Black Frame		1	
		Radiator			
		Black			
		Use also: 991.504.587.90 999.919.133.09			
13	999 084 638 01	Hexagon nut		4	
		M 6-SB			
14	991 505 525 80	Spoiler		1	I554
		Front			
15	991 505 525 80 OK1 991 505 527 80	Black mat Spoiler	/L	1	I475
		Lateral			
		Black mat			
(15)	991 505 527 80 OK1 991 505 528 80	Use also: 991.505.627.80 Spoiler	/R	1	I475
		Lateral			
		Black mat			
		Use also: 991.505.628.80			
16	991 505 627 80	Adhesive film	/L	1	I475

Model: 991G13

Model life 2013>>

Pos	Part Number	Description	Remark	Qty	Model
16	991 505 628 80	Spoiler Lateral Adhesive film	/R	1	I475
17	991 505 535 01	Spoiler Lateral Retaining strip	/L	1	
(17)	991 505 536 01	Lateral Retaining strip	/R	1	
18	991 505 761 02	Lateral Retainer plate	/L	1	
(18)	991 505 762 02	Headlight washer system Use also: 000.043.300.47 Retainer plate	/R	1	
19	999 919 268 01	Headlight washer system Use also: 000.043.300.47 Oval-head screw		X	
20	9A7 007 517 00	3,0X13 Tapping screw		X	
21	999 507 104 01	ST4,8X19 Speed nut		6	
22	999 507 309 02	ST 2,9 Speed nut		X	
23	999 507 164 01	ST 4,8 Cable clamp		7	
24	991 505 313 90	Headlight washer system Repair kit		1	
25	991 701 051 80	Union Assembly kit		1	I211
26	991 701 051 80 OK1	Support Number plate Black mat		1	I209
27	991 701 051 82 OK1	Assembly kit Support Number plate Black mat		1	I214
28	991 701 051 83 OK1	Assembly kit Support Number plate Black mat		1	I210
29	991 505 317 00	Assembly kit Support Number plate Black mat Retainer plate	/L	1	
(29)	991 505 318 00	Lining Retainer plate	/R	1	
30	999 190 191 30	Lining Blind rivet		2	
31	997 505 719 00	A 3,2X17,0 Fixing device		2	
32	999 919 133 09	Hexagon-head bolt		2	
33	991 504 587 90	6,0X20,0-H Bearing pin		2	
34	991 505 601 80	Radiator Underbody		1	
35	991 505 601 80 OK1	Front Black mat		1	
	000 043 305 77	Set Adhesive Including 5-fold		1	

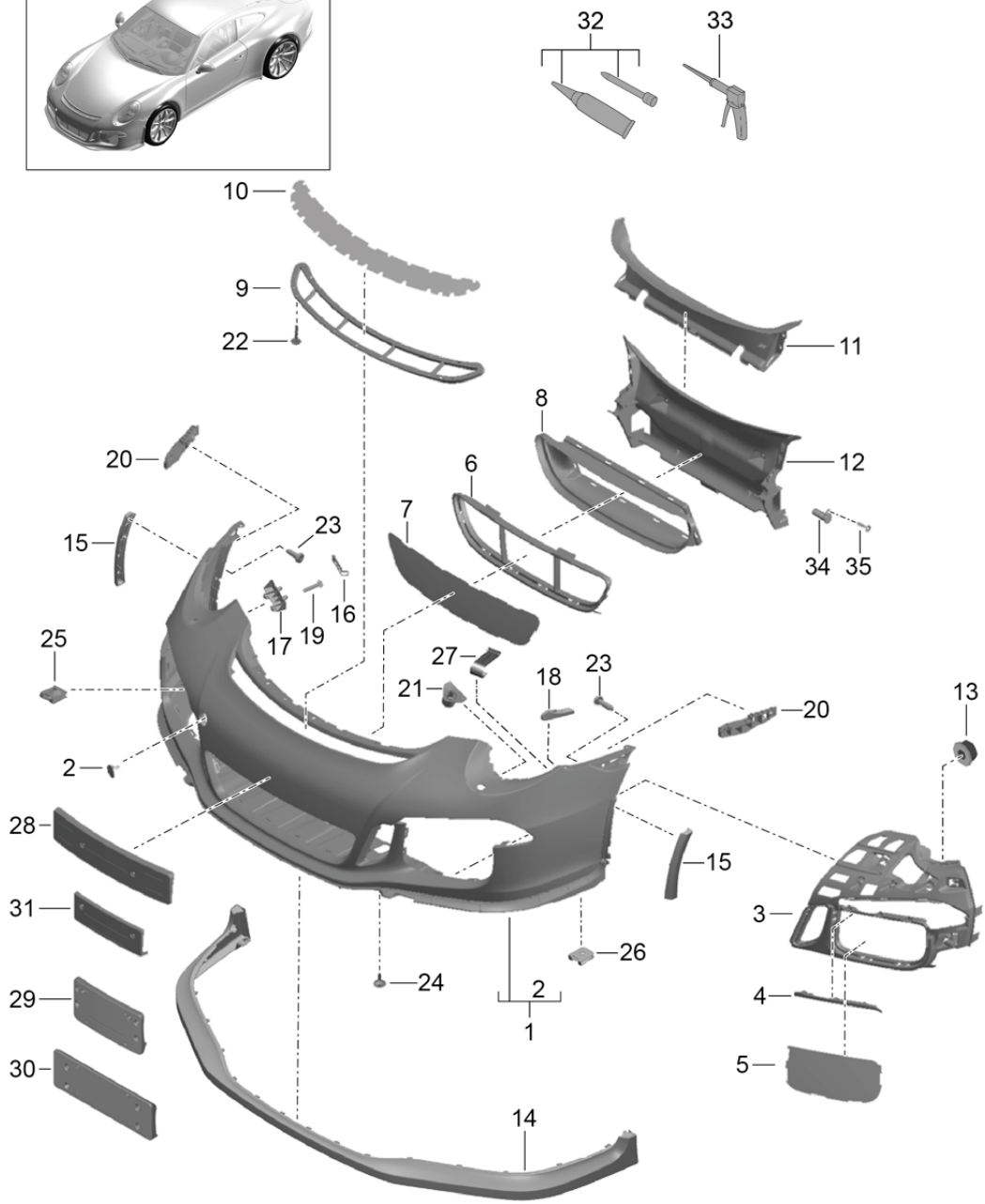
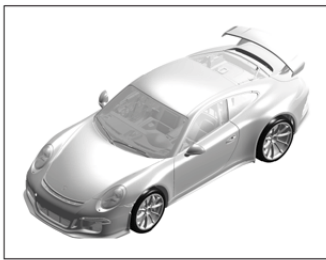
Model: 991G13

Model life 2013>>

Pos	Part Number	Description	Remark	Qty	Model
36	000 043 300 48	Mixing tube When required order also: Tool for Adhesive		1	
37	991 504 455 81	Set Underbody Spoiler		1	-I039
38	999 073 505 01	Tapping screw ST4,8X16-C		4	

Model: 991G13

Model life 2013>>



Model: 991G13 Model life 2013>>

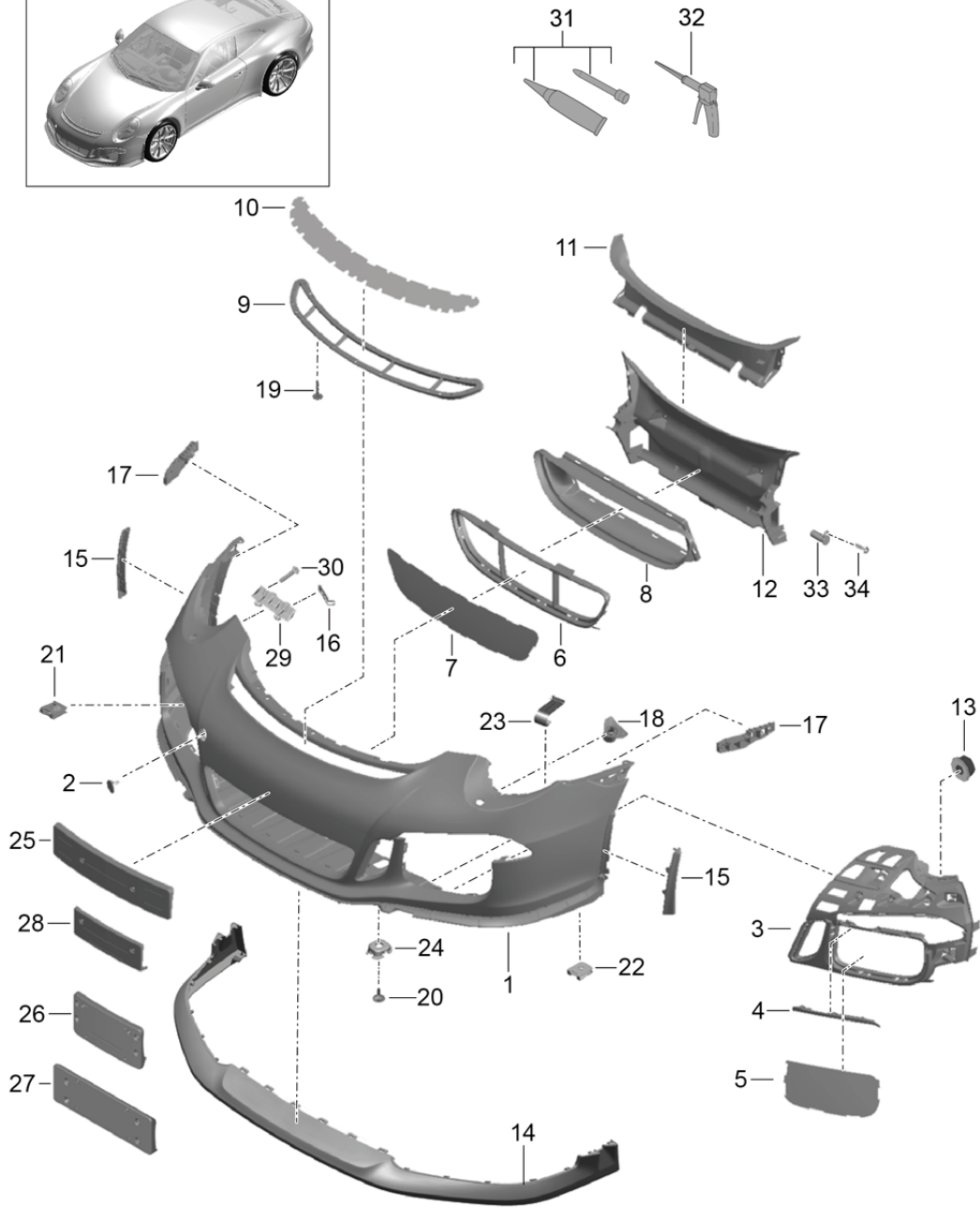
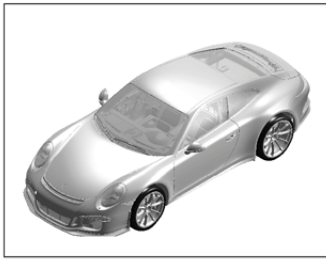
Pos	Part Number	Description	Remark	Qty	Model
		Bumper Spoiler Front			GT3 RS
1	991 505 191 92	Lining Front		1	
2	991 505 703 91	Prime coated Cover Towing lug		1	
3	991 505 563 90	Prime coated Retaining frame Lateral	/L	1	
(3)	991 505 563 90 1E0	Black			
	991 505 564 90	Retaining frame Lateral	/R	1	
	991 505 564 90 1E0	Black			
4	991 505 715 90	Cover	/L	1	
	991 505 715 90 1E0	Black			
(4)	991 505 716 90	Cover	/R	1	
	991 505 716 90 1E0	Black			
5	991 505 713 91	Ventilation grille Lateral	/L	1	
(5)	991 505 714 91	Ventilation grille Lateral	/R	1	
6	991 505 569 90	Retaining frame Centre		1	
	991 505 569 90 1E0	Black			
7	991 505 711 91	Ventilation grille Centre		1	I153
8	991 575 141 90	Air guide Centre		1	I153
	991 575 141 90 1E0	Black			
9	991 505 567 90	Retaining frame Upper		1	
	991 505 567 90 1E0	Black			
10	991 505 717 91	Grille Air inlet Upper		1	I153
11	991 504 489 90	Air guide		1	
	991 504 489 90 1E0	Black			
12	991 504 487 91	Frame Radiator		1	
	991 504 487 91 1E0	Black			
		Use also: 991.504.587.90 999.919.133.09			
13	999 084 638 01	Hexagon nut M 6-SB		4	
14	991 505 525 91	Spoiler Front		1	I475
	991 505 525 91 1E0	Black			
15	991 505 527 91	Spoiler Lateral	/L	1	I475
	991 505 527 91 1E0	Black			
(15)	991 505 528 91	Spoiler Lateral	/R	1	I475
	991 505 528 91 1E0	Black			
16	997 505 719 00	Fixing device		2	
17	991 505 317 00	Retainer plate Lining	/L	1	
(17)	991 505 318 00	Retainer plate Lining	/R	1	
18	991 505 573 00	Corner panel Lining	/L	1	

Model: 991G13 Model life 2013>>

Pos	Part Number	Description	Remark	Qty	Model
(18)	991 505 574 00	Corner panel Lining	/R	1	
19	999 190 191 30	Blind rivet A 3,2X17,0		2	
20	991 505 535 00	Retaining strip Lateral	/L	1	
(20)	991 505 536 00	Retaining strip Lateral	/R	1	
21	991 505 761 00	Retainer plate Headlight washer system Use also: 000.043.300.47	/L	1	
(21)	991 505 762 00	Retainer plate Headlight washer system Use also: 000.043.300.47	/R	1	
22	999 919 268 01	Oval-head screw 3,0X13		X	
23	999 919 121 09	Oval-head screw 5,0X16		4	
24	999 073 227 09	Tapping screw ST4,8X19		X	
25	999 507 104 01	Speed nut ST 2,9		6	
26	999 507 795 09	Speed nut ST 4,8		X	
27	999 507 164 01	Cable clamp Headlight washer system		7	
28	991 701 051 90	Assembly kit Support Number plate		1	I211
	991 701 051 90 1E0	Black			
29	991 701 051 92	Assembly kit Support Number plate		1	I209
	991 701 051 92 1E0	Black			
30	991 701 051 94	Assembly kit Support Number plate		1	I075/211
	991 701 051 94 1E0	Black			
31	991 701 051 93	Assembly kit Support Number plate		1	I210
	991 701 051 93 1E0	Black			
32	000 043 300 47	Set Adhesive Including 5-fold Mixing tube Support Headlight washer system When required order also:		1	
33	000 043 300 48	Tool for Adhesive		1	
34	991 504 587 90	Bearing pin Radiator		2	
35	999 919 133 09	Hexagon-head bolt 6,0X20,0-H		2	

Model: 991G13

Model life 2013>>



Model: 991G13 Model life 2013>>

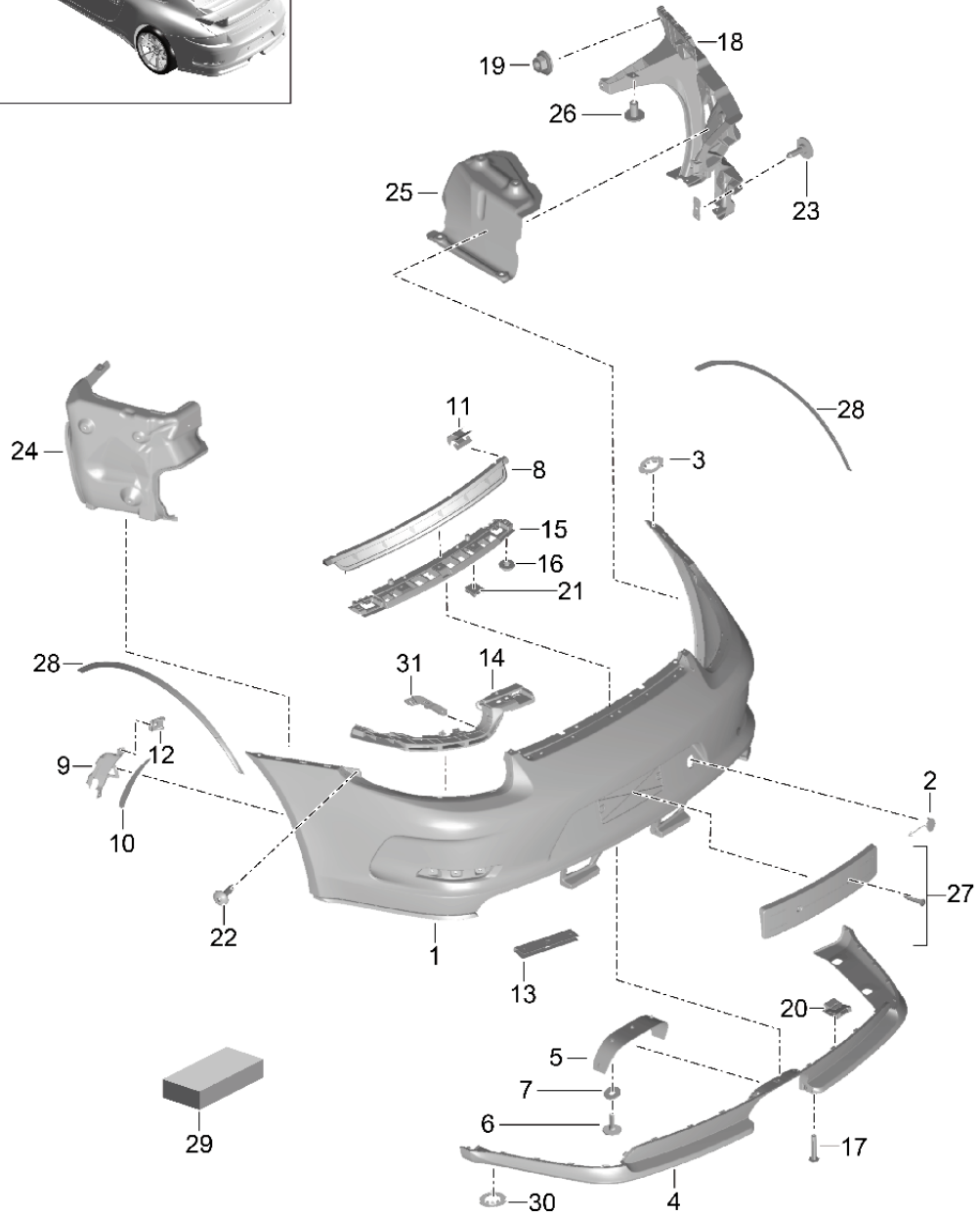
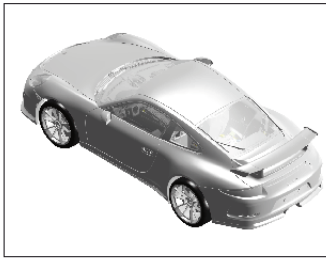
Pos	Part Number	Description	Remark	Qty	Model
		Bumper Spoiler Front			911 R
1	991 505 191 90	Lining Front		1	
		Prime coated Use also: 991.505.703.91			
2	991 505 703 91	Cover Towing lug		1	
		Prime coated			
3	991 505 563 90	Retaining frame Lateral	/L	1	
	991 505 563 90 1E0	Black			
(3)	991 505 564 90	Retaining frame Lateral	/R	1	
	991 505 564 90 1E0	Black			
4	991 505 715 90	Cover	/L	1	
	991 505 715 90 1E0	Black			
(4)	991 505 716 90	Cover	/R	1	
	991 505 716 90 1E0	Black			
5	991 505 713 91	Ventilation grille Lateral	/L	1	
(5)	991 505 714 91	Ventilation grille Lateral	/R	1	
6	991 505 569 90	Retaining frame Centre		1	
	991 505 569 90 1E0	Black			
7	991 505 711 91	Ventilation grille Centre		1	I153
8	991 575 141 90	Air guide Centre		1	I153
	991 575 141 90 1E0	Black			
9	991 505 567 90	Retaining frame Upper		1	
	991 505 567 90 1E0	Black			
10	991 505 717 91	Grille Air inlet Upper		1	I153
11	991 504 489 90	Air guide		1	
	991 504 489 90 1E0	Black			
12	991 504 487 91	Frame Radiator		1	
	991 504 487 91 1E0	Black Use also: 991.504.587.90 999.919.133.09			
13	999 084 638 01	Hexagon nut M 6-SB		4	
14	991 505 325 92	Spoiler Assembly kit		1	
		Front			
15	991 505 527 90	Spoiler Lateral	/L	1	I475
	991 505 527 90 1E0	Black			
(15)	991 505 528 90	Spoiler Lateral	/R	1	I475
	991 505 528 90 1E0	Black			
16	997 505 719 00	Fixing device		2	
17	991 505 535 00	Retaining strip Lateral	/L	1	
(17)	991 505 536 00	Retaining strip Lateral	/R	1	

Model: 991G13 Model life 2013>>

Pos	Part Number	Description	Remark	Qty	Model
18	991 505 761 00	Retainer plate Headlight washer system Use also: 000.043.300.47	/L	1	
(18)	991 505 762 00	Retainer plate Headlight washer system Use also: 000.043.300.47	/R	1	
19	999 919 268 01	Oval-head screw 3,0X13		X	
20	999 073 227 09	Tapping screw ST4,8X19		X	
21	999 507 104 01	Speed nut ST 2,9		6	
22	999 507 795 09	Speed nut ST 4,8		X	
23	999 507 164 01	Cable clamp Headlight washer system		7	
24	991 505 313 90	Repair kit Union		1	
25	991 701 051 90	Assembly kit Support Number plate		1	I211
26	991 701 051 90 1E0	Black		1	I209
	991 701 051 92	Assembly kit Support Number plate			
27	991 701 051 92 1E0	Black		1	I075/211
	991 701 051 94	Assembly kit Support Number plate			
28	991 701 051 94 1E0	Black		1	I210
	991 701 051 93	Assembly kit Support Number plate			
29	991 701 051 93 1E0	Black		1	
	991 505 317 00	Retainer plate Lining	/L		
(29)	991 505 318 00	Retainer plate Lining	/R	1	
30	999 190 191 30	Blind rivet A 3,2X17,0		2	
31	000 043 300 47	Set Adhesive Including 5-fold Mixing tube Support		1	
(31)	000 043 305 77	Headlight washer system Set Adhesive Including 5-fold Mixing tube When required order also:		1	
32	000 043 300 48	Tool for Adhesive		1	
33	991 504 587 90	Bearing pin Radiator		2	
34	999 919 133 09	Hexagon-head bolt 6,0X20,0-H		2	

Model: 991G13

Model life 2013>>



Model: 991G13 Model life 2013>>

Pos	Part Number	Description	Remark	Qty	Model
		Bumper Rear	-17		GT3
1	991 505 291 90	Lining Prime coated		1	
2	991 505 803 00	Cap Towing lug		1	
3	991 505 803 00 G2L 999 507 181 01	Prime coated Reinforcement Insert 10,6X12,6		8	
4	991 505 811 90	Cover Rear Lower		1	
5	991 505 811 90 1E0 991 505 651 90	Black Cover Exhaust pipe		1	
6	991 505 651 90 1E0 999 919 264 01	Black Oval-head screw 3,0X8,0		5	
7	900 151 028 01	Washer 4		5	
8	991 505 871 90	Grille frame Air exhaust Upper		1	
9	991 505 871 90 1E0 991 505 875 90	Black Retaining frame Air exhaust Lateral	/L	1	
(9)	991 505 875 90 1E0 991 505 876 90	Black Retaining frame Air exhaust Lateral	/R	1	
10	991 505 876 90 1E0 991 505 817 91	Black Grille Air exhaust Lateral	/L	1	
(10)	991 505 818 91	Grille Air exhaust Lateral	/R	1	
11	N 107 297 01	U-clamp 4,0-5,0		2	
12	999 591 699 01	Speed nut ST 4,8		4	
13	991 505 837 90	Retaining strip Lower		1	
14	991 505 835 06	Retaining strip Rear	/L	1	
(14)	991 505 836 06	Retaining strip Rear	/R	1	
15	991 505 839 00	Retaining strip Centre		1	
16	999 076 056 01	Hexagon nut M5-U		5	
17	999 190 191 30	Blind rivet A 3,2X17,0		2	
18	991 505 631 90	Support Lateral	/L	1	
(18)	991 505 632 90	Support Lateral	/R	1	
19	999 076 042 01	Hexagon nut M6-S-SC		10	
20	999 507 795 09	Speed nut ST 4,8		X	

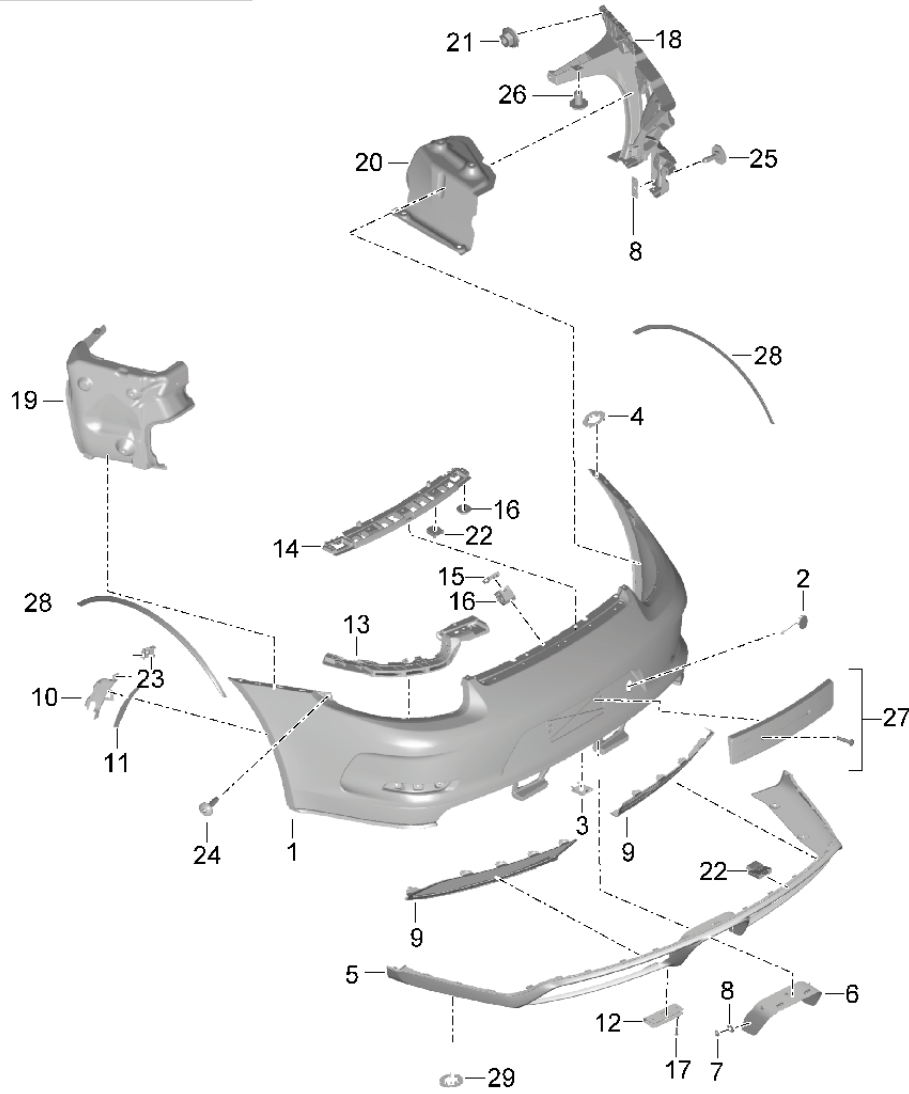
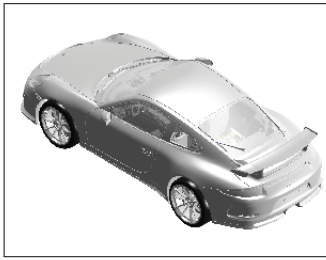
Model: 991G13

Model life 2013>>

Pos	Part Number	Description	Remark	Qty	Model
21	999 507 309 02	Speed nut ST 4,8		4	
22	999 073 131 02	Oval-head screw M6X25		4	
23	999 073 227 09	Tapping screw ST 4,8X19		X	
24	991 505 479 90	Heat protection Outer	/L	1	
(24)	991 505 480 90	Heat protection Outer	/R	1	
25	991 505 477 90	Heat protection Inner Bracket	/L	1	
(25)	991 505 478 90	Heat protection Inner Bracket	/R	1	
26	999 190 115 30	Blind rivet A 6,4X10,0		10	
27		Assembly kit Number plate See illustrations 8/02/00		1	
28	991 505 629 90	Set Cover Front and rear Prime coated		1	
29	991 505 413 90	Repair kit Screw Lining Lower		1	
30	999 507 181 01	Reinforcement		4	
31	9P1 937 540	Support Wiring harness		1	

Model: 991G13

Model life 2013>>



Model: 991G13 Model life 2013>>

Pos	Part Number	Description	Remark	Qty	Model
		Bumper Rear 2nd GENERATION	18-		GT3 II
1	991 505 291 B0	Lining Prime coated		1	I7X9
1	991 505 291 B2	Lining Prime coated		1	-I7X9
2	991 505 803 81	Cap Towing lug Prime coated		1	
3	991 505 515 81	Cap Reversing camera Prime coated		1	
4	999 507 181 01	Reinforcement Insert 10,6X12,6		8	
5	991 505 811 80	Lining Lower part		1	
	991 505 811 80 OK1	Black mat			
6	991 505 651 80	Cover Exhaust pipe		1	
	991 505 651 80 OK1	Black mat			
7	999 919 264 01	Oval-head screw 3,0X8,0		5	
8	900 151 028 01	Washer 4		5	
9	991 505 833 80	Grille Lining Rear	/L	1	
(9)	991 505 834 80	Grille Lining Rear	/R	1	
10	991 505 875 80	Retaining frame Air exhaust Lateral	/L	1	
(10)	991 505 876 80	Retaining frame Air exhaust Lateral	/R	1	
11	991 505 817 80	Grille Air exhaust Lateral	/L	1	
(11)	991 505 818 80	Grille Air exhaust Lateral	/R	1	
12	991 505 837 80	Retaining strip Lower		1	
13	991 505 835 82	Retaining strip Lateral	/L	1	
(13)	991 505 836 82	Retaining strip Lateral	/R	1	
14	991 505 839 82	Retaining strip Centre		1	
15	991 505 901 00	Clip Reversing camera		1	I638
16	991 505 899 01	Support Reversing camera		1	I638
	991 505 899 01 OK1	Black mat			
16	999 076 056 01	Hexagon nut M5-U		5	
17	999 190 191 30	Blind rivet A 3,2X17,0		2	
18	991 505 631 80	Support Lateral	/L	1	

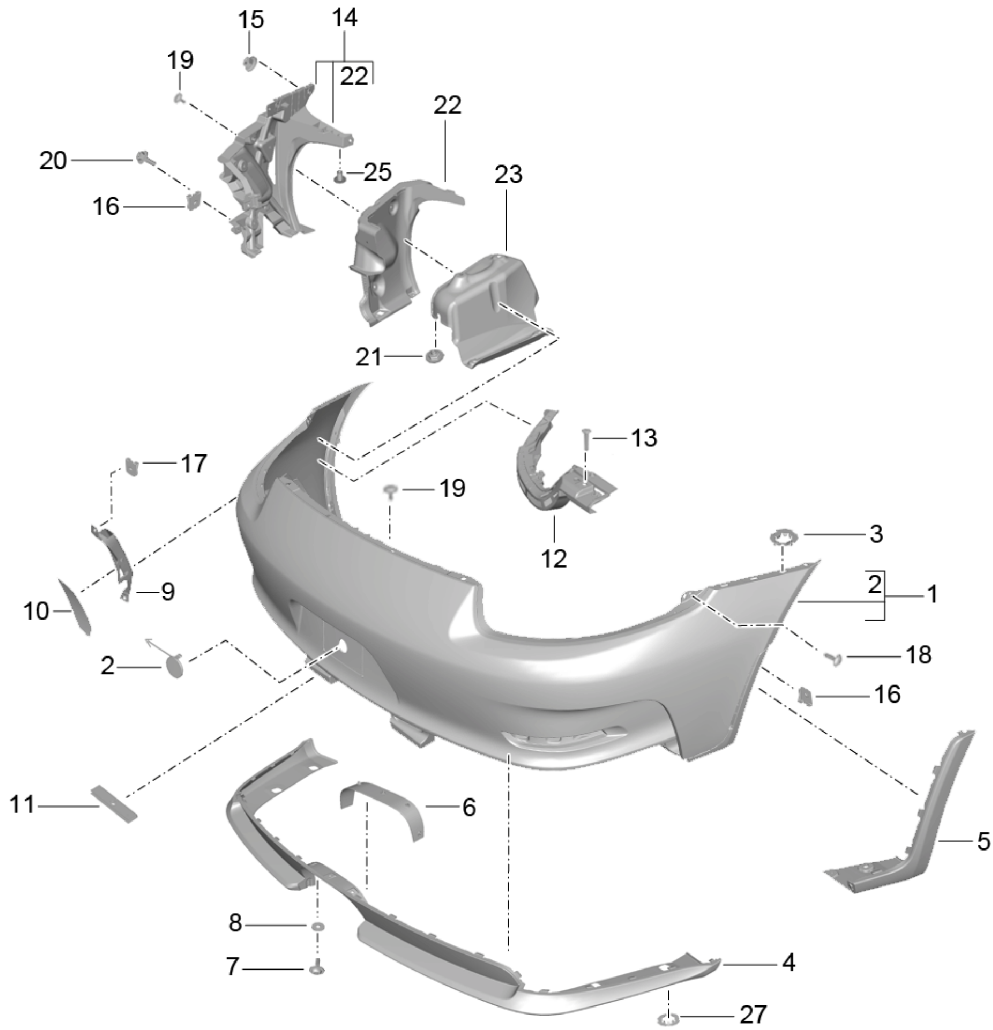
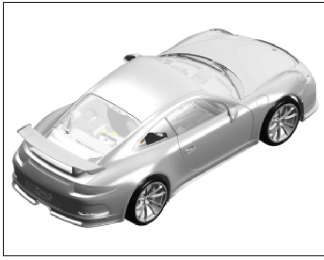
Model: 991G13

Model life 2013>>

Pos	Part Number	Description	Remark	Qty	Model
(18)	991 505 632 80	Support Lateral	/R	1	
19	991 505 479 80	Heat protection Outer	/L	1	
(19)	991 505 480 80	Heat protection Outer	/R	1	
20	991 505 477 92	Heat protection Inner Bracket	/L	1	
(20)	991 505 478 92	Heat protection Inner Bracket	/R	1	
21	9A7 007 462 00	Hexagon nut M6-S-SC		10	
22	999 507 309 02	Speed nut ST 4,8		4	
23	999 591 699 01	Speed nut ST 4,8		8	
24	999 073 131 02	Oval-head screw M6X25		4	
25	9A7 007 517 00	Tapping screw ST 4,8X19		X	
26	999 190 115 30	Blind rivet A 6,4X10,0		10	
27		Assembly kit Number plate See illustrations 8/02/00		1	
28	991 505 629 90	Set Cover Front and rear Prime coated		1	
29	999 507 181 01	Reinforcement Insert		8	

Model: 991G13

Model life 2013>>



Model: 991G13 Model life 2013>>

Pos	Part Number	Description	Remark	Qty	Model
		Bumper Rear			GT3 RS
1	991 505 291 92	Lining Prime coated		1	
2	991 505 803 00	Cap Towing lug		1	
3	991 505 803 00 G2L 999 507 181 01	Prime coated Reinforcement Insert 10,6X12,6		8	
4	991 505 811 91	Lining Rear Lower		1	
5	991 505 811 91 1E0 991 505 813 90	Black Lining Lateral Left	/L	1	
(5)	991 505 813 90 1E0 991 505 814 90	Black Lining Lateral Right	/R	1	
6	991 505 814 90 1E0 991 505 651 90	Black Cover Exhaust pipe		1	
7	991 505 651 90 1E0 999 919 264 01	Black Oval-head screw 3,0X8,0		5	
8	900 151 028 01	Washer 4		5	
9	991 505 875 91	Retaining frame Air exhaust Lateral	/L	1	
(9)	991 505 876 91	Retaining frame Air exhaust Lateral	/R	1	
10	991 505 817 92	Grille Air exhaust Lateral	/L	1	
(10)	991 505 818 92	Grille Air exhaust Lateral	/R	1	
11	991 505 837 90	Retaining strip Lower		1	
12	991 505 835 02	Retaining strip Rear	/L	1	
(12)	991 505 836 02	Retaining strip Rear	/R	1	
13	999 190 191 30	Blind rivet A 3,2X17,0		8	
14	991 505 631 91	Support Lateral with Heat protection	/L	1	
(14)	991 505 632 91	Support Lateral with Heat protection	/R	1	
15	999 076 042 01	Hexagon nut M6-S-SC		6	
16	999 507 795 09	Speed nut ST 4,8		X	
17	999 591 699 01	Speed nut ST 4,8		6	

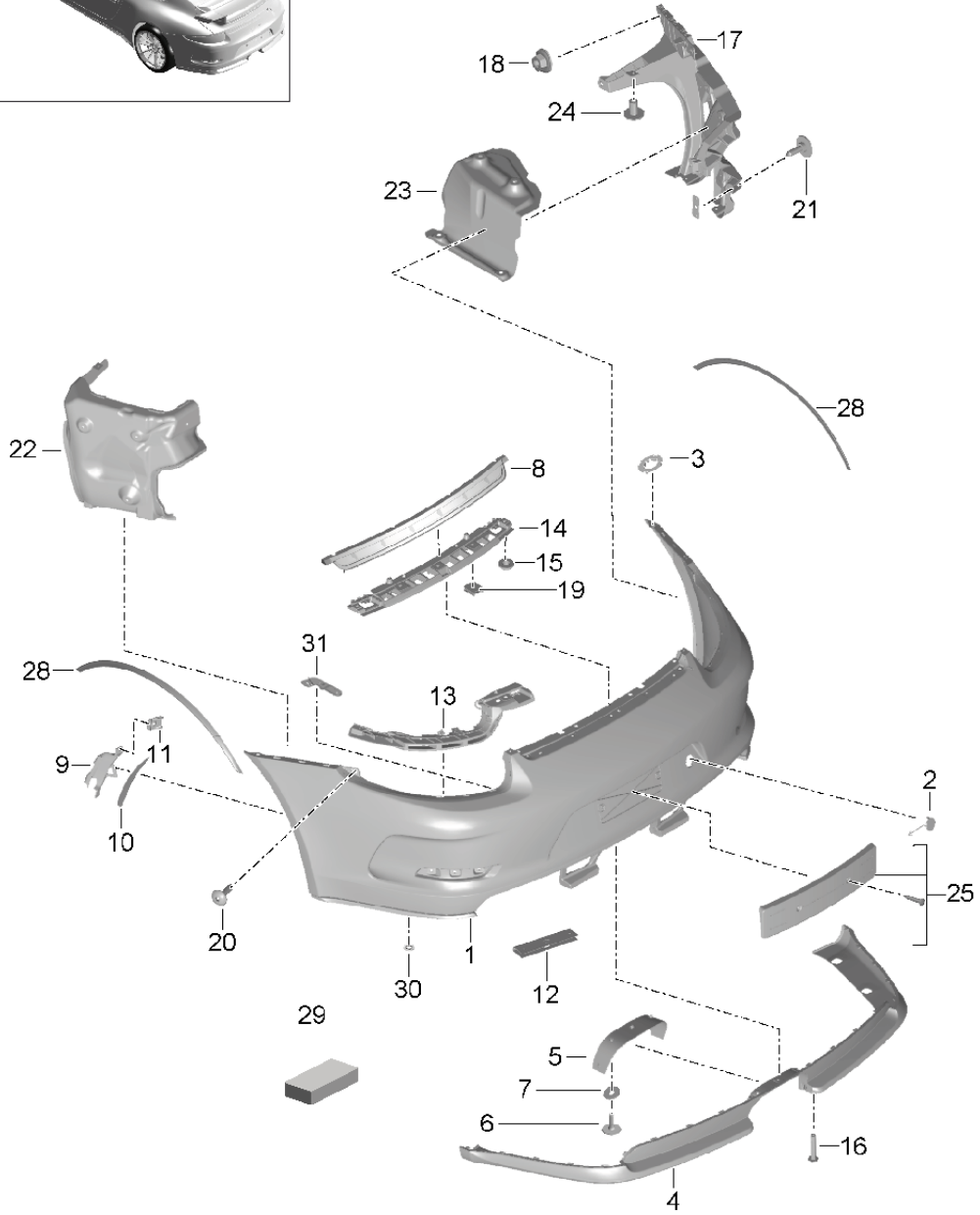
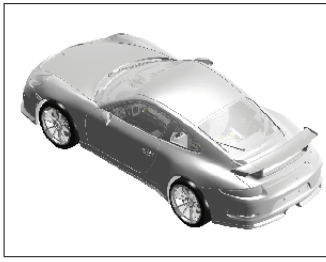
Model: 991G13

Model life 2013>>

Pos	Part Number	Description	Remark	Qty	Model
18	999 073 131 02	Oval-head screw M6X25		2	
19	999 073 227 09	Tapping screw ST 4,8X19		X	
20	999 143 101 01	Combination screw M6X22		2	
21	999 049 039 01	Hexagon nut T6		13	
22	991 505 479 91	Heat protection Outer	/L	1	
(22)	991 505 480 91	Heat protection Outer	/R	1	
23	991 505 477 91	Heat protection Inner Bracket	/L	1	
(23)	991 505 478 91	Heat protection Inner Bracket	/R	1	
25	999 190 115 30	Blind rivet A 6,4X10,0		10	
26		Assembly kit Number plate See illustrations 8/02/02		1	
27	999 507 181 01	Reinforcement		4	

Model: 991G13

Model life 2013>>



Model: 991G13

Model life 2013>>

Pos	Part Number	Description	Remark	Qty	Model
		Bumper Rear			911 R
1	991 505 291 A1	Lining Prime coated Use also: 991.505.803.00.G2L		1	
2	991 505 803 00	Cap Towing lug		1	
3	991 505 803 00 G2L 999 507 181 01	Prime coated Reinforcement Insert 10,6X12,6		8	
4	991 505 811 90	Cover Rear Lower		1	
5	991 505 811 90 1E0 991 505 651 90	Black Cover Exhaust pipe		1	
6	991 505 651 90 1E0 999 919 264 01	Black Oval-head screw 3,0X8,0		5	
7	900 151 028 01	Washer 4		5	
8	991 505 871 91	Grille frame Air exhaust Upper		1	
9	991 505 871 91 1E0 991 505 875 90	Black Retaining frame Air exhaust Lateral	/L	1	
(9)	991 505 875 90 1E0 991 505 876 90	Black Retaining frame Air exhaust Lateral	/R	1	
10	991 505 876 90 1E0 991 505 817 91	Black Grille Air exhaust Lateral	/L	1	
(10)	991 505 818 91	Grille Air exhaust Lateral	/R	1	
11	999 591 699 01	Speed nut ST 4,8		4	
12	991 505 837 90	Retaining strip Lower		1	
13	991 505 835 01	Retaining strip Rear	/L	1	
(13)	991 505 836 01	Retaining strip Rear	/R	1	
14	991 505 839 00	Retaining strip Centre		1	
15	999 076 056 01	Hexagon nut M5-U		5	
16	999 190 191 30	Blind rivet A 3,2X17,0		2	
17	991 505 631 90	Support Lateral	/L	1	
(17)	991 505 632 90	Support Lateral	/R	1	
18	999 076 042 01	Hexagon nut M6-S-SC		10	
19	999 507 309 02	Speed nut ST 4,8		4	

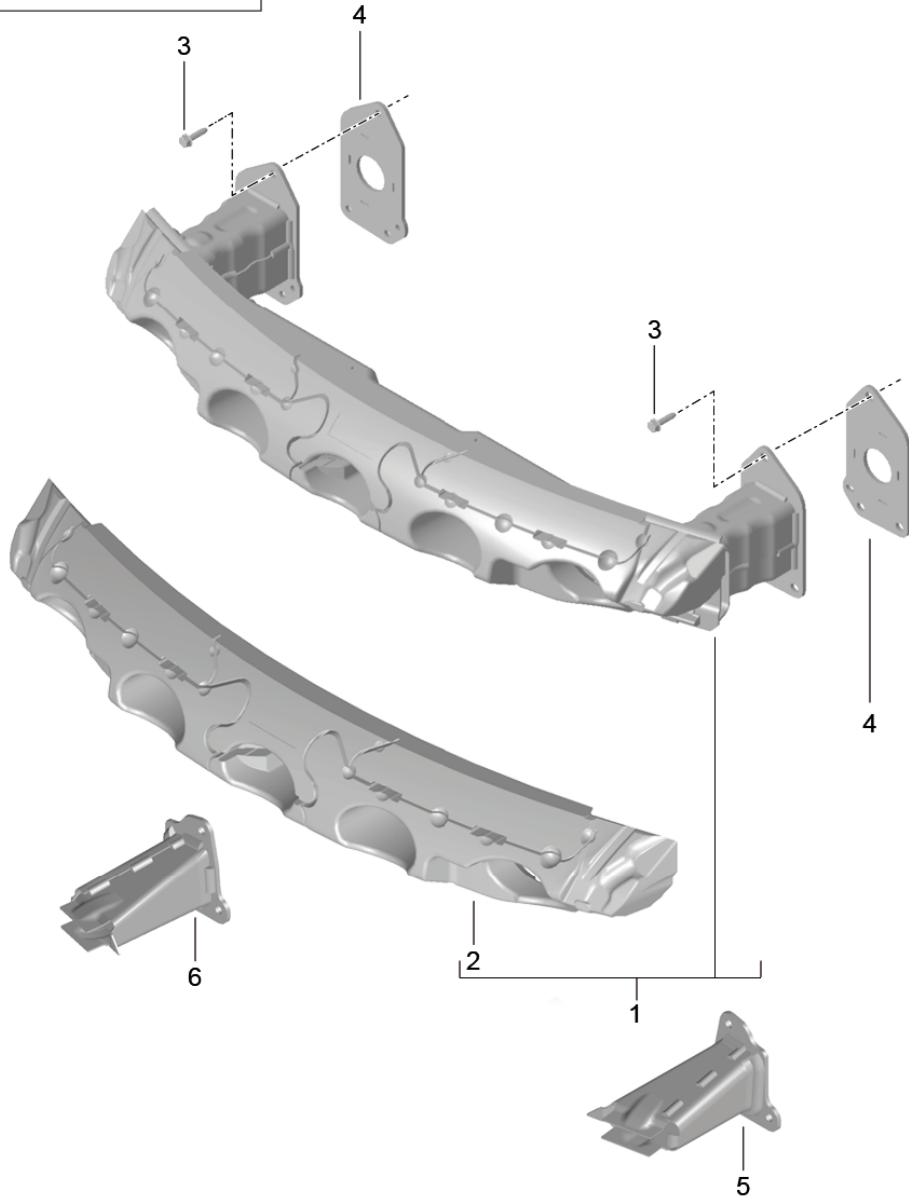
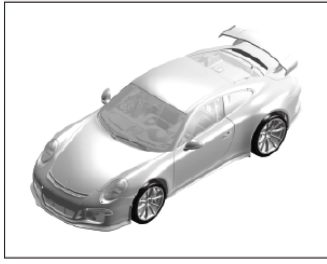
Model: 991G13

Model life 2013>>

Pos	Part Number	Description	Remark	Qty	Model
20	999 073 131 02	Oval-head screw M6X25		4	
21	999 073 227 09	Tapping screw ST 4,8X19		X	
22	991 505 479 90	Heat protection Outer	/L	1	
(22)	991 505 480 90	Heat protection Outer	/R	1	
23	991 505 477 92	Heat protection Inner	/L	1	
(23)	991 505 478 92	Heat protection Inner Bracket	/R	1	
24	999 190 115 30	Blind rivet A 6,4X10,0		10	
25		Assembly kit Number plate See illustrations 8/02/00		1	
28	991 505 629 90	Set Cover Front and rear Prime coated		1	I193
29	991 505 413 90	Repair kit Screw Lining Lower		1	
30	999 507 181 01	Reinforcement		4	
31	9P1 937 540	Support Wiring harness		1	

Model: 991G13

Model life 2013>>



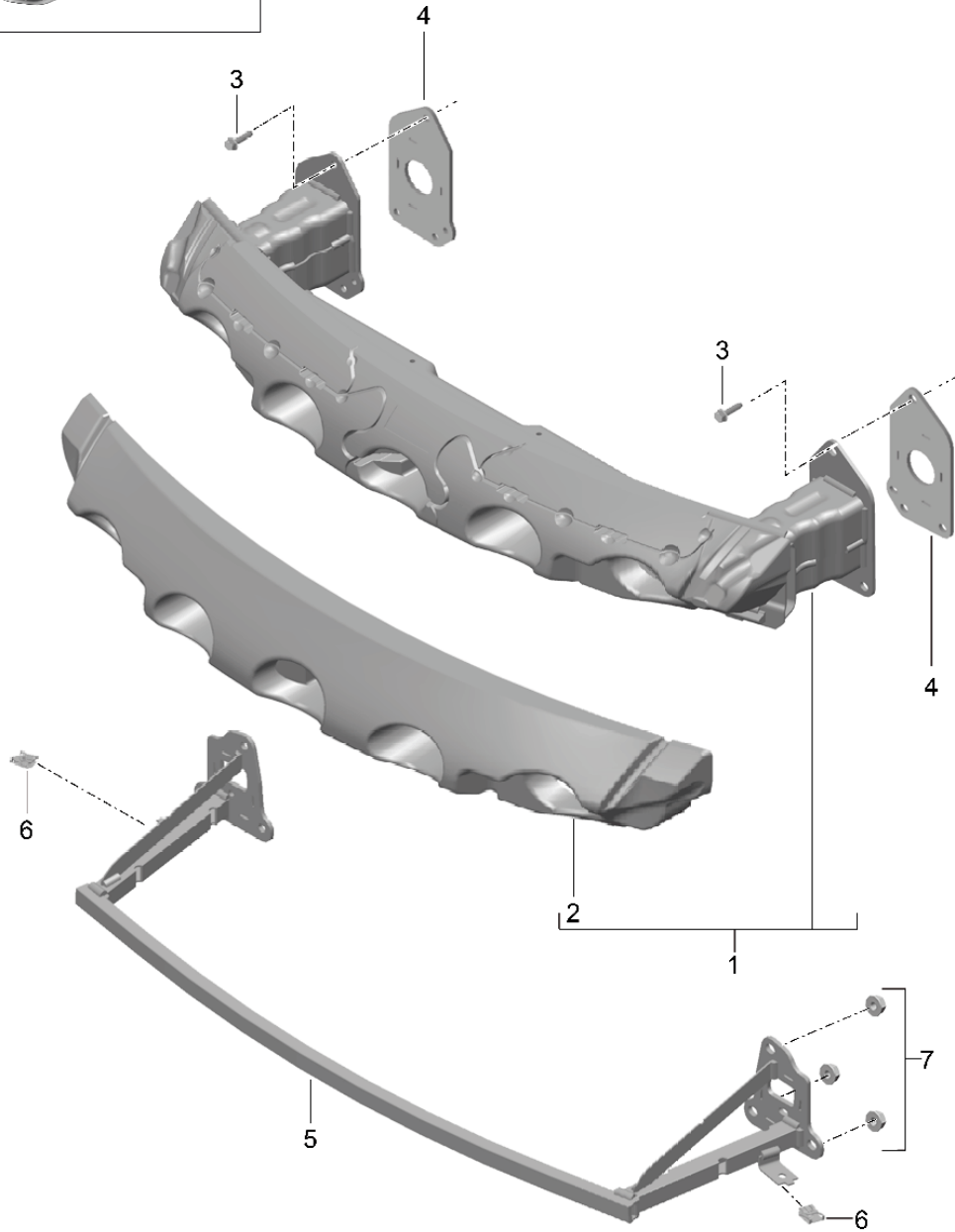
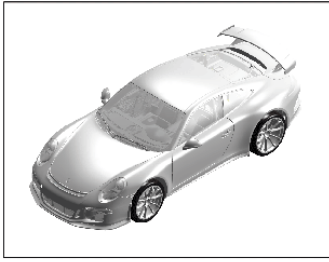
Model: 991G13

Model life 2013>>

Pos	Part Number	Description	Remark	Qty	Model
1	991 505 121 90	Bumper reinforcement Front Bumper reinforcement Complete with Foam part Front	-17	1	
2	991 505 777 90	Insert Pedestrian protection		1	
3	900 378 351 01	Hexagon-head bolt M 8 X 30		6	
4	991 505 771 00	Seal Impact absorber		2	
5	991 505 533 90	Crash protection Left		1	
6	991 505 534 90	Crash protection Right		1	

Model: 991G13

Model life 2013>>



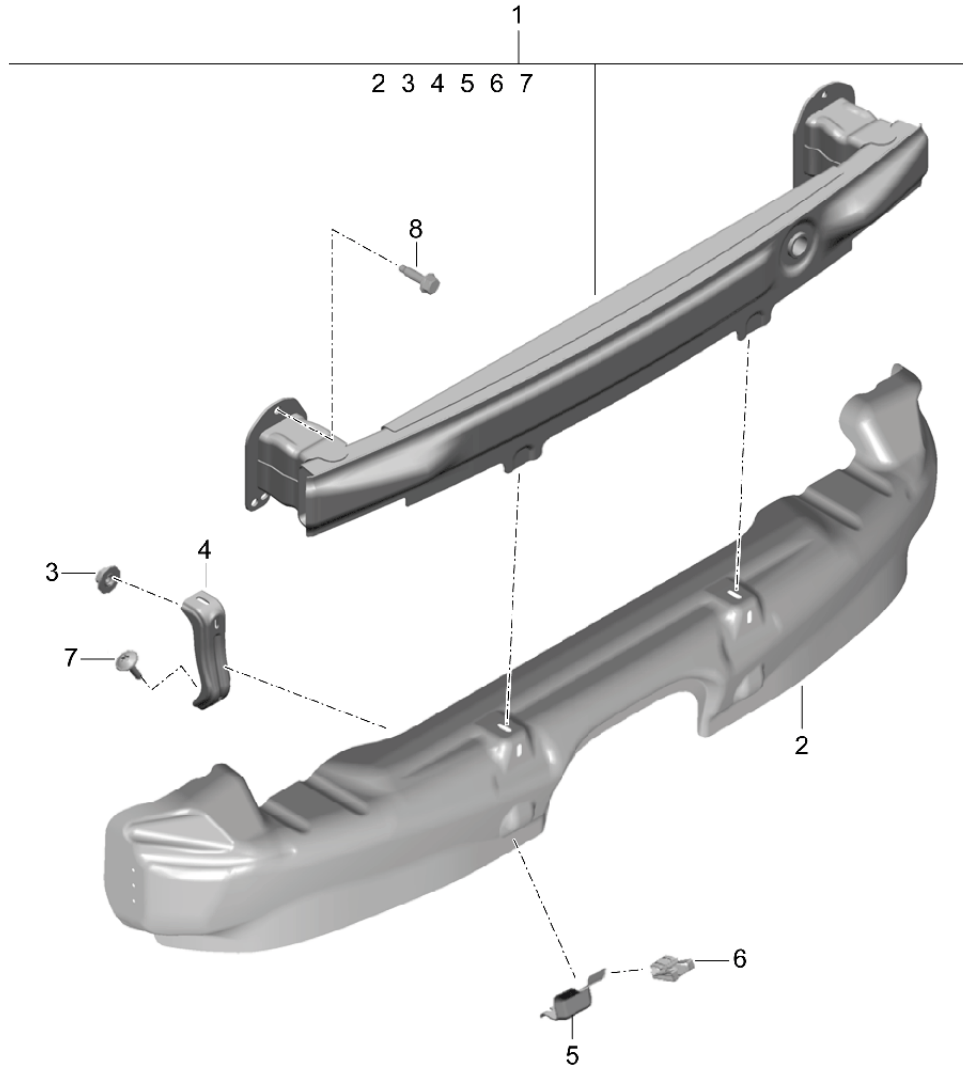
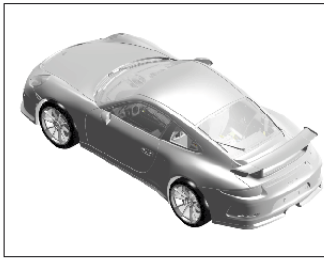
Model: 991G13

Model life 2013>>

Pos	Part Number	Description	Remark	Qty	Model
1	991 505 121 81	Bumper reinforcement Front Bumper reinforcement Complete with Foam part Front	18-	1	
2	991 505 777 84	Insert Foam part		1	
3	900 378 351 01	Hexagon-head bolt M 8 X 30		6	
4	991 505 771 00	Seal Impact absorber		2	
5	991 505 531 80	Bracket Pedestrian protection		1	
6	999 507 309 02	Speed nut ST 4,8		2	
7	N 106 092 04	Hexagon nut M 8		6	

Model: 991G13

Model life 2013>>



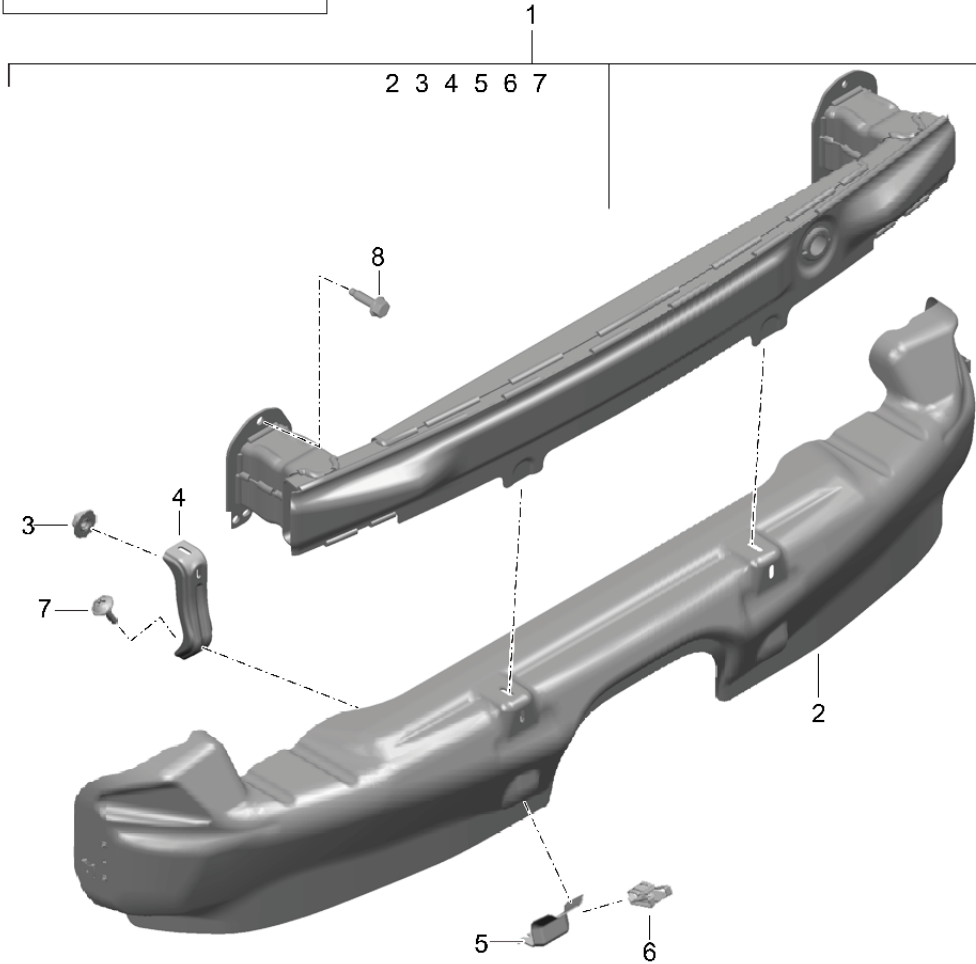
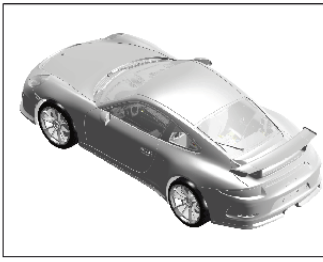
Model: 991G13

Model life 2013>>

Pos	Part Number	Description	Remark	Qty	Model
1	991 505 141 90	Bumper reinforcement Rear	-17		
		Bumper reinforcement Rear with Heat protection	-17	1	-I553
2	991 505 475 90	Heat protection Centre		1	
3	999 076 091 01	Hexagon nut M6-S		4	
4	991 505 639 00	Rear support		2	
5	991 505 649 90	Bracket		2	
6	999 507 309 02	Speed nut ST 4,8		4	
7	999 073 418 01	Tapping screw 4,8X19		2	
8	900 378 351 01	Hexagon-head bolt M 8X30-PA		6	

Model: 991G13

Model life 2013>>



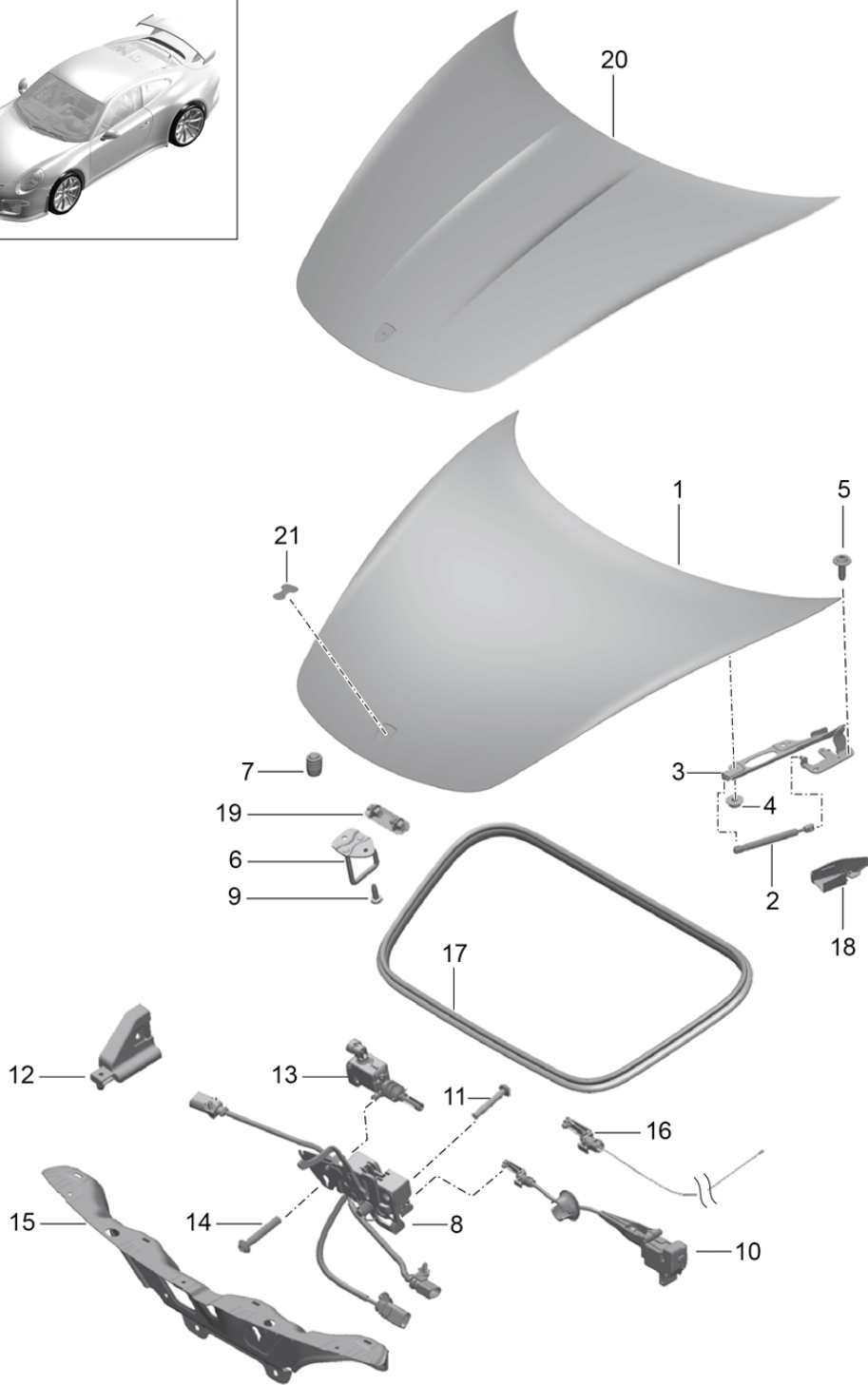
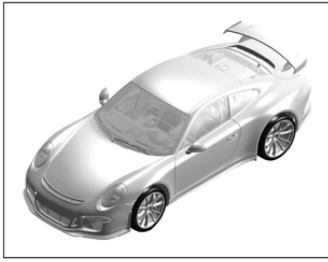
Model: 991G13

Model life 2013>>

Pos	Part Number	Description	Remark	Qty	Model
1	991 505 141 80	Bumper reinforcement Rear	18-	1	-I553
2	991 505 475 81	Bumper reinforcement Rear with Heat protection		1	
3	999 076 091 01	Heat protection Centre		4	
4	991 505 639 00	Hexagon nut M6-S		2	
5	991 505 649 80	Rear support		2	
6	999 507 309 02	Bracket		4	
7	999 073 418 01	Speed nut ST 4,8		2	
8	900 378 351 01	Tapping screw 4,8X19		6	
		Hexagon-head bolt M 8X30-PA			

Model: 991G13

Model life 2013>>



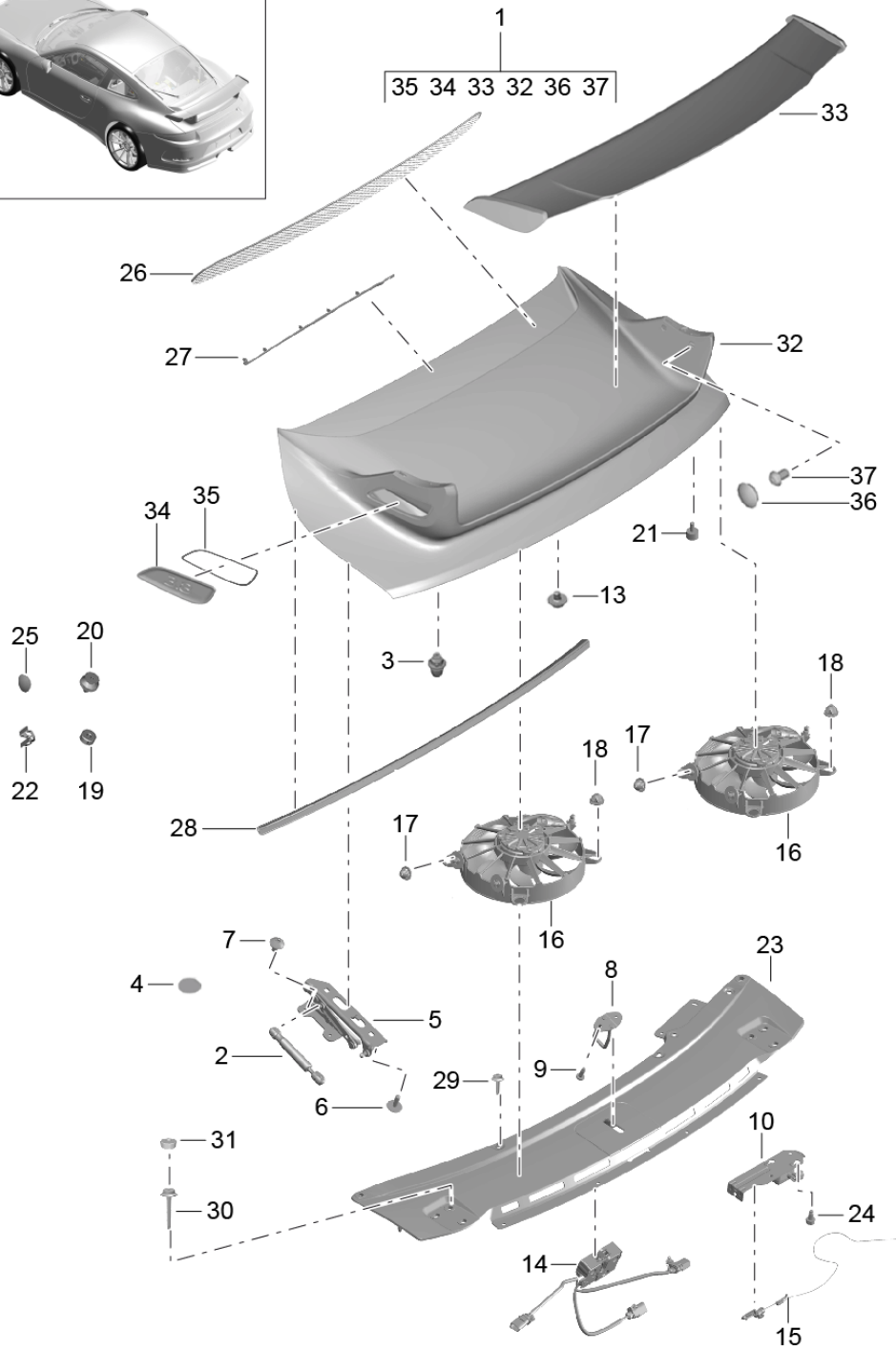
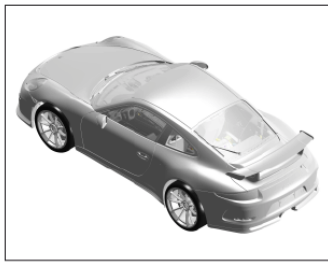
Model: 991G13

Model life 2013>>

Pos	Part Number	Description	Remark	Qty	Model
		Lid Front			
1	991 511 011 04	Lid		1	
	991 511 011 04 GRV	Prime coated			
2	991 511 551 00	Gas-pressure spring		2	
3	991 511 151 03	Hinge	/L	1	
(3)	991 511 152 03	Hinge	/R	1	
4	999 076 066 09	Hexagon nut M6		4	
5	N 911 883 02	Oval-head screw M6 X 20		4	
6	991 511 051 00	Lock upper part		1	
7	999 703 140 41	Rubber buffer		2	
8	991 511 033 04	Lock lower part		1	
9	999 073 378 02	Round head screw M6 X 20		2	
10	991 504 117 80	Actuator		1	
11	999 919 717 01	Oval-head screw 5,0X27		2	
15	9P1 806 620	Support		1	
16	991 511 217 01	Cable Emergency operation		1	
17	991 511 611 03	Gasket Lid		1	
18	991 511 651 01	Hose holder	/L	1	
	991 511 651 01 1E0	Black			
(18)	991 511 652 01	Hose holder	/R	1	
	991 511 652 01 1E0	Black			
19	991 511 649 00	Protection cap		1	
20	991 511 011 95	Lid		1	
	991 511 011 95 GRV	Prime coated			
21	999 911 756 41	Adhesive film	15-	1	

Model: 991G13

Model life 2013>>



Model: 991G13 Model life 2013>>

Pos	Part Number	Description	Remark	Qty	Model
		Rear spoiler Rear			GT3
1	991 512 025 83	Spoiler lid Prime coated		1	
2	991 512 551 80	Gas-pressure spring		2	
3	996 512 987 00	Adjusting screw Rubber buffer Rear lid		2	
5	991 512 151 80	Hinge	/L	1	
5	991 512 151 81	Hinge	/L 18-	1	
(5)	991 512 152 80	Hinge	/R	1	
(5)	991 512 152 82	Hinge	/R 18-	1	
6	N 911 883 01	Outer hexagon round screw M6 X 20		4	
7	N 910 966 01	Lens-head screw M6 X 12		4	
8	981 512 051 00	Catch bar		1	
9	999 073 378 02	Round head screw M6 X 20		2	
10	991 504 117 80	Actuator		1	
14	991 504 053 80	Lock lower part		1	
15	991 504 553 80	Bowden cable		1	
16	991 624 050 05	Blower		2	
17	991 624 353 00	Grommet		4	
18	958 110 673 00	Grommet		X	
21	991 512 971 80	Buffer Lid		X	
22	999 507 584 01	Clamp 8,0X10,2/2,0		2	
23	991 504 221 80	Assembly frame Centre		1	
24	900 075 487 01	Combination screw M6X16-PA		2	
25	999 703 278 40	Lid 22MM		4	
26	991 512 625 80	Grille Rear lid		1	
27	991 512 635 80	Retaining strip	/L	1	
(27)	991 512 636 80	Retaining strip	/R	1	
28	991 512 711 00	Gasket Rear lid		1	
29	999 073 555 01	Pan-head screw M 8 X 35 Mount		4	
30	999 073 554 01	Assembly frame Pan-head screw M 5 X 45 Mount		4	
31	991 504 675 80	Assembly frame Cap Pan-head screw		2	
32	991 512 225 81	Assembly frame Lid		1	
33	991 512 995 00	Prime coated Spoiler		1	
34	991 512 565 81	Prime coated Cover	/L	1	
(34)	991 512 566 81	Prime coated Cover	/R	1	
35	991 512 567 80	Prime coated Adhesive tape		2	
36	999 703 278 40	Cover Lid		2	

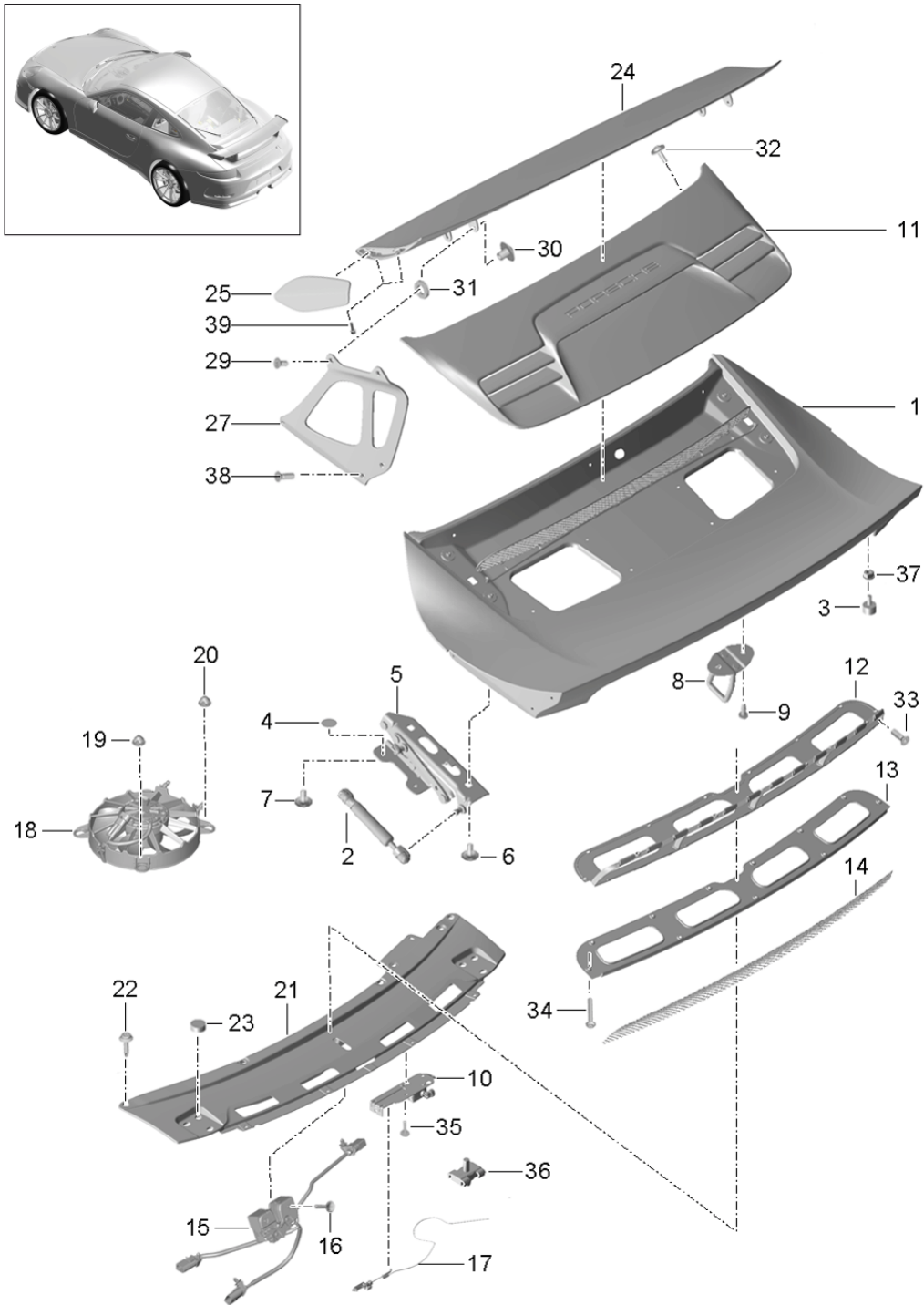
Model: 991G13

Model life 2013>>

Pos	Part Number	Description	Remark	Qty	Model
37	999 073 576 01	15,5X22,0 Round head screw M8X12 Mount Spoiler		2	

Model: 991G13

Model life 2013>>



Model: 991G13

Model life 2013>>

Pos	Part Number	Description	Remark	Qty	Model
		Rear spoiler			GT3RS
		Rear			
1	991 512 227 92	Lid		1	
		Prime coated			
2	991 512 551 90	Gas-pressure spring		2	
3	991 512 971 80	Buffer		2	
		Adjustable			
4	991 512 819 00	Protective film		2	
5	991 512 151 80	Hinge	/L	1	
(5)	991 512 152 80	Hinge	/R	1	
6	N 911 883 01	Outer hexagon round screw		4	
		M6 X 20			
7	N 910 966 01	Lens-head screw		4	
		M6 X 12			
8	981 512 051 00	Catch bar		1	
9	999 073 378 02	Round head screw		2	
		M6 X 20			
10	991 504 117 80	Actuator		1	
11	991 512 331 90	Ventilation grille		1	
		Black			
12	991 512 441 90	Retaining frame		1	
		Air exhaust			
13	991 512 445 90	Cover		1	
		Air exhaust			
14	991 512 443 90	Grille		1	
		Air exhaust			
15	991 504 053 90	Lid lock		1	
16	900 075 504 01	Combination screw		2	
		M6X45-TC			
17	991 504 553 80	Bowden cable		1	
18	991 624 050 06	Blower		2	
19	958 110 673 00	Grommet		X	
20	991 624 353 00	Grommet		2	
21	991 504 221 90	Mounting bracket		1	
		Centre			
22	999 073 555 01	Pan-head screw		4	
		M8X35-PA-SC			
23	991 504 675 80	Cap		2	
		Pan-head screw			
		Assembly frame			
24	991 512 265 95	Spoiler		1	
		Prime coated			
25	991 512 463 91	Wing plate	/L	1	
		Black mat			
(25)	991 512 464 91	Wing plate	/R	1	
		Black mat			
27	991 512 681 90	Wing strut	/L	1	
		Black			
		Anodised			
(27)	991 512 682 90	Wing strut	/R	1	
		Black			
		Anodised			
(27)	991 512 681 91	Wing strut	/L	1	
		Aluminium White			
		Anodised			
(27)	991 512 682 91	Wing strut	/R	1	
		Aluminium White			
		Anodised			
28	N 911 883 01	Outer hexagon round screw		4	
		M6X20			
29	999 073 509 01	Countersunk-head screw		4	
		M 6X12-MK			
		Micro-self-locking			

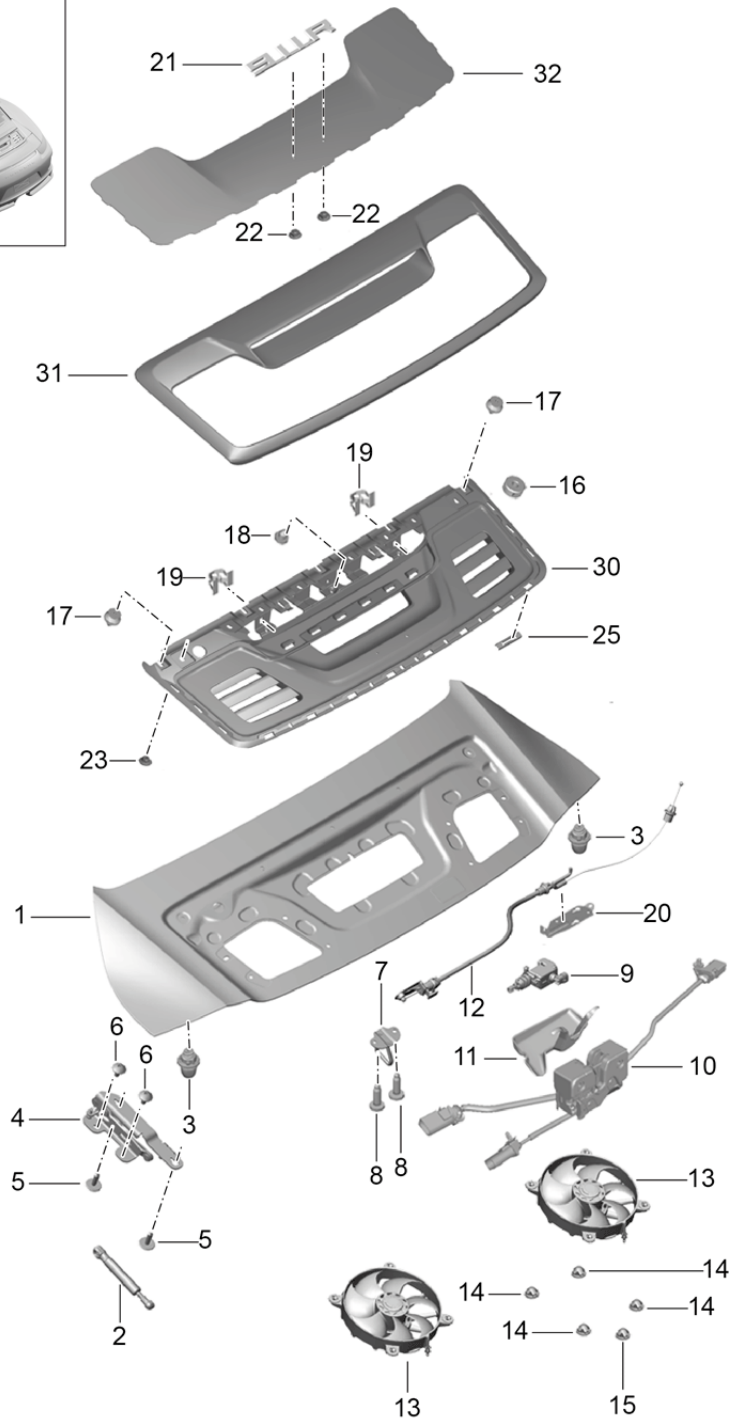
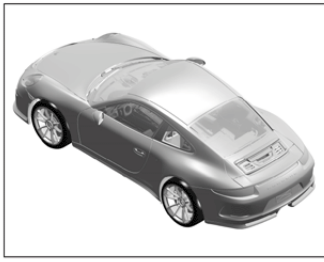
Model: 991G13

Model life 2013>>

Pos	Part Number	Description	Remark	Qty	Model
(29)	999 073 509 02	Silver Countersunk-head screw M 6X12-MK Micro-self-locking		4	
30	999 085 051 02	Black Hexagon nut M6		4	
(30)	999 085 051 03	Silver Socket head nut M6		4	
31	997 512 783 91	Black Spacer		4	
32	999 073 446 A1	Oval-head screw M5X16		9	
33	999 073 386 A1	Countersunk-head screw M5X16		11	
34	999 073 268 01	Oval-head screw M5X12		4	
35	900 075 487 01	Combination screw M6X16-PA		2	
36	999 505 419 40	Fixing clip 6,0		2	
37	900 377 015 01	Hexagon nut M 8		2	
38	999 073 510 01	Countersunk-head screw M 6X25-MK Silver		6	
(38)	999 073 510 02	Countersunk-head screw M 6X25-MK Black		6	
39	999 073 709 01	Combination screw M 5X 16		4	

Model: 991G13

Model life 2013>>



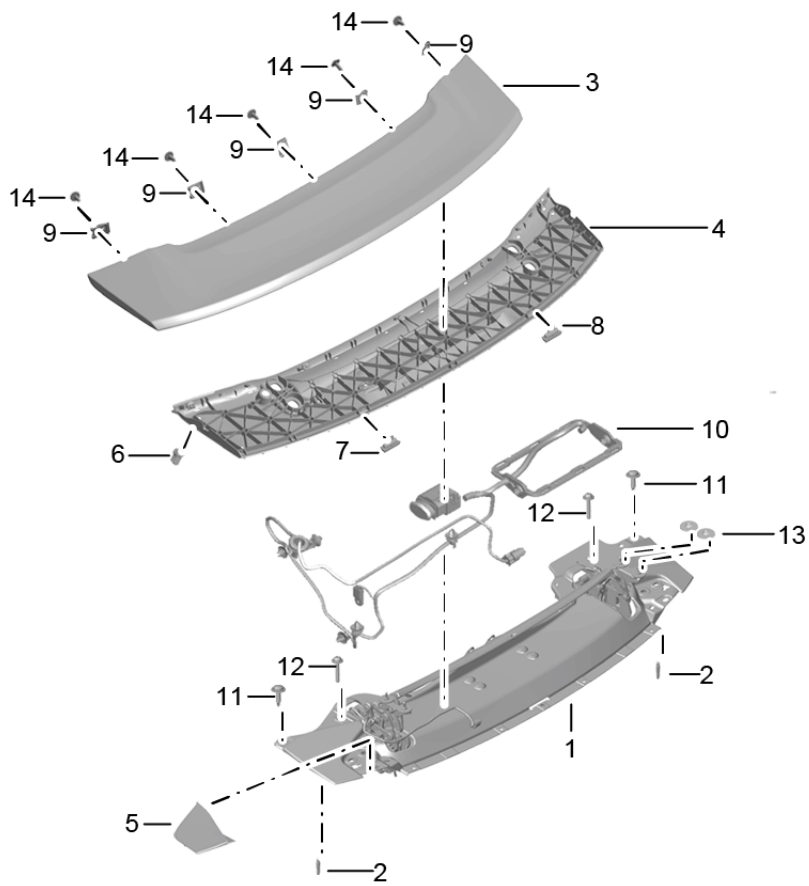
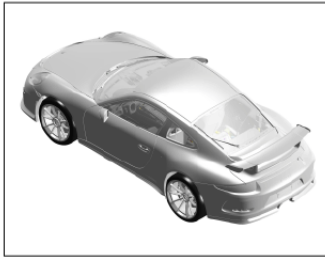
Model: 991G13

Model life 2013>>

Pos	Part Number	Description	Remark	Qty	Model
		Lid Rear			911 R
1	991 512 011 02	Lid		1	
	991 512 011 02 GRV	Prime coated			
(1)	991 512 011 03	Lid		1	I686/690
	991 512 011 03 GRV	Prime coated			
2	991 512 551 80	Gas-pressure spring		2	
3	987 512 987 00	Actuator Adjustable		2	
4	991 512 151 02	Hinge	/L	1	
(4)	991 512 152 02	Hinge	/R	1	
5	N 911 883 01	Outer hexagon round screw M6 X 20		4	
6	N 910 966 01	Lens-head screw M6 X 12		4	
7	991 512 213 02	Lock upper part		1	
8	999 073 378 02	Round head screw M6 X 20		2	
9	991 504 117 01	Actuator with Bowden cable		1	
10	991 504 053 00	Lid lock		1	
11	991 504 683 00	Water guide housing for Lid lock Rear		1	
12	991 504 553 01	Bowden cable		1	
13	991 624 050 06	Blower		2	
14	991 624 353 00	Grommet		4	
15	958 110 673 00	Grommet		X	
16	997 512 671 00	Clamping nut		4	
17	999 507 897 40	Fixing clip 7,8X1,6		7	
18	999 703 270 40	Buffer 5,5X9X8,6		11	
19	999 507 584 01	Clamp 8,0X10,2/2,0		2	
20	991 504 563 02	Support		1	
20		Support		1	
21	991 559 221 80	Logo 911 R		1	
22	999 591 423 03	Tapping nut		2	
23	N 906 636 03	Hexagon nut M 5		6	
25	999 507 696 00	U-clamp		14	
30	991 512 661 80	Cover Ventilation grille		1	
	991 512 661 80 OK1	Black mat			
31	991 512 597 80	Frame Ventilation grille		1	
	991 512 597 80 OK1	Black mat			
32	991 512 571 80	Ventilation grille		1	

Model: 991G13

Model life 2013>>

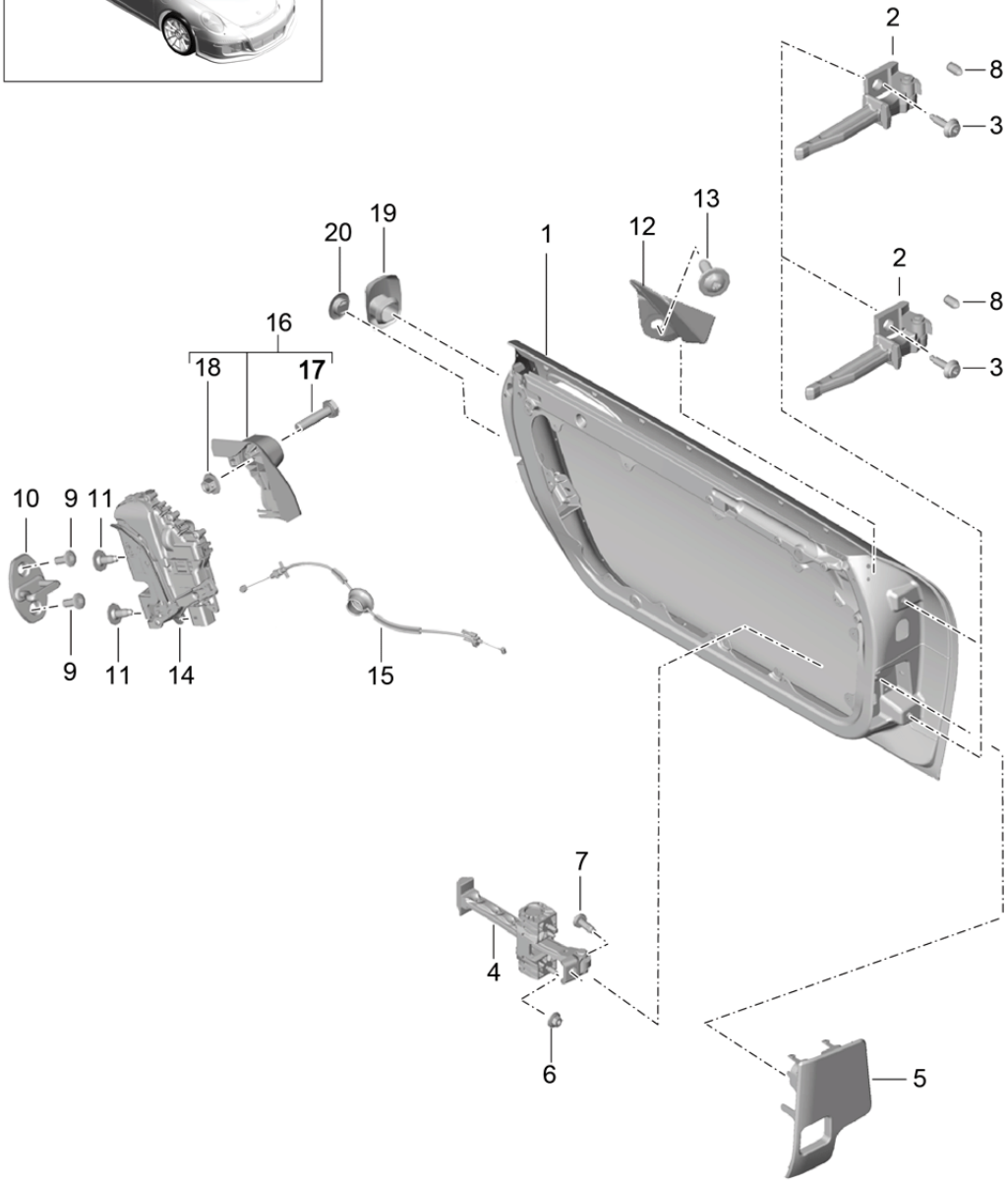
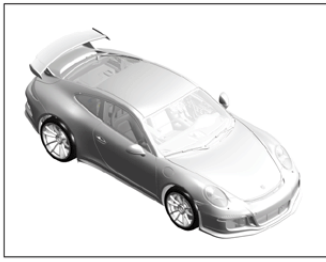


Model: 991G13 Model life 2013>>

Pos	Part Number	Description	Remark	Qty	Model
1	991 504 041 03	Rear spoiler Driving mechanism		1	911R
2	991 504 621 00	Rear spoiler Complete Centring journal		2	
3	991 504 241 03	Bracket Spoiler Prime coated		1	
4	991 504 205 03	Upper part Spoiler Lower part		1	
5	991 504 661 01	Cover	/L	1	
(5)	991 504 662 01	Cover	/R	1	
6	999 703 885 40	Buffer 6X14,5X20		4	
7	999 703 276 40	Rubber mounting 19X5X2		2	
9	999 507 785 01	Speed nut ST 4,2		X	
10	991 612 881 00	Wiring harness Rear spoiler		1	
11	999 073 534 01	Combination screw M8X30		X	
12	N 911 657 01	Combination screw M6X35		X	
13	991 504 367 00	Actuator Driving mechanism Rear spoiler		4	
14	N 909 868 03	Round head screw ST 4,2 X13 Mount Spoiler Lower part		5	

Model: 991G13

Model life 2013>>

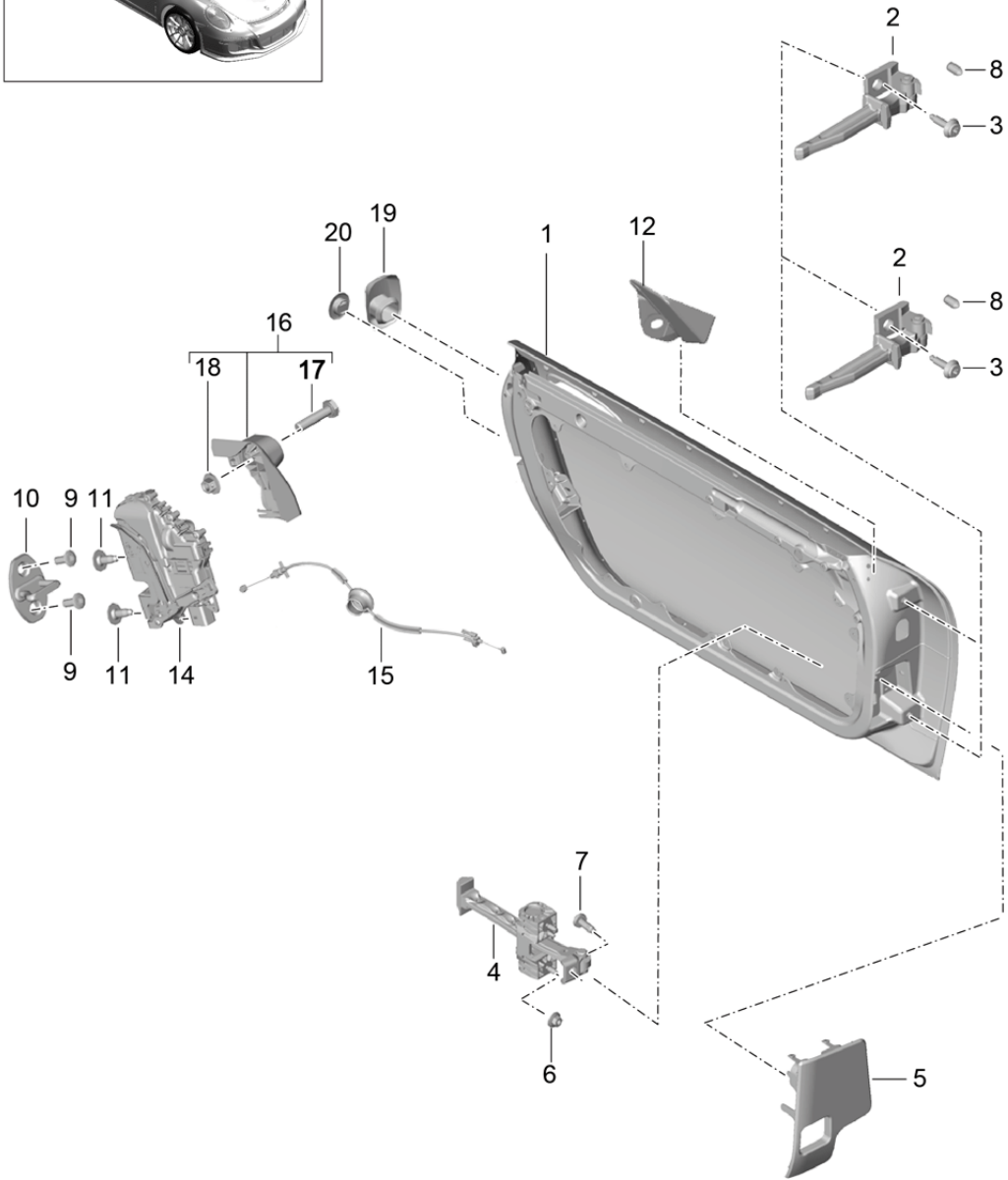
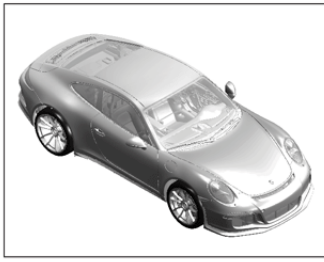


Model: 991G13 Model life 2013>>

Pos	Part Number	Description	Remark	Qty	Model
		Door in white Installation parts			GT3 / GT3 RS
1	991 531 911 01	Door lock	/L	1	
	991 531 911 01 GRV	Door			
(1)	991 531 912 01	Prime coated	/R	1	
	991 531 912 01 GRV	Door			
2	991 531 319 00	Prime coated	/L	2	
(2)	991 531 320 00	Hinge	/R	2	
3	999 073 192 01	Hinge		2	
		Pan-head screw M 8 X 33			
4	991 537 151 00	Door arrester		2	
5	991 537 631 00	Cover	/L	1	
		Door arrester			
	991 537 631 00 1E0	Black			
(5)	991 537 632 00	Cover	/R	1	
		Door arrester			
	991 537 632 00 1E0	Black			
6	999 076 042 01	Hexagon nut M 6		4	
7	999 073 138 01	Round head screw M 8 X 25		2	
8	958 537 947 00	Cap		4	
		Hinge			
9	N 910 174 01	Countersunk-head screw M 8 X 22		4	
10	3C0 837 767 A	Catch bar		2	
11	WHT 003 688	Combination screw M 8 X 16		4	
12	991 537 831 00	Support	/L	1	
		Wing			
	991 537 831 00 1E0	Black			
(12)	991 537 832 00	Support	/R	1	
		Wing			
	991 537 832 00 1E0	Black			
13	999 073 322 02	Oval-head screw M6X20-SC		1	
14	8J1 837 015 C	Door lock	/LL /L -15	1	-IIY2/I098
(14)	8J1 837 015 E	Door lock	/LL /L 15-	1	IIY2/098
(14)	8J1 837 015 D	Door lock	/L	1	
(14)	8J1 837 016 C	Door lock	/LL /R	1	I098
(14)	8J1 837 016 D	Door lock	/R	1	
(14)	8J2 837 015 C	Door lock	/RL /L	1	I099
(14)	8J2 837 016 C	Door lock	/RL /R	1	I099
15	991 537 319 00	Bowden cable		2	
		Door lock			
16	991 537 045 01	Cover	/LL	1	I098
		Door lock			
		Driver's side			
(16)	991 537 046 01	Cover	/RL	1	I099
		Door lock			
		Driver's side			
17	N 010 218 13	Hexagon-head bolt M 6 X 25		1	
18	999 084 212 03	Hexagon nut M 6		1	
19	9P1 837 111	Cover		1	
		Door frame			
	9P1 837 111 1E0	Black			
20	9P1 837 111 A	Cover		1	
		Emergency operation			
		Door frame			
	9P1 837 111 A 1E0	Black			

Model: 991G13

Model life 2013>>



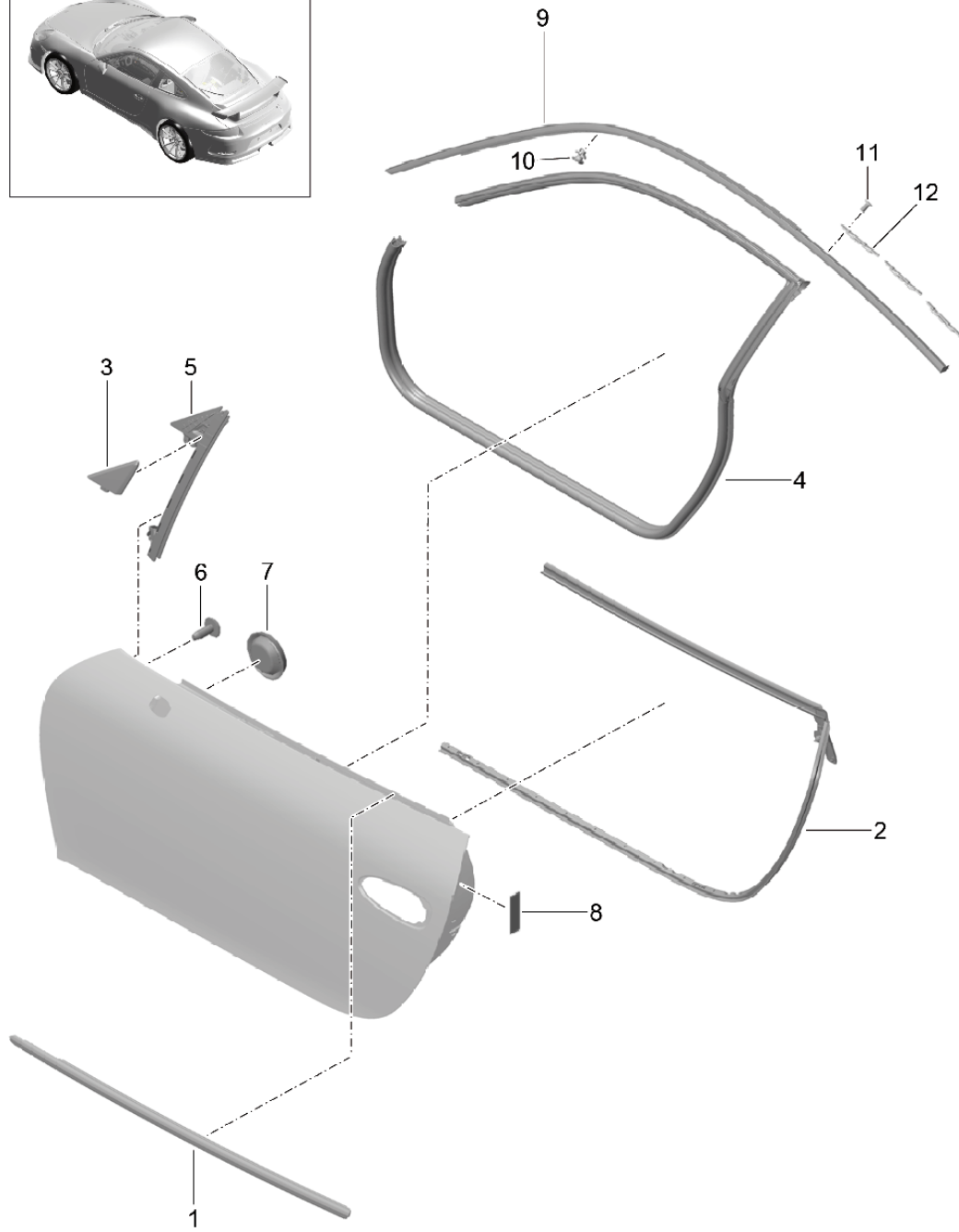
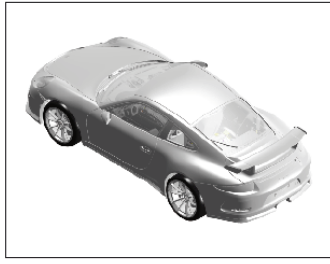
Model: 991G13

Model life 2013>>

Pos	Part Number	Description	Remark	Qty	Model
		Door in white Installation parts			911 R
1	991 531 011 06	Door lock	/L	1	
	991 531 011 06 GRV	Door			
(1)	991 531 011 06	Prime coated	/R	1	
	991 531 011 06 GRV	Door			
2	991 531 319 00	Prime coated	/L	2	
(2)	991 531 320 00	Hinge	/R	2	
3	999 073 192 01	Hinge		2	
		Pan-head screw M 8 X 33			
4	991 537 151 00	Door arrester		2	
6	999 076 042 01	Hexagon nut M 6		4	
7	999 073 138 01	Round head screw M 8 X 25		2	
8	958 537 947 00	Cap		4	
		Hinge			
9	N 910 174 01	Countersunk-head screw M 8 X 22		4	
10	3C0 837 767 A	Catch bar		2	
11	WHT 003 688	Combination screw M 8 X 16		4	
12	991 537 831 00	Support	/L	1	
		Wing			
	991 537 831 00 1E0	Black			
(12)	991 537 832 00	Support	/R	1	
		Wing			
	991 537 832 00 1E0	Black			
(14)	8J1 837 015 E	Door lock	/LL /L	1	I098
(14)	8J1 837 016 E	Door lock	/LL /R	1	I098
(14)	8J2 837 015 E	Door lock	/RL /L	1	I099
(14)	8J2 837 016 E	Door lock	/RL /R	1	I099
15	991 537 319 00	Bowden cable		2	
		Door lock			
16	991 537 045 01	Cover	/LL	1	I098
		Door lock			
		Driver's side			
(16)	991 537 046 01	Cover	/RL	1	I099
		Door lock			
		Driver's side			
17	N 010 218 13	Hexagon-head bolt M 6 X 25		1	
18	999 084 212 03	Hexagon nut M 6		1	
19	9P1 837 111	Cover		1	
		Door frame			
	9P1 837 111 1E0	Black			
20	9P1 837 111 A	Cover		1	
		Emergency operation			
		Door frame			
	9P1 837 111 A 1E0	Black			

Model: 991G13

Model life 2013>>

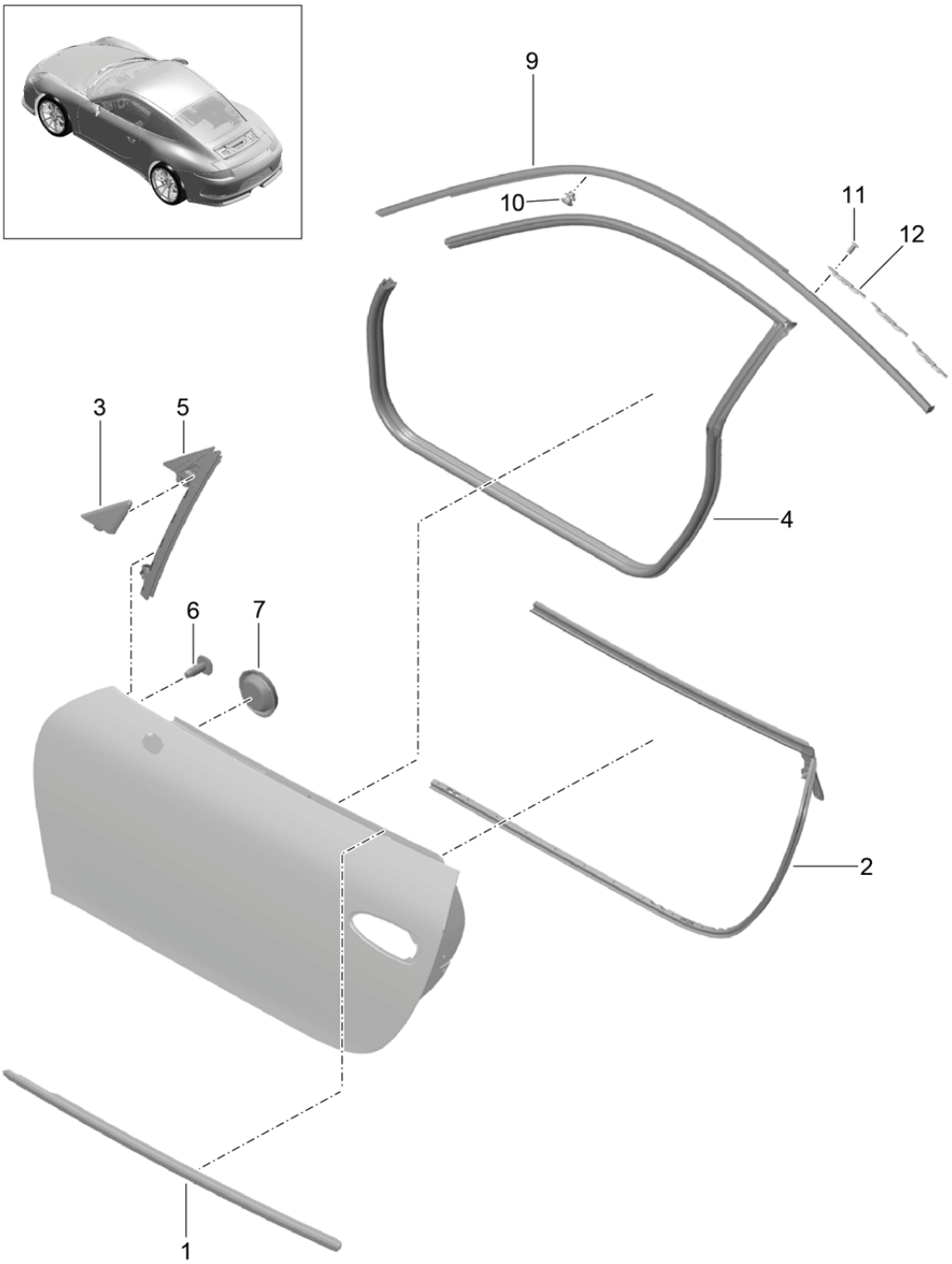


Model: 991G13 Model life 2013>>

Pos	Part Number	Description	Remark	Qty	Model
		Door seal And Moulding			GT3 / GT3 RS
1	991 537 085 01	Gasket	/L	1	
	991 537 085 01 03C	Door channel Outer			
(1)	991 537 086 01	Rally black Gasket	/R	1	
	991 537 086 01 03C	Door channel Outer			
2	991 537 377 00	Rally black Gasket	/L	1	
	991 537 378 00	Door channel Inner			
(2)	991 537 378 00	Gasket	/R	1	
	991 537 378 00	Door channel Inner			
-	999 911 201 40	Sealing strap 1000 X 10 X 3 MM		1	
3	991 537 551 03	Cover Outer	/L 14-	1	
	991 537 551 03 1E0	Black			
(3)	991 537 552 03	Cover Outer	/R 14-	1	
	991 537 552 03 1E0	Black			
4	991 537 075 04	Gasket	/L	1	
	991 537 076 04	Inner			
(4)	991 537 076 04	Gasket	/R	1	
	991 537 076 04	Inner			
5	991 537 431 02	Window guide	/L	1	
(5)	991 537 432 02	Window guide	/R	1	
6	999 073 333 09	Oval-head screw M6X16-SC		6	
7	999 703 543 40	Lid 25,0X35,0		1	
8	996 537 337 00	Protective film		4	
9	991 537 481 02	Moulding	/L	1	
	991 537 481 02 03C	Roof frame Lateral			
(9)	991 537 482 02	Rally black Moulding	/R	1	
	991 537 482 02 03C	Roof frame Lateral			
10	991 537 671 00	Rally black Clip		16	
11	N 907 878 02	Rivet AK3,2X6,5		12	
12	3D5 853 707 B	Retaining clip Water drain strip		6	

Model: 991G13

Model life 2013>>



Model: 991G13

Model life 2013>>

Pos	Part Number	Description	Remark	Qty	Model
		Door seal			911 R
		And			
		Moulding			
1	991 537 085 01	Gasket	/L	1	-I559
		Door channel			
		Outer			
	991 537 085 01 03C	Rally black			
(1)	991 537 085 02	Gasket	/L	1	I559
		Door channel			
		Outer			
	991 537 085 02 V09	Alushine			
(1)	991 537 086 01	Gasket	/R	1	-I559
		Door channel			
		Outer			
	991 537 086 01 03C	Rally black			
(1)	991 537 086 02	Gasket	/R	1	I559
		Door channel			
		Outer			
	991 537 086 02 V09	Alushine			
2	991 537 377 00	Gasket	/L	1	
		Door channel			
		Inner			
(2)	991 537 378 00	Gasket	/R	1	
		Door channel			
		Inner			
-	999 911 201 40	Sealing strap		1	
		1000 X 10 X 3 MM			
3	991 537 551 03	Cover	/L	1	
		Outer			
	991 537 551 03 1E0	Black			
(3)	991 537 552 03	Cover	/R	1	
		Outer			
	991 537 552 03 1E0	Black			
4	991 537 075 04	Gasket	/L	1	
		Inner			
(4)	991 537 076 04	Gasket	/R	1	
		Inner			
5	991 537 431 04	Window guide	/L	1	
(5)	991 537 432 04	Window guide	/R	1	
6	999 073 333 09	Oval-head screw		6	
		M6X16-SC			
7	999 703 543 40	Lid		1	
		25,0X35,0			
9	991 537 481 02	Moulding	/L	1	-I559
		Roof frame			
		Lateral			
	991 537 481 02 03C	Rally black			
(9)	991 537 481 03	Moulding	/L	1	I559
		Roof frame			
		Lateral			
	991 537 481 03 V09	Alushine			
(9)	991 537 482 02	Moulding	/R	1	-I559
		Roof frame			
		Lateral			
	991 537 482 02 03C	Rally black			
(9)	991 537 482 03	Moulding	/R	1	I559
		Roof frame			
		Lateral			
	991 537 482 03 V09	Alushine			
10	991 537 671 00	Clip		16	
11	N 907 878 02	Rivet		12	
		AK3,2X6,5			
12	3D5 853 707 B	Retaining clip		6	

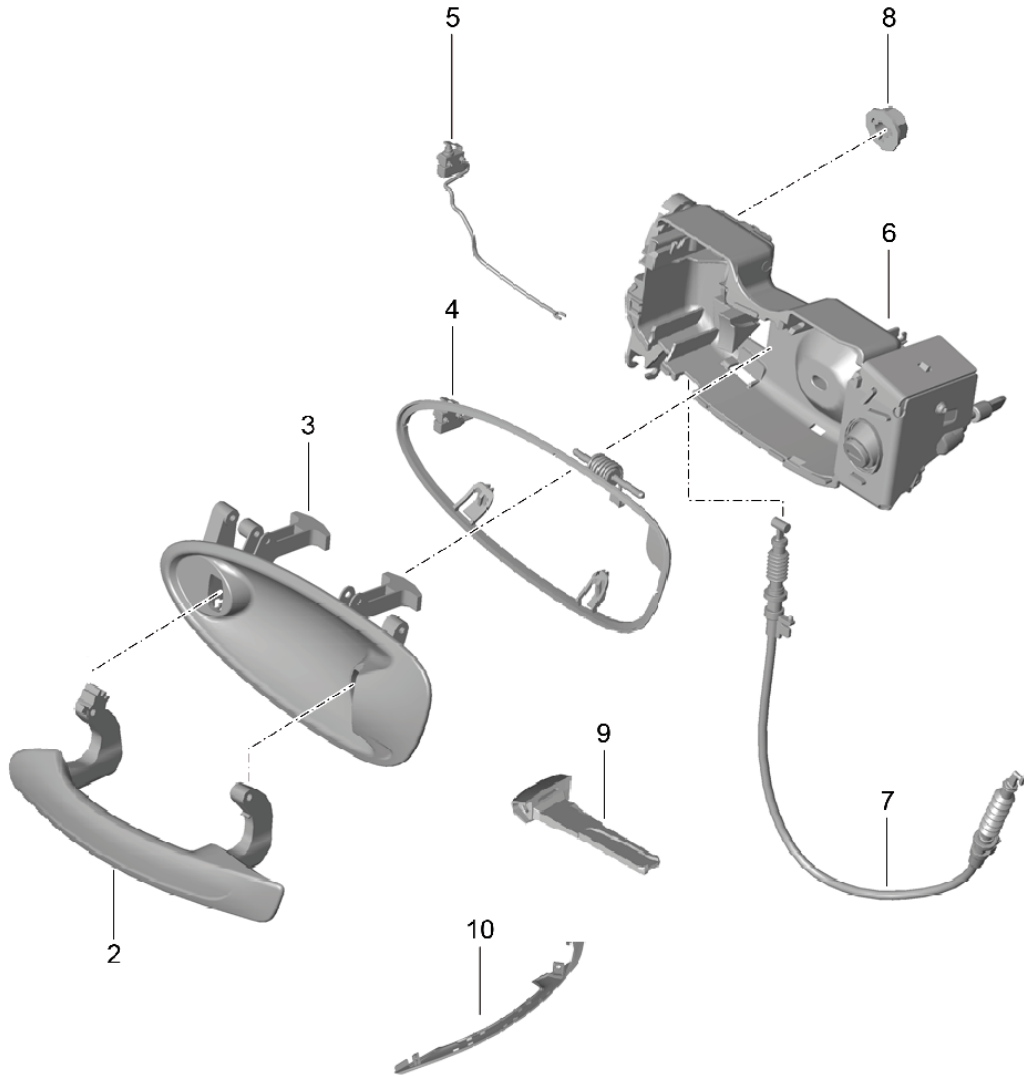
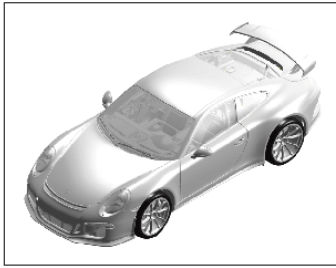
Model: 991G13

Model life 2013>>

Pos	Part Number	Description	Remark	Qty	Model
		Water drain strip			

Model: 991G13

Model life 2013>>



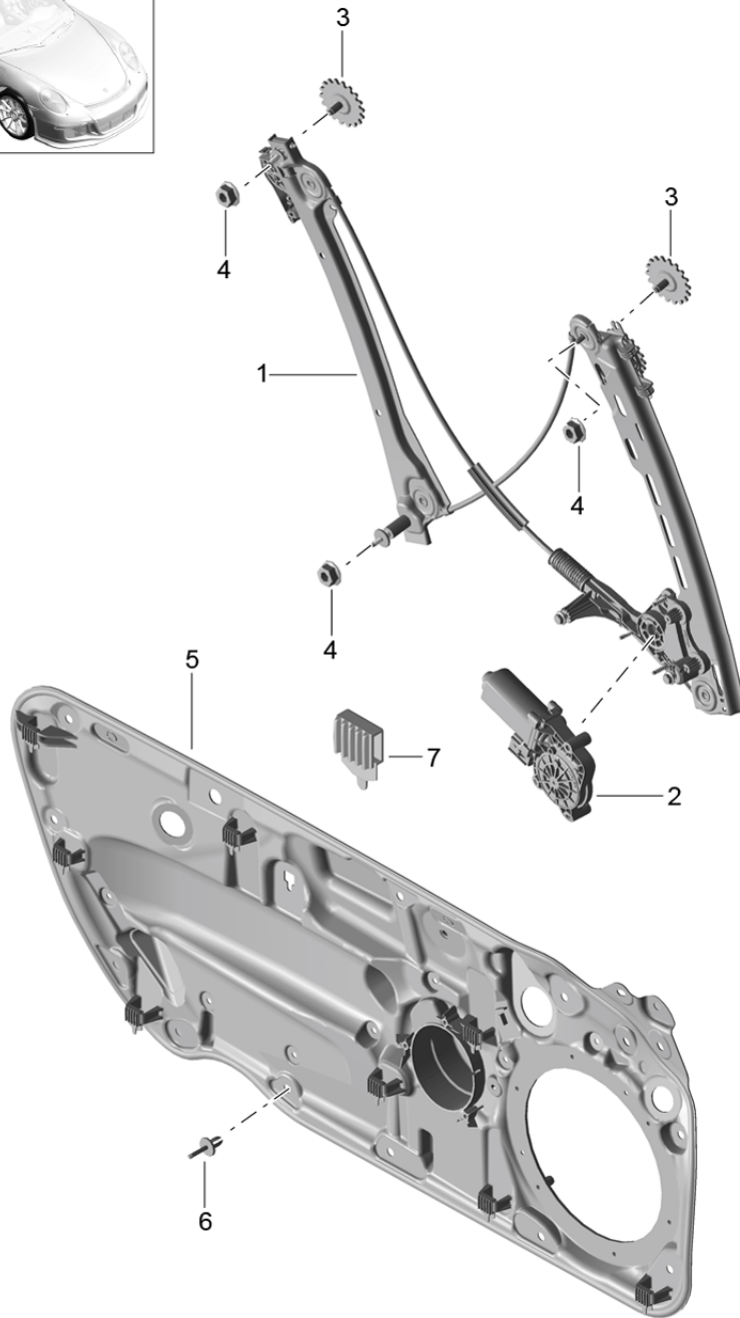
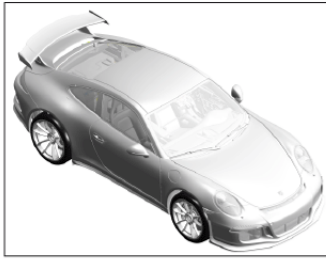
Model: 991G13

Model life 2013>>

Pos	Part Number	Description	Remark	Qty	Model
2	991 537 613 02	Door handle Door handle Basic Prime coated	/L	1	
(2)	991 537 614 02	Door handle Basic Prime coated	/R	1	
3	991 537 645 05	Handle liner Left Prime coated	/L	1	
(3)	991 537 646 05	Handle liner Right Prime coated	/R	1	
4	991 537 445 01	Assembly kit Left	/L	1	
4	991 537 445 02	Assembly kit Left	/L	1	
(4)	991 537 446 01	Assembly kit Right	/R	1	
(4)	991 537 446 02	Assembly kit Right	/R	1	
5	991 613 171 00	Microswitch Basic		1	
6	991 538 911 04	Support Outer door handle with Lock cylinder Vehicle Ident. No. Indicate	/LL /L	1	I098
(6)	991 537 064 05	Support Outer door handle without lock cylinder	/LL /R	1	I098
(6)	991 538 912 04	Support Outer door handle with Lock cylinder Vehicle Ident. No. Indicate	/RL /R	1	I099
(6)	991 537 063 05	Support Outer door handle without lock cylinder	/RL /L	1	I099
7	991 537 419 01	Bowden cable Outer door handle		2	
8	999 084 629 01	Hexagon nut M 6-SB		4	
9	958 538 916 00	Emergency key with stipulated lock number State lock number		X	

Model: 991G13

Model life 2013>>



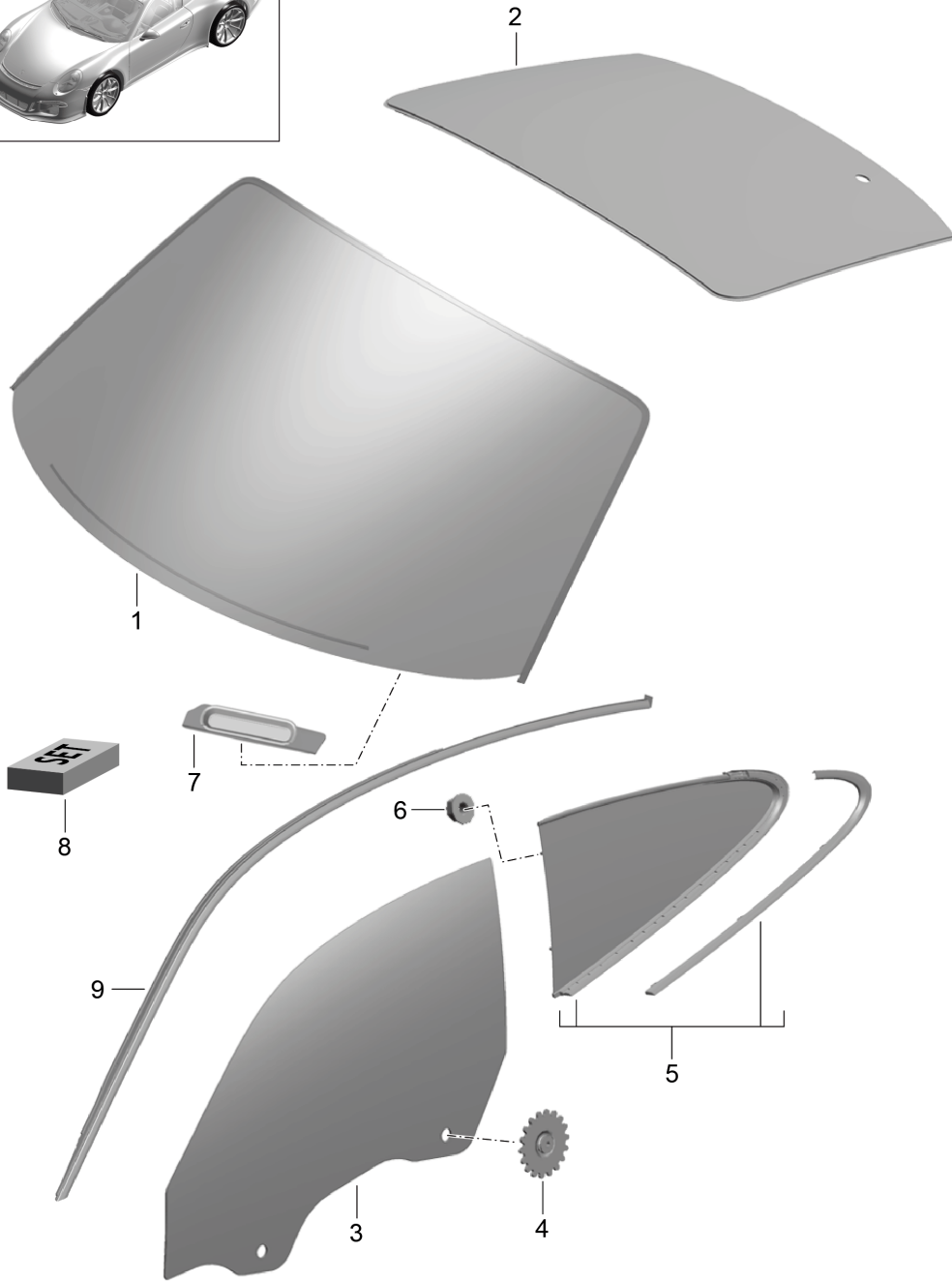
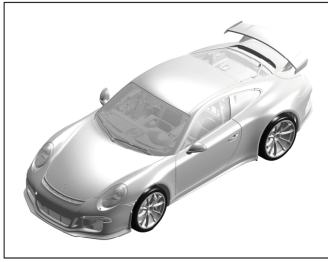
Model: 991G13

Model life 2013>>

Pos	Part Number	Description	Remark	Qty	Model
1	991 542 975 00	Power windows Power windows without Electric motor	/L -14	1	
1	991 542 975 01	Power windows without Electric motor	/L 15-	1	
(1)	991 542 976 00	Power windows without Electric motor	/R -14	1	
(1)	991 542 976 01	Power windows without Electric motor	/R 15-	1	
2	991 624 101 02	Electric motor Power windows	/L	1	
(2)	991 624 102 02	Electric motor Power windows	/R	1	
3	991 542 551 02	Mount Power windows		2	
4	900 377 018 09	Hexagon nut M 6		3	
5	991 537 221 01	Assembly frame	/L	1	
(5)	991 537 222 01	Assembly frame	/R	1	
6	999 591 525 40	Expansion rivet 7,0X14,2		13	
7	991 537 557 00	Rubber ply		8	

Model: 991G13

Model life 2013>>



Model: 991G13 Model life 2013>>

Pos	Part Number	Description	Remark	Qty	Model
1	991 541 911 00	window glazing Windscreen Use also: 000.043.305.35		1	-I440/I568
(1)	991 541 911 02	Windscreen Use also: 000.043.305.35		1	-I440/I567
(1)	991 541 911 04	Windscreen Use also: 000.043.305.35		1	I440/568
(1)	991 541 911 06	Windscreen Use also: 000.043.305.35		1	I440/567
2	991 545 911 00	Rear window Glass Use also: 000.043.305.35		1	-IXPL/-IXPR I426
(2)	991 545 911 03	Rear window Glass Use also: 000.043.305.35		1	IXPL/XPR/426
(2)		Rear window Glass Use also: 000.043.305.35		1	I075/426/553
(2)	991 545 111 90	Rear window Plastic material Use also: 000.043.305.35		1	-I075/-I553 I426
3		Side window Doors			
3	991 542 511 00	Door window glass	/L	1	
(3)	991 542 511 03	Door window glass	/L	1	
(3)	991 542 512 00	Door window glass	/R	1	
(3)	991 542 512 03	Door window glass	/R	1	
4	991 542 551 02	Mount Door window glass		1	
5		Rear window Left Right			
5	991 543 111 00	Rear window	/L	1	-IXPL
(5)	991 543 111 08	Rally black Rear window	/L	1	I553
(5)	991 543 111 08 03C	Rally black			
(5)	991 543 112 00	Rear window	/R	1	-IXPL
(5)	991 543 112 00 03C	Rally black			
(5)	991 543 112 08	Rear window	/R	1	I553
(5)	991 543 112 08 03C	Rally black			
(5)	991 543 111 03	Rear window	/L	1	IXPL
(5)	991 543 111 03 03C	Rally black			
(5)	991 543 112 03	Rear window	/R	1	IXPL
(5)	991 543 112 03 03C	Rally black			
(5)	991 543 111 91	Rear window	/L	1	-I553
(5)	991 543 111 91 03C	Rally black Plastic material			
(5)	991 543 112 91	Rear window	/R	1	-I553
(5)	991 543 112 91 03C	Rally black			
6	N 015 082 10	Hexagon nut M6 Mount		2	

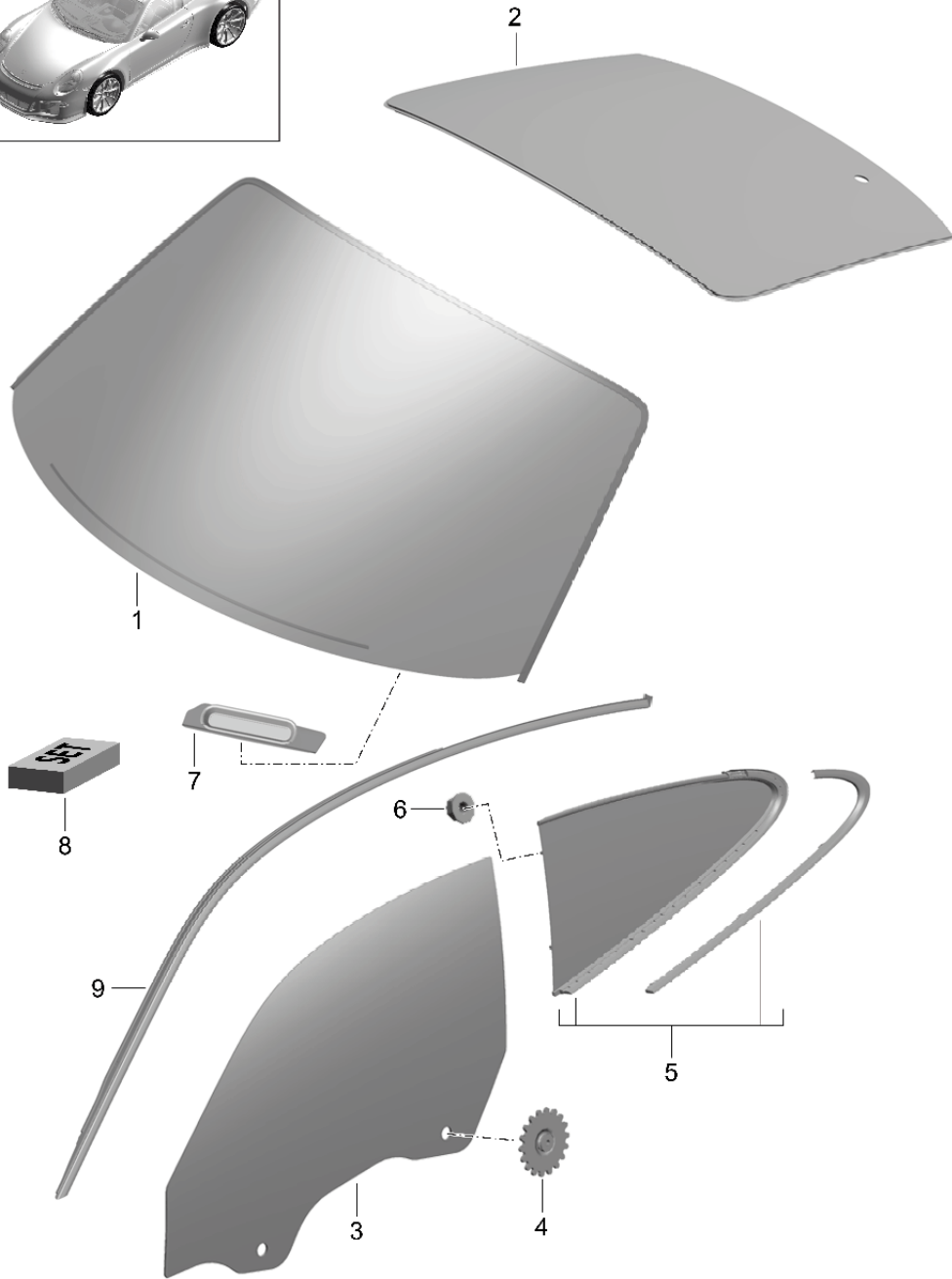
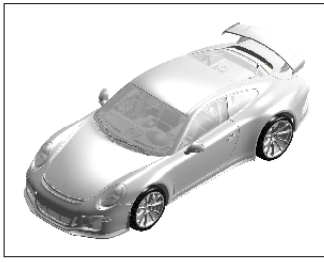
Model: 991G13

Model life 2013>>

Pos	Part Number	Description	Remark	Qty	Model
7	991 552 571 00	Rear window Support Chassis number		1	
8	000 043 301 14	Adhesive set		1	
(8)	000 043 303 19	Adhesive set window glazing		1	
9		Moulding See illustrations 8/04/10			

Model: 991G13

Model life 2013>>



Model: 991G13 Model life 2013>>

Pos	Part Number	Description	Remark	Qty	Model
1	9P1 845 011	window glazing Windscreen	17-	1	COUPE -IER5/IQU8 IQV0/568
(1)	9P1 845 011 A	without Camera Use also: 000.043.305.35 Windscreen		1	COUPE -IER5/IQU8 IQV0/567
(1)	9P1 845 011 B	without Camera Use also: 000.043.305.35 Windscreen		1	COUPE -IER5/IQU1 IQV1/QV3/567
(1)	9P1 845 011 C	without Camera Use also: 000.043.305.35 Windscreen		1	COUPE IER5/QU1/QV1 IQV3/568
(1)	9P1 845 011 D	without Camera Use also: 000.043.305.35 Windscreen		1	COUPE IER5/QU1/QV1 IQV3/567
2		without Camera Use also: 000.043.305.35 Rear window		1	
2	991 545 911 00	Rear window		1	-IXPL/-IXPR I426
(2)	991 545 911 03	Glass Use also: 000.043.305.35 Rear window		1	IXPL/XPR/426
(2)		Glass Use also: 000.043.305.35 Rear window		1	I075/426/553
(2)	991 545 111 90	Glass Use also: 000.043.305.35 Rear window		1	-I075/-I553 I426
3		Plastic material Use also: 000.043.305.35 Side window			
3	991 542 511 03	Doors Door window glass	/L	1	
(3)	991 542 512 03	Door window glass	/R	1	
4	991 542 551 04	Mount Power windows		2	
5		Rear window Left			

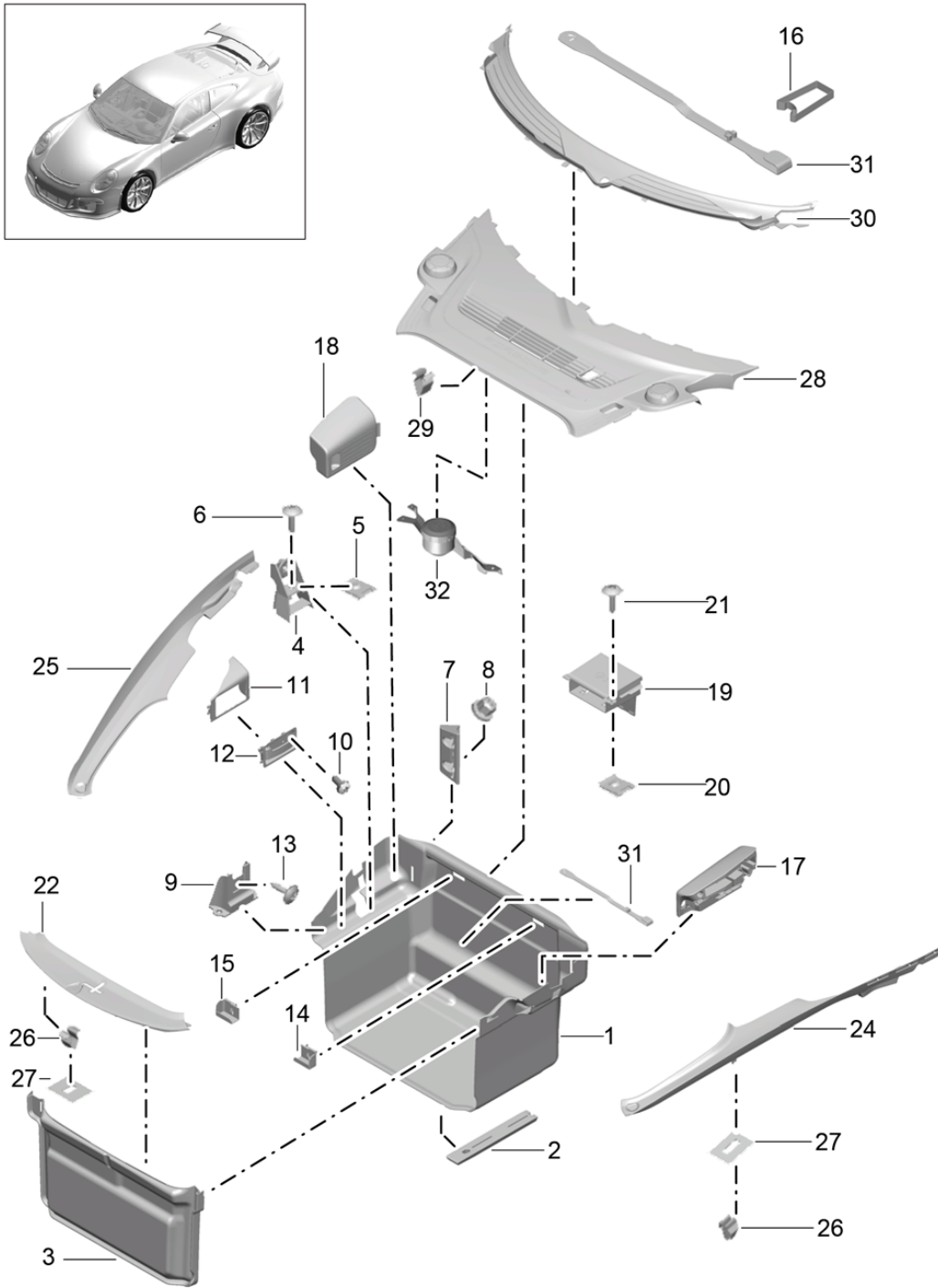
Model: 991G13

Model life 2013>>

Pos	Part Number	Description	Remark	Qty	Model
5	991 543 111 08	Right Rear window	/L	1	-IXPL
	991 543 111 08 03C	Rally black			
(5)	991 543 111 08	Rear window	/L	1	I553
	991 543 111 08 03C	Rally black			
(5)	991 543 112 08	Rear window	/R	1	-IXPL
	991 543 112 08 03C	Rally black			
(5)	991 543 112 08	Rear window	/R	1	I553
	991 543 112 08 03C	Rally black			
(5)	991 543 111 10	Rear window	/L	1	IXPL
	991 543 111 10 03C	Rally black			
(5)	991 543 112 10	Rear window	/R	1	IXPL
	991 543 112 10 03C	Rally black			
(5)	991 543 111 91	Rear window	/L	1	-I553
	991 543 111 91 03C	Rally black			
		Plastic material			
(5)	991 543 112 91	Rear window	/R	1	-I553
	991 543 112 91 03C	Rally black			
		Plastic material			
6	N 015 082 10	Hexagon nut M6 Mount		2	
7	991 552 571 00	Rear window Support		1	
8	000 043 305 35	Chassis number		1	
9		Adhesive set Moulding See illustrations 8/04/10		1	

Model: 991G13

Model life 2013>>



Model: 991G13 Model life 2013>>

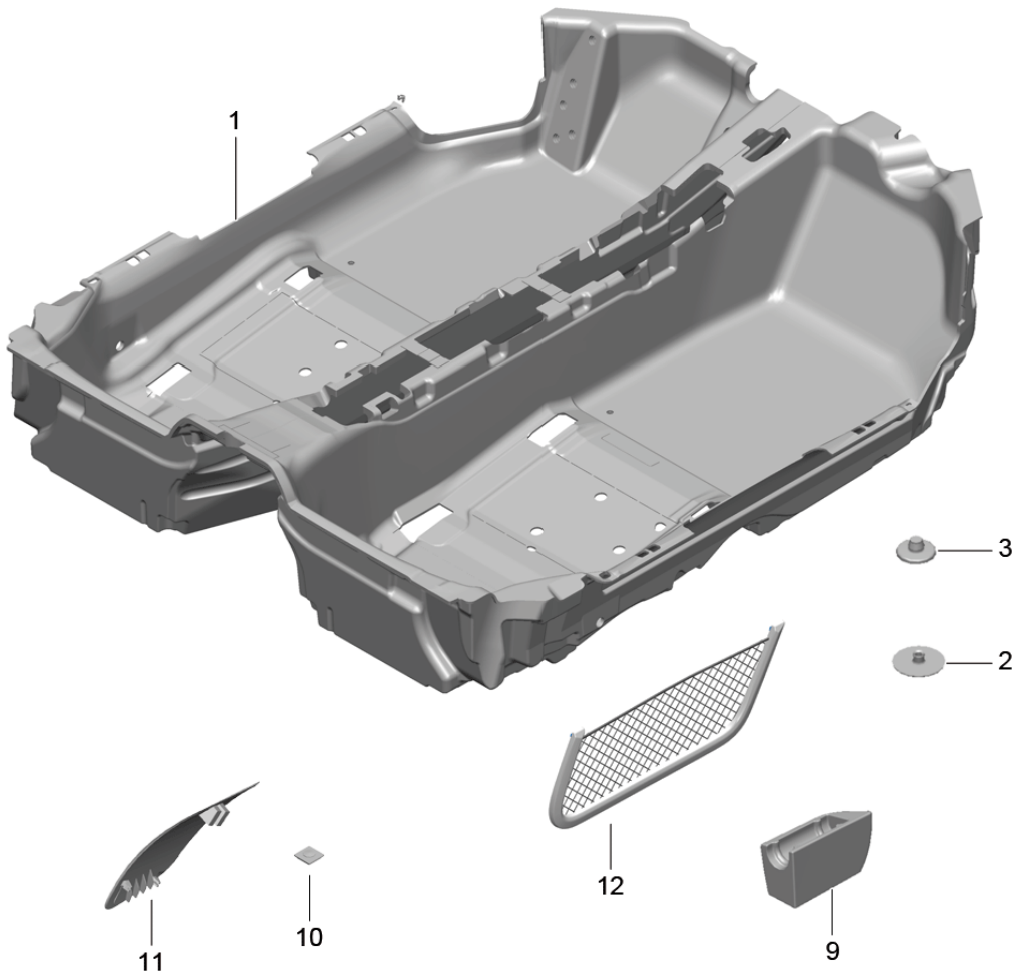
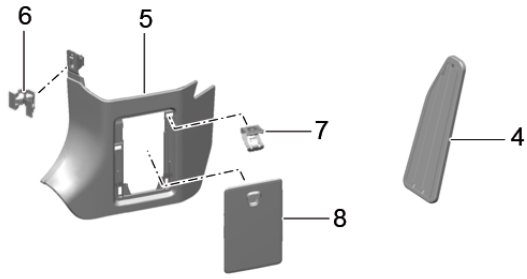
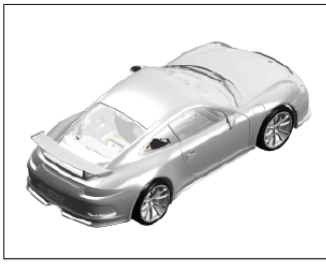
Pos	Part Number	Description	Remark	Qty	Model
1	991 551 045 15	Luggage compartment Lining		1	
(1)	991 551 045 15 A31	Lining			
	991 551 045 17	Luggage compartment liner Carpet		1	I193
	991 551 045 17 A31	Black			
2	991 551 420 01	Lining		5	
3	991 551 051 01	Luggage compartment liner Carpet		1	
	991 551 051 01 A31	Black			
4	991 551 825 00	Foam part		2	
		Luggage compartment liner			
5	999 591 348 01	Lining		2	
		Luggage compartment Front Carpet			
	991 551 051 01 A31	Black			
6	999 073 418 01	Support		2	
		Cover			
		Front			
		with			
		Rubber sleeve			
7	999 591 348 01	Speed nut		2	
		ST 4,8			
8	999 073 418 01	Tapping screw		2	
		4,8 X 19			
9	991 551 823 00	Support		2	
		Cover			
		Rear			
10	999 049 033 40	Plastic nut		4	
		T6 22 X 10,5			
11	991 551 801 00	Support		1	
		Warning triangle			
		Left			
	991 551 801 00 1E0	Black			
12	991 551 802 00	Support		1	
		Warning triangle			
		Right			
	991 551 802 00 1E0	Black			
(13)	999 507 294 40	Fastening screw		2	
		Clip			
		Support			
		Warning triangle			
14	997 551 741 00	Retaining strap		1	
15	991 551 421 04	First-aid kit		1	
		Cover			
		Tool			
	991 551 421 04 1E0	Black			
16	991 551 422 02	Cover		1	I553
		Bottle of tyre sealant			
	991 551 422 02 1E0	Black			
17	991 551 422 08	Cover		1	-I553
		Bottle of tyre sealant			
	991 551 422 08 1E0	Black			
18	991 555 575 02	Support		1	
		Compressor			
	991 555 575 02 1E0	Black			
19	999 591 348 01	Speed nut		2	
		ST 4,8			
20	999 073 418 01	Tapping screw		2	
		4,8 X 19			
21	991 555 411 00	Cover		1	
		Lock carrier			

Model: 991G13 Model life 2013>>

Pos	Part Number	Description	Remark	Qty	Model
24	991 555 411 00 1E0	Black	/L	1	
	991 555 465 03	Cover			
25	991 555 465 03 1E0	Wing strut	/R	1	
	991 555 466 03	Black			
26	991 555 466 03 1E0	Cover		5	
	999 507 047 01	Wing strut			
27	991 555 466 03 1E0	Clamp		5	
	999 209 084 40	Lining			
28	991 555 367 06	Spacer	/LL	1	I098
	991 555 367 06 1E0	20 X 25 X 05			
(28)	991 555 367 07	Cover	/RL	1	I099
	991 555 367 07 1E0	TECKNIK			
29	991 555 367 07 1E0	Black		2	
	999 507 839 01	Cover			
30	991 555 563 06	Clamp	/LL	1	I098
	991 555 563 06 1E0	Cover			
(30)	991 555 563 07	Cowl	/RL	1	I099
	991 555 563 07 1E0	Black			
31	991 555 539 00	Retaining strap		1	
	991 555 539 00	Cover			
32	991 551 645 00	Technology		1	
	991 551 645 00 1E0	Mounting			
	991 551 645 00 1E0	Central locking			
	991 551 645 00 1E0	Black			

Model: 991G13

Model life 2013>>



Model: 991G13 Model life 2013>>

Pos	Part Number	Description	Remark	Qty	Model
1	991 551 011 06	Carpet Linings Carpet	/LL	1	I098/703
(1)	991 551 011 06 GDE	Black			
(1)	991 551 011 07	Carpet Carpet	/RL	1	I099/703
(1)	991 551 011 07 GDE	Black			
(1)	991 551 011 14	Carpet Carpet	/LL	1	I098/581/703
(1)	991 551 011 14 GDE	Black			
(1)	991 551 011 15	Carpet Carpet	/RL	1	I099/581/703
(1)	991 551 011 15 GDE	Black			
(1)	991 551 011 18	Carpet	/LL	1	I098/388/389 I581/703
(1)	991 551 011 18 GDE	Carpet Black			
(1)	991 551 011 19	Carpet	/RL	1	I099/388/389 I581/703
(1)	991 551 011 19 GDE	Carpet Black			
(1)	991 551 011 22	Carpet	/LL	1	I098/388/389 I703
(1)	991 551 011 22 GDE	Carpet Black			
(1)	991 551 011 23	Carpet	/RL	1	I099/388/389 I703
2	991 551 011 23 GDE	Carpet Black			
3	955 551 227 02	Support Carpet		4	
3	955 551 229 02	Cap Carpet		4	
4	955 551 229 02 1E0	Black			
(4)	991 551 611 01	Cover Foot support	/LL	1	I098
(4)	991 551 611 01 1E0	Black			
(4)	991 551 612 01	Cover Foot support	/RL	1	I099
5	991 551 612 01 1E0	Black			
(5)	991 555 101 01	Lining Fusebox	/L	1	
(5)	991 555 101 01 A75	Black			
(5)	991 555 102 01	Lining Fusebox	/R	1	
6	991 555 102 01 A75	Black			
6	999 507 533 02	Clamp 8,0 X 10,0		2	
7	999 507 552 01	Spring clamp 9,0 X 13,0		4	
8	991 555 621 02	Lid Lining Fusebox	/L	1	
(8)	991 555 621 02 1E0	Black			
(8)	991 555 622 02	Lid Lining Fusebox	/R	1	
9	991 555 622 02 1E0	Black			
9	991 555 718 00	Support Warning light		1	I193
10	999 902 059 40	Retaining strap Fusebox		2	

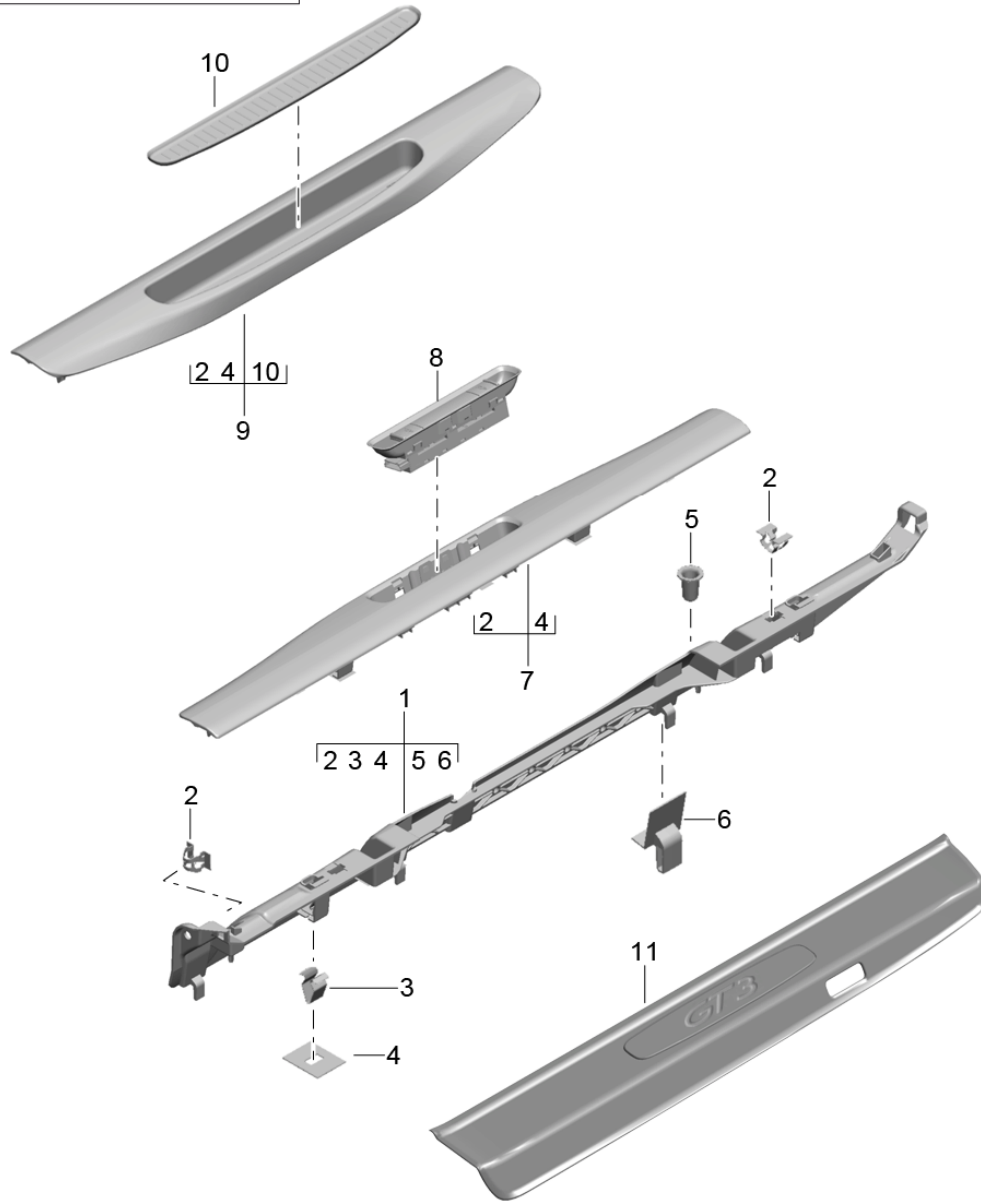
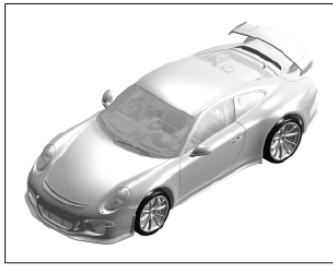
Model: 991G13

Model life 2013>>

Pos	Part Number	Description	Remark	Qty	Model
(11)	991 551 173 80	A-pillar Cover Mount Seat belt Rear		1	
(11)	991 551 174 80	Cover Mount Seat belt Rear		1	
12	981 551 547 00	Luggage net Tunnel		1	
	981 551 547 00 1E0	Black			
(12)	981 551 548 00	Luggage net Tunnel	14-	1	
	981 551 548 00 1E0	Black			
-	991 722 115 80	Fire extinguisher with Support		1	I003

Model: 991G13

Model life 2013>>



Model: 991G13 Model life 2013>>

Pos	Part Number	Description	Remark	Qty	Model
1	991 555 619 03	Lining Door sill Support	/L	1	
(1)	991 555 620 03	Door sill Support	/R	1	
2	999 507 533 02	Door sill Clamp 8,0 X 10		6	
3	999 507 839 01	Clamp 3,5		X	
4	999 209 084 40	Spacer 20 X 25 X 0,5		X	
5	997 555 857 00	Grommet Clip		4	
6	991 555 889 01	Grommet		8	
7	991 555 119 04	Lining Door sill Driver's side		1	I098
(7)	991 555 119 04 1E0	Black			
(7)	991 555 019 04	Lining Door sill Completed	/LL	1	I098
(7)	991 555 019 04 1E0	Black			+28,+68,+78
(7)	991 555 020 03	Lining Door sill Completed	/RL	1	I099
(7)	991 555 020 03 1E0	Black			+28,+68,+78
(7)	991 555 985 01	Lining Door sill Driver's side Inner Leather	/LL	1	IXTG/098/981
(7)	991 555 985 01 DPE	Black/Platinum Grey			+78
(7)	991 555 985 01 DRK	Black/Guards Red			+68
(7)	991 555 985 01 DPI	Black/Racing Yellow			+58
(7)	991 555 986 01	Lining Door sill Driver's side Inner Leather	/RL	1	IXTG/099/981
8	991 555 986 01 DPE	Black/Platinum Grey			+78
8	991 555 986 01 DRK	Black/Guards Red			+68
8	991 555 986 01 DPI	Black/Racing Yellow			+58
8		Tip switch See illustrations 9/03/05		1	
9	991 555 122 04	Lining Door sill Passenger's side with Clip	/LL	1	-IXTG/I098
(9)	991 555 122 04 1E0	Black			
(9)	991 555 121 00	Lining Door sill Passenger's side with Insert And Clip	/RL	1	-IXTG/I099
(9)	991 555 121 00 1E0	Black			
(9)	991 555 988 01	Lining Door sill Passenger's side	/LL	1	IXTG/098/981

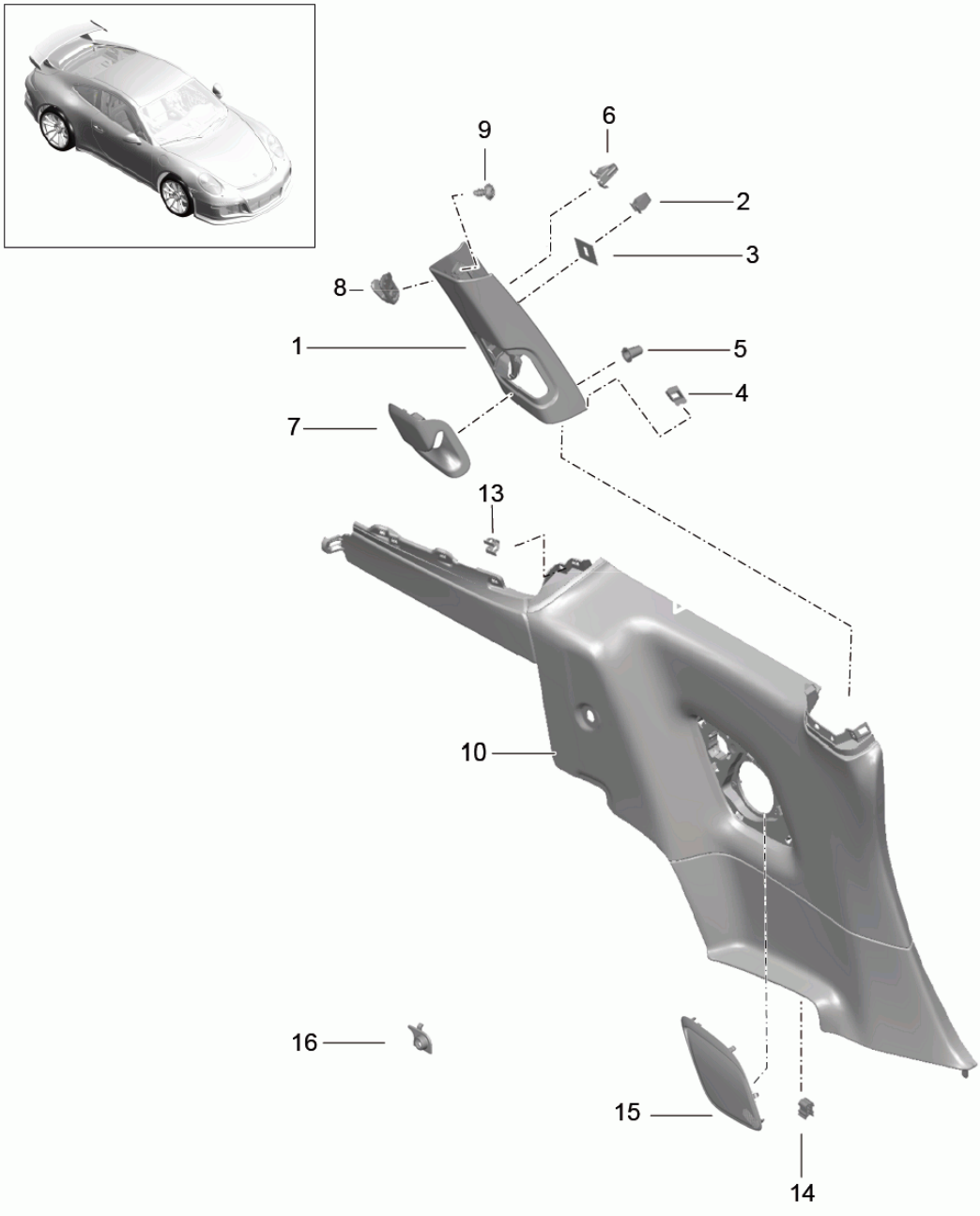
Model: 991G13

Model life 2013>>

Pos	Part Number	Description	Remark	Qty	Model
(9)	991 555 988 01 DPE	Inner Leather Black/Platinum Grey	/RL	1	+78
	991 555 988 01 DRK	Black/Guards Red			+68
	991 555 988 01 DPI	Black/Racing Yellow			+58
	991 555 987 01	Lining Door sill Passenger's side Inner Leather			IXTG/099/981
10	991 555 987 01 DPE	Black/Platinum Grey		1	+78
	991 555 987 01 DRK	Black/Guards Red			+68
	991 555 987 01 DPI	Black/Racing Yellow			+58
	991 555 613 00	Insert Lining			
11		Door sill Scuff plate Door sill See illustrations 8/07/55		1	

Model: 991G13

Model life 2013>>



Model: 991G13 Model life 2013>>

Pos	Part Number	Description	Remark	Qty	Model
1	991 555 183 09	Side trim panel B-pillar Lining	/L	1	
(1)	991 555 183 09 DK4	Black			
(1)	991 555 183 10	Lining B-pillar Alcantara	/L	1	
(1)	991 555 183 10 2W0	Black			
(1)	991 555 184 09	Lining B-pillar	/R	1	
(1)	991 555 184 09 DK4	Black			
(1)	991 555 184 10	Lining B-pillar Alcantara	/R	1	
	991 555 184 10 2W0	Black			
2	999 507 839 01	Clamp 3,5		1	
3	999 209 084 40	Spacer 25 X 20 X 5		1	
4	991 555 883 00	Grommet		1	
5	997 555 857 00	Grommet		3	
6	5N0 880 385	Clip		1	
7	991 555 527 00	Airbag Rosette Seat belt B-pillar	/L	1	
(7)	991 555 527 00 1E0	Black			
	991 555 528 00	Rosette Seat belt B-pillar	/R	1	
	991 555 528 00 1E0	Black			
8	958 555 635 01	Coat hook		2	
	958 555 635 01 82V	Titanium Black			
9	999 919 286 01	Oval-head screw 5,0 X 10,0		2	
10	991 555 071 24	Side trim panel	/L	1	
(10)	991 555 071 24 DK4	Black			
(10)	991 555 072 24	Side trim panel	/R	1	
(10)	991 555 072 24 DK4	Black			
	991 555 071 22	Side trim panel	/L	1	I981
	991 555 071 22 DPE	Black/Platinum Grey			
	991 555 071 22 DRK	Black/Guards Red			
	991 555 071 22 DSL	Black/Silver			
(10)	991 555 071 22 RAW	Black/Lava Orange			
	991 555 072 22	Side trim panel	/R	1	I981
	991 555 072 22 DPE	Black/Platinum Grey			
	991 555 072 22 DRK	Black/Guards Red			
	991 555 072 22 DSL	Black/Silver			
(10)	991 555 072 22 RAW	Black/Lava Orange			
(10)	991 555 071 23	Side trim panel	/L	1	I582/587/595
	991 555 071 23 DK4	Black			
(10)	991 555 072 23	Side trim panel	/R	1	I582/587/595
	991 555 072 23 DK4	Black			
13	999 507 533 02	Clamp 8,0 X 10,0		3	
14	991 555 875 00	Rubber ply		8	
15	991 555 049 00	Loudspeaker grille	/L	1	
(15)	991 555 049 00 1E0	Black			
	991 555 050 00	Loudspeaker grille	/R	1	
	991 555 050 00 1E0	Black			
16	991 555 701 02	Rosette Bearing bracket	/L	1	

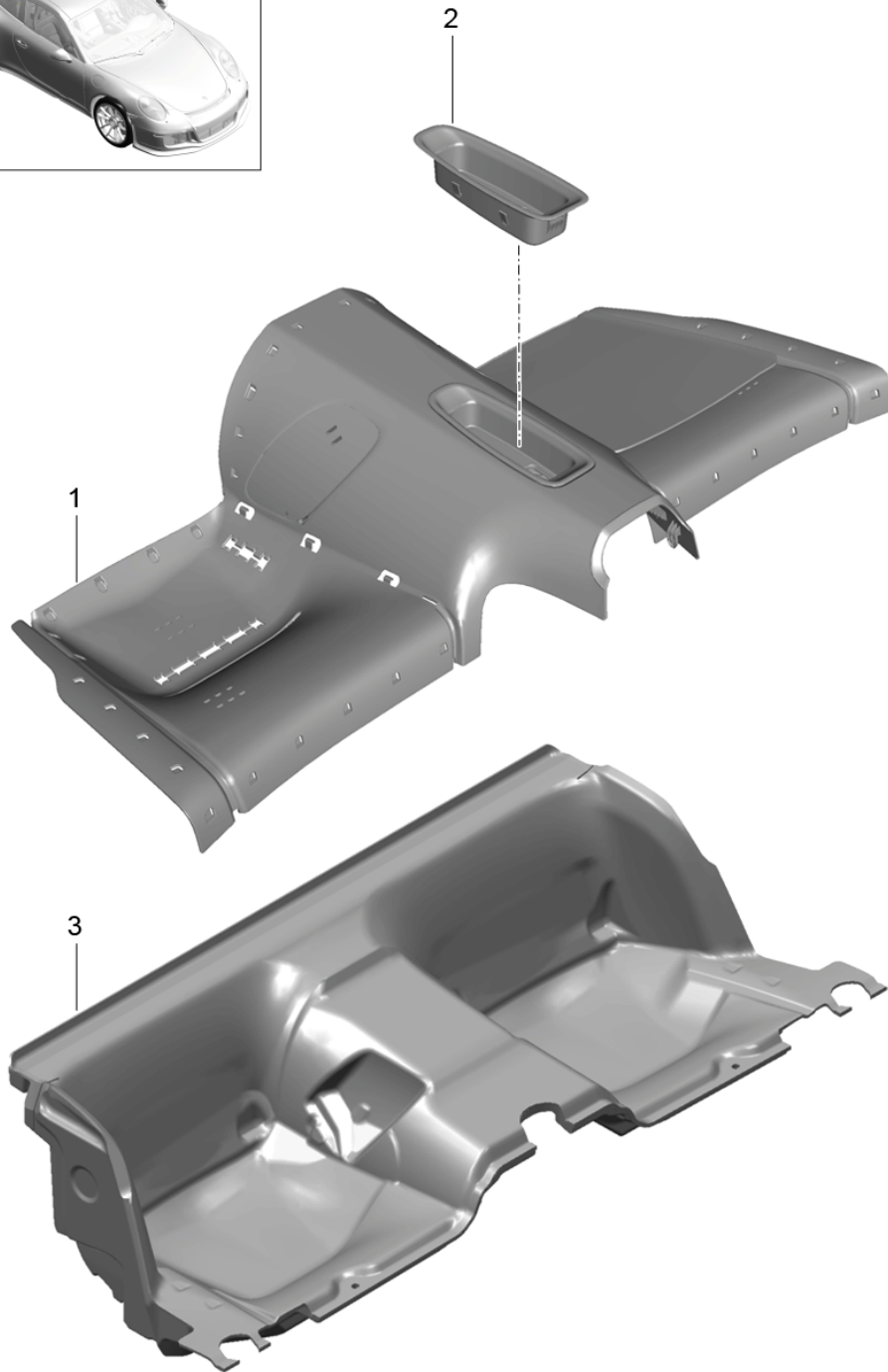
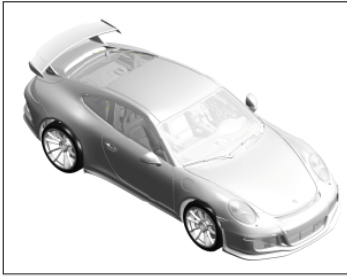
Model: 991G13

Model life 2013>>

Pos	Part Number	Description	Remark	Qty	Model
(16)	991 555 701 02 1E0	Backrest Black			
	991 555 702 02	Rosette	/R	1	
		Bearing bracket			
		Backrest			
	991 555 702 02 1E0	Black			

Model: 991G13

Model life 2013>>

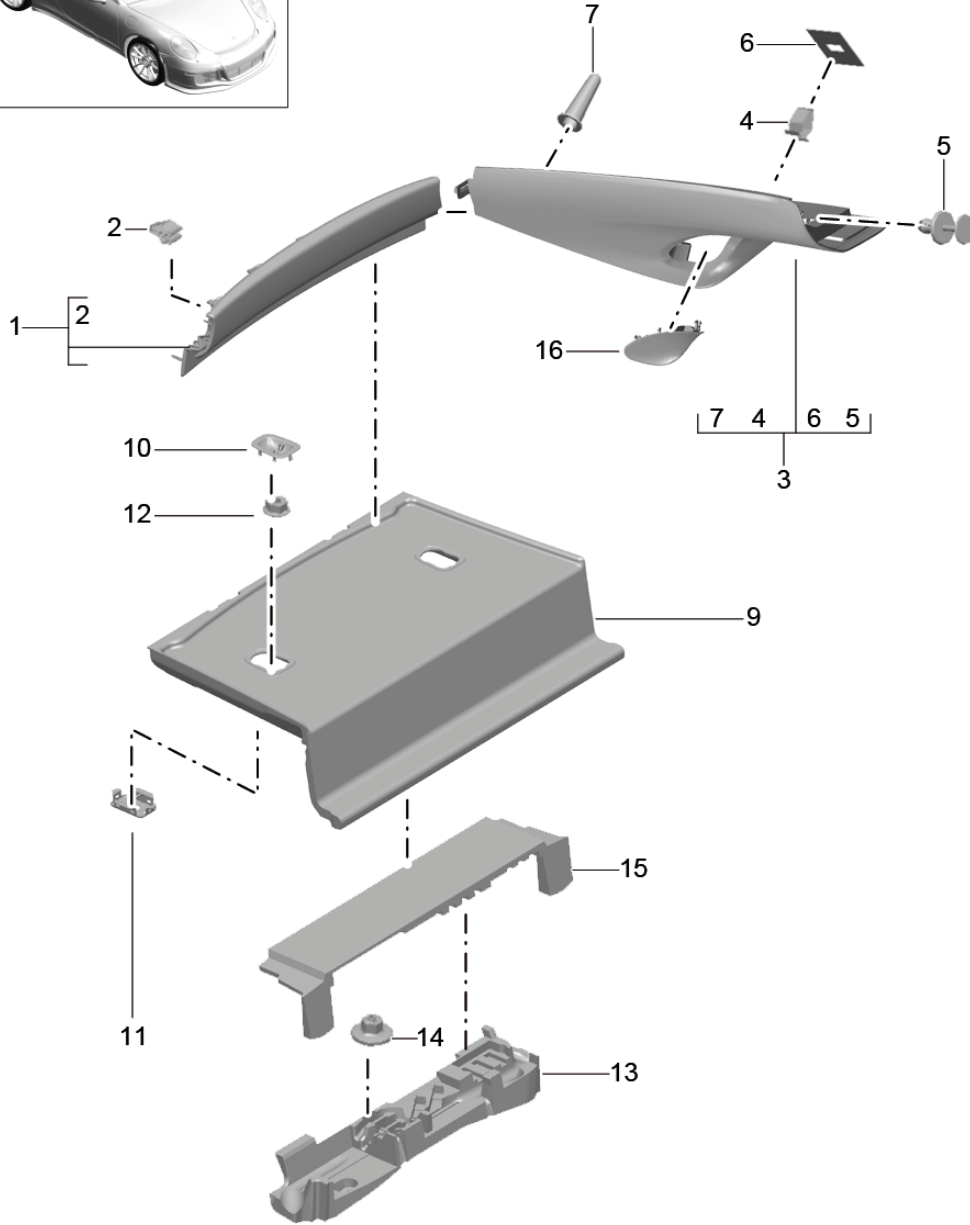
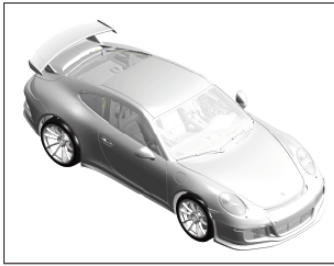


Model: 991G13 Model life 2013>>

Pos	Part Number	Description	Remark	Qty	Model
1	991 551 055 80	Cover Seat well Rear		1	I703
	991 551 055 80 RAO	Black/Platinum Grey			+28,+78
	991 551 055 80 RAP	Black/Guards Red			+68
(1)	991 551 055 81	Cover Seat well Rear		1	I003
	991 551 055 81 RAO	Black/Platinum Grey			+28,+78
	991 551 055 81 RAP	Black/Guards Red			+68
(1)	991 551 055 82	Cover Seat well Rear		1	I703
	991 551 055 82 RAV	Black/Silver			+29,+79,+59
	991 551 055 82 RAU	Black/Lava Orange			+18,+69,+49
(1)	991 551 055 83	Cover Seat well Rear		1	I003
	991 551 055 83 RAV	Black/Silver			+29,+79,+59
	991 551 055 83 RAU	Black/Lava Orange			+18,+69,+49
(1)	991 551 055 84	Cover Seat well Rear		1	
	991 551 055 84 A75	Black			
2	991 551 247 80	Shelf Seat well		1	
	991 551 247 80 1E0	Black			
3	991 551 017 81	Cover Seat well		1	I003/703
	991 551 017 81 A75	Black			

Model: 991G13

Model life 2013>>

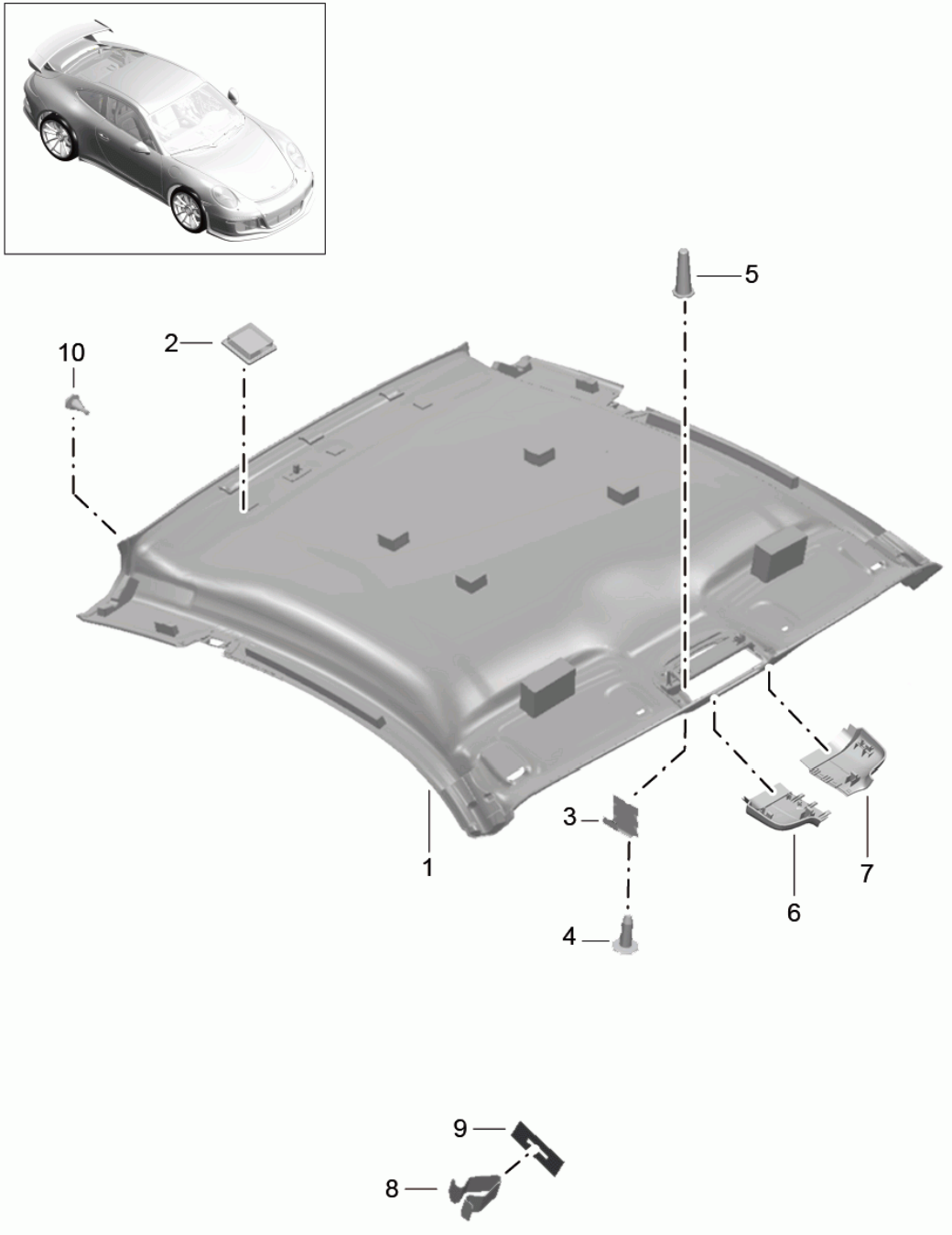


Model: 991G13 Model life 2013>>

Pos	Part Number	Description	Remark	Qty	Model
1	991 555 093 04	Linings Rear C-pillar Lining Rear wall Carpet		1	I426
	991 555 093 04 A75	Black			
2	999 507 130 01	U-clamp		7	
3	991 555 187 03	Lining C-pillar Alcantara	/L	1	I594
	991 555 187 03 2W0	Black			
(3)	991 555 188 03	Lining C-pillar Alcantara	/R	1	I594
	991 555 188 03 2W0	Black			
4	999 507 839 01	Clamp 3,5		2	
5	N 107 009 01	Expansion rivet		1	
6	999 209 084 40	Spacer 25 X 20 X 25		2	
7	996 555 857 00	Grommet		3	
9	991 551 031 02	Lining Rear Carpet		1	I703
	991 551 031 02 A75	Black			
(9)	991 551 031 82	Lining Rear Carpet		1	I003
	991 551 031 82 A75	Black			
10	991 551 587 02	Cover Lining		2	
	991 551 587 02 1E0	Black			
	991 551 587 02 6L0	Platinum Grey			
11	991 551 585 02	Support Cover		2	
12	N 015 082 13	Hexagon nut M 6		4	
13	991 551 581 01	Foam part Control units		1	
14	999 049 032 40	Plastic nut T6 /22 X 10,5		2	
15	991 551 583 01	Cover Foam part		1	
16	991 555 565 01	Trim cover Lining C-pillar	/L	1	
	991 555 565 01 1E0	Black			
(16)	991 555 566 01	Trim cover Lining C-pillar	/R	1	
	991 555 566 01 1E0	Black			

Model: 991G13

Model life 2013>>



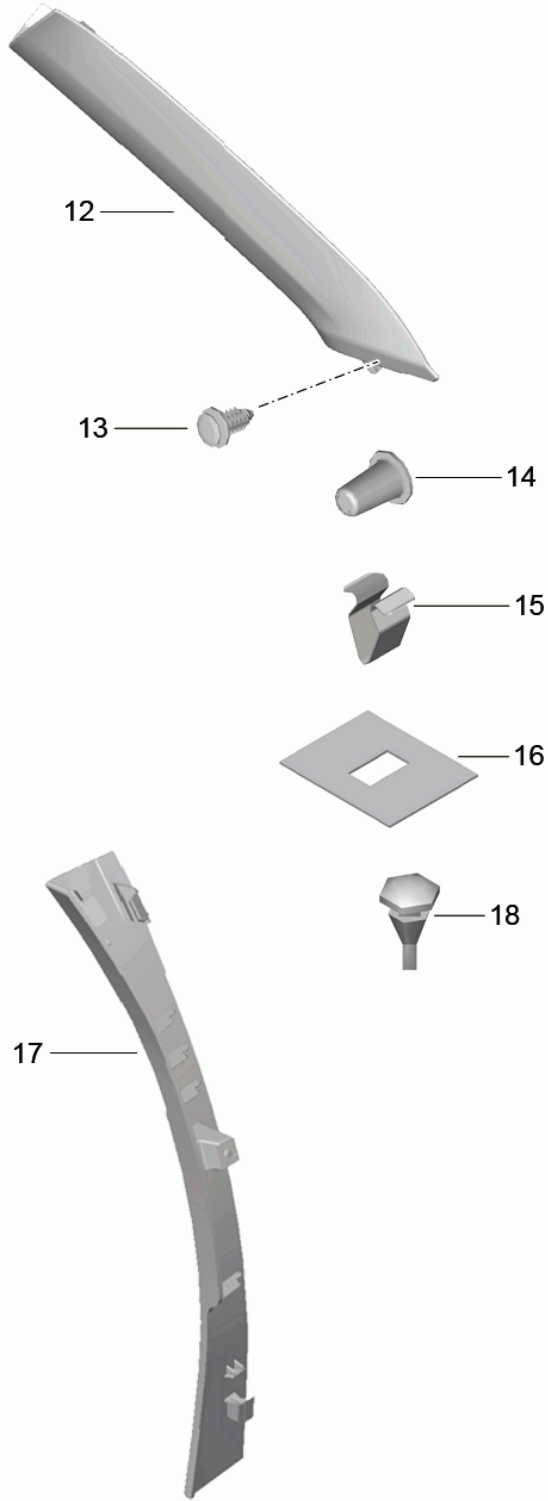
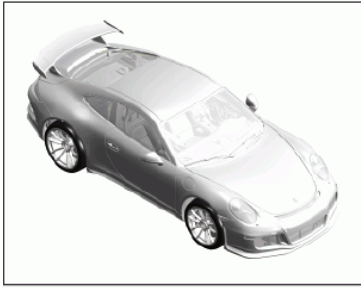
Model: 991G13

Model life 2013>>

Pos	Part Number	Description	Remark	Qty	Model
1	991 555 091 12	Rooflining Rooflining Alcantara without Sunroof		1	I594/652
1	991 555 091 12 2W0 991 555 091 20	Black Rooflining Alcantara without Sunroof		1	I594/652
2	991 555 091 20 2W0 7PP 867 300	Black Velcro fastener		3	
3	958 731 633 00	Clamp		2	
4	999 073 339 09	Tapping screw ST 4,2 X 13		2	
5	996 555 857 00	Grommet		X	
6	991 555 525 00	Cover GPS-ANTENNE Left		1	
7	991 555 525 00 1E0 991 555 526 00	Black Cover GPS-ANTENNE Right		1	
8	991 555 526 00 1E0 999 507 839 01	Black Clamp 3,5		X	
9	999 209 084 40	Spacer 25 X 20 X 0,5		X	
10	999 703 041 40	Rubber buffer 4 X 6 X 9,3		X	

Model: 991G13

Model life 2013>>



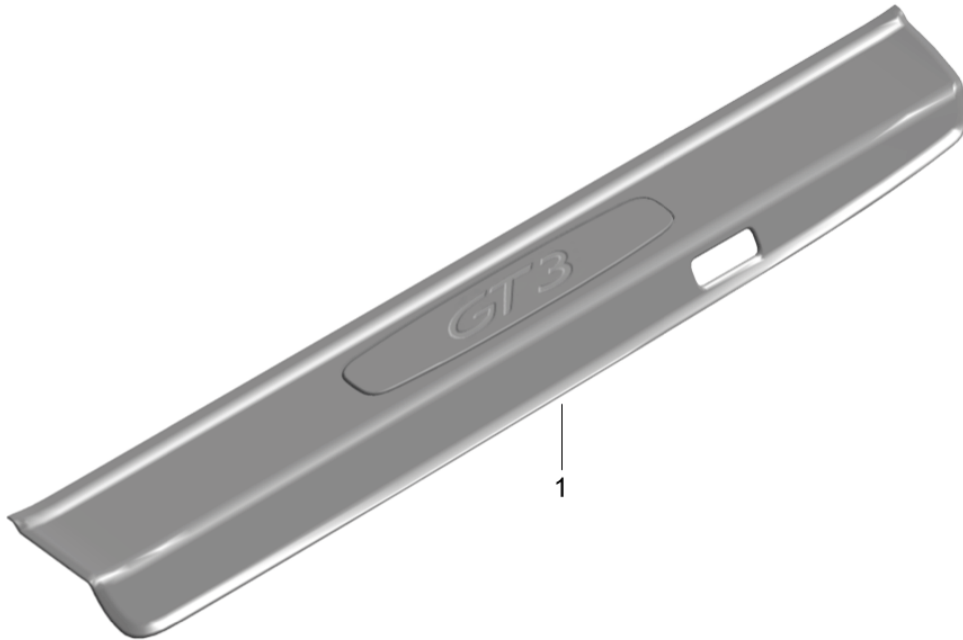
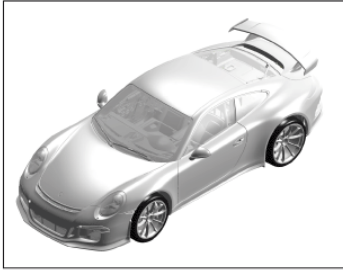
Model: 991G13

Model life 2013>>

Pos	Part Number	Description	Remark	Qty	Model
12	991 555 181 09	A-pillar Linings Lining A-pillar slush technology	/L	1	-I981
(12)	991 555 181 09 DK4 991 555 182 09	Black Lining A-pillar slush technology	/R	1	-I981
(12)	991 555 182 09 DK4 991 555 182 08	Black Lining A-pillar Alcantara	/R	1	I981
(12)	991 555 182 08 2W0 991 555 181 08	Black Lining A-pillar Alcantara	/L	1	I981
	991 555 181 08 2W0	Black Information available			
13	999 507 195 40	Expanding spring 10,7 X 26,4		2	
14	997 555 857 00	Grommet		2	
15	999 507 839 01	Clamp 3,5		4	
16	999 209 084 40	Spacer 25 X 20 X 0,5		4	
17	991 555 185 01	Lining A-pillar Lower	/L	1	
(17)	991 555 185 01 1E0 991 555 186 01	Black Lining A-pillar Lower	/R	1	
18	991 555 186 01 1E0 999 703 041 40	Black Rubber buffer 4 X 6 X 9,3		2	

Model: 991G13

Model life 2013>>



Model: 991G13 Model life 2013>>

Pos	Part Number	Description	Remark	Qty	Model
1	991 555 303 29	Scuff plate Door sill Lining Door sill See illustrations 8/07/15 Scuff plate	/L	1	-IXXB/-IXXD -IX69
(1)	991 555 303 29 1E0 991 555 981 49	Door sill Logo GT3 Black Scuff plate Door sill Stainless steel Illumination Logo GT3	/L -14	1	IXXB
(1)	991 555 981 49 1E0 991 555 981 90	Black Scuff plate Door sill Stainless steel Illumination Logo GT3	/L 15-	1	IXXB
(1)	991 555 981 90 1E0 991 555 981 92	Black Scuff plate Door sill Stainless steel Illumination Logo GT3	/L	1	IXXB
(1)	991 555 981 92 1E0 991 555 981 51	Black Scuff plate Door sill Carbon, fine high-gloss Illumination Logo GT3	/L -14	1	IXXD
(1)	991 555 981 51 1E0 991 555 981 91	Black Scuff plate Door sill Carbon, fine high-gloss Illumination Logo GT3	/L 15-	1	IXXD
(1)	991 555 981 91 1E0 991 555 981 93	Black Scuff plate Door sill Carbon, fine high-gloss Illumination Logo GT3 RS	/L	1	IXXD
(1)	991 555 981 93 1E0 991 555 981 50	Black Scuff plate Door sill Carbon, fine high-gloss Logo GT3	/L	1	IX69
(1)	991 555 981 50 1E0 991 555 981 52	Black Scuff plate Door sill Carbon, fine high-gloss	/L	1	IX69

Model: 991G13 Model life 2013>>

Pos	Part Number	Description	Remark	Qty	Model
(1)	991 555 981 52 1E0 991 555 304 29	Logo GT3 RS Black Scuff plate	/R	1	-IXXB/-IXXD -IX69
(1)	991 555 304 29 1E0 991 555 982 49	Door sill Logo GT3 Black Scuff plate	/R -14	1	IXXB
(1)	991 555 982 49 1E0 991 555 982 90	Door sill Logo GT3 Black Scuff plate	/R 15-	1	IXXB
(1)	991 555 982 90 1E0 991 555 982 92	Door sill Stainless steel Illumination Logo GT3 Black Scuff plate	/R	1	IXXB
(1)	991 555 982 92 1E0 991 555 982 51	Door sill Stainless steel Illumination Logo GT3 RS Black Scuff plate	/R -14	1	IXXD
(1)	991 555 982 51 1E0 991 555 982 91	Door sill Carbon, fine high-gloss Illumination Logo GT3 Black Scuff plate	/R 15-	1	IXXD
(1)	991 555 982 91 1E0 991 555 982 93	Door sill Carbon, fine high-gloss Illumination Logo GT3 RS Black Scuff plate	/R	1	IXXD
(1)	991 555 982 93 1E0 991 555 982 50	Door sill Carbon, fine high-gloss Logo GT3 Black Scuff plate	/R	1	IX69
(1)	991 555 982 50 1E0 991 555 982 52	Door sill Carbon, fine high-gloss Logo GT3 RS Black Scuff plate	/R	1	IX69
(1)	991 555 982 52 1E0 991 555 981 99	Door sill Logo GT3 RS Black Scuff plate	/L	1	-IXXD

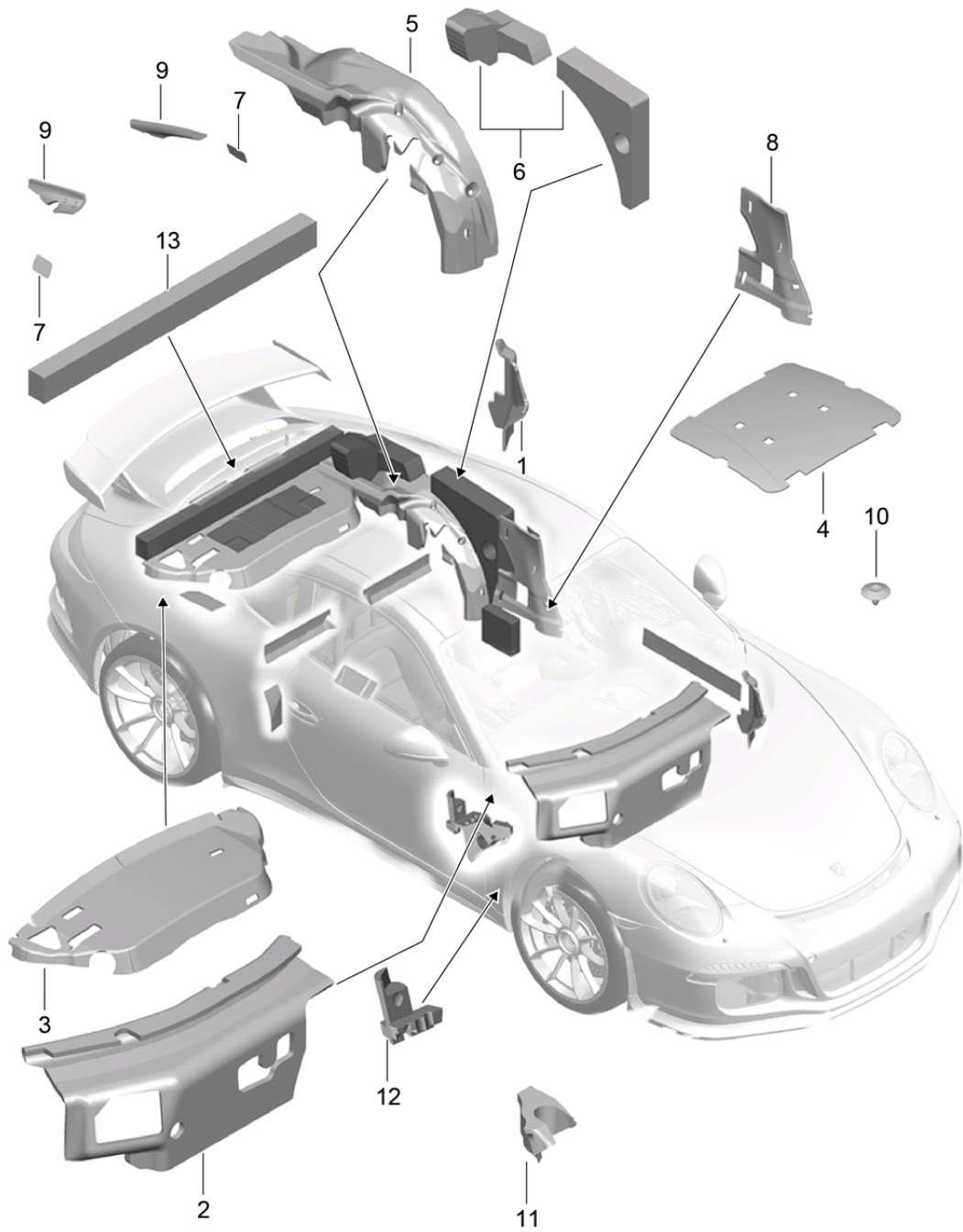
Model: 991G13

Model life 2013>>

Pos	Part Number	Description	Remark	Qty	Model
(1)	991 555 981 99 1E0 991 555 981 A0	Carbon, fine high-gloss Logo 911 R Black Scuff plate Door sill Carbon, fine high-gloss Illumination Logo 911 R	/L	1	IXXD
(1)	991 555 981 A0 1E0 991 555 982 99	Black Scuff plate Door sill Carbon, fine high-gloss Logo 911 R	/R	1	-IXXD
(1)	991 555 982 99 1E0 991 555 982 A0	Black Scuff plate Door sill Carbon, fine high-gloss Illumination Logo 911 R	/R	1	IXXD
	991 555 982 A0 1E0	Black			

Model: 991G13

Model life 2013>>

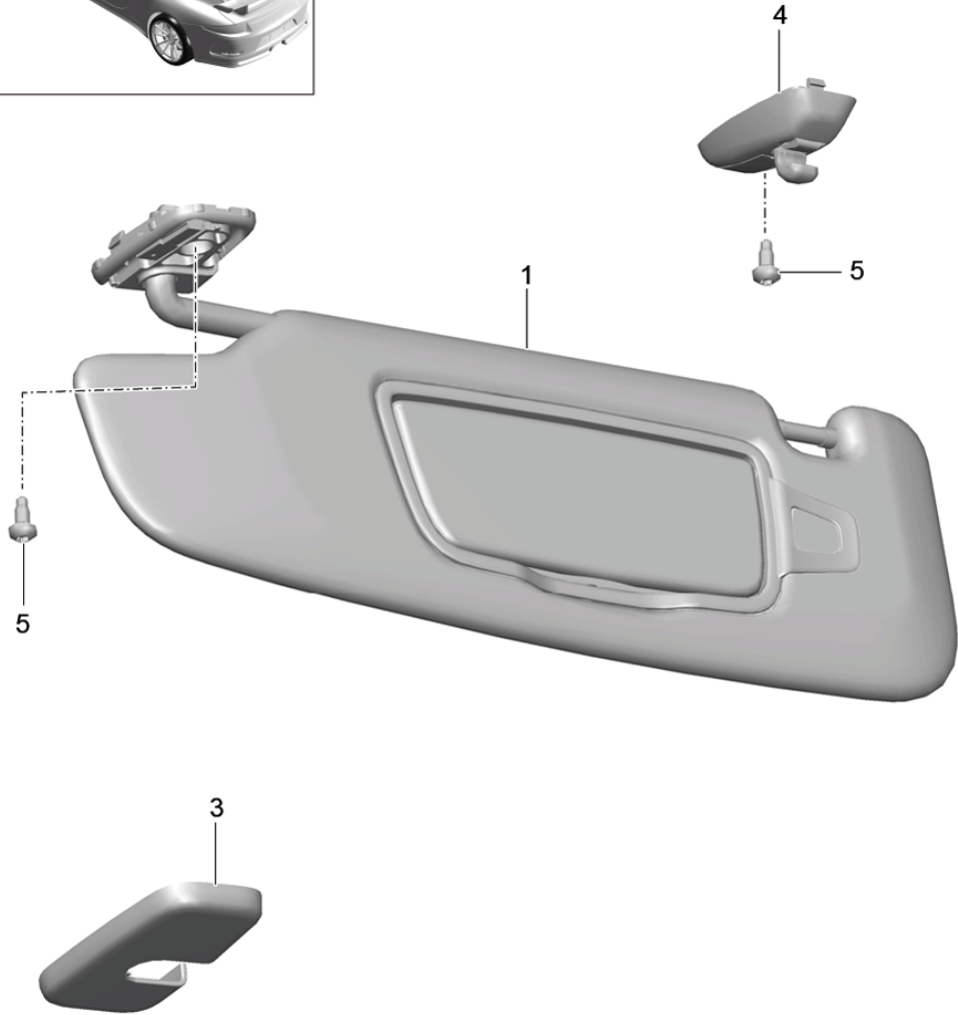
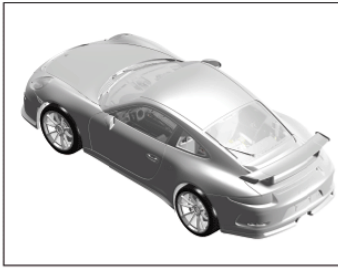


Model: 991G13 Model life 2013>>

Pos	Part Number	Description	Remark	Qty	Model
1	991 556 605 01	Body Sound proofing 1 Sound absorber	/L	1	
(1)	991 556 606 00	Wheel housing Front Sound absorber	/R	1	
2	991 556 723 00	Wheel housing Front Sound absorber	/LL	1	I098
(2)	991 556 724 00	Firewall Sound absorber	/RL	1	I099
3	991 556 711 01	Firewall Sound absorber		1	
4	991 556 647 00	Engine compartment Sound absorber		1	I652
5	991 556 657 00	Roof Sound absorber	/L	1	
(5)	991 556 658 00	Wheel-housing liner Rear Sound absorber	/R	1	
6	991 556 571 01	Wheel-housing liner Rear Sound absorber		2	
7	991 556 805 00	Side trim panel Sound absorber		1	
8	991 556 513 02	120 X 90 End plate Rear end Sound absorber		2	
9	991 556 531 00	B-pillar Sound absorber		1	
10	1H0 819 943	C-pillar Screw		2	
11	991 572 513 01	Cold air Protective plate Air conditioner Foam part		1	I099
12	991 572 512 00	Water reservoir Foam part		1	I098
13	991 556 719 01	Tank filler neck Sound absorber		1	
		Bleeding			

Model: 991G13

Model life 2013>>



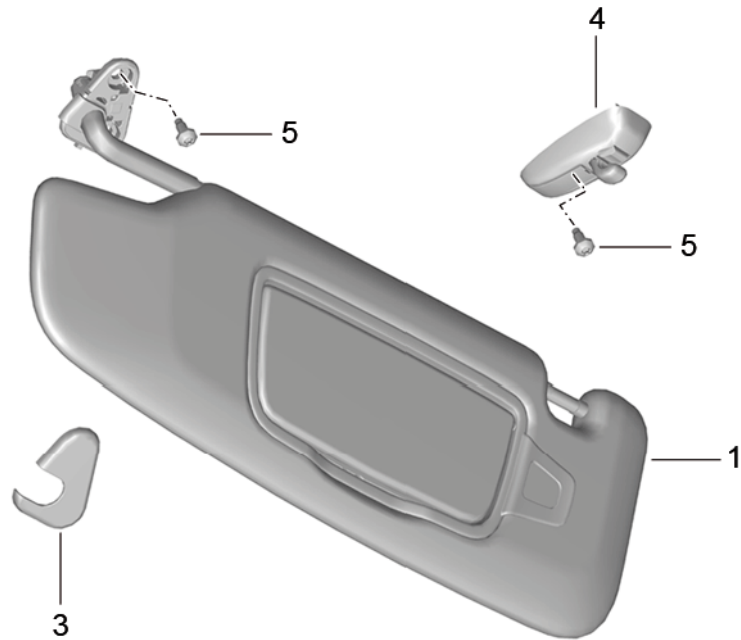
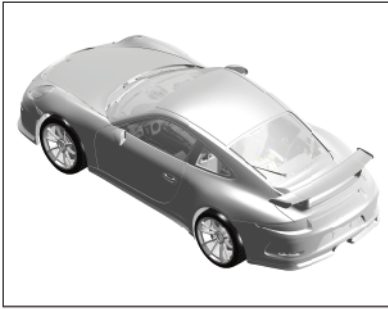
Model: 991G13

Model life 2013>>

Pos	Part Number	Description	Remark	Qty	Model
1	991 731 031 16	Sun visors Sun visor Left	-14 /L	1	
(1)	991 731 031 16 OF7 991 731 032 16	Black Sun visor Right	/R	1	
3	991 731 032 16 OF7 991 731 831 03	Black Lid Left	/L	1	
(3)	991 731 831 03 1E0 991 731 832 03	Black Lid Right	/R	1	
4	991 731 832 03 1E0 991 731 341 03	Black Support Sun visor		2	
5	991 731 341 03 1E0 N 104 857 03	Black Round head screw M5 X 12		X	

Model: 991G13

Model life 2013>>

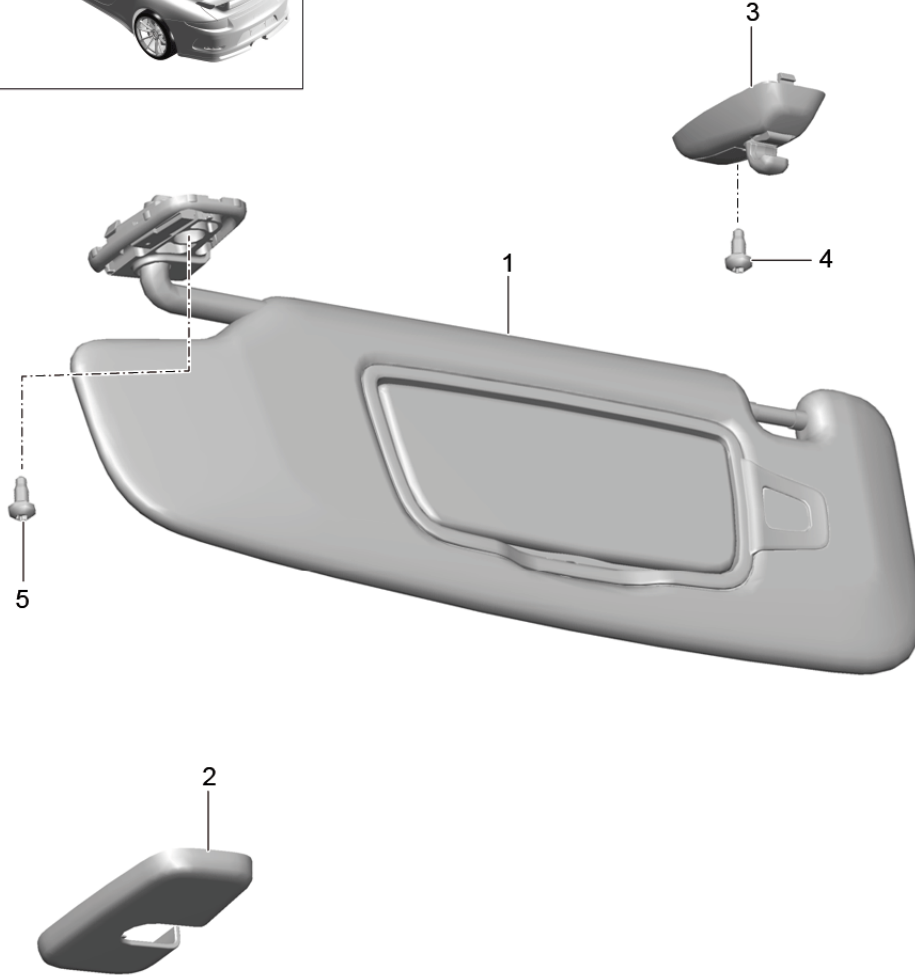
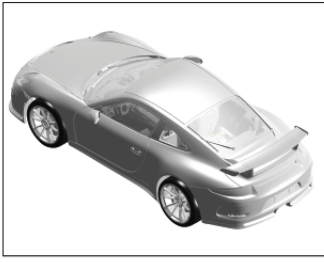


Model: 991G13 Model life 2013>>

Pos	Part Number	Description	Remark	Qty	Model
1	991 731 031 20	Sun visors Sun visor	15- /L	1	-I553/I086 I098
(1)	991 731 031 20 OF7 991 731 032 20	Left Black Sun visor	/R	1	-I553/I086 I098/099
(1)	991 731 032 20 OF7 991 731 031 24	Right Black Sun visor	/L	1	-I553/I099
(1)	991 731 031 24 OF7 991 731 032 24	Left Black Sun visor	/R	1	-I086/-I553 I098
3	991 731 032 24 OF7 991 731 831 03	Right Black Lid	/L	1	
(3)	991 731 831 03 1E0 991 731 832 03	Left Black Lid	/R	1	
4	991 731 832 03 1E0 991 731 341 03	Right Black Support Sun visor		2	
5	991 731 341 03 1E0 N 104 857 03	Black Round head screw M5 X 12		X	

Model: 991G13

Model life 2013>>

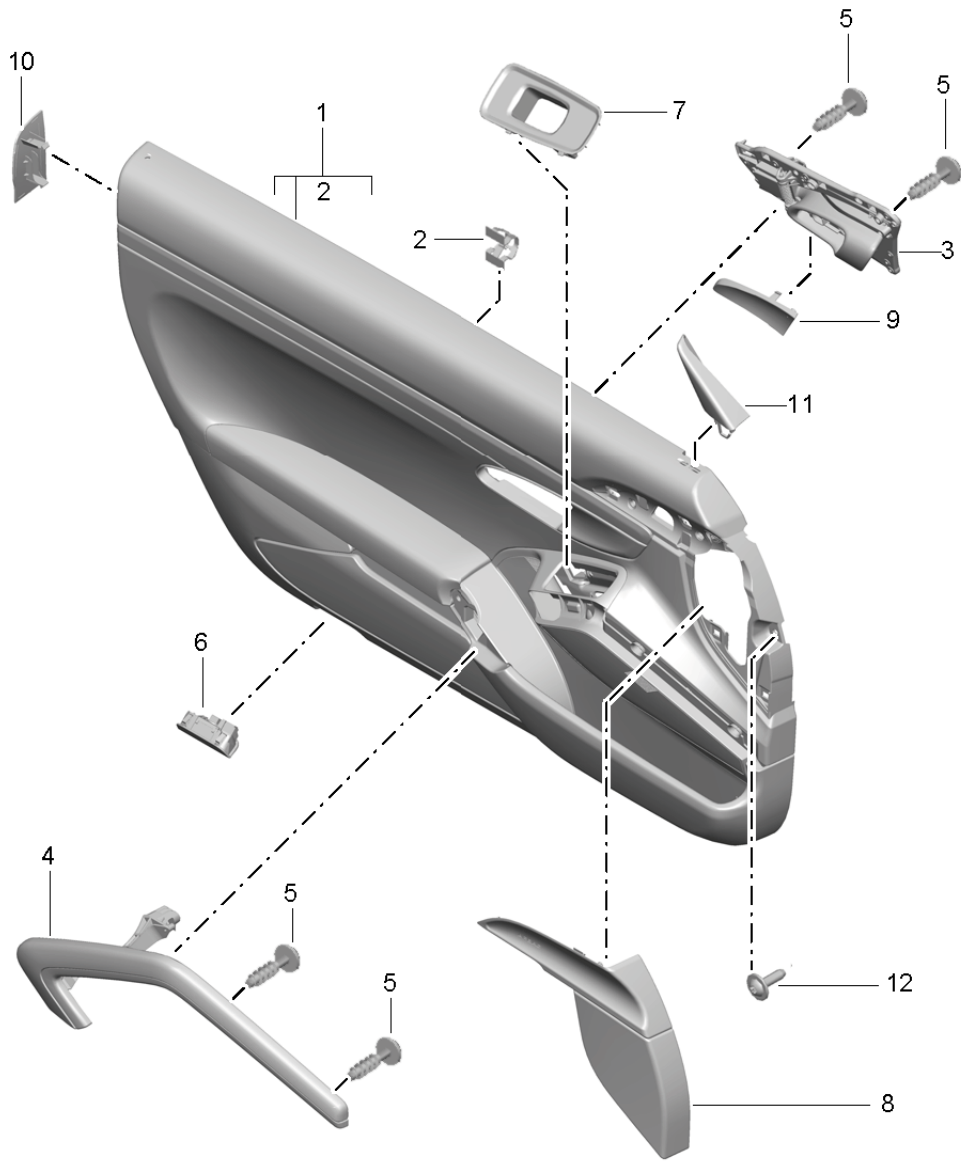
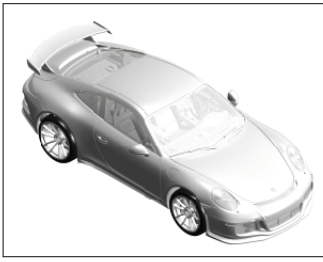


Model: 991G13 Model life 2013>>

Pos	Part Number	Description	Remark	Qty	Model
(1)	991 731 981 23	Sun visors Sun visor	/L	1	IXLU COUPE I098
		Left			
	991 731 981 23 2W0	Black			
(1)	991 731 982 23	Sun visor	/R	1	COUPE I074/098
		Right			
	991 731 982 23 2W0	Black			
(1)	991 731 982 24	Sun visor	/R	1	COUPE -I074/I098
		Right			
	991 731 982 24 2W0	Black			
(1)	991 731 981 24	Sun visor	/L	1	COUPE I099
		Left			
	991 731 981 24 2W0	Black			
(1)	991 731 982 23	Sun visor	/R	1	COUPE I099
		Right			
	991 731 982 23 2W0	Black			
2	991 731 831 03	Lid	/L	1	COUPE
		Left			
	991 731 831 03 1E0	Black			
(2)	991 731 832 03	Lid	/R	1	COUPE
		Right			
	991 731 832 03 1E0	Black			
3	991 731 341 04	Support Sun visor		2	
		Black			
4	991 731 341 04 1E0	Black			
4	N 104 857 03	Round head screw M5 X 12		X	
5		Round head screw M5 X 12		2	COUPE

Model: 991G13

Model life 2013>>



Model: 991G13 Model life 2013>>

Pos	Part Number	Description	Remark	Qty	Model
		Door trim panel Accessories GT3	-16		
1	991 555 903 24	Door trim panel	/L	1	-I981/I441 I490/811/975
		Leatherette Armrest Alcantara			
(1)	991 555 903 24 DUJ	Black/Platinum Grey			+28
	991 555 903 25	Door trim panel	/L	1	I441/490/814 I975/981
		Leather Alcantara			+78
(1)	991 555 903 25 RAI	Black/Platinum Grey			+68
	991 555 903 25 RAJ	Black/Guards Red			
(1)	991 555 913 61	Door trim panel	/L	1	IXWE/441/490 I975/981
		Leather Alcantara Moulding Lacquered			
	991 555 913 61 RAI	Black/Platinum Grey			+78
	991 555 913 61 RAJ	Black/Guards Red			+68
(1)	991 555 913 62	Door trim panel	/L	1	IXWC/441/490 I975/981
		Leather Alcantara Moulding Carbon			
	991 555 913 62 RAI	Black/Platinum Grey			+78
	991 555 913 62 RAJ	Black/Guards Red			+68
(1)	991 555 913 63	Door trim panel	/L	1	IXWD/441/490 I975/981
		Leather Alcantara Moulding Aluminium, brushed			
	991 555 913 63 RAI	Black/Platinum Grey			+78
	991 555 913 63 RAJ	Black/Guards Red			+68
(1)	991 555 913 64	Door trim panel	/L	1	IXWA/441/490 I975/981
		Leather Alcantara Moulding Leather			
	991 555 913 64 RAI	Black/Platinum Grey			+78
	991 555 913 64 RAJ	Black/Guards Red			+68
(1)	991 555 904 24	Door trim panel	/R	1	-I981/I441 I490/811/975
		Leatherette Armrest Alcantara			
	991 555 904 24 DUJ	Black/Platinum Grey			+28
(1)	991 555 904 25	Door trim panel	/R	1	I441/490/814 I975/981
		Leather			
	991 555 904 25 RAI	Black/Platinum Grey			+78
	991 555 904 25 RAJ	Black/Guards Red			+68
(1)	991 555 914 61	Door trim panel	/R	1	IXWE/441/490 I975/981
		Leather Alcantara Moulding			

Model: 991G13 Model life 2013>>

Pos	Part Number	Description	Remark	Qty	Model
(1)	991 555 914 61 RAI	Lacquered Black/Platinum Grey			+78
	991 555 914 61 RAJ	Black/Guards Red			+68
	991 555 914 62	Door trim panel	/R	1	IXWC/441/490 I975/981
(1)		Leather Alcantara Moulding Carbon			
	991 555 914 62 RAI	Black/Platinum Grey			+78
	991 555 914 62 RAJ	Black/Guards Red			+68
(1)	991 555 914 63	Door trim panel	/R	1	IXWD/441/490 I975/981
		Leather Alcantara Moulding Aluminium, brushed			
	991 555 914 63 RAI	Black/Platinum Grey			+78
(1)	991 555 914 63 RAJ	Black/Guards Red			+68
	991 555 914 64	Door trim panel	/R	1	IXWA/441/490 I975/981
		Leather Alcantara Moulding Leather			
2	991 555 914 64 RAI	Black/Platinum Grey			+78
	991 555 914 64 RAJ	Black/Guards Red			+68
	999 507 533 02	Clamp 8,0 X 10,0 /2,5		4	
3	991 555 521 02	Door opener	/L	1	
	991 555 521 02 V08	Galvano silver			
	991 555 522 02	Door opener	/R	1	
4	991 555 522 02 V08	Galvano silver			
	991 555 533 01	Handle	/L	1	
		Alcantara			
(4)	991 555 533 01 RAG	Black/Platinum Grey			+28,+78
	991 555 533 01 RAH	Black/Guards Red			+68
	991 555 534 01	Handle	/R	1	
5		Alcantara			
	991 555 534 01 RAG	Black/Platinum Grey			+28,+78
	991 555 534 01 RAH	Black/Guards Red			+68
6	999 919 262 01	Oval-head screw 4,0 X 16,0		9	
	970 632 135 00	Door guard light		2	
	991 555 723 01	Support frame		1	
8		Switch			
	991 555 723 01 1E0	Black			
	991 555 721 00	Cover Front	/L	1	
(8)		Black			
	991 555 721 00 1E0	Black			
	991 555 722 00	Cover Front	/R	1	
9		Black			
	991 555 722 00 1E0	Black			
	7PP 837 247	Trim cover	/L	1	
(9)		Door opener			
	7PP 837 247 1E0	Black			
	7PP 837 247	Trim cover	/R	1	
10		Door opener			
	7PP 837 247 1E0	Black			
	991 555 683 00	Cover	/L	1	
(10)		Airbag			
	991 555 683 00 1E0	Black			
	991 555 683 01	Cover	/L 15-	1	

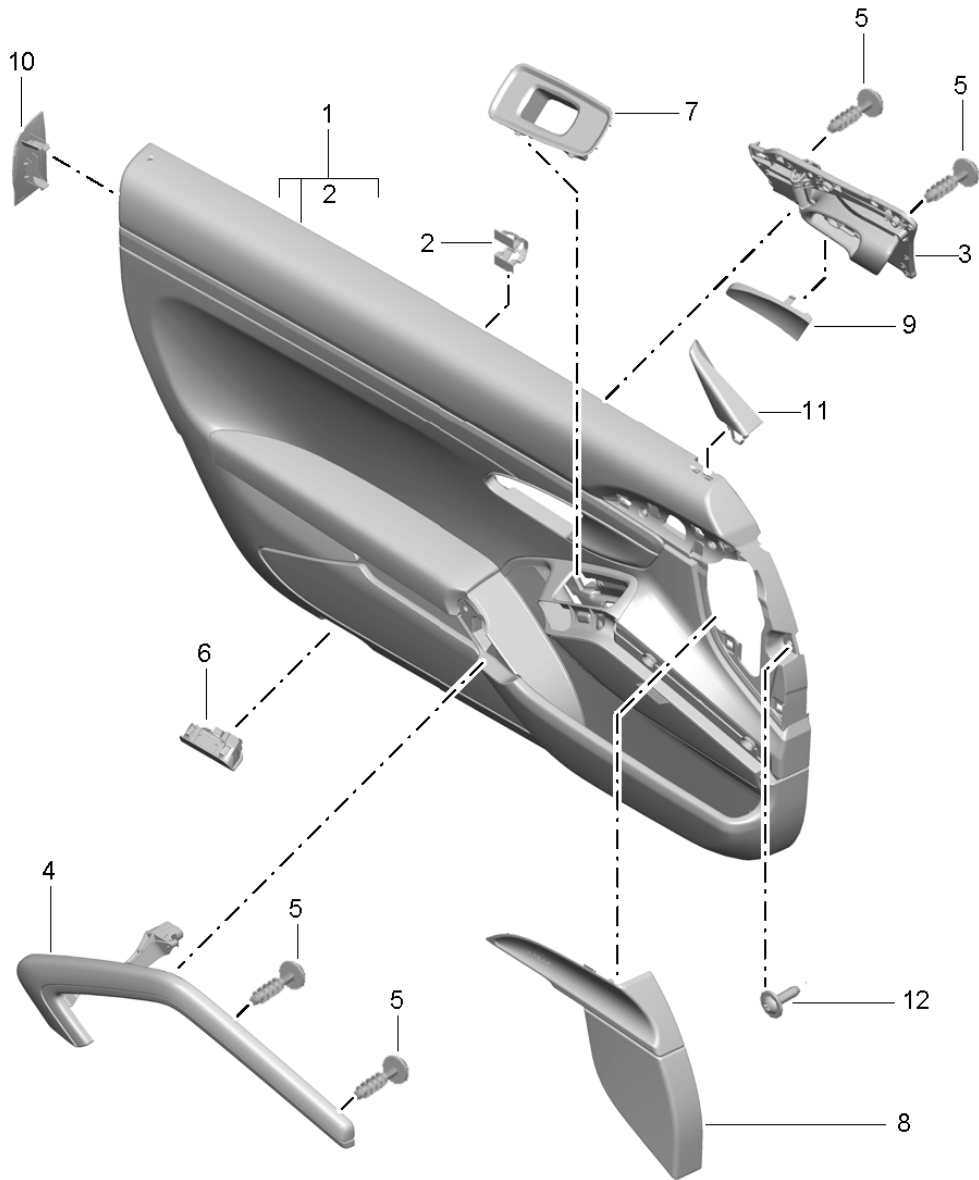
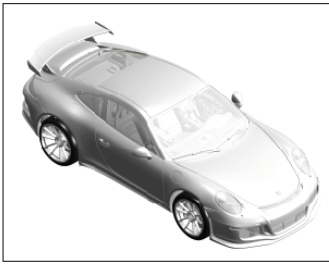
Model: 991G13

Model life 2013>>

Pos	Part Number	Description	Remark	Qty	Model
(10)	991 555 683 01 5Q0	Airbag Black	/R	1	
	991 555 684 00	Cover			
(10)	991 555 684 00 1E0	Airbag Black	/R	1	
	991 555 684 01	Cover			
11	991 555 684 01 5Q0	Airbag Black	/L	1	
	991 555 741 00	Trim cover Door glass frame			
(11)	991 555 741 00 1E0	Black	/R	1	
	991 555 742 00	Trim cover Door glass frame			
12	991 555 742 00 1E0	Black		8	
	999 073 322 02	Oval-head screw M 6 X 20			

Model: 991G13

Model life 2013>>



Model: 991G13 Model life 2013>>

Pos	Part Number	Description	Remark	Qty	Model
		Door trim panel	18-		-I981/I811 I975
		Accessories Leatherette GT3 2nd GENERATION			
1	991 555 203 24	Door trim panel	/L	1	I8AA/9VK
		Leatherette Armrest Alcantara			
1	991 555 203 24 DUJ 991 555 203 63	Black/Platinum Grey Door trim panel	/L	1	+28 I9VL
		Leatherette Armrest Alcantara			
1	991 555 203 63 DUJ 991 555 204 24	Black/Platinum Grey Door trim panel	/R	1	+28 I8AA/9VK/975
		Leatherette Armrest Alcantara			
1	991 555 204 24 DUJ 991 555 204 63	Black/Platinum Grey Door trim panel	/R	1	+28 I9VL/975
		Leatherette Armrest Alcantara			
2	991 555 204 63 DUJ 999 507 533 02	Black/Platinum Grey Clamp		4	+28
		8,0 X 10,0 /2,5			
3	991 555 521 02	Door opener	/L	1	
		Galvano silver			
(3)	991 555 522 02	Door opener	/R	1	
		Galvano silver			
4	991 555 533 01	Handle	/L	1	
		Alcantara			
(4)	991 555 533 01 RAG 991 555 534 01	Black/Platinum Grey Handle	/R	1	+28
		Alcantara			
5	991 555 534 01 RAG 999 919 262 01	Black/Platinum Grey Oval-head screw		9	+28
		4,0 X 16,0			
6	970 632 135 00	Door guard light		2	
7	991 555 723 01	Support frame		1	
		Switch			
8	991 555 723 01 1E0 991 555 721 01	Black Cover	/L	1	
		Front			
9	991 555 721 01 1E0 7PP 837 247	Black Trim cover	/L	1	
		Door opener			
10	7PP 837 247 1E0 991 555 683 00	Black Cover	/L	1	
		Airbag			
(10)	991 555 683 00 1E0 991 555 684 00	Black Cover	/R	1	
		Airbag			
11	991 555 684 00 1E0 991 555 741 00	Black Trim cover	/L	1	
		Door glass frame			
(11)	991 555 741 00 1E0 991 555 742 00	Black Trim cover	/R	1	
		Door glass frame			
12	991 555 742 00 1E0 999 073 322 02	Black Oval-head screw		8	

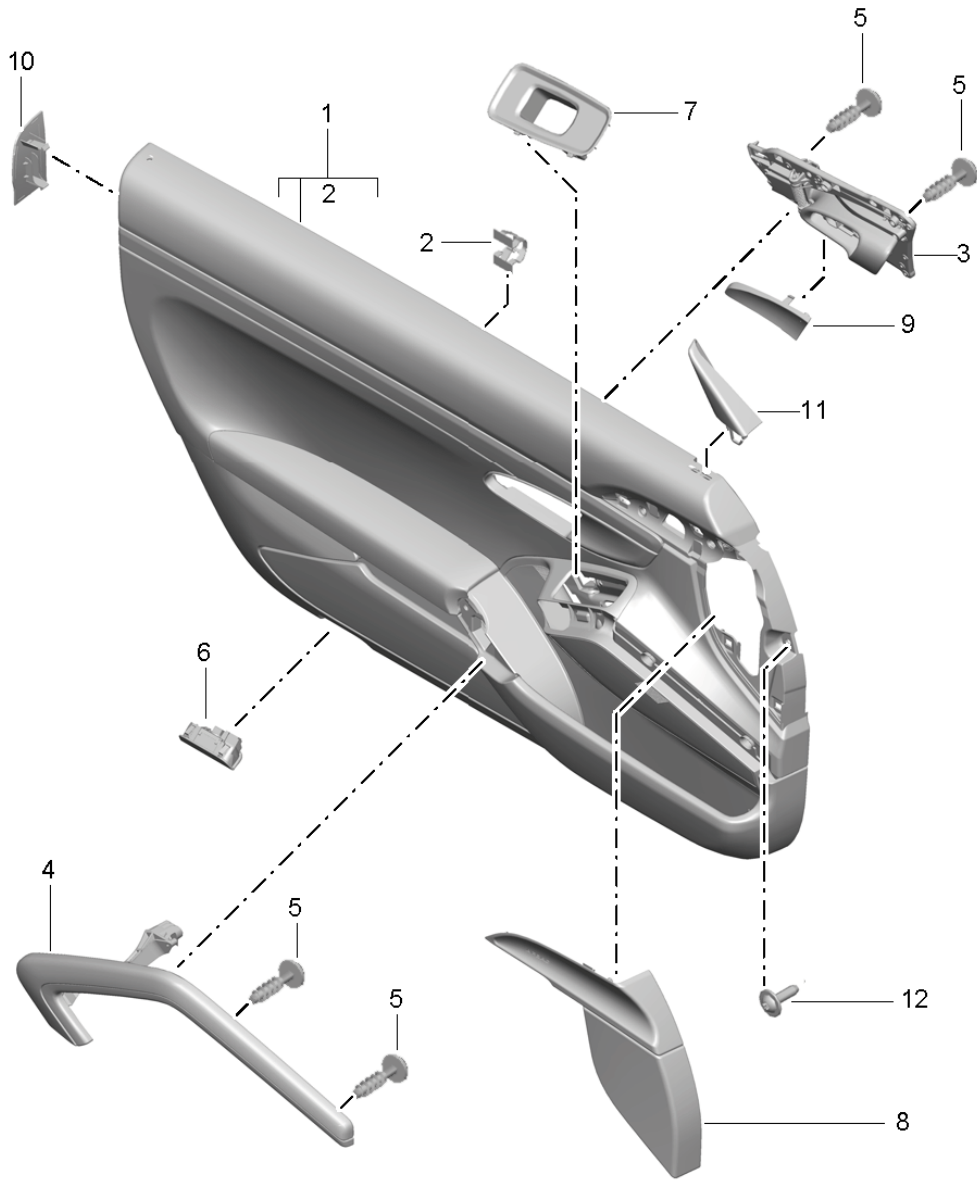
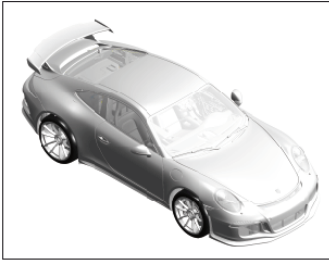
Model: 991G13

Model life 2013>>

Pos	Part Number	Description	Remark	Qty	Model
13	999 919 167 09	M 6 X 20 Oval-head screw M 3 X 10		10	

Model: 991G13

Model life 2013>>



Model: 991G13 Model life 2013>>

Pos	Part Number	Description	Remark	Qty	Model
		Door trim panel Accessories Leather/ Alcantara GT3 2nd GENERATION	-18		I975/981
1	991 555 203 25	Door trim panel Leather Alcantara Moulding Aluminium/Anthracite	/L	1	I8AA/814/9VK
	991 555 203 25 RAI	Black/Platinum Grey			+78
	991 555 203 25 RAJ	Black/Guards Red			+68
(1)	991 555 203 H3	Door trim panel Leather Alcantara Moulding Aluminium/Anthracite	/L	1	I814/9VL
	991 555 203 H3 RAI	Black/Platinum Grey			+78
	991 555 203 H3 RAJ	Black/Guards Red			+68
(1)	991 555 993 64	Door trim panel Leather Alcantara Moulding Leather Black	/L	1	IXWA/8AA/9VK
	991 555 993 64 RAI	Black/Platinum Grey			+78
	991 555 993 64 RAJ	Black/Guards Red			+68
(1)	981 555 993 A9	Door trim panel Leather Alcantara Moulding Leather Black	/L	1	IXWA/9VL
	981 555 993 A9 RAI	Black/Platinum Grey			+78
	981 555 993 A9 RAJ	Black/Guards Red			+68
(1)	991 555 993 62	Door trim panel Leather Alcantara Moulding Carbon	/L	1	IXWC/8AA/9VK
	991 555 993 62 RAI	Black/Platinum Grey			+78
	991 555 993 62 RAJ	Black/Guards Red			+68
(1)	991 555 203 39	Door trim panel Leather Alcantara Moulding Carbon	/L	1	IXWC/9VL
	991 555 203 39 RAI	Black/Platinum Grey			+78
	991 555 203 39 RAJ	Black/Guards Red			+68
(1)	991 555 993 63	Door trim panel Leather Alcantara Moulding Aluminium, brushed	/L	1	IXWD/8AA/9VK
	991 555 993 63 RAI	Black/Platinum Grey			+78
	991 555 993 63 RAJ	Black/Guards Red			+68
(1)	981 555 993 C1	Door trim panel Leather Alcantara Moulding Aluminium, brushed	/L	1	IXWD/9VL
	981 555 993 C1 RAI	Black/Platinum Grey			+78

Model: 991G13 Model life 2013>>

Pos	Part Number	Description	Remark	Qty	Model
(1)	981 555 993 C1 RAJ 991 555 993 61	Black/Guards Red Door trim panel Leather Alcantara Moulding Exterior colour Lacquered	/L	1	+68 IXWE/8AA/9VK
(1)	991 555 993 61 RAI 991 555 993 61 RAJ 981 555 993 97	Black/Platinum Grey Black/Guards Red Door trim panel Leather Alcantara Moulding Exterior colour Lacquered	/L	1	+78 +68 IXWE/9VL
(1)	981 555 993 97 RAI 981 555 993 97 RAJ	Black/Platinum Grey Black/Guards Red			+78 +68
(1)	991 555 204 25	in your order Vehicle Ident. No. And Indicate colour Door trim panel Leather Alcantara Moulding Aluminium/Anthracite	/R	1	I8AA/814/9VK
(1)	991 555 204 25 RAI 991 555 204 25 RAJ 991 555 204 G8	Black/Platinum Grey Black/Guards Red Door trim panel Leather Alcantara Moulding Aluminium/Anthracite	/R	1	+78 +68 I814/9VL
(1)	991 555 204 G8 RAI 991 555 204 G8 RAJ 991 555 994 64	Black/Platinum Grey Black/Guards Red Door trim panel Leather Alcantara Moulding Leather Black	/R	1	+78 +68 IXWA/8AA/9VK
(1)	991 555 994 64 RAI 991 555 994 64 RAJ 981 555 994 A9	Black/Platinum Grey Black/Guards Red Door trim panel Leather Alcantara Moulding Leather Black	/R	1	+78 +68 IXWA/9VL
(1)	981 555 994 A9 RAI 981 555 994 A9 RAJ 991 555 994 62	Black/Platinum Grey Black/Guards Red Door trim panel Leather Alcantara Moulding Carbon	/R	1	+78 +68 IXWC/8AA/9VK
(1)	991 555 994 62 RAI 991 555 994 62 RAJ 991 555 204 39	Black/Platinum Grey Black/Guards Red Door trim panel Leather Alcantara Moulding Carbon	/R	1	+78 +68 IXWC/9VL

Model: 991G13

Model life 2013>>

Pos	Part Number	Description	Remark	Qty	Model
(1)	991 555 204 39 RAI	Black/Platinum Grey			+78
	991 555 204 39 RAJ	Black/Guards Red			+68
	991 555 994 63	Door trim panel Leather Alcantara Moulding Aluminium, brushed	/R	1	IXWD/8AA/9VK
(1)	991 555 994 63 RAI	Black/Platinum Grey			+78
	991 555 994 63 RAJ	Black/Guards Red			+68
	981 555 994 C1	Door trim panel Leather Alcantara Moulding Aluminium, brushed	/R	1	IXWD/9VL
(1)	981 555 994 C1 RAI	Black/Platinum Grey			+78
	981 555 994 C1 RAJ	Black/Guards Red			+68
	991 555 994 61	Door trim panel Leather Alcantara Moulding Exterior colour Lacquered	/R	1	IXWE/8AA/9VK
(1)	991 555 994 61 RAI	Black/Platinum Grey			+78
	991 555 994 61 RAJ	Black/Guards Red			+68
	981 555 994 97	Door trim panel Leather Alcantara Moulding Exterior colour Lacquered	/R	1	IXWE/9VL
2	981 555 994 97 RAI	Black/Platinum Grey			+78
	981 555 994 97 RAJ	Black/Guards Red			+68
3	999 507 533 02	Clamp 8,0 X 10,0 /2,5		4	
(3)	991 555 521 02	Door opener	/L	1	
	991 555 521 02 V08	Galvano silver			
	991 555 522 02	Door opener	/R	1	
4	991 555 522 02 V08	Galvano silver			
	991 555 533 01	Handle Alcantara	/L	1	
(4)	991 555 533 01 RAG	Black/Platinum Grey			+78
	991 555 533 01 RAH	Black/Guards Red			+68
	991 555 534 01	Handle Alcantara	/R	1	
5	991 555 534 01 RAG	Black/Platinum Grey			+78
	991 555 534 01 RAH	Black/Guards Red			+68
6	999 919 262 01	Oval-head screw 4,0 X 16,0		9	
7	970 632 135 00	Door guard light		2	
8	991 555 723 01	Support frame Switch		1	
	991 555 723 01 1E0	Black			
	991 555 721 01	Cover Front	/L	1	
(8)	991 555 721 01 1E0	Black			
	991 555 722 01	Cover Front	/R	1	
9	991 555 722 01 1E0	Black			
	7PP 837 247	Trim cover Door opener	/L	1	
(9)	7PP 837 247 1E0	Black			
	7PP 837 247	Trim cover Door opener	/R	1	

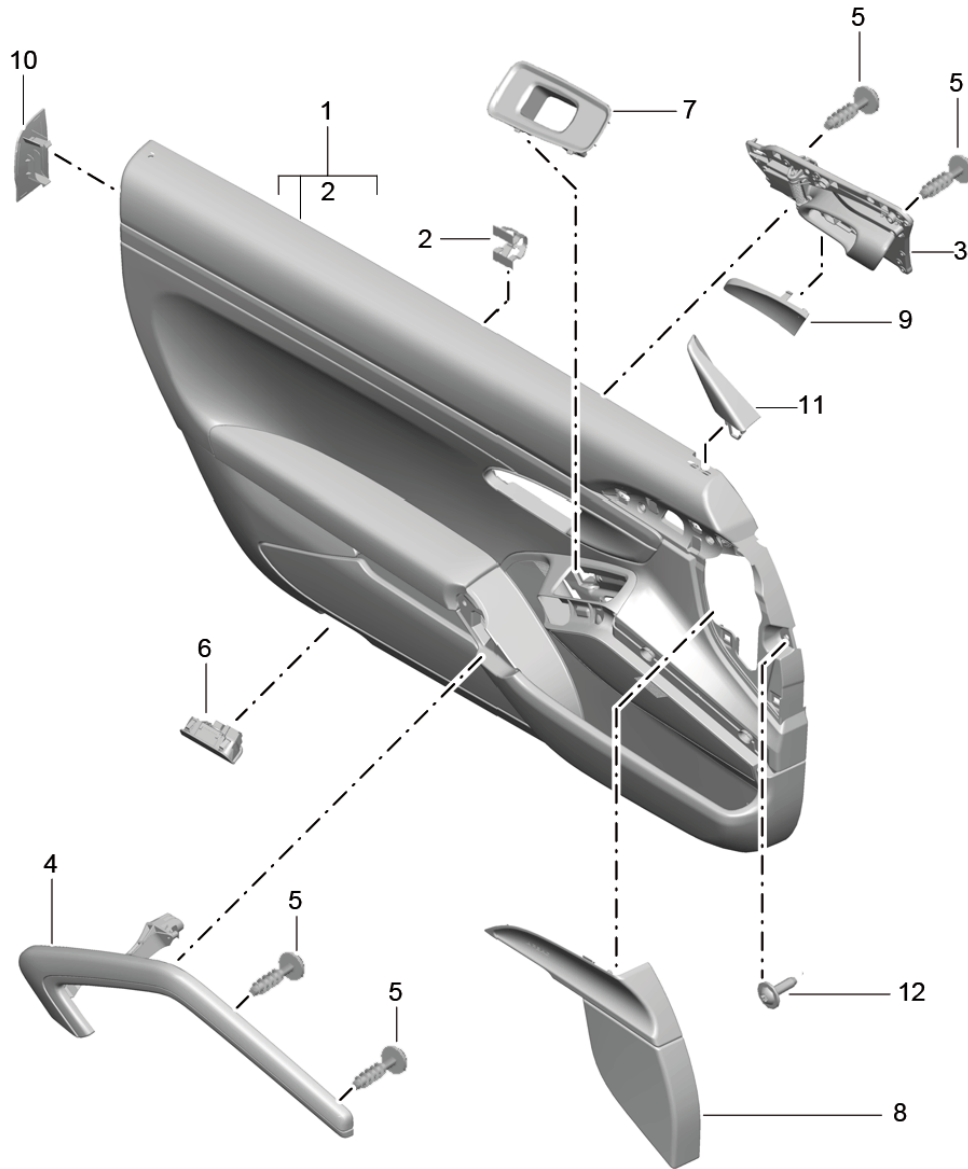
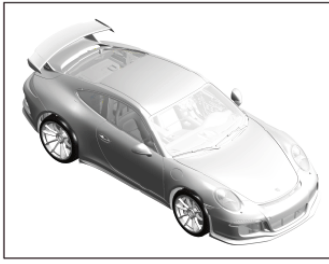
Model: 991G13

Model life 2013>>

Pos	Part Number	Description	Remark	Qty	Model
10	7PP 837 247 1E0 991 555 683 01	Black Cover	/L	1	
(10)	991 555 683 01 5Q0 991 555 684 01	Airbag Black Cover	/R	1	
11	991 555 684 01 5Q0 991 555 741 00	Airbag Black Trim cover	/L	1	
(11)	991 555 741 00 1E0 991 555 742 00	Door glass frame Black Trim cover	/R	1	
12	991 555 742 00 1E0 999 073 322 02	Door glass frame Black Oval-head screw M 6 X 20		8	

Model: 991G13

Model life 2013>>



Model: 991G13

Model life 2013>>

Pos	Part Number	Description	Remark	Qty	Model
		Door trim panel Accessories TOURING PAKET GT3 2nd GENERATION	18-		I039
1	991 555 203 00	Door trim panel	/L	1	-I553/-I981 I8AA/811/9VK
	991 555 203 00 DK4	Leatherette Black			+14
(1)	991 555 203 01	Door trim panel	/L	1	-I553/-I981 I811/9VL
	991 555 203 01 DK4	Leatherette Black			+14
(1)	991 555 203 74	Door trim panel	/L	1	I8AA/815/9VK I981
	991 555 203 74 A11	Leather Black			+39
	991 555 203 74 DRK	Black/Guards Red			+34
(1)	991 555 203 75	Door trim panel	/L	1	I815/9VL/981
	991 555 203 75 A11	Leather Black			+39
	991 555 203 75 DRK	Black/Guards Red			+34
(1)	991 555 204 00	Door trim panel	/R	1	-I981/I039 I8AA/9VK
	991 555 204 00 DK4	Leatherette Black			+14
(1)	991 555 204 01	Door trim panel	/R	1	-I981/I039 I9VL
	991 555 204 01 DK4	Leatherette Black			+14
(1)	991 555 204 74	Door trim panel	/R	1	I8AA/815/9VK I981
	991 555 204 74 A11	Leather Black			+39
	991 555 204 74 DRK	Black/Guards Red			+34
(1)	991 555 204 75	Door trim panel	/R	1	I815/9VL/981
	991 555 204 75 A11	Leather Black			+39
	991 555 204 75 DRK	Black/Guards Red			+34
2	999 507 533 02	Clamp 8,0 X 10,0 /2,5		4	
3	991 555 521 02	Door opener	/L	1	
	991 555 521 02 V08	Galvano silver			
(3)	991 555 522 02	Door opener	/R	1	
	991 555 522 02 V08	Galvano silver			
4	991 555 533 00	Handle	/L	1	
	991 555 533 00 A11	Leather Black			+14+39
	991 555 533 00 DRK	Black/Guards Red			+34
(4)	991 555 534 00	Handle	/R	1	
	991 555 534 00 A11	Leather Black			+14+39
	991 555 534 00 DRK	Black/Guards Red			+34
5	999 919 262 01	Oval-head screw 4,0 X 16,0		9	
6	970 632 135 00	Door guard light		2	
7	991 555 723 01	Support frame		1	
	991 555 723 01 1E0	Switch Black			
8	991 555 721 01	Cover	/L	1	
	991 555 721 01 1E0	Front Black			
(8)	991 555 722 01	Cover	/R	1	

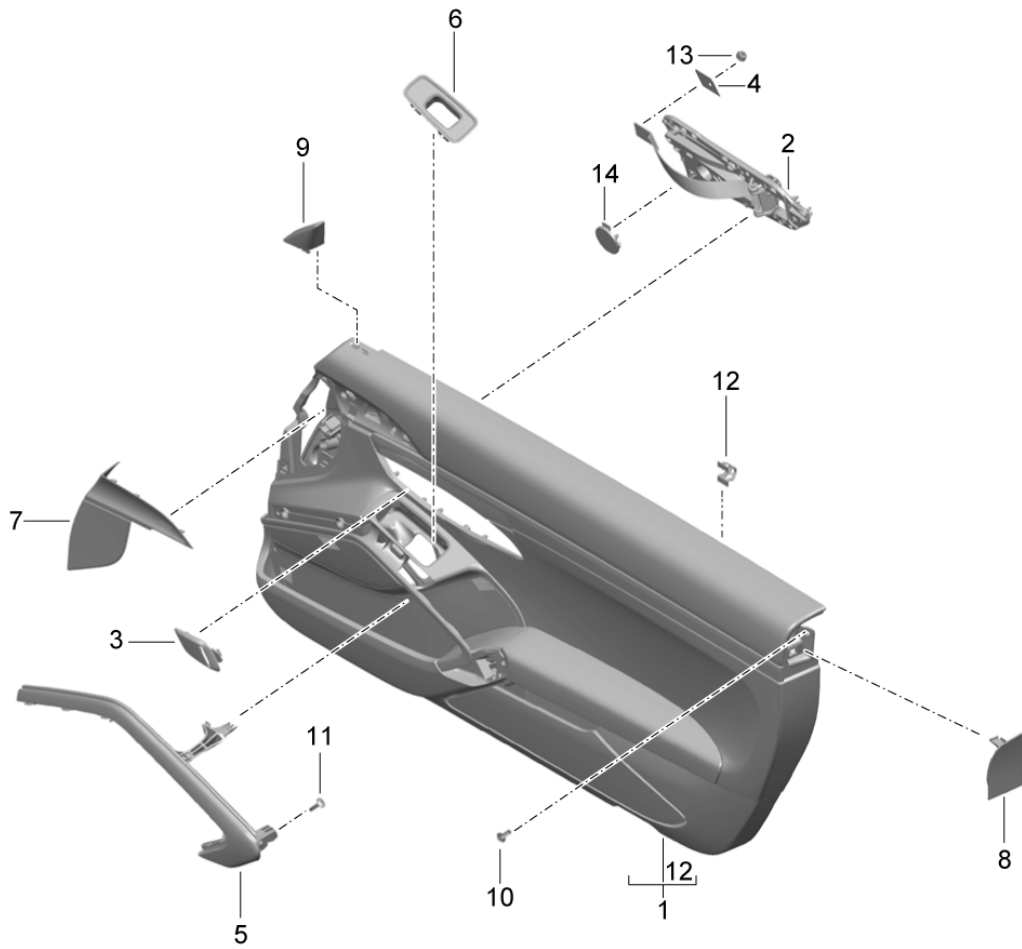
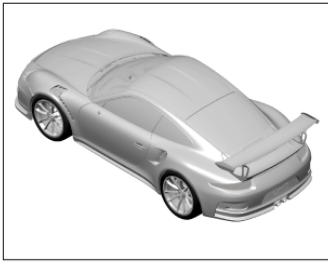
Model: 991G13

Model life 2013>>

Pos	Part Number	Description	Remark	Qty	Model
9	991 555 722 01 1E0 7PP 837 247	Front Black Trim cover	/L	1	
(9)	7PP 837 247 1E0 7PP 837 247	Door opener Black Trim cover	/R	1	
10	7PP 837 247 1E0 991 555 683 01	Door opener Black Cover	/L	1	
(10)	991 555 683 01 5Q0 991 555 684 01	Airbag Black Cover	/R	1	
11	991 555 684 01 5Q0 991 555 741 00	Airbag Black Trim cover	/L	1	
(11)	991 555 741 00 1E0 991 555 742 00	Door glass frame Black Trim cover	/R	1	
12	991 555 742 00 1E0 999 073 322 02	Door glass frame Black Oval-head screw		8	
		M 6 X 20			

Model: 991G13

Model life 2013>>



Model: 991G13 Model life 2013>>

Pos	Part Number	Description	Remark	Qty	Model
1	991 555 203 62	Door trim panel Accessories GT3 RS	/L	1	-I981/I441 I490/811/975
(1)	991 555 203 62 DK4	Leatherette Black			+29,+18
(1)	991 555 203 62	Door trim panel	/L	1	-I981/I609 I811/975
(1)	991 555 203 62 DK4	Leatherette Black			+29,+18
(1)	991 555 993 65	Door trim panel	/L	1	IXWC/441/490 I609/975/981
(1)	991 555 993 65 DSX	Leather/ Alcantara Moulding Carbon Black/Silver			+79
(1)	991 555 993 65 RAX	Black/Lava Orange			+69
(1)	991 555 993 65	Door trim panel	/L	1	IXWC/441/490 I609/975/981
(1)	991 555 993 65 RBE	Leather/ Alcantara Moulding Carbon Lid Armrest Coloured Black/Lava Orange			+49
(1)	991 555 993 65 RBF	Black/GT Silver			+59
(1)	991 555 993 66	Door trim panel	/L	1	IXWD/441/490 I609/975/981
(1)	991 555 993 66 DSX	Leather/ Alcantara Moulding Aluminium, brushed Black/Silver			+79
(1)	991 555 993 66 RAX	Black/Lava Orange			+69
(1)	991 555 993 66	Door trim panel	/L	1	IXWD/441/490 I609/975/981
(1)	991 555 993 66 RBE	Leather/ Alcantara Moulding Aluminium, brushed Lid Armrest Coloured Black/Lava Orange			+49
(1)	991 555 993 66 RBF	Black/GT Silver			+59
(1)	991 555 993 67	Door trim panel	/L	1	IXWE/441/490 I609/975/981
(1)	991 555 993 67 DSX	Leather/ Alcantara Moulding Lacquered Black/Silver			+79
(1)	991 555 993 67 RAX	Black/Lava Orange			+69
(1)	991 555 993 67	Door trim panel	/L	1	IXWE/441/490 I609/975/981
(1)	991 555 993 67 DSX	Leather/ Alcantara Moulding Lacquered			+79
(1)	991 555 993 67 RAX	Black/Lava Orange			+69
(1)	991 555 993 67	Door trim panel	/L	1	IXWE/441/490 I609/975/981
(1)	991 555 993 67 DSX	Leather/ Alcantara Moulding Lacquered			+79
(1)	991 555 993 67 RAX	Black/Lava Orange			+69
(1)	991 555 993 67	Door trim panel	/L	1	IXWE/441/490 I609/975/981

Model: 991G13 Model life 2013>>

Pos	Part Number	Description	Remark	Qty	Model
		Lid			
		Armrest			
		Coloured			
	991 555 993 67 RBE	Black/Lava Orange			+49
	991 555 993 67 RBF	Black/GT Silver			+59
(1)	991 555 204 62	Door trim panel	/R	1	-I981/I441 I490/811/975
		Leatherette			
	991 555 204 62 DK4	Black			+29,+18
(1)	991 555 204 62	Door trim panel	/R	1	-I981/I609 I811/975
		Leatherette			
	991 555 204 62 DK4	Black			+29,+18
(1)	991 555 994 65	Door trim panel	/R	1	IXWC/441/490 I609/975/981
		Leather/ Alcantara			
		Moulding			
		Carbon			
	991 555 994 65 DSX	Black/Silver			+79
	991 555 994 65 RAX	Black/Lava Orange			+69
(1)	991 555 994 65	Door trim panel	/R	1	IXWC/441/490 I609/975/981
		Leather/ Alcantara			
		Moulding			
		Carbon			
		Lid			
		Armrest			
		Coloured			
	991 555 994 65 RBE	Black/Lava Orange			+49
	991 555 994 65 RBF	Black/GT Silver			+59
(1)	991 555 994 66	Door trim panel	/R	1	IXWD/441/490 I609/975/981
		Leather/ Alcantara			
		Moulding			
		Aluminium, brushed			
	991 555 994 66 DSX	Black/Silver			+79
	991 555 994 66 RAX	Black/Lava Orange			+69
(1)	991 555 994 66	Door trim panel	/R	1	IXWD/441/490 I609/975/981
		Leather/ Alcantara			
		Moulding			
		Aluminium, brushed			
		Lid			
		Armrest			
		Coloured			
	991 555 994 66 RBE	Black/Lava Orange			+49
	991 555 994 66 RBF	Black/GT Silver			+59
(1)	991 555 994 67	Door trim panel	/R	1	IXWE/441/490 I609/975/981
		Leather/ Alcantara			
		Moulding			
		Lacquered			
	991 555 994 67 DSX	Black/Silver			+79
	991 555 994 67 RAX	Black/Lava Orange			+69
		in your order			
		Vehicle Ident. No.			
		And			
		Indicate colour			

Model: 991G13 Model life 2013>>

Pos	Part Number	Description	Remark	Qty	Model
(1)	991 555 994 67	Door trim panel Leather/ Alcantara Moulding Lacquered Lid Armrest Coloured	/R	1	IXWE/441/490 I609/975/981
	991 555 994 67 RBE	Black/Lava Orange			+49
	991 555 994 67 RBF	Black/GT Silver in your order Vehicle Ident. No. And Indicate colour			+59
2	991 555 521 06	Door opener	/L	1	
	991 555 521 06 M2A	Lava Orange			
	991 555 521 06 U01	Silver			
(2)	991 555 522 06	Door opener	/R	1	
	991 555 522 06 M2A	Lava Orange			
	991 555 522 06 U01	Silver			
3	991 555 589 00	Cover Door loop	/L	1	
	991 555 589 00 5Q0	Black			
(3)	991 555 590 00	Cover Door loop	/R	1	
	991 555 590 00 5Q0	Black			
4	991 555 615 00	Clamping piece Threaded joint Door loop	/L	1	
(4)	991 555 616 00	Clamping piece Threaded joint Door loop	/R	1	
5	991 555 533 03	Handle Alcantara	/L	1	
	991 555 533 03 2W0	Black			
(5)	991 555 534 03	Handle Alcantara	/R	1	
	991 555 534 03 2W0	Black			
6	991 555 723 02	Support frame Power windows Passenger's side		1	
	991 555 723 02 1E0	Black			
7	991 555 721 02	Cover Front	/L	1	
	991 555 721 02 5Q0	Black			
(7)	991 555 722 02	Cover Front	/R	1	
	991 555 722 02 5Q0	Black			
8	991 555 683 01	Cover Airbag	/L	1	
	991 555 683 01 5Q0	Black			
(8)	991 555 684 01	Cover Airbag	/R	1	
	991 555 684 01 5Q0	Black			
9	991 555 741 00	Trim cover Door glass frame	/L	1	
	991 555 741 00 1E0	Black			
(9)	991 555 742 00	Trim cover Door glass frame	/R	1	
	991 555 742 00 1E0	Black			
10	999 073 322 02	Oval-head screw M 6 X 20		4	

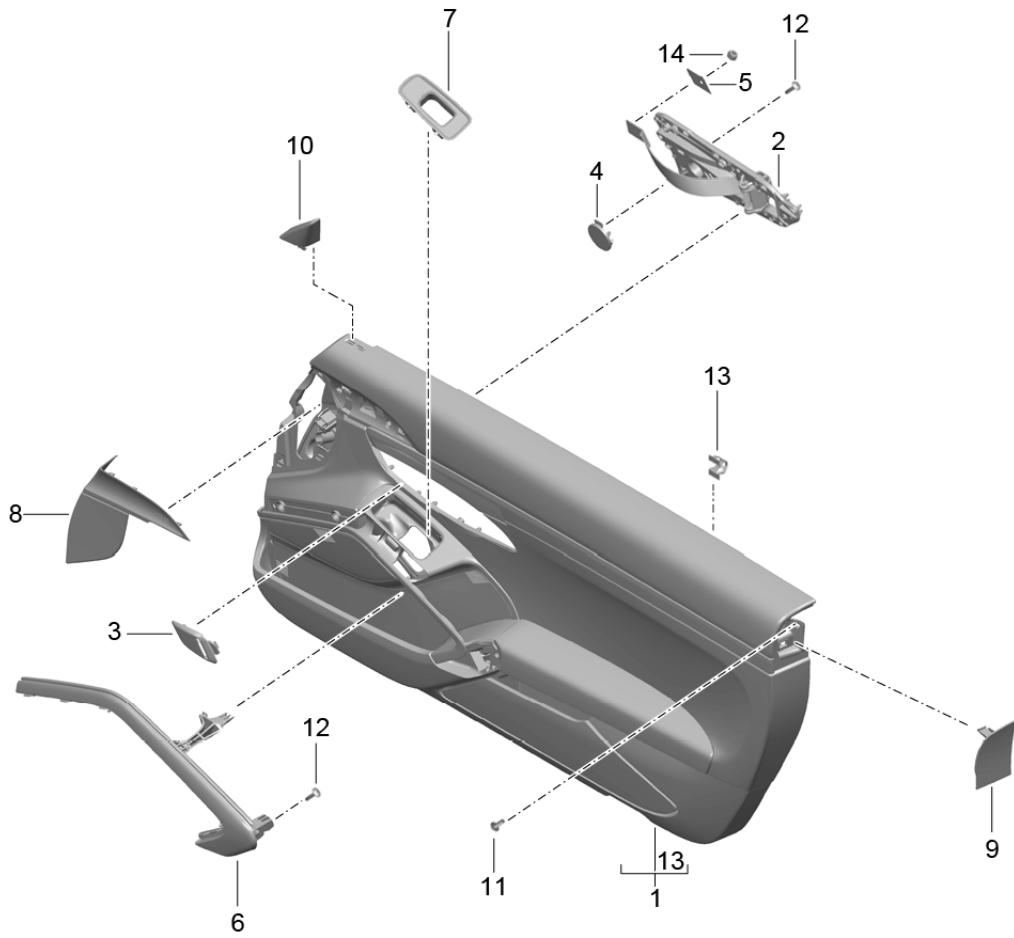
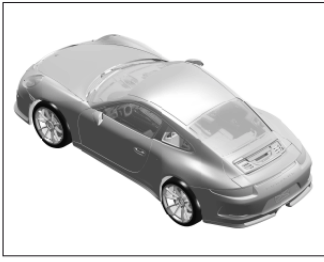
Model: 991G13

Model life 2013>>

Pos	Part Number	Description	Remark	Qty	Model
11	N 907 321 03	Oval-head screw TP4,0X16,0-Q		9	
12	999 507 533 02	Clamp 8,0 X 10,0 /2,5		X	
13	N 101 181 04	Hexagon nut M5		1	
14	991 555 579 00	Cap Door opener		1	
	991 555 579 00 5Q0	Black			

Model: 991G13

Model life 2013>>



Model: 991G13

Model life 2013>>

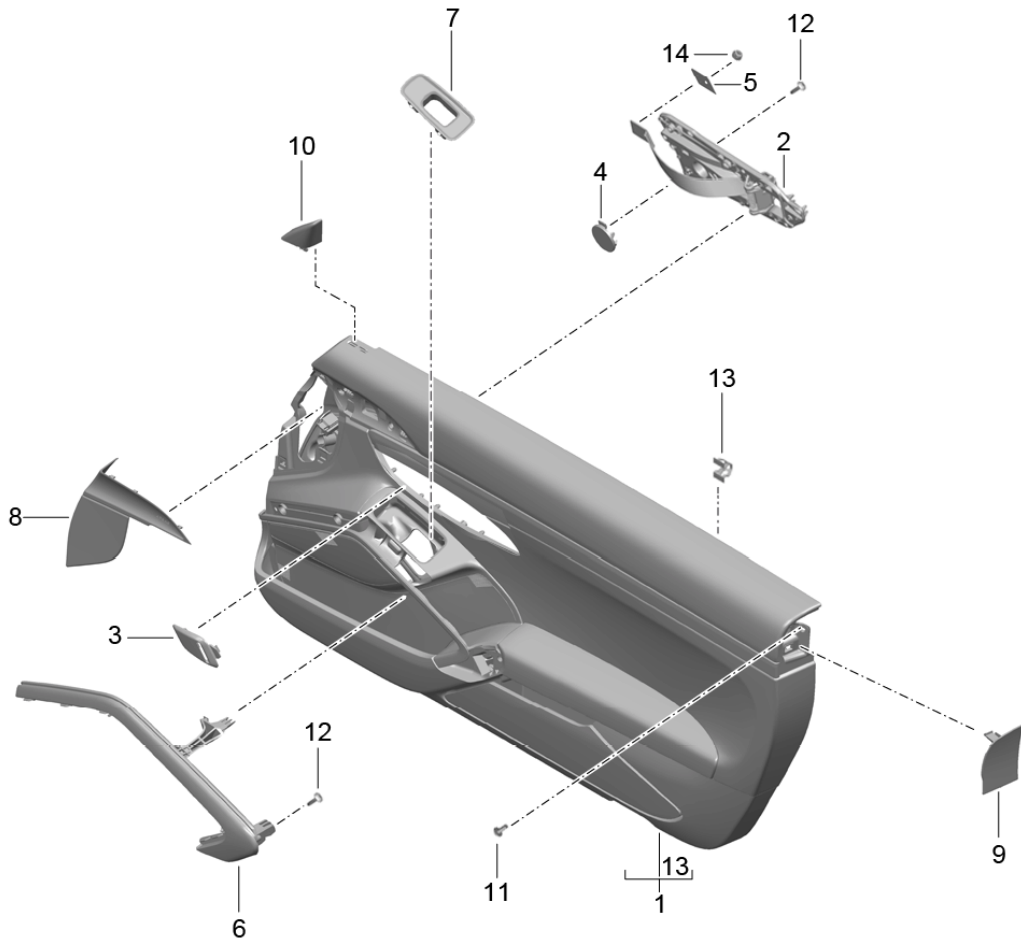
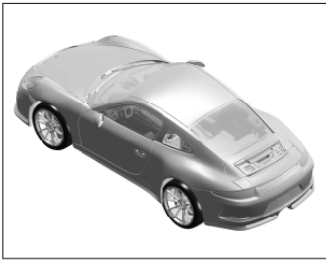
Pos	Part Number	Description	Remark	Qty	Model
		Door trim panel Accessories Leather package 911 R			-I981/I811
1	991 555 203 86	Door trim panel Leatherette	/L	1	-I984/I680
	991 555 203 86 DK4	Black			+12
(1)	991 555 204 86	Door trim panel Leatherette	/R	1	-I984/I680
	991 555 204 86 DK4	Black			+12
(1)	991 555 203 87	Door trim panel Leatherette	/L	1	-I984/I490
	991 555 203 87 DK4	Black			+12
(1)	991 555 204 87	Door trim panel Leatherette	/R	1	-I984/I490
	991 555 204 87 DK4	Black			+12
(1)	991 555 203 88	Door trim panel Leatherette	/L	1	-I984/I609
	991 555 203 88 DK4	Black			+12
(1)	991 555 204 88	Door trim panel Leatherette	/R	1	-I984/I609
	991 555 204 88 DK4	Black			+12
(1)	991 555 203 89	Door trim panel Leatherette/leather	/L	1	I680/984
	991 555 203 89 JHK	Black/Tarpan Brown			+16
(1)	991 555 204 89	Door trim panel Leatherette/leather	/R	1	I680/984
	991 555 204 89 JHK	Black/Tarpan Brown			+16
(1)	991 555 203 90	Door trim panel Leatherette/leather	/L	1	I490/984
	991 555 203 90 JHK	Black/Tarpan Brown			+16
(1)	991 555 204 90	Door trim panel Leatherette/leather	/R	1	I490/984
	991 555 204 90 JHK	Black/Tarpan Brown			+16
(1)	991 555 203 91	Door trim panel Leatherette	/L	1	I609/984
	991 555 203 91 JHK	Black/Tarpan Brown			+16
(1)	991 555 204 91	Door trim panel Leatherette	/R	1	I609/984
	991 555 204 91 JHK	Black/Tarpan Brown			+16
2	991 555 521 06	Door opener with Door loop	/L	1	
	991 555 521 06 U01	Silver			
(2)	991 555 522 06	Door opener with Door loop	/R	1	
	991 555 522 06 U01	Silver			
3	991 555 589 00	Cover Door loop	/L	1	
	991 555 589 00 5Q0	Black			
(3)	991 555 590 00	Cover Door loop	/R	1	
	991 555 590 00 5Q0	Black			
4	991 555 579 00	Cap Door opener		1	
	991 555 579 00 5Q0	Black			
5	991 555 615 00	Clamping piece Threaded joint	/L	1	
		Door loop			
(5)	991 555 616 00	Clamping piece Threaded joint Door loop	/R	1	

Model: 991G13 Model life 2013>>

Pos	Part Number	Description	Remark	Qty	Model
6	991 555 533 04	Handle Leather	/L	1	
(6)	991 555 533 04 DSL 991 555 534 04	Black/Silver Handle Leather	/R	1	
7	991 555 534 04 DSL 991 555 723 02	Black/Silver Support frame Power windows Passenger's side		1	
8	991 555 723 02 1E0 991 555 721 02	Black Cover Front	/L	1	
(8)	991 555 721 02 5Q0 991 555 722 02	Black Cover Front	/R	1	
9	991 555 722 02 5Q0 991 555 683 01	Black Cover Airbag	/L	1	
(9)	991 555 683 01 5Q0 991 555 684 01	Black Cover Airbag	/R	1	
10	991 555 684 01 5Q0 991 555 741 00	Black Trim cover Door glass frame	/L	1	
(10)	991 555 741 00 1E0 991 555 742 00	Black Trim cover Door glass frame	/R	1	
11	991 555 742 00 1E0 999 073 322 02	Black Oval-head screw M 6 X 20		4	
12	N 907 321 03	Oval-head screw TP4,0X16,0-Q		9	
13	999 507 533 02	Clamp 8,0 X 10,0 /2,5		X	
13	N 101 181 04	Hexagon nut M5		1	

Model: 991G13

Model life 2013>>



Model: 991G13 Model life 2013>>

Pos	Part Number	Description	Remark	Qty	Model
		Door trim panel Accessories Leather 911 R			IXWC/981
1	991 555 993 13	Door trim panel Leather Moulding Carbon	RL/L	1	-I984/I099 I680
(1)	991 555 993 13 DSL 991 555 994 13	Black/Silver Door trim panel Leather Moulding Carbon	RL/R	1	+22 -I984/I099 I680
(1)	991 555 994 13 DSL 991 555 993 68	Black/Silver Door trim panel Leather Moulding Carbon	/L	1	+22 -I984/I490
(1)	991 555 993 68 DSL 991 555 994 68	Black/Silver Door trim panel Leather Moulding Carbon	/R	1	+22 -I984/I490
(1)	991 555 994 68 DSL 991 555 993 69	Black/Silver Door trim panel Leather Moulding Carbon	LL/L	1	+22 -I984/I098 I680
(1)	991 555 993 69 DSL 991 555 994 69	Black/Silver Door trim panel Leather Moulding Carbon	LL/R	1	+22 -I984/I098 I680
(1)	991 555 994 69 DSL 991 555 993 70	Black/Silver Door trim panel Leather Moulding Carbon	/L	1	+22 -I984/I609
(1)	991 555 993 70 DSL 991 555 994 70	Black/Silver Door trim panel Leather Moulding Carbon	/R	1	+22 -I984/I609
(1)	991 555 994 70 DSL 991 555 993 71	Black/Silver Door trim panel Leather Moulding Carbon	/L	1	+22 I609/984
(1)	991 555 993 71 JHU 991 555 994 71	Tarpan Brown/Black/Silver Door trim panel Leather Moulding Carbon	/R	1	+26 I609/984
(1)	991 555 994 71 JHU 991 555 993 72	Tarpan Brown/Black/Silver Door trim panel Leather Moulding Carbon	/L	1	+26 I490/984
	991 555 993 72 JHU	Tarpan Brown/Black/Silver			+26

Model: 991G13 Model life 2013>>

Pos	Part Number	Description	Remark	Qty	Model
(1)	991 555 994 72	Door trim panel Leather Moulding Carbon	/R	1	I490/984
	991 555 994 72 JHU	Tarpan Brown/Black/Silver			+26
(1)	991 555 993 73	Door trim panel Leather Moulding Carbon	/L	1	I680/984
	991 555 993 73 JHU	Tarpan Brown/Black/Silver			+26
(1)	991 555 994 73	Door trim panel Leather Moulding Carbon	/R	1	I680/984
	991 555 994 73 JHU	Tarpan Brown/Black/Silver			+26
2	991 555 521 06	Door opener with Door loop	/L	1	
	991 555 521 06 U01	Silver			
(2)	991 555 522 06	Door opener with Door loop	/R	1	
	991 555 522 06 U01	Silver			
3	991 555 589 00	Cover Door loop	/L	1	
	991 555 589 00 5Q0	Black			
(3)	991 555 590 00	Cover Door loop	/R	1	
	991 555 590 00 5Q0	Black			
4	991 555 579 00	Cap Door opener		1	
	991 555 579 00 5Q0	Black			
5	991 555 615 00	Clamping piece Threaded joint Door loop	/L	1	
(5)	991 555 616 00	Clamping piece Threaded joint Door loop	/R	1	
6	991 555 533 04	Handle Leather	/L	1	
	991 555 533 04 DSL	Black/Silver			
(6)	991 555 534 04	Handle Leather	/R	1	
	991 555 534 04 DSL	Black/Silver			
7	991 555 723 02	Support frame Power windows Passenger's side		1	
	991 555 723 02 1E0	Black			
8	991 555 721 02	Cover Front	/L	1	
	991 555 721 02 5Q0	Black			
(8)	991 555 722 02	Cover Front	/R	1	
	991 555 722 02 5Q0	Black			
9	991 555 683 01	Cover Airbag	/L	1	
	991 555 683 01 5Q0	Black			
(9)	991 555 684 01	Cover Airbag	/R	1	
	991 555 684 01 5Q0	Black			
10	991 555 741 00	Trim cover Door glass frame	/L	1	
	991 555 741 00 1E0	Black			

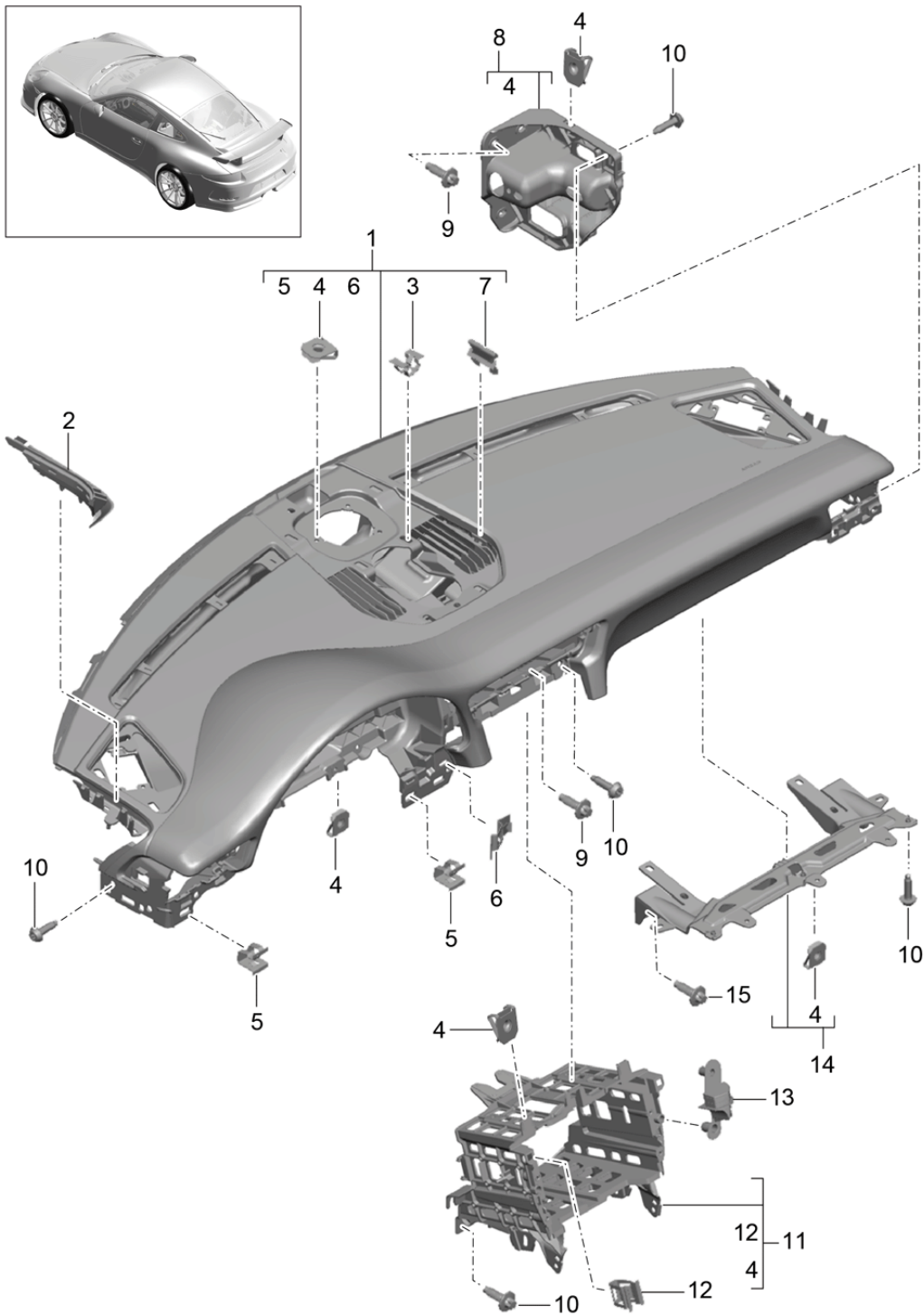
Model: 991G13

Model life 2013>>

Pos	Part Number	Description	Remark	Qty	Model
(10)	991 555 742 00	Trim cover	/R	1	
		Door glass frame			
	991 555 742 00 1E0	Black			
11	999 073 322 02	Oval-head screw		4	
		M 6 X 20			
12	N 907 321 03	Oval-head screw		9	
		TP4,0X16,0-Q			
13	999 507 533 02	Clamp		X	
		8,0 X 10,0 /2,5			
13	N 101 181 04	Hexagon nut		1	
		M5			

Model: 991G13

Model life 2013>>



Model: 991G13 Model life 2013>>

Pos	Part Number	Description	Remark	Qty	Model
1	991 552 101 06	Dashboard trim Upper part with Mounting parts	/LL	1	I098
(1)	991 552 101 06 DK4	Black			+28
	991 552 102 04	Dashboard trim Upper part Leatherette	/RL	1	I098/099
(1)	991 552 102 04 DK4	Black			+28
	991 552 101 07	Dashboard trim Upper part	/LL	1	I098/981
	991 552 101 07 DPE	Black/Platinum Grey			+78
	991 552 101 07 DRK	Black/Guards Red			+68
	991 552 101 07 DSL	Black/Silver			+59,+79
	991 552 101 07 RAW	Black/Lava Orange			+49,+69
(1)	991 552 101 13	Dashboard trim Upper part	/LL	1	I098/981
	991 552 101 13 DSL	Black/Silver			+22
(1)	991 552 102 05	Dashboard trim Upper part	/RL	1	I099/981
	991 552 102 05 DPE	Black/Platinum Grey			+78
	991 552 102 05 DRK	Black/Guards Red			+68
	991 552 102 05 DSL	Black/Silver			+59,+79
	991 552 102 05 RAW	Black/Lava Orange			+49,+69
(1)	991 552 102 11	Dashboard trim Upper part	/RL	1	I099/981
	991 552 102 11 DSL	Black/Silver			+22
2	991 552 581 00	Insert A-pillar Left	/L	1	
(2)	991 552 582 00	Insert A-pillar Right	/R	1	
3	999 507 533 02	Clamp Mount		14	
4	999 507 556 01	Defroster trim Speed nut M5		X	
5	8E0 853 107	Clip		4	
6	955 552 107 00	Fixing clip		2	
7	999 591 547 01	U-clamp		2	
8	991 552 620 00	Support Retaining frame	/R	1	
(8)	991 552 619 00	Support Retaining frame	/L	1	
9	999 919 278 01	Outer hexagon round screw M6 X 20		X	
10	999 073 498 01	Oval-head screw M5X20		X	
11	991 552 111 01	Support frame PCM	-16	1	
(11)	991 552 111 02	Support frame PCM	17-	1	
12	8T0 853 107	Clamp		2	
13	991 552 825 01	Connecting piece Upper		1	I981
(13)	991 552 825 01 1E0	Black			
	991 552 826 01	Connecting piece Lower		1	I981
	991 552 826 01 1E0	Black			

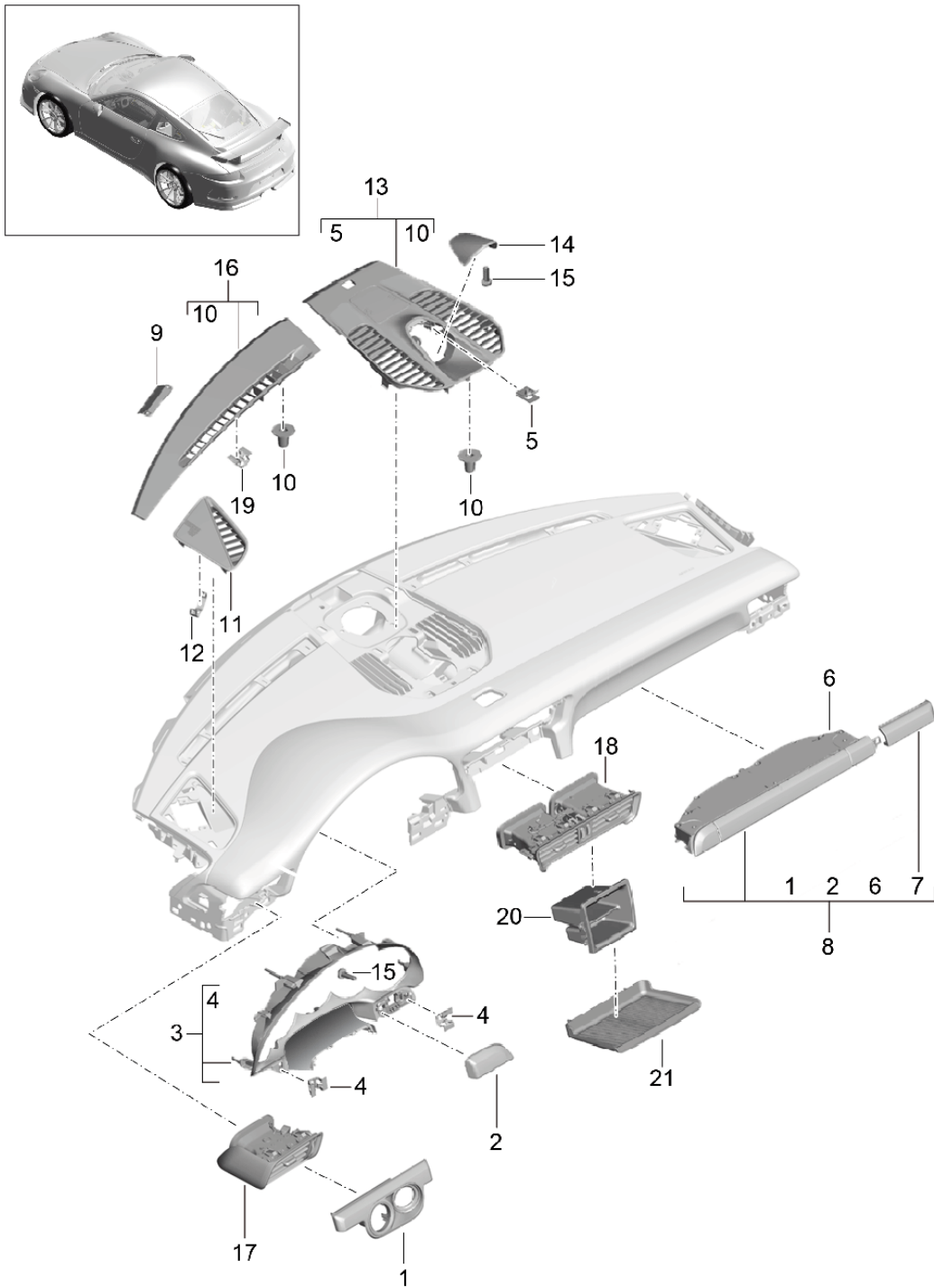
Model: 991G13

Model life 2013>>

Pos	Part Number	Description	Remark	Qty	Model
14	991 552 360 02	Support Airbag Passenger's side		1	

Model: 991G13

Model life 2013>>



Model: 991G13 Model life 2013>>

Pos	Part Number	Description	Remark	Qty	Model
1	991 552 381 90	Accessories Dashboard trim Upper part Moulding Driver's side with Illumination	/LL	1	I098
(1)	991 552 381 90 B3T	Aluminium/Anthracite			
	991 552 382 90	Moulding Driver's side with Illumination	/RL	1	I099
(1)	991 552 382 90 B3T	Aluminium/Anthracite Position 8 Order			I820
2	991 552 383 90	Moulding Driver's side	/LL	1	I098
(2)	991 552 383 90 B3T	Aluminium/Anthracite			
	991 552 384 90	Moulding Driver's side	/RL	1	I099
(2)	991 552 384 90 B3T	Aluminium/Anthracite Position 8 Order			I820
3	991 552 525 00	Cover Instrument cluster	/LL	1	I098
(3)	991 552 525 00 1E0	Black			
	991 552 526 00	Cover Instrument cluster	/RL	1	I099
(3)	991 552 526 00 1E0	Black			
	991 552 978 00	Cover Instrument cluster Leather	/LL	1	IXNG/098
(3)	991 552 978 00 A11	Black			
	991 552 979 00	Cover Instrument cluster Leather	/RL	1	IXNG/099
4	991 552 979 00 A11	Black			
5	999 507 533 02	Clamp		X	
6	999 507 971 01	Speed nut		2	
6	991 552 194 90	Support Beverages	/LL	1	I098
(6)	991 552 194 90 B3T	Aluminium/Anthracite			
	991 552 193 90	Support Beverages	/RL	1	I099
(6)	991 552 193 90 B3T	Aluminium/Anthracite Position 8 Order			I820
7	991 552 388 90	Moulding Passenger's side	/LL	1	I098
(7)	991 552 388 90 B3T	Aluminium/Anthracite			
	991 552 387 90	Moulding Passenger's side	/RL	1	I099
(7)	991 552 387 90 B3T	Aluminium/Anthracite Position 8 Order			I820
8	991 552 980 20	Set Moulding Including Support	/LL	1	IXVP/098

Model: 991G13 Model life 2013>>

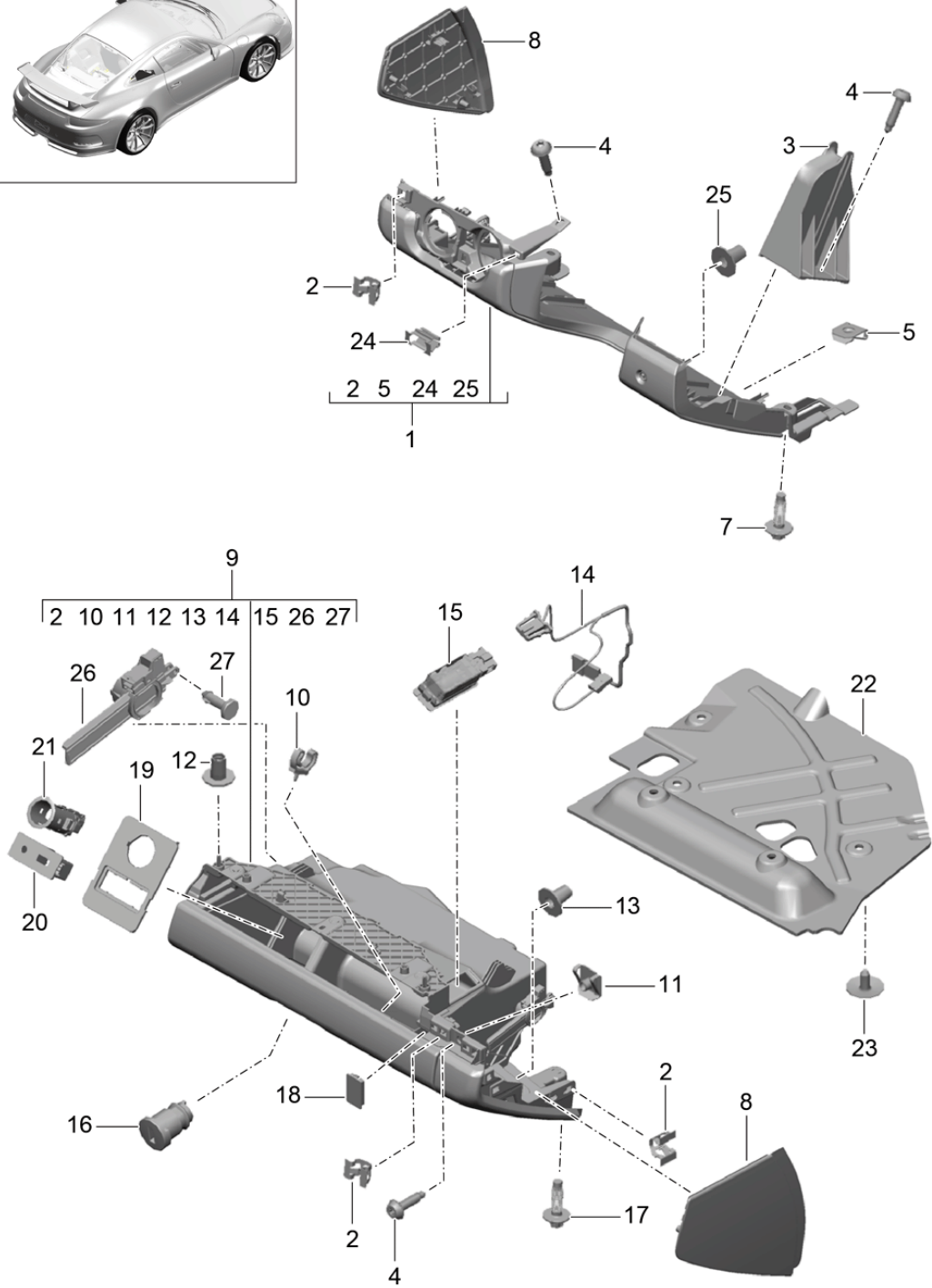
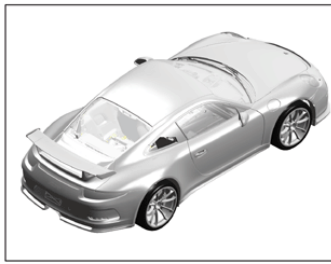
Pos	Part Number	Description	Remark	Qty	Model
(8)	991 552 980 20 A11 991 552 281 90	Beverages Black Set Moulding Including Support Beverages	/LL	1	I098/820
(8)	991 552 281 90 B3T 991 552 282 90	Aluminium/Anthracite Set Moulding Including Support Beverages	/RL	1	I099/820
(8)	991 552 282 90 B3T 991 552 981 20	Aluminium/Anthracite Set Moulding Including Support Beverages	/RL	1	IXVP/099
(8)	991 552 981 20 A11 991 552 980 21	Black Set Moulding Including Support Beverages	/LL	1	IXGB/098
(8)	991 552 980 21 BX3 991 552 981 21	Carbon, fine high-gloss Set Moulding Including Support Beverages	/RL	1	IXGB/099
(8)	991 552 981 21 BX3 991 552 980 23	Carbon, fine high-gloss Set Moulding Including Support Beverages	/LL	1	IXYD/098
(8)	991 552 980 23 U03 991 552 981 23	Aluminium, brushed Set Moulding Including Support Beverages	/LL	1	IXYD/098/099
(8)	991 552 981 23 U03 991 552 980 26	Aluminium, brushed Set Moulding Including Support Beverages with Badge Vehicle Ident. No. Indicate	/LL	1	911R IXGB/098
(8)	991 552 980 26 BX3 991 552 981 26	Carbon, fine high-gloss Set Moulding Including Support Beverages with Badge	/RL	1	911R IXGB/099

Model: 991G13 Model life 2013>>

Pos	Part Number	Description	Remark	Qty	Model
		Vehicle Ident. No. Indicate			
9	991 552 981 26 BX3 991 552 711 00	Carbon, fine high-gloss Cover	/L	1	
(9)	991 552 712 00	Defroster Cover	/R	1	
10	999 702 559 40	Defroster			
11	991 552 575 00	Grommet		X	
		Loudspeaker grille Left	/L	1	I441/490
(11)	991 552 575 00 5Q0 991 552 576 00	Black Loudspeaker grille	/R	1	I441/490
		Right			
12	991 552 576 00 5Q0 991 552 775 00	Black Retaining bar		2	I490
		Tweeter			
13	991 552 151 02	Cover		1	I639/640
		Centre			
(13)	991 552 151 02 5Q0 991 552 151 00	Black Cover		1	
		Centre			
14	991 552 151 00 5Q0 991 552 557 02	Black Top half		1	I639/640
		Stopwatch			
(14)	991 552 557 02 5Q0 991 552 557 03	Black Top half		1	I639/640/981
		Stopwatch			
15	991 552 557 03 A11 999 919 167 09	Black Oval-head screw		2	
		3,0 X 10			
		Mount			
16	991 552 375 02	Top half Defroster trim	/L	1	I981
		Leather			
(16)	991 552 375 02 5Q0 991 552 376 02	Black Defroster trim	/R	1	I981
		Leather			
17	991 552 376 02 5Q0 991 552 131 00	Black Side vent		1	
		Left			
(17)	991 552 131 00 DAP 991 552 132 00	Galvano silver Side vent		1	
		Right			
18	991 552 132 00 DAP 991 552 141 00	Galvano silver Centre nozzle		1	
		Galvano silver			
19	999 507 533 02	Clamp		X	
20	991 552 661 80	Defroster trim Shelf		1	I609
		Centre			
21	991 552 661 80 A05 987 553 871 00	Black mat Insert		1	I609

Model: 991G13

Model life 2013>>



Model: 991G13 Model life 2013>>

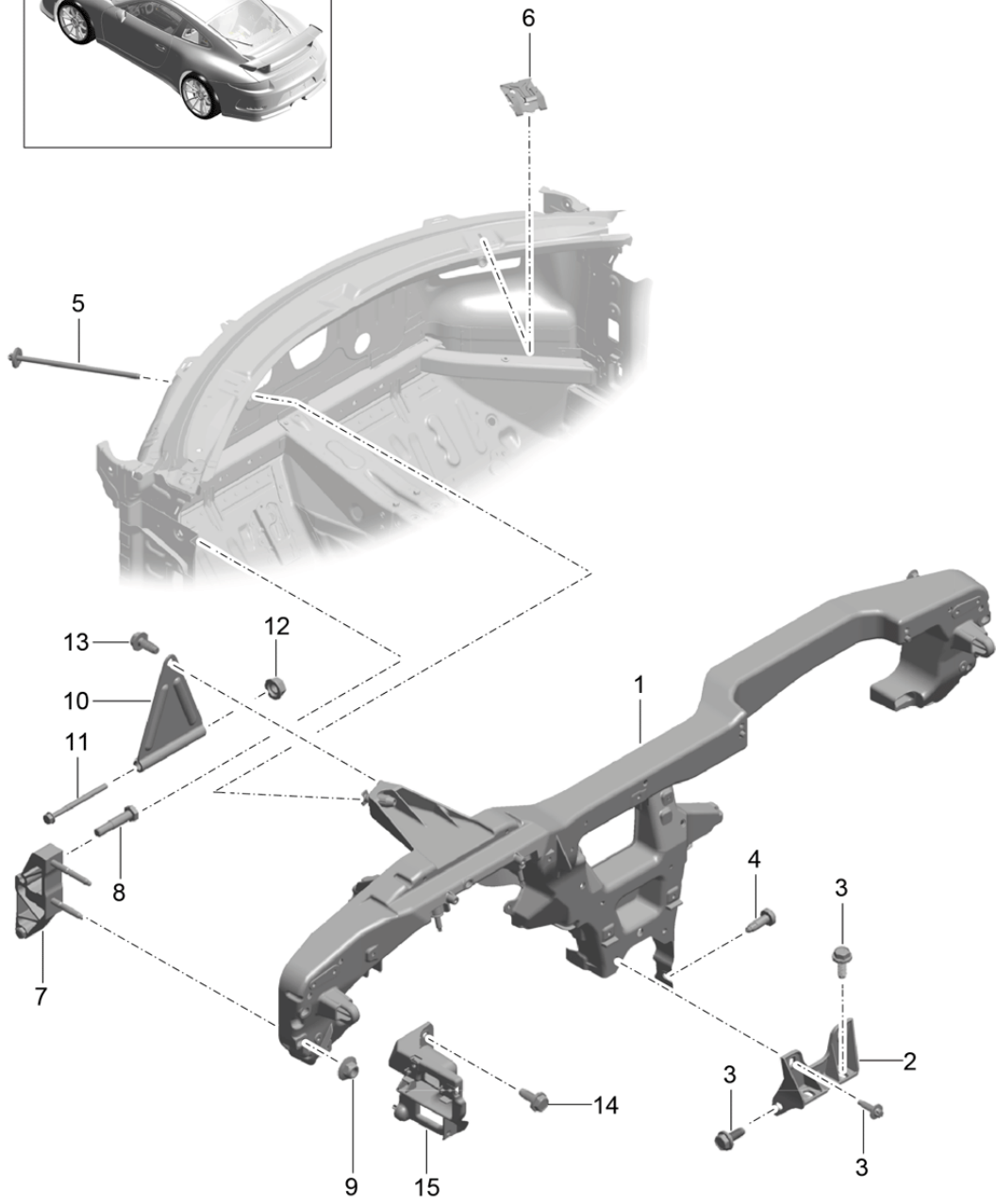
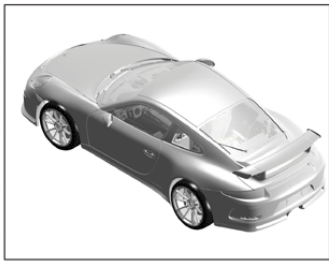
Pos	Part Number	Description	Remark	Qty	Model
1	991 552 201 10	Glove compartment And Lining Driver's side Dashboard trim Lower part	/LL	1	I098
(1)	991 552 201 10 DK4	Black			+18,+29,+28
(1)	991 552 202 10	Dashboard trim Lower part	/RL	1	I099
(1)	991 552 202 10 DK4	Black			+18,+29,+28
(1)	991 552 201 91	Dashboard trim Lower part Alcantara	/LL	1	I098/975/981
(1)	991 552 201 91 2W0	Black			+68,+78,+69, +49,+59
(1)	991 552 202 91	Dashboard trim Lower part Alcantara	/RL	1	I099/975/981
(1)	991 552 202 91 2W0	Black			+68,+78,+69, +49,+59
(1)	991 552 201 15	Dashboard trim Lower part Leather	/LL	1	I098/981
(1)	991 552 201 15 A11	Black			+22,+26
(1)	991 552 202 11	Dashboard trim Lower part Leather	/RL	1	I099/981
2	991 552 202 11 A11	Black			+22,+26
2	999 507 533 02	Clamp		2	
4	999 073 498 01	Oval-head screw M5X20		X	
5	999 507 556 01	Speed nut M5		2	
7	999 919 278 01	Outer hexagon round screw 6X20		2	
8	991 552 405 01	Cover Left	/L	1	
(8)	991 552 405 01 1E0	Black			
(8)	991 552 406 01	Cover Left	/R	1	
9	991 552 406 01 1E0	Black			
9	991 552 204 10	Glove compartment Complete	/LL	1	I098
(9)	991 552 204 10 DK4	Black			+18,+29,+28
(9)	991 552 203 10	Glove compartment Complete	/RL	1	I098/099
(9)	991 552 203 10 DK4	Black			+18,+29,+28
(9)	991 552 204 92	Glove compartment Complete Alcantara	/LL	1	I098/975/981
(9)	991 552 204 92 2W0	Black			+68,+78,+69, +49,+59
(9)	991 552 203 92	Glove compartment Complete Alcantara	/RL	1	I099/975/981
(9)	991 552 203 92 2W0	Black			+68,+78,+69, +49,+59
(9)	991 552 204 15	Glove compartment Complete Leather	/LL	1	I098/981
(9)	991 552 204 15 A11	Black			+22,+26
(9)	991 552 203 15	Glove compartment Complete	/RL	1	I099/981

Model: 991G13 Model life 2013>>

Pos	Part Number	Description	Remark	Qty	Model
10	991 552 203 15 A11 996 552 813 00	Leather Black Support Pin		2	+22,+26
11	999 507 556 01	Speed nut M5		1	
12	999 702 560 40	Grommet		X	
13	999 702 559 40	Grommet		X	
14		Wiring harness Glove compartment See illustrations 9/02/15		1	
15		Glove compartment light See illustrations 9/03/04		1	
16	996 552 915 01	Lock cylinder Glove compartment Vehicle Ident. No. Indicate		1	
17	999 919 278 01	Outer hexagon round screw 6 X 20		2	
18	991 552 705 00	Cover Switch-off Airbag		1	-I899
19	991 552 601 00	Cover Multimedia interface		1	
20	991 552 601 00 1E0	Black Plug socket See illustrations 9/11/00		1	I665/696/870
21		Plug socket Or Clamping ring See illustrations 9/03/05		1	I870
22	991 552 414 00	Lining Footwell Passenger's side	/LL	1	I098
(22)	991 552 413 00	Lining Footwell Passenger's side	/RL	1	I099
23	1H0 819 943	Screw Mount Lining Footwell		X	
24	955 552 107 00	Fixing clip		1	
25	999 702 559 40	Grommet		3	
26	991 552 484 00	Damper Glove compartment	/LL	1	I098
(26)	991 552 483 00	Damper Glove compartment	/RL	1	I099
27	991 552 803 00	Bolt Mount Damper		1	

Model: 991G13

Model life 2013>>



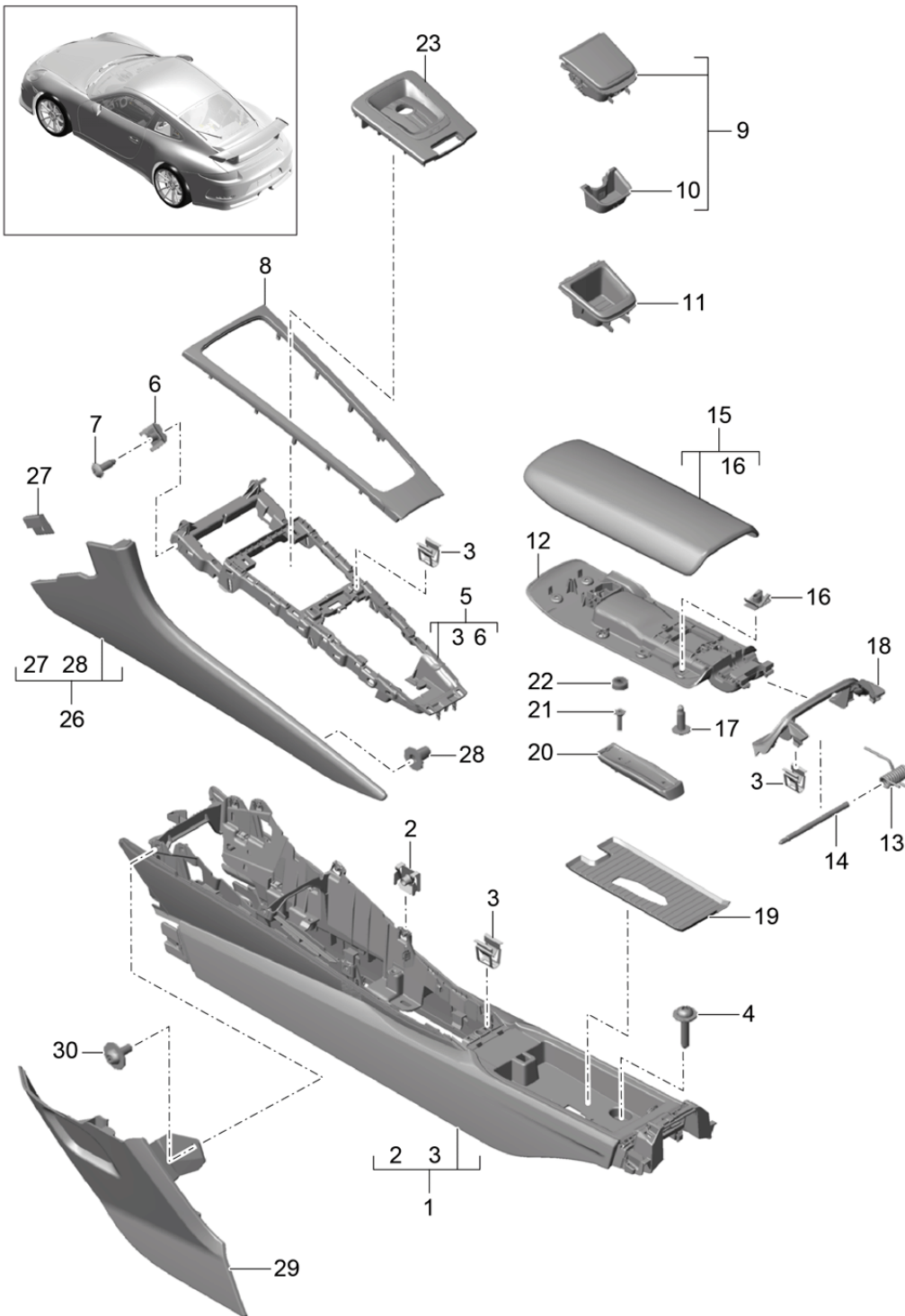
Model: 991G13

Model life 2013>>

Pos	Part Number	Description	Remark	Qty	Model
		Retaining frame Dashboard			
1	991 504 063 00	Retaining frame	/LL	1	I098
(1)	991 504 063 01	Retaining frame	/RL	1	I099
2	991 504 615 00	Support Tunnel		1	
3	999 143 014 01	Hexagon-head bolt M8X27		5	
4	999 073 138 01	Round head screw M8X25		1	
5	999 073 542 01	Combination screw M8X195		1	
6	8E0 857 117	Clamp Dashboard Cowl panel		2	
7	991 504 407 02	Support A-pillar		2	
8	900 919 009 01	Fit bolt M8X45		4	
9	N 907 611 03	Nut M8		4	
10	991 504 653 01	Support Steering column		1	
11	N 106 366 01	Hexagon-head bolt M8X110X80		1	
12	999 084 630 01	Hexagon nut M8		1	
13	999 143 014 01	Hexagon-head bolt M8X27		1	
14	999 919 278 01	Outer hexagon round screw M6X20		6	
15		Support Retaining frame See illustrations 8/09/00		1	

Model: 991G13

Model life 2013>>



Model: 991G13 Model life 2013>>

Pos	Part Number	Description	Remark	Qty	Model
1	991 553 111 01	Centre console Bracket		1	
	991 553 111 01 PT7	Centre console Black			
2	999 591 145 01	Speed nut M 5		8	
3	8T0 853 107	Clamp		X	
4	N 105 355 02	Pan-head screw M 6 X 30		6	
5	991 553 263 01	Bracket Cover		1	
6	999 507 556 01	Speed nut M 5		2	
7	999 073 459 01	Oval-head screw M 5 X 16		6	
8	991 553 261 90	Cover Centre console		1	I816
	991 553 261 90 B3T	Aluminium/Anthracite			
(8)	991 553 981 00	Cover Centre console		1	IXYG
	991 553 981 00 041	Black			
	991 553 981 00 84A	Guards red			
	991 553 981 00 1S1	Racing Yellow			
	991 553 981 00 C9A	White			
	991 553 981 00 C9Z	Basalt black metallic			
	991 553 981 00 M7S	Achat Grey Metallic			
	991 553 981 00 M8S	Anthracite Brown Metallic			
	991 553 981 00 M5J	Sapphire Blue Metallic			
	991 553 981 00 8L1	Amaranth Red Metallic			
	991 553 981 00 M5X	Dark Blue Metallic			
	991 553 981 00 M8Y	Mahogany Metallic			
	991 553 981 00 5P1	Lime Gold Metallic			
	991 553 981 00 M7Z	GT Silver Metallic			
	991 553 981 00 M7U	Rhodium Silver Metallic			
(8)	991 553 981 01	Cover Centre console		1	IXHB
	991 553 981 01 A11	Black			
(8)	991 553 981 02	Cover Centre console		1	IXHM
	991 553 981 02 BX3	Carbon, fine high-gloss			
9	991 553 141 02	Ashtray		1	I583
	991 553 141 02 DML	Matt Black/hi-gloss chrome			
10	991 553 341 01	Insert Ashtray		1	I583
	991 553 341 01 1E0	Black			
11	991 553 143 00	Shelf		1	
	991 553 143 00 A05	Black			
12	991 553 233 01	Lid Inner		1	
	991 553 233 01 1E0	Black			
13	991 553 439 00	Torsion spring Lid	-15	1	
(13)	991 553 439 01	Torsion spring Lid	15-	1	
14	991 553 447 00	Axle Lid		1	
15	991 553 231 90	Lid Alcantara		1	I975
	991 553 231 90 2W0	Black			
	991 553 231 90 M2A	Lava Orange			
	991 553 231 90 M7Z	GT Silver Metallic			
(15)	9P1 857 151	Lid		1	911R
	9P1 857 151 DSL	Black/Silver			+12,+22

Model: 991G13

Model life 2013>>

Pos	Part Number	Description	Remark	Qty	Model
16	9P1 857 151 JHU 999 507 274 01	Tarpan Brown/Black/Silver Speed nut M 5		8	+16,+26
17	999 073 459 01	Oval-head screw M 5 X 16		8	
18	991 553 253 00	Trim cover Centre console Rear		1	
19	991 553 253 00 1E0 991 553 611 00	Black Insert Shelf	-16	1	
(19)	991 553 611 01	Insert Shelf	-16	1	I669
(19)	9P1 857 130	Insert Shelf	17-	1	I9ZK/9ZX
20		Mounting Telephone See illustrations 9/11/10		1	I669
21		Countersunk-head screw 3,0 X 10 See illustrations 9/11/10		2	I669
22		Stopper See illustrations 9/11/10		1	I669
23	991 553 245 90	Cover PDK		1	GT3 I250
(23)	991 553 245 90 DRZ 991 553 245 91	Black/Galvano Silver Cover PDK		1	GT3RS I250
26	991 553 245 91 DRZ 991 553 131 02	Black/Galvano Silver Cover Centre console slush technology	/L	1	
(26)	991 553 131 02 DK4 991 553 132 02	Black Cover Centre console slush technology	/R	1	+18,+29,+28
(26)	991 553 132 02 DK4 991 553 131 01	Black Cover Centre console Leather	/L	1	+18,+29,+28 I981
(26)	991 553 131 01 A11 991 553 132 01	Black Cover Centre console Leather	/R	1	+68,+78,+69, +49,+59,+79 I981
	991 553 132 01 A11	Black			+68,+78,+69, +49,+59,+79
27	991 553 823 00	Rubber ply		2	
28	999 702 299 40	Grommet 6,5 X 8,5 X 1,0		2	
29	991 553 151 04	Trim cover Footwell outlet vent	/LL /L	1	I098
(29)	991 553 151 04 1E0 991 553 152 05	Black Trim cover Footwell outlet vent	/LL /R	1	I098
(29)	991 553 152 05 1E0 991 553 151 05	Black Trim cover Footwell outlet vent	/RL /L	1	I099

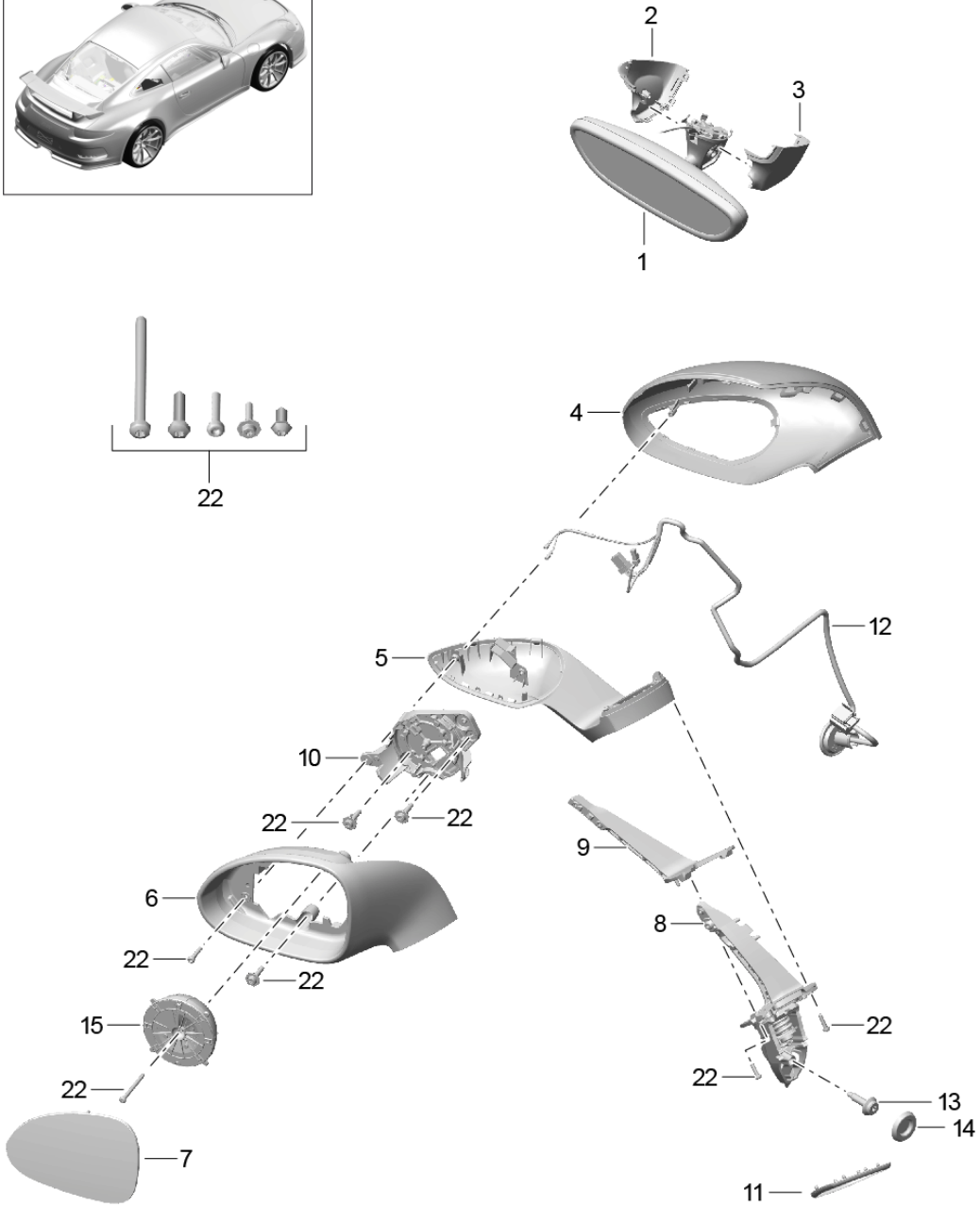
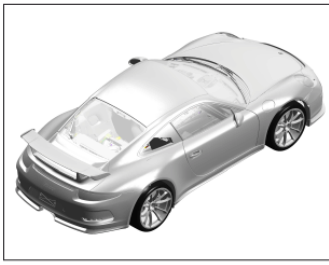
Model: 991G13

Model life 2013>>

Pos	Part Number	Description	Remark	Qty	Model
(29)	991 553 151 05 1E0	Black			
	991 553 152 04	Trim cover	/RL /R	1	I099
		Footwell outlet vent			
	991 553 152 04 1E0	Black			
30	999 073 295 A2	Oval-head screw		2	
		M 5 X 12			

Model: 991G13

Model life 2013>>



Model: 991G13 Model life 2013>>

Pos	Part Number	Description	Remark	Qty	Model
1	991 731 511 01	Interior mirror		1	I275
	991 731 511 01 1E0	Door mirror			
	991 731 511 01 1E0	Interior mirror			
(1)	991 731 511 02	Black		1	I276
	991 731 511 02 1E0	Interior mirror			
	991 731 511 02 1E0	Black			
2	991 731 811 01	Cover	/L	1	
		Interior mirror			
		Mirror base			
	991 731 811 01 1E0	Black			
3	991 731 812 01	Cover	/R	1	
		Interior mirror			
		Mirror base			
	991 731 812 01 1E0	Black			
4	991 731 629 00	Housing	/LL /L	1	I098
		Door mirror			
		Upper part			
(4)	991 731 629 00 G2L	Prime coated		1	I098
	991 731 630 00	Housing	/LL /R		
		Door mirror			
		Upper part			
(4)	991 731 630 00 G2L	Prime coated		1	I099
	991 731 629 01	Housing	/RL /L		
		Door mirror			
		Upper part			
(4)	991 731 629 01 G2L	Prime coated		1	I099
	991 731 630 01	Housing	/RL /R		
		Door mirror			
		Upper part			
(4)	991 731 630 01 G2L	Prime coated		1	IXJW/098/789
	991 731 629 06	Housing	/L		
		Door mirror			
		Upper part			
(4)	991 731 629 06 A3G	Carbon Gloss Black		1	IXJW/098/789
	991 731 630 06	Housing	/R		
		Door mirror			
		Upper part			
(4)	991 731 630 06 A3G	Carbon Gloss Black		1	IXJW/099/789
	991 731 629 07	Housing	/L		
		Door mirror			
		Upper part			
(4)	991 731 629 07 A3G	Carbon Gloss Black		1	IXJW/099/789
	991 731 630 07	Housing	/R		
		Door mirror			
		Upper part			
(4)	991 731 630 07 A3G	Carbon Gloss Black		1	
5	991 731 729 00	Cover	/L	1	
	991 731 729 00 G2L	Prime coated			
(5)	991 731 729 00	Cover	/L	1	IXCS
	991 731 729 00 G2L	Prime coated			
(5)	991 731 729 00	Cover	/L	1	-IXCS/-I789
	991 731 729 00 OK1	Black mat			
(5)	991 731 730 00	Cover	/R	1	
	991 731 730 00 G2L	Prime coated			
(5)	991 731 730 00	Cover	/R	1	IXCS
	991 731 730 00 G2L	Prime coated			
(5)	991 731 730 00	Cover	/R	1	-IXCS/-I789
	991 731 730 00 OK1	Black mat			
6	991 731 631 00	Housing	/LL /L	1	I098
		Frame			
	991 731 631 00 G2L	Prime coated			
(6)	991 731 632 00	Housing	/LL /R	1	I098
		Frame			

Model: 991G13 Model life 2013>>

Pos	Part Number	Description	Remark	Qty	Model
(6)	991 731 632 00 G2L 991 731 631 01	Prime coated Housing Frame	/RL /L	1	I099
(6)	991 731 631 01 G2L 991 731 632 01	Prime coated Housing Frame	/RL /R	1	I099
7	991 731 632 01 G2L 991 731 045 00	Prime coated Mirror glass	/LL /L	1	I098/254/263 I529
(7)	991 731 045 01	Plane Mirror glass	/LL /L	1	I098/254/265 I529
(7)	991 731 045 02	Aspherical Mirror glass	/LL /L	1	I098/256/263 I529
(7)	991 731 045 03	Plane Mirror glass	/LL /L	1	I098/256/265 I529
(7)	991 731 046 00	Aspherical Mirror glass	/RL /R	1	I099/254/285 I529
(7)	991 731 046 01	Aspherical Mirror glass	/RL /R	1	I099/256/285 I529
(7)	991 731 047 00	Aspherical Mirror glass	/RL /L	1	I099/254/264 I529
(7)	991 731 047 01	Convex Mirror glass	/RL /L	1	I099/256/264 I529
(7)	991 731 048 00	Convex Mirror glass	/LL /R	1	I098/254/284
(7)	991 731 048 02	Convex Mirror glass	/LL /R	1	I098/215/254 I284
(7)	991 731 048 03	Convex Mirror glass	/LL /R	1	I098/256/257 I284
(7)	991 731 048 05	Convex Mirror glass	/LL /R	1	I098/215/256 I284
8	991 731 229 00	Convex Mirror base	/LL /L	1	I098
(8)	991 731 230 00	Manually adjustable Mirror base	/LL /R	1	I098
(8)	991 731 229 01	Manually adjustable Mirror base	/RL /L	1	I099
(8)	991 731 230 01	Manually adjustable Mirror base	/RL /R	1	I099
9	991 731 221 00	Manually adjustable Bracket Lower	/LL /L	1	I098
(9)	991 731 222 00	Bracket Lower	/LL /R	1	I098
(9)	991 731 221 01	Bracket Lower	/RL /L	1	I099
(9)	991 731 222 01	Bracket Lower	/RL /R	1	I099
10	991 731 519 00	Plate Reinforcement	/LL /L	1	I098
(10)	991 731 520 00	Plate Reinforcement	/LL /R	1	I098
(10)	991 731 519 01	Plate	/RL /L	1	I099

Model: 991G13

Model life 2013>>

Pos	Part Number	Description	Remark	Qty	Model
(10)	991 731 520 01	Reinforcement Plate	/RL /R	1	I099
11	991 731 833 00	Reinforcement Gasket	/L	1	
(11)	991 731 834 00	Lower Gasket	/R	1	
12	991 622 711 00	Lower Wiring harness		1	I254
(12)	991 622 713 00	Door mirror Wiring harness		1	I256
13	999 073 192 01	Door mirror Pan-head screw		1	
14	999 703 543 40	M8X33 Lid		1	
15	7PP 959 578 D	Screw 25,0X35,0 Adjusting motor		2	
22	991 731 919 00	Repair kit Screw		1	
		Comprising:			
		Screw			
		3X14		4	
		3X12		2	
		3X16		1	
		3X10		3	
		3X38		1	

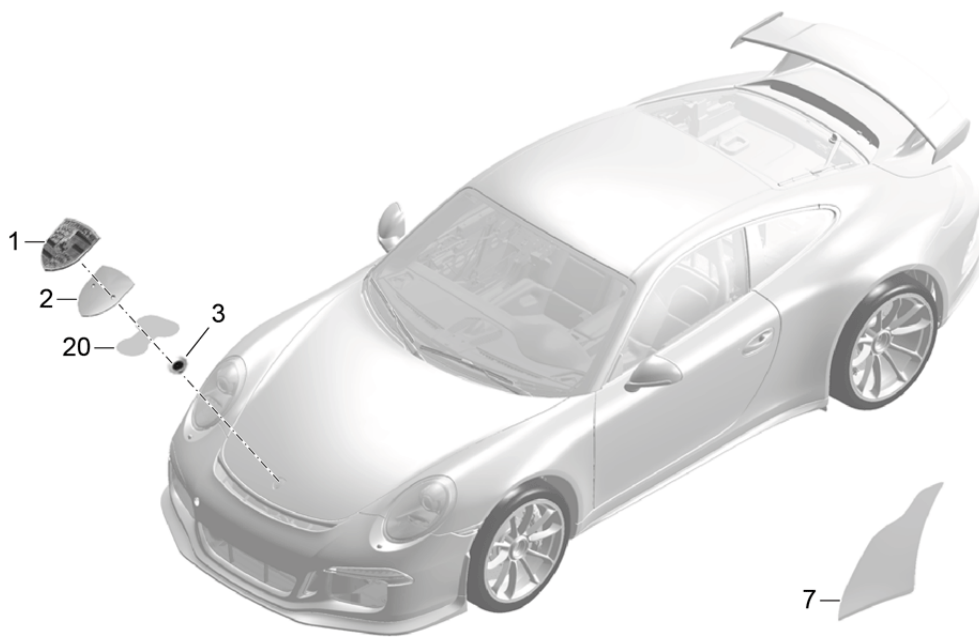
Model: 991G13

Model life 2013>>

4— P O R S C H E

5— *GT3*

6— *GT3RS*

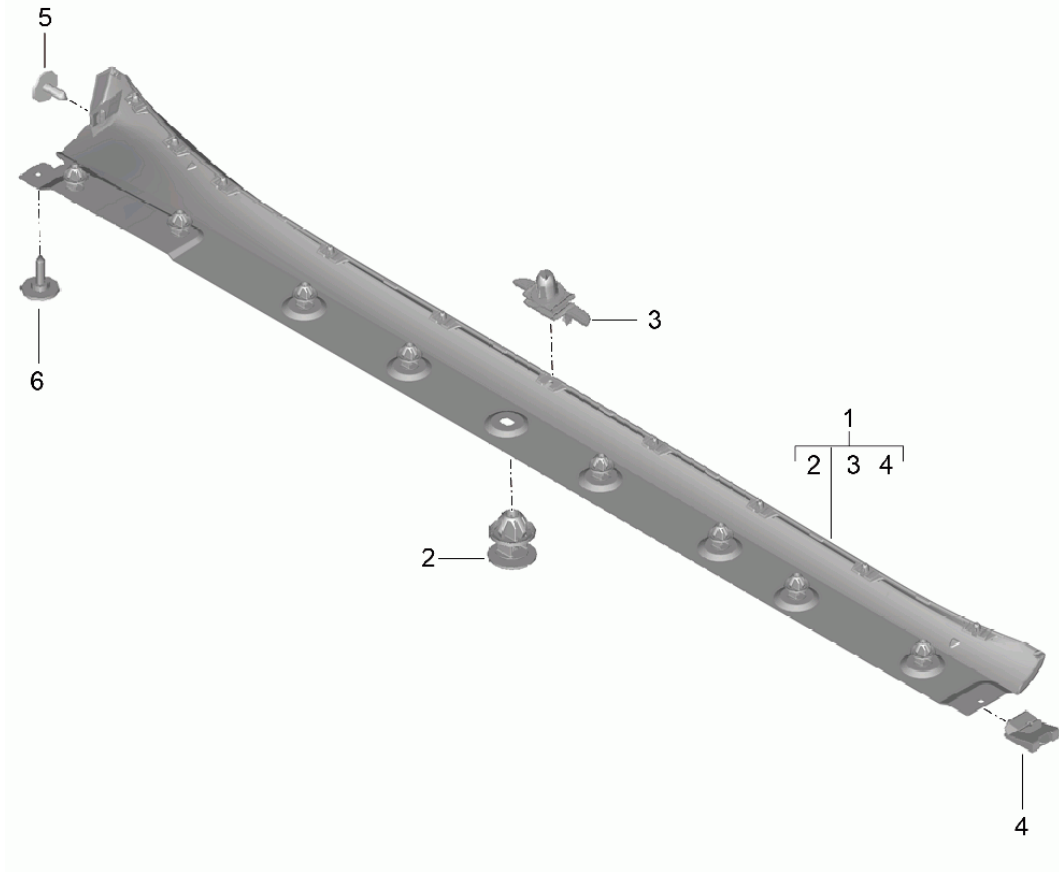


Model: 991G13 Model life 2013>>

Pos	Part Number	Description	Remark	Qty	Model
1	991 559 211 00	Insignias Decorative fittings Stone guard film Lid emblem Front		1	
(1)	996 559 211 90	Lid emblem Front		1	
2	991 559 215 02	Desk pad		1	
3	999 591 423 03	Tapping nut 3,0		2	
4	991 559 235 90	Logo *PORSCHE*		1	
5	991 559 251 90	Black Logo *GT3*		1	
6	991 559 251 91	Black Logo *GT3 RS*		1	
(6)	991 559 251 91 OK1	Black mat		1	
(6)	991 559 251 91	Logo *GT3 RS*		1	
7	991 559 251 91 OM9	Aluminium White		1	
7	991 504 835 01	Stone guard film Side section	/L	1	
7	991 504 835 02	Stone guard film Side section	/L	1	
(7)	991 504 836 01	Stone guard film Side section	/R	1	
(7)	991 504 836 02	Stone guard film Side section	/R	1	
20	999 911 756 41	Adhesive film	15-	1	

Model: 991G13

Model life 2013>>



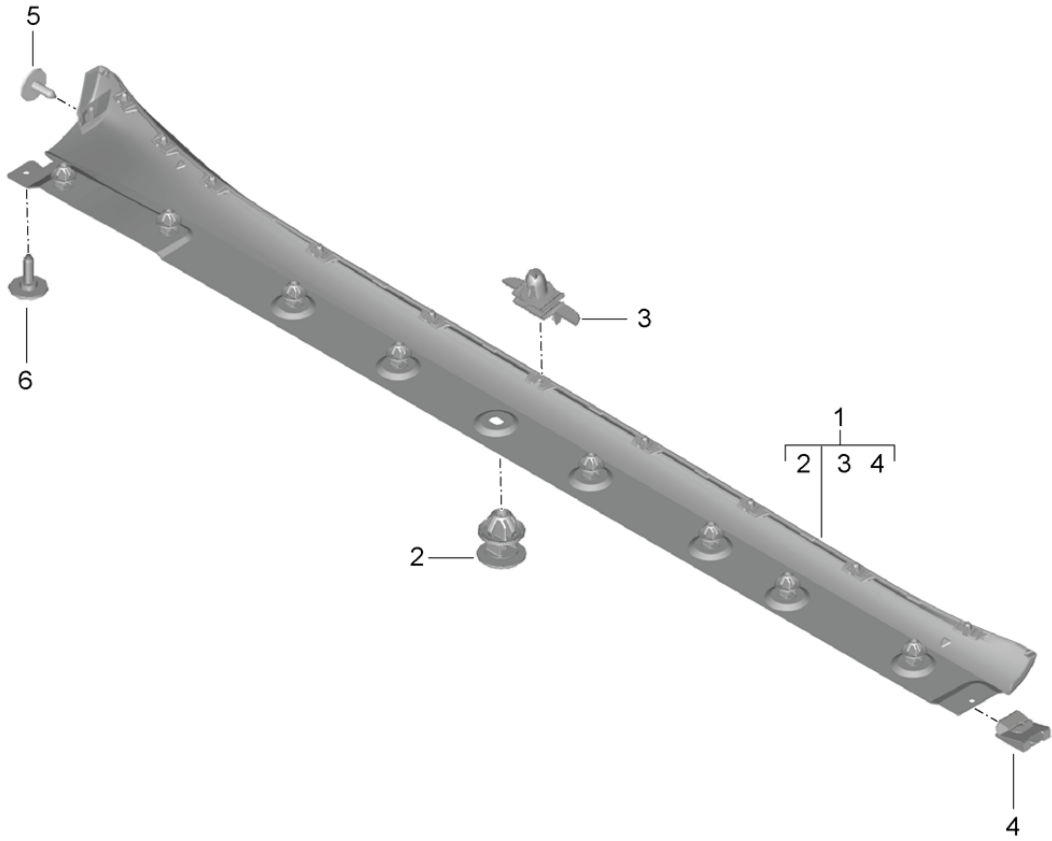
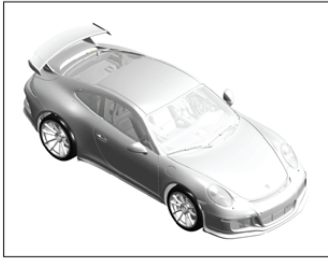
Model: 991G13

Model life 2013>>

Pos	Part Number	Description	Remark	Qty	Model
1	991 504 595 02	Sill cover		1	GT3
	991 504 595 02 1E0	Sill cover	/L	1	
(1)	991 504 953 01	Black			
	991 504 953 01	Sill cover	/L	1	IXAJ
		Prime coated			
(1)	991 504 596 02	Sill cover	/R	1	
	991 504 596 02 1E0	Sill cover			
(1)	991 504 954 01	Black			
	991 504 954 01	Sill cover	/R	1	IXAJ
		Prime coated			
2	981 504 597 00	Mounting parts		9	
		Cover			
3	999 507 986 40	Fixing clip		10	
		Sill cover			
		9,0X1,5			
4	999 507 795 09	Speed nut		2	
		ST 4,8			
5	999 073 505 01	Tapping screw		X	
		ST4,8X16-C			
6	999 073 227 09	Tapping screw		X	
		ST4,8X19-C			

Model: 991G13

Model life 2013>>



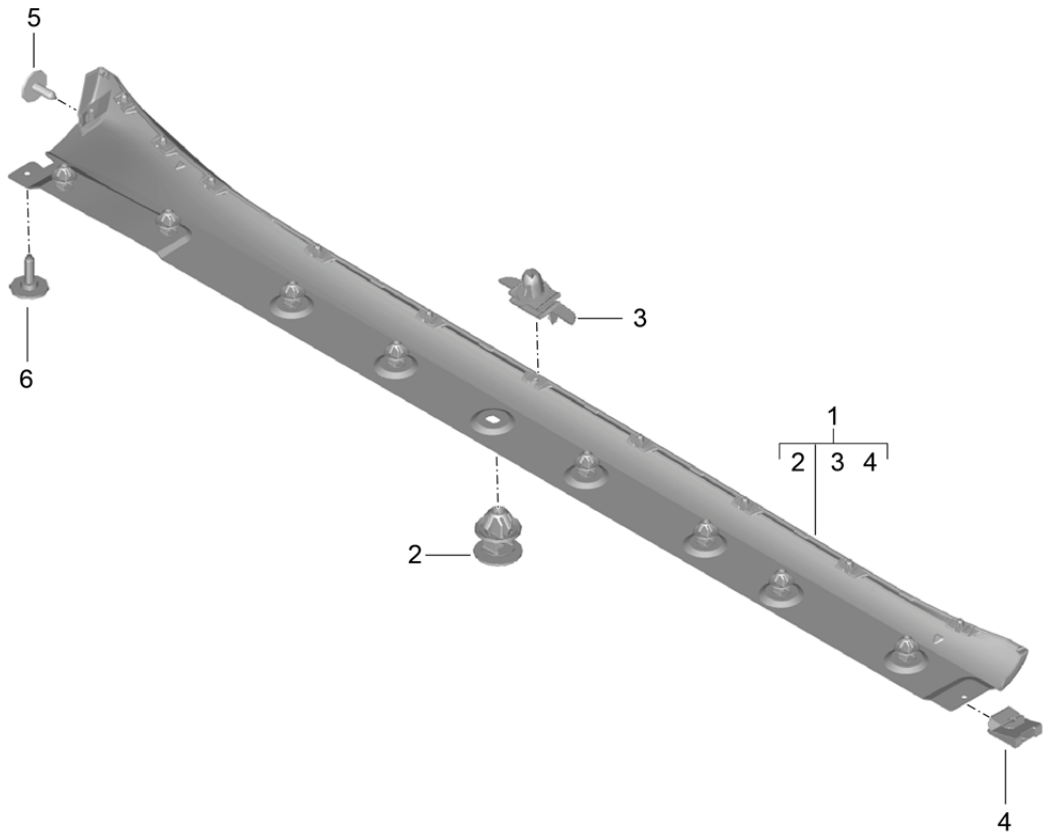
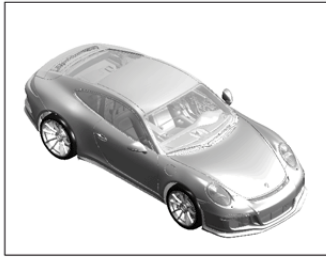
Model: 991G13

Model life 2013>>

Pos	Part Number	Description	Remark	Qty	Model
1	991 504 595 90	Sill cover		1	GT3RS
	991 504 595 90 1E0	Sill cover	/L	1	
	991 504 595 90 1E0	Black			
(1)	991 504 596 90	Sill cover	/R	1	
	991 504 596 90 1E0	Black			
2	981 504 597 00	Mounting parts		9	
		Cover			
3	999 507 986 40	Fixing clip		10	
		Sill cover			
		9,0X1,5			
4	999 507 795 09	Speed nut		2	
		ST 4,8			
5	999 073 505 01	Tapping screw		X	
		ST4,8X16-C			
6	999 073 227 09	Tapping screw		X	
		ST4,8X19-C			

Model: 991G13

Model life 2013>>



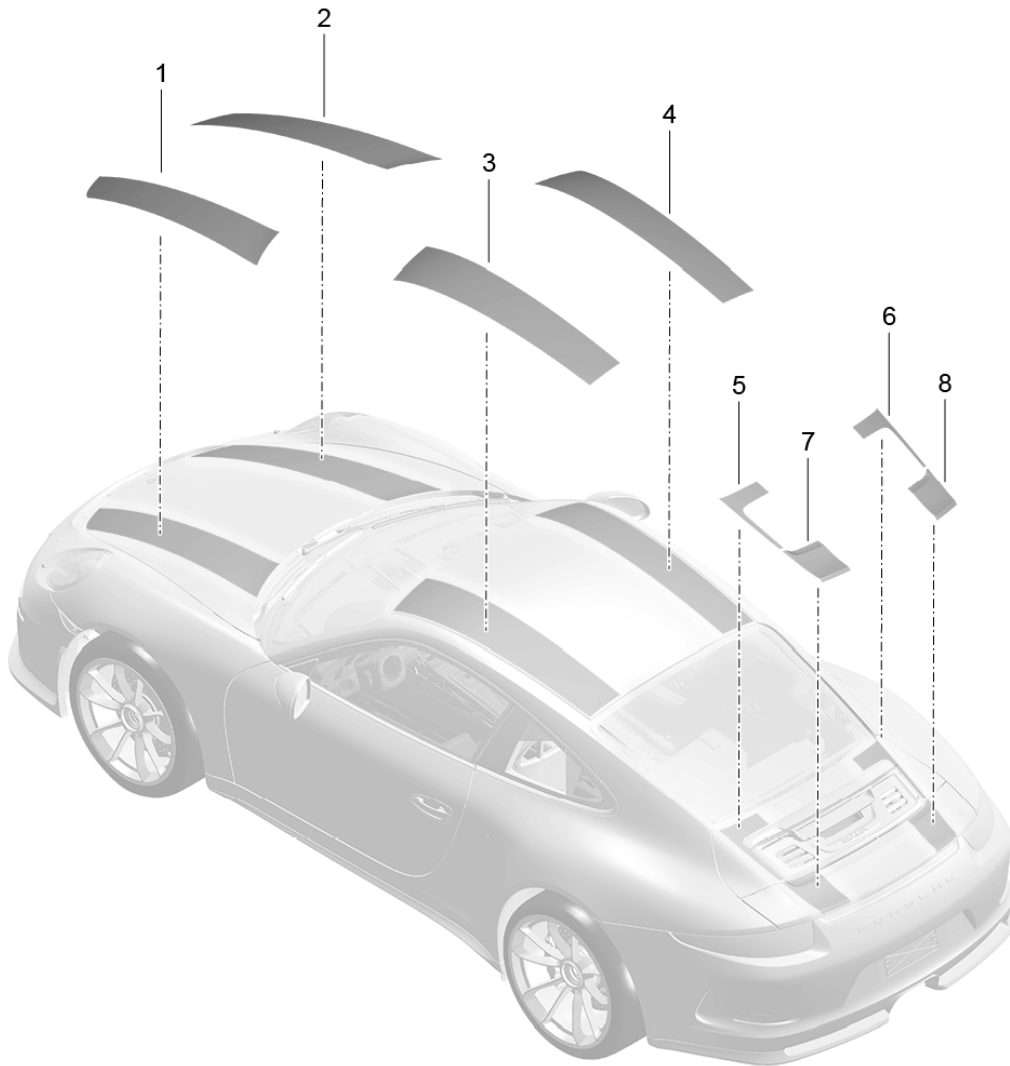
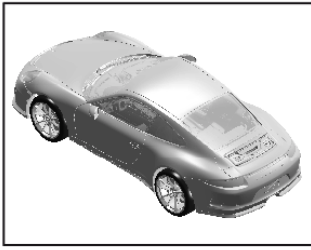
Model: 991G13

Model life 2013>>

Pos	Part Number	Description	Remark	Qty	Model
1	991 504 595 03	Sill cover			911 R
		Sill cover	/L	1	-IXAJ
	991 504 595 03 1E0	Black			
(1)	991 504 953 01	Sill cover	/L	1	IXAJ
		Prime coated			
1	991 504 596 03	Sill cover	/R	1	-IXAJ
	991 504 596 03 1E0	Black			
(1)	991 504 954 01	Sill cover	/R	1	IXAJ
		Prime coated			
2	981 504 597 00	Mounting parts		9	
		Cover			
3	999 507 986 40	Fixing clip		10	
		Sill cover			
		9,0X1,5			
4	999 507 795 09	Speed nut		2	
		ST 4,8			
5	999 073 505 01	Tapping screw		X	
		ST4,8X16-C			
6	999 073 227 09	Tapping screw		X	
		ST4,8X19-C			

Model: 991G13

Model life 2013>>



Model: 991G13

Model life 2013>>

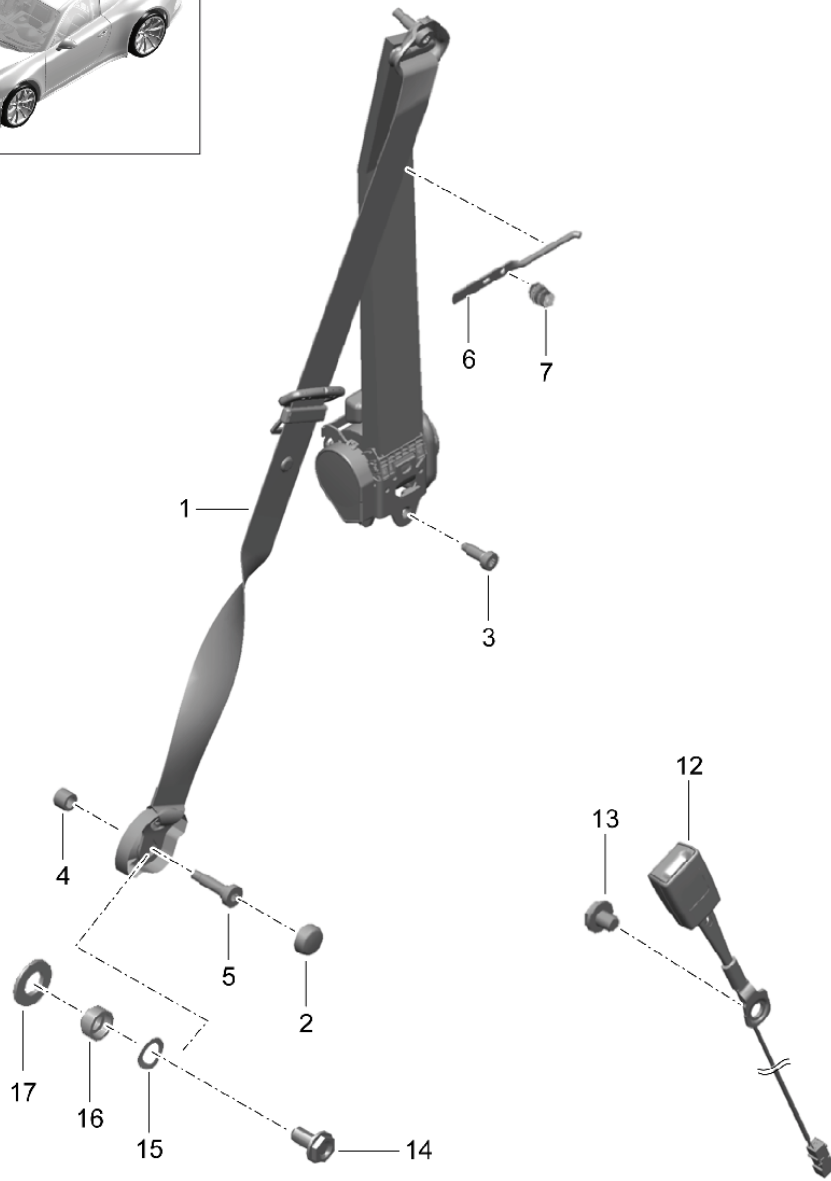
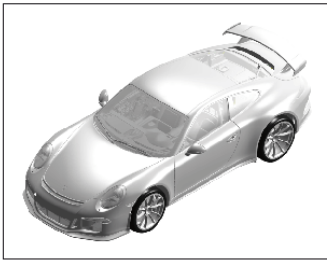
Pos	Part Number	Description	Remark	Qty	Model
		Decorative film 911 R			911 R
1	991 559 365 80	Decorative film Lid Front Left	/L	1	I903
	991 559 365 80 OJ6	Red Use also: 991.559.366.80 OJ6			
(1)	991 559 365 80	Decorative film Lid Front Left	/L	1	I904
	991 559 365 80 OK7	Green Use also: 991.559.366.80 OK7			
2	991 559 366 80	Decorative film Lid Front Right	/R	1	I903
	991 559 366 80 OJ6	Red Use also: 991.559.365.80 OJ6			
(2)	991 559 366 80	Decorative film Lid Front Right	/R	1	I904
	991 559 366 80 OK7	Green Use also: 991.559.365.80 OK7			
3	991 559 367 80	Decorative film Roof Left	/L	1	I903
	991 559 367 80 OJ6	Red Use also: 991.559.368.80 OJ6			
(3)	991 559 367 80	Decorative film Roof Left	/L	1	I904
	991 559 367 80 OK7	Green Use also: 991.559.368.80 OK7			
4	991 559 368 80	Decorative film Roof Left	/R	1	I903
	991 559 368 80 OJ6	Red Use also: 991.559.367.80 OJ6			
(4)	991 559 368 80	Decorative film Roof Left	/R	1	I904
	991 559 368 80 OK7	Green Use also: 991.559.367.80 OK7			
5	991 559 369 80	Decorative film Rear lid Left	/L	1	I903
	991 559 369 80 OJ6	Red Use also: 991.559.370.80 OJ6			
(5)	991 559 369 80	Decorative film Rear lid Left	/L	1	I904

Model: 991G13 Model life 2013>>

Pos	Part Number	Description	Remark	Qty	Model
	991 559 369 80 OK7	Green Use also: 991.559.370.80 OK7			
6	991 559 370 80	Decorative film Rear lid Left	/R	1	I903
	991 559 370 80 OJ6	Red Use also: 991.559.369.80 OJ6			
(6)	991 559 370 80	Decorative film Rear lid Left	/R	1	I904
	991 559 370 80 OK7	Green Use also: 991.559.369.80 OK7			
7	991 559 371 80	Decorative film Rear spoiler Left	/L	1	I903
	991 559 371 80 OJ6	Red Use also: 991.559.372.80 OJ6			
(7)	991 559 371 80	Decorative film Rear spoiler Left	/L	1	I904
	991 559 371 80 OK7	Green Use also: 991.559.372.80 OK7			
8	991 559 372 80	Decorative film Rear spoiler Left	/R	1	I903
	991 559 372 80 OJ6	Red Use also: 991.559.371.80 OJ6			
(8)	991 559 372 80	Decorative film Rear spoiler Left	/R	1	I904
	991 559 372 80 OK7	Green Use also: 991.559.371.80 OK7 Porsche Logo Tequipment catalogue			

Model: 991G13

Model life 2013>>



Model: 991G13 Model life 2013>>

Pos	Part Number	Description	Remark	Qty	Model
1	991 803 033 00	Seat belt Front		2	
	991 803 033 00 A23	Seat belt Black			
	991 803 033 00 1S1	Racing Yellow			
	991 803 033 00 62S	Luxor Beige			
	991 803 033 00 2L0	Yachting Blue			
	991 803 033 00 U01	Silver			
	991 803 033 00 N13	Guards red			
1	991 803 033 04	Seat belt		2	
	991 803 033 04 M2A	Lava Orange			
2	991 803 295 00	Cap		2	
3	N 989 261 02	Fastening screw 7/16-20UNF		2	
4	999 924 064 03	Spacer sleeve		2	
5	999 510 048 01	Pan-head screw 7/16-20UNF		2	
6	991 803 825 01	Relay lever Belt		2	
7	999 516 032 01	Hexagon nut Mount		2	
12	991 803 183 00	Relay lever Seat-belt buckle Driver's side	/LL	1	I098
(12)	991 803 183 05	Seat-belt buckle Passenger's side	/RL	1	I099
(12)	991 803 184 06	Seat-belt buckle Passenger's side	/LL	1	-I560/I098
(12)	991 803 184 02	Seat-belt buckle Driver's side	/RL	1	I099
(12)	997 803 183 11	Seat-belt buckle Driver's side		1	I388/389
(12)	997 803 183 05	Seat-belt buckle Passenger's side		1	I388/389
(12)	918 803 184 00	Seat-belt buckle	/R	1	I374
(12)	918 803 183 00	Seat-belt buckle	/L	1	I373
13	999 218 101 02	Hexagon-head bolt 7/16-20UNF Mount		2	
14	999 075 072 09	Seat-belt buckle Hexagon-head bolt		2	I389/399
15	999 028 022 01	Spring washer		1	I389/399
16	997 803 663 00	Spacer sleeve		1	I389/399
17	999 025 275 09	Washer		2	I388/389

Model: 991G13

Model life 2013>>



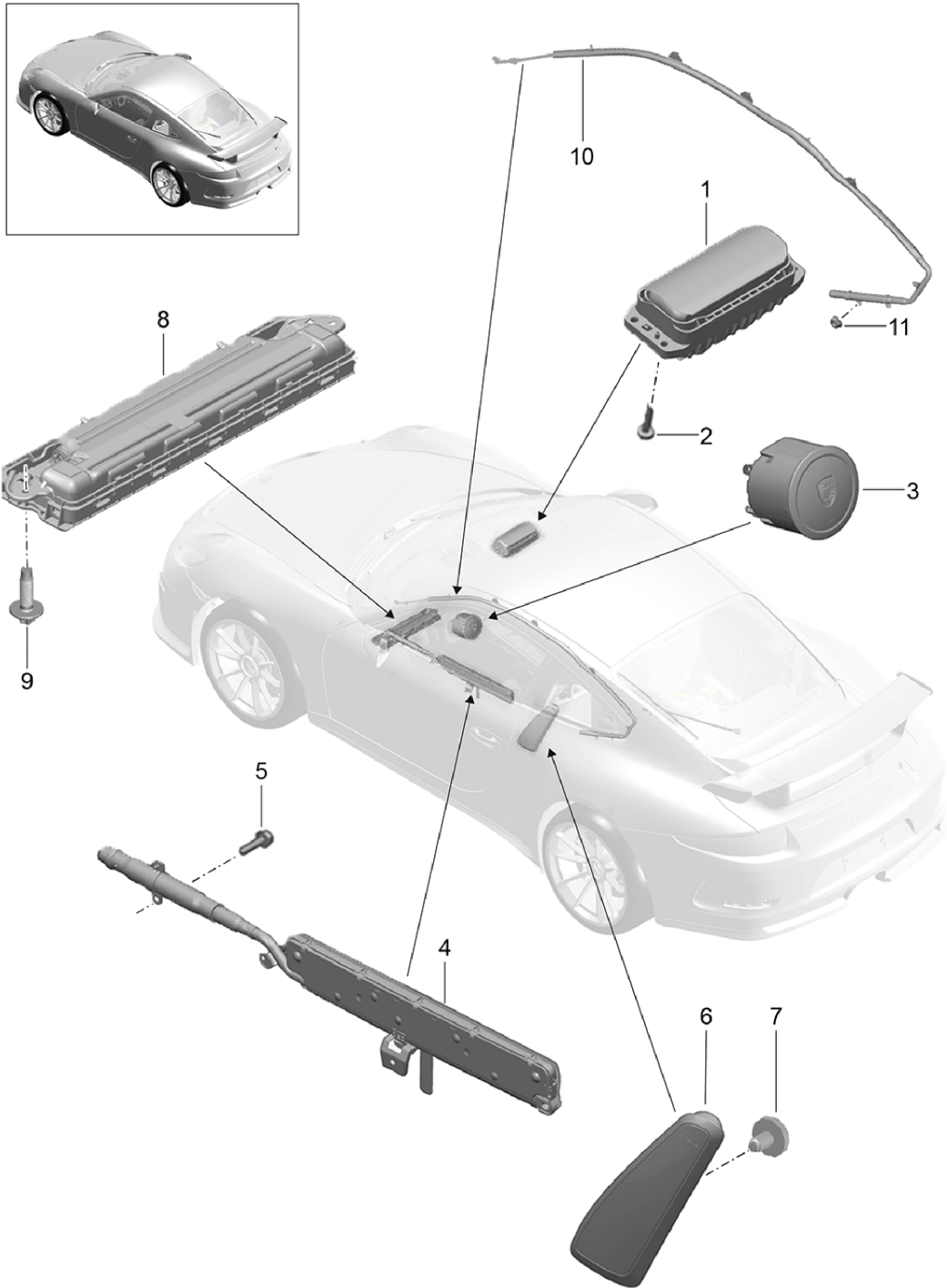
Model: 991G13

Model life 2013>>

Pos	Part Number	Description	Remark	Qty	Model
		Accessories			I003/578/579 I595
1	991 803 017 92	Motor racing Belt		1	I578/579
2	991 580 103 80	6-point seat belt Roll cage		1	I003
3	991 580 995 90	Front Assembly kit Roll cage Front		1	I582/587/595

Model: 991G13

Model life 2013>>

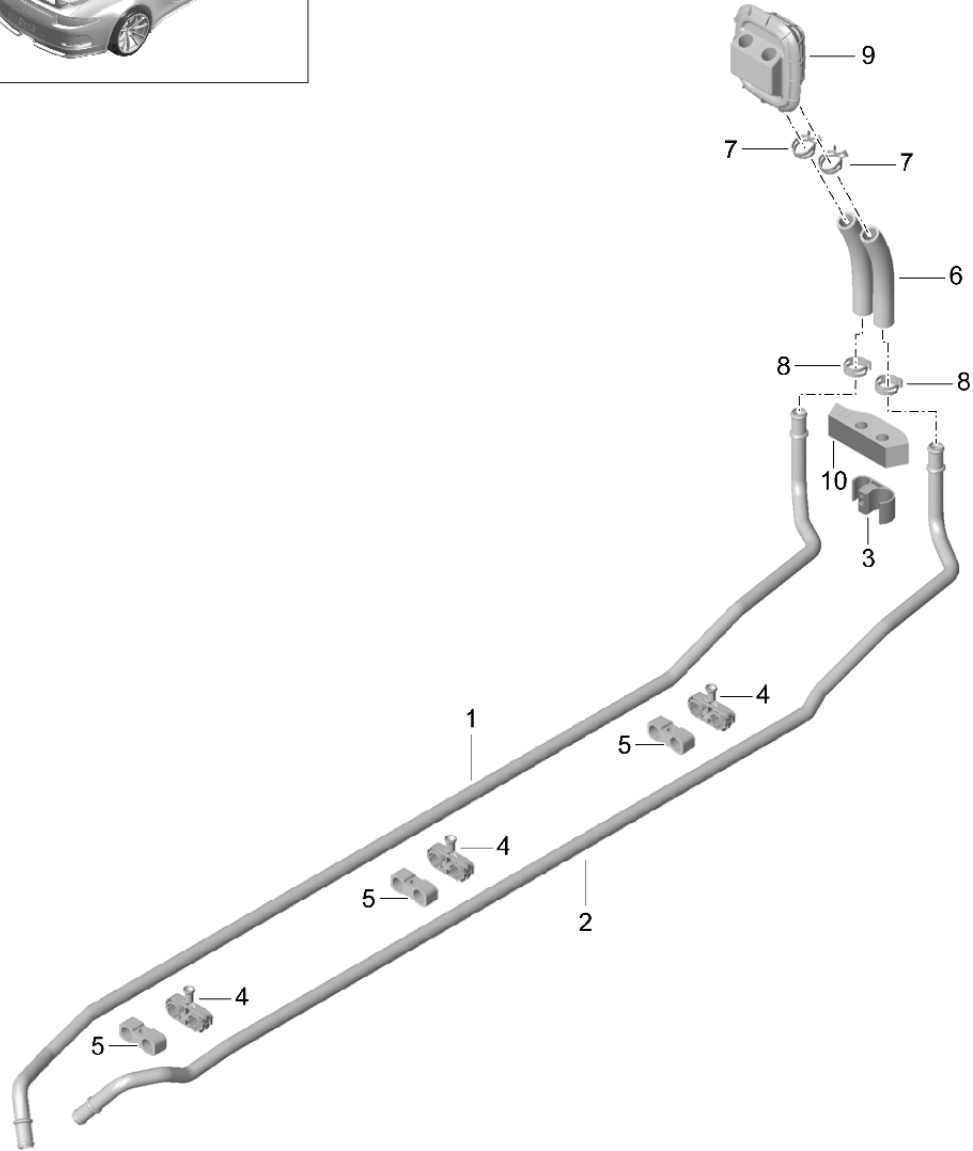
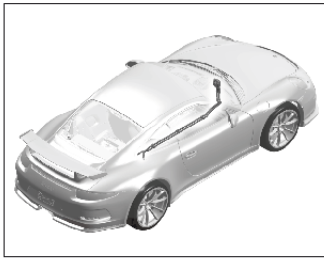


Model: 991G13 Model life 2013>>

Pos	Part Number	Description	Remark	Qty	Model
1	991 803 071 00	Airbag Airbag unit Passenger's side		1	
2	N 911 859 01	Fastening screw Airbag unit Passenger's side		4	
3	991 803 089 04	Airbag unit Driver's side		1	-I991
	991 803 089 04 5Q0	Black			+28
(3)	991 803 089 05	Airbag unit Driver's side Leather		1	I991
	991 803 089 05 A34	Black			+68,+78
(3)	9P1 880 201 E	Airbag unit Driver's side Leather	16-	1	GT3RS I991
	9P1 880 201 E A34	Black			+18,+29,+49, +59,+69,+79
4	991 803 091 01	Head airbag Door Left	/L	1	
(4)	991 803 092 01	Head airbag Door Right	/R	1	
5	N 911 087 01	Hexagon-head bolt M6X25		4	
6	991 803 081 01	Side airbag Seat Left	/L	1	
	991 803 081 01 5Q0	Black			
	991 803 081 01 D20	Silver Grey Metallic			
(6)	991 803 082 01	Side airbag Seat Right	/R	1	
	991 803 082 01 5Q0	Black			
	991 803 082 01 D20	Silver Grey Metallic			
(6)		Side airbag Seat See illustrations 8/17/01 Position 1			I373/374
7	999 073 306 09	Screw Side airbag Seat M6X10		4	

Model: 991G13

Model life 2013>>



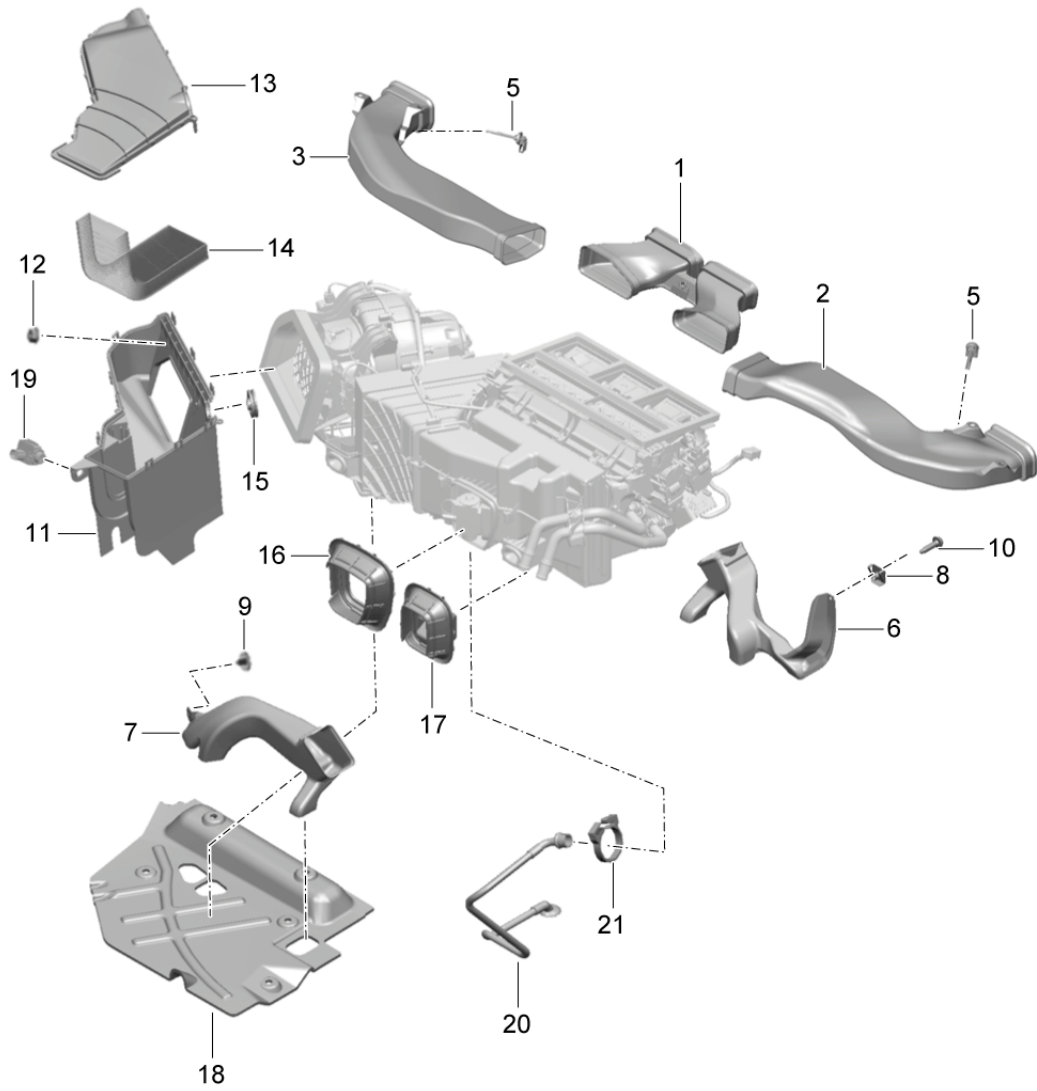
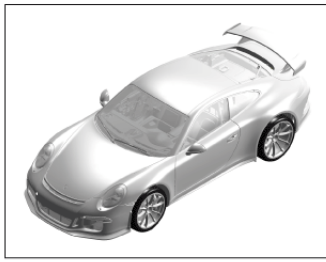
Model: 991G13

Model life 2013>>

Pos	Part Number	Description	Remark	Qty	Model
1	991 572 681 03	Heating Feed line Return line Heater pipeline Supply		1	
2	991 572 683 03	Heater pipeline Return line		1	
3	991 572 825 01	Support		1	
4	991 572 823 00	Support		3	
5	999 511 232 41	Rubber mounting		3	
6	991 572 585 01	Heater hose		2	
7	999 512 603 09	Hose clamp A26X12		2	
8	999 512 657 09	Hose clamp B26X12		2	
9	991 572 263 01	Gasket Cross panel		1	
10	991 572 553 00	Heater pipeline Foam part Hot air line		1	

Model: 991G13

Model life 2013>>

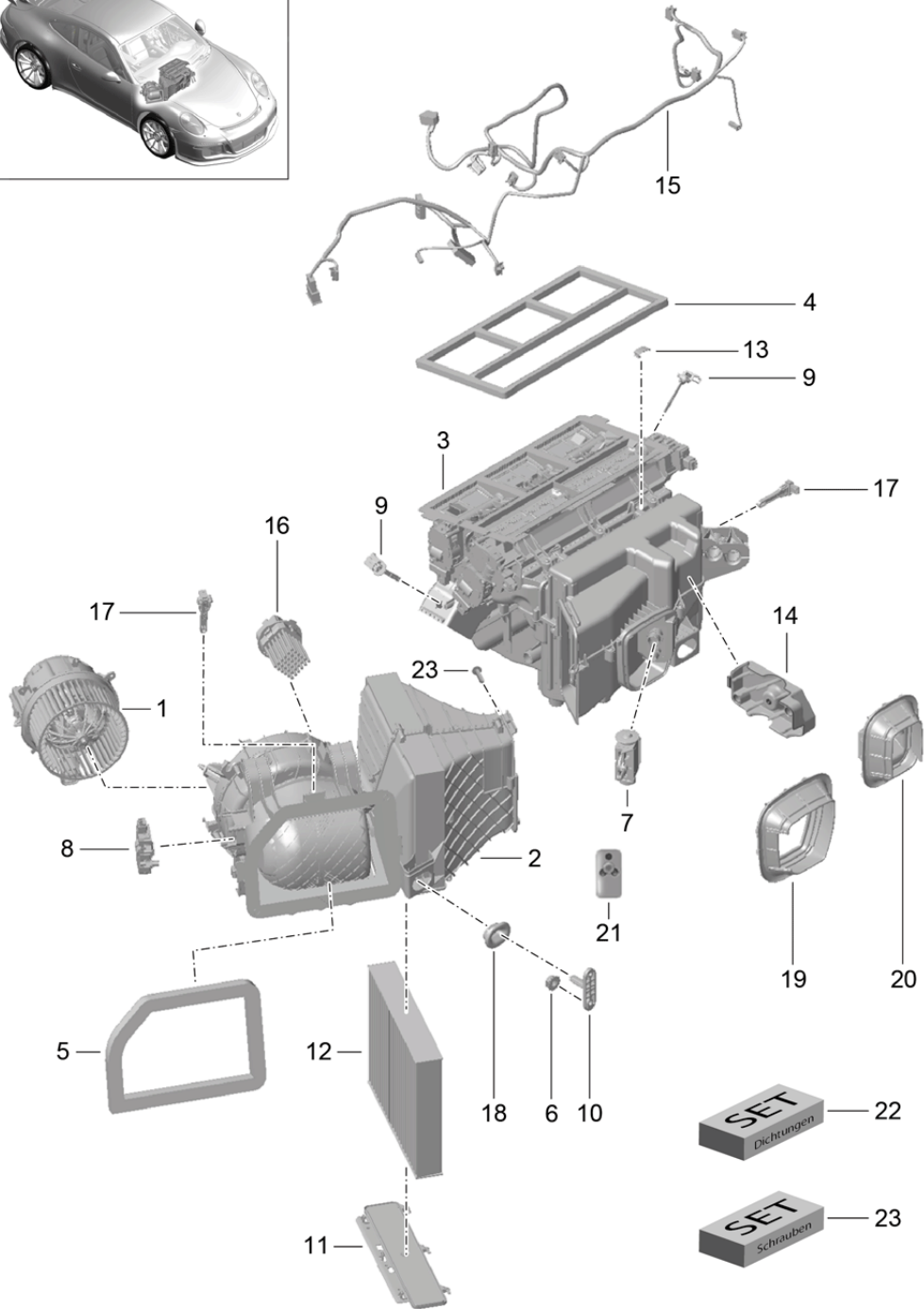
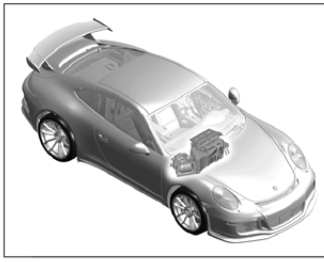


Model: 991G13 Model life 2013>>

Pos	Part Number	Description	Remark	Qty	Model
1	991 572 769 01	Air guide Air distributor		1	
2	991 572 463 02	Air guide Centre	/LL /L	1	I098
(2)	991 572 463 03	Air guide Lateral	/RL /L	1	I099
3	991 572 464 02	Air guide Lateral	/LL /R	1	I098
(3)	991 572 464 03	Air guide Lateral	/RL /R	1	I099
4	999 703 462 40	Lid 10,0X65		2	I572
5	970 653 253 00	Sensor		2	I573
6	991 572 693 00	Footwell outlet vent Driver's side	/LL	1	I098
(6)	991 572 694 00	Footwell outlet vent Driver's side	/RL	1	I099
7	991 572 793 02	Footwell outlet vent Passenger's side	/RL	1	I099
(7)	991 572 794 02	Footwell outlet vent Passenger's side	/LL	1	I098
8	999 507 556 01	Speed nut M 5		1	
9	1H0 819 943	Screw Passenger's side		1	
10	999 073 459 01	Oval-head screw M5X16 Driver's side		1	
11	991 572 072 01	Lower part Air intake	/LL	1	I098
(11)	991 572 071 00	Lower part Air intake	/RL	1	I099
12	900 377 018 09	Hexagon nut M6		2	
13	991 572 272 01	Lid Air intake	/LL	1	I098
(13)	991 572 271 00	Lid Air intake	/RL	1	I099
14	991 572 371 00	Air cleaner Air intake		1	
15	991 572 471 01	Grommet Air intake		1	
16	991 573 769 01	Grommet Firewall Expansion valve		1	I572/573
17	991 572 263 01	Gasket Cross panel Heater pipeline		1	
18		Lining Cold air Cover See illustrations 8/09/10		1	
19	7PP 907 659	Sensor		1	
20	991 573 794 00	Water drain tube		1	I572/573
21	999 512 418 40	Hose clamp 22,7-24,7		1	I572/573

Model: 991G13

Model life 2013>>



Model: 991G13

Model life 2013>>

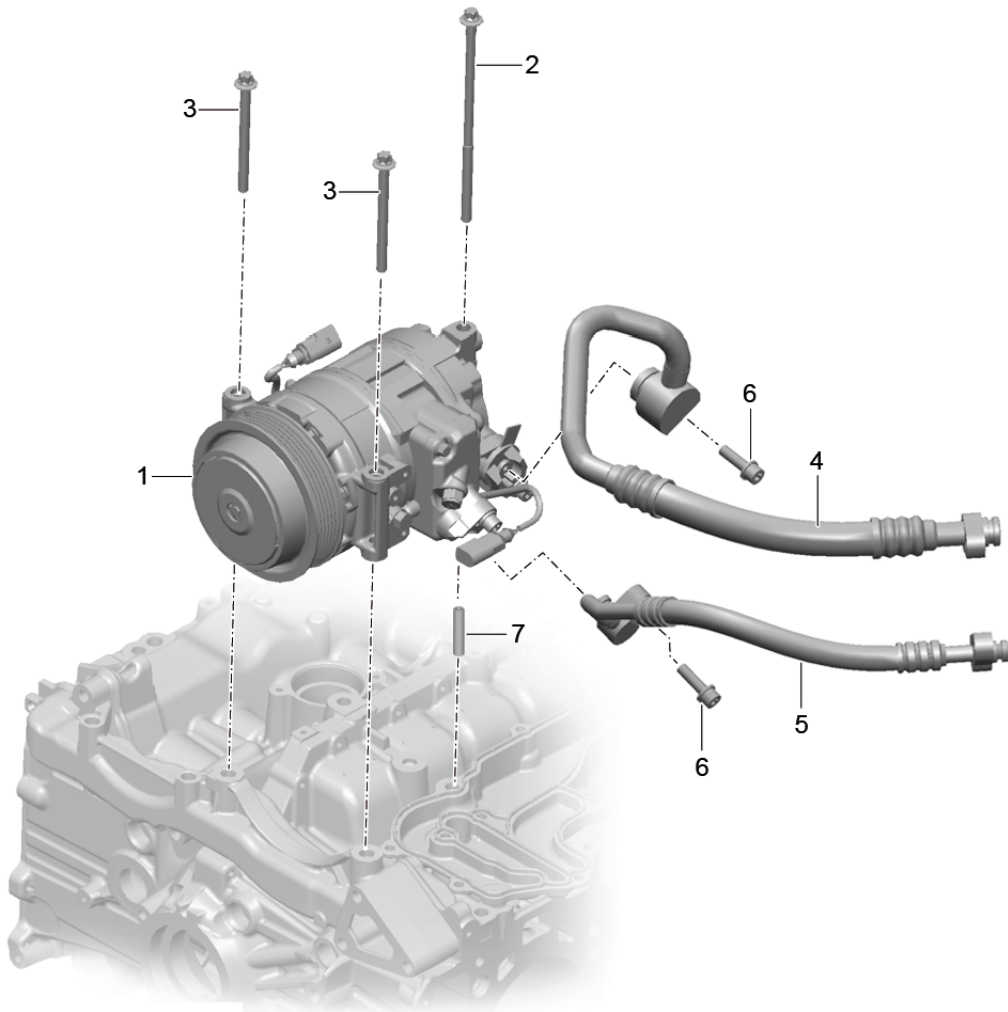
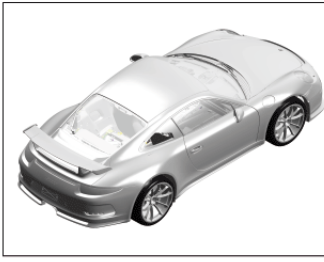
Pos	Part Number	Description	Remark	Qty	Model
		Air conditioner			
		And			
		Single parts			
1	991 573 922 00	Blower	/LL	1	I098
(1)	991 573 922 01	Blower	/RL	1	I099
2	991 573 912 04	Fan housing	/LL	1	I098
		Complete			
		with			
		Two stepping motors			
		And			
(2)	991 573 912 06	Ram air flap			
		Fan housing	/LL	1	I098
		Complete			
		with			
		One stepping motor			
		without			
(2)	991 573 912 05	Ram air flap			
		Fan housing	/RL	1	I099
		Complete			
		with			
		Two stepping motors			
		And			
(2)	991 573 912 07	Ram air flap			
		Fan housing	/RL	1	I099
		Complete			
		with			
		One stepping motor			
		without			
3	991 573 914 04	Ram air flap			
		Distributor	/LL	1	I098
		with			
(3)	991 573 914 06	Ram air flap			
		Distributor	/LL	1	I098
		without			
(3)	991 573 914 01	Ram air flap			
		Distributor	/RL	1	I099
		with			
(3)	991 573 914 07	Ram air flap			
		Distributor	/RL	1	I099
		without			
5	991 573 850 00	Ram air flap			
		Gasket	/LL	1	I098
(5)	991 573 849 00	Blower			
		Gasket	/RL	1	I099
		Blower			
6	900 377 018 09	Hexagon nut		X	
		M6			
7	991 573 921 00	Expansion valve		1	
		Use also:			
		POS. 22			
8	991 624 425 02	Electric motor		X	
		1 zone			
(8)	991 624 425 01	Electric motor		X	
		2-zone			
9	970 653 253 00	Sensor		2	
		Blower outlet sensor			
		Temperature sensor			
10	991 572 481 00	Support		1	
		Air conditioner			
11	991 573 916 00	Lid		1	
		for			
		Filter			
12	991 573 623 00	Passenger compart. filter		1	

Model: 991G13 Model life 2013>>

Pos	Part Number	Description	Remark	Qty	Model
13	970 573 857 00	Tensioning spring Fan housing		X	
14	991 573 913 00	Pipe holder	/RL	1	I099
15	991 612 725 00	Wiring harness with Ram air flap	/LL	1	I098/573
(15)	9P3 971 565	Wiring harness without Ram air flap	/LL	1	I098/573
(15)	9P4 971 565	Wiring harness without Ram air flap	/RL	1	I099/573
(15)	991 612 726 00	Wiring harness with Ram air flap	/RL	1	I099/573
16	991 624 423 00	Regulator for Blower		1	I573
17	970 653 257 00	Temperature sensor for Evaporator		2	I573
18	991 572 875 00	Grommet Air conditioner		2	
19	991 573 769 01	Grommet Firewall Expansion valve		1	I573
20	991 572 263 01	Gasket Firewall Heater pipeline		1	
21	991 573 935 90	Stopper		1	I574
22	8K0 820 261	Gasket set Expansion valve		1	
23	8K0 898 540	Parts kit Screw		1	

Model: 991G13

Model life 2013>>



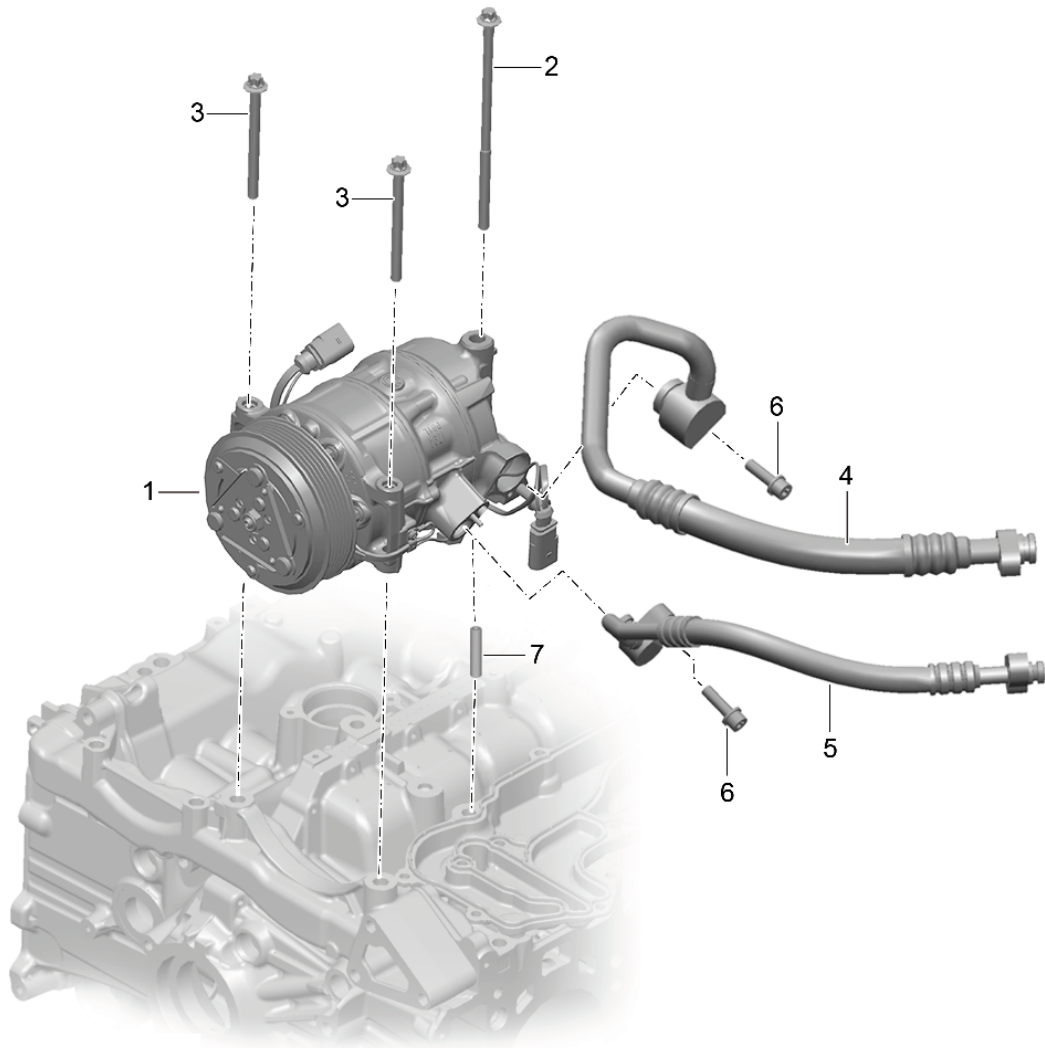
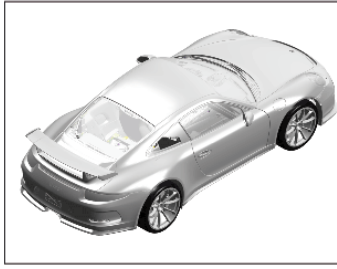
Model: 991G13

Model life 2013>>

Pos	Part Number	Description	Remark	Qty	Model
		Compressor Air conditioner R134A	-17		IKK1/573
1	9A1 126 011 05	Compressor		1	
1	9A1 126 011 AX	Compressor		1	
		Replacement parts			
2	900 385 134 01	Outer hexagon round screw M8X170		1	
3	900 385 102 01	Torx screw M8X90		2	
4		Intake pipe See illustrations 8/13/25 POS.4		1	
5		Pressure line See illustrations 8/13/25 POS.5		1	
6	N 104 144 02	Pan-head screw M 8X28-U		2	
7	9A1 126 537 80	Sleeve		1	
-	000 043 200 04	Oil for Compressor 250 ML		1	

Model: 991G13

Model life 2013>>



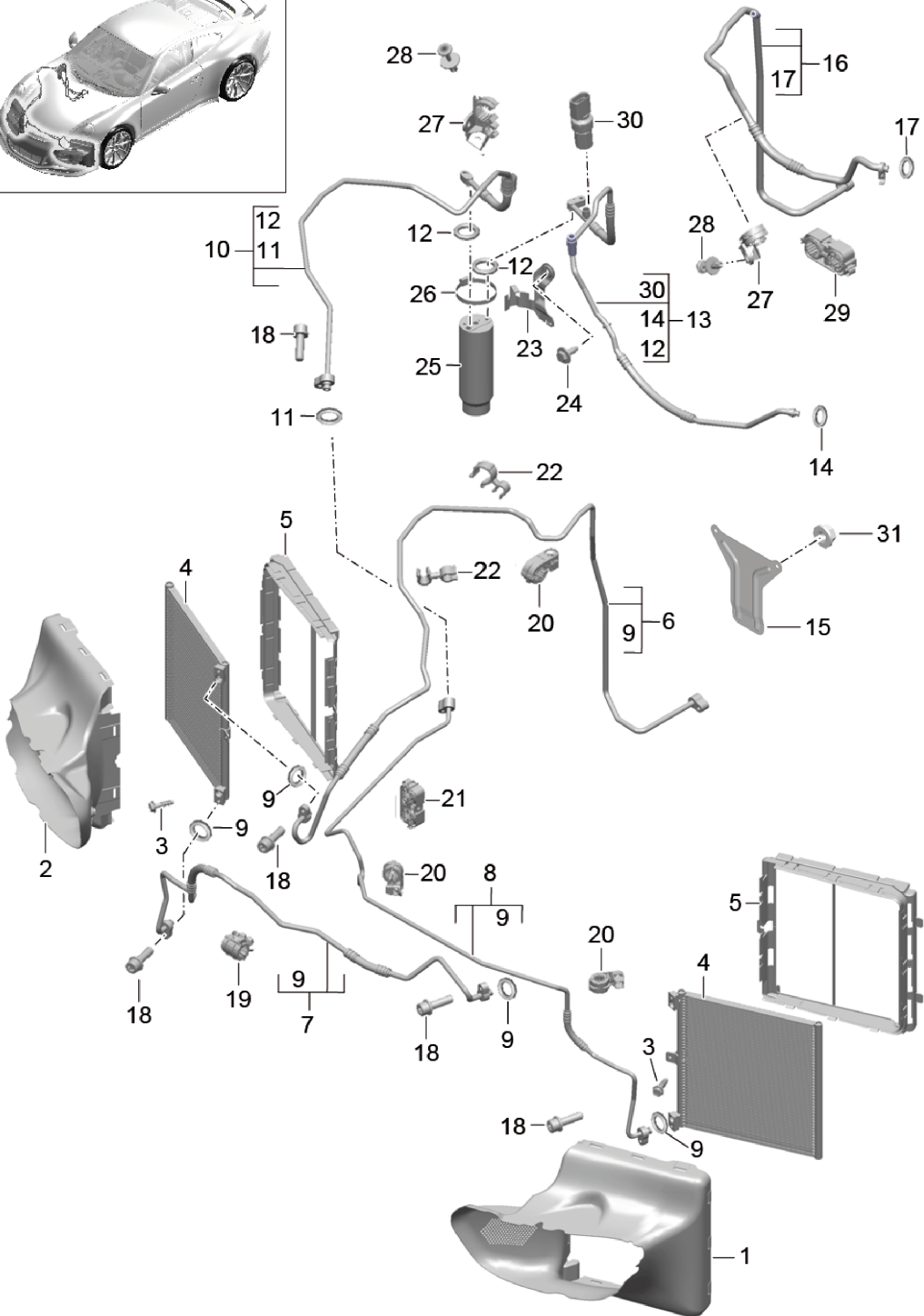
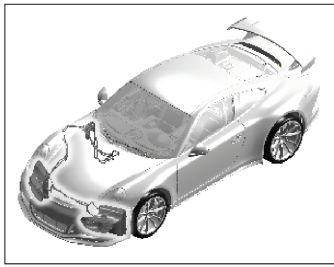
Model: 991G13

Model life 2013>>

Pos	Part Number	Description	Remark	Qty	Model
		Compressor Air conditioner R134A	18-		I573
1	9P1 820 803 D	Compressor		1	
1	9P1 820 803 DX	Compressor		1	
		Replacement parts			
2	900 385 134 01	Outer hexagon round screw M8X170		1	
3	900 385 102 01	Torx screw M8X90		2	
4		Intake pipe See illustrations 8/13/25 POS.4		1	
5		Pressure line See illustrations 8/13/25 POS.5		1	
6	N 104 144 02	Pan-head screw M 8X28-U		2	
7	9A1 126 537 80	Sleeve		1	
-	000 043 200 04	Oil for Compressor 250 ML		1	

Model: 991G13

Model life 2013>>



Model: 991G13 Model life 2013>>

Pos	Part Number	Description	Remark	Qty	Model
		Refrigerant circuit	-17		I573
1	991 575 321 90	Front Air guide	/L	1	
	991 575 321 90 1E0	Lateral Black			
2	991 575 322 90	Air guide	/R	1	
	991 575 322 90 1E0	Lateral Black			
3	900 075 340 01	Combination screw M6X22		2	
4	991 573 111 04	Condenser		2	
5	991 573 711 04	Sealing frame		2	
6	991 573 094 01	Pressure line Underbody		1	
		for Condenser			
(6)	991 573 094 91	Front Pressure line Underbody		1	
		for Condenser			
7	991 573 103 80	Front Pressure line		1	
		Between Condenser			
8	991 573 105 80	Pressure line Condenser		1	
		Wheel housing Left			
9	999 707 557 41	O-ring		1	
10	991 573 108 01	Pressure line Desiccator		1	
		for Expansion valve			
(10)	991 573 108 91	Wheel housing panel Pressure line Desiccator		1	
		for Expansion valve			
11	999 707 556 41	Wheel housing panel O-ring		1	
12	999 707 660 40	O-ring		1	
13	991 573 109 06	Pressure line Desiccator	/LL	1	I098
(13)	991 573 109 07	Pressure line Desiccator	/RL	1	I099
14	999 707 652 40	O-ring		1	
15	991 573 303 80	Support Pressure line		1	
16	991 573 093 00	Intake pipe Expansion valve	/LL	1	I098
		for Underbody			
(16)	991 573 093 02	Intake pipe Expansion valve	/RL	1	I099
		for Underbody			
17	999 707 558 41	O-ring		1	
18	N 104 144 02	Pan-head screw M 8X28		5	
19	991 573 839 01	Support		2	
20	991 573 837 00	Support		6	I099
21	991 573 841 00	Support		1	

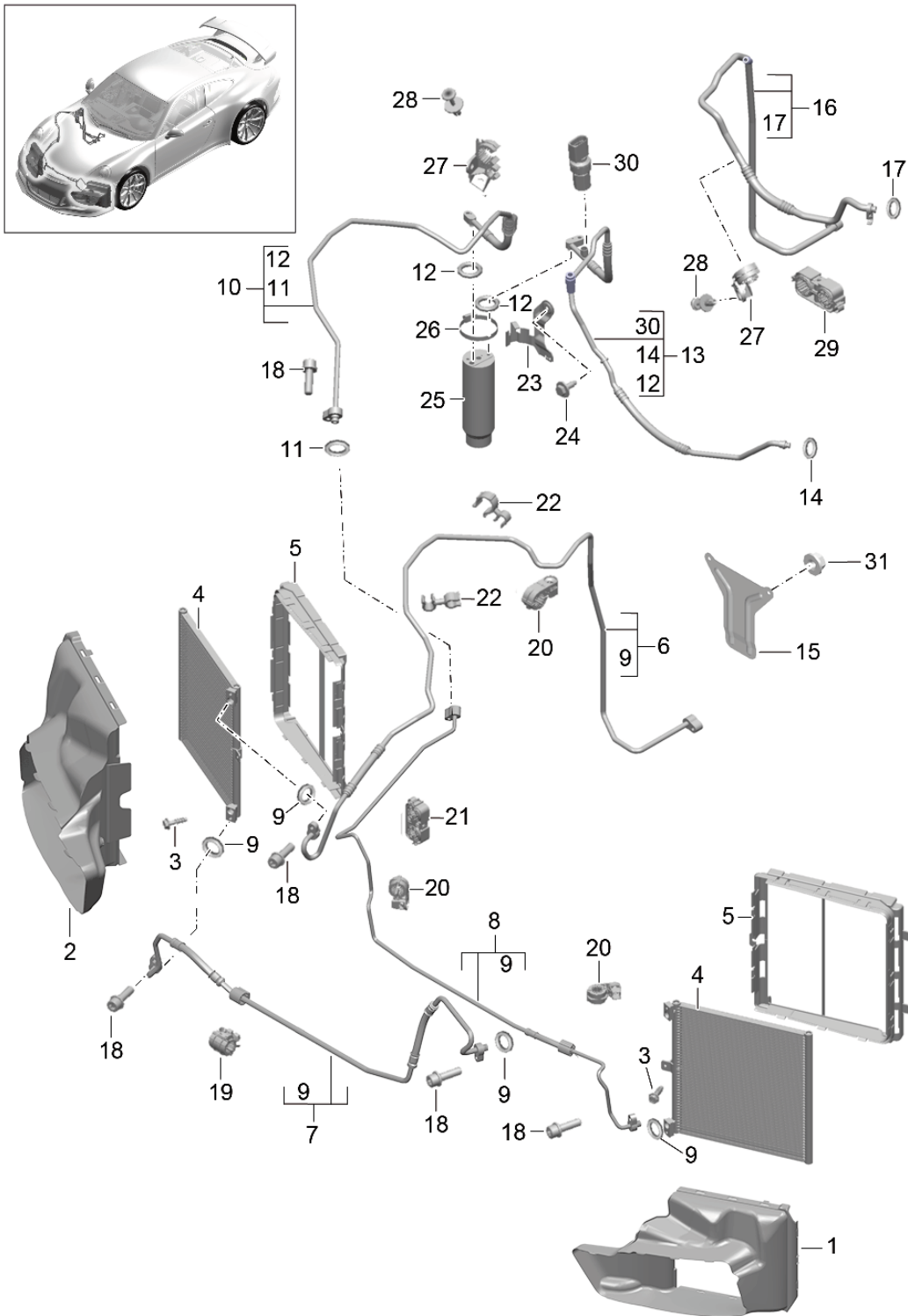
Model: 991G13

Model life 2013>>

Pos	Part Number	Description	Remark	Qty	Model
22	999 507 969 40	Hose holder 12,0/12,0		2	
23	991 573 451 01	Support Desiccator		1	
24	900 075 510 01	Combination screw M6X20		1	
25	944 573 143 01	Desiccator		1	
26	999 512 349 01	Hose clamp A 50-70/ 9		1	
27	991 573 827 01	Support		2	
28	999 507 497 40	Expansion rivet 8,0X14,0		2	
29	991 573 843 00	Support		1	
30	955 613 137 03	Pressure sensor		1	
31	999 084 222 01	Hexagon nut M6-S		X	

Model: 991G13

Model life 2013>>



Model: 991G13 Model life 2013>>

Pos	Part Number	Description	Remark	Qty	Model
		Refrigerant circuit	18-		I573
1	991 575 321 80	Front Air guide	/L	1	
	991 575 321 80 OK1	Lateral Black mat			
2	991 575 322 80	Air guide	/R	1	
	991 575 322 80 OK1	Lateral Black mat			
3	900 075 340 01	Combination screw		2	
		M6X22			
4	991 573 111 04	Condenser		2	
5	991 573 711 04	Sealing frame		2	
6	991 573 094 04	Pressure line		1	
		Underbody for Condenser			
		Front			
7	991 573 103 82	Pressure line		1	
		Between Condenser			
8	991 573 105 82	Pressure line		1	
		Condenser Wheel housing			
		Left			
9	955 573 749 01	O-ring		1	
10	991 573 108 03	Pressure line		1	
		Desiccator for Expansion valve			
		Wheel housing panel			
11	955 573 749 00	Round seal		1	
12	999 707 660 40	O-ring		1	
13	991 573 109 06	Pressure line	/LL	1	I098
		Desiccator			
(13)	991 573 109 07	Pressure line	/RL	1	I099
		Desiccator			
14	999 707 652 40	O-ring		1	
15	991 573 303 80	Support		1	
		Pressure line			
16	991 573 093 00	Intake pipe	/LL	1	I098
		Expansion valve for Underbody			
(16)	991 573 093 02	Intake pipe	/RL	1	I099
		Expansion valve for Underbody			
17	999 707 558 41	O-ring		1	
18	N 104 144 02	Pan-head screw		5	
		M 8X28			
19	991 573 839 01	Support		2	
(20)	971 260 197	Support		6	
		Refrigerant line			
21	991 573 841 00	Support		1	
22	999 507 969 40	Hose holder		2	
		12,0/12,0			
23	991 573 451 01	Support		1	
		Desiccator			
24	900 075 510 01	Combination screw		1	
		M6X20			
25	944 573 143 01	Desiccator		1	
26	999 512 349 01	Hose clamp		1	
		A 50-70/ 9			

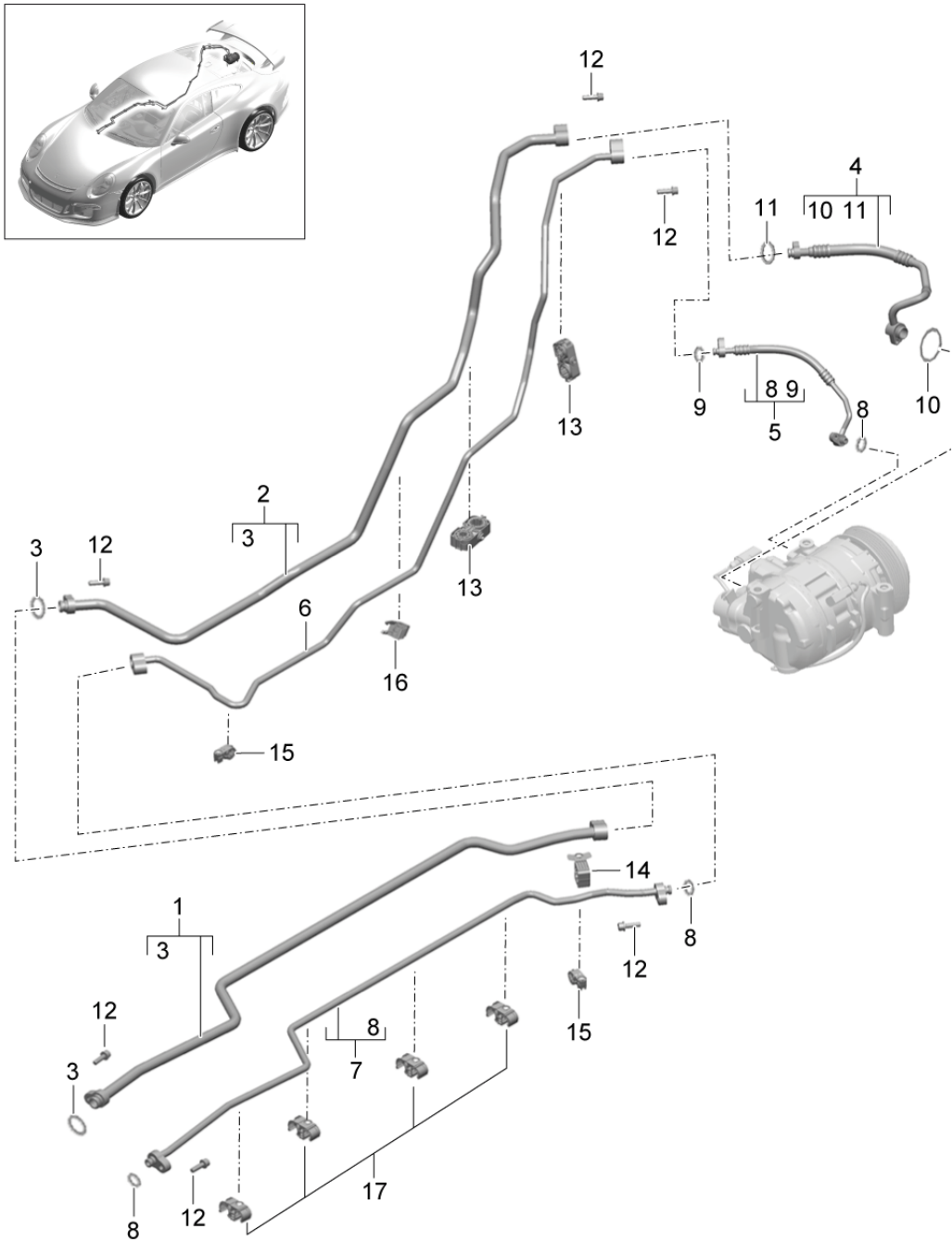
Model: 991G13

Model life 2013>>

Pos	Part Number	Description	Remark	Qty	Model
27	991 573 827 01	Support		2	
28	999 507 497 40	Expansion rivet 8,0X14,0		2	
29	991 573 843 00	Support		1	
30	955 613 137 03	Pressure sensor		1	
31	999 084 222 01	Hexagon nut M6-S		X	

Model: 991G13

Model life 2013>>



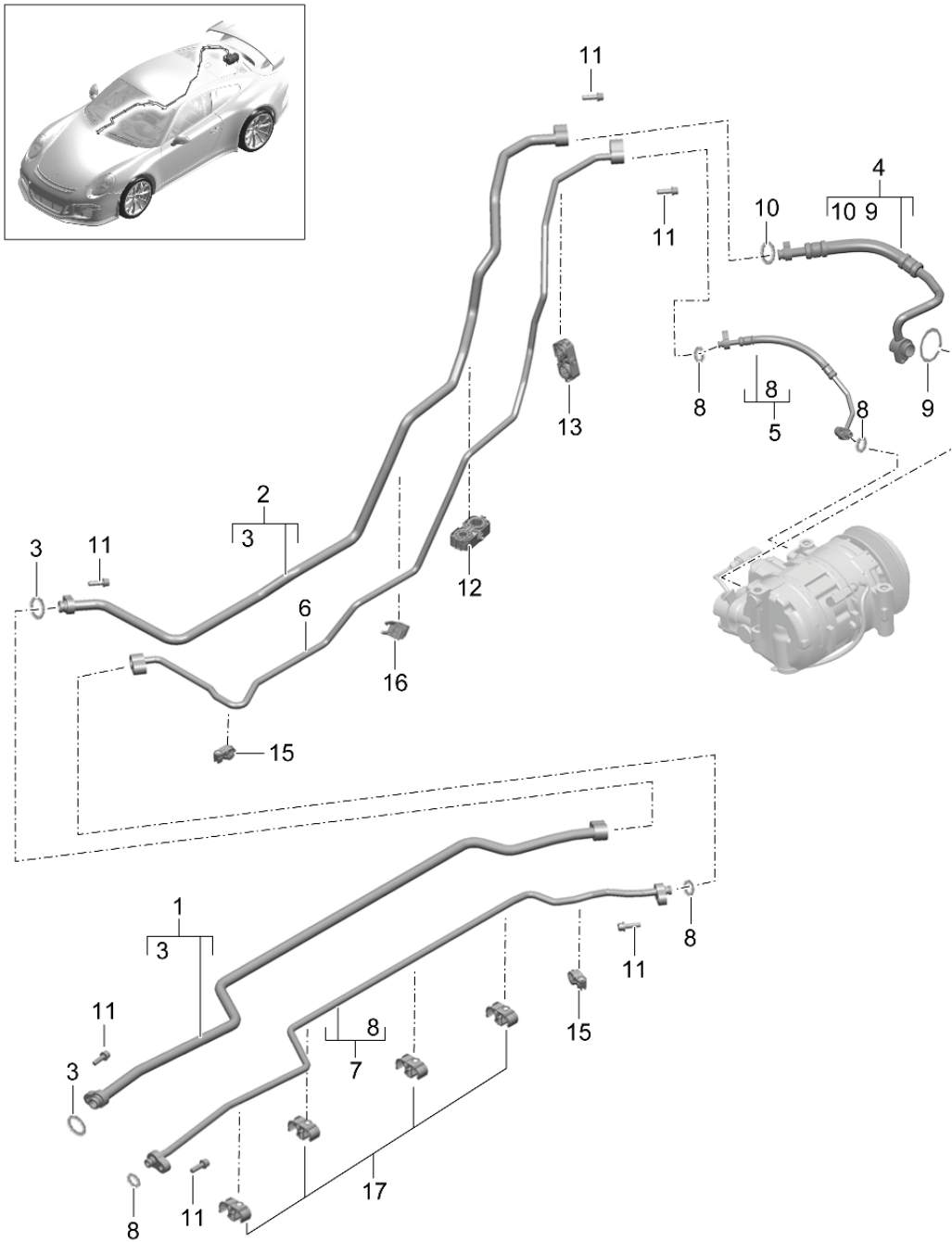
Model: 991G13

Model life 2013>>

Pos	Part Number	Description	Remark	Qty	Model
		Refrigerant circuit	-17		I573
		Underbody			
		And			
		Rear end			
1	991 573 091 01	Intake pipe		1	
		Wheel housing			
		Front			
		for			
		Underbody			
2	991 573 095 04	Intake pipe		1	
		Wheel housing			
		for			
		Compressor			
3	999 707 653 40	O-ring		2	
		16,70X2,50			
4	9A1 573 099 07	Intake pipe		1	
		Compressor			
5	9A1 573 097 05	Pressure line		1	
		Compressor			
6	991 573 096 04	Pressure line		1	
		Engine compartment			
		Compressor			
		for			
		Bracket			
7	991 573 092 01	Pressure line		1	
		Underbody			
		for			
		Wheel housing			
		Front			
8	999 707 557 41	O-ring		3	
		11.00X2.50			
9	999 707 434 41	O-ring		1	
		10.6X2.00			
10	999 707 439 41	O-ring		1	
		23.80X2.40			
11	999 707 653 40	O-ring		1	
		16.70X2.50			
12	N 104 144 02	Pan-head screw		6	
		M 8X28			
13	991 573 843 00	Support		3	
14	991 573 837 00	Support		2	
15	991 573 835 00	Support		1	
16	991 573 829 01	Support		1	
17	991 573 825 01	Support		X	

Model: 991G13

Model life 2013>>

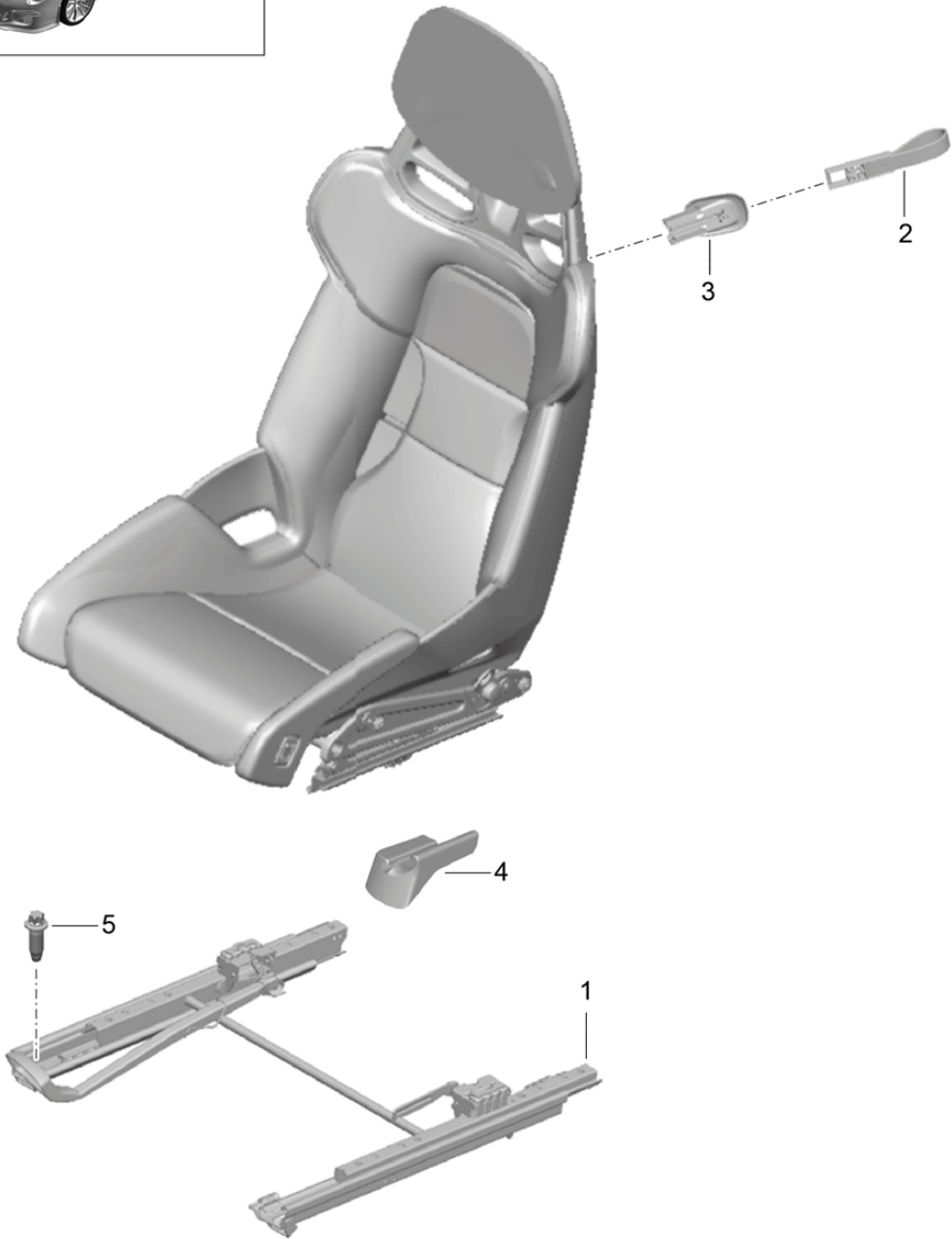
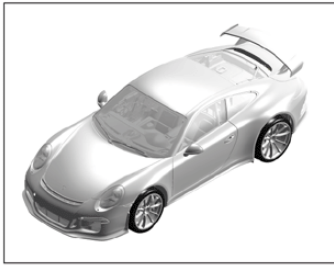


Model: 991G13 Model life 2013>>

Pos	Part Number	Description	Remark	Qty	Model
		Refrigerant circuit	18-		I573
		Underbody			
		And			
		Rear end			
1	991 573 091 80	Intake pipe		1	
		Wheel housing			
		Front			
		for			
		Underbody			
2	991 573 095 03	Intake pipe		1	
		Wheel housing			
		for			
		Compressor			
3	999 707 653 40	O-ring		2	
		16,70X2,50			
4	9A2 573 069 00	Intake pipe		1	
		Compressor			
5	9A2 573 067 00	Pressure line		1	
		Compressor			
6	991 573 096 03	Pressure line		1	
		Engine compartment			
		Compressor			
		for			
		Bracket			
7	991 573 092 02	Pressure line		1	
		Underbody			
		for			
		Wheel housing			
		Front			
8	999 707 557 41	O-ring		3	
		11.00X2.50			
9	999 707 439 41	O-ring		1	
		23.80X2.40			
10	9A7 573 749 03	O-ring		1	
		16.25X2.50			
11	N 104 144 02	Pan-head screw		6	
		M 8X28			
12	991 573 841 00	Support		1	
13	991 573 843 00	Support		3	
15	991 573 835 00	Support		1	
16	991 573 829 01	Support		1	
17	991 573 825 01	Support		X	

Model: 991G13

Model life 2013>>

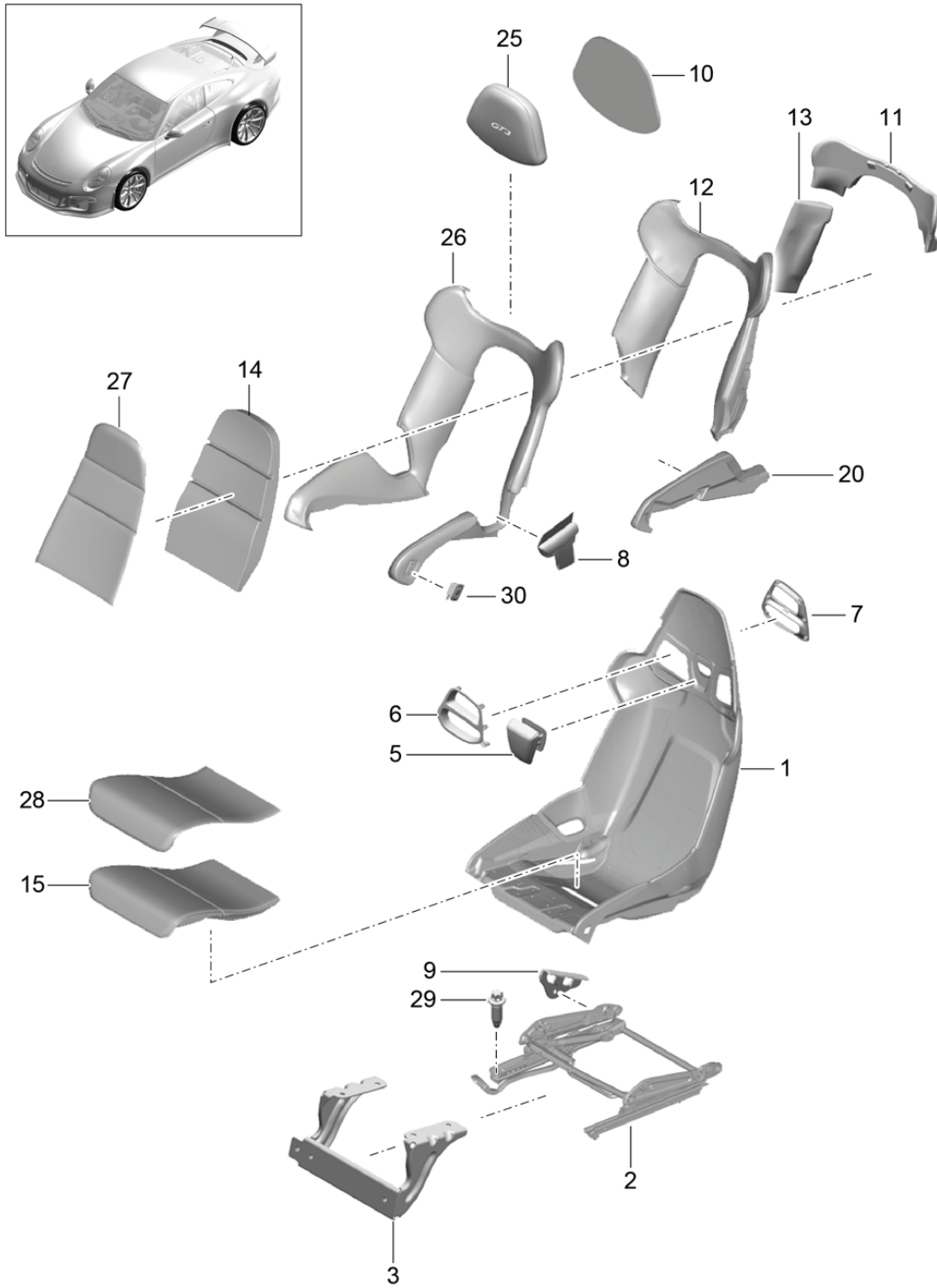


Model: 991G13 Model life 2013>>

Pos	Part Number	Description	Remark	Qty	Model
1	997 521 429 01	Bucket seat Collapsible Complete Not available Set	/L	1	I388
(1)	991 521 913 90	Seat rail Driver's side Repair kit	/L	1	
(1)	918 521 202 01	Seat adjuster Bucket seat	/R	1	I374
(1)	918 521 904 01	Seat adjuster Bucket seat 918 Spyder Repair kit	/R	1	
(1)	997 521 430 02	Seat adjuster Electrically adjustable Set	/R	1	I389
2	991 521 541 00	Seat rail Driver's side Traction noose Backrest frame	/L	1	I388
(2)	991 521 541 00 A80	Black			
(2)	991 521 542 00	Traction noose Backrest frame	/R	1	I389
(2)	991 521 542 00 A80	Black			
3	997 521 538 00	Rosette Traction noose Backrest frame	/R	1	I389
(3)	997 521 538 00 01C	Satin black			
(3)	997 521 537 00	Rosette Traction noose Backrest frame	/L	1	I388
(3)	997 521 537 00 01C	Satin black			
4	997 521 359 01	Rail Seat rail Manually	/L	1	I388
(4)	997 521 359 01 01C	Satin black			
(4)	997 521 360 01	Rail Seat rail Manually	/R	1	I389
(4)	997 521 360 01 01C	Satin black			
(4)	997 521 361 00	Rail Seat rail	/L	1	I388
(4)	997 521 361 00 01C	Satin black			
5	WHT 007 691	Outer hexagon round screw Mount		4	
6	918 613 201 01	Seat rail Switch		1	I373/374
6	918 613 201 01 5Q0	Black			

Model: 991G13

Model life 2013>>



Model: 991G13 Model life 2013>>

Pos	Part Number	Description	Remark	Qty	Model
		Bucket seat Seat adjuster Cover Foam part			I373/374
1	991 521 401 90	Bucket seat with Airbag unit	/L	1	
	991 521 401 90 A3G	Carbon Gloss Black			
(1)	991 521 402 90	Bucket seat with Airbag unit	/R	1	
	991 521 402 90 A3G	Carbon Gloss Black			
2	991 521 201 90	Seat adjuster	/L	1	
3	918 521 513 00	Support Fire extinguisher		1	I509
6	991 521 921 90	Repair kit Cover Belt Guide		1	
6	991 521 341 90	Cover	/V /L	1	
	991 521 341 90 5Q0	Black			+28,+68,+78
(6)	991 521 342 90	Cover	/V /R	1	
	991 521 342 90 5Q0	Black			+28,+68,+78
7	991 521 321 90	Cover	/H /L	1	
	991 521 321 90 5Q0	Black			+28,+68,+78
(7)	991 521 322 90	Cover	/H /R	1	
	991 521 322 90 5Q0	Black			+28,+68,+78
8	918 521 301 00	Cover Left		1	I373
	918 521 301 00 8YR	Black			+28,+68,+78
(8)	918 521 301 01	Cover Left		1	I373
	918 521 301 01 S91	Tarpan Brown			+16,+26
(8)	918 521 302 00	Cover Right		1	I374
	918 521 302 00 8YR	Black			+28,+68,+78
(8)	918 521 302 01	Cover Right		1	I374
	918 521 302 01 S91	Tarpan Brown			+16,+26
9	918 521 561 00	Cable guide Seat-belt buckle		1	
10	918 521 551 00	Foam part Head rest		1	
(10)	918 521 463 00	Foam part Head rest		1	
11	918 521 459 00	Foam part Backrest SCHULTER		1	
12	918 521 531 00	Foam part Backrest Outer part		1	
13	918 521 465 00	Foam part Backrest Outer part	/L	1	-I374/I373
(13)	918 521 466 00	Foam part Backrest Outer part	/R	1	-I373/I374
14	991 521 581 90	Foam part Backrest Centre part		1	
15	918 521 571 00	Foam part Seat cushion Centre		1	-I560

Model: 991G13 Model life 2013>>

Pos	Part Number	Description	Remark	Qty	Model
20	918 521 535 00	Foam part Seat cushion Outer	/L	1	
(20)	918 521 536 00	Foam part Seat cushion Outer	/R	1	
25	991 521 181 91	Cover Head rest		1	I951
(25)	991 521 181 91 DRL	Black/Platinum Grey		1	+28,+68,+78
(25)	991 521 181 92	Cover Head rest		1	-I984/I948
(25)	991 521 181 92 JHE	Black/Silver		1	+12,+22
(25)	991 521 181 A0	Cover Head rest		1	I948/984
(25)	991 521 181 A0 JHF	Tarpan Brown/Silver		1	+16,+26
(25)	991 521 181 90	Cover Head rest		1	I951
	991 521 181 90 DSZ	Black/Silver			+29,+79,+59
	991 521 181 90 RAR	Black/Lava Orange			+18,+69,+49
26	991 521 141 90	Cover Backrest Outer part Left	/L	1	I373/951
	991 521 141 90 DRL	Black/Platinum Grey			+28,+78
	991 521 141 90 RAR	Black/Lava Orange			+18,+69,+49
	991 521 141 90 DSZ	Black/Silver			+29,+79,+59
	991 521 141 90 DRM	Black/Guards Red			+68,+34
	991 521 141 90 GDC	Black			+14,+39
(26)	991 521 141 92	Cover Backrest Outer part		1	-I984/I948
(26)	991 521 141 92 DSZ	Black/Silver		1	+12,+22
(26)	991 521 141 A0	Cover Backrest Outer part		1	I948/984
(26)	991 521 141 A0 JHV	Tarpan Brown/Silver		1	+16,+26
(26)	991 521 142 90	Cover Backrest Outer part Right	/R	1	I374/951
	991 521 142 90 DRL	Black/Platinum Grey			+28,+78
	991 521 142 90 RAR	Black/Lava Orange			+18,+69,+49
	991 521 142 90 DSZ	Black/Silver			+29,+79,+59
	991 521 142 90 DRM	Black/Guards Red			+68,+34
	991 521 142 90 GDC	Black			+14,+39
(26)	991 521 142 92	Cover Backrest Outer part		1	-I984/I948
(26)	991 521 142 92 DSZ	Black/Silver		1	+12,+22
(26)	991 521 142 A0	Cover Backrest Outer part		1	I948/984
	991 521 142 A0 JHV	Tarpan Brown/Silver		1	+16,+26
27	991 521 151 90	Cover Backrest Centre part		1	I951
	991 521 151 90 2W0	Black			+18,+29,+69
	991 521 151 90 M2A	Lava Orange			+79
	991 521 151 90 M7Z	GT Silver Metallic			+49
(27)	991 521 151 91	Cover Backrest Centre part		1	+59 I948

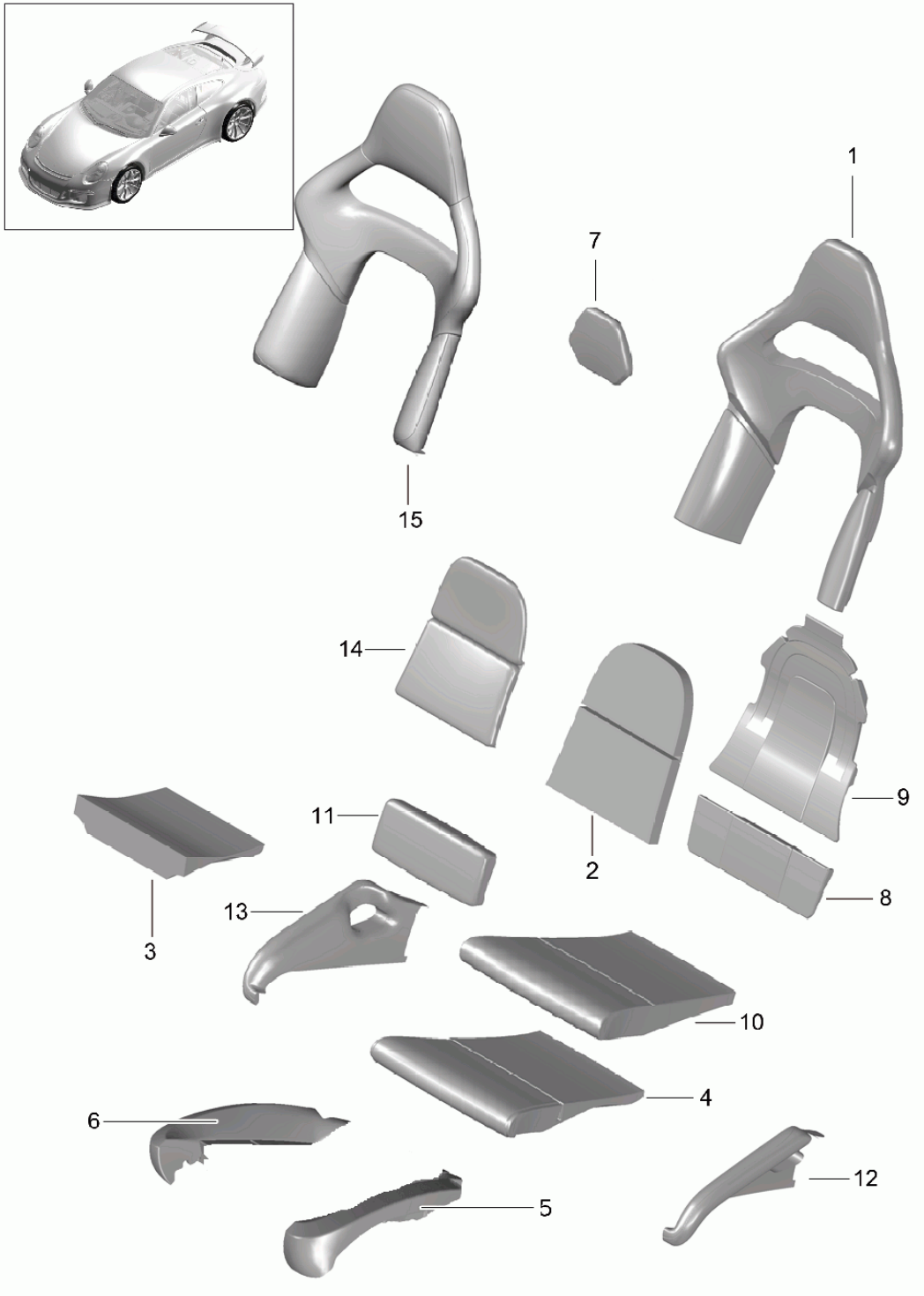
Model: 991G13

Model life 2013>>

Pos	Part Number	Description	Remark	Qty	Model
	991 521 151 91 9Q7	Black/Dark Silver			+12,+16,+22 +26
28	918 521 161 12	Cover		1	I373/374/951
		Seat cushion			
	918 521 161 12 2W0	Black			+18,+29,+69 +79
	918 521 161 12 M2A	Lava Orange			+49
	918 521 161 12 M7Z	GT Silver Metallic			+59
(28)	991 521 161 92	Cover		1	-I560/I948
		Seat cushion			
	991 521 161 92 9Q7	Black/Dark Silver			+12,+16,+22 +26
(28)	991 521 161 93	Cover		1	I560/948
		Seat cushion			
	991 521 161 93 9Q7	Black/Dark Silver			+12,+16,+22 +26
29	9A7 007 483 00	Outer hexagon round screw M10X28		1	
30	918 613 201 01	Switch		1	
	918 613 201 01 5Q0	Black			+28,+68,+78

Model: 991G13

Model life 2013>>



Model: 991G13 Model life 2013>>

Pos	Part Number	Description	Remark	Qty	Model
1	997 521 447 00	Foam part Cover Seat and backrest surface Bucket seat Collapsible		2	I388/389
2	997 521 448 00	Foam part Backrest Outer part		2	I388/389
3	997 521 441 00	Foam part Seat cushion Rear		2	I388/389
4	991 521 440 00	Foam part Seat cushion Front		2	I388/389
5	997 521 443 00	Foam part Seat cushion Lateral Outer Left	/L	1	I388
(5)	997 521 445 00	Foam part Seat cushion Lateral Inner Right	/R	1	I389
6	997 521 444 00	Foam part Seat cushion Lateral Inner Left	/L	1	I388
(6)	997 521 446 00	Foam part Seat cushion Lateral Outer Right	/R	1	I389
7	997 521 458 00	Foam part Head rest		2	I388/389
8	997 521 456 00	Foam part Seat cushion Rear		1	I388/389
9	997 521 457 00	Foam part Backrest		1	I388/389
10	991 521 380 02	Cover for cushion Front		1	I388/389/951
(10)	991 521 380 02 2W0	Black			+28,+68,+78
	991 521 380 06	Cover for cushion Front		1	I388/389/948
	991 521 380 06 9Q7	Black/Dark Silver			+12,+16,+22 +26
11	997 521 381 01	Cover for cushion Rear		1	I388/389/951
(11)	997 521 381 01 2W0	Black			+28,+68,+78
	991 521 381 01	Cover for cushion Rear		1	I388/389/948
	991 521 381 01 9Q7	Black/Dark Silver			+12,+16,+22 +26
12	991 521 383 01	Cover Lateral Outer	/L	1	I388/951
	991 521 383 01 DRL	Black/Platinum Grey			+28,+78
	991 521 383 01 DRM	Black/Guards Red			+68

Model: 991G13 Model life 2013>>

Pos	Part Number	Description	Remark	Qty	Model
(12)	991 521 383 01	Cover Lateral Outer	/L	1	-I984/I388 I948
(12)	991 521 383 01 DSZ 991 521 383 90	Black/Silver Cover Lateral Outer	/L	1	+12,+22 I388/948/984
(12)	991 521 383 90 JHV 991 521 385 01	Tarpan Brown/Silver Cover Lateral Inner	/R	1	+16,+26 I389/951
(12)	991 521 385 01 DRL 991 521 385 01 DRM 991 521 385 01	Black/Platinum Grey Black/Guards Red Cover Lateral Inner	/R	1	+28,+78 +68 -I984/I389 I948
(12)	991 521 385 01 DSZ 991 521 385 90	Black/Silver Cover Lateral Inner	/R	1	+12,+22 I389/948/984
13	991 521 385 90 JHV 991 521 384 01	Tarpan Brown/Silver Cover Lateral Inner	/L	1	+16,+26 I388/951
(13)	991 521 384 01 DRL 991 521 384 01 DRM 991 521 384 01	Black/Platinum Grey Black/Guards Red Cover Lateral Inner	/L	1	+28,+78 +68 -I984/I388 I948
(13)	991 521 384 01 DSZ 991 521 384 90	Black/Silver Cover Lateral Inner	/L	1	+12,+22 I388/948/984
(13)	991 521 384 90 JHV 991 521 386 01	Tarpan Brown/Silver Cover Lateral Outer	/R	1	+16,+26 I389/951
(13)	991 521 386 01 DRL 991 521 386 01 DRM 991 521 386 01	Black/Platinum Grey Black/Guards Red Cover Lateral Outer	/R	1	+28,+78 +68 -I984/I389 I948
(13)	991 521 386 01 DSZ 991 521 386 90	Black/Silver Cover Lateral Outer	/R	1	+12,+22 I389/948/984
14	991 521 386 90 JHV 997 521 387 01	Tarpan Brown/Silver Cover Centre part Backrest		1	+16,+26 I388/389/951
(14)	997 521 387 01 2W0 991 521 387 02	Black Cover Centre part Backrest		1	+28,+68,+78 I388/389/948
15	991 521 387 02 9Q7 991 521 388 02	Black/Dark Silver Backrest cover Outer part Backrest		1	+12,+16,+22 +26 I388/389/951

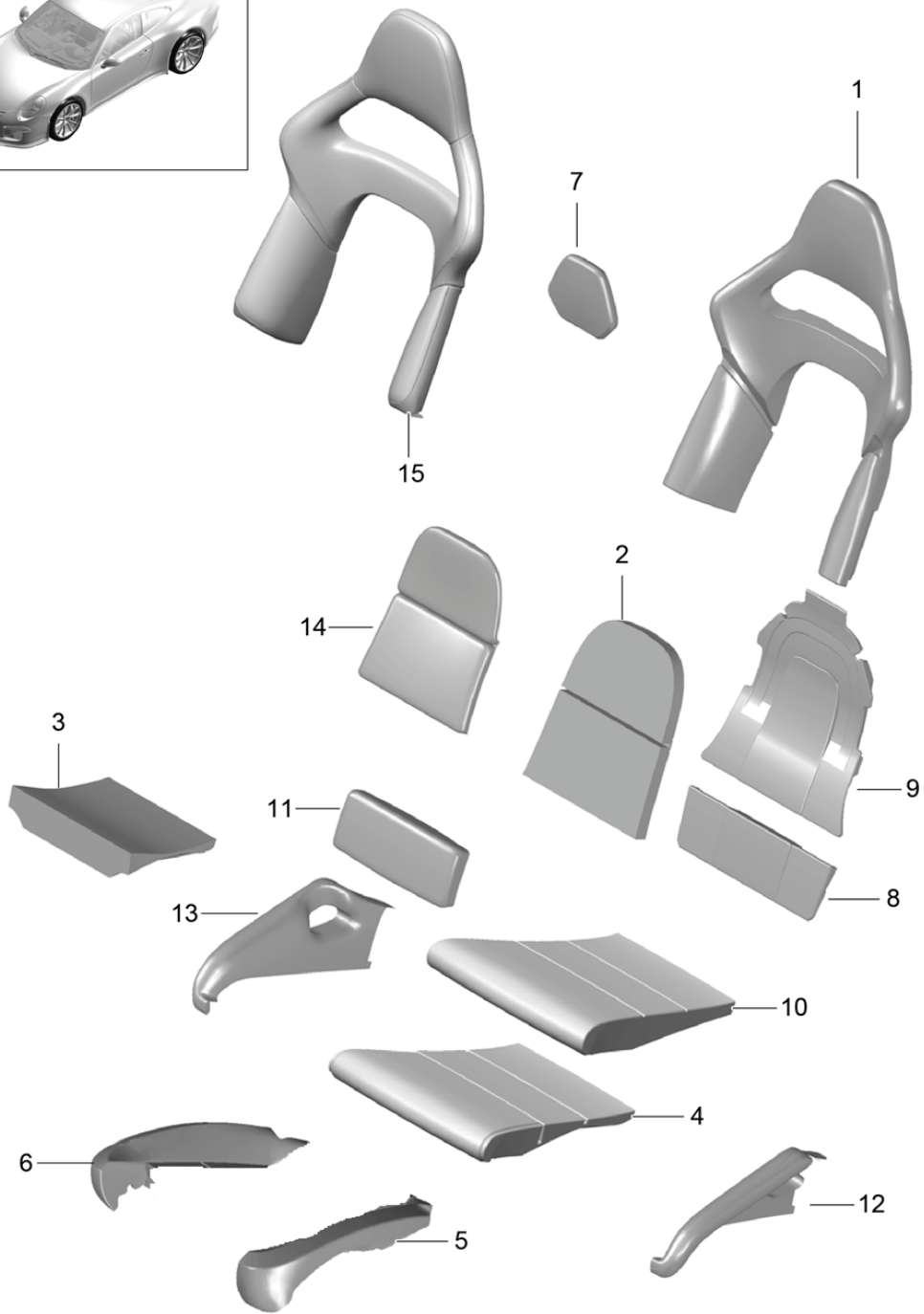
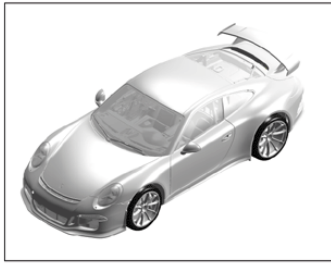
Model: 991G13

Model life 2013>>

Pos	Part Number	Description	Remark	Qty	Model
(15)	991 521 388 02 DRL	Black/Platinum Grey			+28,+78
	991 521 388 02 DRM	Black/Guards Red			+68
	991 521 388 07	Backrest cover		1	-I984/I388 I389/948
(15)		Outer part Backrest			
	991 521 388 07 JHE	Black/Silver			+12,+22
	991 521 388 90	Backrest cover		1	I388/389/948 I984
		Outer part Backrest			
	991 521 388 90 JHF	Tarpan Brown/Silver			+16,+26

Model: 991G13

Model life 2013>>



Model: 991G13 Model life 2013>>

Pos	Part Number	Description	Remark	Qty	Model
1	997 521 447 00	Foam part Cover Seat and backrest surface Bucket seat Collapsible		2	I388/389
2	991 521 448 00	Foam part Backrest Outer part		2	I388/389
3	997 521 441 00	Foam part Centre part Seat cushion		2	I388/389
4	991 521 440 01	Rear Foam part Seat cushion		2	I388/389
5	997 521 443 00	Front Foam part Seat cushion	/L	1	I388
(5)	997 521 445 00	Lateral Outer Left Foam part Seat cushion	/R	1	I389
6	997 521 444 00	Lateral Inner Right Foam part Seat cushion	/L	1	I388
(6)	997 521 446 00	Lateral Inner Left Foam part Seat cushion	/R	1	I389
7	997 521 458 00	Lateral Outer Right Foam part Head rest		2	I388/389
8	997 521 456 00	Foam part Seat cushion		1	I388/389
9	997 521 457 00	Rear Foam part Backrest		1	I388/389
10	991 521 380 05	Cover for cushion Front		1	I388/389/951
	991 521 380 05 2W0	Black			+28,+68,+78, +18,+29,+69, +79
	991 521 380 05 M2A	Lava Orange			+49
	991 521 380 05 M7Z	GT Silver Metallic			+59
11	997 521 381 01	Cover for cushion Rear		1	I388/389/951
	997 521 381 01 2W0	Black			+28,+68,+78, +18,+29,+69, +79
	997 521 381 01 M2A	Lava Orange			+49
	997 521 381 01 M7Z	GT Silver Metallic			+59
12	991 521 383 01	Cover Lateral Outer	/L	1	I388/951
	991 521 383 01 DSZ	Black/Silver			+29,+59,+79
	991 521 383 01 RAR	Black/Lava Orange			+18,+49,+69

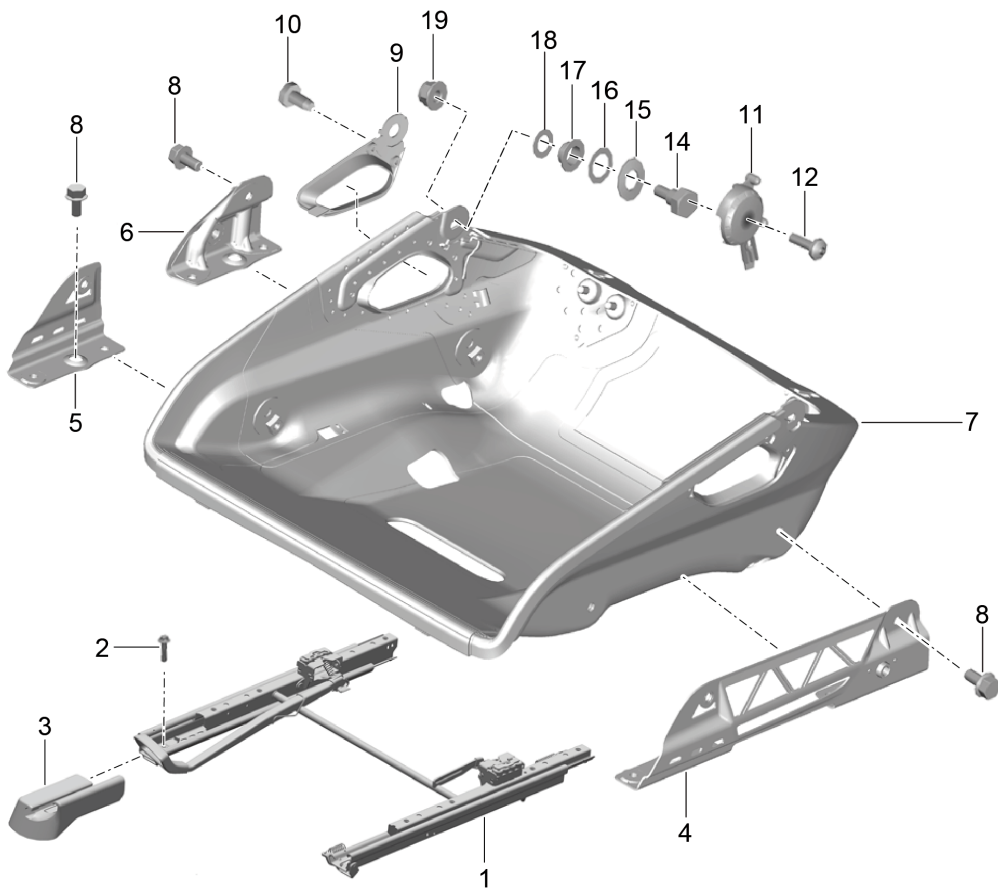
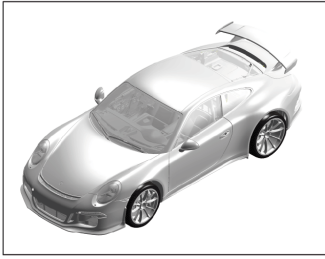
Model: 991G13

Model life 2013>>

Pos	Part Number	Description	Remark	Qty	Model
(12)	991 521 385 01	Cover Lateral Inner	/R	1	I389/951
	991 521 385 01 DSZ	Black/Silver			+29,+59,+79
	991 521 385 01 RAR	Black/Lava Orange			+18,+49,+69
13	991 521 384 01	Cover Lateral Inner	/L	1	I388/951
	991 521 384 01 DSZ	Black/Silver			+29,+59,+79
	991 521 384 01 RAR	Black/Lava Orange			+18,+49,+69
(13)	991 521 386 01	Cover Lateral Outer	/R	1	I389/951
	991 521 386 01 DSZ	Black/Silver			+29,+59,+79
	991 521 386 01 RAR	Black/Lava Orange			+18,+49,+69
14	997 521 387 01	Cover Centre part Backrest		1	I388/389/951
	997 521 387 01 2W0	Black			+28,+68,+78, +18,+29,+69, +79
	997 521 387 01 M2A	Lava Orange			+49
	997 521 387 01 M7Z	GT Silver Metallic			+59
15	991 521 388 04	Backrest cover Outer part Backrest		1	I388/389/951
	991 521 388 04 DSZ	Black/Silver			+29,+59,+79
	991 521 388 04 RAR	Black/Lava Orange			+18,+49,+69

Model: 991G13

Model life 2013>>



Model: 991G13 Model life 2013>>

Pos	Part Number	Description	Remark	Qty	Model
		Bucket seat Collapsible Seat adjuster Accessories			I388/389
1	997 521 429 01	Set	/L	1	
(1)	997 521 430 02	Seat rail Set	/R	1	
2	9A7 007 483 00	Outer hexagon round screw		8	
3	991 521 359 00	Cover	/L	1	
		Seat rail			
(3)	991 521 359 00 1E0	Black			
	991 521 362 00	Cover	/R	1	
		Seat rail			
(3)	991 521 362 00 1E0	Black			
	991 521 361 00	Cover	/L	1	
		Seat rail			
(3)	991 521 361 00 1E0	Black			
	991 521 360 00	Cover	/R	1	
		Seat rail			
(3)	991 521 360 00 1E0	Black			
4	997 521 433 00	Adapter	/L	1	
		Bucket seat			
(4)	997 521 434 00	Outer Adapter	/R	1	
		Bucket seat			
		Outer			
5	997 521 435 00	Adapter	/L	1	
		Bucket seat			
(5)	997 521 436 00	Inner front Adapter	/R	1	
		Bucket seat			
		Inner front			
6	997 521 437 00	Adapter	/L	1	
		Bucket seat			
(6)	997 521 438 00	Inner rear Adapter	/R	1	
		Bucket seat			
		Inner rear			
7	997 521 281 00	Cup		2	I388/389
		Seat adjuster without			
8	999 217 168 01	Seat occupancy detection Hexagon-head bolt		16	
		Adapter			
		Seat rail			
9	997 521 561 00	Cover	/L	1	
		Seat belt			
		Lower			
(9)	997 521 561 00 01C	Satin black			
	997 521 562 00	Cover	/R	1	
		Seat belt			
		Lower			
10	997 521 562 00 01C	Satin black			
	999 141 049 01	Lens-head screw M5 X 10		3	
		Mount			
		Cover			
11	997 521 563 00	Cover	/L	1	
		Hinge			
		Inner			
(11)	997 521 563 00 01C	Satin black			
	997 521 564 00	Cover	/R	1	

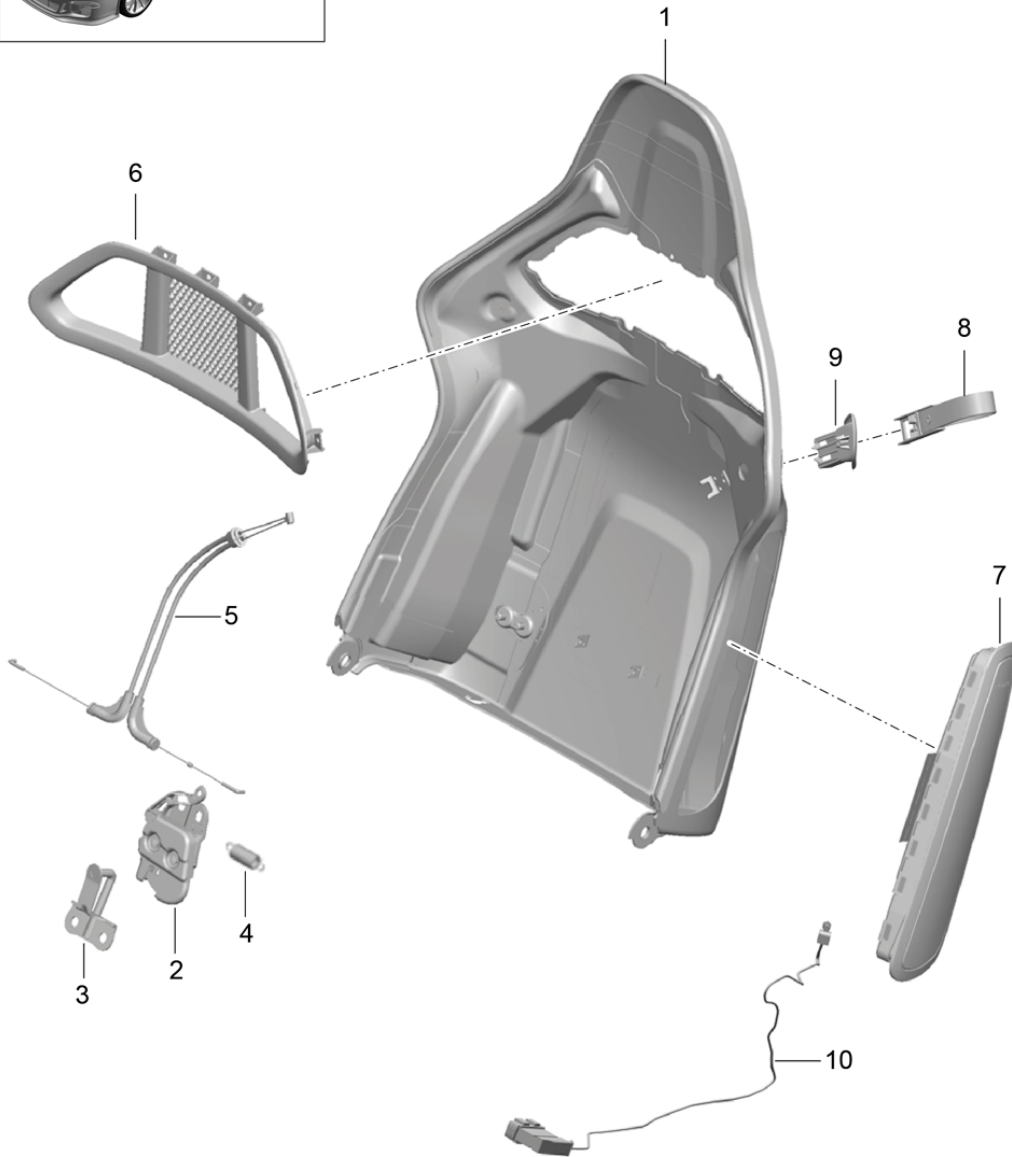
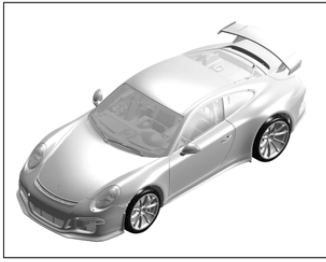
Model: 991G13

Model life 2013>>

Pos	Part Number	Description	Remark	Qty	Model
		Hinge			
		Inner			
	997 521 564 00 01C	Satin black			
12	999 073 456 01	Round head screw		4	
		M4 X 12			
14	997 521 690 00	Bearing pin		2	
		Backrest shell			
		Cup			
		Lower			
15	999 523 019 01	Cup spring		2	
		A25			
16	999 234 034 00	Shim		2	
		12 X 18 X 0,2			
17	999 924 136 40	Plain bearing		2	
		F12 X 5 X 14			
18	999 025 122 40	Thrust washer		2	
		20 X 12 X 0,5			
19	900 380 024 01	Outer hexagon round nut		2	
		M8			

Model: 991G13

Model life 2013>>

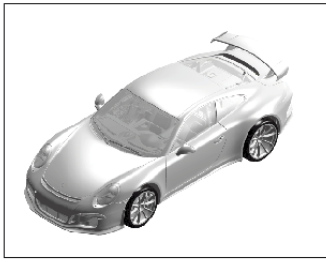


Model: 991G13 Model life 2013>>

Pos	Part Number	Description	Remark	Qty	Model
		Backrest shell Bucket seat Collapsible Accessories			I388/389
1	997 521 271 00	Backrest shell Bucket seat Collapsible	/L	1	
(1)	997 521 272 00	Backrest shell Bucket seat Collapsible	/R	1	
2	997 521 651 00	Lock Backrest	/L	1	
(2)	997 521 652 00	Lock Backrest	/R	1	
3	997 521 660 00	Closing element Lock		2	
4	997 521 650 00	Backrest shell Tension spring Lock		2	
5	997 521 640 01	Backrest Bowden cable Release		1	
6	997 521 330 00	Backrest Cover Seat belt Front		1	
(6)	997 521 330 00 01C	Satin black			
	997 521 531 00	Cover Seat belt Rear		1	
7	997 521 531 00 01C	Satin black			
	997 803 081 01	Side airbag Front seat	/L	1	
(7)	997 803 081 01 A03	Black			
	997 803 082 01	Side airbag Front seat	/R	1	
	997 803 082 01 A03	Black			
8	991 521 541 00	Traction noose Backrest frame	/L	2	
(8)	991 521 541 00 A80	Black			
	991 521 542 00	Traction noose Backrest frame	/R	2	
9	991 521 542 00 A80	Black			
	997 521 537 00	Rosette Traction noose	/L	2	
(9)	997 521 537 00 01C	Satin black			
	997 521 538 00	Rosette Traction noose	/R	2	
10	997 521 538 00 01C	Satin black			
	997 612 785 10	Wiring harness Side airbag		2	

Model: 991G13

Model life 2013>>



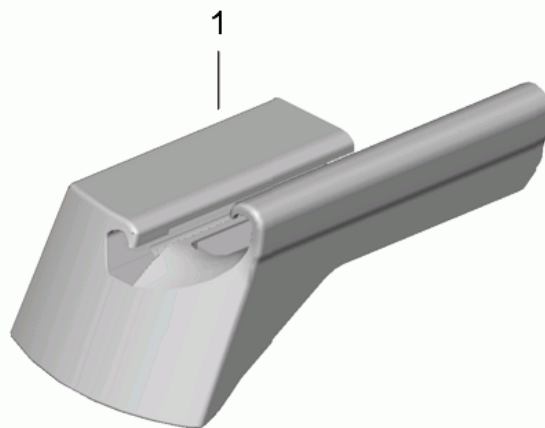
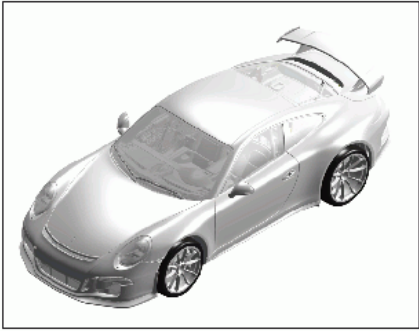
Model: 991G13

Model life 2013>>

Pos	Part Number	Description	Remark	Qty	Model
		Heating element Backrest side bolster Centre part Seat surface			I342
1	991 653 127 02	Heating element Backrest side bolster Left		2	
(1)	991 653 126 02	Heating element Backrest side bolster Right		2	
2	991 653 106 02	Heating element Centre part Backrest		2	
3	991 653 135 03	Heating element Seat cushion Adjustable Deep		2	

Model: 991G13

Model life 2013>>

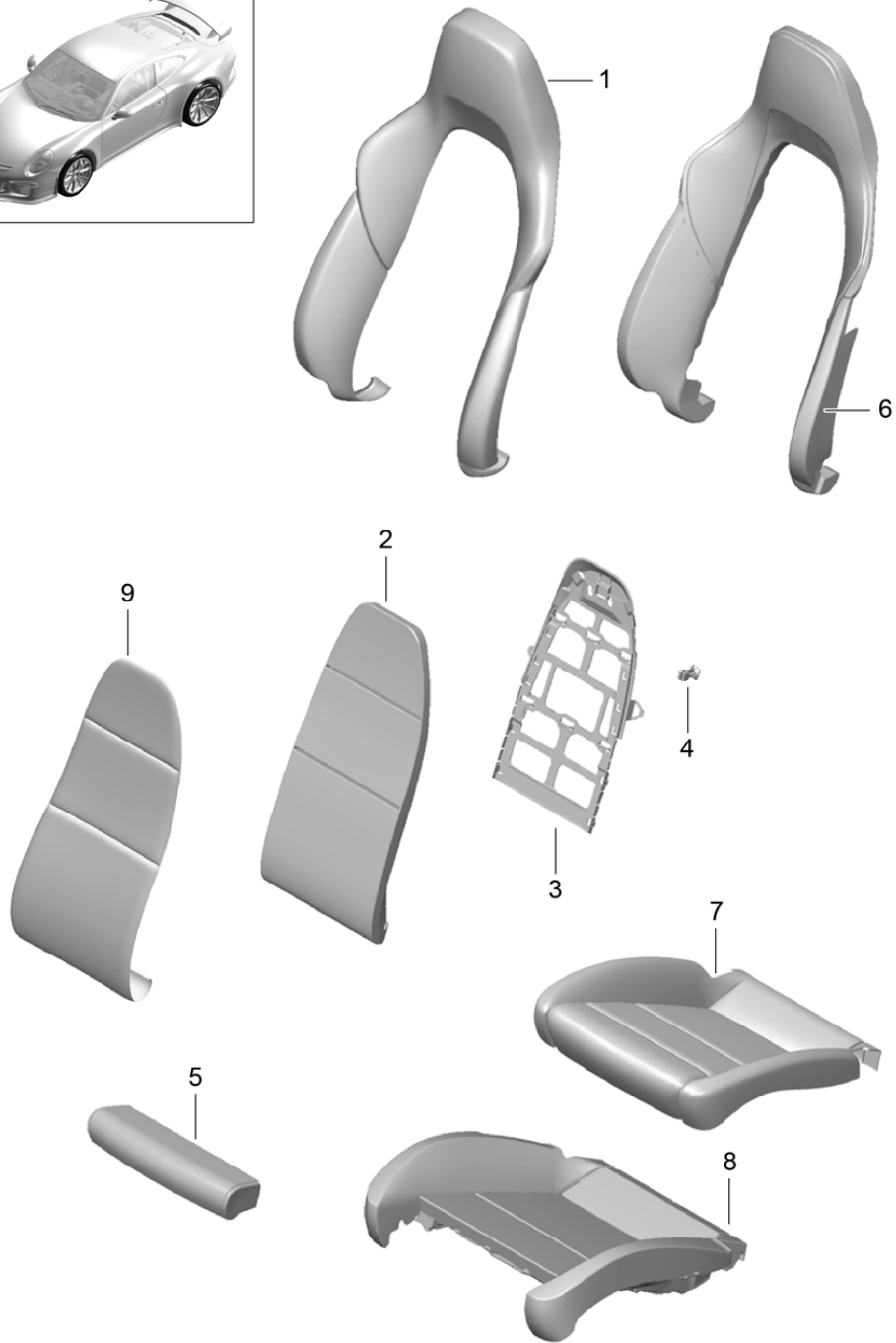
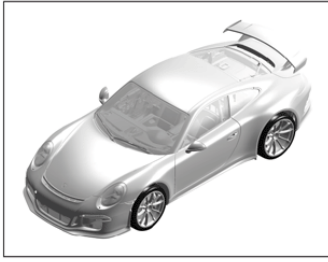


Model: 991G13 Model life 2013>>

Pos	Part Number	Description	Remark	Qty	Model
1	991 521 359 00	Sports seat Plus Complete Not available Cover Rail Front seat Rail		1	I388
	991 521 359 00 1E0	Front seat Black Sport version			
(1)	991 521 360 00	Rail Front seat Black Sport version		1	I389
	991 521 360 00 1E0	Black Sport version			
(1)	991 521 361 00	Rail Front seat Black Sport version	/L	1	I323/324/389
	991 521 361 00 1E0	Black Sport version			
(1)	991 521 362 00	Rail Front seat Black Sport version	/R	1	I323/324/388
	991 521 362 00 1E0	Black Sport version			
2	991 521 315 00	Trim cover Mounting component Front seat	/L	1	I319/323
	991 521 315 00 D20	Silver Grey Metallic Sport version			
(2)	991 521 316 00	Trim cover Mounting component Front seat	/R	1	I322/324
	991 521 316 00 D20	Silver Grey Metallic Sport version			

Model: 991G13

Model life 2013>>



Model: 991G13 Model life 2013>>

Pos	Part Number	Description	Remark	Qty	Model
1	991 521 141 20	Foam part Cover Sports seat Plus Backrest cover	/R /L	1	I319/320/323 I324/951
	991 521 141 20 DRL	Sports seat Plus Black/Platinum Grey			+28,+78
	991 521 141 20 DRM	Black/Guards Red			+68
1	991 521 141 91	Backrest cover Sports seat Plus	/R /L	1	I323/324/983
	991 521 141 91 JHE	Black/Silver			+12,+16,+22 +26
2	991 521 581 00	Foam part Backrest Centre		1	I323/324
3	991 521 551 00	Cushion carrier Backrest		1	I323/324
4	991 521 899 00	Clip Cushion Backrest		1	I323/324
5	991 521 539 00	Foam part Seat cushion Backrest Deep Adjustable		1	I323/324
6	991 521 535 04	Foam part Backrest Outer part		1	I323/324
7	991 521 161 48	Cover for cushion	/L	1	I319/951
	991 521 161 48 RAD	Black/Platinum Grey			+28,+78
	991 521 161 48 RAE	Black/Guards Red			+68
(7)	991 521 161 49	Cover for cushion	/L	1	I323/951
	991 521 161 49 RAD	Black/Platinum Grey			+28,+78
	991 521 161 49 RAE	Black/Guards Red			+68
	991 521 161 49 RAS	Black/Lava Orange			+49
(7)	991 521 161 42	Cover for cushion	/L	1	I323/983
	991 521 161 42 DSZ	Black/Silver			+12,+16,+22 +26
(7)	991 521 162 48	Cover for cushion	/R	1	I320/951
	991 521 162 48 RAD	Black/Platinum Grey			+28,+78
	991 521 162 48 RAE	Black/Guards Red			+68
(7)	991 521 162 49	Cover for cushion	/R	1	I324/951
	991 521 162 49 RAD	Black/Platinum Grey			+28,+78
	991 521 162 49 RAE	Black/Guards Red			+68
	991 521 162 49 RAS	Black/Lava Orange			+49
(7)	991 521 162 42	Cover for cushion	/R	1	I324/983
	991 521 162 42 DSZ	Black/Silver			+12,+16,+22 +26
8	991 521 571 06	Foam part Seat cushion Deep Adjustable		1	I323
9	981 521 151 00	Backrest cover	/R /L	1	I319/320/323 I324/951
		Centre part Sports seat Plus			
	981 521 151 00 2W0	Black			+28,+78,+68
9	981 521 151 01	Backrest cover Centre part Sports seat Plus	/R /L	1	I323/324/983
	981 521 151 01 8YR	Black			+12,+16,+22 +26
9	991 521 151 01	Backrest cover	/R /L	1	I323/324/983

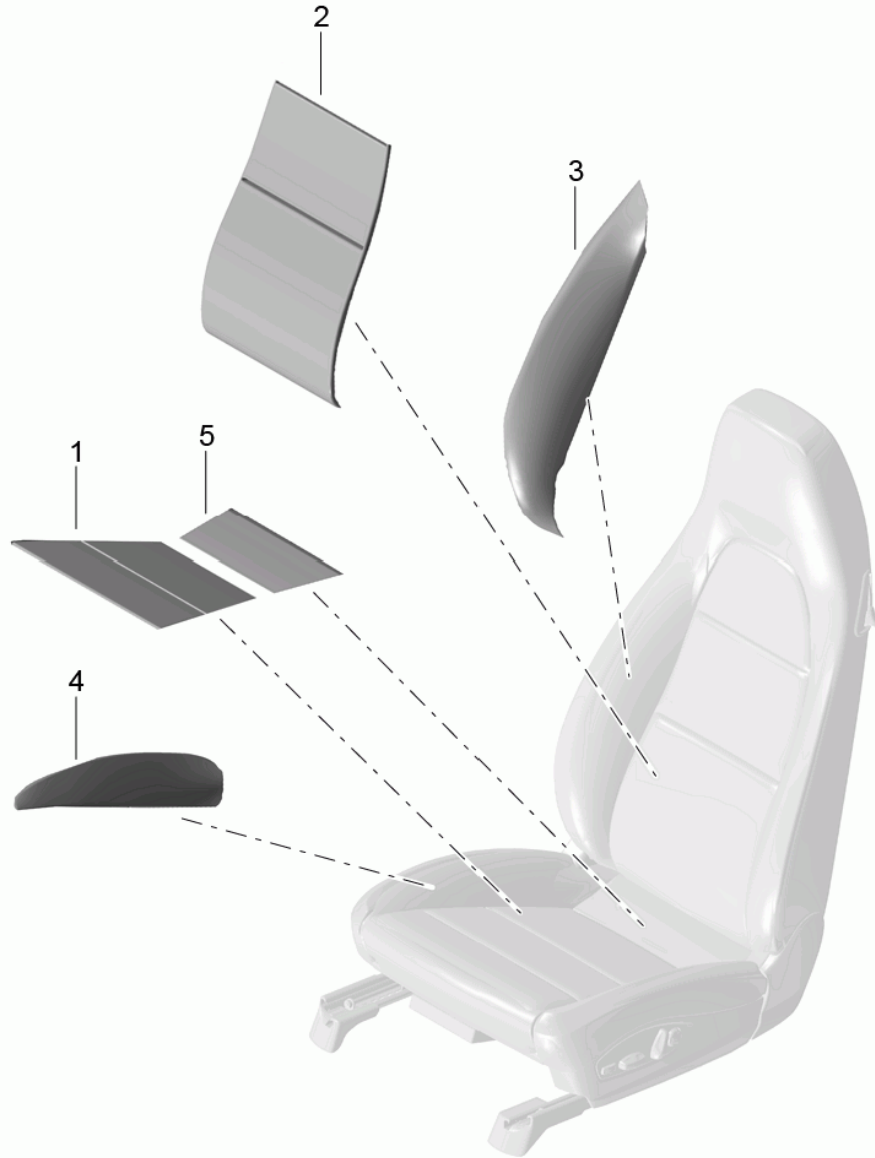
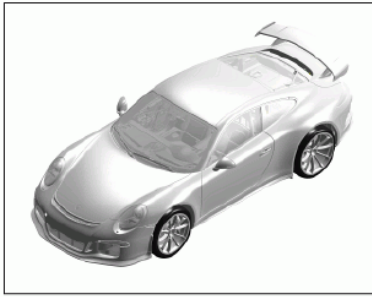
Model: 991G13

Model life 2013>>

Pos	Part Number	Description	Remark	Qty	Model
	991 521 151 01 8YR	Centre part Sports seat Plus Black			+12,+16,+22 +26

Model: 991G13

Model life 2013>>



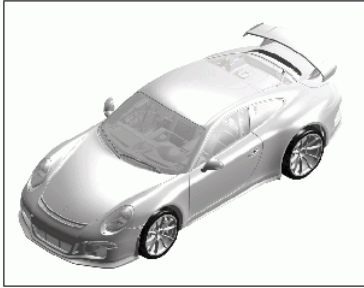
Model: 991G13

Model life 2013>>

Pos	Part Number	Description	Remark	Qty	Model
		Heating element Sports seat Bucket seat Collapsible			I342
1	991 653 155 01	Heating element Seat cushion		1	
2	991 653 156 00	Heating element Backrest Centre part		1	
3	991 653 157 01	Heating element Backrest Outer part		1	
(3)	991 653 158 01	Heating element Backrest Outer part		1	
4	991 653 159 02	Heating element Seat side bolster		1	
(4)	991 653 160 02	Heating element Seat side bolster		1	
5	991 653 161 00	Heating element Seat cushion Rear		1	

Model: 991G13

Model life 2013>>

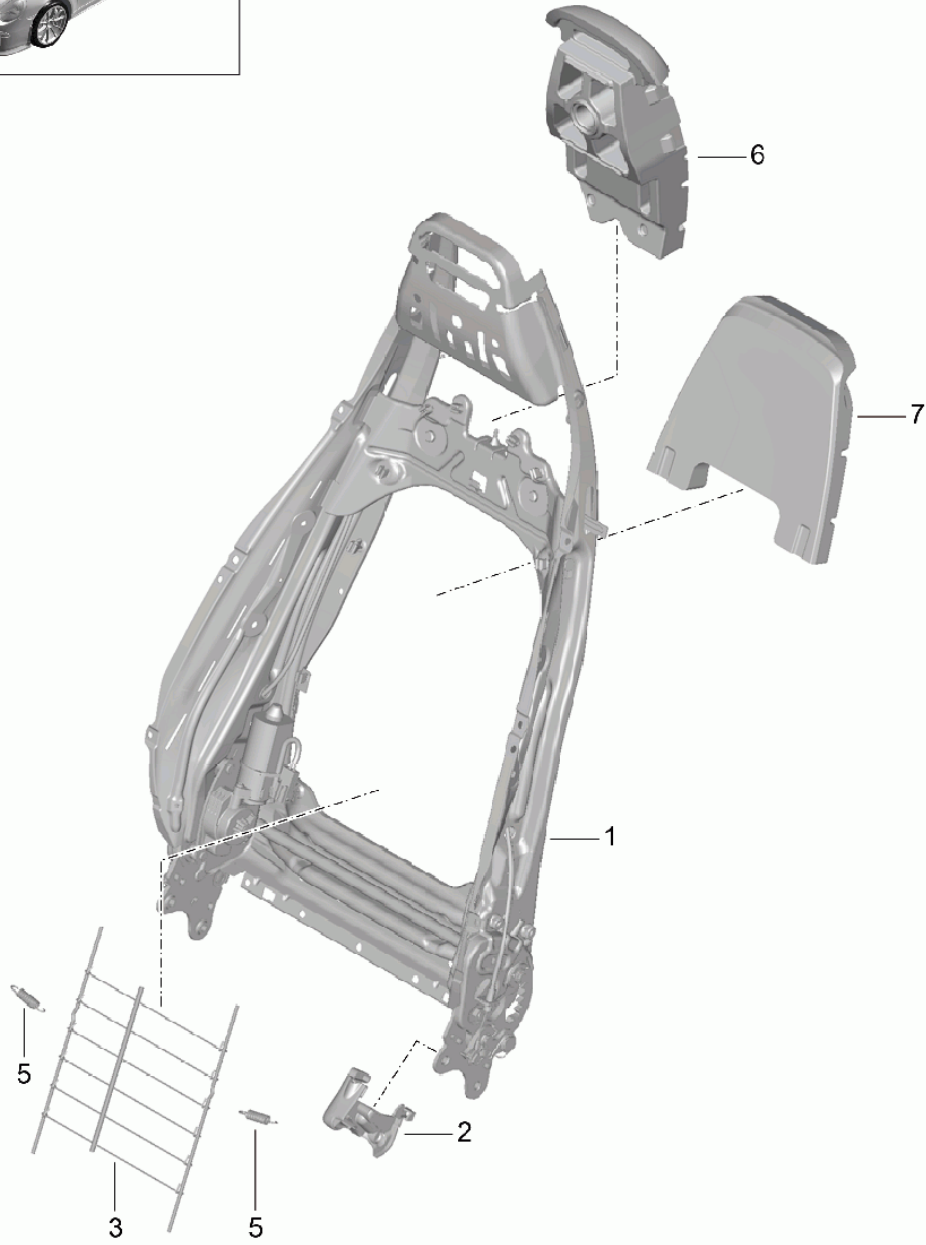
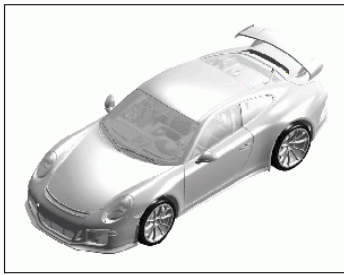


Model: 991G13 Model life 2013>>

Pos	Part Number	Description	Remark	Qty	Model
1	991 521 303 03	Backrest shell Sports seat Plus Accessories	/L	1	
	991 521 303 03 D20	Silver Grey Metallic			+28,+68,+78, +18,+29,+49, +59,+69,+79
(1)	991 521 304 03	Backrest shell Sport version	/R	1	
	991 521 304 03 D20	Silver Grey Metallic			+28,+68,+78, +18,+29,+49, +59,+69,+79
(1)	991 521 985 01	Backrest shell Sports seat Plus	/L	1	IXWK/951
	991 521 985 01 DPE	Black/Platinum Grey			+28,+78
	991 521 985 01 DRK	Black/Guards Red			+68
(1)	991 521 986 01	Backrest shell Sports seat Plus	/R	1	IXWK/951
	991 521 986 01 DPE	Black/Platinum Grey			+28,+78
	991 521 986 01 DRK	Black/Guards Red			+68
3	991 521 623 00	Control button Backrest locking lever Sport version	/L	1	
	991 521 623 00 V08	Galvano silver			
(3)	991 521 624 00	Control button Backrest locking lever Sport version	/R	1	
	991 521 624 00 V08	Galvano silver			
4	991 521 621 01	Rosette Control button Sport version	/L	1	
	991 521 621 01 D20	Silver Grey Metallic			
(4)	991 521 622 01	Rosette Control button Sport version	/R	1	
	991 521 622 01 D20	Silver Grey Metallic			
(4)	991 521 987 01	Rosette Control button Backrest locking lever	/L	1	IXWK
	991 521 987 01 5Q0	Black			
(4)	991 521 988 01	Rosette Control button Backrest locking lever	/R	1	IXWK
	991 521 988 01 5Q0	Black			

Model: 991G13

Model life 2013>>

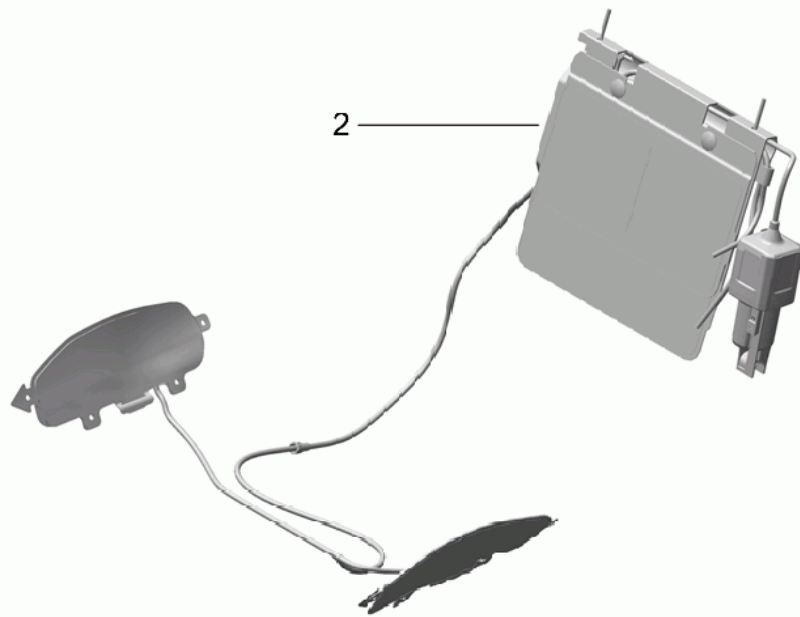
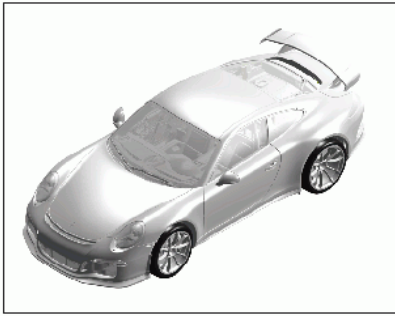


Model: 991G13 Model life 2013>>

Pos	Part Number	Description	Remark	Qty	Model
1	991 521 329 01	Backrest frame Sports seat Plus Accessories		1	
2	991 521 335 00	Backrest frame Sport version with Memory Cover Mounting component Seat Left Inner Door Sport version	/L	1	I317/319/323
(2)	991 521 335 00 D20 991 521 336 00	Silver Grey Metallic Cover Mounting component Seat Right Inner Door Sport version	/R	1	I318/320/324
(2)	991 521 336 00 D20 991 521 337 01	Silver Grey Metallic Cover Mounting component Seat Left Inner Tunnel Sport version	/L	1	I317/319/323
(2)	991 521 337 01 D20 991 521 338 01	Silver Grey Metallic Cover Mounting component Seat Right Inner Tunnel Sport version	/R	1	I318/320/324
3	991 521 338 01 D20 991 521 855 00	Silver Grey Metallic Grille Backrest frame		1	
5	991 521 893 00	Tension spring Grille Backrest frame	/L /R	1	
6	991 521 887 02	Foam part Head rest Backrest frame Sport version		1	
7	991 521 897 01	Foam part Backrest Backrest frame Sport version		1	
-	991 521 902 00	Repair kit Backrest Mounting parts		1	

Model: 991G13

Model life 2013>>



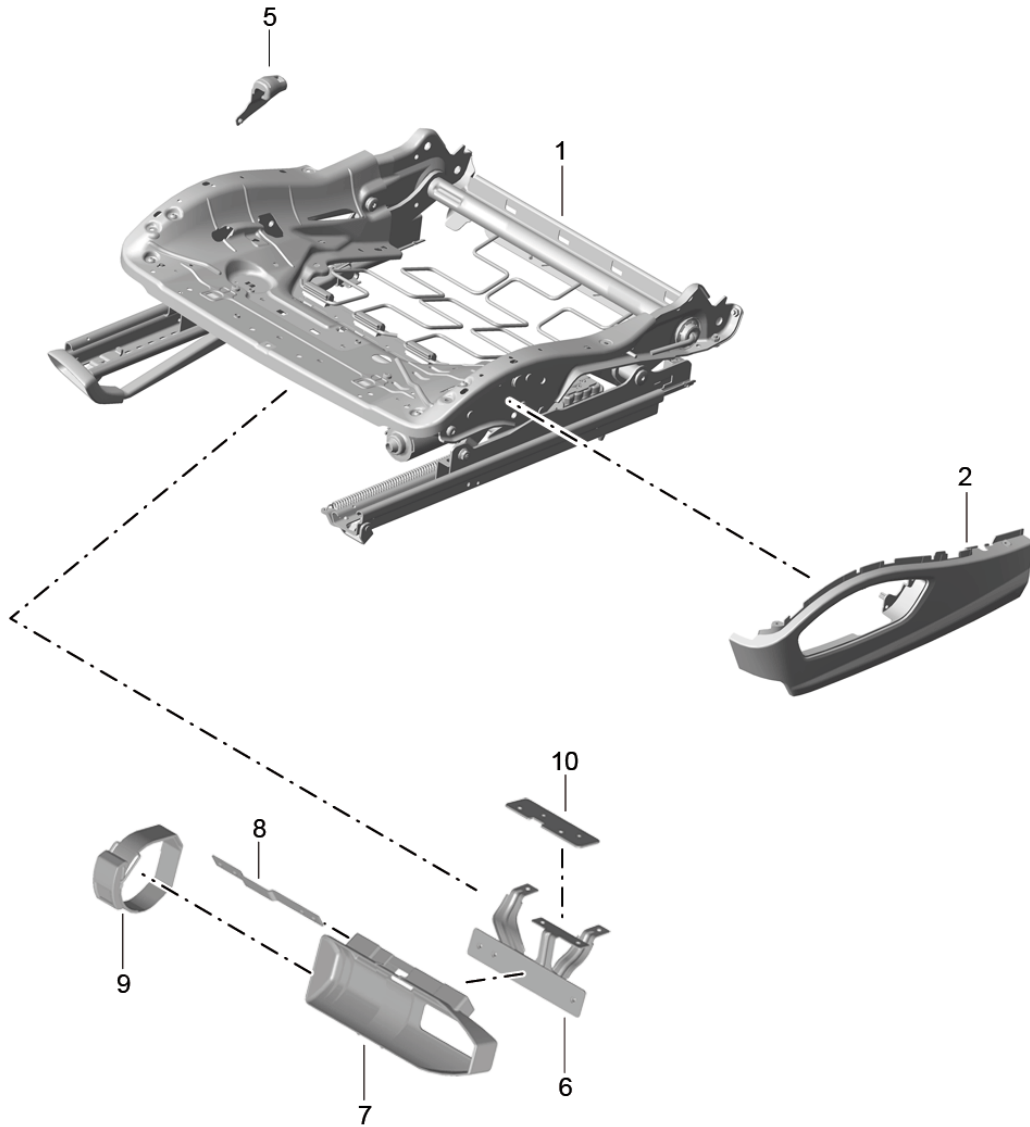
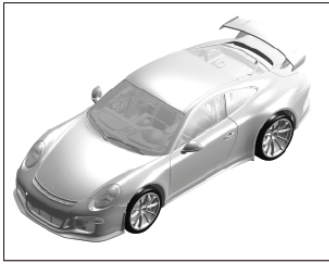
Model: 991G13

Model life 2013>>

Pos	Part Number	Description	Remark	Qty	Model
2	991 521 394 01	Lumbar support Accessories		1	
(2)	991 521 393 01	Lumbar support Units without Memory		1	
		Lumbar support Units with Memory			

Model: 991G13

Model life 2013>>



Model: 991G13 Model life 2013>>

Pos	Part Number	Description	Remark	Qty	Model
1	991 521 201 00	Seat adjuster Sports seat Plus Accessories Trim for switch	/L -14	1	I319
1	9P1 881 105 F	Seat adjuster Sports seat Plus	/L 15-	1	I319
1	991 521 202 00	Seat adjuster Sports seat Plus	/R -14	1	I320
(1)	9P1 881 106 F	Seat adjuster Sports seat Plus	/R 15-	1	I320
1	991 521 201 01	Seat adjuster Sports seat Plus Electric with Memory	/L -15	1	-IIY2/I323
1	9P1 881 105 G	Seat adjuster Sports seat Electric with Memory	/L 15-	1	IIY2/323
(1)	991 521 202 01	Seat adjuster Sports seat Plus Electric with Memory	/R -15	1	-IIY2/I324
(1)	9P1 881 106 G	Seat adjuster Sports seat Electric with Memory	/R 15-	1	IIY2/324
2	991 521 325 00	Trim for switch Sports seat Plus	/L	1	I319/323
(2)	991 521 325 00 D20	Silver Grey Metallic			
(2)	991 521 326 00	Trim for switch Sports seat Plus	/R	1	I320/324
(2)	991 521 326 00 D20	Silver Grey Metallic			
(2)	991 521 989 01	Trim for switch Sports seat Plus	/L	1	IXWK/319/323
(2)	991 521 989 01 A11	Black			
(2)	991 521 990 01	Trim for switch Sports seat Plus	/R	1	IXWK/320/324
5	991 521 990 01 A11	Black			
5	991 521 612 00	Protective plate Seat-belt buckle Seat adjuster Front seat		1	I324/560
-	991 521 901 00	Repair kit Seat adjuster		1	
6	997 521 251 00	Set of fastening parts Support		1	I099/509
(6)	997 521 252 00	Fire extinguisher Support		1	I098/509
7	7PP 882 650	Fire extinguisher Cup		1	I509
8	7PP 882 649	Fire extinguisher Insert Cup		1	I509
9	7PP 882 645	Fire extinguisher Restraining strap		1	I509
10	997 521 841 00	Fire extinguisher Reinforcement		1	I509

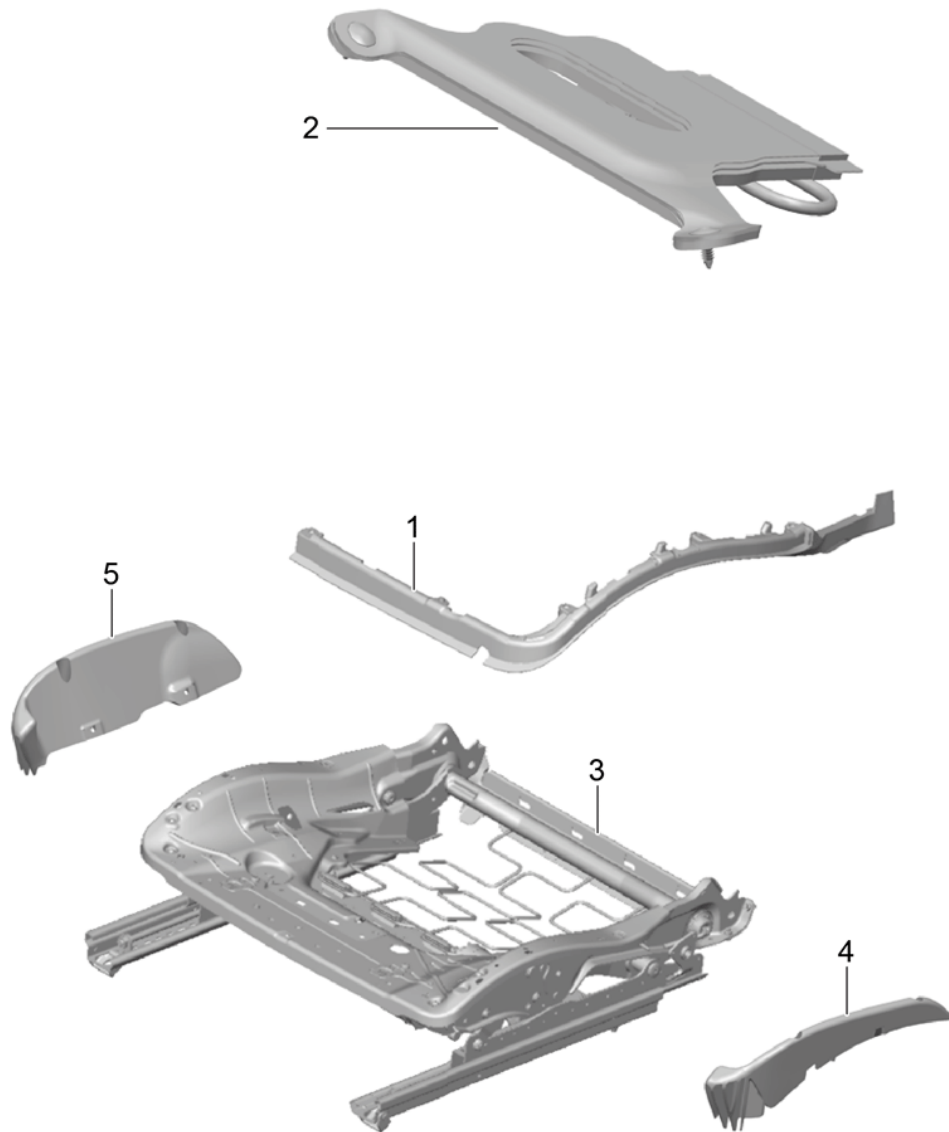
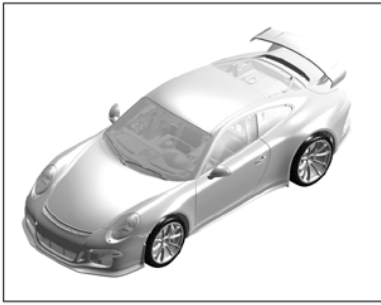
Model: 991G13

Model life 2013>>

Pos	Part Number	Description	Remark	Qty	Model
(10)	997 521 843 00	Support Fire extinguisher Front Reinforcement Support Fire extinguisher Rear		1	I509

Model: 991G13

Model life 2013>>



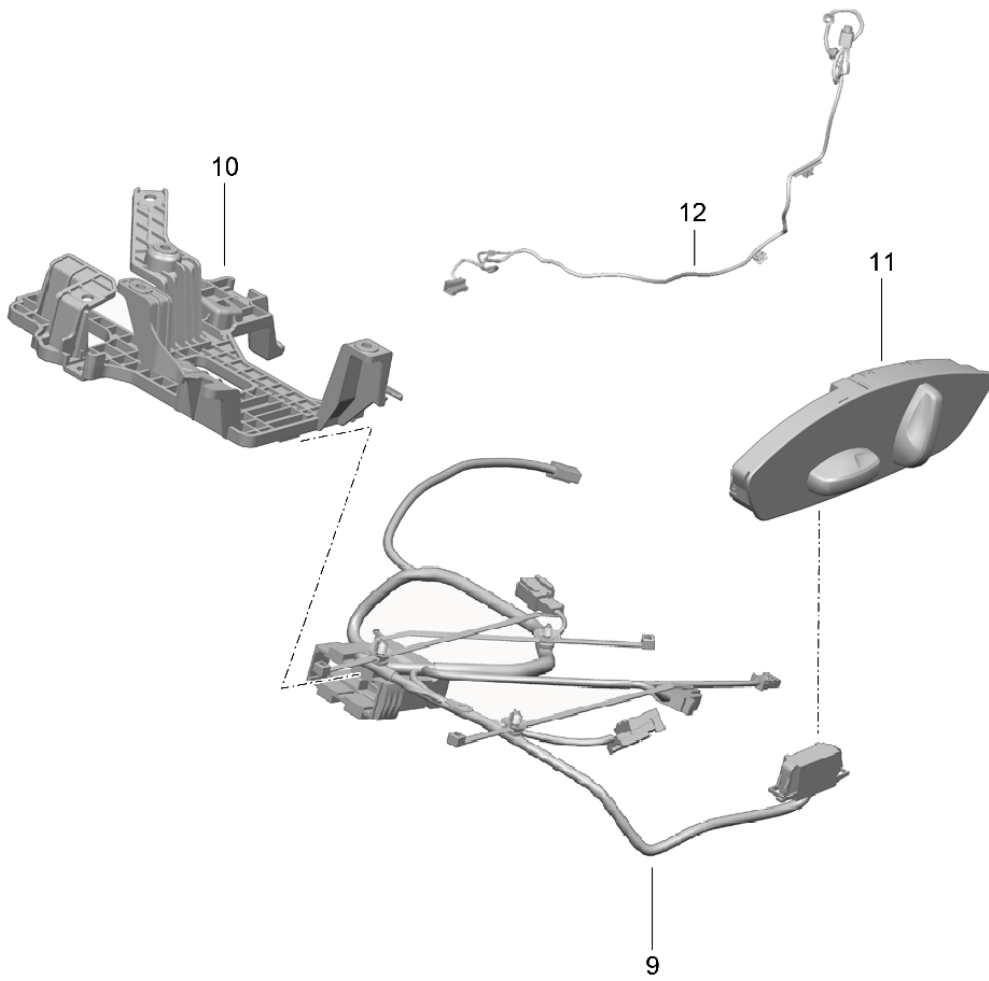
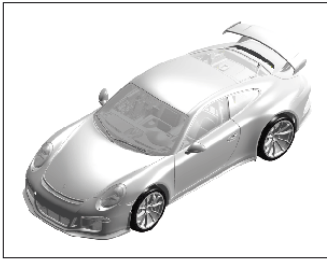
Model: 991G13

Model life 2013>>

Pos	Part Number	Description	Remark	Qty	Model
1	991 521 547 00	Cushion carrier Frame Seat surface Sports seat Plus	/L	1	
(1)	991 521 548 00	Frame Cushion carrier Seat surface Sports seat Plus Inner	/R	1	
(1)	991 521 545 00	Frame Cushion carrier Seat surface Sports seat Plus Inner	/L	1	
(1)	991 521 546 00	Outer Frame Cushion carrier Seat surface Sports seat Plus Outer	/R	1	
4	970 521 519 00	Supporting plate Left		1	
5	970 521 520 00	Supporting plate Right		1	

Model: 991G13

Model life 2013>>



Model: 991G13 Model life 2013>>

Pos	Part Number	Description	Remark	Qty	Model
		Wiring harnesses Switch Control units Electric motor Sports seat Plus			
9	991 622 763 01	Wiring harness Seat adjuster Left	/L	1	I319
9	991 622 764 01	Wiring harness Seat adjuster Right	/R	1	I316/320
(9)	991 622 771 01	Wiring harness Seat adjuster Left	/L	1	I319/560
(9)	991 622 772 01	Wiring harness Seat adjuster Right	/R	1	I316/320/560
(9)	991 622 777 01	Wiring harness Seat adjuster Left	/L	1	I319/342
(9)	991 622 778 01	Wiring harness Seat adjuster Right	/R	1	I320/342
(9)	991 622 783 01	Wiring harness Seat adjuster Left	/L	1	I319/342/560
(9)	991 622 784 01	Wiring harness Seat adjuster Right		1	I320/342/560
(9)	918 612 765 01	Wiring harness Seat adjuster Left	/L	1	I373/560
(9)	991 622 754 01	Wiring harness Seat adjuster Right	/R	1	I374/560
10	991 521 643 02	Support Electronic component Control units Seat adjuster Sports seat Plus		1	I323/324
11	991 613 713 01	Switch Seat adjuster	/L	1	I319
(11)	991 613 713 01 DMN 991 613 714 01	Galvano silver Switch Seat adjuster	/R	1	I320
-	991 613 714 01 DMN 970 618 537 11	Galvano silver Control unit Seat adjuster		1	I323/324
12	991 622 795 00	Wiring harness Airbag Seat D >> 22.06.2015	/L	1	I323
(12)	9P1 972 171 A	Wiring harness Airbag Seat D 23.06.2015>>	/L	1	I323
(12)	991 622 796 00	Wiring harness Airbag Seat D >> 22.06.2015	/R	1	I324
(12)	9P1 972 173	Wiring harness Airbag Seat	/R	1	I324

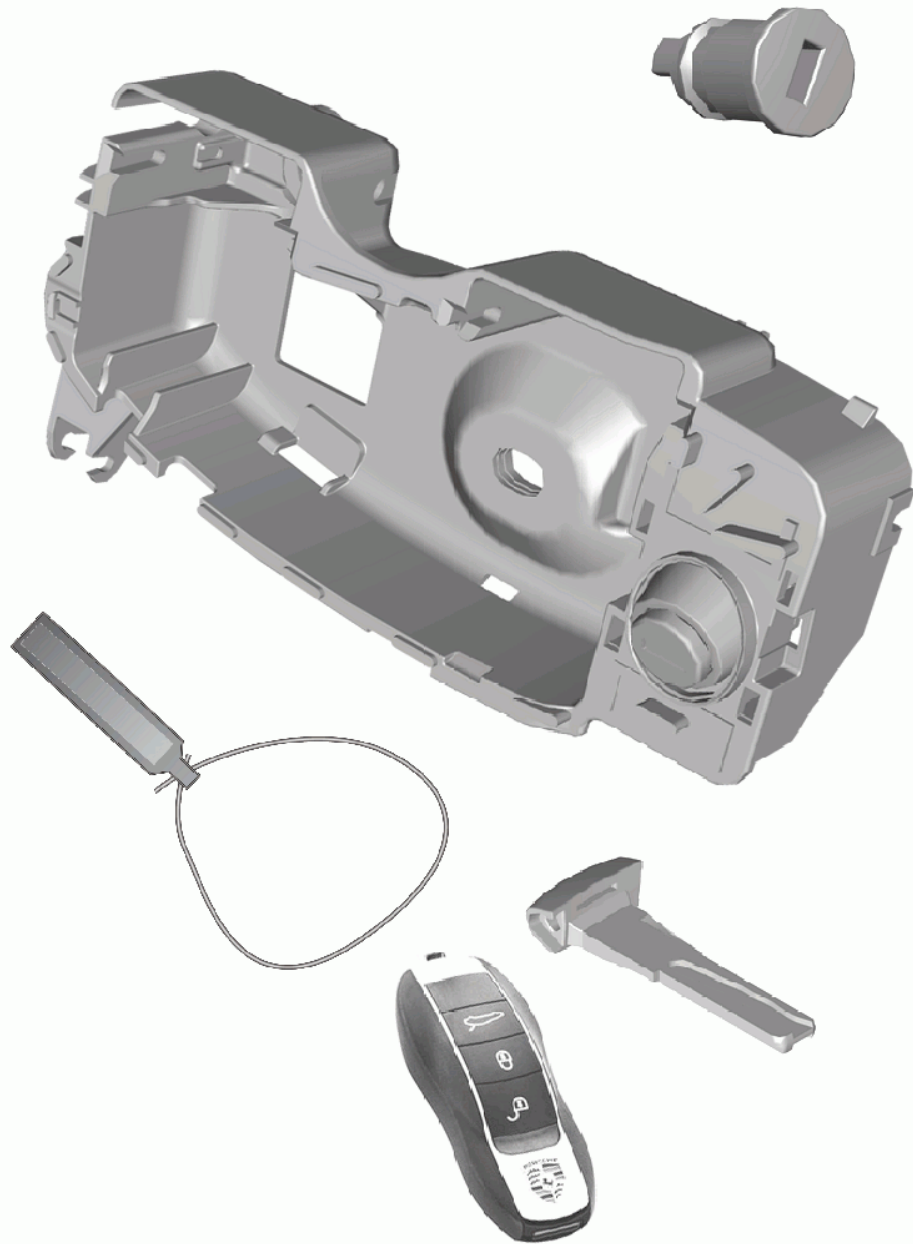
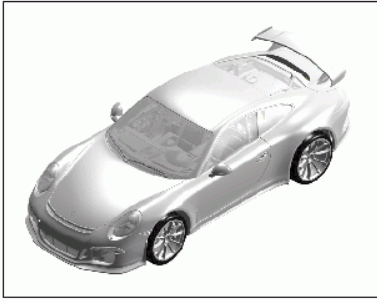
Model: 991G13

Model life 2013>>

Pos	Part Number	Description	Remark	Qty	Model
(12)	9P1 972 173 A	D 23.06.2015>> 03.11.2016 Wiring harness Airbag Seat D 04.11.2016>>	/R	1	I324

Model: 991G13

Model life 2013>>



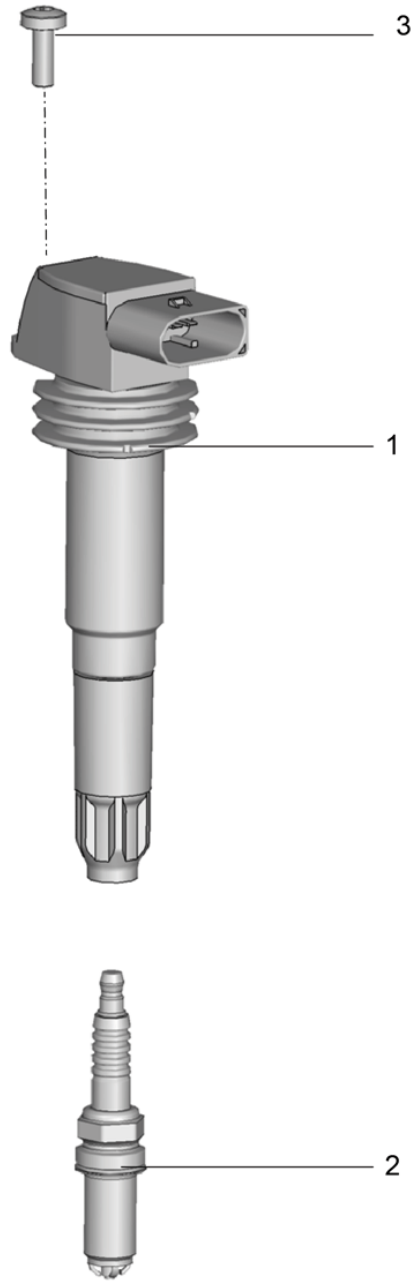
Model: 991G13

Model life 2013>>

Pos	Part Number	Description	Remark	Qty	Model
		Repair kit			
		Set of locks			
		Comprising:			
		Halter		1	
		Outer door handle			
		Emergency key		2	
		Key tag		1	
		Glove compartment lock		1	
		Key cover		2	
>>	991 538 901 31	Set of locks	/LL	1	I098/524
		3 buttons			
>>	991 538 901 32	Set of locks	/RL	1	I099/524
		3 buttons			
>>	991 538 901 33	Set of locks	/LL	1	I098/523
		3 buttons			
>>	991 538 901 34	Set of locks	/RL	1	I099/523
		3 buttons			
>>	991 538 901 37	Set of locks	/LL	1	(J) I098/525
		3 buttons			
>>	991 538 901 38	Set of locks	/RL	1	(J) I099/525
		3 buttons			

Model: 991G13

Model life 2013>>



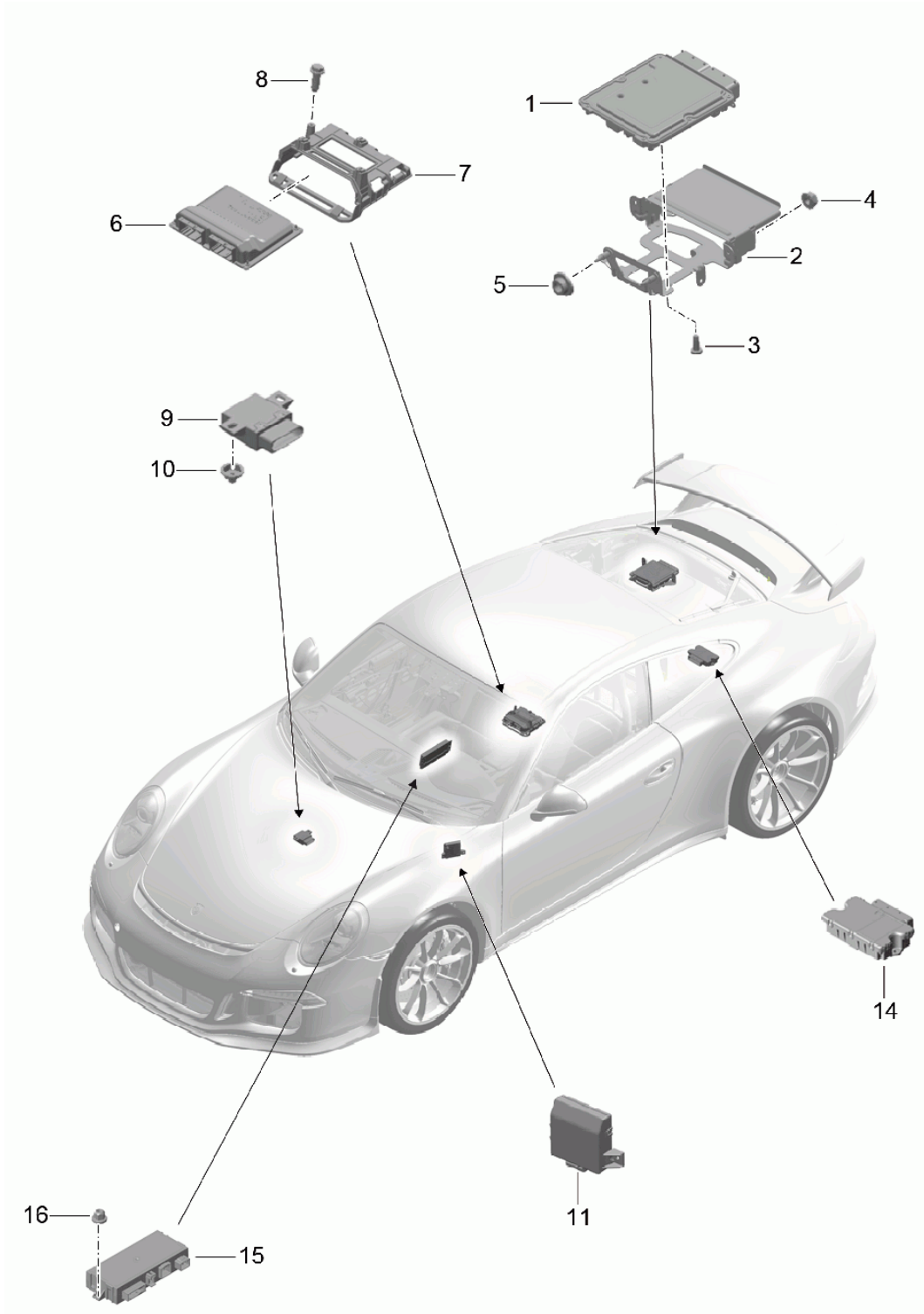
Model: 991G13

Model life 2013>>

Pos	Part Number	Description	Remark	Qty	Model
		Ignition system			
1	9A1 602 104 05	Ignition coil		6	
1	9A1 602 104 06	Ignition coil	-17	6	
1	9A1 602 104 07	Ignition coil	18-	6	
2	999 170 153 90	Spark plug ZGR5 NQE	-17	6	
2	999 170 153 91	Spark plug ZGR5 NQE	18-	6	
3	999 073 103 01	Round head screw M 6 X 16		6	

Model: 991G13

Model life 2013>>

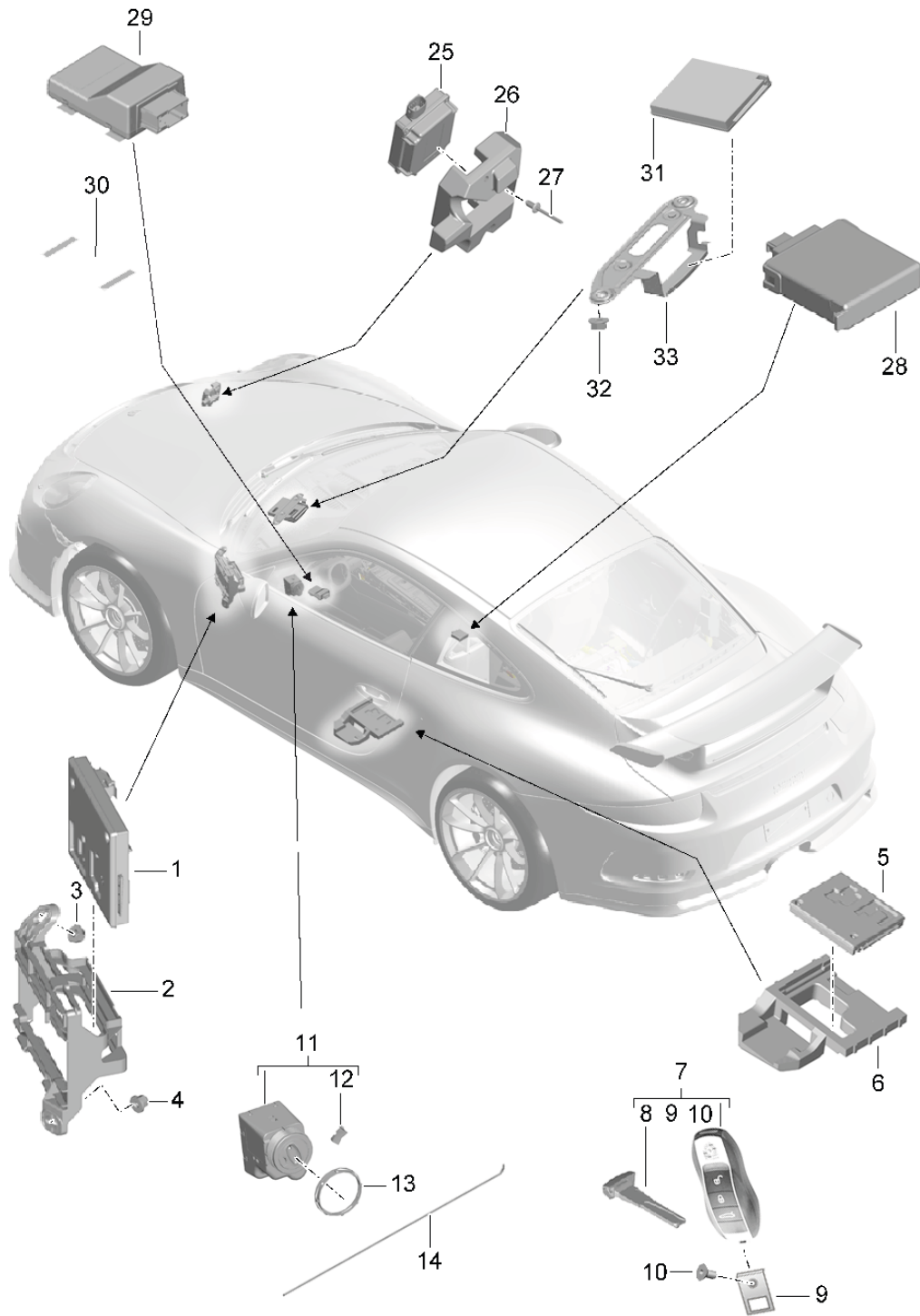


Model: 991G13 Model life 2013>>

Pos	Part Number	Description	Remark	Qty	Model
1	991 618 603 00	Control units Control unit	-17	1	
(1)	991 618 603 01	- dme - Control unit	18-	1	
2	991 618 149 01	- dme - Support Control unit		1	
3	999 141 044 09	- dme - Oval-head screw M 6 X 16		6	
4	999 084 638 01	Hexagon nut M 6		2	
5	999 703 496 40	Rubber mounting		2	
5	N 106 695 01	Oval-head screw M6 X 16 TC		4	
6	991 618 270 12	Control unit - PDK -	-17	1	
(6)	991 618 272 08	Control unit - PDK -	18-	1	
7	991 618 255 00	Support Control unit		1	
8	999 919 130 09	- PDK - Hexagon-head bolt 6,0 X 18,0		1	I250
9	991 618 025 01	Control unit Fuel pump		1	-I553
10	999 049 025 09	Collar nut T 5		2	
11	7PP 907 530 S	Control unit Gateway	-16	1	
(11)	95B 907 530 G	Control unit Gateway	17	1	
(11)	95B 907 530 J	Control unit Gateway	18-	1	
14	991 618 145 03	Control unit Electric parking brake		1	
15	991 618 151 83	Control unit Level adjustment		1	I474
15	991 618 151 84	Control unit Level adjustment		1	I474
15	991 618 151 85	Control unit Level adjustment		1	I474
15	991 618 151 87	Control unit Level adjustment		1	I474
16	999 049 033 40	Plastic nut		1	I474
-		Control unit Headlight levelling system See illustrations 9/05/03		1	I602

Model: 991G13

Model life 2013>>



Model: 991G13

Model life 2013>>

Pos	Part Number	Description	Remark	Qty	Model
		Control units Electronics Body front section Rear end Handheld transmitter Ignition starter switch Antenna Garage door opener Sensor Interior monitoring			
1	7PP 907 064 HC	Control unit Electronics Body front section	-17	1	I523
1	9A7 907 064 00	Control unit Electronics Body front section	18-	1	I523
1	7PP 907 064 HD	Control unit Electronics Body front section		1	I524
1	7PP 907 064 HK	Control unit Electronics Body front section	-17	1	I524
1	9A7 907 064 01	Control unit Electronics Body front section	18-	1	I524
1	7PP 907 064 HE	Control unit Electronics Body front section	-17	1	I525
1	9A7 907 064 02	Control unit Body front section	18-	1	I525
2	991 610 111 00	Support		1	I098
(2)	991 610 113 00	Support		1	I099
3	999 084 638 01	Hexagon nut M 6		1	
4	999 076 081 40	Plastic nut T 5		1	
5	7PP 907 279 BD	Control unit Electronics Rear end	14-	1	-IIY2
5	7PP 907 279 BF	Control unit Electronics Rear end	14	1	IIY2
5		Control unit Electronics Rear end	15-	1	
5	9A7 907 279 00	Control unit Electronics Rear end	16-	1	
6	991 618 325 00	Support		1	
7	991 637 950 03	Handheld transmitter Key cover Vehicle Ident. No. Indicate See technical information Service Group 5 Document 5708 31/12		1	I524
7	991 637 963 03	Handheld transmitter Key cover Vehicle Ident. No. Indicate See technical information		1	I523

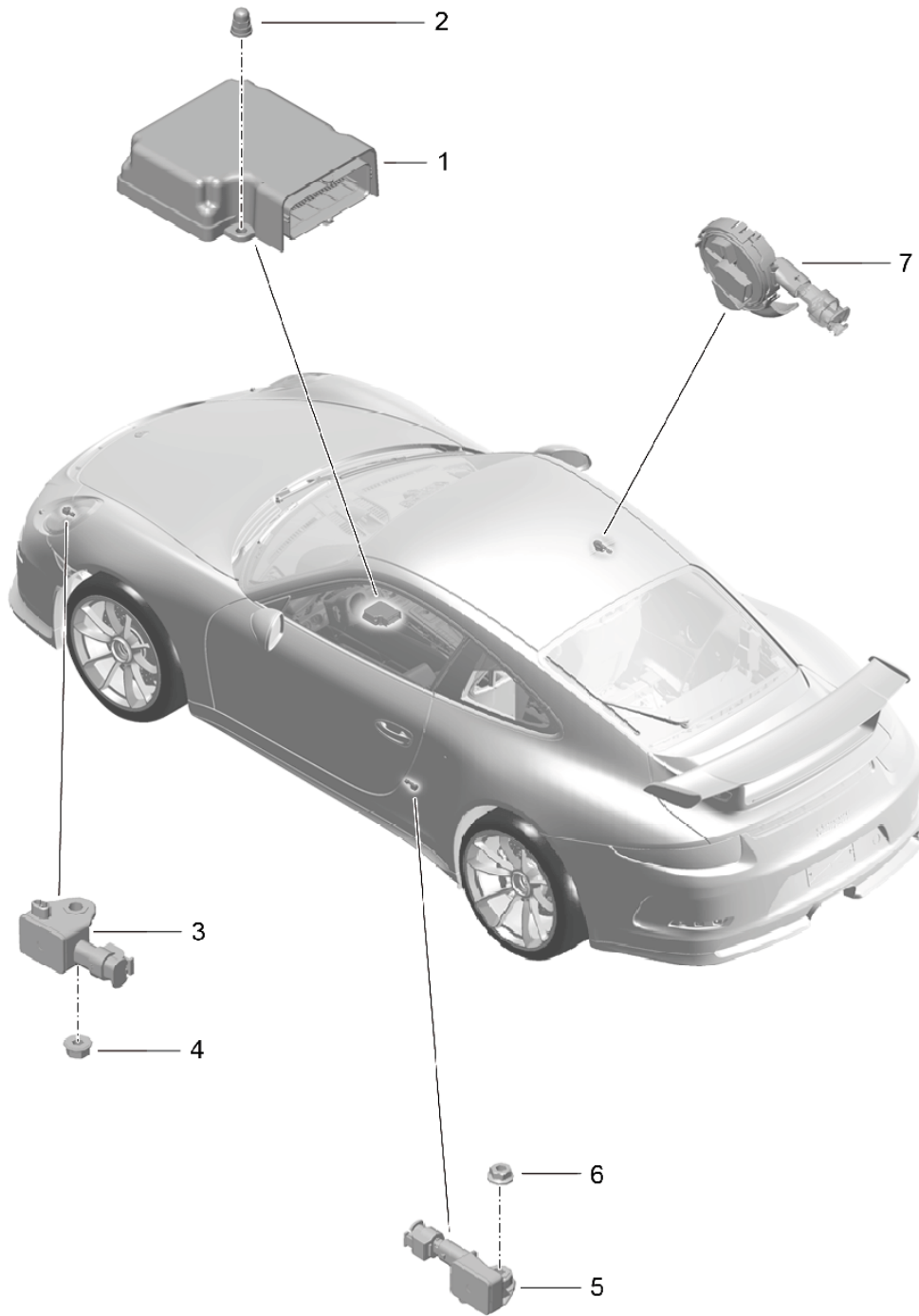
Model: 991G13

Model life 2013>>

Pos	Part Number	Description	Remark	Qty	Model
(7)	991 637 951 03	Service Group 5 Document 5708 31/12 Handheld transmitter Key cover Vehicle Ident. No. Indicate See technical information		1	I525
(7)	991 637 952 03	Service Group 5 Document 5708 31/12 Handheld transmitter Key cover Vehicle Ident. No. Indicate See technical information		1	-I072/-I553 I525
8	958 538 916 00	Emergency key with stipulated lock number Vehicle Ident. No. Indicate		1	
-	999 611 108 00	Battery Handheld transmitter		1	
9	991 637 301 00	Eye		1	
10	991 637 303 00	Countersunk-head screw		1	
11	7PP 905 865 F	Control unit		1	
12	970 618 959 00	Ignition starter switch Cover Release Handheld transmitter		1	
13	7PP 911 094	Nut		1	
14	7PP 907 256	Emergency operation Release Ignition starter switch		1	
25	8K0 907 410	Control unit		1	I608
(25)	8K0 907 410 C	Garage door opener Control unit Garage door opener		1	I607
26	991 618 277 00	Support		1	I607/608
27	999 190 310 30	Blind rivet		1	I607/608
28	991 618 210 05	Sensor Interior monitoring		1	-I193/I534
(28)	991 618 209 01	Sensor Interior monitoring Alarm siren See illustrations 9/03/00		1	I193/534
29	9P1 919 653 A	Control unit Racing Additional function		1	I639/640/643
30	991 618 753 80	Velcro strip		1	I639/640
31	9A7 637 620 00	Control unit VTS vehicle tracking		1	I7G9
32	900 377 010 01	Hexagon nut		2	I7G9
33	9P1 035 317	Support Control unit VTS vehicle tracking		1	I7G9

Model: 991G13

Model life 2013>>



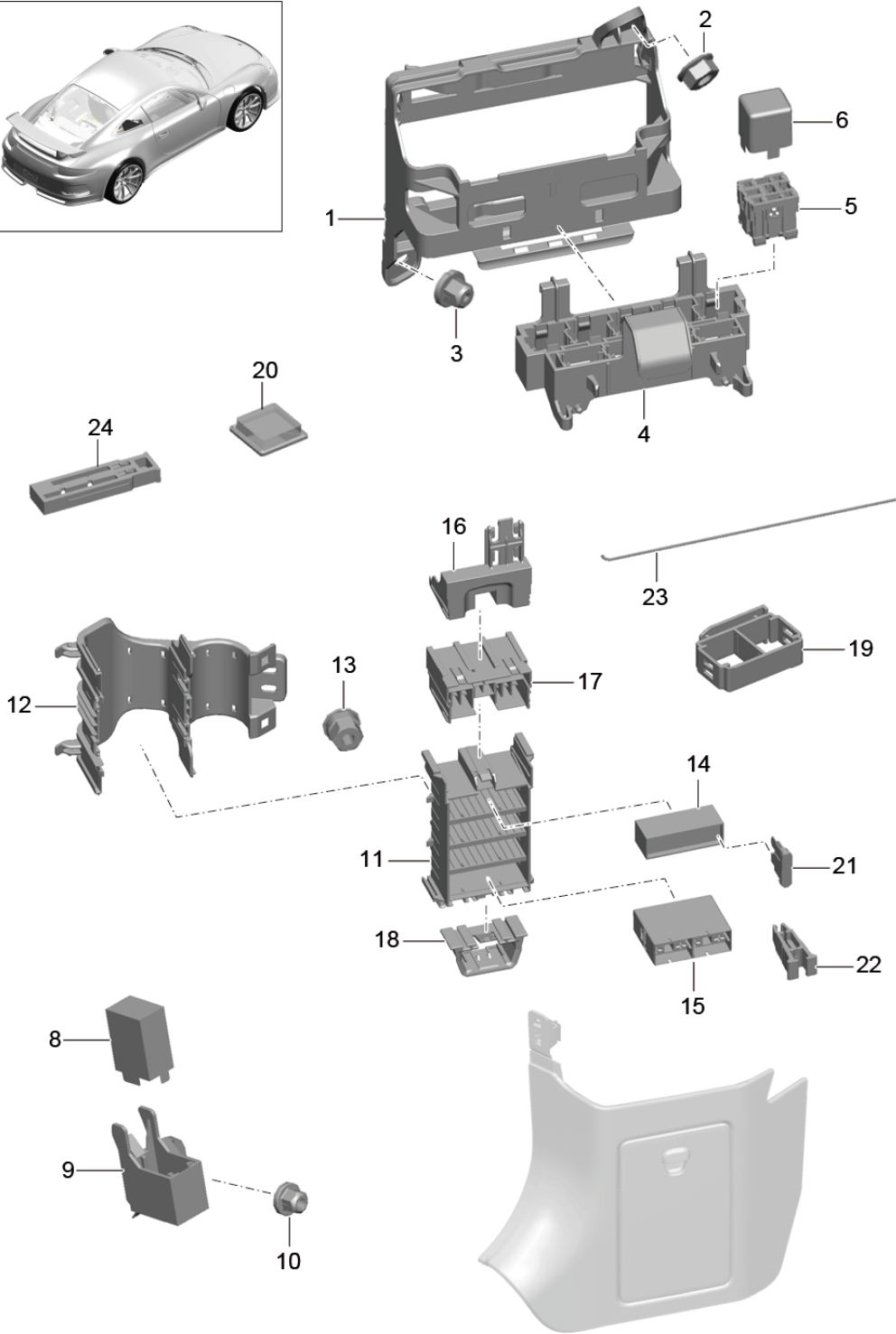
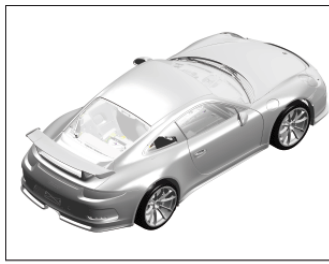
Model: 991G13

Model life 2013>>

Pos	Part Number	Description	Remark	Qty	Model
		Control unit Sensor Airbag Airbag unit See illustrations 8/12/50 Switch Airbag See illustrations 9/03/05			
1	991 618 201 04	Control unit	-14	1	
1	991 618 201 08	Control unit	15-16	1	
1	991 618 201 09	Control unit	17-	1	
2	999 070 015 02	Cap nut M 6		3	
3	991 618 223 01	Front sensor		2	
4	999 084 638 01	Hexagon nut M 6		2	
5	991 618 221 01	Sensor Side airbag		2	
6	999 084 629 01	Hexagon nut M 6		2	
7	9P1 959 354	Pressure sensor Doors		2	

Model: 991G13

Model life 2013>>



Model: 991G13 Model life 2013>>

Pos	Part Number	Description	Remark	Qty	Model
		Central electrical system			
		Dashboard			
1	991 610 111 00	Support	/LL	1	I098
(1)	991 610 113 00	Support	/RL	1	I099
2	999 084 638 01	Hexagon nut M 6		1	
3	999 076 081 40	Plastic nut T 5		1	
4	991 610 105 00	Support frame		1	
		Relay carrier			
5	443 937 527	Relay carrier for Relay K 3,K 4,K 5		X	
(5)	999 650 538 40	Relay carrier for Relay K 6		X	
6		Relay			
(6)	999 657 016 90	Relay Emergency operation Lid		1	
(6)	958 615 029 00	Relay socket/code: Relay	K3	1	
		Radiator fan 1 Left			
(6)		Relay socket/code: Relay	K4	1	
		Radiator fan 2 Right			
(6)	958 615 010 00	Relay socket/code: Relay	K5	1	
		Fanfare			
8	4H0 951 253 C	Relay socket/code: Relay	K6	1	
		Fuel pump			
9	991 610 151 00	Luggage compartment Relay holder		1	
		Fuel pump			
10	999 049 033 40	Plastic nut T 6		1	
11	991 610 101 00	Bracket		2	
12	991 610 103 00	Cover		2	
13	999 516 032 01	Hexagon nut M 6		2	
14	999 650 209 40	Fuse holder		6	
15	999 650 750 40	Fuse holder		2	
16	991 610 104 00	Cover	/R	1	
		Right			
17	991 610 102 00	Support	/L	1	
		Lock			
		Left			
18	991 610 120 00	Support	/L	1	
		Plug socket			
		Diagnostic connector			
19	991 610 127 00	Support		5	
		Connection point			
20	7PP 867 300	Velcro fastener		4	
21	999 607 082 00	Lock		X	
		5 A			
(21)	999 607 083 00	Lock		X	
		7 , 5 A			
(21)	999 607 084 00	Lock		X	

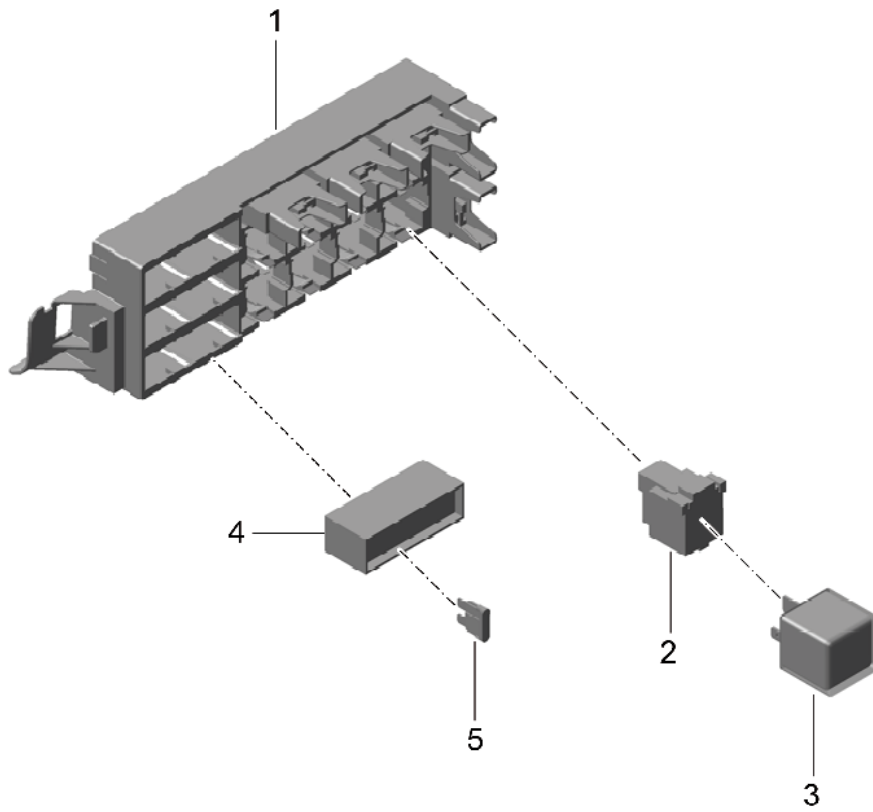
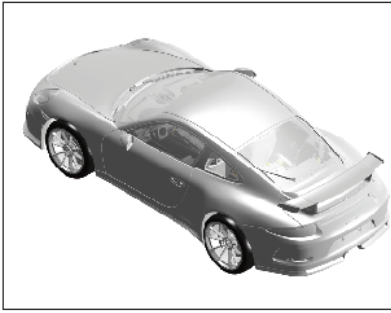
Model: 991G13

Model life 2013>>

Pos	Part Number	Description	Remark	Qty	Model
(21)	999 607 085 00	10 A Lock		X	
(21)	999 607 086 00	15 A Lock		X	
(21)	999 607 087 00	20 A Lock		X	
(21)	999 607 088 00	25 A Lock		X	
(21)	999 607 089 00	30 A Lock		X	
(21)	999 607 111 00	40 A Lock		X	
(21)	999 607 072 00	25 A Large Lock		X	
(21)	999 607 073 00	30 A Large Lock		X	
(21)	999 607 019 00	40 A Large Lock		X	
22	999 107 300 40	50 A Large Tool		X	
23	7PP 907 256	Emergency operation Release		1	
24	991 610 340 00	Ignition starter switch Terminal clamp Emergency operation		1	
-		Lid Cover for Housing Lock See illustrations 8/07/10		X	

Model: 991G13

Model life 2013>>



Model: 991G13 Model life 2013>>

Pos	Part Number	Description	Remark	Qty	Model
1	991 610 107 00	Central electrical system Rear end Support frame		1	
2	955 610 307 00	Relay carrier		X	
(2)	443 937 527	Relay carrier for Relay K 1,K 3		X	
(2)	999 656 311 40	Relay carrier for Relay K 2,K 4,K 8		X	
3	955 615 025 10	Relay Relay - dme -	-17	1	
(3)	958 615 008 01	Relay socket/code: Relay - dme -	K1 18-	1	
(3)	999 657 013 90	Relay socket/code: Relay Blower	K1 -17	1	
(3)	955 615 029 00	Engine compartment Relay socket/code: Relay Blower	K2 18-	1	
(3)	955 615 027 00	Engine compartment Relay socket/code: Relay Starter	K2	1	
(3)	999 657 016 90	Relay socket/code: Relay Spoiler	K3	1	
(3)	958 615 008 01	Relay socket/code: Relay Secondary pump	K4 18-	1	
(3)	999 657 014 90	Relay socket/code: Relay Blower	K5	2	
(3)	999 657 015 90	Engine compartment Relay socket/code: Relay	K6 -17	1	
(3)	958 615 010 00	Rear window heating Relay socket/code: Relay	K7 18-	1	
(3)	999 657 016 90	Rear window heating Relay socket/code: Relay Spoiler	K7	1	
4	999 650 209 40	Relay socket/code: Fuse holder	K8	3	
5	999 607 082 00	Lock 5 A		X	
(5)	999 607 084 00	Lock 10 A		X	
(5)	999 607 085 00	Lock 15 A		X	
(5)	999 607 086 00	Lock 20 A		X	
(5)	999 607 087 00	Lock		X	

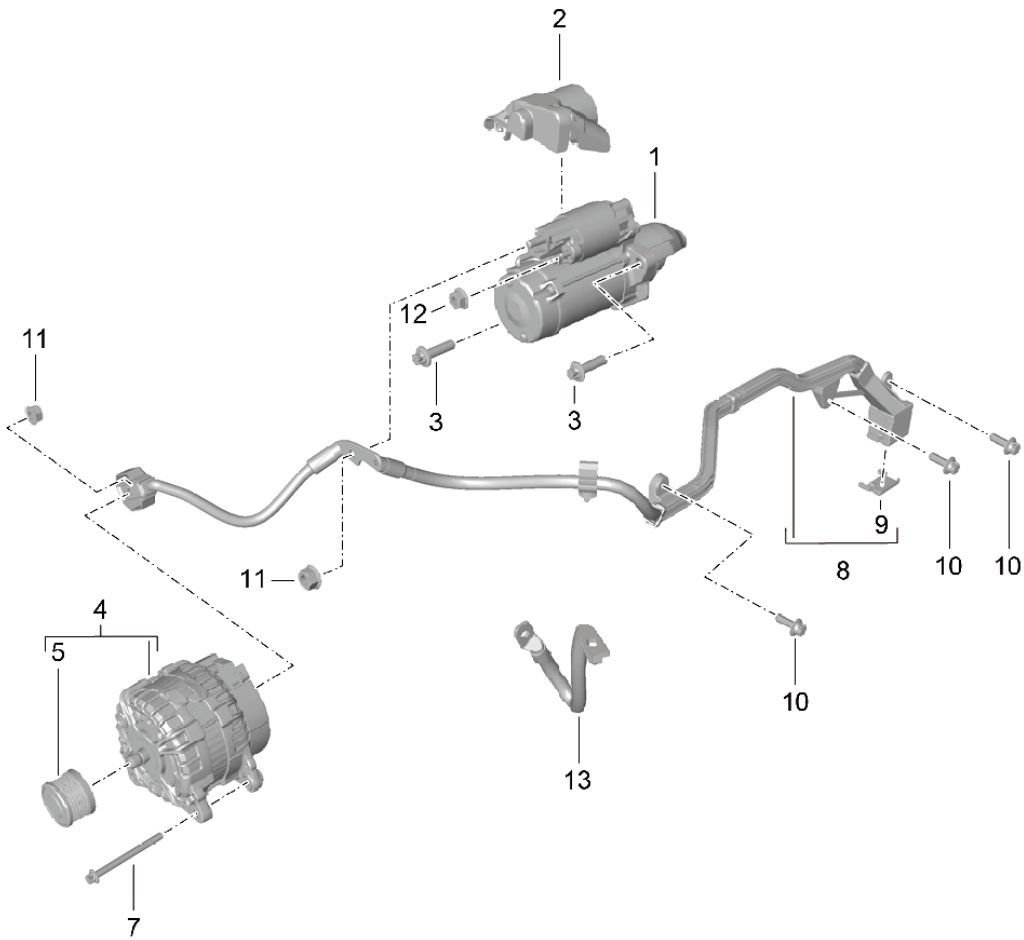
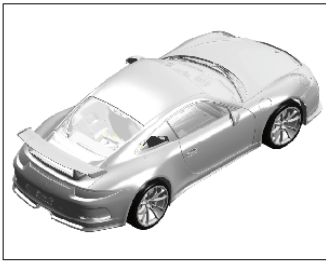
Model: 991G13

Model life 2013>>

Pos	Part Number	Description	Remark	Qty	Model
(5)	999 607 088 00	25 A Lock		X	
(5)	999 607 073 00	30 A Lock 40 A Large		X	

Model: 991G13

Model life 2013>>



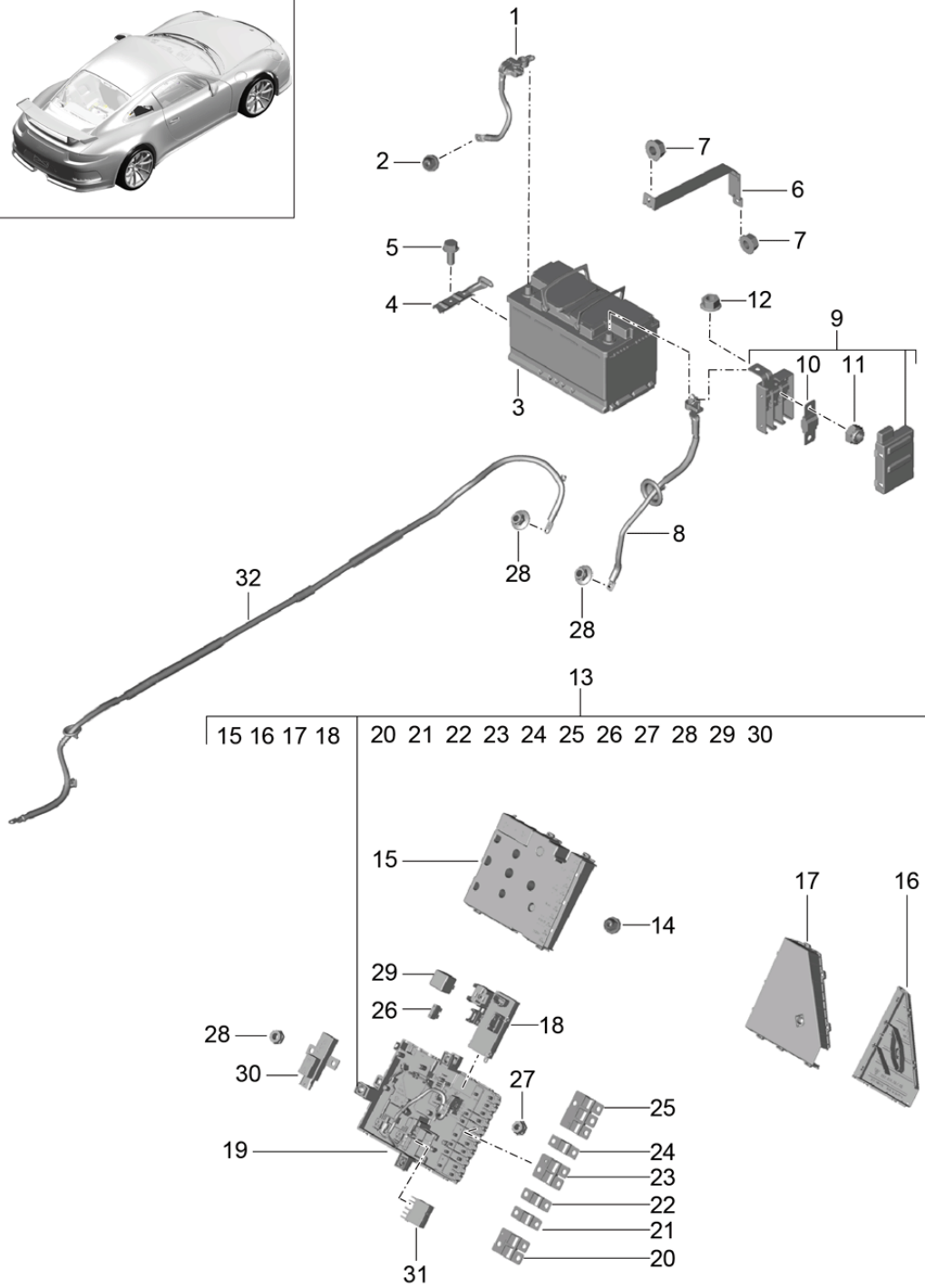
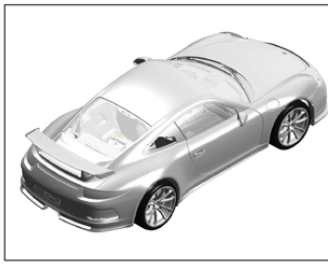
Model: 991G13

Model life 2013>>

Pos	Part Number	Description	Remark	Qty	Model
		Starter			
		Generator			
		Ground cable			
1	9A1 604 104 00	Starter		1	
1	9A1 604 104 X	Starter		1	
2	9A1 607 212 00	Protection cap		1	
		Starter			
2	9A1 607 211 00	Protection cap		1	
		Starter			
3	900 385 097 01	Torx screw		2	
		BM 10 X 35			
4	9A1 603 018 01	Generator	-17	1	
4	9A1 603 018 AX	Generator	-17	1	
(4)	9A2 603 018 00	Generator	18-	1	
(4)	9A2 603 018 X	Generator	18-	1	
5	9A1 603 016 00	Generator	-17	1	
		Pulley			
-		Cover			
		Generator			
		See illustrations			
		1/01/10			
7	900 385 102 01	Torx screw		2	
		BM 8 X 90			
8	9A1 607 075 00	Wiring harness		1	
		with			
		Connection point			
		Generator			
		Starter			
9	9A1 607 261 00	Lid		1	
		Connection point			
10	900 385 009 01	Torx screw		3	
		BM 6 X 16			
11	900 377 003 01	Hexagon nut		2	
		M 8			
12	900 377 010 02	Hexagon nut		1	
		M 6			
13	9A1 607 058 00	Ground cable		1	
		Engine			
		Body			
-	900 385 001 03	Torx screw		2	
		BM 8 X 20			
		Ground cable			
		Body			

Model: 991G13

Model life 2013>>



Model: 991G13 Model life 2013>>

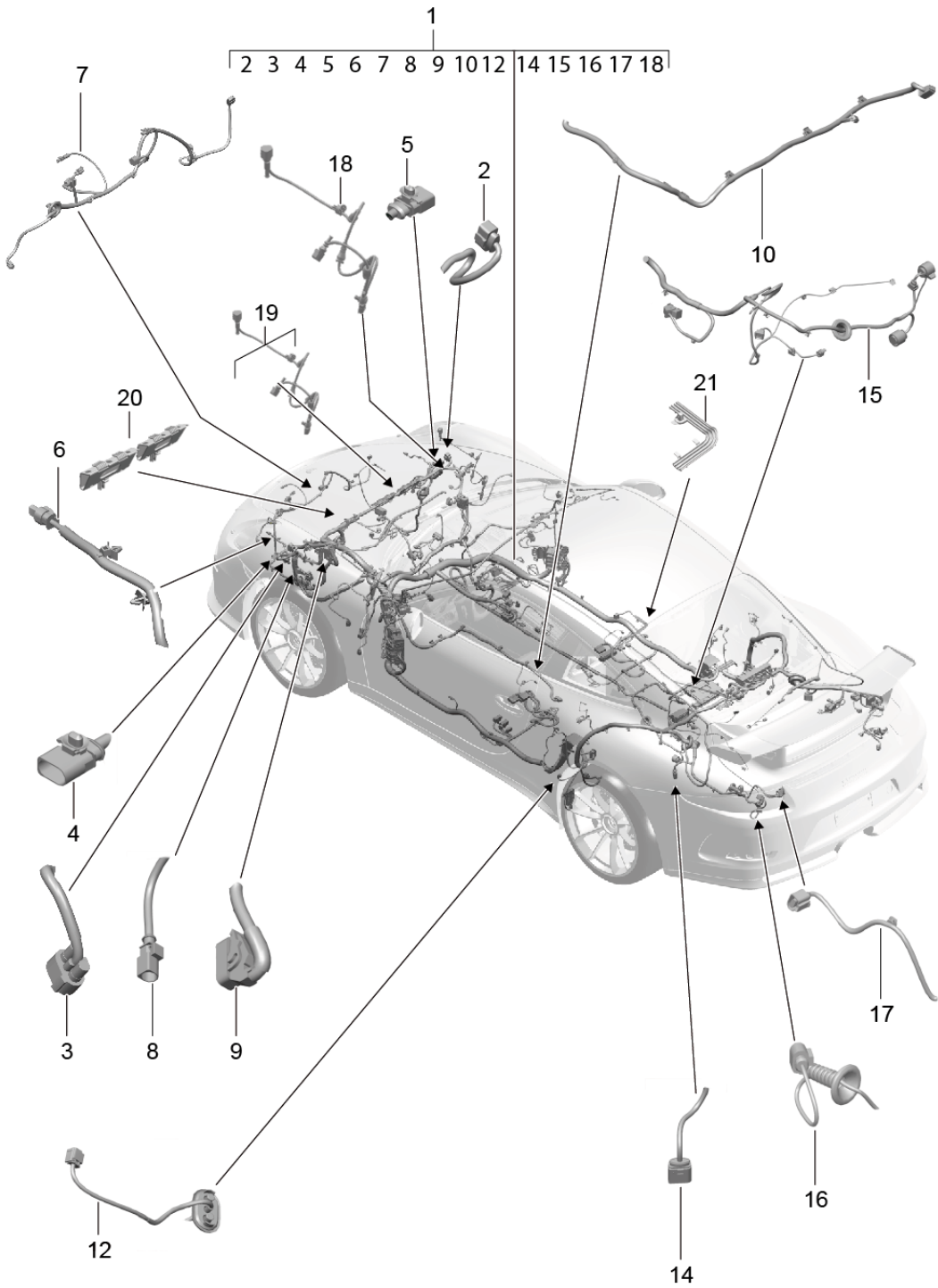
Pos	Part Number	Description	Remark	Qty	Model
1	991 611 043 01	Battery Power distributor		1	I098
(1)	991 611 044 01	Ground strap	/LL	1	I098
2	999 084 447 01	Ground strap	/RL	1	I099
		Hexagon nut M 8		1	
3	999 611 070 12	Battery 70 AH	-(BR)	1	I195
(3)	999 611 080 12	Battery 80 AH	-(BR)	1	I196
(3)	999 611 095 11	Battery 95 AH	-(BR)	1	I200
(3)	991 611 040 52	Battery 40 AH	-17	1	I192
4	991 611 209 01	Rail	/LL	1	I098
(4)	991 611 210 01	Battery Rail	/RL	1	I099
5	900 378 017 01	Battery Hexagon-head bolt M 8 X 20		1	
6	991 611 212 00	Retaining bar		1	
7	900 377 003 03	Battery Hexagon nut M 8		2	
8	991 611 013 01	Cable	/LL	1	I098
(8)	991 611 014 01	Battery Power distributor Cable	/RL	1	I099
9	991 610 321 00	Battery Fuse box		1	
10	999 607 095 00	Battery Lock 80 A		1	
(10)	999 607 092 00	Lock 60 A		2	
11	900 084 122 02	Hexagon nut M 5		6	
12	900 377 001 00	Hexagon nut M 6		1	
13	991 610 351 00	Power distributor Complete		1	
14	999 049 033 40	When required order also: POS. 14 Plastic nut T 6		3	
15	991 610 305 00	Lid		1	
16	991 610 307 00	Cable guide Lower part		1	
17	991 610 309 00	Cable guide Upper part		1	
18	991 618 075 01	Control unit		1	
19	991 610 303 00	Lower part		1	
20	999 607 054 00	Power distributor Lock 100 A 60 A		1	
21	999 607 099 00	Lock 40 A		1	
22	999 607 095 00	Lock 80 A		1	
23	999 607 055 00	Lock 100 A		1	

Model: 991G13 Model life 2013>>

Pos	Part Number	Description	Remark	Qty	Model
24	999 607 092 00	40 A Lock		1	
25	999 607 053 00	60 A Lock		1	
(25)	9A7 607 059 00	100 A 80 A 100 A D >> 30.09.2014 Lock		1	
26	999 607 082 00	100 A 60 A 100 A D 01.10.2014>> Lock		1	
27	900 084 122 02	5 A Hexagon nut		6	
28	900 084 123 02	M 5 Hexagon nut		3	
30	999 657 020 90	M 8 Relay		2	
31	999 657 021 90	Relay		1	
32	991 611 015 00	Cable	/LL	1	I098
(32)	991 611 016 00	Power distributor Connection point Cable Power distributor Connection point	/RL	1	I099

Model: 991G13

Model life 2013>>



Model: 991G13

Model life 2013>>

Pos	Part Number	Description	Remark	Qty	Model
1	991 612 901 00	Wiring harnesses Passenger compartment And Sub-part Wiring harness Passenger compartment Vehicle Ident. No. Indicate	-17	1	
2	991 612 920 00	Wiring harness Sub-part Headlamp Left And Right		1	
3	991 612 921 00	It is necessary to rework Wiring harness Sub-part Blower Radiator Left And Right		1	
4	991 612 922 00	It is necessary to rework Wiring harness Sub-part Connection point Lining Front Left	/L	1	-I625
5	991 612 937 00	It is necessary to rework Wiring harness Sub-part Connection point Lining Front Right	/R	1	
6	991 612 923 00	It is necessary to rework Wiring harness Sub-part Sensor Airbag Front Left And Right		1	
7	991 612 924 00	It is necessary to rework Wiring harness Sub-part Body front section	/LL	1	-I456/I098
(7)	991 612 938 00	It is necessary to rework Wiring harness Sub-part Body front section	/RL	1	-I456/I099
8	991 612 926 10	It is necessary to rework Wiring harness Sub-part Connection point Front axle Left And Right		2	
9	991 612 940 00	It is necessary to rework Wiring harness		1	

Model: 991G13 Model life 2013>>

Pos	Part Number	Description	Remark	Qty	Model
10	991 612 925 00	Sub-part Control unit Hydraulic unit It is necessary to rework Wiring harness		1	I482/483
12	991 612 928 00	Sub-part Control unit Tyre pressure monitoring It is necessary to rework Wiring harness		1	I482/483
14	991 612 930 00	Sub-part Antenna Tyre pressure monitoring Wheel housing Rear Left And Right It is necessary to rework Wiring harness		1	
15	991 612 936 00	Sub-part Connection point Rear axle Left And Right It is necessary to rework Wiring harness		1	I250
15	991 612 958 00	Sub-part - PDK - Transmission with Connector Control unit It is necessary to rework Wiring harness		1	I487
15	991 612 958 10	Sub-part Manual transmission with Connector Control unit It is necessary to rework Wiring harness		1	I474/486
16	991 612 931 00	Sub-part Manual transmission with Connector Control unit It is necessary to rework Wiring harness	/LL	1	I098
(16)	991 612 933 00	Sub-part Rear light Left And Right It is necessary to rework Wiring harness	/RL	1	I099
		Sub-part Rear light Left And Right It is necessary to rework			

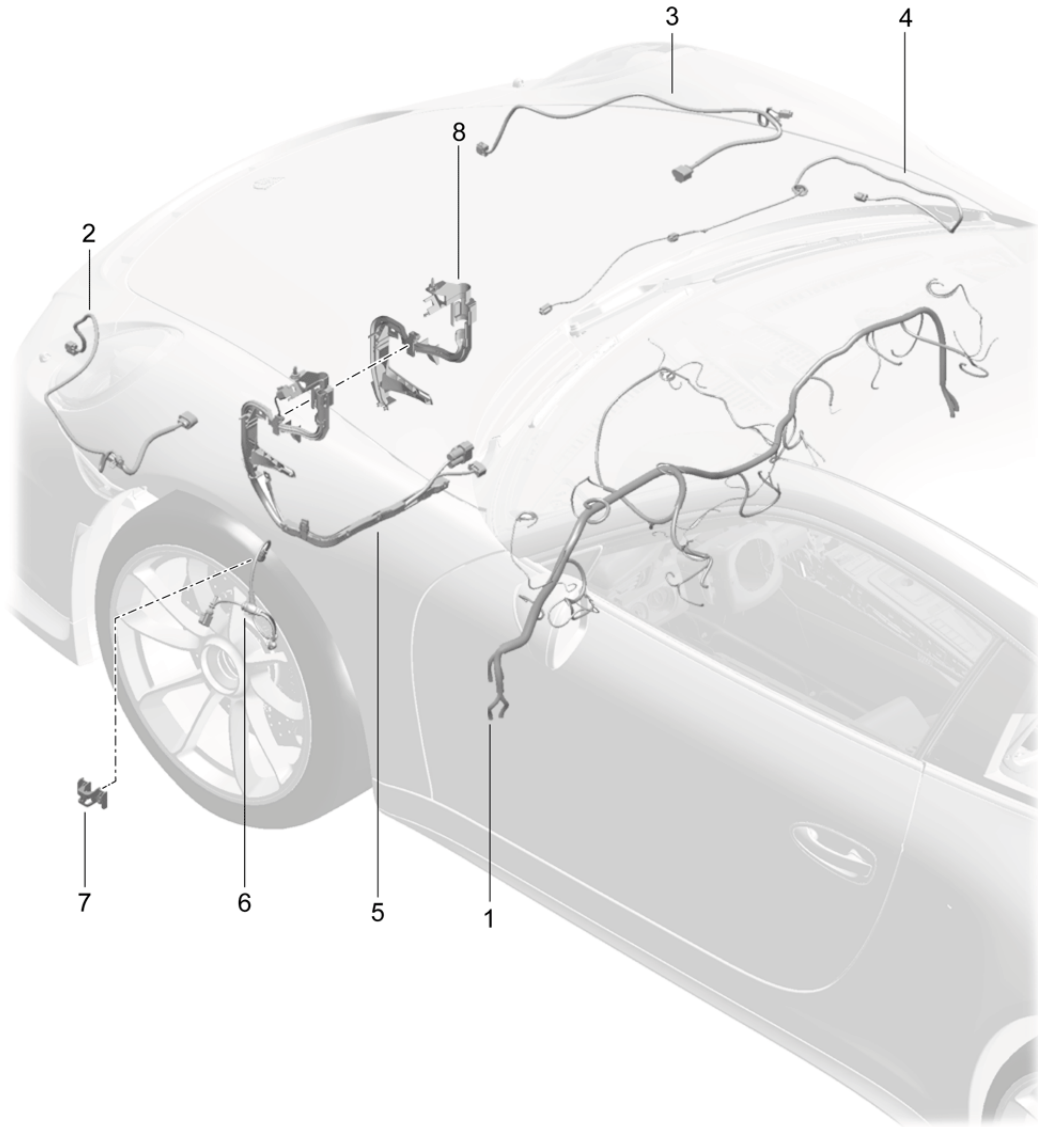
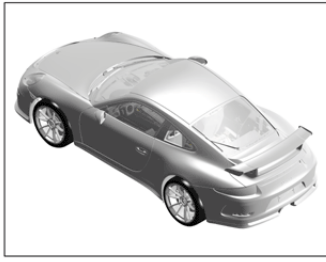
Model: 991G13

Model life 2013>>

Pos	Part Number	Description	Remark	Qty	Model
17	991 612 934 00	Wiring harness Sub-part Connection point Lining Rear It is necessary to rework		1	-I635/-I636 I338
18	991 609 131 80	Wiring harness Front axle		1	
19	991 610 233 01	Cable guide Bulkhead		2	
20	991 610 234 01	Cable guide Bulkhead		1	
21	991 610 221 00	Cable guide Roofliner		1	

Model: 991G13

Model life 2013>>



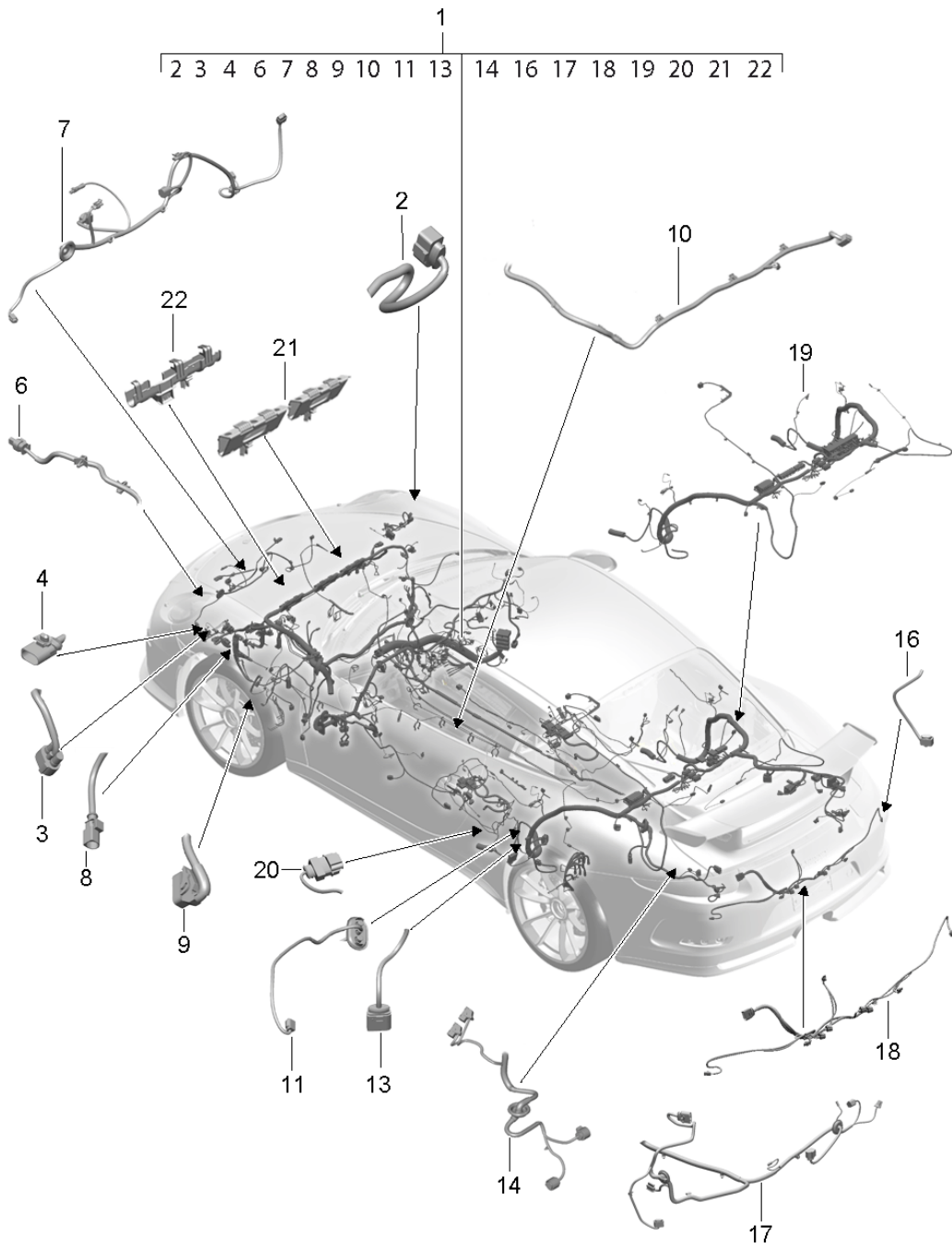
Model: 991G13

Model life 2013>>

Pos	Part Number	Description	Remark	Qty	Model
1	991 612 902 00	Wiring harnesses Dashboard Lining Front Lid Front Steering Front axle		1	
2	991 612 591 03	Wiring harness Dashboard Vehicle Ident. No. Indicate	-16	1	I605
(2)	9P1 972 155	Wiring harness Lining Front Left	17-	1	
3	991 612 592 03	Wiring harness Lining Front Right	-16	1	I605
(3)	9P1 972 156	Wiring harness Lining Front Right	17-	1	
4	991 612 599 01	Wiring harness Lid Front	-16	1	
5	991 612 830 03	Wiring harness Steering	/LL -16	1	I098
5	9P3 971 111	Wiring harness Steering	/LL 17-	1	I098
(5)	991 612 830 54	Wiring harness Steering	/RL -16	1	I099
(5)	9P4 971 111	Wiring harness Steering	/RL 17-	1	I099
6	991 609 131 82	Wiring harness Front axle		2	
7	991 610 133 00	Support Connection point Wiring harness Front axle		1	
8	991 610 121 01	Support Wiring harness Steering Wiring harness Rear axle See illustrations 9/02/20		1	

Model: 991G13

Model life 2013>>



Model: 991G13

Model life 2013>>

Pos	Part Number	Description	Remark	Qty	Model
1	991 612 901 00	Wiring harnesses Passenger compartment And Sub-part Wiring harness Passenger compartment Vehicle Ident. No. Indicate	18-	1	
2	991 612 920 03	Wiring harness Sub-part Headlamp Left And Right		1	I601/603
(2)	991 612 920 11	It is necessary to rework Wiring harness Sub-part Headlamp Left And Right		1	IXEY/602
3	991 612 921 01	It is necessary to rework Wiring harness Sub-part Blower Radiator Left And Right		1	
4	991 612 922 03	It is necessary to rework Wiring harness Sub-part Connection point Lining Front Left	/L	1	
6	991 612 923 01	It is necessary to rework Wiring harness Sub-part Sensor Airbag Front Left And Right		1	
7	991 612 924 11	It is necessary to rework Wiring harness Sub-part Body front section		1	I098/454
(7)	991 612 938 11	It is necessary to rework Wiring harness Sub-part Body front section		1	I099/454
8	991 612 926 10	It is necessary to rework Wiring harness Sub-part Connection point Front axle Left And Right		2	
9	991 612 940 02	It is necessary to rework Wiring harness		1	

Model: 991G13 Model life 2013>>

Pos	Part Number	Description	Remark	Qty	Model
10	991 612 925 03	Sub-part Control unit Hydraulic unit It is necessary to rework Wiring harness		1	I482
(10)	991 612 925 11	Sub-part Control unit Tyre pressure monitoring It is necessary to rework Wiring harness		1	I483
11	991 612 928 00	Sub-part Control unit Tyre pressure monitoring It is necessary to rework Wiring harness		1	
13	991 612 930 01	Sub-part Antenna Wheel housing Rear Left And Right It is necessary to rework Wiring harness		1	
14	991 612 936 11	Sub-part Connection point Rear axle Left And Right It is necessary to rework Wiring harness		1	I250
16	991 612 933 10	Sub-part - PDK - Transmission with Connector Control unit It is necessary to rework Wiring harness		1	
17	981 612 934 03	Sub-part Rear light Right It is necessary to rework Wiring harness		1	
18	991 612 934 03	Sub-part Rear light Left And Lining Rear end It is necessary to rework Wiring harness		1	
19	991 612 951 02	Sub-part Lining Rear end Left And Rear spoiler It is necessary to rework Wiring harness		1	

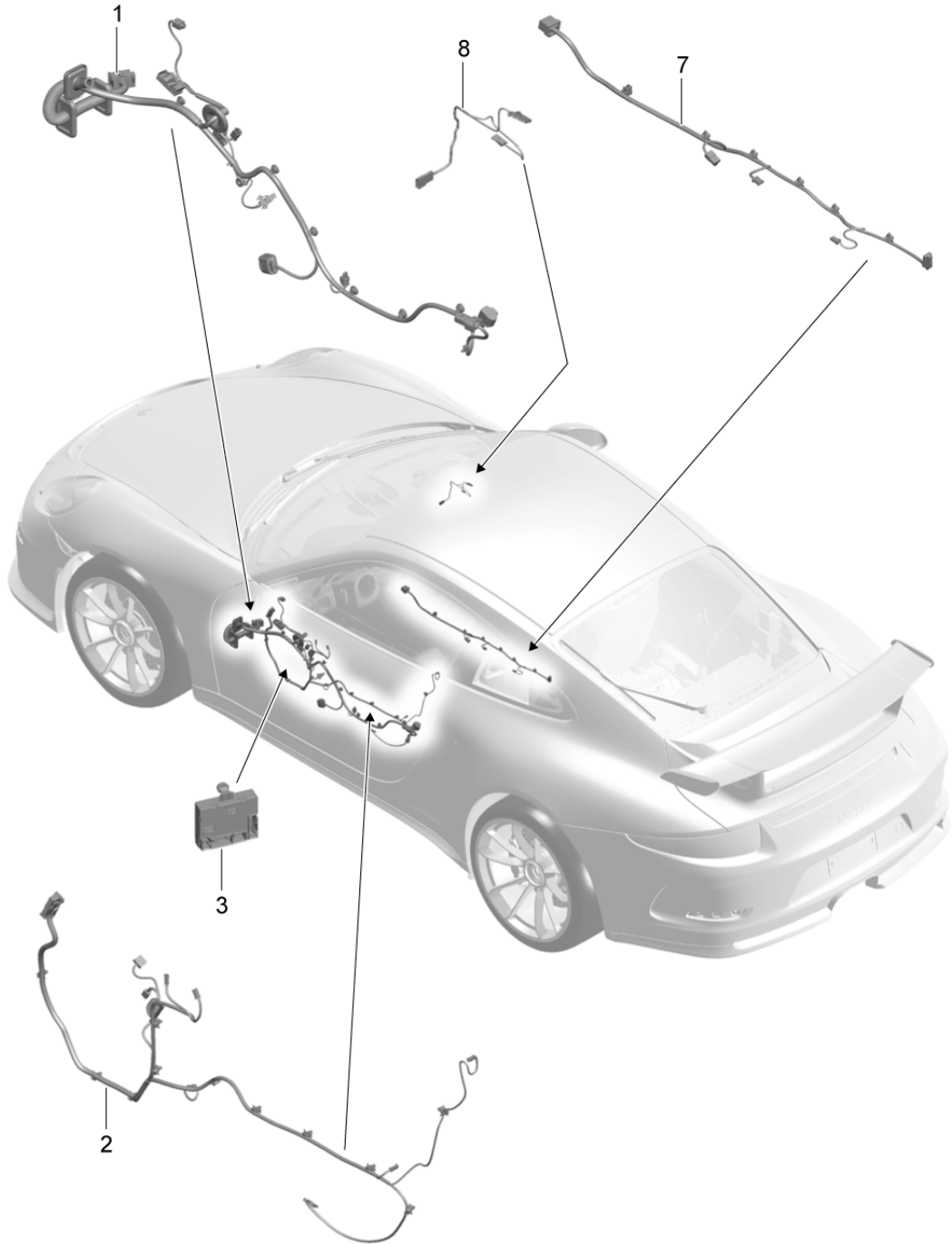
Model: 991G13

Model life 2013>>

Pos	Part Number	Description	Remark	Qty	Model
20	991 612 956 01	Electronics Wiring harness Sub-part Control unit VTS vehicle tracking It is necessary to rework		1	I7G9/7I0/7I2
21	991 610 233 01	Cable guide Bulkhead		2	
22	991 610 234 01	Cable guide Bulkhead		1	

Model: 991G13

Model life 2013>>



Model: 991G13

Model life 2013>>

Pos	Part Number	Description	Remark	Qty	Model
		Wiring harnesses Doors Centre console Glove compartment Control units Doors	-17		
1	991 612 601 06	Wiring harness Assembly frame Driver's door Engine Power windows 2-pole	/LL	1	I098/441
1	991 612 601 56	Wiring harness Assembly frame Driver's door Engine Power windows 2-pole	/RL	1	I099/441
1	991 612 603 06	Wiring harness Assembly frame Driver's door Engine Power windows 2-pole	/LL	1	I098/490
1	991 612 603 56	Wiring harness Assembly frame Driver's door Engine Power windows 2-pole	/RL	1	I099/490
1	991 612 602 06	Wiring harness Assembly frame Passenger's door Engine Power windows 2-pole	/LL	1	I098/441
1	991 612 602 56	Wiring harness Assembly frame Passenger's door Engine Power windows 2-pole	/RL	1	I099/441
1	991 612 604 06	Wiring harness Assembly frame Passenger's door Engine Power windows 2-pole	/LL	1	I098/490
1	991 612 604 56	Wiring harness Assembly frame Passenger's door Engine Power windows 2-pole	/RL	1	I099/490
2	991 612 681 06	Wiring harness Door panel Driver's door		1	
(2)	991 612 674 06	Wiring harness Door panel Passenger's door		1	
3	4H0 959 793 P	Control unit Driver's door		1	
(3)	4H0 959 792 M	Control unit		1	

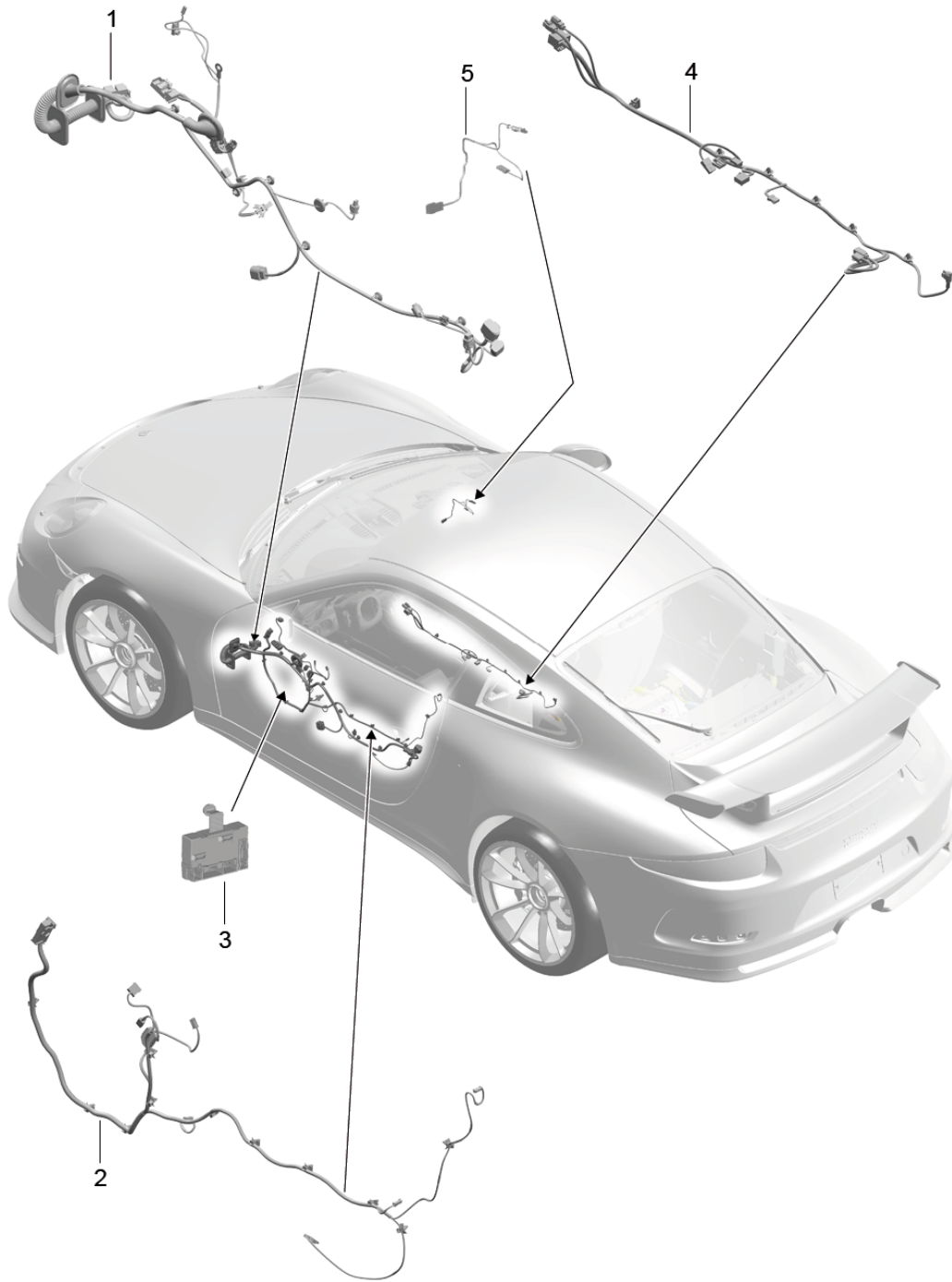
Model: 991G13

Model life 2013>>

Pos	Part Number	Description	Remark	Qty	Model
7	991 612 757 01	Passenger's door Wiring harness Centre console		1	
8	991 612 701 00	Wiring harness Glove compartment		1	

Model: 991G13

Model life 2013>>



Model: 991G13

Model life 2013>>

Pos	Part Number	Description	Remark	Qty	Model
		Wiring harnesses Doors Centre console Control unit Doors Convertible top control	18-		
1	9P3 971 029 F	Wiring harness Assembly frame Driver's door	/LL	1	I098/250/8AA
1		Wiring harness Assembly frame Driver's door	/LL	1	I098/250/9VK
1	9P3 971 029 G	Wiring harness Assembly frame Driver's door	/LL	1	I098/250/9VL
1	9P3 971 029	Wiring harness Assembly frame Driver's door	/LL	1	I098/486/8AA
1		Wiring harness Assembly frame Driver's door	/LL	1	I098/486/9VK
1	9P3 971 029 A	Wiring harness Assembly frame Driver's door	/LL	1	I098/486/9VL
1	9P3 971 687	Wiring harness Assembly frame Passenger's door	/LL	1	I098/8AA
1		Wiring harness Assembly frame Passenger's door	/LL	1	I098/9VK
1	9P3 971 687 A	Wiring harness Assembly frame Passenger's door	/LL	1	I098/9VL
1	9P4 971 030 F	Wiring harness Assembly frame Driver's door	/RL	1	I099/250/8AA
1		Wiring harness Assembly frame Driver's door	/RL	1	I099/250/9VK
1	9P4 971 030 G	Wiring harness Assembly frame Driver's door	/RL	1	I099/250/9VL
1	9P4 971 030	Wiring harness Assembly frame Driver's door	/RL	1	I099/486/8AA
1		Wiring harness Assembly frame Driver's door	/RL	1	I099/486/9VK
1	9P4 971 030 A	Wiring harness Assembly frame Driver's door	/RL	1	I099/486/9VL
1	9P4 971 688	Wiring harness Assembly frame Passenger's door	/RL	1	I099/8AA
1		Wiring harness Assembly frame Passenger's door	/RL	1	I099/9VK
1	9P4 971 688 A	Wiring harness Assembly frame Passenger's door	/RL	1	I099/9VL
2	9P1 971 035 G	Wiring harness Door panel Driver's door		1	

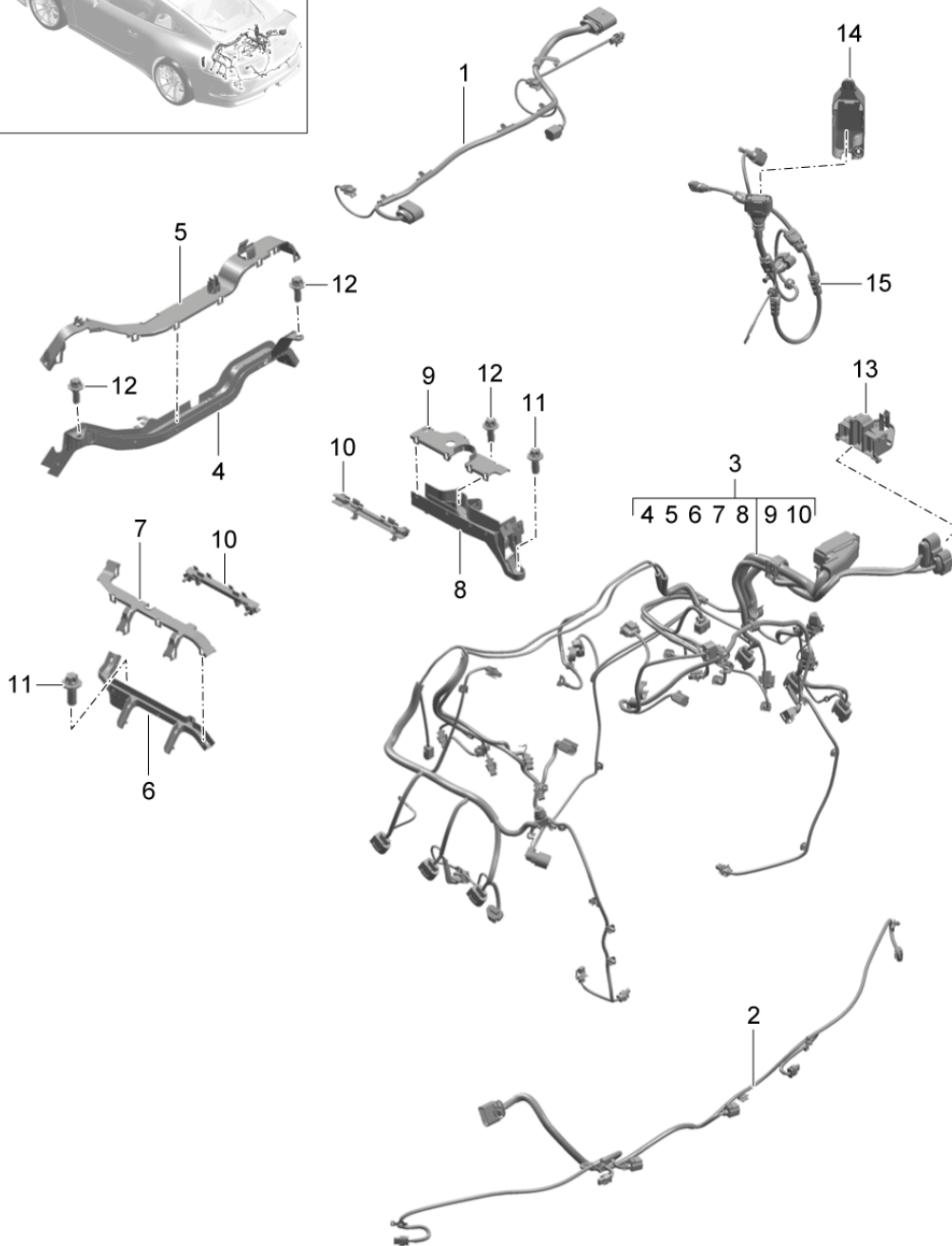
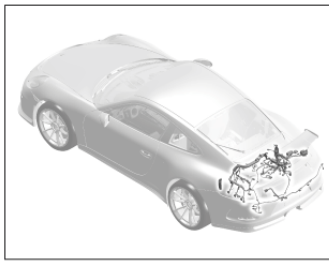
Model: 991G13

Model life 2013>>

Pos	Part Number	Description	Remark	Qty	Model
(2)	9P1 971 036 C	Wiring harness Door panel		1	
3	4H0 959 793 AC	Passenger's door Control unit Door Front Driver's side		1	
(3)	4H0 959 792 S	Control unit Passenger's door		1	
4	9P1 971 641 C	Wiring harness Centre console		1	-INZ3
(4)	9P1 971 641 E	Wiring harness Centre console		1	INZ3
5	991 612 701 00	Wiring harness Glove compartment		1	

Model: 991G13

Model life 2013>>

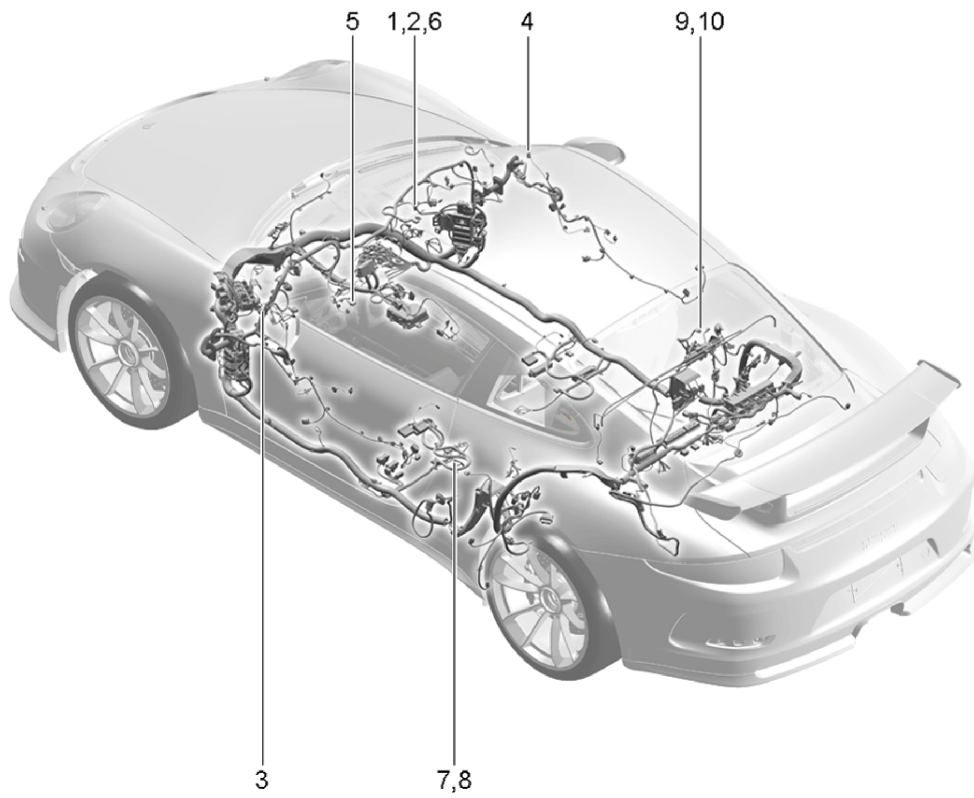


Model: 991G13 Model life 2013>>

Pos	Part Number	Description	Remark	Qty	Model
		Wiring harnesses Assembly frame Rear Additional brake light Lining Rear Engine Rear axle			
1	991 612 884 80	Wiring harness Assembly frame	-17	1	
1	9P1 971 587 B	Wiring harness Assembly frame	18-	1	
(1)	991 612 888 82	Wiring harness Additional brake light	-17	1	
(1)	9P1 971 182	Wiring harness Additional brake light	18-	1	
2	991 612 895 03	Wiring harness Lining Rear		1	-I635/-I636
3	9A1 607 014 81	Wiring harness Engine	-13	1	
3		Wiring harness Engine	14	1	IIY1
(3)	9A1 607 014 82	Wiring harness Engine	14	1	IIY2
(3)		Wiring harness Engine	15-17	1	
(3)	9A1 607 014 84	Wiring harness Engine	15-17	1	
(3)	9A1 607 014 83	Wiring harness Engine	18-	1	
6	9A1 607 111 80	Cable guide Cyl. 1 - 3		1	
(6)	9A1 607 411 80	Cable holder Cyl. 1 - 3		1	
(6)	9A1 607 418 80	Cable holder Cyl. 1 - 3		2	
11	900 385 001 03	Torx screw BM 8 X 20		2	
12	900 385 009 01	Torx screw BM 6 X 16		3	
13	991 610 139 00	Support Connection point Wiring harness Engine		1	
14	991 610 135 00	Cover Connection point Wiring harness Rear axle		2	
-	999 049 033 40	Plastic nut T 6		4	
15	991 609 133 80	Wiring harness Rear axle Wiring harness Front axle See illustrations 9/02/10		2	I475

Model: 991G13

Model life 2013>>



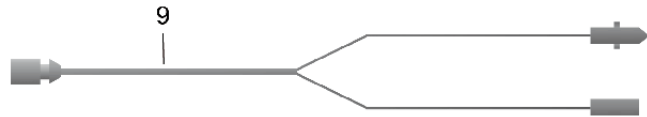
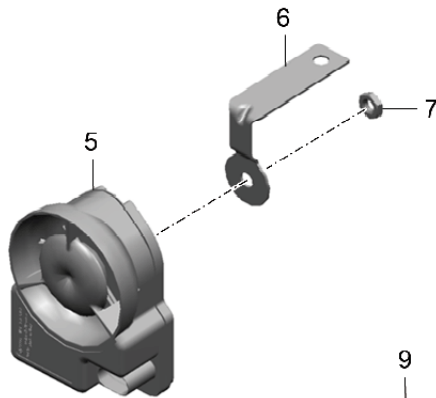
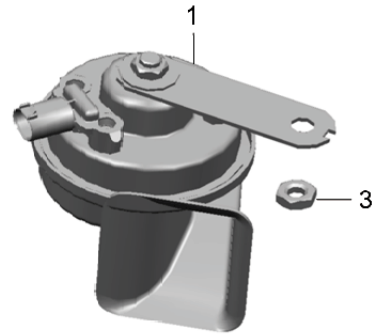
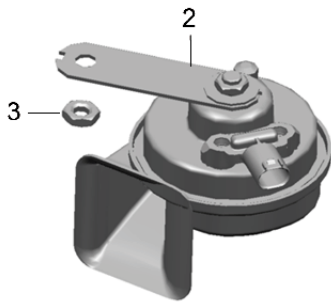
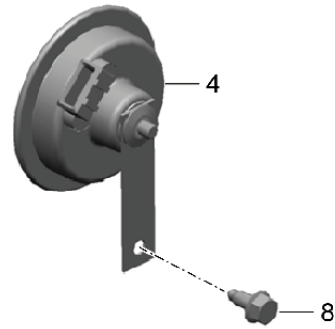
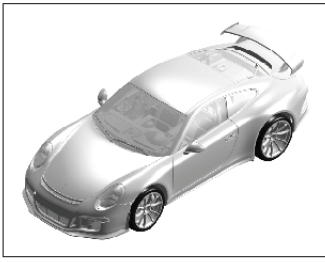
Model: 991G13

Model life 2013>>

Pos	Part Number	Description	Remark	Qty	Model
1	991 612 082 00	Wiring harnesses Airbag Seat belt Wiring harness Airbag unit Passenger's side Setting 1 To Connection point Dashboard Connector Light green		1	
2	991 612 083 00	Wiring harness Airbag unit Passenger's side Setting2 To Connection point Dashboard Connector Yellow		1	
3	991 612 090 00	Wiring harness Airbag unit Driver's door To Connection point Door		1	
4	991 612 091 00	Wiring harness Airbag unit Passenger's door To Connection point Door		1	
7	991 612 084 01	Wiring harness Seat-belt tensioner Driver's side To Control unit Airbag Connector Yellow		1	
9	991 612 085 51	Wiring harness Seat-belt tensioner Passenger's side To Control unit Airbag Connector Yellow		1	

Model: 991G13

Model life 2013>>

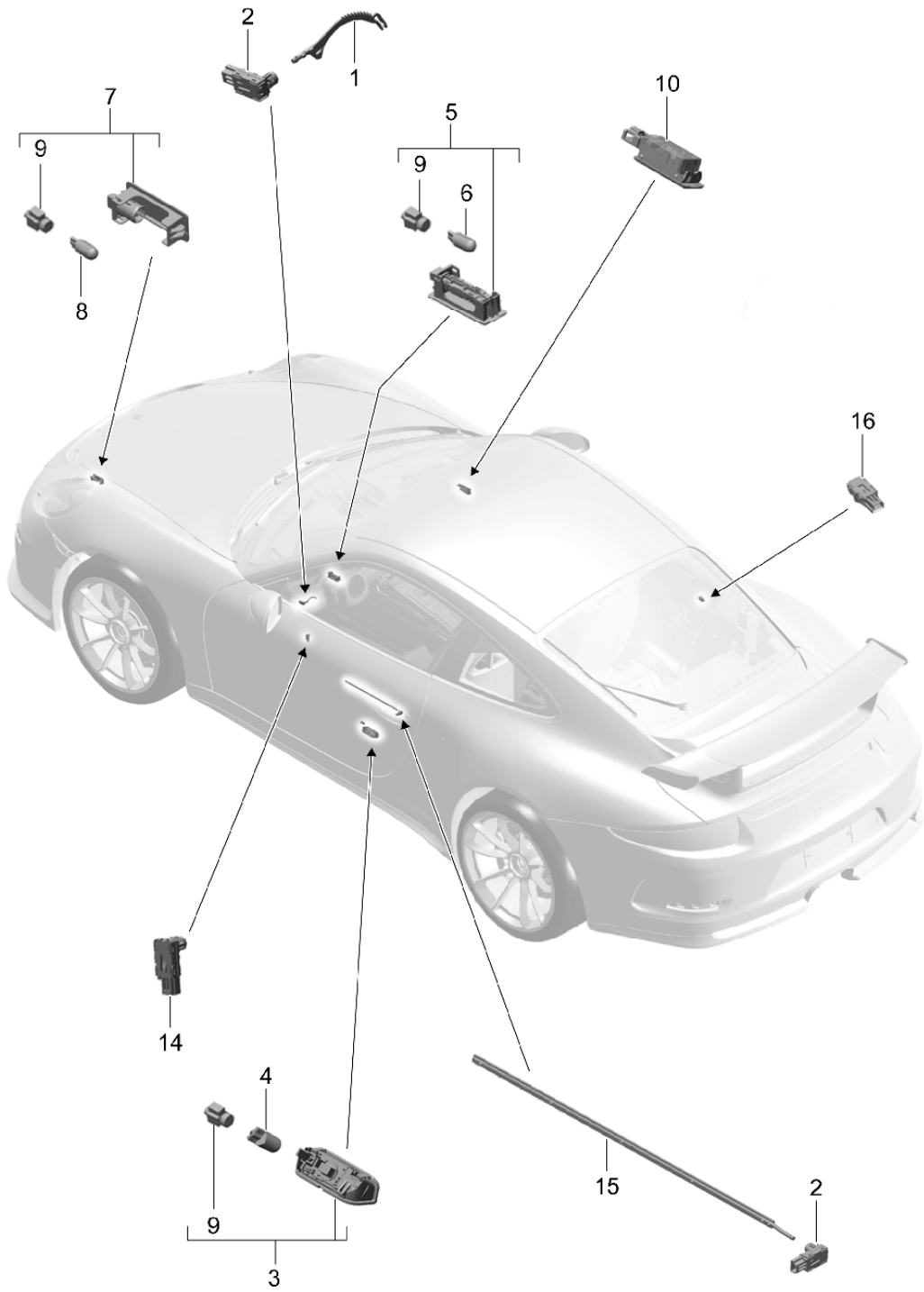


Model: 991G13 Model life 2013>>

Pos	Part Number	Description	Remark	Qty	Model
1	991 635 149 80	Fanfare Horn Alarm system Fanfare High-pitched with Support	-14	1	
1	991 635 149 81	Fanfare High-pitched with Support	15-	1	
2	991 635 150 80	Fanfare Low-pitched with Support	-14	1	
2	991 635 150 81	Fanfare Low-pitched with Support	15-	1	
3	N 106 092 04	Hexagon nut M 8		2	
4	9P1 951 101	Horn for Alarm system When required order also: 9P1.998.003.A		1	I534
5	1K8 951 605 B	Alarm siren Information available		1	I536 I536
6	991 637 419 01	Support		1	I536
7	N 902 955 02	Hexagon nut M 8		1	I536
8	900 378 176 01	Hexagon-head bolt M 8 X 20		1	I534
9	9P1 998 003 A	Wiring harness Modification kit Horn		1	I534

Model: 991G13

Model life 2013>>

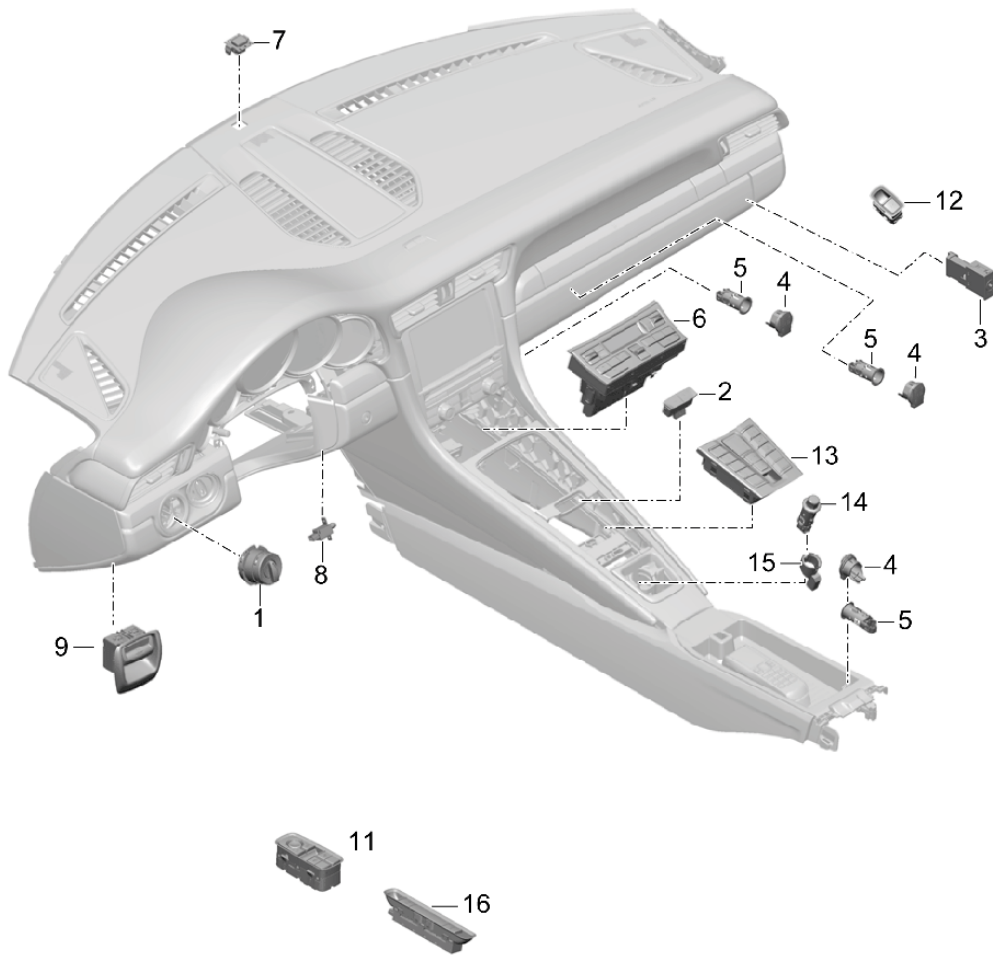
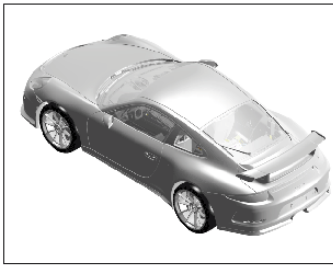


Model: 991G13 Model life 2013>>

Pos	Part Number	Description	Remark	Qty	Model
		Interior lights Door guard light Footwell light Luggage compartment lamp Glove compartment light Light Door mirror Interior light See illustrations 9/03/06			
1	991 632 131 00	Light guide	/LL	1	I098
(1)	991 632 132 00	Ignition starter switch Light guide	/RL	1	I099
2	7PP 947 101	Ignition starter switch Light		4	
3	970 632 135 01	Door guard light		2	
4	999 631 032 90	Bulb 5 W		2	
5	991 632 024 00	Footwell light		2	-I630
(5)	991 632 133 00	Footwell light Included LED module		2	I630
6	999 631 040 90	Bulb 5 W		2	-I630
7	991 632 020 00	Light		1	-I630
(7)	991 632 137 00	Luggage compartment Light Included LED module		1	I630
8	999 631 134 90	Luggage compartment Bulb X6 W		1	-I630
9	970 632 187 00	Bulb socket		5	-I630
10	991 632 071 00	Glove compartment light		1	
14	991 632 085 00	Light	/L	1	I630
(14)	991 632 086 00	Door handle Left Light	/R	1	I630
15	991 632 189 00	Door handle Right Light guide	/L	1	I630
(15)	991 632 190 00	Shelf Left Light guide	/R	1	I630
16	991 632 075 00	Shelf Right Light Lining Rear		2	I630

Model: 991G13

Model life 2013>>



Model: 991G13 Model life 2013>>

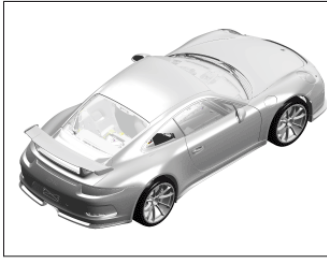
Pos	Part Number	Description	Remark	Qty	Model
1	970 613 533 07	Switch Control part Air conditioner		1	
2	970 613 533 07 DML	Light switch Matt Black/hi-gloss chrome		1	
2	991 613 332 00	Combined switch Hazard warning light sw. Central locking system		1	
3	991 613 332 00 A05	Black mat		1	I899
3	958 613 165 00	Switch Airbag		1	
4	997 652 104 00	Clamping ring with Lid		3	
5	970 652 105 00	Plug socket		3	
6	991 653 201 15	Control part Air conditioner	-14	1	-I342/I573
6	991 653 201 15 DML	Matt Black/hi-gloss chrome		1	
6	991 653 201 15	Control part Air conditioner	15	1	-I342/IIY1 I573
6	991 653 201 15 DML	Matt Black/hi-gloss chrome		1	
6	991 653 201 17	Control part Air conditioner	15	1	-I342/IIY2 I573
6	991 653 201 17 DML	Matt Black/hi-gloss chrome		1	
6	991 653 201 17	Control part Air conditioner	16-17	1	-I342/I573
(6)	991 653 201 17 DML	Matt Black/hi-gloss chrome		1	
(6)	9P1 907 039 AB	Control part Air conditioner	18-	1	-I342/I573
(6)	9P1 907 039 AB DML	Matt Black/hi-gloss chrome		1	
(6)	991 653 203 15	Control part Air conditioner	-14	1	I342/573
(6)	991 653 203 15 DML	Matt Black/hi-gloss chrome		1	
(6)	991 653 203 15	Control part Air conditioner	15	1	IIY1/342/573
(6)	991 653 203 15 DML	Matt Black/hi-gloss chrome		1	
(6)	991 653 203 17	Control part Air conditioner	15	1	IIY2/342/573
(6)	991 653 203 17 DML	Matt Black/hi-gloss chrome		1	
(6)	991 653 203 17	Control part Air conditioner	16-17	1	I342/573
(6)	991 653 203 17 DML	Matt Black/hi-gloss chrome		1	
(6)	9P1 907 039 AC	Control part Air conditioner	18-	1	I342/573
(6)	9P1 907 039 AC DML	Matt Black/hi-gloss chrome		1	
(6)	991 653 201 81	Control part Air conditioner	15	1	-I342/IIY2 I574
(6)	991 653 201 81 DML	Matt Black/hi-gloss chrome		1	
(6)	991 653 201 81	Control part Air conditioner	16-	1	-I342/I574
7	991 653 201 81 DML	Matt Black/hi-gloss chrome		1	
7	991 653 243 00	Sensor Air conditioner		1	I573
8	991 653 241 02	Temperature sensor Inner		1	I573
-	999 919 167 09	Oval-head screw 3,0 X 10,0		2	I573
9	991 613 251 00	Switch Electric parking brake		1	
	991 613 251 00 1E0	Black			

Model: 991G13 Model life 2013>>

Pos	Part Number	Description	Remark	Qty	Model
11	991 613 151 02	Switch Power windows Door mirror Driver's side		1	I254/256
12	991 613 151 02 DML 7PP 959 855 E	Matt Black/hi-gloss chrome Switch Power windows Passenger's side		1	
13	7PP 959 855 E DML 991 613 965 05	Matt Black/hi-gloss chrome Combined switch Centre console Repair kit	-16	1	
(13)	991 613 965 05 DML 991 613 965 50	Matt Black/hi-gloss chrome Combined switch Centre console Repair kit	17-	1	
14	991 613 965 50 DML 970 652 101 00	Matt Black/hi-gloss chrome Cigarette lighter		1	I583
15	970 652 101 00 A05 7PP 919 341	Black mat Tensioning sleeve Headlight unit		1	I583
16	991 613 105 01 991 613 105 01 A05	Switch Lid Front and rear Black mat		1	

Model: 991G13

Model life 2013>>



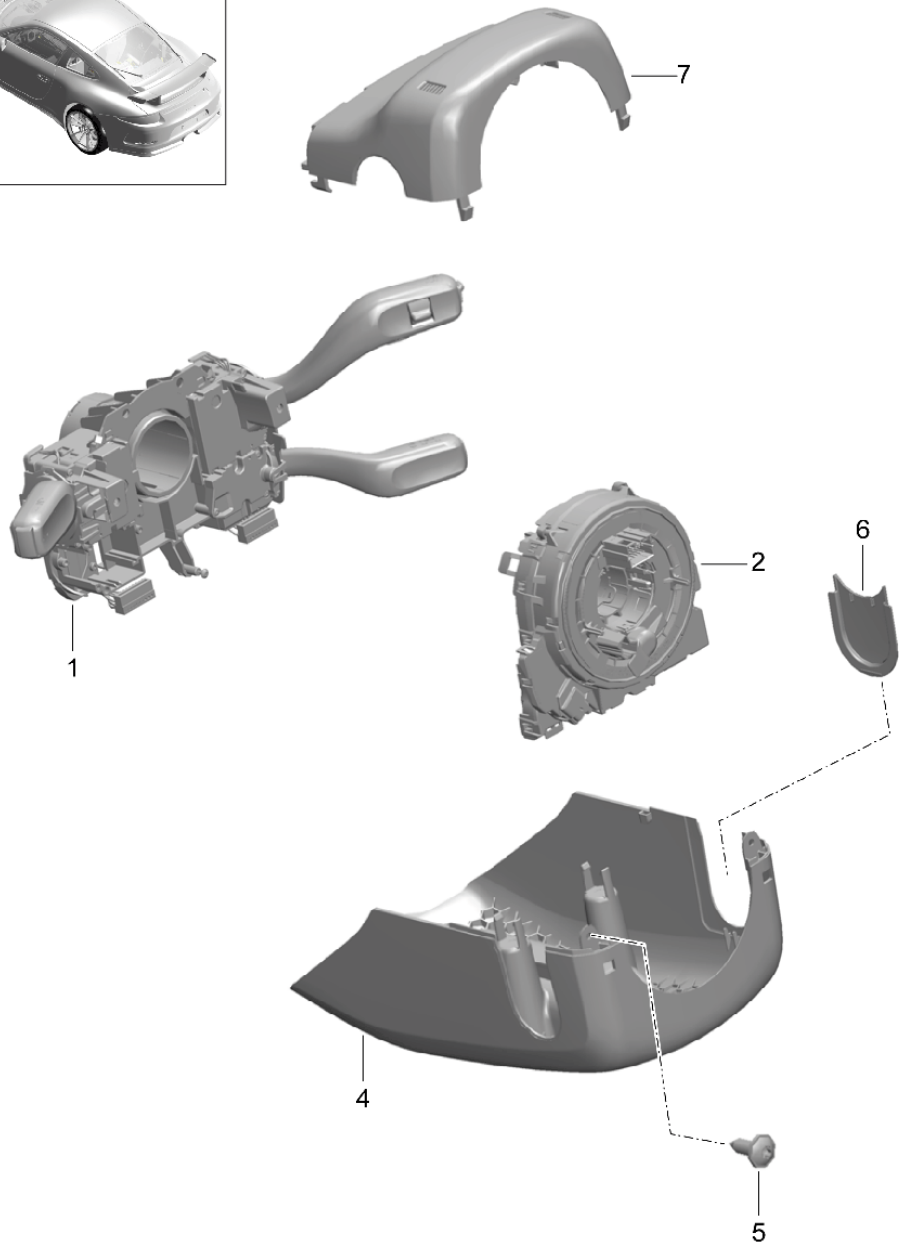
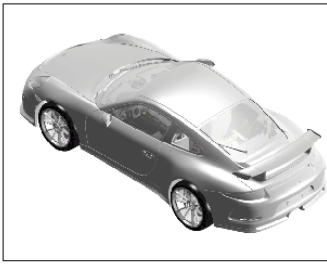
Model: 991G13

Model life 2013>>

Pos	Part Number	Description	Remark	Qty	Model
1	991 613 123 07	Bracket Roof Bracket		1	-I607/-I608 -I630
1	991 613 123 07 1E0 991 613 124 07	Roof Black Bracket		1	-I630/I607 I608
1	991 613 124 07 1E0 991 613 223 07	Roof Black Bracket		1	-I607/-I608 I630
1	991 613 223 07 1E0 991 613 224 07 991 613 224 07 1E0	Roof Black Bracket Roof Black		1	I607/608/630

Model: 991G13

Model life 2013>>



Model: 991G13 Model life 2013>>

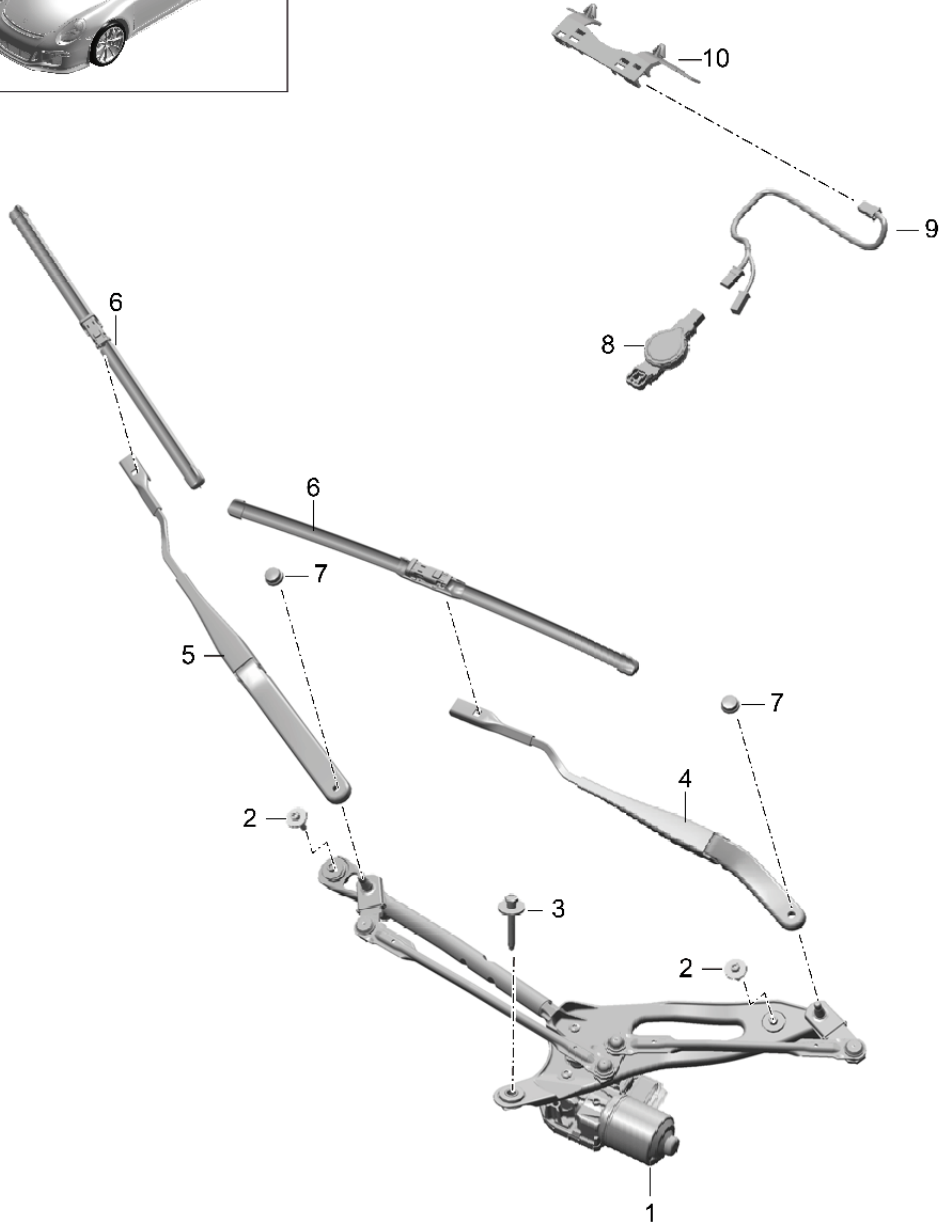
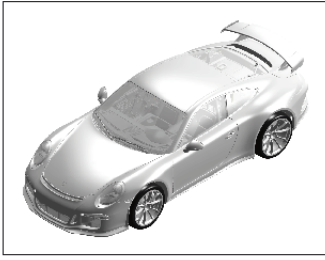
Pos	Part Number	Description	Remark	Qty	Model
1	991 613 043 50	Steering column switch Steering column switch		1	-I454/-I456 -I671/I288 I840/841
1	991 613 043 50 1E0 970 613 043 50	Black Steering column switch		1	-I671/I288 I454/840/841
(1)	970 613 043 50 1E0 991 613 051 50	Black Steering column switch		1	-I454/-I456 I288/671/840 I841
(1)	991 613 051 50 1E0 970 613 051 50	Black Steering column switch		1	I288/454/671 I840/841
(1)	970 613 051 50 1E0 991 613 011 50	Black Steering column switch		1	-I288/-I454 -I456/-I671 I840/841
(1)	991 613 011 50 1E0 970 613 011 50	Black Steering column switch		1	-I288/-I671 I454/840/841
(1)	970 613 011 50 1E0 991 613 019 50	Black Steering column switch		1	-I288/-I454 -I456/I671 I840/841
(1)	991 613 019 50 1E0 970 613 019 50	Black Steering column switch		1	-I288/I454 I671/840/841
2	970 613 019 50 1E0 958 652 568 03	Black Control unit Steering column switch with Spring Steering-angle sensor	-16	1	
2	9A7 953 568 00	Control unit Steering column switch with Spring Steering-angle sensor	17-	1	
4	991 552 475 00	Switch housing		1	-IXNS/I647 I655
4	991 552 475 00 1E0 991 552 983 00	Lower Black Switch housing		1	IXNS/454/456 I647/655
(4)	991 552 983 00 A11 991 552 983 00 9B0 991 552 983 00 7J0 991 552 983 00 6A0 991 552 983 00 OA1 991 552 983 00 6J0 991 552 983 00 N12 991 552 983 00 DE1 991 552 983 00 DSL 991 552 983 02	Lower Leather Black Platinum Grey Luxor Beige Yachting Blue Agate Grey Espresso Carrera Red Umber Black/Silver Switch housing		1	-I454/-I456 IXNS/647/655
	991 552 983 02 A11 991 552 983 02 9B0 991 552 983 02 7J0	Lower Leather Black Platinum Grey Luxor Beige			

Model: 991G13 Model life 2013>>

Pos	Part Number	Description	Remark	Qty	Model
	991 552 983 02 6A0	Yachting Blue			
	991 552 983 02 OA1	Agate Grey			
	991 552 983 02 6J0	Espresso			
	991 552 983 02 N12	Carrera Red			
	991 552 983 02 DE1	Umber			
	991 552 983 02 DSL	Black/Silver			
5	999 073 155 09	Tapping screw ST 4,2 X 13		4	
7	991 552 473 01	Switch housing Upper		1	-IXNS
	991 552 473 01 1E0	Black			
7	991 552 984 00	Switch housing Upper Leather		1	IXNS
	991 552 984 00 A11	Black			
	991 552 984 00 9B0	Platinum Grey			
	991 552 984 00 7J0	Luxor Beige			
	991 552 984 00 6A0	Yachting Blue			
	991 552 984 00 OA1	Agate Grey			
	991 552 984 00 6J0	Espresso			
	991 552 984 00 N12	Carrera Red			
	991 552 984 00 DSL	Black/Silver			

Model: 991G13

Model life 2013>>



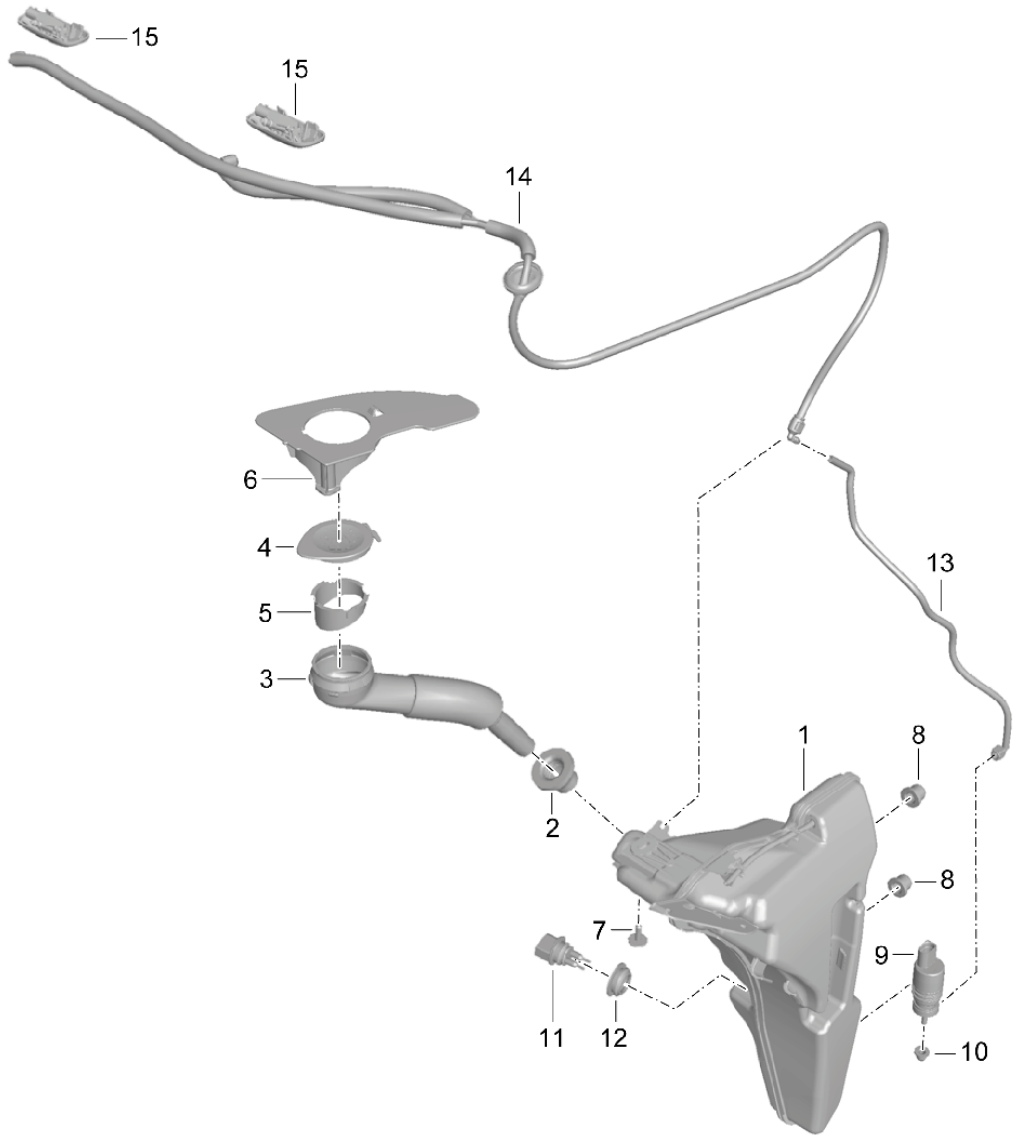
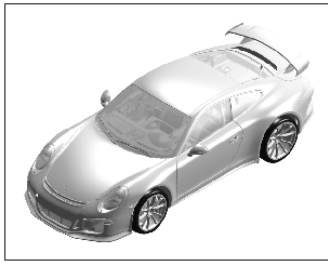
Model: 991G13

Model life 2013>>

Pos	Part Number	Description	Remark	Qty	Model
		Windscreen wiper system			
1	991 628 035 06	Rain sensor Wiper motor with Crank drive	/LL	1	I098
1	991 628 036 06	Wiper motor with Crank drive	/RL	1	I099
2	900 387 017 02	Combination screw M 6 X 25 SC		2	
3	999 141 302 02	Combination screw M 8 X 60		1	
4	991 628 121 01	Wiper arm Driver's side	/LL	1	I098
(4)	991 628 131 02	Wiper arm Passenger's side	/RL	1	I099
5	991 628 122 02	Wiper arm Passenger's side	/LL	1	I098
(5)	991 628 132 01	Wiper arm Driver's side	/RL	1	I099
6	991 628 901 00	Wiper blade Set Driver's side	/LL	1	I098
(6)	991 628 903 00	Passenger's side Wiper blade Set Driver's side Passenger's side	/RL	1	-I631/-I632 -I852/I099
7	991 628 305 00	Cap		2	
(7)	N 106 092 04	Hexagon nut Mount Wiper arm		2	
8	991 615 108 01	Rain sensor		1	
-	4E0 955 609	Adhesive film		1	
9	991 612 691 00	Rain sensor Wiring harness		1	
10	991 610 119 00	Rain sensor Support Wiring harness Rain sensor		1	

Model: 991G13

Model life 2013>>



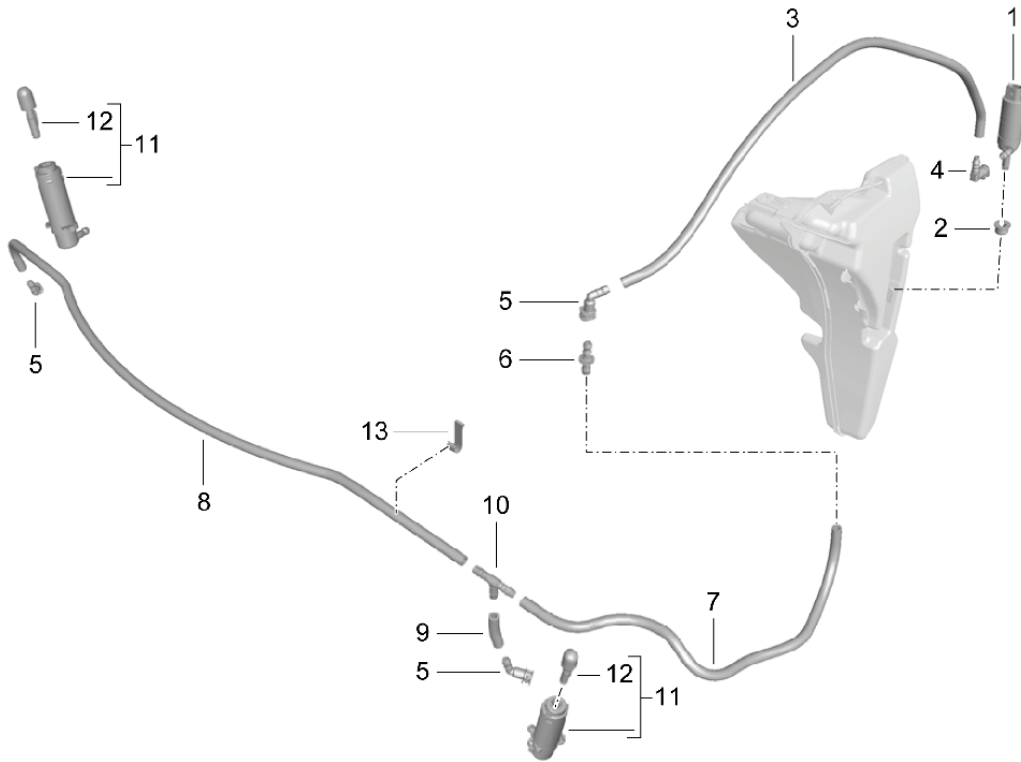
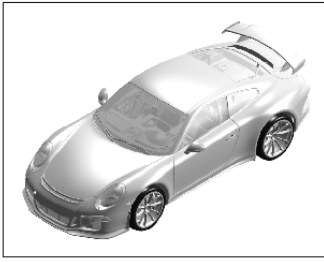
Model: 991G13

Model life 2013>>

Pos	Part Number	Description	Remark	Qty	Model
		Windscreen washer system			
(1)	991 528 701 00	Water reservoir		1	-I288
(1)	991 528 705 90	Water reservoir		1	I288
2	955 528 711 01	Gasket		1	
3	991 528 403 00	Filler neck		1	
4	991 528 413 00	Lid		1	
5	8Z0 955 485	Strainer		1	
6	991 528 503 01	Support		1	
7	N 911 883 01	Outer hexagon round screw M 6 X 20		1	
8	999 702 221 40	Grommet		2	
9	1K5 955 651	Pump		1	
10	958 628 712 00	Gasket		1	
11	955 628 105 00	Tank gauge switch		1	
12	955 528 721 00	Gasket		1	
13	991 628 669 00	Line Pump Connection point		1	
14	991 628 667 03	Line Connection point Nozzle		1	
14	991 628 667 04	Line Connection point Nozzle		1	
14	991 628 667 05	Line Connection point Nozzle		1	
15	991 628 073 00	Nozzle Information available	-17 -17	2	
(15)	991 628 075 00	Nozzle	18-	2	
-	999 901 017 42	Window cleaner 250 ML Summer		X	
-	999 901 033 40	Window cleaner 1000 ML Winter		X	

Model: 991G13

Model life 2013>>



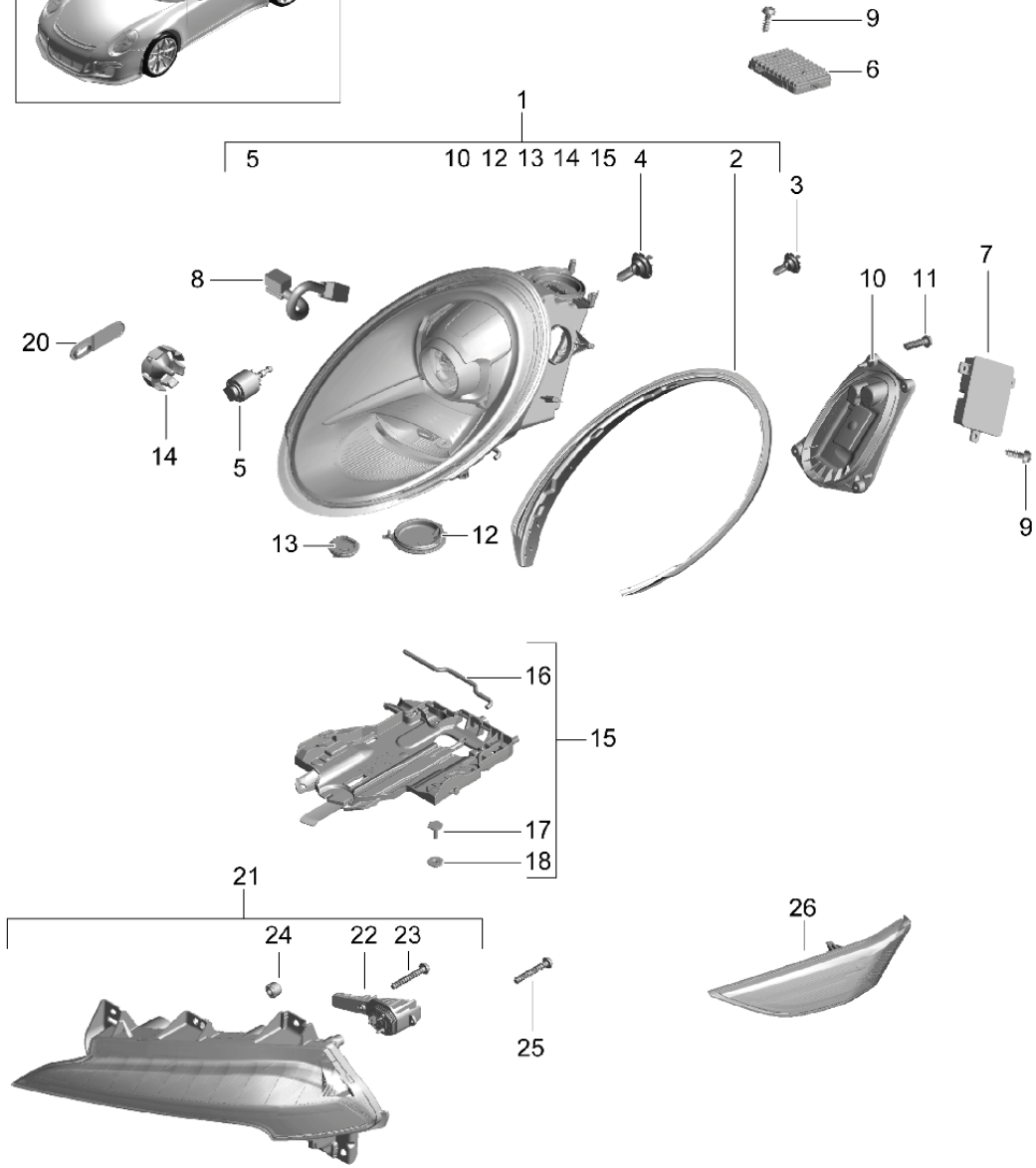
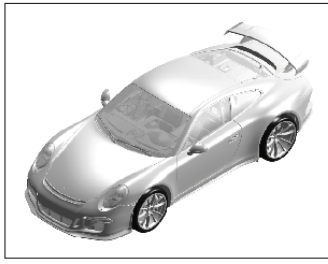
Model: 991G13

Model life 2013>>

Pos	Part Number	Description	Remark	Qty	Model
		Headlight washer system			I288
1	958 624 502 00	Pump		1	
2	431 955 465 A	Gasket		1	
-	000 043 204 79	Hose		*	
		8 X 3			
3		905 MM		1	
4	8E0 955 665	Angled pipe		1	
5	997 628 205 00	Clutch		3	
6	991 628 208 01	Hose connection		1	
-	000 043 204 79	Hose		*	
		8 X 3			
7		620 MM		1	
8		1225 MM		1	
9		65 MM		1	
10	113 955 975 B	T-piece		1	
11	997 628 163 01	Nozzle		2	-I011
		Chrome			
		Including			
		Nozzle head			
(11)	991 628 167 00	Nozzle		2	I011
		Black mat			
		Including			
		Nozzle head			
12	997 628 263 00	Nozzle head		2	-I011
		Chrome			
(12)	991 628 265 00	Nozzle head		2	I011
		Black mat			
13	999 507 164 01	Cable clamp		7	
-	997 628 981 02	Cap		2	IXUB
		Prime coated			
		for			
		POS 11 + 12			

Model: 991G13

Model life 2013>>



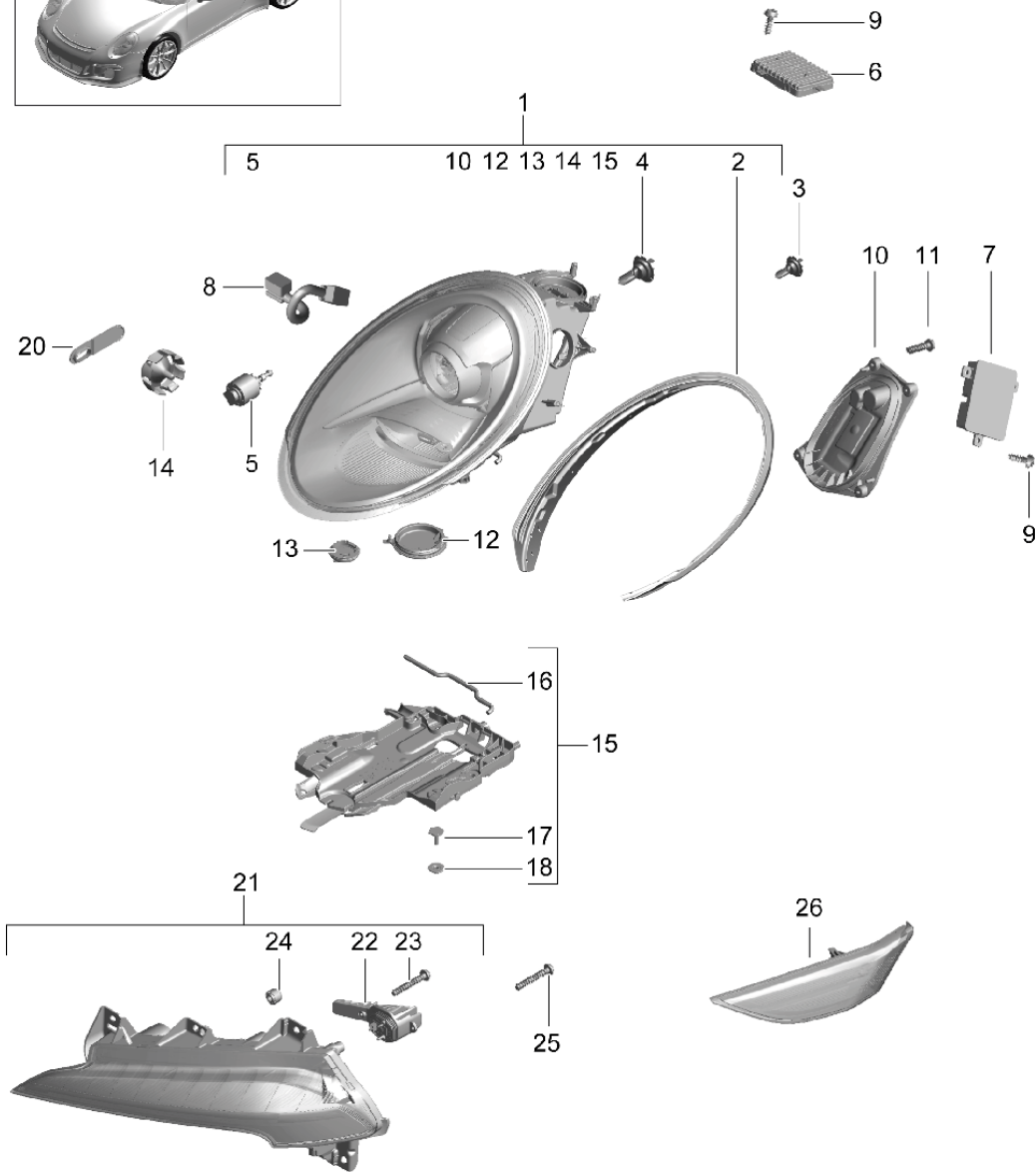
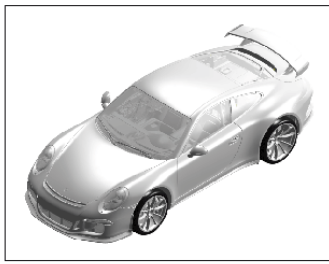
Model: 991G13

Model life 2013>>

Pos	Part Number	Description	Remark	Qty	Model
		Headlamp	-17		I601
		Additional headlamp			
		Direction indicator light			
		Side marker light			
		Direction indicator light			
		Headlamp			
		without			
		Control unit			
		And			
		Bulb			
		XENON			
1	991 631 221 05	Headlamp	/L	1	
(1)	991 631 222 05	Headlamp	/R	1	
1	991 631 223 05	Headlamp	/L	1	I492
(1)	991 631 224 05	Headlamp	/R	1	I492
2	991 631 315 02	Gasket	/L	1	
(2)	991 631 316 02	Gasket	/R	1	
3	999 631 070 90	Gas-discharge lamp		2	
		D3S			
4	999 631 133 91	Halogen bulb		2	
		H 7			
5	991 631 327 03	Electric motor		2	
		Headlight levelling system			
6	991 618 327 17	Control unit		2	
		Headlight levelling system			
7	991 618 323 03	Control unit		2	
8	991 631 323 00	Cable		2	
9	999 919 159 09	Oval-head screw		12	
		4,0 X 12,0			
10	991 631 311 00	Protective cap	/L	1	
(10)	991 631 312 00	Protective cap	/R	1	
11	991 631 377 00	Screw		8	
12	991 631 313 00	Protective cap		2	
		High beam			
13	997 631 267 01	Ventilation component		2	
15	991 631 201 01	Mounting	/L	1	
(15)	991 631 202 01	Mounting	/R	1	
16	991 631 401 00	Clamping bow		2	
17	991 631 373 00	Screw		4	
18	991 631 371 00	Lock nut		4	
20	991 631 101 00	Stopper		6	
		Additional headlamp			
21	991 631 151 80	Additional headlamp	/L	1	
(21)	991 631 152 80	Additional headlamp	/R	1	
22	991 631 251 01	LED module		2	
		Position light			
23	997 631 297 00	Screw		4	
24	987 631 291 00	Cap		2	
25	999 919 246 01	Oval-head screw		6	
		6,0 X 18,0			
26	991 631 255 03	Direction indicator light	/L	1	-I075
(26)	991 631 256 03	Direction indicator light	/R	1	-I075
(26)	991 631 255 81	Direction indicator light	/L	1	
(26)	991 631 256 81	Direction indicator light	/R	1	

Model: 991G13

Model life 2013>>



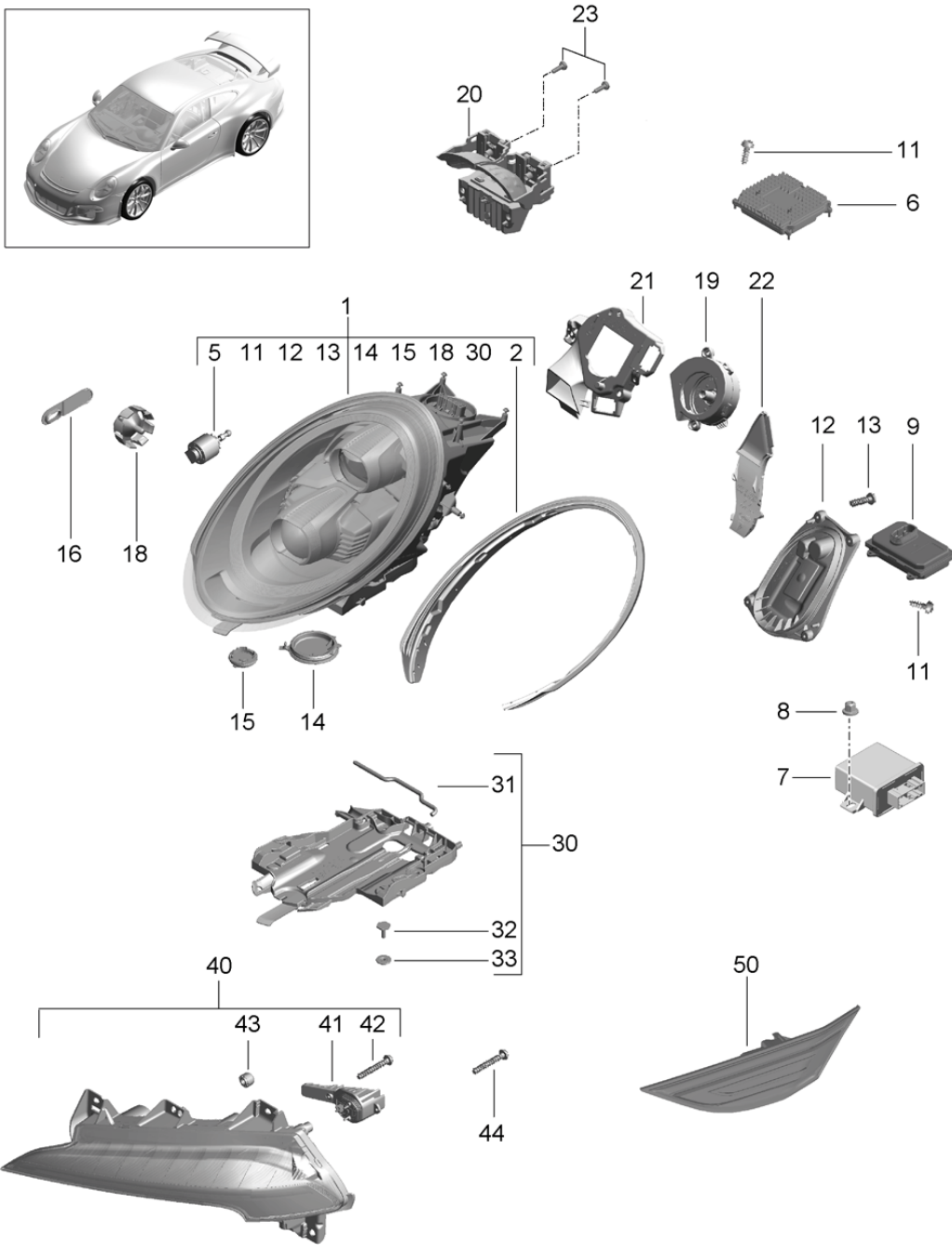
Model: 991G13

Model life 2013>>

Pos	Part Number	Description	Remark	Qty	Model
		Headlamp Additional headlamp Direction indicator light Side marker light Direction indicator light Headlamp without Control unit And Bulb XENON	-17		I603
1	991 631 231 05	Headlamp	/L	1	-IXEX
1	991 631 993 50	Headlamp	/L	1	IXEX
(1)	991 631 232 05	Headlamp	/R	1	-IXEX
(1)	991 631 232 06	Headlamp	/R	1	-IXEX
(1)	991 631 994 50	Headlamp	/R	1	IXEX
1	991 631 233 05	Headlamp	/L	1	-IXEX/I492
1	991 631 233 06	Headlamp	/L	1	-IXEX/I492
1	991 631 995 50	Headlamp	/L	1	IXEX/492
(1)	991 631 234 05	Headlamp	/R	1	-IXEX/I492
(1)	991 631 234 06	Headlamp	/R	1	-IXEX/I492
(1)	991 631 996 50	Headlamp	/R	1	IXEX/492
2	991 631 315 02	Gasket	/L	1	
(2)	991 631 316 02	Gasket	/R	1	
3	999 631 070 90	Gas-discharge lamp D3S		2	
4	999 631 133 91	Halogen bulb H 7		2	
5	991 631 327 03	Electric motor Headlight levelling system		2	
6	991 618 321 17	Control unit Headlight levelling system		2	
7	991 618 323 03	Control unit		2	
8	991 631 323 00	Cable		2	
9	999 919 159 09	Oval-head screw 4,0 X 12,0		12	
10	991 631 311 00	Protective cap	/L	1	
(10)	991 631 312 00	Protective cap	/R	1	
11	991 631 377 00	Screw		8	
12	991 631 313 00	Protective cap High beam		2	
13	997 631 267 01	Ventilation component		2	
15	991 631 201 01	Mounting	/L	1	
(15)	991 631 202 01	Mounting	/R	1	
16	991 631 401 00	Clamping bow		2	
17	991 631 373 00	Screw		4	
18	991 631 371 00	Lock nut		4	
20	991 631 101 00	Stopper Additional headlamp		6	
21	991 631 151 80	Additional headlamp	/L	1	
(21)	991 631 152 80	Additional headlamp	/R	1	
22	991 631 251 01	LED module Position light		2	
23	997 631 297 00	Screw		4	
24	987 631 291 00	Cap		2	
25	999 919 246 01	Oval-head screw 6,0 X 18,0		6	
26	991 631 255 03	Direction indicator light	/L	1	-I075
26	991 631 255 04	Direction indicator light	/L	1	
(26)	991 631 256 03	Direction indicator light	/R	1	-I075
(26)	991 631 256 04	Direction indicator light	/R	1	
(26)	991 631 255 81	Direction indicator light	/L	1	
(26)	991 631 256 81	Direction indicator light	/R	1	

Model: 991G13

Model life 2013>>



Model: 991G13 Model life 2013>>

Pos	Part Number	Description	Remark	Qty	Model
		LED headlights Additional headlamp Direction indicator light Side marker light Direction indicator light Headlamp without Control unit And Bulb LED	-17		IXEY/602
1	991 631 271 03	LED headlights	/L -14	1	-IIY2/-IXEY -I492
1	991 631 271 04	LED headlights	/L 14-	1	-IXEY/-I492 IIY2
1	991 631 271 10	F >>99ES1 81562 LED headlights F 99ES1 81562>>	/L	1	-IXEY/-I492
1	991 631 271 11	F >>99FS1 82849 LED headlights F 99GS1 85061	/L -16	1	-IXEY/-I492
1	991 631 271 22	LED headlights	/L 17-	1	-IXEY/-I492
(1)	991 631 272 03	LED headlights	/R -14	1	-IIY2/-IXEY -I492
(1)	991 631 272 04	LED headlights	/R 14-	1	-IXEY/-I492 IIY2
(1)	991 631 272 10	F >>99ES1 81562 LED headlights F 99ES1 81562>>	/R	1	-IXEY/-I492
(1)	991 631 272 11	F >>99FS1 82849 LED headlights F 99GS1 85061	/R -16	1	-IXEY/-I492
(1)	991 631 272 22	LED headlights	/R 17-	1	-IXEY/-I492
1	991 631 273 03	LED headlights	/L -14	1	-IIY2/-IXEY I492
1	991 631 273 04	LED headlights	/L 14-	1	-IXEY/IIY2 I492
1	991 631 273 10	F >>99ES1 81540 LED headlights F 99ES1 81540>>	/L	1	-IXEY/I492
1	991 631 273 11	F >>99FS1 82866 LED headlights F 99GS1 85065	/L -16	1	-IXEY
1	991 631 273 22	LED headlights	/L 17-	1	-IXEY
(1)	991 631 274 03	LED headlights	/R -14	1	-IIY2/-IXEY I492
(1)	991 631 274 04	LED headlights	/R 14-	1	-IXEY/IIY2 I492
(1)	991 631 274 10	F >>99ES1 81540 LED headlights F 99ES1 81540>>	/R	1	-IXEY/I492
(1)	991 631 274 11	F >>99FS1 82866 LED headlights F 99GS1 85065	/R -16	1	-IXEY/I492
(1)	991 631 274 22	LED headlights	/R 17-	1	-IXEY/I492

Model: 991G13 Model life 2013>>

Pos	Part Number	Description	Remark	Qty	Model
1	991 631 963 50	LED headlights	/L -16	1	-I492/-I553 IXEY
1	991 631 963 62	LED headlights	/L 17-	1	-I492/-I553 IXEY
(1)	991 631 964 50	LED headlights	/R -16	1	-I492/-I553 IXEY
(1)	991 631 964 62	LED headlights	/R 17-	1	-I492/-I553 IXEY
1	991 631 965 50	LED headlights	/L -16	1	IXEY/492
1	991 631 965 62	LED headlights	/L 17-	1	IXEY/492
(1)	991 631 966 50	LED headlights	/R -16	1	IXEY/492
(1)	991 631 966 62	LED headlights	/R 17-	1	IXEY/492
2	991 631 315 02	Gasket	/L	1	
(2)	991 631 316 02	Gasket	/R	1	
5	991 631 327 03	Electric motor Headlight levelling system		2	
6	7PP 941 472 G	Control unit LED module F 99ES1 81540>> F A9ES1 83576>> F 99ES1 81562>>		2	
6	7PP 941 572 B	Control unit LED module F >>99ES1 81540 F >>A9ES1 83576 F >>99ES1 81562		2	
7	7PP 907 357 D	Control unit Headlight levelling system		2	
8	999 049 033 40	Plastic nut T6X16		2	
9	7PP 941 329 N	Control unit		2	
11	999 919 159 09	Oval-head screw 4,0 X 12,0		14	
12	991 631 317 00	Protective cap	/L	1	
(12)	991 631 318 00	Protective cap	/R	1	
13	991 631 377 00	Screw		8	
14	991 631 313 00	Protective cap High beam		2	
15	997 631 267 01	Ventilation component Additional headlamp		2	
16	991 631 101 00	Stopper		6	
19	991 631 391 00	Fan		2	
20	991 631 397 00	LED module Headlamp		2	
21	991 631 395 00	Support Fan	/L	1	
(21)	991 631 396 00	Support Fan	/R	1	
22	991 631 393 00	Air duct LED	/L	1	
(22)	991 631 394 00	Air duct LED	/R	1	
23	991 631 309 00	Lens-head screw 40X12 for LED module		4	
30	991 631 201 01	Mounting	/L	1	
(30)	991 631 202 01	Mounting	/R	1	
31	991 631 401 00	Clamping bow		2	
32	991 631 373 00	Screw		4	
33	991 631 371 00	Lock nut Additional headlamp		4	
40	991 631 151 80	Additional headlamp	/L	1	

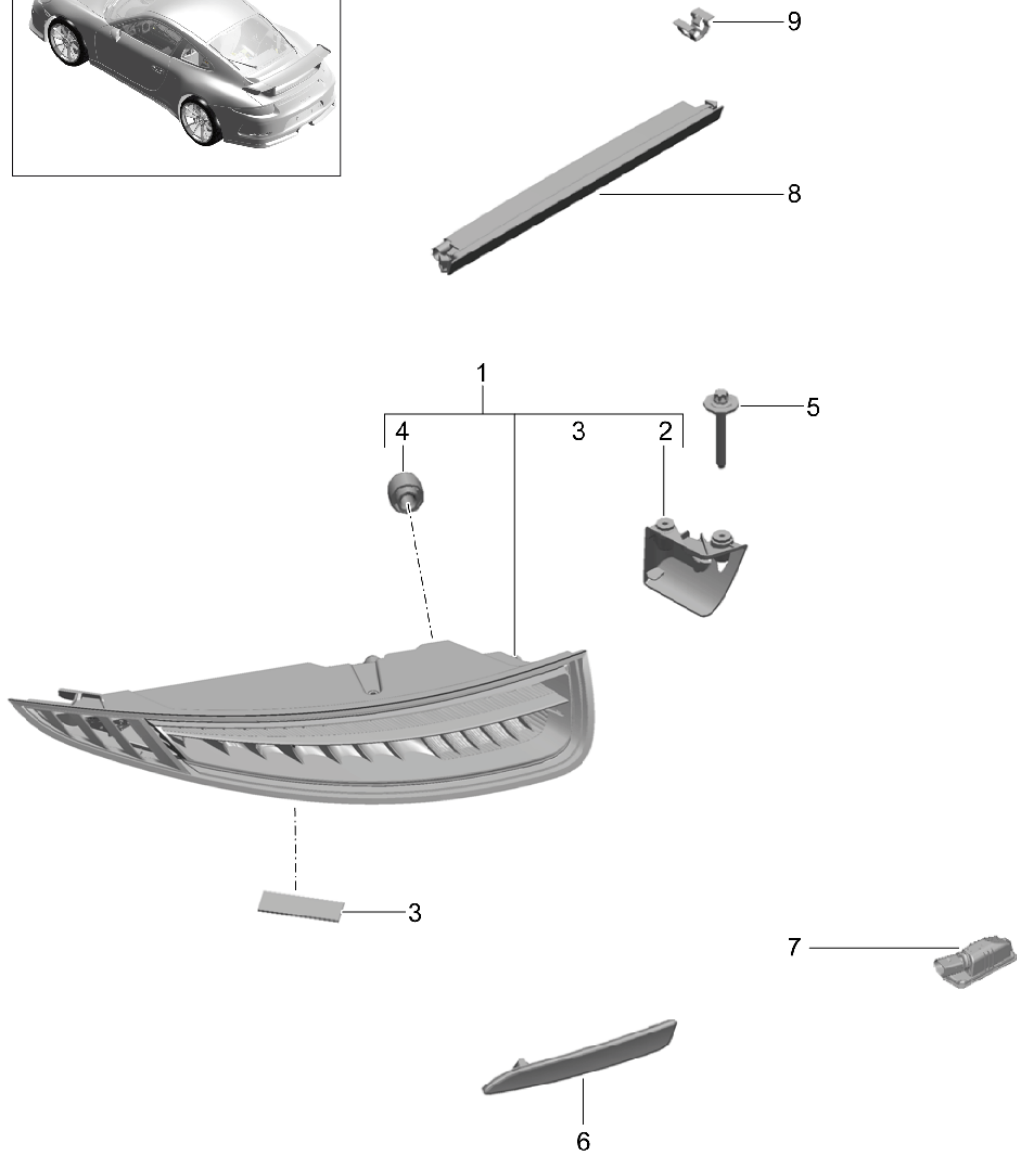
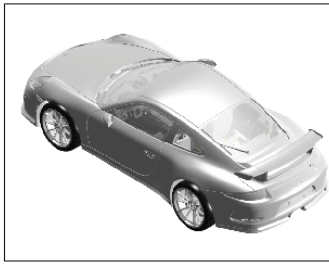
Model: 991G13

Model life 2013>>

Pos	Part Number	Description	Remark	Qty	Model
(40)	991 631 152 80	Additional headlamp	/R	1	
41	991 631 251 01	LED module Position light		2	
42	997 631 297 00	Screw		4	
43	987 631 291 00	Cap		2	
44	999 919 246 01	Oval-head screw 6,0 X 18,0		6	
(50)	991 631 255 03	Direction indicator light	/L -(CN)	1	
(50)	991 631 255 04	Direction indicator light	/L	1	
(50)	991 631 255 05	Direction indicator light	/L	1	
(50)	991 631 256 03	Direction indicator light	/R -(CN)	1	
(50)	991 631 256 04	Direction indicator light	/R	1	
(50)	991 631 256 05	Direction indicator light	/R	1	
(50)	991 631 255 81	Direction indicator light	/L	1	
(50)	991 631 256 81	Direction indicator light	/R	1	

Model: 991G13

Model life 2013>>

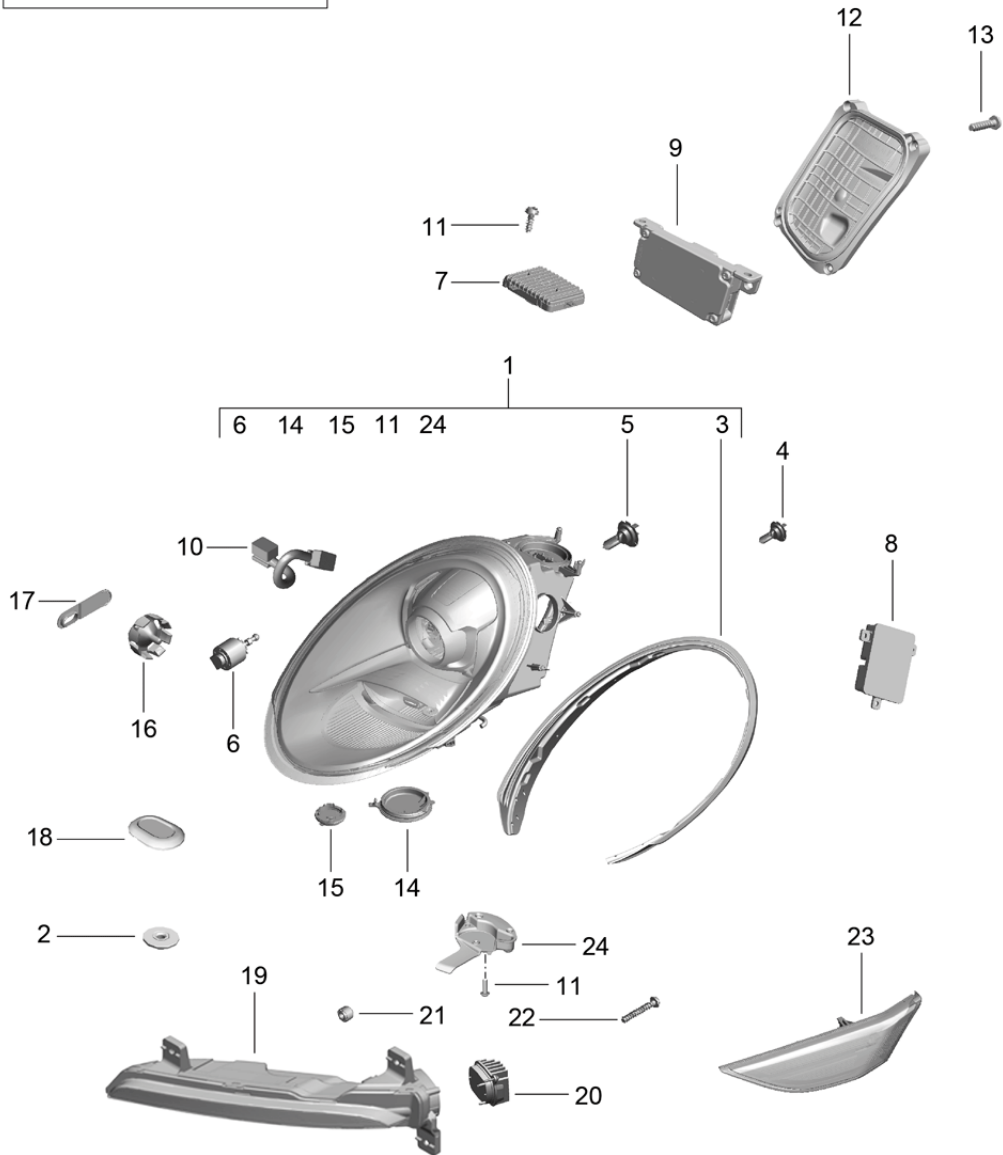
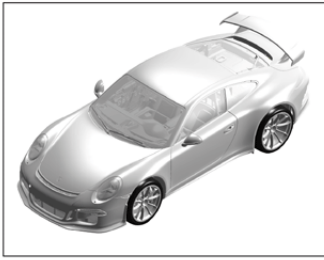


Model: 991G13 Model life 2013>>

Pos	Part Number	Description	Remark	Qty	Model
		Rear light	-17		
		License plate light			
		Additional brake light			
1	991 631 141 12	Rear light	/L -16	1	-IXXG/I465
1	991 631 165 05	Rear light	/LL /L 17-	1	I098/465
1	991 631 983 00	Rear light	/L -16	1	IXXG/465
1	991 631 143 12	Rear light	/L -16	1	-IXXG/-I465
1	991 631 167 05	Rear light	/LL /R 17-	1	-I465/I098
1	991 631 985 00	Rear light	/L -16	1	-I465/IXXG
(1)	991 631 142 12	Rear light	/R -16	1	-IXXG/-I466
1	991 631 166 05	Rear light	/LL /R 17-	1	-I466/I098
(1)	991 631 984 00	Rear light	/R -16	1	-I466/IXXG
(1)	991 631 144 12	Rear light	/R -16	1	-IXXG/I466
(1)	991 631 986 00	Rear light	/R -16	1	IXXG/466
1	991 631 141 82	Rear light	/L	1	-IXXG/I465
1	991 631 983 02	Rear light	/L	1	IXXG/465
1	991 631 143 82	Rear light	/L	1	-IXXG/-I465
1	991 631 985 02	Rear light	/L	1	-I465/IXXG
(1)	991 631 142 82	Rear light	/R	1	-IXXG/-I466
(1)	991 631 984 02	Rear light	/R	1	-I466/IXXG
(1)	991 631 144 82	Rear light	/R	1	-IXXG/I466
(1)	991 631 986 02	Rear light	/R	1	IXXG/466
2	991 631 925 00	Repair kit	/L	1	
		Support			
		Comprising:			
		Support			
		Screw			
		Ventilation component			
(2)	991 631 926 00	Repair kit	/R	1	
		Support			
		Comprising:			
		Support			
		Screw			
		Ventilation component			
3	991 631 481 05	Buffer		4	
4	987 631 291 00	Cap		6	
5	999 073 551 01	Combination screw		4	
		M 5 X 46			
6	991 631 495 80	Reflector	/L	1	
(6)	991 631 496 80	Reflector	/R	1	
7	1K8 943 021 C	License plate light		2	
8	991 631 181 81	Additional brake light		1	
(8)	991 631 191 01	Additional brake light		1	
9	999 073 269 09	Oval-head screw		2	
		M5X16 8.8 26D1			

Model: 991G13

Model life 2013>>



Model: 991G13

Model life 2013>>

Pos	Part Number	Description	Remark	Qty	Model
		Headlamp Additional headlamp Direction indicator light Side marker light Direction indicator light Headlamp without Control unit And Bulb XENON	18-		I601
1	991 631 211 02	Headlamp	/L	1	-I492
(1)	991 631 212 02	Headlamp	/R	1	-I492
(1)	991 631 213 02	Headlamp	/L	1	I492
(1)	991 631 214 02	Headlamp	/R	1	I492
2	991 631 371 01	Lock nut		4	
3	991 631 315 02	Gasket	/L	1	
(3)	991 631 316 02	Gasket	/R	1	
4	999 631 070 90	Gas-discharge lamp D3S		2	
5	999 631 133 91	Halogen bulb H 7		2	
6	991 631 327 03	Electric motor Headlight levelling system		2	
7	991 618 327 33	Control unit Headlight levelling system		2	
8	991 618 323 03	Control unit XENON		2	
(8)	8K0 941 597 E	Control unit XENON		2	
9	7PP 941 597 B	Control unit LED Daytime driving lights		1	
10	991 631 323 00	Cable		2	
11	999 919 159 09	Oval-head screw 4,0 X 12,0		16	
12	991 631 341 01	Cap	/L	1	
(12)	991 631 342 01	Cap	/R	1	
13	991 631 377 00	Screw		8	
14	991 631 313 00	Protective cap High beam		2	
15	997 631 267 01	Ventilation component		2	
17	993 631 170 03	Stopper Additional headlamp		6	
19	982 953 351	Additional headlamp	/L	1	
(19)	982 953 352	Additional headlamp	/R	1	
20	9P1 953 249	LED module	/L	1	
(20)	9P1 953 249 A	LED module	/R	1	
21	987 631 291 00	Cap		2	
22	999 919 246 01	Oval-head screw 6,0 X 18,0		6	
23	991 631 255 05	Direction indicator light	/L	1	
(23)	991 631 256 05	Direction indicator light	/R	1	
24	991 631 203 00	Retaining bar	/L	1	
(24)	991 631 204 00	Retaining bar	/R	1	

Model: 991G13

Model life 2013>>



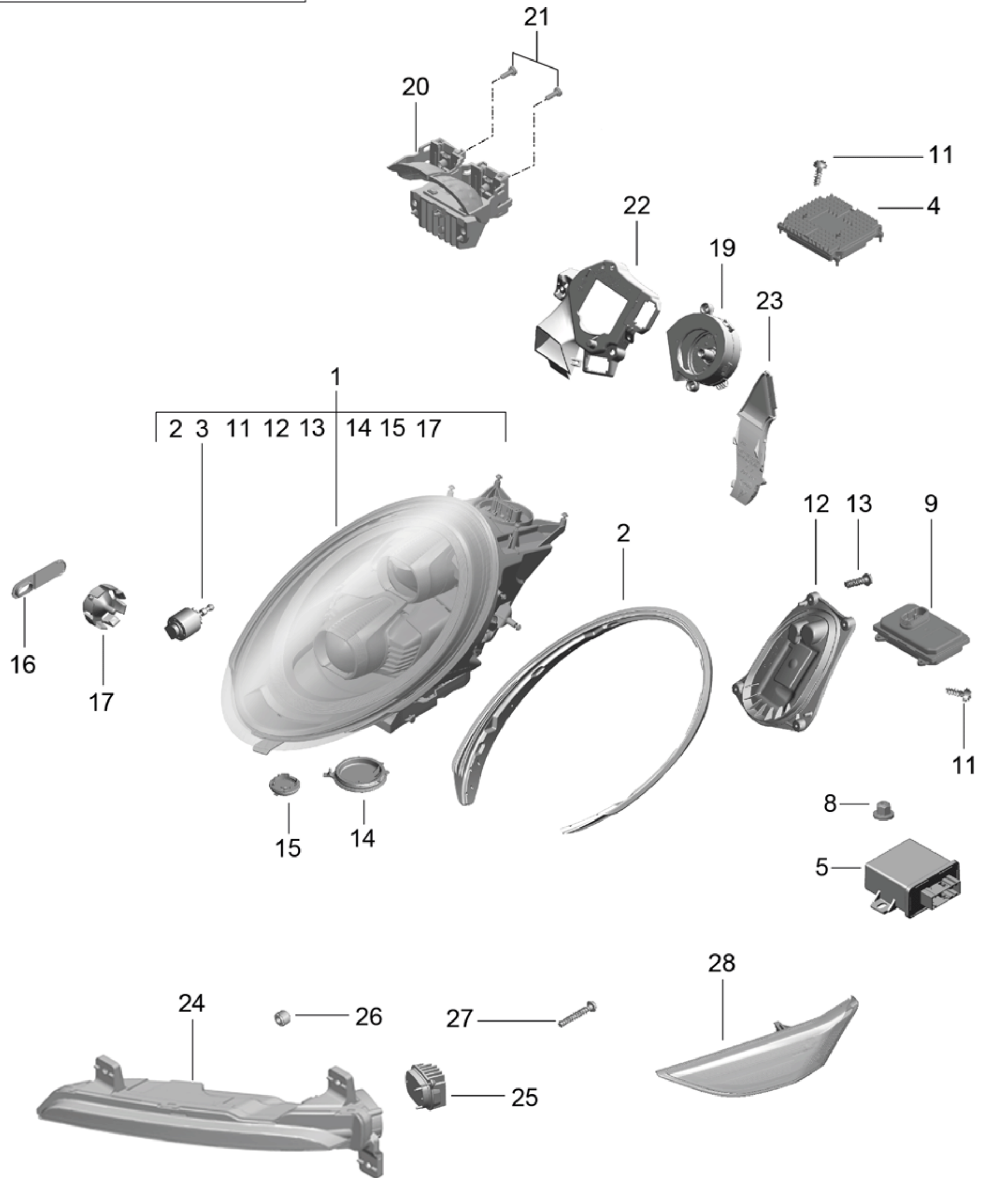
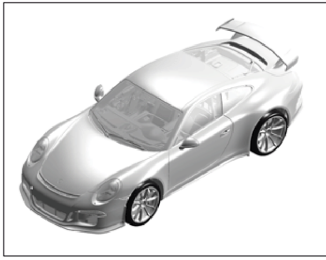
Model: 991G13

Model life 2013>>

Pos	Part Number	Description	Remark	Qty	Model
		Headlamp Additional headlamp Direction indicator light Side marker light Direction indicator light Headlamp without Control unit And Bulb XENON	18-		I603
1	991 631 293 02	Headlamp	/L	1	-I492
(1)	991 631 294 02	Headlamp	/R	1	-I492
(1)	991 631 295 02	Headlamp	/L	1	I492
(1)	991 631 296 02	Headlamp	/R	1	I492
2	991 631 371 01	Lock nut		4	
3	991 631 315 02	Gasket	/L	1	
(3)	991 631 316 02	Gasket	/R	1	
4	999 631 070 90	Gas-discharge lamp D3S		2	
5	999 631 133 91	Halogen bulb H 7		2	
6	991 631 327 03	Electric motor Headlight levelling system		2	
7	991 618 321 33	Control unit Headlight levelling system		2	
8	991 618 323 03	Control unit XENON		2	
(8)	8K0 941 597 E	Control unit XENON		2	
9	7PP 941 597 B	Control unit LED Daytime driving lights		1	
10	991 631 323 00	Cable		2	
11	999 919 159 09	Oval-head screw 4,0 X 12,0		16	
12	991 631 341 01	Cap	/L	1	
(12)	991 631 342 01	Cap	/R	1	
13	991 631 377 00	Screw		8	
14	991 631 313 00	Protective cap High beam		2	
15	997 631 267 01	Ventilation component		2	
17	993 631 170 03	Stopper Additional headlamp		6	
19	982 953 351	Additional headlamp	/L	1	
(19)	982 953 352	Additional headlamp	/R	1	
20	9P1 953 249	LED module	/L	1	
(20)	9P1 953 249 A	LED module	/R	1	
21	987 631 291 00	Cap		2	
22	999 919 246 01	Oval-head screw 6,0 X 18,0		6	
23	991 631 255 05	Direction indicator light	/L	1	
(23)	991 631 256 05	Direction indicator light	/R	1	
24	991 631 203 00	Retaining bar	/L	1	
(24)	991 631 204 00	Retaining bar	/R	1	

Model: 991G13

Model life 2013>>



Model: 991G13 Model life 2013>>

Pos	Part Number	Description	Remark	Qty	Model
		Headlamp Additional headlamp Direction indicator light Side marker light Direction indicator light Headlamp without Control unit And Bulb LED	18-		IXEY/602
1	991 631 271 23	LED headlights	/L	1	-IXEY/-I492
(1)	991 631 272 23	LED headlights	/R	1	-IXEY/-I492
(1)	991 631 273 23	LED headlights	/L	1	-IXEY/I492
(1)	991 631 274 23	LED headlights	/R	1	-IXEY/I492
(1)	991 631 963 63	LED headlights	/L	1	-I492/IXEY
(1)	991 631 964 63	LED headlights	/R	1	-I492/IXEY
(1)	991 631 965 63	LED headlights	/L	1	IXEY/492
(1)	991 631 966 63	LED headlights	/R	1	IXEY/492
2	991 631 315 02	Gasket	/L	1	
(2)	991 631 316 02	Gasket	/R	1	
3	991 631 327 03	Electric motor		2	
4	7PP 941 572 BB	Headlight levelling system Control unit LED module		2	
5	7PP 907 357 J	Control unit Headlight levelling system		1	
8	999 049 033 40	Plastic nut T6X16		2	
9	7PP 941 329 T	Control unit Power electronics		2	
11	999 919 159 09	Oval-head screw 4,0 X 12,0		14	
12	991 631 317 00	Protective cap	/L	1	
(12)	991 631 318 00	Protective cap	/R	1	
13	991 631 377 00	Screw		8	
14	991 631 313 00	Protective cap High beam		2	
15	997 631 267 01	Ventilation component		2	
16	991 631 101 00	Stopper		6	
19	991 631 391 00	Fan		2	
20	991 631 397 01	LED module		2	
21	991 631 309 00	Headlamp Lens-head screw 40X12 for LED module		4	
22	991 631 395 01	Support Fan	/L	1	
(22)	991 631 396 00	Support Fan	/R	1	
23	991 631 393 00	Air duct LED	/L	1	
(23)	991 631 394 00	Air duct LED	/R	1	
24	982 953 351	Additional headlamp	/L	1	
(24)	982 953 352	Additional headlamp	/R	1	
25	9P1 953 249	LED module	/L	1	
(25)	9P1 953 249 A	LED module	/R	1	
26	987 631 291 00	Cap		2	
27	999 919 246 01	Oval-head screw 6,0 X 18,0		6	

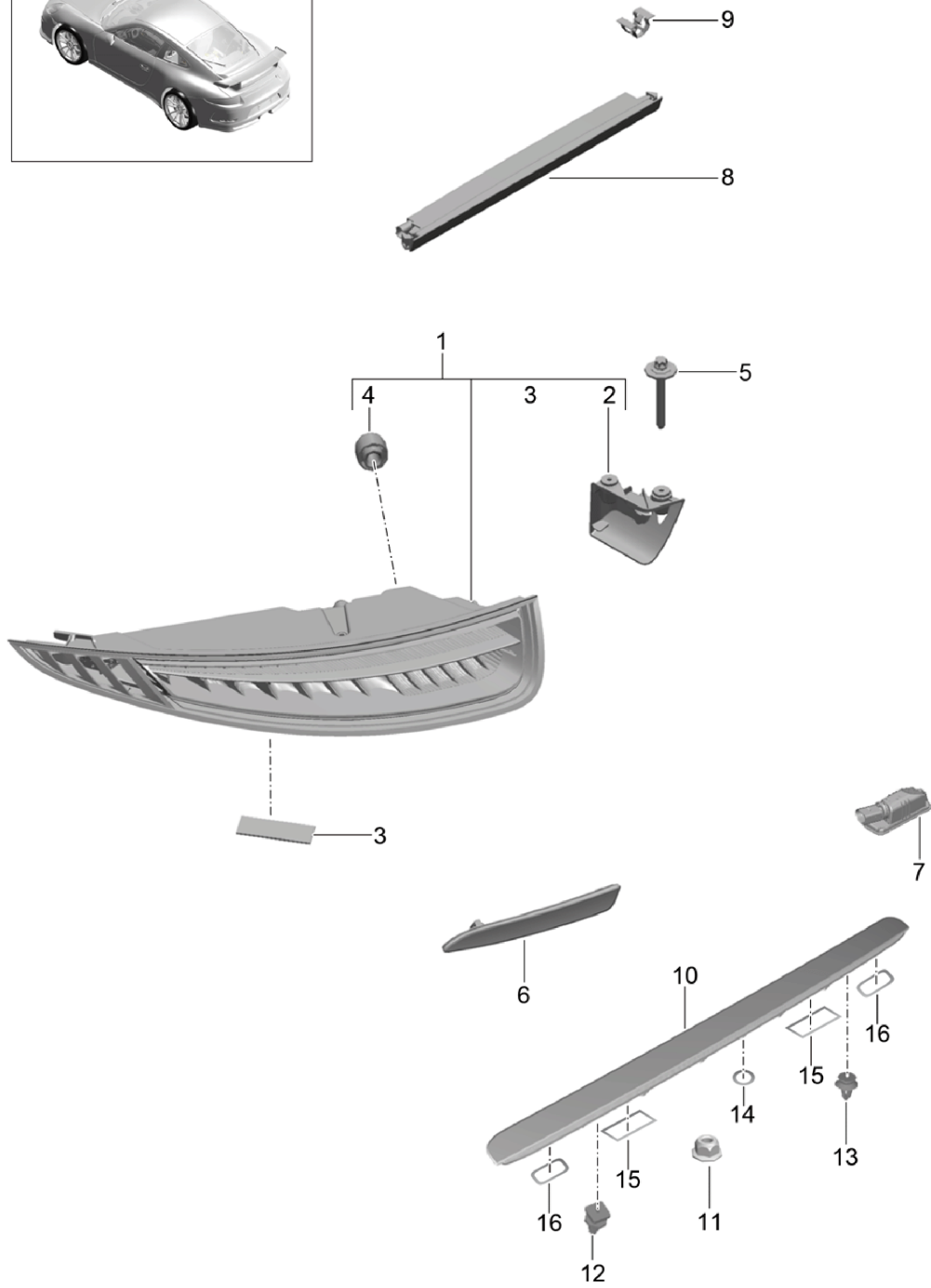
Model: 991G13

Model life 2013>>

Pos	Part Number	Description	Remark	Qty	Model
28	991 631 255 05	Direction indicator light	/L	1	
(28)	991 631 256 05	Direction indicator light	/R	1	

Model: 991G13

Model life 2013>>



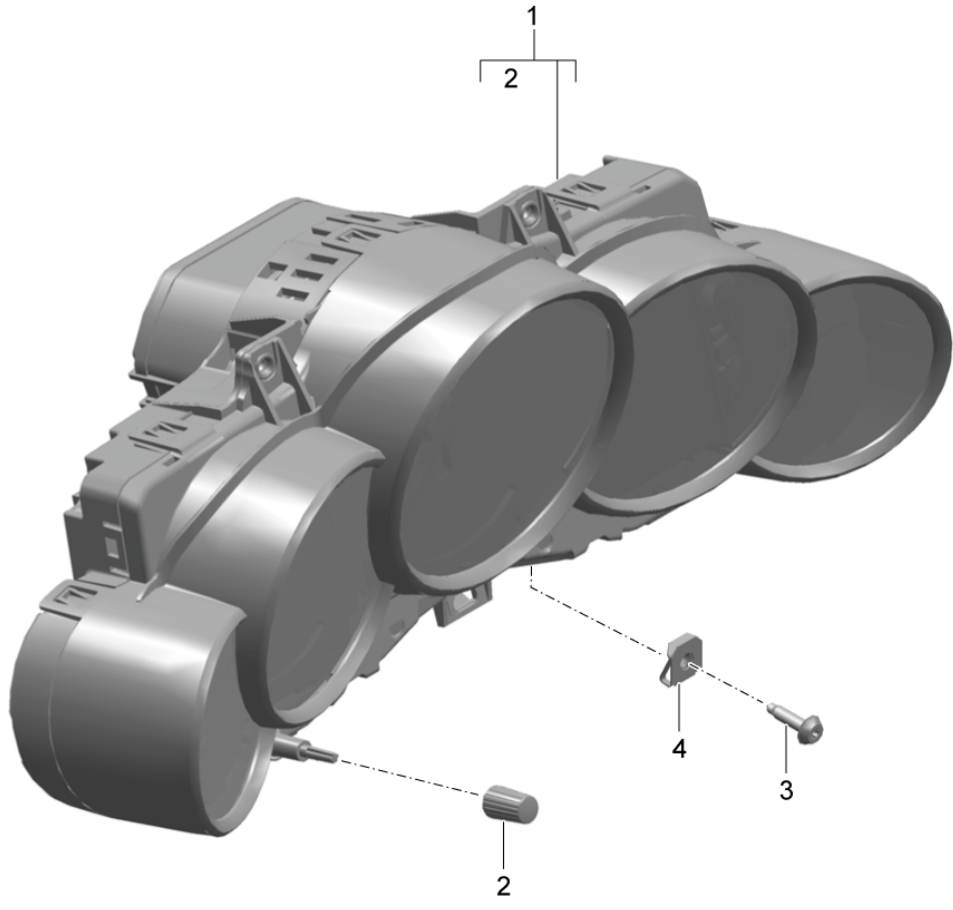
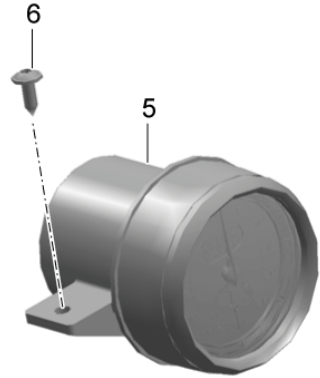
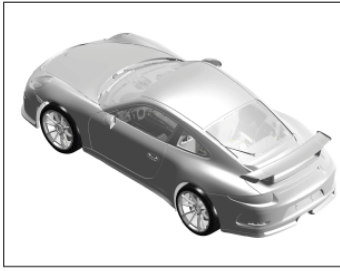
Model: 991G13

Model life 2013>>

Pos	Part Number	Description	Remark	Qty	Model
		Rear light	18-		
		License plate light			
		Additional brake light			
(1)	991 631 973 02	Rear light	/L	1	I465
(1)	991 631 974 02	Rear light	/R	1	I465
(1)	991 631 975 02	Rear light	/L	1	I466
(1)	991 631 976 02	Rear light	/R	1	I466
2	991 631 905 00	Repair kit	/L	1	
		Support			
		Comprising:			
		Support			
		Screw			
		Ventilation component			
(2)	991 631 906 00	Repair kit	/R	1	
		Support			
		Comprising:			
		Support			
		Screw			
		Ventilation component			
3	991 631 481 00	Adhesive film		4	
4	987 631 291 00	Cap		6	
5	999 073 551 01	Combination screw		4	
		M 5 X 46			
6	991 631 495 80	Reflector	/L	1	
(6)	991 631 496 80	Reflector	/R	1	
7	1K8 943 021 C	License plate light		2	
8	991 631 185 01	Additional brake light		1	
		Spoiler			
9	999 507 584 01	Clamp		2	
10	991 631 187 02	Additional brake light		1	
		Rear lid			
11	900 377 009 01	Hexagon nut		2	
12	991 631 287 00	Square screw		2	
13	999 507 897 40	Fixing clip		4	
14	991 631 389 01	Gasket		1	
		Foam part			
15	991 631 388 01	Gasket		2	
		Foam part			
16	991 631 387 01	Gasket		2	
		Foam part			

Model: 991G13

Model life 2013>>



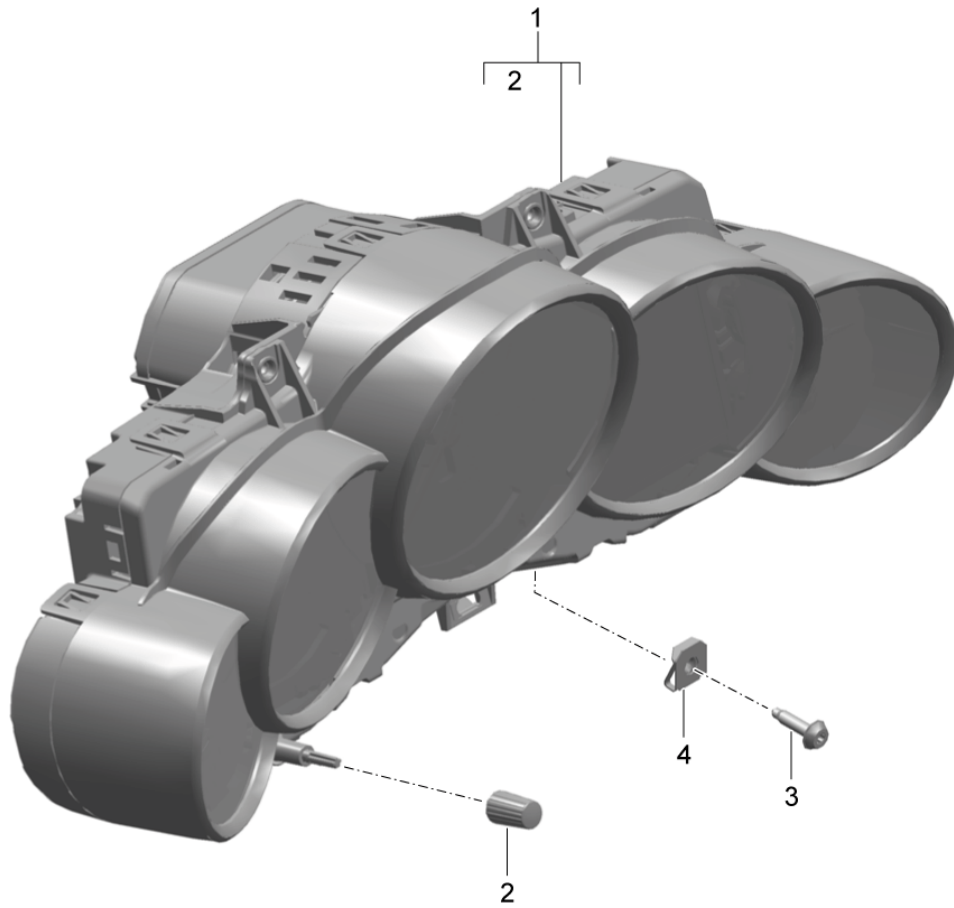
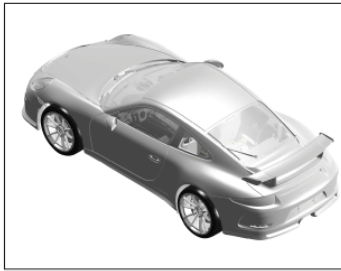
Model: 991G13

Model life 2013>>

Pos	Part Number	Description	Remark	Qty	Model
1	991 641 144 92	Instruments Stopwatch Instrument cluster Complete	-17	1	-I061/-I484 I022/250
1	991 641 144 92 A05 991 641 148 92	Black mat Instrument cluster Complete	(GB)	1	I022/061/250
(1)	991 641 148 92 A05 991 641 134 94	Black mat Instrument cluster Complete	-(GB) 15-	1	I022/250
(1)	991 641 134 94 A05 991 641 138 94	Black mat Information available Instrument cluster Complete	(GB) 15-	1	I022/250
(1)	991 641 138 94 A05 991 641 213 01	Black mat Information available Instrument cluster Complete	-(GB)	1	
(1)	991 641 213 01 A05 991 641 217 01	Black mat Information available Instrument cluster Complete	(GB)	1	
2	991 641 217 01 A05 991 641 911 00	Black mat Information available Knob Actuator		1	
3	999 073 498 01	Oval-head screw M 5 X 20		4	
4	999 507 556 01	Speed nut Stopwatch		4	
5	991 641 301 91 991 641 301 91 A05	Stopwatch Black mat		1	I025/639/640
6	999 073 155 09	Tapping screw ST 4,2 X 13		2	

Model: 991G13

Model life 2013>>



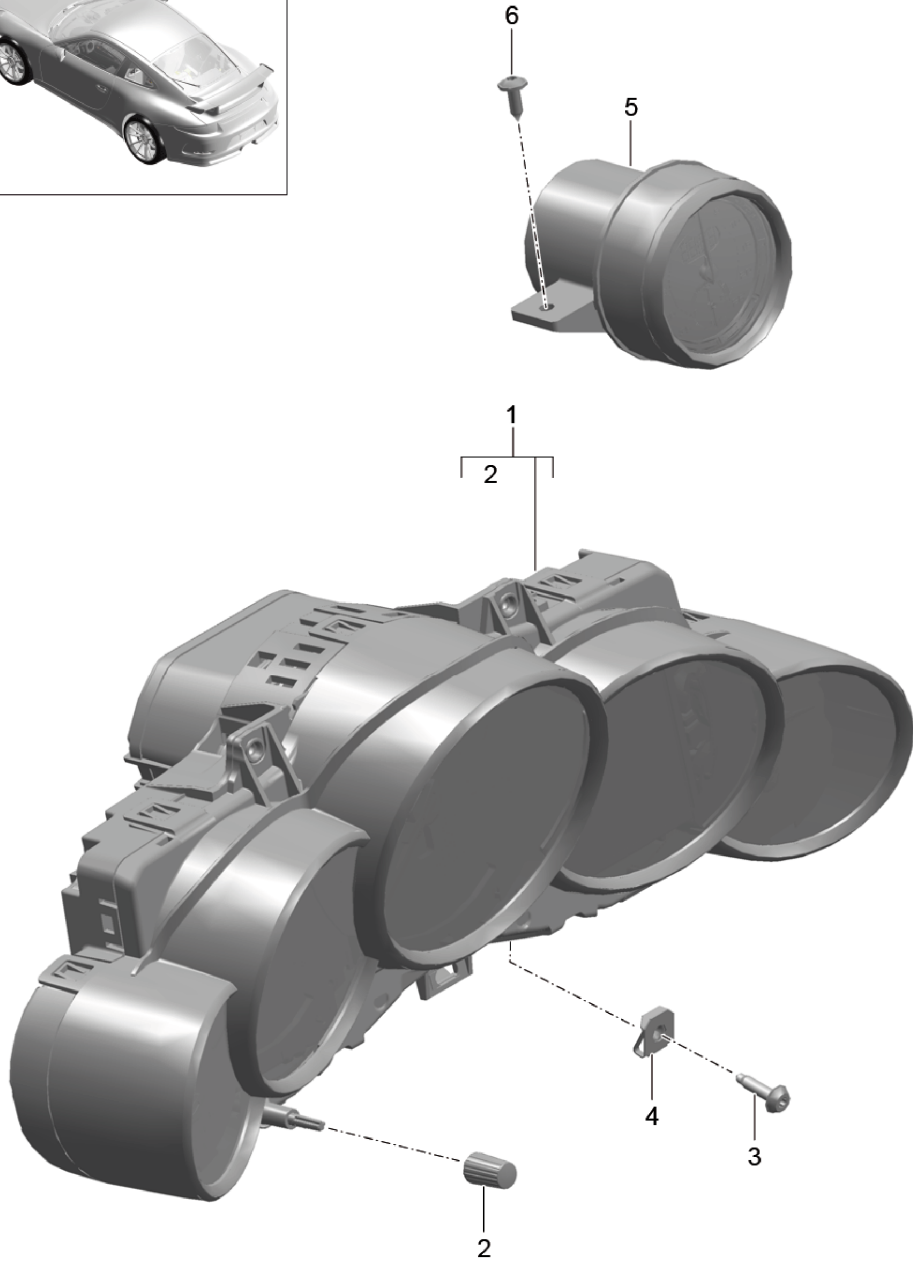
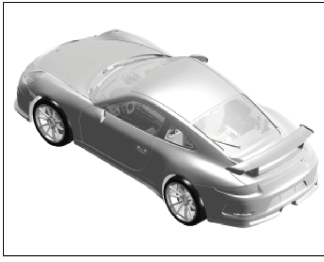
Model: 991G13

Model life 2013>>

Pos	Part Number	Description	Remark	Qty	Model
1	991 641 990 04	Instruments Dial Coloured Instrument cluster	-17	1	-I061/-I484 IXFG/XFJ/XFR I250
	991 641 990 04 84A	Complete Guards red			IXFG
	991 641 990 04 C9A	White			IXFJ
	991 641 990 04 1S1	Racing Yellow			IXFR
1	991 641 990 08	Instrument cluster	(GB)	1	IXFG/XFJ/XFR I061/250
	991 641 990 08 84A	Complete Guards red			
	991 641 990 08 C9A	White			
	991 641 990 08 1S1	Racing Yellow			
(1)	991 641 991 44	Instrument cluster	-(GB)	1	I250
	991 641 991 44 84A	Complete Guards red			
	991 641 991 44 C9A	White			
(1)	991 641 991 48	Instrument cluster	(GB)	1	I250
	991 641 991 48 84A	Complete Guards red			
	991 641 991 48 C9A	White			
2	991 641 911 00	Knob		1	
		Actuator			
3	999 073 498 01	Oval-head screw M 5 X 20		4	
4	999 507 556 01	Speed nut		4	

Model: 991G13

Model life 2013>>

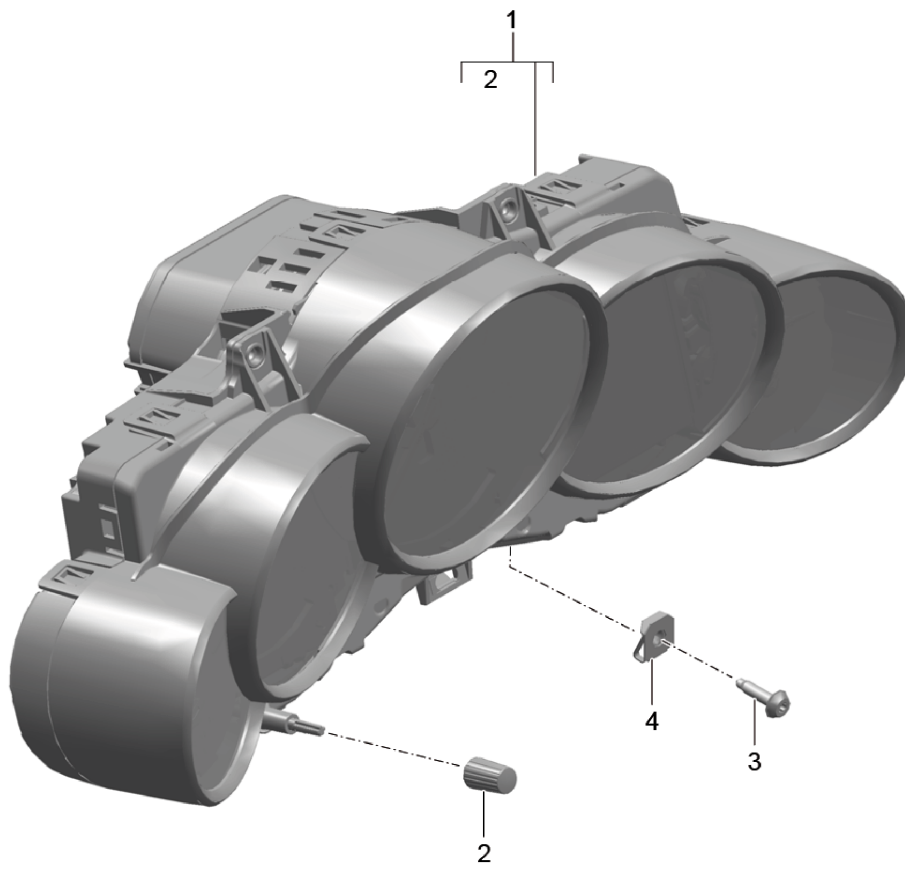
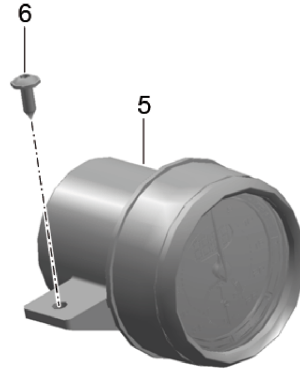
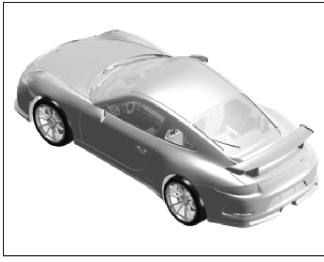


Model: 991G13 Model life 2013>>

Pos	Part Number	Description	Remark	Qty	Model
		Instruments	18-		I022
		Stopwatch			
1	9P1 920 700 A	Instrument cluster	-(GB)	1	I022/486
		Complete			
	9P1 920 700 A A05	A05			
1	9P1 920 710 A	Instrument cluster	-(GB)	1	I022/250
		Complete			
	9P1 920 710 A A05	Black mat			
1	9P1 920 740 A	Instrument cluster	(GB)	1	I022/486
		Complete			
	9P1 920 740 A A05	Black mat			
1	9P1 920 750 A	Instrument cluster	(GB)	1	I022/250
		Complete			
	9P1 920 750 A A05	Black mat			
2	991 641 911 00	Knob		1	
		Actuator			
		Trip meter			
3	999 073 498 01	Oval-head screw		4	
		M 5 X 20			
4	999 507 556 01	Speed nut		4	
5	9P1 919 203 B	Stopwatch		1	
		A05			
6	999 073 155 09	Tapping screw		2	
		ST 4,2 X 13			

Model: 991G13

Model life 2013>>



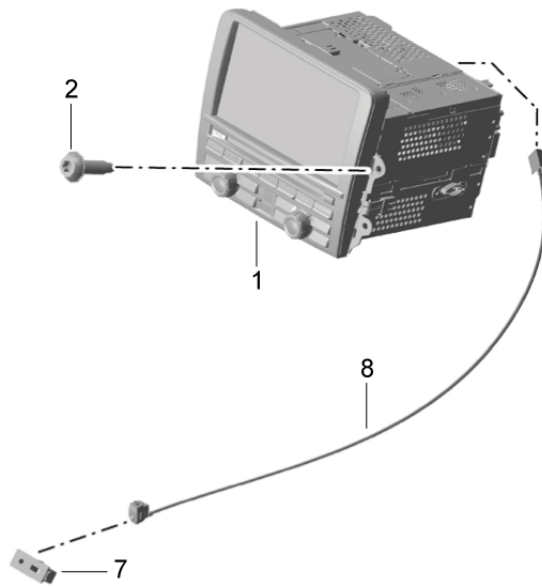
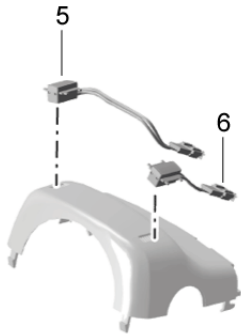
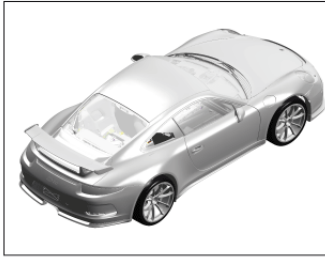
Model: 991G13

Model life 2013>>

Pos	Part Number	Description	Remark	Qty	Model
		Instruments	18-		-I022
		Stopwatch			
		Coloured			
1	9P3 920 700 B	Instrument cluster	-(GB)	1	I486
		Complete			
	9P3 920 700 B 84A	Guards red			IXFG
	9P3 920 700 B C9A	White			IXFJ
1	9P3 920 710 B	Instrument cluster	-(GB)	1	I250
		Complete			
	9P3 920 710 B 84A	Guards red			IXFG
	9P3 920 710 B C9A	White			IXFJ
1	9P3 920 740 B	Instrument cluster	(GB)	1	I486
		Complete			
	9P3 920 740 B 84A	Guards red			IXFG
	9P3 920 740 B C9A	White			IXFJ
1	9P3 920 750 B	Instrument cluster	(GB)	1	I250
		Complete			
	9P3 920 750 B 84A	Guards red			IXFG
	9P3 920 750 B C9A	White			IXFJ
2	991 641 911 00	Knob		1	
		Actuator			
		Trip meter			
3	999 073 498 01	Oval-head screw		4	
		M 5 X 20			
4	999 507 556 01	Speed nut		4	
5	9P1 919 203 B	Stopwatch		1	
	9P1 919 203 B A05	A05			
6	999 073 155 09	Tapping screw		2	
		ST 4,2 X 13			

Model: 991G13

Model life 2013>>



Model: 991G13 Model life 2013>>

Pos	Part Number	Description	Remark	Qty	Model
		Control part Navigation system Radio Receiving part TV Microphone Control part Only in exchange Control part	-17 14	1	-I075/-I215 -I686/-I688 -I690/-I693 IIY1/665/672
	991 642 970 LX DML	Matt Black/hi-gloss chrome We take back: 991.642.970.11.DML			
1	991 642 970 MX	Control part	14	1	-I075/-I215 -I686/-I688 -I690/-I693 IIY2/665/672
	991 642 970 MX DML	Matt Black/hi-gloss chrome We take back: 991.642.970.12.DML			
1	991 642 970 NX	Control part	15	1	-I075/-I215 -I686/-I688 -I690/-I693 IIY1/665/672
	991 642 970 NX DML	Matt Black/hi-gloss chrome We take back: 991.642.970.13.DML			
1	991 642 970 PX	Control part	15	1	-I075/-I215 -I686/-I688 -I690/-I693 IIY2/665/672
	991 642 970 PX DML	Matt Black/hi-gloss chrome We take back: 991.642.970.14.DML			
1	991 642 970 QX	Control part	16-	1	-I075/-I215 -I686/-I688 -I690/-I693 I665/672
	991 642 970 QX DML	Matt Black/hi-gloss chrome We take back: 991.642.970.15.DML			
1	991 642 972 LX	Control part	14	1	-I075/-I215 -I686/-I688 -I690/-I691 IIY1/665/672 I693
	991 642 972 LX DML	Matt Black/hi-gloss chrome We take back: 991.642.972.11.DML			
1	991 642 972 MX	Control part	14	1	-I075/-I215 -I686/-I688 -I690/-I691 IIY2/665/672 I693
	991 642 972 MX DML	Matt Black/hi-gloss chrome We take back: 991.642.972.12.DML			
1	991 642 972 NX	Control part	15	1	-I075/-I215 -I686/-I688 -I690/-I691 IIY1/665/672

Model: 991G13 Model life 2013>>

Pos	Part Number	Description	Remark	Qty	Model
	991 642 972 NX DML	Matt Black/hi-gloss chrome We take back:			I693
1	991 642 972 PX	991.642.972.13.DML Control part	15	1	-I075/-I215 -I686/-I688 -I690/-I691 IIY2/665/672 I693
	991 642 972 PX DML	Matt Black/hi-gloss chrome We take back:			
1	991 642 972 QX	991.642.972.14.DML Control part	16-	1	-I075/-I215 -I686/-I688 -I690/-I691 I665/672/693
	991 642 972 QX DML	Matt Black/hi-gloss chrome We take back:			
1	991 642 974 LX	991.642.972.15.DML Control part	14	1	-I693/IIY1 I075/665/672
	991 642 974 LX DML	Matt Black/hi-gloss chrome We take back:			
1	991 642 974 MX	991.642.974.11.DML Control part	14	1	-I693/IIY2 I075/665/672
	991 642 974 MX DML	Matt Black/hi-gloss chrome We take back:			
1	991 642 974 NX	991.642.974.12.DML Control part	15	1	-I693/IIY1 I075/665/672
	991 642 974 NX DML	Matt Black/hi-gloss chrome We take back:			
1	991 642 974 PX	991.642.974.13.DML Control part	15	1	-I693/IIY2 I075/665/672
	991 642 974 PX DML	Matt Black/hi-gloss chrome We take back:			
1	991 642 974 QX	991.642.974.14.DML Control part	16-	1	-I693/I075 I665/672
	991 642 974 QX DML	Matt Black/hi-gloss chrome We take back:			
1	991 642 975 LX	991.642.974.15.DML Control part	14	1	IIY1/075/665 I672/693
	991 642 975 LX DML	Matt Black/hi-gloss chrome We take back:			
1	991 642 975 MX	991.642.975.11.DML Control part	14	1	IIY2/075/665 I672/693
	991 642 975 MX DML	Matt Black/hi-gloss chrome We take back:			
1	991 642 975 NX	991.642.975.12.DML Control part	15	1	IIY1/075/665 I672/693
	991 642 975 NX DML	Matt Black/hi-gloss chrome We take back:			
1	991 642 975 PX	991.642.975.13.DML Control part	15	1	IIY2/075/665 I672/693
	991 642 975 PX DML	Matt Black/hi-gloss chrome We take back:			

Model: 991G13 Model life 2013>>

Pos	Part Number	Description	Remark	Qty	Model
1	991 642 975 QX	991.642.975.14.DML Control part	16-	1	I075/665/672 I693
	991 642 975 QX DML	Matt Black/hi-gloss chrome We take back: 991.642.975.15.DML			
1	991 642 976 LX	991.642.976.11.DML Control part	14	1	-I693/IIY1 I215/665/672
	991 642 976 LX DML	Matt Black/hi-gloss chrome We take back: 991.642.976.11.DML			
1	991 642 976 MX	991.642.976.12.DML Control part	14	1	-I693/IIY2 I215/665/672
	991 642 976 MX DML	Matt Black/hi-gloss chrome We take back: 991.642.976.12.DML			
1	991 642 976 NX	991.642.976.13.DML Control part	15	1	-I693/IIY1 I215/665/672
	991 642 976 NX DML	Matt Black/hi-gloss chrome We take back: 991.642.976.13.DML			
1	991 642 976 PX	991.642.976.14.DML Control part	15	1	-I693/IIY2 I215/665/672
	991 642 976 PX DML	Matt Black/hi-gloss chrome We take back: 991.642.976.14.DML			
1	991 642 976 QX	991.642.976.15.DML Control part	16-	1	-I693/I215 I665/672
	991 642 976 QX DML	Matt Black/hi-gloss chrome We take back: 991.642.976.15.DML			
1	991 642 977 LX	991.642.977.11.DML Control part	14	1	IIY1/215/665 I672/693
	991 642 977 LX DML	Matt Black/hi-gloss chrome We take back: 991.642.977.11.DML			
1	991 642 977 MX	991.642.977.12.DML Control part	14	1	IIY2/215/665 I672/693
	991 642 977 MX DML	Matt Black/hi-gloss chrome We take back: 991.642.977.12.DML			
1	991 642 977 NX	991.642.977.13.DML Control part	15	1	IIY1/215/665 I672/693
	991 642 977 NX DML	Matt Black/hi-gloss chrome We take back: 991.642.977.13.DML			
1	991 642 977 PX	991.642.977.14.DML Control part	15	1	IIY2/215/665 I672/693
	991 642 977 PX DML	Matt Black/hi-gloss chrome We take back: 991.642.977.14.DML			
1	991 642 977 QX	991.642.977.15.DML Control part	16-	1	I215/665/672 I693
	991 642 977 QX DML	Matt Black/hi-gloss chrome We take back: 991.642.977.15.DML			
1	991 642 950 X	991.642.950.00.DML Control part	14	1	-I693/IIY1 I665/672/691
	991 642 950 X DML	Matt Black/hi-gloss chrome We take back: 991.642.950.00.DML			
1	991 642 950 AX	991.642.950.00.DML Control part	14	1	-I693/IIY2 I665/672/691

Model: 991G13 Model life 2013>>

Pos	Part Number	Description	Remark	Qty	Model
1	991 642 950 AX DML	Matt Black/hi-gloss chrome We take back: 991.642.950.01.DML			
	991 642 950 BX	Control part	15	1	-I693/IIY1 I665/672/691
	991 642 950 BX DML	Matt Black/hi-gloss chrome We take back: 991.642.950.02.DML			
1	991 642 950 CX	Control part	15	1	-I693/IIY2 I665/672/691
	991 642 950 CX DML	Matt Black/hi-gloss chrome We take back: 991.642.950.03.DML			
1	991 642 950 DX	Control part	16-	1	-I693/I665 I672/691
	991 642 950 DX DML	Matt Black/hi-gloss chrome We take back: 991.642.950.04.DML			
1	991 642 951 X	Control part	14	1	IIY1/665/672 I691/693
	991 642 951 X DML	Matt Black/hi-gloss chrome We take back: 991.642.951.00.DML			
1	991 642 951 AX	Control part	14	1	IIY2/665/672 I691/693
	991 642 951 AX DML	Matt Black/hi-gloss chrome We take back: 991.642.951.01.DML			
1	991 642 951 BX	Control part	15	1	IIY1/665/672 I691/693
	991 642 951 BX DML	Matt Black/hi-gloss chrome We take back: 991.642.951.02.DML			
1	991 642 951 CX	Control part	15	1	IIY2/665/672 I691/693
	991 642 951 CX DML	Matt Black/hi-gloss chrome We take back: 991.642.951.03.DML			
1	991 642 951 DX	Control part	16-	1	I665/672/691 I693
	991 642 951 DX DML	Matt Black/hi-gloss chrome We take back: 991.642.951.04.DML			
1	991 642 952 AX	Control part	14	1	-I672/-I693 I665/691
	991 642 952 AX DML	Matt Black/hi-gloss chrome We take back: 991.642.952.01.DML			
1	991 642 952 BX	Control part	15	1	-I672/-I693 IIY1/665/691
	991 642 952 BX DML	Matt Black/hi-gloss chrome We take back: 991.642.952.02.DML			
1	991 642 952 CX	Control part	15	1	-I672/-I693 IIY2/665/691
	991 642 952 CX DML	Matt Black/hi-gloss chrome We take back: 991.642.952.03.DML			
1	991 642 952 DX	Control part	16-	1	-I672/-I693 I665/691
	991 642 952 DX DML	Matt Black/hi-gloss chrome We take back: 991.642.952.04.DML			

Model: 991G13 Model life 2013>>

Pos	Part Number	Description	Remark	Qty	Model
1	991 642 953 AX	Control part	14	1	-I672/I669 I691/693
	991 642 953 AX DML	Matt Black/hi-gloss chrome We take back: 991.642.953.01.DML			
1	991 642 953 BX	Control part	15	1	-I672/IIY1 I669/691/693
	991 642 953 BX DML	Matt Black/hi-gloss chrome We take back: 991.642.953.02.DML			
1	991 642 953 CX	Control part	15	1	-I672/IIY2 I669/691/693
	991 642 953 CX DML	Matt Black/hi-gloss chrome We take back: 991.642.953.03.DML			
1	991 642 953 DX	Control part	16-	1	-I672/I669 I691/693
	991 642 953 DX DML	Matt Black/hi-gloss chrome We take back: 991.642.953.04.DML			
1	991 642 954 AX	Control part	14	1	-I672/-I693 I665/690
	991 642 954 AX DML	Matt Black/hi-gloss chrome We take back: 991.642.954.01.DML			
1	991 642 954 BX	Control part	15	1	-I672/-I693 IIY1/665/690
	991 642 954 BX DML	Matt Black/hi-gloss chrome We take back: 991.642.954.02.DML			
1	991 642 954 CX	Control part	15	1	-I672/-I693 IIY2/665/690
	991 642 954 CX DML	Matt Black/hi-gloss chrome We take back: 991.642.954.03.DML			
1	991 642 954 DX	Control part	16-	1	-I672/-I693 I665/690
	991 642 954 DX DML	Matt Black/hi-gloss chrome We take back: 991.642.954.04.DML			
1	991 642 955 AX	Control part	14	1	-I672/I665 I690/693
	991 642 955 AX DML	Matt Black/hi-gloss chrome We take back: 991.642.955.01.DML			
1	991 642 955 BX	Control part	15	1	-I672/IIY1 I665/690/693
	991 642 955 BX DML	Matt Black/hi-gloss chrome We take back: 991.642.955.02.DML			
1	991 642 955 CX	Control part	15	1	-I672/IIY2 I665/690/693
	991 642 955 CX DML	Matt Black/hi-gloss chrome We take back: 991.642.955.03.DML			
1	991 642 955 DX	Control part	16-	1	-I672/I665 I690/693
	991 642 955 DX DML	Matt Black/hi-gloss chrome We take back: 991.642.955.04.DML			
-		Control unit Telephone See illustrations			

Model: 991G13 Model life 2013>>

Pos	Part Number	Description	Remark	Qty	Model
-	970 642 929 01	9/11/10 Rotary knob for Control part	/L	1	I665
-	970 642 930 01	Rotary knob for Control part	/R	1	I665
(1)	991 645 130 03	Radio	-14	1	-I619/-I686 -I692/I696
(1)	991 645 130 03 DML 991 645 130 CX	CDR 31 Matt Black/hi-gloss chrome Radio	-14	1	-I619/-I686 -I692/I696
(1)	991 645 130 CX DML 991 645 130 04	CDR 31 Matt Black/hi-gloss chrome We take back: 991.645.130.03.DML Radio	15-	1	-I619/-I686 -I692/I696
(1)	991 645 130 04 DML 991 645 130 DX	CDR 31 Matt Black/hi-gloss chrome Radio	15-	1	-I619/-I686 -I692/I696
(1)	991 645 130 DX DML 991 645 132 03	CDR 31 Matt Black/hi-gloss chrome We take back: 991.645.130.04.DML Radio	-14	1	-I619/-I686 I692/696
(1)	991 645 132 03 DML 991 645 132 CX	CDR 31 Matt Black/hi-gloss chrome Radio	-14	1	-I619/-I686 I692/696
(1)	991 645 132 CX DML 991 645 132 04	CDR 31 Matt Black/hi-gloss chrome We take back: 991.645.132.03.DML Radio	15-	1	-I619/-I686 I692/696
(1)	991 645 132 04 DML 991 645 132 DX	CDR 31 Matt Black/hi-gloss chrome Radio	15-	1	-I619/-I686 I692/696
(1)	991 645 132 DX DML 991 645 134 03	CDR 31 Matt Black/hi-gloss chrome We take back: 991.645.132.04.DML Radio	-14	1	-I686/-I692 I619/696
(1)	991 645 134 03 DML 991 645 134 CX	CDR 31 Matt Black/hi-gloss chrome Radio	-14	1	-I686/-I692 I619/696
(1)	991 645 134 CX DML 991 645 134 04	CDR 31 Matt Black/hi-gloss chrome We take back: 991.645.134.03.DML Radio	15-	1	-I686/-I692 I619/696
(1)	991 645 134 04 DML 991 645 134 DX	CDR 31 Matt Black/hi-gloss chrome Radio	15-	1	-I686/-I692 I619/696

Model: 991G13 Model life 2013>>

Pos	Part Number	Description	Remark	Qty	Model
(1)	991 645 134 DX DML 991 645 136 03	CDR 31 Matt Black/hi-gloss chrome We take back: 991.645.134.04.DML Radio	-14	1	-I686/I619 I692/696
(1)	991 645 136 03 DML 991 645 136 CX	CDR 31 Matt Black/hi-gloss chrome Radio	-14	1	-I686/I619 I692/696
(1)	991 645 136 CX DML 991 645 136 04	CDR 31 Matt Black/hi-gloss chrome We take back: 991.645.136.03.DML Radio	15-	1	-I686/I619 I692/696
(1)	991 645 136 04 DML 991 645 136 DX	CDR 31 Matt Black/hi-gloss chrome Radio	15-	1	-I686/I619 I692/696
-	991 645 136 DX DML 970 645 929 00	CDR 31 Matt Black/hi-gloss chrome We take back: 991.645.136.04.DML Rotary knob Left for Radio		1	I696
-	970 645 930 00	CDR 31 Rotary knob Right for Radio		1	I696
2	999 073 498 01	Oval-head screw M 5 X 20		4	
-	7PP 919 855	CD-ROM Logbook		1	I641
-	997 642 271 56	DVD Navigation system for Software 7PP.919.193.CB	14-	1	I610
-	997 642 271 57	DVD Navigation system for Software 7PP.919.193.CL	15-	1	I610
-	997 642 271 58	DVD Navigation system for Software 7PP.919.193.DD	16-	1	I610
-	997 642 271 59	DVD Navigation system for Software 7PP.919.193.DP	16-	1	I610
-	997 642 275 56	DVD Navigation system for Software 7PP.919.193.CD	14-	1	I611

Model: 991G13

Model life 2013>>

Pos	Part Number	Description	Remark	Qty	Model
-	997 642 275 57	DVD Navigation system for Software 7PP.919.193.CN	15-	1	I611
-	997 642 275 58	DVD Navigation system for Software 7PP.919.193.DF	16-	1	I611
-	991 642 287 52	DVD Navigation system for Software 7PP.919.193.CF	14-	1	I612
-	991 642 287 57	DVD Navigation system for Software 7PP.919.193.CQ	15-	1	I612
-	991 642 287 58	DVD Navigation system for Software 7PP.919.193.DG	16-	1	I612
-	997 642 279 56	DVD Navigation system for Software 7PP.919.193.CG	14-	1	I613
-	997 642 279 57	DVD Navigation system for Software 7PP.919.193.CR	15-	1	I613
-	997 642 279 58	DVD Navigation system for Software 7PP.919.193.DH	16-	1	I613
-	997 642 281 56	DVD Navigation system for Software 7PP.919.193.CH	14-	1	I614
-	997 642 281 57	DVD Navigation system for Software 7PP.919.193.CS	15-	1	I614
-	997 642 281 58	DVD Navigation system for Software 7PP.919.193.DJ	16-	1	I614
-	997 642 283 56	DVD Navigation system for Software 7PP.919.193.CJ		1	I616
-	997 642 283 58	DVD Navigation system for	16-	1	I616

Model: 991G13

Model life 2013>>

Pos	Part Number	Description	Remark	Qty	Model
-	970 642 285 57	Software 7PP.919.193.DK DVD Navigation system for Software	15-	1	I617
-	970 642 285 58	Software 7PP.919.193.DA DVD Navigation system for Software	16-	1	
-	991 642 288 56	Software 7PP.919.193.DL DVD Navigation system for Software	14-	1	I77J
-	991 642 288 57	Software 7PP.919.193.BE DVD Navigation system for Software	15-	1	I77J
-	991 642 288 58	Software 7PP.919.193.DB DVD Navigation system for Software	16-	1	I77J
-	991 642 289 56	Software 7PP.919.193.DM DVD Navigation system for Software	14-	1	I77K
-	991 642 289 58	Software 7PP.919.193.BF DVD Navigation system for Software	16-	1	I77K
(5)	991 646 307 02	7PP.919.193.DN Microphone Left		1	I490/619
(5)		Microphone Left		1	I490/666
(5)		Microphone Left		1	-I619/-I666 I490/671
6	991 646 313 02	Microphone Right		1	I619/665
(6)		Microphone Right		1	I666
(6)		Microphone Right		1	-I619/-I666 I671
7	7PP 035 724 D	Right Plug socket Multimedia interface Glove compartment		1	I665/870
(7)	7PP 035 724 C	Plug socket Multimedia interface Glove compartment		1	I696/870
8	991 642 122 01	Connecting line Multimedia interface Control part		1	I665/870
(8)	991 642 123 01	- USB - Connecting line Multimedia interface		1	I665/696/870

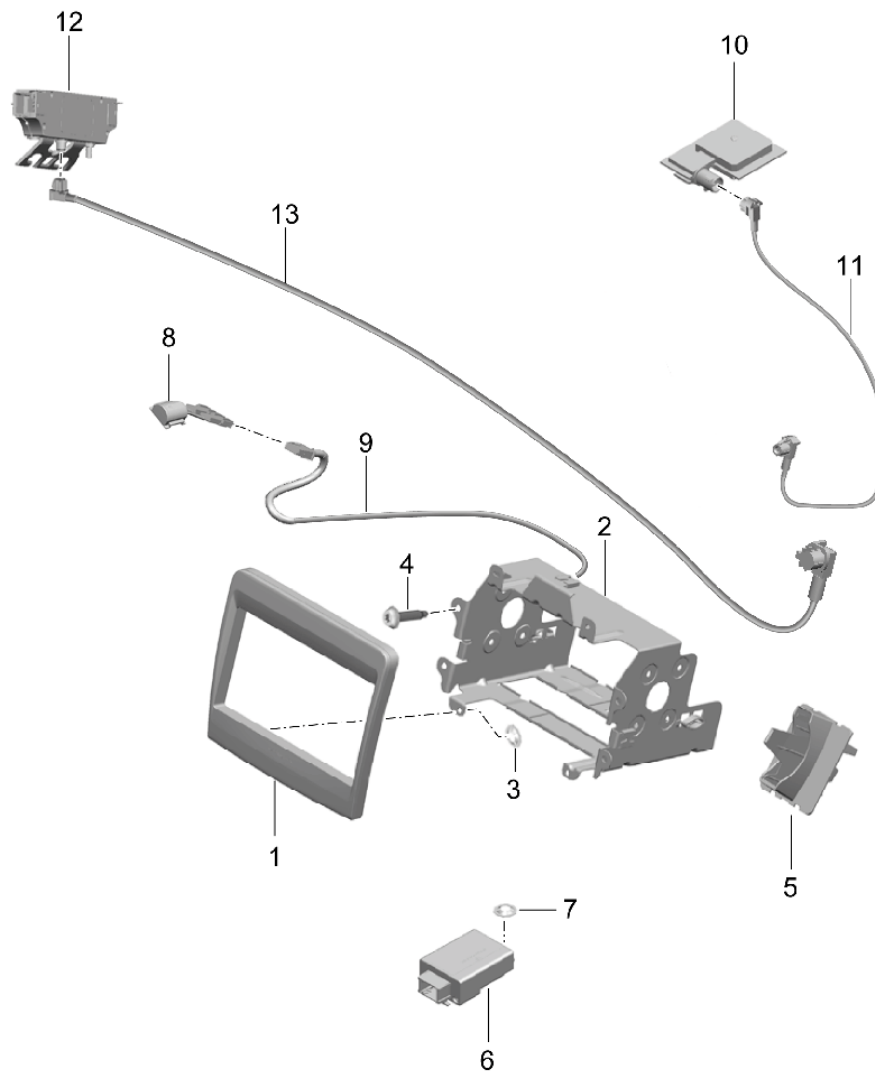
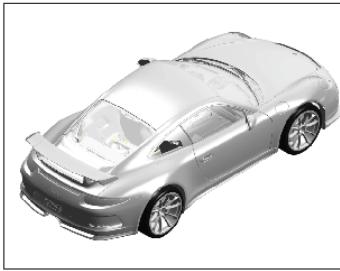
Model: 991G13

Model life 2013>>

Pos	Part Number	Description	Remark	Qty	Model
(8)	958 612 642 10	Control part - AUX - Connecting line Control part Instrument cluster		1	

Model: 991G13

Model life 2013>>



Model: 991G13 Model life 2013>>

Pos	Part Number	Description	Remark	Qty	Model
		Preparation	-17		I675
		Navigation system			
		Japan			
1	991 642 323 00	Front frame		1	I675
	991 642 323 00 A05	Black mat			
2	991 642 327 00	Retaining frame		1	I675
3	999 591 243 01	Clamping washer		4	I675
4	999 073 498 01	Oval-head screw		4	I675
		M 5 X 20			
5	991 642 329 00	Support	-14	1	I675
	991 642 329 00 1E0	Black			
		Card reader			
		Glove compartment			
5	991 642 333 00	Support	15-	1	I675
	991 642 333 00 1E0	Black			
		Card reader			
		Glove compartment			
-	7PP 035 500	Antenna	-14	1	I675
		ETC			
-	5C5 919 853	Antenna	15-	1	I675
		S DRC			
6	7PP 971 324 B	Adapter		1	I675
		- CAN -			
7	999 591 946 03	Clamping washer		1	I675
8	991 646 311 02	Microphone		1	I675
9	991 612 067 50	Connecting line		1	I675
		Microphone			
		Control part			
10	7PP 035 504 A	Antenna		1	I675
		Navigation system			
11	991 612 066 50	Connecting line		1	I675
		Antenna			
		Navigation system			
		Control part			
12	991 647 109 01	Antenna booster	/L	1	I675
		A-pillar			
		Left			
(12)	991 647 110 01	Antenna booster	/R	1	I675
		A-pillar			
		Right			
13	991 612 065 00	Connecting line		1	I675
		Antenna booster			
		Right			
		Control part			
		Radio			
(13)	991 612 062 50	Connecting line		1	I675
		Antenna booster			
		Left			
		Control part			
		TV			
(13)	991 612 063 50	Connecting line		1	I675
		Antenna booster			
		Left			
		Control part			
		TV			
(13)	991 612 064 00	Connecting line		1	I675
		Antenna booster			
		Right			
		Control part			
		TV			
(13)	997 612 047 25	Connecting line		1	I675
		- VICS BEACON -			
		Antenna			

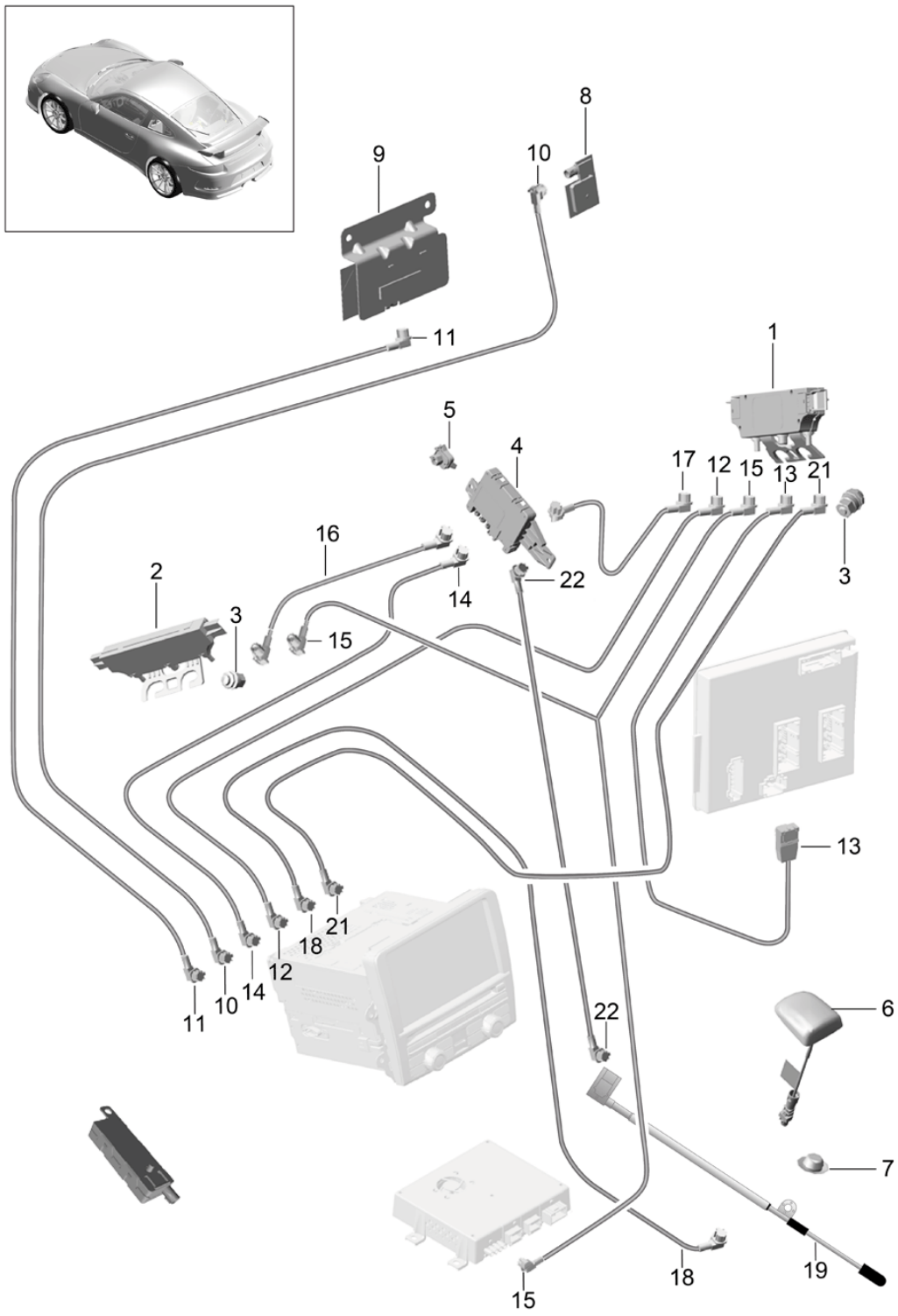
Model: 991G13

Model life 2013>>

Pos	Part Number	Description	Remark	Qty	Model
		Control part			

Model: 991G13

Model life 2013>>



Model: 991G13 Model life 2013>>

Pos	Part Number	Description	Remark	Qty	Model
		Antenna booster	-17		
		Antenna			
		Connecting line			
1	991 647 106 00	Antenna booster	/R	1	-I440/I692
		A-pillar			
		Right			
(1)	991 647 118 00	Antenna booster	/R	1	-I676/I440 I665
		A-pillar			
		Right			
2	991 647 117 00	Antenna booster	/L	1	-I676/I440 I665
		A-pillar			
		Left			
(2)	991 647 127 00	Antenna booster	/L	1	I440/665/691
		A-pillar			
		Left			
3	999 516 032 01	Hexagon nut		4	
4	991 618 122 00	Control unit		1	I440
5	991 647 318 00	Clamp		2	I440
8	7PP 035 504 A	Antenna		1	I672
		GPS			
(8)	991 647 053 01	Antenna		1	I674
		GPS			
9	991 647 125 00	Antenna		1	I666
		Telephone			
(9)	991 647 063 01	Antenna		1	I674
		Telephone			
10	991 612 022 50	Connecting line		1	I672
		Antenna			
		GPS			
		To			
		Control part			
		Navigation system			
10	991 612 037 50	Connecting line		1	I674
		Antenna			
		GPS			
		To			
		Control part			
		Navigation system			
11	991 612 023 50	Connecting line		1	I666
		Antenna			
		Telephone			
		To			
		Control part			
		Navigation system			
12	991 612 033 00	Connecting line		1	-I440/I696
		Radio			
		To			
		Antenna booster			
		A-pillar			
		Right			
13	991 612 013 00	Connecting line	/LL	1	I098/524/525
		Control unit			
		Electronics			
		Body front section			
		To			
		Antenna booster			
		A-pillar			
		Right			
(13)	991 612 013 50	Connecting line	/RL	1	I099/524/525
		Control unit			
		Electronics			

Model: 991G13 Model life 2013>>

Pos	Part Number	Description	Remark	Qty	Model
14	991 612 016 00	Body front section To Antenna booster A-pillar Right Connecting line Control unit		1	I440/665
15	991 612 027 00	To Control part Navigation system Connecting line Receiving part TV	/LL	1	I098/676
(15)	991 612 027 50	To Antenna booster A-pillar Right And Left Connecting line Receiving part TV	/RL	1	I099/676
16	991 612 014 00	To Antenna booster A-pillar Right And Left Connecting line Antenna booster A-pillar Left	/LL	1	I098/440
(16)	991 612 014 50	To Control unit Connecting line Antenna booster A-pillar Left	/RL	1	I099/440
17	991 612 015 00	To Control unit Connecting line Antenna booster A-pillar Right	/LL	1	I098/440
(17)	991 612 015 50	To Control unit Connecting line Antenna booster A-pillar Right	/RL	1	I099/440
21	991 612 073 50	To Control unit Connecting line Antenna booster Digital Radio		1	I691
22	991 612 038 00	To Control part PCM Connecting line Antenna GSM		1	
		To			

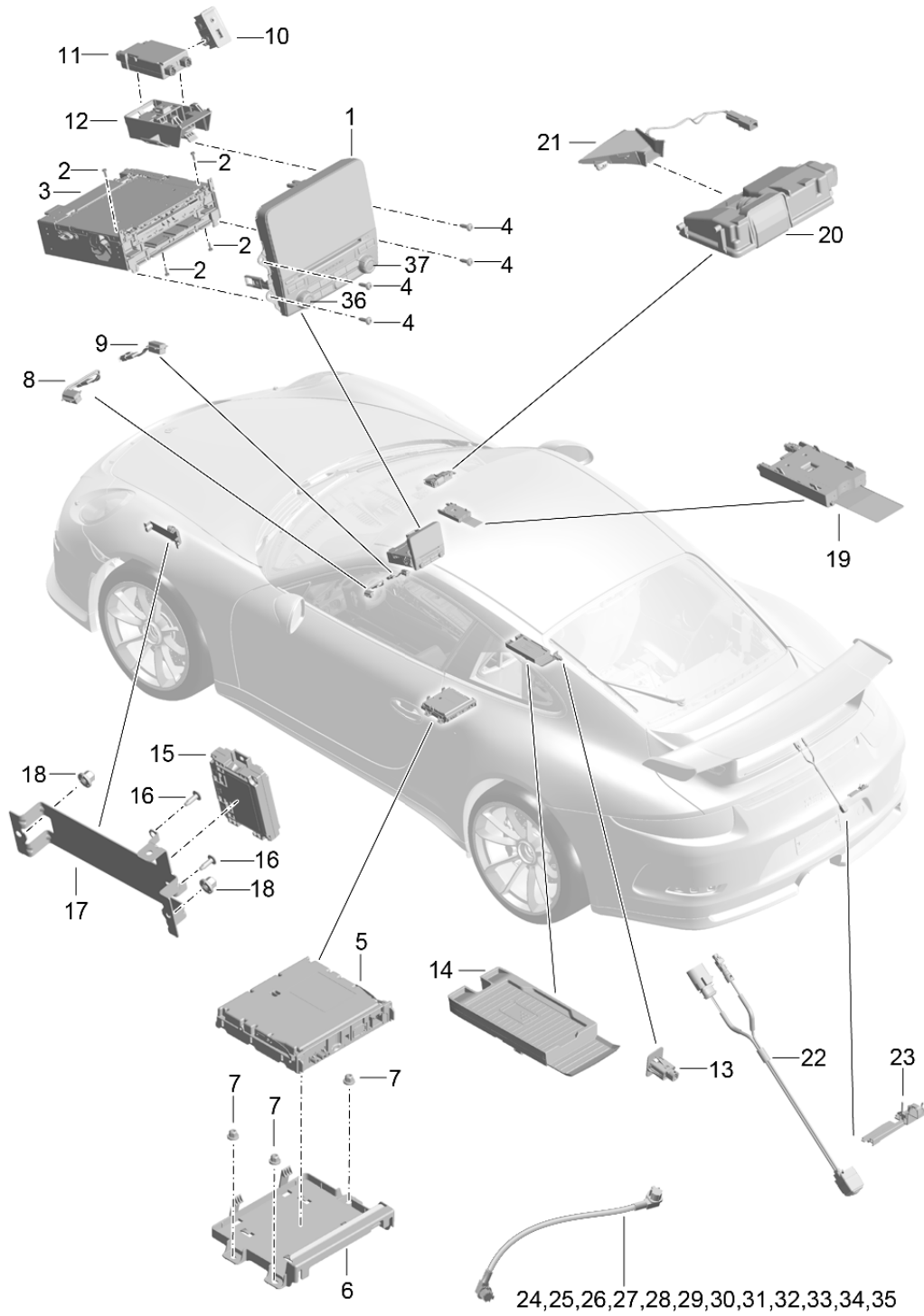
Model: 991G13

Model life 2013>>

Pos	Part Number	Description	Remark	Qty	Model
		Control unit VTS vehicle tracking			

Model: 991G13

Model life 2013>>



Model: 991G13

Model life 2013>>

Pos	Part Number	Description	Remark	Qty	Model
		Screen Central computer Navigation TV Microphone Multimedia interface Coupler box Camera Connecting line	18-		
(1)	9P1 919 607 E 9P1 919 607 E DML	Screen		1	II8L/9ZE/9ZX
(1)	9P1 919 607 CX 9P1 919 607 CX DML	Screen		1	II8L/9ZE/9ZX
2	9A7 008 064 00	Round head screw M 2,5 X 10		4	
(3)	9P1 035 035 L	Control unit Central computer		1	IER1/QU1/QV0 IQV1/QV3/9ZC I9ZK
(3)	9P1 035 035 CX	Control unit Central computer		1	IER1/QU1/QV0 IQV1/QV3/9ZC I9ZK
(3)	9P1 035 037 L	Control unit Central computer		1	IER1/QU1/QV0 IQV1/QV3/9ZE I9ZX
(3)	9P1 035 037 CX	Control unit Central computer		1	IER1/QU1/QV0 IQV1/QV3/9ZE I9ZX
(3)	9P1 035 041 L	Control unit Central computer		1	IER2/QU1/QV0 IQV1/QV3/9ZC I9ZK
(3)	9P1 035 041 CX	Control unit Central computer		1	IER2/QU1/QV0 IQV1/QV3/9ZC I9ZK
(3)	9P1 035 868 L	Control unit Central computer		1	IER2/QU1/QV0 IQV1/QV3/9ZE I9ZX
(3)	9P1 035 868 CX	Control unit Central computer		1	IER2/QU1/QV0 IQV1/QV3/9ZE I9ZX
(3)	9P1 035 890 L	Control unit Central computer		1	IER3/9ZC/9ZK
(3)	9P1 035 890 CX	Control unit Central computer		1	IER3/9ZC/9ZK
(3)	9P1 035 892 L	Control unit Central computer		1	IER3/9ZE/9ZX
(3)	9P1 035 892 CX	Control unit Central computer		1	IER3/9ZE/9ZX
(3)	9P1 035 893 L	Control unit Central computer		1	IER4/QV0
(3)	9P1 035 893 CX	Control unit Central computer		1	IER4/QV0
(3)	9P1 035 894 H	Control unit Central computer		1	IER6/9ZC/9ZK
(3)	9P1 035 894 DX	Control unit Central computer		1	IER6/9ZC/9ZK

Model: 991G13

Model life 2013>>

Pos	Part Number	Description	Remark	Qty	Model
(3)	9P1 035 895 H	Central computer Control unit		1	IER6/9ZE/9ZX
(3)	9P1 035 895 DX	Central computer Control unit		1	IER6/9ZE/9ZX
(3)	9P1 035 896 H	Central computer Control unit		1	IER8/9ZE/9ZX
(3)	9P1 035 896 DX	Central computer Control unit		1	IER8/9ZE/9ZX
(3)	9P1 035 897 H	Central computer Control unit		1	IER5/9ZC/9ZK
(3)	9P1 035 897 DX	Central computer Control unit		1	IER5/9ZC/9ZK
(3)	9P1 035 898 H	Central computer Control unit		1	IER5/9ZE/9ZX
(3)	9P1 035 898 DX	Central computer Control unit		1	IER5/9ZE/9ZX
(3)	9P1 035 899 H	Central computer Control unit		1	IER7/9ZE/9ZX
(3)	9P1 035 899 DX	Central computer Control unit		1	IER7/9ZE/9ZX
4	999 073 498 01	Oval-head screw M5X20		4	
5	9A7 919 191 01	Receiving part TV		1	IER1/ER2/ER8 IQU1/QV1
(5)	9A7 919 192 01	Receiving part TV		1	IER6/QU1/QV1
(5)	9A7 919 146 01	Receiving part TV		1	IER7/QU1/QV1
(5)	9A7 919 129 01	Receiving part TV		1	IER5/QU1/QV1
6	9P1 919 159	Support Receiving part TV		1	IQU1/QV1
7	999 049 033 40	Plastic nut		3	
8	991 646 309 02	Microphone Left		1	I9VJ/9VL/9ZC I9ZE/9ZK/9ZX
9	991 646 313 02	Microphone Right		1	II8L
10	9A7 642 222 00	Multimedia interface		1	IUI2
11	9A7 642 953 00	USB distributor		1	IER1/ER2/ER3 IER4/ER6/ER7 IER8/ER9/UI2
(11)	9A7 642 953 02	USB distributor		1	IER5/UI2
12	9P1 035 925 A	Support USB distributor		1	IER1/ER2/ER3 IER4/ER6/ER7 IER8/ER9/UI2
13	9P1 035 222	Multimedia interface		1	IUI2
14	9P1 035 502 A	Coupler box		1	I9ZC
15	9P1 035 502 A 1E0	Black			
15	9A7 646 456 00	Booster Mobile phone		1	I9ZC/9ZE
16	999 073 459 01	Oval-head screw		2	
17	9P1 035 205	Support Booster		1	I9ZC
18	999 049 033 40	Plastic nut		2	
19	9A7 919 813 00	Card reader		1	IER5
20	7PP 980 653 D	Camera Windscreen		1	I631/632/852
21	991 555 715 00	Cover with		1	I631/632/852

Model: 991G13

Model life 2013>>

Pos	Part Number	Description	Remark	Qty	Model
22	95B 980 551 K	Heating Reversing camera		1	I638
23	991 642 222 00	Support Connector Reversing camera		1	I638
24	9P1 979 001	Connecting line Coupler box Centre console 800 MM		1	I9ZC
25	9P1 979 002	Connecting line USB adapter Centre console 1025 MM		1	IUI2
26	9P1 979 018	Connecting line USB adapter Centre console 600 MM		1	IUI2
27	9P3 979 001	Connecting line Instrument cluster Centre console 730 MM		1	/LL IUI2/098
28	9P4 979 001	Connecting line Instrument cluster Centre console 1100 MM		1	/RL IUI2/099
29	9P1 979 008	Connecting line Reversing camera 1350 MM		1	I638
30	9P1 979 016	Connecting line Reversing camera 4100 MM		1	I638
31	9P1 979 022	Connecting line Reversing camera Lining Rear 950 MM		1	I638
32	9P1 979 004	Connecting line USB adapter USB distributor 850 MM		1	IER1/ER2/ER3 IER4/ER6/ER7 IER8/I8L/UI2
33	9P1 979 005	Connecting line USB adapter Central computer 890 MM		1	IER5
34	9P4 979 022	Connecting line USB distributor Central computer 850 MM		1	IER1/ER2/ER3 IER4/ER6/ER7 IER8/I8L/UI2
35	9P1 970 349	Connecting line Screen Central computer 250 MM		1	
36	9P1 919 069	Rotary knob Screen Left		1	
37	9P1 919 070	Rotary knob Screen		1	

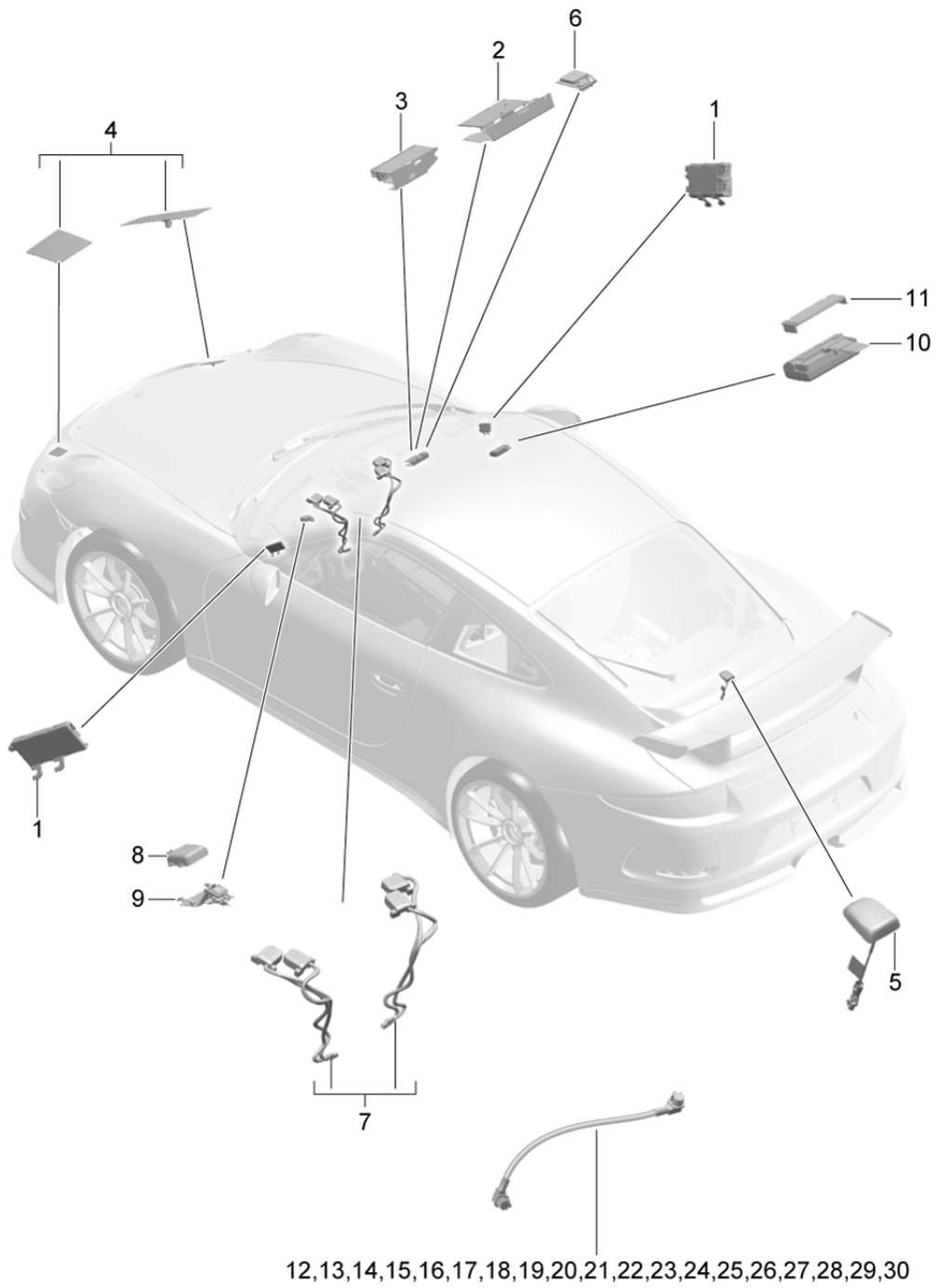
Model: 991G13

Model life 2013>>

Pos	Part Number	Description	Remark	Qty	Model
		Right			

Model: 991G13

Model life 2013>>



Model: 991G13 Model life 2013>>

Pos	Part Number	Description	Remark	Qty	Model
1	9P1 035 225	Antenna Lines Antenna booster	18-	1	/R IER1/ER2/ER3 IER4/ER6/ER7 IER8/QU8/QV0 IQV3
(1)	9P1 035 225 A	A-pillar Right Antenna booster		1	/R IER5/QV0
(1)	9P1 035 225 C	A-pillar Right Antenna booster		1	/R IER1/ER2/ER3 IER4/ER6/ER7 IER8/QU1/QV1
1	9P1 035 225 B	A-pillar Right Antenna booster		1	/L IER1/ER2/ER3 IER4/ER6/ER7 IER8/QU8/QV0 IQV3
2	971 035 503	A-pillar Left Antenna		1	-I631/-I632 -I852/I9ZC I9ZK
3	971 035 503 A	Telephone Antenna		1	I631/632/852 I9ZC/9ZK
4	971 035 510 B	Telephone Data Antenna		2	-IXAS/-IXAT I9ZC
(4)		Telephone Front apron Antenna		1	-IXAS/-IXAT I9ZK
5	9P1 035 510	Telephone Front apron Antenna Digital Radio		1	IQU8/789
6	7PP 035 504 A	Antenna Navigation		1	I7UG
7	991 647 053 01	Antenna VTS vehicle tracking		1	I7G9/7I0/7I2
8	9A7 647 504 00	Antenna ETC		1	IER5
9	9P1 035 755	Support Antenna ETC		1	IER5
10	9A7 647 504 10	Antenna VICS		1	IER5
11	9A7 647 720 00	Support Antenna VICS		1	IER5
12	9P4 979 002	Single line Antenna ETC		1	IER5
13	9P3 979 008	Single line		1	IER5/I8L/QV0

Model: 991G13 Model life 2013>>

Pos	Part Number	Description	Remark	Qty	Model
(13)	9P3 979 009	Antenna Single line		1	/R IER5/I8L/QV1
(13)	9P3 979 013	Antenna Right Single line		1	/L IER5/I8L/QV1
14	9P3 979 023	Antenna Left Single line		1	I7G9/7I0/7I2
15	9P4 979 005	Antenna GSM Single line		1	I7UG
16	9P4 979 006	Antenna GPS Single line		1	I7G9/7I0/7I2
17	9P3 979 007	Antenna GSM VTS vehicle tracking Single line		1	I7G9/7I0/7I2
18	9P3 979 018	Antenna GSM VTS vehicle tracking Single line		1	-I631/-I632 -I852/I9ZC I9ZK
19	9P3 979 019	Antenna GSM Single line		1	I631/632/852 I9ZC/9ZK
20	9P1 979 010	Antenna GSM Single line		1	IQU8
21	9P1 979 015	Antenna Digital Radio Single line		1	I7G9/7I0/7I2
22	9P3 979 010	Antenna Centre console VTS vehicle tracking Single line		1	IER1/ER2/ER3 IER4/ER6/ER7 IER8/I8L/QU8 IQV0 IQV3
23	9P3 979 011	Antenna Single line		1	IER1/ER2/ER3 IER4/ER6/ER8 II8L/QU1/QV1
24	9P3 979 012	Antenna Single line		1	IER1/ER2/ER3 IER4/ER6/ER8 II8L/QU1
25	9P3 979 014	Antenna Single line		1	IQV3
26	9P3 979 015	Antenna DAB Single line		1	IER1/ER2/ER3 IER4/ER6/ER8 II8L/QV1
27	9P3 979 016	Antenna without DAB Single line		1	I9ZC

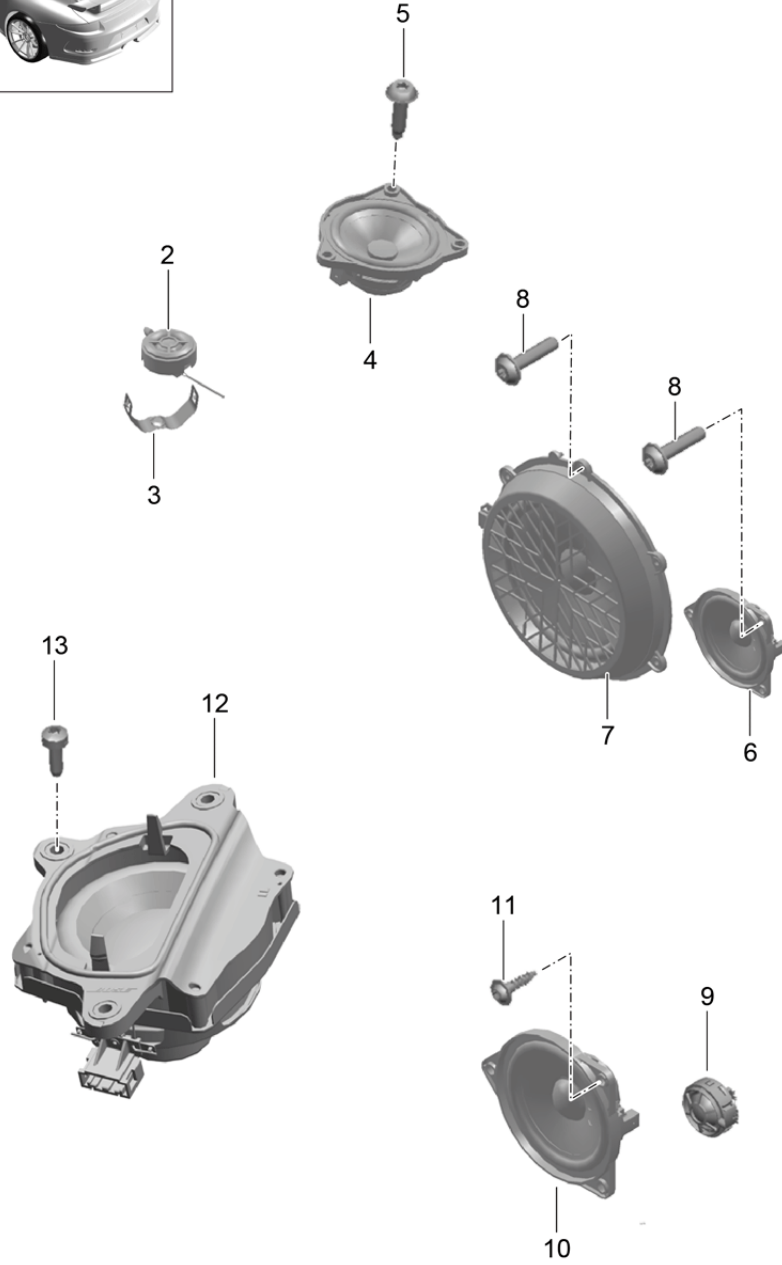
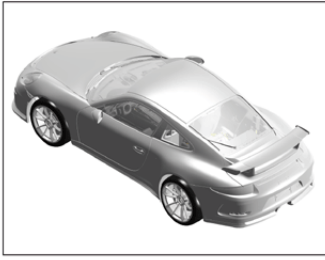
Model: 991G13

Model life 2013>>

Pos	Part Number	Description	Remark	Qty	Model
28	9P3 979 017	Antenna FRONT luggage compartment Single line Antenna Centre console Booster		1	I9ZC
29	9P1 979 021	Single line Antenna Telephone		1	I9ZC
30	9P1 979 020	Front apron Single line Antenna Telephone Front apron		1	I9ZC/9ZK

Model: 991G13

Model life 2013>>

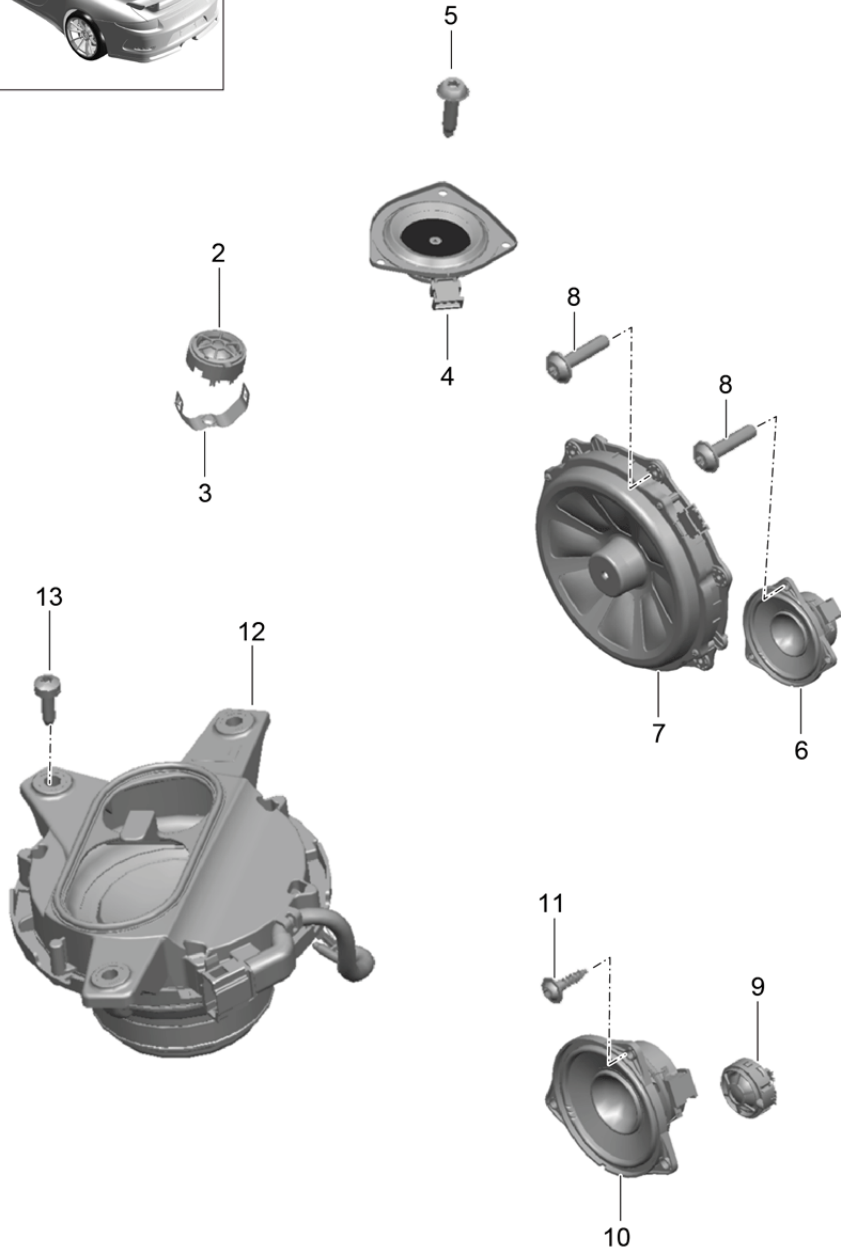
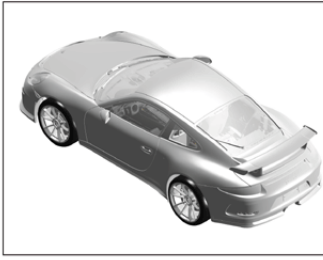


Model: 991G13 Model life 2013>>

Pos	Part Number	Description	Remark	Qty	Model
2	7PP 035 411	Loudspeaker Tweeter Dashboard	-17	2	I490
(2)	7PP 035 411 D	Tweeter Dashboard		2	I680
3	991 552 775 00	Retaining bar Tweeter		2	I490/680
4	7PP 035 828 C	Loudspeaker Dashboard Centre		1	I490
(4)	7PP 035 828 D	Loudspeaker Dashboard Centre		1	I680
5	999 073 557 01	Oval-head screw M 5 X 20		7	
6	7PP 035 415 E	Mid-range loudspeaker Door		2	I490
(6)	7PP 035 415 F	Mid-range loudspeaker Door		2	I680
7	7PP 035 454 J	Woofers Door	-14	2	IIY1/490
(7)	7PP 035 454 L	Woofers Door	14	2	IIY2/490
(7)		Woofers Door	15-	2	I490
(7)	970 645 551 02	Woofers Door		2	I441
(7)	7PP 035 454 P	Woofers Door		2	I680
8	999 919 209 09	Oval-head screw 5,0 X 22,0		12	
9	7PP 035 411	Tweeter Rear		2	I490
(9)	7PP 035 411 D	Tweeter Rear		2	I680
10	7PP 035 415 E	Mid-range loudspeaker Rear		2	I490
(10)	7PP 035 415 F	Mid-range loudspeaker Rear		2	I680
11	999 919 250 01	Lens-head screw 4,0 X 16,0		6	
12	991 645 565 00	Subwoofer		1	I098/680
(12)	991 645 566 00	Subwoofer		1	I099/680
13	999 073 382 01	Combination screw M 6 X 20		1	I680

Model: 991G13

Model life 2013>>

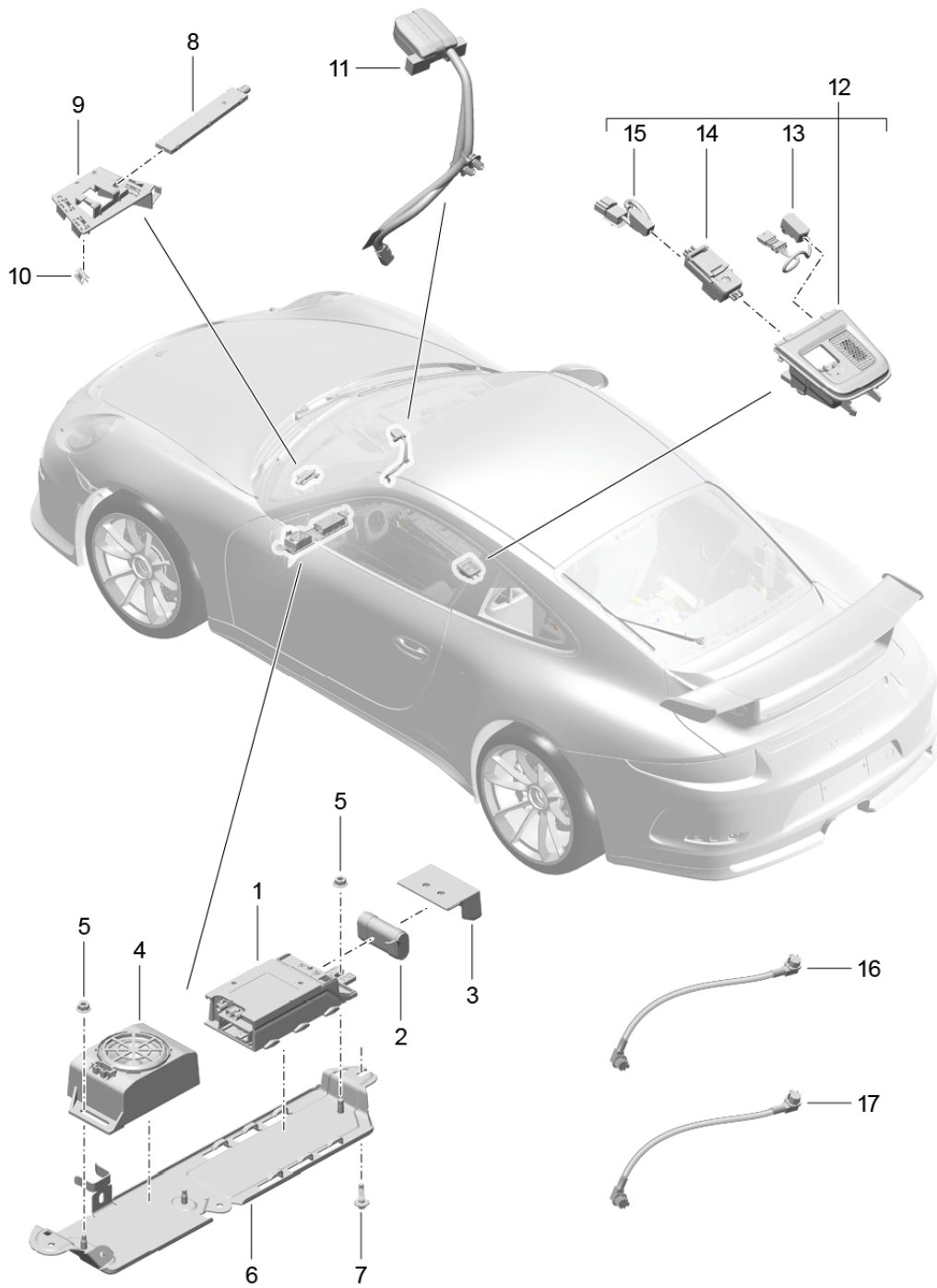


Model: 991G13 Model life 2013>>

Pos	Part Number	Description	Remark	Qty	Model
2	7PP 035 411 D	Loudspeaker Tweeter Dashboard	18-	2	I9VL
(2)	7PP 035 411	Tweeter Dashboard		2	I9VK
3	991 552 775 00	Retaining bar Tweeter		2	I9VK/9VL
(4)	7PP 035 828 D	Loudspeaker Dashboard Centre		1	I9VL
5	999 073 498 01	Oval-head screw M 5 X 20		9	
(6)	7PP 035 415 F	Mid-range loudspeaker Door		2	I9VL
(6)	7PP 035 415 J	Mid-range loudspeaker Door		2	I9VK
(7)	9A7 645 555 14	Woofers Door		2	I9VL
(7)	7PP 035 454 L	Woofers Door		2	I9VK
8	999 919 209 09	Oval-head screw 5,0 X 22,0		12	
(9)	7PP 035 411 D	Tweeter Rear		2	I9VL
9	7PP 035 411	Tweeter Rear		2	I9VK
(10)	7PP 035 415 F	Mid-range loudspeaker Rear		2	I9VL
(10)	7PP 035 415 J	Mid-range loudspeaker Rear		2	I9VK
11	999 919 250 01	Lens-head screw 4,0 X 16,0		6	
(12)	991 645 565 00	Subwoofer	/LL	1	I098/9VL
(12)	991 645 566 00	Subwoofer	/RL	1	I099/9VL
13	999 073 382 01	Combination screw M 6 X 20		3	I9VL

Model: 991G13

Model life 2013>>

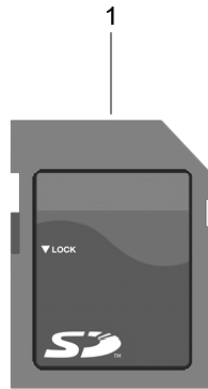
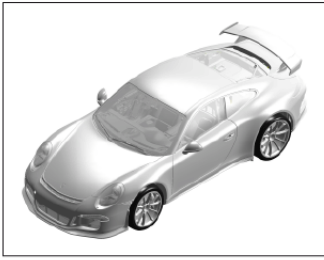


Model: 991G13 Model life 2013>>

Pos	Part Number	Description	Remark	Qty	Model
1	9P1 035 284	Emergency call system Control unit Communication Box		1	INZ3
2	9P1 915 611	Battery for Communication Box		1	
3	9P1 035 215	Lid for Communication Box		1	
4	7PP 035 709 A	Loudspeaker		1	
5	900 377 010 01	Hexagon nut		4	
6	9P1 035 206	Support		4	
7	999 919 278 01	Outer hexagon round screw		2	
8	9A7 035 504 00	Antenna GSM		1	
9	9P1 035 525	Support Antenna		1	
10	N 107 297 01	U-clamp Support		3	
11	9P1 035 504	Antenna GPS		1	
12	982 857 200 982 857 200 A05	Cover Centre console Black Including		1	-I583
13	9P1 035 712	Microphone		1	
14	9P1 959 511 9P1 959 511 6N3	Switch Black		1	
15	9P1 971 659	Adapter Line		1	
16	9P1 979 023	Single line for Antenna GSM 1250 MM Connector housing Black And Connector housing Violet		1	
17	9P1 979 024	Single line for Antenna GPS 1300 MM Connector housing Blue And Connector housing Black		1	

Model: 991G13

Model life 2013>>

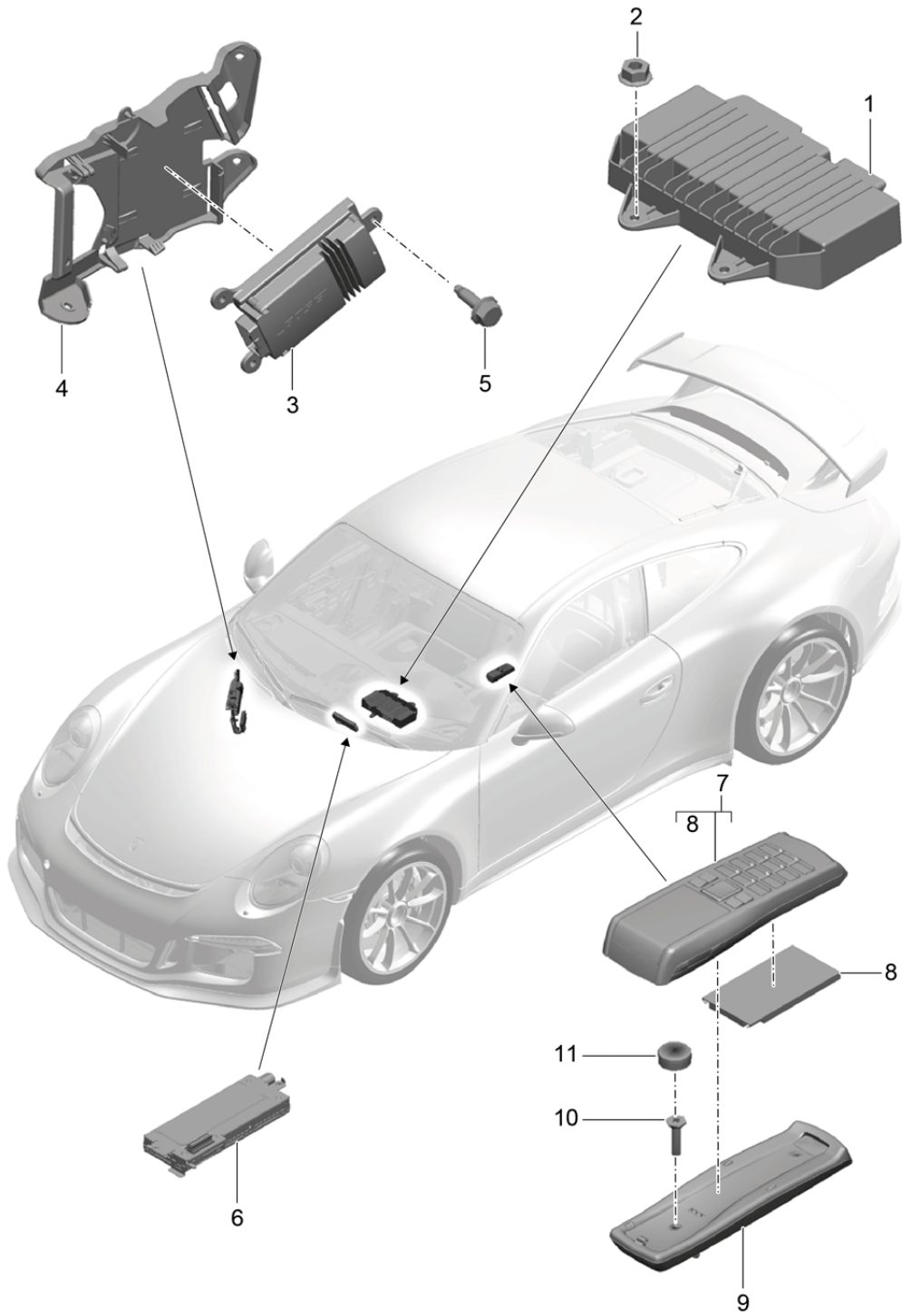


Model: 991G13 Model life 2013>>

Pos	Part Number	Description	Remark	Qty	Model
		SD card Data Navigation for Update	17-		
1	9P1 909 000 G	SD card Data Navigation	-17	1	IER1
1	9P1 909 000 T	SD card Data Navigation	18-	1	IER1
1	9P1 909 000 H	SD card Data Navigation	-17	1	IER3/ER4
1	9P1 909 000 AA	SD card Data Navigation	18-	1	IER3/ER4
1	9P1 909 000 J	SD card Data Navigation	-17	1	IER2
1	9P1 909 000 AB	SD card Data Navigation	18-	1	IER2
1	9P1 909 000 L	SD card Data Navigation	-17	1	IER5
1	9P1 909 000 AD	SD card Data Navigation	18-	1	IER5
1	9P1 909 000 N	SD card Data Navigation	-17	1	IER8
1	9P1 909 000 AF	SD card Data Navigation	18-	1	IER8
1	9P1 906 961	SD card Software Central computer	-17	1	IER1/ER2
1	9P1 906 961 A	SD card Software Central computer	-17	1	IER3/ER4
1	9P1 906 961 B	SD card Software Central computer D >> 08.11.2016		1	IER6
1	9P1 919 360	SD card Software Central computer D 09.11.2016>>	-17	1	IER6
1	9P1 919 360 A	SD card Software Central computer	-17	1	IER5
1	9P1 919 360 E	SD card Software Central computer	18-	1	IER5
1	9P1 906 961 D	SD card Software Central computer	-17	1	IER8
1	9P1 906 961 E	SD card Software Central computer	-17	1	IER7

Model: 991G13

Model life 2013>>



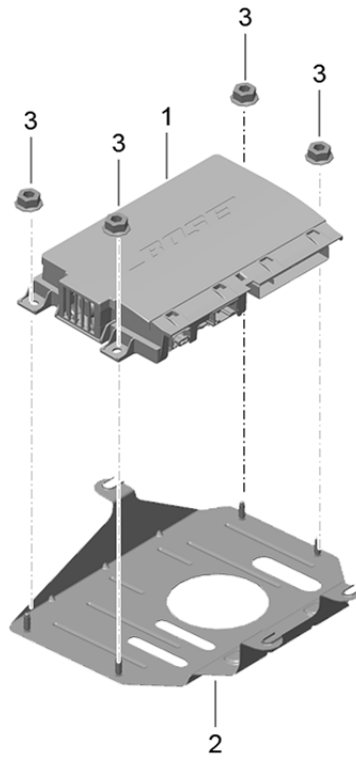
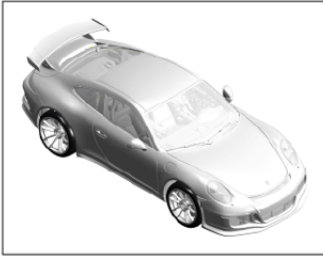
Model: 991G13

Model life 2013>>

Pos	Part Number	Description	Remark	Qty	Model
		Booster	-17		
		Telephone			
1	991 645 441 03	Booster	-14	1	I1Y1/490
(1)	991 645 441 04	Booster	14	1	I1Y2/490
(1)		Booster	15-	1	I490
(1)	7PP 035 223 AA	Booster		1	I680
(1)	991 645 480 00	Booster		1	I675/680
2	999 084 638 01	Hexagon nut M 6		3	
3	9P1 035 465	Additional amplifier Subwoofer		1	I680
4	991 645 521 00	Support Additional amplifier Subwoofer		1	I098/680
4	991 645 522 00	Support Additional amplifier Subwoofer		1	I099/680
5	900 378 317 01	Hexagon-head bolt M 6 X 25		1	I680
6	7PP 035 730 B	Control unit Telephone		1	I666
-		Microphone See illustrations 9/11/00			
7	7PP 035 725 C	Receiver Telephone		1	I669
8	997 646 916 00	Battery		1	I669
9	955 646 214 00	Mounting Receiver		1	I669
10	999 919 230 00	Countersunk-head screw 3,0 X 10		2	I669
11	955 646 311 00	Stopper		2	I669

Model: 991G13

Model life 2013>>



Model: 991G13

Model life 2013>>

Pos	Part Number	Description	Remark	Qty	Model
1	9A7 645 443 11	Booster	18-	1	I9VL
2	9P1 035 251 B	Booster Support		1	I9VL
3	999 084 638 01	Booster Hexagon nut		4	I9VL
-		Microphone See illustrations 9/11/00			