

Model: 997-09**Model life 2009>>2012**

ORDER-INFO

PET CONTAINS THE ORDERING DETAILS FOR ALL MODELS SHOWN IN THE MODEL OVERVIEW.

THE UPDATE SERVICE IS PERFORMED AUTOMATICALLY VIA INTERNET UPDATE.
THE VERSION IS SHOWN IN THE HEADER AS "UPDATE 123/12"

SEATS AND RELATED ITEMS FOR MODELS INTRODUCED BEFORE 1997 ARE SHOWN IN THE STZ CATALOGUE.

SEATS AND RELATED ITEMS FOR MODELS INTRODUCED AFTER 1997 ARE SHOWN IN THE CORRESPONDING VEHICLE CATALOGUES.

ALL ILLUSTRATIONS ARE NON-BINDING.
SUBJECT TO CHANGE.

Model: 997-09

Model life 2009>>2012

EXPLANAT.- VIN

EXPLANATION OF THE ABRIDGED VERSION OF THE VEHICLE IDENT. NUMBERS (VIN)
 =====
 USED IN THE CATALOGUE
 =====

DIGIT: 1 2 3 4 5 6 7 8 9 10 11 12 13 14 15 16 17

EXAMPLE: W P 0 Z Z Z 9 9 Z 5 S 7 0 0 1 2 5

 === = = = =====

 ! ! ! ! !

VEHICLE TYPE 1ST+2ND DIGIT-----+ ! ! ! !

 ! ! ! !

MODEL YEAR-----+ ! ! !

 ! ! !

MANUFACTURING LOCATION-----+ ! !

 ! !

VEHICLE TYPE 3RD DIGIT-----+ !

 !

SERIAL NUMBER-----+ !

Model: 997-09

Model life 2009>>2012

SUMMARY TYPES

VEHICLE TYPE	MY	VIN	ENGINE TYPE
997 COUPE	09	9 999S7 00061>	6000 MA1.02 253 KW
997 COUPE (USA.CDN.MEX.BR)	09	9 999S7 06061>	10000 MA1.02 253 KW
997 COUPE S	09	9 999S7 10061>	20000 MA1.01 283 KW
997 COUPE S (USA.CDN.MEX.BR)	09	9 999S7 20061>	30000 MA1.01 283 KW
997 CABRIO	09	9 999S7 35061>	40000 MA1.02 253 KW
997 CABRIO (USA.CDN.MEX.BR)	09	9 999S7 40061>	45000 MA1.02 253 KW
997 CABRIO S	09	9 999S7 45061>	54000 MA1.01 283 KW
997 CABRIO S (USA.CDN.MEX.BR)	09	9 999S7 54061>	60000 MA1.01 283 KW
997 TARGA	09	9 999S7 25061>	28000 MA1.02 253 KW
997 TARGA (USA.CDN.MEX.BR)	09	9 999S7 28061>	30000 MA1.02 253 KW
997 TARGA S	09	9 999S7 30061>	33000 MA1.01 283 KW
997 TARGA S (USA.CDN.MEX.BR)	09	9 999S7 33061>	35000 MA1.01 283 KW
997 COUPE	10	A 99AS7 00061>	6000 MA1.02 254 KW
997 COUPE (KOR.CN.MEX.BR)	10	A 99AS7 06061>	10000 MA1.02 254 KW
997 COUPE (USA.CDN.)	10	A A9AS7 06061>	10000 MA1.02 254 KW
997 COUPE S	10	A 99AS7 10061>	20000 MA1.01 283 KW
997 COUPE S (KOR.CN.MEX.BR)	10	A 99AS7 20061>	25000 MA1.01 283 KW
997 COUPE S (USA.CDN.)	10	A A9AS7 20061>	25000 MA1.01 283 KW
997 CABRIO	10	A 99AS7 35061>	40000 MA1.02 254 KW
997 CABRIO (KOR.CN.MEX.BR)	10	A 99AS7 40061>	45000 MA1.02 254 KW
997 CABRIO (USA.CDN.)	10	A A9AS7 40061>	45000 MA1.02 254 KW
997 CABRIO S	10	A 99AS7 45061>	54000 MA1.01 283 KW
997 CABRIO S (KOR.CN.MEX.BR)	10	A 99AS7 54061>	60000 MA1.01 283 KW
997 CABRIO S (USA.CDN.)	10	A A9AS7 54061>	60000 MA1.01 283 KW
997 TARGA	10	A 99AS7 25061>	28000 MA1.02 254 KW
997 TARGA (KOR.CN.MEX.BR)	10	A 99AS7 28061>	30000 MA1.02 254 KW
997 TARGA (USA.CDN.)	10	A A9AS7 28061>	30000 MA1.02 254 KW
997 TARGA S	10	A 99AS7 30061>	33000 MA1.01 283 KW
997 TARGA S (KOR.CN.MEX.BR)	10	A 99AS7 33061>	35000 MA1.01 283 KW
997 TARGA S (USA.CDN.)	10	A A9AS7 33061>	35000 MA1.01 283 KW
997 COUPE	11	B 99BS7 00061>	6000 MA1.02 254 KW
997 COUPE (KOR.CN.MEX.BR)	11	B 99BS7 06061>	10000 MA1.02 254 KW
997 COUPE (USA.CDN.)	11	B A9BS7 06061>	10000 MA1.02 254 KW
997 COUPE S	11	B 99BS7 10061>	20000 MA1.01 283 KW
997 COUPE S (KOR.CN.MEX.BR)	11	B 99BS7 20061>	25000 MA1.01 283 KW
997 COUPE S (USA.CDN.)	11	B A9BS7 20061>	25000 MA1.01 283 KW
997 CABRIO	11	B 99BS7 35061>	40000 MA1.02 254 KW
997 CABRIO (KOR.CN.MEX.BR)	11	B 99BS7 40061>	45000 MA1.02 254 KW
997 CABRIO (USA.CDN.)	11	B A9BS7 40061>	45000 MA1.02 254 KW
997 CABRIO S	11	B 99BS7 45061>	54000 MA1.01 283 KW
997 CABRIO S (KOR.CN.MEX.BR)	11	B 99BS7 54061>	60000 MA1.01 283 KW
997 CABRIO S (USA.CDN.)	11	B A9BS7 54061>	60000 MA1.01 283 KW
997 TARGA	11	B 99BS7 25061>	28000 MA1.02 254 KW
997 TARGA (KOR.CN.MEX.BR)	11	B 99BS7 28061>	30000 MA1.02 254 KW
997 TARGA (USA.CDN.)	11	B A9BS7 28061>	30000 MA1.02 254 KW
997 TARGA S	11	B 99BS7 30061>	33000 MA1.01 283 KW
997 TARGA S (KOR.CN.MEX.BR)	11	B 99BS7 33061>	35000 MA1.01 283 KW
997 TARGA S (USA.CDN.)	11	B A9BS7 33061>	35000 MA1.01 283 KW
997 Speedster	11	B 99BS7 95061>	95500 MA1.01S 300 KW

Model: 997-09**Model life 2009>>2012**

997 Speedster (KOR.CN.MEX.BR	11 B 99BS7 95561>96000 MA1.01S	300 KW
997 Speedster (USA.CDN.)	11 B A9BS7 95561>96000 MA1.01S	300 KW

Model: 997-09

Model life 2009>>2012

SUMMARY TYPES

VEHICLE TYPE	MY	VIN	ENGINE TYPE
997 COUPE Black Edition	12 C	99CS7 86061>88000	MA1.02 254 KW
997 COUPE Black Edition (KOR.CN.MEX.BR)	12 C	99CS7 88061>90000	MA1.02 254 KW
997 COUPE Black Edition (USA.CDN.)	12 C	A9CS7 88061>90000	MA1.02 254 KW
997 CABRIO Black Edition	12 C	99CS7 90061>92000	MA1.02 254 KW
997 CABRIO Black Edition (KOR.CN.MEX.BR)	12 C	99CS7 92061>94000	MA1.02 254 KW
997 CABRIO Black Edition (USA.CDN.)	12 C	A9CS7 92061>94000	MA1.02 254 KW
997 COUPE	12 C	99CS7 00061> 6000	MA1.02 254 KW
997 COUPE (KOR.CN.MEX.BR)	12 C	99CS7 06061>10000	MA1.02 254 KW
997 COUPE (USA.CDN.)	12 C	A9CS7 06061>10000	MA1.02 254 KW
997 COUPE S	12 C	99CS7 10061>20000	MA1.01 283 KW
997 COUPE S (KOR.CN.MEX.BR)	12 C	99CS7 20061>25000	MA1.01 283 KW
997 COUPE S (USA.CDN.)	12 C	A9CS7 20061>25000	MA1.01 283 KW
997 CABRIO	12 C	99CS7 35061>40000	MA1.02 254 KW
997 CABRIO (KOR.CN.MEX.BR)	12 C	99CS7 40061>45000	MA1.02 254 KW
997 CABRIO (USA.CDN.)	12 C	A9CS7 40061>45000	MA1.02 254 KW
997 CABRIO S	12 C	99CS7 45061>54000	MA1.01 283 KW
997 CABRIO S (KOR.CN.MEX.BR)	12 C	99CS7 54061>60000	MA1.01 283 KW
997 CABRIO S (USA.CDN.)	12 C	A9CS7 54061>60000	MA1.01 283 KW
997 TARGA	12 C	99CS7 25061>28000	MA1.02 254 KW
997 TARGA (KOR.CN.MEX.BR)	12 C	99CS7 28061>30000	MA1.02 254 KW
997 TARGA (USA.CDN.)	12 C	A9CS7 28061>30000	MA1.02 254 KW
997 TARGA S	12 C	99CS7 30061>33000	MA1.01 283 KW
997 TARGA S (KOR.CN.MEX.BR)	12 C	99CS7 33061>35000	MA1.01 283 KW
997 TARGA S (USA.CDN.)	12 C	A9CS7 33061>35000	MA1.01 283 KW

Model: 997-09

Model life 2009>>2012

EXPL. ENGINE-NO.

EXPLANATION OF THE MOTOR-NUMBERS USED IN THE CATALOGUE

```

=====
DIGIT:                1 2 3   4 5 6 7 8
EXAMPLE:              6 9 5   0 0 1 3 6
                      = = =   =====
                      ! ! !   !
ENGINE TYPE (6 = 6-CYL.-ENGINE)-----+ ! !   !
FROM MY-09 POWER KIT (S) OTHERWISE ( )-----+ ! !   !
                      ! !   !
ENGINE VERSION-----+ !   !
FROM MY-09 CONUNTRY VERSION (T=Taiwan) OTHERWISE( )+ !   !
                      !   !
MODEL YEAR-----+   !
                      !
SERIAL NUMBER-----+
    
```

Model: 997-09

Model life 2009>>2012

SUMMARY ENGINES

VEHICLE TYPE	ENGINE		ENGINE NO.	TECHNICAL DATA
	TYPE	MY		
997 COUPE/CABRIO/TARGA	MA1.02	09 9	___9 00501>99999	6ZYL/3,6L /253 KW
997 COUPE S/CABRIO S/TARGA S	MA1.01	09 9	___9 00501>99999	6ZYL/3,8L /283 KW
997 COUPE/CABRIO/TARGA	MA1.02	10 A	___A 00501>99999	6ZYL/3,6L /254 KW
997 COUPE S/CABRIO S/TARGA S	MA1.01	10 A	___A 00501>99999	6ZYL/3,8L /283 KW
997 COUPE S(Sport Classic)X51	MA1.01	10 A	S__A 00501>60000	6ZYL/3,8L /300 KW
997 COUPE/CABRIO/TARGA	MA1.02	11 B	___B 00501>60000	6ZYL/3,6L /254 KW
997 COUPE S/CABRIO S/TARGA S	MA1.01	11 B	___B 00501>60000	6ZYL/3,8L /283 KW
997 COUPE S/CABRIO S X51	MA1.01	11 B	S__B 00501>60000	6ZYL/3,8L /300 KW
997 COUPE/CABRIO/TARGA	MA1.02	12 C	___C 00501>60000	6ZYL/3,6L /254 KW
997 COUPE S/CABRIO S/TARGA S	MA1.01	12 C	___C 00501>60000	6ZYL/3,8L /283 KW
997 COUPE S/CABRIO S X51	MA1.01	12 C	S C 00501>60000	6ZYL/3,8L /300 KW

Model: 997-09

Model life 2009>>2012

EXPL. TRANSM. NO.

EXPLANATION OF THE TRANSMISSION-NUMBERS USED IN THE CATALOGUE

=====

DIGIT:	1	2	3	4	5	6	7	8	9	10	11
EXAMPLE:	G	9	7	0	1	1	0	0	5	4	3
	=	=====				=	=====				
	!		!			!			!		!
	!		!			!			!		!
TRANSMISSION TYPE-----+			!			!			!		!
			!			!			!		!
TRANSMISSION VERSION-----+						!			!		!
						!			!		!
INDEX OF VARIANTS-----+									!		!
									!		!
SERIAL NUMBER-----+											!

Model: 997-09

Model life 2009>>2012

SUMM. TRANSMISS.

VEHICLE TYPE	TRANSM.		TRANSMISSION NO.	TECHNICAL DATA
	TYPE	MY		
997 CARRERA C2	G97.05	09 9	G9705 1 002001>999999	6-GANG
997 CARRERA PDK C2	CG1.00	09 9	CG100 1 002001>999999	7-GANG
997 CARRERA C4	G97.35	09 9	G9735 1 002001>999999	6-GANG
997 CARRERA PDK C4	CG1.30	09 9	CG130 1 002001>999999	7-GANG
997 CARRERA C2	G97.05	10 A	G9705 1 002001>999999	6-GANG
997 CARRERA PDK C2	CG1.00	10 A	CG100 1 002001>999999	7-GANG
997 CARRERA C4	G97.35	10 A	G9735 1 002001>999999	6-GANG
997 CARRERA PDK C4	CG1.30	10 A	CG130 1 002001>999999	7-GANG
997 CARRERA C2	G97.05	11 B	G9705 1 002001>999999	6-GANG
997 CARRERA PDK C2	CG1.00	11 B	CG100 1 002001>999999	7-GANG
997 CARRERA C4	G97.35	11 B	G9735 1 002001>999999	6-GANG
997 CARRERA PDK C4	CG1.30	11 B	CG130 1 002001>999999	7-GANG
997 CARRERA C2	G97.05	12 C	G9705 1 002001>999999	6-GANG
997 CARRERA PDK C2	CG1.00	12 C	CG100 1 002001>999999	7-GANG
997 CARRERA C4	G97.35	12 C	G9735 1 002001>999999	6-GANG
997 CARRERA PDK C4	CG1.30	12 C	CG130 1 002001>999999	7-GANG

Model: 997-09

Model life 2009>>2012

LEGENDS/NOTICES

LEGENDS AND NOTICES

=====

IN COLUMN -S- STATUS

- N NEW ADDITION
- P PART ALREADY IN PROGRAMME, BUT NEW AT THIS APPLICATION
- W DELETED AT THIS APPLICATION, BUT CONTINUED TO BE CARRIED
- K RACING PART: MARKETED FROM WEISSACH EMW
- A STOCK TO BE USED UP
- U DELETED WITHOUT REPLACEMENT
- * PART ALSO OR ONLY AVAILABLE IN REPAIR KIT
- > ALSO AVAILABLE IN EXCHANGE

IN COLUMN - ILL. -

- 1 IDENTIFICATION NO. IN ILLUSTRATION
- (1) PART ONLY SIMILAR AS ILLUSTRATED
- PART IS NOT ILLUSTRATED

FIG.-NUMBERS FOR WHICH THERE IS SHOWN NO TEXT ARE NOT VALID FOR THIS EDITION OF CATALOGUE

IN COLUMN -PART NUMBER/CODE-

000 000 000 00 PART NUMBER EQUALS ORDERING NO., IF A CODE IS SHOWN, IT WILL HAVE TO BE PART OF ORDERING NUMBER

01C COLOUR CODE

IN COLUMN -TEXT

INSTALLATION WITH ENGINE OR CHASSIS NUMBER-RANGE

EXAMPLE:

M 66W 00389>>

FROM ENGINE NO.

Model: 997-09**Model life 2009>>2012**

F

>>99WS6 00889

UP TO CHASSIS NO.

Model: 997-09

Model life 2009>>2012

LEGENDS/NOTICES

IN COLUMN - QU - = NO. OF PIECES

1 NUMBER PER APPLICATION

X NUMBER AS NEEDED

* AVAILABLE ONLY IN RUNNING LENGTHS 1 = 1 METRE

IN COLUMN - MODEL/SYMBOL -

I650 OPTIONAL EQUIPMENT - SEE I-NO. LIST
-I650 COMPONENT NOT VALID FOR THIS I-NO.

-98 LIMITATION OF MODEL YEAR FOR INSTANCE: VALID UP TO
END OF MODEL YEAR 1997

/LL LHD

/RL RHD

-----+
/V FRONT I
I

/H REAR I
I----> APPLIES TO

/L LEFT I DIRECTION OF TRAVEL
I

/R RIGHT I
-----+

WW THE PART CAN BE USED INSTEAD OF THE
PRECEDING ONE.

Model: 997-09

Model life 2009>>2012

COUNTRY-EQIPM.

EQUIPMENT BY COUNTRY REGULATIONS

=====

(A)	AUSTRIA
(AG)	ARABIAN GULF STATES
(AUS)	AUSTRALIA
(B)	BELGIUM
(BR)	BRAZIL
(CDN)	CANADA
(CH)	SWITZERLAND
(CN)	PEOPLE'S REPUBLIC OF CHINA
(D)	FEDERAL REPUBLIC OF GERMANY
(DK)	DENMARK
(E)	SPAIN
(F)	FRANCE
(GB)	GREAT BRITAIN
(GR)	GREECE
(HK)	HONGKONG
(I)	ITALY
(J)	JAPAN
(L)	LUXEMBURG
(N)	NORWAY
(NL)	NETHERLANDS
(NZ)	NEW ZEALAND
(P)	PORTUGAL
(ROK)	KOREA
(RC)	TAIWAN
(THA)	THAILAND
(S)	SWEDEN
(SA)	SAUDI ARABIA
(SF)	FINLAND
(USA)	UNITED STATES OF AMERICA

Model: 997-09

Model life 2009>>2012

(ZA)

SOUTH AFRICA

Model: 997-09

Model life 2009>>2012

NR	Description
IIY2	Model year period from week 45 to week 22
IXAA	Aerokit Cup
IXAF	Turbo aerokit
IXAG	Carrera - rear spoiler
IXAH	Carrera 4S aerokit
IXAJ	Painted sill covers
IXAS	Sport Design front apron
IXCA	Dashboard trim strip (3-part) sports seats
IXCB	Instrument surround sports seats
IXCC	Side air vents sports seats
IXCD	Center air vent bracket sports seats
IXCE	Rear center console sports seats
IXCG	Sports seat backrest in Aluminium Look finish
IXCH	Side/centre air vent slats, sports seats
IXCK	Rear center console in Galvano Silver
IXCL	Instrument surround in Galvano Silver
IXCM	Roll-over bar in Galvano Silver
IXCN	Side air vents in Aluminium Look finish (997)
IXCW	Aluminium Look trim on belt opening in B-pillar
IXCY	Center air vent in Aluminium Look finish
IXCZ	Short shifter
IXDA	Wheel spokes painted Black
IXDJ	Decorative trim on gear lever/selector, painted
IXDM	Decorative dashboard trim, painted
IXDP	Instrument cluster frame, painted
IXDR	Painted trim on belt opening in B-pillar
IXDS	Ignition lock surround in leather
IXDU	Leather trim on belt opening in B-pillar
IXDV	Dashboard end-trim in leather
IXDX	Mirror attachment point finisher, leather
IXDZ	Selector lever cover in leather
IXD9	Wheel painted in body colour
IXEA	Passive handset in leather
IXES	Preparation, illuminated door entry guard
IXE8	Gear lever knob aluminium/dark burr maple/leather
IXE9	Handbrake lever aluminium/dark burr maple/leather
IXFD	Instrument dials in Sand Beige
IXFE	Instrument dials in Terracotta
IXFF	Instrument dials in Brown/Natural
IXFG	Instrument dials in Guards Red
IXFH	Instrument dials in Speed Yellow
IXFJ	Instrument dials in Carrara White
IXFN	Gear lever in aluminium II
IXFP	Handbrake lever Aluminium II
IXGB	Decorative dashboard trim, carbon
IXGC	Dashboard carbon/Alcantara
IXGD	Parking brake handle carbon/Alcantara

Model: 997-09

Model life 2009>>2012

NR	Description
IXGE	Handle recess insert, carbon
IXJJ	Carbon trim on belt opening in B-pillar
IXJL	Makassar Ebony side air vent
IXJM	Sycamore side air vent
IXJN	Makassar Ebony center air vent
IXJP	Sycamore center air vent
IXJR	Makassar Ebony windscreen defroster panel
IXJS	Sycamore windscreen defroster panel
IXJT	Makassar Ebony rear center console
IXJU	Sycamore rear center console
IXJ4	Leather cover for ignition lock surround
IXKB	Side air vent in light burr maple
IXKC	Side air vent in dark burr maple
IXKD	Side air vent in Carbon
IXKG	"Defroster trim in light burr maple; leather"
IXKH	"Defroster trim in dark burr maple; leather"
IXKJ	Defroster trim in Carbon/leather
IXKL	Leather speaker covers
IXKM	Speaker covers in light burr maple
IXKN	Speaker covers in dark burr maple
IXKP	Carbon speaker covers
IXKR	Center air vent bracket in light burr maple
IXKS	Center air vent bracket in dark burr maple
IXLA	Boxster tailpipe
IXLF	Sports exhaust system
IXLG	Centre console storage bin cover in Alcantara, with logo
IXLT	Sports tailpipes, 997
IXMA	Rooflining in leather
IXME	Rear section of centre console painted
IXMF	Front center console including 2 storage bins, leather
IXMJ	Rear section of centre console in Carbon
IXMK	Roll-over bar in exterior color
IXML	Rear center console in light burr maple
IXMP	Leather sun visor, 2 illuminated vanity mirrors *
IXMR	Sun visor in leather, 2 illuminated vanity mirrors,
IXMZ	Rear section of centre console in leather
IXNB	Rear center console in dark burr maple
IXNG	Instrument surround in leather
IXNN	Center air vent bracket in leather
IXNR	Carbon center air vent bracket
IXNS	Leather steering column trim, 4-part
IXNU	Leather trim strip (dashboard)
IXNV	Trim strip (dashboard) in light burr maple
IXNW	Trim strip (dashboard) in dark burr maple
IXNX	Carbon trim strip (dashboard)

Model: 997-09

Model life 2009>>2012

NR	Description
IXN3	Dashboard side air vent in leather
IXPA	3-spoke sports steering wheel in leather interior co
IXPB	3-spoke sports steering wheel, light burr maple, leather
IXPC	3-spoke sports steering wheel, dark burr maple, leather
IXPD	3-spoke sports steering wheel, Carbon/leather
IXPG	3-spoke sports steering wheel, sports seats
IXPT	Centre console storage bin lid with crest
IXPU	Multi-function steering wheel Galvano Silver, new generation
IXPV	Multi-function steering wheel, Galvano Silver
IXPW	Instrument surround in light burr maple
IXPX	Instrument surround in dark burr maple *
IXPY	Carbon instrument surround
IXRB	18-inch Sport Classic II wheel
IXRC	18-inch SportTechno wheel
IXRL	18-inch SportDesign wheel
IXRN	17-mm spacers, rear
IXRP	5-mm spacers, front/rear
IXRR	19-in. Carrera Sport wheel
IXRS	19" Sport Classic WHEEL
IXSA	Painted sports seat backrest
IXSB	Leather sports seat backrest
IXSC	Porsche Crest embossed in headrest
IXSD	Front seat controls in leather
IXSE	Bucket seat, left
IXSF	Bucket seat, right
IXSG	Racing bucket seat, left
IXSH	Silver seat belts
IXSJ	6-point harness
IXSL	6-point safety catch
IXSM	Racing safety cage
IXSN	Omission of rear seats
IXSR	Carbon back for bucket seat, right
IXSS	Carbon back for bucket seat, left
IXST	Seat belts in Sand Beige
IXSU	Upholstered seat
IXSW	Seat belts in Maritime Blue
IXSX	Seat belts in Guards Red
IXSY	Seat belts in Speed Yellow
IXTG	Inner door sills in leather
IXTJ	Door panel parts in light burr maple
IXTK	Door panel parts in dark burr maple
IXTL	Door panel parts in Carbon
IXTR	Door panel parts in Aluminium Look finish

Model: 997-09 Model life 2009>>2012

NR	Description
IXTT	Makassar Ebony door panel parts
IXTU	Sycamore door panel parts
IXTV	Leather door panel parts
IXTW	Door panel parts in Galvano Silver
IXUA	Spoiler lip painted
IXUB	Cover on headlight cleaning system, painted
IXUC	Model designation painted
IXUV	Centre console storage bin lid with logo
IXUX	Rear backrest release loop in leather
IXUZ	Door mirror, bottom half Matt aluminium
IXVM	Leather center air vent
IXVP	Trim strip including cupholder cover in leather
IXVR	Side/centre air vent in leather
IXVT	Cover for loudspeakers, doors and rear in leather
IXVW	Interior mirror, leather
IXV1	Defroster trim in leather
IXWR	PDK gate frame in Aluminium Look
IXWS	PDK gate frame painted
IXWT	PDK gate frame painted Black
IXWU	PDK gate frame in leather
IXXB	Door entry guards, stainless steel, illuminated
IXXD	Door entry guards, carbon, illuminated
IXXF	Red tail lights
IXXG	Tail lights in clear glass look
IXXH	Alcantara sun visor
IXXJ	Alcantara interior light cover
IXXK	Front seat covers in woven leather
IXXL	Rear seat covers in woven leather
IXXM	Without chequered flag design (seat)
IXXZ	Footrest
IXX1	Floor mats, logo, leather border
IXX2	Illuminated footwell
IXYA	PDK selector lever (EXC)
IXY5	Tiptronic gear selector gate in leather
IXZB	Carbon centre air vent
IXZD	Interior light surround in leather
IX45	Instrument dial in interior color
IX46	Tiptronic selector lever in aluminium/leather
IX47	Gear lever knob in Carbon/leather
IX48	Tiptronic selector lever in Carbon/aluminium
IX50	Powerkit 331/340 kW
IX51	Powerkit 250 kW
IX54	Stainless steel tailpipes

Model: 997-09

Model life 2009>>2012

NR	Description
IX58	Handbrake lever in Carbon/leather
IX65	Tiptronic selector lever in light burr maple/aluminium
IX66	Tiptronic selector lever in dark burr maple/aluminium
IX69	Door entry guards in Carbon with logo
IX70	Door entry guards in stainless steel with logo
IX71	Instrument dial painted/Aluminium Look finish
IX72	Gear lever knob aluminium/light burr maple/leather
IX73	Turbo sports suspension
IX74	Sports suspension (exclusive)
IX75	Differential lock (exclusive)
IX76	Inner door sill guard, left/right
IX91	Handbrake lever aluminium/light burr maple/leather
IX97	Gear lever knob in aluminium/leather
IX98	Handbrake lever in aluminium/leather
IX99	Natural leather
I011	Special model GTS (981/991)
I012	Special model China Style Edition
I013	Special model Black Edition
I019	Special model 911 Carrera 4 GTS
I022	Black-coloured instrument dials, instrument cluster
I023	Silver -coloured instrument dials, instrument cluster
I024	Version for Greece
I025	Black-coloured instrument dials, stopwatch
I026	Silver-coloured instrument dials, stopwatch
I029	Standard chassis
I030	Sport-type chassis
I032	Touring suspension
I034	Version for Italy
I058	Impact absorbers, front and rear
I061	Version for Great Britain
I062	Version for Sweden
I063	Version Luxemburg
I064	Version for Netherlands
I065	Version for Denmark
I066	Version for Norway
I067	Version for Finland
I068	PAP right-hand drive version
I069	Other country version
I070	Pedestrian protection
I071	EU country version
I072	Version for Mexico
I073	Version for Russia
I074	PAP left-hand drive version
I075	China version
I082	Fuel tank, 90-litre
I098	Left-hand drive version
I099	Right-hand drive version

Model: 997-09

Model life 2009>>2012

NR	Description
I111	Version for Austria
I113	Version for Canada
I114	Version for Taiwan
I119	Version for Spain
I124	Version for France
I126	Control and indications in French lettering
I127	Control and indications in Swedish lettering
I130	Control and indications in English lettering
I150	Operation with leaded gas
I170	Acoustic package RoW
I171	Acoustic package USA
I172	Acoustic package PAP, China, Korea
I176	Sports exhaust system
I181	Standard climatic zones
I182	Hot country
I183	Super-hot country
I193	Version for Japan
I194	Battery, 60 Ah
I195	Battery, 70 Ah
I196	Battery, 80 Ah
I197	Stronger battery
I198	Enhanced starter motor (1.7 kW)
I199	Battery disconnection switch
I200	95 Ah battery
I209	Licence plate holder version 1
I210	Licence plate holder version 2
I211	Licence plate holder version 3
I215	Version for Saudi Arabia
I218	Licence plate holder version 4
I219	Differential
I220	Locking differential 40 %
I225	Version for Belgium
I250	PDK transmission (dual clutch)
I265	Automatic anti-dazzle interior mirror with rain sensor
I266	Automatic anti-dazzle door mirror
I267	Automatically dimmable interior and door mirrors
I268	Rain sensor
I270	Door mirrors -flat - driver's side, electrically adjustable and heatable
I271	Door mirrors -aspherical- driver's side, electrically adjustable and heatable
I273	Door mirrors, electrically adjustable and heatable
I274	Vanity mirror, illuminated
I277	Version for Switzerland

Model: 997-09

Model life 2009>>2012

NR	Description
I288	Headlamp washer
I301	Transmission ratio long
I303	Front-axle final drive with higher setting torque
I305	Gear lever in Alcantara, Black
I310	PDK gear selector EXC
I325	Version for South Africa/New Zealand
I335	Automatic seat belt, 3-point, rear
I338	Rear-wheel drive
I339	All-wheel drive
I342	Seat heating, left/right seat
I345	Heated steering wheel
I346	Rims, painted Silver
I369	Standard seat, left
I370	Standard seat, right
I375	Sports seat, backrest shell, left
I376	Sports seat, backrest shell, right
I377	Sports seat, backrest shell, left, electrically adjustable
I378	Sports seat, backrest shell, right, electrically adjustable
I388	Sports bucket seat, left
I389	Sports bucket seat, right
I392	17-inch Carrera wheel
I393	17-inch Boxster II wheel (987)
I397	18-inch Boxster II wheel (987)
I398	19" Cayman S wheel
I401	18-in. Cayman S wheel
I402	Carrera 3 wheel 18-inch
I403	Carrera S wheel 19-inch
I404	19" Turbo-1 wheel
I405	Carrera Classic wheel 19-inch
I406	Carrera GT wheel 19-inch/20-inch
I407	SportDesign wheel 19-inch
I410	18" Turbo-2/Panamera wheel
I411	18-inch Carrera wheel -->2005 19-inch Carrera wheel 2012-->
I414	Carrera S Facelift 18" wheel
I415	18-inch Turbo-Look II wheel
I416	18-inch GT3 wheel
I418	18-inch Turbo II wheel in GT Silver
I419	Carrera S Facelift 19" wheel
I421	Turbo 2 wheel, 19"
I422	Turbo wheel, 19" ;, central lock
I424	Cd compartment
I425	Rear window wiper

Model: 997-09

Model life 2009>>2012

NR	Description
I426	Without rear window wiper
I431	Multi-function steering wheel, touch + feel
I432	19" Carrera wheel (6)
I435	Sports steering wheel
I436	3-spoke airbag steering wheel
I437	Comfort seat, left, electrically adjustable
I438	Comfort seat, right, electrically adjustable
I439	20" 911 Turbo 4 wheel
I440	Antenna diversity
I441	Radio preparation
I444	Anti-theft lock, wheel bolts "THATCHAM"
I446	Concave wheel centers with full-colour Porsche Crest
I447	Emergency wheel
I448	Brake pad; sport version
I450	Ceramic brake (PCCB)
I451	Multi-function steering wheel, Makassar Ebony, touch + feel
I452	Multi-function steering wheel, Sycamore, touch + feel
I453	Multi-function steering wheel, Carbon, touch + feel
I454	Automatic speed control
I459	3-spoke airbag steering wheel, touch + feel
I460	20" RS Spyder Design wheel
I461	External antenna
I465	Rear fog light, left
I466	Rear fog light, right
I475	"PASM" electronic damper control
I476	Porsche Stability Management (PSM)
I479	Version for Australia
I480	6-speed manual transmission
I482	Tire Pressure Monitoring TPM, 433 MHz
I483	315-MHz TPM, Tire Pressure Monitoring
I484	Version for USA
I488	Inscriptions in German language
I490	Sound system "ASK"
I492	Headlights for left-hand traffic
I498	Deletion of model designation on rear end
I499	Version for Germany
I501	Car cover
I503	Speedster
I509	Fire extinguisher
I513	Lumbar support, right seat
I514	GTS logo with model designation in Silver

Model: 997-09

Model life 2009>>2012

NR	Description
I515	GTS logo with model designation in Black
I521	Tilt sensor
I524	Immobilizer, central locking, 433 MHz
I525	Immobilizer, central locking, 315 MHz
I532	Alarm system remote control omitted
I533	Radio convertible-top operation omitted
I534	Theft security system, 433 MHz
I535	Theft security system, 315 MHz
I536	-07 Alarm siren and tilt sensor 08- Alarm siren
I537	Seat position control for comfort seat, left
I538	Seat position control for comfort seat, right
I539	Mechanical seat height adjustment, left
I540	Mechanical seat height adjustment, right
I541	Active seat ventilation (incl. heated seats)
I542	Active seat ventilation, front and rear (incl. heated seats)
I544	Anti-theft protection without infrared monitoring, 433 MHz
I545	Anti-theft protection without infrared monitoring, 315 MHz
I549	Roof Transport System
I550	Hard top
I551	Wind deflector
I553	Version for USA, Canada
I554	Front spoiler lip included
I555	Black seat belts
I560	Advanced airbag
I562	Airbag, driver's side and front passenger's side
I563	Side airbag
I566	Front fog lights, white
I567	Windscreen tinted, upper part darker coloured
I568	Windscreen without shade band
I571	Activated charcoal filter
I572	Manual air-conditioning system
I573	Air conditioner
I574	Without air conditioner
I575	Luggage compartment cooling system
I581	Centre console, front
I584	Storage box on engine cover
I586	Lumbar support, left seat
I590	Steel doors
I594	Alcantara rooflining

Model: 997-09

Model life 2009>>2012

NR	Description
I599	Aluminium doors
I601	Xenon lighting system
I602	Raised stop lamp
I603	Xenon plus dynamic cornering light
I606	Daytime driving lights
I607	Garage door opener "Homelink", 315 MHz
I608	Garage door opener "Homelink" 433 MHz
I610	DVD navigation, "Europe package"
I611	DVD navigation South Africa
I612	DVD navigation middle east
I613	DVD navigation australia
I614	DVD navigation asia-pacific
I615	DVD navigation system, North America
I616	DVD, Navigation Russia
I617	DVD Navigation China
I618	Preparation for telephone installation
I619	Mobile phone preparation (BLUETOOTH) without console
I621	12-V socket, passenger's side, footwell
I625	"KESSY" Porsche Entry and Drive
I635	Parking assistant
I639	Sport Chrono package
I640	Sport Chrono Package Plus
I641	electronic logbook
I650	Electrical sliding roof
I651	Electric window opener
I652	Without sliding/tilting roof
I657	Power assisted steering
I659	On-board computer
I660	Obd 2
I661	Stricter emission-control concept
I663	Fuel pump activation
I664	Orvr
I665	-2008 PCM 2, 2009- PCM 3 basic module incl. radio
I666	-2008 PCM 2, 2009- PCM 3 telephone (GSM)
I668	PCM2 telephone handset
I669	PCM 3 - Telephone handset (BLUETOOTH)
I670	PCM2 navigation
I671	Voice control system
I672	-2008 PCM 2, 2009- PCM 3 Offroad navigation
I673	Navigation system preparation, China
I674	"Vehicle Tracking System" preparation
I675	Without radio preparation (Japan navigation system)
I676	TV tuner
I677	"Driver card" antenna
I678	Alarm system connection
I679	Restart inhibitor
I680	BOSE sound package

Model: 997-09

Model life 2009>>2012

NR	Description
I685	Rear seats, split
I686	SAT radio reception XM (SDARS)
I689	Preperation for CD autochanger
I690	CD radio "Porsche Online Pro"
I692	CD autochanger "Porsche"
I693	Integrated CD/DVD autochanger
I694	CD radio "PORSCHE CDR 24"
I697	CD radio "Porsche CDR-23"
I711	Omission underbody protection
I751	PCCB, front axle and rear axle 3K
I752	PCCB, front axle MFF / rear axle 3K
I756	Special model "911 Sport Classic"
I796	Full leather trim natural leather
I798	Full leather trim special leather
I799	Full leather trim by choice
I801	Makassar Ebony wood package, dark (matt satin finish)
I802	Sycamore package, light (matt satin finish)
I803	Carbon package
I804	GT2 Carbon exterior package
I805	Lifestyle package
I810	Floor mats
I840	Sports steering wheel (for PDK with paddle)
I841	Basic steering wheel Smooth leather
I843	Sports steering wheel in Alcantara
I844	Multi-function steering wheel Smooth leather
I845	Multi-function steering wheel Carbon
I847	Multi-function steering wheel Makassar
I870	Universal multimedia interface
I911	Model designation 911
I912	without ID plate
I931	Rear seat covers in Alcantara/leatherette
I932	Rear seat covers in Alcantara/leather
I936	Seat covers, rear, leather
I937	Seat covers, rear, leatherette
I939	Seat covers, rear, draped leather
I946	Seat covers, front, leather/leather/leatherette
I950	Alcantara seat covers, front
I951	Seat covers front, Alcantara/leather/leather
I970	Two-tone interior
I971	"TORO" embossed leather
I975	Alcantara interior
I981	Leather equipment, without seat covers
I982	Seat covers, front, draped leather/leather/leather
I983	Seat covers, front, leather
I985	Seat covers, leather/leather/leatherette, 2

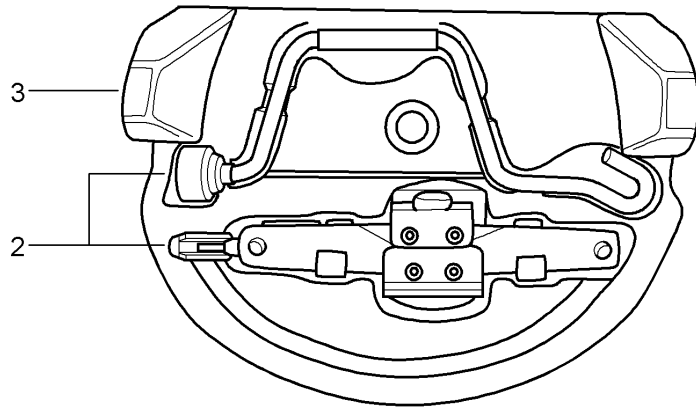
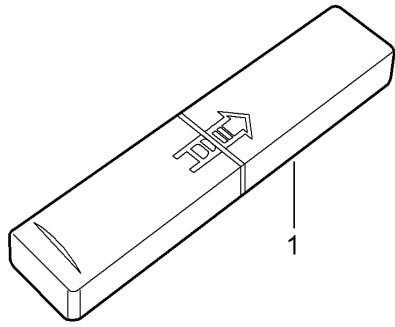
Model: 997-09

Model life 2009>>2012

NR	Description
I990	Seat covers, front, cloth/cloth/leatherette
I991	Steering wheel airbag module in leather
I998	Leather, natural
I999	Passenger compartment monitoring sensor for leather colour of choice

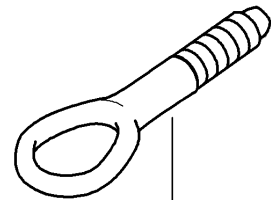
Model: 997-09

Model life 2009>>2012

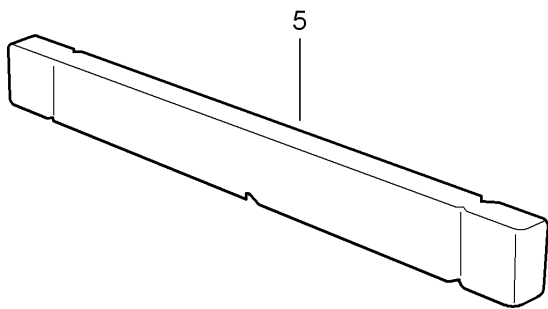


3

2



4



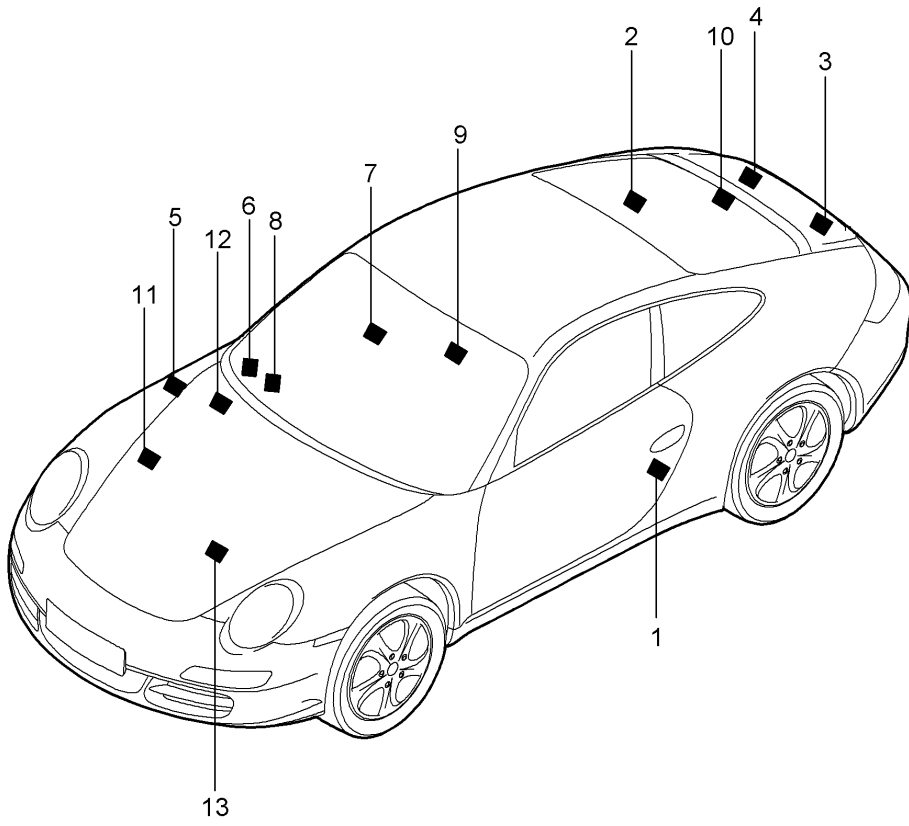
5

Model: 997-09 Model life 2009>>2012

Pos	Part Number	Description	Remark	Qty	Model
1	997 721 115 00	Tool Jack Tool kit with contents Comprising:		1	
-	477 012 229	Double-end spanner 10 X 13		1	
-	477 012 231	Screwdriver		1	
-	111 012 287	Handle for Screwdriver		1	
-	999 571 077 02	Socket wrench - 5 - for Headlamp		1	
2	996 721 211 00	Scissors type jack		1	I447
3	996 722 101 00	Foam part		1	I447
3	997 722 101 00	Foam part		1	CARRERA GTS I011/447
-	999 571 074 30	Threaded bolt for Assembly Wheels		1	I447
-	477 012 221 A	Rim wrench		1	I447
-	999 571 070 30	Operating rod for Rim wrench		1	I447
-	997 722 801 00	Mounting for Tool		1	I447
-	997 361 181 52	Wheel bolt		1	I422/447
-	997 361 069 02	Tool for Wheel bolt		1	I422
-	997 361 161 00	Extension for Tool Wheel bolt		1	I422/447
-	997 362 193 00	Spacer	/V	1	I422/447
-	997 362 195 00	Spacer	/H	1	I422/447
-	996 361 521 00	Boot		1	I447
-	997 722 061 00	Cover Emergency wheel		1	I447
-	997 722 061 01	Cover Emergency wheel		1	I447
-	997 722 061 02	Cover Emergency wheel		1	CARRERA GTS I011/447
-	997 722 073 00	Restraining strap Emergency wheel		1	CARRERA GTS I011/447
-	997 722 103 00	Mounting Emergency wheel		1	COUPE/TARGA I447
-	997 722 103 01	Mounting Emergency wheel		1	I447 CABRIO I447
4	997 721 551 00	Towing lug		1	
5	000 722 722 06	Warning triangle		1	
-	997 722 709 00	Support Warning triangle		2	CARRERA 4/4S
-	993 722 041 00	First-aid kit		1	

Model: 997-09

Model life 2009>>2012



Model: 997-09 Model life 2009>>2012

Pos	Part Number	Description	Remark	Qty	Model
		Stickers		1	
		Stickers		1	
2	996 361 701 20	Emergency wheel		1	I447
		Sticker	(AUS)	1	I447
		English			
2	997 361 701 00	Sticker		1	I215/447
		Arabic			
2	928 701 150 00	Sticker		1	I447
		"MAX 80 KM/H"			
		Stickers			
		Engine specifications			
3	997 006 108 00	Sticker	09	1	I068
3	7PP 010 751 C	Sticker	10-	1	I068
3	955 701 675 00	Sticker		1	I193
		Expansion tank			
4	997 006 544 00	Sticker		1	
		Engine oil			
		- MOBIL 1 -			
4	997 701 535 00	Sticker		1	I193
		Engine-oil level			
		Stickers			
		Type of fuel			
5	996 006 117 00	Sticker		1	
		98 ROZ			
5	996 006 117 02	Sticker	(AUS)	1	
		96 ROZ			
5	996 006 117 01	Sticker		1	I150
		98 ROZ			
5	996 006 117 03	Sticker		1	I193
		93 RON/MON/2			
5	955 701 676 15	Sticker		1	I193
		Fuel			
5	955 701 676 10	Sticker		1	I193
		Fuel filler flap			
		Stickers			
		Airbag			
6	3B0 010 219 B	Sticker		1	
		Child car seat			
6	8D0 010 141 Q	Sticker	(AUS)	1	
		Child car seat			
6	997 701 430 00	Sticker		1	
		Child car seat			
		German			
6	997 701 430 01	Sticker		1	
		Child car seat			
		English			
6	997 701 430 02	Sticker		1	
		Child car seat			
		French			
6	997 701 430 03	Sticker		1	
		Child car seat			
		Italian			
6	997 701 430 04	Sticker		1	
		Child car seat			
		Swedish			
6	997 701 430 05	Sticker		1	
		Child car seat			
		Spanish			
6	997 701 430 06	Sticker		1	
		Child car seat			
		Arabic			
6	997 701 430 07	Sticker		1	
		Child car seat			

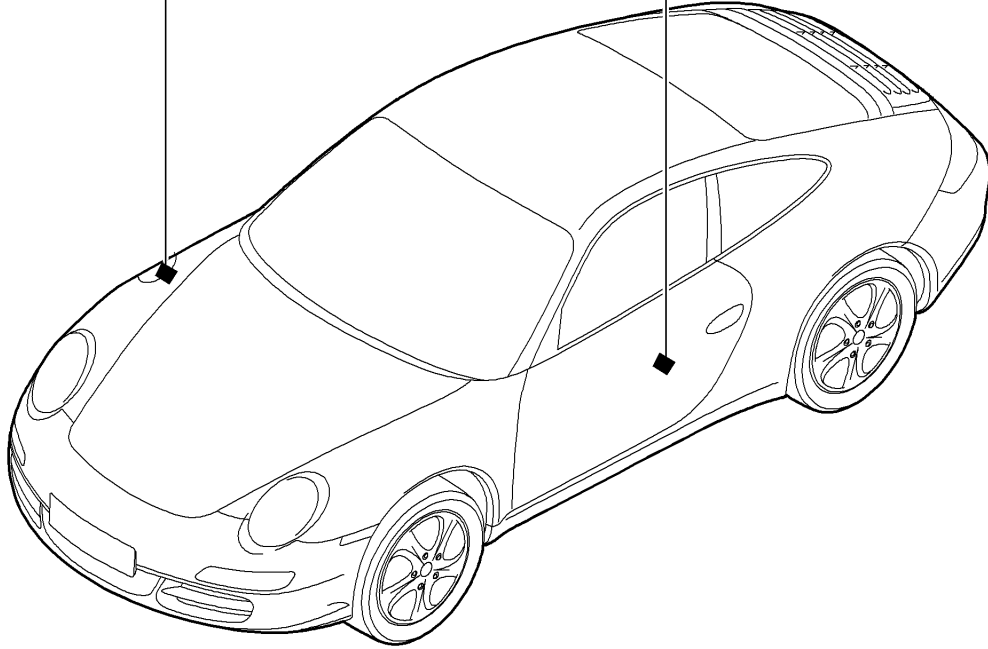
Model: 997-09 Model life 2009>>2012

Pos	Part Number	Description	Remark	Qty	Model
6	955 701 675 10	Chinese Sticker		1	I193
9	997 701 531 00	Recycling Sticker		1	I193
9	955 701 676 00	Airbag Sticker		1	I193
10	955 701 675 15	Warning light Engine Sticker		1	I193
11	996 701 141 01	Import Japan Sticker		1	
11	997 701 521 00	Air conditioner Sticker		1	I193
12	955 701 673 00	Air conditioner Sticker		1	I193
12	997 701 170 00	Battery Sticker		1	
13	997 701 527 00	First-aid kit Sticker		1	I193
13	955 701 675 05	Headlamp Sticker		1	I193
-	997 701 451 00	Brake fluid Stickers Convertible top control See illustrations 8/07/09 Sticker	/L	1	CABRIO SPEEDSTER I503
-	997 701 452 00	Locking device Convertible top Sticker	/R	1	SPEEDSTER I503
		Locking device Convertible top			

Model: 997-09

Model life 2009>>2012

Colour 25H Libell Türkis Metallic



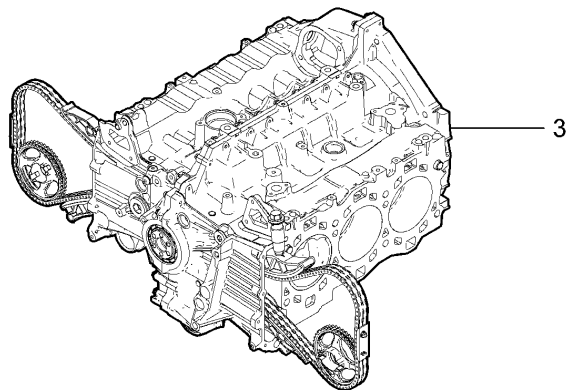
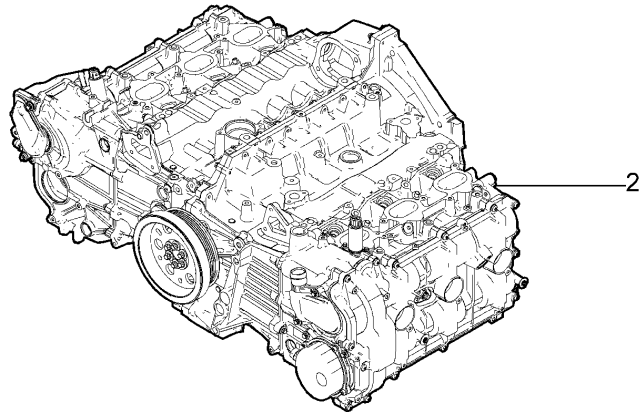
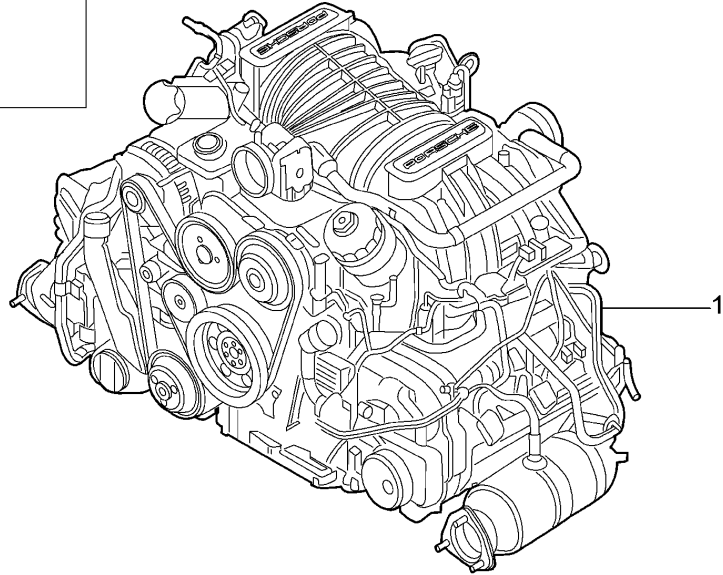
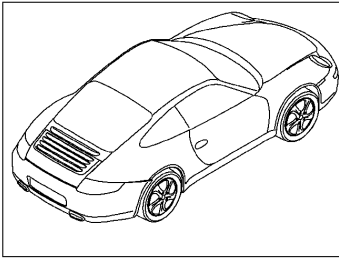
Model: 997-09

Model life 2009>>2012

Pos	Part Number	Description	Remark	Qty	Model
-	911 095 932 20	Paint touch-up applicator Lacquers		X	
	911 095 932 20 041	Paint touch-up applicator Black			A 1
	911 095 932 20 80K	Guards red			G 1
	911 095 932 20 B9A	Carrara white			B 4
	911 095 932 20 12G	Speed yellow			X 4
	911 095 932 20 51A	Creamy white			T 2
	911 095 932 20 63A	SportClassic Grey			C 1
					I756
	911 095 932 20 M5B	Pure Blue			M 0
					I503
-	911 095 933 20	Paint touch-up applicator Set Comprising: Paint touch-up applicator Primer Paint touch-up applicator Clear lacquer		X	
	911 095 933 20 92T	Arctic silver metallic			X 1
	911 095 933 20 C9Z	Basalt black metallic			Z 4
	911 095 933 20 M7X	Atlas grey metallic			E 7
	911 095 933 20 37W	Midnight Blue Metallic			E 9
	911 095 933 20 M7Z	GT Silver Metallic			U 2
	911 095 933 20 M7W	Meteor Grey Metallic			9 Q
	911 095 933 20 8A7	Ruby red metallic	-09		L 2
	911 095 933 20 M3X	Ruby red metallic	10-		A 6
	911 095 933 20 M8W	Macadamia Metallic			9 S
	911 095 933 20 2B5	Malachite Green Metallic			H 1
	911 095 933 20 M2Z	Nordic Gold Metallic			8 W
	911 095 933 20 32B	Sailing Blue Metallic			E 5
	911 095 933 20 M5R	Aqua Blue Metallic			D 2
	911 095 933 20 22G	Racing Green Metallic			J 1
	911 095 933 20 M5X	Dark Blue Metallic			N 4
	911 095 933 20 M4Z	Amethyst metallic			N 6
	911 095 933 20 M5Q	Ice Blue Metallic			H 3
	911 095 933 20 M7T	Platinum Silver Metallic			1 H
		Platinum Silver Metallic			1 H
	911 095 933 20 3S2	Ipanema Blue Metallic			F 2

Model: 997-09

Model life 2009>>2012



Model: 997-09 Model life 2009>>2012

Pos	Part Number	Description	Remark	Qty	Model
		Replacement engine without Drive plate PDK Transmission without Flywheel Manual transmission with Compressor Air conditioner			MA1.01 MA1.02
1	9A1 100 901 00	Replacement engine	09	1	MA1.01 I480
1	9A1 100 901 X	Replacement engine	09	1	MA1.01 I480
1	9A1 100 901 02	Replacement engine	10-	1	MA1.01 I480
1	9A1 100 901 BX	Replacement engine	10-	1	MA1.01 I480
1	9A1 100 901 04	Replacement engine	11-	1	MA1.01 I480
1	9A1 100 901 DX	Replacement engine	11-	1	MA1.01 I480
1	9A1 100 901 FX	Replacement engine	11-	1	MA1.01 I480
1	9A1 100 901 06	Replacement engine	12-	1	MA1.01 I480
1	9A1 100 901 FX	Replacement engine	12-	1	MA1.01 I480
(1)	9A1 100 901 01	Replacement engine	09	1	MA1.01 I250
(1)	9A1 100 901 AX	Replacement engine	09	1	MA1.01 I250
(1)	9A1 100 901 03	Replacement engine	10-	1	MA1.01 I250
(1)	9A1 100 901 CX	Replacement engine	10-	1	MA1.01 I250
(1)	9A1 100 901 05	Replacement engine	11-	1	MA1.01 I250
(1)	9A1 100 901 EX	Replacement engine	11-	1	MA1.01 I250
(1)	9A1 100 901 07	Replacement engine	12-	1	MA1.01 I250
(1)	9A1 100 901 GX	Replacement engine	12-	1	MA1.01 I250
(1)	9A1 100 902 00	Replacement engine	09	1	MA1.02 I480
(1)	9A1 100 902 X	Replacement engine	09	1	MA1.02 I480
(1)	9A1 100 902 02	Replacement engine	10-	1	MA1.02 I480
(1)	9A1 100 902 BX	Replacement engine	10-	1	MA1.02 I480
(1)	9A1 100 902 04	Replacement engine	11-	1	MA1.02 I480
(1)	9A1 100 902 DX	Replacement engine	11-	1	MA1.02 I480
(1)	9A1 100 902 06	Replacement engine	12-	1	MA1.02 I480
(1)	9A1 100 902 FX	Replacement engine	12-	1	MA1.02 I480
(1)	9A1 100 902 01	Replacement engine	09	1	MA1.02

Model: 997-09 Model life 2009>>2012

Pos	Part Number	Description	Remark	Qty	Model
(1)	9A1 100 902 AX	Replacement engine	09	1	I250 MA1.02
(1)	9A1 100 902 03	Replacement engine	10-	1	I250 MA1.02
(1)	9A1 100 902 CX	Replacement engine	10-	1	I250 MA1.02
(1)	9A1 100 902 EX	Replacement engine	10-	1	I250 MA1.02
(1)	9A1 100 902 05	Replacement engine	11-	1	I250 MA1.02
(1)	9A1 100 902 EX	Replacement engine	11-	1	I250 MA1.02
(1)	9A1 100 902 07	Replacement engine	12-	1	I250 MA1.02
(1)	9A1 100 902 GX	Replacement engine	12-	1	I250 MA1.02
(1)	9A1 100 951 00	Replacement engine	10-	1	I250 MA1.01 IX51/480
(1)	9A1 100 951 X	Kit Replacement engine	10-	1	MA1.01 IX51/480
(1)	9A1 100 951 02	Kit Replacement engine	11-	1	MA1.01 IX51/480
(1)	9A1 100 951 BX	Kit Replacement engine	11-	1	MA1.01 IX51/480
(1)	9A1 100 951 04	Kit Replacement engine	12-	1	MA1.01 IX51/480
(1)	9A1 100 951 DX	Kit Replacement engine	12-	1	MA1.01 IX51/480
(1)	9A1 100 951 01	Kit Replacement engine	10-	1	MA1.01 IX51/250
(1)	9A1 100 951 AX	Kit Replacement engine	10-	1	MA1.01 IX51/250
(1)	9A1 100 951 03	Kit Replacement engine	11-	1	MA1.01 IX51/250
(1)	9A1 100 951 CX	Kit Replacement engine	11-	1	MA1.01 IX51/250
(1)	9A1 100 951 05	Kit Replacement engine	12-	1	MA1.01 IX51/250
(1)	9A1 100 951 EX	Kit Replacement engine	12-	1	MA1.01 IX51/250
2	9A1 100 901 60	Kit Short engine Comprising: Crankcase Cylinder head Valve cover Connecting rod Crankshaft Piston Oil pump		1	MA1.01 -IX51

Model: 997-09 Model life 2009>>2012

Pos	Part Number	Description	Remark	Qty	Model
(2)	9A1 100 951 60	99970760440 99970758940 Short engine		2 2 1	MA1.01 IX51
		Comprising: Crankcase Cylinder head Valve cover Connecting rod Crankshaft Piston Oil pump Timing chain Parts kit without Gaskets Use also: 99907347101 99711111330 99917023290 94810722200 94810732200		18 2 6 1 1	
(2)	9A1 100 951 RX	Short engine		1	MA1.01 IX51
		Comprising: Crankcase Cylinder head Valve cover Connecting rod Crankshaft Piston Oil pump Timing chain Parts kit without Gaskets Use also: 99907347101 99711111330 99917023290 94810722200 94810732200		18 2 6 1 1	
-	997 111 107 31	Gasket Short engine 9A110095160/RX Parts kit for seals Use also: 9A111086604 99970111241 9A111052402 90090601102 9A111052001 99970402090 99970764340 99970740440 9A110622502 99970751740 99970758940 9A110630500 99970762540 9A110655800		2	IX51
		Use also: 9A111086604 99970111241 9A111052402 90090601102 9A111052001 99970402090 99970764340 99970740440 9A110622502 99970751740 99970758940 9A110630500 99970762540 9A110655800		6 6 6 6 6 6 1 2 1 4 4 1 1 1	
-	9A1 110 215 01	Gasket		6	MA1.01 IX51

Model: 997-09 Model life 2009>>2012

Pos	Part Number	Description	Remark	Qty	Model
2	9A1 100 902 60	Intake distributor Short engine 9A110095160/RX Parts kit for seals Accessories Use also: 99970764440 9A110621500 9A110632500 9A110632600 9A110231200 9A110232200 99970760440 99970758940		1 2 1 1 1 2 2 2	MA1.02
2	9A1 100 902 RX	Short engine Comprising: Crankcase Cylinder head Valve cover Connecting rod Crankshaft Piston Oil pump Timing chain Parts kit without Gaskets Use also: 99907347101 99711111330 99917013090 94810722200 94810732200		18 2 6 1 1 1	MA1.02
-	997 111 107 31	Gasket Short engine 9A110090260/RX Parts kit for seals Use also: 9A111086604 99970111241 9A111052402 90090601102 9A111052001 99970402090		2 6 6 6 6 6	MA1.02

Model: 997-09 Model life 2009>>2012

Pos	Part Number	Description	Remark	Qty	Model
-	9A1 110 215 01	99970764340 99970740440 9A110622502 99970751740 99970758940 9A110630500 99970762540 9A110655800 Gasket Intake distributor Short engine 9A110090260/RX Parts kit for seals Accessories Use also: 99970734840 9A110621500 9A110632500 9A110632600 9A110231200 9A110232200 99970760440 99970758940 Short engine Comprising: Crankcase Connecting rod Crankshaft Piston Oil pump Timing chain Parts kit without Gaskets Use also: 99907347101 99711111330 99917013090 94810722200 94810732200 99910746501 99970759440 99970759540		1 2 1 4 4 1 1 1 6 1 2 1 1 1 2 2 2 1 18 2 6 1 1 2 1 1 18 2 6 1 1 2 1 1	MA1.02
3	9A1 100 901 50	Short engine Comprising: Crankcase Connecting rod Crankshaft Piston Oil pump Timing chain Parts kit without Gaskets Use also: 99907347101 99711111330 99917013090 94810722200 94810732200 99910746501 99970759440 99970759540		1	MA1.01
3	9A1 100 901 TX	Short engine Comprising: Crankcase Connecting rod Crankshaft Piston Oil pump Timing chain Parts kit without Gaskets Use also: 99907347101 99711111330 99917013090 94810722200 94810732200 99910746501 99970759440 99970759540		1	MA1.01

Model: 997-09 Model life 2009>>2012

Pos	Part Number	Description	Remark	Qty	Model
-	9A1 104 141 04	Cylinder head gasket Short engine 9A110090150/TX Parts kit for seals Use also: 9A110414004 9A111086604 99970111241 9A111052402 90090601102 9A111052001 99970402090 99970764340 99970740440 99711110731 9A110573103 9A110573203 00004320731		1 1 6 6 6 6 6 6 1 2 2 1 1 1 X	MA1.01
-	9A1 110 215 01	Gasket Intake distributor Short engine 9A110090150/TX Parts kit for seals Accessories Use also: 99970734840 9A110621500 9A110632500 9A110632600 9A110231200 9A110232200 99970760440 9A110533900 99970763640 99970750540 99970758940		6 1 2 1 1 1 2 2 1 2 1 2 2	MA1.01
-	9A1 106 225 02	Thermostat insert Short engine 9A110090150/TX Parts kit for seals Accessories Use also: 99970751740 99970758940 9A110630500 99970762540 9A110655800 9A110515304 9A110515504 9A110510103 99970734640 90012301121 99970106640		1 4 4 1 1 1 2 2 2 6 2 2	MA1.01
(3)	9A1 100 902 50	Short engine Comprising: Crankcase Connecting rod Crankshaft Piston Oil pump Timing chain Parts kit without		1	MA1.02

Model: 997-09

Model life 2009>>2012

Pos	Part Number	Description	Remark	Qty	Model
(3)	9A1 100 902 TX	Gaskets Use also: 99907347101 997111113.30 99917013090 94810722200 94810732200 99910746501 99970759440 99970759540 Short engine Comprising: Crankcase Connecting rod Crankshaft Piston Oil pump Timing chain Parts kit without Gaskets Use also: 99907347101 997111113.30 99917013090 94810722200 94810732200 99910746501 99970759440 99970759540		18 2 6 1 1 2 1 1 1	MA1.02
-	9A1 104 143 04	Cylinder head gasket Short engine 9A110090250/TX Parts kit for seals Use also: 9A110414204 9A111086604 99970111241 9A111052402 90090601102 9A111052001 99970402090 99970764340 99970740440 99711110731 9A110573103 9A110573203 00004320731		18 2 6 1 1 2 1 1 1	MA1.02
-	9A1 110 215 01	Gasket Intake distributor Short engine 9A110090250/TX Parts kit for seals Accessories Use also: 99970734840 9A110621500 9A110632500 9A110632600 9A110231200 9A110232200 99970760440 9A110533900		X 6 1 2 1 1 1 1 2 2 1	MA1.02

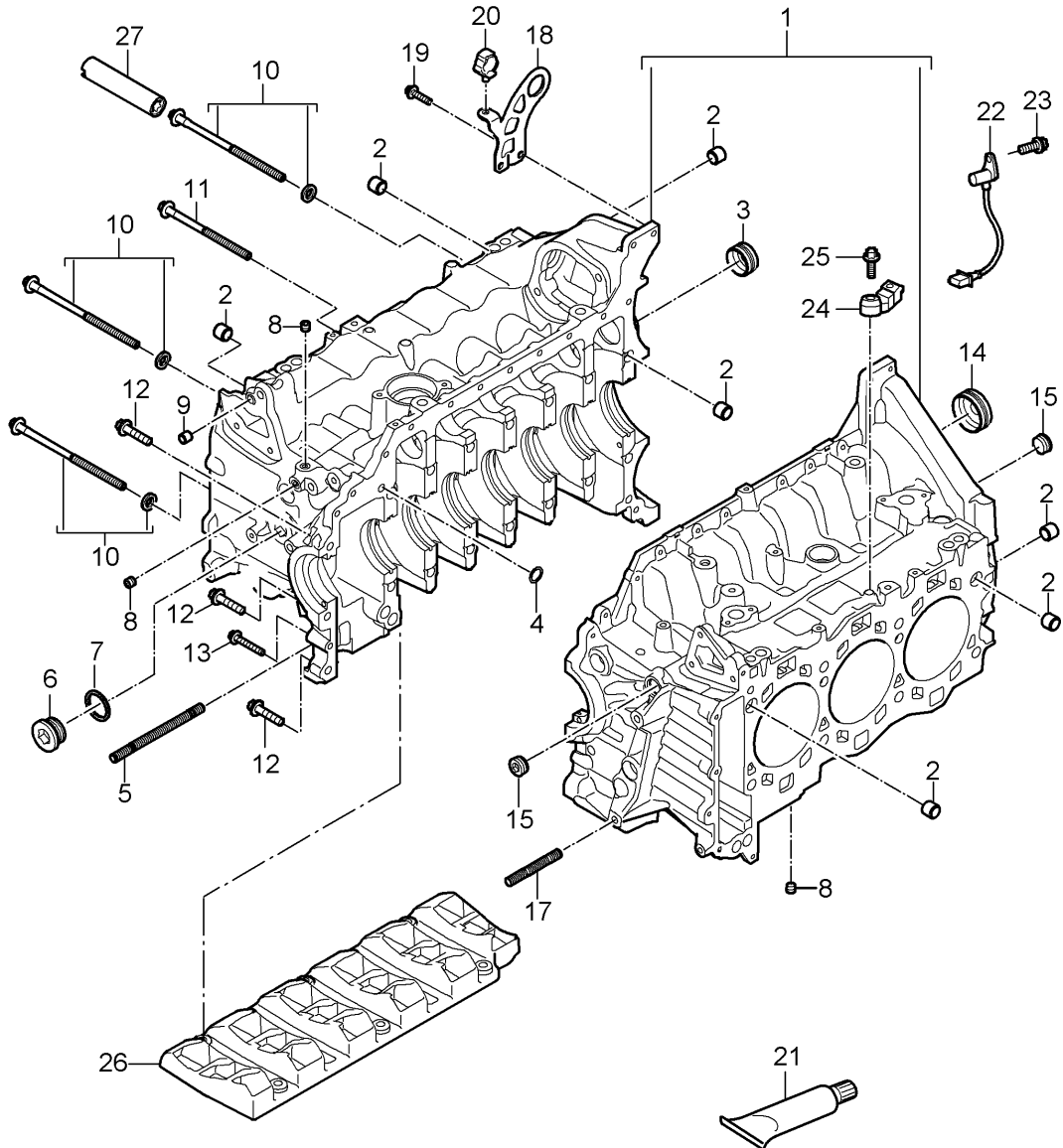
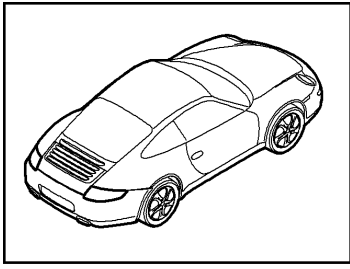
Model: 997-09

Model life 2009>>2012

Pos	Part Number	Description	Remark	Qty	Model
-	9A1 106 225 02	99970763640 99970750540 99970758940 Thermostat insert Short engine 9A110090250/TX Parts kit for seals Accessories Use also: 99970751740 99970758940 9A110630500 99970762540 9A110655800 9A110515304 9A110515504 9A110510103 99970734640 90012301121 99970106640		2 1 2 1 4 4 1 1 1 2 2 2 2 2 2 2 2	MA1.02

Model: 997-09

Model life 2009>>2012

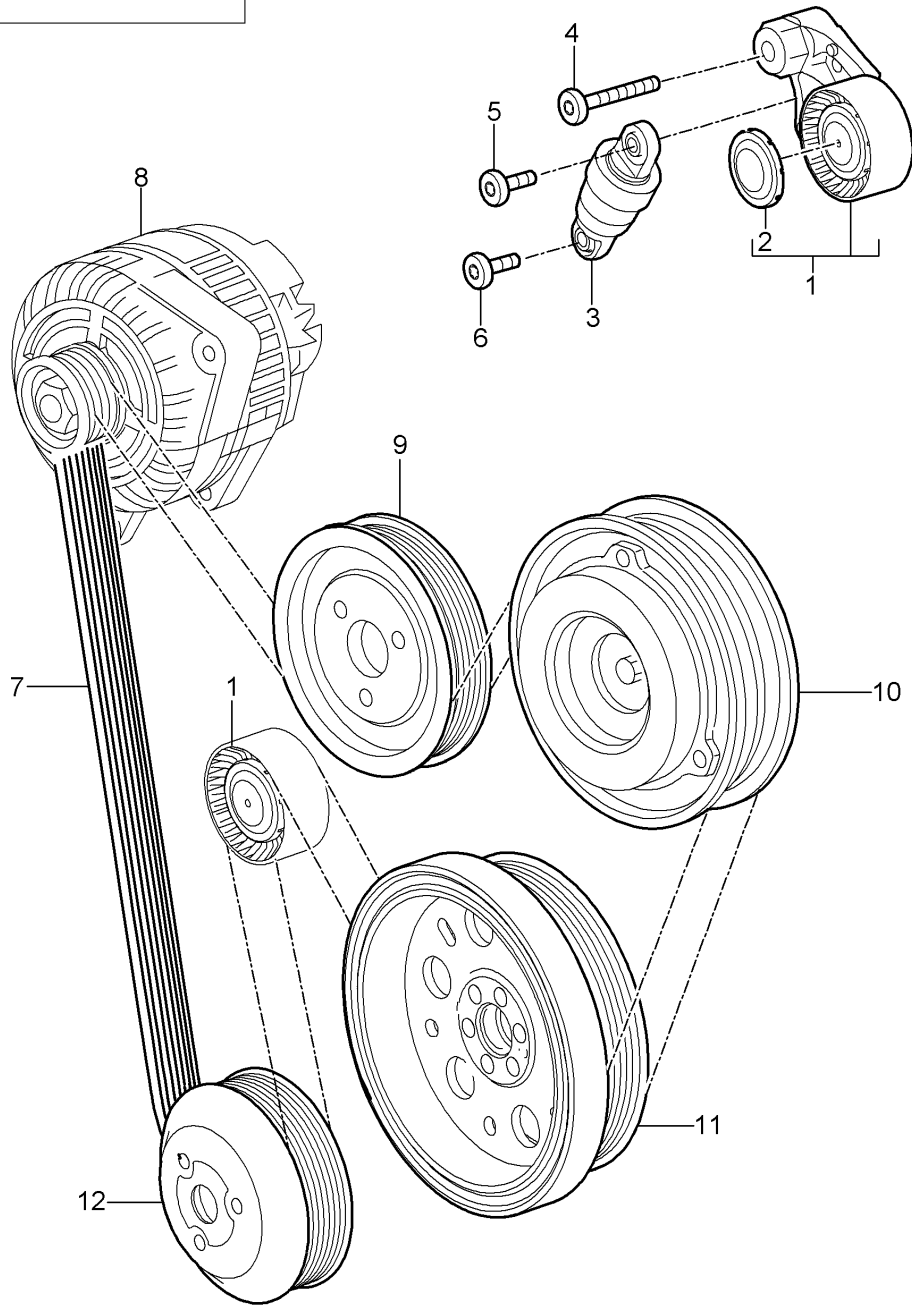
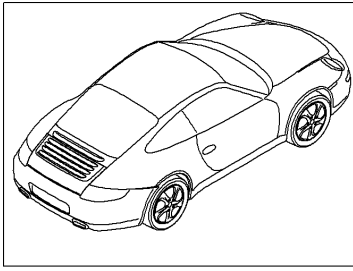


Model: 997-09 Model life 2009>>2012

Pos	Part Number	Description	Remark	Qty	Model
		Crankcase			MA1.01 MA1.02
1	9A1 101 938 00	Crankcase		1	MA1.01
1	9A1 101 936 00	Crankcase		1	MA1.02
2	014 301 153 B	Dowel sleeve		6	
3	9A1 101 215 01	Lid		1	
4	999 707 568 40	O-ring 12,0 x 3,0		1	
5	900 060 109 01	Stud M 10 X 120		1	
6	900 219 025 30	Screw plug M 30 X 1,5		1	
7	900 123 015 30	Sealing ring A 30 X 36		1	
8	999 063 033 01	Screw plug M 10 X 1,0 X 8,0		4	
9	999 095 063 01	Dowel sleeve M 6 X 10		1	
10	9A1 101 250 00	Outer hexagon round screw M 10 X 1,5 X 195		14	
11	900 385 281 01	Torx screw M 8 X 120		1	
12	900 385 042 01	Torx screw M 8 x 35		3	
13	900 385 045 01	Torx screw M 6 x 40		1	
14	9A1 101 216 01	Lid M 8 X 35		1	
15	999 063 034 01	Screw plug M 20 X 1,5 x 10		2	
17	900 060 108 01	Stud M 10 x 60		1	
18	9A1 101 213 00	Shackle for transportation		1	
19	900 385 072 01	Torx screw M 6 X 25		14	
20	999 507 075 40	Cable holder		1	
21	000 043 207 31	Sealing compound 80 ML		X	
22	9A1 606 112 01	Pulse sender		1	
23	900 387 264 01	Pan-head screw M 6 X 16		2	
23	N 105 464 03	Pan-head screw M 6 X 16		2	
24	997 606 121 00	Knock sensor Information available		2	
25	900 385 042 01	Torx screw M 8 X 35		2	
26		Oil separator See illustrations 1/04/02		1	
27	9A1 101 511 01	Adapter		12	

Model: 997-09

Model life 2009>>2012

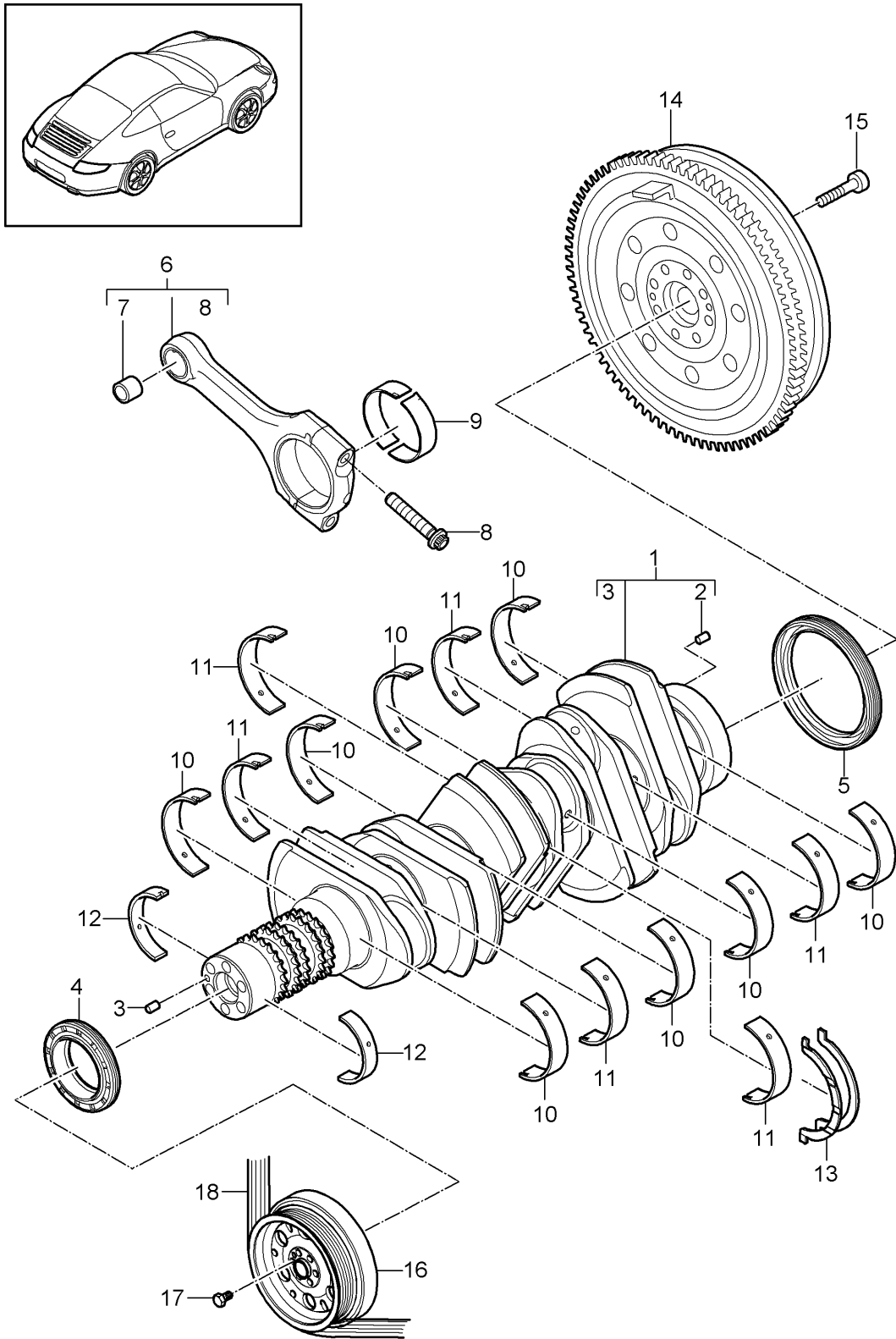


Model: 997-09 Model life 2009>>2012

Pos	Part Number	Description	Remark	Qty	Model
1	9A1 102 211 00	Belt tensioner V-belt Lever		1	
1	9A2 102 211 00	Tensioning roller Lever Tensioning roller		1	
		Use also: 9A110221200 99907357901 94810283900			
2	948 102 839 00	Protection cap		1	
3	948 102 261 00	Tensioner Hydraulic		1	
4	999 073 411 01	Outer hexagon round screw M 8 X 60		1	
5	999 073 246 09	Torx screw M 8 X 33-10,9		1	
6	999 073 412 01	Torx screw M 8 X 26		1	
7	9A1 102 216 01	V-belt		1	
8		Generator See illustrations 9/02/05		1	
9		Pulley Power-steering pump See illustrations 4/03/03		1	
10		Pulley Compressor See illustrations 8/13/15		1	
11		Pulley Crankshaft See illustrations 1/02/00		1	
12		Pulley Water pump See illustrations 1/05/00		1	

Model: 997-09

Model life 2009>>2012



Model: 997-09

Model life 2009>>2012

Pos	Part Number	Description	Remark	Qty	Model
		Crankshaft			MA1.01 MA1.02
1	9A1 102 077 04	Crankshaft		1	MA1.01
1	9A1 102 077 20	Crankshaft		1	MA1.01
1	9A1 102 081 03	Crankshaft		1	MA1.02
2	900 095 031 00	Tensioning sleeve 6,0 X 16		1	
3	900 302 016 00	Straight pin A 6,0 X 16		1	
4	9A1 101 222 02	Shaft sealing ring 52,5 X 9		1	
5	997 101 212 01	Shaft sealing ring 85 x 105 x 11		1	
6	9A1 103 914 02	Connecting rod Set Comprising: Connecting rods		6	
7	9A1 103 122 02	Connecting rod bush D = 22		6	
8	9A1 103 115 02	Connecting rod bolt M 10 X 1,25 X 51		12	
9	9A1 103 053 00	Connecting-rod bearing Identification Red		12	
(9)	9A1 103 053 01	Connecting-rod bearing Identification Yellow		12	
(9)	9A1 103 053 02	Connecting-rod bearing Identification Blue		12	
10	9A1 101 064 00	Crankshaft bearing Identification Red		8	
(10)	9A1 101 064 01	Crankshaft bearing Identification Yellow		8	
(10)	9A1 101 064 02	Crankshaft bearing Identification Blue		8	
11	9A1 101 063 00	Crankshaft bearing with Partial-groove Identification Red		6	
(11)	9A1 101 063 01	Crankshaft bearing with Partial-groove Identification Yellow		6	
(11)	9A1 101 063 02	Crankshaft bearing with Partial-groove Identification Blue		6	
12	9A1 101 052 00	Supporting mount Identification Red		2	
(12)	9A1 101 052 01	Supporting mount Identification Yellow		2	
(12)	9A1 101 052 02	Supporting mount Identification Blue		2	

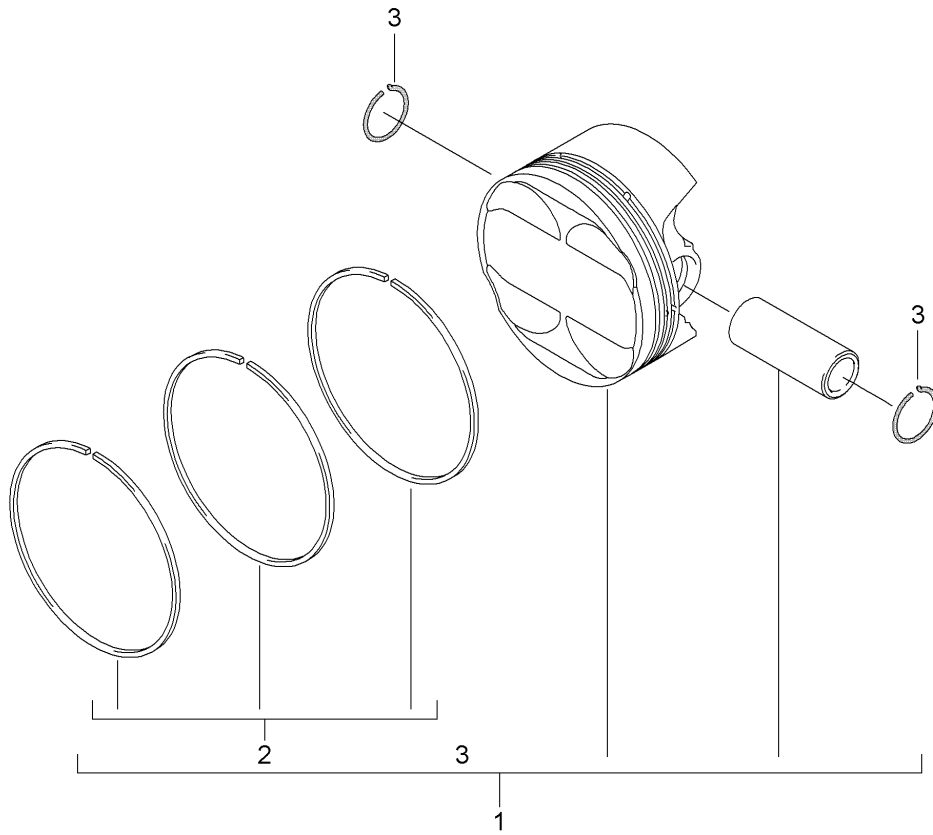
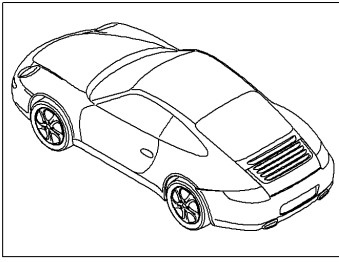
Model: 997-09

Model life 2009>>2012

Pos	Part Number	Description	Remark	Qty	Model
13	996 101 132 00	Thrust washer D = 63		2	
14	9G1 114 012 01	Double-mass flywheel		1	I480
(14)	9G1 114 020 01	Double-mass flywheel		1	I250
15	N 906 651 01	Pan-head screw M 10 X 1 X 29		10	
(15)	999 073 092 01	Pan-head screw M 10 X 1 X 50		8	I480
16	9A1 102 146 02	Pulley with Vibration damper		1	
17	900 385 127 01	Outer hexagon round screw M 8 X 25		6	
18		V-belt See illustrations 1/01/10		1	

Model: 997-09

Model life 2009>>2012

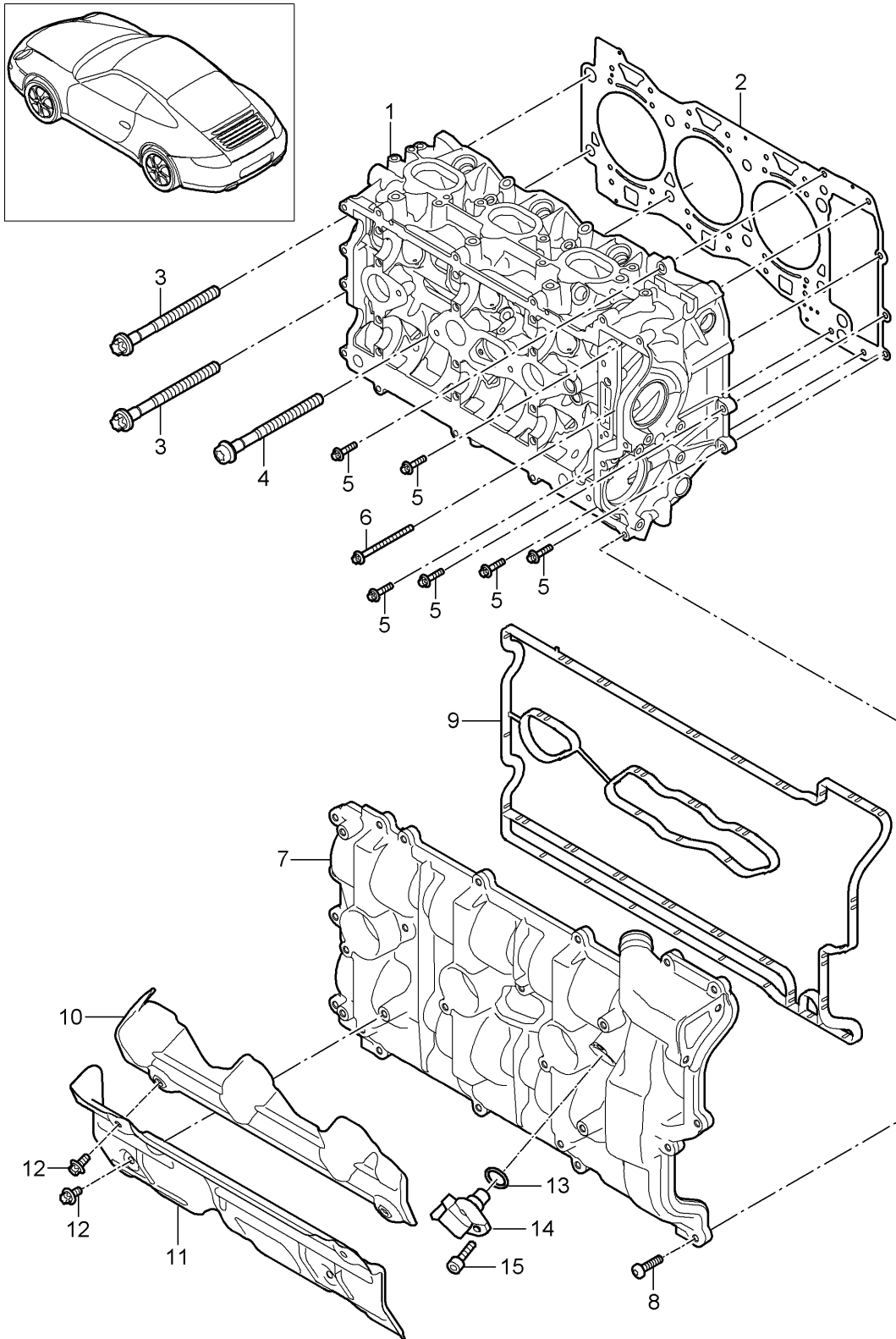


Model: 997-09 Model life 2009>>2012

Pos	Part Number	Description	Remark	Qty	Model
		Piston			MA1.01
1	9A1 103 038 00	Piston Tolerance range X		6	MA1.02 MA1.01
1	9A1 103 938 00	Piston Tolerance range X Identification -		6	MA1.01
1	9A1 103 938 50	Piston Tolerance range X Identification +		6	MA1.01
(1)	9A1 103 036 00	Piston Tolerance range X		6	MA1.02
(1)	9A1 103 936 01	Piston Tolerance range X Identification -		6	MA1.02
(1)	9A1 103 936 51	Piston Tolerance range X Identification +		6	MA1.02
2	9A1 103 075 02	Set of piston rings		6	MA1.01
(2)	9A1 103 065 02	Set of piston rings		6	MA1.02
3	9A1 103 141 01	Circlip		12	

Model: 997-09

Model life 2009>>2012



Model: 997-09 Model life 2009>>2012

Pos	Part Number	Description	Remark	Qty	Model
1	9A1 104 903 00	Cylinder head with Valves Cylinder head gasket Valve cover		1	MA1.01
1	9A1 104 901 00	Cylinder head Cyl. 1 - 3		1	MA1.02
1	9A1 104 011 40	Cylinder head Cyl. 1 - 3 Kit		1	MA1.01 IX51
1	9A1 104 903 40	Cylinder head Cyl. 1 - 3 Kit		1	MA1.01 IX51
1	9A1 104 904 00	Cylinder head Cyl. 4 - 6		1	MA1.01
1	9A1 104 902 00	Cylinder head Cyl. 4 - 6		1	MA1.02
1	9A1 104 012 40	Cylinder head Cyl. 4 - 6 Kit		1	MA1.01 IX51
1	9A1 104 904 40	Cylinder head Cyl. 4 - 6 Kit		1	MA1.01 IX51
2	9A1 104 141 03	Cylinder head gasket Cyl. 1 - 3	-09	1	MA1.01
2	9A1 104 141 04	Cylinder head gasket Cyl. 1 - 3	10-	1	MA1.01
(2)	9A1 104 143 03	Cylinder head gasket Cyl. 1 - 3	-09	1	MA1.02
(2)	9A1 104 143 04	Cylinder head gasket Cyl. 1 - 3	10-	1	MA1.02
(2)	9A1 104 140 03	Cylinder head gasket Cyl. 4 - 6	-09	1	MA1.01
(2)	9A1 104 140 04	Cylinder head gasket Cyl. 4 - 6	10-	1	MA1.01
(2)	9A1 104 142 03	Cylinder head gasket Cyl. 4 - 6	-09	1	MA1.02
(2)	9A1 104 142 04	Cylinder head gasket Cyl. 4 - 6	10-	1	MA1.02
3	9A1 104 191 00	Torx screw M12 X 1,5 X 140		4	
4	9A1 104 191 02	Torx screw M12 X 1,5 X 140		12	
5	900 385 072 01	Torx screw M6 X 25		11	
6	900 385 108 02	Torx screw M6 X 80		2	
7	9A1 105 231 05	Valve cover Cyl. 1 - 3 Only together with 9A1.105.731.02 M >> 9 16162 M >> 9 06813		1	MA1.01 MA1.02
(7)	9A1 105 231 04	Valve cover Cyl. 1 - 3 Together with 9A1.105.731.03		1	

Model: 997-09

Model life 2009>>2012

Pos	Part Number	Description	Remark	Qty	Model
(7)	9A1 105 232 05	M 9 16163 >> M 9 06814 >> Valve cover Cyl. 4 - 6 Only together with 9A1.105.732.02		1	MA1.01 MA1.02
(7)	9A1 105 232 04	M >> 9 16162 M >> 9 06813 Valve cover Cyl. 4 - 6 Only together with 9A1.105.732.03		1	MA1.01 MA1.02
8	9A1 107 313 00	M 9 16163 >> M 9 06814 >> Torx screw M6 X 25		40	MA1.01 MA1.02
9	9A1 105 731 03	Gasket Valve cover Cyl. 1 - 3		1	
(9)	9A1 105 731 02	M 9 16163 >> M 9 06814 >> Gasket Valve cover Cyl. 1 - 3		1	MA1.01 MA1.02
(9)	9A1 105 732 03	M >> 9 16162 M >> 9 06813 Gasket Valve cover Cyl. 4 - 6		1	MA1.01 MA1.02
(9)	9A1 105 732 02	M 9 16163 >> M 9 06814 >> Gasket Valve cover Cyl. 4 - 6		1	MA1.01 MA1.02
10	9A1 104 307 03	M >> 9 16162 M >> 9 06813 Heat protection Upper part Cyl. 1 - 3		1	MA1.01 MA1.02
(10)	9A1 104 308 04	Heat protection Upper part Cyl. 4 - 6		1	
11	9A1 104 309 02	Heat protection Lower part Cyl. 1 - 3		1	
(11)	9A1 104 309 03	Heat protection Lower part Cyl. 1 - 3		1	
(11)	9A1 104 310 02	Heat protection Lower part Cyl. 4 - 6		1	
(11)	9A1 104 310 03	Heat protection Lower part Cyl. 4 - 6		1	
12	900 385 041 01	Torx screw M6 X 12		12	
13	999 707 404 40	O-ring 17,05 X 1,78 To Use		2	
14	997 606 106 01	997.606.106.03 Hall sender		2	
14	997 606 106 03	Hall sender		2	

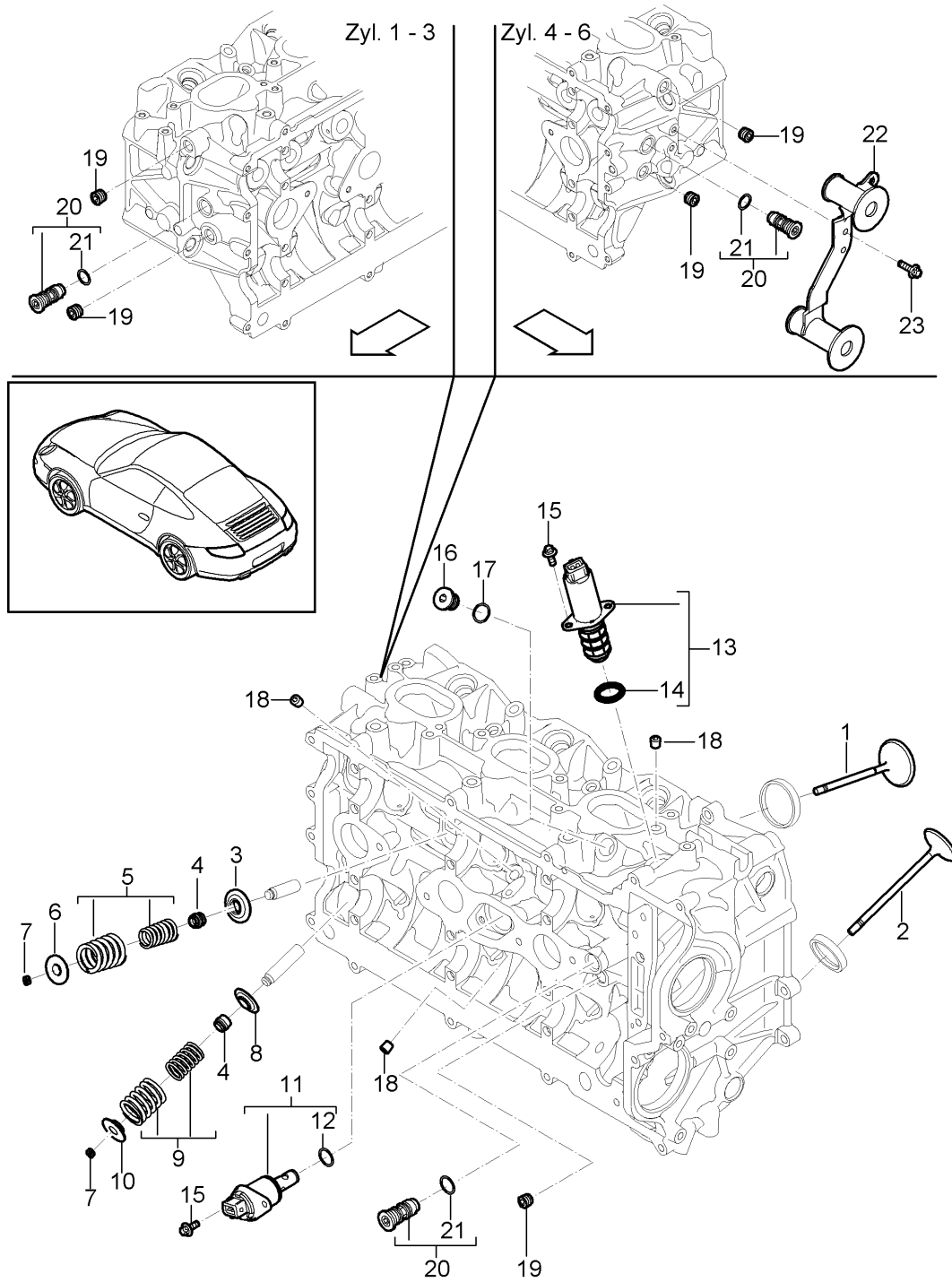
Model: 997-09

Model life 2009>>2012

Pos	Part Number	Description	Remark	Qty	Model
15	900 387 264 01	Pan-head screw M 6 X 16		2	
15	N 105 464 03	Pan-head screw M 6 X 16		2	

Model: 997-09

Model life 2009>>2012



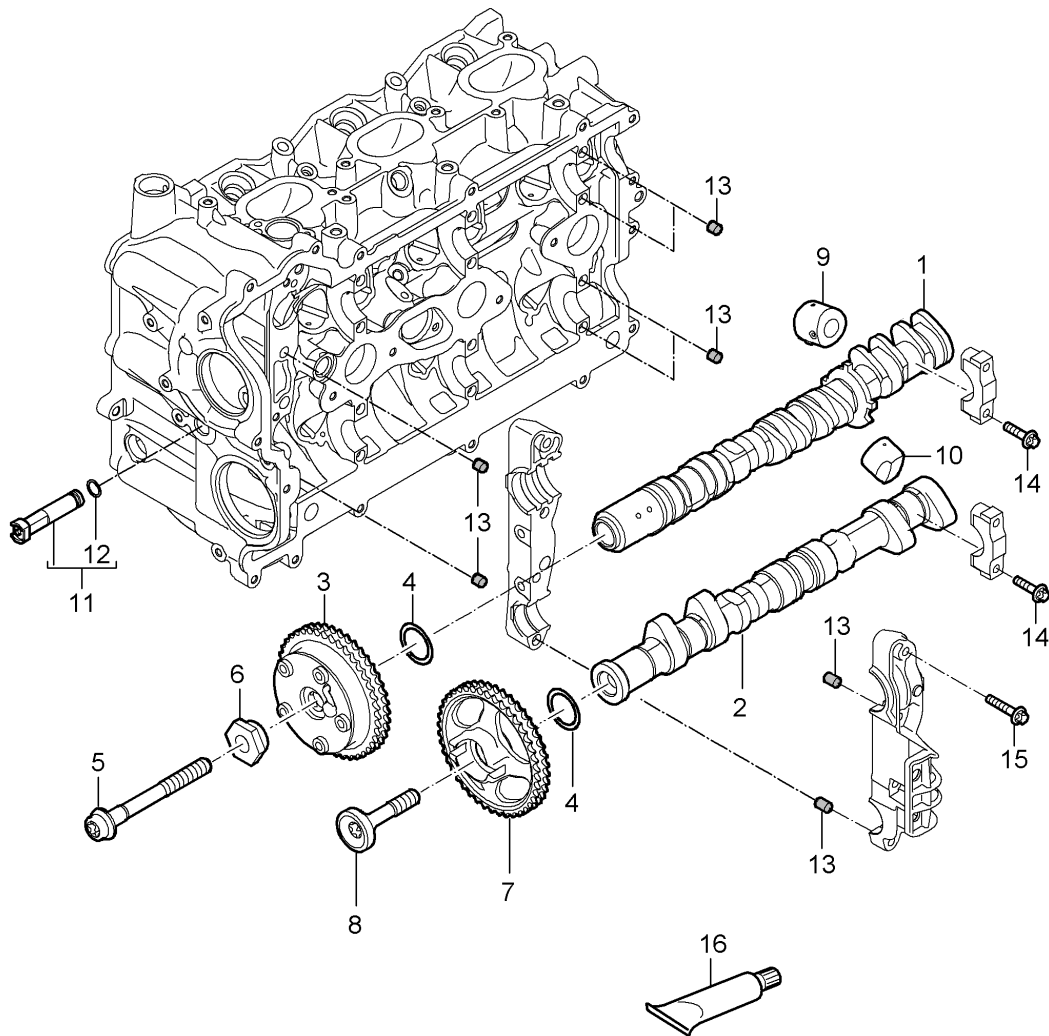
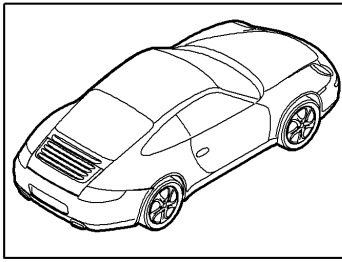
Model: 997-09

Model life 2009>>2012

Pos	Part Number	Description	Remark	Qty	Model
		Cylinder head			MA1.01
		Accessories			MA1.02
		Valves			
1	9A1 105 310 02	Intake valve		12	MA1.01
(1)	9A1 105 312 02	Intake valve		12	MA1.02
2	9A1 105 320 02	Exhaust valve		12	MA1.01
(2)	9A1 105 322 02	Exhaust valve		12	MA1.02
3	9A1 105 151 00	Concave washer		12	
		Intake			
		Lower			
4	996 105 115 52	Valve stem seal		24	
5	9A1 105 110 01	Set of valve springs		12	
		Intake			
6	9A1 105 150 00	Concave washer		12	
		Intake			
		Upper			
7	996 105 123 52	Valve collet		48	
8	948 105 153 51	Concave washer		12	
		Exhaust			
		Lower			
9	9A1 105 115 01	Set of valve springs		12	
		Set			
		Exhaust			
10	948 105 152 51	Concave washer		12	
		Exhaust			
		Upper			
11	9A1 105 308 02	Actuator		1	
		VVS			
11		Actuator		1	
		VVS			
12	900 331 057 40	O-ring		2	
		11,2 X 2,65			
13	9A1 105 304 01	Actuator		2	
		NVS			
13	9A1 105 304 02	Actuator		2	
		NVS			
13	9A1 105 304 03	Actuator		2	
		NVS			
13	9A1 105 304 04	Actuator		2	
		NVS			
14	999 707 446 40	O-ring		2	
		18 X 2,5		2	
15	900 385 112 01	Torx screw		8	
		M 5 X 12			
16	900 219 002 03	Screw plug		1	
17	900 123 104 30	Sealing ring		2	
		14 X 18			
18	999 063 035 02	Screw plug		3	
		M 8 X 1,0			
		Cyl. 1 - 3			
(18)		Screw plug		4	
		M 8 X 1,0			
		Cyl. 4 - 6			
19	900 063 014 01	Screw plug		4	
		M 12 X 1,5			
20	9A1 104 250 00	Restrictor		4	
21	999 707 577 40	O-ring		4	
		10 x 2,5N			
22	9A1 104 370 01	Connection piece		1	I339
		Cyl. 4 - 6			
23	900 385 019 01	Torx screw		2	-I011/I339
		M 6 x 20			
24	9A1 104 371 00	Damping piece		2	-I011/I339

Model: 997-09

Model life 2009>>2012



Model: 997-09

Model life 2009>>2012

Pos	Part Number	Description	Remark	Qty	Model
		Camshaft Hydraulic valve tappet			MA1.01 MA1.02
(1)	9A1 105 013 03	Camshaft adjuster Camshaft Intake Cyl. 1 - 3		1	MA1.01
(1)	9A1 105 027 03	Camshaft Intake Cyl. 1 - 3		1	MA1.02
1	9A1 105 014 03	Camshaft Intake Cyl. 4 - 6		1	MA1.01
(1)	9A1 105 028 03	Camshaft Intake Cyl. 4 - 6		1	MA1.02
(2)	9A1 105 215 03	Camshaft Exhaust Cyl. 1 - 3		1	MA1.01
(2)	9A1 105 223 03	Camshaft Exhaust Cyl. 1 - 3		1	MA1.02
2	9A1 105 216 03	Camshaft Exhaust Cyl. 4 - 6		1	MA1.01
(2)	9A1 105 224 03	Camshaft Exhaust Cyl. 4 - 6		1	MA1.02
3	9A1 105 052 01	Camshaft adjuster		2	
4	9A1 105 403 02	Washer		4	
5	9A1 105 254 01	Camshaft adjuster Torx screw M12 X 50		2	
6	948 105 218 01	Sleeve		2	
6	9A1 105 245 00	Camshaft adjuster Sleeve		2	
(7)	9A1 105 147 02	Camshaft adjuster Sprocket Camshaft Exhaust Cyl. 1 - 3		1	
7	9A1 105 148 02	Sprocket Camshaft Exhaust Cyl. 4 - 6		1	
8	9A1 105 255 00	Torx screw		2	
8	9A1 105 255 02	Torx screw		2	
9	9A1 105 070 03	Hydraulic valve tappet Intake		12	
10	948 105 071 02	Hydraulic valve tappet Exhaust		12	
(10)	9A1 105 071 00	Hydraulic valve tappet Exhaust		12	
11	9A1 104 402 02	Oil tube Cyl. 4 - 6		1	
12	999 707 576 40	O-ring 7,0 X 2,5		1	
13	999 095 075 01	Dowel sleeve 8 x 7		32	
14	999 073 450 02	Outer hexagon round screw BM 6 X 37		24	
15	900 385 111 01	Torx screw BM 6 X 55		8	
16	000 043 024 00	Extreme-pressure grease		1	

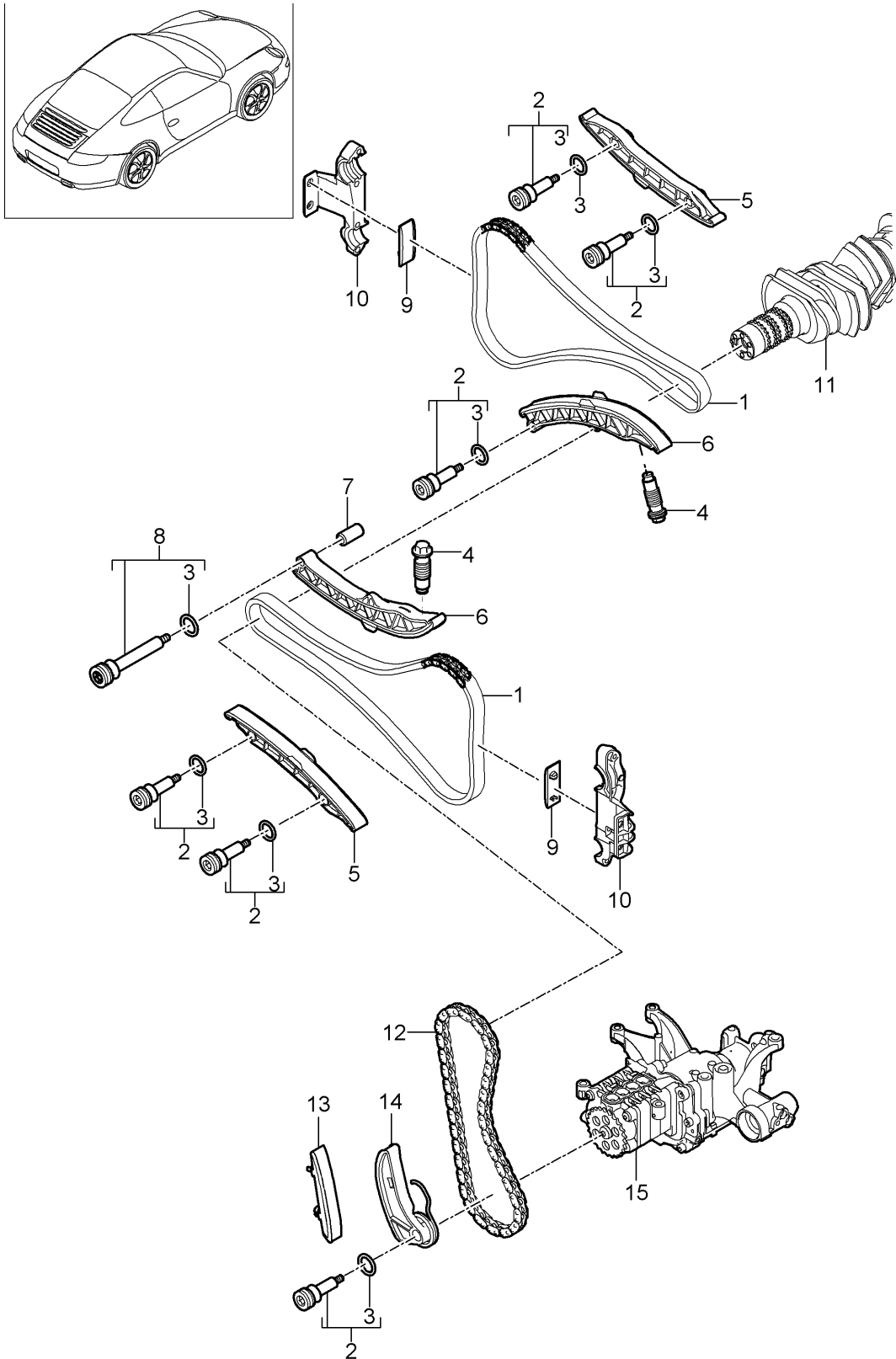
Model: 997-09

Model life 2009>>2012

Pos	Part Number	Description	Remark	Qty	Model
		1 tube 80 Gr. for Camshaft			

Model: 997-09

Model life 2009>>2012

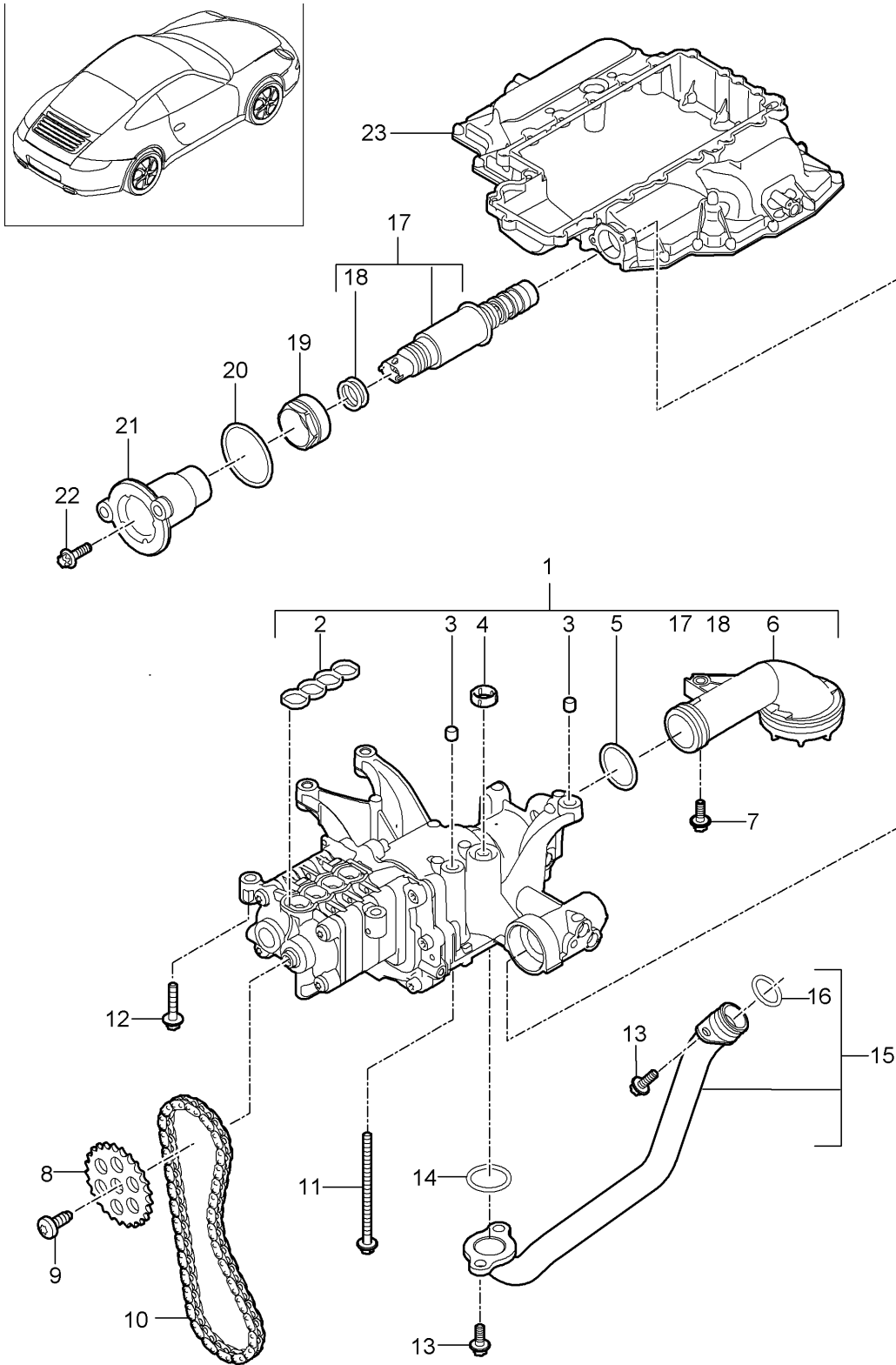


Model: 997-09 Model life 2009>>2012

Pos	Part Number	Description	Remark	Qty	Model
		Valve control			MA1.01 MA1.02
1	9A1 105 142 02	Timing chain Camshaft Crankshaft		2	
2	9A1 105 162 01	Screw Tensioner blade		6	
3	999 707 346 40	O-ring 15,0 X 3,0		X	
4	9A1 105 157 02	Chain adjuster		2	
-	900 123 118 30	Sealing ring A 22 X 27 Use with 9A1.105.157.02		2	
-	900 123 011 21	Sealing ring A 22 X 27 Use with 9A1.105.157.03		2	
5	9A1 105 153 02	Guide rail		2	
6	9A1 105 155 02	Tensioner blade		2	
7	9A1 105 165 01	Spacer sleeve		2	
8	9A1 105 163 01	Screw		1	
9	9A1 105 101 02	Guide rail		2	
10		Housing Not available To Use Cylinder head See illustrations 1/03/00		2	
11		Crankshaft See illustrations 1/02/00		1	
12	9A1 105 233 02	Timing chain Oil pump Crankshaft		1	
13	9A1 105 237 02	Guide rail		1	
14	9A1 105 235 02	Tensioner blade		1	
15		Oil pump See illustrations 1/04/00		1	

Model: 997-09

Model life 2009>>2012



Model: 997-09 Model life 2009>>2012

Pos	Part Number	Description	Remark	Qty	Model
1	9A1 107 050 03	Oil pump		1	
(1)	9A1 107 050 04	Oil pump M >> C 01403 M >> C 00913 M >> S B 09758		1	MA1.01 MA1.02 MA1.01 IX51
(1)	9A1 107 050 05	Oil pump M C 01404 >> M C 00914 >> M S B 09759 >>		1	MA1.01 MA1.02 MA1.01 IX51
(1)	9A1 107 050 11	Oil pump		1	
(1)	9A1 107 050 12	Oil pump		1	
2	9A1 107 370 00	Gasket		1	
3	996 106 103 50	Dowel sleeve 8,2 X 7,0		2	
4	9A1 107 327 00	Sealing ring		1	
5	999 707 375 40	O-ring 30,00 X 3,00		1	
6	9A1 107 075 02	Suction tube M >> C 01403 M >> C 00913 M >> S B 09758		1	MA1.01 MA1.02 MA1.01 IX51
(6)	9A1 107 075 10	Suction tube M C 01404 >> M C 00914 >> M S B 09759 >>		1	MA1.01 MA1.02 MA1.01 IX51
7	999 073 102 01	Round head screw M6 X 25		1	
8	9A1 105 225 02	Sprocket		1	
9	999 073 380 01	Oil pump Torx screw M8 X 22		1	
10		Chain Oil pump See illustrations 1/03/15		1	
11	900 385 126 01	Torx screw M6 X 95		1	
12	900 385 048 01	Torx screw M6 X 30		5	
13	900 385 009 01	Torx screw M6 X 25		1	
14	999 707 409 41	O-ring 26,00 X 3,00 M >> C 01403 M >> C 00913 M >> S B 09758		1	MA1.01 MA1.02 MA1.01 IX51
15	9A1 107 025 01	Oil tube Oil pump Crankcase		1	
16	999 707 575 40	O-ring 20,00 X 3,00		1	
17	948 107 113 01	Solenoid valve		1	
(17)	948 107 113 02	Solenoid valve M >> C 01403 M >> C 00913 M >> S B 09758		1	MA1.01 MA1.02 MA1.01 IX51

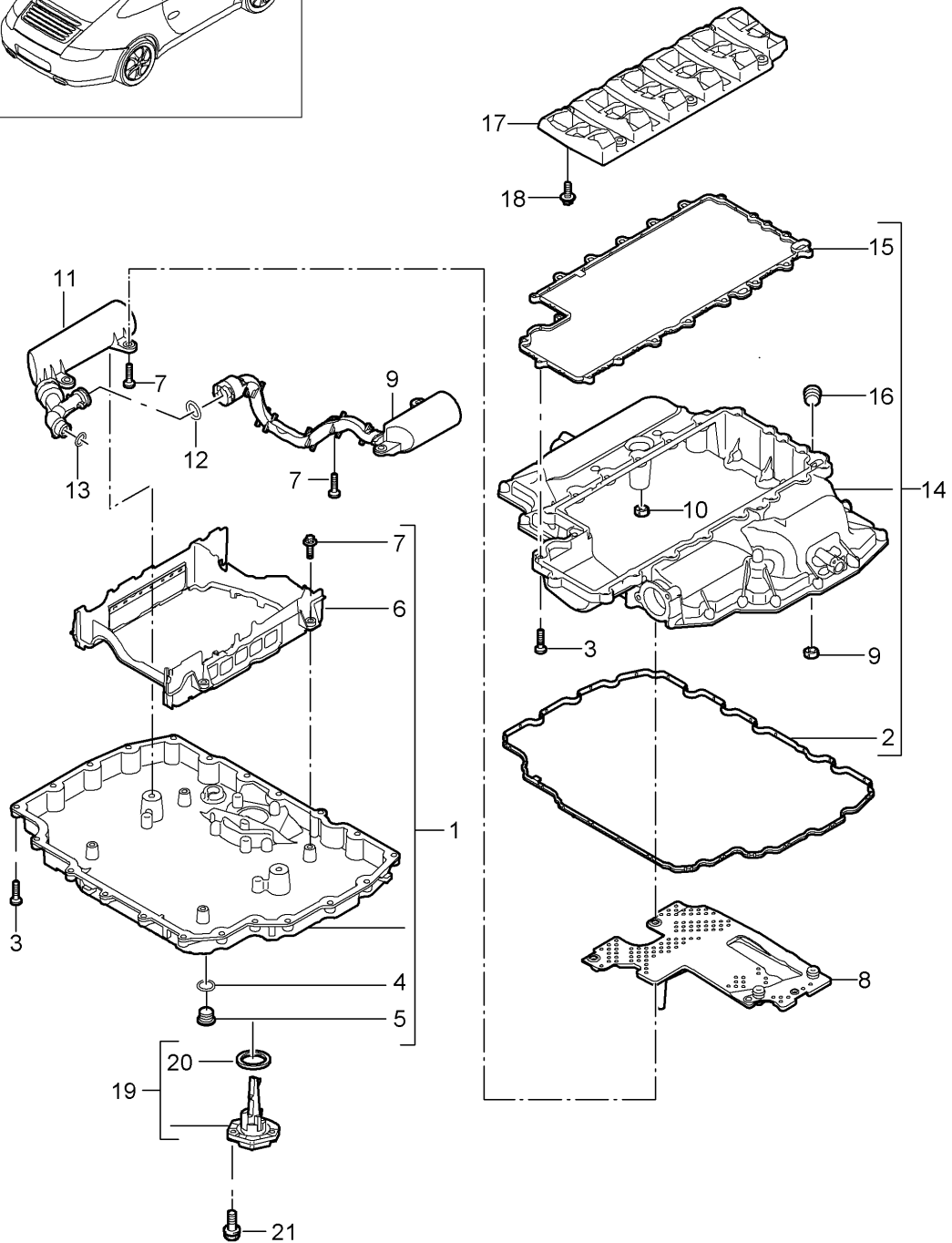
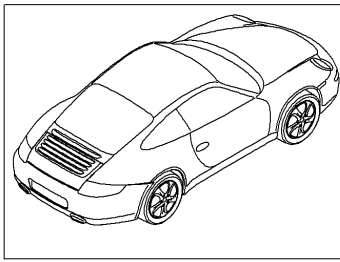
Model: 997-09

Model life 2009>>2012

Pos	Part Number	Description	Remark	Qty	Model
(17)	948 107 113 11	Solenoid valve		1	
18	999 707 567 40	O-ring 17,00 X 3,00		2	
19	999 261 024 01	Union nut M36 x 1,0 x 12		1	
20	999 707 570 40	O-ring 44,00 x 3,00		1	
21	9A1 107 330 01	Joint flange Control valve		1	
22	900 385 019 01	Torx screw M6 X 20		2	
23		Oil pan Upper part See illustrations 1/04/02		1	

Model: 997-09

Model life 2009>>2012



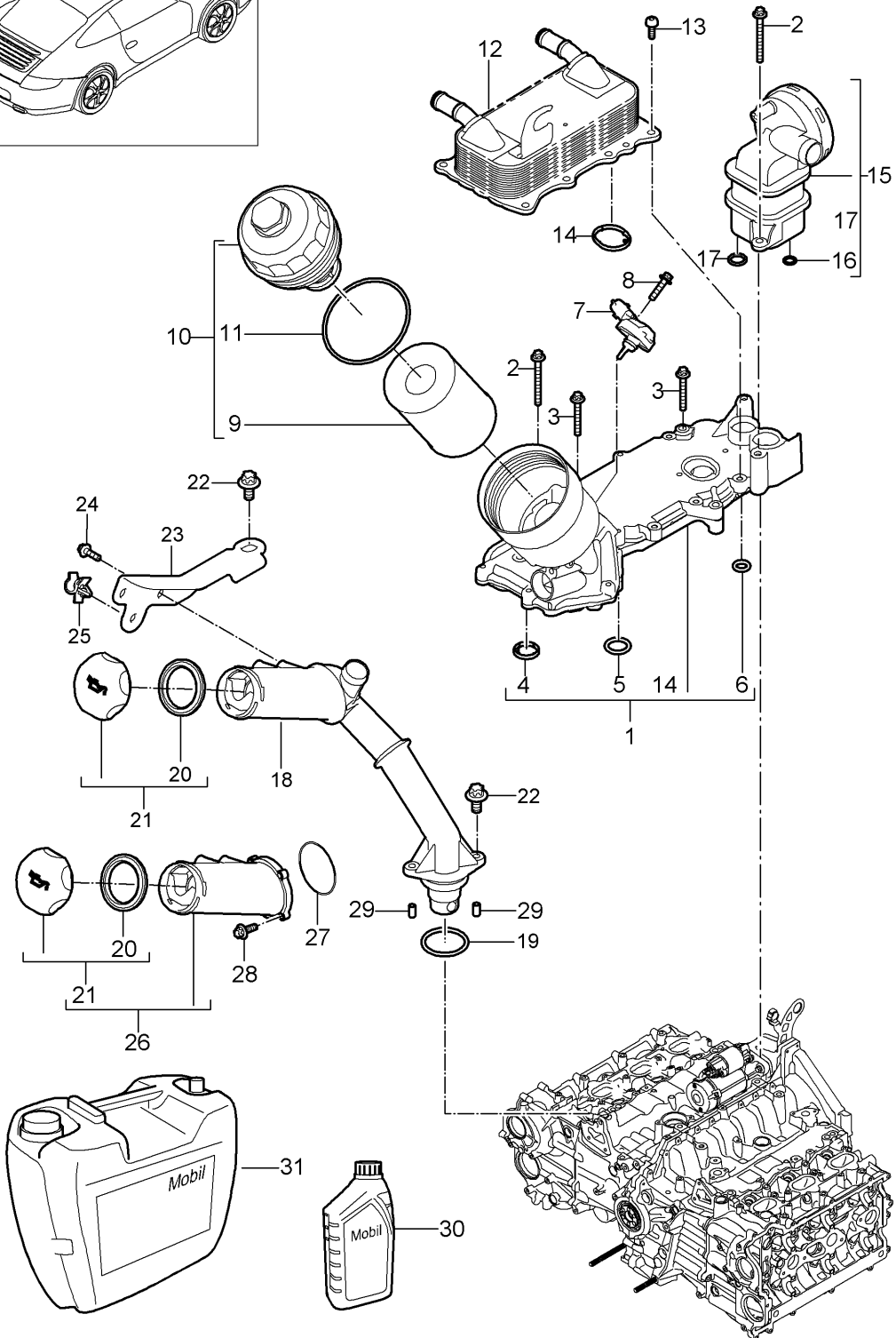
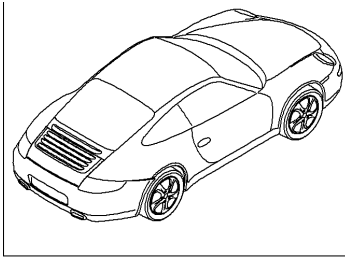
Model: 997-09

Model life 2009>>2012

Pos	Part Number	Description	Remark	Qty	Model
1	9A1 107 032 10	Oil pan Oil pan Lower part		1	
1	9A1 107 032 00	Oil pan Lower part		1	
2	9A1 107 325 02	Gasket Oil pan		1	
3	9A1 107 313 00	Torx screw M 6 X 25		44	
4	900 123 106 30	Sealing ring A 18 X 24		1	
5	900 219 020 31	Screw plug M 18 X 1,5		1	
6	9A1 107 243 01	Bulkhead		1	
7	900 385 019 01	Torx screw M6 x 20		10	
8	9A1 107 420 01	Oil separator		1	
9	9A1 107 383 01	Oil separator		1	
10	9A1 107 327 00	Sealing ring		2	
11	9A1 107 380 01	Oil separator		1	
12	948 107 439 10	O-ring 20,0 X 3,8	-11	2	
(12)	999 707 651 40	O-ring 20,0 x 3,8	12-	2	
13	999 707 637 40	O-ring 15,0 X 3,0 Deleted without Replacement	-11	1	
14	9A1 107 031 01	Oil pan Upper part		1	
15	9A1 107 315 03	Gasket		1	
16	900 063 010 01	Screw plug M8 X 1,0		1	
17	9A1 101 010 00	Oil separator		1	MA1.01
(17)	9A1 101 010 20	Oil separator		1	MA1.02
18	900 385 019 01	Torx screw M6 X 20		6	
19	948 606 150 00	Oil-level sender		1	
20	948 606 240 00	Gasket		1	
21	900 385 072 01	Torx screw BM 6 X 25		3	

Model: 997-09

Model life 2009>>2012



Model: 997-09 Model life 2009>>2012

Pos	Part Number	Description	Remark	Qty	Model
		Engine lubrication			
1	9A1 107 045 01	Oil-conducting housing		1	
(1)	9A1 107 045 02	Oil-conducting housing		1	
1	9A1 107 010 03	Oil-conducting housing		1	
1	9A1 107 010 05	Oil-conducting housing		1	
2	900 385 276 01	Torx screw M 6 X 60		X	
3	900 385 125 01	Torx screw M 6 X 45		5	
4	9A1 107 465 01	Sealing ring Oil-conducting housing Crankcase		2	
5	999 707 594 40	O-ring 11,0 X 4,0		1	
6	999 707 595 40	O-ring 20,0 X 4,0		1	
7	997 606 203 01	Oil pressure sender 5 BAR	-09	1	
7	997 606 203 02	Oil pressure sender 5 BAR See technical information TI 24/09	-09	1	
(7)	948 606 213 00	Oil pressure sender 10 BAR See technical information TI 24/09	10-	1	
8	900 385 019 01	Torx screw M 6 X 25		2	
9	948 107 222 00	Filter element Use also: 948.107.322.00		1	
10	948 107 022 00	Oil filter Complete		1	
11	948 107 322 00	Sealing ring 91,0 X 4,0		1	
12	9A1 107 450 00	Heat exchanger		1	
13	999 073 416 01	Combination screw M 6 X 20		6	
14	948 107 175 00	Gasket		2	
15	9A1 107 040 00	Oil separator		1	
16	999 707 634 40	O-ring 18,5 X 4,0		1	
17	999 707 635 40	O-ring 21,0 X 4,0		1	
18	9A1 107 115 02	Filler tube Engine oil		1	
(18)	9A1 107 115 40	Filler tube Engine oil without Filler neck		1	MA1.01 IX51
19	999 707 348 40	O-ring 42,0 X 4,0		1	
20	9A1 107 336 00	Gasket Lid		1	
21	9A1 107 035 00	Lid		1	
21	9A1 107 035 01	Lid		1	
22	900 385 019 01	Torx screw M 6 X 20		5	
23	9A1 107 215 01	Support Filler tube	-09	1	
23	9A1 107 215 02	Support Filler tube	10-	1	

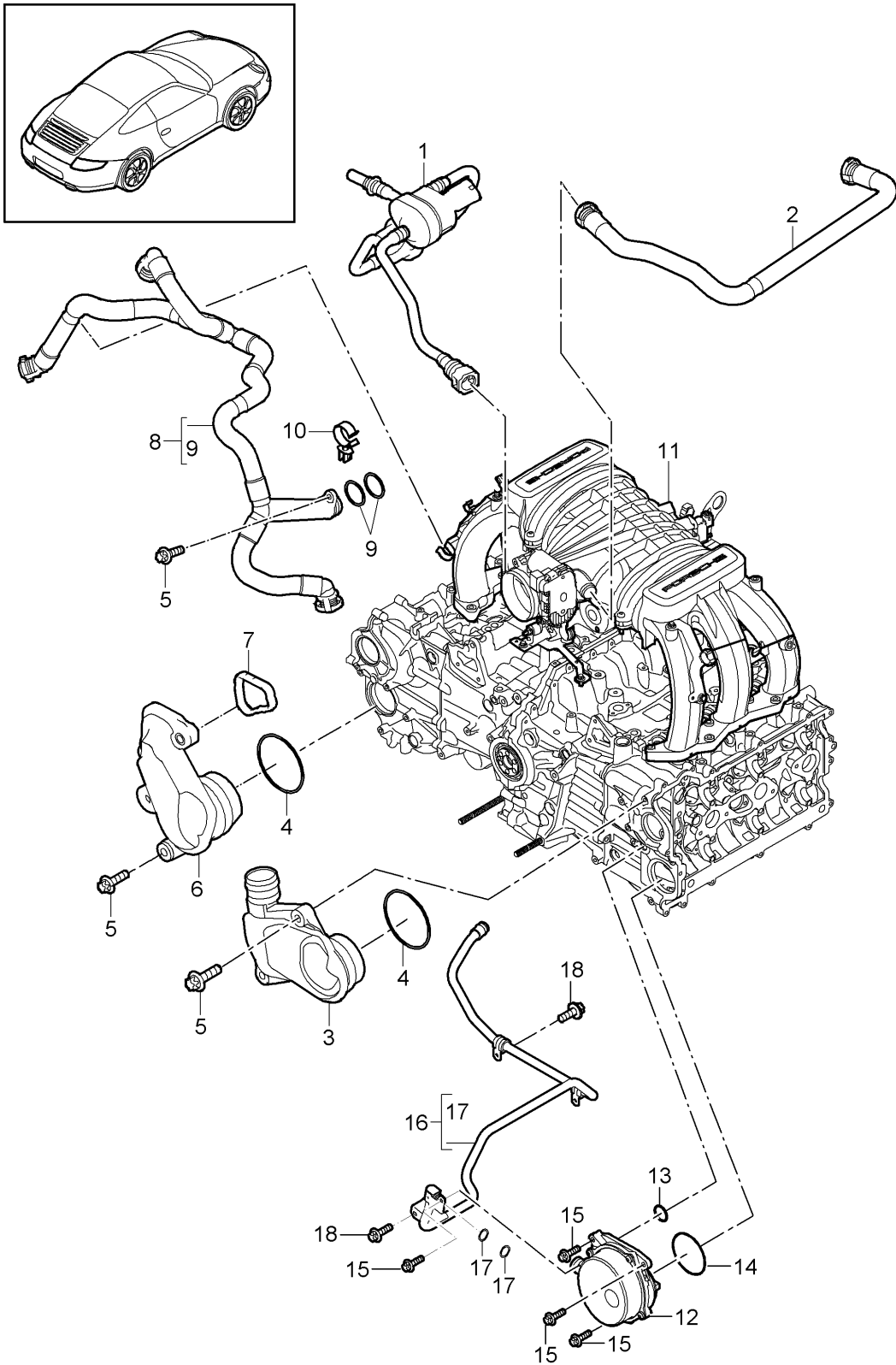
Model: 997-09

Model life 2009>>2012

Pos	Part Number	Description	Remark	Qty	Model
(23)	9A1 107 215 40	Support		1	MA1.01 IX51
24	900 385 041 01	Filler tube Torx screw M 6 X 20		X	
25	999 507 886 40	Hose holder		1	
26	9A1 107 120 40	Filler neck		1	MA1.01 IX51
27	999 707 644 40	Engine oil O-ring		1	MA1.01 IX51
28	900 385 050 01	Filler neck Outer hexagon round screw M 6 x 12		4	MA1.01 IX51
29	9A1 107 415 40	Sleeve		2	MA1.01 IX51
30	000 043 301 19	Filler tube Engine oil EXXON MOBIL 1 0W-40 1 LITER Container Information available		X	
31	000 043 301 21	Engine oil EXXON MOBIL 1 0W-40 20 LITER Container Information available		X	

Model: 997-09

Model life 2009>>2012

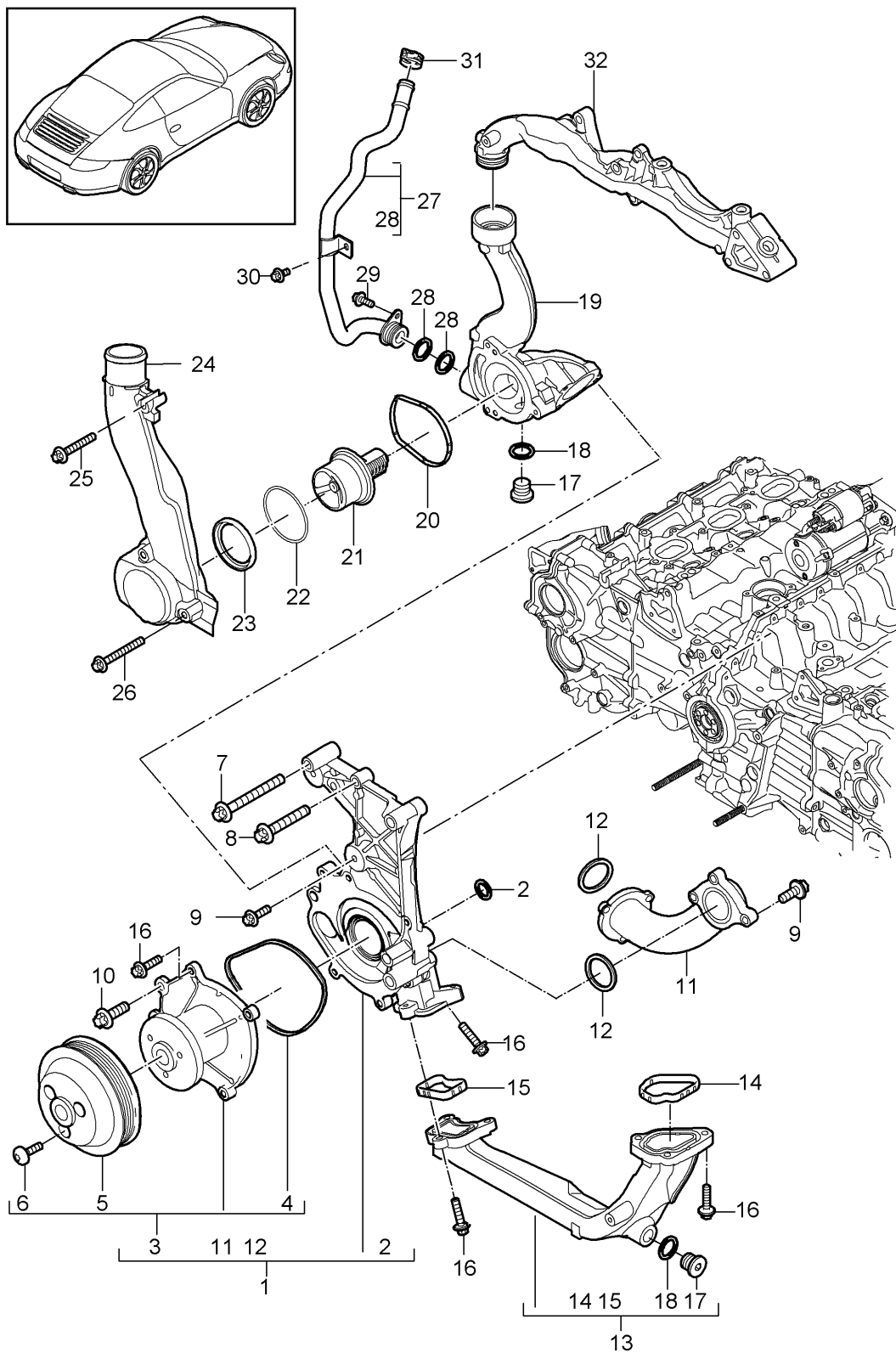


Model: 997-09 Model life 2009>>2012

Pos	Part Number	Description	Remark	Qty	Model
1	9A1 110 091 02	Crankcase Bleeding Tank ventilation Vacuum pump Vent line		1	
(1)	9A1 110 091 40	Complete Vent line		1	MA1.01 IX51
(1)	9A1 110 091 41	Complete Kit Vent line		1	MA1.01 IX51
2	9A1 107 510 01	Complete Kit Vent line Distributor tube		1	
3	9A1 105 038 00	Lid Crankcase Bleeding		1	
4	999 707 636 40	Cyl. 4 - 6 O-ring 44,0 X 3,5N		2	
5	900 385 019 01	Torx screw BM6 x 20		6	
6	9A1 105 039 00	Lid Crankcase Bleeding		1	
7	9A1 105 339 00	Cyl. 1 - 3 Gasket for Lid		1	
8	9A1 107 505 01	Crankcase Vent line		1	
(8)	9A1 107 505 40	Crankcase Vent line		1	MA1.01 IX51
9	999 707 639 40	Crankcase Kit O-ring		2	
10	999 507 867 40	Support		1	
11	9A1 107 506 40	Vent line Cyl. 1 - 3 Kit		1	MA1.01 IX51
12	9A1 110 090 02	Vacuum pump		1	
12	9A1 110 090 03	Vacuum pump		1	
12	9A1 110 090 04	Vacuum pump		1	
12	9A1 110 090 05	Vacuum pump		1	
12	9A1 110 090 06	Vacuum pump		1	
13	999 701 504 40	O-ring 10 x 2,5		1	
14	999 701 505 40	O-ring 54 x 2,5		1	
15	900 385 019 01	Torx screw M6 x 20		3	
16	9A1 110 055 02	Vacuum line		1	
16	9A1 110 055 03	Vacuum line		1	
16	9A1 110 055 04	Vacuum line		1	
17	999 701 789 40	O-ring 12 X 2		2	
18	900 385 041 01	Torx screw M6 X 12		4	

Model: 997-09

Model life 2009>>2012



Model: 997-09

Model life 2009>>2012

Pos	Part Number	Description	Remark	Qty	Model
1	9A1 106 038 02	Water pump Thermostat housing Water pump housing Complete		1	
2	999 707 604 40	O-ring 34,0 X 3,0		2	
3	9A1 106 048 00	Water pump Complete		1	
4	9A1 106 217 00	Gasket Water pump		1	
5	9A1 106 248 00	Pulley		1	
6	999 073 104 01	Torx screw M8 X 16		3	
7	900 385 115 01	Torx screw M8 X 70		X	
8	900 385 071 01	Torx screw M8 X 50		X	
9	900 385 019 01	Torx screw M6 X 20		3	
10	900 385 098 01	Torx screw M8 X 25		1	
(10)	900 385 114 01	Torx screw M8 X 25		1	
11	9A1 106 238 00	Water tube		1	
12	9A1 106 215 00	Gasket Water tube		2	
13	9A1 106 125 01	Water tube		1	
14	9A1 106 326 00	Gasket Water tube		1	
15	9A1 106 325 00	Gasket Water tube		1	
16	900 385 072 01	Torx screw M6 X 25		16	
17	900 219 018 30	Screw plug M14 X 1,5		2	
17	999 063 038 01	Screw plug M14 X 1,5		2	
18	900 123 104 30	Sealing ring 14 X 18		2	
18	900 123 173 20	Sealing ring 14 X 18		2	
19	9A1 106 150 01	Housing Thermostat		1	
20	9A1 106 305 00	Gasket Thermostat		1	
21	9A1 106 225 01	Thermostat insert		1	
21	9A1 106 225 02	Thermostat insert		1	
22	999 707 625 40	O-ring 59,0 X 5,2		1	
23	9A1 106 558 00	Sealing ring		1	
24	9A1 106 111 01	Water guide housing		1	
25	900 385 045 01	Torx screw M6 X 40		4	
26	900 385 070 01	Torx screw M6 X 50		3	
27	9A1 106 850 03	Water line		1	
28	999 707 517 40	O-ring 22 X 3		2	
29	900 385 009 01	Torx screw M6 X 16		1	
30	900 385 041 01	Torx screw M6 X 12		1	
31	999 512 683 09	Hose clamp		1	

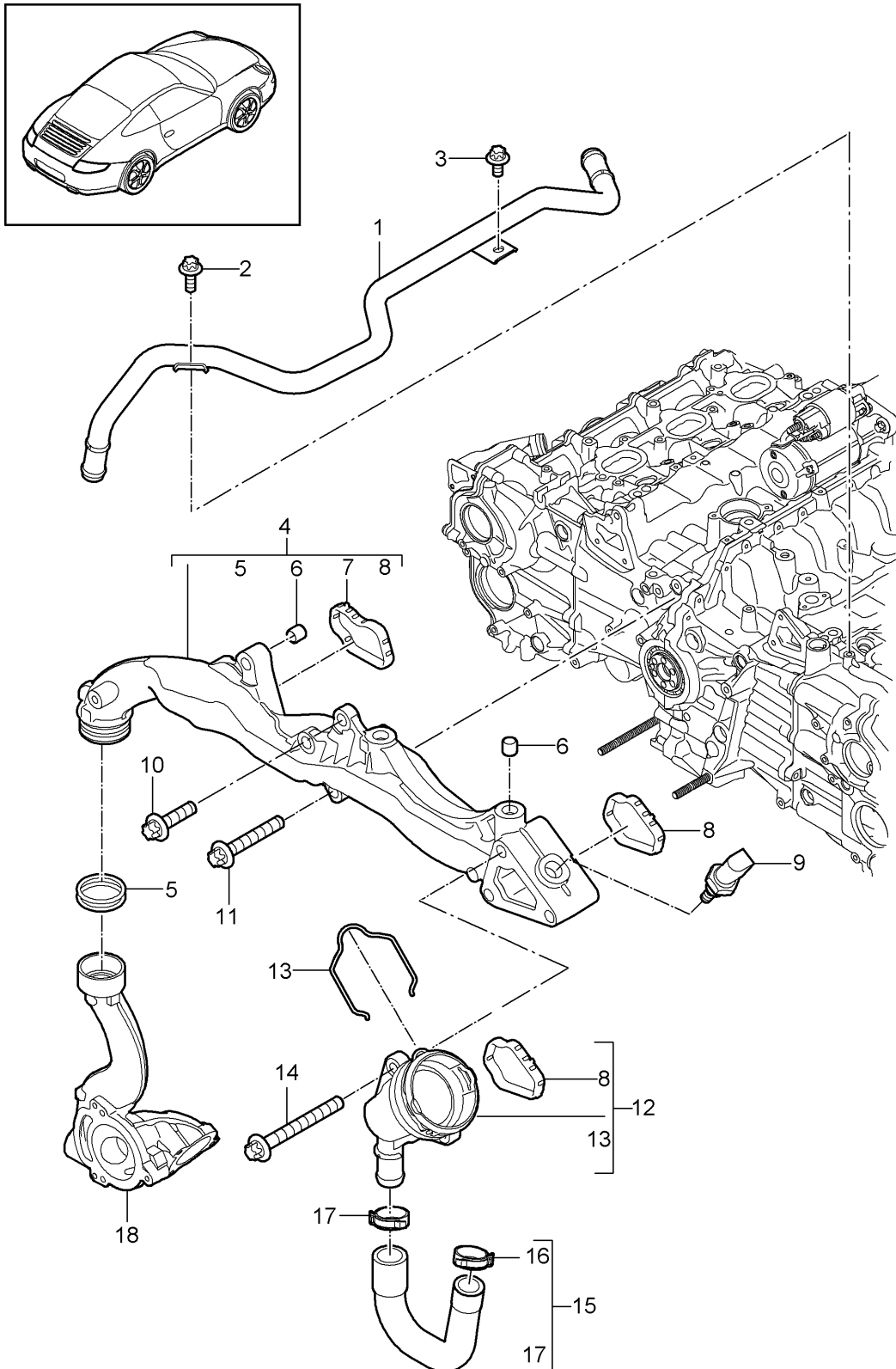
Model: 997-09

Model life 2009>>2012

Pos	Part Number	Description	Remark	Qty	Model
32		Unit carrier See illustrations 1/05/03		1	

Model: 997-09

Model life 2009>>2012

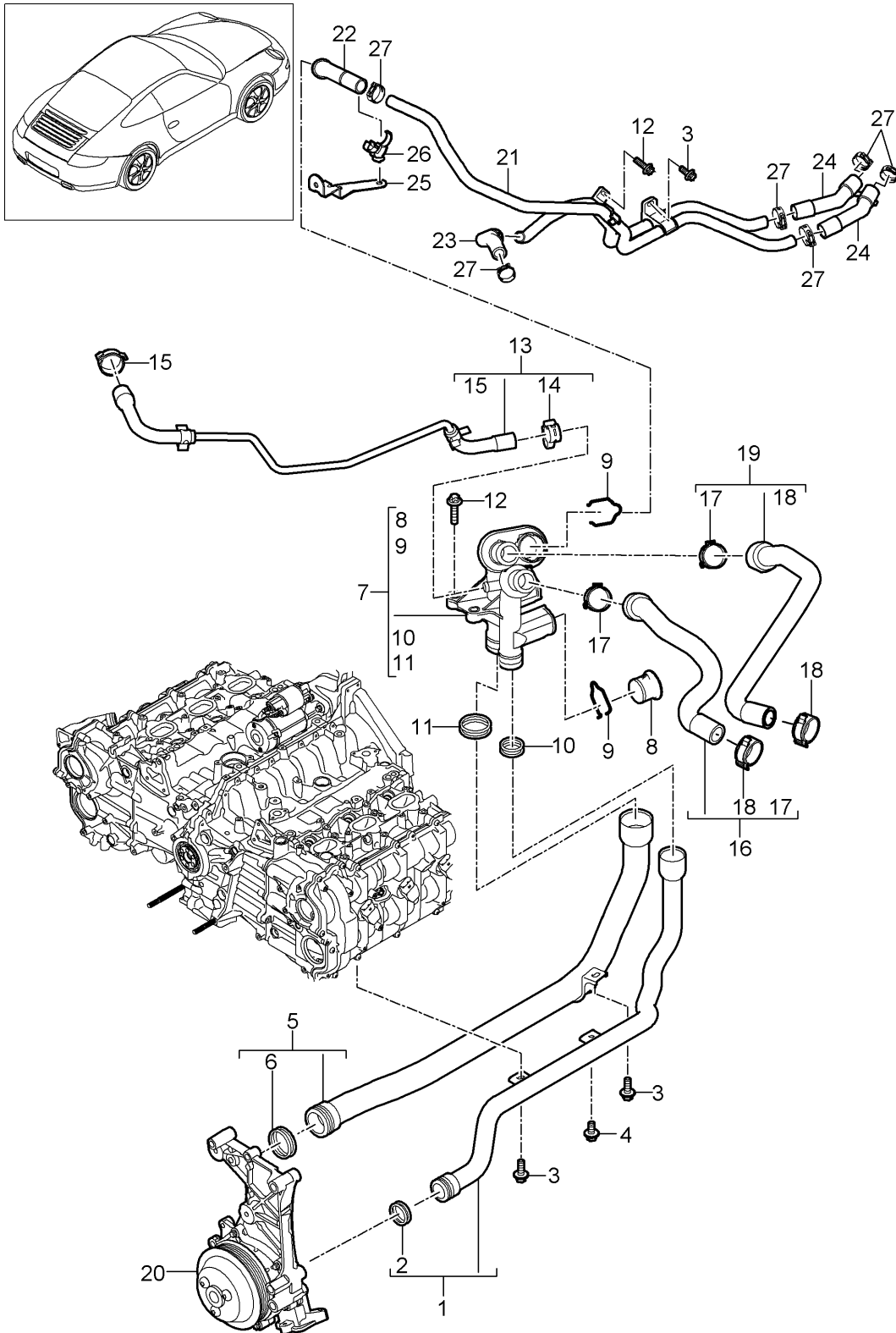


Model: 997-09 Model life 2009>>2012

Pos	Part Number	Description	Remark	Qty	Model
1	9A1 106 810 01	Unit carrier Water tube		1	
(1)	9A1 106 810 40	Hot air duct Supply Hot air duct		1	MA1.01 IX51
2	900 385 009 01	Supply Kit Torx screw 6 X 16		1	
3	900 385 041 01	Torx screw M6 X 12		1	
4	9A1 102 112 02	Unit carrier		1	
5	999 707 589 40	O-ring 31,0 X 3,0		2	
6	999 095 063 01	Dowel sleeve 11 M6 X 10		2	
7	9A1 102 312 00	Gasket Cyl. 1 - 3		1	
8	9A1 102 322 00	Gasket Cyl. 4 - 6		2	
(9)	997 606 420 00	Temperature sensor		1	
9	997 606 420 01	Temperature sensor Use also: 900.123.111.20		1	
10	900 385 116 01	Torx screw M8 X 30		2	
11	900 385 071 01	Torx screw M8 X 50		2	
12	9A1 106 131 00	Connection piece		1	
13	997 106 802 03	Spring		1	
14	900 385 115 01	Torx screw M8 X 70		3	
15	9A1 106 660 00	Water hose Supply	-10	1	
16	999 512 601 09	Hose clamp 23 X 12		1	
(16)	999 512 683 09	Hose clamp 26 X 12		1	
17	999 512 603 09	Hose clamp 26 X 12		1	
17	999 512 657 09	Hose clamp 26 X 12		1	
18	900 123 111 20	Sealing ring Copper Temperature sensor		1	
18	900 123 111 21	Sealing ring Copper Temperature sensor		1	
19		Housing Thermostat See illustrations 1/05/00			

Model: 997-09

Model life 2009>>2012



Model: 997-09 Model life 2009>>2012

Pos	Part Number	Description	Remark	Qty	Model
1	9A1 106 620 01	Connection Water tube		1	
2	999 707 517 40	Water tube Intake O-ring		4	
3	900 385 009 01	22 X 3 Torx screw		4	
4	900 385 041 01	M6 X 16 Torx screw		1	
5	9A1 106 625 01	M6 X 12 Water tube		1	
6	999 707 589 40	Return line O-ring		4	
7	9A1 106 010 00	31 X 3 Connection		1	
(7)	9A1 106 010 01	Connection		1	
(7)	9A1 106 010 02	Connection		1	
8	9A1 106 546 00	Stopper		3	
-	999 707 590 40	O-ring		X	
9	997 106 802 04	21,35 x 3,0 Spring clip		3	
10	999 707 517 40	O-ring		2	
11	999 707 589 40	22 X 3 O-ring		2	
12	900 385 072 01	31 X 3 Torx screw		3	
13	9A1 106 549 01	M6 X 25 Vent line		1	
14	999 512 699 01	Hose clamp		1	
15	999 512 741 01	18 X 12 with Clip Hose clamp		1	
16	9A1 106 610 01	19 X 12 Water hose	-10	1	
(16)	9A1 106 610 02	Intake Water hose	11-	1	
(16)	9A1 106 611 00	Intake M >> C 04188 M >> C 02308 Water hose		1	MA1.01 MA1.02
17	999 512 608 09	Intake M C 04189 >> M C 02309 >> Hose clamp		1	MA1.01 MA1.02
(17)	999 512 662 09	32 X 12 Only together with 9A1.106.610.01 9A1.106.615.00 Hose clamp		1	
18	999 512 589 09	32 X 12 Only together with 9A1.106.610.02 9A1.106.615.01 9A1.106.611.00 Hose clamp		2	
(18)	999 512 656 09	25 X 12 Only together with 9A1.106.610.01 9A1.106.615.00 Hose clamp		2	
		25 X 12 Only together with			

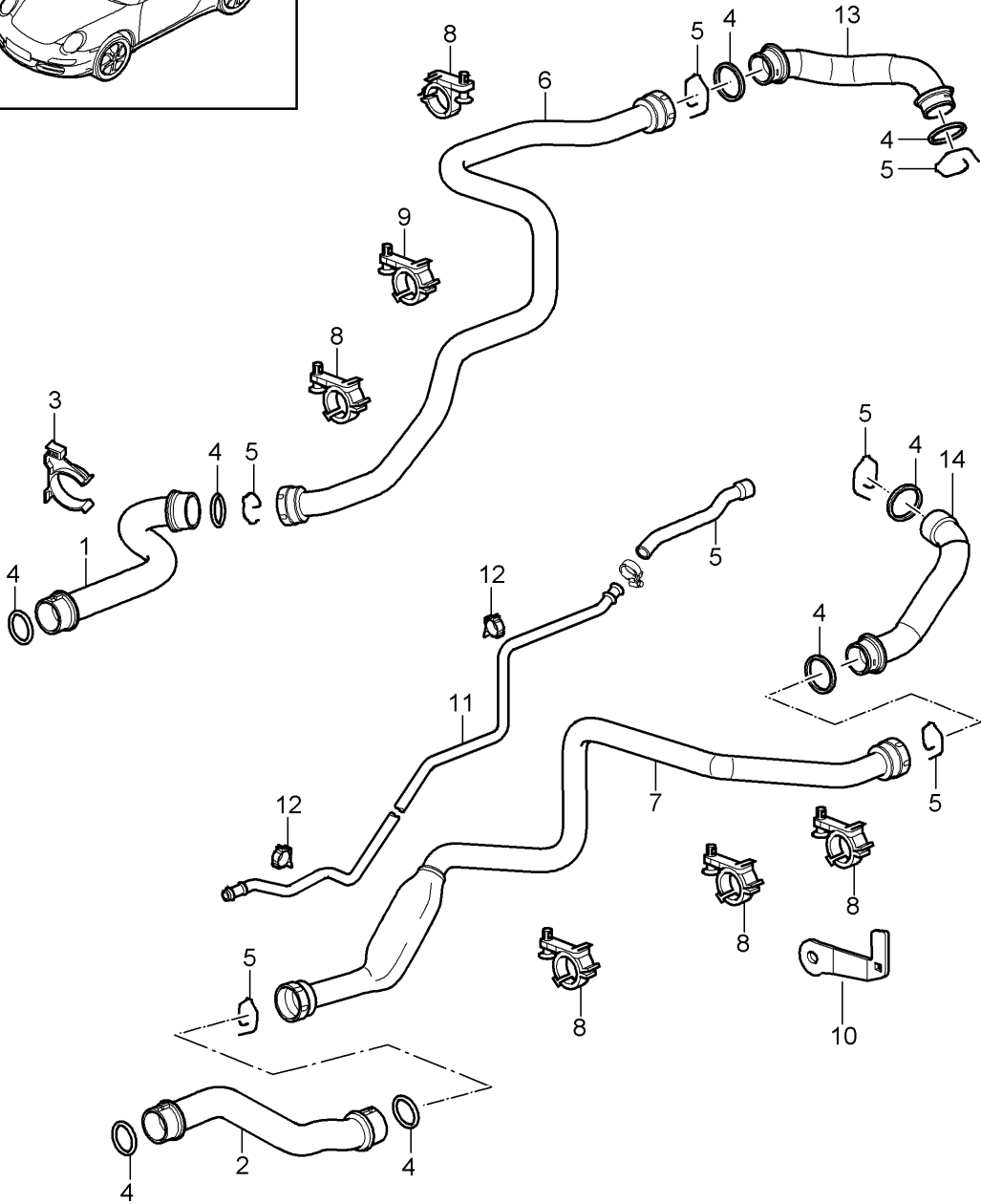
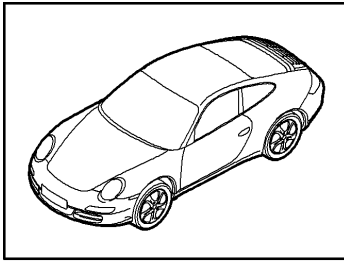
Model: 997-09

Model life 2009>>2012

Pos	Part Number	Description	Remark	Qty	Model
19	9A1 106 615 00	9A1.106.610.02 9A1.106.615.01 9A1.106.611.00 Water hose Return line	-10	1	
(19)	9A1 106 615 01	Water hose Return line	11-	1	
20		Water pump See illustrations 1/05/00		1	
21	997 106 181 32	Heater pipeline		1	I480
(21)	997 106 182 32	Heater pipeline		1	I250
22	997 106 822 31	Hose Return line		1	
23	997 106 812 30	Hose Supply		1	
24	997 106 212 32	Hose		2	
25	997 106 533 31	Support		1	
26	999 511 244 40	Cable holder		1	
27	999 512 658 09	Hose clamp 27 x 12		4	

Model: 997-09

Model life 2009>>2012

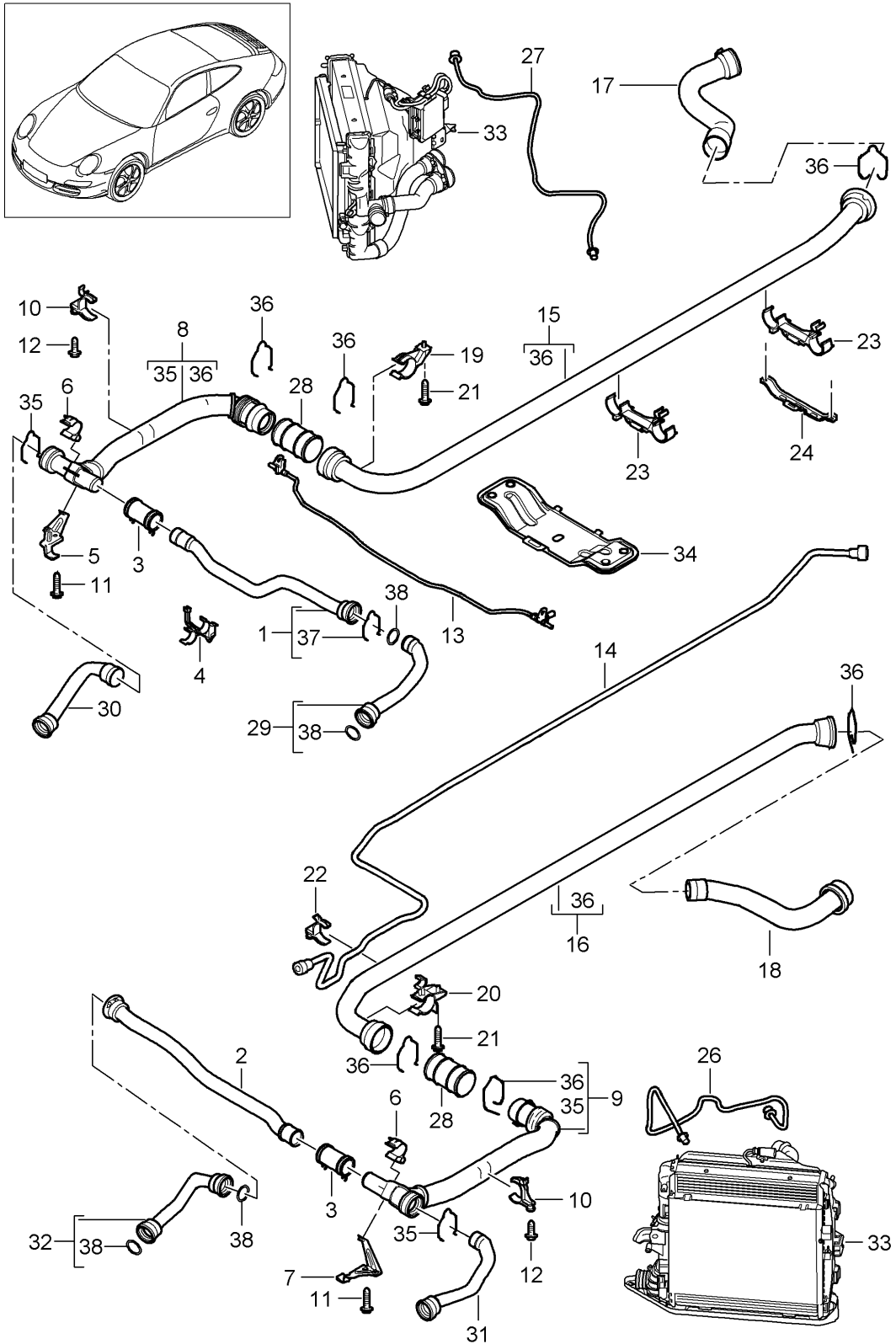


Model: 997-09 Model life 2009>>2012

Pos	Part Number	Description	Remark	Qty	Model
1	997 106 740 06	Water cooling 1 Water hose Supply		1	
2	997 106 741 06	Water hose Return line		1	
3	997 106 427 01	Support Water hose Supply		1	
4	996 106 801 03	O-ring		8	
5	997 106 802 03	Spring		4	
6	997 106 610 31	Cooling water tube Supply		1	
7	997 106 809 01	Cooling water tube Return line		1	
8	996 106 417 73	Support		4	
(8)	997 106 457 32	Support		1	
9		Support		1	
10	997 106 609 01	Support		1	
11	997 106 681 31	Vent line Rear end		1	
12	999 507 743 40	Cable holder 12,0		2	
13	997 106 831 31	Water hose Supply for Engine		1	
14	997 106 832 31	Water hose Return line Of Engine		1	
15		Breather hose See illustrations 1/05/20		1	

Model: 997-09

Model life 2009>>2012



Model: 997-09 Model life 2009>>2012

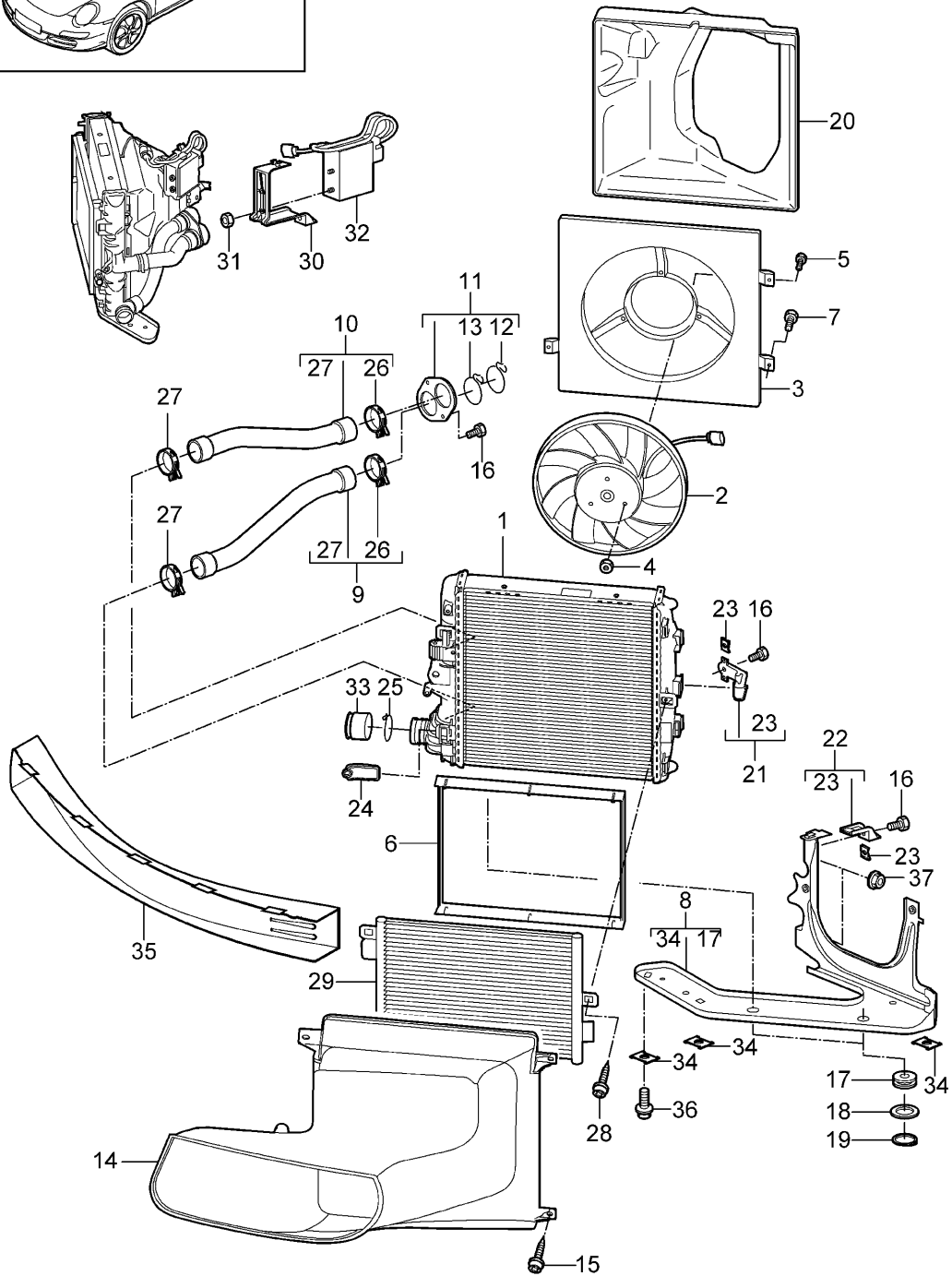
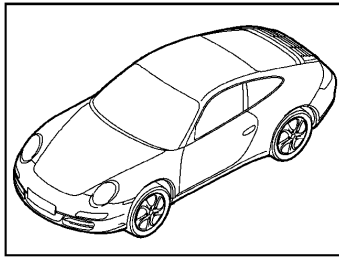
Pos	Part Number	Description	Remark	Qty	Model
		Water cooling 2			MA1.01 MA1.02
1	997 106 711 02	Water tube Cross tube Supply		1	
1	997 106 711 03	Water tube Cross tube Supply		1	
2	997 106 720 02	Water tube Cross tube Return line		1	
2	997 106 720 03	Water tube Cross tube Return line		1	
3	997 106 723 07	Water hose		2	
4	997 106 525 01	Support Water tube Cross tube Centre		1	
5	997 106 574 02	Support Distributor tube Right		1	
6	997 106 526 01	Support Cross tube Upper		2	
7	997 106 573 02	Support Distributor tube Left		1	
8	997 106 752 04	Distributor tube Supply		1	
9	997 106 751 04	Distributor tube Return line		1	
10	997 106 413 01	Support	/L /R	2	
(10)		Support	/L	1	I601/603
(10)	997 106 414 00	Support Distributor tube	/R	1	I601/603
11	900 378 013 01	Hexagon-head bolt M6 X 25		2	
12	900 378 036 01	Hexagon-head bolt M6 X 12		2	
13	997 106 767 02	Vent line Transverse		1	
14	997 106 227 03	Vent line Tunnel		1	
15	997 106 651 02	Water tube Supply Tunnel		1	
16	997 106 652 02	Return pipe Tunnel		1	
17		Water hose Supply See illustrations 1/05/07		1	
18		Water hose Return line See illustrations 1/05/07		1	I480
19	997 106 520 02	Support Bulkhead Right		1	
20	997 106 521 01	Support Bulkhead Left		1	

Model: 997-09 Model life 2009>>2012

Pos	Part Number	Description	Remark	Qty	Model
21	900 378 035 01	Hexagon-head bolt M6 X 16		2	
22	997 106 512 03	Connection piece Vent line		1	
23	997 106 540 02	Support Tunnel		2	
24	997 106 515 02	Bridge Tunnel		1	
26	997 106 765 02	Line	/L	1	
27	997 106 766 02	Line	/R	1	
28	997 106 551 03	Sleeve		2	
29	997 106 623 03	Water hose Supply	/L	1	
30	997 106 627 03	Water hose Supply	/R	1	
31	997 106 728 03	Water hose Return line	/L	1	
32	997 106 624 03	Water hose Return line	/R	1	
33		Radiator See illustrations 1/05/15		X	
34		Transverse strut Tunnel See illustrations 8/01/70		X	
35	997 106 802 02	Spring SCB 36		2	
36	997 106 802 03	Spring SCB 42		6	
37	997 106 802 01	Spring SCB 33		2	
38	996 106 801 02	O-ring		2	

Model: 997-09

Model life 2009>>2012



Model: 997-09

Model life 2009>>2012

Pos	Part Number	Description	Remark	Qty	Model
		Water cooling 3			MA1.01 MA1.02
1	997 106 131 02	Radiator	/L	1	
(1)	997 106 132 02	Radiator	/R	1	
2	997 624 127 02	Fan	/L	1	
(2)	997 624 128 02	Fan	/R	1	
3	997 624 131 02	Air guide	/L	1	
(3)	997 624 132 02	Air guide	/R	1	
4	900 377 010 01	Hexagon nut M 6		6	
6	997 573 711 00	Sealing frame Condenser		1	
7	999 919 125 09	Hexagon-head bolt Plastic material M 6 x 16		6	
8	997 106 155 01	Bracket	/L	1	
(8)	997 106 156 01	Bracket Radiator	/R	1	
9	997 106 625 04	Water hose Return line	/L	1	
(9)	997 106 626 05	Water hose Return line	/R	1	
10	997 106 621 05	Water hose Supply	/L	1	
(10)	997 106 622 04	Water hose Supply	/R	1	
11	997 106 255 02	Connecting piece		2	
12	997 106 802 01	Spring SCB 33		1	
13	997 106 802 02	Spring SCB 36		1	
14	997 575 321 04	Air guide	/L	1	I181/182
	997 575 321 04 01C	Satin black			
14	997 575 321 07	Air guide	/L	1	I183
	997 575 321 07 01C	Satin black			
(14)	997 575 322 04	Air guide	/R	1	I181/182
	997 575 322 04 01C	Satin black			
(14)	997 575 322 07	Air guide	/R	1	I183
	997 575 322 07 01C	Satin black			
15	999 919 134 09	Oval-head screw M 6 X 16		6	
16	900 385 009 01	Torx screw M 6 X 16		6	
17	999 703 494 40	Rubber mounting 15 X 19,5		4	
18	999 025 255 02	Washer		4	
19	999 166 083 09	Tab washer B 25		4	
20	997 575 341 00	Air guide	/L	1	
(20)	997 575 342 00	Air guide	/R	1	
21	997 106 232 01	Support Outer		2	
22	997 106 455 00	Support Left		1	
23	999 591 350 02	Speed nut ST 4,8		6	
23	999 591 350 01	Speed nut ST 4,8		6	
24	997 106 231 02	Support Inner		2	
25	997 106 802 00	Spring SCB 26		2	
26	997 512 742 01	Clamp		2	

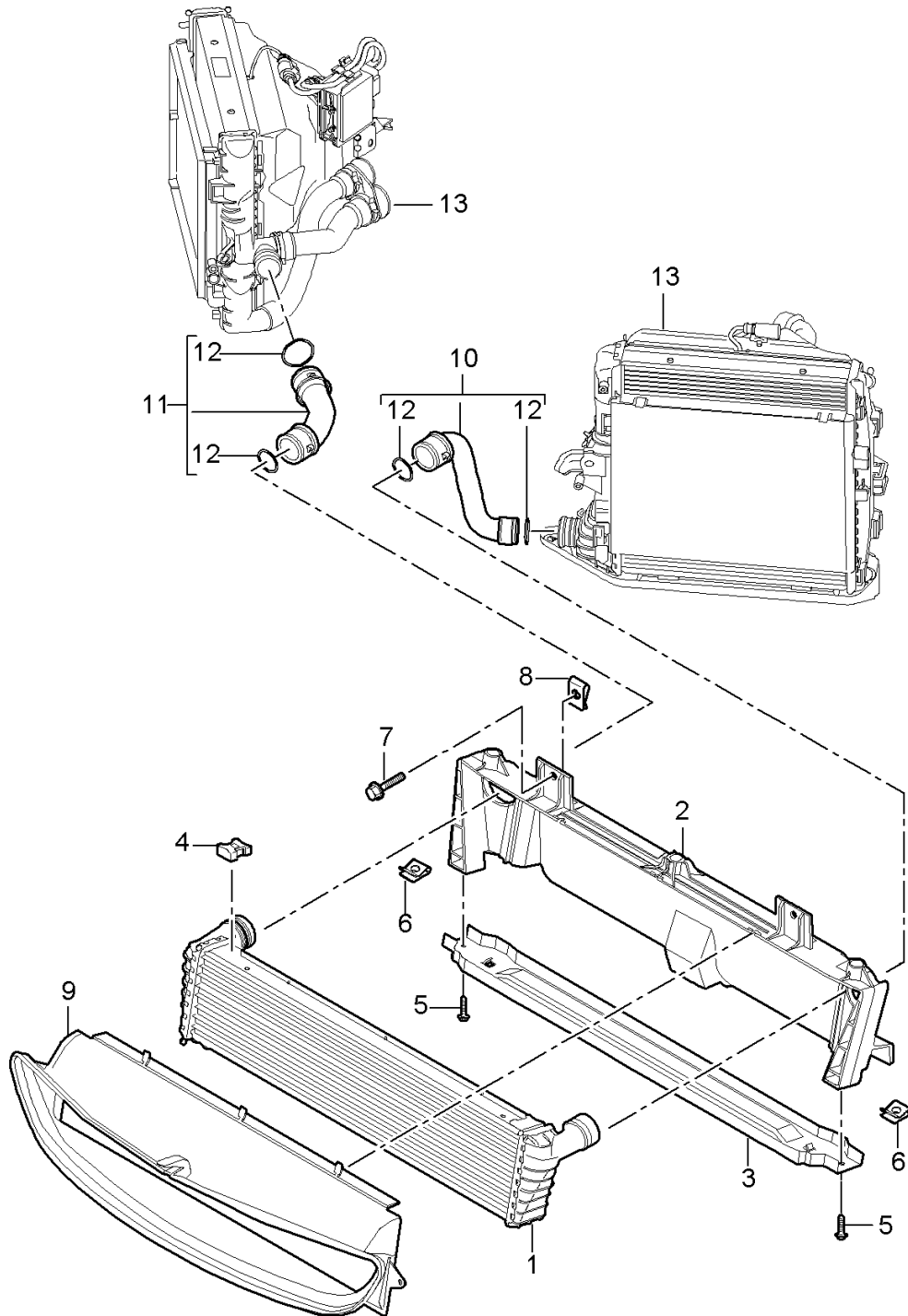
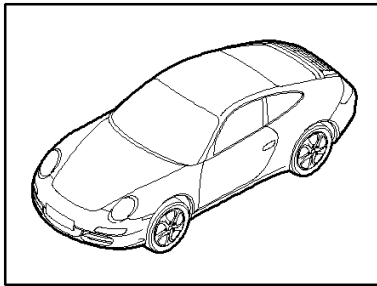
Model: 997-09

Model life 2009>>2012

Pos	Part Number	Description	Remark	Qty	Model
27	997 106 902 00	Clamp		2	
28	999 919 125 09	Hexagon-head bolt 6,0 X 16		1	
29		Condenser See illustrations 8/13/25			
30	997 106 456 00	Support Right		1	
31	900 377 010 01	Hexagon nut M 6		2	
32		Control unit Cooling air control See illustrations 9/01/03		1	
33	997 106 546 02	Stopper		2	
34	999 591 329 01	Speed nut ST 4,8		3	
35	997 575 141 04 997 575 141 04 01C	Air guide Satin black Centre without Radiator Centre		1	
36	999 072 048 01	Hexagon-head bolt M 8 X 25		2	
37	999 084 447 01	Hexagon nut M 8		4	

Model: 997-09

Model life 2009>>2012



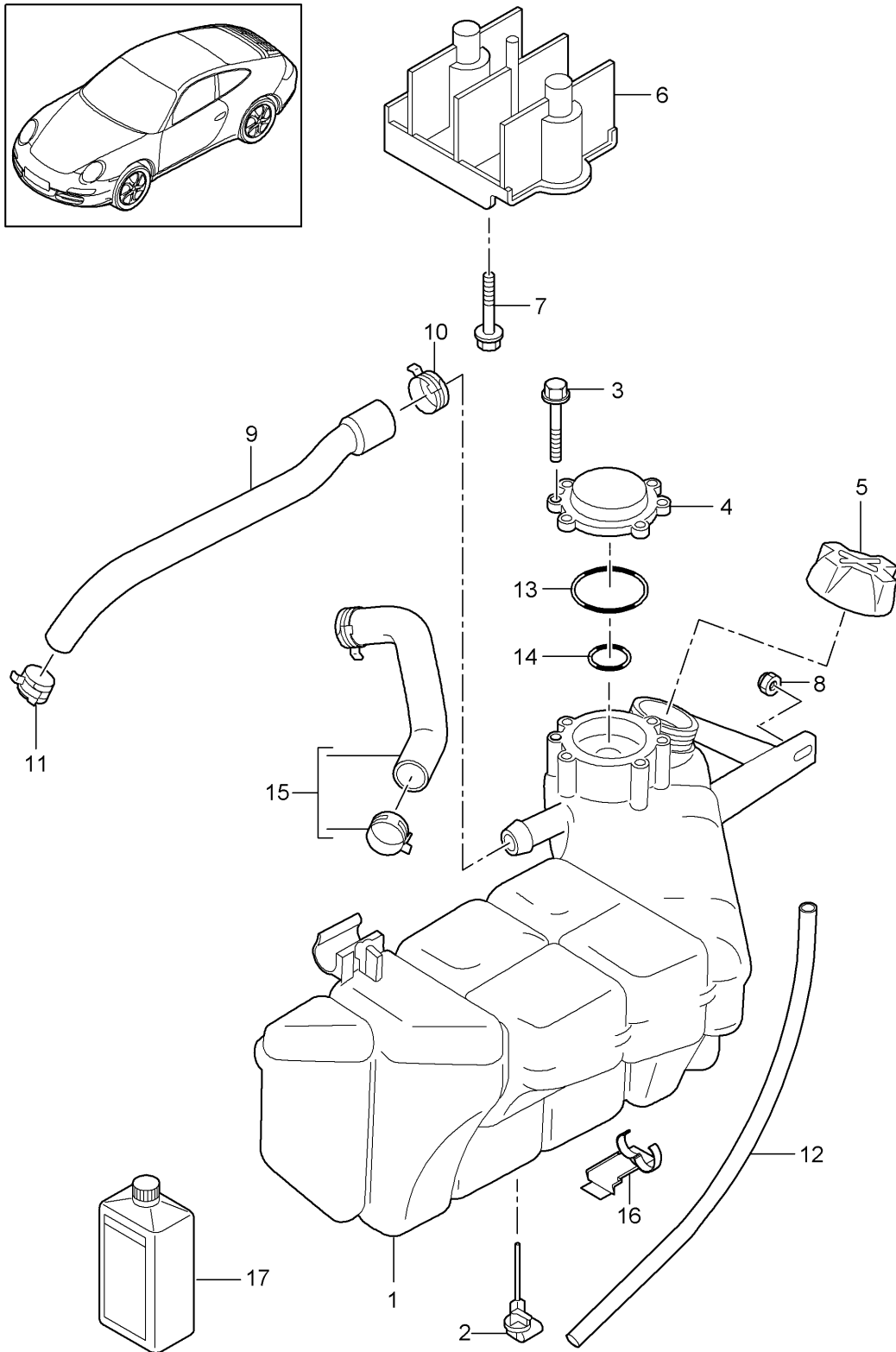
Model: 997-09

Model life 2009>>2012

Pos	Part Number	Description	Remark	Qty	Model
		Radiator Centre			I183
1	997 106 037 02	Radiator		1	
2	997 504 487 00	Retaining frame Upper		1	
3	997 504 485 00	Retaining frame Lower		1	
4	997 106 437 00	Rubber mounting		4	
5	900 378 035 01	Hexagon-head bolt M 6 X 16		2	
6	999 591 882 01	Speed nut M 6		2	
7	900 378 074 09	Hexagon-head bolt M 8 X 16		4	
8	999 591 869 02	Speed nut M 8		4	
9	997 575 141 06	Air guide Radiator Centre		1	
(9)	997 575 141 07	Air guide Radiator Centre		1	
10	997 106 639 04	Water hose Return line		1	
11	997 106 638 04	Water hose Supply		1	
12		See illustrations 1/05/15			

Model: 997-09

Model life 2009>>2012



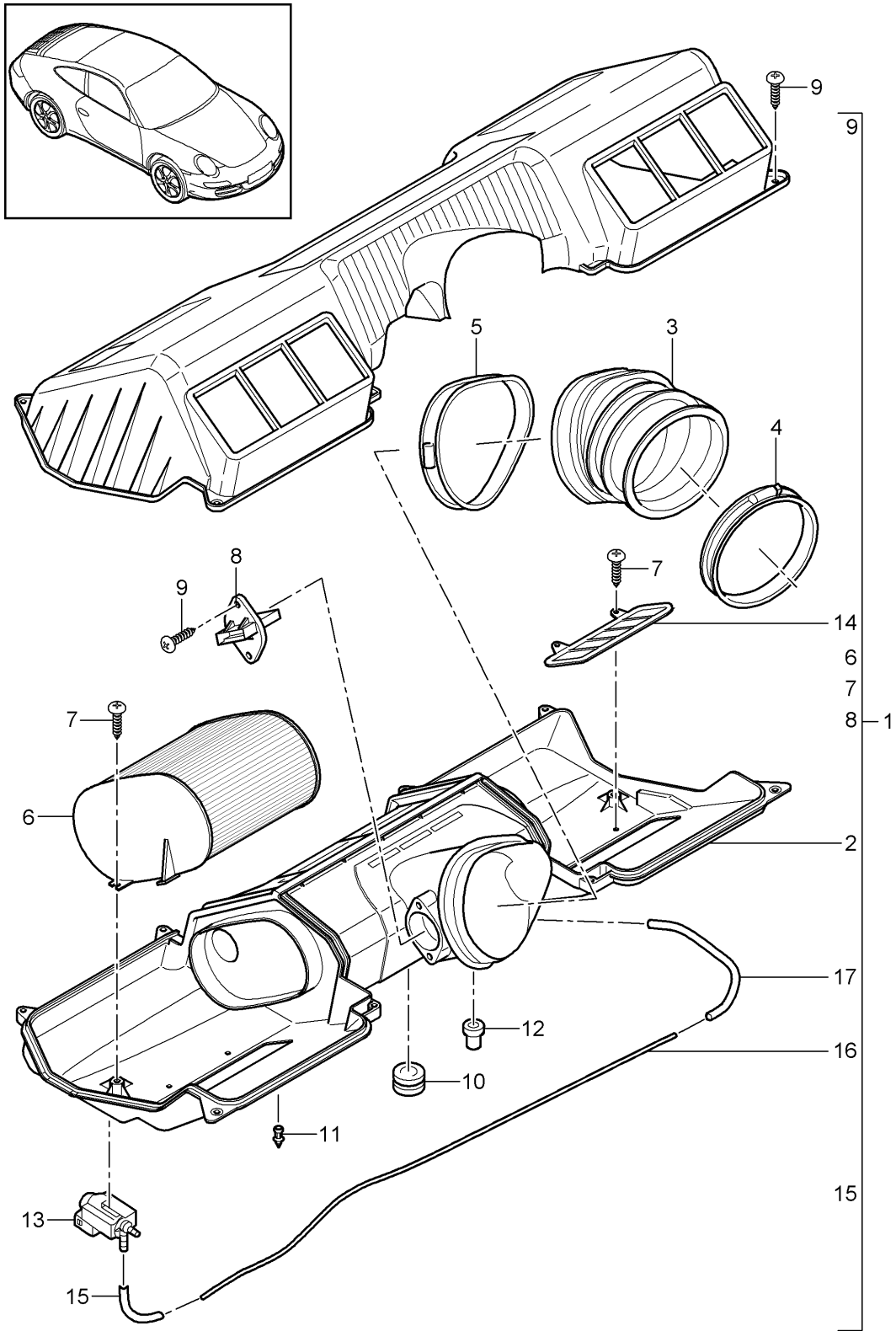
Model: 997-09

Model life 2009>>2012

Pos	Part Number	Description	Remark	Qty	Model
		Water cooling 4			MA1.01 MA1.02
1	996 106 157 03	Water reservoir		1	
2	997 641 503 00	Switch		1	
3	999 919 058 01	Hexagon-head bolt 5,0 X 40		8	
4	996 106 347 02	Bleeder valve		1	
5	996 106 447 03	Lid		1	
5	996 106 447 04	Lid		1	
6	996 106 405 52	Support		1	
7	900 378 141 09	Hexagon-head bolt M 6 X 35		2	
8	999 076 071 02	Hexagon nut M 6		1	
9	997 106 251 01	Breather hose		1	
10	999 512 657 09	Hose clamp 26 X 12		1	
11	999 512 653 09	Hose clamp 20 X 12		1	
12	996 106 297 05	Overflow hose		1	
13	999 707 370 40	O-ring 47 X 4		1	
14	999 707 371 40	O-ring 17 X 4		1	
15	997 106 851 33	Water hose		1	
15	997 106 851 34	Water hose		1	
16	996 110 260 00	Support		1	
17	000 043 301 03	Antifreeze 1 LTR. Container		X	
(17)	000 043 301 04	Antifreeze 20 LTR. Container		X	

Model: 997-09

Model life 2009>>2012



Model: 997-09 Model life 2009>>2012

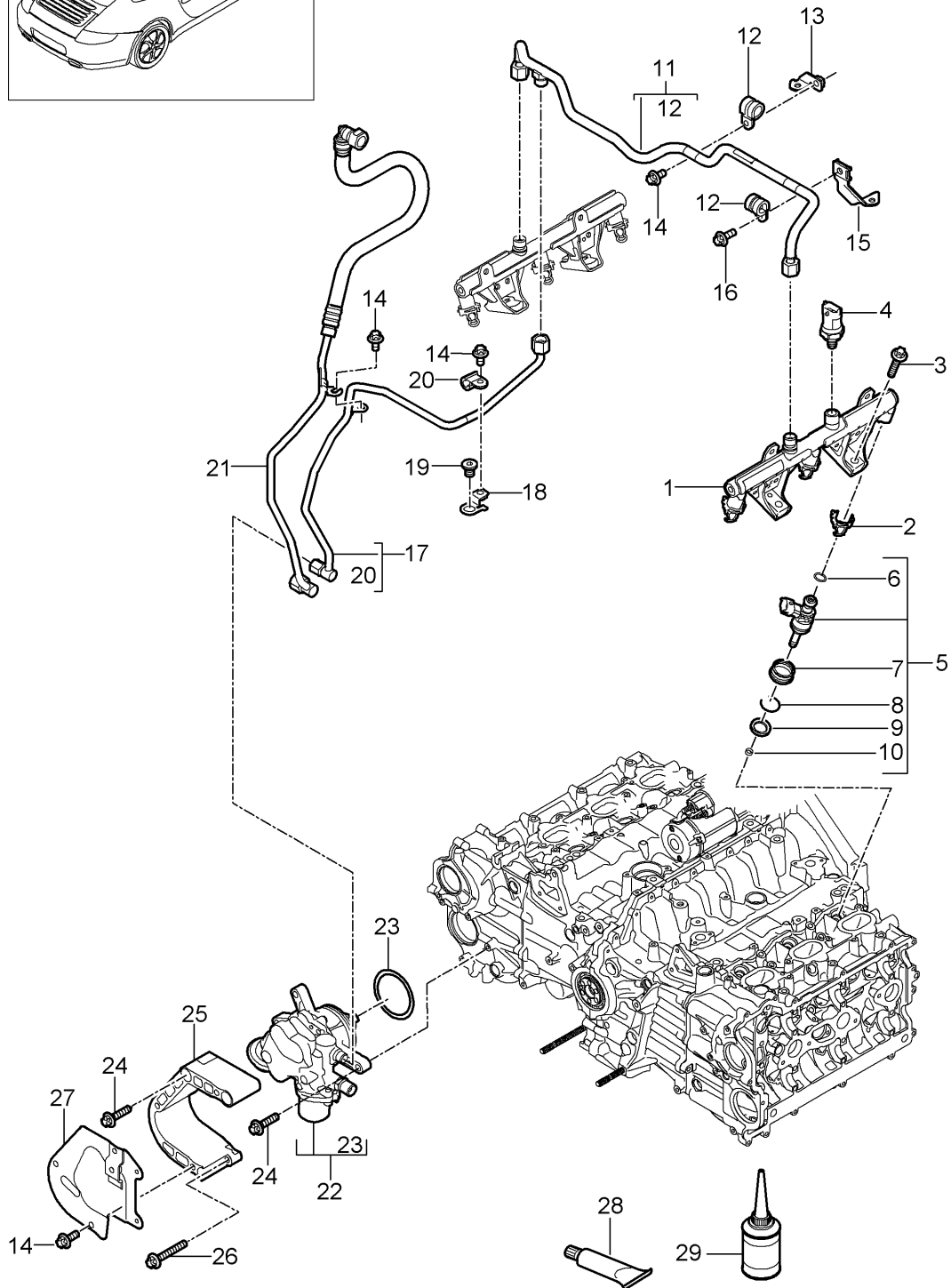
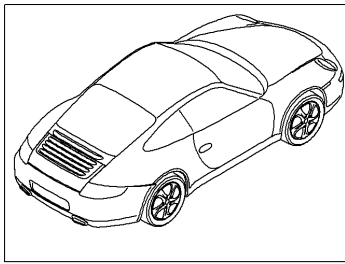
Pos	Part Number	Description	Remark	Qty	Model
1	997 110 020 31	Air cleaner Air cleaner		1	MA1.02 -I172
(1)	997 110 021 31	Complete Air cleaner		1	MA1.02 I172
(1)	997 110 022 31	Complete Air cleaner		1	MA1.01 -IX51/-I172
(1)	997 110 022 40	Complete Air cleaner		1	MA1.01 -I011/-I019 -I172/IX51
(1)	997 110 022 50	Complete Kit Air cleaner		1	MA1.01 -I172/IX51 I011
(1)	997 110 022 60	Complete Kit Air cleaner		1	MA1.01 -I172/IX51 I019
(1)	997 110 023 31	Complete Kit Air cleaner		1	MA1.01 -IX51/I172
(1)	997 110 023 40	Complete Air cleaner		1	MA1.01 -I011/-I019 IX51/172
(1)	997 110 023 50	Complete Kit Air cleaner		1	MA1.01 IX51/011/172
(1)	997 110 023 60	Complete Kit Air cleaner		1	MA1.01 IX51/019/172
2	997 110 210 31	Complete Kit Air cleaner		1	MA1.02 -I172
2	997 110 211 31	Lower part Air cleaner		1	MA1.02 I172
(2)	997 110 212 31	Lower part Air cleaner		1	MA1.01 -IX51/-I172
(2)	997 110 212 40	Lower part Air cleaner		1	MA1.01 -I011/-I019 -I172/IX51
(2)	997 110 212 50	Lower part Kit Air cleaner		1	MA1.01 -I172/IX51 I011
(2)	997 110 212 60	Lower part Kit Air cleaner		1	MA1.01 -I172/IX51 I019

Model: 997-09 Model life 2009>>2012

Pos	Part Number	Description	Remark	Qty	Model
(2)	997 110 213 31	Lower part Kit Air cleaner		1	MA1.01 -IX51/I172
(2)	997 110 213 40	Lower part Kit Air cleaner		1	MA1.01 -I011/-I019 IX51/172
(2)	997 110 213 50	Lower part Kit Air cleaner		1	MA1.01 IX51/011/172
(2)	997 110 213 60	Lower part Kit Air cleaner		1	MA1.01 IX51/019/172
3	997 110 270 30	Lower part Kit Air guide		1	
(3)	997 110 270 31	Air guide		1	
4	999 512 539 01	Hose clamp 90 - 110		1	
5	997 110 255 30	Hose clamp		1	
6	997 110 130 30	Air cleaner cartridge	-09	2	
(6)	997 110 130 31	Air cleaner cartridge	10-	2	
7	999 919 262 01	Oval-head screw 4 X 16		6	
8	986 606 125 01	Mass air flow meter		1	
9	999 919 160 07	Oval-head screw 5 X 20		1	
10	999 702 246 40	Mass air flow meter Grommet 12 X 17		2	
11	997 110 137 01	Clip		1	
12	999 703 267 40	Bush 12,0 X 25,6 X 17		1	
13	996 605 123 01	Change-over valve		1	MA1.01
14	997 110 240 30	Frame		2	-I172
(14)	997 110 241 30	Frame		1	I172
15	999 239 042 40	Hose 3,5 X 2,0 X 75		1	
-	000 043 205 01	Pipe 4 X 1		*	
16		500 MM		1	
17	999 239 041 40	Hose 3,5 X 2,0 X 125		1	

Model: 997-09

Model life 2009>>2012



Model: 997-09

Model life 2009>>2012

Pos	Part Number	Description	Remark	Qty	Model
(1)	9A1 110 859 02	Fuel collection pipe high-pressure pump		1	
1	9A1 110 859 03	Fuel collection pipe Cyl. 1 - 3		1	
(1)	9A1 110 859 40	Fuel collection pipe Cyl. 1 - 3 Kit		1	MA1.01 IX51
(1)	9A1 110 859 41	Fuel collection pipe Cyl. 1 - 3 Kit		1	MA1.01 IX51
1	9A1 110 860 02	Fuel collection pipe Cyl. 4 - 6		1	
1	9A1 110 860 04	Fuel collection pipe Cyl. 4 - 6		1	
(1)	9A1 110 860 40	Fuel collection pipe Cyl. 4 - 6 Kit		1	MA1.01 IX51
(1)	9A1 110 860 41	Fuel collection pipe Cyl. 4 - 6 Kit		1	MA1.01 IX51
2	9A1 110 866 01	Fixing device		6	
(2)	9A1 110 866 02	Fuel collection pipe high-pressure injector Fixing device		6	
(2)	9A1 110 866 03	Fuel collection pipe high-pressure injector Fixing device	11-	6	
3	900 385 048 01	Torx screw M6 X 30		8	
4	948 606 230 01	Pressure sensor M10 X 1		1	
4	999 653 067 40	Connector Pressure sensor		1	
5	9A1 110 128 00	high-pressure injector		6	MA1.01
(5)	9A1 110 128 10	high-pressure injector		6	MA1.02
6	999 701 112 40	O-ring 7,52 X 3,51 See technical manual Group 24		6	
7	9A1 110 524 01	Bellows high-pressure injector		6	
8	900 906 011 02	Circlip A 14		6	
9	9A1 605 520 00	Spacer ring		6	
10	999 704 020 90	Sealing ring 6,3 X 2,8		6	
11	9A1 110 092 01	Pressure line Fuel collection pipe See technical manual Group 24		1	
11	9A1 110 092 02	Pressure line Fuel collection pipe See technical manual		1	

Model: 997-09

Model life 2009>>2012

Pos	Part Number	Description	Remark	Qty	Model
11	9A1 110 092 03	Group 24 Pressure line		1	
(11)	9A1 110 092 40	Fuel collection pipe Pressure line		1	MA1.01 IX51
(11)	9A1 110 092 41	Fuel collection pipe Kit See technical manual Group 24 Pressure line		1	MA1.01 IX51
12	999 511 114 01	Fuel collection pipe Kit See technical manual Group 24 Hose clamp		2	
(12)	999 511 803 01	D1 12 X 15 Hose clamp		2	MA1.01 IX51
13	9A1 110 945 00	D1 11 X 15 Support		1	
14	900 385 041 01	Pressure line Torx screw		X	
15	9A1 110 947 01	M6 X 12 Support		1	
16	900 385 009 01	Pressure line Torx screw		1	
17	9A1 110 095 01	M6 X 16 Pressure line high-pressure pump T-piece See technical manual Group 24		1	
17	9A1 110 095 02	Pressure line high-pressure pump T-piece See technical manual Group 24		1	
18	9A1 110 940 00	Support Pressure line		1	
19	900 219 006 01	Screw plug M12 X 1,5		1	
20	999 511 153 01	Hose clamp D1 8 X 15		1	
21	9A1 110 905 03	Fuel line See technical manual Group 24		1	
22	9A1 110 315 01	high-pressure pump		1	
22	9A1 110 315 02	high-pressure pump	-09	1	
22	9A1 110 315 03	high-pressure pump	10	1	
22	9A1 110 315 04	high-pressure pump	10	1	
22	9A1 110 315 05	high-pressure pump	10	1	
22	9A1 110 315 06	high-pressure pump	11-	1	
(22)	9A1 110 315 FX	high-pressure pump	11-	1	
23	999 707 632 40	O-ring 55,25 x 2,62		1	
24	900 385 072 01	Torx screw		4	

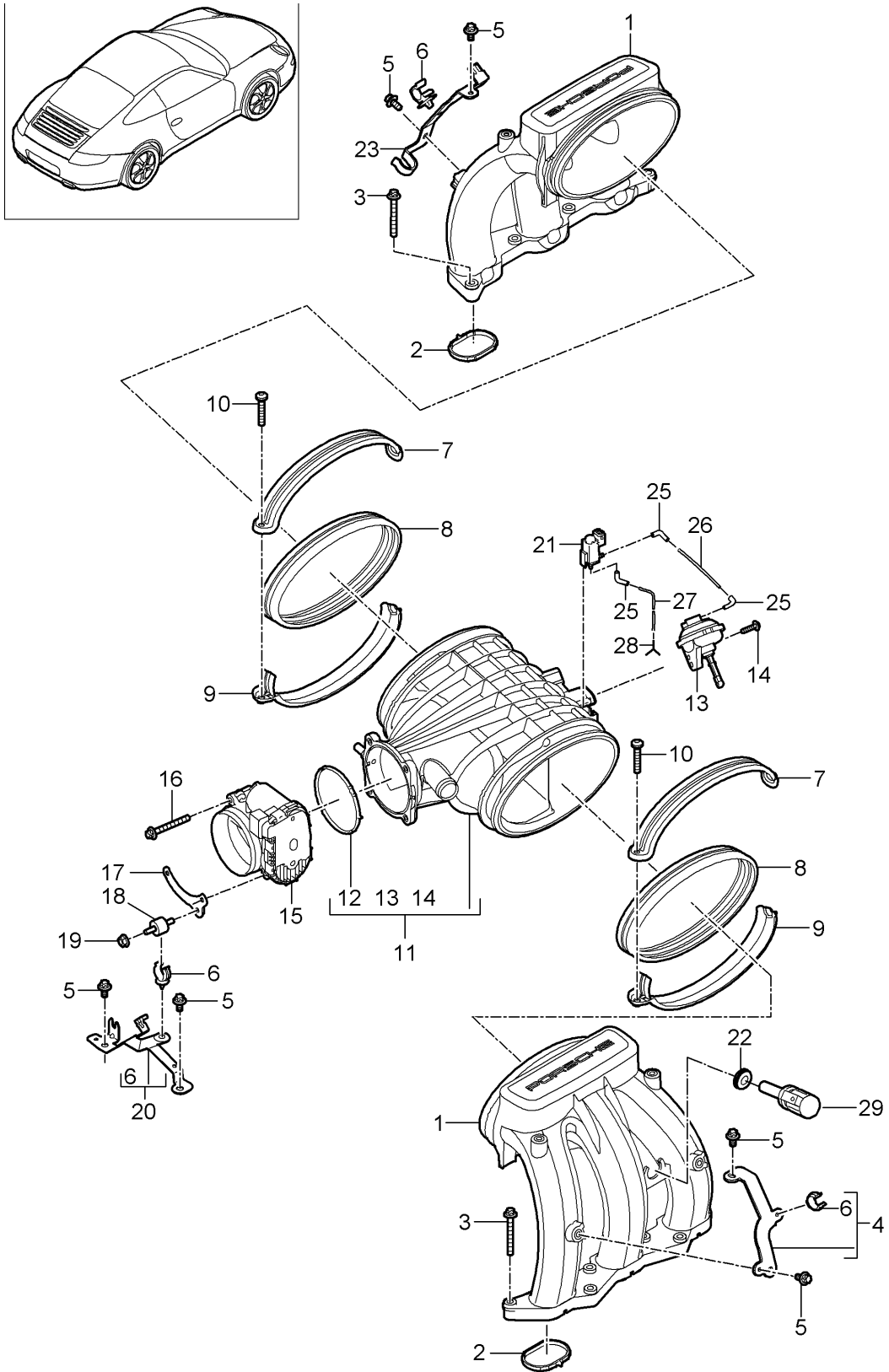
Model: 997-09

Model life 2009>>2012

Pos	Part Number	Description	Remark	Qty	Model
25	9A1 110 880 00	M6 X 25 Cover		1	
26	900 385 045 01	high-pressure pump Torx screw		1	
27	9A1 110 881 00	M6 X 40 Heat protection	-11	1	
27	9A1 110 881 01	high-pressure pump Heat protection	12-	1	
28	000 043 207 35	high-pressure pump Grease		1	
29	000 043 207 36	30 ml Lubricants		1	
29	000 043 303 27	50 ml Lubricants		1	
30	9A1 110 525 00	50 ml Cap for high-pressure pump		1	

Model: 997-09

Model life 2009>>2012



Model: 997-09

Model life 2009>>2012

Pos	Part Number	Description	Remark	Qty	Model
		Intake distributor			MA1.01
		Throttle body			MA1.02
1	9A1 110 115 01	Intake distributor		2	
2	9A1 110 215 01	Gasket		6	
3	900 385 270 01	Outer hexagon round screw M6 X 35		14	
4	9A1 110 294 01	Support		1	
		Intake distributor			
5	900 385 041 01	Torx screw M6 X 10		6	
6	999 507 930 40	Hose holder 21,0 - 23,0		3	
7	9A1 110 212 01	Clip Upper part		2	
8	9A1 110 210 01	Rubber sleeve		2	
9	9A1 110 213 01	Clip Lower part		2	
10	999 073 352 02	Round head screw M6 X 35		2	
11	9A1 110 020 02	Distributor tube Complete	-09	1	MA1.01
(11)	9A1 110 020 03	Distributor tube Complete M >> B 03735	10-	1	MA1.01
(11)	9A1 110 020 04	Distributor tube Complete M B 03736 >>		1	MA1.01
(11)	9A1 110 120 11	Distributor tube M >> B 02302		1	MA1.02
(11)	9A1 110 120 12	Distributor tube M B 02303 >>		1	MA1.02
12	9A1 110 220 01	Gasket Distributor tube		1	
13	993 110 462 02	Vacuum unit		1	
14	999 919 245 01	Oval-head screw M5 X 18		2	
(14)	999 919 265 01	Lens-head screw M5 X 18		2	
15	997 605 116 01	Throttle body		1	
16	900 385 070 01	Torx screw M6 X 50		4	
17	9A1 110 290 00	Support Throttle body		1	
18	999 703 239 01	Damping piece 20 X 15 /M6		1	
19	900 377 010 01	Hexagon nut M6		1	
-	900 380 022 01	Hexagon nut M6		1	
20	9A1 110 292 00	Support Throttle body		1	
20	9A1 110 292 01	Support Throttle body		1	
21	996 605 123 01	Change-over valve		1	I250/480
22	993 110 530 01	Grommet		1	
23	9A1 110 296 03	Support Intake distributor		1	
24	999 651 398 40	Cable holder 11,0 / 13,0		1	
25	999 239 045 40	Moulded hose 3,5 X 2,0 X 60		3	MA1.01
26	999 181 421 40	Pipe 4,0 X 1,0 X 90	-10	1	MA1.01

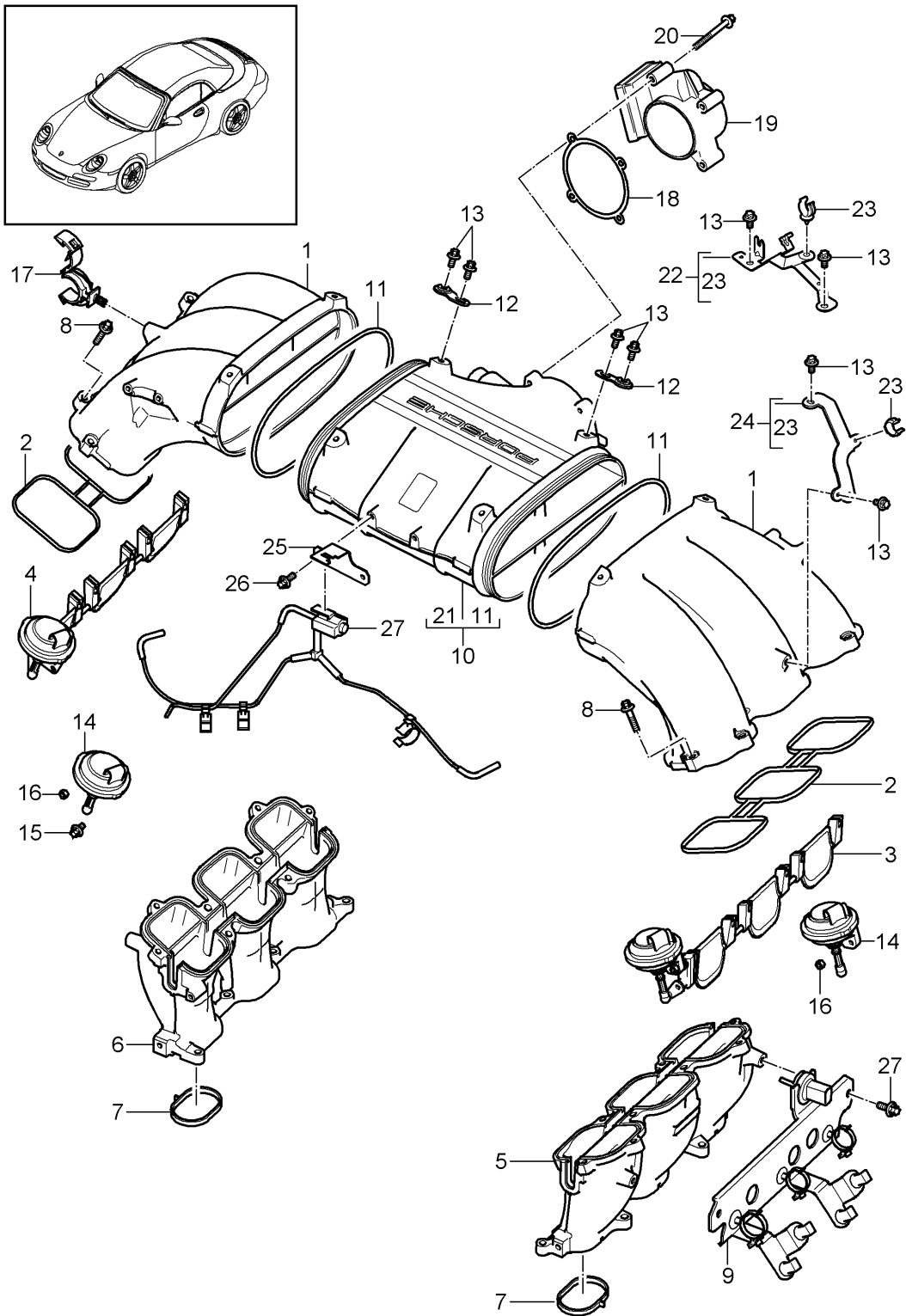
Model: 997-09

Model life 2009>>2012

Pos	Part Number	Description	Remark	Qty	Model
26	900 918 104 40	Pipe 4,0 X 1,0 X 110	11-	1	MA1.01
27	999 181 373 40	Pipe 4,0 X 1,0 X 230		1	MA1.01
28	928 573 727 03	Distributing piece		1	MA1.01
28	928 573 727 05	Distributing piece		1	MA1.01
29	997 606 213 00	Temperature sensor Engine compartment		1	

Model: 997-09

Model life 2009>>2012



Model: 997-09 Model life 2009>>2012

Pos	Part Number	Description	Remark	Qty	Model
		Intake distributor			MA1.01 IX51
1	9A1 110 115 40	Throttle body Intake distributor		2	MA1.01 IX51
2	9A1 110 440 40	Upper part Flange gasket		2	MA1.01 IX51
3	9A1 110 425 40	Shaft		1	MA1.01 IX51
(3)	9A1 110 425 41	with Flap Cyl. 1 - 3 Shaft		1	MA1.01 IX51
4	9A1 110 426 40	with Flap Cyl. 1 - 3 Shaft		1	MA1.01 IX51
(4)	9A1 110 426 41	with Flap Cyl. 4 - 6 Shaft		1	MA1.01 IX51
5	9A1 110 025 40	with Flap Cyl. 4 - 6 Intake distributor		1	MA1.01 IX51
6	9A1 110 026 40	Lower part Cyl. 1 - 3 Intake distributor		1	MA1.01 IX51
7	9A1 110 215 01	Lower part Cyl. 4 - 6 Gasket		6	
8	900 385 049 01	Torx screw M 6 X 30		16	
9		Support See illustrations 9/02/20			
10	9A1 110 020 40	Distributor tube		1	MA1.01 IX51
11	900 331 056 40	O-ring for Distributor tube		2	
12	9A1 110 510 40	Connecting piece Distributor tube		4	
13	900 385 041 01	Torx screw M 6 x 12		14	
14	993 110 462 02	Vacuum unit		2	
15	900 385 112 01	Torx screw M 5 x 12		1	
16	900 380 001 01	Hexagon nut M 5 Self-locking		2	
17	999 507 996 40	Support 22,0 / 26,0		1	
18	9A1 110 220 01	Gasket		1	
19	997 605 116 01	Throttle body		1	
20	900 385 070 01	Torx screw M 6 x 40		4	

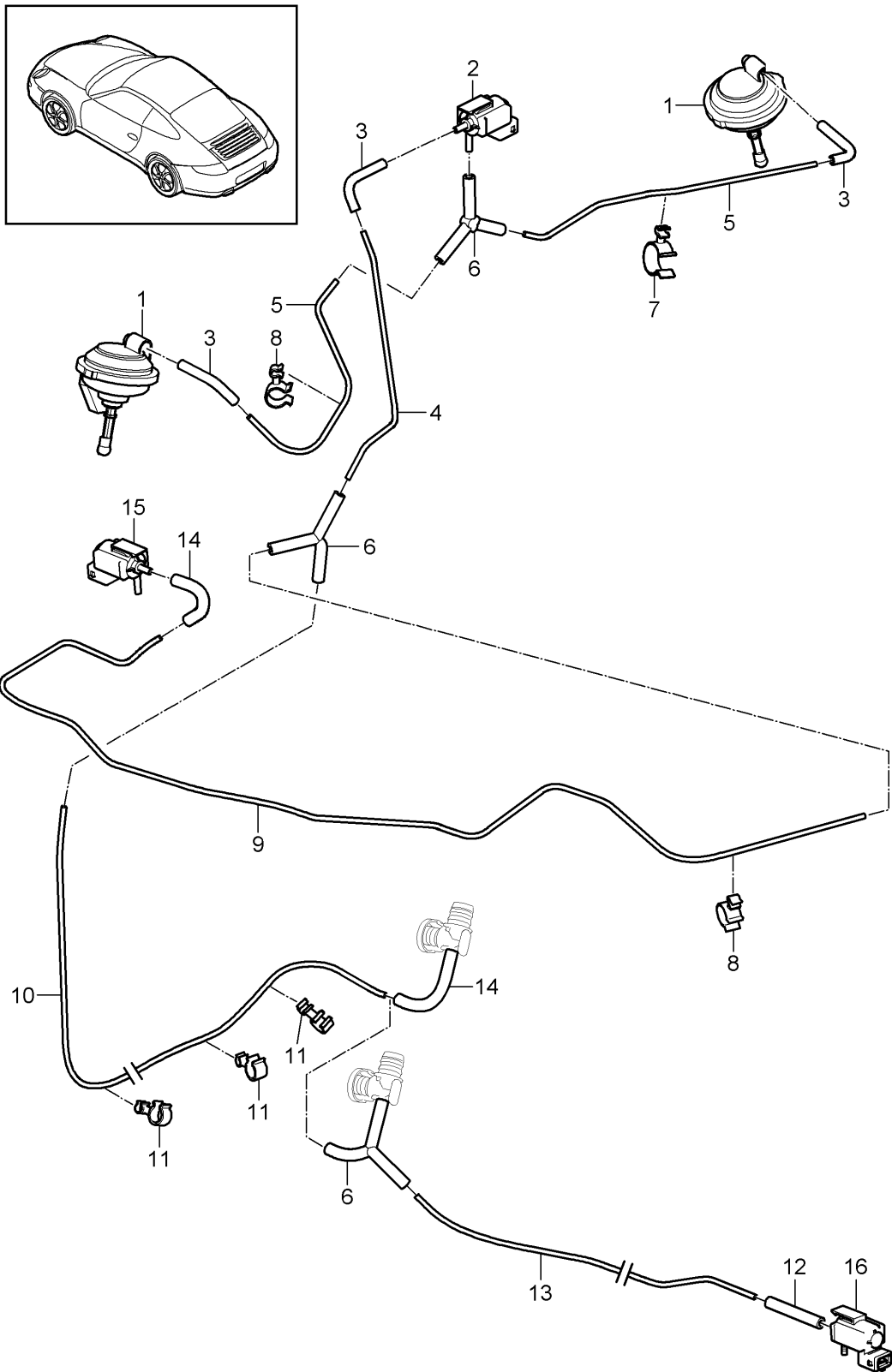
Model: 997-09

Model life 2009>>2012

Pos	Part Number	Description	Remark	Qty	Model
21	9A1 110 120 40	Distributor tube		1	
22	9A1 110 292 00	Support		1	
		Throttle body			
22	9A1 110 292 01	Support		1	
		Throttle body			
23	999 507 930 40	Hose holder		2	
		21,0 - 23,0			
24	9A1 110 294 01	Support		1	
		Intake distributor			
25	9A1 607 169 40	Retaining bracket		1	
		Change-over valve			
26	900 385 041 01	Torx screw		2	
		M 6 x 12			
27		Vacuum system			
		See illustrations			
		1/07/14			

Model: 997-09

Model life 2009>>2012



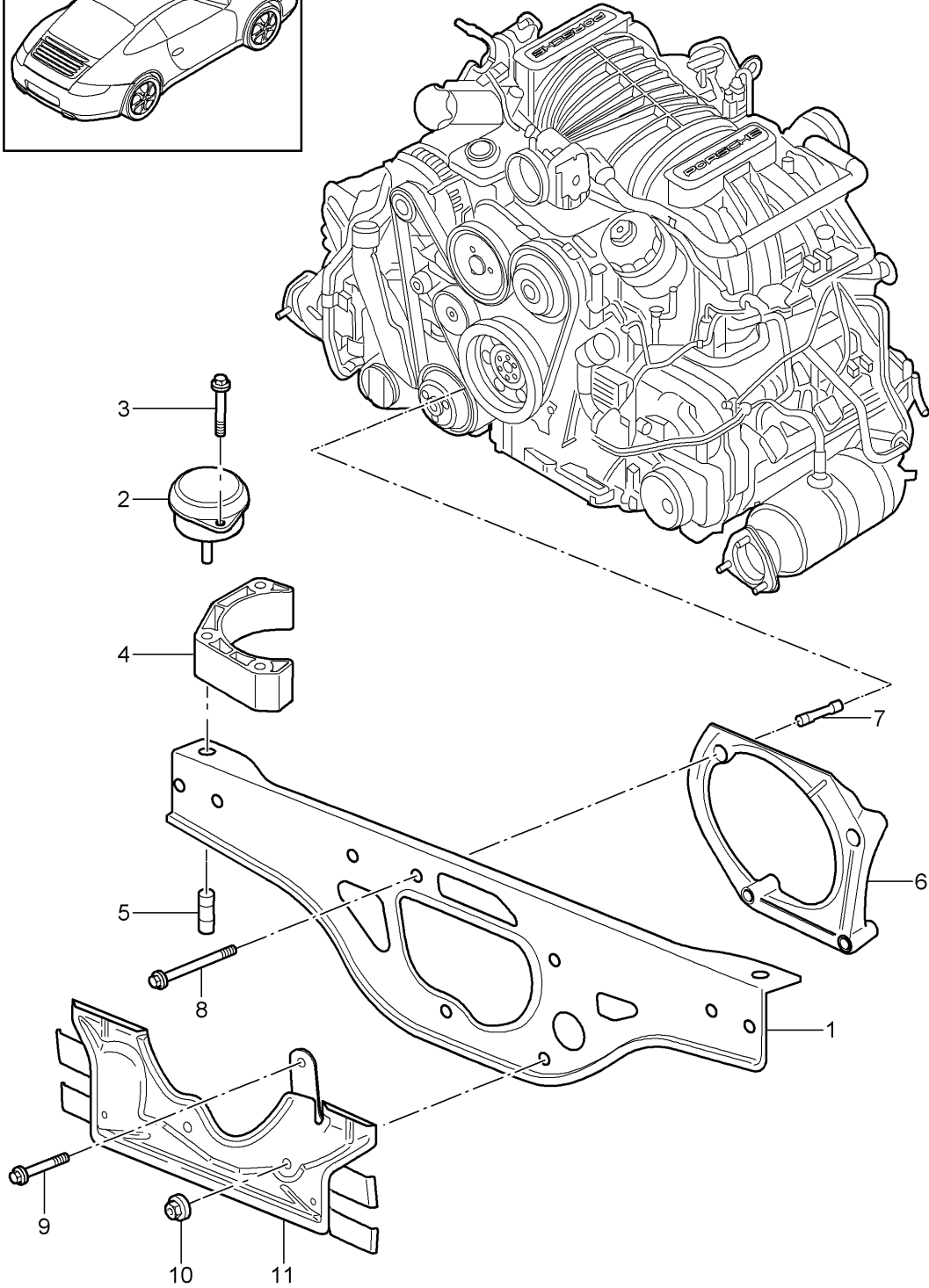
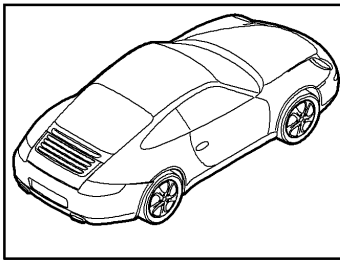
Model: 997-09

Model life 2009>>2012

Pos	Part Number	Description	Remark	Qty	Model
		Vacuum system			MA1.01 IX51
		Engine			
1	993 110 462 02	Vacuum unit		2	
2	996 605 123 01	Change-over valve		2	I480
2		Change-over valve		3	I250
3	999 239 045 40	Moulded hose		3	
		3,5 x 2,0 x 60			
3		Moulded hose		3	
		3,5 x 2,0 x 60			
4	999 181 373 40	Pipe		1	
		4 x 1 x 230			
5	999 181 369 40	Pipe		2	
		4 x 1 x 270			
6	928 573 727 05	Distributing piece		3	I250
		Triple			
6		Distributing piece		2	I480
		Triple			
7	999 507 872 40	Support		1	
		4 x 22			
8	999 507 873 40	Support		2	
		4 x 14			
9	999 181 441 40	Pipe		1	
		4,0 x 1,0 x 990			
10	999 181 442 40	Pipe		1	
		4,0 x 1,0 x 650			
11	999 507 865 40	Support		3	
		4,0 / 11,0			
12	999 239 040 40	Connecting piece		1	I250
13	999 181 829 40	Pipe		1	I250
		4,0 x 1,0 x 430			
14	928 574 717 05	Moulded hose		1	I250
14	928 574 717 07	Moulded hose		1	I250
14	9P1 129 487	Moulded hose		1	I250
14	928 574 717 05	Moulded hose		2	I480
14	928 574 717 07	Moulded hose		2	I480
14	9P1 129 487	Moulded hose		2	I480

Model: 997-09

Model life 2009>>2012



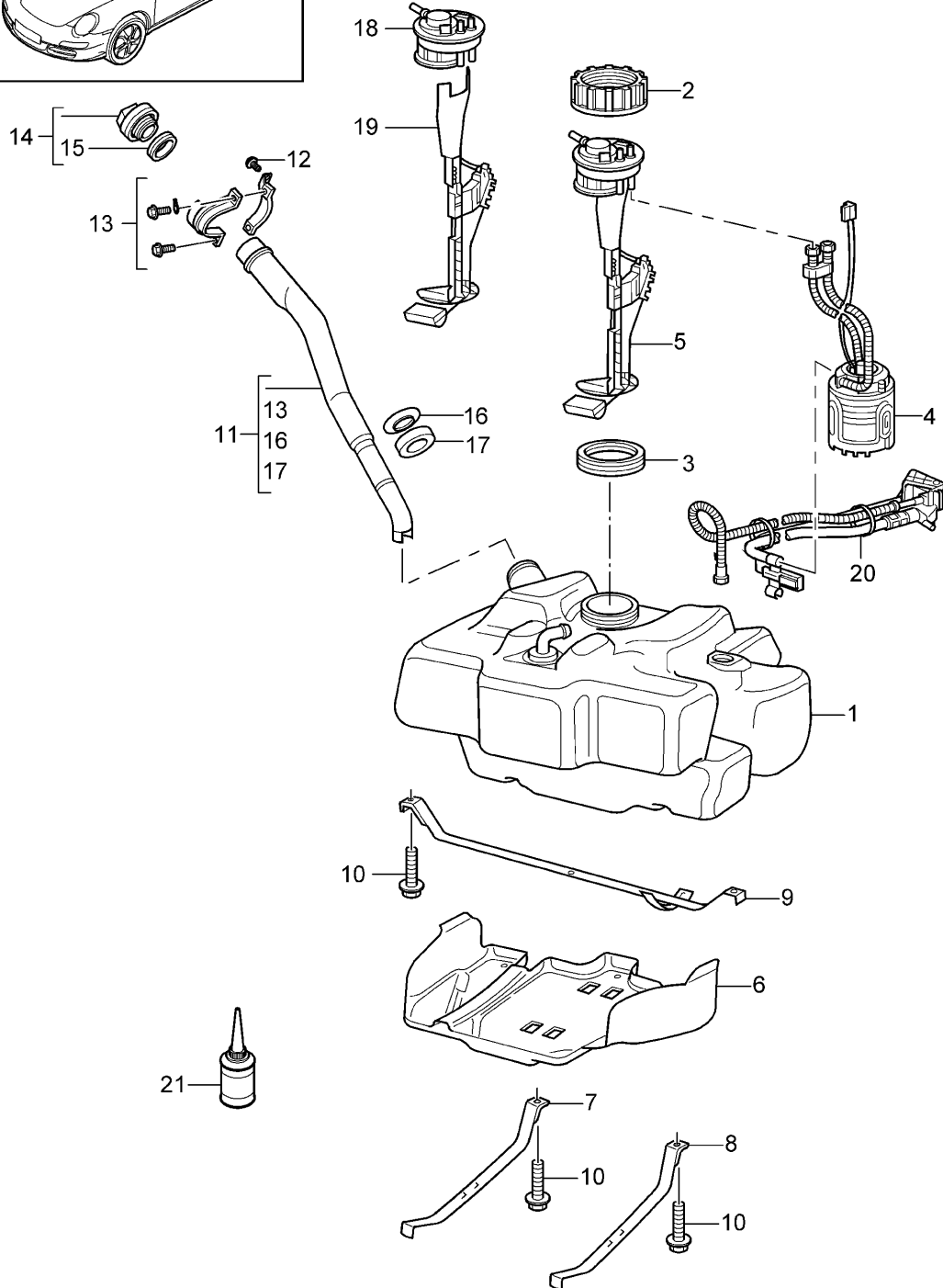
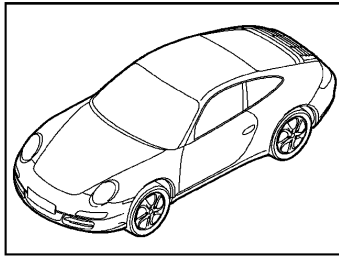
Model: 997-09

Model life 2009>>2012

Pos	Part Number	Description	Remark	Qty	Model
		Engine suspension			MA1.01 MA1.02
1	9A1 375 013 03	Engine carrier		1	
2	997 375 049 07	Hydraulic mount		2	CABRIO/TARGA
(2)	997 375 049 08	Hydraulic mount		2	COUPE
3	900 378 159 01	Hexagon-head bolt M 8 X 60		3	
4	996 375 221 02	Adapter		2	
5	9A1 375 425 01	Sleeve M12 X 1,5		2	
6	9A1 375 235 02	Intermediate flange		1	
7	9A1 375 245 01	Spacer sleeve Intermediate flange		1	
8	900 378 283 01	Torx screw M10 X 130		1	
8	900 385 286 01	Outer hexagon round screw BM10 X 130		1	
9	900 378 310 01	Hexagon-head bolt M10 X 80		1	
9	900 385 062 01	Outer hexagon round screw BM10 X 80		1	
10	900 380 021 01	Hexagon nut M 10		2	
11		Support Front muffler See illustrations 2/02/00		1	

Model: 997-09

Model life 2009>>2012



Model: 997-09 Model life 2009>>2012

Pos	Part Number	Description	Remark	Qty	Model
1	997 201 021 05	Fuel tank	/LL	1	Carrera 2/2S I098
(1)	997 201 021 01	Fuel tank	/LL	1	Carrera 4/4S I098
(1)	997 201 021 91	Fuel tank	/LL	1	I082/098
(1)	997 201 022 06	Fuel tank	/RL	1	Carrera 2/2S I099
(1)	997 201 022 00	Fuel tank	/RL	1	Carrera 4/4S I099
2	996 201 623 00	Union nut		1	Carrera 2/2S
(2)	997 201 623 00	Union nut		1	Carrera 4/4S
3	1J0 919 133 A	Sealing ring		1	Carrera 2/2S
(3)	997 201 733 00	Sealing ring		1	Carrera 4/4S
4	997 620 142 01	Fuel pump		1	Carrera 2/2S
(4)	997 620 141 00	Fuel pump		1	Carrera 4S I082
				1	Carrera GTS I082
(4)	997 620 145 00	Fuel pump		1	Carrera 4/4S
5	997 620 842 00	Tank gauge with Flange		1	Carrera 2/2S
6	997 201 331 02	Protective plate	/LL	1	Carrera 2/2S I098
6		Protective plate	/LL	1	Carrera GTS I082/098
(6)	997 201 331 03	Protective plate	/RL	1	Carrera 2/2S I099
(6)		Protective plate	/RL	1	Carrera GTS I082/099
(6)	997 201 331 00	Protective plate		1	Carrera 4/4S
(6)		Protective plate		1	Carrera GTS -I082
7	997 201 106 01	Restraining strap Right		1	Carrera 2/2S
(7)	997 201 106 00	Restraining strap Right		1	Carrera 4/4S
8	997 201 105 01	Restraining strap Left		1	Carrera 2/2S
(8)	997 201 105 00	Restraining strap Left		1	Carrera 4/4S
9	996 201 107 02	Restraining strap	/LL	1	Carrera 2/2S I098
(9)	996 201 108 00	Restraining strap	/RL	1	Carrera 2/2S I099
(9)	997 201 107 00	Restraining strap		1	Carrera 4/4S
10	900 075 479 01	Combination screw M 8 X 40		4	
11	997 201 043 06	Filler neck		1	Carrera 2/2S
(11)	997 201 043 12	Filler neck		1	Carrera 4/4S
(11)	997 201 043 07	Filler neck		1	Carrera 2/2S I150/193
(11)	997 201 043 10	Filler neck		1	Carrera 4/4S I150/193
12	999 073 348 09	Oval-head screw M 6 X 20		1	
13	997 201 951 02	Support Complete		1	
14	996 201 241 03	Fuel tank cap with Clip		1	
		Information available			

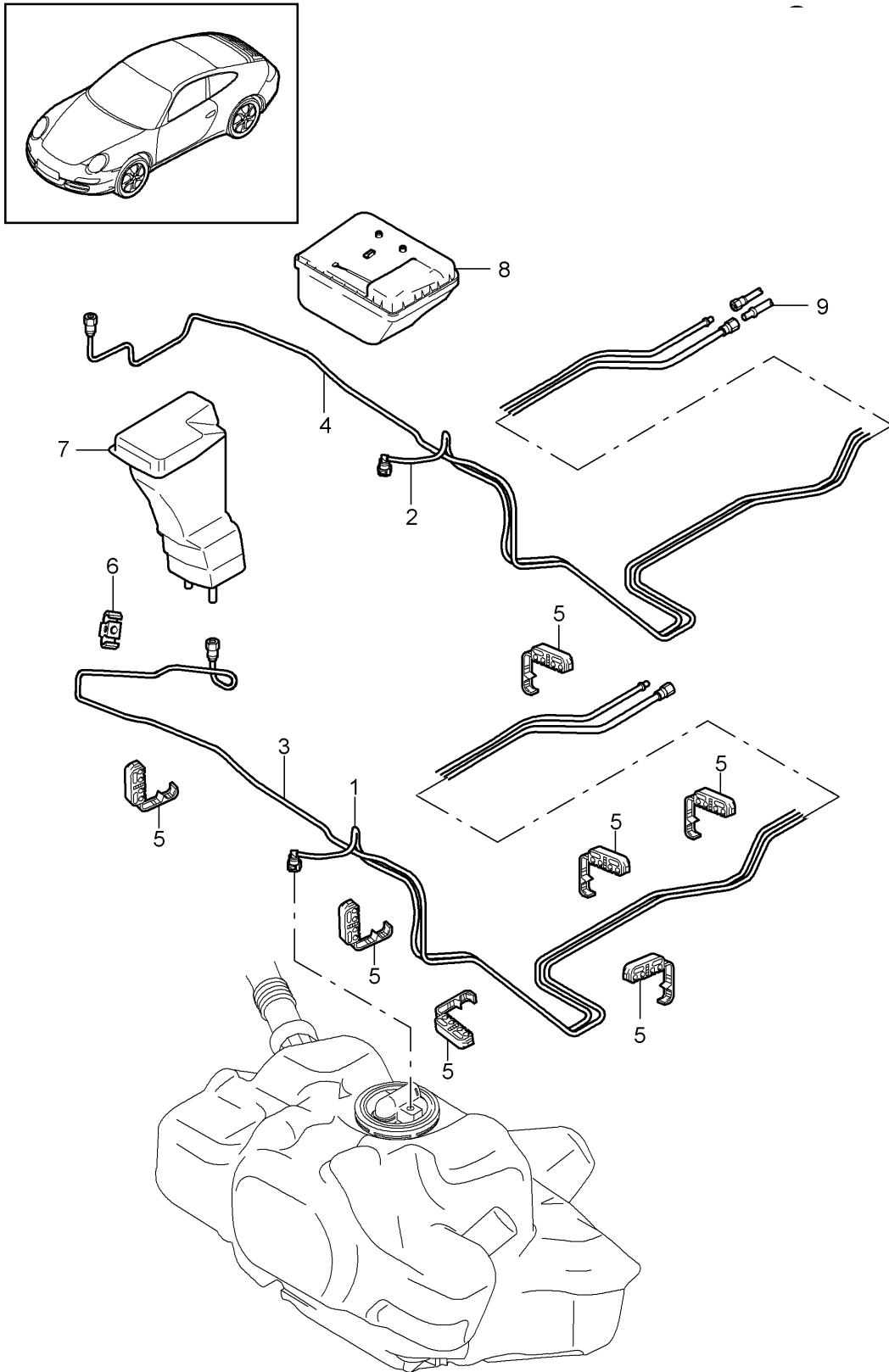
Model: 997-09

Model life 2009>>2012

Pos	Part Number	Description	Remark	Qty	Model
-	999 507 499 40	Expansion rivet 5,0 X 11,5		1	
15	191 201 557	Sealing ring Information available		1	
16	996 201 755 00	Support washer		1	
17	996 201 753 00	Gasket		1	
(18)	997 201 421 01	Flange for Tank gauge		1	Carrera 4/4S
19	997 620 831 02	Tank gauge without Flange		1	Carrera 4S I082
(19)	997 620 833 00	Tank gauge without Flange		1	Carrera GTS I082
20	997 620 123 00	Venturi tube Set Left And Right		1	Carrera 4/4S
21	000 043 206 89	Additive Fuel 100 ML		1	
21	000 043 209 02	Additive Fuel 100 ML		1	

Model: 997-09

Model life 2009>>2012



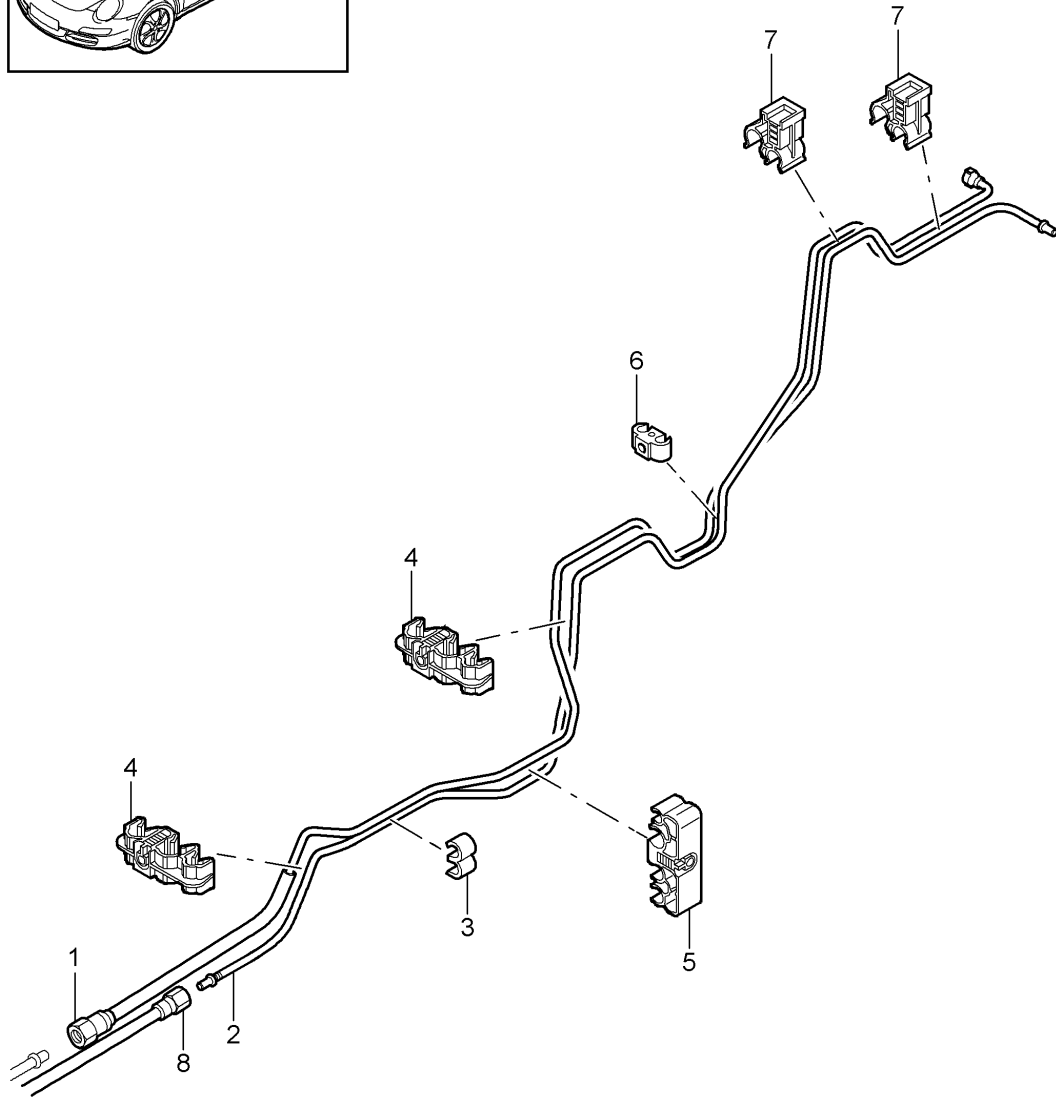
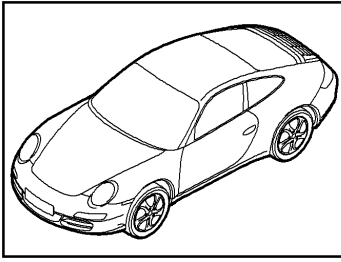
Model: 997-09

Model life 2009>>2012

Pos	Part Number	Description	Remark	Qty	Model
1	997 201 261 02	Fuel system Front Fuel line		1	-I082/-I664 I338
1	997 201 261 06	Fuel line		1	-I082/-I664 I338
(1)	997 201 261 03	Fuel line Front Fuel pump for Engine		1	-I664/I339
(1)	997 201 261 93	Fuel line Front Fuel pump for Engine		1	I082
3	997 201 351 02	Purge-air line Front Carbon canister for Engine		1	
4	997 201 351 00	Purge-air line		1	I664
5	999 507 264 40	Cable holder 6,0/8,0/8,0/10,0		8	
6	999 507 727 40	Cable holder 8,0/10,0		1	
7		Carbon canister See illustrations 2/01/20		1	
9		Lines Rear See illustrations 2/01/10		1	

Model: 997-09

Model life 2009>>2012



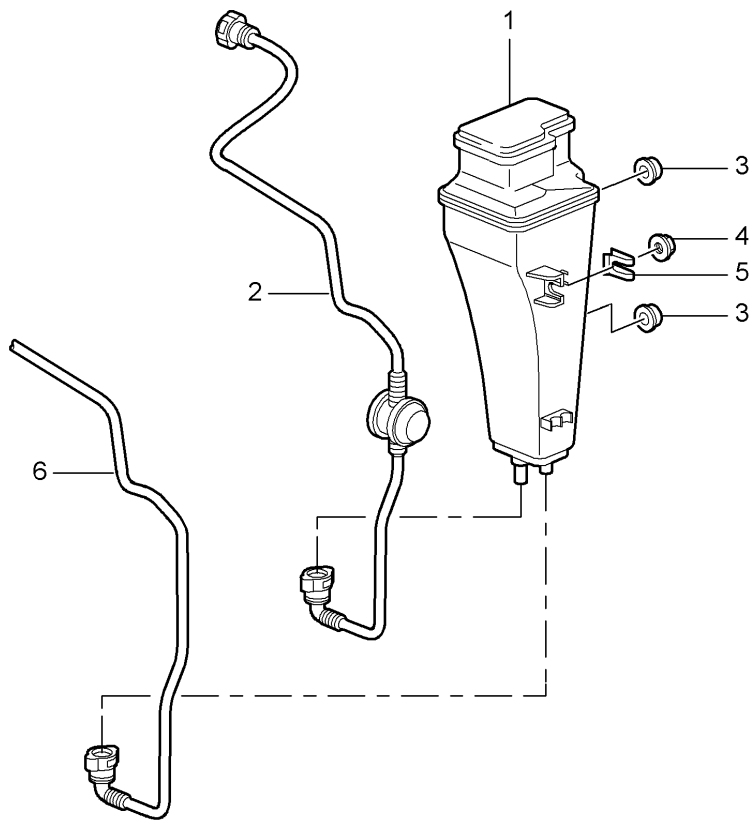
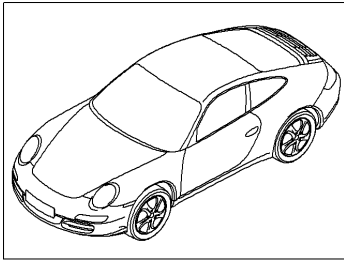
Model: 997-09

Model life 2009>>2012

Pos	Part Number	Description	Remark	Qty	Model
1	997 201 265 02	Fuel system Rear Fuel line Rear Fuel pump for Engine		1	
2	997 201 355 02	Purge-air line Rear Carbon canister for Engine		1	
3	999 507 488 40	Cable holder 5,00/10,0		4	
4	999 507 263 40	Cable holder		2	
5	999 507 264 40	Cable holder 8,0/8/10		2	
6	999 507 727 40	Cable holder 8,0/10,0		3	
7	999 507 991 40	Cable holder 8,0/10,0		2	
8		Lines Front See illustrations 2/01/05		1	

Model: 997-09

Model life 2009>>2012



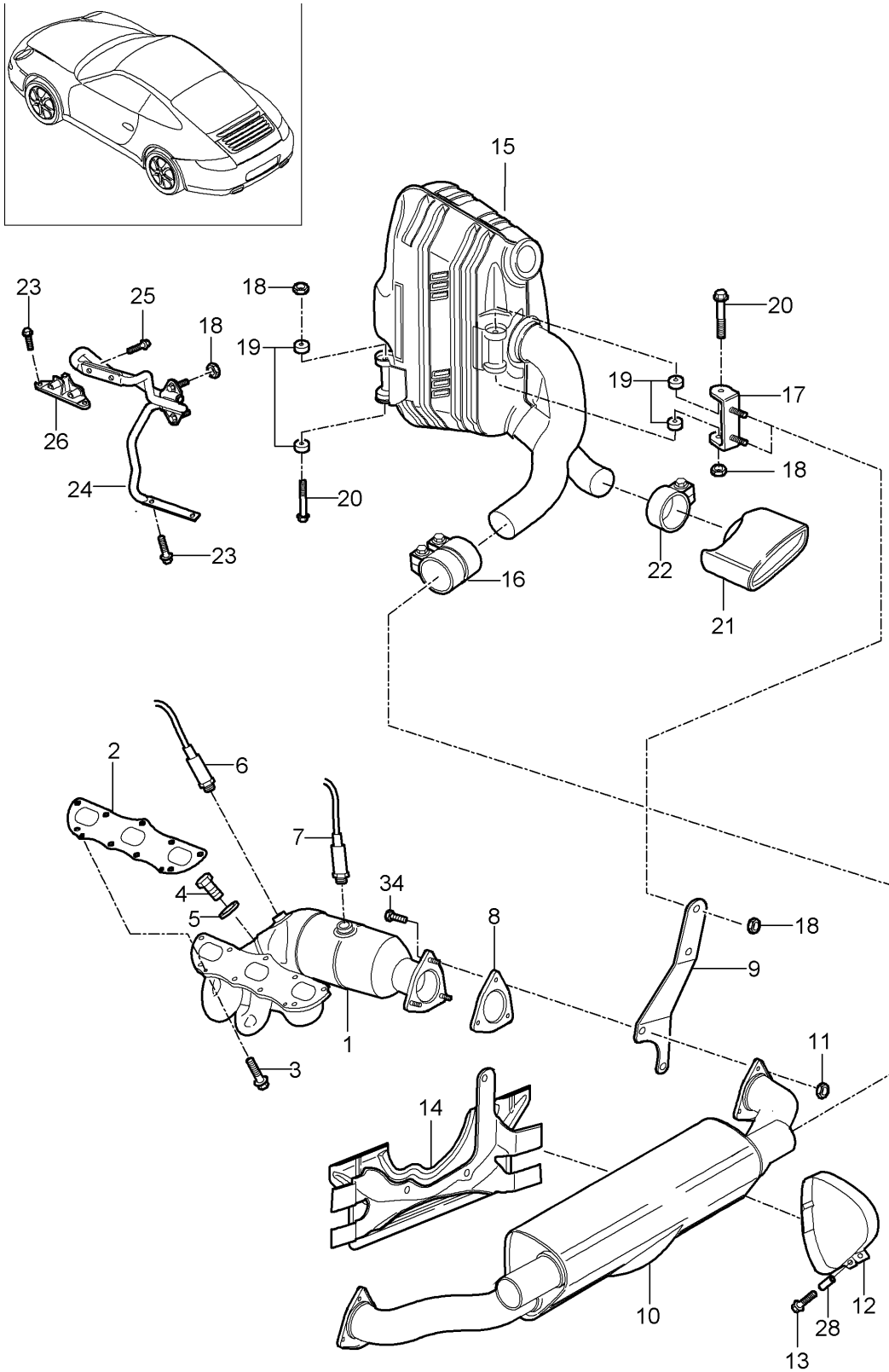
Model: 997-09

Model life 2009>>2012

Pos	Part Number	Description	Remark	Qty	Model
1	997 201 221 01	Carbon canister Carbon canister Complete		1	
2	997 201 251 06	Vent line Fuel tank for Carbon canister		1	CARRERA 2
2	997 201 251 01	Vent line Fuel tank for Carbon canister		1	CARRERA 4
3	999 702 221 40	Grommet		2	
4	999 084 629 01	Hexagon nut M 6		1	
5	999 507 543 02	Clamp 2,00 - 3,00		1	
6		Purge-air line Front See illustrations 2/01/05		1	

Model: 997-09

Model life 2009>>2012



Model: 997-09 Model life 2009>>2012

Pos	Part Number	Description	Remark	Qty	Model
		Exhaust system Technical information Group 2 Nr.28/09			MA1.01/02
(1)	997 113 109 32	Exhaust manifold with Catalytic converter Cyl. 1 - 3		1	
(1)	997 113 110 32	Exhaust manifold with Catalytic converter Cyl. 4 - 6		1	
2	997 111 107 30	Gasket Exhaust manifold		2	
3	999 073 471 01	Torx screw M 8 X 21		18	
4	900 124 021 05	Screw plug M 8 X 1		2	
5	900 123 050 20	Sealing ring 8 X 11,5		2	
6	9A1 606 168 00	Oxygen sensor in front of Catalytic converter if not fitted Use also: 997.113.209.30	/L	1	
		997.113.208.30	/R	1	
6	9A1 606 168 01	Oxygen sensor in front of Catalytic converter if not fitted Use also: 997.113.209.30	/L	1	
		997.113.208.30	/R	1	
7	9A1 606 177 01	Oxygen sensor After Catalytic converter		2	
8	997 111 113 30	Gasket		2	
(9)	997 111 129 31	Bracket	/L	2	
9	997 111 130 31	Bracket	/R	2	
10	997 111 180 32	Front muffler		1	-I176/I170
(10)		Front muffler		1	-IX51/I172 I176
(10)	997 111 159 32	Front muffler		1	I170/176
(10)	997 111 160 32	Front muffler		1	IX51/172/176
(10)		Front muffler		1	-IX51/-I176 I172
11	900 910 003 03	Hexagon nut M 8		X	
12	997 113 119 31	Restraining strap Front muffler		2	
13	900 067 362 01	Pan-head screw M 8 X 50		2	
14	997 113 026 30	Support Front muffler with Heat protection		1	
(14)	997 113 026 31	Support Front muffler with Heat protection		1	
(14)	997 113 026 32	Support Front muffler		1	

Model: 997-09 Model life 2009>>2012

Pos	Part Number	Description	Remark	Qty	Model
(15)	997 111 311 30	with Heat protection Main exhaust muffler Cyl. 1 - 3		1	I170
(15)	997 111 995 31	Main exhaust muffler Cyl. 1 - 3	-10	1	I756
(15)		Main exhaust muffler Cyl. 1 - 3	11	1	I503
(15)	997 111 311 31	Main exhaust muffler Cyl. 1 - 3		1	-I503/I170
(15)	997 111 131 30	Main exhaust muffler Cyl. 1 - 3		1	I172
(15)	997 111 131 31	Main exhaust muffler Cyl. 1 - 3		1	-I503/I172
15	997 111 996 31	Main exhaust muffler Cyl. 4 - 6	-10	1	I756
15		Main exhaust muffler Cyl. 4 - 6	11	1	I503
15	997 111 312 31	Main exhaust muffler Cyl. 4 - 6		1	-I503/I170
15	997 111 132 30	Main exhaust muffler Cyl. 4 - 6		1	I172
15	997 111 132 31	Main exhaust muffler Cyl. 4 - 6		1	-I503/I172
16	997 111 220 30	Clamping sleeve		2	
17	997 111 140 30	Retaining bar Main exhaust muffler		2	
18	900 380 005 01	Nut M 8		6	
19	997 111 229 30	Damping piece		8	
20	900 378 319 01	Hexagon-head bolt M 8 X 110		2	
21	997 111 151 30	Tail pipe	/L	1	MA1.02
(21)	997 111 351 30	Tail pipe	/L	1	MA1.01
(21)	997 111 983 30	Tail pipe	/L	1	IXLT
(21)	997 111 991 31	Tail pipe	/L	1	I756
(21)	997 111 991 40	Tail pipe	/L 11	1	I503
(21)	997 111 152 30	Tail pipe	/R	1	MA1.02
(21)	997 111 352 30	Tail pipe	/R	1	MA1.01
(21)	997 111 984 30	Tail pipe	/R	1	IXLT
(21)	997 111 992 31	Tail pipe	/R	1	I756
(21)	997 111 992 40	Tail pipe	/R 11	1	I503
22	997 111 240 30	Clip Tail pipe		2	
23	900 385 098 01	Torx screw M 8 X 25		X	
(24)	997 111 127 31	Support Main exhaust muffler Cyl. 1 - 3	/L	1	
24	997 111 128 30	Support Main exhaust muffler Cyl. 4 - 6	/R	1	
25	900 385 099 01	Torx screw M 8 X 12		X	
26	997 111 126 30	Bracket Main exhaust muffler		2	
27	997 606 256 02	Cable guide Oxygen sensor Right		1	
(27)	997 606 257 02	Cable guide Oxygen sensor Left		1	
28	997 111 218 30	Spacer sleeve		2	

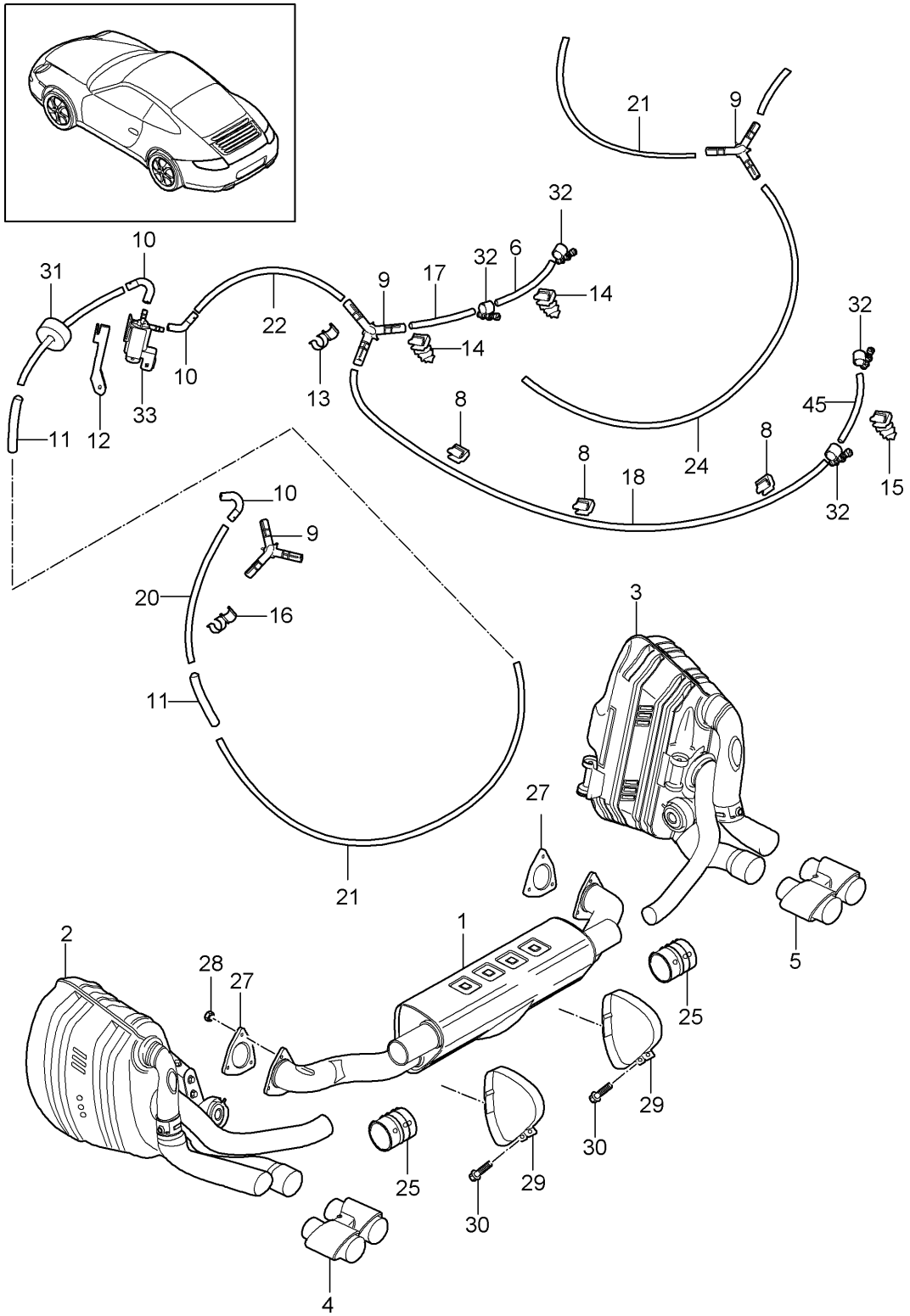
Model: 997-09

Model life 2009>>2012

Pos	Part Number	Description	Remark	Qty	Model
29	999 651 399 40	Clamp Line bracket 5,0		2	
30	999 651 392 07	Cable holder 9.5 - 10.5		2	
31	900 387 021 01	Pan-head screw M 6 X 12		2	
32	997 113 209 30	Heat protection Catalytic converter Left see Technical information Group 2 Nr.28/09		1	
(32)	997 113 208 30	Heat protection Catalytic converter Right see Technical information Group 2 Nr.28/09		1	
33	900 385 009 01	Torx screw M 6 x 16		8	
34	900 075 365 02	Screw M 8 X 30		X	
35	000 043 303 68	Cleaning agent Tail pipe DR.WACK P21S ALU-POLISH		X	

Model: 997-09

Model life 2009>>2012



Model: 997-09

Model life 2009>>2012

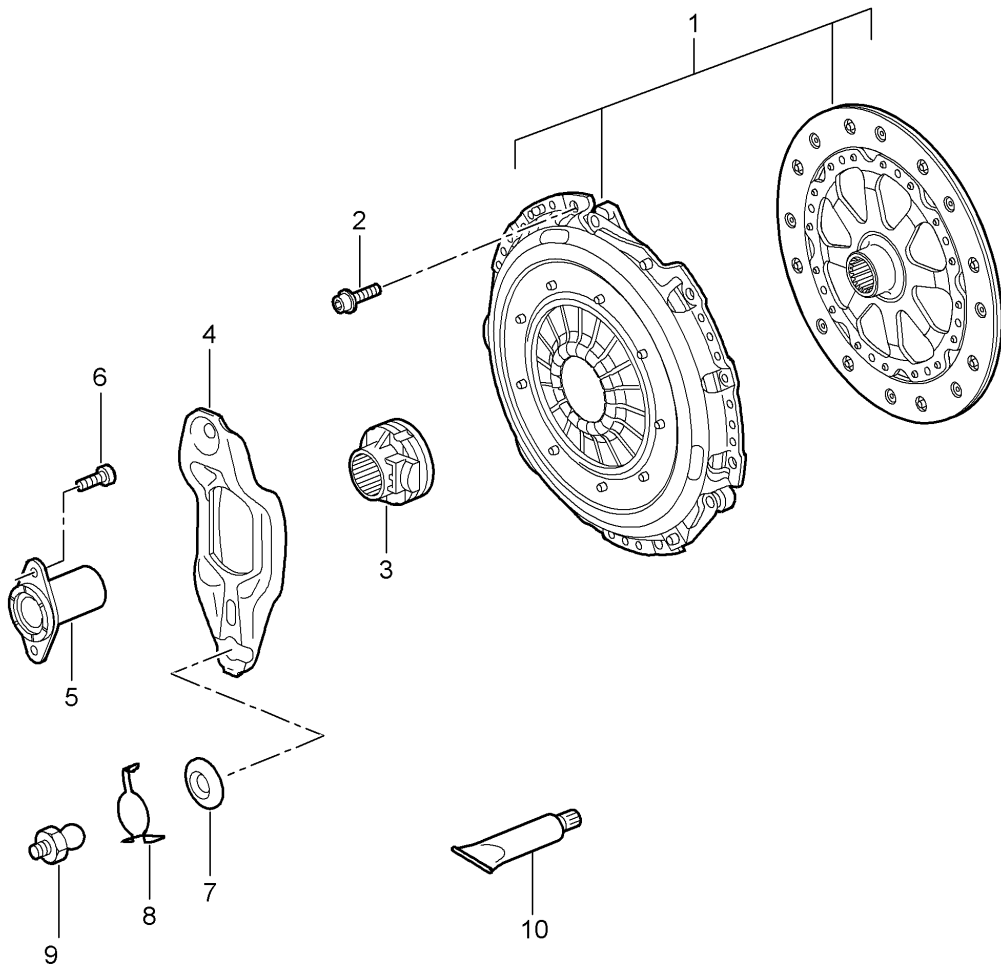
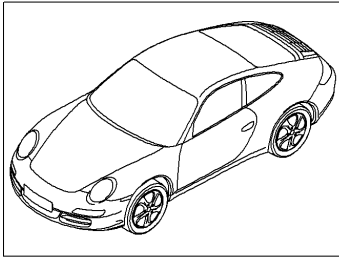
Pos	Part Number	Description	Remark	Qty	Model
		Exhaust system Sport version			I176
1	997 111 150 30	Front muffler		1	
(1)	997 111 159 32	Front muffler		1	I170
(1)	997 111 160 32	Front muffler		1	IX51/172
(1)	997 111 180 32	Front muffler		1	-IX51/I172
2	997 111 511 30	Main exhaust muffler Cyl. 1 - 3		1	
2	997 111 511 31	Main exhaust muffler Cyl. 1 - 3		1	
3	997 111 512 30	Main exhaust muffler Cyl. 4 - 6		1	
3	997 111 512 31	Main exhaust muffler Cyl. 4 - 6		1	
4	997 111 981 31	Tail pipe Left		1	
4	997 111 981 33	Tail pipe Left		1	-I011
(4)	997 111 981 34	Tail pipe Left		1	-I011/-I019
4	997 111 981 50	Tail pipe Left	11-	1	I011
4		Tail pipe Left	12-	1	I019
5	997 111 982 31	Tail pipe Right		1	
5	997 111 982 32	Tail pipe Right		1	
5	997 111 982 33	Tail pipe Right		1	-I011
(5)	997 111 982 34	Tail pipe Right		1	-I011/-I019
5	997 111 982 50	Tail pipe Right	11-	1	I011
5		Tail pipe Right	12-	1	I019
6	999 181 299 40	Hose stahlummantelt 3 x 300		2	
6	999 110 016 00	Hose stahlummantelt 3 x 300		2	
6	997 110 016 00	Hose stahlummantelt 3 x 300		2	
7	997 111 989 30	Retaining bracket Change-over valve		1	
8	999 651 401 01	Cable clamp Hose line		3	
9	928 573 727 05	Distributing piece Triple		2	
(9)		Distributing piece Triple		1	MA1.02 I480
10	928 574 717 05	Moulded hose		2	
10	928 574 717 07	Moulded hose		2	
10	9P1 129 487	Moulded hose		2	
11	999 239 042 40	Hose		2	MA1.02 I250
(11)		Hose		3	MA1.02 I480
12	996 111 989 00	Retaining bracket Change-over valve		1	

Model: 997-09 Model life 2009>>2012

Pos	Part Number	Description	Remark	Qty	Model
13	999 507 148 40	Support Double		1	
14	999 507 075 40	Cable holder for Stahlflexleitung Right		2	
15	999 507 902 40	Cable holder for Stahlflexleitung Left		1	
16	999 507 865 40	Support Double		3	MA1.02
-	999 181 852 40	Pipe 4 x 1 x 1650 It is necessary to rework		X	
17		Hose Control Vacuum unit Left 4 X 1 X 60		1	
18		Hose Control Vacuum unit Right 4 X 1 X 860		1	
19		Hose Vacuum line Change-over valve 4 X 1 X 280		1	
20		Hose Connecting line Brake booster 4 X 1 X 1015		1	MA1.02
21		Hose Vacuum line Distributing piece 4 X 1 X 580		1	
22		Hose Vacuum line Change-over valve 4 X 1 X 230		1	
24		Hose Vacuum line Resonance tube 4 X 1 X 740		1	MA1.01
25	997 111 220 30	Clamping sleeve		2	
26	900 380 005 01	Nut M 8		8	
27	997 111 113 30	Gasket		2	
28	900 910 003 03	Hexagon nut M 8 Flange		6	
29	997 113 119 31	Restraining strap Front muffler		2	
30	900 067 362 01	Pan-head screw M 8 x 50 Restraining strap		2	
31	993 110 530 01	Grommet		1	
32	999 512 780 01	Clamp		4	
33	996 605 123 01	Change-over valve		1	
34	999 651 401 01	Cable clamp		3	

Model: 997-09

Model life 2009>>2012



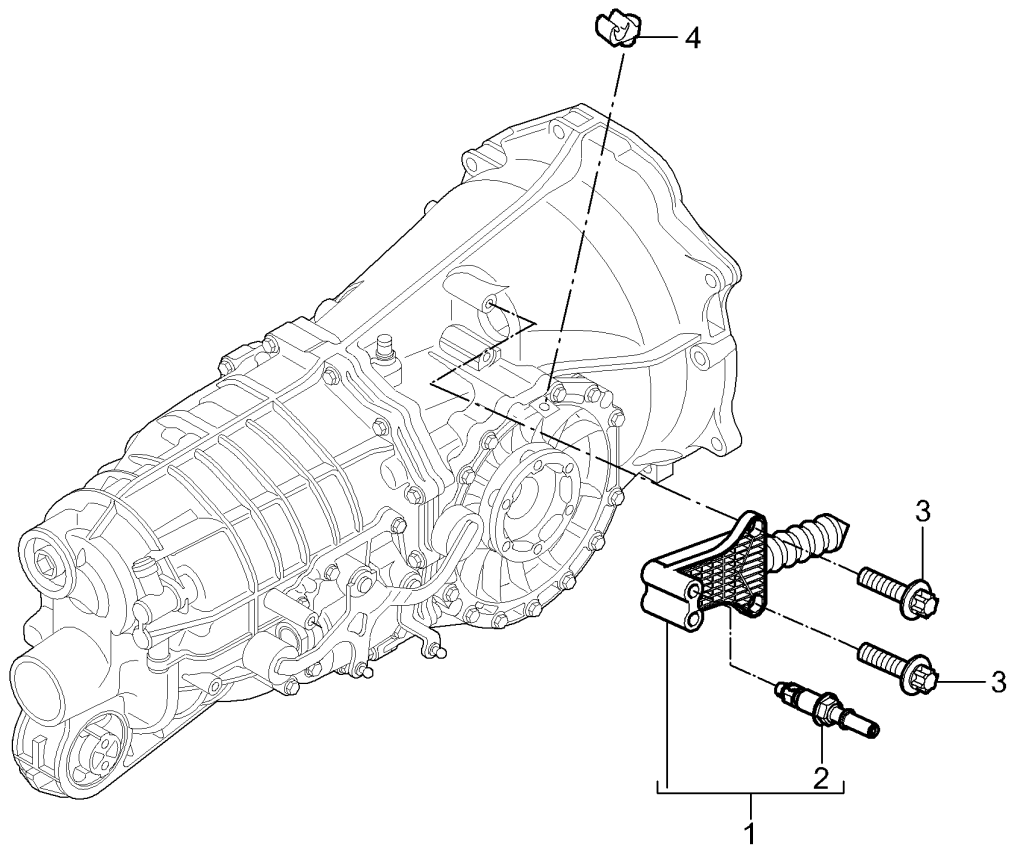
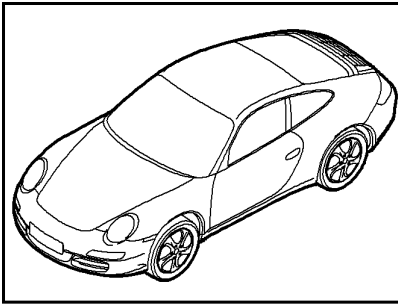
Model: 997-09

Model life 2009>>2012

Pos	Part Number	Description	Remark	Qty	Model
		Clutch			G97.05 G97.35
1	9G1 116 913 00	Clutch Set		1	
2	999 073 458 01	Screw M 8 X 16		6	
3	997 116 080 02	Clutch release bearing		1	
4	997 116 712 01	Clutch release lever		1	
5	996 116 087 01	Guide sleeve		1	
6	N 903 663 01	Pan-head screw M 8 X 22		2	
7	996 116 743 00	Sealing ring		1	
8	996 116 741 00	Clamp		1	
9	997 116 716 02	Ball pin		1	
10	000 043 304 02	Grease KLÜBERALFA HM83-801 50 GR.		1	
-	000 043 024 00	Extreme-pressure grease LONGTIME 3EP 80 GR.		1	

Model: 997-09

Model life 2009>>2012



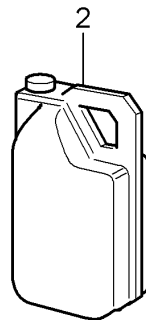
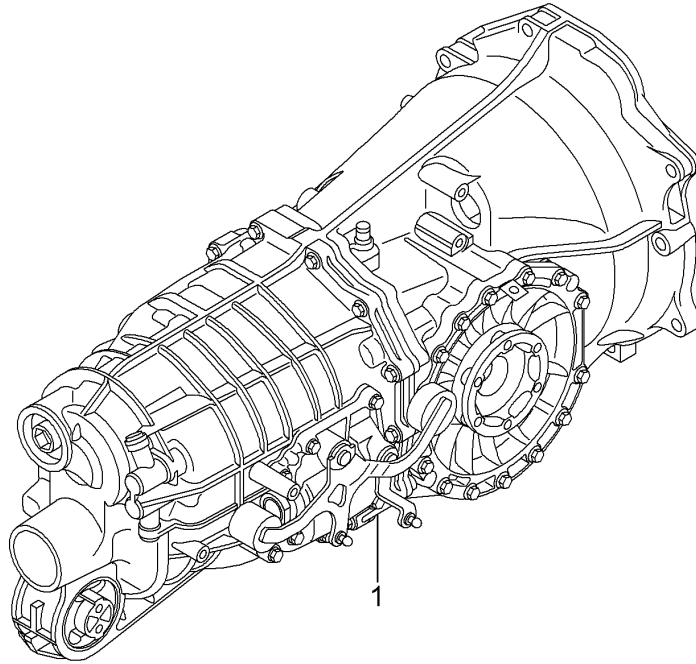
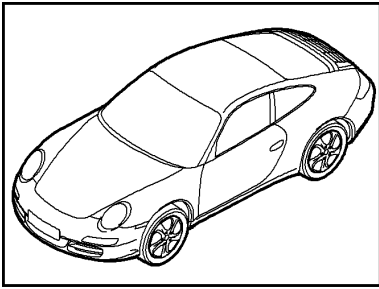
Model: 997-09

Model life 2009>>2012

Pos	Part Number	Description	Remark	Qty	Model
		Clutch release			G97.05
		Clutch operating cylinder			G97.35
1	9G1 116 238 00	Clutch operating cylinder		1	
(1)	9G1 116 238 01	Clutch operating cylinder		1	
2	9G1 116 277 01	Bleeder		1	
		To			
		Use			
		Clutch operating cylinder			
3	900 385 096 01	Torx screw		2	
		M 8 X 30			
4	999 507 586 40	Cable holder		1	
		6,0			

Model: 997-09

Model life 2009>>2012



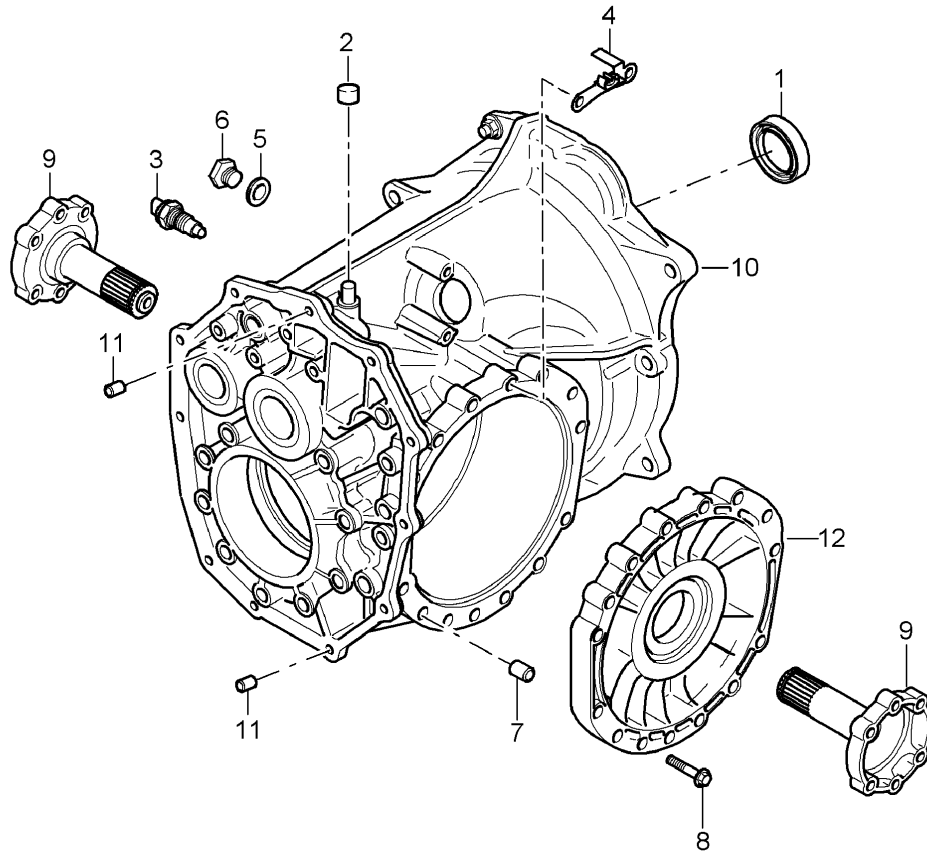
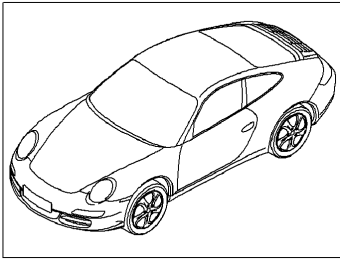
Model: 997-09

Model life 2009>>2012

Pos	Part Number	Description	Remark	Qty	Model
1	997 300 010 05	Manual transmission Replacement transmission Transmission		1	G97.05 G97.35 I219
1	997 300 010 EX	Transmission		1	G97.05 I219
(1)	997 300 020 05	Transmission		1	G97.05 I220
(1)	997 300 020 GX	with Limited-slip differential Transmission		1	G97.05 I220
(1)	997 300 020 35	with Limited-slip differential Transmission		1	G97.35 I220
(1)	997 300 020 HX	with Limited-slip differential Transmission		1	G97.35 I220
2	000 043 204 19	with Limited-slip differential Transmission oil 20 LTR. Container		X	

Model: 997-09

Model life 2009>>2012



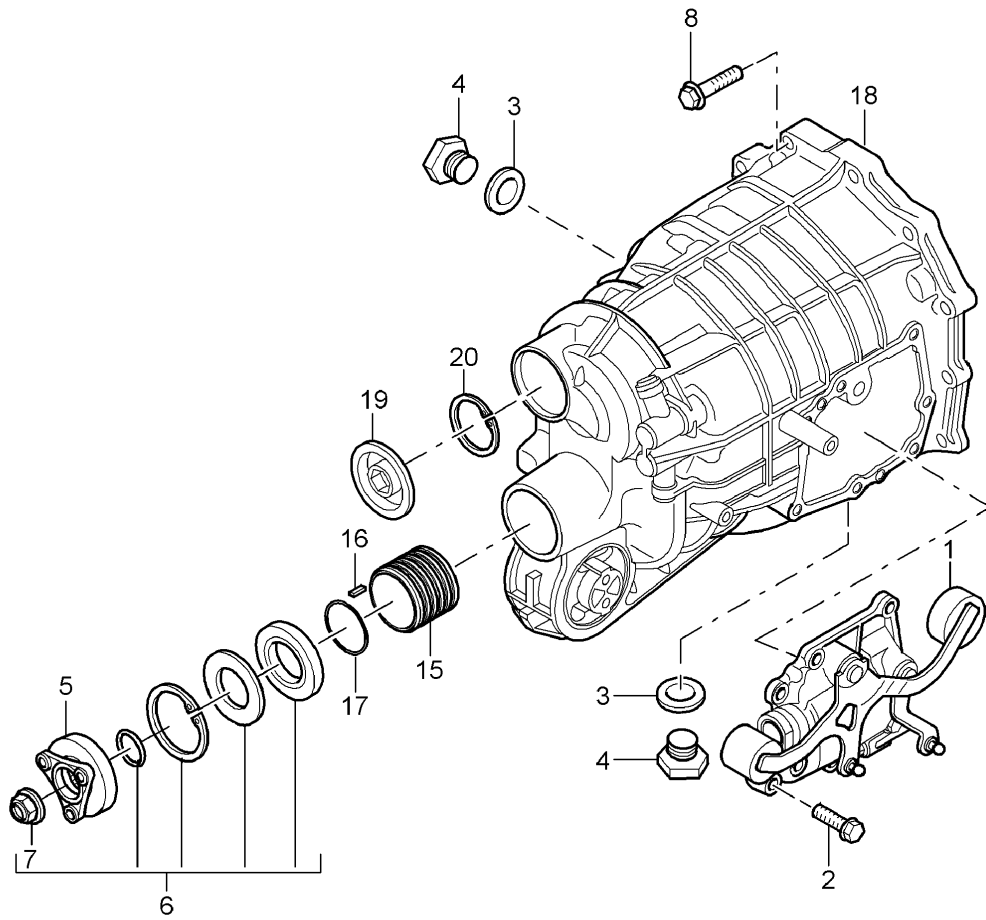
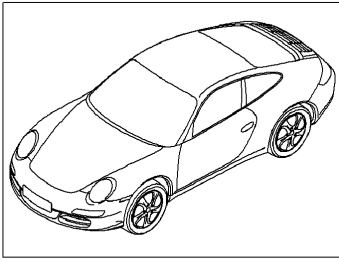
Model: 997-09

Model life 2009>>2012

Pos	Part Number	Description	Remark	Qty	Model
		Manual transmission			G97.05
		Single parts			G97.35
1	997 302 807 00	Shaft sealing ring		1	
2	997 301 071 05	Bleeder		1	
3	997 613 180 01	Back-up light switch		1	
4	997 423 777 00	Support		1	
5	997 301 808 00	Sealing ring		1	
6	997 301 807 00	Screw plug		1	
7	997 301 802 00	Straight pin		2	
8	997 301 804 00	Hexagon-head bolt		14	
9	997 332 209 05	Joint flange		2	
10	997 301 010 05	Transmission case		1	
		Front			
11	997 301 801 00	Straight pin		2	
		Lower			
12	997 301 012 00	Transmission cover		1	
-		Shaft sealing ring			
		See illustrations			
		3/05/00			

Model: 997-09

Model life 2009>>2012



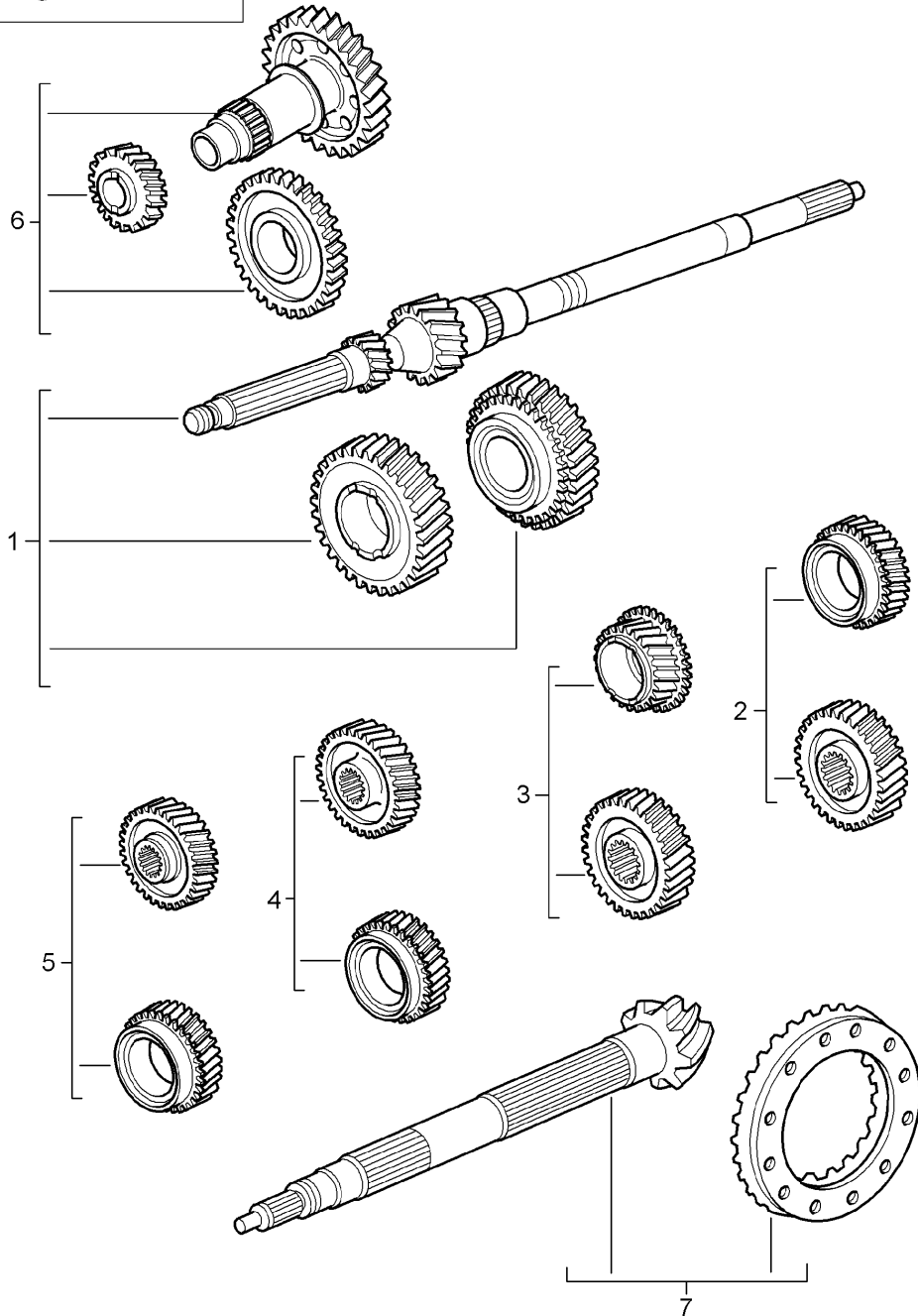
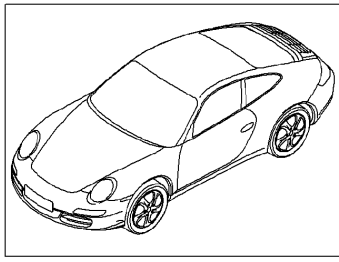
Model: 997-09

Model life 2009>>2012

Pos	Part Number	Description	Remark	Qty	Model
		Manual transmission			G97.05
		Single parts			G97.35
1	997 303 930 00	Switching module		1	
2	997 303 808 00	Hexagon-head bolt M8 x 25		7	
3	997 301 808 00	Sealing ring		2	
4	997 301 807 00	Screw plug		2	
5	997 301 903 05	Output flange Complete		1	G97.35
6	997 301 911 05	Use also: Repair kit Output flange Comprising: Shaft sealing ring Spacer ring Circlip O-ring Hexagon nut		1	G97.35
7	997 302 319 00	Hexagon nut		1	G97.35
8	997 301 803 00	Hexagon-head bolt		12	
15	997 302 119 05	Oil-conducting housing		1	G97.35
16	997 302 811 05	Feather key		1	G97.35
17	997 302 812 05	O-ring		1	G97.35
18	997 301 013 05	Transmission case Rear		1	G97.05
(18)	997 301 013 35	Transmission case Rear		1	G97.35
19	997 301 805 00	Lid Transmission case Rear		1	
20	997 301 902 00	Set Circlip		1	

Model: 997-09

Model life 2009>>2012



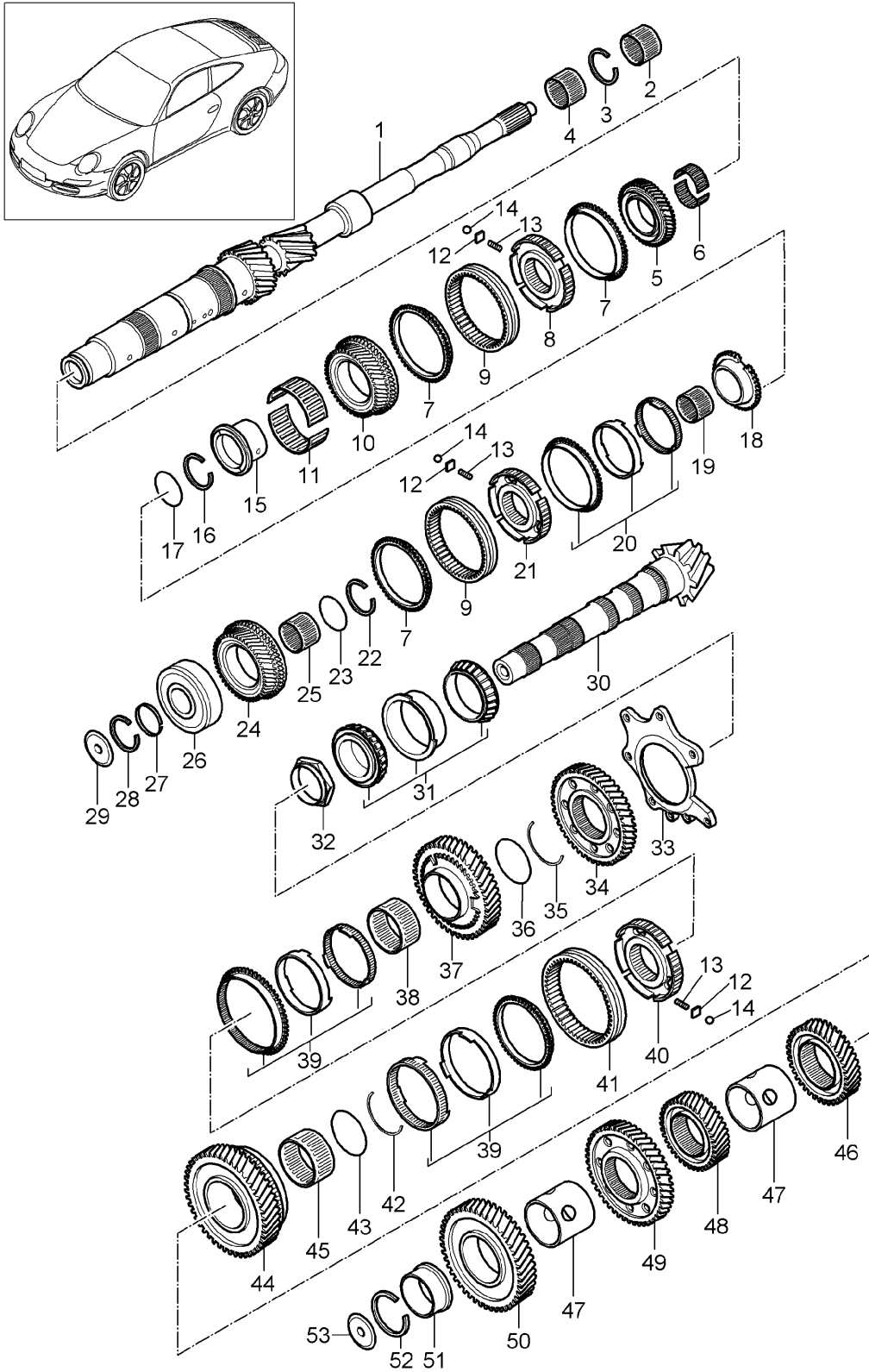
Model: 997-09

Model life 2009>>2012

Pos	Part Number	Description	Remark	Qty	Model
		Gear wheel sets			G97.05 G97.35
1	997 302 901 05	Gear set 1st / 2nd gear		1	
2	997 302 903 05	Gear set 3rd gear		1	
3	997 302 904 00	Gear set 4th speed		1	
4	997 302 905 00	Gear set 5th gear		1	
5	997 302 906 00	Gear set 6th gear		1	
6	997 302 907 05	Gear set Reverse gear		1	
7	997 302 911 00	Ring gear and pinion shaft		1	G97.05
(7)	997 302 911 35	Ring gear and pinion shaft		1	G97.35

Model: 997-09

Model life 2009>>2012



Model: 997-09

Model life 2009>>2012

Pos	Part Number	Description	Remark	Qty	Model
		Gears and shafts			G97.05 G97.35
1		Drive shaft See illustrations 3/03/00			
2	997 302 808 00	Needle-roller bearing Drive shaft		1	
3	997 302 931 00	Set Circlip		1	
4	997 302 801 00	Taper roller bearing		1	
5		Loose gear wheel 5th gear See illustrations 3/03/00			
6	997 302 925 00	Set Needle-roller bearing 5th gear		1	
7	997 304 211 02	Synchroniser ring 4-speed 5-speed 6th gear		3	
8	997 304 221 01	Guide sleeve 5th and 6th gear		1	
9	997 304 231 00	Shift sleeve		2	
10		Loose gear wheel 6th gear See illustrations 3/03/00			
11	997 302 926 00	Set Needle-roller bearing 6th gear		1	
12	997 304 251 00	Driver		9	
13	997 304 261 00	Compression spring		12	
14	997 304 271 00	Ball		9	
15	997 302 266 00	Inner ring 5th and 6th gear		1	
16	997 302 932 00	Set Circlip		1	
17	997 302 233 00	Spacer ring 3rd gear		1	
18	997 302 083 05	Loose gear wheel 3rd gear See illustrations 3/03/00		1	
19	997 302 923 00	Set Needle-roller bearing 3rd gear		1	
20	997 304 611 05	Set Synchroniser ring 3rd gear		1	
21	997 304 221 00	Guide sleeve 3. + 4.GANG		1	
22	997 302 933 00	Set Circlip		1	
23	997 302 234 00	4th speed Spacer ring 4th speed		1	
24	997 302 084 00	Loose gear wheel 4th speed See illustrations 3/03/00		1	
25	997 302 924 00	Set Needle-roller bearing		1	

Model: 997-09

Model life 2009>>2012

Pos	Part Number	Description	Remark	Qty	Model
26	997 302 802 00	4th speed Taper roller bearing		1	
27	997 301 902 00	Set Circlip		1	
28	997 302 934 00	Set Circlip		1	
29	997 307 107 05	Lid Oil duct		1	
30		Pinion shaft See illustrations 3/03/00			
31	997 302 803 00	Taper roller bearing Output shaft		1	
32	997 302 317 00	Hexagon nut		1	
33	997 302 121 00	Retainer plate		1	
34		Reversing fixed gear See illustrations 3/03/00			
35	997 302 935 00	Set Circlip		1	
36	997 302 231 00	Reverse gear Spacer ring		1	
37	997 302 211 05	Reverse gear Loose gear wheel 1st gear See illustrations 3/03/00		1	
38	997 302 921 00	Set Needle-roller bearing 1st gear		1	
39	997 304 811 05	Set Synchroniser ring		2	
40	997 304 821 05	1st / 2nd gear Guide sleeve		1	
41	997 304 831 05	1st / 2nd gear Shift sleeve		1	
42	997 302 939 00	1st / 2nd gear Set Circlip		1	
43	997 302 232 00	1st / 2nd gear Spacer ring		1	
44	997 302 212 05	2nd gear Loose gear wheel 2nd gear See illustrations 3/03/00		1	
45	997 302 922 00	Set Needle-roller bearing 2nd gear		1	
46		Fixed gear wheel 5th gear See illustrations 3/03/00			
47	997 302 267 00	Spacer sleeve 5th and 6th gear		2	
48		Fixed gear wheel 6th gear See illustrations 3/03/00			
49		Fixed gear wheel 3rd gear See illustrations 3/03/00			

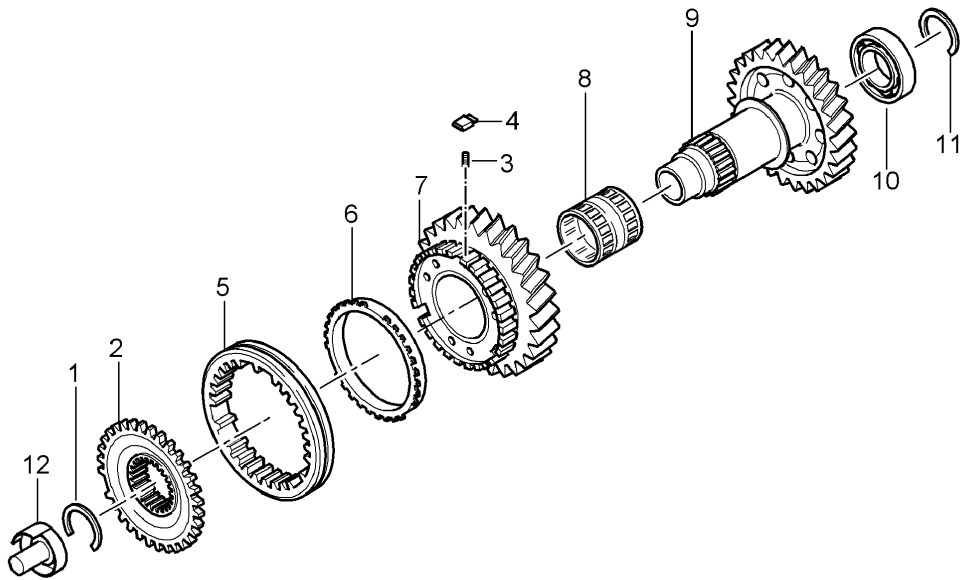
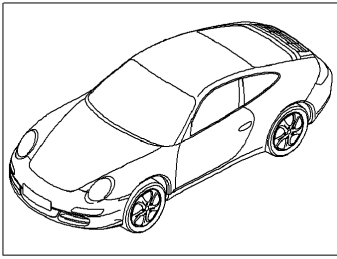
Model: 997-09

Model life 2009>>2012

Pos	Part Number	Description	Remark	Qty	Model
50		Fixed gear wheel 4th speed See illustrations 3/03/00			
51	997 302 804 00	Cylindrical-roller bearing Output shaft		1	
52	997 302 936 00	Set Circlip		1	
53	997 307 111 00	Lid Oil duct		1	

Model: 997-09

Model life 2009>>2012



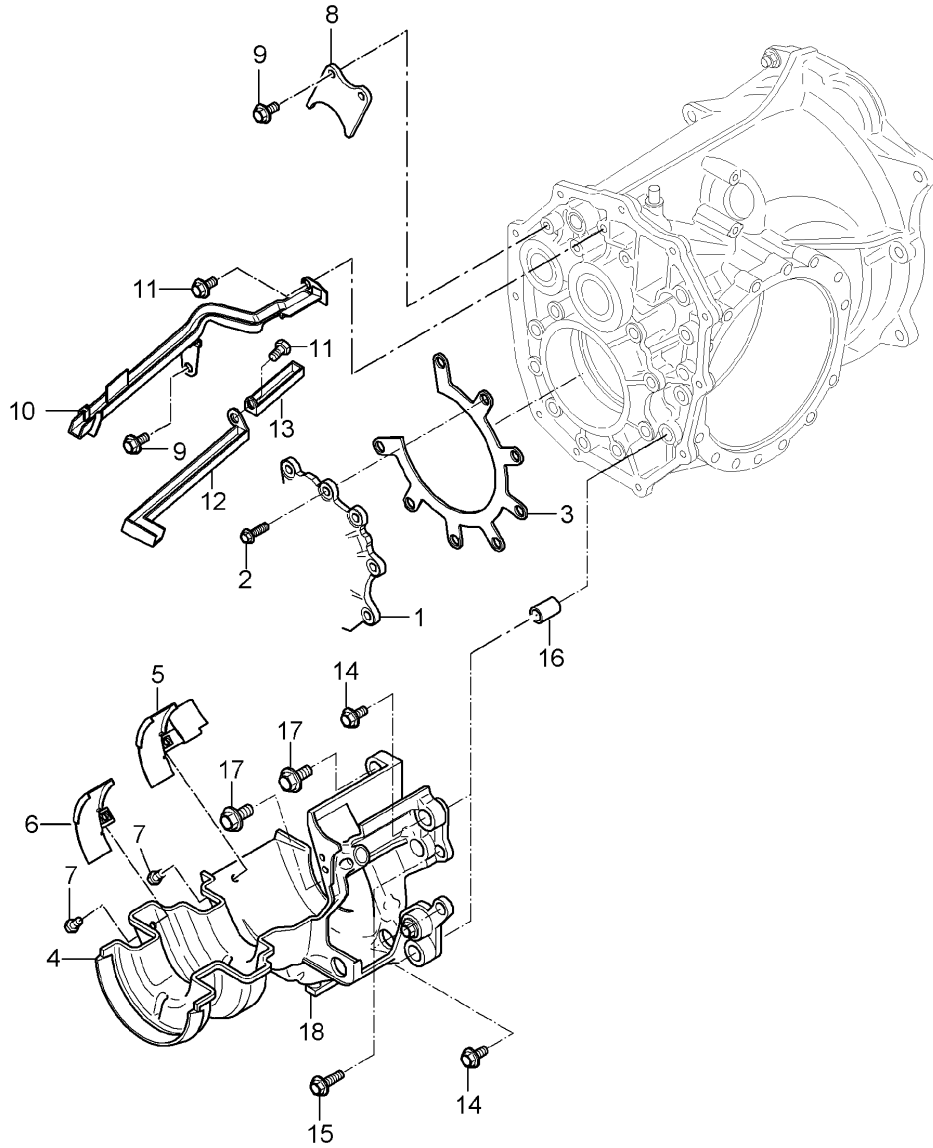
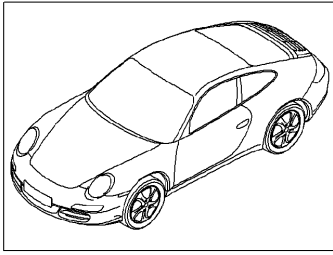
Model: 997-09

Model life 2009>>2012

Pos	Part Number	Description	Remark	Qty	Model
		Reverse gear			G97.05 G97.35
1	997 302 938 00	Set Circlip		1	
2	997 304 201 00	Reverse gear Clutch hub		1	
3	997 304 261 00	Reverse gear Compression spring		12	
4	997 304 251 01	Driver		3	
5	997 304 231 01	Reverse gear Shift sleeve		1	
6	997 304 211 01	Reverse gear Synchroniser ring		1	
7		Reverse gear Reversing gear See illustrations 3/03/00			
8	997 302 806 00	Needle-roller bearing		1	
9		Reverse idler gear shaft Reverse idler gear shaft See illustrations 3/03/00			
10	997 302 805 00	Deep-groove ball bearing		1	
11	997 302 937 00	Reverse idler gear shaft Set Circlip		1	
12	997 301 060 00	Reverse idler gear shaft Bearing set Reverse idler gear shaft		1	

Model: 997-09

Model life 2009>>2012



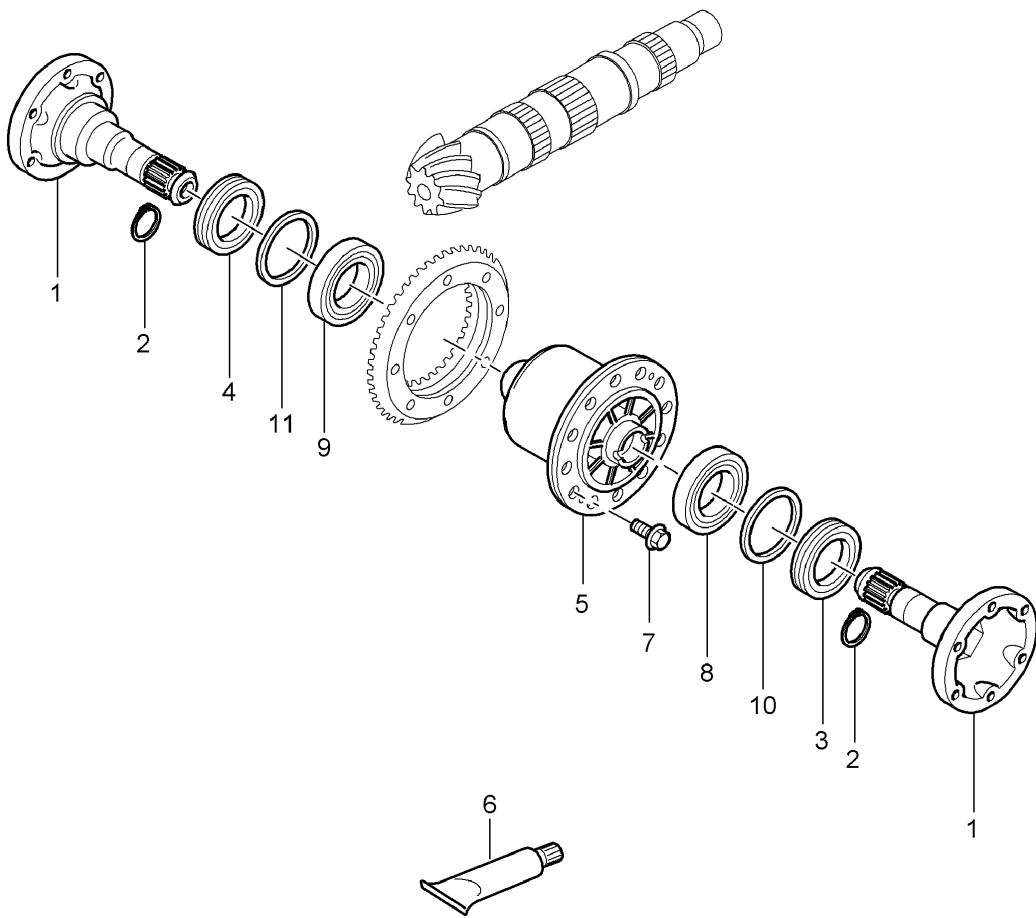
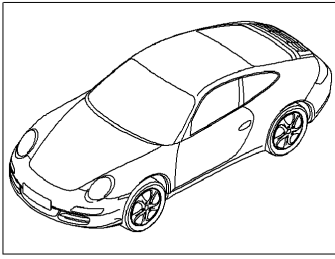
Model: 997-09

Model life 2009>>2012

Pos	Part Number	Description	Remark	Qty	Model
1		Gears and shafts Baffle plate Retainer plate See illustrations 3/03/03			G97.05 G97.35
2	997 302 810 00	Screw		8	
3	997 302 163 00	Set Adjusting shim Retainer plate		1	
4	997 307 020 00	Capsule Gear set		1	
5	997 307 250 00	Plate		1	
7	997 307 806 01	Hexagon-head bolt		2	
8	997 302 236 00	Tab washer		1	
9	997 302 237 00	Screw		2	
10	997 307 010 00	Baffle plate Oil Drive shaft		1	
11	997 307 801 00	Hexagon-head bolt		3	
12	997 307 101 00	Baffle plate Oil Output shaft		1	
13	997 307 102 00	Baffle plate Oil		1	
14	997 307 804 05	Hexagon-head bolt		2	
15	997 307 805 00	Hexagon-head bolt		2	
16	997 307 802 00	Dowel sleeve		2	
17	997 301 803 00	Hexagon-head bolt		2	
18	997 307 030 00	Magnet		1	

Model: 997-09

Model life 2009>>2012



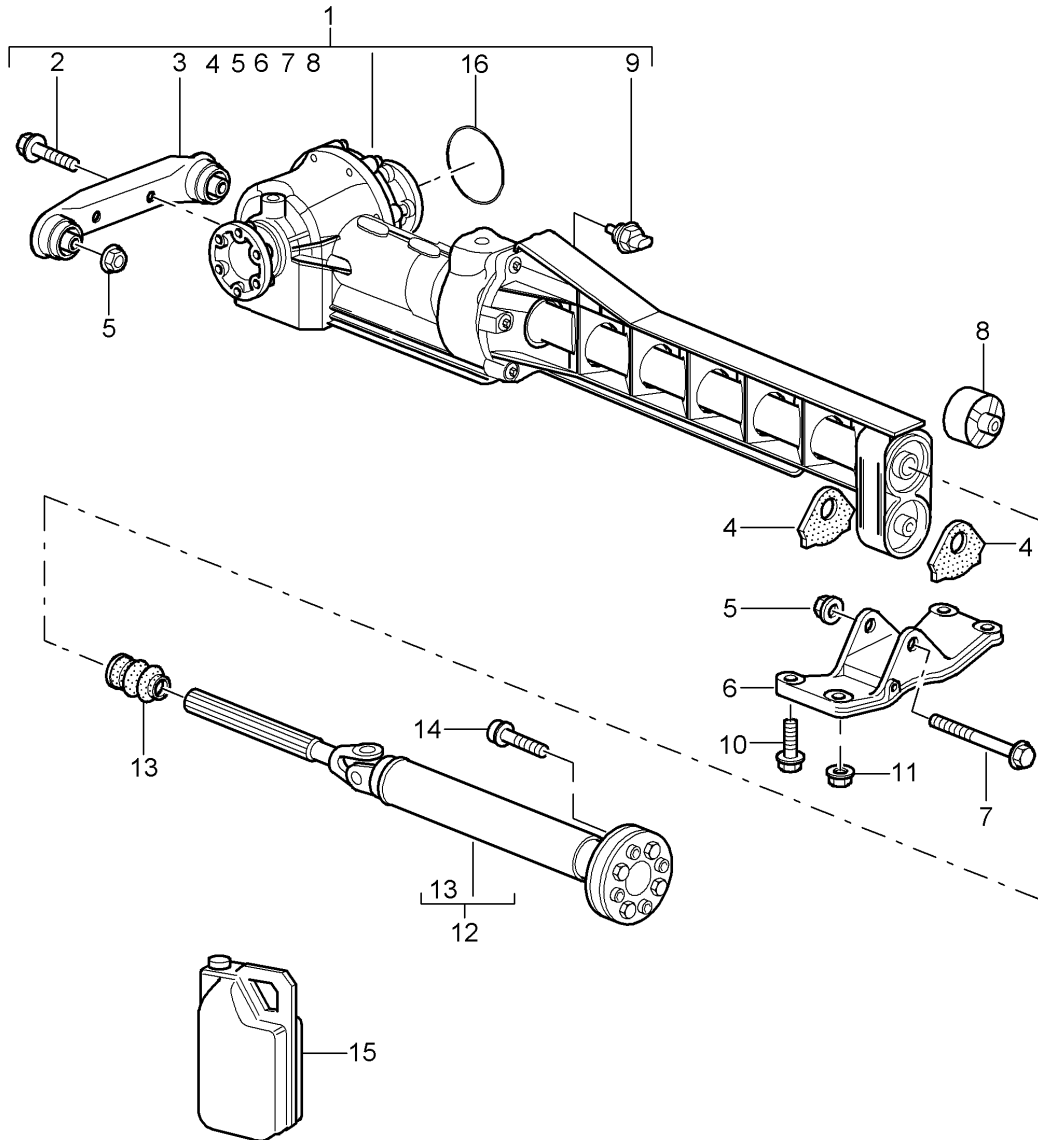
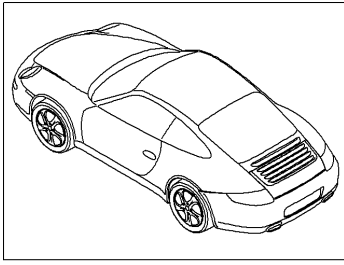
Model: 997-09

Model life 2009>>2012

Pos	Part Number	Description	Remark	Qty	Model
		Limited-slip differential			G97.05
		Differential			G97.35
1	997 332 209 05	Joint flange		2	
2	997 332 249 01	Circlip		2	
3	997 332 804 01	Shaft sealing ring		1	
		Transmission cover			
		68,2 mm			
4	997 332 803 01	Shaft sealing ring		1	
		70 mm			
6	000 043 010 00	Loctite		X	
		574			
		50 Ml.			
7	997 332 276 00	Hexagon-head bolt		16	
8	997 332 801 00	Taper roller bearing		1	
9	997 332 802 00	Taper roller bearing		1	
10	997 332 266 00	Adjusting shim		1	
		Set			
		1,02 - 1,86			
11	997 332 268 00	Adjusting shim		1	
		Set			
		0,92 - 1,76			

Model: 997-09

Model life 2009>>2012



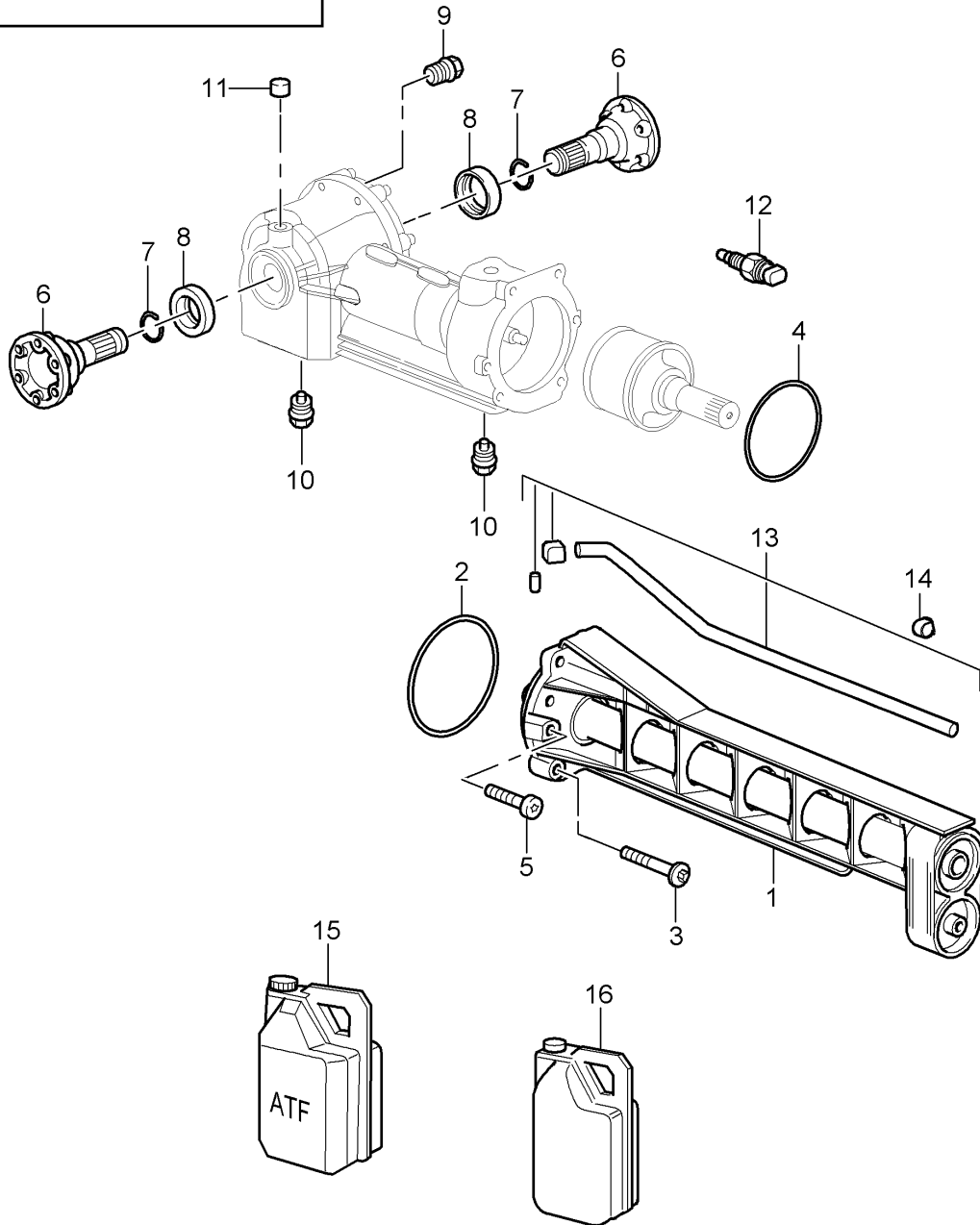
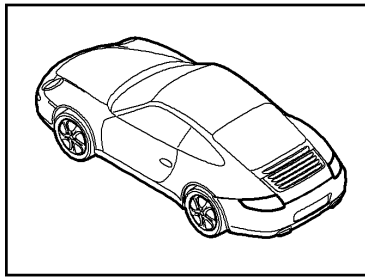
Model: 997-09

Model life 2009>>2012

Pos	Part Number	Description	Remark	Qty	Model
1	997 349 020 51	Front-axle final drive Cardan shaft		1	
1	997 349 020 53	Front-axle final drive Ready for installation		1	
1	997 349 020 54	Front-axle final drive Ready for installation		1	-I303
2	999 072 034 01	Conical screw M 10 X 28		2	
3	996 375 034 01	Transmission carrier Front		1	
4	997 375 257 00	Stop		2	
5	900 380 008 01	Hexagon nut M 10		1	
6	997 375 343 00	Transmission carrier Rear		1	
7	900 378 142 01	Hexagon-head bolt M 10 X 90		1	
8	996 375 054 03	Transmission mounting Rear		1	
9	997 606 303 00	Temperature sensor		1	
10	900 385 123 01	Combination screw M 10 X 25		4	
11	999 076 053 01	Hexagon nut M 10		2	
12	9G1 421 020 00	Cardan shaft		1	
12	9G1 421 020 01	Cardan shaft		1	
13	996 421 145 01	Boot		1	
14	900 385 097 01	Torx screw M 10 X 35		3	
15	000 043 204 20	Transmission oil Front-axle final drive MOBILUBE PTX 75 W 90 Container 20 LTR.		X	
16	999 701 743 40	O-ring Lid 144,5 X 3,0		1	

Model: 997-09

Model life 2009>>2012



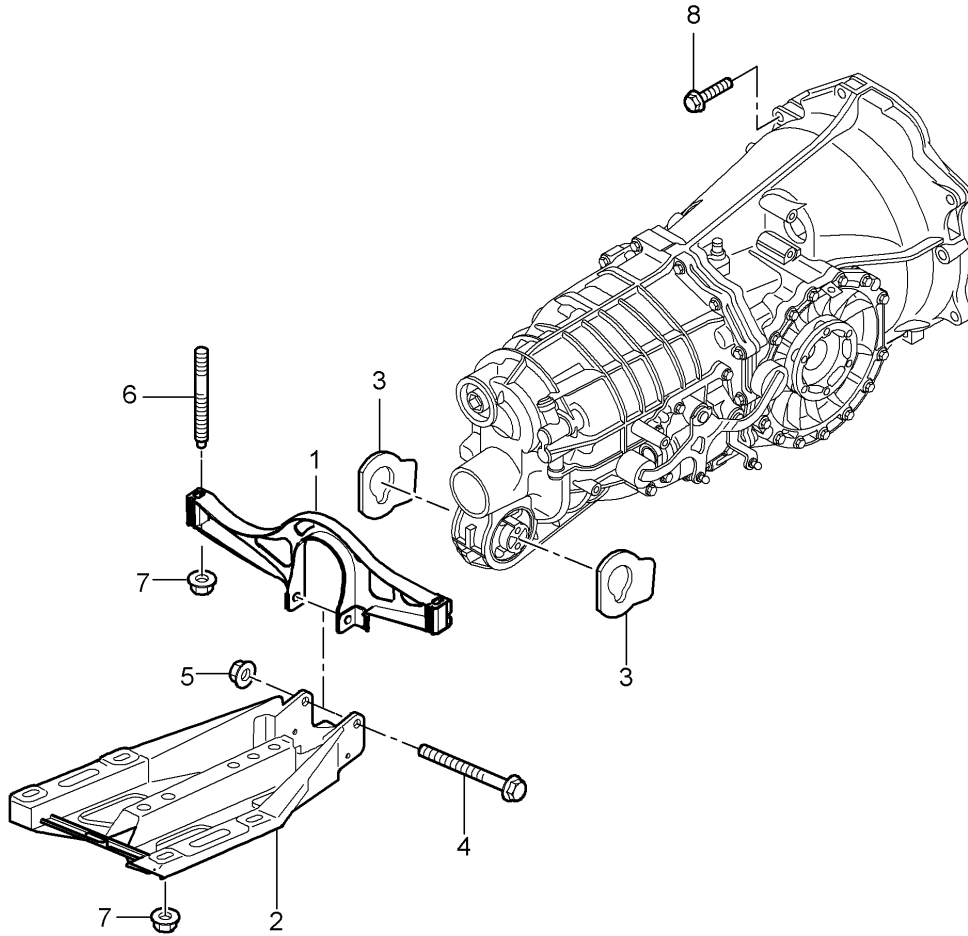
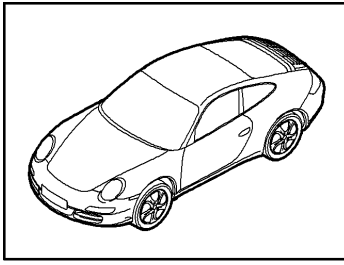
Model: 997-09

Model life 2009>>2012

Pos	Part Number	Description	Remark	Qty	Model
		Front-axle final drive			
		Clutch			
		Single parts			
2	999 707 455 40	O-ring 123 X 3		1	
3	900 385 141 01	Torx screw M 8 X 40		5	
5	997 337 825 00	Pan-head screw M 8 X 25		2	
6	997 332 309 00	Joint flange		2	
7	996 332 311 00	Circlip 20 X 2,5		2	
8	999 113 454 40	Shaft sealing ring 40 X 60 X 9		2	
9	900 124 013 01	Screw plug M 18 X 1,5		2	
		Oil filler screw			
10	900 124 014 01	Screw plug M 18 X 1,5		2	
		Drain plug			
11	014 301 485	Cap Bleeder 17 X 13,5		1	
12	997 606 303 00	Temperature sensor		1	
13	997 337 071 00	Breather hose		1	
14	999 507 339 01	Cable terminal		4	
15	000 043 303 00	Transmission oil for Clutch 1 LTR. Container		1	
16		Transmission oil Front-axle final drive See illustrations 3/02/00			
-	000 043 209 23	Grease LIQUI MOLY PU 53 / WDR 50 GR.		X	

Model: 997-09

Model life 2009>>2012



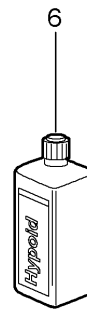
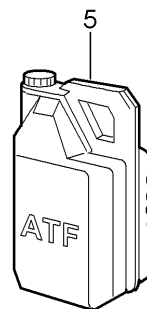
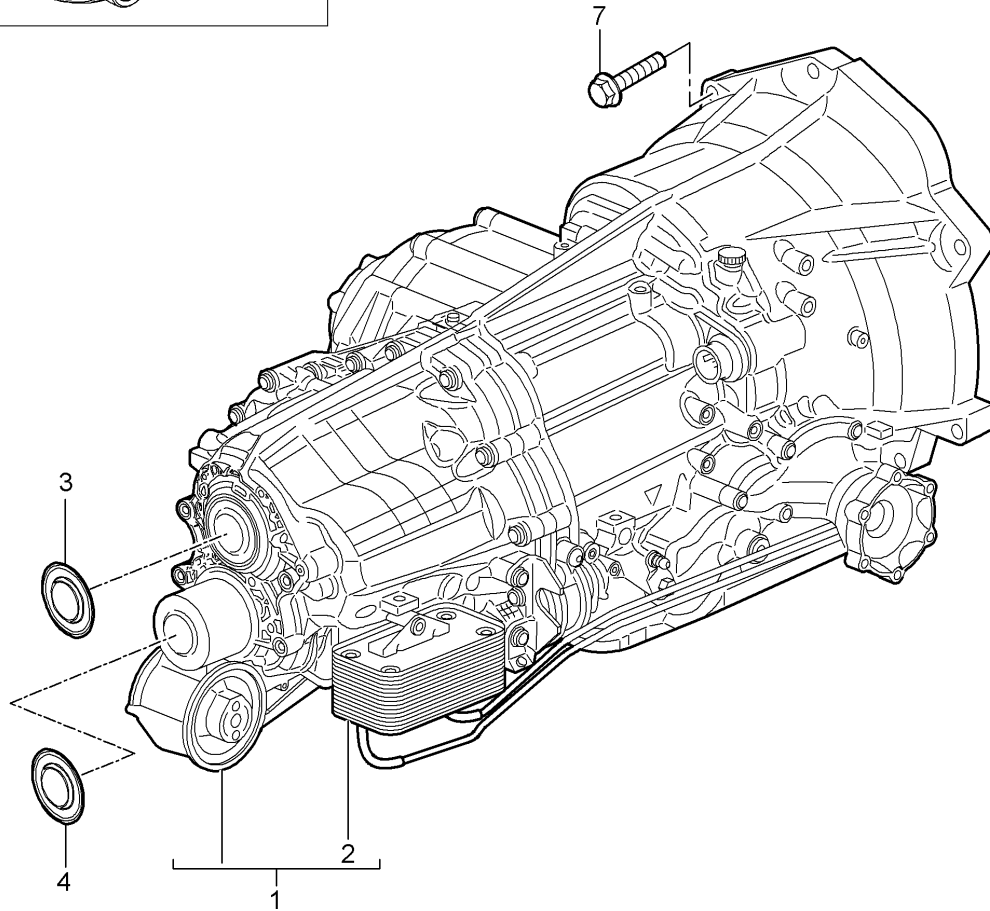
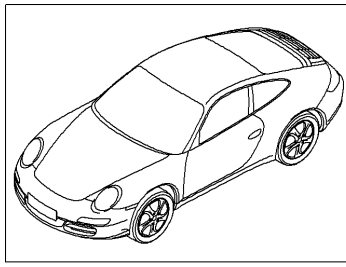
Model: 997-09

Model life 2009>>2012

Pos	Part Number	Description	Remark	Qty	Model
		Transmission suspension Threaded joint Engine			G97.05 G97.35 CG1.00 CG1.30
1	9A1 375 039 01	Transmission carrier		1	
(1)	9A1 375 039 02	Transmission carrier		1	
2	9A1 375 113 01	Side member		1	
3	9A1 375 255 00	Stop		2	I480
(3)		Stop		2	I250
(3)	9A1 375 256 00	Stop		2	I250
4	900 385 283 01	Torx screw BM12 X 1,5 X 130		1	
5	999 086 009 02	Nut M12 X 1,5		1	
6	999 061 116 01	Stud M10 X 100		2	
7	999 084 648 01	Hexagon nut M 10		6	
8	999 385 009 01	Outer hexagon round screw BM 12 X 1,5 X 55		2	
9	9A1 375 055 02	Transmission mounting		1	

Model: 997-09

Model life 2009>>2012



Model: 997-09 Model life 2009>>2012

Pos	Part Number	Description	Remark	Qty	Model
		- PDK - Transmission Replacement transmission see Technical information Group 3 Nr.21/09			CG1.00/30
1	000 043 300 65	Transmission		1	CG1.00 I219
		with Control unit			
1	000 043 300 EX	Transmission		1	CG1.00 I219
		with Control unit			
1	000 043 300 66	Transmission		1	CG1.00 I220
		with Control unit			
1	000 043 300 FX	Transmission		1	CG1.00 I220
		with Control unit			
(1)	000 043 300 67	Transmission		1	CG1.30 I220
		with Control unit			
(1)	000 043 300 GX	Transmission		1	CG1.30 I220
		with Control unit			
1	9G1 300 011 00	Transmission		1	CG1.00 I219
		C >> 012247			
1	9G1 300 011 02	Transmission		1	CG1.00 I219
		C 012248 >>			
1	9G1 300 011 X	Transmission	-(CN)	1	CG1.00 I219
		C >> 012247			
1	9G1 300 011 BX	Transmission	-(CN)	1	CG1.00 I219
		C 012248 >>			
1	9G1 300 021 00	Transmission		1	CG1.00 I220
		C >> 003009			
1	9G1 300 021 02	Transmission		1	CG1.00 I220
		C 003010 >>			
1	9G1 300 021 X	Transmission	-(CN)	1	CG1.00 I220
		C >> 003009			
1	9G1 300 021 BX	Transmission	-(CN)	1	CG1.00 I220
		C 003010 >>			
(1)	9G1 300 021 30	Transmission		1	CG1.30 I220
		C >> 011703			
1	9G1 300 021 32	Transmission		1	CG1.30 I220
		C 011704 >>			
(1)	9G1 300 021 GX	Transmission	-(CN)	1	CG1.30 I220

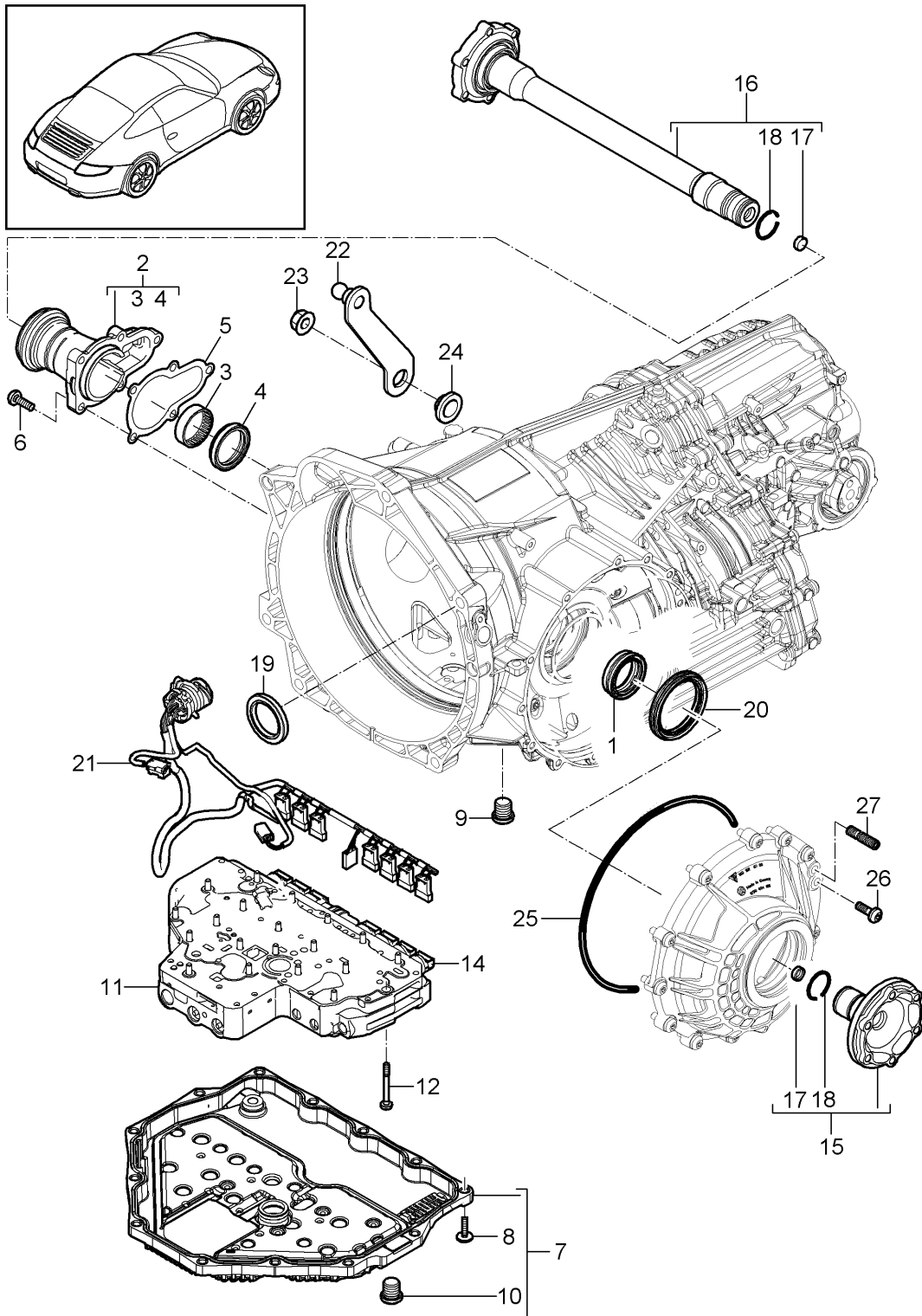
Model: 997-09

Model life 2009>>2012

Pos	Part Number	Description	Remark	Qty	Model
(1)	9G1 300 021 HX	C >> 011703 Transmission	-(CN)	1	CG1.30 I220
2		C 011704 >> Heat exchanger See illustrations 3/60/00		1	
3	9G1 321 360 00	Lid Transmission case Rear		2	I338
4		Lid Transmission case Rear		1	I339
5	000 043 207 30	Transmission oil Pentosin FFL 3 20 LTR. Container		X	
(5)	000 043 207 29	Transmission oil Pentosin FFL 3 1 LTR. Container		X	
6	999 917 546 00	Transmission oil 75 W 90 Differential 1 LTR. Container		X	
7	999 385 009 01	Outer hexagon round screw M 12 X 1,5 X 55 Threaded joint Engine and transmission		6	

Model: 997-09

Model life 2009>>2012



Model: 997-09

Model life 2009>>2012

Pos	Part Number	Description	Remark	Qty	Model
		- PDK - Transmission Single parts			CG1.00/30
1	9G1 332 806 00	Shaft sealing ring 40X52 / 55X40		1	
2	9G1 321 159 00	Housing neck Transmission		1	
2	9G1 321 959 00	Housing neck Complete		1	
5	9G1 321 259 00	Gasket Flange		1	
6	9G1 332 801 00	Torx screw M8 X 25		5	
7	9G1 321 025 00	Oil pan Complete		1	
8	9G1 321 801 00	Torx screw M6 X 25		13	
9	9G1 321 805 00	Screw plug with Sealing ring		1	
10	9G1 321 825 00	Screw plug Included Sealing ring		1	
10	9G1 321 825 01	Screw plug Included Sealing ring		1	
11	9G1 317 015 00	Control unit Hydraulic PDK		1	
12	9G1 317 801 00	Screw M6x55		20	
13	9G1 317 697 00	Connector housing Pressure regulator		2	
14	9G1 317 698 00	Connector housing Solenoid valve		6	
15	9G1 332 028 00	Joint flange Short Only together with 999.510.047.01 see Technical information 20/09 3925 4221	-09	1	
(15)	9G1 332 028 50	Joint flange Short Only together with 999.073.517.01 see Technical information 20/09 3925 4221	10	1	
(15)	9G1 332 028 55	Joint flange Short Only together with 999.073.517.01 see Technical information 20/09 3925 4221	11-	1	
16	9G1 332 029 00	Joint flange	-09	1	

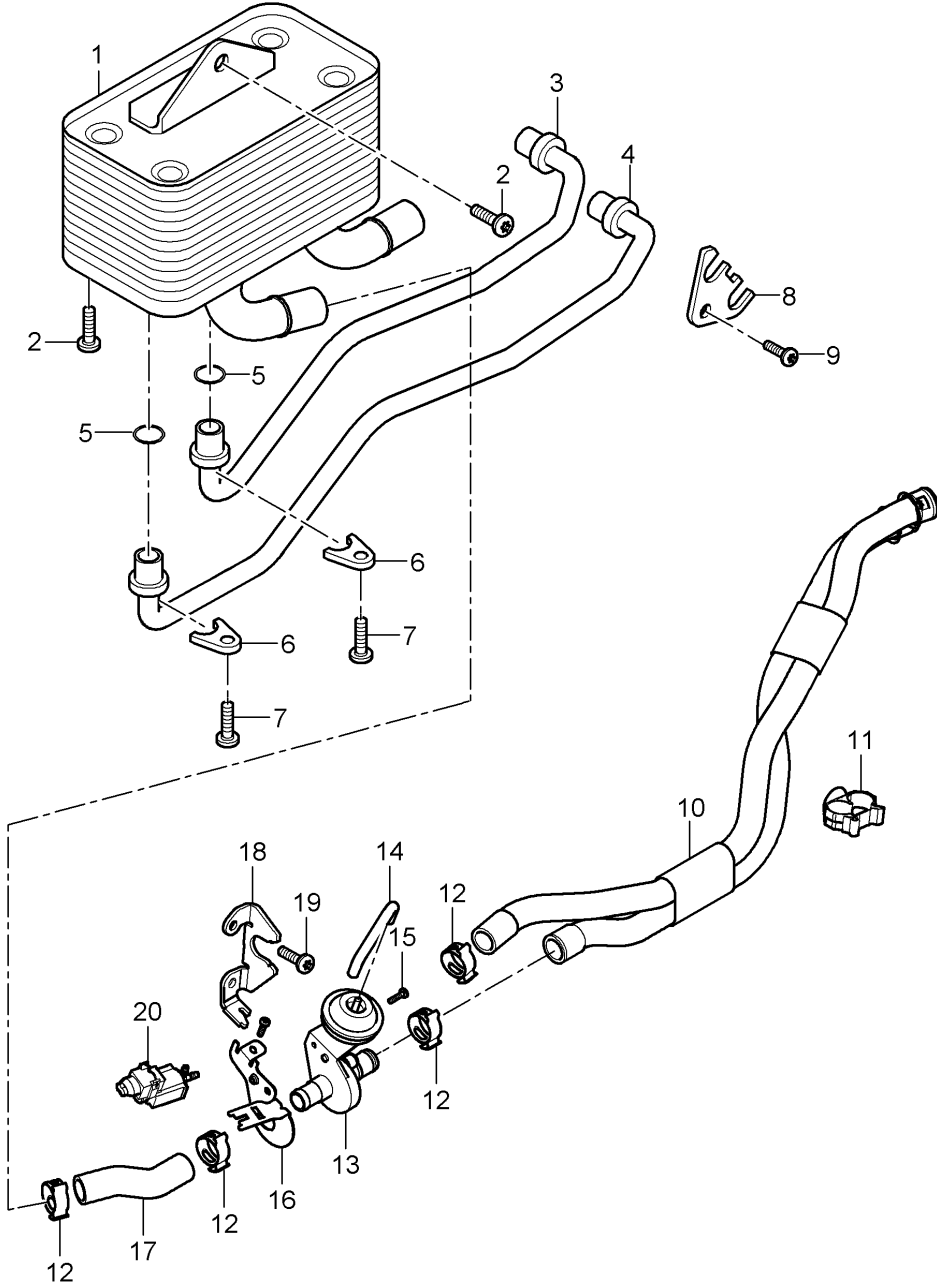
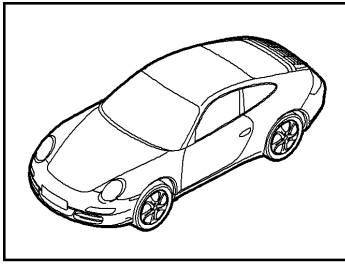
Model: 997-09

Model life 2009>>2012

Pos	Part Number	Description	Remark	Qty	Model
(16)	9G1 332 029 50	Long Only together with 999.510.047.01 see Technical information 20/09 3925 4221 Joint flange Long Only together with 999.073.517.01 see Technical information 20/09 3925 4221	10-	1	
(16)	9G1 332 029 55	Joint flange Long Only together with 999.073.517.01 see Technical information 20/09 3925 4221	10-	1	
17	9G1 332 821 00	Lid		2	
18	9G1 332 820 00	Circlip D36 x 2,6		2	
19	9G1 116 807 00	Shaft sealing ring for Clutch 40 x 57 x 6		1	
20	9G1 332 803 00	Shaft sealing ring 64X82X8		1	
21		Wiring harness Control unit Not available			
22	9G1 324 135 00	Gearshift lever		1	
23	9G1 324 815 00	Nut M 8 X 1		1	
24	970 324 805 00	Shaft sealing ring 10 X 18 X 5		1	
25	9G1 321 815 00	O-ring 221 X 3		1	
26	9G1 332 801 00	Torx screw M 8 X 25		13	
27	9G1 321 890 00	Straight pin D 10 X 28		1	
-	9G1 307 385 05	Pressure sensor		2	
-	9G1 321 885 00	Bleeder screw M 10 X 1		1	

Model: 997-09

Model life 2009>>2012



Model: 997-09 Model life 2009>>2012

Pos	Part Number	Description	Remark	Qty	Model
		- PDK - Transmission Heat exchanger Oil tube Water tube			CG1.00 CG1.30
1	9G1 307 017 00	Heat exchanger		1	
2	9G1 307 813 00	Torx screw M6 X 12		3	
3	9G1 307 087 00	Oil pipe Heat exchanger Supply C 023041 >> C 004963 >> C 020579 >>		2	
3	9G1 307 087 05	Oil pipe Heat exchanger Supply C >> 023042 C >> 004964 C >> 020580		2	
4	9G1 307 085 00	Oil pipe Heat exchanger Return line C 023041 >> C 004963 >> C 020579 >>		1	
4	9G1 307 085 05	Oil pipe Heat exchanger Return line C >> 023042 C >> 004964 C >> 020580		1	
5	9G1 307 891 00	Sealing ring Oil pipe Heat exchanger		4	
6	9G1 307 245 00	Retaining bracket Oil pipe Heat exchanger		2	
7	9G1 307 813 00	Torx screw M6 X 12		2	
8	9G1 307 255 00	Retaining bracket Oil pipe		1	
9	9G1 307 802 00	Transmission Torx screw M8 X 15		1	
10	9G1 307 711 01	Hose line		1	
11	999 507 855 40	Cable holder 22,0 / 22,0		1	
12	999 512 656 09	Hose clamp B25 X 12		4	
(13)	928 574 573 03	Disc valve		1	
13	991 307 573 00	Disc valve Use also: 9G1.307.401.05		1	
14	9G1 307 673 00	Moulded hose		1	
15	999 073 415 01	Round head screw M4 X 16		2	
(16)	9G1 307 401 02	Support Disc valve		1	
16	9G1 307 401 05	Support Disc valve Together with 991.307.573.00		1	

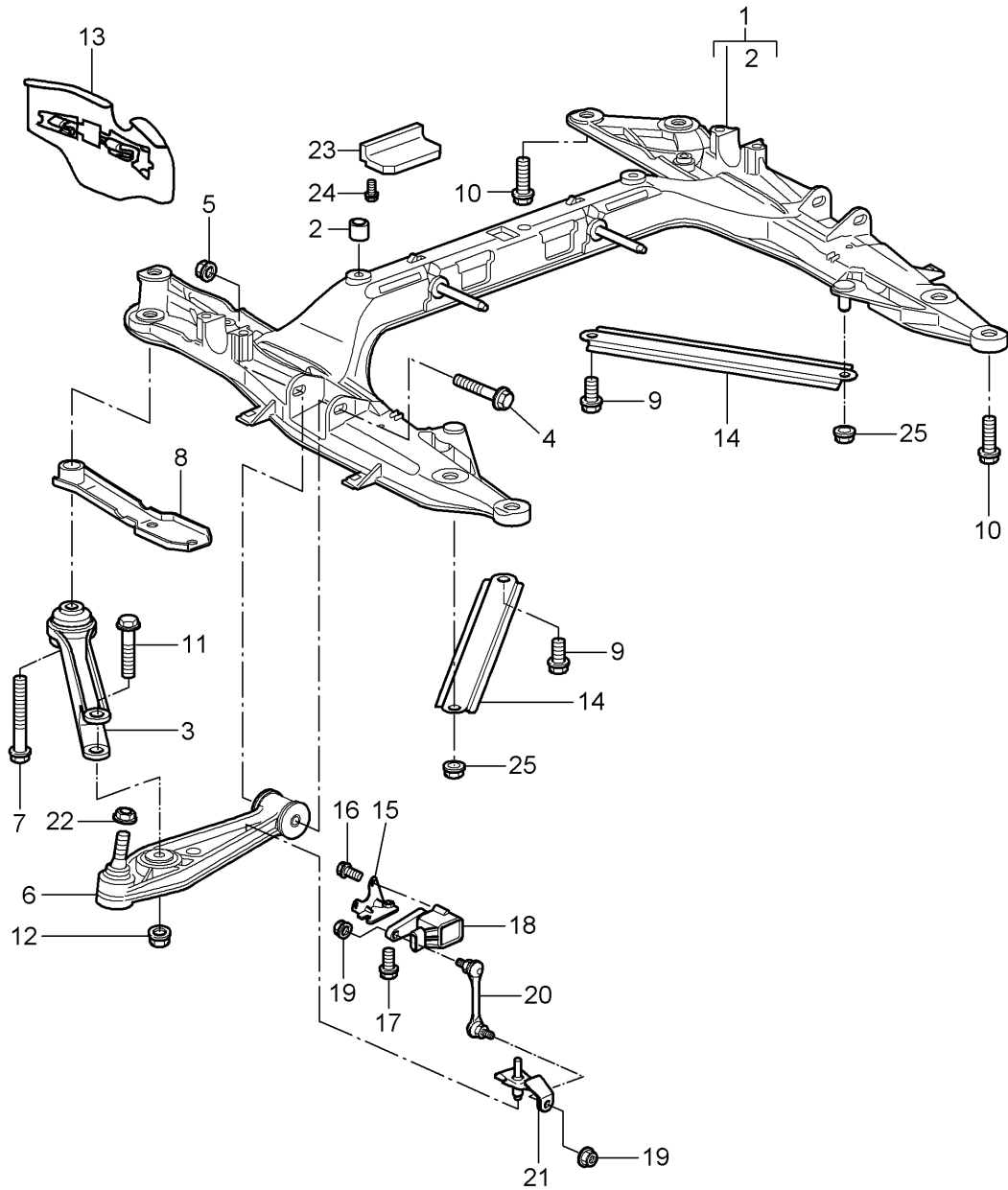
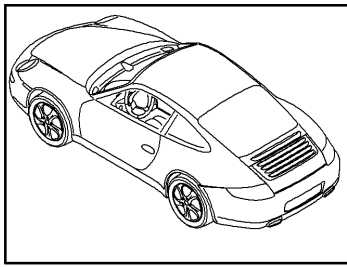
Model: 997-09

Model life 2009>>2012

Pos	Part Number	Description	Remark	Qty	Model
17	9G1 307 713 00	Water hose		1	
18	9G1 426 211 00	Support		1	
19	9G1 426 801 00	Round head screw M8 X 20		2	
20	996 605 123 01	Change-over valve		1	

Model: 997-09

Model life 2009>>2012



Model: 997-09

Model life 2009>>2012

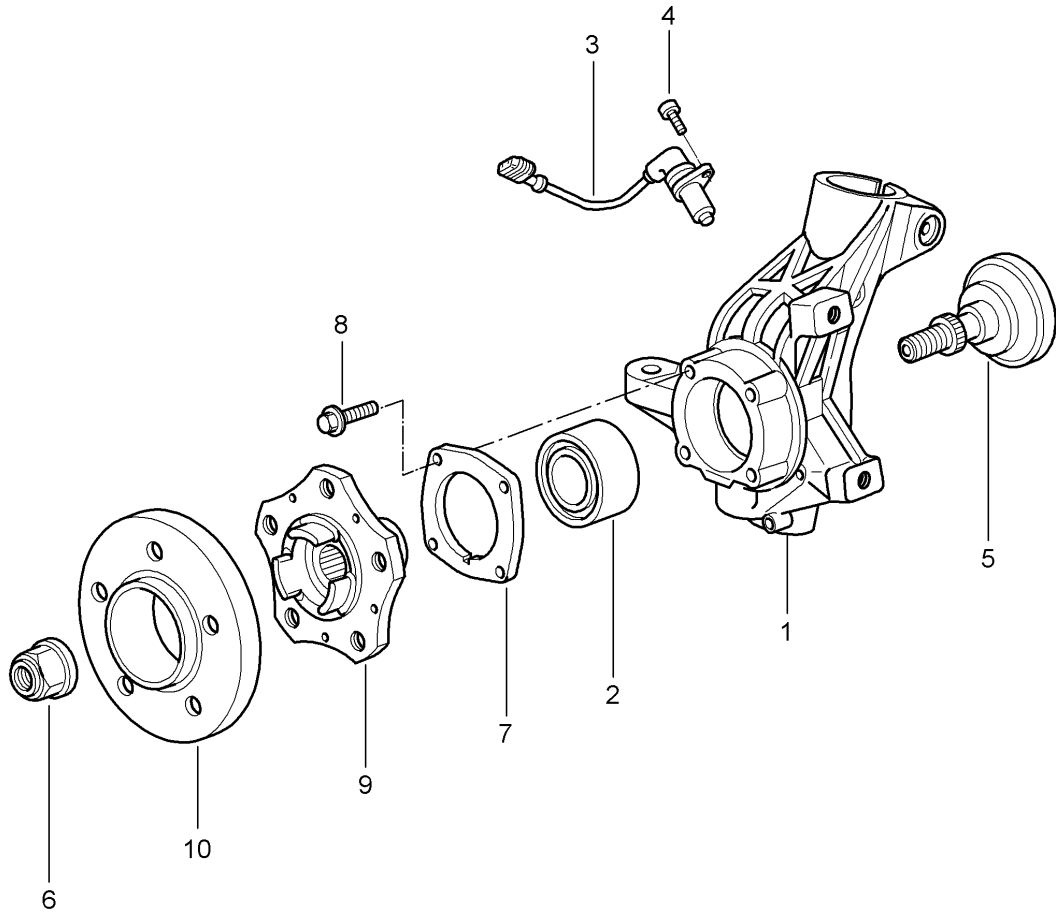
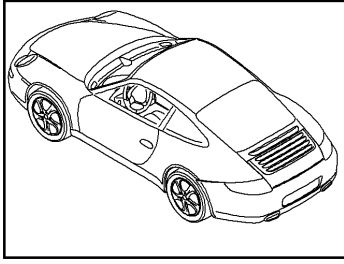
Pos	Part Number	Description	Remark	Qty	Model
(1)	997 341 081 06	Cross member Wishbone Cross member		1	CARRERA 2 CARRERA 2-S BLACKEDITION CARRERA GTS SPEEDSTER SPORTCLASSI
(1)	997 341 081 11	Cross member		1	CARRERA 4 CARRERA 4-S TARGA TARGA-S 4 GTS
2	900 197 070 00	Roll pin 13 X 14		1	
3	997 341 043 00	Control arm		2	
4	900 378 165 01	Hexagon-head bolt M 12 X 1,5 X 95		2	
5	999 084 445 01	Lock nut M 12 X 1,5		2	
6	997 341 053 03	Wishbone	-09	2	
6	997 341 053 04	Wishbone	10-	2	
(7)	999 072 050 01	Hexagon-head bolt M 14 X 1,5 X 120		2	
(8)	997 341 145 05	Plate		2	
(9)	999 072 047 01	Hexagon-head bolt M 12 x 1,5 x 30		4	
(10)	900 378 072 01	Hexagon-head bolt M 12 X 1,5 X 30 Front		2	
10	900 378 192 01	Hexagon-head bolt M 14 x 1,5 x 50 Rear		2	
11	900 378 279 01	Hexagon-head bolt M 14 X 1,5 X 95		2	
12	900 380 012 09	Hexagon nut M 14 X 1,5	-09	2	
12	900 380 012 01	Hexagon nut M 14 X 1,5	10-	2	
13	996 341 483 05	Spoiler	/L	1	CARRERA 2 CARRERA 4 TARGA BLACKEDITION CHINAEDITION
(13)	997 341 483 02	Spoiler	/L	1	CARRERA 2-S CARRERA 4-S TARGA-S SPEEDSTER CARRERA GTS 4 GTS
(13)	997 341 483 03	Spoiler	/L	1	SPORTCLASSIC CARRERA 2-S CARRERA 4-S TARGA-S SPEEDSTER CARRERA GTS 4 GTS
(13)	996 341 484 05	Spoiler	/R	1	SPORTCLASSIC CARRERA 2 CARRERA 4 TARGA BLACKEDITION CHINAEDITION

Model: 997-09 Model life 2009>>2012

Pos	Part Number	Description	Remark	Qty	Model
(13)	997 341 484 02	Spoiler	/R	1	CARRERA 2-S CARRERA 4-S TARGA-S SPEEDSTER CARRERA GTS 4 GTS SPORTCLASSIC
(13)	997 341 484 03	Spoiler	/R	1	CARRERA 2-S CARRERA 4-S TARGA-S SPEEDSTER CARRERA GTS 4 GTS SPORTCLASSIC
14	997 504 433 00	Strut		2	CARRERA 2 CARRERA 2-S SPORTCLASSIC SPEEDSTER BLACKEDITION CHINAEDITION
(14)	997 504 433 00 GRV 997 504 433 01	Prime coated Strut		2	CARRERA 4 CARRERA 4-S TARGA TARGA-S CARRERA GTS 4 GTS
15		Support See illustrations 1/05/10 Pos.10		1	I601/603
16	900 146 003 03	Oval-head screw M 5 x 10		2	I601/603
17	900 378 036 01	Hexagon-head bolt M 6 x 12		1	
18	997 631 121 00	Sensor		1	I601/603
19	900 380 015 01	Hexagon nut VM 6		2	
20	997 341 375 01	Strut Information available		1	I601/603 I601/603
21	996 341 371 03	Support		1	I601/603
22	999 084 449 09	Lock nut M 12 X 1,5		2	
23	997 341 431 02	Stop		1	CARRERA 4 CARRERA 4-S TARGA TARGA-S 4 GTS
24	999 072 047 01	Hexagon-head bolt M 12 X 1,5 X 30		4	CARRERA 4 CARRERA 4-S TARGA TARGA_S 4 GTS
25	999 084 445 01	Lock nut M 12 X 1,5		2	

Model: 997-09

Model life 2009>>2012

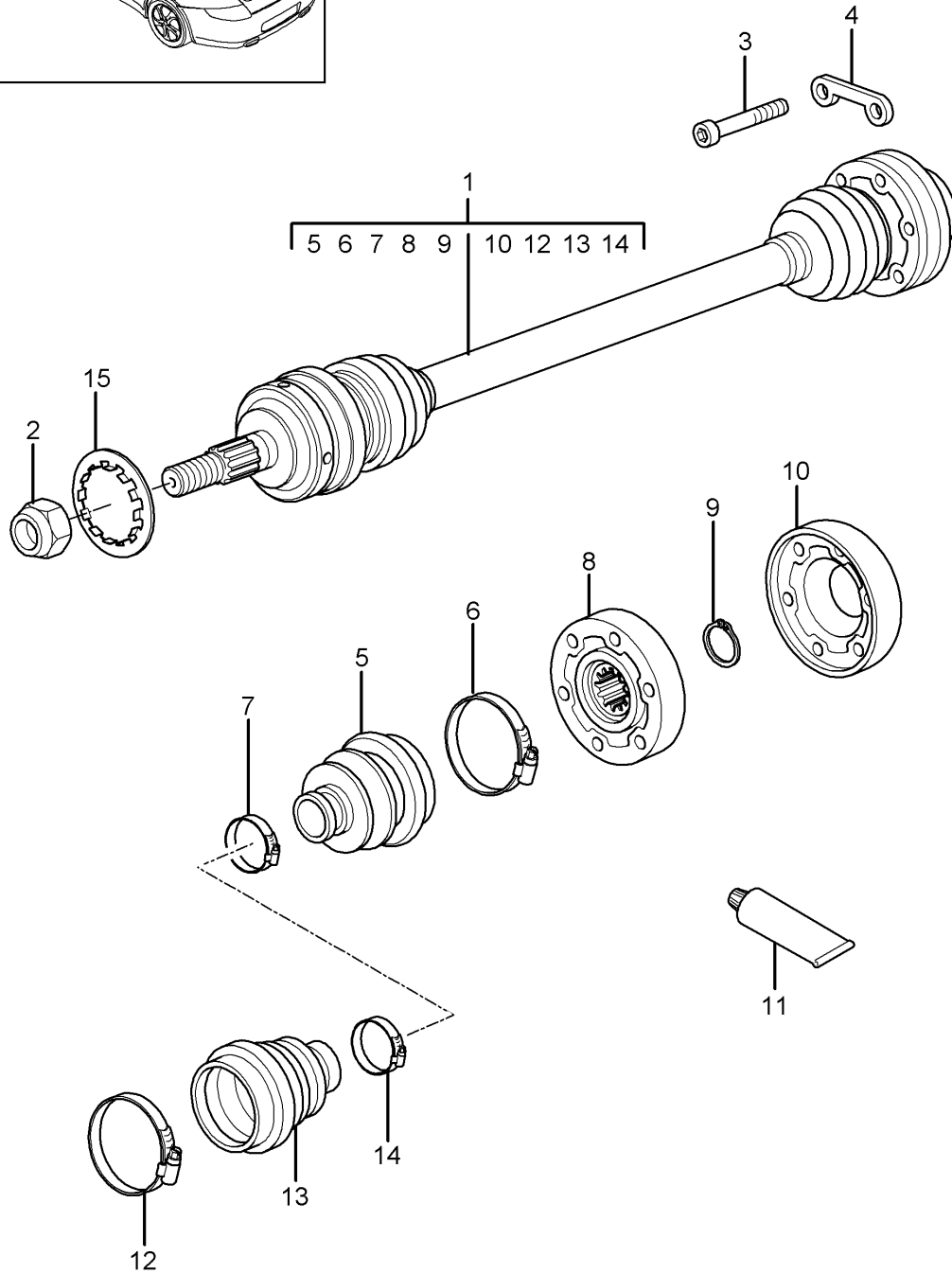
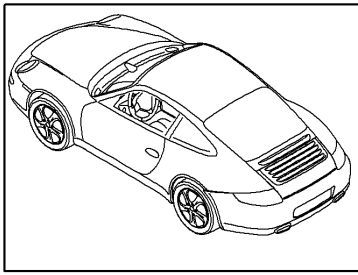


Model: 997-09 Model life 2009>>2012

Pos	Part Number	Description	Remark	Qty	Model
1	997 341 157 25	Wheel carrier Wheel hub Wheel carrier	/L	1	CARRERA 2 CARRERA 2 S CARRERA GTS BLACKEDITION STYLEEDITION
(1)		Wheel carrier	/L	1	I756
(1)		Wheel carrier	/L	1	SPEEDSTER I503
(1)	997 341 158 25	Wheel carrier	/R	1	CARRERA 2 CARRERA 2 S CARRERA GTS BLACKEDITION STYLEEDITION
(1)		Wheel carrier	/R	1	I756
(1)		Wheel carrier	/R	1	SPEEDSTER I503
(1)	997 341 165 24	Wheel carrier	/L -10	1	CARRERA 4
				1	CARRERA 4-S
				1	TARGA
				1	TARGA-S
(1)	997 341 165 25	Wheel carrier	/L 11-	1	CARRERA 4
				1	CARRERA 4-S
				1	TARGA
				1	TARGA-S
				1	4 GTS
(1)	997 341 166 24	Wheel carrier	/R -10	1	CARRERA 4
				1	CARRERA 4-S
				1	TARGA
				1	TARGA-S
(1)	997 341 166 25	Wheel carrier	/R 11-	1	CARRERA 4
				1	CARRERA 4-S
				1	TARGA
				1	TARGA-S
				1	4 GTS
2	999 053 054 06	Angular-contact bearing		2	
3	997 606 407 01	Speed sensor		2	
4	900 067 117 04	Pan-head screw M 6 x 16		2	
5	997 341 131 00	Tension bolt		2	CARRERA 2 CARRERA 2-S CARRERA GTS BLACKEDITION SPORTCLASSIC STYLEEDITION
6	999 084 641 02	Lock nut M 22 X 1,5	-09	2	
6	999 084 641 01	Lock nut M 22 X 1,5	10-	2	
7	986 331 661 20	Lid		2	
8	999 217 042 04	Hexagon-head bolt M 8 X 35		8	
9	997 341 605 01	Wheel hub		2	
9	991 341 605 02	Wheel hub		2	
(9)	991 341 605 03	Wheel hub		2	
9	997 341 607 02	Wheel hub		2	CARRERA GTS
				2	4 GTS
10	997 361 605 90	Spacer ring 5 MM	-11	2	IXRP
-	997 361 605 92	Spacer ring 5 MM	12-	2	

Model: 997-09

Model life 2009>>2012



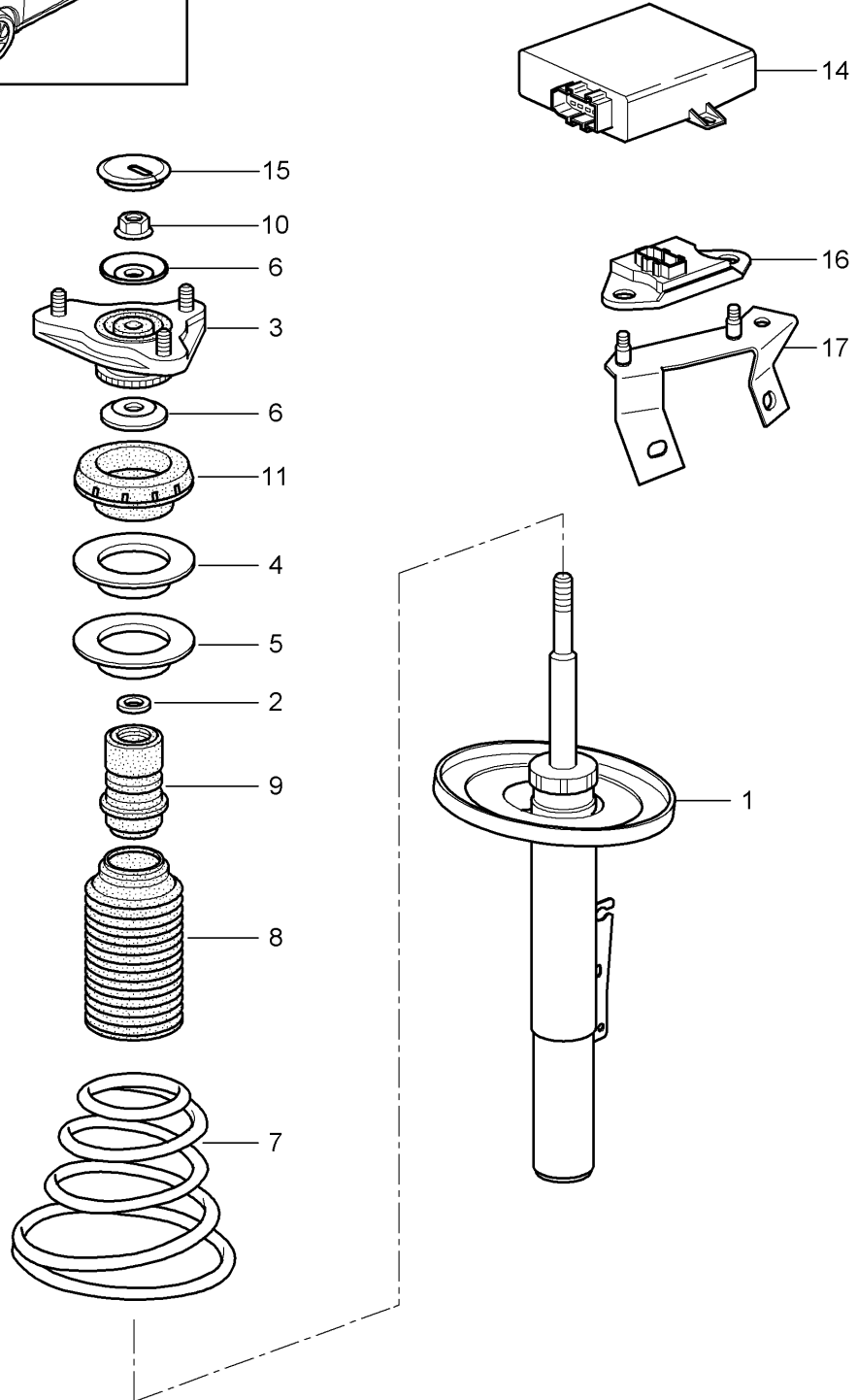
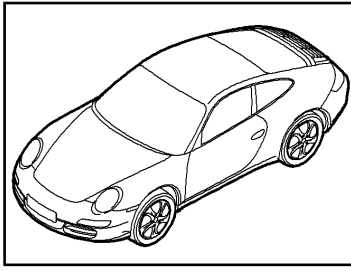
Model: 997-09

Model life 2009>>2012

Pos	Part Number	Description	Remark	Qty	Model
		Drive shaft			CARRERA 4 CARRERA 4-S TARGA TARGA-S 4 GTS
1	997 349 038 01	Drive shaft		2	
2	999 084 641 02	Lock nut M 22 X 1,5		2	
3	900 067 073 02	Pan-head screw M 8 x 45		12	
4	996 349 191 01	Plate		6	
4	9P1 407 306	Plate		6	
5	996 349 293 00	Dust bellows		2	
-	996 349 959 00	Bellow support for Dust bellows		2	
6	997 349 957 00	Clip		2	
7	996 349 257 03	Clip		2	
8	996 349 030 00	Joint		2	
9	900 041 011 01	Circlip		2	
10	996 349 267 00	Lid		2	
10	996 349 267 01	Lid		2	
11	000 043 110 01	Grease 1 100-gramme tube		X	
(11)	000 043 205 36	Sealing compound Drive shaft 1 100-gramme tube		X	
12	996 349 257 00	Clip		2	
13	996 349 291 00	Dust bellows		2	
14	996 349 257 01	Clip		2	
15	997 349 269 00	Protective ring		2	

Model: 997-09

Model life 2009>>2012



Model: 997-09 Model life 2009>>2012

Pos	Part Number	Description	Remark	Qty	Model
		suspension Shock absorber strut			CARRERA 2 CARRERA 2-S CABRIO SPEEDSTER CARRERA GTS
1	997 343 042 00	Vibration damper		2	I029 CARRERA 2
1		Vibration damper		2	I029
(1)	997 343 045 21	Vibration damper	-09	2	I030 CARRERA 2
(1)	997 343 045 23	Vibration damper	10-	2	CARRERA 2-S I030 CARRERA 2 CARRERA 2-S
(1)		Vibration damper		2	I756
(1)		Vibration damper		2	CARRERA GTS I011/030
(1)	997 343 045 20	Vibration damper	-09	2	COUPE I475 CARRERA 2
(1)	997 343 045 22	Vibration damper	10-	2	CARRERA 2-S I029/475 CARRERA 2 CARRERA 2-S
(1)		Vibration damper	10-	2	SPEEDSTER I475
(1)		Vibration damper		2	CARRERA GTS I011/475 COUPE CABRIO
-	999 084 445 01	Mount Vibration damper Lock nut M 12 X 1,5 X 12		2	
-	900 380 012 01	Hexagon nut M 14 X 1,5		2	CARRERA GTS I011
2	996 343 513 00	Washer		2	
3	997 343 018 01	Supporting mount Mount		2	
-	999 084 447 01	Supporting mount Hexagon nut M 8		6	
4	996 343 517 01	Support ring		2	
5	996 343 511 00	Compensating plate 3,0 MM		X	
(5)	996 343 511 01	Compensating plate 6,5 MM		X	
6	997 343 107 00	Stop plate Upper		2	I029
(6)	997 343 107 01	Stop plate Lower		2	I029
(6)	997 343 107 00	Stop plate Upper		1	I475
6	997 343 107 01	Stop plate Lower		1	I475
(6)	997 343 272 00	Washer		2	I030
(6)		Washer		2	I756
6	997 343 107 00	Stop plate		2	CARRERA GTS I011
6	997 343 107 01	Upper Stop plate		2	CARRERA GTS

Model: 997-09 Model life 2009>>2012

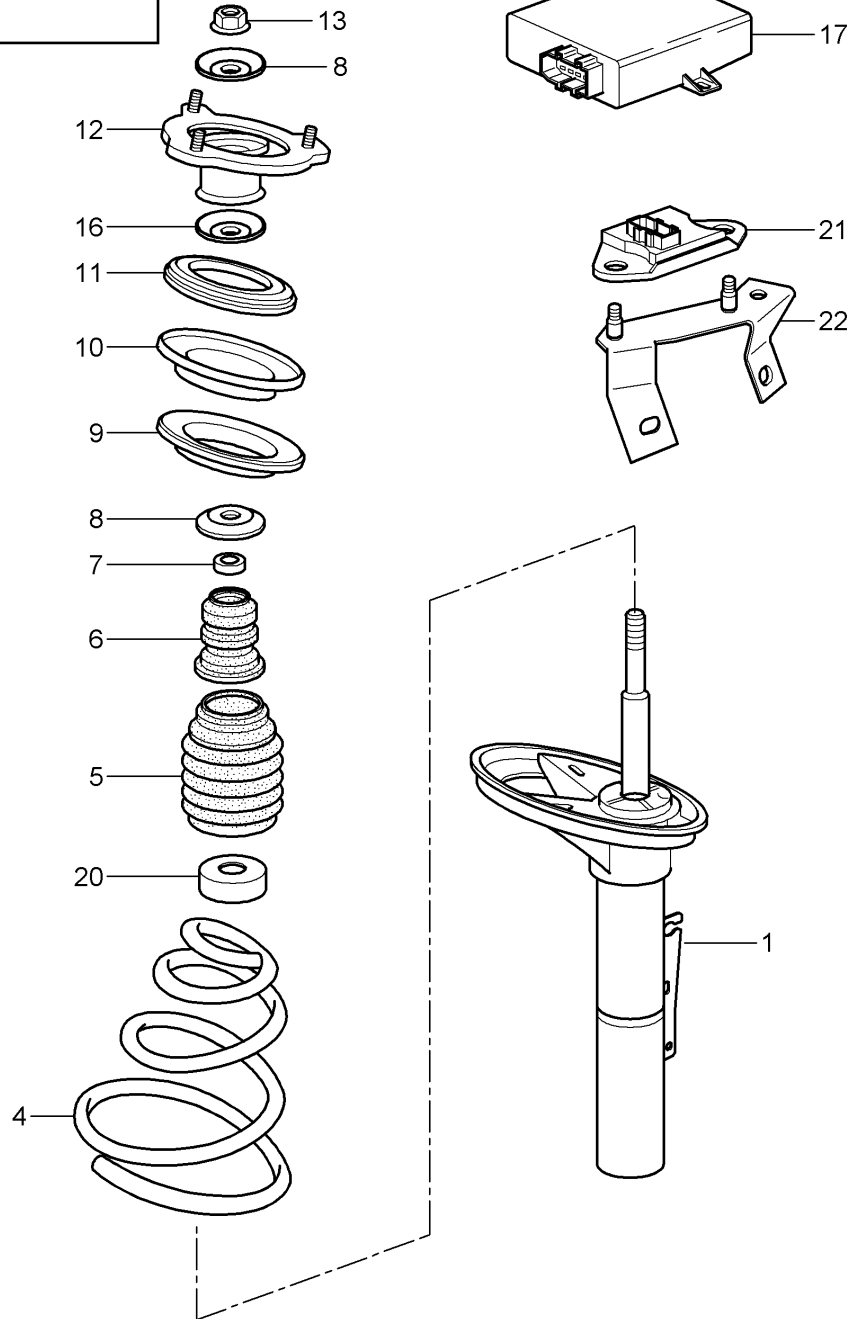
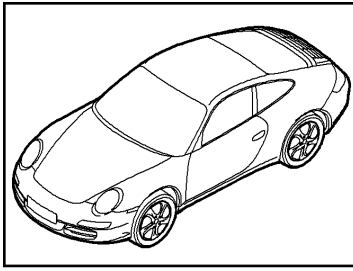
Pos	Part Number	Description	Remark	Qty	Model
					I011
(7)	997 343 531 46	Lower Coil spring 1 set		1	I029 CARRERA 2 COUPE
	997 343 531 46 504	Identification Violet Violet Blue			
(7)	997 343 531 47	Coil spring 1 set		1	I029 CARRERA 2 CABRIO
	997 343 531 47 504	Identification Violet Violet White			
7	997 343 531 48	Coil spring 1 set		1	I475 CABRIO CARRERA 2 CARRERA 2-S
	997 343 531 48 504	Identification Red Red Yellow			
(7)	997 343 531 48	Coil spring 1 set		1	I475/503 CABRIO SPEEDSTER
	997 343 531 48 504	Identification Red Red Yellow			
(7)	997 343 531 50	Coil spring 1 set		1	I029/475 COUPE CARRERA 2 CARRERA 2-S
	997 343 531 50 504	Identification Red Red Green			
(7)	997 343 531 49	Coil spring 1 set		1	I030/475 COUPE CARRERA 2 CARRERA 2-S
	997 343 531 49 504	Identification Silver Silver			
(7)	997 343 531 49	Coil spring 1 set		1	I756
	997 343 531 49 504	Identification Silver Silver			
7	997 343 531 48	Coil spring		1	CARRERA GTS I011/475 CABRIO
	997 343 531 48 504	1 set Identification Red Red			
(7)	997 343 531 50	Coil spring		1	CARRERA GTS I011/475 COUPE
	997 343 531 50 504	1 set Identification Red Red Green			
(7)	997 343 531 49	Coil spring		1	CARRERA GTS I011/030 COUPE
	997 343 531 49 504	1 set Identification Silver Silver			
8	996 343 505 00	Bellows		2	
(9)	996 343 980 09	Additional spring		2	I030

Model: 997-09 Model life 2009>>2012

Pos	Part Number	Description	Remark	Qty	Model
(9)		Additional spring		2	I756
(9)	996 343 301 02	Additional spring		2	I029/475
10	900 380 012 09	Hexagon nut M 14 X 1,5		2	
10	900 380 012 01	Hexagon nut M 14 X 1,5		2	
11	996 343 515 05	Deep-groove ball bearing with housing		2	
14	997 618 450 01	Control unit		1	I029/475
14		Control unit		1	SPEEDSTER
14		Control unit		1	I475/503
					CARRERA GTS
					I011/475
					COUPE
					CABRIO
(14)	997 618 451 01	Control unit		1	I030/475
(14)		Control unit		1	I756
(14)		Control unit		1	CARRERA GTS
					I011/030
					COUPE
-	997 618 205 00	Support Control unit		1	
15	999 703 457 40	Lid		2	
16	997 606 111 01	Acceleration sensor Body		2	
17	997 606 212 01	Support Acceleration sensor		1	
-	999 507 016 40	Cable holder 4,0/10,0	/L	1	
-	999 507 673 40	Cable holder 4,5	/R	1	

Model: 997-09

Model life 2009>>2012



Model: 997-09 Model life 2009>>2012

Pos	Part Number	Description	Remark	Qty	Model
		suspension Shock absorber strut suspension Shock absorber strut See illustrations 4/02/00			CARRERA GTS
1	997 343 049 10	Vibration damper	/L	1	I029
(1)	997 343 050 10	Vibration damper	/R	1	CARRERA 4
(1)	997 343 047 21	Vibration damper	/L -09	1	I029
(1)	997 343 047 23	Vibration damper	/L 10-	1	CARRERA 4
(1)	997 343 048 21	Vibration damper	/R -09	1	I030
(1)	997 343 048 23	Vibration damper	/R 10-	1	CARRERA 4
(1)	997 343 047 22	Vibration damper	/L -09	1	CARRERA 4-S
(1)	997 343 047 24	Vibration damper	/L 10-	1	I030
(1)	997 343 048 22	Vibration damper	/R -09	1	CARRERA 4
(1)	997 343 048 24	Vibration damper	/R 10-	1	CARRERA 4-S
(1)	997 343 049 11	Vibration damper	/L	1	I019
(1)	997 343 050 11	Vibration damper	/R	1	4 GTS
(1)	997 343 051 10	Vibration damper	/L -09	1	I030
(1)	997 343 051 11	Vibration damper	/L 10-	1	CARRERA 4
(1)	997 343 052 10	Vibration damper	/R -09	1	CARRERA 4-S

Model: 997-09 Model life 2009>>2012

Pos	Part Number	Description	Remark	Qty	Model
			/R	1	TARGA-S I475
(1)	997 343 052 11	Vibration damper	/R 10-	1	TARGA I475
			/R	1	TARGA-S I475
-	900 378 138 01	Mount Shock absorber		2	
-	999 084 445 01	Hexagon-head bolt M 12 X 1,5 X 70		2	
		Lock nut M 12 X 1,5		2	
4	997 343 533 31	Coil spring 1 set		1	I029
	997 343 533 31 504	Identification Brown Brown White			
(4)	997 343 533 32	Coil spring 1 set		1	I029
	997 343 533 32 504	Identification Brown Brown Yellow			
(4)	997 343 533 33	Coil spring 1 set		1	I475
	997 343 533 33 504	Identification Yellow Yellow White			
(4)	997 343 533 33	Coil spring 1 set		1	I019
	997 343 533 33 504	Identification Yellow Yellow White			
(4)	997 343 533 34	Coil spring 1 set		1	I030
	997 343 533 34 504	Identification Green Green Yellow			
(4)	997 343 533 34	Coil spring 1 set		1	I019
	997 343 533 34 504	Identification Green Green Yellow			
(4)	997 343 533 35	Coil spring 1 set		1	I475
	997 343 533 35 504	Identification Yellow Yellow Green			
(4)	997 343 533 35	Coil spring 1 set		1	I019
	997 343 533 35 504	Identification Yellow Yellow Green			
(4)	997 343 533 43	Coil spring		1	I029

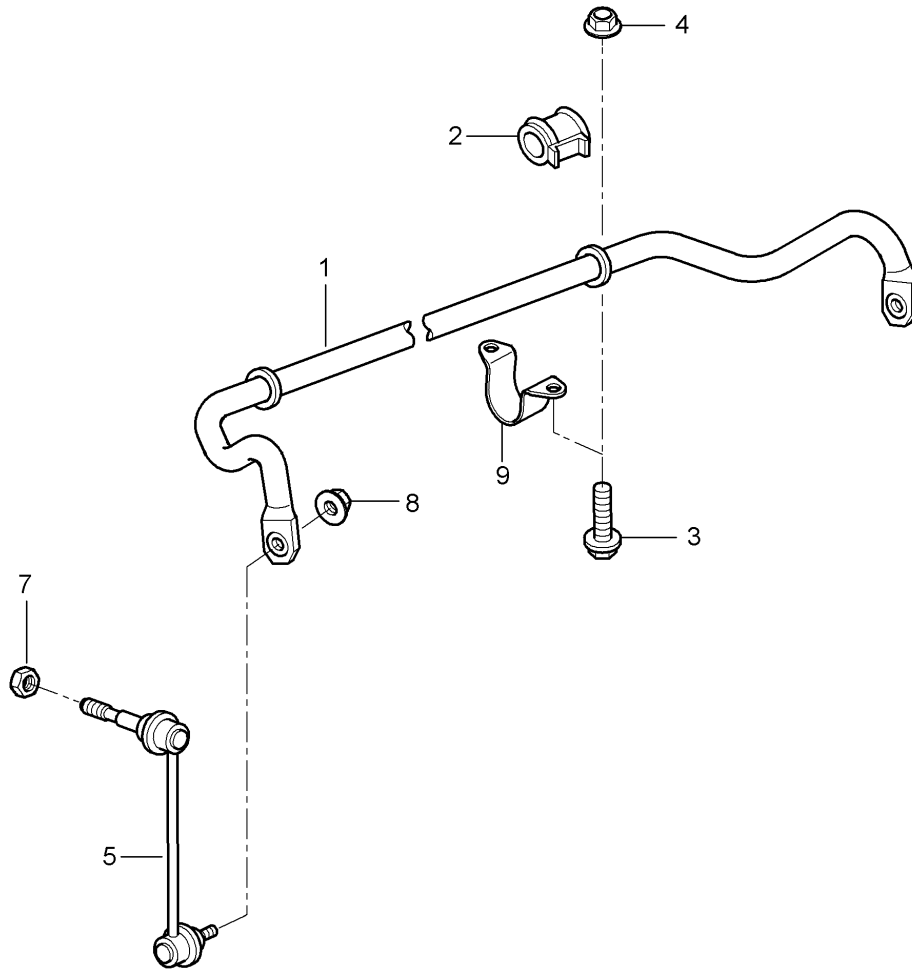
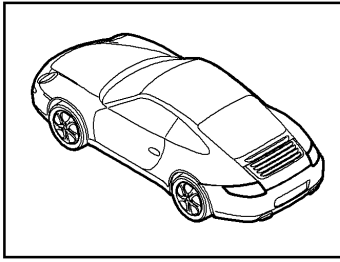
Model: 997-09

Model life 2009>>2012

Pos	Part Number	Description	Remark	Qty	Model
	997 343 533 43 504	1 set Identification			
(4)	997 343 533 36	1 set Pink Gold-coloured Coil spring		1	I475
	997 343 533 36 504	1 set Identification			
5	996 343 509 01	Blue Blue Silver Bellows		2	
(6)	996 343 301 02	Additional spring		2	I029 I475
(6)	996 343 980 09	Additional spring		2	I030
7	996 343 513 00	Washer		2	
8	997 343 107 01	Stop plate Upper		2	I029/030
(8)		Stop plate Lower		2	I029/030
(8)	997 343 107 00	Stop plate Upper		2	I475
(8)	997 343 107 01	Stop plate Lower		2	I475
9	996 343 525 00	Compensating plate 3,0 MM		2	
(9)	996 343 525 01	Compensating plate 6,5 MM		2	
10	996 343 523 00	Support ring		2	
11	996 343 501 00	Angular-contact bearing		2	
12	997 343 015 02	Supporting mount	/L	1	
(12)	997 343 016 02	Supporting mount Mount	/R	1	
-	999 084 447 01	Supporting mount Hexagon nut M 8		6	
13	900 380 012 09	Hexagon nut M 14 X 1,5		2	
13	900 380 012 01	Hexagon nut M 14 X 1,5		2	
16	997 343 107 01	Stop plate		2	
17	997 618 450 01	Control unit		1	I475
(17)	997 618 451 01	Control unit		1	I030
-	997 618 205 00	Support Control unit		1	
-	999 703 457 40	Lid		2	
20	997 343 272 00	Washer		2	I030
21	997 606 111 01	Acceleration sensor Body		2	
-	900 378 111 01	Hexagon-head bolt M 6 X 60		2	
22	997 606 212 01	Support Acceleration sensor		1	
-	999 507 016 40	Cable holder 4,0-10,0	/L	1	
-	999 507 673 40	Cable holder 4,5	/R	1	

Model: 997-09

Model life 2009>>2012



Model: 997-09 Model life 2009>>2012

Pos	Part Number	Description	Remark	Qty	Model
1	997 343 701 07	Stabiliser Stabiliser		1	CARRERA 2 COUPE CABRIO I029
(1)	997 343 701 08	Stabiliser		1	CARRERA 2 CARRERA 2-S COUPE I030
(1)		Stabiliser		1	CARRERA 2 COUPE CABRIO I475
(1)		Stabiliser		1	CARRERA 2-S COUPE CABRIO I475
(1)		Stabiliser		1	I756
(1)		Stabiliser		1	SPEEDSTER I503
(1)		Stabiliser		1	CARRERA GTS I011
(1)	997 343 703 08	Stabiliser	-10	1	CARRERA 4 COUPE CABRIO I029
(1)	997 343 703 09	Stabiliser	11-	1	CARRERA 4 COUPE CABRIO I029
(1)		Stabiliser		1	CARRERA 4 TARGA I029
(1)		Stabiliser		1	CARRERA 4 CARRERA 4-S COUPE 4 GTS I030
(1)		Stabiliser		1	CARRERA 4 COUPE CABRIO I475
(1)		Stabiliser		1	CARRERA 4 CARRERA 4-S TARGA 4 GTS I475
(1)		Stabiliser		1	CARRERA 4-S COUPE CABRIO 4 GTS I475
(2)	996 343 792 17	Stabiliser mounting		2	CARRERA 2 COUPE CABRIO I029/250
(2)		Stabiliser mounting		2	CARRERA 2 CARRERA 2-S COUPE I030
(2)		Stabiliser mounting		2	CARRERA 2 CARRERA 2-S COUPE

Model: 997-09 Model life 2009>>2012

Pos	Part Number	Description	Remark	Qty	Model
(2)		Stabiliser mounting		2	CABRIO I475
(2)		Stabiliser mounting		2	I756 SPEEDSTER
(2)		Stabiliser mounting		2	I503 CARRERA GTS
(2)	996 343 792 11	Stabiliser mounting	-10	2	I011 CARRERA 4 COUPE
(2)	996 343 792 12	Stabiliser mounting	11-	2	CABRIO I029 CARRERA 4 COUPE
(2)	996 343 792 17	Stabiliser mounting		2	CABRIO I029 CARRERA 4 COUPE
(2)	996 343 792 12	Stabiliser mounting		2	CARRERA 4 COUPE
(2)		Stabiliser mounting		2	CARRERA 4 CARRERA 4-S COUPE 4 GTS
(2)		Stabiliser mounting		2	I030 CARRERA 4 CARRERA 4-S COUPE CABRIO TARGA 4 GTS
3	900 378 098 01	Hexagon-head bolt M 10 x 60		4	I475
4	900 380 008 01	Hexagon nut M 10		4	CARRERA 4 CARRERA 4-S TARGA TARGA-S
5	997 343 069 02	Stabiliser mounting	/L -09	1	CARRERA 2 CARRERA 2-S
(5)	997 343 069 03	Stabiliser mounting	/L 10-	1	CARRERA 2 CARRERA 2-S
(5)		Stabiliser mounting	/L	1	I756
(5)		Stabiliser mounting	/L	1	SPEEDSTER I503
(5)		Stabiliser mounting	/L	1	CARRERA GTS I011
(5)	997 343 073 02	Stabiliser mounting	/L -09	1	CARRERA 4 CARRERA 4-S TARGA TARGA-S
(5)	997 343 073 03	Stabiliser mounting	/L 10-	1	CARRERA 4 CARRERA 4-S TARGA TARGA-S 4 GTS
(5)	997 343 070 02	Stabiliser mounting	/R -09	1	CARRERA 2 CARRERA 2-S
(5)	997 343 070 03	Stabiliser mounting	/R 10-	1	CARRERA 2 CARRERA 2-S
(5)		Stabiliser mounting	/R	1	I756
(5)		Stabiliser mounting	/R	1	SPEEDSTER

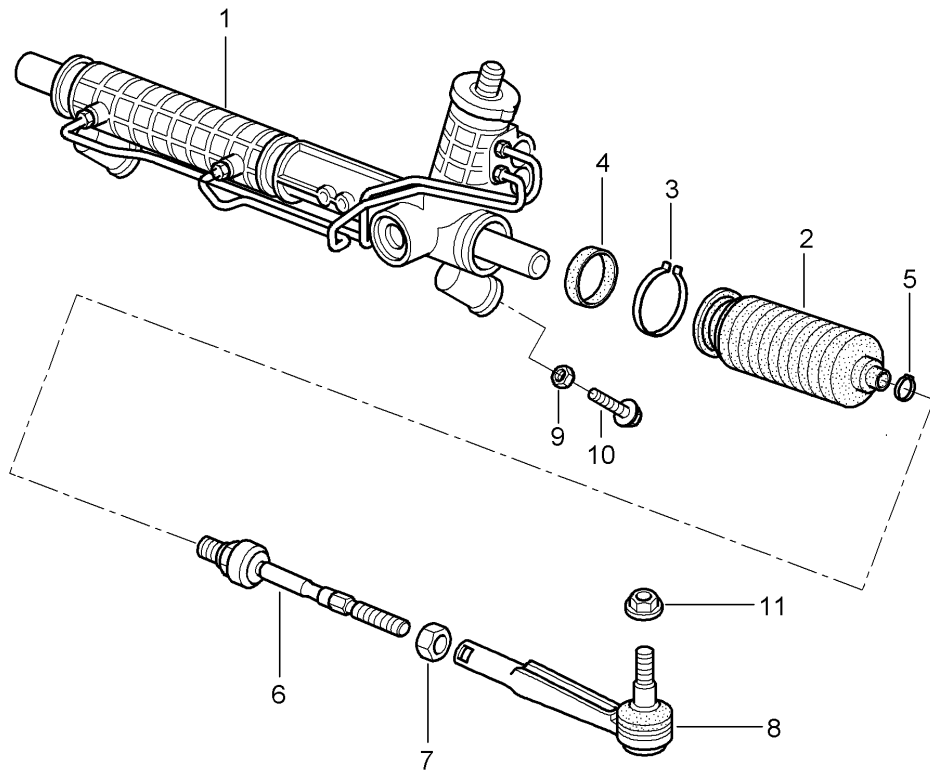
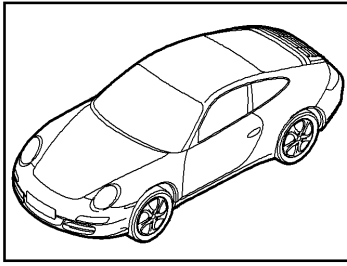
Model: 997-09

Model life 2009>>2012

Pos	Part Number	Description	Remark	Qty	Model
(5)		Stabiliser mounting	/R	1	I503 CARRERA GTS
(5)	997 343 074 02	Stabiliser mounting	/R -09	1	I011 CARRERA 4 CARRERA 4-S TARGA TARGA-S
(5)	997 343 074 03	Stabiliser mounting	/R 10-	1	CARRERA 4 CARRERA 4-S TARGA TARGA-S
7	999 084 445 01	Lock nut M 12		2	4 GTS
8	999 084 123 09	Hexagon nut M 10		2	
9	997 343 777 01	Clip		2	CARRERA 4 CARRERA 4-S TARGA TARGA-S 4 GTS

Model: 997-09

Model life 2009>>2012



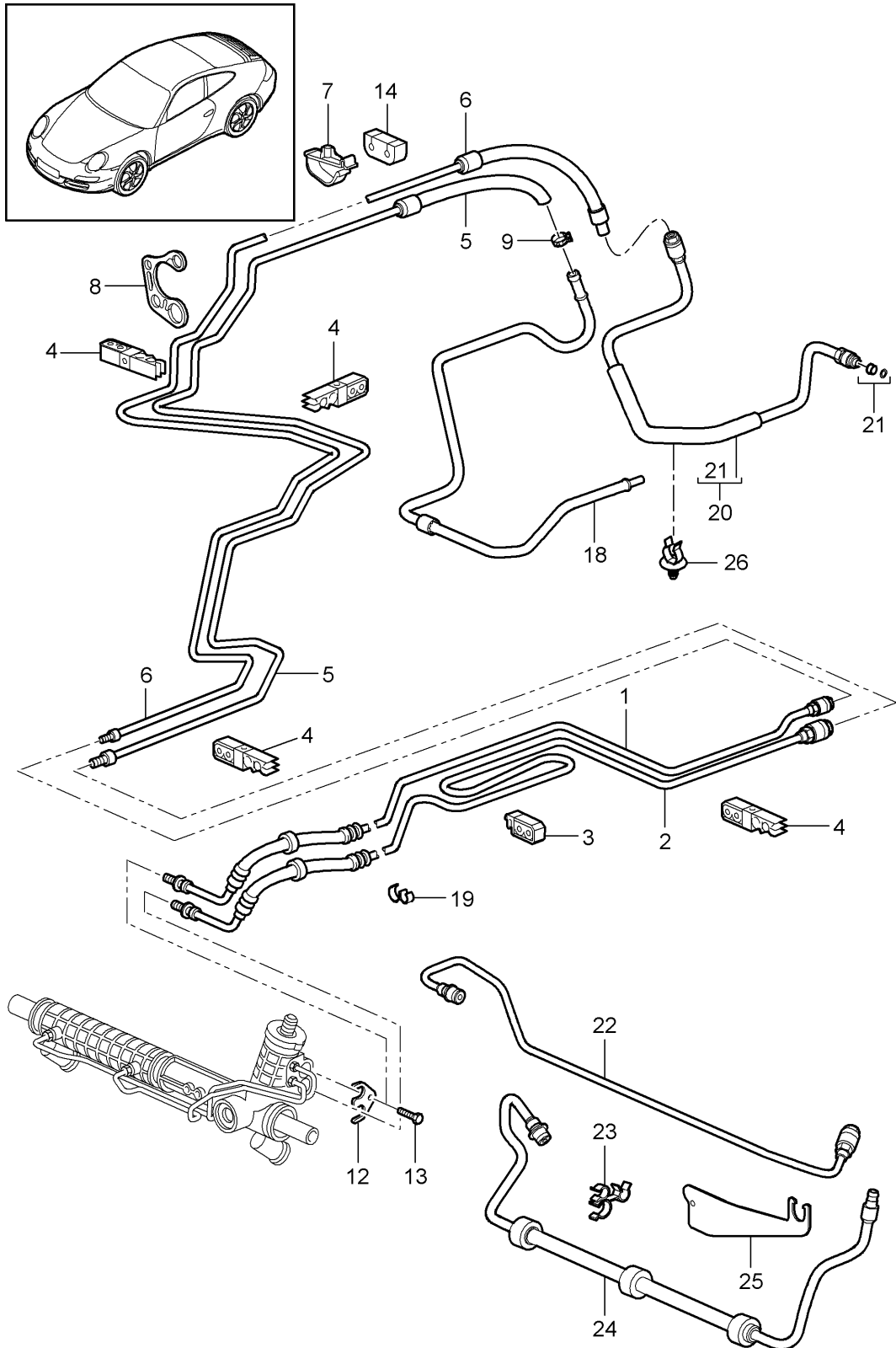
Model: 997-09

Model life 2009>>2012

Pos	Part Number	Description	Remark	Qty	Model
1	997 347 011 06	Power steering Steering gear Steering parts Steering gear	/LL -10	1	I098
1	997 347 011 FX	Power steering Steering gear	/LL -10	1	I098
1	997 347 011 08	Power steering Steering gear	/LL 11-	1	I098
1	997 347 011 HX	Power steering Steering gear	/LL 11-	1	I098
(1)	997 347 011 09	Power steering Steering gear	/LL 11-	1	I098
(1)	997 347 011 JX	Power steering Steering gear	/LL -(CN) 11-	1	I098
(1)	997 347 012 05	Power steering Steering gear	/RL -10	1	I099
(1)	997 347 012 EX	Power steering Steering gear	/RL -10	1	I099
(1)	997 347 012 07	Power steering Steering gear	/RL 11-	1	I099
(1)	997 347 012 GX	Power steering Steering gear	/RL 11-	1	I099
2	997 347 191 00	Power steering Bellows		2	
3	996 347 293 05	Clamping ring		2	
4	997 347 373 00	Sealing ring		2	
5	999 512 693 09	Clamping ring		2	
6	997 347 322 01	Joint		2	
7	999 034 037 09	Hexagon nut M 14 X 1,5		2	
8	996 347 131 04	Track rod		2	
9		See illustrations 4/01/00 POS.2			
10	900 378 100 01	Hexagon-head bolt AM 10 X 45		2	
11	999 084 449 09	Lock nut M 12 X 1,5		2	

Model: 997-09

Model life 2009>>2012

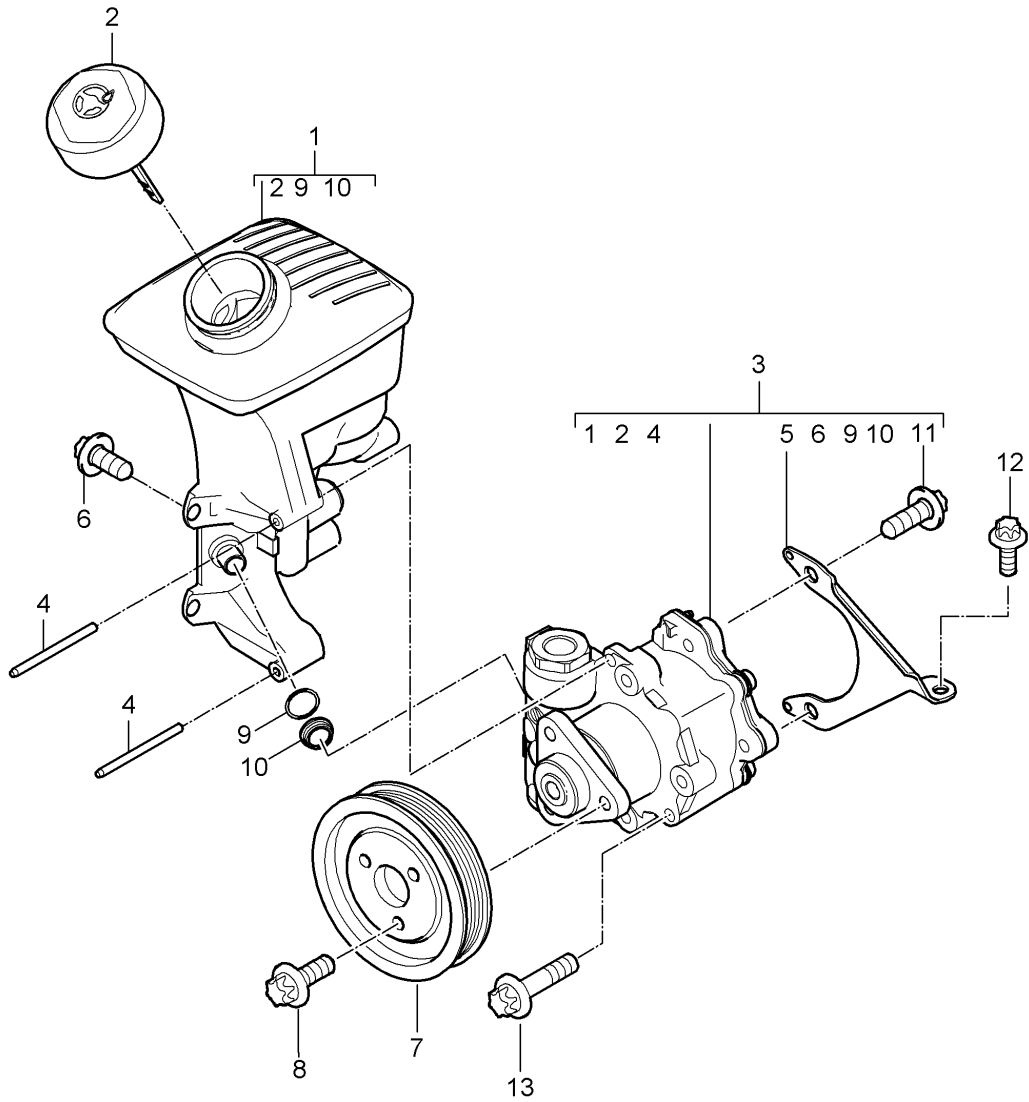
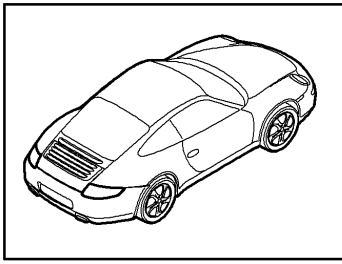


Model: 997-09 Model life 2009>>2012

Pos	Part Number	Description	Remark	Qty	Model
		Power steering Lines			
1	997 347 451 11	Pressure line		1	I098
(1)	997 347 451 12	Pressure line		1	I098
(1)	997 347 452 12	Pressure line		1	I099
(1)	997 347 452 13	Pressure line		1	I099
2	997 347 449 11	Return line		1	I098
(2)	997 347 650 11	Return line		1	I099
(2)	997 347 650 13	Return line		1	I099
3	996 347 543 00	Cable holder		X	
4	996 355 543 00	Support		1	
5	997 347 439 11	Return line Centre	-09	1	
				1	
5	997 347 439 12	Return line Centre	10	1	
				1	
5	997 347 439 17	Return line Centre	11-	1	
				1	
(5)	997 347 439 18	Return line Centre	11-	1	
				1	
6	997 347 445 11	Pressure line Centre	-09	1	
				1	
6	997 347 445 12	Pressure line Centre	10-	1	
				1	
(6)	997 347 445 13	Pressure line Centre	10-	1	
				1	
(6)	997 347 445 14	Pressure line Centre	10-	1	
				1	
7	996 347 549 01	Support		2	
8	997 347 544 00	Support		1	
9	999 512 639 09	Spring clamp		1	
12	996 347 769 01	Tension shackle		1	
13	900 067 063 03	Pan-head screw M 10 x 20		1	
14	996 347 551 01	Retainer plate		1	
18	9A1 347 441 03	Return line		1	
19	999 507 091 40	Cable holder		3	
20	9A1 347 443 02	Pressure line		1	
(20)	9A1 347 443 03	Pressure line		1	
21	997 347 945 00	Repair kit Comprising: Spring O-ring		X	
22	997 347 564 11	Pressure line		1	I099
23	999 507 963 40	Support		1	I099
24	997 347 462 12	Return line		1	I099
25	997 347 560 00	Support		1	I099
26	999 507 136 41	Cable holder		1	

Model: 997-09

Model life 2009>>2012



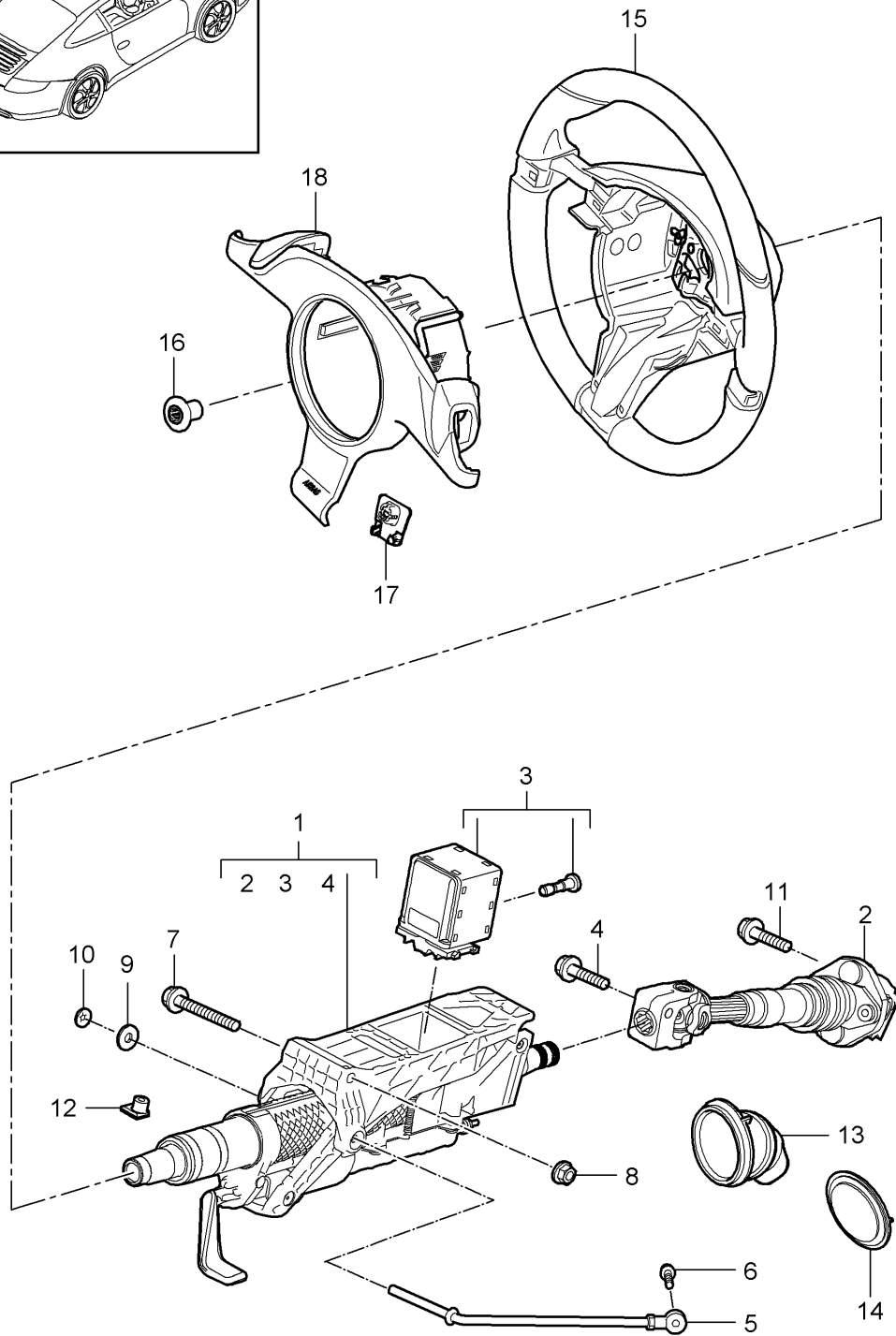
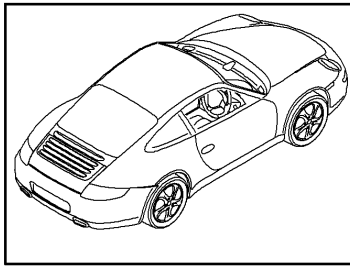
Model: 997-09

Model life 2009>>2012

Pos	Part Number	Description	Remark	Qty	Model
		Power steering Power-steering pump Container			
1	9A1 314 220 04	Oil tank		1	
2	9A1 314 223 02	Lid		1	
3	9A1 314 020 03	Power-steering pump		1	
4	996 314 320 03	Straight pin		2	
5	9A1 314 430 02	Bracket		1	
6	900 385 044 01	Torx screw BM 8 X 16		2	
7	9A1 147 123 00	Pulley		1	
8	900 385 099 01	Torx screw BM 8 X 12		3	
9		Sealing ring 12,5 X 2,15		1	
10		Guide		1	
11	900 385 042 01	Torx screw BM 8 X 35		2	
12	900 385 009 01	Torx screw 6 X 20		1	
-	000 043 203 33	Pentosin 1000 ML		X	
13	900 385 042 01	Torx screw BM 8 X 35		2	

Model: 997-09

Model life 2009>>2012



Model: 997-09 Model life 2009>>2012

Pos	Part Number	Description	Remark	Qty	Model
		Steering outer tube			I250
		Steering shaft			
		Steering wheels			
(1)	997 347 007 10	Steering column		1	
		Complete			
		Steering shaft			
2	997 347 023 04	Intermed. steering shaft		1	
3	997 618 158 04	Control unit		1	
		Steering column			
		with			
		Screw			
4	999 217 042 03	Hexagon-head bolt		1	
		M 8 X 35			
4	999 217 042 04	Hexagon-head bolt		1	
		M 8 X 35			
5	997 347 243 00	Support		1	
6	900 378 173 01	Hexagon-head bolt		1	
		M 6 x 20			
7	900 378 095 01	Hexagon-head bolt		1	
		M 10 X 100			
8	900 380 008 01	Hexagon nut		1	
		M 10			
9	900 151 006 03	Washer		1	
10	999 507 217 07	Clamping washer		1	
11	999 217 042 03	Hexagon-head bolt		1	
		M 8 X 35			
11	999 217 042 04	Hexagon-head bolt		1	
		M 8 X 35			
12	999 920 019 40	Plug-in nut		1	
		3,5 X 2,5 X 9			
13	986 347 037 01	Bellows		1	
		Information available			
14	996 347 339 02	Rubber seal		1	
		Bulkhead			
		Steering wheels	09		
15	997 347 803 20	Steering wheel	-09	1	-I345/I250 I841
		Plain leather			
	997 347 803 20 A34	Black			
	997 347 803 20 B24	Stone grey			
	997 347 803 20 T24	Sand Beige			
	997 347 803 20 E24	Sea blue			
	997 347 803 20 M24	Terracotta			
	997 347 803 20 R24	Cocoa			
	997 347 803 20 D14	Dark grey/natural			
	997 347 803 20 T34	Brown/natural			
	997 347 803 20 N14	Carrera Red			
(15)	997 347 803 25	Steering wheel	-09	1	I250/841 I345
		Plain leather			
	997 347 803 25 A34	Black			
	997 347 803 25 B24	Stone grey			
	997 347 803 25 T24	Sand Beige			
	997 347 803 25 E24	Sea blue			
	997 347 803 25 M24	Terracotta			
	997 347 803 25 R24	Cocoa			
	997 347 803 25 D14	Dark grey/natural			
	997 347 803 25 T34	Brown/natural			
	997 347 803 25 N14	Carrera Red			
(15)	997 347 803 21	Steering wheel	-09	1	I250/844
		Plain leather			
		Multi-function			
	997 347 803 21 A34	Black			
	997 347 803 21 B24	Stone grey			

Model: 997-09 Model life 2009>>2012

Pos	Part Number	Description	Remark	Qty	Model
	997 347 803 21 T24	Sand Beige			
	997 347 803 21 E24	Sea blue			
	997 347 803 21 M24	Terracotta			
	997 347 803 21 R24	Cocoa			
	997 347 803 21 D14	Dark grey/natural			
	997 347 803 21 T34	Brown/natural			
	997 347 803 21 N14	Carrera Red			
(15)	997 347 803 24	Steering wheel Plain leather Multi-function	-09	1	I250/844 I345
	997 347 803 24 A34	Black			
	997 347 803 24 B24	Stone grey			
	997 347 803 24 T24	Sand Beige			
	997 347 803 24 E24	Sea blue			
	997 347 803 24 M24	Terracotta			
	997 347 803 24 R24	Cocoa			
	997 347 803 24 D14	Dark grey/natural			
	997 347 803 24 T34	Brown/natural			
	997 347 803 24 N14	Carrera Red			
(15)	997 347 803 22	Steering wheel Multi-function Carbon	-09	1	I250/345/845
	997 347 803 22 A34	Black			
	997 347 803 22 B24	Stone grey			
	997 347 803 22 T24	Sand Beige			
	997 347 803 22 E24	Sea blue			
	997 347 803 22 M24	Terracotta			
	997 347 803 22 R24	Cocoa			
	997 347 803 22 D14	Dark grey/natural			
	997 347 803 22 T34	Brown/natural			
	997 347 803 22 N14	Carrera Red			
(15)	997 347 803 23	Steering wheel Multi-function Macassar	-09	1	I250/345/847
	997 347 803 23 A34	Black			
	997 347 803 23 B24	Stone grey			
	997 347 803 23 T24	Sand Beige			
	997 347 803 23 E24	Sea blue			
	997 347 803 23 M24	Terracotta			
	997 347 803 23 R24	Cocoa			
	997 347 803 23 D14	Dark grey/natural			
	997 347 803 23 T34	Brown/natural			
	997 347 803 23 N14	Carrera Red			
(15)	997 347 980 05	Steering wheel Multi-function Aluminium look	-09	1	IXPU/250/345
	997 347 980 05 A34	Black			
	997 347 980 05 B24	Stone grey			
	997 347 980 05 T24	Sand Beige			
	997 347 980 05 E24	Sea blue			
	997 347 980 05 M24	Terracotta			
	997 347 980 05 R24	Cocoa			
	997 347 980 05 D14	Dark grey/natural			
	997 347 980 05 T34	Brown/natural			
	997 347 980 05 N14	Carrera Red			
15	997 347 803 30	Steering wheels Steering wheel paddle	10 10-	1	I840
	997 347 803 30 A34	Black			
	997 347 803 30 B24	Stone grey			
	997 347 803 30 T24	Sand Beige			
	997 347 803 30 E24	Sea blue			
	997 347 803 30 M24	Terracotta			

Model: 997-09 Model life 2009>>2012

Pos	Part Number	Description	Remark	Qty	Model	
(15)	997 347 803 30 R24	Cocoa				
	997 347 803 30 D14	Dark grey/natural				
	997 347 803 30 T34	Brown/natural				
	997 347 803 30 N14	Carrera Red				
	997 347 803 31	Steering wheel		1	I639/840 I639/640	
		Paddle				
	997 347 803 31 A34	Black				
	997 347 803 31 B24	Stone grey				
	997 347 803 31 T24	Sand Beige				
	997 347 803 31 E24	Sea blue				
	997 347 803 31 M24	Terracotta				
	997 347 803 31 R24	Cocoa				
	997 347 803 31 D14	Dark grey/natural				
	997 347 803 31 T34	Brown/natural				
	997 347 803 31 N14	Carrera Red				
(15)	997 347 803 32	Steering wheel	10-	1	-I345/I250 I841	
		Plain leather				
	997 347 803 32 A34	Black				
	997 347 803 32 B24	Stone grey				
	997 347 803 32 T24	Sand Beige				
	997 347 803 32 E24	Sea blue				
	997 347 803 32 M24	Terracotta				
	997 347 803 32 R24	Cocoa				
	997 347 803 32 D14	Dark grey/natural				
	997 347 803 32 T34	Brown/natural				
	997 347 803 32 N14	Carrera Red				
	(15)	997 347 803 98	Steering wheel	10-	1	-I345/I250 I841
			Plain leather			
		997 347 803 98 A34	Black			
		997 347 803 98 B24	Stone grey			
997 347 803 98 T24		Sand Beige				
997 347 803 98 E24		Sea blue				
997 347 803 98 M24		Terracotta				
997 347 803 98 R24		Cocoa				
997 347 803 98 D14		Dark grey/natural				
997 347 803 98 T34		Brown/natural				
997 347 803 98 N14		Carrera Red				
(15)		997 347 803 D6	Steering wheel	10-	1	-I345/I250 I841
			Plain leather			
		997 347 803 D6 A34	Black			
		997 347 803 D6 B24	Stone grey			
	997 347 803 D6 T24	Sand Beige				
	997 347 803 D6 E24	Sea blue				
	997 347 803 D6 M24	Terracotta				
	997 347 803 D6 R24	Cocoa				
	997 347 803 D6 D14	Dark grey/natural				
	997 347 803 D6 T34	Brown/natural				
	997 347 803 D6 N14	Carrera Red				
	(15)	997 347 803 37	Steering wheel	10-	1	I250/841 I345
			Plain leather			
		997 347 803 37 A34	Black			
		997 347 803 37 B24	Stone grey			
997 347 803 37 T24		Sand Beige				
997 347 803 37 E24		Sea blue				
997 347 803 37 M24		Terracotta				
997 347 803 37 R24		Cocoa				
997 347 803 37 D14		Dark grey/natural				
997 347 803 37 T34		Brown/natural				
997 347 803 37 N14		Carrera Red				
(15)		997 347 803 A3	Steering wheel	10-	1	I250/841

Model: 997-09 Model life 2009>>2012

Pos	Part Number	Description	Remark	Qty	Model
		Plain leather			I345
	997 347 803 A3 A34	Black			
	997 347 803 A3 B24	Stone grey			
	997 347 803 A3 T24	Sand Beige			
	997 347 803 A3 E24	Sea blue			
	997 347 803 A3 M24	Terracotta			
	997 347 803 A3 R24	Cocoa			
	997 347 803 A3 D14	Dark grey/natural			
	997 347 803 A3 T34	Brown/natural			
	997 347 803 A3 N14	Carrera Red			
(15)	997 347 803 E1	Steering wheel	10-	1	I250/841
		Plain leather			I345
	997 347 803 E1 A34	Black			
	997 347 803 E1 B24	Stone grey			
	997 347 803 E1 T24	Sand Beige			
	997 347 803 E1 E24	Sea blue			
	997 347 803 E1 M24	Terracotta			
	997 347 803 E1 R24	Cocoa			
	997 347 803 E1 D14	Dark grey/natural			
	997 347 803 E1 T34	Brown/natural			
	997 347 803 E1 N14	Carrera Red			
(15)	997 347 803 33	Steering wheel	10-	1	I250/844
		Plain leather			
		Multi-function			
	997 347 803 33 A34	Black			
	997 347 803 33 B24	Stone grey			
	997 347 803 33 T24	Sand Beige			
	997 347 803 33 E24	Sea blue			
	997 347 803 33 M24	Terracotta			
	997 347 803 33 R24	Cocoa			
	997 347 803 33 D14	Dark grey/natural			
	997 347 803 33 T34	Brown/natural			
	997 347 803 33 N14	Carrera Red			
(15)	997 347 803 99	Steering wheel	10-	1	I250/844
		Plain leather			
		Multi-function			
	997 347 803 99 A34	Black			
	997 347 803 99 B24	Stone grey			
	997 347 803 99 T24	Sand Beige			
	997 347 803 99 E24	Sea blue			
	997 347 803 99 M24	Terracotta			
	997 347 803 99 R24	Cocoa			
	997 347 803 99 D14	Dark grey/natural			
	997 347 803 99 T34	Brown/natural			
	997 347 803 99 N14	Carrera Red			
(15)	997 347 803 D7	Steering wheel	10-	1	I250/844
		Plain leather			
		Multi-function			
	997 347 803 D7 A34	Black			
	997 347 803 D7 B24	Stone grey			
	997 347 803 D7 T24	Sand Beige			
	997 347 803 D7 E24	Sea blue			
	997 347 803 D7 M24	Terracotta			
	997 347 803 D7 R24	Cocoa			
	997 347 803 D7 D14	Dark grey/natural			
	997 347 803 D7 T34	Brown/natural			
	997 347 803 D7 N14	Carrera Red			
(15)	997 347 803 36	Steering wheel	10-	1	I250/844
		Plain leather			I345
		Multi-function			
	997 347 803 36 A34	Black			
	997 347 803 36 B24	Stone grey			
	997 347 803 36 T24	Sand Beige			

Model: 997-09 Model life 2009>>2012

Pos	Part Number	Description	Remark	Qty	Model
	997 347 803 36 E24	Sea blue			
	997 347 803 36 M24	Terracotta			
	997 347 803 36 R24	Cocoa			
	997 347 803 36 D14	Dark grey/natural			
	997 347 803 36 T34	Brown/natural			
	997 347 803 36 N14	Carrera Red			
(15)	997 347 803 A2	Steering wheel Plain leather Multi-function	10-	1	I250/844 I345
	997 347 803 A2 A34	Black			
	997 347 803 A2 B24	Stone grey			
	997 347 803 A2 T24	Sand Beige			
	997 347 803 A2 E24	Sea blue			
	997 347 803 A2 M24	Terracotta			
	997 347 803 A2 R24	Cocoa			
	997 347 803 A2 D14	Dark grey/natural			
	997 347 803 A2 T34	Brown/natural			
	997 347 803 A2 N14	Carrera Red			
(15)	997 347 803 E0	Steering wheel Plain leather Multi-function	10-	1	I250/844 I345
	997 347 803 E0 A34	Black			
	997 347 803 E0 B24	Stone grey			
	997 347 803 E0 T24	Sand Beige			
	997 347 803 E0 E24	Sea blue			
	997 347 803 E0 M24	Terracotta			
	997 347 803 E0 R24	Cocoa			
	997 347 803 E0 D14	Dark grey/natural			
	997 347 803 E0 T34	Brown/natural			
	997 347 803 E0 N14	Carrera Red			
(15)	997 347 803 34	Steering wheel Multi-function Carbon	10-	1	I250/345/845
	997 347 803 34 A34	Black			+AN, +AP, +AR, +AT, +BK, +BM, +BP, +99, +DC, +DD, +DE, +DF, +TD, +TE, +TF, +TG, +FB, +FC, +FD, +FE, +MB, +RA, +05, +06, +07,
	997 347 803 34 B24	Stone grey			
	997 347 803 34 T24	Sand Beige			
	997 347 803 34 E24	Sea blue			
	997 347 803 34 M24	Terracotta			
	997 347 803 34 R24	Cocoa			
	997 347 803 34 D14	Dark grey/natural			
	997 347 803 34 T34	Brown/natural			
	997 347 803 34 N14	Carrera Red			
(15)	997 347 803 A0	Steering wheel Multi-function Carbon	10-	1	I250/345/845
	997 347 803 A0 A34	Black			+AN, +AP, +AR, +AT, +BK, +BM, +BP, +99, +DC, +DD, +DE, +DF, +TD, +TE, +TF, +TG, +FB, +FC, +FD, +FE, +MB, +RA, +05, +06,
	997 347 803 A0 B24	Stone grey			
	997 347 803 A0 T24	Sand Beige			
	997 347 803 A0 E24	Sea blue			
	997 347 803 A0 M24	Terracotta			
	997 347 803 A0 R24	Cocoa			
	997 347 803 A0 D14	Dark grey/natural			
	997 347 803 A0 T34	Brown/natural			

Model: 997-09 Model life 2009>>2012

Pos	Part Number	Description	Remark	Qty	Model
(15)	997 347 803 A0 N14 997 347 803 D8	Carrera Red Steering wheel Multi-function Carbon	10-	1	+07, I250/345/845
	997 347 803 D8 A34	Black			+AN,+AP,+AR, +AT,+BK,+BM, +BP,+99, +DC,+DD,+DE, +DF, +TD,+TE,+TF, +TG, +FB,+FC,+FD, +FE, +MB, +RA, +05, +06, +07,
	997 347 803 D8 B24	Stone grey			
	997 347 803 D8 T24	Sand Beige			
	997 347 803 D8 E24	Sea blue			
	997 347 803 D8 M24	Terracotta			
	997 347 803 D8 R24	Cocoa			
	997 347 803 D8 D14	Dark grey/natural			
	997 347 803 D8 T34	Brown/natural			
(15)	997 347 803 D8 N14 997 347 803 35	Carrera Red Steering wheel Multi-function Macassar	10-	1	I250/847 I345
	997 347 803 35 A34	Black			
	997 347 803 35 B24	Stone grey			
	997 347 803 35 T24	Sand Beige			
	997 347 803 35 E24	Sea blue			
	997 347 803 35 M24	Terracotta			
	997 347 803 35 R24	Cocoa			
	997 347 803 35 D14	Dark grey/natural			
	997 347 803 35 T34	Brown/natural			
	997 347 803 35 N14	Carrera Red			
(15)	997 347 803 A1	Steering wheel Multi-function Macassar	10-	1	I250/847 I345
	997 347 803 A1 A34	Black			
	997 347 803 A1 B24	Stone grey			
	997 347 803 A1 T24	Sand Beige			
	997 347 803 A1 E24	Sea blue			
	997 347 803 A1 M24	Terracotta			
	997 347 803 A1 R24	Cocoa			
	997 347 803 A1 D14	Dark grey/natural			
	997 347 803 A1 T34	Brown/natural			
	997 347 803 A1 N14	Carrera Red			
(15)	997 347 803 D9	Steering wheel Multi-function Macassar	10-	1	I250/847 I345
	997 347 803 D9 A34	Black			
	997 347 803 D9 B24	Stone grey			
	997 347 803 D9 T24	Sand Beige			
	997 347 803 D9 E24	Sea blue			
	997 347 803 D9 M24	Terracotta			
	997 347 803 D9 R24	Cocoa			
	997 347 803 D9 D14	Dark grey/natural			
	997 347 803 D9 T34	Brown/natural			
	997 347 803 D9 N14	Carrera Red			
(15)	997 347 980 09	Steering wheel Multi-function Aluminium look	10-	1	IXPU/250 I345
	997 347 980 09 A34	Black			
	997 347 980 09 B24	Stone grey			
	997 347 980 09 T24	Sand Beige			
	997 347 980 09 E24	Sea blue			
	997 347 980 09 M24	Terracotta			
	997 347 980 09 R24	Cocoa			

Model: 997-09 Model life 2009>>2012

Pos	Part Number	Description	Remark	Qty	Model
(15)	997 347 980 09 D14	Dark grey/natural	10-	1	IXPU/250 I345
	997 347 980 09 T34	Brown/natural			
	997 347 980 09 N14	Carrera Red			
	997 347 980 14	Steering wheel			
		Multi-function			
		Aluminium look			
	997 347 980 14 A34	Black			
	997 347 980 14 B24	Stone grey			
	997 347 980 14 T24	Sand Beige			
	997 347 980 14 E24	Sea blue			
(15)	997 347 980 14 M24	Terracotta	10-	1	IXPU/250 I345
	997 347 980 14 R24	Cocoa			
	997 347 980 14 D14	Dark grey/natural			
	997 347 980 14 T34	Brown/natural			
	997 347 980 14 N14	Carrera Red			
	997 347 980 B7	Steering wheel			
		Multi-function			
		Aluminium look			
	997 347 980 B7 A34	Black			
	997 347 980 B7 B24	Stone grey			
15	997 347 980 B7 T24	Sand Beige	11-	1	I841
	997 347 980 B7 E24	Sea blue			
	997 347 980 B7 M24	Terracotta			
	997 347 980 B7 R24	Cocoa			
	997 347 980 B7 D14	Dark grey/natural			
	997 347 980 B7 T34	Brown/natural			
	997 347 980 B7 N14	Carrera Red			
	997 347 803 59	Steering wheels			
		Steering wheel			
		Plain leather			
15	997 347 803 59 A34	Black	11-	1	-I345/I841
	997 347 803 59 B24	Stone grey			
	997 347 803 59 T24	Sand Beige			
	997 347 803 59 E24	Sea blue			
	997 347 803 59 M24	Terracotta			
	997 347 803 59 R24	Cocoa			
	997 347 803 59 D14	Dark grey/natural			
	997 347 803 59 T34	Brown/natural			
	997 347 803 59 N14	Carrera Red			
	997 347 803 98	Steering wheel			
15	997 347 803 98	Plain leather	11-	1	-I345/I841
	997 347 803 98 A34	Black			
	997 347 803 98 B24	Stone grey			
	997 347 803 98 T24	Sand Beige			
	997 347 803 98 E24	Sea blue			
	997 347 803 98 M24	Terracotta			
	997 347 803 98 R24	Cocoa			
	997 347 803 98 D14	Dark grey/natural			
	997 347 803 98 T34	Brown/natural			
	997 347 803 98 N14	Carrera Red			
997 347 803 98 6H6	Espresso				
15	997 347 803 D6	Steering wheel	11-	1	-I345/I841
		Plain leather			
	997 347 803 D6 A34	Black			
	997 347 803 D6 B24	Stone grey			
	997 347 803 D6 T24	Sand Beige			
	997 347 803 D6 E24	Sea blue			
	997 347 803 D6 M24	Terracotta			
	997 347 803 D6 R24	Cocoa			
	997 347 803 D6 D14	Dark grey/natural			
	997 347 803 D6 T34	Brown/natural			
997 347 803 D6 N14	Carrera Red				
997 347 803 D6 6H6	Espresso				

Model: 997-09 Model life 2009>>2012

Pos	Part Number	Description	Remark	Qty	Model
(15)	997 347 803 64	Steering wheel Plain leather	11-	1	I345/841
	997 347 803 64 A34	Black			
	997 347 803 64 B24	Stone grey			
	997 347 803 64 T24	Sand Beige			
	997 347 803 64 E24	Sea blue			
	997 347 803 64 M24	Terracotta			
	997 347 803 64 R24	Cocoa			
	997 347 803 64 D14	Dark grey/natural			
	997 347 803 64 T34	Brown/natural			
	997 347 803 64 N14	Carrera Red			
(15)	997 347 803 A3	Steering wheel Plain leather	11-	1	I345/841
	997 347 803 A3 A34	Black			
	997 347 803 A3 B24	Stone grey			
	997 347 803 A3 T24	Sand Beige			
	997 347 803 A3 E24	Sea blue			
	997 347 803 A3 M24	Terracotta			
	997 347 803 A3 R24	Cocoa			
	997 347 803 A3 D14	Dark grey/natural			
	997 347 803 A3 T34	Brown/natural			
	997 347 803 A3 N14	Carrera Red			
	997 347 803 A3 6H6	Espresso			
(15)	997 347 803 E1	Steering wheel Plain leather	11-	1	I345/841
	997 347 803 E1 A34	Black			
	997 347 803 E1 B24	Stone grey			
	997 347 803 E1 T24	Sand Beige			
	997 347 803 E1 E24	Sea blue			
	997 347 803 E1 M24	Terracotta			
	997 347 803 E1 R24	Cocoa			
	997 347 803 E1 D14	Dark grey/natural			
	997 347 803 E1 T34	Brown/natural			
	997 347 803 E1 N14	Carrera Red			
	997 347 803 E1 6H6	Espresso			
(15)	997 347 803 60	Steering wheel Plain leather Multi-function	11-	1	-I345/-I639 -I640/I844
	997 347 803 60 A34	Black			
	997 347 803 60 B24	Stone grey			
	997 347 803 60 T24	Sand Beige			
	997 347 803 60 E24	Sea blue			
	997 347 803 60 M24	Terracotta			
	997 347 803 60 R24	Cocoa			
	997 347 803 60 D14	Dark grey/natural			
	997 347 803 60 T34	Brown/natural			
	997 347 803 60 N14	Carrera Red			
(15)	997 347 803 99	Steering wheel Plain leather Multi-function	11-	1	-I345/-I639 -I640/I844
	997 347 803 99 A34	Black			
	997 347 803 99 B24	Stone grey			
	997 347 803 99 T24	Sand Beige			
	997 347 803 99 E24	Sea blue			
	997 347 803 99 M24	Terracotta			
	997 347 803 99 R24	Cocoa			
	997 347 803 99 D14	Dark grey/natural			
	997 347 803 99 T34	Brown/natural			
	997 347 803 99 N14	Carrera Red			
	997 347 803 99 6H6	Espresso			
(15)	997 347 803 D7	Steering wheel	11-	1	-I345/-I639

Model: 997-09 Model life 2009>>2012

Pos	Part Number	Description	Remark	Qty	Model
		Plain leather Multi-function			-I640/I844
	997 347 803 D7 A34	Black			
	997 347 803 D7 B24	Stone grey			
	997 347 803 D7 T24	Sand Beige			
	997 347 803 D7 E24	Sea blue			
	997 347 803 D7 M24	Terracotta			
	997 347 803 D7 R24	Cocoa			
	997 347 803 D7 D14	Dark grey/natural			
	997 347 803 D7 T34	Brown/natural			
	997 347 803 D7 N14	Carrera Red			
	997 347 803 D7 6H6	Espresso			
(15)	997 347 803 63	Steering wheel Plain leather Multi-function	11-	1	I345/844
	997 347 803 63 A34	Black			
	997 347 803 63 B24	Stone grey			
	997 347 803 63 T24	Sand Beige			
	997 347 803 63 E24	Sea blue			
	997 347 803 63 M24	Terracotta			
	997 347 803 63 R24	Cocoa			
	997 347 803 63 D14	Dark grey/natural			
	997 347 803 63 T34	Brown/natural			
	997 347 803 63 N14	Carrera Red			
(15)	997 347 803 A2	Steering wheel Plain leather Multi-function	11-	1	I345/844
	997 347 803 A2 A34	Black			
	997 347 803 A2 B24	Stone grey			
	997 347 803 A2 T24	Sand Beige			
	997 347 803 A2 E24	Sea blue			
	997 347 803 A2 M24	Terracotta			
	997 347 803 A2 R24	Cocoa			
	997 347 803 A2 D14	Dark grey/natural			
	997 347 803 A2 T34	Brown/natural			
	997 347 803 A2 N14	Carrera Red			
	997 347 803 A2 6H6	Espresso			
(15)	997 347 803 E0	Steering wheel Plain leather Multi-function	11-	1	I345/844
	997 347 803 E0 A34	Black			
	997 347 803 E0 B24	Stone grey			
	997 347 803 E0 T24	Sand Beige			
	997 347 803 E0 E24	Sea blue			
	997 347 803 E0 M24	Terracotta			
	997 347 803 E0 R24	Cocoa			
	997 347 803 E0 D14	Dark grey/natural			
	997 347 803 E0 T34	Brown/natural			
	997 347 803 E0 N14	Carrera Red			
	997 347 803 E0 6H6	Espresso			
(15)	997 347 803 61	Steering wheel Multi-function Carbon	11-	1	I345/845
	997 347 803 61 A34	Black			
	997 347 803 61 B24	Stone grey			
	997 347 803 61 T24	Sand Beige			
	997 347 803 61 E24	Sea blue			
	997 347 803 61 M24	Terracotta			
	997 347 803 61 R24	Cocoa			
	997 347 803 61 D14	Dark grey/natural			
	997 347 803 61 T34	Brown/natural			
	997 347 803 61 N14	Carrera Red			

Model: 997-09 Model life 2009>>2012

Pos	Part Number	Description	Remark	Qty	Model
(15)	997 347 803 A0	Steering wheel Multi-function Carbon	11-	1	I345/845
	997 347 803 A0 A34	Black			
	997 347 803 A0 B24	Stone grey			
	997 347 803 A0 T24	Sand Beige			
	997 347 803 A0 E24	Sea blue			
	997 347 803 A0 M24	Terracotta			
	997 347 803 A0 R24	Cocoa			
	997 347 803 A0 D14	Dark grey/natural			
	997 347 803 A0 T34	Brown/natural			
	997 347 803 A0 N14	Carrera Red			
	997 347 803 A0 6H6	Espresso			
(15)	997 347 803 D8	Steering wheel Multi-function Carbon	11-	1	I345/845
	997 347 803 D8 A34	Black			
	997 347 803 D8 B24	Stone grey			
	997 347 803 D8 T24	Sand Beige			
	997 347 803 D8 E24	Sea blue			
	997 347 803 D8 M24	Terracotta			
	997 347 803 D8 R24	Cocoa			
	997 347 803 D8 D14	Dark grey/natural			
	997 347 803 D8 T34	Brown/natural			
	997 347 803 D8 N14	Carrera Red			
	997 347 803 D8 6H6	Espresso			
(15)	997 347 803 62	Steering wheel Multi-function Macassar	11-	1	I345/847
	997 347 803 62 A34	Black			
	997 347 803 62 B24	Stone grey			
	997 347 803 62 T24	Sand Beige			
	997 347 803 62 E24	Sea blue			
	997 347 803 62 M24	Terracotta			
	997 347 803 62 R24	Cocoa			
	997 347 803 62 D14	Dark grey/natural			
	997 347 803 62 T34	Brown/natural			
	997 347 803 62 N14	Carrera Red			
(15)	997 347 803 A1	Steering wheel Multi-function Macassar	11-	1	I345/847
	997 347 803 A1 A34	Black			
	997 347 803 A1 B24	Stone grey			
	997 347 803 A1 T24	Sand Beige			
	997 347 803 A1 E24	Sea blue			
	997 347 803 A1 M24	Terracotta			
	997 347 803 A1 R24	Cocoa			
	997 347 803 A1 D14	Dark grey/natural			
	997 347 803 A1 T34	Brown/natural			
	997 347 803 A1 N14	Carrera Red			
	997 347 803 A1 6H6	Espresso			
(15)	997 347 803 D9	Steering wheel Multi-function Macassar	11-	1	I345/847
	997 347 803 D9 A34	Black			
	997 347 803 D9 B24	Stone grey			
	997 347 803 D9 T24	Sand Beige			
	997 347 803 D9 E24	Sea blue			
	997 347 803 D9 M24	Terracotta			
	997 347 803 D9 R24	Cocoa			
	997 347 803 D9 D14	Dark grey/natural			
	997 347 803 D9 T34	Brown/natural			
	997 347 803 D9 N14	Carrera Red			

Model: 997-09 Model life 2009>>2012

Pos	Part Number	Description	Remark	Qty	Model
(15)	997 347 803 D9 6H6 997 347 980 11	Espresso Steering wheel Multi-function Aluminium look	11-	1	IXPU/345
	997 347 980 11 A34	Black			
	997 347 980 11 B24	Stone grey			
	997 347 980 11 T24	Sand Beige			
	997 347 980 11 E24	Sea blue			
	997 347 980 11 M24	Terracotta			
	997 347 980 11 R24	Cocoa			
	997 347 980 11 D14	Dark grey/natural			
	997 347 980 11 T34	Brown/natural			
	997 347 980 11 N14	Carrera Red			
(15)	997 347 980 14	Steering wheel Multi-function Aluminium look	11-	1	IXPU/345
	997 347 980 14 A34	Black			
	997 347 980 14 B24	Stone grey			
	997 347 980 14 T24	Sand Beige			
	997 347 980 14 E24	Sea blue			
	997 347 980 14 M24	Terracotta			
	997 347 980 14 R24	Cocoa			
	997 347 980 14 D14	Dark grey/natural			
	997 347 980 14 T34	Brown/natural			
	997 347 980 14 N14	Carrera Red			
(15)	997 347 980 14 6H6 997 347 980 B7	Espresso Steering wheel Multi-function Aluminium look	11-	1	IXPU/345
	997 347 980 B7 A34	Black			
	997 347 980 B7 B24	Stone grey			
	997 347 980 B7 T24	Sand Beige			
	997 347 980 B7 E24	Sea blue			
	997 347 980 B7 M24	Terracotta			
	997 347 980 B7 R24	Cocoa			
	997 347 980 B7 D14	Dark grey/natural			
	997 347 980 B7 T34	Brown/natural			
	997 347 980 B7 N14	Carrera Red			
15	997 347 980 B7 6H6 997 347 803 65	Espresso Steering wheel Plain leather	11-	1	I841 I639/640
	997 347 803 65 A34	Black			
	997 347 803 65 B24	Stone grey			
	997 347 803 65 T24	Sand Beige			
	997 347 803 65 E24	Sea blue			
	997 347 803 65 M24	Terracotta			
	997 347 803 65 R24	Cocoa			
	997 347 803 65 D14	Dark grey/natural			
	997 347 803 65 T34	Brown/natural			
	997 347 803 65 N14	Carrera Red			
15	997 347 803 A4	Steering wheel Plain leather	11-	1	I841 I639/640
(15)	997 347 803 A4 6H6 997 347 803 70	Espresso Steering wheel Plain leather	11-	1	I841 I639/640
	997 347 803 70 A34	Black			I345
	997 347 803 70 B24	Stone grey			
	997 347 803 70 T24	Sand Beige			
	997 347 803 70 E24	Sea blue			
	997 347 803 70 M24	Terracotta			
	997 347 803 70 R24	Cocoa			
	997 347 803 70 D14	Dark grey/natural			
	997 347 803 70 T34	Brown/natural			

Model: 997-09 Model life 2009>>2012

Pos	Part Number	Description	Remark	Qty	Model
(15)	997 347 803 70 N14 997 347 803 A9	Carrera Red Steering wheel Plain leather	11-	1	I841 I639/640 I345
(15)	997 347 803 A9 A34 997 347 803 A9 6H6 997 347 803 66	Black Espresso Steering wheel	11-	1	-I345/I639 I640/844
(15)	997 347 803 66 A34 997 347 803 66 B24 997 347 803 66 T24 997 347 803 66 E24 997 347 803 66 M24 997 347 803 66 R24 997 347 803 66 D14 997 347 803 66 T34 997 347 803 66 N14	Plain leather Multi-function Black Stone grey Sand Beige Sea blue Terracotta Cocoa Dark grey/natural Brown/natural Carrera Red	11-	1	I844 I639/640
(15)	997 347 803 A5 997 347 803 A5 A34 997 347 803 A5 B24 997 347 803 A5 T24 997 347 803 A5 E24 997 347 803 A5 M24 997 347 803 A5 R24 997 347 803 A5 D14 997 347 803 A5 T34 997 347 803 A5 N14 997 347 803 A5 6H6 997 347 803 E3	Steering wheel Plain leather Multi-function Black Stone grey Sand Beige Sea blue Terracotta Cocoa Dark grey/natural Brown/natural Carrera Red Espresso	11-	1	I844 I639/640
(15)	997 347 803 E3 A34 997 347 803 E3 B24 997 347 803 E3 T24 997 347 803 E3 E24 997 347 803 E3 M24 997 347 803 E3 R24 997 347 803 E3 D14 997 347 803 E3 T34 997 347 803 E3 N14 997 347 803 E3 6H6 997 347 803 69 997 347 803 69 A34 997 347 803 69 B24 997 347 803 69 T24 997 347 803 69 E24 997 347 803 69 M24 997 347 803 69 R24 997 347 803 69 D14 997 347 803 69 T34 997 347 803 69 N14	Steering wheel Plain leather Multi-function Black Stone grey Sand Beige Sea blue Terracotta Cocoa Dark grey/natural Brown/natural Carrera Red Espresso Steering wheel Plain leather Multi-function Black Stone grey Sand Beige Sea blue Terracotta Cocoa Dark grey/natural Brown/natural Carrera Red	11-	1	I844 I639/640 I345
(15)	997 347 803 69 997 347 803 69 A34 997 347 803 69 B24 997 347 803 69 T24 997 347 803 69 E24 997 347 803 69 M24 997 347 803 69 R24 997 347 803 69 D14 997 347 803 69 T34 997 347 803 69 N14	Steering wheel Plain leather Multi-function Black Stone grey Sand Beige Sea blue Terracotta Cocoa Dark grey/natural Brown/natural Carrera Red	11-	1	I844 I639/640 I345
(15)	997 347 803 A8 997 347 803 A8 A34 997 347 803 A8 B24 997 347 803 A8 T24 997 347 803 A8 E24	Steering wheel Plain leather Multi-function Black Stone grey Sand Beige Sea blue	11-	1	I844 I639/640 I345

Model: 997-09

Model life 2009>>2012

Pos	Part Number	Description	Remark	Qty	Model
	997 347 803 A8 M24	Terracotta			
	997 347 803 A8 R24	Cocoa			
	997 347 803 A8 D14	Dark grey/natural			
	997 347 803 A8 T34	Brown/natural			
	997 347 803 A8 N14	Carrera Red			
	997 347 803 A8 6H6	Espresso			
(15)	997 347 803 E6	Steering wheel Plain leather Multi-function	11-	1	I844 I639/640 I345
	997 347 803 E6 A34	Black			
	997 347 803 E6 B24	Stone grey			
	997 347 803 E6 T24	Sand Beige			
	997 347 803 E6 E24	Sea blue			
	997 347 803 E6 M24	Terracotta			
	997 347 803 E6 R24	Cocoa			
	997 347 803 E6 D14	Dark grey/natural			
	997 347 803 E6 T34	Brown/natural			
	997 347 803 E6 N14	Carrera Red			
	997 347 803 E6 6H6	Espresso			
(15)	997 347 803 67	Steering wheel Multi-function Carbon	11-	1	I845 I639/640 I345
	997 347 803 67 A34	Black			
	997 347 803 67 B24	Stone grey			
	997 347 803 67 T24	Sand Beige			
	997 347 803 67 E24	Sea blue			
	997 347 803 67 M24	Terracotta			
	997 347 803 67 R24	Cocoa			
	997 347 803 67 D14	Dark grey/natural			
	997 347 803 67 T34	Brown/natural			
	997 347 803 67 N14	Carrera Red			
(15)	997 347 803 A6	Steering wheel Multi-function Carbon	11-	1	I845 I639/640 I345
	997 347 803 A6 A34	Black			
	997 347 803 A6 B24	Stone grey			
	997 347 803 A6 T24	Sand Beige			
	997 347 803 A6 E24	Sea blue			
	997 347 803 A6 M24	Terracotta			
	997 347 803 A6 R24	Cocoa			
	997 347 803 A6 D14	Dark grey/natural			
	997 347 803 A6 T34	Brown/natural			
	997 347 803 A6 N14	Carrera Red			
	997 347 803 A6 6H6	Espresso			
(15)	997 347 803 E4	Steering wheel Multi-function Carbon	11-	1	I845 I639/640 I345
	997 347 803 E4 A34	Black			
	997 347 803 E4 B24	Stone grey			
	997 347 803 E4 T24	Sand Beige			
	997 347 803 E4 E24	Sea blue			
	997 347 803 E4 M24	Terracotta			
	997 347 803 E4 R24	Cocoa			
	997 347 803 E4 D14	Dark grey/natural			
	997 347 803 E4 T34	Brown/natural			
	997 347 803 E4 N14	Carrera Red			
	997 347 803 E4 6H6	Espresso			
(15)	997 347 803 68	Steering wheel Multi-function Macassar	11-	1	I847 I639/640 I345
	997 347 803 68 A34	Black			
	997 347 803 68 B24	Stone grey			
	997 347 803 68 T24	Sand Beige			

Model: 997-09 Model life 2009>>2012

Pos	Part Number	Description	Remark	Qty	Model
	997 347 803 68 E24	Sea blue			
	997 347 803 68 M24	Terracotta			
	997 347 803 68 R24	Cocoa			
	997 347 803 68 D14	Dark grey/natural			
	997 347 803 68 T34	Brown/natural			
	997 347 803 68 N14	Carrera Red			
(15)	997 347 803 A7	Steering wheel Multi-function Macassar	11-	1	I847 I639/640 I345
	997 347 803 A7 A34	Black			
	997 347 803 A7 B24	Stone grey			
	997 347 803 A7 T24	Sand Beige			
	997 347 803 A7 E24	Sea blue			
	997 347 803 A7 M24	Terracotta			
	997 347 803 A7 R24	Cocoa			
	997 347 803 A7 D14	Dark grey/natural			
	997 347 803 A7 T34	Brown/natural			
	997 347 803 A7 N14	Carrera Red			
	997 347 803 A7 6H6	Espresso			
(15)	997 347 803 E5	Steering wheel Multi-function Macassar	11-	1	I847 I639/640 I345
	997 347 803 E5 A34	Black			
	997 347 803 E5 B24	Stone grey			
	997 347 803 E5 T24	Sand Beige			
	997 347 803 E5 E24	Sea blue			
	997 347 803 E5 M24	Terracotta			
	997 347 803 E5 R24	Cocoa			
	997 347 803 E5 D14	Dark grey/natural			
	997 347 803 E5 T34	Brown/natural			
	997 347 803 E5 N14	Carrera Red			
	997 347 803 E5 6H6	Espresso			
(15)	997 347 980 10	Steering wheel Multi-function Aluminium look	11-	1	IXPU I639/640 I345
	997 347 980 10 A34	Black			
	997 347 980 10 B24	Stone grey			
	997 347 980 10 T24	Sand Beige			
	997 347 980 10 E24	Sea blue			
	997 347 980 10 M24	Terracotta			
	997 347 980 10 R24	Cocoa			
	997 347 980 10 D14	Dark grey/natural			
	997 347 980 10 T34	Brown/natural			
	997 347 980 10 N14	Carrera Red			
(15)	997 347 980 13	Steering wheel Multi-function Aluminium look	11-	1	IXPU I639/640 I345
	997 347 980 13 A34	Black			
	997 347 980 13 B24	Stone grey			
	997 347 980 13 T24	Sand Beige			
	997 347 980 13 E24	Sea blue			
	997 347 980 13 M24	Terracotta			
	997 347 980 13 R24	Cocoa			
	997 347 980 13 D14	Dark grey/natural			
	997 347 980 13 T34	Brown/natural			
	997 347 980 13 N14	Carrera Red			
	997 347 980 13 6H6	Espresso			
(15)	997 347 980 B6	Steering wheel Multi-function Aluminium look	11-	1	IXPU I639/640 I345
	997 347 980 B6 A34	Black			
	997 347 980 B6 B24	Stone grey			
	997 347 980 B6 T24	Sand Beige			

Model: 997-09 Model life 2009>>2012

Pos	Part Number	Description	Remark	Qty	Model
	997 347 980 B6 E24	Sea blue			
	997 347 980 B6 M24	Terracotta			
	997 347 980 B6 R24	Cocoa			
	997 347 980 B6 D14	Dark grey/natural			
	997 347 980 B6 T34	Brown/natural			
	997 347 980 B6 N14	Carrera Red			
	997 347 980 B6 6H6	Espresso			
15	997 347 803 80	Steering wheel Paddle	11-	1	I840
	997 347 803 80 A34	Black			
	997 347 803 80 B24	Stone grey			
	997 347 803 80 T24	Sand Beige			
	997 347 803 80 E24	Sea blue			
	997 347 803 80 M24	Terracotta			
	997 347 803 80 R24	Cocoa			
	997 347 803 80 D14	Dark grey/natural			
	997 347 803 80 T34	Brown/natural			
	997 347 803 80 N14	Carrera Red			
15	997 347 803 91	Steering wheel Shifting paddle	11-	1	I840
	997 347 803 91 A34	Black			
	997 347 803 91 B24	Stone grey			
	997 347 803 91 T24	Sand Beige			
	997 347 803 91 E24	Sea blue			
	997 347 803 91 M24	Terracotta			
	997 347 803 91 R24	Cocoa			
	997 347 803 91 D14	Dark grey/natural			
	997 347 803 91 T34	Brown/natural			
	997 347 803 91 N14	Carrera Red			
	997 347 803 91 6H6	Espresso			
(15)	997 347 803 B7	Steering wheel Shifting paddle	11-	1	I840
	997 347 803 B7 A34	Black			
	997 347 803 B7 B24	Stone grey			
	997 347 803 B7 T24	Sand Beige			
	997 347 803 B7 E24	Sea blue			
	997 347 803 B7 M24	Terracotta			
	997 347 803 B7 R24	Cocoa			
	997 347 803 B7 D14	Dark grey/natural			
	997 347 803 B7 T34	Brown/natural			
	997 347 803 B7 N14	Carrera Red			
	997 347 803 B7 6H6	Espresso			
15	997 347 803 G0	Steering wheel Shifting paddle	11-	1	I840
	997 347 803 G0 A34	Black			
	997 347 803 G0 B24	Stone grey			
	997 347 803 G0 T24	Sand Beige			
	997 347 803 G0 E24	Sea blue			
	997 347 803 G0 M24	Terracotta			
	997 347 803 G0 R24	Cocoa			
	997 347 803 G0 D14	Dark grey/natural			
	997 347 803 G0 T34	Brown/natural			
	997 347 803 G0 N14	Carrera Red			
	997 347 803 G0 6H6	Espresso			
(15)	997 347 803 81	Steering wheel Shifting paddle	11-	1	I639/840 I639/640
	997 347 803 81 A34	Black			
	997 347 803 81 B24	Stone grey			
	997 347 803 81 T24	Sand Beige			
	997 347 803 81 E24	Sea blue			
	997 347 803 81 M24	Terracotta			
	997 347 803 81 R24	Cocoa			
	997 347 803 81 D14	Dark grey/natural			

Model: 997-09 Model life 2009>>2012

Pos	Part Number	Description	Remark	Qty	Model
(15)	997 347 803 81 T34	Brown/natural	11-	1	I639/840 I639/640
	997 347 803 81 N14	Carrera Red			
	997 347 803 92	Steering wheel Shifting paddle			
	997 347 803 92 A34	Black			
	997 347 803 92 B24	Stone grey			
	997 347 803 92 T24	Sand Beige			
	997 347 803 92 E24	Sea blue			
	997 347 803 92 M24	Terracotta			
	997 347 803 92 R24	Cocoa			
	997 347 803 92 D14	Dark grey/natural			
(15)	997 347 803 92 T34	Brown/natural	11-	1	I639/840 I639/640
	997 347 803 92 N14	Carrera Red			
	997 347 803 92 6H6	Espresso			
	997 347 803 B8	Steering wheel Shifting paddle			
	997 347 803 B8 A34	Black			
	997 347 803 B8 B24	Stone grey			
	997 347 803 B8 T24	Sand Beige			
	997 347 803 B8 E24	Sea blue			
	997 347 803 B8 M24	Terracotta			
	997 347 803 B8 R24	Cocoa			
(15)	997 347 803 B8 D14	Dark grey/natural	11-	1	I639/840 I639/640
	997 347 803 B8 T34	Brown/natural			
	997 347 803 B8 N14	Carrera Red			
	997 347 803 B8 6H6	Espresso			
	997 347 803 G1	Steering wheel Shifting paddle			
	997 347 803 G1 A34	Black			
	997 347 803 G1 B24	Stone grey			
	997 347 803 G1 T24	Sand Beige			
	997 347 803 G1 E24	Sea blue			
	997 347 803 G1 M24	Terracotta			
(15)	997 347 803 G1 R24	Cocoa	11-	1	SPEEDSTER I503/639/840 I639/640
	997 347 803 G1 D14	Dark grey/natural			
	997 347 803 G1 T34	Brown/natural			
	997 347 803 G1 N14	Carrera Red			
	997 347 803 G1 6H6	Espresso			
	997 347 803 86	Steering wheel Shifting paddle			
	997 347 803 86 DTB	Black/Carrara White			
	997 347 803 86 DTP	Black/Pure Blue			
	997 347 803 97	Steering wheel Shifting paddle			
	997 347 803 97 DTB	Black/Carrara White			
(15)	997 347 803 97 DTP	Black/Pure Blue	11-	1	SPEEDSTER I503/639/840 I639/640
	997 347 803 C3	Steering wheel			
	997 347 803 C3 DTB	PADDLE Black/Carrara White			
	997 347 803 C3 DTP	Black/Pure Blue			
	997 347 803 83	Sports steering wheel Alcantara			
	997 347 803 83 A15	Black			
	997 347 803 94	Sports steering wheel Alcantara			
	997 347 803 94 A15	Black			
	997 347 803 C0	Shifting paddle Sports steering wheel			
	997 347 803 C0	Sports steering wheel			

Model: 997-09

Model life 2009>>2012

Pos	Part Number	Description	Remark	Qty	Model
(15)	997 347 803 C0 A15 997 347 803 G3	Alcantara Black Shifting paddle Sports steering wheel	11-	1	I250/639/640 I843
(15)	997 347 803 G3 A15 997 347 803 83	Alcantara Black Shifting paddle Sports steering wheel	11-	1	I250/640/843
(15)	997 347 803 83 A15 997 347 803 94	Alcantara Black Shifting paddle Sports steering wheel	11-	1	I011/250/639 I640/843
(15)	997 347 803 94 A15 997 347 803 C0	Alcantara Black Shifting paddle Sports steering wheel	11-	1	I011/250/639 I640/843
(15)	997 347 803 C0 A15 997 347 803 G3	Alcantara Black Shifting paddle Sports steering wheel	11-	1	I011/250/639 I640/843
(15)	997 347 803 G3 A15 997 347 803 82	Alcantara Black Shifting paddle Sports steering wheel	11-	1	-I640/I250 I843
(15)	997 347 803 82 A15 997 347 803 93	Alcantara Black Sports steering wheel	11-	1	-I640/I250 I843
(15)	997 347 803 93 A15 997 347 803 B9	Alcantara Black Sports steering wheel	11-	1	I250/843
(15)	997 347 803 B9 A15 997 347 803 G2	Alcantara Black Sports steering wheel	11-	1	I250/843
(15)	997 347 803 G2 A15 997 347 803 82	Alcantara Black Sports steering wheel	11-	1	CARRERA GTS I011/250/843
(15)	997 347 803 82 A15 997 347 803 93	Alcantara Black Sports steering wheel	11-	1	CARRERA GTS I011/250/843
(15)	997 347 803 93 A15 997 347 803 B9	Alcantara Black Sports steering wheel	11-	1	CARRERA GTS I011/250/843
(15)	997 347 803 B9 A15 997 347 803 G2	Alcantara Black Sports steering wheel	11-	1	CARRERA GTS I011/250/843
16	997 347 803 G2 A15 N 910 207 01	Alcantara Black Screw M 18 X 1,5 X 26		1	
17	997 613 425 00	Tip switch		1	I250/345
17	997 613 425 00 A05 7PP 951 527 7PP 951 527 A05	Black Switch Black		1	I250/345

Model: 997-09 Model life 2009>>2012

Pos	Part Number	Description	Remark	Qty	Model
18	997 613 461 00	Module		1	I250/841
(18)	997 613 461 00 FUP	Volcano grey/galvanosilver			
	997 613 461 00	Module		1	I250/639/640 I841
	997 613 461 00 FUP	Volcano grey/galvanosilver without Display			
(18)	997 613 461 00	Module		1	I250/841
	997 613 461 00 5Q0	Black without Display			
(18)	997 613 461 00	Module		1	I250/639/640 I841
	997 613 461 00 5Q0	Black without Display			
(18)	997 613 465 00	Module		1	I250/844/845 I847
	997 613 465 00 FUQ	Volcano grey/galvanosilver			
(18)	997 613 465 01	Module		1	I250/844/845 I847
	997 613 465 01 FUQ	Multi-function Volcano grey/galvanosilver			
(18)	997 613 465 01	Module		1	I250/844/845 I847
	997 613 465 01 5Q0	Multi-function Black			
(18)	997 613 467 00	Module		1	I250/639/640 I841
	997 613 467 00 FUP	Volcano grey/galvanosilver with Display			
(18)	997 613 467 03	Module		1	I250/639/640 I841
	997 613 467 03 FUP	Volcano grey/galvanosilver with Display			
(18)	997 613 467 03	Module		1	I250/639/640 I841
	997 613 467 03 5Q0	Black with Display			
(18)	997 613 469 00	Module		1	I250/639/640 I844/845/847
	997 613 469 00 FUQ	Volcano grey/galvanosilver Multi-function with Display			
(18)	997 613 469 03	Module		1	I250/639/640 I844/845/847
	997 613 469 03 FUQ	Volcano grey/galvanosilver Multi-function with Display			
(18)	997 613 469 00	Module		1	I250/639/640 I844/845/847
	997 613 469 00 5Q0	Black Multi-function			
(18)	997 613 469 03	Module		1	I250/639/640 I844/845/847
	997 613 469 03 5Q0	Black Multi-function with			

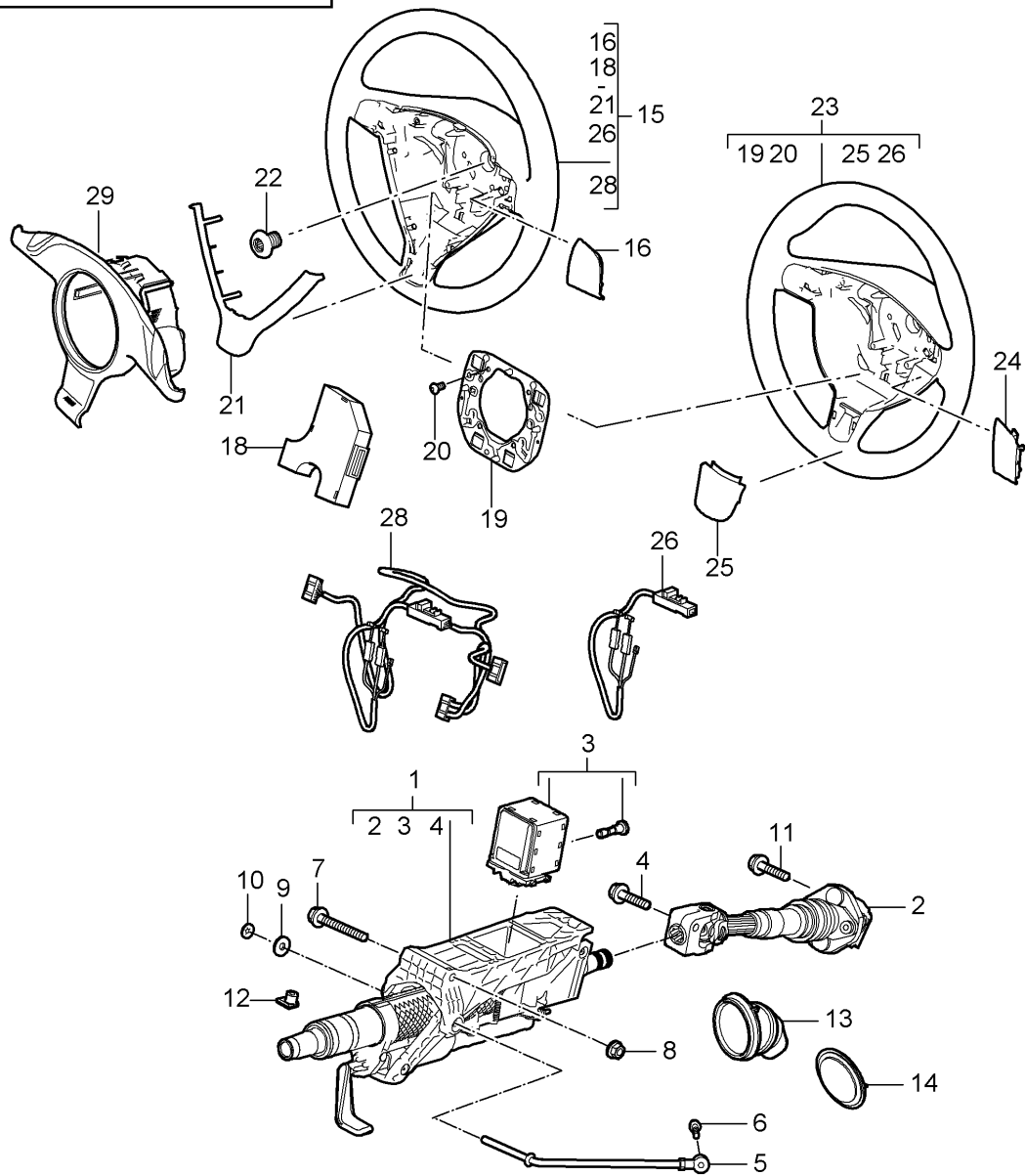
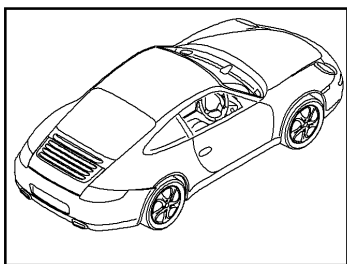
Model: 997-09

Model life 2009>>2012

Pos	Part Number	Description	Remark	Qty	Model
(18)		Display Module paddle See technical manual 48 12 55			I840
-	000 043 207 50	Mixing tube		X	I250
-	000 043 207 48	Adhesive set Steering wheel See technical manual suspension Group 48 12 55		1	I250
-	000 043 209 01	Mixing tube Only together with 000.043.209.00		X	I250
-	000 043 209 00	Adhesive set Steering wheel Only together with 000.043.209.01 See technical manual suspension Group 48 12 55		1	I250

Model: 997-09

Model life 2009>>2012



Model: 997-09 Model life 2009>>2012

Pos	Part Number	Description	Remark	Qty	Model
		Steering outer tube			I480
		Steering shaft			
		Steering wheels			
(1)	997 347 007 10	Steering column		1	
		Complete			
		Steering shaft			
2	997 347 023 04	Intermed. steering shaft		1	
3	997 618 158 04	Control unit		1	
		Steering column			
		with			
		Screw			
4	999 217 042 03	Hexagon-head bolt		1	
		M 8 X 35			
4	999 217 042 04	Hexagon-head bolt		1	
		M 8 X 35			
5	997 347 243 00	Support		1	
6	900 378 173 01	Hexagon-head bolt		1	
		M 6 x 20			
7	900 378 095 01	Hexagon-head bolt		1	
		M 10 X 100			
8	900 380 008 01	Hexagon nut		1	
		M 10			
9	900 151 006 03	Washer		1	
10	999 507 217 07	Clamping washer		1	
11	999 217 042 03	Hexagon-head bolt		1	
		M 8 X 35			
11	999 217 042 04	Hexagon-head bolt		1	
		M 8 X 35			
12	999 920 019 40	Plug-in nut		1	
		3,5 X 2,5 X 9			
13	986 347 037 01	Bellows		1	
		Information available			
14	996 347 339 02	Rubber seal		1	
		Bulkhead			
		Steering wheels	-09		
15	997 347 804 14	Steering wheel	-09	1	I459/480
		Plain leather			
	997 347 804 14 A34	Black			
	997 347 804 14 B24	Stone grey			
	997 347 804 14 T24	Sand Beige			
	997 347 804 14 E24	Sea blue			
	997 347 804 14 M24	Terracotta			
	997 347 804 14 R24	Cocoa			
	997 347 804 14 D14	Dark grey/natural			
	997 347 804 14 T34	Brown/natural			
	997 347 804 14 N14	Carrera Red			
(15)	997 347 804 15	Steering wheel	-09	1	I431/480
		Multi-function			
		Plain leather			
	997 347 804 15 A34	Black			
	997 347 804 15 B24	Stone grey			
	997 347 804 15 T24	Sand Beige			
	997 347 804 15 E24	Sea blue			
	997 347 804 15 M24	Terracotta			
	997 347 804 15 R24	Cocoa			
	997 347 804 15 D14	Dark grey/natural			
	997 347 804 15 T34	Brown/natural			
	997 347 804 15 N14	Carrera Red			
(15)	997 347 804 16	Steering wheel	-09	1	I451/480
		Multi-function			
		Wood			
		Macassar			
	997 347 804 16 A34	Black			

Model: 997-09 Model life 2009>>2012

Pos	Part Number	Description	Remark	Qty	Model
	997 347 804 16 B24	Stone grey			
	997 347 804 16 T24	Sand Beige			
	997 347 804 16 E24	Sea blue			
	997 347 804 16 M24	Terracotta			
	997 347 804 16 R24	Cocoa			
	997 347 804 16 D14	Dark grey/natural			
	997 347 804 16 T34	Brown/natural			
	997 347 804 16 N14	Carrera Red			
(15)	997 347 804 18	Steering wheel Multi-function Wood Carbon	-09	1	I453/480
	997 347 804 18 A34	Black			
	997 347 804 18 B24	Stone grey			
	997 347 804 18 T24	Sand Beige			
	997 347 804 18 E24	Sea blue			
	997 347 804 18 M24	Terracotta			
	997 347 804 18 R24	Cocoa			
	997 347 804 18 D14	Dark grey/natural			
	997 347 804 18 T34	Brown/natural			
	997 347 804 18 N14	Carrera Red			
(15)	997 347 981 00	Steering wheel Multi-function Aluminium look	-09	1	IXPV/480
	997 347 981 00 A34	Black			
	997 347 981 00 B24	Stone grey			
	997 347 981 00 T24	Sand Beige			
	997 347 981 00 E24	Sea blue			
	997 347 981 00 M24	Terracotta			
	997 347 981 00 R24	Cocoa			
	997 347 981 00 D14	Dark grey/natural			
	997 347 981 00 T34	Brown/natural			
	997 347 981 00 N14	Carrera Red			
(15)	997 347 803 51	Steering wheels Steering wheel Leather	10 10-	1	I841
	997 347 803 51 A34	Black			
	997 347 803 51 B24	Stone grey			
	997 347 803 51 T24	Sand Beige			
	997 347 803 51 E24	Sea blue			
	997 347 803 51 R24	Cocoa			
	997 347 803 51 M24	Terracotta			
	997 347 803 51 D14	Dark grey/natural			
	997 347 803 51 T34	Brown/natural			
	997 347 803 51 N14	Carrera Red			
(15)	997 347 803 E8	Steering wheel Leather	10-	1	I841
	997 347 803 E8 A34	Black			
	997 347 803 E8 B24	Stone grey			
	997 347 803 E8 T24	Sand Beige			
	997 347 803 E8 E24	Sea blue			
	997 347 803 E8 R24	Cocoa			
	997 347 803 E8 M24	Terracotta			
	997 347 803 E8 D14	Dark grey/natural			
	997 347 803 E8 T34	Brown/natural			
	997 347 803 E8 N14	Carrera Red			
(15)	997 347 803 57	Steering wheel Leather	10-	1	I345/841
	997 347 803 57 A34	Black			
	997 347 803 57 B24	Stone grey			
	997 347 803 57 T24	Sand Beige			
	997 347 803 57 E24	Sea blue			
	997 347 803 57 R24	Cocoa			

Model: 997-09 Model life 2009>>2012

Pos	Part Number	Description	Remark	Qty	Model
(15)	997 347 803 57 M24	Terracotta	10-	1	I345/841
	997 347 803 57 D14	Dark grey/natural			
	997 347 803 57 T34	Brown/natural			
	997 347 803 57 N14	Carrera Red			
	997 347 803 F2	Steering wheel Leather			
	997 347 803 F2 A34	Black			
	997 347 803 F2 B24	Stone grey			
	997 347 803 F2 T24	Sand Beige			
	997 347 803 F2 E24	Sea blue			
	997 347 803 F2 R24	Cocoa			
(15)	997 347 803 F2 M24	Terracotta	10-	1	I844
	997 347 803 F2 D14	Dark grey/natural			
	997 347 803 F2 T34	Brown/natural			
	997 347 803 F2 N14	Carrera Red			
	997 347 803 52	Steering wheel Leather			
	997 347 803 52 A34	Black			
	997 347 803 52 B24	Stone grey			
	997 347 803 52 T24	Sand Beige			
	997 347 803 52 E24	Sea blue			
	997 347 803 52 R24	Cocoa			
(15)	997 347 803 52 M24	Terracotta	10-	1	I844
	997 347 803 52 D14	Dark grey/natural			
	997 347 803 52 T34	Brown/natural			
	997 347 803 52 N14	Carrera Red			
	997 347 803 E9	Steering wheel Leather			
	997 347 803 E9 A34	Black			
	997 347 803 E9 B24	Stone grey			
	997 347 803 E9 T24	Sand Beige			
	997 347 803 E9 E24	Sea blue			
	997 347 803 E9 R24	Cocoa			
(15)	997 347 803 E9 M24	Terracotta	10-	1	I345/844
	997 347 803 E9 D14	Dark grey/natural			
	997 347 803 E9 T34	Brown/natural			
	997 347 803 E9 N14	Carrera Red			
	997 347 803 58	Steering wheel Leather			
	997 347 803 58 A34	Black			
	997 347 803 58 B24	Stone grey			
	997 347 803 58 T24	Sand Beige			
	997 347 803 58 E24	Sea blue			
	997 347 803 58 R24	Cocoa			
(15)	997 347 803 58 M24	Terracotta	10-	1	I345/844
	997 347 803 58 D14	Dark grey/natural			
	997 347 803 58 T34	Brown/natural			
	997 347 803 58 N14	Carrera Red			
	997 347 803 F3	Steering wheel Leather			
	997 347 803 F3 A34	Black			
	997 347 803 F3 B24	Stone grey			
	997 347 803 F3 T24	Sand Beige			
	997 347 803 F3 E24	Sea blue			
	997 347 803 F3 R24	Cocoa			
(15)	997 347 803 F3 M24	Terracotta	10-	1	I345/845
	997 347 803 F3 D14	Dark grey/natural			
	997 347 803 F3 T34	Brown/natural			
	997 347 803 F3 N14	Carrera Red			
	997 347 803 53	Steering wheel Leather			
	997 347 803 53 A34	Black			
	997 347 803 53 B24	Stone grey			

Model: 997-09 Model life 2009>>2012

Pos	Part Number	Description	Remark	Qty	Model
	997 347 803 53 T24	Sand Beige			
	997 347 803 53 E24	Sea blue			
	997 347 803 53 R24	Cocoa			
	997 347 803 53 M24	Terracotta			
	997 347 803 53 D14	Dark grey/natural			
	997 347 803 53 T34	Brown/natural			
	997 347 803 53 N14	Carrera Red			
(15)	997 347 803 55	Steering wheel Leather	10-	1	I345/847
	997 347 803 55 A34	Black			
	997 347 803 55 B24	Stone grey			
	997 347 803 55 T24	Sand Beige			
	997 347 803 55 E24	Sea blue			
	997 347 803 55 R24	Cocoa			
	997 347 803 55 M24	Terracotta			
	997 347 803 55 D14	Dark grey/natural			
	997 347 803 55 T34	Brown/natural			
	997 347 803 55 N14	Carrera Red			
(15)	997 347 980 08	Steering wheel Leather	10-	1	IXPU/345
	997 347 980 08 A34	Black			
	997 347 980 08 B24	Stone grey			
	997 347 980 08 T24	Sand Beige			
	997 347 980 08 E24	Sea blue			
	997 347 980 08 R24	Cocoa			
	997 347 980 08 M24	Terracotta			
	997 347 980 08 D14	Dark grey/natural			
	997 347 980 08 T34	Brown/natural			
	997 347 980 08 N14	Carrera Red			
(15)	997 347 980 07	Steering wheel Leather		1	I756
	997 347 980 07 6H6	Espresso			
(15)	997 347 803 71	Steering wheels Steering wheel Leather	11- 11-	1	I841
	997 347 803 71 A34	Black			
	997 347 803 71 B24	Stone grey			
	997 347 803 71 T24	Sand Beige			
	997 347 803 71 E24	Sea blue			
	997 347 803 71 R24	Cocoa			
	997 347 803 71 M24	Terracotta			
	997 347 803 71 D14	Dark grey/natural			
	997 347 803 71 T34	Brown/natural			
	997 347 803 71 N14	Carrera Red			
(15)	997 347 803 B0	Steering wheel Leather	11-	1	I841
	997 347 803 B0 A34	Black			
	997 347 803 B0 B24	Stone grey			
	997 347 803 B0 T24	Sand Beige			
	997 347 803 B0 E24	Sea blue			
	997 347 803 B0 R24	Cocoa			
	997 347 803 B0 M24	Terracotta			
	997 347 803 B0 D14	Dark grey/natural			
	997 347 803 B0 T34	Brown/natural			
	997 347 803 B0 N14	Carrera Red			
(15)	997 347 803 B0 6H6	Espresso			
(15)	997 347 803 F4	Steering wheel Leather	11-	1	I841
	997 347 803 F4 A34	Black			
	997 347 803 F4 B24	Stone grey			
	997 347 803 F4 T24	Sand Beige			
	997 347 803 F4 E24	Sea blue			
	997 347 803 F4 R24	Cocoa			

Model: 997-09 Model life 2009>>2012

Pos	Part Number	Description	Remark	Qty	Model
	997 347 803 F4 M24	Terracotta			
	997 347 803 F4 D14	Dark grey/natural			
	997 347 803 F4 T34	Brown/natural			
	997 347 803 F4 N14	Carrera Red			
	997 347 803 F4 6H6	Espresso			
(15)	997 347 803 76	Steering wheel Leather	11-	1	I345/841
	997 347 803 76 A34	Black			
	997 347 803 76 B24	Stone grey			
	997 347 803 76 T24	Sand Beige			
	997 347 803 76 E24	Sea blue			
	997 347 803 76 R24	Cocoa			
	997 347 803 76 M24	Terracotta			
	997 347 803 76 D14	Dark grey/natural			
	997 347 803 76 T34	Brown/natural			
	997 347 803 76 N14	Carrera Red			
(15)	997 347 803 B5	Steering wheel Leather	11-	1	I345/841
	997 347 803 B5 A34	Black			
	997 347 803 B5 B24	Stone grey			
	997 347 803 B5 T24	Sand Beige			
	997 347 803 B5 E24	Sea blue			
	997 347 803 B5 R24	Cocoa			
	997 347 803 B5 M24	Terracotta			
	997 347 803 B5 D14	Dark grey/natural			
	997 347 803 B5 T34	Brown/natural			
	997 347 803 B5 N14	Carrera Red			
	997 347 803 B5 6H6	Espresso			
(15)	997 347 803 F8	Steering wheel Leather	11-	1	I345/841
	997 347 803 F8 A34	Black			
	997 347 803 F8 B24	Stone grey			
	997 347 803 F8 T24	Sand Beige			
	997 347 803 F8 E24	Sea blue			
	997 347 803 F8 R24	Cocoa			
	997 347 803 F8 M24	Terracotta			
	997 347 803 F8 D14	Dark grey/natural			
	997 347 803 F8 T34	Brown/natural			
	997 347 803 F8 N14	Carrera Red			
	997 347 803 F8 6H6	Espresso			
(15)	997 347 803 72	Steering wheel Leather	11-	1	I844
	997 347 803 72 A34	Black			
	997 347 803 72 B24	Stone grey			
	997 347 803 72 T24	Sand Beige			
	997 347 803 72 E24	Sea blue			
	997 347 803 72 R24	Cocoa			
	997 347 803 72 M24	Terracotta			
	997 347 803 72 D14	Dark grey/natural			
	997 347 803 72 T34	Brown/natural			
	997 347 803 72 N14	Carrera Red			
(15)	997 347 803 77	Steering wheel Leather	11-	1	I345/844
	997 347 803 77 A34	Black			
	997 347 803 77 B24	Stone grey			
	997 347 803 77 T24	Sand Beige			
	997 347 803 77 E24	Sea blue			
	997 347 803 77 R24	Cocoa			
	997 347 803 77 M24	Terracotta			
	997 347 803 77 D14	Dark grey/natural			
	997 347 803 77 T34	Brown/natural			
	997 347 803 77 N14	Carrera Red			
(15)	997 347 803 73	Steering wheel	11-	1	I345/845

Model: 997-09

Model life 2009>>2012

Pos	Part Number	Description	Remark	Qty	Model
		Leather			
	997 347 803 73 A34	Black			
	997 347 803 73 B24	Stone grey			
	997 347 803 73 T24	Sand Beige			
	997 347 803 73 E24	Sea blue			
	997 347 803 73 R24	Cocoa			
	997 347 803 73 M24	Terracotta			
	997 347 803 73 D14	Dark grey/natural			
	997 347 803 73 T34	Brown/natural			
	997 347 803 73 N14	Carrera Red			
(15)	997 347 803 75	Steering wheel	11-	1	I345/847
		Leather			
	997 347 803 75 A34	Black			
	997 347 803 75 B24	Stone grey			
	997 347 803 75 T24	Sand Beige			
	997 347 803 75 E24	Sea blue			
	997 347 803 75 R24	Cocoa			
	997 347 803 75 M24	Terracotta			
	997 347 803 75 D14	Dark grey/natural			
	997 347 803 75 T34	Brown/natural			
	997 347 803 75 N14	Carrera Red			
(15)	997 347 803 85	Sports steering wheel	11-	1	I843
		Alcantara			
	997 347 803 85 A15	Black			
(15)	997 347 803 C2	Sports steering wheel	11-	1	I843
		Alcantara			
	997 347 803 C2 A15	Black			
(15)	997 347 803 G5	Sports steering wheel	11-	1	I843
		Alcantara			
	997 347 803 G5 A15	Black			
(15)	997 347 803 85	Sports steering wheel		1	CARRERA GTS I011/843
		Alcantara			
	997 347 803 85 A15	Black			
(15)	997 347 803 C2	Sports steering wheel		1	CARRERA GTS I011/843
		Alcantara			
	997 347 803 C2 A15	Black			
(15)	997 347 803 G5	Sports steering wheel		1	CARRERA GTS I011/843
		Alcantara			
	997 347 803 G5 A15	Black			
(15)	997 347 803 84	Sports steering wheel		1	CARRERA GTS I011/840
		Alcantara			
	997 347 803 84 A34	Black			
	997 347 803 84 B24	Stone grey			
	997 347 803 84 E24	Sea blue			
(15)	997 347 803 95	Steering wheel		1	CARRERA GTS I011
		Alcantara			
	997 347 803 95 A34	Black			
	997 347 803 95 B24	Stone grey			
	997 347 803 95 E24	Sea blue			
	997 347 803 95 6H6	Espresso			
(15)	997 347 803 C1	Steering wheel		1	CARRERA GTS I011
		Alcantara			
	997 347 803 C1 A34	Black			
	997 347 803 C1 B24	Stone grey			
	997 347 803 C1 E24	Sea blue			
	997 347 803 C1 6H6	Espresso			
(15)	997 347 803 G4	Steering wheel		1	CARRERA GTS I011
		Alcantara			
	997 347 803 G4 A34	Black			
	997 347 803 G4 B24	Stone grey			

Model: 997-09 Model life 2009>>2012

Pos	Part Number	Description	Remark	Qty	Model
(15)	997 347 803 G4 E24	Sea blue			
	997 347 803 G4 6H6	Espresso			
(15)	997 347 803 84	Sports steering wheel Leather		1	I013
	997 347 803 84 A34	Black			
(15)	997 347 803 95	Steering wheel Leather		1	I013
	997 347 803 95 A34	Black			
(15)	997 347 803 C1	Steering wheel Leather		1	I013
	997 347 803 C1 A34	Black			
(15)	997 347 803 G4	Steering wheel Leather		1	I013
	997 347 803 G4 A34	Black			
(15)	997 347 980 12	Steering wheel Leather	11-	1	IXPU/345
	997 347 980 12 A34	Black			
	997 347 980 12 B24	Stone grey			
	997 347 980 12 T24	Sand Beige			
	997 347 980 12 E24	Sea blue			
	997 347 980 12 R24	Cocoa			
	997 347 980 12 M24	Terracotta			
	997 347 980 12 D14	Dark grey/natural			
	997 347 980 12 T34	Brown/natural			
	997 347 980 12 N14	Carrera Red			
	997 347 980 B3	Steering wheel Leather	11-	1	IXPU/345
	997 347 980 B3 A34	Black			
	997 347 980 B3 B24	Stone grey			
	997 347 980 B3 T24	Sand Beige			
(15)	997 347 980 B3 E24	Sea blue			
	997 347 980 B3 R24	Cocoa			
	997 347 980 B3 M24	Terracotta			
	997 347 980 B3 D14	Dark grey/natural			
	997 347 980 B3 T34	Brown/natural			
	997 347 980 B3 N14	Carrera Red			
	997 347 980 B3 6H6	Espresso			
	997 347 980 C0	Steering wheel Leather	11-	1	IXPU/345
	997 347 980 C0 A34	Black			
	997 347 980 C0 B24	Stone grey			
	997 347 980 C0 T24	Sand Beige			
	997 347 980 C0 E24	Sea blue			
	997 347 980 C0 R24	Cocoa			
	997 347 980 C0 M24	Terracotta			
997 347 980 C0 D14	Dark grey/natural				
(15)	997 347 980 C0 T34	Brown/natural			
	997 347 980 C0 N14	Carrera Red			
	997 347 980 C0 6H6	Espresso			
	997 347 803 95	Steering wheel Leather	12-	1	I480/840
	997 347 803 95 A34	Black			
	997 347 803 95 B24	Stone grey			
	997 347 803 95 T24	Sand Beige			
	997 347 803 95 E24	Sea blue			
	997 347 803 95 R24	Cocoa			
	997 347 803 95 M24	Terracotta			
	997 347 803 95 D14	Dark grey/natural			
	997 347 803 95 T34	Brown/natural			
	997 347 803 95 N14	Carrera Red			
	997 347 803 C1	Steering wheel Leather	12-	1	I480/840
997 347 803 C1 A34	Black				

Model: 997-09 Model life 2009>>2012

Pos	Part Number	Description	Remark	Qty	Model
	997 347 803 C1 B24	Stone grey			
	997 347 803 C1 T24	Sand Beige			
	997 347 803 C1 E24	Sea blue			
	997 347 803 C1 R24	Cocoa			
	997 347 803 C1 M24	Terracotta			
	997 347 803 C1 D14	Dark grey/natural			
	997 347 803 C1 T34	Brown/natural			
	997 347 803 C1 N14	Carrera Red			
(15)	997 347 803 G4	Steering wheel Leather	12-	1	I480/840
	997 347 803 G4 A34	Black			
	997 347 803 G4 B24	Stone grey			
	997 347 803 G4 T24	Sand Beige			
	997 347 803 G4 E24	Sea blue			
	997 347 803 G4 R24	Cocoa			
	997 347 803 G4 M24	Terracotta			
	997 347 803 G4 D14	Dark grey/natural			
	997 347 803 G4 T34	Brown/natural			
	997 347 803 G4 N14	Carrera Red			
16	997 347 837 00	Cover	/L -09	1	I480
	997 347 837 00 V04	Galvano silver			
(16)	997 347 838 00	Cover	/R -09	1	I480
	997 347 838 00 V04	Galvano silver			
(16)	997 347 837 40	Cover	/L -09	1	I460/480
	997 347 837 40 V04	Galvano silver			
(16)	997 347 838 40	Cover	/R -09	1	I460/480
	997 347 838 40 V04	Galvano silver			
(16)	997 613 433 03	Switching module Multi-function Manual transmission	/L -09	1	I480
	997 613 433 03 V04	Galvano silver			
(16)	997 613 434 03	Switching module Multi-function Manual transmission	/R -09	1	I480
	997 613 434 03 V04	Galvano silver			
17	999 073 318 09	Half-round screw M 4 X 10	-09	2	
18	997 613 445 03	Electronic unit Multi-function	-09	1	I431/451 I453
19	997 347 880 00	Retaining frame	-09	1	
20	999 141 022 09	Round head screw M 5 X 12,5	-09	4	
21	997 347 821 00	Cover	-09	1	
	997 347 821 00 D07	Volcano grey			
22	N 910 207 01	Screw M 18 X 1,5 X 26		1	
23	997 347 804 42	Sports steering wheel Plain leather	-09	1	I460/480
	997 347 804 42 A34	Black			
	997 347 804 42 B24	Stone grey			
	997 347 804 42 T24	Sand Beige			
	997 347 804 42 E24	Sea blue			
	997 347 804 42 M24	Terracotta			
	997 347 804 42 R24	Cocoa			
	997 347 804 42 D14	Dark grey/natural			
	997 347 804 42 T34	Brown/natural			
	997 347 804 42 N14	Carrera Red			
(23)	997 347 980 00	Sports steering wheel Leather	-09	1	IXPA/480
	997 347 980 00 A34	Black			
	997 347 980 00 B24	Stone grey			
	997 347 980 00 D14	Dark grey/natural			
	997 347 980 00 E24	Sea blue			

Model: 997-09 Model life 2009>>2012

Pos	Part Number	Description	Remark	Qty	Model
	997 347 980 00 M24	Terracotta			
	997 347 980 00 R24	Cocoa			
	997 347 980 00 T24	Sand Beige			
	997 347 980 00 T34	Brown/natural			
	997 347 980 00 N14	Carrera Red			
24	997 347 837 40	Cover	/L -09	1	I480
	997 347 837 40 V04	Galvano silver			
(24)	997 347 838 40	Cover	/R -09	1	I480
	997 347 838 40 V04	Galvano silver			
25	997 347 821 40	Cover	-09	1	
	997 347 821 40 V04	Galvano silver			
26	997 612 672 00	Wiring harness	-09	1	I480
26	997 612 672 02	Wiring harness	-09	1	I480
28	997 612 673 02	Wiring harness	-09	1	I431/480
				1	I451/480
				1	I453/480
29	997 613 463 01	Module		1	I480/844/845 I847
	997 613 463 01 FUR	Volcano Grey/Black Mat Multi-function			
(29)	997 613 463 03	Module	-10	1	I480/844/845 I847
	997 613 463 03 FUR	Volcano Grey/Black Mat Multi-function			
(29)	997 613 463 01	Module	11-	1	I480/844/845 I847
	997 613 463 01 5Q0	Black Multi-function			
(29)	997 613 463 03	Module	11-	1	I480/844/845 I847
	997 613 463 03 5Q0	Black Multi-function			
29	997 613 459 00	Module		1	-I844/-I845 -I847/I480
	997 613 459 00 D07	Volcano grey			
29	997 613 459 03	Module	-10	1	-I844/-I845 -I847/I480
	997 613 459 03 D07	Volcano grey			
29	997 613 459 00	Module	10	1	I480/756
	997 613 459 00 3T0	Espresso			
(29)	997 613 459 03	Module	10	1	I480/756
	997 613 459 03 3T0	Espresso			
(29)	997 613 459 00	Module	11-	1	-I844/-I845 -I847/I480
	997 613 459 00 5Q0	Black			
(29)	997 613 459 03	Module	11-	1	-I844/-I845 -I847/I480
	997 613 459 03 5Q0	Black			
-	000 043 207 50	Mixing tube	10-	X	
-	000 043 207 48	Adhesive set Steering wheel See technical manual suspension Group 48 12 55	10-	1	
-	000 043 209 01	Mixing tube Only together with 000.043.209.00		X	
-	000 043 209 00	Adhesive set Steering wheel Only together with 000.043.209.01 See technical manual		1	

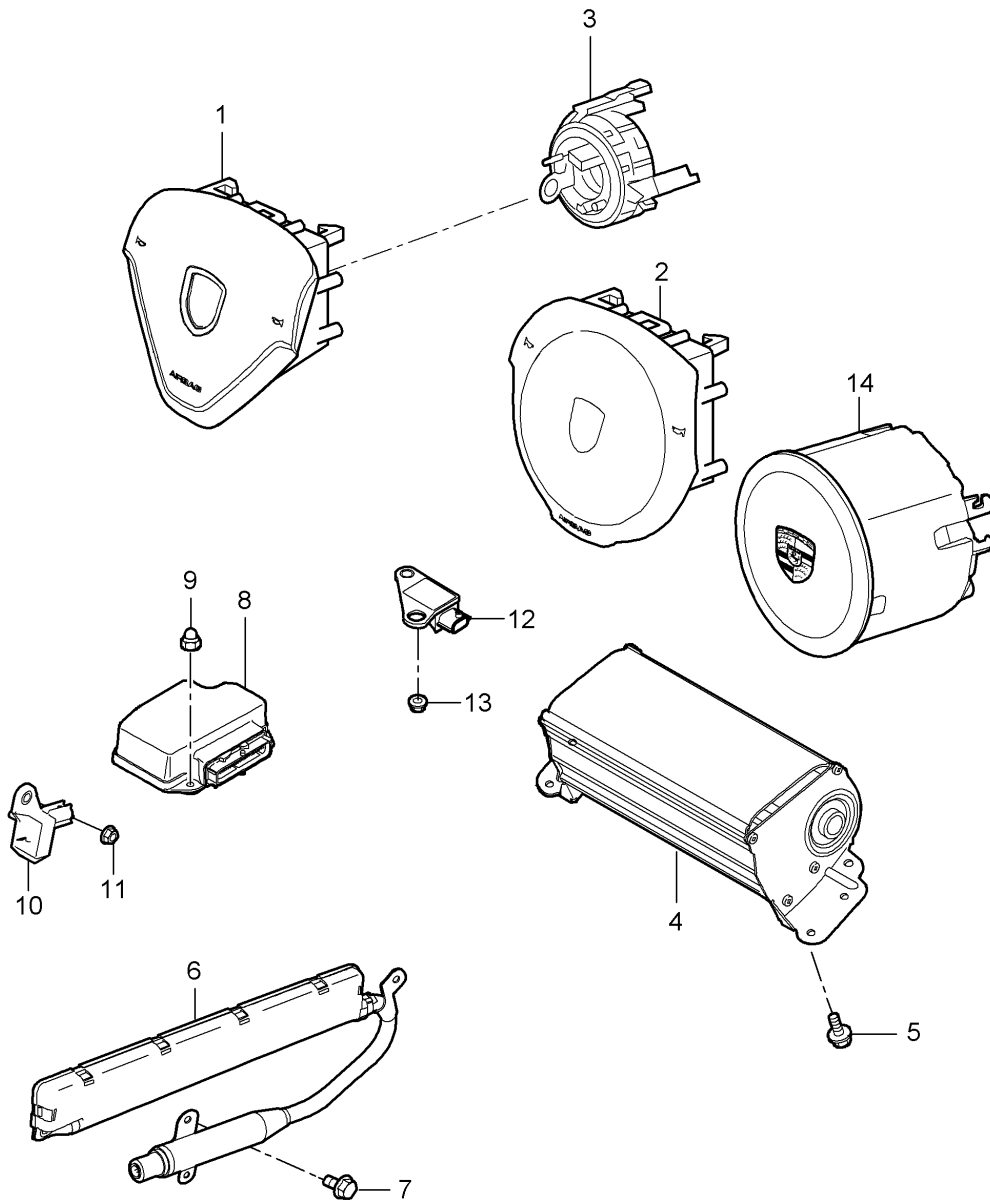
Model: 997-09

Model life 2009>>2012

Pos	Part Number	Description	Remark	Qty	Model
		suspension Group 48 12 55			

Model: 997-09

Model life 2009>>2012



Model: 997-09 Model life 2009>>2012

Pos	Part Number	Description	Remark	Qty	Model
1	997 803 089 13	Airbag Airbag unit Plastic material		1	I431/451 I453/459
	997 803 089 13 A32	Black			
	997 803 089 13 B22	Stone grey			
	997 803 089 13 T22	Sand Beige			
	997 803 089 13 E22	Sea blue			
1	997 803 089 19	Airbag unit Plastic material		1	I431/451 I453/459
	997 803 089 19 A32	Black			
	997 803 089 19 B22	Stone grey			
	997 803 089 19 T22	Sand Beige			
	997 803 089 19 E22	Sea blue			
1	997 803 089 25	Airbag unit Plastic material		1	I431/451 I453/459
	997 803 089 25 A32	Black			
	997 803 089 25 B22	Stone grey			
	997 803 089 25 T22	Sand Beige			
	997 803 089 25 E22	Sea blue			
(1)	997 803 089 14	Airbag unit Leather		1	I431/991 I459/991
	997 803 089 14 A34	Black			
	997 803 089 14 B24	Stone grey			
	997 803 089 14 T24	Sand Beige			
	997 803 089 14 E24	Sea blue			
	997 803 089 14 M24	Terracotta			
	997 803 089 14 R24	Cocoa			
	997 803 089 14 D14	Dark grey/natural			
	997 803 089 14 T34	Brown/natural			
	997 803 089 14 N14	Carrera Red			
(1)	997 803 089 20	Airbag unit Leather		1	I431/991 I459/991
	997 803 089 20 D14	Dark grey/natural			
	997 803 089 20 T34	Brown/natural			
(1)	997 803 089 15	Airbag unit		1	IXPV/991
				1	I451/991
				1	I453/991
	997 803 089 15 A34	Black			
	997 803 089 15 B24	Stone grey			
	997 803 089 15 T24	Sand Beige			
	997 803 089 15 E24	Sea blue			
	997 803 089 15 M24	Terracotta			
	997 803 089 15 R24	Cocoa			
	997 803 089 15 D14	Dark grey/natural			
	997 803 089 15 T34	Brown/natural			
	997 803 089 15 N14	Carrera Red			
2	997 803 089 16	Airbag unit Sports steering wheel Plastic material		1	I460
	997 803 089 16 A32	Black			
	997 803 089 16 B22	Stone grey			
	997 803 089 16 T22	Sand Beige			
	997 803 089 16 E22	Sea blue			
2	997 803 089 21	Airbag unit Sports steering wheel Plastic material		1	I460
	997 803 089 21 A32	Black			
	997 803 089 21 B22	Stone grey			
	997 803 089 21 T22	Sand Beige			
	997 803 089 21 E22	Sea blue			
(2)	997 803 089 22	Airbag unit Sports steering wheel Leather		1	I460

Model: 997-09 Model life 2009>>2012

Pos	Part Number	Description	Remark	Qty	Model			
(2)	997 803 089 22 A34	Black		1	I460			
	997 803 089 22 B24	Stone grey						
	997 803 089 22 T24	Sand Beige						
	997 803 089 22 E24	Sea blue						
	997 803 089 27	Airbag unit Sports steering wheel Leather						
(2)	997 803 089 27 A34	Black		1	I460/991			
	997 803 089 27 B24	Stone grey						
	997 803 089 27 T24	Sand Beige						
	997 803 089 27 E24	Sea blue						
	997 803 089 17	Airbag unit Sports steering wheel Leather						
	997 803 089 17 A34	Black						
	997 803 089 17 B24	Stone grey						
	997 803 089 17 T24	Sand Beige						
	997 803 089 17 E24	Sea blue						
	997 803 089 17 M24	Terracotta						
	997 803 089 17 R24	Cocoa						
	997 803 089 17 D14	Dark grey/natural						
	997 803 089 17 T34	Brown/natural						
997 803 089 17 N14	Carrera Red							
(2)	997 803 089 22	Airbag unit Sports steering wheel Leather		1	I460/991			
	997 803 089 22 A34	Black						
	997 803 089 22 B24	Stone grey						
	997 803 089 22 T24	Sand Beige						
	997 803 089 22 E24	Sea blue						
	997 803 089 22 M24	Terracotta						
	997 803 089 22 R24	Cocoa						
	997 803 089 22 D14	Dark grey/natural						
	997 803 089 22 T34	Brown/natural						
	997 803 089 22 N14	Carrera Red						
	997 803 089 27	Airbag unit Sports steering wheel Leather						
	997 803 089 27 A34	Black						
	997 803 089 27 B24	Stone grey						
997 803 089 27 T24	Sand Beige							
997 803 089 27 E24	Sea blue							
997 803 089 27 M24	Terracotta							
997 803 089 27 R24	Cocoa							
997 803 089 27 D14	Dark grey/natural							
997 803 089 27 T34	Brown/natural							
997 803 089 27 N14	Carrera Red							
(2)	997 803 089 18	Airbag unit Sports steering wheel Leather		1	IXPA/991			
	997 803 089 18 A34	Black						
	997 803 089 18 B24	Stone grey						
	997 803 089 18 T24	Sand Beige						
	997 803 089 18 E24	Sea blue						
	997 803 089 18 M24	Terracotta						
	997 803 089 18 R24	Cocoa						
	997 803 089 18 D14	Dark grey/natural						
	997 803 089 18 T34	Brown/natural						
	997 803 089 18 N14	Carrera Red						
	3	955 652 211 11	Spring with Steering-angle sensor				1	
	(3)	955 652 211 21	Spring				1	I345

Model: 997-09 Model life 2009>>2012

Pos	Part Number	Description	Remark	Qty	Model
4	997 803 071 08	with Steering-angle sensor Airbag unit		1	
5	900 378 222 01	Passenger's side Hexagon-head bolt		4	
6	997 803 091 03	M 6 X 16 Side airbag	/L	1	
(6)	997 803 092 03	for Head airbag Side airbag	/R	1	
7	900 378 035 01	for Head airbag Hexagon-head bolt		6	
8	997 618 217 08	M 6 X 16 Control unit		1	COUPE TARGA CABRIO
(8)	997 618 219 09	Control unit		1	
9	999 070 015 02	Cap nut		3	
10	997 618 221 01	M 6 Sensor		2	
11	999 084 638 01	Side airbag Hexagon nut		8	
12	997 618 223 01	M 6 Acceleration sensor		2	
13	999 084 638 01	Airbag Front Hexagon nut		2	
14	997 803 089 11	m 6 SB Airbag unit		1	
(14)	997 803 089 11 A03	Black			
	997 803 089 11 5V7	Stone grey			
	997 803 089 11 5Z1	Sand Beige			
	997 803 089 11 8W7	Sea blue			
(14)	997 803 089 23	Airbag unit		1	
	997 803 089 23 A03	Black			
	997 803 089 23 5V7	Stone grey			
	997 803 089 23 5Z1	Sand Beige			
	997 803 089 23 8W7	Sea blue			
(14)	997 803 089 12	Airbag unit		1	I991
		Leather			
	997 803 089 12 A34	Black			
	997 803 089 12 B24	Stone grey			
	997 803 089 12 T24	Sand Beige			
	997 803 089 12 E24	Sea blue			
	997 803 089 12 M24	Terracotta			
	997 803 089 12 R24	Cocoa			
	997 803 089 12 D14	Dark grey/natural			
	997 803 089 12 T34	Brown/natural			
	997 803 089 12 N14	Carrera Red			
(14)	997 803 089 24	Airbag unit		1	I991
		Leather			
	997 803 089 24 A34	Black			
	997 803 089 24 B24	Stone grey			
	997 803 089 24 T24	Sand Beige			
	997 803 089 24 E24	Sea blue			
	997 803 089 24 M24	Terracotta			
	997 803 089 24 R24	Cocoa			
	997 803 089 24 D14	Dark grey/natural			
	997 803 089 24 T34	Brown/natural			
	997 803 089 24 N14	Carrera Red			
(14)	997 803 089 12	Airbag unit		1	I756
	997 803 089 12 6H6	Espresso			
(14)	997 803 089 11	Airbag unit		1	4 GTS

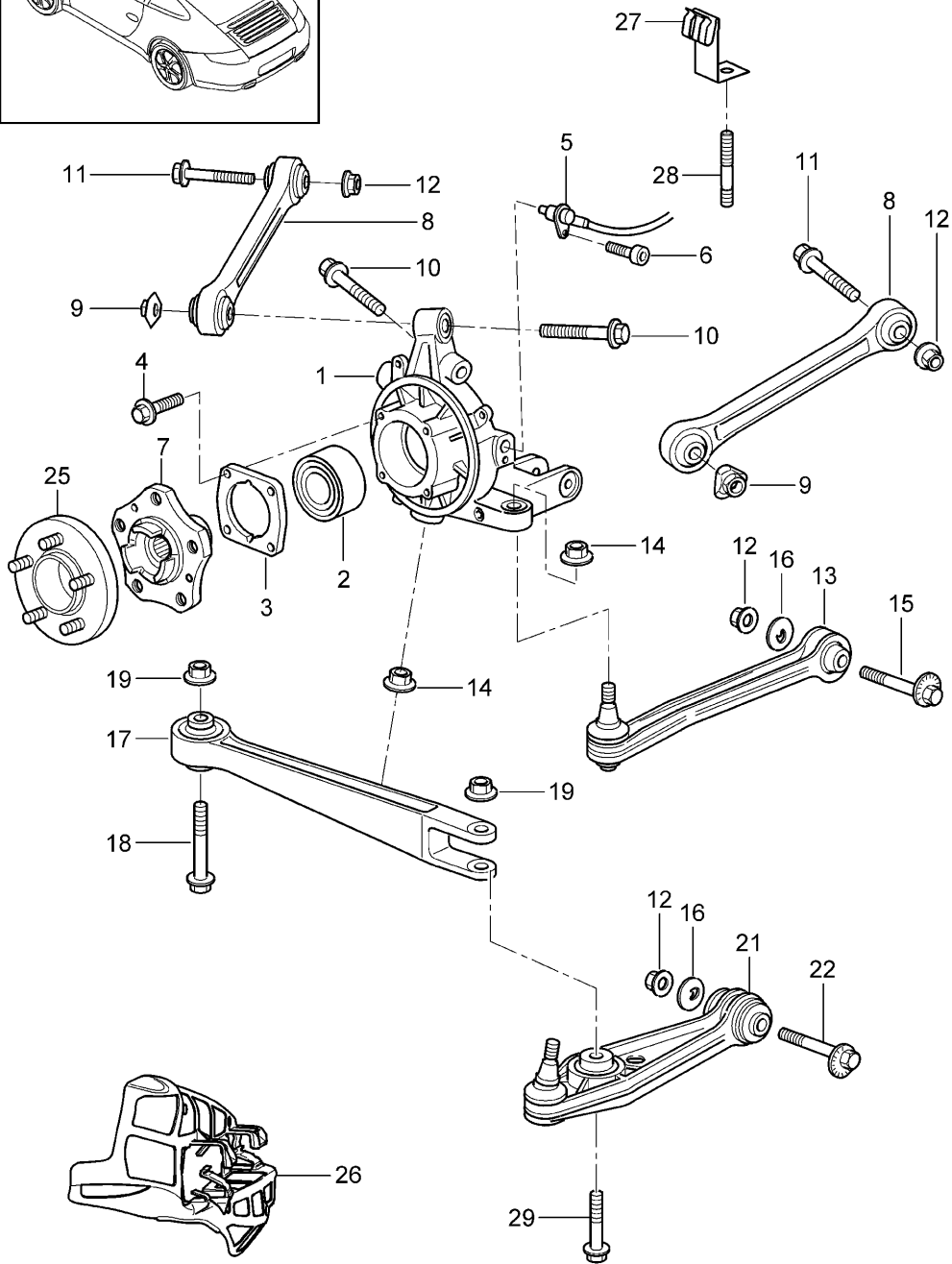
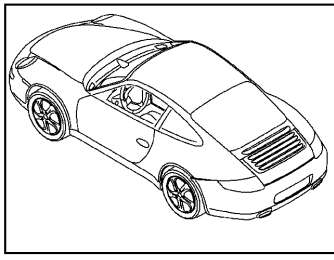
Model: 997-09

Model life 2009>>2012

Pos	Part Number	Description	Remark	Qty	Model
(14)	997 803 089 11 A03	Black		1	I019/843
	997 803 089 12	Airbag unit			4 GTS
		Leather			I019/843/991
	997 803 089 12 A34	Black			

Model: 997-09

Model life 2009>>2012

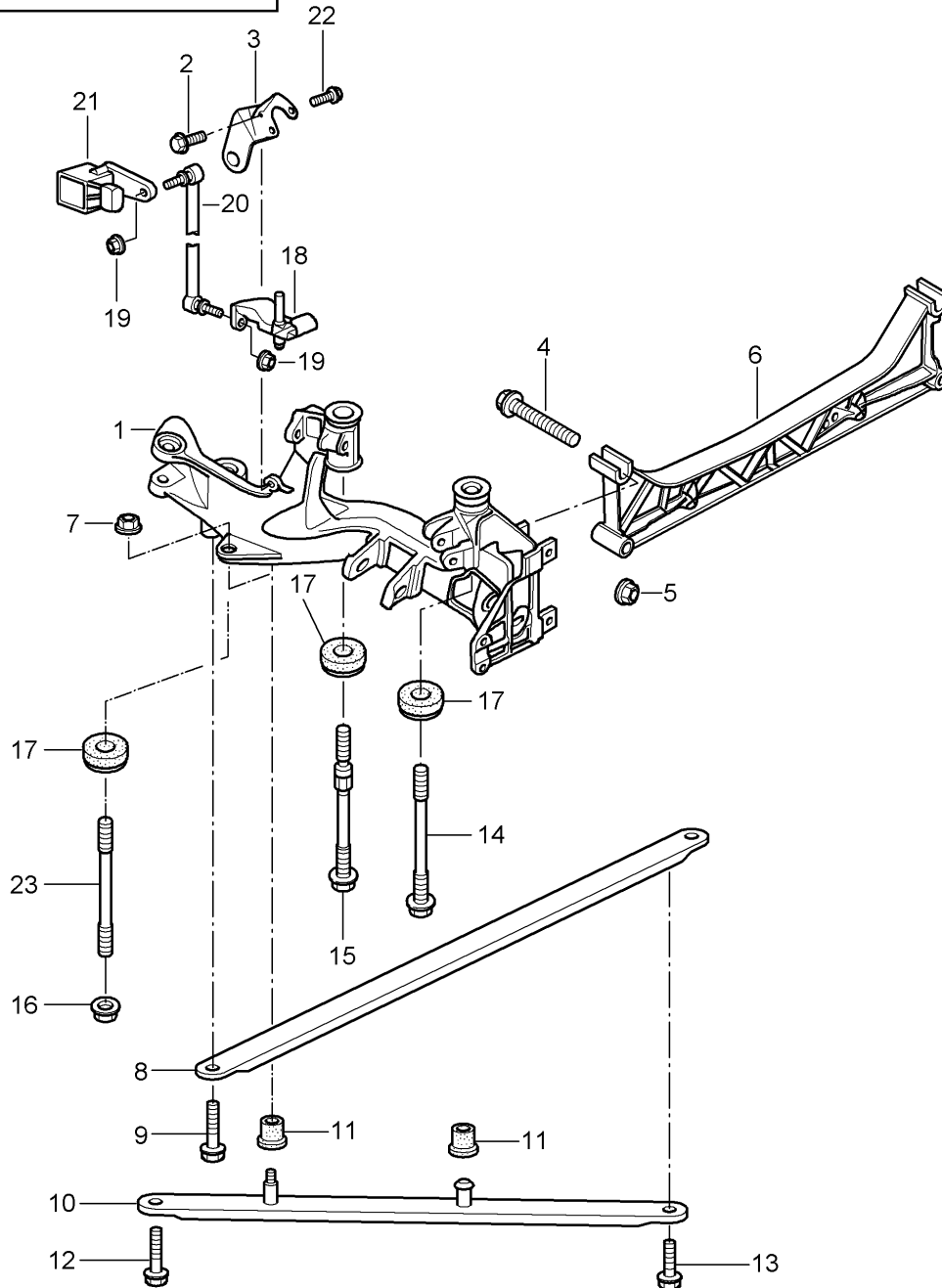
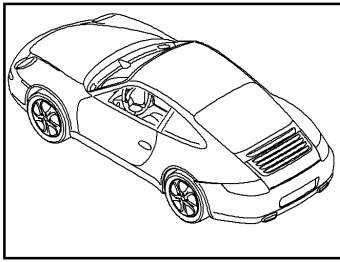


Model: 997-09 Model life 2009>>2012

Pos	Part Number	Description	Remark	Qty	Model
		Rear axle			
		Wheel carrier			
		Control arm			
		Wheel hub			
1	997 331 111 07	Wheel carrier	/L	1	
(1)	997 331 112 07	Wheel carrier	/R	1	
2	999 053 055 02	Angular-contact bearing		2	
3	996 331 661 01	Lid		2	
4	999 217 042 04	Hexagon-head bolt M 8 X 35		8	
5	997 606 407 01	Speed sensor		2	
6	900 067 117 04	Pan-head screw M 6 x 16		2	
7	997 331 605 00	Wheel hub		2	
7	997 331 605 01	Wheel hub		2	
7	997 331 607 02	Wheel hub		2	CARRERA GTS
(7)		Wheel hub		2	I011 4 GTS I019
8	997 331 047 00	Wishbone	-09	2	
8	997 331 047 01	Wishbone	10-	2	
9	999 084 445 01	Lock nut M 12 X 1,5		4	
10	900 378 138 09	Hexagon-head bolt M 12 X 70		4	
10	900 378 138 01	Hexagon-head bolt M 12 X 70		4	
11	900 378 165 01	Hexagon-head bolt M 12 X 95		4	
12	999 084 445 01	Lock nut M 12 X 1,5		10	
13	997 331 045 04	Track rod		2	
14	999 084 449 09	Lock nut M 12 X 1,5		4	
15	996 331 217 02	Eccentric screw M 12 X 83	-09	2	
15	997 331 217 02	Eccentric screw M 12 X 83	10-	2	
16	996 331 219 00	Eccentric washer		2	
17	997 331 043 01	Control arm		2	
18	900 378 051 01	Hexagon-head bolt M 14 x 100		2	
19	900 380 012 01	Hexagon nut M 14 X 1,5		4	
21	997 331 053 01	Wishbone	-09	2	
21	997 331 053 02	Wishbone	10-	2	
22	996 331 217 03	Eccentric screw		2	
25	997 361 605 90	Spacer ring 5 mm	-11	X	IXRP
(25)	997 361 605 92	Spacer ring 5 MM	12-	2	IXRP
26	997 331 487 03	Spoiler	/L	1	
(26)	997 331 488 03	Spoiler	/R	1	
27	999 507 530 00	Cable holder		2	
		Speed sensor			
28	900 060 070 01	Stud M6X30 Mount	09-	1	
		Speed sensor			
29	900 378 135 01	Hexagon-head bolt M 14 X 1,5 X 75		2	

Model: 997-09

Model life 2009>>2012



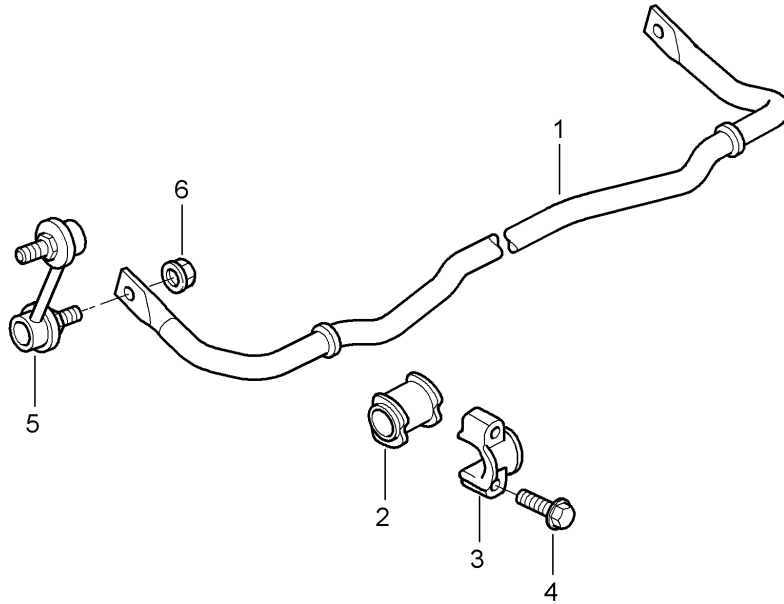
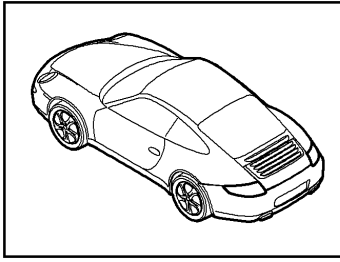
Model: 997-09

Model life 2009>>2012

Pos	Part Number	Description	Remark	Qty	Model
		Rear axle Side section Bracket			
1	997 331 051 05	Side section	/L	1	
(1)	997 331 052 05	Side section	/R	1	
2	900 067 117 04	Pan-head screw M 6 x 16		2	
3	997 355 505 02	Support for Brake hose	/L	1	
(3)	997 355 506 02	Support for Brake hose	/R	1	
4	900 378 139 01	Hexagon-head bolt M 12 x1,5 x 80		4	
5	999 084 445 01	Lock nut M 12 X 1,5		4	
6	997 331 261 22	Cross member		1	
7	999 076 053 01	Hexagon nut M 10		2	
8	997 331 171 20	Transverse strut Front		1	
-	999 591 629 01	Captive nut Underbody protection		X	
9	999 072 020 01	Hexagon-head bolt M 10 X 40		2	
10	997 331 081 20	Strut		2	
-	999 591 629 01	Captive nut Underbody protection		X	
11	996 331 385 00	Rubber mounting		6	
12	999 073 443 01	Combination screw 12 x 1,5 x 40		2	
13	900 378 072 01	Hexagon-head bolt M 12 X 30		2	
14	900 178 010 01	Hexagon-head bolt M 12 x 130		2	
15		Hexagon-head bolt M 12 x 130		2	
16	999 084 445 01	Lock nut M 12 X 1,5		2	
17	997 331 291 00	Washer		6	
18	996 341 371 03	Support		1	I601/603
19	900 380 015 01	Hexagon nut vm 6		2	I601/603
20	997 331 375 03	Strut		1	I601/603
21	997 631 121 00	Sensor		1	I601/603
22	N 014 129 12	Oval-head screw		2	I601/603
23	999 061 103 01	Stud M 12 X 1,5 X 107,5		2	

Model: 997-09

Model life 2009>>2012



Model: 997-09 Model life 2009>>2012

Pos	Part Number	Description	Remark	Qty	Model
1	997 333 703 01	Stabiliser Stabiliser		1	I029 CARRERA 2 COUPE CABRIO
1		Stabiliser		1	I030 CARRERA 2 COUPE CABRIO
(1)	997 333 703 02	Stabiliser		1	I029/220 CARRERA 2 COUPE CABRIO
(1)		Stabiliser		1	I220/475 CARRERA 2 COUPE CABRIO
(1)		Stabiliser		1	I475 CARRERA 2-S COUPE CABRIO
(1)	997 333 703 03	Stabiliser		1	I220/475 CARRERA 2-S COUPE CABRIO
(1)		Stabiliser		1	I756
(1)		Stabiliser		1	SPEEDSTER I503
(1)	997 333 703 01	Stabiliser		1	CARRERA GTS I011/030 COUPE CABRIO
(1)	997 333 703 03	Stabiliser		1	CARRERA GTS I011/475 COUPE CABRIO
(1)	997 333 703 05	Stabiliser		1	CARRERA GTS I011/220/475 COUPE CABRIO
(1)	997 333 703 03	Stabiliser		1	I029 CARRERA 4 COUPE CABRIO TARGA
(1)		Stabiliser		1	I030 CARRERA 4 CARRERA 4-S COUPE
(1)		Stabiliser		1	I475 CARRERA 4 CARRERA 4-S TARGA
(1)	997 333 703 05	Stabiliser	-10	1	I029 CARRERA 4 COUPE TARGA
(1)	997 333 703 03	Stabiliser	11-	1	I029 CARRERA 4 COUPE TARGA
(1)	997 333 703 05	Stabiliser		1	I029/220 CARRERA 4 COUPE

Model: 997-09 Model life 2009>>2012

Pos	Part Number	Description	Remark	Qty	Model
(1)		Stabiliser		1	CABRIO I475 CARRERA 4 COUPE
(1)		Stabiliser		1	CABRIO I475 CARRERA 4-S COUPE
(1)	997 333 703 03	Stabiliser		1	CABRIO I220/475 CARRERA 4 COUPE
(1)		Stabiliser		1	CABRIO I220/475 CARRERA 4-S COUPE
(1)	997 333 703 01	Stabiliser		1	CABRIO 4 GTS I019/030 COUPE
(1)	997 333 703 03	Stabiliser		1	4 GTS I019/475 COUPE
(1)	997 333 703 05	Stabiliser		1	CABRIO 4 GTS I019/220/475 COUPE
2	996 333 792 24	Stabiliser mounting		2	CABRIO I029 CARRERA 2 COUPE
(2)		Stabiliser mounting		2	CABRIO I030 CARRERA 2 CARRERA 2-S COUPE
(2)		Stabiliser mounting		2	I475 CARRERA 2 COUPE
(2)	996 333 792 25	Stabiliser mounting		2	CABRIO I029/220 CARRERA 2 COUPE
(2)		Stabiliser mounting		2	CABRIO I220/475 CARRERA 2 COUPE
(2)		Stabiliser mounting		2	CABRIO I475 CARRERA 2-S COUPE
(2)	996 333 792 26	Stabiliser mounting		2	CABRIO I220/475 CARRERA 2-S COUPE
(2)		Information available Stabiliser mounting		2	CABRIO I756
(2)	996 333 792 27	Information available Stabiliser mounting		2	I756 SPEEDSTER I503
(2)	996 333 792 24	Stabiliser mounting		2	CARRERA GTS I011/030

Model: 997-09 Model life 2009>>2012

Pos	Part Number	Description	Remark	Qty	Model
(2)	996 333 792 26	Stabiliser mounting Information available		2	COUPE CARRERA GTS I011/475 COUPE CABRIO
(2)	996 333 792 27	Stabiliser mounting Information available		2	CARRERA GTS I011/220/475 COUPE CABRIO
(2)	996 333 792 26	Stabiliser mounting Information available		2	I029 CARRERA 4 COUPE CABRIO
(2)		Stabiliser mounting Information available		2	I030 CARRERA 4 CARRERA 4-S COUPE
(2)		Stabiliser mounting Information available		2	I475 TARGA TARGA-S
(2)	996 333 792 27	Stabiliser mounting Information available	-10	2	I029 CARRERA 4 COUPE CABRIO TARGA
(2)	996 333 792 26	Stabiliser mounting Information available	-11	2	I029 CARRERA 4 COUPE CABRIO TARGA
(2)	996 333 792 27	Stabiliser mounting Information available		2	I475 CARRERA 4 CARRERA 4-S COUPE CABRIO
(2)	996 333 792 29	Stabiliser mounting		2	I475 CARRERA 4 COUPE CABRIO
(2)		Stabiliser mounting		2	CARRERA 4-S COUPE TARGA
(2)	996 333 792 24	Stabiliser mounting		2	4 GTS I019/030 COUPE
(2)	996 333 792 26	Stabiliser mounting Information available		2	4 GTS I019/475 COUPE CABRIO
(2)	996 333 792 27	Stabiliser mounting Information available		2	4 GTS I019/220/475 COUPE CABRIO
3	996 333 777 01	Bearing clamp		2	
4	900 378 055 01	Hexagon-head bolt AM 8 X 40		4	
5	997 333 069 05	Stabiliser mounting	/L -09	1	

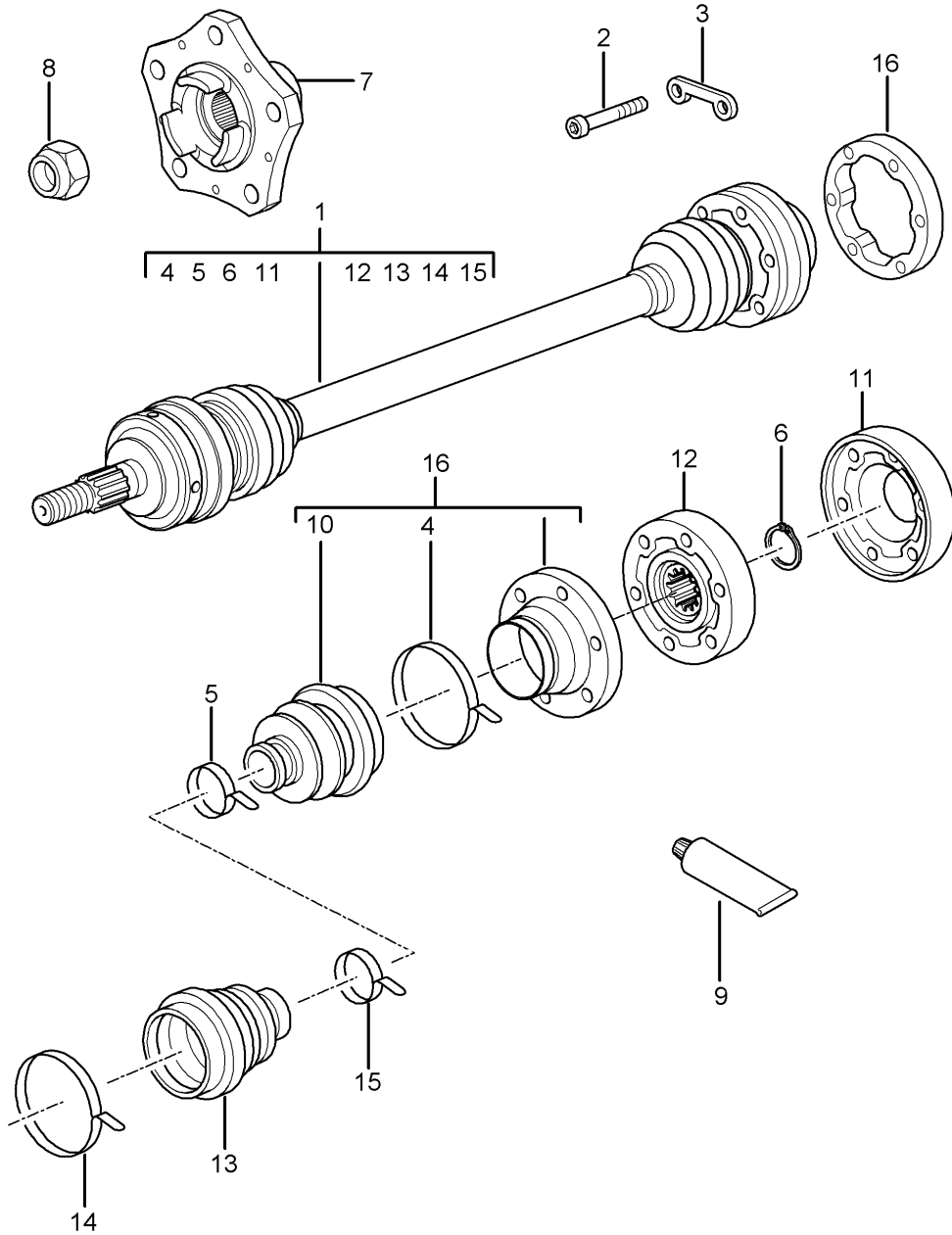
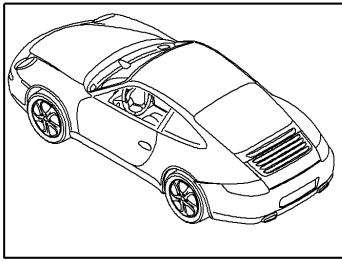
Model: 997-09

Model life 2009>>2012

Pos	Part Number	Description	Remark	Qty	Model
(5)	997 333 069 06	Stabiliser mounting	/L 10-	1	
(5)	997 333 070 05	Stabiliser mounting	/R -09	1	
(5)	997 333 070 06	Stabiliser mounting	/R 10-	1	
6	999 084 123 09	Hexagon nut M 10		2	
(6)	999 084 643 01	Stabiliser mounting Stabiliser Hexagon nut M 10 Stabiliser Wheel carrier		2	

Model: 997-09

Model life 2009>>2012



Model: 997-09 Model life 2009>>2012

Pos	Part Number	Description	Remark	Qty	Model
1	997 332 024 05	Drive shaft		2	I480
(1)	997 332 024 50	Wheel hub		2	I250
(1)	997 332 024 51	Drive shaft		2	I250
(1)	997 332 024 52	Drive shaft		2	SPEEDSTER I250/503
2	900 067 229 01	Pan-head screw M 10 X 48,4		12	I480
(2)	999 510 047 01	Pan-head screw M 10 X 46,5 see Technical information 20/09 3925 4221		12	I250
2	999 073 517 01	Pan-head screw M 10 X 1 X 46,5 see Technical information 20/09 3925 4221		12	I250
(2)		Pan-head screw M 10 X 1 X 46,5		12	SPEEDSTER I250/503
(2)		Pan-head screw M 10 X 1 X 46,5		12 12	I011/250 I250
(3)	996 332 191 00	Plate		6	
4	996 332 957 00	Clip 73 MM		2	
5	996 332 257 00	Clip		2	I480
(5)	997 332 257 00	Clip		2	I250
(5)		Clip		2	SPEEDSTER I250/503
6	900 041 014 00	Circlip		2	
7	997 331 605 00	Wheel hub		2	
7	997 331 605 01	Wheel hub		2	
8	999 084 641 02	Lock nut M 22 X 1,5		2	
9	000 043 110 02	Grease		X	
(9)	000 043 205 36	1 100-gramme tube Sealing compound 1 100-gramme tube		X	
10	996 332 293 00	Dust bellows Information available		2	I480 I480
(10)	997 332 293 00	Dust bellows		2	I250
11	997 332 267 00	Lid		2	
12	996 332 030 00	Joint		2	
13	996 332 293 00	Dust bellows Information available		2	I480 I480
(13)	997 332 293 00	Dust bellows		2	I250
(13)		Dust bellows		2	SPEEDSTER I250/503
14	996 332 957 00	Clip		2	
15	996 332 257 00	Clip		2	I480
(15)	997 332 257 00	Clip		2	I250/503
(15)		Clip		2	SPEEDSTER I250/503
16	997 332 955 00	Bellows with Cap		2	I480

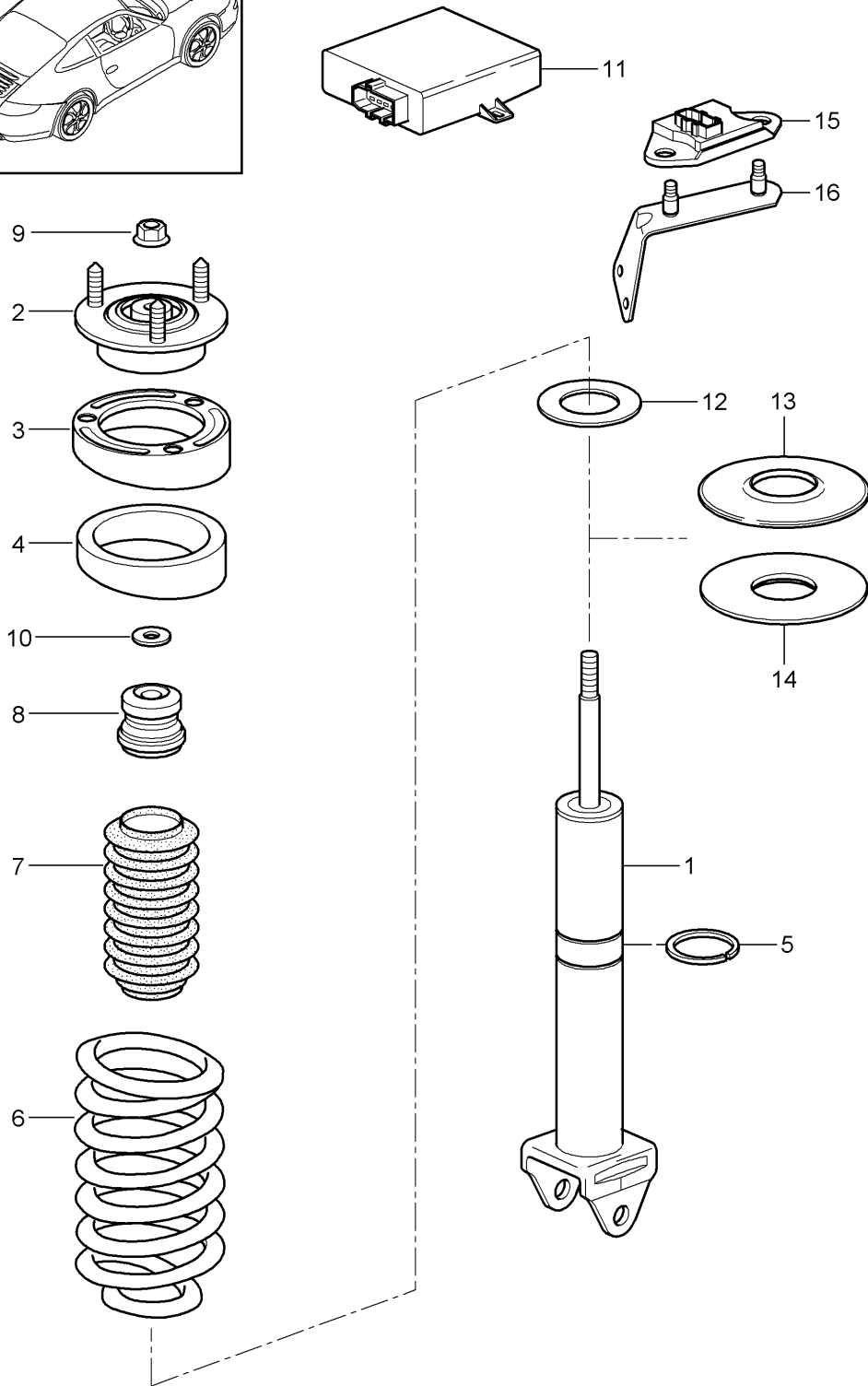
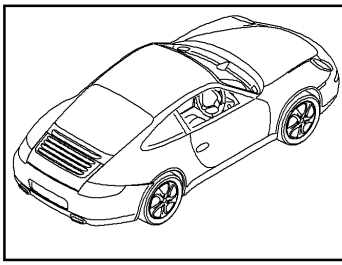
Model: 997-09

Model life 2009>>2012

Pos	Part Number	Description	Remark	Qty	Model
(16)	997 332 955 01	Bellows with Cap		2	I250
(16)		Bellows with Cap		2	SPEEDSTER I250/503

Model: 997-09

Model life 2009>>2012



Model: 997-09 Model life 2009>>2012

Pos	Part Number	Description	Remark	Qty	Model
		Shock absorber Coil spring			CARRERA 2 CARRERA 2-S SportClassic SPEEDSTER CARRERA GTS
1	997 333 059 10	Shock absorber		2	I029 CARRERA 2 COUPE CABRIO
(1)	997 333 053 31	Shock absorber		2	I030 CARRERA 2 CARRERA 2-S COUPE
(1)		Shock absorber		2	I756
(1)	997 333 053 30	Shock absorber		2	I475 CARRERA 2 CARRERA 2-S COUPE CABRIO
(1)		Shock absorber		2	I029/475/503 SPEEDSTER
(1)		Shock absorber		2	I475/503 SPEEDSTER
(1)	997 333 053 31	Shock absorber		2	I011/030 CARRERA GTS COUPE
(1)	997 333 053 30	Shock absorber		2	I011/475 CARRERA GTS COUPE CABRIO
-	900 378 138 09	Mount Shock absorber Hexagon-head bolt M 12 X 1,5 X 70		2	
-	900 378 138 01	Hexagon-head bolt M 12 X 1,5 X 70		2	
-	999 084 445 01	Lock nut M 12 X 1,5		2	
2	997 333 061 00	Supporting mount		2	I029 CARRERA 2 COUPE
(2)	997 333 061 01	Supporting mount		2	I030/475 CARRERA 2 CARRERA 2-S COUPE
(2)		Supporting mount		2	I029/475 CARRERA 2 CARRERA 2-S COUPE
(2)	997 333 061 02	Supporting mount		2	I029 CARRERA 2 CABRIO
(2)		Supporting mount		2	I029/475 CARRERA 2 CARRERA 2-S CABRIO
2	997 333 061 01	Supporting mount		2	SPEEDSTER I503
(2)		Supporting mount		2	I756 I011/030/475 CARRERA GTS COUPE
(2)	997 333 061 02	Supporting mount		2	I011/475

Model: 997-09

Model life 2009>>2012

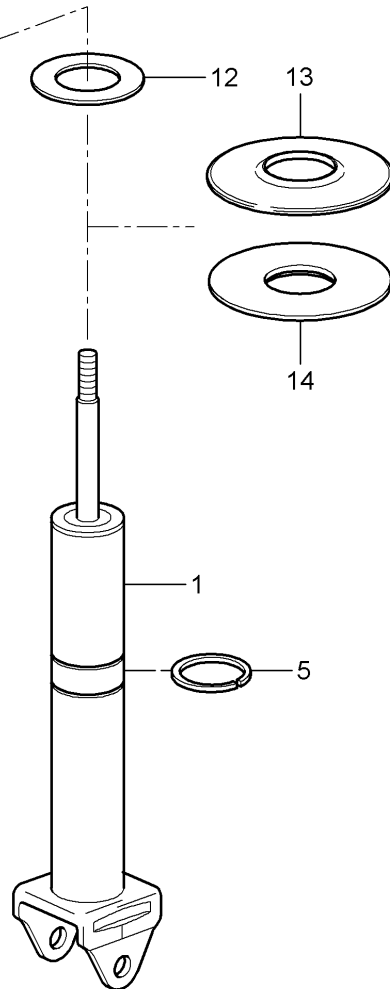
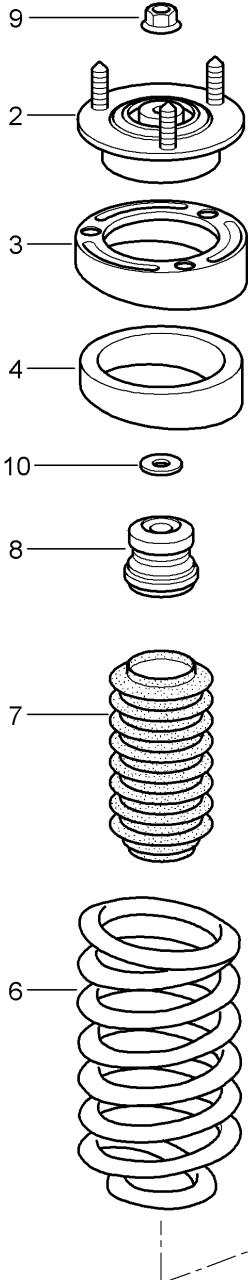
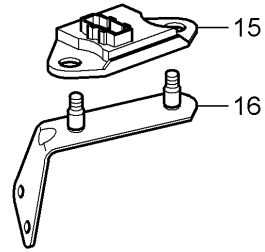
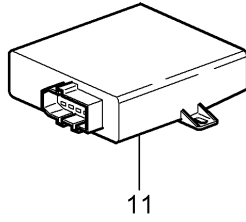
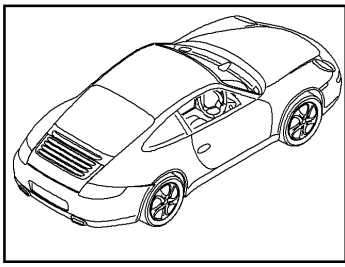
Pos	Part Number	Description	Remark	Qty	Model
-	900 380 008 01	Hexagon nut M 10		6	CARRERA GTS CABRIO
3	996 333 511 02	Compensating plate 0,5 MM		X	
(3)	996 333 511 03	Compensating plate 4,0 MM		X	
4	997 333 504 01	Base		2	
5	999 152 163 00	Circlip SW 52		2	
6	997 333 531 71	Coil spring 1 set Identification		1	I029/480 CARRERA 2 COUPE CABRIO
	997 333 531 71 504	Violet Violet White			
6	997 333 531 82	Coil spring 1 set Identification		1	I029/480 CARRERA 2 COUPE CABRIO
	997 333 531 82 504	Violet Violet White			
(6)	997 333 531 63	Coil spring 1 set Identification		1	I029/250 CARRERA 2 COUPE
	997 333 531 63 504	Violet Violet Yellow			
(6)	997 333 531 83	Coil spring 1 set Identification		1	I029/250 CARRERA 2 COUPE
	997 333 531 83 504	Violet Violet Yellow			
(6)	997 333 531 66	Coil spring 1 set Identification		1	I029/250 CARRERA 2 CABRIO
	997 333 531 66 504	Violet Violet Green			
(6)	997 333 531 70	Coil spring 1 set Identification	-09	1	I030 CARRERA 2 CARRERA 2-S COUPE
	997 333 531 70 504	Silver Silver Blue			
(6)	997 333 531 73	Coil spring 1 set Identification	10-	1	I030/475 CARRERA 2 CARRERA 2-S COUPE
	997 333 531 73 504	Silver Silver Yellow			
(6)	997 333 531 64	Coil spring 1 set Identification		1	I475 CARRERA 2 CARRERA 2-S COUPE CABRIO
	997 333 531 64 504	Red Red White			
(6)	997 333 531 64	Coil spring 1 set Identification		1	I475/503 SPEEDSTER
	997 333 531 64 504	Red			

Model: 997-09 Model life 2009>>2012

Pos	Part Number	Description	Remark	Qty	Model
(6)	997 333 531 73	Red White Coil spring 1 set		1	I756
	997 333 531 73 504	Identification Silver Silver Yellow			
(6)	997 333 531 73	Coil spring 1 set		1	I011/030 CARRERA GTS COUPE
	997 333 531 73 504	Identification Silver Silver Yellow			
(6)	997 333 531 64	Coil spring 1 set		1	I011/475 CARRERA GTS COUPE
	997 333 531 64 504	Identification Red Red White			
(6)	997 333 531 64	Coil spring 1 set		1	I011/475 CARRERA GTS CABRIO
	997 333 531 64 504	Identification Red Red White			
7	993 333 107 01	Bellows		2	
8	996 333 105 02	Additional spring		2	I029
(8)	997 333 105 01	Additional spring		2	I030
				2	I475
(8)		Additional spring		2	I756
9	999 084 050 02	Hexagon nut M 12 X 1		2	
10	999 025 271 02	Washer		2	
11	997 618 450 01	Control unit		1	I029/475
11		Control unit		1	SPEEDSTER I503
14		Control unit		1	CARRERA GTS I011/475 COUPE CABRIO
(11)	997 618 451 01	Control unit		1	I030/475
(11)		Control unit		1	I756
(14)		Control unit		1	CARRERA GTS I011/030 COUPE
-	997 618 205 00	Support for Control unit		1 1	
12	997 333 513 00	Concave washer		2	I475
13	997 333 523 00	Concave washer		2	I030
13		Concave washer		2	I756
14	997 333 513 01	Concave washer		2	I030
14		Concave washer		2	I756
15	997 606 111 01	Acceleration sensor Body		1	
16	997 606 214 00	Support Acceleration sensor		1	

Model: 997-09

Model life 2009>>2012



Model: 997-09 Model life 2009>>2012

Pos	Part Number	Description	Remark	Qty	Model
		Shock absorber Coil spring			CARRERA 4 CARRERA 4-S TARGA TARGA-S 4 GTS
(1)	997 333 059 10	Shock absorber		2	I029 CARRERA 4 COUPE CABRIO
(1)	997 333 053 31	Shock absorber		2	I030 CARRERA 4 CARRERA 4-S COUPE
(1)		Shock absorber		2	4 GTS I019/030 COUPE
(1)	997 333 059 11	Shock absorber		2	I029 TARGA
(1)	997 333 053 30	Shock absorber		2	I475 CARRERA 4 CARRERA 4-S COUPE CABRIO
(1)		Shock absorber		2	4 GTS I019/475 COUPE CABRIO
(1)	997 333 049 10	Shock absorber		2	I475 TARGA TARGA-S
-	900 378 138 01	Mount Shock absorber Hexagon-head bolt M 12 X 1,5 X 70		2	
-	999 084 445 01	Lock nut M 12 X 1,5		2	
2	997 333 061 00	Supporting mount		2	I029 CARRERA 4 COUPE TARGA
(2)	997 333 061 02	Supporting mount		2	I029 CARRERA 4 CABRIO
(2)	997 333 061 01	Supporting mount		2	I030 CARRERA 4 CARRERA 4-S COUPE
(2)		Supporting mount		2	I475 CARRERA 4 CARRERA 4-S COUPE TARGA TARGA-S
(2)	997 333 061 02	Supporting mount		2	I475 CARRERA 4 CARRERA 4-S CABRIO
(2)	997 333 061 01	Supporting mount		2	4 GTS I019/030 COUPE
(2)		Supporting mount		2	4 GTS I019/475 COUPE

Model: 997-09 Model life 2009>>2012

Pos	Part Number	Description	Remark	Qty	Model
(2)	997 333 061 02	Supporting mount		2	4 GTS I019/475 CABRIO
-	900 380 008 01	Hexagon nut M 10		6	
3	996 333 511 02	Compensating plate 0,5 MM		X	
(3)	996 333 511 03	Compensating plate 4,0 MM		X	
4	997 333 504 01	Base		2	
5	999 152 163 00	Circlip SW 52		2	
(6)	997 333 531 71	Coil spring 1 set		1	I029/480 CARRERA 4 COUPE
	997 333 531 71 504	Identification Violet Violet White			
(6)	997 333 531 82	Coil spring 1 set		1	I029/480 CARRERA 4 COUPE
	997 333 531 82 504	Identification Violet Violet White			
6	997 333 531 63	Coil spring 1 set		1	I029/250 CARRERA 4 COUPE
	997 333 531 63 504	Identification Violet Violet Yellow			
6	997 333 531 83	Coil spring 1 set		1	I029/250 CARRERA 4 COUPE
	997 333 531 83 504	Identification Violet Violet Yellow			
(6)	997 333 531 66	Coil spring 1 set		1	I029/250 CARRERA 4 CABRIO
	997 333 531 66 504	Identification Violet Violet Green			
(6)	997 333 531 70	Coil spring 1 set	-09	1	I030 CARRERA 4 CARRERA 4-S
	997 333 531 70 504	Identification Yellow Yellow Blue			
(6)	997 333 531 73	Coil spring 1 set	10-	1	I030 CARRERA 4 CARRERA 4-S COUPE
	997 333 531 73 504	Identification Silver Silver Yellow			
(6)	997 333 531 64	Coil spring 1 set		1	I475/480 CARRERA 4 COUPE
	997 333 531 64 504	Identification			

Model: 997-09 Model life 2009>>2012

Pos	Part Number	Description	Remark	Qty	Model
(6)	997 333 531 67	Red Red White Coil spring 1 set		1	I250/475 CARRERA 4
	997 333 531 67 504	Identification Red Red Blue			COUPE I475 CARRERA 4 CARRERA 4-S CABRIO
(6)	997 333 531 64	Coil spring 1 set		1	I475 CARRERA 4-S
	997 333 531 64 504	Identification Red Red White			CABRIO I475 CARRERA 4-S COUPE
(6)	997 333 531 69	Coil spring 1 set		1	I029/250 TARGA
	997 333 531 69 504	Identification Yellow Yellow Red			
(6)	997 333 531 97	Coil spring 1 set		1	I029/250 TARGA
	997 333 531 97 504	Identification Yellow Yellow Red			
(6)	997 333 531 96	Coil spring 1 set		1	I029/480 TARGA
	997 333 531 96 504	Identification Yellow Brown			
(6)	997 333 531 72	Coil spring 1 set		1	I475 TARGA TARGA-S
	997 333 531 72 504	Identification Pink Pink Green			
(6)	997 333 531 73	Coil spring 1 set		1	4 GTS I019/030 COUPE
	997 333 531 73 504	Identification Silver Silver Yellow			
(6)	997 333 531 86	Coil spring 1 set		1	4 GTS I019/475 CABRIO
	997 333 531 86 504	Identification Red Red White			
7	993 333 107 01	Bellows		2	
8	996 333 105 02	Additional spring		2	I029
(8)	997 333 105 01	Additional spring		2	I475
(8)		Additional spring		2	I030
9	999 084 050 02	Hexagon nut M 12 X 1		2	

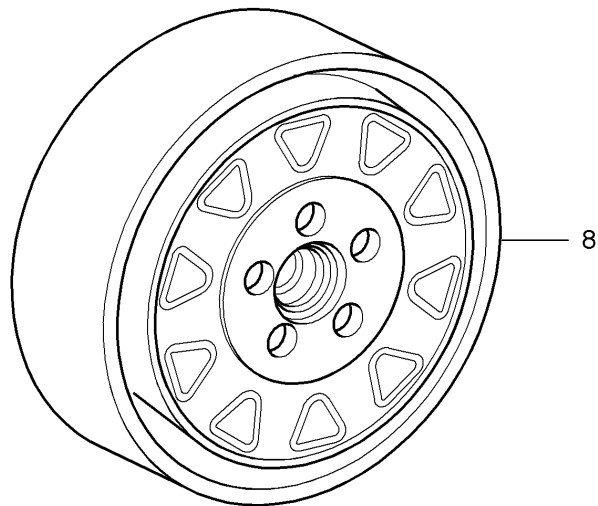
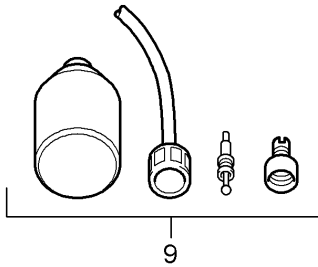
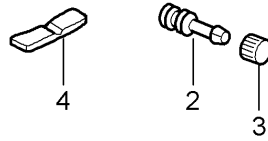
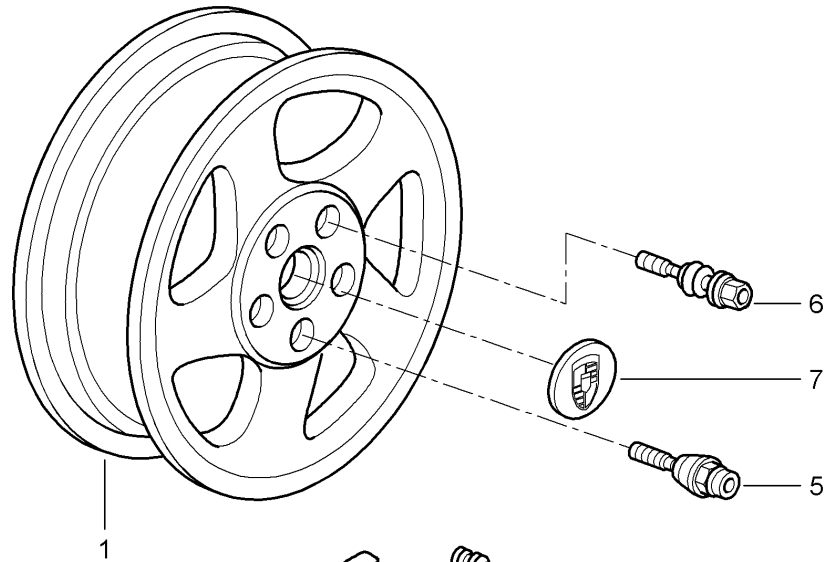
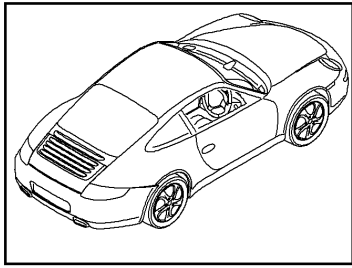
Model: 997-09

Model life 2009>>2012

Pos	Part Number	Description	Remark	Qty	Model
10	999 025 271 02	Washer Mount Shock absorber		2	
-	900 378 138 09	Hexagon-head bolt M 12 X 1,5 X 70		2	
-	999 084 445 01	Lock nut M 12 X 1,5		2	
11	997 618 450 01	Control unit		1	I475
(11)	997 618 451 01	Control unit		1	I030
-	997 618 205 00	Support for Control unit		1	
-	997 606 111 01	Acceleration sensor Body		1	
12	997 333 513 00	Concave washer		2	
13	997 333 523 00	Concave washer		2	I030
14	997 333 513 01	Concave washer		2	I030
15	997 606 111 01	Acceleration sensor Body		1	
16	997 606 214 00	Support Acceleration sensor Body		1	

Model: 997-09

Model life 2009>>2012



Model: 997-09 Model life 2009>>2012

Pos	Part Number	Description	Remark	Qty	Model
		Wheels Wheel bolts see Technical information 84/11 Group 4 4407			
1	997 362 137 01	Disc wheel 8 J X 18 ET 57	/V	2	I414 CARRERA 2 CARRERA 4
(1)	997 362 156 02	Disc wheel 8 J X 19 ET 57	/V	2	I404
(1)	997 362 156 03	Disc wheel 8 J X 19 ET 57	/V	2	I405
(1)	997 362 156 04	Disc wheel 8 J X 19 ET 57	/V	2	I407
(1)	997 362 156 55	Disc wheel 8,5 J X 19 ET 55	/V	2	IXRR
(1)	997 362 157 00	Disc wheel 8 J x 19 ET 57	/V	2	I419
(1)	997 362 157 02	Disc wheel 8 J x 19 ET 57	/V 10-	2	I421
(1)	997 362 157 56	Disc wheel 8,5 J X 19 ET 55	/V	2	I756 IXRS
(1)		Disc wheel 8,5 J X 19 ET 55	/V	2	SPEEDSTER I503 IXRS
(1)	997 364 156 55	Disc wheel	/V	2	CARRERA GTS I011 IXDA/XRR
	997 364 156 55 041	Black Wheel spoke Black 8,5 J X 19 ET 55			
(1)	997 363 156 02	Disc wheel	/V	2	. I756 I404
	997 363 156 02 041	Black Wheel spoke Black 8 J X 19 ET 57	(J)		
(1)	997 362 157 02	Disc wheel 8 J x 19 ET 57	/V	2	CARRERA 2 I421 CARRERA 2-S
(1)		Disc wheel 8 J x 19 ET 57	/V	2	I013/421
(1)	997 364 156 55	It is necessary to rework Disc wheel	/V	2	4 GTS I019 IXDA/XRR
	997 364 156 55 041	Black Wheel spoke Black			

Model: 997-09 Model life 2009>>2012

Pos	Part Number	Description	Remark	Qty	Model
(1)	997 362 141 05	8,5 J X 19 ET 55 Disc wheel	/H	2	I414 CARRERA 2
(1)	997 362 143 00	10,5 J X 18 ET 60 Disc wheel	/H	2	CARRERA 2-S I414
(1)	997 362 162 09	11 J X 18 ET 51 Disc wheel	/H	2	CARRERA 4 CARRERA 4-S
(1)	997 362 162 04	11 J X 19 ET 67 Disc wheel	/H	2	I404 CARRERA 2
(1)	997 362 162 03	11 J X 19 ET 67 Disc wheel	/H	2	CARRERA 2-S I405
(1)	997 362 162 06	11 J X 19 ET 67 Disc wheel	/H	2	CARRERA 2 CARRERA2-S
(1)	997 362 162 07	11 J X 19 ET 51 Disc wheel	/H	2	I405 CARRERA 4
(1)	997 362 162 02	11 J X 19 ET 51 Disc wheel	/H	2	CARRERA 4-S I407
(1)	997 362 162 07	11 J x 19 ET 67 Disc wheel	/H	2	CARRERA 4 CARRERA 4-S
(1)	997 362 162 02	11 J X 19 ET 51 Disc wheel	/H	2	I407 CARRERA 4
(1)	997 362 162 55	11,5 J X 19 ET 67 Disc wheel	/H	2	CARRERA 4-S IXRR
(1)	997 362 162 56	11,5 J X 19 ET 50 Disc wheel	/H	2	CARRERA 2 CARRERA 2-S
(1)	997 362 163 00	11 J X 19 ET 67 Disc wheel	/H	2	CARRERA 4 CARRERA 4-S
(1)	997 362 163 01	11 J X 19 ET 67 Disc wheel	/H	2	I419 CARRERA 2
(1)	997 362 163 03	11 J X 19 ET 51 Disc wheel	/H 10-	2	CARRERA 4-S CARRERA 2
(1)		11 J X 19 ET 67 Disc wheel	/H	2	I421 CARRERA 2-S
(1)	997 362 163 02	It is necessary to rework Disc wheel	/H 10-	2	I013/421
(1)	997 362 163 56	11 J X 19 ET 51 Information available Disc wheel	/H	2	CARRERA 4 I421 CARRERA 4-S
(1)	997 362 163 56	11,5 J X 19 ET 50 Disc wheel	/H	2	I756 IXRS
(1)	997 363 162 02	11,5 J X 19 ET 50 Disc wheel	/H	2	SPEEDSTER I503
(1)	997 363 162 02 041	Black 11 J X 19 ET 51 Disc wheel	(J)	2	IXRS I756 I404
(1)	997 364 162 56	Disc wheel	/H	2	CARRERA GTS

Model: 997-09

Model life 2009>>2012

Pos	Part Number	Description	Remark	Qty	Model
	997 364 162 56 041	Black Wheel spoke Black 11,5 J X 19 ET 50			I011 IXDA/XRR
(1)	997 362 163 03	Disc wheel 11 J X 19 ET 67	/H	2	I421 CARRERA 2 CARRERA 2-s
(1)	997 364 162 56	Disc wheel	/H	2	4 GTS I019 IXDA/XRR
	997 364 162 56 041	Black Wheel spoke Black 11,5 J X 19 ET 50			
2	900 265 001 50	Rubber valve Rubber		4	
(2)	900 265 001 51	Rubber valve Rubber		4	
(2)	311 601 361	Rubber valve Rubber		4	
(2)		Valve Tyre pressure monitoring See illustrations 6/01/05		4	I482/483
3	955 361 163 00	Cap for Rubber valve		4	
4	997 361 405 00	Balance stick-on weight 5 G.		X	
(4)	997 361 410 00	Balance stick-on weight 10 G.		X	
(4)	997 361 415 00	Balance stick-on weight 15 G.		X	
(4)	997 361 420 00	Balance stick-on weight 20 G.		X	
(4)	997 361 425 00	Balance stick-on weight 25 G.		X	
(4)	997 361 430 00	Balance stick-on weight 30 G.		X	
(4)	997 361 435 00	Balance stick-on weight 35 G.		X	
(4)	997 361 440 00	Balance stick-on weight 40 G.		X	
(4)	997 361 445 00	Balance stick-on weight 45 G.		X	
(4)	997 361 450 00	Balance stick-on weight 50 G.		X	
(4)	997 361 455 00	Balance stick-on weight 55 G.		X	
(4)	997 361 460 00	Balance stick-on weight 60 G.		X	
(4)	997 361 465 00	Balance stick-on weight 65 G.		X	
(4)	997 361 470 00	Balance stick-on weight 70 G.		X	
(4)	997 361 475 00	Balance stick-on weight 75 G.		X	
(4)	997 361 480 00	Balance stick-on weight 80 G.		X	
(4)	997 361 485 00	Balance stick-on weight 85 G.		X	

Model: 997-09 Model life 2009>>2012

Pos	Part Number	Description	Remark	Qty	Model
(4)	997 361 490 00	Balance stick-on weight 90 G. Wheel bolts see Technical information 84/11 Group 4 4407		X	
5	997 361 057 02	Set Anti-theft protection 1 set Silver		1	I444
(5)	WHT 006 980 C	Set Anti-theft protection 1 set Silver		1	I444
(5)	991 361 057 01	Set Anti-theft protection 1 set Black		1	-I444
(5)	997 361 980 10	Set Anti-theft protection 1 set Silver		1	IXRP
(5)	991 361 980 01	Set Anti-theft protection 1 set Black		1	IXRP
(5)	991 361 057 00	Set Anti-theft protection 1 set Black	(GB)	1	I444
(5)	991 361 057 02	Set Anti-theft protection 1 set Black	(GB)	1	I444
(5)	WHT 006 980 A	Set Anti-theft protection 1 set Black	(GB)	1	I444
(5)	WHT 006 980 C	Set Anti-theft protection 1 set Black	(GB)	1	I444
(5)	997 361 980 09	Set Anti-theft protection 1 set Silver	(GB)	1	IXRP/444
(5)	991 361 980 00	Set Anti-theft protection 1 set Black	(GB)	1	IXRP/444
(5)	991 361 980 02	Set Anti-theft protection 1 set Black	(GB)	1	IXRP/444
(5)	991 361 980 03	Set Anti-theft protection 1 set Black	(GB)	1	IXRP/444
6	997 361 203 01	Wheel bolt Silver		X	
(6)	970 361 203 00	Wheel bolt		X	

Model: 997-09 Model life 2009>>2012

Pos	Part Number	Description	Remark	Qty	Model
(6)	997 361 980 07	Black Wheel bolt		X	IXRP
(6)	WHT 004 676 A	Silver Wheel bolt		X	IXRP
7	955 361 303 00	Black Hub cap		4	
	955 361 303 00 9A1	Silver			
(7)	955 361 303 05	Black Hub cap	-09	4	I446
	955 361 303 05 9A1	Silver			
(7)	955 361 303 20	Black Hub cap	10-	4	I446
	955 361 303 20 9A1	Silver			
(7)	997 361 303 01	Black Hub cap Crest Coloured		4	IXRR
		Silver			
(7)	997 361 303 10	Black Hub cap		4	IXRS/756
	997 361 303 10 041	Black Crest Coloured			
(7)	958 361 303 03	Black Hub cap		4	SPEEDSTER IXRS/503
		Black Crest Coloured			
(7)		Black Hub cap		4	CARRERA GTS I011
		Black Crest Coloured			
(7)	997 361 305 00	Black Hub cap		4	I404
(7)	7PP 601 149 F	Black Hub cap		4	I404
(7)	7PP 601 149 H	Black Hub cap		4	I404
(7)	7PP 601 149	Black Hub cap	10-	4	I421
(7)		Black Hub cap		4	I013/421
		It is necessary to rework			
(7)	7PP 601 149 A	Black Hub cap	10-	4	I421/446
		Black Crest Coloured			
(7)		Black Hub cap		4	I013/421/446
		Black Crest Coloured			
(7)	958 361 303 03	Black Hub cap		4	4 GTS IXRS/019
		Black Crest Coloured			
(7)	958 361 303 02	Black Hub cap		4	IXRR
		Convex Crest Coloured			
8	996 362 020 04	Emergency wheel		1	I447
9	955 722 631 00	Bottle of tyre sealant		1	
9	4L0 012 619 A	Bottle of tyre sealant		1	
10	996 361 521 00	Boot for Emergency wheel		1	I447
11	999 914 001 40	Plastic gloves		X	I447
12	997 652 055 00	Compressor for Emergency wheel		1	CARRERA 2 CARRERA 2 S
		Use also: 991.555.575.03.1E0		1	

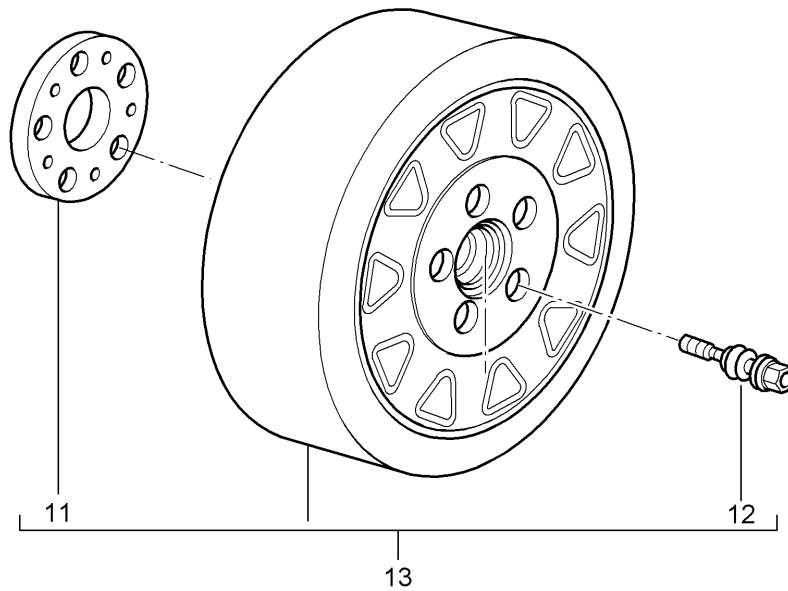
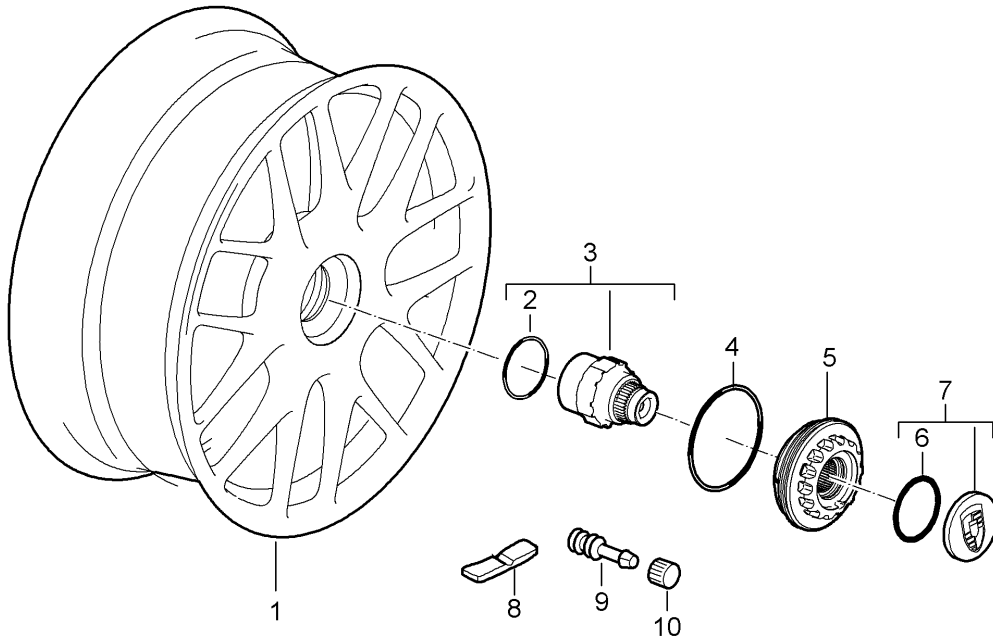
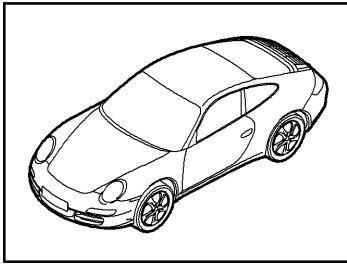
Model: 997-09

Model life 2009>>2012

Pos	Part Number	Description	Remark	Qty	Model
(12)		991.555.765.02.1E0 Compressor for Emergency wheel Use also:		1	I756
(12)	997 652 057 00	991.555.575.03.1E0 991.555.765.02.1E0 Compressor for Emergency wheel		1 1 1	CARRERA 4 CARRERA 4 S

Model: 997-09

Model life 2009>>2012



Model: 997-09

Model life 2009>>2012

Pos	Part Number	Description	Remark	Qty	Model
		Wheels Central locking			I422 CARRERA GTS 4 GTS
1	997 364 157 06 997 364 157 06 041	Disc wheel Black 8,5 J X 19 ET 56	/V	2	
1	997 362 157 06	Disc wheel 8,5 J X 19 ET 56 for winter use Paint	/V	2	
(1)	997 364 163 04 997 364 163 04 041	Disc wheel Black 11 J X 19 ET 51	/H	2	
1	997 362 163 04	Disc wheel 11 J X 19 ET 51 for winter use Paint	/H	2	
2	999 707 012 40	It is necessary to rework O-ring 37 X 2,5 N		4	
3	997 341 251 04	Locking device		4	
4	999 707 648 40	O-ring 92,00 X 3,5		4	
5	997 361 081 06	Wheel bolt		4	
6	999 701 045 40	O-ring 32 X 2,0 N		4	
7	997 361 207 03	Hub cap		4	
8	997 361 405 00	Balance stick-on weight 5.G.		X	
(8)	997 361 410 00	Balance stick-on weight 10 G.		X	
(8)	997 361 415 00	Balance stick-on weight 15 G.		X	
(8)	997 361 420 00	Balance stick-on weight 20 G.		X	
(8)	997 361 425 00	Balance stick-on weight 25 G.		X	
(8)	997 361 430 00	Balance stick-on weight 30 G.		X	
(8)	997 361 435 00	Balance stick-on weight 35 G.		X	
(8)	997 361 440 00	Balance stick-on weight 40 G.		X	
(8)	997 361 445 00	Balance stick-on weight 45 G.		X	
(8)	997 361 450 00	Balance stick-on weight 50 G.		X	
(8)	997 361 455 00	Balance stick-on weight 55 G.		X	
(8)	997 361 460 00	Balance stick-on weight 60 G.		X	
(8)	997 361 465 00	Balance stick-on weight 65 G.		X	
(8)	997 361 470 00	Balance stick-on weight 70 G.		X	
(8)	997 361 475 00	Balance stick-on weight 75 G.		X	
(8)	997 361 480 00	Balance stick-on weight		X	

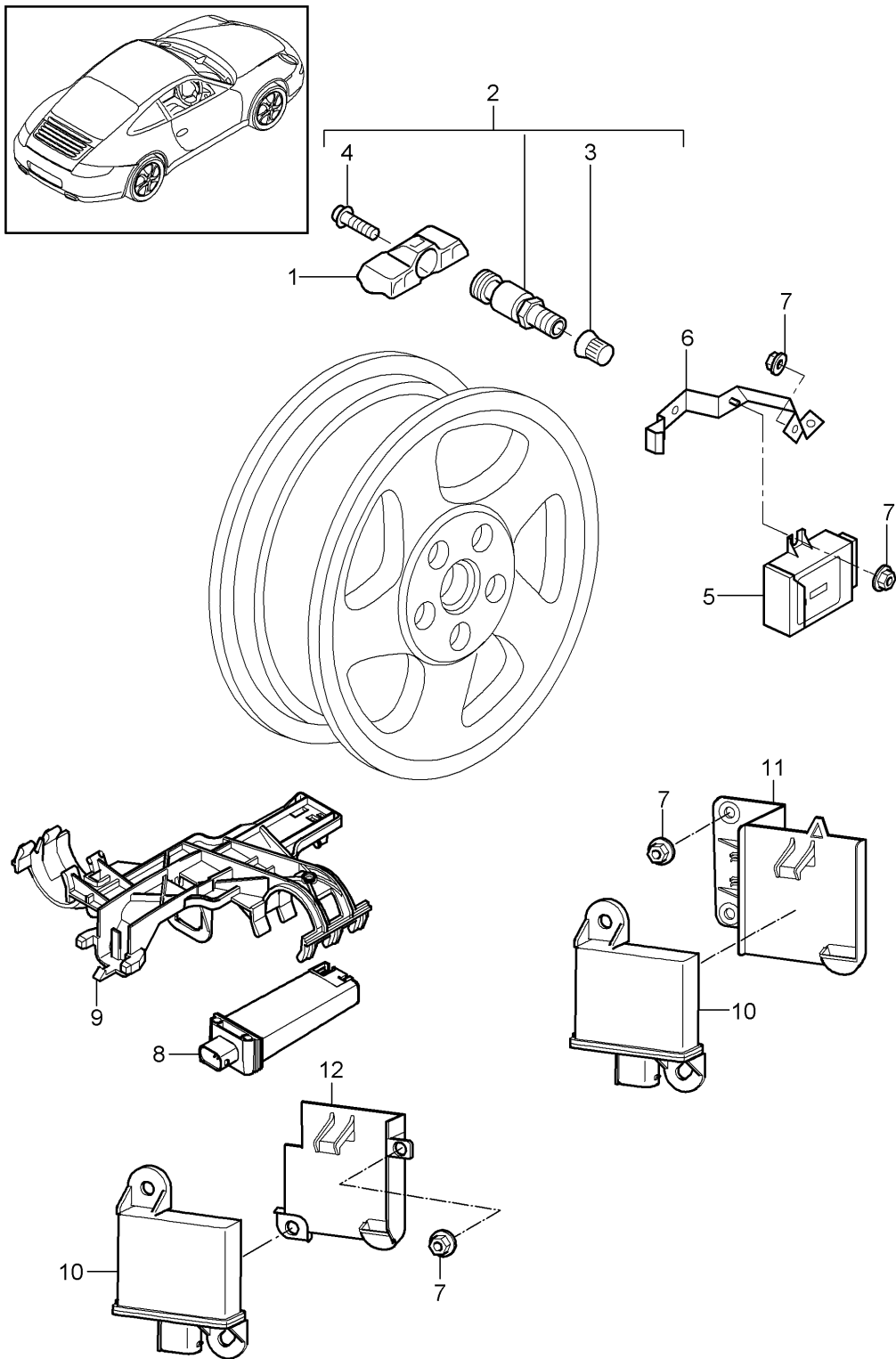
Model: 997-09

Model life 2009>>2012

Pos	Part Number	Description	Remark	Qty	Model
(8)	997 361 485 00	80 G. Balance stick-on weight		X	
(8)	997 361 490 00	85 G. Balance stick-on weight		X	
9	900 265 001 51	90 G. Rubber valve		4	
9	311 601 361	Rubber Rubber valve		4	
10	955 361 163 00	Rubber Cap		4	
11	997 362 191 00	for Rubber valve Adapter		1	
12	997 361 203 01	Emergency wheel Wheel bolt Adapter		5	
13	997 362 021 00	Emergency wheel		1	
14	997 361 189 00	Washer		4	
15		Cone ring		4	
16	997 361 187 00	Circlip 2,0		4	

Model: 997-09

Model life 2009>>2012

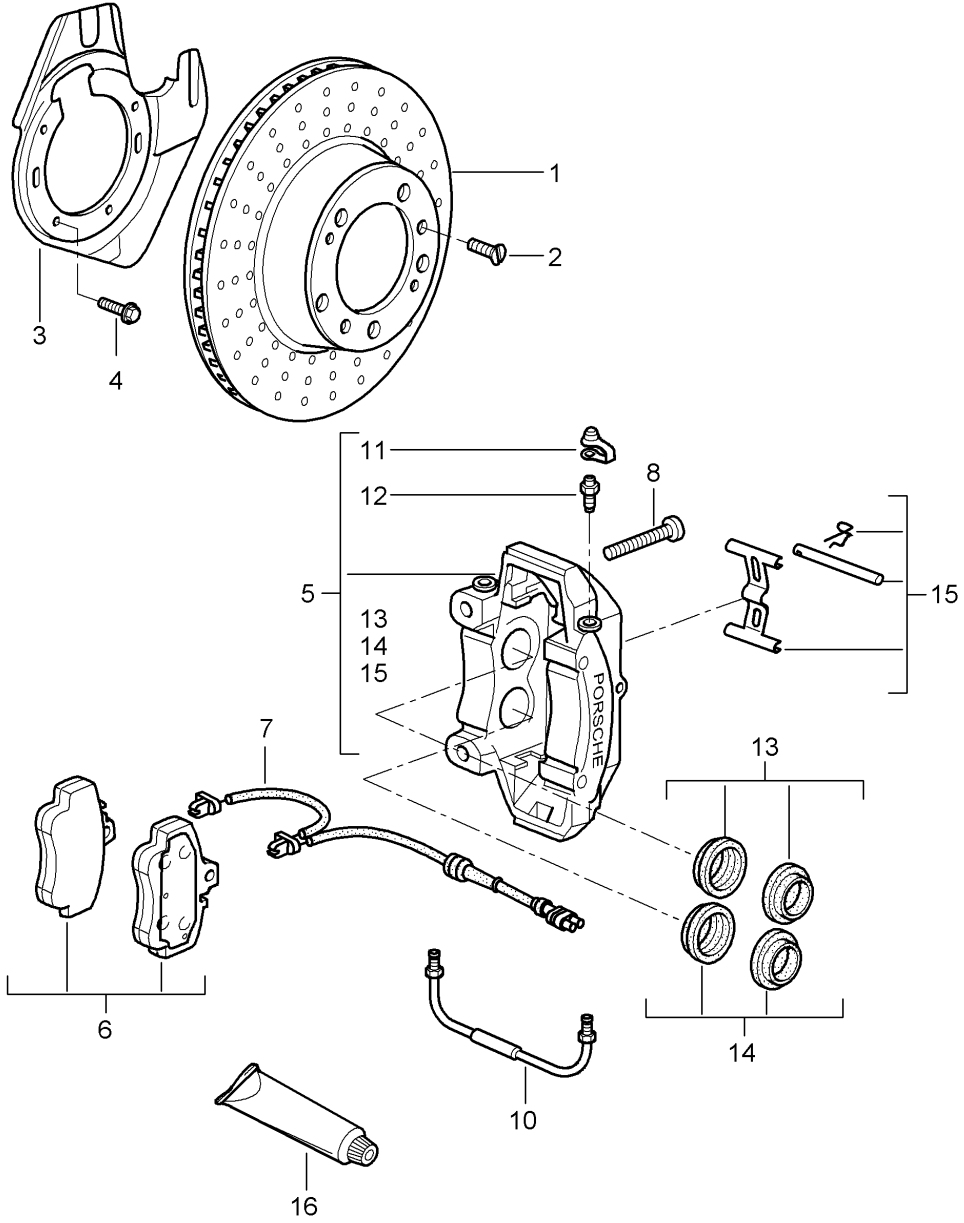
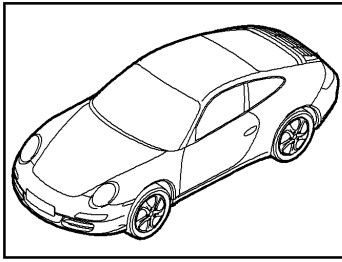


Model: 997-09 Model life 2009>>2012

Pos	Part Number	Description	Remark	Qty	Model
1	997 606 021 20	Tyre pressure monitoring Sensor		4	I482/483 I482
(1)	958 361 661 00	Tyre pressure monitoring Use also: 955.361.053.00 Sensor		4	I482
(1)	7PP 907 275 F	Tyre pressure monitoring Use also: 955.361.053.00 Sensor		4	I482
(1)	997 606 023 21	Information available Sensor	-09	4	I483
(1)	958 361 661 50	Tyre pressure monitoring Use also: 955.361.053.00 Sensor	(J) 10-	4	I483
2	955 361 053 00	Valve Aluminium		4	
(2)	9P1 601 361 A	Valve Aluminium		4	
3	N 908 729 01	Cap		4	
4	4D0 601 365	Fastening screw		4	
5	997 618 103 23	Control unit	-09	1	
5	997 618 191 02	Control unit	10-	1	
6	997 618 203 02	Support Control unit		1	
7	999 076 081 40	Plastic nut T5 16 X 11, 2		8	
8	955 606 101 00	Antenna 433 MHZ		1	I482
(8)	955 606 103 00	Antenna 315 MHZ		1	I483
9	997 606 259 00	Support Antenna		1	
10	955 618 113 00	transmitter	-09	4	
(10)	7PP 907 283	transmitter	10-	4	
11	997 606 242 00	Support Front	/R	1	
(11)	997 606 241 00	Support Front	/L	1	
12	997 606 252 01	Support Rear	/R	1	

Model: 997-09

Model life 2009>>2012



Model: 997-09 Model life 2009>>2012

Pos	Part Number	Description	Remark	Qty	Model
		Disc brake Front axle			CARRERA 2 CARRERA 2-S SportClassic SPEEDSTER Black Editio
-	999 917 565 40	Grease Interflon HT 1 Tube 150 ml See technical manual Group 4 46 36 20 Only together with 997.351.938.04 997.351.938.19 Brake disc Only in pairs Replace Technical manual Attention		1	I450
1	997 351 401 00	Brake disc	/L	1	CARRERA 2
(1)	996 351 409 03	Brake disc	/L -10	1	CARRERA 2-S
(1)	996 351 409 04	Brake disc	/L 11-	1	CARRERA 2-S
(1)	997 351 031 00	Brake disc	/L	1	I450
(1)	997 351 031 01	Brake disc	/L	1	I450
(1)	997 351 031 00	Brake disc	/L	1	I756
(1)	997 351 031 01	Brake disc	/L	1	I756
(1)	997 351 031 00	Brake disc	/L	1	SPEEDSTER I503
(1)	997 351 031 01	Brake disc	/L	1	SPEEDSTER I503
(1)	997 351 402 00	Brake disc	/R	1	CARRERA 2
(1)	996 351 410 03	Brake disc	/R -10	1	CARRERA 2-S
(1)	996 351 410 04	Brake disc	/R 11-	1	CARRERA 2-S
(1)	997 351 032 00	Brake disc	/R	1	I450
(1)	997 351 032 01	Brake disc	/R	1	I450
(1)	997 351 032 00	Brake disc	/R	1	I756
(1)	997 351 032 01	Brake disc	/R	1	I756
(1)	997 351 032 00	Brake disc	/R	1	SPEEDSTER I503
(1)	997 351 032 01	Brake disc	/R	1	SPEEDSTER I503
2	900 269 047 01	Countersunk-head screw M 6 X 12		4	
3	997 351 801 02	Cover plate	/L	1	CARRERA 2
(3)	997 351 805 04	Cover plate	/L	1	CARRERA 2-S
(3)	997 351 805 05	Cover plate	/L	1	I450
(3)		Cover plate	/L	1	I756
(3)		Cover plate	/L	1	SPEEDSTER I503
(3)	997 351 802 02	Cover plate	/R	1	CARRERA 2
(3)	997 351 806 04	Cover plate	/R	1	CARRERA 2-S
(3)	997 351 806 05	Cover plate	/R	1	I450
(3)		Cover plate	/R	1	I756
(3)		Cover plate	/R	1	SPEEDSTER I503
4	999 217 116 01	Hexagon-head bolt M 6 x 16		X	
5	997 351 421 0C	Fixed calliper without pad Use also: 999.067.053.09	/L -10	1	CARRERA 2
5	997 351 421 0D	Fixed calliper	/L 11-	2 1	CARRERA 2

Model: 997-09 Model life 2009>>2012

Pos	Part Number	Description	Remark	Qty	Model
(5)	996 351 429 10	without pad Use also: 999.067.053.09 Fixed calliper	/L	2 1	CARRERA 2-S
(5)	996 351 431 31	without pad Use also: 999.067.050.09 Fixed calliper	/L	2 1	I450
(5)		without pad Use also: 999.067.053.09 Fixed calliper	/L	2 1	I756
(5)		without pad Use also: 999.067.053.09 Fixed calliper	/L	2 1	SPEEDSTER I503
(5)	997 351 422 0C	without pad Use also: 999.067.053.09 Fixed calliper	/R -10	2 1	CARRERA 2
5	997 351 422 0D	without pad Use also: 999.067.053.09 Fixed calliper	/R 11-	2 1	CARRERA 2
(5)	996 351 430 10	without pad Use also: 999.067.053.09 Fixed calliper	/R	2 1	CARRERA 2-S
(5)	996 351 432 31	without pad Use also: 999.067.050.09 Fixed calliper	/R	2 1	I450
(5)		without pad Use also: 999.067.053.09 Fixed calliper	/R	2 1	I756
(5)		without pad Use also: 999.067.053.09 Fixed calliper	/R	2 1	SPEEDSTER I503
(6)	997 351 938 04	without pad Use also: 999.067.053.09 Brake pad repair set		2 1	CARRERA 2
(6)	997 351 938 19	Use also: 999.067.053.09 See technical manual Group 4 46 36 20 Brake pad repair set		4 1	CARRERA 2
(6)	997 351 938 06	Use also: 999.067.053.09 See technical manual Group 46 36 20 Brake pad repair set		4 1	CARRERA 2
(6)	997 351 949 02	Use also: 999.067.053.09 Brake pad repair set Use also: Mounting parts		4 1	CARRERA 2-S

Model: 997-09 Model life 2009>>2012

Pos	Part Number	Description	Remark	Qty	Model
(6)	997 351 948 01	Brake pad repair set Use also: Mounting parts		1	I450
(6)		Brake pad repair set Use also: Mounting parts		1	I756
(6)		Brake pad repair set Use also: Mounting parts		1	SPEEDSTER I503
-	996 351 089 01	Damping plate		X	CARRERA 2-S
7	997 612 769 00	Warning contact		2	CARRERA 2
(7)	997 612 757 00	Warning contact	/L	1	CARRERA 2-S
(7)	997 612 678 00	Warning contact	/R	1	CARRERA 2-S
(7)	997 612 675 01	Warning contact	/L	1	I450
(7)		Warning contact	/L	1	I756
(7)		Warning contact	/L	1	SPEEDSTER I503
(7)	997 612 679 00	Warning contact	/R	1	I450
(7)		Warning contact	/R	1	I756
(7)		Warning contact	/R	1	SPEEDSTER I503
-	999 507 464 40	Support		2	
-	944 612 627 00	Line bracket for Warning contact		3	
8	999 067 053 09	Pan-head screw M 12 X 1,5 X 85		4	CARRERA 2
(8)	999 067 050 09	Pan-head screw M 12 X 1,5 X 77		4	CARRERA 2-S
(8)	999 067 053 09	Pan-head screw M 12 x 1,5 x 85		4	I450
(8)		Pan-head screw M 12 X 1,5 X 85		4	SPEEDSTER I503 SportClassic I756
10	997 351 961 00	Connecting line		2	CARRERA 2
(10)	996 351 961 11	Connecting line	/L	1	CARRERA 2-S
(10)	996 351 962 11	Connecting line	/R	1	CARRERA 2-S
(10)	996 351 961 30	Connecting line		2	I450
(10)		Connecting line		2	I756
(10)		Connecting line		2	SPEEDSTER I503
11	930 351 927 00	Dust boot		2	
11	930 351 927 01	Dust boot		2	
12	930 351 919 00	Ventilation valve		2	
13	996 351 915 01	Repair kit Protection caps 38 MM		X	CARRERA 2
14		Repair kit Protection caps 38 MM		X	CARRERA 2
(13)	928 351 917 00	Repair kit Protection caps 44 mm		X	CARRERA 2-S
(14)	951 351 917 00	Repair kit Repair kit Protection caps 36 mm		X	CARRERA 2-S
-	996 351 915 01	Repair kit Protection caps 38 MM		X	I450
-		Repair kit		X	I756

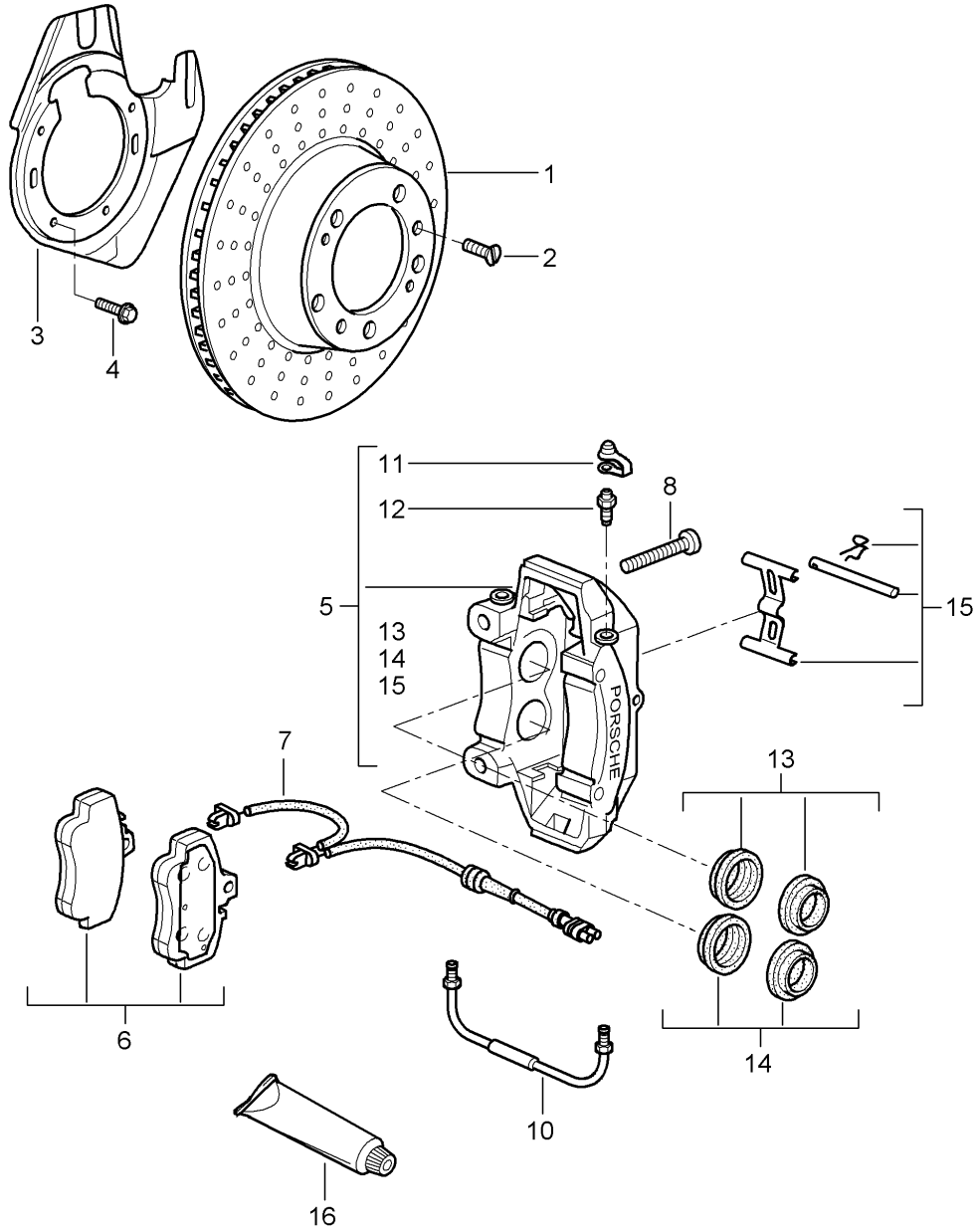
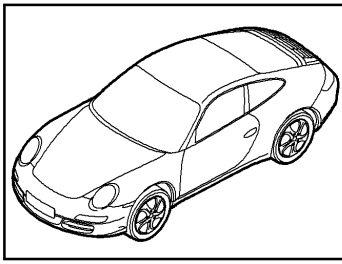
Model: 997-09

Model life 2009>>2012

Pos	Part Number	Description	Remark	Qty	Model
-		Protection caps 38 MM Repair kit		X	SPEEDSTER I503
-	996 351 915 00	Protection caps 38 MM Repair kit		X	I450
-		Protection caps 32 MM Repair kit		X	I756
-		Protection caps 32 MM Repair kit		X	SPEEDSTER I503
-	951 352 917 00	Protection caps 32 MM Repair kit		X	I756
-		Protection caps 28 MM Repair kit		X	SPEEDSTER I503
-	996 351 915 01	Protection caps 28 MM Repair kit		X	I450
-		Protection caps 38 MM Repair kit		X	I756
-		Protection caps 38 MM Repair kit		X	SPEEDSTER I503
(15)	997 351 959 00	Protection caps 38 MM Spring		X	CARRERA 2
15	996 351 959 11	Repair kit Mounting parts Bolt Expanding spring		1	CARRERA 2-S
15	996 351 959 30	Securing clip Repair kit Mounting parts Bolt Screw Expanding spring		1	I450
15		Repair kit Mounting parts Bolt Screw Expanding spring		1	I756
15		Repair kit		1	SPEEDSTER I503
16	000 043 117 00	Mounting parts Bolt Screw Expanding spring Brake cylinder paste		X	
16	000 043 020 00	50 G Optimoly 100 G		X	

Model: 997-09

Model life 2009>>2012



Model: 997-09 Model life 2009>>2012

Pos	Part Number	Description	Remark	Qty	Model
		Disc brake Front axle			CARRERA 4 CARRERA 4-S TARGA TARGA-S
-	999 917 565 40	Grease Interflon HT 1 Tube 150 ml See technical manual Group 4 46 36 20 Only together with 997.351.938.04 997.351.938.19 Brake disc Only in pairs Replace Technical manual Attention		1	I450
1	997 351 401 00	Brake disc	/L	1	CARRERA 4
(1)	996 351 409 03	Brake disc	/L -10	1	TARGA CARRERA 4-S
(1)	996 351 409 04	Brake disc	/L 11-	1	TARGA-S CARRERA 4-S
(1)	997 351 031 00	Brake disc	/L	1	TARGA-S I450
(1)	997 351 031 01	Brake disc	/L	1	I450
(1)	997 351 402 00	Brake disc	/R	1	CARRERA 4
(1)	996 351 410 03	Brake disc	/R -10	1	TARGA CARRERA 4-S
(1)	996 351 410 04	Brake disc	/R 11-	1	TARGA-S CARRERA 4-S
(1)	997 351 032 00	Brake disc	/R	1	TARGA-S I450
(1)	997 351 032 01	Brake disc	/R	1	I450
2	900 269 047 09	Countersunk-head screw M 6 X 12		4	
2	900 269 047 01	Countersunk-head screw M 6 X 12		4	
3	997 351 805 00	Cover plate	/L	1	CARRERA 4
(3)	997 351 805 04	Cover plate	/L	1	TARGA CARRERA 4-S
(3)	997 351 805 05	Cover plate	/L	1	TARGA-S I450
(3)	997 351 806 00	Cover plate	/R	1	CARRERA 4
(3)	997 351 806 04	Cover plate	/R	1	TARGA CARRERA 4-S
(3)	997 351 806 05	Cover plate	/R	1	TARGA-S I450
(4)	999 217 116 01	Hexagon-head bolt M 6 x 16		X	
5	997 351 421 0C	Fixed calliper without pad	/L -10	1	CARRERA 4
5	997 351 421 0D	Fixed calliper without pad	/L	1	TARGA
(5)	996 351 429 10	Fixed calliper without pad	/L 11-	2	CARRERA 4
		Use also: 999.067.053.09	/L	1	TARGA
		Fixed calliper without pad		2	
		Use also: 999.067.050.09	/L	1	CARRERA 4-S
			/L	1	TARGA-S
				2	

Model: 997-09

Model life 2009>>2012

Pos	Part Number	Description	Remark	Qty	Model
(5)	996 351 431 31	Fixed calliper without pad Use also: 999.067.053.09	/R	1	I450
(5)	997 351 422 0C	Fixed calliper without pad Use also: 999.067.053.09	/R -10 /R	1 1	CARRERA 4 TARGA
5	997 351 422 0D	Fixed calliper without pad Use also: 999.067.053.09	/R 11- /R	1	CARRERA 4 TARGA
(5)	996 351 430 10	Fixed calliper without pad Use also: 999.067.050.09	/R /R	1 1	CARRERA 4-S TARGA-S
(5)	996 351 432 31	Fixed calliper without pad Use also: 999.067.053.09	/R	1	I450
(6)	997 351 938 04	Brake pad repair set Use also: 999.067.053.09 See technical manual Group 46 36 20		1 1 4	CARRERA 4 TARGA
(6)	997 351 938 19	Brake pad repair set Use also: 999.067.053.09 See technical manual Group 46 36 20		1 4	CARRERA 4 TARGA
(6)	997 351 938 06	Brake pad repair set Use also: 999.067.053.09		1 4	CARRERA 4 TARGA
(6)	997 351 949 02	Brake pad repair set Use also: Mounting parts		1 1	CARRERA 4-S TARGA-S
(6)	997 351 948 01	Brake pad repair set Use also: Mounting parts		1	I450
-	996 351 089 01	Damping plate		X	CARRERA 4-S TARGA-S
7	997 612 770 00	Warning contact		2	CARRERA 4
(7)	997 612 680 00	Warning contact		2	TARGA
(7)	997 612 677 00	Warning contact		2	CARRERA 4-S
-	999 507 464 40	Support		2	TARGA-S
-	944 612 627 00	Line bracket for Warning contact		3	I450
8	999 067 053 09	Pan-head screw M 12 X 1,5 X 85		4	CARRERA 4 TARGA
(8)	999 067 050 09	Pan-head screw M 12 X 1,5 X 77		4	CARRERA 4-S
(8)	999 067 053 09	Pan-head screw m 12 x 1,5 x 85		4	TARGA-S I450
10	997 351 961 00	Connecting line		2	CARRERA 4
(10)	996 351 961 11	Connecting line	/L	1	CARRERA 4-S
(10)	996 351 962 11	Connecting line	/R	1	CARRERA 4-S
(10)	996 351 961 30	Connecting line		2	I450

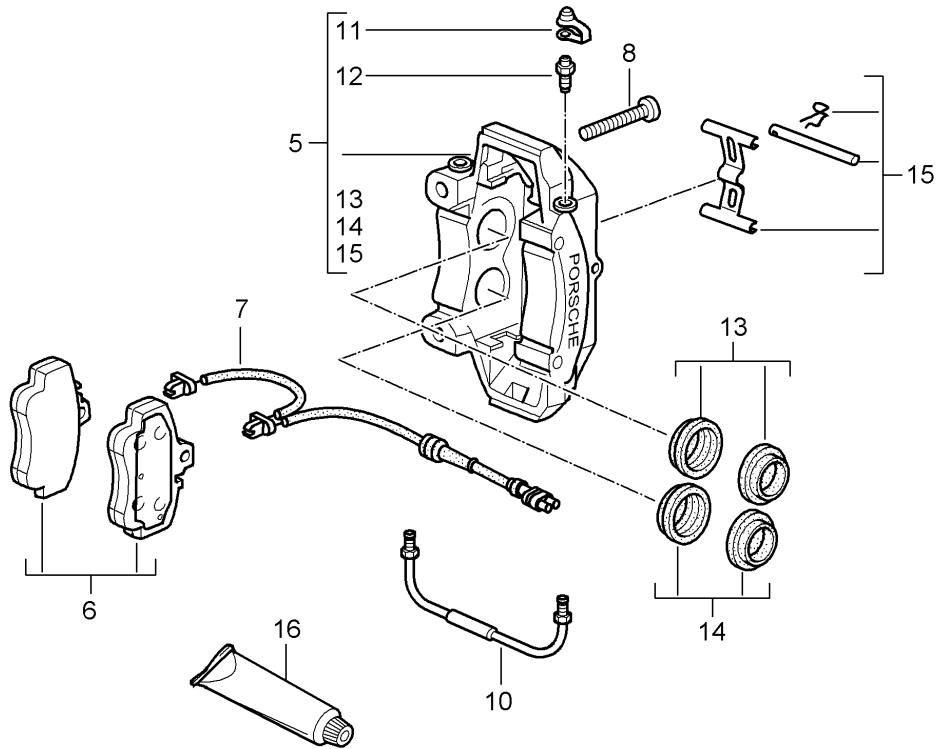
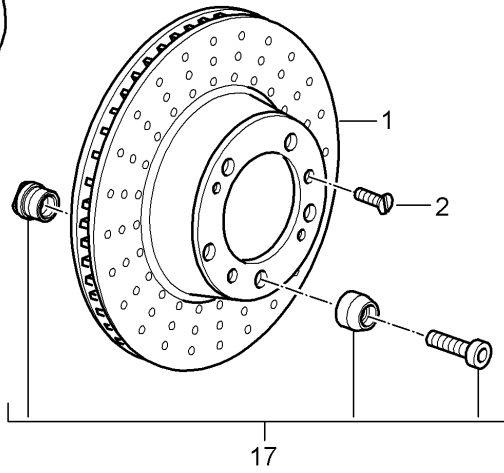
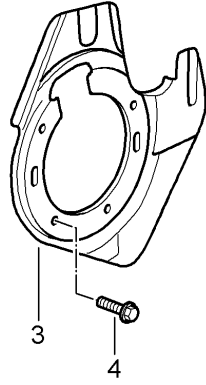
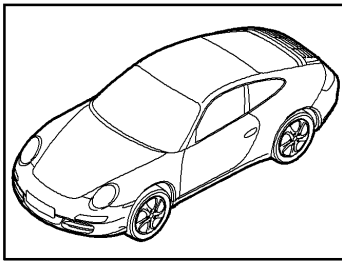
Model: 997-09

Model life 2009>>2012

Pos	Part Number	Description	Remark	Qty	Model
11	930 351 927 00	Dust boot		2	
11	930 351 927 01	Dust boot		2	
12	930 351 919 00	Ventilation valve		2	
13	996 351 915 01	Repair kit		X	CARRERA 4
		Protection caps		X	TARGA
		38 MM			
(13)	928 351 917 00	Repair kit		X	CARRERA 4-S
		Protection caps		X	TARGA-S
		44 mm			
(14)	951 351 917 00	Repair kit		X	CARRERA 4-S
		Protection caps		X	TARGA-S
		36 mm			
-	996 351 915 01	Repair kit		X	I450
		Protection caps			
		38 MM			
-	996 351 915 00	Repair kit		X	I450
		Protection caps			
		32 MM			
-	951 352 917 00	Repair kit		X	I450
		Protection caps			
		28 MM			
(15)	997 351 959 00	Spring		X	CARRERA 4
				X	TARGA
(15)	996 351 959 11	Repair kit		1	CARRERA 4-S
		Mounting parts		1	TARGA-S
		Bolt			
		Expanding spring			
		Securing clip			
(15)	996 351 959 30	Repair kit		1	I450
		Mounting parts			
		Bolt			
		Screw			
		Expanding spring			
16	000 043 117 00	Brake cylinder paste		X	
		50 G			
16	000 043 020 00	Optimoly		X	
		100 G			

Model: 997-09

Model life 2009>>2012



Model: 997-09 Model life 2009>>2012

Pos	Part Number	Description	Remark	Qty	Model
		Disc brake Front axle Brake disc Only in pairs Replace Technical manual Attention			CARRERA GTS 4 GTS I450
1	996 351 409 04	Brake disc	/L	1	
(1)	996 351 409 05	Brake disc Only together with Grey cast iron Brake Use also: 997.341.901.00 See technical manual Group 46 50 19	/L	1	I422
(1)	997 351 031 00	Brake disc	/L	1	I450
(1)	997 351 031 01	Brake disc	/L	1	I450
(1)	996 351 410 04	Brake disc	/R	1	
(1)	996 351 410 05	Brake disc Only together with Grey cast iron Brake Use also: 997 341 901 00 See technical manual Group 46 50 19	/R	1	I422
(1)	997 351 032 00	Brake disc	/R	1	I450
(1)	997 351 032 01	Brake disc	/R	1	I450
2	900 269 047 01	Countersunk-head screw M 6 X 12		4	
3	997 351 805 04	Cover plate	/L	1	
(3)	997 351 805 05	Cover plate	/L	1	I450
(3)	997 351 806 04	Cover plate	/R	1	
(3)	997 351 806 05	Cover plate		1	I450
4	999 217 116 01	Hexagon-head bolt M 6 x 16		X	
5	996 351 429 10	Fixed calliper without pad Use also: 999.067.050.09	/L	1	
(5)	996 351 431 31	Fixed calliper without pad Use also: 999.067.053.09	/L	1	I450
(5)	996 351 430 10	Fixed calliper without pad Use also: 999.067.050.09	/R	1	
(5)	996 351 432 31	Fixed calliper without pad Use also: 999.067.053.09	/R	1	I450
6	997 351 949 02	Brake pad repair set Use also: Mounting parts		1	
(6)	997 351 948 01	Brake pad repair set Use also: Mounting parts		1	I450
-	996 351 089 01	Damping plate		X	

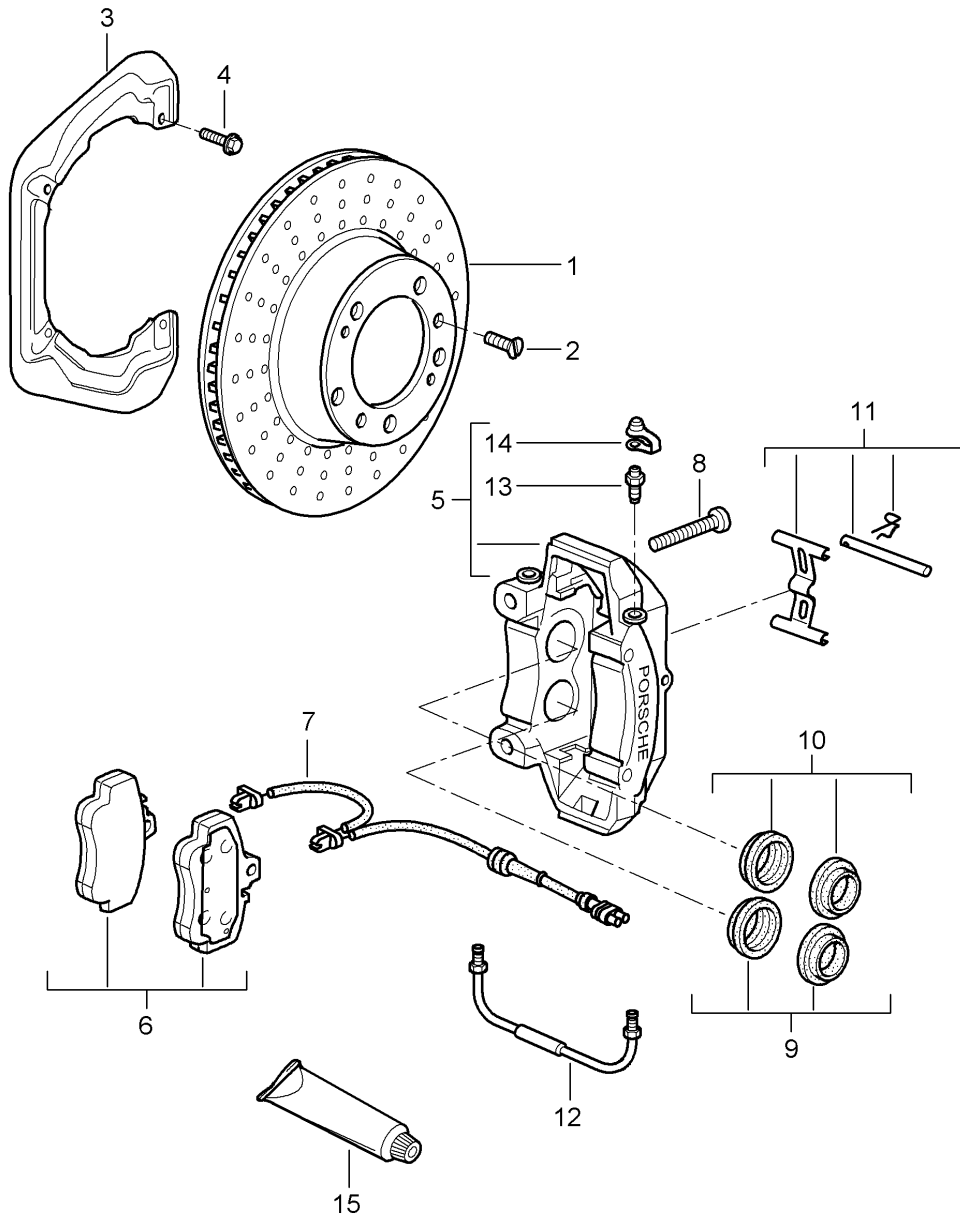
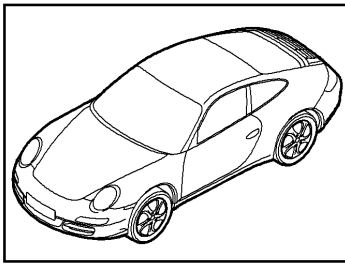
Model: 997-09

Model life 2009>>2012

Pos	Part Number	Description	Remark	Qty	Model
7	997 612 757 00	Warning contact	/L	1	
(7)	997 612 678 00	Warning contact	/R	1	
(7)	997 612 680 00	Warning contact		1	4 GTS
(7)	997 612 675 01	Warning contact	/L	1	I019
(7)	997 612 679 00	Warning contact	/R	1	I450
-	999 507 464 40	Support		2	
-	944 612 627 00	Line bracket for Warning contact		3	
8	999 067 050 09	Pan-head screw M 12 X 1,5 X 77		4	
(8)	999 067 053 09	Pan-head screw m 12 x 1,5 x 85		4	I450
10	996 351 961 11	Connecting line	/L	1	
(10)	996 351 962 11	Connecting line	/R	1	
(10)	996 351 961 30	Connecting line		2	I450
11	930 351 927 00	Dust boot		2	
11	930 351 927 01	Dust boot		2	
12	930 351 919 00	Ventilation valve		2	
13	928 351 917 00	Repair kit Protection caps 44 mm		X	
14	951 351 917 00	Repair kit Protection caps 36 mm		X	
-	996 351 915 01	Repair kit Protection caps 38 MM		X	I450
-	996 351 915 00	Repair kit Protection caps 32 MM		X	I450
-	951 352 917 00	Repair kit Protection caps 28 MM		X	I450
-	996 351 915 01	Repair kit Protection caps 38 MM		X	I450
15	996 351 959 11	Repair kit Mounting parts Bolt Expanding spring Securing clip		1	
(15)	996 351 959 30	Repair kit Mounting parts Bolt Screw Expanding spring		1	I450
16	000 043 117 00	Brake cylinder paste 50 G		X	
16	000 043 020 00	Optimoly 100 G		X	
17	997 341 901 00	Assembly kit Comprising: Driving pin Sleeve Fastening screw See technical manual 46 50 19		2	I422
				5	
				5	
				5	

Model: 997-09

Model life 2009>>2012



Model: 997-09 Model life 2009>>2012

Pos	Part Number	Description	Remark	Qty	Model
		Disc brake Rear axle			CARRERA 2 CARRERA 2-S SportClassik SPEEDSTER BlackEdition I450
		Brake disc Only in pairs Replace Technical manual Attention			
1	996 352 405 01	Brake disc	/L -10	1	
1	996 352 405 02	Brake disc	/L 11-	1	
(1)	997 352 031 00	Brake disc	/L	1	I450
(1)	997 352 031 01	Brake disc	/L	1	I450
(1)	298 615 601	Brake disc	/L	1	I450
(1)	298 615 601 C	Brake disc	/L	1	I450
(1)	997 352 031 00	Brake disc	/L	1	I756
(1)	997 352 031 01	Brake disc	/L	1	I756
(1)	298 615 601	Brake disc	/L	1	I756
(1)	298 615 601 C	Brake disc	/L	1	I756
(1)	997 352 031 00	Brake disc	/L	1	SPEEDSTER I503
(1)	997 352 031 01	Brake disc	/L	1	SPEEDSTER I503
(1)	298 615 601	Brake disc	/L	1	SPEEDSTER I503
(1)	298 615 601 C	Brake disc	/L	1	SPEEDSTER I503
(1)	996 352 406 01	Brake disc	/R -10	1	
(1)	996 352 406 02	Brake disc	/R 11-	1	
(1)	997 352 032 00	Brake disc	/R	1	I450
(1)	997 352 032 01	Brake disc	/R	1	I450
(1)	298 615 602	Brake disc	/R	1	I450
(1)	298 615 602 C	Brake disc	/R	1	I450
(1)	997 352 032 00	Brake disc	/R	1	I756
(1)	997 352 032 01	Brake disc	/R	1	I756
(1)	298 615 602	Brake disc	/R	1	I756
(1)	298 615 602 C	Brake disc	/R	1	I756
(1)	997 352 032 00	Brake disc	/R	1	SPEEDSTER I503
(1)	997 352 032 01	Brake disc	/R	1	SPEEDSTER I503
(1)	298 615 602	Brake disc	/R	1	SPEEDSTER I503
(1)	298 615 602 C	Brake disc	/R	1	SPEEDSTER I503
2	900 269 047 01	Countersunk-head screw M 6 X 12		4	
(2)	900 269 106 01	Countersunk-head screw M 6 x 16		4	IXRP CARRERA 2 CARRERA 2-S
3	996 352 801 03	Cover plate		2	
(3)	997 352 801 02	Cover plate	/L	1	I450
(3)		Cover plate	/L	1	I756
(3)		Cover plate	/L	1	SPEEDSTER I503
(3)	997 352 802 02	Cover plate	/R	1	I450
(3)		Cover plate	/R	1	I756
(3)		Cover plate	/R	1	SPEEDSTER I503
4	999 217 116 01	Hexagon-head bolt M 6 x 16		X	

Model: 997-09 Model life 2009>>2012

Pos	Part Number	Description	Remark	Qty	Model
5	997 352 421 0B	Fixed calliper without pad Use also: 999.067.053.09	/L	1	CARRERA 2
(5)	996 352 425 60	Fixed calliper without pad Use also: 999.067.050.09	/L	1	CARRERA 2-S
(5)	996 352 423 31	Fixed calliper without pad Use also: 999.067.053.09	/L	1	I450
(5)		Fixed calliper without pad Use also: 999.067.053.09	/L	1	I756
(5)		Fixed calliper without pad Use also: 999.067.053.09	/L	1	SPEEDSTER I503
(5)	997 352 422 0B	Fixed calliper without pad Use also: 999.067.053.09	/R	1	CARRERA 2
(5)	996 352 426 60	Fixed calliper without pad Use also: 999.067.050.09	/R	1	CARRERA 2-S
(5)	996 352 424 31	Fixed calliper without pad Use also: 999.067.053.09	/R	1	I450
(5)		Fixed calliper without pad Use also: 999.067.053.09	/R	1	I756
(5)		Fixed calliper without pad Use also: 999.067.053.09	/R	1	SPEEDSTER I503
6	997 352 949 04	Brake pad repair set Use also: 999.067.053.09		1	CARRERA 2
(6)	997 351 939 05	Brake pad repair set Use also: Mounting parts		1	CARRERA 2-S
(6)	997 352 948 00	Brake pad repair set Use also: Mounting parts		1	I450
(6)		Brake pad repair set Use also: 999.067.053.09		1	I756
(6)		Brake pad repair set Use also: 999.067.053.09		1	SPEEDSTER I503
-	996 352 086 00	Damping plate 30 mm		X	CARRERA 2-S
-	996 352 086 02	Damping plate 28 MM		X	CARRERA 2-S
7	997 612 754 00	Warning contact		2	CARRERA 2

Model: 997-09 Model life 2009>>2012

Pos	Part Number	Description	Remark	Qty	Model
(7)	997 612 676 01	Warning contact		2	CARRERA 2-S
(7)		Warning contact		2	I450
(7)		Warning contact		2	I756
(7)		Warning contact		2	SPEEDSTER I503
-	999 507 464 40	Support		2	
		Warning contact			
8	999 067 053 09	Pan-head screw M 12 X 1,5 X 85		4	CARRERA 2
(8)	999 067 050 09	Pan-head screw m 12 x 1,5 x 77		4	CARRERA 2-S
(8)	999 067 053 09	Pan-head screw M 12 X 1,5 X 85		4	I450
(8)		Pan-head screw M 12 X 1,5 X 85		4	I756
(8)		Pan-head screw M 12 X 1,5 X 85		4	SPEEDSTER I503
9	965 352 917 00	M 12 X 1,5 X 85 Repair kit		4	CARRERA 2
		Protection caps 34 MM			
(9)	951 352 917 01	Repair kit		2	CARRERA 2
		Protection caps 30 MM		2	CARRERA 2-S
10	951 352 917 00	Repair kit		2	CARRERA 2
		Protection caps 28 MM		2	CARRERA 2-S
(10)		Repair kit		X	I450
		Protection caps 28 MM			
(10)		Repair kit		X	I756
		Protection caps 28 MM			
(10)		Repair kit		X	SPEEDSTER I503
		Protection caps 28 MM			
11	997 352 959 10	Spring		2	CARRERA 2
(11)	955 352 960 00	Repair kit		1	CARRERA 2-S
(11)	996 351 959 01	Repair kit		1	I450
		Mounting parts			
		Bolt		2	
		Expanding spring		2	
		Securing clip		2	
(11)		Repair kit		1	I756
		Mounting parts			
		Bolt		2	
		Expanding spring		2	
		Securing clip		2	
(11)		Repair kit		1	SPEEDSTER I503
		Mounting parts			
		Bolt		2	
		Expanding spring		2	
		Securing clip		2	
(12)	996 351 962 00	Connecting line	/L	1	CARRERA 2-S
(12)	996 351 961 00	Connecting line	/R	1	CARRERA 2-S
(12)	996 352 961 30	Connecting line	/L	1	I450
(12)		Connecting line	/L	1	I756
(12)		Connecting line	/L	1	SPEEDSTER I503
(12)		Connecting line	/R	1	I450
(12)		Connecting line	/R	1	I756

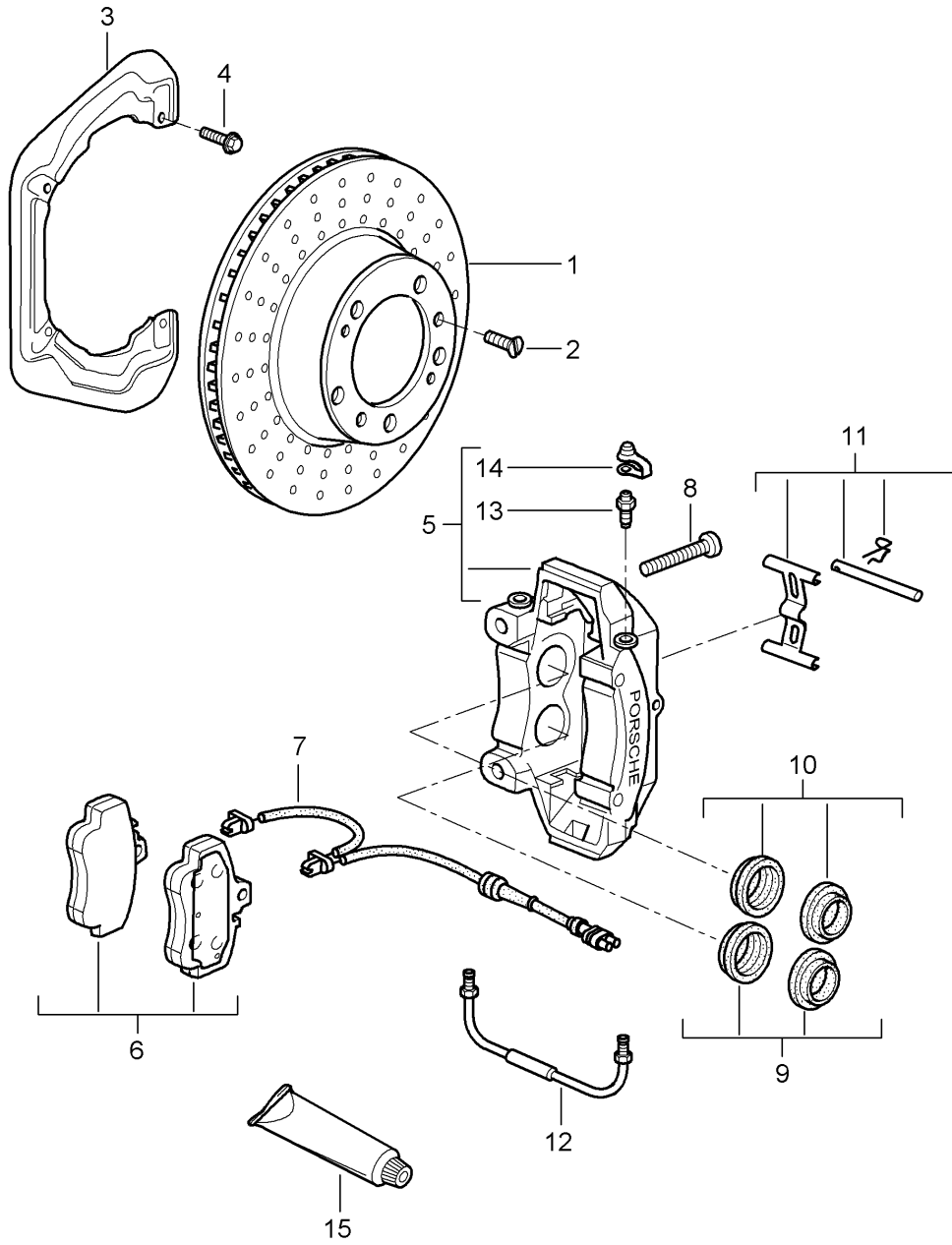
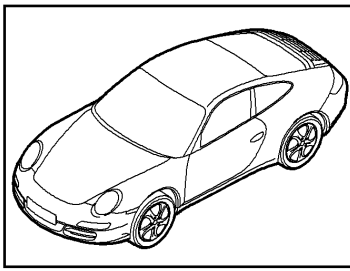
Model: 997-09

Model life 2009>>2012

Pos	Part Number	Description	Remark	Qty	Model
(12)		Connecting line	/R	1	SPEEDSTER I503
13	930 351 919 01	Ventilation valve		4	
14	930 351 927 00	Dust boot		4	
14	930 351 927 01	Dust boot		4	
15	000 043 117 00	Brake cylinder paste 50 G		X	
(15)	000 043 020 00	Optimoly 100 G		X	

Model: 997-09

Model life 2009>>2012



Model: 997-09 Model life 2009>>2012

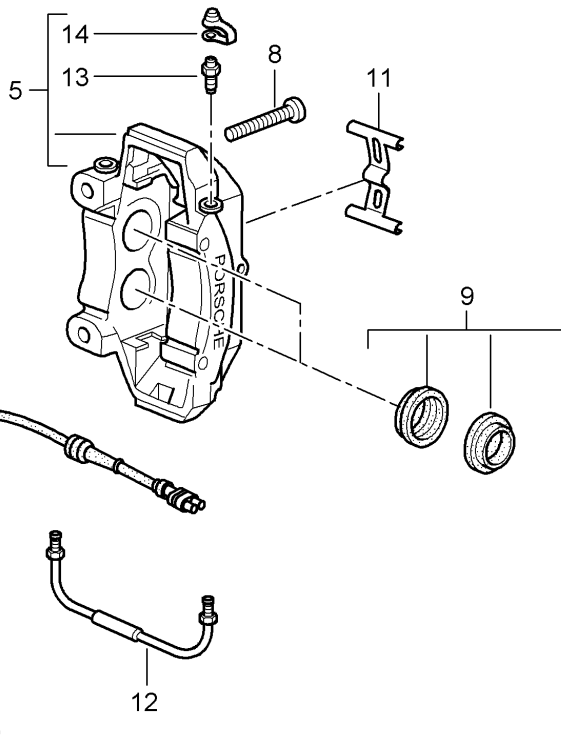
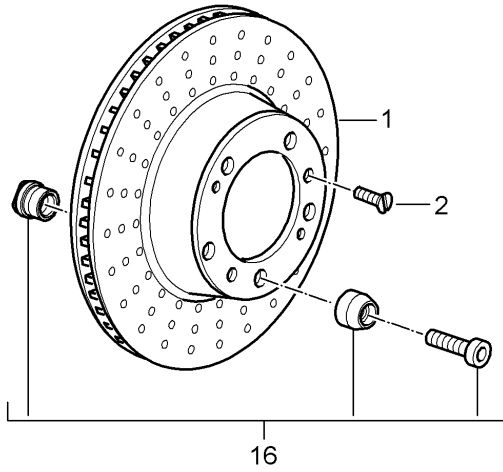
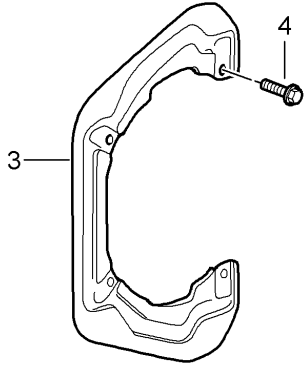
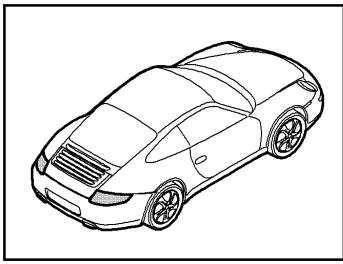
Pos	Part Number	Description	Remark	Qty	Model
		Disc brake Rear axle			CARRERA 4 CARRERA 4-S TARGA TARGA-S I450
		Brake disc Only in pairs Replace Technical manual Attention			
(1)	996 352 405 01	Brake disc	/L -10	1	
(1)	996 352 405 02	Brake disc	/L 11-	1	
(1)	997 352 031 00	Brake disc	/L	1	I450
(1)	997 352 031 01	Brake disc	/L	1	I450
(1)	298 615 601	Brake disc	/L	1	I450
(1)	298 615 601 C	Brake disc	/L	1	I450
(1)	996 352 406 01	Brake disc	/R -10	1	
(1)	996 352 406 02	Brake disc	/R 11-	1	
(1)	997 352 032 00	Brake disc	/R	1	I450
(1)	997 352 032 01	Brake disc	/R	1	I450
(1)	298 615 602	Brake disc	/R	1	I450
(1)	298 615 602 C	Brake disc	/R	1	I450
2	900 269 047 01	Countersunk-head screw M 6 X 12		4	CARRERA 4
				4	CARRERA 4-S
(2)	900 269 106 01	Countersunk-head screw M 6 x 16		4	IXRP TARGA TARGA-S
3	996 352 801 03	Cover plate		2	
(3)	997 352 801 02	Cover plate	/L	1	I450
(3)	997 352 802 02	Cover plate	/R	1	I450
4	999 217 116 01	Hexagon-head bolt M 6 x 16		X	
5	997 352 421 0B	Fixed calliper without pad	/L /L	1 1	CARRERA 4 TARGA
		Use also: 999.067.053.09		2	
(5)	996 352 425 60	Fixed calliper without pad	/L /L	1 1	CARRERA 4-S TARGA-S
		Use also: 999.067.050.09		2	
(5)	996 352 423 31	Fixed calliper without pad	/L	1	I450
		Use also: 999.067.053.09		2	
(5)	997 352 422 0B	Fixed calliper without pad	/R /R	1 1	CARRERA 4 TARGA
		Use also: 999.067.053.09		2	
(5)	996 352 426 60	Fixed calliper without pad	/R /R	1 1	CARRERA 4-S TARGA-S
		Use also: 999.067.050.09		2	
(5)	996 352 424 31	Fixed calliper without pad	/R	1	I450
		Use also: 999.067.053.09		2	
6	997 352 949 04	Brake pad repair set		1 1	CARRERA 4 TARGA
		Use also: 999.067.053.09		4	
(6)	997 351 939 05	Brake pad repair set		1 1	CARRERA 4-S TARGA-S
		Use also:			

Model: 997-09 Model life 2009>>2012

Pos	Part Number	Description	Remark	Qty	Model
(6)	997 352 948 00	Mounting parts Brake pad repair set		1	I450
-	996 352 086 00	Use also: Mounting parts Damping plate 30 MM		X	CARRERA 4
				X	CARRERA 4-S
				X	TARGA
				X	TARGA-S
-	996 352 086 02	Damping plate 28 MM		X	CARRERA 4
				X	CARRERA 4-S
				X	TARGA
				X	TARGA-S
(7)	997 612 754 00	Warning contact		2	
7	997 612 676 01	Warning contact		2	I450
(8)	999 067 053 09	Pan-head screw m 12 x 1,5 x 85		4	CARRERA 4
				4	TARGA
(8)	999 067 050 09	Pan-head screw M 12 X 1,5 X 77		4	CARRERA 4-S
				4	TARGA-S
(8)	999 067 053 09	Pan-head screw m 12 x 1,5 x 85		4	I450
(8)	965 352 917 00	Repair kit Protection caps 34 mm		4	CARRERA-4
					TARGA
9	951 352 917 01	Repair kit Protection caps 30 MM		2	CARRERA 4-S
				2	TARGA-S
				2	
10	951 352 917 00	Repair kit Protection caps 28 MM		2	CARRERA 4-S
				2	TARGA-S
				2	
(10)		Repair kit Protection caps 28 MM		X	I450
(11)	997 352 959 10	Spring		2	CARRERA 4
					TARGA
(11)	955 352 960 00	Repair kit Mounting parts Bolt		1	CARRERA 4-S
				1	TARGA-S
				2	
				2	
				2	
(11)	996 351 959 01	Repair kit Mounting parts Bolt		1	I450
				2	
				2	
				2	
(12)	996 351 962 00	Connecting line	/L	1	CARRERA 4-S
			/L	1	TARGA-S
(12)	996 351 961 00	Connecting line	/R	1	CARRERA 4-S
			/R	1	TARGA-S
(12)	996 352 961 30	Connecting line	/L	1	I450
(12)		Connecting line	/R	1	I450
13	930 351 919 01	Ventilation valve		4	
14	930 351 927 00	Dust boot		4	
14	930 351 927 01	Dust boot		4	
15	000 043 117 00	Brake cylinder paste 50 G		X	
(15)	000 043 020 00	Optimoly 100 G		X	

Model: 997-09

Model life 2009>>2012



Model: 997-09

Model life 2009>>2012

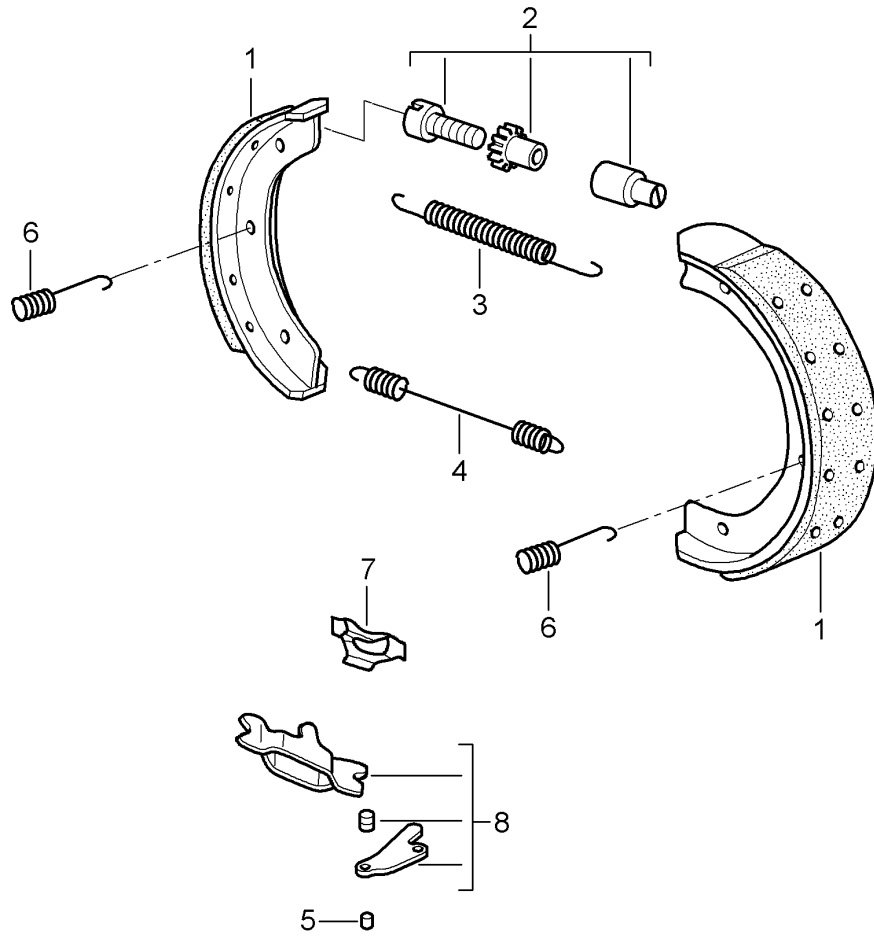
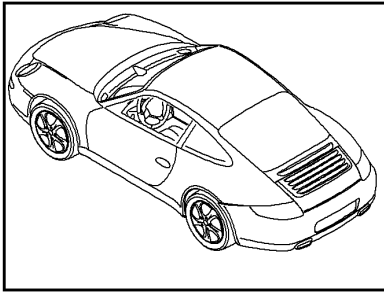
Pos	Part Number	Description	Remark	Qty	Model
		Disc brake Rear axle			CARRERA GTS
		Brake disc Only in pairs Replace			I450
1	996 352 405 02	Technical manual Attention			
(1)	996 352 405 02	Brake disc	/L	1	
(1)	996 352 405 03	Brake disc	/L	1	I422
		Only together with Grey cast iron Brake Use also: 997.341.901.00 See technical manual		X	
(1)	997 352 031 00	Group 46 51 19 Brake disc	/L	1	I450
(1)	997 352 031 01	Brake disc	/L	1	I450
(1)	298 615 601	Brake disc	/L	1	I450
(1)	298 615 601 C	Brake disc	/L	1	I450
(1)	996 352 406 02	Brake disc	/R	1	
(1)	996 352 406 03	Brake disc	/R	1	I422
		Only together with Grey cast iron Brake Use also: 997.341.901.00 See technical manual		X	
(1)	997 352 032 00	Group 46 51 19 Brake disc	/R	1	I450
(1)	997 352 032 01	Brake disc	/R	1	I450
(1)	298 615 602	Brake disc	/R	1	I450
(1)	298 615 602 C	Brake disc	/R	1	I450
2	900 269 047 01	Countersunk-head screw M 6 X 12		4	
3	996 352 801 03	Cover plate		2	-I450
(3)	997 352 801 02	Cover plate	/L	1	I450
(3)	997 352 802 02	Cover plate	/R	1	I450
4	999 217 116 01	Hexagon-head bolt M 6 x 16		X	
5	996 352 425 60	Fixed calliper without pad Use also: 999.067.050.09	/L	1	-I450
(5)	996 352 423 31	Fixed calliper without pad Use also: 999.067.053.09	/L	1	I450
(5)	996 352 426 60	Fixed calliper without pad Use also: 999.067.050.09	/R	1	-I450
(5)	996 352 424 31	Fixed calliper without pad Use also: 999.067.053.09	/R	1	I450
6	997 351 939 05	Brake pad repair set Use also: Mounting parts		1	-I450
(6)	997 352 948 00	Brake pad repair set		1	I450

Model: 997-09 Model life 2009>>2012

Pos	Part Number	Description	Remark	Qty	Model
		Use also:			
-	996 352 086 00	Mounting parts		X	
-	996 352 086 02	Damping plate 30 mm		X	
7	997 612 676 01	Warning contact		2	-I450
(7)		Warning contact		2	I450
8	999 067 050 09	Pan-head screw M 12 X 1,5 X 77		4	-I450
(8)	999 067 053 09	Pan-head screw M 12 X 1,5 X 85		4	I450
9	951 352 917 01	Repair kit		2	
		Protection caps 30 MM		2	
10	951 352 917 00	Repair kit		2	-I450
		Protection caps 28 MM		2	
(10)		Repair kit		X	I450
		Protection caps 28 MM			
11	955 352 960 00	Repair kit		1	-I450
(11)	996 351 959 01	Repair kit		1	I450
		Mounting parts			
		Bolt		2	
		Expanding spring		2	
		Securing clip		2	
12	996 351 962 00	Connecting line	/L	1	-I450
(12)	996 351 961 00	Connecting line	/R	1	-I450
(12)	996 352 961 30	Connecting line	/L	1	I450
(12)		Connecting line	/R	1	I450
13	930 351 919 01	Ventilation valve		4	
14	930 351 927 00	Dust boot		4	
14	930 351 927 01	Dust boot		4	
15	000 043 117 00	Brake cylinder paste 50 G		X	
(15)	000 043 020 00	Optimoly 100 G		X	
16	997 341 901 00	Assembly kit		2	
		Comprising:			
		Driving pin		5	
		Sleeve		5	
		Fastening screw		5	
		See technical manual 46 51 19			

Model: 997-09

Model life 2009>>2012



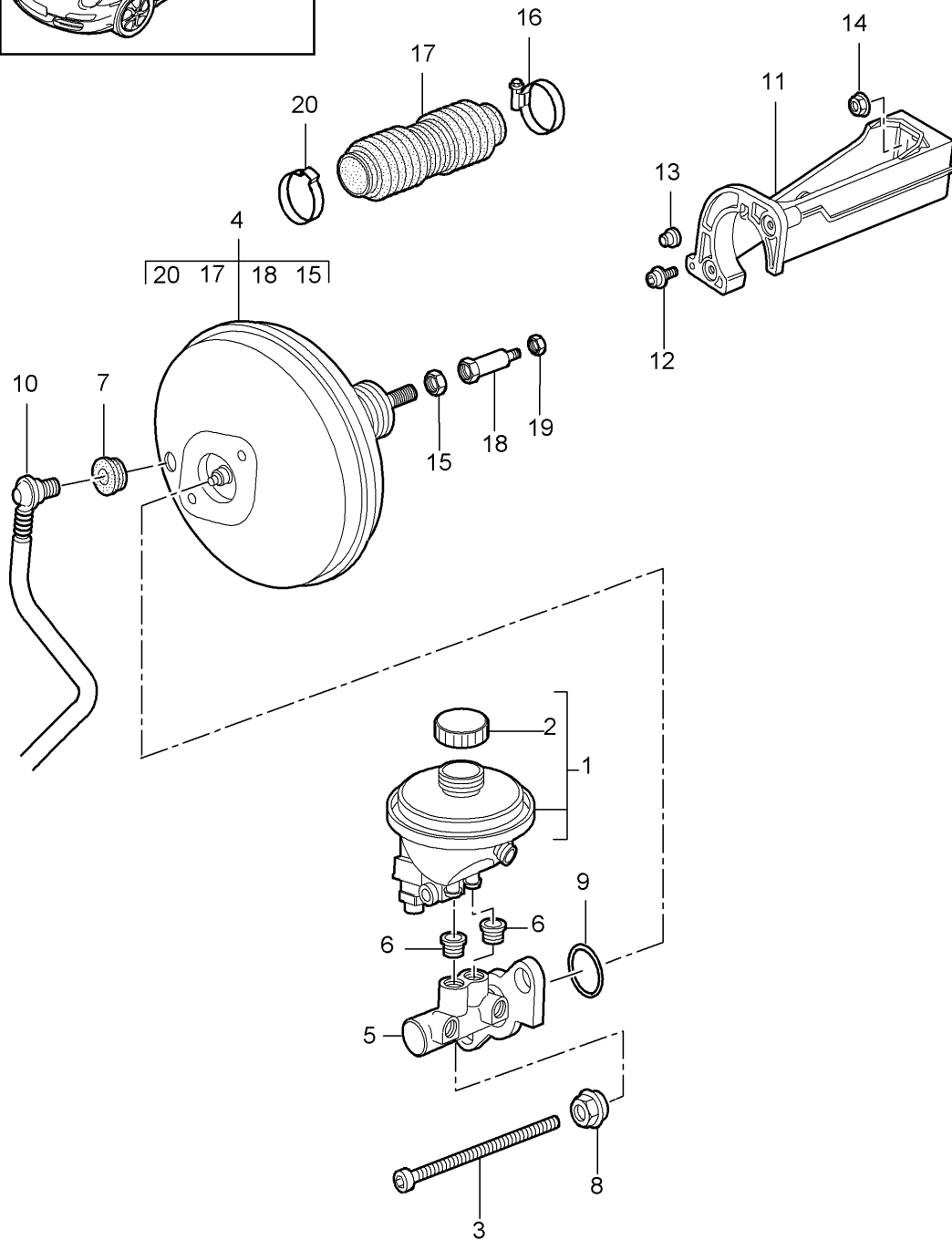
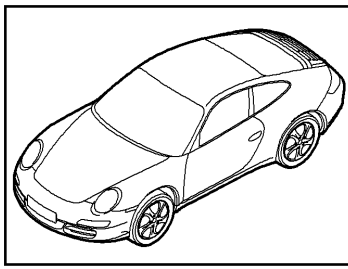
Model: 997-09

Model life 2009>>2012

Pos	Part Number	Description	Remark	Qty	Model
1	997 352 993 02	Handbrake Brake shoe 1 set		1	
2	993 352 071 00	Adjusting screw		2	
(2)	298 609 723	Adjusting screw		2	
3	997 352 721 01	Tension spring Short		2	
(3)	298 609 717	Tension spring Short		2	
4	997 352 723 02	Tension spring Long		2	
5	993 352 737 00	Bolt		2	
6	997 352 741 02	Compression spring		4	
(6)	298 609 583	Compression spring		4	
7	997 352 807 00	Support panel		2	
8	928 352 090 01	Push-button lock Complete		2	

Model: 997-09

Model life 2009>>2012



Model: 997-09 Model life 2009>>2012

Pos	Part Number	Description	Remark	Qty	Model
-	000 043 203 66	Brake master cylinder Brake booster Brake fluid DOT 4 1 Ltr.		X	
1	997 355 013 01	Expansion tank		1	I480
(1)	997 355 013 21	Expansion tank		1	I250
2	996 355 119 01	Catch		1	
-	997 355 125 00	Support for contact for Container		1	
3	999 073 124 09	Pan-head screw M 8 X 154 X 80		2	CARRERA 2
(3)	999 073 124 02	Pan-head screw M 8 X 154 X 80		2	CARRERA 2-S
(3)	999 073 615 01	Pan-head screw M 8 X 154 X 80		2	CARRERA 2
(3)	999 073 124 09	Pan-head screw M 8 X 154 X 80		2	CARRERA 2-S
(3)	999 073 124 09	Pan-head screw M 8 X 154 X 80		2	I756
(3)	999 073 124 02	Pan-head screw M 8 X 154 X 80		2	I756
(3)	999 073 615 01	Pan-head screw M 8 X 154 X 80		2	I756
3	999 073 124 09	Pan-head screw M 8 X 154 X 80		2	SPEEDSTER I503
(3)	999 073 124 02	Pan-head screw M 8 X 154 X 80		2	SPEEDSTER I503
(3)	999 073 615 01	Pan-head screw M 8 X 154 X 80		2	SPEEDSTER I503
(3)	999 073 327 09	Pan-head screw M 8 X 197 X 29		2	CARRERA 4
(3)		Pan-head screw M 8 X 197 X 29		2	CARRERA 4-S
(3)		Pan-head screw M 8 X 197 X 29		2	TARGA
(3)		Pan-head screw M 8 X 197 X 29		2	TARGA-S
(3)		Pan-head screw M 8 X 197 X 29		2	CARRERA GTS I011
4	997 355 923 00	Brake booster		1	CARRERA 2
4		Brake booster		1	CARRERA 2-S
4		Brake booster		1	I756
4		Brake booster		1	SPEEDSTER I503
(4)	997 355 923 20	Brake booster		1	CARRERA 4
(4)	997 355 925 37	Brake booster		1	TARGA I450 CARRERA 4
(4)		Brake booster		1	CARRERA 4-S
(4)		Brake booster		1	I450 TARGA
(4)		Brake booster		1	TARGA-S
4	997 355 923 20	Brake booster		1	CARRERA GTS I011
4	997 355 925 37	Brake booster		1	CARRERA GTS I011/450
(4)	997 355 923 20	Brake booster		1	4 GTS_ I019
(4)	997 355 925 37	Brake booster		1	4 GTS I019/450

Model: 997-09 Model life 2009>>2012

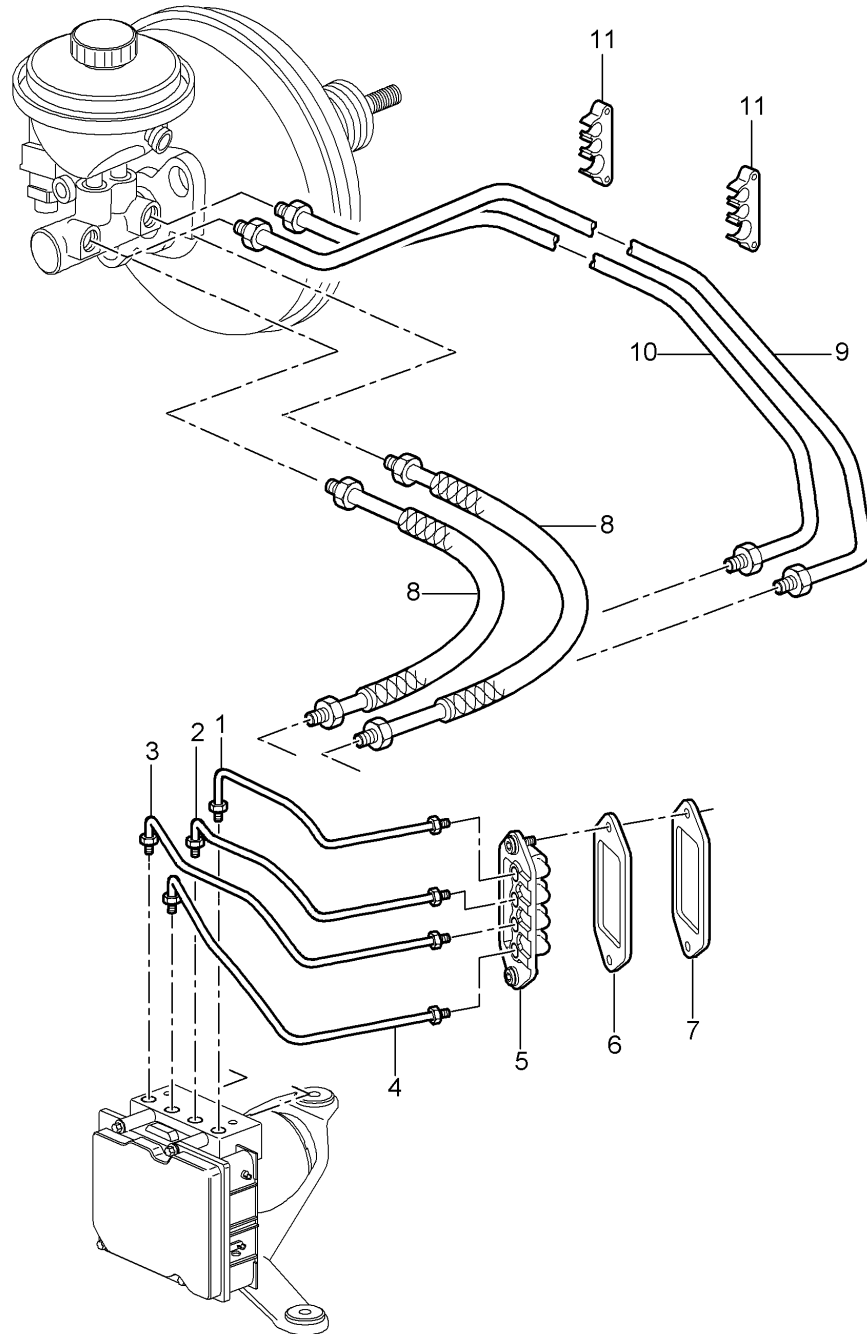
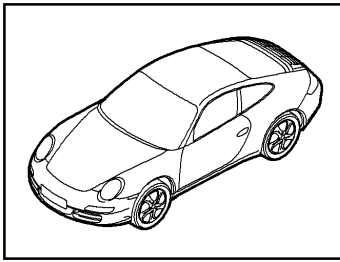
Pos	Part Number	Description	Remark	Qty	Model
-	996 355 137 01	Catch Threaded joint		1	
5	997 355 910 10	Brake booster Brake master cylinder		1	CARRERA 2
(5)		Brake master cylinder		1	CARRERA 2-S
(5)		Brake master cylinder		1	CARRERA 2-S I450
(5)		Brake master cylinder		1	I756
(5)		Brake master cylinder		1	SPEEDSTER I503
(5)		Brake master cylinder		1	CARRERA 4
(5)	997 355 910 30	Brake master cylinder		1	TARGA
(5)		Brake master cylinder		1	CARRERA 4-S TARGA-S I450
(5)		Brake master cylinder		1	CARRERA 4 CARRERA 4-S TARGA TARGA-S
(5)	997 355 910 10	Brake master cylinder		1	SPEEDSTER I503
(5)		Brake master cylinder		1	CARRERA GTS I011
(5)	997 355 910 30	Brake master cylinder		1	CARRERA GTS I011/450
(5)		Brake master cylinder		1	4 GTS I019
6	993 355 922 00	Grommet		2	
7	999 702 182 40	Rubber bush		1	
8	997 355 925 00	Hexagon nut		2	
9	993 355 212 00	Gasket		1	
10	997 355 577 00	Vacuum line		1	CARRERA 2
10		Vacuum line		1	CARRERA 2-S I098
10		Vacuum line		1	I098/756
10		Vacuum line		1	SPEEDSTER I098/503
(10)	997 355 577 26	Vacuum line		1	CARRERA 4
(10)		Vacuum line		1	CARRERA 4-S
(10)		Vacuum line		1	TARGA
(10)		Vacuum line		1	TARGA-S I098
(10)	997 355 578 00	Vacuum line		1	CARRERA 2
(10)		Vacuum line		1	CARRERA 2-S I099
(10)		Vacuum line		1	I099/756
(10)		Vacuum line		1	SPEEDSTER I099/503
(10)	997 355 578 26	Vacuum line		1	CARRERA 4
(10)		Vacuum line		1	CARRERA 4-S
(10)		Vacuum line		1	TARGA
(10)		Vacuum line		1	TARGA-S I099
11	997 423 251 00	Intermediate piece		1	
12	999 073 189 01	Round head screw M 6 X 12		2	
13	999 703 448 50	Stopper	/R	1	
14	999 084 630 09	Hexagon nut M 8		2	
15	900 183 015 01	Hexagon nut		1	

Model: 997-09 Model life 2009>>2012

Pos	Part Number	Description	Remark	Qty	Model
-	996 355 901 01	M 12 X 1,5 Gasket Brake booster Bulkhead		1	
16	999 512 478 00	Hose clamp		1	
17	996 423 269 05	Bellows		1	CARRERA 2
				1	CARRERA 2-S
				1	CARRERA 4
				1	TARGA
17		Bellows		1	I756
17		Bellows		1	SPEEDSTER
(17)	997 355 969 00	Bellows		1	I503
				1	I450
				1	CARRERA 4
				1	CARRERA 4-S
				1	I450
				1	TARGA
				1	TARGA-S
17		Bellows		1	CARRERA GTS
17		Bellows		1	I011
				1	4 GTS
18	996 355 927 01	Connecting piece		1	I019
19	900 380 015 01	Hexagon nut M 6		1	
20	999 512 672 00	Clamp		1	

Model: 997-09

Model life 2009>>2012



Model: 997-09 Model life 2009>>2012

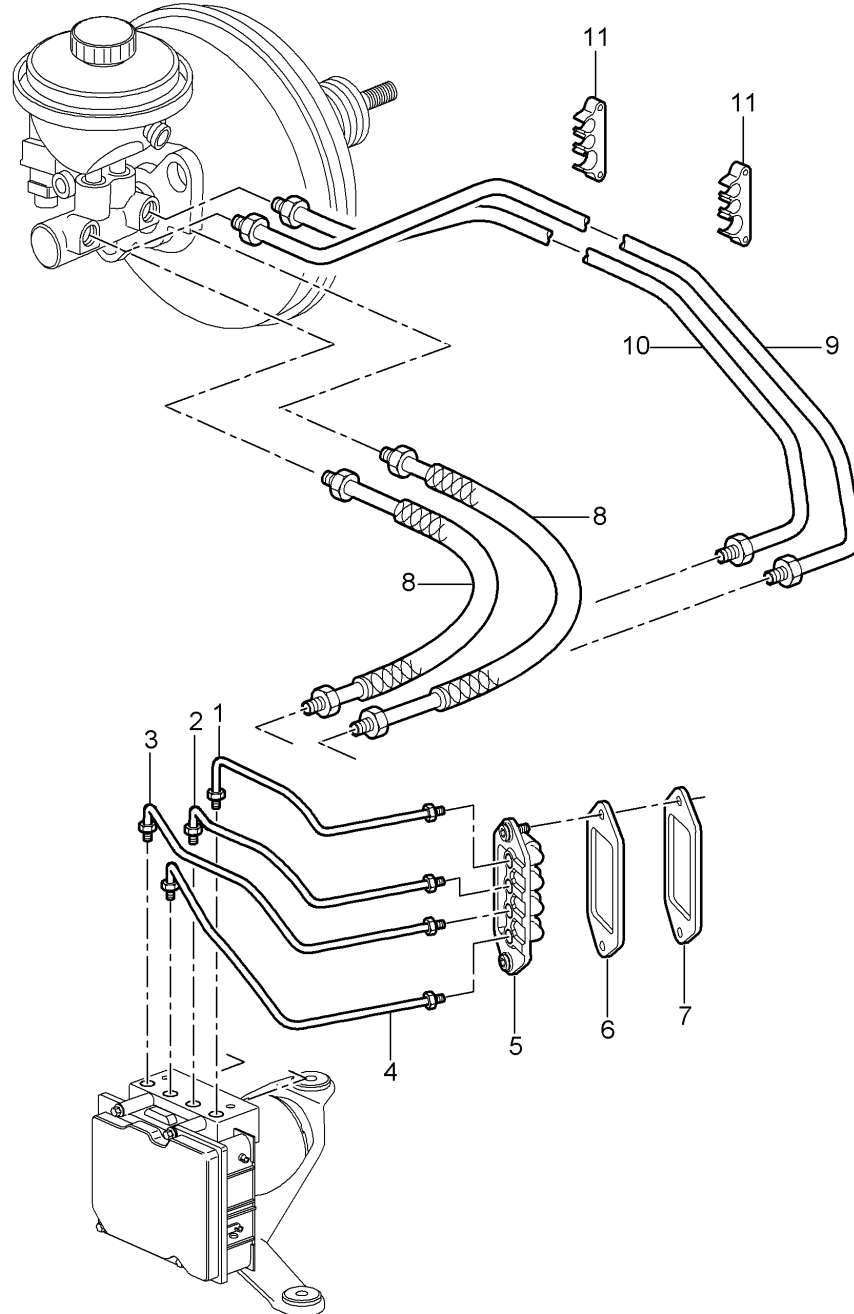
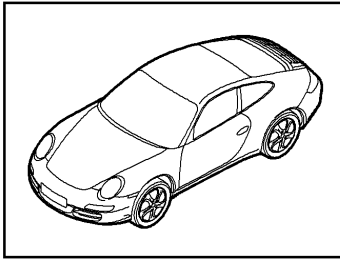
Pos	Part Number	Description	Remark	Qty	Model
		Brake lines Body front section			CARRERA 2 CARRERA 2-S SportClassik SPEEDSTER CARRERA GTS
1	997 355 315 10	Brake line		1 1 1 1 1	CARRERA 2 CARRERA 2-S I756 SPEEDSTER I503
2	997 355 316 10	Brake line		1 1 1 1 1	CARRERA GTS I011 CARRERA-2 CARRERA 2-S I756 SPEEDSTER I503
3	997 355 327 10	Brake line		1 1 1 1 1	CARRERA GTS I011 CARRERA 2 CARRERA 2-S I756 SPEEDSTER I503
4	997 355 326 10	Brake line		1 1 1 1 1	CARRERA GTS I011 CARRERA 2 CARRERA 2-S I756 SPEEDSTER I503
5	997 355 650 00	Intermediate piece		1 1 1 1 1	CARRERA GTS I011 CARRERA 2 CARRERA 2-S I756 SPEEDSTER I503
6	997 355 752 00	Gasket		1 1 1 1 1	CARRERA GTS I011 CARRERA 2 CARRERA 2-S I756 SPEEDSTER I503
7	997 355 753 00	Reinforcement		1 1 1 1 1	CARRERA GTS I011 CARRERA 2 CARRERA 2-S I756 SPEEDSTER I503
8	997 355 311 10	Pressure line		2 2 2 2 2	CARRERA GTS I011 CARRERA 2 I098 CARRERA 2-S I098 I098/756 SPEEDSTER I098/503 CARRERA GTS I011/098

Model: 997-09 Model life 2009>>2012

Pos	Part Number	Description	Remark	Qty	Model
9	997 355 312 10	Pressure line		1	CARRERA 2 I099
				1	CARRERA 2-S I099
				1	I099/756
				1	SPEEDSTER I099/503
				1	CARRERA GTS I011/099
				1	I099/756
10	997 355 314 10	Pressure line		1	SPEEDSTER I099/503
				1	CARRERA GTS I011/099
				1	I099/756
				1	SPEEDSTER I099/503
11	999 507 632 40	Cable holder		2	CARRERA 2
				2	CARRERA 2-S
				2	I756
				2	SPEEDSTER I503
				2	CARRERA GTS I011
				2	

Model: 997-09

Model life 2009>>2012



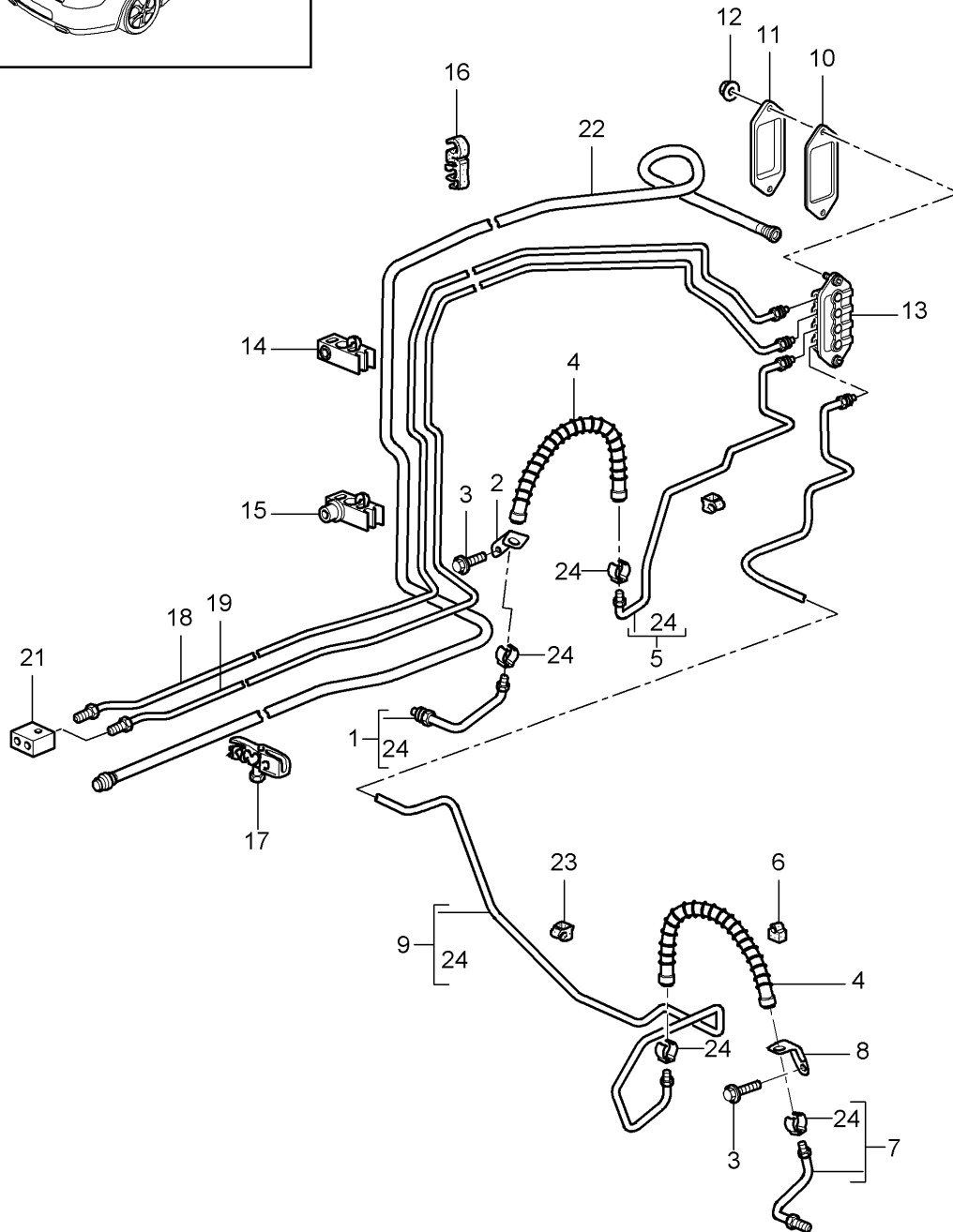
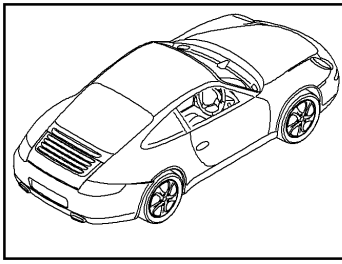
Model: 997-09

Model life 2009>>2012

Pos	Part Number	Description	Remark	Qty	Model
		Brake lines Body front section			CARRERA 4 CARRERA 4-S TARGA TARGA-S 4 GTS CARRERA GTS
		Brake lines Body front section See illustrations 6/04/05			
1	997 355 315 30	Brake line		1	I098
(1)	997 355 315 31	Brake line		1	I098
(1)	997 355 315 10	Brake line		1	I099
2	997 355 316 30	Brake line		1	I098
(2)	997 355 316 31	Brake line		1	I098
2	997 355 316 10	Brake line		1	I099
3	997 355 327 30	Brake line		1	I098
(3)	997 355 327 31	Brake line		1	I098
(3)	997 355 327 10	Brake line		1	I099
4	997 355 326 30	Brake line		1	I098
(4)	997 355 326 31	Brake line		1	I098
(4)	997 355 326 10	Brake line		1	I099
5	997 355 650 00	Intermediate piece		1	
6	997 355 752 00	Gasket		1	
7	997 355 753 00	Reinforcement		1	
8	997 355 311 10	Pressure line		2	I098
9	997 355 312 30	Pressure line		1	I099
10	997 355 314 30	Pressure line		1	I099
11	999 507 632 40	Cable holder		2	I099

Model: 997-09

Model life 2009>>2012



Model: 997-09 Model life 2009>>2012

Pos	Part Number	Description	Remark	Qty	Model
1	996 355 581 07	Brake lines Brake lines Underbody Vacuum line Brake line	/L /L	1 1	CARRERA 2 CARRERA 2-S
1		Brake line		1	I011
(1)	996 355 581 9B	Brake line	/L	1	CARRERA GTS
(1)		Brake line	/L	1	I450
(1)		Brake line	/L	1	CARRERA 2
(1)		Brake line	/L	1	CARRERA 2-S
(1)		Brake line	/L	1	I011/450
(1)		Brake line	/L	1	CARRERA GTS
(1)		Brake line	/L	1	I756
(1)		Brake line	/L	1	SPEEDSTER
(1)	997 355 587 02	Brake line	/L	1	I503
(1)		Brake line	/L	1	CARRERA 4
(1)		Brake line	/L	1	CARRERA 4-S
(1)		Brake line	/L	1	TARGA
(1)		Brake line	/L	1	TARGA-S
(1)		Brake line	/L	1	4 GTS
(1)	997 355 587 03	Brake line	/L	1	I019
(1)		Brake line	/L	1	I450
(1)		Brake line	/L	1	CARRERA 4
(1)		Brake line	/L	1	CARRERA 4-S
(1)		Brake line	/L	1	TARGA
(1)		Brake line	/L	1	TARGA-S
(1)		Brake line	/L	1	4 GTS
2	996 355 501 06	Brake hose bracket	/L	1	I019
2		Brake hose bracket	/L	1	CARRERA 2
2		Brake hose bracket	/L	1	CARRERA 2-S
2		Brake hose bracket	/L	1	I756
2		Brake hose bracket	/L	1	SPEEDSTER
2		Brake hose bracket	/L	1	I503
2		Brake hose bracket	/L	1	I011
(2)	996 355 507 05	Brake hose bracket	/L	1	CARRERA GTS
(2)		Brake hose bracket	/L	1	CARRERA 4
(2)		Brake hose bracket	/L	1	CARRERA 4-S
(2)		Brake hose bracket	/L	1	TARGA
(2)		Brake hose bracket	/L	1	TARGA-S
(2)		Brake hose bracket	/L	1	4 GTS
(2)		Brake hose bracket	/L	1	I019
3	900 067 117 04	Pan-head screw M 6 x 16		2	
4	996 355 139 01	Brake hose		2	
(4)	996 355 139 03	Brake hose		2	
5	997 355 175 10	Brake line	/L	1	CARRERA 2
(5)		Brake line	/L	1	CARRERA 2-S
(5)	997 355 175 11	Brake line	/L	1	CARRERA 2
(5)		Brake line	/L	1	CARRERA 2-S
(5)	997 355 175 10	Brake line	/L	1	I756
(5)	997 355 175 11	Brake line	/L	1	I756
(5)	997 355 175 10	Brake line	/L	1	SPEEDSTER
(5)		Brake line	/L	1	I503
(5)	997 355 175 11	Brake line	/L	1	SPEEDSTER
(5)		Brake line	/L	1	I503
(5)	997 355 175 10	Brake line	/L	1	I011
(5)		Brake line	/L	1	CARRERA GTS
(5)	997 355 175 11	Brake line	/L	1	I011
(5)		Brake line	/L	1	CARRERA GTS
(5)	997 355 175 30	Brake line	/L	1	CARRERA 4
(5)		Brake line	/L	1	CARRERA 4-S
(5)		Brake line	/L	1	TARGA

Model: 997-09 Model life 2009>>2012

Pos	Part Number	Description	Remark	Qty	Model
			/L	1	TARGA-S
			/L	1	4 GTS
(5)	997 355 175 31	Brake line	/L	1	I019
			/L	1	CARRERA 4
			/L	1	CARRERA 4-S
			/L	1	TARGA
			/L	1	TARGA-S
			/L	1	4 GTS
				1	I019
6	999 591 930 40	Support		X	
7	996 355 584 07	Brake line	/R	1	CARRERA 2
			/R	1	CARRERA 2-S
7		Brake line		1	I011
			/R	1	CARRERA GTS
(7)	996 355 584 9B	Brake line		1	I450
			/R	1	CARRERA 2
			/R	1	CARRERA 2-S
(7)		Brake line	/R	1	I756
(7)		Brake line	/R	1	SPEEDSTER
				1	I503
(7)	997 355 588 02	Brake line	/R	1	CARRERA 4
			/R	1	CARRERA 4-S
			/R	1	TARGA
			/R	1	TARGA-S
			/R	1	4 GTS
				1	I019
(7)	997 355 588 03	Brake line		1	I450
			/R	1	CARRERA 4
			/R	1	CARRERA 4-S
			/R	1	TARGA
			/R	1	TARGA-S
			/R	1	4 GTS
				1	I019
8	996 355 502 06	Brake hose bracket	/R	1	CARRERA 2
			/R	1	CARRERA 2-S
8		Brake hose bracket	/R	1	I756
8		Brake hose bracket	/R	1	SPEEDSTER
				1	I503
		Brake hose bracket		1	I011
(8)	996 355 508 05	Brake hose bracket	/R	1	CARRERA GTS
			/R	1	CARRERA 4
			/R	1	CARRERA 4-S
			/R	1	TARGA
			/R	1	TARGA-S
			/R	1	4 GTS
				1	I019
9	997 355 176 10	Brake line		1	CARRERA 2
				1	CARRERA 2-S
				1	I756
				1	SPEEDSTER
				1	I503
(9)	997 355 176 90	Brake line		1	I011
				1	CARRERA GTS
(9)	997 355 176 91	Brake line		1	I011
				1	CARRERA GTS
(9)	997 355 176 30	Brake line		1	CARRERA 4
				1	CARRERA 4-S
				1	TARGA
				1	TARGA-S
				1	4 GTS
				1	I019
10	997 355 753 00	Reinforcement		1	
11	997 355 752 00	Gasket		1	

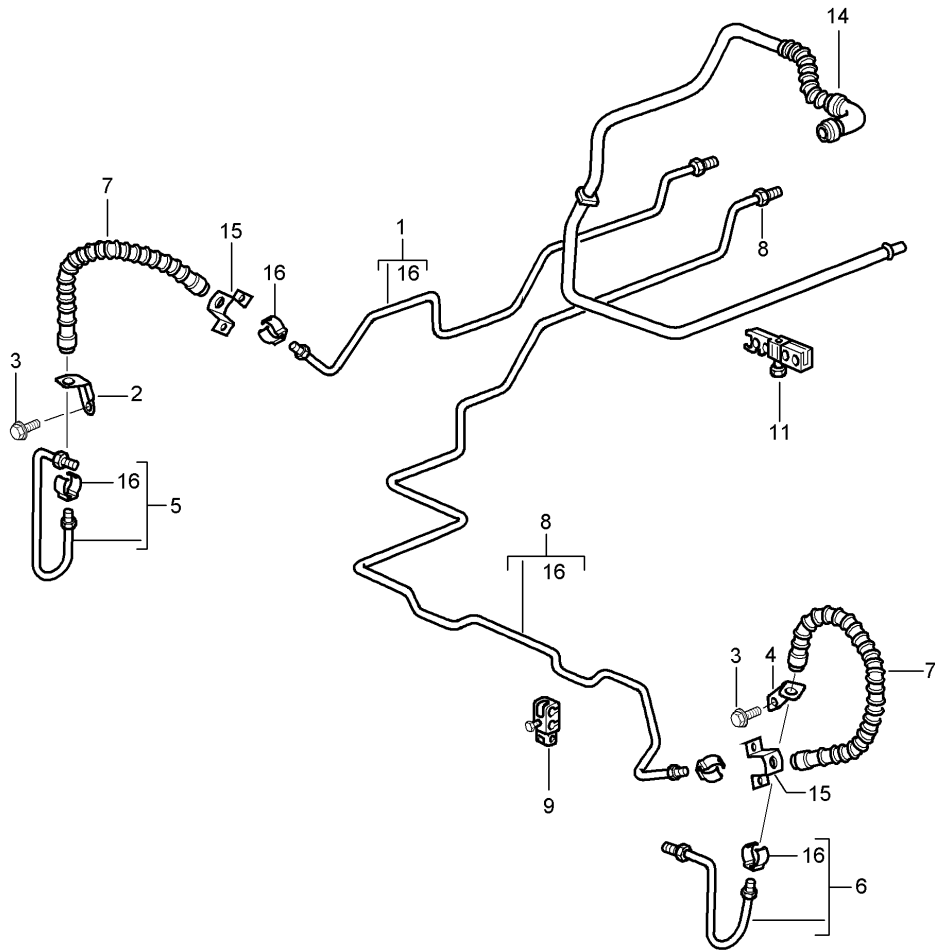
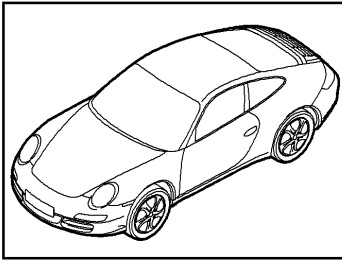
Model: 997-09

Model life 2009>>2012

Pos	Part Number	Description	Remark	Qty	Model
12	900 380 015 01	Hexagon nut M 6		3	
13	997 355 650 00	Intermediate piece		1	
14	996 355 545 00	Support		3	
15	996 355 549 00	Support		1	
16	996 355 547 01	Support		2	
17	996 355 543 00	Support		1	
18	997 355 177 10	Brake line		1	
19	997 355 179 10	Brake line		1	
(19)	997 355 179 11	Brake line		1	
21	996 355 760 31	Connecting piece		1	
22	997 355 571 01	Vacuum line		1	
-	999 702 289 41	Grommet		1	
		Wheel housing			
23	999 651 331 40	Cable holder		5	
24	997 355 331 00	Retainer spring for Brake hose		X	

Model: 997-09

Model life 2009>>2012



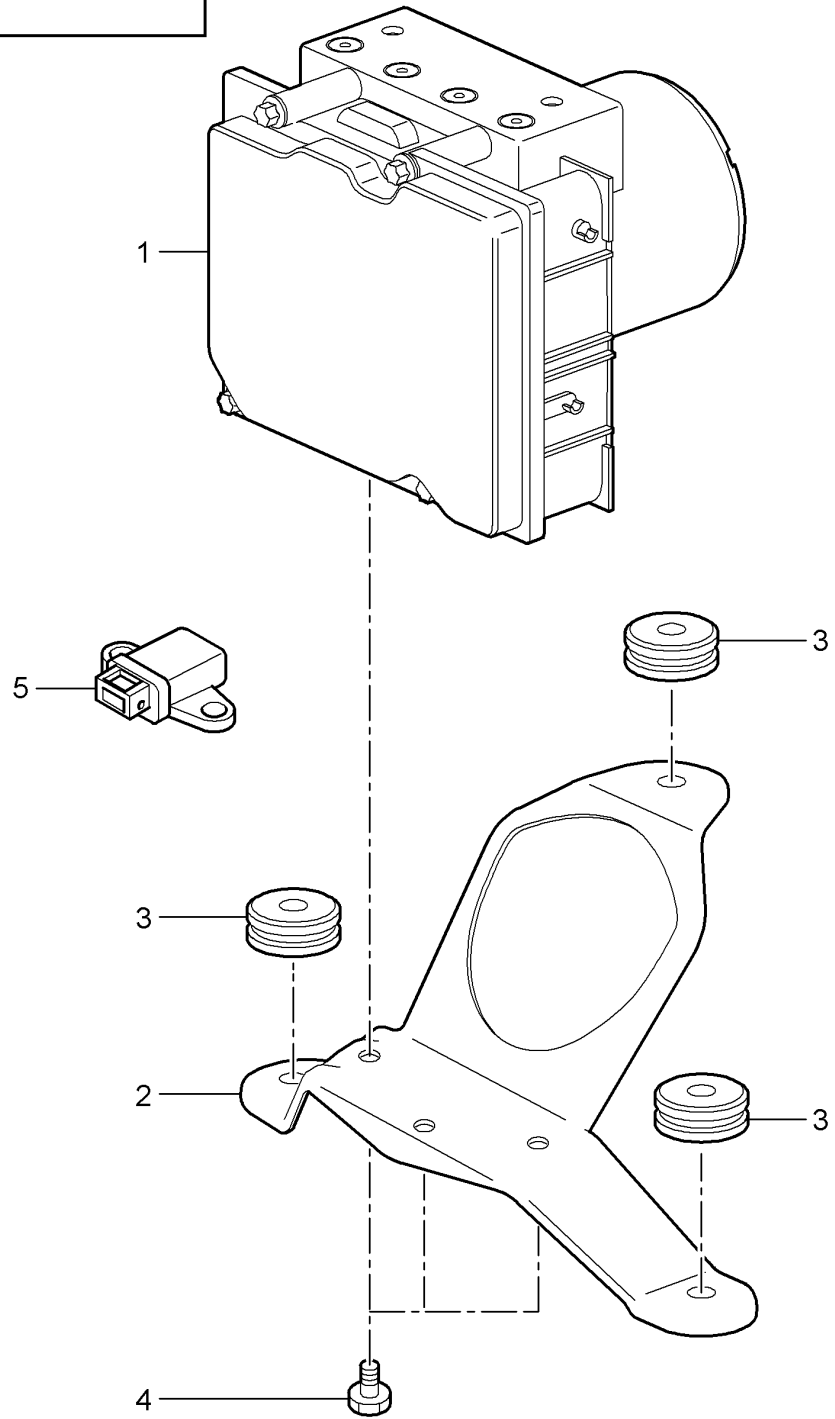
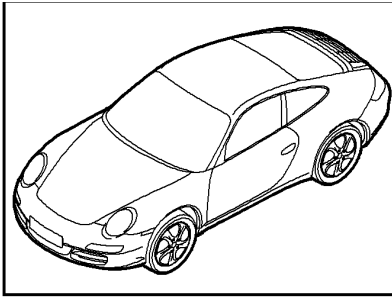
Model: 997-09

Model life 2009>>2012

Pos	Part Number	Description	Remark	Qty	Model
		Brake line			
		Underbody			
		Rear axle			
		Vacuum line			
1	997 355 189 10	Brake line	/L	1	
(1)	997 355 189 11	Brake line	/L	1	
2	997 355 503 00	Support	/L	1	
(2)	997 355 503 10	Support	/L	1	I450
(2)		Support	/L	1	I756
(2)		Support	/L	1	SPEEDSTER
(2)		Support	/L	1	I503
(3)	900 067 117 04	Pan-head screw M 6 x 16		2	
4	997 355 504 00	Support	/R	1	
(4)	997 355 504 10	Support	/R	1	I450
(4)		Support	/R	1	I756
(4)		Support	/R	1	SPEEDSTER
(4)		Support	/R	1	I503
5	996 355 585 01	Brake line	/L	1	
(5)	996 355 585 11	Brake line	/L	1	I450
(5)		Brake line	/L	1	I756
(5)		Brake line	/L	1	SPEEDSTER
(5)		Brake line	/L	1	I503
6	996 355 586 01	Brake line	/R	1	
(6)	996 355 586 11	Brake line	/R	1	I450
(6)		Brake line	/R	1	I756
(6)		Brake line	/R	1	SPEEDSTER
(6)		Brake line	/R	1	I503
7	996 355 139 00	Brake hose		2	
8	997 355 190 11	Brake line		1	
(8)	997 355 190 14	Brake line		1	
9	996 347 543 00	Cable holder		3	
11	996 355 543 00	Support		1	
14	997 355 575 11	Vacuum line	-09	1	
14	997 355 575 12	Vacuum line	10-	1	
-	999 507 495 40	Support		1	
15	996 501 815 02	Support		2	
	996 501 815 02 GRV	Prime coated			
16	997 355 331 00	Retainer spring for Brake hose		X	

Model: 997-09

Model life 2009>>2012

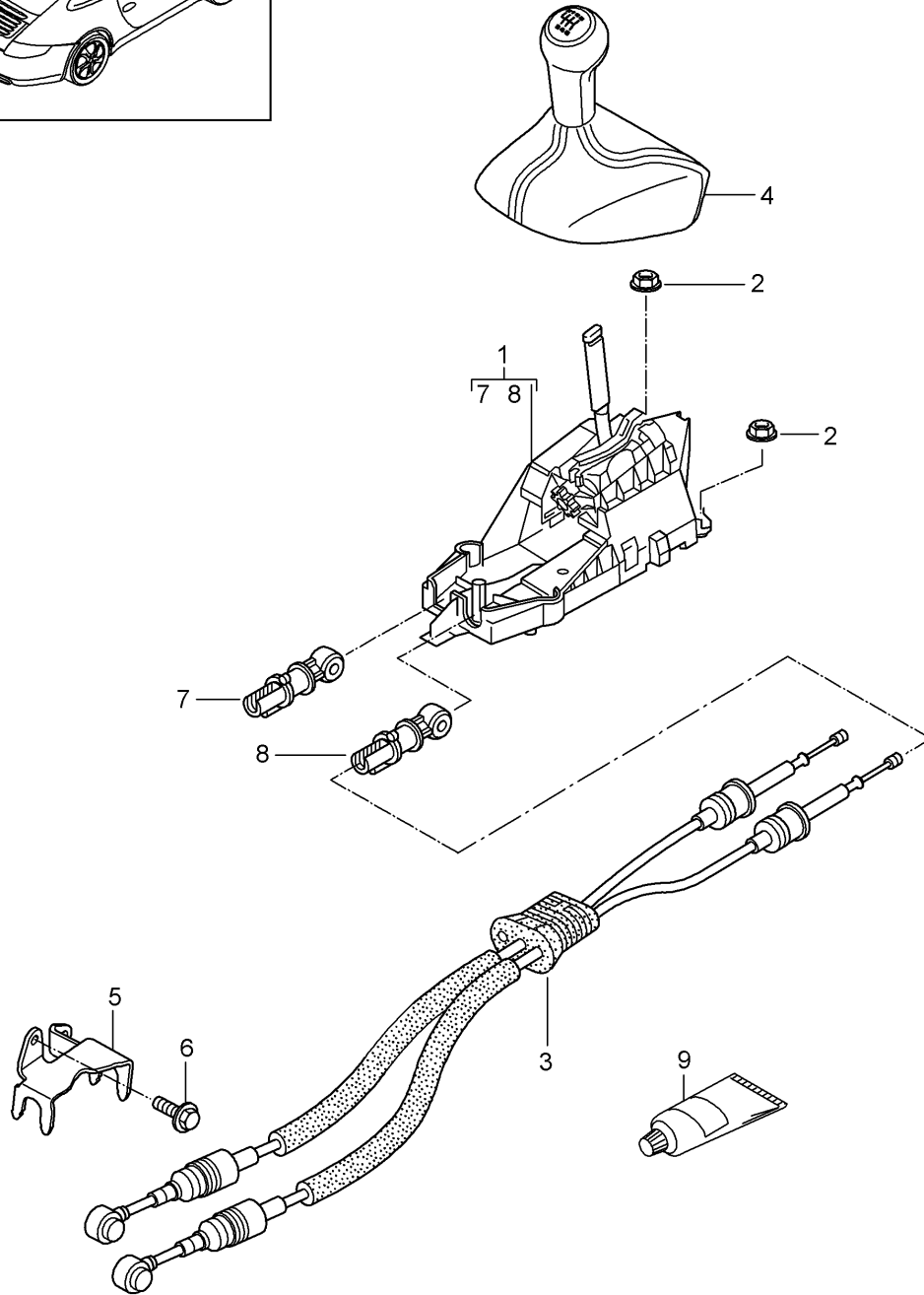
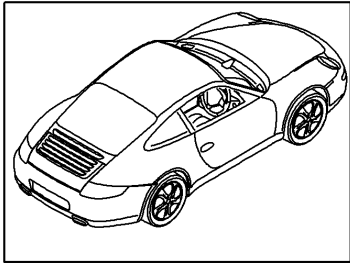


Model: 997-09 Model life 2009>>2012

Pos	Part Number	Description	Remark	Qty	Model
1	997 355 955 12	Hydraulic unit Anti-lock brake system Control	-09	1	CARRERA 2
(1)	997 355 955 13	Hydraulic unit	-09	1	CARRERA 2-S
(1)		Hydraulic unit	10-	1	CARRERA 2
(1)	997 355 955 37	Hydraulic unit	-09	1	CARRERA 2-S
(1)	997 355 955 38	Hydraulic unit	-09	1	CARRERA 2-S
(1)	997 355 955 39	Hydraulic unit	-09	1	SPORTCLASSIC
(1)		Hydraulic unit	10-	1	SPEEDSTER
2	997 355 033 00	Support with Rubber mounting		1	BLACKEDITION
(2)	997 355 033 25	Support with Rubber mounting		1	CARRERA GTS
(2)	997 355 033 00	Support with Rubber mounting		1	CARRERA 4
3	964 356 635 00	Rubber mounting		3	CARRERA 4-S
-	999 045 004 40	Hexagon nut		3	TARGA
4	900 385 060 01	Plastic material Screw BM 6 X 10		3	TARGA-S
5	997 606 145 05	Sensor	-10	1	4 GTS
5	997 606 145 07	Sensor	11-	1	CARRERA GTS

Model: 997-09

Model life 2009>>2012



Model: 997-09 Model life 2009>>2012

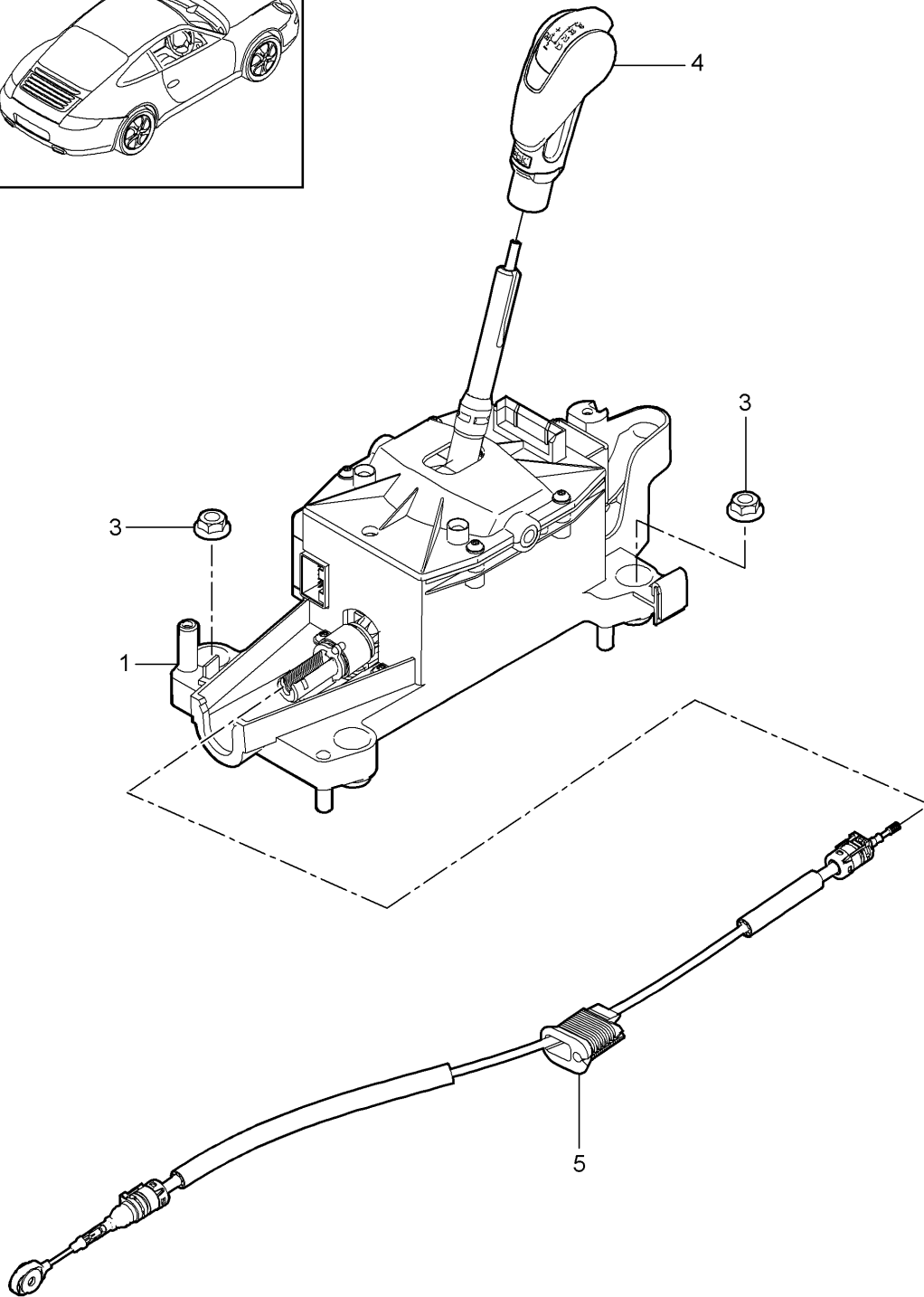
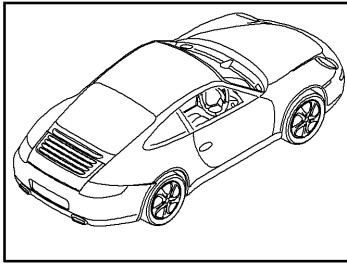
Pos	Part Number	Description	Remark	Qty	Model
		Transmission control			I480
		Manual transmission			
1	997 424 010 00	Gearshift bracket		1	-IXCZ
(1)	997 424 983 00	Gearshift bracket		1	IXCZ
2	999 084 629 01	Hexagon nut		4	
		M 6			
(3)	997 424 041 10	Cable		1	
		Transmission control			
(4)	997 424 075 01	Gearshift knob		1	
		Gearshift knob		1	
		Leather		1	
		Shift pattern		1	
		Aluminium look			
	997 424 075 01 FOT	Black/black			
	997 424 075 01 FOU	Stone grey/stone grey			
	997 424 075 01 FOV	Sand beige/sand beige			
	997 424 075 01 FOW	Sea blue/sea blue			
	997 424 075 01 FPW	Terracotta/terracotta			
	997 424 075 01 FPX	Cocoa/Cocoa			
	997 424 075 01 FOY	Dark grey/dark grey			
	997 424 075 01 FOZ	Brown nat./brown nat.			
	997 424 075 01 FSR	Carrera Red/Carrera Red			
(4)	997 424 075 03	Gearshift knob		1	I803
		Carbon			
		Shift pattern			
		Aluminium look			
	997 424 075 03 FPP	Black			
	997 424 075 03 FPQ	Stone grey			
	997 424 075 03 FPR	Sand Beige			
	997 424 075 03 FPS	Sea blue			
	997 424 075 03 FQC	Terracotta			
	997 424 075 03 FQD	Cocoa			
	997 424 075 03 FPU	Dark grey/natural			
	997 424 075 03 FPV	Brown/natural			
	997 424 075 03 FSS	Carrera Red			
(4)	997 424 075 04	Gearshift knob		1	I801
		Macassar			
		Shift pattern			
		Aluminium look			
	997 424 075 04 FPA	Black			
	997 424 075 04 FPB	Stone grey			
	997 424 075 04 FPC	Sand Beige			
	997 424 075 04 FPD	Sea blue			
	997 424 075 04 FPY	Terracotta			
	997 424 075 04 FPZ	Cocoa			
	997 424 075 04 FPF	Dark grey/natural			
	997 424 075 04 FPG	Brown/natural			
	997 424 075 04 FST	Carrera Red			
	997 424 075 04 FWF	Espresso			
(4)	997 424 981 00	Gearshift knob		1	IX97
		Aluminium			
		Leather			
	997 424 981 00 8YR	Black			
	997 424 981 00 5X5	Stone grey			
	997 424 981 00 8G1	Sand Beige			
	997 424 981 00 3S8	Sea blue			
	997 424 981 00 9N2	Terracotta			
	997 424 981 00 9Q3	Cocoa			
	997 424 981 00 D11	Dark grey/natural			
	997 424 981 00 T11	Brown/natural			
	997 424 981 00 N11	Carrera Red			
(4)	997 424 981 01	Gearshift knob		1	I756
		Leather			

Model: 997-09 Model life 2009>>2012

Pos	Part Number	Description	Remark	Qty	Model
(4)	997 424 981 01 8C0 997 424 990 00	Espresso Gearshift knob Aluminium		1	IXFN
	997 424 990 00 8YR	Black			
	997 424 990 00 5X5	Stone grey			
	997 424 990 00 8G1	Sand Beige			
	997 424 990 00 3S8	Sea blue			
	997 424 990 00 9N2	Terracotta			
	997 424 990 00 9Q3	Cocoa			
	997 424 990 00 D11	Dark grey/natural			
	997 424 990 00 T11	Brown/natural			
	997 424 990 00 N11	Carrera Red			
(4)	997 424 990 00 8C0 997 424 075 05	Espresso Gearshift knob		1	CARRERA GTS I011/305
		Alcantara			
	997 424 075 05 A15	Black Information available			
(4)	997 424 075 05	Gearshift knob		1	4 GTS I019/305
		Alcantara			
	997 424 075 05 A15	Black Information available			
-	996 424 445 00	Clip for Fastening part		X	
5	997 424 165 10	Bearing bracket		12	
6	900 385 001 01	Torx screw BM 8 X 20		2	
7	996 424 145 01	Fastening part for Cable Adjustable		1	
8	996 424 147 00	Fastening part for Cable Adjustable		1	
9	000 043 205 93	Grease 1 100-gramme tube		X	

Model: 997-09

Model life 2009>>2012



Model: 997-09 Model life 2009>>2012

Pos	Part Number	Description	Remark	Qty	Model
		Selector lever PDK			I250
1	9G1 426 011 03	Support with Housing	-09	1	
1	9G1 426 011 05	Support with Housing	10-	1	
3	999 084 629 01	Hexagon nut M 6		4	
4	9G1 426 069 00	Selector knob Leather Volcano grey		1	
	9G1 426 069 00 FTE	Black			
	9G1 426 069 00 FTF	Stone grey			
	9G1 426 069 00 FTG	Sand Beige			
	9G1 426 069 00 FTH	Sea blue			
	9G1 426 069 00 FTJ	Terracotta			
	9G1 426 069 00 FTK	Cocoa			
	9G1 426 069 00 FTL	Dark grey/natural			
	9G1 426 069 00 FTM	Brown/natural			
	9G1 426 069 00 FTN	Carrera Red			
(4)	9G1 426 069 04	Selector knob Macassar Volcano grey	-09	1	I801
	9G1 426 069 04 FTO	Black			
	9G1 426 069 04 FTP	Stone grey			
	9G1 426 069 04 FTQ	Sand Beige			
	9G1 426 069 04 FTR	Sea blue			
	9G1 426 069 04 FTS	Terracotta			
	9G1 426 069 04 FTT	Cocoa			
	9G1 426 069 04 FTU	Dark grey/natural			
	9G1 426 069 04 FTV	Brown/natural			
	9G1 426 069 04 FTW	Carrera Red			
(4)	9G1 426 069 14	Selector knob Macassar Volcano grey	10-	1	I801
	9G1 426 069 14 FTO	Black			
	9G1 426 069 14 FTP	Stone grey			
	9G1 426 069 14 FTQ	Sand Beige			
	9G1 426 069 14 FTR	Sea blue			
	9G1 426 069 14 FTS	Terracotta			
	9G1 426 069 14 FTT	Cocoa			
	9G1 426 069 14 FTU	Dark grey/natural			
	9G1 426 069 14 FTV	Brown/natural			
	9G1 426 069 14 FTW	Carrera Red			
(4)	9G1 426 069 03	Selector knob Leather Carbon Volcano grey	-09	1	I803
	9G1 426 069 03 FTX	Black			
	9G1 426 069 03 FTY	Stone grey			
	9G1 426 069 03 FTZ	Sand Beige			
	9G1 426 069 03 FUA	Sea blue			
	9G1 426 069 03 FUB	Terracotta			
	9G1 426 069 03 FUC	Cocoa			
	9G1 426 069 03 FUD	Dark grey/natural			
	9G1 426 069 03 FUE	Brown/natural			
	9G1 426 069 03 FUF	Carrera Red			
(4)	9G1 426 069 13	Selector knob Leather Carbon Volcano grey	10-	1	I803

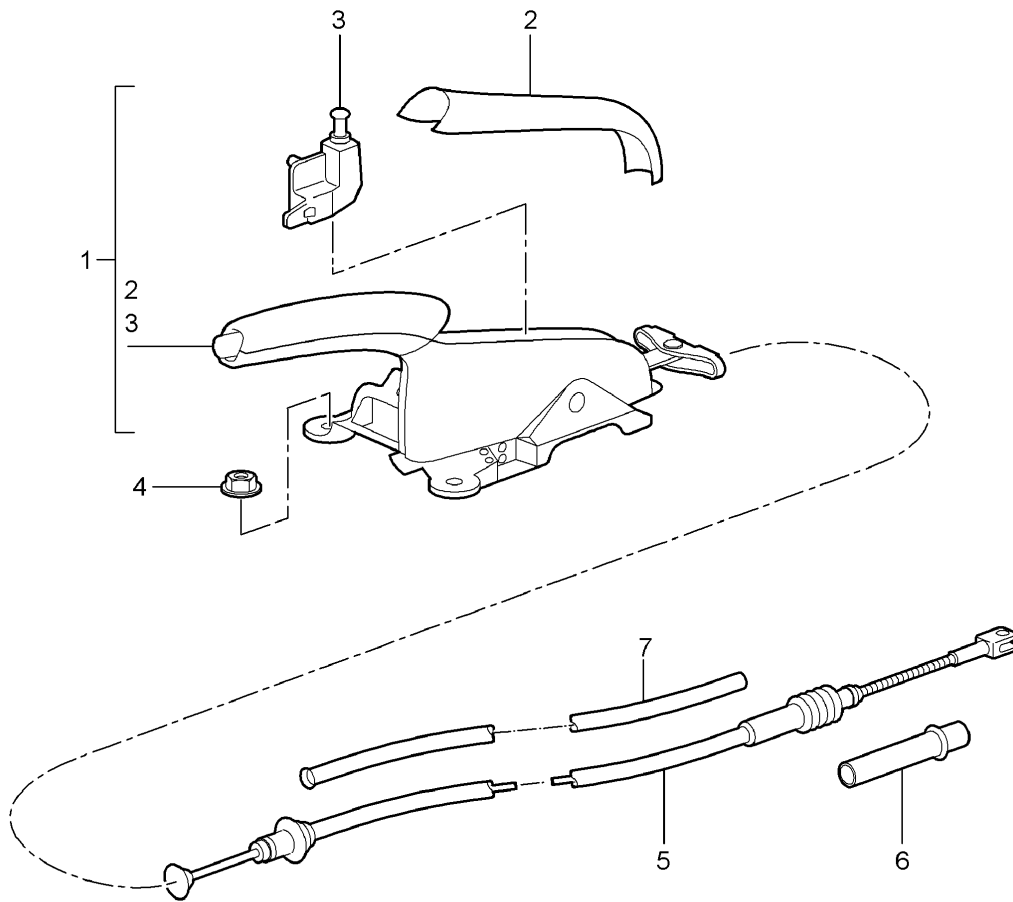
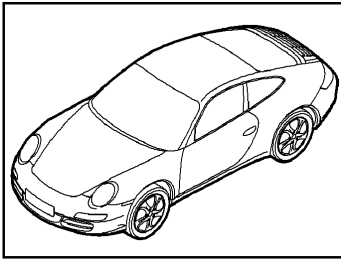
Model: 997-09

Model life 2009>>2012

Pos	Part Number	Description	Remark	Qty	Model
	9G1 426 069 13 FTX	Black			
	9G1 426 069 13 FTY	Stone grey			
	9G1 426 069 13 FTZ	Sand Beige			
	9G1 426 069 13 FUA	Sea blue			
	9G1 426 069 13 FUB	Terracotta			
	9G1 426 069 13 FUC	Cocoa			
	9G1 426 069 13 FUD	Dark grey/natural			
	9G1 426 069 13 FUE	Brown/natural			
	9G1 426 069 13 FUF	Carrera Red			
(4)	9G1 426 980 00	Selector knob		1	IXYA
	9G1 426 980 00 D11	Dark grey/natural			
	9G1 426 980 00 N11	Carrera Red			
	9G1 426 980 00 T11	Brown/natural			
	9G1 426 980 00 3S8	Sea blue			
	9G1 426 980 00 5X5	Stone grey			
	9G1 426 980 00 8G1	Sand Beige			
	9G1 426 980 00 8YR	Black			
	9G1 426 980 00 FTE	Black			
	9G1 426 980 00 9N2	Terracotta			
	9G1 426 980 00 9Q3	Cocoa			
(4)	9G1 426 980 00	Selector knob		1	SPEEDSTER IXYA/503
	9G1 426 980 00 FTE	Black			
5	9G1 426 033 00	Cable		1	

Model: 997-09

Model life 2009>>2012



Model: 997-09 Model life 2009>>2012

Pos	Part Number	Description	Remark	Qty	Model
(1)	997 424 031 67	Handbrake Actuator Parking-brake lever Complete Leather		1	
	997 424 031 67 8YR	Black			
	997 424 031 67 5X5	Stone grey			
	997 424 031 67 8G1	Sand Beige			
	997 424 031 67 3S8	Sea blue			
	997 424 031 67 9N2	Terracotta			
	997 424 031 67 9Q3	Cocoa			
	997 424 031 67 D11	Dark grey/natural			
	997 424 031 67 T11	Brown/natural			
	997 424 031 67 N11	Carrera Red			
	997 424 031 67 8C0	Espresso			
(1)	997 424 031 68	Parking-brake lever Complete Macassar		1	I801
	997 424 031 68 8YR	Black			
	997 424 031 68 5X5	Stone grey			
	997 424 031 68 8G1	Sand Beige			
	997 424 031 68 3S8	Sea blue			
	997 424 031 68 9N2	Terracotta			
	997 424 031 68 9Q3	Cocoa			
	997 424 031 68 D11	Dark grey/natural			
	997 424 031 68 T11	Brown/natural			
	997 424 031 68 N11	Carrera Red			
	997 424 031 68 8C0	Espresso			
(1)	997 424 031 70	Parking-brake lever Complete Carbon		1	I803
	997 424 031 70 8YR	Black			
	997 424 031 70 5X5	Stone grey			
	997 424 031 70 8G1	Sand Beige			
	997 424 031 70 3S8	Sea blue			
	997 424 031 70 9N2	Terracotta			
	997 424 031 70 9Q3	Cocoa			
	997 424 031 70 D11	Dark grey/natural			
	997 424 031 70 T11	Brown/natural			
	997 424 031 70 N11	Carrera Red			
	997 424 031 70 8C0	Espresso			
(1)	997 424 980 00	Parking-brake lever Complete		1	IX98/098
	997 424 980 00 8YR	Black			
	997 424 980 00 5X5	Stone grey			
	997 424 980 00 8G1	Sand Beige			
	997 424 980 00 3S8	Sea blue			
	997 424 980 00 9N2	Terracotta			
	997 424 980 00 9Q3	Cocoa			
	997 424 980 00 D11	Dark grey/natural			
	997 424 980 00 T11	Brown/natural			
	997 424 980 00 8C0	Espresso			
(1)	997 424 980 06	Parking-brake lever Complete		1	IX98/098
	997 424 980 06 8YR	Black			
	997 424 980 06 5X5	Stone grey			
	997 424 980 06 8G1	Sand Beige			
	997 424 980 06 3S8	Sea blue			
	997 424 980 06 9N2	Terracotta			
	997 424 980 06 9Q3	Cocoa			
	997 424 980 06 D11	Dark grey/natural			
	997 424 980 06 T11	Brown/natural			
	997 424 980 06 8C0	Espresso			

Model: 997-09 Model life 2009>>2012

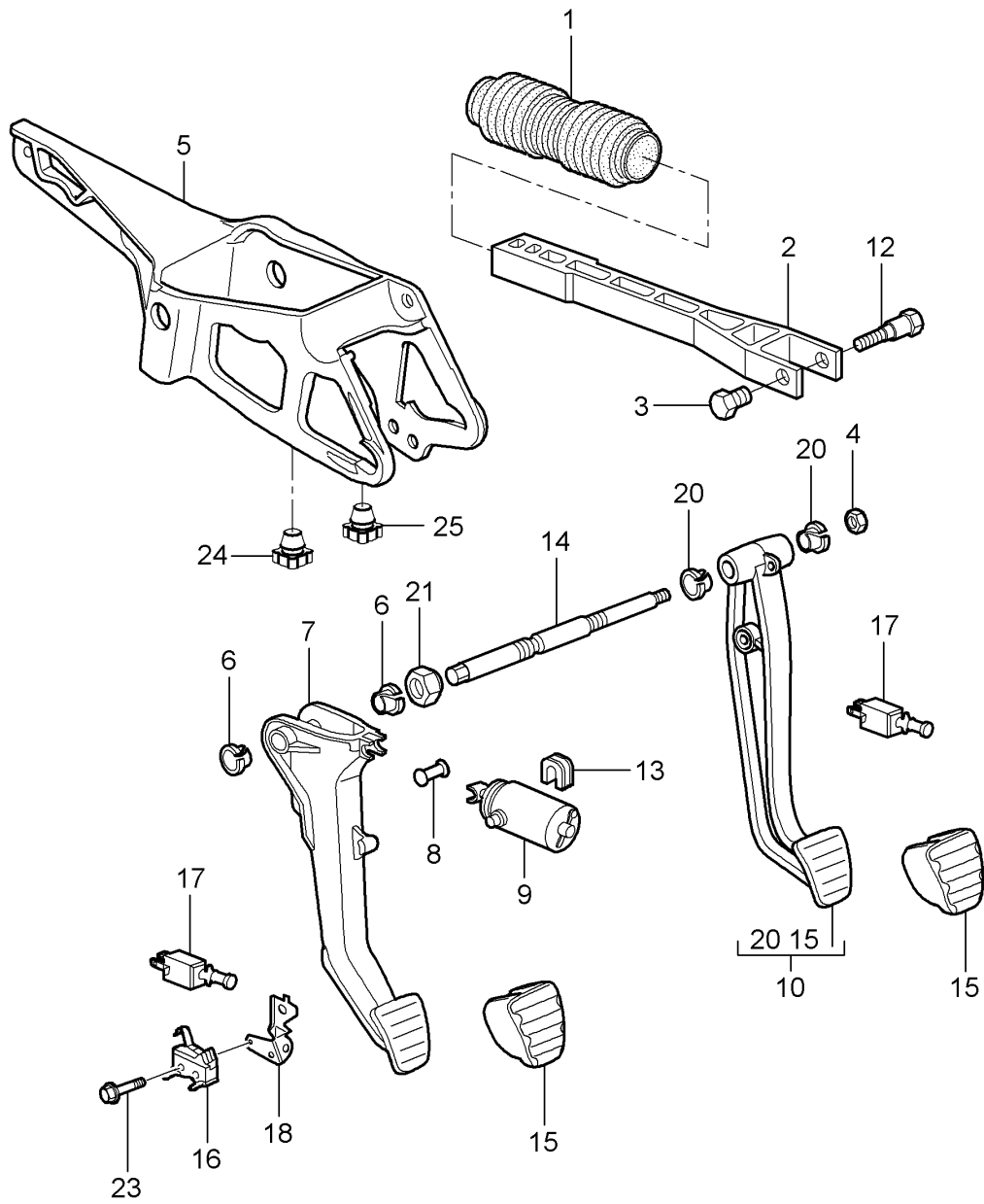
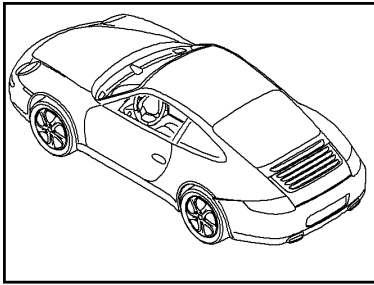
Pos	Part Number	Description	Remark	Qty	Model
(1)	997 424 980 01	Parking-brake lever Complete		1	IX98/099
	997 424 980 01 8YR	Black			
	997 424 980 01 5X5	Stone grey			
	997 424 980 01 8G1	Sand Beige			
	997 424 980 01 3S8	Sea blue			
	997 424 980 01 9N2	Terracotta			
	997 424 980 01 9Q3	Cocoa			
	997 424 980 01 D11	Dark grey/natural			
	997 424 980 01 T11	Brown/natural			
	997 424 980 01 8C0	Espresso			
(1)	997 424 980 07	Parking-brake lever Complete		1	IX98/099
	997 424 980 07 8YR	Black			
	997 424 980 07 5X5	Stone grey			
	997 424 980 07 8G1	Sand Beige			
	997 424 980 07 3S8	Sea blue			
	997 424 980 07 9N2	Terracotta			
	997 424 980 07 9Q3	Cocoa			
	997 424 980 07 D11	Dark grey/natural			
	997 424 980 07 T11	Brown/natural			
	997 424 980 07 8C0	Espresso			
(1)	997 424 991 00	Parking-brake lever Complete		1	IXFP/098
	997 424 991 00 8YR	Black			
	997 424 991 00 5X5	Stone grey			
	997 424 991 00 8G1	Sand Beige			
	997 424 991 00 3S8	Sea blue			
	997 424 991 00 9N2	Terracotta			
	997 424 991 00 9Q3	Cocoa			
	997 424 991 00 D11	Dark grey/natural			
	997 424 991 00 T11	Brown/natural			
	997 424 991 00 N11	Carrera Red			
	997 424 991 00 8C0	Espresso			
(1)	997 424 991 01	Parking-brake lever Complete		1	IXFP/099
	997 424 991 01 8YR	Black			
	997 424 991 01 5X5	Stone grey			
	997 424 991 01 8G1	Sand Beige			
	997 424 991 01 3S8	Sea blue			
	997 424 991 01 9N2	Terracotta			
	997 424 991 01 9Q3	Cocoa			
	997 424 991 01 D11	Dark grey/natural			
	997 424 991 01 T11	Brown/natural			
	997 424 991 01 N11	Carrera Red			
	997 424 991 01 8C0	Espresso			
(1)	997 424 980 02	Parking-brake lever Complete		1	I098/756
	997 424 980 02 8C0	Espresso			
(1)	997 424 980 04	Parking-brake lever Complete		1	SPEEDSTER I098/503
	997 424 980 04 8YR	Black			
(1)	997 424 980 03	Parking-brake lever Complete		1	I099/756
	997 424 980 03 8C0	Espresso			
(1)	997 424 980 05	Parking-brake lever Complete		1	SPEEDSTER I099/503
	997 424 980 05 8YR	Black			
(1)	997 424 031 92	Parking-brake lever Complete		1	CARRERA GTS I011/310

Model: 997-09 Model life 2009>>2012

Pos	Part Number	Description	Remark	Qty	Model
(1)	997 424 031 92 A15 997 424 031 93	Alcantara Black Parking-brake lever		1	CARRERA GTS I011/310
(1)	997 424 031 93 A15 997 424 031 92	Complete Alcantara Black Parking-brake lever		1	4 GTS I019/310
(1)	997 424 031 92 A15 997 424 031 93	Complete Alcantara Black Parking-brake lever		1	4 GTS I019/310
2	997 424 031 93 A15 997 424 155 00	Complete Alcantara Black Cover		1	
	997 424 155 00 8YR	Leather Black			
	997 424 155 00 5X5	Stone grey			
	997 424 155 00 8G1	Sand Beige			
	997 424 155 00 3S8	Sea blue			
	997 424 155 00 9N2	Terracotta			
	997 424 155 00 9Q3	Cocoa			
	997 424 155 00 D11	Dark grey/natural			
	997 424 155 00 T11	Brown/natural			
3	996 613 112 01	Switch		1	
4	999 084 630 01	Hexagon nut M 8		4	
5	997 424 141 06	Parking-brake cable		2	
6	996 424 721 02	Guide tube		2	
7	997 501 691 01	Guide tube Parking-brake cable Tunnel	/L	1	
(7)	997 501 692 01	Guide tube Parking-brake cable Tunnel	/R	1	

Model: 997-09

Model life 2009>>2012

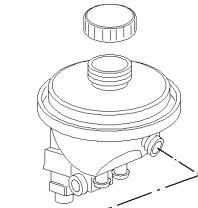
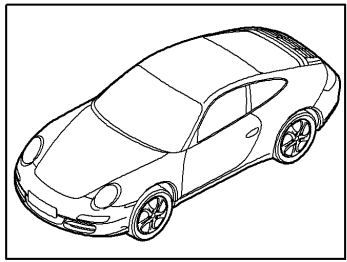
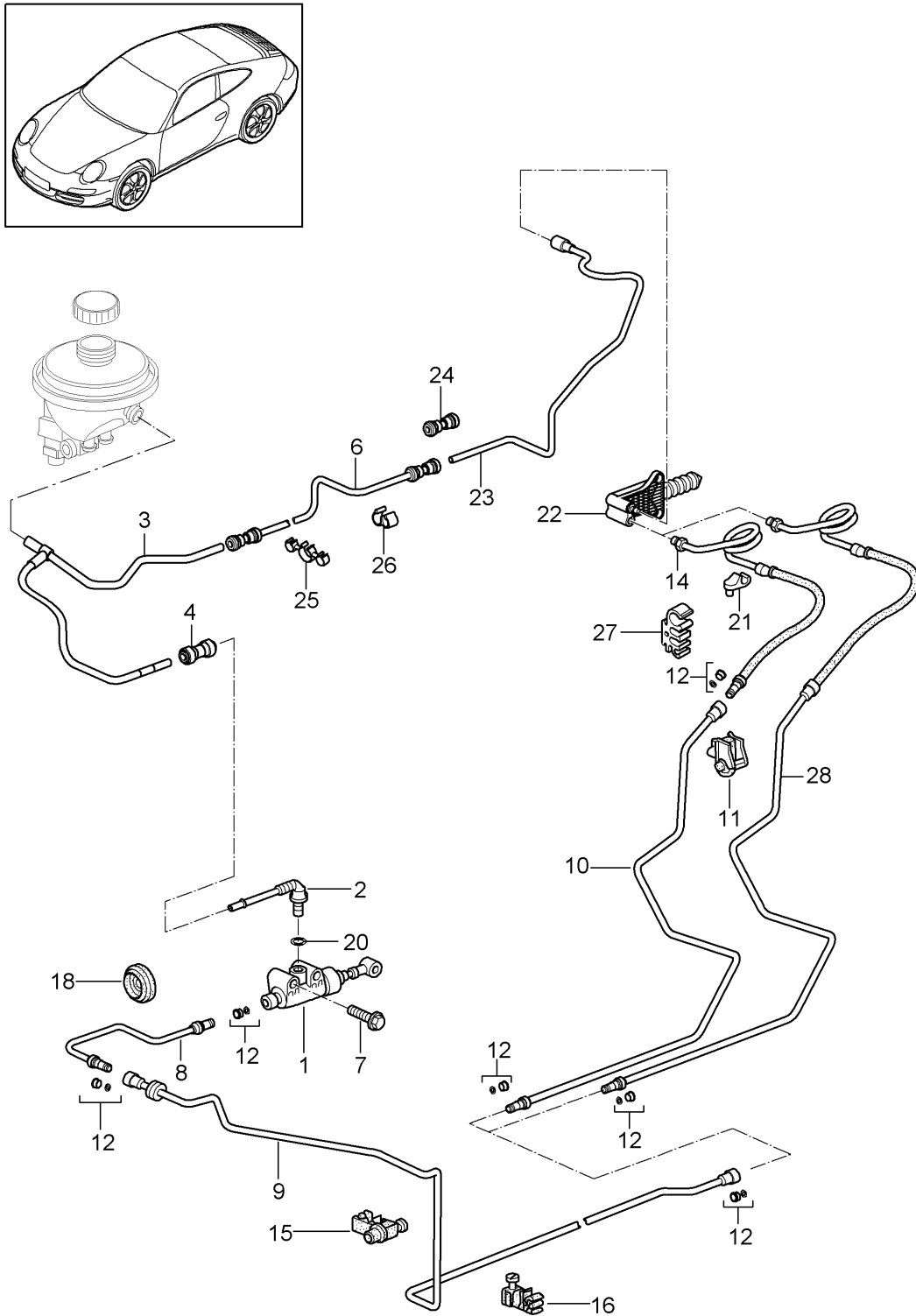


Model: 997-09 Model life 2009>>2012

Pos	Part Number	Description	Remark	Qty	Model
-	000 043 206 17	Pedals Grease 1 tube		X	
1		Bellows See illustrations 6/04/00		1	
2	996 423 165 05	Push rod		1	
3	996 423 307 00	Sleeve		1	
4	999 084 457 01	Hexagon nut M 8		3	
				2	
5	997 423 571 02	Bracket for Clutch power spring		1	I480
6	997 423 399 01	Bush		2	I480
7	997 423 139 01	Clutch pedal		1	I480
8	996 423 315 06	Bolt		1	I480
-	999 166 022 01	Kl-lock for Bolt		1	I480
9	997 423 081 05	Clutch power spring		1	
10	997 423 091 04	Brake pedal		1	I098/480
(10)	997 423 092 04	Brake pedal		1	I099/480
(10)	997 423 093 04	Brake pedal		1	I098/250
10	997 423 094 04	Brake pedal		1	I099/250
12	996 423 308 00	Bolt		1	
13	997 423 581 00	Bearing shell		1	
14	997 423 281 00	Axle		1	I098/480
(14)	997 423 284 00	Axle		1	I099/480
(14)	996 423 283 05	Axle		1	I098/250
(14)	996 423 286 05	Axle		1	I099/250
-	996 423 277 00	Bearing sleeve		1	I099
15	997 423 910 00	Brake pedal Pedal cap		2	I480
(15)	997 423 912 00	Pedal cap		1	I250
16	997 613 109 01	Switch		1	I480
17	996 613 113 02	Switch Brake pedal		1	
(17)	996 613 114 01	Switch Clutch pedal		1	
18	997 423 541 00	Support		1	
20	997 423 401 00	Bush		2	I098
(20)	997 423 402 00	Bush		2	I099
21	997 423 275 01	Screw plug		1	
23	900 146 159 02	Round head screw M 3 X 20		1	
23	999 073 480 01	Combination screw M 3 X 20		1	
24	997 423 695 00	Rubber stop		1	
25	997 423 697 00	Rubber stop		1	

Model: 997-09

Model life 2009>>2012



Model: 997-09 Model life 2009>>2012

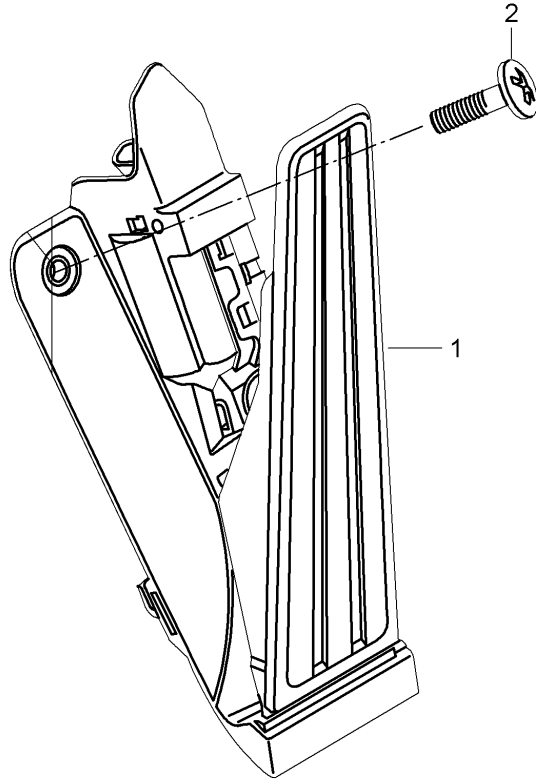
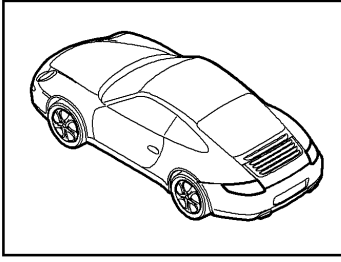
Pos	Part Number	Description	Remark	Qty	Model
		clutch actuation Clutch master cylinder Clutch pipeline			I480
1	997 423 171 01	Clutch master cylinder		1	
-	996 423 614 00	Circlip		1	
		Pressure line			
-	996 423 315 06	Bolt		1	
-	999 166 022 01	Kl-lock for Bolt		1	
2	997 423 147 00	Feed line		1	I098
3	997 423 191 01	Feed line		1	I098 CARRERA 2 CARRERA 2-S SPORTCLASSIC BLACKEDITION CHINAEDITION SPEEDSTER
(3)	997 423 190 01	Feed line	-09	1	I099 CARRERA 2 CARRERA 2-S
(3)	997 423 190 02	Feed line	10-	1	I099 CARRERA 2 CARRERA 2-S SPORTCLASSIC BLACKEDITION SPEEDSTER
(3)	997 423 191 21	Feed line		1	I098 CARRERA 4 CARRERA 4-S TARGA TARGA-S CARRERA GTS 4 GTS
(3)	997 423 190 21	Feed line	-09	1	I099 CARRERA 4 CARRERA 4-S TARGA TARGA-S
(3)	997 423 190 22	Feed line	10-	1	I099 CARRERA 4 CARRERA 4-S TARGA TARGA-S CARRERA GTS 4 GTS
4	999 230 447 40	Adapter		1	
5	999 230 448 40	Adapter		1	
6	997 423 192 02	Feed line		1	
7	900 378 217 09	Hexagon-head bolt M 6 X 40		2	
8	997 423 107 11	Clutch pipeline	-09	1	I098
(8)	997 423 107 12	Clutch pipeline	10-	1	I098
(8)	997 423 107 13	Clutch pipeline	10-	1	I098
(8)	997 423 108 11	Clutch pipeline	-09	1	I099
(8)	997 423 108 12	Clutch pipeline	10-	1	I099
9	997 423 109 11	Clutch pipeline		1	
10	997 423 113 12	Clutch pipeline	-09	1	
11	999 507 495 40	Support		1	
12	997 423 913 00	Repair kit Comprising: O-ring Sealing rubber		X	

Model: 997-09 Model life 2009>>2012

Pos	Part Number	Description	Remark	Qty	Model
14	9A1 423 377 01	Clutch pipeline	-09	1	
15	996 355 549 00	Support		1	
16	996 355 545 00	Support		2	
18	999 702 313 40	Grommet		1	
20	999 707 333 40	Sealing ring 6,07 X 1,78N		1	
21	999 507 586 40	Cable holder		1	
(22)	9G1 116 238 00	Clutch operating cylinder		1	
-	9G1 116 277 01	Bleeder		1	
-	900 378 033 01	Hexagon-head bolt M 8 X 30		2	
23	997 423 193 02	Return line		1	
-	999 507 567 40	Cable holder 7,0 / 9,0		1	
-	999 591 695 40	Return line Support 6,5 / 12,0		1	
24	999 230 448 40	Adapter		1	
25	999 507 140 40	Cable holder		1	
26	999 507 567 40	Cable holder		1	
27	999 507 265 40	Cable holder		1	I098
(27)	999 507 261 40	Cable holder	-09	1	I099
(27)	999 507 261 41	Cable holder	10-	1	I099
28	997 423 113 13	Clutch pipeline	10-	1	-I011/-I019 -I756
(28)	997 423 113 14	Clutch pipeline	10-	1	-I011/-I019 -I756
(28)	997 423 113 15	Clutch pipeline	10-	1	-I011/-I019 -I756
(28)	997 423 113 18	Clutch pipeline	10-	1	-I011/-I019 -I756
(28)	997 423 113 15	Clutch pipeline		1	I756
(28)	997 423 113 18	Clutch pipeline		1	I756
(28)	997 423 113 15	Clutch pipeline		1	CARRERA GTS I011
(28)	997 423 113 18	Clutch pipeline		1	CARRERA GTS I011
(28)	997 423 113 15	Clutch pipeline		1	4 GTS I019
(28)	997 423 113 18	Clutch pipeline		1	4 GTS I019

Model: 997-09

Model life 2009>>2012



Model: 997-09

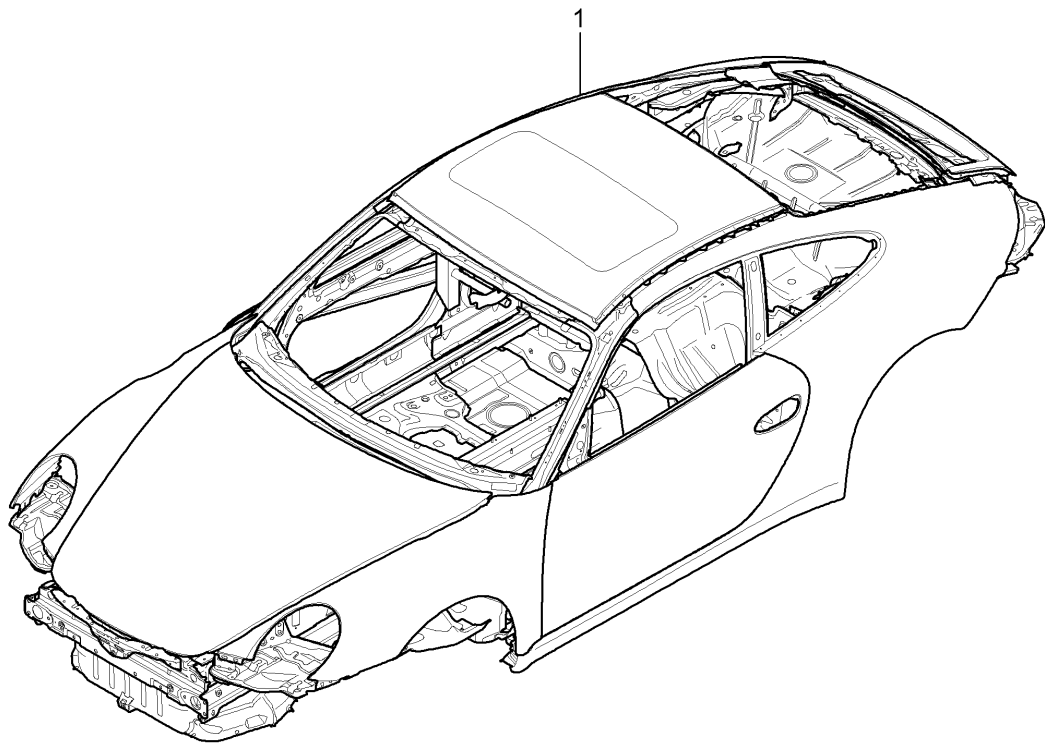
Model life 2009>>2012

Pos	Part Number	Description	Remark	Qty	Model
		Pedals			
1	997 423 019 02	Accelerator control		1	I480
(1)	997 423 021 02	Accelerator control		1	I250
2	900 146 161 09	Round head screw M 6 X 20		1	

Model: 997-09

Model life 2009>>2012

B	WPOZZZ	99 z 5S730070	
C		997 121	
		M9701-685 G9701	
		L6B4 AT	
D	C00	267 268 425 437	A
E		438 446 454 537 610	
		635 640 650 666 670	
F		00641 20772	



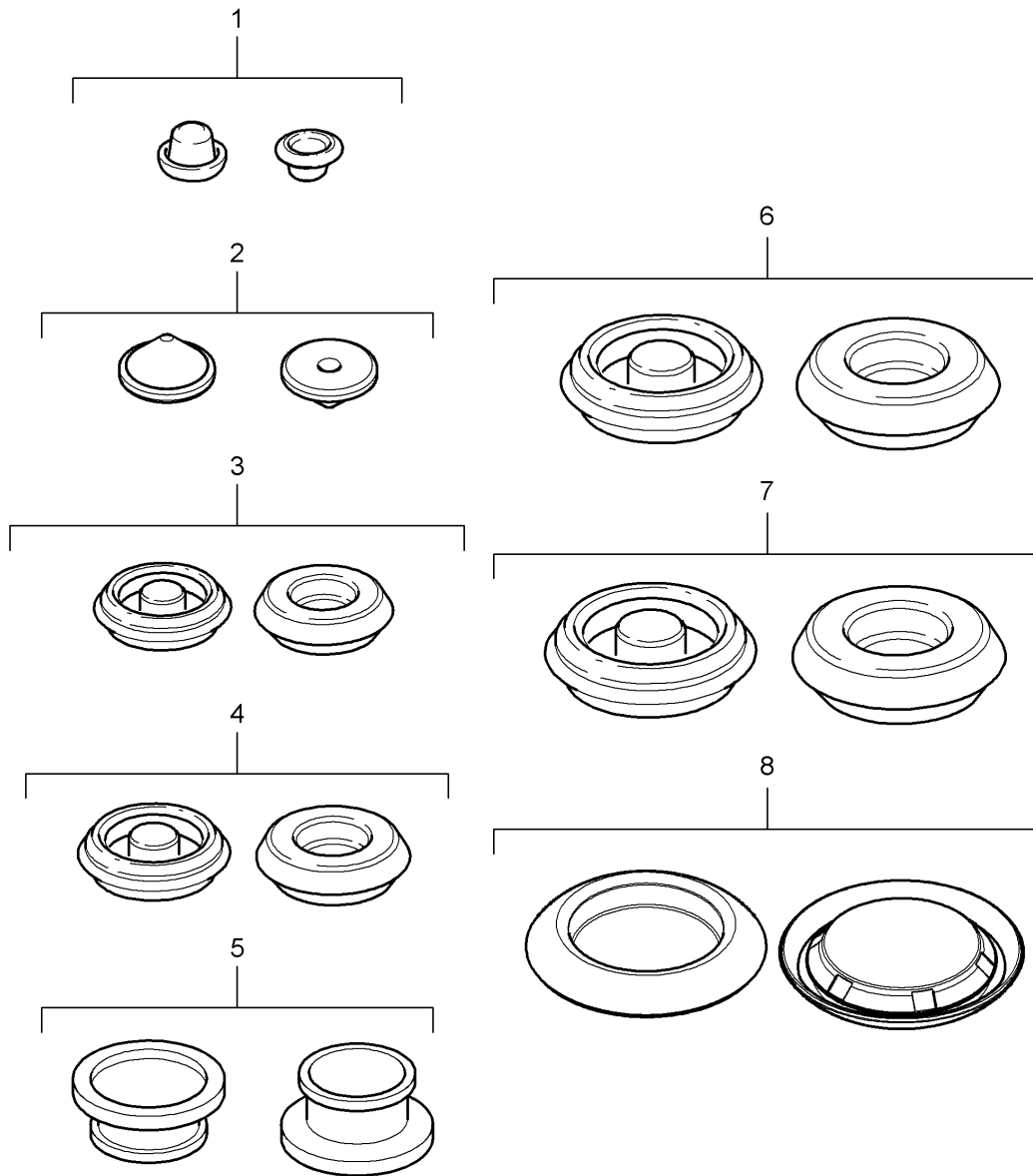
Model: 997-09

Model life 2009>>2012

Pos	Part Number	Description	Remark	Qty	Model
A		Body in white			
B		Prime coated			
C		Sealed			
D		with			
E		Underbody protection			
F		with			
G		Doors/lids/wings			
1	997 500 900 00	Bodyshells can only			
	997 500 900 00 GRV	only available from current			
		Model year available			
		The data required			
		for your order			
		Can be found on the			
		Vehicle data carrier			
		in			
		On-board folder			
		Please indicate this data			
		in your order			
		Vehicle data carrier			
		Vehicle Ident. No.			
		Order type			
		Country equipment			
		Optional extras			
		Additional applications			
		Indicate colour			
		Body in white		1	
		Prime coated			

Model: 997-09

Model life 2009>>2012



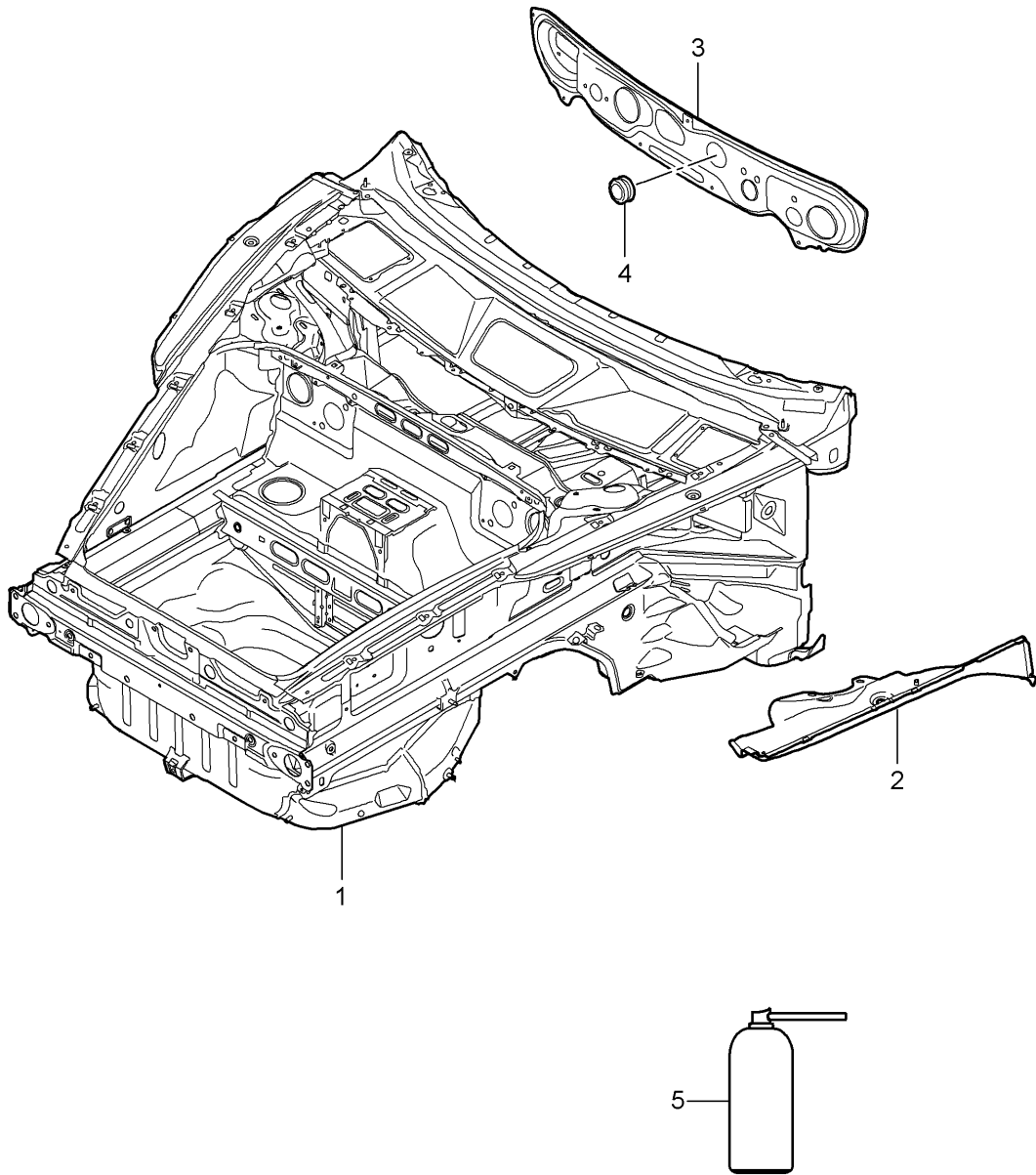
Model: 997-09

Model life 2009>>2012

Pos	Part Number	Description	Remark	Qty	Model
1	999 703 462 40	Stopper Lid 10 x 6,5		X	
2	999 703 421 40	Grommet 15 mm		X	
3	999 703 318 40	Lid 20 x 28		X	
4	803 803 583 A	Stopper 20 x 30		X	
4	999 703 196 40	Lid 20 x 30		X	
5	999 703 420 40	Stopper 20,3 x 30 x 11		X	
6	803 803 583	Rubber sleeve 30 x 40		X	
6	999 703 195 40	Rubber sleeve 30 x 40		X	
7	999 703 433 40	Stopper 30 x 42		X	
8	999 703 454 40	Lid 55 x 70		X	

Model: 997-09

Model life 2009>>2012



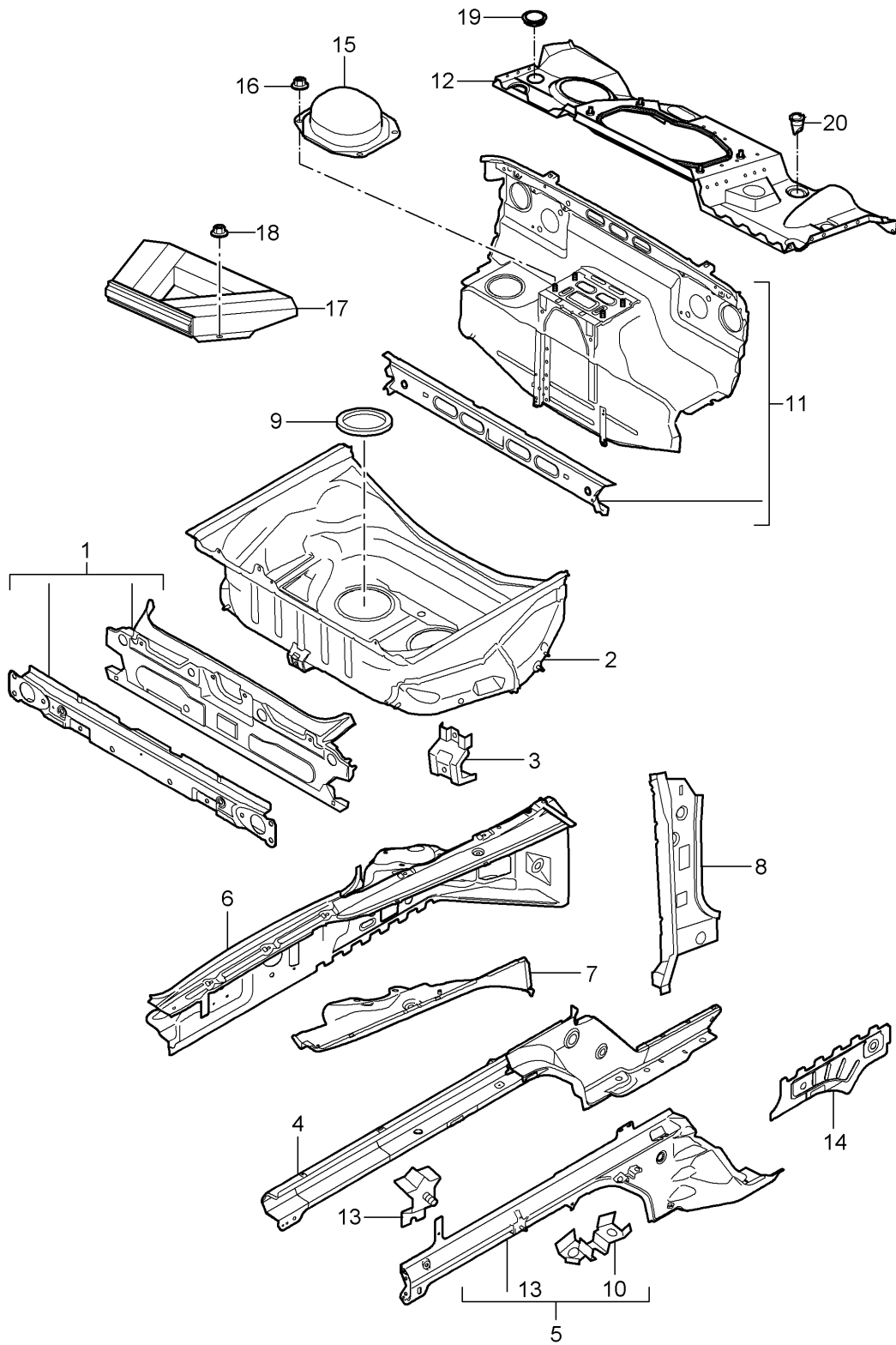
Model: 997-09

Model life 2009>>2012

Pos	Part Number	Description	Remark	Qty	Model
1	997 501 911 03 997 501 911 03 GRV	Body front section Body front section Prime coated Use also: Sealing compound POS. 5 Processing instructions See technical manual		1	C2
(1)	997 501 911 04 997 501 911 04 GRV	Body front section Prime coated Use also: Sealing compound POS. 5 Processing instructions See technical manual	/LL	1	C4,GTS I098
(1)	997 501 911 05 997 501 911 05 GRV	Body front section Prime coated Use also: Sealing compound POS. 5 Processing instructions See technical manual	/RL	1	C4,GTS I099
2	997 501 945 00 997 501 945 00 GRV	Bottom half Prime coated	/L	1	
(2)	997 501 946 01 997 501 946 01 GRV	Bottom half Prime coated	/R	1	
3	997 504 121 00	Lid	/LL	1	I098
(3)	997 504 121 01	Lid Use also:	/RL	1	I099
-	000 043 300 94	Adhesive set		1	
4	999 702 255 41	Lid 62,5 X 72,6		1	
5	999 915 337 40	Sealing compound		1	

Model: 997-09

Model life 2009>>2012



Model: 997-09 Model life 2009>>2012

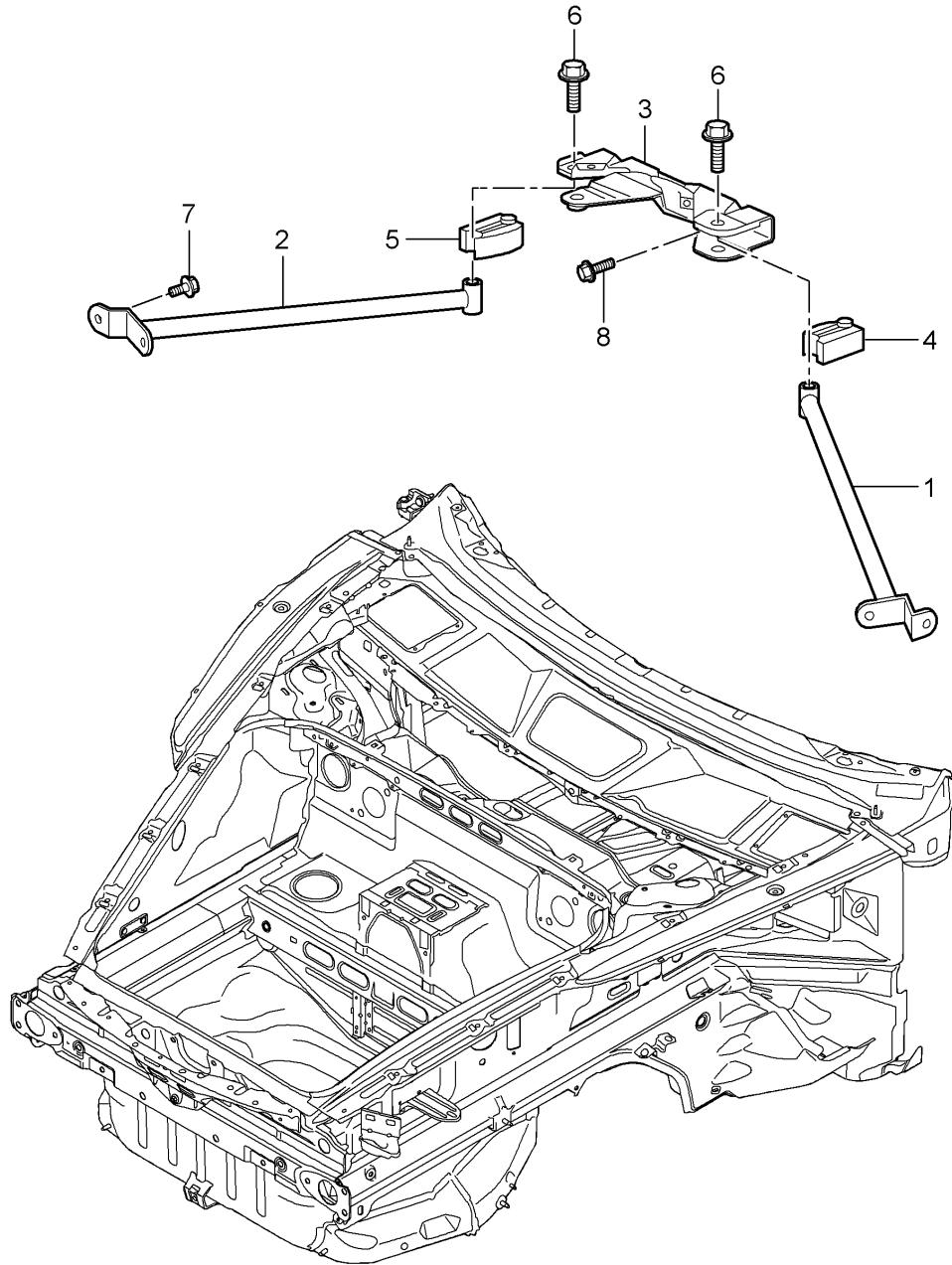
Pos	Part Number	Description	Remark	Qty	Model
1	997 501 931 00	Body front section Single parts Terminal piece Use also: 000.043.305.51		1	
2	997 501 931 00 GRV	Prime coated		1	
2	997 501 979 00	Spare-wheel well Use also: 000.043.207.67		1	
2	997 501 979 00 GRV	Prime coated		1	
2	997 501 979 01	Spare-wheel well Use also: 000.043.207.67		1	
(2)	997 501 979 01 GRV	Prime coated		1	
(2)	997 501 979 01	Spare-wheel well Use also: 000.043.207.67		1	I756
	997 501 979 01 GRV	Prime coated		1	
3	996 501 621 00	Support		3	
	996 501 621 00 GRV	Prime coated			
4	997 501 305 01	Side member Use also: 000.043.305.51	/L	1	
	997 501 305 01 GRV	Prime coated		1	
(4)	997 501 306 01	Side member Use also: 000.043.305.51	/R	1	
	997 501 306 01 GRV	Prime coated		1	
5	997 501 915 00	Side member Use also: 000.043.305.51	/L	1	
	997 501 915 00 GRV	Prime coated		1	
(5)	997 501 916 00	Side member Use also: 000.043.305.51	/R	1	
	997 501 916 00 GRV	Prime coated		1	
6	997 501 935 00	Wheel housing Use also: 000.043.305.51 000.043.207.67	/L	1	
	997 501 935 00 GRV	Prime coated		1	
(6)	997 501 936 01	Wheel housing Use also: 000.043.305.51 000.043.207.67	/R	1	
	997 501 936 01 GRV	Prime coated		1	
7	997 501 945 00	Bottom half	/L	1	
	997 501 945 00 GRV	Prime coated			
(7)	997 501 946 01	Bottom half	/R	1	
	997 501 946 01 GRV	Prime coated			
8	997 501 937 00	Hinge pillar Use also: 000.043.305.51 000.043.207.67	/L	1	
	997 501 937 00 GRV	Prime coated		1	
(8)	997 501 938 00	Hinge pillar Use also: 000.043.305.51 000.043.207.67	/R	1	
	997 501 938 00 GRV	Prime coated		1	
9	996 504 201 01	Lid \$ 145 MM		2	
10	996 501 815 02	Support		2	

Model: 997-09 Model life 2009>>2012

Pos	Part Number	Description	Remark	Qty	Model
11	996 501 815 02 GRV	Prime coated		1	C2
	997 502 921 03	Bulkhead		1	
		Use also: 000.043.207.67		1	
(11)	997 502 921 03 GRV	Prime coated		1	C4
	997 502 921 01	Bulkhead	/LL	1	I098
		Use also: 000.043.207.67		1	
(11)	997 502 921 01 GRV	Prime coated		1	SportClassic
	997 502 921 02	Bulkhead	/RL	1	C4
		Use also: 000.043.207.67		1	I099
(11)	997 502 921 02 GRV	Prime coated		1	SportClassic
	997 502 915 02	Bulkhead	/LL	1	C4
		Use also: 000.043.207.67		1	I098
(11)	997 502 915 02 GRV	Prime coated		1	
	997 502 915 03	Bulkhead	/RL	1	C4
		Use also: 000.043.207.67		1	I099
12	997 502 915 03 GRV	Prime coated		1	
	997 502 017 02	Cross panel		1	C2
(12)	997 502 017 02 GRV	Prime coated		1	
	997 502 017 03	Cross panel		1	C4
	997 502 017 03 GRV	Prime coated		1	SportClassic
13	996 501 341 00	Support		2	
	996 501 341 00 GRV	Prime coated		1	
14	997 501 665 01	Separator	/L	1	
	997 501 665 01 GRV	Prime coated		1	
(14)	997 501 666 01	Separator	/R	1	
	997 501 666 01 GRV	Prime coated		1	
15	997 504 471 00	Lid		1	C4
		Bulkhead		1	SportClassic
16	900 380 015 09	Hexagon nut		7	
		M6			
17	997 504 403 00	Insert		1	C4
		Spare-wheel well		1	SportClassic
18	999 084 638 09	Hexagon nut		3	
		m 6			
18	999 084 638 01	Hexagon nut		3	
		m 6			
18	803 803 583	Rubber sleeve		1	
		30,0 X 40,0			
18	999 703 195 40	Rubber sleeve		1	
		30,0 X 40,0			
19	999 703 476 40	Grommet		4	
		29,8 X 1,0			
19	999 703 476 41	Grommet		4	
		29,8 X 1,0			

Model: 997-09

Model life 2009>>2012



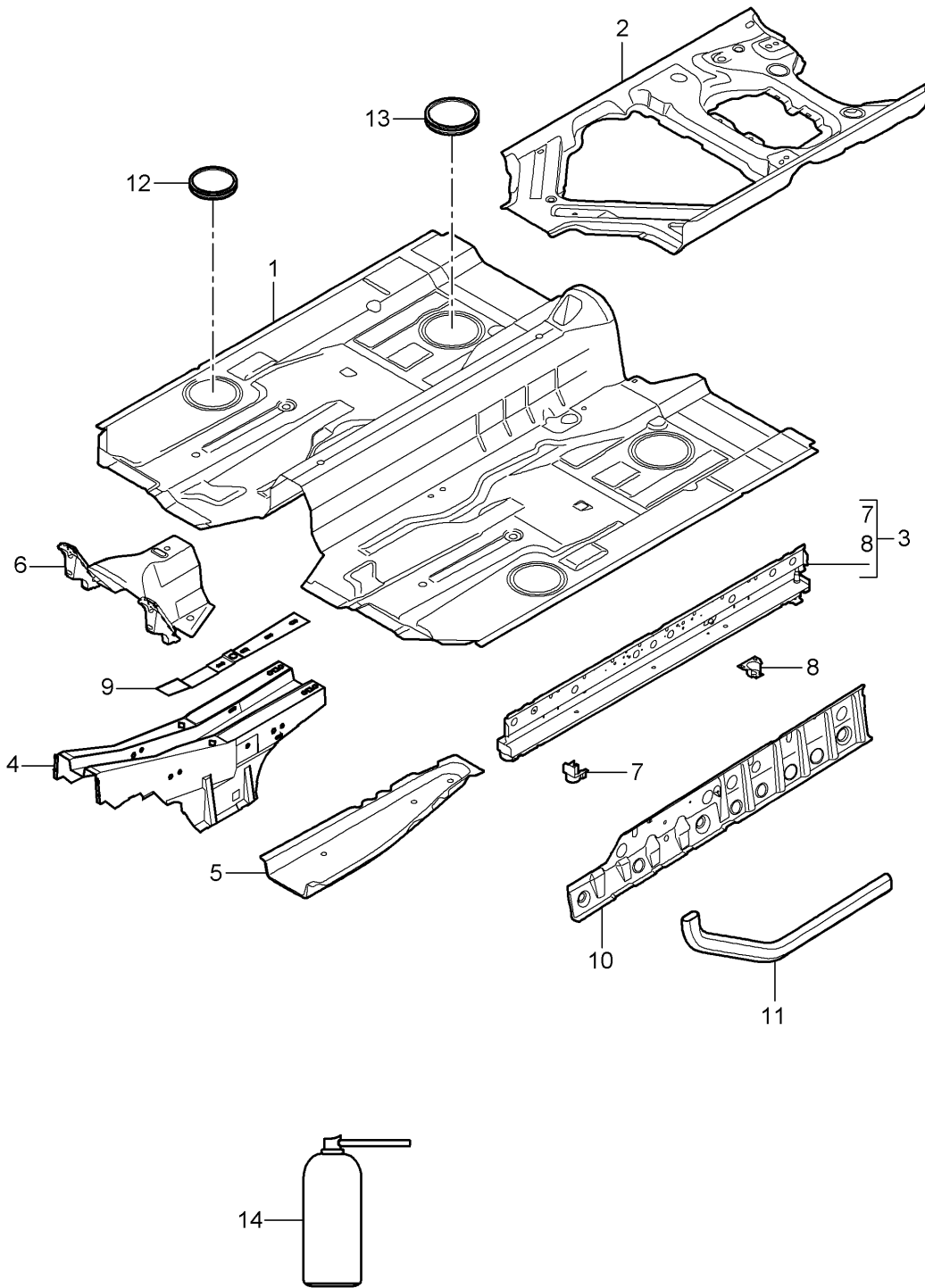
Model: 997-09

Model life 2009>>2012

Pos	Part Number	Description	Remark	Qty	Model
1	996 504 233 01	Dome strut	/L	1	
2	996 504 234 01	Dome strut	/R	1	
3	997 504 359 00	Bracket		1	
4	996 504 633 00	Filler piece	/L	1	
5	996 504 634 00	Filler piece	/R	1	
6	900 378 100 09	Hexagon-head bolt AM 10 X 45		2	
7	900 075 010 09	Hexagon-head bolt M 6 X 12		4	
8	900 378 173 01	Hexagon-head bolt M 6 X 20		4	

Model: 997-09

Model life 2009>>2012



Model: 997-09 Model life 2009>>2012

Pos	Part Number	Description	Remark	Qty	Model
-	000 043 206 29	Floor Centre Adhesive set Body Comprising:		X	
-	000 043 206 30	Adhesive		1	
-	000 043 206 31	Tool		1	
-	000 043 206 32	Mixing tube		1	
-	000 043 206 33	Activator		1	
1	997 501 551 01	Floor Use also: 000.043.207.67		1	
	997 501 551 01 GRV	Prime coated		2	
2	997 501 953 01	Seat support Use also: 000.043.305.51	/L	1	
	997 501 953 01 GRV	Prime coated		1	
(2)	997 501 954 02	Seat support Use also: 000.043.305.51	/R	1	
	997 501 954 02 GRV	Prime coated		1	
3	997 501 157 01	Side member Use also: 000.043.305.51	/L	1	
	997 501 157 01 GRV	Prime coated		1	
(3)	997 501 158 01	Side member Use also: 000.043.305.51	/R	1	
	997 501 158 01 GRV	Prime coated		1	
4	997 501 409 00	Bracket Front Use also: 000.043.207.67		1	
5	997 501 525 00	Side member Use also: 000.043.305.51	/L	1	
	997 501 525 00 GRV	Prime coated		1	
(5)	997 501 526 00	Side member Use also: 000.043.305.51	/R	1	
	997 501 526 00 GRV	Prime coated		1	
6	996 501 751 00	Extension Use also: 000.043.207.67		1	
	996 501 751 00 GRV	Prime coated		1	
7	996 501 785 00	Jacking point	/L /V	1	
	996 501 785 00 GRV	Prime coated		1	
(7)	996 501 786 00	Jacking point	/R /V	1	
	996 501 786 00 GRV	Prime coated		1	
8	997 501 481 00	Jacking point	/L /H	1	
	997 501 481 00 GRV	Prime coated		1	
(8)	997 501 482 00	Jacking point	/R /H	1	
	997 501 482 00 GRV	Prime coated		1	
9	997 501 619 00	Closing element		1	
10	997 501 329 00	Retaining bracket Use also: 000.043.305.51	/L	1	
	997 501 329 00 GRV	Prime coated		1	
(10)	997 501 330 00	Retaining bracket Use also: 000.043.305.51	/R	1	
	997 501 330 00 GRV	Prime coated		1	
11	997 501 439 00	Support tube		2	

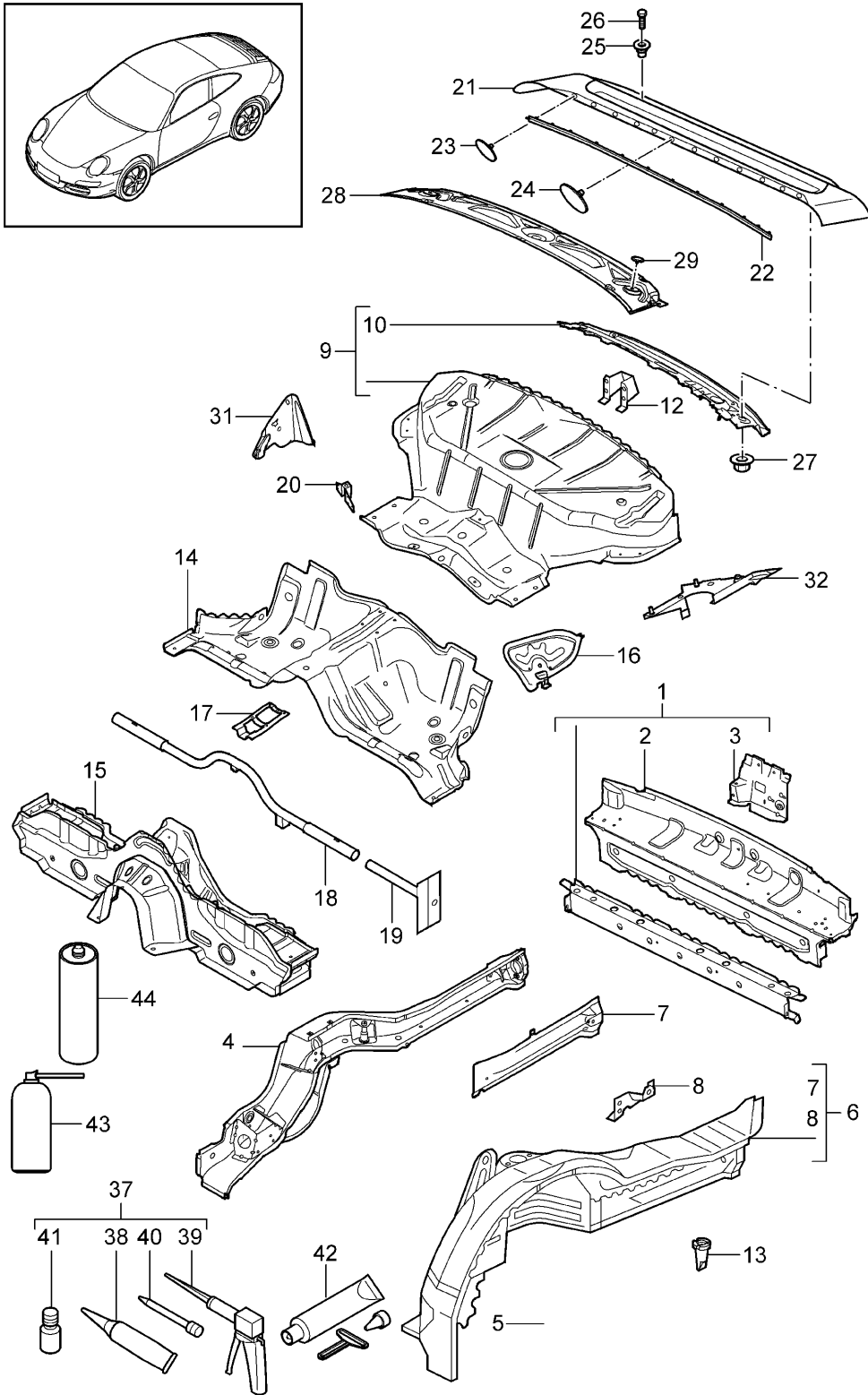
Model: 997-09

Model life 2009>>2012

Pos	Part Number	Description	Remark	Qty	Model
	997 501 439 00 GRV	Prime coated Use also: Sealing compound Pos. 14 Processing instructions See technical manual 51 49 55			
12	996 504 205 01	Lid \$ 125 MM		2	
13	996 504 201 01	Lid \$ 145 MM		2	
14	999 915 337 40	Sealing compound		1	

Model: 997-09

Model life 2009>>2012



Model: 997-09 Model life 2009>>2012

Pos	Part Number	Description	Remark	Qty	Model
1	997 501 973 02	Rear end Terminal piece		1	
	997 501 973 02 GRV	Prime coated			
2	997 501 273 01	End plate		1	
	997 501 273 01 GRV	Prime coated			
3	997 501 247 00	Lock carrier		1	
	997 501 247 00 GRV	Prime coated			
4	997 501 977 00	Side member	/L	1	
	997 501 977 00 GRV	Prime coated			
		Use also: 999.915.337.40 Processing instructions See technical manual 53 48 55			
(4)	997 501 978 01	Side member	/R	1	
	997 501 978 01 GRV	Prime coated			
		Use also: 999.915.337.40 Processing instructions See technical manual 53 48 55			
6	997 501 943 00	Wheel housing	/L	1	
	997 501 943 00 GRV	Prime coated It is necessary to rework See workshop manual			Coupe
(6)	997 501 943 01	Wheel housing	/L	1	CABRIO
	997 501 943 01 GRV	Prime coated			
(6)	997 501 944 00	Wheel housing	/R	1	
	997 501 944 00 GRV	Prime coated It is necessary to rework See workshop manual			Coupe
(6)	997 501 944 01	Wheel housing	/R	1	CABRIO
	997 501 944 01 GRV	Prime coated It is necessary to rework See workshop manual			
7	996 501 595 01	Side member	/L	1	
	996 501 595 01 GRV	Prime coated			
(7)	996 501 596 01	Side member	/R	1	
	996 501 596 01 GRV	Prime coated			
8	997 501 571 00	Bracket	/L	1	CABRIO
	997 501 571 00 GRV	Prime coated			
(8)	997 501 572 00	Bracket	/R	1	CABRIO
	997 501 572 00 GRV	Prime coated			
9	997 502 911 05	Rear wall		1	C2
	997 502 911 05 GRV	Prime coated Order also: POS. 12 See workshop manual			CABRIO
9	997 502 911 07	Rear wall		1	C4/C4S
	997 502 911 07 GRV	Prime coated Order also: POS. 12 See workshop manual			CABRIO
10	997 502 373 00	Cross member		1	COUPE
	997 502 373 00 GRV	Prime coated			
(10)	997 502 673 01	Cross member		1	CABRIO
	997 502 673 01 GRV	Prime coated			
(10)	997 502 373 01	Cross member		1	TARGA
	997 502 373 01 GRV	Prime coated			
(10)	997 502 561 00	Cross member		1	CABRIO
	997 502 561 00 GRV	Prime coated			
11	997 501 949 01	Upper part Seat well		1	

Model: 997-09 Model life 2009>>2012

Pos	Part Number	Description	Remark	Qty	Model
12	997 501 949 01 GRV	Prime coated			
	997 502 525 00	Bracket		1	CABRIO
13	997 502 525 00 GRV	Prime coated			
	996 561 825 00	Water drain valve		2	
		Wheel housing			
		Rear			
14	997 501 549 01	Seat well		1	
	997 501 549 01 GRV	Prime coated			
15	997 501 955 00	Cross member		1	
	997 501 955 00 GRV	Prime coated			
16	997 501 461 00	Reinforcement	/L	1	
	997 501 461 00 GRV	Prime coated			
(16)	996 501 462 02	Reinforcement	/R	1	
	996 501 462 02 GRV	Prime coated			
17	996 501 659 01	Bracket		1	
	996 501 659 01 GRV	Prime coated			
18	996 501 411 00	Pipe		1	
	996 501 411 00 GRV	Prime coated			
(19)	996 501 415 00	Sleeve		2	
	996 501 415 00 GRV	Prime coated			
20	997 501 611 00	Mounting	/L	1	CABRIO
	997 501 611 00 GRV	Prime coated			
(20)	997 501 612 00	Roll-over bar			
	997 501 612 00 GRV	Mounting	/R	1	CABRIO
		Prime coated			
		Roll-over bar			
(21)	997 504 345 03	Rear centre panel		1	COUPE
	997 504 345 03 GRV	Prime coated			
(21)	997 504 345 01	Rear centre panel		1	COUPE I756
	997 504 345 01 GRV	Prime coated			
(21)	997 504 545 02	Rear centre panel		1	TARGA
		Outer			
	997 504 545 02 GRV	Prime coated			
		Use also:			
-	999 911 591 41	Sealing strap		2	COUPE
		10 x 5 x 285			
22	997 504 612 00	Gasket		1	COUPE
22	997 504 612 01	Gasket		1	TARGA
		Rear centre panel			
		Prime coated			
23	999 507 973 40	Mount		2	COUPE
		2,8 X 6 X 30			
24	999 507 974 40	Mount		10	COUPE
		2,8 X 6 X 50			
25	999 500 109 02	Blind rivet nut		3	COUPE
		M 6/0,8 - 3			
26	999 073 263 09	Combination screw		3	COUPE
		M 6 X 12			
27	999 076 029 02	Hexagon nut		2	
		M 6			
28	997 502 409 01	Filler plate		1	COUPE
	997 502 409 01 GRV	Prime coated			
		Rear centre panel			
		Use also:			
		999.915.650.40			
(28)	997 502 409 02	Filler plate		1	TARGA
	997 502 409 02 GRV	Prime coated			
		Rear centre panel			
		Use also:			
		999.915.650.40			
29	999 507 838 40	Stopper		4	TARGA
		10,0 X 0,9			

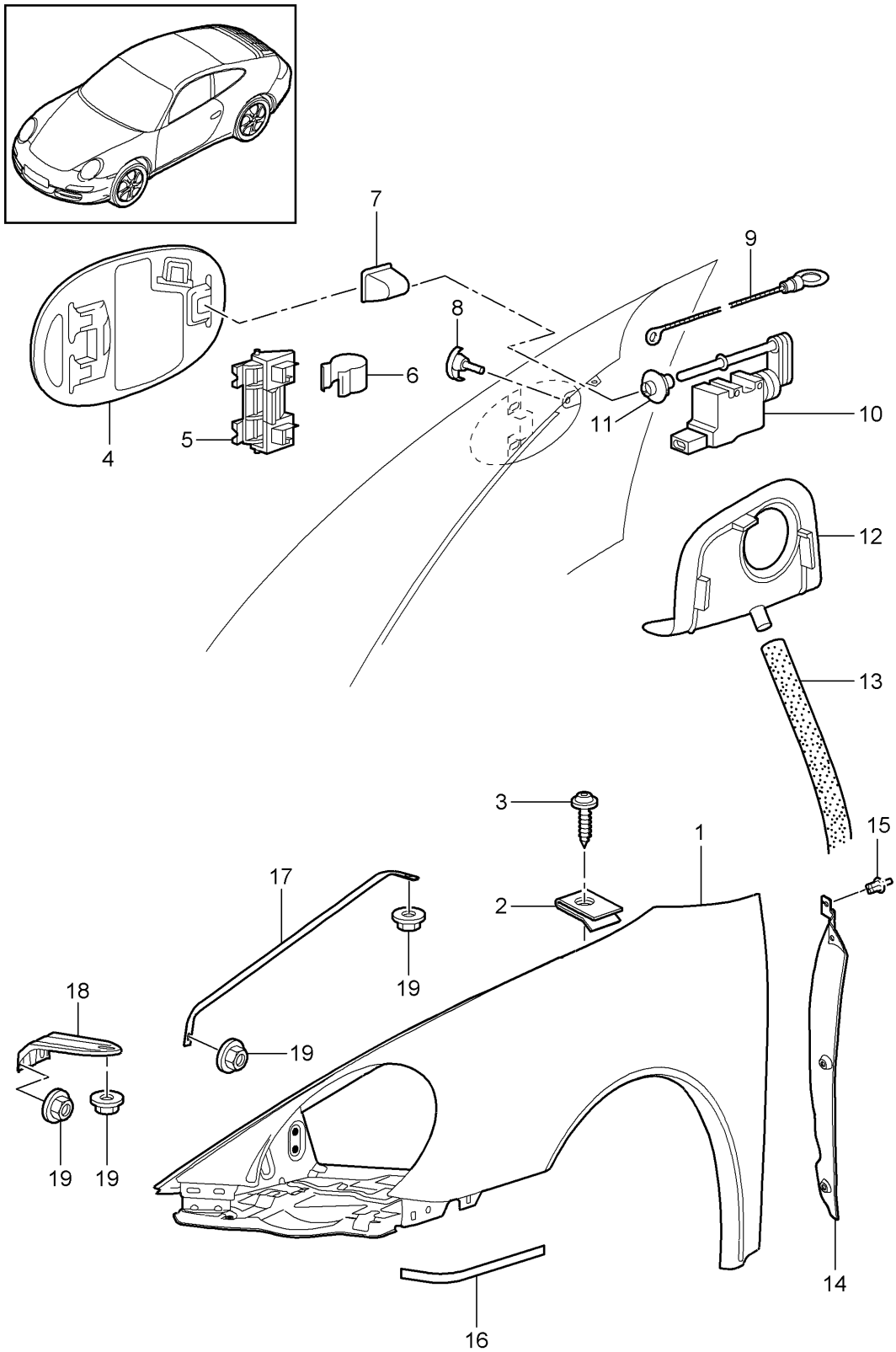
Model: 997-09

Model life 2009>>2012

Pos	Part Number	Description	Remark	Qty	Model
31	997 504 797 00	Bracket	/L	1	
	997 504 797 00 GRV	Prime coated			
		Belt			
(31)	997 504 798 00	Bracket	/R	1	
	997 504 798 00 GRV	Prime coated			
		Belt			
32	996 502 653 01	Connecting piece	/L	1	COUPE/TARGA
	996 502 653 01 GRV	Prime coated			
(32)	996 502 654 01	Connecting piece	/R	1	COUPE/TARGA
	996 502 654 01 GRV	Prime coated			
(32)	997 502 553 00	Connecting piece	/L	1	CABRIO
	997 502 553 00 GRV	Prime coated			
(32)	997 502 554 00	Connecting piece	/R	1	CABRIO
	997 502 554 00 GRV	Prime coated			
33	996 504 745 00	Crash protection	/R	1	
34	900 377 003 03	Hexagon nut		1	
		M 8			
35	900 378 074 01	Hexagon-head bolt		1	
		M 8 X 16			
37	000 043 206 29	Adhesive set		1	
38	000 043 206 30	Adhesive		1	
39	000 043 206 31	Tool		1	
40	000 043 206 32	Mixing tube		1	
41	000 043 206 33	Activator		1	
42	000 043 204 38	Sealing compound		X	
		70 ML			
		Processing instructions			
		See technical manual			
43	999 915 337 40	Sealing compound		1	
		Acoustics			
44	000 043 204 85	Cavity preservation		1	

Model: 997-09

Model life 2009>>2012

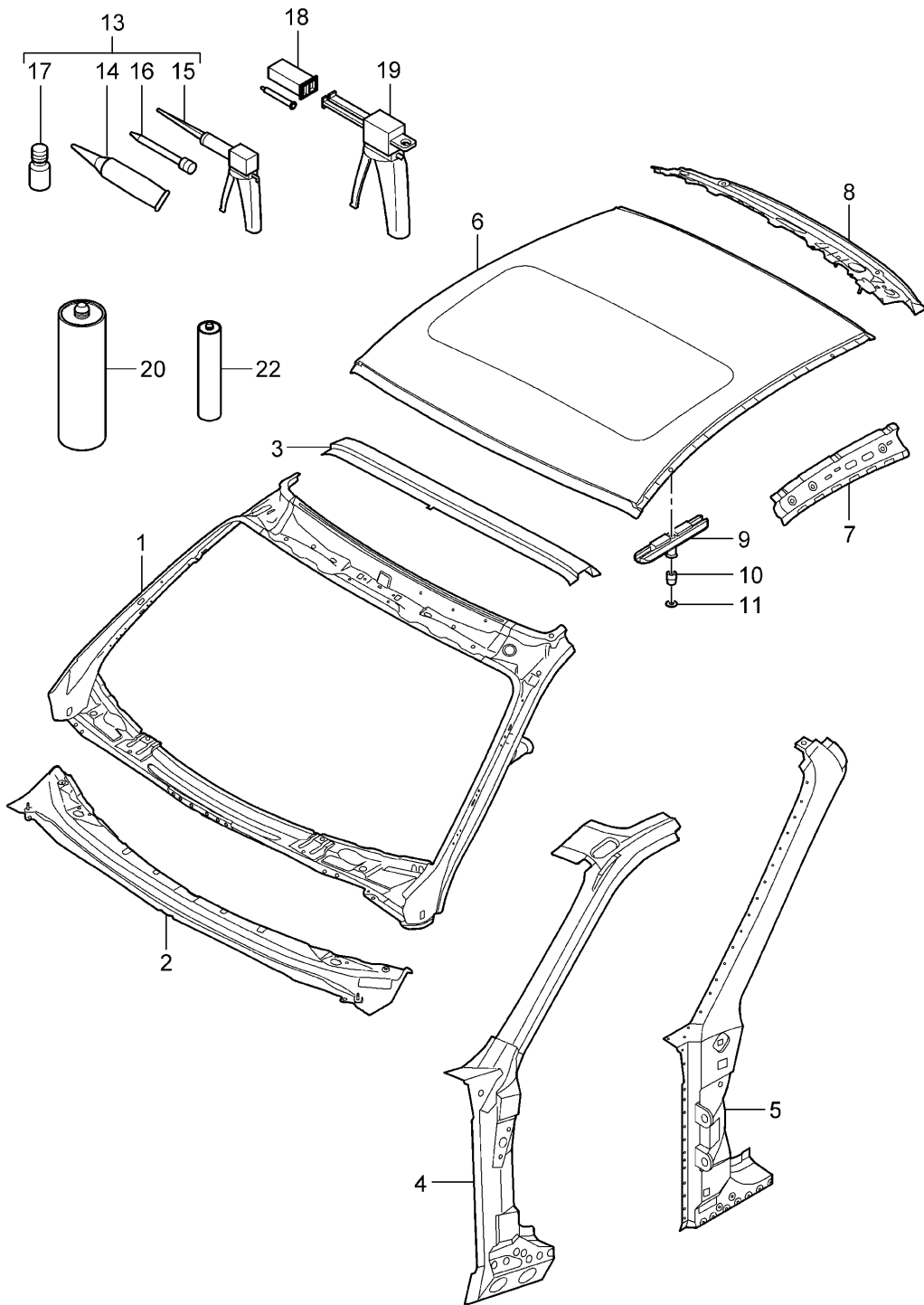


Model: 997-09 Model life 2009>>2012

Pos	Part Number	Description	Remark	Qty	Model
1	997 503 031 00	Wing		1	
	997 503 031 00 GRV	Wing	/L	1	
(1)	997 503 932 00	Prime coated		1	
	997 503 932 00 GRV	Wing	/R	1	
(1)	997 503 032 03	Prime coated		1	I461
	997 503 032 03 GRV	Wing	/R	1	
2	999 507 003 02	Speed nut		22	
		ST 6,3			
2	999 507 003 01	Speed nut		22	
		ST 6,3			
3	999 073 128 02	Tapping screw		22	
		ST 6,3 X 14			
4	997 504 134 00	Fuel filler flap		1	
	997 504 134 00 GRV	Prime coated			
5	997 201 063 00	Hinge		1	
6	997 504 711 00	Spring		1	
7	996 201 423 00	Cap		1	
8	997 504 888 01	Rubber stop		1	
9	996 201 493 00	Emergency operation		1	
10	997 624 113 00	Actuator		1	
11	997 624 505 00	Guide rose		1	
(12)	997 201 667 00	Sleeve		1	
13	996 201 153 00	Hose		1	
14	997 504 641 02	Cover	/L	1	
	997 504 641 02 01C	Black			
(14)	997 504 642 02	Cover	/R	1	
	997 504 642 02 01C	Black			
15	999 591 712 40	Expansion rivet		6	
		A 6,0 X 12,0			
16	997 504 531 00	Protective film	/L	1	
(16)	997 504 532 00	Protective film	/R	1	
17	997 504 441 00	Strut		2	
	997 504 441 00 GRV	Prime coated			
18	997 504 555 00	Bracket		2	
	997 504 555 00 GRV	Prime coated			
19	900 377 010 09	Hexagon nut		X	
		M 6			

Model: 997-09

Model life 2009>>2012



Model: 997-09

Model life 2009>>2012

Pos	Part Number	Description	Remark	Qty	Model
1	997 502 137 00	Cowl		1	COUPE
	997 502 137 00 GRV	Prime coated			
		Inner			
		Use also:			
		000.043.305.51		1	
		000.043.305.32		1	
(1)	997 502 137 01	Cowl		1	CABRIO
	997 502 137 01 GRV	Prime coated			
		Inner			
		Use also:			
		000.043.305.51		1	
		000.043.305.32		1	
(1)	997 502 137 02	Cowl		1	TARGA
	997 502 137 02 GRV	Prime coated			
		Inner			
		Use also:			
		000.043.305.51		1	
		000.043.305.32		1	
(1)	987 502 137 01	Cowl		1	
		Inner			
		Use also:			
		000.043.305.51		1	
		000.043.305.32		1	
2	987 502 137 01 GRV	Prime coated		1	
	997 502 437 00	Cowl			
	997 502 437 00 GRV	Prime coated			
		Outer			
		Lower			
3	997 502 529 00	Cowl		1	CABRIO
	997 502 529 00 GRV	Prime coated			
		Outer			
		Upper			
(3)	997 502 529 02	Cowl		1	TARGA
	997 502 529 02 GRV	Prime coated			
		Outer			
		Upper			
4	997 502 135 03	Reinforcement	/L	1	COUPE
	997 502 135 03 GRV	Prime coated			
		Inner			
		Use also:			
		000.043.305.41			
(4)	997 502 136 03	Reinforcement	/R	1	COUPE
	997 502 136 03 GRV	Prime coated			
		Inner			
		Use also:			
		000.043.305.41			
(4)	997 502 135 04	Reinforcement	/L	1	CABRIO
	997 502 135 04 GRV	Prime coated			
		Inner			
		Use also:			
		000.043.305.41			
(4)	997 502 136 04	Reinforcement	/R	1	CABRIO
	997 502 136 04 GRV	Prime coated			
		Inner			
		Use also:			
		000.043.305.41			
(4)	997 502 135 05	Reinforcement	/L	1	TARGA
	997 502 135 05 GRV	Prime coated			
		Inner			
		Use also:			
		000.043.305.41			
(4)	997 502 136 05	Reinforcement	/R	1	TARGA

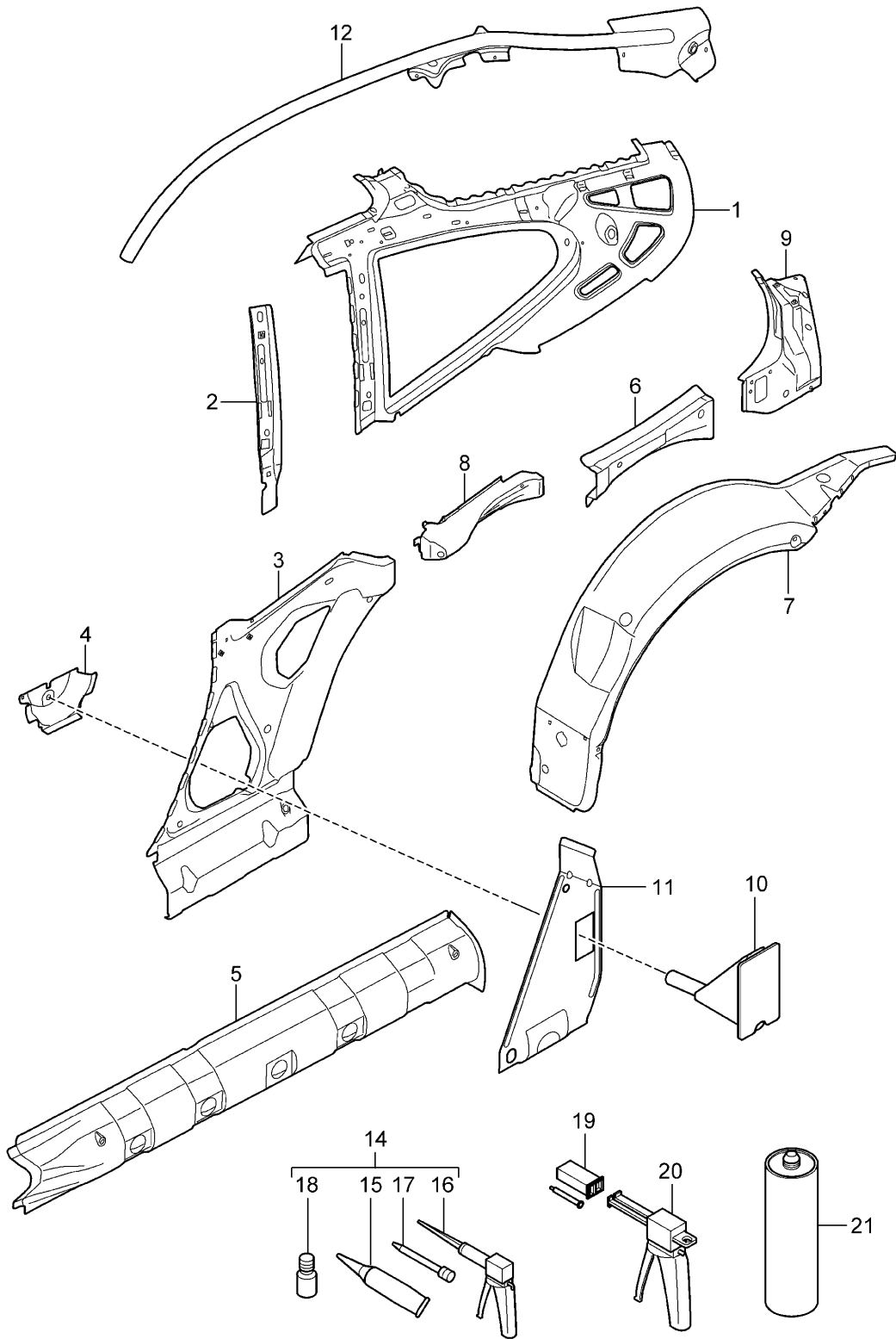
Model: 997-09

Model life 2009>>2012

Pos	Part Number	Description	Remark	Qty	Model
	997 502 136 05 GRV	Prime coated Inner Use also: 000.043.305.41			
5	997 502 335 00	Hinge pillar	/L	1	CABRIO
	997 502 335 00 GRV	Prime coated			
(5)	997 502 336 00	Hinge pillar	/R	1	CABRIO
	997 502 336 00 GRV	Prime coated			
(6)	996 503 501 00	Outer roof panel		1	
	996 503 501 00 GRV	Prime coated Use also: 000.043.305.38			
(6)	997 503 501 00	Outer roof panel		1	I461
	997 503 501 00 GRV	Prime coated Use also: 000.043.305.38			
6	996 503 087 03	Outer roof panel		1	I650
	996 503 087 03 GRV	Prime coated Use also: 000.043.305.38			
6	997 503 087 00	Outer roof panel		1	I461/650
	997 503 087 00 GRV	Prime coated Use also: 000.043.305.38			
(6)	997 503 501 04	Outer roof panel		1	I652/756
	997 503 501 04 GRV	Prime coated Use also: 000.043.305.38			
7	996 502 305 03	Roof frame	/L	1	COUPE
	996 502 305 03 GRV	Prime coated			
(7)	996 502 306 03	Roof frame	/R	1	COUPE
	996 502 306 03 GRV	Prime coated			
(7)	996 502 205 01	Roof frame	/L	1	TARGA
	996 502 205 01 GRV	Prime coated			
(7)	996 502 206 01	Roof frame	/R	1	TARGA
	996 502 206 01 GRV	Prime coated			
8	997 502 505 00	Roof frame		1	
	997 502 505 00 GRV	Prime coated			
9	996 504 911 00	Plate with Threaded pin		X	
10	996 504 505 00	Threaded bush		X	
11	900 025 008 09	Washer A 10,5		X	
13	000 043 206 29	Adhesive set Body Comprising:		X	
14	000 043 206 30	Adhesive		1	
15	000 043 206 31	Tool		1	
16	000 043 206 32	Mixing tube		1	
17	000 043 206 33	Activator		1	
18	999 915 650 40	Adhesive TEROMIX 6700		X	
19	000 043 300 48	Tool See technical manual Group 5 53 55 55		X	
20	000 043 204 85	Cavity preservation		1	
22	000 043 204 38	Sealing compound 70 ML Processing instructions See technical manual		X	

Model: 997-09

Model life 2009>>2012



Model: 997-09 Model life 2009>>2012

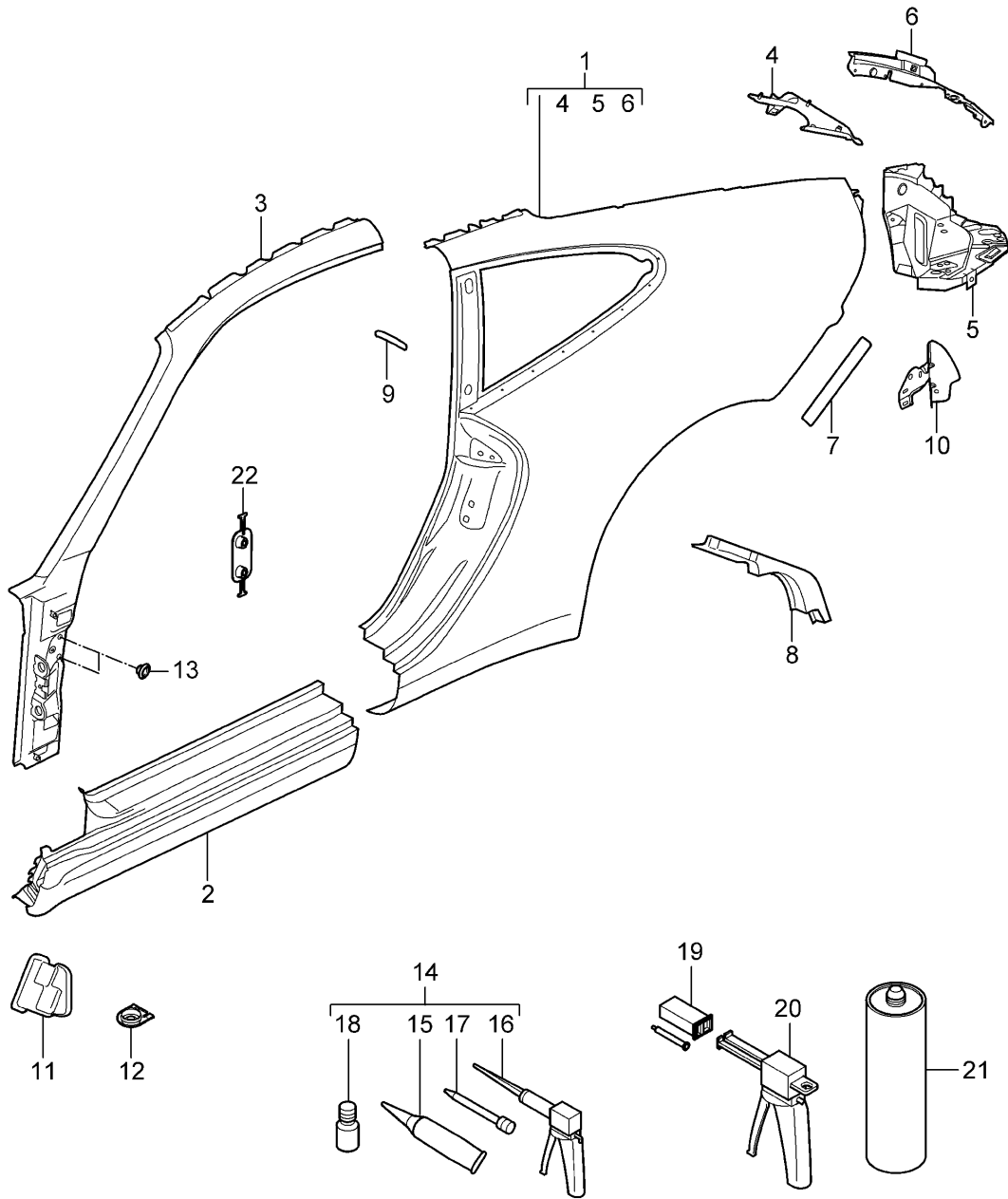
Pos	Part Number	Description	Remark	Qty	Model
		Side section Inner			COUPE/TARGA
1	997 502 153 00	Side section	/L	1	COUPE
		Use also: 000.043.305.51		1	
(1)	997 502 153 00 GRV	Prime coated			
	997 502 154 00	Side section		1	COUPE
		Use also: 000.043.305.51		1	
	997 502 154 00 GRV	Prime coated			
(1)	996 502 153 04	Side section	/L	1	TARGA
		Use also: 000.043.305.51		1	
	996 502 153 04 GRV	Prime coated			
(1)	996 502 154 04	Side section	/R	1	TARGA
		Use also: 000.043.305.51		1	
	996 502 154 04 GRV	Prime coated			
2	997 502 423 00	Reinforcement	/L	1	
		Use also: 000.043.305.51		1	
	997 502 423 00 GRV	Prime coated			
(2)	997 502 424 00	Reinforcement	/R	1	
		Use also: 000.043.305.51		1	
	997 502 424 00 GRV	Prime coated			
3	996 502 083 02	Side section	/L	1	
		Use also: 000.043.305.51		1	
	996 502 083 02 GRV	Prime coated			
(3)	996 502 084 02	Side section	/R	1	
		Use also: 000.043.305.51		1	
	996 502 084 02 GRV	Prime coated			
4	996 502 383 01	Bracket		2	
	996 502 383 01 GRV	Prime coated			
5	996 502 733 01	Reinforcement	/L	1	
		Use also: 000.043.305.51		1	
	996 502 733 01 GRV	Prime coated			
(5)	996 502 734 01	Reinforcement	/R	1	
		Use also: 000.043.305.51		1	
	996 502 734 01 GRV	Prime coated			
-	999 703 433 40	Stopper 30 X 42 for POS. 5		10	
6	997 502 115 00	Side section	/L	1	
	997 502 115 00 GRV	Prime coated			
(6)	997 502 116 00	Side section	/R	1	
	997 502 116 00 GRV	Prime coated			
7	997 502 215 03	Wheel housing	/L	1	
		Use also: 000.043.305.51 000.043.207.67		1 1	
	997 502 215 03 GRV	Prime coated			
(7)	997 502 216 03	Wheel housing	/R	1	
		Use also: 000.043.305.51 000.043.207.67		1 1	
	997 502 216 03 GRV	Prime coated			
(7)	997 502 215 04	Wheel housing	/L	1	CARRERA 4

Model: 997-09 Model life 2009>>2012

Pos	Part Number	Description	Remark	Qty	Model
		Use also: 000.043.305.51 000.043.207.67		1 1	
(7)	997 502 215 04 GRV 997 502 216 04	Prime coated Wheel housing	/R	1	CARRERA 4
		Use also: 000.043.305.51 000.043.207.67		1 1	
8	997 502 216 04 GRV 997 502 707 00	Prime coated Reinforcement	/L	1	
(8)	997 502 707 00 GRV 997 502 708 00	Prime coated Reinforcement	/R	1	
9	997 502 708 00 GRV 997 502 161 00	Prime coated Side section	/L	1	
(9)	997 502 161 00 GRV 997 502 162 00	Prime coated Information available Side section	/R	1	
10	997 502 162 00 GRV 997 502 711 00	Prime coated Information available Pipe		2	
11	997 502 711 00 GRV 997 502 745 00	Prime coated Reinforcement plate	/L	1	
(11)	997 502 745 00 GRV 997 502 746 00	Prime coated Reinforcement plate	/R	1	
12	997 502 746 00 GRV 997 502 619 00	Prime coated Pipe	/L	1	COUPE
(12)	997 502 619 00 GRV 997 502 620 00	Prime coated Pipe	/R	1	COUPE
(12)	997 502 620 00 GRV 997 502 935 05	Prime coated Pipe	/L	1	TARGA
(12)	997 502 935 05 GRV 997 502 936 05	Prime coated Pipe	/R	1	TARGA
	997 502 936 05 GRV 000 043 206 29	Prime coated Adhesive set		1	
	000 043 206 30	Adhesive		1	
	000 043 206 31	Tool		1	
	000 043 206 32	Mixing tube		1	
	000 043 206 33	Activator		1	
	999 915 650 40	Adhesive TEROMIX 6700		X	
20	000 043 300 48	Tool		X	
21	000 043 204 85	Cavity preservation		1	

Model: 997-09

Model life 2009>>2012



Model: 997-09 Model life 2009>>2012

Pos	Part Number	Description	Remark	Qty	Model
		Side section Outer			COUPE
1	997 503 961 07 997 503 961 07 GRV	Side section Prime coated Use also: 000.043.206.30	/L	1	
(1)	997 503 962 07 997 503 962 07 GRV	Side section Prime coated Use also: 000.043.206.30	/R	1	
(1)	997 503 961 09 997 503 961 09 GRV	Side section Prime coated Use also: 000.043.206.30	/L	1	CARRERA 4
(1)	997 503 962 09 997 503 962 09 GRV	Side section Prime coated Use also: 000.043.206.30	/R	1	CARRERA 4
2	997 503 963 00	Door sill Use also: 000.043.305.51	/L	1	
	997 503 963 00 GRV	Prime coated		1	
(2)	997 503 964 00	Door sill Use also: 000.043.305.51	/R	1	
	997 503 964 00 GRV	Prime coated		1	
(2)	997 503 963 02	Door sill Use also: 000.043.305.51	/L	1	CARRERA 4
	997 503 963 02 GRV	Prime coated		1	
(2)	997 503 964 02	Door sill Use also: 000.043.305.51	/R	1	CARRERA 4
	997 503 964 02 GRV	Prime coated		1	
3	997 503 965 03	Roof frame Use also: 000.043.305.51	/L	1	
	997 503 965 03 GRV	Prime coated		1	
(3)	997 503 966 03	Roof frame Use also: 000.043.305.51	/R	1	
	997 503 966 03 GRV	Prime coated		1	
4	997 502 365 00 997 502 365 00 GRV	Sealing channel Prime coated	/L	1	
(4)	997 502 366 00 997 502 366 00 GRV	Sealing channel Prime coated	/R	1	
5	997 502 461 01 997 502 461 01 GRV	Frame for light Prime coated	/L	1	
(5)	997 502 462 01 997 502 462 01 GRV	Frame for light Prime coated	/R	1	
(6)	997 502 213 02 997 502 213 02 GRV	Bracket Prime coated	/L	1	
(6)	997 502 214 01 997 502 214 01 GRV	Bracket Prime coated	/R	1	
7	997 504 631 00	Protective film		2	
8	997 504 907 00	Seal See workshop manual		2	
9	996 537 237 00	Protective film		2	
10	997 501 487 01	Reinforcement Use also: 000.043.305.51	/L	1	
	997 501 487 01 GRV	Prime coated		1	
(10)	997 501 488 01	Reinforcement	/R	1	

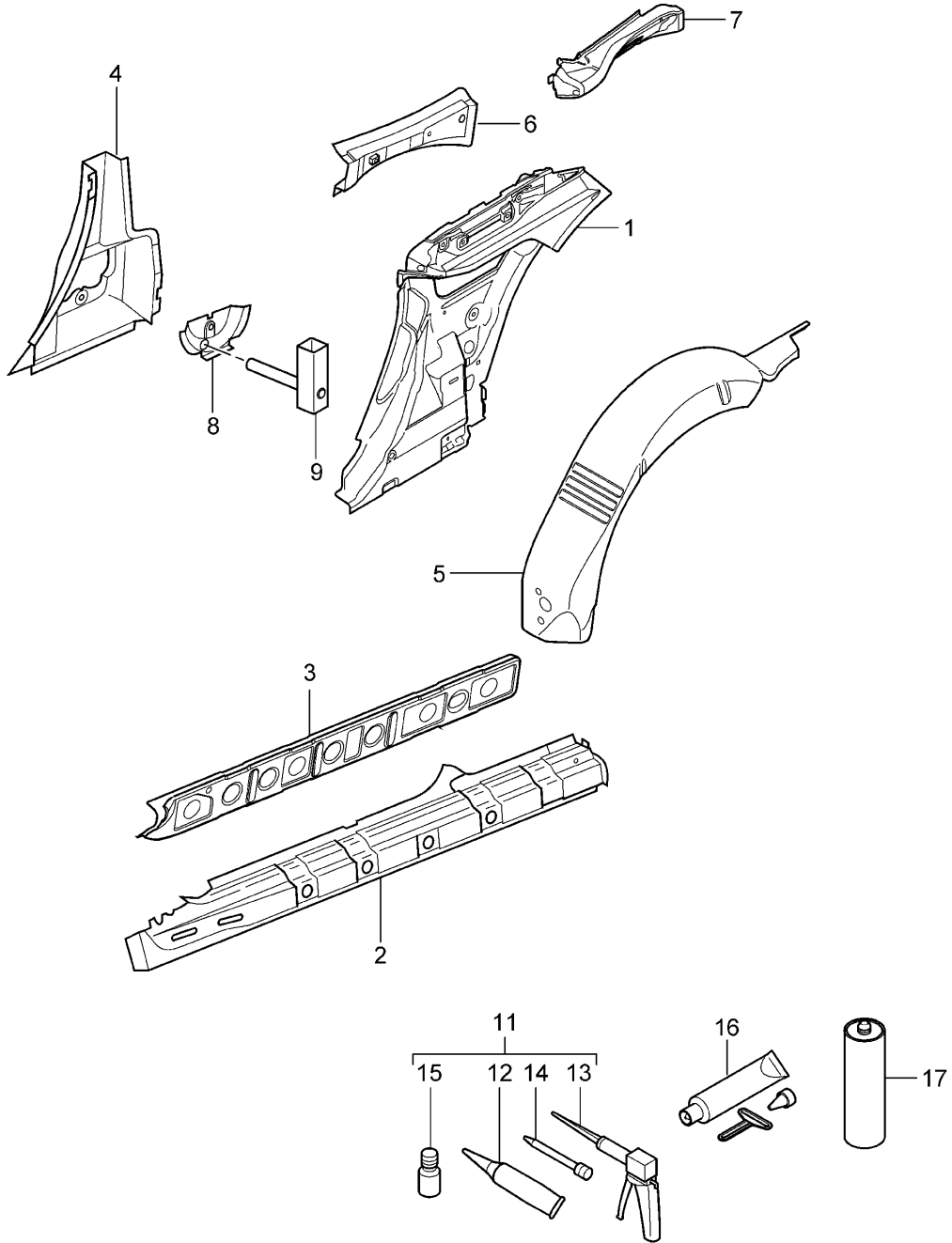
Model: 997-09

Model life 2009>>2012

Pos	Part Number	Description	Remark	Qty	Model
		Use also: 000.043.305.51		1	
11	997 501 488 01 GRV	Prime coated			
(11)	997 572 311 01	Water protection	/L	1	
	997 572 312 01	Water protection	/R	1	
12	999 703 475 40	Water drain sleeve		2	
		Door sill			
13	999 703 029 40	Lid		4	
		12 x 20			
14	000 043 206 29	Adhesive set		1	
15	000 043 206 30	Adhesive		1	
16	000 043 206 31	Tool		1	
17	000 043 206 32	Mixing tube		1	
18	000 043 206 33	Activator		1	
19	999 915 650 40	Adhesive		X	
		TEROMIX 6700			
20	000 043 300 48	Tool		X	
21	000 043 204 85	Cavity preservation		1	
22	9A7 809 237 00	Threaded plate		1	
		for			
		B-pillar			

Model: 997-09

Model life 2009>>2012



Model: 997-09 Model life 2009>>2012

Pos	Part Number	Description	Remark	Qty	Model
		Side section Inner			CABRIO
1	997 502 073 03	Side section	/L	1	
		Use also: 000.043.305.51		1	
(1)	997 502 073 03 GRV	Prime coated			
	997 502 074 03	Side section	/R	1	
		Use also: 000.043.305.51		1	
	997 502 074 03 GRV	Prime coated			
2	997 502 663 00	Reinforcement	/L	1	
	997 502 663 00 GRV	Prime coated			
		Use also: 000.043.206.30			
(2)	997 502 664 00	Reinforcement	/R	1	
	997 502 664 00 GRV	Prime coated			
		Use also: 000.043.206.30			
3	996 502 683 01	Separator	/L	1	
		Use also: 000.043.305.51		1	
(3)	996 502 683 01 GRV	Prime coated			
	996 502 684 01	Separator	/R	1	
		Use also: 000.043.305.51		1	
	996 502 684 01 GRV	Prime coated			
4	996 502 415 01	B-pillar	/L	1	
	996 502 415 01 GRV	Prime coated			
(4)	996 502 416 01	B-pillar	/R	1	
	996 502 416 01 GRV	Prime coated			
5	997 502 215 03	Wheel housing	/L	1	
		Use also: 000.043.305.51 000.043.207.67		1 1	
(5)	997 502 215 03 GRV	Prime coated			
	997 502 216 03	Wheel housing	/R	1	
		Use also: 000.043.305.51 000.043.207.67		1 1	
(5)	997 502 216 03 GRV	Prime coated			
	997 502 215 04	Wheel housing	/L	1	CARRERA 4
		Use also: 000.043.305.51 000.043.207.67		1 1	
(5)	997 502 215 04 GRV	Prime coated			
	997 502 216 04	Wheel housing	/R	1	CARRERA 4
		Use also: 000.043.305.51 000.043.207.67		1 1	
6	997 502 216 04 GRV	Prime coated			
	997 502 087 00	Side section	/L	1	
(6)	997 502 087 00 GRV	Prime coated			
	997 502 088 00	Side section	/R	1	
	997 502 088 00 GRV	Prime coated			
7	997 502 161 01	Side section	/L	1	
	997 502 161 01 GRV	Prime coated			
		Information available			
(7)	997 502 162 01	Side section	/R	1	
	997 502 162 01 GRV	Prime coated			
		Information available			
8	996 502 383 01	Bracket		2	
	996 502 383 01 GRV	Prime coated			
9	997 502 711 01	Pipe		2	

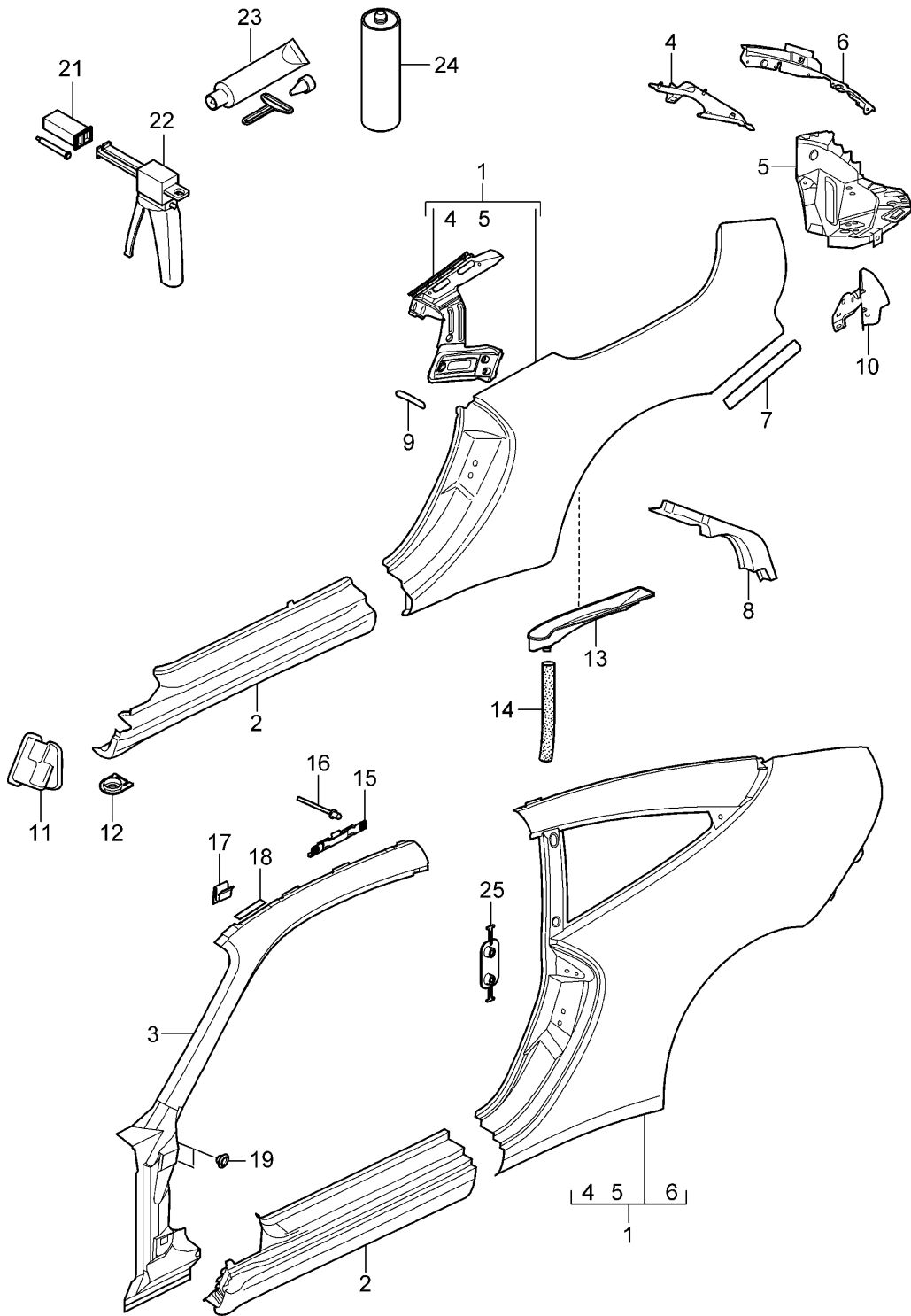
Model: 997-09

Model life 2009>>2012

Pos	Part Number	Description	Remark	Qty	Model
	997 502 711 01 GRV	Prime coated			
11	000 043 206 29	Adhesive set		1	
12	000 043 206 30	Adhesive		1	
13	000 043 206 31	Tool		1	
14	000 043 206 32	Mixing tube		1	
15	000 043 206 33	Activator		1	
16	000 043 204 38	Sealing compound 70 ML Processing instructions See technical manual		X	
17	000 043 204 85	Cavity preservation		1	

Model: 997-09

Model life 2009>>2012



Model: 997-09 Model life 2009>>2012

Pos	Part Number	Description	Remark	Qty	Model
		Side section Outer			CABRIO/TARGA
1	997 503 961 08	Side section Use also: 999.915.650.40 000.043.305.51	/L	1	CABRIO
				1	
				1	
(1)	997 503 961 08 GRV	Prime coated			
	997 503 962 08	Side section Use also: 999.915.650.40 000.043.305.51	/R	1	CABRIO
				1	
				1	
(1)	997 503 962 08 GRV	Prime coated			
	997 503 961 10	Side section Use also: 999.915.650.40 000.043.305.51	/L	1	C4 CABRIO
				1	
				1	
(1)	997 503 961 10 GRV	Prime coated			GTS CABRIO
	997 503 962 10	Side section Use also: 999.915.650.40 000.043.305.51	/R	1	C4 CABRIO
				1	
				1	
(1)	997 503 962 10 GRV	Prime coated			GTS CABRIO
	997 503 961 11	Side section Use also: 999.915.650.40 000.043.305.51	/L	1	TARGA
				1	
				1	
(1)	997 503 961 11 GRV	Prime coated			
	997 503 962 11	Side section Use also: 999.915.650.40 000.043.305.51	/R	1	TARGA
				1	
				1	
2	997 503 962 11 GRV	Prime coated			
	997 503 963 01	Door sill Use also: 000.043.305.51	/L	1	CABRIO
				1	
				1	
(2)	997 503 963 01 GRV	Prime coated			
	997 503 964 01	Door sill Use also: 000.043.305.51	/R	1	CABRIO
				1	
				1	
(2)	997 503 964 01 GRV	Prime coated			
	997 503 963 03	Door sill Use also: 000.043.305.51	/L	1	C4 CABRIO
				1	
				1	
(2)	997 503 963 03 GRV	Prime coated			
	997 503 963 03	Door sill Use also: 000.043.305.51	/L	1	GTS CABRIO
				1	
				1	
(2)	997 503 963 03 GRV	Prime coated			
	997 503 964 03	Door sill Use also: 000.043.305.51	/R	1	C4 CABRIO
				1	
				1	
(2)	997 503 964 03 GRV	Prime coated			
	997 503 964 03	Door sill Use also: 000.043.305.51	/R	1	GTS CABRIO
				1	
				1	
(2)	997 503 964 03 GRV	Prime coated			
	997 503 963 02	Door sill Use also: 000.043.305.51	/L	1	TARGA
				1	
				1	
(2)	997 503 963 02 GRV	Prime coated			
	997 503 964 02	Door sill Use also: 000.043.305.51	/R	1	TARGA
				1	
				1	

Model: 997-09

Model life 2009>>2012

Pos	Part Number	Description	Remark	Qty	Model
3	997 503 964 02 GRV 997 503 965 05	Prime coated Roof frame	/L	1	TARGA
		Use also: 000.043.305.51		1	
(3)	997 503 965 05 GRV 997 503 966 05	Prime coated Roof frame	/R	1	TARGA
		Use also: 000.043.305.51		1	
4	997 503 966 05 GRV 997 502 365 01	Prime coated Sealing channel	/L	1	CABRIO
(4)	997 502 365 01 GRV 997 502 366 01	Prime coated Sealing channel	/R	1	CABRIO
(4)	997 502 366 01 GRV 997 502 365 00	Prime coated Sealing channel	/L	1	TARGA
(4)	997 502 365 00 GRV 997 502 366 00	Prime coated Sealing channel	/R	1	TARGA
5	997 502 366 00 GRV 997 502 461 01	Prime coated Frame for light	/L	1	
5	997 502 461 01 GRV 997 502 461 02	Prime coated Frame for light	/L	1	
(5)	997 502 461 02 GRV 997 502 462 01	Prime coated Frame for light	/R	1	
(5)	997 502 462 01 GRV 997 502 462 02	Prime coated Frame for light	/R	1	
(6)	997 502 462 02 GRV 997 502 213 02	Prime coated Bracket	/L	1	
(6)	997 502 213 02 GRV 997 502 214 01	Prime coated Bracket	/R	1	
7	997 502 214 01 GRV 997 504 631 00	Prime coated Protective film		2	
8	997 504 907 00	Seal		2	
9	996 537 237 00	It is necessary to rework See workshop manual Protective film		2	
10	997 501 487 01 997 501 487 01 GRV	Reinforcement Prime coated	/L	1	
(10)	997 501 488 01 997 501 488 01 GRV	Reinforcement Prime coated	/R	1	
11	997 572 311 01	Water protection	/L	1	
(11)	997 572 312 01	Water protection	/R	1	
12	999 703 475 40	Water drain sleeve		2	
13	997 504 967 00	Door sill Water drip pan	/L	1	CABRIO
(13)	997 504 968 00	Water drip pan	/R	1	CABRIO
14	986 514 241 00	Use also: Water drain hose See technical manual		2	CABRIO
15	3D5 853 707 B	53 55 Retaining clip Water drain strip		6	TARGA
16	N 907 878 02	Rivet		12	TARGA
17	999 591 440 01	AK 3,2 X 6,5 U-clamp		2	TARGA
18	999 911 725 40	0,75 X 1,0 Adhesive tape		2	TARGA
19	999 703 029 40	15 X 60 Lid		4	
21	999 915 650 40	12 X 20 Adhesive		X	
22	000 043 300 48	TEROMIX 6700 Tool		X	
23	000 043 204 38	Sealing compound 70 ML		X	

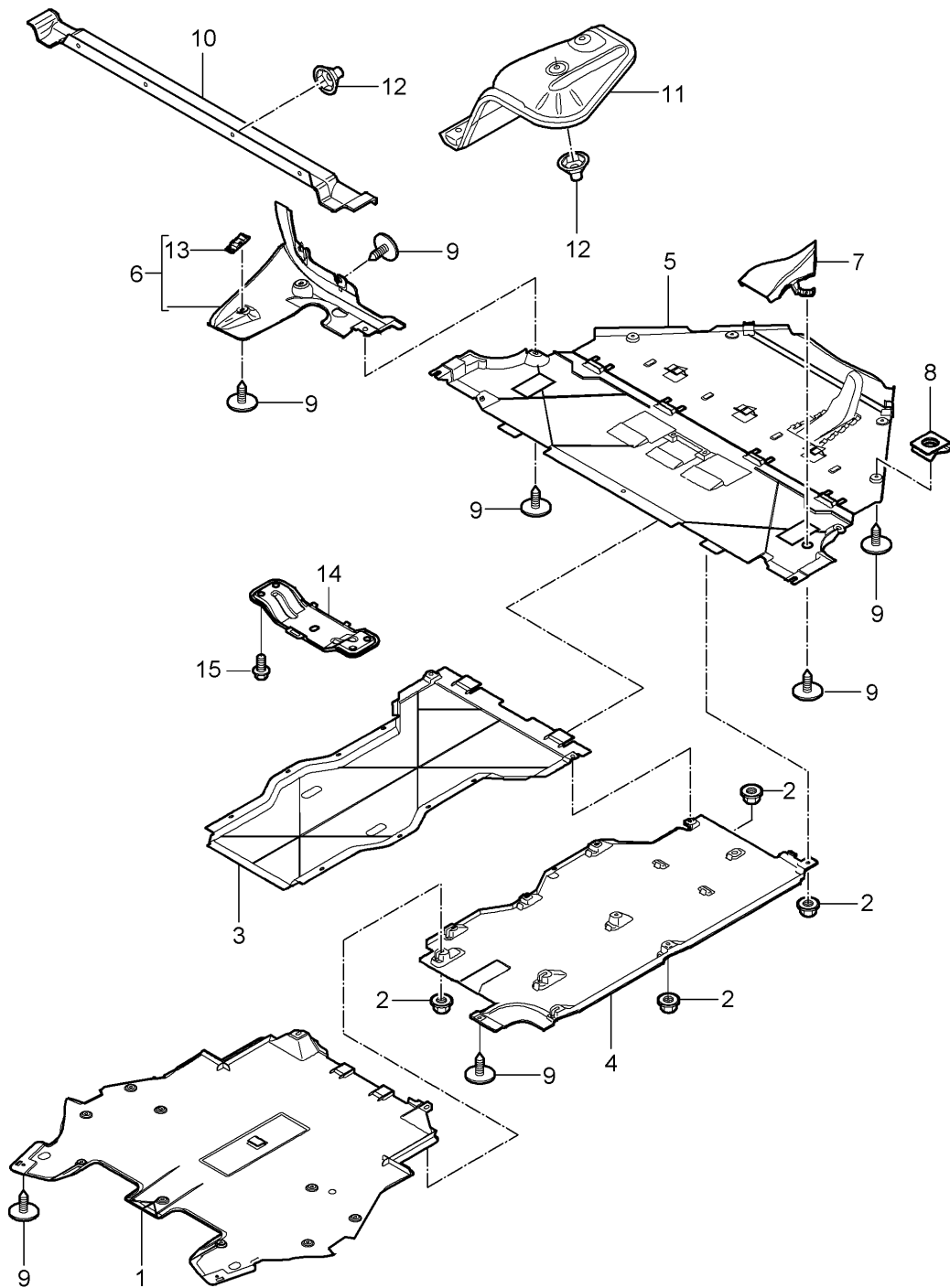
Model: 997-09

Model life 2009>>2012

Pos	Part Number	Description	Remark	Qty	Model
24	000 043 204 85	Processing instructions See technical manual		1	
25	9A7 809 237 00	Cavity preservation Threaded plate for B-pillar		1	

Model: 997-09

Model life 2009>>2012

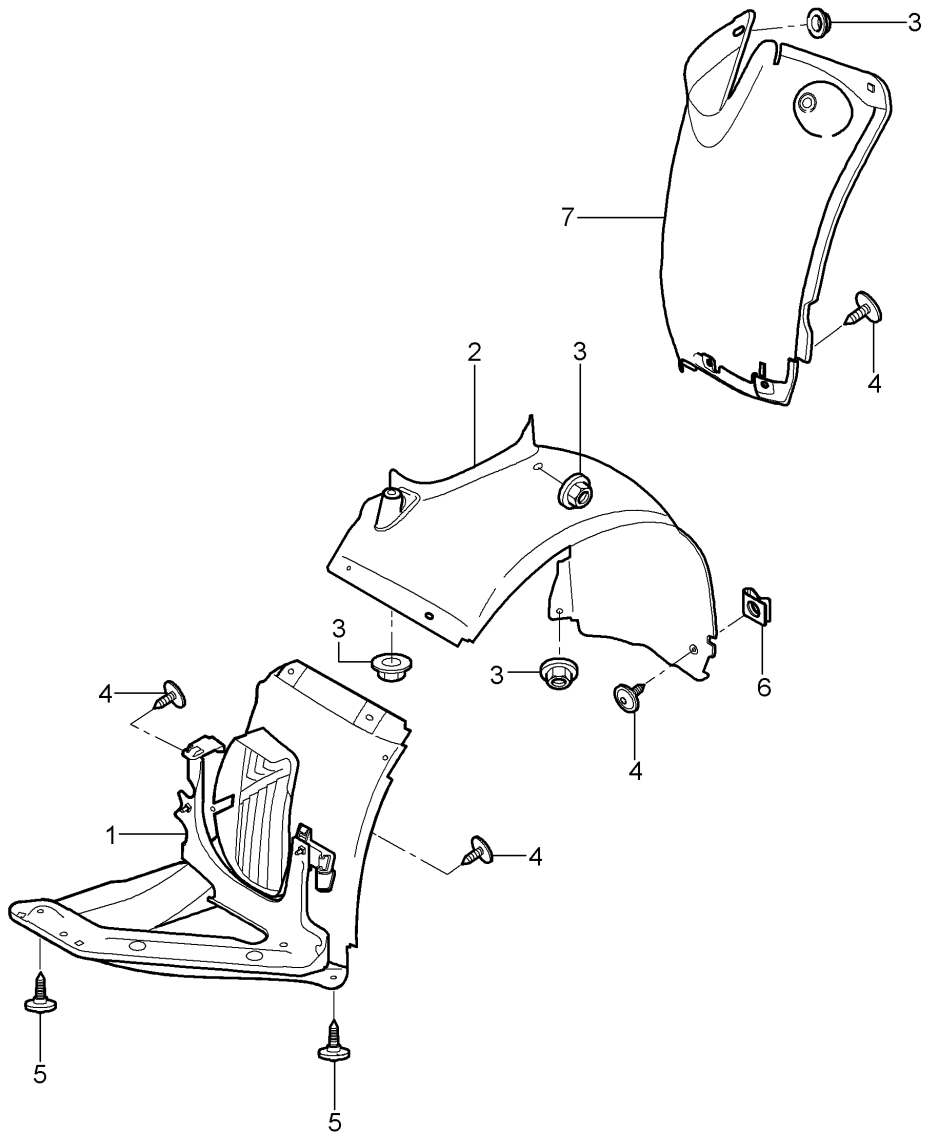


Model: 997-09 Model life 2009>>2012

Pos	Part Number	Description	Remark	Qty	Model
		Linings			
		Underbody			
1	997 504 527 02	Cover		1	CARRERA 2
(1)	997 504 527 01	Cover		1	CARRERA 4
		Front			
2	999 049 028 40	Plastic nut		26	
		T 5			
3	997 504 043 00	Cover		1	
		Centre			
4	997 504 343 03	Cover	/L	1	
		Centre			
(4)	997 504 344 03	Cover	/R	1	
		Centre			
5	997 504 029 01	Cover		1	I480
		Rear			
(5)	997 504 029 04	Cover		1	I250
		Rear			
6	997 504 393 02	Cover	/L	1	C2
	997 504 393 02 01C	Satin black			
(6)	997 504 394 02	Cover	/R	1	C2
	997 504 394 02 01C	Satin black			
7	997 575 183 01	Air duct	/L	1	
		Brake			
(7)	997 575 184 01	Air duct	/R	1	
		Brake			
8	999 507 795 09	Speed nut		4	
		ST 4,8			
(8)	999 591 629 01	Captive nut		6	
		ST 4,8			
9	999 073 505 01	Tapping screw		X	
		ST 4,8 X 16			
10	996 505 471 00	Heat protection		1	
		Centre			
11	997 505 477 02	Heat protection	/L	1	
(11)	997 505 478 02	Heat protection	/R	1	
12	999 049 025 09	Collar nut		12	
		T 5			
13	997 504 635 00	Clamp		2	
14	997 504 823 01	Transverse strut		1	
		Tunnel			
	997 504 823 01 GRV	Prime coated			
15	900 075 475 09	Combination screw		4	
		M 10 x 25			
-	999 507 849 01	Captive nut		X	
		st 4,8			

Model: 997-09

Model life 2009>>2012



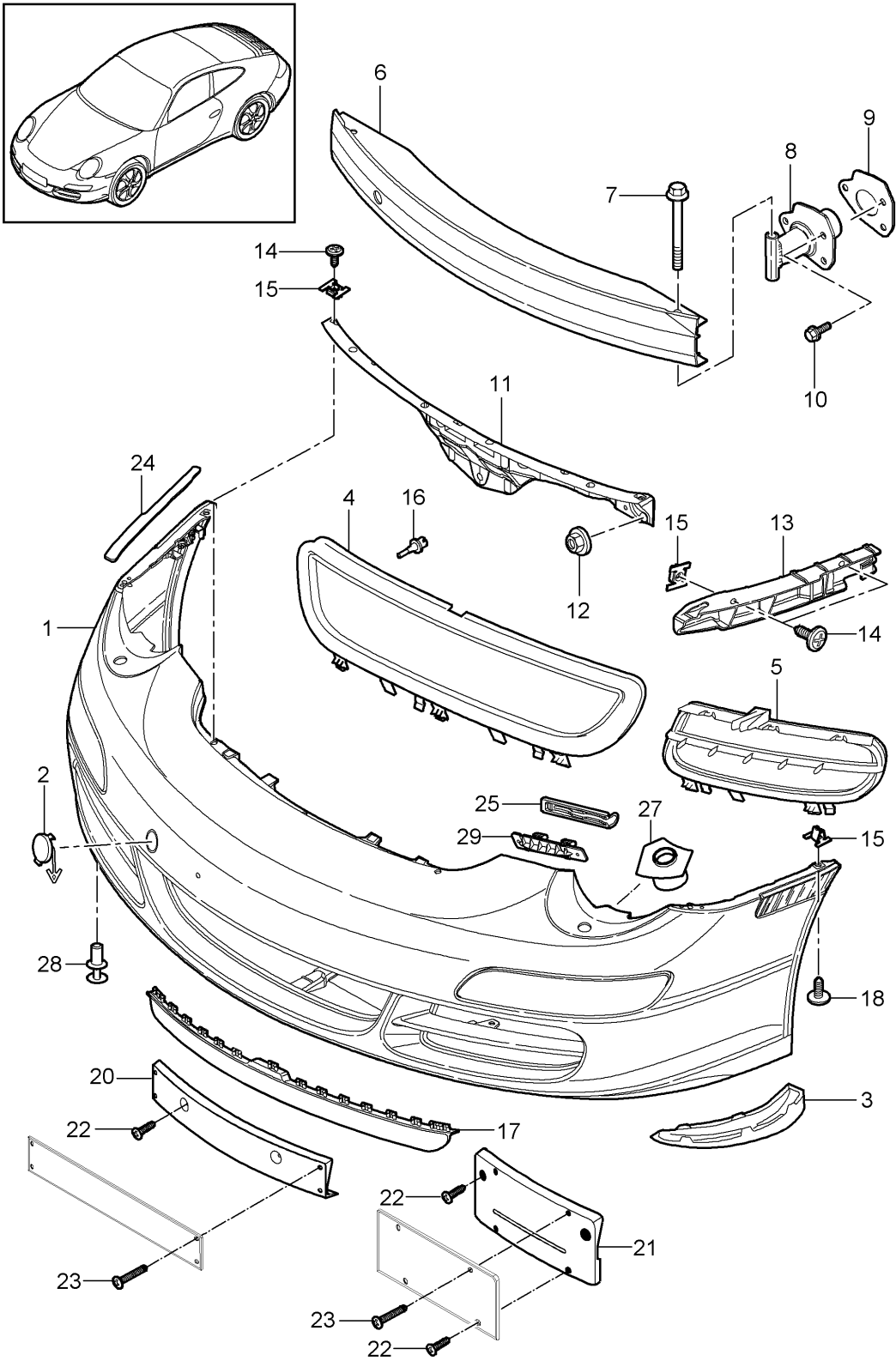
Model: 997-09

Model life 2009>>2012

Pos	Part Number	Description	Remark	Qty	Model
		Linings			
1	997 504 123 02	Wheel housing Wheel-housing liner Front	/L /V	1	-I182/-I183
1	997 504 123 04	Wheel-housing liner Front	/L /V	1	I182/183
(1)	997 504 124 02	Wheel-housing liner Front	/R /V	1	-I182/-I183
(1)	997 504 124 04	Wheel-housing liner Front	/R /V	1	I182/183
2	997 504 203 00	Wheel-housing liner Front	/L /H	1	CARRERA 2
2	997 504 203 01	Wheel-housing liner Front	/L /H	1	CARRERA 4
(2)	997 504 204 00	Wheel-housing liner Front	/R /H	1	CARRERA 2
(2)	997 504 204 01	Wheel-housing liner Front	/R /H	1	CARRERA 4
3	999 049 028 40	Plastic nut T5		12	
4	999 073 231 09	Tapping screw ST 4,8 X 16		18	
5	999 073 227 09	Tapping screw ST 4,8 X 19		4	
6	999 507 795 09	Speed nut ST 4,8		2	
7	997 504 573 03	Wheel-housing liner	/H /L	1	CARRERA 2
7	997 504 573 02	Wheel-housing liner	/H /L	1	CARRERA 4
(7)	997 504 574 03	Wheel-housing liner	/H /R	1	CARRERA 2
(7)	997 504 574 02	Wheel-housing liner	/H /R	1	CARRERA 4

Model: 997-09

Model life 2009>>2012



Model: 997-09 Model life 2009>>2012

Pos	Part Number	Description	Remark	Qty	Model
1	997 505 191 05	Bumper Front Lining		1	I181/182/288
1	997 505 191 05 G2L	Prime coated			
1	997 505 191 07	Lining		1	I183/288
	997 505 191 07 G2L	Prime coated			
1	997 505 961 02	Lining		1	IXAA/XAS/181 I182/288
		Prime coated			
1	997 505 961 03	Lining		1	IXAA/XAS/183 I288
		Prime coated			
2	997 505 703 05	Cover		1	
	997 505 703 05 G2L	Prime coated			
(2)	997 505 994 01	Cover		1	IXAA/XAS
		Prime coated			
3	997 505 525 01	Cover	/L	1	
	997 505 525 01 G2L	Prime coated			
(3)	997 505 526 01	Cover	/R	1	
	997 505 526 01 G2L	Prime coated			
4	997 505 541 03	Retaining frame		1	
	997 505 541 03 01C	Satin black Centre			
5	997 505 563 04	Retaining frame	/L	1	C2
	997 505 563 04 01C	Satin black			
(5)	997 505 564 04	Retaining frame	/R	1	C2
	997 505 564 04 01C	Satin black			
(5)	997 505 563 05	Retaining frame	/L	1	C4
	997 505 563 05 9B1	Titanium metallic			
(5)	997 505 564 05	Retaining frame	/R	1	C4
	997 505 564 05 9B1	Titanium metallic			
(5)	997 505 985 02	Retaining frame Lateral Left	/L	1	IXAS/503/756
	997 505 985 02 041	Black			
(5)	997 505 985 01	Retaining frame Lateral Left	/L	1	IXAA/XAS
	997 505 985 01 01C	Black			
(5)	997 505 986 02	Retaining frame Lateral Right	/R	1	IXAS/503/756
	997 505 986 02 041	Black			
(5)	997 505 986 01	Retaining frame Lateral Right	/R	1	IXAA/XAS
	997 505 986 01 01C	Black			
6	997 505 131 00	Bracket Including		1	
-	997 505 777 01	Foam part Foam part in Bracket		1	
7	900 378 088 01	Hexagon-head bolt M 12 x 100		2	
8	997 505 319 00	Impact pipe		2	
9	997 505 751 02	Seal		2	
10	900 378 267 01	Impact absorber Hexagon-head bolt M 8 X 30		6	
11	997 505 531 00	Retaining strip		1	

Model: 997-09 Model life 2009>>2012

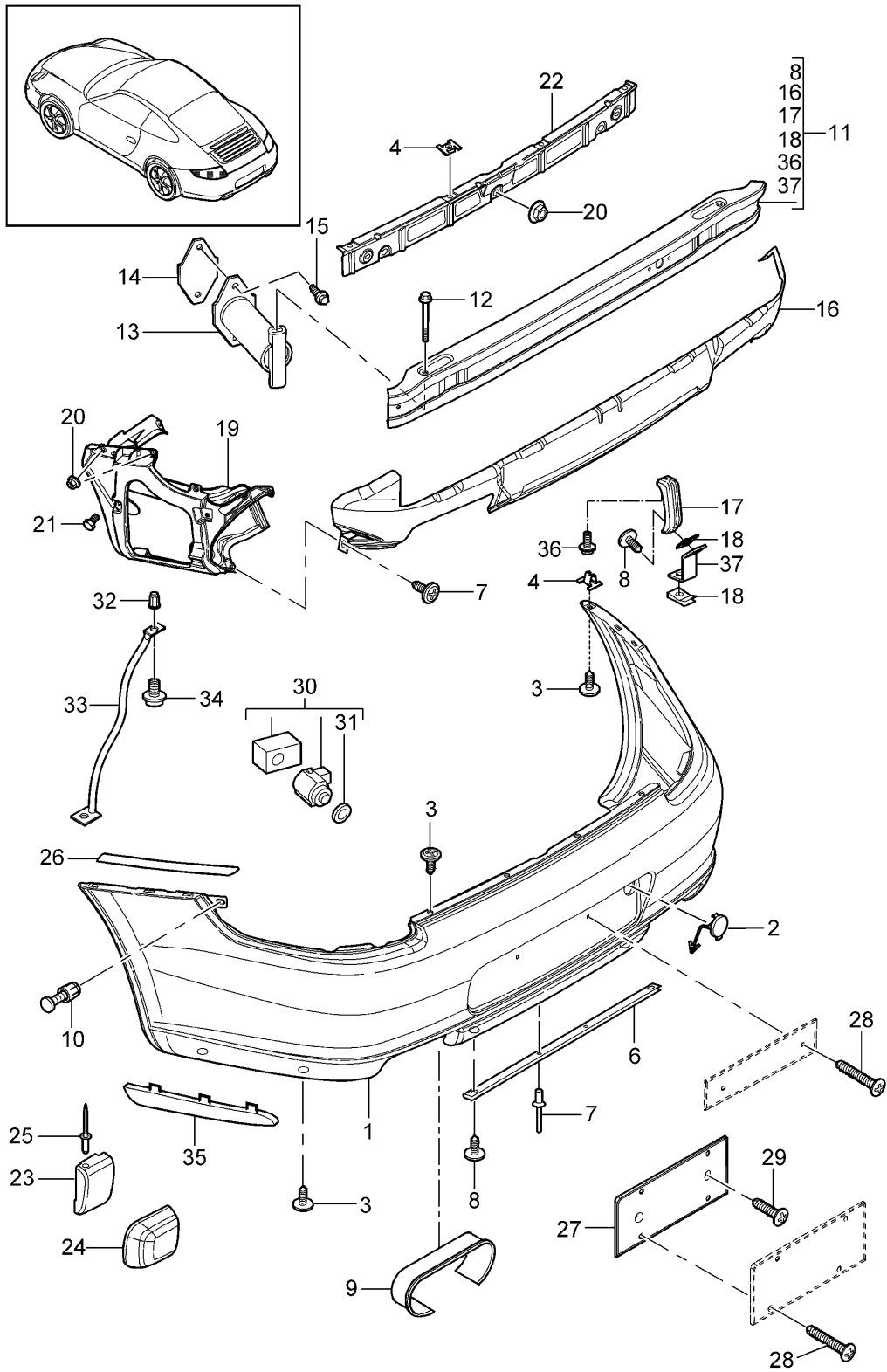
Pos	Part Number	Description	Remark	Qty	Model
12	999 076 048 01	Centre Hexagon nut M 6		3	
13	997 505 535 01	Retaining strip	/L	1	
(13)	997 505 536 01	Retaining strip	/R	1	
14	999 073 418 01	Tapping screw ST 4,8 X 19		4	
15	999 507 849 01	Captive nut ST 4,8		9	
16	996 641 142 00	Temperature sensor		1	
17	997 505 557 02	Spoiler		1	-IXAA/-IXAS -I011/-I503 -I756
	997 505 557 02 01C	Satin black			
17	997 505 983 03	Spoiler Prime coated		1	IXAA
17	997 505 983 05	Spoiler Prime coated		1	IXAS/011
(17)	997 505 983 06	Spoiler		1	IXAS/503/756
	997 505 983 06 G2L	Prime coated			
(17)	997 505 983 12	Spoiler Black		1	IXAS/011/019
-	999 507 616 40	Expander nut 3,5 for Spoiler		2	I756
-	999 591 712 40	Expansion rivet 6,0 X 12,0 for Spoiler		X	I011/503
18	999 073 227 09	Tapping screw ST 4,8 X 19		10	
19	999 591 699 01	Speed nut ST 4,8		1	
20	997 701 051 09	Assembly kit Number plate		1	I211
(20)	997 701 051 14	Assembly kit Number plate		1	IXAA/XAS/211
(20)	997 701 051 11	Assembly kit Number plate		1	I210
(20)	997 701 051 16	Assembly kit Number plate		1	IXAA/XAS/210
(21)	997 701 103 00	Assembly kit Support Front Comprising: Nut And Rubber buffer		1	I209
(21)	987 701 051 10	Assembly kit Support Front Comprising: Spacer Desk pad Screw Nut		1	I209
22	999 919 243 01	Screw 5,0 x 13		X	
23	999 919 242 01	Screw 5,0 x 28		X	
(24)	997 504 531 00	Protective film	/V /L	1	
24	997 504 532 00	Protective film	/V /R	1	

Model: 997-09 Model life 2009>>2012

Pos	Part Number	Description	Remark	Qty	Model
25	997 505 719 00	Fixing device		2	
-		Air guide			
		See illustrations			
		1/05/15			
27	997 505 761 02	Retainer plate		1	I288
		Left			
		Use also:			
		000.043.300.47			
(27)	997 505 762 02	Retainer plate		1	I288
		Right			
		Use also:			
		000.043.300.47			
28	999 591 941 40	Expansion rivet		1	
29	997 505 317 00	Retainer plate		2	
		Lining			
-	000 043 300 47	Set		1	
		Adhesive			
		Including			
		5-fold			
		Mixing tube			
		When required order also:			
-	000 043 300 48	Tool		1	
		for			
		Adhesive			
-	999 591 709 40	Support		2	
		Hose			
		Headlight washer system			

Model: 997-09

Model life 2009>>2012



Model: 997-09 Model life 2009>>2012

Pos	Part Number	Description	Remark	Qty	Model
1	997 505 411 24	Bumper Rear Lining	C2	1	-I553/-I635
(1)	997 505 411 24 G2L	Prime coated			
(1)	997 505 911 06	Lining	C2	1	I635
(1)	997 505 911 06 G2L	Prime coated			
(1)	997 505 911 08	Lining	C4	1	-I011/-I019 I635
(1)	997 505 911 08 G2L	Prime coated			
(1)	997 505 411 28	Lining	C4	1	-I011/-I019 -I635
(1)	997 505 411 28 G2L	Prime coated			
(1)	997 505 911 08	Lining	C4	1	-I011/-I019 I635
(1)	997 505 911 08 G2L	Prime coated			
(1)	997 505 411 28	Lining		1	-I635/I011 I019
(1)	997 505 411 28 G2L	GTS Prime coated			
(1)	997 505 911 08	Lining		1	I011/019/635
(1)	997 505 911 08 G2L	GTS Prime coated			
(1)	997 505 411 42	Lining		1	I756
(1)	997 505 411 42 G2L	911 Sport Classic Prime coated			
(1)	997 505 911 12	Lining		1	I503/635
(1)	997 505 911 12 G2L	Speedster Prime coated			
2	997 505 803 02	Cover		1	
2	997 505 803 02 G2L	Prime coated			
2	997 505 803 00	Cover		1	I503/756
-	997 505 803 00 G2X	Prime coated			
-	997 505 813 90	Frame		1	I503/756
-	997 505 814 90	Air inlet Lateral upper Left Frame		1	I503/756
3	999 073 314 09	Air inlet Lateral upper Right Tapping screw		10	
4	999 507 849 01	4,8 X 16 Captive nut		6	
5	900 144 101 02	ST 4,8 Tapping screw		4	
6	997 505 837 00	B 4,8 X 19 Retaining strip		1	
7	999 190 104 30	Blind rivet		4	
8	999 073 418 01	3,2 X 7,9 Tapping screw		4	
9	997 505 651 01	ST 4,8 X 19 Heat shield	/L	1	
(9)	997 505 651 01 01C	Satin black			
(9)	997 505 652 01	Heat shield	/R	1	
(9)	997 505 652 01 01C	Satin black			
(9)	997 505 651 03	Heat shield	/L	1	I503/756
(9)	997 505 651 03 01C	Satin black			
(9)	997 505 652 03	Heat shield	/R	1	I503/756
(9)	997 505 652 03 01C	Satin black			
10	999 591 941 40	Expansion rivet		2	
11	997 505 121 06	ST 4.2 Bumper reinforcement Complete		1	

Model: 997-09 Model life 2009>>2012

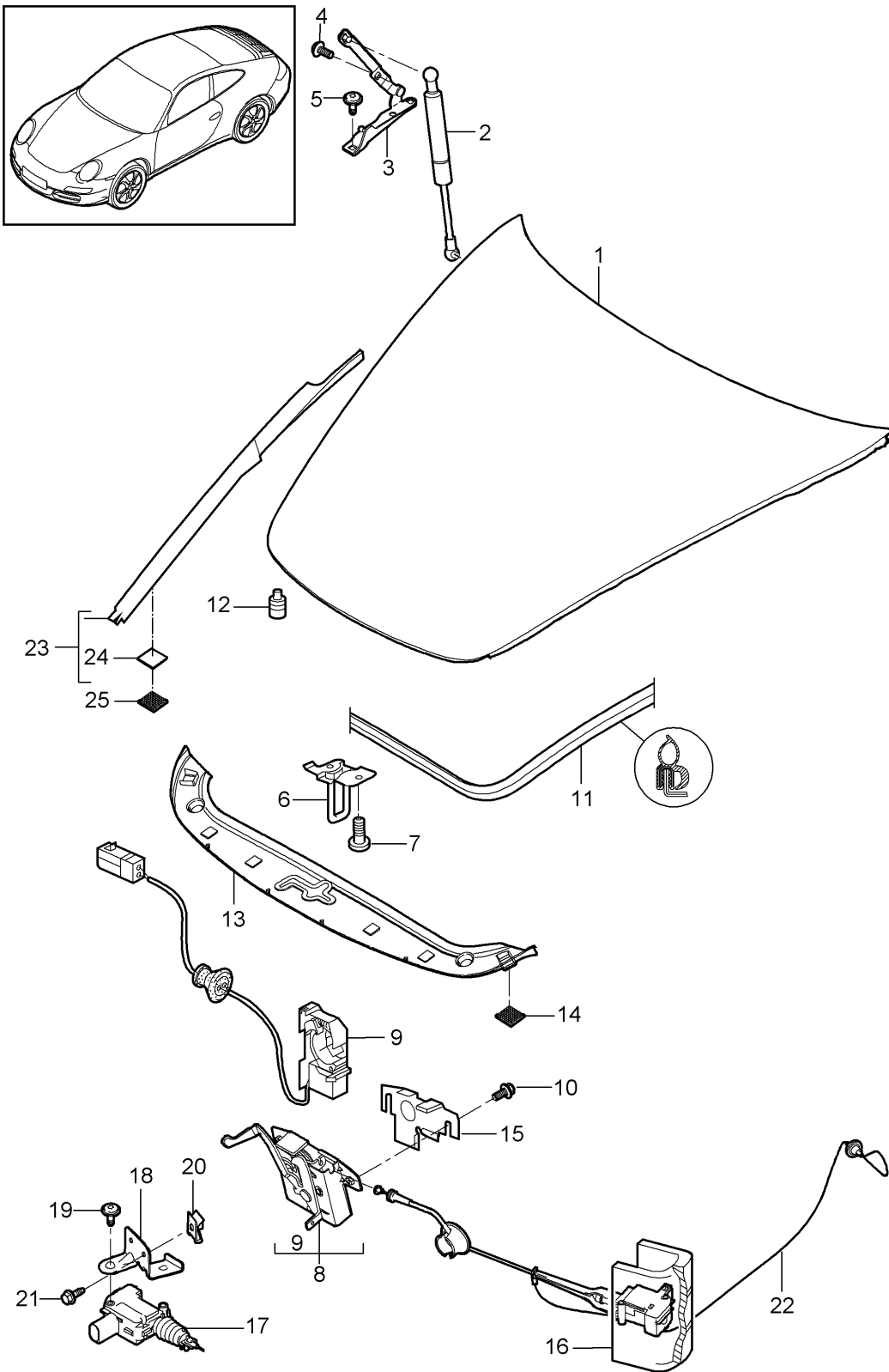
Pos	Part Number	Description	Remark	Qty	Model
11	997 505 121 12	Bumper reinforcement Complete		1	-I484/-I553
(11)	997 505 121 16	Bumper reinforcement Complete		1	I503/756
12	900 378 088 09	Hexagon-head bolt M 12 X 100		2	
13	996 505 019 01	Impact pipe		2	
14	996 505 775 00	Desk pad Impact absorber		2	
15	900 378 267 09	Combination screw M 8 X 30		4	
16	997 505 475 02	Heat protection Centre Use also: Heat protection Upper		1	
-	996 505 471 00	Heat protection Upper		1	
(16)	997 505 475 04	Heat protection Centre And Upper		1	
(16)	997 505 475 06	Heat protection Centre And Upper		1	I503/756
17	997 505 639 00	Rear support		2	
(17)	997 505 639 90	Rear support		2	I503/756
37	996 505 649 01	Bracket		2	
18	999 507 795 09	Speed nut		4	
19	997 505 831 02	Support	/L	1	
19		Support	/L	1	
(19)	997 505 831 03	Support	/L	1	
(19)		Support	/L	1	
(19)	997 505 631 96	Support	/L	1	Speedster
(19)	997 505 832 02	Support	/R	1	C2
(19)		Support	/R	1	C2
(19)	997 505 832 03	Support	/R	1	C4
(19)		Support	/R	1	C4
(19)	997 505 632 96	Support	/R	1	Speedster
20	999 076 078 09	Hexagon nut M 6		X	
21	900 075 459 01	Combination screw M 6 X 12		2	
22	997 505 641 03	Attachment strip Centre		1	
25	999 591 941 40	Expansion rivet ST 4,2		2	
26	997 504 631 00	Protective film		2	
-	997 701 103 00	Assembly kit Support Number plate Rear Comprising: Nut And Rubber buffer		1	-I503/I209
-	997 701 103 90	Assembly kit Support Number plate Rear Comprising: Nut		1	I209/503

Model: 997-09 Model life 2009>>2012

Pos	Part Number	Description	Remark	Qty	Model
-	997 701 051 13	And Rubber buffer Assembly kit Support Number plate Rear Comprising: Spacer Washer Screw Nut Lock ring		1	I209
27	997 701 113 00	Support Number plate		1	I218
28	997 701 113 00 01C 999 919 242 01	Black Screw Support Number plate 5 X 28		X	
29	999 919 243 01	Screw Support Number plate 5 X 13		X	
30	997 606 191 00	Sensor ParkAssist		4	I635
31	7L6 919 659	Round seal		4	I635
32	999 500 084 01	Special nut M6 / 0,5 - 3		2	
33	997 505 681 01	Strut	/L	1	
(33)	997 505 682 01	Strut	/R	1	
34	900 378 035 09	Hexagon-head bolt M6 X 16		2	
(35)	997 505 628 00	Cover	/R	1	C4
	997 505 628 00 01C	Black			
35	997 505 627 00	Cover	/L	1	C4
	997 505 627 00 01C	Black			
36	900 075 335 02	Combination screw M6 x 22		2	

Model: 997-09

Model life 2009>>2012



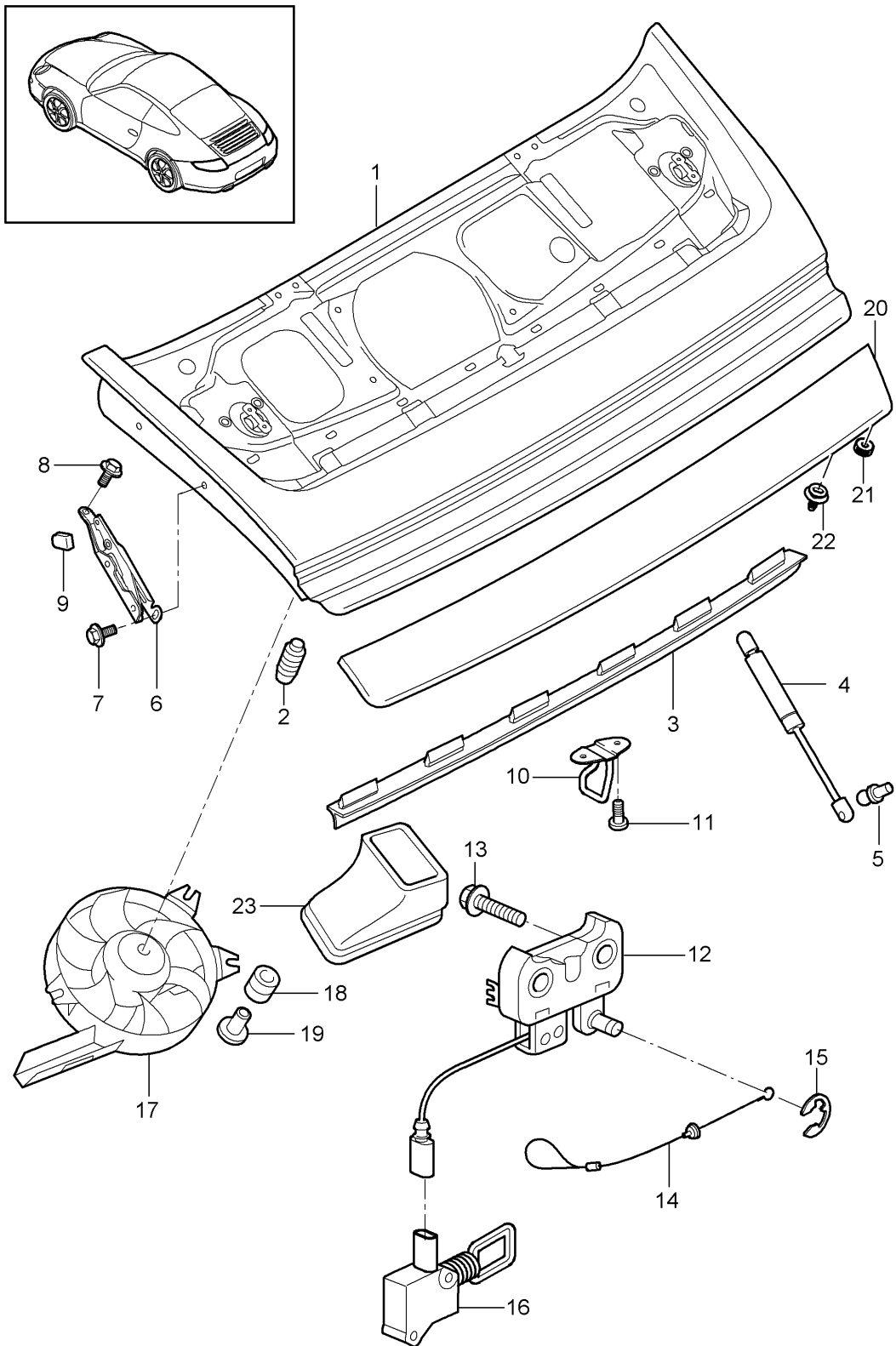
Model: 997-09

Model life 2009>>2012

Pos	Part Number	Description	Remark	Qty	Model
		Lid Front			
1	997 511 011 00	Lid		1	
	997 511 011 00 GRV	Prime coated			
2	997 511 551 01	Gas-pressure spring		2	
3	997 511 151 01	Hinge	/L	1	
(3)	997 511 152 01	Hinge	/R	1	
4	999 073 357 09	Oval-head screw M 6 X 12		4	
5	999 073 348 09	Oval-head screw M 6 X 20		4	
6	997 511 051 00	Lock upper part		1	
7	999 073 350 04	Round head screw M 6 X 16		2	
8	997 511 053 00	Lock lower part		1	
9	997 613 206 00	Microswitch		1	
10	900 075 466 09	Combination screw M 6 X 16		2	
10	900 075 466 01	Combination screw M 6 X 16		2	
11	997 511 611 00	Gasket		1	
12	999 703 140 40	Rubber buffer		2	
13	997 504 811 03	Trim cover		1	
	997 504 811 03 FMT	Satin black			
13	997 504 811 04	Trim cover		1	
	997 504 811 04 FMT	Satin black			
14	999 902 049 40	Velcro fastener		4	
15	996 511 653 00	Cover		1	
16	997 511 117 00	Actuator		1	
(23)	997 572 465 02	Trim cover	/L	1	
	997 572 465 02 02A	Black			
23	997 572 466 02	Trim cover	/R	1	
	997 572 466 02 02A	Black			
24	999 902 052 40	Velcro fastener Cover 20 X 20		4	
25	999 902 051 40	Velcro fastener Wing 20 X 20		4	

Model: 997-09

Model life 2009>>2012



Model: 997-09 Model life 2009>>2012

Pos	Part Number	Description	Remark	Qty	Model
1	997 512 011 03 997 512 011 03 GRV	Lid Rear Lid Prime coated Use also: 000.043.204.38		1	C4
(1)	997 512 011 01 997 512 011 01 GRV	Lid Prime coated Use also: 000.043.204.38		1	C2
(1)	997 512 011 01 997 512 011 01 GRV	Lid Prime coated Use also: 000.043.204.38		1	I011
(1)	997 512 225 05	Lid Prime coated		1	IXAA
(1)	997 512 225 07	Lid Prime coated		1	I756
-	000 043 204 38	Sealing compound		1	
2	999 703 140 40	Rubber buffer		2	
3	997 512 611 00	Gasket		1	C2
3	997 512 611 02	Gasket		1	C4
4	997 512 551 00	Gas-pressure spring	/R	1	
5	999 167 051 03	Ball pin		2	
6	997 512 151 02	Hinge	/L	1	
(6)	997 512 152 01	Hinge	/R	1	
7	900 378 155 09	Hexagon-head bolt M 6 X 16		4	
7	900 378 155 01	Hexagon-head bolt M 6 X 16		4	
8	900 075 466 09	Combination screw M 6 X 16		6	
8	900 075 466 01	Combination screw M 6 X 16		6	
9	996 512 153 00	Stop Hinge		2	
9	997 512 153 00	Stop Hinge		2	
10	997 512 213 01	Lock upper part		1	
11	999 073 248 09	Combination screw M 6 X 16		2	
11	999 073 378 02	Round head screw M 6 X 16		2	
11	999 073 378 01	Round head screw M 6 X 20		2	
12	997 512 053 01	Lock lower part		1	
13	N 910 664 01	Combination screw M 6 X 40		2	
14	997 512 521 00	Cable Emergency operation		1	
15	900 116 002 02	Lock washer		1	
16	997 624 118 01	Actuator		1	
17	997 624 050 03	Blower		1	
17	997 624 056 01	Blower		1	IXAA
18	999 703 451 40	Rubber sleeve 9,0 x 14,0 x 1,5		3	
19	999 209 093 01	Spacer sleeve		3	
20	997 512 259 01	Reflector cover		1	C4
-	996 564 245 00	Combination screw M 5 X 8		1	
21	997 512 671 00	Clamping nut		2	C4

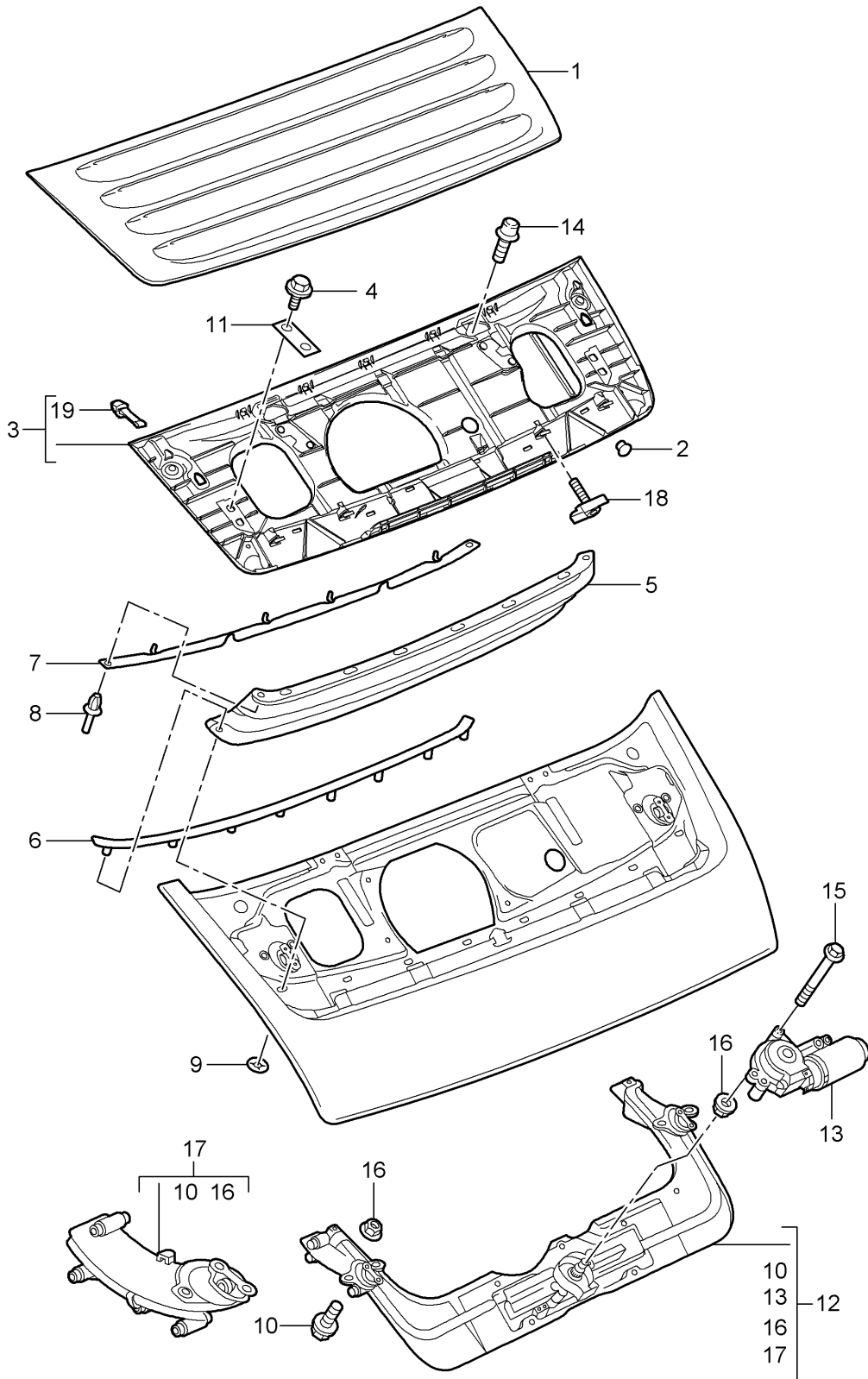
Model: 997-09

Model life 2009>>2012

Pos	Part Number	Description	Remark	Qty	Model
22	999 507 131 40	Insert part		6	C4
-	997 512 971 00	Set Assembly aux. material Reflector cover		1	C4
23	997 110 261 31	Air duct	/L	1	-IXAA
(23)	997 110 262 31	Air duct	/R	1	-IXAA
(23)	997 110 261 40	Air duct	/L	1	IXAA
(23)	997 110 262 40	Air duct	/R	1	IXAA

Model: 997-09

Model life 2009>>2012



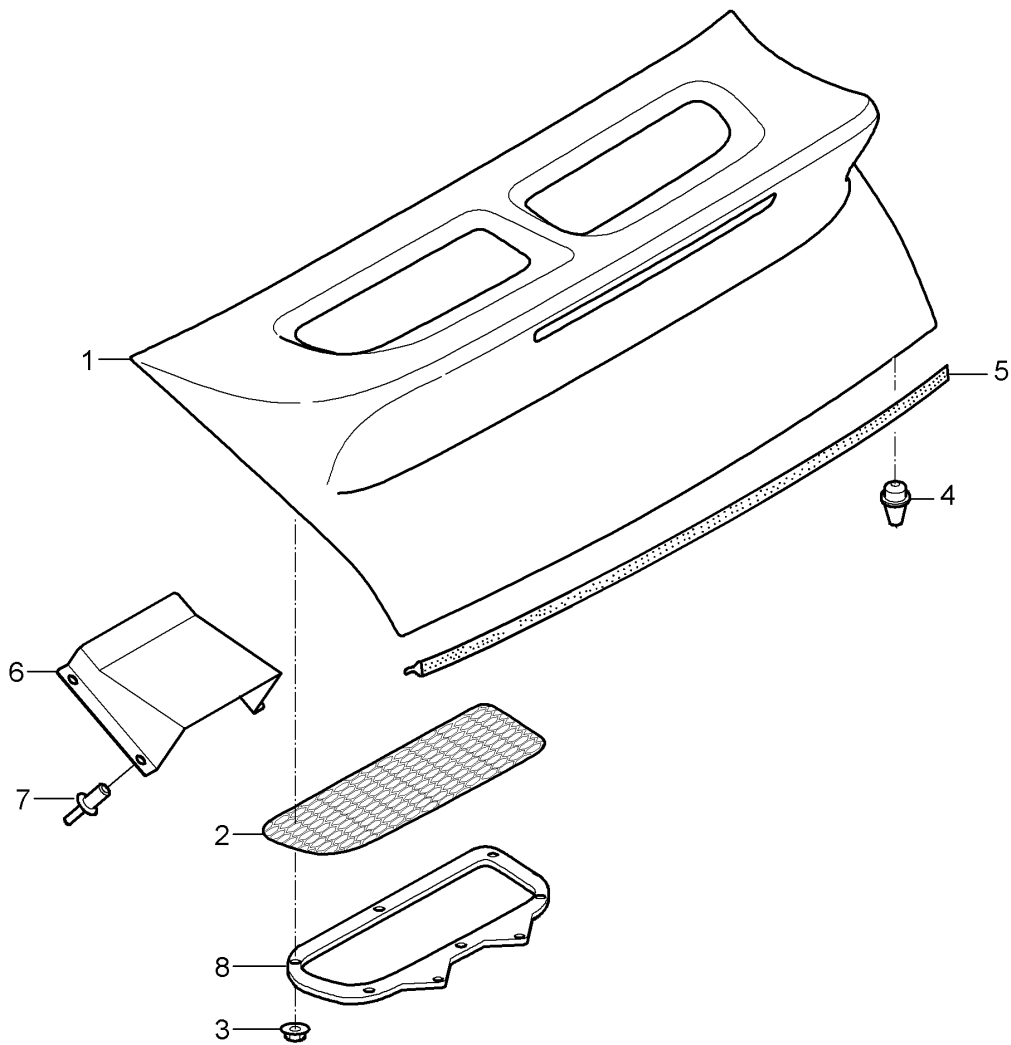
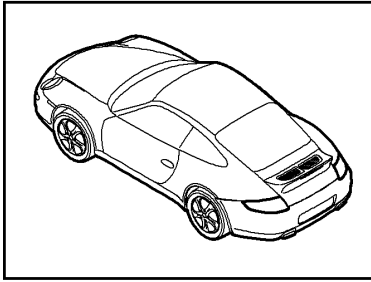
Model: 997-09

Model life 2009>>2012

Pos	Part Number	Description	Remark	Qty	Model
1	997 512 241 03	Rear spoiler Upper part Prime coated		1	
2	996 512 212 00	Stopper		4	
3	997 512 205 08	Spoiler Lower part		1	
-	999 703 488 40	Buffer 5,9 X 11,5 X 16		2	
4	900 075 490 09	Hexagon-head bolt M 6 X 8		4	
5	996 512 250 00	Rear wall		1	
6	996 512 163 00	Rail Lower		1	
7	996 512 164 00	Rail Upper		1	
8	999 591 712 40	Expansion rivet 6,0 X 12,0		2	
9	999 591 974 07	Clamping washer 5,0		8	
10	999 073 382 01	Combination screw M 6 X 20		10	
11	996 512 757 00	Desk pad		2	
12	997 512 109 10	Driving mechanism		1	COUPE
(12)	997 512 109 12	Driving mechanism		1	CABRIO/TARGA
13	996 624 151 00	Electric motor		1	
14	900 067 273 09	Combination screw M 6 X 16		4	
15	900 074 364 02	Hexagon-head bolt M 5 X 55		3	
16	900 377 009 01	Hexagon nut		32	
17	997 512 911 00	Hinge		1	
18	997 512 255 00	Support		4	

Model: 997-09

Model life 2009>>2012



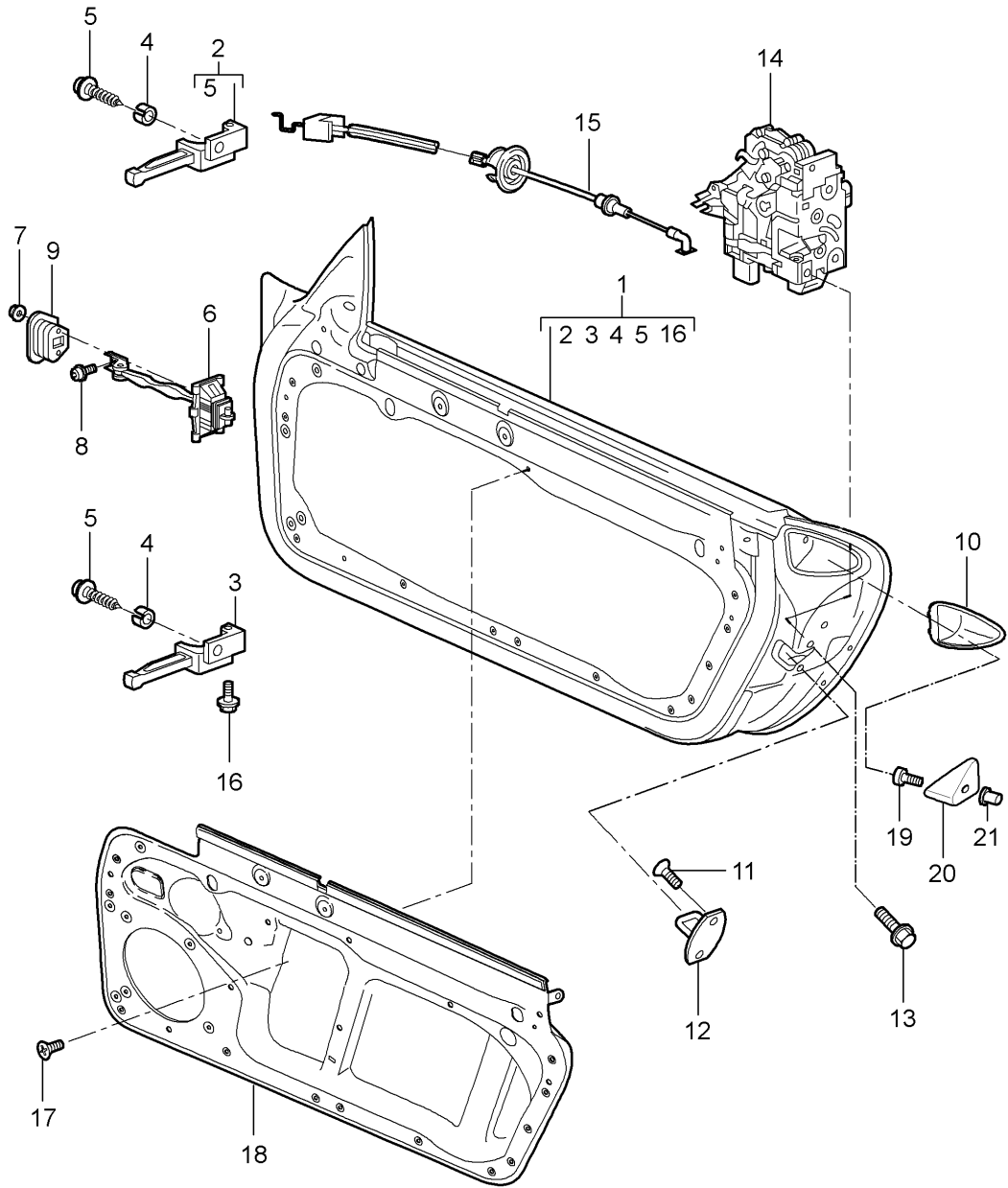
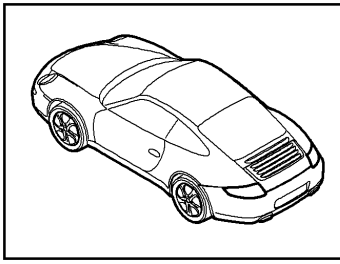
Model: 997-09

Model life 2009>>2012

Pos	Part Number	Description	Remark	Qty	Model
		Spoiler lid Rear			I756
1	997 512 225 07	Lid		1	
2	997 512 625 02	Grille	/L	1	
2		Grille	/L	1	
(2)	997 512 626 02	Grille	/R	1	
3	997 512 581 9A	Plastic nut 16 x 7,0		12	
4	996 512 987 00	Adjusting screw		2	
5	997 512 611 01	Gasket		1	
5	997 512 545 00	Water deflector	/L	1	
	997 512 545 00 01C	Satin black			
(5)	997 512 546 00	Water deflector	/R	1	
	997 512 546 00 01C	Satin black			
6	997 512 665 00	Frame		2	
7	999 507 499 40	Expansion rivet 5,0 X 11,5		8	

Model: 997-09

Model life 2009>>2012



Model: 997-09 Model life 2009>>2012

Pos	Part Number	Description	Remark	Qty	Model
		Door in white			
		Installation parts			
		Door lock			
(1)	997 531 011 04	Door	/L	1	
	997 531 011 04 GRV	Prime coated			
1	997 531 012 04	Door	/R	1	
	997 531 012 04 GRV	Prime coated			
(1)	997 531 011 05	Door in white	/L	1	I599
	997 531 011 05 GRV	Aluminium			
(1)	997 531 012 05	Door in white	/R	1	I599
	997 531 012 05 GRV	Aluminium			
-	000 043 305 32	Sealing compound		1	
(2)	997 531 321 01	Hinge	/L	1	
2	997 531 322 01	Hinge	/R	1	
		Upper			
(3)	997 531 319 01	Hinge	/L	1	
3	997 531 320 01	Hinge	/R	1	
		Lower			
4	996 531 831 00	Sleeve		4	
5	900 378 180 01	Hexagon-head bolt		2	
		M 8 X 25			
6	997 537 151 01	Door arrester		2	
6	997 537 151 02	Door arrester		2	
7	999 084 212 02	Hexagon nut		4	
		M 6			
8	999 073 138 09	Screw		2	
		M 8 X 25			
(8)	999 073 138 01	Round head screw		2	
		M 8 X 25			
9	996 537 751 00	Seal		2	
(10)	997 537 331 00	Support	/L	1	
	997 537 331 00 01C	Satin black			
10	997 537 332 00	Support	/R	1	
	997 537 332 00 01C	Satin black			
11	N 910 174 01	Countersunk-head screw		4	
		M 8 X 22			
12	3C0 837 767 A	Catch bar		2	
13	WHT 000 439	Combination screw		2	
		M 8 X 20			
(14)	3D1 837 015	Door lock	/LL /L	1	I098
14	3D1 837 016	Door lock	/LL /R	1	I098
(14)	3D1 837 015 C	Door lock	/L	1	I072
(14)	3D1 837 016 C	Door lock	/R	1	I072
(14)	3D2 837 015	Door lock	/RL /L	1	I099
(14)	3D2 837 016	Door lock	/RL /R	1	I099
15	997 537 319 02	Bowden cable		2	
-	970 556 525 00	Insulation		2	
16	999 072 043 09	Hexagon-head bolt		2	
		M 6 X 12			
		Micro-self-locking			
17	999 073 333 09	Oval-head screw		8	
		M 6 X 16			
(18)	987 537 201 01	Inner panel	/L	1	
18	987 537 202 01	Inner panel	/R	1	
19	900 119 072 00	Pan-head screw		2	
		M8 X 16			
20	997 537 333 00	Support	/L	1	
		Side section			
	997 537 333 00 G2X	Prime coated			
(20)	997 537 334 00	Support	/R	1	
		Side section			
	997 537 334 00 G2X	Prime coated			
21	999 500 121 02	Blind rivet nut		2	

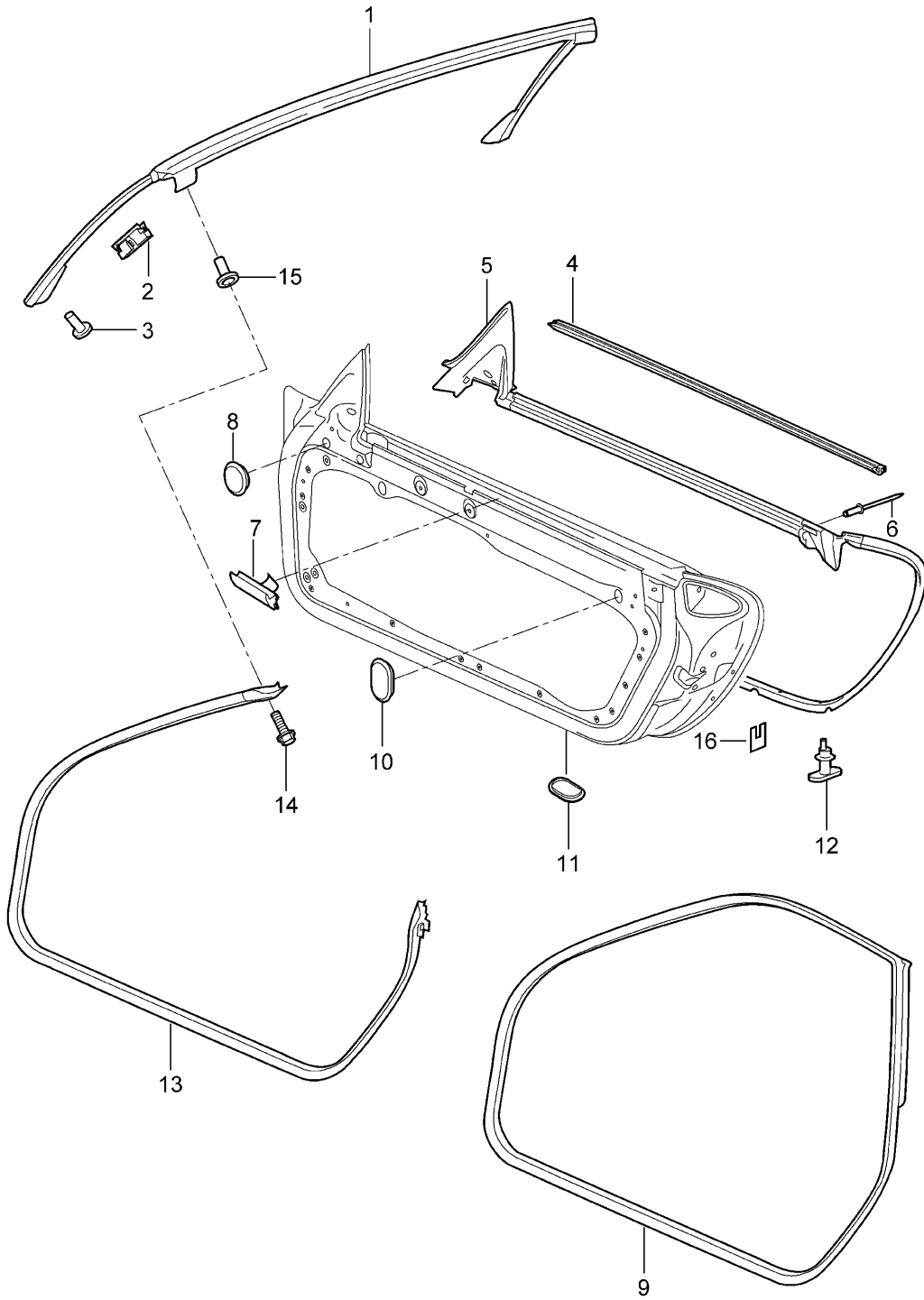
Model: 997-09

Model life 2009>>2012

Pos	Part Number	Description	Remark	Qty	Model
		M8 / 0,8 - 3			

Model: 997-09

Model life 2009>>2012

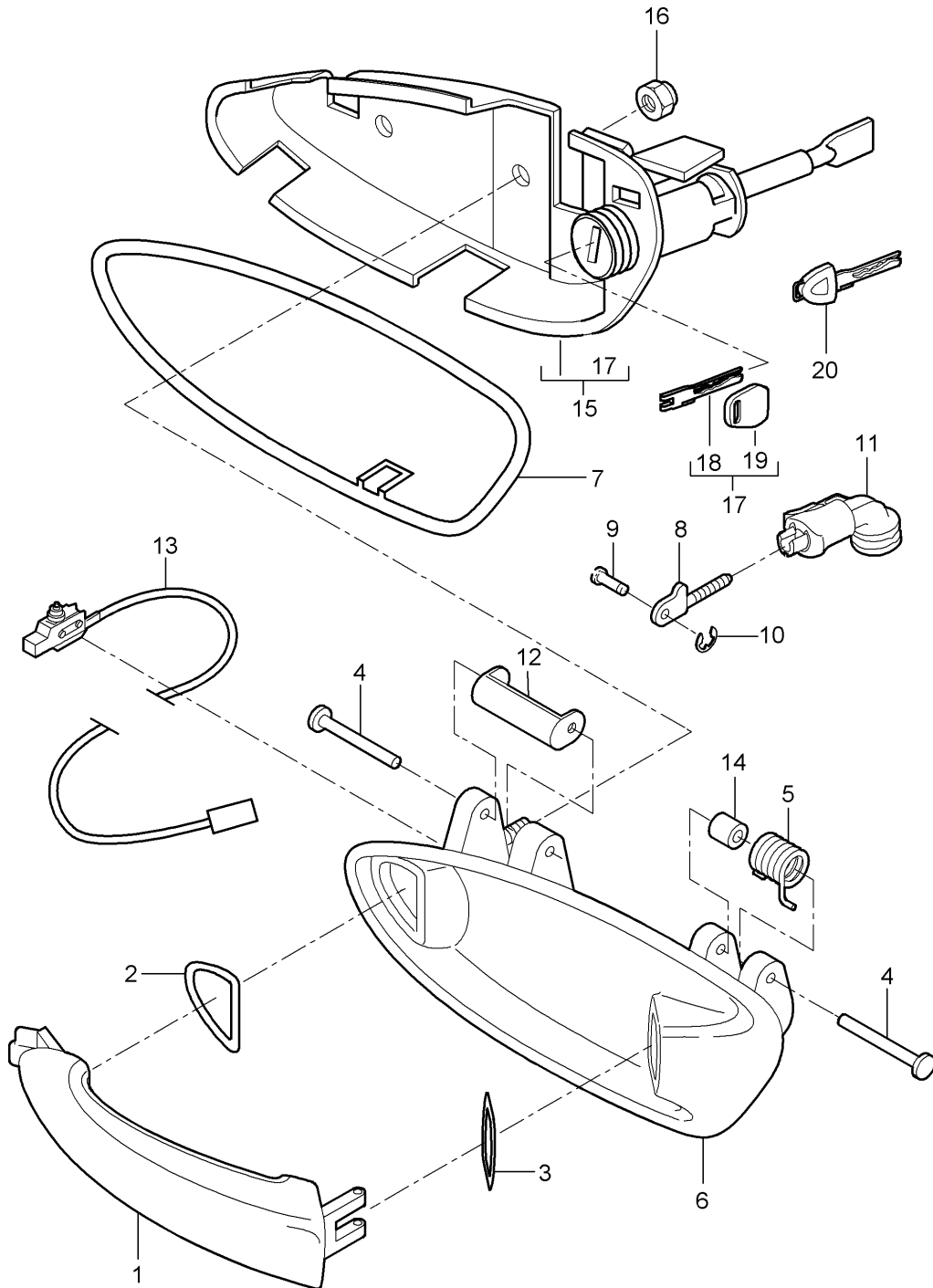


Model: 997-09 Model life 2009>>2012

Pos	Part Number	Description	Remark	Qty	Model
1	997 537 077 02	Door seal Gasket Windscreen		1	CABRIO
2	999 507 678 01	Gasket Windscreen		1	CABRIO
3	999 190 445 37	U-clamp 4,0-4,5		36	CABRIO
4	997 537 085 02	Blind rivet A 4,0 X 7,9	/L	1	I590
(4)	997 537 086 02	Gasket Outer	/R	1	I590
(4)	997 537 085 03	Gasket Outer	/L	1	I599
(4)	997 537 086 03	Gasket Outer	/R	1	I599
5	997 537 531 07	Gasket Inner	/L	1	I590
(5)	997 537 531 08	Gasket Inner	/L 09-	1	I599
(5)	997 537 532 07	Gasket Inner	/R	1	I590
(5)	997 537 532 08	Gasket Inner	/R 09-	1	I599
7	997 537 495 00	Gasket		1	
8	803 803 583 A	Stopper 20,0 X 30,0		2	
8	999 703 196 40	Lid 20,0 X 30,0		2	
(9)	997 537 075 05	Gasket	/L	1	COUPE/TARGA
9	997 537 076 05	Gasket	/R	1	COUPE/TARGA
10	999 703 541 40	Lid 20 X 28 X 1		4	
11	999 703 542 40	Lid 23,8 X 38,7		8	
12	999 591 513 40	Clip Gasket 5,8 x 0,9		36	
13	997 537 075 07	Gasket	/L	1	CABRIO
(13)	997 537 076 07	Gasket	/R	1	CABRIO
(13)	997 537 075 08	Gasket	/L	1	SPEEDSTER I503
(13)	997 537 076 08	Gasket	/R	1	SPEEDSTER I503
14	900 075 362 02	Combination screw M 5 X 16		2	CABRIO
15	999 500 093 02	Nut M 5/0 - 3		2	CABRIO
16	996 537 337 00	Protective film		4	

Model: 997-09

Model life 2009>>2012

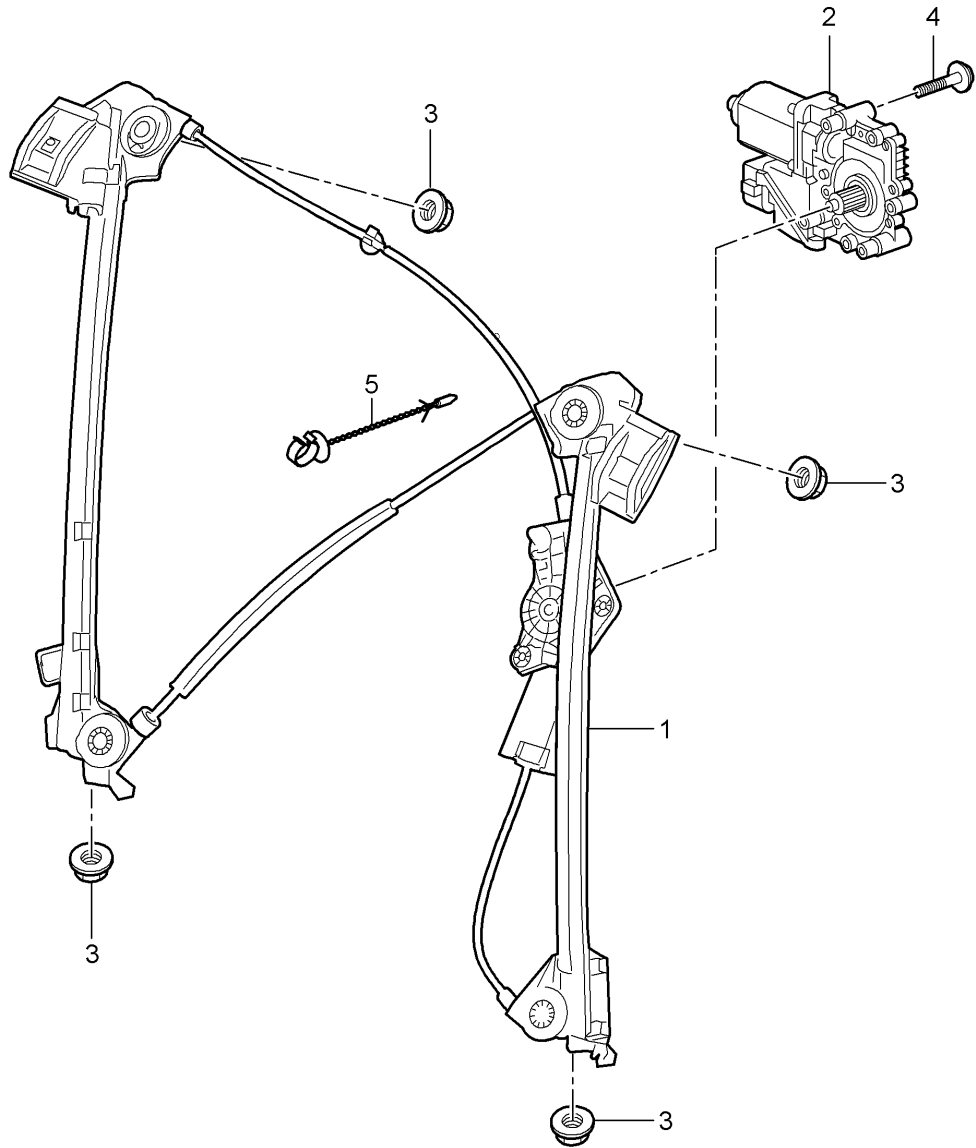


Model: 997-09 Model life 2009>>2012

Pos	Part Number	Description	Remark	Qty	Model
1	997 537 613 01	Door handle			
		Outer door handle	/L	1	
(1)	997 537 614 01	Outer door handle	/R	1	
2	997 537 623 00	Buffer		2	
3	997 537 625 00	Buffer		2	
4	997 537 621 00	Axle		2	
5	997 537 611 00	Return spring	/L	1	
(5)	997 537 612 00	Return spring	/R	1	
6	997 537 645 00	Handle liner	/LL /L	1	I098
	997 537 645 00 G2X	Prime coated			
(6)	997 537 646 00	Handle liner	/RL /R	1	I099
	997 537 646 00 G2X	Prime coated			
(6)	997 537 645 01	Handle liner	/RL /L	1	I099
	997 537 645 01 G2X	Prime coated			
(6)	997 537 646 01	Handle liner	/LL /R	1	I098
	997 537 646 01 G2X	Prime coated			
7	997 537 637 01	Desk pad	/L	1	
(7)	997 537 638 01	Desk pad	/R	1	
8	997 537 627 00	Operating rod		2	
9	997 537 629 00	Bolt		2	
10	997 537 641 00	Lock washer		2	
11	997 537 445 03	Connecting piece		2	
12	997 537 653 00	Actuating lever	/L	1	
(12)	997 537 654 00	Actuating lever	/R	1	
13	997 613 125 01	Microswitch		2	
		Power windows			
13	997 613 125 02	Microswitch		2	
		Power windows			
14	997 537 633 00	Bush		2	
15	997 538 963 04	Support	/LL /L	1	I098
		with lock cylinder			
		with stipulated lock number			
(15)	997 538 964 04	Support	/RL /R	1	I099
		with lock cylinder			
		with stipulated lock number			
(15)	997 537 463 01	Support	/RL /L	1	I099
		without lock cylinder			
(15)	997 537 464 01	Support	/LL /R	1	I098
		without lock cylinder			
16	900 380 015 09	Hexagon nut		2	
		M 6			
17	997 538 931 00	Replacement key		X	
18	997 538 531 00	Blank key		X	
19	944 538 431 00	Key cap		X	

Model: 997-09

Model life 2009>>2012



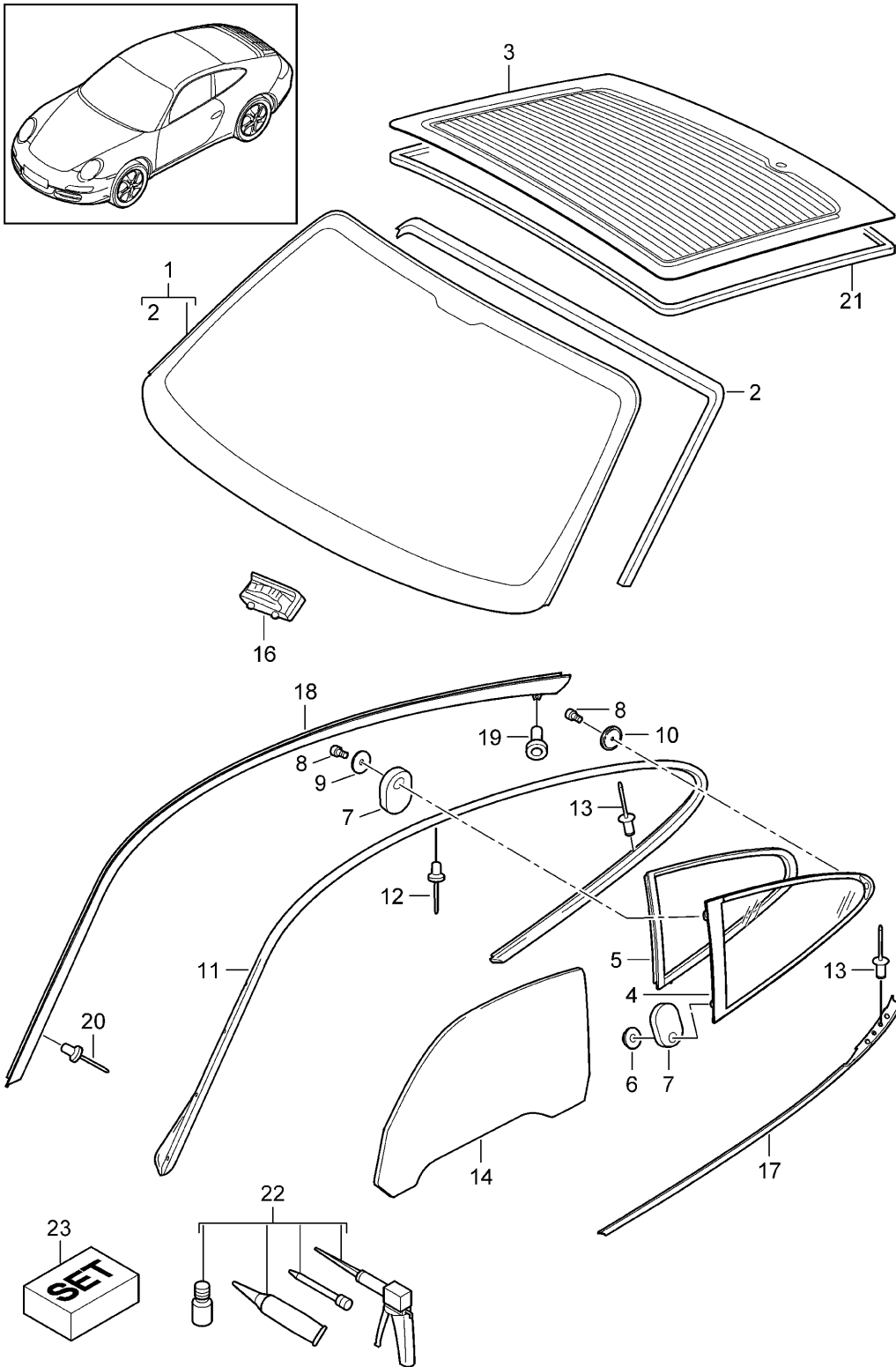
Model: 997-09

Model life 2009>>2012

Pos	Part Number	Description	Remark	Qty	Model
1	987 542 075 01	Power windows	/L	1	
(1)	987 542 076 01	Power windows	/R	1	
		See technical manual			
2	997 624 181 06	Electric motor	/L	1	I098
(2)	997 624 182 06	Electric motor	/R	1	I098
(2)	997 624 181 06	Electric motor	/R	1	I099
(2)	997 624 182 06	Electric motor	/L	1	I099
3	999 084 629 01	Hexagon nut m6		4	
4	999 919 209 09	Oval-head screw M 5 X 22		3	
5	987 542 941 00	Clip Bowden cable Power windows		1	

Model: 997-09

Model life 2009>>2012



Model: 997-09 Model life 2009>>2012

Pos	Part Number	Description	Remark	Qty	Model
1	997 541 911 08	window glazing Windscreen Tinted		1	I440/568 COUPE/TARGA
(1)	997 541 911 06	Windscreen Tinted		1	I440/568 CABRIO
(1)	997 541 911 09	Windscreen Tinted		1	I440/567 COUPE/TARGA
(1)	997 541 911 07	Windscreen Tinted		1	I440/567 CABRIO
(1)	987 541 911 15	Windscreen	11-	1	Speedster I440/503/567
2	997 541 901 10	Gasket Windscreen		1	COUPE/TARGA
(2)	997 541 901 09	Gasket Windscreen		1	CABRIO
3	997 545 911 00	Rear window		1	/COUPE I426
(3)	997 545 911 01	without Gasket Rear window		1	/COUPE I425
(3)	997 545 911 03	Rear window without Gasket Use also: 000.043.305.35		1	/COUPE I425
4	997 543 111 00	Rear window	/L	1	COUPE
(4)	997 543 111 02	Rear window	/L	1	TARGA
(4)	997 543 112 00	Rear window	/R	1	COUPE
(4)	997 543 112 02	Rear window	/R	1	TARGA
5	996 543 325 00	Sealing frame	/L	1	COUPE
(5)	996 543 325 01	Sealing frame	/L	1	TARGA
(5)	996 543 326 00	Sealing frame	/R	1	COUPE
(5)	996 543 326 01	Sealing frame	/R	1	TARGA
6	999 084 210 02	Rear window Hexagon nut M 8		1	COUPE
7	996 543 611 02	Gasket		2	COUPE
8	999 218 011 02	Pan-head screw M 6 X 12		2	COUPE
9	999 025 270 02	Washer 6,4 X 30 X 1,5		1	COUPE
10	996 543 625 00	Sealing washer		1	COUPE
11	997 537 481 00	Roof frame seal	/L	1	COUPE
(11)	997 537 482 00	Roof frame seal	/R	1	COUPE
12	999 190 445 37	Blind rivet 4,0 X 7,9		X	
13	999 190 450 37	Blind rivet 4,0 X 6,3		X	
14	997 542 511 00	Door window glass	/L	1	COUPE/TARGA
(14)	997 542 512 00	Door window glass	/R	1	COUPE/TARGA
(14)	997 542 511 01	Door window glass	/L	1	CABRIO
(14)	997 542 512 01	Door window glass	/R	1	CABRIO
(14)	997 542 511 04	Door window glass	11-	1	Speedster I503
(14)	997 542 511 07	Left Door window glass	11-	1	Speedster I503
(14)	997 542 512 04	Left Door window glass	11-	1	Speedster I503
		Right			

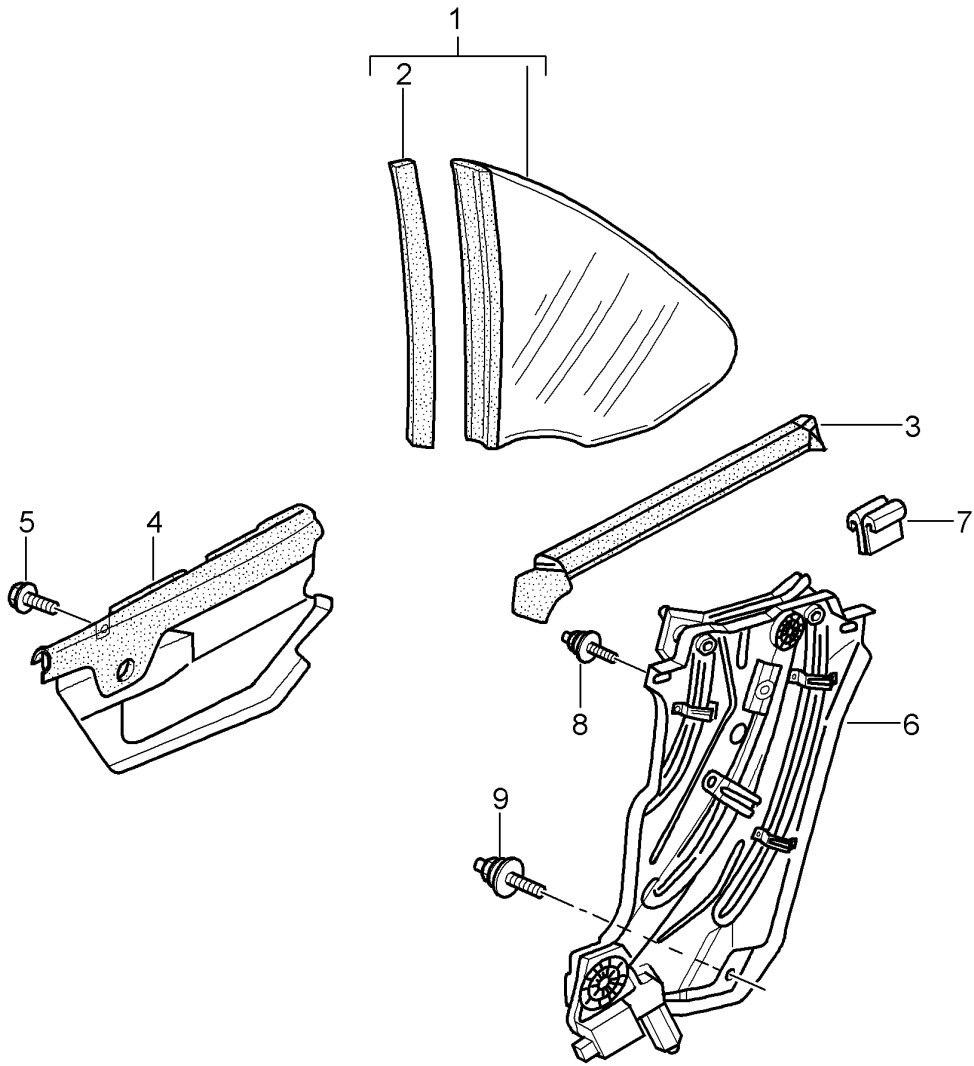
Model: 997-09

Model life 2009>>2012

Pos	Part Number	Description	Remark	Qty	Model
(14)	997 542 512 07	Door window glass	11-	1	Speedster I503
16	999 507 576 41	Right Support		2	
17	997 543 485 00	Gasket	/L	1	TARGA
(17)	997 543 486 00	Gasket	/R	1	TARGA
		Rear window			
18	997 543 481 00	Moulding	/L	1	TARGA
(18)	997 543 482 00	Moulding	/R	1	TARGA
		Roof frame			
		Lateral			
19	999 190 464 30	Blind rivet		X	TARGA
		3 X 3,5			
20	999 190 185 30	Blind rivet		X	TARGA
		3,9 X 9,5			
21	997 545 901 00	Gasket		1	
		Rear window			
22	000 043 305 35	Adhesive set		1	
23	000 043 206 47	Car care set		X	
		Side window			
		See technical manual			

Model: 997-09

Model life 2009>>2012

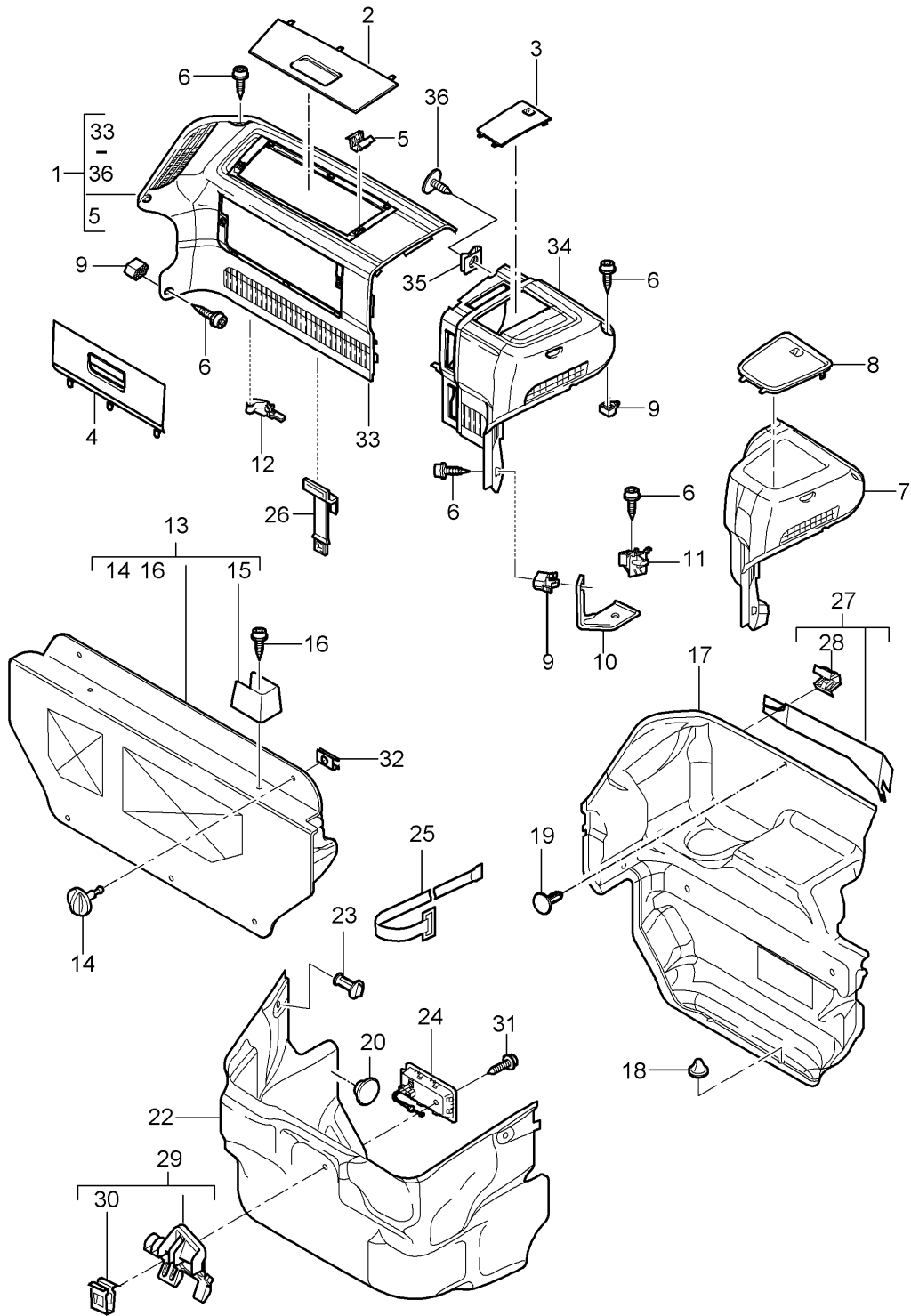


Model: 997-09 Model life 2009>>2012

Pos	Part Number	Description	Remark	Qty	Model
1	997 543 111 11	Rear window			CABRIO
(1)	997 543 112 11	Rear window	/L	1	-I503
(1)	997 543 111 12	Rear window	/R	1	-I503
(1)	997 543 112 12	Rear window	11-	1	I503
		Left			
(1)	997 543 112 12	Rear window	11-	1	I503
		Right			
2	996 543 615 03	Gasket	/L	1	-I503
(2)	996 543 616 03	Gasket	/R	1	-I503
3	997 543 475 00	Gasket	/L	1	
(3)	997 543 476 00	Outer			
		Gasket	/R	1	
		Outer			
4	996 543 177 01	Gasket	/L	1	-I503
(4)	996 543 178 01	Inner			
		Gasket	/R	1	-I503
		Inner			
4	997 543 177 00	Gasket	/L	1	Speedster
					I503
(4)	997 543 178 00	Inner			
		Gasket	/R	1	Speedster
					I503
		Inner			
5	900 378 036 09	Hexagon-head bolt		4	
		M 6 X 12			
6	997 543 015 04	Power windows	/L	1	Speedster
					I503
6	997 543 015 05	Power windows	/L	1	-I503
		FA.KUESTER			
(6)	997 543 016 04	Power windows	/R	1	Speedster
					I503
(6)	997 543 016 05	Power windows	/R	1	-I503
		FA.KUESTER			

Model: 997-09

Model life 2009>>2012



Model: 997-09 Model life 2009>>2012

Pos	Part Number	Description	Remark	Qty	Model
(1)	997 551 133 00	Luggage compartment Lining	09- /LL	1	CARRERA 2 I098/674
	997 551 133 00 02A	Luggage compartment Complete Black			
(1)	997 551 133 00	Lining	/LL	1	I098/676
	997 551 133 00 02A	Luggage compartment Complete Black			
(1)	997 551 133 00	Lining		1	I673
	997 551 133 00 02A	Luggage compartment Complete Black			
(1)	997 551 133 01	Lining	/RL	1	I099
	997 551 133 01 02A	Luggage compartment Complete Black			
2	997 551 306 00	Lid Upper	/LL	1	I098/674
	997 551 306 00 02A	Lid Upper Black			
2	997 551 306 00	Lid Upper	/LL	1	I098/676
	997 551 306 00 02A	Lid Upper Black			
2	997 551 306 00	Lid Upper		1	I673
	997 551 306 00 02A	Lid Upper Black			
(2)	997 551 305 00	Lid Upper	/RL	1	I099
	997 551 305 00 02A	Lid Upper Black			
3	997 551 301 00	Lid Brake booster	/LL	1	I098/674
	997 551 301 00 02A	Lid Brake booster Black			
3	997 551 301 00	Lid Brake booster	/LL	1	I098/676
	997 551 301 00 02A	Lid Brake booster Black			
3	997 551 301 00	Lid Brake booster		1	I673
	997 551 301 00 02A	Lid Brake booster Black			
(3)	997 551 302 00	Lid Brake booster	/RL	1	I099
	997 551 302 00 02A	Lid Brake booster Black			
4	997 551 308 01	Lid Lower	/LL	1	I098/674
	997 551 308 01 02A	Lid Lower Black			
4	997 551 308 01	Lid Lower	/LL	1	I098/676
	997 551 308 01 02A	Lid Lower Black			
4	997 551 308 01	Lid Lower		1	I673
	997 551 308 01 02A	Lid Lower Black			
(4)	997 551 307 00	Lid Lower	/RL	1	I099
	997 551 307 00 02A	Lid Lower Black			
5	999 507 735 02	Clamp 9 X 22/2,5		4	
6	900 187 501 01	Tapping screw ST 3,5 X 16		X	
7	997 551 231 00	Lining Brake booster	/LL	1	I098
	997 551 231 00 02A	Lining Brake booster Black			
8	997 551 311 00	Lid Brake booster	/LL	1	I098
	997 551 311 00 02A	Lid Brake booster Black			

Model: 997-09 Model life 2009>>2012

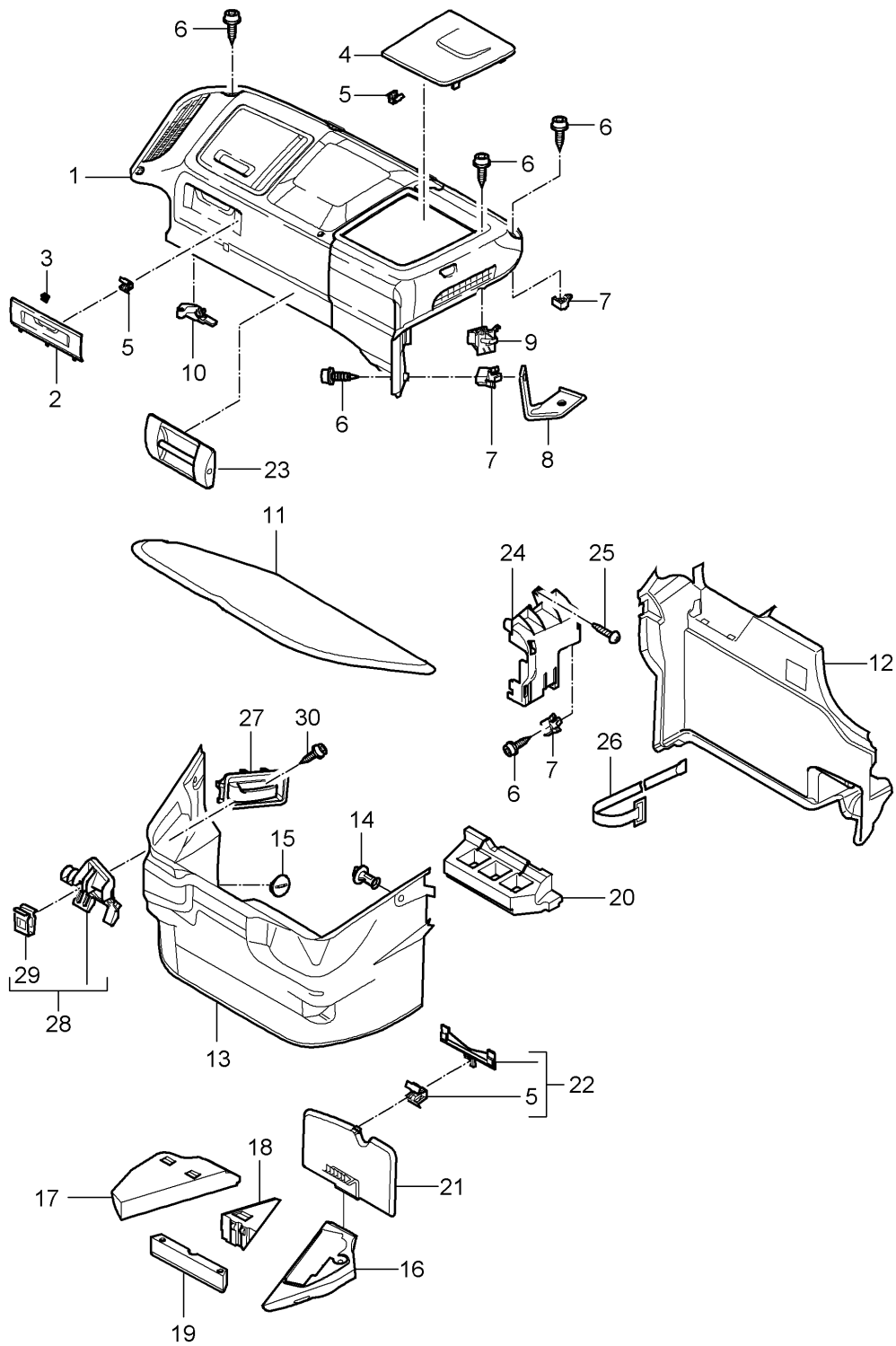
Pos	Part Number	Description	Remark	Qty	Model
9	999 507 734 40	Support ST 3,5		X	
10	997 551 771 02	Support Lining Luggage compartment		1	
11	999 507 512 40	Support ST 3,5		X	
(12)	997 551 772 02	Support Lining		1	
13	997 551 123 02	Lining Tool Carpet		1	
(13)	997 551 123 02 A31	Black			
	997 551 123 03	Lining Tool Carpet		1	I193
	997 551 123 03 A31	Black			
14	997 551 803 00	Catch Lining Tool		2	
15	997 551 801 00	Support Warning triangle	/L	1	
(15)	997 551 801 00 02A	Black			
	997 551 802 00	Support Warning triangle	/R	1	
	997 551 802 00 02A	Black			
16	999 073 362 09	Tapping screw 4,8 X 22		2	
(17)	997 551 051 25	Lining Luggage compartment Bulkhead Carpet	/LL	1	I098
(17)	997 551 051 25 A31	Black			
	997 551 051 26	Lining Luggage compartment Bulkhead Carpet	/LL	1	I098/674
(17)	997 551 051 26 A31	Black			
	997 551 051 26	Lining Luggage compartment Bulkhead Carpet	/LL	1	I098/676
(17)	997 551 051 26 A31	Black			
	997 551 051 26	Lining Luggage compartment Bulkhead Carpet		1	I673
(17)	997 551 051 26 A31	Black			
	997 551 051 28	Lining Luggage compartment Bulkhead Carpet	/RL	1	I099
(17)	997 551 051 28 A31	Black			
18	999 049 004 40	Plastic nut T5 / 32 X 20		2	
19	999 703 432 40	Stopper 8,2 X 18		2	
20	999 703 455 41	Lid 12,2 X 25		X	
22	997 551 045 12	Lining Luggage compartment liner Carpet		1	
	997 551 045 12 A31	Black			

Model: 997-09 Model life 2009>>2012

Pos	Part Number	Description	Remark	Qty	Model
23	999 049 006 40	Plastic nut T5 /30 X 7,5		2	
25	997 551 741 00	Retaining strap First-aid kit		1	I024
(25)		Retaining strap First-aid kit		1	I499
26	997 551 805 00	Fastening clip Bag Wind deflector		1	CABRIO
	997 551 805 00 01C	Satin black			
27	997 551 751 00	Lining Lines Carpet		1	I099
	997 551 751 00 A31	Black			
28	999 507 116 01	U-clamp 23,0 - 23,5		2	I099
32	999 590 055 01	Fastening clamp 10,7 X 11,5		2	
33	997 551 634 00	Lining Luggage compartment	/LL	1	I098/674
	997 551 634 00 FMU	Black/black			
33	997 551 634 00	Lining Luggage compartment	/LL	1	I098/676
	997 551 634 00 FMU	Black/black			
33	997 551 634 00	Lining Luggage compartment		1	I673
	997 551 634 00 FMU	Black/black			
(33)	997 551 635 00	Lining Luggage compartment	/RL	1	I099
	997 551 635 00 FMU	Black/black			
34	997 551 633 00	Lining Brake booster	/LL	1	I098/674
	997 551 633 00 FMU	Black/black			
34	997 551 633 00	Lining Brake booster	/LL	1	I098/676
	997 551 633 00 FMU	Black/black			
34	997 551 633 00	Lining Brake booster		1	I673
	997 551 633 00 FMU	Black/black			
(34)	997 551 632 00	Lining Brake booster		1	I099
	997 551 632 00 FMU	Black/black			
35	999 507 795 09	Speed nut 4,8		3	
36	999 073 231 09	Tapping screw 4,8 X 16		3	
37	999 025 236 40	Washer Lock for Catch Position 14		2	

Model: 997-09

Model life 2009>>2012



Model: 997-09 Model life 2009>>2012

Pos	Part Number	Description	Remark	Qty	Model
		Luggage compartment	09-		CARRERA 4
1	997 551 630 00	Lining	/LL	1	I098
	997 551 630 00 FMU	Luggage compartment			
	997 551 630 00 FMU	Black/black			
1	997 551 630 01	Lining	/RL	1	I099
	997 551 630 01 FMU	Luggage compartment			
	997 551 630 01 FMU	Black/black			
2	997 551 304 00	Lid	/LL	1	I098
		Lining			
		Lower			
	997 551 304 00 02A	Black			
3	997 551 817 00	Support	/LL	2	I098
		Hinge			
4	997 551 309 00	Lid	/LL	1	I098
		Brake booster			
	997 551 309 00 02A	Black			
(4)	997 551 310 00	Lid	/RL	1	I099
		Brake booster			
	997 551 310 00 02A	Black			
5	999 507 552 01	Spring clamp		X	
		9 X 13/3,0			
6	999 073 048 02	Tapping screw		X	
		ST 3,5 X 13			
7	999 507 734 40	Support		X	
		ST 3,5			
8	997 551 771 02	Support		1	
		Lining			
		Luggage compartment			
9	999 507 512 40	Support		X	
		ST 3,5			
10	997 551 772 02	Support		1	
		Lining			
11	997 551 351 00	Cover		1	
		Tool			
		Carpet			
	997 551 351 00 A31	Black			
12	997 551 051 29	Lining	/LL	1	I098
		Bulkhead			
		Carpet			
	997 551 051 29 A31	Black			
(12)	997 551 051 30	Lining		1	I099
		Bulkhead			
		Carpet			
	997 551 051 30 A31	Black			
13	997 551 045 17	Lining	/LL	1	I098
		Luggage compartment liner			
		Carpet			
	997 551 045 17 A31	Black			
(13)	997 551 045 19	Lining	/RL	1	I099
		Luggage compartment liner			
		Carpet			
	997 551 045 19 A31	Black			
(13)	997 551 045 90	Lining		1	I011
		Luggage compartment liner			
		Carpet			
	997 551 045 90 A31	Black			
(13)	997 551 045 90	Lining		1	I011
		Luggage compartment liner			
		Carpet			
	997 551 045 90 A31	Black			
(13)	997 551 045 91	Lining		1	I011/553
		Luggage compartment liner			

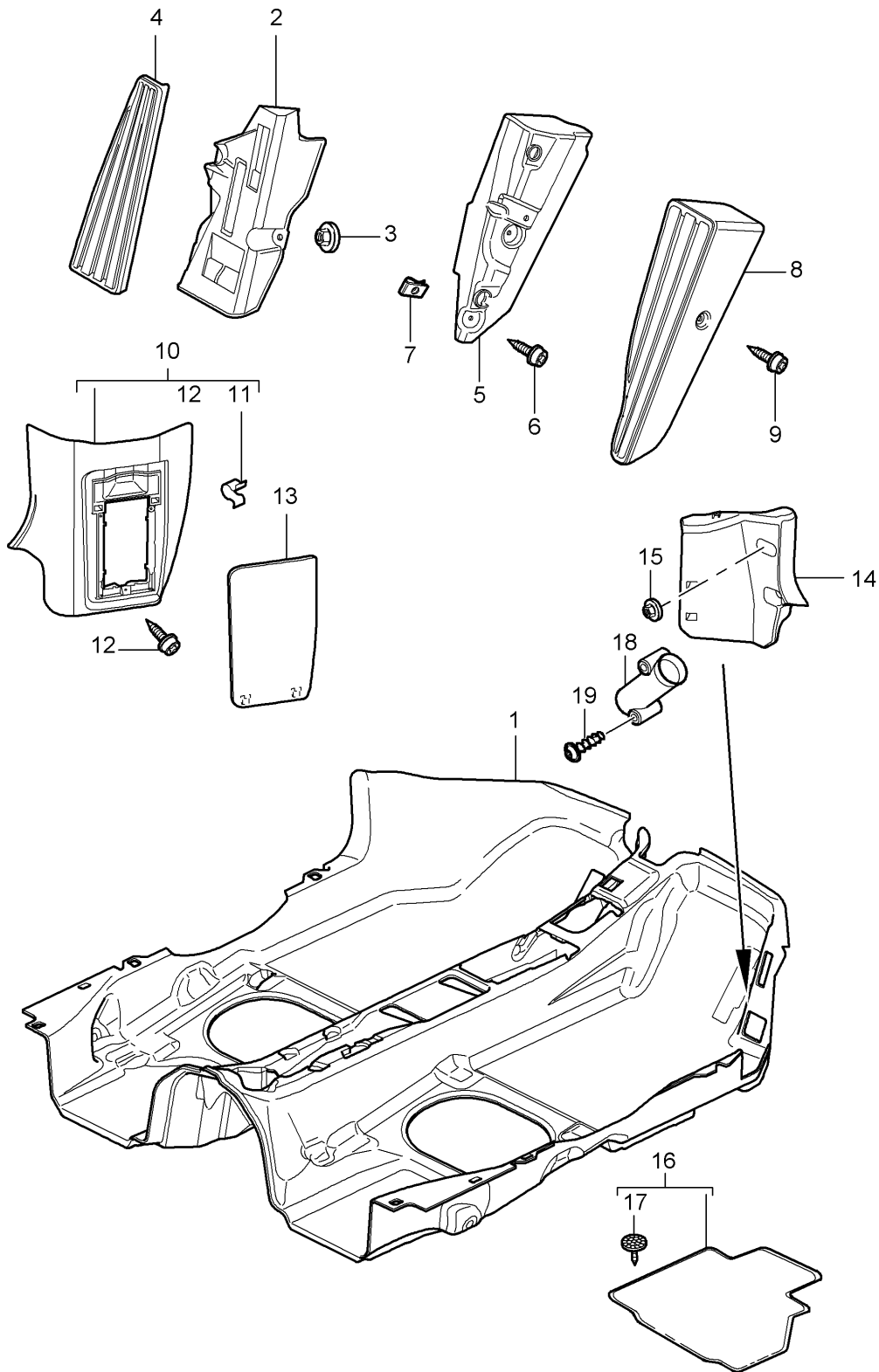
Model: 997-09

Model life 2009>>2012

Pos	Part Number	Description	Remark	Qty	Model
		Carpet			
14	997 551 045 91 A31 999 049 006 40	Black Plastic nut		2	
		T5 / 30 X 7,5			
15	997 551 807 00	Cap nut		1	
(15)	999 703 455 41	Lid		1	
16	997 551 401 00	Foam part	/LL /L	1	I098
		Tool			
(16)	997 551 402 00	Foam part	/RL /R	1	I099
		Tool			
17	997 551 408 00	Foam part	/LL /R	1	I098
		Luggage compartment liner			
(17)	997 551 407 00	Foam part	/RL /L	1	I099
		Luggage compartment liner			
18	997 551 405 00	Foam part		1	
		Compressor			
		Rear			
19	997 551 403 00	Foam part		1	
		Compressor			
		Front			
20	997 551 432 00	Foam part	/LL	1	I098
		Bulkhead			
20	997 551 431 00	Foam part	/RL	1	I099
		Bulkhead			
21	997 551 501 00	Cover	/LL	1	I098
		Bottle of tyre sealant			
	997 551 501 00 A31	Black			
(21)	997 551 502 00	Cover	/RL	1	I099
		Bottle of tyre sealant			
	997 551 502 00 A31	Black			
22	997 551 415 00	Adapter		1	
		Bottle of tyre sealant			
23	997 551 805 01	Eye		1	
		Luggage compartment			
		Front			
	997 551 805 01 02A	Black			
24	997 551 736 01	Cover		1	
		Control unit			
25	999 073 061 02	Tapping screw		X	
		ST 4,8 X 16			
26	997 551 741 00	Retaining strap		1	I024
(26)		Retaining strap		1	I499
		First-aid kit			

Model: 997-09

Model life 2009>>2012



Model: 997-09 Model life 2009>>2012

Pos	Part Number	Description	Remark	Qty	Model
1	997 551 011 08	Carpet Linings Carpet	09- /LL	1	COUPE I098
	997 551 011 08 FMB	Carpet Terracotta			
	997 551 011 08 FMC	Cocoa			
	997 551 011 08 FMD	Dark grey/natural			
	997 551 011 08 FME	Brown/natural			
1	997 551 011 08	Carpet	/LL	1	COUPE I098
		Carpet Until Chassis number See technical information GR.7 NR. 17/11 KD-NR. 70			
	997 551 011 08 FLW	Black			
	997 551 011 08 FLX	Stone grey			
	997 551 011 08 FLY	Sand Beige			
	997 551 011 08 FLZ	Sea blue			
	997 551 011 08 FSV	Carrera Red			
1	997 551 011 18	Carpet	/LL	1	COUPE I098
		Carpet From Chassis number See technical information GR.7 NR. 17/11 KD-NR. 70			
	997 551 011 18 FLW	Black			
	997 551 011 18 FLX	Stone grey			
	997 551 011 18 FLY	Sand Beige			
	997 551 011 18 FLZ	Sea blue			
	997 551 011 18 FSV	Carrera Red			
(1)	997 551 011 09	Carpet	/RL	1	COUPE I099
		Carpet Terracotta			
	997 551 011 09 FMB	Cocoa			
	997 551 011 09 FMC	Dark grey/natural			
	997 551 011 09 FMD	Brown/natural			
(1)	997 551 011 09	Carpet	/RL	1	COUPE I099
		Carpet Until Chassis number See technical information GR.7 NR. 17/11 KD-NR. 70			
	997 551 011 09 FLW	Black			
	997 551 011 09 FLX	Stone grey			
	997 551 011 09 FLY	Sand Beige			
	997 551 011 09 FLZ	Sea blue			
	997 551 011 09 FSV	Carrera Red			
(1)	997 551 011 19	Carpet	/RL	1	COUPE I099
		Carpet From Chassis number See technical information GR.7 NR. 17/11 KD-NR. 70			

Model: 997-09 Model life 2009>>2012

Pos	Part Number	Description	Remark	Qty	Model
(1)	997 551 011 19 FLW	Black	/LL 10-	1	COUPE S I098/756
	997 551 011 19 FLX	Stone grey			
	997 551 011 19 FLY	Sand Beige			
	997 551 011 19 FLZ	Sea blue			
	997 551 011 19 FSV	Carrera Red			
(1)	997 551 011 16	Carpet	/RL 10-	1	COUPE S I099/756
	997 551 011 16 DSC	Espresso			
(1)	997 551 011 17	Carpet	/LL	1	CABRIO I098/490
	997 551 011 17 DSC	Espresso			
(1)	997 551 011 10	Carpet	/LL	1	CABRIO I098/490
	997 551 011 10 FMB	Terracotta			
	997 551 011 10 FMC	Cocoa			
	997 551 011 10 FMD	Dark grey/natural			
	997 551 011 10 FME	Brown/natural			
(1)	997 551 011 10	Carpet	/LL	1	CABRIO I098/490
		Carpet			
		Until			
		Chassis number			
		See technical information			
		GR.7 NR. 17/11			
		KD-NR. 70			
	997 551 011 10 FLW	Black			
	997 551 011 10 FLX	Stone grey			
	997 551 011 10 FLY	Sand Beige			
	997 551 011 10 FLZ	Sea blue			
	997 551 011 10 FSV	Carrera Red			
	997 551 011 20	Carpet			
		Carpet			
		From			
	Chassis number				
	See technical information				
	GR.7 NR. 17/11				
	KD-NR. 70				
(1)	997 551 011 20 FLW	Black	/LL	1	CABRIO I098/099/490
	997 551 011 20 FLX	Stone grey			
	997 551 011 20 FLY	Sand Beige			
	997 551 011 20 FLZ	Sea blue			
	997 551 011 20 FSV	Carrera Red			
(1)	997 551 011 11	Carpet	/RL	1	CABRIO I099/490
		Carpet			
	997 551 011 11 FMB	Terracotta			
	997 551 011 11 FMC	Cocoa			
	997 551 011 11 FMD	Dark grey/natural			
(1)	997 551 011 11	Carpet	/LL	1	CABRIO I098/490
		Carpet			
		Until			
		Chassis number			
		See technical information			
		GR.7 NR. 17/11			
		KD-NR. 70			
	997 551 011 11 FLW	Black			
	997 551 011 11 FLX	Stone grey			

Model: 997-09 Model life 2009>>2012

Pos	Part Number	Description	Remark	Qty	Model
(1)	997 551 011 11 FLY	Sand Beige	/RL	1	CABRIO I099/490
	997 551 011 11 FLZ	Sea blue			
	997 551 011 11 FSV	Carrera Red			
	997 551 011 21	Carpet			
(1)		Carpet From Chassis number See technical information GR.7 NR. 17/11 KD-NR. 70	/LL	1	CABRIO I098/680
	997 551 011 21 FLW	Black			
	997 551 011 21 FLX	Stone grey			
	997 551 011 21 FLY	Sand Beige			
	997 551 011 21 FLZ	Sea blue			
	997 551 011 21 FSV	Carrera Red			
	997 551 011 12	Carpet			
		Carpet Terracotta			
	997 551 011 12 FMC	Cocoa			
	997 551 011 12 FMD	Dark grey/natural			
(1)	997 551 011 12 FME	Brown/natural	/LL	1	CABRIO I098/680
	997 551 011 12	Carpet			
		Carpet Until Chassis number See technical information GR.7 NR. 17/11 KD-NR. 70			
	997 551 011 12 FLW	Black			
	997 551 011 12 FLX	Stone grey			
	997 551 011 12 FLY	Sand Beige			
	997 551 011 12 FLZ	Sea blue			
	997 551 011 12 FSV	Carrera Red			
	997 551 011 22	Carpet			
		Carpet From Chassis number See technical information GR.7 NR. 17/11 KD-NR. 70			
(1)	997 551 011 22 FLW	Black	/LL	1	CABRIO I098/680
	997 551 011 22 FLX	Stone grey			
	997 551 011 22 FLY	Sand Beige			
	997 551 011 22 FLZ	Sea blue			
	997 551 011 22 FSV	Carrera Red			
	997 551 011 13	Carpet			
		Carpet Terracotta			
	997 551 011 13 FMC	Cocoa			
	997 551 011 13 FMD	Dark grey/natural			
	997 551 011 13 FME	Brown/natural			
(1)	997 551 011 13	Carpet	/RL	1	CABRIO I099/680
		Carpet Until Chassis number See technical information GR.7 NR. 17/11			
	997 551 011 13 FMB	Terracotta			
	997 551 011 13 FMC	Cocoa			
	997 551 011 13 FMD	Dark grey/natural			
	997 551 011 13 FME	Brown/natural			
	997 551 011 13	Carpet			
		Carpet Until Chassis number See technical information GR.7 NR. 17/11			
	997 551 011 13 FMB	Terracotta			
	997 551 011 13 FMC	Cocoa			

Model: 997-09 Model life 2009>>2012

Pos	Part Number	Description	Remark	Qty	Model	
(1)		KD-NR. 70				
		997 551 011 13 FLW	Black			
		997 551 011 13 FLX	Stone grey			
		997 551 011 13 FLY	Sand Beige			
		997 551 011 13 FLZ	Sea blue			
		997 551 011 13 FSV	Carrera Red			
		997 551 011 23	Carpet	/RL	1	CABRIO I099/680
			Carpet From Chassis number See technical information GR.7 NR. 17/11 KD-NR. 70			
		997 551 011 23 FLW	Black			
		997 551 011 23 FLX	Stone grey			
(1)		997 551 011 23 FLY	Sand Beige			
		997 551 011 23 FLZ	Sea blue			
		997 551 011 23 FSV	Carrera Red			
		997 551 011 08	Carpet	/LL	1	TARGA I098/490
			Carpet Terracotta			
		997 551 011 08 FMB	Terracotta			
		997 551 011 08 FMC	Cocoa			
		997 551 011 08 FMD	Dark grey/natural			
		997 551 011 08 FME	Brown/natural			
		997 551 011 08	Carpet	/LL	1	TARGA I098/490
(1)			Carpet Until Chassis number See technical information GR.7 NR. 17/11 KD-NR. 70			
		997 551 011 08 FLW	Black			
		997 551 011 08 FLX	Stone grey			
		997 551 011 08 FLY	Sand Beige			
		997 551 011 08 FLZ	Sea blue			
		997 551 011 08 FSV	Carrera Red			
		997 551 011 18	Carpet	/LL	1	TARGA I098/490
			Carpet Until Chassis number See technical information GR.7 NR. 17/11 KD-NR. 70			
		997 551 011 18 FLW	Black			
		997 551 011 18 FLX	Stone grey			
(1)		997 551 011 18 FLY	Sand Beige			
		997 551 011 18 FLZ	Sea blue			
		997 551 011 18 FSV	Carrera Red			
		997 551 011 09	Carpet	/RL	1	TARGA I099/490
			Carpet Terracotta			
		997 551 011 09 FMB	Terracotta			
		997 551 011 09 FMC	Cocoa			
		997 551 011 09 FMD	Dark grey/natural			
		997 551 011 09 FME	Brown/natural			
		997 551 011 09	Carpet	/RL	1	TARGA I099/490
(1)			Carpet From			

Model: 997-09 Model life 2009>>2012

Pos	Part Number	Description	Remark	Qty	Model
		Chassis number See technical information GR.7 NR. 17/11 KD-NR. 70			
	997 551 011 09 FLW	Black			
	997 551 011 09 FLX	Stone grey			
	997 551 011 09 FLY	Sand Beige			
	997 551 011 09 FLZ	Sea blue			
	997 551 011 09 FSV	Carrera Red			
(1)	997 551 011 19	Carpet	/RL	1	TARGA I099/490
		Carpet From Chassis number See technical information GR.7 NR. 17/11 KD-NR. 70			
	997 551 011 19 FLW	Black			
	997 551 011 19 FLX	Stone grey			
	997 551 011 19 FLY	Sand Beige			
	997 551 011 19 FLZ	Sea blue			
	997 551 011 19 FSV	Carrera Red			
(1)	997 551 011 14	Carpet	/LL	1	TARGA I098/680
		Carpet 997 551 011 14 FLW Black 997 551 011 14 FLX Stone grey 997 551 011 14 FLY Sand Beige 997 551 011 14 FLZ Sea blue 997 551 011 14 FMB Terracotta 997 551 011 14 FMC Cocoa 997 551 011 14 FMD Dark grey/natural 997 551 011 14 FME Brown/natural 997 551 011 14 FSV Carrera Red			
(1)	997 551 011 14	Carpet	/LL	1	TARGA I098/680
		Carpet 997 551 011 14 FMB Terracotta 997 551 011 14 FMC Cocoa 997 551 011 14 FMD Dark grey/natural 997 551 011 14 FME Brown/natural			
(1)	997 551 011 14	Carpet	/LL	1	TARGA I098/680
		Carpet Until Chassis number See technical information GR.7 NR. 17/11 KD-NR. 70			
	997 551 011 14 FLW	Black			
	997 551 011 14 FLX	Stone grey			
	997 551 011 14 FLY	Sand Beige			
	997 551 011 14 FLZ	Sea blue			
	997 551 011 14 FSV	Carrera Red			
(1)	997 551 011 24	Carpet	/LL	1	TARGA I098/680
		Carpet Until Chassis number See technical information GR.7 NR. 17/11 KD-NR. 70			
	997 551 011 24 FLW	Black			

Model: 997-09 Model life 2009>>2012

Pos	Part Number	Description	Remark	Qty	Model
(1)	997 551 011 24 FLX	Stone grey	/RL	1	TARGA I099/680
	997 551 011 24 FLY	Sand Beige			
	997 551 011 24 FLZ	Sea blue			
	997 551 011 24 FSV	Carrera Red			
	997 551 011 15	Carpet			
(1)		Carpet	/RL	1	TARGA I099/680
	997 551 011 15 FMB	Terracotta			
	997 551 011 15 FMC	Cocoa			
	997 551 011 15 FMD	Dark grey/natural			
	997 551 011 15 FME	Brown/natural			
(1)	997 551 011 15	Carpet	/RL	1	TARGA I099/680
		Carpet			
		From			
		Chassis number			
		See technical information			
		GR.7 NR. 17/11			
		KD-NR. 70			
	997 551 011 15 FLW	Black			
	997 551 011 15 FLX	Stone grey			
	997 551 011 15 FLY	Sand Beige			
	997 551 011 15 FLZ	Sea blue			
	997 551 011 15 FSV	Carrera Red			
	997 551 011 25	Carpet			
		Carpet			
		From			
	Chassis number				
	See technical information				
	GR.7 NR. 17/11				
	KD-NR. 70				
997 551 011 25 FLW	Black	/LL	1	I098	
997 551 011 25 FLX	Stone grey				
997 551 011 25 FLY	Sand Beige				
997 551 011 25 FLZ	Sea blue				
997 551 011 25 FSV	Carrera Red				
-	997 551 813 01				Protective film
	Carpet				
-	997 551 815 01				Protective film
	Carpet				
2	997 551 211 01				Foot support
3	999 076 081 40				Plastic nut
	T5/16 X 11,2				
	for				
	Mount				
4	997 551 611 00				Foot support
	Cover				
	Foot support				
(4)	997 551 611 00 01C	Satin black			
	997 551 986 00	Cover			
	Foot support				
5	997 551 212 00	Foot support			
6	999 073 060 02	Tapping screw			
	ST 4,8 X 13				
7	999 591 485 01	Speed nut			
	ST 4,8				
	for				
	Mount				
8	997 551 612 00	Foot support			
	Cover				
	Foot support				
	997 551 612 00 01C	Satin black			

Model: 997-09 Model life 2009>>2012

Pos	Part Number	Description	Remark	Qty	Model
9	999 919 188 09	Oval-head screw 5,0 X 30 for Mount Cover Foot support	/RL	1	I099
10	997 551 101 00	Lining Fusebox Carpet	/LL	1	I098
	997 551 101 00 A10	Black			
	997 551 101 00 B10	Stone grey			
	997 551 101 00 T10	Sand Beige			
	997 551 101 00 E10	Sea blue			
	997 551 101 00 M10	Terracotta			
	997 551 101 00 R10	Cocoa			
	997 551 101 00 D11	Dark grey/natural			
	997 551 101 00 T11	Brown/natural			
	997 551 101 00 N10	Carrera Red			
(10)	997 551 101 01	Lining Fusebox Carpet	/LL 10-	1	COUPE S I098/756
	997 551 101 01 H31	Espresso			
(10)	997 551 102 00	Lining Fusebox Carpet	/RL	1	I099
	997 551 102 00 A10	Black			
	997 551 102 00 B10	Stone grey			
	997 551 102 00 T10	Sand Beige			
	997 551 102 00 E10	Sea blue			
	997 551 102 00 M10	Terracotta			
	997 551 102 00 R10	Cocoa			
	997 551 102 00 D11	Dark grey/natural			
	997 551 102 00 T11	Brown/natural			
	997 551 102 00 N10	Carrera Red			
(10)	997 551 102 01	Lining Fusebox Carpet	/RL 10-	1	COUPE S I099/756
	997 551 102 01 H31	Espresso			
11	999 507 552 01	Spring clamp 9,0 X 13/4,0		2	
12	999 919 161 09	Oval-head screw 5,0 X 18 for Mount Lining Fusebox		3	
13	997 551 621 00	Lid Lining Fusebox	/LL	1	I098
	997 551 621 00 01C	Satin black			
(13)	997 551 622 00	Lid Lining Fusebox	/RL	1	I099
	997 551 622 00 01C	Satin black			
(14)	997 551 712 02	Support Carpet	/LL	1	I098
(14)	997 551 711 02	Support Carpet	/RL	1	I099
15	999 076 081 40	Plastic nut T5/16 X 11,2 Mount		2	

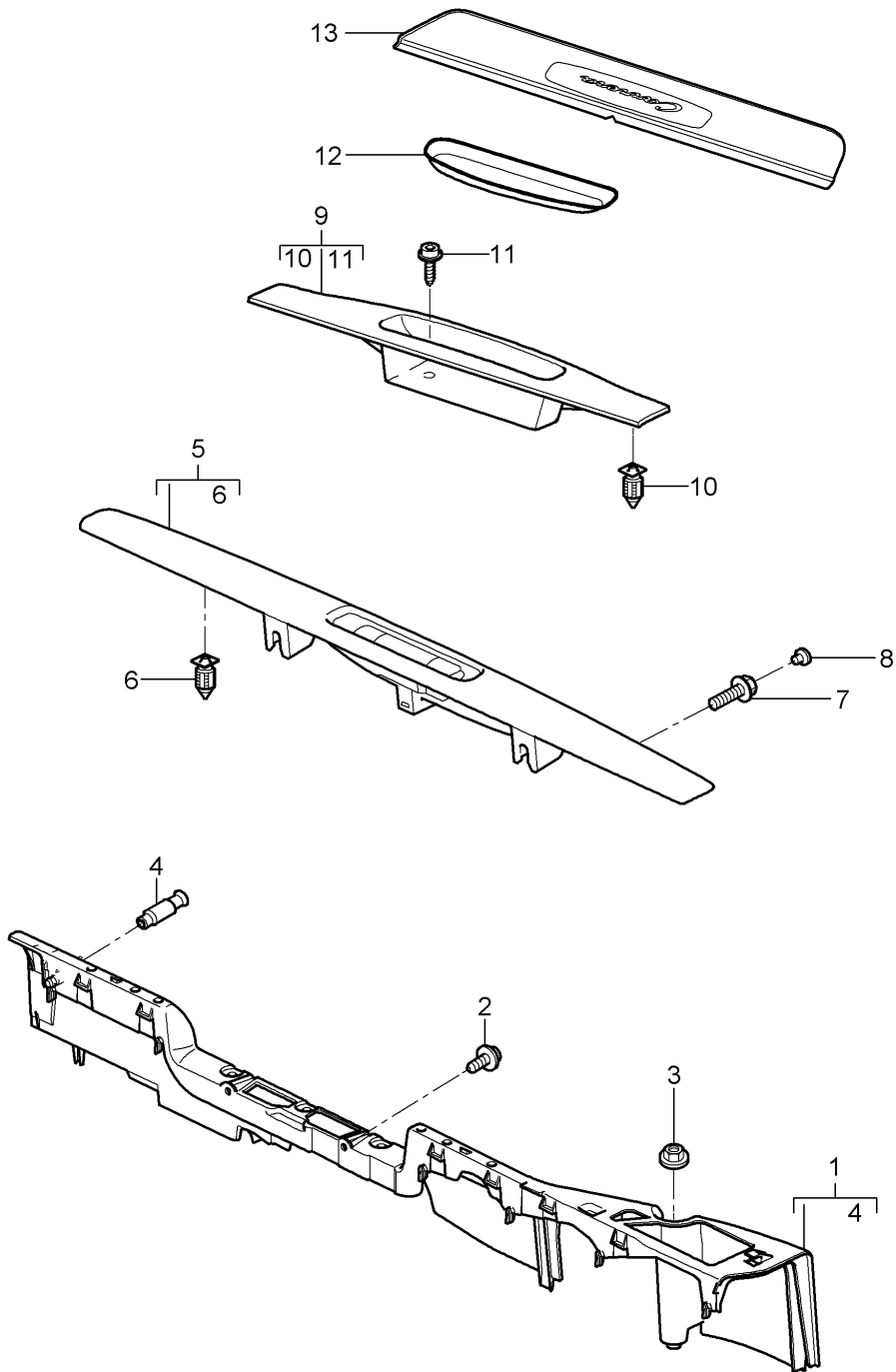
Model: 997-09

Model life 2009>>2012

Pos	Part Number	Description	Remark	Qty	Model
16		Support Carpet Floor mats Set See illustrations 8/07/06		1	
17	999 902 054 40	Tequipment catalogue Fastening plate for Floor mats		4	
18	964 551 751 00	Support Warning light	/RL	1	I099/193
(18)	997 551 852 00	Support Warning light	/LL	1	I098/193
19	999 919 254 01	Oval-head screw 4,0 x 36,5		2	I193

Model: 997-09

Model life 2009>>2012



Model: 997-09 Model life 2009>>2012

Pos	Part Number	Description	Remark	Qty	Model
		Lining	09-		
1	997 551 619 02	Door sill Support	/L	1	
(1)	997 551 620 01	Door sill Support	/R	1	
2	900 143 082 01	Door sill Tapping screw ST 6,3 X 13 for Mount Support		4	
3	999 076 081 40	Door sill Plastic nut T5 16 X 11,2 for Mount Support		2	
4	996 551 873 00	Door sill Locating peg for Mount Support		2	
5	997 551 019 04	Door sill Lining	/LL	1	COUPE/CABRIO I098
		Door sill Driver's side			
(5)	997 551 019 04 A03	Black			
		Door sill Driver's side			
(5)	997 551 019 05	Lining	/RL	1	COUPE/CABRIO I099
		Door sill Driver's side			
(5)	997 551 019 05 A03	Black			
		Door sill Driver's side			
(5)	997 551 019 06	Lining	/LL	1	TARGA I098
		Door sill Driver's side			
(5)	997 551 019 06 A03	Black			
		Door sill Driver's side			
(5)	997 551 019 07	Lining	/RL	1	TARGA I099
		Door sill Driver's side			
5	997 551 019 07 A03	Black			
		Door sill Driver's side			
5	997 551 982 00	Lining	/LL	1	COUPE/CABRIO IXTG/098
		Door sill Driver's side			
		Leather			
	997 551 982 00 A11	Black			
	997 551 982 00 5X6	Stone grey			
	997 551 982 00 8G2	Sand Beige			
	997 551 982 00 3S9	Sea blue			
	997 551 982 00 9S5	Terracotta			
	997 551 982 00 9V6	Cocoa			
	997 551 982 00 D12	Dark grey/natural			
	997 551 982 00 T12	Brown/natural			
	997 551 982 00 N12	Carrera Red			
(5)	997 551 982 01	Lining	/RL	1	COUPE/CABRIO IXTG/099
		Door sill Driver's side			
		Leather			
	997 551 982 01 A11	Black			

Model: 997-09 Model life 2009>>2012

Pos	Part Number	Description	Remark	Qty	Model
	997 551 982 01 5X6	Stone grey			
	997 551 982 01 8G2	Sand Beige			
	997 551 982 01 3S9	Sea blue			
	997 551 982 01 9S5	Terracotta			
	997 551 982 01 9V6	Cocoa			
	997 551 982 01 D12	Dark grey/natural			
	997 551 982 01 T12	Brown/natural			
	997 551 982 01 N12	Carrera Red			
(5)	997 551 982 02	Lining	/LL	1	TARGA IXTG/098
		Door sill Driver's side Leather			
	997 551 982 02 A11	Black			
	997 551 982 02 5X6	Stone grey			
	997 551 982 02 8G2	Sand Beige			
	997 551 982 02 3S9	Sea blue			
	997 551 982 02 9S5	Terracotta			
	997 551 982 02 9V6	Cocoa			
	997 551 982 02 D12	Dark grey/natural			
	997 551 982 02 T12	Brown/natural			
	997 551 982 02 N12	Carrera Red			
(5)	997 551 982 03	Lining	/RL	1	TARGA IXTG/099
		Door sill Driver's side Leather			
	997 551 982 03 A11	Black			
	997 551 982 03 5X6	Stone grey			
	997 551 982 03 8G2	Sand Beige			
	997 551 982 03 3S9	Sea blue			
	997 551 982 03 9S5	Terracotta			
	997 551 982 03 9V6	Cocoa			
	997 551 982 03 D12	Dark grey/natural			
	997 551 982 03 T12	Brown/natural			
	997 551 982 03 N12	Carrera Red			
(5)	997 551 982 04	Lining	/LL 10-	1	COUPE S IXTG/098/756
		Door sill Driver's side Leather			
(5)	997 551 982 04 6J0	Espresso			
(5)	997 551 982 05	Lining	/RL 10-	1	COUPE S IXTG/099/756
		Door sill Driver's side Leather			
6	997 551 982 05 6J0	Espresso		6	
	999 507 484 40	Expander nut 9 X 22		6	
7	999 067 046 01	Combination screw M 6 X 20		2	
8	999 703 443 40	Stopper 8,0 X 11		2	
	999 703 443 40 01C	Satin black			
9	997 551 120 01	Lining		1	
		Door sill Passenger's side			
(9)	997 551 120 01 A03	Black			
	997 551 983 00	Lining		1	IXTG
		Door sill Passenger's side Leather			

Model: 997-09 Model life 2009>>2012

Pos	Part Number	Description	Remark	Qty	Model
	997 551 983 00 A11	Black			
	997 551 983 00 5X6	Stone grey			
	997 551 983 00 8G2	Sand Beige			
	997 551 983 00 3S9	Sea blue			
	997 551 983 00 9S5	Terracotta			
	997 551 983 00 9V6	Cocoa			
	997 551 983 00 D12	Dark grey/natural			
	997 551 983 00 T12	Brown/natural			
	997 551 983 00 N12	Carrera Red			
(9)	997 551 983 01	Lining	10-	1	COUPE S IXTG/756
		Door sill			
		Passenger's side			
10	997 551 983 01 6J0	Espresso		6	
	999 507 484 40	Expander nut			
		9 X 22			
11	999 919 164 09	Oval-head screw		1	
		5,0 X 12			
12	996 551 513 00	Mat		1	
13	997 551 303 07	Scuff plate		2	CARRERA
		Lacquered			
	997 551 303 07 A03	Black			
		Scuff plate			
		Exclusive			
		without			
		Illumination			
		See catalogue			
		Tequipment			
		8/07/06			
(13)	997 551 303 08	Scuff plate		2	CARRERA S
		Lacquered			
	997 551 303 08 A03	Black			
		Scuff plate			
		Exclusive			
		without			
		Illumination			
		See catalogue			
		Tequipment			
		8/07/06			
(13)	997 551 303 09	Scuff plate		2	CARRERA 4
		Lacquered			
	997 551 303 09 A03	Black			
		Scuff plate			
		Exclusive			
		without			
		Illumination			
		See catalogue			
		Tequipment			
		8/07/06			
(13)	997 551 303 10	Scuff plate		2	CARRERA 4S
		Lacquered			
	997 551 303 10 A03	Black			
		Scuff plate			
		Exclusive			
		without			
		Illumination			
		See catalogue			
		Tequipment			
		8/07/06			
(13)	997 551 303 12	Scuff plate		2	TARGA_4
		Lacquered			
	997 551 303 12 A03	Black			
		Scuff plate			

Model: 997-09

Model life 2009>>2012

Pos	Part Number	Description	Remark	Qty	Model
(13)	997 551 303 13 997 551 303 13 A03	Exclusive without Illumination See catalogue Tequipment 8/07/06 Scuff plate Lacquered Black Scuff plate Exclusive without Illumination See catalogue Tequipment 8/07/06		2	TARGA_4S
(13)	997 551 990 30	Scuff plate	10-	1	CARRERA IXXB
(13)	997 551 990 31	Set Stainless steel with Illumination Scuff plate	10-	1	CARRERA S IXXB
(13)	997 551 990 32	Set Stainless steel with Illumination Scuff plate	10-	1	TARGA 4 IXXB
(13)	997 551 990 33	Set Stainless steel with Illumination Scuff plate	10-	1	TARGA 4S IXXB
(13)	997 551 990 37	Set Stainless steel with Illumination Scuff plate	10-	1	CARRERA 4 IXXB
(13)	997 551 990 38	Set Stainless steel with Illumination Scuff plate	10-	1	CARRERA 4S IXXB
(13)	997 551 990 40	Set Stainless steel with Illumination Scuff plate	11-	1	CARRERA GTS IXXB/011
(13)	997 551 990 41	Set Stainless steel with Illumination Scuff plate	12-	1	C4 GTS IXXB/019

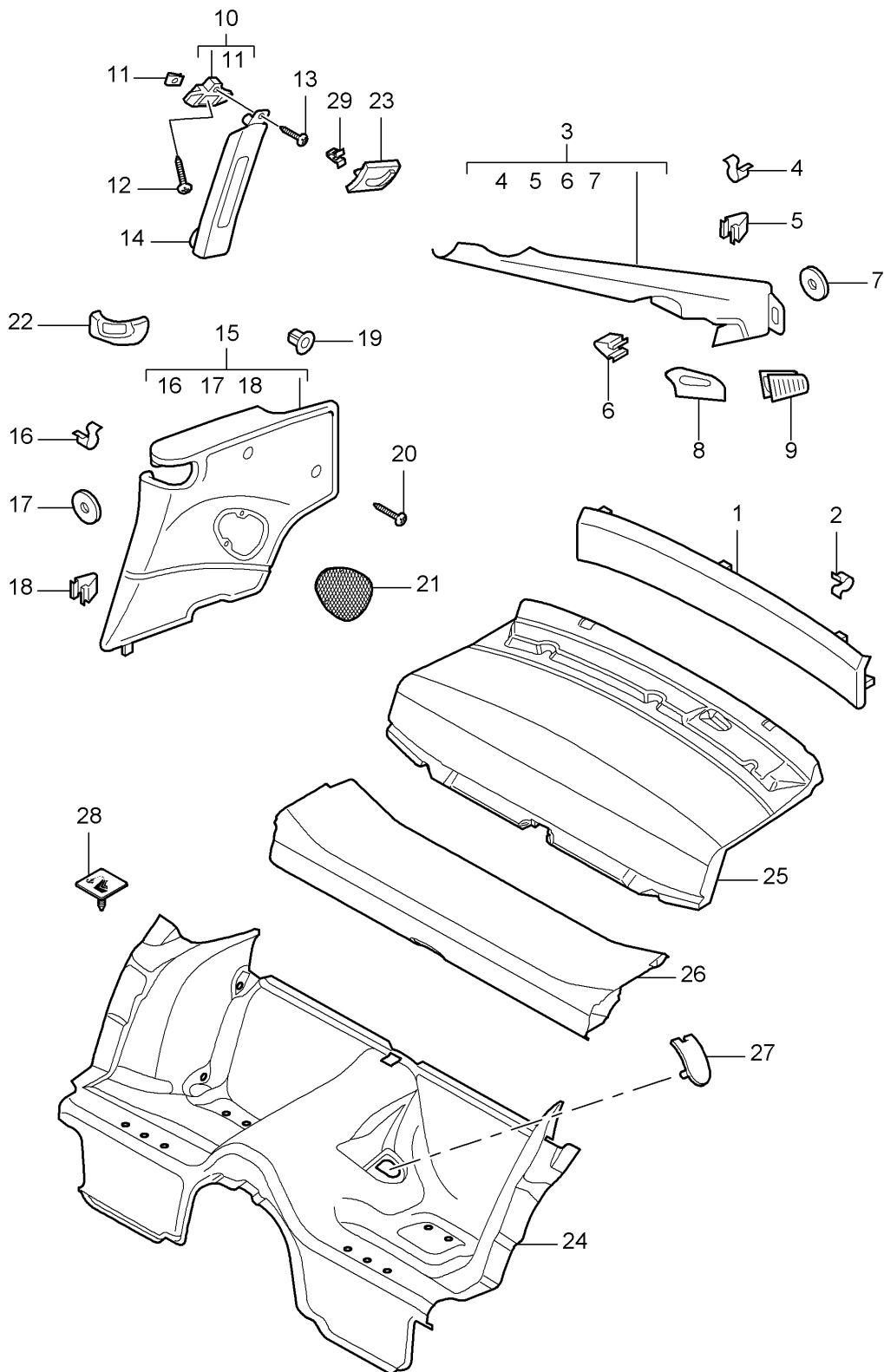
Model: 997-09

Model life 2009>>2012

Pos	Part Number	Description	Remark	Qty	Model
(13)	997 551 991 40	Illumination Scuff plate Set Carbon with Illumination	11-	1	CARRERA GTS IXXD/011
(13)	997 551 991 42	Scuff plate Set Carbon with Illumination	12-	1	C4 GTS IXXD/019
(13)	997 551 981 18	Scuff plate Set Stainless steel	12-	1	C4 GTS IX70/019
(13)	997 551 981 15	Scuff plate Set Stainless steel	11-	1	CARRERA GTS IX70/011
(13)	997 551 991 30	Scuff plate Set Carbon with Illumination	10-	1	CARRERA IXXD
(13)	997 551 991 31	Scuff plate Set Carbon with Illumination	10-	1	CARRERA S IXXD
(13)	997 551 991 32	Scuff plate Set Carbon with Illumination	10-	1	TARGA 4 IXXD
(13)	997 551 991 33	Scuff plate Set Carbon with Illumination	10-	1	TARGA 4S IXXD
(13)	997 551 991 37	Scuff plate Set Carbon with Illumination	10-	1	Carrera 4 IXXD
(13)	997 551 991 38	Scuff plate Set Carbon with Illumination	10-	1	Carrera 4S IXXD
(13)	997 551 981 16	Scuff plate Set	11-	1	Carrera IX70/013
(13)	997 551 981 07	Scuff plate Set	11-	1	Carrera IX70

Model: 997-09

Model life 2009>>2012



Model: 997-09 Model life 2009>>2012

Pos	Part Number	Description	Remark	Qty	Model
1	997 555 081 00	Linings Rear Lining Rear wall Carpet	09-	1	COUPE I426
	997 555 081 00 A10	Black			
	997 555 081 00 B10	Stone grey			
	997 555 081 00 T10	Sand Beige			
	997 555 081 00 E10	Sea blue			
	997 555 081 00 M10	Terracotta			
	997 555 081 00 R10	Cocoa			
	997 555 081 00 D11	Dark grey/natural			
	997 555 081 00 T11	Brown/natural			
	997 555 081 00 N10	Carrera Red			
(1)	997 555 081 01	Lining Rear wall Carpet		1	I425
	997 555 081 01 A10	Black			
	997 555 081 01 B10	Stone grey			
	997 555 081 01 T10	Sand Beige			
	997 555 081 01 E10	Sea blue			
	997 555 081 01 M10	Terracotta			
	997 555 081 01 R10	Cocoa			
	997 555 081 01 D11	Dark grey/natural			
	997 555 081 01 T11	Brown/natural			
	997 555 081 01 N10	Carrera Red			
(1)	997 555 081 02	Lining Rear wall Carpet	10-	1	COUPE S I426/756
	997 555 081 02 H31	Espresso			
2	999 507 687 05	Fixing clip 11,3		5	
3	997 555 187 00	Lining C-pillar Leatherette	/L	1	
	997 555 187 00 1MZ	Black			
	997 555 187 00 1YP	Stone grey			
	997 555 187 00 1TK	Sand Beige			
	997 555 187 00 1VM	Sea blue			
(3)	997 555 188 00	Lining C-pillar Leatherette	/R	1	
	997 555 188 00 1MZ	Black			
	997 555 188 00 1YP	Stone grey			
	997 555 188 00 1TK	Sand Beige			
	997 555 188 00 1VM	Sea blue			
3	997 555 187 01	Lining C-pillar Leather	/L	1	I981
	997 555 187 01 A11	Black			
	997 555 187 01 5X6	Stone grey			
	997 555 187 01 8G2	Sand Beige			
	997 555 187 01 3S9	Sea blue			
	997 555 187 01 9S5	Terracotta			
	997 555 187 01 9V6	Cocoa			
	997 555 187 01 D12	Dark grey/natural			
	997 555 187 01 T12	Brown/natural			
	997 555 187 01 N12	Carrera Red			
(3)	997 555 188 01	Lining C-pillar Leather	/R	1	I981
	997 555 188 01 A11	Black			

Model: 997-09 Model life 2009>>2012

Pos	Part Number	Description	Remark	Qty	Model
	997 555 188 01 5X6	Stone grey			
	997 555 188 01 8G2	Sand Beige			
	997 555 188 01 3S9	Sea blue			
	997 555 188 01 9S5	Terracotta			
	997 555 188 01 9V6	Cocoa			
	997 555 188 01 D12	Dark grey/natural			
	997 555 188 01 T12	Brown/natural			
	997 555 188 01 N12	Carrera Red			
(3)	997 555 187 06	Lining	/L 10-	1	COUPE S I756/981
		C-pillar Alcantara			
(3)	997 555 187 06 C24	Light grey	/R 10-	1	COUPE S I756/981
	997 555 188 06	Lining			
		C-pillar Alcantara			
4	997 555 188 06 C24	Light grey		4	
	999 507 533 02	Clamp 8,0 X10,0/2,5 2,5/09		4	
5	999 507 479 01	Clamp 2,5/09		6	
(5)	999 507 676 09	Clamp 2,5/2,2 18,0		2	
6	999 651 307 01	Cable clamp 18,0		2	
7	999 551 609 40	Plastic washer 8,0 X 23 X 3,0		7	
8	996 555 545 01	Rosette	/L	1	
		Seat belt Rear Lacquered			
	996 555 545 01 A03	Black			
	996 555 545 01 5V7	Stone grey			
	996 555 545 01 5Z1	Sand Beige			
	996 555 545 01 8W7	Sea blue			
	996 555 545 01 8X8	Terracotta			
	996 555 545 01 8P9	Cocoa			
	996 555 545 01 T13	Brown/natural			
	996 555 545 01 N23	Carrera Red			
(8)	996 555 546 01	Rosette	/R	1	
		Seat belt Rear Lacquered			
	996 555 546 01 A03	Black			
	996 555 546 01 5V7	Stone grey			
	996 555 546 01 5Z1	Sand Beige			
	996 555 546 01 8W7	Sea blue			
	996 555 546 01 8X8	Terracotta			
	996 555 546 01 8P9	Cocoa			
	996 555 546 01 T13	Brown/natural			
	996 555 546 01 N23	Carrera Red			
(8)	997 555 545 90	Rosette	/L 11-	1	-I685
		Seat belt Rear			
(8)	997 555 545 90 01C	Satin black	/R 11-	1	-I685
	997 555 546 90	Rosette			
		Seat belt Rear			
9	997 555 546 90 01C	Satin black			
	996 555 645 00	Grille	/L	1	

Model: 997-09 Model life 2009>>2012

Pos	Part Number	Description	Remark	Qty	Model
		Bleeding Lacquered			
	996 555 645 00 A03	Black			
	996 555 645 00 5V7	Stone grey			
	996 555 645 00 5Z1	Sand Beige			
	996 555 645 00 8W7	Sea blue			
	996 555 645 00 8X8	Terracotta			
	996 555 645 00 8P9	Cocoa			
	996 555 645 00 T13	Brown/natural			
	996 555 645 00 N23	Carrera Red			
(9)	996 555 646 00	Grille	/R	1	
		Bleeding Lacquered			
	996 555 646 00 A03	Black			
	996 555 646 00 5V7	Stone grey			
	996 555 646 00 5Z1	Sand Beige			
	996 555 646 00 8W7	Sea blue			
	996 555 646 00 8X8	Terracotta			
	996 555 646 00 8P9	Cocoa			
	996 555 646 00 T13	Brown/natural			
	996 555 646 00 N23	Carrera Red			
10	996 555 821 02	Bracket	/L	1	
		Coat hook			
(10)	996 555 822 02	Bracket	/R	1	
		Coat hook			
11	999 507 695 01	Speed nut		2	
		ST 4,8			
12	999 073 128 01	Tapping screw		2	
		6,3 X14			
		Mount			
		Bracket			
		Coat hook			
(12)	999 025 268 01	Washer		2	
		6,4 X 18			
		Mount			
		Bracket			
		Coat hook			
13	999 073 060 02	Tapping screw		2	
		4,8 X 13			
14	997 555 183 00	Lining	/L	1	
		B-pillar			
		Leatherette			
	997 555 183 00 1MZ	Black			
	997 555 183 00 1YP	Stone grey			
	997 555 183 00 1TK	Sand Beige			
	997 555 183 00 1VM	Sea blue			
(14)	997 555 184 00	Lining	/R	1	
		B-pillar			
		Leatherette			
	997 555 184 00 1MZ	Black			
	997 555 184 00 1YP	Stone grey			
	997 555 184 00 1TK	Sand Beige			
	997 555 184 00 1VM	Sea blue			
14	997 555 183 01	Lining	/L	1	I981
		B-pillar			
		Leather			
	997 555 183 01 A11	Black			
	997 555 183 01 5X6	Stone grey			
	997 555 183 01 8G2	Sand Beige			
	997 555 183 01 3S9	Sea blue			
	997 555 183 01 9S5	Terracotta			
	997 555 183 01 9V6	Cocoa			
	997 555 183 01 D12	Dark grey/natural			

Model: 997-09 Model life 2009>>2012

Pos	Part Number	Description	Remark	Qty	Model
(14)	997 555 183 01 T12	Brown/natural			
	997 555 183 01 N12	Carrera Red			
	997 555 184 01	Lining	/R	1	I981
		B-pillar			
		Leather			
	997 555 184 01 A11	Black			
	997 555 184 01 5X6	Stone grey			
	997 555 184 01 8G2	Sand Beige			
	997 555 184 01 3S9	Sea blue			
	997 555 184 01 9S5	Terracotta			
997 555 184 01 9V6	Cocoa				
997 555 184 01 D12	Dark grey/natural				
997 555 184 01 T12	Brown/natural				
997 555 184 01 N12	Carrera Red				
(14)	997 555 183 04	Lining	/L 10-	1	COUPE S I756/981
		B-pillar			
		Alcantara			
(14)	997 555 183 04 C24	Light grey			
(14)	997 555 184 04	Lining	/R 10-	1	COUPE S I756/981
		B-pillar			
		Alcantara			
	997 555 184 04 C24	Light grey			
-	996 555 859 00	Grommet		2	
		B-pillar			
15	997 555 071 00	Side trim panel	/L	1	
		Leatherette			
	997 555 071 00 1MZ	Black			
	997 555 071 00 1YP	Stone grey			
	997 555 071 00 1TK	Sand Beige			
	997 555 071 00 1VM	Sea blue			
(15)	997 555 072 00	Side trim panel	/R	1	
		Leatherette			
	997 555 072 00 1MZ	Black			
	997 555 072 00 1YP	Stone grey			
	997 555 072 00 1TK	Sand Beige			
	997 555 072 00 1VM	Sea blue			
15	997 555 071 01	Side trim panel	/L	1	I981
		Leather			
	997 555 071 01 FSA	Black/grey			
	997 555 071 01 FSD	Sea blue/grey			
	997 555 071 01 FSF	Terracotta/terracotta			
	997 555 071 01 FSG	Cocoa/Cocoa			
	997 555 071 01 FSH	Darkgrey natural/grey			
	997 555 071 01 FSJ	Brown nat./brown nat.			
15	997 555 071 01	Side trim panel	/L	1	I981
		Leather			
		Until			
		Chassis number			
		See technical information			
		GR.7 NR. 17/11			
		KD-NR. 70			
	997 555 071 01 FSB	Stone grey/stone grey			
	997 555 071 01 FSC	Sand beige/sand beige			
	997 555 071 01 FSP	Carrera Red			
15	997 555 911 00	Side trim panel	/L	1	I981
		Leather			
		From			
		Chassis number			
		See technical information			
		GR.7 NR. 17/11			
		KD-NR. 70			

Model: 997-09 Model life 2009>>2012

Pos	Part Number	Description	Remark	Qty	Model
(15)	997 555 911 00 FSB	Stone grey/stone grey			
	997 555 911 00 FSC	Sand beige/sand beige			
	997 555 911 00 FSP	Carrera Red			
	997 555 072 01	Side trim panel Leather	/R	1	I981
	997 555 072 01 FSA	Black/grey			
	997 555 072 01 FSD	Sea blue/grey			
	997 555 072 01 FSF	Terracotta/terracotta			
	997 555 072 01 FSG	Cocoa/Cocoa			
(15)	997 555 072 01 FSH	Darkgrey natural/grey			
	997 555 072 01 FSJ	Brown nat./brown nat.			
	997 555 072 01	Side trim panel Leather Until Chassis number See technical information GR.7 NR. 17/11 KD-NR. 70	/R	1	I981
	997 555 072 01 FSB	Stone grey/stone grey			
	997 555 072 01 FSC	Sand beige/sand beige			
	997 555 072 01 FSP	Carrera Red			
	997 555 912 00	Side trim panel Leather From Chassis number See technical information GR.7 NR. 17/11 KD-NR. 70	/R	1	I981
	997 555 912 00 FSB	Stone grey/stone grey			
15	997 555 912 00 FSC	Sand beige/sand beige			
	997 555 912 00 FSP	Carrera Red			
	997 555 071 06	Side trim panel two-colour	/L	1	I970
	997 555 071 06 BCG	Black/stone grey			
	997 555 071 06 BCH	Black/sand beige			
	997 555 071 06 BCJ	Black/terracotta			
	997 555 072 06	Side trim panel two-colour	/R	1	I970
	997 555 072 06 BCG	Black/stone grey			
(15)	997 555 072 06 BCH	Black/sand beige			
	997 555 072 06 BCJ	Black/terracotta			
	997 555 071 16	Side trim panel	/L 10-	1	COUPE S I756/981
	997 555 071 16 SCB	Espresso/Light Grey			
	997 555 072 16	Side trim panel Leather	/R 10-	1	COUPE S I756/981
	997 555 072 16 SCB	Espresso/Light Grey			
	997 555 072 16	Side trim panel Leather	/R 10-	1	COUPE S I756/981
	997 555 072 16 SCB	Espresso/Light Grey			
(15)	997 555 071 10	Side trim panel Leather	/L	1	-I685/-I970 I981
	997 555 071 10 FSA	Black/grey			
	997 555 072 10	Side trim panel Leather	/R	1	-I685/-I970 I981
	997 555 072 10 FSA	Black/grey			
	999 507 479 01	Clamp 2,5/0,88		2	

Model: 997-09 Model life 2009>>2012

Pos	Part Number	Description	Remark	Qty	Model
17	999 551 609 40	Plastic washer 8,0 X 23 X 3,0		2	
18	999 507 533 02	Clamp 8.0 X 10 /2,5		1	
19	999 507 050 40	Expander nut ST 4,2		2	
20	999 073 142 09	Tapping screw ST 4,2 X 19		2	
21	997 555 049 00	Loudspeaker grille Side trim panel Lacquered	/L	1	
	997 555 049 00 A03	Black			
	997 555 049 00 5V7	Stone grey			
	997 555 049 00 5Z1	Sand Beige			
	997 555 049 00 8W7	Sea blue			
	997 555 049 00 8X8	Terracotta			
	997 555 049 00 8P9	Cocoa			
	997 555 049 00 T13	Brown/natural			
	997 555 049 00 N23	Carrera Red			
(21)	997 555 050 00	Loudspeaker grille Side trim panel Lacquered	/R	1	
	997 555 050 00 A03	Black			
	997 555 050 00 5V7	Stone grey			
	997 555 050 00 5Z1	Sand Beige			
	997 555 050 00 8W7	Sea blue			
	997 555 050 00 8X8	Terracotta			
	997 555 050 00 8P9	Cocoa			
	997 555 050 00 T13	Brown/natural			
	997 555 050 00 N23	Carrera Red			
(21)	997 555 049 01	Loudspeaker grille Side trim panel Leather	/L 10-	1	IXVT
	997 555 049 01 A11	Black			
	997 555 049 01 5X6	Stone grey			
	997 555 049 01 8G2	Sand Beige			
	997 555 049 01 3S9	Sea blue			
	997 555 049 01 9S5	Terracotta			
	997 555 049 01 9V6	Cocoa			
	997 555 049 01 D12	Dark grey/natural			
	997 555 049 01 T12	Brown/natural			
	997 555 049 01 N12	Carrera Red			
(21)	997 555 049 01	Loudspeaker grille Side trim panel Leather	/L 10-	1	IXVT/756
	997 555 049 01 6J0	Espresso			
(21)	997 555 050 01	Loudspeaker grille Side trim panel Leather	/R 10-	1	IXVT
	997 555 050 01 A11	Black			
	997 555 050 01 5X6	Stone grey			
	997 555 050 01 8G2	Sand Beige			
	997 555 050 01 3S9	Sea blue			
	997 555 050 01 9S5	Terracotta			
	997 555 050 01 9V6	Cocoa			
	997 555 050 01 D12	Dark grey/natural			
	997 555 050 01 T12	Brown/natural			
	997 555 050 01 N12	Carrera Red			
(21)	997 555 050 01	Loudspeaker grille Side trim panel Leather	/R 10-	1	IXVT/756
	997 555 050 01 6J0	Espresso			
22	997 555 061 00	Rosette	/L	1	

Model: 997-09 Model life 2009>>2012

Pos	Part Number	Description	Remark	Qty	Model
		Seat belt Lacquered			
	997 555 061 00 A03	Black			
	997 555 061 00 5V7	Stone grey			
	997 555 061 00 5Z1	Sand Beige			
	997 555 061 00 8W7	Sea blue			
	997 555 061 00 8X8	Terracotta			
	997 555 061 00 8P9	Cocoa			
	997 555 061 00 T13	Brown/natural			
	997 555 061 00 N23	Carrera Red			
(22)	997 555 062 00	Rosette	/R	1	
		Seat belt Lacquered			
	997 555 062 00 A03	Black			
	997 555 062 00 5V7	Stone grey			
	997 555 062 00 5Z1	Sand Beige			
	997 555 062 00 8W7	Sea blue			
	997 555 062 00 8X8	Terracotta			
	997 555 062 00 8P9	Cocoa			
	997 555 062 00 T13	Brown/natural			
	997 555 062 00 N23	Carrera Red			
(22)	997 555 998 01	Rosette	/L 10-	1	IXDU
		Seat belt Leather			
	997 555 998 01 A11	Black			
	997 555 998 01 5X6	Stone grey			
	997 555 998 01 8G2	Sand Beige			
	997 555 998 01 3S9	Sea blue			
	997 555 998 01 9S5	Terracotta			
	997 555 998 01 9V6	Cocoa			
	997 555 998 01 D12	Dark grey/natural			
	997 555 998 01 T12	Brown/natural			
	997 555 998 01 N12	Carrera Red			
(22)	997 555 998 02	Rosette	/R 10-	1	IXDU
		Seat belt Leather			
	997 555 998 02 A11	Black			
	997 555 998 02 5X6	Stone grey			
	997 555 998 02 8G2	Sand Beige			
	997 555 998 02 3S9	Sea blue			
	997 555 998 02 9S5	Terracotta			
	997 555 998 02 9V6	Cocoa			
	997 555 998 02 D12	Dark grey/natural			
	997 555 998 02 T12	Brown/natural			
	997 555 998 02 N12	Carrera Red			
(22)	997 555 998 05	Rosette	/L 10-	1	IXCW
		Seat belt Aluminium			
	997 555 998 05 V04	Galvano silver			
(22)	997 555 998 06	Rosette	/R 10-	1	IXCW
		Seat belt Aluminium			
	997 555 998 06 V04	Galvano silver			
(22)	997 555 998 09	Rosette	/L 10-	1	IXDR
		Seat belt			
	997 555 998 09 G2X	Prime coated			
(22)	997 555 998 10	Rosette	/R 10-	1	IXDR
		Seat belt			
	997 555 998 10 G2X	Prime coated			
(22)	997 555 998 21	Rosette	/L 10-	1	IXJJ
		Seat belt Carbon			
	997 555 998 21 A35	Black			

Model: 997-09 Model life 2009>>2012

Pos	Part Number	Description	Remark	Qty	Model
(22)	997 555 998 22	Rosette Seat belt Carbon	/R 10-	1	IXJJ
23	997 555 998 22 A35	Black			
	997 555 573 00	Coat hook Lacquered	/L	1	
	997 555 573 00 A03	Black			
	997 555 573 00 5V7	Stone grey			
	997 555 573 00 5Z1	Sand Beige			
	997 555 573 00 8W7	Sea blue			
	997 555 573 00 8X8	Terracotta			
	997 555 573 00 8P9	Cocoa			
	997 555 573 00 T13	Brown/natural			
	997 555 573 00 N23	Carrera Red			
(23)	997 555 574 00	Coat hook Lacquered	/R	1	
	997 555 574 00 A03	Black			
	997 555 574 00 5V7	Stone grey			
	997 555 574 00 5Z1	Sand Beige			
	997 555 574 00 8W7	Sea blue			
	997 555 574 00 8X8	Terracotta			
	997 555 574 00 8P9	Cocoa			
	997 555 574 00 T13	Brown/natural			
	997 555 574 00 N23	Carrera Red			
24	997 551 017 02	Adhesive carpet Seat well		1	I685
	997 551 017 02 M10	Terracotta			
	997 551 017 02 R10	Cocoa			
	997 551 017 02 D11	Dark grey/natural			
	997 551 017 02 T11	Brown/natural			
24	997 551 017 02	Adhesive carpet Seat well Until Chassis number See technical information GR.7 NR. 17/11 KD-NR. 70		1	I685
	997 551 017 02 A10	Black			
	997 551 017 02 B10	Stone grey			
	997 551 017 02 T10	Sand Beige			
	997 551 017 02 E10	Sea blue			
	997 551 017 02 N10	Carrera Red			
24	997 551 017 06	Adhesive carpet Seat well From Chassis number See technical information GR.7 NR. 17/11 KD-NR. 70		1	I685
	997 551 017 06 A10	Black			
	997 551 017 06 B10	Stone grey			
	997 551 017 06 T10	Sand Beige			
	997 551 017 06 E10	Sea blue			
	997 551 017 06 N10	Carrera Red			
	997 551 017 06 R75	Espresso			
(24)	997 551 017 05	Adhesive carpet Seat well	10-	1	COUPE S I685/756
	997 551 017 05 H31	Espresso			
(24)	997 551 021 90	Adhesive carpet Seat well Carpet	11-	1	-I685
	997 551 021 90 A10	Black			

Model: 997-09 Model life 2009>>2012

Pos	Part Number	Description	Remark	Qty	Model
(25)	997 551 031 12	Adhesive carpet Rear wall Carpet		1	I490
	997 551 031 12 M10	Terracotta			
	997 551 031 12 R10	Cocoa			
	997 551 031 12 D11	Dark grey/natural			
	997 551 031 12 T11	Brown/natural			
(25)	997 551 031 12	Adhesive carpet Rear wall Carpet Until Chassis number See technical information GR.7 NR. 17/11 KD-NR. 70		1	I490
	997 551 031 12 A10	Black			
	997 551 031 12 B10	Stone grey			
	997 551 031 12 T10	Sand Beige			
	997 551 031 12 E10	Sea blue			
	997 551 031 12 N10	Carrera Red			
(25)	997 551 031 25	Adhesive carpet Rear wall Carpet From Chassis number See technical information GR.7 NR. 17/11 KD-NR. 70		1	I490
	997 551 031 25 A10	Black			
	997 551 031 25 B10	Stone grey			
	997 551 031 25 T10	Sand Beige			
	997 551 031 25 E10	Sea blue			
	997 551 031 25 N10	Carrera Red			
(25)	997 551 031 13	Adhesive carpet Rear wall Carpet		1	I479/490
	997 551 031 13 M10	Terracotta			
	997 551 031 13 R10	Cocoa			
	997 551 031 13 D11	Dark grey/natural			
	997 551 031 13 T11	Brown/natural			
(25)	997 551 031 13	Adhesive carpet Rear wall Carpet Until Chassis number See technical information GR.7 NR. 17/11 KD-NR. 70		1	I479/490
	997 551 031 13 A10	Black			
	997 551 031 13 B10	Stone grey			
	997 551 031 13 T10	Sand Beige			
	997 551 031 13 E10	Sea blue			
	997 551 031 13 N10	Carrera Red			
(25)	997 551 031 26	Adhesive carpet Rear wall Carpet From Chassis number See technical information GR.7 NR. 17/11 KD-NR. 70		1	I479/490
	997 551 031 26 A10	Black			
	997 551 031 26 B10	Stone grey			

Model: 997-09 Model life 2009>>2012

Pos	Part Number	Description	Remark	Qty	Model
(25)	997 551 031 26 T10	Sand Beige		1	I680
	997 551 031 26 E10	Sea blue			
	997 551 031 26 N10	Carrera Red			
	997 551 031 18	Adhesive carpet Rear wall Carpet			
	997 551 031 18 M10	Terracotta			
(25)	997 551 031 18 R10	Cocoa		1	I680
	997 551 031 18 D11	Dark grey/natural			
	997 551 031 18 T11	Brown/natural			
	997 551 031 18	Adhesive carpet Rear wall Carpet Until Chassis number See technical information GR.7 NR. 17/11 KD-NR. 70			
	997 551 031 18 A10	Black			
	997 551 031 18 B10	Stone grey			
	997 551 031 18 T10	Sand Beige			
	997 551 031 18 E10	Sea blue			
	997 551 031 18 N10	Carrera Red			
	997 551 031 32	Adhesive carpet Rear wall Carpet From Chassis number See technical information GR.7 NR. 17/11 KD-NR. 70			
(25)	997 551 031 32 A10	Black		1	I113/680
	997 551 031 32 B10	Stone grey			
	997 551 031 32 T10	Sand Beige			
	997 551 031 32 E10	Sea blue			
	997 551 031 32 N10	Carrera Red			
(25)	997 551 031 19	Adhesive carpet Rear wall Carpet		1	I113/680
	997 551 031 19 M10	Terracotta			
	997 551 031 19 R10	Cocoa			
	997 551 031 19 D11	Dark grey/natural			
	997 551 031 19 T11	Brown/natural			
	997 551 031 19	Adhesive carpet Rear wall Carpet Until Chassis number See technical information GR.7 NR. 17/11 KD-NR. 70			
	997 551 031 19 A10	Black			
	997 551 031 19 B10	Stone grey			
	997 551 031 19 T10	Sand Beige			
	997 551 031 19 E10	Sea blue			
(25)	997 551 031 19 N10	Carrera Red		1	I479/680
	997 551 031 33	Adhesive carpet Rear wall Carpet From Chassis number See technical information GR.7 NR. 17/11			

Model: 997-09 Model life 2009>>2012

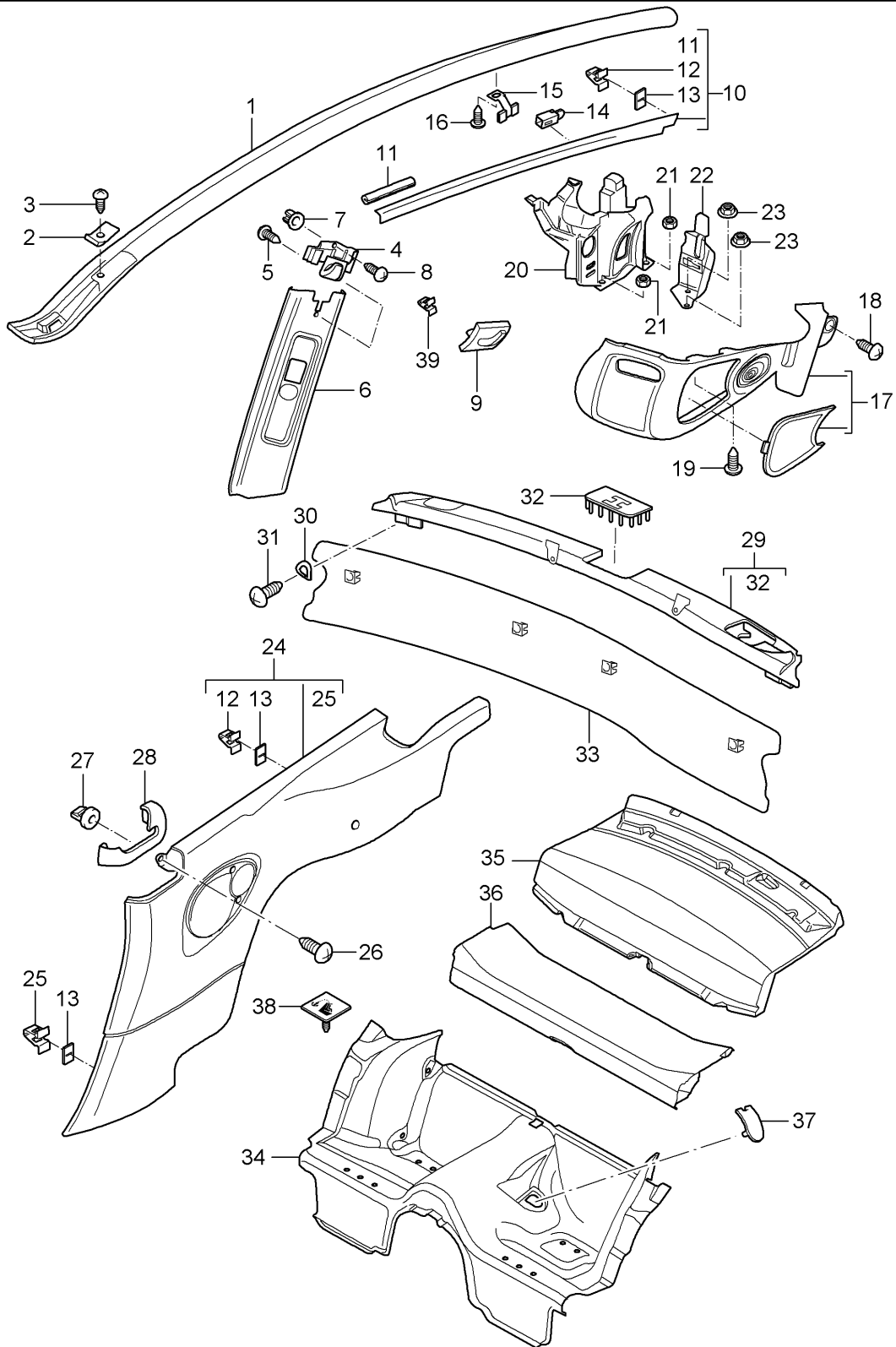
Pos	Part Number	Description	Remark	Qty	Model
		KD-NR. 70			
	997 551 031 33 A10	Black			
	997 551 031 33 B10	Stone grey			
	997 551 031 33 T10	Sand Beige			
	997 551 031 33 E10	Sea blue			
	997 551 031 33 N10	Carrera Red			
(25)	997 551 031 24	Adhesive carpet	10-	1	COUPE S I680/756
		Rear wall Carpet			
	997 551 031 24 H31	Espresso			
-	996 551 561 00	Desk pad		1	I680
26	997 551 033 00	Lining Control units Carpet		1	I490
	997 551 033 00 M10	Terracotta			
	997 551 033 00 R10	Cocoa			
	997 551 033 00 D11	Dark grey/natural			
	997 551 033 00 T11	Brown/natural			
26	997 551 033 00	Lining Control units Carpet Until Chassis number See technical information GR.7 NR. 17/11		1	I490
		KD-NR. 70			
	997 551 033 00 A10	Black			
	997 551 033 00 B10	Stone grey			
	997 551 033 00 T10	Sand Beige			
	997 551 033 00 E10	Sea blue			
	997 551 033 00 N10	Carrera Red			
26	997 551 033 03	Lining Control units Carpet From Chassis number See technical information GR.7 NR. 17/11		1	I490
		KD-NR. 70			
	997 551 033 03 A10	Black			
	997 551 033 03 B10	Stone grey			
	997 551 033 03 T10	Sand Beige			
	997 551 033 03 E10	Sea blue			
	997 551 033 03 N10	Carrera Red			
(26)	997 551 033 01	Lining Control units Carpet		1	I680
	997 551 033 01 M10	Terracotta			
	997 551 033 01 R10	Cocoa			
	997 551 033 01 D11	Dark grey/natural			
	997 551 033 01 T11	Brown/natural			
(26)	997 551 033 01	Lining Control units Carpet Until Chassis number See technical information GR.7 NR. 17/11		1	I680
		KD-NR. 70			
	997 551 033 01 A10	Black			
	997 551 033 01 B10	Stone grey			
	997 551 033 01 T10	Sand Beige			

Model: 997-09 Model life 2009>>2012

Pos	Part Number	Description	Remark	Qty	Model
(26)	997 551 033 01 E10 997 551 033 01 N10 997 551 033 04	Sea blue Carrera Red Lining Control units Carpet From Chassis number See technical information GR.7 NR. 17/11 KD-NR. 70		1	I680
(26)	997 551 033 04 A10 997 551 033 04 B10 997 551 033 04 T10 997 551 033 04 E10 997 551 033 04 N10 997 551 033 02	Black Stone grey Sand Beige Sea blue Carrera Red Lining Control units Carpet	10-	1	COUPE S I680/756
27	997 551 033 02 H31 997 551 525 00	Espresso Cover Seat-belt buckle	/L	1	
(27)	997 551 525 00 01C 997 551 526 00	Satin black Cover Seat-belt buckle	/R	1	
29	997 551 526 00 01C 999 507 476 01	Satin black Clamp 8,0 x 10 / 2,5 Mount Coat hook		2	

Model: 997-09

Model life 2009>>2012



Model: 997-09 Model life 2009>>2012

Pos	Part Number	Description	Remark	Qty	Model
(1)	997 555 195 00	Linings Rear Lining Roof pillar Leatherette	09- /L	1	TARGA
	997 555 195 00 5Q2	Black			
	997 555 195 00 8X4	Stone grey			
	997 555 195 00 5S4	Sand Beige			
	997 555 195 00 8W3	Sea blue			
1	997 555 196 00	Lining Roof pillar Leatherette	/R	1	
	997 555 196 00 5Q2	Black			
	997 555 196 00 8X4	Stone grey			
	997 555 196 00 5S4	Sand Beige			
	997 555 196 00 8W3	Sea blue			
(1)	997 555 195 01	Lining Roof pillar Leather	/L	1	I981
	997 555 195 01 A11	Black			
	997 555 195 01 5X6	Stone grey			
	997 555 195 01 8G2	Sand Beige			
	997 555 195 01 3S9	Sea blue			
	997 555 195 01 9S5	Terracotta			
	997 555 195 01 9V6	Cocoa			
	997 555 195 01 D12	Dark grey/natural			
	997 555 195 01 T12	Brown/natural			
	997 555 195 01 N12	Carrera Red			
1	997 555 196 01	Lining Roof pillar Leather	/R	1	I981
	997 555 196 01 A11	Black			
	997 555 196 01 5X6	Stone grey			
	997 555 196 01 8G2	Sand Beige			
	997 555 196 01 3S9	Sea blue			
	997 555 196 01 9S5	Terracotta			
	997 555 196 01 9V6	Cocoa			
	997 555 196 01 D12	Dark grey/natural			
	997 555 196 01 T12	Brown/natural			
	997 555 196 01 N12	Carrera Red			
-	996 555 887 00	Piping		2	
(2)	997 555 779 00	Cover	/L	1	
	997 555 779 00 01C	Satin black			
2	997 555 780 00	Cover	/R	1	
	997 555 780 00 01C	Satin black			
3	999 073 218 01	Tapping screw 4,2 X 16		2	
(4)	997 555 573 01	Coat hook Lacquered	/L	1	
	997 555 573 01 A03	Black			
	997 555 573 01 5V7	Stone grey			
	997 555 573 01 5Z1	Sand Beige			
	997 555 573 01 8W7	Sea blue			
	997 555 573 01 T13	Brown/natural			
	997 555 573 01 8P9	Cocoa			
	997 555 573 01 8X8	Terracotta			
	997 555 573 01 N23	Carrera Red			
4	997 555 574 01	Coat hook Lacquered	/R	1	
	997 555 574 01 A03	Black			
	997 555 574 01 5V7	Stone grey			
	997 555 574 01 5Z1	Sand Beige			
	997 555 574 01 8W7	Sea blue			

Model: 997-09 Model life 2009>>2012

Pos	Part Number	Description	Remark	Qty	Model
5	997 555 574 01 T13	Brown/natural			
	997 555 574 01 8P9	Cocoa			
	997 555 574 01 8X8	Terracotta			
	997 555 574 01 N23	Carrera Red			
	999 919 164 09	Oval-head screw 5,0 X 12			2
(6)	997 555 183 02	Lining B-pillar Leatherette	/L	1	
6	997 555 183 02 1MZ	Black			
	997 555 183 02 1YP	Stone grey			
	997 555 183 02 1TK	Sand Beige			
	997 555 183 02 1VM	Sea blue			
	997 555 184 02	Lining B-pillar Leatherette	/R	1	
(6)	997 555 184 02 1MZ	Black			
	997 555 184 02 1YP	Stone grey			
	997 555 184 02 1TK	Sand Beige			
	997 555 184 02 1VM	Sea blue			
	997 555 183 03	Lining B-pillar Leather	/L	1	I981
	997 555 183 03 A11	Black			
	997 555 183 03 5X6	Stone grey			
	997 555 183 03 8G2	Sand Beige			
	997 555 183 03 3S9	Sea blue			
	997 555 183 03 9S5	Terracotta			
	997 555 183 03 9V6	Cocoa			
	997 555 183 03 D12	Dark grey/natural			
	997 555 183 03 T12	Brown/natural			
	997 555 183 03 N12	Carrera Red			
	6	997 555 184 03	Lining B-pillar Leather	/R	1
-	997 555 184 03 A11	Black			
	997 555 184 03 5X6	Stone grey			
	997 555 184 03 8G2	Sand Beige			
	997 555 184 03 3S9	Sea blue			
	997 555 184 03 9S5	Terracotta			
	997 555 184 03 9V6	Cocoa			
	997 555 184 03 D12	Dark grey/natural			
	997 555 184 03 T12	Brown/natural			
	997 555 184 03 N12	Carrera Red			
	996 555 859 00	Grommet B-pillar			2
7	999 507 755 40	Expander nut		2	
8	999 073 064 02	Tapping screw 4,8 X 25		2	
9	997 555 773 00	Cover Coat hook	/L	1	
(9)	997 555 773 00 A03	Black			
	997 555 773 00 5V7	Stone grey			
	997 555 773 00 5Z1	Sand Beige			
	997 555 773 00 8W7	Sea blue			
	997 555 773 00 8X8	Terracotta			
	997 555 773 00 8P9	Cocoa			
	997 555 773 00 T13	Brown/natural			
	997 555 773 00 N23	Carrera Red			
	997 555 774 00	Cover Coat hook	/R	1	
	997 555 774 00 A03	Black			
997 555 774 00 5V7	Stone grey				

Model: 997-09 Model life 2009>>2012

Pos	Part Number	Description	Remark	Qty	Model
	997 555 774 00 5Z1	Sand Beige			
	997 555 774 00 8W7	Sea blue			
	997 555 774 00 8X8	Terracotta			
	997 555 774 00 8P9	Cocoa			
	997 555 774 00 T13	Brown/natural			
	997 555 774 00 N23	Carrera Red			
(10)	997 555 187 04	Lining	/L	1	
		C-pillar			
		Leatherette			
	997 555 187 04 1MZ	Black			
	997 555 187 04 1YP	Stone grey			
	997 555 187 04 1TK	Sand Beige			
	997 555 187 04 1VM	Sea blue			
10	997 555 188 04	Lining	/R	1	
		C-pillar			
		Leatherette			
	997 555 188 04 1MZ	Black			
	997 555 188 04 1YP	Stone grey			
	997 555 188 04 1TK	Sand Beige			
	997 555 188 04 1VM	Sea blue			
(10)	997 555 187 05	Lining	/L	1	I981
		C-pillar			
		Leather			
	997 555 187 05 A11	Black			
	997 555 187 05 5X6	Stone grey			
	997 555 187 05 8G2	Sand Beige			
	997 555 187 05 3S9	Sea blue			
	997 555 187 05 9S5	Terracotta			
	997 555 187 05 9V6	Cocoa			
	997 555 187 05 D12	Dark grey/natural			
	997 555 187 05 T12	Brown/natural			
	997 555 187 05 N12	Carrera Red			
10	997 555 188 05	Lining	/R	1	I981
		C-pillar			
		Leather			
	997 555 188 05 A11	Black			
	997 555 188 05 5X6	Stone grey			
	997 555 188 05 8G2	Sand Beige			
	997 555 188 05 3S9	Sea blue			
	997 555 188 05 9S5	Terracotta			
	997 555 188 05 9V6	Cocoa			
	997 555 188 05 D12	Dark grey/natural			
	997 555 188 05 T12	Brown/natural			
	997 555 188 05 N12	Carrera Red			
11	999 911 441 40	Tread		*	
		1,0 X 12			
12	999 507 681 01	Clamp		3	
		2,5/3,0			
13	999 209 084 40	Spacer		X	
		20 X 25 X 0,5			
14	996 555 581 00	Mounting		10	
		Clip			
15	996 555 875 00	Clamp		4	
16	999 073 218 01	Tapping screw		4	
		4,2 X 16			
(17)	997 555 245 00	Cover	/L	1	
		Seat belt			
		Lacquered			
	997 555 245 00 A03	Black			
	997 555 245 00 5V7	Stone grey			
	997 555 245 00 5Z1	Sand Beige			
	997 555 245 00 8W7	Sea blue			
	997 555 245 00 8X8	Terracotta			

Model: 997-09 Model life 2009>>2012

Pos	Part Number	Description	Remark	Qty	Model
	997 555 245 00 8P9	Cocoa			
	997 555 245 00 T13	Brown/natural			
	997 555 245 00 N23	Carrera Red			
	997 555 245 00 P13	Cinnamon brown			
17	997 555 246 00	Cover	/R	1	
		Seat belt			
		Lacquered			
	997 555 246 00 A03	Black			
	997 555 246 00 5V7	Stone grey			
	997 555 246 00 5Z1	Sand Beige			
	997 555 246 00 8W7	Sea blue			
	997 555 246 00 8X8	Terracotta			
	997 555 246 00 8P9	Cocoa			
	997 555 246 00 T13	Brown/natural			
	997 555 246 00 N23	Carrera Red			
	997 555 246 00 P13	Cinnamon brown			
-	996 555 877 00	Clamp		2	
18	999 073 251 09	Tapping screw 4,2 X 25		2	
19	999 073 226 09	Tapping screw 4,2 X 16		2	
(20)	996 555 175 01	Support	/L	1	
20	996 555 176 01	Support	/R	1	
21	999 084 629 01	Hexagon nut M 6		4	
(22)	996 555 503 00	Support	/L	1	
22	996 555 504 00	Support	/R	1	
23	999 049 007 40	Plastic nut		4	
(24)	997 555 071 04	Side trim panel Leatherette	/L	1	
	997 555 071 04 1MZ	Black			
	997 555 071 04 1YP	Stone grey			
	997 555 071 04 1TK	Sand Beige			
	997 555 071 04 1VM	Sea blue			
24	997 555 072 04	Side trim panel Leatherette	/R	1	
	997 555 072 04 1MZ	Black			
	997 555 072 04 1YP	Stone grey			
	997 555 072 04 1TK	Sand Beige			
	997 555 072 04 1VM	Sea blue			
(24)	997 555 071 05	Side trim panel Leather	/L	1	I981
	997 555 071 05 FSA	Black			
	997 555 071 05 FSD	Sea blue			
	997 555 071 05 FSF	Terracotta			
	997 555 071 05 FSG	Cocoa			
	997 555 071 05 FSH	Dark grey/natural			
	997 555 071 05 FSJ	Brown/natural			
(24)	997 555 071 05	Side trim panel Leather Until Chassis number See technical information GR.7 NR. 17/11 KD-NR. 70	/L	1	I981
	997 555 071 05 FSB	Stone grey			
	997 555 071 05 FSC	Sand Beige			
	997 555 071 05 FSP	Carrera Red			
(24)	997 555 911 01	Side trim panel Leather From Chassis number See technical information	/L	1	I981

Model: 997-09 Model life 2009>>2012

Pos	Part Number	Description	Remark	Qty	Model
		GR.7 NR. 17/11 KD-NR. 70			
	997 555 911 01 FSB	Stone grey			
	997 555 911 01 FSC	Sand Beige			
	997 555 911 01 FSP	Carrera Red			
24	997 555 072 05	Side trim panel Leather	/R	1	I981
	997 555 072 05 FSA	Black			
	997 555 072 05 FSD	Sea blue			
	997 555 072 05 FSF	Terracotta			
	997 555 072 05 FSG	Cocoa			
	997 555 072 05 FSH	Dark grey/natural			
	997 555 072 05 FSJ	Brown/natural			
24	997 555 072 05	Side trim panel Leather Until Chassis number See technical information	/R	1	I981
		GR.7 NR. 17/11 KD-NR. 70			
	997 555 072 05 FSB	Stone grey			
	997 555 072 05 FSC	Sand Beige			
	997 555 072 05 FSP	Carrera Red			
24	997 555 912 01	Side trim panel Leather From Chassis number See technical information	/R	1	I981
		GR.7 NR. 17/11 KD-NR. 70			
	997 555 912 01 FSB	Stone grey			
	997 555 912 01 FSC	Sand Beige			
	997 555 912 01 FSP	Carrera Red			
(24)	997 555 071 08	Side trim panel two-colour	/L	1	I970
	997 555 071 08 BCG	Black/stone grey			
	997 555 071 08 BCH	Black/sand beige			
	997 555 071 08 BCJ	Black/terracotta			
24	997 555 072 08	Side trim panel two-colour	/R	1	I970
	997 555 072 08 BCG	Black/stone grey			
	997 555 072 08 BCH	Black/sand beige			
	997 555 072 08 BCJ	Black/terracotta			
-	999 551 127 40	Adhesive tape		*	
25	999 507 479 01	Clamp 2,5 X 0,9		1	
26	999 073 142 09	Tapping screw 4,2 X 19		2	
27	999 507 050 40	Expander nut		2	
(28)	997 555 061 00	Rosette	/L	1	-IXCW/-IXDR -IXDU/-IXJJ
		Seat belt Lacquered			
	997 555 061 00 A03	Black			
	997 555 061 00 5V7	Stone grey			
	997 555 061 00 5Z1	Sand Beige			
	997 555 061 00 8W7	Sea blue			
	997 555 061 00 8X8	Terracotta			
	997 555 061 00 8P9	Cocoa			
	997 555 061 00 T13	Brown/natural			
	997 555 061 00 N23	Carrera Red			
28	997 555 062 00	Rosette	/R	1	-IXCW/-IXDR -IXDU/-IXJJ

Model: 997-09 Model life 2009>>2012

Pos	Part Number	Description	Remark	Qty	Model
		Seat belt Lacquered			
	997 555 062 00 A03	Black			
	997 555 062 00 5V7	Stone grey			
	997 555 062 00 5Z1	Sand Beige			
	997 555 062 00 8W7	Sea blue			
	997 555 062 00 8X8	Terracotta			
	997 555 062 00 8P9	Cocoa			
	997 555 062 00 T13	Brown/natural			
	997 555 062 00 N23	Carrera Red			
(28)	997 555 998 01	Rosette Seat belt Leather	/L 10-	1	IXDU
	997 555 998 01 A11	Black			
	997 555 998 01 5X6	Stone grey			
	997 555 998 01 8G2	Sand Beige			
	997 555 998 01 3S9	Sea blue			
	997 555 998 01 9S5	Terracotta			
	997 555 998 01 9V6	Cocoa			
	997 555 998 01 D12	Dark grey/natural			
	997 555 998 01 T12	Brown/natural			
	997 555 998 01 N12	Carrera Red			
(28)	997 555 998 02	Rosette Seat belt Leather	/R 10-	1	IXDU
	997 555 998 02 A11	Black			
	997 555 998 02 5X6	Stone grey			
	997 555 998 02 8G2	Sand Beige			
	997 555 998 02 3S9	Sea blue			
	997 555 998 02 9S5	Terracotta			
	997 555 998 02 9V6	Cocoa			
	997 555 998 02 D12	Dark grey/natural			
	997 555 998 02 T12	Brown/natural			
	997 555 998 02 N12	Carrera Red			
(28)	997 555 998 05	Rosette Seat belt Aluminium	/L 10-	1	IXCW
	997 555 998 05 V04	Galvano silver			
(28)	997 555 998 06	Rosette Seat belt Aluminium	/R 10-	1	IXCW
	997 555 998 06 V04	Galvano silver			
(28)	997 555 998 09	Rosette Seat belt	/L 10-	1	IXDR
	997 555 998 09 G2X	Prime coated			
(28)	997 555 998 10	Rosette Seat belt	/R 10-	1	IXDR
	997 555 998 10 G2X	Prime coated			
(28)	997 555 998 21	Rosette Seat belt Carbon	/L 10-	1	IXJJ
	997 555 998 21 A35	Black			
(28)	997 555 998 22	Rosette Seat belt Carbon	/R 10-	1	IXJJ
	997 555 998 22 A35	Black			
29	997 555 151 00	Lining Rear wall		1	I426
	997 555 151 00 A03	Black			
(29)	997 555 151 01	Lining Rear wall		1	I425
	997 555 151 01 A03	Black			
30	999 507 782 01	Spring washer		2	

Model: 997-09 Model life 2009>>2012

Pos	Part Number	Description	Remark	Qty	Model
31	999 073 225 09	5,3 X 18 Tapping screw		4	
32	996 555 885 00	4,8 X 16 Rosette Rear wall Upper part		1	
33	996 555 081 08	Lining Rear wall Carpet		1	
	996 555 081 08 A10	Black			
	996 555 081 08 B10	Stone grey			
	996 555 081 08 T10	Sand Beige			
	996 555 081 08 E10	Sea blue			
	996 555 081 08 M10	Terracotta			
	996 555 081 08 R10	Cocoa			
	996 555 081 08 D11	Dark grey/natural			
	996 555 081 08 T11	Brown/natural			
	996 555 081 08 N10	Carrera Red			
-	999 571 080 02	Tool Emergency operation		2	
34	997 551 017 02	Adhesive carpet Seat well		1	I685
	997 551 017 02 M10	Terracotta			
	997 551 017 02 R10	Cocoa			
	997 551 017 02 D11	Dark grey/natural			
	997 551 017 02 T11	Brown/natural			
34	997 551 017 02	Adhesive carpet Seat well Until Chassis number See technical information GR.7 NR. 17/11 KD-NR. 70		1	I685
	997 551 017 02 A10	Black			
	997 551 017 02 B10	Stone grey			
	997 551 017 02 T10	Sand Beige			
	997 551 017 02 E10	Sea blue			
	997 551 017 02 N10	Carrera Red			
34	997 551 017 06	Adhesive carpet Seat well From Chassis number See technical information GR.7 NR. 17/11 KD-NR. 70		1	I685
	997 551 017 06 A10	Black			
	997 551 017 06 B10	Stone grey			
	997 551 017 06 T10	Sand Beige			
	997 551 017 06 E10	Sea blue			
	997 551 017 06 N10	Carrera Red			
35	997 551 031 15	Adhesive carpet Rear wall Carpet		1	
	997 551 031 15 M10	Terracotta			
	997 551 031 15 R10	Cocoa			
	997 551 031 15 D11	Dark grey/natural			
	997 551 031 15 T11	Brown/natural			
35	997 551 031 15	Adhesive carpet Rear wall Carpet Until Chassis number See technical information		1	

Model: 997-09 Model life 2009>>2012

Pos	Part Number	Description	Remark	Qty	Model
		GR.7 NR. 17/11 KD-NR. 70			
	997 551 031 15 A10	Black			
	997 551 031 15 B10	Stone grey			
	997 551 031 15 T10	Sand Beige			
	997 551 031 15 E10	Sea blue			
	997 551 031 15 N10	Carrera Red			
35	997 551 031 27	Adhesive carpet Rear wall Carpet From Chassis number See technical information		1	
		GR.7 NR. 17/11 KD-NR. 70			
	997 551 031 27 A10	Black			
	997 551 031 27 B10	Stone grey			
	997 551 031 27 T10	Sand Beige			
	997 551 031 27 E10	Sea blue			
	997 551 031 27 N10	Carrera Red			
(35)	997 551 031 16	Adhesive carpet Rear wall Carpet		1	I479
	997 551 031 16 M10	Terracotta			
	997 551 031 16 R10	Cocoa			
	997 551 031 16 D11	Dark grey/natural			
	997 551 031 16 T11	Brown/natural			
(35)	997 551 031 16	Adhesive carpet Rear wall Carpet Until Chassis number See technical information		1	I479
		GR.7 NR. 17/11 KD-NR. 70			
	997 551 031 16 A10	Black			
	997 551 031 16 B10	Stone grey			
	997 551 031 16 T10	Sand Beige			
	997 551 031 16 E10	Sea blue			
	997 551 031 16 N10	Carrera Red			
(35)	997 551 031 28	Adhesive carpet Rear wall Carpet From Chassis number See technical information		1	I479
		GR.7 NR. 17/11 KD-NR. 70			
	997 551 031 28 A10	Black			
	997 551 031 28 B10	Stone grey			
	997 551 031 28 T10	Sand Beige			
	997 551 031 28 E10	Sea blue			
	997 551 031 28 N10	Carrera Red			
36	997 551 033 00	Lining Control units Carpet		1	
	997 551 033 00 A10	Black			
	997 551 033 00 B10	Stone grey			
	997 551 033 00 T10	Sand Beige			
	997 551 033 00 E10	Sea blue			
	997 551 033 00 M10	Terracotta			
	997 551 033 00 R10	Cocoa			
	997 551 033 00 D11	Dark grey/natural			

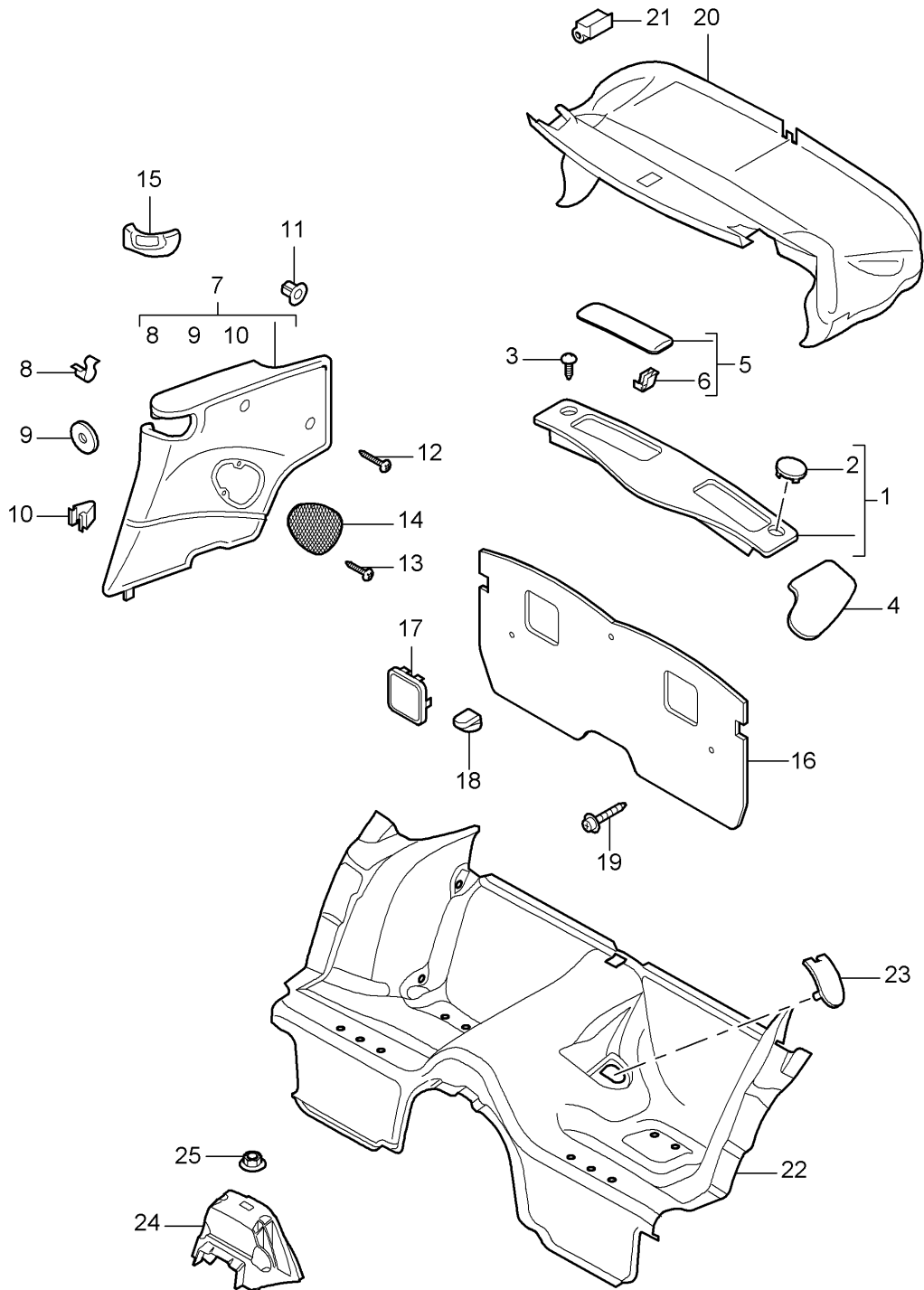
Model: 997-09

Model life 2009>>2012

Pos	Part Number	Description	Remark	Qty	Model
37	997 551 033 00 T11	Brown/natural			
	997 551 033 00 N10	Carrera Red			
	997 551 525 00	Cover	/L	1	
(37)	997 551 525 00 01C	Seat-belt buckle			
	997 551 526 00	Satin black			
	997 551 526 00	Cover	/R	1	
39	997 551 526 00 01C	Seat-belt buckle			
	997 551 526 00 01C	Satin black			
	999 507 476 01	Clamp		2	
		8,0 X 10 / 2,5			
		Mount			
		Coat hook			

Model: 997-09

Model life 2009>>2012



Model: 997-09 Model life 2009>>2012

Pos	Part Number	Description	Remark	Qty	Model
1	996 555 083 04	Linings Rear Cover Convertible top Cloth	09-	1	CABRIO
	996 555 083 04 EDK	Black			
	996 555 083 04 FNX	Stone grey			
	996 555 083 04 ERN	Metropole blue			
	996 555 083 04 FNZ	Brown			
2	996 555 457 00	Lid Hardtop Mounting Lacquered		2	
	996 555 457 00 A10	Black			
	996 555 457 00 5V7	Stone grey			
	996 555 457 00 G10	Metropole blue			
	996 555 457 00 8P9	Cocoa			
3	999 073 060 02	Tapping screw 4,8 X 13 for Mount Cover		3	
4	996 555 263 03	Convertible top Flap Convertible top Cloth	/L	1	
	996 555 263 03 A07	Black			
	996 555 263 03 C19	Stone grey			
	996 555 263 03 G03	Metropole blue			
	996 555 263 03 R18	Brown			
(4)	996 555 264 03	Flap Convertible top Cloth	/R	1	
	996 555 264 03 A07	Black			
	996 555 264 03 C19	Stone grey			
	996 555 264 03 G03	Metropole blue			
	996 555 264 03 R18	Brown			
5	996 555 341 01	Flap Cover	/L	1	
	996 555 341 01 A07	Black			
	996 555 341 01 C19	Stone grey			
	996 555 341 01 G03	Metropole blue			
	996 555 341 01 R18	Brown			
(5)	996 555 342 01	Flap Cover	/R	1	
	996 555 342 01 A07	Black			
	996 555 342 01 C19	Stone grey			
	996 555 342 01 G03	Metropole blue			
	996 555 342 01 R18	Brown			
6	996 555 355 00	Hinge Outer		2	
(6)	996 555 356 00	Hinge Inner		2	
-	996 580 667 00	Support		2	
-	999 591 489 02	Speed nut 4,8		2	
-	999 591 489 01	Speed nut 4,8		2	
-	999 073 060 02	Tapping screw 4,8 X 13		3	
7	997 555 071 11	Side trim panel Leatherette When required order also:	/L	1	

Model: 997-09 Model life 2009>>2012

Pos	Part Number	Description	Remark	Qty	Model
		999.551.173.40 See TPI Group 8 Nr. 52			
	997 555 071 11 1MZ	Black			
	997 555 071 11 1YP	Stone grey			
	997 555 071 11 1TK	Sand Beige			
	997 555 071 11 1VM	Sea blue			
(7)	997 555 072 11	Side trim panel Leatherette When required order also: 999.551.173.40 See TPI Group 8 Nr. 52	/R	1	
	997 555 072 11 1MZ	Black			
	997 555 072 11 1YP	Stone grey			
	997 555 072 11 1TK	Sand Beige			
	997 555 072 11 1VM	Sea blue			
7	997 555 071 12	Side trim panel Leather When required order also: 999.551.173.40 See TPI Group 8 NR. 52	/L	1	I981
	997 555 071 12 FSA	Black/grey			+AT,
	997 555 071 12 FSB	Stone grey/stone grey			+DF
	997 555 071 12 FSC	Sand Beige			+TG
	997 555 071 12 FSD	Sea blue/grey			+FE
	997 555 071 12 FSF	Terracotta/terracotta			+MB
	997 555 071 12 FSG	Cocoa/Cocoa			+RA
	997 555 071 12 FSH	Darkgrey natural/grey			+05
	997 555 071 12 FSJ	Brown nat./brown nat.			+06
	997 555 071 12 FSP	Carrera Red/Carrera Red			+07
(7)	997 555 072 12	Side trim panel Leather When required order also: 999.551.173.40 See TPI Group 8 NR. 52	/R	1	I981
	997 555 072 12 FSA	Black/grey			+AT,
	997 555 072 12 FSB	Stone grey/stone grey			+DF
	997 555 072 12 FSC	Sand Beige			+TG
	997 555 072 12 FSD	Sea blue/grey			+FE
	997 555 072 12 FSF	Terracotta/terracotta			+MB
	997 555 072 12 FSG	Cocoa/Cocoa			+RA
	997 555 072 12 FSH	Darkgrey natural/grey			+05
	997 555 072 12 FSJ	Brown nat./brown nat.			+06
	997 555 072 12 FSP	Carrera Red/Carrera Red			+07
(7)	997 555 072 12	Side trim panel Leather When required order also: 999.551.173.40 See TPI Group 8 Nr. 52 Until Chassis number See technical information GR.7 NR. 17/11 KD-NR. 70	/R	1	I981

Model: 997-09

Model life 2009>>2012

Pos	Part Number	Description	Remark	Qty	Model
(7)	997 555 072 12 FSB	Stone grey/stone grey			
	997 555 072 12 FSC	Sand beige/sand beige			
	997 555 072 12 FSP	Carrera Red			
	997 555 912 03	Side trim panel Leather When required order also: 999.551.173.40 See TPI Group 8 Nr. 52 From Chassis number See technical information GR.7 NR. 17/11 KD-NR. 70	/R	1	I981
7	997 555 912 03 FSB	Stone grey/stone grey			
	997 555 912 03 FSC	Sand beige/sand beige			
	997 555 912 03 FSP	Carrera Red			
	997 555 071 13	Side trim panel two-colour When required order also: 999.551.173.40 See TPI Group 8 Nr. 52	/L	1	I970
(7)	997 555 071 13 BCK	Black/stone grey			
	997 555 071 13 BCL	Black/sand beige			
	997 555 071 13 BCM	Black/terracotta			
	997 555 071 14	Side trim panel Leather Until Chassis number See technical information GR.7 NR. 17/11 KD-NR. 70	/L 11-	1	I503/981
(7)	997 555 071 14 DTL	Black-black			
	997 555 911 04	Side trim panel Leather From Chassis number See technical information GR.7 NR. 17/11 KD-NR. 70	/L 11-	1	I503/981
(7)	997 555 911 04 DTL	Black-black			
	997 555 072 14	Side trim panel Leather Until Chassis number See technical information GR.7 NR. 17/11 KD-NR. 70	/R 11-	1	I503/981
(7)	997 555 072 14 DTL	Black-black			
	997 555 912 04	Side trim panel Leather From Chassis number See technical information GR.7 NR. 17/11 KD-NR. 70	/R 11-	1	I503/981
-	997 555 912 04 DTL	Black-black			
	999 551 173 40	Felt strip 35 x 22 x 5		2	
8	999 507 676 09	Clamp		1	

Model: 997-09 Model life 2009>>2012

Pos	Part Number	Description	Remark	Qty	Model
9	999 551 609 40	2,5/2,2 Plastic washer		1	
10	999 507 533 02	8,0 X 23 X3,0 Clamp		2	
11	999 507 050 40	8,0 X 10 /2,5 Expander nut		2	
12	999 073 142 09	ST 4,2 Tapping screw		2	
13	999 073 048 02	ST 4,2 X 19 Tapping screw		2	
14	997 555 049 00	ST 3,5 X 13 Loudspeaker grille	/L	1	-IXVT
		Side trim panel Lacquered			
	997 555 049 00 A03	Black			
	997 555 049 00 5V7	Stone grey			
	997 555 049 00 5Z1	Sand Beige			
	997 555 049 00 8W7	Sea blue			
	997 555 049 00 8X8	Terracotta			
	997 555 049 00 8P9	Cocoa			
	997 555 049 00 T13	Brown/natural			
	997 555 049 00 N23	Carrera Red			
(14)	997 555 050 00	Loudspeaker grille	/R	1	-IXVT
		Side trim panel Lacquered			
	997 555 050 00 A03	Black			
	997 555 050 00 5V7	Stone grey			
	997 555 050 00 5Z1	Sand Beige			
	997 555 050 00 8W7	Sea blue			
	997 555 050 00 8X8	Terracotta			
	997 555 050 00 8P9	Cocoa			
	997 555 050 00 T13	Brown/natural			
	997 555 050 00 N23	Carrera Red			
(14)	997 555 049 01	Loudspeaker grille	/L 10-	1	IXVT
		Side trim panel Leather			
	997 555 049 01 A11	Black			
	997 555 049 01 5X6	Stone grey			
	997 555 049 01 8G2	Sand Beige			
	997 555 049 01 3S9	Sea blue			
	997 555 049 01 9S5	Terracotta			
	997 555 049 01 9V6	Cocoa			
	997 555 049 01 D12	Dark grey/natural			
	997 555 049 01 T12	Brown/natural			
	997 555 049 01 N12	Carrera Red			
(14)	997 555 050 01	Loudspeaker grille	/R 10-	1	IXVT
		Side trim panel Leather			
	997 555 050 01 A11	Black			
	997 555 050 01 5X6	Stone grey			
	997 555 050 01 8G2	Sand Beige			
	997 555 050 01 3S9	Sea blue			
	997 555 050 01 9S5	Terracotta			
	997 555 050 01 9V6	Cocoa			
	997 555 050 01 D12	Dark grey/natural			
	997 555 050 01 T12	Brown/natural			
	997 555 050 01 N12	Carrera Red			
(15)	997 555 671 01	Rosette	/L	1	-IXCW/-IXDR -IXDU/-IXJJ
		Seat belt			
	997 555 671 01 A03	Black			
	997 555 671 01 5V7	Stone grey			
	997 555 671 01 5Z1	Sand Beige			

Model: 997-09 Model life 2009>>2012

Pos	Part Number	Description	Remark	Qty	Model
	997 555 671 01 8W7	Sea blue			
	997 555 671 01 8X8	Terracotta			
	997 555 671 01 8P9	Cocoa			
	997 555 671 01 T13	Brown/natural			
	997 555 671 01 N23	Carrera Red			
(15)	997 555 672 01	Rosette	/R	1	-IXCW/-IXDR -IXDU/-IXJJ
		Seat belt			
	997 555 672 01 A03	Black			
	997 555 672 01 5V7	Stone grey			
	997 555 672 01 5Z1	Sand Beige			
	997 555 672 01 8W7	Sea blue			
	997 555 672 01 8X8	Terracotta			
	997 555 672 01 8P9	Cocoa			
	997 555 672 01 T13	Brown/natural			
	997 555 672 01 N23	Carrera Red			
(15)	997 555 998 03	Rosette	/L 10-	1	IXDU
		Seat belt			
		Leather			
	997 555 998 03 A11	Black			
	997 555 998 03 5X6	Stone grey			
	997 555 998 03 8G2	Sand Beige			
	997 555 998 03 3S9	Sea blue			
	997 555 998 03 9S5	Terracotta			
	997 555 998 03 9V6	Cocoa			
	997 555 998 03 D12	Dark grey/natural			
	997 555 998 03 T12	Brown/natural			
	997 555 998 03 N12	Carrera Red			
(15)	997 555 998 04	Rosette	/R 10-	1	IXDU
		Seat belt			
		Leather			
	997 555 998 04 A11	Black			
	997 555 998 04 5X6	Stone grey			
	997 555 998 04 8G2	Sand Beige			
	997 555 998 04 3S9	Sea blue			
	997 555 998 04 9S5	Terracotta			
	997 555 998 04 9V6	Cocoa			
	997 555 998 04 D12	Dark grey/natural			
	997 555 998 04 T12	Brown/natural			
	997 555 998 04 N12	Carrera Red			
(15)	997 555 998 07	Rosette	/L 10-	1	IXCW
		Seat belt			
		Aluminium			
	997 555 998 07 V04	Galvano silver			
(15)	997 555 998 08	Rosette	/R 10-	1	IXCW
		Seat belt			
		Aluminium			
	997 555 998 08 V04	Galvano silver			
(15)	997 555 998 11	Rosette	/L 10-	1	IXDR
		Seat belt			
	997 555 998 11 G2X	Prime coated			
(15)	997 555 998 12	Rosette	/R 10-	1	IXDR
		Seat belt			
	997 555 998 12 G2X	Prime coated			
(15)	997 555 998 23	Rosette	/L 10-	1	IXJJ
		Seat belt			
		Carbon			
	997 555 998 23 A35	Black			
(15)	997 555 998 24	Rosette	/R 10-	1	IXJJ
		Seat belt			
		Carbon			
	997 555 998 24 A35	Black			
(16)	996 555 281 06	Back wall lining		1	

Model: 997-09 Model life 2009>>2012

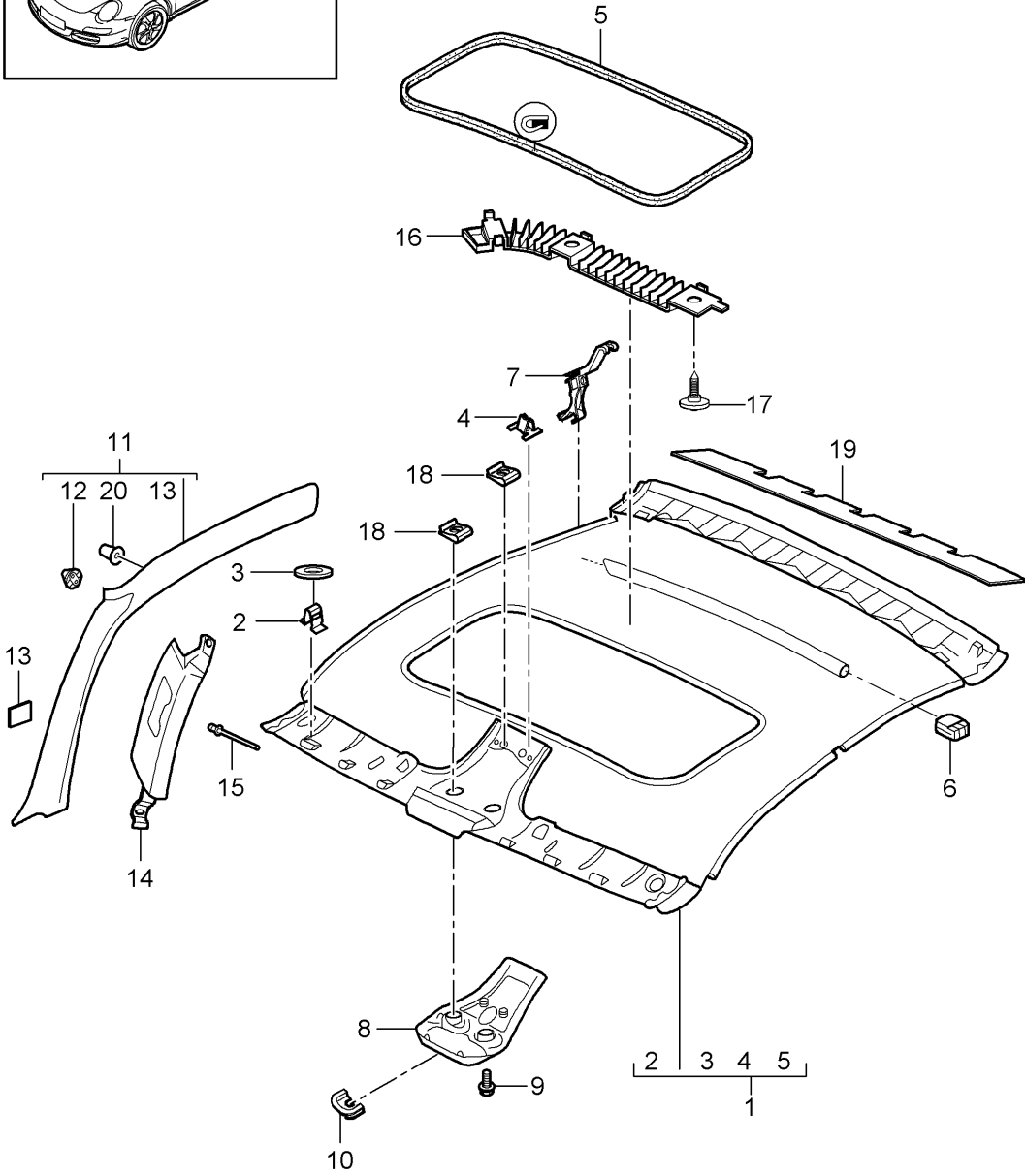
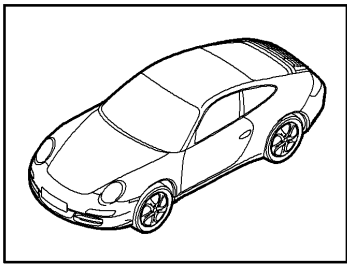
Pos	Part Number	Description	Remark	Qty	Model
		Carpet			
	996 555 281 06 A10	Black			
	996 555 281 06 B10	Stone grey			
	996 555 281 06 E10	Sea blue			
	996 555 281 06 M10	Terracotta			
	996 555 281 06 R10	Cocoa			
	996 555 281 06 D11	Dark grey/natural			
	996 555 281 06 T11	Brown/natural			
	996 555 281 06 N10	Carrera Red			
16	996 555 281 07	Back wall lining		1	I479
		Carpet			
	996 555 281 07 A10	Black			
	996 555 281 07 B10	Stone grey			
	996 555 281 07 E10	Sea blue			
	996 555 281 07 M10	Terracotta			
	996 555 281 07 R10	Cocoa			
	996 555 281 07 D11	Dark grey/natural			
	996 555 281 07 T11	Brown/natural			
	996 555 281 07 N10	Carrera Red			
17	996 555 785 00	Cover		2	I479
		Release			
		Carpet			
	996 555 785 00 EDA	Black			
	996 555 785 00 FNQ	Stone grey			
	996 555 785 00 FNR	Sand Beige			
	996 555 785 00 FNS	Sea blue			
	996 555 785 00 FNU	Terracotta			
	996 555 785 00 FNV	Cocoa			
	996 555 785 00 VSM	Dark grey/natural			
	996 555 785 00 VSN	Brown/natural			
	996 555 785 00 FSW	Carrera Red			
18	996 555 789 00	Base		1	
		Wind deflector			
	996 555 789 00 01C	Satin black			
19	999 073 062 02	Tapping screw		2	
		4,8 X 12			
20	997 551 035 01	Lining		1	
		Convertible top frame			
		Carpet			
	997 551 035 01 B04	Dark grey			
21	999 703 432 40	Stopper		X	
		for			
		Mount			
		Lining			
		Convertible top frame			
22	997 551 017 03	Adhesive carpet		1	
		Seat well			
		Carpet			
	997 551 017 03 M10	Terracotta			
	997 551 017 03 R10	Cocoa			
	997 551 017 03 D11	Dark grey/natural			
	997 551 017 03 T11	Brown/natural			
22	997 551 017 03	Adhesive carpet		1	
		Seat well			
		Carpet			
		Until			
		Chassis number			
		See technical information			
		GR.7 NR. 17/11			
		KD-NR. 70			
	997 551 017 03 A10	Black			
	997 551 017 03 B10	Stone grey			
	997 551 017 03 T10	Sand Beige			

Model: 997-09 Model life 2009>>2012

Pos	Part Number	Description	Remark	Qty	Model
22	997 551 017 03 E10	Sea blue		1	
	997 551 017 03 N10	Carrera Red			
	997 551 017 07	Adhesive carpet			
		Seat well			
		Carpet			
		From			
		Chassis number			
		See technical information			
		GR.7 NR. 17/11			
		KD-NR. 70			
(22)	997 551 017 07 A10	Black		1	I503
	997 551 017 07 B10	Stone grey			
	997 551 017 07 T10	Sand Beige			
	997 551 017 07 E10	Sea blue			
	997 551 017 07 N10	Carrera Red			
	997 551 021 04	Carpet	11-		
		Seat well			
		Carpet			
		Until			
		Chassis number			
(22)	997 551 021 04 A10	Black		1	I503
	997 551 021 09	Carpet	11-		
		Seat well			
		Carpet			
		From			
		Chassis number			
		See technical information			
		GR.7 NR. 17/11			
		KD-NR. 70			
(23)	997 551 021 09 A10	Black		1	
	997 551 525 00	Cover	/L		
23	997 551 525 00 01C	Satin black		1	
	997 551 526 00	Cover	/R		
24	997 551 526 00 01C	Satin black		1	
	997 551 221 00	Support			
25	999 076 081 40	Seat well		2	
		Plastic nut			
		T5 16 X 11,2			

Model: 997-09

Model life 2009>>2012



Model: 997-09 Model life 2009>>2012

Pos	Part Number	Description	Remark	Qty	Model
1	997 555 091 02	Rooflining A-pillar Rooflining	09- 09-	1	COUPE COUPE/TARGA COUPE I652
	997 555 091 02 A14	Alcantara Black			
	997 555 091 02 B14	Stone grey			
	997 555 091 02 T44	Sand Beige			
	997 555 091 02 G14	Metropole blue			
1	997 555 091 02	Rooflining		1	GTS I011/652
	997 555 091 02 A14	Alcantara Black			
1	997 555 091 02	Rooflining	10-	1	COUPE S I652/756
	997 555 091 02 C24	Alcantara Light grey			
(1)	997 555 091 03	Rooflining		1	COUPE I650
	997 555 091 03 A14	Alcantara Black			
	997 555 091 03 B14	Stone grey			
	997 555 091 03 T44	Sand Beige			
	997 555 091 03 G14	Metropole blue			
1	997 555 091 03	Rooflining		1	GTS I011/650
	997 555 091 03 A14	Alcantara Black			
(1)	997 555 980 02	Rooflining		1	IXMA/652
	997 555 980 02 A11	Black			
	997 555 980 02 5X6	Stone grey			
	997 555 980 02 8G2	Sand Beige			
	997 555 980 02 3S9	Sea blue			
	997 555 980 02 9S5	Terracotta			
	997 555 980 02 9V6	Cocoa			
	997 555 980 02 D12	Dark grey/natural			
	997 555 980 02 T12	Brown/natural			
	997 555 980 02 N12	Carrera Red			
(1)	997 555 980 03	Rooflining		1	IXMA/650
	997 555 980 03 A11	Black			
	997 555 980 03 5X6	Stone grey			
	997 555 980 03 8G2	Sand Beige			
	997 555 980 03 3S9	Sea blue			
	997 555 980 03 9S5	Terracotta			
	997 555 980 03 9V6	Cocoa			
	997 555 980 03 D12	Dark grey/natural			
	997 555 980 03 T12	Brown/natural			
	997 555 980 03 N12	Carrera Red			
2	999 507 479 01	Clamp 2,5/0,9		6	COUPE
3	999 551 609 40	Plastic washer 8,0 X 23 X 3,0		6	COUPE
4	999 507 533 02	Clamp 8 X 10/2,5		2	COUPE I650
5	996 564 231 02	Piping		1	COUPE I650
6	997 555 823 00	Support		2	COUPE I650
7	996 555 691 02	Transverse strut Clip Mount Rooflining		8	COUPE

Model: 997-09 Model life 2009>>2012

Pos	Part Number	Description	Remark	Qty	Model
8	996 555 557 09	Cover		1	COUPE I650
		Interior light			
	996 555 557 09 A03	Black			
	996 555 557 09 5V7	Stone grey			
	996 555 557 09 5Z1	Sand Beige			
	996 555 557 09 8W7	Sea blue			
(8)	996 555 557 11	Cover		1	COUPE I652
		Interior light			
	996 555 557 11 A03	Black			
	996 555 557 11 5V7	Stone grey			
	996 555 557 11 5Z1	Sand Beige			
	996 555 557 11 8W7	Sea blue			
(8)	996 555 993 02	Cover		1	IXZD/650
		Interior light			
		Leather			
	996 555 993 02 A11	Black			
	996 555 993 02 5X6	Stone grey			
	996 555 993 02 8G2	Sand Beige			
	996 555 993 02 3S9	Sea blue			
	996 555 993 02 9S5	Terracotta			
	996 555 993 02 9V6	Cocoa			
	996 555 993 02 D12	Dark grey/natural			
	996 555 993 02 T12	Brown/natural			
	996 555 993 02 N12	Carrera Red			
(8)	996 555 993 03	Cover		1	IXZD/652
		Interior light			
		Leather			
	996 555 993 03 A11	Black			
	996 555 993 03 5X6	Stone grey			
	996 555 993 03 8G2	Sand Beige			
	996 555 993 03 3S9	Sea blue			
	996 555 993 03 9S5	Terracotta			
	996 555 993 03 9V6	Cocoa			
	996 555 993 03 D12	Dark grey/natural			
	996 555 993 03 T12	Brown/natural			
	996 555 993 03 N12	Carrera Red			
		Information available			
(8)	997 555 993 03	Cover	10-	1	COUPE S IXXJ/652/756
		Interior light			
		Alcantara			
	997 555 993 03 C24	Light grey			
9	999 073 061 02	Tapping screw		X	
		4,8 X 16			
10	996 555 619 00	Grommet		1	
		Wiring harness			
		Rain sensor			
(11)	997 555 181 04	Lining	/L	1	COUPE
		A-pillar			
		Leatherette			
	997 555 181 04 1MZ	Black			
	997 555 181 04 1YP	Stone grey			
	997 555 181 04 1TK	Sand Beige			
	997 555 181 04 1VM	Sea blue			
(11)	997 555 182 04	Lining	/R	1	COUPE
		A-pillar			
		Leatherette			
	997 555 182 04 1MZ	Black			
	997 555 182 04 1YP	Stone grey			
	997 555 182 04 1TK	Sand Beige			
	997 555 182 04 1VM	Sea blue			

Model: 997-09 Model life 2009>>2012

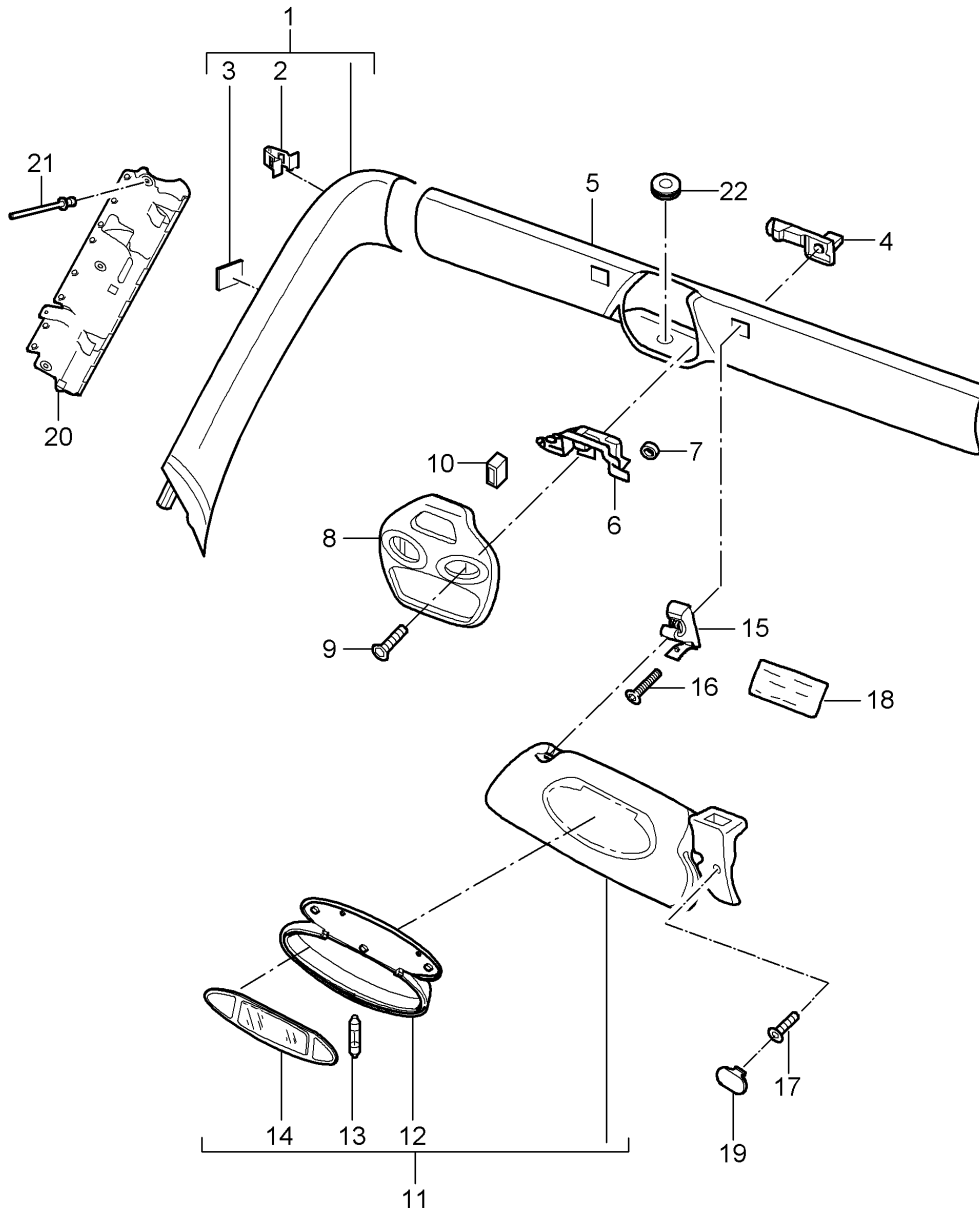
Pos	Part Number	Description	Remark	Qty	Model
(11)	997 555 181 16	Lining A-pillar Leatherette	/L	1	TARGA
	997 555 181 16 1MZ	Black			
	997 555 181 16 1YP	Stone grey			
	997 555 181 16 1TK	Sand Beige			
	997 555 181 16 1VM	Sea blue			
(11)	997 555 182 16	Lining A-pillar Leatherette	/R	1	TARGA
	997 555 182 16 1MZ	Black			
	997 555 182 16 1YP	Stone grey			
	997 555 182 16 1TK	Sand Beige			
	997 555 182 16 1VM	Sea blue			
(11)	997 555 181 05	Lining A-pillar Leather	/L	1	COUPE I981
	997 555 181 05 A11	Black			
	997 555 181 05 5X6	Stone grey			
	997 555 181 05 8G2	Sand Beige			
	997 555 181 05 3S9	Sea blue			
	997 555 181 05 9S5	Terracotta			
	997 555 181 05 9V6	Cocoa			
	997 555 181 05 D12	Dark grey/natural			
	997 555 181 05 T12	Brown/natural			
	997 555 181 05 N12	Carrera Red			
(11)	997 555 182 05	Lining A-pillar Leather	/R	1	COUPE I981
	997 555 182 05 A11	Black			
	997 555 182 05 5X6	Stone grey			
	997 555 182 05 8G2	Sand Beige			
	997 555 182 05 3S9	Sea blue			
	997 555 182 05 9S5	Terracotta			
	997 555 182 05 9V6	Cocoa			
	997 555 182 05 D12	Dark grey/natural			
	997 555 182 05 T12	Brown/natural			
	997 555 182 05 N12	Carrera Red			
(11)	997 555 181 18	Lining A-pillar Alcantara	/L 10-	1	COUPE S I756/981
	997 555 181 18 C24	Light grey			
(11)	997 555 182 18	Lining A-pillar Alcantara	/R 10-	1	COUPE S I756/981
	997 555 182 18 C24	Light grey			
(11)	997 555 181 17	Lining A-pillar Leather	/L	1	TARGA I981
	997 555 181 17 A11	Black			
	997 555 181 17 5X6	Stone grey			
	997 555 181 17 8G2	Sand Beige			
	997 555 181 17 3S9	Sea blue			
	997 555 181 17 9S5	Terracotta			
	997 555 181 17 9V6	Cocoa			
	997 555 181 17 D12	Dark grey/natural			
	997 555 181 17 T12	Brown/natural			
	997 555 181 17 N12	Carrera Red			

Model: 997-09 Model life 2009>>2012

Pos	Part Number	Description	Remark	Qty	Model
(11)	997 555 182 17	Lining	/R	1	TARGA I981
		A-pillar			
		Leather			
	997 555 182 17 A11	Black			
	997 555 182 17 5X6	Stone grey			
	997 555 182 17 8G2	Sand Beige			
	997 555 182 17 3S9	Sea blue			
	997 555 182 17 9S5	Terracotta			
	997 555 182 17 9V6	Cocoa			
	997 555 182 17 D12	Dark grey/natural			
	997 555 182 17 T12	Brown/natural			
	997 555 182 17 N12	Carrera Red			
12	999 507 681 01	Clamp		5	COUPE
		2,5/3,0			
(12)	999 507 839 01	Clamp		2	COUPE
		3,5			
(12)	999 507 047 01	Clamp		3	COUPE
		3,6			
12	999 507 681 01	Clamp	11!	4	TARGA
		2,5/3,0			
(12)	999 507 047 01	Clamp	11	2	TARGA
		3,6			
(12)	999 209 084 40	Spacer	11	6	TARGA
		20 X 25 X 0,5			
13	999 551 134 40	Adhesive tape		5	COUPE
		20 X 65			
15	999 190 190 01	Blind rivet		8	
		4,0 X 8,5			
18	999 591 348 01	Speed nut		X	
		St 4,8			
19	997 556 603 00	Sound absorber		1	
		Tensioner			
		Rear			
20	997 555 857 00	Grommet		X	COUPE
		A-pillar			

Model: 997-09

Model life 2009>>2012



Model: 997-09 Model life 2009>>2012

Pos	Part Number	Description	Remark	Qty	Model
		A-pillar	09-		CABRIO
		Windscreen frame	09-		CABRIO
		Windscreen frame	09-		TARGA
		Sun visors	09-		COUPE/CABRIO
		Sun visors	09-		TARGA
					Speedster
1	997 555 181 06	Lining	/L	1	CABRIO
		A-pillar			
		Leatherette			
	997 555 181 06 1MZ	Black			
	997 555 181 06 1YP	Stone grey			
	997 555 181 06 1TK	Sand Beige			
	997 555 181 06 1VM	Sea blue			
(1)	997 555 182 06	Lining	/R	1	CABRIO
		A-pillar			
		Leatherette			
	997 555 182 06 1MZ	Black			
	997 555 182 06 1YP	Stone grey			
	997 555 182 06 1TK	Sand Beige			
	997 555 182 06 1VM	Sea blue			
1	997 555 181 07	Lining	/L	1	CABRIO I981
		A-pillar			
		Leather			
	997 555 181 07 A11	Black			
	997 555 181 07 5X6	Stone grey			
	997 555 181 07 8G2	Sand Beige			
	997 555 181 07 3S9	Sea blue			
	997 555 181 07 9S5	Terracotta			
	997 555 181 07 9V6	Cocoa			
	997 555 181 07 D12	Dark grey/natural			
	997 555 181 07 T12	Brown/natural			
	997 555 181 07 N12	Carrera Red			
(1)	997 555 182 07	Lining	/R	1	CABRIO I981
		A-pillar			
		Leather			
	997 555 182 07 A11	Black			
	997 555 182 07 5X6	Stone grey			
	997 555 182 07 8G2	Sand Beige			
	997 555 182 07 3S9	Sea blue			
	997 555 182 07 9S5	Terracotta			
	997 555 182 07 9V6	Cocoa			
	997 555 182 07 D12	Dark grey/natural			
	997 555 182 07 T12	Brown/natural			
	997 555 182 07 N12	Carrera Red			
(1)	987 555 181 03	Lining	/L 11-	1	CABRIO I503
		A-pillar			
		Lacquered			
	987 555 181 03 A03	Black			
(1)	987 555 182 03	Lining	/R 11-	1	CABRIO I503
		A-pillar			
		Lacquered			
	987 555 182 03 A03	Black			
2	999 507 047 01	Clamp		2	
		3,6			
3	999 551 134 40	Adhesive tape		2	
		20 X 65			
4	986 731 541 01	Plate		2	COUPE/CABRIO
		for			
		Sun visors			

Model: 997-09 Model life 2009>>2012

Pos	Part Number	Description	Remark	Qty	Model
(4)	997 731 543 00	Contact plate for Sun visors		2	TARGA
5	997 555 059 00	Lining Windscreen frame part Leatherette		1	CABRIO
	997 555 059 00 1MZ	Black			
	997 555 059 00 1YP	Stone grey			
	997 555 059 00 1TK	Sand Beige			
	997 555 059 00 1VM	Sea blue			
(5)	997 555 059 04	Lining Windscreen frame part Leatherette		1	TARGA
	997 555 059 04 1MZ	Black			
	997 555 059 04 1YP	Stone grey			
	997 555 059 04 1TK	Sand Beige			
	997 555 059 04 1VM	Sea blue			
5	997 555 059 01	Lining Windscreen frame part Leather		1	CABRIO I981
	997 555 059 01 A11	Black			
	997 555 059 01 5X6	Stone grey			
	997 555 059 01 8G2	Sand Beige			
	997 555 059 01 3S9	Sea blue			
	997 555 059 01 9S5	Terracotta			
	997 555 059 01 9V6	Cocoa			
	997 555 059 01 D12	Dark grey/natural			
	997 555 059 01 T12	Brown/natural			
	997 555 059 01 N12	Carrera Red			
(5)	997 555 059 05	Lining Windscreen frame part Leather		1	TARGA I981
	997 555 059 05 A11	Black			
	997 555 059 05 5X6	Stone grey			
	997 555 059 05 8G2	Sand Beige			
	997 555 059 05 3S9	Sea blue			
	997 555 059 05 9S5	Terracotta			
	997 555 059 05 9V6	Cocoa			
	997 555 059 05 D12	Dark grey/natural			
	997 555 059 05 T12	Brown/natural			
	997 555 059 05 N12	Carrera Red			
(5)	986 555 059 03	Lining Windscreen frame part Lacquered	11-	1	Cabrio I503
	986 555 059 03 A03	Black			
6	996 613 795 01	Microswitch		1	CABRIO
(6)	986 613 799 00	Microswitch Locking device Convertible top Clamping washer 2,5	11-	1	Speedster I503
7	999 507 534 02	Cover Interior light Lacquered		2	CABRIO
8	996 561 635 00	Rally black		1	CABRIO
(8)	996 555 557 07	Cover Interior light Lacquered		1	TARGA
	996 555 557 07 A03	Black			

Model: 997-09 Model life 2009>>2012

Pos	Part Number	Description	Remark	Qty	Model
	996 555 557 07 5V7	Stone grey			
	996 555 557 07 5Z1	Sand Beige			
	996 555 557 07 8W7	Sea blue			
	996 555 557 07 8X8	Terracotta			
	996 555 557 07 8P9	Cocoa			
	996 555 557 07 T13	Brown/natural			
	996 555 557 07 N23	Carrera Red			
-	996 561 613 00	Cover		1	CABRIO
	996 561 613 00 01C	Satin black			
8	986 561 235 03	Mounting	11-	1	Speedster I503
		Locking device			
		Convertible top			
		Including			
		Microswitch			
	986 561 235 03 A09	Rally black			
9	999 073 166 09	Countersunk-head screw		2	CABRIO
		M 6 X 25			
(9)	999 073 061 02	Tapping screw		2	TARGA
		4,8 X 16			
10	996 561 609 00	Cap		1	CABRIO
(11)	997 731 031 15	Sun visor	/L	1	COUPE
		Leatherette			
	997 731 031 15 A12	Black			
	997 731 031 15 8W4	Stone grey			
	997 731 031 15 7E3	Sand Beige			
	997 731 031 15 8Z5	Sea blue			
(11)	997 731 032 15	Sun visor	/R	1	COUPE
		Leatherette			
	997 731 032 15 A12	Black			
	997 731 032 15 8W4	Stone grey			
	997 731 032 15 7E3	Sand Beige			
	997 731 032 15 8Z5	Sea blue			
(11)	997 731 981 00	Sun visor	/L	1	COUPE IXMP
		Leather			
	997 731 981 00 A11	Black			
	997 731 981 00 5X6	Stone grey			
	997 731 981 00 8G2	Sand Beige			
	997 731 981 00 3S9	Sea blue			
	997 731 981 00 9S5	Terracotta			
	997 731 981 00 9V6	Cocoa			
	997 731 981 00 D12	Dark grey/natural			
	997 731 981 00 T12	Brown/natural			
	997 731 981 00 N12	Carrera Red			
(11)	997 731 982 00	Sun visor	/R	1	COUPE IXMP
		Leather			
	997 731 982 00 A11	Black			
	997 731 982 00 5X6	Stone grey			
	997 731 982 00 8G2	Sand Beige			
	997 731 982 00 3S9	Sea blue			
	997 731 982 00 9S5	Terracotta			
	997 731 982 00 9V6	Cocoa			
	997 731 982 00 D12	Dark grey/natural			
	997 731 982 00 T12	Brown/natural			
	997 731 982 00 N12	Carrera Red			
(11)	997 731 983 00	Sun visor	/L 10-	1	COUPE S IXXH/756
		Alcantara			
	997 731 983 00 C24	Light grey			
		Information available			
(11)	997 731 984 00	Sun visor	/R 10-	1	COUPE S

Model: 997-09 Model life 2009>>2012

Pos	Part Number	Description	Remark	Qty	Model
		Alcantara			IXXH/756
	997 731 984 00 C24	Light grey			
		Information available			
(11)	997 731 031 18	Sun visor	/L	1	CABRIO
		Leatherette			
	997 731 031 18 A12	Black			
	997 731 031 18 8W4	Stone grey			
	997 731 031 18 7E3	Sand Beige			
	997 731 031 18 8Z5	Sea blue			
		Information available			
(11)	997 731 032 18	Sun visor	/R	1	CABRIO
		Leatherette			
	997 731 032 18 A12	Black			
	997 731 032 18 8W4	Stone grey			
	997 731 032 18 7E3	Sand Beige			
	997 731 032 18 8Z5	Sea blue			
		Information available			
(11)	997 731 981 06	Sun visor	/L	1	CABRIO IXMP
		Leather			
	997 731 981 06 A11	Black			
	997 731 981 06 5X6	Stone grey			
	997 731 981 06 8G2	Sand Beige			
	997 731 981 06 3S9	Sea blue			
	997 731 981 06 9S5	Terracotta			
	997 731 981 06 9V6	Cocoa			
	997 731 981 06 D12	Dark grey/natural			
	997 731 981 06 T12	Brown/natural			
	997 731 981 06 N12	Carrera Red			
(11)	997 731 982 06	Sun visor	/R	1	CABRIO IXMP
		Leather			
	997 731 982 06 A11	Black			
	997 731 982 06 5X6	Stone grey			
	997 731 982 06 8G2	Sand Beige			
	997 731 982 06 3S9	Sea blue			
	997 731 982 06 9S5	Terracotta			
	997 731 982 06 9V6	Cocoa			
	997 731 982 06 D12	Dark grey/natural			
	997 731 982 06 T12	Brown/natural			
	997 731 982 06 N12	Carrera Red			
(11)	997 731 031 24	Sun visor	/L	1	TARGA
		Leatherette			
	997 731 031 24 A12	Black			
	997 731 031 24 8W4	Stone grey			
	997 731 031 24 7E3	Sand Beige			
	997 731 031 24 8Z5	Sea blue			
(11)	997 731 032 24	Sun visor	/R	1	TARGA
		Leatherette			
	997 731 032 24 A12	Black			
	997 731 032 24 8W4	Stone grey			
	997 731 032 24 7E3	Sand Beige			
	997 731 032 24 8Z5	Sea blue			
(11)	997 731 981 16	Sun visor	/L	1	TARGA IXMP
		Leather			
	997 731 981 16 A11	Black			
	997 731 981 16 5X6	Stone grey			
	997 731 981 16 8G2	Sand Beige			
	997 731 981 16 3S9	Sea blue			
	997 731 981 16 9S5	Terracotta			
	997 731 981 16 9V6	Cocoa			

Model: 997-09

Model life 2009>>2012

Pos	Part Number	Description	Remark	Qty	Model
	997 731 981 16 D12	Dark grey/natural			
	997 731 981 16 T12	Brown/natural			
	997 731 981 16 N12	Carrera Red			
	997 731 981 16 6J0	Espresso			
(11)	997 731 982 16	Sun visor	/R	1	TARGA IXMP
		Leather			
	997 731 982 16 A11	Black			
	997 731 982 16 5X6	Stone grey			
	997 731 982 16 8G2	Sand Beige			
	997 731 982 16 3S9	Sea blue			
	997 731 982 16 9S5	Terracotta			
	997 731 982 16 9V6	Cocoa			
	997 731 982 16 D12	Dark grey/natural			
	997 731 982 16 T12	Brown/natural			
	997 731 982 16 N12	Carrera Red			
(11)	987 731 981 09	Sun visor	/L 11-	1	Speedster IXMP/503
		Leather			
	987 731 981 09 TSB	Black/black			
(11)	987 731 982 10	Sun visor	/R 11-	1	Speedster IXMP/503
		Leather			
	987 731 982 10 TSB	Black/black			
12	996 731 903 00	Mirror housing with illumination		1	COUPE/CABRIO
	996 731 903 00 01C	Satin black			
13	999 631 147 90	Bulb 3 W		4	COUPE/CABRIO
14	996 731 531 01	Mirror glass with Frame		2	COUPE/CABRIO
	996 731 531 01 01C	Satin black			
15	996 731 341 00	Support	/L	1	COUPE/CABRIO
		Sun visor			
	996 731 341 00 01C	Satin black			
(15)	996 731 342 00	Support	/R	1	COUPE/CABRIO
		Sun visor			
	996 731 342 00 01C	Satin black			
16	999 919 120 09	Oval-head screw 4,0 X 18		1	COUPE/CABRIO
(16)	999 073 255 09	Combination screw M 5 X 14 for Mount Sun visors		4	TARGA
17	999 073 166 09	Countersunk-head screw M 6 X 25		4	CABRIO
17	999 073 326 09	Oval-head screw M 5 X 10		2	COUPE
(17)	999 500 093 02	Nut M 5		2	COUPE
18	997 701 401 06	Indication sticker		1	CABRIO I488
		Convertible top control German			
18	997 701 401 07	Indication sticker		1	CABRIO I130
		Convertible top control English			
18	997 701 401 08	Indication sticker		1	CABRIO I113/126

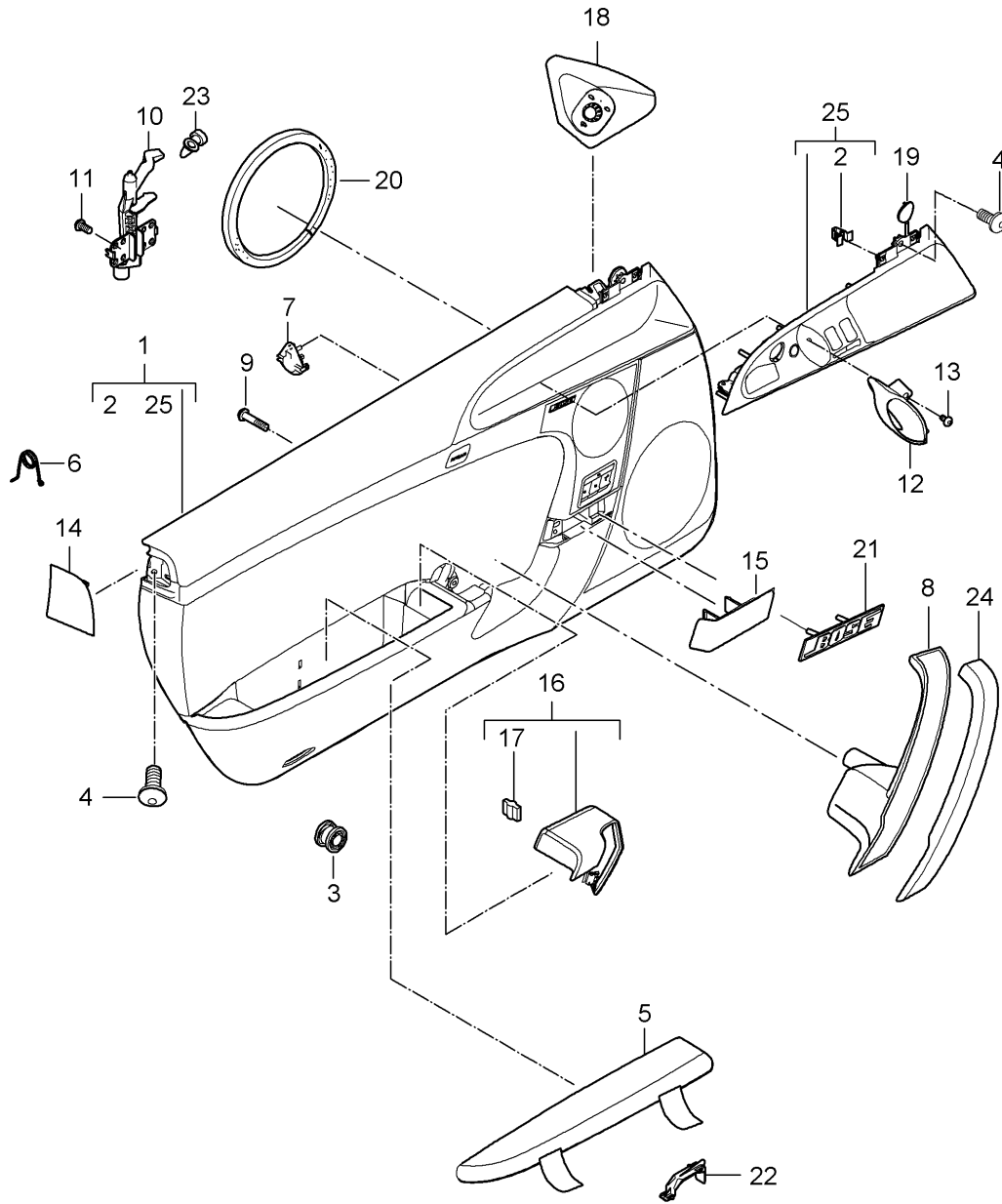
Model: 997-09

Model life 2009>>2012

Pos	Part Number	Description	Remark	Qty	Model
18	997 701 401 09	Convertible top control French Indication sticker		1	CABRIO I034
18	997 701 401 10	Convertible top control Italian Indication sticker		1	CABRIO I119
18	997 701 401 11	Convertible top control Spanish Indication sticker		1	CABRIO I193
19	996 561 613 00	Convertible top control Japanese Cover Mounting		2	CABRIO
22	996 561 613 00 01C 996 555 619 00	Satin black Grommet Wiring harness Rain sensor		1	

Model: 997-09

Model life 2009>>2012



Model: 997-09 Model life 2009>>2012

Pos	Part Number	Description	Remark	Qty	Model
1	997 555 201 04	Door trim panel Accessories Door trim panel slush technology Until Chassis number See technical information GR.7 NR. 17/11 KD-NR. 70	/LL /L	1	COUPE/TARGA I098/490
	997 555 201 04 9L4	Black			
	997 555 201 04 9M5	Stone grey			
	997 555 201 04 9C6	Sand Beige			
	997 555 201 04 9D7	Sea blue			
1	997 555 901 01	Door trim panel slush technology From Chassis number See technical information GR.7 NR. 17/11 KD-NR. 70	/LL /L	1	COUPE/TARGA I098/490
	997 555 901 01 9L4	Black			
	997 555 901 01 9M5	Stone grey			
	997 555 901 01 9C6	Sand Beige			
	997 555 901 01 9D7	Sea blue			
1	997 555 201 06	Door trim panel slush technology Until Chassis number See technical information GR.7 NR. 17/11 KD-NR. 70	/LL /L	1	COUPE/TARGA I098/490/537
	997 555 201 06 9L4	Black			
	997 555 201 06 9M5	Stone grey			
	997 555 201 06 9C6	Sand Beige			
	997 555 201 06 9D7	Sea blue			
1	997 555 901 03	Door trim panel slush technology From Chassis number See technical information GR.7 NR. 17/11 KD-NR. 70	/LL /L	1	COUPE/TARGA I098/490/537
	997 555 901 03 9L4	Black			
	997 555 901 03 9M5	Stone grey			
	997 555 901 03 9C6	Sand Beige			
	997 555 901 03 9D7	Sea blue			
1	997 555 201 08	Door trim panel slush technology Until Chassis number See technical information GR.7 NR. 17/11 KD-NR. 70	/LL /L	1	COUPE/TARGA I098/680
	997 555 201 08 9L4	Black			
	997 555 201 08 9M5	Stone grey			
	997 555 201 08 9C6	Sand Beige			
	997 555 201 08 9D7	Sea blue			
1	997 555 901 05	Door trim panel	/LL /L	1	COUPE/TARGA

Model: 997-09 Model life 2009>>2012

Pos	Part Number	Description	Remark	Qty	Model
		slush technology From Chassis number See technical information GR.7 NR. 17/11 KD-NR. 70			I098/680
1	997 555 901 05 9L4 997 555 901 05 9M5 997 555 901 05 9C6 997 555 901 05 9D7 997 555 201 10	Black Stone grey Sand Beige Sea blue Door trim panel	/LL /L	1	COUPE/TARGA I098/537/680
1	997 555 201 10 9L4 997 555 201 10 9M5 997 555 201 10 9C6 997 555 201 10 9D7 997 555 901 07	slush technology Until Chassis number See technical information GR.7 NR. 17/11 KD-NR. 70 Black Stone grey Sand Beige Sea blue Door trim panel	/LL /L	1	COUPE/TARGA I098/537/680
(1)	997 555 901 07 9L4 997 555 901 07 9M5 997 555 901 07 9C6 997 555 901 07 9D7 997 555 201 16	slush technology From Chassis number See technical information GR.7 NR. 17/11 KD-NR. 70 Black Stone grey Sand Beige Sea blue Door trim panel	/LL /L	1	CABRIO I098/490
(1)	997 555 201 16 9L4 997 555 201 16 9M5 997 555 201 16 9C6 997 555 201 16 9D7 997 555 901 09	slush technology Until Chassis number See technical information GR.7 NR. 17/11 KD-NR. 70 Black Stone grey Sand Beige Sea blue Door trim panel	/LL /L	1	CABRIO I098/490
(1)	997 555 901 09 9L4 997 555 901 09 9M5 997 555 901 09 9C6 997 555 901 09 9D7 997 555 201 18	slush technology Until Chassis number See technical information GR.7 NR. 17/11 KD-NR. 70 Black Stone grey Sand Beige Sea blue Door trim panel	/LL /L	1	CABRIO I098/490/537
		slush technology Until			

Model: 997-09 Model life 2009>>2012

Pos	Part Number	Description	Remark	Qty	Model
		Chassis number See technical information GR.7 NR. 17/11 KD-NR. 70			
	997 555 201 18 9L4	Black			
	997 555 201 18 9M5	Stone grey			
	997 555 201 18 9C6	Sand Beige			
	997 555 201 18 9D7	Sea blue			
(1)	997 555 901 11	Door trim panel	/LL /L	1	CABRIO I098/490/537
		slush technology From Chassis number See technical information GR.7 NR. 17/11 KD-NR. 70			
	997 555 901 11 9L4	Black			
	997 555 901 11 9M5	Stone grey			
	997 555 901 11 9C6	Sand Beige			
	997 555 901 11 9D7	Sea blue			
(1)	997 555 201 20	Door trim panel	/LL /L	1	CABRIO I098/680
		slush technology Until Chassis number See technical information GR.7 NR. 17/11 KD-NR. 70			
	997 555 201 20 9L4	Black			
	997 555 201 20 9M5	Stone grey			
	997 555 201 20 9C6	Sand Beige			
	997 555 201 20 9D7	Sea blue			
(1)	997 555 901 13	Door trim panel	/LL /L	1	CABRIO I098/680
		slush technology From Chassis number See technical information GR.7 NR. 17/11 KD-NR. 70			
	997 555 901 13 9L4	Black			
	997 555 901 13 9M5	Stone grey			
	997 555 901 13 9C6	Sand Beige			
	997 555 901 13 9D7	Sea blue			
(1)	997 555 201 22	Door trim panel	/LL /L	1	CABRIO I098/537/680
		slush technology Until Chassis number See technical information GR.7 NR. 17/11 KD-NR. 70			
	997 555 201 22 9L4	Black			
	997 555 201 22 9M5	Stone grey			
	997 555 201 22 9C6	Sand Beige			
	997 555 201 22 9D7	Sea blue			
(1)	997 555 901 15	Door trim panel	/LL /L	1	CABRIO I098/537/680
		slush technology From Chassis number See technical information GR.7 NR. 17/11			

Model: 997-09 Model life 2009>>2012

Pos	Part Number	Description	Remark	Qty	Model
		KD-NR. 70			
	997 555 901 15 9L4	Black			
	997 555 901 15 9M5	Stone grey			
	997 555 901 15 9C6	Sand Beige			
	997 555 901 15 9D7	Sea blue			
(1)	997 555 202 26	Door trim panel slush technology Until Chassis number See technical information GR.7 NR. 17/11 KD-NR. 70	/LL /R	1	I098/490
	997 555 202 26 9L4	Black			
	997 555 202 26 9M5	Stone grey			
	997 555 202 26 9C6	Sand Beige			
	997 555 202 26 9D7	Sea blue			
(1)	997 555 902 18	Door trim panel slush technology From Chassis number See technical information GR.7 NR. 17/11 KD-NR. 70	/LL /R	1	I098/490
	997 555 902 18 9L4	Black			
	997 555 902 18 9M5	Stone grey			
	997 555 902 18 9C6	Sand Beige			
	997 555 902 18 9D7	Sea blue			
(1)	997 555 202 28	Door trim panel slush technology Until Chassis number See technical information GR.7 NR. 17/11 KD-NR. 70	/LL /R	1	I098/680
	997 555 202 28 9L4	Black			
	997 555 202 28 9M5	Stone grey			
	997 555 202 28 9C6	Sand Beige			
	997 555 202 28 9D7	Sea blue			
(1)	997 555 902 20	Door trim panel slush technology From Chassis number See technical information GR.7 NR. 17/11 KD-NR. 70	/LL /R	1	I098/680
	997 555 902 20 9L4	Black			
	997 555 902 20 9M5	Stone grey			
	997 555 902 20 9C6	Sand Beige			
	997 555 902 20 9D7	Sea blue			
(1)	997 555 202 04	Door trim panel slush technology Until Chassis number See technical information GR.7 NR. 17/11 KD-NR. 70	/RL /R	1	COUPE/TARGA I099/490
	997 555 202 04 9L4	Black			
	997 555 202 04 9M5	Stone grey			
	997 555 202 04 9C6	Sand Beige			
	997 555 202 04 9D7	Sea blue			
(1)	997 555 902 01	Door trim panel	/RL /R	1	COUPE/TARGA I099/490

Model: 997-09 Model life 2009>>2012

Pos	Part Number	Description	Remark	Qty	Model
		slush technology From Chassis number See technical information GR.7 NR. 17/11 KD-NR. 70			
	997 555 902 01 9L4	Black			
	997 555 902 01 9M5	Stone grey			
	997 555 902 01 9C6	Sand Beige			
	997 555 902 01 9D7	Sea blue			
(1)	997 555 902 03	Door trim panel	/RL /R	1	COUPE/TARGA I099/490/538
		slush technology From Chassis number See technical information GR.7 NR. 17/11 KD-NR. 70			
	997 555 902 03 9L4	Black			
	997 555 902 03 9M5	Stone grey			
	997 555 902 03 9C6	Sand Beige			
	997 555 902 03 9D7	Sea blue			
(1)	997 555 202 08	Door trim panel	/RL /R	1	COUPE/TARGA I099/680
		slush technology Until Chassis number See technical information GR.7 NR. 17/11 KD-NR. 70			
	997 555 202 08 9L4	Black			
	997 555 202 08 9M5	Stone grey			
	997 555 202 08 9C6	Sand Beige			
	997 555 202 08 9D7	Sea blue			
(1)	997 555 902 05	Door trim panel	/RL /R	1	COUPE/TARGA I099/680
		slush technology From Chassis number See technical information GR.7 NR. 17/11 KD-NR. 70			
	997 555 902 05 9L4	Black			
	997 555 902 05 9M5	Stone grey			
	997 555 902 05 9C6	Sand Beige			
	997 555 902 05 9D7	Sea blue			
(1)	997 555 202 10	Door trim panel	/RL /R	1	COUPE/TARGA I099/538/680
		slush technology Until Chassis number See technical information GR.7 NR. 17/11 KD-NR. 70			
	997 555 202 10 9L4	Black			
	997 555 202 10 9M5	Stone grey			
	997 555 202 10 9C6	Sand Beige			
	997 555 202 10 9D7	Sea blue			
(1)	997 555 902 07	Door trim panel	/RL /R	1	COUPE/TARGA I099/538/680
		slush technology From Chassis number			

Model: 997-09 Model life 2009>>2012

Pos	Part Number	Description	Remark	Qty	Model
		See technical information GR.7 NR. 17/11 KD-NR. 70			
	997 555 902 07 9L4	Black			
	997 555 902 07 9M5	Stone grey			
	997 555 902 07 9C6	Sand Beige			
	997 555 902 07 9D7	Sea blue			
(1)	997 555 202 16	Door trim panel	/RL /R	1	CABRIO I099/490
		slush technology Until Chassis number See technical information GR.7 NR. 17/11 KD-NR. 70			
	997 555 202 16 9L4	Black			
	997 555 202 16 9M5	Stone grey			
	997 555 202 16 9C6	Sand Beige			
	997 555 202 16 9D7	Sea blue			
(1)	997 555 902 09	Door trim panel	/RL /R	1	CABRIO I099/490
		slush technology From Chassis number See technical information GR.7 NR. 17/11 KD-NR. 70			
	997 555 902 09 9L4	Black			
	997 555 902 09 9M5	Stone grey			
	997 555 902 09 9C6	Sand Beige			
	997 555 902 09 9D7	Sea blue			
(1)	997 555 202 18	Door trim panel	/RL /R	1	CABRIO I099/490/538
		slush technology Until Chassis number See technical information GR.7 NR. 17/11 KD-NR. 70			
	997 555 202 18 9L4	Black			
	997 555 202 18 9M5	Stone grey			
	997 555 202 18 9C6	Sand Beige			
	997 555 202 18 9D7	Sea blue			
(1)	997 555 902 11	Door trim panel	/RL /R	1	CABRIO I099/490/538
		slush technology From Chassis number See technical information GR.7 NR. 17/11 KD-NR. 70			
	997 555 902 11 9L4	Black			
	997 555 902 11 9M5	Stone grey			
	997 555 902 11 9C6	Sand Beige			
	997 555 902 11 9D7	Sea blue			
(1)	997 555 202 20	Door trim panel	/RL /R	1	CABRIO I099/680
		slush technology Until Chassis number See technical information GR.7 NR. 17/11 KD-NR. 70			

Model: 997-09 Model life 2009>>2012

Pos	Part Number	Description	Remark	Qty	Model
(1)	997 555 202 20 9L4	Black		1	CABRIO I099/680
	997 555 202 20 9M5	Stone grey			
	997 555 202 20 9C6	Sand Beige			
	997 555 202 20 9D7	Sea blue			
	997 555 902 13	Door trim panel	/RL /R		
		slush technology From Chassis number See technical information GR.7 NR. 17/11 KD-NR. 70			
(1)	997 555 902 13 9L4	Black		1	CABRIO I099/538/680
	997 555 902 13 9M5	Stone grey			
	997 555 902 13 9C6	Sand Beige			
	997 555 902 13 9D7	Sea blue			
	997 555 202 22	Door trim panel	/RL /R		
		slush technology Until Chassis number See technical information GR.7 NR. 17/11 KD-NR. 70			
(1)	997 555 202 22 9L4	Black		1	CABRIO I099/538/680
	997 555 202 22 9M5	Stone grey			
	997 555 202 22 9C6	Sand Beige			
	997 555 202 22 9D7	Sea blue			
	997 555 902 15	Door trim panel	/RL /R		
		slush technology From Chassis number See technical information GR.7 NR. 17/11 KD-NR. 70			
(1)	997 555 902 15 9L4	Black		1	I099/490
	997 555 902 15 9M5	Stone grey			
	997 555 902 15 9C6	Sand Beige			
	997 555 902 15 9D7	Sea blue			
	997 555 201 26	Door trim panel	/RL /L		
		slush technology Until Chassis number See technical information GR.7 NR. 17/11 KD-NR. 70			
(1)	997 555 201 26 9L4	Black		1	I099/490
	997 555 201 26 9M5	Stone grey			
	997 555 201 26 9C6	Sand Beige			
	997 555 201 26 9D7	Sea blue			
	997 555 901 18	Door trim panel	/RL /L		
		slush technology From Chassis number See technical information GR.7 NR. 17/11 KD-NR. 70			
(1)	997 555 901 18 9L4	Black		1	I099/680
	997 555 901 18 9M5	Stone grey			
	997 555 901 18 9C6	Sand Beige			
	997 555 901 18 9D7	Sea blue			
	997 555 201 28	Door trim panel	/RL /L		

Model: 997-09 Model life 2009>>2012

Pos	Part Number	Description	Remark	Qty	Model
		slush technology Until Chassis number See technical information GR.7 NR. 17/11 KD-NR. 70			
	997 555 201 28 9L4	Black			
	997 555 201 28 9M5	Stone grey			
	997 555 201 28 9C6	Sand Beige			
	997 555 201 28 9D7	Sea blue			
(1)	997 555 901 20	Door trim panel slush technology From Chassis number See technical information GR.7 NR. 17/11 KD-NR. 70	/RL /L	1	I099/680
	997 555 901 20 9L4	Black			
	997 555 901 20 9M5	Stone grey			
	997 555 901 20 9C6	Sand Beige			
	997 555 901 20 9D7	Sea blue			
(1)	997 555 201 05	Door trim panel Leather	/LL /L	1	COUPE/TARGA -IXVT/I098 I490/981
	997 555 201 05 FSF	Terracotta/terracotta			
	997 555 201 05 FSG	Cocoa/Cocoa			
	997 555 201 05 FSH	Darkgrey natural/grey			
	997 555 201 05 FSJ	Brown nat./brown nat.			
	997 555 201 05 BCD	Black/stone grey			
	997 555 201 05 BCE	Black/sand beige			
	997 555 201 05 BCF	Black/terracotta			
(1)	997 555 201 05	Door trim panel Leather	/LL /L	1	COUPE/TARGA -IXVT/I098 I490/981
		Until Chassis number See technical information GR.7 NR. 17/11 KD-NR. 70			
	997 555 201 05 FSA	Black/grey			
	997 555 201 05 FSB	Stone grey/stone grey			
	997 555 201 05 FSC	Sand Beige			
	997 555 201 05 FSD	Sea blue/grey			
	997 555 201 05 FSP	Carrera Red			
(1)	997 555 901 02	Door trim panel Leather	/LL /L	1	COUPE/TARGA -IXVT/I098 I490/981
		From Chassis number See technical information GR.7 NR. 17/11 KD-NR. 70			
	997 555 901 02 FSA	Black			
	997 555 901 02 FSB	Stone grey			
	997 555 901 02 FSC	Sand Beige			
	997 555 901 02 FSD	Sea blue			
	997 555 901 02 FSP	Carrera Red			
(1)	997 555 201 07	Door trim panel	/LL /L	1	COUPE/TARGA -IXVT/I098 I490/537/981

Model: 997-09 Model life 2009>>2012

Pos	Part Number	Description	Remark	Qty	Model
		Leather			
	997 555 201 07 FSF	Terracotta/terracotta			
	997 555 201 07 FSG	Cocoa/Cocoa			
	997 555 201 07 FSH	Darkgrey natural/grey			
	997 555 201 07 FSJ	Brown nat./brown nat.			
	997 555 201 07 BCD	Black/stone grey			
	997 555 201 07 BCE	Black/sand beige			
	997 555 201 07 BCF	Black/terracotta			
(1)	997 555 201 07	Door trim panel	/LL /L	1	COUPE/TARGA -IXVT/I098 I490/537/981
		Leather			
		Until			
		Chassis number			
		See technical information			
		GR.7 NR. 17/11			
		KD-NR. 70			
	997 555 201 07 FSA	Black/grey			
	997 555 201 07 FSB	Stone grey/stone grey			
	997 555 201 07 FSC	Sand Beige			
	997 555 201 07 FSD	Sea blue/grey			
	997 555 201 07 FSP	Carrera Red			
(1)	997 555 901 04	Door trim panel	/LL /L	1	COUPE/TARGA -IXVT/I098 I490/537/981
		Leather			
		From			
		Chassis number			
		See technical information			
		GR.7 NR. 17/11			
		KD-NR. 70			
	997 555 901 04 FSA	Black			
	997 555 901 04 FSB	Stone grey/stone grey			
	997 555 901 04 FSC	Sand Beige			
	997 555 901 04 FSD	Sea blue			
	997 555 901 04 FSP	Carrera Red			
(1)	997 555 201 09	Door trim panel	/LL /L	1	COUPE/TARGA -IXVT/I098 I680/981
		Leather			
	997 555 201 09 FSF	Terracotta/terracotta			
	997 555 201 09 FSG	Cocoa/Cocoa			
	997 555 201 09 FSH	Darkgrey natural/grey			
	997 555 201 09 FSJ	Brown nat./brown nat.			
	997 555 201 09 BCD	Black/stone grey			
	997 555 201 09 BCE	Black/sand beige			
	997 555 201 09 BCF	Black/terracotta			
(1)	997 555 201 09	Door trim panel	/LL /L	1	COUPE/TARGA -IXVT/I098 I680/981
		Leather			
		Until			
		Chassis number			
		See technical information			
		GR.7 NR. 17/11			
		KD-NR. 70			
	997 555 201 09 FSA	Black/grey			
	997 555 201 09 FSB	Stone grey/stone grey			
	997 555 201 09 FSC	Sand Beige			
	997 555 201 09 FSD	Sea blue/grey			
	997 555 201 09 FSP	Carrera Red			
(1)	997 555 901 06	Door trim panel	/LL /L	1	COUPE/TARGA -IXVT/I098

Model: 997-09 Model life 2009>>2012

Pos	Part Number	Description	Remark	Qty	Model
		Leather From Chassis number See technical information GR.7 NR. 17/11 KD-NR. 70			I680/981
	997 555 901 06 FSA	Black			
	997 555 901 06 FSB	Stone grey			
	997 555 901 06 FSC	Sand Beige			
	997 555 901 06 FSD	Sea blue			
	997 555 901 06 FSP	Carrera Red			
(1)	997 555 202 29	Door trim panel	/LL /R	1	COUPE -IXVT/I098 I680/981
		Leather			
	997 555 202 29 TSK	Black/terracotta			
	997 555 202 29 TSL	Black/sand beige			
(1)	997 555 201 11	Door trim panel	/LL /L	1	COUPE/TARGA -IXVT/I098 I537/680/981
		Leather			
	997 555 201 11 FSF	Terracotta/terracotta			
	997 555 201 11 FSG	Cocoa/Cocoa			
	997 555 201 11 FSH	Darkgrey natural/grey			
	997 555 201 11 FSJ	Brown nat./brown nat.			
	997 555 201 11 BCD	Black/stone grey			
	997 555 201 11 BCE	Black/sand beige			
	997 555 201 11 BCF	Black/terracotta			
(1)	997 555 201 11	Door trim panel	/LL /L	1	I098/537/680 I981
		Leather			
		Special model CHINA EDITION STYLE			
	997 555 201 11 TSK	Black/terracotta			
	997 555 201 11 TSL	Black/sand beige			
(1)	997 555 201 11	Door trim panel	/LL /L	1	COUPE/TARGA -IXVT/I098 I537/680/981
		Leather			
		Until Chassis number See technical information GR.7 NR. 17/11 KD-NR. 70			
	997 555 201 11 FSA	Black/grey			
	997 555 201 11 FSB	Stone grey/stone grey			
	997 555 201 11 FSC	Sand Beige			
	997 555 201 11 FSD	Sea blue/grey			
	997 555 201 11 FSP	Carrera Red			
(1)	997 555 901 08	Door trim panel	/LL /L	1	COUPE/TARGA -IXVT/I098 I537/680/981
		Leather			
		From Chassis number See technical information GR.7 NR. 17/11 KD-NR. 70			
	997 555 901 08 FSA	Black			
	997 555 901 08 FSB	Stone grey/stone grey			
	997 555 901 08 FSC	Sand Beige			
	997 555 901 08 FSD	Sea blue			

Model: 997-09 Model life 2009>>2012

Pos	Part Number	Description	Remark	Qty	Model
(1)	997 555 901 08 FSP 997 555 201 17	Carrera Red Door trim panel	/LL /L	1	CABRIO -IXVT/I098 I490/981
		Leather			
	997 555 201 17 FSF	Terracotta/terracotta			
	997 555 201 17 FSG	Cocoa/Cocoa			
	997 555 201 17 FSH	Darkgrey natural/grey			
	997 555 201 17 FSJ	Brown nat./brown nat.			
	997 555 201 17 BCD	Black/stone grey			
	997 555 201 17 BCE	Black/sand beige			
	997 555 201 17 BCF	Black/terracotta			
(1)	997 555 201 17	Door trim panel	/LL /L	1	CABRIO -IXVT/I098 I490/981
		Leather			
		Until			
		Chassis number			
		See technical information			
		GR.7 NR. 17/11			
		KD-NR. 70			
	997 555 201 17 FSA	Black/grey			
	997 555 201 17 FSB	Stone grey/stone grey			
	997 555 201 17 FSC	Sand Beige			
	997 555 201 17 FSD	Sea blue/grey			
	997 555 201 17 FSP	Carrera Red			
(1)	997 555 901 10	Door trim panel	/LL /L	1	CABRIO -IXVT/I098 I490/981
		Leather			
		From			
		Chassis number			
		See technical information			
		GR.7 NR. 17/11			
		KD-NR. 70			
	997 555 901 10 FSA	Black			
	997 555 901 10 FSB	Stone grey/stone grey			
	997 555 901 10 FSC	Sand Beige			
	997 555 901 10 FSD	Sea blue			
	997 555 901 10 FSP	Carrera Red			
(1)	997 555 201 19	Door trim panel	/LL /L	1	CABRIO -IXVT/I098 I490/537/981
		Leather			
	997 555 201 19 FSF	Terracotta/terracotta			
	997 555 201 19 FSG	Cocoa/Cocoa			
	997 555 201 19 FSH	Darkgrey natural/grey			
	997 555 201 19 FSJ	Brown nat./brown nat.			
	997 555 201 19 BCD	Black/grey			
	997 555 201 19 BCE	Black/sand beige			
	997 555 201 19 BCF	Black/terracotta			
(1)	997 555 201 19	Door trim panel	/LL /L	1	CABRIO -IXVT/I098 I490/537/981
		Leather			
		Until			
		Chassis number			
		See technical information			
		GR.7 NR. 17/11			
		KD-NR. 70			
	997 555 201 19 FSA	Black/grey			
	997 555 201 19 FSB	Stone grey/stone grey			
	997 555 201 19 FSC	Sand Beige			

Model: 997-09 Model life 2009>>2012

Pos	Part Number	Description	Remark	Qty	Model			
(1)	997 555 201 19 FSD	Sea blue/grey		1	CABRIO -IXVT/I098 I490/537/981			
	997 555 201 19 FSP	Carrera Red						
	997 555 901 12	Door trim panel	/LL /L					
		Leather From Chassis number See technical information GR.7 NR. 17/11 KD-NR. 70						
(1)	997 555 901 12 FSA	Black		1	CABRIO -IXVT/I098 I680/981			
	997 555 901 12 FSB	Stone grey/stone grey						
	997 555 901 12 FSC	Sand Beige						
	997 555 901 12 FSD	Sea blue						
	997 555 901 12 FSP	Carrera Red						
	997 555 201 21	Door trim panel	/LL /L					
		Leather						
	997 555 201 21 FSF	Terracotta/terracotta						
	997 555 201 21 FSG	Cocoa/Cocoa						
	997 555 201 21 FSH	Darkgrey natural/grey						
(1)	997 555 201 21 FSJ	Brown nat./brown nat.		1	CABRIO -IXVT/I098 I680/981			
	997 555 201 21 BCD	Black/stone grey						
	997 555 201 21 BCE	Black/sand beige						
	997 555 201 21 BCF	Black/terracotta						
	997 555 201 21	Door trim panel	/LL /L					
		Leather Until Chassis number See technical information GR.7 NR. 17/11 KD-NR. 70						
	997 555 201 21 FSA	Black/grey						
	997 555 201 21 FSB	Stone grey/stone grey						
	997 555 201 21 FSC	Sand Beige						
	997 555 201 21 FSD	Sea blue/grey						
(1)	997 555 201 21 FSP	Carrera Red		1	CABRIO -IXVT/I098 I680/981			
	997 555 901 14	Door trim panel	/LL /L					
		Leather From Chassis number See technical information GR.7 NR. 17/11 KD-NR. 70						
	997 555 901 14 FSA	Black						
	997 555 901 14 FSB	Stone grey/stone grey						
	997 555 901 14 FSC	Sand Beige						
	997 555 901 14 FSD	Sea blue						
	997 555 901 14 FSP	Carrera Red						
	(1)	997 555 201 23	Door trim panel			/LL /L	1	CABRIO -IXVT/I098 I537/680/981
			Leather					
997 555 201 23 FSF		Terracotta/terracotta						
997 555 201 23 FSG		Cocoa/Cocoa						
997 555 201 23 FSJ		Brown nat./brown nat.						

Model: 997-09 Model life 2009>>2012

Pos	Part Number	Description	Remark	Qty	Model
(1)	997 555 201 23 BCD	Black/stone grey		1	CABRIO -IXVT/I098 I537/680/981
	997 555 201 23 BCE	Black/sand beige			
	997 555 201 23 BCF	Black/terracotta			
	997 555 201 23 FWH	Espresso			
	997 555 201 23	Door trim panel	/LL /L		
		Leather Until Chassis number See technical information GR.7 NR. 17/11 KD-NR. 70			
(1)	997 555 201 23 FSA	Black/grey		1	CABRIO -IXVT/I098 I537/680/981
	997 555 201 23 FSB	Stone grey/stone grey			
	997 555 201 23 FSC	Sand Beige			
	997 555 201 23 FSD	Sea blue/grey			
	997 555 201 23 FSP	Carrera Red			
(1)	997 555 901 16	Door trim panel	/LL /L	1	CABRIO -IXVT/I098 I537/680/981
		Leather From Chassis number See technical information GR.7 NR. 17/11 KD-NR. 70			
(1)	997 555 901 16 FSA	Black		1	-IXVT/I098 I490/981
	997 555 901 16 FSB	Stone grey/stone grey			
	997 555 901 16 FSC	Sand Beige			
	997 555 901 16 FSD	Sea blue			
	997 555 901 16 FSP	Carrera Red			
(1)	997 555 202 27	Door trim panel	/LL /R	1	-IXVT/I098 I490/981
		Leather Terracotta/terracotta Cocoa/Cocoa Darkgrey natural/grey Brown nat./brown nat. Black/stone grey Black/sand beige Black/terracotta			
(1)	997 555 202 27	Door trim panel	/LL /R	1	-IXVT/I098 I490/981
		Leather Until Chassis number See technical information GR.7 NR. 17/11 KD-NR. 70			
(1)	997 555 202 27 FSA	Black/grey		1	-IXVT/I098 I490/981
	997 555 202 27 FSB	Stone grey/stone grey			
	997 555 202 27 FSC	Sand Beige			
	997 555 202 27 FSD	Sea blue/grey			
	997 555 202 27 FSP	Carrera Red			
(1)	997 555 902 19	Door trim panel	/LL /R	1	-IXVT/I098 I490/981
		Leather From Chassis number See technical information GR.7 NR. 17/11 KD-NR. 70			

Model: 997-09 Model life 2009>>2012

Pos	Part Number	Description	Remark	Qty	Model
(1)	997 555 902 19 FSA	Black			
	997 555 902 19 FSB	Stone grey/stone grey			
	997 555 902 19 FSC	Sand Beige			
	997 555 902 19 FSD	Sea blue			
	997 555 902 19 FSP	Carrera Red			
	997 555 202 29	Door trim panel	/LL /R	1	-IXVT/I098 I680/981
		Leather			
	997 555 202 29 FSF	Terracotta/terracotta			
	997 555 202 29 FSG	Cocoa/Cocoa			
	997 555 202 29 FSH	Darkgrey natural/grey			
(1)	997 555 202 29 FSJ	Brown nat./brown nat.			
	997 555 202 29 BCD	Black/stone grey			
	997 555 202 29 BCE	Black/sand beige			
	997 555 202 29 BCF	Black/terracotta			
	997 555 202 29 FWH	Espresso			
	997 555 201 09	Door trim panel	/LL /L	1	I098/680/981
		Leather			
		Special model			
		CHINA EDITION STYLE			
	997 555 201 09 TSK	Black/terracotta			
(1)	997 555 201 09 TSL	Black/sand beige			
	997 555 202 29	Door trim panel	/LL /R	1	-IXVT/I098 I680/981
		Leather			
		Until			
		Chassis number			
		See technical information			
		GR.7 NR. 17/11			
		KD-NR. 70			
	997 555 202 29 FSA	Black/grey			
	997 555 202 29 FSB	Stone grey/stone grey			
(1)	997 555 202 29 FSC	Sand Beige			
	997 555 202 29 FSD	Sea blue/grey			
	997 555 202 29 FSP	Carrera Red			
	997 555 902 21	Door trim panel	/LL /R	1	-IXVT/I098 I680/981
		Leather			
		From			
		Chassis number			
		See technical information			
		GR.7 NR. 17/11			
		KD-NR. 70			
(1)	997 555 902 21 FSA	Black			
	997 555 902 21 FSB	Stone grey/stone grey			
	997 555 902 21 FSC	Sand Beige			
	997 555 902 21 FSD	Sea blue			
	997 555 902 21 FSP	Carrera Red			
	997 555 202 05	Door trim panel	/RL /R	1	COUPE/TARGA -IXVT/I099 I490/981
		Leather			
	997 555 202 05 FSF	Terracotta/terracotta			
	997 555 202 05 FSG	Cocoa/Cocoa			
	997 555 202 05 FSH	Darkgrey natural/grey			
(1)	997 555 202 05 FSJ	Brown nat./brown nat.			
	997 555 202 05 BCD	Black/stone grey			
	997 555 202 05 BCE	Black/sand beige			
	997 555 202 05 BCF	Black/terracotta			
	997 555 202 05	Door trim panel	/RL /R	1	COUPE/TARGA -IXVT/I099 I490/981
		Leather			

Model: 997-09 Model life 2009>>2012

Pos	Part Number	Description	Remark	Qty	Model
		Until Chassis number See technical information GR.7 NR. 17/11 KD-NR. 70			
	997 555 202 05 FSA	Black/grey			
	997 555 202 05 FSB	Stone grey/stone grey			
	997 555 202 05 FSC	Sand Beige			
	997 555 202 05 FSD	Sea blue/grey			
	997 555 202 05 FSP	Carrera Red			
(1)	997 555 902 02	Door trim panel	/RL /R	1	COUPE/TARGA -IXVT/I099 I490/981
		Leather From Chassis number See technical information GR.7 NR. 17/11 KD-NR. 70			
	997 555 902 02 FSA	Black			
	997 555 902 02 FSB	Stone grey			
	997 555 902 02 FSC	Sand Beige			
	997 555 902 02 FSD	Sea blue			
	997 555 902 02 FSP	Carrera Red			
(1)	997 555 202 07	Door trim panel	/RL /R	1	COUPE/TARGA -IXVT/I099 I490/538/981
		Leather Terracotta/terracotta Cocoa/Cocoa Darkgrey natural/grey Brown nat./brown nat. Black/stone grey Black/sand beige Black/terracotta			
(1)	997 555 202 07	Door trim panel	/RL /R	1	COUPE/TARGA -IXVT/I099 I490/538/981
		Leather Until Chassis number See technical information GR.7 NR. 17/11 KD-NR. 70			
	997 555 202 07 FSA	Black/grey			
	997 555 202 07 FSB	Stone grey/stone grey			
	997 555 202 07 FSC	Sand Beige			
	997 555 202 07 FSD	Sea blue/grey			
	997 555 202 07 FSP	Carrera Red			
(1)	997 555 902 04	Door trim panel	/RL /R	1	COUPE/TARGA -IXVT/I099 I490/538/981
		Leather From Chassis number See technical information GR.7 NR. 17/11 KD-NR. 70			
	997 555 902 04 FSA	Black			
	997 555 902 04 FSB	Stone grey			
	997 555 902 04 FSC	Sand Beige			
	997 555 902 04 FSD	Sea blue			
	997 555 902 04 FSP	Carrera Red			

Model: 997-09 Model life 2009>>2012

Pos	Part Number	Description	Remark	Qty	Model
(1)	997 555 202 09	Door trim panel	/RL /R	1	COUPE/TARGA -IXVT/I099 I680/981
		Leather			
	997 555 202 09 FSF	Terracotta/terracotta			
	997 555 202 09 FSG	Cocoa/Cocoa			
	997 555 202 09 FSH	Darkgrey natural/grey			
	997 555 202 09 FSJ	Brown nat./brown nat.			
	997 555 202 09 BCD	Black/stone grey			
	997 555 202 09 BCE	Black/sand beige			
	997 555 202 09 BCF	Black/terracotta			
(1)	997 555 202 09	Door trim panel	/RL /R	1	COUPE/TARGA -IXVT/I099 I680/981
		Leather			
		Until			
		Chassis number			
		See technical information			
		GR.7 NR. 17/11			
		KD-NR. 70			
	997 555 202 09 FSA	Black/grey			
	997 555 202 09 FSB	Stone grey/stone grey			
	997 555 202 09 FSC	Sand Beige			
	997 555 202 09 FSD	Sea blue/grey			
	997 555 202 09 FSP	Carrera Red			
(1)	997 555 902 06	Door trim panel	/RL /R	1	COUPE/TARGA -IXVT/I099 I680/981
		Leather			
		From			
		Chassis number			
		See technical information			
		GR.7 NR. 17/11			
		KD-NR. 70			
	997 555 902 06 FSA	Black			
	997 555 902 06 FSB	Stone grey/stone grey			
	997 555 902 06 FSC	Sand Beige			
	997 555 902 06 FSD	Sea blue			
	997 555 902 06 FSP	Carrera Red			
(1)	997 555 202 11	Door trim panel	/RL /R	1	COUPE/TARGA -IXVT/I099 I538/680/981
		Leather			
	997 555 202 11 FSF	Terracotta/terracotta			
	997 555 202 11 FSG	Cocoa/Cocoa			
	997 555 202 11 FSH	Darkgrey natural/grey			
	997 555 202 11 FSJ	Brown nat./brown nat.			
	997 555 202 11 BCD	Black/stone grey			
	997 555 202 11 BCE	Black/sand beige			
	997 555 202 11 BCF	Black/terracotta			
(1)	997 555 202 11	Door trim panel	/RL /R	1	I099/538/680 I981
		Leather			
		Special model			
		CHINA EDITION STYLE			
	997 555 202 11 TSK	Black/terracotta			
	997 555 202 11 TSL	Black/sand beige			
(1)	997 555 202 11	Door trim panel	/RL /R	1	COUPE/TARGA -IXVT/I099 I538/680/981
		Leather			
		Until			
		Chassis number			

Model: 997-09 Model life 2009>>2012

Pos	Part Number	Description	Remark	Qty	Model
		See technical information GR.7 NR. 17/11 KD-NR. 70			
	997 555 202 11 FSA	Black/grey			
	997 555 202 11 FSB	Stone grey/stone grey			
	997 555 202 11 FSC	Sand Beige			
	997 555 202 11 FSD	Sea blue/grey			
	997 555 202 11 FSP	Carrera Red			
(1)	997 555 902 08	Door trim panel	/RL /R	1	COUPE/TARGA -IXVT/I099 I538/680/981
		Leather From Chassis number See technical information GR.7 NR. 17/11 KD-NR. 70			
	997 555 902 08 FSA	Black			
	997 555 902 08 FSB	Stone grey			
	997 555 902 08 FSC	Sand Beige			
	997 555 902 08 FSD	Sea blue			
	997 555 902 08 FSP	Carrera Red			
(1)	997 555 202 17	Door trim panel	/RL /R	1	CABRIO -IXVT/I099 I490/981
		Leather Terracotta/terracotta Cocoa/Cocoa Darkgrey natural/grey Brown nat./brown nat. Black/stone grey Black/sand beige Black/terracotta			
(1)	997 555 202 17	Door trim panel	/RL /R	1	CABRIO -IXVT/I099 I490/981
		Leather Until Chassis number See technical information GR.7 NR. 17/11 KD-NR. 70			
	997 555 202 17 FSA	Black/grey			
	997 555 202 17 FSB	Stone grey/stone grey			
	997 555 202 17 FSC	Sand Beige			
	997 555 202 17 FSD	Sea blue/grey			
	997 555 202 17 FSP	Carrera Red			
(1)	997 555 902 10	Door trim panel	/RL /R	1	CABRIO -IXVT/I099 I490/981
		Leather From Chassis number See technical information GR.7 NR. 17/11 KD-NR. 70			
	997 555 902 10 FSA	Black			
	997 555 902 10 FSB	Stone grey/stone grey			
	997 555 902 10 FSC	Sand Beige			
	997 555 902 10 FSD	Sea blue			
	997 555 902 10 FSP	Carrera Red			
(1)	997 555 202 19	Door trim panel	/RL /R	1	CABRIO -IXVT/I099

Model: 997-09 Model life 2009>>2012

Pos	Part Number	Description	Remark	Qty	Model
		Leather			I490/538/981
	997 555 202 19 FSF	Terracotta/terracotta			
	997 555 202 19 FSG	Cocoa/Cocoa			
	997 555 202 19 FSH	Darkgrey natural/grey			
	997 555 202 19 FSJ	Brown nat./brown nat.			
	997 555 202 19 BCD	Black/stone grey			
	997 555 202 19 BCE	Black/sand beige			
	997 555 202 19 BCF	Black/terracotta			
(1)	997 555 202 19	Door trim panel	/RL /R	1	CABRIO -IXVT/I099 I490/538/981
		Leather			
		Until			
		Chassis number			
		See technical information			
		GR.7 NR. 17/11			
		KD-NR. 70			
	997 555 202 19 FSA	Black/grey			
	997 555 202 19 FSB	Stone grey/stone grey			
	997 555 202 19 FSC	Sand Beige			
	997 555 202 19 FSD	Sea blue/grey			
	997 555 202 19 FSP	Carrera Red			
(1)	997 555 902 12	Door trim panel	/RL /R	1	CABRIO -IXVT/I099 I490/538/981
		Leather			
		From			
		Chassis number			
		See technical information			
		GR.7 NR. 17/11			
		KD-NR. 70			
	997 555 902 12 FSA	Black			
	997 555 902 12 FSB	Stone grey/stone grey			
	997 555 902 12 FSC	Sand Beige			
	997 555 902 12 FSD	Sea blue			
	997 555 902 12 FSP	Carrera Red			
(1)	997 555 202 21	Door trim panel	/RL /R	1	CABRIO -IXVT/I099 I680/981
		Leather			
	997 555 202 21 FSF	Terracotta/terracotta			
	997 555 202 21 FSG	Cocoa/Cocoa			
	997 555 202 21 FSH	Darkgrey natural/grey			
	997 555 202 21 FSJ	Brown nat./brown nat.			
	997 555 202 21 BCD	Black/stone grey			
	997 555 202 21 BCE	Black/sand beige			
	997 555 202 21 BCF	Black/terracotta			
(1)	997 555 202 21	Door trim panel	/RL /R	1	CABRIO -IXVT/I099 I680/981
		Leather			
		Until			
		Chassis number			
		See technical information			
		GR.7 NR. 17/11			
		KD-NR. 70			
	997 555 202 21 FSA	Black/grey			
	997 555 202 21 FSB	Stone grey/stone grey			
	997 555 202 21 FSC	Sand Beige			
	997 555 202 21 FSD	Sea blue/grey			
	997 555 202 21 FSP	Carrera Red			
(1)	997 555 902 14	Door trim panel	/RL /R	1	CABRIO

Model: 997-09 Model life 2009>>2012

Pos	Part Number	Description	Remark	Qty	Model
		Leather From Chassis number See technical information GR.7 NR. 17/11 KD-NR. 70			-IXVT/I099 I680/981
(1)	997 555 902 14 FSA	Black			
	997 555 902 14 FSB	Stone grey/stone grey			
	997 555 902 14 FSC	Sand Beige			
	997 555 902 14 FSD	Sea blue			
	997 555 902 14 FSP	Carrera Red			
(1)	997 555 202 23	Door trim panel	/RL /R	1	CABRIO -IXVT/I099 I538/680/981
		Leather Terracotta/terracotta			
	997 555 202 23 FSF	Cocoa/Cocoa			
	997 555 202 23 FSG	Darkgrey natural/grey			
	997 555 202 23 FSH	Brown nat./brown nat.			
	997 555 202 23 FSJ	Black/stone grey			
	997 555 202 23 BCD	Black/sand beige			
	997 555 202 23 BCE	Black/terracotta			
(1)	997 555 202 23 BCF	Door trim panel	/RL /R	1	CABRIO -IXVT/I099 I538/680/981
		Leather Until Chassis number See technical information GR.7 NR. 17/11 KD-NR. 70			
	997 555 202 23 FSA	Black/grey			
	997 555 202 23 FSB	Stone grey/stone grey			
	997 555 202 23 FSC	Sand Beige			
	997 555 202 23 FSD	Sea blue/grey			
	997 555 202 23 FSP	Carrera Red			
(1)	997 555 902 16	Door trim panel	/RL /R	1	CABRIO -IXVT/I099 I538/680/981
		Leather From Chassis number See technical information GR.7 NR. 17/11 KD-NR. 70			
	997 555 902 16 FSA	Black			
	997 555 902 16 FSB	Stone grey/stone grey			
	997 555 902 16 FSC	Sand Beige			
	997 555 902 16 FSD	Sea blue			
	997 555 902 16 FSP	Carrera Red			
(1)	997 555 201 27	Door trim panel	/RL /L	1	-IXVT/I099 I490/981
		Leather Terracotta/terracotta			
	997 555 201 27 FSF	Cocoa/Cocoa			
	997 555 201 27 FSG	Darkgrey natural/grey			
	997 555 201 27 FSH	Brown nat./brown nat.			
	997 555 201 27 FSJ	Black/stone grey			
	997 555 201 27 BCD	Black/sand beige			
	997 555 201 27 BCE	Black/terracotta			
(1)	997 555 201 27 BCF	Door trim panel	/RL /L	1	-IXVT/I099

Model: 997-09 Model life 2009>>2012

Pos	Part Number	Description	Remark	Qty	Model
		Leather Until Chassis number See technical information GR.7 NR. 17/11 KD-NR. 70			I490/981
	997 555 201 27 FSA	Black/grey			
	997 555 201 27 FSB	Stone grey/stone grey			
	997 555 201 27 FSC	Sand Beige			
	997 555 201 27 FSD	Sea blue/grey			
	997 555 201 27 FSP	Carrera Red			
(1)	997 555 901 19	Door trim panel	/RL /L	1	-IXVT/I099 I490/981
		Leather From Chassis number See technical information GR.7 NR. 17/11 KD-NR. 70			
	997 555 901 19 FSA	Black			
	997 555 901 19 FSB	Stone grey/stone grey			
	997 555 901 19 FSC	Sand Beige			
	997 555 901 19 FSD	Sea blue			
	997 555 901 19 FSP	Carrera Red			
(1)	997 555 201 29	Door trim panel	/RL /L	1	-IXVT/I099 I680/981
		Leather Terracotta/terracotta Cocoa/Cocoa Darkgrey natural/grey Brown nat./brown nat. Black/stone grey Black/sand beige Black/terracotta			
(1)	997 555 201 29 FSF	Terracotta/terracotta			
	997 555 201 29 FSG	Cocoa/Cocoa			
	997 555 201 29 FSH	Darkgrey natural/grey			
	997 555 201 29 FSJ	Brown nat./brown nat.			
	997 555 201 29 BCD	Black/stone grey			
	997 555 201 29 BCE	Black/sand beige			
	997 555 201 29 BCF	Black/terracotta			
(1)	997 555 202 09	Door trim panel	/RL /R	1	I099/680/981
		Leather Special model CHINA EDITION STYLE			
	997 555 202 09 TSK	Black/terracotta			
	997 555 202 09 TSL	Black/sand beige			
(1)	997 555 201 29	Door trim panel	/RL /L	1	-IXVT/I099 I680/981
		Leather Until Chassis number See technical information GR.7 NR. 17/11 KD-NR. 70			
	997 555 201 29 FSA	Black/grey			
	997 555 201 29 FSB	Stone grey/stone grey			
	997 555 201 29 FSC	Sand Beige			
	997 555 201 29 FSD	Sea blue/grey			
	997 555 201 29 FSP	Carrera Red			
(1)	997 555 901 21	Door trim panel	/RL /L	1	-IXVT/I099 I680/981
		Leather From Chassis number See technical information GR.7 NR. 17/11 KD-NR. 70			
	997 555 901 21 FSA	Black			

Model: 997-09 Model life 2009>>2012

Pos	Part Number	Description	Remark	Qty	Model
(1)	997 555 901 21 FSB 997 555 901 21 FSC 997 555 901 21 FSD 997 555 901 21 FSP 997 555 201 50	Stone grey/stone grey Sand Beige Sea blue Carrera Red Door trim panel	/LL /L	1	COUPE I011/098/490 I975/981
(1)	997 555 201 50 FSM 997 555 201 E2	Leather/ Alcantara Black/black Door trim panel	/LL /L	1	COUPE I011/098/537 I680/975/981
(1)	997 555 201 E2 FSM 997 555 201 E4	Leather/ Alcantara Black/black Door trim panel	/LL /L	1	CABRIO I011/098/490 I975/981
(1)	997 555 201 E4 FSM 997 555 202 52	Leather/ Alcantara Black/black Door trim panel	/LL /R	1	COUPE/CABRIO I011/098/490 I975/981
(1)	997 555 202 52 FSM 997 555 202 50	Leather/ Alcantara Black/black Door trim panel	/RL /R	1	COUPE I011/099/490 I975/981
(1)	997 555 202 50 FSM 997 555 202 E4	Leather/ Alcantara Black/black Door trim panel	/RL /R	1	CABRIO I011/099/490 I975/981
(1)	997 555 202 E4 FSM 997 555 201 52	Leather/ Alcantara Black/black Door trim panel	/RL /L	1	COUPE/CABRIO I011/099/490 I975/981
(1)	997 555 201 52 FSM 997 555 201 74	Leather/ Alcantara Black/black Door trim panel	/LL /L	1	COUPE I011/098/490 I537/975/981
(1)	997 555 201 74 FSM 997 555 202 74	Leather/ Alcantara Black/black Door trim panel	/RL /R	1	COUPE I011/099/490 I538/975/981
(1)	997 555 202 74 FSM 997 555 201 E5	Leather/ Alcantara Black/black Door trim panel	/LL /L	1	CABRIO I011/098/490 I537/975/981
		Leather/ Alcantara			

Model: 997-09 Model life 2009>>2012

Pos	Part Number	Description	Remark	Qty	Model
(1)	997 555 201 E5 FSM 997 555 202 E5	Black/black Door trim panel	/RL /R	1	CABRIO I011/099/490 I538/975/981
(1)	997 555 202 E5 FSM 997 555 201 E1	Leather/ Alcantara Black/black Door trim panel	/LL /L	1	COUPE I011/098/680 I975/981
(1)	997 555 201 E1 FSM 997 555 201 E6	Leather/ Alcantara Black/black Door trim panel	/LL /L	1	CABRIO I011/098/680 I975/981
(1)	997 555 201 E6 FSM 997 555 202 E3	Leather/ Alcantara Black/black Door trim panel	/LL /R	1	COUPE/CABRIO I011/098/680 I975/981
(1)	997 555 202 E3 FSM 997 555 202 E1	Leather/ Alcantara Black/black Door trim panel	/RL /R	1	COUPE I011/099/680 I975/981
(1)	997 555 202 E1 FSM 997 555 202 E2	Leather/ Alcantara Black/black Door trim panel	/RL /R	1	COUPE I011/099/538 I680/975/981
(1)	997 555 202 E2 FSM 997 555 202 E6	Leather/ Alcantara Black/black Door trim panel	/RL /R	1	CABRIO I011/099/680 I975/981
(1)	997 555 202 E6 FSM 997 555 201 E3	Leather/ Alcantara Black/black Door trim panel	/RL /L	1	COUPE/CABRIO I011/099/680 I975/981
(1)	997 555 201 E3 FSM 997 555 201 E7	Leather/ Alcantara Black/black Door trim panel	/LL /L	1	CABRIO I011/098/537 I680/975/981
(1)	997 555 201 E7 FSM 997 555 202 E7	Leather/ Alcantara Black/black Door trim panel	/RL /R	1	COUPE I011/099/538 I680/975/981
2	997 555 202 E7 FSM 999 507 533 02	Leather/ Alcantara Black/black Clamp 8,0X 10/2,5		2	

Model: 997-09 Model life 2009>>2012

Pos	Part Number	Description	Remark	Qty	Model
3	955 555 243 00	Fixing clip for Mount Door trim panel		9	
4	999 073 322 02	Oval-head screw M 6 X 20 for Mount Door trim panel		5	
5	997 555 221 01	Lid Shelf	/L	1	
	997 555 221 01 FSA	Black/grey			
	997 555 221 01 FSB	Stone grey/stone grey			
	997 555 221 01 FSC	Sand Beige			
	997 555 221 01 FSD	Sea blue/grey			
	997 555 221 01 FSF	Terracotta/terracotta			
	997 555 221 01 FSG	Cocoa/Cocoa			
	997 555 221 01 FSH	Darkgrey natural/grey			
	997 555 221 01 FSJ	Brown nat./brown nat.			
	997 555 221 01 FSP	Carrera Red			
(5)	997 555 222 01	Lid Shelf	/R	1	
	997 555 222 01 FSA	Black/grey			
	997 555 222 01 FSB	Stone grey/stone grey			
	997 555 222 01 FSC	Sand Beige			
	997 555 222 01 FSD	Sea blue/grey			
	997 555 222 01 FSF	Terracotta/terracotta			
	997 555 222 01 FSG	Cocoa/Cocoa			
	997 555 222 01 FSH	Darkgrey natural/grey			
	997 555 222 01 FSJ	Brown nat./brown nat.			
	997 555 222 01 FSP	Carrera Red			
(5)	997 555 221 02	Lid Shelf Alcantara	/L	1	I975
	997 555 221 02 FSO	Black			
(5)	997 555 222 02	Lid Shelf Alcantara	/R	1	I975
	997 555 222 02 FSO	Black			
6	997 555 833 00	Steering knuckle spring for Lid Shelf	/L	1	
(6)	997 555 834 00	Steering knuckle spring for Lid Shelf	/R	1	
7	997 555 841 00	Damper Shelf		1	
(8)	997 555 261 01	Handle Lower part	/L	1	
	997 555 261 01 A11	Black			
	997 555 261 01 5X6	Stone grey			
	997 555 261 01 8G2	Sand Beige			
	997 555 261 01 3S9	Sea blue			
	997 555 261 01 9S5	Terracotta			
	997 555 261 01 9V6	Cocoa			
	997 555 261 01 D12	Dark grey/natural			
	997 555 261 01 T12	Brown/natural			
	997 555 261 01 N12	Carrera Red			
(8)	997 555 262 01	Handle Lower part	/R	1	
	997 555 262 01 A11	Black			

Model: 997-09 Model life 2009>>2012

Pos	Part Number	Description	Remark	Qty	Model
	997 555 262 01 5X6	Stone grey			
	997 555 262 01 8G2	Sand Beige			
	997 555 262 01 3S9	Sea blue			
	997 555 262 01 9S5	Terracotta			
	997 555 262 01 9V6	Cocoa			
	997 555 262 01 D12	Dark grey/natural			
	997 555 262 01 T12	Brown/natural			
	997 555 262 01 N12	Carrera Red			
9	999 919 229 02	Oval-head screw 6,0 X 40,0 for Mount Handle		2	
10	997 555 381 02	Axle bearing Valid for	/L	1	Coupe C2 Coupe C2 S Coupe C4 Coupe C4 S Cabrio C2 Cabrio C2 S Cabrio C4 Cabrio C4 S Targa C4 Targa C4 S
(10)	997 555 382 02	Axle bearing GÜLTIG FÜR:	/R	1	Coupe C2 Coupe C2 S Coupe C4 Coupe C4 S Cabrio C2 Cabrio C2 S Cabrio C4 Cabrio C4 S Targa C4 Targa C4 S
(10)	997 555 381 03	Axle bearing Valid from:	/L	1	Coupe C2 Coupe C2 S Coupe C4 Coupe C4 S Cabrio C2 Cabrio C2 S Cabrio C4 Cabrio C4 S Targa C4 Targa C4 S
(10)	997 555 382 03	Axle bearing Valid from:	/R	1	Coupe C2 Coupe C2 S Coupe C4 Coupe C4 S Cabrio C2 Cabrio C2 S Cabrio C4 Cabrio C4 S Targa C4 Targa C4 S
11	999 919 164 09	Oval-head screw 5 X 12		3	

Model: 997-09 Model life 2009>>2012

Pos	Part Number	Description	Remark	Qty	Model
12	997 555 461 01	for Mount Axle bearing Lever	/L	1	
	997 555 461 01 V05	Door opener Galvano silver			
(12)	997 555 462 01	Lever	/R	1	
	997 555 462 01 V05	Door opener Galvano silver			
13	999 919 164 09	Oval-head screw 5 X 12		1	
		for Mount Lever			
14	997 555 683 00	Door opener Cap	/L	1	
		Airbag			
	997 555 683 00 A03	Black			
	997 555 683 00 5V7	Stone grey			
	997 555 683 00 5Z1	Sand Beige			
	997 555 683 00 8W7	Sea blue			
	997 555 683 00 8X8	Terracotta			
	997 555 683 00 8P9	Cocoa			
	997 555 683 00 T13	Brown/natural			
	997 555 683 00 N23	Carrera Red			
(14)	997 555 684 00	Cap	/R	1	
		Airbag			
	997 555 684 00 A03	Black			
	997 555 684 00 5V7	Stone grey			
	997 555 684 00 5Z1	Sand Beige			
	997 555 684 00 8W7	Sea blue			
	997 555 684 00 8X8	Terracotta			
	997 555 684 00 8P9	Cocoa			
	997 555 684 00 T13	Brown/natural			
	997 555 684 00 N23	Carrera Red			
15	997 555 643 01	Cover Front	/L	1	
		Lacquered			
	997 555 643 01 A03	Black			
	997 555 643 01 5V7	Stone grey			
	997 555 643 01 5Z1	Sand Beige			
	997 555 643 01 8W7	Sea blue			
	997 555 643 01 8X8	Terracotta			
	997 555 643 01 8P9	Cocoa			
	997 555 643 01 T13	Brown/natural			
	997 555 643 01 N23	Carrera Red			
(15)	997 555 644 01	Cover Front	/R	1	
		Lacquered			
	997 555 644 01 A03	Black			
	997 555 644 01 5V7	Stone grey			
	997 555 644 01 5Z1	Sand Beige			
	997 555 644 01 8W7	Sea blue			
	997 555 644 01 8X8	Terracotta			
	997 555 644 01 8P9	Cocoa			
	997 555 644 01 T13	Brown/natural			
	997 555 644 01 N23	Carrera Red			
16	997 555 431 01	Cover Door handle	/L	1	
		Black/grey			
	997 555 431 01 FSA	Black/grey			
	997 555 431 01 FSB	Stone grey/stone grey			
	997 555 431 01 FSC	Sand Beige			
	997 555 431 01 FSD	Sea blue/grey			

Model: 997-09 Model life 2009>>2012

Pos	Part Number	Description	Remark	Qty	Model
	997 555 431 01 FSF	Terracotta/terracotta			
	997 555 431 01 FSG	Cocoa/Cocoa			
	997 555 431 01 FSH	Darkgrey natural/grey			
	997 555 431 01 FSJ	Brown nat./brown nat.			
	997 555 431 01 FSP	Carrera Red			
(16)	997 555 432 01	Cover	/R	1	
		Door handle			
	997 555 432 01 FSA	Black/grey			
	997 555 432 01 FSB	Stone grey/stone grey			
	997 555 432 01 FSC	Sand Beige			
	997 555 432 01 FSD	Sea blue/grey			
	997 555 432 01 FSF	Terracotta/terracotta			
	997 555 432 01 FSG	Cocoa/Cocoa			
	997 555 432 01 FSH	Darkgrey natural/grey			
	997 555 432 01 FSJ	Brown nat./brown nat.			
	997 555 432 01 FSP	Carrera Red			
(16)	997 555 431 03	Cover	/L	1	I975
		Door handle			
(16)	997 555 431 03 FSO	Black			
(16)	997 555 432 03	Cover	/R	1	I975
		Door handle			
	997 555 432 03 FSO	Black			
17	999 591 380 01	Cable clamp		3	
18	997 555 685 02	Cover	/LL	1	I098
		Door mirror			
		Driver's side			
		Lacquered			
	997 555 685 02 A03	Black			
	997 555 685 02 5V7	Stone grey			
	997 555 685 02 5Z1	Sand Beige			
	997 555 685 02 8W7	Sea blue			
	997 555 685 02 8X8	Terracotta			
	997 555 685 02 8P9	Cocoa			
	997 555 685 02 T13	Brown/natural			
	997 555 685 02 N23	Carrera Red			
(18)	997 555 686 03	Cover	/RL	1	I099
		Door mirror			
		Driver's side			
		Lacquered			
	997 555 686 03 A03	Black			
	997 555 686 03 5V7	Stone grey			
	997 555 686 03 5Z1	Sand Beige			
	997 555 686 03 8W7	Sea blue			
	997 555 686 03 8X8	Terracotta			
	997 555 686 03 8P9	Cocoa			
	997 555 686 03 T13	Brown/natural			
	997 555 686 03 N23	Carrera Red			
(18)	997 555 995 00	Cover	/LL 10-	1	IXDX/098
		Door mirror			
		Driver's side			
		Leather			
	997 555 995 00 A11	Black			
	997 555 995 00 5X6	Stone grey			
	997 555 995 00 8G2	Sand Beige			
	997 555 995 00 3S9	Sea blue			
	997 555 995 00 9S5	Terracotta			
	997 555 995 00 9V6	Cocoa			
	997 555 995 00 T12	Brown/natural			
	997 555 995 00 N12	Carrera Red			
(18)	997 555 996 01	Cover	/RL 10-	1	IXDX/099
		Door mirror			
		Driver's side			
		Leather			

Model: 997-09 Model life 2009>>2012

Pos	Part Number	Description	Remark	Qty	Model
	997 555 996 01 A11	Black			
	997 555 996 01 5X6	Stone grey			
	997 555 996 01 8G2	Sand Beige			
	997 555 996 01 3S9	Sea blue			
	997 555 996 01 9S5	Terracotta			
	997 555 996 01 9V6	Cocoa			
	997 555 996 01 T12	Brown/natural			
	997 555 996 01 N12	Carrera Red			
(18)	997 555 686 02	Cover	/LL	1	I098
		Door mirror			
		Passenger's side			
		Lacquered			
	997 555 686 02 A03	Black			
	997 555 686 02 5V7	Stone grey			
	997 555 686 02 5Z1	Sand Beige			
	997 555 686 02 8W7	Sea blue			
	997 555 686 02 8X8	Terracotta			
	997 555 686 02 8P9	Cocoa			
	997 555 686 02 T13	Brown/natural			
	997 555 686 02 N23	Carrera Red			
(18)	997 555 685 03	Cover	/RL	1	I099
		Door mirror			
		Passenger's side			
		Lacquered			
	997 555 685 03 A03	Black			
	997 555 685 03 5V7	Stone grey			
	997 555 685 03 5Z1	Sand Beige			
	997 555 685 03 8W7	Sea blue			
	997 555 685 03 8X8	Terracotta			
	997 555 685 03 8P9	Cocoa			
	997 555 685 03 T13	Brown/natural			
	997 555 685 03 N23	Carrera Red			
(18)	997 555 996 00	Cover	/LL	1	IXDX/098
		Door mirror			
		Passenger's side			
		Leather			
	997 555 996 00 A11	Black			
	997 555 996 00 5X6	Stone grey			
	997 555 996 00 8G2	Sand Beige			
	997 555 996 00 3S9	Sea blue			
	997 555 996 00 9S5	Terracotta			
	997 555 996 00 9V6	Cocoa			
	997 555 996 00 D12	Dark grey/natural			
	997 555 996 00 T12	Brown/natural			
	997 555 996 00 N12	Carrera Red			
(18)	997 555 995 01	Cover	/RL	1	IXDX/099
		Door mirror			
		Passenger's side			
		Leather			
	997 555 995 01 A11	Black			
	997 555 995 01 5X6	Stone grey			
	997 555 995 01 8G2	Sand Beige			
	997 555 995 01 3S9	Sea blue			
	997 555 995 01 9S5	Terracotta			
	997 555 995 01 9V6	Cocoa			
	997 555 995 01 D12	Dark grey/natural			
	997 555 995 01 T12	Brown/natural			
	997 555 995 01 N12	Carrera Red			
19	997 555 577 00	Cap		1	
		Handle liner			
	997 555 577 00 A03	Black			
	997 555 577 00 5V7	Stone grey			
	997 555 577 00 8W7	Sea blue			

Model: 997-09 Model life 2009>>2012

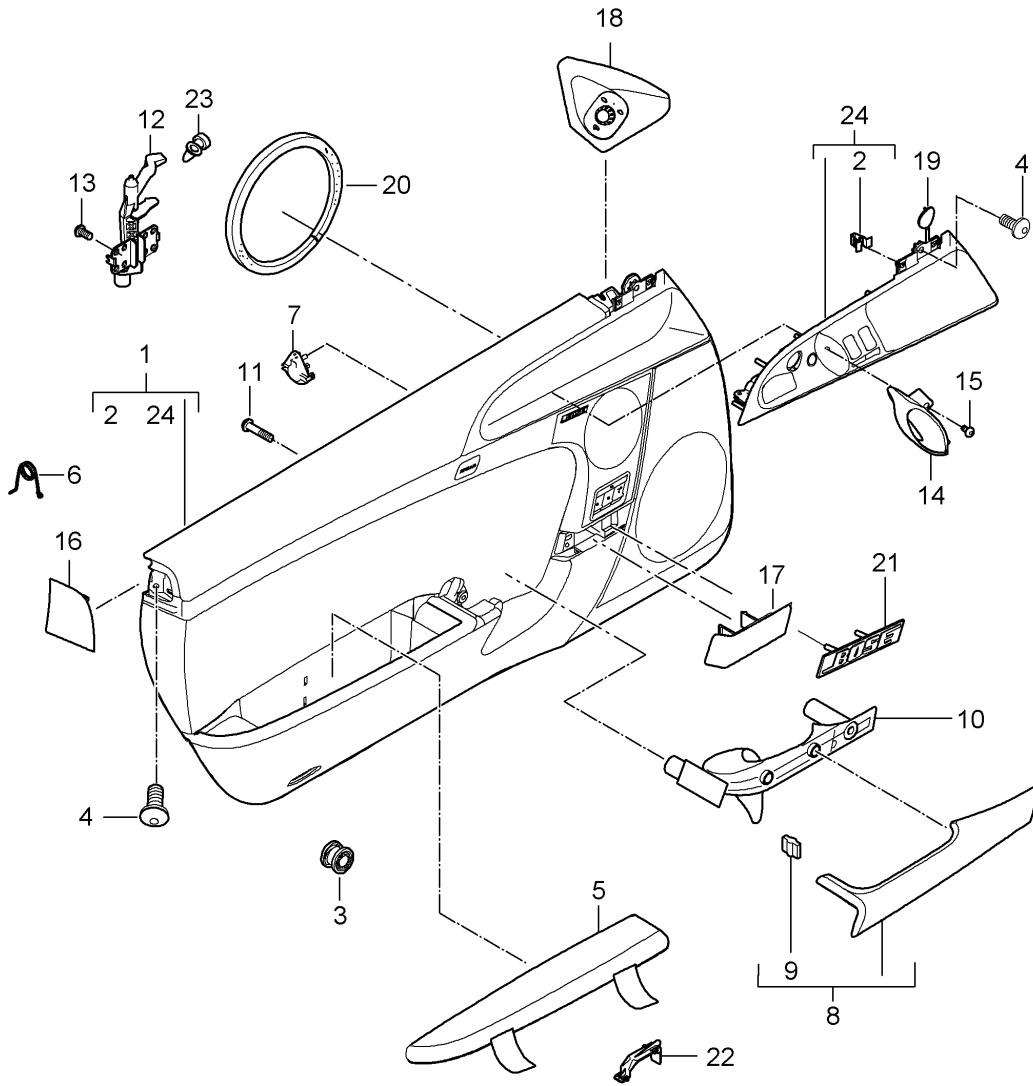
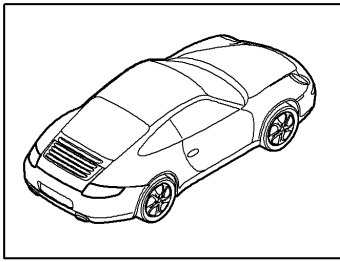
Pos	Part Number	Description	Remark	Qty	Model
	997 555 577 00 8X8	Terracotta			
	997 555 577 00 8P9	Cocoa			
	997 555 577 00 T13	Brown/natural			
	997 555 577 00 N23	Carrera Red			
20	997 555 895 00	Plastic foam strip for Woofer		1	
21	997 645 511 00	Logo		2	I680
22	997 555 597 00	Spacer Lid hinge		2	
23	999 702 281 41	Grommet Axle bearing		1	
24	997 555 271 01	Handle Upper part	/L	1	
	997 555 271 01 FSA	Black/grey			
	997 555 271 01 FSB	Stone grey/stone grey			
	997 555 271 01 FSC	Sand Beige			
	997 555 271 01 FSD	Sea blue/grey			
	997 555 271 01 FSF	Terracotta/terracotta			
	997 555 271 01 FSG	Cocoa/Cocoa			
	997 555 271 01 FSH	Darkgrey natural/grey			
	997 555 271 01 FSJ	Brown nat./brown nat.			
	997 555 271 01 FSP	Carrera Red			
(24)	997 555 272 01	Handle Upper part	/R	1	
	997 555 272 01 FSA	Black/grey			
	997 555 272 01 FSB	Stone grey/stone grey			
	997 555 272 01 FSC	Sand Beige			
	997 555 272 01 FSD	Sea blue/grey			
	997 555 272 01 FSF	Terracotta/terracotta			
	997 555 272 01 FSG	Cocoa/Cocoa			
	997 555 272 01 FSH	Darkgrey natural/grey			
	997 555 272 01 FSJ	Brown nat./brown nat.			
	997 555 272 01 FSP	Carrera Red			
(24)	997 555 271 02	Handle Upper part Alcantara	/L	1	I975
(24)	997 555 271 02 FSO	Black/grey			
(24)	997 555 272 02	Handle Upper part Alcantara	/R	1	I975
	997 555 272 02 FSO	Black			
25	997 555 351 03	Insert Handle liner Lacquered	/LL /L	1	COUPE/TARGA I098
	997 555 351 03 A03	Black			
	997 555 351 03 5V7	Stone grey			
	997 555 351 03 5Z1	Sand Beige			
	997 555 351 03 8W7	Sea blue			
	997 555 351 03 8X8	Terracotta			
	997 555 351 03 8P9	Cocoa			
	997 555 351 03 T13	Brown/natural			
	997 555 351 03 N23	Carrera Red			
	997 555 351 03 2S8	Espresso			
(25)	997 555 352 03	Insert Handle liner Lacquered	/RL /R	1	COUPE/TARGA I099
	997 555 352 03 A03	Black			
	997 555 352 03 5V7	Stone grey			
	997 555 352 03 5Z1	Sand Beige			
	997 555 352 03 8W7	Sea blue			

Model: 997-09 Model life 2009>>2012

Pos	Part Number	Description	Remark	Qty	Model
(25)	997 555 352 03 8X8	Terracotta		1	CABRIO I098
	997 555 352 03 8P9	Cocoa			
	997 555 352 03 T13	Brown/natural			
	997 555 352 03 N23	Carrera Red			
	997 555 352 03 2S8	Espresso			
	997 555 351 05	Insert	/LL /L		
		Handle liner Lacquered			
	997 555 351 05 A03	Black			
	997 555 351 05 5V7	Stone grey			
	997 555 351 05 5Z1	Sand Beige			
(25)	997 555 351 05 8W7	Sea blue		1	CABRIO I099
	997 555 351 05 8X8	Terracotta			
	997 555 351 05 8P9	Cocoa			
	997 555 351 05 T13	Brown/natural			
	997 555 351 05 N23	Carrera Red			
	997 555 351 05 2S8	Espresso			
	997 555 352 05	Insert	/RL /R		
		Handle liner Lacquered			
	997 555 352 05 A03	Black			
	997 555 352 05 5V7	Stone grey			
(25)	997 555 352 05 5Z1	Sand Beige		1	I098
	997 555 352 05 8W7	Sea blue			
	997 555 352 05 8X8	Terracotta			
	997 555 352 05 8P9	Cocoa			
	997 555 352 05 T13	Brown/natural			
	997 555 352 05 N23	Carrera Red			
	997 555 352 05 2S8	Espresso			
	997 555 352 04	Insert	/LL /R		
		Handle liner Lacquered			
	997 555 352 04 A03	Black			
(25)	997 555 352 04 5V7	Stone grey		1	I099
	997 555 352 04 5Z1	Sand Beige			
	997 555 352 04 8W7	Sea blue			
	997 555 352 04 8X8	Terracotta			
	997 555 352 04 8P9	Cocoa			
	997 555 352 04 T13	Brown/natural			
	997 555 352 04 N23	Carrera Red			
	997 555 352 04 2S8	Espresso			
	997 555 351 04	Insert	/RL /L		
		Handle liner Lacquered			
997 555 351 04 A03	Black				
997 555 351 04 5V7	Stone grey				
997 555 351 04 5Z1	Sand Beige				
997 555 351 04 8W7	Sea blue				
997 555 351 04 8X8	Terracotta				
997 555 351 04 8P9	Cocoa				
997 555 351 04 T13	Brown/natural				
997 555 351 04 N23	Carrera Red				
997 555 351 04 2S8	Espresso				

Model: 997-09

Model life 2009>>2012



Model: 997-09 Model life 2009>>2012

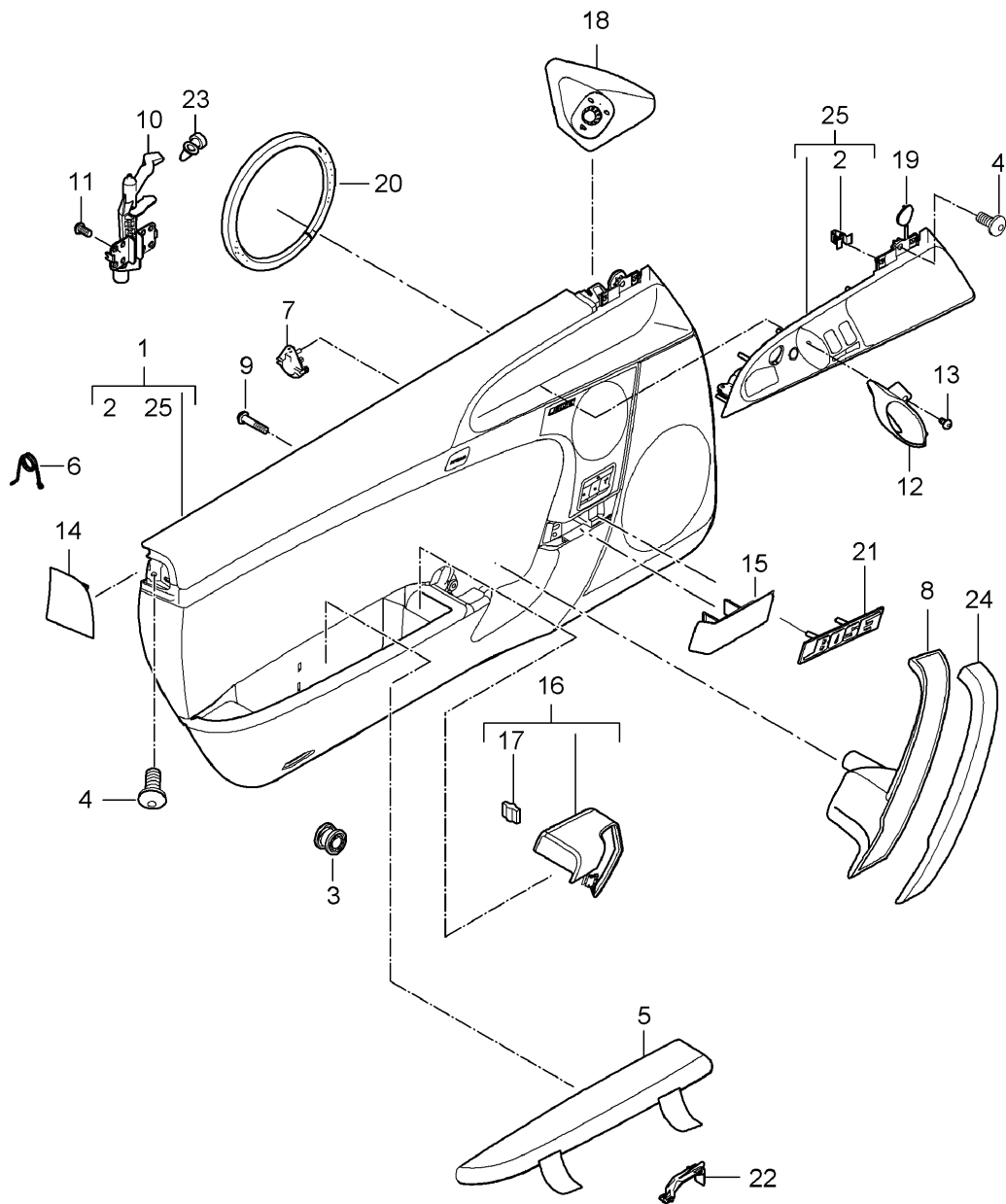
Pos	Part Number	Description	Remark	Qty	Model
		Door trim panel	10-		I756
(1)	997 555 983 00	Accessories Door trim panel	/LL /L 10-	1	IXTV/XVT/098 I537/680/756 I981
	997 555 983 00 SCD	Leather Espresso/Light Grey			
(1)	997 555 984 01	Door trim panel	/LL /R 10-	1	IXTV/XVT/098 I680/756/981
	997 555 984 01 SCD	Leather Espresso/Light Grey			
(1)	997 555 984 00	Door trim panel	/RL /R 10-	1	IXTV/XVT/099 I538/680/756 I981
	997 555 984 00 SCD	Leather Espresso/Light Grey			
(1)	997 555 983 01	Door trim panel	/RL /L 10-	1	IXTV/XVT/099 I680/756/981
	997 555 983 01 SCD	Leather Espresso/Light Grey			
2	999 507 533 02	Clamp		2	
3	955 555 243 00	8,0X 10/2,5 Fixing clip for Mount		9	
4	999 073 322 02	Door trim panel Oval-head screw M 6 X 20 for Mount		5	
5	997 555 221 03	Door trim panel Lid Shelf	/L 10-	1	I756/981
	997 555 221 03 SCA	Espresso			
(5)	997 555 222 03	Lid Shelf	/R 10-	1	I756/981
	997 555 222 03 SCA	Espresso			
6	997 555 833 00	Steering knuckle spring for Lid Shelf	/L	1	
(6)	997 555 834 00	Steering knuckle spring for Lid Shelf	/R	1	
7	997 555 841 00	Damper Shelf		1	
8	997 555 271 03	Handle Upper part	/L 10-	1	I756
	997 555 271 03 SCA	Espresso			
(8)	997 555 272 03	Handle Upper part	/R 10-	1	I756
	997 555 272 03 SCA	Espresso			
9	999 591 380 01	Cable clamp		4	
10	987 555 261 01	Handle Lower part	/L 10-	1	I756
	987 555 261 01 6J0	Espresso			
(10)	987 555 262 01	Handle Lower part	/R 10-	1	I756
	987 555 262 01 6J0	Espresso			
11	999 919 229 02	Oval-head screw 6,0 X 40,0 for		2	

Model: 997-09 Model life 2009>>2012

Pos	Part Number	Description	Remark	Qty	Model
		Mount			
		Handle			
12	997 555 381 03	Axle bearing	/L	1	
(12)	997 555 382 03	Axle bearing	/R	1	
13	999 919 164 09	Oval-head screw		3	
		5 X 12			
		for			
		Mount			
		Axle bearing			
15		Oval-head screw		1	
		5 X 12			
		for			
		Mount			
		Lever			
		Door opener			
16	997 555 683 00	Cap	/L 10-	1	I756
		Airbag			
	997 555 683 00 3T0	Espresso			
(16)	997 555 684 00	Cap	/R 10-	1	I756
		Airbag			
	997 555 684 00 3T0	Espresso			
17	997 555 643 02	Cover	/L 10-	1	I756
		Front			
		Leather			
	997 555 643 02 6J0	Espresso			
(17)	997 555 644 02	Cover	/R 10-	1	I756
		Front			
		Leather			
	997 555 644 02 6J0	Espresso			
20	997 555 895 00	Plastic foam strip		1	
		for			
		Woofer			
21	997 645 511 00	Logo		2	I680
22	997 555 597 00	Spacer		2	
		Lid hinge			
23	999 702 281 41	Grommet		1	
		Axle bearing			
24	997 555 985 15	Insert	/LL /L 10-	1	IXTV/098/756
		Handle liner			
	997 555 985 15 6J0	Espresso			
(24)	997 555 986 16	Insert	/RL /R 10-	1	IXTV/099/756
		Handle liner			
	997 555 986 16 6J0	Espresso			
(24)	997 555 986 15	Insert	/LL /R 10-	1	IXTV/098/756
		Handle liner			
	997 555 986 15 6J0	Espresso			
(24)	997 555 985 16	Insert	/RL /L 10-	1	IXTV/099/756
		Handle liner			
	997 555 985 16 6J0	Espresso			

Model: 997-09

Model life 2009>>2012



Model: 997-09 Model life 2009>>2012

Pos	Part Number	Description	Remark	Qty	Model
		Door trim panel			-I981/IXTL IXTT/XTV/XTW
		slush technology			
		Accessories			
		Passenger compartment			
		in			
		Carbon			
		Macassar			
		Leather			
		Aluminium look			
(1)	987 555 981 15	Door trim panel	/LL /L	1	COUPE/TARGA -I537/-I981 IXTL/098/490
		slush technology			
	987 555 981 15 9L4	Black			
	987 555 981 15 9M5	Stone grey			
	987 555 981 15 9C6	Sand Beige			
	987 555 981 15 9D7	Sea blue			
(1)	987 555 982 15	Door trim panel	/RL /R	1	COUPE/TARGA -I538/-I981 IXTL/099/490
		slush technology			
	987 555 982 15 9L4	Black			
	987 555 982 15 9M5	Stone grey			
	987 555 982 15 9C6	Sand Beige			
	987 555 982 15 9D7	Sea blue			
(1)	987 555 981 17	Door trim panel	/LL /L	1	COUPE/TARGA -I981/IXTL I098/490/537
		slush technology			
	987 555 981 17 9L4	Black			
	987 555 981 17 9M5	Stone grey			
	987 555 981 17 9C6	Sand Beige			
	987 555 981 17 9D7	Sea blue			
(1)	987 555 982 17	Door trim panel	/RL /R	1	COUPE/TARGA -I981/IXTL I099/490/538
		slush technology			
	987 555 982 17 9L4	Black			
	987 555 982 17 9M5	Stone grey			
	987 555 982 17 9C6	Sand Beige			
	987 555 982 17 9D7	Sea blue			
(1)	987 555 981 19	Door trim panel	/LL /L	1	COUPE/TARGA -I537/-I981 IXTL/098/680
		slush technology			
	987 555 981 19 9L4	Black			
	987 555 981 19 9M5	Stone grey			
	987 555 981 19 9C6	Sand Beige			
	987 555 981 19 9D7	Sea blue			
(1)	987 555 982 19	Door trim panel	/RL /R	1	COUPE/TARGA -I538/-I981 IXTL/099/680
		slush technology			
	987 555 982 19 9L4	Black			
	987 555 982 19 9M5	Stone grey			
	987 555 982 19 9C6	Sand Beige			
	987 555 982 19 9D7	Sea blue			
(1)	987 555 981 21	Door trim panel	/LL /L	1	COUPE/TARGA -I981/IXTL I098/537/680
		slush technology			
	987 555 981 21 9L4	Black			

Model: 997-09 Model life 2009>>2012

Pos	Part Number	Description	Remark	Qty	Model
(1)	987 555 981 21 9M5	Stone grey		1	COUPE/TARGA -I981/IXTL I099/538/680
	987 555 981 21 9C6	Sand Beige			
	987 555 981 21 9D7	Sea blue			
	987 555 982 21	Door trim panel	/RL /R		
		slush technology			
(1)	987 555 982 21 9L4	Black		1	-I981/IXTL I099/490
	987 555 982 21 9M5	Stone grey			
	987 555 982 21 9C6	Sand Beige			
	987 555 982 21 9D7	Sea blue			
	987 555 981 24	Door trim panel	/RL /L		
(1)		slush technology		1	-I981/IXTL I098/490
	987 555 981 24 9L4	Black			
	987 555 981 24 9M5	Stone grey			
	987 555 981 24 9C6	Sand Beige			
	987 555 981 24 9D7	Sea blue			
(1)	987 555 982 24	Door trim panel	/LL /R	1	-I981/IXTL I098/490
		slush technology			
	987 555 982 24 9L4	Black			
	987 555 982 24 9M5	Stone grey			
	987 555 982 24 9C6	Sand Beige			
(1)	987 555 982 24 9D7	Sea blue		1	-I981/IXTL I099/680
	987 555 981 26	Door trim panel	/RL /L		
		slush technology			
	987 555 981 26 9L4	Black			
	987 555 981 26 9M5	Stone grey			
(1)	987 555 981 26 9C6	Sand Beige		1	-I981/IXTL I098/680
	987 555 981 26 9D7	Sea blue			
	987 555 982 26	Door trim panel	/LL /R		
		slush technology			
	987 555 982 26 9L4	Black			
(1)	987 555 982 26 9M5	Stone grey		1	CABRIO -I537/-I981 IXTL/098/490
	987 555 982 26 9C6	Sand Beige			
	987 555 982 26 9D7	Sea blue			
	987 555 981 30	Door trim panel	/LL /L		
		slush technology			
(1)	987 555 981 30 9L4	Black		1	CABRIO -I538/-I981 IXTL/099/490
	987 555 981 30 9M5	Stone grey			
	987 555 981 30 9C6	Sand Beige			
	987 555 981 30 9D7	Sea blue			
	987 555 982 30	Door trim panel	/RL /R		
(1)		slush technology		1	CABRIO -I981/IXTL I098/490/537
	987 555 982 30 9L4	Black			
	987 555 982 30 9M5	Stone grey			
	987 555 982 30 9C6	Sand Beige			
	987 555 982 30 9D7	Sea blue			
(1)	987 555 981 32	Door trim panel	/LL /L	1	CABRIO -I981/IXTL I098/490/537
		slush technology			
	987 555 981 32 9L4	Black			
	987 555 981 32 9M5	Stone grey			
	987 555 981 32 9C6	Sand Beige			
(1)	987 555 981 32 9D7	Sea blue		1	CABRIO -I981/IXTL I098/490/537
		slush technology			
	987 555 981 32 9L4	Black			
(1)	987 555 981 32 9M5	Stone grey		1	CABRIO -I981/IXTL I098/490/537
	987 555 981 32 9C6	Sand Beige			
	987 555 981 32 9D7	Sea blue			

Model: 997-09 Model life 2009>>2012

Pos	Part Number	Description	Remark	Qty	Model
(1)	987 555 982 32	Door trim panel	/RL /R	1	CABRIO -I981/IXTL I099/490/538
		slush technology			
	987 555 982 32 9L4	Black			
	987 555 982 32 9M5	Stone grey			
	987 555 982 32 9C6	Sand Beige			
	987 555 982 32 9D7	Sea blue			
(1)	987 555 981 34	Door trim panel	/LL /L	1	CABRIO -I537/-I981 IXTL/098/680
		slush technology			
	987 555 981 34 9L4	Black			
	987 555 981 34 9M5	Stone grey			
	987 555 981 34 9C6	Sand Beige			
	987 555 981 34 9D7	Sea blue			
(1)	987 555 982 34	Door trim panel	/RL /R	1	CABRIO -I538/-I981 IXTL/099/680
		slush technology			
	987 555 982 34 9L4	Black			
	987 555 982 34 9M5	Stone grey			
	987 555 982 34 9C6	Sand Beige			
	987 555 982 34 9D7	Sea blue			
(1)	987 555 981 36	Door trim panel	/LL /L	1	CABRIO -I981/IXTL I098/537/680
		slush technology			
	987 555 981 36 9L4	Black			
	987 555 981 36 9M5	Stone grey			
	987 555 981 36 9C6	Sand Beige			
	987 555 981 36 9D7	Sea blue			
(1)	987 555 982 36	Door trim panel	/LL /R	1	CABRIO -I981/IXTL I098/538/680
		slush technology			
	987 555 982 36 9L4	Black			
	987 555 982 36 9M5	Stone grey			
	987 555 982 36 9C6	Sand Beige			
	987 555 982 36 9D7	Sea blue			
(1)	987 555 983 15	Door trim panel	/LL /L	1	COUPE/TARGA -I537/-I981 IXTT/098/490
		slush technology			
	987 555 983 15 9L4	Black			
	987 555 983 15 9M5	Stone grey			
	987 555 983 15 9C6	Sand Beige			
	987 555 983 15 9D7	Sea blue			
(1)	987 555 984 15	Door trim panel	/RL /R	1	COUPE/TARGA -I538/-I981 IXTT/099/490
		slush technology			
	987 555 984 15 9L4	Black			
	987 555 984 15 9M5	Stone grey			
	987 555 984 15 9C6	Sand Beige			
	987 555 984 15 9D7	Sea blue			
(1)	987 555 983 17	Door trim panel	/LL /L	1	COUPE/TARGA -I981/IXTT I098/490/537
		slush technology			
	987 555 983 17 9L4	Black			
	987 555 983 17 9M5	Stone grey			
	987 555 983 17 9C6	Sand Beige			

Model: 997-09 Model life 2009>>2012

Pos	Part Number	Description	Remark	Qty	Model
(1)	987 555 983 17 9D7 987 555 984 17	Sea blue Door trim panel slush technology	/RL /R	1	COUPE/TARGA -I981/IXTT I099/490/538
	987 555 984 17 9L4 987 555 984 17 9M5 987 555 984 17 9C6 987 555 984 17 9D7	Black Stone grey Sand Beige Sea blue			
(1)	987 555 983 19	Door trim panel slush technology	/LL /L	1	COUPE/TARGA -I537/-I981 IXTT/098/680
	987 555 983 19 9L4 987 555 983 19 9M5 987 555 983 19 9C6 987 555 983 19 9D7	Black Stone grey Sand Beige Sea blue			
(1)	987 555 984 19	Door trim panel slush technology	/RL /R	1	COUPE/TARGA -I538/-I981 IXTT/099/680
	987 555 984 19 9L4 987 555 984 19 9M5 987 555 984 19 9C6 987 555 984 19 9D7	Black Stone grey Sand Beige Sea blue			
(1)	987 555 983 21	Door trim panel slush technology	/LL /L	1	COUPE/TARGA -I981/IXTT I098/537/680
	987 555 983 21 9L4 987 555 983 21 9M5 987 555 983 21 9C6 987 555 983 21 9D7	Black Stone grey Sand Beige Sea blue			
(1)	987 555 984 21	Door trim panel slush technology	/RL /R	1	COUPE/TARGA -I981/IXTT I099/538/680
	987 555 984 21 9L4 987 555 984 21 9M5 987 555 984 21 9C6 987 555 984 21 9D7	Black Stone grey Sand Beige Sea blue			
(1)	987 555 983 24	Door trim panel slush technology	/RL /L	1	-I981/IXTT I099/490
	987 555 983 24 9L4 987 555 983 24 9M5 987 555 983 24 9C6 987 555 983 24 9D7	Black Stone grey Sand Beige Sea blue			
(1)	987 555 984 24	Door trim panel slush technology	/LL /R	1	-I981/IXTT I098/490
	987 555 984 24 9L4 987 555 984 24 9M5 987 555 984 24 9C6 987 555 984 24 9D7	Black Stone grey Sand Beige Sea blue			
(1)	987 555 983 26	Door trim panel slush technology	/RL /L	1	-I981/IXTT I099/680
	987 555 983 26 9L4 987 555 983 26 9M5 987 555 983 26 9C6 987 555 983 26 9D7	Black Stone grey Sand Beige Sea blue			
(1)	987 555 984 26	Door trim panel	/LL /R	1	-I981/IXTT

Model: 997-09 Model life 2009>>2012

Pos	Part Number	Description	Remark	Qty	Model
		slush technology			I098/680
	987 555 984 26 9L4	Black			
	987 555 984 26 9M5	Stone grey			
	987 555 984 26 9C6	Sand Beige			
	987 555 984 26 9D7	Sea blue			
(1)	987 555 983 30	Door trim panel	/LL /L	1	CABRIO -I537/-I981 IXTT/098/490
		slush technology			
	987 555 983 30 9L4	Black			
	987 555 983 30 9M5	Stone grey			
	987 555 983 30 9C6	Sand Beige			
	987 555 983 30 9D7	Sea blue			
(1)	987 555 984 30	Door trim panel	/RL /R	1	CABRIO -I538/-I981 IXTT/099/490
		slush technology			
	987 555 984 30 9L4	Black			
	987 555 984 30 9M5	Stone grey			
	987 555 984 30 9C6	Sand Beige			
	987 555 984 30 9D7	Sea blue			
(1)	987 555 983 32	Door trim panel	/LL /L	1	CABRIO -I981/IXTT I098/490/537
		slush technology			
	987 555 983 32 9L4	Black			
	987 555 983 32 9M5	Stone grey			
	987 555 983 32 9C6	Sand Beige			
	987 555 983 32 9D7	Sea blue			
(1)	987 555 984 32	Door trim panel	/RL /R	1	CABRIO -I981/IXTT I099/490/538
		slush technology			
	987 555 984 32 9L4	Black			
	987 555 984 32 9M5	Stone grey			
	987 555 984 32 9C6	Sand Beige			
	987 555 984 32 9D7	Sea blue			
(1)	987 555 983 34	Door trim panel	/LL /L	1	CABRIO -I537/-I981 IXTT/098/680
		slush technology			
	987 555 983 34 9L4	Black			
	987 555 983 34 9M5	Stone grey			
	987 555 983 34 9C6	Sand Beige			
	987 555 983 34 9D7	Sea blue			
(1)	987 555 984 34	Door trim panel	/RL /R	1	CABRIO -I538/-I981 IXTT/099/680
		slush technology			
	987 555 984 34 9L4	Black			
	987 555 984 34 9M5	Stone grey			
	987 555 984 34 9C6	Sand Beige			
	987 555 984 34 9D7	Sea blue			
(1)	987 555 983 36	Door trim panel	/LL /L	1	CABRIO -I981/IXTT I098/537/680
		slush technology			
	987 555 983 36 9L4	Black			
	987 555 983 36 9M5	Stone grey			
	987 555 983 36 9C6	Sand Beige			
	987 555 983 36 9D7	Sea blue			
(1)	987 555 984 36	Door trim panel	/LL /R	1	CABRIO

Model: 997-09 Model life 2009>>2012

Pos	Part Number	Description	Remark	Qty	Model
		slush technology			-I981/IXTT I098/538/680
	987 555 984 36 9L4	Black			
	987 555 984 36 9M5	Stone grey			
	987 555 984 36 9C6	Sand Beige			
	987 555 984 36 9D7	Sea blue			
(1)	987 555 993 15	Door trim panel	/LL /L	1	COUPE/TARGA -I537/-I981 IXTV/098/490
		slush technology			
	987 555 993 15 9L4	Black			
	987 555 993 15 9M5	Stone grey			
	987 555 993 15 9C6	Sand Beige			
	987 555 993 15 9D7	Sea blue			
(1)	987 555 994 15	Door trim panel	/RL /R	1	COUPE/TARGA -I538/-I981 IXTV/099/490
		slush technology			
	987 555 994 15 9L4	Black			
	987 555 994 15 9M5	Stone grey			
	987 555 994 15 9C6	Sand Beige			
	987 555 994 15 9D7	Sea blue			
(1)	987 555 993 17	Door trim panel	/LL /L	1	COUPE/TARGA -I981/IXTV I098/490/537
		slush technology			
	987 555 993 17 9L4	Black			
	987 555 993 17 9M5	Stone grey			
	987 555 993 17 9C6	Sand Beige			
	987 555 993 17 9D7	Sea blue			
(1)	987 555 994 17	Door trim panel	/RL /R	1	COUPE/TARGA -I981/IXTV I099/490/538
		slush technology			
	987 555 994 17 9L4	Black			
	987 555 994 17 9M5	Stone grey			
	987 555 994 17 9C6	Sand Beige			
	987 555 994 17 9D7	Sea blue			
(1)	987 555 993 19	Door trim panel	/LL /L	1	COUPE/TARGA -I537/-I981 IXTV/098/680
		slush technology			
	987 555 993 19 9L4	Black			
	987 555 993 19 9M5	Stone grey			
	987 555 993 19 9C6	Sand Beige			
	987 555 993 19 9D7	Sea blue			
(1)	987 555 994 19	Door trim panel	/RL /R	1	COUPE/TARGA -I538/-I981 IXTV/099/680
		slush technology			
	987 555 994 19 9L4	Black			
	987 555 994 19 9M5	Stone grey			
	987 555 994 19 9C6	Sand Beige			
	987 555 994 19 9D7	Sea blue			
(1)	987 555 993 21	Door trim panel	/LL /L	1	COUPE/TARGA -I981/IXTV I098/537/680
		slush technology			
	987 555 993 21 9L4	Black			
	987 555 993 21 9M5	Stone grey			
	987 555 993 21 9C6	Sand Beige			
	987 555 993 21 9D7	Sea blue			

Model: 997-09 Model life 2009>>2012

Pos	Part Number	Description	Remark	Qty	Model
(1)	987 555 994 21	Door trim panel	/RL /R	1	COUPE/TARGA -I981/IXTV I099/538/680
		slush technology			
	987 555 994 21 9L4	Black			
	987 555 994 21 9M5	Stone grey			
	987 555 994 21 9C6	Sand Beige			
	987 555 994 21 9D7	Sea blue			
(1)	987 555 993 24	Door trim panel	/RL /L	1	-I981/IXTV I099/490
		slush technology			
	987 555 993 24 9L4	Black			
	987 555 993 24 9M5	Stone grey			
	987 555 993 24 9C6	Sand Beige			
	987 555 993 24 9D7	Sea blue			
(1)	987 555 994 24	Door trim panel	/LL /R	1	-I981/IXTV I098/490
		slush technology			
	987 555 994 24 9L4	Black			
	987 555 994 24 9M5	Stone grey			
	987 555 994 24 9C6	Sand Beige			
	987 555 994 24 9D7	Sea blue			
(1)	987 555 993 26	Door trim panel	/RL /L	1	-I981/IXTV I099/680
		slush technology			
	987 555 993 26 9L4	Black			
	987 555 993 26 9M5	Stone grey			
	987 555 993 26 9C6	Sand Beige			
	987 555 993 26 9D7	Sea blue			
(1)	987 555 994 26	Door trim panel	/LL /R	1	-I981/IXTV I098/680
		slush technology			
	987 555 994 26 9L4	Black			
	987 555 994 26 9M5	Stone grey			
	987 555 994 26 9C6	Sand Beige			
	987 555 994 26 9D7	Sea blue			
(1)	987 555 993 30	Door trim panel	/LL /L	1	CABRIO -I537/-I981 IXTV/098/490
		slush technology			
	987 555 993 30 9L4	Black			
	987 555 993 30 9M5	Stone grey			
	987 555 993 30 9C6	Sand Beige			
	987 555 993 30 9D7	Sea blue			
(1)	987 555 994 30	Door trim panel	/RL /R	1	CABRIO -I538/-I981 IXTV/099/490
		slush technology			
	987 555 994 30 9L4	Black			
	987 555 994 30 9M5	Stone grey			
	987 555 994 30 9C6	Sand Beige			
	987 555 994 30 9D7	Sea blue			
(1)	987 555 993 32	Door trim panel	/LL /L	1	CABRIO -I981/IXTV I098/490/537
		slush technology			
	987 555 993 32 9L4	Black			
	987 555 993 32 9M5	Stone grey			
	987 555 993 32 9C6	Sand Beige			
	987 555 993 32 9D7	Sea blue			
(1)	987 555 994 32	Door trim panel	/RL /R	1	CABRIO -I981/IXTV I099/490/538

Model: 997-09 Model life 2009>>2012

Pos	Part Number	Description	Remark	Qty	Model
		slush technology			
	987 555 994 32 9L4	Black			
	987 555 994 32 9M5	Stone grey			
	987 555 994 32 9C6	Sand Beige			
	987 555 994 32 9D7	Sea blue			
(1)	987 555 993 34	Door trim panel	/LL /L	1	CABRIO -I537/-I981 IXTV/098/680
		slush technology			
	987 555 993 34 9L4	Black			
	987 555 993 34 9M5	Stone grey			
	987 555 993 34 9C6	Sand Beige			
	987 555 993 34 9D7	Sea blue			
(1)	987 555 994 34	Door trim panel	/RL /R	1	CABRIO -I538/-I981 IXTV/099/680
		slush technology			
	987 555 994 34 9L4	Black			
	987 555 994 34 9M5	Stone grey			
	987 555 994 34 9C6	Sand Beige			
	987 555 994 34 9D7	Sea blue			
(1)	987 555 993 36	Door trim panel	/LL /L	1	CABRIO -I981/IXTV I098/537/680
		slush technology			
	987 555 993 36 9L4	Black			
	987 555 993 36 9M5	Stone grey			
	987 555 993 36 9C6	Sand Beige			
	987 555 993 36 9D7	Sea blue			
(1)	987 555 994 36	Door trim panel	/LL /R	1	CABRIO -I981/IXTV I098/538/680
		slush technology			
	987 555 994 36 9L4	Black			
	987 555 994 36 9M5	Stone grey			
	987 555 994 36 9C6	Sand Beige			
	987 555 994 36 9D7	Sea blue			
(1)	987 555 995 15	Door trim panel	/LL /L	1	COUPE/TARGA -I537/-I981 IXTW/098/490
		slush technology			
	987 555 995 15 9L4	Black			
	987 555 995 15 9M5	Stone grey			
	987 555 995 15 9C6	Sand Beige			
	987 555 995 15 9D7	Sea blue			
(1)	987 555 996 15	Door trim panel	/RL /R	1	COUPE/TARGA -I538/-I981 IXTW/099/490
		slush technology			
	987 555 996 15 9L4	Black			
	987 555 996 15 9M5	Stone grey			
	987 555 996 15 9C6	Sand Beige			
	987 555 996 15 9D7	Sea blue			
(1)	987 555 995 17	Door trim panel	/LL /L	1	COUPE/TARGA -I981/IXTV I098/490/537
		slush technology			
	987 555 995 17 9L4	Black			
	987 555 995 17 9M5	Stone grey			
	987 555 995 17 9C6	Sand Beige			
	987 555 995 17 9D7	Sea blue			
(1)	987 555 996 17	Door trim panel	/RL /R	1	COUPE/TARGA -I981/IXTV

Model: 997-09 Model life 2009>>2012

Pos	Part Number	Description	Remark	Qty	Model
		slush technology			I099/490/538
	987 555 996 17 9L4	Black			
	987 555 996 17 9M5	Stone grey			
	987 555 996 17 9C6	Sand Beige			
	987 555 996 17 9D7	Sea blue			
(1)	987 555 995 19	Door trim panel	/LL /L	1	COUPE/TARGA -I537/-I981 IXTW/098/680
		slush technology			
	987 555 995 19 9L4	Black			
	987 555 995 19 9M5	Stone grey			
	987 555 995 19 9C6	Sand Beige			
	987 555 995 19 9D7	Sea blue			
(1)	987 555 996 19	Door trim panel	/RL /R	1	COUPE/TARGA -I538/-I981 IXTW/099/680
		slush technology			
	987 555 996 19 9L4	Black			
	987 555 996 19 9M5	Stone grey			
	987 555 996 19 9C6	Sand Beige			
	987 555 996 19 9D7	Sea blue			
(1)	987 555 995 21	Door trim panel	/LL /L	1	COUPE/TARGA -I981/IXTW I098/537/680
		slush technology			
	987 555 995 21 9L4	Black			
	987 555 995 21 9M5	Stone grey			
	987 555 995 21 9C6	Sand Beige			
	987 555 995 21 9D7	Sea blue			
(1)	987 555 996 21	Door trim panel	/RL /R	1	COUPE/TARGA -I981/IXTW I099/538/680
		slush technology			
	987 555 996 21 9L4	Black			
	987 555 996 21 9M5	Stone grey			
	987 555 996 21 9C6	Sand Beige			
	987 555 996 21 9D7	Sea blue			
(1)	987 555 995 24	Door trim panel	/RL /L	1	-I981/IXTW I099/490
		slush technology			
	987 555 995 24 9L4	Black			
	987 555 995 24 9M5	Stone grey			
	987 555 995 24 9C6	Sand Beige			
	987 555 995 24 9D7	Sea blue			
(1)	987 555 996 24	Door trim panel	/LL /R	1	-I981/IXTW I098/490
		slush technology			
	987 555 996 24 9L4	Black			
	987 555 996 24 9M5	Stone grey			
	987 555 996 24 9C6	Sand Beige			
	987 555 996 24 9D7	Sea blue			
(1)	987 555 995 26	Door trim panel	/RL /L	1	-I981/IXTL I099/680
		slush technology			
	987 555 995 26 9L4	Black			
	987 555 995 26 9M5	Stone grey			
	987 555 995 26 9C6	Sand Beige			
	987 555 995 26 9D7	Sea blue			
(1)	987 555 996 26	Door trim panel	/LL /R	1	-I981/IXTL I098/680
		slush technology			
	987 555 996 26 9L4	Black			

Model: 997-09 Model life 2009>>2012

Pos	Part Number	Description	Remark	Qty	Model
(1)	987 555 996 26 9M5	Stone grey	/LL /L	1	CABRIO -I537/-I981 IXTW/098/490
	987 555 996 26 9C6	Sand Beige			
	987 555 996 26 9D7	Sea blue			
	987 555 995 30	Door trim panel			
		slush technology			
(1)	987 555 995 30 9L4	Black	/RL /R	1	CABRIO -I538/-I981 IXTW/099/490
	987 555 995 30 9M5	Stone grey			
	987 555 995 30 9C6	Sand Beige			
	987 555 995 30 9D7	Sea blue			
	987 555 996 30	Door trim panel			
(1)		slush technology	/LL /L	1	CABRIO -I981/IXTW I098/490/537
	987 555 996 30 9L4	Black			
	987 555 996 30 9M5	Stone grey			
	987 555 996 30 9C6	Sand Beige			
	987 555 996 30 9D7	Sea blue			
(1)	987 555 995 32	Door trim panel	/RL /R	1	CABRIO -I981/IXTW I099/490/538
		slush technology			
	987 555 995 32 9L4	Black			
	987 555 995 32 9M5	Stone grey			
	987 555 995 32 9C6	Sand Beige			
(1)	987 555 995 32 9D7	Sea blue	/LL /L	1	CABRIO -I537/-I981 IXTW/098/680
	987 555 996 32	Door trim panel			
		slush technology			
	987 555 996 32 9L4	Black			
	987 555 996 32 9M5	Stone grey			
(1)	987 555 996 32 9C6	Sand Beige	/RL /R	1	CABRIO -I538/-I981 IXTW/099/680
	987 555 996 32 9D7	Sea blue			
	987 555 995 34	Door trim panel			
		slush technology			
	987 555 995 34 9L4	Black			
(1)	987 555 995 34 9M5	Stone grey	/LL /L	1	CABRIO -I981/IXTW I098/537/680
	987 555 995 34 9C6	Sand Beige			
	987 555 995 34 9D7	Sea blue			
	987 555 996 34	Door trim panel			
		slush technology			
(1)	987 555 996 34 9L4	Black	/LL /R	1	CABRIO -I981/IXTW I098/538/680
	987 555 996 34 9M5	Stone grey			
	987 555 996 34 9C6	Sand Beige			
	987 555 996 34 9D7	Sea blue			
	987 555 995 36	Door trim panel			
(1)		slush technology	/LL /R	1	CABRIO -I981/IXTW I098/538/680
	987 555 995 36 9L4	Black			
	987 555 995 36 9M5	Stone grey			
	987 555 995 36 9C6	Sand Beige			
	987 555 995 36 9D7	Sea blue			
(1)	987 555 996 36	Door trim panel	/LL /R	1	CABRIO -I981/IXTW I098/538/680
		slush technology			
	987 555 995 36 9L4	Black			
	987 555 995 36 9M5	Stone grey			
	987 555 995 36 9C6	Sand Beige			
(1)	987 555 995 36 9D7	Sea blue	/LL /R	1	CABRIO -I981/IXTW I098/538/680
	987 555 996 36	Door trim panel			
		slush technology			
	987 555 995 36 9L4	Black			
	987 555 995 36 9M5	Stone grey			
(1)	987 555 995 36 9C6	Sand Beige	/LL /R	1	CABRIO -I981/IXTW I098/538/680
	987 555 995 36 9D7	Sea blue			
	987 555 996 36	Door trim panel			
		slush technology			
	987 555 995 36 9L4	Black			

Model: 997-09 Model life 2009>>2012

Pos	Part Number	Description	Remark	Qty	Model
	987 555 996 36 9L4	Black			
	987 555 996 36 9M5	Stone grey			
	987 555 996 36 9C6	Sand Beige			
	987 555 996 36 9D7	Sea blue			
2	999 507 533 02	Clamp 8,0X 10/2,5		2	
3	955 555 243 00	Fixing clip for Mount		9	
4	999 073 322 02	Door trim panel Oval-head screw M 6 X 20 for Mount		5	
(5)	997 555 989 00	Door trim panel Lid Shelf Carbon	/L	1	IXTL
(5)	997 555 989 00 A35	Black Lid Shelf Carbon	/R	1	IXTL
(5)	997 555 990 00 A35	Black Lid Shelf	/L	1	IXTT
(5)	997 555 989 02 S61	Macassar Lid Shelf	/R	1	IXTT
(5)	997 555 990 02 S61	Macassar Lid Shelf	/L	1	IXTW
(5)	997 555 989 03 V04	Galvano silver Lid Shelf	/R	1	IXTW
6	997 555 990 03 V04	Galvano silver Steering knuckle spring for Lid Shelf	/L	1	
(6)	997 555 834 00	Steering knuckle spring for Lid Shelf	/R	1	
7	997 555 841 00	Damper Shelf		1	
(8)	997 555 261 01	Handle Lower part	/L	1	
	997 555 261 01 A11	Black			
	997 555 261 01 5X6	Stone grey			
	997 555 261 01 8G2	Sand Beige			
	997 555 261 01 3S9	Sea blue			
	997 555 261 01 9S5	Terracotta			
	997 555 261 01 9V6	Cocoa			
	997 555 261 01 D12	Dark grey/natural			
	997 555 261 01 T12	Brown/natural			
	997 555 261 01 N12	Carrera Red			
(8)	997 555 262 01	Handle Lower part	/R	1	
	997 555 262 01 A11	Black			
	997 555 262 01 5X6	Stone grey			
	997 555 262 01 8G2	Sand Beige			
	997 555 262 01 3S9	Sea blue			
	997 555 262 01 9S5	Terracotta			

Model: 997-09 Model life 2009>>2012

Pos	Part Number	Description	Remark	Qty	Model	
9	997 555 262 01 9V6	Cocoa				
	997 555 262 01 D12	Dark grey/natural				
	997 555 262 01 T12	Brown/natural				
	997 555 262 01 N12	Carrera Red				
	999 919 229 02	Oval-head screw 6,0 X 40,0 for Mount Handle		2		
(10)	997 555 381 03	Axle bearing	/L	1		
(10)	997 555 382 03	Axle bearing	/R	1		
11	999 919 164 09	Oval-head screw 5 X 12 for Mount Axle bearing		3		
12	997 555 461 01	Lever Door opener	/L	1		
(12)	997 555 461 01 V05	Galvano silver				
	997 555 462 01	Lever Door opener	/R	1		
13	997 555 462 01 V05	Galvano silver				
	999 919 164 09	Oval-head screw 5 X 12 for Mount Lever Door opener		1		
14	997 555 683 00	Cap Airbag	/L	1		
	997 555 683 00 A03	Black				
	997 555 683 00 5V7	Stone grey				
	997 555 683 00 5Z1	Sand Beige				
	997 555 683 00 8W7	Sea blue				
	997 555 683 00 8X8	Terracotta				
	997 555 683 00 8P9	Cocoa				
	997 555 683 00 T13	Brown/natural				
	997 555 683 00 N23	Carrera Red				
	(14)	997 555 684 00	Cap Airbag	/R	1	
(15)	997 555 684 00 A03	Black				
	997 555 684 00 5V7	Stone grey				
	997 555 684 00 5Z1	Sand Beige				
	997 555 684 00 8W7	Sea blue				
	997 555 684 00 8X8	Terracotta				
	997 555 684 00 8P9	Cocoa				
	997 555 684 00 T13	Brown/natural				
	997 555 684 00 N23	Carrera Red				
	(15)	997 555 643 02	Cover Front Leather	/L 10-	1	IXVT
	(15)	997 555 643 02 A11	Black			
997 555 643 02 5X6		Stone grey				
997 555 643 02 8G2		Sand Beige				
997 555 643 02 3S9		Sea blue				
997 555 643 02 9S5		Terracotta				
997 555 643 02 9V6		Cocoa				
997 555 643 02 D12		Dark grey/natural				
997 555 643 02 T12		Brown/natural				
997 555 643 02 N12		Carrera Red				
(15)		997 555 644 02	Cover Front Leather	/R 10-	1	IXVT

Model: 997-09 Model life 2009>>2012

Pos	Part Number	Description	Remark	Qty	Model
	997 555 644 02 A11	Black			
	997 555 644 02 5X6	Stone grey			
	997 555 644 02 8G2	Sand Beige			
	997 555 644 02 3S9	Sea blue			
	997 555 644 02 9S5	Terracotta			
	997 555 644 02 9V6	Cocoa			
	997 555 644 02 D12	Dark grey/natural			
	997 555 644 02 T12	Brown/natural			
	997 555 644 02 N12	Carrera Red			
(16)	997 555 991 00	Cover	/L	1	IXTL
		Door handle			
		Carbon			
	997 555 991 00 A11	Black			
	997 555 991 00 5X6	Stone grey			
	997 555 991 00 8G2	Sand Beige			
	997 555 991 00 3S9	Sea blue			
	997 555 991 00 9S5	Terracotta			
	997 555 991 00 9V6	Cocoa			
	997 555 991 00 D12	Dark grey/natural			
	997 555 991 00 T12	Brown/natural			
	997 555 991 00 N12	Carrera Red			
(16)	997 555 992 00	Cover	/R	1	IXTL
		Door handle			
		Carbon			
	997 555 992 00 A11	Black			
	997 555 992 00 5X6	Stone grey			
	997 555 992 00 8G2	Sand Beige			
	997 555 992 00 3S9	Sea blue			
	997 555 992 00 9S5	Terracotta			
	997 555 992 00 9V6	Cocoa			
	997 555 992 00 D12	Dark grey/natural			
	997 555 992 00 T12	Brown/natural			
	997 555 992 00 N12	Carrera Red			
(16)	997 555 991 02	Cover	/L	1	IXTT
		Door handle			
		Macassar			
	997 555 991 02 A11	Black			
	997 555 991 02 5X6	Stone grey			
	997 555 991 02 8G2	Sand Beige			
	997 555 991 02 3S9	Sea blue			
	997 555 991 02 9S5	Terracotta			
	997 555 991 02 9V6	Cocoa			
	997 555 991 02 D12	Dark grey/natural			
	997 555 991 02 T12	Brown/natural			
	997 555 991 02 N12	Carrera Red			
(16)	997 555 992 02	Cover	/R	1	IXTT
		Door handle			
		Macassar			
	997 555 992 02 A11	Black			
	997 555 992 02 5X6	Stone grey			
	997 555 992 02 8G2	Sand Beige			
	997 555 992 02 3S9	Sea blue			
	997 555 992 02 9S5	Terracotta			
	997 555 992 02 9V6	Cocoa			
	997 555 992 02 D12	Dark grey/natural			
	997 555 992 02 T12	Brown/natural			
	997 555 992 02 N12	Carrera Red			
(16)	997 555 991 03	Cover	/L	1	IXTW
		Door handle			
		Aluminium look			
	997 555 991 03 A11	Black			
	997 555 991 03 5X6	Stone grey			
	997 555 991 03 8G2	Sand Beige			

Model: 997-09 Model life 2009>>2012

Pos	Part Number	Description	Remark	Qty	Model	
(16)	997 555 991 03 3S9	Sea blue				
	997 555 991 03 9S5	Terracotta				
	997 555 991 03 9V6	Cocoa				
	997 555 991 03 D12	Dark grey/natural				
	997 555 991 03 T12	Brown/natural				
	997 555 991 03 N12	Carrera Red				
	997 555 992 03	Cover	/R	1	IXTW	
		Door handle				
		Aluminium look				
	997 555 992 03 A11	Black				
	997 555 992 03 5X6	Stone grey				
	997 555 992 03 8G2	Sand Beige				
	997 555 992 03 3S9	Sea blue				
	997 555 992 03 9S5	Terracotta				
	997 555 992 03 9V6	Cocoa				
	997 555 992 03 D12	Dark grey/natural				
997 555 992 03 T12	Brown/natural					
997 555 992 03 N12	Carrera Red					
17	999 591 380 01	Cable clamp		3		
18	997 555 685 02	Cover	/LL	1	I098	
		Door mirror				
		Driver's side				
		Lacquered				
	997 555 685 02 A03	Black				
	997 555 685 02 5V7	Stone grey				
	997 555 685 02 5Z1	Sand Beige				
	997 555 685 02 8W7	Sea blue				
	997 555 685 02 8X8	Terracotta				
	997 555 685 02 8P9	Cocoa				
	997 555 685 02 T13	Brown/natural				
	997 555 685 02 N23	Carrera Red				
	(18)	997 555 686 03	Cover	/RL	1	I099
		Door mirror				
		Driver's side				
		Lacquered				
997 555 686 03 A03	Black					
997 555 686 03 5V7	Stone grey					
997 555 686 03 5Z1	Sand Beige					
997 555 686 03 8W7	Sea blue					
997 555 686 03 8X8	Terracotta					
997 555 686 03 8P9	Cocoa					
997 555 686 03 T13	Brown/natural					
997 555 686 03 N23	Carrera Red					
18	997 555 995 00	Cover	/LL 10-	1	IXDX/098	
	Door mirror					
	Driver's side					
	Leather					
997 555 995 00 A11	Black					
997 555 995 00 5X6	Stone grey					
997 555 995 00 8G2	Sand Beige					
997 555 995 00 3S9	Sea blue					
997 555 995 00 9S5	Terracotta					
997 555 995 00 9V6	Cocoa					
997 555 995 00 T12	Brown/natural					
997 555 995 00 N12	Carrera Red					
(18)	997 555 996 01	Cover	/RL 10-	1	IXDX/099	
	Door mirror					
	Driver's side					
	Leather					
997 555 996 01 A11	Black					
997 555 996 01 5X6	Stone grey					
997 555 996 01 8G2	Sand Beige					
997 555 996 01 3S9	Sea blue					

Model: 997-09 Model life 2009>>2012

Pos	Part Number	Description	Remark	Qty	Model
(18)	997 555 996 01 9S5	Terracotta			
	997 555 996 01 9V6	Cocoa			
	997 555 996 01 T12	Brown/natural			
	997 555 996 01 N12	Carrera Red			
	997 555 686 02	Cover	/LL	1	I098
		Door mirror			
		Passenger's side			
		Lacquered			
	997 555 686 02 A03	Black			
	997 555 686 02 5V7	Stone grey			
997 555 686 02 5Z1	Sand Beige				
997 555 686 02 8W7	Sea blue				
997 555 686 02 8X8	Terracotta				
997 555 686 02 8P9	Cocoa				
997 555 686 02 T13	Brown/natural				
997 555 686 02 N23	Carrera Red				
(18)	997 555 685 03	Cover	/RL	1	I099
	Door mirror				
	Passenger's side				
	Lacquered				
997 555 685 03 A03	Black				
997 555 685 03 5V7	Stone grey				
997 555 685 03 5Z1	Sand Beige				
997 555 685 03 8W7	Sea blue				
997 555 685 03 8X8	Terracotta				
997 555 685 03 8P9	Cocoa				
997 555 685 03 T13	Brown/natural				
997 555 685 03 N23	Carrera Red				
(18)	997 555 996 00	Cover	/LL	1	IXDX/098
	Door mirror				
	Passenger's side				
	Leather				
997 555 996 00 A11	Black				
997 555 996 00 5X6	Stone grey				
997 555 996 00 8G2	Sand Beige				
997 555 996 00 3S9	Sea blue				
997 555 996 00 9S5	Terracotta				
997 555 996 00 9V6	Cocoa				
997 555 996 00 D12	Dark grey/natural				
997 555 996 00 T12	Brown/natural				
997 555 996 00 N12	Carrera Red				
(18)	997 555 995 01	Cover	/RL	1	IXDX/099
	Door mirror				
	Passenger's side				
	Leather				
997 555 995 01 A11	Black				
997 555 995 01 5X6	Stone grey				
997 555 995 01 8G2	Sand Beige				
997 555 995 01 3S9	Sea blue				
997 555 995 01 9S5	Terracotta				
997 555 995 01 9V6	Cocoa				
997 555 995 01 D12	Dark grey/natural				
997 555 995 01 T12	Brown/natural				
997 555 995 01 N12	Carrera Red				
19	997 555 577 00	Cap		1	
	Handle liner				
20	997 555 577 00 A03	Black		1	
	997 555 895 00	Plastic foam strip		1	
	for				
	Woofer				
21	997 645 511 00	Logo		2	I680
22	997 555 597 00	Spacer		2	
	Lid hinge				

Model: 997-09 Model life 2009>>2012

Pos	Part Number	Description	Remark	Qty	Model
23	999 702 281 41	Grommet Axle bearing		1	
24	997 555 271 01	Handle Upper part	/L	1	
	997 555 271 01 FSA	Black/grey			
	997 555 271 01 FSB	Stone grey/stone grey			
	997 555 271 01 FSC	Sand Beige			
	997 555 271 01 FSD	Sea blue/grey			
	997 555 271 01 FSF	Terracotta/terracotta			
	997 555 271 01 FSG	Cocoa/Cocoa			
	997 555 271 01 FSH	Darkgrey natural/grey			
	997 555 271 01 FSJ	Brown nat./brown nat.			
	997 555 271 01 FSP	Carrera Red			
(24)	997 555 272 01	Handle Upper part	/R	1	
	997 555 272 01 FSA	Black/grey			
	997 555 272 01 FSB	Stone grey/stone grey			
	997 555 272 01 FSC	Sand Beige			
	997 555 272 01 FSD	Sea blue/grey			
	997 555 272 01 FSF	Terracotta/terracotta			
	997 555 272 01 FSG	Cocoa/Cocoa			
	997 555 272 01 FSH	Darkgrey natural/grey			
	997 555 272 01 FSJ	Brown nat./brown nat.			
	997 555 272 01 FSP	Carrera Red			
(24)	997 555 987 00	Handle Upper part Carbon	/L	1	IXTL
	997 555 987 00 A35	Black			
(24)	997 555 988 00	Handle Upper part Carbon	/R	1	IXTL
	997 555 988 00 A35	Black			
(24)	997 555 987 02	Handle Upper part	/L	1	IXTT
	997 555 987 02 S61	Macassar			
(24)	997 555 988 02	Handle Upper part	/R	1	IXTT
	997 555 988 02 S61	Macassar			
(24)	997 555 987 03	Handle Upper part	/L	1	IXTW
	997 555 987 03 V04	Galvano silver			
(24)	997 555 988 03	Handle Upper part	/R	1	IXTW
	997 555 988 03 V04	Galvano silver			
25	997 555 985 00	Insert Handle liner Leather	/LL /L	1	COUPE/TARGA IXTV/098
	997 555 985 00 A11	Black			
	997 555 985 00 5X6	Stone grey			
	997 555 985 00 8G2	Sand Beige			
	997 555 985 00 3S9	Sea blue			
	997 555 985 00 9S5	Terracotta			
	997 555 985 00 9V6	Cocoa			
	997 555 985 00 D12	Dark grey/natural			
	997 555 985 00 T12	Brown/natural			
	997 555 985 00 N12	Carrera Red			
(25)	997 555 986 01	Insert Handle liner Leather	/RL /R	1	COUPE/TARGA IXTV/099
	997 555 986 01 A11	Black			
	997 555 986 01 5X6	Stone grey			

Model: 997-09 Model life 2009>>2012

Pos	Part Number	Description	Remark	Qty	Model
	997 555 986 01 8G2	Sand Beige			
	997 555 986 01 3S9	Sea blue			
	997 555 986 01 9S5	Terracotta			
	997 555 986 01 9V6	Cocoa			
	997 555 986 01 D12	Dark grey/natural			
	997 555 986 01 T12	Brown/natural			
	997 555 986 01 N12	Carrera Red			
(25)	997 555 985 01	Insert	/LL /L	1	CABRIO IXTV/098
		Handle liner			
		Leather			
	997 555 985 01 A11	Black			
	997 555 985 01 5X6	Stone grey			
	997 555 985 01 8G2	Sand Beige			
	997 555 985 01 3S9	Sea blue			
	997 555 985 01 9S5	Terracotta			
	997 555 985 01 9V6	Cocoa			
	997 555 985 01 D12	Dark grey/natural			
	997 555 985 01 T12	Brown/natural			
	997 555 985 01 N12	Carrera Red			
(25)	997 555 986 02	Insert	/RL /R	1	CABRIO IXTV/099
		Handle liner			
		Leather			
	997 555 986 02 A11	Black			
	997 555 986 02 5X6	Stone grey			
	997 555 986 02 8G2	Sand Beige			
	997 555 986 02 3S9	Sea blue			
	997 555 986 02 9S5	Terracotta			
	997 555 986 02 9V6	Cocoa			
	997 555 986 02 D12	Dark grey/natural			
	997 555 986 02 T12	Brown/natural			
	997 555 986 02 N12	Carrera Red			
(25)	997 555 986 00	Insert	/LL /R	1	IXTV/098
		Handle liner			
		Leather			
	997 555 986 00 A11	Black			
	997 555 986 00 5X6	Stone grey			
	997 555 986 00 8G2	Sand Beige			
	997 555 986 00 3S9	Sea blue			
	997 555 986 00 9S5	Terracotta			
	997 555 986 00 9V6	Cocoa			
	997 555 986 00 D12	Dark grey/natural			
	997 555 986 00 T12	Brown/natural			
	997 555 986 00 N12	Carrera Red			
(25)	997 555 985 02	Insert	/RL /L	1	IXTV/099
		Handle liner			
		Leather			
	997 555 985 02 A11	Black			
	997 555 985 02 5X6	Stone grey			
	997 555 985 02 8G2	Sand Beige			
	997 555 985 02 3S9	Sea blue			
	997 555 985 02 9S5	Terracotta			
	997 555 985 02 9V6	Cocoa			
	997 555 985 02 D12	Dark grey/natural			
	997 555 985 02 T12	Brown/natural			
	997 555 985 02 N12	Carrera Red			
25	997 555 985 03	Insert	/LL /L	1	COUPE/TARGA IXTL/098
		Handle liner			
		Carbon			
	997 555 985 03 A35	Black			
(25)	997 555 986 04	Insert	/RL /R	1	COUPE/TARGA

Model: 997-09 Model life 2009>>2012

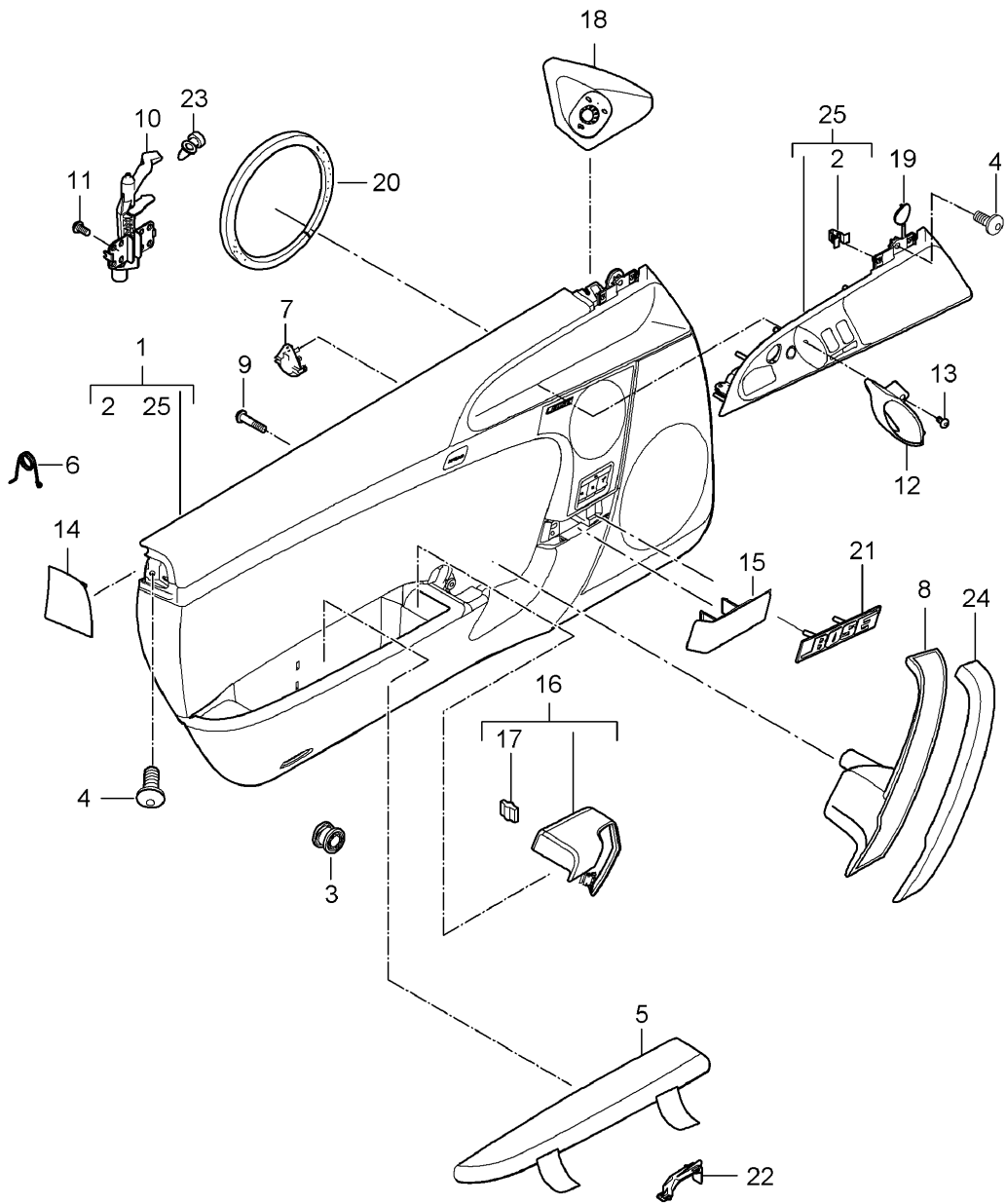
Pos	Part Number	Description	Remark	Qty	Model
		Handle liner Carbon			IXTL/099
(25)	997 555 986 04 A35 997 555 985 04	Black Insert	/LL /L	1	CABRIO IXTL/098
		Handle liner Carbon			
(25)	997 555 985 04 A35 997 555 986 05	Black Insert	/RL /R	1	CABRIO IXTL/099
		Handle liner Carbon			
(25)	997 555 986 05 A35 997 555 986 03	Black Insert	/LL /R	1	IXTL/098
		Handle liner Carbon			
(25)	997 555 986 03 A35 997 555 985 05	Black Insert	/RL /L	1	IXTL/099
		Handle liner Carbon			
25	997 555 985 05 A35 997 555 985 09	Black Insert	/LL /L	1	COUPE/TARGA IXTT/098
		Handle liner Macassar			
(25)	997 555 985 09 S61 997 555 986 10	Macassar Insert	/RL /R	1	COUPE/TARGA IXTT/099
		Handle liner Macassar			
(25)	997 555 986 10 S61 997 555 985 10	Macassar Insert	/LL /L	1	CABRIO IXTT/098
		Handle liner Macassar			
(25)	997 555 985 10 S61 997 555 986 11	Macassar Insert	/RL /R	1	CABRIO IXTT/099
		Handle liner Macassar			
(25)	997 555 986 11 S61 997 555 986 09	Macassar Insert	/LL /R	1	IXTT/098
		Handle liner Macassar			
(25)	997 555 986 09 S61 997 555 985 11	Macassar Insert	/RL /L	1	IXTT/099
		Handle liner Macassar			
25	997 555 985 11 S61 997 555 985 12	Macassar Insert	/LL /L	1	COUPE/TARGA IXTW/098
		Handle liner Galvano silver			
(25)	997 555 985 12 V04 997 555 986 13	Galvano silver Insert	/RL /R	1	COUPE/TARGA IXTW/099
		Handle liner Galvano silver			
(25)	997 555 986 13 V04 997 555 985 13	Galvano silver Insert	/LL /L	1	CABRIO IXTW/098
		Handle liner Galvano silver			
(25)	997 555 985 13 V04 997 555 986 14	Galvano silver Insert	/RL /R	1	CABRIO IXTW/099
		Handle liner Galvano silver			
(25)	997 555 986 14 V04 997 555 986 12	Galvano silver Insert	/LL /R	1	IXTW/098
		Handle liner Galvano silver			
	997 555 986 12 V04	Galvano silver			

Model: 997-09 Model life 2009>>2012

Pos	Part Number	Description	Remark	Qty	Model
(25)	997 555 985 14	Insert Handle liner	/RL /L	1	IXTW/099
	997 555 985 14 V04	Galvano silver			
(25)	997 555 985 17	Insert Handle liner	11-	1	IXTV/098/503
	997 555 985 17 B9A	Carrara white			
	997 555 985 17 M5B	Pure Blue			
(25)	997 555 985 18	Insert Handle liner	11-	1	IXTV/099/503
	997 555 985 18 B9A	Carrara white			
	997 555 985 18 M5B	Pure Blue			
(25)	997 555 986 17	Insert Handle liner	11-	1	IXTV/098/503
	997 555 986 17 B9A	Carrara white			
	997 555 986 17 M5B	Pure Blue			
(25)	997 555 986 18	Insert Handle liner	11-	1	IXTV/099/503
	997 555 986 18 B9A	Carrara white			
	997 555 986 18 M5B	Pure Blue			

Model: 997-09

Model life 2009>>2012



Model: 997-09 Model life 2009>>2012

Pos	Part Number	Description	Remark	Qty	Model
		Door trim panel			IXTL/XTT/XTV IXTW/981
(1)	997 555 981 00	Leather Accessories Passenger compartment in Carbon Macassar Leather Aluminium look Door trim panel	/LL /L 10-	1	COUPE/TARGA -I537/IXVT I098/490/981
	997 555 981 00 A11	Leather Black			
	997 555 981 00 5X6	Stone grey			
	997 555 981 00 8G2	Sand Beige			
	997 555 981 00 3S9	Sea blue			
	997 555 981 00 9S5	Terracotta			
	997 555 981 00 9V6	Cocoa			
	997 555 981 00 BCD	Black/stone grey			
	997 555 981 00 BCE	Black/sand beige			
	997 555 981 00 BCF	Black/terracotta			
	997 555 981 00 D12	Dark grey/natural			
	997 555 981 00 T12	Brown/natural			
	997 555 981 00 N12	Carrera Red			
(1)	997 555 982 00	Door trim panel	/RL /R 10-	1	COUPE/TARGA -I538/IXVT I099/490/981
	997 555 982 00 A11	Leather Black			
	997 555 982 00 5X6	Stone grey			
	997 555 982 00 8G2	Sand Beige			
	997 555 982 00 3S9	Sea blue			
	997 555 982 00 9S5	Terracotta			
	997 555 982 00 9V6	Cocoa			
	997 555 982 00 BCD	Black/stone grey			
	997 555 982 00 BCE	Black/sand beige			
	997 555 982 00 BCF	Black/terracotta			
	997 555 982 00 D12	Dark grey/natural			
	997 555 982 00 T12	Brown/natural			
	997 555 982 00 N12	Carrera Red			
(1)	997 555 981 01	Door trim panel	/LL /L 10-	1	COUPE/TARGA IXVT/098/490 I537/981
	997 555 981 01 A11	Leather Black			
	997 555 981 01 5X6	Stone grey			
	997 555 981 01 8G2	Sand Beige			
	997 555 981 01 3S9	Sea blue			
	997 555 981 01 9S5	Terracotta			
	997 555 981 01 9V6	Cocoa			
	997 555 981 01 BCD	Black/stone grey			
	997 555 981 01 BCE	Black/sand beige			
	997 555 981 01 BCF	Black/terracotta			
	997 555 981 01 D12	Dark grey/natural			
	997 555 981 01 T12	Brown/natural			
	997 555 981 01 N12	Carrera Red			
(1)	997 555 982 01	Door trim panel	/RL /R 10-	1	COUPE/TARGA IXVT/099/490 I538/981
	997 555 982 01 A11	Leather Black			

Model: 997-09 Model life 2009>>2012

Pos	Part Number	Description	Remark	Qty	Model
	997 555 982 01 5X6	Stone grey			
	997 555 982 01 8G2	Sand Beige			
	997 555 982 01 3S9	Sea blue			
	997 555 982 01 9S5	Terracotta			
	997 555 982 01 9V6	Cocoa			
	997 555 982 01 BCD	Black/stone grey			
	997 555 982 01 BCE	Black/sand beige			
	997 555 982 01 BCF	Black/terracotta			
	997 555 982 01 D12	Dark grey/natural			
	997 555 982 01 T12	Brown/natural			
	997 555 982 01 N12	Carrera Red			
(1)	997 555 981 02	Door trim panel	/LL /L 10-	1	COUPE/TARGA -I537/IXVT I098/680/981
		Leather			
	997 555 981 02 A11	Black			
	997 555 981 02 5X6	Stone grey			
	997 555 981 02 8G2	Sand Beige			
	997 555 981 02 3S9	Sea blue			
	997 555 981 02 9S5	Terracotta			
	997 555 981 02 9V6	Cocoa			
	997 555 981 02 BCD	Black/stone grey			
	997 555 981 02 BCE	Black/sand beige			
	997 555 981 02 BCF	Black/terracotta			
	997 555 981 02 D12	Dark grey/natural			
	997 555 981 02 T12	Brown/natural			
	997 555 981 02 N12	Carrera Red			
(1)	997 555 982 02	Door trim panel	/RL /R 10-	1	COUPE/TARGA -I538/IXVT I099/680/981
		Leather			
	997 555 982 02 A11	Black			
	997 555 982 02 5X6	Stone grey			
	997 555 982 02 8G2	Sand Beige			
	997 555 982 02 3S9	Sea blue			
	997 555 982 02 9S5	Terracotta			
	997 555 982 02 9V6	Cocoa			
	997 555 982 02 BCD	Black/stone grey			
	997 555 982 02 BCE	Black/sand beige			
	997 555 982 02 BCF	Black/terracotta			
	997 555 982 02 D12	Dark grey/natural			
	997 555 982 02 T12	Brown/natural			
	997 555 982 02 N12	Carrera Red			
(1)	997 555 981 03	Door trim panel	/LL /L 10-	1	COUPE/TARGA IXVT/098/537 I680/981
		Leather			
	997 555 981 03 A11	Black			
	997 555 981 03 5X6	Stone grey			
	997 555 981 03 8G2	Sand Beige			
	997 555 981 03 3S9	Sea blue			
	997 555 981 03 9S5	Terracotta			
	997 555 981 03 9V6	Cocoa			
	997 555 981 03 BCD	Black/stone grey			
	997 555 981 03 BCE	Black/sand beige			
	997 555 981 03 BCF	Black/terracotta			
	997 555 981 03 D12	Dark grey/natural			
	997 555 981 03 T12	Brown/natural			
	997 555 981 03 N12	Carrera Red			
(1)	997 555 982 03	Door trim panel	/RL /R 10-	1	COUPE/TARGA IXVT/099/538 I680/981
		Leather			

Model: 997-09 Model life 2009>>2012

Pos	Part Number	Description	Remark	Qty	Model
	997 555 982 03 A11	Black			
	997 555 982 03 5X6	Stone grey			
	997 555 982 03 8G2	Sand Beige			
	997 555 982 03 3S9	Sea blue			
	997 555 982 03 9S5	Terracotta			
	997 555 982 03 9V6	Cocoa			
	997 555 982 03 BCD	Black/stone grey			
	997 555 982 03 BCE	Black/sand beige			
	997 555 982 03 BCF	Black/terracotta			
	997 555 982 03 D12	Dark grey/natural			
	997 555 982 03 T12	Brown/natural			
	997 555 982 03 N12	Carrera Red			
(1)	997 555 981 04	Door trim panel	/LL /L 10-	1	CABRIO -I537/IXVT I098/490/981
		Leather			
	997 555 981 04 A11	Black			
	997 555 981 04 5X6	Stone grey			
	997 555 981 04 8G2	Sand Beige			
	997 555 981 04 3S9	Sea blue			
	997 555 981 04 9S5	Terracotta			
	997 555 981 04 9V6	Cocoa			
	997 555 981 04 BCD	Black/stone grey			
	997 555 981 04 BCE	Black/sand beige			
	997 555 981 04 BCF	Black/terracotta			
	997 555 981 04 D12	Dark grey/natural			
	997 555 981 04 T12	Brown/natural			
	997 555 981 04 N12	Carrera Red			
(1)	997 555 982 04	Door trim panel	/RL /R 10-	1	CABRIO -I538/IXVT I099/490/981
		Leather			
	997 555 982 04 A11	Black			
	997 555 982 04 5X6	Stone grey			
	997 555 982 04 8G2	Sand Beige			
	997 555 982 04 3S9	Sea blue			
	997 555 982 04 9S5	Terracotta			
	997 555 982 04 9V6	Cocoa			
	997 555 982 04 BCD	Black/stone grey			
	997 555 982 04 BCE	Black/sand beige			
	997 555 982 04 BCF	Black/terracotta			
	997 555 982 04 D12	Dark grey/natural			
	997 555 982 04 T12	Brown/natural			
	997 555 982 04 N12	Carrera Red			
(1)	997 555 981 05	Door trim panel	/LL /L 10-	1	CABRIO IXVT/098/490 I537/981
		Leather			
	997 555 981 05 A11	Black			
	997 555 981 05 5X6	Stone grey			
	997 555 981 05 8G2	Sand Beige			
	997 555 981 05 3S9	Sea blue			
	997 555 981 05 9S5	Terracotta			
	997 555 981 05 9V6	Cocoa			
	997 555 981 05 BCD	Black/stone grey			
	997 555 981 05 BCE	Black/sand beige			
	997 555 981 05 BCF	Black/terracotta			
	997 555 981 05 D12	Dark grey/natural			
	997 555 981 05 T12	Brown/natural			
	997 555 981 05 N12	Carrera Red			
(1)	997 555 982 05	Door trim panel	/RL /R 10-	1	CABRIO IXVT/099/490 I538/981

Model: 997-09 Model life 2009>>2012

Pos	Part Number	Description	Remark	Qty	Model
		Leather			
	997 555 982 05 A11	Black			
	997 555 982 05 5X6	Stone grey			
	997 555 982 05 8G2	Sand Beige			
	997 555 982 05 3S9	Sea blue			
	997 555 982 05 9S5	Terracotta			
	997 555 982 05 9V6	Cocoa			
	997 555 982 05 BCD	Black/stone grey			
	997 555 982 05 BCE	Black/sand beige			
	997 555 982 05 BCF	Black/terracotta			
	997 555 982 05 D12	Dark grey/natural			
	997 555 982 05 T12	Brown/natural			
	997 555 982 05 N12	Carrera Red			
(1)	997 555 981 06	Door trim panel	/LL /L 10-	1	CABRIO -I537/IXVT I098/680/981
		Leather			
	997 555 981 06 A11	Black			
	997 555 981 06 5X6	Stone grey			
	997 555 981 06 8G2	Sand Beige			
	997 555 981 06 3S9	Sea blue			
	997 555 981 06 9S5	Terracotta			
	997 555 981 06 9V6	Cocoa			
	997 555 981 06 BCD	Black/stone grey			
	997 555 981 06 BCE	Black/sand beige			
	997 555 981 06 BCF	Black/terracotta			
	997 555 981 06 D12	Dark grey/natural			
	997 555 981 06 T12	Brown/natural			
	997 555 981 06 N12	Carrera Red			
(1)	997 555 982 06	Door trim panel	/RL /R 10-	1	CABRIO -I538/IXVT I099/680/981
		Leather			
	997 555 982 06 A11	Black			
	997 555 982 06 5X6	Stone grey			
	997 555 982 06 8G2	Sand Beige			
	997 555 982 06 3S9	Sea blue			
	997 555 982 06 9S5	Terracotta			
	997 555 982 06 9V6	Cocoa			
	997 555 982 06 BCD	Black/stone grey			
	997 555 982 06 BCE	Black/sand beige			
	997 555 982 06 BCF	Black/terracotta			
	997 555 982 06 D12	Dark grey/natural			
	997 555 982 06 T12	Brown/natural			
	997 555 982 06 N12	Carrera Red			
(1)	997 555 981 07	Door trim panel	/LL /L 10-	1	CABRIO IXVT/098/537 I680/981
		Leather			
	997 555 981 07 A11	Black			
	997 555 981 07 5X6	Stone grey			
	997 555 981 07 8G2	Sand Beige			
	997 555 981 07 3S9	Sea blue			
	997 555 981 07 9S5	Terracotta			
	997 555 981 07 9V6	Cocoa			
	997 555 981 07 BCD	Black/stone grey			
	997 555 981 07 BCE	Black/sand beige			
	997 555 981 07 BCF	Black/terracotta			
	997 555 981 07 D12	Dark grey/natural			
	997 555 981 07 T12	Brown/natural			
	997 555 981 07 N12	Carrera Red			
(1)	997 555 982 07	Door trim panel	/RL /R 10-	1	CABRIO IXVT/099/538

Model: 997-09 Model life 2009>>2012

Pos	Part Number	Description	Remark	Qty	Model
		Leather			I680/981
	997 555 982 07 A11	Black			
	997 555 982 07 5X6	Stone grey			
	997 555 982 07 8G2	Sand Beige			
	997 555 982 07 3S9	Sea blue			
	997 555 982 07 9S5	Terracotta			
	997 555 982 07 9V6	Cocoa			
	997 555 982 07 BCD	Black/stone grey			
	997 555 982 07 BCE	Black/sand beige			
	997 555 982 07 BCF	Black/terracotta			
	997 555 982 07 D12	Dark grey/natural			
	997 555 982 07 T12	Brown/natural			
	997 555 982 07 N12	Carrera Red			
(1)	997 555 981 08	Door trim panel	/RL /L 10-	1	IXVT/099/490 I981
		Leather			
	997 555 981 08 A11	Black			
	997 555 981 08 5X6	Stone grey			
	997 555 981 08 8G2	Sand Beige			
	997 555 981 08 3S9	Sea blue			
	997 555 981 08 9S5	Terracotta			
	997 555 981 08 9V6	Cocoa			
	997 555 981 08 BCD	Black/stone grey			
	997 555 981 08 BCE	Black/sand beige			
	997 555 981 08 BCF	Black/terracotta			
	997 555 981 08 D12	Dark grey/natural			
	997 555 981 08 T12	Brown/natural			
	997 555 981 08 N12	Carrera Red			
(1)	997 555 982 08	Door trim panel	/LL /R 10-	1	IXVT/098/490 I981
		Leather			
	997 555 982 08 A11	Black			
	997 555 982 08 5X6	Stone grey			
	997 555 982 08 8G2	Sand Beige			
	997 555 982 08 3S9	Sea blue			
	997 555 982 08 9S5	Terracotta			
	997 555 982 08 9V6	Cocoa			
	997 555 982 08 BCD	Black/stone grey			
	997 555 982 08 BCE	Black/sand beige			
	997 555 982 08 BCF	Black/terracotta			
	997 555 982 08 D12	Dark grey/natural			
	997 555 982 08 T12	Brown/natural			
	997 555 982 08 N12	Carrera Red			
(1)	997 555 981 09	Door trim panel	/RL /L 10-	1	IXVT/099/680 I981
		Leather			
	997 555 981 09 A11	Black			
	997 555 981 09 5X6	Stone grey			
	997 555 981 09 8G2	Sand Beige			
	997 555 981 09 3S9	Sea blue			
	997 555 981 09 9S5	Terracotta			
	997 555 981 09 9V6	Cocoa			
	997 555 981 09 BCD	Black/stone grey			
	997 555 981 09 BCE	Black/sand beige			
	997 555 981 09 BCF	Black/terracotta			
	997 555 981 09 D12	Dark grey/natural			
	997 555 981 09 T12	Brown/natural			
	997 555 981 09 N12	Carrera Red			
(1)	997 555 982 09	Door trim panel	/LL /R 10-	1	IXVT/098/680 I981
		Leather			
	997 555 982 09 A11	Black			

Model: 997-09 Model life 2009>>2012

Pos	Part Number	Description	Remark	Qty	Model
	997 555 982 09 5X6	Stone grey			
	997 555 982 09 8G2	Sand Beige			
	997 555 982 09 3S9	Sea blue			
	997 555 982 09 9S5	Terracotta			
	997 555 982 09 9V6	Cocoa			
	997 555 982 09 BCD	Black/stone grey			
	997 555 982 09 BCE	Black/sand beige			
	997 555 982 09 BCF	Black/terracotta			
	997 555 982 09 D12	Dark grey/natural			
	997 555 982 09 T12	Brown/natural			
	997 555 982 09 N12	Carrera Red			
(1)	987 555 981 16	Door trim panel	/LL /L	1	-IXVT/-I537 IXTL/098/490 I981
		Leather			
	987 555 981 16 A11	Black			
	987 555 981 16 5X6	Stone grey			
	987 555 981 16 8G2	Sand Beige			
	987 555 981 16 3S9	Sea blue			
	987 555 981 16 9S5	Terracotta			
	987 555 981 16 9V6	Cocoa			
	987 555 981 16 BCD	Black/stone grey			
	987 555 981 16 BCE	Black/sand beige			
	987 555 981 16 BCF	Black/terracotta			
	987 555 981 16 D12	Dark grey/natural			
	987 555 981 16 T12	Brown/natural			
	987 555 981 16 N12	Carrera Red			
(1)	987 555 982 16	Door trim panel	/RL /R	1	-IXVT/-I538 IXTL/099/490 I981
		Leather			
	987 555 982 16 A11	Black			
	987 555 982 16 5X6	Stone grey			
	987 555 982 16 8G2	Sand Beige			
	987 555 982 16 3S9	Sea blue			
	987 555 982 16 9S5	Terracotta			
	987 555 982 16 9V6	Cocoa			
	987 555 982 16 BCD	Black/stone grey			
	987 555 982 16 BCE	Black/sand beige			
	987 555 982 16 BCF	Black/terracotta			
	987 555 982 16 D12	Dark grey/natural			
	987 555 982 16 T12	Brown/natural			
	987 555 982 16 N12	Carrera Red			
(1)	987 555 981 18	Door trim panel	/LL /L	1	-IXVT/IXTL I098/490/537 I981
		Leather			
	987 555 981 18 A11	Black			
	987 555 981 18 5X6	Stone grey			
	987 555 981 18 8G2	Sand Beige			
	987 555 981 18 3S9	Sea blue			
	987 555 981 18 9S5	Terracotta			
	987 555 981 18 9V6	Cocoa			
	987 555 981 18 BCD	Black/stone grey			
	987 555 981 18 BCE	Black/sand beige			
	987 555 981 18 BCF	Black/terracotta			
	987 555 981 18 D12	Dark grey/natural			
	987 555 981 18 T12	Brown/natural			
	987 555 981 18 N12	Carrera Red			
(1)	987 555 982 18	Door trim panel	/RL /R	1	-IXVT/IXTL I099/490/538 I981
		Leather			

Model: 997-09

Model life 2009>>2012

Pos	Part Number	Description	Remark	Qty	Model
	987 555 982 18 A11	Black			
	987 555 982 18 5X6	Stone grey			
	987 555 982 18 8G2	Sand Beige			
	987 555 982 18 3S9	Sea blue			
	987 555 982 18 9S5	Terracotta			
	987 555 982 18 9V6	Cocoa			
	987 555 982 18 BCD	Black/stone grey			
	987 555 982 18 BCE	Black/sand beige			
	987 555 982 18 BCF	Black/terracotta			
	987 555 982 18 D12	Dark grey/natural			
	987 555 982 18 T12	Brown/natural			
	987 555 982 18 N12	Carrera Red			
(1)	987 555 981 20	Door trim panel	/LL /L	1	COUPE/TARGA -IXVT/-I537 IXTL/098/680 I981
		Leather			
	987 555 981 20 A11	Black			
	987 555 981 20 5X6	Stone grey			
	987 555 981 20 8G2	Sand Beige			
	987 555 981 20 3S9	Sea blue			
	987 555 981 20 9S5	Terracotta			
	987 555 981 20 9V6	Cocoa			
	987 555 981 20 BCD	Black/stone grey			
	987 555 981 20 BCE	Black/sand beige			
	987 555 981 20 BCF	Black/terracotta			
	987 555 981 20 D12	Dark grey/natural			
	987 555 981 20 T12	Brown/natural			
	987 555 981 20 N12	Carrera Red			
(1)	987 555 982 20	Door trim panel	/RL /R	1	COUPE/TARGA -IXVT/-I538 IXTL/099/680 I981
		Leather			
	987 555 982 20 A11	Black			
	987 555 982 20 5X6	Stone grey			
	987 555 982 20 8G2	Sand Beige			
	987 555 982 20 3S9	Sea blue			
	987 555 982 20 9S5	Terracotta			
	987 555 982 20 9V6	Cocoa			
	987 555 982 20 BCD	Black/stone grey			
	987 555 982 20 BCE	Black/sand beige			
	987 555 982 20 BCF	Black/terracotta			
	987 555 982 20 D12	Dark grey/natural			
	987 555 982 20 T12	Brown/natural			
	987 555 982 20 N12	Carrera Red			
(1)	987 555 981 22	Door trim panel	/LL /L	1	COUPE/TARGA -IXVT/IXTL I098/537/680 I981
		Leather			
	987 555 981 22 A11	Black			
	987 555 981 22 5X6	Stone grey			
	987 555 981 22 8G2	Sand Beige			
	987 555 981 22 3S9	Sea blue			
	987 555 981 22 9S5	Terracotta			
	987 555 981 22 9V6	Cocoa			
	987 555 981 22 BCD	Black/stone grey			
	987 555 981 22 BCE	Black/sand beige			
	987 555 981 22 BCF	Black/terracotta			
	987 555 981 22 D12	Dark grey/natural			
	987 555 981 22 T12	Brown/natural			
	987 555 981 22 N12	Carrera Red			

Model: 997-09 Model life 2009>>2012

Pos	Part Number	Description	Remark	Qty	Model
(1)	987 555 982 22	Door trim panel	/RL /R	1	COUPE/TARGA -IXVT/IXTL I099/538/680 I981
		Leather			
	987 555 982 22 A11	Black			
	987 555 982 22 5X6	Stone grey			
	987 555 982 22 8G2	Sand Beige			
	987 555 982 22 3S9	Sea blue			
	987 555 982 22 9S5	Terracotta			
	987 555 982 22 9V6	Cocoa			
	987 555 982 22 BCD	Black/stone grey			
	987 555 982 22 BCE	Black/sand beige			
	987 555 982 22 BCF	Black/terracotta			
	987 555 982 22 D12	Dark grey/natural			
	987 555 982 22 T12	Brown/natural			
	987 555 982 22 N12	Carrera Red			
(1)	987 555 981 25	Door trim panel	/RL /L	1	-IXVT/IXTL I099/490/981
		Leather			
	987 555 981 25 A11	Black			
	987 555 981 25 5X6	Stone grey			
	987 555 981 25 8G2	Sand Beige			
	987 555 981 25 3S9	Sea blue			
	987 555 981 25 9S5	Terracotta			
	987 555 981 25 9V6	Cocoa			
	987 555 981 25 BCD	Black/stone grey			
	987 555 981 25 BCE	Black/sand beige			
	987 555 981 25 BCF	Black/terracotta			
	987 555 981 25 D12	Dark grey/natural			
	987 555 981 25 T12	Brown/natural			
	987 555 981 25 N12	Carrera Red			
(1)	987 555 982 25	Door trim panel	/LL /R	1	-IXVT/IXTL I098/490/981
		Leather			
	987 555 982 25 A11	Black			
	987 555 982 25 5X6	Stone grey			
	987 555 982 25 8G2	Sand Beige			
	987 555 982 25 3S9	Sea blue			
	987 555 982 25 9S5	Terracotta			
	987 555 982 25 9V6	Cocoa			
	987 555 982 25 BCD	Black/stone grey			
	987 555 982 25 BCE	Black/sand beige			
	987 555 982 25 BCF	Black/terracotta			
	987 555 982 25 D12	Dark grey/natural			
	987 555 982 25 T12	Brown/natural			
	987 555 982 25 N12	Carrera Red			
(1)	987 555 981 27	Door trim panel	/RL /L	1	-IXVT/IXTL I099/680/981
		Leather			
	987 555 981 27 A11	Black			
	987 555 981 27 5X6	Stone grey			
	987 555 981 27 8G2	Sand Beige			
	987 555 981 27 3S9	Sea blue			
	987 555 981 27 9S5	Terracotta			
	987 555 981 27 9V6	Cocoa			
	987 555 981 27 BCD	Black/stone grey			
	987 555 981 27 BCE	Black/sand beige			
	987 555 981 27 BCF	Black/terracotta			
	987 555 981 27 D12	Dark grey/natural			
	987 555 981 27 T12	Brown/natural			
	987 555 981 27 N12	Carrera Red			
(1)	987 555 982 27	Door trim panel	/LL /R	1	-IXVT/IXTL

Model: 997-09 Model life 2009>>2012

Pos	Part Number	Description	Remark	Qty	Model
		Leather			I098/680/981
	987 555 982 27 A11	Black			
	987 555 982 27 5X6	Stone grey			
	987 555 982 27 8G2	Sand Beige			
	987 555 982 27 3S9	Sea blue			
	987 555 982 27 9S5	Terracotta			
	987 555 982 27 9V6	Cocoa			
	987 555 982 27 BCD	Black/stone grey			
	987 555 982 27 BCE	Black/sand beige			
	987 555 982 27 BCF	Black/terracotta			
	987 555 982 27 D12	Dark grey/natural			
	987 555 982 27 T12	Brown/natural			
	987 555 982 27 N12	Carrera Red			
(1)	987 555 981 31	Door trim panel	/LL /L	1	CABRIO -IXVT/IXTL I098/490/981
		Leather			
	987 555 981 31 A11	Black			
	987 555 981 31 5X6	Stone grey			
	987 555 981 31 8G2	Sand Beige			
	987 555 981 31 3S9	Sea blue			
	987 555 981 31 9S5	Terracotta			
	987 555 981 31 9V6	Cocoa			
	987 555 981 31 BCD	Black/stone grey			
	987 555 981 31 BCE	Black/sand beige			
	987 555 981 31 BCF	Black/terracotta			
	987 555 981 31 D12	Dark grey/natural			
	987 555 981 31 T12	Brown/natural			
	987 555 981 31 N12	Carrera Red			
(1)	987 555 982 31	Door trim panel	/RL /R	1	CABRIO -IXVT/-I538 IXTL/099/490 I981
		Leather			
	987 555 982 31 A11	Black			
	987 555 982 31 5X6	Stone grey			
	987 555 982 31 8G2	Sand Beige			
	987 555 982 31 3S9	Sea blue			
	987 555 982 31 9S5	Terracotta			
	987 555 982 31 9V6	Cocoa			
	987 555 982 31 BCD	Black/stone grey			
	987 555 982 31 BCE	Black/sand beige			
	987 555 982 31 BCF	Black/terracotta			
	987 555 982 31 D12	Dark grey/natural			
	987 555 982 31 T12	Brown/natural			
	987 555 982 31 N12	Carrera Red			
(1)	987 555 981 33	Door trim panel	/LL /L	1	CABRIO -IXVT/IXTL I098/490/537 I981
		Leather			
	987 555 981 33 A11	Black			
	987 555 981 33 5X6	Stone grey			
	987 555 981 33 8G2	Sand Beige			
	987 555 981 33 3S9	Sea blue			
	987 555 981 33 9S5	Terracotta			
	987 555 981 33 9V6	Cocoa			
	987 555 981 33 BCD	Black/stone grey			
	987 555 981 33 BCE	Black/sand beige			
	987 555 981 33 BCF	Black/terracotta			
	987 555 981 33 D12	Dark grey/natural			
	987 555 981 33 T12	Brown/natural			

Model: 997-09 Model life 2009>>2012

Pos	Part Number	Description	Remark	Qty	Model
(1)	987 555 981 33 N12 987 555 982 33	Carrera Red Door trim panel	/RL /R	1	CABRIO -IXVT/IXTL I099/490/538 I981
		Leather			
	987 555 982 33 A11	Black			
	987 555 982 33 5X6	Stone grey			
	987 555 982 33 8G2	Sand Beige			
	987 555 982 33 3S9	Sea blue			
	987 555 982 33 9S5	Terracotta			
	987 555 982 33 9V6	Cocoa			
	987 555 982 33 BCD	Black/stone grey			
	987 555 982 33 BCE	Black/sand beige			
	987 555 982 33 BCF	Black/terracotta			
	987 555 982 33 D12	Dark grey/natural			
	987 555 982 33 T12	Brown/natural			
(1)	987 555 981 35 N12 987 555 981 35	Carrera Red Door trim panel	/LL /L	1	CABRIO -IXVT/IXTL I098/680/981
		Leather			
	987 555 981 35 A11	Black			
	987 555 981 35 5X6	Stone grey			
	987 555 981 35 8G2	Sand Beige			
	987 555 981 35 3S9	Sea blue			
	987 555 981 35 9S5	Terracotta			
	987 555 981 35 9V6	Cocoa			
	987 555 981 35 BCD	Black/stone grey			
	987 555 981 35 BCE	Black/sand beige			
	987 555 981 35 BCF	Black/terracotta			
	987 555 981 35 D12	Dark grey/natural			
	987 555 981 35 T12	Brown/natural			
(1)	987 555 981 35 N12 987 555 982 35	Carrera Red Door trim panel	/RL /R	1	CABRIO -IXVT/-I538 IXTL/099/680 I981
		Leather			
	987 555 982 35 A11	Black			
	987 555 982 35 5X6	Stone grey			
	987 555 982 35 8G2	Sand Beige			
	987 555 982 35 3S9	Sea blue			
	987 555 982 35 9S5	Terracotta			
	987 555 982 35 9V6	Cocoa			
	987 555 982 35 BCD	Black/stone grey			
	987 555 982 35 BCE	Black/sand beige			
	987 555 982 35 BCF	Black/terracotta			
	987 555 982 35 D12	Dark grey/natural			
	987 555 982 35 T12	Brown/natural			
(1)	987 555 982 35 N12 987 555 981 37	Carrera Red Door trim panel	/LL /L	1	CABRIO -IXVT/IXTL I098/537/680 I981
		Leather			
	987 555 981 37 A11	Black			
	987 555 981 37 5X6	Stone grey			
	987 555 981 37 8G2	Sand Beige			
	987 555 981 37 3S9	Sea blue			
	987 555 981 37 9S5	Terracotta			
	987 555 981 37 9V6	Cocoa			
	987 555 981 37 BCD	Black/stone grey			

Model: 997-09 Model life 2009>>2012

Pos	Part Number	Description	Remark	Qty	Model
(1)	987 555 981 37 BCE	Black/sand beige	/RL /R	1	CABRIO -IXVT/IXTL I099/538/680 I981
	987 555 981 37 BCF	Black/terracotta			
	987 555 981 37 D12	Dark grey/natural			
	987 555 981 37 T12	Brown/natural			
	987 555 981 37 N12	Carrera Red			
	987 555 982 37	Door trim panel			
		Leather			
	987 555 982 37 A11	Black			
	987 555 982 37 5X6	Stone grey			
	987 555 982 37 8G2	Sand Beige			
	987 555 982 37 3S9	Sea blue			
	987 555 982 37 9S5	Terracotta			
	987 555 982 37 9V6	Cocoa			
	987 555 982 37 BCD	Black/stone grey			
(1)	987 555 982 37 BCE	Black/sand beige	/LL /L 10-	1	COUPE/TARGA -I537/IXTL IXVT/098/490 I981
	987 555 982 37 BCF	Black/terracotta			
	987 555 982 37 D12	Dark grey/natural			
	987 555 982 37 T12	Brown/natural			
	987 555 982 37 N12	Carrera Red			
	997 555 981 10	Door trim panel			
		Leather			
	997 555 981 10 A11	Black			
	997 555 981 10 5X6	Stone grey			
	997 555 981 10 8G2	Sand Beige			
	997 555 981 10 3S9	Sea blue			
	997 555 981 10 9S5	Terracotta			
	997 555 981 10 9V6	Cocoa			
	997 555 981 10 BCD	Black/stone grey			
(1)	997 555 981 10 BCE	Black/sand beige	/RL /R 10-	1	COUPE/TARGA -I538/IXTL IXVT/099/490 I981
	997 555 981 10 BCF	Black/terracotta			
	997 555 981 10 D12	Dark grey/natural			
	997 555 981 10 T12	Brown/natural			
	997 555 981 10 N12	Carrera Red			
	997 555 982 10	Door trim panel			
		Leather			
	997 555 982 10 A11	Black			
	997 555 982 10 5X6	Stone grey			
	997 555 982 10 8G2	Sand Beige			
	997 555 982 10 3S9	Sea blue			
	997 555 982 10 9S5	Terracotta			
	997 555 982 10 9V6	Cocoa			
	997 555 982 10 BCD	Black/stone grey			
(1)	997 555 982 10 BCE	Black/sand beige	/LL /L 10-	1	COUPE/TARGA IXTL/XVT/098 I490/537/981
	997 555 982 10 BCF	Black/terracotta			
	997 555 982 10 D12	Dark grey/natural			
	997 555 982 10 T12	Brown/natural			
	997 555 982 10 N12	Carrera Red			
	997 555 981 11	Door trim panel			
		Leather			
	997 555 981 11 A11	Black			
	997 555 981 11 5X6	Stone grey			
	997 555 981 11 8G2	Sand Beige			

Model: 997-09 Model life 2009>>2012

Pos	Part Number	Description	Remark	Qty	Model
	997 555 981 11 3S9	Sea blue			
	997 555 981 11 9S5	Terracotta			
	997 555 981 11 9V6	Cocoa			
	997 555 981 11 BCD	Black/stone grey			
	997 555 981 11 BCE	Black/sand beige			
	997 555 981 11 BCF	Black/terracotta			
	997 555 981 11 D12	Dark grey/natural			
	997 555 981 11 T12	Brown/natural			
	997 555 981 11 N12	Carrera Red			
(1)	997 555 982 11	Door trim panel	/RL /R 10-	1	COUPE/TARGA IXTL/XVT/099 I490/538/981
		Leather			
	997 555 982 11 A11	Black			
	997 555 982 11 5X6	Stone grey			
	997 555 982 11 8G2	Sand Beige			
	997 555 982 11 3S9	Sea blue			
	997 555 982 11 9S5	Terracotta			
	997 555 982 11 9V6	Cocoa			
	997 555 982 11 BCD	Black/stone grey			
	997 555 982 11 BCE	Black/sand beige			
	997 555 982 11 BCF	Black/terracotta			
	997 555 982 11 D12	Dark grey/natural			
	997 555 982 11 T12	Brown/natural			
	997 555 982 11 N12	Carrera Red			
(1)	997 555 981 12	Door trim panel	/LL /L 10-	1	COUPE/TARGA -I537/IXTL IXVT/098/680 I981
		Leather			
	997 555 981 12 A11	Black			
	997 555 981 12 5X6	Stone grey			
	997 555 981 12 8G2	Sand Beige			
	997 555 981 12 3S9	Sea blue			
	997 555 981 12 9S5	Terracotta			
	997 555 981 12 9V6	Cocoa			
	997 555 981 12 BCD	Black/stone grey			
	997 555 981 12 BCE	Black/sand beige			
	997 555 981 12 BCF	Black/terracotta			
	997 555 981 12 D12	Dark grey/natural			
	997 555 981 12 T12	Brown/natural			
	997 555 981 12 N12	Carrera Red			
(1)	997 555 982 12	Door trim panel	/RL /R 10-	1	COUPE/TARGA -I538/IXTL IXVT/099/680 I981
		Leather			
	997 555 982 12 A11	Black			
	997 555 982 12 5X6	Stone grey			
	997 555 982 12 8G2	Sand Beige			
	997 555 982 12 3S9	Sea blue			
	997 555 982 12 9S5	Terracotta			
	997 555 982 12 9V6	Cocoa			
	997 555 982 12 BCD	Black/stone grey			
	997 555 982 12 BCE	Black/sand beige			
	997 555 982 12 BCF	Black/terracotta			
	997 555 982 12 D12	Dark grey/natural			
	997 555 982 12 T12	Brown/natural			
	997 555 982 12 N12	Carrera Red			
(1)	997 555 981 13	Door trim panel	/LL /L 10-	1	COUPE/TARGA IXTL/XVT/098 I537/680/981
		Leather			

Model: 997-09 Model life 2009>>2012

Pos	Part Number	Description	Remark	Qty	Model
	997 555 981 13 A11	Black			
	997 555 981 13 5X6	Stone grey			
	997 555 981 13 8G2	Sand Beige			
	997 555 981 13 3S9	Sea blue			
	997 555 981 13 9S5	Terracotta			
	997 555 981 13 9V6	Cocoa			
	997 555 981 13 BCD	Black/stone grey			
	997 555 981 13 BCE	Black/sand beige			
	997 555 981 13 BCF	Black/terracotta			
	997 555 981 13 D12	Dark grey/natural			
	997 555 981 13 T12	Brown/natural			
	997 555 981 13 N12	Carrera Red			
(1)	997 555 982 13	Door trim panel	/RL /R 10-	1	COUPE/TARGA IXTL/XVT/099 I538/680/981
		Leather			
	997 555 982 13 A11	Black			
	997 555 982 13 5X6	Stone grey			
	997 555 982 13 8G2	Sand Beige			
	997 555 982 13 3S9	Sea blue			
	997 555 982 13 9S5	Terracotta			
	997 555 982 13 9V6	Cocoa			
	997 555 982 13 BCD	Black/stone grey			
	997 555 982 13 BCE	Black/sand beige			
	997 555 982 13 BCF	Black/terracotta			
	997 555 982 13 D12	Dark grey/natural			
	997 555 982 13 T12	Brown/natural			
	997 555 982 13 N12	Carrera Red			
(1)	997 555 981 14	Door trim panel	/RL /L 10-	1	IXTL/XVT/099 I490/981
		Leather			
	997 555 981 14 A11	Black			
	997 555 981 14 5X6	Stone grey			
	997 555 981 14 8G2	Sand Beige			
	997 555 981 14 3S9	Sea blue			
	997 555 981 14 9S5	Terracotta			
	997 555 981 14 9V6	Cocoa			
	997 555 981 14 BCD	Black/stone grey			
	997 555 981 14 BCE	Black/sand beige			
	997 555 981 14 BCF	Black/terracotta			
	997 555 981 14 D12	Dark grey/natural			
	997 555 981 14 T12	Brown/natural			
	997 555 981 14 N12	Carrera Red			
(1)	997 555 982 14	Door trim panel	/LL /R 10-	1	IXTL/XVT/098 I490/981
		Leather			
	997 555 982 14 A11	Black			
	997 555 982 14 5X6	Stone grey			
	997 555 982 14 8G2	Sand Beige			
	997 555 982 14 3S9	Sea blue			
	997 555 982 14 9S5	Terracotta			
	997 555 982 14 9V6	Cocoa			
	997 555 982 14 BCD	Black/stone grey			
	997 555 982 14 BCE	Black/sand beige			
	997 555 982 14 BCF	Black/terracotta			
	997 555 982 14 D12	Dark grey/natural			
	997 555 982 14 T12	Brown/natural			
	997 555 982 14 N12	Carrera Red			
(1)	997 555 981 15	Door trim panel	/RL /L 10-	1	IXTL/XVT/099 I680/981
		Leather			
	997 555 981 15 A11	Black			
	997 555 981 15 5X6	Stone grey			

Model: 997-09 Model life 2009>>2012

Pos	Part Number	Description	Remark	Qty	Model
	997 555 981 15 8G2	Sand Beige			
	997 555 981 15 3S9	Sea blue			
	997 555 981 15 9S5	Terracotta			
	997 555 981 15 9V6	Cocoa			
	997 555 981 15 BCD	Black/stone grey			
	997 555 981 15 BCE	Black/sand beige			
	997 555 981 15 BCF	Black/terracotta			
	997 555 981 15 D12	Dark grey/natural			
	997 555 981 15 T12	Brown/natural			
	997 555 981 15 N12	Carrera Red			
(1)	997 555 982 15	Door trim panel	/LL /R 10-	1	IXTL/XVT/098 I680/981
		Leather			
	997 555 982 15 A11	Black			
	997 555 982 15 5X6	Stone grey			
	997 555 982 15 8G2	Sand Beige			
	997 555 982 15 3S9	Sea blue			
	997 555 982 15 9S5	Terracotta			
	997 555 982 15 9V6	Cocoa			
	997 555 982 15 BCD	Black/stone grey			
	997 555 982 15 BCE	Black/sand beige			
	997 555 982 15 BCF	Black/terracotta			
	997 555 982 15 D12	Dark grey/natural			
	997 555 982 15 T12	Brown/natural			
	997 555 982 15 N12	Carrera Red			
(1)	997 555 981 16	Door trim panel	/LL /L 10-	1	CABRIO -I537/IXTL IXVT/098/490 I981
		Leather			
	997 555 981 16 A11	Black			
	997 555 981 16 5X6	Stone grey			
	997 555 981 16 8G2	Sand Beige			
	997 555 981 16 3S9	Sea blue			
	997 555 981 16 9S5	Terracotta			
	997 555 981 16 9V6	Cocoa			
	997 555 981 16 BCD	Black/stone grey			
	997 555 981 16 BCE	Black/sand beige			
	997 555 981 16 BCF	Black/terracotta			
	997 555 981 16 D12	Dark grey/natural			
	997 555 981 16 T12	Brown/natural			
	997 555 981 16 N12	Carrera Red			
(1)	997 555 982 16	Door trim panel	/RL /R 10-	1	CABRIO -I538/IXTL IXVT/099/490 I981
		Leather			
	997 555 982 16 A11	Black			
	997 555 982 16 5X6	Stone grey			
	997 555 982 16 8G2	Sand Beige			
	997 555 982 16 3S9	Sea blue			
	997 555 982 16 9S5	Terracotta			
	997 555 982 16 9V6	Cocoa			
	997 555 982 16 BCD	Black/stone grey			
	997 555 982 16 BCE	Black/sand beige			
	997 555 982 16 BCF	Black/terracotta			
	997 555 982 16 D12	Dark grey/natural			
	997 555 982 16 T12	Brown/natural			
	997 555 982 16 N12	Carrera Red			
(1)	997 555 981 17	Door trim panel	/LL /L 10-	1	CABRIO IXTL/XVT/098 I490/537/981
		Leather			

Model: 997-09 Model life 2009>>2012

Pos	Part Number	Description	Remark	Qty	Model
	997 555 981 17 A11	Black			
	997 555 981 17 5X6	Stone grey			
	997 555 981 17 8G2	Sand Beige			
	997 555 981 17 3S9	Sea blue			
	997 555 981 17 9S5	Terracotta			
	997 555 981 17 9V6	Cocoa			
	997 555 981 17 BCD	Black/stone grey			
	997 555 981 17 BCE	Black/sand beige			
	997 555 981 17 BCF	Black/terracotta			
	997 555 981 17 D12	Dark grey/natural			
	997 555 981 17 T12	Brown/natural			
	997 555 981 17 N12	Carrera Red			
(1)	997 555 982 17	Door trim panel	/RL /R 10-	1	CABRIO IXTL/XVT/099 I490/538/981
		Leather			
	997 555 982 17 A11	Black			
	997 555 982 17 5X6	Stone grey			
	997 555 982 17 8G2	Sand Beige			
	997 555 982 17 3S9	Sea blue			
	997 555 982 17 9S5	Terracotta			
	997 555 982 17 9V6	Cocoa			
	997 555 982 17 BCD	Black/stone grey			
	997 555 982 17 BCE	Black/sand beige			
	997 555 982 17 BCF	Black/terracotta			
	997 555 982 17 D12	Dark grey/natural			
	997 555 982 17 T12	Brown/natural			
	997 555 982 17 N12	Carrera Red			
(1)	997 555 981 18	Door trim panel	/LL /L 10-	1	CABRIO -I537/IXTL IXVT/098/680 I981
		Leather			
	997 555 981 18 A11	Black			
	997 555 981 18 5X6	Stone grey			
	997 555 981 18 8G2	Sand Beige			
	997 555 981 18 3S9	Sea blue			
	997 555 981 18 9S5	Terracotta			
	997 555 981 18 9V6	Cocoa			
	997 555 981 18 BCD	Black/stone grey			
	997 555 981 18 BCE	Black/sand beige			
	997 555 981 18 BCF	Black/terracotta			
	997 555 981 18 D12	Dark grey/natural			
	997 555 981 18 T12	Brown/natural			
	997 555 981 18 N12	Carrera Red			
(1)	997 555 982 18	Door trim panel	/RL /R 10-	1	CABRIO -I538/IXTL IXVT/099/680 I981
		Leather			
	997 555 982 18 A11	Black			
	997 555 982 18 5X6	Stone grey			
	997 555 982 18 8G2	Sand Beige			
	997 555 982 18 3S9	Sea blue			
	997 555 982 18 9S5	Terracotta			
	997 555 982 18 9V6	Cocoa			
	997 555 982 18 BCD	Black/stone grey			
	997 555 982 18 BCE	Black/sand beige			
	997 555 982 18 BCF	Black/terracotta			
	997 555 982 18 D12	Dark grey/natural			
	997 555 982 18 T12	Brown/natural			
	997 555 982 18 N12	Carrera Red			
(1)	997 555 981 19	Door trim panel	/LL /L 10-	1	CABRIO

Model: 997-09 Model life 2009>>2012

Pos	Part Number	Description	Remark	Qty	Model
		Leather			IXTL/XVT/098 I537/680/981
	997 555 981 19 A11	Black			
	997 555 981 19 5X6	Stone grey			
	997 555 981 19 8G2	Sand Beige			
	997 555 981 19 3S9	Sea blue			
	997 555 981 19 9S5	Terracotta			
	997 555 981 19 9V6	Cocoa			
	997 555 981 19 BCD	Black/stone grey			
	997 555 981 19 BCE	Black/sand beige			
	997 555 981 19 BCF	Black/terracotta			
	997 555 981 19 D12	Dark grey/natural			
	997 555 981 19 T12	Brown/natural			
	997 555 981 19 N12	Carrera Red			
(1)	997 555 982 19	Door trim panel	/RL /R 10-	1	CABRIO IXTL/XVT/099 I538/680/981
		Leather			
	997 555 982 19 A11	Black			
	997 555 982 19 5X6	Stone grey			
	997 555 982 19 8G2	Sand Beige			
	997 555 982 19 3S9	Sea blue			
	997 555 982 19 9S5	Terracotta			
	997 555 982 19 9V6	Cocoa			
	997 555 982 19 BCD	Black/stone grey			
	997 555 982 19 BCE	Black/sand beige			
	997 555 982 19 BCF	Black/terracotta			
	997 555 982 19 D12	Dark grey/natural			
	997 555 982 19 T12	Brown/natural			
	997 555 982 19 N12	Carrera Red			
(1)	987 555 983 16	Door trim panel	/LL /L	1	-IXVT/-I537 IXTT/098/490 I981
		Leather			
	987 555 983 16 A11	Black			
	987 555 983 16 5X6	Stone grey			
	987 555 983 16 8G2	Sand Beige			
	987 555 983 16 3S9	Sea blue			
	987 555 983 16 9S5	Terracotta			
	987 555 983 16 9V6	Cocoa			
	987 555 983 16 BCD	Black/stone grey			
	987 555 983 16 BCE	Black/sand beige			
	987 555 983 16 BCF	Black/terracotta			
	987 555 983 16 D12	Dark grey/natural			
	987 555 983 16 T12	Brown/natural			
	987 555 983 16 N12	Carrera Red			
(1)	987 555 984 16	Door trim panel	/RL /R	1	-IXVT/-I538 IXTT/099/490 I981
		Leather			
	987 555 984 16 A11	Black			
	987 555 984 16 5X6	Stone grey			
	987 555 984 16 8G2	Sand Beige			
	987 555 984 16 3S9	Sea blue			
	987 555 984 16 9S5	Terracotta			
	987 555 984 16 9V6	Cocoa			
	987 555 984 16 BCD	Black/stone grey			
	987 555 984 16 BCE	Black/sand beige			
	987 555 984 16 BCF	Black/terracotta			
	987 555 984 16 D12	Dark grey/natural			
	987 555 984 16 T12	Brown/natural			
	987 555 984 16 N12	Carrera Red			

Model: 997-09 Model life 2009>>2012

Pos	Part Number	Description	Remark	Qty	Model
(1)	987 555 983 18	Door trim panel	/LL /L	1	-IXVT/IXTT I098/490/537 I981
		Leather			
	987 555 983 18 A11	Black			
	987 555 983 18 5X6	Stone grey			
	987 555 983 18 8G2	Sand Beige			
	987 555 983 18 3S9	Sea blue			
	987 555 983 18 9S5	Terracotta			
	987 555 983 18 9V6	Cocoa			
	987 555 983 18 BCD	Black/stone grey			
	987 555 983 18 BCE	Black/sand beige			
	987 555 983 18 BCF	Black/terracotta			
	987 555 983 18 D12	Dark grey/natural			
	987 555 983 18 T12	Brown/natural			
	987 555 983 18 N12	Carrera Red			
(1)	987 555 984 18	Door trim panel	/RL /R	1	-IXVT/IXTT I099/490/538 I981
		Leather			
	987 555 984 18 A11	Black			
	987 555 984 18 5X6	Stone grey			
	987 555 984 18 8G2	Sand Beige			
	987 555 984 18 3S9	Sea blue			
	987 555 984 18 9S5	Terracotta			
	987 555 984 18 9V6	Cocoa			
	987 555 984 18 BCD	Black/stone grey			
	987 555 984 18 BCE	Black/sand beige			
	987 555 984 18 BCF	Black/terracotta			
	987 555 984 18 D12	Dark grey/natural			
	987 555 984 18 T12	Brown/natural			
	987 555 984 18 N12	Carrera Red			
(1)	987 555 983 20	Door trim panel	/LL /L	1	-IXVT/-I537 IXTT/098/680 I981
		Leather			
	987 555 983 20 A11	Black			
	987 555 983 20 5X6	Stone grey			
	987 555 983 20 8G2	Sand Beige			
	987 555 983 20 3S9	Sea blue			
	987 555 983 20 9S5	Terracotta			
	987 555 983 20 9V6	Cocoa			
	987 555 983 20 BCD	Black/stone grey			
	987 555 983 20 BCE	Black/sand beige			
	987 555 983 20 BCF	Black/terracotta			
	987 555 983 20 D12	Dark grey/natural			
	987 555 983 20 T12	Brown/natural			
	987 555 983 20 N12	Carrera Red			
(1)	987 555 984 20	Door trim panel	/RL /R	1	-IXVT/-I538 IXTT/099/680 I981
		Leather			
	987 555 984 20 A11	Black			
	987 555 984 20 5X6	Stone grey			
	987 555 984 20 8G2	Sand Beige			
	987 555 984 20 3S9	Sea blue			
	987 555 984 20 9S5	Terracotta			
	987 555 984 20 9V6	Cocoa			
	987 555 984 20 BCD	Black/stone grey			
	987 555 984 20 BCE	Black/sand beige			
	987 555 984 20 BCF	Black/terracotta			
	987 555 984 20 D12	Dark grey/natural			
	987 555 984 20 T12	Brown/natural			

Model: 997-09 Model life 2009>>2012

Pos	Part Number	Description	Remark	Qty	Model
(1)	987 555 984 20 N12	Carrera Red	/LL /L	1	-IXVT/IXTT I098/537/680 I981
	987 555 983 22	Door trim panel			
		Leather			
	987 555 983 22 A11	Black			
	987 555 983 22 5X6	Stone grey			
	987 555 983 22 8G2	Sand Beige			
	987 555 983 22 3S9	Sea blue			
	987 555 983 22 9S5	Terracotta			
	987 555 983 22 9V6	Cocoa			
	987 555 983 22 BCD	Black/stone grey			
	987 555 983 22 BCE	Black/sand beige			
	987 555 983 22 BCF	Black/terracotta			
	(1)	987 555 983 22 D12			
987 555 983 22 T12		Brown/natural			
987 555 983 22 N12		Carrera Red			
987 555 984 22		Door trim panel			
		Leather			
987 555 984 22 A11		Black			
987 555 984 22 5X6		Stone grey			
987 555 984 22 8G2		Sand Beige			
987 555 984 22 3S9		Sea blue			
987 555 984 22 9S5		Terracotta			
987 555 984 22 9V6		Cocoa			
987 555 984 22 BCD		Black/stone grey			
987 555 984 22 BCE		Black/sand beige			
(1)	987 555 984 22 BCF	Black/terracotta	/RL /L	1	-IXVT/IXTT I099/490/981
	987 555 984 22 D12	Dark grey/natural			
	987 555 984 22 T12	Brown/natural			
	987 555 984 22 N12	Carrera Red			
	987 555 983 25	Door trim panel			
		Leather			
	987 555 983 25 A11	Black			
	987 555 983 25 5X6	Stone grey			
	987 555 983 25 8G2	Sand Beige			
	987 555 983 25 3S9	Sea blue			
	987 555 983 25 9S5	Terracotta			
	987 555 983 25 9V6	Cocoa			
	987 555 983 25 BCD	Black/stone grey			
987 555 983 25 BCE	Black/sand beige				
(1)	987 555 983 25 BCF	Black/terracotta	/LL /R	1	-IXVT/IXTT I098/490/981
	987 555 983 25 D12	Dark grey/natural			
	987 555 983 25 T12	Brown/natural			
	987 555 983 25 N12	Carrera Red			
	987 555 984 25	Door trim panel			
		Leather			
	987 555 984 25 A11	Black			
	987 555 984 25 5X6	Stone grey			
	987 555 984 25 8G2	Sand Beige			
	987 555 984 25 3S9	Sea blue			
	987 555 984 25 9S5	Terracotta			
	987 555 984 25 9V6	Cocoa			
	987 555 984 25 BCD	Black/stone grey			
987 555 984 25 BCE	Black/sand beige				
987 555 984 25 BCF	Black/terracotta				
987 555 984 25 D12	Dark grey/natural				
987 555 984 25 T12	Brown/natural				
987 555 984 25 N12	Carrera Red				

Model: 997-09 Model life 2009>>2012

Pos	Part Number	Description	Remark	Qty	Model
(1)	987 555 983 27	Door trim panel	/RL /L	1	-IXVT/IXTT I099/680/981
		Leather			
	987 555 983 27 A11	Black			
	987 555 983 27 5X6	Stone grey			
	987 555 983 27 8G2	Sand Beige			
	987 555 983 27 3S9	Sea blue			
	987 555 983 27 9S5	Terracotta			
	987 555 983 27 9V6	Cocoa			
	987 555 983 27 BCD	Black/stone grey			
	987 555 983 27 BCE	Black/sand beige			
	987 555 983 27 BCF	Black/terracotta			
	987 555 983 27 D12	Dark grey/natural			
	987 555 983 27 T12	Brown/natural			
	987 555 983 27 N12	Carrera Red			
(1)	987 555 984 27	Door trim panel	/LL /R	1	-IXVT/IXTT I098/680/981
		Leather			
	987 555 984 27 A11	Black			
	987 555 984 27 5X6	Stone grey			
	987 555 984 27 8G2	Sand Beige			
	987 555 984 27 3S9	Sea blue			
	987 555 984 27 9S5	Terracotta			
	987 555 984 27 9V6	Cocoa			
	987 555 984 27 BCD	Black/stone grey			
	987 555 984 27 BCE	Black/sand beige			
	987 555 984 27 BCF	Black/terracotta			
	987 555 984 27 D12	Dark grey/natural			
	987 555 984 27 T12	Brown/natural			
	987 555 984 27 N12	Carrera Red			
(1)	987 555 983 31	Door trim panel	/LL /L	1	CABRIO -IXVT/IXTT I098/490/981
		Leather			
	987 555 983 31 A11	Black			
	987 555 983 31 5X6	Stone grey			
	987 555 983 31 8G2	Sand Beige			
	987 555 983 31 3S9	Sea blue			
	987 555 983 31 9S5	Terracotta			
	987 555 983 31 9V6	Cocoa			
	987 555 983 31 BCD	Black/stone grey			
	987 555 983 31 BCE	Black/sand beige			
	987 555 983 31 BCF	Black/terracotta			
	987 555 983 31 D12	Dark grey/natural			
	987 555 983 31 T12	Brown/natural			
	987 555 983 31 N12	Carrera Red			
(1)	987 555 984 31	Door trim panel	/RL /R	1	CABRIO -IXVT/-I538 IXTT/099/490 I981
		Leather			
	987 555 984 31 A11	Black			
	987 555 984 31 5X6	Stone grey			
	987 555 984 31 8G2	Sand Beige			
	987 555 984 31 3S9	Sea blue			
	987 555 984 31 9S5	Terracotta			
	987 555 984 31 9V6	Cocoa			
	987 555 984 31 BCD	Black/stone grey			
	987 555 984 31 BCE	Black/sand beige			
	987 555 984 31 BCF	Black/terracotta			
	987 555 984 31 D12	Dark grey/natural			
	987 555 984 31 T12	Brown/natural			
	987 555 984 31 N12	Carrera Red			

Model: 997-09 Model life 2009>>2012

Pos	Part Number	Description	Remark	Qty	Model
(1)	987 555 983 33	Door trim panel	/LL /L	1	CABRIO -IXVT/IXTT I098/490/537 I981
		Leather			
	987 555 983 33 A11	Black			
	987 555 983 33 5X6	Stone grey			
	987 555 983 33 8G2	Sand Beige			
	987 555 983 33 3S9	Sea blue			
	987 555 983 33 9S5	Terracotta			
	987 555 983 33 9V6	Cocoa			
	987 555 983 33 BCD	Black/stone grey			
	987 555 983 33 BCE	Black/sand beige			
	987 555 983 33 BCF	Black/terracotta			
	987 555 983 33 D12	Dark grey/natural			
	987 555 983 33 T12	Brown/natural			
	987 555 983 33 N12	Carrera Red			
(1)	987 555 984 33	Door trim panel	/RL /R	1	CABRIO -IXVT/IXTT I099/490/538 I981
		Leather			
	987 555 984 33 A11	Black			
	987 555 984 33 5X6	Stone grey			
	987 555 984 33 8G2	Sand Beige			
	987 555 984 33 3S9	Sea blue			
	987 555 984 33 9S5	Terracotta			
	987 555 984 33 9V6	Cocoa			
	987 555 984 33 BCD	Black/stone grey			
	987 555 984 33 BCE	Black/sand beige			
	987 555 984 33 BCF	Black/terracotta			
	987 555 984 33 D12	Dark grey/natural			
	987 555 984 33 T12	Brown/natural			
	987 555 984 33 N12	Carrera Red			
(1)	987 555 983 35	Door trim panel	/LL /L	1	CABRIO -IXVT/IXTT I098/680/981
		Leather			
	987 555 983 35 A11	Black			
	987 555 983 35 5X6	Stone grey			
	987 555 983 35 8G2	Sand Beige			
	987 555 983 35 3S9	Sea blue			
	987 555 983 35 9S5	Terracotta			
	987 555 983 35 9V6	Cocoa			
	987 555 983 35 BCD	Black/stone grey			
	987 555 983 35 BCE	Black/sand beige			
	987 555 983 35 BCF	Black/terracotta			
	987 555 983 35 D12	Dark grey/natural			
	987 555 983 35 T12	Brown/natural			
	987 555 983 35 N12	Carrera Red			
(1)	987 555 984 35	Door trim panel	/RL /R	1	CABRIO -IXVT/-I538 IXTT/099/680 I981
		Leather			
	987 555 984 35 A11	Black			
	987 555 984 35 5X6	Stone grey			
	987 555 984 35 8G2	Sand Beige			
	987 555 984 35 3S9	Sea blue			
	987 555 984 35 9S5	Terracotta			
	987 555 984 35 9V6	Cocoa			
	987 555 984 35 BCD	Black/stone grey			
	987 555 984 35 BCE	Black/sand beige			

Model: 997-09 Model life 2009>>2012

Pos	Part Number	Description	Remark	Qty	Model
(1)	987 555 984 35 BCF	Black/terracotta	/LL /L	1	CABRIO -IXVT/IXTT I098/537/680 I981
	987 555 984 35 D12	Dark grey/natural			
	987 555 984 35 T12	Brown/natural			
	987 555 984 35 N12	Carrera Red			
	987 555 983 37	Door trim panel			
		Leather			
	987 555 983 37 A11	Black			
	987 555 983 37 5X6	Stone grey			
	987 555 983 37 8G2	Sand Beige			
	987 555 983 37 3S9	Sea blue			
	987 555 983 37 9S5	Terracotta			
	987 555 983 37 9V6	Cocoa			
	987 555 983 37 BCD	Black/stone grey			
	987 555 983 37 BCE	Black/sand beige			
(1)	987 555 983 37 BCF	Black/terracotta	/RL /R	1	CABRIO -IXVT/IXTT I099/538/680 I981
	987 555 983 37 D12	Dark grey/natural			
	987 555 983 37 T12	Brown/natural			
	987 555 983 37 N12	Carrera Red			
	987 555 984 37	Door trim panel			
		Leather			
	987 555 984 37 A11	Black			
	987 555 984 37 5X6	Stone grey			
	987 555 984 37 8G2	Sand Beige			
	987 555 984 37 3S9	Sea blue			
	987 555 984 37 9S5	Terracotta			
	987 555 984 37 9V6	Cocoa			
	987 555 984 37 BCD	Black/stone grey			
	987 555 984 37 BCE	Black/sand beige			
(1)	987 555 984 37 BCF	Black/terracotta	/LL /L 10-	1	COUPE/TARGA -I537/IXTT IXVT/098/490 I981
	987 555 984 37 D12	Dark grey/natural			
	987 555 984 37 T12	Brown/natural			
	987 555 984 37 N12	Carrera Red			
	997 555 981 20	Door trim panel			
		Leather			
	997 555 981 20 A11	Black			
	997 555 981 20 5X6	Stone grey			
	997 555 981 20 8G2	Sand Beige			
	997 555 981 20 3S9	Sea blue			
	997 555 981 20 9S5	Terracotta			
	997 555 981 20 9V6	Cocoa			
	997 555 981 20 BCD	Black/stone grey			
	997 555 981 20 BCE	Black/sand beige			
(1)	997 555 981 20 BCF	Black/terracotta	/RL /R 10-	1	COUPE/TARGA -I538/IXTT IXVT/099/490 I981
	997 555 981 20 D12	Dark grey/natural			
	997 555 981 20 T12	Brown/natural			
	997 555 981 20 N12	Carrera Red			
	997 555 982 20	Door trim panel			
		Leather			
	997 555 982 20 A11	Black			
	997 555 982 20 5X6	Stone grey			
	997 555 982 20 8G2	Sand Beige			

Model: 997-09 Model life 2009>>2012

Pos	Part Number	Description	Remark	Qty	Model
	997 555 982 20 3S9	Sea blue			
	997 555 982 20 9S5	Terracotta			
	997 555 982 20 9V6	Cocoa			
	997 555 982 20 BCD	Black/stone grey			
	997 555 982 20 BCE	Black/sand beige			
	997 555 982 20 BCF	Black/terracotta			
	997 555 982 20 D12	Dark grey/natural			
	997 555 982 20 T12	Brown/natural			
	997 555 982 20 N12	Carrera Red			
(1)	997 555 981 21	Door trim panel	/LL /L 10-	1	COUPE/TARGA IXTT/XVT/098 I490/537/981
		Leather			
	997 555 981 21 A11	Black			
	997 555 981 21 5X6	Stone grey			
	997 555 981 21 8G2	Sand Beige			
	997 555 981 21 3S9	Sea blue			
	997 555 981 21 9S5	Terracotta			
	997 555 981 21 9V6	Cocoa			
	997 555 981 21 BCD	Black/stone grey			
	997 555 981 21 BCE	Black/sand beige			
	997 555 981 21 BCF	Black/terracotta			
	997 555 981 21 D12	Dark grey/natural			
	997 555 981 21 T12	Brown/natural			
	997 555 981 21 N12	Carrera Red			
(1)	997 555 982 21	Door trim panel	/RL /R 10-	1	COUPE/TARGA IXTT/XVT/099 I490/538/981
		Leather			
	997 555 982 21 A11	Black			
	997 555 982 21 5X6	Stone grey			
	997 555 982 21 8G2	Sand Beige			
	997 555 982 21 3S9	Sea blue			
	997 555 982 21 9S5	Terracotta			
	997 555 982 21 9V6	Cocoa			
	997 555 982 21 BCD	Black/stone grey			
	997 555 982 21 BCE	Black/sand beige			
	997 555 982 21 BCF	Black/terracotta			
	997 555 982 21 D12	Dark grey/natural			
	997 555 982 21 T12	Brown/natural			
	997 555 982 21 N12	Carrera Red			
(1)	997 555 981 22	Door trim panel	/LL /L 10-	1	COUPE/TARGA -I537/IXTT IXVT/098/680 I981
		Leather			
	997 555 981 22 A11	Black			
	997 555 981 22 5X6	Stone grey			
	997 555 981 22 8G2	Sand Beige			
	997 555 981 22 3S9	Sea blue			
	997 555 981 22 9S5	Terracotta			
	997 555 981 22 9V6	Cocoa			
	997 555 981 22 BCD	Black/stone grey			
	997 555 981 22 BCE	Black/sand beige			
	997 555 981 22 BCF	Black/terracotta			
	997 555 981 22 D12	Dark grey/natural			
	997 555 981 22 T12	Brown/natural			
	997 555 981 22 N12	Carrera Red			
(1)	997 555 982 22	Door trim panel	/RL /R 10-	1	COUPE/TARGA -I538/IXTT IXVT/099/680 I981
		Leather			

Model: 997-09 Model life 2009>>2012

Pos	Part Number	Description	Remark	Qty	Model
	997 555 982 22 A11	Black			
	997 555 982 22 5X6	Stone grey			
	997 555 982 22 8G2	Sand Beige			
	997 555 982 22 3S9	Sea blue			
	997 555 982 22 9S5	Terracotta			
	997 555 982 22 9V6	Cocoa			
	997 555 982 22 BCD	Black/stone grey			
	997 555 982 22 BCE	Black/sand beige			
	997 555 982 22 BCF	Black/terracotta			
	997 555 982 22 D12	Dark grey/natural			
	997 555 982 22 T12	Brown/natural			
	997 555 982 22 N12	Carrera Red			
(1)	997 555 981 23	Door trim panel	/LL /L 10-	1	COUPE/TARGA IXTT/XVT/098 I537/680/981
		Leather			
	997 555 981 23 A11	Black			
	997 555 981 23 5X6	Stone grey			
	997 555 981 23 8G2	Sand Beige			
	997 555 981 23 3S9	Sea blue			
	997 555 981 23 9S5	Terracotta			
	997 555 981 23 9V6	Cocoa			
	997 555 981 23 BCD	Black/stone grey			
	997 555 981 23 BCE	Black/sand beige			
	997 555 981 23 BCF	Black/terracotta			
	997 555 981 23 D12	Dark grey/natural			
	997 555 981 23 T12	Brown/natural			
	997 555 981 23 N12	Carrera Red			
(1)	997 555 982 23	Door trim panel	/RL /R 10-	1	COUPE/TARGA IXTT/XVT/099 I538/680/981
		Leather			
	997 555 982 23 A11	Black			
	997 555 982 23 5X6	Stone grey			
	997 555 982 23 8G2	Sand Beige			
	997 555 982 23 3S9	Sea blue			
	997 555 982 23 9S5	Terracotta			
	997 555 982 23 9V6	Cocoa			
	997 555 982 23 BCD	Black/stone grey			
	997 555 982 23 BCE	Black/sand beige			
	997 555 982 23 BCF	Black/terracotta			
	997 555 982 23 D12	Dark grey/natural			
	997 555 982 23 T12	Brown/natural			
	997 555 982 23 N12	Carrera Red			
(1)	997 555 981 24	Door trim panel	/RL /L 10-	1	IXTT/XVT/099 I490/981
		Leather			
	997 555 981 24 A11	Black			
	997 555 981 24 5X6	Stone grey			
	997 555 981 24 8G2	Sand Beige			
	997 555 981 24 3S9	Sea blue			
	997 555 981 24 9S5	Terracotta			
	997 555 981 24 9V6	Cocoa			
	997 555 981 24 BCD	Black/stone grey			
	997 555 981 24 BCE	Black/sand beige			
	997 555 981 24 BCF	Black/terracotta			
	997 555 981 24 D12	Dark grey/natural			
	997 555 981 24 T12	Brown/natural			
	997 555 981 24 N12	Carrera Red			
(1)	997 555 982 24	Door trim panel	/LL /R 10-	1	IXTT/XVT/098 I490/981
		Leather			
	997 555 982 24 A11	Black			

Model: 997-09 Model life 2009>>2012

Pos	Part Number	Description	Remark	Qty	Model
	997 555 982 24 5X6	Stone grey			
	997 555 982 24 8G2	Sand Beige			
	997 555 982 24 3S9	Sea blue			
	997 555 982 24 9S5	Terracotta			
	997 555 982 24 9V6	Cocoa			
	997 555 982 24 BCD	Black/stone grey			
	997 555 982 24 BCE	Black/sand beige			
	997 555 982 24 BCF	Black/terracotta			
	997 555 982 24 D12	Dark grey/natural			
	997 555 982 24 T12	Brown/natural			
	997 555 982 24 N12	Carrera Red			
(1)	997 555 981 25	Door trim panel	/RL /L 10-	1	IXTT/XVT/099 I680/981
		Leather			
	997 555 981 25 A11	Black			
	997 555 981 25 5X6	Stone grey			
	997 555 981 25 8G2	Sand Beige			
	997 555 981 25 3S9	Sea blue			
	997 555 981 25 9S5	Terracotta			
	997 555 981 25 9V6	Cocoa			
	997 555 981 25 BCD	Black/stone grey			
	997 555 981 25 BCE	Black/sand beige			
	997 555 981 25 BCF	Black/terracotta			
	997 555 981 25 D12	Dark grey/natural			
	997 555 981 25 T12	Brown/natural			
	997 555 981 25 N12	Carrera Red			
(1)	997 555 982 25	Door trim panel	/LL /R 10-	1	IXTT/XVT/098 I680/981
		Leather			
	997 555 982 25 A11	Black			
	997 555 982 25 5X6	Stone grey			
	997 555 982 25 8G2	Sand Beige			
	997 555 982 25 3S9	Sea blue			
	997 555 982 25 9S5	Terracotta			
	997 555 982 25 9V6	Cocoa			
	997 555 982 25 BCD	Black/stone grey			
	997 555 982 25 BCE	Black/sand beige			
	997 555 982 25 BCF	Black/terracotta			
	997 555 982 25 D12	Dark grey/natural			
	997 555 982 25 T12	Brown/natural			
	997 555 982 25 N12	Carrera Red			
(1)	997 555 981 26	Door trim panel	/LL /L 10-	1	CABRIO -I538/IXTT IXVT/098/490 I981
		Leather			
	997 555 981 26 A11	Black			
	997 555 981 26 5X6	Stone grey			
	997 555 981 26 8G2	Sand Beige			
	997 555 981 26 3S9	Sea blue			
	997 555 981 26 9S5	Terracotta			
	997 555 981 26 9V6	Cocoa			
	997 555 981 26 BCD	Black/stone grey			
	997 555 981 26 BCE	Black/sand beige			
	997 555 981 26 BCF	Black/terracotta			
	997 555 981 26 D12	Dark grey/natural			
	997 555 981 26 T12	Brown/natural			
	997 555 981 26 N12	Carrera Red			
(1)	997 555 982 26	Door trim panel	/RL /R 10-	1	CABRIO -I538/IXTT IXVT/099/490 I981
		Leather			

Model: 997-09 Model life 2009>>2012

Pos	Part Number	Description	Remark	Qty	Model
	997 555 982 26 A11	Black			
	997 555 982 26 5X6	Stone grey			
	997 555 982 26 8G2	Sand Beige			
	997 555 982 26 3S9	Sea blue			
	997 555 982 26 9S5	Terracotta			
	997 555 982 26 9V6	Cocoa			
	997 555 982 26 BCD	Black/stone grey			
	997 555 982 26 BCE	Black/sand beige			
	997 555 982 26 BCF	Black/terracotta			
	997 555 982 26 D12	Dark grey/natural			
	997 555 982 26 T12	Brown/natural			
	997 555 982 26 N12	Carrera Red			
(1)	997 555 981 27	Door trim panel	/LL /L 10-	1	CABRIO IXTT/XVT/098 I490/537/981
		Leather			
	997 555 981 27 A11	Black			
	997 555 981 27 5X6	Stone grey			
	997 555 981 27 8G2	Sand Beige			
	997 555 981 27 3S9	Sea blue			
	997 555 981 27 9S5	Terracotta			
	997 555 981 27 9V6	Cocoa			
	997 555 981 27 BCD	Black/stone grey			
	997 555 981 27 BCE	Black/sand beige			
	997 555 981 27 BCF	Black/terracotta			
	997 555 981 27 D12	Dark grey/natural			
	997 555 981 27 T12	Brown/natural			
	997 555 981 27 N12	Carrera Red			
(1)	997 555 982 27	Door trim panel	/RL /R 10-	1	CABRIO IXTT/XVT/099 I490/538/981
		Leather			
	997 555 982 27 A11	Black			
	997 555 982 27 5X6	Stone grey			
	997 555 982 27 8G2	Sand Beige			
	997 555 982 27 3S9	Sea blue			
	997 555 982 27 9S5	Terracotta			
	997 555 982 27 9V6	Cocoa			
	997 555 982 27 BCD	Black/stone grey			
	997 555 982 27 BCE	Black/sand beige			
	997 555 982 27 BCF	Black/terracotta			
	997 555 982 27 D12	Dark grey/natural			
	997 555 982 27 T12	Brown/natural			
	997 555 982 27 N12	Carrera Red			
(1)	997 555 981 28	Door trim panel	/LL /L 10-	1	CABRIO -I537/IXTT IXVT/098/680 I981
		Leather			
	997 555 981 28 A11	Black			
	997 555 981 28 5X6	Stone grey			
	997 555 981 28 8G2	Sand Beige			
	997 555 981 28 3S9	Sea blue			
	997 555 981 28 9S5	Terracotta			
	997 555 981 28 9V6	Cocoa			
	997 555 981 28 BCD	Black/stone grey			
	997 555 981 28 BCE	Black/sand beige			
	997 555 981 28 BCF	Black/terracotta			
	997 555 981 28 D12	Dark grey/natural			
	997 555 981 28 T12	Brown/natural			
	997 555 981 28 N12	Carrera Red			
(1)	997 555 982 28	Door trim panel	/RL /R 10-	1	CABRIO -I538/IXTT

Model: 997-09 Model life 2009>>2012

Pos	Part Number	Description	Remark	Qty	Model
		Leather			IXVT/099/680 I981
	997 555 982 28 A11	Black			
	997 555 982 28 5X6	Stone grey			
	997 555 982 28 8G2	Sand Beige			
	997 555 982 28 3S9	Sea blue			
	997 555 982 28 9S5	Terracotta			
	997 555 982 28 9V6	Cocoa			
	997 555 982 28 BCD	Black/stone grey			
	997 555 982 28 BCE	Black/sand beige			
	997 555 982 28 BCF	Black/terracotta			
	997 555 982 28 D12	Dark grey/natural			
	997 555 982 28 T12	Brown/natural			
	997 555 982 28 N12	Carrera Red			
(1)	997 555 981 29	Door trim panel	/LL /L 10-	1	CABRIO IXTT/XVT/098 I537/680/981
		Leather			
	997 555 981 29 A11	Black			
	997 555 981 29 5X6	Stone grey			
	997 555 981 29 8G2	Sand Beige			
	997 555 981 29 3S9	Sea blue			
	997 555 981 29 9S5	Terracotta			
	997 555 981 29 9V6	Cocoa			
	997 555 981 29 BCD	Black/stone grey			
	997 555 981 29 BCE	Black/sand beige			
	997 555 981 29 BCF	Black/terracotta			
	997 555 981 29 D12	Dark grey/natural			
	997 555 981 29 T12	Brown/natural			
	997 555 981 29 N12	Carrera Red			
(1)	997 555 982 29	Door trim panel	/RL /R 10-	1	CABRIO IXTT/XVT/099 I538/680/981
		Leather			
	997 555 982 29 A11	Black			
	997 555 982 29 5X6	Stone grey			
	997 555 982 29 8G2	Sand Beige			
	997 555 982 29 3S9	Sea blue			
	997 555 982 29 9S5	Terracotta			
	997 555 982 29 9V6	Cocoa			
	997 555 982 29 BCD	Black/stone grey			
	997 555 982 29 BCE	Black/sand beige			
	997 555 982 29 BCF	Black/terracotta			
	997 555 982 29 D12	Dark grey/natural			
	997 555 982 29 T12	Brown/natural			
	997 555 982 29 N12	Carrera Red			
(1)	987 555 993 16	Door trim panel	/LL /L	1	-IXVT/-I537 IXTV/098/490 I981
		Leather			
	987 555 993 16 A11	Black			
	987 555 993 16 5X6	Stone grey			
	987 555 993 16 8G2	Sand Beige			
	987 555 993 16 3S9	Sea blue			
	987 555 993 16 9S5	Terracotta			
	987 555 993 16 9V6	Cocoa			
	987 555 993 16 BCD	Black/stone grey			
	987 555 993 16 BCE	Black/sand beige			
	987 555 993 16 BCF	Black/terracotta			
	987 555 993 16 D12	Dark grey/natural			
	987 555 993 16 T12	Brown/natural			
	987 555 993 16 N12	Carrera Red			

Model: 997-09 Model life 2009>>2012

Pos	Part Number	Description	Remark	Qty	Model
(1)	987 555 994 16	Door trim panel	/RL /R	1	-IXVT/-I538 IXTV/099/490 I981
		Leather			
	987 555 994 16 A11	Black			
	987 555 994 16 5X6	Stone grey			
	987 555 994 16 8G2	Sand Beige			
	987 555 994 16 3S9	Sea blue			
	987 555 994 16 9S5	Terracotta			
	987 555 994 16 9V6	Cocoa			
	987 555 994 16 BCD	Black/stone grey			
	987 555 994 16 BCE	Black/sand beige			
	987 555 994 16 BCF	Black/terracotta			
	987 555 994 16 D12	Dark grey/natural			
	987 555 994 16 T12	Brown/natural			
	987 555 994 16 N12	Carrera Red			
(1)	987 555 993 18	Door trim panel	/LL /L	1	-IXVT/IXTV I098/490/537 I981
		Leather			
	987 555 993 18 A11	Black			
	987 555 993 18 5X6	Stone grey			
	987 555 993 18 8G2	Sand Beige			
	987 555 993 18 3S9	Sea blue			
	987 555 993 18 9S5	Terracotta			
	987 555 993 18 9V6	Cocoa			
	987 555 993 18 BCD	Black/stone grey			
	987 555 993 18 BCE	Black/sand beige			
	987 555 993 18 BCF	Black/terracotta			
	987 555 993 18 D12	Dark grey/natural			
	987 555 993 18 T12	Brown/natural			
	987 555 993 18 N12	Carrera Red			
(1)	987 555 994 18	Door trim panel	/RL /R	1	-IXVT/IXTV I099/490/538 I981
		Leather			
	987 555 994 18 A11	Black			
	987 555 994 18 5X6	Stone grey			
	987 555 994 18 8G2	Sand Beige			
	987 555 994 18 3S9	Sea blue			
	987 555 994 18 9S5	Terracotta			
	987 555 994 18 9V6	Cocoa			
	987 555 994 18 BCD	Black/stone grey			
	987 555 994 18 BCE	Black/sand beige			
	987 555 994 18 BCF	Black/terracotta			
	987 555 994 18 D12	Dark grey/natural			
	987 555 994 18 T12	Brown/natural			
	987 555 994 18 N12	Carrera Red			
(1)	987 555 993 20	Door trim panel	/LL /L	1	-IXVT/-I537 IXTV/098/680 I981
		Leather			
	987 555 993 20 A11	Black			
	987 555 993 20 5X6	Stone grey			
	987 555 993 20 8G2	Sand Beige			
	987 555 993 20 3S9	Sea blue			
	987 555 993 20 9S5	Terracotta			
	987 555 993 20 9V6	Cocoa			
	987 555 993 20 BCD	Black/stone grey			
	987 555 993 20 BCE	Black/sand beige			
	987 555 993 20 BCF	Black/terracotta			
	987 555 993 20 D12	Dark grey/natural			
	987 555 993 20 T12	Brown/natural			

Model: 997-09 Model life 2009>>2012

Pos	Part Number	Description	Remark	Qty	Model
(1)	987 555 993 20 N12 987 555 994 20	Carrera Red Door trim panel Leather	/RL /R	1	-IXVT/-I538 IXTV/099/680 I981
	987 555 994 20 A11 987 555 994 20 5X6 987 555 994 20 8G2 987 555 994 20 3S9 987 555 994 20 9S5 987 555 994 20 9V6 987 555 994 20 BCD 987 555 994 20 BCE 987 555 994 20 BCF 987 555 994 20 D12 987 555 994 20 T12	Black Stone grey Sand Beige Sea blue Terracotta Cocoa Black/stone grey Black/sand beige Black/terracotta Dark grey/natural Brown/natural			
(1)	987 555 993 22	Carrera Red Door trim panel Leather	/LL /L	1	-IXVT/IXTV I098/537/680 I981
	987 555 993 22 A11 987 555 993 22 5X6 987 555 993 22 8G2 987 555 993 22 3S9 987 555 993 22 9S5 987 555 993 22 9V6 987 555 993 22 BCD 987 555 993 22 BCE 987 555 993 22 BCF 987 555 993 22 D12 987 555 993 22 T12	Black Stone grey Sand Beige Sea blue Terracotta Cocoa Black/stone grey Black/sand beige Black/terracotta Dark grey/natural Brown/natural			
(1)	987 555 994 22	Carrera Red Door trim panel Leather	/RL /R	1	-IXVT/IXTV I099/538/680 I981
	987 555 994 22 A11 987 555 994 22 5X6 987 555 994 22 8G2 987 555 994 22 3S9 987 555 994 22 9S5 987 555 994 22 9V6 987 555 994 22 BCD 987 555 994 22 BCE 987 555 994 22 BCF 987 555 994 22 D12 987 555 994 22 T12	Black Stone grey Sand Beige Sea blue Terracotta Cocoa Black/stone grey Black/sand beige Black/terracotta Dark grey/natural Brown/natural			
(1)	987 555 993 25	Carrera Red Door trim panel Leather	/RL /L	1	-IXVT/IXTV I099/490/981
	987 555 993 25 A11 987 555 993 25 5X6 987 555 993 25 8G2 987 555 993 25 3S9 987 555 993 25 9S5 987 555 993 25 9V6 987 555 993 25 BCD 987 555 993 25 BCE 987 555 993 25 BCF 987 555 993 25 D12 987 555 993 25 T12	Black Stone grey Sand Beige Sea blue Terracotta Cocoa Black/stone grey Black/sand beige Black/terracotta Dark grey/natural Brown/natural			

Model: 997-09 Model life 2009>>2012

Pos	Part Number	Description	Remark	Qty	Model
(1)	987 555 993 25 N12 987 555 994 25	Carrera Red Door trim panel Leather	/LL /R	1	-IXVT/IXTV I098/490/981
	987 555 994 25 A11	Black			
	987 555 994 25 5X6	Stone grey			
	987 555 994 25 8G2	Sand Beige			
	987 555 994 25 3S9	Sea blue			
	987 555 994 25 9S5	Terracotta			
	987 555 994 25 9V6	Cocoa			
	987 555 994 25 BCD	Black/stone grey			
	987 555 994 25 BCE	Black/sand beige			
	987 555 994 25 BCF	Black/terracotta			
	987 555 994 25 D12	Dark grey/natural			
	987 555 994 25 T12	Brown/natural			
(1)	987 555 993 27	Carrera Red Door trim panel Leather	/RL /L	1	-IXVT/IXTV I099/680/981
	987 555 993 27 A11	Black			
	987 555 993 27 5X6	Stone grey			
	987 555 993 27 8G2	Sand Beige			
	987 555 993 27 3S9	Sea blue			
	987 555 993 27 9S5	Terracotta			
	987 555 993 27 9V6	Cocoa			
	987 555 993 27 BCD	Black/stone grey			
	987 555 993 27 BCE	Black/sand beige			
	987 555 993 27 BCF	Black/terracotta			
	987 555 993 27 D12	Dark grey/natural			
	987 555 993 27 T12	Brown/natural			
(1)	987 555 993 27 N12 987 555 994 27	Carrera Red Door trim panel Leather	/LL /R	1	-IXVT/IXTV I098/680/981
	987 555 994 27 A11	Black			
	987 555 994 27 5X6	Stone grey			
	987 555 994 27 8G2	Sand Beige			
	987 555 994 27 3S9	Sea blue			
	987 555 994 27 9S5	Terracotta			
	987 555 994 27 9V6	Cocoa			
	987 555 994 27 BCD	Black/stone grey			
	987 555 994 27 BCE	Black/sand beige			
	987 555 994 27 BCF	Black/terracotta			
	987 555 994 27 D12	Dark grey/natural			
	987 555 994 27 T12	Brown/natural			
(1)	987 555 993 31	Carrera Red Door trim panel Leather	/LL /L	1	CABRIO -IXVT/IXTV I098/490/981
	987 555 993 31 A11	Black			
	987 555 993 31 5X6	Stone grey			
	987 555 993 31 8G2	Sand Beige			
	987 555 993 31 3S9	Sea blue			
	987 555 993 31 9S5	Terracotta			
	987 555 993 31 9V6	Cocoa			
	987 555 993 31 BCD	Black/stone grey			
	987 555 993 31 BCE	Black/sand beige			
	987 555 993 31 BCF	Black/terracotta			
	987 555 993 31 D12	Dark grey/natural			
	987 555 993 31 T12	Brown/natural			
(1)	987 555 993 31 N12 987 555 994 31	Carrera Red Door trim panel	/RL /R	1	CABRIO

Model: 997-09 Model life 2009>>2012

Pos	Part Number	Description	Remark	Qty	Model
		Leather			-IXVT/-I538 IXTV/099/490 I981
	987 555 994 31 A11	Black			
	987 555 994 31 5X6	Stone grey			
	987 555 994 31 8G2	Sand Beige			
	987 555 994 31 3S9	Sea blue			
	987 555 994 31 9S5	Terracotta			
	987 555 994 31 9V6	Cocoa			
	987 555 994 31 BCD	Black/stone grey			
	987 555 994 31 BCE	Black/sand beige			
	987 555 994 31 BCF	Black/terracotta			
	987 555 994 31 D12	Dark grey/natural			
	987 555 994 31 T12	Brown/natural			
	987 555 994 31 N12	Carrera Red			
(1)	987 555 993 33	Door trim panel	/LL /L	1	CABRIO -IXVT/IXTV I098/490/537 I981
		Leather			
	987 555 993 33 A11	Black			
	987 555 993 33 5X6	Stone grey			
	987 555 993 33 8G2	Sand Beige			
	987 555 993 33 3S9	Sea blue			
	987 555 993 33 9S5	Terracotta			
	987 555 993 33 9V6	Cocoa			
	987 555 993 33 BCD	Black/stone grey			
	987 555 993 33 BCE	Black/sand beige			
	987 555 993 33 BCF	Black/terracotta			
	987 555 993 33 D12	Dark grey/natural			
	987 555 993 33 T12	Brown/natural			
	987 555 993 33 N12	Carrera Red			
(1)	987 555 994 33	Door trim panel	/RL /R	1	CABRIO -IXVT/IXTV I099/490/538 I981
		Leather			
	987 555 994 33 A11	Black			
	987 555 994 33 5X6	Stone grey			
	987 555 994 33 8G2	Sand Beige			
	987 555 994 33 3S9	Sea blue			
	987 555 994 33 9S5	Terracotta			
	987 555 994 33 9V6	Cocoa			
	987 555 994 33 BCD	Black/stone grey			
	987 555 994 33 BCE	Black/sand beige			
	987 555 994 33 BCF	Black/terracotta			
	987 555 994 33 D12	Dark grey/natural			
	987 555 994 33 T12	Brown/natural			
	987 555 994 33 N12	Carrera Red			
(1)	987 555 993 35	Door trim panel	/LL /L	1	CABRIO -IXVT/IXTV I098/680/981
		Leather			
	987 555 993 35 A11	Black			
	987 555 993 35 5X6	Stone grey			
	987 555 993 35 8G2	Sand Beige			
	987 555 993 35 3S9	Sea blue			
	987 555 993 35 9S5	Terracotta			
	987 555 993 35 9V6	Cocoa			
	987 555 993 35 BCD	Black/stone grey			
	987 555 993 35 BCE	Black/sand beige			
	987 555 993 35 BCF	Black/terracotta			

Model: 997-09

Model life 2009>>2012

Pos	Part Number	Description	Remark	Qty	Model
(1)	987 555 993 35 D12	Dark grey/natural		1	CABRIO -IXVT/-I538 IXTV/099/680 I981
	987 555 993 35 T12	Brown/natural			
	987 555 993 35 N12	Carrera Red			
	987 555 994 35	Door trim panel	/RL /R		
		Leather			
	987 555 994 35 A11	Black			
	987 555 994 35 5X6	Stone grey			
	987 555 994 35 8G2	Sand Beige			
	987 555 994 35 3S9	Sea blue			
	987 555 994 35 9S5	Terracotta			
	987 555 994 35 9V6	Cocoa			
	987 555 994 35 BCD	Black/stone grey			
	987 555 994 35 BCE	Black/sand beige			
987 555 994 35 BCF	Black/terracotta				
987 555 994 35 D12	Dark grey/natural				
987 555 994 35 T12	Brown/natural				
987 555 994 35 N12	Carrera Red				
(1)	987 555 993 37	Door trim panel	/LL /L	1	CABRIO -IXVT/IXTV I098/537/680 I981
		Leather			
	987 555 993 37 A11	Black			
	987 555 993 37 5X6	Stone grey			
	987 555 993 37 8G2	Sand Beige			
	987 555 993 37 3S9	Sea blue			
	987 555 993 37 9S5	Terracotta			
	987 555 993 37 9V6	Cocoa			
	987 555 993 37 BCD	Black/stone grey			
	987 555 993 37 BCE	Black/sand beige			
	987 555 993 37 BCF	Black/terracotta			
	987 555 993 37 D12	Dark grey/natural			
	987 555 993 37 T12	Brown/natural			
	987 555 993 37 N12	Carrera Red			
(1)	987 555 994 37	Door trim panel	/RL /R	1	CABRIO -IXVT/IXTV I099/538/680 I981
		Leather			
	987 555 994 37 A11	Black			
	987 555 994 37 5X6	Stone grey			
	987 555 994 37 8G2	Sand Beige			
	987 555 994 37 3S9	Sea blue			
	987 555 994 37 9S5	Terracotta			
	987 555 994 37 9V6	Cocoa			
	987 555 994 37 BCD	Black/stone grey			
	987 555 994 37 BCE	Black/sand beige			
	987 555 994 37 BCF	Black/terracotta			
	987 555 994 37 D12	Dark grey/natural			
	987 555 994 37 T12	Brown/natural			
	987 555 994 37 N12	Carrera Red			
(1)	997 555 981 30	Door trim panel	/LL /L 10-	1	COUPE/TARGA -I537/IXTV IXVT/098/490 I981
		Leather			
	997 555 981 30 A11	Black			
	997 555 981 30 5X6	Stone grey			
	997 555 981 30 8G2	Sand Beige			
	997 555 981 30 3S9	Sea blue			

Model: 997-09 Model life 2009>>2012

Pos	Part Number	Description	Remark	Qty	Model
	997 555 981 30 9S5	Terracotta			
	997 555 981 30 9V6	Cocoa			
	997 555 981 30 BCD	Black/stone grey			
	997 555 981 30 BCE	Black/sand beige			
	997 555 981 30 BCF	Black/terracotta			
	997 555 981 30 D12	Dark grey/natural			
	997 555 981 30 T12	Brown/natural			
	997 555 981 30 N12	Carrera Red			
(1)	997 555 982 30	Door trim panel	/RL /R 10-	1	COUPE/TARGA -I538/IXTV IXVT/099/490 I981
		Leather			
	997 555 982 30 A11	Black			
	997 555 982 30 5X6	Stone grey			
	997 555 982 30 8G2	Sand Beige			
	997 555 982 30 3S9	Sea blue			
	997 555 982 30 9S5	Terracotta			
	997 555 982 30 9V6	Cocoa			
	997 555 982 30 BCD	Black/stone grey			
	997 555 982 30 BCE	Black/sand beige			
	997 555 982 30 BCF	Black/terracotta			
	997 555 982 30 D12	Dark grey/natural			
	997 555 982 30 T12	Brown/natural			
	997 555 982 30 N12	Carrera Red			
(1)	997 555 981 31	Door trim panel	/LL /L 10-	1	COUPE/TARGA IXTV/XVT/098 I490/537/981
		Leather			
	997 555 981 31 A11	Black			
	997 555 981 31 5X6	Stone grey			
	997 555 981 31 8G2	Sand Beige			
	997 555 981 31 3S9	Sea blue			
	997 555 981 31 9S5	Terracotta			
	997 555 981 31 9V6	Cocoa			
	997 555 981 31 BCD	Black/stone grey			
	997 555 981 31 BCE	Black/sand beige			
	997 555 981 31 BCF	Black/terracotta			
	997 555 981 31 D12	Dark grey/natural			
	997 555 981 31 T12	Brown/natural			
	997 555 981 31 N12	Carrera Red			
(1)	997 555 982 31	Door trim panel	/RL /R 10-	1	COUPE/TARGA IXTV/XVT/099 I490/538/981
		Leather			
	997 555 982 31 A11	Black			
	997 555 982 31 5X6	Stone grey			
	997 555 982 31 8G2	Sand Beige			
	997 555 982 31 3S9	Sea blue			
	997 555 982 31 9S5	Terracotta			
	997 555 982 31 9V6	Cocoa			
	997 555 982 31 BCD	Black/stone grey			
	997 555 982 31 BCE	Black/sand beige			
	997 555 982 31 BCF	Black/terracotta			
	997 555 982 31 D12	Dark grey/natural			
	997 555 982 31 T12	Brown/natural			
	997 555 982 31 N12	Carrera Red			
(1)	997 555 981 32	Door trim panel	/LL /L 10-	1	COUPE/TARGA -I537/IXTV IXVT/098/680 I981
		Leather			
	997 555 981 32 A11	Black			

Model: 997-09 Model life 2009>>2012

Pos	Part Number	Description	Remark	Qty	Model
	997 555 981 32 5X6	Stone grey			
	997 555 981 32 8G2	Sand Beige			
	997 555 981 32 3S9	Sea blue			
	997 555 981 32 9S5	Terracotta			
	997 555 981 32 9V6	Cocoa			
	997 555 981 32 BCD	Black/stone grey			
	997 555 981 32 BCE	Black/sand beige			
	997 555 981 32 BCF	Black/terracotta			
	997 555 981 32 D12	Dark grey/natural			
	997 555 981 32 T12	Brown/natural			
	997 555 981 32 N12	Carrera Red			
(1)	997 555 982 32	Door trim panel	/RL /R 10-	1	COUPE/TARGA -I538/IXTV IXVT/099/680 I981
		Leather			
	997 555 982 32 A11	Black			
	997 555 982 32 5X6	Stone grey			
	997 555 982 32 8G2	Sand Beige			
	997 555 982 32 3S9	Sea blue			
	997 555 982 32 9S5	Terracotta			
	997 555 982 32 9V6	Cocoa			
	997 555 982 32 BCD	Black/stone grey			
	997 555 982 32 BCE	Black/sand beige			
	997 555 982 32 BCF	Black/terracotta			
	997 555 982 32 D12	Dark grey/natural			
	997 555 982 32 T12	Brown/natural			
	997 555 982 32 N12	Carrera Red			
(1)	997 555 981 33	Door trim panel	/LL /L 10-	1	COUPE/TARGA IXTV/XVT/098 I537/680/981
		Leather			
	997 555 981 33 A11	Black			
	997 555 981 33 5X6	Stone grey			
	997 555 981 33 8G2	Sand Beige			
	997 555 981 33 3S9	Sea blue			
	997 555 981 33 9S5	Terracotta			
	997 555 981 33 9V6	Cocoa			
	997 555 981 33 BCD	Black/stone grey			
	997 555 981 33 BCE	Black/sand beige			
	997 555 981 33 BCF	Black/terracotta			
	997 555 981 33 D12	Dark grey/natural			
	997 555 981 33 T12	Brown/natural			
	997 555 981 33 N12	Carrera Red			
(1)	997 555 982 33	Door trim panel	/RL /R 10-	1	COUPE/TARGA IXTV/XVT/099 I538/680/981
		Leather			
	997 555 982 33 A11	Black			
	997 555 982 33 5X6	Stone grey			
	997 555 982 33 8G2	Sand Beige			
	997 555 982 33 3S9	Sea blue			
	997 555 982 33 9S5	Terracotta			
	997 555 982 33 9V6	Cocoa			
	997 555 982 33 BCD	Black/stone grey			
	997 555 982 33 BCE	Black/sand beige			
	997 555 982 33 BCF	Black/terracotta			
	997 555 982 33 D12	Dark grey/natural			
	997 555 982 33 T12	Brown/natural			
	997 555 982 33 N12	Carrera Red			
(1)	997 555 981 34	Door trim panel	/RL /L 10-	1	IXTV/XVT/099 I490/981
		Leather			

Model: 997-09 Model life 2009>>2012

Pos	Part Number	Description	Remark	Qty	Model
	997 555 981 34 A11	Black			
	997 555 981 34 5X6	Stone grey			
	997 555 981 34 8G2	Sand Beige			
	997 555 981 34 3S9	Sea blue			
	997 555 981 34 9S5	Terracotta			
	997 555 981 34 9V6	Cocoa			
	997 555 981 34 BCD	Black/stone grey			
	997 555 981 34 BCE	Black/sand beige			
	997 555 981 34 BCF	Black/terracotta			
	997 555 981 34 D12	Dark grey/natural			
	997 555 981 34 T12	Brown/natural			
	997 555 981 34 N12	Carrera Red			
(1)	997 555 982 34	Door trim panel	/LL /R 10-	1	IXTV/XVT/098 I490/981
		Leather			
	997 555 982 34 A11	Black			
	997 555 982 34 5X6	Stone grey			
	997 555 982 34 8G2	Sand Beige			
	997 555 982 34 3S9	Sea blue			
	997 555 982 34 9S5	Terracotta			
	997 555 982 34 9V6	Cocoa			
	997 555 982 34 BCD	Black/stone grey			
	997 555 982 34 BCE	Black/sand beige			
	997 555 982 34 BCF	Black/terracotta			
	997 555 982 34 D12	Dark grey/natural			
	997 555 982 34 T12	Brown/natural			
	997 555 982 34 N12	Carrera Red			
(1)	997 555 981 35	Door trim panel	/RL /L 10-	1	IXTV/XVT/099 I680/981
		Leather			
	997 555 981 35 A11	Black			
	997 555 981 35 5X6	Stone grey			
	997 555 981 35 8G2	Sand Beige			
	997 555 981 35 3S9	Sea blue			
	997 555 981 35 9S5	Terracotta			
	997 555 981 35 9V6	Cocoa			
	997 555 981 35 BCD	Black/stone grey			
	997 555 981 35 BCE	Black/sand beige			
	997 555 981 35 BCF	Black/terracotta			
	997 555 981 35 D12	Dark grey/natural			
	997 555 981 35 T12	Brown/natural			
	997 555 981 35 N12	Carrera Red			
(1)	997 555 982 35	Door trim panel	/LL /R 10-	1	IXTV/XVT/098 I680/981
		Leather			
	997 555 982 35 A11	Black			
	997 555 982 35 5X6	Stone grey			
	997 555 982 35 8G2	Sand Beige			
	997 555 982 35 3S9	Sea blue			
	997 555 982 35 9S5	Terracotta			
	997 555 982 35 9V6	Cocoa			
	997 555 982 35 BCD	Black/stone grey			
	997 555 982 35 BCE	Black/sand beige			
	997 555 982 35 BCF	Black/terracotta			
	997 555 982 35 D12	Dark grey/natural			
	997 555 982 35 T12	Brown/natural			
	997 555 982 35 N12	Carrera Red			
(1)	997 555 981 36	Door trim panel	/LL /L 10-	1	CABRIO -I537/IXTV IXVT/098/490 I981
		Leather			
	997 555 981 36 A11	Black			

Model: 997-09 Model life 2009>>2012

Pos	Part Number	Description	Remark	Qty	Model
	997 555 981 36 5X6	Stone grey			
	997 555 981 36 8G2	Sand Beige			
	997 555 981 36 3S9	Sea blue			
	997 555 981 36 9S5	Terracotta			
	997 555 981 36 9V6	Cocoa			
	997 555 981 36 BCD	Black/stone grey			
	997 555 981 36 BCE	Black/sand beige			
	997 555 981 36 BCF	Black/terracotta			
	997 555 981 36 D12	Dark grey/natural			
	997 555 981 36 T12	Brown/natural			
	997 555 981 36 N12	Carrera Red			
(1)	997 555 982 36	Door trim panel	/RL /R 10-	1	CABRIO -I538/IXTV IXVT/099/490 I981
		Leather			
	997 555 982 36 A11	Black			
	997 555 982 36 5X6	Stone grey			
	997 555 982 36 8G2	Sand Beige			
	997 555 982 36 3S9	Sea blue			
	997 555 982 36 9S5	Terracotta			
	997 555 982 36 9V6	Cocoa			
	997 555 982 36 BCD	Black/stone grey			
	997 555 982 36 BCE	Black/sand beige			
	997 555 982 36 BCF	Black/terracotta			
	997 555 982 36 D12	Dark grey/natural			
	997 555 982 36 T12	Brown/natural			
	997 555 982 36 N12	Carrera Red			
(1)	997 555 981 37	Door trim panel	/LL /L 10-	1	CABRIO IXTV/XVT/098 I490/537/981
		Leather			
	997 555 981 37 A11	Black			
	997 555 981 37 5X6	Stone grey			
	997 555 981 37 8G2	Sand Beige			
	997 555 981 37 3S9	Sea blue			
	997 555 981 37 9S5	Terracotta			
	997 555 981 37 9V6	Cocoa			
	997 555 981 37 BCD	Black/stone grey			
	997 555 981 37 BCE	Black/sand beige			
	997 555 981 37 BCF	Black/terracotta			
	997 555 981 37 D12	Dark grey/natural			
	997 555 981 37 T12	Brown/natural			
	997 555 981 37 N12	Carrera Red			
(1)	997 555 982 37	Door trim panel	/RL /R 10-	1	CABRIO IXTV/XVT/099 I490/538/981
		Leather			
	997 555 982 37 A11	Black			
	997 555 982 37 5X6	Stone grey			
	997 555 982 37 8G2	Sand Beige			
	997 555 982 37 3S9	Sea blue			
	997 555 982 37 9S5	Terracotta			
	997 555 982 37 9V6	Cocoa			
	997 555 982 37 BCD	Black/stone grey			
	997 555 982 37 BCE	Black/sand beige			
	997 555 982 37 BCF	Black/terracotta			
	997 555 982 37 D12	Dark grey/natural			
	997 555 982 37 T12	Brown/natural			
	997 555 982 37 N12	Carrera Red			
(1)	997 555 981 38	Door trim panel	/LL /L 10-	1	CABRIO -I537/IXTV IXVT/098/680

Model: 997-09 Model life 2009>>2012

Pos	Part Number	Description	Remark	Qty	Model
		Leather			I981
	997 555 981 38 A11	Black			
	997 555 981 38 5X6	Stone grey			
	997 555 981 38 8G2	Sand Beige			
	997 555 981 38 3S9	Sea blue			
	997 555 981 38 9S5	Terracotta			
	997 555 981 38 9V6	Cocoa			
	997 555 981 38 BCD	Black/stone grey			
	997 555 981 38 BCE	Black/sand beige			
	997 555 981 38 BCF	Black/terracotta			
	997 555 981 38 D12	Dark grey/natural			
	997 555 981 38 T12	Brown/natural			
	997 555 981 38 N12	Carrera Red			
(1)	997 555 982 38	Door trim panel	/RL /R 10-	1	CABRIO -I538/IXTV IXVT/099/680 I981
		Leather			
	997 555 982 38 A11	Black			
	997 555 982 38 5X6	Stone grey			
	997 555 982 38 8G2	Sand Beige			
	997 555 982 38 3S9	Sea blue			
	997 555 982 38 9S5	Terracotta			
	997 555 982 38 9V6	Cocoa			
	997 555 982 38 BCD	Black/stone grey			
	997 555 982 38 BCE	Black/sand beige			
	997 555 982 38 BCF	Black/terracotta			
	997 555 982 38 D12	Dark grey/natural			
	997 555 982 38 T12	Brown/natural			
	997 555 982 38 N12	Carrera Red			
(1)	997 555 981 39	Door trim panel	/LL /L 10-	1	CABRIO IXTV/XVT/098 I537/680/981
		Leather			
	997 555 981 39 A11	Black			
	997 555 981 39 5X6	Stone grey			
	997 555 981 39 8G2	Sand Beige			
	997 555 981 39 3S9	Sea blue			
	997 555 981 39 9S5	Terracotta			
	997 555 981 39 9V6	Cocoa			
	997 555 981 39 BCD	Black/stone grey			
	997 555 981 39 BCE	Black/sand beige			
	997 555 981 39 BCF	Black/terracotta			
	997 555 981 39 D12	Dark grey/natural			
	997 555 981 39 T12	Brown/natural			
	997 555 981 39 N12	Carrera Red			
(1)	997 555 982 39	Door trim panel	/RL /R 10-	1	CABRIO IXTV/XVT/099 I538/680/981
		Leather			
	997 555 982 39 A11	Black			
	997 555 982 39 5X6	Stone grey			
	997 555 982 39 8G2	Sand Beige			
	997 555 982 39 3S9	Sea blue			
	997 555 982 39 9S5	Terracotta			
	997 555 982 39 9V6	Cocoa			
	997 555 982 39 BCD	Black/stone grey			
	997 555 982 39 BCE	Black/sand beige			
	997 555 982 39 BCF	Black/terracotta			
	997 555 982 39 D12	Dark grey/natural			
	997 555 982 39 T12	Brown/natural			
	997 555 982 39 N12	Carrera Red			

Model: 997-09 Model life 2009>>2012

Pos	Part Number	Description	Remark	Qty	Model
(1)	987 555 995 16	Door trim panel	/LL /L	1	COUPE/TARGA -IXVT/-I537 IXTW/098/490 I981
		Leather			
	987 555 995 16 A11	Black			
	987 555 995 16 5X6	Stone grey			
	987 555 995 16 8G2	Sand Beige			
	987 555 995 16 3S9	Sea blue			
	987 555 995 16 9S5	Terracotta			
	987 555 995 16 9V6	Cocoa			
	987 555 995 16 BCD	Black/stone grey			
	987 555 995 16 BCE	Black/sand beige			
	987 555 995 16 BCF	Black/terracotta			
	987 555 995 16 D12	Dark grey/natural			
	987 555 995 16 T12	Brown/natural			
	987 555 995 16 N12	Carrera Red			
(1)	987 555 996 16	Door trim panel	/RL /R	1	COUPE/TARGA -IXVT/-I538 IXTW/099/490 I981
		Leather			
	987 555 996 16 A11	Black			
	987 555 996 16 5X6	Stone grey			
	987 555 996 16 8G2	Sand Beige			
	987 555 996 16 3S9	Sea blue			
	987 555 996 16 9S5	Terracotta			
	987 555 996 16 9V6	Cocoa			
	987 555 996 16 BCD	Black/stone grey			
	987 555 996 16 BCE	Black/sand beige			
	987 555 996 16 BCF	Black/terracotta			
	987 555 996 16 D12	Dark grey/natural			
	987 555 996 16 T12	Brown/natural			
	987 555 996 16 N12	Carrera Red			
(1)	987 555 995 18	Door trim panel	/LL /L	1	COUPE/TARGA -IXVT/IXTW I098/490/537 I981
		Leather			
	987 555 995 18 A11	Black			
	987 555 995 18 5X6	Stone grey			
	987 555 995 18 8G2	Sand Beige			
	987 555 995 18 3S9	Sea blue			
	987 555 995 18 9S5	Terracotta			
	987 555 995 18 9V6	Cocoa			
	987 555 995 18 BCD	Black/stone grey			
	987 555 995 18 BCE	Black/sand beige			
	987 555 995 18 BCF	Black/terracotta			
	987 555 995 18 D12	Dark grey/natural			
	987 555 995 18 T12	Brown/natural			
	987 555 995 18 N12	Carrera Red			
(1)	987 555 996 18	Door trim panel	/RL /R	1	COUPE/TARGA -IXVT/IXTW I099/490/538 I981
		Leather			
	987 555 996 18 A11	Black			
	987 555 996 18 5X6	Stone grey			
	987 555 996 18 8G2	Sand Beige			
	987 555 996 18 3S9	Sea blue			
	987 555 996 18 9S5	Terracotta			
	987 555 996 18 9V6	Cocoa			
	987 555 996 18 BCD	Black/stone grey			

Model: 997-09 Model life 2009>>2012

Pos	Part Number	Description	Remark	Qty	Model
(1)	987 555 996 18 BCE	Black/sand beige		1	COUPE/TARGA -IXVT/-I537 IXTW/098/680 I981
	987 555 996 18 BCF	Black/terracotta			
	987 555 996 18 D12	Dark grey/natural			
	987 555 996 18 T12	Brown/natural			
	987 555 996 18 N12	Carrera Red			
	987 555 995 20	Door trim panel			
		Leather			
	987 555 995 20 A11	Black			
	987 555 995 20 5X6	Stone grey			
	987 555 995 20 8G2	Sand Beige			
	987 555 995 20 3S9	Sea blue			
	987 555 995 20 9S5	Terracotta			
	987 555 995 20 9V6	Cocoa			
	987 555 995 20 BCD	Black/stone grey			
(1)	987 555 995 20 BCE	Black/sand beige		1	COUPE/TARGA -IXVT/-I538 IXTW/099/680 I981
	987 555 995 20 BCF	Black/terracotta			
	987 555 995 20 D12	Dark grey/natural			
	987 555 995 20 T12	Brown/natural			
	987 555 995 20 N12	Carrera Red			
	987 555 996 20	Door trim panel			
		Leather			
	987 555 996 20 A11	Black			
	987 555 996 20 5X6	Stone grey			
	987 555 996 20 8G2	Sand Beige			
	987 555 996 20 3S9	Sea blue			
	987 555 996 20 9S5	Terracotta			
	987 555 996 20 9V6	Cocoa			
	987 555 996 20 BCD	Black/stone grey			
(1)	987 555 996 20 BCE	Black/sand beige		1	COUPE/TARGA -IXVT/IXTW I098/537/680 I981
	987 555 996 20 BCF	Black/terracotta			
	987 555 996 20 D12	Dark grey/natural			
	987 555 996 20 T12	Brown/natural			
	987 555 996 20 N12	Carrera Red			
	987 555 995 22	Door trim panel			
		Leather			
	987 555 995 22 A11	Black			
	987 555 995 22 5X6	Stone grey			
	987 555 995 22 8G2	Sand Beige			
	987 555 995 22 3S9	Sea blue			
	987 555 995 22 9S5	Terracotta			
	987 555 995 22 9V6	Cocoa			
	987 555 995 22 BCD	Black/stone grey			
(1)	987 555 995 22 BCE	Black/sand beige		1	COUPE/TARGA -IXVT/IXTW I099/538/680 I981
	987 555 995 22 BCF	Black/terracotta			
	987 555 995 22 D12	Dark grey/natural			
	987 555 995 22 T12	Brown/natural			
	987 555 995 22 N12	Carrera Red			
	987 555 996 22	Door trim panel			
		Leather			
	987 555 996 22 A11	Black			
	987 555 996 22 5X6	Stone grey			

Model: 997-09 Model life 2009>>2012

Pos	Part Number	Description	Remark	Qty	Model
	987 555 996 22 8G2	Sand Beige			
	987 555 996 22 3S9	Sea blue			
	987 555 996 22 9S5	Terracotta			
	987 555 996 22 9V6	Cocoa			
	987 555 996 22 BCD	Black/stone grey			
	987 555 996 22 BCE	Black/sand beige			
	987 555 996 22 BCF	Black/terracotta			
	987 555 996 22 D12	Dark grey/natural			
	987 555 996 22 T12	Brown/natural			
	987 555 996 22 N12	Carrera Red			
(1)	987 555 995 25	Door trim panel	/RL /L	1	-IXVT/IXTW I099/490/981
		Leather			
	987 555 995 25 A11	Black			
	987 555 995 25 5X6	Stone grey			
	987 555 995 25 8G2	Sand Beige			
	987 555 995 25 3S9	Sea blue			
	987 555 995 25 9S5	Terracotta			
	987 555 995 25 9V6	Cocoa			
	987 555 995 25 BCD	Black/stone grey			
	987 555 995 25 BCE	Black/sand beige			
	987 555 995 25 BCF	Black/terracotta			
	987 555 995 25 D12	Dark grey/natural			
	987 555 995 25 T12	Brown/natural			
	987 555 995 25 N12	Carrera Red			
(1)	987 555 996 25	Door trim panel	/LL /R	1	-IXVT/IXTW I098/490/981
		Leather			
	987 555 996 25 A11	Black			
	987 555 996 25 5X6	Stone grey			
	987 555 996 25 8G2	Sand Beige			
	987 555 996 25 3S9	Sea blue			
	987 555 996 25 9S5	Terracotta			
	987 555 996 25 9V6	Cocoa			
	987 555 996 25 BCD	Black/stone grey			
	987 555 996 25 BCE	Black/sand beige			
	987 555 996 25 BCF	Black/terracotta			
	987 555 996 25 D12	Dark grey/natural			
	987 555 996 25 T12	Brown/natural			
	987 555 996 25 N12	Carrera Red			
(1)	987 555 995 27	Door trim panel	/RL /L	1	-IXVT/IXTW I099/680/981
		Leather			
	987 555 995 27 A11	Black			
	987 555 995 27 5X6	Stone grey			
	987 555 995 27 8G2	Sand Beige			
	987 555 995 27 3S9	Sea blue			
	987 555 995 27 9S5	Terracotta			
	987 555 995 27 9V6	Cocoa			
	987 555 995 27 BCD	Black/stone grey			
	987 555 995 27 BCE	Black/sand beige			
	987 555 995 27 BCF	Black/terracotta			
	987 555 995 27 D12	Dark grey/natural			
	987 555 995 27 T12	Brown/natural			
	987 555 995 27 N12	Carrera Red			
(1)	987 555 996 27	Door trim panel	/LL /R	1	-IXVT/IXTW I098/680/981
		Leather			
	987 555 996 27 A11	Black			
	987 555 996 27 5X6	Stone grey			
	987 555 996 27 8G2	Sand Beige			
	987 555 996 27 3S9	Sea blue			
	987 555 996 27 9S5	Terracotta			

Model: 997-09 Model life 2009>>2012

Pos	Part Number	Description	Remark	Qty	Model
	987 555 996 27 9V6	Cocoa			
	987 555 996 27 BCD	Black/stone grey			
	987 555 996 27 BCE	Black/sand beige			
	987 555 996 27 BCF	Black/terracotta			
	987 555 996 27 D12	Dark grey/natural			
	987 555 996 27 T12	Brown/natural			
	987 555 996 27 N12	Carrera Red			
(1)	987 555 995 31	Door trim panel	/LL /L	1	CABRIO -IXVT/IXTW I098/490/981
		Leather			
	987 555 995 31 A11	Black			
	987 555 995 31 5X6	Stone grey			
	987 555 995 31 8G2	Sand Beige			
	987 555 995 31 3S9	Sea blue			
	987 555 995 31 9S5	Terracotta			
	987 555 995 31 9V6	Cocoa			
	987 555 995 31 BCD	Black/stone grey			
	987 555 995 31 BCE	Black/sand beige			
	987 555 995 31 BCF	Black/terracotta			
	987 555 995 31 D12	Dark grey/natural			
	987 555 995 31 T12	Brown/natural			
	987 555 995 31 N12	Carrera Red			
(1)	987 555 996 31	Door trim panel	/RL /R	1	CABRIO -IXVT/-I538 IXTW/099/490 I981
		Leather			
	987 555 996 31 A11	Black			
	987 555 996 31 5X6	Stone grey			
	987 555 996 31 8G2	Sand Beige			
	987 555 996 31 3S9	Sea blue			
	987 555 996 31 9S5	Terracotta			
	987 555 996 31 9V6	Cocoa			
	987 555 996 31 BCD	Black/stone grey			
	987 555 996 31 BCE	Black/sand beige			
	987 555 996 31 BCF	Black/terracotta			
	987 555 996 31 D12	Dark grey/natural			
	987 555 996 31 T12	Brown/natural			
	987 555 996 31 N12	Carrera Red			
(1)	987 555 995 33	Door trim panel	/LL /L	1	CABRIO -IXVT/IXTW I098/490/537 I981
		Leather			
	987 555 995 33 A11	Black			
	987 555 995 33 5X6	Stone grey			
	987 555 995 33 8G2	Sand Beige			
	987 555 995 33 3S9	Sea blue			
	987 555 995 33 9S5	Terracotta			
	987 555 995 33 9V6	Cocoa			
	987 555 995 33 BCD	Black/stone grey			
	987 555 995 33 BCE	Black/sand beige			
	987 555 995 33 BCF	Black/terracotta			
	987 555 995 33 D12	Dark grey/natural			
	987 555 995 33 T12	Brown/natural			
	987 555 995 33 N12	Carrera Red			
(1)	987 555 996 33	Door trim panel	/RL /R	1	CABRIO -IXVT/IXTW I099/490/538 I981
		Leather			
	987 555 996 33 A11	Black			

Model: 997-09 Model life 2009>>2012

Pos	Part Number	Description	Remark	Qty	Model
	987 555 996 33 5X6	Stone grey			
	987 555 996 33 8G2	Sand Beige			
	987 555 996 33 3S9	Sea blue			
	987 555 996 33 9S5	Terracotta			
	987 555 996 33 9V6	Cocoa			
	987 555 996 33 BCD	Black/stone grey			
	987 555 996 33 BCE	Black/sand beige			
	987 555 996 33 BCF	Black/terracotta			
	987 555 996 33 D12	Dark grey/natural			
	987 555 996 33 T12	Brown/natural			
	987 555 996 33 N12	Carrera Red			
(1)	987 555 995 35	Door trim panel	/LL /L	1	CABRIO -IXVT/IXTW I098/680/981
		Leather			
	987 555 995 35 A11	Black			
	987 555 995 35 5X6	Stone grey			
	987 555 995 35 8G2	Sand Beige			
	987 555 995 35 3S9	Sea blue			
	987 555 995 35 9S5	Terracotta			
	987 555 995 35 9V6	Cocoa			
	987 555 995 35 BCD	Black/stone grey			
	987 555 995 35 BCE	Black/sand beige			
	987 555 995 35 BCF	Black/terracotta			
	987 555 995 35 D12	Dark grey/natural			
	987 555 995 35 T12	Brown/natural			
	987 555 995 35 N12	Carrera Red			
(1)	987 555 996 35	Door trim panel	/RL /R	1	CABRIO -IXVT/-I538 IXTW/099/680 I981
		Leather			
	987 555 996 35 A11	Black			
	987 555 996 35 5X6	Stone grey			
	987 555 996 35 8G2	Sand Beige			
	987 555 996 35 3S9	Sea blue			
	987 555 996 35 9S5	Terracotta			
	987 555 996 35 9V6	Cocoa			
	987 555 996 35 BCD	Black/stone grey			
	987 555 996 35 BCE	Black/sand beige			
	987 555 996 35 BCF	Black/terracotta			
	987 555 996 35 D12	Dark grey/natural			
	987 555 996 35 T12	Brown/natural			
	987 555 996 35 N12	Carrera Red			
(1)	987 555 995 37	Door trim panel	/LL /L	1	CABRIO -IXVT/IXTW I098/537/680 I981
		Leather			
	987 555 995 37 A11	Black			
	987 555 995 37 5X6	Stone grey			
	987 555 995 37 8G2	Sand Beige			
	987 555 995 37 3S9	Sea blue			
	987 555 995 37 9S5	Terracotta			
	987 555 995 37 9V6	Cocoa			
	987 555 995 37 BCD	Black/stone grey			
	987 555 995 37 BCE	Black/sand beige			
	987 555 995 37 BCF	Black/terracotta			
	987 555 995 37 D12	Dark grey/natural			
	987 555 995 37 T12	Brown/natural			
	987 555 995 37 N12	Carrera Red			
(1)	987 555 996 37	Door trim panel	/RL /R	1	CABRIO -IXVT/IXTW

Model: 997-09 Model life 2009>>2012

Pos	Part Number	Description	Remark	Qty	Model
		Leather			I099/538/680 I981
	987 555 996 37 A11	Black			
	987 555 996 37 5X6	Stone grey			
	987 555 996 37 8G2	Sand Beige			
	987 555 996 37 3S9	Sea blue			
	987 555 996 37 9S5	Terracotta			
	987 555 996 37 9V6	Cocoa			
	987 555 996 37 BCD	Black/stone grey			
	987 555 996 37 BCE	Black/sand beige			
	987 555 996 37 BCF	Black/terracotta			
	987 555 996 37 D12	Dark grey/natural			
	987 555 996 37 T12	Brown/natural			
	987 555 996 37 N12	Carrera Red			
(1)	997 555 981 40	Door trim panel	/LL /L 10-	1	COUPE/TARGA -I537/IXTW IXVT/098/490 I981
		Leather			
	997 555 981 40 A11	Black			
	997 555 981 40 5X6	Stone grey			
	997 555 981 40 8G2	Sand Beige			
	997 555 981 40 3S9	Sea blue			
	997 555 981 40 9S5	Terracotta			
	997 555 981 40 9V6	Cocoa			
	997 555 981 40 BCD	Black/stone grey			
	997 555 981 40 BCE	Black/sand beige			
	997 555 981 40 BCF	Black/terracotta			
	997 555 981 40 D12	Dark grey/natural			
	997 555 981 40 T12	Brown/natural			
	997 555 981 40 N12	Carrera Red			
(1)	997 555 982 40	Door trim panel	/RL /R 10-	1	COUPE/TARGA -I538/IXTW IXVT/099/490 I981
		Leather			
	997 555 982 40 A11	Black			
	997 555 982 40 5X6	Stone grey			
	997 555 982 40 8G2	Sand Beige			
	997 555 982 40 3S9	Sea blue			
	997 555 982 40 9S5	Terracotta			
	997 555 982 40 9V6	Cocoa			
	997 555 982 40 BCD	Black/stone grey			
	997 555 982 40 BCE	Black/sand beige			
	997 555 982 40 BCF	Black/terracotta			
	997 555 982 40 D12	Dark grey/natural			
	997 555 982 40 T12	Brown/natural			
	997 555 982 40 N12	Carrera Red			
(1)	997 555 981 41	Door trim panel	/LL /L 10-	1	COUPE/TARGA IXTW/XVT/098 I490/537/981
		Leather			
	997 555 981 41 A11	Black			
	997 555 981 41 5X6	Stone grey			
	997 555 981 41 8G2	Sand Beige			
	997 555 981 41 3S9	Sea blue			
	997 555 981 41 9S5	Terracotta			
	997 555 981 41 9V6	Cocoa			
	997 555 981 41 BCD	Black/stone grey			
	997 555 981 41 BCE	Black/sand beige			
	997 555 981 41 BCF	Black/terracotta			
	997 555 981 41 D12	Dark grey/natural			

Model: 997-09 Model life 2009>>2012

Pos	Part Number	Description	Remark	Qty	Model
(1)	997 555 981 41 T12	Brown/natural	/RL /R 10-	1	COUPE/TARGA IXTW/XVT/099 I490/538/981
	997 555 981 41 N12	Carrera Red			
	997 555 982 41	Door trim panel			
		Leather			
	997 555 982 41 A11	Black			
	997 555 982 41 5X6	Stone grey			
	997 555 982 41 8G2	Sand Beige			
	997 555 982 41 3S9	Sea blue			
	997 555 982 41 9S5	Terracotta			
	997 555 982 41 9V6	Cocoa			
	997 555 982 41 BCD	Black/stone grey			
	997 555 982 41 BCE	Black/sand beige			
	(1)	997 555 982 41 BCF			
997 555 982 41 D12		Dark grey/natural			
997 555 982 41 T12		Brown/natural			
997 555 982 41 N12		Carrera Red			
997 555 981 42		Door trim panel			
		Leather			
997 555 981 42 A11		Black			
997 555 981 42 5X6		Stone grey			
997 555 981 42 8G2		Sand Beige			
997 555 981 42 3S9		Sea blue			
997 555 981 42 9S5		Terracotta			
997 555 981 42 9V6		Cocoa			
997 555 981 42 BCD		Black/stone grey			
(1)	997 555 981 42 BCE	Black/sand beige	/RL /R 10-	1	COUPE/TARGA -I538/IXTW IXVT/099/680 I981
	997 555 981 42 BCF	Black/terracotta			
	997 555 981 42 D12	Dark grey/natural			
	997 555 981 42 T12	Brown/natural			
	997 555 981 42 N12	Carrera Red			
	997 555 982 42	Door trim panel			
		Leather			
	997 555 982 42 A11	Black			
	997 555 982 42 5X6	Stone grey			
	997 555 982 42 8G2	Sand Beige			
	997 555 982 42 3S9	Sea blue			
	997 555 982 42 9S5	Terracotta			
	997 555 982 42 9V6	Cocoa			
(1)	997 555 982 42 BCD	Black/stone grey	/LL /L 10-	1	COUPE/TARGA IXTW/XVT/098 I537/680/981
	997 555 982 42 BCE	Black/sand beige			
	997 555 982 42 BCF	Black/terracotta			
	997 555 982 42 D12	Dark grey/natural			
	997 555 982 42 T12	Brown/natural			
	997 555 982 42 N12	Carrera Red			
	997 555 981 43	Door trim panel			
		Leather			
	997 555 981 43 A11	Black			
	997 555 981 43 5X6	Stone grey			
	997 555 981 43 8G2	Sand Beige			
	997 555 981 43 3S9	Sea blue			
	997 555 981 43 9S5	Terracotta			
997 555 981 43 9V6	Cocoa				
997 555 981 43 BCD	Black/stone grey				

Model: 997-09 Model life 2009>>2012

Pos	Part Number	Description	Remark	Qty	Model
(1)	997 555 981 43 BCE	Black/sand beige	/RL /R 10-	1	COUPE/TARGA IXTW/XVT/099 I538/680/981
	997 555 981 43 BCF	Black/terracotta			
	997 555 981 43 D12	Dark grey/natural			
	997 555 981 43 T12	Brown/natural			
	997 555 981 43 N12	Carrera Red			
	997 555 982 43	Door trim panel			
		Leather			
	997 555 982 43 A11	Black			
	997 555 982 43 5X6	Stone grey			
	997 555 982 43 8G2	Sand Beige			
	997 555 982 43 3S9	Sea blue			
	997 555 982 43 9S5	Terracotta			
	997 555 982 43 9V6	Cocoa			
(1)	997 555 982 43 BCD	Black/stone grey	/RL /L 10-	1	IXTW/XVT/099 I490/981
	997 555 982 43 BCE	Black/sand beige			
	997 555 982 43 BCF	Black/terracotta			
	997 555 982 43 D12	Dark grey/natural			
	997 555 982 43 T12	Brown/natural			
	997 555 982 43 N12	Carrera Red			
	997 555 981 44	Door trim panel			
		Leather			
	997 555 981 44 A11	Black			
	997 555 981 44 5X6	Stone grey			
	997 555 981 44 8G2	Sand Beige			
	997 555 981 44 3S9	Sea blue			
	997 555 981 44 9S5	Terracotta			
997 555 981 44 9V6	Cocoa				
(1)	997 555 981 44 BCD	Black/stone grey	/LL /R 10-	1	IXTW/XVT/098 I490/981
	997 555 981 44 BCE	Black/sand beige			
	997 555 981 44 BCF	Black/terracotta			
	997 555 981 44 D12	Dark grey/natural			
	997 555 981 44 T12	Brown/natural			
	997 555 981 44 N12	Carrera Red			
	997 555 982 44	Door trim panel			
		Leather			
	997 555 982 44 A11	Black			
	997 555 982 44 5X6	Stone grey			
	997 555 982 44 8G2	Sand Beige			
	997 555 982 44 3S9	Sea blue			
	997 555 982 44 9S5	Terracotta			
997 555 982 44 9V6	Cocoa				
(1)	997 555 982 44 BCD	Black/stone grey	/RL /L 10-	1	IXTW/XVT/099 I680/981
	997 555 982 44 BCE	Black/sand beige			
	997 555 982 44 BCF	Black/terracotta			
	997 555 982 44 D12	Dark grey/natural			
	997 555 982 44 T12	Brown/natural			
	997 555 982 44 N12	Carrera Red			
	997 555 981 45	Door trim panel			
		Leather			
	997 555 981 45 A11	Black			
	997 555 981 45 5X6	Stone grey			
	997 555 981 45 8G2	Sand Beige			
	997 555 981 45 3S9	Sea blue			
	997 555 981 45 9S5	Terracotta			
997 555 981 45 9V6	Cocoa				
997 555 981 45 BCD	Black/stone grey				
997 555 981 45 BCE	Black/sand beige				
997 555 981 45 BCF	Black/terracotta				

Model: 997-09 Model life 2009>>2012

Pos	Part Number	Description	Remark	Qty	Model
(1)	997 555 981 45 D12	Dark grey/natural	/LL /R 10-	1	IXTW/XVT/098 I680/981
	997 555 981 45 T12	Brown/natural			
	997 555 981 45 N12	Carrera Red			
	997 555 982 45	Door trim panel			
		Leather			
	997 555 982 45 A11	Black			
	997 555 982 45 5X6	Stone grey			
	997 555 982 45 8G2	Sand Beige			
	997 555 982 45 3S9	Sea blue			
	997 555 982 45 9S5	Terracotta			
	997 555 982 45 9V6	Cocoa			
	997 555 982 45 BCD	Black/stone grey			
	997 555 982 45 BCE	Black/sand beige			
997 555 982 45 BCF	Black/terracotta				
997 555 982 45 D12	Dark grey/natural	/LL /L 10-	1	CABRIO -I537/IXTW IXVT/098/490 I981	
997 555 982 45 T12	Brown/natural				
997 555 982 45 N12	Carrera Red				
997 555 981 46	Door trim panel				
	Leather				
997 555 981 46 A11	Black				
997 555 981 46 5X6	Stone grey				
997 555 981 46 8G2	Sand Beige				
997 555 981 46 3S9	Sea blue				
997 555 981 46 9S5	Terracotta				
997 555 981 46 9V6	Cocoa				
997 555 981 46 BCD	Black/stone grey				
997 555 981 46 BCE	Black/sand beige				
997 555 981 46 BCF	Black/terracotta				
997 555 981 46 D12	Dark grey/natural	/RL /R 10-	1	CABRIO -I538/IXTW IXVT/099/490 I981	
997 555 981 46 T12	Brown/natural				
997 555 981 46 N12	Carrera Red				
997 555 982 46	Door trim panel				
	Leather				
997 555 982 46 A11	Black				
997 555 982 46 5X6	Stone grey				
997 555 982 46 8G2	Sand Beige				
997 555 982 46 3S9	Sea blue				
997 555 982 46 9S5	Terracotta				
997 555 982 46 9V6	Cocoa				
997 555 982 46 BCD	Black/stone grey				
997 555 982 46 BCE	Black/sand beige				
997 555 982 46 BCF	Black/terracotta				
997 555 982 46 D12	Dark grey/natural	/LL /L 10-	1	CABRIO IXTW/XVT/098 I490/537/981	
997 555 982 46 T12	Brown/natural				
997 555 982 46 N12	Carrera Red				
997 555 981 47	Door trim panel				
	Leather				
997 555 981 47 A11	Black				
997 555 981 47 5X6	Stone grey				
997 555 981 47 8G2	Sand Beige				
997 555 981 47 3S9	Sea blue				
997 555 981 47 9S5	Terracotta				
997 555 981 47 9V6	Cocoa				
997 555 981 47 BCD	Black/stone grey				

Model: 997-09 Model life 2009>>2012

Pos	Part Number	Description	Remark	Qty	Model
(1)	997 555 981 47 BCE	Black/sand beige	/RL /R 10-	1	CABRIO IXTW/XVT/099 I490/538/981
	997 555 981 47 BCF	Black/terracotta			
	997 555 981 47 D12	Dark grey/natural			
	997 555 981 47 T12	Brown/natural			
	997 555 981 47 N12	Carrera Red			
	997 555 982 47	Door trim panel			
		Leather			
	997 555 982 47 A11	Black			
	997 555 982 47 5X6	Stone grey			
	997 555 982 47 8G2	Sand Beige			
	997 555 982 47 3S9	Sea blue			
	997 555 982 47 9S5	Terracotta			
	997 555 982 47 9V6	Cocoa			
	997 555 982 47 BCD	Black/stone grey			
(1)	997 555 982 47 BCE	Black/sand beige	/LL /L 10-	1	CABRIO -I537/IXTW IXVT/098/680 I981
	997 555 982 47 BCF	Black/terracotta			
	997 555 982 47 D12	Dark grey/natural			
	997 555 982 47 T12	Brown/natural			
	997 555 982 47 N12	Carrera Red			
	997 555 981 48	Door trim panel			
		Leather			
	997 555 981 48 A11	Black			
	997 555 981 48 5X6	Stone grey			
	997 555 981 48 8G2	Sand Beige			
	997 555 981 48 3S9	Sea blue			
	997 555 981 48 9S5	Terracotta			
	997 555 981 48 9V6	Cocoa			
	997 555 981 48 BCD	Black/stone grey			
(1)	997 555 981 48 BCE	Black/sand beige	/RL /R 10-	1	CABRIO -I538/IXTW IXVT/099/680 I981
	997 555 981 48 BCF	Black/terracotta			
	997 555 981 48 D12	Dark grey/natural			
	997 555 981 48 T12	Brown/natural			
	997 555 981 48 N12	Carrera Red			
	997 555 982 48	Door trim panel			
		Leather			
	997 555 982 48 A11	Black			
	997 555 982 48 5X6	Stone grey			
	997 555 982 48 8G2	Sand Beige			
	997 555 982 48 3S9	Sea blue			
	997 555 982 48 9S5	Terracotta			
	997 555 982 48 9V6	Cocoa			
	997 555 982 48 BCD	Black/stone grey			
(1)	997 555 982 48 BCE	Black/sand beige	/LL /L 10-	1	CABRIO IXTW/XVT/098 I537/680/981
	997 555 982 48 BCF	Black/terracotta			
	997 555 982 48 D12	Dark grey/natural			
	997 555 982 48 T12	Brown/natural			
	997 555 982 48 N12	Carrera Red			
	997 555 981 49	Door trim panel			
		Leather			
	997 555 981 49 A11	Black			
	997 555 981 49 5X6	Stone grey			
	997 555 981 49 8G2	Sand Beige			
	997 555 981 49 3S9	Sea blue			

Model: 997-09 Model life 2009>>2012

Pos	Part Number	Description	Remark	Qty	Model
	997 555 981 49 9S5	Terracotta			
	997 555 981 49 9V6	Cocoa			
	997 555 981 49 BCD	Black/stone grey			
	997 555 981 49 BCE	Black/sand beige			
	997 555 981 49 BCF	Black/terracotta			
	997 555 981 49 D12	Dark grey/natural			
	997 555 981 49 T12	Brown/natural			
	997 555 981 49 N12	Carrera Red			
(1)	997 555 982 49	Door trim panel	/RL /R 10-	1	CABRIO IXTW/XVT/099 I538/680/981
		Leather			
	997 555 982 49 A11	Black			
	997 555 982 49 5X6	Stone grey			
	997 555 982 49 8G2	Sand Beige			
	997 555 982 49 3S9	Sea blue			
	997 555 982 49 9S5	Terracotta			
	997 555 982 49 9V6	Cocoa			
	997 555 982 49 BCD	Black/stone grey			
	997 555 982 49 BCE	Black/sand beige			
	997 555 982 49 BCF	Black/terracotta			
	997 555 982 49 D12	Dark grey/natural			
	997 555 982 49 T12	Brown/natural			
	997 555 982 49 N12	Carrera Red			
(1)	997 555 981 63	Door trim panel	/RL /L 11-	1	SPEEDSTER IXTV/XVT/099 I503/680/981
		Leather			
	997 555 981 63 DTD	Black/Carrara White			
	997 555 981 63 DTR	Black/Pure Blue			
(1)	997 555 981 64	Door trim panel	/LL /L 11-	1	SPEEDSTER IXTV/XVT/098 I503/537/680 I981
		Leather			
	997 555 981 64 DTD	Black/Carrara White			
	997 555 981 64 DTR	Black/Pure Blue			
(1)	997 555 982 62	Door trim panel	/LL /R 11-	1	SPEEDSTER IXTV/XVT/098 I503/680/981
		Leather			
	997 555 982 62 DTD	Black/Carrara White			
	997 555 982 62 DTR	Black/Pure Blue			
(1)	997 555 982 63	Door trim panel	/RL /R 11-	1	SPEEDSTER IXTV/XVT/099 I503/538/680 I981
		Leather			
	997 555 982 63 DTD	Black/Carrara White			
	997 555 982 63 DTR	Black/Pure Blue			
2	999 507 533 02	Clamp		2	
		8,0X 10/2,5			
3	955 555 243 00	Fixing clip		9	
		for			
		Mount			
		Door trim panel			
4	999 073 322 02	Oval-head screw		5	
		M 6 X 20			
		for			
		Mount			
		Door trim panel			
(5)	997 555 989 00	Lid	/L	1	IXTL
		Shelf			

Model: 997-09 Model life 2009>>2012

Pos	Part Number	Description	Remark	Qty	Model
(5)	997 555 989 00 A35 997 555 990 00	Carbon Black Lid Shelf Carbon	/R	1	IXTL
(5)	997 555 990 00 A35 997 555 989 02	Black Lid Shelf	/L	1	IXTT
(5)	997 555 989 02 S61 997 555 990 02	Macassar Lid Shelf	/R	1	IXTT
(5)	997 555 990 02 S61 997 555 989 03	Macassar Lid Shelf	/L	1	IXTW
(5)	997 555 989 03 V04 997 555 990 03	Galvano silver Lid Shelf	/R	1	IXTW
6	997 555 990 03 V04 997 555 833 00	Galvano silver Steering knuckle spring for Lid Shelf	/L	1	
(6)	997 555 834 00	Steering knuckle spring for Lid Shelf	/R	1	
7	997 555 841 00	Damper Shelf		1	
(8)	997 555 261 01	Handle Lower part	/L	1	
	997 555 261 01 A11	Black			
	997 555 261 01 5X6	Stone grey			
	997 555 261 01 8G2	Sand Beige			
	997 555 261 01 3S9	Sea blue			
	997 555 261 01 9S5	Terracotta			
	997 555 261 01 9V6	Cocoa			
	997 555 261 01 D12	Dark grey/natural			
	997 555 261 01 T12	Brown/natural			
	997 555 261 01 N12	Carrera Red			
(8)	997 555 262 01	Handle Lower part	/R	1	
	997 555 262 01 A11	Black			
	997 555 262 01 5X6	Stone grey			
	997 555 262 01 8G2	Sand Beige			
	997 555 262 01 3S9	Sea blue			
	997 555 262 01 9S5	Terracotta			
	997 555 262 01 9V6	Cocoa			
	997 555 262 01 D12	Dark grey/natural			
	997 555 262 01 T12	Brown/natural			
	997 555 262 01 N12	Carrera Red			
9	999 919 229 02	Oval-head screw 6,0 X 40,0 for Mount Handle		2	
(10)	997 555 381 03	Axle bearing	/L	1	
(10)	997 555 382 03	Axle bearing	/R	1	
11	999 919 164 09	Oval-head screw 5 X 12 for Mount Axle bearing		3	
12	997 555 461 01	Lever	/L	1	

Model: 997-09 Model life 2009>>2012

Pos	Part Number	Description	Remark	Qty	Model
(12)	997 555 461 01 V05	Door opener Galvano silver	/R	1	
	997 555 462 01	Lever			
13	997 555 462 01 V05	Door opener Galvano silver		1	
	999 919 164 09	Oval-head screw 5 X 12 for Mount Lever			
14	997 555 683 00	Door opener Cap	/L	1	
		Airbag			
	997 555 683 00 A03	Black			
	997 555 683 00 5V7	Stone grey			
	997 555 683 00 5Z1	Sand Beige			
	997 555 683 00 8W7	Sea blue			
	997 555 683 00 8X8	Terracotta			
	997 555 683 00 8P9	Cocoa			
	997 555 683 00 T13	Brown/natural			
	997 555 683 00 N23	Carrera Red			
(14)	997 555 684 00	Cap	/R	1	
		Airbag			
	997 555 684 00 A03	Black			
	997 555 684 00 5V7	Stone grey			
	997 555 684 00 5Z1	Sand Beige			
	997 555 684 00 8W7	Sea blue			
	997 555 684 00 8X8	Terracotta			
	997 555 684 00 8P9	Cocoa			
	997 555 684 00 T13	Brown/natural			
	997 555 684 00 N23	Carrera Red			
15	997 555 643 02	Cover Front Leather	/L 10-	1	IXVT
		Black			
	997 555 643 02 A11	Black			
	997 555 643 02 5X6	Stone grey			
	997 555 643 02 8G2	Sand Beige			
	997 555 643 02 3S9	Sea blue			
	997 555 643 02 9S5	Terracotta			
	997 555 643 02 9V6	Cocoa			
	997 555 643 02 D12	Dark grey/natural			
	997 555 643 02 T12	Brown/natural			
(15)	997 555 643 02 N12	Carrera Red	/R 10-	1	IXVT
	997 555 644 02	Cover Front Leather			
		Black			
	997 555 644 02 A11	Black			
	997 555 644 02 5X6	Stone grey			
	997 555 644 02 8G2	Sand Beige			
	997 555 644 02 3S9	Sea blue			
	997 555 644 02 9S5	Terracotta			
	997 555 644 02 9V6	Cocoa			
	997 555 644 02 D12	Dark grey/natural			
16	997 555 644 02 T12	Brown/natural	/L	1	IXTL
	997 555 644 02 N12	Carrera Red			
	997 555 991 00	Cover Door handle Carbon			
		Black			
	997 555 991 00 A11	Black			
	997 555 991 00 5X6	Stone grey			
	997 555 991 00 8G2	Sand Beige			
	997 555 991 00 3S9	Sea blue			
	997 555 991 00 9S5	Terracotta			

Model: 997-09 Model life 2009>>2012

Pos	Part Number	Description	Remark	Qty	Model
(16)	997 555 991 00 9V6	Cocoa	/R	1	IXTL
	997 555 991 00 D12	Dark grey/natural			
	997 555 991 00 T12	Brown/natural			
	997 555 991 00 N12	Carrera Red			
	997 555 992 00	Cover			
		Door handle			
		Carbon			
	997 555 992 00 A11	Black			
	997 555 992 00 5X6	Stone grey			
	997 555 992 00 8G2	Sand Beige			
997 555 992 00 3S9	Sea blue				
997 555 992 00 9S5	Terracotta				
997 555 992 00 9V6	Cocoa				
997 555 992 00 D12	Dark grey/natural				
997 555 992 00 T12	Brown/natural				
997 555 992 00 N12	Carrera Red				
(16)	997 555 991 02	Cover	/L	1	IXTT
		Door handle			
		Macassar			
	997 555 991 02 A11	Black			
	997 555 991 02 5X6	Stone grey			
	997 555 991 02 8G2	Sand Beige			
	997 555 991 02 3S9	Sea blue			
	997 555 991 02 9S5	Terracotta			
	997 555 991 02 9V6	Cocoa			
	997 555 991 02 D12	Dark grey/natural			
997 555 991 02 T12	Brown/natural				
997 555 991 02 N12	Carrera Red				
(16)	997 555 992 02	Cover	/R	1	IXTT
		Door handle			
		Macassar			
	997 555 992 02 A11	Black			
	997 555 992 02 5X6	Stone grey			
	997 555 992 02 8G2	Sand Beige			
	997 555 992 02 3S9	Sea blue			
	997 555 992 02 9S5	Terracotta			
	997 555 992 02 9V6	Cocoa			
	997 555 992 02 D12	Dark grey/natural			
997 555 992 02 T12	Brown/natural				
997 555 992 02 N12	Carrera Red				
(16)	997 555 991 03	Cover	/L	1	IXTW
		Door handle			
		Aluminium look			
	997 555 991 03 A11	Black			
	997 555 991 03 5X6	Stone grey			
	997 555 991 03 8G2	Sand Beige			
	997 555 991 03 3S9	Sea blue			
	997 555 991 03 9S5	Terracotta			
	997 555 991 03 9V6	Cocoa			
	997 555 991 03 D12	Dark grey/natural			
997 555 991 03 T12	Brown/natural				
997 555 991 03 N12	Carrera Red				
(16)	997 555 992 03	Cover	/R	1	IXTW
		Door handle			
		Aluminium look			
	997 555 992 03 A11	Black			
	997 555 992 03 5X6	Stone grey			
	997 555 992 03 8G2	Sand Beige			
	997 555 992 03 3S9	Sea blue			
	997 555 992 03 9S5	Terracotta			
	997 555 992 03 9V6	Cocoa			
	997 555 992 03 D12	Dark grey/natural			
997 555 992 03 T12	Brown/natural				

Model: 997-09 Model life 2009>>2012

Pos	Part Number	Description	Remark	Qty	Model
17	997 555 992 03 N12	Carrera Red			
	999 591 380 01	Cable clamp		3	
18	997 555 995 00	Cover	/LL 10-	1	IXDX/098
		Door mirror			
		Driver's side			
		Leather			
	997 555 995 00 A11	Black			
	997 555 995 00 5X6	Stone grey			
	997 555 995 00 8G2	Sand Beige			
	997 555 995 00 3S9	Sea blue			
	997 555 995 00 9S5	Terracotta			
	997 555 995 00 9V6	Cocoa			
	997 555 995 00 T12	Brown/natural			
	997 555 995 00 N12	Carrera Red			
(18)	997 555 996 01	Cover	/RL 10-	1	IXDX/099
		Door mirror			
		Driver's side			
		Leather			
	997 555 996 01 A11	Black			
	997 555 996 01 5X6	Stone grey			
	997 555 996 01 8G2	Sand Beige			
	997 555 996 01 3S9	Sea blue			
	997 555 996 01 9S5	Terracotta			
	997 555 996 01 9V6	Cocoa			
	997 555 996 01 T12	Brown/natural			
	997 555 996 01 N12	Carrera Red			
(18)	997 555 996 00	Cover	/LL	1	IXDX/098
		Door mirror			
		Passenger's side			
		Leather			
	997 555 996 00 A11	Black			
	997 555 996 00 5X6	Stone grey			
	997 555 996 00 8G2	Sand Beige			
	997 555 996 00 3S9	Sea blue			
	997 555 996 00 9S5	Terracotta			
	997 555 996 00 9V6	Cocoa			
	997 555 996 00 D12	Dark grey/natural			
	997 555 996 00 T12	Brown/natural			
	997 555 996 00 N12	Carrera Red			
(18)	997 555 995 01	Cover	/RL	1	IXDX/099
		Door mirror			
		Passenger's side			
		Leather			
	997 555 995 01 A11	Black			
	997 555 995 01 5X6	Stone grey			
	997 555 995 01 8G2	Sand Beige			
	997 555 995 01 3S9	Sea blue			
	997 555 995 01 9S5	Terracotta			
	997 555 995 01 9V6	Cocoa			
	997 555 995 01 D12	Dark grey/natural			
	997 555 995 01 T12	Brown/natural			
	997 555 995 01 N12	Carrera Red			
19	997 555 577 00	Cap		1	
		Handle liner			
	997 555 577 00 A03	Black			
20	997 555 895 00	Plastic foam strip		1	
		for			
		Woofer			
21	997 645 511 00	Logo		2	I680
22	997 555 597 00	Spacer		2	
		Lid hinge			
23	999 702 281 41	Grommet		1	
		Axle bearing			

Model: 997-09 Model life 2009>>2012

Pos	Part Number	Description	Remark	Qty	Model
24	997 555 271 01	Handle Upper part	/L	1	
	997 555 271 01 FSA	Black/grey			
	997 555 271 01 FSB	Stone grey/stone grey			
	997 555 271 01 FSC	Sand Beige			
	997 555 271 01 FSD	Sea blue/grey			
	997 555 271 01 FSF	Terracotta/terracotta			
	997 555 271 01 FSG	Cocoa/Cocoa			
	997 555 271 01 FSH	Darkgrey natural/grey			
	997 555 271 01 FSJ	Brown nat./brown nat.			
	997 555 271 01 FSP	Carrera Red			
(24)	997 555 272 01	Handle Upper part	/R	1	
	997 555 272 01 FSA	Black/grey			
	997 555 272 01 FSB	Stone grey/stone grey			
	997 555 272 01 FSC	Sand Beige			
	997 555 272 01 FSD	Sea blue/grey			
	997 555 272 01 FSF	Terracotta/terracotta			
	997 555 272 01 FSG	Cocoa/Cocoa			
	997 555 272 01 FSH	Darkgrey natural/grey			
	997 555 272 01 FSJ	Brown nat./brown nat.			
	997 555 272 01 FSP	Carrera Red			
(24)	997 555 987 00	Handle Upper part Carbon	/L	1	IXTL
	997 555 987 00 A35	Black			
(24)	997 555 988 00	Handle Upper part Carbon	/R	1	IXTL
	997 555 988 00 A35	Black			
(24)	997 555 987 02	Handle Upper part	/L	1	IXTT
	997 555 987 02 S61	Macassar			
(24)	997 555 988 02	Handle Upper part	/R	1	IXTT
	997 555 988 02 S61	Macassar			
(24)	997 555 987 03	Handle Upper part	/L	1	IXTW
	997 555 987 03 V04	Galvano silver			
(24)	997 555 988 03	Handle Upper part	/R	1	IXTW
	997 555 988 03 V04	Galvano silver			
25	997 555 985 00	Insert Handle liner Leather	/LL /L	1	COUPE/TARGA IXTV/098
	997 555 985 00 A11	Black			
	997 555 985 00 5X6	Stone grey			
	997 555 985 00 8G2	Sand Beige			
	997 555 985 00 3S9	Sea blue			
	997 555 985 00 9S5	Terracotta			
	997 555 985 00 9V6	Cocoa			
	997 555 985 00 D12	Dark grey/natural			
	997 555 985 00 T12	Brown/natural			
	997 555 985 00 N12	Carrera Red			
(25)	997 555 986 01	Insert Handle liner Leather	/RL /R	1	COUPE/TARGA IXTV/099
	997 555 986 01 A11	Black			
	997 555 986 01 5X6	Stone grey			
	997 555 986 01 8G2	Sand Beige			
	997 555 986 01 3S9	Sea blue			

Model: 997-09 Model life 2009>>2012

Pos	Part Number	Description	Remark	Qty	Model				
(25)	997 555 986 01 9S5	Terracotta		1	CABRIO IXTV/098				
	997 555 986 01 9V6	Cocoa							
	997 555 986 01 D12	Dark grey/natural							
	997 555 986 01 T12	Brown/natural							
	997 555 986 01 N12	Carrera Red							
	997 555 985 01	Insert							
		Handle liner							
		Leather							
	997 555 985 01 A11	Black							
	997 555 985 01 5X6	Stone grey							
	997 555 985 01 8G2	Sand Beige							
	997 555 985 01 3S9	Sea blue							
	997 555 985 01 9S5	Terracotta							
	997 555 985 01 9V6	Cocoa							
	997 555 985 01 D12	Dark grey/natural							
(25)	997 555 985 01 T12	Brown/natural		1	CABRIO IXTV/099				
	997 555 985 01 N12	Carrera Red							
	997 555 986 02	Insert							
		Handle liner							
		Leather							
	997 555 986 02 A11	Black							
	997 555 986 02 5X6	Stone grey							
	997 555 986 02 8G2	Sand Beige							
	997 555 986 02 3S9	Sea blue							
	997 555 986 02 9S5	Terracotta							
	997 555 986 02 9V6	Cocoa							
	997 555 986 02 D12	Dark grey/natural							
	997 555 986 02 T12	Brown/natural							
	997 555 986 02 N12	Carrera Red							
	(25)	997 555 986 00				Insert		1	IXTV/098
		Handle liner							
		Leather							
997 555 986 00 A11		Black							
997 555 986 00 5X6		Stone grey							
997 555 986 00 8G2		Sand Beige							
997 555 986 00 3S9		Sea blue							
997 555 986 00 9S5		Terracotta							
997 555 986 00 9V6		Cocoa							
997 555 986 00 D12		Dark grey/natural							
997 555 986 00 T12		Brown/natural							
997 555 986 00 N12		Carrera Red							
(25)		997 555 985 02	Insert		1	IXTV/099			
			Handle liner						
			Leather						
	997 555 985 02 A11	Black							
	997 555 985 02 5X6	Stone grey							
	997 555 985 02 8G2	Sand Beige							
	997 555 985 02 3S9	Sea blue							
	997 555 985 02 9S5	Terracotta							
	997 555 985 02 9V6	Cocoa							
	997 555 985 02 D12	Dark grey/natural							
	997 555 985 02 T12	Brown/natural							
	997 555 985 02 N12	Carrera Red							
	25	997 555 985 03	Insert					1	COUPE/TARGA IXTL/098
			Handle liner						
			Carbon						
(25)	997 555 985 03 A35	Black		1	COUPE/TARGA IXTL/099				
	997 555 986 04	Insert							
		Handle liner							

Model: 997-09 Model life 2009>>2012

Pos	Part Number	Description	Remark	Qty	Model
(25)	997 555 986 04 A35 997 555 985 04	Carbon Black Insert	/LL /L	1	CABRIO IXTL/098
(25)	997 555 985 04 A35 997 555 986 05	Handle liner Carbon Black Insert	/RL /R	1	CABRIO IXTL/099
(25)	997 555 986 05 A35 997 555 986 03	Handle liner Carbon Black Insert	/LL /R	1	IXTL/098
(25)	997 555 986 03 A35 997 555 985 05	Handle liner Carbon Black Insert	/RL /L	1	IXTL/099
25	997 555 985 05 A35 997 555 985 09	Handle liner Carbon Black Insert	/LL /L	1	COUPE/TARGA IXTT/098
(25)	997 555 985 09 S61 997 555 986 10	Handle liner Macassar Insert	/RL /R	1	COUPE/TARGA IXTT/099
(25)	997 555 986 10 S61 997 555 985 10	Handle liner Macassar Insert	/LL /L	1	CABRIO IXTT/098
(25)	997 555 985 10 S61 997 555 986 11	Handle liner Macassar Insert	/RL /R	1	CABRIO IXTT/099
(25)	997 555 986 11 S61 997 555 986 09	Handle liner Macassar Insert	/LL /R	1	IXTT/098
(25)	997 555 986 09 S61 997 555 985 11	Handle liner Macassar Insert	/RL /L	1	IXTT/099
25	997 555 985 11 S61 997 555 985 12	Handle liner Macassar Insert	/LL /L	1	COUPE/TARGA IXTW/098
(25)	997 555 985 12 V04 997 555 986 13	Handle liner Galvano silver Insert	/RL /R	1	COUPE/TARGA IXTW/099
(25)	997 555 986 13 V04 997 555 985 13	Handle liner Galvano silver Insert	/LL /L	1	CABRIO IXTW/098
(25)	997 555 985 13 V04 997 555 986 14	Handle liner Galvano silver Insert	/RL /R	1	CABRIO IXTW/099
(25)	997 555 986 14 V04 997 555 986 12	Handle liner Galvano silver Insert	/LL /R	1	IXTW/098
(25)	997 555 986 12 V04 997 555 985 14	Handle liner Galvano silver Insert	/RL /L	1	IXTW/099
		Handle liner			

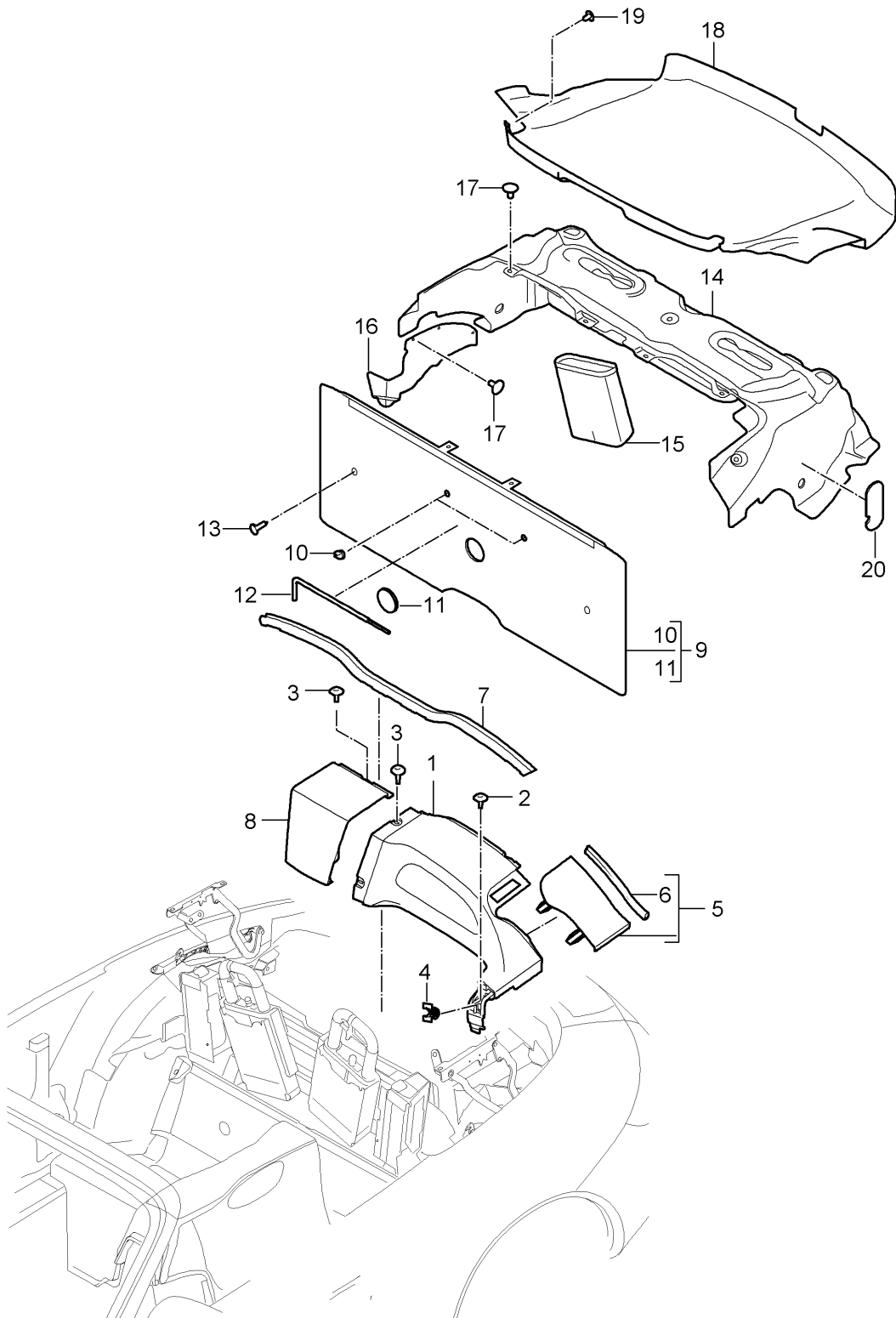
Model: 997-09

Model life 2009>>2012

Pos	Part Number	Description	Remark	Qty	Model
(25)	997 555 985 14 V04	Galvano silver			
	997 555 985 17	Insert	11-	1	IXTV/098/503
		Handle liner			
	997 555 985 17 B9A	Carrara white			
	997 555 985 17 M5B	Pure Blue			
(25)	997 555 985 18	Insert	11-	1	IXTV/099/503
		Handle liner			
	997 555 985 18 B9A	Carrara white			
	997 555 985 18 M5B	Pure Blue			
(25)	997 555 986 17	Insert	11-	1	IXTV/098/503
		Handle liner			
	997 555 986 17 B9A	Carrara white			
	997 555 986 17 M5B	Pure Blue			
(25)	997 555 986 18	Insert	11-	1	IXTV/099/503
		Handle liner			
	997 555 986 18 B9A	Carrara white			
	997 555 986 18 M5B	Pure Blue			

Model: 997-09

Model life 2009>>2012



Model: 997-09 Model life 2009>>2012

Pos	Part Number	Description	Remark	Qty	Model
		Linings	11-		Speedster I503
1	997 555 437 01	Rear Frame Roll-over bar Back wall lining Lining		1	
(1)	997 555 437 01 5Q0	Frame Left Black			
	997 555 438 01	Lining		1	
	997 555 438 01 5Q0	Frame Right Black			
2	999 073 142 09	Tapping screw 4.2X19		2	
3	999 073 322 02	Oval-head screw M6X20		6	
4	999 507 533 02	Clamp		2	
5	997 555 627 01	Cover		1	
		Convertible top support Left			
(5)	997 555 627 01 5Q0	Black			
	997 555 628 01	Cover		1	
		Convertible top support Right			
	997 555 628 01 5Q0	Black			
6	997 555 877 01	Rubber support		1	
		Lid Convertible top compartm.			
(6)	997 555 878 01	Left Rubber support		1	
		Lid Convertible top compartm.			
7	997 555 875 01	Right Rubber support		1	
		Lid Centre			
8	997 555 567 00	Lining		1	
		Frame Centre			
		Use also: 997.555.967.00			
-	997 555 567 00 5Q0	Black			
	997 555 967 00	Adhesive tape Double sided		X	
9	997 555 081 04	Back wall lining		1	
	997 555 081 04 A10	Black			
10	999 507 633 40	Clamp		2	
		Tool Emergency operation			
11	996 555 457 00	Lid		1	
	996 555 457 00 A03	Black			
12	999 571 079 03	Screwdriver		1	
		Emergency operation Convertible top			
13	999 073 062 02	Tapping screw 4.8x19		2	
14	997 551 441 01	Lining		1	
		Roll-over bar			
15	997 551 451 01	Storage pocket for Lining		2	

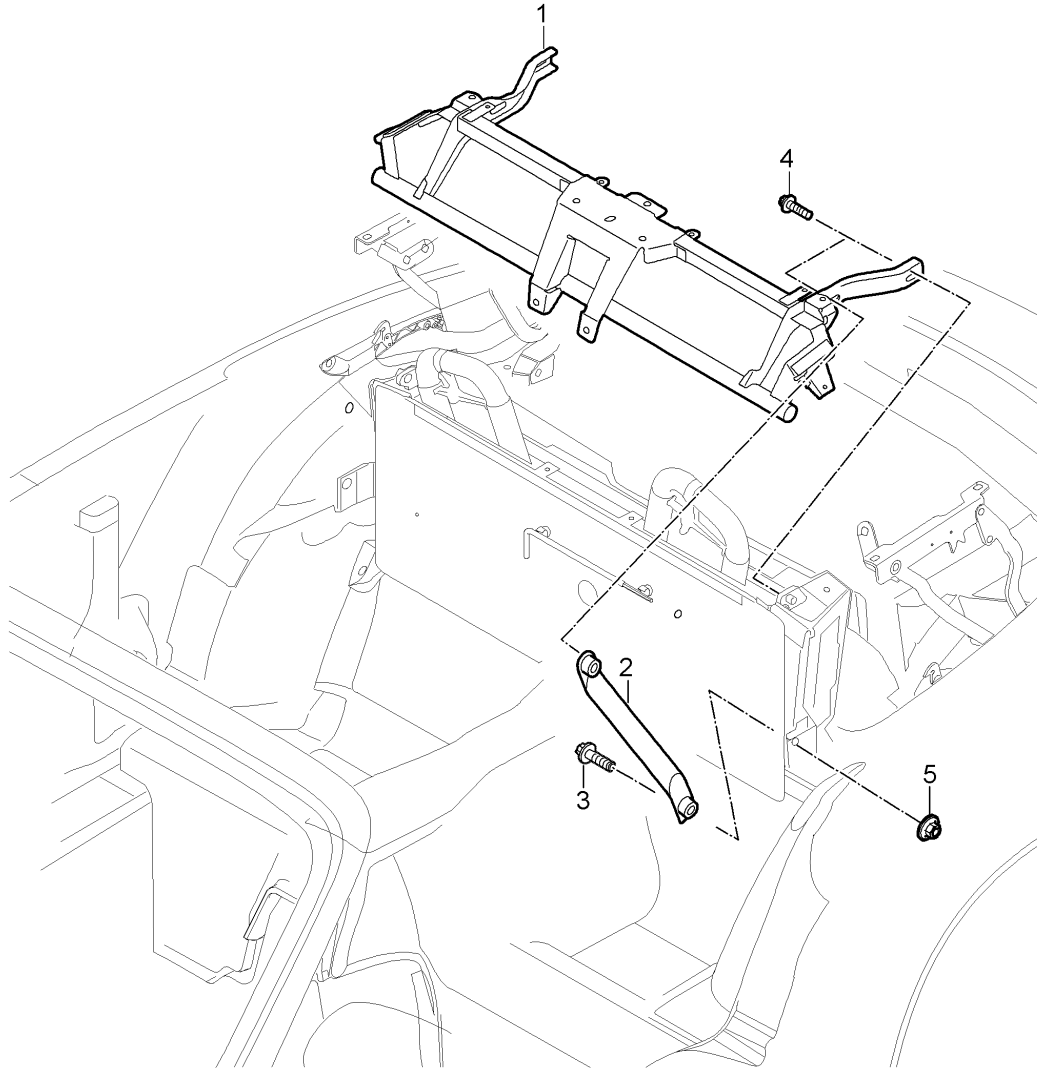
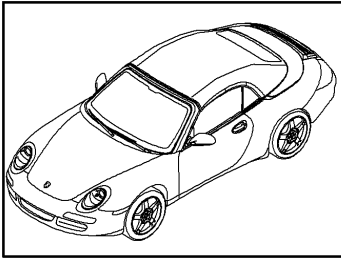
Model: 997-09

Model life 2009>>2012

Pos	Part Number	Description	Remark	Qty	Model
16	997 567 216 01	Cover Guide Water drip pan Right	/R	1	
(16)	997 567 215 01	Cover Guide Water drip pan Right	/R	1	
17	999 591 553 40	Expansion rivet		X	
18	997 551 035 02	Carpet Lining Convertible top Tray		1	
19	997 551 035 02 B04	Dark grey		2	
20	999 703 432 40	Stopper Protective film See illustrations 8/10/00 Position 11 It is necessary to rework See workshop manual		1	

Model: 997-09

Model life 2009>>2012



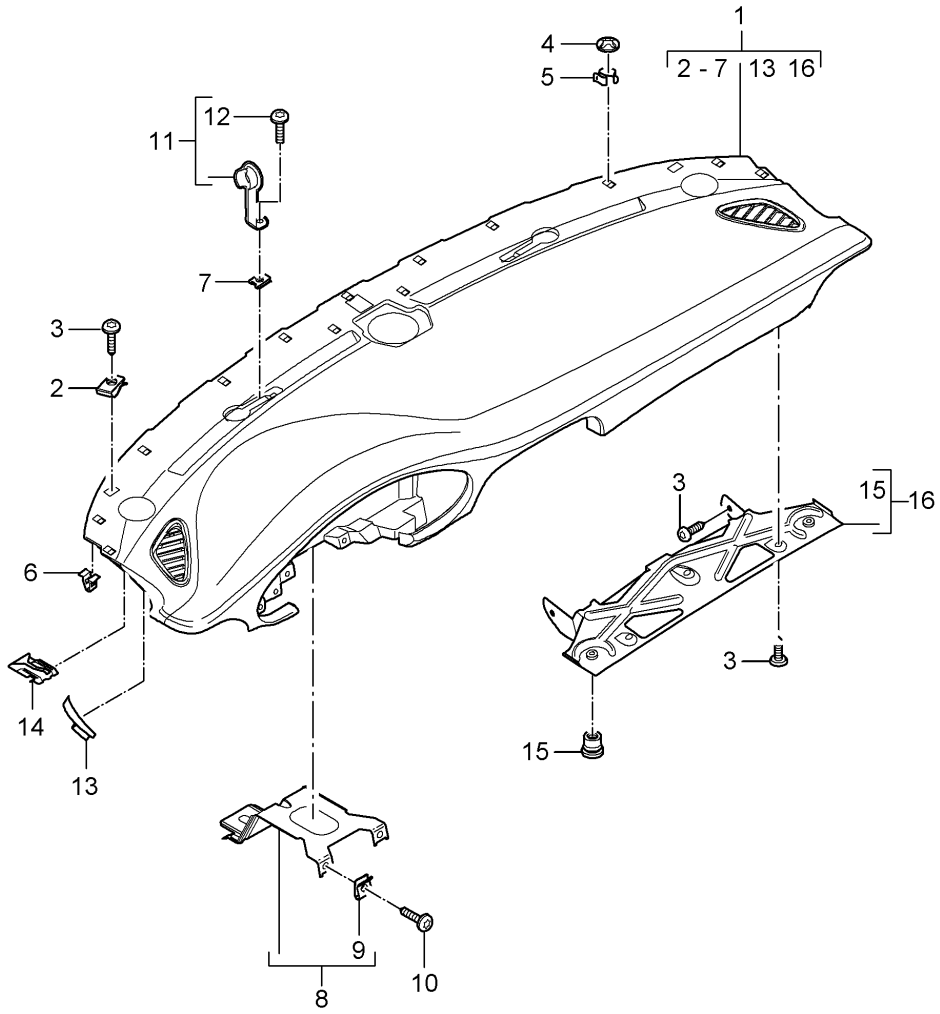
Model: 997-09

Model life 2009>>2012

Pos	Part Number	Description	Remark	Qty	Model
		Frame	11-		Speedster I503
1	997 555 433 00	Rear Mount Frame		1	
2	997 555 443 00	Strut		2	
3	900 378 249 01	Hexagon-head bolt M10x55		2	
4	900 378 301 01	Hexagon-head bolt M10x25		4	
5	999 049 034 40	Plastic nut M10		2	

Model: 997-09

Model life 2009>>2012



Model: 997-09 Model life 2009>>2012

Pos	Part Number	Description	Remark	Qty	Model
1	997 552 101 10	Dashboard trim Upper part with Mounting parts Accessories See illustrations 8/09/01 Dashboard Upper part Leatherette	09- /LL	1	I098
(1)	997 552 101 10 9L4	Black			
	997 552 101 10 9M5	Stone grey			
	997 552 101 10 9C6	Sand Beige			
	997 552 101 10 9D7	Sea blue			
1	997 552 102 10	Dashboard Upper part Leatherette	/RL	1	I099
	997 552 102 10 9L4	Black			
	997 552 102 10 9M5	Stone grey			
	997 552 102 10 9C6	Sand Beige			
	997 552 102 10 9D7	Sea blue			
1	997 552 101 12	Dashboard Upper part Leatherette	/LL	1	I098/639/640
	997 552 101 12 9L4	Black			
	997 552 101 12 9M5	Stone grey			
	997 552 101 12 9C6	Sand Beige			
	997 552 101 12 9D7	Sea blue			
1	997 552 102 12	Dashboard Upper part Leatherette	/RL	1	I099/639/640
	997 552 102 12 9L4	Black			
	997 552 102 12 9M5	Stone grey			
	997 552 102 12 9C6	Sand Beige			
	997 552 102 12 9D7	Sea blue			
1	997 552 101 11	Dashboard Upper part Leather	/LL	1	I098/981
	997 552 101 11 FSA	Black			
	997 552 101 11 FSB	Stone grey			
	997 552 101 11 FSC	Sand Beige			
	997 552 101 11 FSD	Sea blue			
	997 552 101 11 FSF	Terracotta			
	997 552 101 11 FSG	Cocoa			
	997 552 101 11 FSH	Dark grey/natural			
	997 552 101 11 FSJ	Brown/natural			
	997 552 101 11 FSP	Carrera Red			
	997 552 101 11 TSM	Black/terracotta			
	997 552 101 11 TSN	Black/sand beige			
1	997 552 101 11 FWH	Espresso			
1	997 552 102 11	Dashboard Upper part Leather	/RL	1	I099/981
	997 552 102 11 FSA	Black			
	997 552 102 11 FSB	Stone grey			
	997 552 102 11 FSC	Sand Beige			
	997 552 102 11 FSD	Sea blue			
	997 552 102 11 FSF	Terracotta			
	997 552 102 11 FSG	Cocoa			
	997 552 102 11 FSH	Dark grey/natural			
	997 552 102 11 FSJ	Brown/natural			
	997 552 102 11 FSP	Carrera Red			
	997 552 102 11 FWH	Espresso			

Model: 997-09 Model life 2009>>2012

Pos	Part Number	Description	Remark	Qty	Model
1	997 552 101 13	Dashboard Upper part Leather	/LL	1	I098/639/640 I981
	997 552 101 13 FSA	Black			
	997 552 101 13 FSB	Stone grey			
	997 552 101 13 FSC	Sand Beige			
	997 552 101 13 FSD	Sea blue			
	997 552 101 13 FSF	Terracotta			
	997 552 101 13 FSG	Cocoa			
	997 552 101 13 FSH	Dark grey/natural			
	997 552 101 13 FSJ	Brown/natural			
	997 552 101 13 FSP	Carrera Red			
	997 552 101 13 FWH	Espresso			
	997 552 101 13 DTC	Black/Carrara White			
	997 552 101 13 DTQ	Black/Pure Blue			
	997 552 101 13 TSM	Black/terracotta			
	997 552 101 13 TSN	Black/sand beige			
(1)	997 552 102 13	Dashboard Upper part Leather	/RL	1	I099/639/640 I981
	997 552 102 13 FSA	Black			
	997 552 102 13 FSB	Stone grey			
	997 552 102 13 FSC	Sand Beige			
	997 552 102 13 FSD	Sea blue			
	997 552 102 13 FSF	Terracotta			
	997 552 102 13 FSG	Cocoa			
	997 552 102 13 FSH	Dark grey/natural			
	997 552 102 13 FSJ	Brown/natural			
	997 552 102 13 FSP	Carrera Red			
	997 552 102 13 FWH	Espresso			
	997 552 102 13 DTC	Black/Carrara White			
	997 552 102 13 DTQ	Black/Pure Blue			
(1)	997 552 101 14	Dashboard	/LL 10-	1	COUPE S I098/639/640 I756/981
		Upper part Leather			
(1)	997 552 101 14 SCB	Espresso			
(1)	997 552 102 14	Dashboard	/RL 10-	1	COUPE S I099/639/640 I756/981
		Upper part Leather			
	997 552 102 14 SCB	Espresso			
2	999 507 971 01	Speed nut ST 4,2 for Mount		X	
3	999 073 155 09	Dashboard Tapping screw ST 4,2 X 13 for Mount		X	
4	999 507 106 02	Dashboard Clamping washer 8,0 for Mount		X	
5	999 507 573 02	Dashboard Clamp 6,7 - 8,1		X	

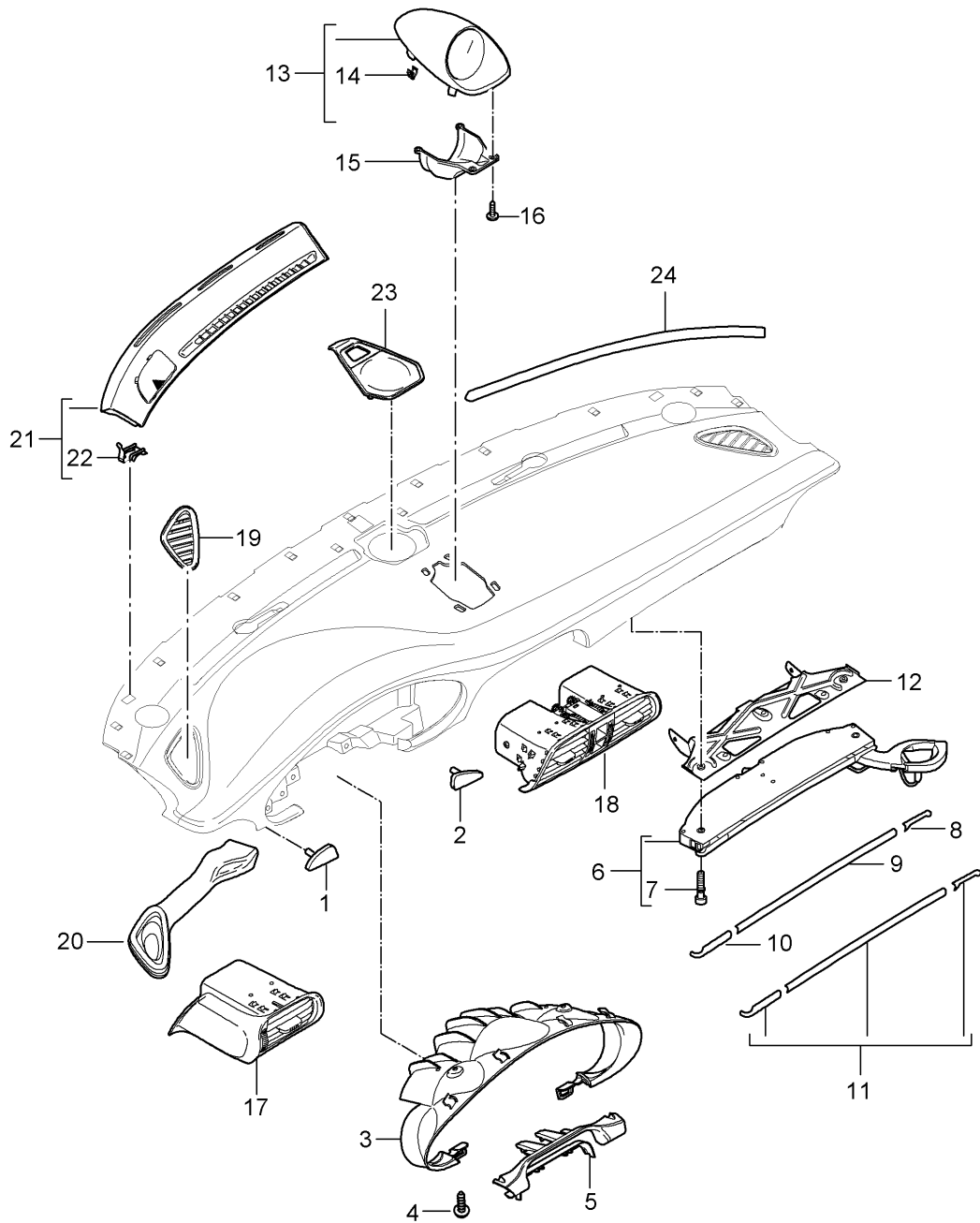
Model: 997-09

Model life 2009>>2012

Pos	Part Number	Description	Remark	Qty	Model
6	999 507 732 01	for Mount Dashboard Clamp 8,0 X 12,0 /4,0		X	
7	999 507 020 01	for Mount Dashboard Speed nut ST 4,2		X	
8	997 552 617 01	for Mount Dashboard Support		1	
9	999 507 020 01	Dashboard Driver's side Speed nut ST 4,2		2	
10	999 073 155 09	Tapping screw ST 4,2 X 13		2	
11	997 552 673 00	Lid Defroster trim		2	
12	999 073 226 09	Tapping screw ST 4,2 X 16		2	
13	997 552 481 00	Insert A-pillar	/L	1	
(13)	997 552 482 00	Insert A-pillar	/R	1	
14	8E0 857 117	Clamp Mount Dashboard Cowl panel		2	
(15)	999 507 319 01	Captive nut M 5		2	
(16)	997 552 360 03	Retaining bracket for Beverages Support	/LL	1	I098
(16)	997 552 359 03	Retaining bracket for Beverages Support	/RL	1	I099

Model: 997-09

Model life 2009>>2012



Model: 997-09 Model life 2009>>2012

Pos	Part Number	Description	Remark	Qty	Model
1	997 552 381 01	Accessories Dashboard trim Upper part Moulding	/LL	1	CARRERA I098
(1)	997 552 381 01 D07 997 552 382 01	Driver's side Outer Volcano grey Moulding	/RL	1	CARRERA I099
1	997 552 382 01 D07 997 552 381 02	Driver's side Outer Volcano grey Moulding	/LL	1	CARRERA S I098
(1)	997 552 381 02 V04 997 552 381 02	Driver's side Outer Galvano silver Moulding	/LL 11-	1	I098
(1)	997 552 381 02 V04 997 552 382 02	Driver's side Outer Galvano silver Moulding	/RL	1	CARRERA S I099
1	997 552 382 02 V04 997 552 381 03	Driver's side Outer Galvano silver Moulding	/LL	1	I098/801
(1)	997 552 381 03 S61 997 552 382 03	Driver's side Outer Macassar Moulding	/RL	1	I099/801
1	997 552 382 03 S61 997 552 381 05	Driver's side Outer Macassar Moulding	/LL	1	I098/803
(1)	997 552 381 05 A35 997 552 382 05	Driver's side Outer Black Moulding	/RL	1	I099/803
1	997 552 382 05 A35 997 552 986 00	Driver's side Outer Black Moulding	/LL	1	IXVP/098
	997 552 986 00 A11	Driver's side Outer Black			
	997 552 986 00 5X6	Outer Stone grey			
	997 552 986 00 8G2	Sand Beige			
	997 552 986 00 3S9	Sea blue			
	997 552 986 00 9S5	Terracotta			
	997 552 986 00 9V6	Cocoa			
	997 552 986 00 D12	Dark grey/natural			
	997 552 986 00 T12	Brown/natural			
	997 552 986 00 N12	Carrera Red			
	997 552 986 00 B9A	Carrara white	11-		
	997 552 986 00 M5B	Pure Blue	11-		
1	997 552 986 00 6J0 997 552 986 00 6J0	Espresso Moulding Driver's side Outer Espresso	/LL 10-	1	COUPE S IXVP/098/756

Model: 997-09 Model life 2009>>2012

Pos	Part Number	Description	Remark	Qty	Model
(1)	997 552 986 01	Moulding Driver's side Outer	/RL	1	IXVP/099
	997 552 986 01 A11	Black			
	997 552 986 01 5X6	Stone grey			
	997 552 986 01 8G2	Sand Beige			
	997 552 986 01 3S9	Sea blue			
	997 552 986 01 9S5	Terracotta			
	997 552 986 01 9V6	Cocoa			
	997 552 986 01 D12	Dark grey/natural			
	997 552 986 01 T12	Brown/natural			
	997 552 986 01 N12	Carrera Red			
	997 552 986 01 B9A	Carrara white	11-		
	997 552 986 01 M5B	Pure Blue	11-		
	997 552 986 01 6J0	Espresso			
(1)	997 552 986 01	Moulding Driver's side Outer	/RL 10-	1	COUPE S IXVP/099/756
	997 552 986 01 6J0	Espresso			
(1)	997 552 986 50	Moulding Driver's side Outer	/LL 10-	1	IXDM/098
	997 552 986 50 G2X	Prime coated			
(1)	997 552 986 51	Moulding Driver's side Outer	/RL 10-	1	IXDM/099
	997 552 986 51 G2X	Prime coated			
2	997 552 383 01	Moulding Driver's side Centre	/LL	1	CARRERA I098
	997 552 383 01 D07	Volcano grey			
(2)	997 552 384 01	Moulding Driver's side Centre	/RL	1	CARRERA I099
	997 552 384 01 D07	Volcano grey			
2	997 552 383 02	Moulding Driver's side Centre	/LL	1	CARRERA S I098
	997 552 383 02 V04	Galvano silver			
2	997 552 383 02	Moulding Driver's side Centre	/LL 11-	1	I098
	997 552 383 02 V04	Galvano silver			
(2)	997 552 384 02	Moulding Driver's side Centre	/RL	1	CARRERA S I099
	997 552 384 02 V04	Galvano silver			
2	997 552 383 03	Moulding Driver's side Centre	/LL	1	I098/801
	997 552 383 03 S61	Macassar			
(2)	997 552 384 03	Moulding Driver's side Centre	/RL	1	I099/801
	997 552 384 03 S61	Macassar			
2	997 552 383 05	Moulding Driver's side Centre	/LL	1	I098/803

Model: 997-09 Model life 2009>>2012

Pos	Part Number	Description	Remark	Qty	Model
(2)	997 552 383 05 A35	Black			
	997 552 384 05	Moulding Driver's side Centre	/RL	1	I099/803
2	997 552 384 05 A35	Black			
	997 552 987 00	Moulding Driver's side Centre	/LL	1	IXVP/098
	997 552 987 00 A11	Black			
	997 552 987 00 5X6	Stone grey			
	997 552 987 00 8G2	Sand Beige			
	997 552 987 00 3S9	Sea blue			
	997 552 987 00 9S5	Terracotta			
	997 552 987 00 9V6	Cocoa			
	997 552 987 00 D12	Dark grey/natural			
	997 552 987 00 T12	Brown/natural			
	997 552 987 00 N12	Carrera Red			
	997 552 987 00 B9A	Carrara white	11-		
	997 552 987 00 M5B	Pure Blue	11-		
	997 552 987 00 6J0	Espresso			
2	997 552 987 00	Moulding Driver's side Centre	/LL 10-	1	COUPE S IXVP/098/756
	997 552 987 00 6J0	Espresso			
(2)	997 552 987 01	Moulding Driver's side Centre	/RL	1	IXVP/099
	997 552 987 01 A11	Black			
	997 552 987 01 5X6	Stone grey			
	997 552 987 01 8G2	Sand Beige			
	997 552 987 01 3S9	Sea blue			
	997 552 987 01 9S5	Terracotta			
	997 552 987 01 9V6	Cocoa			
	997 552 987 01 D12	Dark grey/natural			
	997 552 987 01 T12	Brown/natural			
	997 552 987 01 N12	Carrera Red			
	997 552 987 01 B9A	Carrara white	11-		
	997 552 987 01 M5B	Pure Blue	11-		
	997 552 987 01 6J0	Espresso			
2	997 552 987 01	Moulding Driver's side Centre	/RL 10-	1	COUPE S IXVP/099/756
	997 552 987 01 6J0	Espresso			
(2)	997 552 987 50	Moulding Driver's side Centre	/LL 10-	1	IXDM/098
	997 552 987 50 G2X	Prime coated			
(2)	997 552 987 51	Moulding Driver's side Centre	/RL 10-	1	IXDM/099
	997 552 987 51 G2X	Prime coated			
3	997 552 325 01	Cover Instrument cluster see Technical information Group 9 Nummer 53/10	/LL	1	I098
	997 552 325 01 A03	Black			
	997 552 325 01 5V7	Stone grey			
	997 552 325 01 5Z1	Sand Beige			
	997 552 325 01 8W7	Sea blue			

Model: 997-09 Model life 2009>>2012

Pos	Part Number	Description	Remark	Qty	Model
(3)	997 552 325 01 8X8	Terracotta			
	997 552 325 01 8P9	Cocoa			
	997 552 325 01 T13	Brown/natural			
	997 552 325 01 N23	Carrera Red			
	997 552 325 01 2S8	Espresso			
	997 552 326 01	Cover	/RL	1	I099
		Instrument cluster			
		see			
		Technical information			
		Group 9			
		Nummer 53/10			
		997 552 326 01 A03	Black		
		997 552 326 01 5V7	Stone grey		
	997 552 326 01 5Z1	Sand Beige			
	997 552 326 01 8W7	Sea blue			
	997 552 326 01 8X8	Terracotta			
	997 552 326 01 8P9	Cocoa			
	997 552 326 01 T13	Brown/natural			
	997 552 326 01 N23	Carrera Red			
	997 552 326 01 2S8	Espresso			
3	997 552 989 00	Cover	/LL	1	IXNG/098
		Instrument cluster			
		see			
		Technical information			
		Group 9			
		Nummer 53/10			
	997 552 989 00 A11	Black			
	997 552 989 00 5X6	Stone grey			
	997 552 989 00 8G2	Sand Beige			
	997 552 989 00 3S9	Sea blue			
	997 552 989 00 9S5	Terracotta			
	997 552 989 00 9V6	Cocoa			
	997 552 989 00 D12	Dark grey/natural			
	997 552 989 00 T12	Brown/natural			
	997 552 989 00 N12	Carrera Red			
	997 552 989 00 6J0	Espresso			
3	997 552 989 00	Cover	/LL 10-	1	COUPE S IXNG/098/756
		Instrument cluster			
		see			
		Technical information			
		Group 9			
		Nummer 53/10			
	997 552 989 00 6J0	Espresso			
(3)	997 552 989 01	Cover	/RL	1	IXNG/099
		Instrument cluster			
		see			
		Technical information			
		Group 9			
		Nummer 53/10			
	997 552 989 01 A11	Black			
	997 552 989 01 5X6	Stone grey			
	997 552 989 01 8G2	Sand Beige			
	997 552 989 01 3S9	Sea blue			
	997 552 989 01 9S5	Terracotta			
	997 552 989 01 9V6	Cocoa			
	997 552 989 01 D12	Dark grey/natural			
	997 552 989 01 T12	Brown/natural			
	997 552 989 01 N12	Carrera Red			
	997 552 989 01 6J0	Espresso			
3	997 552 989 01	Cover	/RL 10-	1	COUPE S IXNG/099/756
		Instrument cluster			

Model: 997-09 Model life 2009>>2012

Pos	Part Number	Description	Remark	Qty	Model
		see Technical information Group 9 Nummer 53/10			
3	997 552 989 01 6J0 997 552 989 02	Espresso Cover Instrument cluster	/LL	1	IXCL/098
		see Technical information Group 9 Nummer 53/10			
(3)	997 552 989 02 V04 997 552 989 03	Galvano silver Cover Instrument cluster	/RL	1	IXCL/099
		see Technical information Group 9 Nummer 53/10			
(3)	997 552 989 03 V04 997 552 995 00	Galvano silver Cover Instrument cluster	/LL 10-	1	IXDP/098
		see Technical information Group 9 Nummer 53/10			
(3)	997 552 995 00 G2X 997 552 995 01	Prime coated Cover Instrument cluster	/RL 10-	1	IXDP/099
		see Technical information Group 9 Nummer 53/10			
4	997 552 995 01 G2X 999 073 155 09	Prime coated Tapping screw ST 4,2 X 13		2	
5	997 552 271 01 997 552 271 01 A03 997 552 271 01 5V7 997 552 271 01 5Z1 997 552 271 01 8W7 997 552 271 01 8X8 997 552 271 01 8P9 997 552 271 01 T13 997 552 271 01 N23 997 552 271 01 2S8	Bridge Black Stone grey Sand Beige Sea blue Terracotta Cocoa Brown/natural Carrera Red Espresso		1	-IXNS
5	997 552 978 00 997 552 978 00 A11 997 552 978 00 5X6 997 552 978 00 8G2 997 552 978 00 3S9 997 552 978 00 9S5 997 552 978 00 9V6 997 552 978 00 D12 997 552 978 00 T12 997 552 978 00 N12 997 552 978 00 6J0	Bridge Leather Black Stone grey Sand Beige Sea blue Terracotta Cocoa Dark grey/natural Brown/natural Carrera Red Espresso	10-	1	IXNS COUPE S IXNS/756
6	997 552 978 00 6J0 997 552 294 03	Espresso Support Beverages	/LL	1	I098

Model: 997-09 Model life 2009>>2012

Pos	Part Number	Description	Remark	Qty	Model
6	997 552 293 04	Support Beverages	/RL	1	I099
-	997 552 905 00	Repair kit Flap Torsion spring for Beverages Support		1	
7	900 067 416 01	Pan-head screw M5 X 27		1	
8	997 552 394 01	Cover	/LL /R	1	CARRERA I098
(8)	997 552 394 01 D07 997 552 393 01	Volcano grey Cover	/RL /R	1	CARRERA I099
8	997 552 393 01 D07 997 552 394 02	Volcano grey Cover	/LL /R	1	CARRERA S I098
8	997 552 394 02 V04 997 552 394 02	Galvano silver Cover	/LL /R 11-	1	I098
(8)	997 552 394 02 V04 997 552 393 02	Galvano silver Cover	/RL /R	1	CARRERA S I099
8	997 552 393 02 V04 997 552 396 05	Galvano silver Cover	/LL /R	1	I098/803
(8)	997 552 396 05 A35 997 552 395 05	Black Cover	/RL /R	1	I099/803
8	997 552 395 05 A35 997 552 993 00	Black Cover	/LL /R	1	IXVP/098
8	997 552 993 00 A11 997 552 993 00 5X6 997 552 993 00 8G2 997 552 993 00 3S9 997 552 993 00 9S5 997 552 993 00 9V6 997 552 993 00 D12 997 552 993 00 T12 997 552 993 00 N12	Black Stone grey Sand Beige Sea blue Terracotta Cocoa Dark grey/natural Brown/natural Carrera Red			
8	997 552 993 00 B9A 997 552 993 00 M5B 997 552 993 00 6J0	Carrara white Pure Blue Espresso Cover	11- 11-		
8	997 552 993 00 997 552 993 00 6J0	Cover Espresso	/LL /R 10-	1	COUPE S IXVP/098/756
(8)	997 552 993 01 997 552 993 01 A11 997 552 993 01 5X6 997 552 993 01 8G2 997 552 993 01 3S9 997 552 993 01 9S5 997 552 993 01 9V6 997 552 993 01 D12 997 552 993 01 T12 997 552 993 01 N12 997 552 993 01 B9A 997 552 993 01 M5B 997 552 993 01 6J0	Cover Black Stone grey Sand Beige Sea blue Terracotta Cocoa Dark grey/natural Brown/natural Carrera Red Carrara white Pure Blue Espresso	/RL /R	1	IXVP/099
8	997 552 993 01 997 552 993 01 6J0	Cover Espresso	/RL /R 10-	1	COUPE S IXVP/099/756
(8)	997 552 993 50 997 552 993 50 G2X	Cover Prime coated	/LL /R 10-	1	IXDM/098
(8)	997 552 993 51	Cover	/RL /R 10-	1	IXDM/099

Model: 997-09 Model life 2009>>2012

Pos	Part Number	Description	Remark	Qty	Model
9	997 552 993 51 G2X 997 552 398 00	Prime coated Cover	/LL	1	CARRERA I098
(9)	997 552 398 00 D07 997 552 397 00	Centre Volcano grey Cover	/RL	1	CARRERA I099
9	997 552 397 00 D07 997 552 398 01	Centre Volcano grey Cover	/LL	1	CARRERA S I098
9	997 552 398 01 V04 997 552 398 01	Centre Galvano silver Cover	/LL 11-	1	I098
(9)	997 552 398 01 V04 997 552 397 01	Centre Galvano silver Cover	/RL	1	CARRERA S I099
9	997 552 397 01 V04 997 552 398 04	Centre Galvano silver Cover	/LL	1	I098/803
(9)	997 552 398 04 A35 997 552 397 04	Centre Black Cover	/RL	1	I099/803
9	997 552 397 04 A35 997 552 994 00	Centre Black Cover	/LL	1	IXVP/098
	997 552 994 00 A11	Black			
	997 552 994 00 5X6	Stone grey			
	997 552 994 00 8G2	Sand Beige			
	997 552 994 00 3S9	Sea blue			
	997 552 994 00 9S5	Terracotta			
	997 552 994 00 9V6	Cocoa			
	997 552 994 00 D12	Dark grey/natural			
	997 552 994 00 T12	Brown/natural			
	997 552 994 00 N12	Carrera Red			
	997 552 994 00 B9A	Carrara white	11-		
	997 552 994 00 M5B	Pure Blue	11-		
9	997 552 994 00 6J0 997 552 994 00	Espresso Cover	/LL 10-	1	COUPE S IXVP/098/756
(9)	997 552 994 00 6J0 997 552 994 01	Centre Espresso Cover	/RL	1	IXVP/099
	997 552 994 01 A11	Black			
	997 552 994 01 5X6	Stone grey			
	997 552 994 01 8G2	Sand Beige			
	997 552 994 01 3S9	Sea blue			
	997 552 994 01 9S5	Terracotta			
	997 552 994 01 9V6	Cocoa			
	997 552 994 01 D12	Dark grey/natural			
	997 552 994 01 T12	Brown/natural			
	997 552 994 01 N12	Carrera Red			
	997 552 994 01 B9A	Carrara white	11-		
	997 552 994 01 M5B	Pure Blue	11-		
(9)	997 552 994 01 6J0 997 552 994 01	Espresso Cover	/RL 10-	1	COUPE S IXVP/099/756
(9)	997 552 994 01 6J0 997 552 994 50	Centre Espresso Cover	/LL 10-	1	IXDM/098

Model: 997-09 Model life 2009>>2012

Pos	Part Number	Description	Remark	Qty	Model
(9)	997 552 994 50 G2X 997 552 994 51	Centre Prime coated Cover	/RL 10-	1	IXDM/099
10	997 552 994 51 G2X 997 552 396 01	Centre Prime coated Cover	/LL /L	1	CARRERA I098
(10)	997 552 396 01 D07 997 552 395 01	Volcano grey Cover	/RL /L	1	CARRERA I099
10	997 552 395 01 D07 997 552 396 02	Volcano grey Cover	/LL /L	1	CARRERA S I098
10	997 552 396 02 V04 997 552 396 02	Galvano silver Cover	/LL /L 11-	1	I098
(10)	997 552 396 02 V04 997 552 395 02	Galvano silver Cover	/RL /L	1	CARRERA S I099
10	997 552 395 02 V04 997 552 394 05	Galvano silver Cover	/LL /L	1	I098/803
(10)	997 552 394 05 A35 997 552 393 05	Black Cover	/RL /L	1	I099/803
10	997 552 393 05 A35 997 552 992 00	Black Cover	/LL /L	1	IXVP/098
	997 552 992 00 A11 997 552 992 00 5X6 997 552 992 00 8G2 997 552 992 00 3S9 997 552 992 00 9S5 997 552 992 00 9V6 997 552 992 00 D12 997 552 992 00 T12 997 552 992 00 N12 997 552 992 00 B9A 997 552 992 00 M5B 997 552 992 00 6J0	Black Stone grey Sand Beige Sea blue Terracotta Cocoa Dark grey/natural Brown/natural Carrera Red Carrara white Pure Blue Espresso	11- 11-		
10	997 552 992 00 997 552 992 00 6J0	Cover Espresso	/LL /L 10-	1	COUPE S IXVP/098/756
(10)	997 552 992 01 997 552 992 01 A11 997 552 992 01 5X6 997 552 992 01 8G2 997 552 992 01 3S9 997 552 992 01 9S5 997 552 992 01 9V6 997 552 992 01 D12 997 552 992 01 T12 997 552 992 01 N12 997 552 992 01 B9A 997 552 992 01 M5B 997 552 992 01 6J0	Cover Black Stone grey Sand Beige Sea blue Terracotta Cocoa Dark grey/natural Brown/natural Carrera Red Carrara white Pure Blue Espresso	11- 11-		
10	997 552 992 01 997 552 992 01 6J0	Cover Espresso	/RL /L 10-	1	COUPE S IXVP/099/756
(10)	997 552 992 50 997 552 992 50 G2X	Cover Prime coated	/LL /L 10-	1	IXDM/098
(10)	997 552 992 51 997 552 992 51 G2X	Cover Prime coated	/RL /L 10-	1	IXDM/099
11	997 552 904 00 997 552 904 00 S61	Set Cover Wood Macassar	/LL	1	I098/801

Model: 997-09 Model life 2009>>2012

Pos	Part Number	Description	Remark	Qty	Model
(11)	997 552 903 00	Set Cover Wood	/RL	1	I099/801
12	997 552 903 00 S61	Macassar Retaining bracket for Beverages Support See group 8/09/00		1	
13	997 552 371 00	Air guide Upper part		1	I639/640
	997 552 371 00 A03	Black			
	997 552 371 00 5V7	Stone grey			
	997 552 371 00 5Z1	Sand Beige			
	997 552 371 00 8W7	Sea blue			
(13)	997 552 371 01	Air guide Upper part		1	I639/640/981
	997 552 371 01 A11	Black			
	997 552 371 01 5X6	Stone grey			
	997 552 371 01 8G2	Sand Beige			
	997 552 371 01 3S9	Sea blue			
	997 552 371 01 9S5	Terracotta			
	997 552 371 01 9V6	Cocoa			
	997 552 371 01 D12	Dark grey/natural			
	997 552 371 01 T12	Brown/natural			
	997 552 371 01 N12	Carrera Red			
	997 552 371 01 6J0	Espresso			
(13)	997 552 371 01	Air guide	10-	1	COUPE S I639/640/756 I981
		Upper part			
	997 552 371 01 6J0	Espresso			
14	999 507 920 01	U-clamp 1,7-2,1		4	I639/640
15	997 552 373 01	Support for Air guide Upper part		1	I639/640
16	999 919 167 09	Oval-head screw 3,0 X 10 for Mount Support Air guide		4	
17	997 552 131 05	Side vent	/L -09	1	CARRERA
	997 552 131 05 D07	Volcano grey			
17	997 552 131 07	Side vent	/L 10-	1	CARRERA
	997 552 131 07 D07	Volcano grey			
(17)	997 552 132 05	Side vent	/R -09	1	CARRERA
	997 552 132 05 D07	Volcano grey			
(17)	997 552 132 07	Side vent	/R 10-	1	CARRERA
	997 552 132 07 D07	Volcano grey			
17	997 552 131 06	Side vent	/L -09	1	CARRERA S
	997 552 131 06 V04	Galvano silver			
17	997 552 131 08	Side vent	/L 10-	1	CARRERA S GTS
	997 552 131 08 V04	Galvano silver			
17	997 552 131 08	Side vent	/L 11-	1	I012/013
	997 552 131 08 V04	Galvano silver			
(17)	997 552 132 06	Side vent	/R -09	1	CARRERA S
	997 552 132 06 V04	Galvano silver			
(17)	997 552 132 08	Side vent	/R 10-	1	CARRERA S GTS
	997 552 132 08 V04	Galvano silver			

Model: 997-09 Model life 2009>>2012

Pos	Part Number	Description	Remark	Qty	Model
(17)	997 552 132 08	Side vent	/R 11-	1	I012/013
	997 552 132 08 V04	Galvano silver			
17	997 552 981 00	Side vent	/L	1	IXN3
	997 552 981 00 A11	Black			
	997 552 981 00 5X6	Stone grey			
	997 552 981 00 8G2	Sand Beige			
	997 552 981 00 3S9	Sea blue			
	997 552 981 00 9S5	Terracotta			
	997 552 981 00 9V6	Cocoa			
	997 552 981 00 D12	Dark grey/natural			
	997 552 981 00 T12	Brown/natural			
	997 552 981 00 N12	Carrera Red			
	997 552 981 00 B9A	Carrara white	11-		
	997 552 981 00 M5B	Pure Blue	11-		
	997 552 981 00 6J0	Espresso			
17	997 552 981 00	Side vent	/L 10-	1	COUPE S IXN3/756
	997 552 981 00 6J0	Espresso			
(17)	997 552 982 00	Side vent	/R	1	IXN3
	997 552 982 00 A11	Black			
	997 552 982 00 5X6	Stone grey			
	997 552 982 00 8G2	Sand Beige			
	997 552 982 00 3S9	Sea blue			
	997 552 982 00 9S5	Terracotta			
	997 552 982 00 9V6	Cocoa			
	997 552 982 00 D12	Dark grey/natural			
	997 552 982 00 T12	Brown/natural			
	997 552 982 00 N12	Carrera Red			
	997 552 982 00 B9A	Carrara white	11-		
	997 552 982 00 M5B	Pure Blue	11-		
	997 552 982 00 6J0	Espresso			
(17)	997 552 982 00	Side vent	/R 10-	1	COUPE S IXN3/756
	997 552 982 00 6J0	Espresso			
17	997 552 981 01	Side vent	/L	1	IXKD
	997 552 981 01 A11	Black			
	997 552 981 01 5X6	Stone grey			
	997 552 981 01 8G2	Sand Beige			
	997 552 981 01 3S9	Sea blue			
	997 552 981 01 9S5	Terracotta			
	997 552 981 01 9V6	Cocoa			
	997 552 981 01 D12	Dark grey/natural			
	997 552 981 01 T12	Brown/natural			
	997 552 981 01 N12	Carrera Red			
	997 552 981 01 6J0	Espresso			
(17)	997 552 982 01	Side vent	/R	1	IXKD
	997 552 982 01 A11	Black			
	997 552 982 01 5X6	Stone grey			
	997 552 982 01 8G2	Sand Beige			
	997 552 982 01 3S9	Sea blue			
	997 552 982 01 9S5	Terracotta			
	997 552 982 01 9V6	Cocoa			
	997 552 982 01 D12	Dark grey/natural			
	997 552 982 01 T12	Brown/natural			
	997 552 982 01 N12	Carrera Red			
	997 552 982 01 6J0	Espresso			
17	997 552 981 03	Side vent	/L	1	IXJL
	997 552 981 03 A11	Black			
	997 552 981 03 5X6	Stone grey			
	997 552 981 03 8G2	Sand Beige			
	997 552 981 03 3S9	Sea blue			
	997 552 981 03 9S5	Terracotta			
	997 552 981 03 9V6	Cocoa			

Model: 997-09 Model life 2009>>2012

Pos	Part Number	Description	Remark	Qty	Model
	997 552 981 03 D12	Dark grey/natural			
	997 552 981 03 T12	Brown/natural			
	997 552 981 03 N12	Carrera Red			
	997 552 981 03 6J0	Espresso			
(17)	997 552 982 03	Side vent	/R	1	IXJL
	997 552 982 03 A11	Black			
	997 552 982 03 5X6	Stone grey			
	997 552 982 03 8G2	Sand Beige			
	997 552 982 03 3S9	Sea blue			
	997 552 982 03 9S5	Terracotta			
	997 552 982 03 9V6	Cocoa			
	997 552 982 03 D12	Dark grey/natural			
	997 552 982 03 T12	Brown/natural			
	997 552 982 03 N12	Carrera Red			
	997 552 982 03 6J0	Espresso			
17	997 552 981 04	Side vent	/L	1	IXCN
	997 552 981 04 A11	Black			
	997 552 981 04 5X6	Stone grey			
	997 552 981 04 8G2	Sand Beige			
	997 552 981 04 3S9	Sea blue			
	997 552 981 04 9S5	Terracotta			
	997 552 981 04 9V6	Cocoa			
	997 552 981 04 D12	Dark grey/natural			
	997 552 981 04 T12	Brown/natural			
	997 552 981 04 N12	Carrera Red			
	997 552 981 04 6J0	Espresso			
(17)	997 552 982 04	Side vent	/R	1	IXCN
	997 552 982 04 A11	Black			
	997 552 982 04 5X6	Stone grey			
	997 552 982 04 8G2	Sand Beige			
	997 552 982 04 3S9	Sea blue			
	997 552 982 04 9S5	Terracotta			
	997 552 982 04 9V6	Cocoa			
	997 552 982 04 D12	Dark grey/natural			
	997 552 982 04 T12	Brown/natural			
	997 552 982 04 N12	Carrera Red			
	997 552 982 04 6J0	Espresso			
18	997 552 141 07	Centre nozzle	-09	1	CARRERA
	997 552 141 07 D07	Volcano grey			
18	997 552 141 09	Centre nozzle	10-	1	CARRERA
	997 552 141 09 D07	Volcano grey			
18	997 552 141 08	Centre nozzle	-09	1	CARRERA S
	997 552 141 08 V04	Galvano silver			
18	997 552 141 10	Centre nozzle	10-	1	CARRERA S
	997 552 141 10 V04	Galvano silver			GTS
18	997 552 141 10	Centre nozzle	11-	1	I012/013
	997 552 141 10 V04	Galvano silver			
(18)	997 552 980 05	Centre nozzle		1	IXVM
	997 552 980 05 A11	Black			
	997 552 980 05 5X6	Stone grey			
	997 552 980 05 8G2	Sand Beige			
	997 552 980 05 3S9	Sea blue			
	997 552 980 05 9S5	Terracotta			
	997 552 980 05 9V6	Cocoa			
	997 552 980 05 D12	Dark grey/natural			
	997 552 980 05 T12	Brown/natural			
	997 552 980 05 N12	Carrera Red			
	997 552 980 05 B9A	Carrara white	11-		
	997 552 980 05 M5B	Pure Blue	11-		
	997 552 980 05 6J0	Espresso			
(18)	997 552 980 05	Centre nozzle	10-	1	COUPE S
	997 552 980 05 6J0	Espresso			IXVM/756

Model: 997-09 Model life 2009>>2012

Pos	Part Number	Description	Remark	Qty	Model
(18)	997 552 980 06	Centre nozzle		1	IXZB
	997 552 980 06 A11	Black			
	997 552 980 06 5X6	Stone grey			
	997 552 980 06 8G2	Sand Beige			
	997 552 980 06 3S9	Sea blue			
	997 552 980 06 9S5	Terracotta			
	997 552 980 06 9V6	Cocoa			
	997 552 980 06 D12	Dark grey/natural			
	997 552 980 06 T12	Brown/natural			
	997 552 980 06 N12	Carrera Red			
	997 552 980 06 6J0	Espresso			
(18)	997 552 980 08	Centre nozzle		1	IXJN
	997 552 980 08 A11	Black			
	997 552 980 08 5X6	Stone grey			
	997 552 980 08 8G2	Sand Beige			
	997 552 980 08 3S9	Sea blue			
	997 552 980 08 9S5	Terracotta			
	997 552 980 08 9V6	Cocoa			
	997 552 980 08 D12	Dark grey/natural			
	997 552 980 08 T12	Brown/natural			
	997 552 980 08 N12	Carrera Red			
	997 552 980 08 6J0	Espresso			
(18)	997 552 980 09	Centre nozzle		1	IXCY
	997 552 980 09 A11	Black			
	997 552 980 09 5X6	Stone grey			
	997 552 980 09 8G2	Sand Beige			
	997 552 980 09 3S9	Sea blue			
	997 552 980 09 9S5	Terracotta			
	997 552 980 09 9V6	Cocoa			
	997 552 980 09 D12	Dark grey/natural			
	997 552 980 09 T12	Brown/natural			
	997 552 980 09 N12	Carrera Red			
	997 552 980 09 6J0	Espresso			
19	997 552 455 01	Cover	/L	1	
		Defroster vent			
	997 552 455 01 A03	Black			
	997 552 455 01 5V7	Stone grey			
	997 552 455 01 5Z1	Sand Beige			
	997 552 455 01 8W7	Sea blue			
	997 552 455 01 8X8	Terracotta			
	997 552 455 01 8P9	Cocoa			
	997 552 455 01 T13	Brown/natural			
	997 552 455 01 N23	Carrera Red			
	997 552 455 01 2S8	Espresso			
(19)	997 552 456 01	Cover	/R	1	
		Defroster vent			
	997 552 456 01 A03	Black			
	997 552 456 01 5V7	Stone grey			
	997 552 456 01 5Z1	Sand Beige			
	997 552 456 01 8W7	Sea blue			
	997 552 456 01 8X8	Terracotta			
	997 552 456 01 8P9	Cocoa			
	997 552 456 01 T13	Brown/natural			
	997 552 456 01 N23	Carrera Red			
	997 552 456 01 2S8	Espresso			
20	997 552 315 02	Air guide	/L	1	
		Lateral			
(20)	997 552 316 02	Air guide	/R	1	
		Lateral			
21	997 552 175 01	Defroster trim	/L	1	
	997 552 175 01 A03	Black			
	997 552 175 01 5V7	Stone grey			
	997 552 175 01 5Z1	Sand Beige			

Model: 997-09 Model life 2009>>2012

Pos	Part Number	Description	Remark	Qty	Model
	997 552 175 01 8W7	Sea blue			
	997 552 175 01 8X8	Terracotta			
	997 552 175 01 8P9	Cocoa			
	997 552 175 01 T13	Brown/natural			
	997 552 175 01 N23	Carrera Red			
	997 552 175 01 2S8	Espresso			
(21)	997 552 176 01	Defroster trim	/R	1	
	997 552 176 01 A03	Black			
	997 552 176 01 5V7	Stone grey			
	997 552 176 01 5Z1	Sand Beige			
	997 552 176 01 8W7	Sea blue			
	997 552 176 01 8X8	Terracotta			
	997 552 176 01 8P9	Cocoa			
	997 552 176 01 T13	Brown/natural			
	997 552 176 01 N23	Carrera Red			
	997 552 176 01 2S8	Espresso			
(21)	997 552 983 00	Defroster trim	/L	1	IXV1
	997 552 983 00 A11	Black			
	997 552 983 00 5X6	Stone grey			
	997 552 983 00 8G2	Sand Beige			
	997 552 983 00 3S9	Sea blue			
	997 552 983 00 9S5	Terracotta			
	997 552 983 00 9V6	Cocoa			
	997 552 983 00 D12	Dark grey/natural			
	997 552 983 00 T12	Brown/natural			
	997 552 983 00 N12	Carrera Red			
	997 552 983 00 6J0	Espresso			
(21)	997 552 984 00	Defroster trim	/R	1	IXV1
	997 552 984 00 A11	Black			
	997 552 984 00 5X6	Stone grey			
	997 552 984 00 8G2	Sand Beige			
	997 552 984 00 3S9	Sea blue			
	997 552 984 00 9S5	Terracotta			
	997 552 984 00 9V6	Cocoa			
	997 552 984 00 D12	Dark grey/natural			
	997 552 984 00 T12	Brown/natural			
	997 552 984 00 N12	Carrera Red			
	997 552 984 00 6J0	Espresso			
(21)	997 552 983 50	Defroster trim	/L 10-	1	COUPE S IXV1/756
	997 552 983 50 6J0	Espresso			
(21)	997 552 984 50	Defroster trim	/R 10-	1	COUPE S IXV1/756
	997 552 984 50 6J0	Espresso			
(21)	997 552 983 50	Defroster trim	/L 11-	1	Speedster IXV1/503
	997 552 983 50 A11	Black			
(21)	997 552 984 50	Defroster trim	/R 11-	1	Speedster IXV1/503
	997 552 984 50 A11	Black			
22	999 591 307 01	U-clamp Mount		2	
		Defroster trim			
23	997 552 351 01	Cover Centre		1	
	997 552 351 01 A03	Black			
	997 552 351 01 5V7	Stone grey			
	997 552 351 01 5Z1	Sand Beige			
	997 552 351 01 8W7	Sea blue			
	997 552 351 01 8X8	Terracotta			
	997 552 351 01 8P9	Cocoa			
	997 552 351 01 T13	Brown/natural			
	997 552 351 01 N23	Carrera Red			

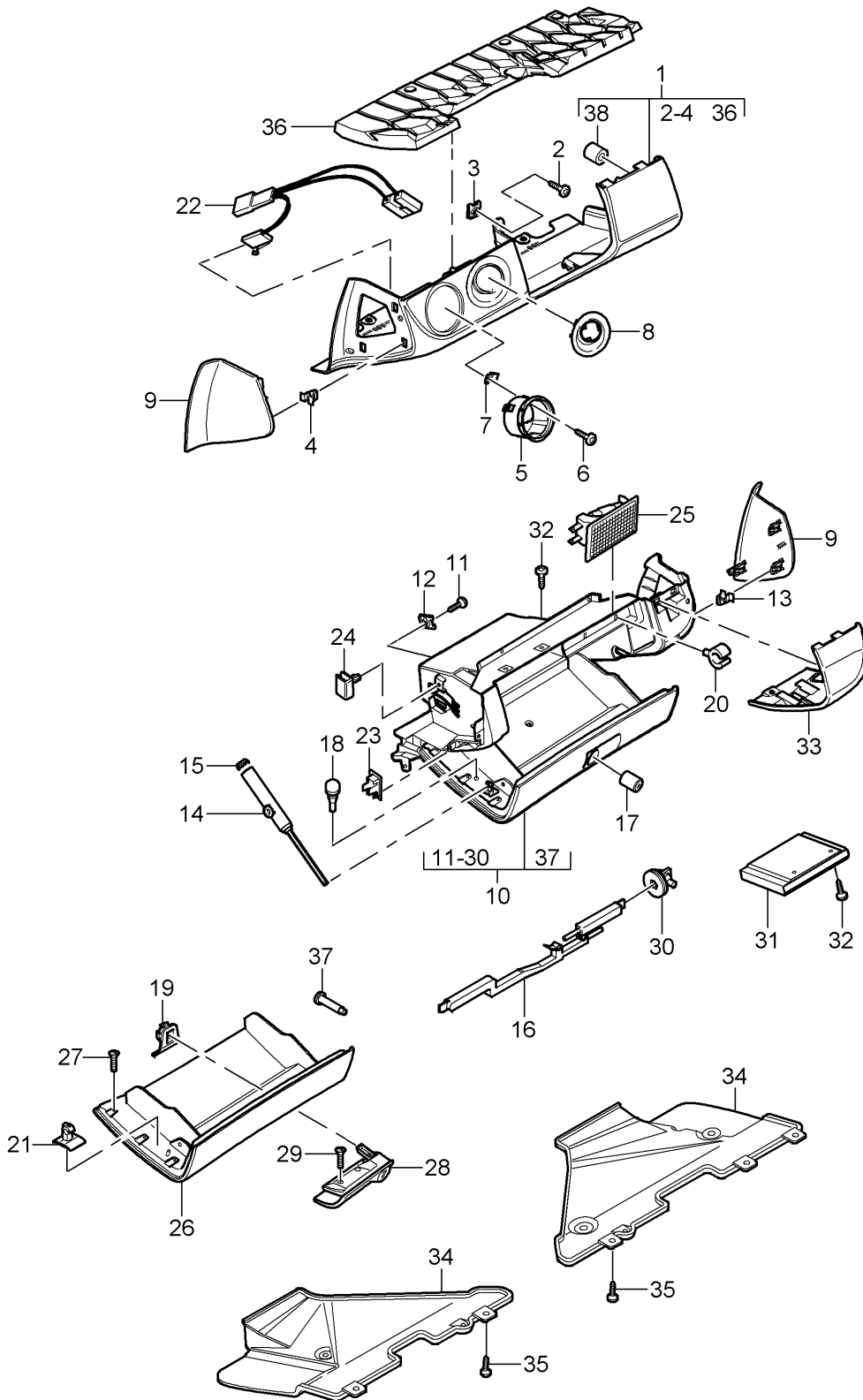
Model: 997-09

Model life 2009>>2012

Pos	Part Number	Description	Remark	Qty	Model
(23)	997 552 351 01 2S8	Espresso			
	997 552 985 00	Cover		1	IXV1
		Centre			
	997 552 985 00 A11	Black			
	997 552 985 00 5X6	Stone grey			
	997 552 985 00 8G2	Sand Beige			
	997 552 985 00 3S9	Sea blue			
	997 552 985 00 9S5	Terracotta			
	997 552 985 00 9V6	Cocoa			
	997 552 985 00 D12	Dark grey/natural			
	997 552 985 00 T12	Brown/natural			
	997 552 985 00 N12	Carrera Red			
(23)	997 552 985 00 6J0	Espresso			
	997 552 985 50	Cover	10-	1	COUPE S IXV1/756
		Centre			
(23)	997 552 985 50 6J0	Espresso			
	997 552 985 50	Cover	11-	1	Speedster IXV1/503
		Centre			
24	997 552 985 50 TSB	Black/black			
	997 552 645 00	Gasket		1	
		Cowl			

Model: 997-09

Model life 2009>>2012



Model: 997-09 Model life 2009>>2012

Pos	Part Number	Description	Remark	Qty	Model
1	997 552 201 02	Glove compartment Lid And Lining Driver's side	/LL	1	I098
		Leatherette			
	997 552 201 02 1MZ	Black			
	997 552 201 02 1YP	Stone grey			
	997 552 201 02 1TK	Sand Beige			
	997 552 201 02 1VM	Sea blue			
(1)	997 552 202 02	Lining	/RL	1	I099
		Leatherette			
	997 552 202 02 1MZ	Black			
	997 552 202 02 1YP	Stone grey			
	997 552 202 02 1TK	Sand Beige			
	997 552 202 02 1VM	Sea blue			
1	997 552 201 03	Lining	/LL	1	I098/981
		Leather			
	997 552 201 03 A11	Black			
	997 552 201 03 5X6	Stone grey			
	997 552 201 03 8G2	Sand Beige			
	997 552 201 03 3S9	Sea blue			
	997 552 201 03 9S5	Terracotta			
	997 552 201 03 9V6	Cocoa			
	997 552 201 03 D12	Dark grey/natural			
	997 552 201 03 T12	Brown/natural			
	997 552 201 03 N12	Carrera Red			
	997 552 201 03 6J0	Espresso			
1	997 552 201 03	Lining	/LL 10-	1	COUPE S I098/756/981
		Leather			
	997 552 201 03 6J0	Espresso			
(1)	997 552 202 03	Lining	/RL	1	I099/981
		Leather			
	997 552 202 03 A11	Black			
	997 552 202 03 5X6	Stone grey			
	997 552 202 03 8G2	Sand Beige			
	997 552 202 03 3S9	Sea blue			
	997 552 202 03 9S5	Terracotta			
	997 552 202 03 9V6	Cocoa			
	997 552 202 03 D12	Dark grey/natural			
	997 552 202 03 T12	Brown/natural			
	997 552 202 03 N12	Carrera Red			
	997 552 202 03 6J0	Espresso			
(1)	997 552 202 03	Lining	/RL 10-	1	COUPE S I099/756/981
		Leather			
	997 552 202 03 6J0	Espresso			
(1)	997 552 201 91	Lining	/LL 11-	1	I098/975/981
	997 552 201 91 A14	Black			
(1)	997 552 202 90	Lining	/RL 11-	1	I099/975/981
	997 552 202 90 A14	Black			
2	999 073 155 09	Tapping screw 4,2 X 13 for Mount		8	
		Lining			
3	999 507 971 01	Speed nut 4,2 for Mount Lining		8	

Model: 997-09 Model life 2009>>2012

Pos	Part Number	Description	Remark	Qty	Model
4	999 507 732 01	Clamp 8 X 12/ 4 for Mount		7	
5	997 552 427 01	Lining Cover Light switch		1	
	997 552 427 01 A03	Black			
	997 552 427 01 5V7	Stone grey			
	997 552 427 01 5Z1	Sand Beige			
	997 552 427 01 8W7	Sea blue			
	997 552 427 01 8X8	Terracotta			
	997 552 427 01 8P9	Cocoa			
	997 552 427 01 T13	Brown/natural			
	997 552 427 01 N23	Carrera Red			
	997 552 427 01 2S8	Espresso			
5	997 552 427 01	Cover	10-	1	COUPE S I756
		Light switch			
	997 552 427 01 3T0	Espresso			
6	999 073 155 09	Tapping screw 4,2 X 13 for Mount Cover		3	
		Light switch			
7	999 507 971 01	Speed nut 4,2 for Mount Cover		3	
		Light switch			
8	997 552 425 01	Cover Ignition starter lock	/LL	1	I098
	997 552 425 01 A03	Black			
	997 552 425 01 5V7	Stone grey			
	997 552 425 01 5Z1	Sand Beige			
	997 552 425 01 8W7	Sea blue			
	997 552 425 01 8X8	Terracotta			
	997 552 425 01 8P9	Cocoa			
	997 552 425 01 T13	Brown/natural			
	997 552 425 01 N23	Carrera Red			
	997 552 425 01 2S8	Espresso			
(8)	997 552 426 01	Cover Ignition starter lock	/RL	1	I099
	997 552 426 01 A03	Black			
	997 552 426 01 5V7	Stone grey			
	997 552 426 01 5Z1	Sand Beige			
	997 552 426 01 8W7	Sea blue			
	997 552 426 01 8X8	Terracotta			
	997 552 426 01 8P9	Cocoa			
	997 552 426 01 T13	Brown/natural			
	997 552 426 01 N23	Carrera Red			
	997 552 426 01 2S8	Espresso			
(8)	997 552 998 00	Cover Ignition starter lock Leather	/LL 09-	1	IXDS/098
	997 552 998 00 A11	Black			
	997 552 998 00 5X6	Stone grey			
	997 552 998 00 8G2	Sand Beige			
	997 552 998 00 3S9	Sea blue			
	997 552 998 00 9S5	Terracotta			
	997 552 998 00 9V6	Cocoa			

Model: 997-09 Model life 2009>>2012

Pos	Part Number	Description	Remark	Qty	Model	
(8)	997 552 998 00 D12	Dark grey/natural				
	997 552 998 00 T12	Brown/natural				
	997 552 998 00 N12	Carrera Red				
	997 552 998 00 6J0	Espresso				
	997 552 999 00	Cover	/RL 09-	1	IXDS/099	
		Ignition starter lock				
		Leather				
	997 552 999 00 A11	Black				
	997 552 999 00 5X6	Stone grey				
	997 552 999 00 8G2	Sand Beige				
	997 552 999 00 3S9	Sea blue				
	997 552 999 00 9S5	Terracotta				
	997 552 999 00 9V6	Cocoa				
	997 552 999 00 D12	Dark grey/natural				
	997 552 999 00 T12	Brown/natural				
	997 552 999 00 N12	Carrera Red				
997 552 999 00 6J0	Espresso					
9	997 552 405 02	Cover	/L	1		
	997 552 405 02 A03	Black				
	997 552 405 02 5V7	Stone grey				
	997 552 405 02 5Z1	Sand Beige				
	997 552 405 02 8W7	Sea blue				
	997 552 405 02 8X8	Terracotta				
	997 552 405 02 8P9	Cocoa				
	997 552 405 02 T13	Brown/natural				
	997 552 405 02 N23	Carrera Red				
	997 552 405 02 2S8	Espresso				
	(9)	997 552 406 02	Cover	/R	1	
		997 552 406 02 A03	Black			
		997 552 406 02 5V7	Stone grey			
		997 552 406 02 5Z1	Sand Beige			
		997 552 406 02 8W7	Sea blue			
		997 552 406 02 8X8	Terracotta			
997 552 406 02 8P9		Cocoa				
997 552 406 02 T13		Brown/natural				
997 552 406 02 N23		Carrera Red				
997 552 406 02 2S8		Espresso				
(9)		997 552 996 01	Cover	/L 09-	1	IXDV
			Leather			
		997 552 996 01 A11	Black			
		997 552 996 01 5X6	Stone grey			
		997 552 996 01 8G2	Sand Beige			
		997 552 996 01 3S9	Sea blue			
	997 552 996 01 9S5	Terracotta				
	997 552 996 01 9V6	Cocoa				
	997 552 996 01 D12	Dark grey/natural				
	997 552 996 01 T12	Brown/natural				
	997 552 996 01 N12	Carrera Red				
	997 552 996 01 6J0	Espresso				
	(9)	997 552 996 02	Cover	/R 09-	1	IXDV
			Leather			
		997 552 996 02 A11	Black			
		997 552 996 02 5X6	Stone grey			
997 552 996 02 8G2		Sand Beige				
997 552 996 02 3S9		Sea blue				
997 552 996 02 9S5		Terracotta				
997 552 996 02 9V6		Cocoa				
997 552 996 02 D12		Dark grey/natural				
997 552 996 02 T12		Brown/natural				
997 552 996 02 N12		Carrera Red				
997 552 996 02 6J0		Espresso				
10		997 552 204 06	Glove compartment	/LL	1	I098
			Leatherette			

Model: 997-09 Model life 2009>>2012

Pos	Part Number	Description	Remark	Qty	Model
		Complete			
	997 552 204 06 1MZ	Black			
	997 552 204 06 1YP	Stone grey			
	997 552 204 06 1TK	Sand Beige			
	997 552 204 06 1VM	Sea blue			
(10)	997 552 203 06	Glove compartment Leatherette Complete	/RL	1	I099
	997 552 203 06 1MZ	Black			
	997 552 203 06 1YP	Stone grey			
	997 552 203 06 1TK	Sand Beige			
	997 552 203 06 1VM	Sea blue			
10	997 552 204 07	Glove compartment Leather Complete	/LL	1	I098/981
	997 552 204 07 A11	Black			
	997 552 204 07 5X6	Stone grey			
	997 552 204 07 8G2	Sand Beige			
	997 552 204 07 3S9	Sea blue			
	997 552 204 07 9S5	Terracotta			
	997 552 204 07 9V6	Cocoa			
	997 552 204 07 D12	Dark grey/natural			
	997 552 204 07 T12	Brown/natural			
	997 552 204 07 N12	Carrera Red			
	997 552 204 07 6J0	Espresso			
(10)	997 552 203 07	Glove compartment Leather Complete	/RL	1	I099/981
	997 552 203 07 A11	Black			
	997 552 203 07 5X6	Stone grey			
	997 552 203 07 8G2	Sand Beige			
	997 552 203 07 3S9	Sea blue			
	997 552 203 07 9S5	Terracotta			
	997 552 203 07 9V6	Cocoa			
	997 552 203 07 D12	Dark grey/natural			
	997 552 203 07 T12	Brown/natural			
	997 552 203 07 N12	Carrera Red			
	997 552 203 07 6J0	Espresso			
(10)	997 552 204 08	Glove compartment Leather Complete	/LL 10-	1	I098/756/981
	997 552 204 08 6J0	Espresso			
(10)	997 552 203 08	Glove compartment Leather Complete	/RL 10-	1	I099/756/981
	997 552 203 08 6J0	Espresso			
(10)	997 552 204 08	Glove compartment Leather Complete	/LL 11-	1	Speedster I098/503/981
	997 552 204 08 A11	Black			
(10)	997 552 203 08	Glove compartment Leather Complete	/RL 11-	1	Speedster I099/503/981
	997 552 203 08 A11	Black			
(10)	987 552 204 04	Glove compartment Leatherette Complete	/LL 11-	1	I013/098
	987 552 204 04 1MZ	Black			
(10)	987 552 203 07	Glove compartment Leatherette Complete	/RL 11-	1	I013/099

Model: 997-09 Model life 2009>>2012

Pos	Part Number	Description	Remark	Qty	Model
(10)	987 552 203 07 1MZ 987 552 204 06	Black Glove compartment	/LL 11-	1	I012/013/098 I981
(10)	987 552 204 06 A11 987 552 203 06	Leather Complete Black Glove compartment	/RL 11-	1	I012/013/099 I981
(10)	987 552 203 06 A11 997 552 204 90	Complete Leather Black Glove compartment	/LL 11-	1	I098/975/981
(10)	997 552 204 90 A14 997 552 203 90	Alcantara Complete Black Glove compartment	/RL 11-	1	I099/975/981
11	997 552 203 90 A14 999 073 155 09	Black Tapping screw 4,2 X 13 for Mount		X	
12	999 507 971 01	Glove compartment Speed nut 4,2 for Mount		X	
13	999 507 732 01	Glove compartment Clamp 8 X 12 /4 for Mount		X	
14	997 552 484 01	Glove compartment Damper		1	
15	997 552 612 00	Glove compartment Cover Damper		1	
16	997 552 410 01	Release Glove compartment	/LL	1	I098
(16)	997 552 409 01	Release Glove compartment	/RL	1	I099
17	996 552 915 01	Lock cylinder Glove compartment Vehicle Ident. No. Indicate		1	
18	999 703 068 40	Buffer 3,7 x 10,3 Glove compartment		2	
19	997 552 509 02	Mounting Closing element	/LL /L	1	I098
(19)	997 552 510 02	Mounting Closing element	/LL /R	1	I098
(19)	997 552 509 03	Mounting Closing element	/RL /L	1	I099
(19)	997 552 510 03	Mounting Closing element	/RL /R	1	I099
20	996 552 813 00	Support Pin		2	
21	996 552 879 00	Adapter for Damper		2	
22	997 612 651 00	Wiring harness		1	

Model: 997-09 Model life 2009>>2012

Pos	Part Number	Description	Remark	Qty	Model
23	999 650 564 40	Glove compartment light Clip for Wiring harness		1	
24	999 650 565 40	Microswitch Clip for Wiring harness		1	
25	997 632 071 00	Glove compartment light		1	
26	997 552 252 02	Glove compartment cover Leatherette	/LL	1	I098
	997 552 252 02 1MZ	Black			
	997 552 252 02 1YP	Stone grey			
	997 552 252 02 1TK	Sand Beige			
	997 552 252 02 1VM	Sea blue			
(26)	997 552 251 02	Glove compartment cover Leatherette	/RL	1	I099
	997 552 251 02 1MZ	Black			
	997 552 251 02 1YP	Stone grey			
	997 552 251 02 1TK	Sand Beige			
	997 552 251 02 1VM	Sea blue			
26	997 552 252 03	Glove compartment cover Leather	/LL	1	I098/981
	997 552 252 03 A11	Black			
	997 552 252 03 5X6	Stone grey			
	997 552 252 03 8G2	Sand Beige			
	997 552 252 03 3S9	Sea blue			
	997 552 252 03 9S5	Terracotta			
	997 552 252 03 9V6	Cocoa			
	997 552 252 03 D12	Dark grey/natural			
	997 552 252 03 T12	Brown/natural			
	997 552 252 03 N12	Carrera Red			
	997 552 252 03 6J0	Espresso			
(26)	997 552 251 03	Glove compartment cover Leather	/RL	1	I099/981
	997 552 251 03 A11	Black			
	997 552 251 03 5X6	Stone grey			
	997 552 251 03 8G2	Sand Beige			
	997 552 251 03 3S9	Sea blue			
	997 552 251 03 9S5	Terracotta			
	997 552 251 03 9V6	Cocoa			
	997 552 251 03 D12	Dark grey/natural			
	997 552 251 03 T12	Brown/natural			
	997 552 251 03 N12	Carrera Red			
	997 552 251 03 6J0	Espresso			
(26)	987 552 252 03	Glove compartment cover Leather	/LL 10-	1	COUPE S I098/756/981
	987 552 252 03 6J0	Espresso			
(26)	987 552 251 02	Glove compartment cover Leather	/RL 10-	1	COUPE S I099/756/981
	987 552 251 02 6J0	Espresso			
(26)	987 552 252 01	Glove compartment cover Leatherette	/LL 11-	1	I013/098
	987 552 252 01 1MZ	Black			
(26)	987 552 251 03	Glove compartment cover Leatherette	/RL 11-	1	I013/099
	987 552 251 03 1MZ	Black			
(26)	987 552 252 03	Glove compartment cover Leather	/LL 11-	1	I012/013/098 I503/981
	987 552 252 03 A11	Black			

Model: 997-09 Model life 2009>>2012

Pos	Part Number	Description	Remark	Qty	Model
(26)	987 552 251 02	Glove compartment cover	/RL 11-	1	I013/099/503 I981
		Leather			
	987 552 251 02 A11	Black			
(26)	997 552 252 90	Glove compartment cover	/LL 11-	1	I098/975/981
	997 552 252 90 A14	Black			
(26)	997 552 251 90	Glove compartment cover	/RL 11-	1	I099/975/981
	997 552 251 90 A14	Black			
27	999 073 249 07	Tapping screw 3.5 X 12 for Mount		11	
28	997 552 362 01	Glove compartment cover Handle Complete	/LL	1	I098
	997 552 362 01 A03	Black			
	997 552 362 01 5V7	Stone grey			
	997 552 362 01 5Z1	Sand Beige			
	997 552 362 01 8W7	Sea blue			
	997 552 362 01 8X8	Terracotta			
	997 552 362 01 8P9	Cocoa			
	997 552 362 01 T13	Brown/natural			
	997 552 362 01 N23	Carrera Red			
	997 552 362 01 2S8	Espresso			
28	997 552 362 01	Handle Complete	/LL 10-	1	COUPE S I098/756
	997 552 362 01 3T0	Espresso			
(28)	997 552 361 01	Handle Complete	/RL	1	I099
	997 552 361 01 A03	Black			
	997 552 361 01 5V7	Stone grey			
	997 552 361 01 5Z1	Sand Beige			
	997 552 361 01 8W7	Sea blue			
	997 552 361 01 8X8	Terracotta			
	997 552 361 01 8P9	Cocoa			
	997 552 361 01 T13	Brown/natural			
	997 552 361 01 N23	Carrera Red			
	997 552 361 01 2S8	Espresso			
28	997 552 361 01	Handle Complete	/RL 10-	1	COUPE S I099/756
	997 552 361 01 3T0	Espresso			
29	999 073 240 01	Screw M 4 X 10 for Mount Handle		2	
30	997 552 448 00	Stop		1	
31	997 552 663 00	Box for cds		1	I424
32	999 073 240 01	Screw M 4 X 10 for Mount Box for cds		2	
33	997 552 256 02	Cover Passenger's side Leatherette	/LL	1	I098
	997 552 256 02 1MZ	Black			
	997 552 256 02 1YP	Stone grey			
	997 552 256 02 1TK	Sand Beige			
	997 552 256 02 1VM	Sea blue			
(33)	997 552 255 02	Cover	/RL	1	I099

Model: 997-09 Model life 2009>>2012

Pos	Part Number	Description	Remark	Qty	Model
		Passenger's side Leatherette			
	997 552 255 02 1MZ	Black			
	997 552 255 02 1YP	Stone grey			
	997 552 255 02 1TK	Sand Beige			
	997 552 255 02 1VM	Sea blue			
33	997 552 256 03	Cover	/LL	1	I098/981
		Passenger's side Leather			
	997 552 256 03 A11	Black			
	997 552 256 03 5X6	Stone grey			
	997 552 256 03 8G2	Sand Beige			
	997 552 256 03 3S9	Sea blue			
	997 552 256 03 9S5	Terracotta			
	997 552 256 03 9V6	Cocoa			
	997 552 256 03 D12	Dark grey/natural			
	997 552 256 03 T12	Brown/natural			
	997 552 256 03 N12	Carrera Red			
	997 552 256 03 6J0	Espresso			
33	997 552 256 03	Cover	/LL 10-	1	COUPE S I098/756/981
		Passenger's side Leather			
	997 552 256 03 6J0	Espresso			
(33)	997 552 255 03	Cover	/RL	1	I099/981
		Passenger's side Leather			
	997 552 255 03 A11	Black			
	997 552 255 03 5X6	Stone grey			
	997 552 255 03 8G2	Sand Beige			
	997 552 255 03 3S9	Sea blue			
	997 552 255 03 9S5	Terracotta			
	997 552 255 03 9V6	Cocoa			
	997 552 255 03 D12	Dark grey/natural			
	997 552 255 03 T12	Brown/natural			
	997 552 255 03 N12	Carrera Red			
	997 552 255 03 6J0	Espresso			
33	997 552 255 03	Cover	/RL 10-	1	COUPE S I099/756/981
		Passenger's side Leather			
	997 552 255 03 6J0	Espresso			
(33)	997 552 256 90	Cover	/LL 11-	1	I098/975/981
		Passenger's side			
(33)	997 552 256 90 A14	Black			
(33)	997 552 255 90	Cover	/RL 11-	1	I099/975/981
		Passenger's side			
	997 552 255 90 A14	Black			
34	997 552 414 01	Lining Footwell	/LL	1	I098
		Passenger's side			
(34)	997 552 413 01	Lining Footwell	/RL	1	I099
		Passenger's side			
35	1H0 819 943	Screw for Mount Lining Footwell		X	
36	997 552 451 01	Insert	/LL	1	I098
36	997 552 452 01	Insert	/RL	1	I099
37	997 552 649 01	Hinge bolt Glove compartment		2	

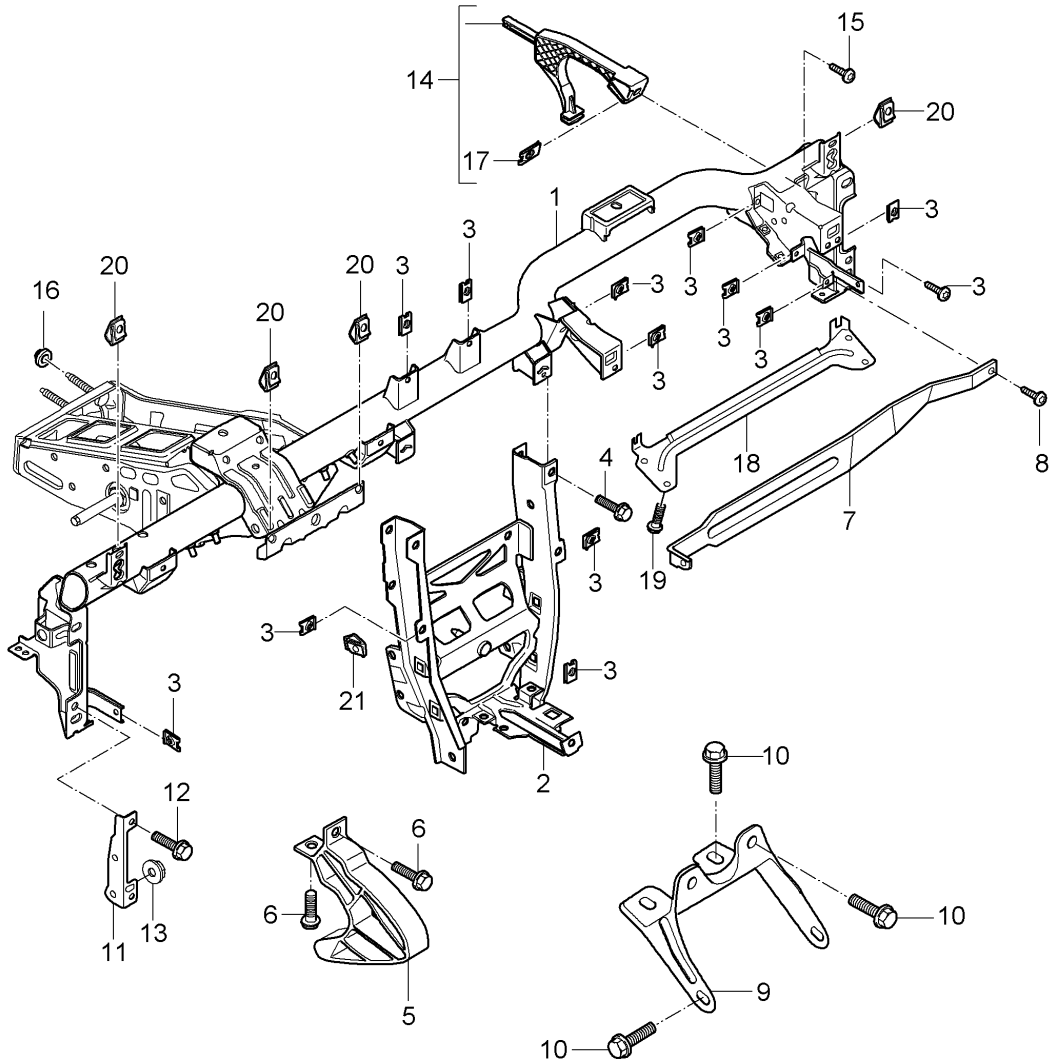
Model: 997-09

Model life 2009>>2012

Pos	Part Number	Description	Remark	Qty	Model
38	997 552 821 00	Grommet		3	
39	997 552 783 02	Badge	11-	1	Carrera I012
		Special model Vehicle Ident. No. Indicate			
39	997 552 783 00	Badge	11-	1	Carrera I013
		Special model Vehicle Ident. No. Indicate			

Model: 997-09

Model life 2009>>2012



Model: 997-09

Model life 2009>>2012

Pos	Part Number	Description	Remark	Qty	Model
		Retaining frame Dashboard			
1	997 552 063 08	Retaining frame	/LL	1	I098
(1)	997 552 063 07	Retaining frame	/RL	1	I099
2	997 552 163 05	Support Tunnel	/LL	1	I098
(2)	997 552 163 06	Support Tunnel	/RL	1	I099
3	999 507 020 01	Speed nut ST 4,2		X	
4	900 378 305 01	Hexagon-head bolt M 8 X 65 for Mount Support		2	
9	997 552 515 01	Support Tunnel		1	
10	999 073 442 01	Screw M 6 X 25 for Mount Support Tunnel		X	
11	997 552 407 01	Support A-pillar	/L	1	
(11)	997 552 408 01	Support A-pillar	/R	1	
12	900 378 176 01	Hexagon-head bolt M 8 X 20 for Mount Support A-pillar		4	
13	999 084 630 09	Hexagon nut M 8 for Mount Support A-pillar		4	
14	997 552 401 00	Support Heating		1	
15	999 073 155 09	Tapping screw ST 4,2 X 13 for Mount Support Heating		1	
16	997 423 299 01	Nut for Adjustment Retaining frame Firewall		2	
17	999 507 971 01	Speed nut ST 4,2 for Mount Support Heating		1	
18	997 552 603 01	Reinforcement plate Support Airbag		1	
19	900 378 222 09	Hexagon-head bolt M 6 X 16		4	

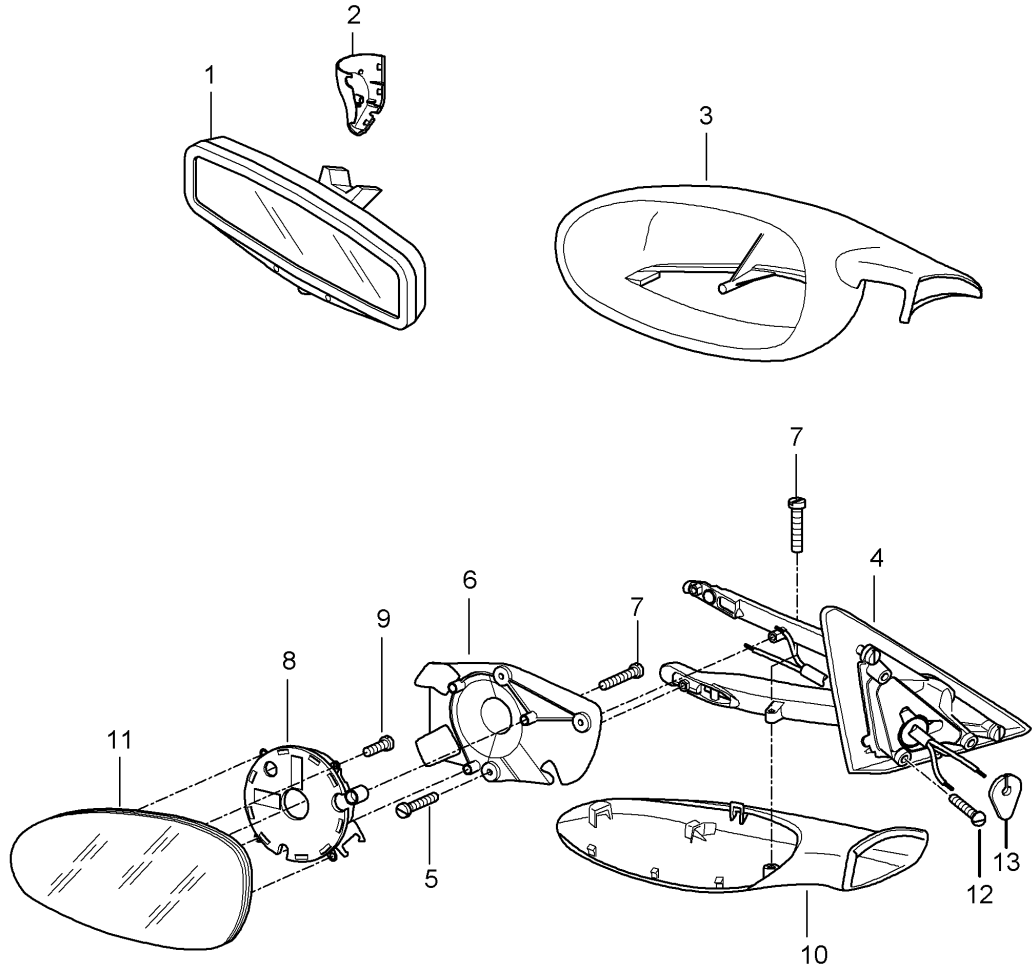
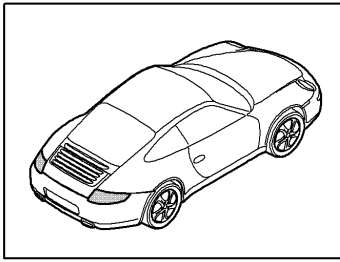
Model: 997-09

Model life 2009>>2012

Pos	Part Number	Description	Remark	Qty	Model
20	999 591 850 01	Speed nut ST 4,2		X	
21	999 591 951 03	Speed nut ST 4,2		2	

Model: 997-09

Model life 2009>>2012



Model: 997-09 Model life 2009>>2012

Pos	Part Number	Description	Remark	Qty	Model
1	997 731 511 05	Interior mirror		1	I267
(1)	997 731 511 02	Door mirror		1	
	997 731 511 02 01C	Interior mirror			
		Satin black			
(1)	997 731 993 00	Interior mirror		1	IXVW/267
		Automatic			
		Leather			
	997 731 993 00 A11	Black			
	997 731 993 00 D12	Dark grey			
	997 731 993 00 N12	Carrera Red			
	997 731 993 00 T12	Natural brown			
	997 731 993 00 3S9	Sea blue			
	997 731 993 00 5X6	Stone grey			
	997 731 993 00 6J0	Espresso			
	997 731 993 00 7J0	Luxor Beige			
	997 731 993 00 8G2	Sand Beige			
	997 731 993 00 9S5	Terracotta			
	997 731 993 00 9V6	Cocoa			
(1)	997 731 993 01	Interior mirror		1	-I267/IXVW
		Manually			
		Leather			
	997 731 993 01 A11	Black			
	997 731 993 01 D12	Dark grey			
	997 731 993 01 N12	Carrera Red			
	997 731 993 01 T12	Natural brown			
	997 731 993 01 3S9	Sea blue			
	997 731 993 01 5X6	Stone grey			
	997 731 993 01 6J0	Espresso			
	997 731 993 01 7J0	Luxor Beige			
	997 731 993 01 8G2	Sand Beige			
	997 731 993 01 9S5	Terracotta			
	997 731 993 01 9V6	Cocoa			
(1)	987 731 993 00	Interior mirror		1	Speedster IXVW/267/503
		Automatic			
		Leather			
	987 731 993 00 A11	Black			
2	997 731 811 00	Cover	/L	1	I574
	997 731 811 00 01C	Interior mirror			
(2)	997 731 997 00	Cover	/L	1	IXVW
		Interior mirror			
		Leather			
	997 731 997 00 A11	Black			
	997 731 997 00 D12	Dark grey			
	997 731 997 00 N12	Carrera Red			
	997 731 997 00 T12	Natural brown			
	997 731 997 00 3S9	Sea blue			
	997 731 997 00 5X6	Stone grey			
	997 731 997 00 6J0	Espresso			
	997 731 997 00 7J0	Luxor Beige			
	997 731 997 00 8G2	Sand Beige			
	997 731 997 00 9S5	Terracotta			
	997 731 997 00 9V6	Cocoa			
(2)	997 731 812 00	Cover	/R	1	I574
		Interior mirror			
(2)	997 731 812 00 01C	Satin black			
	997 731 997 01	Cover	/R	1	IXVW
		Interior mirror			
		Leather			
	997 731 997 01 A11	Black			
	997 731 997 01 D12	Dark grey			

Model: 997-09 Model life 2009>>2012

Pos	Part Number	Description	Remark	Qty	Model
	997 731 997 01 N12	Carrera Red			
	997 731 997 01 T12	Natural brown			
	997 731 997 01 3S9	Sea blue			
	997 731 997 01 5X6	Stone grey			
	997 731 997 01 6J0	Espresso			
	997 731 997 01 7J0	Luxor Beige			
	997 731 997 01 8G2	Sand Beige			
	997 731 997 01 9S5	Terracotta			
	997 731 997 01 9V6	Cocoa			
3	997 731 619 02	Housing	/L	1	
	997 731 619 02 G2L	Prime coated			
(3)	997 731 620 02	Housing	/R	1	
	997 731 620 02 G2L	Prime coated			
-	000 043 110 17	Velour		1	
		Gasket			
4	997 731 219 00	Mirror base	/LL /L	1	-I267/-I537 I098
	997 731 219 00 G2L	Prime coated Including Wiring harness			
(4)	997 731 220 00	Mirror base	/LL /R	1	-I267/-I537 I098
	997 731 220 00 G2L	Door mirror Prime coated Including Wiring harness			
(4)	997 731 219 01	Mirror base	/LL /L	1	-I267/I098 I537
	997 731 219 01 G2L	Door mirror Prime coated Including Wiring harness			
(4)	997 731 220 01	Mirror base	/LL /R	1	-I267/I098 I537
	997 731 220 01 G2L	Door mirror Prime coated Including Wiring harness			
(4)	997 731 219 02	Mirror base	/LL /L	1	-I537/I098 I267
	997 731 219 02 G2L	Door mirror Prime coated Including Wiring harness			
(4)	997 731 220 02	Mirror base	/LL /R	1	-I537/I098 I267
	997 731 220 02 G2L	Door mirror Prime coated Including Wiring harness			
(4)	997 731 219 03	Mirror base	/LL /L	1	I098/267/537
	997 731 219 03 G2L	Door mirror Prime coated Including Wiring harness			
(4)	997 731 220 03	Mirror base	/LL /R	1	I098/267/537
	997 731 220 03 G2L	Door mirror Prime coated Including Wiring harness			
(4)	997 731 219 04	Mirror base	/RL /L	1	-I267/-I537 I099
		Door mirror			

Model: 997-09 Model life 2009>>2012

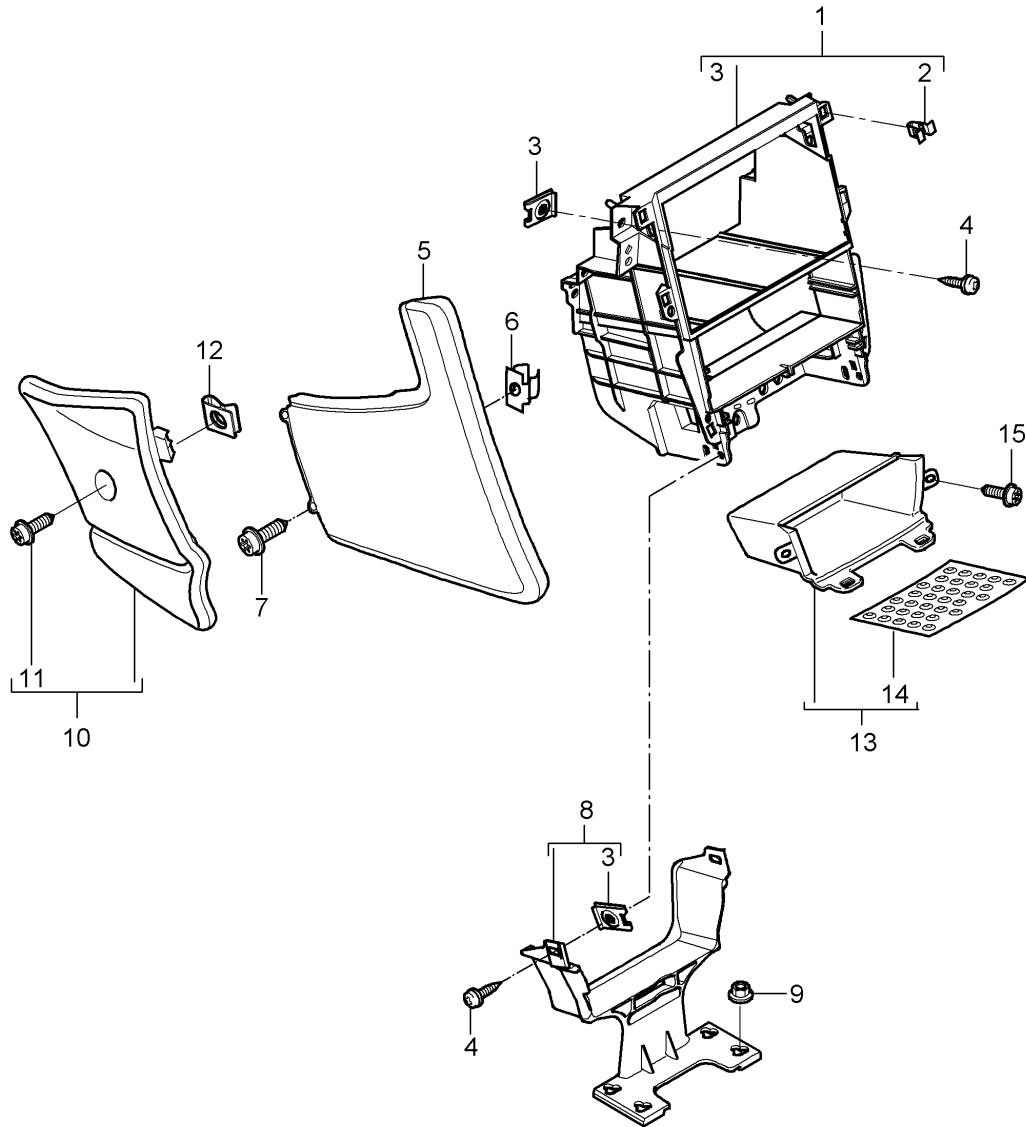
Pos	Part Number	Description	Remark	Qty	Model
	997 731 219 04 G2L	Prime coated			
(4)	997 731 220 04	Including Wiring harness Mirror base	/RL /R	1	-I267/-I537 I099
	997 731 220 04 G2L	Door mirror Prime coated			
(4)	997 731 219 05	Including Wiring harness Mirror base	/RL /L	1	-I267/I099 I538
	997 731 219 05 G2L	Door mirror Prime coated			
(4)	997 731 220 05	Including Wiring harness Mirror base	/RL /R	1	-I267/I099 I538
	997 731 220 05 G2L	Door mirror Prime coated			
(4)	997 731 219 06	Including Wiring harness Mirror base	/RL /L	1	-I537/I099 I267
	997 731 219 06 G2L	Door mirror Prime coated			
(4)	997 731 220 06	Including Wiring harness Mirror base	/RL /R	1	-I537/I099 I267
	997 731 220 06 G2L	Door mirror Prime coated			
(4)	997 731 219 07	Including Wiring harness Mirror base	/RL /L	1	I099/267/538
	997 731 219 07 G2L	Door mirror Prime coated			
(4)	997 731 220 07	Including Wiring harness Mirror base	/RL /R	1	I099/267/538
	997 731 220 07 G2L	Door mirror Prime coated			
5	999 919 024 09	Oval-head screw 3,0 X 12		3	
6	997 731 519 00	Plate	/L	1	
(6)	997 731 520 00	Door mirror Plate	/R	1	
7	999 141 043 02	Oval-head screw M 3 X 14		4	
8	997 624 047 00	Adjusting motor		2	
8	997 624 047 01	Adjusting motor		2	
8	7PP 959 578 D	Adjusting motor		2	-I537/-I538
(8)	997 624 048 00	Door mirror Adjusting motor		2	I537/538
(8)	997 624 048 01	Adjusting motor		2	I537/538
9	999 141 043 02	Oval-head screw M 3,0 X 14		3	
10	997 731 719 02	Cover	/L	1	-IXUZ
	997 731 719 02 G2L	Lower Prime coated			
(10)	997 731 720 02	Cover	/R	1	-IXUZ

Model: 997-09 Model life 2009>>2012

Pos	Part Number	Description	Remark	Qty	Model
(10)	997 731 720 02 G2L 997 731 995 01	Lower Prime coated Cover	/L	1	IXUZ
(10)	997 731 995 02	Lower Aluminium look Cover	/R	1	IXUZ
11	997 731 035 06	Lower Aluminium look Mirror glass	/LL /L	1	I098/270
(11)	997 731 035 08	Mirror glass Plane	/LL /L	1	I098/267/270
(11)	997 731 035 07	Mirror glass Aspherical	/LL /L	1	I098/271
(11)	997 731 035 09	Mirror glass Aspherical	/LL /L	1	I098/267/271
(11)	997 731 036 07	Mirror glass	/RL /R	1	I099/271
(11)	997 731 036 09	Mirror glass Aspherical	/RL /R	1	I099/267/271
(11)	997 731 038 09	Mirror glass	/LL /R	1	I098
(11)	997 731 038 10	Mirror glass	/LL /R	1	I074/098
(11)	997 731 038 11	Mirror glass	/LL /R	1	I098/215
(11)	997 731 038 12	Mirror glass	/LL /R	1	I098/267
(11)	997 731 038 13	Mirror glass	/LL /R	1	I074/098/267
(11)	997 731 038 14	Mirror glass Convex	/LL /R	1	I098/215/267
(11)	997 731 037 03	Mirror glass	/RL /L	1	I099
(11)	997 731 037 04	Mirror glass Convex	/RL /L	1	I099/267
(11)	997 731 038 01	Mirror glass Convex	/LL /R (ROK)	1	I098
12	999 073 345 09	Lens-head screw M 5 X 18		3	
13	997 537 733 00	Seal Cable plug Mirror base		1	

Model: 997-09

Model life 2009>>2012



Model: 997-09 Model life 2009>>2012

Pos	Part Number	Description	Remark	Qty	Model
1	997 553 111 03	Centre console Front Bracket		1	
2	999 507 476 01	Centre console Front Clamp		6	
3	999 507 971 01	8,0 X 10,0/2,5 Speed nut		X	
4	999 073 155 09	st 4,2 Tapping screw		X	
5	997 553 117 05	st 4,2 x 13 Cover	/L	1	-I618/-I619 -I668/-I669
		Lateral Leatherette			
	997 553 117 05 9L4	Black			
	997 553 117 05 9M5	Stone grey			
	997 553 117 05 9C6	Sand Beige			
	997 553 117 05 9D7	Sea blue			
(5)	997 553 117 05	Cover	/L	1	I619
		Lateral Leatherette			
	997 553 117 05 9L4	Black			
	997 553 117 05 9M5	Stone grey			
	997 553 117 05 9C6	Sand Beige			
	997 553 117 05 9D7	Sea blue			
(5)	997 553 118 05	Cover	/R	1	-I618/-I619 -I668/-I669
		Lateral Leatherette			
	997 553 118 05 9L4	Black			
	997 553 118 05 9M5	Stone grey			
	997 553 118 05 9C6	Sand Beige			
	997 553 118 05 9D7	Sea blue			
(5)	997 553 118 05	Cover	/R	1	I619
		Lateral Leatherette			
	997 553 118 05 9L4	Black			
	997 553 118 05 9M5	Stone grey			
	997 553 118 05 9C6	Sand Beige			
	997 553 118 05 9D7	Sea blue			
5	997 553 117 06	Cover	/L	1	I618/619/668 I669/981
		Lateral Leather			
	997 553 117 06 FSA	Black/grey			
	997 553 117 06 FSB	Stone grey/stone grey			
	997 553 117 06 FSC	Sand beige/sand beige			
	997 553 117 06 FSD	Sea blue/grey			
	997 553 117 06 FSF	Terracotta/terracotta			
	997 553 117 06 FSG	Cocoa/Cocoa			
	997 553 117 06 FSH	Darkgrey natural/grey			
	997 553 117 06 FSJ	Brown nat./brown nat.			
	997 553 117 06 FSP	Carrera Red			
	997 553 117 06 FWH	Espresso			
(5)	997 553 118 06	Cover	/R	1	I618/619/668 I669/981
		Lateral Leather			
	997 553 118 06 FSA	Black/grey			
	997 553 118 06 FSB	Stone grey/stone grey			
	997 553 118 06 FSC	Sand beige/sand beige			
	997 553 118 06 FSD	Sea blue/grey			

Model: 997-09 Model life 2009>>2012

Pos	Part Number	Description	Remark	Qty	Model
	997 553 118 06 FSF	Terracotta/terracotta			
	997 553 118 06 FSG	Cocoa/Cocoa			
	997 553 118 06 FSH	Darkgrey natural/grey			
	997 553 118 06 FSJ	Brown nat./brown nat.			
	997 553 118 06 FSP	Carrera Red			
(5)	997 553 118 06 FWH	Espresso			
	997 553 117 08	Cover	/LL /L 10-	1	COUPE S I098/618/756 I981
		Lateral Leather			
(5)	997 553 117 08 SCA	Espresso			
	997 553 117 08	Cover	/L 10-	1	COUPE S I756/981
		Lateral Leather			
(5)	997 553 117 08 SCA	Espresso			
	997 553 118 08	Cover	/RL /R 10-	1	COUPE S I099/618/756 I981
		Lateral Leather			
(5)	997 553 118 08 SCA	Espresso			
	997 553 118 08	Cover	/R 10-	1	COUPE S I756/981
		Lateral Leather			
	997 553 118 08 SCA	Espresso			
		Cover		1	
		Lateral with Preparation for telephone See illustrations 9/11/10			
6	999 591 508 01	Captive nut st 4,2 for Mount Cover		4	
7	999 073 226 09	Lateral Tapping screw ST 4,2 X 16 for Mount Cover		4	
8	997 553 361 01	Lateral Support Centre		1	
9	999 084 629 01	Hexagon nut m 6		4	
10	997 553 131 01	Cover	/L	1	I098/099
		Footwell outlet vent Carpet Until Chassis number See technical information GR.7 NR. 17/11 KD-NR. 70			
	997 553 131 01 A10	Black			
	997 553 131 01 B10	Stone grey			
	997 553 131 01 T10	Sand Beige			
	997 553 131 01 E10	Sea blue			
	997 553 131 01 M10	Terracotta			

Model: 997-09 Model life 2009>>2012

Pos	Part Number	Description	Remark	Qty	Model
10	997 553 131 01 R10	Cocoa			
	997 553 131 01 D11	Dark grey/natural			
	997 553 131 01 T11	Brown/natural			
	997 553 131 01 N10	Carrera Red			
	997 553 131 05	Cover	/L	1	I098/099
		Footwell outlet vent			
		Carpet			
		From			
		Chassis number			
		See technical information			
(10)		GR.7 NR. 17/11			
		KD-NR. 70			
	997 553 131 05 A10	Black			
	997 553 131 05 B10	Stone grey			
	997 553 131 05 T10	Sand Beige			
	997 553 131 05 E10	Sea blue			
	997 553 131 05 N10	Carrera Red			
	997 553 131 05 R75	Espresso			
	997 553 132 02	Cover	/R	1	I098/099
		Footwell outlet vent			
(10)		Carpet			
		Until			
		Chassis number			
		See technical information			
		GR.7 NR. 17/11			
		KD-NR. 70			
	997 553 132 02 A10	Black			
	997 553 132 02 B10	Stone grey			
	997 553 132 02 T10	Sand Beige			
	997 553 132 02 E10	Sea blue			
(10)	997 553 132 02 M10	Terracotta			
	997 553 132 02 R10	Cocoa			
	997 553 132 02 D11	Dark grey/natural			
	997 553 132 02 T11	Brown/natural			
	997 553 132 02 N10	Carrera Red			
	997 553 132 06	Cover	/R	1	I098/099
		Footwell outlet vent			
		Carpet			
		From			
		Chassis number			
(10)		See technical information			
		GR.7 NR. 17/11			
		KD-NR. 70			
	997 553 132 06 A10	Black			
	997 553 132 06 B10	Stone grey			
	997 553 132 06 T10	Sand Beige			
	997 553 132 06 E10	Sea blue			
	997 553 132 06 N10	Carrera Red			
	997 553 132 06 R75	Espresso			
	997 553 132 01	Cover	/LL /R	1	I098/621
(10)		Footwell outlet vent			
		Carpet			
		Until			
		Chassis number			
		See technical information			
		GR.7 NR. 17/11			
		KD-NR. 70			
	997 553 132 01 A10	Black			
	997 553 132 01 B10	Stone grey			
	997 553 132 01 T10	Sand Beige			
997 553 132 01 E10	Sea blue				
997 553 132 01 M10	Terracotta				
997 553 132 01 R10	Cocoa				

Model: 997-09

Model life 2009>>2012

Pos	Part Number	Description	Remark	Qty	Model
(10)	997 553 132 01 D11	Dark grey/natural			
	997 553 132 01 T11	Brown/natural			
	997 553 132 01 N10	Carrera Red			
	997 553 132 05	Cover	/LL /R	1	I098/621
		Footwell outlet vent			
		Carpet			
		From			
		Chassis number			
		See technical information			
		GR.7 NR. 17/11			
(10)	997 553 132 05 A10	Black			
	997 553 132 05 B10	Stone grey			
	997 553 132 05 T10	Sand Beige			
	997 553 132 05 E10	Sea blue			
	997 553 132 05 N10	Carrera Red			
	997 553 132 05 R75	Espresso			
	997 553 131 02	Cover	/RL /L	1	I099/621
		Footwell outlet vent			
		Carpet			
		Until			
(10)	997 553 131 02 A10	Black			
	997 553 131 02 B10	Stone grey			
	997 553 131 02 T10	Sand Beige			
	997 553 131 02 E10	Sea blue			
	997 553 131 02 M10	Terracotta			
	997 553 131 02 R10	Cocoa			
	997 553 131 02 D11	Dark grey/natural			
	997 553 131 02 T11	Brown/natural			
	997 553 131 02 N10	Carrera Red			
	997 553 131 06	Cover	/RL /L	1	I099/621
(10)		Footwell outlet vent			
		Carpet			
		From			
		Chassis number			
		See technical information			
		GR.7 NR. 17/11			
		KD-NR. 70			
	997 553 131 06 A10	Black			
	997 553 131 06 B10	Stone grey			
	997 553 131 06 T10	Sand Beige			
997 553 131 06 E10	Sea blue				
997 553 131 06 N10	Carrera Red				
997 553 131 06 R75	Espresso				
(10)	997 553 131 03	Cover	/LL /L 10-	1	COUPE S I098/756
(10)		Footwell outlet vent			
		Carpet			
(10)	997 553 131 03 H31	Espresso			
	997 553 132 03	Cover	/RL /R 10-	1	COUPE S I099/756
(10)		Footwell outlet vent			
		Carpet			
(10)	997 553 132 03 H31	Espresso			
	997 553 132 04	Cover	/LL /R 10-	1	COUPE S I098/621/756
(10)		Footwell outlet vent			
		Carpet			
	997 553 132 04 H31	Espresso			

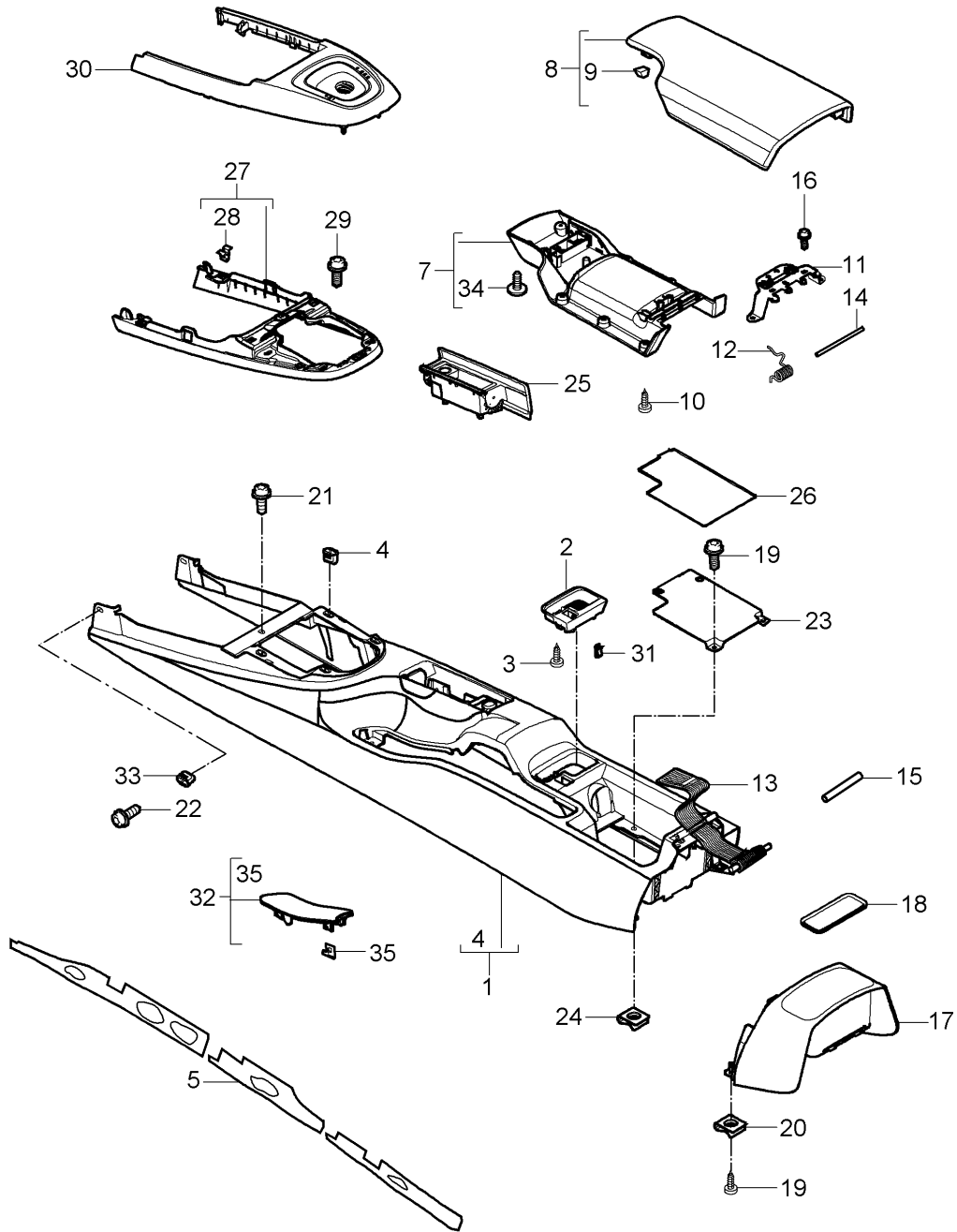
Model: 997-09

Model life 2009>>2012

Pos	Part Number	Description	Remark	Qty	Model
(10)	997 553 131 04	Cover Footwell outlet vent Carpet	/RL /L 10-	1	COUPE S I099/621/756
11	997 553 131 04 H31 999 073 223 01	Espresso Combination screw M 6 X 25		2	
12	999 507 766 02	Speed nut M 6 for Mount Cover		2	
13	997 553 143 02	Footwell outlet vent Shelf Centre console Front		1	
14	997 553 143 02 A05 997 553 543 01	Black mat Insert Shelf		1	
15	999 919 164 09	Oval-head screw 5,0 X 12,0 for Mount Shelf		3	

Model: 997-09

Model life 2009>>2012



Model: 997-09 Model life 2009>>2012

Pos	Part Number	Description	Remark	Qty	Model
1	997 553 901 00	Centre console Rear		1	COUPE
	997 553 901 00 A03	Black			
	997 553 901 00 5V7	Stone grey			
	997 553 901 00 5Z1	Sand Beige			
	997 553 901 00 8W7	Sea blue			
	997 553 901 00 8X8	Terracotta			
	997 553 901 00 8P9	Cocoa			
	997 553 901 00 T13	Brown/natural			
	997 553 901 00 N23	Carrera Red			
	997 553 901 00 2S8	Espresso			
(1)	997 553 901 02	Centre console		1	CABRIO/TARGA
	997 553 901 02 A03	Black			
	997 553 901 02 5V7	Stone grey			
	997 553 901 02 5Z1	Sand Beige			
	997 553 901 02 8W7	Sea blue			
	997 553 901 02 8X8	Terracotta			
	997 553 901 02 8P9	Cocoa			
	997 553 901 02 T13	Brown/natural			
	997 553 901 02 N23	Carrera Red			
	997 553 901 02 2S8	Espresso			
(1)	997 553 980 69	Centre console		1	COUPE IXMZ
		Leather			
	997 553 980 69 A11	Black			
	997 553 980 69 5X6	Stone grey			
	997 553 980 69 8G2	Sand Beige			
	997 553 980 69 3S9	Sea blue			
	997 553 980 69 9S5	Terracotta			
	997 553 980 69 9V6	Cocoa			
	997 553 980 69 D12	Dark grey/natural			
	997 553 980 69 T12	Brown/natural			
	997 553 980 69 N12	Carrera Red			
	997 553 980 69 6J0	Espresso			
(1)	997 553 980 68	Centre console	10-	1	COUPE S IXMZ/756
		Leather			
	997 553 980 68 6J0	Espresso			
(1)	997 553 980 71	Centre console		1	CABRIO/TARGA IXMZ
		Leather			
	997 553 980 71 A11	Black			
	997 553 980 71 5X6	Stone grey			
	997 553 980 71 8G2	Sand Beige			
	997 553 980 71 3S9	Sea blue			
	997 553 980 71 9S5	Terracotta			
	997 553 980 71 9V6	Cocoa			
	997 553 980 71 D12	Dark grey/natural			
	997 553 980 71 T12	Brown/natural			
	997 553 980 71 N12	Carrera Red			
	997 553 980 71 6J0	Espresso			
(1)	997 553 980 52	Centre console		1	COUPE IXMJ
		Carbon			
	997 553 980 52 A35	Black			
(1)	997 553 980 54	Centre console		1	CABRIO/TARGA IXMJ
		Carbon			
	997 553 980 54 A35	Black			
(1)	997 553 980 56	Centre console		1	COUPE IXJT
	997 553 980 56 S61	Macassar			

Model: 997-09 Model life 2009>>2012

Pos	Part Number	Description	Remark	Qty	Model
(1)	997 553 980 58	Centre console		1	CABRIO/TARGA IXJT
	997 553 980 58 S61	Macassar			
(1)	997 553 980 60	Centre console		1	COUPE IXCK
	997 553 980 60 V04	Galvano silver			
(1)	997 553 980 62	Centre console		1	CABRIO/TARGA IXCK
	997 553 980 62 V04	Galvano silver			
(1)	997 553 980 64	Centre console		1	COUPE IXME
	997 553 980 64 041	Black			
	997 553 980 64 84A	Guards red			
	997 553 980 64 B9A	Carrara white			
	997 553 980 64 12H	Speed yellow			
	997 553 980 64 92U	Arctic silver metallic			
	997 553 980 64 C9Z	Basalt black metallic			
	997 553 980 64 M7X	Atlas grey metallic			
	997 553 980 64 39C	Midnight Blue Metallic			
	997 553 980 64 M7W	Meteor Grey Metallic			
	997 553 980 64 M8W	Macadamia Metallic			
	997 553 980 64 M3X	Ruby red metallic			
	997 553 980 64 M5X	Dark Blue Metallic	10-		
	997 553 980 64 22G	Racing Green Metallic			
	997 553 980 64 32B	Sailing Blue Metallic			
	997 553 980 64 M5R	Aqua Blue Metallic			
	997 553 980 64 51A	Creamy white			
	997 553 980 64 M2Z	Nordic Gold Metallic			
	997 553 980 64 M7Z	GT Silver Metallic			
	997 553 980 64 2B5	Malachite Green Metallic			
	997 553 980 64 M4Z	Amethyst metallic			
	997 553 980 64 M5Q	Ice Blue Metallic			
	997 553 980 64 3S2	Ipanema Blue Metallic			
(1)	997 553 980 66	Centre console		1	CABRIO/TARGA IXME
	997 553 980 66 041	Black			
	997 553 980 66 84A	Guards red			
	997 553 980 66 B9A	Carrara white			
	997 553 980 66 12H	Speed yellow			
	997 553 980 66 92U	Arctic silver metallic			
	997 553 980 66 C9Z	Basalt black metallic			
	997 553 980 66 M7X	Atlas grey metallic			
	997 553 980 66 39C	Midnight Blue Metallic			
	997 553 980 66 M7W	Meteor Grey Metallic			
	997 553 980 66 M8W	Macadamia Metallic			
	997 553 980 66 M3X	Ruby red metallic			
	997 553 980 66 M5X	Dark Blue Metallic	10-		
	997 553 980 66 22G	Racing Green Metallic			
	997 553 980 66 32B	Sailing Blue Metallic			
	997 553 980 66 M5R	Aqua Blue Metallic			
	997 553 980 66 51A	Creamy white			
	997 553 980 66 M2Z	Nordic Gold Metallic			
	997 553 980 66 M7Z	GT Silver Metallic			
	997 553 980 66 2B5	Malachite Green Metallic			
	997 553 980 66 M4Z	Amethyst metallic			
	997 553 980 66 M5Q	Ice Blue Metallic			
	997 553 980 66 3S2	Ipanema Blue Metallic			
(1)	997 553 997 01	Protective film Centre console See technical manual 681749		2	
2	997 553 575 02	Insert Locking device		1	

Model: 997-09 Model life 2009>>2012

Pos	Part Number	Description	Remark	Qty	Model			
3	997 553 575 02 01C	Centre console Satin black		1				
	999 919 159 09	Oval-head screw 4 X 12 for Mount Insert Locking device						
		Expander nut 4,2						
4	999 591 210 40	Expander nut 4,2		4				
5	997 553 843 00	Sound absorber	/L	1				
(5)	997 553 844 00	Sound absorber	/R	1				
7	997 553 433 01	Lid Inner		1				
8	997 553 433 01 01C	Satin black		1				
	997 553 231 01	Lid Outer						
	997 553 231 01 A11	Black						
	997 553 231 01 5X6	Stone grey						
	997 553 231 01 8G2	Sand Beige						
	997 553 231 01 3S9	Sea blue						
	997 553 231 01 9S5	Terracotta						
	997 553 231 01 9V6	Cocoa						
	997 553 231 01 D12	Dark grey/natural						
	997 553 231 01 T12	Brown/natural						
	997 553 231 01 N12	Carrera Red						
	997 553 231 01 6J0	Espresso						
	(8)	997 553 991 25	Lid			09-	1	Coupe C2/C2S IXUV/098
	8		Outer with Logo Carrera				1	
997 553 991 25 A11		Black						
997 553 991 25 5X6		Stone grey						
997 553 991 25 8G2		Sand Beige						
997 553 991 25 3S9		Sea blue						
997 553 991 25 9S5		Terracotta						
997 553 991 25 9V6		Cocoa						
997 553 991 25 D12		Dark grey/natural						
997 553 991 25 T12		Brown/natural						
997 553 991 25 N12		Carrera Red						
997 553 991 25 6J0		Espresso						
(8)		997 553 991 26	Lid	09-	1	Coupe C2/C2S IXUV/099		
8			Outer with Logo Carrera		1			
		997 553 991 26 A11	Black					
	997 553 991 26 5X6	Stone grey						
	997 553 991 26 8G2	Sand Beige						
	997 553 991 26 3S9	Sea blue						
	997 553 991 26 9S5	Terracotta						
	997 553 991 26 9V6	Cocoa						
	997 553 991 26 D12	Dark grey/natural						
	997 553 991 26 T12	Brown/natural						
	997 553 991 26 N12	Carrera Red						
	997 553 991 26 6J0	Espresso						
	(8)	997 553 991 27	Lid	09-			1	CabrioC2/C2S IXUV/098
			Outer with					

Model: 997-09 Model life 2009>>2012

Pos	Part Number	Description	Remark	Qty	Model
		Logo CARRERA S			
	997 553 991 27 A11	Black			
	997 553 991 27 5X6	Stone grey			
	997 553 991 27 8G2	Sand Beige			
	997 553 991 27 3S9	Sea blue			
	997 553 991 27 9S5	Terracotta			
	997 553 991 27 9V6	Cocoa			
	997 553 991 27 D12	Dark grey/natural			
	997 553 991 27 T12	Brown/natural			
	997 553 991 27 N12	Carrera Red			
	997 553 991 27 6J0	Espresso			
(8)	997 553 991 28	Lid	09-	1	CabrioC2/C2S IXUV/099
		Outer with Logo CARRERA S			
	997 553 991 28 A11	Black			
	997 553 991 28 5X6	Stone grey			
	997 553 991 28 8G2	Sand Beige			
	997 553 991 28 3S9	Sea blue			
	997 553 991 28 9S5	Terracotta			
	997 553 991 28 9V6	Cocoa			
	997 553 991 28 D12	Dark grey/natural			
	997 553 991 28 T12	Brown/natural			
	997 553 991 28 N12	Carrera Red			
	997 553 991 28 6J0	Espresso			
(8)	997 553 991 05	Lid	09-	1	IXPT
		Outer with Porsche crest			
	997 553 991 05 A11	Black			
	997 553 991 05 5X6	Stone grey			
	997 553 991 05 8G2	Sand Beige			
	997 553 991 05 3S9	Sea blue			
	997 553 991 05 9S5	Terracotta			
	997 553 991 05 9V6	Cocoa			
	997 553 991 05 D12	Dark grey/natural			
	997 553 991 05 T12	Brown/natural			
	997 553 991 05 N12	Carrera Red			
	997 553 991 05 6J0	Espresso			
(8)	997 553 991 31	Lid	/LL 09-	1	Coupe C4 IXUV/098
		Outer with Logo Carrera 4			
	997 553 991 31 A11	Black			
	997 553 991 31 5X6	Stone grey			
	997 553 991 31 8G2	Sand Beige			
	997 553 991 31 3S9	Sea blue			
	997 553 991 31 9S5	Terracotta			
	997 553 991 31 9V6	Cocoa			
	997 553 991 31 D12	Dark grey/natural			
	997 553 991 31 T12	Brown/natural			
	997 553 991 31 N12	Carrera Red			
	997 553 991 31 6J0	Espresso			
(8)	997 553 991 31	Lid	/LL 09-	1	Cabrio C4 IXUV/098
		Outer with Logo			

Model: 997-09 Model life 2009>>2012

Pos	Part Number	Description	Remark	Qty	Model
		Carrera 4			
	997 553 991 31 A11	Black			
	997 553 991 31 5X6	Stone grey			
	997 553 991 31 8G2	Sand Beige			
	997 553 991 31 3S9	Sea blue			
	997 553 991 31 9S5	Terracotta			
	997 553 991 31 9V6	Cocoa			
	997 553 991 31 D12	Dark grey/natural			
	997 553 991 31 T12	Brown/natural			
	997 553 991 31 N12	Carrera Red			
	997 553 991 31 6J0	Espresso			
(8)	997 553 991 32	Lid	/RL 09-	1	Coupe C4 IXUV/099
		Outer with Logo Carrera 4			
	997 553 991 32 A11	Black			
	997 553 991 32 5X6	Stone grey			
	997 553 991 32 8G2	Sand Beige			
	997 553 991 32 3S9	Sea blue			
	997 553 991 32 9S5	Terracotta			
	997 553 991 32 9V6	Cocoa			
	997 553 991 32 D12	Dark grey/natural			
	997 553 991 32 T12	Brown/natural			
	997 553 991 32 N12	Carrera Red			
	997 553 991 32 6J0	Espresso			
(8)	997 553 991 32	Lid	/RL 09-	1	Cabrio C4 IXUV/099
		Outer with Logo Carrera 4			
	997 553 991 32 A11	Black			
	997 553 991 32 5X6	Stone grey			
	997 553 991 32 8G2	Sand Beige			
	997 553 991 32 3S9	Sea blue			
	997 553 991 32 9S5	Terracotta			
	997 553 991 32 9V6	Cocoa			
	997 553 991 32 D12	Dark grey/natural			
	997 553 991 32 T12	Brown/natural			
	997 553 991 32 N12	Carrera Red			
	997 553 991 32 6J0	Espresso			
(8)	997 553 991 33	Lid	/LL 09-	1	Coupe C4S IXUV/098
		Outer with Logo Carrera 4s			
	997 553 991 33 A11	Black			
	997 553 991 33 5X6	Stone grey			
	997 553 991 33 8G2	Sand Beige			
	997 553 991 33 3S9	Sea blue			
	997 553 991 33 9S5	Terracotta			
	997 553 991 33 9V6	Cocoa			
	997 553 991 33 D12	Dark grey/natural			
	997 553 991 33 T12	Brown/natural			
	997 553 991 33 N12	Carrera Red			
	997 553 991 33 6J0	Espresso			
(8)	997 553 991 33	Lid	/LL 09-	1	Cabrio C4S IXUV/098
		Outer with			

Model: 997-09 Model life 2009>>2012

Pos	Part Number	Description	Remark	Qty	Model
		Logo			
		Carrera 4s			
	997 553 991 33 A11	Black			
	997 553 991 33 5X6	Stone grey			
	997 553 991 33 8G2	Sand Beige			
	997 553 991 33 3S9	Sea blue			
	997 553 991 33 9S5	Terracotta			
	997 553 991 33 9V6	Cocoa			
	997 553 991 33 D12	Dark grey/natural			
	997 553 991 33 T12	Brown/natural			
	997 553 991 33 N12	Carrera Red			
	997 553 991 33 6J0	Espresso			
(8)	997 553 991 34	Lid	/RL 09-	1	Coupe C4S IXUV/099
		Outer with Logo			
		Carrera 4s			
	997 553 991 34 A11	Black			
	997 553 991 34 5X6	Stone grey			
	997 553 991 34 8G2	Sand Beige			
	997 553 991 34 3S9	Sea blue			
	997 553 991 34 9S5	Terracotta			
	997 553 991 34 9V6	Cocoa			
	997 553 991 34 D12	Dark grey/natural			
	997 553 991 34 T12	Brown/natural			
	997 553 991 34 N12	Carrera Red			
	997 553 991 34 6J0	Espresso			
(8)	997 553 991 34	Lid	/RL 09-	1	Cabrio C4S IXUV/099
		Outer with Logo			
		Carrera 4s			
	997 553 991 34 A11	Black			
	997 553 991 34 5X6	Stone grey			
	997 553 991 34 8G2	Sand Beige			
	997 553 991 34 3S9	Sea blue			
	997 553 991 34 9S5	Terracotta			
	997 553 991 34 9V6	Cocoa			
	997 553 991 34 D12	Dark grey/natural			
	997 553 991 34 T12	Brown/natural			
	997 553 991 34 N12	Carrera Red			
	997 553 991 34 6J0	Espresso			
(8)	997 553 991 35	Lid	/LL 09-	1	TARGA 4 IXUV/098
		Outer with Logo			
		TARGA 4			
	997 553 991 35 A11	Black			
	997 553 991 35 5X6	Stone grey			
	997 553 991 35 8G2	Sand Beige			
	997 553 991 35 3S9	Sea blue			
	997 553 991 35 9S5	Terracotta			
	997 553 991 35 9V6	Cocoa			
	997 553 991 35 D12	Dark grey/natural			
	997 553 991 35 T12	Brown/natural			
	997 553 991 35 N12	Carrera Red			
	997 553 991 35 6J0	Espresso			
(8)	997 553 991 36	Lid	/RL 09-	1	TARGA 4 IXUV/099
		Outer			

Model: 997-09 Model life 2009>>2012

Pos	Part Number	Description	Remark	Qty	Model
		with Logo TARGA 4			
	997 553 991 36 A11	Black			
	997 553 991 36 5X6	Stone grey			
	997 553 991 36 8G2	Sand Beige			
	997 553 991 36 3S9	Sea blue			
	997 553 991 36 9S5	Terracotta			
	997 553 991 36 9V6	Cocoa			
	997 553 991 36 D12	Dark grey/natural			
	997 553 991 36 T12	Brown/natural			
	997 553 991 36 N12	Carrera Red			
	997 553 991 36 6J0	Espresso			
(8)	997 553 991 37	Lid	/LL 09-	1	TARGA 4S IXUV/098
		Outer with Logo TARGA 4S			
	997 553 991 37 A11	Black			
	997 553 991 37 5X6	Stone grey			
	997 553 991 37 8G2	Sand Beige			
	997 553 991 37 3S9	Sea blue			
	997 553 991 37 9S5	Terracotta			
	997 553 991 37 9V6	Cocoa			
	997 553 991 37 D12	Dark grey/natural			
	997 553 991 37 T12	Brown/natural			
	997 553 991 37 N12	Carrera Red			
	997 553 991 37 6J0	Espresso			
(8)	997 553 991 38	Lid	/RL 09-	1	TARGA 4S IXUV/099
		Outer with Logo TARGA 4S			
	997 553 991 38 A11	Black			
	997 553 991 38 5X6	Stone grey			
	997 553 991 38 8G2	Sand Beige			
	997 553 991 38 3S9	Sea blue			
	997 553 991 38 9S5	Terracotta			
	997 553 991 38 9V6	Cocoa			
	997 553 991 38 D12	Dark grey/natural			
	997 553 991 38 T12	Brown/natural			
	997 553 991 38 N12	Carrera Red			
	997 553 991 38 6J0	Espresso			
(8)	997 553 991 20	Lid	/LL 09-	1	IXLG/098
		Outer Alcantara			
(8)	997 553 991 20 A25	Black			
(8)	997 553 991 21	Lid	/RL 09-	1	IXLG/099
		Outer Alcantara			
(8)	997 553 991 21 A25	Black			
(8)	997 553 991 24	Lid	10-	1	COUPE S IXMZ/756
		Outer Leather			
(8)	997 553 991 24 6J0	Espresso			
(8)	997 553 991 45	Lid	11-	1	Speedster I503
		Outer Leather			
	997 553 991 45 TSB	Black			

Model: 997-09 Model life 2009>>2012

Pos	Part Number	Description	Remark	Qty	Model
(8)	997 553 991 46	Lid	/LL 11-	1	GTS IXUV/011/098
		Outer with Logo Carrera GTS			
	997 553 991 46 A11	Black			
	997 553 991 46 8G2	Sand Beige			
	997 553 991 46 9S5	Terracotta			
	997 553 991 46 9V6	Cocoa			
	997 553 991 46 D12	Dark grey/natural			
	997 553 991 46 T12	Brown/natural			
	997 553 991 46 N12	Carrera Red			
	997 553 991 46 6J0	Espresso			
(8)	997 553 991 47	Lid	/RL 11-	1	GTS IXUV/011/099
		Outer with Logo Carrera GTS			
	997 553 991 47 A11	Black			
	997 553 991 47 8G2	Sand Beige			
	997 553 991 47 9S5	Terracotta			
	997 553 991 47 9V6	Cocoa			
	997 553 991 47 D12	Dark grey/natural			
	997 553 991 47 T12	Brown/natural			
	997 553 991 47 N12	Carrera Red			
	997 553 991 47 6J0	Espresso			
(8)	997 553 231 90	Lid	11-	1	I975/981
		Outer Leather/Alcantara			
	997 553 231 90 A25	Black			
9	999 507 972 01	Speed nut 3,5 3,5 X 14 for Mount Lid Outer		8	
10	999 073 153 01	Tapping screw 3,5 X 14 for Mount Lid Outer		8	
11	997 553 437 01	Hinge		1	
12	997 553 439 00	Steering knuckle spring		1	
13	997 553 441 00	Belt		1	
14	997 553 447 00	Axle		1	
15	997 553 733 00	Retaining pin		1	
16	999 919 159 09	Oval-head screw M4X12		X	
17	997 553 221 01	Extension Centre console Lacquered		1	COUPE/TARGA
	997 553 221 01 A03	Black			
	997 553 221 01 5V7	Stone grey			
	997 553 221 01 5Z1	Sand Beige			
	997 553 221 01 8W7	Sea blue			
	997 553 221 01 8X8	Terracotta			
	997 553 221 01 8P9	Cocoa			
	997 553 221 01 T13	Brown/natural			

Model: 997-09 Model life 2009>>2012

Pos	Part Number	Description	Remark	Qty	Model
(17)	997 553 221 01 N23	Carrera Red		1	COUPE/TARGA IXMZ
	997 553 221 01 2S8	Espresso			
	997 553 983 06	Extension			
		Centre console			
		Leather			
	997 553 983 06 A11	Black			
	997 553 983 06 5X6	Stone grey			
	997 553 983 06 8G2	Sand Beige			
	997 553 983 06 3S9	Sea blue			
	997 553 983 06 9S5	Terracotta			
	997 553 983 06 9V6	Cocoa			
997 553 983 06 D12	Dark grey/natural				
997 553 983 06 T12	Brown/natural				
997 553 983 06 N12	Carrera Red				
(17)	997 553 983 06 6J0	Espresso	10-	1	COUPE S I756
	997 553 983 00	Extension			
(17)		Centre console		1	COUPE/TARGA IXMJ
		Leather			
	997 553 983 00 6J0	Espresso			
	997 553 983 01	Extension			
		Centre console			
		Leather			
	997 553 983 01 A11	Black			
	997 553 983 01 5X6	Stone grey			
	997 553 983 01 8G2	Sand Beige			
	997 553 983 01 3S9	Sea blue			
	997 553 983 01 9S5	Terracotta			
997 553 983 01 9V6	Cocoa				
997 553 983 01 D12	Dark grey/natural				
997 553 983 01 T12	Brown/natural				
997 553 983 01 N12	Carrera Red				
(17)	997 553 983 01 6J0	Espresso		1	COUPE/TARGA IXJT
	997 553 983 03	Extension			
(17)		Centre console		1	COUPE/TARGA IXCK
		Leather			
	997 553 983 03 A11	Black			
	997 553 983 03 5X6	Stone grey			
	997 553 983 03 8G2	Sand Beige			
	997 553 983 03 3S9	Sea blue			
	997 553 983 03 9S5	Terracotta			
	997 553 983 03 9V6	Cocoa			
	997 553 983 03 D12	Dark grey/natural			
	997 553 983 03 T12	Brown/natural			
	997 553 983 03 N12	Carrera Red			
(17)	997 553 983 03 6J0	Espresso		1	COUPE/TARGA IXCK
	997 553 983 04	Extension			
(17)		Centre console		1	COUPE/TARGA IXCK
		Leather			
	997 553 983 04 A11	Black			
	997 553 983 04 5X6	Stone grey			
	997 553 983 04 8G2	Sand Beige			
	997 553 983 04 3S9	Sea blue			
	997 553 983 04 9S5	Terracotta			
	997 553 983 04 9V6	Cocoa			
	997 553 983 04 D12	Dark grey/natural			
	997 553 983 04 T12	Brown/natural			
	997 553 983 04 N12	Carrera Red			
(17)	997 553 983 04 6J0	Espresso		1	COUPE/TARGA IXCK

Model: 997-09 Model life 2009>>2012

Pos	Part Number	Description	Remark	Qty	Model
(17)	997 553 983 05	Extension Centre console Lacquered		1	COUPE/TARGA IXME
	997 553 983 05 041	Black			
	997 553 983 05 84A	Guards red			
	997 553 983 05 B9A	Carrara white			
	997 553 983 05 12H	Speed yellow			
	997 553 983 05 92U	Arctic silver metallic			
	997 553 983 05 C9Z	Basalt black metallic			
	997 553 983 05 M7X	Atlas grey metallic			
	997 553 983 05 39C	Midnight Blue Metallic			
	997 553 983 05 M7W	Meteor Grey Metallic			
	997 553 983 05 M8W	Macadamia Metallic			
	997 553 983 05 M3X	Ruby red metallic			
	997 553 983 05 M5X	Dark Blue Metallic	10-		
	997 553 983 05 22G	Racing Green Metallic			
	997 553 983 05 32B	Sailing Blue Metallic			
	997 553 983 05 M5R	Aqua Blue Metallic			
	997 553 983 05 51A	Creamy white			
	997 553 983 05 M2Z	Nordic Gold Metallic			
	997 553 983 05 M7Z	GT Silver Metallic			
	997 553 983 05 2B5	Malachite Green Metallic			
	997 553 983 05 M4Z	Amethyst metallic			
	997 553 983 05 M5Q	Ice Blue Metallic			
	997 553 983 05 3S2	Ipanema Blue Metallic			
18	997 553 625 01	Insert		1	COUPE/TARGA
19	999 073 226 09	Extension Tapping screw 4,2 X 16		X	
20	999 507 020 01	Speed nut 4,2		X	
21	999 919 121 09	Oval-head screw 5 X 16		2	
22	999 073 155 09	Tapping screw 4,2 X 13		2	
23	997 553 615 01	Floor Centre console		1	
24	999 507 028 01	Speed nut 4,2		X	
25	997 553 902 00	Ashtray Lacquered		1	
	997 553 902 00 A03	Black			
	997 553 902 00 5V7	Stone grey			
	997 553 902 00 5Z1	Sand Beige			
	997 553 902 00 8W7	Sea blue			
	997 553 902 00 8X8	Terracotta			
	997 553 902 00 8P9	Cocoa			
	997 553 902 00 T13	Brown/natural			
	997 553 902 00 N23	Carrera Red			
	997 553 902 00 2S8	Espresso			
(25)	997 553 982 00	Ashtray	10-	1	COUPE S I756
		Leather			
	997 553 982 00 6J0	Espresso			
(25)	997 553 982 06	Ashtray Leather		1	IXMZ
	997 553 982 06 A11	Black			
	997 553 982 06 5X6	Stone grey			
	997 553 982 06 8G2	Sand Beige			
	997 553 982 06 3S9	Sea blue			
	997 553 982 06 9S5	Terracotta			
	997 553 982 06 9V6	Cocoa			

Model: 997-09 Model life 2009>>2012

Pos	Part Number	Description	Remark	Qty	Model
	997 553 982 06 D12	Dark grey/natural			
	997 553 982 06 T12	Brown/natural			
	997 553 982 06 N12	Carrera Red			
	997 553 982 06 6J0	Espresso			
(25)	997 553 982 01	Ashtray		1	IXMJ
		Carbon			
	997 553 982 01 A35	Black			
(25)	997 553 982 03	Ashtray		1	IXJT
	997 553 982 03 S61	Macassar			
(25)	997 553 982 04	Ashtray		1	IXCK
		Aluminium look			
	997 553 982 04 V04	Galvano silver			
(25)	997 553 982 05	Ashtray		1	IXME
		Lacquered			
	997 553 982 05 041	Black			
	997 553 982 05 84A	Guards red			
	997 553 982 05 B9A	Carrara white			
	997 553 982 05 12H	Speed yellow			
	997 553 982 05 92U	Arctic silver metallic			
	997 553 982 05 C9Z	Basalt black metallic			
	997 553 982 05 M7X	Atlas grey metallic			
	997 553 982 05 39C	Midnight Blue Metallic			
	997 553 982 05 M7W	Meteor Grey Metallic			
	997 553 982 05 M8W	Macadamia Metallic			
	997 553 982 05 M3X	Ruby red metallic			
	997 553 982 05 M5X	Dark Blue Metallic	10-		
	997 553 982 05 22G	Racing Green Metallic			
	997 553 982 05 32B	Sailing Blue Metallic			
	997 553 982 05 M5R	Aqua Blue Metallic			
	997 553 982 05 51A	Creamy white			
	997 553 982 05 M2Z	Nordic Gold Metallic			
	997 553 982 05 M7Z	GT Silver Metallic			
	997 553 982 05 2B5	Malachite Green Metallic			
	997 553 982 05 M4Z	Amethyst metallic			
	997 553 982 05 M5Q	Ice Blue Metallic			
	997 553 982 05 3S2	Ipanema Blue Metallic			
26	997 553 611 01	Insert		1	
26	997 553 613 00	Insert		1	I870
27	997 553 261 05	Frame		1	CARRERA
		Lacquered			
	997 553 261 05 D07	Volcano grey			
(27)	997 553 261 06	Frame		1	CARRERA S
		Lacquered			
	997 553 261 06 V04	Galvano silver			
(27)	997 553 261 06	Frame	11-	1	I012/013
		Lacquered			
	997 553 261 06 V04	Galvano silver			
(27)	987 553 261 01	Frame	10-	1	IXDJ
	987 553 261 01 G2X	Prime coated			
28	999 507 533 02	Clamp		7	
		8,0 X 10,0/2,5			
29	999 073 155 09	Tapping screw		4	
		4,2 X 13			
		for			
		Mount			
		Frame			
30	997 553 245 01	Cover		1	I250
		Shift gate			
	997 553 245 01 FUG	Black/Galvano Silver			
	997 553 245 01 FUH	Stone Grey/Galvano Silver			
	997 553 245 01 FUJ	Sand Beige/Galvano Silver			
	997 553 245 01 FUK	Ocean Blue/Galvano Silver			
	997 553 245 01 FUL	Terracotta/Galvano Silver			

Model: 997-09 Model life 2009>>2012

Pos	Part Number	Description	Remark	Qty	Model
(30)	997 553 245 01 FUM	Cocoa/Galvano Silver		1	IXWS/250
	997 553 245 01 FUN	Natural Brown/Galvano Silver			
	997 553 245 01 FU0	Carrera Red/Galvano Silver			
	997 553 245 01 FWJ	Espresso/Galvano Silver			
	997 553 987 00	Cover			
		Shift gate			
		Lacquered			
	997 553 987 00 041	Black			
	997 553 987 00 84A	Guards red			
	997 553 987 00 B9A	Carrara white			
	997 553 987 00 12H	Speed yellow			
	997 553 987 00 92U	Arctic silver metallic			
	997 553 987 00 C9Z	Basalt black metallic			
	997 553 987 00 M7X	Atlas grey metallic			
	997 553 987 00 39C	Midnight Blue Metallic			
	997 553 987 00 M7W	Meteor Grey Metallic			
	997 553 987 00 M7Z	GT Silver Metallic			
	997 553 987 00 M8W	Macadamia Metallic			
	997 553 987 00 M3X	Ruby red metallic			
	997 553 987 00 M5X	Dark Blue Metallic	10-		
997 553 987 00 2B5	Malachite Green Metallic				
997 553 987 00 22G	Racing Green Metallic				
997 553 987 00 32B	Sailing Blue Metallic	-09			
997 553 987 00 M5R	Aqua Blue Metallic				
997 553 987 00 51A	Creamy white				
997 553 987 00 M2Z	Nordic Gold Metallic				
997 553 987 00 M4Z	Amethyst metallic				
997 553 987 00 M5Q	Ice Blue Metallic				
997 553 987 00 3S2	Ipanema Blue Metallic				
(30)	997 553 987 00	Cover		1	IXWT/250
		Shift gate			
		Lacquered			
997 553 987 00 041	Black				
(30)	997 553 987 01	Cover		1	IXWR/250
		Shift gate			
997 553 987 01 V04	Galvano silver				
(30)	997 553 987 02	Cover		1	IXWU/250
		Shift gate			
		Leather			
997 553 987 02 A11	Black				
997 553 987 02 5X6	Stone grey				
997 553 987 02 8G2	Sand Beige				
997 553 987 02 3S9	Sea blue				
997 553 987 02 9S5	Terracotta				
997 553 987 02 9V6	Cocoa				
997 553 987 02 D12	Dark grey/natural				
997 553 987 02 T12	Brown/natural				
997 553 987 02 N12	Carrera Red				
997 553 987 02 6J0	Espresso				
(30)	997 553 243 01	Cover		1	I480
		Shift gate			
		Lacquered			
997 553 243 01 A03	Black				
997 553 243 01 5V7	Stone grey				
997 553 243 01 5Z1	Sand Beige				
997 553 243 01 8W7	Sea blue				
997 553 243 01 8X8	Terracotta				
997 553 243 01 8P9	Cocoa				
997 553 243 01 T13	Brown/natural				
997 553 243 01 N23	Carrera Red				
997 553 243 01 2S8	Espresso				
(30)	997 553 996 00	Cover		1	IXDZ/480
		Shift gate	10-		

Model: 997-09 Model life 2009>>2012

Pos	Part Number	Description	Remark	Qty	Model
		Leather			
	997 553 996 00 A11	Black			
	997 553 996 00 5X6	Stone grey			
	997 553 996 00 8G2	Sand Beige			
	997 553 996 00 3S9	Sea blue			
	997 553 996 00 9S5	Terracotta			
	997 553 996 00 9V6	Cocoa			
	997 553 996 00 D12	Dark grey/natural			
	997 553 996 00 T12	Brown/natural			
	997 553 996 00 N12	Carrera Red			
	997 553 996 00 6J0	Espresso			
31	999 507 922 01	U-clamp 4,0		1	I870
32	997 553 903 00	Cover Parking-brake lever Lacquered		1	
	997 553 903 00 A03	Black			
	997 553 903 00 5V7	Stone grey			
	997 553 903 00 5Z1	Sand Beige			
	997 553 903 00 8W7	Sea blue			
	997 553 903 00 8X8	Terracotta			
	997 553 903 00 8P9	Cocoa			
	997 553 903 00 T13	Brown/natural			
	997 553 903 00 N23	Carrera Red			
	997 553 903 00 2S8	Espresso			
(32)	997 553 981 00	Cover Parking-brake lever		1	IXCK
	997 553 981 00 A11	Black			
	997 553 981 00 5X6	Stone grey			
	997 553 981 00 8G2	Sand Beige			
	997 553 981 00 3S9	Sea blue			
	997 553 981 00 9S5	Terracotta			
	997 553 981 00 9V6	Cocoa			
	997 553 981 00 D12	Dark grey/natural			
	997 553 981 00 T12	Brown/natural			
	997 553 981 00 N12	Carrera Red			
	997 553 981 00 6J0	Espresso			
(32)	997 553 981 00	Cover Parking-brake lever		1	IXJT
	997 553 981 00 A11	Black			
	997 553 981 00 5X6	Stone grey			
	997 553 981 00 8G2	Sand Beige			
	997 553 981 00 3S9	Sea blue			
	997 553 981 00 9S5	Terracotta			
	997 553 981 00 9V6	Cocoa			
	997 553 981 00 D12	Dark grey/natural			
	997 553 981 00 T12	Brown/natural			
	997 553 981 00 N12	Carrera Red			
	997 553 981 00 6J0	Espresso			
(32)	997 553 981 00	Cover Parking-brake lever		1	IXME
	997 553 981 00 A11	Black			
	997 553 981 00 5X6	Stone grey			
	997 553 981 00 8G2	Sand Beige			
	997 553 981 00 3S9	Sea blue			
	997 553 981 00 9S5	Terracotta			
	997 553 981 00 9V6	Cocoa			
	997 553 981 00 D12	Dark grey/natural			
	997 553 981 00 T12	Brown/natural			
	997 553 981 00 N12	Carrera Red			
	997 553 981 00 6J0	Espresso			
(32)	997 553 981 00	Cover Parking-brake lever		1	IXMJ

Model: 997-09

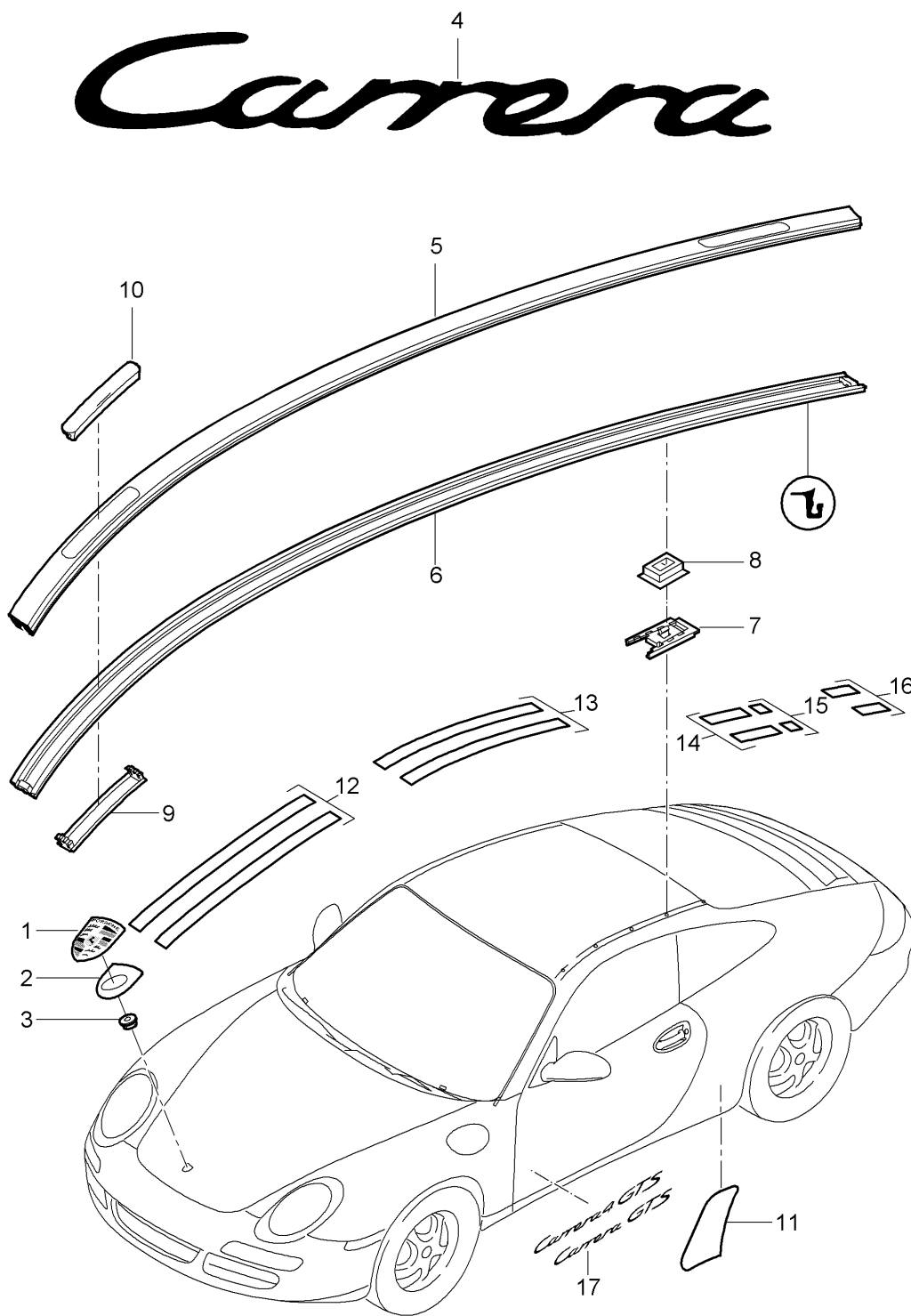
Model life 2009>>2012

Pos	Part Number	Description	Remark	Qty	Model
	997 553 981 00 A11	Black			
	997 553 981 00 5X6	Stone grey			
	997 553 981 00 8G2	Sand Beige			
	997 553 981 00 3S9	Sea blue			
	997 553 981 00 9S5	Terracotta			
	997 553 981 00 9V6	Cocoa			
	997 553 981 00 D12	Dark grey/natural			
	997 553 981 00 T12	Brown/natural			
	997 553 981 00 N12	Carrera Red			
	997 553 981 00 6J0	Espresso			
(32)	997 553 981 00	Cover	10-	1	COUPE S I756
		Parking-brake lever			
	997 553 981 00 6J0	Espresso			
(32)	997 553 981 07	Cover		1	IXMZ
		Parking-brake lever			
	997 553 981 07 A11	Black			
	997 553 981 07 5X6	Stone grey			
	997 553 981 07 8G2	Sand Beige			
	997 553 981 07 3S9	Sea blue			
	997 553 981 07 9S5	Terracotta			
	997 553 981 07 9V6	Cocoa			
	997 553 981 07 D12	Dark grey/natural			
	997 553 981 07 T12	Brown/natural			
	997 553 981 07 N12	Carrera Red			
	997 553 981 07 6J0	Espresso			
33	999 591 215 40	Expander nut 4,2		2	
34	997 553 732 00	Rubber buffer Lid		2	
		Inner			
35	997 553 861 00	Clamp		4	IXMZ

Model: 997-09

Model life 2009>>2012

Carrera



Model: 997-09 Model life 2009>>2012

Pos	Part Number	Description	Remark	Qty	Model
1	997 559 211 00	Insignias Decorative fittings Stone guard film Lid emblem Information available		1	
2	7L5 853 611 B	Desk pad		1	
3	999 591 423 03	Tapping nut		2	
4	997 559 237 00	Logo *CARRERA*		1	C2/C4
(4)	997 559 237 01	Lacquered Titanium Logo *CARRERA*		1	C2S/C4S
(4)	997 559 237 04	Mat chrome Logo *TARGA*		1	C4
(4)	997 559 237 05	Lacquered Titanium Logo *TARGA*		1	C4S
(4)	997 559 231 00	Mat chrome Logo *911*		1	I911
(4)	997 559 243 00	Chrome Logo *S*		1	C2S/C4S
(4)	997 559 241 00	Logo *4*		1	C4
(4)	997 559 241 01	Logo *4*		1	C4S
(4)	997 559 980 02	Logo *Sport Classic*		1	I756
(4)	997 559 221 00	Logo *Speedster*		1	I503
(4)	997 559 221 00 041	Black			
(4)	997 559 037 05	Set Logo *Carrera GTS*		1	I011/515
(4)	997 559 037 06	Black Lacquered Set Logo *Carrera GTS*		1	I011/514
(4)	997 559 037 07	Silver Lacquered Set Logo *CARRERA 4 GTS*		1	I019/515
(4)	997 559 037 08	Black Lacquered Set Logo *Carrera 4 GTS*		1	I019/514
5	997 559 401 00	Lacquered Roof edge strip	/L	1	
(5)	997 559 401 00 G2X	Prime coated			
(5)	997 559 402 00	Roof edge strip	/R	1	
(5)	997 559 402 00 G2X	Prime coated			
6	997 559 721 01	Gasket	/L 09-	1	
(6)	997 559 722 01	Roof edge strip Gasket	/R 09-	1	
(6)	997 559 722 01	Roof edge strip			

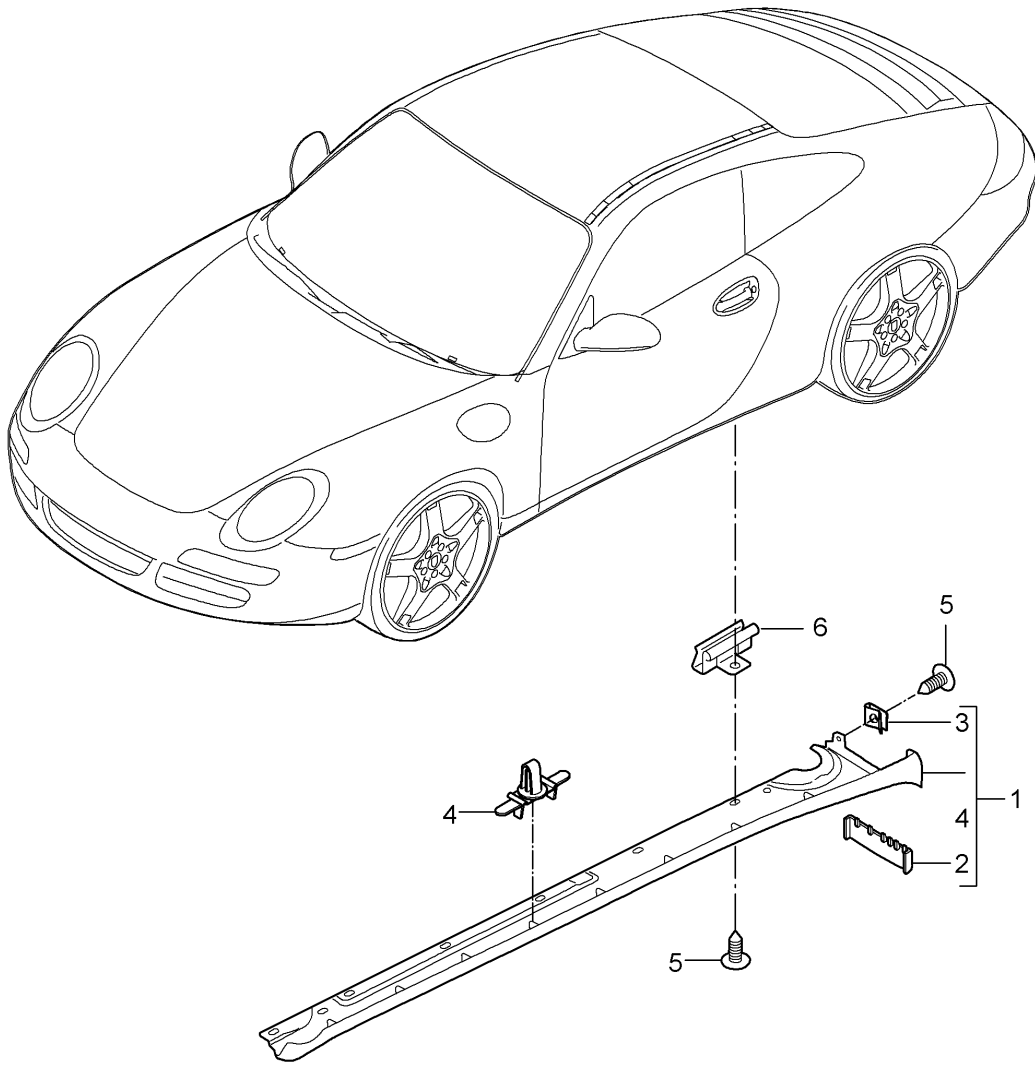
Model: 997-09

Model life 2009>>2012

Pos	Part Number	Description	Remark	Qty	Model
7	996 559 403 01	Clip		10	
8	996 559 405 01	Adapter		10	
9	996 559 729 00	Bracket for Flap		4	
10	996 559 501 00	Flap Front		2	
	996 559 501 00 G2X	Prime coated			
(10)	996 559 503 00	Flap Rear		2	
	996 559 503 00 G2X	Prime coated			
11	997 504 825 02	Stone guard film Side section	/L	1	
(11)	997 504 826 02	Stone guard film Side section	/R	1	
(11)	997 558 101 06	Decorative film Set Stone guard film Side section		1	I756
(11)	997 559 035 00	Set Decorative film Side section Black		1	I503
12	997 558 101 01	Decorative film Lid Front		1	I756
13	997 558 101 02	Decorative film Roof		1	I756
14	997 558 101 03	Decorative film Rear centre panel		1	I756
15	997 558 101 04	Decorative film Rear lid Upper		1	I756
16	997 558 101 05	Decorative film Rear lid Rear		1	I756
17	997 559 443 00	Decorative film Door Front Silver		2	I011/514
(17)	997 559 443 01	Decorative film Door Front Black		2	I011/515
(17)	997 559 443 02	Decorative film Door Front Black		2	I019/515
(17)	997 559 443 03	Decorative film Door Front Silver		2	I019/514

Model: 997-09

Model life 2009>>2012

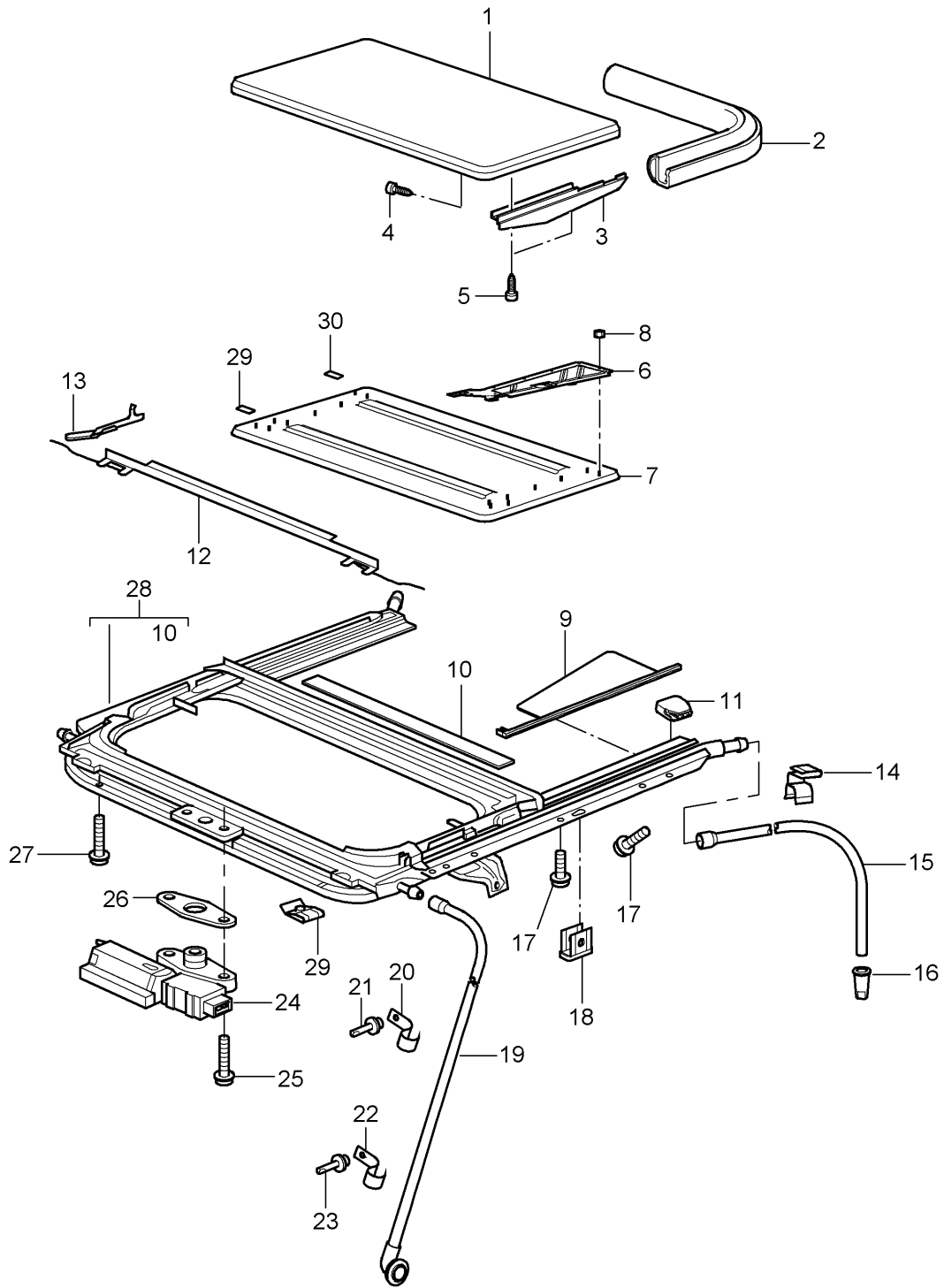


Model: 997-09 Model life 2009>>2012

Pos	Part Number	Description	Remark	Qty	Model
1	997 504 363 00	Sill cover Sill cover	/L	1	-IXAJ/-I011 -I019
(1)	997 504 363 00 01C 997 504 364 00	Satin black Sill cover	/R	1	-IXAJ/-I011 -I019
1	997 504 364 00 01C 997 504 363 80	Satin black Sill cover	/L	1	-IXAJ/I011
1	997 504 363 80 997 504 363 80 01C	Sill cover Satin black	/L	1	-IXAJ/I019
(1)	997 504 364 80 997 504 364 80 01C	Sill cover Satin black	/R	1	-IXAJ/I011
(1)	997 504 364 80 997 504 364 80 01C	Sill cover Satin black	/R	1	-IXAJ/I019
1	997 504 981 00	Sill cover	/L	1	-I011/-I019 IXAJ
1	997 504 981 00 G2X 997 504 981 82	Prime coated Sill cover	/L	1	IXAJ/011
1		Prime coated Sill cover	/L	1	IXAJ/019
(1)	997 504 982 00	Prime coated Sill cover	/R	1	-I011/-I019 IXAJ
1	997 504 982 00 G2X 997 504 982 82	Prime coated Sill cover	/R	1	IXAJ/011
1		Prime coated Sill cover	/R	1	IXAJ/019
2	997 504 863 00	Rubber lip Sill cover	/L	1	-I011/-I019
(2)	997 504 863 00 01C 997 504 863 80	Satin black Rubber lip	/L	1	GTS I011
(2)	997 504 863 80 01C 997 504 863 80	Sill cover Satin black Rubber lip	/L	1	GTS I019
(2)	997 504 863 80 01C 997 504 864 00	Sill cover Satin black Rubber lip	/R	1	-I011/-I019
(2)	997 504 864 00 01C 997 504 864 80	Satin black Rubber lip	/R	1	GTS I011
(2)	997 504 864 80 01C 997 504 864 80	Sill cover Satin black Rubber lip	/R	1	GTS I019
3	997 504 864 80 01C 999 507 795 09	Sill cover Satin black Speed nut		4	
4	999 507 986 40	ST 4,8 Fixing clip Sill cover		18	
5	999 073 231 09	9,0 x 1,5 Tapping screw		24	
6	999 507 640 09	st 4,8 x 16 U-clamp		18	

Model: 997-09

Model life 2009>>2012



Model: 997-09 Model life 2009>>2012

Pos	Part Number	Description	Remark	Qty	Model
		Sunroof			I650
1	996 564 941 01	Lid		1	
	996 564 941 01 GRV	Prime coated			
2	997 564 211 00	Gasket		1	
3	997 564 181 00	Cover	/L	1	
	997 564 181 00 01C	Black			
(3)	997 564 182 00	Cover	/R	1	
	997 564 182 00 01C	Black			
4	996 564 245 00	Combination screw		4	
5	900 143 189 09	Tapping screw		4	
6	996 564 321 01	Guide plate	/L	1	
(6)	996 564 322 01	Guide plate	/R	1	
7	997 564 021 00	Roofliner		1	
		Alcantara			
	997 564 021 00 A14	Black			
	997 564 021 00 B14	Stone grey			
	997 564 021 00 G14	Metropole blue			
	997 564 021 00 T44	Sand Beige			
	997 564 021 00 J44	Palmgreen			
(7)	996 564 983 00	Roofliner		1	
		Leather			
	996 564 983 00 A11	Black			
	996 564 983 00 5X6	Stone grey			
	996 564 983 00 8G2	Sand Beige			
	996 564 983 00 3S9	Sea blue			
	996 564 983 00 4P2	Palmgreen			
	996 564 983 00 9S5	Terracotta			
	996 564 983 00 D12	Dark grey/natural			
	996 564 983 00 T12	Natural brown			
	996 564 983 00 9V6	Cocoa			
8	900 076 084 07	Nut		16	
9	997 564 241 00	Interior lining	/L	1	
(9)	997 564 242 00	Interior lining	/R	1	
10	997 564 671 00	Edge protection		11	
11	997 555 823 00	Support		2	
12	997 564 161 00	Air deflector		1	
13	996 564 522 01	Hinge	/R	1	
(13)	996 564 521 01	Hinge	/L	1	
14	999 507 631 02	Cable holder		4	
15	996 564 205 01	Water drain hose		2	
		Rear			
16	996 561 825 00	Water drain valve		2	
		Rear			
17	999 073 130 02	Oval-head screw		6	
17	999 073 279 02	Oval-head screw		6	
18	999 703 258 42	Clip		2	
19	996 564 207 00	Water drain hose		2	
		Front			
20	997 564 301 00	Support		2	
		Upper			
21	999 190 184 01	Blind rivet		2	
		4,0X8,5			
22	997 564 303 00	Support		2	
		Lower			
23	999 190 450 37	Blind rivet		1	
		4,0X6,3			
24	997 624 211 00	Driving mechanism		1	
25	999 073 135 07	Countersunk-head screw		1	
26	996 564 213 00	Spacer		1	
27	999 073 366 02	Oval-head screw		4	
		M6x30			
28	997 564 911 00	Frame		1	
		without			

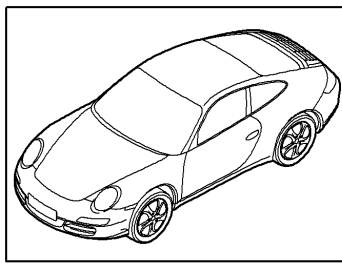
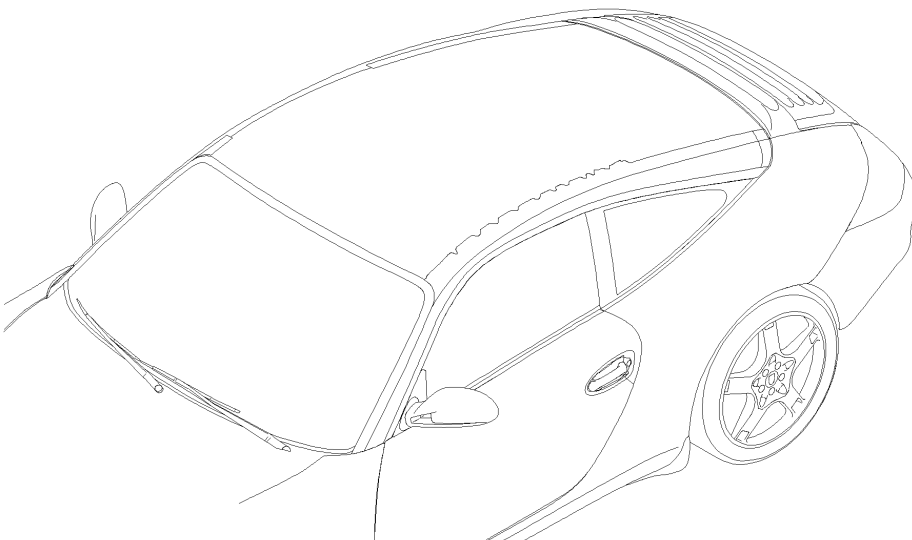
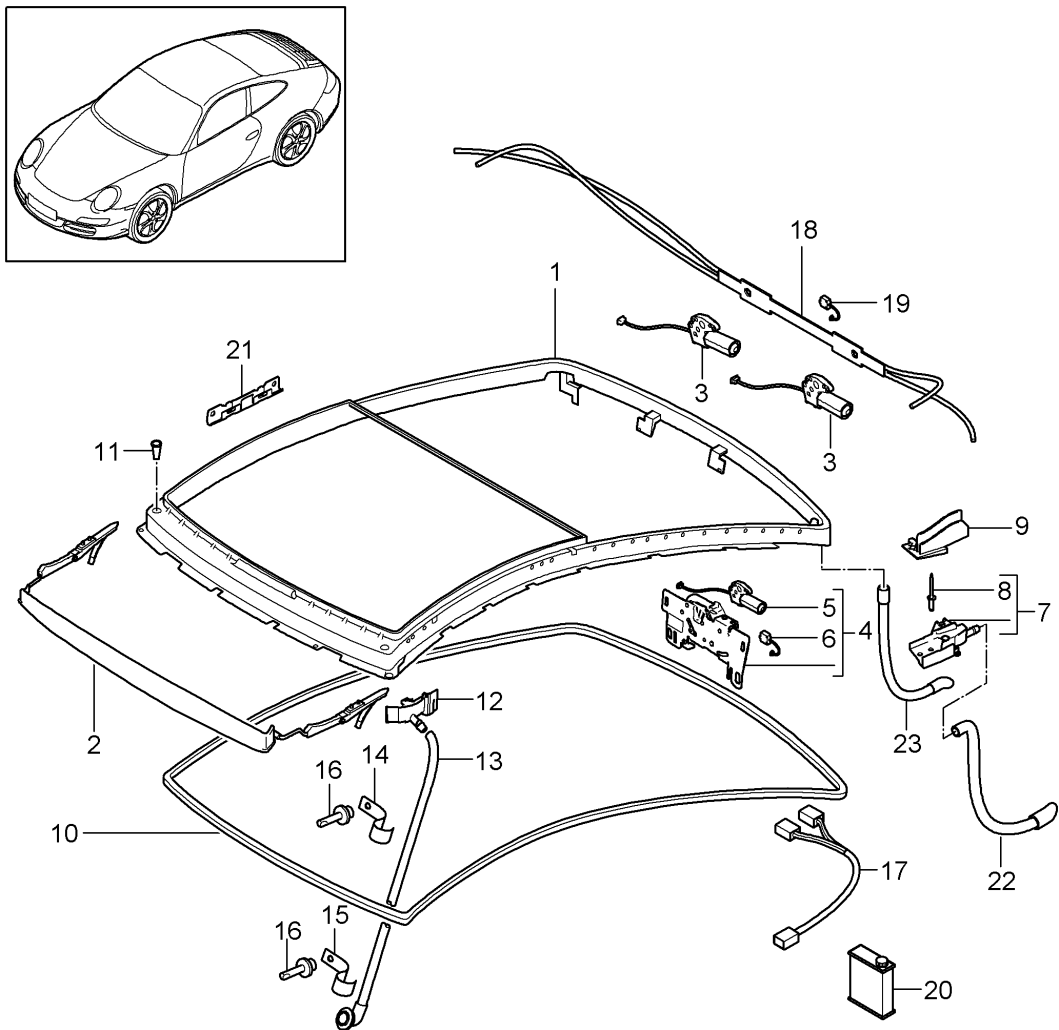
Model: 997-09

Model life 2009>>2012

Pos	Part Number	Description	Remark	Qty	Model
29	997 564 903 00	Driving mechanism Damping piece Front		3	
30	997 564 905 00	Damping piece Rear		3	

Model: 997-09

Model life 2009>>2012



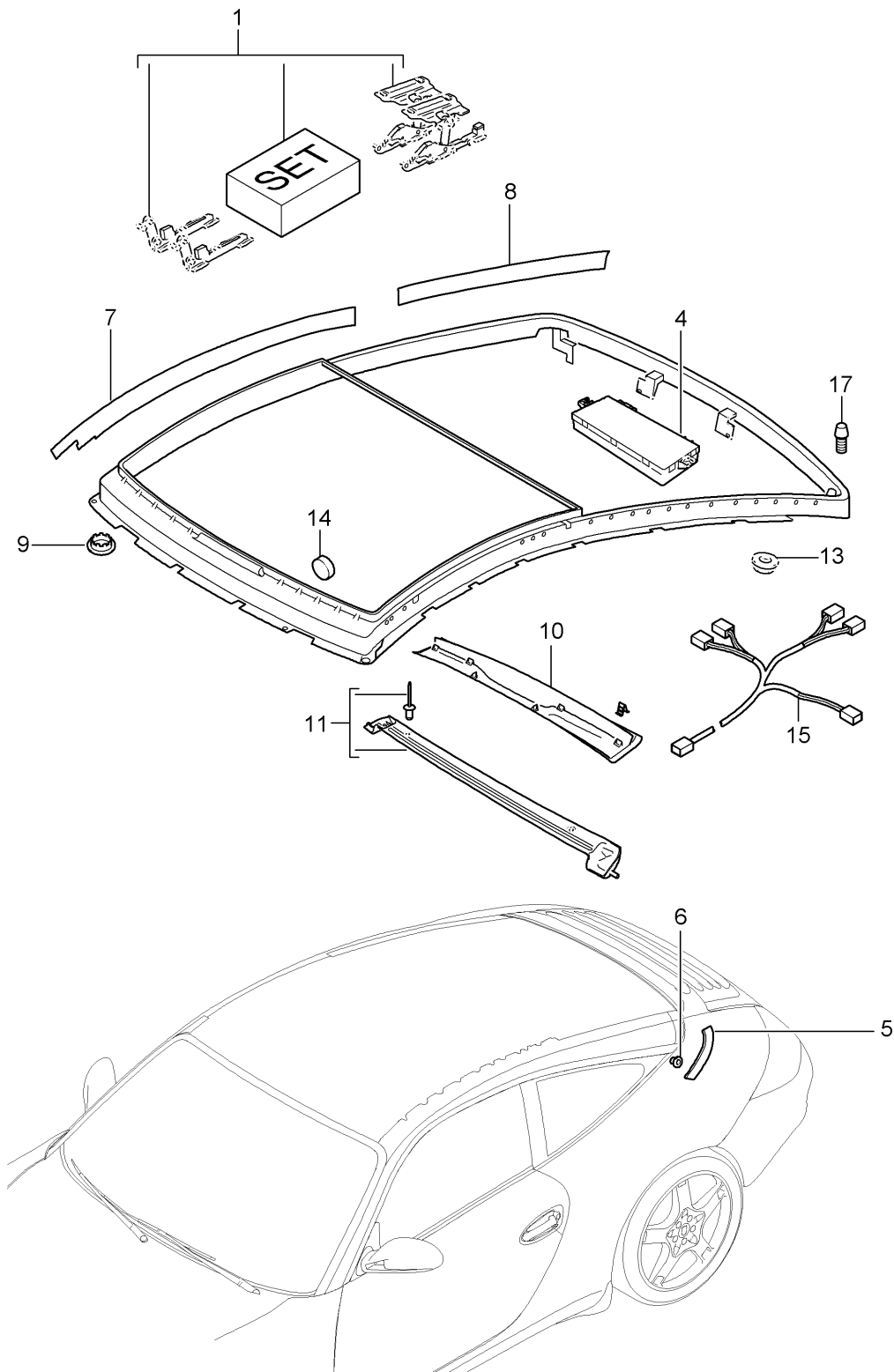
Model: 997-09

Model life 2009>>2012

Pos	Part Number	Description	Remark	Qty	Model
		Glass roof			TARGA
1	997 562 905 00	Frame		1	
2	997 562 953 00	Air deflector		1	
		Repair kit			
3	996 624 221 00	Electric drive		2	
4	997 562 335 00	Catch		1	
5	996 624 231 00	Driving mechanism		1	
6	996 613 231 00	Microswitch		1	
7	996 562 439 00	End piece	/L	1	
		Guide rail			
(7)	996 562 440 00	End piece	/R	1	
		Guide rail			
8	999 190 172 30	Blind rivet		4	
9	996 562 437 00	Lid	/L	1	
(9)	996 562 438 00	Lid	/R	1	
10	996 562 425 00	Sealing strap		1	
11	997 562 421 00	Water drain sleeve		1	
12	996 562 401 00	Water drain tube	/L	1	
(12)	996 562 402 00	Water drain tube	/R	1	
13	996 562 203 01	Water drain hose		2	
14	997 564 301 00	Support		2	
		Upper			
15	997 564 303 00	Support		2	
		Lower			
16	999 190 450 37	Blind rivet		4	
17	996 612 344 00	Wiring harness		1	
		Shade			
18	996 562 913 00	Guide tube		1	
		with			
		Drive shaft			
19	996 613 221 00	Microswitch		1	
20	000 043 157 00	Cleaning agent		1	
		30 ML			
21		See illustrations		1	
		8/01/65			
22	996 562 205 01	Water drain hose		2	
		Rear			
		Outer			
23	996 562 207 01	Water drain hose		2	
		Rear			
		Inner			

Model: 997-09

Model life 2009>>2012



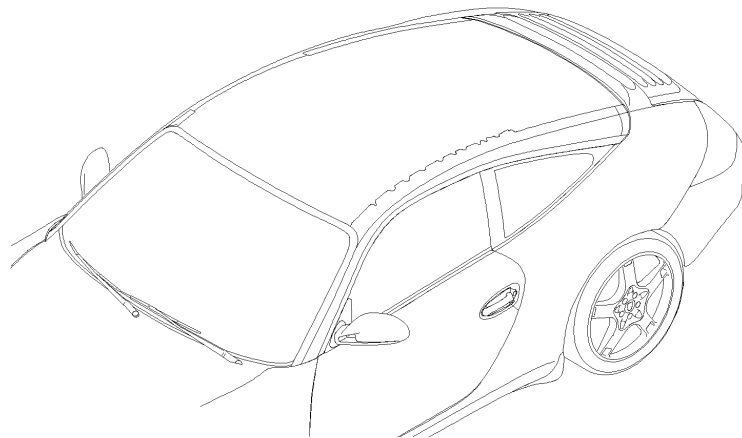
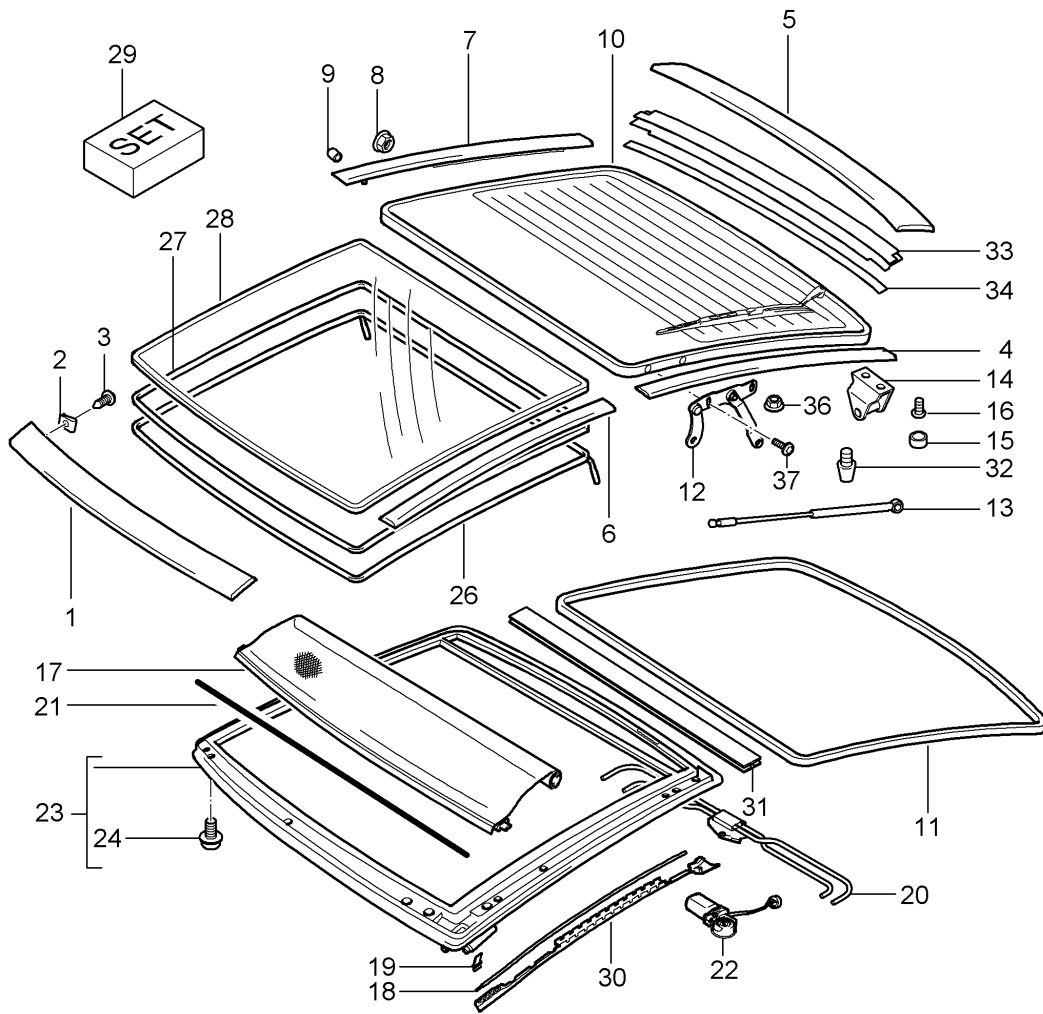
Model: 997-09

Model life 2009>>2012

Pos	Part Number	Description	Remark	Qty	Model
1	996 562 906 00	Glass roof Driving mechanism Repair kit Lifting mechanism with Knock-out lever And Mounting parts Use also: pos.2 pos.3 Installation instructions See technical manual		1	TARGA
2	996 562 315 00	Cable	/L	1	
3	996 562 316 00	Cable	/R	1	
4	997 618 241 01	Control unit		1	
5	997 562 541 00	Cover	/L	1	
	997 562 541 00 GRV	Prime coated			
(5)	997 562 542 00	Cover	/R	1	
	997 562 542 00 GRV	Prime coated			
6	893 853 231 A	Clamping bush		4	
7	996 562 407 00	Cover	/L	1	
(7)	996 562 408 00	Cover	/R	1	
8	996 562 911 00	Cover	/L	1	
(8)	996 562 404 00	Cover	/R	1	
9	999 703 866 40	Lid		3	
10	996 562 943 00	Lining		1	
11	996 562 459 00	Profile strip		1	
12	996 562 427 00	Bracket		1	
13	999 084 456 09	Hexagon nut		X	
14	999 703 134 40	Buffer 40,0 x 11,0		2	
15	997 612 699 00	Wiring harness		1	
16	999 507 778 02	Clamp		6	
-	997 562 661 00	Rubber buffer for Gate guide See workshop manual 600649		4	
17	999 703 488 40	Buffer for Rear lid 5,9x11,5x16		2	

Model: 997-09

Model life 2009>>2012



Model: 997-09 Model life 2009>>2012

Pos	Part Number	Description	Remark	Qty	Model
		Glass roof Linings			TARGA
1	997 562 021 00	Cover		1	
1	997 562 021 02	Cowl		1	
2	999 591 591 01	Cover		1	
2	999 591 591 01	Speed nut		3	
3	999 919 162 09	St 3,5		3	
3	999 919 162 09	Oval-head screw		3	
4	997 562 651 00	M 4 x 8		1	
4	997 562 651 00	Cover	/L	1	
(4)	997 562 652 00	Roof pillar		1	
(4)	997 562 652 00	Cover	/R	1	
5	997 562 653 01	Roof pillar		1	
5	997 562 653 01	Cover	/H	1	
6	997 562 303 00	Centre part		1	
6	997 562 303 00	Cover strip	/L	1	
(6)	997 562 304 00	Glass roof		1	
(6)	997 562 304 00	Cover strip	/R	1	
7	997 562 341 00	Glass roof		1	
7	997 562 341 00	Cover	/L	1	
(7)	997 562 342 00	Rear lid		1	
(7)	997 562 342 00	Lateral		6	
(7)	997 562 342 00	Including		6	
(7)	997 562 342 00	Gasket		1	
(7)	997 562 342 00	Screw		6	
(7)	997 562 342 00	Square nut		6	
(7)	997 562 342 00	Cover	/R	1	
(7)	997 562 342 00	Rear lid		1	
(7)	997 562 342 00	Lateral		6	
(7)	997 562 342 00	Including		6	
(7)	997 562 342 00	Gasket		1	
(7)	997 562 342 00	Screw		6	
(7)	997 562 342 00	Square nut		6	
8	999 076 073 07	Hexagon nut		2	
9	900 228 017 09	Threaded pin		2	
10	997 562 323 00	Rear lid		1	
10	997 562 323 01	Rear lid		1	I425
-	000 043 207 64	Assembly kit		1	I425
-	996 562 453 00	with Shaft		1	
-	996 562 453 00	Rear window wiper		1	
-	996 562 453 00	Use also: 996.562.453.00		1	I425
-	996 562 453 00	Grommet		1	
-	996 562 453 00	Rear window wiper		1	
11	996 562 337 00	Gasket		1	
12	996 562 319 00	Hinge	/L	1	
(12)	996 562 320 00	Hinge	/R	1	
13	997 562 429 00	Gas-pressure spring	/L	1	
(13)	997 562 430 00	Gas-pressure spring	/R	1	
14	996 562 325 00	Clip		1	
-	999 073 189 09	Torx screw		2	
-	999 073 189 09	Clip		2	
-	999 073 189 09	M6x12		2	
15	996 562 461 00	Cap		1	
16	900 228 017 09	Threaded pin		2	
17	996 562 405 00	Shade		1	
18	997 562 917 00	Cable	/L	1	
(18)	997 562 918 00	Cable	/R	1	
(18)	997 562 918 00	Shade		1	
19	997 562 915 00	Sliding piece	/L	1	
(19)	997 562 916 00	Sliding piece	/R	1	

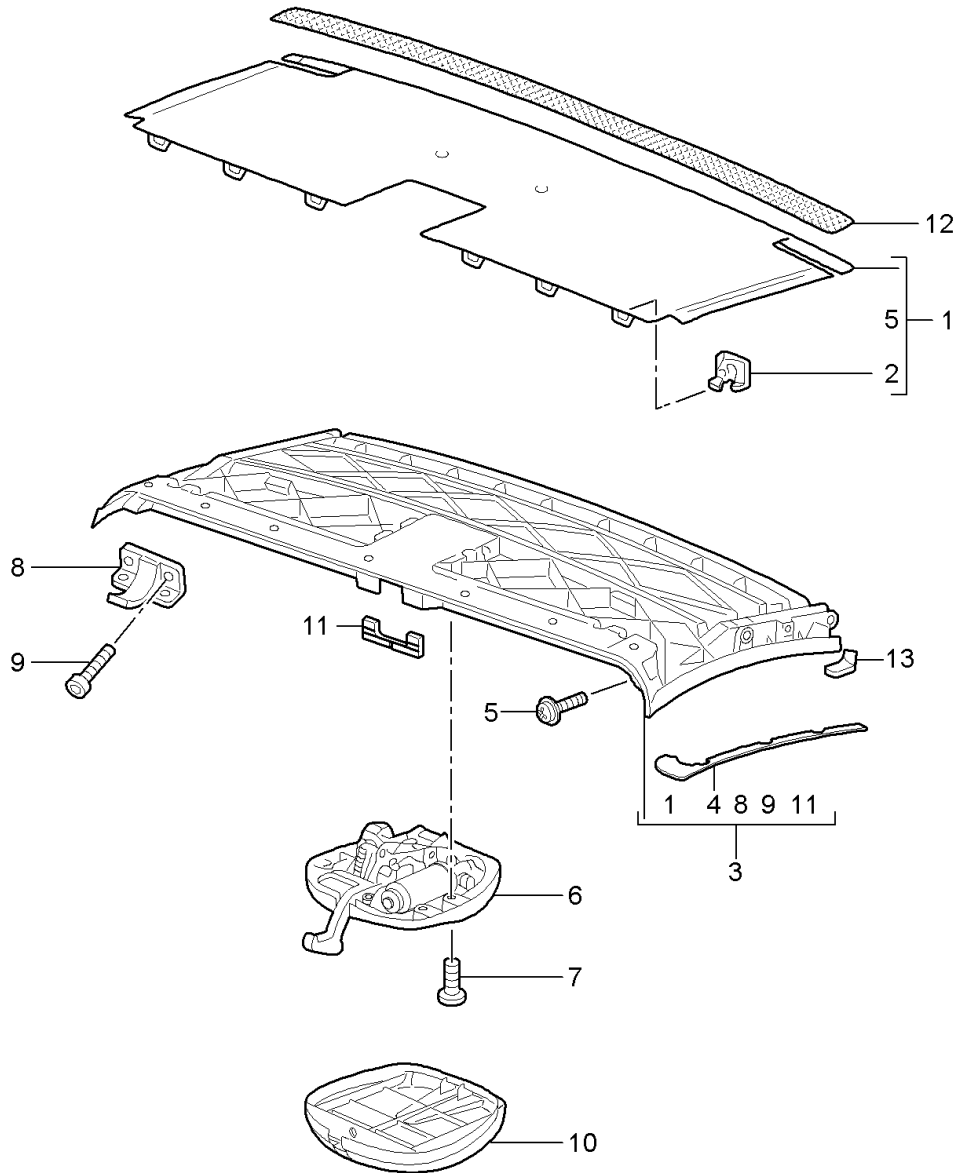
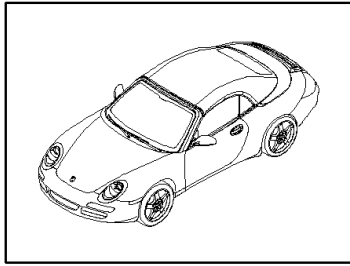
Model: 997-09

Model life 2009>>2012

Pos	Part Number	Description	Remark	Qty	Model
20	996 562 910 00	Shade Guide Cable		1	
21	996 562 901 00	Roof strut		1	
22	996 624 241 00	Electric motor		1	
23	996 562 933 01	Repair kit Retaining frame		1	
24	996 562 904 00	Repair kit Fastening screw Retaining frame		1	
25	999 073 262 09	Torx screw M 5X14		10	
26	996 562 455 01	Gasket with Water drain hose		1	
27	996 562 331 00	Gasket Use also:		1	
-	000 043 207 25	Activator 1 Liter See workshop manual 600649		1	
28	997 562 329 00	Glass roof		1	
-	000 043 207 27	Adhesive tape 4MM X 1600MM		1	
29	996 562 903 00	Spacer Set		1	
30	996 562 907 00	Cover	/L	1	
(30)	996 562 908 00	Cover	/R	1	
31	997 562 443 00	Gasket Centre piece		1	
32	999 703 100 40	Buffer Rear lid		2	
33	997 562 441 00	Cover Rear window Lower		1	
34	996 562 415 00	Strip Clamping strip for Cover		1	
35	000 043 157 00	Cleaning agent 30 ML		1	
36	999 084 456 09	Hexagon nut M6		3	
37	999 073 264 09	Oval-head screw M6x10		2	

Model: 997-09

Model life 2009>>2012

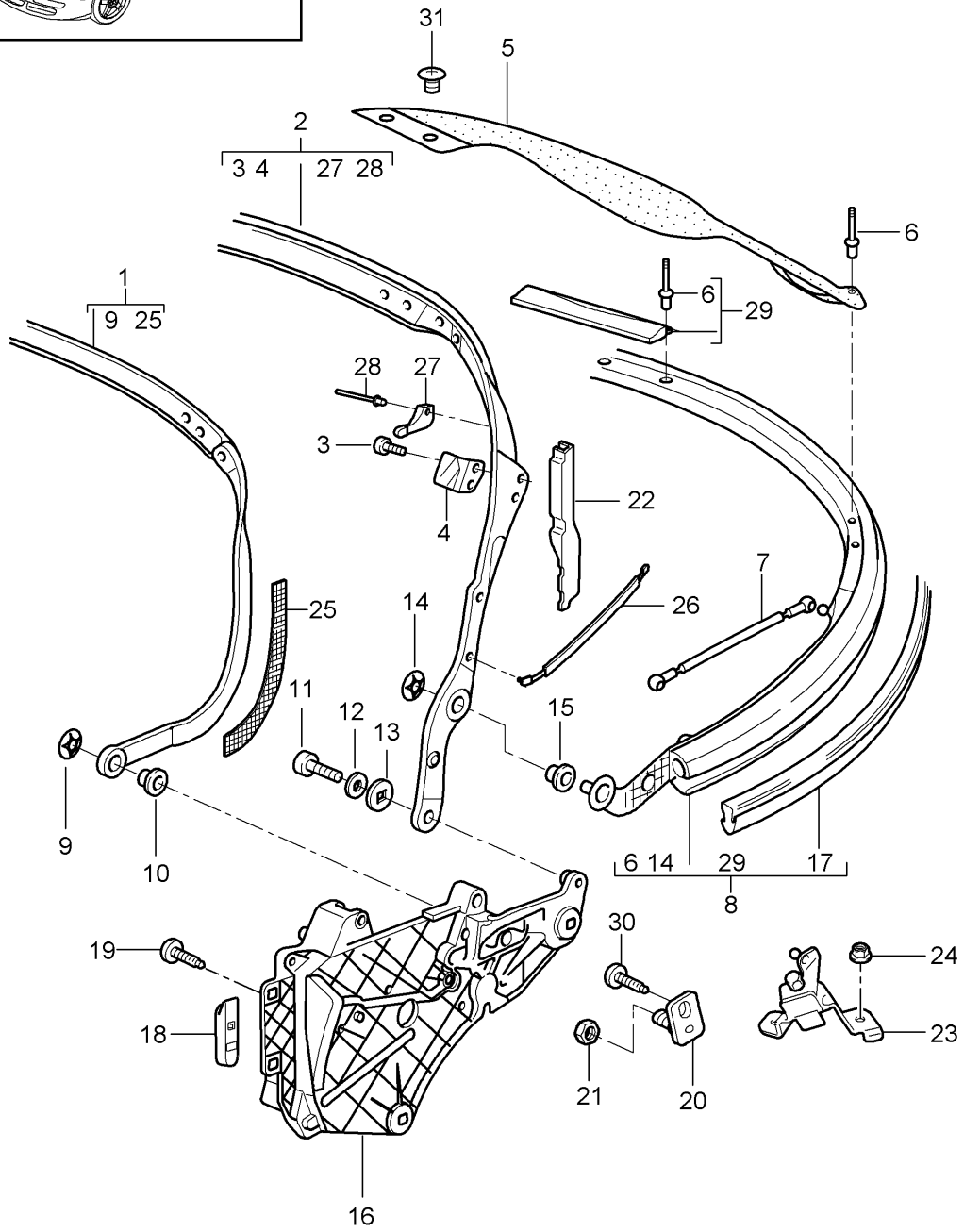
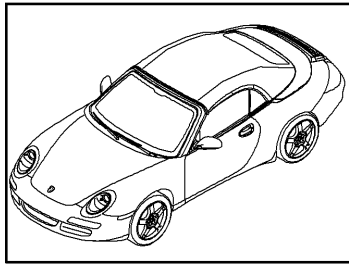


Model: 997-09 Model life 2009>>2012

Pos	Part Number	Description	Remark	Qty	Model
		Convertible top frame			
		Front			
		Roof frame			
		Catch			
1	996 561 963 00	Base		1	
2	996 561 731 00	Clip		6	
3	997 561 905 00	Roof frame		1	
	997 561 905 00 A09	Black			
		Use also:			
-	997 561 509 00	Felt strip		1	
		60 x 25			
		See TPI			
		Group 8			
		Nr. 53			
4	996 561 807 00	Gasket	/L	1	
		Roof frame			
		Plastic foam strip			
(4)	996 561 808 00	Gasket	/R	1	
		Roof frame			
		Plastic foam strip			
5	999 919 192 09	Oval-head screw		6	
6	997 561 117 01	Catch		1	
7	999 073 195 09	Oval-head screw		4	
8	997 561 605 00	Centring journal	/L	1	
(8)	997 561 606 00	Centring journal	/R	1	
9	999 919 144 09	Oval-head screw		4	
10	997 561 515 00	Trim cover		1	
	997 561 515 00 01C	Black			
11		Buffer		1	
		See illustrations			
		8/11/09			
12	000 043 207 44	Felt strip		1	
		30 mm x 5 Meter			
13	997 561 827 00	Foam part	/L	1	
(13)	997 561 828 00	Foam part	/R	1	
-	000 043 206 65	Grease		X	
		Krytox			
		1 tube			
		56 Gramm			
-	000 043 206 83	Grease		X	
		Optitemp LG2			
		1 tube			
		80 Gramm			
-	999 917 557 00	Grease		X	
		Osixo			
		30 ml			

Model: 997-09

Model life 2009>>2012

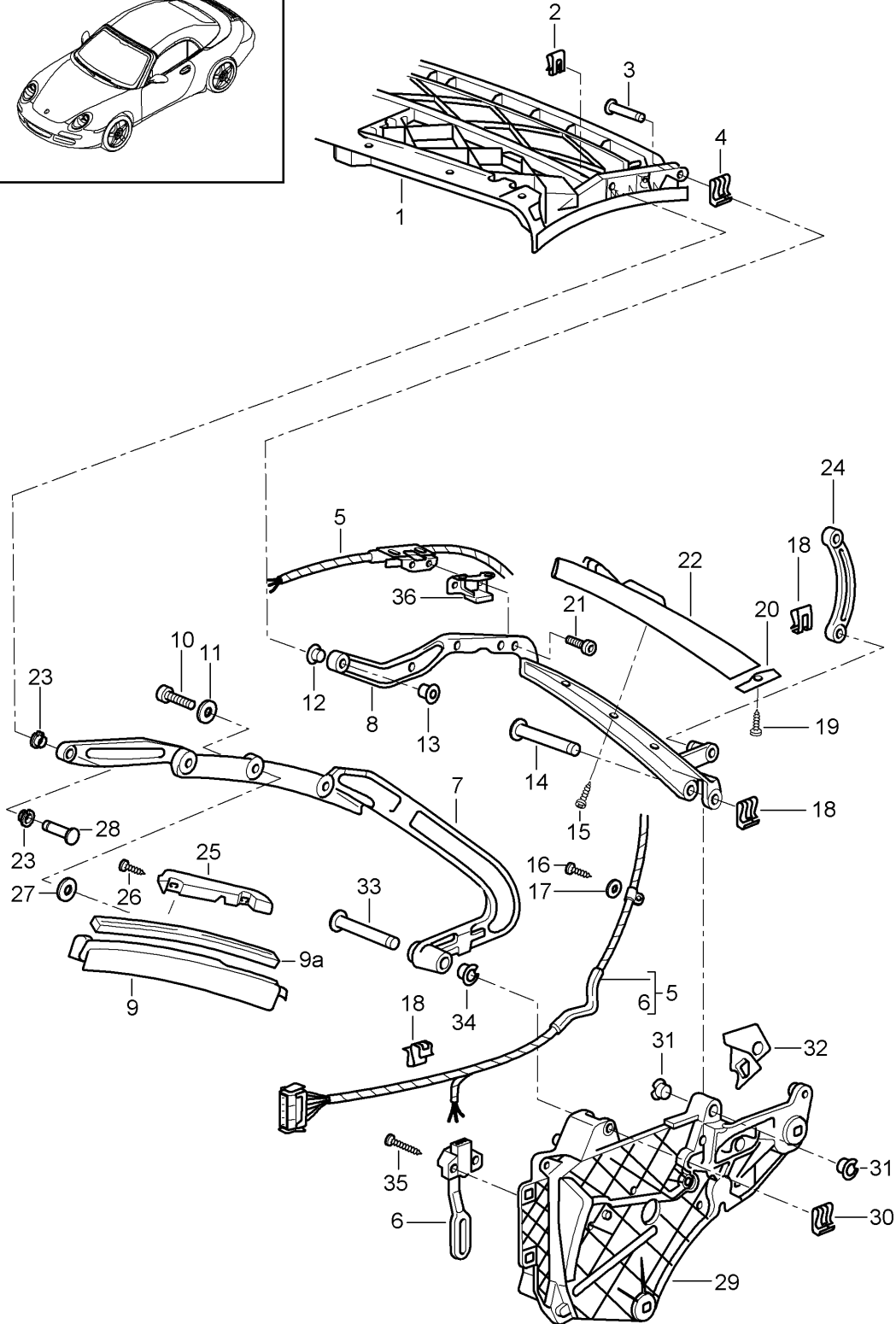
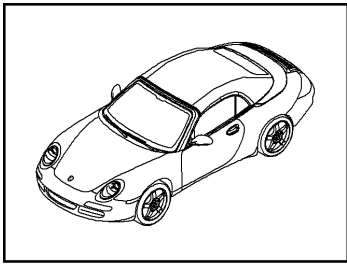


Model: 997-09 Model life 2009>>2012

Pos	Part Number	Description	Remark	Qty	Model
		Convertible top frame Single parts			
1	997 561 942 00	Roof strut		1	
2	997 561 037 00	Main folding top bow		1	
3	900 146 003 02	Oval-head screw		6	
4	996 561 959 00	Thrust wedge		2	
5	997 561 089 02	Restraining strap	/L	1	
(5)	997 561 090 02	Restraining strap	/R	1	
6	999 190 446 30	Blind rivet		12	
7	996 561 191 00	Tension rope Lower		2	
8	997 561 941 00	Roof strut with Buffer		1	
9	996 561 645 00	Lock		4	
10	999 924 122 40	Bush		4	
11	999 073 195 09	Oval-head screw		2	
12	900 151 006 09	Washer		2	
13	999 924 131 30	Washer		2	
14	996 561 645 00	Lock		4	
15	999 924 122 40	Bush		X	
16	997 561 943 00	Convertible top support	/L	1	
(16)	997 561 944 00	Convertible top support	/R	1	
17	996 561 693 00	Gaskets for Roof strut POS.8		1	
18	996 561 735 02	Adjusting shim		2	
19	999 075 065 09	Hexagon-head bolt M8x35 Mount Convertible top support		6	
20	996 561 715 00	Support		2	
21	999 084 629 01	Hexagon nut		2	
22	996 561 259 00	Gasket	/L	1	
(22)	996 561 260 00	Gasket	/R	1	
23	996 561 055 01	Bracket for Tension rope	/L	1	
(23)	996 561 056 01	Bracket	/R	1	
24	999 084 629 01	Hexagon nut		4	
25	997 561 897 00	Velcro strip	/L	1	
(25)	997 561 898 00	Velcro strip	/R	1	
26	997 561 531 00	Spring plate		2	
27	997 561 579 00	Protective plate	/L	1	
(27)	997 561 580 00	Protective plate	/R	1	
28	999 190 494 30	Rivet A 4.8x12.0		2	
29	997 561 961 00	Buffer Set		1	
30	999 073 138 01	Round head screw M8x25		1	
31	999 919 141 09	Oval-head screw for Restraining strap		4	

Model: 997-09

Model life 2009>>2012



Model: 997-09 Model life 2009>>2012

Pos	Part Number	Description	Remark	Qty	Model
		Convertible top frame			
		Single parts			
1	997 561 905 00	Roof frame		1	
	997 561 905 00 A09	Black			
2	999 166 075 02	Safety clip		X	
3	999 088 050 30	Bolt		2	
		8X27,8			
-	997 561 909 00	Repair kit		1	
		Bush			
		Bolt			
		Lock			
4	999 166 075 02	Safety clip		X	
5	997 612 698 03	Wiring harness		1	
		Not for			
		Convertible top covering			
		Black			
(5)	997 612 698 01	Wiring harness		1	
		for			
		Convertible top covering			
		Black			
-	997 561 965 00	Boot		1	
6	996 613 313 02	Potentiometer		1	
7	996 561 335 00	Roof frame	/L	1	
(7)	996 561 336 00	Roof frame	/R	1	
8	997 561 939 00	Roof frame	/L	1	
(8)	997 561 940 00	Roof frame	/R	1	
9	997 561 355 01	Sealing frame	/L	1	
	997 561 355 01 A09	Black			
(9)	997 561 356 01	Sealing frame	/R	1	
	997 561 356 01 A09	Black			
9A	996 561 219 00	Gasket		2	
		for			
		Sealing frame			
10	999 073 195 09	Oval-head screw		X	
		M 6X20			
11	900 151 006 09	Washer		X	
12	999 924 086 40	Bearing sleeve		4	
13		Bearing sleeve		4	
14	999 088 037 30	Bolt		1	
15	999 919 153 09	Oval-head screw		X	
16	900 144 101 02	Tapping screw		X	
17	900 151 027 02	Washer		8	
18	999 166 076 02	Safety clip		X	
18	999 166 076 01	Safety clip		X	
19		Blind rivet		4	
		See illustrations			
		8/11/09			
20		Gasket		2	
		See illustrations			
		8/11/09			
21	N 014 128 13	Oval-head screw		4	
		M5X8			
22	997 561 319 03	Sealing frame	/L	1	
	997 561 319 03 A09	Black			
(22)	997 561 320 03	Sealing frame	/R	1	
	997 561 320 03 A09	Black			
23	999 924 086 40	Bearing sleeve		8	
24	996 561 051 01	Lever	/L	1	
(24)	996 561 052 01	Lever	/R	1	
25	996 561 535 00	Guide	/L	1	
(25)	996 561 536 00	Guide	/R	1	
26	999 919 141 09	Oval-head screw		4	
27	999 025 267 09	Washer		8	

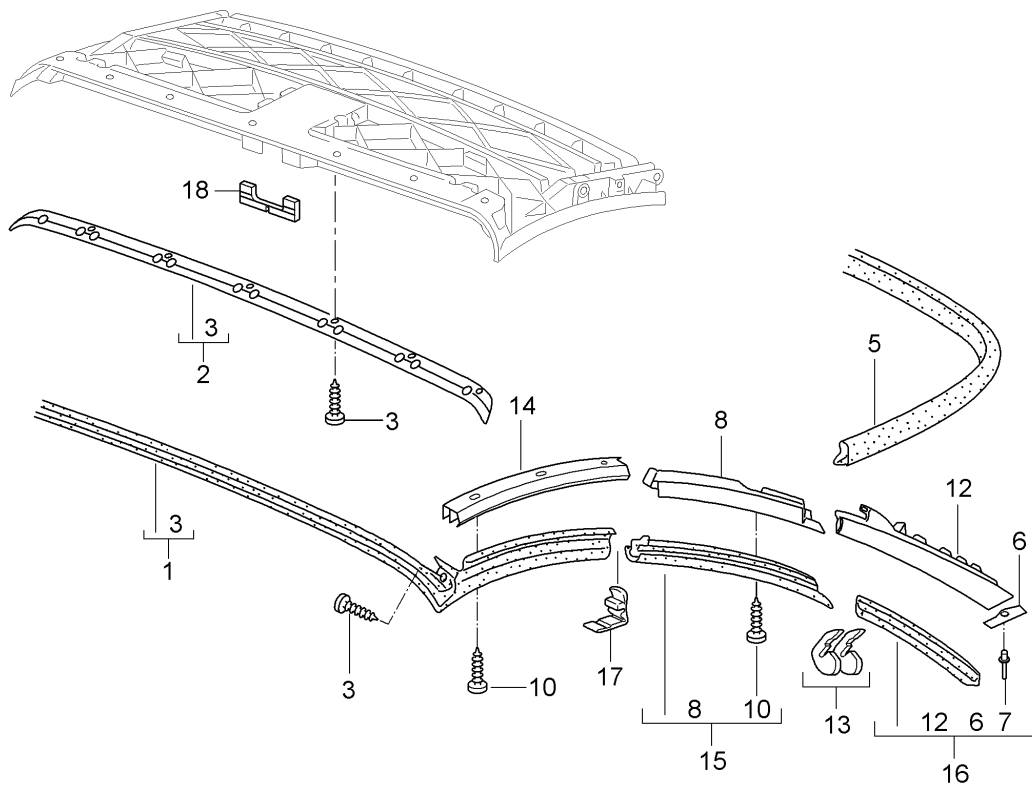
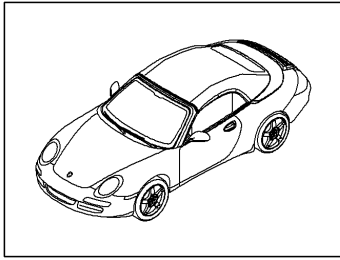
Model: 997-09

Model life 2009>>2012

Pos	Part Number	Description	Remark	Qty	Model
28	999 088 049 30	Bolt 8x32,8		2	
29	997 561 943 00	Convertible top support	/L	1	
(29)	997 561 944 00	Convertible top support	/R	1	
30	999 166 076 02	Safety clip		6	
30	999 166 076 01	Safety clip		6	
31	999 924 125 40	Bush		4	
32	996 561 249 01	Sealing strip	/L	1	
(32)	996 561 250 01	Sealing strip	/R	1	
33	999 088 031 30	Bolt		4	
34	999 924 125 40	Bush		4	
35	999 919 152 09	Oval-head screw 3,5X8		2	

Model: 997-09

Model life 2009>>2012

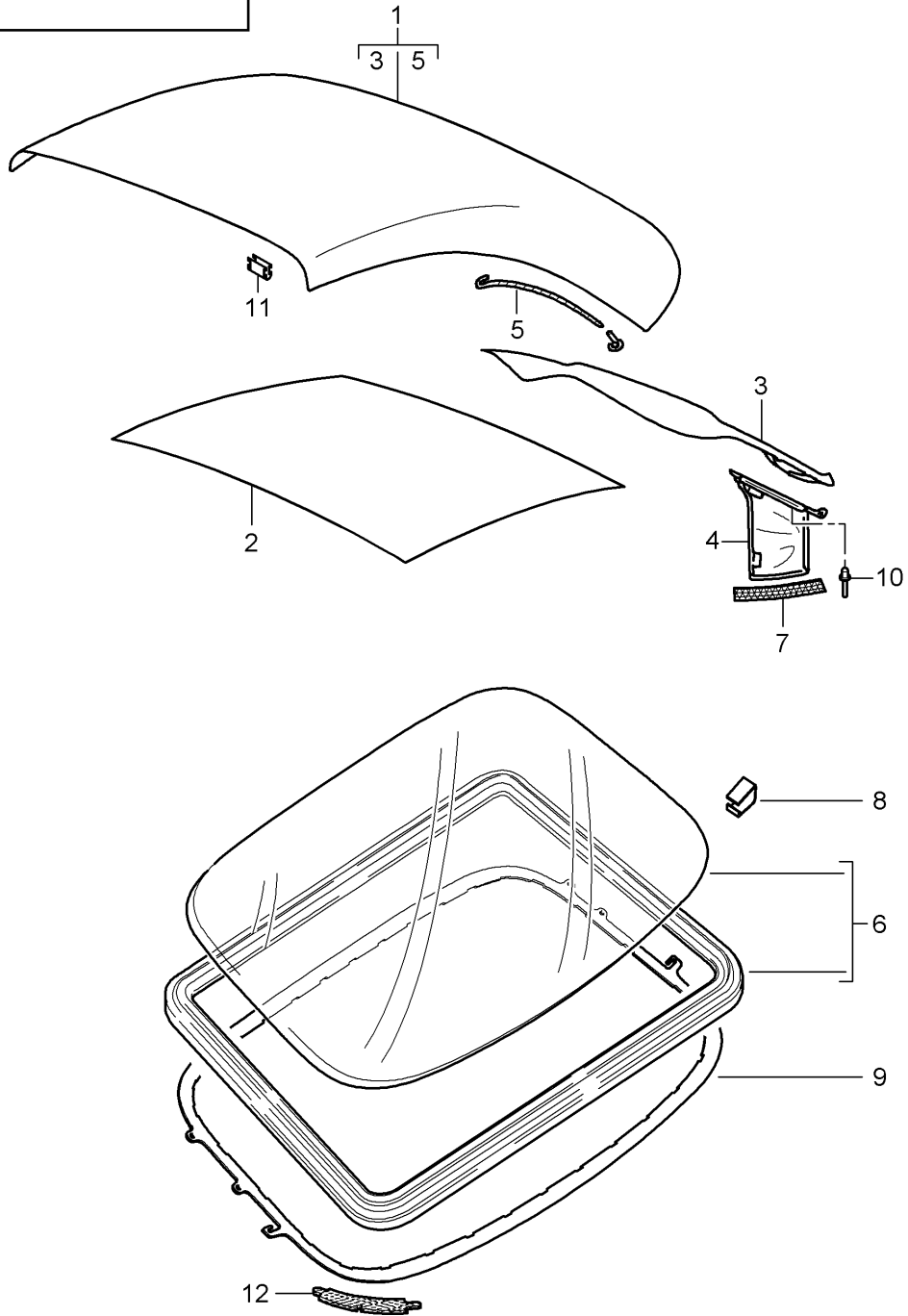
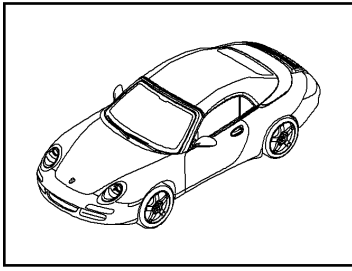


Model: 997-09 Model life 2009>>2012

Pos	Part Number	Description	Remark	Qty	Model
		Convertible top Seal			
1	997 561 937 00	Roof frame seal		1	
2	997 561 951 00	Retaining strip		1	
3	999 141 036 09	Oval-head screw		8	
5	997 561 949 00	Gasket		1	
		Roof strut			
6	997 561 239 00	Gasket	/L	1	
(6)	997 561 240 00	Gasket	/R	1	
7	999 190 495 30	Blind rivet		4	
8	997 561 355 01	Sealing frame	/L	1	
	997 561 355 01 A09	Black			
(8)	997 561 356 01	Sealing frame	/R	1	
	997 561 356 01 A09	Black			
10	999 919 152 09	Oval-head screw		x	
12	997 561 319 03	Sealing frame	/L	1	
	997 561 319 03 A09	Black			
(12)	997 561 320 03	Sealing frame	/R	1	
	997 561 320 03 A09	Black			
13	996 561 935 00	Filler piece Set		2	
14	996 561 527 00	Mounting	/L	1	
(14)	996 561 528 00	Mounting	/R	1	
15	997 561 913 02	Gaskets	/L	1	
		Assembly kit			
(15)	997 561 914 02	Gaskets	/R	1	
		Assembly kit			
16	997 561 923 03	Gaskets	/L	1	
		Assembly kit			
(16)	997 561 924 03	Gaskets	/R	1	
		Assembly kit			
17	997 561 813 00	Filler piece	/L	1	
(17)	997 561 814 00	Filler piece	/R	1	
18	996 561 745 00	Buffer	/R	1	

Model: 997-09

Model life 2009>>2012



Model: 997-09 Model life 2009>>2012

Pos	Part Number	Description	Remark	Qty	Model
1	997 561 901 02	Convertible top covering Roofliner Convertible top covering without Rear window F >>999S7 35745 F >>999S7 35767 F >>999S7 47030 F >>999S7 47027 F >>999S7 35743 F >>999S7 35794 F >>999S7 47028 F >>999S7 47026 It is necessary to rework SIEHE Technical information Group 6 12/09 997 561 901 02 A10 Black 997 561 901 02 C17 Stone grey 997 561 901 02 G02 Metropole blue 997 561 901 02 R17 Brown	/LL /RL /LL /RL /LL /RL /LL /RL	1	Cabrio I098 Cabrio I099 Cabrio S I098 Cabrio S I099 Cabrio C4 I098 Cabrio C4 I099 Cabrio C4S I098 Cabrio C4S I099
1	997 561 901 03	Convertible top covering without Rear window Valid from: F 999S7 35746>> F 999S7 35768>> F 999S7 47031>> F 999S7 47028>> F 999S7 35744>> F 999S7 35795>> F 999S7 47029>> F 999S7 47027>> 997 561 901 03 A10 Black 997 561 901 03 C17 Stone grey 997 561 901 03 G02 Metropole blue 997 561 901 03 R17 Brown	/LL /RL /LL /RL /LL /RL /LL /RL	1	Cabrio I098 Cabrio I099 Cabrio S I098 Cabrio S I099 Cabrio C4 I098 Cabrio C4 I099 Cabrio C4S I098 Cabrio C4S I099
2	997 561 085 02	Roofliner		1	
3	997 561 085 02 A21	Black Restraining strap See illustrations 8/11/06		2	
4	997 561 095 02	Stripe	/L	1	
(4)	997 561 095 02 A21	Black		1	
	997 561 096 02	Stripe	/R	1	
	997 561 096 02 A21	Black		1	

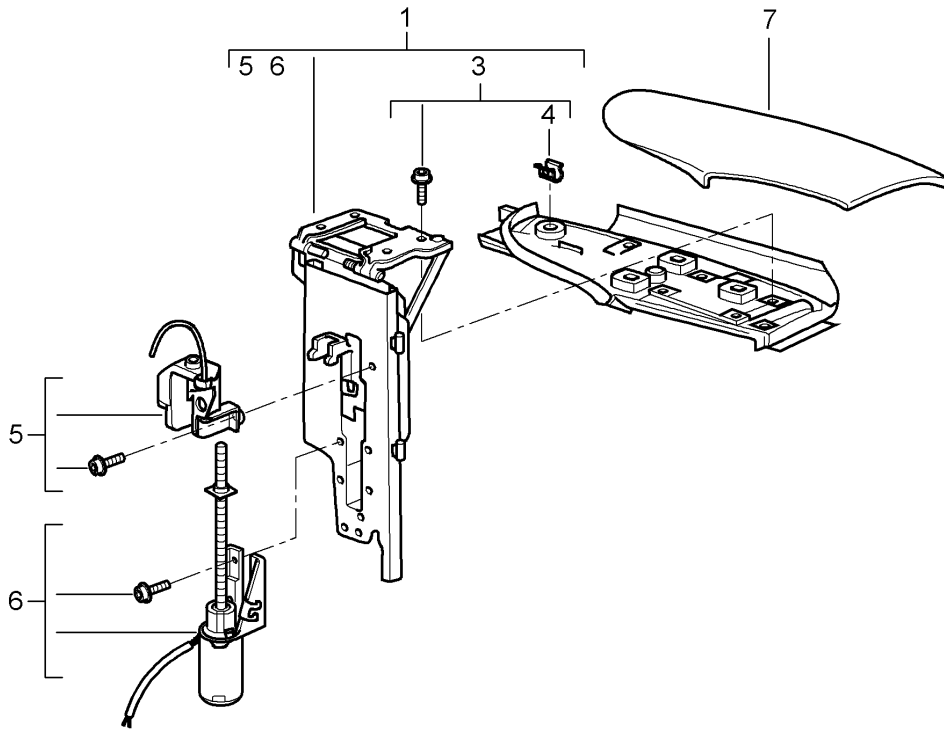
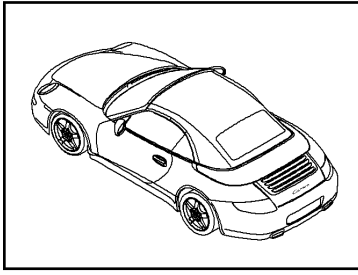
Model: 997-09

Model life 2009>>2012

Pos	Part Number	Description	Remark	Qty	Model
5	996 561 931 01	Tension rope		2	
6	997 561 979 00	Rear window with Gasket		1	
7	997 561 897 00	Velcro strip	/L	1	
(7)	997 561 898 00	Velcro strip	/R	1	
8	996 561 205 00	Clamp		32	
9	996 561 203 00	Frame		1	
		Order also: 997.561.929.00			
-	997 561 929 00	Set of fastening parts Accessories Rear window		1	
10	999 190 446 30	Blind rivet		4	
11	997 561 915 00	Clamp Set 20 Stück		1	
12	997 561 721 00	Velcro strip		2	

Model: 997-09

Model life 2009>>2012



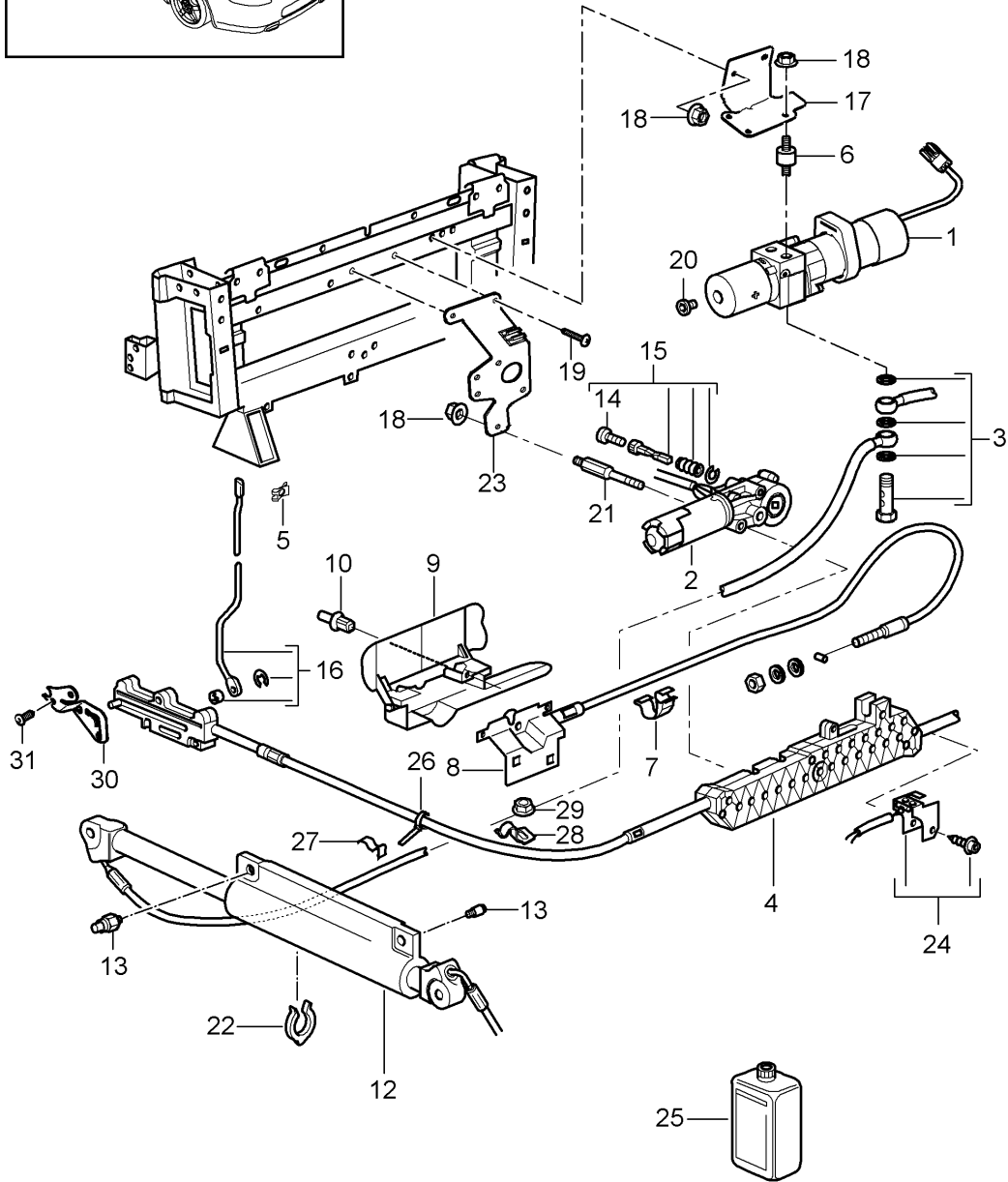
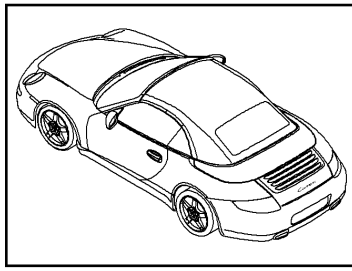
Model: 997-09

Model life 2009>>2012

Pos	Part Number	Description	Remark	Qty	Model
		Flap Lateral Folding top			
1	996 561 175 01	Flap	/L	1	
(1)	996 561 176 01	Flap	/R	1	
3	996 561 625 00	Lower part	/L	1	
(3)	996 561 626 00	Lower part	/R	1	
4	999 507 533 02	Clamp		X	
5	996 561 685 00	Microswitch	/L	1	
(5)	996 561 686 00	Microswitch	/R	1	
6	996 561 675 00	Driving mechanism	/L	1	
(6)	996 561 676 00	Driving mechanism	/R	1	
7		See illustrations 8/07/07		1	

Model: 997-09

Model life 2009>>2012

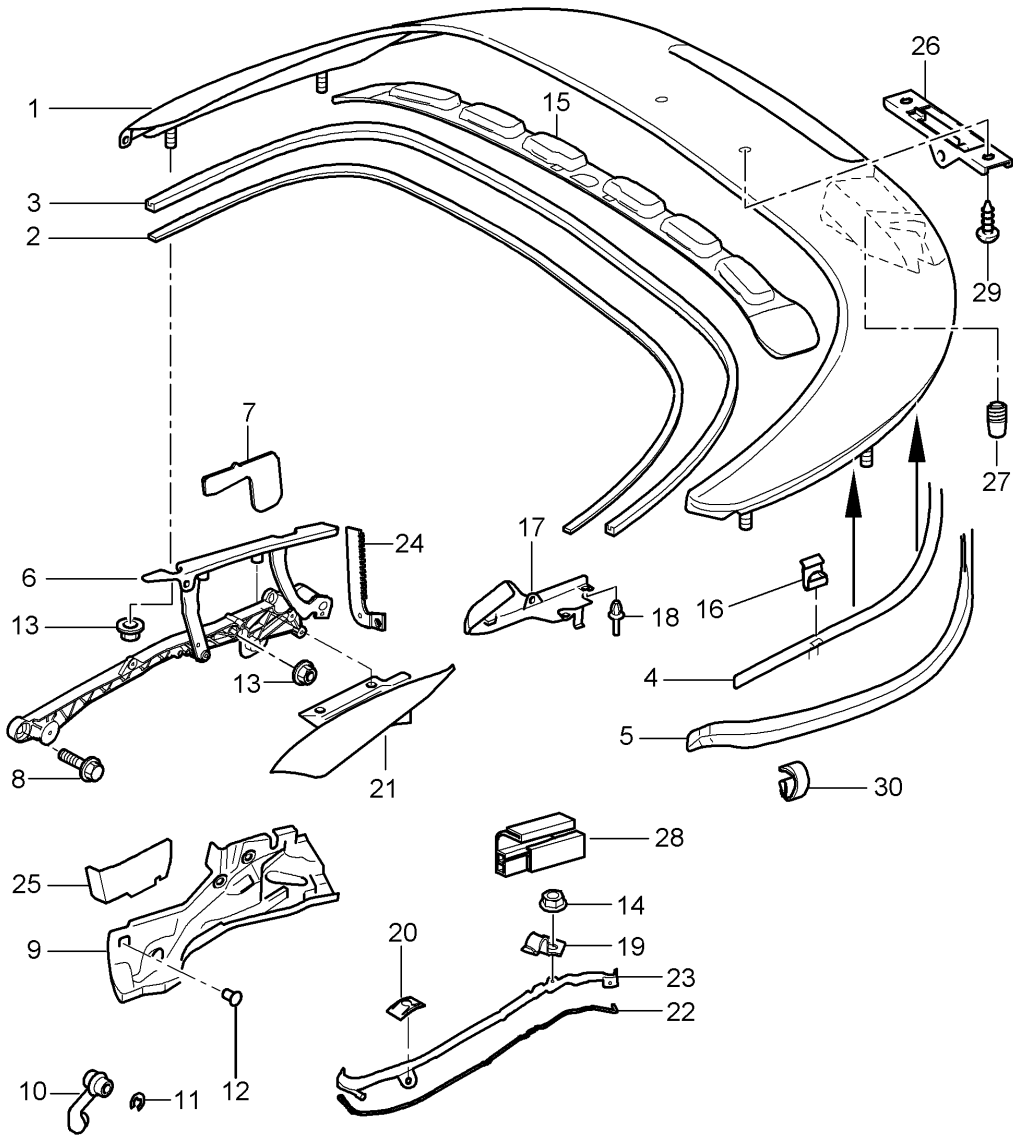


Model: 997-09 Model life 2009>>2012

Pos	Part Number	Description	Remark	Qty	Model
		Convertible top Driving mechanism Hydraulic Driving mechanism Convertible top Speedster See illustrations 8/11/50			
1	997 561 307 00	Hydraulic unit		1	
2	996 561 933 01	Engine		1	
3	996 561 573 00	Banjo bolt Set		2	
4	997 561 021 00	Driving mechanism		1	
5	999 166 054 01	Sl-lock		2	
6	999 703 235 01	Bonded rubber buffer		2	
7	999 507 683 40	Cable holder		X	
8	996 561 065 01	Locking device		1	
(9)	996 561 265 03	Lining		1	
10	999 591 941 40	Expansion rivet		X	
11	900 380 015 01	Hexagon nut		2	
12	997 561 945 00	Cylinder		2	
13	996 561 245 00	Bolt		1	
14	996 561 671 00	Screw		1	
15	996 561 673 01	Repair kit		1	
16	996 561 229 00	Push rod	/L	1	
(16)	996 561 230 00	Push rod	/R	1	
17	997 561 217 00	Support Hydraulic unit		1	
18	900 377 010 01	Hexagon nut M 6		7	
19	999 073 228 09	Tapping screw St 4,8		3	
20	996 561 407 01	Oil filler screw		1	
21	996 561 863 01	Stud		3	
22	996 561 281 00	Retainer		2	
23	996 561 207 01	Support Driving mechanism Convertible top compartm.		1	
24	996 561 165 01	Microswitch		1	
25	000 043 204 89	Oil 250 ML		X	
26	999 513 077 40	Tie-wrap		2	
27	997 561 773 00	Clamp Hydraulic line		2	
28	997 561 775 00	Support Bowden cable		2	
29	900 380 015 01	Hexagon nut M6		2	
30	996 561 221 00	Knock-out lever	/L	1	
(30)	996 561 222 00	Gate guide Knock-out lever	/R	1	
31	999 919 205 09	Gate guide Torx screw M6X12		2	

Model: 997-09

Model life 2009>>2012



Model: 997-09 Model life 2009>>2012

Pos	Part Number	Description	Remark	Qty	Model
		Convertible top compartm. Lid Gaskets			
1	997 514 011 04	Lid		1	
	997 514 011 04 GRV	Prime coated			
2	997 514 633 01	Sealing strip		1	
		Use also:			
-	000 043 207 26	Adhesive tape		1	
3	996 514 731 00	Gasket		1	
4	997 514 714 02	Edge protection		1	
5	997 514 211 01	Gasket		1	
		Body			
(6)	996 561 907 02	Hinge	/L	1	
6	996 561 908 02	Hinge	/R	1	
		Use also:			
7	996 561 904 00	Gasket		1	
		Hinge			
8	900 378 180 01	Hexagon-head bolt		2	
(9)	996 561 805 03	Water drip pan	/L	1	
9	996 561 806 03	Water drip pan	/R	1	
(10)	996 561 815 01	Water drain hose	/L	1	
10	996 561 816 01	Water drain hose	/R	1	
11	996 561 809 00	Clamp for Pos. 10		2	
12	999 703 432 40	Stopper		2	
13	900 377 003 03	Hexagon nut M 8		1	
14	900 380 015 01	Hexagon nut		2	
15	997 561 633 00	Buffer Foam part		1	
16	999 507 600 09	U-clamp		4	
17	997 514 651 02	Mounting	/L	1	
(17)	997 514 652 02	Mounting	/R	1	
18	999 591 712 40	Expansion rivet		2	
19	997 561 775 00	Support		1	
20	999 507 647 01	Clamping washer Front for Water drain strip		1	
21	996 561 061 02	Flap	/L	1	
(21)	996 561 062 02	Flap	/R	1	
22	999 911 673 41	Sealing cord		1	
(23)	997 561 755 02	Water drain strip	/L	1	
23	997 561 756 02	Water drain strip	/R	1	
24	996 612 504 00	Cable guide Wiring harness Brake light	/L	1	
25	997 561 522 00	Cover	/R	1	
(25)	997 561 521 00	Cover	/L	1	
26	996 561 465 00	Clip		1	
27	999 703 140 40	Rubber buffer		1	
28	997 561 801 00	Stop -2MM		2	
28	997 561 801 01	Stop -1MM		2	
28	997 561 801 02	Stop +-0		2	
28	997 561 801 03	Stop +1MM		2	
28	997 561 801 04	Stop +2MM		2	
28	997 561 801 05	Stop		2	

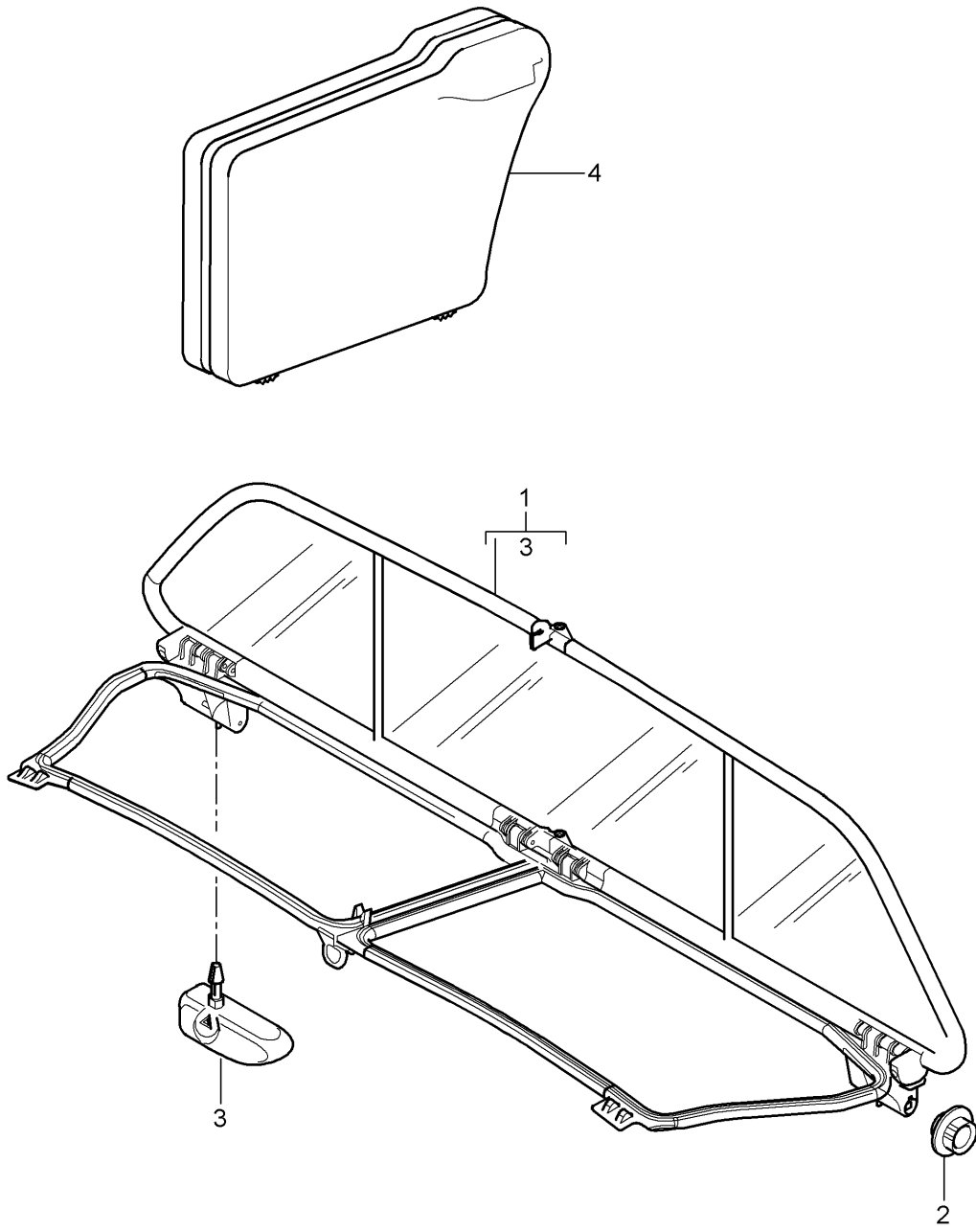
Model: 997-09

Model life 2009>>2012

Pos	Part Number	Description	Remark	Qty	Model
29	999 073 130 02	+3MM Oval-head screw		2	
30	996 514 511 00	Clip		2	
-	999 703 117 40	Stopper		1	

Model: 997-09

Model life 2009>>2012



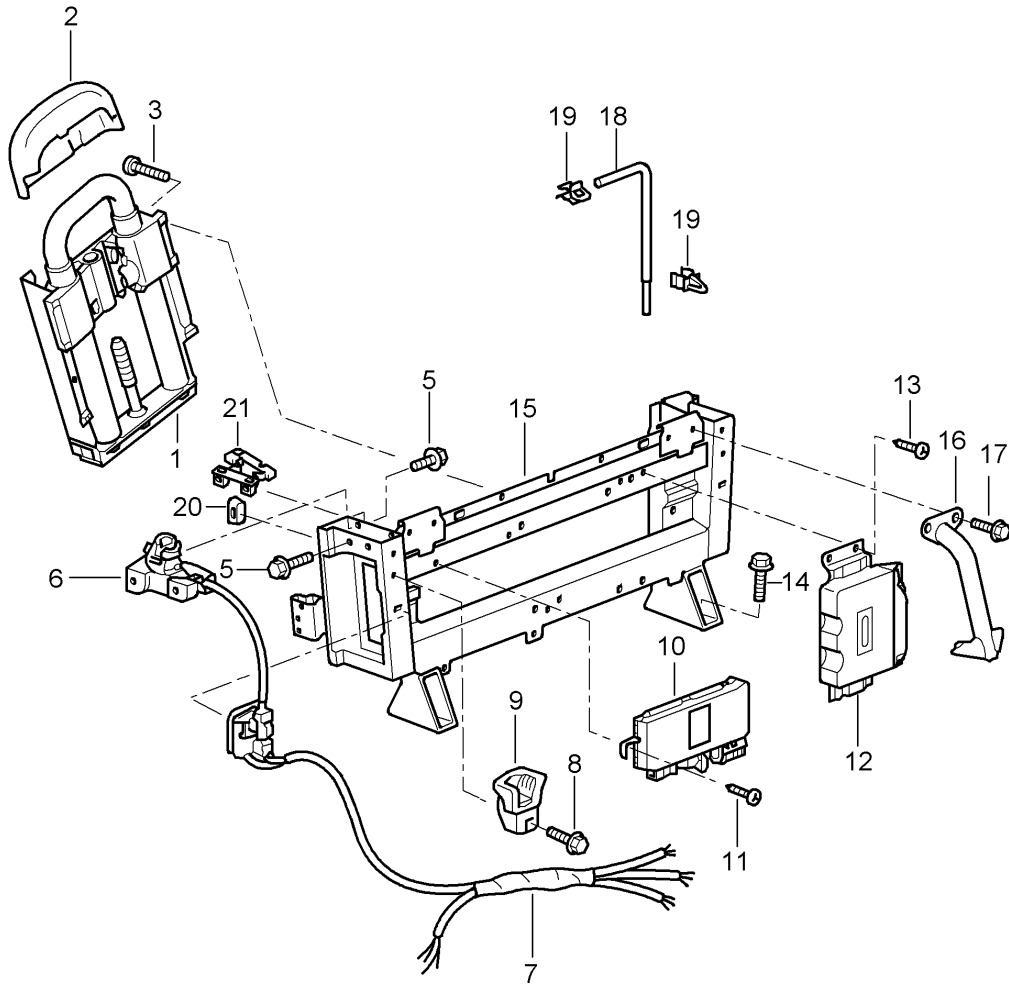
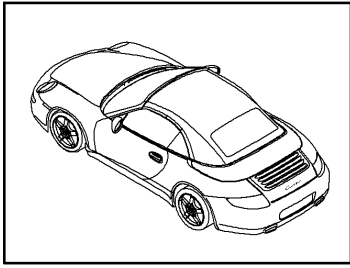
Model: 997-09

Model life 2009>>2012

Pos	Part Number	Description	Remark	Qty	Model
1	997 561 125 00	Wind deflector		1	I551
	997 561 125 00 01C	Black			
2	996 561 127 00	Rosette	/L	1	
	996 561 127 00 01C	Black			
2	996 561 128 00	Rosette	/R	1	
	996 561 128 00 01C	Black			
3	996 561 955 00	Repair kit	/L	1	
(3)	996 561 956 00	Repair kit	/R	1	
4	997 561 161 02	Bag		1	
		Wind deflector			

Model: 997-09

Model life 2009>>2012

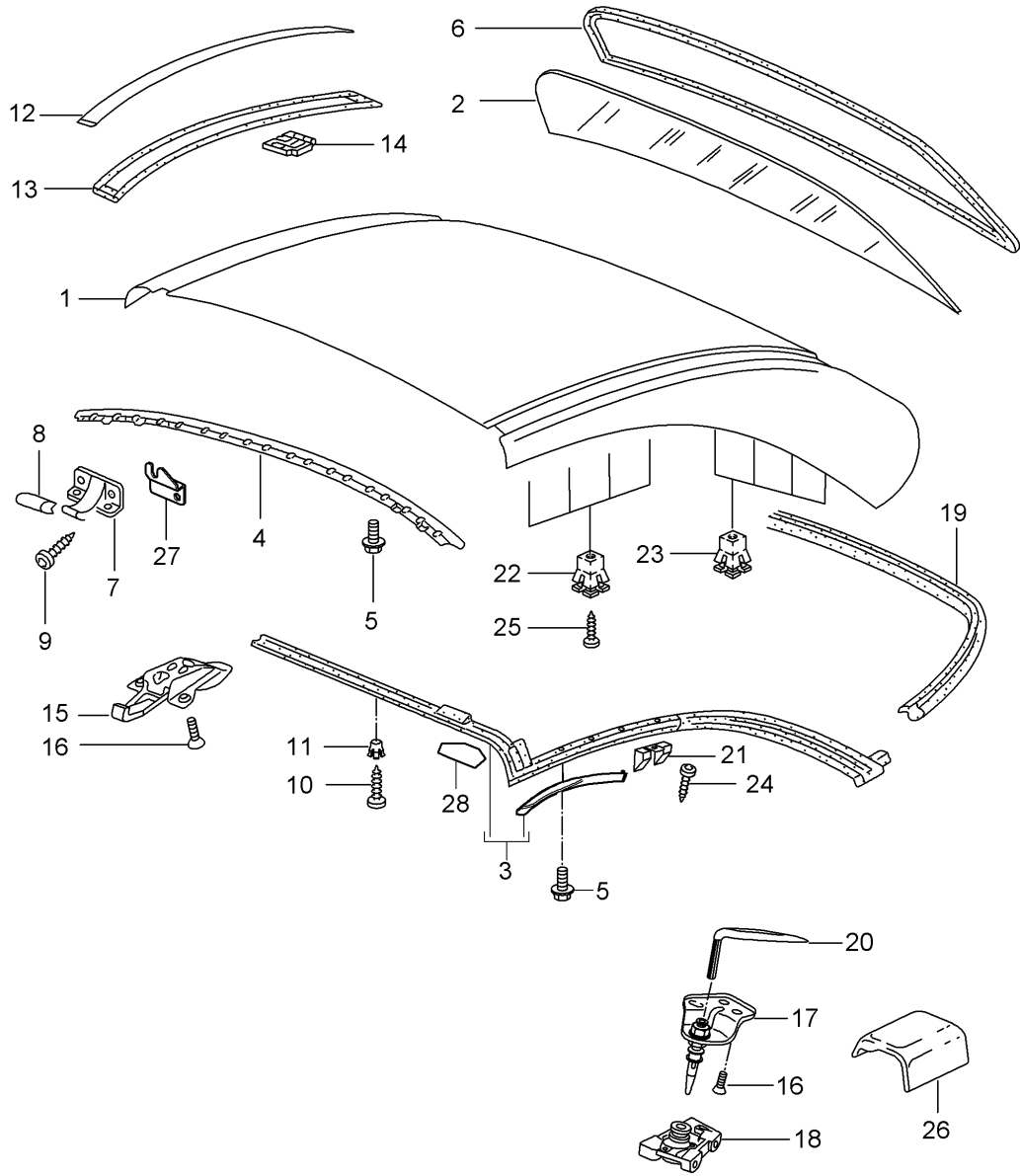
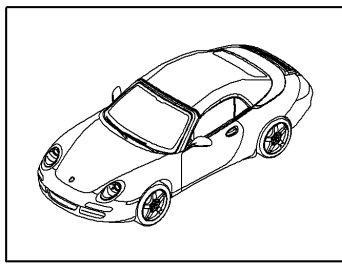


Model: 997-09 Model life 2009>>2012

Pos	Part Number	Description	Remark	Qty	Model
		Roll-over bar			
		Roll-over bar			
		Speedster			
		See illustrations			
		8/11/55			
1	997 580 021 04	Cassette		2	
2	996 580 191 01	Cover		2	
3	900 067 394 01	Pan-head screw		12	
4	996 561 175 01	Flap		1	
		See illustrations			
		8/11/11			
5	900 378 173 01	Hexagon-head bolt		4	
6		Mounting		2	I550
		See illustrations			
		8/11/16			
7	997 612 696 00	Wiring harness		1	
8	999 217 166 01	Hexagon-head bolt		2	
		M10 X 55			
9	996 561 463 02	Guide	/L	1	
(9)	996 561 464 02	Guide	/R	1	
10	997 618 111 03	Control unit		1	
		Convertible top			
		Driving mechanism			
11	999 073 228 09	Tapping screw		X	
12		Control unit		X	
		- dme -			
		See illustrations			
		9/01/03			
13	999 073 228 09	Tapping screw		X	
14	999 385 006 01	Hexagon-head bolt		4	
15	997 580 911 00	Auxiliary support		1	
		Use also:			
-	997 580 913 00	Set of fastening parts		1	
		Blind rivet			
		Screw			
(16)	997 580 331 02	Bracket	/L	1	
16	997 580 332 02	Bracket	/R	1	
17	900 385 097 01	Torx screw		X	
		BM10 X 35			
18	999 571 079 03	Screwdriver		1	
19	999 507 633 40	Clamp		2	
20	997 561 457 00	Sleeve		2	
21	996 561 297 00	Insert	/L	1	
(21)	996 561 298 00	Insert	/R	1	
22	999 650 176 40	Clip		3	
		for			
		Connector housing			
23	996 610 126 00	Support		1	
		Relay carrier 2			
24	996 610 128 00	Fixing clip		1	
		Relay carrier 2			

Model: 997-09

Model life 2009>>2012



Model: 997-09 Model life 2009>>2012

Pos	Part Number	Description	Remark	Qty	Model
		Hardtop Accessories Gaskets			I550
1	996 563 911 00 996 563 911 00 GRV	Hardtop Prime coated without Accessories		1	
2	996 563 091 00	Rear window Ready for installation		1	
3	997 563 225 00	Gasket with Retaining strip Rear		1	
-	996 563 309 00	When required order also: Retaining strip Front	/L	1	
-	996 563 310 00	Retaining strip Front	/R	1	
4	996 563 319 00	Retaining strip		1	
5	999 073 049 02	Tapping screw for Retaining strip Front Transverse		8	
6	996 563 029 00	Gasket		1	
7	996 563 405 00	Centring journal	/L	1	
(7)	996 563 406 00	Centring journal	/R	1	
8	996 563 705 01	Cap	/L	1	
8	996 563 706 01	Cap	/R	1	
9	999 919 144 09	Oval-head screw		4	
10	999 073 049 02	Tapping screw		14	
11	999 507 547 40	Expander nut		8	
12	996 563 707 00	Cover strip	/L	1	
	996 563 707 00 GRV	Prime coated			
(12)	996 563 708 00	Cover strip	/R	1	
	996 563 708 00 GRV	Prime coated			
13	996 563 361 00	Gasket	/L	1	
(13)	996 563 362 00	Gasket	/R	1	
14	986 563 721 00	Clip		8	
15	996 563 401 00	Catch		1	
16	900 249 055 09	Countersunk-head screw M 6X20		3	
17	996 563 403 04	Catch	/L	1	
(17)	996 563 404 04	Catch	/R	1	
18	996 561 653 04	Mounting	/L	1	
-	996 561 657 02	Insert		1	
-	900 249 031 09	Countersunk-head screw		6	
(18)	996 561 654 04	Mounting	/R	1	
-	996 561 658 02	Insert		1	
19	996 563 027 01	Gasket		1	
20	996 563 413 01	Tool		1	
21	996 563 125 00	Thrust wedge		2	
22	999 507 923 40	Expander nut Green		8	
23	999 507 924 40	Expander nut Yellow		8	
24	999 450 008 09	Tapping screw		2	
25	999 073 049 02	Tapping screw		16	
26	996 563 421 01	Protective tab		2	
-	999 507 659 40	Expander nut Hardtop	/L	1	
-	999 507 662 40	Support for contact Expander nut	/R	1	

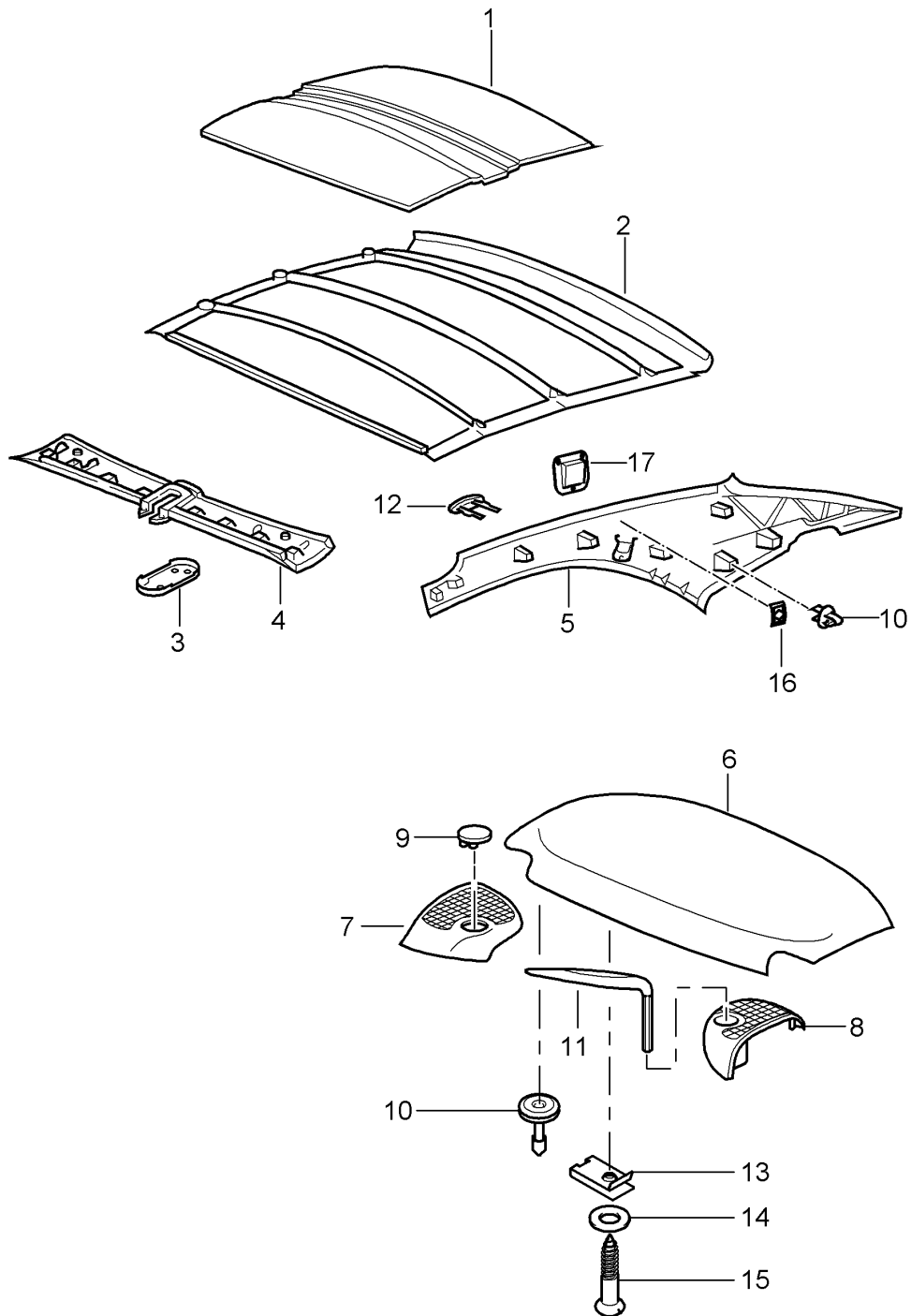
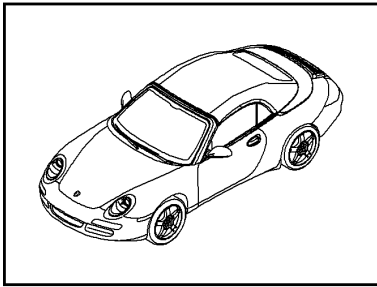
Model: 997-09

Model life 2009>>2012

Pos	Part Number	Description	Remark	Qty	Model
27	996 563 509 00	Hardtop Support for contact Support for Lining See illustrations 8/11/17 POS. 5	/L	1	
(27)	996 563 510 00	Support for Lining See illustrations 8/11/17 POS. 5	/R	1	
28	997 563 539 00	Protective film Cowl	/L	1	
(28)	997 563 540 00	Protective film Cowl	/R	1	

Model: 997-09

Model life 2009>>2012

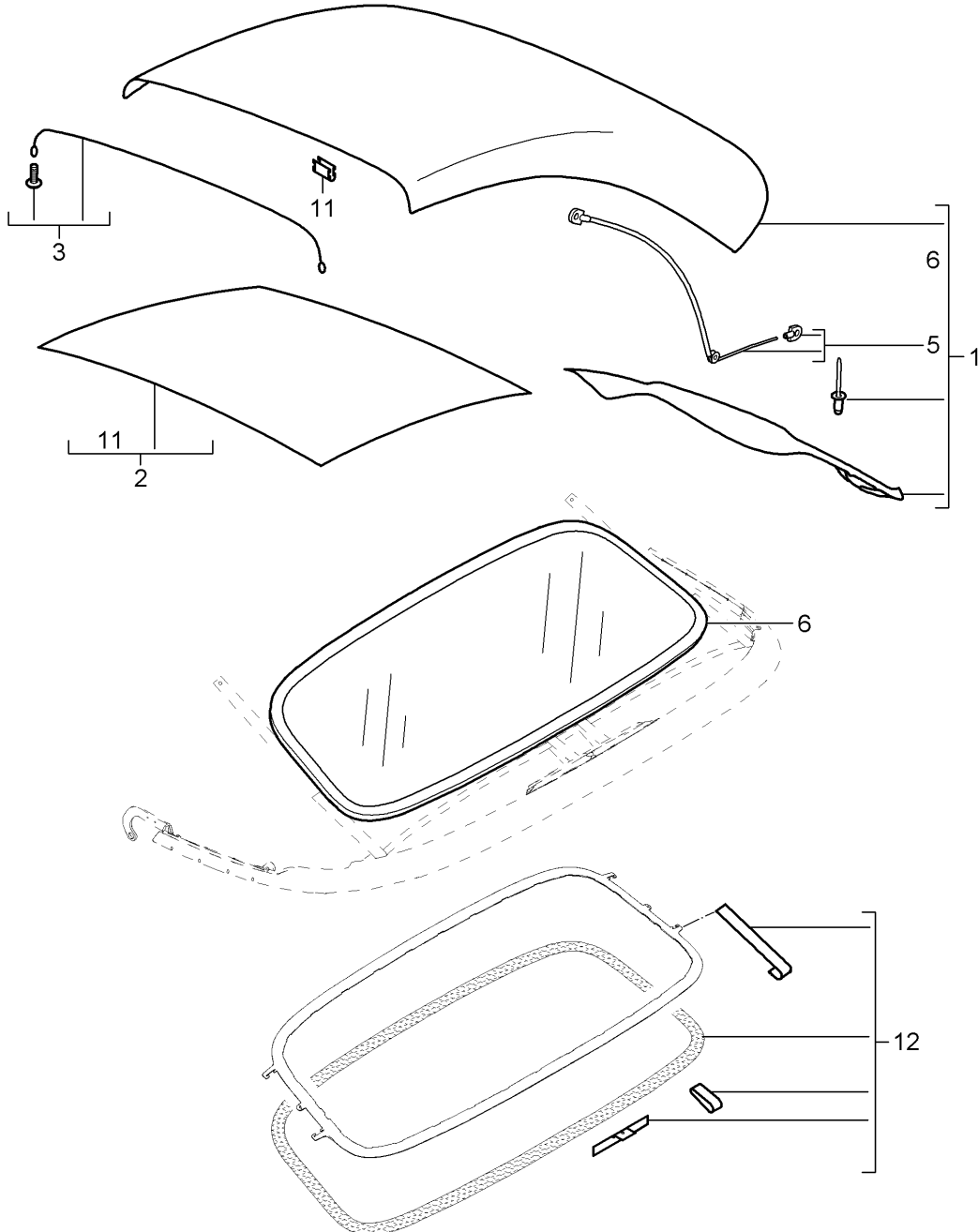
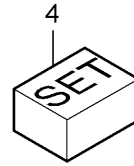
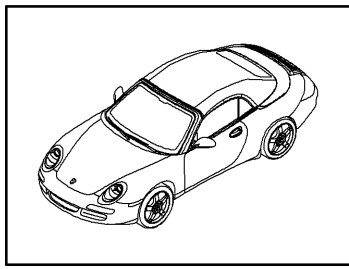


Model: 997-09 Model life 2009>>2012

Pos	Part Number	Description	Remark	Qty	Model
		Hardtop			I550
		Sound absorber			
1	996 563 523 00	Sound absorber		1	
2	996 563 111 01	Roofliner		1	
	996 563 111 01 A21	Black			
3	997 563 551 00	Trim cover		1	
	997 563 551 00 01C	Black			
4	997 563 501 00	Lining		1	
		Leatherette			
	997 563 501 00 1MZ	Black			
	997 563 501 00 1TK	Sand Beige			
	997 563 501 00 1UL	Palmgreen			
	997 563 501 00 1VM	Sea blue			
	997 563 501 00 1YP	Stone grey			
5	997 563 503 00	Lining	/L	1	
		Leatherette			
	997 563 503 00 1MZ	Black			
	997 563 503 00 1TK	Sand Beige			
	997 563 503 00 1UL	Palmgreen			
	997 563 503 00 1VM	Sea blue			
	997 563 503 00 1YP	Stone grey			
(5)	997 563 504 00	Lining	/R	1	
		Leatherette			
	997 563 504 00 1MZ	Black			
	997 563 504 00 1TK	Sand Beige			
	997 563 504 00 1UL	Palmgreen			
	997 563 504 00 1VM	Sea blue			
	997 563 504 00 1YP	Stone grey			
6	996 563 505 00	Lining		1	
	996 563 505 00 A07	Black			
	996 563 505 00 B07	Space grey			
	996 563 505 00 C07	Graphite grey			
	996 563 505 00 G07	Metropole blue			
7	996 563 554 00	Lining	/R	1	
	996 563 554 00 A10	Black			
	996 563 554 00 B50	Space grey			
	996 563 554 00 C50	Graphite grey			
	996 563 554 00 G10	Metropole blue			
8	996 563 553 00	Lining	/L	1	
	996 563 553 00 A10	Black			
	996 563 553 00 B50	Space grey			
	996 563 553 00 C50	Graphite grey			
	996 563 553 00 G10	Metropole blue			
9	996 555 457 00	Lid		2	
	996 555 457 00 A10	Black			
	996 555 457 00 C50	Graphite grey			
	996 555 457 00 G10	Metropole blue			
	996 555 457 00 B50	Space grey			
10	999 507 764 40	Clip		X	
11	996 563 413 01	Tool		1	
12	996 563 561 00	Rubber stop		2	
	996 563 561 00 01C	Black			
		for			
		Sun visors			
13	999 507 139 01	Speed nut		X	
14	900 151 027 02	Washer		2	
15	900 143 046 02	Oval-head sheetmetal screw		2	
15	900 143 046 01	Oval-head sheetmetal screw		2	

Model: 997-09

Model life 2009>>2012

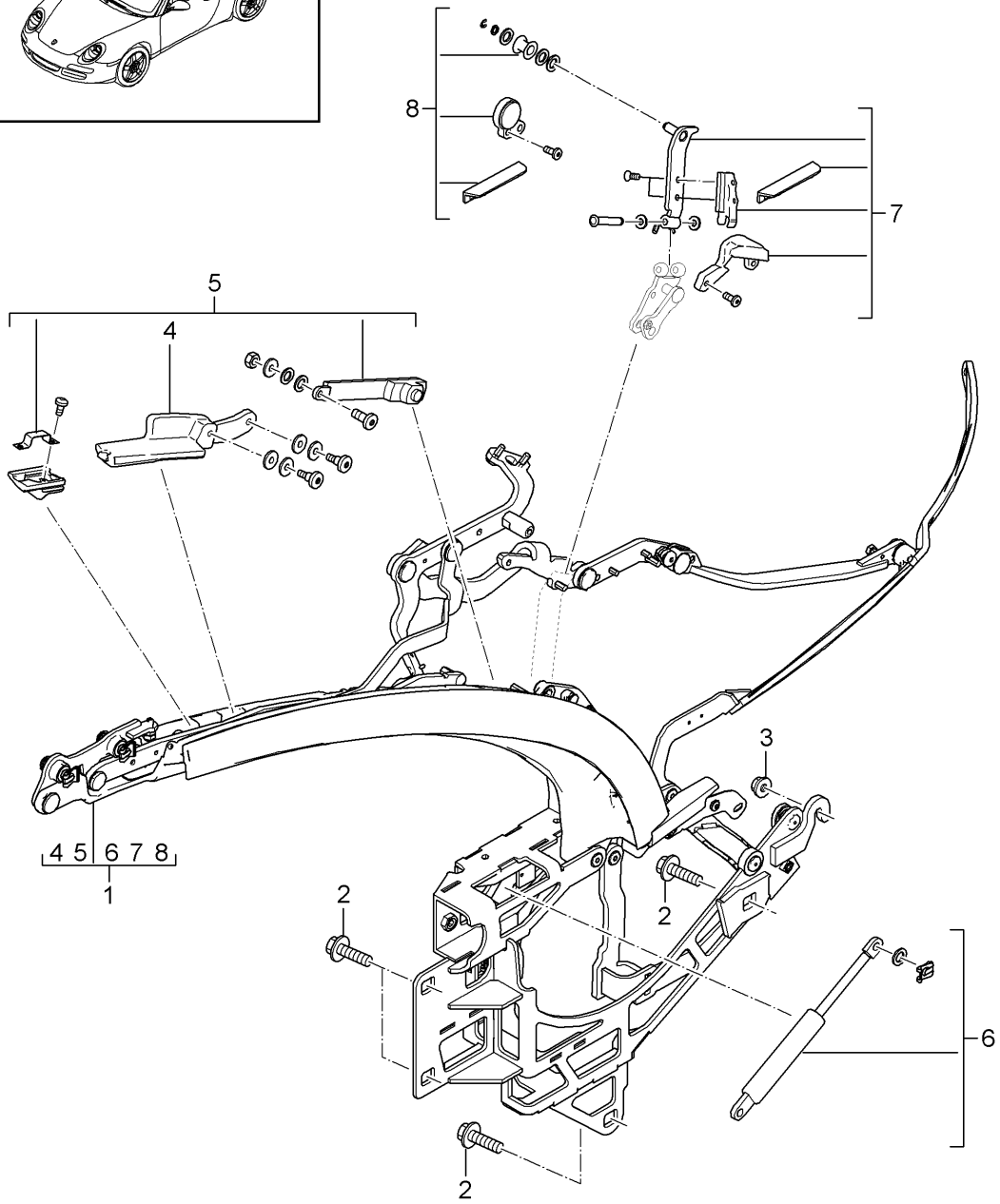
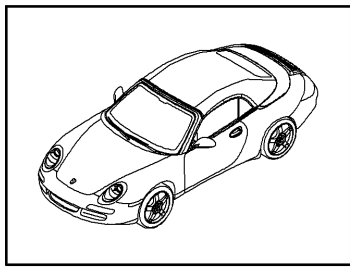


Model: 997-09 Model life 2009>>2012

Pos	Part Number	Description	Remark	Qty	Model
		Convertible top covering	11-		Speedster I503
1	997 567 924 00	Roofliner Convertible top covering with Rear window Black		1	
2	997 567 931 00	Roofliner with Accessories Black		1	
-	997 567 943 00	Repair kit Rubber strap Roofliner		1	
3	997 567 936 00	Repair kit Cord Transverse		1	
4	997 567 925 00	Assembly kit Convertible top covering When required order also: 997.567.927.00		1	
5	997 567 934 00	Assembly kit Repair kit Tension rope Convertible top covering Lateral		1	
6		Together with Position 1		1	
11	999 591 352 01	Retaining clip Roofliner		X	
12	997 567 927 00	Assembly kit Mount Rear window Roof strut Including Rubber strap for Frame		1	

Model: 997-09

Model life 2009>>2012



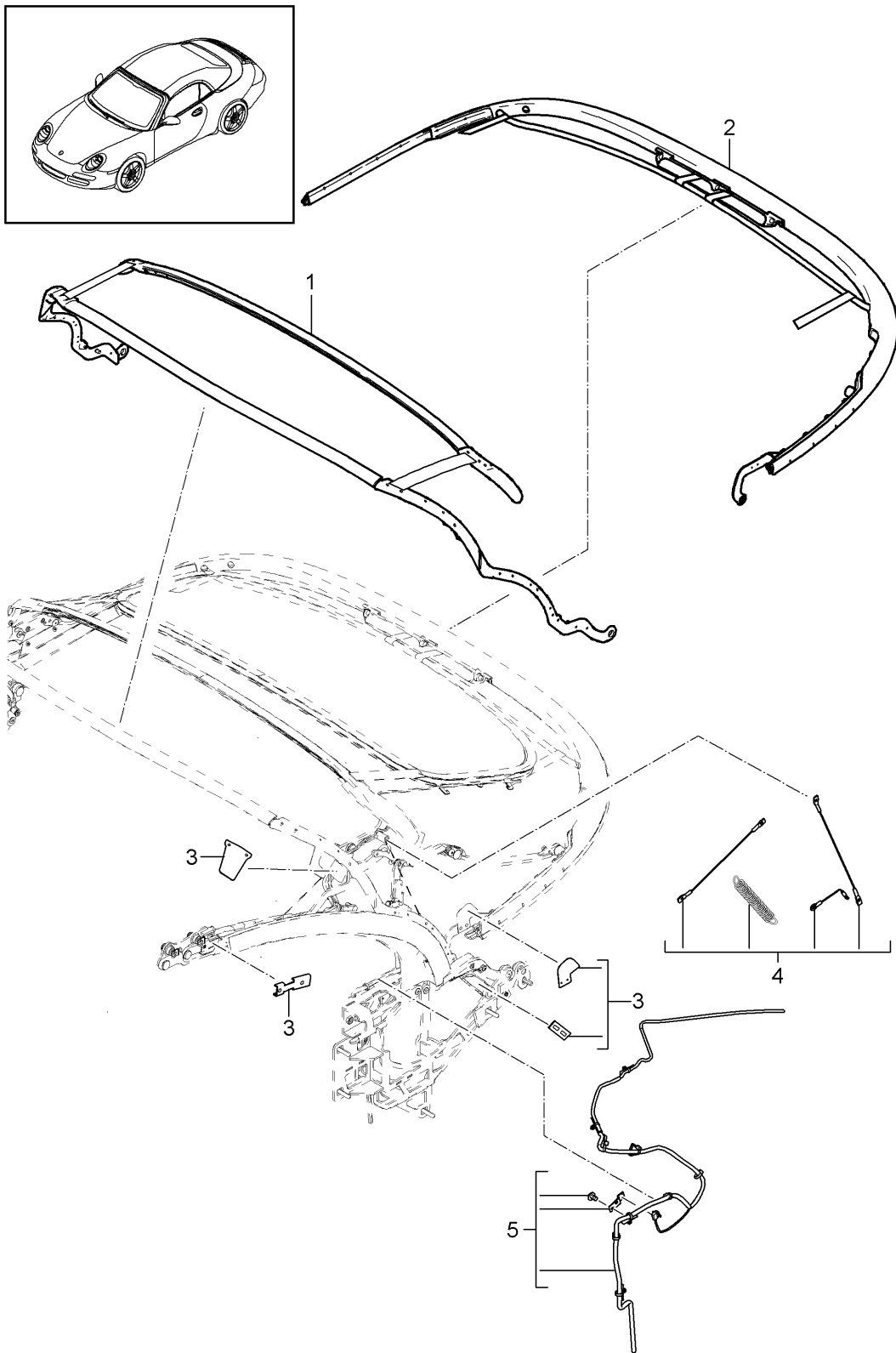
Model: 997-09

Model life 2009>>2012

Pos	Part Number	Description	Remark	Qty	Model
		Convertible top frame	11-		Speedster I503
1	997 567 917 00	Single parts Convertible top frame Left		1	
(1)	997 567 918 00	Convertible top frame Right		1	
2	999 075 065 09	Hexagon-head bolt M8x35		8	
3	999 084 630 01	Hexagon nut M8		2	
4	997 567 930 00	Repair kit Handle Locking device Left And Right		1	
-		Sticker Locking device See illustrations 0/01/05		1	
5	997 567 921 00	Repair kit Locking device Left with Handle Damper		1	
(5)	997 567 922 00	Repair kit Locking device Right with Handle Damper		1	
6	997 567 923 00	Assembly kit Damper Gas-pressure spring		1	
7	997 567 935 00	Repair kit Locking segment Locking device Lever Including Driving dog Slide		1	
8	997 567 933 00	Repair kit Tensioning roller with Slide Deflection roller		1	

Model: 997-09

Model life 2009>>2012



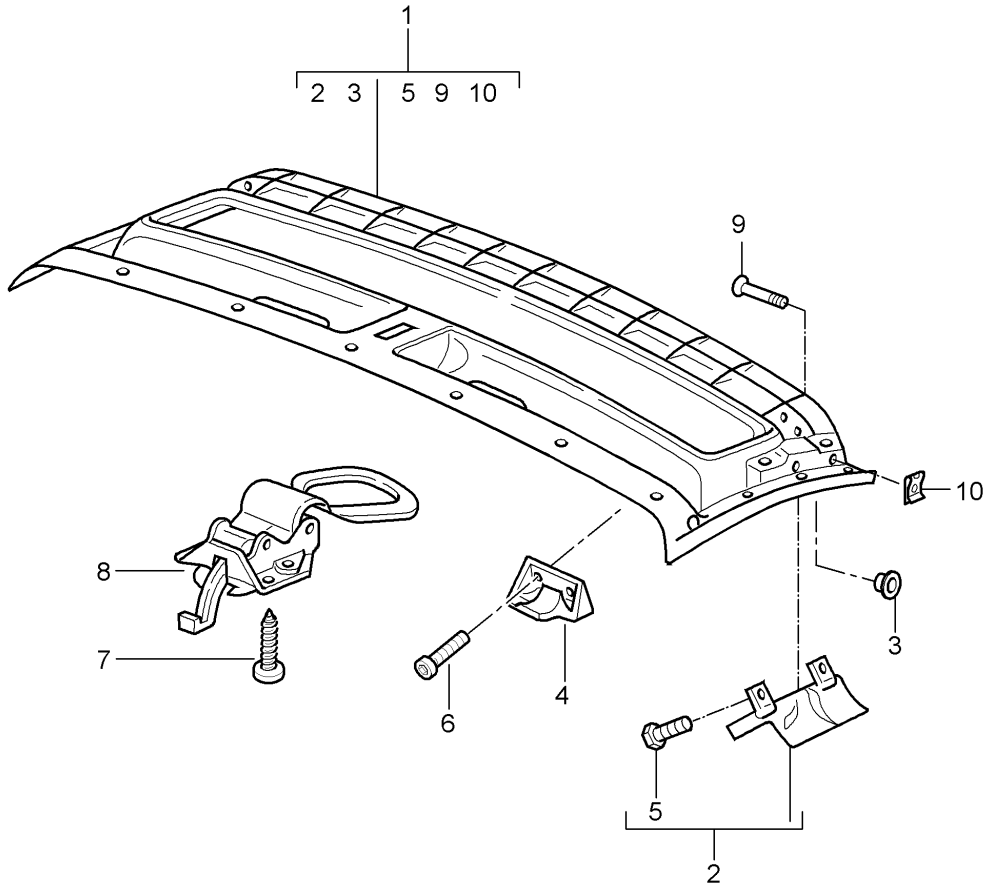
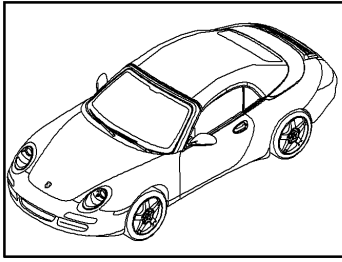
Model: 997-09

Model life 2009>>2012

Pos	Part Number	Description	Remark	Qty	Model
		Convertible top frame	11-		Speedster I503
1	997 567 926 00	Single parts Assembly kit Roof strut with Restraining strap		1	
2	997 567 919 00	Repair kit Roof strut Rear Complete with Rubber strap for Frame Rear window		1	
3	997 567 932 00	Repair kit Protection cover for Convertible top frame Complete		1	
4	997 567 928 00	Repair kit Tension rope Tension spring for Convertible top frame Complete		1	
5	997 612 919 00	Wiring harness with Microswitch Mount		1	

Model: 997-09

Model life 2009>>2012

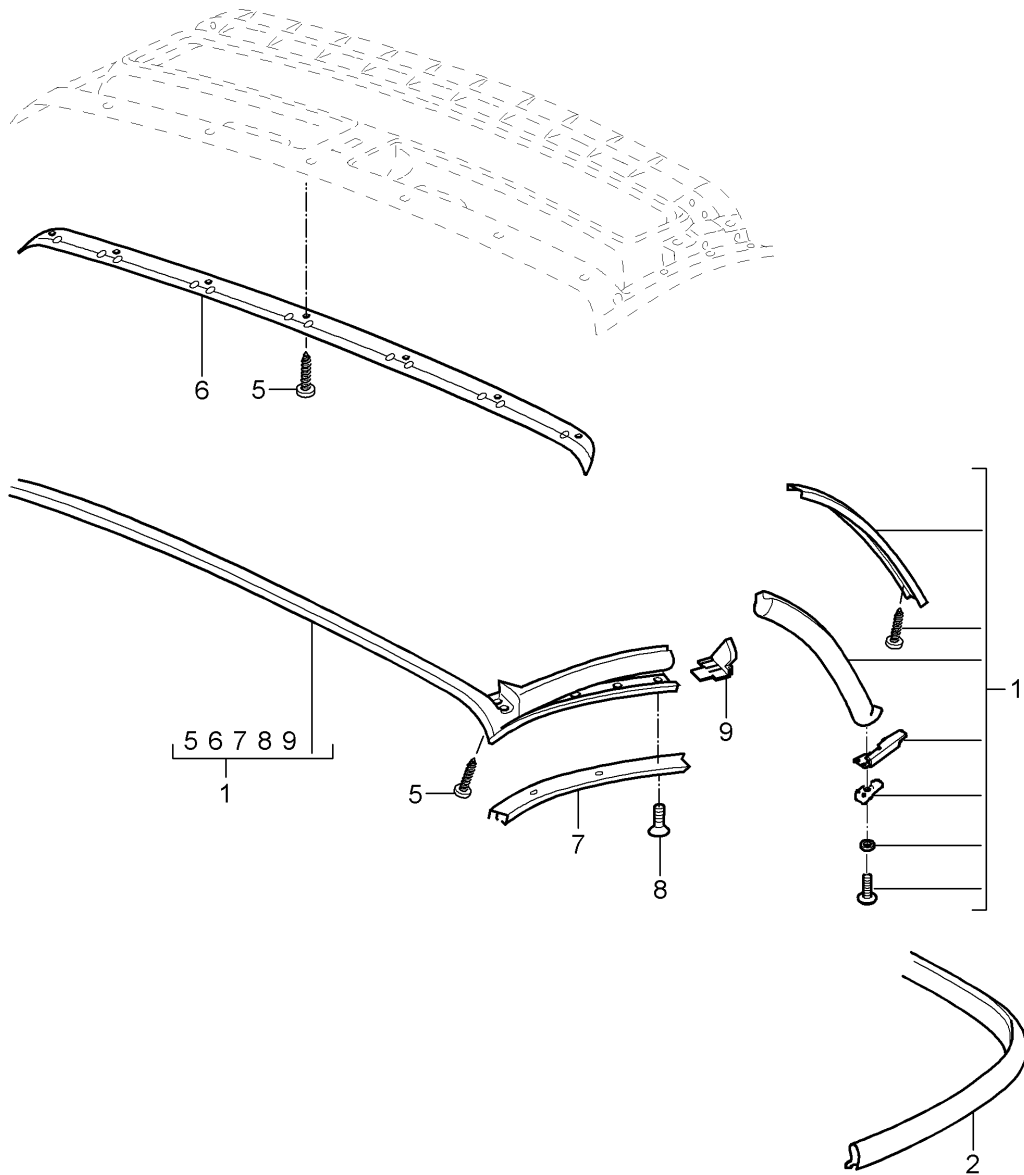
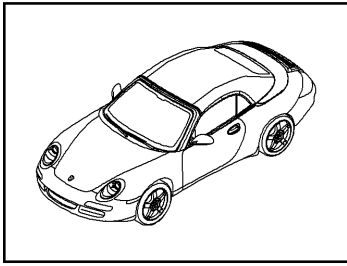


Model: 997-09 Model life 2009>>2012

Pos	Part Number	Description	Remark	Qty	Model
		Roof frame	11-		Speedster I503
1	997 567 937 00	Catch Roof frame Complete Rally black		1	
2	997 567 938 00	Repair kit Flap		1	
3	999 924 086 40	Bearing sleeve		X	
4	987 561 605 00	Centring journal	/L	1	
	987 561 605 00 70C	Black			
(4)	987 561 606 00	Centring journal	/R	1	
	987 561 606 00 70C	Black			
5	999 919 141 09	Oval-head screw		2	
6	999 919 144 09	Oval-head screw		4	
7	999 919 148 09	Oval-head screw		4	
8	987 561 017 00	Catch		1	
	987 561 017 00 A09	Black			
9	999 088 049 30	Bolt		4	
10	999 166 075 09	Safety clip		4	

Model: 997-09

Model life 2009>>2012



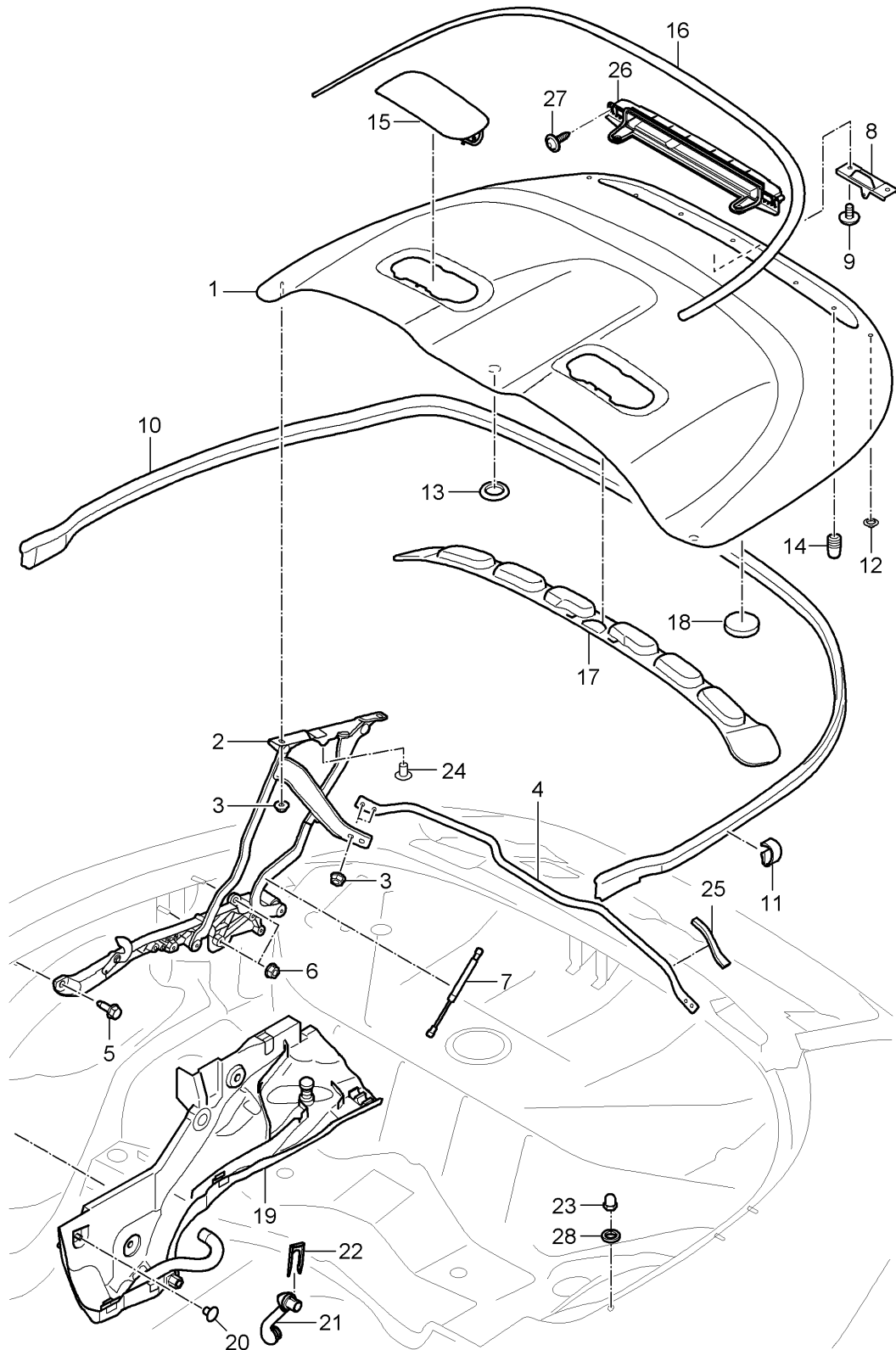
Model: 997-09

Model life 2009>>2012

Pos	Part Number	Description	Remark	Qty	Model
		Convertible top	11-		Speedster I503
1	997 567 915 00	Gaskets Assembly kit Gaskets with Mounting parts When required order also: 997.567.531.00 Gasket		1	
2	997 567 531 00	Roof strut Gasket		1	
5	999 919 139 09	Roof strut		6	
6	987 561 501 00	Oval-head screw		1	
7	987 561 401 00	Retaining strip	/L	1	
(7)	987 561 402 00	Retaining strip	/R	1	
8	999 919 152 09	Oval-head screw		8	
9	987 561 813 02	Filler piece	/L	1	
(9)	987 561 814 02	Filler piece	/R	1	

Model: 997-09

Model life 2009>>2012



Model: 997-09 Model life 2009>>2012

Pos	Part Number	Description	Remark	Qty	Model
		Convertible top compartm.			Speedster I503
1	997 514 011 06	Lid Water drip pan		1	-I686
2	997 514 011 06 GRV 997 567 680 00	Lid Prime coated Hinge Right		1	
(2)	997 567 679 00	Use also: 996.561.904.00 Hinge Left		1	
-	996 561 904 00	Use also: 996.561.904.00 Gasket Hinge		1	
3	999 076 066 09	Hexagon nut M6		X	
4	997 567 411 00	Transverse strut		1	
5	900 378 180 01	Hexagon-head bolt M8x25		2	
6	900 377 003 03	Hexagon nut M8		4	
7	997 567 751 00	Damper		2	
-	999 166 022 01	K1-lock		4	
8	996 561 465 00	Clip		1	
9	999 073 279 02	Oval-head screw M6x12		2	
10	997 514 211 01	Gasket		1	
11	996 514 511 00	Body Clip Gasket		2	
12	999 703 462 40	Body Lid 10.0x6.5		3	
13	999 703 195 40	Rubber sleeve 30x40		1	
14	999 703 140 41	Rubber buffer		2	
15	997 514 721 00	Cover Flap Roll-over bar Left	/L	1	
(15)	997 514 721 00 G2X 997 514 722 00	Prime coated Cover Flap Roll-over bar Right	/R	1	
16	997 514 722 00 G2X 997 514 797 00	Prime coated Protective film		1	
17	997 561 633 02	Convertible top Buffer		1	
18		Foam part Buffer		2	
19	997 567 806 00	Water drip pan Right		1	
(19)	997 567 805 00	with Water hose Water drip pan Left		1	
20	999 703 432 40	with Water hose Stopper		2	
21	996 561 816 01	Water drain hose	/R	1	

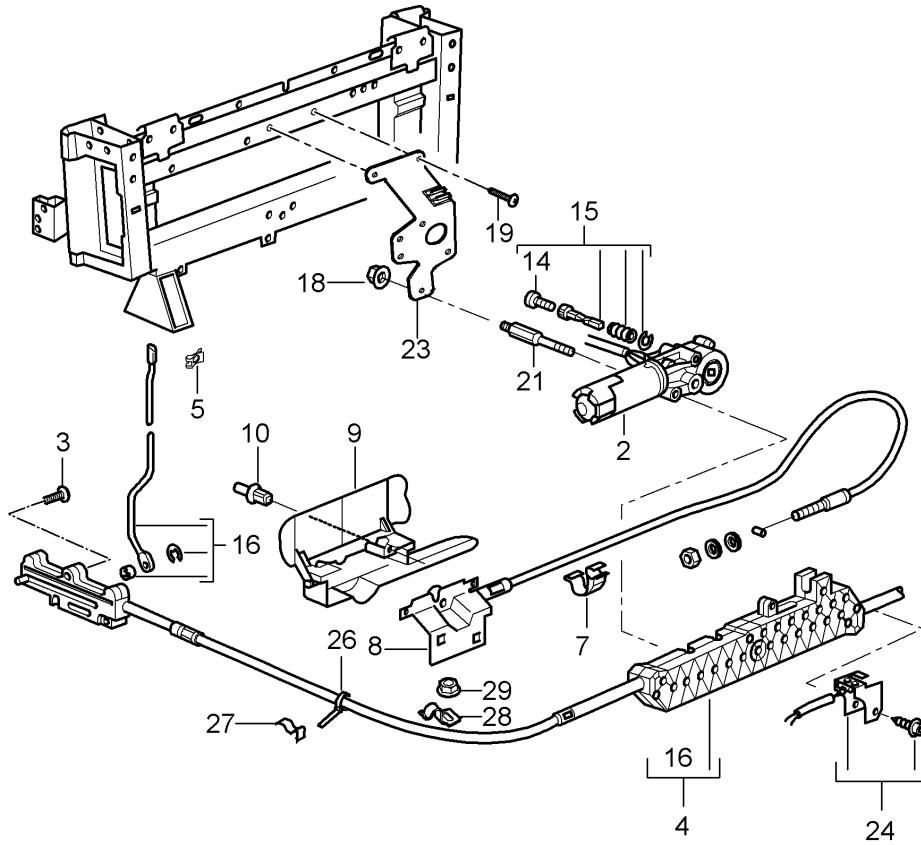
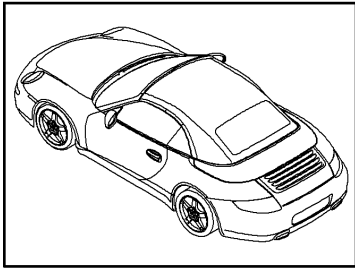
Model: 997-09

Model life 2009>>2012

Pos	Part Number	Description	Remark	Qty	Model
(21)	996 561 815 01	Right Water drain hose	/L	1	
22	996 561 809 00	Left Clamp Mount Water drain hose		2	
23	997 567 801 00	Buffer Sealing channel		2	
24	999 703 071 40	Buffer		2	
25	997 514 855 00	Lining Transverse strut	/L	1	
(25)	997 514 856 00	Left Lining Transverse strut	/R	1	
26	997 514 161 01	Right Housing for light for Brake light		1	
27	999 919 237 00	Oval-head screw 5x20		2	
28	N 011 524 27	Washer 6.4x12.5x1x6 for Buffer Sealing channel		4	

Model: 997-09

Model life 2009>>2012

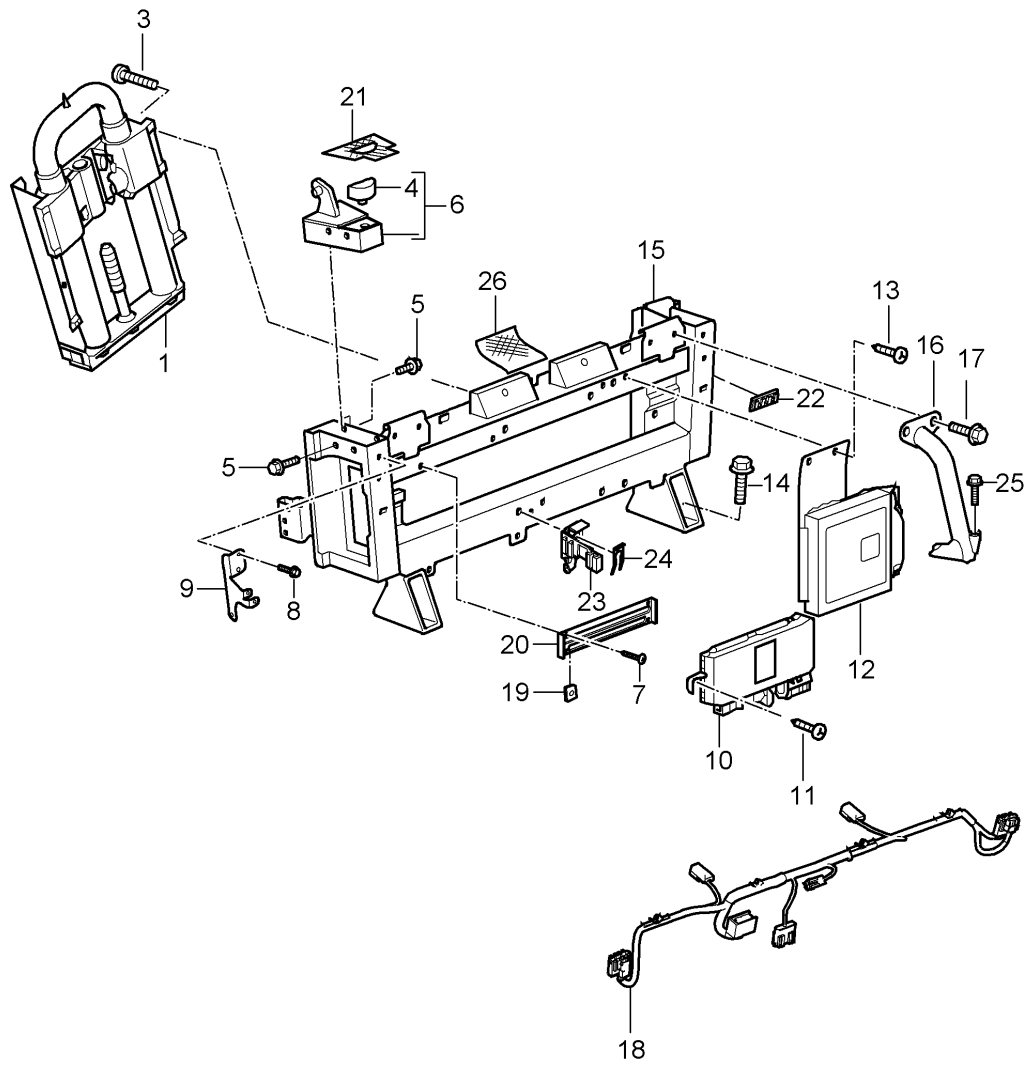
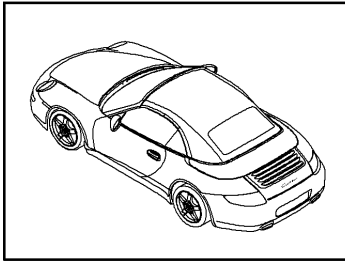


Model: 997-09 Model life 2009>>2012

Pos	Part Number	Description	Remark	Qty	Model
		Driving mechanism	11-		Speedster I503
2	996 561 933 01	Convertible top compartm. Engine		1	
3	999 919 249 01	Convertible top compartm. Oval-head screw M6x30		4	
4	997 567 021 00	Engine Driving mechanism		1	
5	999 166 054 01	Sl-lock		2	
7	999 507 683 40	Cable holder		X	
8	996 561 065 01	Locking device		1	
9	996 561 265 03	Lining		1	
10	999 591 941 40	Expansion rivet		X	
14	996 561 671 00	Screw Emergency operation		1	
15	996 561 673 01	Repair kit		1	
16	997 567 229 00	Push rod	/L /R	2	
18	900 377 010 01	Hexagon nut M 6		2	
19	999 073 228 09	Tapping screw St 4,8		3	
21	996 561 863 01	Stud		2	
23	996 561 207 01	Support Driving mechanism Convertible top compartm.		1	
24	996 561 165 01	Microswitch		1	
26	999 513 077 40	Tie-wrap		2	
27	997 561 773 00	Clamp Line		2	
28	997 561 775 00	Support Bowden cable		2	
29	900 380 015 01	Hexagon nut M6		2	

Model: 997-09

Model life 2009>>2012



Model: 997-09

Model life 2009>>2012

Pos	Part Number	Description	Remark	Qty	Model
		Roll-over bar	11-		Speedster I503
		Accessories			
1	997 580 013 05	Roll-over bar		2	
3	900 067 394 01	Cassette		12	
4	997 567 463 00	Pan-head screw		2	
5	900 378 173 01	Rubber support		8	
		Hexagon-head bolt M6x20			
6	997 580 721 00	Adapter		1	
		Mount			
		Frame			
		Left			
(6)	997 580 722 00	Adapter		1	
		Mount			
		Frame			
		Right			
7	999 073 228 09	Tapping screw		2	
8	999 073 322 02	Oval-head screw		4	
		M6x20			
9	997 580 611 00	Support	/L	1	
		Lining			
		Carpet			
		Left			
(9)	997 580 612 00	Support	/R	1	
		Lining			
		Carpet			
		Right			
10	997 618 111 20	Control unit		1	
		Convertible top compartm.			
		Driving mechanism			
11	999 073 228 09	Tapping screw		X	
12		Control unit		X	
		- dme -			
		See illustrations			
		9/01/03			
13	999 073 228 09	Tapping screw		X	
14	999 385 006 01	Hexagon-head bolt		4	
15	997 580 911 00	Auxiliary support		1	
		Use also:			
-	997 580 913 00	Set of fastening parts		1	
		Blind rivet			
		Screw			
(16)	997 580 331 02	Bracket	/L	1	
16	997 580 332 02	Bracket	/R	1	
17	900 385 097 01	Torx screw		X	
		BM10 X 35			
18	997 612 696 85	Wiring harness		1	
		Frame			
		Roll-over bar			
19	999 507 714 01	Speed nut		2	
20	997 580 731 00	Support		1	
		Control unit			
		Convertible top compartm.			
21	997 580 523 00	Cover		2	
		Felt			
22	999 650 176 40	Clip		3	
		for			
		Connector housing			
23	996 610 126 00	Support		1	
		Relay carrier 2			
24	996 610 128 00	Fixing clip		1	
		Relay carrier 2			

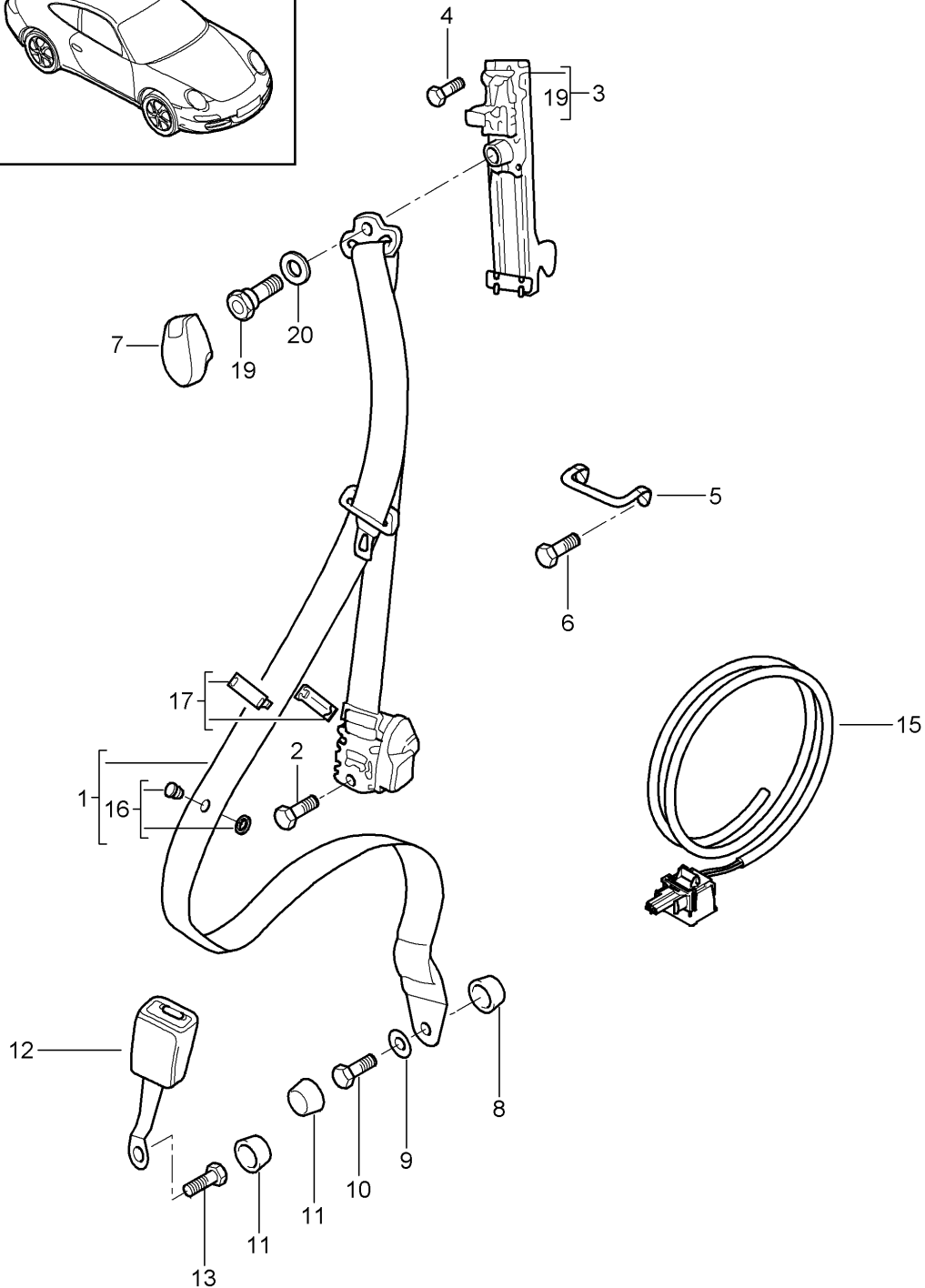
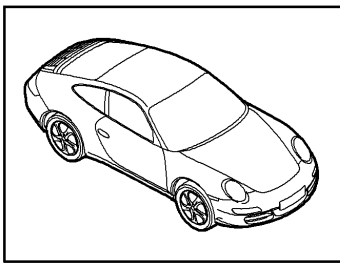
Model: 997-09

Model life 2009>>2012

Pos	Part Number	Description	Remark	Qty	Model
25	999 217 166 01	Hexagon-head bolt M10x55		2	
26	997 580 521 00	Cover Felt		1	

Model: 997-09

Model life 2009>>2012



Model: 997-09 Model life 2009>>2012

Pos	Part Number	Description	Remark	Qty	Model
		Seat belt Front			COUPE TARGA
1	997 803 033 02	Seat belt	/L	1	
	997 803 033 02 A23	Black			I555
	997 803 033 02 N13	Guards red			IXSX
	997 803 033 02 U01	Silver			IXSH
	997 803 033 02 V02	Speed yellow			IXSY
1	997 803 033 05	Seat belt	/L	1	
	997 803 033 05 6M4	Sand Beige			IXST
(1)	997 803 034 04	Seat belt	/R	1	
	997 803 034 04 A23	Black			I555
	997 803 034 04 N13	Guards red			IXSX
	997 803 034 04 U01	Silver			IXSH
	997 803 034 04 V02	Speed yellow			IXSY
(1)	997 803 034 10	Seat belt	/R	1	
	997 803 034 10 6M4	Sand Beige			IXST
2	999 075 070 09	Hexagon-head bolt		2	
3	997 803 231 01	Support		2	
		Height adjustment with			
-	999 075 078 01	Hexagon-head bolt		2	
4	900 067 131 02	Pan-head screw		2	
5	996 803 825 01	Relay lever		2	
6	900 378 036 09	Hexagon-head bolt		4	
7	997 803 521 00	Cover		2	
	997 803 521 00 A03	Black			
8	999 924 064 02	Spacer sleeve		2	
8	999 924 064 01	Spacer sleeve		2	
(8)	997 803 663 00	Spacer sleeve		1	I388/389
9	211 857 771	Washer		2	
(9)	999 028 022 01	Spring washer		1	I388/389
-	999 025 275 A2	Washer		1	I388/389
10	999 075 073 09	Hexagon-head bolt		2	
(10)	999 075 072 09	Hexagon-head bolt		2	I388/389
11	811 857 845	Cap		2	
	811 857 845 01C	Satin black			
12	996 803 183 08	Seat-belt buckle Passenger's side		1	
(12)	997 803 183 01	Seat-belt buckle Driver's side		1	
12	997 803 183 04	Seat-belt buckle Driver's side		1	I388
(12)		Seat-belt buckle Driver's side		1	I389
(12)	997 803 183 05	Seat-belt buckle Passenger's side		1	I389
12		Seat-belt buckle Passenger's side		1	I388
12	997 803 993 08	Seat-belt buckle Driver's side	/LL /L 10-	1	I098/377/756
	997 803 993 08 6J0	Espresso			
(12)	997 803 993 08	Seat-belt buckle Driver's side	/RL /R 10-	1	I099/378/756
	997 803 993 08 6J0	Espresso			
(12)	997 803 993 02	Seat-belt buckle Passenger's side	/RL /L 10-	1	I099/377/756
	997 803 993 02 6J0	Espresso			
(12)	997 803 993 02	Seat-belt buckle	/LL /R 10-	1	-I072/I098 I378/756
		Passenger's side			
	997 803 993 02 6J0	Espresso			
13	999 218 101 02	Hexagon-head bolt		2	

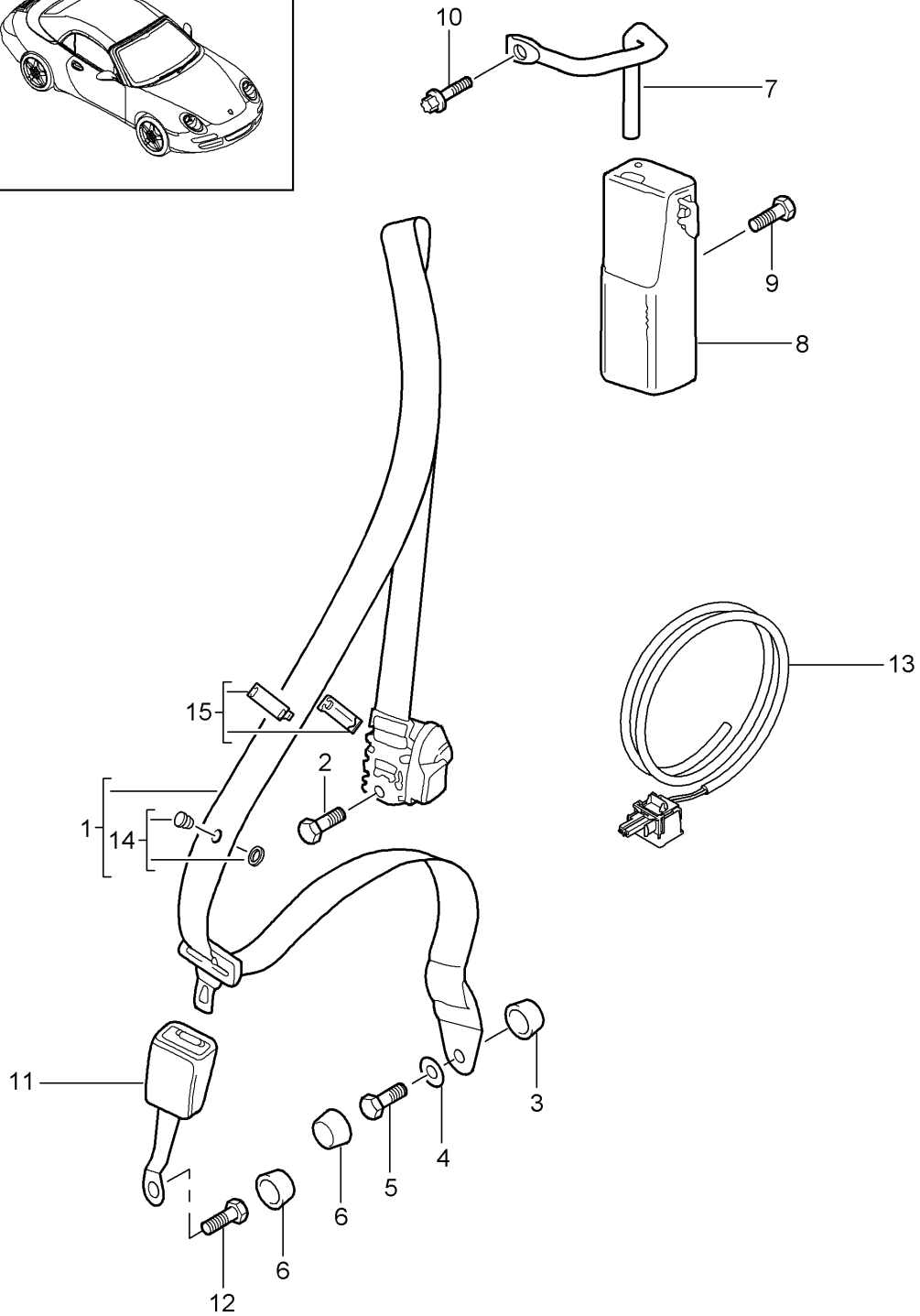
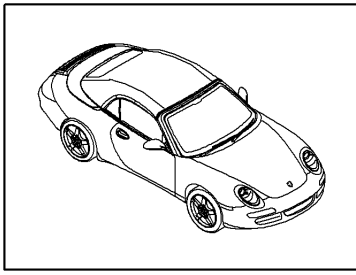
Model: 997-09

Model life 2009>>2012

Pos	Part Number	Description	Remark	Qty	Model
14	999 075 073 09	Hexagon-head bolt		2	
15		Cable for Seat-belt tensioner See illustrations 9/02/10		X	
16	955 803 056 00	Knob		2	
	955 803 056 00 HCP	Black			
17	997 803 334 00	Clamping piece		2	
	997 803 334 00 01C	Black			
18	000 043 206 96	Clamp See technical manual 693649		2	
19	999 075 078 01	Hexagon-head bolt 7/16-20UNF		2	
20	999 031 052 40	Adjusting shim 14,2X22,0		2	

Model: 997-09

Model life 2009>>2012



Model: 997-09 Model life 2009>>2012

Pos	Part Number	Description	Remark	Qty	Model
		Seat belt			CABRIO
		Front			
1	997 803 033 03	Seat belt	/L	1	
	997 803 033 03 A23	Black			I555
	997 803 033 03 N13	Guards red			IXSX
	997 803 033 03 V02	Speed yellow			IXSY
	997 803 033 03 U01	Silver			IXSH
1	997 803 033 06	Seat belt	/L	1	
	997 803 033 06 6M4	Sand Beige			IXST
(1)	997 803 034 05	Seat belt	/R	1	
	997 803 034 05 A23	Black			I555
	997 803 034 05 N13	Guards red			IXSX
	997 803 034 05 V02	Speed yellow			IXSY
	997 803 034 05 U01	Silver			IXSH
(1)	997 803 034 11	Seat belt	/R	1	
	997 803 034 11 6M4	Sand Beige			IXST
2	999 075 070 09	Hexagon-head bolt		2	
3	999 924 064 02	Spacer sleeve		2	
3	999 924 064 01	Spacer sleeve		2	
(3)	997 803 663 00	Spacer sleeve		1	I388/389
4	211 857 771	Washer		2	
(4)	999 028 022 01	Spring washer		1	I388/389
-	999 025 275 A2	Washer		1	I388/389
5	999 075 073 09	Hexagon-head bolt		2	
(5)	999 075 072 09	Hexagon-head bolt		2	I388/389
6	811 857 845	Cap		2	
7	996 803 815 00	Reverse lever	/L	1	
7	996 803 816 00	Reverse lever	/R	1	
8	996 803 581 00	Mounting	/L	1	
8	996 803 582 00	Mounting	/R	1	
9	999 075 065 09	Hexagon-head bolt		4	
		M8x35			
10	900 378 017 01	Hexagon-head bolt		2	
		M8x20			
11	996 803 183 08	Seat-belt buckle		1	
		Passenger's side			
(11)	997 803 183 01	Seat-belt buckle		1	
		Driver's side			
11	997 803 183 04	Seat-belt buckle		1	I388
		Driver's side			
(11)		Seat-belt buckle		1	I389
		Driver's side			
(11)	997 803 183 05	Seat-belt buckle		1	I389
		Passenger's side			
11		Seat-belt buckle		1	I388
		Passenger's side			
(11)	997 803 993 08	Seat-belt buckle	/LL /L 11-	1	Speedster I098/377/503
		Driver's side			
		Leather			
	997 803 993 08 A11	Black			
(11)	997 803 993 08	Seat-belt buckle	/RL /R 11-	1	Speedster I099/378/503
		Driver's side			
		Leather			
	997 803 993 08 A11	Black			
(11)	997 803 993 02	Seat-belt buckle	/RL /L 11-	1	Speedster I099/377/503
		Passenger's side			
		Leather			
	997 803 993 02 A11	Black			
(12)	997 803 993 02	Seat-belt buckle	/LL /R 11-	1	Speedster -I072/I098

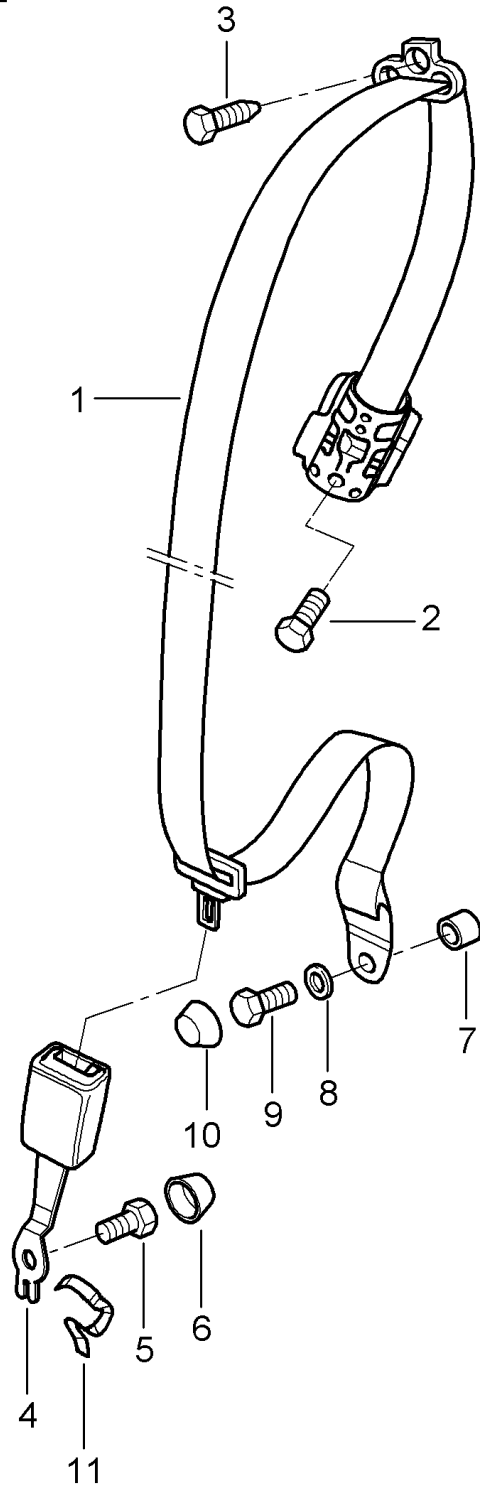
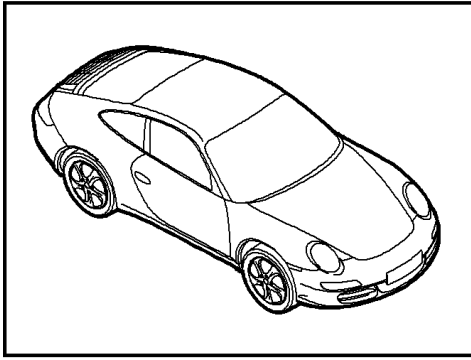
Model: 997-09

Model life 2009>>2012

Pos	Part Number	Description	Remark	Qty	Model
		Passenger's side Leather			I378/503
12	997 803 993 02 A11	Black		2	
13	999 218 101 02	Hexagon-head bolt		X	
		Cable for Seat-belt tensioner See illustrations 9/02/10			
14	955 803 056 00	Knob		2	
	955 803 056 00 HCP	Black			
15	997 803 334 00	Clamping piece		2	
	997 803 334 00 01C	Black			

Model: 997-09

Model life 2009>>2012



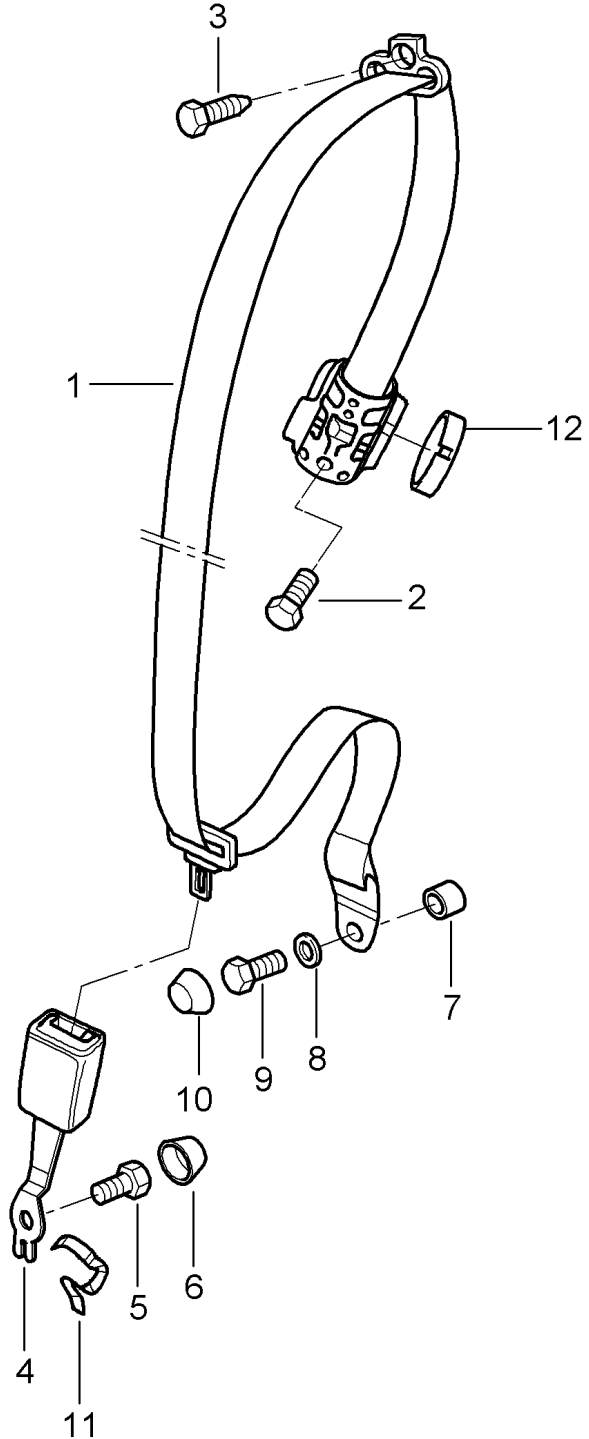
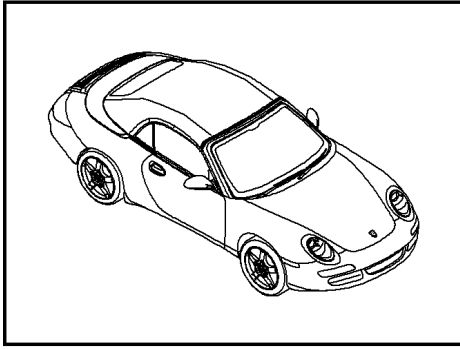
Model: 997-09

Model life 2009>>2012

Pos	Part Number	Description	Remark	Qty	Model
		Seat belt Rear			COUPE
1	997 803 035 02	Seat belt	/L	1	
	997 803 035 02 V02	Speed yellow			IXSY
	997 803 035 02 N13	Guards red			IXSX
	997 803 035 02 U01	Silver			IXSH
	997 803 035 02 A23	Black			I555
	997 803 035 02 6M4	Sand Beige			IXST
(1)	997 803 036 02	Seat belt	/R	1	
	997 803 036 02 V02	Speed yellow			IXSY
	997 803 036 02 N13	Guards red			IXSX
	997 803 036 02 U01	Silver			IXSH
	997 803 036 02 A23	Black			I555
	997 803 036 02 6M4	Sand Beige			IXST
2	999 075 070 09	Hexagon-head bolt		2	
3	999 075 057 09	Hexagon-head bolt		2	
4	996 803 165 01	Seat-belt buckle	/L	1	
(4)	996 803 166 01	Seat-belt buckle	/R	1	
5	999 075 070 09	Hexagon-head bolt		2	
6	811 857 845	Cap		2	
7	999 924 064 02	Spacer sleeve		2	
7	999 924 064 01	Spacer sleeve		2	
8	211 857 771	Washer		2	
9	999 075 073 09	Hexagon-head bolt		2	
10	811 857 845	Cap		2	I193
11	996 551 745 00	Fastening clamp	/L	2	
(11)	996 551 746 00	Fastening clamp	/R	2	

Model: 997-09

Model life 2009>>2012

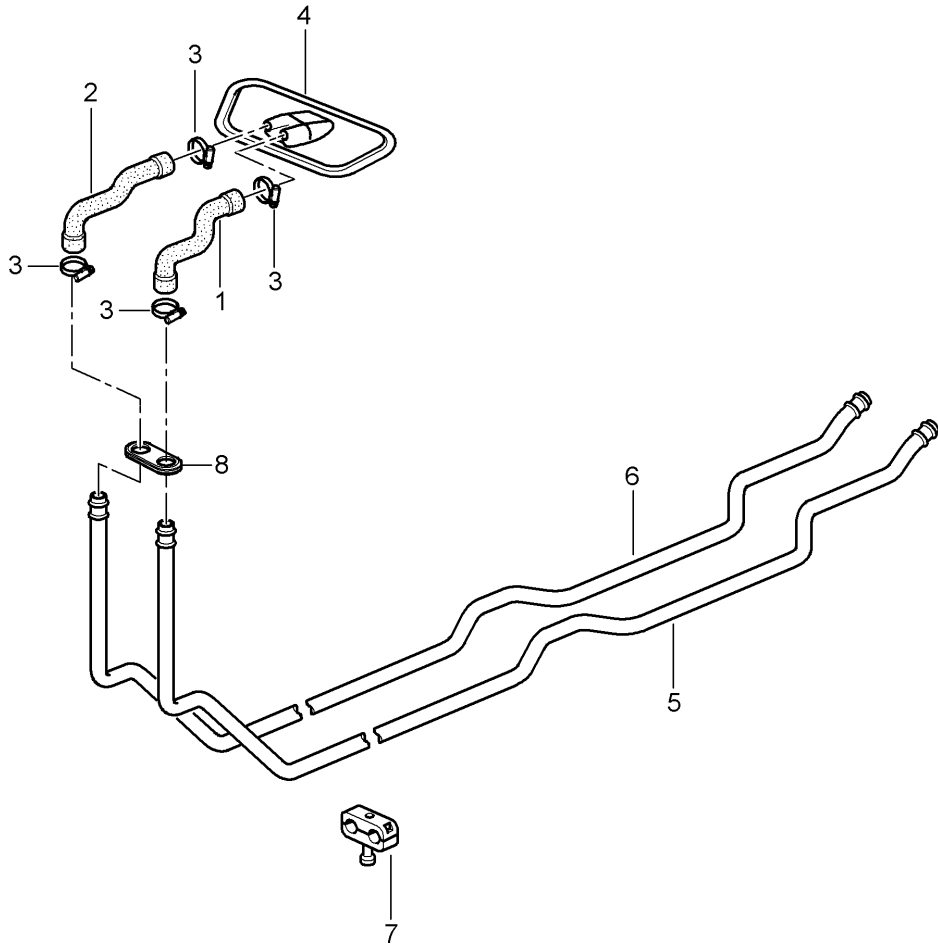
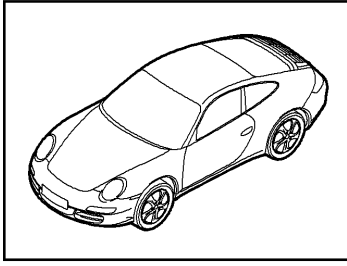


Model: 997-09 Model life 2009>>2012

Pos	Part Number	Description	Remark	Qty	Model
1	997 803 035 00	Seat belt Rear			CABRIO TARGA
	997 803 035 00 V02	Seat belt Speed yellow	/L	1	CABRIO IXSY
	997 803 035 00 N13	Guards red			IXSX
	997 803 035 00 U01	Silver			IXSH
	997 803 035 00 A23	Black			I555
	997 803 035 00 6M4	Sand Beige			IXST
1	997 803 035 04	Seat belt	/L	1	TARGA
	997 803 035 04 V02	Seat belt Speed yellow			IXSY
	997 803 035 04 N13	Guards red			IXSX
	997 803 035 04 U01	Silver			IXSH
	997 803 035 04 A23	Black			I555
	997 803 035 04 6M4	Sand Beige			IXST
(1)	997 803 036 00	Seat belt	/R	1	CABRIO
	997 803 036 00 V02	Seat belt Speed yellow			IXSY
	997 803 036 00 N13	Guards red			IXSX
	997 803 036 00 U01	Silver			IXSH
	997 803 036 00 A23	Black			I555
	997 803 036 00 6M4	Sand Beige			IXST
(1)	997 803 036 04	Seat belt	/R	1	TARGA
	997 803 036 04 V02	Seat belt Speed yellow			IXSY
	997 803 036 04 N13	Guards red			IXSX
	997 803 036 04 U01	Silver			IXSH
	997 803 036 04 A23	Black			I555
	997 803 036 04 6M4	Sand Beige			IXST
2	999 075 070 09	Hexagon-head bolt		2	
3	999 075 057 09	Hexagon-head bolt		2	
4	996 803 165 01	Seat-belt buckle	/L	1	
(4)	996 803 166 01	Seat-belt buckle	/R	1	
5	999 075 070 09	Hexagon-head bolt		2	
6	811 857 845	Cap		2	
7	999 924 064 02	Spacer sleeve		2	
7	999 924 064 01	Spacer sleeve		2	
8	211 857 771	Washer		2	
9	999 075 073 09	Hexagon-head bolt		2	
10	811 857 845	Cap		2	
	811 857 845 01C	Satin black			
11	996 551 745 00	Fastening clamp		2	

Model: 997-09

Model life 2009>>2012



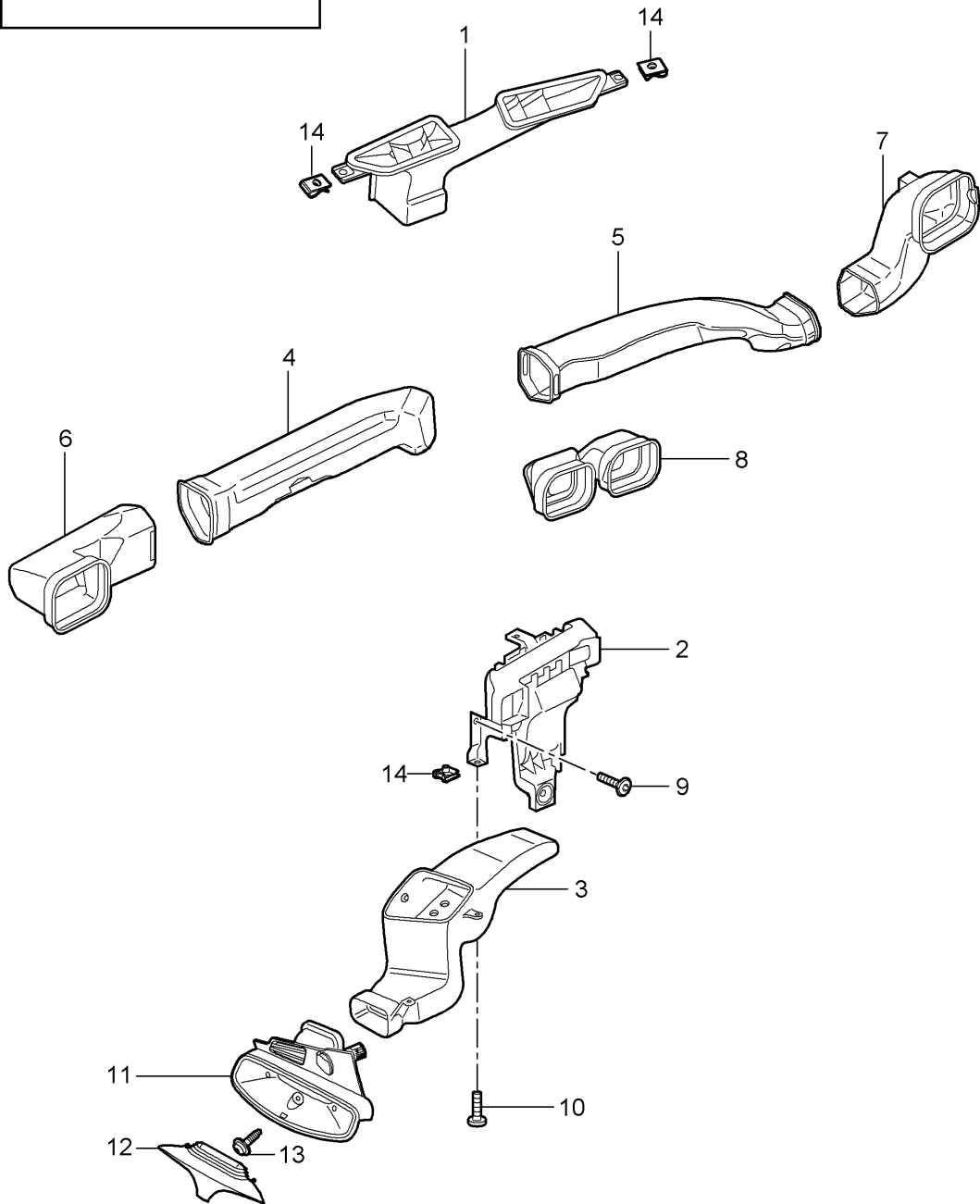
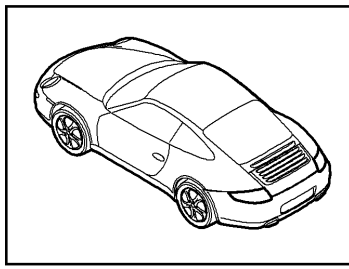
Model: 997-09

Model life 2009>>2012

Pos	Part Number	Description	Remark	Qty	Model
		Heating system 1			
		Feed line			
		Return line			
1	997 572 553 00	Heater hose	/LL	1	I098
		Intake			
(1)	997 572 553 01	Heater hose	/RL	1	I099
		Intake			
2	997 572 555 00	Heater hose	/LL	1	I098
		Return line			
(2)	997 572 555 01	Heater hose	/RL	1	I099
3	999 512 603 09	Hose clamp		4	
4	996 572 263 02	Gasket	/LL	1	I098
(4)	996 572 263 03	Gasket	/RL	1	I099
5	997 572 681 00	Heater pipeline		1	
		Supply			
6	997 572 683 00	Heater pipeline		1	
		Return line			
-	996 572 785 00	Connection piece		X	
7	999 511 230 40	Cable holder		4	
-	999 511 232 41	Rubber mounting		4	
8	996 572 765 02	Grommet		1	

Model: 997-09

Model life 2009>>2012



Model: 997-09 Model life 2009>>2012

Pos	Part Number	Description	Remark	Qty	Model
		Air distributor Passenger compartment			
1	997 572 631 00	Defroster vent	/LL	1	I098
(1)	997 572 631 01	Defroster vent	/RL	1	I099
2	997 572 171 00	Air distributor	/LL	1	I098
(2)	997 572 171 01	Air distributor	/RL	1	I099
3	997 572 793 00	Footwell outlet vent	/LL	1	-I680/I098
(3)	997 572 793 02	Footwell outlet vent	/LL	1	I098/680
(3)	997 572 793 01	Footwell outlet vent	/RL	1	-I680/I099
(3)	997 572 793 03	Footwell outlet vent	/RL	1	I099/680
4	997 572 463 00	Air guide	/LL /L	1	I098
(4)	997 572 463 01	Air guide	/RL /L	1	I099
5	997 572 464 00	Air guide	/LL /R	1	I098
(5)	997 572 464 01	Air guide	/RL /R	1	I099
6	997 572 767 00	Air guide	/LL /L	1	I098
(6)	997 572 767 01	Air guide	/RL /L	1	I099
7	997 572 768 00	Air guide	/LL /R	1	I098
(7)	997 572 768 01	Air guide	/RL /R	1	I099
8	997 572 769 00	Air guide		1	I098
(8)	997 572 769 01	Air guide		1	I099
9	999 919 118 09	Oval-head screw		2	
10	999 073 339 09	Tapping screw		2	
11	997 572 396 02	Cover	/LL	1	CABRIO I098
	997 572 396 02 01C	Satin black			
11	997 572 395 02	Cover	/RL	1	CABRIO I099
	997 572 395 02 01C	Satin black			
11	997 572 396 03	Cover	/LL	1	CABRIO I098 I680
		Lacquered			
	997 572 396 03 5V7	Stone grey			
	997 572 396 03 5Y2	Palmgreen			
	997 572 396 03 5Z1	Sand Beige			
	997 572 396 03 8P9	Cocoa			
	997 572 396 03 8W7	Sea blue			
	997 572 396 03 8X8	Terracotta			
	997 572 396 03 T13	Brown/natural			
11	997 572 395 03	Cover	/RL	1	CABRIO I099 I680
		Lacquered			
	997 572 395 03 5V7	Stone grey			
	997 572 395 03 5Y2	Palmgreen			
	997 572 395 03 5Z1	Sand Beige			
	997 572 395 03 8P9	Cocoa			
	997 572 395 03 8W7	Sea blue			
	997 572 395 03 8X8	Terracotta			
	997 572 395 03 T13	Brown/natural			
12	997 572 798 02	Cover	/LL	1	CABRIO I098 I680
	997 572 798 02 01C	Satin black			
12	997 572 797 02	Cover	/RL	1	CABRIO I099 I680
	997 572 797 02 01C	Satin black			
12	997 572 798 03	Cover	/LL	1	CABRIO I098 I680
		Lacquered			
	997 572 798 03 5V7	Stone grey			

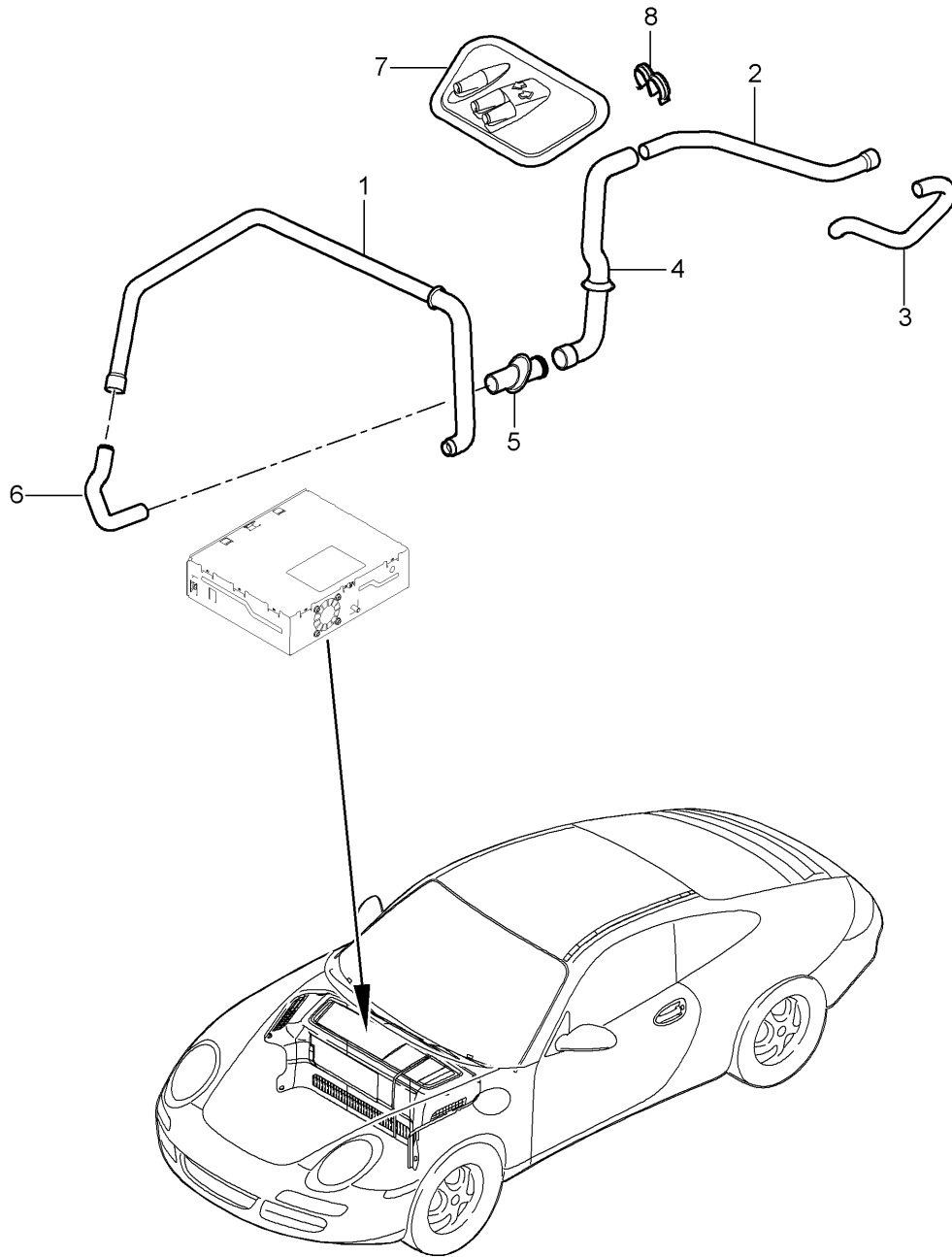
Model: 997-09

Model life 2009>>2012

Pos	Part Number	Description	Remark	Qty	Model				
12	997 572 798 03 5Y2	Palmgreen	/RL	1	CABRIO I099 I680				
	997 572 798 03 5Z1	Sand Beige							
	997 572 798 03 8P9	Cocoa							
	997 572 798 03 8W7	Sea blue							
	997 572 798 03 8X8	Terracotta							
	997 572 798 03 T13	Brown/natural							
	997 572 797 03	Cover							
		Lacquered							
	997 572 797 03 5V7	Stone grey							
	997 572 797 03 5Y2	Palmgreen							
13	997 572 797 03 5Z1	Sand Beige		1	CABRIO I680				
	997 572 797 03 8P9	Cocoa							
	997 572 797 03 8W7	Sea blue							
	997 572 797 03 8X8	Terracotta							
	997 572 797 03 T13	Brown/natural							
	999 073 345 09	Lens-head screw							
		M 5 x 18							
	14	999 507 785 02				Speed nut		3	
						ST 4,2			
	14	999 507 785 01				Speed nut st 4,2		3	

Model: 997-09

Model life 2009>>2012



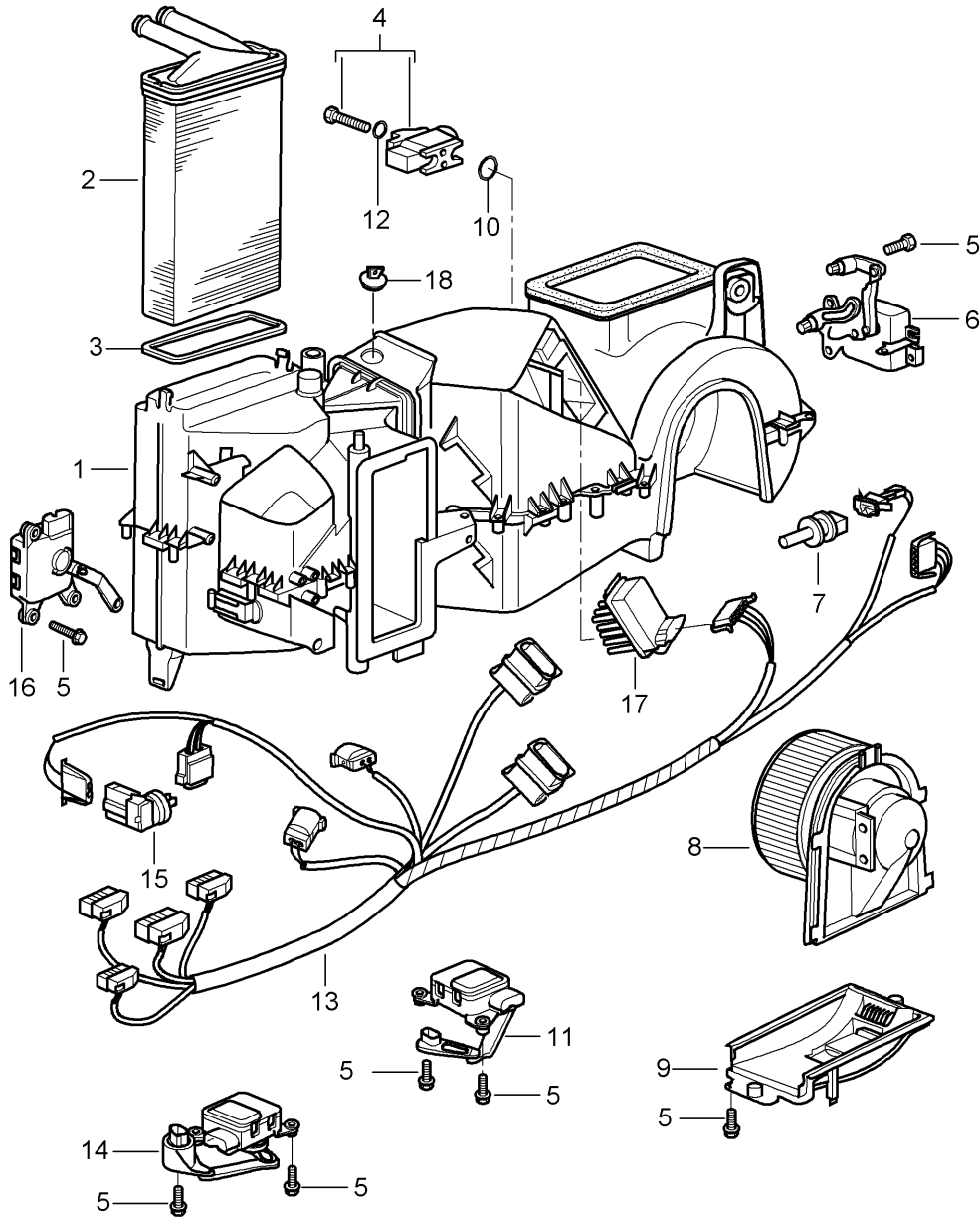
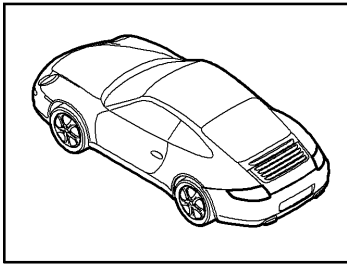
Model: 997-09

Model life 2009>>2012

Pos	Part Number	Description	Remark	Qty	Model
		Luggage compartment			I575
		Cooling			
1	997 572 588 02	Air guide		1	I575
2	997 572 582 00	Air guide		1	I575
		Plenum panel			
3	997 572 580 00	Air guide		1	I575
		Air conditioner			
4	997 572 584 03	Air guide		1	/C2 I575
		Bulkhead			
(4)	997 572 584 01	Air guide		1	/C4 I575
		Bulkhead			
5	997 572 593 02	Connection piece		1	/C2 I575
(5)	997 572 593 03	Connection piece		1	/C4 I575
6	997 572 586 08	Air guide		1	/C2 I575
(6)	997 572 586 07	Air guide		1	/C4 I575
7	997 572 263 00	Gasket		1	I575
8	999 507 830 40	Cable holder		1	I575
-	999 076 081 40	Plastic nut		X	
-	999 703 009 40	Stopper		1	

Model: 997-09

Model life 2009>>2012



Model: 997-09

Model life 2009>>2012

Pos	Part Number	Description	Remark	Qty	Model
1	997 573 901 02	Air conditioner Single parts Air conditioner without Heat exchanger with Evaporator	/LL	1	I098/573
(1)	997 573 901 03	Air conditioner without Heat exchanger with Evaporator	/RL	1	I099/573
2	997 572 129 00	Heat exchanger		1	
3	996 572 913 00	Gasket		1	
4	997 573 929 00	Expansion valve		1	
5	900 143 102 02	Combination screw		X	
6	996 573 915 00	Electric motor Fresh-air flap Identification Black	/LL	1	I098/573
(6)	996 573 915 01	Electric motor Fresh-air flap Identification Black	/RL	1	I099/573
7	955 572 304 10	Temperature sensor		1	
8	996 624 107 01	Blower	/LL	1	I098
(8)	996 624 108 01	Blower	/RL	1	I099
9	996 573 905 00	Lid		1	
10	999 707 596 40	O-ring 14x1,82		1	
11	996 573 919 02	Electric motor Temperature valve Identification Pink	/LL	1	I098
(11)	996 573 919 03	Electric motor Temperature valve Identification Pink	/RL	1	I099
12	999 707 534 41	O-ring 17x2,00		1	
13	997 612 655 26	Wiring harness		1	I098/573
(13)	997 612 656 25	Wiring harness	/RL	1	I099/573
-	997 612 664 00	Wiring harness Interference-suppr. choke TV		1	I676
14	996 573 921 02	Electric motor Defroster flap Identification Yellow	/LL	1	I098
(14)	996 573 921 03	Electric motor Defroster flap Identification Yellow	/RL	1	I099
15	1H0 907 543 A	Temperature sensor		1	
16	996 573 917 02	Electric motor Central valve Identification Green	/LL	1	I098
(16)	996 573 917 03	Electric motor Central valve Identification Green	/RL	1	I099
17	996 573 923 00	Resistor		1	

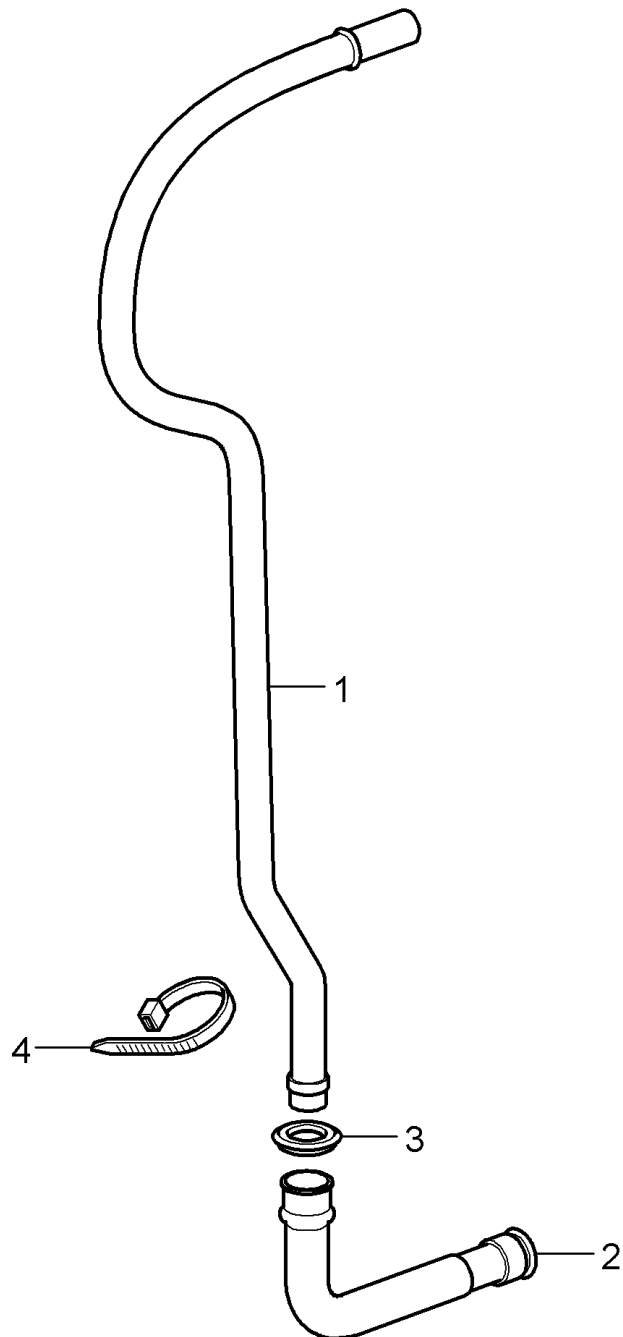
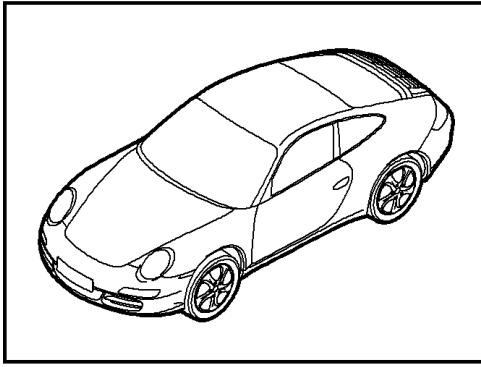
Model: 997-09

Model life 2009>>2012

Pos	Part Number	Description	Remark	Qty	Model
-	996 573 927 00	Blower outlet sensor		1	I573
-	1H0 819 943	Screw		2	
18	997 573 935 00	Stopper		1	
-	997 573 937 00	Gasket		1	
		Air inlet			
-	997 573 939 00	Gasket		1	
		Heat exchanger			
-	997 573 941 00	Gasket		1	
		Evaporator housing			
-	997 573 943 00	Gasket		1	
		Pipe			
		Evaporator			
-	997 573 945 00	Gasket	/LL	1	I098
		Expansion valve			
-	997 573 947 00	Gasket	/RL	1	I099
		Expansion valve			

Model: 997-09

Model life 2009>>2012



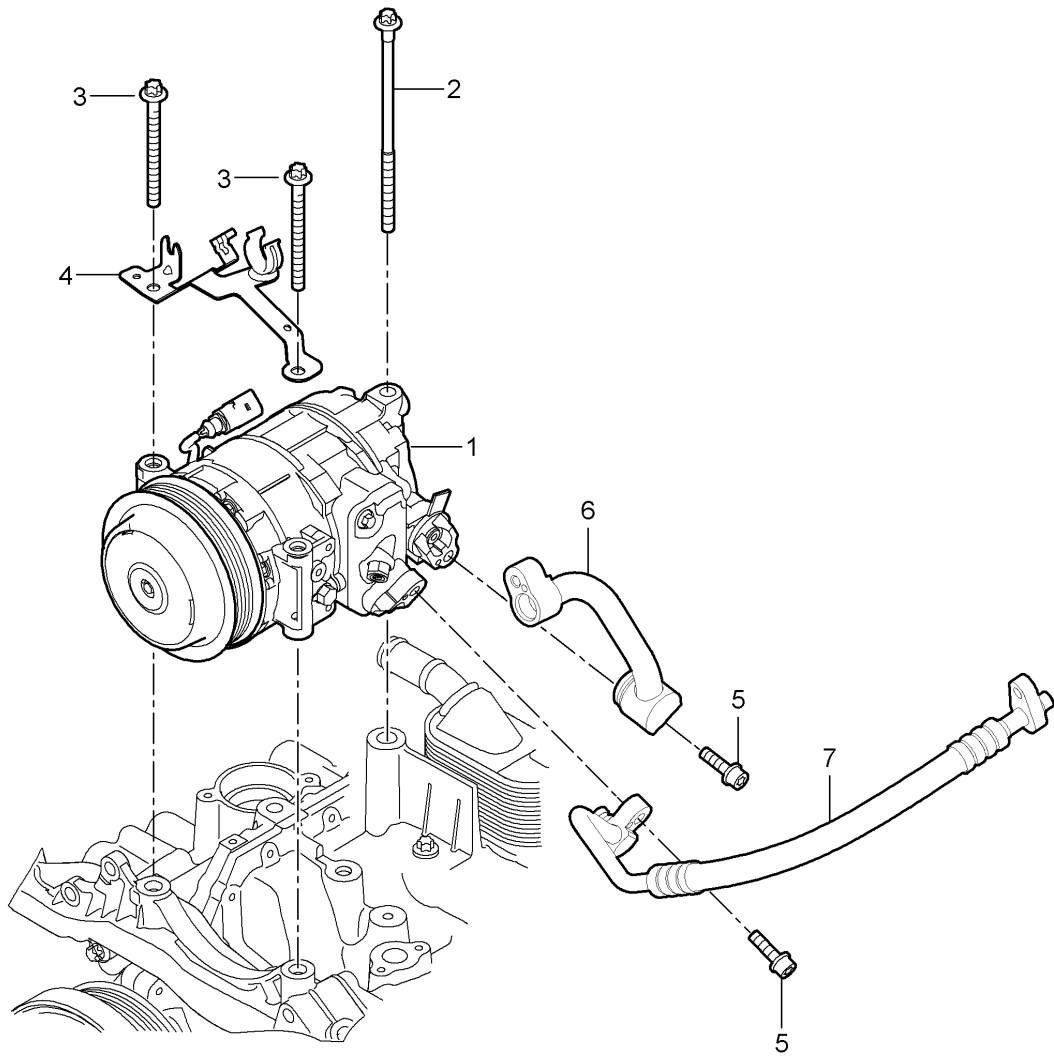
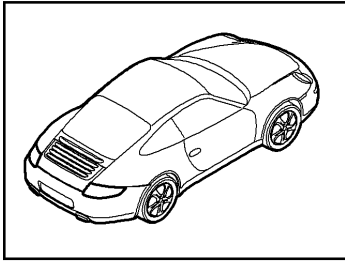
Model: 997-09

Model life 2009>>2012

Pos	Part Number	Description	Remark	Qty	Model
		Water drain tube Mount Air conditioner			
1	996 573 793 01	Water drain tube	/LL	1	I098
1	996 573 794 01	Water drain tube	/RL	1	I099
2	996 573 797 02	Connecting piece		1	
3	996 573 795 01	Grommet		1	
4	999 513 049 40	Tie-wrap		1	

Model: 997-09

Model life 2009>>2012



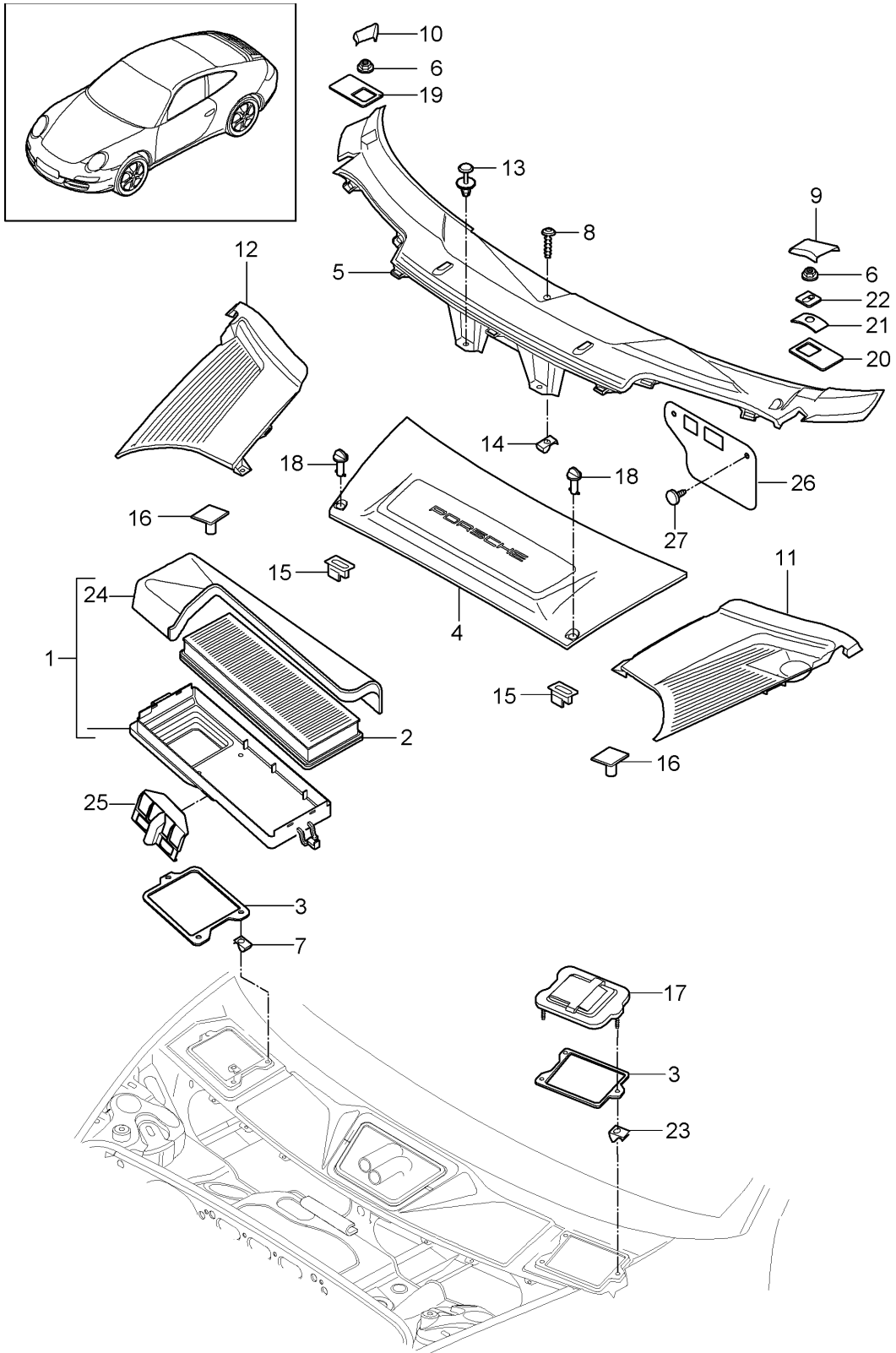
Model: 997-09

Model life 2009>>2012

Pos	Part Number	Description	Remark	Qty	Model
1	9A1 126 011 05	Compressor		1	
2	900 385 134 01	Compressor Outer hexagon round screw M 8 X 170		1	
3	900 385 102 04	Outer hexagon round screw M 8 X 90 m8x90		2	
4		Support See illustrations 1/07/10		1	
5	N 104 144 02	Pan-head screw		2	
6		Intake pipe See illustrations 8/13/25 Pos.7		1	
7		Pressure line See illustrations 8/13/25 Pos.8		1	
-	000 043 200 04	Oil for Compressor 250 ml		1	

Model: 997-09

Model life 2009>>2012

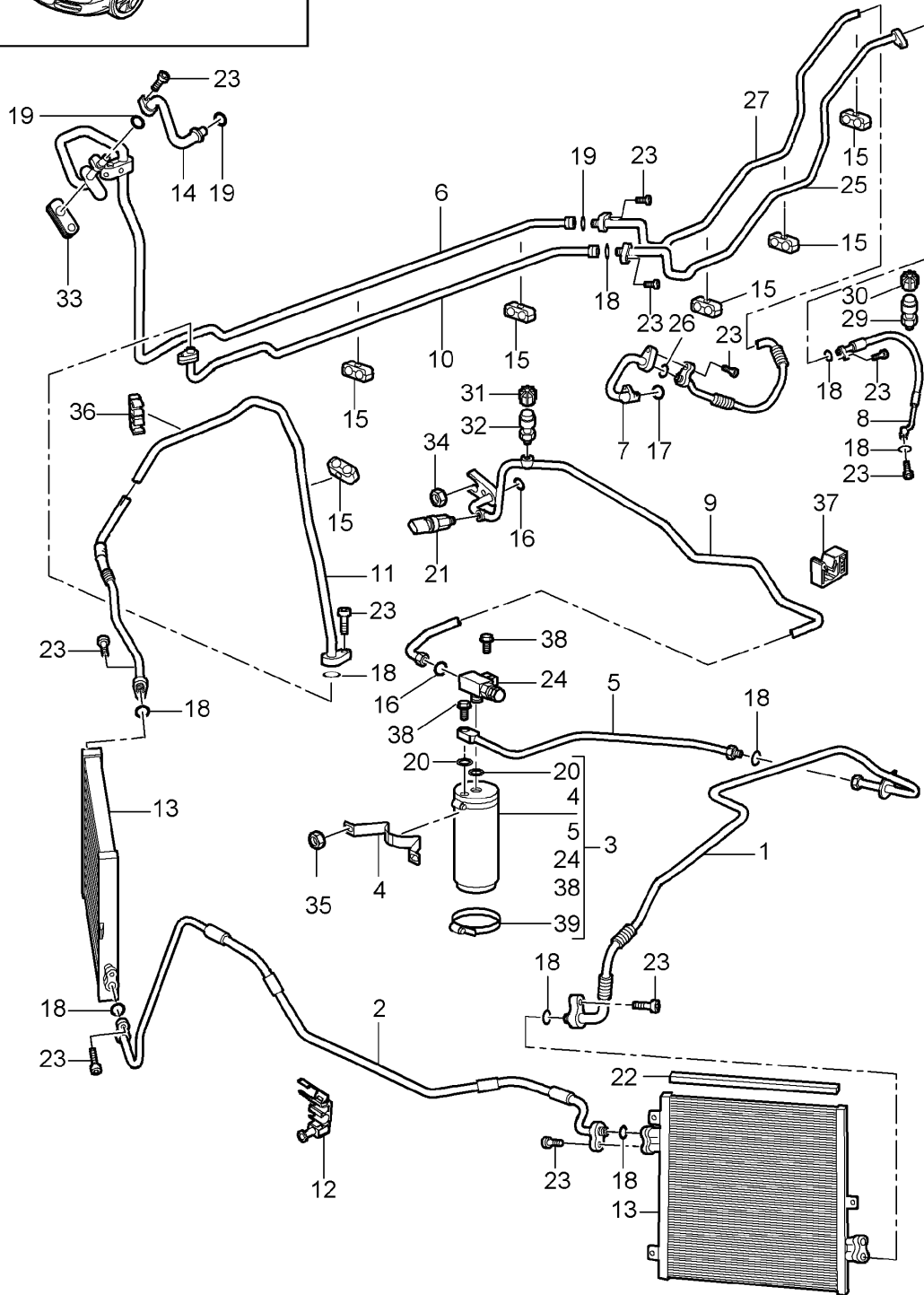
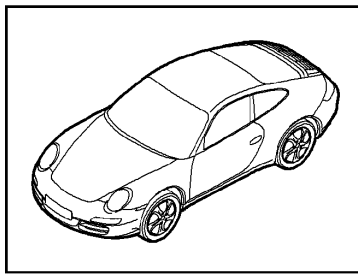


Model: 997-09 Model life 2009>>2012

Pos	Part Number	Description	Remark	Qty	Model
		Particle filter			
		Cowl panel covering			
1	997 572 019 04	Housing	/LL	1	I098
(1)	997 572 019 05	Housing	/RL	1	I099
2	997 571 219 01	Particle filter		1	
3	997 572 221 00	Gasket		2	
4	997 572 567 04	Cover		1	
	997 572 567 04 FMT	Black			
		Battery			
5	997 572 563 08	Cover	/LL	1	I098
	997 572 563 08 FMT	Black			
(5)	997 572 563 09	Cover	/RL	1	I099
		Cowl			
	997 572 563 09 FMT	Black			
6	999 076 071 02	Hexagon nut		2	
		M6			
7	999 507 348 01	Speed nut		3	
8	N 906 487 02	Tapping screw		1	
9	997 572 569 04	Cap	/L	2	I098
	997 572 569 04 FMT	Black			
(9)	997 572 569 05	Cap	/L	2	I099
	997 572 569 05 FMT	Black			
10	997 572 570 04	Cap	/R	1	I098
	997 572 570 04 FMT	Black			
(10)	997 572 570 05	Cap	/R	1	I099
	997 572 570 05 FMT	Black			
11	997 572 361 07	Cover	/L	1	
	997 572 361 07 02A	Black			
12	997 572 362 08	Cover	/R	1	
	997 572 362 08 02A	Black			
13	999 507 497 40	Expansion rivet		2	
		8 X 14			
14	999 507 834 41	Expander nut		1	
		ST 4,8			
15	999 590 046 40	Disc cam		2	
16	999 902 046 40	Catch		1	
17	997 572 419 03	Lid		2	
18	997 572 867 00	Locking bolt		2	
	997 572 867 00 02A	Black			
19	997 572 842 00	Pressure plate		1	
		Passenger's side			
19	997 572 842 01	Pressure plate	/LL /R	1	I098
		Passenger's side			
19	997 572 842 02	Pressure plate	/RL /L	1	I099
		Passenger's side			
20	997 572 841 00	Pressure plate		1	
		Driver's side			
21	997 572 837 00	Spring plate		1	
		Driver's side			
22	997 572 533 00	Retainer plate		1	
		Driver's side			
23	999 591 855 01	Speed nut		3	
24	997 572 729 02	Cover	/LL	1	I098
		Particle filter			
(24)	997 572 729 03	Cover	/RL	1	I099
		Particle filter			
-	997 572 731 00	Base		1	
25	997 572 862 01	Support		1	
26	997 572 763 00	Cover		1	
27	999 703 432 40	Stopper		2	
		8,0			
		12,2 X 25			

Model: 997-09

Model life 2009>>2012

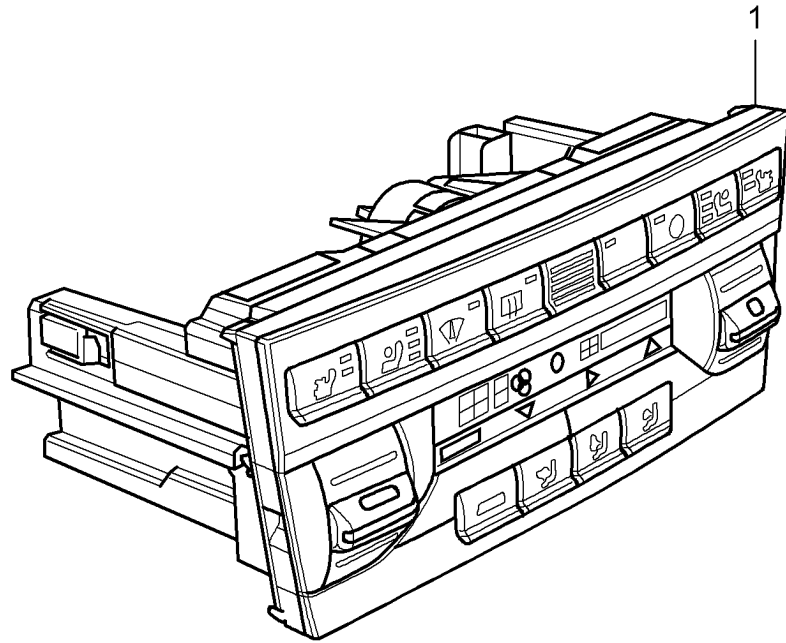
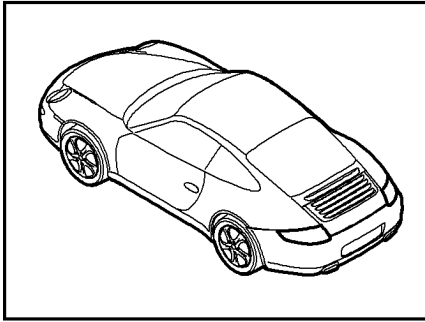


Model: 997-09 Model life 2009>>2012

Pos	Part Number	Description	Remark	Qty	Model
		Refrigerant circuit			
1	997 573 105 03	Pressure line		1	
2	997 573 103 02	Pressure line		1	
3	996 573 043 00	Desiccator		1	
4	996 573 451 00	Support		1	
5	996 573 106 00	Refrigerant line		1	
6	996 573 091 01	Intake pipe		1	
7	9A1 573 099 03	Intake pipe		1	MA1.01/02
8	9A1 573 097 03	Pressure line		1	MA1.01/02
9	997 573 108 04	Pressure line	/LL	1	I098
(9)	997 573 108 03	Pressure line	/RL	1	I099
10	996 573 092 02	Pressure line		1	
11	997 573 094 02	Pressure line		1	
12	996 347 543 00	Cable holder		2	
13	997 573 911 02	Condenser		2	
14	996 573 093 06	Intake pipe	/LL	1	I098
(14)	996 573 093 07	Intake pipe	/RL	1	I099
15	999 511 230 40	Cable holder		X	
		Use also:			
-	999 511 231 41	Rubber mounting		X	
16	999 707 247 40	O-ring		2	
		7,5X2			
17	999 707 439 41	O-ring		8	
		23,8X2,4			
18	999 707 434 41	O-ring		8	
		10,6X2			
19	999 707 534 41	O-ring		3	
		17X2			
20	999 707 262 40	O-ring		X	
		6,7X1,8			
21	1K0 959 126 B	Pressure sensor		1	
		When required order also:			
21	955 613 137 01	Pressure sensor		1	
		When required order also:			
(21)	955 613 137 02	Pressure sensor		1	
-	999 707 555 41	O-ring		1	
		10,8 X 1,8			
22	996 573 711 00	Cover strip		2	
23	900 067 247 01	Combination screw		X	
24	997 573 243 00	Distributing piece		1	
25	997 573 096 04	Pressure line		1	
26	999 707 558 41	O-ring		X	
		13,7x2,5			
27	997 573 095 06	Intake pipe		1	
29	996 573 466 00	Valve		1	
		Druckseite			
30	944 573 663 01	Cap		1	
31	944 573 663 02	Cap		1	
32	996 573 465 00	Valve		1	
		Saugseite			
33	996 573 769 01	Grommet		1	
34	900 377 010 09	Hexagon nut		1	
		M 6			
35	900 380 015 09	Hexagon nut		2	
		M6			
36	996 355 547 01	Support		1	
37	999 591 922 40	Support		1	
38	900 075 340 01	Combination screw		2	
39	999 512 349 01	Hose clamp		1	
		A50-70/9			
40	999 707 557 41	O-ring		1	
		11x2,5			

Model: 997-09

Model life 2009>>2012



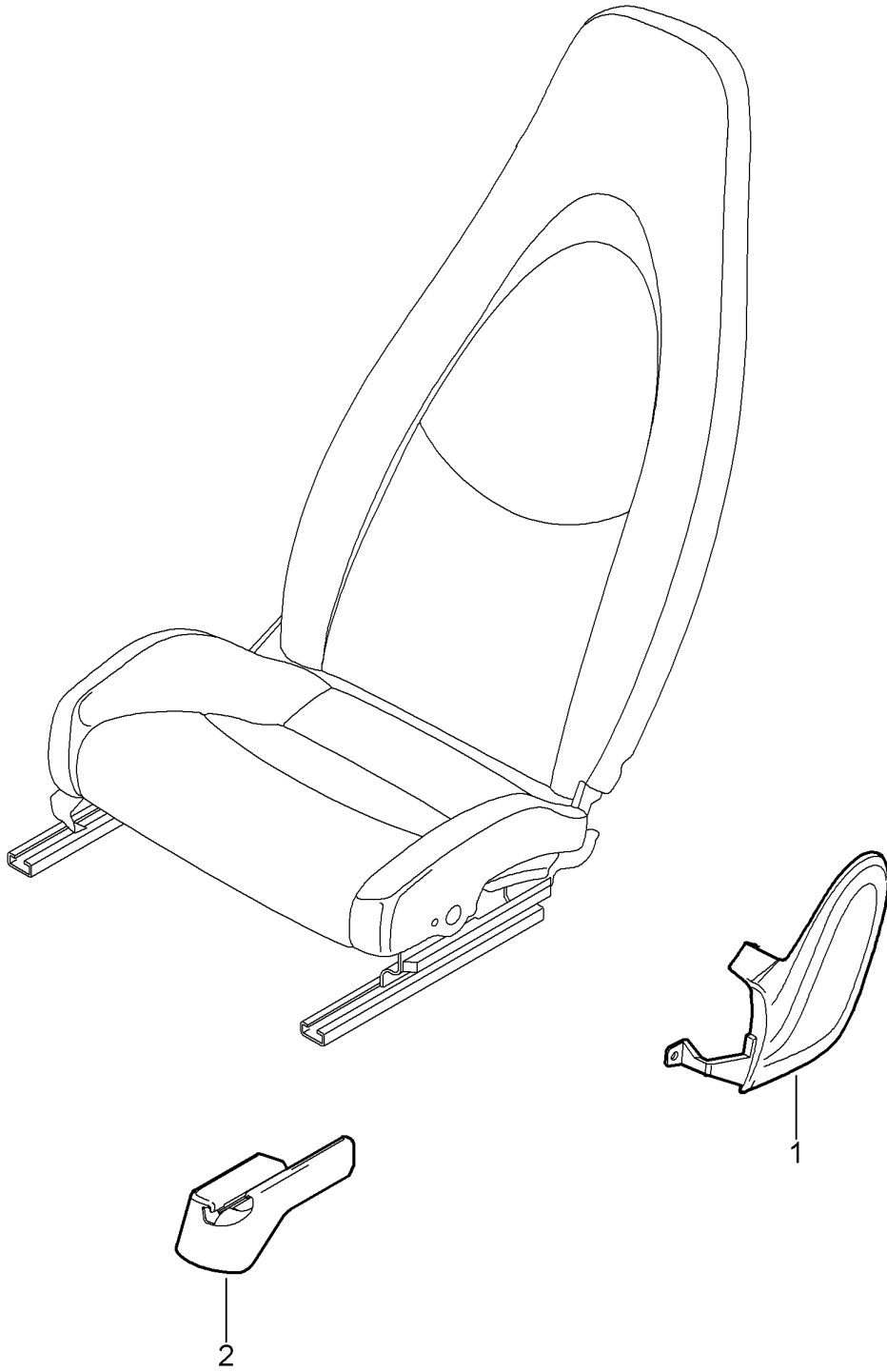
Model: 997-09

Model life 2009>>2012

Pos	Part Number	Description	Remark	Qty	Model
1	997 653 201 01	Control switch Control part		1	-I342/-I541 I573
1	997 653 201 01 FTC 997 653 211 02	MATTSCHWARZ/GALVANOSILBER Control part		1	-I541/I342 I573
1	997 653 211 02 FTC 997 653 221 03 997 653 221 03 FTC	MATTSCHWARZ/GALVANOSILBER Control part Mattschwarz/Galvanosilber		1	I342/541/573

Model: 997-09

Model life 2009>>2012

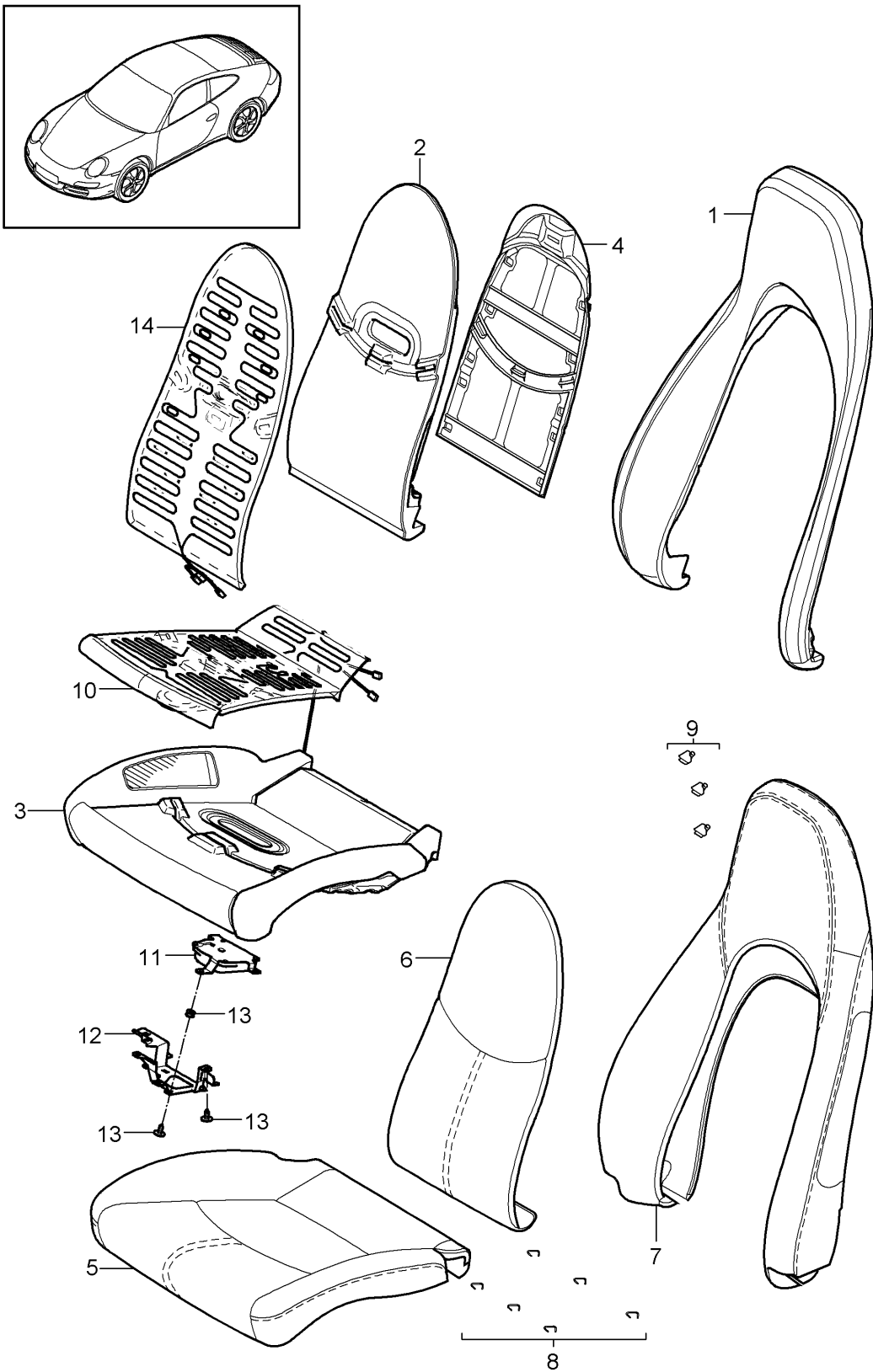


Model: 997-09 Model life 2009>>2012

Pos	Part Number	Description	Remark	Qty	Model
1	997 521 315 02	Front seat Complete Not available Comfort seat Trim cover	/L	1	I369/437
(1)	997 521 315 02 D07 997 521 316 02	Mounting component Volcano grey Trim cover	/R	1	I370/438
2	997 521 316 02 D07 997 521 359 01	Mounting component Volcano grey Rail		1	I369
(2)	997 521 359 01 01C 997 521 362 00	Seat Left Seat rail Left Satin black Rail		1	I369
(2)	997 521 362 00 01C 997 521 361 00	Seat Left Seat rail Right Satin black Rail		1	I370
(2)	997 521 361 00 01C 997 521 360 01	Seat Left Seat rail Left Satin black Rail		1	I370
(2)	997 521 360 01 01C 997 521 361 00	Seat Right Seat rail Right Satin black Rail		1	I437
(2)	997 521 361 00 01C 997 521 362 00	Seat Left Seat rail Right Satin black Rail		1	I437
(2)	997 521 362 00 01C 997 521 361 00	Seat Left Seat rail Right Satin black Rail		1	I438
(2)	997 521 361 00 01C 997 521 362 00	Seat Right Seat rail Left Satin black Rail		1	I438
(2)	997 521 362 00 01C	Seat Right Seat rail Right Satin black			

Model: 997-09

Model life 2009>>2012



Model: 997-09 Model life 2009>>2012

Pos	Part Number	Description	Remark	Qty	Model
1	997 521 535 00	Foam part Cover Standard seat Comfort seat		1	I369/370
1		Foam part Backrest Outer part		1	I437/438
(1)	997 521 535 03	Foam part Backrest Outer part		1	I369/370/541
(1)		Foam part Backrest Outer part		1	I437/438/541
2	997 521 581 00	Foam part Backrest Centre part		1	I369/370
2		Foam part Backrest Centre part		1	I437/438
(2)	997 521 581 01	Foam part Backrest Centre part		1	I369/370/541
(2)		Foam part Backrest Centre part		1	I437/438/541
3	997 521 571 00	Foam part Seat cushion with heating		1	I369/370
3		Foam part Seat cushion with heating		1	I437/438
(3)	997 521 571 03	Foam part Seat cushion with heating		1	I370/438/560
(3)	997 521 571 06	Foam part Seat cushion with heating		1	I369/370/541
(3)		Foam part Seat cushion with heating		1	I437/438/541
(3)	997 521 571 07	Foam part Seat cushion with heating		1	I370/541/560
(3)		Foam part Seat cushion with heating		1	I438/541/560
4	997 521 551 01	Cushion carrier Backrest		1	
5	997 521 161 00	Cover for cushion Leatherette		1	I369/370/946
	997 521 161 00 FLB	Black			
	997 521 161 00 FLE	Stone grey			
	997 521 161 00 FLH	Sand Beige			
	997 521 161 00 FLL	Sea blue			
5	997 521 161 00	Cover for cushion Leatherette		1	I437/438/946
	997 521 161 00 FLB	Black			
	997 521 161 00 FLE	Stone grey			
	997 521 161 00 FLH	Sand Beige			
	997 521 161 00 FLL	Sea blue			

Model: 997-09 Model life 2009>>2012

Pos	Part Number	Description	Remark	Qty	Model
(5)	997 521 161 09	Cover for cushion Leatherette		1	I369/541/946
	997 521 161 09 FLB	Black			
	997 521 161 09 FLE	Stone grey			
	997 521 161 09 FLH	Sand Beige			
	997 521 161 09 FLL	Sea blue			
(5)	997 521 161 09	Cover for cushion Leatherette		1	I370/541/946
	997 521 161 09 FLB	Black			
	997 521 161 09 FLE	Stone grey			
	997 521 161 09 FLH	Sand Beige			
	997 521 161 09 FLL	Sea blue			
(5)	997 521 161 09	Cover for cushion Leatherette		1	I437/541/946
	997 521 161 09 FLB	Black			
	997 521 161 09 FLE	Stone grey			
	997 521 161 09 FLH	Sand Beige			
	997 521 161 09 FLL	Sea blue			
(5)	997 521 161 09	Cover for cushion Leatherette		1	I438/541/946
	997 521 161 09 FLB	Black			
	997 521 161 09 FLE	Stone grey			
	997 521 161 09 FLH	Sand Beige			
	997 521 161 09 FLL	Sea blue			
(5)	997 521 161 01	Cover for cushion		1	I369/370/983
	997 521 161 01 FLC	Black			
	997 521 161 01 FLF	Stone grey			
	997 521 161 01 FLJ	Sand Beige			
	997 521 161 01 FLM	Sea blue			
	997 521 161 01 FLQ	Terracotta			
	997 521 161 01 FLR	Cocoa			
	997 521 161 01 VAA	Dark grey/natural			
	997 521 161 01 VAB	Brown/natural			
	997 521 161 01 VAC	Carrera Red			
(5)	997 521 161 01	Cover for cushion		1	I437/438/983
	997 521 161 01 FLC	Black			
	997 521 161 01 FLF	Stone grey			
	997 521 161 01 FLJ	Sand Beige			
	997 521 161 01 FLM	Sea blue			
	997 521 161 01 FLQ	Terracotta			
	997 521 161 01 FLR	Cocoa			
	997 521 161 01 VAA	Dark grey/natural			
	997 521 161 01 VAB	Brown/natural			
	997 521 161 01 VAC	Carrera Red			
(5)	997 521 161 10	Cover for cushion		1	I369/541/983
	997 521 161 10 FLC	Black			
	997 521 161 10 FLF	Stone grey			
	997 521 161 10 FLJ	Sand Beige			
	997 521 161 10 FLM	Sea blue			
	997 521 161 10 FLQ	Terracotta			
	997 521 161 10 FLR	Cocoa			
	997 521 161 10 VAA	Dark grey/natural			
	997 521 161 10 VAB	Brown/natural			
	997 521 161 10 VAC	Carrera Red			
(5)	997 521 161 10	Cover for cushion		1	I370/541/983
	997 521 161 10 FLC	Black			
	997 521 161 10 FLF	Stone grey			
	997 521 161 10 FLJ	Sand Beige			
	997 521 161 10 FLM	Sea blue			
	997 521 161 10 FLQ	Terracotta			
	997 521 161 10 FLR	Cocoa			
	997 521 161 10 VAA	Dark grey/natural			
	997 521 161 10 VAB	Brown/natural			

Model: 997-09 Model life 2009>>2012

Pos	Part Number	Description	Remark	Qty	Model
(5)	997 521 161 10 VAC	Carrera Red		1	I437/541/983
	997 521 161 10	Cover for cushion			
	997 521 161 10 FLC	Black			
	997 521 161 10 FLF	Stone grey			
	997 521 161 10 FLJ	Sand Beige			
	997 521 161 10 FLM	Sea blue			
	997 521 161 10 FLQ	Terracotta			
	997 521 161 10 FLR	Cocoa			
	997 521 161 10 VAA	Dark grey/natural			
	997 521 161 10 VAB	Brown/natural			
(5)	997 521 161 10 VAC	Carrera Red		1	I438/541/983
	997 521 161 10 VAN	Espresso			
	997 521 161 10	Cover for cushion			
	997 521 161 10 FLC	Black			
	997 521 161 10 FLF	Stone grey			
	997 521 161 10 FLJ	Sand Beige			
	997 521 161 10 FLM	Sea blue			
	997 521 161 10 FLQ	Terracotta			
	997 521 161 10 FLR	Cocoa			
	997 521 161 10 VAA	Dark grey/natural			
(5)	997 521 161 10 VAB	Brown/natural		1	I369/370/982
	997 521 161 10 VAC	Carrera Red			
	997 521 161 10 VAN	Espresso			
	997 521 161 02	Cover for cushion			
	997 521 161 02 FLC	Black			
	997 521 161 02 FLF	Stone grey			
	997 521 161 02 FLJ	Sand Beige			
	997 521 161 02 FLM	Sea blue			
	997 521 161 02 FLQ	Terracotta			
	997 521 161 02 FLR	Cocoa			
(5)	997 521 161 02 VAA	Dark grey/natural		1	I437/438/982
	997 521 161 02 VAB	Brown/natural			
	997 521 161 02 VAC	Carrera Red			
	997 521 161 02	Cover for cushion			
	997 521 161 02 FLC	Black			
	997 521 161 02 FLF	Stone grey			
	997 521 161 02 FLJ	Sand Beige			
	997 521 161 02 FLM	Sea blue			
	997 521 161 02 FLQ	Terracotta			
	997 521 161 02 FLR	Cocoa			
6	997 521 161 02 VAB	Brown/natural		2	I369/370/946
	997 521 161 02 VAC	Carrera Red			
	997 521 151 00	Backrest cushion cover			
		Centre part			
	997 521 151 00 A08	Black			
	997 521 151 00 5D6	Stone grey			
6	997 521 151 00 T25	Sand Beige		2	I437/438/946
	997 521 151 00 3W7	Sea blue			
	997 521 151 00	Backrest cushion cover			
		Centre part			
	997 521 151 00 A08	Black			
	997 521 151 00 5D6	Stone grey			
(6)	997 521 151 00 T25	Sand Beige		2	I369/541/946
	997 521 151 00 3W7	Sea blue			
	997 521 151 03	Backrest cushion cover			
		Centre part			
	997 521 151 03 A08	Black			
	997 521 151 03 5D6	Stone grey			
(6)	997 521 151 03 T25	Sand Beige		2	I370/541/946
	997 521 151 03 3W7	Sea blue			
	997 521 151 03	Backrest cushion cover			
		Centre part			

Model: 997-09 Model life 2009>>2012

Pos	Part Number	Description	Remark	Qty	Model			
(6)	997 521 151 03 A08	Black		2	I437/541/946			
	997 521 151 03 5D6	Stone grey						
	997 521 151 03 T25	Sand Beige						
	997 521 151 03 3W7	Sea blue						
	997 521 151 03	Backrest cushion cover						
		Centre part						
(6)	997 521 151 03 A08	Black		2	I438/541/946			
	997 521 151 03 5D6	Stone grey						
	997 521 151 03 T25	Sand Beige						
	997 521 151 03 3W7	Sea blue						
	997 521 151 03	Backrest cushion cover						
		Centre part						
(6)	997 521 151 03 A08	Black		2	I369/370/983			
	997 521 151 03 5D6	Stone grey						
	997 521 151 03 T25	Sand Beige						
	997 521 151 03 3W7	Sea blue						
	997 521 151 00	Backrest cushion cover						
	997 521 151 00 8YR	Black						
	997 521 151 00 5X5	Stone grey						
	997 521 151 00 8G1	Sand Beige						
	997 521 151 00 3S8	Sea blue						
	997 521 151 00 9N2	Terracotta						
	997 521 151 00 9Q3	Cocoa						
	997 521 151 00 D11	Dark grey/natural						
	997 521 151 00 T11	Brown/natural						
	997 521 151 00 N11	Carrera Red						
(6)	997 521 151 00	Backrest cushion cover		2	I437/438/983			
	997 521 151 00 8YR	Black						
	997 521 151 00 5X5	Stone grey						
	997 521 151 00 8G1	Sand Beige						
	997 521 151 00 3S8	Sea blue						
	997 521 151 00 9N2	Terracotta						
	997 521 151 00 9Q3	Cocoa						
	997 521 151 00 D11	Dark grey/natural						
	997 521 151 00 T11	Brown/natural						
	997 521 151 00 N11	Carrera Red						
	(6)	997 521 151 03	Backrest cushion cover				2	I369/541/983
		997 521 151 03 8YR	Black					
		997 521 151 03 5X5	Stone grey					
		997 521 151 03 8G1	Sand Beige					
997 521 151 03 3S8		Sea blue						
997 521 151 03 9N2		Terracotta						
997 521 151 03 9Q3		Cocoa						
997 521 151 03 D11		Dark grey/natural						
997 521 151 03 T11		Brown/natural						
997 521 151 03 N11		Carrera Red						
(6)		997 521 151 03	Backrest cushion cover		2	I370/541/983		
		997 521 151 03 8YR	Black					
		997 521 151 03 5X5	Stone grey					
		997 521 151 03 8G1	Sand Beige					
	997 521 151 03 3S8	Sea blue						
	997 521 151 03 9N2	Terracotta						
	997 521 151 03 9Q3	Cocoa						
	997 521 151 03 D11	Dark grey/natural						
	997 521 151 03 T11	Brown/natural						
	997 521 151 03 N11	Carrera Red						
	(6)	997 521 151 03	Backrest cushion cover				2	I437/541/983
		997 521 151 03 8YR	Black					
		997 521 151 03 5X5	Stone grey					
		997 521 151 03 8G1	Sand Beige					
997 521 151 03 3S8		Sea blue						
997 521 151 03 9N2		Terracotta						
997 521 151 03 9Q3		Cocoa						

Model: 997-09 Model life 2009>>2012

Pos	Part Number	Description	Remark	Qty	Model			
(6)	997 521 151 03 D11	Dark grey/natural		2	I438/541/983			
	997 521 151 03 T11	Brown/natural						
	997 521 151 03 N11	Carrera Red						
	997 521 151 03	Backrest cushion cover						
	997 521 151 03 8YR	Black						
	997 521 151 03 5X5	Stone grey						
	997 521 151 03 8G1	Sand Beige						
	997 521 151 03 3S8	Sea blue						
	997 521 151 03 9N2	Terracotta						
	997 521 151 03 9Q3	Cocoa						
(6)	997 521 151 03 D11	Dark grey/natural		2	I369/370/982			
	997 521 151 03 T11	Brown/natural						
	997 521 151 03 N11	Carrera Red						
	997 521 151 01	Backrest cushion cover						
		Centre part						
	997 521 151 01 8YR	Black						
	997 521 151 01 5X5	Stone grey						
	997 521 151 01 8G1	Sand Beige						
	997 521 151 01 3S8	Sea blue						
	997 521 151 01 9N2	Terracotta						
(6)	997 521 151 01 9Q3	Cocoa		2	I437/438/982			
	997 521 151 01 D11	Dark grey/natural						
	997 521 151 01 T11	Brown/natural						
	997 521 151 01 N11	Carrera Red						
	997 521 151 01	Backrest cushion cover						
		Centre part						
	997 521 151 01 8YR	Black						
	997 521 151 01 5X5	Stone grey						
	997 521 151 01 8G1	Sand Beige						
	997 521 151 01 3S8	Sea blue						
7	997 521 151 01 9N2	Terracotta		1	I369/437/946			
	997 521 151 01 9Q3	Cocoa						
	997 521 151 01 D11	Dark grey/natural						
	997 521 151 01 T11	Brown/natural						
	997 521 151 01 N11	Carrera Red						
	997 521 141 03	Backrest cover	/L					
		Outer part						
		Leatherette						
	997 521 141 03 FLB	Black						
	997 521 141 03 FLE	Stone grey						
(7)	997 521 141 03 FLH	Sand Beige		1	I369/541/946			
	997 521 141 03 FLL	Sea blue						
	997 521 141 04	Backrest cover	/L					
		Outer part						
		Leatherette						
	997 521 141 04 FLB	Black						
	997 521 141 04 FLE	Stone grey						
	997 521 141 04 FLH	Sand Beige						
	997 521 141 04 FLL	Sea blue						
	(7)	997 521 141 04	Backrest cover			/L	1	I437/541/946
		Outer part						
		Leatherette						
997 521 141 04 FLB		Black						
997 521 141 04 FLE		Stone grey						
997 521 141 04 FLH		Sand Beige						
997 521 141 04 FLL		Sea blue						
(7)		997 521 142 03	Backrest cover	/R	1	I370/438/946		
			Outer part					
			Leatherette					
	997 521 142 03 FLB	Black						
	997 521 142 03 FLE	Stone grey						
	997 521 142 03 FLH	Sand Beige						
	997 521 142 03 FLL	Sea blue						

Model: 997-09 Model life 2009>>2012

Pos	Part Number	Description	Remark	Qty	Model
(7)	997 521 142 04	Backrest cover Outer part Leatherette	/R	1	I370/541/946
	997 521 142 04 FLB	Black			
	997 521 142 04 FLE	Stone grey			
	997 521 142 04 FLH	Sand Beige			
	997 521 142 04 FLL	Sea blue			
(7)	997 521 142 04	Backrest cover Outer part Leatherette	/R	1	I438/541/946
	997 521 142 04 FLB	Black			
	997 521 142 04 FLE	Stone grey			
	997 521 142 04 FLH	Sand Beige			
	997 521 142 04 FLL	Sea blue			
(7)	997 521 141 01	Backrest cover Outer part	/L	1	I369/437/983
	997 521 141 01 FLC	Black			
	997 521 141 01 FLF	Stone grey			
	997 521 141 01 FLJ	Sand Beige			
	997 521 141 01 FLM	Sea blue			
	997 521 141 01 FLQ	Terracotta			
	997 521 141 01 FLR	Cocoa			
	997 521 141 01 VAA	Dark grey/natural			
	997 521 141 01 VAB	Brown/natural			
	997 521 141 01 VAC	Carrera Red			
(7)	997 521 141 05	Backrest cover Outer part	/L	1	I369/541/983
	997 521 141 05 FLC	Black			
	997 521 141 05 FLF	Stone grey			
	997 521 141 05 FLJ	Sand Beige			
	997 521 141 05 FLM	Sea blue			
	997 521 141 05 FLQ	Terracotta			
	997 521 141 05 FLR	Cocoa			
	997 521 141 05 VAA	Dark grey/natural			
	997 521 141 05 VAB	Brown/natural			
	997 521 141 05 VAC	Carrera Red			
(7)	997 521 141 05	Backrest cover Outer part	/L	1	I437/541/983
	997 521 141 05 FLC	Black			
	997 521 141 05 FLF	Stone grey			
	997 521 141 05 FLJ	Sand Beige			
	997 521 141 05 FLM	Sea blue			
	997 521 141 05 FLQ	Terracotta			
	997 521 141 05 FLR	Cocoa			
	997 521 141 05 VAA	Dark grey/natural			
	997 521 141 05 VAB	Brown/natural			
	997 521 141 05 VAC	Carrera Red			
(7)	997 521 142 01	Backrest cover Outer part	/R	1	I370/438/983
	997 521 142 01 FLC	Black			
	997 521 142 01 FLF	Stone grey			
	997 521 142 01 FLJ	Sand Beige			
	997 521 142 01 FLM	Sea blue			
	997 521 142 01 FLQ	Terracotta			
	997 521 142 01 FLR	Cocoa			
	997 521 142 01 VAA	Dark grey/natural			
	997 521 142 01 VAB	Brown/natural			
	997 521 142 01 VAC	Carrera Red			
(7)	997 521 142 05	Backrest cover Outer part	/R	1	I370/541/983
	997 521 142 05 FLC	Black			
	997 521 142 05 FLF	Stone grey			
	997 521 142 05 FLJ	Sand Beige			

Model: 997-09 Model life 2009>>2012

Pos	Part Number	Description	Remark	Qty	Model
	997 521 142 05 FLM	Sea blue			
	997 521 142 05 FLQ	Terracotta			
	997 521 142 05 FLR	Cocoa			
	997 521 142 05 VAA	Dark grey/natural			
	997 521 142 05 VAB	Brown/natural			
	997 521 142 05 VAC	Carrera Red			
(7)	997 521 142 05	Backrest cover	/R	1	I438/541/983
		Outer part			
	997 521 142 05 FLC	Black			
	997 521 142 05 FLF	Stone grey			
	997 521 142 05 FLJ	Sand Beige			
	997 521 142 05 FLM	Sea blue			
	997 521 142 05 FLQ	Terracotta			
	997 521 142 05 FLR	Cocoa			
	997 521 142 05 VAA	Dark grey/natural			
	997 521 142 05 VAB	Brown/natural			
	997 521 142 05 VAC	Carrera Red			
(7)	997 521 141 01	Backrest cover	/L	1	I369/437/982
		Outer part			
		Leather			
	997 521 141 01 FLC	Black			
	997 521 141 01 FLF	Stone grey			
	997 521 141 01 FLJ	Sand Beige			
	997 521 141 01 FLM	Sea blue			
	997 521 141 01 FLQ	Terracotta			
	997 521 141 01 FLR	Cocoa			
	997 521 141 01 VAA	Dark grey/natural			
	997 521 141 01 VAB	Brown/natural			
	997 521 141 01 VAC	Carrera Red			
(7)	997 521 142 01	Backrest cover	/R	1	I370/438/982
		Outer part			
		Leather			
	997 521 142 01 FLC	Black			
	997 521 142 01 FLF	Stone grey			
	997 521 142 01 FLJ	Sand Beige			
	997 521 142 01 FLM	Sea blue			
	997 521 142 01 FLQ	Terracotta			
	997 521 142 01 FLR	Cocoa			
	997 521 142 01 VAA	Dark grey/natural			
	997 521 142 01 VAB	Brown/natural			
	997 521 142 01 VAC	Carrera Red			
(7)	997 521 941 03	Backrest cover	/L	1	IXSC/369/946
		Outer part			
	997 521 941 03 A08	Black			
	997 521 941 03 5D6	Stone grey			
	997 521 941 03 T25	Sand Beige			
	997 521 941 03 3W7	Sea blue			
(7)	997 521 941 03	Backrest cover	/L	1	IXSC/437/946
		Outer part			
	997 521 941 03 A08	Black			
	997 521 941 03 5D6	Stone grey			
	997 521 941 03 T25	Sand Beige			
	997 521 941 03 3W7	Sea blue			
(7)	997 521 941 04	Backrest cover	/L	1	IXSC/369/541 I946
		Outer part			
	997 521 941 04 A08	Black			
	997 521 941 04 5D6	Stone grey			
	997 521 941 04 T25	Sand Beige			
	997 521 941 04 3W7	Sea blue			
(7)	997 521 941 04	Backrest cover	/L	1	IXSC/437/541 I946
		Outer part			

Model: 997-09 Model life 2009>>2012

Pos	Part Number	Description	Remark	Qty	Model
(7)	997 521 941 04 A08	Black	/R	1	IXSC/370/946
	997 521 941 04 5D6	Stone grey			
	997 521 941 04 T25	Sand Beige			
	997 521 941 04 3W7	Sea blue			
	997 521 942 03	Backrest cover Outer part			
(7)	997 521 942 03 A08	Black	/R	1	IXSC/438/946
	997 521 942 03 5D6	Stone grey			
	997 521 942 03 T25	Sand Beige			
	997 521 942 03 3W7	Sea blue			
	997 521 942 03	Backrest cover Outer part			
(7)	997 521 942 03 A08	Black	/R	1	IXSC/370/541 I946
	997 521 942 03 5D6	Stone grey			
	997 521 942 03 T25	Sand Beige			
	997 521 942 03 3W7	Sea blue			
	997 521 942 04	Backrest cover Outer part			
(7)	997 521 942 04 A08	Black	/R	1	IXSC/438/541 I946
	997 521 942 04 5D6	Stone grey			
	997 521 942 04 T25	Sand Beige			
	997 521 942 04 3W7	Sea blue			
	997 521 942 04	Backrest cover Outer part			
(7)	997 521 942 04 A08	Black	/L	1	IXSC/369/983
	997 521 942 04 5D6	Stone grey			
	997 521 942 04 T25	Sand Beige			
	997 521 942 04 3W7	Sea blue			
	997 521 941 01	Backrest cover Outer part			
	997 521 941 01 8YR	Black			
	997 521 941 01 5X5	Stone grey			
	997 521 941 01 8G1	Sand Beige			
	997 521 941 01 3S8	Sea blue			
	997 521 941 01 9N2	Terracotta			
	997 521 941 01 9Q3	Cocoa			
	997 521 941 01 D11	Dark grey/natural			
	997 521 941 01 T11	Brown/natural			
	997 521 941 01 N11	Carrera Red			
	997 521 941 01	Backrest cover Outer part			
(7)	997 521 941 01 8YR	Black	/L	1	IXSC/369/541 I983
	997 521 941 01 5X5	Stone grey			
	997 521 941 01 8G1	Sand Beige			
	997 521 941 01 3S8	Sea blue			
	997 521 941 01 9N2	Terracotta			
	997 521 941 01 9Q3	Cocoa			
	997 521 941 01 D11	Dark grey/natural			
	997 521 941 01 T11	Brown/natural			
	997 521 941 01 N11	Carrera Red			
	997 521 941 05	Backrest cover Outer part			
	997 521 941 05 8YR	Black			
	997 521 941 05 5X5	Stone grey			
	997 521 941 05 8G1	Sand Beige			
	997 521 941 05 3S8	Sea blue			
	997 521 941 05 9N2	Terracotta			
997 521 941 05 9Q3	Cocoa				
997 521 941 05 D11	Dark grey/natural				
997 521 941 05 T11	Brown/natural				

Model: 997-09 Model life 2009>>2012

Pos	Part Number	Description	Remark	Qty	Model
(7)	997 521 941 05 N11 997 521 941 05	Carrera Red Backrest cover	/L	1	IXSC/437/541 I983
		Outer part			
	997 521 941 05 8YR	Black			
	997 521 941 05 5X5	Stone grey			
	997 521 941 05 8G1	Sand Beige			
	997 521 941 05 3S8	Sea blue			
	997 521 941 05 9N2	Terracotta			
	997 521 941 05 9Q3	Cocoa			
	997 521 941 05 D11	Dark grey/natural			
	997 521 941 05 T11	Brown/natural			
(7)	997 521 941 05 N11 997 521 942 01	Carrera Red Backrest cover	/R	1	IXSC/370/983
		Outer part			
	997 521 942 01 8YR	Black			
	997 521 942 01 5X5	Stone grey			
	997 521 942 01 8G1	Sand Beige			
	997 521 942 01 3S8	Sea blue			
	997 521 942 01 9N2	Terracotta			
	997 521 942 01 9Q3	Cocoa			
	997 521 942 01 D11	Dark grey/natural			
	997 521 942 01 T11	Brown/natural			
(7)	997 521 942 01 N11 997 521 942 01	Carrera Red Backrest cover	/R	1	IXSC/438/983
		Outer part			
	997 521 942 01 8YR	Black			
	997 521 942 01 5X5	Stone grey			
	997 521 942 01 8G1	Sand Beige			
	997 521 942 01 3S8	Sea blue			
	997 521 942 01 9N2	Terracotta			
	997 521 942 01 9Q3	Cocoa			
	997 521 942 01 D11	Dark grey/natural			
	997 521 942 01 T11	Brown/natural			
(7)	997 521 942 01 N11 997 521 942 05	Carrera Red Backrest cover	/R	1	IXSC/370/541 I983
		Outer part			
	997 521 942 05 8YR	Black			
	997 521 942 05 5X5	Stone grey			
	997 521 942 05 8G1	Sand Beige			
	997 521 942 05 3S8	Sea blue			
	997 521 942 05 9N2	Terracotta			
	997 521 942 05 9Q3	Cocoa			
	997 521 942 05 D11	Dark grey/natural			
	997 521 942 05 T11	Brown/natural			
(7)	997 521 942 05 N11 997 521 942 05	Carrera Red Backrest cover	/R	1	IXSC/438/541 I983
		Outer part			
	997 521 942 05 8YR	Black			
	997 521 942 05 5X5	Stone grey			
	997 521 942 05 8G1	Sand Beige			
	997 521 942 05 3S8	Sea blue			
	997 521 942 05 9N2	Terracotta			
	997 521 942 05 9Q3	Cocoa			
	997 521 942 05 D11	Dark grey/natural			
	997 521 942 05 T11	Brown/natural			
(7)	997 521 942 05 N11 997 521 941 01	Carrera Red Backrest cover	/L	1	IXSC/369/982
		Outer part			
	997 521 941 01 8YR	Black			
	997 521 941 01 5X5	Stone grey			

Model: 997-09 Model life 2009>>2012

Pos	Part Number	Description	Remark	Qty	Model
	997 521 941 01 8G1	Sand Beige			
	997 521 941 01 3S8	Sea blue			
	997 521 941 01 9N2	Terracotta			
	997 521 941 01 9Q3	Cocoa			
	997 521 941 01 D11	Dark grey/natural			
	997 521 941 01 T11	Brown/natural			
	997 521 941 01 N11	Carrera Red			
(7)	997 521 941 01	Backrest cover Outer part	/L	1	IXSC/437/982
	997 521 941 01 8YR	Black			
	997 521 941 01 5X5	Stone grey			
	997 521 941 01 8G1	Sand Beige			
	997 521 941 01 3S8	Sea blue			
	997 521 941 01 9N2	Terracotta			
	997 521 941 01 9Q3	Cocoa			
	997 521 941 01 D11	Dark grey/natural			
	997 521 941 01 T11	Brown/natural			
	997 521 941 01 N11	Carrera Red			
(7)	997 521 942 01	Backrest cover Outer part	/R	1	IXSC/370/982
	997 521 942 01 8YR	Black			
	997 521 942 01 5X5	Stone grey			
	997 521 942 01 8G1	Sand Beige			
	997 521 942 01 3S8	Sea blue			
	997 521 942 01 9N2	Terracotta			
	997 521 942 01 9Q3	Cocoa			
	997 521 942 01 D11	Dark grey/natural			
	997 521 942 01 T11	Brown/natural			
	997 521 942 01 N11	Carrera Red			
(7)	997 521 942 01	Backrest cover Outer part	/R	1	IXSC/438/982
	997 521 942 01 8YR	Black			
	997 521 942 01 5X5	Stone grey			
	997 521 942 01 8G1	Sand Beige			
	997 521 942 01 3S8	Sea blue			
	997 521 942 01 9N2	Terracotta			
	997 521 942 01 9Q3	Cocoa			
	997 521 942 01 D11	Dark grey/natural			
	997 521 942 01 T11	Brown/natural			
	997 521 942 01 N11	Carrera Red			
8	997 521 837 00	Clip Padding		6	
(8)	000 043 207 39	Fixing clip Seat		3	I541
9	997 521 897 00	Clip Backrest cover		5	
(9)	000 043 207 39	Fixing clip Backrest cover		3	I541
10	997 521 721 00	Airbag Seat cushion		1	I369/370/541
10		Airbag Seat cushion		1	I437/438/541
11	997 624 335 00	Electric motor Seat cushion		1	I541
12	997 521 661 00	Support Electric motor Seat cushion		1	I541
13	000 043 207 38	Set of fastening parts Electric motor Seat cushion		13	I541
14	997 521 731 00	Backrest Airbag Backrest		1	I369/370/541

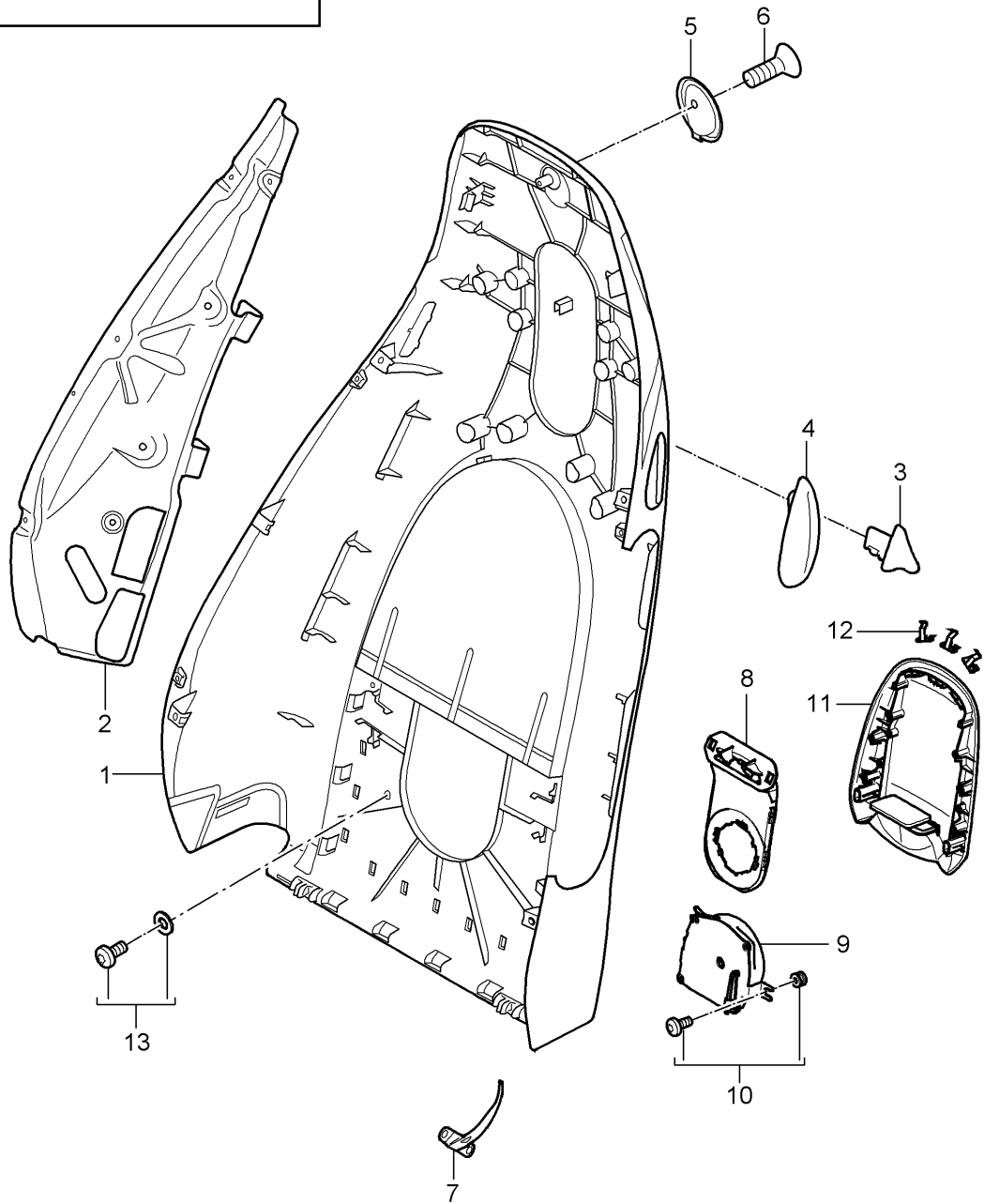
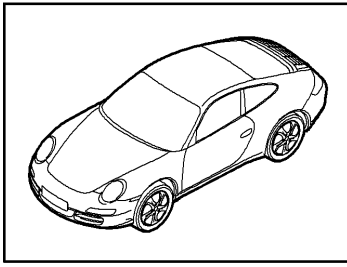
Model: 997-09

Model life 2009>>2012

Pos	Part Number	Description	Remark	Qty	Model
14		Airbag Backrest		1	I437/438/541

Model: 997-09

Model life 2009>>2012



Model: 997-09 Model life 2009>>2012

Pos	Part Number	Description	Remark	Qty	Model
		Backrest shell Standard seat Comfort seat Accessories			
1	997 521 303 09	Backrest shell	/L	1	I369/437/946
	997 521 303 09 5Q2	Black			
	997 521 303 09 8X4	Stone grey			
	997 521 303 09 5S4	Sand Beige			
	997 521 303 09 8W3	Sea blue			
(1)	997 521 303 14	Backrest shell	/L	1	I369/437/541 I946
	997 521 303 14 5Q2	Black			
	997 521 303 14 8X4	Stone grey			
	997 521 303 14 5S4	Sand Beige			
	997 521 303 14 8W3	Sea blue			
(1)	997 521 304 09	Backrest shell	/R	1	I370/438/946
	997 521 304 09 5Q2	Black			
	997 521 304 09 8X4	Stone grey			
	997 521 304 09 5S4	Sand Beige			
	997 521 304 09 8W3	Sea blue			
(1)	997 521 304 14	Backrest shell	/R	1	I370/438/541 I946
	997 521 304 14 5Q2	Black			
	997 521 304 14 8X4	Stone grey			
	997 521 304 14 5S4	Sand Beige			
	997 521 304 14 8W3	Sea blue			
(1)	997 521 303 10	Backrest shell	/L	1	I369/437/983
	997 521 303 10 A80	Black			
	997 521 303 10 B80	Stone grey			
	997 521 303 10 T80	Sand Beige			
	997 521 303 10 E80	Sea blue			
	997 521 303 10 M80	Terracotta			
	997 521 303 10 R80	Cocoa			
(1)	997 521 303 15	Backrest shell	/L	1	I369/541/983
	997 521 303 15 A80	Black			
	997 521 303 15 B80	Stone grey			
	997 521 303 15 T80	Sand Beige			
	997 521 303 15 E80	Sea blue			
	997 521 303 15 M80	Terracotta			
	997 521 303 15 R80	Cocoa			
(1)	997 521 303 15	Backrest shell	/L	1	I437/541/983
	997 521 303 15 A80	Black			
	997 521 303 15 B80	Stone grey			
	997 521 303 15 T80	Sand Beige			
	997 521 303 15 E80	Sea blue			
	997 521 303 15 M80	Terracotta			
	997 521 303 15 R80	Cocoa			
(1)	997 521 304 10	Backrest shell	/R	1	I370/438/983
	997 521 304 10 A80	Black			
	997 521 304 10 B80	Stone grey			
	997 521 304 10 T80	Sand Beige			
	997 521 304 10 E80	Sea blue			
	997 521 304 10 M80	Terracotta			
	997 521 304 10 R80	Cocoa			
(1)	997 521 304 15	Backrest shell	/R	1	I370/541/983
	997 521 304 15 A80	Black			
	997 521 304 15 B80	Stone grey			
	997 521 304 15 T80	Sand Beige			
	997 521 304 15 E80	Sea blue			
	997 521 304 15 M80	Terracotta			
	997 521 304 15 R80	Cocoa			
(1)	997 521 304 15	Backrest shell	/R	1	I438/541/983
	997 521 304 15 A80	Black			

Model: 997-09 Model life 2009>>2012

Pos	Part Number	Description	Remark	Qty	Model
	997 521 304 15 B80	Stone grey			
	997 521 304 15 T80	Sand Beige			
	997 521 304 15 E80	Sea blue			
	997 521 304 15 M80	Terracotta			
	997 521 304 15 R80	Cocoa			
(1)	997 521 303 10	Backrest shell	/L	1	I369/437/982
	997 521 303 10 A80	Black			
	997 521 303 10 B80	Stone grey			
	997 521 303 10 T80	Sand Beige			
	997 521 303 10 E80	Sea blue			
	997 521 303 10 M80	Terracotta			
	997 521 303 10 R80	Cocoa			
(1)	997 521 304 10	Backrest shell	/R	1	I370/438/982
	997 521 304 10 A80	Black			
	997 521 304 10 B80	Stone grey			
	997 521 304 10 T80	Sand Beige			
	997 521 304 10 E80	Sea blue			
	997 521 304 10 M80	Terracotta			
	997 521 304 10 R80	Cocoa			
(1)	997 521 303 11	Backrest shell	/L	1	I369/983/998
	997 521 303 11 D11	Dark grey/natural			
	997 521 303 11 T11	Brown/natural			
	997 521 303 11 N11	Carrera Red			
(1)	997 521 303 11	Backrest shell	/L	1	I437/983/998
	997 521 303 11 D11	Dark grey/natural			
	997 521 303 11 T11	Brown/natural			
	997 521 303 11 N11	Carrera Red			
(1)	997 521 303 16	Backrest shell	/L	1	I369/541/983 I998
	997 521 303 16 D11	Dark grey/natural			
	997 521 303 16 T11	Brown/natural			
	997 521 303 16 N11	Carrera Red			
(1)	997 521 303 16	Backrest shell	/L	1	I437/541/983 I998
	997 521 303 16 D11	Dark grey/natural			
	997 521 303 16 T11	Brown/natural			
	997 521 303 16 N11	Carrera Red			
(1)	997 521 304 11	Backrest shell	/R	1	I370/983/998
	997 521 304 11 D11	Dark grey/natural			
	997 521 304 11 T11	Brown/natural			
	997 521 304 11 N11	Carrera Red			
(1)	997 521 304 11	Backrest shell	/R	1	I438/983/998
	997 521 304 11 D11	Dark grey/natural			
	997 521 304 11 T11	Brown/natural			
	997 521 304 11 N11	Carrera Red			
(1)	997 521 304 16	Backrest shell	/R	1	I370/541/983 I998
	997 521 304 16 D11	Dark grey/natural			
	997 521 304 16 T11	Brown/natural			
	997 521 304 16 N11	Carrera Red			
(1)	997 521 304 16	Backrest shell		1	I438/541/983 I998
	997 521 304 16 D11	Dark grey/natural			
	997 521 304 16 T11	Brown/natural			
	997 521 304 16 N11	Carrera Red			
(1)	997 521 303 11	Backrest shell	/L	1	I369/982/998
	997 521 303 11 D11	Dark grey/natural			
	997 521 303 11 T11	Brown/natural			
	997 521 303 11 N11	Carrera Red			
(1)	997 521 303 11	Backrest shell	/L	1	I437/982/998
	997 521 303 11 D11	Dark grey/natural			
	997 521 303 11 T11	Brown/natural			
	997 521 303 11 N11	Carrera Red			

Model: 997-09 Model life 2009>>2012

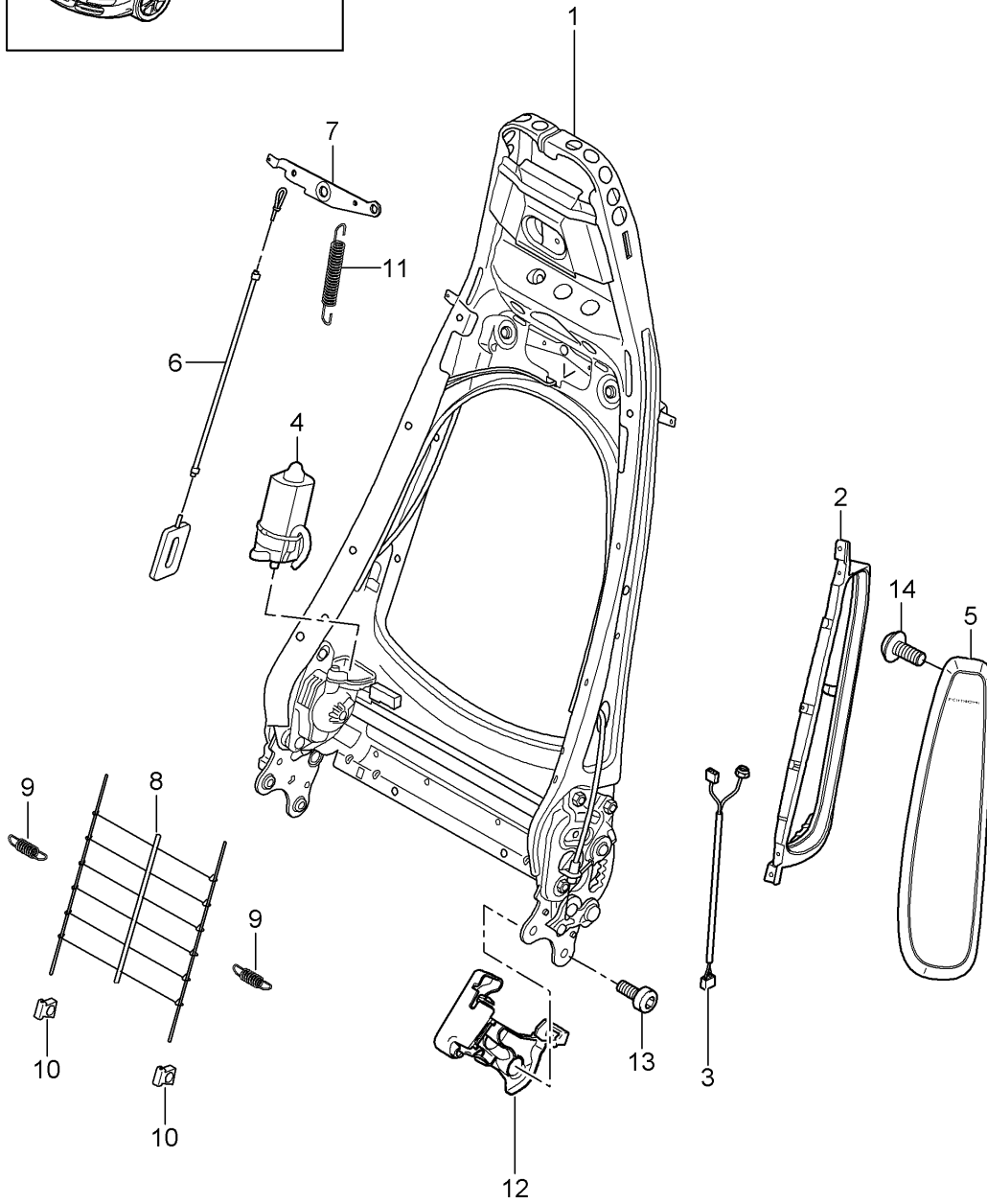
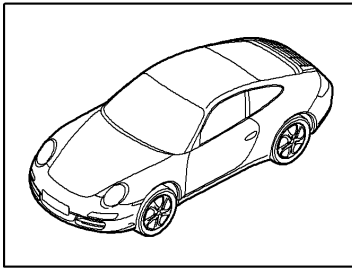
Pos	Part Number	Description	Remark	Qty	Model
(1)	997 521 304 11	Backrest shell	/R	1	I370/982/998
	997 521 304 11 D11	Dark grey/natural			
	997 521 304 11 T11	Brown/natural			
	997 521 304 11 N11	Carrera Red			
(1)	997 521 304 11	Backrest shell	/R	1	I438/982/998
	997 521 304 11 D11	Dark grey/natural			
	997 521 304 11 T11	Brown/natural			
	997 521 304 11 N11	Carrera Red			
(2)	997 521 319 00	Bracket	/L	1	
		Backrest side bolster			
2	997 521 320 00	Bracket	/R	1	
		Backrest side bolster			
3	997 521 623 02	Control button	/L	1	
		Backrest locking lever			
	997 521 623 02 V05	Galvano silver			
(3)	997 521 624 02	Control button	/R	1	
		Backrest locking lever			
	997 521 624 02 V05	Galvano silver			
4	997 521 621 02	Rosette	/L	1	I369/370/437 I438
		Backrest locking lever			
	997 521 621 02 D07	Volcano grey			
(4)	997 521 622 02	Rosette		1	I369/370/437 I438
		Backrest locking lever			
	997 521 622 02 D07	Volcano grey			
5	997 521 373 01	Coat hook		1	I369/370/437 I438
	997 521 373 01 D07	Volcano grey			
6	999 919 232 09	Screw		1	I369/370/437 I438
		M5 X 20			
		Coat hook			
7	997 521 783 00	Support panel	/L	1	I369/370/437 I438
		Backrest shell			
(7)	997 521 784 00	Support panel	/R	1	I369/370/437 I438
		Backrest shell			
8	997 521 733 00	Air duct		1	I369/370/437 I438/541
		Backrest shell			
9	997 624 337 00	Electric motor		1	I541
		Vented			
		Backrest			
10	000 043 207 38	Set of fastening parts		1	I541
		Electric motor			
11	997 521 491 00	Cover		1	I369/370/946
		Fan			
	997 521 491 00 5Q2	Black			
	997 521 491 00 8X4	Stone grey			
	997 521 491 00 5S4	Sand Beige			
	997 521 491 00 8W3	Sea blue			
11	997 521 491 00	Cover		1	I437/438/946
		Fan			
	997 521 491 00 5Q2	Black			
	997 521 491 00 8X4	Stone grey			
	997 521 491 00 5S4	Sand Beige			
	997 521 491 00 8W3	Sea blue			
(11)	997 521 491 01	Cover		1	I369/541/983
		Fan			
	997 521 491 01 A80	Black			
	997 521 491 01 B80	Stone grey			
	997 521 491 01 T80	Sand Beige			

Model: 997-09 Model life 2009>>2012

Pos	Part Number	Description	Remark	Qty	Model
(11)	997 521 491 01 E80	Sea blue		1	I370/541/983
	997 521 491 01 M80	Terracotta			
	997 521 491 01 R80	Cocoa			
	997 521 491 01	Cover			
		Fan			
	997 521 491 01 A80	Black			
	997 521 491 01 B80	Stone grey			
	997 521 491 01 T80	Sand Beige			
	997 521 491 01 E80	Sea blue			
	997 521 491 01 M80	Terracotta			
(11)	997 521 491 01 R80	Cocoa		1	I437/541/983
	997 521 491 01	Cover			
		Fan			
	997 521 491 01 A80	Black			
	997 521 491 01 B80	Stone grey			
	997 521 491 01 T80	Sand Beige			
	997 521 491 01 E80	Sea blue			
	997 521 491 01 M80	Terracotta			
	997 521 491 01 R80	Cocoa			
	997 521 491 01	Cover			
(11)	997 521 491 01	Fan		1	I438/541/983
	997 521 491 01 A80	Black			
	997 521 491 01 B80	Stone grey			
	997 521 491 01 T80	Sand Beige			
	997 521 491 01 E80	Sea blue			
	997 521 491 01 M80	Terracotta			
	997 521 491 01 R80	Cocoa			
	997 521 491 01	Cover			
		Fan			
	997 521 491 01 A80	Black			
(11)	997 521 491 02	Cover		1	I369/541/983 I998
		Fan			
	997 521 491 02 D11	Dark grey/natural			
	997 521 491 02 T11	Brown/natural			
	997 521 491 02 N11	Carrera Red			
	997 521 491 02	Cover			
		Fan			
	997 521 491 02 D11	Dark grey/natural			
	997 521 491 02 T11	Brown/natural			
	997 521 491 02 N11	Carrera Red			
(11)	997 521 491 02	Cover		1	I437/541/983 I998
		Fan			
	997 521 491 02 D11	Dark grey/natural			
	997 521 491 02 T11	Brown/natural			
	997 521 491 02 N11	Carrera Red			
	997 521 491 02	Cover			
		Fan			
	997 521 491 02 D11	Dark grey/natural			
	997 521 491 02 T11	Brown/natural			
	997 521 491 02 N11	Carrera Red			
(11)	997 521 491 02	Cover		1	I438/541/983 I998
		Fan			
	997 521 491 02 D11	Dark grey/natural			
	997 521 491 02 T11	Brown/natural			
	997 521 491 02 N11	Carrera Red			
	997 521 491 02	Cover			
		Fan			
	997 521 491 02 D11	Dark grey/natural			
	997 521 491 02 T11	Brown/natural			
	997 521 491 02 N11	Carrera Red			
12	000 043 207 40	Clamp		3	I541
		Mount			
		Cover			
		Fan			
13	000 043 207 41	Set of fastening parts		1	I541
		Mount			
		Cover			
		Fan			

Model: 997-09

Model life 2009>>2012



Model: 997-09 Model life 2009>>2012

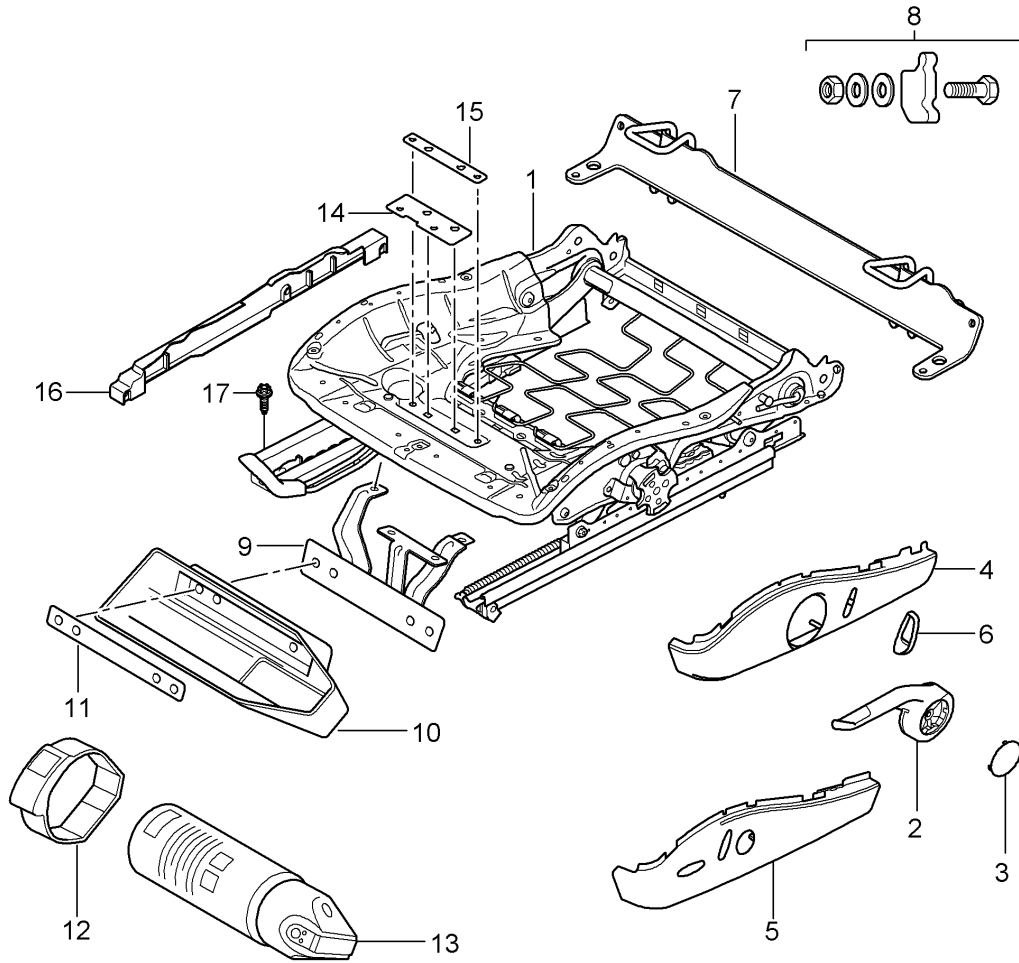
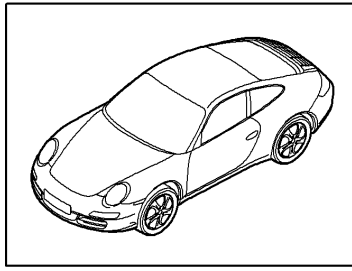
Pos	Part Number	Description	Remark	Qty	Model
1	997 521 329 02	Backrest frame Standard seat Comfort seat		1	I369/370
1		Backrest frame without Memory		1	I437/438
(1)	997 521 329 03	Backrest frame with Memory		1	I537/538
2	997 521 533 00	Cushion carrier	/L	1	I369/437
(2)	997 521 534 00	Side airbag Cushion carrier	/R	1	I370/438
3	997 612 785 01	Wiring harness Side airbag	/L	1	I537
(3)	997 612 786 01	Wiring harness Side airbag	/R	1	I538
(3)	997 612 685 01	Wiring harness Side airbag	/L	1	I369
(3)	997 612 686 01	Wiring harness Side airbag	/R	1	I370
4	997 624 331 00	Electric motor Backrest frame without Transmission Memory		1	I537/538
(4)	997 624 321 00	Electric motor Backrest frame without Transmission without Memory		1	I369/370
(4)		Electric motor Backrest frame without Transmission without Memory		1	I437/438
5	997 803 081 01	Side airbag	/L	1	I369/437
	997 803 081 01 A03	Black			
	997 803 081 01 5V7	Stone grey			
	997 803 081 01 5Z1	Sand Beige			
	997 803 081 01 8W7	Sea blue			
	997 803 081 01 8X8	Terracotta			
	997 803 081 01 8P9	Cocoa			
	997 803 081 01 T13	Brown/natural			
	997 803 081 01 N23	Carrera Red			
(5)	997 803 082 01	Side airbag	/R	1	I370/438
	997 803 082 01 A03	Black			
	997 803 082 01 5V7	Stone grey			
	997 803 082 01 5Z1	Sand Beige			
	997 803 082 01 8W7	Sea blue			
	997 803 082 01 8X8	Terracotta			
	997 803 082 01 8P9	Cocoa			
	997 803 082 01 T13	Brown/natural			
	997 803 082 01 N23	Carrera Red			
(5)	997 803 081 02	Side airbag	/L	1	I377
	997 803 081 02 D07	Volcano grey			
(5)	997 803 082 02	Side airbag	/R	1	I378
	997 803 082 02 D07	Volcano grey			

Model: 997-09 Model life 2009>>2012

Pos	Part Number	Description	Remark	Qty	Model
6	997 521 485 00	Bowden cable Backrest frame		2	I369/370
6		Bowden cable Backrest frame		2	I437/438
7	997 521 375 00	Release Backrest frame		1	I369/370
7		Release Backrest frame		1	I437/438
8	997 521 855 00	Grille Backrest frame		1	I369/370
8		Grille Backrest frame		1	I437/438
9	997 521 893 00	Tension spring Inner spring		2	I369/370
9		Tension spring Inner spring		2	I437/438
10	997 521 895 00	Clip Inner spring		2	I369/370
10		Clip Inner spring		2	I437/438
11	997 521 797 00	Tension spring Release Backrest		1	I369/370
11		Tension spring Release Backrest		1	I437/438
12	997 521 335 01	Cover Mounting component Inner	/L	1	
(12)	997 521 335 01 D07	Volcano grey			
	997 521 336 01	Cover Mounting component Inner	/R	1	
	997 521 336 01 D07	Volcano grey			
13	999 073 375 09	Screw Mount Backrest Seat adjuster		4	
14	999 073 306 09	Screw Mount Side airbag		2	

Model: 997-09

Model life 2009>>2012



Model: 997-09 Model life 2009>>2012

Pos	Part Number	Description	Remark	Qty	Model
(1)	997 521 201 10	Seat adjuster Standard seat Comfort seat Seat adjuster Manually Driver's side	/LL /L	1	I098/369
(1)	997 521 201 14	Seat adjuster Manually Driver's side	/LL /L	1	I098/369/541
(1)	997 521 202 19	Seat adjuster Manually Driver's side	/RL /R	1	I099/370
(1)	997 521 202 23	Seat adjuster Manually Passenger's side	/R	1	I370/560
(1)	997 521 202 25	Seat adjuster Manually Driver's side	/RL /R	1	I099/370/541
(1)	997 521 201 24	Seat adjuster Electric without Memory Driver's side	/L	1	I437
(1)	997 521 201 26	Seat adjuster Electric without Memory Driver's side	/L	1	I437/541
(1)	997 521 202 30	Seat adjuster Electric without Memory Driver's side	/R	1	I438
(1)	997 521 202 24	Seat adjuster Electric without Memory Passenger's side	/R	1	I438/560
(1)	997 521 202 32	Seat adjuster Electric without Memory Driver's side	/R	1	I438/541
(1)	997 521 201 25	Seat adjuster Electric with Memory Driver's side	/L	1	I437/537
(1)	997 521 201 27	Seat adjuster Electric with Memory Driver's side	/L	1	I437/537/541
(1)	997 521 202 31	Seat adjuster Electric with Memory Driver's side	/R	1	I438/538
(1)	997 521 202 33	Seat adjuster Electric with Memory Driver's side	/R	1	I438/538/541

Model: 997-09

Model life 2009>>2012

Pos	Part Number	Description	Remark	Qty	Model
(1)	997 521 202 20	Seat adjuster Manually Passenger's side	/LL /R	1	I098/370
(1)	997 521 202 26	Seat adjuster Manually Passenger's side	/LL /R	1	I098/370/541
(1)	997 521 201 11	Seat adjuster Manually Passenger's side	/RL /L	1	I099/369
(1)	997 521 201 15	Seat adjuster Manually Passenger's side	/RL /L	1	I099/369/541
2	997 521 627 01	Actuating lever Height adjustment	/L	1	I369
(2)	997 521 627 01 V05	Galvano silver			
(2)	997 521 628 01	Actuating lever Height adjustment	/R	1	I370
	997 521 628 01 V05	Galvano silver			
3	997 521 629 01	Cap		2	I369/370
	997 521 629 01 D07	Volcano grey			
4	997 521 325 06	Trim for switch	/L	1	I369
	997 521 325 06 D07	Volcano grey			
(4)	997 521 326 06	Trim for switch	/R	1	I370
	997 521 326 06 D07	Volcano grey			
(4)	997 521 326 09	Trim for switch	/R	1	I370/560
	997 521 326 09 D07	Volcano grey			
5	997 521 325 07	Trim for switch	/L	1	I437
	997 521 325 07 D07	Volcano grey			
(5)	997 521 326 07	Trim for switch	/R	1	I438
	997 521 326 07 D07	Volcano grey			
(5)	997 521 326 10	Trim for switch	/R	1	I438/560
	997 521 326 10 D07	Volcano grey			
6	997 521 631 01	Control button	-10	1	I369/370/437 I438
	997 521 631 01 V05	Backrest Galvano silver			
6	997 521 631 02	Control button	11-	1	I369/370/437 I438
	997 521 631 02 V05	Backrest Galvano silver			
7	997 521 061 01	Retaining bow Child car seat ISOFIX Not for AUSTRALIEN		1	
8	997 521 961 01	Set of fastening parts Retaining bow		1	
9	997 521 251 00	Support Fire extinguisher		1	I098/509
(9)	997 521 252 00	Support Fire extinguisher		1	I099/509
10	997 521 607 00	Cup Fire extinguisher		1	I509
11	997 521 881 00	Support Cup Fire extinguisher		1	I509
12	997 521 851 00	Restraining strap Fire extinguisher		1	I509
13	996 722 115 00	Fire extinguisher Information available		1	I509
14	997 521 841 00	Information available Reinforcement		1	I509

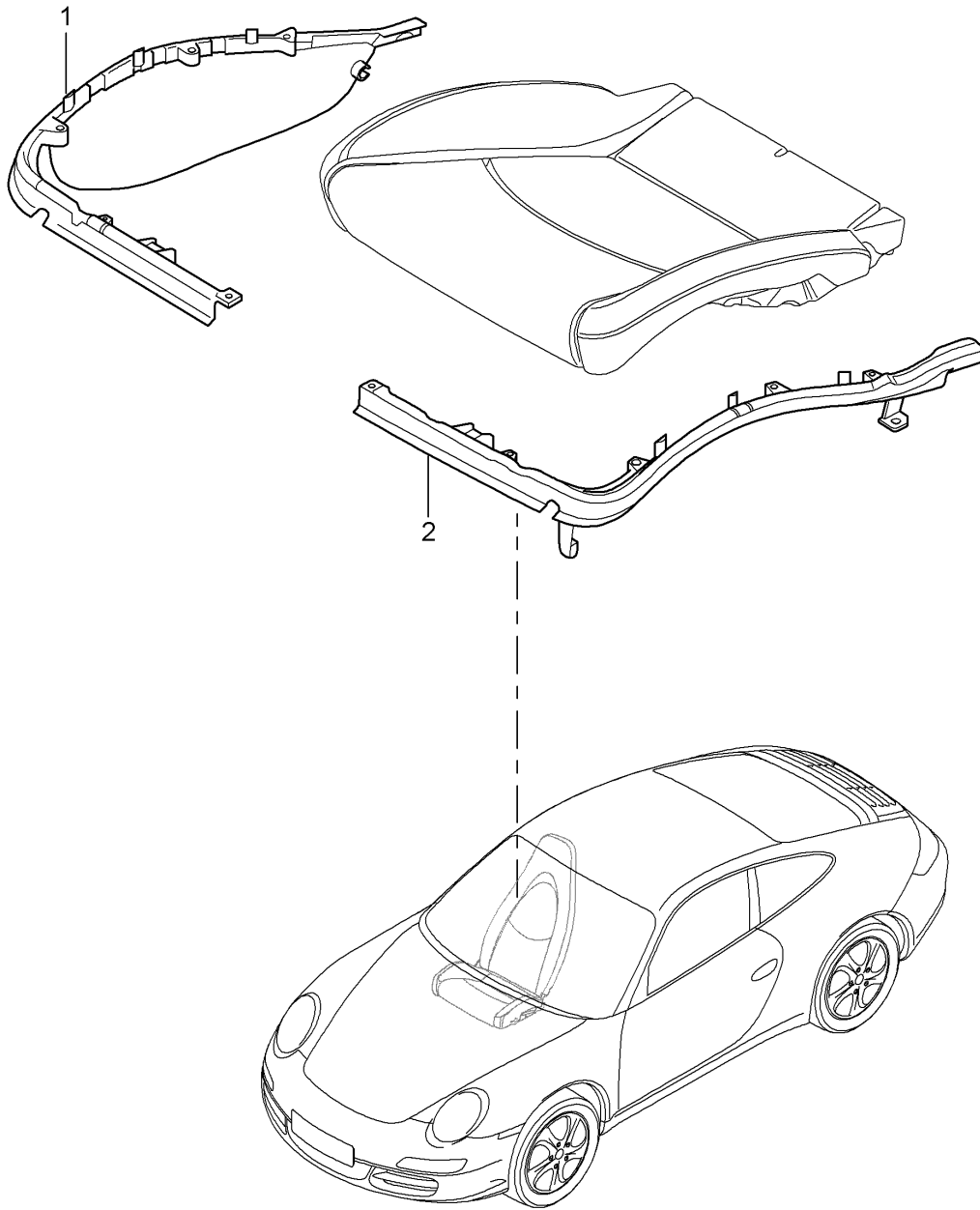
Model: 997-09

Model life 2009>>2012

Pos	Part Number	Description	Remark	Qty	Model
15	997 521 843 00	Front Reinforcement		1	I509
16	997 521 427 01	Rear Cover	/L	1	I370/438/560
		Sensor Weight			
	997 521 427 01 01C	Satin black			
(16)	997 521 426 01	Cover	/R	1	I370/438/560
		Sensor Weight			
	997 521 426 01 01C	Satin black			
17	999 141 047 01	Torx screw		4	
		Seat rail Mount			

Model: 997-09

Model life 2009>>2012



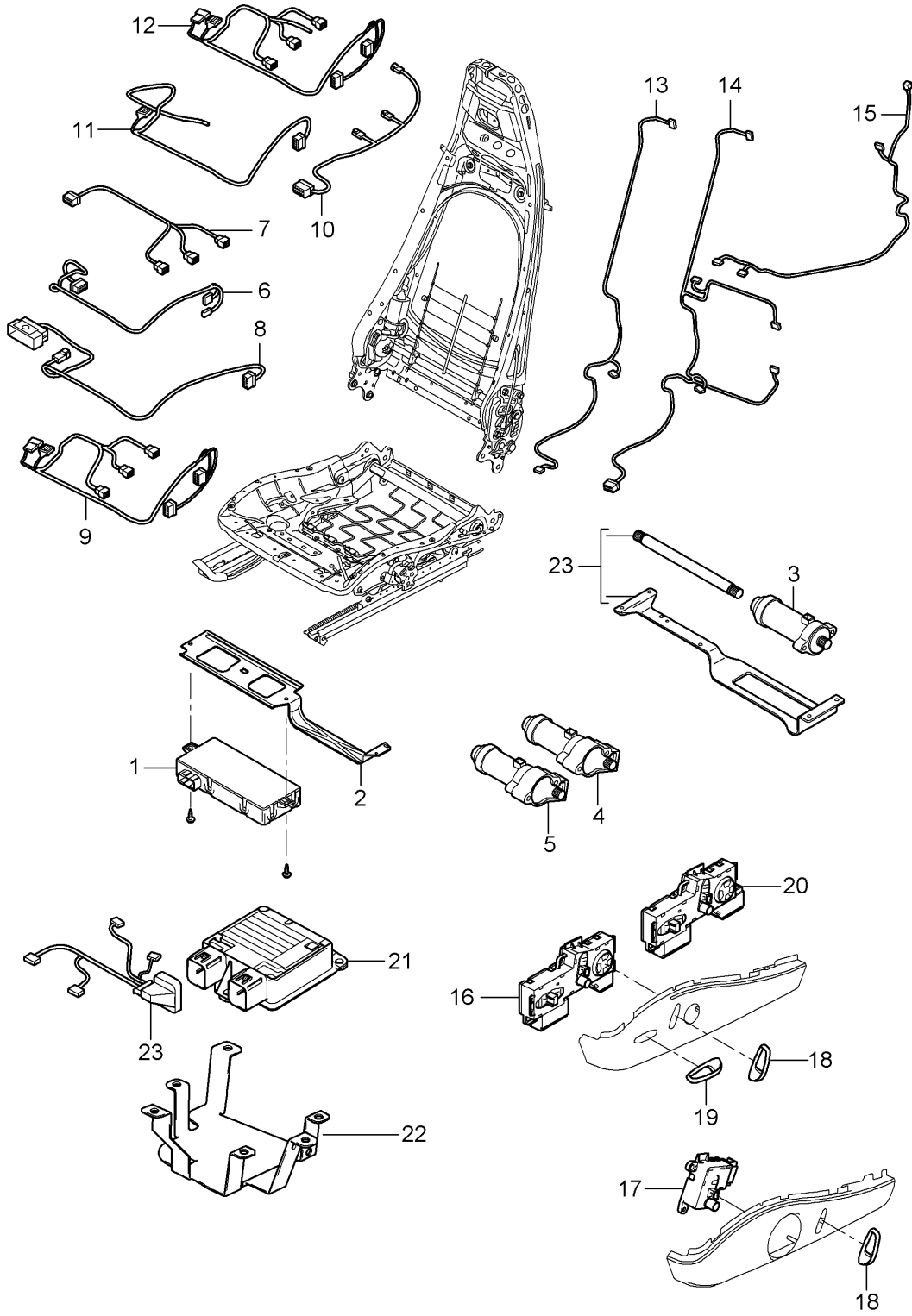
Model: 997-09

Model life 2009>>2012

Pos	Part Number	Description	Remark	Qty	Model
		Cushion carrier			
		Frame			
		Seat surface			
		Standard seat			
		Comfort seat			
(1)	997 521 547 00	Frame	/L	1	I370/438
		Inner			
1	997 521 548 00	Frame	/R	1	I369/437
		Inner			
2	997 521 545 00	Frame	/L	1	I369/437
		Outer			
(2)	997 521 546 00	Frame	/R	1	I370/438
		Outer			
(2)	997 521 546 01	Frame	/R	1	I370/438/560
		Outer			

Model: 997-09

Model life 2009>>2012



Model: 997-09

Model life 2009>>2012

Pos	Part Number	Description	Remark	Qty	Model
1	997 618 537 07	Wiring harnesses Switch Control unit Electric motor Standard seat Comfort seat Control unit		1	I537/538
2	997 521 643 01	Seating position control Support Control unit		1	I537/538
3	997 624 322 00	Seating position control Electric motor Seat adjuster Lengthways without Memory		1	I437/438
(3)	997 624 332 00	Electric motor Seat adjuster Lengthways with Memory		1	I537/538
4	997 624 322 00	Electric motor Seat adjuster Height adjustment without Memory		1	I437/438
(4)	997 624 332 00	Electric motor Seat adjuster Height adjustment with Memory		1	I537/538
5	997 624 323 00	Electric motor Seat adjuster Tilt angle without Memory		1	I437/438
(5)	997 624 333 00	Electric motor Seat adjuster Tilt angle with Memory		1	I537/538
6	997 612 684 00	Wiring harness Seat adjuster Memory		1	I537/538
7	997 612 690 00	Wiring harness Lengthways Height adjustment Memory		1	I537/538
8	997 612 682 01	Wiring harness Switch Seat adjuster		1	I369/370
9	997 612 683 01	Wiring harness Switch Seat adjuster without Memory		1	I437/438
10	997 612 657 00	Wiring harness Seat		2	I541
11	997 612 658 00	Wiring harness Standard seat Manually		1	I369/370/541
12	997 612 659 00	Wiring harness Comfort seat		1	I437/438/541

Model: 997-09 Model life 2009>>2012

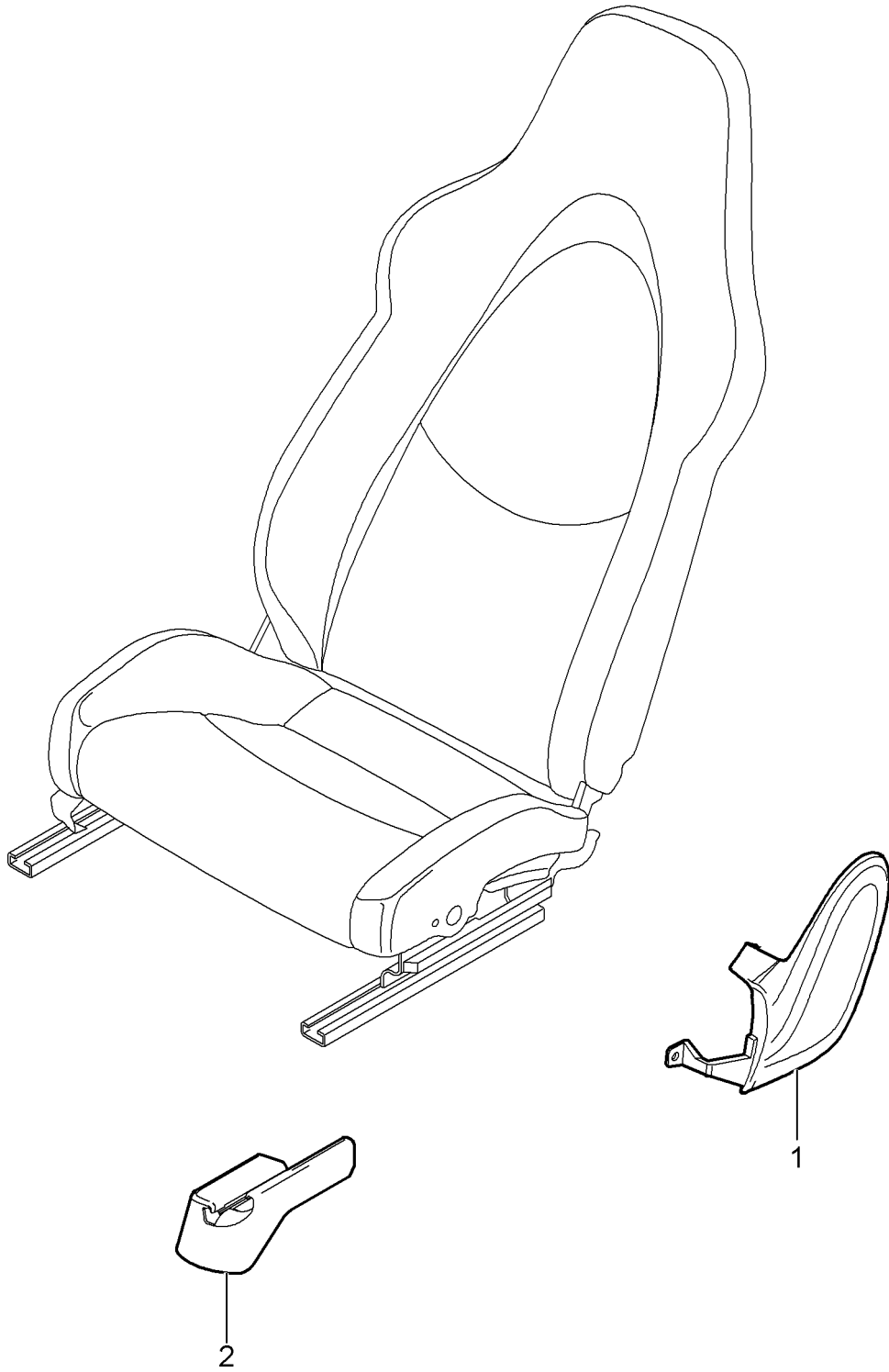
Pos	Part Number	Description	Remark	Qty	Model
13	997 612 689 00	Electric Wiring harness Lumbar support without Memory		1	I437/438
14	997 612 687 00	Wiring harness Lumbar Backrest Memory		1	I437/537
14		Wiring harness Lumbar Backrest Memory		1	I438/538
15	997 612 685 01	Wiring harness Backrest	/L	1	I369/437
(15)	997 612 686 01	Wiring harness Backrest	/R	1	I370/438
16	997 613 721 01	Switch Seat adjuster Memory switch	/L	1	I437/537
	997 613 721 01 V05	Galvano silver When required order also: POSITION 18+19			
(16)	997 613 722 01	Switch Seat adjuster Memory switch	/R	1	I438/538
	997 613 722 01 V05	Galvano silver When required order also: POSITION 18+19			
17	997 613 713 00	Switch Seat adjuster Manually adjustable	/L -10	1	I369
(17)	997 613 713 01	Switch Seat adjuster Manually adjustable	/L 11-	1	I369
(17)	997 613 714 00	Switch Seat adjuster Manually adjustable	/R -10	1	I370
(17)	997 613 714 01	Switch Seat adjuster Manually adjustable	/R 11-	1	I370
18	997 521 631 01	Control button Backrest	-10	1	I369/370
	997 521 631 01 V05	Galvano silver			
18	997 521 631 02	Control button Backrest	11-	1	I369/370
	997 521 631 02 V05	Galvano silver			
(18)	997 521 631 01	Control button Backrest	-10	1	I437/438
	997 521 631 01 V05	Galvano silver			
(18)	997 521 631 02	Control button Backrest	11-	1	I437/438
	997 521 631 02 V05	Galvano silver			
19	997 521 633 02	Control button Seat cushion	-10	1	I437/438
	997 521 633 02 V05	Galvano silver			
19	997 521 633 03	Control button Seat cushion	11-	1	I437/438
	997 521 633 03 V05	Galvano silver			
20	997 613 717 01	Switch Seat adjuster without Memory	/L -10	1	I437

Model: 997-09 Model life 2009>>2012

Pos	Part Number	Description	Remark	Qty	Model
20	997 613 717 01 V05 997 613 717 01	Galvano silver Switch Seat adjuster without Memory	/L 11-	1	I437
(20)	997 613 717 01 V05 997 613 718 01	Galvano silver Switch Seat adjuster without Memory	/R -10	1	I438
(20)	997 613 718 01 V05 997 613 718 02	Galvano silver Switch Seat adjuster without Memory	/R 11-	1	I438
(21)	997 613 718 02 V05 997 618 233 05	Galvano silver Control unit Seat occupancy detection		1	I370/438/560
22	997 521 646 00	Support Control unit Seat occupancy detection		1	I370/438/560
23	997 612 688 00	Wiring harness Seat occupancy detection		1	I370/438/560
(24)	997 521 901 00	Repair kit Pliable shaft Engine bracket		1	
-	999 650 973 40	Clip Mount Wiring harness Seat occupancy detection		1	

Model: 997-09

Model life 2009>>2012

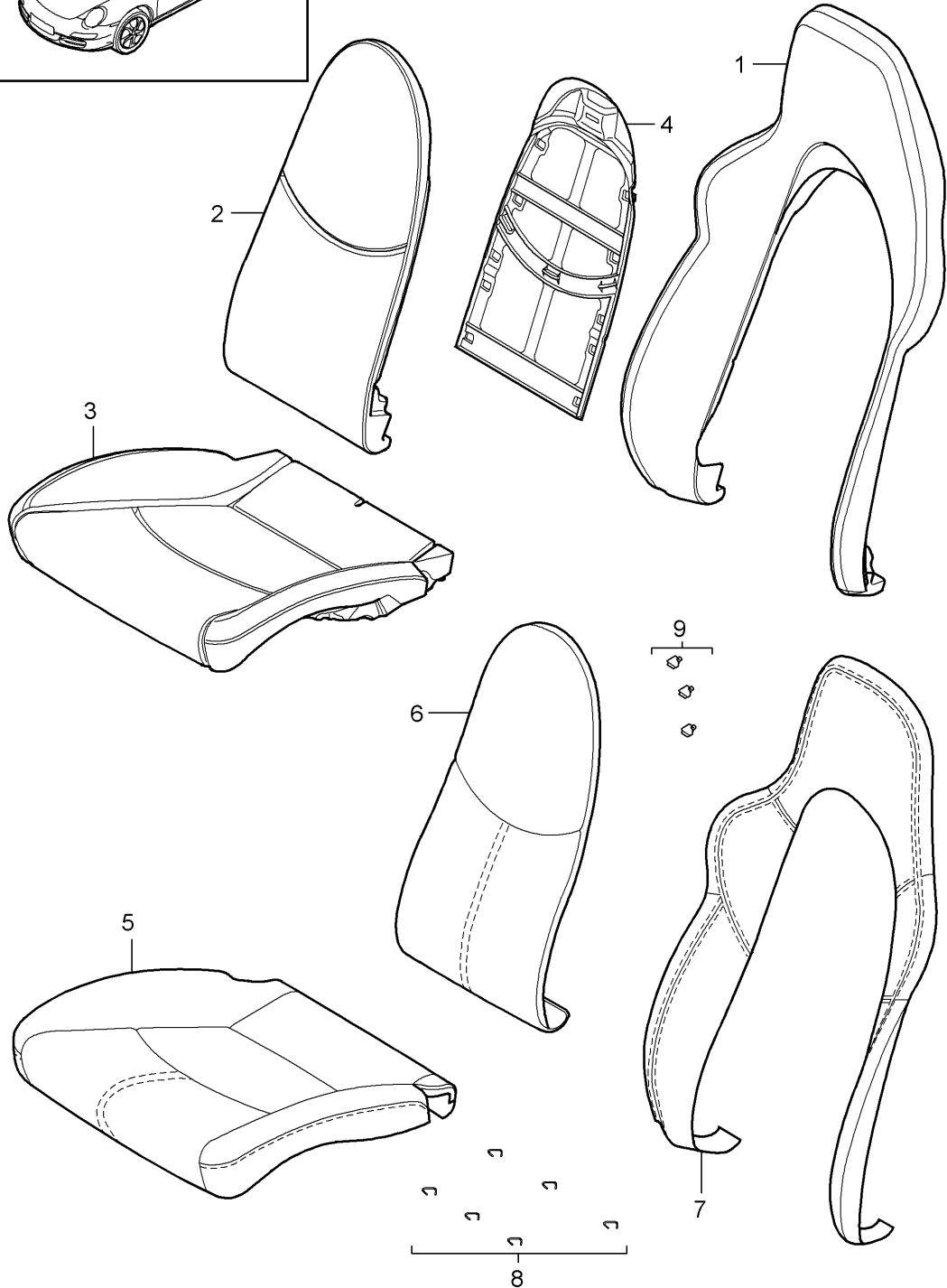
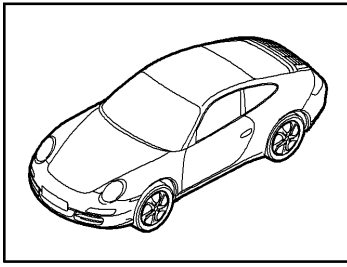


Model: 997-09 Model life 2009>>2012

Pos	Part Number	Description	Remark	Qty	Model
1	997 521 315 02	Front seat Complete Not available Sports seat Trim cover Mounting component	/L	1	I375/377
(1)	997 521 315 02 D07	Volcano grey			
(1)	997 521 316 02	Trim cover Mounting component	/R	1	I375/377
	997 521 316 02 D07	Volcano grey			
2	997 521 359 01	Rail	/L	1	I375
		Seat rail			
(2)	997 521 359 01 01C	Satin black			
(2)	997 521 362 00	Rail	/R	1	I375
		Seat rail			
(2)	997 521 362 00 01C	Satin black			
(2)	997 521 361 00	Rail	/L	1	I376
		Seat rail			
(2)	997 521 361 00 01C	Satin black			
(2)	997 521 360 01	Rail	/R	1	I376
		Seat rail			
(2)	997 521 360 01 01C	Satin black			
(2)	997 521 361 00	Rail	/L	1	I377
		Seat rail			
(2)	997 521 361 00 01C	Satin black			
(2)	997 521 362 00	Rail	/R	1	I377
		Seat rail			
(2)	997 521 362 00 01C	Satin black			
(2)	997 521 361 00	Rail	/L	1	I378
		Seat rail			
(2)	997 521 361 00 01C	Satin black			
(2)	997 521 362 00	Rail	/R	1	I378
		Seat rail			
	997 521 362 00 01C	Satin black			

Model: 997-09

Model life 2009>>2012



Model: 997-09 Model life 2009>>2012

Pos	Part Number	Description	Remark	Qty	Model
1	997 521 535 01	Foam part Cover Sports seat Foam part Backrest Outer		2	I375/376
(1)	997 521 535 02	Foam part Backrest Outer		2	I377/378
2	997 521 581 00	Foam part		1	I375/376
2		Foam part Backrest Centre part		1	I377/378
3	997 521 571 01	Foam part Seat cushion with heating		1	I375/376
(3)	997 521 571 02	Foam part Seat cushion with heating		1	I377/378
(3)	997 521 571 04	Foam part Seat cushion with heating		1	I376/560
(3)	997 521 571 05	Foam part Seat cushion with heating		1	I378/560
4	997 521 551 01	Cushion carrier Backrest		2	
5	997 521 161 03	Cover for cushion		1	I375/376/983
	997 521 161 03 FLC	Black			
	997 521 161 03 FLF	Stone grey			
	997 521 161 03 FLJ	Sand Beige			
	997 521 161 03 FLM	Sea blue			
	997 521 161 03 FLQ	Terracotta			
	997 521 161 03 FLR	Cocoa			
	997 521 161 03 VAA	Dark grey/natural			
	997 521 161 03 VAB	Brown/natural			
	997 521 161 03 VAC	Carrera Red			
	997 521 161 03 VAN	Espresso			
(5)	997 521 161 06	Cover for cushion		1	I377/378/983
	997 521 161 06 FLC	Black			
	997 521 161 06 FLF	Stone grey			
	997 521 161 06 FLJ	Sand Beige			
	997 521 161 06 FLM	Sea blue			
	997 521 161 06 FLQ	Terracotta			
	997 521 161 06 FLR	Cocoa			
	997 521 161 06 VAA	Dark grey/natural			
	997 521 161 06 VAB	Brown/natural			
	997 521 161 06 VAC	Carrera Red			
	997 521 161 06 VAN	Espresso			
(5)	997 521 161 07	Cover for cushion	11-	1	I011/019/375 I376/951
	997 521 161 07 RAA	Black Alcantara			
(5)	997 521 161 08	Cover for cushion	11-	1	I011/019/377 I378/951
	997 521 161 08 RAA	Black Alcantara			
(5)	997 521 161 11	Cover for cushion		1	IXXK/377/378 I756
	997 521 161 11 VAM	Espresso			
(5)	997 521 161 12	Cover for cushion	11-	1	I377/378/503 I983
	997 521 161 12 DTA	Black/Carrara White			

Model: 997-09 Model life 2009>>2012

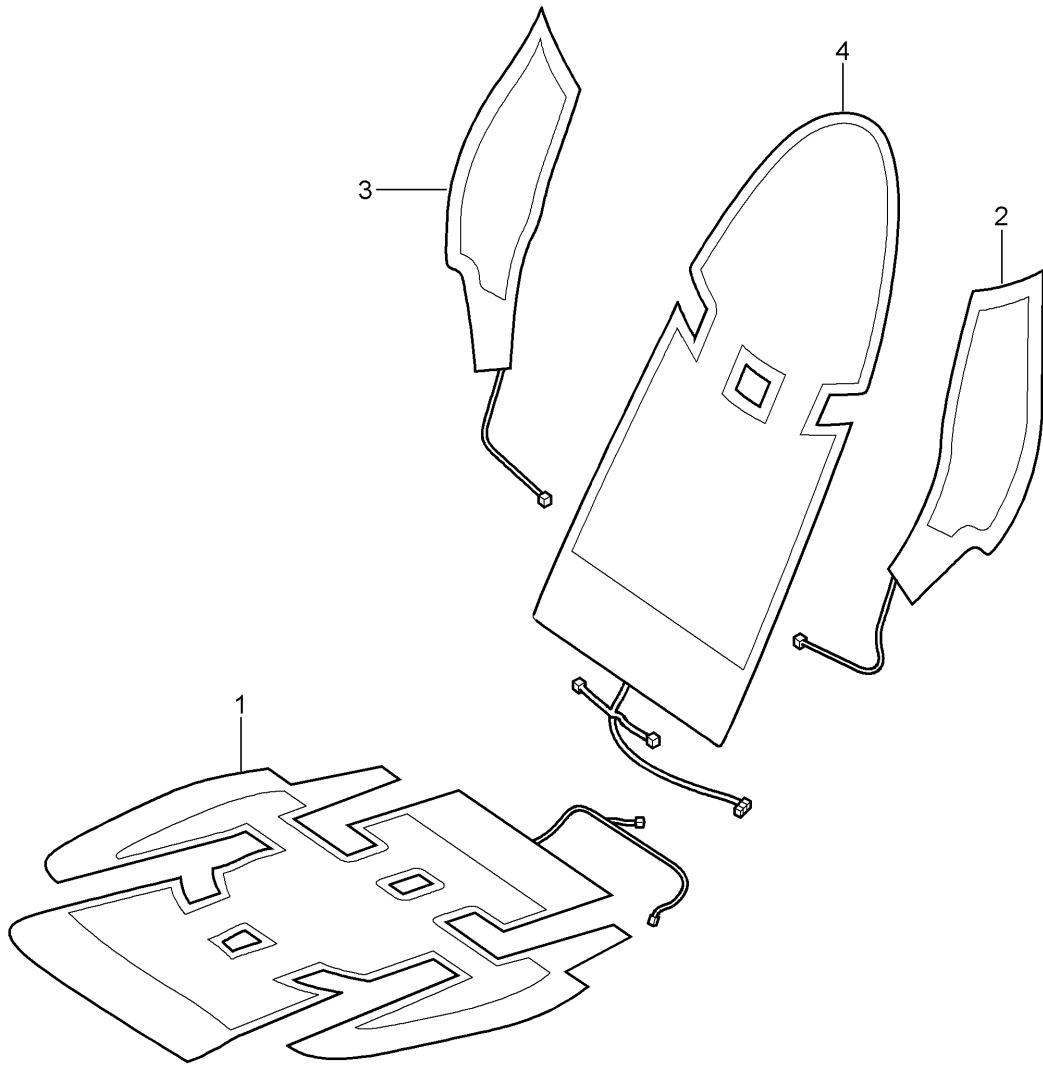
Pos	Part Number	Description	Remark	Qty	Model
(5)	997 521 161 12 DTN	Black/Pure Blue	11-	1	IXXM/377/378 I503/983
	997 521 161 13	Cover for cushion			
6	997 521 161 13 DTA	Black/Carrara White	11-	1	I375/376/983
	997 521 161 13 DTN	Black/Pure Blue			
	997 521 151 00	Backrest cushion cover			
		Centre part			
	997 521 151 00 8YR	Black			
	997 521 151 00 5X5	Stone grey			
	997 521 151 00 8G1	Sand Beige			
	997 521 151 00 3S8	Sea blue			
	997 521 151 00 9N2	Terracotta			
	997 521 151 00 9Q3	Cocoa			
997 521 151 00 D11	Dark grey/natural				
997 521 151 00 T11	Brown/natural				
997 521 151 00 N11	Carrera Red				
(6)	997 521 151 00	Backrest cushion cover	11-	1	IXXM/377/378 I503/983
(6)	997 521 151 00 TSF	Black-black	11-	1	I377/378/983
	997 521 151 00	Backrest cushion cover			
(6)		Centre part	11-	1	I377/378/983
	997 521 151 00 8YR	Black			
	997 521 151 00 5X5	Stone grey			
	997 521 151 00 8G1	Sand Beige			
	997 521 151 00 3S8	Sea blue			
	997 521 151 00 9N2	Terracotta			
	997 521 151 00 9Q3	Cocoa			
	997 521 151 00 D11	Dark grey/natural			
	997 521 151 00 T11	Brown/natural			
	997 521 151 00 N11	Carrera Red			
(6)	997 521 151 04	Backrest cushion cover	11-	1	I377/378/503 I983
(6)	997 521 151 04 H12	Espresso	11-	1	I377/378/503 I983
	997 521 151 05	Backrest cushion cover			
(6)		Centre part	11-	1	I011/377/378 I951
	997 521 151 05 8YR	Black			
(6)	987 521 151 00	Backrest cushion cover	11-	1	I011/377/378 I951
(7)		Centre part	11-	2	I375/376/983
	987 521 151 00 A15	Black Alcantara			
(7)	997 521 155 01	Backrest cover	11-	2	I375/376/951
		Outer part			
	997 521 155 01 FLC	Black			
	997 521 155 01 FLF	Stone grey			
	997 521 155 01 FLJ	Sand Beige			
	997 521 155 01 FLM	Sea blue			
	997 521 155 01 FLQ	Terracotta			
	997 521 155 01 FLR	Cocoa			
	997 521 155 01 VAA	Dark grey/natural			
	997 521 155 01 VAB	Brown/natural			
997 521 155 01 VAC	Carrera Red				
(7)	997 521 155 01	Backrest cover	11-	2	I375/376/951
(7)		Outer part	11-	2	I375/376/951
	997 521 155 01 FLC	Black			
	997 521 155 01 FLF	Stone grey			
	997 521 155 01 FLJ	Sand Beige			
	997 521 155 01 FLM	Sea blue			
	997 521 155 01 FLQ	Terracotta			
997 521 155 01 FLR	Cocoa				

Model: 997-09 Model life 2009>>2012

Pos	Part Number	Description	Remark	Qty	Model			
(7)	997 521 155 01 VAA	Dark grey/natural		2	I377/378/983			
	997 521 155 01 VAB	Brown/natural						
	997 521 155 01 VAC	Carrera Red						
	997 521 155 01	Backrest cover						
		Outer part						
	997 521 155 01 FLC	Black						
	997 521 155 01 FLF	Stone grey						
	997 521 155 01 FLJ	Sand Beige						
	997 521 155 01 FLM	Sea blue						
	997 521 155 01 FLQ	Terracotta						
	997 521 155 01 FLR	Cocoa						
	997 521 155 01 VAA	Dark grey/natural						
	997 521 155 01 VAB	Brown/natural						
	997 521 155 01 VAC	Carrera Red						
(7)	997 521 155 01	Backrest cover		2	I377/378/951			
		Outer part						
	997 521 155 01 FLC	Black						
	997 521 155 01 FLF	Stone grey						
	997 521 155 01 FLJ	Sand Beige						
	997 521 155 01 FLM	Sea blue						
	997 521 155 01 FLQ	Terracotta						
	997 521 155 01 FLR	Cocoa						
	997 521 155 01 VAA	Dark grey/natural						
	997 521 155 01 VAB	Brown/natural						
	997 521 155 01 VAC	Carrera Red						
	(7)	997 521 155 02	Backrest cover				2	IXXK/377/378 I756
			Outer part					
	(7)	997 521 155 02 8C0	Espresso				1	IXSC/375/376 I377/378/983
997 521 941 02		Backrest cover						
(7)		Outer part		1	I377/378/503 I983			
	997 521 941 02 8YR	Black						
	997 521 941 02 5X5	Stone grey						
	997 521 941 02 8G1	Sand Beige						
	997 521 941 02 3S8	Sea blue						
	997 521 941 02 9N2	Terracotta						
	997 521 941 02 9Q3	Cocoa						
	997 521 941 02 D11	Dark grey/natural						
	997 521 941 02 T11	Brown/natural						
	997 521 941 02 N11	Carrera Red						
	997 521 155 03	Cover	11-					
		Outer part						
	997 521 155 03 DTA	Black/Carrara White						
	997 521 155 03 DTN	Black/Pure Blue						
8	997 521 837 00	Clip Padding Seat		6				
-	999 917 822 40	Paint for Seat side bolster cover Outer		X	Berucoat			

Model: 997-09

Model life 2009>>2012

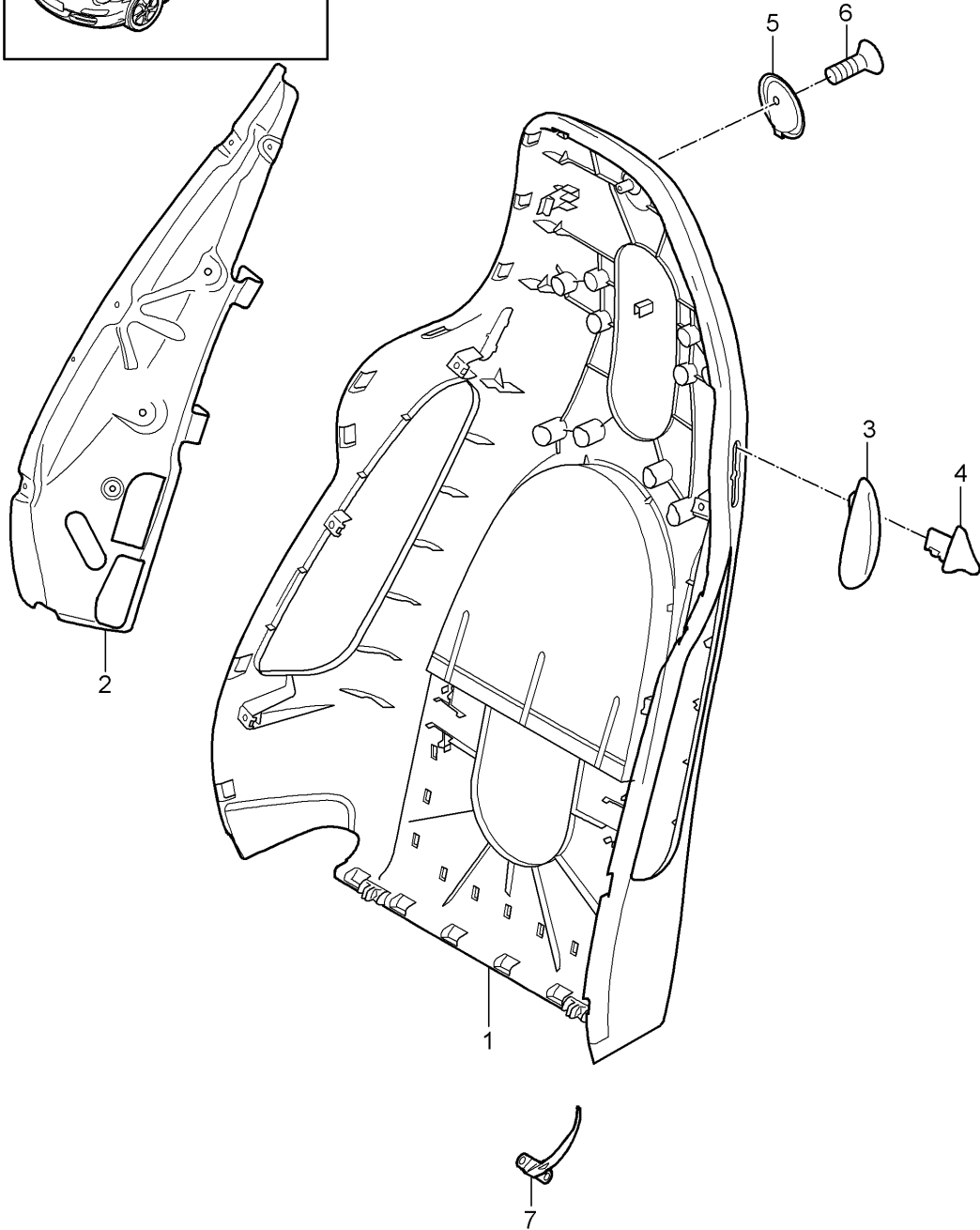
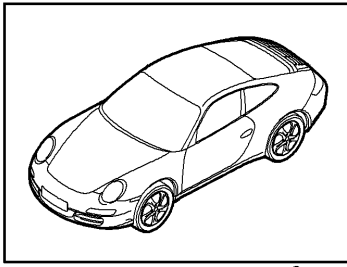


Model: 997-09 Model life 2009>>2012

Pos	Part Number	Description	Remark	Qty	Model
1	997 653 105 02	Heating Front seat Heating element		2	I342/369/370 I437/438
(1)	997 653 105 03	Seat cushion Standard seat Comfort seat Heating element		2	I342/375/376 I377/378
2	997 653 109 00	Seat cushion Sports seat Heating element	/L	1	I342/369/370 I437/438
(2)	997 653 109 01	Backrest side bolster Standard seat Comfort seat Heating element	/L	1	I342/375/376 I377/378
3	997 653 110 00	Backrest side bolster Sports seat Heating element	/R	1	I342/369/370 I437/438
(3)	997 653 110 01	Backrest side bolster Standard seat Comfort seat Heating element	/R	1	I342/375/376 I377/378
4	997 653 107 00	Backrest side bolster Sports seat Heating element Backrest cushion		2	I342

Model: 997-09

Model life 2009>>2012



Model: 997-09 Model life 2009>>2012

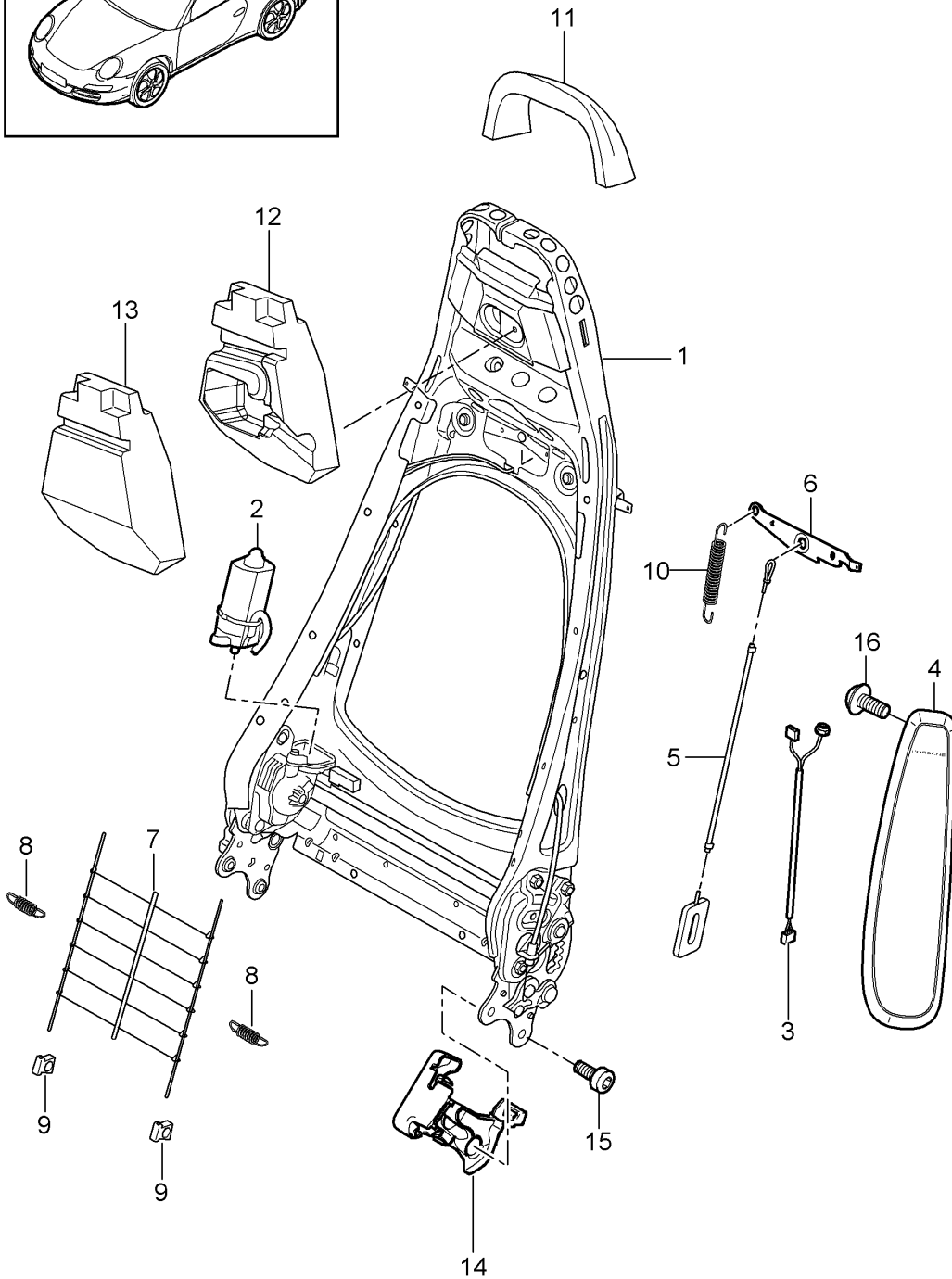
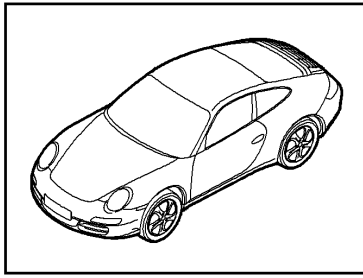
Pos	Part Number	Description	Remark	Qty	Model
1	997 521 303 13	Backrest shell Sports seat			
	997 521 303 13 D07	Backrest shell Volcano grey	/L	1	I375/377
(1)	997 521 304 13	Backrest shell	/R	1	I376/378
	997 521 304 13 D07	Backrest shell Volcano grey			
(1)	997 521 303 17	Backrest shell	/L	1	IXSB/377/756
	997 521 303 17 6J0	Espresso			
(1)	997 521 304 17	Backrest shell	/R	1	IXSB/378/756
	997 521 304 17 6J0	Espresso			
(1)	997 521 981 00	Backrest shell	/L	1	IXSA/375/377
	997 521 981 00 041	Black			
	997 521 981 00 84A	Guards red			
	997 521 981 00 12H	Speed yellow			
	997 521 981 00 B9A	Carrara white			
	997 521 981 00 92U	Arctic silver metallic			
	997 521 981 00 C9Z	Basalt black metallic			
	997 521 981 00 M7X	Atlas grey metallic			
	997 521 981 00 39C	Midnight Blue Metallic			
	997 521 981 00 M7Z	GT Silver Metallic			
	997 521 981 00 M7W	Meteor Grey Metallic			
	997 521 981 00 M8W	Macadamia Metallic			
	997 521 981 00 8A7	Ruby red metallic			
	997 521 981 00 22G	Racing Green Metallic			
	997 521 981 00 M5R	Aqua Blue Metallic			
	997 521 981 00 51A	Creamy white			
	997 521 981 00 M2Z	Nordic Gold Metallic			
	997 521 981 00 2B5	Malachite Green Metallic			
(1)	997 521 982 00	Backrest shell	/R	1	IXSA/376/378
	997 521 982 00 041	Black			
	997 521 982 00 84A	Guards red			
	997 521 982 00 12H	Speed yellow			
	997 521 982 00 B9A	Carrara white			
	997 521 982 00 92U	Arctic silver metallic			
	997 521 982 00 C9Z	Basalt black metallic			
	997 521 982 00 M7X	Atlas grey metallic			
	997 521 982 00 39C	Midnight Blue Metallic			
	997 521 982 00 M7Z	GT Silver Metallic			
	997 521 982 00 M7W	Meteor Grey Metallic			
	997 521 982 00 M8W	Macadamia Metallic			
	997 521 982 00 8A7	Ruby red metallic			
	997 521 982 00 22G	Racing Green Metallic			
	997 521 982 00 M5R	Aqua Blue Metallic			
	997 521 982 00 51A	Creamy white			
	997 521 982 00 M2Z	Nordic Gold Metallic			
	997 521 982 00 2B5	Malachite Green Metallic			
(1)	997 521 981 02	Backrest shell	/L	1	IXSB/375/377
		Leather			
	997 521 981 02 A11	Black			
	997 521 981 02 5X6	Stone grey			
	997 521 981 02 8G2	Sand Beige			
	997 521 981 02 3S9	Sea blue			
	997 521 981 02 9S5	Terracotta			
	997 521 981 02 9V6	Cocoa			
	997 521 981 02 D12	Dark grey/natural			
	997 521 981 02 T12	Brown/natural			
	997 521 981 02 N12	Carrera Red			
(1)	997 521 982 02	Backrest shell	/R	1	IXSB/376/378
		Leather			
	997 521 982 02 A11	Black			
	997 521 982 02 5X6	Stone grey			
	997 521 982 02 8G2	Sand Beige			
	997 521 982 02 3S9	Sea blue			

Model: 997-09 Model life 2009>>2012

Pos	Part Number	Description	Remark	Qty	Model
	997 521 982 02 9S5	Terracotta			
	997 521 982 02 9V6	Cocoa			
	997 521 982 02 D12	Dark grey/natural			
	997 521 982 02 T12	Brown/natural			
	997 521 982 02 N12	Carrera Red			
(1)	997 521 983 03	Backrest shell Leather	/L	1	IXSB/377/503
	997 521 983 03 V04	Galvano silver			
(1)	997 521 984 04	Backrest shell Leather	/R	1	IXSB/376
	997 521 984 04 V04	Galvano silver			
(1)	997 521 984 05	Backrest shell Leather	/R	1	IXSB/378/503
	997 521 984 05 V04	Galvano silver			
(1)	997 521 984 06	Backrest shell Leather	/R	1	IXSB/376/560
	997 521 984 06 V04	Galvano silver			
(1)	997 521 984 07	Backrest shell Leather	/R	1	IXSB/378/503 I560
	997 521 984 07 V04	Galvano silver			
2	997 521 319 00	Bracket	/L	1	
(2)	997 521 320 00	Bracket	/R	1	
3	997 521 621 03	Backrest side bolster Rosette	/L	1	I375/376/377 I378
	997 521 621 03 D07	Backrest locking lever Volcano grey			
(3)	997 521 622 03	Rosette	/R	1	I375/376/377 I378
	997 521 622 03 D07	Backrest locking lever Volcano grey			
4	997 521 623 02	Control button	/L	1	
	997 521 623 02 V05	Backrest locking lever Galvano silver			
(4)	997 521 624 02	Control button	/R	1	
	997 521 624 02 V05	Backrest locking lever Galvano silver			
5	997 521 373 01	Coat hook		2	I375/376/377 I378
	997 521 373 01 D07	Volcano grey			
6	999 919 232 09	Screw		1	I375/376/377 I378
	997 521 783 00	M5 X 20 Coat hook Support panel	/L	1	I375/376/377 I378
	997 521 784 00	Backrest shell Support panel	/R	1	I375/376/377 I378
(7)		Backrest shell			

Model: 997-09

Model life 2009>>2012



Model: 997-09 Model life 2009>>2012

Pos	Part Number	Description	Remark	Qty	Model
1	997 521 329 02	Backrest frame Sports seat Backrest frame without Memory		1	I375/376
1		Backrest frame without Memory		1	I377/378
(1)	997 521 329 03	Backrest frame with Memory		1	I537/538
2	997 624 331 00	Electric motor Backrest with Memory without Transmission		1	I537/538
(2)	997 624 321 00	Electric motor Backrest without Memory without Transmission		1	I375/376
(2)		Electric motor Backrest without Memory without Transmission		1	I377/378
3	997 612 785 01	Wiring harness Side airbag	/L	1	I537
(3)	997 612 786 01	Wiring harness Side airbag	/R	1	I538
(3)	997 612 685 01	Wiring harness Side airbag without Memory	/L	1	I375
3	997 612 686 01	Wiring harness Side airbag without Memory	/R	1	I376
4	997 803 081 02	Side airbag	/L	1	I375/377
(4)	997 803 081 02 D07	Volcano grey			
	997 803 082 02	Side airbag	/R	1	I376/378
	997 803 082 02 D07	Volcano grey			
(4)	997 803 981 00	Side airbag	/L	1	IXSA/375/377
	997 803 981 00 A03	Black			
	997 803 981 00 5V7	Stone grey			
	997 803 981 00 5Z1	Sand Beige			
	997 803 981 00 8W7	Sea blue			
	997 803 981 00 8X8	Terracotta			
	997 803 981 00 8P9	Cocoa			
	997 803 981 00 T13	Brown/natural			
	997 803 981 00 N23	Carrera Red			
(4)	997 803 981 00	Side airbag	/L	1	IXSB/375/377
	997 803 981 00 A03	Black			
	997 803 981 00 5V7	Stone grey			
	997 803 981 00 5Z1	Sand Beige			
	997 803 981 00 8W7	Sea blue			
	997 803 981 00 8X8	Terracotta			
	997 803 981 00 8P9	Cocoa			
	997 803 981 00 T13	Brown/natural			
	997 803 981 00 N23	Carrera Red			

Model: 997-09 Model life 2009>>2012

Pos	Part Number	Description	Remark	Qty	Model
(4)	997 803 982 00	Side airbag	/R	1	IXSA/376/378
	997 803 982 00 A03	Black			
	997 803 982 00 5V7	Stone grey			
	997 803 982 00 5Z1	Sand Beige			
	997 803 982 00 8W7	Sea blue			
	997 803 982 00 8X8	Terracotta			
	997 803 982 00 8P9	Cocoa			
	997 803 982 00 T13	Brown/natural			
	997 803 982 00 N23	Carrera Red			
(4)	997 803 982 00	Side airbag	/R	1	IXSB/376/378
	997 803 982 00 A03	Black			
	997 803 982 00 5V7	Stone grey			
	997 803 982 00 5Z1	Sand Beige			
	997 803 982 00 8W7	Sea blue			
	997 803 982 00 8X8	Terracotta			
	997 803 982 00 8P9	Cocoa			
	997 803 982 00 T13	Brown/natural			
	997 803 982 00 N23	Carrera Red			
5	997 521 485 00	Bowden cable		2	I375/376
		Backrest frame			
5		Bowden cable		2	I377/378
		Backrest frame			
6	997 521 375 00	Release		1	I375/376
		Backrest frame			
6		Release		1	I377/378
		Backrest frame			
7	997 521 855 00	Grille		1	I375/376
		Backrest frame			
7		Grille		1	I377/378
		Backrest frame			
8	997 521 893 00	Tension spring		2	I375/376
		Inner spring			
8		Tension spring		2	I377/378
		Inner spring			
9	997 521 895 00	Clip		2	I375/376
		Inner spring			
9		Clip		2	I377/378
		Inner spring			
10	997 521 797 00	Tension spring		1	I375/376
		Release			
		Backrest			
10		Tension spring		1	I377/378
		Release			
		Backrest			
11	997 521 885 00	Foam part		1	I375/376
		Head rest			
		Upper			
11		Foam part		1	I377/378
		Head rest			
		Upper			
12	997 521 887 01	Foam part		1	I377/378
		Head rest			
		Centre			
		Electric			
13	997 521 887 00	Foam part		1	I375/376
		Head rest			
		Centre			
14	997 521 335 01	Cover	/L	1	
		Mounting component			
		Inner			
	997 521 335 01 D07	Volcano grey			
(14)	997 521 336 01	Cover	/R	1	
		Mounting component			

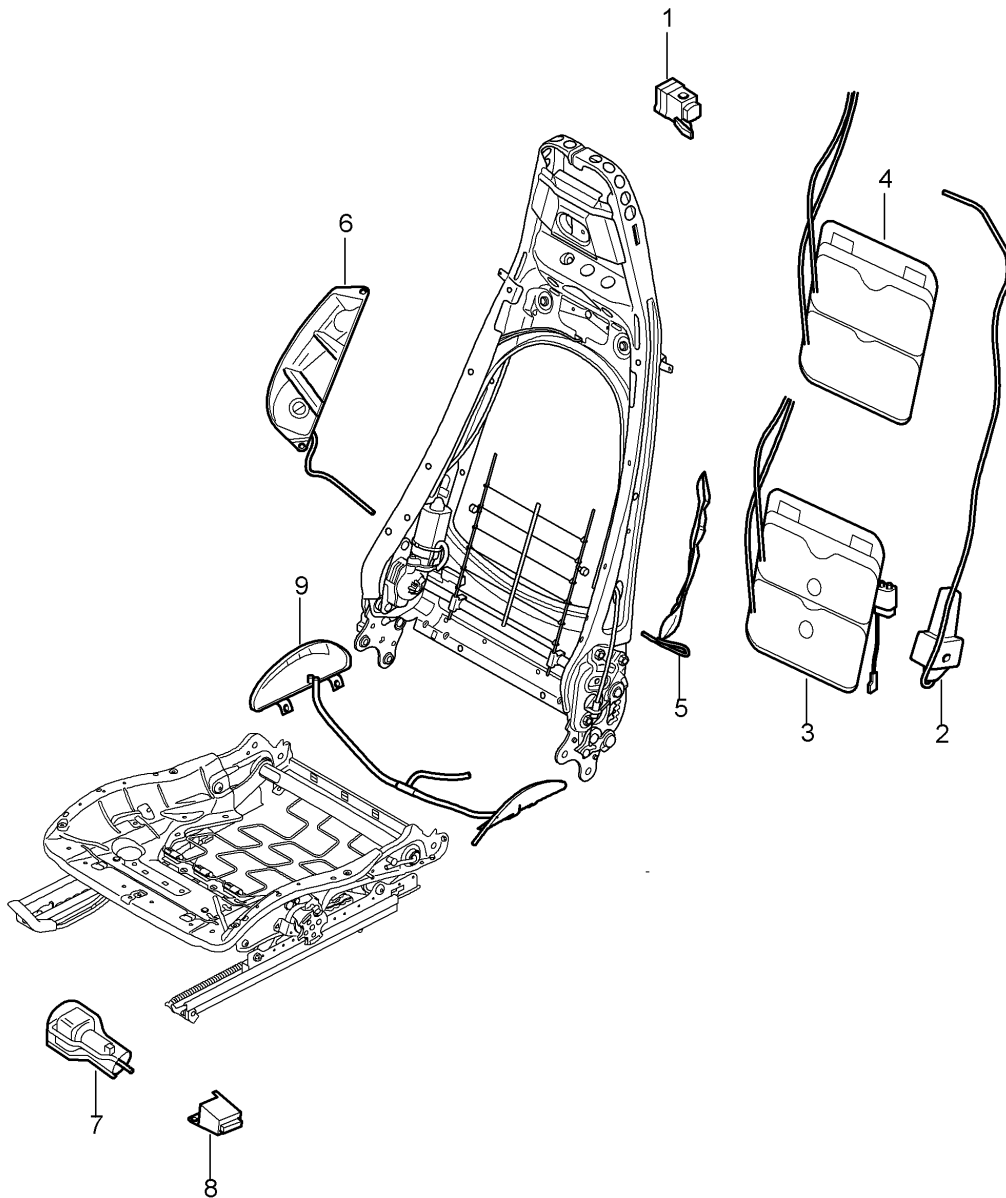
Model: 997-09

Model life 2009>>2012

Pos	Part Number	Description	Remark	Qty	Model
15	997 521 336 01 D07 999 073 375 09	Inner Volcano grey Screw Mount Backrest		4	
16	999 073 306 09	Seat adjuster Screw Mount Side airbag		2	

Model: 997-09

Model life 2009>>2012



Model: 997-09 Model life 2009>>2012

Pos	Part Number	Description	Remark	Qty	Model
1	997 617 725 00	Lumbar support Valve		1	I377/378/437 I438
(1)	997 617 726 00	Lumbar support without Memory Valve		1	I437/438/537 I538
2	997 620 725 00	Lumbar support Memory Compressor		1	I377/378/437 I438
3	997 521 709 01	Lumbar Lumbar support Airbag with Memory		1	I377/537
3		Lumbar support Airbag with Memory		1	I378/538
3		Lumbar support Airbag with Memory		1	I437/537
3		Lumbar support Airbag with Memory		1	I438/538
(3)	997 521 709 03	Lumbar support Airbag with Memory		1	I437/537/541
(3)		Lumbar support Airbag with Memory		1	I438/538/541
4	997 521 709 00	Lumbar support Airbag without Memory		1	I377/378
4		Lumbar support Airbag without Memory		1	I437/438
(4)	997 521 709 02	Lumbar support Airbag without Memory		1	I437/541
(4)		Lumbar support Airbag without Memory		1	I438/541
5	997 521 711 00	Container Air distributor Backrest side bolster	/L	1	I377/378
6	997 521 712 00	Container Air distributor Backrest side bolster	/R	1	I377/378
7	997 620 727 00	Compressor Adjustment Seat side bolster		1	I377/378
8	997 617 727 00	Valve		1	I377/378

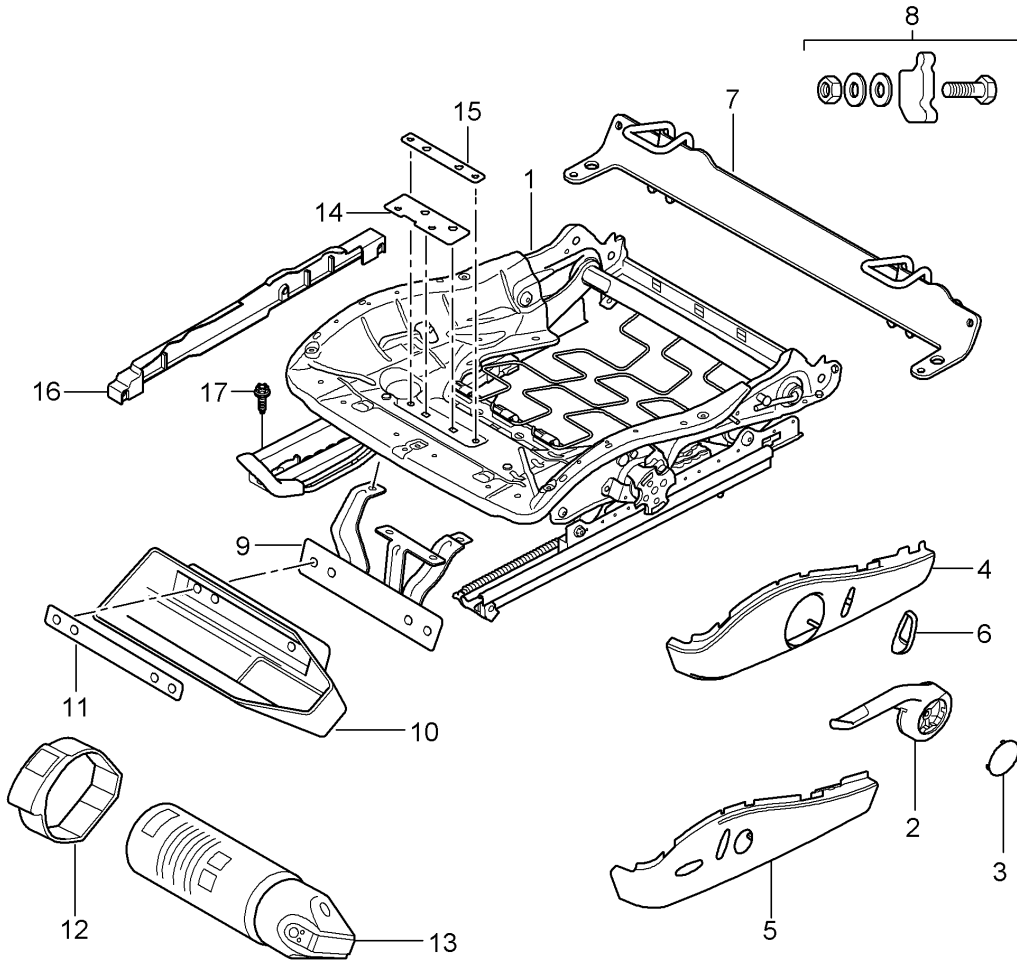
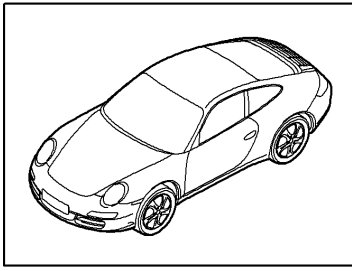
Model: 997-09

Model life 2009>>2012

Pos	Part Number	Description	Remark	Qty	Model
9	997 521 713 01	Adjustment Seat Wide Container Air distributor Seat side bolster		1	I377/378

Model: 997-09

Model life 2009>>2012



Model: 997-09

Model life 2009>>2012

Pos	Part Number	Description	Remark	Qty	Model
1	997 521 201 10	Seat adjuster Sports seat Seat adjuster Manually Driver's side	/LL /L	1	I098/375
(1)	997 521 201 14	Seat adjuster Manually Driver's side	/LL /L	1	I098/375/541
(1)	997 521 202 19	Seat adjuster Manually Driver's side	/RL /R	1	I099/376
(1)	997 521 202 23	Seat adjuster Manually Driver's side	/R	1	I376/560
(1)	997 521 202 25	Seat adjuster Manually Driver's side	/RL /R	1	I099/376/541
(1)	997 521 201 24	Seat adjuster Electric without Memory Driver's side	/L	1	I377
(1)	997 521 201 26	Seat adjuster Electric without Memory Driver's side	/L	1	I377/541
(1)	997 521 202 30	Seat adjuster Electric without Memory Driver's side	/R	1	I378
(1)	997 521 202 24	Seat adjuster Electric without Memory Driver's side	/R	1	I378/560
(1)	997 521 202 32	Seat adjuster Electric without Memory Driver's side	/R	1	I378/541
(1)	997 521 201 25	Seat adjuster Electric Memory Driver's side	/L	1	I377/537
(1)	997 521 201 27	Seat adjuster Electric Memory Driver's side	/L	1	I377/537/541
(1)	997 521 202 31	Seat adjuster Electric Memory Driver's side	/R	1	I378/538
(1)	997 521 202 33	Seat adjuster Electric Memory Driver's side	/R	1	I378/538/541
(1)	997 521 202 20	Seat adjuster Manually Passenger's side	/LL /R	1	I098/376
(1)	997 521 202 26	Seat adjuster Manually	/LL /R	1	I098/376/541

Model: 997-09 Model life 2009>>2012

Pos	Part Number	Description	Remark	Qty	Model
(1)	997 521 201 11	Passenger's side Seat adjuster Manually	/RL /L	1	I099/375
(1)	997 521 201 15	Passenger's side Seat adjuster Manually	/RL /L	1	I099/375/541
2	997 521 627 01	Passenger's side Actuating lever Height adjustment	/L	1	I375
(2)	997 521 628 01	997 521 627 01 V05 Galvano silver Actuating lever Height adjustment	/R	1	I376
3	997 521 629 01	997 521 628 01 V05 Galvano silver Cap Height adjustment		2	I375/376
4	997 521 325 06	997 521 629 01 D07 Volcano grey Trim for switch	/L	1	I375
(4)	997 521 326 06	997 521 325 06 D07 Volcano grey Trim for switch	/R	1	I376
(4)	997 521 326 09	997 521 326 06 D07 Volcano grey Trim for switch	/R	1	I376/560
5	997 521 325 08	997 521 326 09 D07 Volcano grey Trim for switch	/L	1	I377
(5)	997 521 326 08	997 521 325 08 D07 Volcano grey Trim for switch	/R	1	I378
(5)	997 521 326 11	997 521 326 08 D07 Volcano grey Trim for switch		1	I378/560
6	997 521 631 01	997 521 326 11 D07 Volcano grey Control button	-10	1	I375/376/377 I378
(6)	997 521 631 02	Backrest Galvano silver Control button	11-	1	I375/376/377 I378
7	997 521 631 02 V05	Backrest Galvano silver		1	
8	997 521 961 01	997 521 061 01 Retaining bow Child car seat Retaining bow Not for AUSTRALIEN Set of fastening parts		1	
9	997 521 251 00	Retaining bow		1	I098/509
(9)	997 521 252 00	Support Fire extinguisher		1	I099/509
10	997 521 607 00	Support Fire extinguisher Cup		1	I509
11	997 521 881 00	Support Fire extinguisher Cup		1	I509
12	997 521 851 00	Restraining strap Fire extinguisher		1	I509
13	996 722 115 00	Fire extinguisher Information available		1	I509
14	997 521 841 00	Information available Reinforcement Front		1	I509
15	997 521 843 00	Reinforcement Rear		1	I509
16	997 521 427 01	Cover Sensor	/L	1	I376/378/560

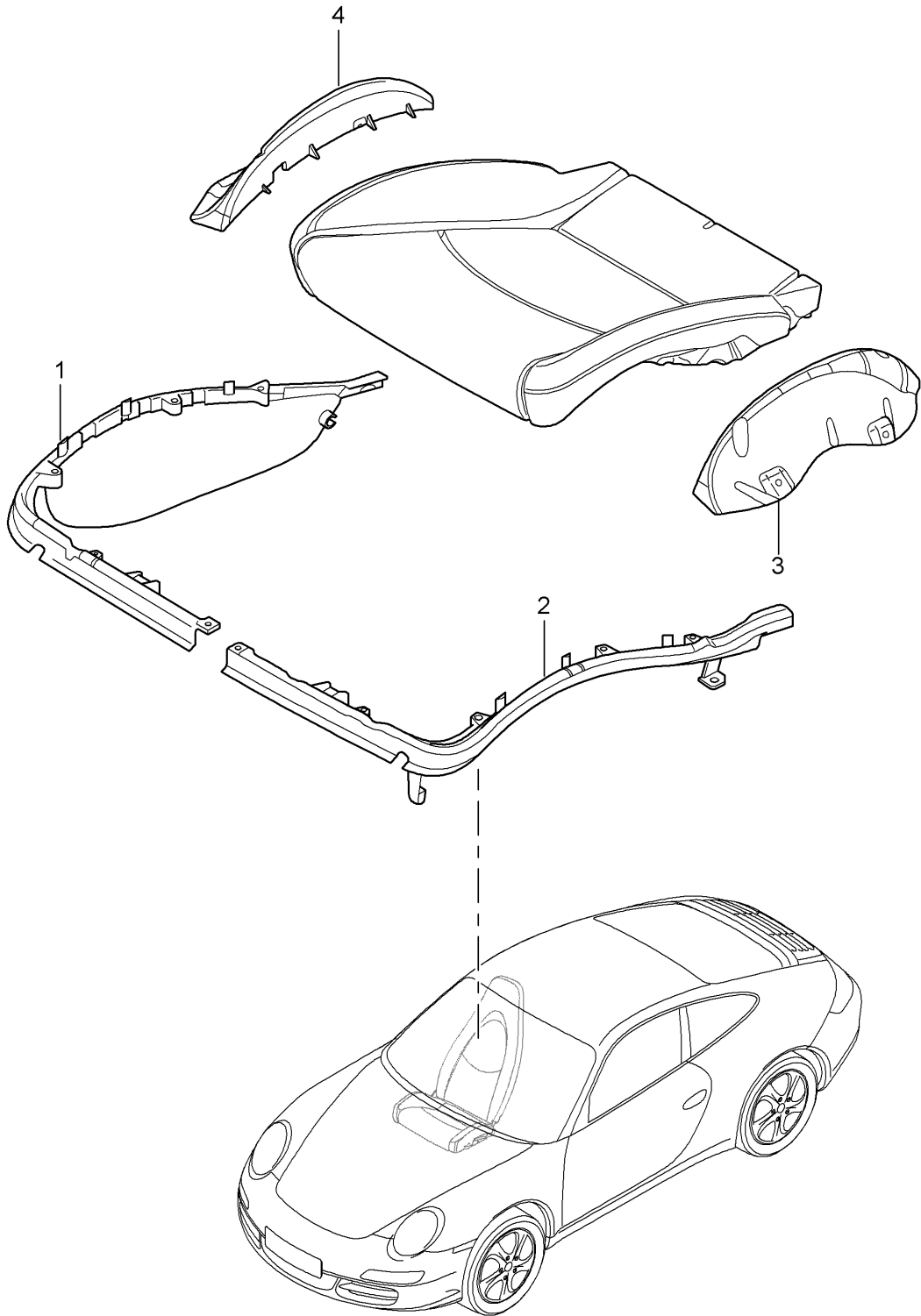
Model: 997-09

Model life 2009>>2012

Pos	Part Number	Description	Remark	Qty	Model
(16)	997 521 427 01 01C 997 521 426 01	Weight Satin black Cover Sensor Weight	/R	1	I376/378/560
17	997 521 426 01 01C 999 141 047 01	Satin black Torx screw Seat rail Mount		4	

Model: 997-09

Model life 2009>>2012



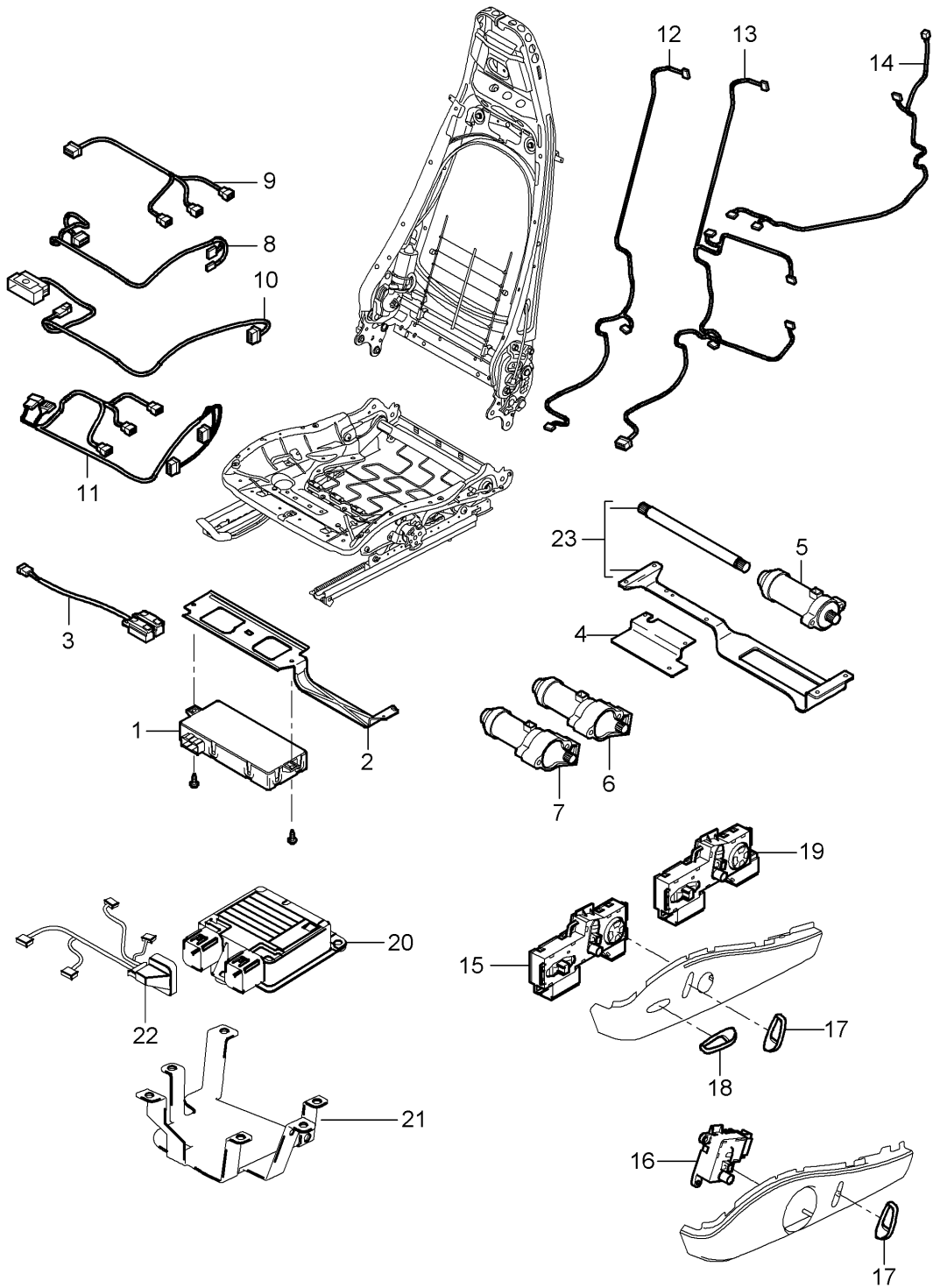
Model: 997-09

Model life 2009>>2012

Pos	Part Number	Description	Remark	Qty	Model
(1)	997 521 547 00	Cushion carrier Frame Seat surface Sports seat Frame	/L	1	I376/378
1	997 521 548 00	Inner Frame	/R	1	I375/377
2	997 521 545 00	Inner Frame	/L	1	I375/377
(2)	997 521 546 00	Outer Frame	/R	1	I376/378
(2)	997 521 546 01	Outer Frame	/R	1	I376/378/560
3	997 521 519 00	Outer Supporting plate	/L	1	I377/378
4	997 521 520 00	Seat cushion Supporting plate Seat cushion	/R	1	I377/378

Model: 997-09

Model life 2009>>2012



Model: 997-09 Model life 2009>>2012

Pos	Part Number	Description	Remark	Qty	Model
		Wiring harnesses Switch Control unit Electric motor Sports seat			
1	997 618 537 07	Control unit Seating position control		1	I537/538
2	997 521 643 01	Support Control unit Seating position control		1	I537/538
3	997 613 725 00	Switch Seat adjuster		1	I377
(3)	997 613 725 00 V05	Galvano silver		1	I378
	997 613 726 00	Switch Seat adjuster			
4	997 613 726 00 V05	Galvano silver		1	I377/378
	997 521 343 00	Support Electric motor			
5	997 624 322 00	Electric motor Seat adjuster		1	I377/378
		Lengthways without Memory			
(5)	997 624 332 00	Electric motor Seat adjuster		1	I537/538
		Lengthways with Memory			
6	997 624 322 00	Electric motor Seat adjuster Height adjustment without Memory		1	I377/378
(6)	997 624 332 00	Electric motor Seat adjuster Height adjustment with Memory		1	I537/538
7	997 624 323 00	Electric motor Seat adjuster Tilt angle without Memory		1	I377/378
(7)	997 624 333 00	Electric motor Seat adjuster Tilt angle with Memory		1	I537/538
8	997 612 684 00	Wiring harness Switch Seat adjuster Memory		1	I537/538
9	997 612 690 00	Wiring harness Lengthways Height adjustment Memory		1	I537/538
10	997 612 682 01	Wiring harness Switch Seat adjuster		1	I375/376
11	997 612 691 02	Wiring harness Switch without Memory		1	I377/378

Model: 997-09 Model life 2009>>2012

Pos	Part Number	Description	Remark	Qty	Model
12	997 612 689 00	Wiring harness Lumbar support without Memory		1	I377/378
13	997 612 692 01	Wiring harness Backrest Lumbar with Memory		1	I377/537
13		Wiring harness Backrest Lumbar with Memory		1	I378/538
14	997 612 685 01	Wiring harness Backrest without Memory	/L	1	I375/377
(14)	997 612 686 01	Wiring harness Backrest without Memory	/R	1	I376/378
15	997 613 721 01	Switch Seat adjuster Memory switch	/L	1	I377/537
(15)	997 613 721 01 V05 997 613 722 01	Galvano silver Switch Seat adjuster Memory switch	/R	1	I378/538
16	997 613 722 01 V05 997 613 713 00	Galvano silver Switch Seat adjuster Manually adjustable	/L -10	1	I375
(16)	997 613 713 01	Switch Seat adjuster Manually adjustable	/L 11-	1	I375
(16)	997 613 714 00	Switch Seat adjuster Manually adjustable	/R -10	1	I376
(16)	997 613 714 01	Switch Seat adjuster Manually adjustable	/R 11-	1	I376
17	997 521 631 01	Control button Backrest	-10	1	I375/376
(17)	997 521 631 01 V05 997 521 631 02	Galvano silver Control button Backrest	11-	1	I375/376
(17)	997 521 631 02 V05 997 521 631 01	Galvano silver Control button Backrest	-10	1	I377/378
(17)	997 521 631 01 V05 997 521 631 02	Galvano silver Control button Backrest	11-	1	I377/378
18	997 521 631 02 V05 997 521 633 02	Galvano silver Control button Seat cushion		1	I377/378
19	997 521 633 02 V05 997 613 717 01	Galvano silver Switch Seat adjuster without Memory	/L	1	I377
(19)	997 613 717 01 V05 997 613 718 01	Galvano silver Switch	/R	1	I378

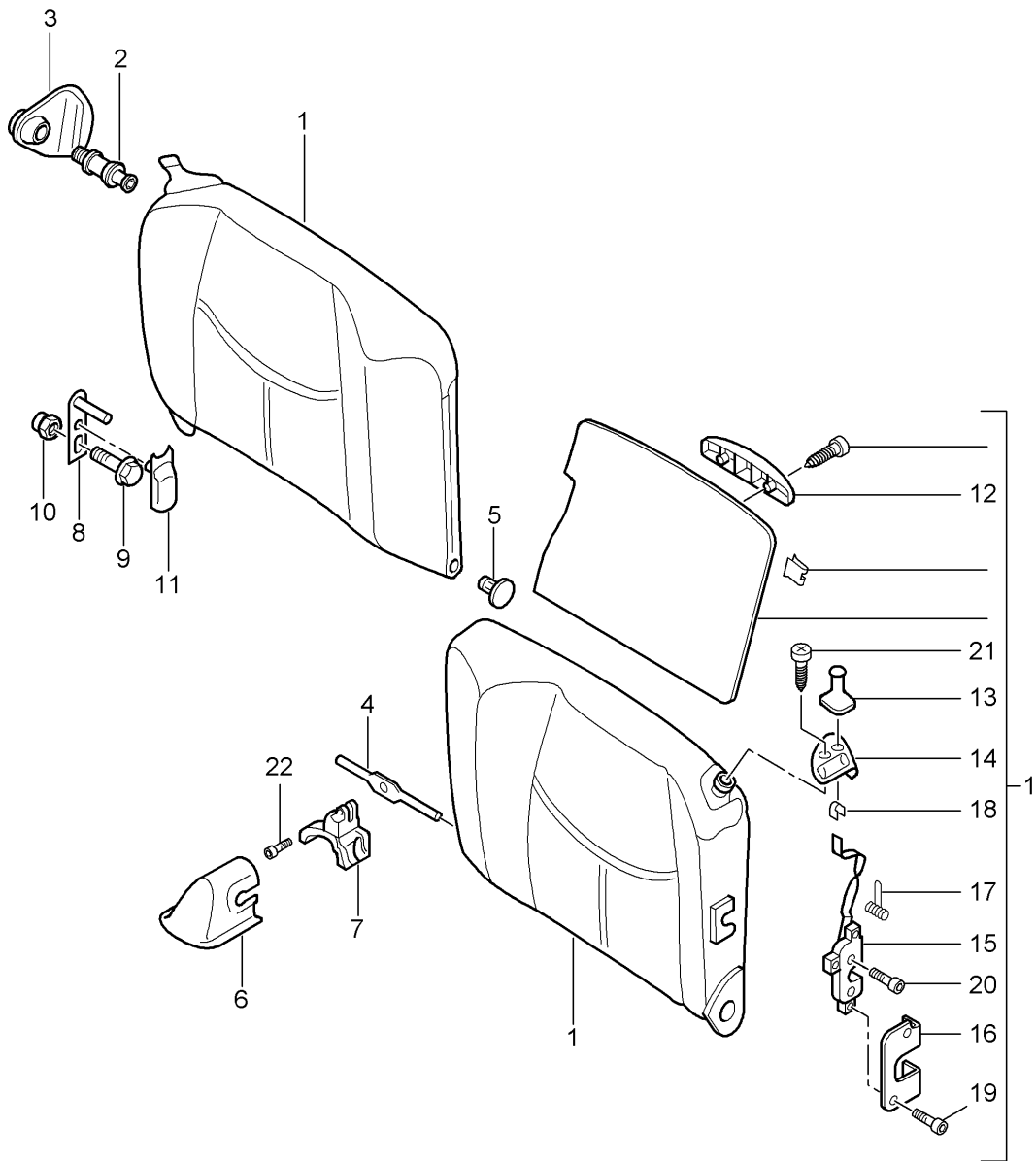
Model: 997-09

Model life 2009>>2012

Pos	Part Number	Description	Remark	Qty	Model
		Seat adjuster without Memory			
	997 613 718 01 V05	Galvano silver			
(20)	997 618 233 05	Control unit		1	I376/378/560
		Seat occupancy detection			
(21)	997 521 646 00	Support		1	I376/378/560
		Control unit			
		Seat occupancy detection			
22	997 612 688 00	Wiring harness		1	I376/378/560
		Seat occupancy detection			
(23)	997 521 901 00	Repair kit		1	
		Pliable shaft			
		Engine bracket			
-	999 650 973 40	Clip		1	
		Mount			
		Wiring harness			
		Seat occupancy detection			

Model: 997-09

Model life 2009>>2012



Model: 997-09 Model life 2009>>2012

Pos	Part Number	Description	Remark	Qty	Model
		Back seat backrest			CARRERA COUPE TARGA I685/937
1	997 522 011 06	Back seat backrest Until Chassis number See technical information GR.7 NR. 17/11 KD-NR. 70	/L	1	
	997 522 011 06 5Q2	Black			
	997 522 011 06 8X4	Stone grey			
	997 522 011 06 5S4	Sand Beige			
	997 522 011 06 8W3	Sea blue			
1	997 522 911 00	Back seat backrest From Chassis number See technical information GR.7 NR. 17/11 KD-NR. 70	/L	1	I685/937
	997 522 911 00 5Q2	Black			
	997 522 911 00 8X4	Stone grey			
	997 522 911 00 5S4	Sand Beige			
	997 522 911 00 8W3	Sea blue			
(1)	997 522 012 06	Back seat backrest Until Chassis number See technical information GR.7 NR. 17/11 KD-NR. 70	/R	1	I685/937
	997 522 012 06 5Q2	Black			
	997 522 012 06 8X4	Stone grey			
	997 522 012 06 5S4	Sand Beige			
	997 522 012 06 8W3	Sea blue			
(1)	997 522 912 00	Back seat backrest From Chassis number See technical information GR.7 NR. 17/11 KD-NR. 70	/R	1	I685/937
	997 522 912 00 5Q2	Black			
	997 522 912 00 8X4	Stone grey			
	997 522 912 00 5S4	Sand Beige			
	997 522 912 00 8W3	Sea blue			
(1)	997 522 011 07	Back seat backrest	/L	1	I685/936
	997 522 011 07 9N2	Terracotta			
	997 522 011 07 9Q3	Cocoa			
	997 522 011 07 D11	Dark grey/natural			
	997 522 011 07 T11	Brown/natural			
(1)	997 522 011 07	Back seat backrest Until Chassis number See technical information GR.7 NR. 17/11 KD-NR. 70	/L	1	I685/936
	997 522 011 07 8YR	Black			
	997 522 011 07 5X5	Stone grey			
	997 522 011 07 8G1	Sand Beige			
	997 522 011 07 3S8	Sea blue			
	997 522 011 07 N11	Carrera Red			
(1)	997 522 911 01	Back seat backrest From Chassis number See technical information	/L	1	I685/936

Model: 997-09 Model life 2009>>2012

Pos	Part Number	Description	Remark	Qty	Model
		GR.7 NR. 17/11 KD-NR. 70			
	997 522 911 01 8YR	Black			
	997 522 911 01 5X5	Stone grey			
	997 522 911 01 8G1	Sand Beige			
	997 522 911 01 3S8	Sea blue			
	997 522 911 01 N11	Carrera Red			
(1)	997 522 012 07	Back seat backrest	/R	1	I685/936
	997 522 012 07 9N2	Terracotta			
	997 522 012 07 9Q3	Cocoa			
	997 522 012 07 D11	Dark grey/natural			
	997 522 012 07 T11	Brown/natural			
(1)	997 522 012 07	Back seat backrest	/R	1	I685/936
		Until Chassis number See technical information			
		GR.7 NR. 17/11 KD-NR. 70			
	997 522 012 07 8YR	Black			
	997 522 012 07 5X5	Stone grey			
	997 522 012 07 8G1	Sand Beige			
	997 522 012 07 3S8	Sea blue			
	997 522 012 07 N11	Carrera Red			
(1)	997 522 912 01	Back seat backrest	/R	1	I685/936
		From Chassis number See technical information			
		GR.7 NR. 17/11 KD-NR. 70			
	997 522 912 01 8YR	Black			
	997 522 912 01 5X5	Stone grey			
	997 522 912 01 8G1	Sand Beige			
	997 522 912 01 3S8	Sea blue			
	997 522 912 01 N11	Carrera Red			
(1)	997 522 011 08	Back seat backrest	/L	1	I685/939
	997 522 011 08 9N2	Terracotta			
	997 522 011 08 9Q3	Cocoa			
	997 522 011 08 D11	Dark grey/natural			
	997 522 011 08 T11	Brown/natural			
(1)	997 522 011 08	Back seat backrest	/L	1	I685/939
		Until Chassis number See technical information			
		GR.7 NR. 17/11 KD-NR. 70			
	997 522 011 08 8YR	Black			
	997 522 011 08 5X5	Stone grey			
	997 522 011 08 8G1	Sand Beige			
	997 522 011 08 3S8	Sea blue			
	997 522 011 08 N11	Carrera Red			
(1)	997 522 911 02	Back seat backrest	/L	1	I685/939
		From Chassis number See technical information			
		GR.7 NR. 17/11 KD-NR. 70			
	997 522 911 02 8YR	Black			
	997 522 911 02 5X5	Stone grey			
	997 522 911 02 8G1	Sand Beige			
	997 522 911 02 3S8	Sea blue			
	997 522 911 02 N11	Carrera Red			
(1)	997 522 012 08	Back seat backrest	/R	1	I685/939
	997 522 012 08 9N2	Terracotta			

Model: 997-09 Model life 2009>>2012

Pos	Part Number	Description	Remark	Qty	Model
	997 522 012 08 9Q3	Cocoa			
	997 522 012 08 D11	Dark grey/natural			
	997 522 012 08 T11	Brown/natural			
(1)	997 522 012 08	Back seat backrest Until Chassis number See technical information GR.7 NR. 17/11 KD-NR. 70	/R	1	I685/939
	997 522 012 08 8YR	Black			
	997 522 012 08 5X5	Stone grey			
	997 522 012 08 8G1	Sand Beige			
	997 522 012 08 3S8	Sea blue			
	997 522 012 08 N11	Carrera Red			
(1)	997 522 912 02	Back seat backrest From Chassis number See technical information GR.7 NR. 17/11 KD-NR. 70	/R	1	I685/939
	997 522 912 02 8YR	Black			
	997 522 912 02 5X5	Stone grey			
	997 522 912 02 8G1	Sand Beige			
	997 522 912 02 3S8	Sea blue			
	997 522 912 02 N11	Carrera Red			
(1)	997 522 012 12	Back seat backrest	/R	1	IXUX/XXL/685 I756
	997 522 012 12 VAM	Espresso			
(1)	997 522 011 12	Back seat backrest	/L	1	IXUX/XXL/685 I756
	997 522 011 12 VAM	Espresso			
(1)	997 522 011 20	Back seat backrest Alcantara Until Chassis number See technical information GR.7 NR. 17/11 KD-NR. 70	/L 11-	1	I011/685/931
	997 522 011 20 FLA	Black Information available			
(1)	997 522 911 06	Back seat backrest Alcantara From Chassis number See technical information GR.7 NR. 17/11 KD-NR. 70	/L 11-	1	I011/685/931
	997 522 911 06 FLA	Black			
(1)	997 522 012 20	Back seat backrest Alcantara Until Chassis number See technical information GR.7 NR. 17/11 KD-NR. 70	/R 11-	1	I011/685/931
	997 522 012 20 FLA	Black Information available			
(1)	997 522 912 06	Back seat backrest Alcantara From Chassis number See technical information GR.7 NR. 17/11	/R 11-	1	I011/685/931

Model: 997-09

Model life 2009>>2012

Pos	Part Number	Description	Remark	Qty	Model
(1)	997 522 912 06 FLA 997 522 011 22	KD-NR. 70 Black Back seat backrest Alcantara Until Chassis number See technical information GR.7 NR. 17/11 KD-NR. 70	/L 11-	1	I011/685/932
(1)	997 522 011 22 RAA 997 522 911 08	Black Information available Back seat backrest Alcantara From Chassis number See technical information GR.7 NR. 17/11 KD-NR. 70	/L 11-	1	I011/685/932
(1)	997 522 911 08 RAA 997 522 012 22	Black Back seat backrest Alcantara Until Chassis number See technical information GR.7 NR. 17/11 KD-NR. 70	/R 11-	1	I011/685/932
(1)	997 522 012 22 RAA 997 522 912 08	Black Information available Back seat backrest Alcantara From Chassis number See technical information GR.7 NR. 17/11 KD-NR. 70	/R 11-	1	I011/685/932
2	997 522 912 08 RAA 996 522 267 06	Black Bolt Locking device		2	I685
3	997 522 095 00	Stop	/L	1	I685
(3)	997 522 095 00 01C 997 522 096 00 997 522 096 00 01C	Satin black Stop Satin black	/R	1	I685
4	997 522 615 01	Bearing shaft		1	I685
-	999 073 436 01	Combination screw Bearing shaft		1	I685
5	996 522 571 00 996 522 571 00 01C	Protection washer Satin black		1	I685
6	996 522 431 02 996 522 431 02 01C	Cover Satin black		1	I685
7	996 522 333 00	Bracket		1	I685
8	997 522 211 00	Bearing Outer		2	I685
9	999 073 138 01	Round head screw M 8 X 25		2	I685
10	996 522 271 00	Bush		2	I685
11	996 522 425 01 996 522 425 01 01C	Cover Satin black		1	I685
12	996 522 421 00	Stop Backrest		2	I685
13	996 522 421 00 01C 997 522 321 00 997 522 321 00 01C	Satin black Actuating lever Backrest Satin black	/L	1	I685

Model: 997-09 Model life 2009>>2012

Pos	Part Number	Description	Remark	Qty	Model
(13)	997 522 322 00	Actuating lever Backrest	/R	1	I685
	997 522 322 00 01C	Satin black			
(13)	997 522 981 00	Actuating lever Backrest	/L	1	IXUX
	997 522 981 00 A11	Black			
	997 522 981 00 5X6	Stone grey			
	997 522 981 00 8G2	Sand Beige			
	997 522 981 00 3S9	Sea blue			
	997 522 981 00 9S5	Terracotta			
	997 522 981 00 9V6	Cocoa			
	997 522 981 00 D12	Dark grey/natural			
	997 522 981 00 T12	Brown/natural			
	997 522 981 00 N12	Carrera Red			
	997 522 981 00 6J0	Espresso			
(13)	997 522 982 00	Actuating lever Backrest	/R	1	IXUX
	997 522 982 00 A11	Black			
	997 522 982 00 5X6	Stone grey			
	997 522 982 00 8G2	Sand Beige			
	997 522 982 00 3S9	Sea blue			
	997 522 982 00 9S5	Terracotta			
	997 522 982 00 9V6	Cocoa			
	997 522 982 00 D12	Dark grey/natural			
	997 522 982 00 T12	braun			
	997 522 982 00 N12	Carrera Red			
	997 522 982 00 6J0	Espresso			
14	996 522 315 00	Rosette Control button	/L	1	I685
	996 522 315 00 01C	Satin black			
(14)	996 522 316 00	Rosette Control button	/R	1	I685
	996 522 316 00 01C	Satin black			
(14)	997 522 985 00	Rosette Control button Leather	/L	1	IXUX
	997 522 985 00 A11	Black			
	997 522 985 00 5X6	Stone grey			
	997 522 985 00 8G2	Sand Beige			
	997 522 985 00 3S9	Sea blue			
	997 522 985 00 9S5	Terracotta			
	997 522 985 00 9V6	Cocoa			
	997 522 985 00 D12	Dark grey/natural			
	997 522 985 00 T12	Brown/natural			
	997 522 985 00 N12	Carrera Red			
	997 522 985 00 6J0	Espresso			
(14)	997 522 986 00	Rosette Control button Leather	/R	1	IXUX
	997 522 986 00 A11	Black			
	997 522 986 00 5X6	Stone grey			
	997 522 986 00 8G2	Sand Beige			
	997 522 986 00 3S9	Sea blue			
	997 522 986 00 9S5	Terracotta			
	997 522 986 00 9V6	Cocoa			
	997 522 986 00 D12	Dark grey/natural			
	997 522 986 00 T12	Brown/natural			
	997 522 986 00 N12	Carrera Red			
	997 522 986 00 6J0	Espresso			
15	996 522 281 02	Lock Backrest	/L	1	I685
(15)	996 522 282 02	Lock Backrest	/R	1	I685

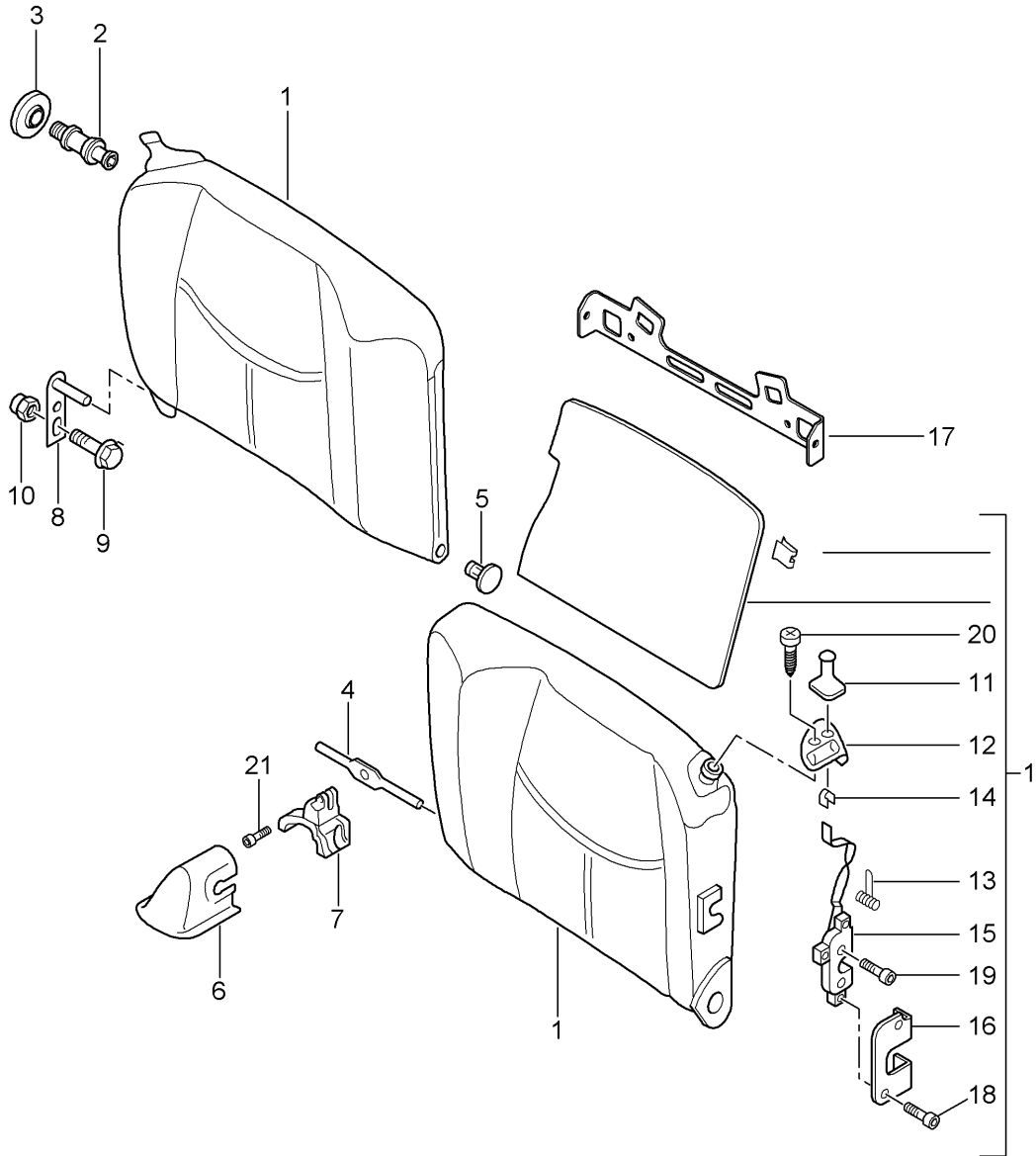
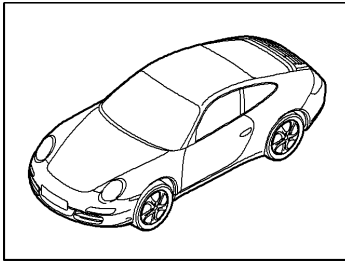
Model: 997-09

Model life 2009>>2012

Pos	Part Number	Description	Remark	Qty	Model
16	997 522 771 00	Trim cover Lock	/L	1	I685
(16)	997 522 771 00 01C 997 522 772 00	Satin black Trim cover Lock	/R	1	I685
	997 522 772 00 01C	Satin black			
17	996 522 653 00	Spring Lock		2	I685
18	999 507 630 01	Clamp Control button		2	I685
19	999 073 049 02	Tapping screw ST 3,5 X 16		4	I685
20	900 269 028 03	Countersunk-head screw M 8 X 30		4	I685
21	900 145 041 07	Tapping screw B 3,5 X 16		4	I685
22	900 067 358 09	Combination screw M 5 X 16		1	I685

Model: 997-09

Model life 2009>>2012



Model: 997-09 Model life 2009>>2012

Pos	Part Number	Description	Remark	Qty	Model
		Back seat backrest	09-		CARRERA CABRIO
1	997 522 011 09	Back seat backrest Until Chassis number See technical information GR.7 NR. 17/11 KD-NR. 70	/L	1	I685/937
	997 522 011 09 5Q2	Black			
	997 522 011 09 8X4	Stone grey			
	997 522 011 09 5S4	Sand Beige			
	997 522 011 09 8W3	Sea blue			
1	997 522 911 03	Back seat backrest From Chassis number See technical information GR.7 NR. 17/11 KD-NR. 70	/L	1	I685/937
	997 522 911 03 5Q2	Black			
	997 522 911 03 8X4	Stone grey			
	997 522 911 03 5S4	Sand Beige			
	997 522 911 03 8W3	Sea blue			
(1)	997 522 012 09	Back seat backrest Until Chassis number See technical information GR.7 NR. 17/11 KD-NR. 70	/R	1	I685/937
	997 522 012 09 5Q2	Black			
	997 522 012 09 8X4	Stone grey			
	997 522 012 09 5S4	Sand Beige			
	997 522 012 09 8W3	Sea blue			
(1)	997 522 912 03	Back seat backrest From Chassis number See technical information GR.7 NR. 17/11 KD-NR. 70	/R	1	I685/937
	997 522 912 03 5Q2	Black			
	997 522 912 03 8X4	Stone grey			
	997 522 912 03 5S4	Sand Beige			
	997 522 912 03 8W3	Sea blue			
(1)	997 522 011 10	Back seat backrest	/L	1	I685/936
	997 522 011 10 9N2	Terracotta			
	997 522 011 10 9Q3	Cocoa			
	997 522 011 10 D11	Dark grey/natural			
	997 522 011 10 T11	Brown/natural			
(1)	997 522 011 10	Back seat backrest Until Chassis number See technical information GR.7 NR. 17/11 KD-NR. 70	/L	1	I685/936
	997 522 011 10 8YR	Black			
	997 522 011 10 5X5	Stone grey			
	997 522 011 10 8G1	Sand Beige			
	997 522 011 10 3S8	Sea blue			
	997 522 011 10 N11	Carrera Red			
	997 522 011 10 8C0	Espresso			
(1)	997 522 911 04	Back seat backrest From Chassis number See technical information	/L	1	I685/936

Model: 997-09 Model life 2009>>2012

Pos	Part Number	Description	Remark	Qty	Model
		GR.7 NR. 17/11 KD-NR. 70			
	997 522 911 04 8YR	Black			
	997 522 911 04 5X5	Stone grey			
	997 522 911 04 8G1	Sand Beige			
	997 522 911 04 3S8	Sea blue			
	997 522 911 04 N11	Carrera Red			
(1)	997 522 012 10	Back seat backrest	/R	1	I685/936
	997 522 012 10 9N2	Terracotta			
	997 522 012 10 9Q3	Cocoa			
	997 522 012 10 D11	Dark grey/natural			
	997 522 012 10 T11	Brown/natural			
	997 522 012 10 8C0	Espresso			
(1)	997 522 012 10	Back seat backrest	/R	1	I685/936
		Until Chassis number See technical information			
		GR.7 NR. 17/11 KD-NR. 70			
	997 522 012 10 8YR	Black			
	997 522 012 10 5X5	Stone grey			
	997 522 012 10 8G1	Sand Beige			
	997 522 012 10 3S8	Sea blue			
	997 522 012 10 N11	Carrera Red			
(1)	997 522 912 04	Back seat backrest	/R	1	I685/936
		From Chassis number See technical information			
		GR.7 NR. 17/11 KD-NR. 70			
	997 522 912 04 8YR	Black			
	997 522 912 04 5X5	Stone grey			
	997 522 912 04 8G1	Sand Beige			
	997 522 912 04 3S8	Sea blue			
	997 522 912 04 N11	Carrera Red			
(1)	997 522 011 11	Back seat backrest	/L	1	I685/939
	997 522 011 11 9N2	Terracotta			
	997 522 011 11 9Q3	Cocoa			
	997 522 011 11 D11	Dark grey/natural			
	997 522 011 11 T11	Brown/natural			
(1)	997 522 011 11	Back seat backrest	/L	1	I685/939
		Until Chassis number See technical information			
		GR.7 NR. 17/11 KD-NR. 70			
	997 522 011 11 8YR	Black			
	997 522 011 11 5X5	Stone grey			
	997 522 011 11 8G1	Sand Beige			
	997 522 011 11 3S8	Sea blue			
	997 522 011 11 N11	Carrera Red			
(1)	997 522 911 05	Back seat backrest	/L	1	I685/939
		From Chassis number See technical information			
		GR.7 NR. 17/11 KD-NR. 70			
	997 522 911 05 8YR	Black			
	997 522 911 05 5X5	Stone grey			
	997 522 911 05 8G1	Sand Beige			
	997 522 911 05 3S8	Sea blue			
	997 522 911 05 N11	Carrera Red			
(1)	997 522 012 11	Back seat backrest	/R	1	I685/939

Model: 997-09 Model life 2009>>2012

Pos	Part Number	Description	Remark	Qty	Model
(1)	997 522 012 11 9N2	Terracotta			
	997 522 012 11 9Q3	Cocoa			
	997 522 012 11 D11	Dark grey/natural			
	997 522 012 11 T11	Brown/natural			
	997 522 012 11	Back seat backrest Until Chassis number See technical information GR.7 NR. 17/11 KD-NR. 70	/R	1	I685/939
(1)	997 522 012 11 8YR	Black			
	997 522 012 11 5X5	Stone grey			
	997 522 012 11 8G1	Sand Beige			
	997 522 012 11 3S8	Sea blue			
	997 522 012 11 N11	Carrera Red			
(1)	997 522 912 05	Back seat backrest From Chassis number See technical information GR.7 NR. 17/11 KD-NR. 70	/R	1	I685/939
	997 522 912 05 8YR	Black			
	997 522 912 05 5X5	Stone grey			
	997 522 912 05 8G1	Sand Beige			
	997 522 912 05 3S8	Sea blue			
(1)	997 522 912 05 N11	Carrera Red			
	997 522 011 21	Back seat backrest Alcantara Until Chassis number See technical information GR.7 NR. 17/11 KD-NR. 70	/L 11-	1	I011/685/931
(1)	997 522 011 21 FLA	Black			
	997 522 911 07	Information available Back seat backrest Alcantara From Chassis number See technical information GR.7 NR. 17/11 KD-NR. 70	/L 11-	1	I011/685/931
(1)	997 522 911 07 FLA	Black			
	997 522 012 21	Back seat backrest Alcantara Until Chassis number See technical information GR.7 NR. 17/11 KD-NR. 70	/R 11-	1	I011/685/931
(1)	997 522 012 21 FLA	Black			
	997 522 912 07	Information available Back seat backrest Alcantara From Chassis number See technical information GR.7 NR. 17/11 KD-NR. 70	/R 11-	1	I011/685/931
(1)	997 522 912 07 FLA	Black			
	997 522 011 23	Back seat backrest Alcantara Until	/L 11-	1	I011/685/932

Model: 997-09 Model life 2009>>2012

Pos	Part Number	Description	Remark	Qty	Model
		Chassis number See technical information GR.7 NR. 17/11 KD-NR. 70			
	997 522 011 23 RAA	Black			
(1)	997 522 911 09	Information available Back seat backrest Alcantara From	/L 11-	1	I011/685/932
		Chassis number See technical information GR.7 NR. 17/11 KD-NR. 70			
	997 522 911 09 RAA	Black			
(1)	997 522 012 23	Back seat backrest Alcantara Until	/L 11-	1	I011/685/932
		Chassis number See technical information GR.7 NR. 17/11 KD-NR. 70			
	997 522 012 23 RAA	Black			
(1)	997 522 912 09	Information available Back seat backrest Alcantara From	/L 11-	1	I011/685/932
		Chassis number See technical information GR.7 NR. 17/11 KD-NR. 70			
	997 522 912 09 RAA	Black			
2	996 522 267 07	Bolt		2	I685
3	996 522 097 08	Locking device		2	I685
	996 522 097 08 01C	Rosette		2	I685
4	997 522 615 01	Satin black		1	I685
-	999 073 436 01	Bearing shaft		1	I685
		Combination screw		1	I685
5	996 522 571 00	Bearing shaft		1	I685
	996 522 571 00 01C	Protection washer		1	I685
6	996 522 431 02	Satin black		1	I685
	996 522 431 02 01C	Cover		1	I685
7	996 522 041 00	Satin black		1	I685
8	997 522 211 00	Bearing		2	I685
		Outer		2	I685
9	999 073 138 01	Round head screw M 8 X 25		2	I685
10	996 522 271 00	Bush		2	I685
11	997 522 321 00	Actuating lever	/L	1	I685
	997 522 321 00 01C	Satin black		1	I685
(11)	997 522 322 00	Actuating lever	/R	1	I685
	997 522 322 00 01C	Satin black		1	I685
12	996 522 315 00	Rosette	/L	1	I685
	996 522 315 00 01C	Satin black		1	I685
(12)	996 522 316 00	Rosette	/R	1	I685
	996 522 316 00 01C	Satin black		1	I685
13	996 522 653 00	Spring		2	I685
		Lock		2	I685
14	999 507 630 01	Clamp		2	I685
		Control button		2	I685
15	996 522 281 02	Lock	/L	1	I685
		Backrest		1	I685
(15)	996 522 282 02	Lock	/R	1	I685

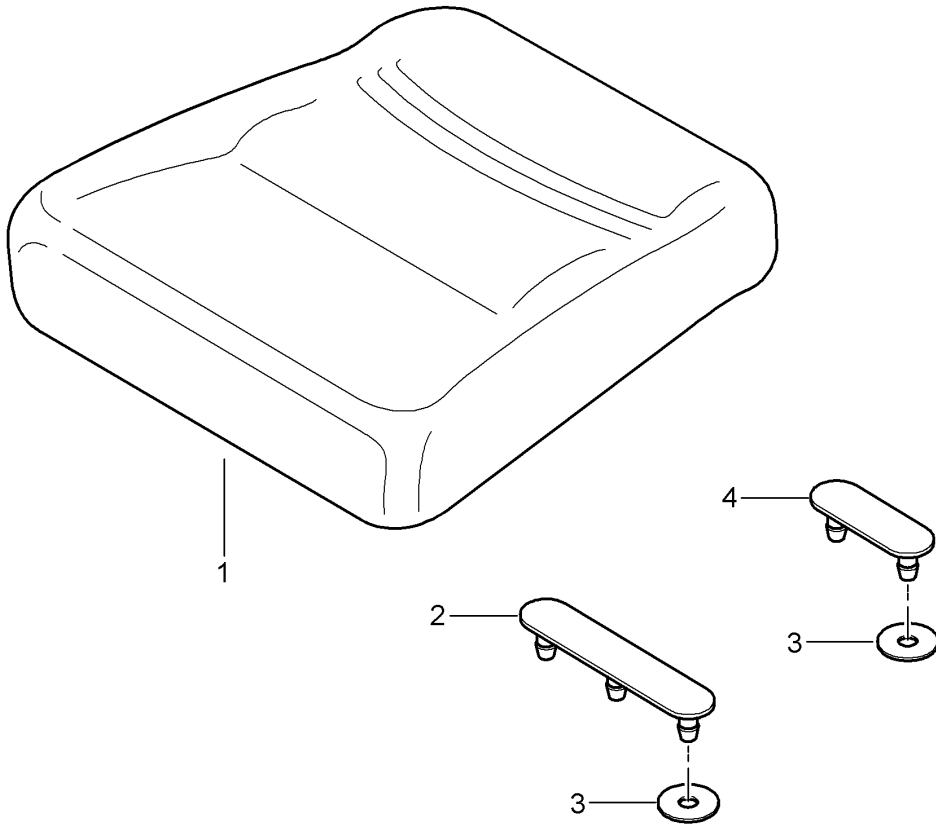
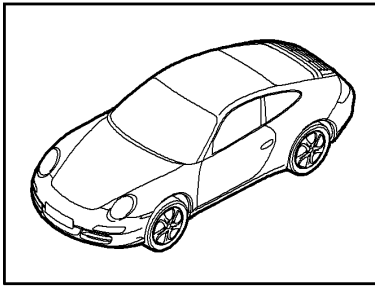
Model: 997-09

Model life 2009>>2012

Pos	Part Number	Description	Remark	Qty	Model
16	997 522 771 00	Backrest Trim cover	/L	1	I685
	997 522 771 00 01C	Satin black			
(16)	997 522 772 00	Trim cover	/R	1	I685
	997 522 772 00 01C	Satin black			
17	997 803 721 00	Support Child car seat Filler plate Back seat backrest		1	I335/479
18	999 073 049 02	Tapping screw ST 4,3 X 16		4	I685
19	900 269 028 03	Countersunk-head screw M 8 X 30		4	I685
20	900 145 041 07	Tapping screw B 3,5 X 16		4	I685
21	900 067 358 09	Combination screw M 5 X 16		1	I685

Model: 997-09

Model life 2009>>2012

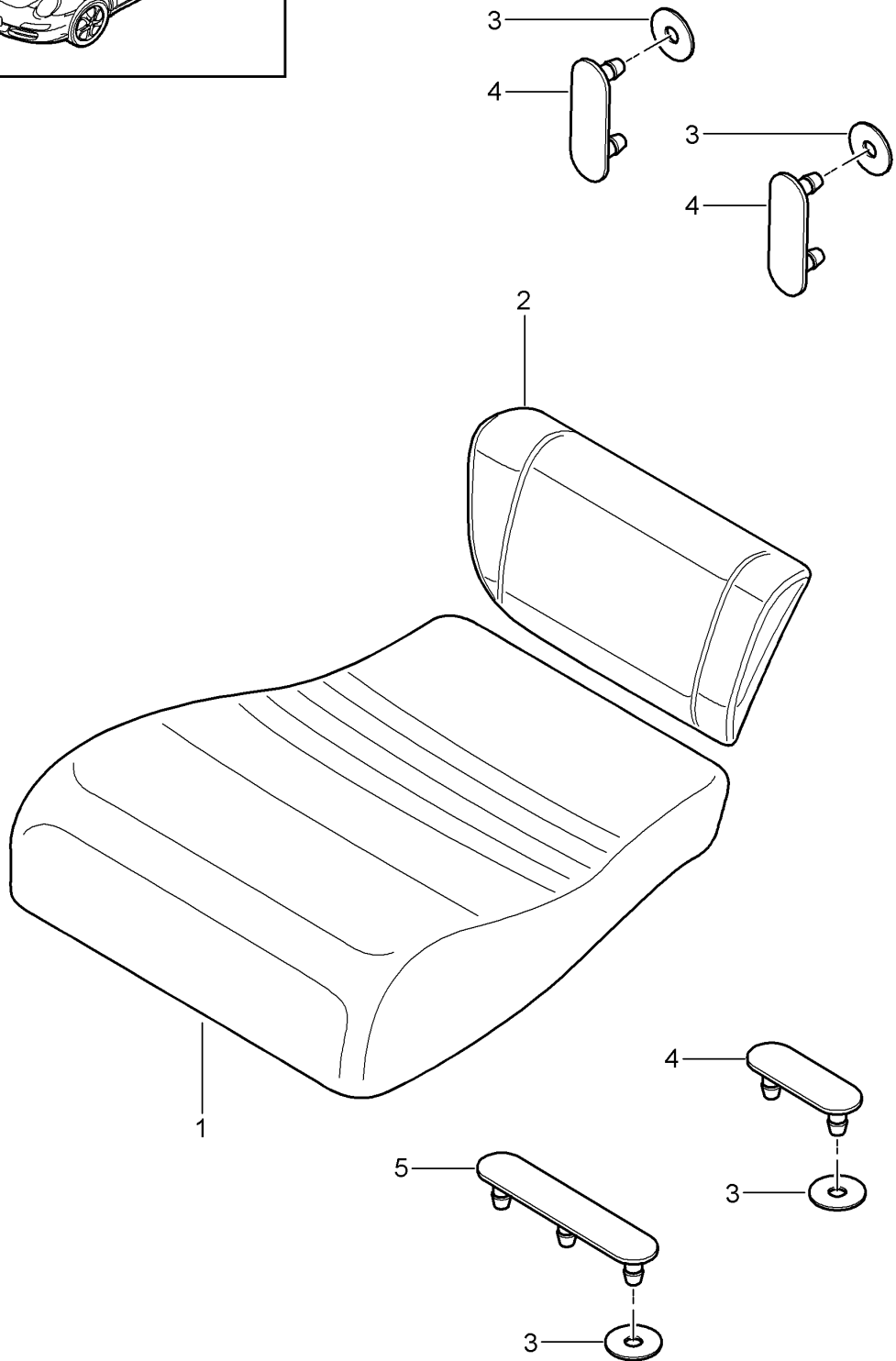
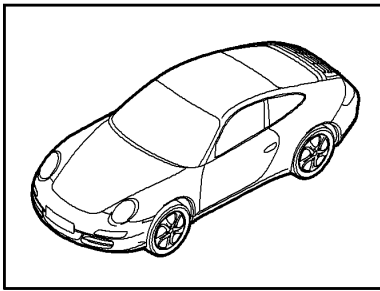


Model: 997-09 Model life 2009>>2012

Pos	Part Number	Description	Remark	Qty	Model
1	997 522 051 00	Back seat cushion	09-		
	997 522 051 00 5Q2	Black	/L	1	I685/937
	997 522 051 00 8X4	Stone grey			
	997 522 051 00 5S4	Sand Beige			
	997 522 051 00 8W3	Sea blue			
(1)	997 522 052 00	Back seat cushion	/R	1	I685/937
	997 522 052 00 5Q2	Black			
	997 522 052 00 8X4	Stone grey			
	997 522 052 00 5S4	Sand Beige			
	997 522 052 00 8W3	Sea blue			
(1)	997 522 051 01	Back seat cushion	/L	1	I685/936
	997 522 051 01 8YR	Black			
	997 522 051 01 5X5	Stone grey			
	997 522 051 01 8G1	Sand Beige			
	997 522 051 01 3S8	Sea blue			
	997 522 051 01 9N2	Terracotta			
	997 522 051 01 9Q3	Cocoa			
	997 522 051 01 D11	Dark grey/natural			
	997 522 051 01 T11	Brown/natural			
	997 522 051 01 N11	Carrera Red			
(1)	997 522 052 01	Back seat cushion	/R	1	I685/936
	997 522 052 01 8YR	Black			
	997 522 052 01 5X5	Stone grey			
	997 522 052 01 8G1	Sand Beige			
	997 522 052 01 3S8	Sea blue			
	997 522 052 01 9N2	Terracotta			
	997 522 052 01 9Q3	Cocoa			
	997 522 052 01 D11	Dark grey/natural			
	997 522 052 01 T11	Brown/natural			
	997 522 052 01 N11	Carrera Red			
(1)	997 522 051 02	Back seat cushion	/L	1	I685/939
	997 522 051 02 8YR	Black			
	997 522 051 02 5X5	Stone grey			
	997 522 051 02 8G1	Sand Beige			
	997 522 051 02 3S8	Sea blue			
	997 522 051 02 9N2	Terracotta			
	997 522 051 02 9Q3	Cocoa			
	997 522 051 02 D11	Dark grey/natural			
	997 522 051 02 T11	Brown/natural			
	997 522 051 02 N11	Carrera Red			
(1)	997 522 052 02	Back seat cushion	/R	1	I685/939
	997 522 052 02 8YR	Black			
	997 522 052 02 5X5	Stone grey			
	997 522 052 02 8G1	Sand Beige			
	997 522 052 02 3S8	Sea blue			
	997 522 052 02 9N2	Terracotta			
	997 522 052 02 9Q3	Cocoa			
	997 522 052 02 D11	Dark grey/natural			
	997 522 052 02 T11	Brown/natural			
	997 522 052 02 N11	Carrera Red			
(1)	997 522 051 12	Back seat cushion	/L 10-	1	IXXL/685/756
	997 522 051 12 VAM	Espresso			
(1)	997 522 052 12	Back seat cushion	/R 10-	1	IXXL/685/756
	997 522 052 12 VAM	Espresso			
2	997 551 893 01	Clip Triple		X	I685
(3)	997 551 897 01	Lock washer		X	I685
4	997 551 895 01	Clip Double		X	I685

Model: 997-09

Model life 2009>>2012



Model: 997-09 Model life 2009>>2012

Pos	Part Number	Description	Remark	Qty	Model
		Back seat cushion	09-		CARRERA CABRIO
(1)	997 522 051 09	Back seat cushion	/L	1	I685/937
	997 522 051 09 5Q2	Black			
	997 522 051 09 8X4	Stone grey			
	997 522 051 09 5S4	Sand Beige			
	997 522 051 09 8W3	Sea blue			
(1)	997 522 052 09	Back seat cushion	/R	1	I685/937
	997 522 052 09 5Q2	Black			
	997 522 052 09 8X4	Stone grey			
	997 522 052 09 5S4	Sand Beige			
	997 522 052 09 8W3	Sea blue			
(1)	997 522 051 10	Back seat cushion	/L	1	I685/936
	997 522 051 10 8YR	Black			
	997 522 051 10 5X5	Stone grey			
	997 522 051 10 8G1	Sand Beige			
	997 522 051 10 3S8	Sea blue			
	997 522 051 10 9N2	Terracotta			
	997 522 051 10 9Q3	Cocoa			
	997 522 051 10 D11	Dark grey/natural			
	997 522 051 10 T11	Brown/natural			
	997 522 051 10 N11	Carrera Red			
	997 522 051 10 8C0	Espresso			
(1)	997 522 052 10	Back seat cushion	/R	1	I685/936
	997 522 052 10 8YR	Black			
	997 522 052 10 5X5	Stone grey			
	997 522 052 10 8G1	Sand Beige			
	997 522 052 10 3S8	Sea blue			
	997 522 052 10 9N2	Terracotta			
	997 522 052 10 9Q3	Cocoa			
	997 522 052 10 D11	Dark grey/natural			
	997 522 052 10 T11	Brown/natural			
	997 522 052 10 N11	Carrera Red			
	997 522 052 10 8C0	Espresso			
(1)	997 522 051 11	Back seat cushion	/L	1	I685/939
	997 522 051 11 8YR	Black			
	997 522 051 11 5X5	Stone grey			
	997 522 051 11 8G1	Sand Beige			
	997 522 051 11 3S8	Sea blue			
	997 522 051 11 9N2	Terracotta			
	997 522 051 11 9Q3	Cocoa			
	997 522 051 11 D11	Dark grey/natural			
	997 522 051 11 T11	Brown/natural			
	997 522 051 11 N11	Carrera Red			
(1)	997 522 052 11	Back seat cushion	/R	1	I685/939
	997 522 052 11 8YR	Black			
	997 522 052 11 5X5	Stone grey			
	997 522 052 11 8G1	Sand Beige			
	997 522 052 11 3S8	Sea blue			
	997 522 052 11 9N2	Terracotta			
	997 522 052 11 9Q3	Cocoa			
	997 522 052 11 D11	Dark grey/natural			
	997 522 052 11 T11	Brown/natural			
	997 522 052 11 N11	Carrera Red			
(1)	997 522 051 16	Back seat cushion	/L	1	I685/931/937
	997 522 051 16 5Q2	Black			
	997 522 051 16 8X4	Stone grey			
	997 522 051 16 5S4	Sand Beige			
	997 522 051 16 8W3	Sea blue			
(1)	997 522 052 16	Back seat cushion	/R	1	I685/931/937
	997 522 052 16 5Q2	Black			
	997 522 052 16 8X4	Stone grey			
	997 522 052 16 5S4	Sand Beige			

Model: 997-09 Model life 2009>>2012

Pos	Part Number	Description	Remark	Qty	Model
(1)	997 522 052 16 8W3	Sea blue			
	997 522 051 17	Back seat cushion	/L	1	I685/932/936
	997 522 051 17 5X5	Stone grey			
	997 522 051 17 8G1	Sand Beige			
	997 522 051 17 3S8	Sea blue			
	997 522 051 17 8YR	Black			
(1)	997 522 051 17 N11	Carrera Red			
	997 522 051 17 8C0	Espresso			
	997 522 052 17	Back seat cushion	/R	1	I685/932/936
	997 522 052 17 5X5	Stone grey			
	997 522 052 17 8G1	Sand Beige			
	997 522 052 17 3S8	Sea blue			
(1)	997 522 052 17 8YR	Black			
	997 522 052 17 N11	Carrera Red			
	997 522 052 17 8C0	Espresso			
	997 522 051 18	Back seat cushion	/L	1	I685/939
	997 522 051 18 8YR	Black			
	997 522 051 18 5X5	Stone grey			
(1)	997 522 051 18 8G1	Sand Beige			
	997 522 051 18 3S8	Sea blue			
	997 522 051 18 N11	Carrera Red			
	997 522 051 18 8C0	Espresso			
	997 522 052 18	Back seat cushion	/R	1	I685/939
	997 522 052 18 8YR	Black			
(1)	997 522 052 18 5X5	Stone grey			
	997 522 052 18 8G1	Sand Beige			
	997 522 052 18 3S8	Sea blue			
	997 522 052 18 N11	Carrera Red			
	997 522 052 18 8C0	Espresso			
	2	997 522 235 00	Centre part	/L	1
(2)		Back seat backrest			
	997 522 235 00 5Q2	Black			
	997 522 235 00 8X4	Stone grey			
	997 522 235 00 5S4	Sand Beige			
	997 522 235 00 8W3	Sea blue			
	997 522 236 00	Centre part	/R	1	I685/937
(2)		Back seat backrest			
	997 522 236 00 5Q2	Black			
	997 522 236 00 8X4	Stone grey			
	997 522 236 00 5S4	Sand Beige			
	997 522 236 00 8W3	Sea blue			
	997 522 235 01	Centre part	/L	1	I685/936
(2)		Back seat backrest			
	997 522 235 01 8YR	Black			
	997 522 235 01 5X5	Stone grey			
	997 522 235 01 8G1	Sand Beige			
	997 522 235 01 3S8	Sea blue			
	997 522 235 01 9N2	Terracotta			
	997 522 235 01 9Q3	Cocoa			
	997 522 235 01 D11	Dark grey/natural			
	997 522 235 01 T11	Brown/natural			
	997 522 235 01 N11	Carrera Red			
	997 522 235 01 8C0	Espresso			
	997 522 236 01	Centre part	/R	1	I685/936
		Back seat backrest			
	997 522 236 01 8YR	Black			
	997 522 236 01 5X5	Stone grey			
997 522 236 01 8G1	Sand Beige				
997 522 236 01 3S8	Sea blue				
997 522 236 01 9N2	Terracotta				
997 522 236 01 9Q3	Cocoa				
997 522 236 01 D11	Dark grey/natural				
997 522 236 01 T11	Brown/natural				

Model: 997-09 Model life 2009>>2012

Pos	Part Number	Description	Remark	Qty	Model				
(2)	997 522 236 01 N11	Carrera Red	/L	1	I685/939				
	997 522 236 01 8C0	Espresso							
	997 522 235 02	Centre part							
		Back seat backrest							
	997 522 235 02 8YR	Black							
	997 522 235 02 5X5	Stone grey							
	997 522 235 02 8G1	Sand Beige							
	997 522 235 02 3S8	Sea blue							
	997 522 235 02 9N2	Terracotta							
	997 522 235 02 9Q3	Cocoa							
997 522 235 02 D11	Dark grey/natural								
997 522 235 02 T11	Brown/natural								
(2)	997 522 235 02 N11	Carrera Red	/R	1	I685/939				
	997 522 236 02	Centre part							
		Back seat backrest							
	997 522 236 02 8YR	Black							
	997 522 236 02 5X5	Stone grey							
	997 522 236 02 8G1	Sand Beige							
	997 522 236 02 3S8	Sea blue							
	997 522 236 02 9N2	Terracotta							
	997 522 236 02 9Q3	Cocoa							
	997 522 236 02 D11	Dark grey/natural							
997 522 236 02 T11	Brown/natural								
(2)	997 522 236 02 N11	Carrera Red	/L	1	I685/931/937				
	997 522 235 03	Centre part							
		Back seat backrest							
	997 522 235 03 5Q2	Black							
	997 522 235 03 8X4	Stone grey							
	997 522 235 03 5S4	Sand Beige							
	997 522 235 03 8W3	Sea blue							
	(2)	997 522 236 03				Centre part	/R	1	I685/931/937
						Back seat backrest			
		997 522 236 03 5Q2				Black			
997 522 236 03 8X4		Stone grey							
997 522 236 03 5S4		Sand Beige							
997 522 236 03 8W3		Sea blue							
(2)		997 522 235 04	Centre part	/L	1	I685/932/936			
			Back seat backrest						
		997 522 235 04 8YR	Black						
		997 522 235 04 5X5	Stone grey						
	997 522 235 04 8G1	Sand Beige							
	997 522 235 04 3S8	Sea blue							
	997 522 235 04 N11	Carrera Red							
	997 522 235 04 8C0	Espresso							
	(2)	997 522 236 04	Centre part				/R	1	I685/932/936
			Back seat backrest						
997 522 236 04 8YR		Black							
997 522 236 04 5X5		Stone grey							
997 522 236 04 8G1		Sand Beige							
997 522 236 04 3S8		Sea blue							
997 522 236 04 N11		Carrera Red							
997 522 236 04 8C0		Espresso							
(2)		997 522 235 05	Centre part	/L	1	I685/939			
			Back seat backrest						
	997 522 235 05 8YR	Black							
	997 522 235 05 5X5	Stone grey							
	997 522 235 05 8G1	Sand Beige							
	997 522 235 05 3S8	Sea blue							
	997 522 235 05 N11	Carrera Red							
	997 522 235 05 8C0	Espresso							
	(2)	997 522 236 05	Centre part				/R	1	I685/939
			Back seat backrest						
997 522 236 05 8YR		Black							

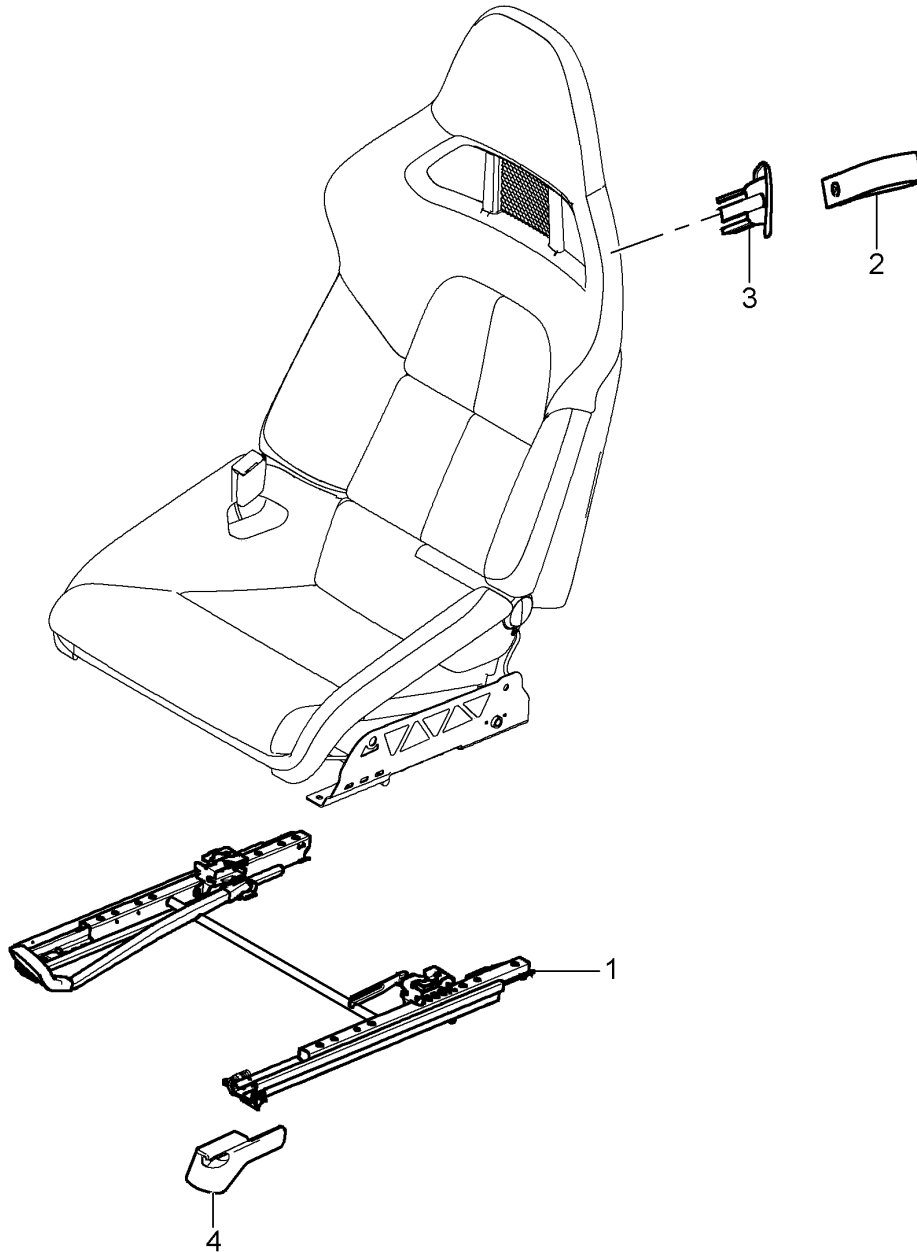
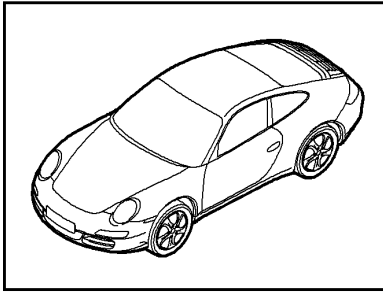
Model: 997-09

Model life 2009>>2012

Pos	Part Number	Description	Remark	Qty	Model
	997 522 236 05 5X5	Stone grey			
	997 522 236 05 8G1	Sand Beige			
	997 522 236 05 3S8	Sea blue			
	997 522 236 05 N11	Carrera Red			
	997 522 236 05 8C0	Espresso			
3	997 551 897 01	Lock washer		X	I685
4	997 551 895 01	Clip		X	
		Double			
5	997 551 893 01	Clip		X	I685
		Triple			

Model: 997-09

Model life 2009>>2012

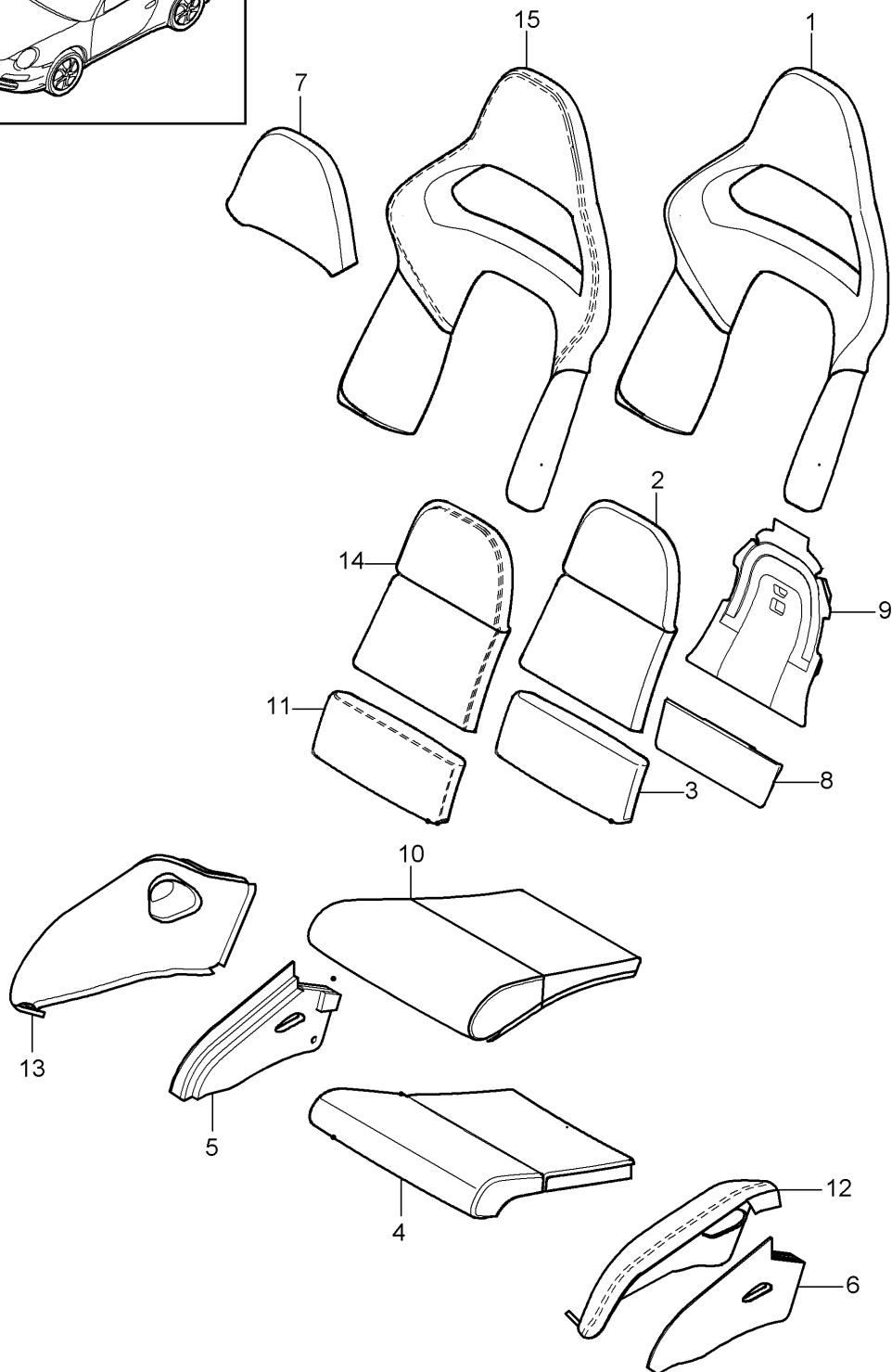
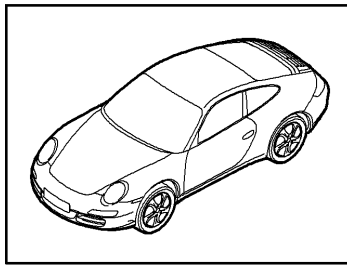


Model: 997-09 Model life 2009>>2012

Pos	Part Number	Description	Remark	Qty	Model
1	997 521 429 01	Bucket seat Collapsible Complete Not available Set	/LL /L	1	I098/388
(1)	997 521 430 01	Seat rail Driver's side Set	/LL /R	1	I098/389
(1)	997 521 429 02	Seat rail Passenger's side Set	/RL /L	1	I099/388
(1)	997 521 430 02	Seat rail Passenger's side Set	/RL /R	1	I099/389
2	997 521 539 00	Seat rail Driver's side Traction noose Backrest frame	/L	1	I388
(2)	997 521 539 00 A80	Black			
(2)	997 521 540 00	Traction noose Backrest frame	/R	1	I389
3	997 521 540 00 A80	Black			
(3)	997 521 538 00	Rosette Traction noose Backrest frame	/R	1	I389
(3)	997 521 538 00 01C	Satin black			
(3)	997 521 537 00	Rosette Traction noose Backrest frame	/L	1	I388
	997 521 537 00 01C	Satin black			

Model: 997-09

Model life 2009>>2012



Model: 997-09 Model life 2009>>2012

Pos	Part Number	Description	Remark	Qty	Model
1	997 521 447 00	Foam part Cover Seat and backrest surface Bucket seat Collapsible		2	I388/389
2	997 521 448 00	Foam part Backrest Outer part		2	I388/389
3	997 521 441 00	Foam part Centre part Seat cushion		2	I388/389
4	997 521 440 00	Rear Foam part Seat cushion		2	I388/389
5	997 521 443 00	Front Foam part Seat cushion	/L	1	I388
(5)	997 521 444 00	Lateral Outer Left Foam part Seat cushion		1	I388
6	997 521 446 00	Lateral Inner Left Foam part Seat cushion	/R	1	I389
(6)	997 521 445 00	Lateral Outer Right Foam part Seat cushion	/R	1	I389
7	997 521 458 00	Lateral Inner Right Foam part Head rest		2	I388/389
8	997 521 456 00	Foam part Seat cushion		1	I388/389
9	997 521 457 00	Rear Foam part Backrest		1	I388/389
10	997 521 380 00	Cover for cushion Front		1	I388/389/983
	997 521 380 00 8YR	Black			
	997 521 380 00 5X5	Stone grey			
	997 521 380 00 8G1	Sand Beige			
	997 521 380 00 3S8	Sea blue			
	997 521 380 00 9N2	Terracotta			
	997 521 380 00 9Q3	Cocoa			
	997 521 380 00 D11	Dark grey/natural			
	997 521 380 00 T11	Brown/natural			
	997 521 380 00 N11	Carrera Red			
11	997 521 381 00	Cover for cushion Rear		1	I388/389/983
	997 521 381 00 8YR	Black			
	997 521 381 00 5X5	Stone grey			
	997 521 381 00 8G1	Sand Beige			
	997 521 381 00 3S8	Sea blue			
	997 521 381 00 9N2	Terracotta			
	997 521 381 00 9Q3	Cocoa			

Model: 997-09 Model life 2009>>2012

Pos	Part Number	Description	Remark	Qty	Model
12	997 521 381 00 D11	Dark grey/natural			
	997 521 381 00 T11	Brown/natural			
	997 521 381 00 N11	Carrera Red			
	997 521 383 00	Cover	/L	1	I388/983
		Lateral			
		Outer			
	997 521 383 00 8YR	Black			
	997 521 383 00 5X5	Stone grey			
	997 521 383 00 8G1	Sand Beige			
	997 521 383 00 3S8	Sea blue			
13	997 521 383 00 9N2	Terracotta			
	997 521 383 00 9Q3	Cocoa			
	997 521 383 00 D11	Dark grey/natural			
	997 521 383 00 T11	Brown/natural			
	997 521 383 00 N11	Carrera Red			
	997 521 384 00	Cover	/L	1	I388/983
		Lateral			
		Inner			
	997 521 384 00 8YR	Black			
	997 521 384 00 5X5	Stone grey			
(13)	997 521 384 00 8G1	Sand Beige			
	997 521 384 00 3S8	Sea blue			
	997 521 384 00 9N2	Terracotta			
	997 521 384 00 9Q3	Cocoa			
	997 521 384 00 D11	Dark grey/natural			
	997 521 384 00 T11	Brown/natural			
	997 521 384 00 N11	Carrera Red			
	997 521 386 00	Cover	/R	1	I389/983
		Lateral			
		Outer			
(13)	997 521 386 00 8YR	Black			
	997 521 386 00 5X5	Stone grey			
	997 521 386 00 8G1	Sand Beige			
	997 521 386 00 3S8	Sea blue			
	997 521 386 00 9N2	Terracotta			
	997 521 386 00 9Q3	Cocoa			
	997 521 386 00 D11	Dark grey/natural			
	997 521 386 00 T11	Brown/natural			
	997 521 386 00 N11	Carrera Red			
	997 521 385 00	Cover	/R	1	I389/983
14		Lateral			
		Inner			
	997 521 385 00 8YR	Black			
	997 521 385 00 5X5	Stone grey			
	997 521 385 00 8G1	Sand Beige			
	997 521 385 00 3S8	Sea blue			
	997 521 385 00 9N2	Terracotta			
	997 521 385 00 9Q3	Cocoa			
	997 521 385 00 D11	Dark grey/natural			
	997 521 385 00 T11	Brown/natural			
14	997 521 385 00 N11	Carrera Red			
	997 521 387 00	Cover		1	I388/389/983
		Centre part			
		Backrest			
	997 521 387 00 8YR	Black			
	997 521 387 00 5X5	Stone grey			
	997 521 387 00 8G1	Sand Beige			
	997 521 387 00 3S8	Sea blue			
	997 521 387 00 9N2	Terracotta			
	997 521 387 00 9Q3	Cocoa			
997 521 387 00 D11	Dark grey/natural				
997 521 387 00 T11	Brown/natural				
997 521 387 00 N11	Carrera Red				

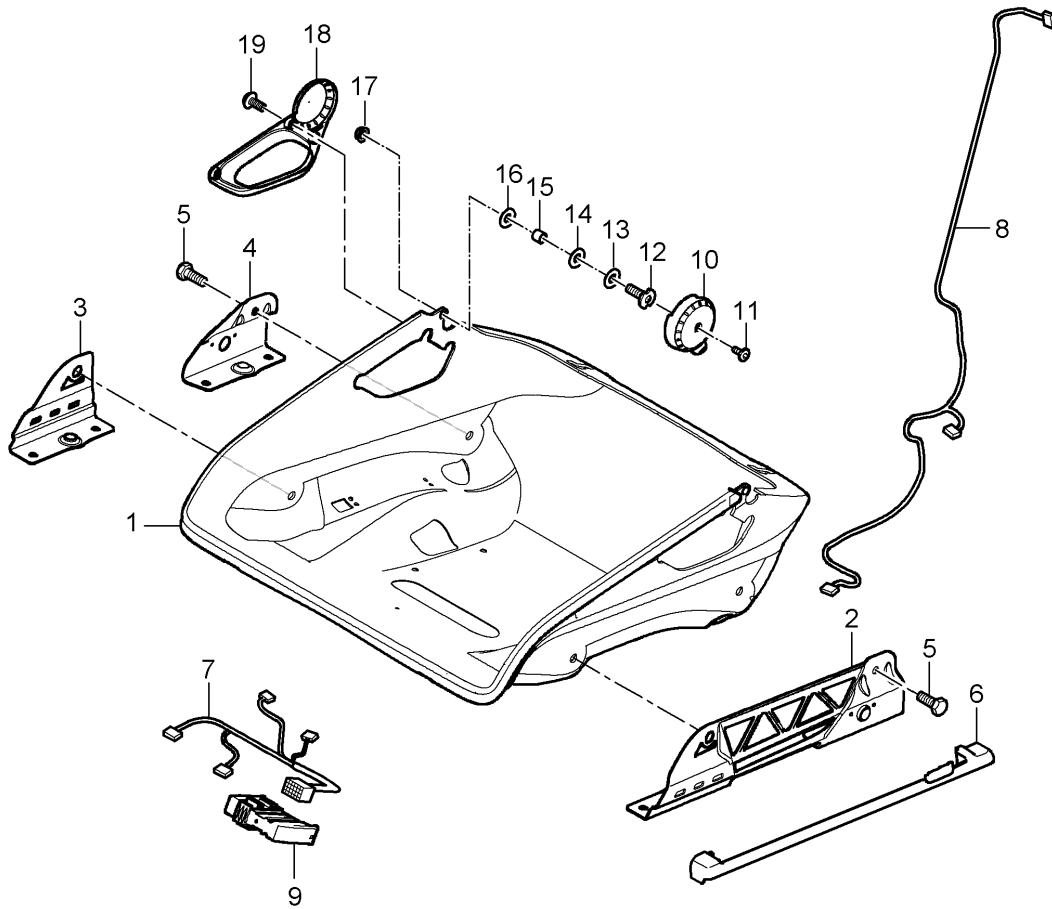
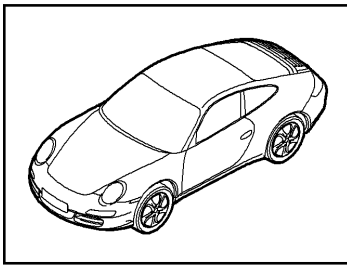
Model: 997-09

Model life 2009>>2012

Pos	Part Number	Description	Remark	Qty	Model
15	997 521 388 00	Cover		1	I388/389/951 I983
		Backrest			
		Outer			
	997 521 388 00 8YR	Black			
	997 521 388 00 5X5	Stone grey			
	997 521 388 00 8G1	Sand Beige			
	997 521 388 00 3S8	Sea blue			
	997 521 388 00 9N2	Terracotta			
	997 521 388 00 9Q3	Cocoa			
	997 521 388 00 D11	Dark grey/natural			
	997 521 388 00 T11	Brown/natural			
	997 521 388 00 N11	Carrera Red			
	997 521 388 00 P12	Palmgreen	10-		

Model: 997-09

Model life 2009>>2012



Model: 997-09 Model life 2009>>2012

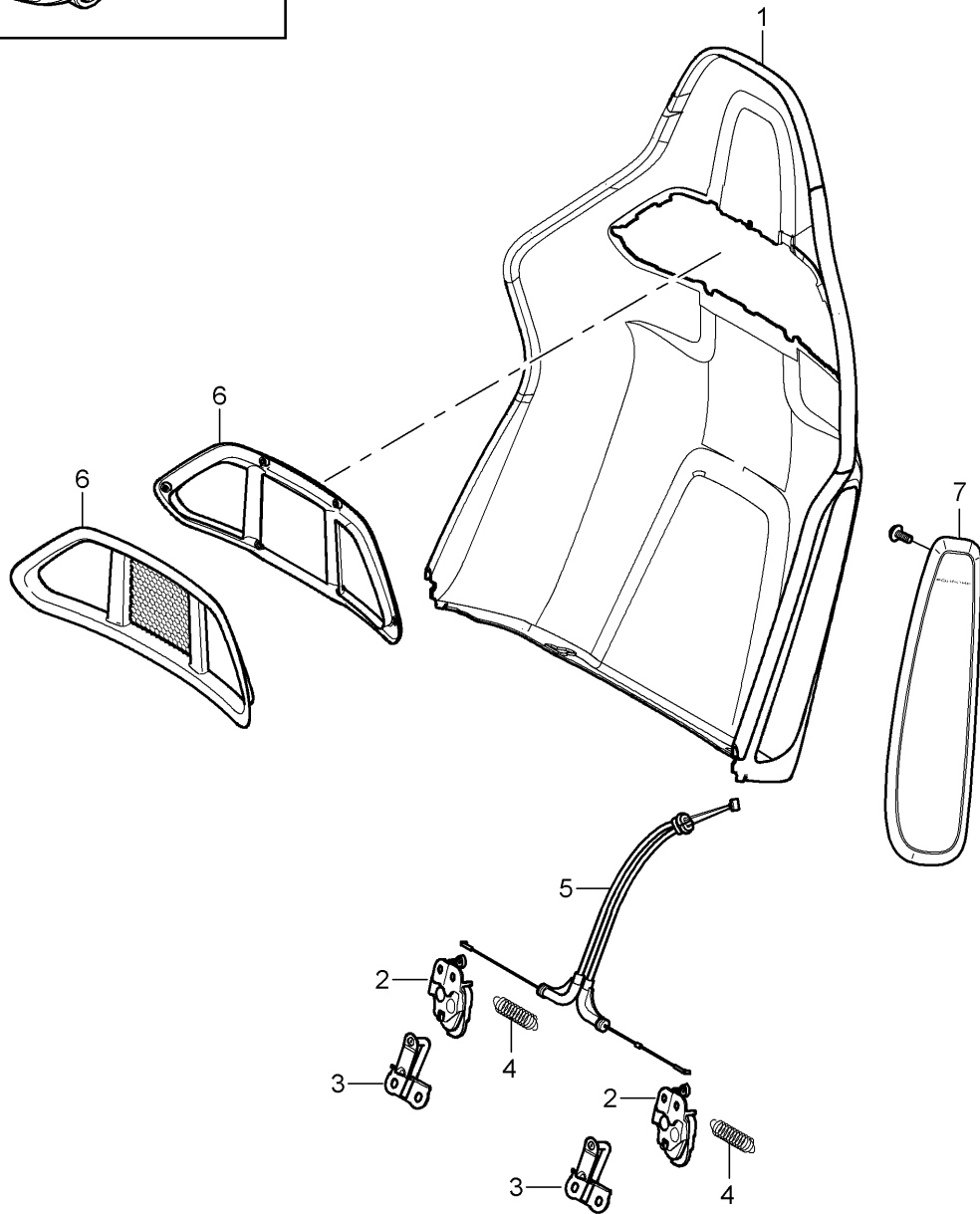
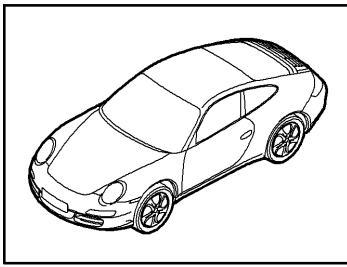
Pos	Part Number	Description	Remark	Qty	Model
1	997 521 281 00	Bucket seat Collapsible Seat adjuster Accessories Cup Seat adjuster without Seat occupancy detection	09-	2	I388/389
2	997 521 433 00	Adapter Seat adjuster Outer Left		1	I388
(2)	997 521 434 00	Adapter Seat adjuster Outer Right		1	I389
(2)		Adapter Seat adjuster Outer Right		1	I389
3	997 521 436 00	Adapter Seat adjuster Inner front Right		1	I388
(3)	997 521 435 00	Adapter Seat adjuster Inner front Left without Seat occupancy detection		1	I389
4	997 521 438 00	Adapter Seat adjuster Inner rear Right		1	I388
(4)	997 521 437 00	Adapter Seat adjuster Inner rear Left without Seat occupancy detection		1	I389
5	999 217 168 01	Hexagon-head bolt M 8 X 16 Mount Seat rail		4	
6	997 521 427 03	Bucket seat Cover Sensor Seat occupancy detection	/L	1	I389/560
(6)	997 521 427 03 01C 997 521 426 03	Satin black Cover Sensor Seat occupancy detection	/R	1	I389/560
7	997 521 426 03 01C 997 612 688 10	Satin black Wiring harness Seat occupancy detection		1	I389/560
8	997 612 785 10	Wiring harness Side airbag		1	I388/389
10	997 521 563 00	Cover Hinge Inner	/L	1	
(10)	997 521 563 00 01C 997 521 564 00	Satin black Cover Hinge	/R	1	

Model: 997-09 Model life 2009>>2012

Pos	Part Number	Description	Remark	Qty	Model
11	997 521 564 00 01C 999 073 456 01	Inner Satin black Round head screw M4 X 12 Mount Cover		2	
12	997 521 690 00	Inner Bearing pin Backrest shell Cup Lower		2	
13	999 523 019 01	Cup spring A25		2	
14	999 234 034 00	Shim 12 X 18 X 0,2		2	
15	999 924 136 40	Plain bearing F12 X 5 X 14		2	
16	999 025 122 40	Thrust washer 20 X 12 X 0,5		2	
17	900 380 024 01	Outer hexagon round nut M8		2	
18	997 521 561 00	Cover Seat belt Lower	/L	1	
(18)	997 521 561 00 01C 997 521 562 00	Satin black Cover Seat belt Lower	/R	1	
19	997 521 562 00 01C 999 141 049 01	Satin black Lens-head screw M5 X 10 Mount Cover		3	

Model: 997-09

Model life 2009>>2012

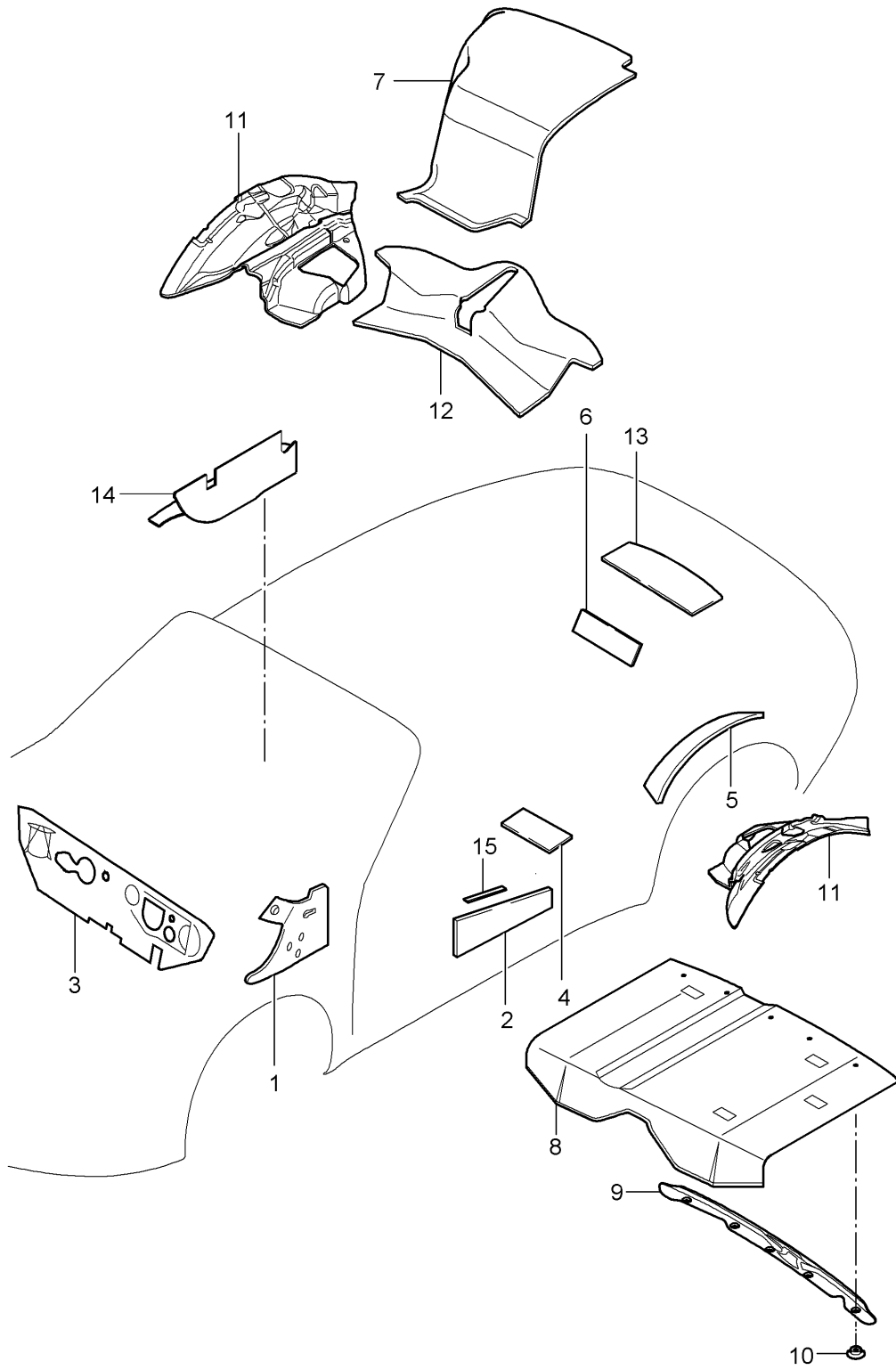


Model: 997-09 Model life 2009>>2012

Pos	Part Number	Description	Remark	Qty	Model
		Backrest shell Bucket seat Collapsible Accessories	09-		
1	997 521 271 00	Backrest shell Bucket seat Collapsible	/L	1	I388
(1)	997 521 272 00	Backrest shell Bucket seat Collapsible	/R	1	I389
2	997 521 651 00	Lock Backrest	/L	1	I388/389
(2)	997 521 652 00	Lock Backrest	/R	1	I388/389
3	997 521 660 00	Closing element Lock		2	I388/389
4	997 521 650 00	Backrest shell Tension spring Lock		2	I388/389
5	997 521 640 01	Backrest Bowden cable Release		1	I388/389
6	997 521 330 00	Backrest Cover Seat belt Front		1	I388/389
(6)	997 521 330 00 01C	Satin black			
	997 521 531 00	Cover Seat belt Rear		1	I388/389
7	997 521 531 00 01C	Satin black			
	997 803 081 01	Side airbag Front seat		1	I388
(7)	997 803 081 01 A03	Black			
	997 803 082 01	Side airbag Front seat		1	I389
	997 803 082 01 A03	Black			

Model: 997-09

Model life 2009>>2012



Model: 997-09 Model life 2009>>2012

Pos	Part Number	Description	Remark	Qty	Model
1	997 556 605 00	Body Sound proofing 1 Sound absorber	/L	1	COUPE/TARGA
(1)	997 556 606 00	Wheel housing Front Sound absorber	/R	1	
2	997 537 551 00	Wheel housing Front Insulation		2	
3	997 556 723 00	Door Sound absorber	/LL	1	I098
(3)	997 556 724 00	Firewall Sound absorber	/RL	1	I099
4	997 556 503 00	Firewall Insulation		2	
5	997 556 655 00	Floor Sound absorber	/L	1	
(5)	997 556 656 00	Side trim panel Sound absorber	/R	1	
6	997 556 523 00	Side trim panel Insulation		2	
7	997 556 507 00	Tray Insulation	/L	1	
(7)	997 556 508 00	Wheel housing Rear Insulation	/R	1	
8	997 556 511 00	Wheel housing Rear Insulation		1	
9	997 556 521 00	Rear wall Lower Insulation		1	
10	997 556 711 03	Rear wall Upper Sound absorber		1	
11	996 556 761 01	Engine compartment Retaining strip		1	
12	999 049 020 40	Engine compartment Plastic nut		5	
13	997 556 647 00	T5/30 X 5,1 Sound absorber		1	I652
14	997 556 657 00	Roof Sound absorber	/L	1	
(14)	997 556 658 00	Wheel-housing liner Rear Sound absorber	/R	1	
15	997 556 571 02	Wheel-housing liner Rear Sound absorber		2	
16	996 556 753 01	Side trim panel Seal	/L	1	
(16)	996 556 754 01	Side section Upper Seal	/R	1	
17	997 556 811 01	Side section Upper Filler piece	/L	1	
(17)	997 556 812 01	Wheel housing Filler piece	/R	1	
18	997 556 807 00	Wheel housing Sound absorber 40,0 End plate		2	

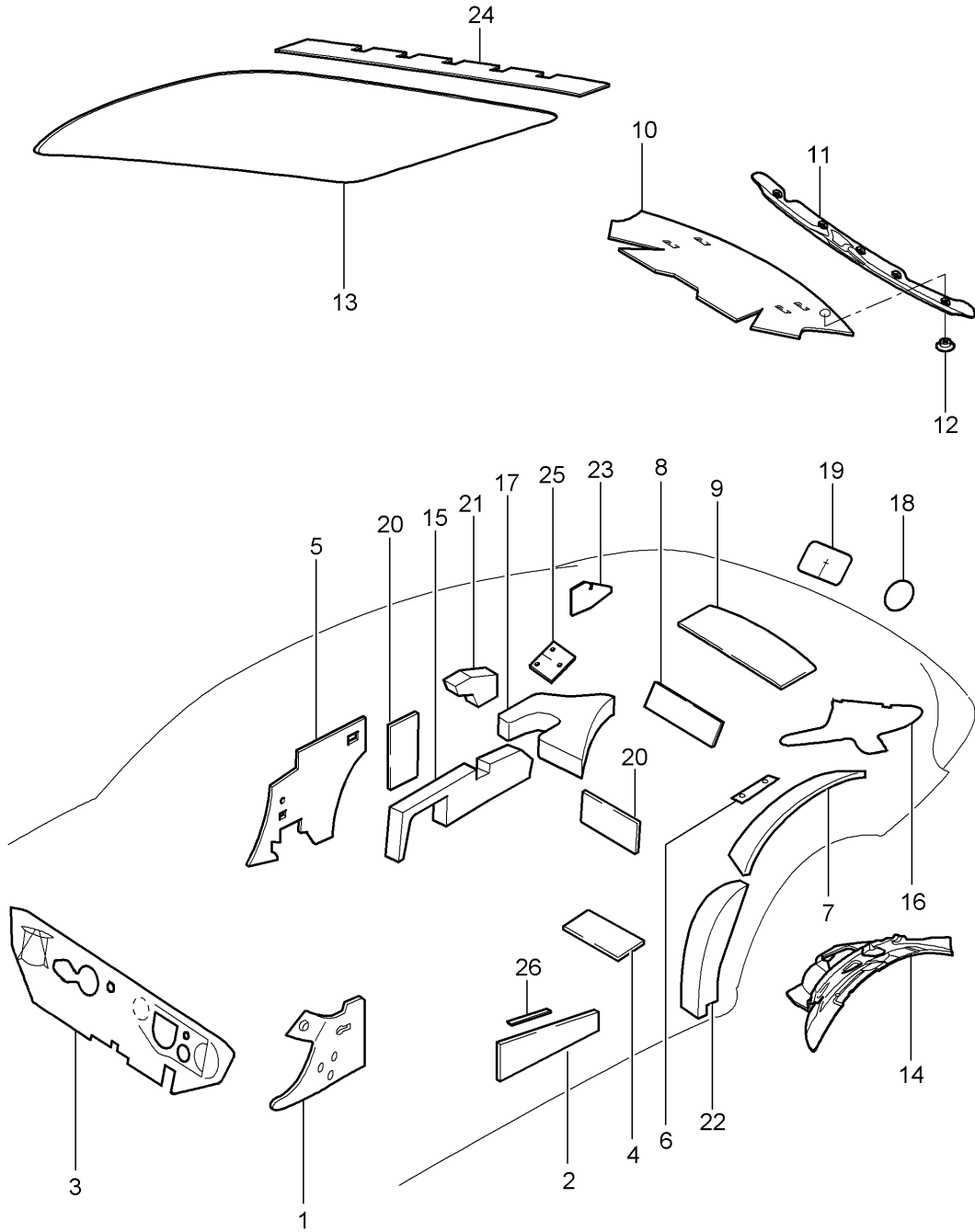
Model: 997-09

Model life 2009>>2012

Pos	Part Number	Description	Remark	Qty	Model
19	997 556 805 00	Rear end Sound absorber 120 X 90 End plate		1	
20	997 556 801 00	Rear end Sound absorber Seat well		4	
21	997 556 803 00	Filler piece Seat well		2	
22	997 556 513 02	Sound absorber B-pillar		2	
23	997 556 619 00	Sound absorber Air guide	/L	1	
(23)	997 556 620 00	Sound absorber Air guide	/R	1	
24	997 556 603 00	Sound absorber Tensioner Rear		1	
25	997 556 613 00	Sound absorber Mounting Spring strut	/L	1	
(25)	997 556 614 00	Sound absorber Mounting Spring strut	/R	1	
26	997 537 553 00	Insulation Reinforcement Door		4	
27	999 049 027 40	Plastic nut 30 X 1,8		2	

Model: 997-09

Model life 2009>>2012



Model: 997-09 Model life 2009>>2012

Pos	Part Number	Description	Remark	Qty	Model
1	997 556 605 00	Body Sound proofing 1 Sound absorber	/L	1	
(1)	997 556 606 00	Wheel housing Front Sound absorber	/R	1	
2	997 556 531 01	Wheel housing Front Insulation		1	
3	997 556 723 00	Door Sound absorber	/LL	1	I098
(3)	997 556 724 00	Firewall Sound absorber	/RL	1	I099
4	997 556 503 00	Firewall Insulation		2	
5	997 556 655 00	Floor Sound absorber	/L	1	
(5)	997 556 656 00	Side trim panel Sound absorber	/R	1	
6	997 556 523 00	Side trim panel Insulation		2	
7	997 556 507 00	Tray Insulation	/L	1	
(7)	997 556 508 00	Wheel housing Rear Insulation	/R	1	
8	997 556 511 00	Wheel housing Rear Insulation		1	
9	997 556 521 00	Rear wall Lower Insulation		1	
10	997 556 711 02	Rear wall Upper Sound absorber		1	
10	997 556 711 03	Sound absorber		1	
11	996 556 761 01	Engine compartment Retaining strip		1	
12	999 049 020 40	Engine compartment Plastic nut		5	
13	997 556 647 00	T5/30 X 5,1 Sound absorber		1	TURBO
14	997 556 657 00	Roof Sound absorber	/L	1	
(14)	997 556 658 00	Wheel-housing liner Rear Sound absorber	/R	1	
15	997 556 571 02	Wheel-housing liner Rear Sound absorber		2	
16	996 556 753 01	Side trim panel Seal	/L	1	
(16)	996 556 754 01	Side section Upper Seal	/R	1	
17	997 556 811 01	Side section Upper Filler piece	/L	1	
(17)	997 556 812 01	Wheel housing Filler piece	/R	1	
18	997 556 807 00	Wheel housing Sound absorber		2	
		40,0			

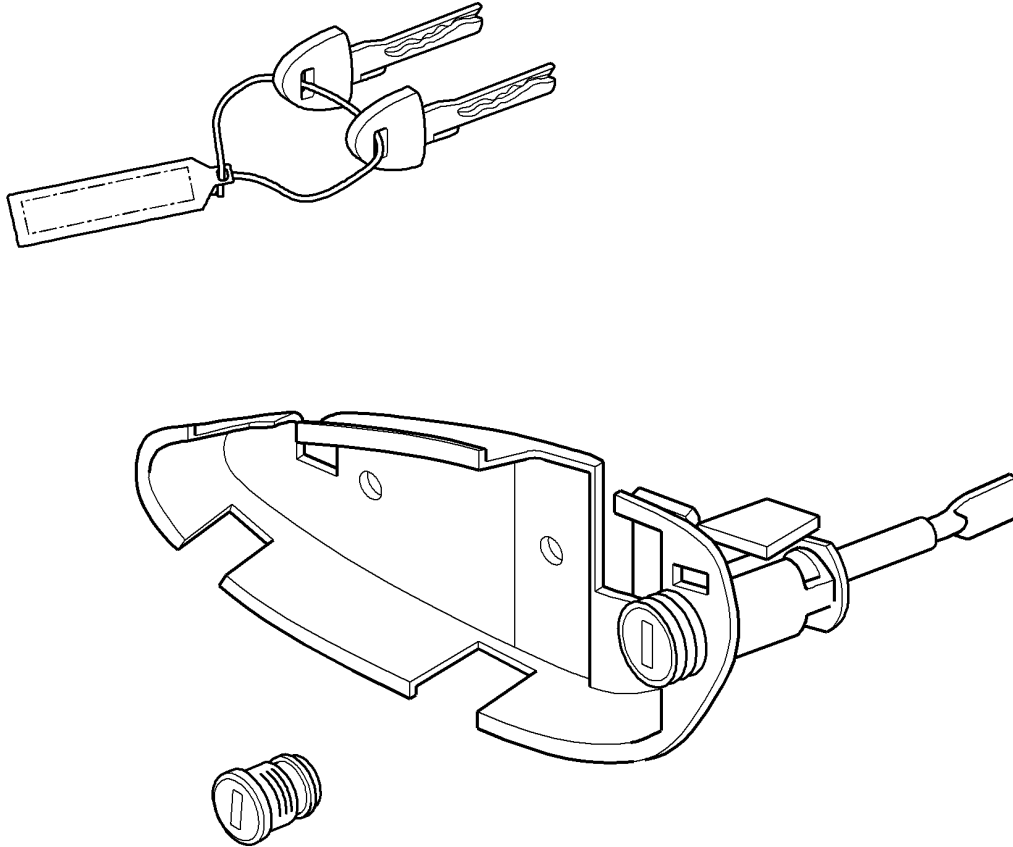
Model: 997-09

Model life 2009>>2012

Pos	Part Number	Description	Remark	Qty	Model
19	997 556 805 00	End plate Rear end Sound absorber 120 X 90 End plate Rear end		1	
20	997 556 801 00	Sound absorber Seat well		4	
21	997 556 803 00	Filler piece Seat well		2	
22	997 556 513 01	Sound absorber B-pillar		2	
23	997 556 619 00	Sound absorber Air guide	/L	1	
(23)	997 556 620 00	Sound absorber Air guide	/R	1	
24	997 556 603 00	Sound absorber Tensioner Rear		1	
25	997 556 613 00	Sound absorber Mounting Spring strut	/L	1	
(25)	997 556 614 00	Sound absorber Mounting Spring strut	/R	1	
27	999 049 027 40	Plastic nut 30 X 1,8		2	

Model: 997-09

Model life 2009>>2012



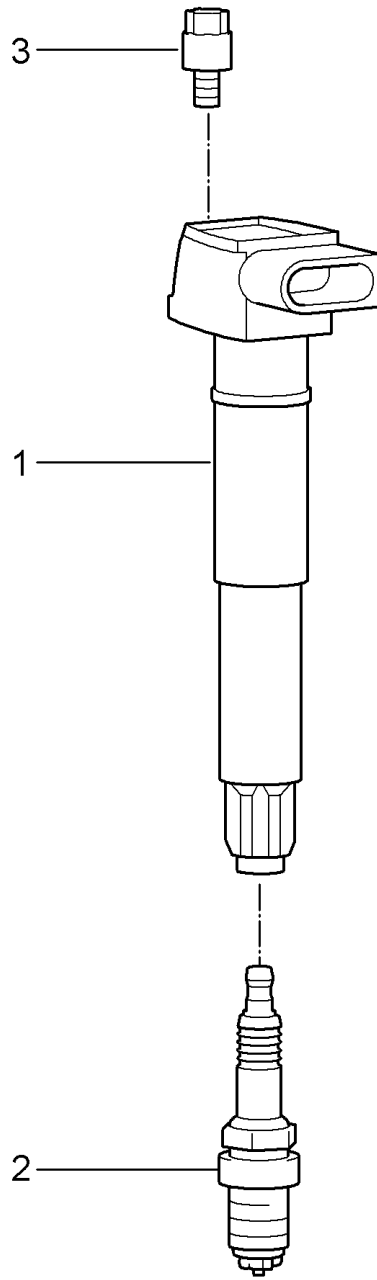
Model: 997-09

Model life 2009>>2012

Pos	Part Number	Description	Remark	Qty	Model
		Repair kit			
		Set of locks			
		Comprising:			
		Support			
		Outer door handle			
		Glove compartment lock			
		Key			
		Key tag			
>>	997 538 011 06	Set of locks		1	I098
>>	997 538 011 07	Set of locks		1	I099

Model: 997-09

Model life 2009>>2012



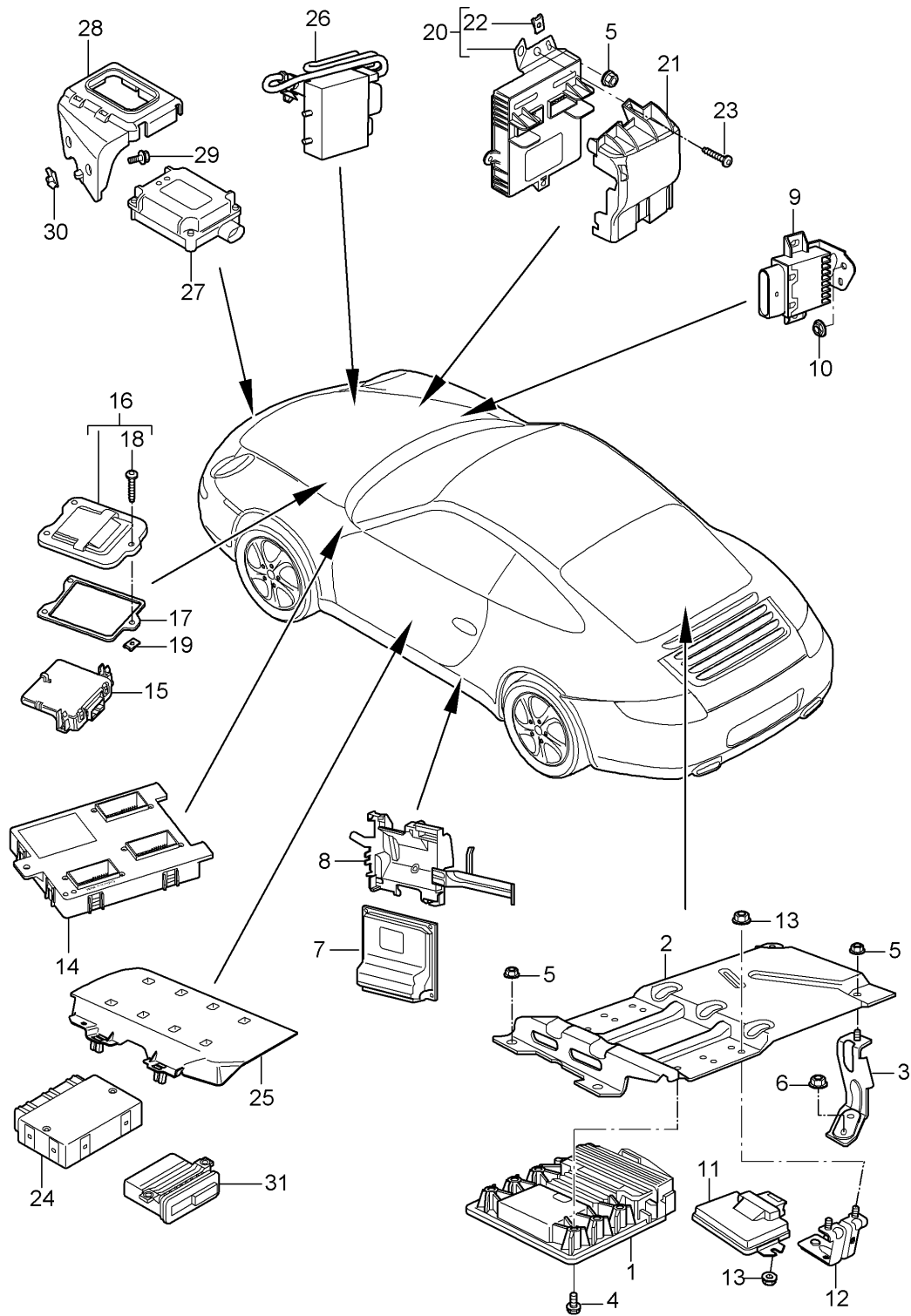
Model: 997-09

Model life 2009>>2012

Pos	Part Number	Description	Remark	Qty	Model
		Ignition system			
1	9A1 602 104 01	Ignition coil		6	
1	9A1 602 104 02	Ignition coil		6	
1	9A1 602 104 03	Ignition coil		6	
2	999 170 130 90	Spark plug FGR 5NQE		6	
2	999 170 232 90	Spark plug FGR 4NQE	10-	6	IX51
3	999 073 103 01	Round head screw M 6 X 16		6	

Model: 997-09

Model life 2009>>2012



Model: 997-09 Model life 2009>>2012

Pos	Part Number	Description	Remark	Qty	Model
1	997 618 607 05	Control units Control unit		1	
2	997 618 133 00	- dme - Support Control unit		1	COUPE/TARGA
(2)	997 618 141 00	- dme - Support Control unit		1	CABRIO
3	997 618 134 00	- dme - Support		1	COUPE/TARGA
4	999 141 044 09	Oval-head screw M 6 X 16		6	
5	999 084 629 01	Hexagon nut M 6		4	COUPE/TARGA
(5)	999 073 228 09	Tapping screw 4,8 X 13		3	CABRIO
6	999 049 025 09	Collar nut T 5		2	COUPE/TARGA
7	997 618 270 33	Control unit - PDK -		1	I250
7	997 618 270 40	Control unit - PDK -		1	I250
7	000 043 207 32	Control unit - PDK - Vehicle Ident. No. Indicate		1	CG1.00 I219
7	000 043 207 33	Control unit - PDK - Vehicle Ident. No. Indicate		1	CG1.00 I220
7	000 043 207 34	Control unit - PDK - Vehicle Ident. No. Indicate		1	CG1.30 I220
8	997 618 255 00	Support Control unit - PDK -		1	I250
9	997 618 025 01	Control unit Fuel pump		1	I663
9	997 618 027 00	Control unit Fuel pump		1	I663/676
10	999 049 025 09	Collar nut T 5		2	
-		Control unit Convertible top control See illustrations 8/11/15		1	CABRIO
11	997 618 195 11	Control unit All-wheel		1	CARRERA 4/4S
11	997 618 195 13	Control unit All-wheel		1	CARRERA 4/4S
12	997 618 143 00	Support Control unit All-wheel		2	CARRERA 4/4S COUPE/TARGA
13	900 377 010 01	Hexagon nut M 6		6	CARRERA 4/4S COUPE/TARGA
14	997 618 516 01	Control unit Vehicle electrical system		1	
15	997 610 107 04	Control unit Gateway		1	

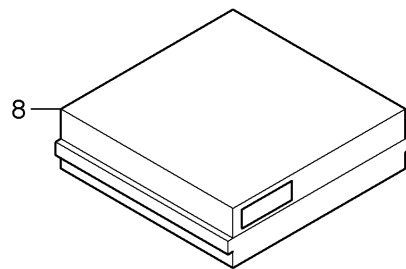
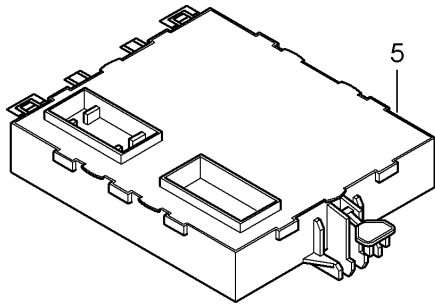
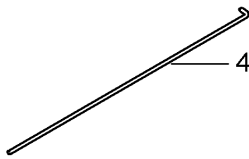
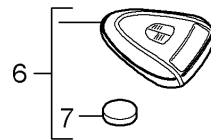
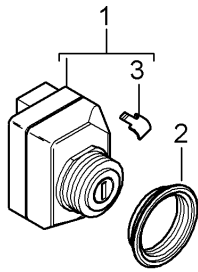
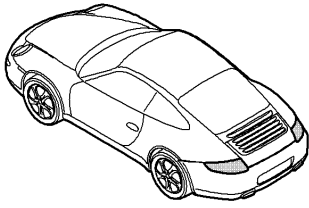
Model: 997-09

Model life 2009>>2012

Pos	Part Number	Description	Remark	Qty	Model
16	997 572 419 03	Lid		1	
17	997 572 221 00	Gasket		1	
18	900 143 094 09	Tapping screw ST 4,8 X 19		3	
19	999 591 855 01	Speed nut ST 4,8		3	
20	997 618 511 01	Control unit FRONT luggage compartment		1	I603
20	997 618 512 01	Control unit FRONT luggage compartment		1	I601
21	997 551 736 00	Cover		1	CARRERA/S
(21)	997 551 736 01	Cover		1	CARRERA 4/4S
22	999 507 462 09	Speed nut 4,8		1	
23	999 073 061 02	Tapping screw 4,8 X 16		1	
24	997 618 260 08	Control unit Rear end		1	
25	997 618 381 00	Support		1	
26	997 618 436 03	Control unit Cooling air control		1	
27	997 618 225 03	Control unit Garage door opener		1	I608
27	997 618 227 02	Control unit Garage door opener		1	I607
27	997 618 227 03	Control unit Garage door opener		1	I607
28	997 618 257 00	Support Control unit Garage door opener		1	
29	900 075 505 01	Combination screw M 6 X 20		2	
30	999 591 882 01	Speed nut M 6		2	
31	997 618 183 01	Control unit ParkAssist Sensor See illustrations 8/02/05		1	I635 I635

Model: 997-09

Model life 2009>>2012



Model: 997-09

Model life 2009>>2012

Pos	Part Number	Description	Remark	Qty	Model
1	997 618 159 04	Control units Ignition starter switch PORSCHE ACCESS SYSTEM Control unit		1	
2	997 618 759 00	Ignition starter switch Nut		1	
3	997 618 361 00	Cover Release		1	
4	970 618 761 00	Handheld transmitter Emergency operation Release		1	
5	997 618 171 15	Ignition starter switch Control unit	-10	1	I524
5	997 618 171 16	PORSCHE ACCESS SYSTEM Control unit	11-	1	I524
5	997 618 172 15	PORSCHE ACCESS SYSTEM Control unit	-10	1	I525
5	997 618 172 16	PORSCHE ACCESS SYSTEM Control unit		1	I525
-	997 612 053 00	PORSCHE ACCESS SYSTEM Connecting line Antenna booster Control unit POS. 5	/LL	1	I098/665
-	997 612 053 01	Connecting line Antenna booster Control unit POS. 5	/LL	1	I098/675
-	997 612 054 00	Connecting line Antenna booster Control unit POS. 5	/RL	1	I099/665
-	997 612 054 01	Information available Connecting line Antenna booster Control unit POS. 5	/RL	1	I099/675
-	997 612 064 51	Information available Cable Antenna		1	I674
6	997 637 107 01	VEHICLE TRACKING SYSTEM Handheld transmitter		1	COUPE I524
6		Handheld transmitter		1	CABRIO I524 I533
6		Handheld transmitter		1	SPEEDSTER I503/524
6	997 637 109 01	Handheld transmitter		1	COUPE I525
6		Handheld transmitter		1	CABRIO I525 I533
6		Handheld transmitter		1	SPEEDSTER I503/525
6	997 637 111 01	Handheld transmitter	(J)	1	COUPE I525
6		Handheld transmitter	(J)	1	SPEEDSTER I503/525
(6)	997 637 101 01	Handheld transmitter		1	CABRIO I524

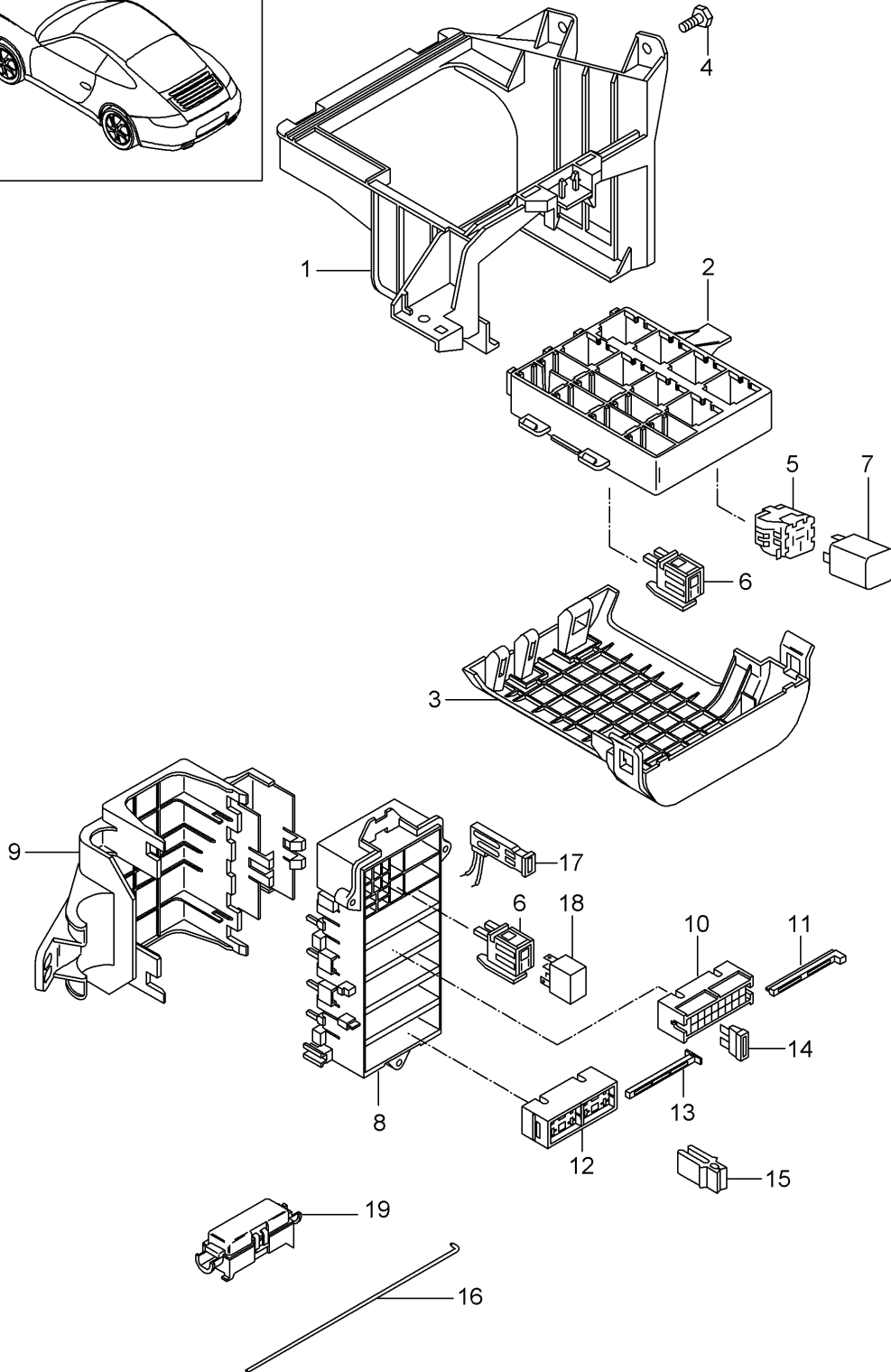
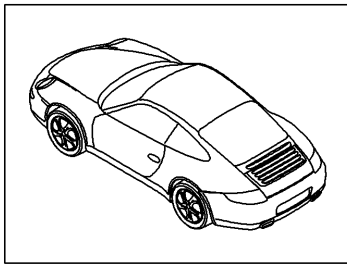
Model: 997-09

Model life 2009>>2012

Pos	Part Number	Description	Remark	Qty	Model
(6)		Handheld transmitter		1	TARGA I524
(6)	997 637 103 01	Handheld transmitter		1	CABRIO I525
(6)		Handheld transmitter		1	TARGA I525
(6)	997 637 105 01	Handheld transmitter	(J)	1	CABRIO I525
(6)		Handheld transmitter	(J)	1	TARGA I525
7	999 611 108 00	Battery		1	
8	997 618 210 01	Sensor		1	
		Interior monitoring			
		Alarm siren			I536
		Tilt sensor			I521
		See illustrations			
		9/03/00			

Model: 997-09

Model life 2009>>2012



Model: 997-09 Model life 2009>>2012

Pos	Part Number	Description	Remark	Qty	Model
		Central electrical system			
		Dashboard			
1	997 610 117 01	Support	/LL	1	I098
(1)	997 610 118 00	Support	/RL	1	I099
2	997 610 110 01	Relay carrier		1	
		Support frame			
3	997 610 112 00	Cover		1	
		Support frame			
4	900 378 155 01	Hexagon-head bolt		2	
		M 6 X 16 ASP			
(4)	900 377 010 01	Hexagon nut		1	
		M 6			
5	928 610 511 00	Relay carrier		X	
6	999 650 538 40	Relay carrier		X	
7		Relay			
(7)	999 657 015 90	Relay		1	
		Fuel pump			
(7)		Relay socket/code:	S2		
		Relay		1	
		KL. 86S			
(7)	999 657 013 90	Relay socket/code:	S4		
		Relay		1	
		- dme -			
(7)		Relay socket/code:	S11		
		Relay		1	
		Heating			
(7)		Relay socket/code:	S12		
		Relay		1	I288
		Headlight washer system			
(7)		Relay socket/code:	S14		
		Relay		1	
		Starter			
(7)		Relay socket/code:	S15		
		Relay		1	
		KL. 15			
		Relay socket/code:	S16		
8	997 610 340 00	Bracket		1	
9	997 610 341 00	Cover		1	
10	999 650 209 40	Fuse holder		4	
11	999 650 210 40	Slide		4	
12	999 650 750 40	Fuse holder		1	
13	999 650 749 40	Slide		1	
14	999 607 082 00	Lock		X	
		5 A			
(14)	999 607 083 00	Lock		X	
		7 , 5 A			
(14)	999 607 084 00	Lock		X	
		10 A			
(14)	999 607 085 00	Lock		X	
		15 A			
(14)	999 607 087 00	Lock		X	
		25 A			
(14)	999 607 088 00	Lock		X	
		30 A			
(14)	999 607 072 00	Lock		X	
		30 A			
		Large			
(14)	999 607 073 00	Lock		X	
		40 A			
		Large			
15	999 107 300 40	Tool		X	
-	997 610 195 25	Assignment sticker		X	
		Lock			

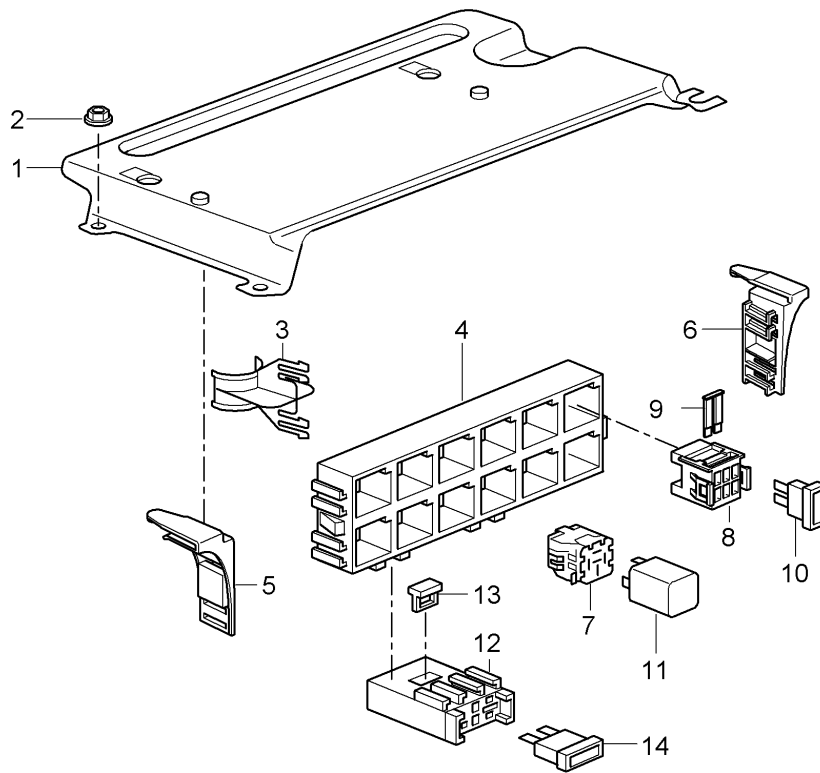
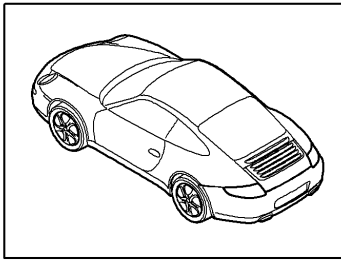
Model: 997-09

Model life 2009>>2012

Pos	Part Number	Description	Remark	Qty	Model
16	997 618 761 00	Emergency operation Release		1	
16	970 618 761 00	Ignition starter switch Emergency operation Release Ignition starter switch Emergency operation Lid		1	
17	996 610 240 00	Terminal clamp		1	
18	999 657 014 90	Relay		1	
19	997 610 915 00	Fuse holder with Lock 80 A for Cooling air control		1	
-		Cover for Housing Lock See illustrations 8/07/02		X	

Model: 997-09

Model life 2009>>2012



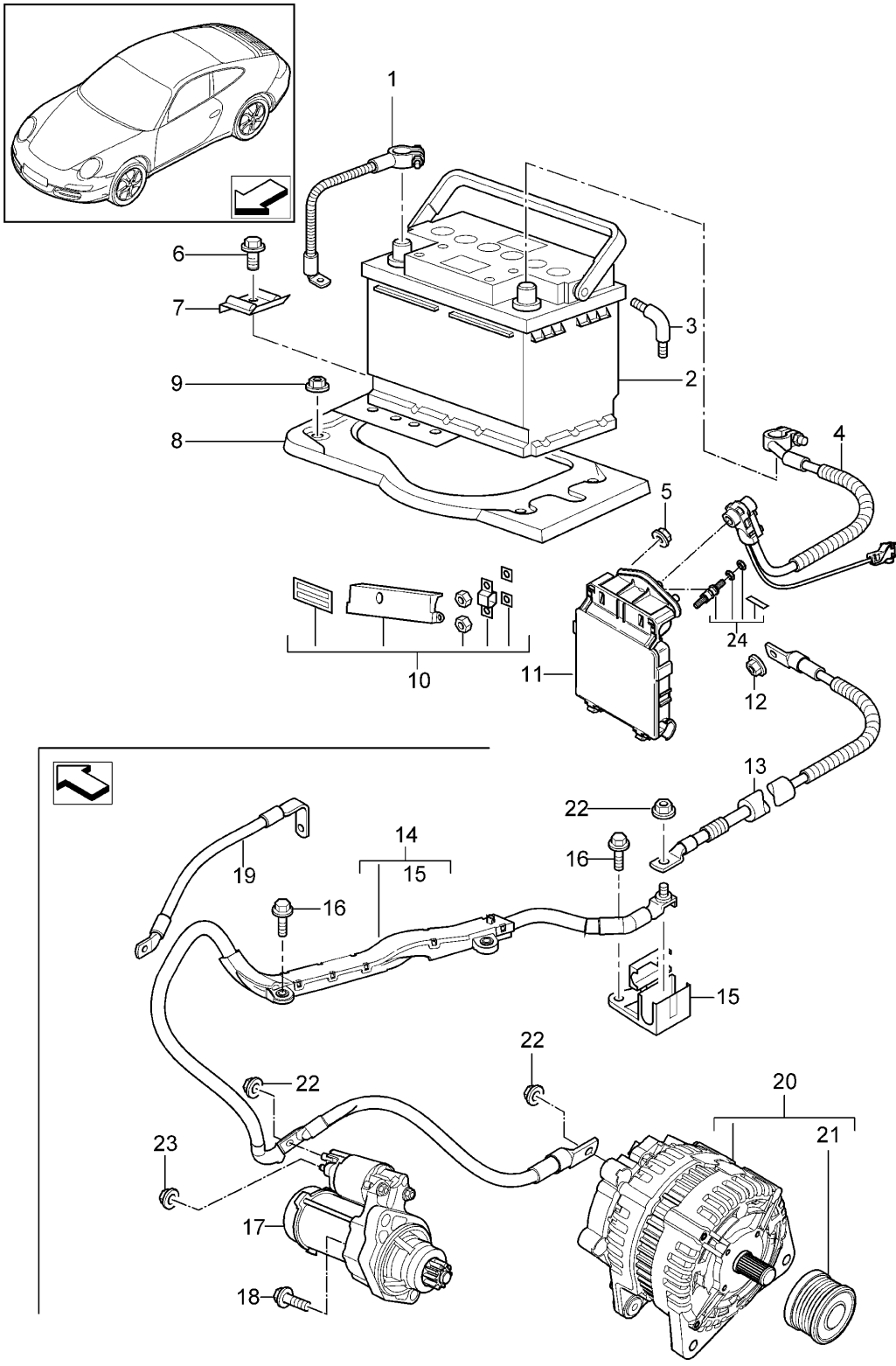
Model: 997-09

Model life 2009>>2012

Pos	Part Number	Description	Remark	Qty	Model
		Central electrical system			
		Rear end			
1	996 610 229 03	Mounting plate		1	COUPE/TARGA
2	999 084 629 01	Hexagon nut		2	COUPE/TARGA
		M 6			
3	996 610 112 00	Cable holder		1	COUPE/TARGA
(3)	996 610 115 00	Cable holder		1	CABRIO
4	996 610 111 00	Relay carrier		X	
		Support frame			
5	987 610 118 00	Support	/R	1	COUPE/TARGA
(5)	996 610 126 00	Support	/R	1	CABRIO
6	987 610 117 00	Support	/L	1	COUPE/TARGA
(6)	996 610 127 00	Support	/L	1	CABRIO
-	996 610 128 00	Fixing clip		2	CABRIO
-	999 074 059 01	Round head screw		2	CABRIO
		M 5			
7	928 610 511 00	Relay carrier		X	
8	999 650 747 40	Fuse holder		1	
9	999 650 748 40	Locking device		1	
10	999 607 084 00	Lock		X	
		10 A			
10	999 607 098 00	Lock		X	
		3 A			
11		Relay			
(11)	999 657 013 90	Relay		1	COUPE
		Rear window heating			
(11)	996 615 112 00	Relay socket/code:	S1	1	CABRIO
		Relay			
		Rear window heating			
(11)	999 657 013 90	Relay socket/code:	S2	1	
		Relay			
		Blower			
		Engine compartment			
(11)		Relay socket/code:	S7	1	
		Relay			
		Blower			
		Engine compartment			
(11)	999 657 017 90	Relay socket/code:	S8	1	I661
		Relay			
		Secondary pump			
12	999 650 193 40	Relay socket/code:	S9	2	
13	999 650 371 40	Fuse holder		2	
14	999 607 073 00	Locking device		2	
		Lock		X	
		40 A			
		Rear window heating			
14	999 607 077 00	Lock		X	I661
		60 A			
		Secondary pump			

Model: 997-09

Model life 2009>>2012



Model: 997-09 Model life 2009>>2012

Pos	Part Number	Description	Remark	Qty	Model
		Battery			
		Power distributor			
		Starter			
		Generator			
1	997 611 090 00	Ground strap	/LL	1	I098
(1)	997 611 091 00	Ground strap	/RL	1	I099
		When required order also:			
-	900 377 010 01	Hexagon nut		1	
		M 6			
(2)	999 611 070 20	Battery		1	
		70 AH			
2	999 611 080 20	Battery		1	
		80 AH			
(2)	999 611 095 20	Battery		1	I200
		95 AH			
3	893 915 507	Angled pipe		1	
4	997 612 993 00	Repair kit	/LL	1	I098
		Wiring harness			
		Battery			
		Power distributor			
(4)	997 612 995 00	Repair kit	/RL	1	I099
		Wiring harness			
		Battery			
		Power distributor			
(4)	997 612 908 00	Repair kit	/LL	1	I098
		Wiring harness			
		Battery			
		Power distributor			
		see			
		Technical information			
		9789			
(4)	997 612 909 00	Repair kit	/RL	1	I099
		Wiring harness			
		Battery			
		Power distributor			
		see			
		Technical information			
		9789			
5	900 380 005 01	Nut		2	
		VM 8			
6	900 378 017 01	Hexagon-head bolt		1	
		M 8 X 20			
7	996 611 209 01	Rail		1	
		Battery			
8	997 504 151 00	Carrier plate for battery		1	CARRERA/S
(8)	997 504 151 01	Carrier plate for battery		1	CARRERA 4/4S
-	996 504 622 00	Gasket		1	CARRERA/S
		Carrier plate for battery			
		Information available			
-	996 504 622 01	Gasket		1	CARRERA 4/4S
		Carrier plate for battery			
9	999 084 630 01	Hexagon nut		4	
		VM 8 SB			
10	997 610 912 00	Repair kit		1	
		Replacement			
		Fuse element			
		Comprising:			
-		Fuse element		1	
		50 AMPERE			
-		Fuse element		1	
		70 AMPERE			
-		Fuse element		1	
		80 AMPERE			

Model: 997-09 Model life 2009>>2012

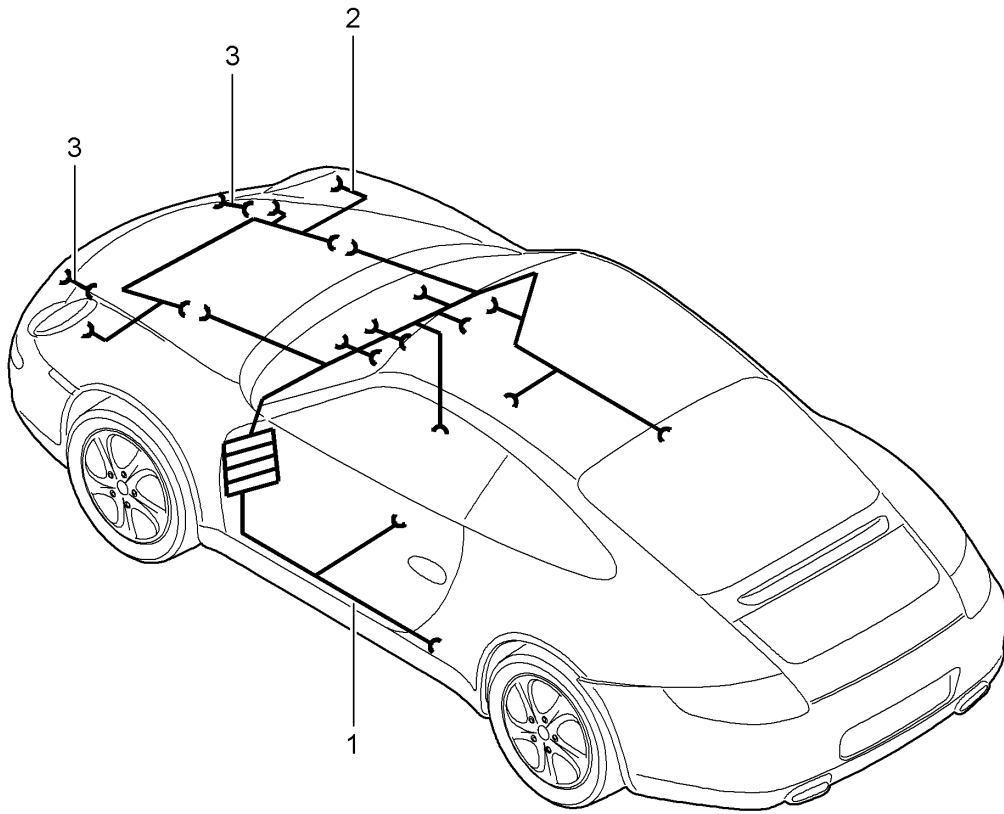
Pos	Part Number	Description	Remark	Qty	Model
-		Hexagon nut M 5		4	
-		Square washer		4	
-		Cover		1	
-		Blue			
-		Seal label		1	
-		Red			
(10)	997 610 913 00	Repair kit Replacement Fuse element Comprising:		1	
-		Fuse element 150 AMPERE		1	
-		Hexagon nut M 8		2	
-		Square washer		2	
-		Cover		1	
-		Blue			
-		Seal label		1	
-		Red			
11	997 610 911 00	Repair kit Replacement Power distributor Comprising:		1	
-		Power distributor without Fuse element		1	
-		Hexagon nut M 5		8	
-		Hexagon nut M 8		3	
-		Seal label		1	
-		Red			
12	900 084 123 02	Hexagon nut M 8		1	
13	997 612 090 25	Cable Power distributor Connection point	/LL	1	I098/480
(13)	997 612 096 25	Cable Power distributor Connection point	/RL	1	I099/480
(13)	997 612 091 25	Cable Power distributor Connection point	/LL	1	I098/250
(13)	997 612 097 25	Cable Power distributor Connection point	/RL	1	I099/250
-	999 084 629 01	Hexagon nut M 6		1	I250
-	900 075 497 01	Combination screw M 5 X 10		1	I250
-	999 651 404 01	Cable clamp 16,0 for Mount POS. 13		1	I480
-	999 084 629 01	Hexagon nut M 6 for		1	I480
14	9A1 607 019 01	Cable clamp Wiring harness with Connection point		1	I480

Model: 997-09 Model life 2009>>2012

Pos	Part Number	Description	Remark	Qty	Model
(14)	9A1 607 018 01	Generator Starter Wiring harness with Connection point Generator Starter		1	I250
15	997 607 201 00	Connection point Complete		1	I480
(15)	9A1 607 230 00	Lid Connection point		1	I250
16	900 385 009 01	Torx screw BM 6 X 16		4 3	I480 I250
17	9A1 604 103 00	Starter		1	
17	9A1 604 103 X	Starter		1	
18	900 385 097 01	Torx screw BM 10 X 35		2	
19	9A1 607 030 01	Ground cable Engine Body		1	
20	9A1 603 012 00	Generator		1	
20	9A1 603 012 X	Generator		1	
21	9A1 603 953 00	Repair kit Pulley Mounting parts Generator		1	
-	900 385 102 01	Torx screw BM 8 X 90		2	
22	900 377 003 01	Hexagon nut M 8		3	
23	900 377 010 02	Hexagon nut M 6		1	
24	997 610 916 00	Repair kit Screw bolt Power distributor Comprising: Screw bolt Nut Seal label		1 1 1 1 1 2 1	

Model: 997-09

Model life 2009>>2012



Model: 997-09 Model life 2009>>2012

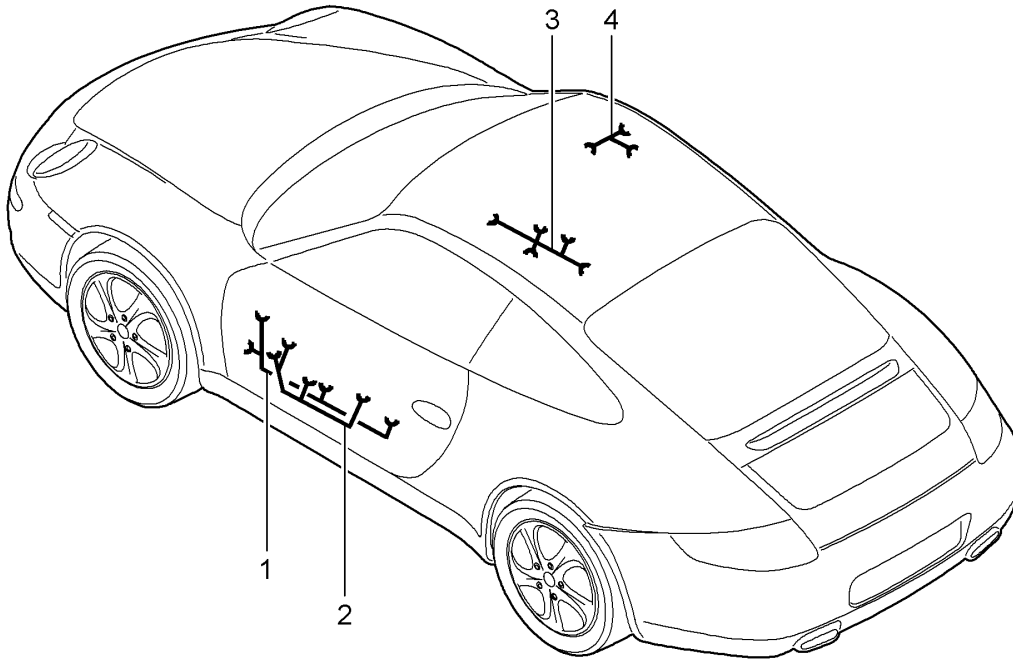
Pos	Part Number	Description	Remark	Qty	Model
		Wiring harnesses Passenger compartment FRONT luggage compartment Lining Front Airbag Seat-belt tensioner Repair kits Shock absorber Anti-lock brake system Brake pad wear indicator Front axle			
1	997 612 903 00	Wiring harness Passenger compartment Vehicle Ident. No. Indicate		1	
1	997 612 914 00	Wiring harness Illumination Scuff plate		1	IXES
-	996 610 120 01	Support Plug socket		1	
-	999 651 302 40	Diagnostic connector Fixing clip		X	
-	999 651 284 40	Wiring harness Passenger compartment Door sill		X	
2	997 612 521 25	Wiring harness FRONT luggage compartment D >> 30.04.2010		1	I601
2	997 612 521 26	Wiring harness FRONT luggage compartment D 01.05.2010>>		1	I601
(2)	997 612 522 25	Wiring harness FRONT luggage compartment F >>99AS7 00695 F >>99AS7 35479 F >>99AS7 11810 F >>99AS7 46477		1	CARRERA 2/2S I603
2		Wiring harness FRONT luggage compartment		1	I603
2	997 612 522 26	D >> 30.04.2010 Wiring harness FRONT luggage compartment		1	I603
(2)	997 612 522 75	D 01.05.2010>> Wiring harness	09	1	CARRERA 4/4S I603
2	997 612 522 76	FRONT luggage compartment Wiring harness FRONT luggage compartment		1	I603
(2)	997 612 522 78	D >> 30.04.2010 Wiring harness FRONT luggage compartment		1	I603

Model: 997-09 Model life 2009>>2012

Pos	Part Number	Description	Remark	Qty	Model
-	997 610 215 01	D 01.05.2010>> Cable guide for Sensor		2	
3	997 612 501 25	Airbag Wiring harness Lining Front		2	
-	997 612 781 25	Wiring harness Airbag Passenger's side Setting 1 Connector Green		1	
-	997 612 783 25	Wiring harness Airbag Passenger's side Setting2 Connector Yellow		1	
-	997 612 992 00	Wiring harness Control unit Airbag Connection point Door Wiring harness Airbag Seat See illustrations 8/17/06 8/17/21		2	
-	997 612 793 01	Wiring harness Seat-belt tensioner		2	
-	997 612 950 00	Repair kit Wiring harness Shock absorber Repair kit Wiring harness Anti-lock brake system Brake pad wear indicator Front axle	/V	2	I030/475
-	997 612 961 00	Repair kit Wiring harness	/V /L	1	CARRERA/S
-	997 612 965 00	Repair kit Wiring harness	/V /L	1	CARRERA4/4S
-	997 612 960 00	Repair kit Wiring harness	/V /R	1	CARRERA/S
-	997 612 964 00	Repair kit Wiring harness	/V /R	1	CARRERA4/4S
-	999 513 049 40	When required order also: Tie-wrap Repair kit Wiring harness Rear axle See illustrations 9/02/20		4	

Model: 997-09

Model life 2009>>2012



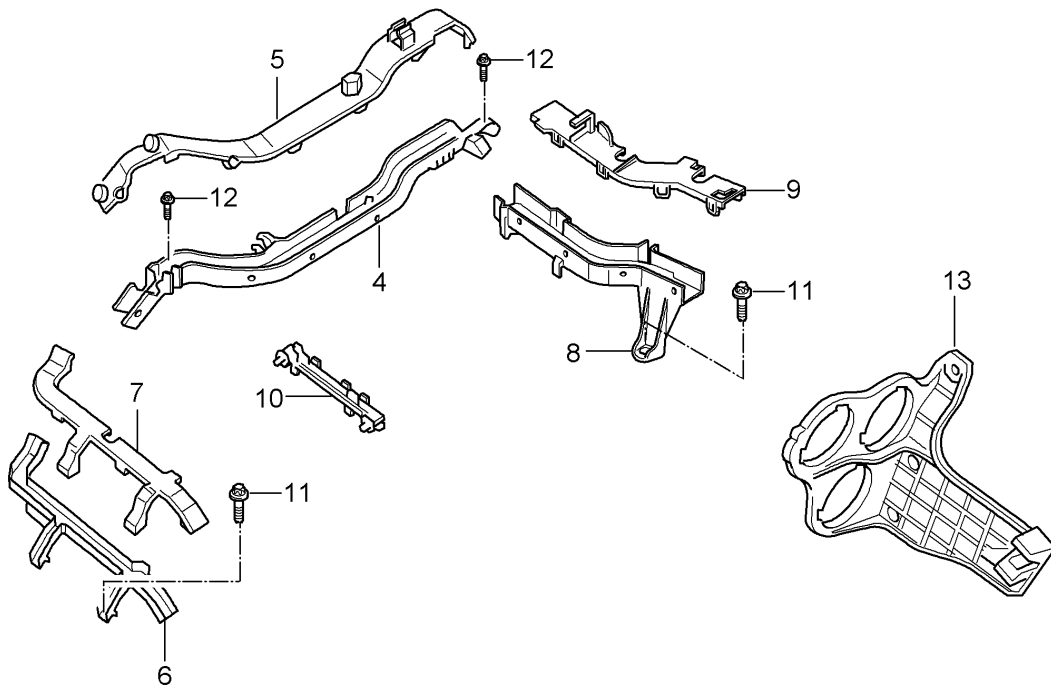
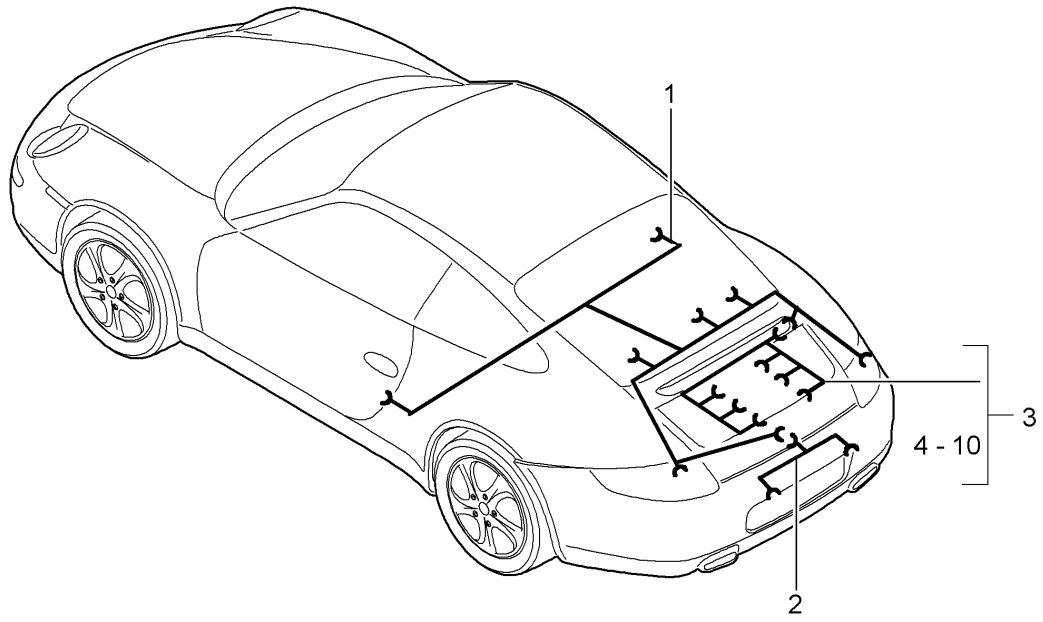
Model: 997-09

Model life 2009>>2012

Pos	Part Number	Description	Remark	Qty	Model
		Wiring harnesses Doors Airbag Centre console Glove compartment Targa roof Convertible top control Auxiliary support			
1	997 612 642 07	Wiring harness Assembly frame	/LL	1	I098
(1)	997 612 644 57	Driver's door Wiring harness Assembly frame	/RL	1	I099
(1)	997 612 643 57	Driver's door Wiring harness Assembly frame	/LL	1	I098
(1)	997 612 645 07	Passenger's door Wiring harness Assembly frame	/RL	1	I099
-	997 612 780 16	Passenger's door Wiring harness Airbag		2	
2	997 612 647 10	Wiring harness Door panel Driver's door	/LL	1	I098
(2)	997 612 650 10	Wiring harness Door panel Driver's door	/RL	1	I099
(2)	997 612 648 10	Wiring harness Door panel Passenger's door	/LL	1	I098
(2)	997 612 649 10	Wiring harness Door panel Passenger's door	/RL	1	I099
3	997 612 652 75	Wiring harness Centre console		1	
4	997 612 651 00	Wiring harness Glove compartment		1	
-		Wiring harness Targa roof See illustrations 8/11/02		1	TARGA
-		Wiring harness Convertible top control See illustrations 8/11/07		1	CABRIO
-		Wiring harness Auxiliary support See illustrations 8/11/15		1	CABRIO

Model: 997-09

Model life 2009>>2012



Model: 997-09 Model life 2009>>2012

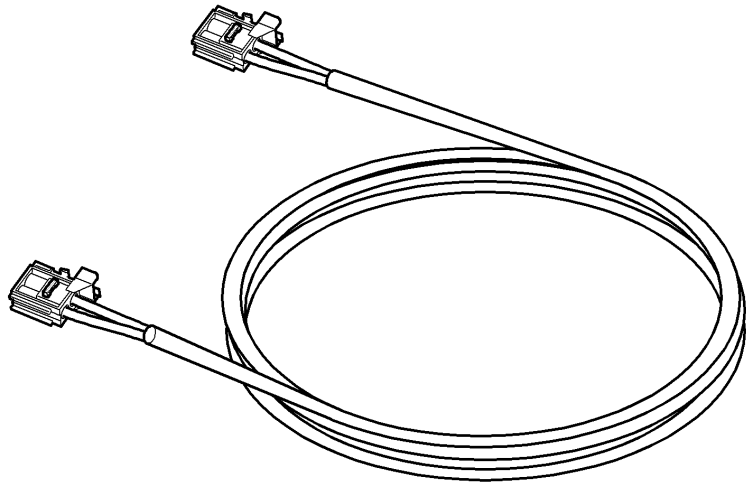
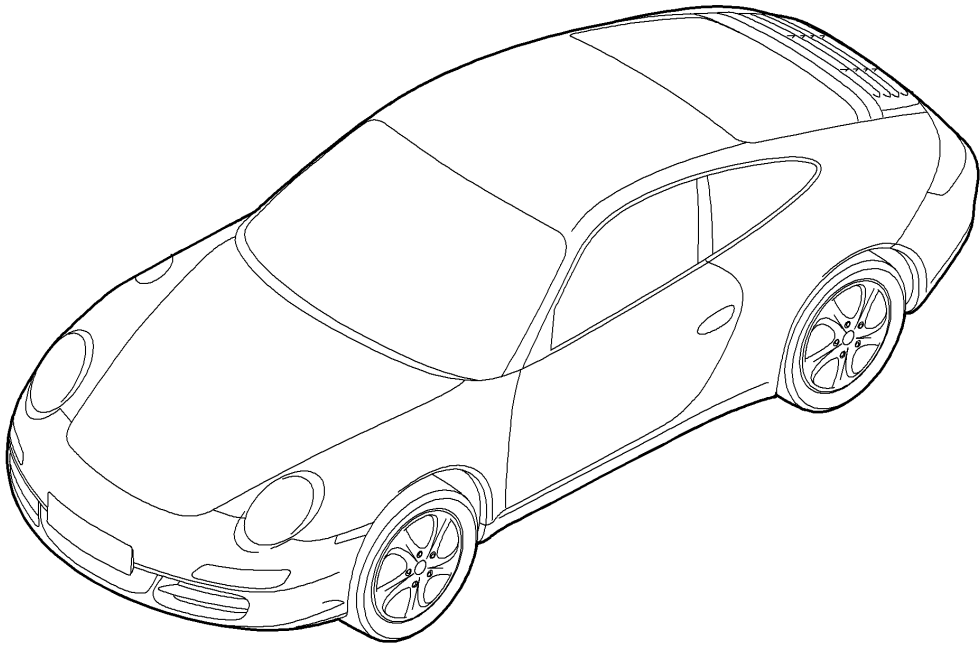
Pos	Part Number	Description	Remark	Qty	Model
		Wiring harnesses Rear end Additional brake light License plate light Engine Transmission Repair kits Shock absorber Anti-lock brake system Brake pad wear indicator Rear axle			
1	997 612 904 00	Wiring harness Rear end Vehicle Ident. No. Indicate		1	
-	997 612 670 71	Wiring harness Lid Rear	10-	1	IXAA
-	997 622 670 70	Wiring harness Lid Rear		1	I756
-	997 612 681 00	Wiring harness Additional brake light		1	CABRIO
-	997 612 681 85	Wiring harness		1	SPEEDSTER I503
-	997 612 701 85	Additional brake light Connection point Convertible top compartm. Lid Wiring harness		1	SPEEDSTER I503
-	997 610 255 00	Additional brake light Connection point Convertible top compartm. Lid Connection point Rear end Protective tube for		1	CABRIO SPEEDSTER
2	997 612 660 01	Wiring harness		1	
(2)	997 612 661 25	License plate light Wiring harness ParkAssist License plate light		1	I635
3	9A1 607 011 02	Wiring harness Engine	-09	1	MA1.01
3	9A1 607 011 03	Wiring harness Engine	10-	1	MA1.01
(3)	9A1 607 011 90	Wiring harness	-10	1	MA1.01 IX51
(3)	9A1 607 011 91	Engine Wiring harness		1	MA1.01 IX51
3	9A1 607 010 02	Engine Wiring harness	-09	1	MA1.02
3	9A1 607 010 03	Engine Wiring harness Engine	10-	1	MA1.02
-	999 702 324 40	Grommet		1	
4	9A1 607 110 00	Mass air flow meter Cable guide Crankcase		1	

Model: 997-09 Model life 2009>>2012

Pos	Part Number	Description	Remark	Qty	Model
(4)	9A1 607 165 40	Cable holder Crankcase		1	IX51
5	9A1 607 120 00	Lid Cable guide		1	
6	9A1 607 111 01	Cable guide Cyl. 1 - 3		1	
(6)	9A1 607 163 40	Cable holder Cyl. 1 - 3		1	IX51
7	9A1 607 121 00	Lid Cable guide		1	
8	9A1 607 112 01	Cable guide Cyl. 4 - 6		1	
(8)	9A1 607 161 40	Cable holder Cyl. 4 - 6		1	IX51
(8)	999 511 124 01	Clip 25 X 15		1	IX51
-	9A1 607 167 40	Support Wiring harness Engine with Tie-wrap for Wiring harness 9A1.607.011.90		1	IX51
-	9A1 607 167 41	Support Wiring harness Engine for Wiring harness 9A1.607.011.91		1	IX51
9	9A1 607 122 00	Lid Cable guide		1	
10	9A1 607 113 00	Cable guide Fuel collection pipe		2	
11	900 385 044 01	Torx screw BM 8 X 16		2	
12	900 385 009 01	Torx screw BM 6 X 16		2	
13	997 610 131 00	Support Connection point Wiring harness Engine		1	
-	997 612 950 00	Repair kit Wiring harness Shock absorber Repair kit Wiring harness Anti-lock brake system Brake pad wear indicator Rear axle	/H	2	I030/475
-	997 612 967 00	Repair kit Wiring harness	/H /L	1	
-	997 612 966 00	Repair kit Wiring harness	/H /R	1	
-	999 507 960 02	When required order also: Cable holder Repair kit Wiring harness Front axle See illustrations 9/02/10		4	

Model: 997-09

Model life 2009>>2012

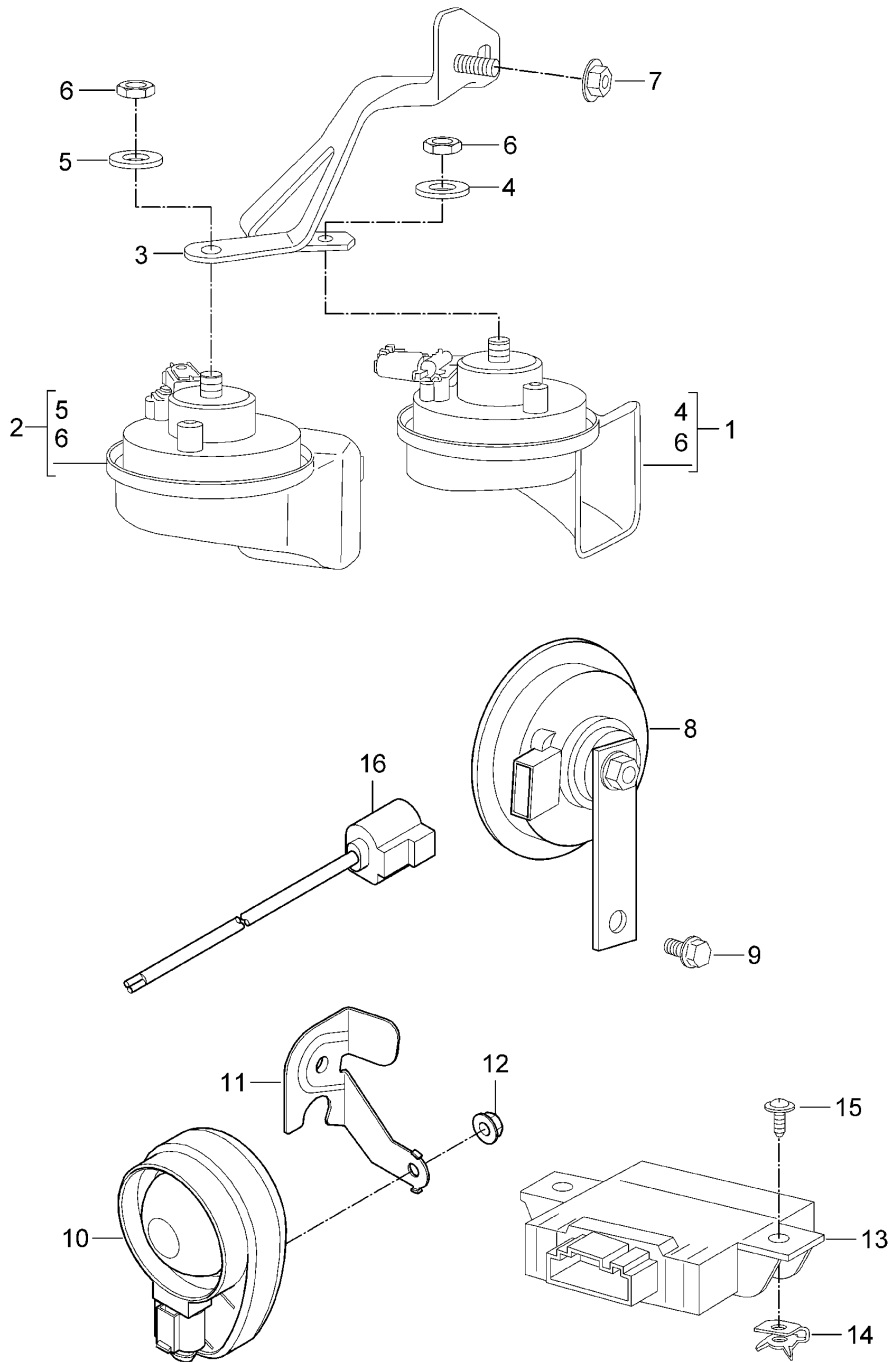


Model: 997-09 Model life 2009>>2012

Pos	Part Number	Description	Remark	Qty	Model
-	997 622 701 25	Optical waveguide for CARRERA / S Optical waveguide Module	/LL	1	I098/665/680
-	997 622 701 75	Optical waveguide Module	/RL	1	I099/665/680
-	997 622 702 25	Optical waveguide Module	/LL	1	I098/665/676 I680
-	997 622 702 75	Optical waveguide Module	/RL	1	I099/665/676 I680
-	997 622 703 25	Optical waveguide Module	/LL	1	I098/490/665 I676
-	997 622 703 75	Optical waveguide Module for Carrera 4/4S	/RL	1	I099/490/665 I676
-	997 622 701 25	Optical waveguide Module	/LL	1	I098/665/680
-	997 622 701 75	Optical waveguide Module	/RL	1	I099/665/680
-	997 622 704 25	Optical waveguide Module	/LL	1	I098/665/676 I680
-	997 622 704 75	Optical waveguide Module	/RL	1	I099/665/676 I680
-	997 622 705 25	Optical waveguide Module	/LL	1	I098/490/665 I676
-	997 622 705 75	Optical waveguide Module	/RL	1	I099/490/665 I676
-	999 650 091 40	Plug bridge Optical waveguide		X	

Model: 997-09

Model life 2009>>2012



Model: 997-09 Model life 2009>>2012

Pos	Part Number	Description	Remark	Qty	Model
1	997 635 206 03	Fanfare Horn Alarm system		1	
1	997 635 206 04	Fanfare High-pitched		1	
1	997 635 216 00	Fanfare High-pitched see Technical information GR.9 NR.100/13		1	
-	997 612 947 00	KD-NR.9050 Cable Adapter see Technical information GR.9 NR.100/13 KD-NR.9050		1	
2	997 635 205 03	Fanfare Low-pitched		1	
2	997 635 205 04	Fanfare Low-pitched		1	
(2)	997 635 215 00	Fanfare Low-pitched see Technical information GR.9 NR.100/13 KD-NR.9050		1	
-	997 612 947 00	Cable Adapter see Technical information GR.9 NR.100/13 KD-NR.9050		1	
3	997 635 150 04	Support		1	
3	997 635 150 05	Support		1	
4		Washer High-pitched		1	
5		Washer Low-pitched		1	
6	900 034 001 04	Nut		2	
7	900 377 003 03	M 8 Hexagon nut M 8		1	
8	996 637 117 03	Horn for Alarm system		1	
8	996 637 117 05	Horn for Alarm system Replacement for 996.637.117.03 When required order also: 9P1.998.003.A		1	
9	900 075 459 01	Combination screw M 6 X 12 Z2		1	
10	955 618 237 01	Alarm siren		1	I536
11	997 637 419 01	Support		1	I536
12	900 380 015 01	Hexagon nut M 6		1	I536
13	997 618 265 00	Control unit		1	I521

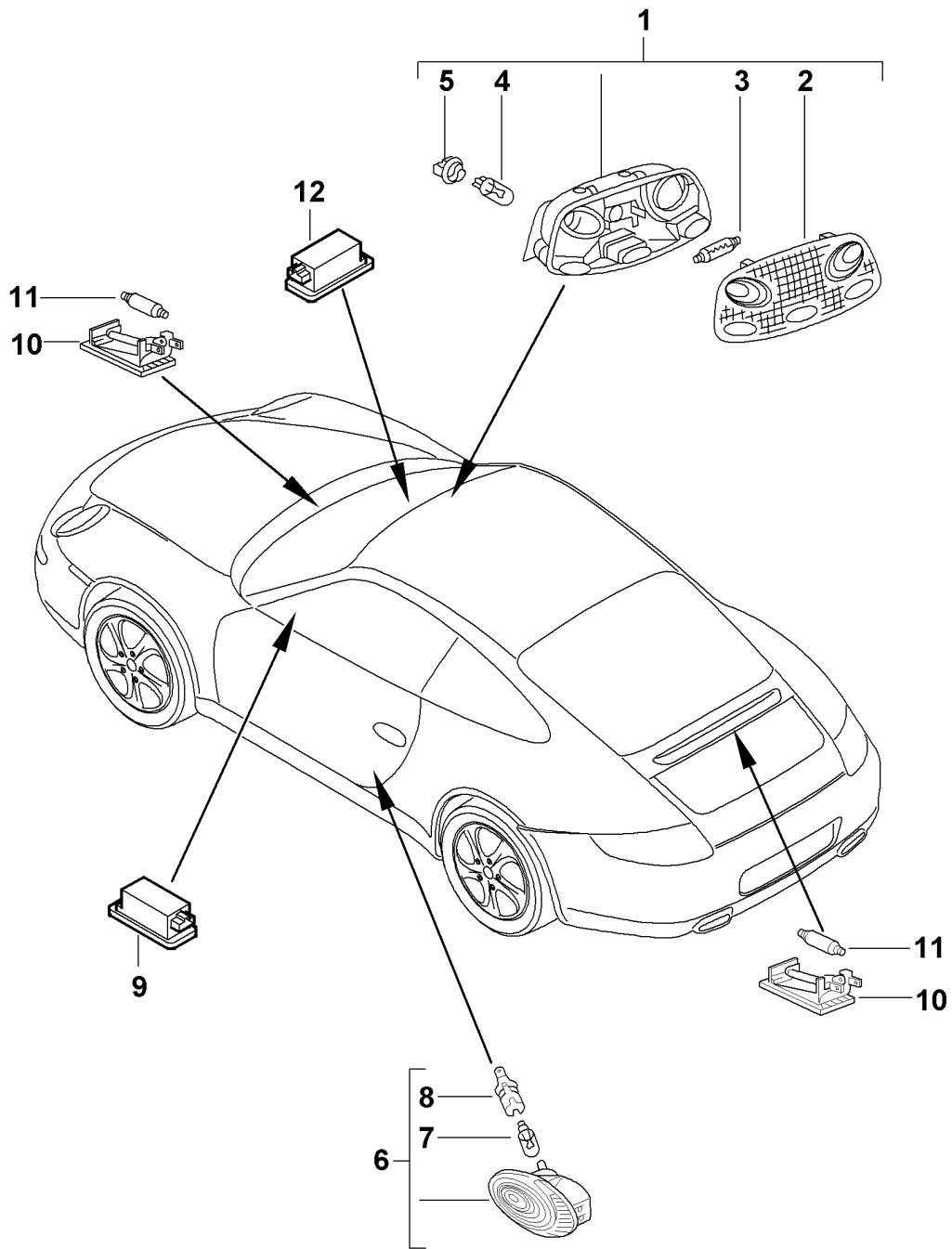
Model: 997-09

Model life 2009>>2012

Pos	Part Number	Description	Remark	Qty	Model
14	999 591 742 01	with Tilt sensor Speed nut 4,2		2	I521
15	999 073 155 09	Tapping screw 4,2 X 13		2	I521
16	9P1 998 003 A	Wiring harness Modification kit Horn		1	

Model: 997-09

Model life 2009>>2012



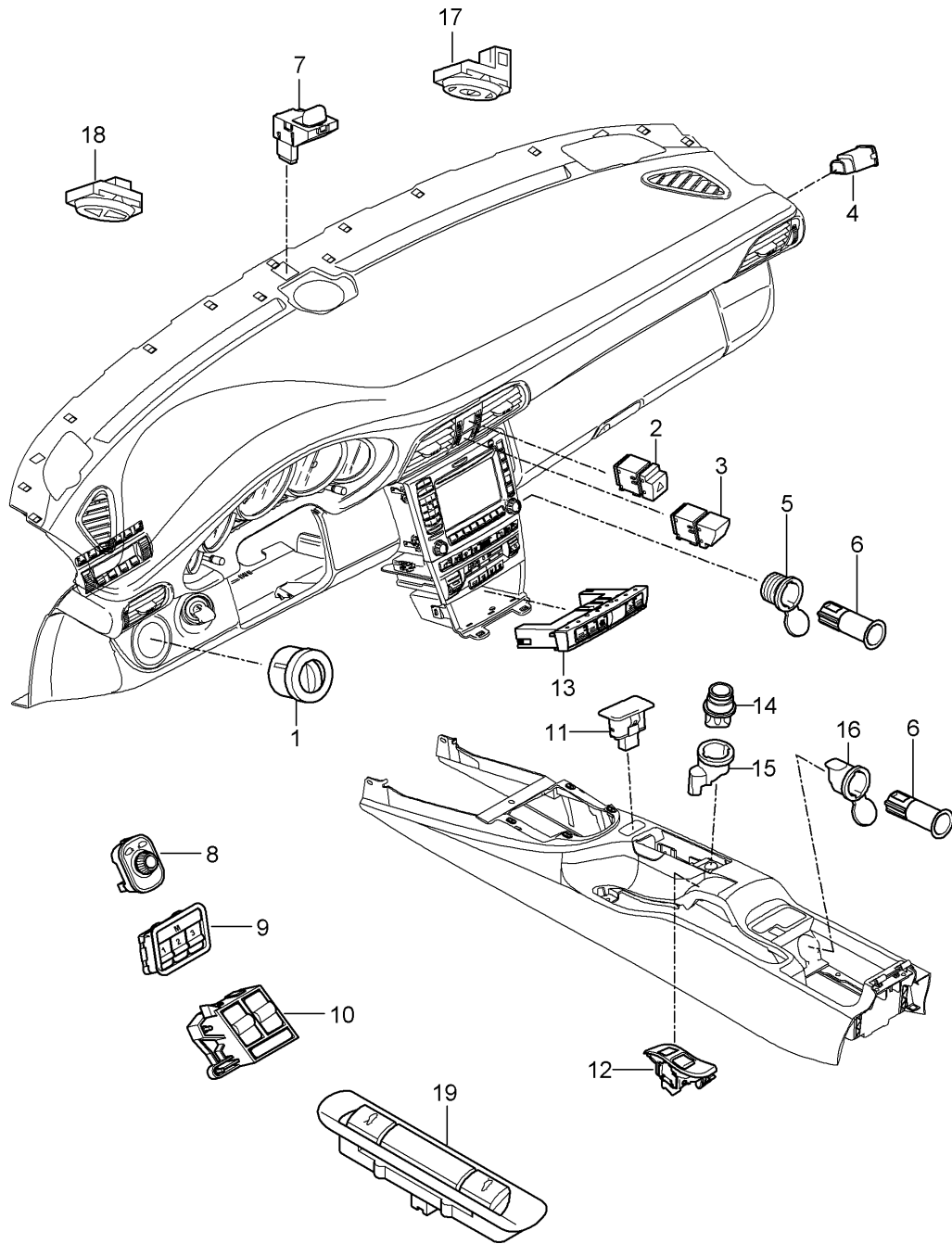
Model: 997-09

Model life 2009>>2012

Pos	Part Number	Description	Remark	Qty	Model
		Interior lights			
		Luggage compartment lamp			
		Engine compartment lamp			
		Glove compartment light			
		Footwell light			
1	997 632 051 00	Interior light		1	-I503
1	987 632 053 00	Interior light		1	SPEEDSTER I503
2	996 632 151 00	Lens		1	-I503
3	900 631 106 90	Linolite lamp 10 W		1	-I503
4	999 631 134 90	Bulb 6 W		2	-I503
4	999 631 032 90	Bulb 6 W		1	SPEEDSTER I503
5	999 632 018 00	Bulb socket		2	
6	996 632 132 01	Door guard light		2	
(6)	996 632 135 00	Light Tray Luggage		2	TARGA
7	999 631 032 90	Bulb 5 W		2	
8	161 949 111	Bulb socket		2	
9	955 632 202 00	Light Footwell		2	
10	997 632 201 00	Light Engine compartment Luggage compartment		2	
11	900 631 106 90	Linolite lamp 10 W		2	
12	997 632 071 00	Glove compartment light		1	
-	999 631 147 90	Bulb 3 W Vanity mirror		4	

Model: 997-09

Model life 2009>>2012



Model: 997-09 Model life 2009>>2012

Pos	Part Number	Description	Remark	Qty	Model
1	997 613 525 00	Switch Light switch		1	
2	997 613 525 00 A05	Black mat			
2	997 613 120 02	Hazard warning light sw.		1	
	997 613 120 02 A05	Black mat			
2	997 613 120 03	Hazard warning light sw.		1	
	997 613 120 03 A05	Black mat			
3	997 613 143 00	Switch Central locking system		1	
	997 613 143 00 A05	Black mat			
4	955 613 165 02	Switch Airbag		1	
	955 613 165 02 9B9	Satin black			
5	997 652 103 00	Clamping ring with Lid		1	
6	955 652 107 00	Plug socket		2	
7	997 653 251 00	Sensor Air conditioner		1	I573
8	997 613 241 01	Switch Door mirror		1	
	997 613 241 01 A05	Black mat			
9	997 613 103 01	Memory switch	/L	1	I537
	997 613 103 01 A05	Black mat			
(9)	997 613 104 00	Memory switch	/R	1	I538
	997 613 104 00 A05	Black mat			
10	997 613 151 05	Switch Power windows Driver's side	/LL	1	COUPE/TARGA I098
	997 613 151 05 A05	Black mat			
(10)	997 613 152 05	Switch Power windows Driver's side	/RL	1	COUPE/TARGA I099
	997 613 152 05 A05	Black mat			
(10)	997 613 153 05	Switch Power windows Driver's side	/LL	1	CABRIO I098
	997 613 153 05 A05	Black mat			
(10)	997 613 154 05	Switch Power windows Driver's side	/RL	1	CABRIO I099
	997 613 154 05 A05	Black mat			
(10)	997 613 156 05	Switch Power windows Passenger's side	/LL	1	I098
	997 613 156 05 A05	Black mat			
(10)	997 613 155 04	Switch Power windows Passenger's side	/RL	1	I099
	997 613 155 04 A05	Black mat			
11	997 641 165 01	Indicator light Airbag		1	
	997 641 165 01 A05	Black mat			
12	997 613 141 12	Switch Convertible top control		1	CABRIO
	997 613 141 12 A05	Black mat			
(12)	997 613 161 00	Switch Convertible top control		1	SPEEDSTER I503

Model: 997-09 Model life 2009>>2012

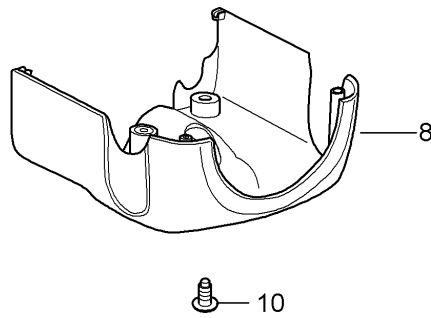
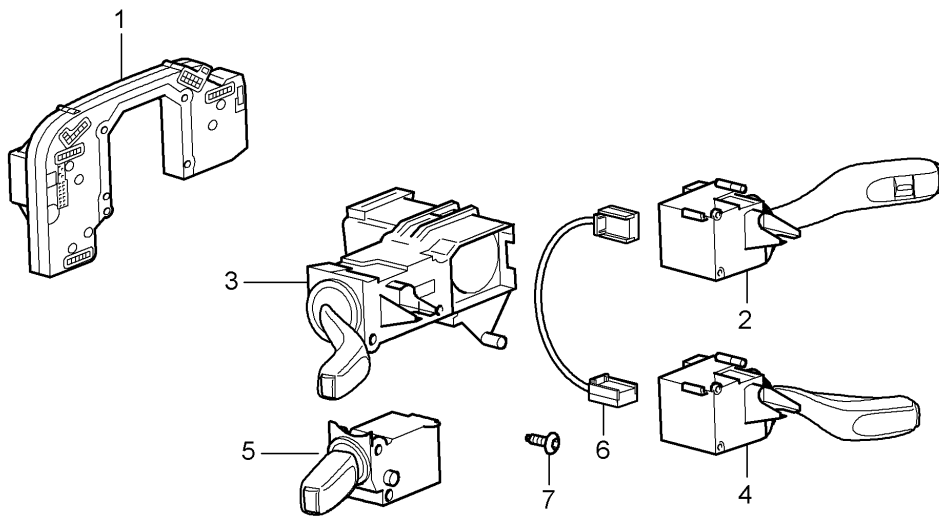
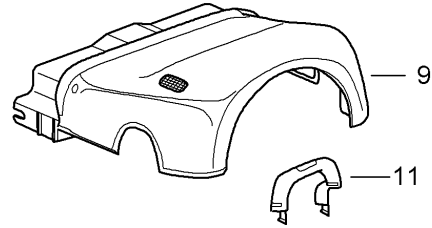
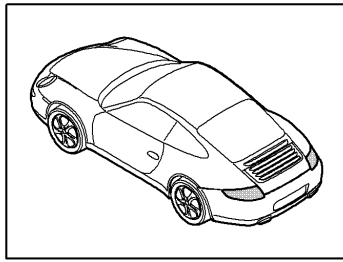
Pos	Part Number	Description	Remark	Qty	Model
(12)	997 613 161 00 A05 997 613 119 12	Black mat Switch Glass roof Shade		1	TARGA
13	997 613 119 12 A05 997 613 541 00	Black mat Combined switch	-11	1	I029/476
13	997 613 541 00 A05 997 613 541 02	Black mat Combined switch	12-	1	I029/476
(13)	997 613 541 02 A05 997 613 543 01	Black mat Combined switch	-11	1	I029/476/480 I639/640
(13)	997 613 543 01 A05 997 613 543 02	Black mat Combined switch	12-	1	I029/476/480 I639/640
(13)	997 613 543 02 A05 997 613 545 00	Black mat Combined switch	-11	1	-I756/I030 I475/476
(13)	997 613 545 00 A05 997 613 545 02	Black mat Combined switch	12-	1	I030/475/476
(13)	997 613 545 02 A05 997 613 547 00	Black mat Combined switch	-11	1	I030/475/476 I480/639/640
(13)	997 613 547 00 A05 997 613 547 01	Black mat Combined switch	-11	1	I030/475/476 I480/639/640
(13)	997 613 547 01 A05 997 613 547 02	Black mat Combined switch	12-	1	I030/475/476 I480/639/640
(13)	997 613 547 02 A05 997 613 549 01	Black mat Combined switch	-11	1	I029/176/476
(13)	997 613 549 01 A05 997 613 549 02	Black mat Combined switch	12-	1	I029/176/476
(13)	997 613 549 02 A05 997 613 551 01	Black mat Combined switch	-11	1	I029/176/476 I480/639/640
(13)	997 613 551 01 A05 997 613 551 02	Black mat Combined switch	12-	1	I029/176/476 I480/639/640
(13)	997 613 551 02 A05 997 613 553 01	Black mat Combined switch	-11	1	I030/176/475 I476
(13)	997 613 553 01 A05 997 613 553 02	Black mat Combined switch	12-	1	I030/176/475 I476
(13)	997 613 553 02 A05 997 613 555 01	Black mat Combined switch	-11	1	I030/176/475 I476/480/639 I640
(13)	997 613 555 01 A05 997 613 555 02	Black mat Combined switch	12-	1	I030/176/475 I476/480/639 I640
(13)	997 613 555 02 A05 997 613 557 00	Black mat Combined switch	-11	1	I029/250/476 I639/640
(13)	997 613 557 00 A05 997 613 557 01	Black mat Combined switch	-11	1	I029/250/476 I639/640
(13)	997 613 557 01 A05 997 613 557 02	Black mat Combined switch	12-	1	I029/250/476 I639/640
(13)	997 613 557 02 A05 997 613 559 01	Black mat Combined switch	-11	1	I030/250/475

Model: 997-09 Model life 2009>>2012

Pos	Part Number	Description	Remark	Qty	Model
	997 613 559 01 A05	Black mat			I476/639/640
(13)	997 613 559 02	Combined switch	12-	1	I030/250/475 I476/639/640
	997 613 559 02 A05	Black mat			
(13)	997 613 561 01	Combined switch	-11	1	I029/176/250 I476/639/640
	997 613 561 01 A05	Black mat			
(13)	997 613 561 02	Combined switch	12-	1	I029/176/250 I476/639/640
	997 613 561 02 A05	Black mat			
(13)	997 613 563 01	Combined switch	-11	1	I030/176/250 I475/476/639 I640
	997 613 563 01 A05	Black mat			
(13)	997 613 563 02	Combined switch	12-	1	I030/176/250 I475/476/639 I640
	997 613 563 02 A05	Black mat			
14	997 652 101 00	Cigarette lighter		1	
	997 652 101 00 A05	Black mat			
15	997 652 102 00	Headlight unit		1	
16	997 652 104 00	Clamping ring with Lid		1	
17	997 613 147 01	Switch Sunroof		1	I650
	997 613 147 01 A05	Black mat			
18	997 613 225 02	Switch Garage door opener	/L	1	I607/608
	997 613 225 02 A05	Black mat			
(18)	997 613 227 02	Switch Garage door opener	/R	1	I607/608
	997 613 227 02 A05	Black mat			
(18)	997 613 235 00	Cover		2	
	997 613 235 00 01C	Satin black			
19	997 613 105 02	Switch Lid Front and rear		1	COUPE/CABRIO
	997 613 105 02 A05	Black mat			
(19)	997 613 107 02	Switch Lid Front and rear		1	TARGA
	997 613 107 02 A05	Black mat			

Model: 997-09

Model life 2009>>2012



Model: 997-09 Model life 2009>>2012

Pos	Part Number	Description	Remark	Qty	Model
1	997 613 297 03	Steering column switch Electronic unit	09	1	-I345/I480
1	997 613 289 01	Electronic unit	09	1	-I345/I250
1		Electronic unit	10-	1	-I345
1	997 613 299 01	Electronic unit		1	I345
1	997 613 299 02	Electronic unit		1	I345
2	997 613 253 00	Wiper switch		1	I288
	997 613 253 00 01C	Satin black			
(2)	997 613 257 00	Wiper switch		1	I288/425
	997 613 257 00 01C	Satin black			
3	997 613 245 00	Direction indicator switch		1	
	997 613 245 00 01C	Satin black			
4	997 613 261 00	Switch		1	I454
		Cruise control			
	997 613 261 00 01C	Satin black			
5	997 613 265 00	Switch		1	I659
		On-board computer			
	997 613 265 00 01C	Satin black			
(5)	997 613 267 00	Switch		1	I659/671
		On-board computer			
	997 613 267 00 01C	Satin black			
6	997 622 674 00	Wiring harness		1	I454
		Cruise control			
7	N 909 068 01	Torx screw		X	
		M 2,5 X 2,6 X 43,5-D			
8	997 552 475 02	Switch housing		1	
		Lower			
	997 552 475 02 A03	Black			
(8)	997 552 475 03	Switch housing		1	I454
		Lower			
	997 552 475 03 A03	Black			
8	997 552 979 00	Switch housing		1	IXNS
		Lower			
		Leather			
	997 552 979 00 A11	Black			
	997 552 979 00 5X6	Stone grey			
	997 552 979 00 8G2	Sand Beige			
	997 552 979 00 3S9	Sea blue			
	997 552 979 00 9S5	Terracotta			
	997 552 979 00 9V6	Cocoa			
	997 552 979 00 D12	Dark grey/natural			
	997 552 979 00 T12	Brown/natural			
	997 552 979 00 N12	Carrera Red			
(8)	997 552 979 01	Switch housing		1	IXNS/454
		Lower			
		Leather			
	997 552 979 01 A11	Black			
	997 552 979 01 5X6	Stone grey			
	997 552 979 01 8G2	Sand Beige			
	997 552 979 01 3S9	Sea blue			
	997 552 979 01 9S5	Terracotta			
	997 552 979 01 9V6	Cocoa			
	997 552 979 01 D12	Dark grey/natural			
	997 552 979 01 T12	Brown/natural			
	997 552 979 01 N12	Carrera Red			
(8)	997 552 979 02	Switch housing		1	IXNS/454/756
		Lower			
		Leather			
	997 552 979 02 6J0	Espresso			
9	997 552 273 02	Switch housing		1	
		Upper			
	997 552 273 02 A03	Black			
9	997 552 997 00	Switch housing		1	IXNS

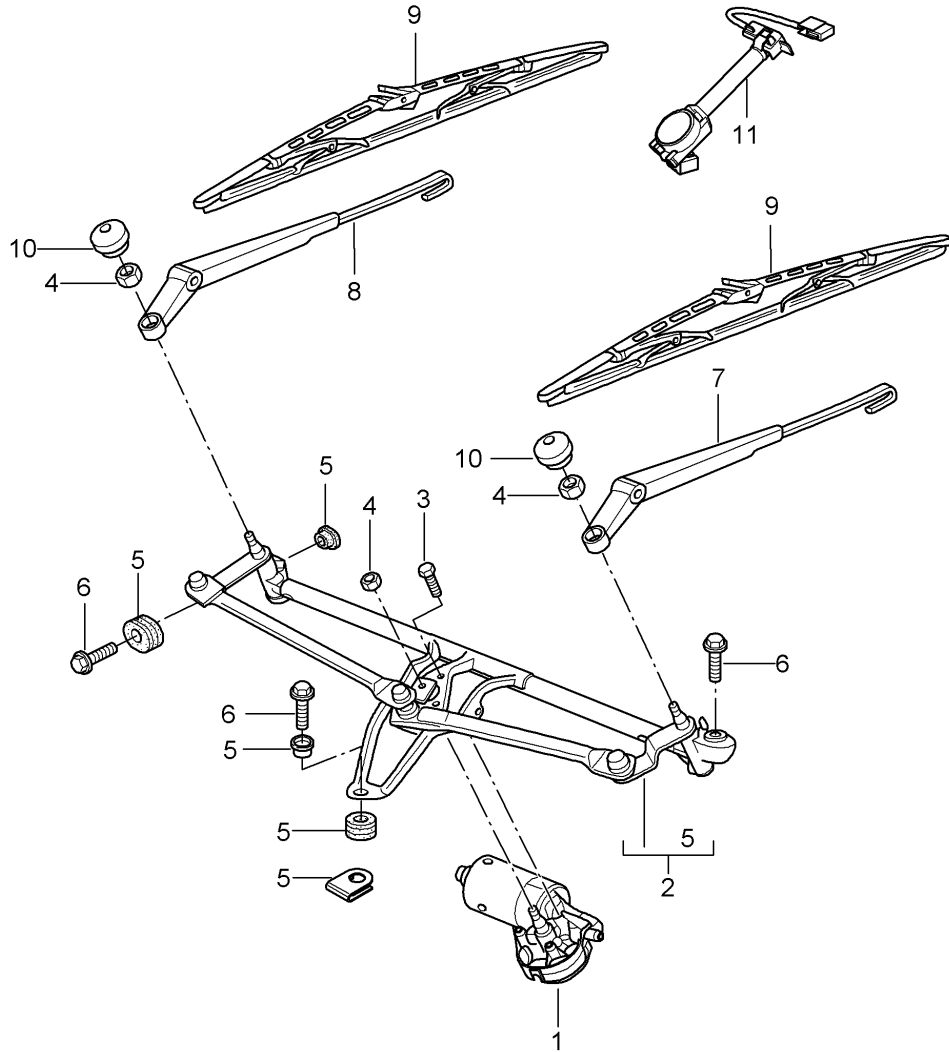
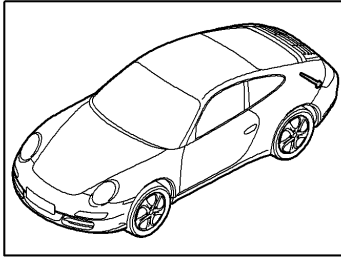
Model: 997-09

Model life 2009>>2012

Pos	Part Number	Description	Remark	Qty	Model
		Upper Leather			
	997 552 997 00 A11	Black			
	997 552 997 00 5X6	Stone grey			
	997 552 997 00 8G2	Sand Beige			
	997 552 997 00 3S9	Sea blue			
	997 552 997 00 9S5	Terracotta			
	997 552 997 00 9V6	Cocoa			
	997 552 997 00 D12	Dark grey/natural			
	997 552 997 00 T12	Brown/natural			
	997 552 997 00 N12	Carrera Red			
9	997 552 997 03	Switch housing		1	IXNS/756
		Upper Leather			
	997 552 997 03 6J0	Espresso			
10	999 919 136 01	Oval-head screw		3	
		3,5 X 18			
11	997 610 206 00	Cable guide		1	

Model: 997-09

Model life 2009>>2012



Model: 997-09

Model life 2009>>2012

Pos	Part Number	Description	Remark	Qty	Model
		Windscreen wiper system			
		Rain sensor			
1	997 624 105 01	Wiper motor	/LL	1	I098
(1)	997 624 106 01	Wiper motor	/RL	1	I099
2	997 628 235 01	Crank drive	/LL	1	I098
(2)	997 628 236 01	Crank drive	/RL	1	I099
3	999 073 152 02	Torx screw M 6 X 18		3	
4	900 076 064 02	Hexagon nut M 8		3	
5	997 628 928 00	Repair kit		1	
		Comprising:			
-		Bearing sleeve		1	
-		Rubber bush		1	
-		Bearing sleeve		1	
-		Rubber bush		1	
-		Clamp		2	
6	999 075 075 01	Combination screw M 6 X 22 SC		3	
7	997 628 027 00	Wiper arm Driver's side	/LL	1	-I503/I098
7	987 628 027 00	Wiper arm Driver's side	/LL	1	SPEEDSTER I098/503
(7)	997 628 030 00	Wiper arm Passenger's side	/RL	1	I099
8	997 628 029 00	Wiper arm Passenger's side	/LL	1	I098
(8)	997 628 028 00	Wiper arm Driver's side	/RL	1	-I503/I099
(8)	987 628 028 00	Wiper arm Driver's side	/RL	1	SPEEDSTER I099/503
9	996 628 901 08	Wiper blade Set Driver's side Passenger's side		1	
10	944 628 305 01	Cap		2	
11	997 612 693 00	Rain sensor		1	COUPE I268
(11)	997 612 693 25	with Wiring harness Rain sensor		1	CABRIO I268
(11)		with Wiring harness Rain sensor		1	SPEEDSTER I267/268
(11)	997 612 693 50	with Wiring harness Rain sensor		1	TARGA I268
(11)	997 612 694 00	with Wiring harness Rain sensor		1	COUPE I267 I268
(11)	997 612 694 25	with Wiring harness Rain sensor		1	CABRIO I267 I268
		with			

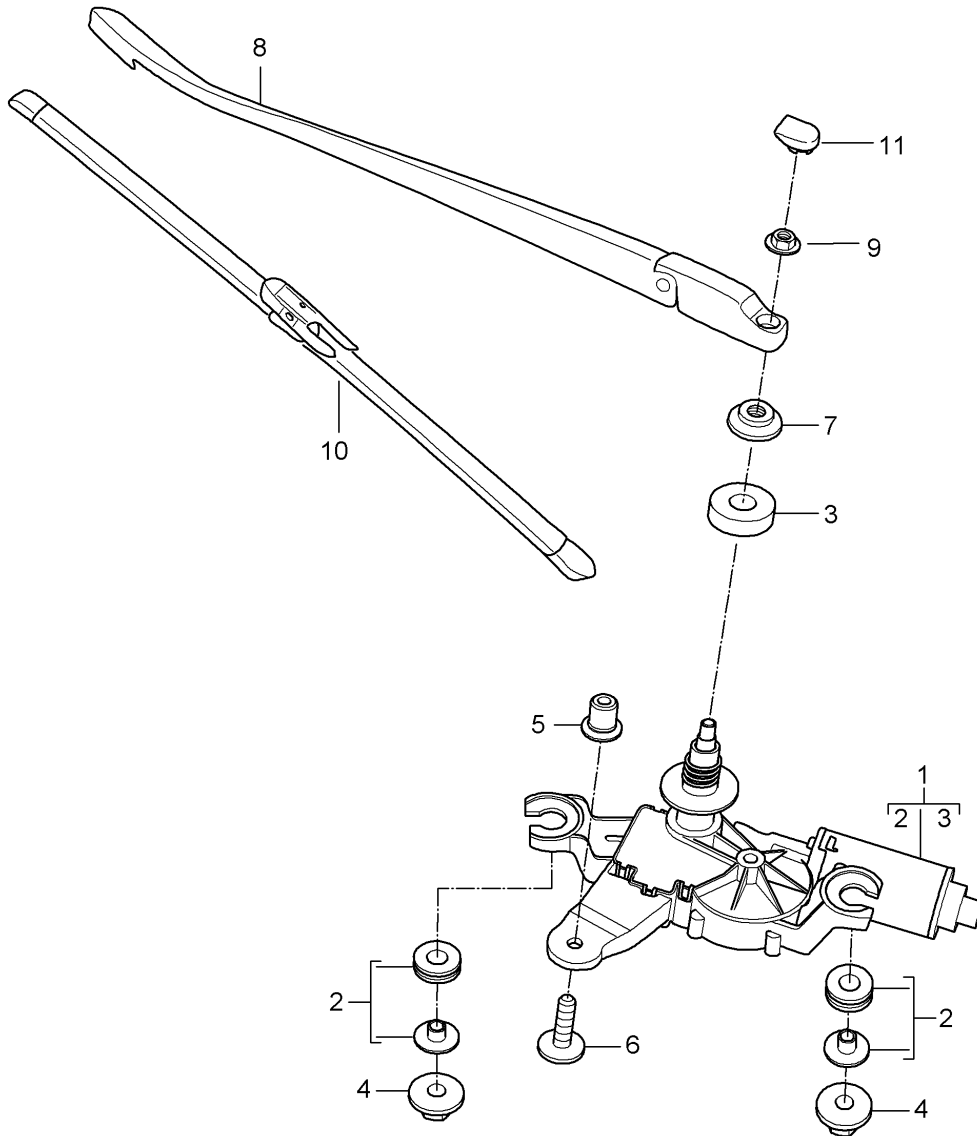
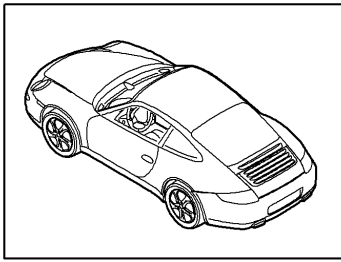
Model: 997-09

Model life 2009>>2012

Pos	Part Number	Description	Remark	Qty	Model
(11)	997 612 694 50	Wiring harness Rain sensor		1	TARGA I267 I268
-	000 043 204 65	with Wiring harness Adhesive film for Rain sensor		1	
(11)	997 612 695 00	Wiring harness with Light for cars without Rain sensor		1	COUPE
(11)	997 612 695 25	Wiring harness with Light for cars without Rain sensor		1	CABRIO
(11)	997 612 695 50	Wiring harness with Light for cars without Rain sensor		1	TARGA

Model: 997-09

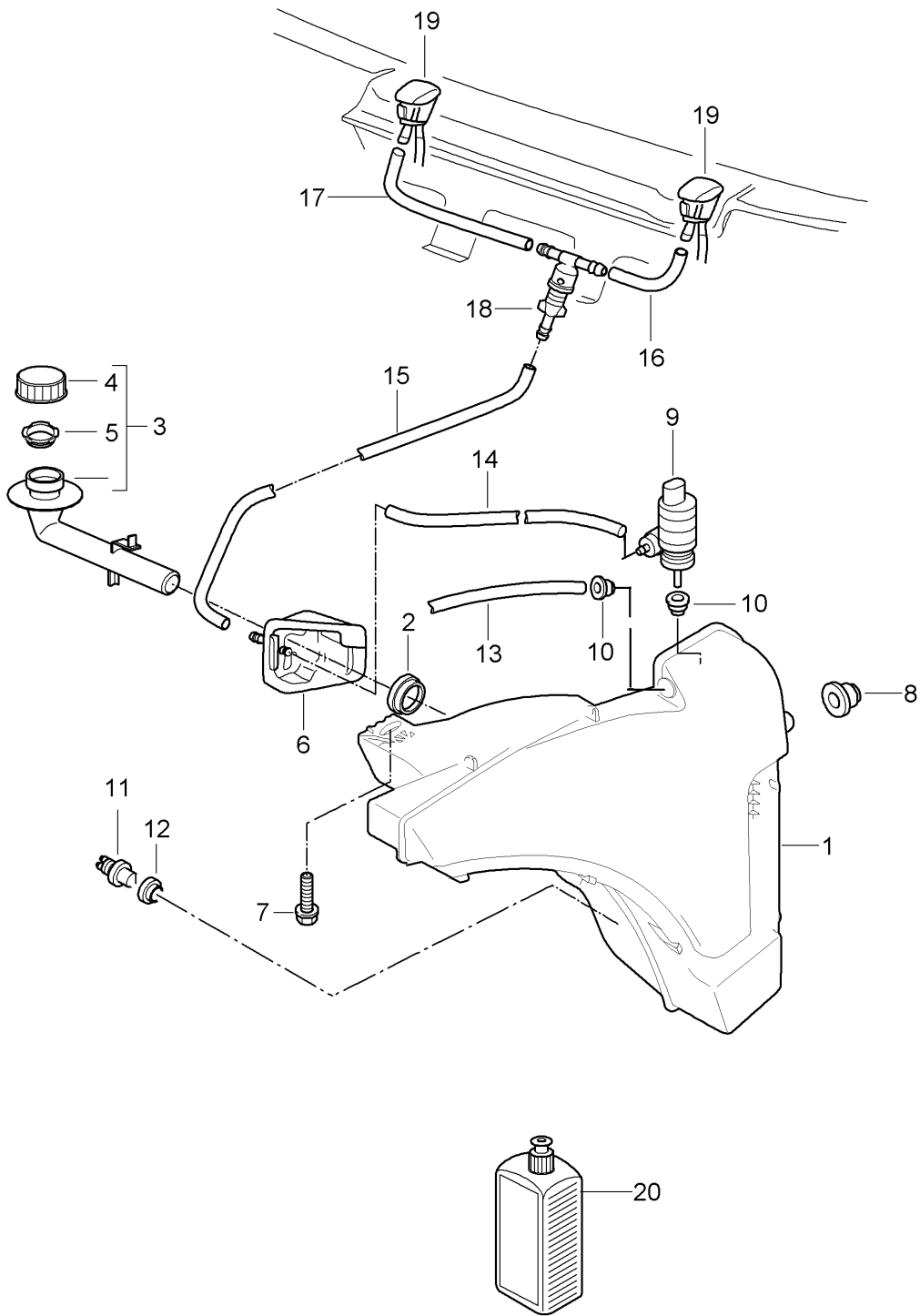
Model life 2009>>2012



Model: 997-09

Model life 2009>>2012

Pos	Part Number	Description	Remark	Qty	Model
		Rear window wiper			I425
1	997 628 080 00	Wiper motor		1	COUPE
(1)	996 628 090 01	Wiper motor		1	TARGA
2	997 628 908 00	Repair kit		1	
		Comprising:			
-		Grommet		2	
-		Bush		2	
3	997 628 910 00	Sealing ring		1	
4	999 076 078 01	Hexagon nut		2	
		M 6			
5	999 500 078 00	Speed nut		1	
6	999 073 468 01	Combination screw		1	
		M 6 X 22 SC			
7	997 628 273 00	Grommet		1	
8	997 628 169 00	Wiper arm		1	COUPE
(8)	997 628 159 00	Wiper arm		1	TARGA
9	900 377 003 03	Hexagon nut		1	
10	997 628 189 00	Wiper blade		1	
11	997 628 122 00	Cap		1	



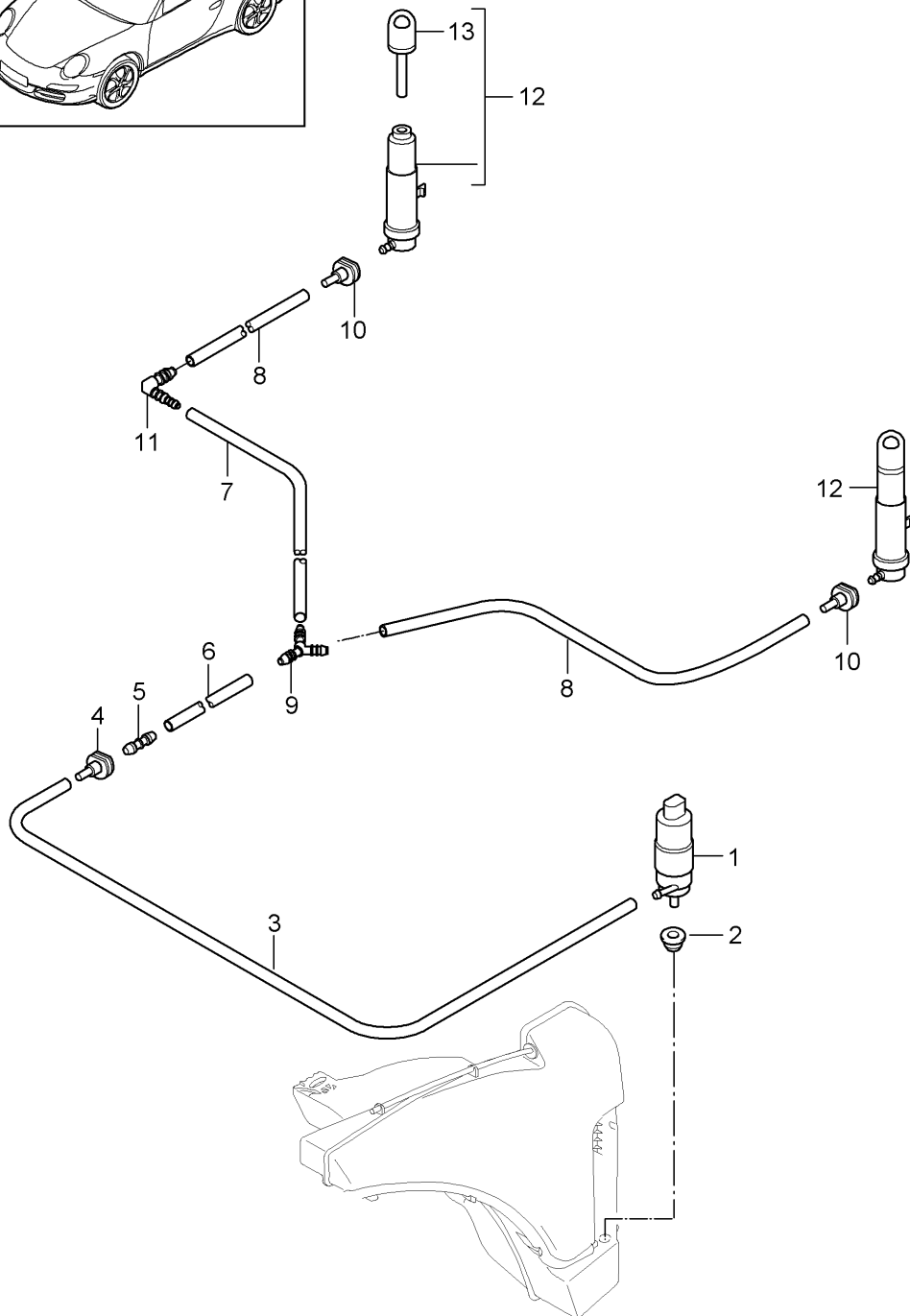
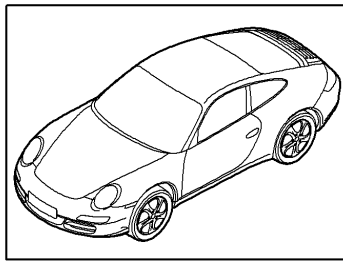
Model: 997-09

Model life 2009>>2012

Pos	Part Number	Description	Remark	Qty	Model
		Windscreen washer system			
1	997 528 701 01	Water reservoir		1	I288
(1)	997 528 701 00	Water reservoir		1	
2	996 528 711 00	Gasket		1	
3	997 528 605 00	Filler neck		1	
4	996 528 607 00	Lid		1	
5	997 528 621 00	Strainer		1	
6	996 528 615 01	Bracket		1	
-	999 137 091 40	Joining socket		X	
		Repair material for Bracket 996.528.615.01			
7	900 378 154 01	Hexagon-head bolt AM 8 X 35 SB		1	
8	999 702 221 40	Grommet		2	
9	997 628 182 00	Pump		1	
10	431 955 465 B	Sealing ring		2	
11	955 628 105 00	Tank gauge switch		1	
12	955 528 721 00	Gasket		1	
13	999 181 347 40	Breather pipe 273 MM		*	
-	999 181 815 40	Hose 5,0 X 2,5		*	
14		375 MM		1	
15		650 MM		1	
16		97 MM		1	
17		347 MM		1	
(18)	999 137 005 40	T-piece		1	
19	997 628 077 00	Nozzle		2	
20	999 901 017 42	Window cleaner 250 ML Summer		X	
20	999 901 033 40	Window cleaner 1000 ML Winter		X	

Model: 997-09

Model life 2009>>2012



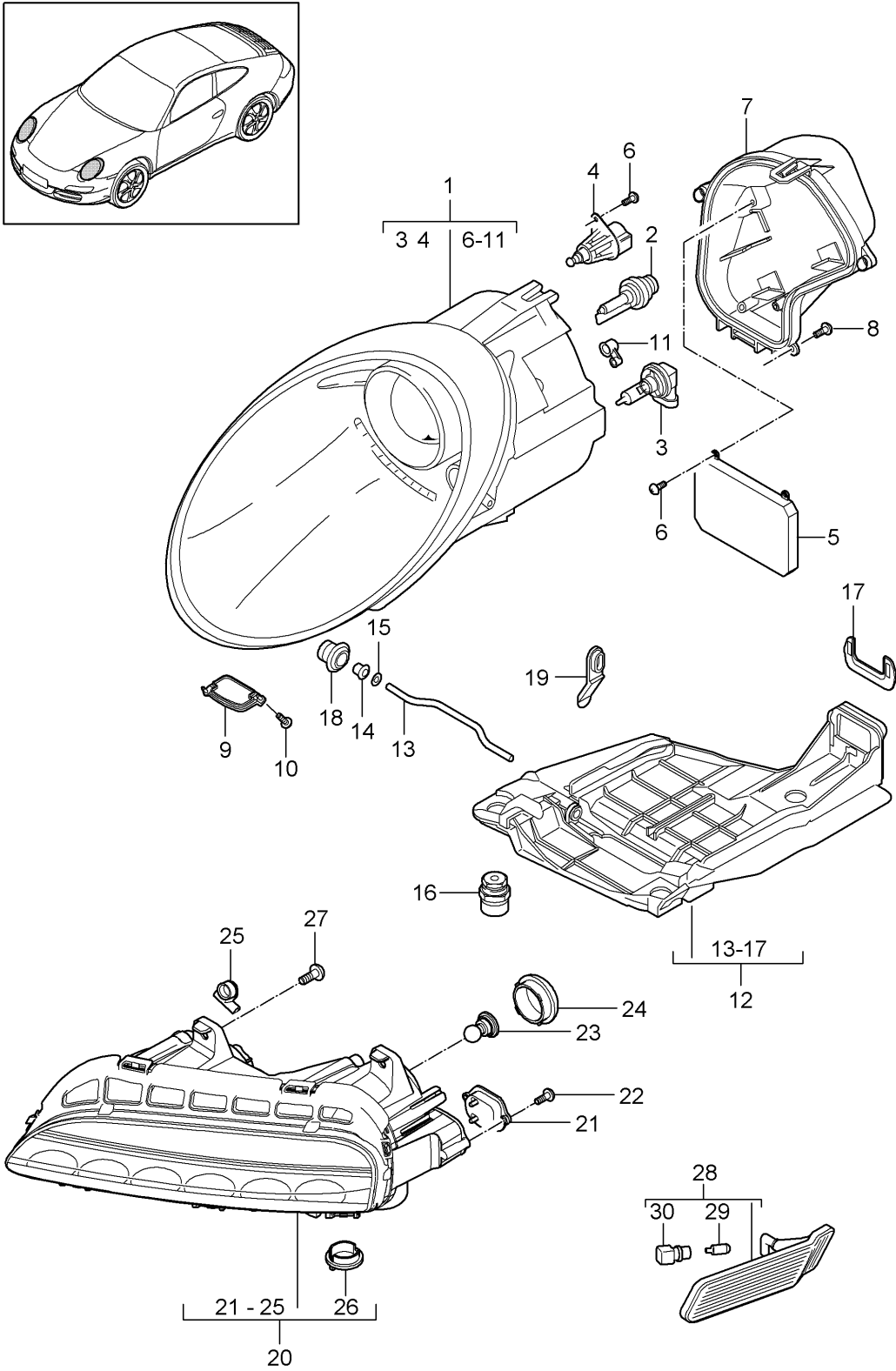
Model: 997-09

Model life 2009>>2012

Pos	Part Number	Description	Remark	Qty	Model
		Headlight washer system			I288
1	997 624 502 00	Pump		1	
2	928 628 193 00	Gasket		1	
-	000 043 204 79	Hose		*	
		8 X 3			
3		890 MM		1	
4	996 628 204 00	Clutch		1	
5	997 628 208 00	Hose connection		1	
-	999 181 760 40	Hose		*	
		10 X 3			
6		380 MM			
7		1980 MM			
8		120 MM			
9	999 137 093 40	Y-piece		1	
10	997 628 204 00	Clutch		2	
11	997 628 209 00	Angled pipe		1	
12	997 628 163 01	Nozzle		2	
13	997 628 263 00	Nozzle head		2	
-	997 628 981 02	Cap	10-	2	IXUB
		Prime coated for POS 12 + 13			

Model: 997-09

Model life 2009>>2012



Model: 997-09 Model life 2009>>2012

Pos	Part Number	Description	Remark	Qty	Model
		Headlamp Additional headlamp Side marker light Direction indicator light Headlamp without Control unit And Bulb XENON			I601
1	997 631 157 07	Headlamp F >>999S7 00676 F >>999S7 35371 F >>999S7 11107 F >>999S7 45754 F >>999S7 00682 F >>999S7 35373 F >>999S7 25094 F >>999S7 11122 F >>999S7 45765 F >>999S7 30128	/L	1	I601
1	997 631 157 03	Headlamp F 999S7 00677>> F 999S7 35372>> F 999S7 11108>> F 999S7 45755>> F 999S7 00683>> F 999S7 35374>> F 999S7 25095>> F 999S7 11123>> F 999S7 45766>> F 999S7 30129>>	/L	1	I601
1	997 631 157 07	Headlamp F 999S7 00677>> F 999S7 35372>> F 999S7 11108>> F 999S7 45755>> F 999S7 00683>> F 999S7 35374>> F 999S7 25095>> F 999S7 11123>> F 999S7 45766>> F 999S7 30129>>	/L	1	I601/676
(1)	997 631 158 07	Headlamp F >>999S7 00676 F >>999S7 35371 F >>999S7 11107 F >>999S7 45754 F >>999S7 00682 F >>999S7 35373 F >>999S7 25094 F >>999S7 11122 F >>999S7 45765 F >>999S7 30128	/R	1	I601
(1)	997 631 158 03	Headlamp F 999S7 00677>> F 999S7 35372>> F 999S7 11108>> F 999S7 45755>> F 999S7 00683>> F 999S7 35374>> F 999S7 25095>> F 999S7 11123>>	/R	1	I601

Model: 997-09 Model life 2009>>2012

Pos	Part Number	Description	Remark	Qty	Model
(1)	997 631 158 07	F 999S7 45766>> F 999S7 30129>> Headlamp	/R	1	I601/676
1	997 631 157 17	F 999S7 00677>> F 999S7 35372>> F 999S7 11108>> F 999S7 45755>> F 999S7 00683>> F 999S7 35374>> F 999S7 25095>> F 999S7 11123>> F 999S7 45766>> F 999S7 30129>> Headlamp	/L	1	I492/601
1	997 631 157 13	F >>999S7 00675 F >>999S7 35390 F >>999S7 11109 F >>999S7 45753 F >>999S7 00929 F >>999S7 35377 F >>999S7 25116 F >>999S7 11176 F >>999S7 45778 F >>999S7 30130 Headlamp	/L	1	I492/601
1	997 631 157 17	F 999S7 00676>> F 999S7 35391>> F 999S7 11110>> F 999S7 45754>> F 999S7 00930>> F 999S7 35378>> F 999S7 25117>> F 999S7 11177>> F 999S7 45779>> F 999S7 30131>> Headlamp	/L	1	I492/601/676
(1)	997 631 158 17	F 999S7 00676>> F 999S7 35391>> F 999S7 11110>> F 999S7 45754>> F 999S7 00930>> F 999S7 35378>> F 999S7 25117>> F 999S7 11177>> F 999S7 45779>> F 999S7 30131>> Headlamp	/R	1	I492/601
(1)	997 631 158 13	F >>999S7 00675 F >>999S7 35390 F >>999S7 11109 F >>999S7 45753 F >>999S7 00929 F >>999S7 35377 F >>999S7 25116 F >>999S7 11176 F >>999S7 45778 F >>999S7 30130 Headlamp	/R	1	I492/601
(1)	997 631 158 13	F 999S7 00676>> F 999S7 35391>> F 999S7 11110>> F 999S7 45754>> F 999S7 00930>>	/R	1	I492/601

Model: 997-09 Model life 2009>>2012

Pos	Part Number	Description	Remark	Qty	Model
(1)	997 631 158 17	F 999S7 35378>> F 999S7 25117>> F 999S7 11177>> F 999S7 45779>> F 999S7 30131>> Headlamp	/R	1	I492/601/676
2	999 631 036 90	F 999S7 00676>> F 999S7 35391>> F 999S7 11110>> F 999S7 45754>> F 999S7 00930>> F 999S7 35378>> F 999S7 25117>> F 999S7 11177>> F 999S7 45779>> F 999S7 30131>> Bulb		2	
3	999 631 144 91	- PHILIPS - Halogen bulb		2	
4	997 631 141 00	H 11 Electric motor		2	
5	997 631 283 01	Headlight levelling system Control unit		2	I601
5		F >>999S7 00676 F >>999S7 00675 F >>999S7 35371 F >>999S7 35390 F >>999S7 11107 F >>999S7 11109 F >>999S7 45754 F >>999S7 45753 F >>999S7 00682 F >>999S7 00929		2	I492 I492 I492 I492 I492 I492 I492 I492 I492 I492
5	997 631 183 00	Control unit		2	I601
5		F >>999S7 35373 F >>999S7 35377 F >>999S7 25094 F >>999S7 25116 F >>999S7 11122 F >>999S7 11176 F >>999S7 45765 F >>999S7 45778 F >>999S7 30128 F >>999S7 30130		2	I492 I492 I492 I492 I492 I492 I492 I492 I492 I492
5		Control unit		2	I601
		F 999S7 35374>> F 999S7 35378>> F 999S7 25095>> F 999S7 25117>> F 999S7 11123>> F 999S7 11177>> F 999S7 45766>>		2	I492 I492 I492 I492 I492 I492

Model: 997-09 Model life 2009>>2012

Pos	Part Number	Description	Remark	Qty	Model
		F 999S7 45779>>			I492
		F 999S7 30129>>			
		F 999S7 30131>>			I492
5	997 631 283 01	Control unit		2	I601/676
		F 999S7 00677>>			
		F 999S7 00676>>			I492
		F 999S7 35372>>			
		F 999S7 35391>>			I492
		F 999S7 11108>>			
		F 999S7 11110>>			I492
		F 999S7 45755>>			
		F 999S7 45754>>			I492
		F 999S7 00683>>			
		F 999S7 00930>>			I492
5		Control unit		2	I601/676
		F 999S7 35374>>			
		F 999S7 35378>>			I492
		F 999S7 25095>>			
		F 999S7 25117>>			I492
		F 999S7 11123>>			
		F 999S7 11177>>			I492
		F 999S7 45766>>			
		F 999S7 45779>>			I492
		F 999S7 30129>>			
		F 999S7 30131>>			I492
6	997 631 199 00	Screw		6	
7	997 631 101 00	Protective cap	/L	1	
(7)	997 631 102 00	Protective cap	/R	1	
8	997 631 191 00	Screw		8	
9	997 631 149 00	Ventilation component	/L	1	
9	997 631 149 10	Ventilation component	/L	1	
(9)	997 631 150 00	Ventilation component	/R	1	
(9)	997 631 150 10	Ventilation component	/R	1	
10	997 631 153 00	Screw		4	
11	997 631 249 00	Ventilation component		2	
12	997 631 073 02	Mounting	/L	1	
(12)	997 631 074 02	Mounting	/R	1	
13	997 631 273 01	Clamping bow		2	
14	997 631 272 00	Bearing sleeve		2	
15	900 116 004 09	Lock washer		2	
16	997 631 194 02	Fastening part		6	
17	997 631 245 00	Locking device		2	
		Connector housing			
18	999 703 413 40	Stopper		2	
19	993 631 170 03	Stopper		6	
		Additional headlamp			
20	997 631 083 01	Additional headlamp	/L	1	
20	997 631 083 02	Additional headlamp	/L	1	
(20)	997 631 084 01	Additional headlamp	/R	1	
(20)	997 631 084 02	Additional headlamp	/R	1	
21	997 631 241 00	LED module		2	
		Position light			
22	997 631 297 00	Screw		4	
23	999 631 253 91	Bulb		4	
		HP 24 W			
		Direction indicator light			
24	997 631 271 00	Cap		4	
		Direction indicator light			
25	997 631 247 00	Breather adapter		2	
26	997 631 267 01	Ventilation component		2	
27	999 919 246 01	Oval-head screw		8	
		6,0 X 18,0			
28	997 631 033 02	Direction indicator light	/L	1	

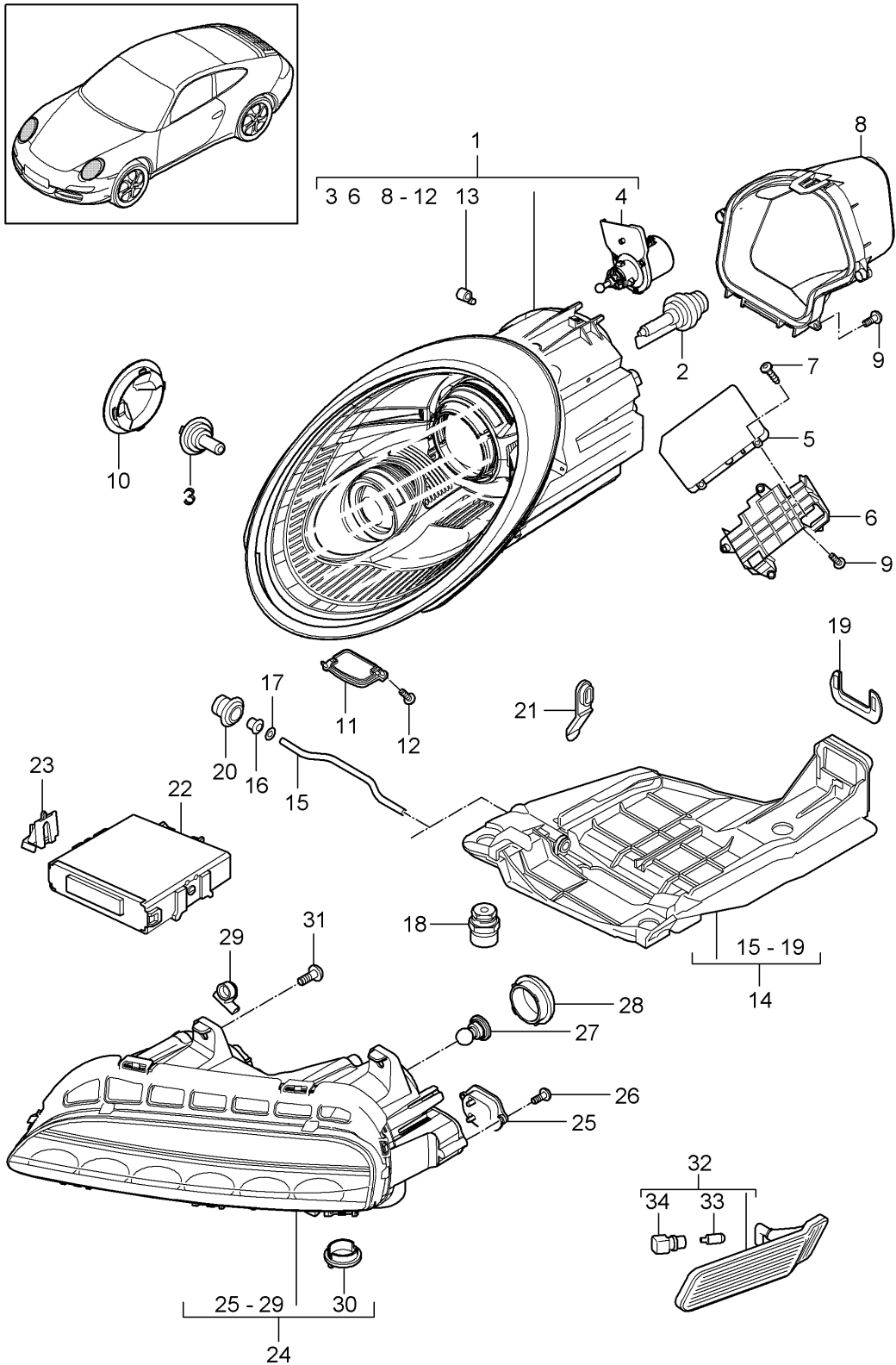
Model: 997-09

Model life 2009>>2012

Pos	Part Number	Description	Remark	Qty	Model
(28)	997 631 034 02	Direction indicator light	/R	1	
29	999 631 138 90	Bulb 5 W Yellow		2	
30	997 631 133 00	Bulb socket		2	

Model: 997-09

Model life 2009>>2012



Model: 997-09 Model life 2009>>2012

Pos	Part Number	Description	Remark	Qty	Model
		Headlamp Additional headlamp Side marker light Direction indicator light Headlamp without Control unit And Bulb XENON			I603
1	997 631 169 01	Headlamp	/L	1	-I503/I603
1	997 631 169 50	Headlamp	/L	1	I503/603
(1)	997 631 170 01	Headlamp	/R	1	-I503/I603
(1)	997 631 170 50	Headlamp	/R	1	I503/603
1	997 631 169 11	Headlamp	/L	1	I492
1	997 631 169 60	Headlamp	/L	1	I492/503/756
(1)	997 631 170 11	Headlamp	/R	1	I492
(1)	997 631 170 60	Headlamp	/R	1	I492/503/756
2	999 631 036 90	Bulb - PHILIPS -		2	
3	999 631 133 91	Halogen bulb H 7		2	
4	997 631 227 01	Electric motor	/L	1	
(4)	997 631 228 01	Headlight levelling system Electric motor Headlight levelling system	/R	1	
5	997 631 283 01	Control unit		2	
6	997 631 223 00	Support	/L	1	
(6)	997 631 224 00	Support	/R	1	
7	997 631 199 00	Screw		4	
8	997 631 201 00	Protective cap	/L	1	
(8)	997 631 202 00	Protective cap	/R	1	
9	997 631 191 00	Screw		14	
10	997 631 211 00	Protective cap High beam		2	
11	997 631 149 00	Ventilation component	/L	1	
11	997 631 149 10	Ventilation component	/L	1	
(11)	997 631 150 00	Ventilation component	/R	1	
(11)	997 631 150 10	Ventilation component	/R	1	
12	997 631 153 00	Screw		4	
13	997 631 249 00	Ventilation component		2	
14	997 631 073 02	Mounting	/L	1	
(14)	997 631 074 02	Mounting	/R	1	
15	997 631 273 01	Clamping bow		2	
16	997 631 272 00	Bearing sleeve		2	
17	900 116 004 09	Lock washer		2	
18	997 631 194 02	Fastening part		6	
19	997 631 245 00	Locking device Connector housing		2	
20	999 703 413 40	Stopper		2	
21	993 631 170 03	Stopper		6	
22	997 618 321 02	Control unit		1	
23	997 618 331 00	Dynamic cornering light Support		2	CARRERA/S
24	997 631 083 01	Additional headlamp	/L	1	
24	997 631 083 02	Additional headlamp	/L	1	
24	997 631 085 00	Additional headlamp	/L	1	SPEEDSTER I503
(24)	997 631 084 01	Additional headlamp	/R	1	
(24)	997 631 084 02	Additional headlamp	/R	1	
(24)	997 631 086 00	Additional headlamp	/R	1	SPEEDSTER I503

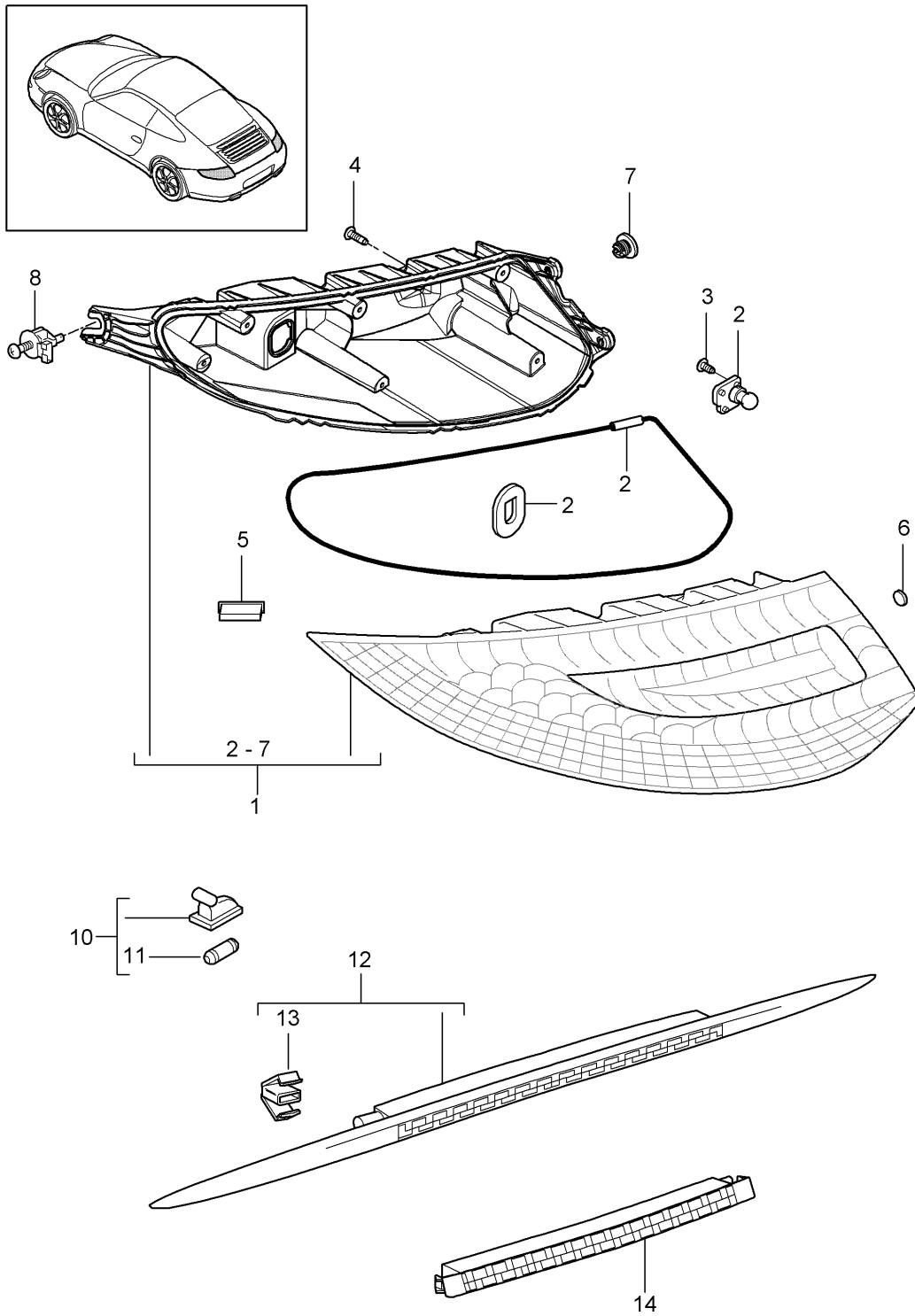
Model: 997-09

Model life 2009>>2012

Pos	Part Number	Description	Remark	Qty	Model
25	997 631 241 00	LED module Position light		2	
26	997 631 297 00	Screw		4	
27	999 631 253 91	Bulb HP 24 W Direction indicator light		4	
28	997 631 271 00	Cap Direction indicator light		4	
29	997 631 247 00	Breather adapter		2	
30	997 631 267 01	Ventilation component		2	
31	999 919 246 01	Oval-head screw 6,0 X 18,0		8	
32	997 631 033 02	Direction indicator light	/L	1	
(32)	997 631 034 02	Direction indicator light	/R	1	
33	999 631 138 90	Bulb 5 W Yellow		2	
34	997 631 133 00	Bulb socket		2	

Model: 997-09

Model life 2009>>2012



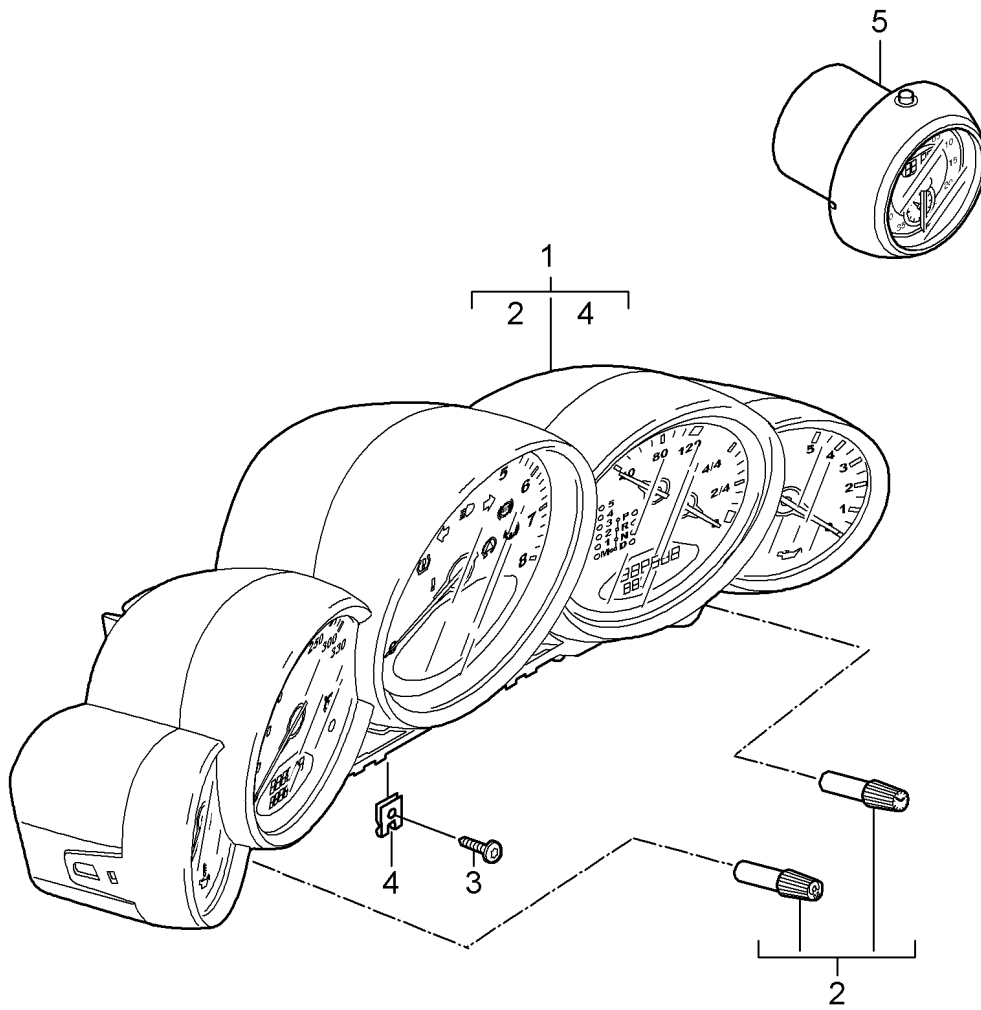
Model: 997-09

Model life 2009>>2012

Pos	Part Number	Description	Remark	Qty	Model
		Rear light License plate light Additional brake light See technical information GR. 9 NR. 1/09 KD - NR 9431			
1	997 631 411 03	Rear light	/L	1	I465
1	997 631 411 04	Rear light	/L	1	I465
1	997 631 989 00	Rear light	/L	1	IXXG/465
1	997 631 989 01	Rear light	/L	1	IXXG/465
1	997 631 989 02	Rear light	/L	1	IXXG/465
(1)	997 631 412 03	Rear light	/R	1	I465
(1)	997 631 412 04	Rear light	/R	1	I465
(1)	997 631 990 00	Rear light	/R	1	IXXG/465
(1)	997 631 990 01	Rear light	/R	1	IXXG/465
(1)	997 631 990 02	Rear light	/R	1	IXXG/465
1	997 631 417 03	Rear light	/L	1	I466
1	997 631 417 04	Rear light	/L	1	I466
1	997 631 993 00	Rear light	/L	1	IXXG/466
1	997 631 993 01	Rear light	/L	1	IXXG/466
1	997 631 993 02	Rear light	/L	1	IXXG/466
(1)	997 631 418 03	Rear light	/R	1	I466
(1)	997 631 418 04	Rear light	/R	1	I466
(1)	997 631 994 00	Rear light	/R	1	IXXG/466
(1)	997 631 994 01	Rear light	/R	1	IXXG/466
(1)	997 631 994 02	Rear light	/R	1	IXXG/466
2	997 631 931 01	Repair kit Bulb Back-up light		2	
3	997 631 598 00	Screw		6	
4	997 631 497 00	Screw		14	
5	997 631 585 00	Buffer		2	
6	997 631 441 00	Ventilation component		4	
7	997 631 499 00	Screw		4	
8	997 631 471 00	Mounting		2	
10	997 631 620 01	License plate light		2	
10	997 631 620 02	License plate light		2	
11	900 631 025 90	Bulb 12V 5W		2	
12	997 631 050 04	Additional brake light		1	COUPE/TARGA
(12)	997 631 052 01	Additional brake light		1	COUPE I756
(12)	997 631 054 03	Additional brake light		1	CABRIO
13	997 631 203 00	Clip		6	COUPE/TARGA
14	997 631 051 04	Additional brake light in Spoiler		1	

Model: 997-09

Model life 2009>>2012



Model: 997-09 Model life 2009>>2012

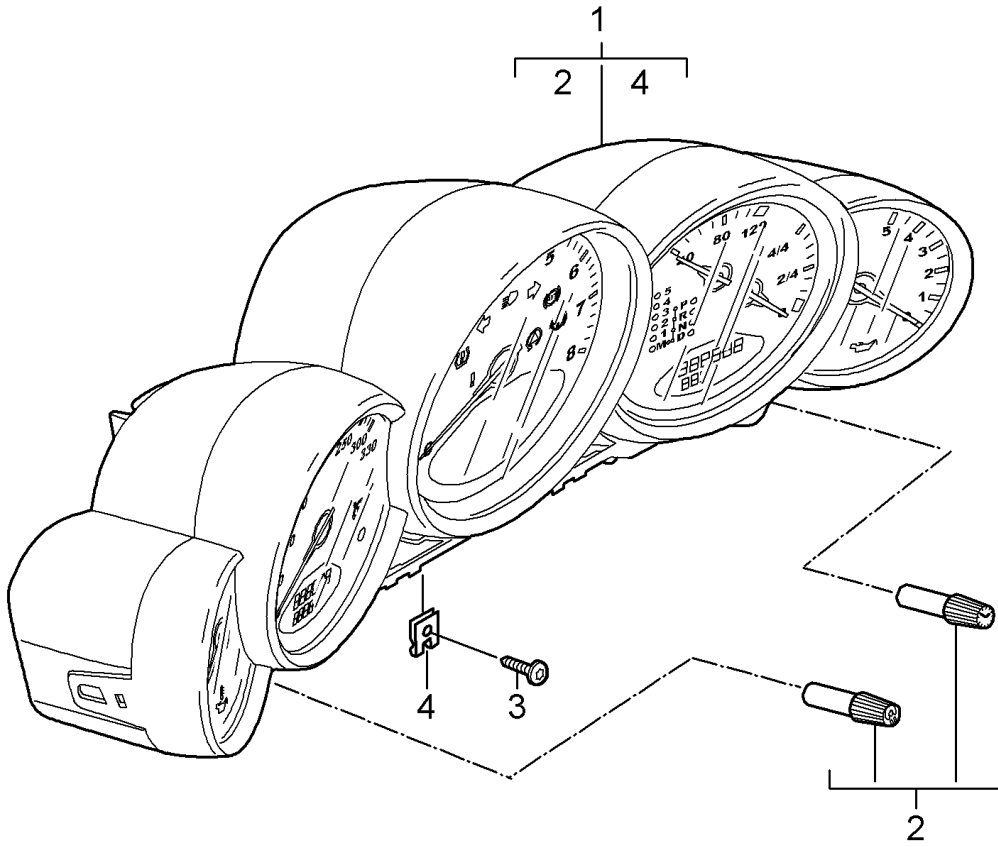
Pos	Part Number	Description	Remark	Qty	Model
1	997 641 303 03	Instruments Stopwatch See technical information GR. 9 NR. 5/09 KD - NR. 9025 Instrument cluster	-11	1	-I503/-I756 I022/480
1	997 641 303 03 D07 997 641 303 04	Complete Volcano grey Instrument cluster	12-	1	-I503/-I756 I022/480
1	997 641 303 04 D07 997 641 993 00	Complete Volcano grey Instrument cluster		1	-I503/I022 I480/756
1	997 641 993 00 V04 997 641 304 03	Complete Galvano silver Instrument cluster	09	1	-I503/I022 I250
1	997 641 304 03 D07 997 641 304 04	Complete Volcano grey Instrument cluster	10-11	1	-I503/I022 I250
1	997 641 304 04 D07 997 641 304 05	Complete Volcano grey Instrument cluster	12-	1	-I503/I022 I250
1	997 641 304 05 D07 997 641 324 00	Complete Volcano grey Instrument cluster		1	SPEEDSTER I022/250/503
1	997 641 324 00 V04 997 641 307 02	Complete Galvano silver Instrument cluster	(GB) -11	1	-I503/I022 I480
1	997 641 307 02 D07 997 641 307 04	Complete Volcano grey Instrument cluster	(GB) 12-	1	-I503/I022 I480
1	997 641 307 04 D07 997 641 993 01	Complete Volcano grey Instrument cluster	(GB)	1	-I503/I022 I480/756
1	997 641 993 01 V04 997 641 308 04	Complete Galvano silver Instrument cluster	(GB) -11	1	-I503/I022 I250
1	997 641 308 04 D07 997 641 308 05	Complete Volcano grey Instrument cluster	(GB)	1	-I503/I022 I250
1	997 641 308 05 D07 997 641 328 00	Complete Volcano grey Instrument cluster	(GB)	1	SPEEDSTER I022/250/503
1	997 641 328 00 V04 997 641 313 03	Complete Galvano silver Instrument cluster	-11	1	I023/480
1	997 641 313 03 D07 997 641 313 04	Complete Volcano grey Instrument cluster	12-	1	I023/480
	997 641 313 04 D07	Complete Volcano grey			

Model: 997-09 Model life 2009>>2012

Pos	Part Number	Description	Remark	Qty	Model
1	997 641 314 03	Instrument cluster Complete	09	1	I023/250
1	997 641 314 03 D07 997 641 314 04	Volcano grey Instrument cluster Complete	-11	1	I023/250
1	997 641 314 04 D07 997 641 314 05	Volcano grey Instrument cluster Complete	12-	1	I023/250
1	997 641 314 05 D07 997 641 317 02	Volcano grey Instrument cluster Complete	(GB) -11	1	I023 I480
1	997 641 317 02 D07 997 641 317 04	Volcano grey Instrument cluster Complete	(GB) 12-	1	I023 I480
1	997 641 317 04 D07 997 641 318 04	Volcano grey Instrument cluster Complete	(GB) -11	1	I023 I250
1	997 641 318 04 D07 997 641 318 05	Volcano grey Instrument cluster Complete	(GB)	1	I023 I250
(2)	997 641 318 05 D07 997 641 911 00	Volcano grey Knob Actuator Trip meter And Clock		1	
3	999 073 155 09	Tapping screw 4,2 X 19		2	
4	999 507 403 02	U-clamp Stopwatch		2	
5	997 641 301 26 997 641 301 26 V05	Stopwatch Galvano silver		1	I025/639/640
(5)	997 641 311 26 997 641 311 26 V05	Stopwatch Galvano silver		1	I026/639/640

Model: 997-09

Model life 2009>>2012



Model: 997-09 Model life 2009>>2012

Pos	Part Number	Description	Remark	Qty	Model
		Instruments Exclusive programme See technical information GR. 9 NR. 5/09 KD - NR. 9025			
(1)	997 641 981 13	Instrument cluster Complete Dial Lacquered	-11	1	I480
	997 641 981 13 5Z1	Sand Beige			IXFD
	997 641 981 13 84A	Guards red			IXFG
	997 641 981 13 12H	Speed yellow			IXFH
	997 641 981 13 B9A	Carrara white			IXFJ
(1)	997 641 981 33	Instrument cluster Complete Dial Lacquered		1	I480
	997 641 981 33 5Z1	Sand Beige			IXFD
	997 641 981 33 84A	Guards red			IXFG
	997 641 981 33 12H	Speed yellow			IXFH
	997 641 981 33 B9A	Carrara white			IXFJ
1	997 641 981 24	Instrument cluster Complete Dial Lacquered	-11	1	I250
	997 641 981 24 5Z1	Sand Beige			IXFD
	997 641 981 24 84A	Guards red			IXFG
	997 641 981 24 12H	Speed yellow			IXFH
	997 641 981 24 B9A	Carrara white			IXFJ
1	997 641 981 34	Instrument cluster Complete Dial Lacquered		1	I250
	997 641 981 34 5Z1	Sand Beige			IXFD
	997 641 981 34 84A	Guards red			IXFG
	997 641 981 34 12H	Speed yellow			IXFH
	997 641 981 34 B9A	Carrara white			IXFJ
(1)	997 641 981 17	Instrument cluster Complete Dial Lacquered	(GB) -11	1	I480
	997 641 981 17 5Z1	Sand Beige			IXFD
	997 641 981 17 84A	Guards red			IXFG
	997 641 981 17 12H	Speed yellow			IXFH
	997 641 981 17 B9A	Carrara white			IXFJ
(1)	997 641 981 37	Instrument cluster Complete Dial Lacquered	(GB)	1	I480
	997 641 981 37 5Z1	Sand Beige			IXFD
	997 641 981 37 84A	Guards red			IXFG
	997 641 981 37 12H	Speed yellow			IXFH
	997 641 981 37 B9A	Carrara white			IXFJ
1	997 641 981 28	Instrument cluster Complete Dial Lacquered	(GB) -11	1	I250
	997 641 981 28 5Z1	Sand Beige			IXFD
	997 641 981 28 84A	Guards red			IXFG
	997 641 981 28 12H	Speed yellow			IXFH
	997 641 981 28 B9A	Carrara white			IXFJ
1	997 641 981 38	Instrument cluster Complete	(GB)	1	I250

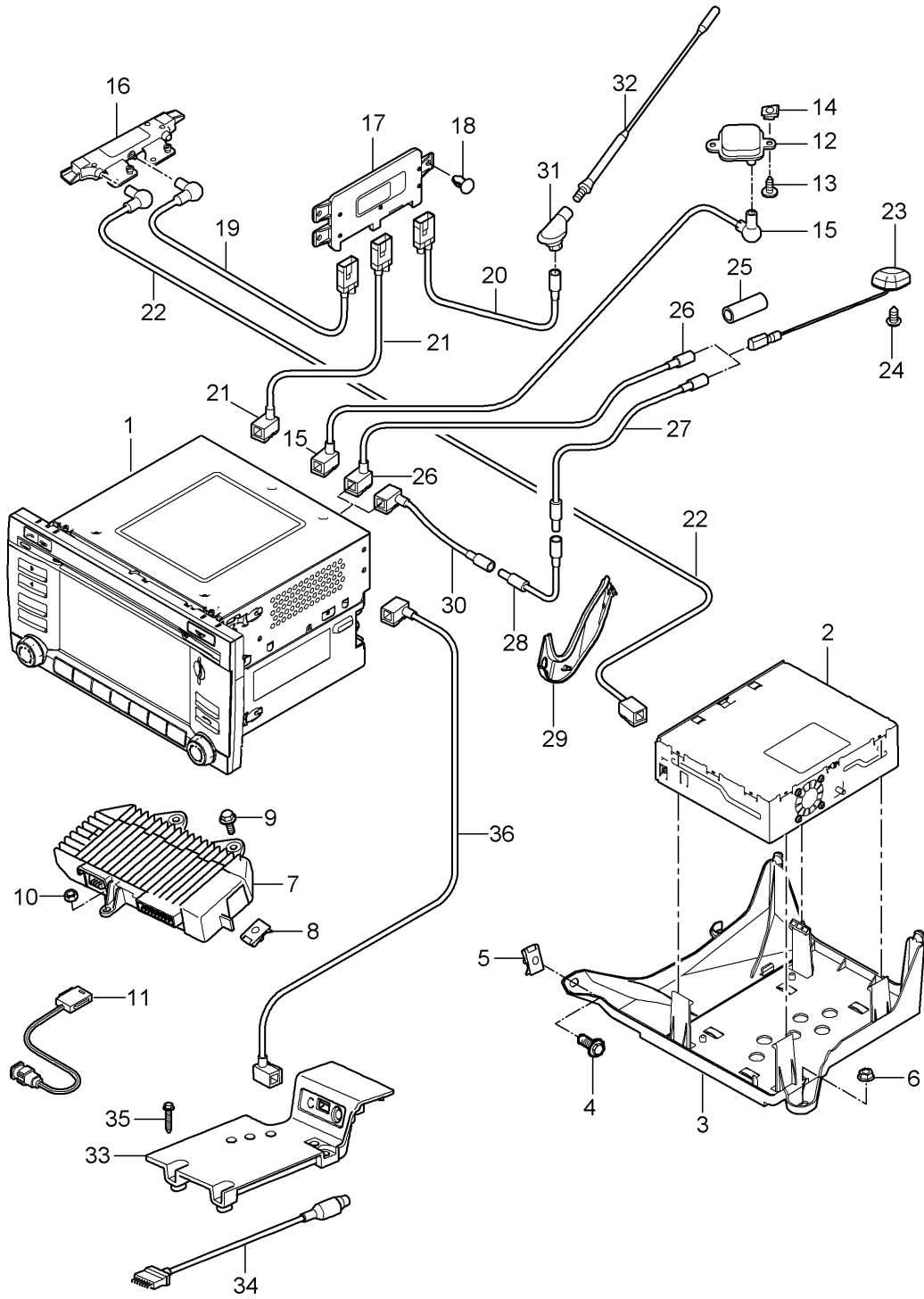
Model: 997-09

Model life 2009>>2012

Pos	Part Number	Description	Remark	Qty	Model
		Dial			
		Lacquered			
	997 641 981 38 5Z1	Sand Beige			IXFD
	997 641 981 38 84A	Guards red			IXFG
	997 641 981 38 12H	Speed yellow			IXFH
	997 641 981 38 B9A	Carrara white			IXFJ
(2)	997 641 911 00	Knob		1	
		Actuator			
		Trip meter			
		And			
		Clock			
3	999 073 155 09	Tapping screw		2	
		4,2 X 19			
4	999 507 403 02	U-clamp		2	

Model: 997-09

Model life 2009>>2012



Model: 997-09 Model life 2009>>2012

Pos	Part Number	Description	Remark	Qty	Model
1	997 642 960 X 997 642 960 X FTC	Control part Navigation system Receiving part TV Booster Multimedia interface Control part Only in exchange Control part Matt Black/Galvano Silver We take back: 997.642.960.00.FTC		1	I665
1	997 642 962 X 997 642 962 X FTC	Control part Matt Black/Galvano Silver We take back: 997.642.962.00.FTC		1	I665/693
1	997 642 970 X 997 642 970 X FTC	Control part Matt Black/Galvano Silver We take back: 997.642.970.00.FTC	-10	1	I665/672
1	997 642 970 AX 997 642 970 AX FTC	Control part Matt Black/Galvano Silver We take back: 997.642.970.01.FTC	11-	1	I665/672
1	997 642 972 X 997 642 972 X FTC	Control part Matt Black/Galvano Silver We take back: 997.642.972.00.FTC	-10	1	I665/672/693
1	997 642 972 AX 997 642 972 AX FTC	Control part Matt Black/Galvano Silver We take back: 997.642.972.01.FTC	11-	1	I665/672/693
1	997 642 974 X 997 642 974 X FTC	Control part Matt Black/Galvano Silver We take back: 997.642.974.00.FTC		1	I665/673
1	997 642 975 X 997 642 975 X FTC	Control part Matt Black/Galvano Silver We take back: 997.642.975.00.FTC		1	I665/673/693
-		Control unit Telephone See illustrations 9/11/10			
-	997 642 929 00	Rotary knob for Control part	/L	1	I665
-	997 642 930 00	Rotary knob for Control part	/R	1	I665
-	997 642 125 00	Adapter -CAN-		1	I673
-	999 591 941 40	Expansion rivet for Mount Adapter -CAN-		1	I673
-	997 642 271 50	DVD Navigation system for Software 997.642.271.00 See technical information		1	I610

Model: 997-09

Model life 2009>>2012

Pos	Part Number	Description	Remark	Qty	Model
-	997 642 271 51	GR. 9 NR. 52/09 KD - NR. 9110 DVD Navigation system for Software 997.642.271.01 See technical information		1	I610
-	997 642 271 52	GR. 9 NR. 52/09 KD - NR. 9110 DVD Navigation system for Software 7PP.919.193.R		1	I610
-	997 642 271 53	DVD Navigation system for Software 7PP.919.193.AF		1	I610
-	997 642 271 54	DVD Navigation system for Software 7PP.919.193.AQ 7PP.919.193.BG		1	I610
-	997 642 271 55	DVD Navigation system for Software 7PP.919.193.BJ		1	I610
-	997 642 275 50	DVD Navigation system for Software 997.642.275.00 See technical information		1	I611
-	997 642 275 51	GR. 9 NR. 52/09 KD - NR. 9110 DVD Navigation system for Software 997.642.275.01 See technical information		1	I611
-	997 642 275 52	GR. 9 NR. 52/09 KD - NR. 9110 DVD Navigation system for Software 7PP.919.193.T		1	I611
-	997 642 275 53	DVD Navigation system for Software 7PP.919.193.AH 7PP.919.193.AN		1	I611
-	997 642 275 54	DVD Navigation system for Software 7PP.919.193.AS		1	I611

Model: 997-09

Model life 2009>>2012

Pos	Part Number	Description	Remark	Qty	Model
-	997 642 275 55	DVD Navigation system for Software 7PP.919.193.BL		1	I611
-	997 642 277 50	DVD Navigation system for Software 997.642.277.00 See technical information GR. 9 NR. 52/09 KD - NR. 9110		1	I612
-	997 642 277 51	DVD Navigation system for Software 997.642.277.01 See technical information GR. 9 NR. 52/09 KD - NR. 9110		1	I612
-	997 642 277 52	DVD Navigation system for Software 7PP.919.193.AA		1	I612
-	997 642 277 53	DVD Navigation system for Software 7PP.919.193.AJ		1	I612
-	997 642 277 54	DVD Navigation system for Software 7PP.919.193.AT		1	I612
-	997 642 277 55	DVD Navigation system for Software 7PP.919.193.BR		1	I612
-	997 642 279 50	DVD Navigation system for Software 997.642.279.00 See technical information GR. 9 NR. 52/09 KD - NR. 9110		1	I613
-	997 642 279 51	DVD Navigation system for Software 997.642.279.01 See technical information GR. 9 NR. 52/09 KD - NR. 9110		1	I613
-	997 642 279 52	DVD Navigation system for Software 7PP.919.193.AB		1	I613
-	997 642 279 53	DVD		1	I613

Model: 997-09 Model life 2009>>2012

Pos	Part Number	Description	Remark	Qty	Model
-	997 642 279 54	Navigation system for Software 7PP.919.193.AK DVD		1	I613
-	997 642 279 55	Navigation system for Software 7PP.919.193.BA DVD		1	I613
-	997 642 281 50	Navigation system for Software 7PP.919.193.BN DVD		1	I614
-	997 642 281 51	Navigation system for Software 997.642.281.00 See technical information GR. 9 NR. 52/09 KD - NR. 9110 DVD		1	I614
-	997 642 281 52	Navigation system for Software 997.642.281.01 See technical information GR. 9 NR. 52/09 KD - NR. 9110 DVD		1	I614
-	997 642 281 53	Navigation system for Software 7PP.919.193.AC DVD		1	I614
-	997 642 281 54	Navigation system for Software 7PP.919.193.AL DVD		1	I614
-	997 642 281 55	Navigation system for Software 7PP.919.193.BB DVD		1	I614
-	997 642 283 50	Navigation system for Software 7PP.919.193.BP DVD		1	I616
-	997 642 283 51	Navigation system for Software 997.642.283.00 See technical information GR. 9 NR. 52/09 KD - NR. 9110 DVD		1	I616
-	997 642 283 51	Navigation system for Software 997.642.283.01		1	I616

Model: 997-09 Model life 2009>>2012

Pos	Part Number	Description	Remark	Qty	Model
-	997 642 283 52	See technical information GR. 9 NR. 52/09 KD - NR. 9110 DVD Navigation system for Software 7PP.919.193.AD		1	I616
-	997 642 283 53	DVD Navigation system for Software 7PP.919.193.AM		1	I616
-	997 642 283 54	DVD Navigation system for Software 7PP.919.193.BC		1	I616
-	997 642 283 55	DVD Navigation system for Software 7PP.919.193.BQ		1	I616
-	997 642 148 02	CD-ROM Logbook	-11	1	I641
-	7PP 919 855	CD-ROM Logbook	12-	1	I641
2	7PP 919 148	Receiving part TV		1	I676
2	7PP 919 148 A	Receiving part TV		1	I676
(3)	997 642 331 00	Support Receiving part TV		1	CARRERA/S I676
(3)	997 642 337 00	Support Navigation system		1	CARRERA/S I673
3	997 642 333 00	Support Receiving part TV	/LL	1	CARRERA 4/4S I098 I676
3	997 642 339 00	Support Navigation system		1	CARRERA 4/4S I673
(3)	997 642 332 00	Support Receiving part TV	/RL	1	CARRERA 4/4S I099 I676
4	900 378 179 09	Hexagon-head bolt	/LL	1	CARRERA 4/4S I098 I673/676
5	999 507 766 02	M 6 X 16 Speed nut	/LL	1	CARRERA 4/4S I098 I673/676
6	999 084 638 01	M 6 Hexagon nut	/LL	1	CARRERA 4/4S I098 I673/676
7	997 645 441 01	M 6 Booster		1	COUPE/TARGA I490
7	997 645 442 00	Booster		1	CABRIO I490
(7)	7PP 035 223 K	Booster Note coding		1	I680

Model: 997-09 Model life 2009>>2012

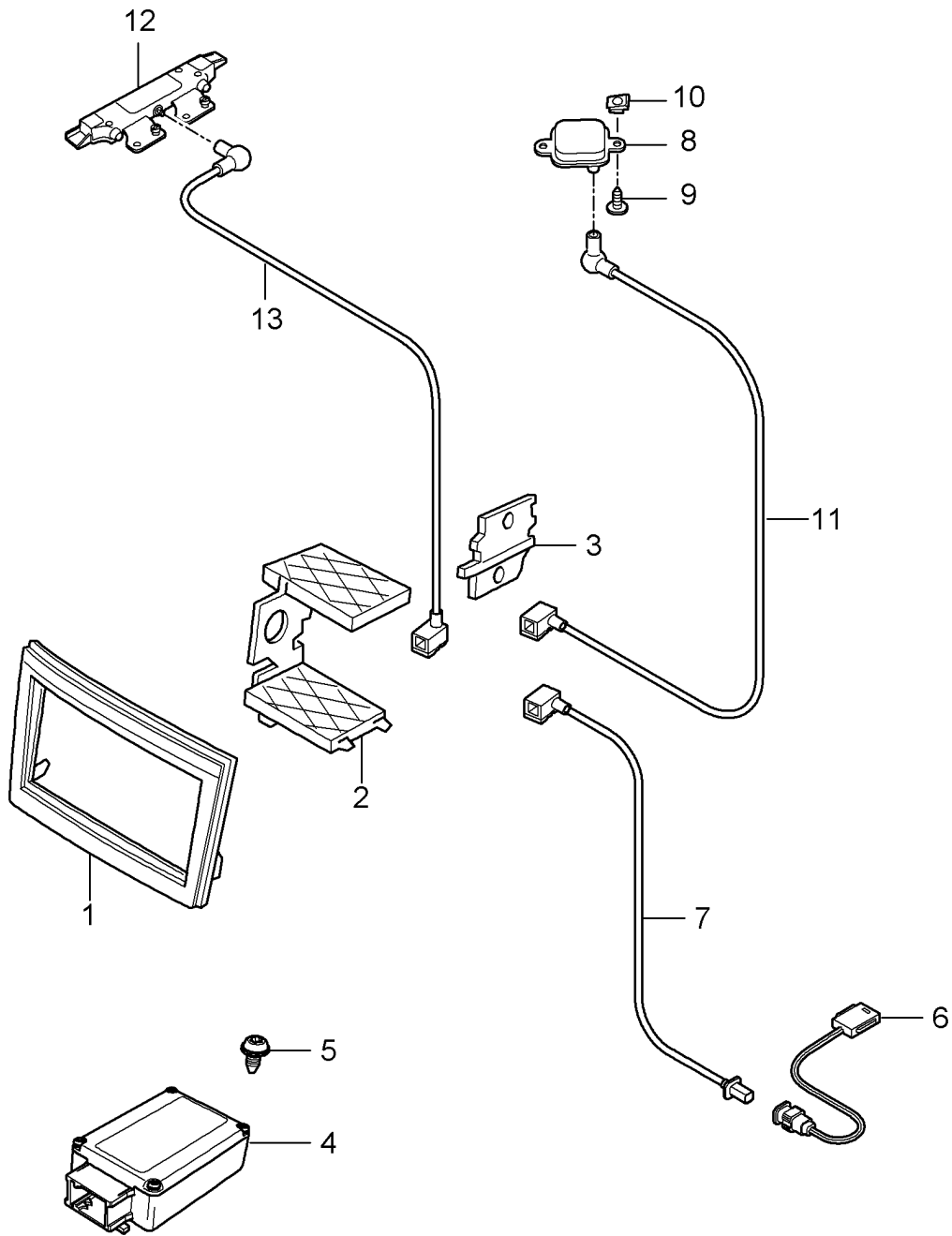
Pos	Part Number	Description	Remark	Qty	Model
(7)	7PP 035 223 J	Booster	10-	1	I675/680
8	999 507 766 02	Speed nut M 6		2	I490/680
9	900 378 035 01	Hexagon-head bolt M 6 X 16		2	I490/680
10	999 084 638 01	Hexagon nut M 6		1	I490/680
11	997 646 313 00	Microphone		1	I490/618/619 I666/671
11	997 646 315 00	Microphone		1	I618/619/666 I671/680
11	997 646 317 00	Microphone		1	-I618/-I619 -I666/-I671 I680
11	997 646 319 00	Microphone		1	I618/619/665 I666/671
-	997 610 233 01	Cable guide Microphone		1	
12	997 642 105 00	Antenna GPS		1	I672/673
13	999 073 210 00	Tapping screw 4,8 X 13		1	I672/673
14	999 507 441 01	Speed nut 4,8		1	I672/673
15	997 612 030 75	Connecting line Antenna Control part		1	I672
(15)	997 612 073 25	Connecting line Antenna Control part		1	I673
16	997 647 117 00	Antenna booster	/L	1	I440
(16)	997 647 118 00	Antenna booster	/R	1	I440
(16)	997 647 119 00	Antenna booster	/L	1	I440/676
(16)	997 647 120 00	Antenna booster	/R	1	I440/676
17	997 618 122 00	Control unit		1	I440
18	999 591 904 40	Fastening part		2	I440
19	997 612 069 25	Connecting line Left Antenna booster Control unit	/LL	1	I098/461
19	997 612 069 75	Connecting line Left Antenna booster Control unit	/RL	1	I099/461
19	997 612 055 25	Connecting line Left Antenna booster Control unit	/LL	1	I098/665
19	997 612 056 25	Connecting line Right Antenna booster Control unit	/LL	1	I098/665
19	997 612 055 75	Connecting line Left Antenna booster Control unit	/RL	1	I099/665
19	997 612 056 75	Connecting line Right Antenna booster Control unit	/RL	1	I099/665
20	997 612 066 25	Connecting line Antenna base Control unit		1	I461

Model: 997-09 Model life 2009>>2012

Pos	Part Number	Description	Remark	Qty	Model
(20)	997 612 067 01	Connecting line Antenna base Power supply		1	I461
21	997 612 057 25	Connecting line Control unit Control part	/LL	1	I098/665
21	997 612 057 75	Connecting line Control unit Control part	/RL	1	I099/665
22	997 612 088 25	Connecting line Antenna booster Receiving part TV	/LL	1	CARRERA /S I098 I098/676
22	997 612 088 75	Connecting line Antenna booster Receiving part TV	/RL	1	CARRERA /S I099 I099/676
22	997 612 089 25	Connecting line Antenna booster Receiving part TV	/LL	1	CARRERA 4/4S I098 I098/676
22	997 612 089 75	Connecting line Antenna booster Receiving part TV	/RL	1	CARRERA 4/4S I099 I099/676
(22)	997 612 074 25	Connecting line Control part Computer Navigation system		1	I673
(22)	997 612 072 25	Connecting line Computer Navigation system - IR - Sensor		1	I673
31	997 647 221 00	Antenna base		1	I461
32	997 647 223 00	Antenna rod		1	I461
33	997 642 465 00	Adapter Multimedia interface		1	I870
	997 642 465 00 01C	Satin black			
34	997 612 471 02	Connecting cable iPOD		1	I870
35	999 073 429 01	Tapping screw 4,2 X 25		3	I870
36	997 612 049 75	Connecting line Multimedia interface Control part		1	I870

Model: 997-09

Model life 2009>>2012



Model: 997-09

Model life 2009>>2012

Pos	Part Number	Description	Remark	Qty	Model
		Preparation Navigation system Japan			I675
1	997 642 913 00	Front frame		1	I675
	997 642 913 00 A05	Black mat			
2	997 642 905 00	Support		2	I675
3	997 642 907 00	Guide rail		2	I675
-	997 642 329 00	Support		1	I675
	997 642 329 00 1E0	Black Card reader			
		Glove compartment			
-	999 073 240 01	Screw M 4 X 10 for Support Card reader Glove compartment		2	I675
4	997 642 915 01	Adapter - CAN -	09	1	I675
4	997 642 127 00	Adapter - CAN -		1	I675
5	999 591 941 40	Expansion rivet		1	I675
6	997 646 309 00	Microphone		1	I675
-	997 610 233 01	Cable guide Microphone		1	I675
7	997 612 075 75	Connecting line Microphone		1	I675
(7)	997 612 046 25	Control part Connecting line Card reader TV		1	I675
8	997 642 105 00	Control part Antenna		1	I675
9	999 073 210 00	Navigation system Tapping screw 4,8 X 13		1	I675
10	999 507 441 01	Speed nut 4,8		1	I675
11	997 612 079 75	Connecting line Antenna Navigation system		1	I675
12	997 647 109 00	Control part Antenna booster	/L	1	I675
(12)	997 647 110 00	Antenna booster	/R	1	I675
13	997 612 076 25	Connecting line Antenna booster Left		1	I675
		Control part Radio			
(13)	997 612 077 25	Connecting line Antenna booster Left		1	I675
		Control part TV			
(13)	997 612 078 25	Connecting line Antenna booster Right	/LL	1	I098/675
		Control part TV			
(13)	997 612 078 75	Connecting line Antenna booster Right Control part	/RL	1	I099/675

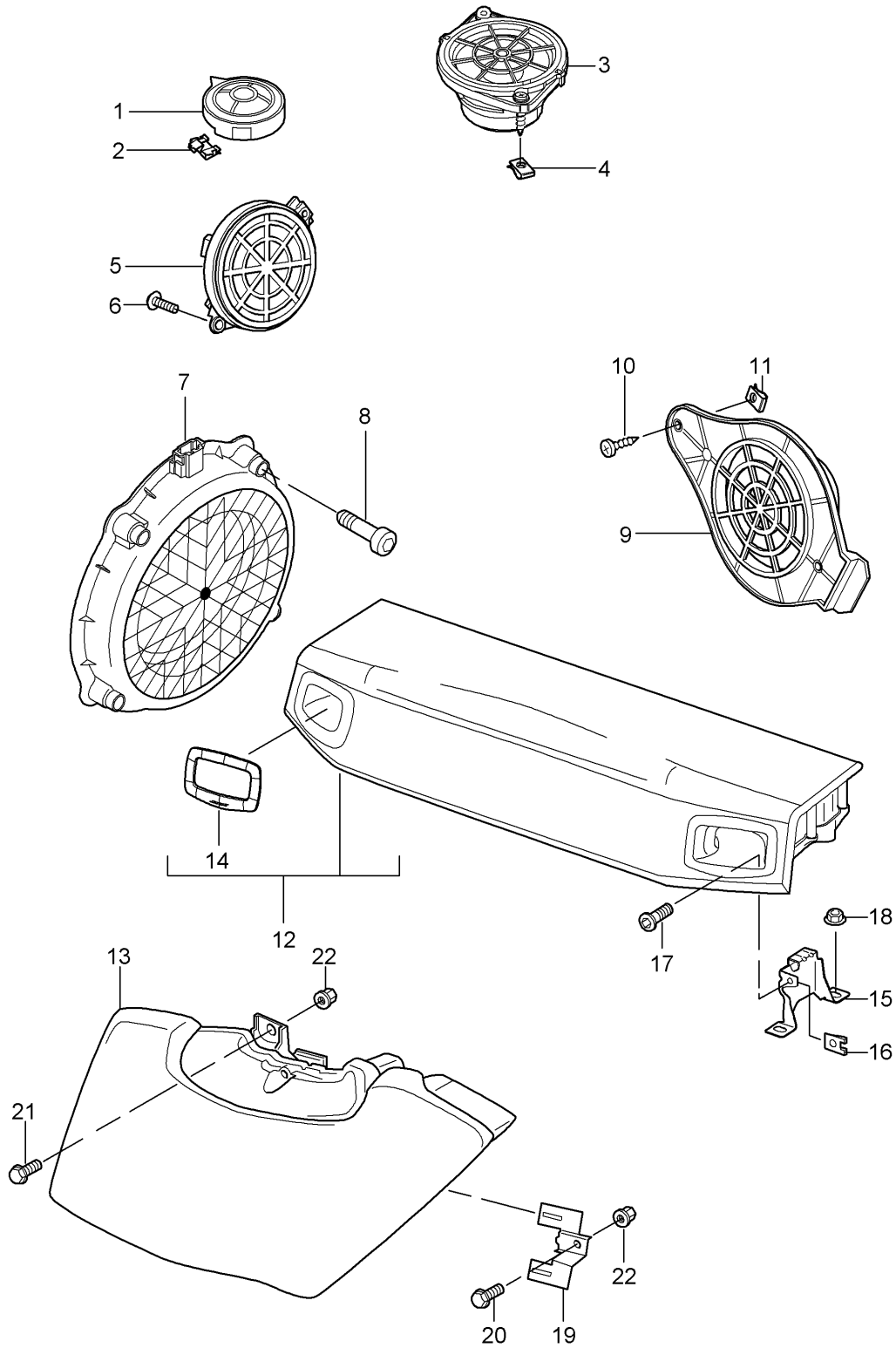
Model: 997-09

Model life 2009>>2012

Pos	Part Number	Description	Remark	Qty	Model
(13)	997 612 047 25	TV Connecting line - VICS BEACON - Antenna Control part		1	I675

Model: 997-09

Model life 2009>>2012



Model: 997-09 Model life 2009>>2012

Pos	Part Number	Description	Remark	Qty	Model
1	997 645 021 00	Loudspeaker Tweeter Dashboard		2	I490
(1)	997 645 025 00	Tweeter Dashboard		2	I680
2	999 591 303 01	U-clamp		4	
3	997 645 033 00	Loudspeaker Dashboard Centre		1	I490
(3)	997 645 035 00	Loudspeaker Dashboard Centre		1	I680
4	999 507 971 01	Speed nut 4,2		4	
5	997 645 543 00	Mid-range loudspeaker Door		2	I490
(5)	997 645 545 00	Mid-range loudspeaker Door		2	I680
6	999 919 164 09	Oval-head screw 5,0 X 12		4	
7	997 645 553 00	Woofers		2	I490
(7)	997 645 555 00	Woofers		2	I680
8	900 067 012 03	Pan-head screw M 6 X 30		8	
9	997 645 041 01	Loudspeaker Rear		2	I490
(9)	997 645 045 01	Loudspeaker Rear		2	I680
10	999 073 225 09	Tapping screw 4,8 X 16		2	
11	999 507 441 09	Speed nut 4,8		2	
12	997 645 564 00	Subwoofer Subwoofer		1	COUPE I680
	997 645 564 00 FMP	Terracotta			
	997 645 564 00 FMQ	Cocoa			
	997 645 564 00 FMR	Dark grey/natural			
	997 645 564 00 FMS	Brown/natural			
12	997 645 564 00	Subwoofer		1	COUPE I680
		Until Chassis number See technical information GR.7 NR. 17/11 KD-NR. 70			
	997 645 564 00 FMF	Black			
	997 645 564 00 FMG	Stone grey			
	997 645 564 00 FMM	Sand Beige			
	997 645 564 00 FMN	Sea blue			
	997 645 564 00 FTA	Carrera Red			
12	997 645 564 01	Subwoofer		1	COUPE I680
		From Chassis number See technical information GR.7 NR. 17/11 KD-NR. 70			
	997 645 564 01 FMF	Black			
	997 645 564 01 FMG	Stone grey			
	997 645 564 01 FMM	Sand Beige			
	997 645 564 01 FMN	Sea blue			
	997 645 564 01 FTA	Carrera Red			

Model: 997-09 Model life 2009>>2012

Pos	Part Number	Description	Remark	Qty	Model
12	997 645 574 00	Subwoofer		1	COUPE I680/756
13	997 645 574 00 SCC	Espresso	/LL	1	CABRIO/TARGA I098 I098/680
	997 645 566 00	Subwoofer			
	997 645 566 00 M10	Terracotta			
	997 645 566 00 R10	Cocoa			
	997 645 566 00 D11	Dark grey/natural			
13	997 645 566 00 T11	Brown/natural	/LL	1	CABRIO/TARGA I098 I098/680
	997 645 566 00	Subwoofer			
		Until Chassis number See technical information GR.7 NR. 17/11 KD-NR. 70			
	997 645 566 00 A10	Black			
	997 645 566 00 B10	Stone grey			
	997 645 566 00 T10	Sand Beige			
	997 645 566 00 E10	Sea blue			
	997 645 566 00 N10	Carrera Red			
	997 645 566 01	Subwoofer			
		From Chassis number See technical information GR.7 NR. 17/11 KD-NR. 70			
(13)	997 645 566 01 A10	Black	/RL	1	CABRIO/TARGA I099 I099/680
	997 645 566 01 B10	Stone grey			
	997 645 566 01 T10	Sand Beige			
	997 645 566 01 E10	Sea blue			
	997 645 566 01 N10	Carrera Red			
(13)	997 645 567 00	Subwoofer	/RL	1	CABRIO/TARGA I099 I099/680
	997 645 567 00 M10	Terracotta			
	997 645 567 00 R10	Cocoa			
	997 645 567 00 D11	Dark grey/natural			
	997 645 567 00 T11	Brown/natural			
(13)	997 645 567 00	Subwoofer	/RL	1	CABRIO/TARGA I099 I099/680
		Until Chassis number See technical information GR.7 NR. 17/11 KD-NR. 70			
	997 645 567 00 A10	Black			
	997 645 567 00 B10	Stone grey			
	997 645 567 00 T10	Sand Beige			
	997 645 567 00 E10	Sea blue			
	997 645 567 00 N10	Carrera Red			
	997 645 567 01	Subwoofer			
		From Chassis number See technical information GR.7 NR. 17/11			

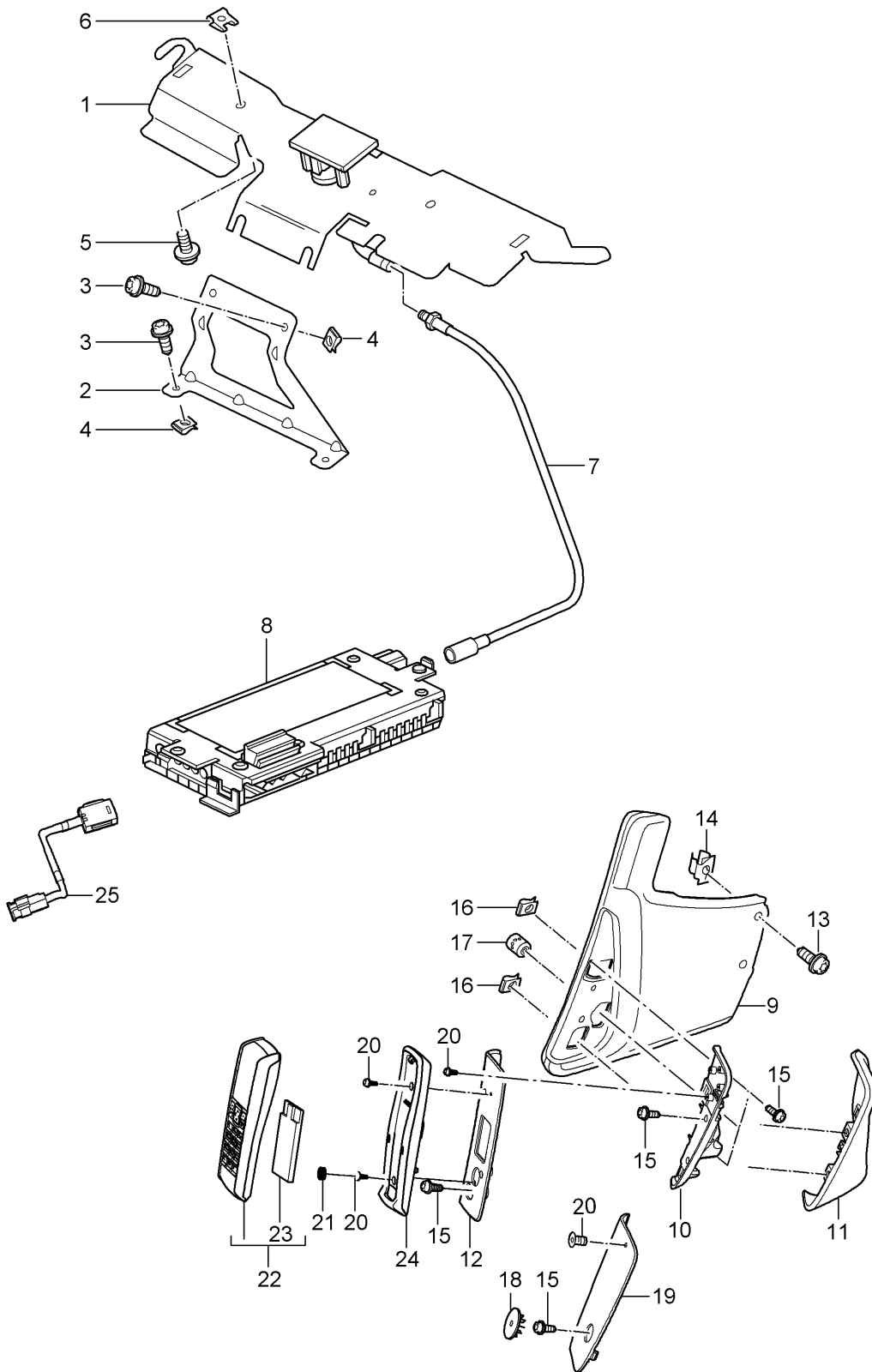
Model: 997-09

Model life 2009>>2012

Pos	Part Number	Description	Remark	Qty	Model
		KD-NR. 70			
	997 645 567 01 A10	Black			
	997 645 567 01 B10	Stone grey			
	997 645 567 01 T10	Sand Beige			
	997 645 567 01 E10	Sea blue			
	997 645 567 01 N10	Carrera Red			
14	996 645 568 00	Rosette		2	COUPE I680
	996 645 568 00 A03	Black			
	996 645 568 00 5V7	Stone grey			
	996 645 568 00 5Z1	Sand Beige			
	996 645 568 00 8W7	Sea blue			
	996 645 568 00 8X8	Terracotta			
	996 645 568 00 8P9	Cocoa			
	996 645 568 00 T13	Brown/natural			
	996 645 568 00 N23	Carrera Red			
(15)	996 645 245 00	Support	/L	1	COUPE I680
15	996 645 246 00	Support	/R	1	COUPE I680
16	999 507 766 02	Speed nut		2	COUPE I680
		M 6			
17	999 073 113 09	Oval-head screw		2	COUPE I680
		M 6,0 X 50 ASP			
18	900 380 015 01	Hexagon nut		4	COUPE I680
		VM 6			
19	997 645 569 00	Support		2	CABRIO/TARGA I680
20	900 378 035 01	Hexagon-head bolt		2	CABRIO/TARGA I680
		M 6 X 16			
21	999 073 223 01	Combination screw		1	CABRIO/TARGA I680
		M 6 X 25			
22	999 500 069 01	Blind rivet nut		3	CABRIO/TARGA I680
		M 6			

Model: 997-09

Model life 2009>>2012



Model: 997-09 Model life 2009>>2012

Pos	Part Number	Description	Remark	Qty	Model
1	997 647 125 01	Telephone Antenna	/LL	1	I098
(1)	997 647 126 01	Antenna	/RL	1	I099
2	997 647 127 00	Support	/LL	1	I098
(2)	997 647 128 00	Support	/RL	1	I099
3	999 073 236 0A	Oval-head screw M 6 X 10		4	
4	999 507 550 01	Speed nut M 6		4	
5	999 073 210 00	Tapping screw 4,8 X 13		2	
6	999 507 441 01	Speed nut 4,8		2	
7	997 612 065 75	Connecting line		1	I666
(7)	997 612 061 25	Connecting line		1	I618/619
8	997 646 218 01	Control unit Telephone		1	I666
8	7PP 035 730 B	Control unit Telephone		1	IIY2/666
8	7PP 035 730 C	Control unit Telephone		1	I666
9	997 553 118 07	Cover Lateral	/LL	1	-I756/I098
	997 553 118 07 FSA	Black/grey			
	997 553 118 07 FSB	Stone grey/stone grey			
	997 553 118 07 FSC	Sand beige/sand beige			
	997 553 118 07 FSD	Sea blue/grey			
	997 553 118 07 FSF	Terracotta/terracotta			
	997 553 118 07 FSG	Cocoa/Cocoa			
	997 553 118 07 FSH	Darkgrey natural/grey			
	997 553 118 07 FSJ	Brown nat./brown nat.			
	997 553 118 07 FSP	Carrera Red/Carrera Red			
	997 553 118 07 FWH	Espresso			
9	997 553 118 09	Cover Lateral	/LL	1	I098/756
	997 553 118 09 SCA	Espresso			
(9)	997 553 117 07	Cover Lateral	/RL	1	-I756/I099
	997 553 117 07 FSA	Black/grey			
	997 553 117 07 FSB	Stone grey/stone grey			
	997 553 117 07 FSC	Sand beige/sand beige			
	997 553 117 07 FSD	Sea blue/grey			
	997 553 117 07 FSF	Terracotta/terracotta			
	997 553 117 07 FSG	Cocoa/Cocoa			
	997 553 117 07 FSH	Darkgrey natural/grey			
	997 553 117 07 FSJ	Brown nat./brown nat.			
	997 553 117 07 FSP	Carrera Red/Carrera Red			
	997 553 117 07 FWH	Espresso			
(9)	997 553 117 09	Cover Lateral	/RL	1	I099/756
	997 553 117 09 SCA	Espresso			
10	997 553 520 00	Adapter	/LL	1	I098/618
(10)	997 553 516 00	Adapter	/LL	1	I098/669
(10)	997 553 519 00	Adapter	/RL	1	I099/618
(10)	997 553 515 00	Adapter	/RL	1	I099/669
11	997 553 418 01	Cover	/LL	1	I098/618
	997 553 418 01 A11	Black			
	997 553 418 01 5X6	Stone grey			
	997 553 418 01 8G2	Sand Beige			
	997 553 418 01 3S9	Sea blue			
	997 553 418 01 9S5	Terracotta			
	997 553 418 01 9V6	Cocoa			
	997 553 418 01 D12	Dark grey/natural			

Model: 997-09 Model life 2009>>2012

Pos	Part Number	Description	Remark	Qty	Model
(11)	997 553 418 01 T12	Brown/natural	/LL	1	I098/669
	997 553 418 01 N12	Carrera Red			
	997 553 418 01 6J0	Espresso			
	997 553 416 00	Cover			
	997 553 416 00 A11	Black			
	997 553 416 00 5X6	Stone grey			
	997 553 416 00 8G2	Sand Beige			
	997 553 416 00 3S9	Sea blue			
	997 553 416 00 9S5	Terracotta			
	997 553 416 00 9V6	Cocoa			
	997 553 416 00 D12	Dark grey/natural			
(11)	997 553 416 00 T12	Brown/natural	/RL	1	I099/618
	997 553 416 00 N12	Carrera Red			
	997 553 416 00 6J0	Espresso			
	997 553 417 01	Cover			
	997 553 417 01 A11	Black			
	997 553 417 01 5X6	Stone grey			
	997 553 417 01 8G2	Sand Beige			
	997 553 417 01 3S9	Sea blue			
	997 553 417 01 9S5	Terracotta			
	997 553 417 01 9V6	Cocoa			
	997 553 417 01 D12	Dark grey/natural			
(11)	997 553 417 01 T12	Brown/natural	/RL	1	I099/669
	997 553 417 01 N12	Carrera Red			
	997 553 417 01 6J0	Espresso			
	997 553 415 00	Cover			
	997 553 415 00 A11	Black			
	997 553 415 00 5X6	Stone grey			
	997 553 415 00 8G2	Sand Beige			
	997 553 415 00 3S9	Sea blue			
	997 553 415 00 9S5	Terracotta			
	997 553 415 00 9V6	Cocoa			
	997 553 415 00 D12	Dark grey/natural			
12	997 553 524 00	Mounting plate	/LL	1	I098/669
	997 553 524 00 01C	Satin black			
(12)	997 553 523 00	Mounting plate	/RL	1	I099/669
	997 553 523 00 01C	Satin black			
13	999 073 226 09	Tapping screw 4,2 X 16		2	
14	999 591 508 01	Captive nut 4,2		2	
15	999 073 155 09	Tapping screw 4,2 X 13		7	
16	999 507 028 01	Speed nut 4,2		2	
17	999 507 645 02	Threaded piece 4,2		1	
18	997 553 751 00	Cap		1	I618
	997 553 751 00 01C	Satin black			
19	997 553 522 01	Mounting plate	/LL	1	I098/618
	997 553 522 01 01C	Satin black			
(19)	997 553 521 01	Mounting plate	/RL	1	I099/618
	997 553 521 01 01C	Satin black			
20	999 919 230 00	Countersunk-head screw 3 X 10		4	
21	997 646 311 00	Stopper		2	I669
21	955 646 311 00	Stopper		2	I669
22	7PP 035 725	Receiver		1	I669
	7PP 035 725 C	Telephone Receiver		1	I669

Model: 997-09

Model life 2009>>2012

Pos	Part Number	Description	Remark	Qty	Model
		Telephone			
23	997 646 216 00	Battery		1	I669
23	997 646 916 00	Battery		1	I669
24	997 646 214 00	Mounting		1	I669
		Receiver			
	997 646 214 00 A05	Black mat			
24	955 646 214 00	Mounting		1	I669
		Receiver			
(25)	997 646 313 00	Microphone		1	I490/618/619 I666/671
(25)	997 646 315 00	Microphone		1	I618/619/666 I671/680
(25)	997 646 319 00	Microphone		1	I618/619/665 I666
-	997 610 233 01	Cable guide		1	
		Microphone			