

Model: 997G07**Model life 2007>>2011**

ORDER-INFO

PET CONTAINS THE ORDERING DETAILS FOR ALL MODELS SHOWN IN THE MODEL OVERVIEW.

THE UPDATE SERVICE IS PERFORMED AUTOMATICALLY VIA INTERNET UPDATE.
THE VERSION IS SHOWN IN THE HEADER AS "UPDATE 123/12"

SEATS AND RELATED ITEMS FOR MODELS INTRODUCED BEFORE 1997 ARE SHOWN IN THE STZ CATALOGUE.

SEATS AND RELATED ITEMS FOR MODELS INTRODUCED AFTER 1997 ARE SHOWN IN THE CORRESPONDING VEHICLE CATALOGUES.

ALL ILLUSTRATIONS ARE NON-BINDING.
SUBJECT TO CHANGE.

Model: 997G07

Model life 2007>>2011

EXPLANAT.- VIN

EXPLANATION OF THE ABRIDGED VERSION OF THE VEHICLE IDENT. NUMBERS (VIN)
 =====
 USED IN THE CATALOGUE
 =====

DIGIT:		1	2	3	4	5	6	7	8	9	10	11	12	13	14	15	16	17
--------	--	---	---	---	---	---	---	---	---	---	----	----	----	----	----	----	----	----

EXAMPLE:		W	P	0	Z	Z	Z	9	9	Z	5	S	7	0	0	1	2	5
----------	--	---	---	---	---	---	---	---	---	---	---	---	---	---	---	---	---	---

						===					=	=	=						=====
--	--	--	--	--	--	-----	--	--	--	--	---	---	---	--	--	--	--	--	-------

						!					!	!	!						!
--	--	--	--	--	--	---	--	--	--	--	---	---	---	--	--	--	--	--	---

VEHICLE TYPE 1ST+2ND DIGIT-----+											!	!	!						!
----------------------------------	--	--	--	--	--	--	--	--	--	--	---	---	---	--	--	--	--	--	---

											!	!	!						!
--	--	--	--	--	--	--	--	--	--	--	---	---	---	--	--	--	--	--	---

MODEL YEAR-----+												!	!						!
------------------	--	--	--	--	--	--	--	--	--	--	--	---	---	--	--	--	--	--	---

												!	!						!
--	--	--	--	--	--	--	--	--	--	--	--	---	---	--	--	--	--	--	---

MANUFACTURING LOCATION-----+													!						!
------------------------------	--	--	--	--	--	--	--	--	--	--	--	--	---	--	--	--	--	--	---

													!						!
--	--	--	--	--	--	--	--	--	--	--	--	--	---	--	--	--	--	--	---

VEHICLE TYPE 3RD DIGIT-----+																			!
------------------------------	--	--	--	--	--	--	--	--	--	--	--	--	--	--	--	--	--	--	---

																			!
--	--	--	--	--	--	--	--	--	--	--	--	--	--	--	--	--	--	--	---

SERIAL NUMBER-----+																			!
---------------------	--	--	--	--	--	--	--	--	--	--	--	--	--	--	--	--	--	--	---

Model: 997G07

Model life 2007>>2011

SUMMARY TYPES

VEHICLE TYPE	MY	VIN	ENGINE TYPE
997 COUPE GT3	07 7	997S7 90061>92000	M97.76 305 KW
997 COUPE GT3 (USA.CDN.MEX.BR)	07 7	997S7 92061>94000	M97.76 305 KW
997 COUPE GT3	07 7	997S7 94001>95000	M97.76 305 KW
997 COUPE GT3	08 8	998S7 90061>92000	M97.76 305 KW
997 COUPE GT3 (USA.CDN.MEX.BR)	08 8	998S7 92061>94000	M97.76 305 KW
997 COUPE GT3	09 9	999S7 90061>92000	M97.76 305 KW
997 COUPE GT3 (USA.CDN.MEX.BR)	09 9	999S7 90061>92000	M97.76 305 KW
997 COUPE GT3	10 A	99AS7 80061>83000	M97.77 320 KW
997 COUPE GT3 (MEX.BR.CN.KOR)	10 A	99AS7 83061>85000	M97.77 320 KW
997 COUPE GT3 (USA.CDN)	10 A	A9AS7 83061>85000	M97.77 320 KW
997 COUPE GT3	11 B	99BS7 80061>83000	M97.77 320 KW
997 COUPE GT3 (MEX.BR.CN.KOR)	11 B	99BS7 83061>85000	M97.77 320 KW
997 COUPE GT3 (USA.CDN)	11 B	A9BS7 83061>85000	M97.77 320 KW
997 COUPE GT3 RS 4,0 Ltr.	11 B	99BS7 80061>83000	M97.74 368 KW
997 COUPE GT3 RS 4,0 Ltr. (MEX.BR.CN.KOR)	11 B	99BS7 83061>85000	M97.74 368 KW
997 COUPE GT3 RS 4,0 Ltr. (USA.CDN)	11 B	A9BS7 83061>85000	M97.74 368 KW

Model: 997G07

Model life 2007>>2011

EXPL. ENGINE-NO.

EXPLANATION OF THE MOTOR-NUMBERS USED IN THE CATALOGUE

=====

DIGIT:	1 2 3	4 5 6 7 8
EXAMPLE:	6 9 5	0 0 1 3 6
	= = =	=====
	!!!	!
ENGINE TYPE (6 = 6-CYL.-ENGINE)-----+	!!	!
FROM MY-09 POWER KIT (S) OTHERWISE (____)-----+	!!	!
	!!	!
ENGINE VERSION-----+	!	!
FROM MY-09 CONUNTRY VERSION (T=Taiwan) OTHERWISE(____)+	!	!
	!	!
MODEL YEAR-----+		!
		!
SERIAL NUMBER-----+		!

Model: 997G07**Model life 2007>>2011**

SUMMARY ENGINES

VEHICLE TYPE	ENGINE			TECHNICAL DATA
	TYPE	MY	ENGINE NO.	
997 GT3	M97.76	07 7	617 23501>26000	6ZYL/3,6L /305 KW
997 GT3	M97.76	08 8	618 23501>26000	6ZYL/3,6L /305 KW
997 GT3	M97.76	09 9	619 23501>26000	6ZYL/3,6L /305 KW
997 GT3	M97.77	10 A	61A 23501>26000	6ZYL/3,8L /320 KW
997 GT3	M97.77	11 B	61B 23501>26000	6ZYL/3,8L /320 KW
997 GT3 RS	M97.77R	11 B	61B 28501>30000	6ZYL/3,8L /331 KW
997 GT3 RS 4.0	M97.74	11 B	61B 31501>32000	6ZYL/4,0L /368 KW

Model: 997G07

Model life 2007>>2011

EXPL. TRANSM. NO.

EXPLANATION OF THE TRANSMISSION-NUMBERS USED IN THE CATALOGUE

=====

DIGIT:	1	2	3	4	5	6	7	8	9	10	11
EXAMPLE:	G	9	7	0	1	1	0	0	5	4	3
	=	=====				=	=====				
	!		!			!			!		!
	!		!			!			!		!
TRANSMISSION TYPE-----+			!			!			!		!
			!			!			!		!
TRANSMISSION VERSION-----+						!			!		!
						!			!		!
INDEX OF VARIANTS-----+									!		!
									!		!
SERIAL NUMBER-----+											!

Model: 997G07**Model life 2007>>2011**

SUMM. TRANSMISS.

VEHICLE TYPE	TRANSM. TYPE	MY	TRANSMISSION NO.	TECHNICAL DATA
997 GT3	G97.90	07 7	G9790 2 002001>999999	6-GANG
997 GT3	G97.90	08 8	G9790 2 002001>999999	6-GANG
997 GT3	G97.90	09 9	G9790 2 002001>999999	6-GANG
997 GT3	G97.90	10 A	G9790 2 002001>999999	6-GANG
997 GT3 RS	G97.92	10 A	G9792 2 002001>999999	6-GANG
997 GT3	G97.90	11 B	G9790 2 002001>999999	6-GANG
997 GT3 RS	G97.92	11 B	G9792 2 002001>999999	6-GANG

Model: 997G07

Model life 2007>>2011

LEGENDS/NOTICES

LEGENDS AND NOTICES

=====

IN COLUMN -S- STATUS

- N NEW ADDITION
- P PART ALREADY IN PROGRAMME, BUT NEW AT THIS APPLICATION
- W DELETED AT THIS APPLICATION, BUT CONTINUED TO BE CARRIED
- K RACING PART: MARKETED FROM WEISSACH EMW
- A STOCK TO BE USED UP
- U DELETED WITHOUT REPLACEMENT
- * PART ALSO OR ONLY AVAILABLE IN REPAIR KIT
- > ALSO AVAILABLE IN EXCHANGE

IN COLUMN - ILL. -

- 1 IDENTIFICATION NO. IN ILLUSTRATION
- (1) PART ONLY SIMILAR AS ILLUSTRATED
- PART IS NOT ILLUSTRATED

FIG.-NUMBERS FOR WHICH THERE IS SHOWN NO TEXT ARE NOT VALID FOR THIS EDITION OF CATALOGUE

IN COLUMN -PART NUMBER/CODE-

000 000 000 00 PART NUMBER EQUALS ORDERING NO., IF A CODE IS SHOWN, IT WILL HAVE TO BE PART OF ORDERING NUMBER

01C COLOUR CODE

IN COLUMN -TEXT

INSTALLATION WITH ENGINE OR CHASSIS NUMBER-RANGE

EXAMPLE:

M 66W 00389>>

FROM ENGINE NO.

Model: 997G07**Model life 2007>>2011**

F

>>99WS6 00889

UP TO CHASSIS NO.

Model: 997G07

Model life 2007>>2011

LEGENDS/NOTICES

IN COLUMN - QU - = NO. OF PIECES

1 NUMBER PER APPLICATION

X NUMBER AS NEEDED

* AVAILABLE ONLY IN RUNNING LENGTHS 1 = 1 METRE

IN COLUMN - MODEL/SYMBOL -

I650 OPTIONAL EQUIPMENT - SEE I-NO. LIST
-I650 COMPONENT NOT VALID FOR THIS I-NO.

-98 LIMITATION OF MODEL YEAR FOR INSTANCE: VALID UP TO
END OF MODEL YEAR 1997

/LL LHD

/RL RHD

-----+
/V FRONT I
I

/H REAR I
I----> APPLIES TO

/L LEFT I DIRECTION OF TRAVEL
I

/R RIGHT I
-----+

WW THE PART CAN BE USED INSTEAD OF THE
PRECEDING ONE.

Model: 997G07

Model life 2007>>2011

COUNTRY-EQIPM.

EQUIPMENT BY COUNTRY REGULATIONS

=====

(A)	AUSTRIA
(AG)	ARABIAN GULF STATES
(AUS)	AUSTRALIA
(B)	BELGIUM
(BR)	BRAZIL
(CDN)	CANADA
(CH)	SWITZERLAND
(CN)	PEOPLE'S REPUBLIC OF CHINA
(D)	FEDERAL REPUBLIC OF GERMANY
(DK)	DENMARK
(E)	SPAIN
(F)	FRANCE
(GB)	GREAT BRITAIN
(GR)	GREECE
(HK)	HONGKONG
(I)	ITALY
(J)	JAPAN
(L)	LUXEMBURG
(N)	NORWAY
(NL)	NETHERLANDS
(NZ)	NEW ZEALAND
(P)	PORTUGAL
(ROK)	KOREA
(RC)	TAIWAN
(THA)	THAILAND
(S)	SWEDEN
(SA)	SAUDI ARABIA
(SF)	FINLAND
(USA)	UNITED STATES OF AMERICA

Model: 997G07

Model life 2007>>2011

(ZA)

SOUTH AFRICA

Model: 997G07

Model life 2007>>2011

NR	Description
IIY2	Model year period from week 45 to week 22
IXAA	Aerokit Cup
IXAF	Turbo aerokit
IXAG	Carrera - rear spoiler
IXAH	Carrera 4S aerokit
IXAJ	Painted sill covers
IXAS	Sport Design front apron
IXCA	Dashboard trim strip (3-part) sports seats
IXCB	Instrument surround sports seats
IXCC	Side air vents sports seats
IXCD	Center air vent bracket sports seats
IXCE	Rear center console sports seats
IXCG	Sports seat backrest in Aluminium Look finish
IXCH	Side/centre air vent slats, sports seats
IXCK	Rear center console in Galvano Silver
IXCL	Instrument surround in Galvano Silver
IXCM	Roll-over bar in Galvano Silver
IXCN	Side air vents in Aluminium Look finish (997)
IXCW	Aluminium Look trim on belt opening in B-pillar
IXCY	Center air vent in Aluminium Look finish
IXCZ	Short shifter
IXDJ	Decorative trim on gear lever/selector, painted
IXDM	Decorative dashboard trim, painted
IXDP	Instrument cluster frame, painted
IXDR	Painted trim on belt opening in B-pillar
IXDS	Ignition lock surround in leather
IXDU	Leather trim on belt opening in B-pillar
IXDV	Dashboard end-trim in leather
IXDX	Mirror attachment point finisher, leather
IXDZ	Selector lever cover in leather
IXD9	Wheel painted in body colour
IXEA	Passive handset in leather
IXES	Preparation, illuminated door entry guard
IXE8	Gear lever knob aluminium/dark burr maple/leather
IXE9	Handbrake lever aluminium/dark burr maple/leather
IXFD	Instrument dials in Sand Beige
IXFE	Instrument dials in Terracotta
IXFF	Instrument dials in Brown/Natural
IXFG	Instrument dials in Guards Red
IXFH	Instrument dials in Speed Yellow
IXFJ	Instrument dials in Carrara White
IXGB	Decorative dashboard trim, carbon
IXGC	Dashboard carbon/Alcantara
IXGD	Parking brake handle carbon/Alcantara
IXGE	Handle recess insert, carbon
IXJJ	Carbon trim on belt opening in B-pillar
IXJL	Makassar Ebony side air vent

Model: 997G07

Model life 2007>>2011

NR	Description
IXJM	Sycamore side air vent
IXJN	Makassar Ebony center air vent
IXJP	Sycamore center air vent
IXJR	Makassar Ebony windscreen defroster panel
IXJS	Sycamore windscreen defroster panel
IXJT	Makassar Ebony rear center console
IXJU	Sycamore rear center console
IXJ4	Leather cover for ignition lock surround
IXKB	Side air vent in light burr maple
IXKC	Side air vent in dark burr maple
IXKD	Side air vent in Carbon
IXKG	"Defroster trim in light burr maple; leather"
IXKH	"Defroster trim in dark burr maple; leather"
IXKJ	Defroster trim in Carbon/leather
IXKL	Leather speaker covers
IXKM	Speaker covers in light burr maple
IXKN	Speaker covers in dark burr maple
IXKP	Carbon speaker covers
IXKR	Center air vent bracket in light burr maple
IXKS	Center air vent bracket in dark burr maple
IXLA	Boxster tailpipe
IXLF	Sports exhaust system
IXLG	Centre console storage bin cover in Alcantara, with logo
IXMA	Rooflining in leather
IXME	Rear section of centre console painted
IXMF	Front center console including 2 storage bins, leather
IXMJ	Rear section of centre console in Carbon
IXMK	Roll-over bar in exterior color
IXML	Rear center console in light burr maple
IXMP	Leather sun visor, 2 illuminated vanity mirrors *
IXMR	Sun visor in leather, 2 illuminated vanity mirrors,
IXMZ	Rear section of centre console in leather
IXNB	Rear center console in dark burr maple
IXNG	Instrument surround in leather
IXNN	Center air vent bracket in leather
IXNR	Carbon center air vent bracket
IXNS	Leather steering column trim, 4-part
IXNU	Leather trim strip (dashboard)
IXNV	Trim strip (dashboard) in light burr maple
IXNW	Trim strip (dashboard) in dark burr maple
IXNX	Carbon trim strip (dashboard)
IXN3	Dashboard side air vent in leather
IXPA	3-spoke sports steering wheel in leather interior co
IXPB	3-spoke sports steering wheel, light burr maple, leather

Model: 997G07

Model life 2007>>2011

NR	Description
IXPC	3-spoke sports steering wheel, dark burr maple, leather
IXPD	3-spoke sports steering wheel, Carbon/leather
IXPG	3-spoke sports steering wheel, sports seats
IXPT	Centre console storage bin lid with crest
IXPV	Multi-function steering wheel, Galvano Silver
IXPW	Instrument surround in light burr maple
IXPX	Instrument surround in dark burr maple *
IXPY	Carbon instrument surround
IXRB	18-inch Sport Classic II wheel
IXRC	18-inch SportTechno wheel
IXRL	18-inch SportDesign wheel
IXRN	17-mm spacers, rear
IXRP	5-mm spacers, front/rear
IXRR	19-in. Carrera Sport wheel
IXSA	Painted sports seat backrest
IXSB	Leather sports seat backrest
IXSC	Porsche Crest embossed in headrest
IXSD	Front seat controls in leather
IXSE	Bucket seat, left
IXSF	Bucket seat, right
IXSG	Racing bucket seat, left
IXSH	Silver seat belts
IXSJ	6-point harness
IXSL	6-point safety catch
IXSM	Racing safety cage
IXSN	Omission of rear seats
IXSR	Carbon back for bucket seat, right
IXSS	Carbon back for bucket seat, left
IXSU	Upholstered seat
IXSW	Seat belts in Maritime Blue
IXSX	Seat belts in Guards Red
IXSY	Seat belts in Speed Yellow
IXTG	Inner door sills in leather
IXTJ	Door panel parts in light burr maple
IXTK	Door panel parts in dark burr maple
IXTL	Door panel parts in Carbon
IXTR	Door panel parts in Aluminium Look finish
IXTT	Makassar Ebony door panel parts
IXTU	Sycamore door panel parts
IXTV	Leather door panel parts
IXTW	Door panel parts in Galvano Silver
IXUB	Cover on headlight cleaning system, painted
IXUV	Centre console storage bin lid with logo
IXVM	Leather center air vent

Model: 997G07

Model life 2007>>2011

NR	Description
IXVP	Trim strip including cupholder cover in leather
IXVR	Side/centre air vent in leather
IXVT	Cover for loudspeakers, doors and rear in leather
IXV1	Defroster trim in leather
IXXA	*
IXXB	Door entry guards, stainless steel, illuminated
IXXD	Door entry guards, carbon, illuminated
IXXF	Red tail lights
IXXG	Tail lights in clear glass look
IXXZ	Footrest
IXX1	Floor mats, logo, leather border
IXX2	Illuminated footwell
IXYB	Fuel tank cap in Aluminium Look
IXY5	Tiptronic gear selector gate in leather
IXZB	Carbon centre air vent
IXZD	Interior light surround in leather
IX45	Instrument dial in interior color
IX46	Tiptronic selector lever in aluminium/leather
IX47	Gear lever knob in Carbon/leather
IX48	Tiptronic selector lever in Carbon/aluminium
IX50	Powerkit 331/340 kW
IX51	Powerkit 250 kW
IX54	Stainless steel tailpipes
IX58	Handbrake lever in Carbon/leather
IX65	Tiptronic selector lever in light burr maple/aluminium
IX66	Tiptronic selector lever in dark burr maple/aluminium
IX69	Door entry guards in Carbon with logo
IX70	Door entry guards in stainless steel with logo
IX71	Instrument dial painted/Aluminium Look finish
IX72	Gear lever knob aluminium/light burr maple/leather
IX73	Turbo sports suspension
IX74	Sports suspension (exclusive)
IX75	Differential lock (exclusive)
IX76	Inner door sill guard, left/right
IX91	Handbrake lever aluminium/light burr maple/leather
IX97	Gear lever knob in aluminium/leather
IX98	Handbrake lever in aluminium/leather
IX99	Natural leather
I003	Racing safety devices
I004	RS version
I006	GT3 RS 4.0 l
I022	Black-coloured instrument dials, instrument cluster
I023	Silver -coloured instrument dials, instrument cluster
I024	Version for Greece
I025	Black-coloured instrument dials, stopwatch
I026	Silver-coloured instrument dials, stopwatch

Model: 997G07

Model life 2007>>2011

NR	Description
I029	Standard chassis
I030	Sport-type chassis
I032	Touring suspension
I034	Version for Italy
I058	Impact absorbers, front and rear
I061	Version for Great Britain
I062	Version for Sweden
I063	Version Luxemburg
I064	Version for Netherlands
I065	Version for Denmark
I066	Version for Norway
I067	Version for Finland
I068	PAP right-hand drive version
I069	Other country version
I071	EU country version
I072	Version for Mexico
I073	Version for Russia
I074	PAP left-hand drive version
I075	China version
I082	Fuel tank, 90-litre
I098	Left-hand drive version
I099	Right-hand drive version
I111	Version for Austria
I113	Version for Canada
I114	Version for Taiwan
I119	Version for Spain
I124	Version for France
I126	Control and indications in French lettering
I127	Control and indications in Swedish lettering
I130	Control and indications in English lettering
I140	Dynamic engine mounts (PADM)
I150	Operation with leaded gas
I159	Curbed engine, 155 kW/211 bhp
I172	Acoustic package PAP, China, Korea
I181	Standard climatic zones
I182	Hot country
I183	Super-hot country
I191	Lightweight battery
I193	Version for Japan
I194	Battery, 60 Ah
I195	Battery, 70 Ah
I196	Battery, 80 Ah
I197	Stronger battery
I198	Enhanced starter motor (1.7 kW)
I199	Battery disconnection switch
I209	Licence plate holder version 1
I210	Licence plate holder version 2

Model: 997G07

Model life 2007>>2011

NR	Description
I211	Licence plate holder version 3
I215	Version for Saudi Arabia
I218	Licence plate holder version 4
I219	Differential
I220	Locking differential 40 %
I225	Version for Belgium
I249	Tiptronic transmission
I265	Automatic anti-dazzle interior mirror with rain sensor
I266	Automatic anti-dazzle door mirror
I267	Automatically dimmable interior and door mirrors
I268	Rain sensor
I270	Door mirrors -flat - driver's side, electrically adjustable and heatable
I271	Door mirrors -aspherical- driver's side, electrically adjustable and heatable
I273	Door mirrors, electrically adjustable and heatable
I274	Vanity mirror, illuminated
I277	Version for Switzerland
I288	Headlamp washer
I301	Transmission ratio long
I305	Gear lever in Alcantara, Black
I308	Selector lever in Alcantara, Black
I325	Version for South Africa/New Zealand
I335	Automatic seat belt, 3-point, rear
I338	Rear-wheel drive
I339	All-wheel drive
I341	Rims, painted white
I342	Seat heating, left/right seat
I345	Heated steering wheel
I346	Rims, painted Silver
I347	Rims, painted GT Silver
I349	Rims, painted Black
I369	Standard seat, left
I370	Standard seat, right
I375	Sports seat, backrest shell, left
I376	Sports seat, backrest shell, right
I377	Sports seat, backrest shell, left, electrically adjustable
I378	Sports seat, backrest shell, right, electrically adjustable
I384	Carrera GT bucket seat, left
I385	Carrera GT bucket seat, right
I388	Sports bucket seat, left

Model: 997G07

Model life 2007>>2011

NR	Description
I389	Sports bucket seat, right
I392	17-inch Carrera wheel
I393	17-inch Boxster II wheel (987)
I397	18-inch Boxster II wheel (987)
I398	19" Cayman S wheel
I401	18-in. Cayman S wheel
I402	Carrera 3 wheel 18-inch
I403	Carrera S wheel 19-inch
I404	19" Turbo-1 wheel
I405	Carrera Classic wheel 19-inch
I406	Carrera GT wheel 19-inch/20-inch
I407	SportDesign wheel 19-inch
I410	18" Turbo-2/Panamera wheel
I411	18-inch Carrera wheel -->2005 19-inch Carrera wheel 2012-->
I415	18-inch Turbo-Look II wheel
I416	18-inch GT3 wheel
I418	18-inch Turbo II wheel in GT Silver
I420	GT3 wheel 19"
I424	Cd compartment
I425	Rear window wiper
I426	Without rear window wiper
I430	GT3 wheel, 19", central lock
I431	Multi-function steering wheel, touch + feel
I432	19" Carrera wheel (6)
I433	20" Carrera S wheel (4)
I435	Sports steering wheel
I436	3-spoke airbag steering wheel
I437	Comfort seat, left, electrically adjustable
I438	Comfort seat, right, electrically adjustable
I439	20" 911 Turbo 4 wheel
I440	Antenna diversity
I441	*
I444	Anti-theft lock, wheel bolts "THATCHAM"
I446	Concave wheel centers with full-colour Porsche Crest
I447	Emergency wheel
I448	Brake pad; sport version
I450	Ceramic brake (PCCB)
I451	Multi-function steering wheel, Makassar Ebony, touch + feel
I452	Multi-function steering wheel, Sycamore, touch + feel
I453	Multi-function steering wheel, Carbon, touch + feel
I454	Automatic speed control

Model: 997G07

Model life 2007>>2011

NR	Description
I459	3-spoke airbag steering wheel, touch + feel
I460	20" RS Spyder Design wheel
I461	External antenna
I465	Rear fog light, left
I466	Rear fog light, right
I474	Front-axle lift function
I475	"PASM" electronic damper control
I476	Porsche Stability Management (PSM)
I479	Version for Australia
I480	6-speed manual transmission
I482	Tire Pressure Monitoring TPM, 433 MHz
I483	315-MHz TPM, Tire Pressure Monitoring
I484	Version for USA
I488	Inscriptions in German language
I490	Sound system "ASK"
I492	Headlights for left-hand traffic
I498	Deletion of model designation on rear end
I499	Version for Germany
I501	Car cover
I509	Fire extinguisher
I510	Contrasting colour: Red (GTX RS)
I511	Contrasting colour: Gold (GTX RS)
I512	Contrasting colour: GT Silver
I513	Lumbar support, right seat
I521	Tilt sensor
I524	Immobilizer, central locking, 433 MHz
I525	Immobilizer, central locking, 315 MHz
I532	Alarm system remote control omitted
I533	Radio convertible-top operation omitted
I534	Theft security system, 433 MHz
I535	Theft security system, 315 MHz
I536	-07 Alarm siren and tilt sensor 08- Alarm siren
I537	Seat position control for comfort seat, left
I538	Seat position control for comfort seat, right
I539	Mechanical seat height adjustment, left
I540	Mechanical seat height adjustment, right
I541	Active seat ventilation (incl. heated seats)
I544	Anti-theft protection without infrared monitoring, 433 MHz
I545	Anti-theft protection without infrared monitoring, 315 MHz
I549	Roof Transport System
I550	Hard top
I551	Wind deflector

Model: 997G07

Model life 2007>>2011

NR	Description
I553	Version for USA, Canada
I554	Front spoiler lip included
I555	Black seat belts
I560	Advanced airbag
I562	Airbag, driver's side and front passenger's side
I563	Side airbag
I566	Front fog lights, white
I567	Windscreen tinted, upper part darker coloured
I568	Windscreen without shade band
I571	Activated charcoal filter
I572	Manual air-conditioning system
I573	Air conditioner
I574	Without air conditioner
I575	Luggage compartment cooling system
I581	Centre console, front
I584	Storage box on engine cover
I585	Cupholder
I586	Lumbar support, left seat
I594	Alcantara rooflining
I599	Aluminium doors
I600	Lightweight halogen headlights
I601	Xenon lighting system
I602	Raised stop lamp
I603	Xenon plus dynamic cornering light
I606	Daytime driving lights
I607	Garage door opener "Homelink", 315 MHz
I608	Garage door opener "Homelink" 433 MHz
I609	without radio
I610	DVD navigation, "Europe package"
I611	DVD navigation South Africa
I612	DVD navigation middle east
I613	DVD navigation australia
I614	DVD navigation asia-pacific
I615	DVD navigation system, North America
I616	DVD, Navigation Russia
I617	DVD Navigation China
I618	Preparation for telephone installation
I619	Mobile phone preparation (BLUETOOTH) without console
I621	12-V socket, passenger's side, footwell
I625	"KESSY" Porsche Entry and Drive
I635	Parking assistant
I639	Sport Chrono package
I640	Sport Chrono Package Plus
I641	electronic logbook
I650	Electrical sliding roof
I651	Electric window opener

Model: 997G07 Model life 2007>>2011

NR	Description
I652	Without sliding/tilting roof
I657	Power assisted steering
I659	On-board computer
I660	Obd 2
I661	Stricter emission-control concept
I663	Fuel pump activation
I664	Orvr
I665	-2008 PCM 2, 2009- PCM 3 basic module incl. radio
I666	-2008 PCM 2, 2009- PCM 3 telephone (GSM)
I668	PCM2 telephone handset
I669	PCM 3 - Telephone handset (BLUETOOTH)
I670	PCM2 navigation
I671	Voice control system
I672	-2008 PCM 2, 2009- PCM 3 Offroad navigation
I673	Navigation system preparation, China
I674	"Vehicle Tracking System" preparation
I675	Without radio preparation (Japan navigation system)
I676	TV tuner
I677	"Driver card" antenna
I678	Alarm system connection
I679	Restart inhibitor
I680	BOSE sound package
I685	Rear seats, split
I686	SAT radio reception XM (SDARS)
I689	Preperation for CD autochanger
I690	CD radio "Porsche Online Pro"
I692	CD autochanger "Porsche"
I693	Integrated CD/DVD autochanger
I694	CD radio "PORSCHE CDR 24"
I695	CD radio, Porsche CDR 30
I697	CD radio "Porsche CDR-23"
I703	without Clubsport package
I711	Omission underbody protection
I796	Full leather trim natural leather
I798	Full leather trim special leather
I799	Full leather trim by choice
I801	Makassar Ebony wood package, dark (matt satin finish)
I802	Sycamore package, light (matt satin finish)
I803	Carbon package
I804	GT2 Carbon exterior package
I805	Lifestyle package
I810	Floor mats
I839	GT3 Alcantara steering wheel
I840	Sports steering wheel (for PDK with paddle)
I841	Basic steering wheel Smooth leather
I843	Sports steering wheel in Alcantara
I870	Universal multimedia interface

Model: 997G07

Model life 2007>>2011

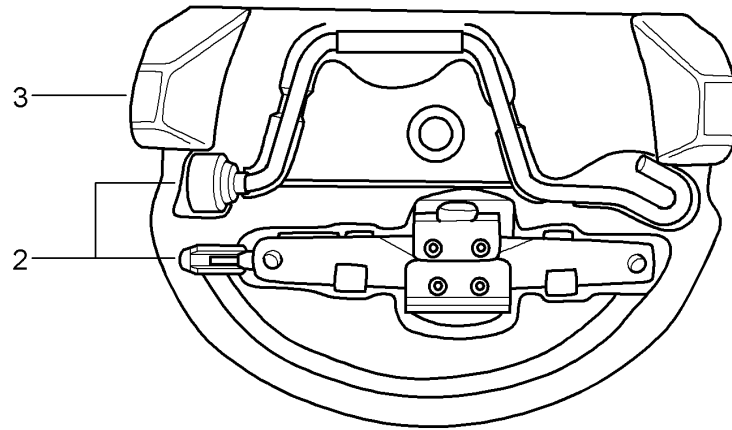
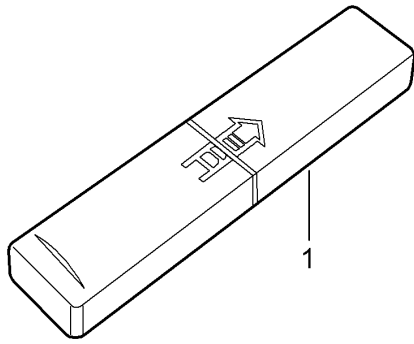
NR	Description
I912	without ID plate
I936	Seat covers, rear, leather
I937	Seat covers, rear, leatherette
I939	Seat covers, rear, draped leather
I946	Seat covers, front, leather/leather/leatherette
I950	Alcantara seat covers, front
I951	Seat covers front, Alcantara/leather/leather
I970	Two-tone interior
I971	"TORO" embossed leather
I975	Alcantara interior
I981	Leather equipment, without seat covers
I982	Seat covers, front, draped leather/leather/leather
I983	Seat covers, front, leather
I985	Seat covers, leather/leather/leatherette, 2
I990	Seat covers, front, cloth/cloth/leatherette
I991	Steering wheel airbag module in leather
I998	Leather, natural
I999	Passenger compartment monitoring sensor for leather colour of choice

Model: 997G07

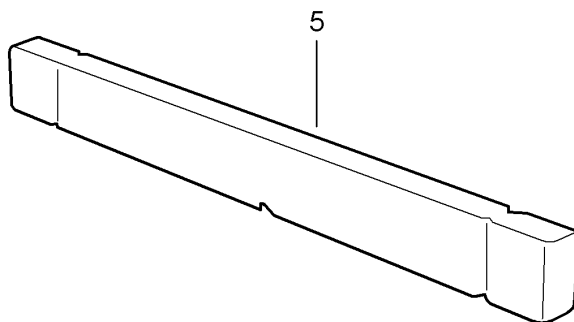
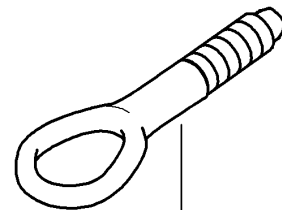
Model life 2007>>2011

Model: 997G07

Model life 2007>>2011



3

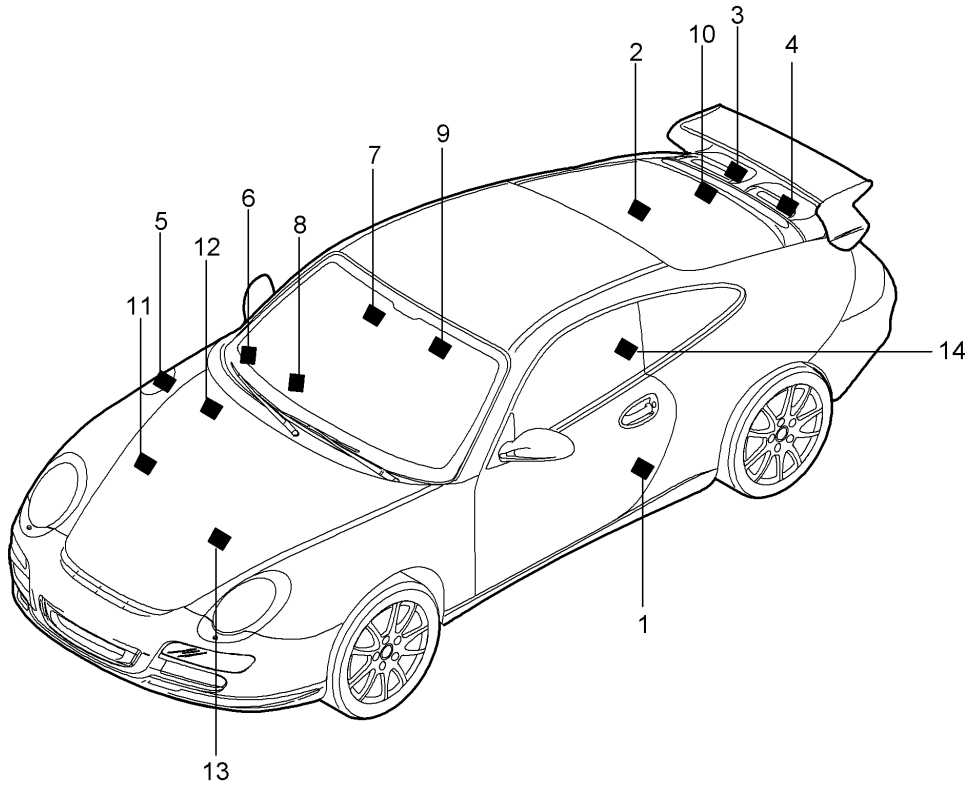


Model: 997G07 Model life 2007>>2011

Pos	Part Number	Description	Remark	Qty	Model
1	997 721 115 00	Tool Jack Fire extinguisher Tool kit with contents Comprising:		1	
-		Double-end spanner 10 X 13		1	
-		Screwdriver		1	
-		Handle for Screwdriver		1	
-	999 571 077 02	Socket wrench - 5 - for Headlamp		1	
2	996 721 211 00	Scissors type jack	10-	1	I447
3	997 722 101 00	Foam part	10-	1	I447
-	999 571 074 30	Threaded bolt for Assembly Wheels	-08	2	
-	997 361 181 52	Wheel bolt	10-	1	I430/447
-	997 361 069 02	Tool for Wheel bolt	10-	1	I430
-	997 361 161 00	Extension for Tool Wheel bolt	10-	1	I430/447
-	997 362 193 00	Spacer	/V 10-	1	I430/447
-	997 362 195 00	Spacer	/H 10-	1	I430/447
-	997 722 061 02	Cover Emergency wheel	10-	1	I447
4	997 721 551 00	Towing lug		1	
5	000 722 722 06	Warning triangle		1	
-	997 722 709 00	Support Warning triangle		2	
-	993 722 041 00	First-aid kit		1	
-	993 722 115 70	Fire extinguisher		1	I003
-	996 722 211 90	Spacer sleeve		2	I003
-	996 722 213 90	Stopper		2	I003
-	996 722 233 90	Spacer		2	I003

Model: 997G07

Model life 2007>>2011



Model: 997G07

Model life 2007>>2011

Pos	Part Number	Description	Remark	Qty	Model
2	7PP 010 707 K	Stickers Sticker Emergency wheel Stickers Engine specifications	10-	1	I430/447
3	997 006 108 00	Sticker	-08	1	I068
3	7PP 010 751 C	Sticker	10-	1	I068
3	955 701 675 00	Sticker Expansion tank		1	I193
4	997 006 544 00	Sticker Engine oil - MOBIL 1 -		1	
4	997 701 535 00	Sticker Engine-oil level Stickers Type of fuel		1	I193
5	996 006 117 00	Sticker 98 ROZ		1	
5	996 006 117 02	Sticker 96 ROZ	(AUS)	1	
5	996 006 117 03	Sticker 93 RON/MON/2		1	I193
5	955 701 676 15	Sticker Fuel		1	I193
5	955 701 676 10	Sticker Fuel filler flap Stickers Airbag		1	I193
6	3B0 010 219 B	Sticker Child car seat		1	
6	8D0 010 141 Q	Sticker Child car seat	(AUS)	1	
6	997 701 430 00	Sticker Child car seat German		1	
6	997 701 430 01	Sticker Child car seat English		1	
6	997 701 430 02	Sticker Child car seat French		1	
6	997 701 430 03	Sticker Child car seat Italian		1	
6	997 701 430 04	Sticker Child car seat Swedish		1	
6	997 701 430 05	Sticker Child car seat Spanish		1	
6	997 701 430 06	Sticker Child car seat Arabic		1	
6	997 701 430 07	Sticker Child car seat Chinese		1	
6	955 701 675 10	Sticker Recycling		1	I193
9	997 701 531 00	Sticker Airbag		1	I193
9	955 701 676 00	Sticker Warning light Engine		1	I193

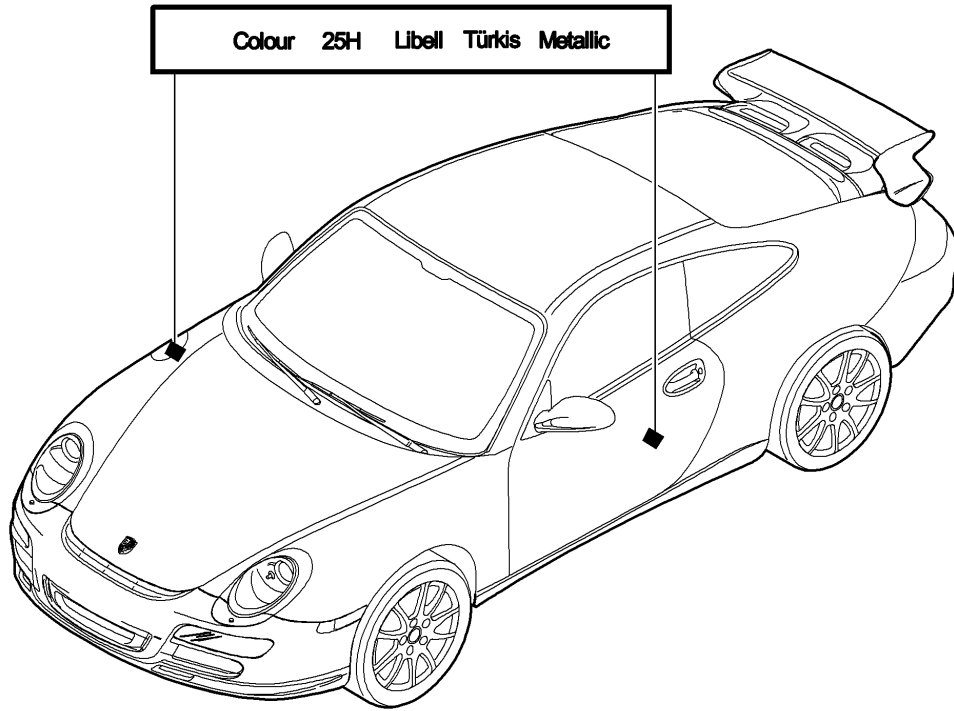
Model: 997G07

Model life 2007>>2011

Pos	Part Number	Description	Remark	Qty	Model
10	955 701 675 15	Sticker Import Japan		1	I193
11	996 701 141 01	Sticker Air conditioner		1	
11	997 701 521 00	Sticker Air conditioner		1	I193
12	955 701 673 00	Sticker Battery		1	I193
12	997 701 170 00	Sticker First-aid kit		1	
13	997 701 527 00	Sticker Headlamp		1	I193
13	955 701 675 05	Sticker Brake fluid		1	I193

Model: 997G07

Model life 2007>>2011



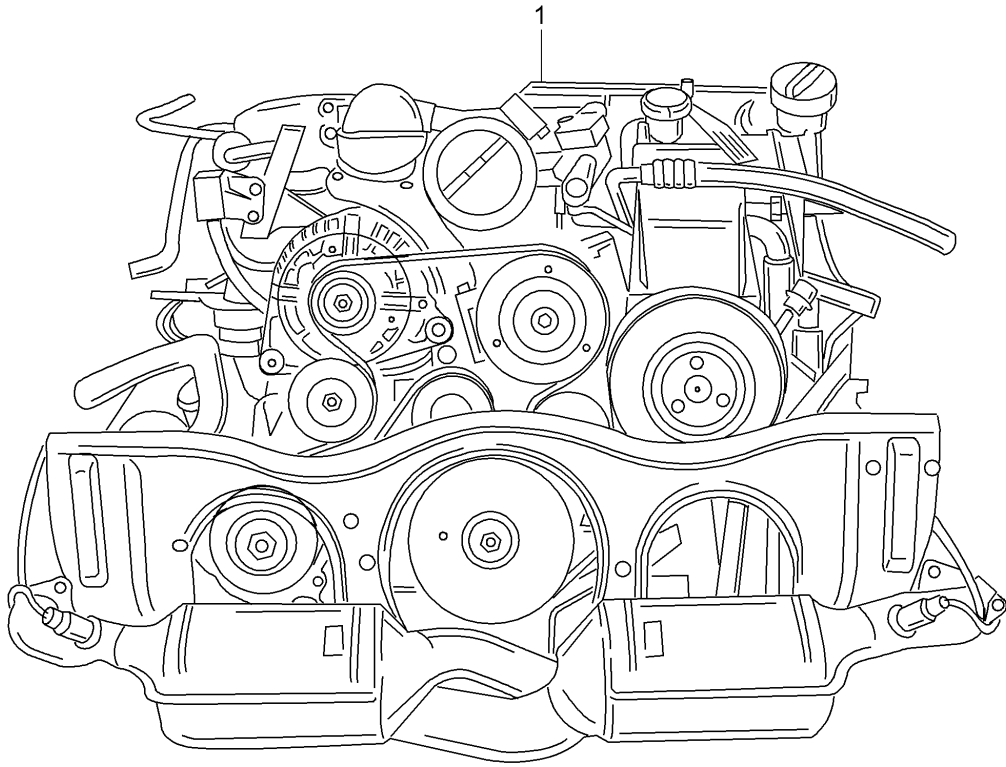
Model: 997G07

Model life 2007>>2011

Pos	Part Number	Description	Remark	Qty	Model
		Paint touch-up applicator Lacquers			
-	911 095 932 20	Paint touch-up applicator		X	
	911 095 932 20 041	Black			A 1
	911 095 932 20 80K	Guards red			G 1
	911 095 932 20 B9A	Carrara white			B 4
	911 095 932 20 12G	Speed yellow			X 4
	911 095 932 20 8C6	Orange			N 2
	911 095 932 20 2D8	Green			J 5
	911 095 932 20 51A	Creamy white			T 2
	911 095 932 20 7A1	Grey/Black			A 4
-	911 095 933 20	Paint touch-up applicator Set Comprising: Paint touch-up applicator Primer Paint touch-up applicator Clear lacquer		X	
	911 095 933 20 92T	Arctic silver metallic			X 1
	911 095 933 20 M3W	Carmon red metallic			E 4
	911 095 933 20 M5W	Lapis blue metallic			J 2
	911 095 933 20 M6W	Lagoon green metallic			G 4
	911 095 933 20 C9Z	Basalt black metallic			Z 4
	911 095 933 20 M7X	Atlas grey metallic			E 7
	911 095 933 20 37W	Midnight Blue Metallic			E 9
	911 095 933 20 22E	Forest green metallic			53
	911 095 933 20 37U	Cobalt blue metallic			56
	911 095 933 20 22D	Slate grey metallic			59
	911 095 933 20 M7Z	GT Silver Metallic			U 2
	911 095 933 20 M6X	Dark olive-metallic			7 G
	911 095 933 20 M7W	Meteor Grey Metallic			9 Q
	911 095 933 20 M8W	Macadamia Metallic			9 S
	911 095 933 20 2B5	Malachite Green Metallic			H 1
	911 095 933 20 M2Z	Nordic Gold Metallic			8 W
	911 095 933 20 M5R	Aqua Blue Metallic			D 2
	911 095 933 20 22G	Racing Green Metallic			J 1
	911 095 933 20 M3X	Ruby red metallic			A 6
	911 095 933 20 M4Z	Amethyst metallic			N 6
	911 095 933 20 M5X	Dark Blue Metallic			N 4

Model: 997G07

Model life 2007>>2011

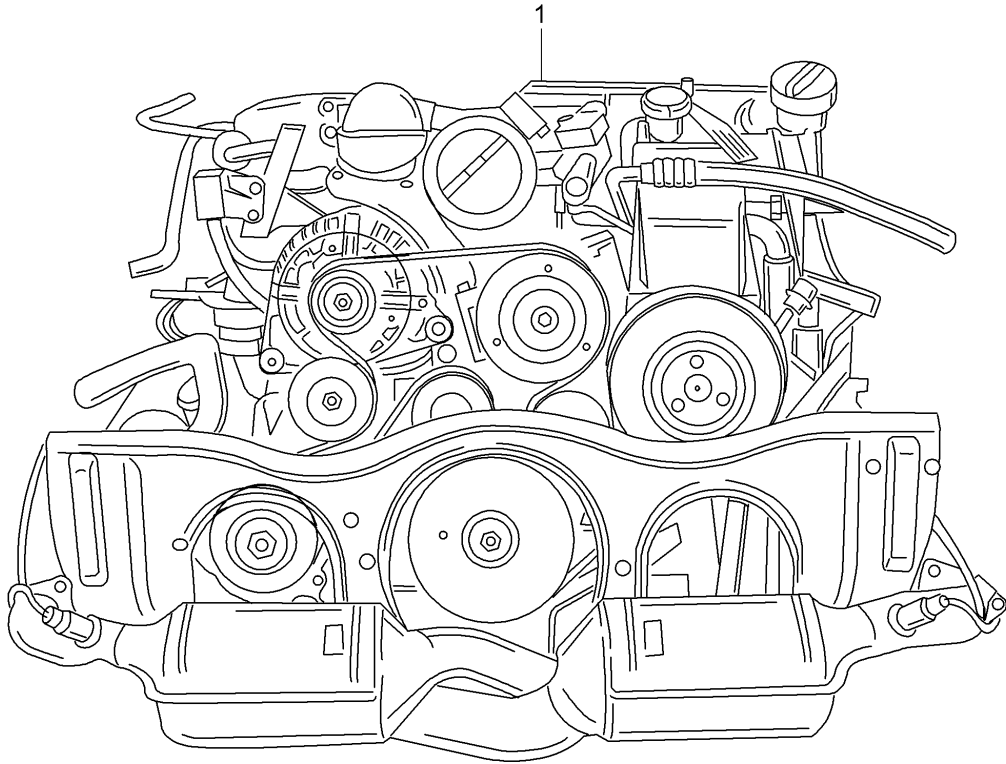


Model: 997G07 Model life 2007>>2011

Pos	Part Number	Description	Remark	Qty	Model
		Replacement engine Ready for installation			M97.76
1	997 100 976 00	Replacement engine	07	1	M97.76
1	997 100 976 02	Replacement engine	08	1	M97.76
1	997 100 976 03	Replacement engine	07-08	1	M97.76 -I004
		without Muffler			
1	997 100 976 CX	Replacement engine	07-08	1	M97.76 -I004
		without Muffler			
1	997 100 976 90	Replacement engine	07	1	M97.76 I004
1	997 100 976 91	Replacement engine	08	1	M97.76 I004
1	997 100 976 92	Replacement engine	07-08	1	M97.76 I004
		without Muffler			
1	997 100 976 3X	Replacement engine	07-08	1	M97.76 I004
		without Muffler			

Model: 997G07

Model life 2007>>2011

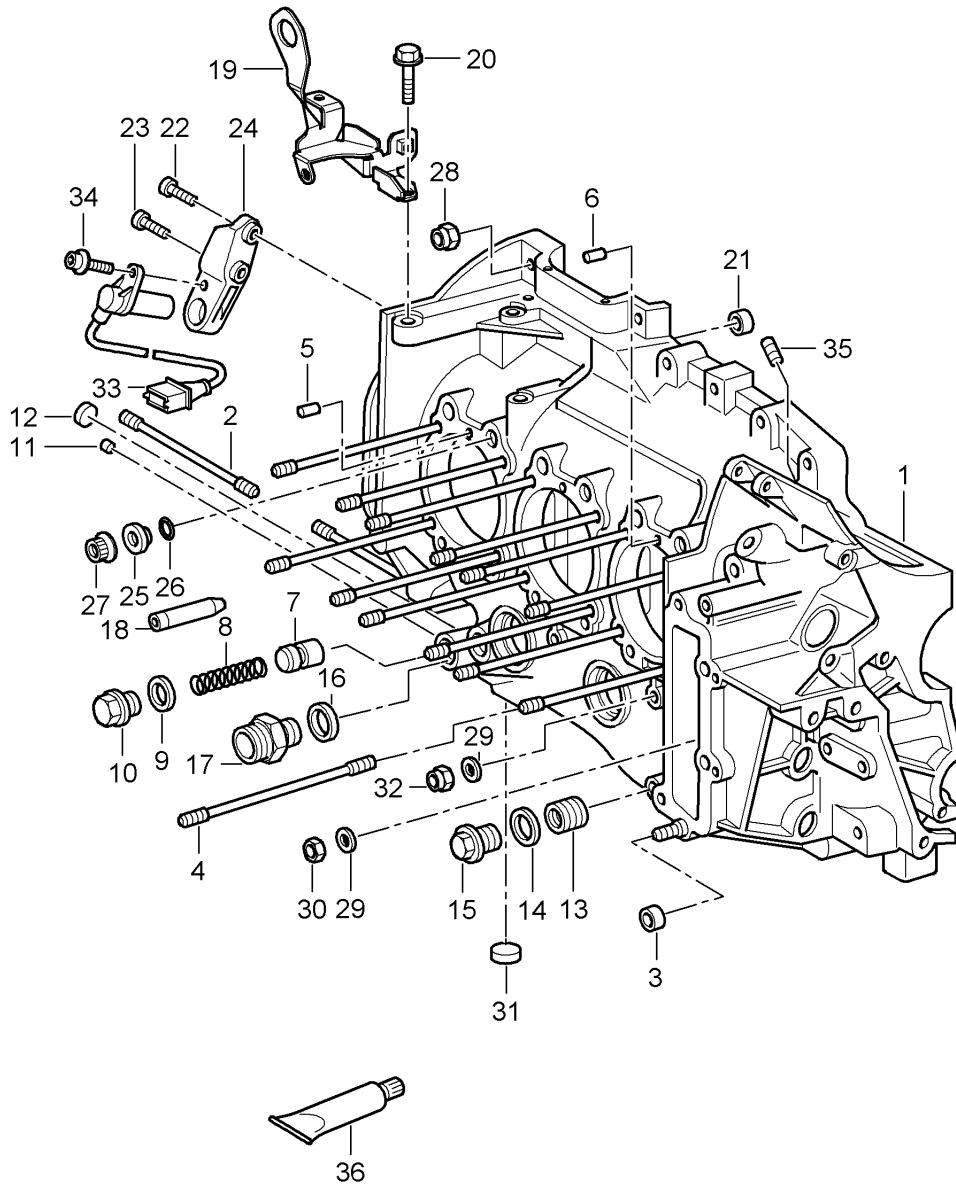


Model: 997G07 Model life 2007>>2011

Pos	Part Number	Description	Remark	Qty	Model
1	997 100 977 00	Replacement engine	-10	1	M97.74/77
1	997 100 977 X	Replacement engine	-10	1	M97.77 I573
1	997 100 977 01	Replacement engine	11-	1	M97.77 I573
(1)	997 100 977 DX	Replacement engine	11-	1	M97.77 I573
(1)	997 100 977 FX	Replacement engine	11-	1	M97.77 I573
(1)	997 100 977 90	without Muffler Replacement engine	-10	1	M97.77 I004/573
(1)	997 100 977 AX	Replacement engine	-10	1	M97.77 I004/573
(1)	997 100 977 92	Replacement engine	11-	1	M97.77 I004/573
(1)	997 100 977 EX	with Muffler Replacement engine	11-	1	M97.77 I004/573
(1)	997 100 977 94	with Muffler Replacement engine	11-	1	M97.77 I004/573/574
(1)	997 100 977 HX	without Muffler Compressor Deflection roller Poly-rib belt Replacement engine	11-	1	M97.77 I004/573/574
(1)	997 100 977 91	without Muffler Compressor Deflection roller Poly-rib belt Replacement engine	-10	1	M97.77 I004/574
(1)	997 100 977 BX	Replacement engine	-10	1	M97.77 I004/574
(1)	997 100 977 93	Replacement engine	11-	1	M97.77 I004/574
(1)	997 100 977 CX	Replacement engine	11-	1	M97.77 I004/574
(1)	997 100 974 95	Replacement engine	11-	1	M97.74 I004/006/573 I574
(1)	997 100 974 JX	without Muffler Compressor Deflection roller Poly-rib belt Replacement engine	11-	1	M97.74 I004/006/573 I574
(1)	997 100 974 JX	without Muffler Compressor Deflection roller Poly-rib belt			

Model: 997G07

Model life 2007>>2011



Model: 997G07 Model life 2007>>2011

Pos	Part Number	Description	Remark	Qty	Model
		Crankcase Left			M97.76
1	997 101 901 92	Crankcase with studs Use also: 000.043.204.58		1	
2	999 062 099 02	Stud M 10 X 105		X 2	
2	900 060 096 01	Stud M 10 X 105		2	
3	901 101 145 00	Dowel sleeve		4	
4	996 101 172 70	Stud		24	
5	900 012 057 00	Straight pin A 8,0 X 14		1	
6	900 012 046 00	Straight pin A 6,0 X 14		1	
7	911 107 512 00	Piston		1	
8	901 107 531 01	Compression spring		1	
9	900 123 106 30	Sealing ring A 18 X 24		1	
10	999 064 026 02	Screw plug M 18 X 24		1	
10	999 064 026 01	Screw plug M 18 X 1,5		1	
11	911 101 186 00	Stopper 7,5 X 8,0		1	
12	900 036 047 02	Lid 13,00 X 8,5		1	
13	999 504 127 00	Threaded insert 20 X 1,5		1	
14	900 123 118 30	Sealing ring A 22 X 27		1	
15	944 107 197 02	Screw plug		1	
16	900 123 011 30	Sealing ring A 22 X 27		1	
17	999 136 044 09	Union 18		1	
18	997 101 018 90	Spray jet		3	
(18)	997 101 018 91	Spray jet		3	
19	997 101 251 73	Retaining bar		1	
20	900 074 040 02	Hexagon-head bolt M 8 X 50		1	
21	901 101 195 00	Dowel sleeve		2	
22	900 385 072 01	Torx screw M 6 X 25		1	
23	900 385 270 01	Outer hexagon round screw M 6 X 35		1	
24	964 101 187 01	Support		1	
25	964 101 313 71	Washer		15	
25	964 101 313 05	Washer		15	
26	999 701 006 41	O-ring 8 X 2		15	
27	959 101 172 70	Nut M 10 X 1,25		11	
27	959 101 172 00	Nut M 10 X 1,25		11	
28	999 084 202 01	Lock nut M 8		21	
29	900 025 008 09	Washer A 10,5		1	
30	900 076 078 01	Hexagon nut M 10 X 1,25		1	
31	900 036 045 01	Lid		1	

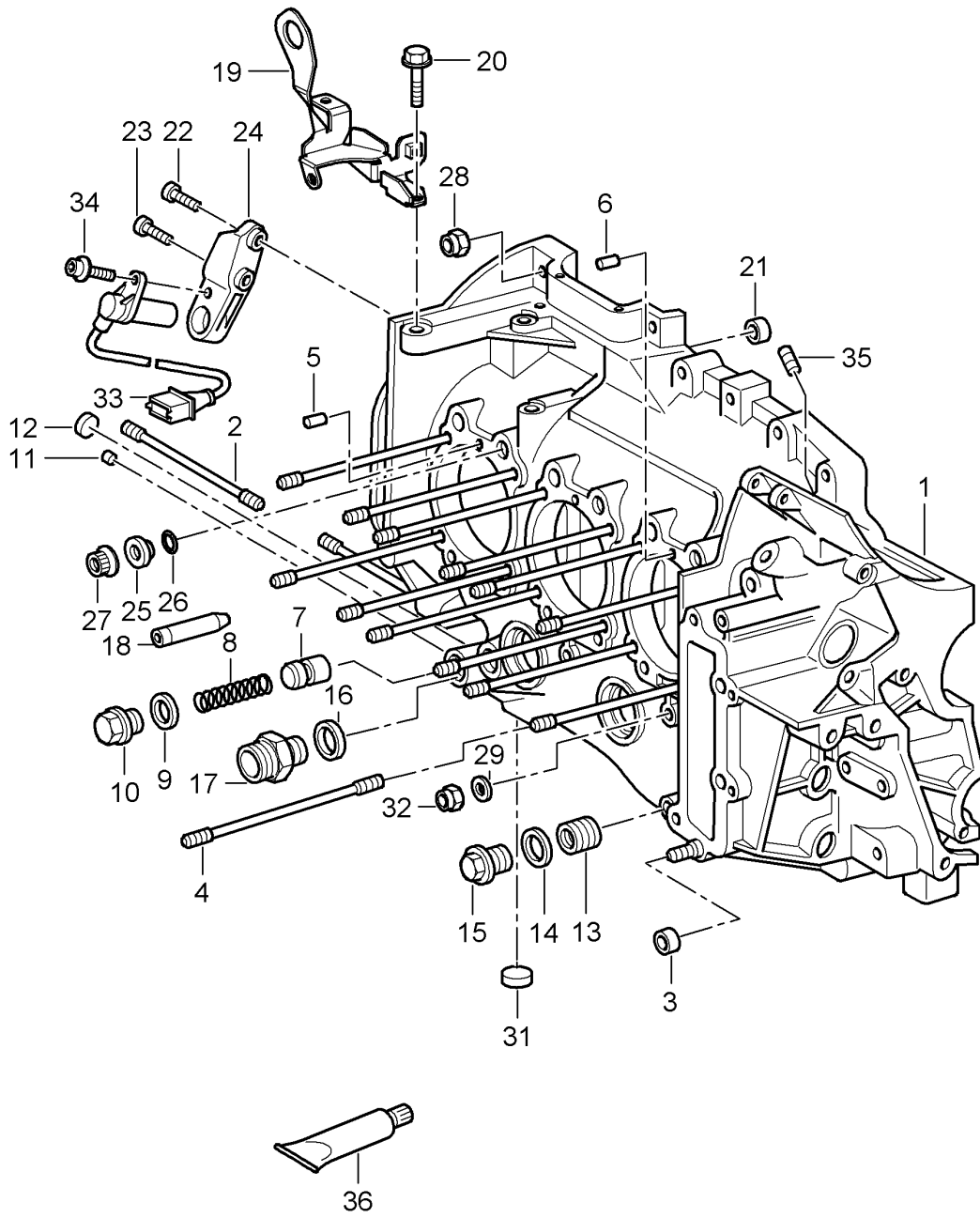
Model: 997G07

Model life 2007>>2011

Pos	Part Number	Description	Remark	Qty	Model
32	999 084 096 02	19,00 X 13 Lock nut M 10		1	
32	900 910 130 01	Lock nut M 10		1	
33	996 606 105 01	Pulse sender		1	
34	900 387 264 01	Pan-head screw M 6 X 16		1	
34	N 105 464 03	Pan-head screw M 6 X 16		1	
35	999 501 065 30	Stopper 9,2		1	
36	000 043 204 58	Sealing compound 30 GR. Drei Bond Silicon 2210		X	
37	999 507 842 40	Support Pulse sender		1	

Model: 997G07

Model life 2007>>2011



Model: 997G07 Model life 2007>>2011

Pos	Part Number	Description	Remark	Qty	Model
		Crankcase Left			M97.74/77
1	997 101 977 90	Crankcase with studs		1	M97.77
		Use also: 000.043.204.58		X	
1	997 101 977 91	Crankcase with studs		1	M97.77
		Use also: 000.043.204.58		X	
1		Crankcase with studs		1	M97.74
		Use also: 000.043.204.58		X	
2	900 060 096 01	Stud M 10 X 105		2	
3	901 101 145 00	Dowel sleeve		4	
4	996 101 172 70	Stud		24	
5	900 012 057 00	Straight pin A 8,0 X 14		1	
6	900 012 046 00	Straight pin A 6,0 X 14		1	
7	911 107 512 00	Piston		1	
8	901 107 531 01	Compression spring		1	
9	900 123 106 30	Sealing ring A 18 X 24		1	
10	997 107 105 90	Screw plug M 18 X 1,5		1	
11	911 101 186 02	Stopper 7,5 X 8,0		1	
12	900 036 047 01	Lid 13,00 X 8,5		1	
13	999 504 127 00	Threaded insert 20 X 1,5		1	
14	900 123 118 30	Sealing ring A 22 X 27		1	
15	944 107 197 03	Screw plug		1	
16	900 123 011 30	Sealing ring A 22 X 27		1	
17	999 136 044 01	Union 18		1	
18	997 101 018 92	Spray jet 1,2 mm		3	
19	997 101 251 73	Retaining bar		1	
20	900 074 040 03	Hexagon-head bolt M 8 X 50		1	
21	901 101 195 00	Dowel sleeve		2	
22	900 385 072 01	Torx screw M 6 X 25		1	
23	900 385 270 01	Outer hexagon round screw M 6 X 35		1	
24	964 101 187 01	Support		1	I480
25	964 101 313 71	Washer		12	
25	964 101 313 05	Washer		12	
26	999 701 006 41	O-ring 8 X 2		12	
27	959 101 172 70	Nut M 10 X 1,25		12	
27	959 101 172 00	Nut M 10 X 1,25		12	
28	999 084 202 01	Lock nut M 8		21	
29	900 025 008 03	Washer		1	

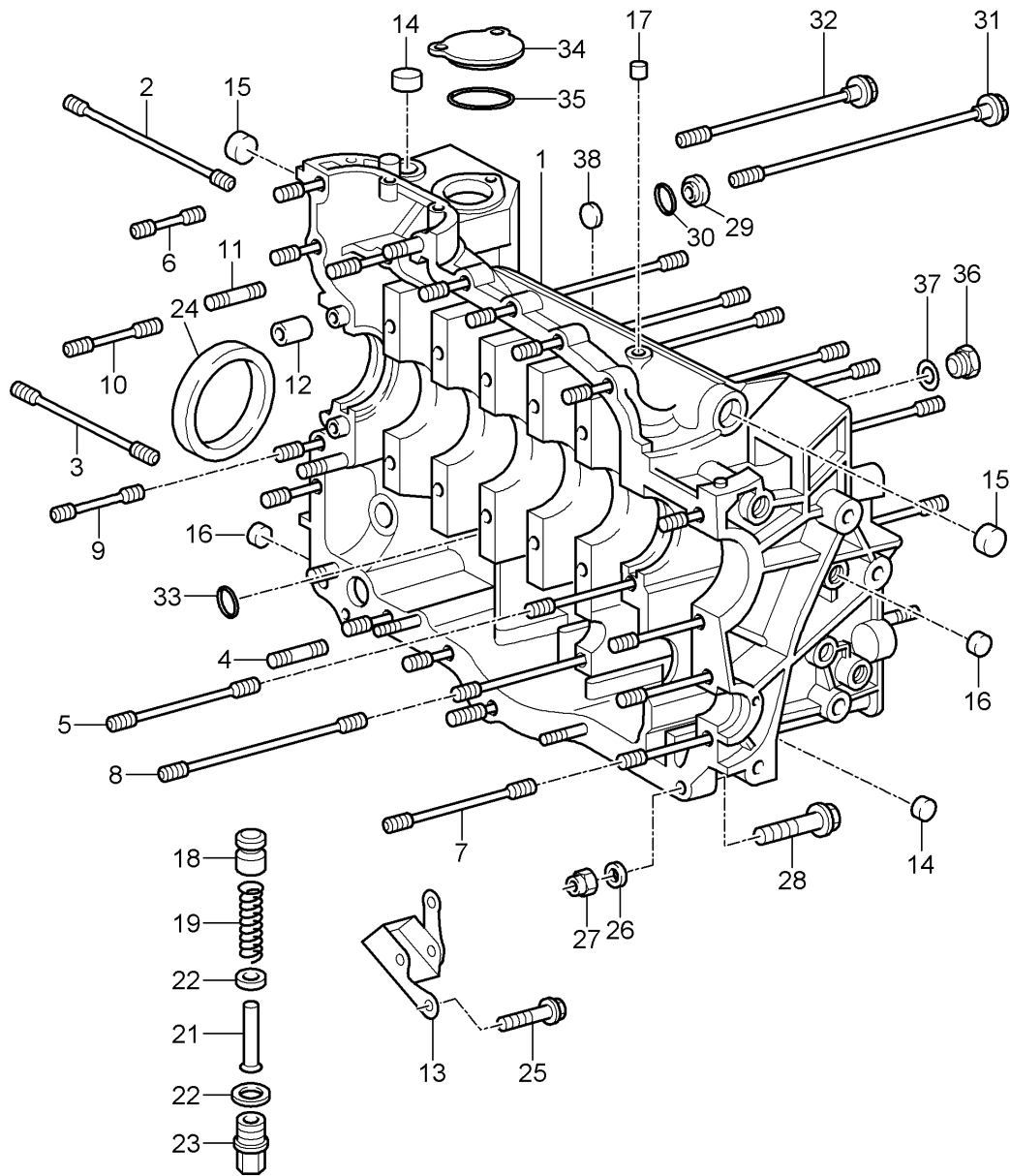
Model: 997G07

Model life 2007>>2011

Pos	Part Number	Description	Remark	Qty	Model
30	900 076 078 01	A 10,5 Hexagon nut M 10 X 1,25		1	
32	900 910 130 01	Lock nut M 10		1	
33	996 606 105 01	Pulse sender		1	
34	900 387 264 01	Pan-head screw M 6 X 16		1	
34	N 105 464 03	Pan-head screw M 6 X 16		1	
35	999 501 065 30	Stopper 9,2		1	
36	000 043 204 58	Sealing compound 30 GR. Drei Bond Silicon 2210		X	
37	999 507 842 40	Support Pulse sender		1	
38	997 101 018 93	Spray jet 0,8 mm		3	

Model: 997G07

Model life 2007>>2011



Model: 997G07 Model life 2007>>2011

Pos	Part Number	Description	Remark	Qty	Model
		Crankcase Right			M97.76
1	997 101 901 92	Crankcase with studs		1	
2	999 062 225 02	Stud M 10 X 140		1	
2	900 060 095 01	Stud M 10 X 140		1	
3	999 062 099 02	Stud M 10 X 105		1	
3	900 060 096 01	Stud M 10 X 105		2	
4	999 062 007 02	Stud M 8 X 22		3	
4	900 060 106 01	Stud M 8 x 22		3	
5	996 101 175 70	Stud		1	
6	999 062 115 02	Stud M 8 X 32		13	
7	999 062 156 02	Stud M 8 X 78		3	
7	900 060 101 01	Stud M 8 X 78		3	
8	999 062 276 02	Stud M 10 X 110		1	
9	999 062 075 02	Stud M 8 X 48		2	
10	999 062 138 02	Stud M 8 X 52		1	
10	900 060 102 01	Stud M 8 x 52		1	
11	999 062 009 02	Stud M 8 X 28		1	
11	900 060 105 01	Stud M 8 X 28		1	
12	901 101 195 00	Dowel sleeve		2	
13	996 101 206 71	Hook		1	
14	900 036 045 01	Lid A 19		2	
15	900 036 046 02	Lid A 22		2	
16	900 036 047 02	Lid A 13		2	
17	911 101 186 00	Stopper 7,50 X 8		2	
18	911 107 512 00	Piston		1	
19	996 107 127 80	Compression spring		1	
20	996 107 532 81	Spacer ring		1	
21	996 107 533 91	Guide sleeve		1	
22	900 123 106 30	Sealing ring A 18 X 24		1	
23	996 107 105 80	Screw plug		1	
24	997 102 264 91	Shaft sealing ring 90 X 110 X 12		1	
-	997 101 264 90	Use also: Spacer ring See technical information Service Group 1 1359 3/08		1	
25	900 378 150 09	Hexagon-head bolt M 8 X 55		1	
26	900 031 001 02	Washer		4	

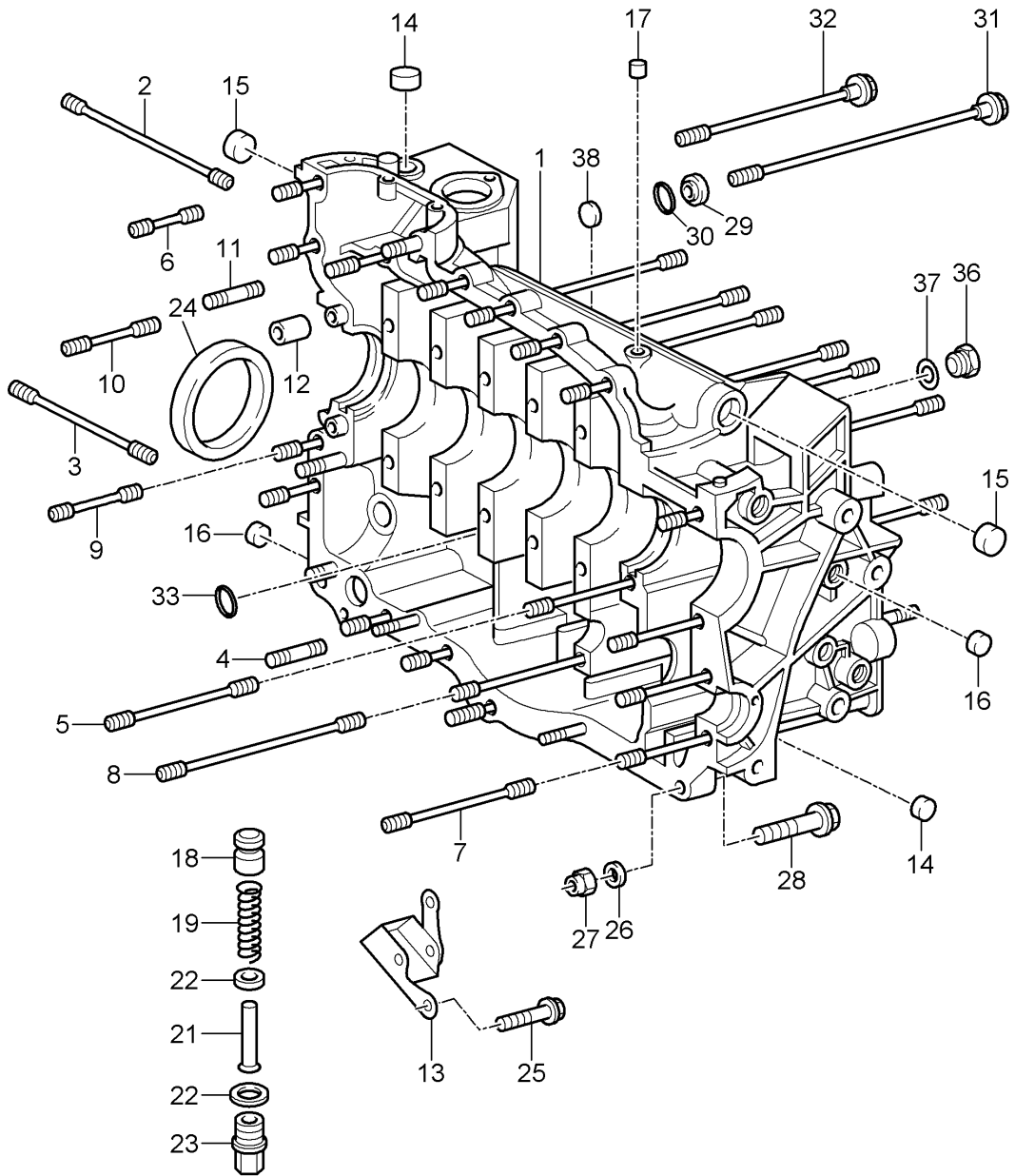
Model: 997G07

Model life 2007>>2011

Pos	Part Number	Description	Remark	Qty	Model
26	900 031 105 01	8,4 Washer		2	
27	999 084 202 01	8,4 X 15 X 1,6 Lock nut		4	
28	900 074 134 02	M 8 Hexagon-head bolt		1	
28	N 010 246 6	M 8 X 45 Hexagon-head bolt		1	
29	964 101 313 71	M 8 X 45 Washer		13	
30	999 701 006 41	O-ring		13	
31	959 101 173 70	8 X 2 Screw		11	
31	959 101 173 01	Screw		11	
32	964 101 174 70	Screw		2	
33	999 701 596 40	O-ring		4	
34	930 105 165 00	8,3 X 2,4 Cover		1	
35	999 707 315 41	O-ring		1	
36	900 219 004 01	33,3 X 2,4 Screw plug		1	
37	900 123 018 30	M 16 X 1,5 Sealing ring		1	
38	900 036 008 02	A 16 X 20 Lid		1	
39	930 105 165 00	B 15 Cover		1	
40	999 707 315 41	O-ring		1	
		33,3 X 2,4			

Model: 997G07

Model life 2007>>2011



Model: 997G07 Model life 2007>>2011

Pos	Part Number	Description	Remark	Qty	Model
		Crankcase Right			M97.74/77
1	997 101 977 90	Crankcase with studs		1	M97.77
(1)	997 101 977 91	Crankcase with studs		1	M97.77
(1)		Crankcase with studs		1	M97.74
2	900 060 095 01	Stud M 10 X 140		1	
3	900 060 096 01	Stud M 10 X 105		3	
4	900 060 106 01	Stud M 8 x 22		3	
5	996 101 175 70	Stud		1	
6	900 060 104 01	Stud M 8 x 32		13	
7	900 060 101 01	Stud M 8 X 78		3	
8	900 060 099 01	Stud M 10 X 110		1	
9	900 060 103 01	Stud M 8 X 48		2	
10	900 060 102 01	Stud M 8 x 52		1	
11	900 060 105 01	Stud M 8 X 28		1	
12	901 101 195 00	Dowel sleeve		2	
13	996 101 206 71	Hook		1	
15	900 036 046 01	Lid A 22		2	
16	900 036 047 01	Lid A 13		2	
17	911 101 186 02	Stopper 7,5 X 8,0		1	
18	911 107 512 00	Piston		1	
19	996 107 127 80	Compression spring		1	
20	996 107 532 82	Spacer ring		1	
21	996 107 533 91	Guide sleeve		1	
22	900 123 106 30	Sealing ring A 18 X 24		1	
23	996 107 105 82	Screw plug		1	
24	997 102 264 91	Shaft sealing ring 90 X 110 X 12		1	
25	900 378 150 01	Hexagon-head bolt M 8 X 55		1	
26	900 031 105 01	Washer 8,4 X 15 X 1,6		1	
27	999 084 202 01	Lock nut M 8		1	
28	900 378 150 09	Hexagon-head bolt M 8 X 55		1	
28	999 217 111 01	Combination screw M 8 X 45		1	
29	964 101 313 71	Washer		12	
29	964 101 313 05	Washer		12	
30	999 701 006 41	O-ring 8 X 2		12	
31	959 101 173 70	Screw		11	
31	959 101 173 01	Screw		11	
32	964 101 174 70	Screw		2	
33	999 701 596 40	O-ring 8,3 X 2,4		4	

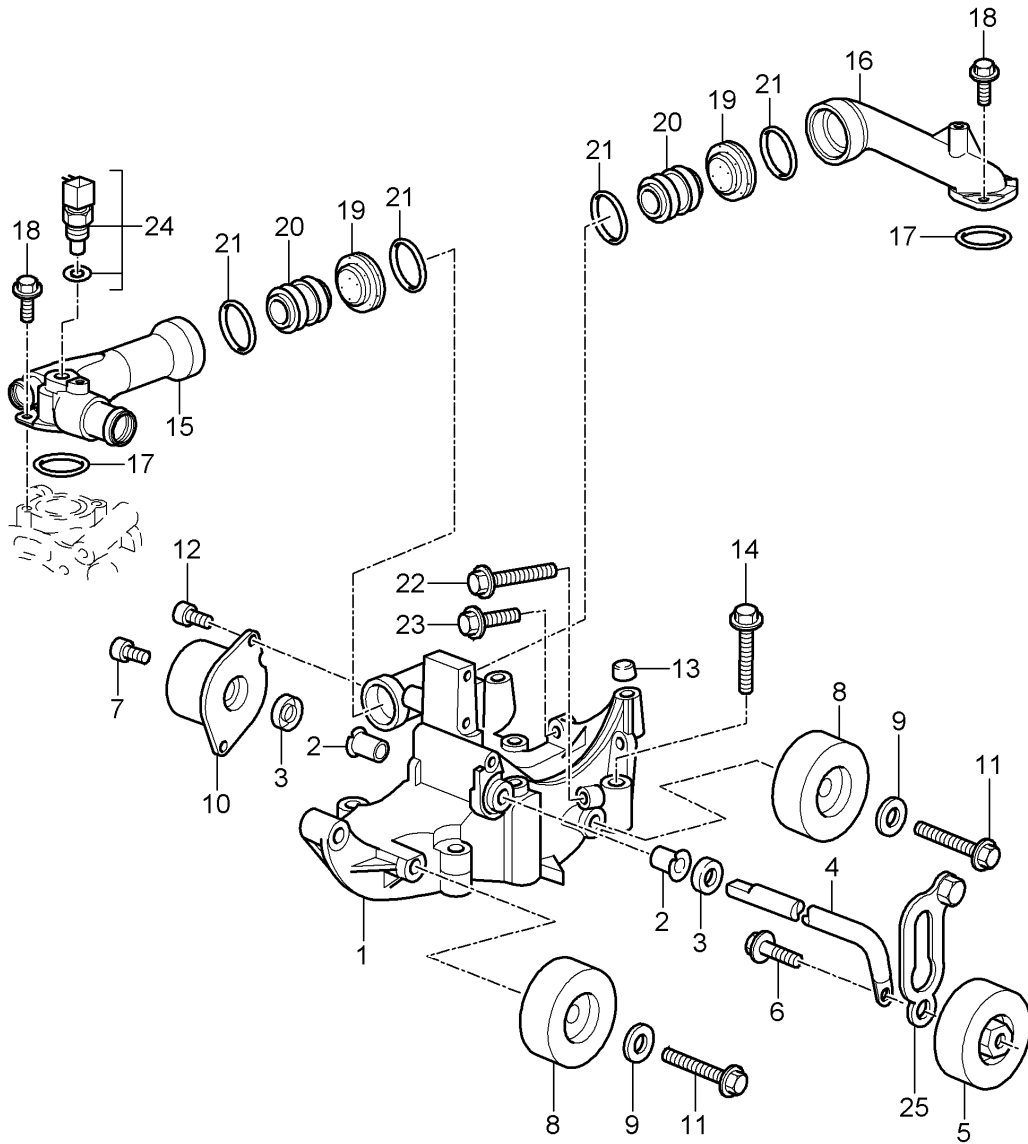
Model: 997G07

Model life 2007>>2011

Pos	Part Number	Description	Remark	Qty	Model
34	930 105 165 00	Cover		1	
35	999 707 315 41	O-ring		1	
36	900 219 004 01	33,3 X 2,4 Screw plug		1	
37	900 123 131 30	M 16 X 1,5 Sealing ring		1	
38	900 036 008 03	A 16 X 20 Lid		1	
		B 15		1	

Model: 997G07

Model life 2007>>2011



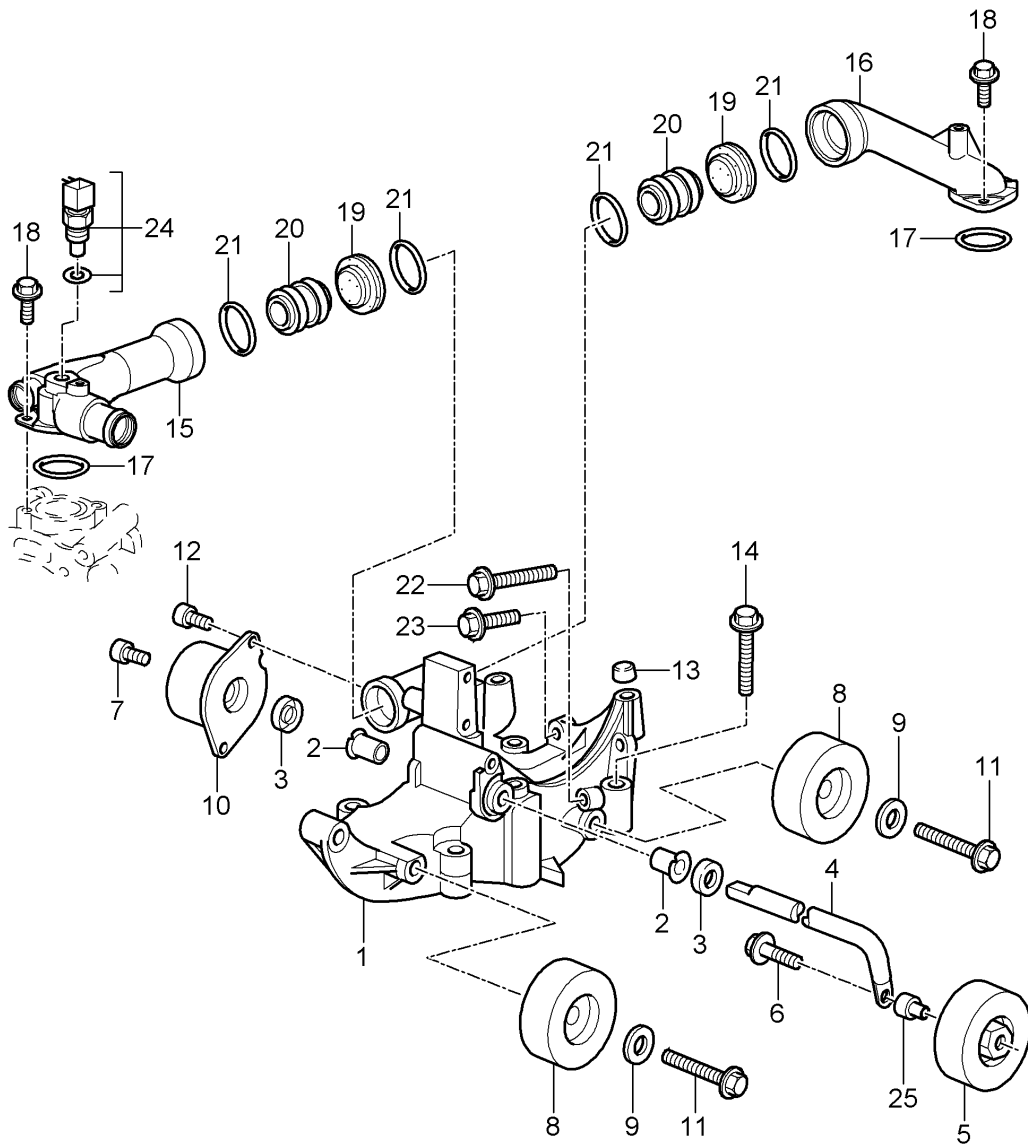
Model: 997G07

Model life 2007>>2011

Pos	Part Number	Description	Remark	Qty	Model
		Belt tensioner			M97.76
		Belt drive			
1	996 115 112 70	Bracket		1	
2	997 102 167 00	Bush		2	
3	996 102 365 50	Dust boot		2	
4	996 115 913 70	Lever		1	
(4)	996 115 913 71	Lever		1	
5	996 115 016 72	Tensioning roller		1	
6	999 072 039 01	Hexagon-head bolt M 10 X 30		1	
7	900 067 117 05	Pan-head screw M 6 X 16		1	
8	996 115 015 71	Deflection roller		2	
(8)	996 115 015 76	Deflection roller		2	
9	996 102 125 52	Cover disc		2	
10	996 115 221 72	Tensioner		1	
11	900 385 120 01	Hexagon socket head bolt M 10 X 55		2	
12	900 067 131 03	Pan-head screw M 8 X 16		2	
13	999 095 063 02	Dowel sleeve 11 M 6 X 10	07	4	
(13)	999 095 063 01	Dowel sleeve 11 M 6 X 10	08-	4	
14	900 385 004 01	Torx screw AM 10 X 60		4	
15	997 106 039 90	Connection piece		1	
16	997 106 440 70	Connection piece		1	
17	999 707 410 40	O-ring 39,20 X 3,00		2	
18	900 385 019 01	Torx screw M 6 X 20		4	
19	996 106 214 70	Protective ring		2	
20	996 106 238 71	Joining socket		2	
21	999 707 411 40	O-ring 28,00 X 4,50		4	
22	900 385 036 01	Hexagon socket head bolt M 8 X 55		1	
23	900 385 098 01	Torx screw M 8 X 25		2	
24	996 606 410 00	Temperature sensor		1	
25	996 115 213 71	Driver		1	

Model: 997G07

Model life 2007>>2011



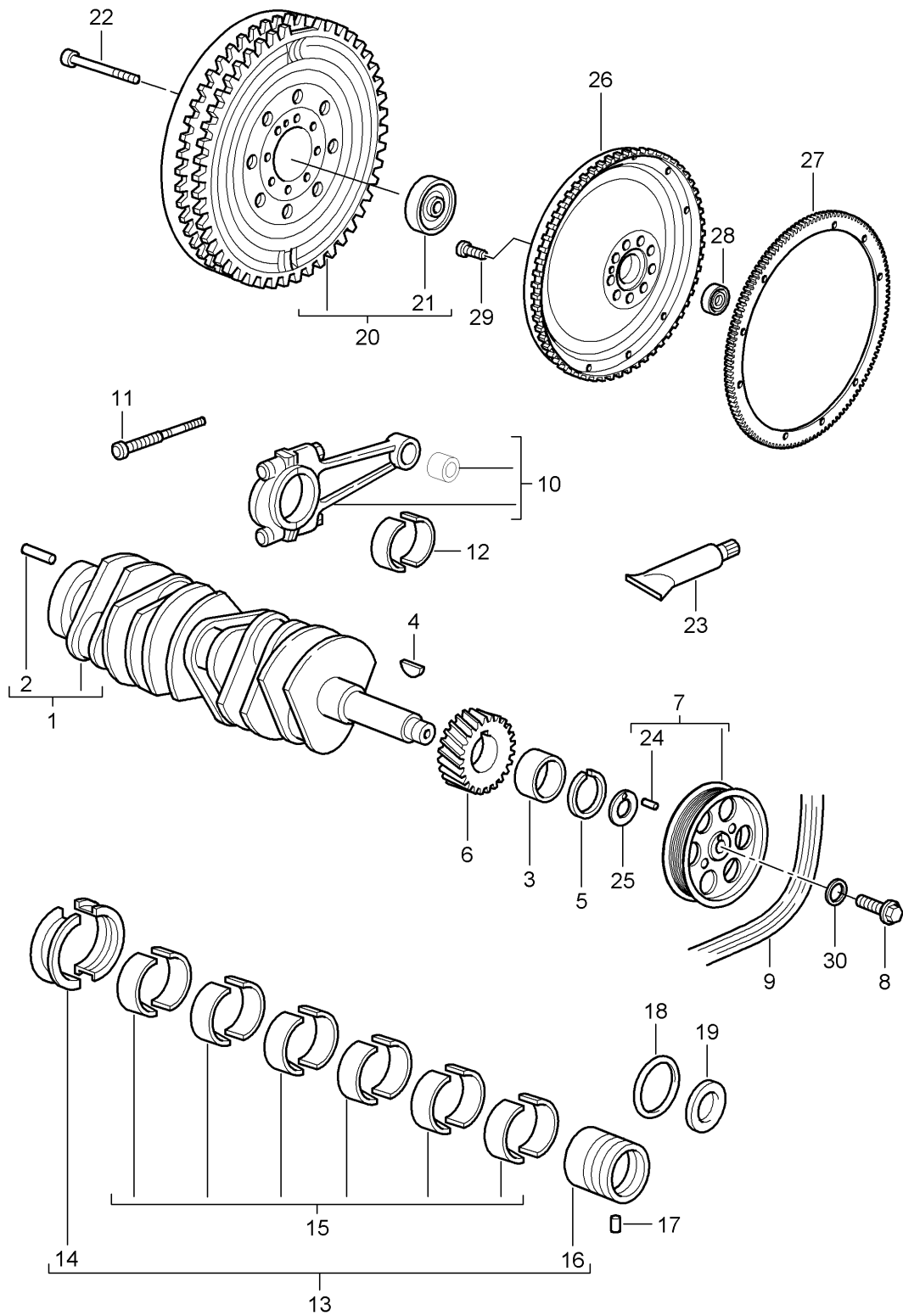
Model: 997G07

Model life 2007>>2011

Pos	Part Number	Description	Remark	Qty	Model
		Belt tensioner			M97.74/77
		Belt drive			
1	996 115 112 70	Bracket		1	
2	997 102 167 00	Bush		2	
3	996 102 365 50	Dust boot		2	
4	996 115 913 71	Lever		1	
5	996 115 016 72	Tensioning roller		1	
6	999 072 039 01	Hexagon-head bolt M 10 X 30		1	
7	900 067 117 05	Pan-head screw M 6 X 16		1	
8	996 115 015 76	Deflection roller		1	I574
(8)		Deflection roller		2	I573
9	996 102 125 52	Cover disc		1	I574
(9)		Cover disc		2	I573
10	996 115 221 72	Tensioner		1	
11	900 385 120 01	Hexagon socket head bolt M 10 X 55		2	I573
11		Hexagon socket head bolt M 10 X 55		1	I574
12	900 067 131 03	Pan-head screw M 8 X 16		2	
13	999 095 063 02	Dowel sleeve 11 M 6 X 10		4	
13	999 095 063 01	Dowel sleeve 11 M 6 X 10		4	
14	900 385 004 01	Torx screw AM 10 X 60		4	
15	997 106 039 90	Connection piece		1	
16	997 106 440 70	Connection piece		1	
17	999 707 410 40	O-ring 39,20 X 3,00		2	
18	900 385 019 01	Torx screw M 6 X 20		4	
19	996 106 214 70	Protective ring		2	
20	996 106 238 71	Joining socket		2	
21	999 707 411 40	O-ring 28,00 X 4,50		4	
22	900 385 036 01	Hexagon socket head bolt M 8 X 55		1	
23	900 385 098 01	Torx screw M 8 X 25		2	
24	996 606 410 00	Temperature sensor		1	
25	996 115 215 72	Spacer bolt		1	

Model: 997G07

Model life 2007>>2011



Model: 997G07 Model life 2007>>2011

Pos	Part Number	Description	Remark	Qty	Model
		Crankshaft			M97.76
1	996 102 021 93	Crankshaft		1	
1	996 102 021 94	Crankshaft		1	
1	996 102 021 95	Crankshaft		1	
		When required order also: 964.102.239.31			
2	900 095 031 00	Tensioning sleeve 6 X 16		1	
3	959 102 321 00	Intermediate ring		1	
4	901 102 147 00	Woodruff key		1	
5	901 102 148 00	Circlip Number 0		1	
5	901 102 148 01	Circlip Number 1		1	
5	901 102 148 02	Circlip Number 2		1	
5	901 102 148 03	Circlip Number 3		1	
6		See illustrations 1/03/15		1	
7	996 102 017 93	Pulley		1	
(7)	996 102 017 95	Pulley		1	I004
8	999 217 128 01	Hexagon-head bolt M 14 X 1,5 X 33		1	
8	999 217 128 02	Hexagon-head bolt M 14 X 1,5 X 33		1	
(8)	993 102 550 80	Hexagon-head bolt M 14 X 1,5 X 40		1	I004
(8)	993 102 550 81	Hexagon-head bolt M 14 X 1,5 X 40		1	I004
9	996 102 151 92	Poly-rib belt		1	M574
9	996 102 151 93	Poly-rib belt		1	M573
10	997 103 020 90	Connecting rod		6	
10	996 103 012 88	Connecting rod		6	
10	996 103 012 89	Connecting rod		6	
11	997 103 176 91	Connecting rod bolt		12	
11	997 103 176 90	Connecting rod bolt		12	
11	997 103 176 92	Connecting rod bolt		12	
12	996 103 121 94	Connecting-rod bearing		12	
12	996 103 121 95	Connecting-rod bearing		12	
13	997 101 901 00	Set of crankshaft bearings		1	
14	996 101 231 92	Thrust bearing I		2	
15	996 101 232 92	Main bearing II-VII		12	
15	996 101 232 95	Main bearing II-VII		12	
16	964 101 138 01	Bearing sleeve VIII		1	
17	900 012 061 00	Straight pin 5 H 8 X 10		1	
18	999 707 285 41	O-ring 51 X 4,5		1	
19	999 113 290 41	Radial sealing ring 30 X 50 X 10		1	
(19)	997 102 265 91	Shaft sealing ring 30 X 50 X 10 See workshop manual Group 1 13-74		1	
20	996 114 012 50	Double-mass flywheel		1	
21	999 052 169 00	Deep-groove ball bearing 30 X 37 X 4		1	

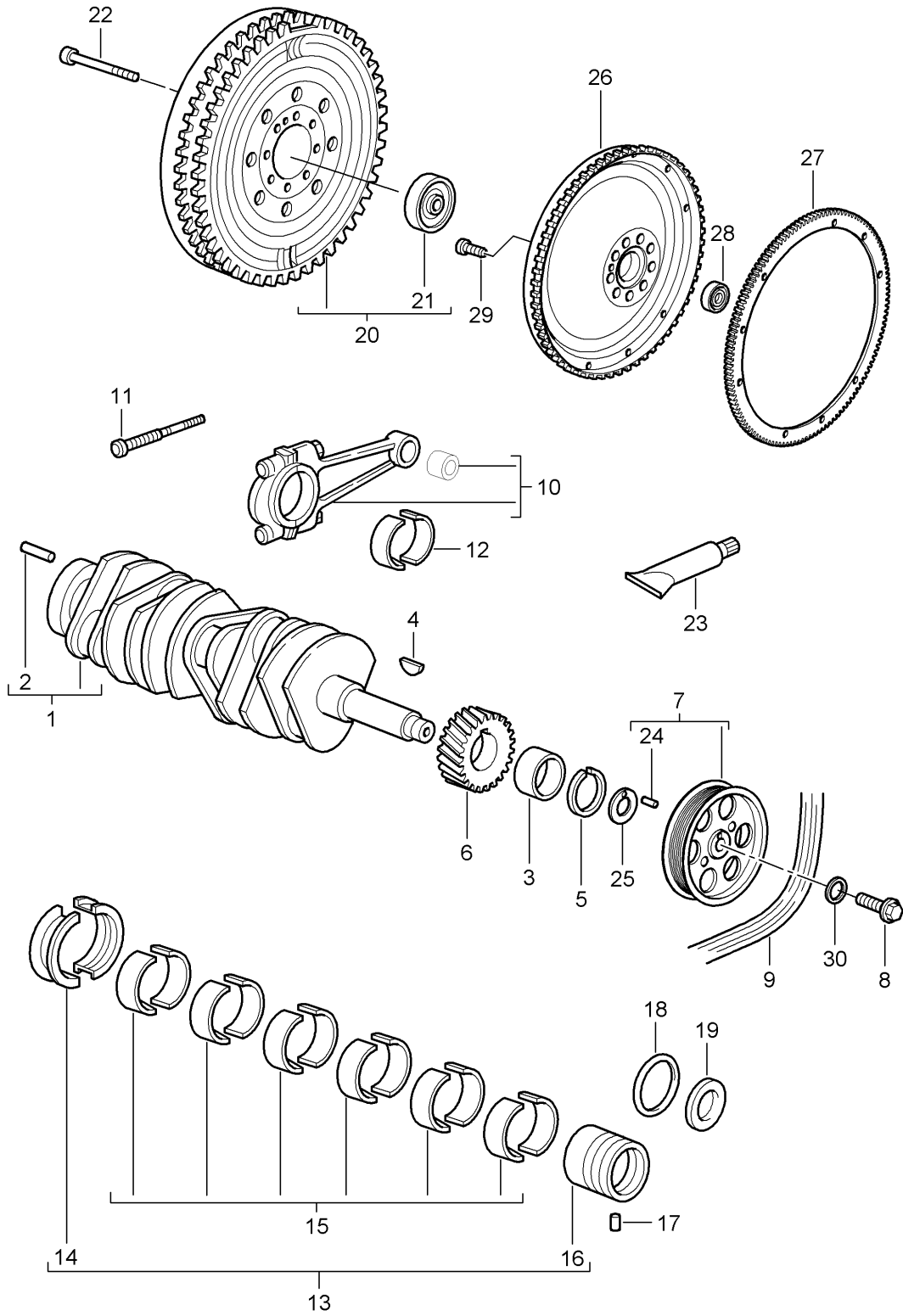
Model: 997G07

Model life 2007>>2011

Pos	Part Number	Description	Remark	Qty	Model
22	999 119 017 01	Pan-head screw M 10 X 1,25 X 62		9	
23	000 043 024 00	Extreme-pressure grease 1 tube 80 Gr. for Connecting-rod bearing		1	
24	900 012 071 00	Straight pin A 4 X 8		1	
25	996 102 203 90	Washer		1	
26	964 102 239 31	Flywheel		1	I004
27	964 114 143 31	Ring gear		1	I004
28	931 102 111 00	Deep-groove ball bearing		1	I004
28	931 102 111 02	Deep-groove ball bearing		1	I004
29	928 102 151 01	Pan-head screw		9	I004
30	999 025 174 01	Washer 14,5 X 30 X 5,0		1	

Model: 997G07

Model life 2007>>2011



Model: 997G07

Model life 2007>>2011

Pos	Part Number	Description	Remark	Qty	Model
		Crankshaft			M97.77
					M97.74
1	996 102 021 95	Crankshaft		1	M97.77
1	997 102 021 8B	Crankshaft		1	M97.74
2	900 095 031 00	Tensioning sleeve 6 X 16		1	M97.77
3	997 102 321 90	Intermediate ring		1	
4	901 102 147 00	Woodruff key		1	
5	901 102 148 00	Circlip Number 0		1	
5	901 102 148 01	Circlip Number 1		1	
5	901 102 148 02	Circlip Number 2		1	
5	901 102 148 03	Circlip Number 3		1	
6		See illustrations 1/03/15		1	
7	997 102 017 90	Pulley		1	
8	993 102 550 80	Hexagon-head bolt M 14 X 1,5 X 40		1	
8	993 102 550 81	Hexagon-head bolt M 14 X 1,5 X 40		1	
(9)	997 102 151 90	Poly-rib belt		1	M573
(9)	997 102 151 92	Poly-rib belt		1	M574
10	997 103 020 95	Connecting rod		6	M97.77
10	997 103 020 97	Connecting rod		6	M97.74
10	997 103 020 A1	Connecting rod		6	M97.74
11	997 103 176 95	Connecting rod bolt		12	M97.77
11	997 103 176 96	Connecting rod bolt		12	M97.74
12	996 103 121 94	Connecting-rod bearing		12	M97.77
12	996 103 121 95	Connecting-rod bearing		12	M97.77
12	997 103 123 90	Connecting-rod bearing Upper		6	M97.74
12	997 103 124 90	Connecting-rod bearing Lower		6	M97.74
13	997 101 901 00	Set of crankshaft bearings		1	M97.77
13	997 101 901 01	Set of crankshaft bearings		1	M97.74
14	996 101 231 92	Thrust bearing I		2	M97.77
14	997 101 231 92	Thrust bearing I		2	M97.74
15	996 101 232 92	Main bearing II-VII		12	M97.77
15	996 101 232 95	Main bearing II-VII		12	M97.77
15	997 101 232 92	Main bearing II-VII		12	M97.74
16	964 101 138 01	Bearing sleeve VIII		1	M97.77
16	997 101 139 90	Bearing sleeve VIII		1	M97.74
17	900 012 061 00	Straight pin 5 H 8 X 10		1	
18	999 707 285 41	O-ring 51 X 4,5		1	
19	997 102 265 91	Shaft sealing ring 30 X 50 X 10 See workshop manual Group 1 13-74		1	
20	997 114 012 90	Double-mass flywheel		1	M97.77 -I004

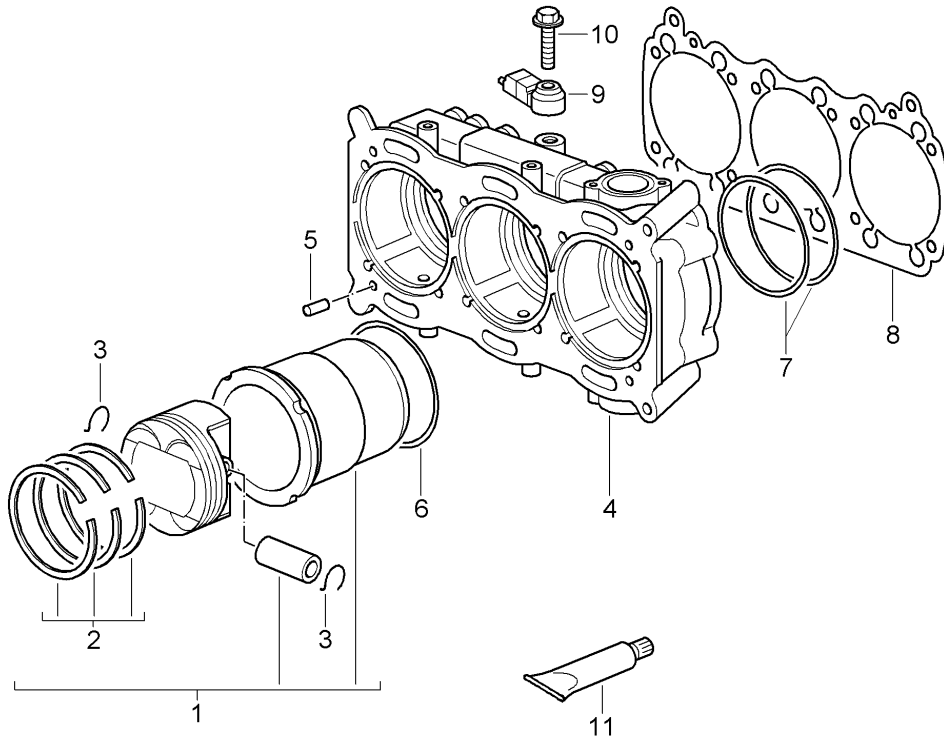
Model: 997G07

Model life 2007>>2011

Pos	Part Number	Description	Remark	Qty	Model
21	999 052 169 00	Deep-groove ball bearing 15 x 50 x 11		1	M97.77 -I004
22	999 119 017 01	Pan-head screw M 10 X 1,25 X 62		9	M97.77 -I004
23	000 043 024 00	Extreme-pressure grease 1 tube 80 Gr. for Connecting-rod bearing		1	
24	900 012 068 00	Straight pin 4,0 x 10		1	
25	996 102 203 90	Washer		1	
26	964 102 239 81	Flywheel		1	
27	964 114 143 31	Ring gear		1	
28	931 102 111 00	Deep-groove ball bearing		1	
28	931 102 111 02	Deep-groove ball bearing		1	
29	928 102 151 01	Pan-head screw		9	
30	999 025 174 01	Washer 14,5 X 30 X 5,0		1	

Model: 997G07

Model life 2007>>2011



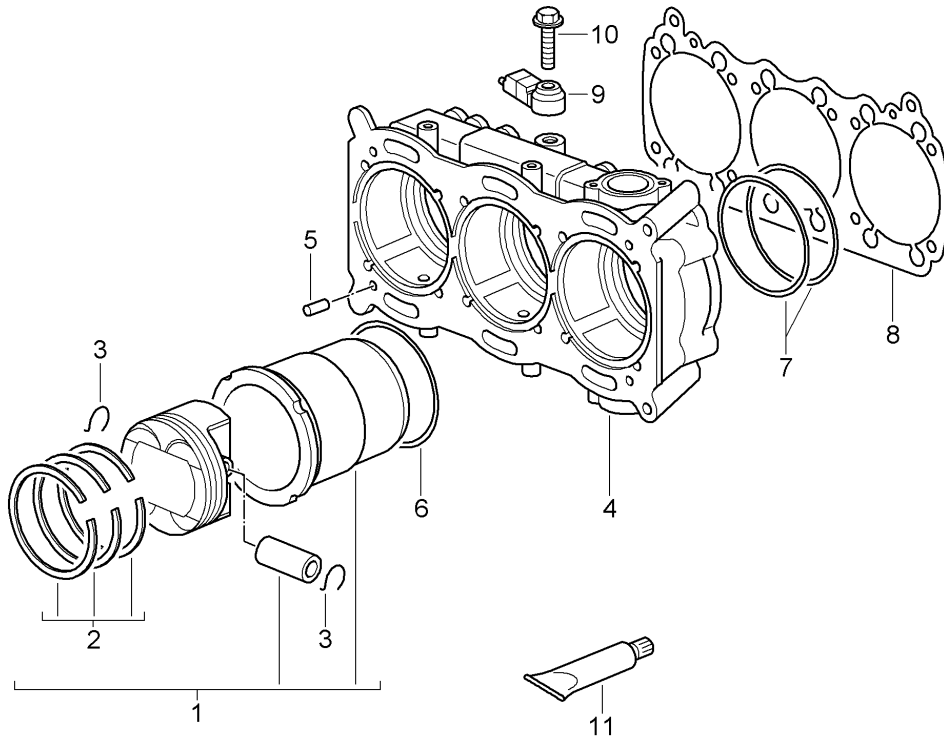
Model: 997G07

Model life 2007>>2011

Pos	Part Number	Description	Remark	Qty	Model
1	997 103 915 95	Cylinder with piston Cylinder with piston Number plate -- / -		6	M97.76
-	997 103 371 90	Piston ring Groove 1		6	
-	997 103 374 90	Piston ring Groove 2		6	
-	997 103 372 90	Piston ring Groove 3		6	
3	999 178 020 00	Circlip		12	
-	997 103 160 92	Piston pin		6	
4	996 101 911 75	Housing		2	
5	900 012 046 00	Straight pin A 8,0 X 14		8	
6	999 707 393 40	O-ring 104,00 X 2,00		6	
7	999 707 394 40	O-ring 110,00 X 2,50		12	
8	997 101 193 71	Cylinder base gasket		2	
9	997 606 121 00	Knock sensor Information available		2	
10	900 385 042 01	Torx screw AM 8 X 35		2	
11	000 043 205 10	Grease 80 GR.		1	

Model: 997G07

Model life 2007>>2011



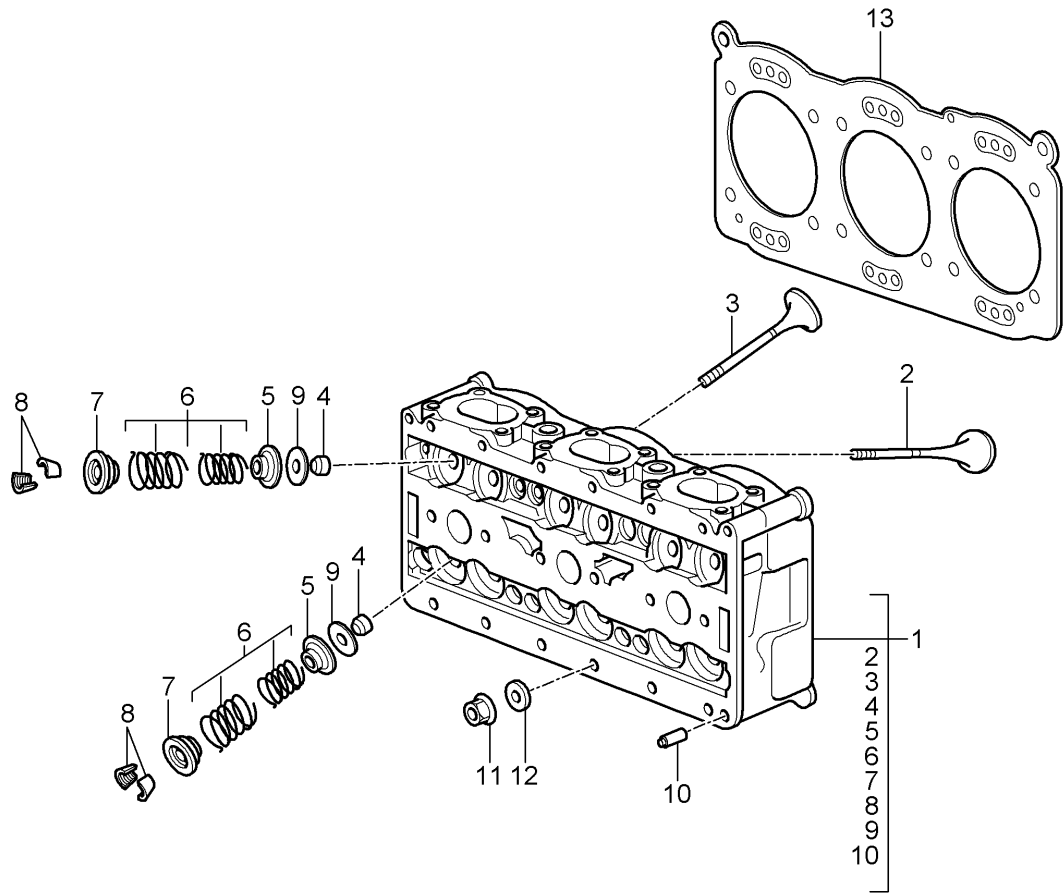
Model: 997G07

Model life 2007>>2011

Pos	Part Number	Description	Remark	Qty	Model
1	997 103 938 91	Cylinder with piston Cylinder with piston Number plate		6	M97.74/77 M97.77
1	997 103 938 93	Cylinder with piston Number plate		6	M97.74/77
-	997 103 371 96	Piston ring Groove 1		6	M97.77
-	997 103 371 97	Piston ring Groove 1		6	M97.74
-	997 103 374 95	Piston ring Groove 2		6	
-	997 103 372 95	Piston ring Groove 3		6	
3	997 103 141 90	Circlip		12	
-	997 103 160 95	Piston pin		6	
4	997 101 311 70	Housing		2	
5	900 012 046 00	Straight pin A 8,0 X 14		8	
6	999 707 393 40	O-ring 104,00 X 2,00		6	
7	999 707 394 40	O-ring 110,00 X 2,50		12	
8	997 101 193 71	Cylinder base gasket		2	
9	997 606 121 00	Knock sensor Information available		2	
10	900 385 042 01	Torx screw AM 8 X 35		2	
11	000 043 205 10	Grease 80 GR.		1	

Model: 997G07

Model life 2007>>2011



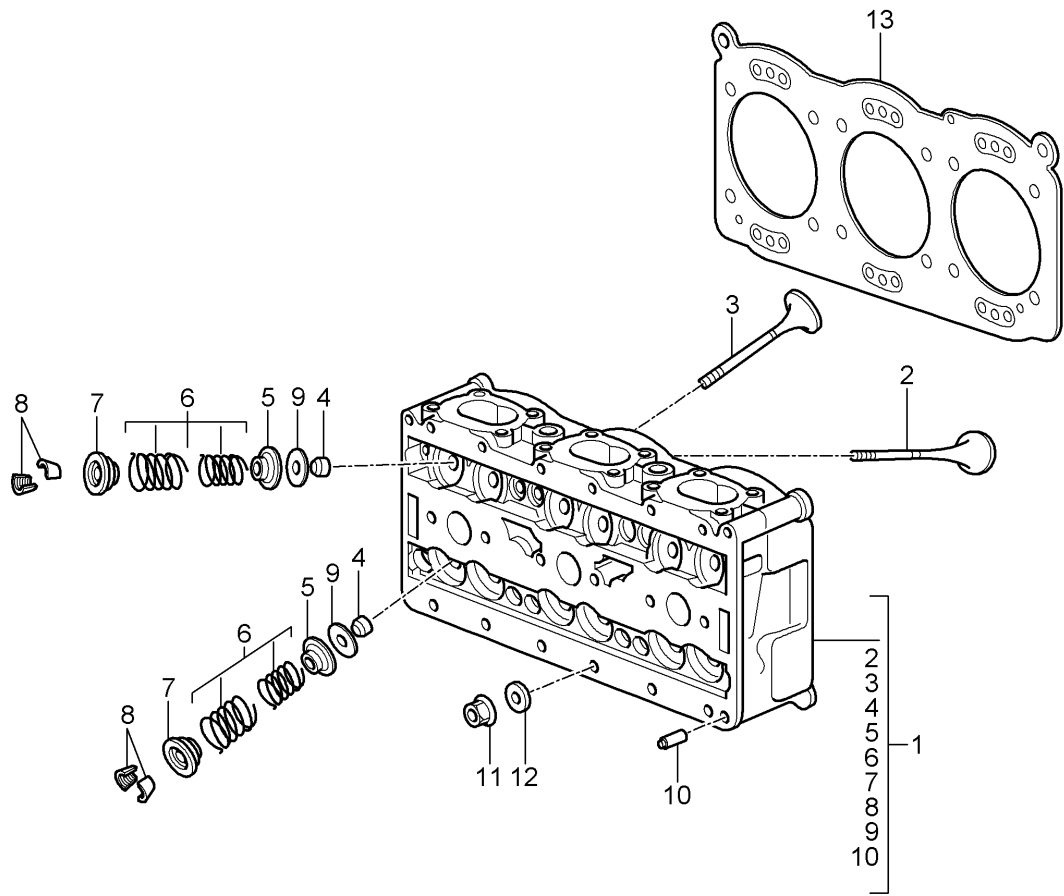
Model: 997G07

Model life 2007>>2011

Pos	Part Number	Description	Remark	Qty	Model
1	997 104 001 92	Cylinder head Cylinder head Ready for installation		2	M97.76
2	997 105 111 90	Intake valve		12	
3	997 105 113 90	Exhaust valve		12	
4	996 105 115 52	Valve stem seal		24	
5	997 105 117 90	Concave washer Lower		24	
6	997 105 093 90	Set of valve springs		24	
7	997 105 121 90	Concave washer Upper		24	
8	996 105 123 52	Valve collet		48	
9	996 105 461 90	Washer		24	
9	996 105 461 93	Washer		24	
10	900 012 046 00	Straight pin A 8,0 X 14		4	
11	996 104 382 80	Cylinder head nut		24	
12	996 104 351 90	Washer		24	
13	997 104 170 71	Cylinder head gasket		2	

Model: 997G07

Model life 2007>>2011



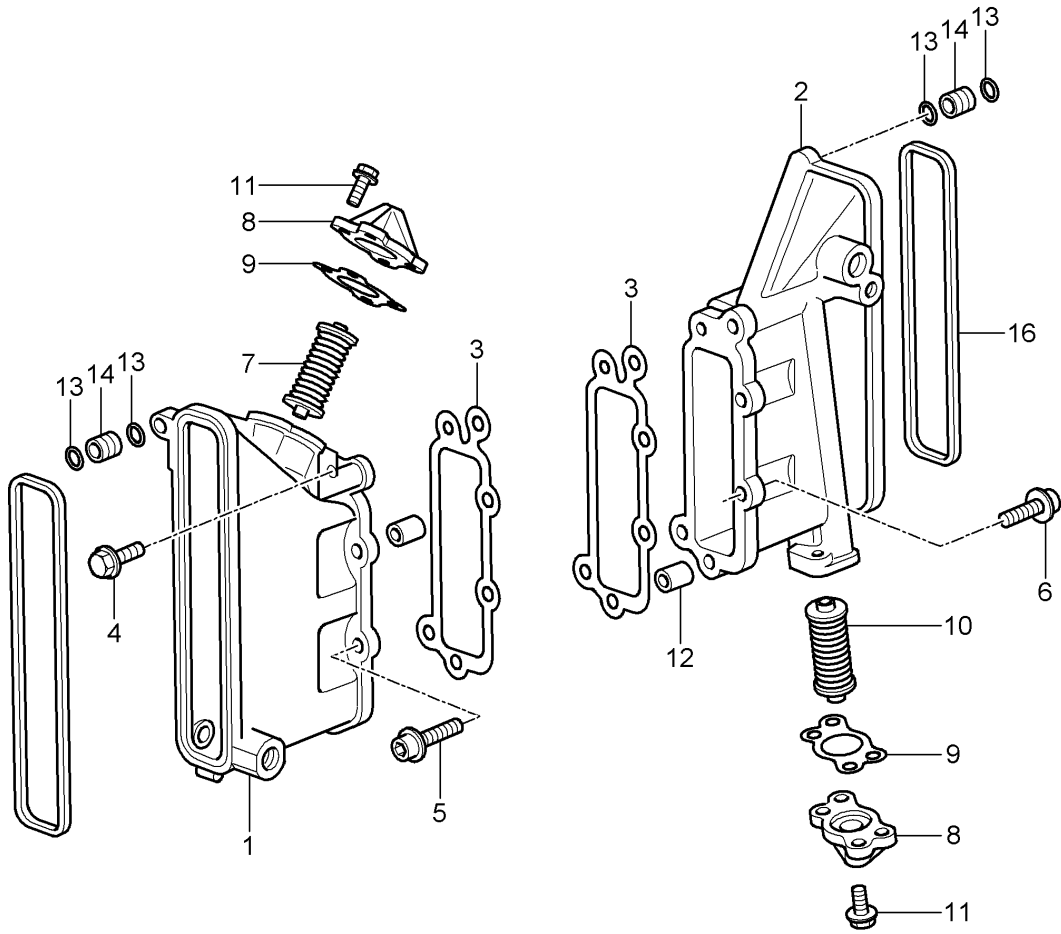
Model: 997G07

Model life 2007>>2011

Pos	Part Number	Description	Remark	Qty	Model
1	997 104 001 96	Cylinder head Cylinder head Ready for installation		2	M97.74/77
(1)	997 104 001 85	Cylinder head Ready for installation		2	M97.77 I004
2	997 105 111 90	Intake valve D = 41		12	
3	997 105 113 90	Exhaust valve D = 35,5		12	
4	996 105 115 52	Valve stem seal		24	
5	997 105 117 90	Concave washer Lower		24	
6	997 105 093 96	Set of valve springs		24	
7	997 105 121 90	Concave washer Upper		24	
8	996 105 123 52	Valve collet		48	
9	996 105 461 91	Washer		12	
10	900 012 046 00	Straight pin A 8,0 X 14		4	
11	996 104 382 81	Cylinder head nut		24	
12	996 104 351 90	Washer		24	
13	997 104 170 8A	Cylinder head gasket		2	

Model: 997G07

Model life 2007>>2011



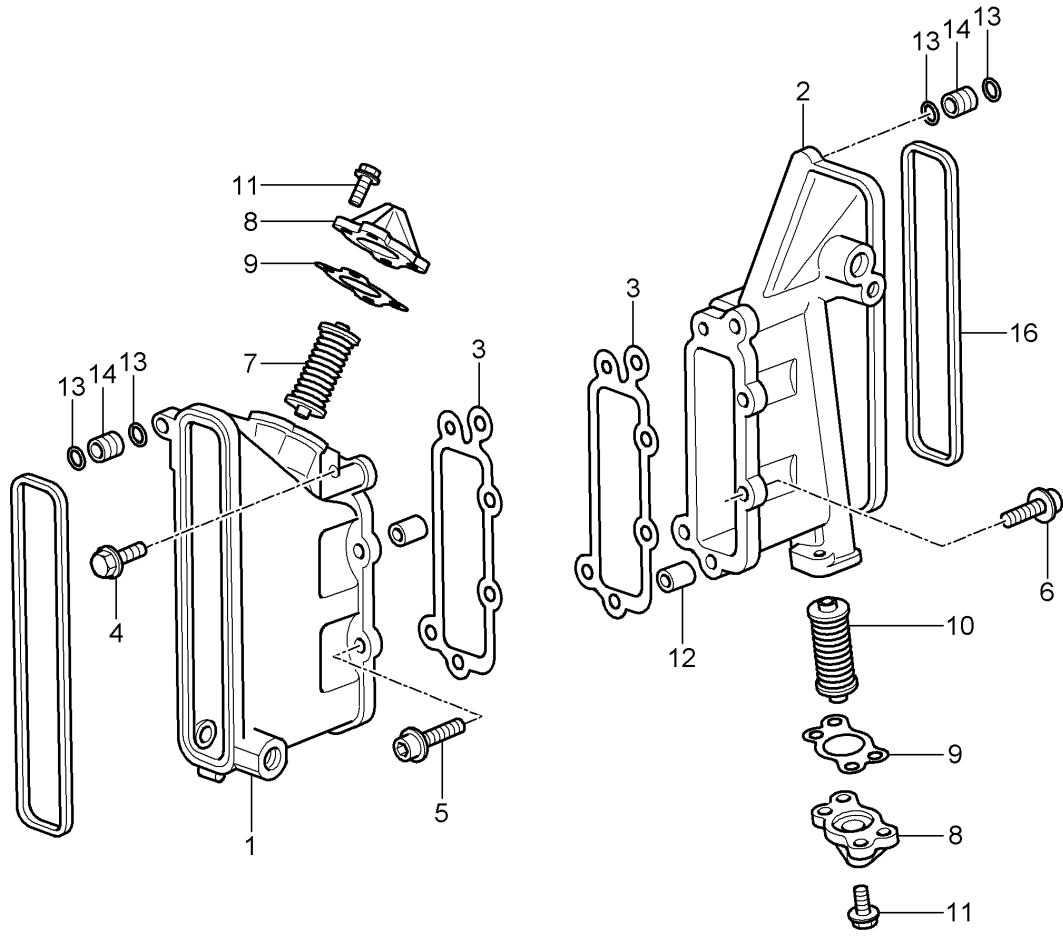
Model: 997G07

Model life 2007>>2011

Pos	Part Number	Description	Remark	Qty	Model
		Chain case			M97.76
		Chain adjuster			
1	996 105 143 79	Chain case	/L	1	
1	997 105 143 70	Chain case	/L	1	
2	997 105 144 90	Chain case	/R	1	
3	996 105 192 71	Gasket		2	
4	900 385 098 01	Torx screw AM 8 X 25		1	
5	900 067 276 01	Combination screw M 8 X 35		4	
6	900 067 247 01	Combination screw M 8 X 30		5	
7	959 105 051 01	Chain adjuster	/L	1	
8	993 105 022 01	Lid		2	
9	996 105 172 70	Gasket		2	
10	959 105 052 01	Chain adjuster	/R	1	
11	900 385 019 01	Torx screw M 6 X 20		4	
12	901 101 145 00	Dowel sleeve		4	
13	999 707 229 41	O-ring 9,25 X 1,78		4	
14	996 105 229 90	Intermediate piece		2	
15	996 105 513 72	Gasket	/L	1	
16	996 105 514 72	Gasket	/R	1	

Model: 997G07

Model life 2007>>2011



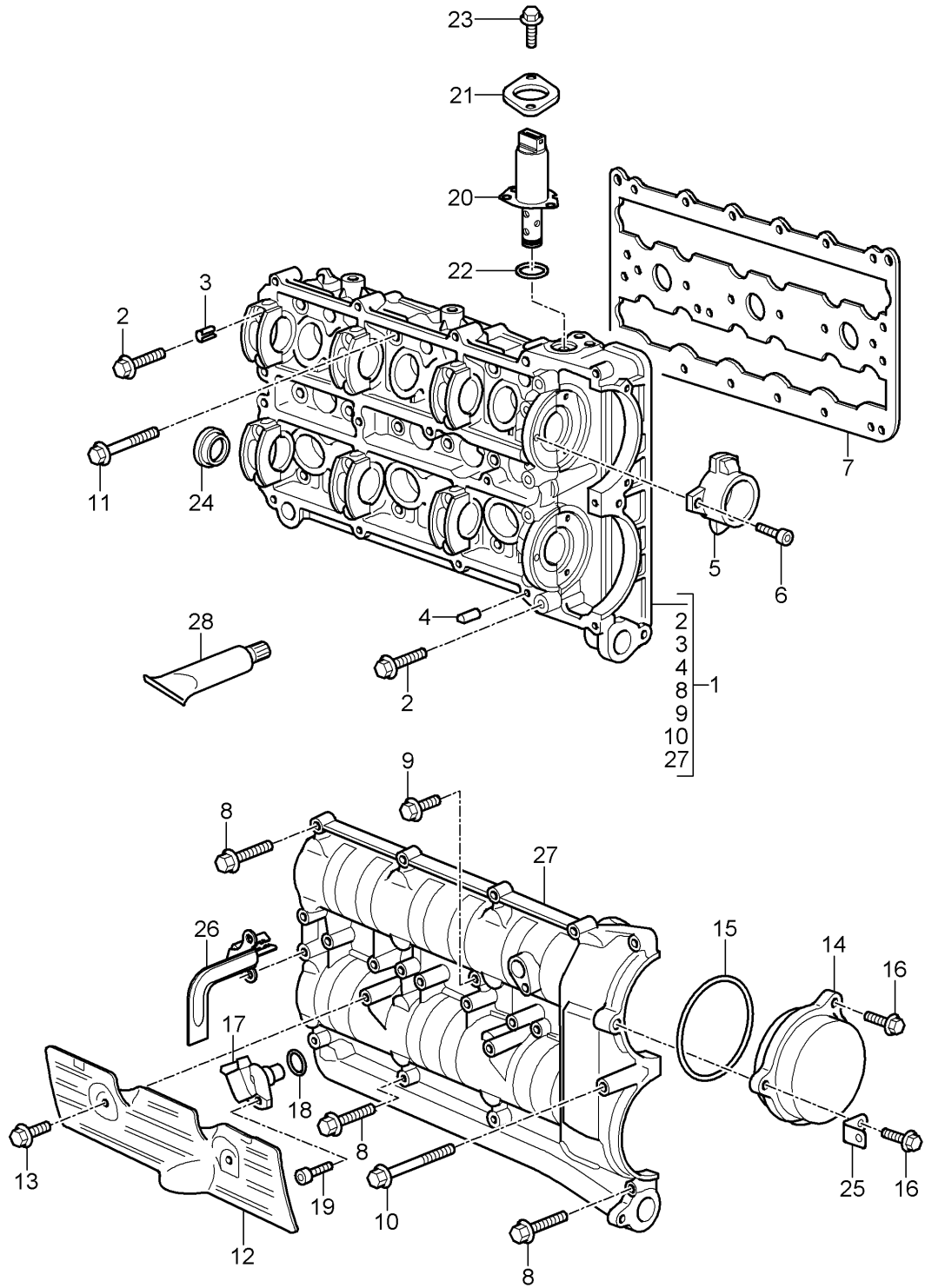
Model: 997G07

Model life 2007>>2011

Pos	Part Number	Description	Remark	Qty	Model
		Chain case			M97.74/77
		Chain adjuster			
1	997 105 143 70	Chain case	/L	1	
2	997 105 144 91	Chain case	/R	1	
3	996 105 192 71	Gasket		2	
4	900 385 098 01	Torx screw AM 8 X 25		1	
5	900 067 276 01	Combination screw M 8 X 35		4	
6	900 067 247 01	Combination screw M 8 X 30		5	
7	997 105 061 70	Chain adjuster		1	
8	993 105 022 01	Lid		2	
9	996 105 172 70	Gasket		2	
10	997 105 062 70	Chain adjuster		1	
		Cyl. 4 - 6			
11	900 385 019 01	Torx screw M 6 X 20		4	
12	901 101 145 00	Dowel sleeve		4	
13	999 707 229 41	O-ring 9,25 X 1,78		4	
14	996 105 229 90	Intermediate piece		2	
15	996 105 513 72	Gasket	/L	1	
16	996 105 514 72	Gasket	/R	1	

Model: 997G07

Model life 2007>>2011



Model: 997G07 Model life 2007>>2011

Pos	Part Number	Description	Remark	Qty	Model
		Camshaft housing			M97.76
1	997 105 907 90	Camshaft housing	/L	1	
(1)	997 105 908 90	Camshaft housing	/R	1	
2	900 385 048 01	Torx screw AM 6 X 30		40	
3	944 104 361 00	Dowel sleeve		28	
4	900 012 071 00	Straight pin A 4,0 X 8		4	
5	996 105 233 72	Oil-conducting housing	/L	1	
(5)	996 105 234 72	Oil-conducting housing	/R	1	
6	900 067 051 03	Pan-head screw M 5 X 10		6	
7	996 105 613 91	Gasket		2	
7	996 105 613 93	Gasket		1	
8	900 385 270 01	Outer hexagon round screw AM 6 X 35		28	
9	900 385 072 01	Torx screw AM 6 X 25		4	
10	900 385 118 01	Outer hexagon round screw M 6 X 75		2	
11	900 385 071 01	Torx screw AM 8 X 50		36	
12	996 104 426 73	Heat shield		2	
13	900 385 041 01	Torx screw M 6 X 12		4	
14	997 105 315 71	Lid		2	
15	999 707 482 41	O-ring 90,00 X 2,50		2	
16	900 385 019 01	Torx screw M 6 X 20		6	
17	997 606 106 03	Hall sender Intake Exhaust		4	
18	999 707 404 40	O-ring 17,05 X 1,78 To Use 997.606.106.03		4	
19	900 387 264 01	Pan-head screw M 6 X 16		2	
19	N 105 464 03	Pan-head screw M 6 X 16		2	
20	997 105 303 72	Actuator		2	
20	997 105 303 73	Actuator		2	
21	997 105 305 75	Support		2	
22	999 707 504 40	O-ring 24 X 2,50		2	
22	996 105 903 05	O-ring 18,72 x 2,62		2	
23	900 385 275 01	Torx screw M 6 X 20		4	
24	996 105 329 70	Lid		4	
25	477 971 881 A	Retaining bracket		1	
26	996 607 117 00	Support		1	
26	996 607 117 01	Support		1	
27		Lid Matching with:			
28	000 043 204 58	Camshaft housing Sealing compound Silicon FD 2210 Container 30 gr.		X	

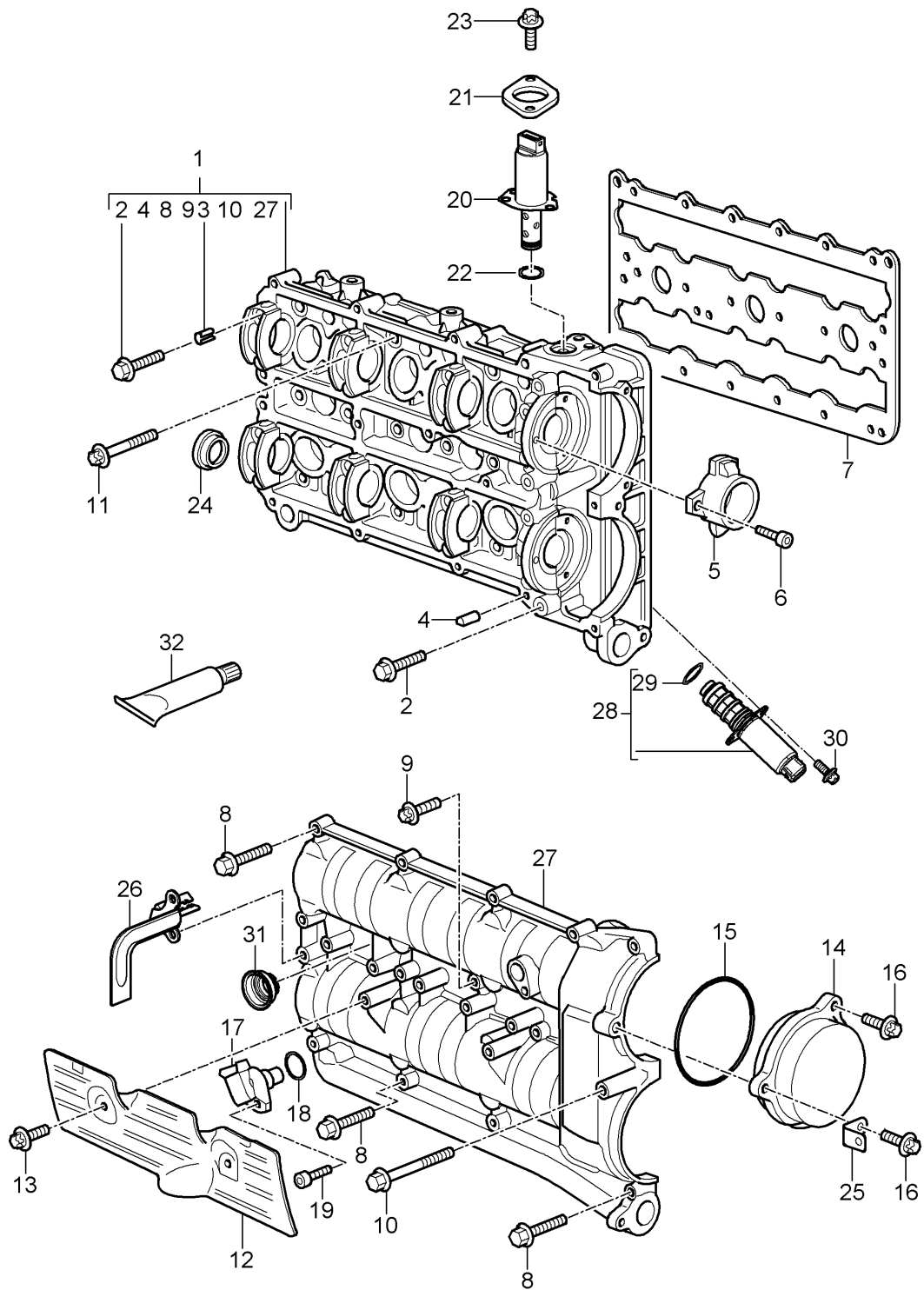
Model: 997G07

Model life 2007>>2011

Pos	Part Number	Description	Remark	Qty	Model
(28)	000 043 024 00	Extreme-pressure grease 1 tube 80 Gr. for Camshaft		1	

Model: 997G07

Model life 2007>>2011



Model: 997G07

Model life 2007>>2011

Pos	Part Number	Description	Remark	Qty	Model
1	997 105 909 90	Camshaft housing			M97.74/77
(1)	997 105 910 90	Camshaft housing Cyl. 1 - 3	/L	1	
2	900 385 048 01	Camshaft housing Cyl. 4 - 6	/R	1	
3	944 104 361 00	Torx screw		40	
4	900 012 071 00	AM 6 X 30			
5	997 105 233 91	Dowel sleeve		28	
6	900 067 051 03	Straight pin		4	
7	997 105 233 91	A 4,0 X 8			
8	900 067 051 03	Oil-conducting housing		4	
9	996 105 613 93	Pan-head screw		12	
10	900 385 270 01	M 5 X 10			
11	900 385 072 01	Gasket		2	
12	900 385 270 01	Outer hexagon round screw		28	
13	900 385 072 01	AM 6 X 35			
14	900 385 118 01	Torx screw		2	
15	900 385 118 01	AM 6 X 25			
16	900 385 118 01	Outer hexagon round screw		2	
17	900 385 071 01	M 6 X 75			
18	900 385 071 01	Torx screw		36	
19	900 385 071 01	AM 8 X 50			
20	997 104 435 90	Heat shield		1	
21	997 104 436 90	Cyl. 1 - 3			
22	997 104 436 90	Heat shield		1	
23	997 104 436 90	Cyl. 4 - 6			
24	900 385 041 01	Torx screw		4	
25	900 385 041 01	M 6 X 12			
26	997 105 315 71	Lid		2	
27	999 707 482 41	O-ring		1	
28	999 707 482 41	90,00 X 2,50			
29	999 701 208 40	O-ring		1	
30	999 701 208 40	88,57 x 2,62			
31	900 385 019 01	Torx screw		3	
32	900 385 019 01	M 6 X 20			
33	997 606 106 01	Hall sender		4	
34	997 606 106 03	Hall sender		4	
35	999 707 404 40	O-ring		2	
36	999 707 404 40	17,05 X 1,78			
37	999 707 404 40	To			
38	999 707 404 40	Use			
39	999 707 404 40	997.606.106.03			
40	999 073 103 01	Round head screw		4	
41	999 073 103 01	M 6 X 16			
42	997 105 303 73	Actuator		2	
43	997 105 303 73	Intake			
44	997 105 305 75	Support		2	
45	996 105 903 05	O-ring		2	
46	996 105 903 05	18,72 x 2,62			
47	900 385 275 01	Torx screw		2	
48	900 385 275 01	M 6 X 20			
49	996 105 329 70	Lid		4	
50	997 110 597 90	Retaining bracket		2	
51	996 607 117 00	Support		1	M97.77
52	996 607 117 01	Support		1	M97.74
53	996 607 117 01	Lid			
54	996 607 117 01	Matching with:			
55	996 607 117 01	Camshaft housing			
56	9A1 105 304 02	Actuator		2	
57	9A1 105 304 02	NVS			
58	9A1 105 304 03	Actuator		2	
59	9A1 105 304 03	NVS			
60	9A1 105 304 04	Actuator		2	

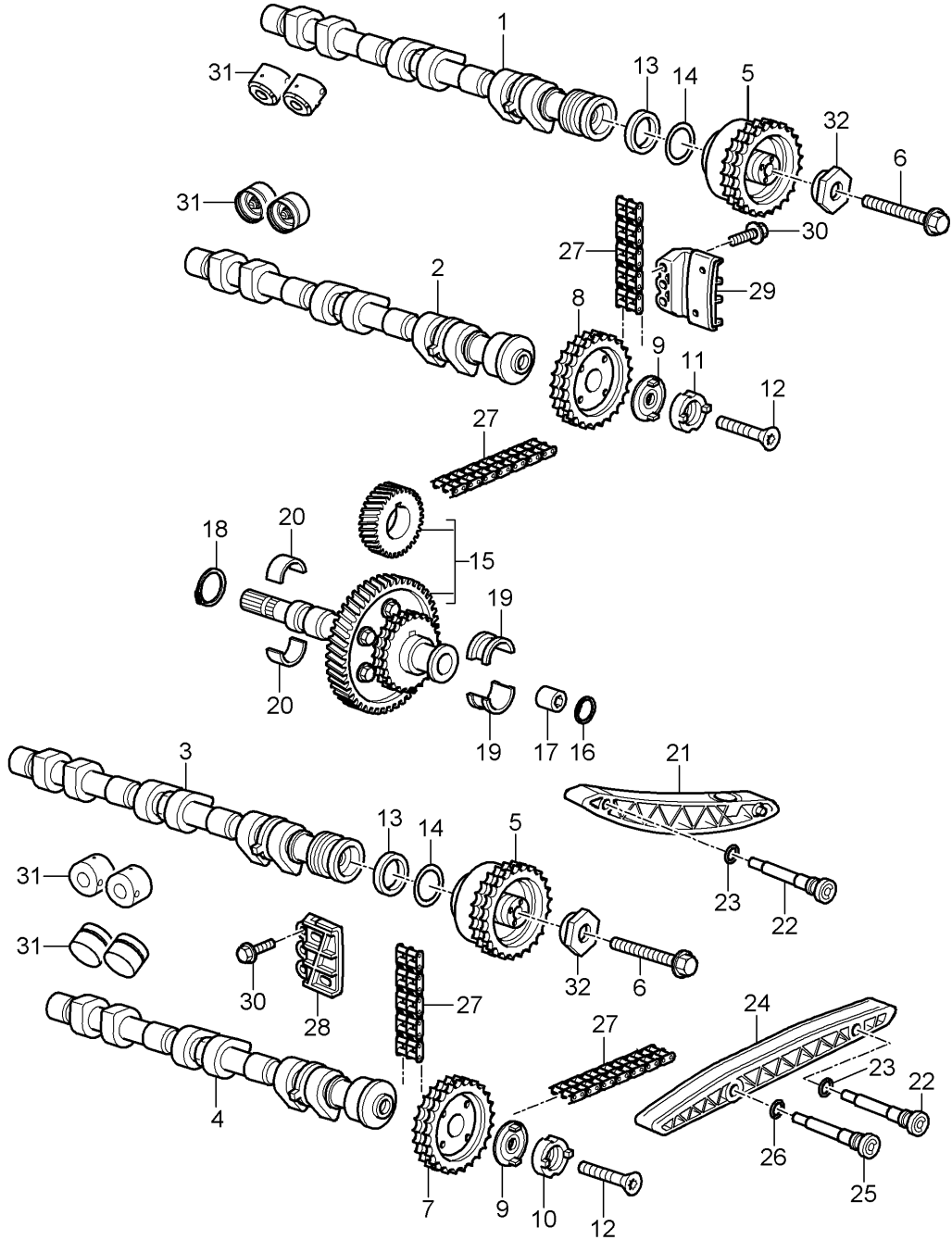
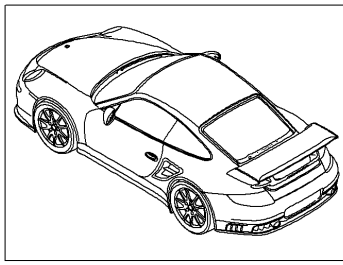
Model: 997G07

Model life 2007>>2011

Pos	Part Number	Description	Remark	Qty	Model
29	999 707 446 40	NVS O-ring 18 X 2,5		2	
(29)	999 701 342 40	O-ring 19 X 2,5		2	
30	900 385 112 01	Torx screw BM 5 X 12		4	
31	997 105 602 90	Sleeve for Ignition coil		6	
32	000 043 204 58	Sealing compound Silicon FD 2210 Container 30 gr.		X	
(32)	000 043 024 00	Extreme-pressure grease 1 tube 80 Gr. for Camshaft		1	

Model: 997G07

Model life 2007>>2011



Model: 997G07

Model life 2007>>2011

Pos	Part Number	Description	Remark	Qty	Model
1	997 105 020 91	Valve control Camshaft Intake Cyl. 4 - 6		1	M97.76
2	996 105 245 90	Camshaft Exhaust Cyl. 4 - 6		1	
3	997 105 019 91	Camshaft Intake Cyl. 1 - 3		1	
4	997 105 245 90	Camshaft Exhaust Cyl. 1 - 3		1	
5	997 105 051 91	Actuator		2	
5	997 105 051 93	Actuator		2	
6	987 105 254 00	Hexagon-head bolt M 12 X 1,5 X 130		2	
7	996 105 177 72	Sprocket Camshaft Exhaust Cyl. 1 - 3		1	
8	996 105 178 72	Sprocket Camshaft Exhaust Cyl. 4 - 6		1	
9	996 105 647 81	Washer		2	
10	959 105 161 03	Drive plate Camshaft Exhaust Cyl. 1 - 3		1	
11	959 105 161 04	Drive plate Camshaft Exhaust Cyl. 4 - 6		1	
12	997 105 317 71	Pan-head screw M 12 X 1,5 X 43		2	
13	996 105 280 90	Ring		6	
14	997 105 203 70	Washer		2	
15	959 105 911 90	Intermediate shaft with Timing gear Size 0		1	
15	959 105 911 12	Intermediate shaft with Timing gear Size 1		1	
16	900 041 026 01	Circlip 13 X 1		1	
17	901 105 275 00	Stopper		1	
18	900 042 017 01	Circlip 16 X 1		1	
19	996 101 137 80	Bearing		2	
20	996 101 435 70	Bearing shell		2	
21	996 105 165 71	Tensioner blade		2	
22	964 105 171 03	Bolt		4	
23	900 123 131 30	Sealing ring		4	
24	996 105 167 70	Guide rail	/L	1	
(24)	996 105 166 70	Guide rail	/R	1	
25	996 105 175 70	Bearing pin		2	
26	900 123 152 30	Sealing ring		2	
27	959 105 552 01	Timing chain		2	
28	996 105 037 75	Guide rail	/L	1	
29	996 105 038 75	Guide rail	/R	1	

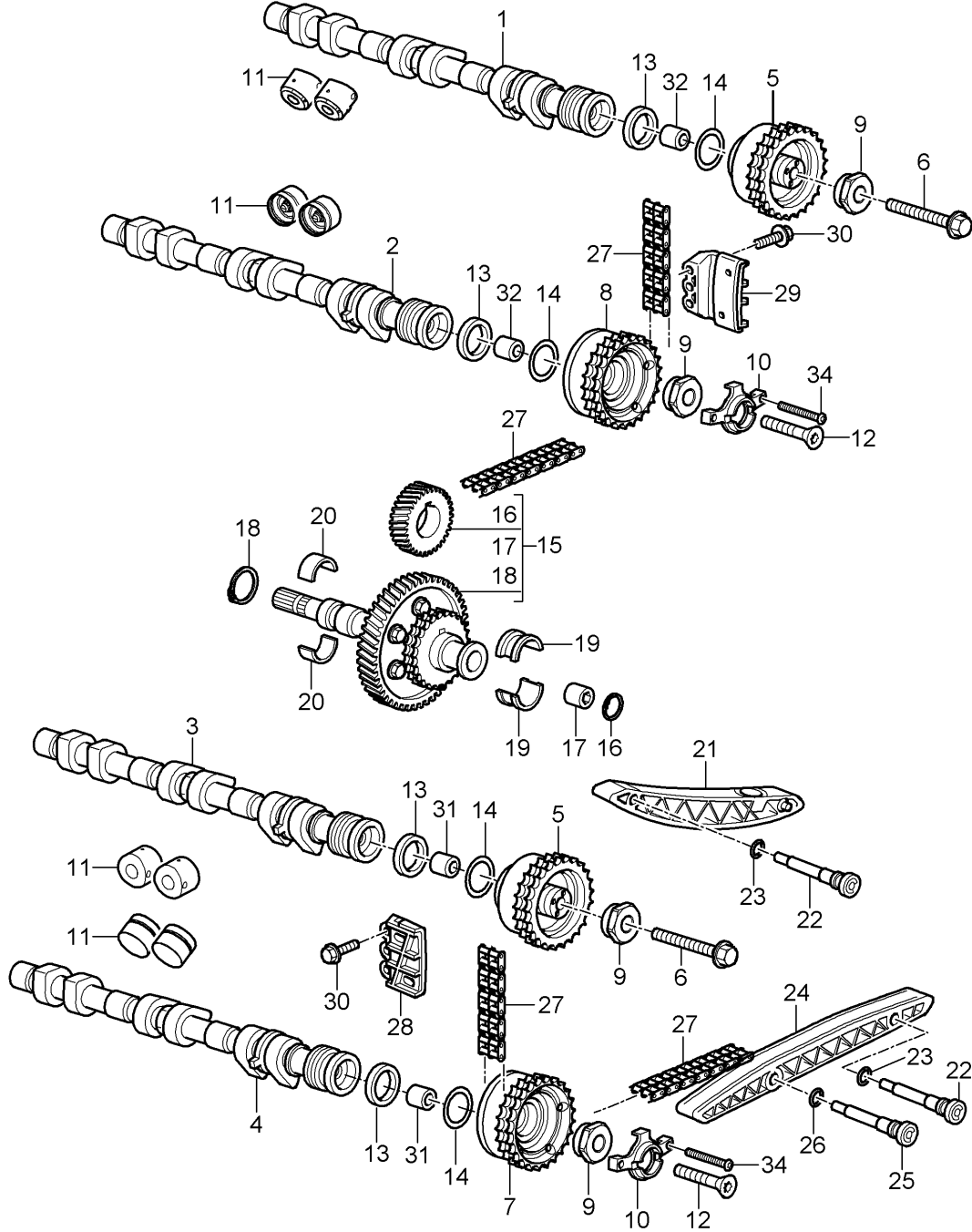
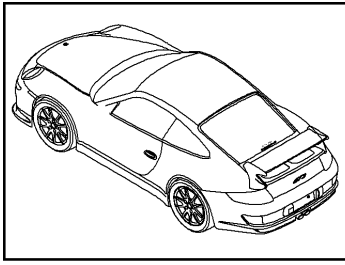
Model: 997G07

Model life 2007>>2011

Pos	Part Number	Description	Remark	Qty	Model
30	900 385 072 01	Torx screw AM 6 X 25		6	
31	948 105 071 02	Hydraulic valve tappet		24	
(31)	9A1 105 071 00	Hydraulic valve tappet		24	
32	997 105 260 70	Intermediate piece Camshaft adjuster		2	
-	000 043 024 00	Extreme-pressure grease 1 tube 80 Gr. for Camshaft		1	

Model: 997G07

Model life 2007>>2011



Model: 997G07 Model life 2007>>2011

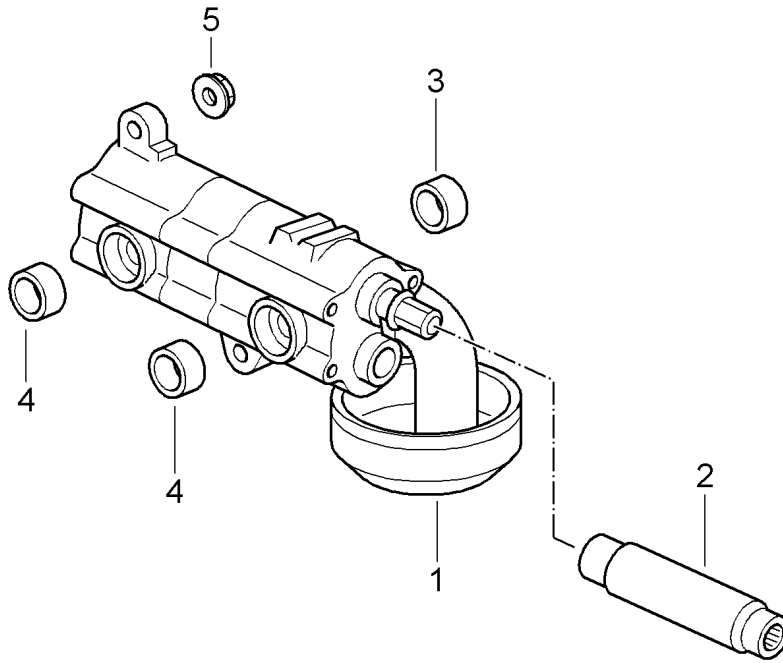
Pos	Part Number	Description	Remark	Qty	Model
1	997 105 020 92	Valve control Camshaft Intake Cyl. 4 - 6		1	M97.74/77
2	997 105 108 90	Camshaft Exhaust Cyl. 4 - 6		1	
3	997 105 019 92	Camshaft Intake Cyl. 1 - 3		1	
4	997 105 107 90	Camshaft Exhaust Cyl. 1 - 3		1	
5	997 105 051 91	Actuator Camshaft Intake		2	
5	997 105 051 93	Actuator Camshaft Intake		2	
(5)	997 105 051 92	Actuator Camshaft Intake		2	M97.77
(5)	997 105 051 93	Actuator Camshaft Intake		2	M97.74
6	987 105 254 00	Hexagon-head bolt M 12 X 1,5 X 130		2	
7	997 105 053 91	Actuator Camshaft Exhaust Cyl. 1 - 3		1	
(7)	997 105 053 92	Actuator Camshaft Exhaust Cyl. 1 - 3		1	M97.77
(7)	997 105 053 93	Actuator Camshaft Exhaust Cyl. 1 - 3		1	M97.74
8	997 105 054 91	Actuator Camshaft Exhaust Cyl. 4 - 6		1	
(8)	997 105 054 92	Actuator Camshaft Exhaust Cyl. 4 - 6		1	M97.77
(8)	997 105 054 93	Actuator Camshaft Exhaust Cyl. 4 - 6		1	M97.74
(8)	997 105 054 94	Actuator Camshaft Exhaust Cyl. 4 - 6		1	M97.74
9	997 105 260 70	Intermediate piece Camshaft adjuster		2	
10	997 105 227 90	Drive plate Vacuum pump		1	
11	9A1 105 071 00	Hydraulic valve tappet		24	
12	997 105 317 90	Pan-head screw M12 x 1,5 x 130		2	
13	996 105 280 90	Ring		6	

Model: 997G07 Model life 2007>>2011

Pos	Part Number	Description	Remark	Qty	Model
14	997 105 203 70	Washer		2	
15	959 105 914 90	Intermediate shaft with Timing gear		1	M97.77
(15)	959 105 914 92	Intermediate shaft with Timing gear		1	M97.74
16	900 041 026 01	Circlip 13 X 1		1	
17	993 105 275 52	Intermediate piece M18 x 1,5 Information available		1	
18	900 041 025 01	Circlip 36 X 1,75		2	
19	996 101 137 80	Bearing		2	
20	996 101 435 70	Bearing shell		2	
21	996 105 165 71	Tensioner blade		2	M97.77
(21)	997 105 165 90	Tensioner blade		2	M97.74
22	964 105 171 03	Bolt		4	
23	900 123 131 30	Sealing ring 16 x 20		4	
24	996 105 167 70	Guide rail	/L	1	
(24)	996 105 166 70	Guide rail	/R	1	
25	996 105 175 70	Bearing pin		2	
26	900 123 152 30	Sealing ring 16 x 22		2	
27	997 105 551 90	Timing chain		2	
28	996 105 037 75	Guide rail	/L	1	
29	996 105 038 75	Guide rail	/R	1	
30	900 385 072 01	Torx screw AM 6 X 25		6	
31	997 105 219 90	Sleeve Camshaft Cyl. 1 - 3		2	
32	997 105 220 90	Sleeve Camshaft Cyl. 4 - 6		2	
33	000 043 024 00	Extreme-pressure grease 1 tube 80 Gr. for Camshaft		1	
34	999 073 472 01	Round head screw M 6 x 55 for Driver		2	

Model: 997G07

Model life 2007>>2011



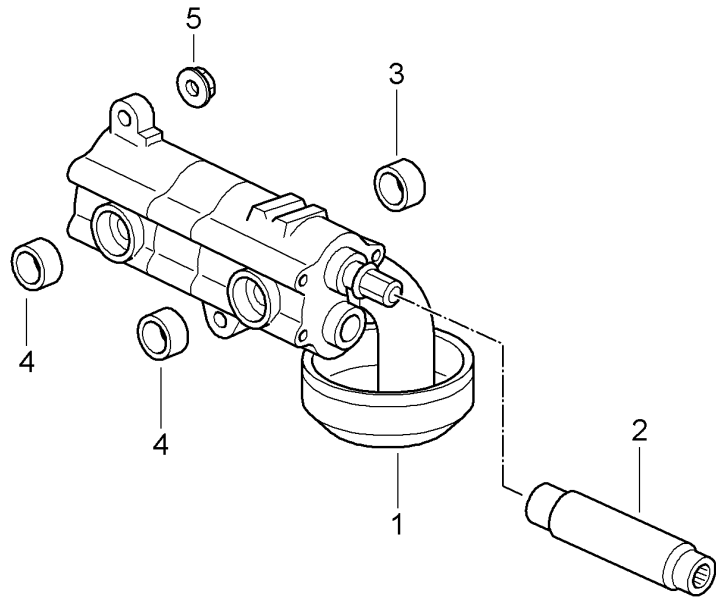
Model: 997G07

Model life 2007>>2011

Pos	Part Number	Description	Remark	Qty	Model
1	996 107 007 94	Oil pump		1	M97.76
2	930 107 143 03	Oil pump		1	
3	999 704 173 50	Connecting shaft		1	
		Sealing ring		1	
		19,5 X 26			
4	999 704 172 50	Sealing ring		2	
		16,3 X 22			
5	900 380 005 09	Hexagon nut		3	
		M 8			

Model: 997G07

Model life 2007>>2011



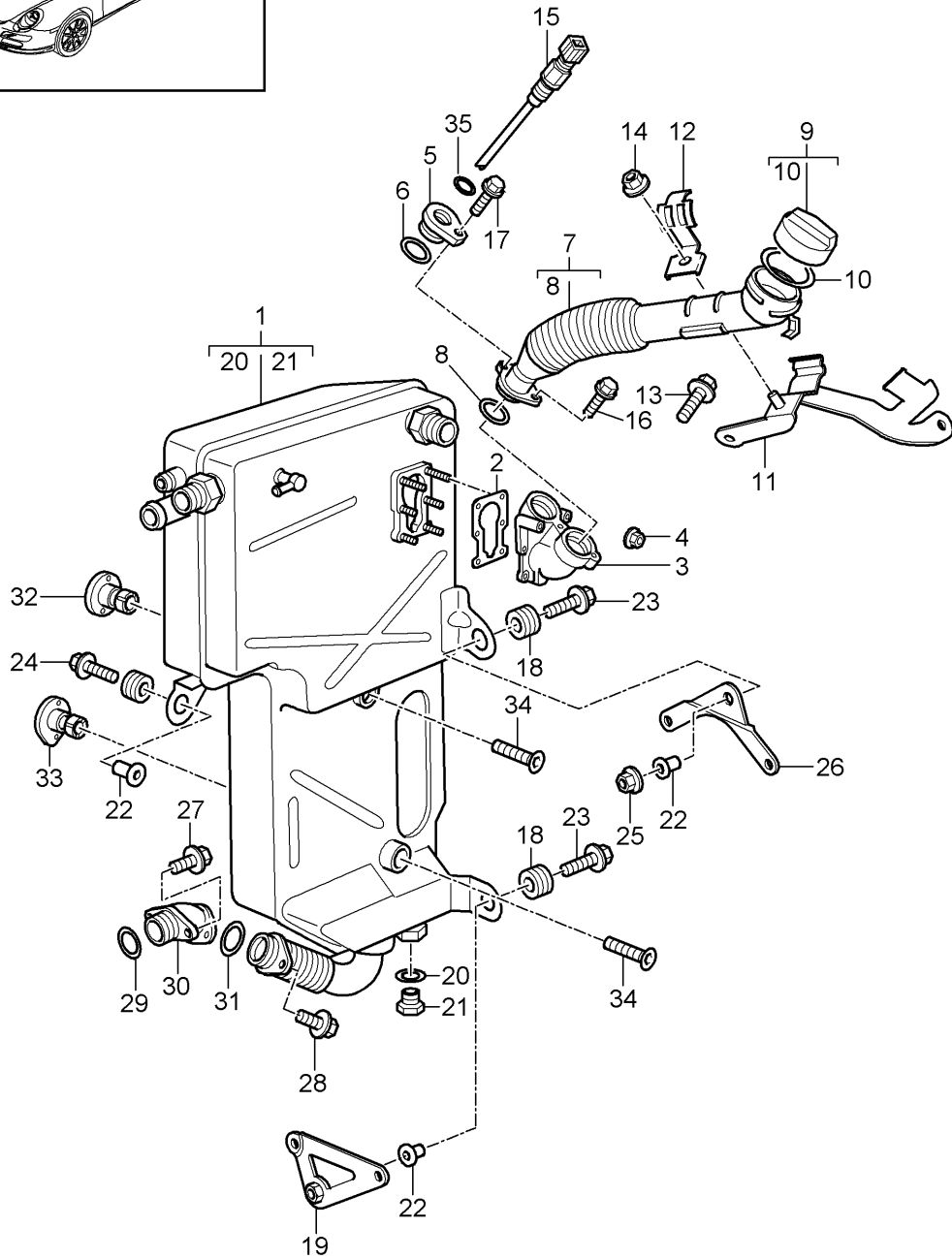
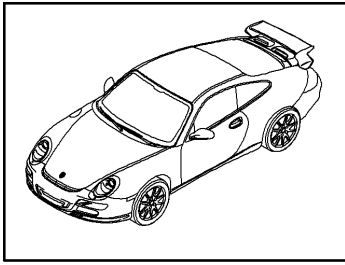
Model: 997G07

Model life 2007>>2011

Pos	Part Number	Description	Remark	Qty	Model
1	997 107 007 90	Oil pump		1	M97.74/77
(1)	997 107 007 91	Oil pump		1	M97.77
2	930 107 143 03	Oil pump		1	M97.74
2	930 107 143 03	Connecting shaft		1	
3	999 704 173 50	Sealing ring		1	
		19,5 X 26			
4	999 704 172 50	Sealing ring		2	
		16,3 X 22			
5	900 380 005 09	Hexagon nut		3	
		M 8			

Model: 997G07

Model life 2007>>2011



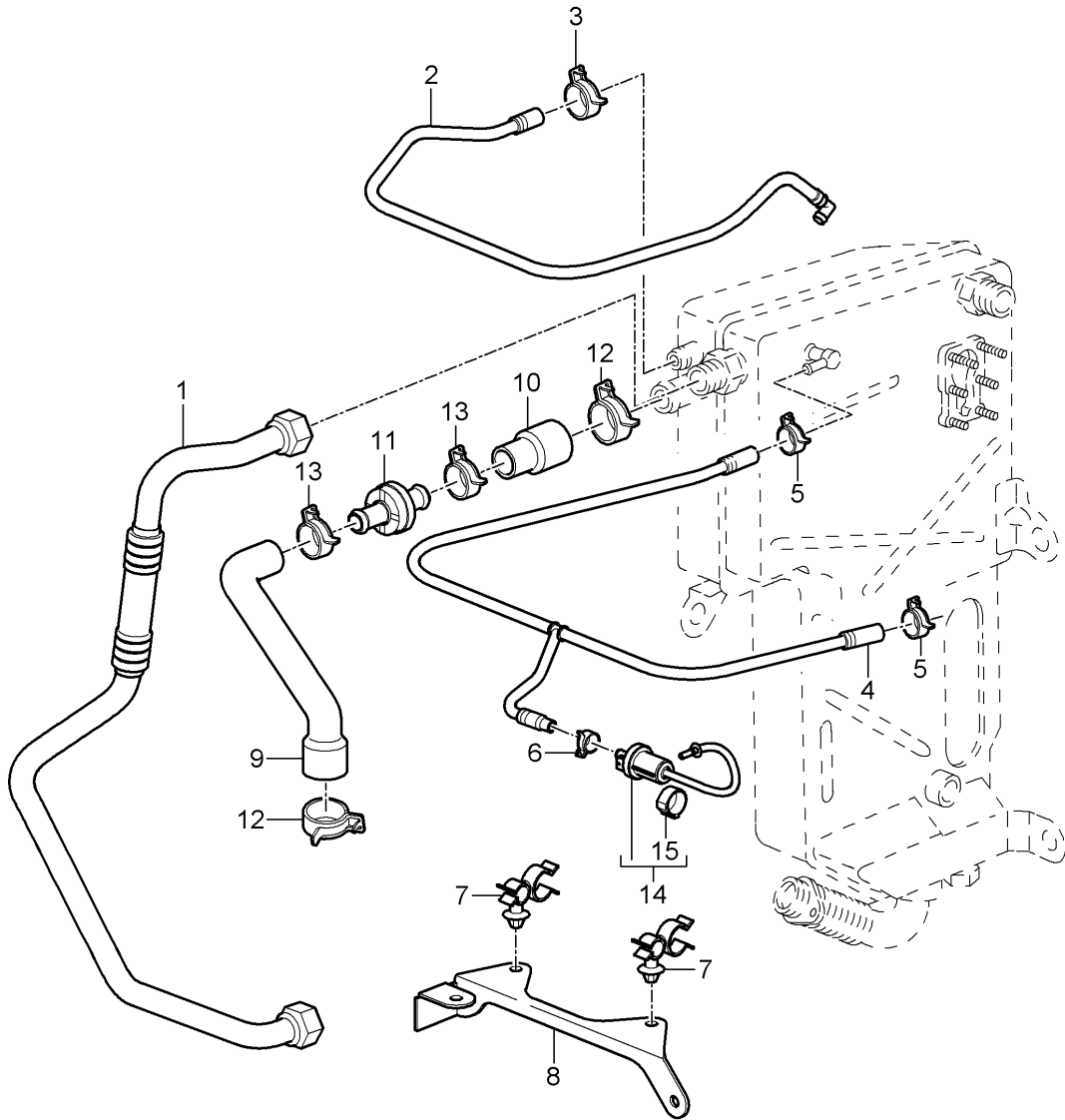
Model: 997G07

Model life 2007>>2011

Pos	Part Number	Description	Remark	Qty	Model
		Engine lubrication			M97.76
		Oil tank			
1	997 207 070 91	Oil tank		1	
2	993 207 226 00	Gasket		1	
3	996 207 150 73	Intermediate piece		1	
4	900 377 019 02	Hexagon nut		6	
		M 5			
4	900 377 009 01	Hexagon nut		6	
		M 5			
5	996 207 212 70	Flange		1	
6	999 707 343 41	O-ring		1	
		25,07 X 2,62			
7	997 207 016 70	Filler tube		1	
8	999 707 481 40	O-ring		1	
		24 X 3,0			
9	996 107 035 52	Lid		1	
10	996 107 336 00	Gasket		1	
11	997 207 216 93	Support		1	
12	997 207 293 90	Clamping bow		1	
13	900 385 041 01	Torx screw		2	
		M 6 X 12			
14	900 377 010 02	Hexagon nut		1	
		M 6			
15	996 606 140 00	Oil-level sender		1	
16	900 385 050 01	Outer hexagon round screw		1	
		M 6 X 16			
17	900 385 275 01	Torx screw		1	
		M 6 X 20			
18	999 702 193 40	Rubber sleeve		3	
		12,2 X 24,0 X 6,0			
19	997 207 417 71	Support		1	
20	900 123 010 20	Sealing ring		1	
		20 X 24			
21	900 065 018 00	Screw plug		1	
		M 20 X 1,5			
22	999 209 037 02	Spacer sleeve		3	
		8,4 X 1,8			
23	900 385 042 01	Torx screw		2	
		M 8 X 35			
24	900 385 116 01	Torx screw		1	
		M 8 X 30			
25	999 084 210 02	Hexagon nut		1	
		M 8			
26	997 207 421 90	Support		1	
27	900 385 001 01	Torx screw		1	
		M 8 X 20			
28	900 385 050 01	Outer hexagon round screw		2	
		M 6 X 16			
29	999 707 316 41	O-ring		1	
		21,89 X 2,62			
30	996 207 112 73	Intake connection		1	
31	999 707 364 41	Sealing ring		1	
		30 X 2,5			
32	996 207 207 73	Spacer		1	
		Upper			
33	996 207 206 73	Spacer		1	
		Lower			
34	900 249 061 01	Countersunk-head screw		2	
		M 12 X 40			

Model: 997G07

Model life 2007>>2011



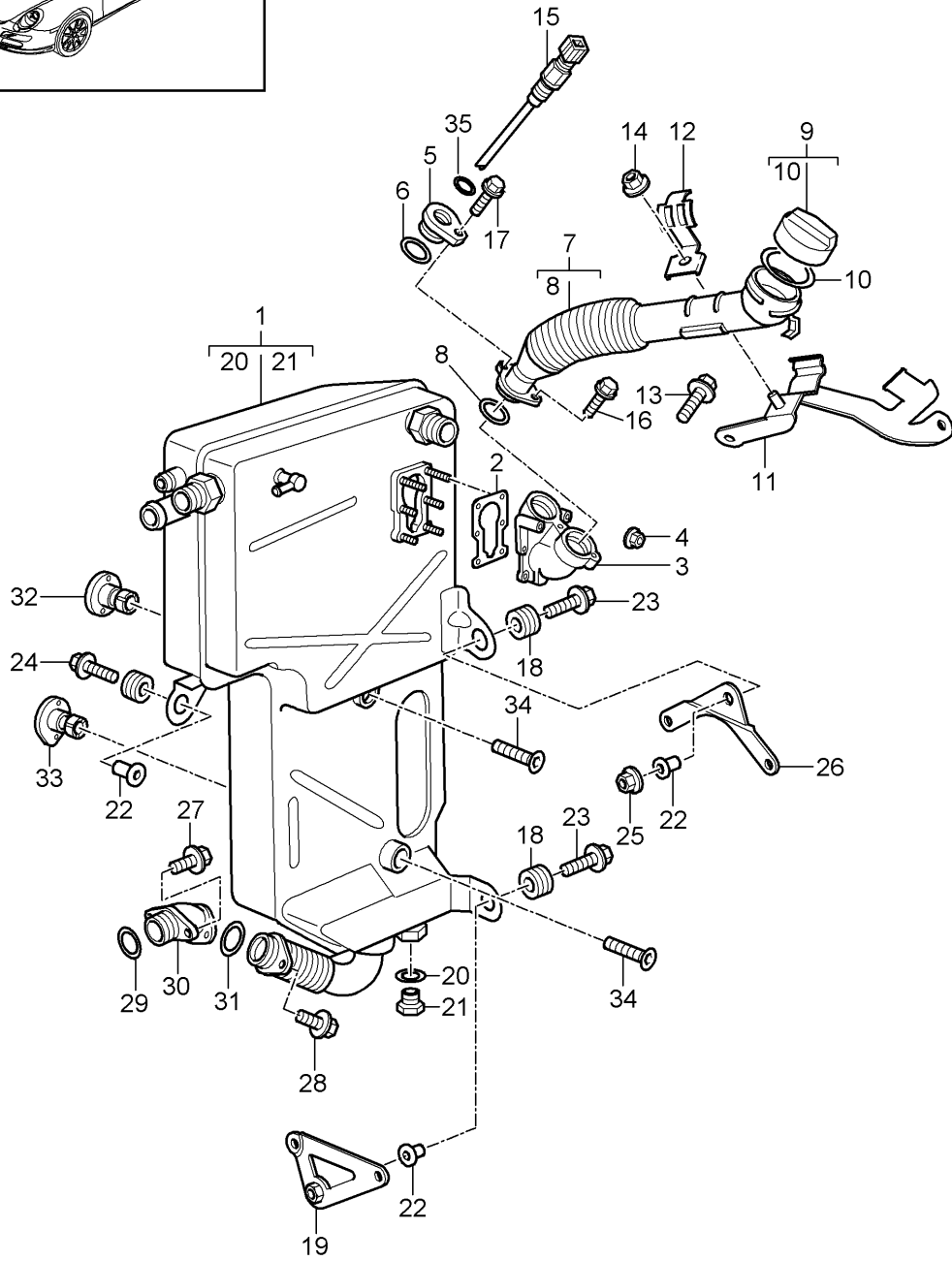
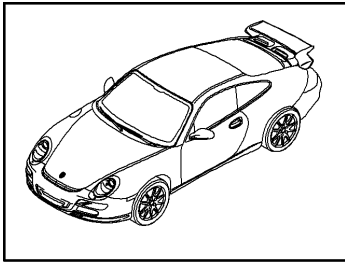
Model: 997G07

Model life 2007>>2011

Pos	Part Number	Description	Remark	Qty	Model
		Lines			M97.76
		Oil tank			
1	996 107 027 94	Return line		1	
2	997 207 037 90	Vent line		1	
		Full load			
3	999 512 656 09	Hose clamp		2	
		25 X 12			
4	997 207 039 90	Vent line		1	
		Teillast			
5	999 512 686 09	Hose clamp		2	
		17 X 2			
6	999 512 651 09	Hose clamp		1	
		15 X 12			
7	999 507 843 40	Hose holder		2	
		16,0 / 10,0			
8	997 207 675 90	Support		1	
9	997 207 143 91	Moulded hose		1	
		Bleeding			
		Crankcase			
10	997 207 145 91	Moulded hose		1	
10	997 207 145 92	Moulded hose		1	
11	997 107 491 90	Check valve		1	
11	997 107 491 91	Check valve		1	
12	999 512 662 09	Hose clamp		2	
		32 X 12			
13	999 512 656 09	Hose clamp		2	
		25 X 12			
14	997 110 129 91	Vent line		1	
15	997 110 201 90	Support ring		1	

Model: 997G07

Model life 2007>>2011



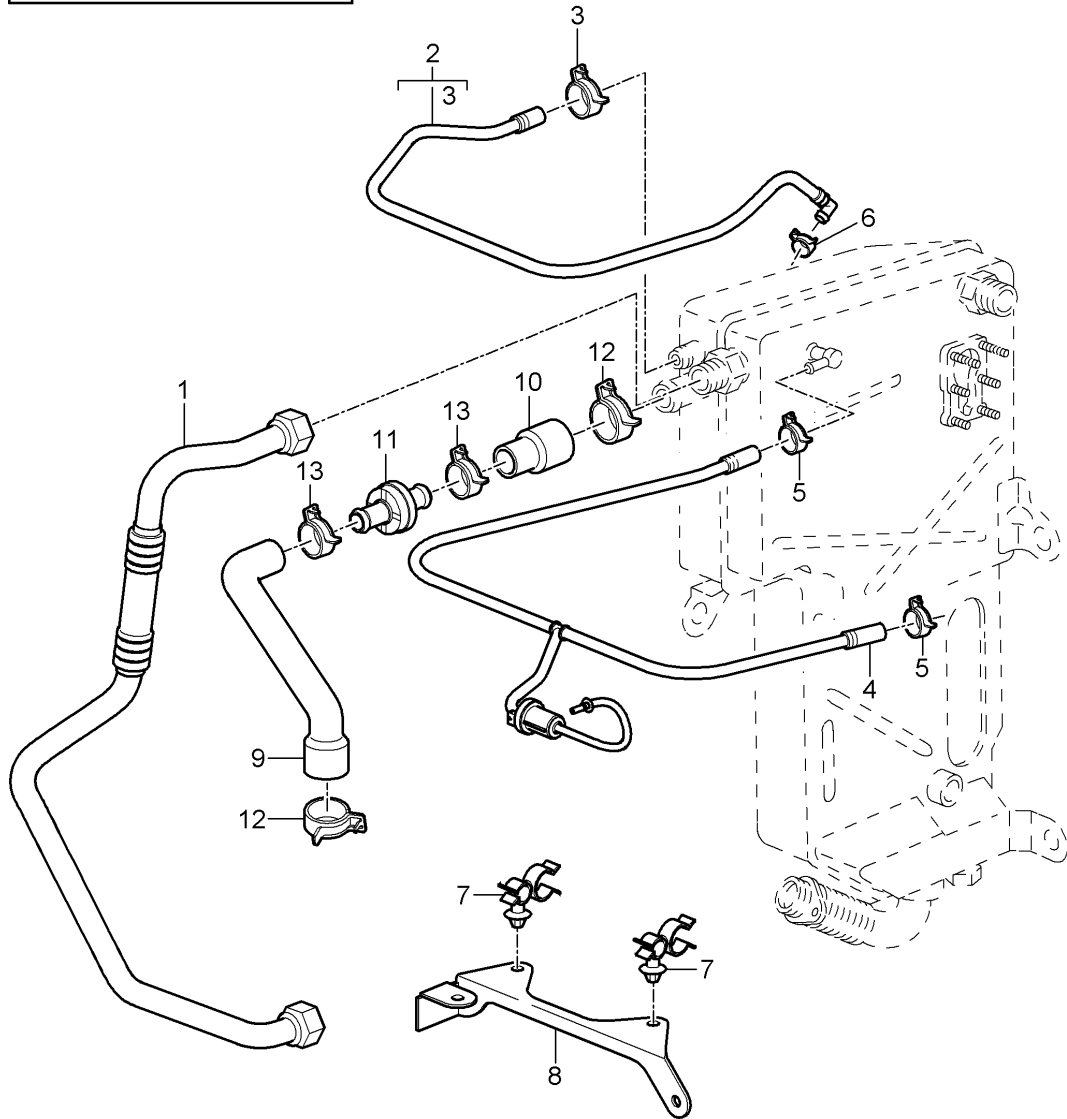
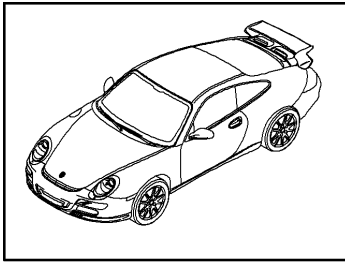
Model: 997G07

Model life 2007>>2011

Pos	Part Number	Description	Remark	Qty	Model
		Engine lubrication			M97.74/77
		Oil tank			
1	997 207 070 91	Oil tank		1	
2	993 207 226 00	Gasket		1	
3	996 207 150 73	Intermediate piece		1	
4	900 377 009 01	Hexagon nut M 5		6	
5	996 207 212 70	Flange		1	
6	999 707 343 41	O-ring 25,07 X 2,62		1	
7	997 207 016 70	Filler tube		1	
8	999 707 481 40	O-ring 24 X 3,0		1	
9	996 107 035 52	Lid		1	
10	996 107 336 00	Gasket		1	
11	997 207 216 93	Support		1	
12	997 207 293 90	Clamping bow		1	
13	900 385 041 01	Torx screw M 6 X 12		2	
14	900 377 010 02	Hexagon nut M 6		1	
15	996 606 140 00	Oil-level sender		1	
16	900 385 050 01	Outer hexagon round screw M 6 X 16		1	
17	900 385 275 01	Torx screw M 6 X 20		1	
18	999 702 193 40	Rubber sleeve 12,2 X 24,0 X 6,0		3	
19	997 207 417 71	Support		1	
20	900 123 010 20	Sealing ring 20 X 24		1	
21	900 065 018 00	Screw plug M 20 X 1,5		1	
22	999 209 037 01	Spacer sleeve 8,4 X 1,8		3	
23	900 385 042 01	Torx screw M 8 X 35		2	
24	900 385 116 01	Torx screw M 8 X 30		1	
25	999 084 210 01	Hexagon nut M 8		1	
26	997 207 421 90	Support		1	
27	900 385 001 01	Torx screw M 8 X 20		1	
28	900 385 009 01	Torx screw M 6 X 16		2	
29	999 707 316 41	O-ring 21,89 X 2,62		2	
30	996 207 112 73	Intake connection		1	
31	999 707 364 41	Sealing ring 30 X 2,5		1	
32	996 207 207 73	Spacer Upper		1	
33	996 207 206 73	Spacer Lower		1	
34	900 249 061 01	Countersunk-head screw M 12 X 40		2	
35	900 123 010 30	Sealing ring A20 x 24		1	

Model: 997G07

Model life 2007>>2011



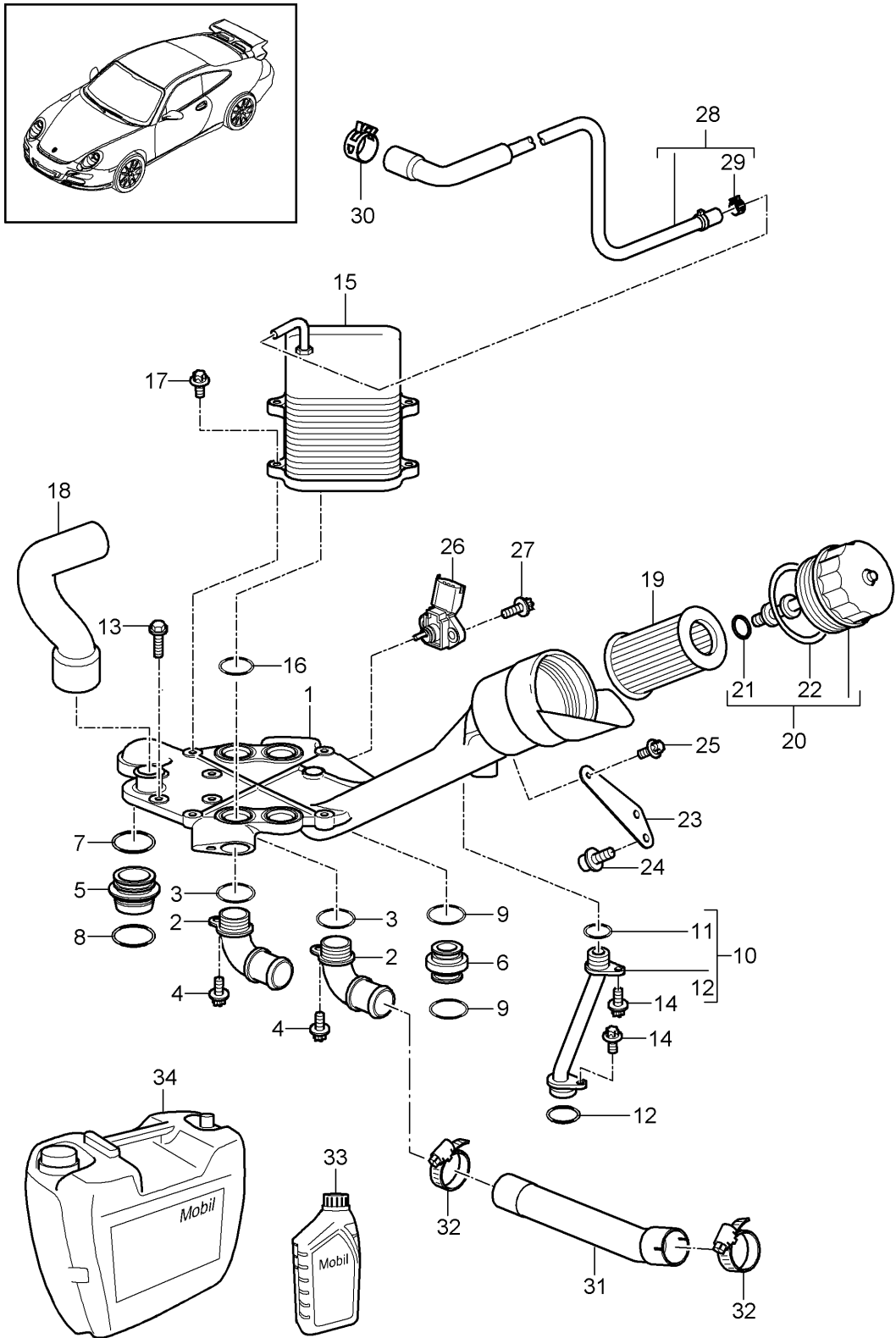
Model: 997G07

Model life 2007>>2011

Pos	Part Number	Description	Remark	Qty	Model
		Lines			M97.74/77
		Oil tank			
1	996 107 027 94	Return line		1	
2	997 207 037 90	Vent line		1	
		Full load			
3	999 512 656 09	Hose clamp		2	
		25 X 12			
4	997 207 039 91	Vent line		1	
		Teillast			
5	999 512 686 09	Hose clamp		2	
		17 X 2			
7	999 507 843 40	Hose holder		2	
		16,0 / 10,0			
8	997 207 675 90	Support		1	
9	997 207 143 91	Moulded hose		1	
		Bleeding			
		Crankcase			
10	997 207 145 91	Moulded hose	-10	1	M97.77
10	997 207 145 92	Moulded hose	11-	1	M97.77
					M97.74
11	997 107 491 90	Check valve	-10	1	M97.77
(11)	997 107 491 91	Check valve	11-	1	M97.77
					M97.74
12	999 512 662 09	Hose clamp		2	
		32 X 12			
13	999 512 455 00	Hose clamp		2	
		24-27,1			

Model: 997G07

Model life 2007>>2011



Model: 997G07 Model life 2007>>2011

Pos	Part Number	Description	Remark	Qty	Model
		Oil filter			M97.76
		Bracket			
1	997 107 033 90	Bracket		1	
(1)	997 107 033 91	Bracket		1	
2	997 106 313 72	Connecting piece		2	
3	999 707 478 40	O-ring		4	
		24,0 X 3,0			
4	900 385 009 01	Torx screw		2	
		M 6 X 16			
5	996 107 441 71	Joining socket		1	
6	997 107 451 70	Joining socket		1	
6	997 107 451 71	Joining socket		1	
7	999 707 422 41	O-ring		1	
		32,92 X 3,53			
8	999 707 426 41	O-ring		1	
		37,69 X 3,53			
9	999 707 113 41	O-ring		2	
		20,22 X 3,53			
10	997 107 311 90	Oil tube		1	
11	999 701 789 40	O-ring		1	
		12,00 X 2,00			
12	999 707 446 40	O-ring		2	
		18 X 2,5			
13	900 075 341 01	Combination screw		4	
		M 6 X 25			
14	900 385 041 01	Torx screw		2	
		M 6 X 12			
15	997 107 025 90	Heat exchanger		1	
15	997 107 025 91	Heat exchanger		1	
15	997 107 025 92	Heat exchanger		1	
16	999 707 409 40	O-ring		4	
		26,00 X 3,00			
17	900 385 009 01	Torx screw		4	
		M 6 X 16			
18		See illustrations		1	
		1/04/06			
19	996 107 225 53	Filter element		1	
20	996 107 285 70	Lid		1	
21	999 707 465 40	O-ring		1	
		10 X 2			
22	996 107 313 51	Sealing ring		1	
		71,5 X 3,5			
23	997 107 301 90	Support		1	
24	900 067 291 01	Combination screw		2	
		M 8 X 16			
25	900 385 009 01	Torx screw		1	
		M 6 X 16			
26	997 606 203 01	Oil pressure sender		1	
(26)	997 606 203 02	Oil pressure sender		1	
27	900 385 019 01	Torx screw		2	
		M 6 X 20			
28	997 106 049 90	Vent line		1	
29	999 512 651 09	Hose clamp		1	
		B 15 X 12			
30	999 512 653 09	Hose clamp		1	
		B 20 X 12			
31	997 106 328 72	Water hose		1	
		Return line			
32	999 512 552 00	Hose clamp		2	
		20- 32/9			
32	999 512 552 01	Hose clamp		2	
		20- 32/9			
33	000 043 301 19	Engine oil		X	

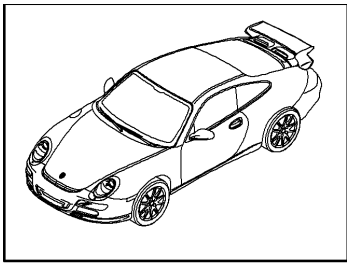
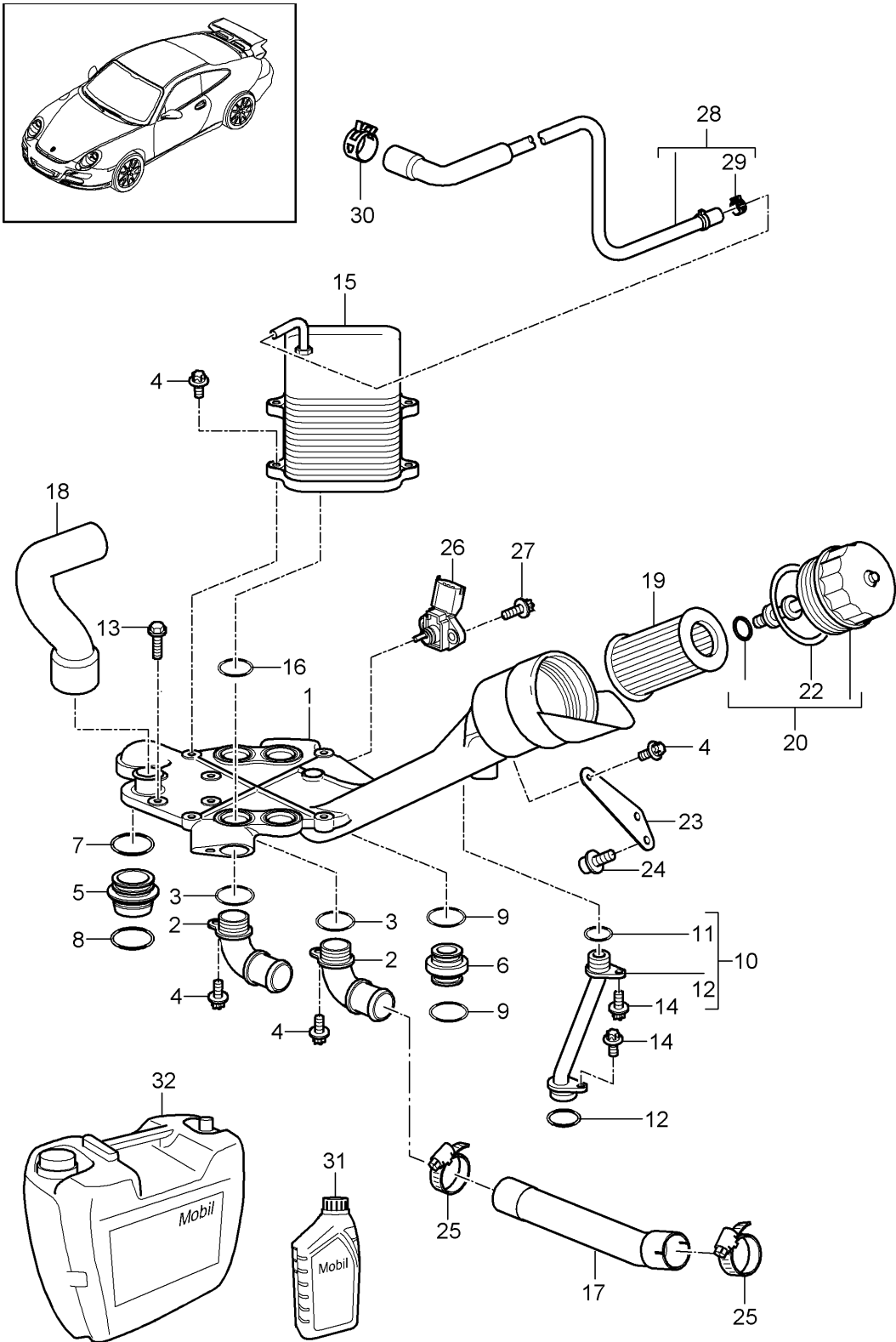
Model: 997G07

Model life 2007>>2011

Pos	Part Number	Description	Remark	Qty	Model
34	000 043 301 21	EXXON MOBIL 1 0W-40 1 LITER Container Information available Engine oil EXXON MOBIL 1 0W-40 20 LITER Container Information available		x	

Model: 997G07

Model life 2007>>2011



Model: 997G07 Model life 2007>>2011

Pos	Part Number	Description	Remark	Qty	Model
		Oil filter			M97.74/77
		Bracket			
1	997 107 033 91	Bracket		1	
2	997 106 313 72	Connecting piece		2	
3	999 707 478 40	O-ring		4	
		24,0 X 3,0			
4	900 385 009 01	Torx screw		7	
		M 6 X 16			
5	996 107 441 71	Joining socket		1	
6	997 107 451 71	Joining socket		1	
7	999 707 422 41	O-ring		1	
		32,92 X 3,53			
8	999 707 426 41	O-ring		1	
		37,69 X 3,53			
9	999 707 113 41	O-ring		2	
		20,22 X 3,53			
10	997 107 311 90	Oil tube		1	
11	999 701 789 40	O-ring		1	
		12,00 X 2,00			
12	999 707 446 40	O-ring		2	
		18 X 2,5			
(12)	999 701 342 40	O-ring		2	
		19 X 2,5			
13	900 385 275 01	Torx screw		4	
		M 6 X 20			
14	900 385 041 01	Torx screw		2	
		M 6 X 12			
15	997 107 025 90	Heat exchanger		1	
15	997 107 025 91	Heat exchanger		1	
15	997 107 025 92	Heat exchanger		1	
16	999 707 409 40	O-ring		4	
		26,00 X 3,00			
16	999 707 409 41	O-ring		4	
		26,00 X 3,00			
17	997 106 328 72	Water hose		1	
		Return line			
18		See illustrations		1	
		1/04/06			
19	996 107 225 53	Filter element		1	
20	996 107 285 70	Lid		1	
21	999 707 465 40	O-ring		1	
		10 X 2			
22	996 107 313 51	Sealing ring		1	
		71,5 X 3,5			
23	997 107 301 90	Support		1	
24	900 067 291 01	Combination screw		2	
		M 8 X 16			
25	999 512 552 00	Hose clamp		2	
		20 - 32/9			
25	999 512 552 01	Hose clamp		2	
		20 - 32/9			
26	997 606 203 01	Oil pressure sender		1	
26	997 606 203 02	Oil pressure sender		1	
27	900 385 019 01	Torx screw		2	
		M 6 X 20			
28	997 106 049 91	Vent line		1	M97.77
28	997 106 049 94	Vent line		1	
29	999 512 651 09	Hose clamp		1	
		B 15 X 12			
30	999 512 653 09	Hose clamp		1	
		B 20 X 12			
31	000 043 301 19	Engine oil		X	
		EXXON MOBIL 1 0W-40			

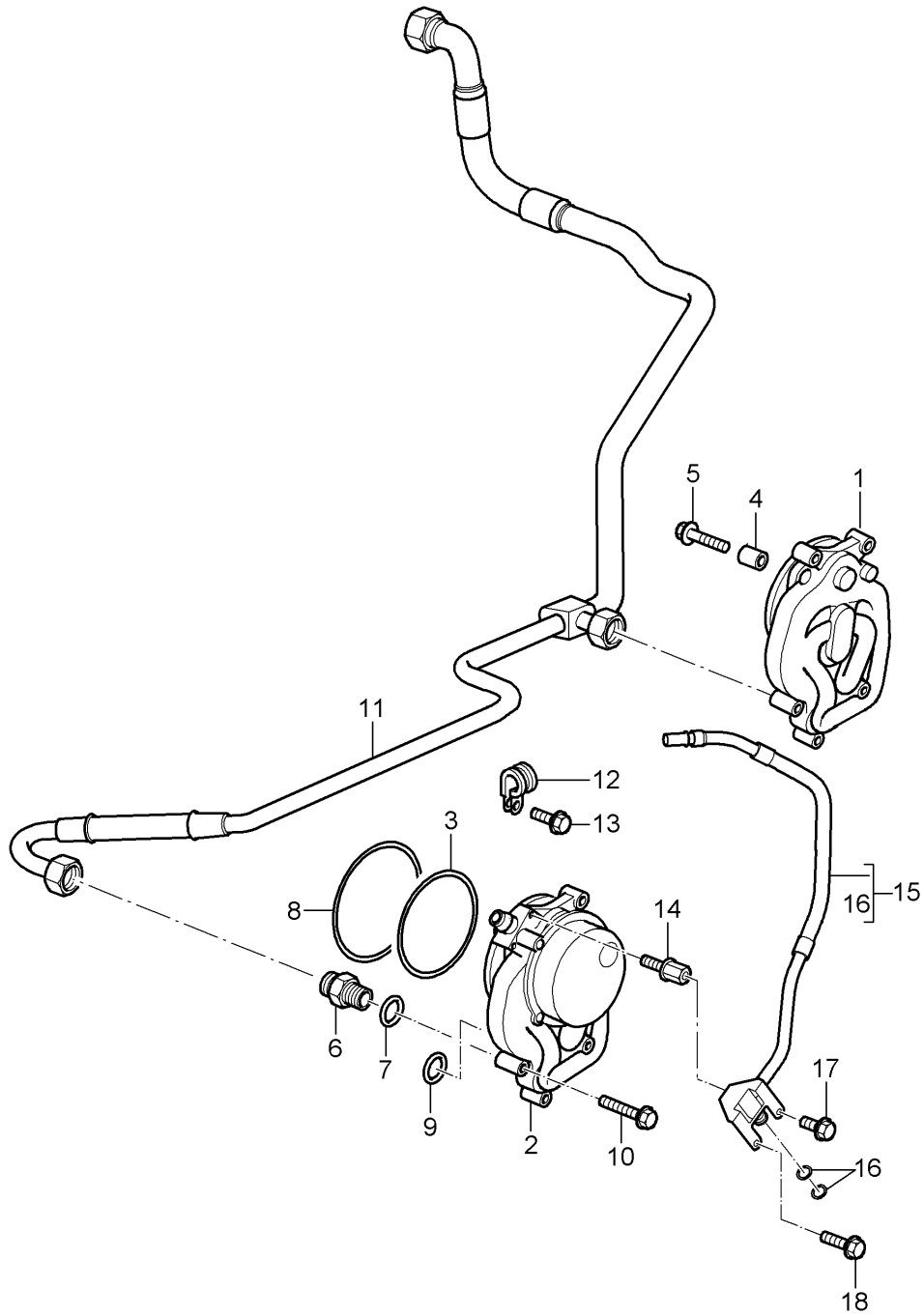
Model: 997G07

Model life 2007>>2011

Pos	Part Number	Description	Remark	Qty	Model
32	000 043 301 21	1 LITER Container Information available Engine oil EXXON MOBIL 1 0W-40 20 LITER Container Information available		x	

Model: 997G07

Model life 2007>>2011



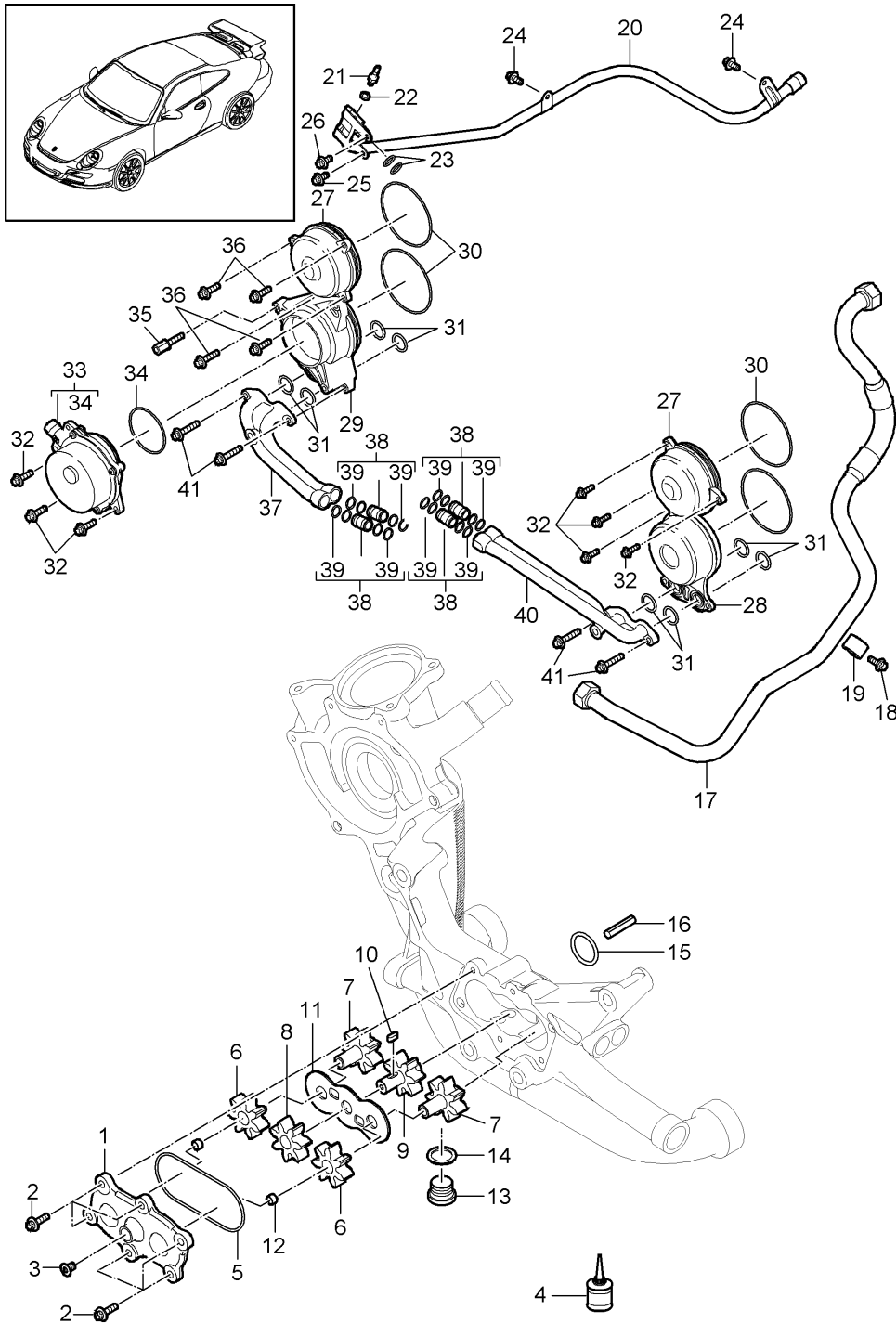
Model: 997G07

Model life 2007>>2011

Pos	Part Number	Description	Remark	Qty	Model
		Oil supply Return line			M97.76
1	996 107 021 91	Oil pump Cyl. 4 - 6		1	
2	997 107 022 91	Tandem pump Cyl. 1 - 3		1	
3	999 707 425 40	O-ring 85,32 X 3,53		2	
4	996 104 117 50	Dowel sleeve		4	
5	900 378 225 01	Hexagon-head bolt M 6 X 30		8	
6	900 915 006 01	Union A 15		2	
7	900 123 106 30	Sealing ring A 18 X 24		2	
8	999 707 482 41	O-ring 90,00 X 2,5		2	
9	999 707 499 40	O-ring 21,00 X 3,00		4	
10	900 385 270 01	Outer hexagon round screw M 6 X 35		6	
11	997 107 019 90	Return line		1	
12	999 511 250 02	Pipe clamp		1	
13	900 385 041 01	Torx screw M 6 X 12		1	
14	997 107 357 70	Combination screw M 6 X 25		1	
15	997 105 116 73	Vacuum line Tandem pump		1	
-	999 651 394 40	Cable holder Vacuum line		1	
16	999 701 789 40	O-ring 12 X 2		2	
17	900 385 130 01	Hexagon socket head bolt M 6 X 10		1	
18	900 385 050 01	Outer hexagon round screw M 6 X 16		1	

Model: 997G07

Model life 2007>>2011



Model: 997G07 Model life 2007>>2011

Pos	Part Number	Description	Remark	Qty	Model
		Oil supply			M97.74/77
		Return line			
1	997 107 106 90	Lid		1	
2	900 385 143 01	Screw		6	
		M 5 x 16			
3	999 073 013 01	Countersunk-head screw		1	
		M 6 x 10			
4	999 915 281 40	Loctite		1	
		574			
5	999 707 032 40	O-ring		1	
		80 x 2			
6	997 107 257 90	Gear wheel		2	
7	997 107 253 90	Shaft		2	
		with			
		Drive pinion			
8	997 107 255 90	Gear wheel		1	
9	997 107 251 90	Shaft		1	
		with			
		Drive pinion			
10	997 107 258 8A	Feather key		1	
		A 4 x 4 x 10			
11	997 107 259 90	Gasket		1	
		Oil pump			
12	997 107 265 90	Dowel sleeve		2	
13	900 219 009 30	Screw plug		1	
		M 18 x 1,5			
14	900 123 106 30	Sealing ring		1	
		A 18 x 24			
15	999 707 315 41	O-ring		1	
		33,4 x 2,4			
16	997 107 252 90	Drive shaft		1	
17	997 107 019 94	Return line		1	
18	900 385 009 01	Torx screw		1	
		M 6 x 16			
19	999 511 080 01	Support		1	
		22 x 15			
20	997 110 055 92	Vacuum line		1	
		Brake booster			
20	997 110 055 93	Vacuum line		1	
		Brake booster			
21	997 110 728 90	Nipple		1	
22	N 013 802 1	Sealing ring		1	
		5 x 9 Al			
23	999 701 789 40	O-ring		2	
		12 x 2			
24	900 385 041 01	Torx screw		2	
		M 6 x 12			
25	900 385 130 01	Hexagon socket head bolt		1	
		M 6 x 10			
26	900 385 050 01	Outer hexagon round screw		1	
		M 6 x 16			
27	997 105 315 71	Lid		2	
		Camshaft adjuster			
28	997 105 516 90	Lid		1	
		Camshaft adjuster			
29	997 105 515 90	Flange		1	
		Vacuum pump			
30	999 707 482 41	O-ring		4	
		90 x 2,5			
(30)	999 701 208 40	O-ring		4	
		88,57 x 2,62			
31	999 707 499 40	O-ring		8	
		21 x 3			

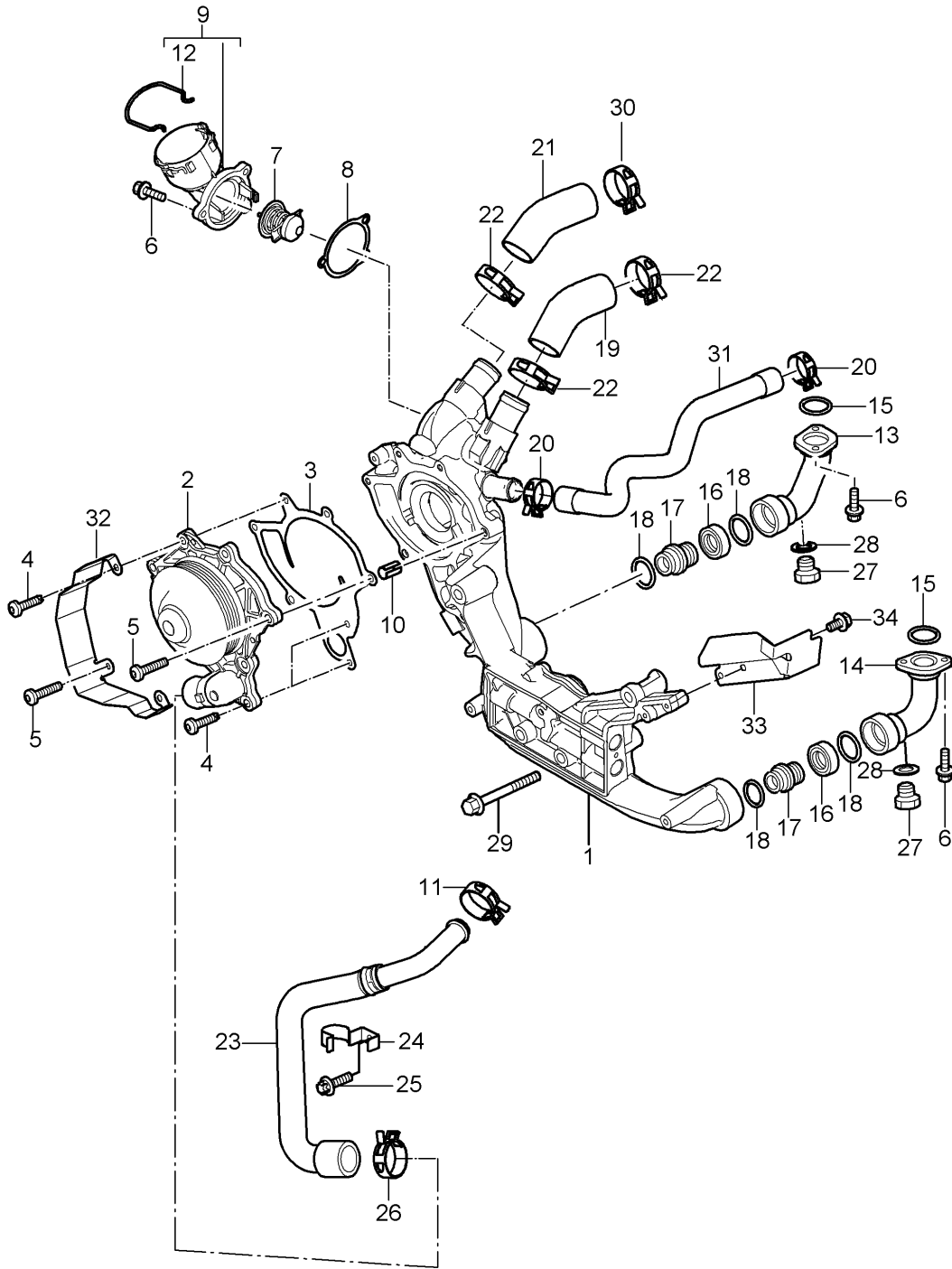
Model: 997G07

Model life 2007>>2011

Pos	Part Number	Description	Remark	Qty	Model
32	900 385 019 01	Torx screw M 6 x 20		7	
33	997 105 016 90	Vacuum pump		1	
34	999 701 339 40	O-ring 63,17 x 2,62		1	
35	997 107 357 70	Combination screw		1	
36	900 385 023 01	Torx screw M 6 x 25		5	
37	997 107 351 90	Return line Cyl. 1 - 3		1	M97.77
37	997 107 351 91	Return line Cyl. 1 - 3		1	M97.77
37		Return line Cyl. 1 - 3		1	M97.74
38	997 107 153 90	Connecting piece		4	
39	999 701 948 40	O-ring 11 x 2		4	
40	997 107 352 90	Return line Cyl. 4 - 6		1	M97.77
(40)	997 107 352 91	Return line Cyl. 4 - 6		1	M97.74
41	900 385 048 01	Torx screw M 6 x 30		4	

Model: 997G07

Model life 2007>>2011



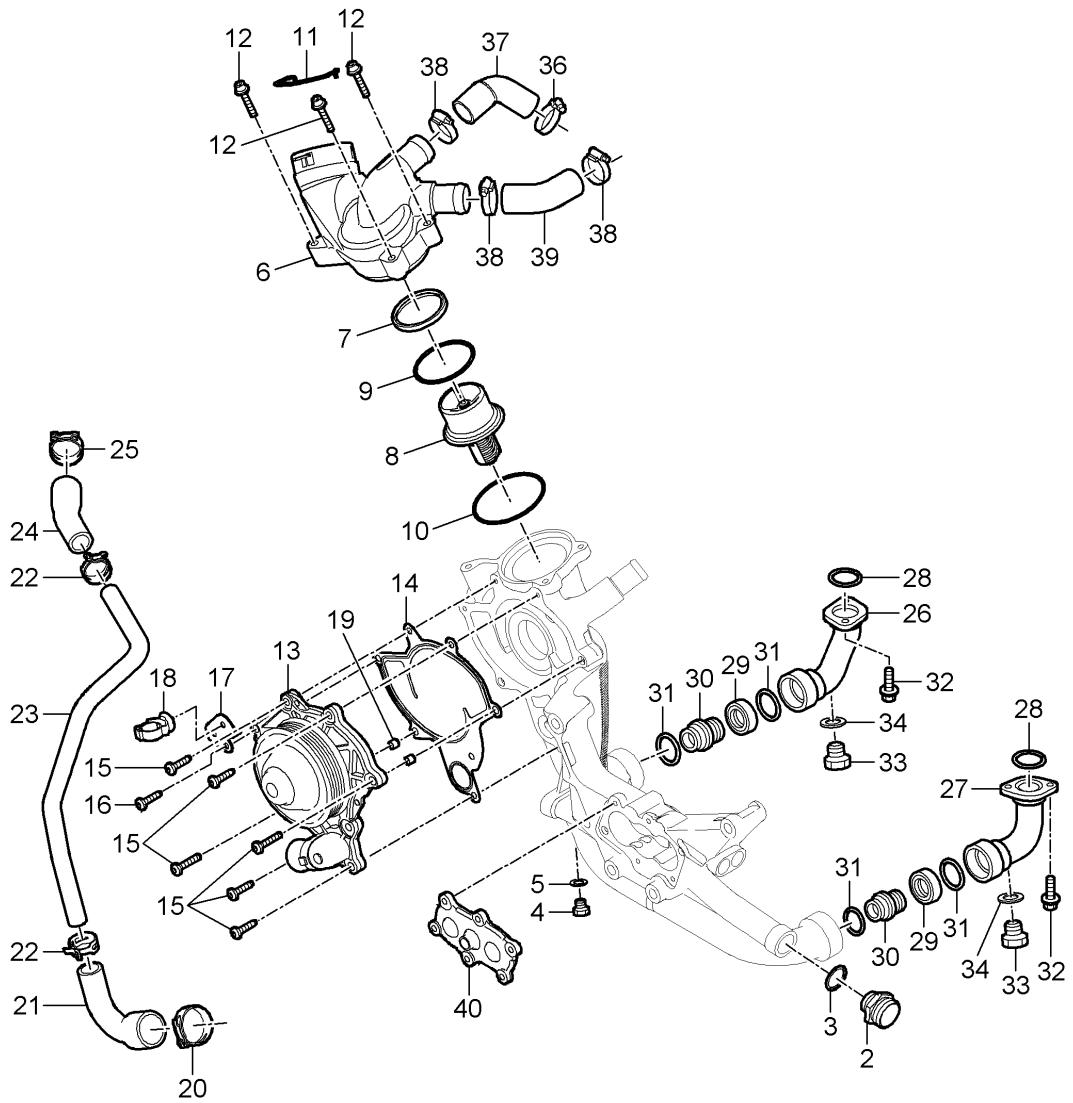
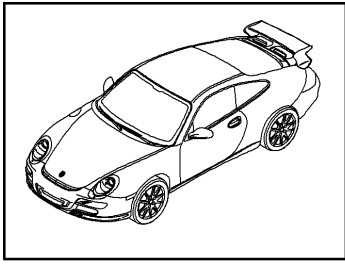
Model: 997G07

Model life 2007>>2011

Pos	Part Number	Description	Remark	Qty	Model
		Water pump			M97.76
		Water pump housing			
1	997 106 061 70	Water pump housing		1	
2	997 106 011 70	Water pump		1	
(2)	997 106 011 71	Water pump		1	
(2)	997 106 011 72	Water pump		1	
3	997 106 340 00	Gasket		1	
4	999 073 102 01	Round head screw M 6 X 25		5	
5	999 073 110 01	Round head screw M 6 X 30		2	
6	900 385 019 01	Torx screw AM 6 X 20		7	
7	996 106 125 72	Thermostat insert		1	
8	996 106 326 71	Gasket		1	
9	996 106 121 72	Lid		1	
10	996 106 103 50	Dowel sleeve 8,2 X 7		2	
11	999 512 660 09	Hose clamp 29 X 12		1	
12	997 106 802 03	Spring		1	
13	996 106 139 71	Connection piece		1	
14	996 106 140 71	Connection piece		1	
15	999 707 410 40	O-ring 39,20 X 3,00		2	
16	996 106 214 70	Protective ring		2	
17	996 106 238 71	Joining socket		2	
18	999 707 411 40	O-ring 28,00 X 4,50		4	
19	996 106 529 73	Hose		1	
20	999 512 552 00	Hose clamp 20 - 32/9		2	
20	999 512 552 01	Hose clamp 20 - 32/9		2	
21	996 106 512 74	Hose		1	
22	999 512 551 00	Hose clamp 25 - 40/9		3	
22	999 512 551 01	Hose clamp 25 - 40/9		3	
23	997 106 250 72	Hose		1	
24	996 106 550 72	Support		1	
25	900 385 041 01	Torx screw M 6 X 12		1	
26	999 512 551 00	Hose clamp 25 - 40/9		1	
26	999 512 551 01	Hose clamp 25 - 40/9		1	
27	900 219 007 01	Screw plug M 10 X 1		2	
28	900 123 144 30	Sealing ring A 10 X 13,5		2	
29	900 385 119 01	Outer hexagon round screw M 10 X 70		4	
30	999 512 252 02	Hose clamp 23- 35/9		1	
31	997 106 477 72	Hose Supply		1	
32	996 115 521 73	Support Left		1	
33	997 115 661 70	Protective plate Right		1	
34	900 385 041 01	Torx screw M 6 X 12		2	

Model: 997G07

Model life 2007>>2011



Model: 997G07

Model life 2007>>2011

Pos	Part Number	Description	Remark	Qty	Model
		Water pump			M97.74/77
		Water pump housing			
1	997 106 117 90	Water pump housing		1	
2	999 136 044 01	Union		1	
3	900 123 011 30	Sealing ring		1	
		A22 x 27			
4	900 219 009 30	Screw plug		1	
		M18 x 1,5			
5	900 123 106 30	Sealing ring		1	
		A18 x 24			
6	997 106 119 90	Thermostat housing		1	
7	9A1 106 558 00	Sealing ring		1	
		Thermostat			
8	9A1 106 225 90	Thermostat insert		1	
9	999 707 625 40	O-ring		1	
		59 x 2,5			
		Thermostat insert			
10	999 701 145 40	O-ring		1	
		70 x 2			
		Thermostat housing			
11	997 106 802 03	Spring		1	
12	900 067 316 01	Combination screw		3	
		M6 x 35			
13	997 106 011 70	Water pump		1	
(13)	997 106 011 71	Water pump		1	M97.77
(13)	997 106 011 72	Water pump		1	M97.77
14	997 106 340 90	Gasket		1	
15	999 073 102 01	Round head screw		6	
		M 6 X 25			
16	999 073 110 01	Round head screw		2	
		M 6 x 30			
17	997 106 669 90	Retaining bracket		1	
18	999 511 240 40	Cable holder		1	
19	996 106 103 50	Dowel sleeve		2	
		8,2 X 7			
20	999 512 551 00	Hose clamp		1	
		25 - 40/9			
20	999 512 551 01	Hose clamp		1	
		25 - 40/9			
21	997 106 358 90	Hose		1	
		Befüllleitung			
22	999 512 656 09	Hose clamp		2	
		B25 x 12			
23	997 106 257 90	Hose		1	
		Befüllleitung			
24	997 106 357 90	Hose		1	
		Befüllleitung			
25	999 512 660 09	Hose clamp		1	
		B29 x 12			
26	996 106 139 71	Connection piece		1	
27	996 106 140 71	Connection piece		1	
28	999 707 410 40	O-ring		2	
		39,20 X 3,00			
29	996 106 214 70	Protective ring		2	
30	996 106 238 71	Joining socket		2	
31	999 707 411 40	O-ring		4	
		28,00 X 4,50			
32	900 385 019 01	Torx screw		4	
		M6 x 20			
33	900 219 007 01	Screw plug		2	
		M10 x 1			
34	900 123 144 30	Sealing ring		2	
		A10 x 13,5			

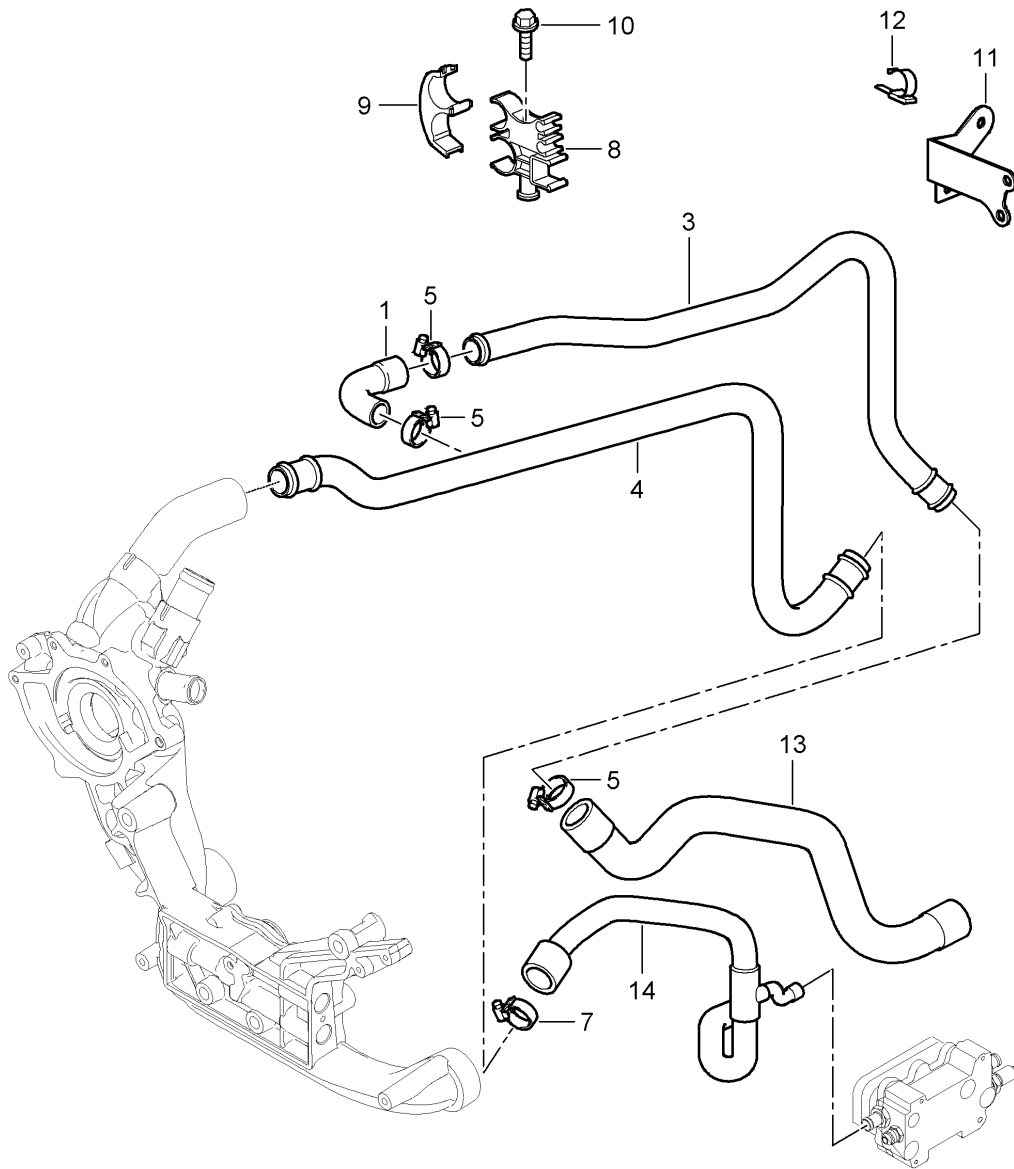
Model: 997G07

Model life 2007>>2011

Pos	Part Number	Description	Remark	Qty	Model
35	997 106 477 90	Hose Supply		1	
36	999 512 552 01	Heat exchanger Hose clamp 20 - 32/9		2	
37	997 106 514 91	Hose Heating Return line		1	
38	999 512 551 01	Hose clamp 25 - 40/9		3	
39	997 106 529 90	Hose Kurzschlusskreislauf		1	
40		Lid See illustrations 1/04/21			

Model: 997G07

Model life 2007>>2011



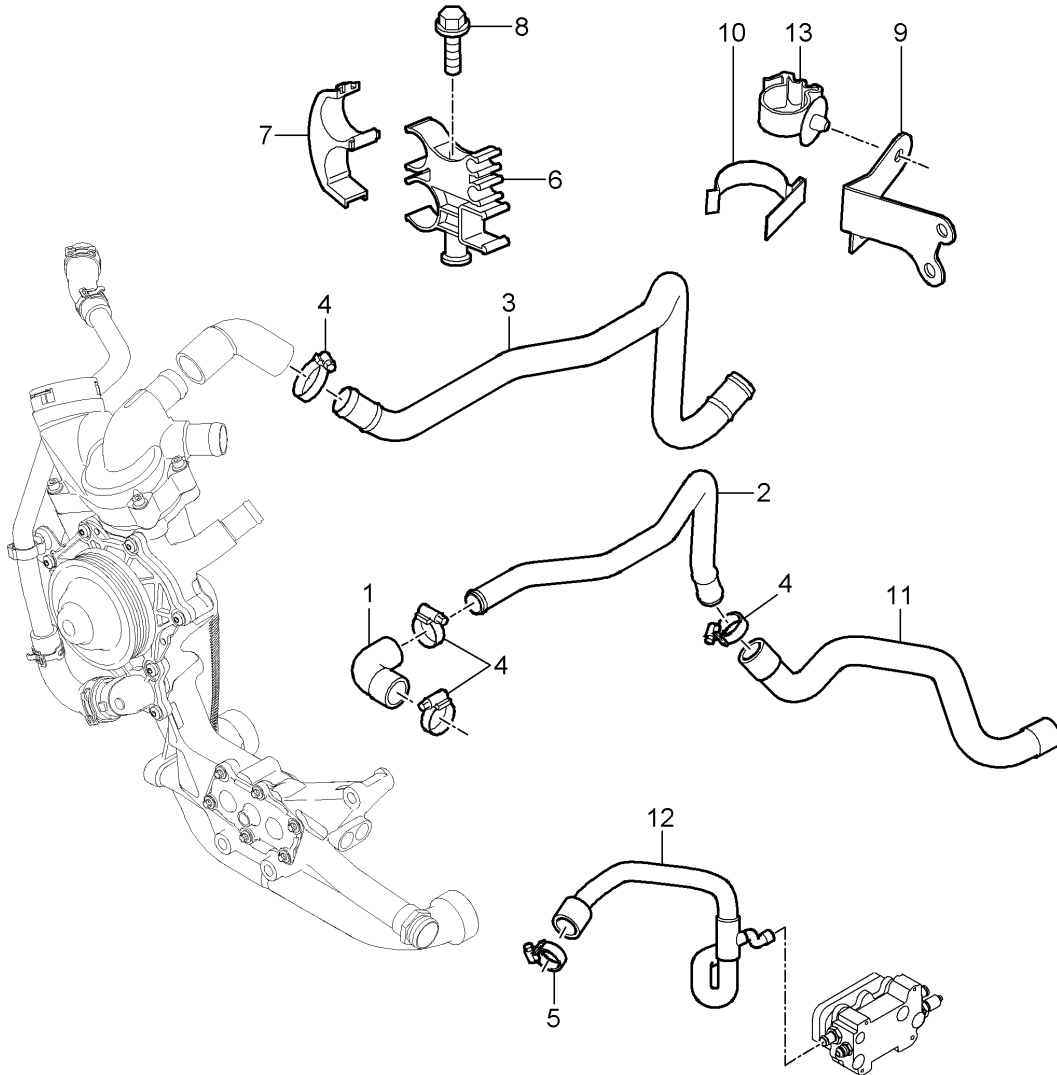
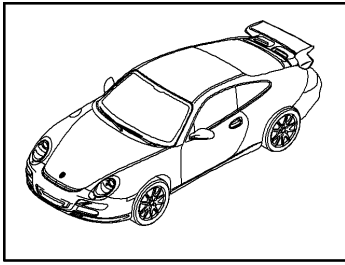
Model: 997G07

Model life 2007>>2011

Pos	Part Number	Description	Remark	Qty	Model
		Lines			M97.76
		Heating			
1	997 106 233 72	Hose		1	
		Supply			
3	997 106 252 90	Water tube		1	
		Supply			
4	997 106 254 90	Water tube		1	
		Return line			
5	999 512 552 00	Hose clamp		3	
		20- 32/9			
5	999 512 552 01	Hose clamp		3	
		20- 32/9			
7	999 512 551 00	Hose clamp		1	
7	999 512 551 01	Hose clamp		1	
8	997 106 455 71	Support		2	
9	997 106 456 71	Retaining bar		2	
10	900 385 111 01	Torx screw		2	
		M 6 X 55			
11	997 106 451 90	Support		1	
12	999 651 300 40	Hose holder		1	
		25,0 - 30,0			
13	996 106 434 72	Hose		1	
		Supply			
13	996 106 434 74	Hose		1	
		Supply			
14	996 106 422 75	Hose		1	
		Return line			
14	996 106 422 78	Hose		1	
		Return line			

Model: 997G07

Model life 2007>>2011



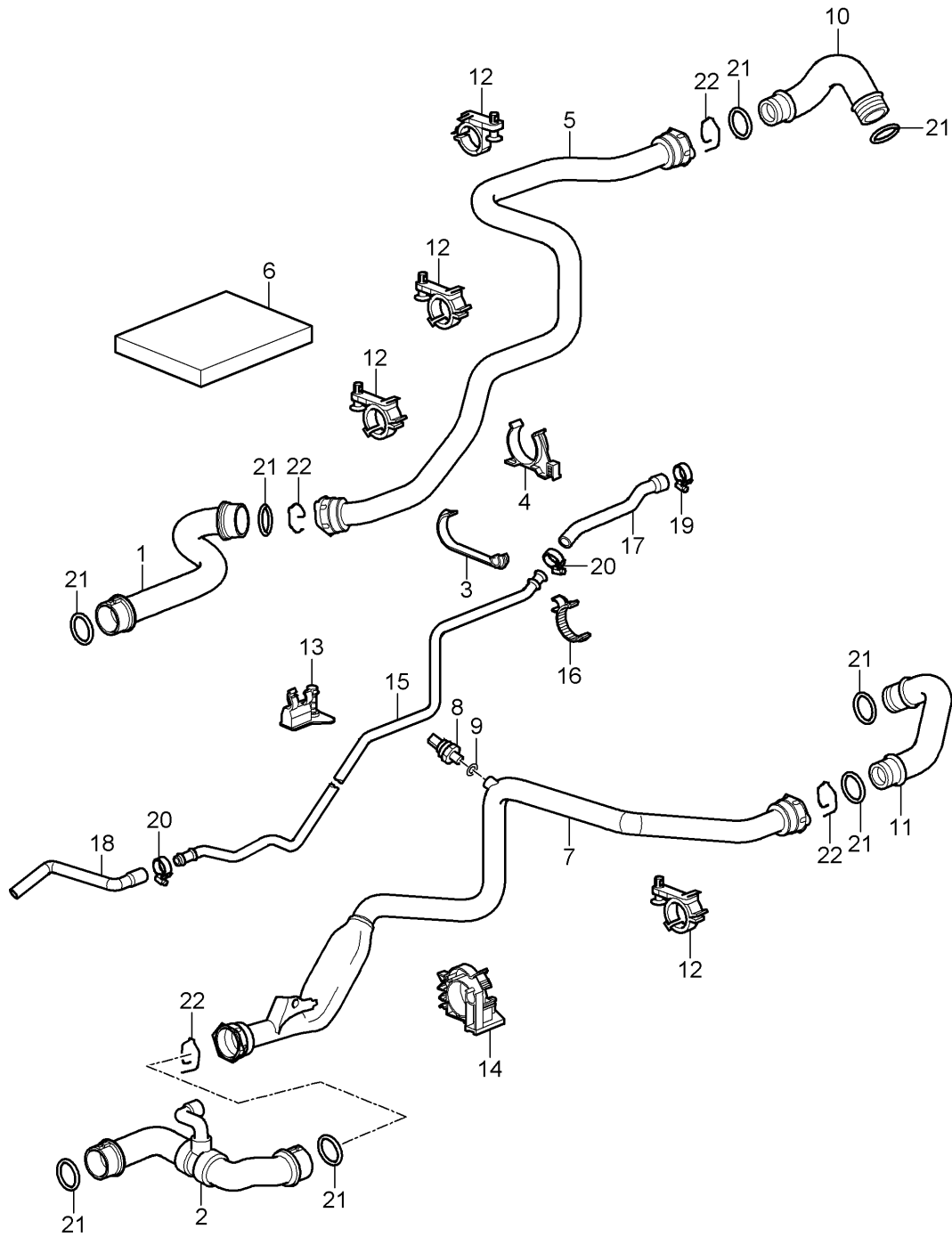
Model: 997G07

Model life 2007>>2011

Pos	Part Number	Description	Remark	Qty	Model
		Lines			M97.74/77
1	997 106 233 72	Heating Hose		1	
2	997 106 252 90	Heating Supply Water tube		1	
3	997 106 254 91	Supply Water tube		1	
4	999 512 552 01	Return line Hose clamp		4	M97.77
4		20- 32/9		2	M97.74
(4)	999 512 346 01	Hose clamp 20- 32/9		2	M97.74
		16- 27/9 for 997.106.233.72			
5	999 512 551 01	Hose clamp 25 - 40/9		1	
6	997 106 455 71	Support		2	
7	997 106 456 71	Retaining bar		2	
8	900 385 111 01	Torx screw M 6 X 55		2	
9	997 106 451 91	Support		1	
10	999 651 300 40	Hose holder 25,0 - 30,0		1	
11	996 106 434 74	Hose Supply		1	
12	996 106 422 78	Hose Return line		1	
13	999 507 728 40	Support 18 - 19		1	

Model: 997G07

Model life 2007>>2011

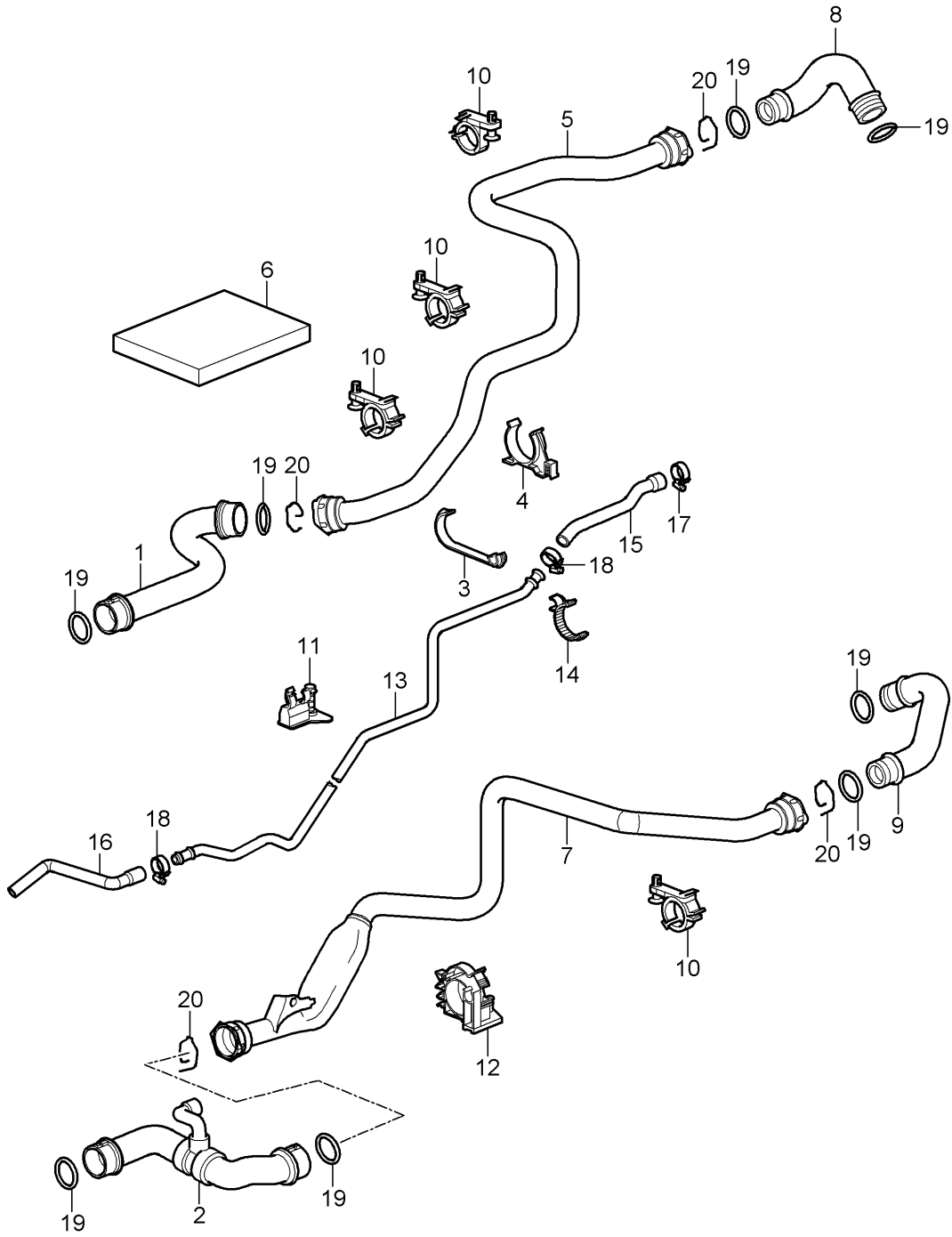


Model: 997G07 Model life 2007>>2011

Pos	Part Number	Description	Remark	Qty	Model
		Water cooling 1			M97.76
1	997 106 740 05	Water hose Supply		1	
2	997 106 889 92	Water hose Return line	07	1	
(2)	997 106 889 95	Water hose Return line	08-	1	
(2)	997 106 889 96	Water hose Return line	07-	1	
3	997 106 426 00	Support		1	
4	997 106 427 01	Support		1	
5	997 106 610 02	Cooling water tube Supply		1	
5	997 106 610 03	Cooling water tube Supply		1	
5	997 106 610 31	Cooling water tube Supply		1	
6	999 551 166 40	Felt strip		1	
7	997 106 069 00	Cooling water tube Return line		1	
10	997 106 501 01	Water hose Supply		1 1	
11	997 106 502 00	Water hose Return line		1	
12	996 106 417 73	Support To Use with Cooling water tube 997.106.610.02 997.106.610.03		4	
(12)		Support To Use with Cooling water tube 997.106.610.31		3	
(12)	997 106 457 32	Support To Use with Cooling water tube 997.106.610.31		1	
13	997 106 428 01	Support		1	
14	997 106 429 01	Support		1	
15	997 106 682 03	Vent line		1	
16	997 106 512 03	Connection piece		1	
17	997 106 251 00	Breather hose		1	
19	999 512 656 09	Hose clamp 25 X 12		1	
20	999 512 463 00	Hose clamp		2	
21	996 106 801 03	O-ring		8	
22	997 106 802 03	Spring		4	

Model: 997G07

Model life 2007>>2011



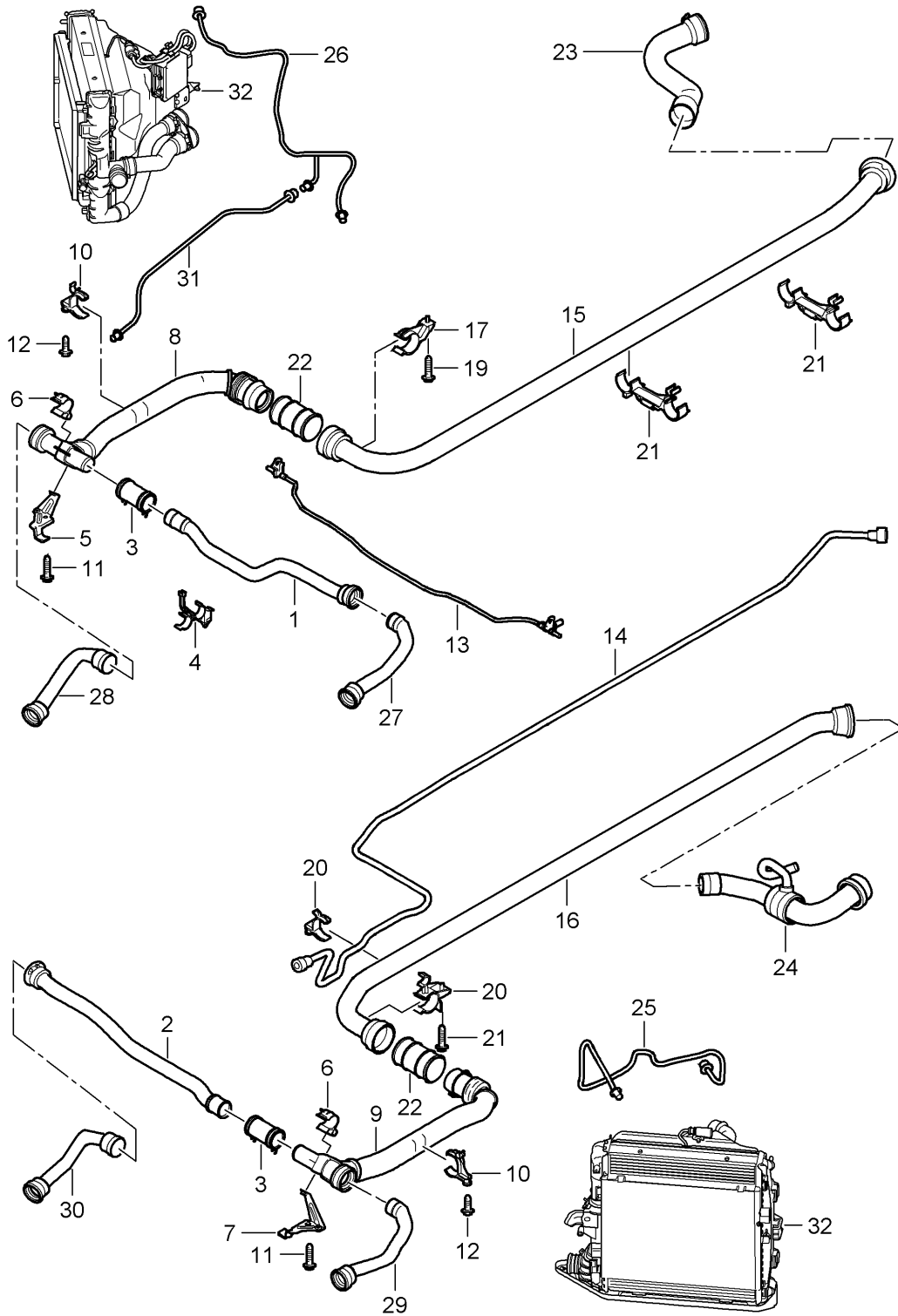
Model: 997G07

Model life 2007>>2011

Pos	Part Number	Description	Remark	Qty	Model
1	997 106 740 06	Water cooling 1 Water hose Supply		1	M97.74/77
2	997 106 889 96	Water hose Return line		1	
3	997 106 426 00	Support		1	I573
4	997 106 427 01	Support		1	
5	997 106 610 31	Cooling water tube Supply		1	
7	997 106 809 91	Cooling water tube Return line		1	
8	997 106 501 01	Water hose Supply		1 1	
9	997 106 502 90	Water hose Return line		1	
10	996 106 417 73	Support		3	
(10)	997 106 457 32	Support		1	
11	997 106 428 01	Support		1	
12	997 106 429 01	Support		1	
13	997 106 681 32	Vent line		1	
14	997 106 512 03	Connection piece		1	
15	997 106 251 01	Breather hose		1	
17	999 512 656 09	Hose clamp 25 X 12		1	
18	999 512 463 00	Hose clamp		2	
19	996 106 801 03	O-ring		8	
20	997 106 802 03	Spring		4	

Model: 997G07

Model life 2007>>2011



Model: 997G07 Model life 2007>>2011

Pos	Part Number	Description	Remark	Qty	Model
1	997 106 711 02	Water cooling 2 Water tube		1	M97.76
1	997 106 711 03	Cross tube Supply Water tube		1	
2	997 106 720 02	Cross tube Return line Water tube		1	
2	997 106 720 03	Cross tube Return line Water tube		1	
3	997 106 723 05	Water hose		2	
4	997 106 525 01	Support Water tube		1	
5	997 106 574 02	Cross tube Centre Support		1	
6	997 106 526 01	Distributor tube Right Support		2	
7	997 106 573 02	Cross tube Upper Support		1	
8	997 106 752 04	Distributor tube Left Supply		1	
9	997 106 751 04	Distributor tube Return line		1	
10	997 106 413 01	Support Distributor tube		2	
(10)		Support Distributor tube	/R	1	I601
(10)	997 106 414 00	Support Distributor tube	/L	1	I601
11	900 378 013 09	Hexagon-head bolt M6 X 25		2	
12	900 378 036 09	Hexagon-head bolt M6 X 12		2	
13	997 106 767 02	Vent line Transverse		1	
14	997 106 227 03	Vent line Tunnel		1	
15	997 106 651 03	Water tube Supply Tunnel		1	
15	997 106 651 04	Water tube Supply Tunnel		1	
16	997 106 652 03	Return pipe Tunnel		1	
16	997 106 652 04	Return pipe Tunnel		1	
17	997 106 520 02	Support Bulkhead Right		1	
18	997 106 521 01	Support Bulkhead Left		1	
19	900 378 035 01	Hexagon-head bolt M6 X 16		2	

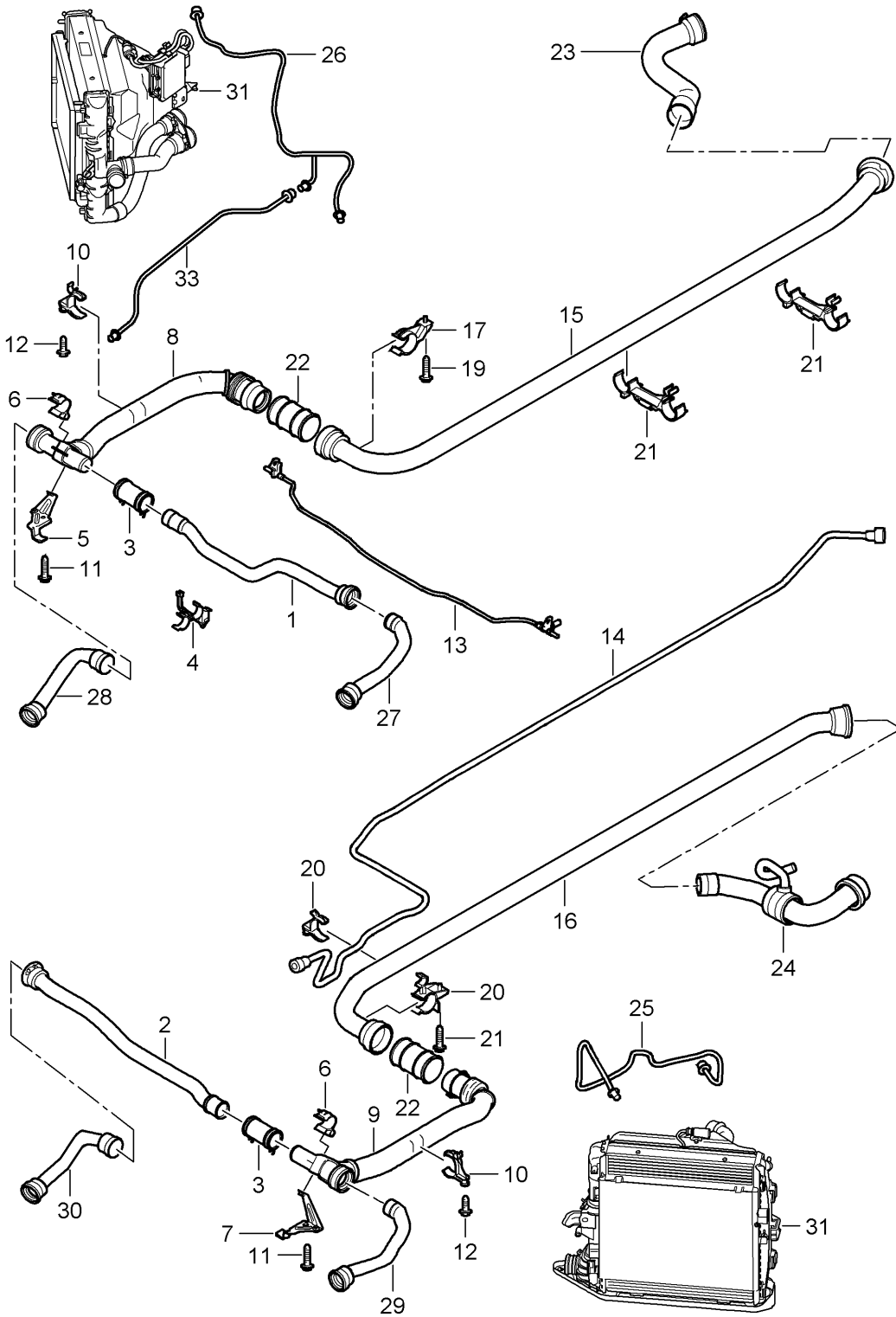
Model: 997G07

Model life 2007>>2011

Pos	Part Number	Description	Remark	Qty	Model
20	997 106 512 03	Connection piece Vent line		1	
21	997 106 540 02	Support Tunnel		2	
22	997 106 551 03	Sleeve		2	
23		See illustrations 1/05/05		X	
24		See illustrations 1/05/05		X	
25	997 106 765 02	Line	/L	1	
26	997 106 766 90	Line	/R	1	
27	997 106 623 03	Water hose Supply	/L	1	
28	997 106 627 03	Water hose Supply	/R	1	
29	997 106 728 03	Water hose Return line	/L	1	
30	997 106 624 03	Water hose Return line	/R	1	
31	997 106 866 90	Vent line	/R	1	
32		See illustrations 1/05/15			

Model: 997G07

Model life 2007>>2011



Model: 997G07 Model life 2007>>2011

Pos	Part Number	Description	Remark	Qty	Model
1	997 106 711 02	Water cooling 2 Water tube		1	M97.74/77
		Cross tube			
		Supply			
1	997 106 711 03	Water tube		1	
		Cross tube			
		Supply			
2	997 106 720 02	Water tube		1	
		Cross tube			
		Return line			
2	997 106 720 03	Water tube		1	
		Cross tube			
		Return line			
3	997 106 723 07	Water hose		2	
4	997 106 525 01	Support		1	
		Water tube			
		Cross tube			
		Centre			
5	997 106 574 02	Support		1	
		Distributor tube			
		Right			
6	997 106 526 01	Support		2	
		Cross tube			
		Upper			
7	997 106 573 02	Support		1	
		Distributor tube			
		Left			
8	997 106 752 04	Distributor tube	/L	1	
		Supply			
9	997 106 751 04	Distributor tube	/R	1	
		Return line			
10	997 106 413 01	Support		2	I600
		Distributor tube			
(10)		Support	/R	1	I601
		Distributor tube			
(10)	997 106 414 00	Support	/L	1	I603
		Distributor tube			
11	900 378 013 01	Hexagon-head bolt		2	
		M6 X 25			
12	900 378 036 01	Hexagon-head bolt		2	
		M6 X 12			
13	997 106 767 02	Vent line		1	
		Transverse			
14	997 106 227 03	Vent line		1	
		Tunnel			
15	997 106 651 90	Water tube		1	
		Supply			
		Tunnel			
16	997 106 652 90	Return pipe		1	
		Tunnel			
17	997 106 520 02	Support		1	
		Bulkhead			
		Right			
18	997 106 521 01	Support		1	
		Bulkhead			
		Left			
19	900 378 035 01	Hexagon-head bolt		2	
		M6 X 16			
20	997 106 512 03	Connection piece		1	
		Vent line			
(20)		Connection piece		2	I474
		Vent line			
21	997 106 540 02	Support		2	

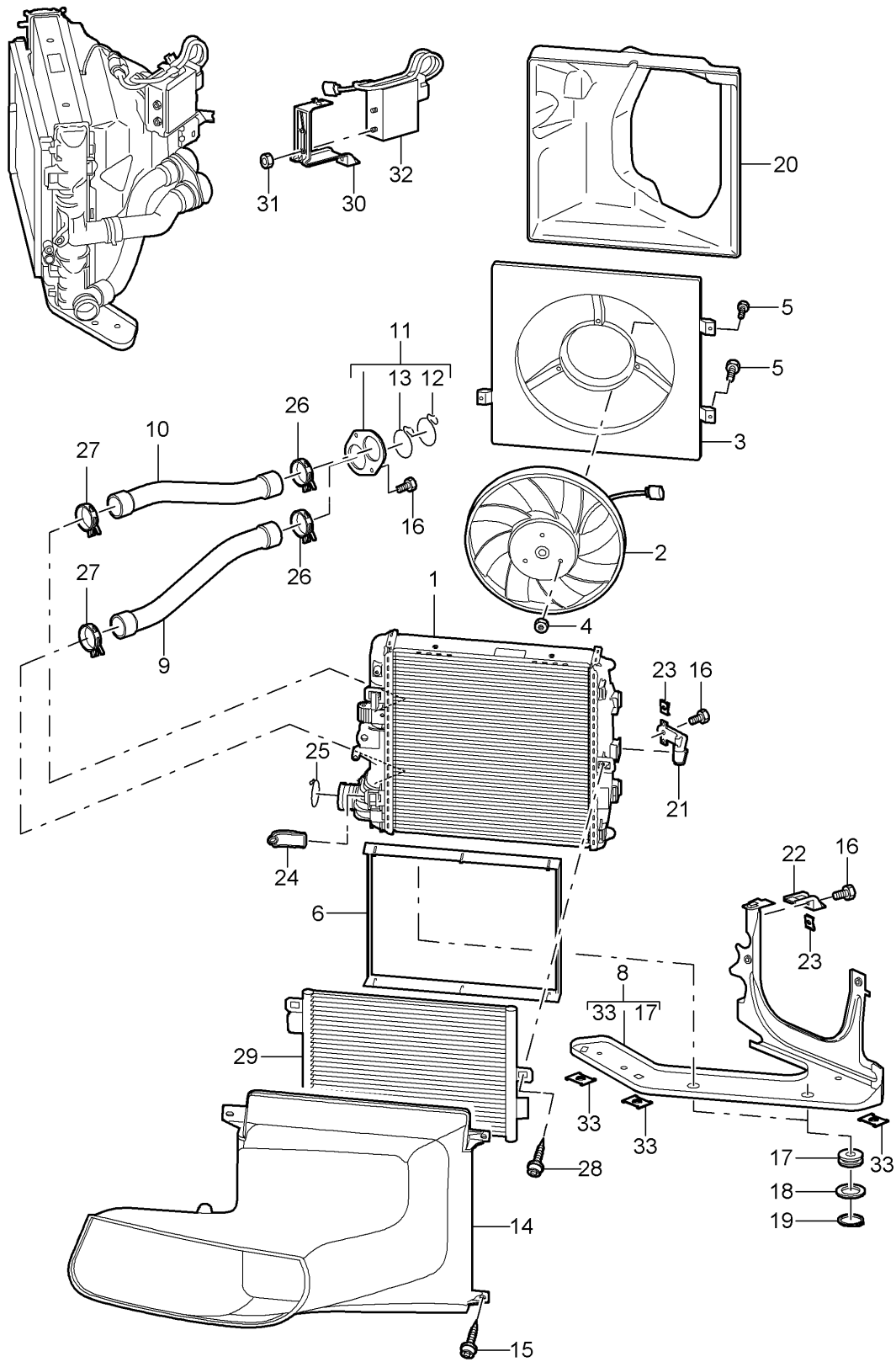
Model: 997G07

Model life 2007>>2011

Pos	Part Number	Description	Remark	Qty	Model
22	997 106 551 03	Tunnel Sleeve		2	
23		See illustrations 1/05/06		X	
24		See illustrations 1/05/06		X	
25	997 106 765 02	Line	/L	1	
26	997 106 766 02	Line	/R	1	
27	997 106 623 03	Water hose Supply	/L	1	
28	997 106 627 03	Water hose Supply	/R	1	
29	997 106 728 03	Water hose Return line	/L	1	
30	997 106 624 03	Water hose Return line	/R	1	
31		See illustrations 1/05/16			
33	997 106 866 90	Vent line	/R	1	

Model: 997G07

Model life 2007>>2011



Model: 997G07 Model life 2007>>2011

Pos	Part Number	Description	Remark	Qty	Model
		Water cooling 3			M97.76
1	997 106 131 02	Radiator	/L	1	
(1)	997 106 132 02	Radiator	/R	1	
2	997 624 136 02	Fan	/R	1	
(3)	997 106 135 90	Sealing frame	/L	1	
3	997 624 132 02	Air guide	/R	1	
4	900 377 001 02	Hexagon nut M 6		6	
5	999 919 125 09	Hexagon-head bolt M 6 X 16		4	
6	997 573 711 00	Sealing frame		2	
8	997 106 155 01	Bracket	/L	1	
(8)	997 106 156 01	Bracket	/R	1	
9	997 106 621 03	Water hose Supply	/L	1	
(9)	997 106 622 03	Water hose Supply	/R	1	
10	997 106 625 03	Water hose Return line	/L	1	
10	997 106 626 03	Water hose Return line	/R	1	
11	997 106 255 02	Connecting piece		2	
12	997 106 802 01	Spring SCB 33		2	
13	997 106 802 02	Spring SCB 36		2	
14	997 575 321 02	Air guide	/L	1	
(14)	997 575 322 02	Air guide	/R	1	
15	999 919 134 09	Oval-head screw M 6 X 16		6	
16	900 385 009 01	Torx screw M 6 X 16		6	
17	999 703 494 40	Rubber mounting 15 X 19,5		4	
18	999 025 255 02	Washer 16,1 X 32 X 0,5		4	
19	999 166 083 09	Tab washer B 25		4	
20	997 575 341 00	Air guide	/L	1	
(20)	997 575 342 00	Air guide	/R	1	
21	997 106 232 01	Support Outer		2	
22	997 106 455 00	Support Left		1	
23	999 591 350 02	Speed nut ST 4,8		4	
23	999 591 350 01	Speed nut ST 4,8		4	
24	997 106 231 02	Support Inner		2	
25	997 106 802 00	Spring SCB 26		2	
28	999 919 125 09	Hexagon-head bolt 6 X 16		1	
29		Condenser See illustrations 8/13/25		1	
30	997 106 456 00	Support Right		1	
31	900 377 010 01	Hexagon nut M 6		2	
32		Control unit Cooling air control		1	

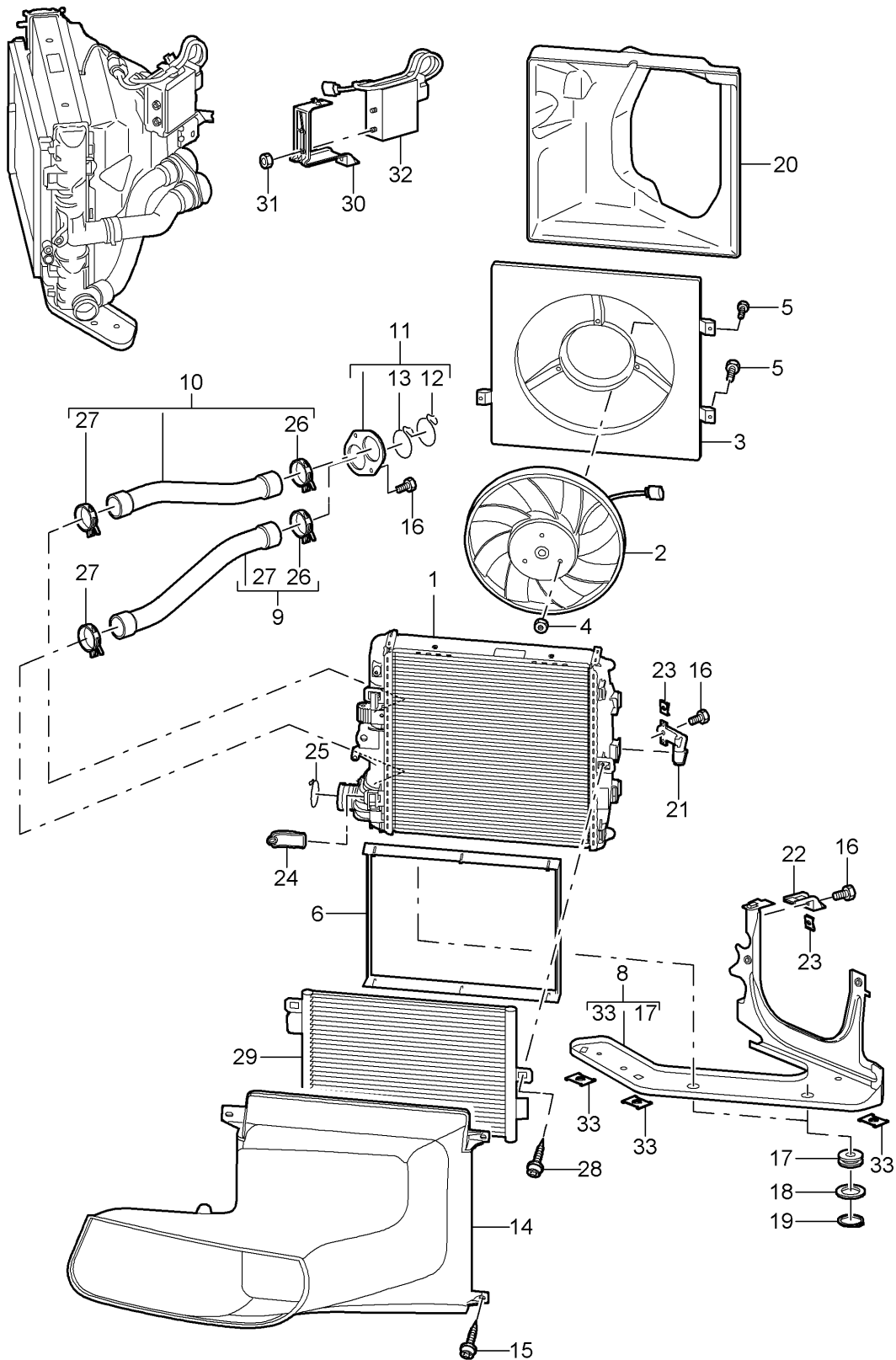
Model: 997G07

Model life 2007>>2011

Pos	Part Number	Description	Remark	Qty	Model
33	999 591 329 01	See illustrations 9/01/03 Speed nut ST 4,8		3	

Model: 997G07

Model life 2007>>2011



Model: 997G07

Model life 2007>>2011

Pos	Part Number	Description	Remark	Qty	Model
		Water cooling 3			M97.74/77
1	997 106 131 02	Radiator	/L	1	
(1)	997 106 132 02	Radiator	/R	1	
2	997 624 128 02	Fan	/R	1	
(3)	997 106 135 90	Sealing frame	/L	1	
3	997 624 132 02	Air guide	/R	1	
4	900 377 001 02	Hexagon nut M 6		6	
5	999 919 125 09	Hexagon-head bolt M 6 X 16		4	
6	997 573 711 00	Sealing frame		2	I573
8	997 106 155 01	Bracket	/L	1	
(8)	997 106 156 01	Bracket	/R	1	
9	997 106 621 05	Water hose Supply with Clamp	/L	1	
(9)	997 106 622 04	Water hose Supply with Clamp	/R	1	
10	997 106 625 04	Water hose Return line with Clamp	/L	1	
(10)	997 106 626 05	Water hose Return line with Clamp	/R	1	
11	997 106 255 02	Connecting piece		2	
12	997 106 802 01	Spring SCB 33		2	
13	997 106 802 02	Spring SCB 36		2	
14	997 575 321 91	Air guide	/L	1	
(14)	997 575 322 91	Air guide	/R	1	
15	999 919 134 09	Oval-head screw M 6 X 16		6	
16	900 385 009 01	Torx screw M 6 X 16		6	
17	999 703 494 40	Rubber mounting 15 X 19,5		4	
18	999 025 255 01	Washer 16,1 X 32 X 0,5		4	
19	999 166 083 09	Tab washer B 25		4	
20	997 575 341 00	Air guide	/L	1	
(20)	997 575 342 00	Air guide	/R	1	
21	997 106 232 01	Support Outer		2	
22	997 106 455 00	Support Left		1	
23	999 591 350 01	Speed nut ST 4,8		4	
24	997 106 231 02	Support Inner		2	
25	997 106 802 00	Spring SCB 26		2	
28	999 919 125 09	Hexagon-head bolt M6 X 16		4	
(28)		Hexagon-head bolt M6 X 16		2	I573
29		Condenser		1	

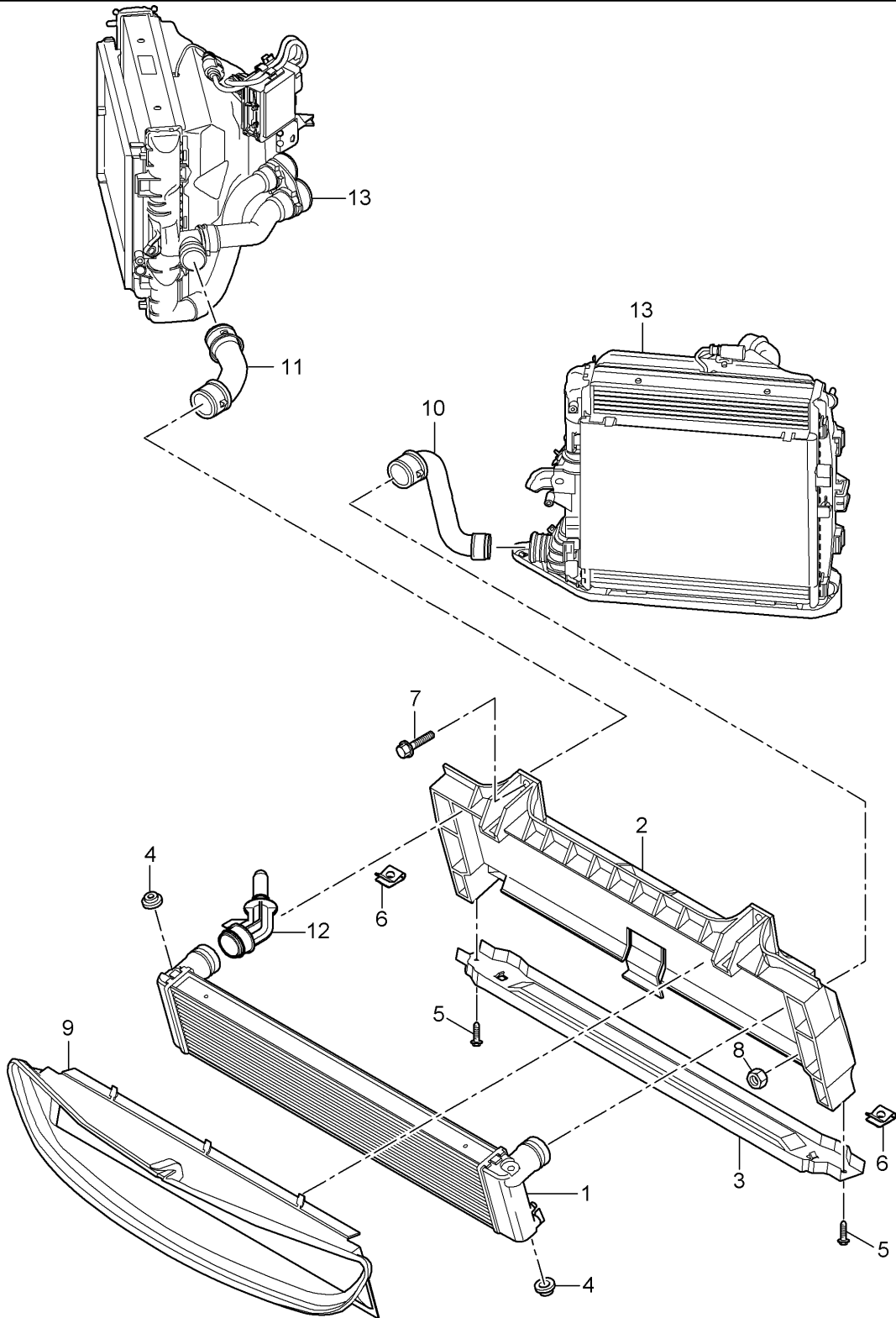
Model: 997G07

Model life 2007>>2011

Pos	Part Number	Description	Remark	Qty	Model
		See illustrations			
30	997 106 456 00	8/13/25 Support Right		1	
31	900 377 010 01	Hexagon nut M 6		2	
32		Control unit Cooling air control See illustrations		1	
33	999 591 329 01	9/01/03 Speed nut ST 4,8		6	

Model: 997G07

Model life 2007>>2011



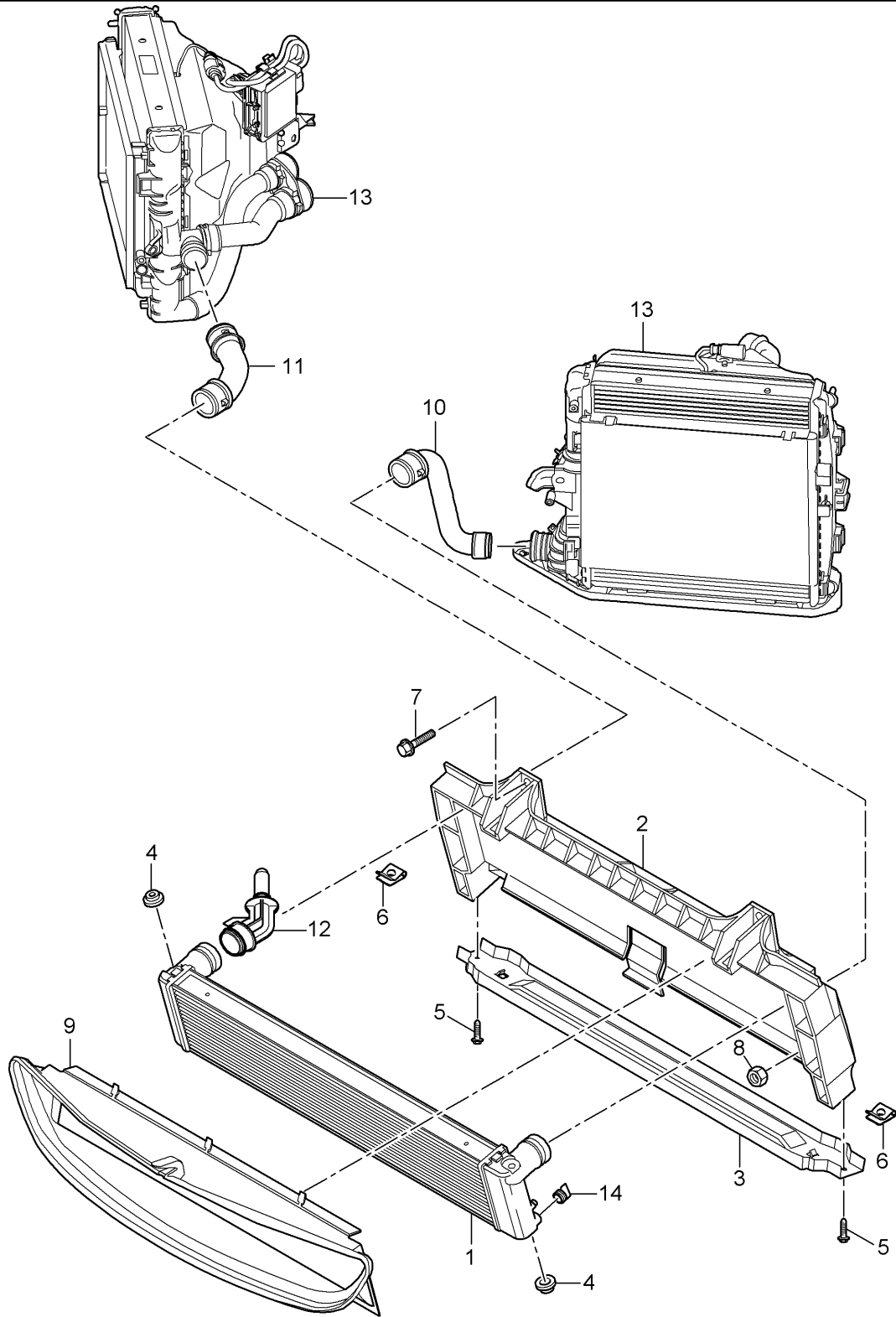
Model: 997G07

Model life 2007>>2011

Pos	Part Number	Description	Remark	Qty	Model
		Radiator Centre			M97.76
1	996 106 037 73	Radiator		1	
1	996 106 037 75	Radiator		1	
2	997 504 487 90	Retaining frame		1	
3	997 504 485 80	Retaining frame		1	
4	930 113 430 00	Rubber mounting		4	
5	900 378 035 01	Hexagon-head bolt M 6 X 16		2	
6	999 591 882 02	Speed nut M 6		2	
6	999 591 882 01	Speed nut M 6		2	
7	999 072 048 09	Hexagon-head bolt M 8 X 25		2	
7	999 072 048 01	Hexagon-head bolt M 8 X 25		2	
8	999 084 447 09	Hexagon nut M 8		2	
9	997 575 141 90	Air guide		1	
10	997 106 639 90	Water hose Return line		1	
11	997 106 638 90	Water hose Supply		1	
12	997 106 565 00	Adapter Radiator		1	
13		See illustrations 1/05/15			

Model: 997G07

Model life 2007>>2011



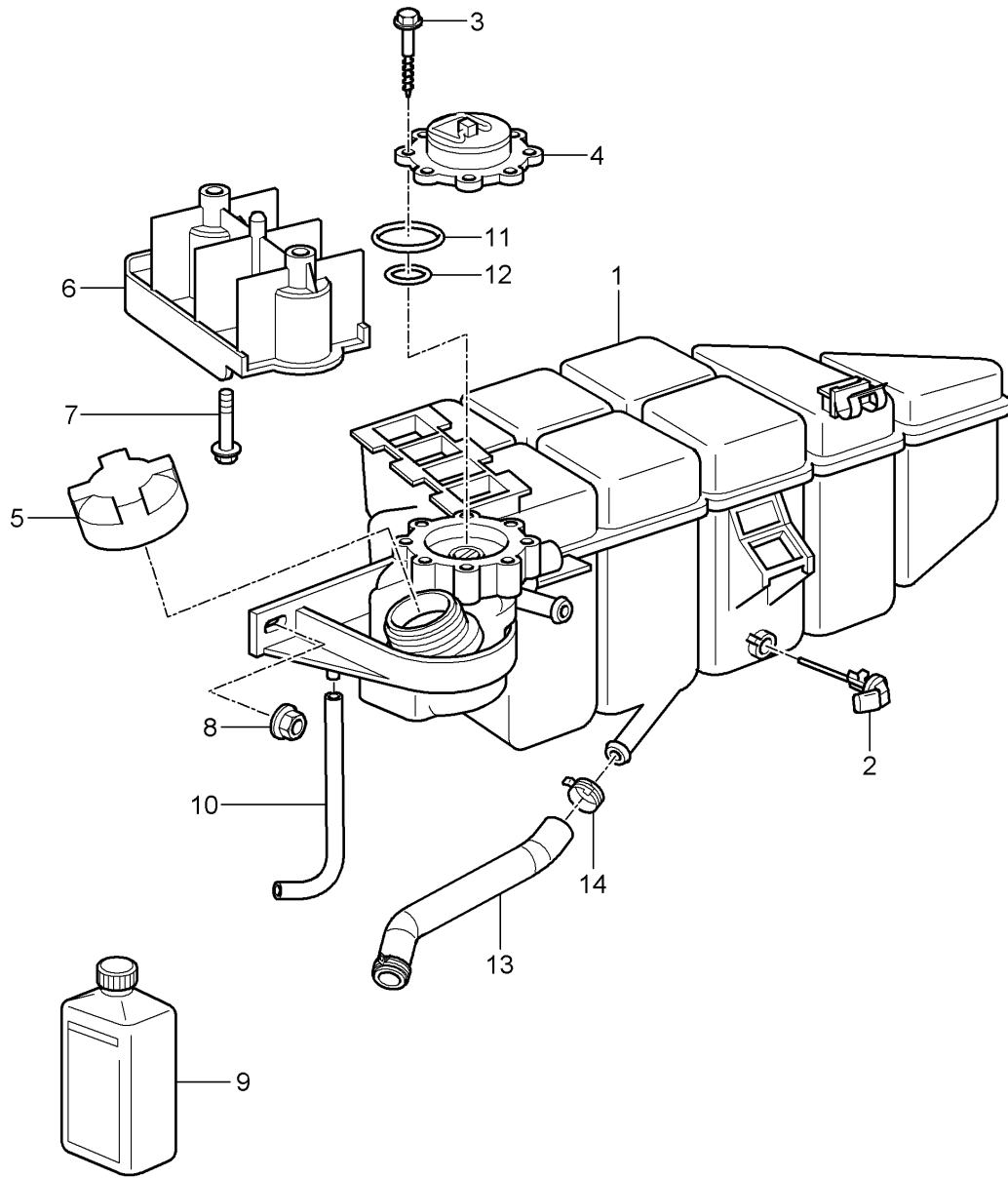
Model: 997G07

Model life 2007>>2011

Pos	Part Number	Description	Remark	Qty	Model
		Radiator Centre			M97.74/77
1	996 106 037 75	Radiator		1	
2	997 504 487 92	Retaining frame		1	
3	997 504 485 80	Retaining frame		1	
4	930 113 430 00	Rubber mounting		4	
5	900 378 035 01	Hexagon-head bolt M 6 X 16		2	
6	999 591 882 01	Speed nut M 6		2	
7	999 072 048 01	Hexagon-head bolt M 8 X 25		2	
8	999 084 447 01	Hexagon nut M 8		2	
9	997 575 141 91	Air guide		1	
10	997 106 639 91	Water hose Supply		1	
11	997 106 638 91	Water hose Return line		1	
12	997 106 565 00	Adapter Radiator		1	
13		See illustrations 1/05/15			
14	996 106 545 71	Stopper Radiator		1	
-	996 106 802 15	Retainer spring		X	
-	997 504 489 80	Air duct		1	
-	997 504 489 81	Air duct		1	
-	999 049 029 01	Hexagon nut T5		2	

Model: 997G07

Model life 2007>>2011



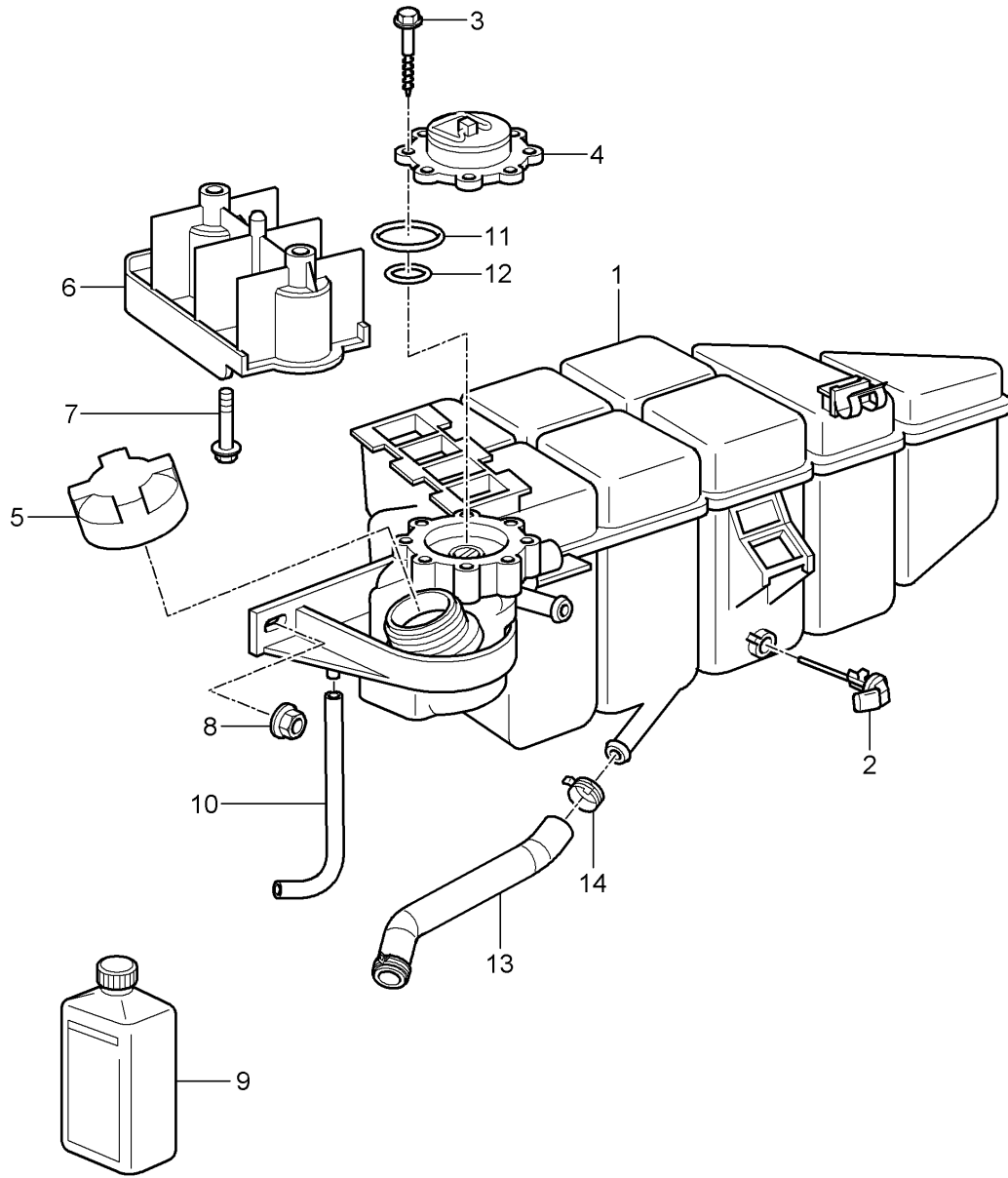
Model: 997G07

Model life 2007>>2011

Pos	Part Number	Description	Remark	Qty	Model
		Water cooling 4			M97.76
1	996 106 157 03	Water reservoir		1	
2	997 641 503 00	Switch		1	
3	999 919 058 02	Hexagon-head bolt 5,0 X 40		8	
4	996 106 347 02	Bleeder valve		1	
5	996 106 447 01	Lid See technical manual Group 1 Nr.190101		1	
6	996 106 405 52	Support		1	
7	900 378 141 09	Hexagon-head bolt M 6 X 35		2	
8	999 076 071 02	Hexagon nut M 6		1	
9	000 043 301 03	Antifreeze 1 LTR. Container		X	
(9)	000 043 301 04	Antifreeze 20 LTR. Container		X	
10	996 106 297 04	Overflow hose		1	
10	996 106 297 05	Overflow hose		1	
11	999 707 370 40	O-ring 47 X 4		1	
12	999 707 371 40	O-ring 17 X 4		1	
13	997 106 350 00	Water hose		1	
14	999 512 660 09	Hose clamp 29 X 12		1	

Model: 997G07

Model life 2007>>2011



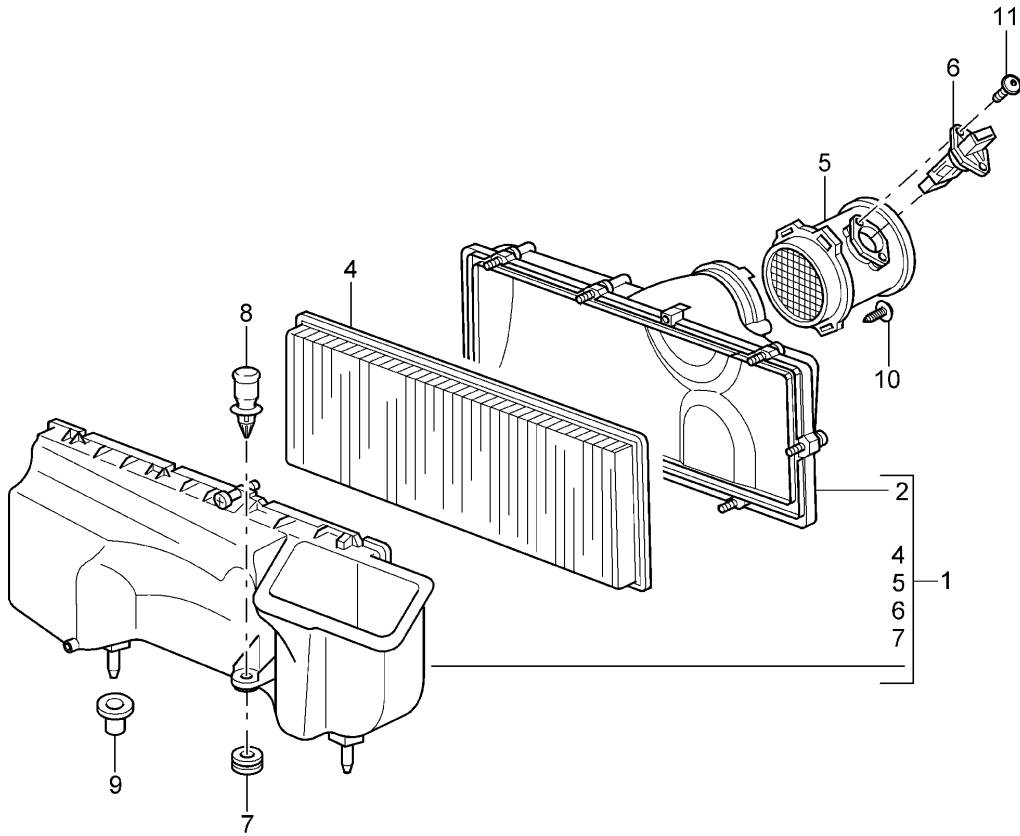
Model: 997G07

Model life 2007>>2011

Pos	Part Number	Description	Remark	Qty	Model
		Water cooling 4			M97.74/77
1	996 106 157 03	Water reservoir		1	
2	997 641 503 00	Switch		1	
3	999 919 058 01	Hexagon-head bolt 5,0 X 40		8	
4	996 106 347 02	Bleeder valve		1	
5	996 106 447 04	Lid See technical manual Group 1 Nr.190101		1	
6	996 106 405 52	Support		1	
7	900 378 141 01	Hexagon-head bolt M 6 X 35		2	
8	999 076 071 02	Hexagon nut M 6		1	
9	000 043 301 03	Antifreeze 1 LTR. Container		X	
(9)	000 043 301 04	Antifreeze 20 LTR. Container		X	
10	996 106 297 05	Overflow hose		1	
11	999 707 370 40	O-ring 47 X 4		1	
12	999 707 371 40	O-ring 17 X 4		1	
13		Water hose See illustrations 1/05/01			
14	999 512 660 09	Hose clamp 29 X 12		1	

Model: 997G07

Model life 2007>>2011



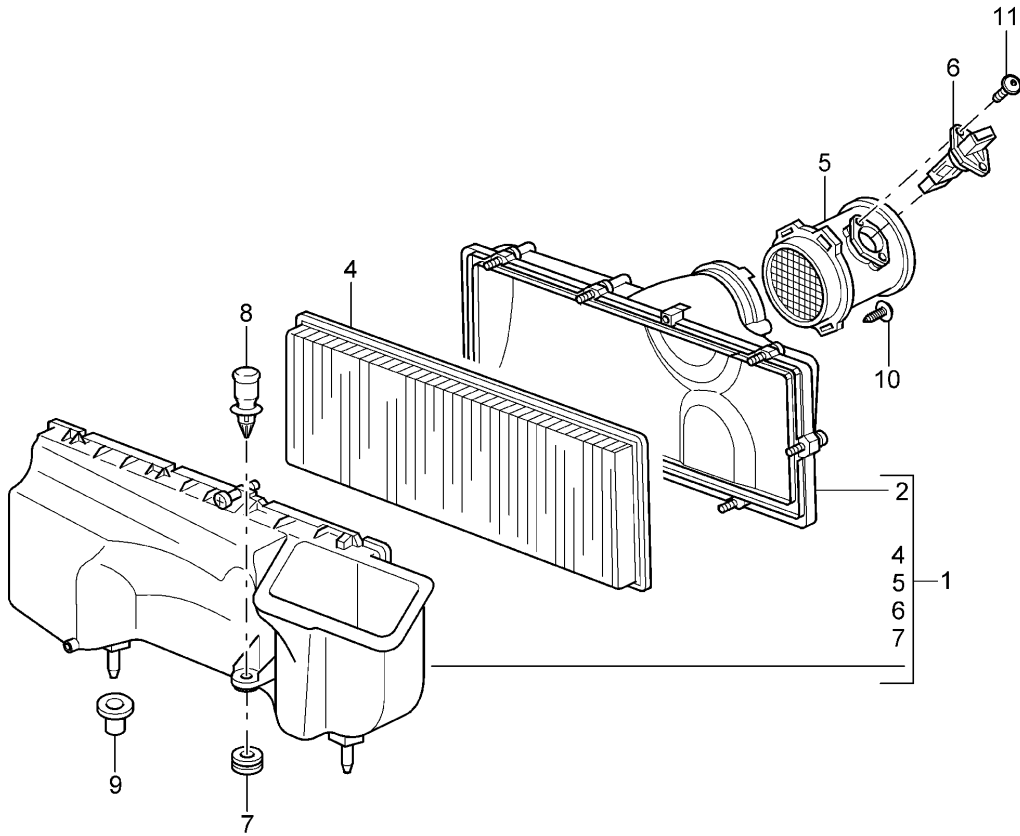
Model: 997G07

Model life 2007>>2011

Pos	Part Number	Description	Remark	Qty	Model
1	997 110 021 90	Air cleaner Air cleaner Complete		1	M97.76
2	996 110 121 93	Air cleaner Lower part		1	
4	996 110 131 71	Air cleaner cartridge		1	
5	997 110 321 90	Pipe for Mass air flow meter		1	
6	986 606 125 01	Mass air flow meter		1	
7	999 702 246 40	Grommet 12,0 X 25,6 X 17		1	
8	997 110 137 01	Clip		1	
9	999 703 478 40	Bush		1	
10	N 104 197 02	Oval-head sheetmetal screw M6 X 22		2	
11	999 919 099 01	Oval-head screw M5 X 20		2	

Model: 997G07

Model life 2007>>2011



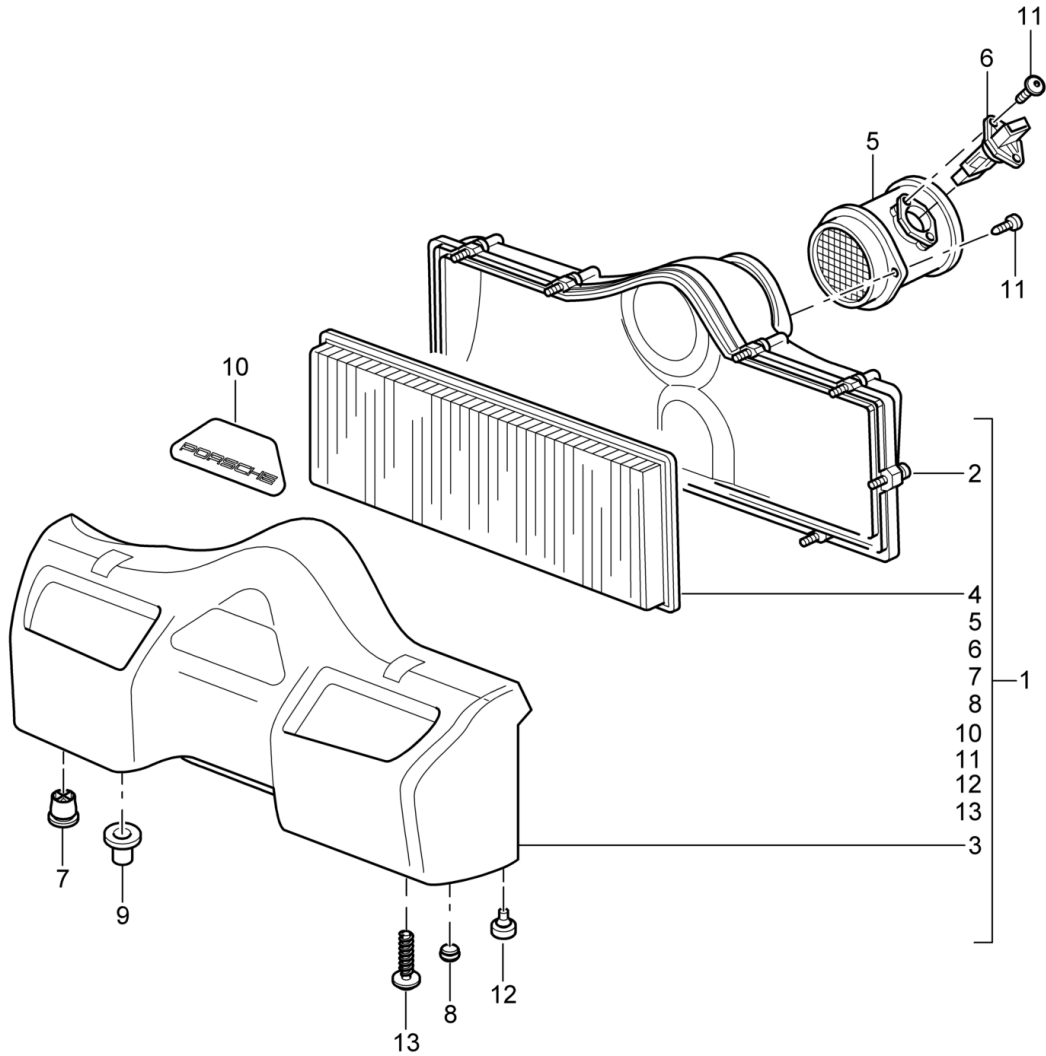
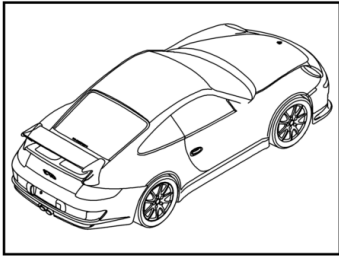
Model: 997G07

Model life 2007>>2011

Pos	Part Number	Description	Remark	Qty	Model
		Air cleaner			M97.77 -I004
1	997 110 021 90	Air cleaner Complete		1	
2	996 110 121 93	Air cleaner Lower part		1	
4	996 110 131 71	Air cleaner cartridge		1	
5	997 110 321 90	Pipe for Mass air flow meter		1	
6	986 606 125 01	Mass air flow meter		1	
7	999 702 246 40	Grommet 12,0 X 25,6 X 17		1	
8	997 110 137 01	Clip		1	
9	999 703 478 40	Bush		1	
10	N 104 197 02	Oval-head sheetmetal screw M6 X 22		2	
11	999 919 099 01	Oval-head screw M5 X 20		2	

Model: 997G07

Model life 2007>>2011



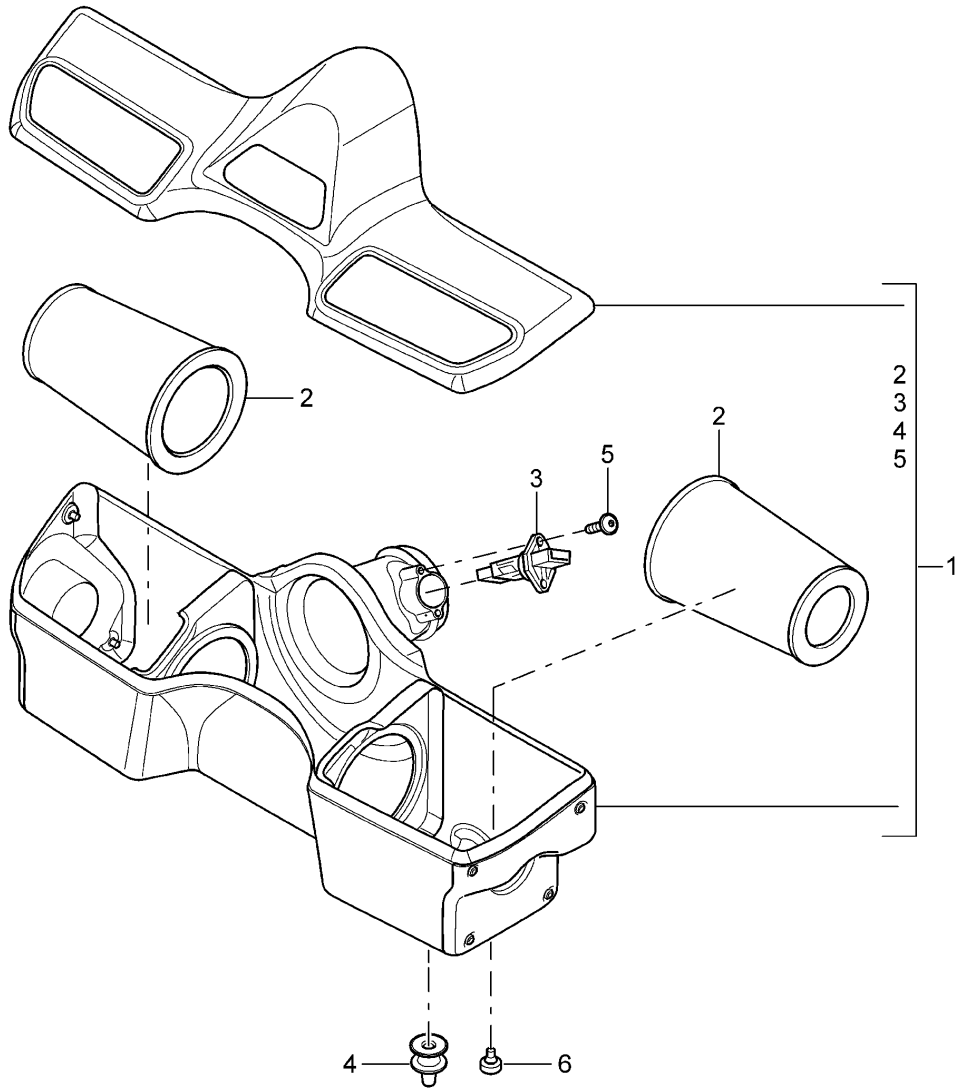
Model: 997G07

Model life 2007>>2011

Pos	Part Number	Description	Remark	Qty	Model
		Air cleaner			M97.77 I004
1	997 110 021 92	Air cleaner Complete		1	
2	997 110 121 92	Air cleaner Lower part		1	
3	997 110 122 92	Air cleaner Upper part		1	
4	997 110 131 74	Air cleaner cartridge		1	
5	997 110 321 92	Pipe for Mass air flow meter		1	
6	997 606 125 00	Mass air flow meter		1	
6	986 606 125 01	Mass air flow meter		1	
7	997 110 239 00	Mounting Air cleaner		4	
8	997 110 238 00	Rubber stop		3	
9	999 703 267 40	Bush		2	
10	997 110 721 92	Logo RS 3.8		1	
11	999 919 099 01	Oval-head screw M5 X 20		4	
12	997 555 533 01	Stop		2	
13	999 919 261 01	Oval-head screw M 5 X 20,0		4	

Model: 997G07

Model life 2007>>2011



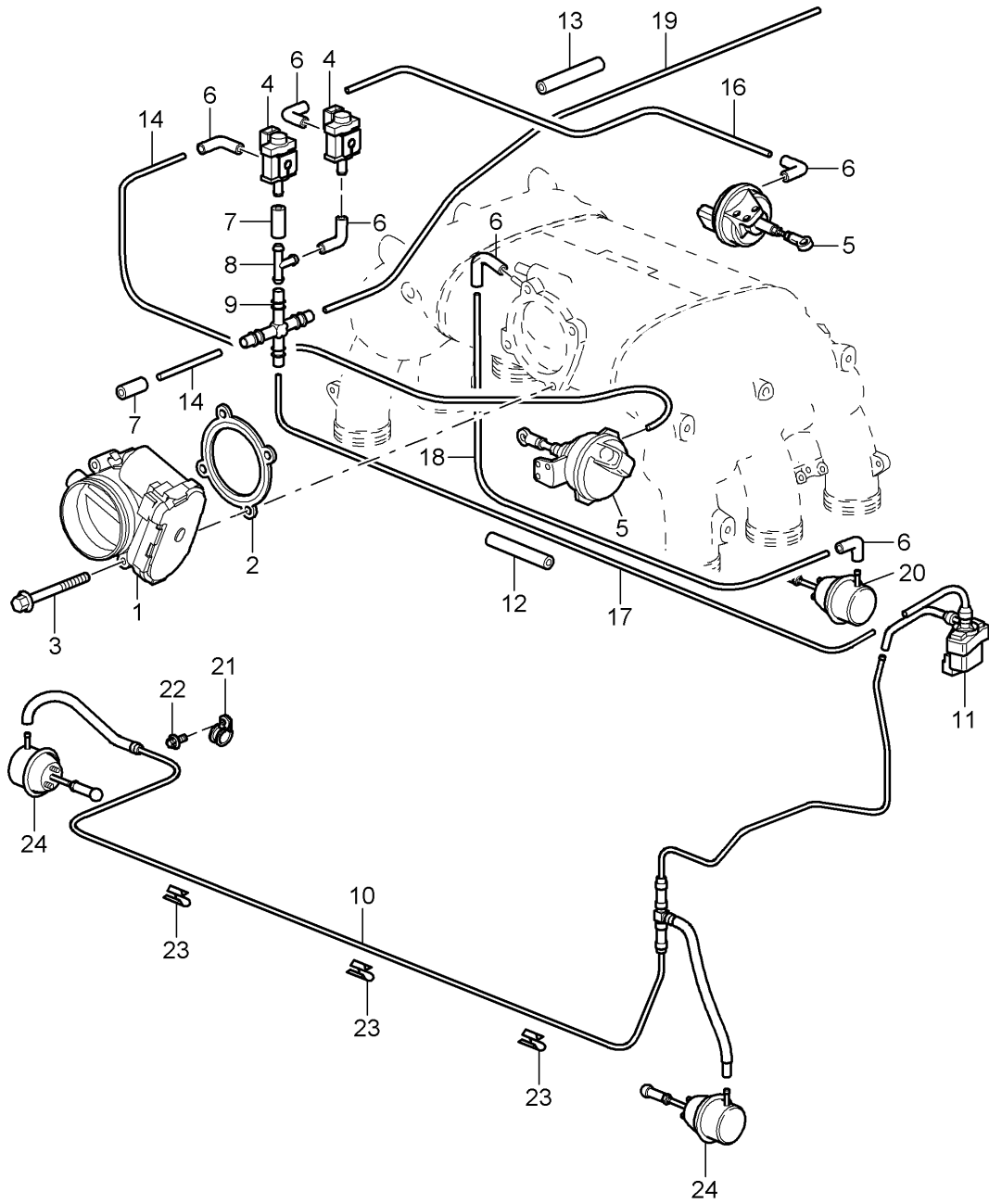
Model: 997G07

Model life 2007>>2011

Pos	Part Number	Description	Remark	Qty	Model
		Air cleaner			M97.74 I006
1	997 110 021 94	Air cleaner Complete		1	
2	997 110 131 91	Air cleaner cartridge		2	
3	986 606 125 01	Mass air flow meter		1	
4	999 703 267 40	Bush		2	
5	999 073 268 A2	Oval-head screw M 5 x 12		10	
6	997 555 533 01	Stop		5	

Model: 997G07

Model life 2007>>2011



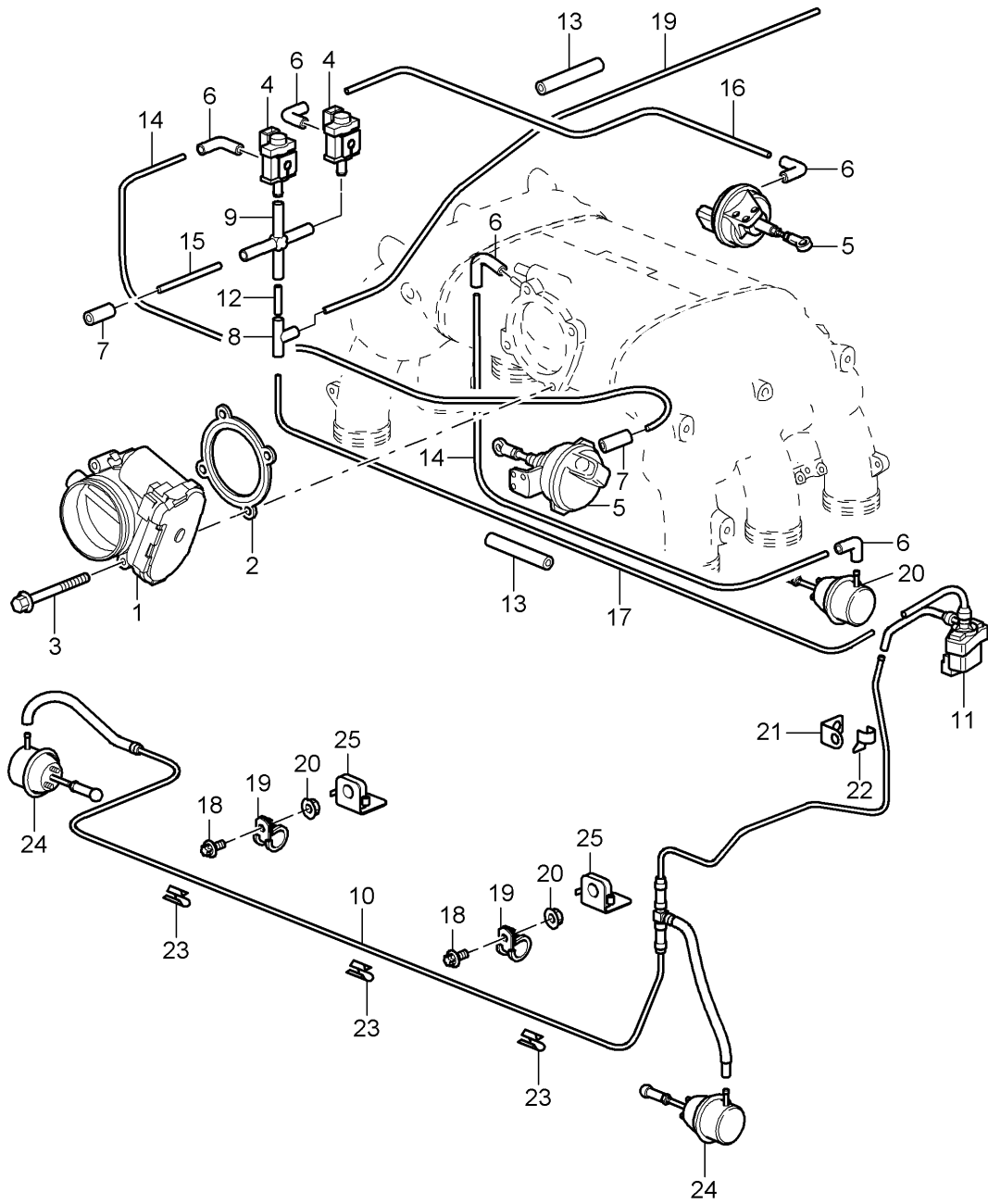
Model: 997G07

Model life 2007>>2011

Pos	Part Number	Description	Remark	Qty	Model
		Throttle body			M97.76
1	997 605 116 01	Throttle body		1	
2	997 110 319 90	Gasket		1	
3	900 385 070 01	Torx screw M 6 X 50		4	
4	996 605 123 01	Change-over valve		2	
5		See illustrations 1/07/10		1	
6	928 574 717 03	Moulded hose		7	
7	999 239 040 40	Connecting piece		2	
8	999 137 004 40	T-piece		1	
9	928 573 729 03	Distributing piece		1	
9	928 573 729 05	Distributing piece		1	
10	997 110 161 91	Control line		1	
11	997 110 163 90	Control line with Change-over valve		1	
12	999 614 015 40	Insulating hose 10 X 0,7 X 150		1	
13	999 614 013 40	Insulating hose 10 X 0,7 X 250		1	
-	999 181 742 40	Pipe 4,0 X 1,0		X	
14		230 MM		1	
15		335 MM		1	
16		360 MM		1	
17		450 MM		1	
18		580 MM		1	
19	900 918 011 40	Pipe 4,0 X 1,0 1200 MM		1	
20		See illustrations 1/07/05			
21	999 512 429 01	Clamp 6 X 15		1	
22	900 385 041 01	Torx screw M 6 X 12		1	
23	999 652 326 03	Cable clamp 3,5 - 4,0		3	
24		Vacuum unit Not available Front muffler Use See illustrations 2/02/00		2	

Model: 997G07

Model life 2007>>2011

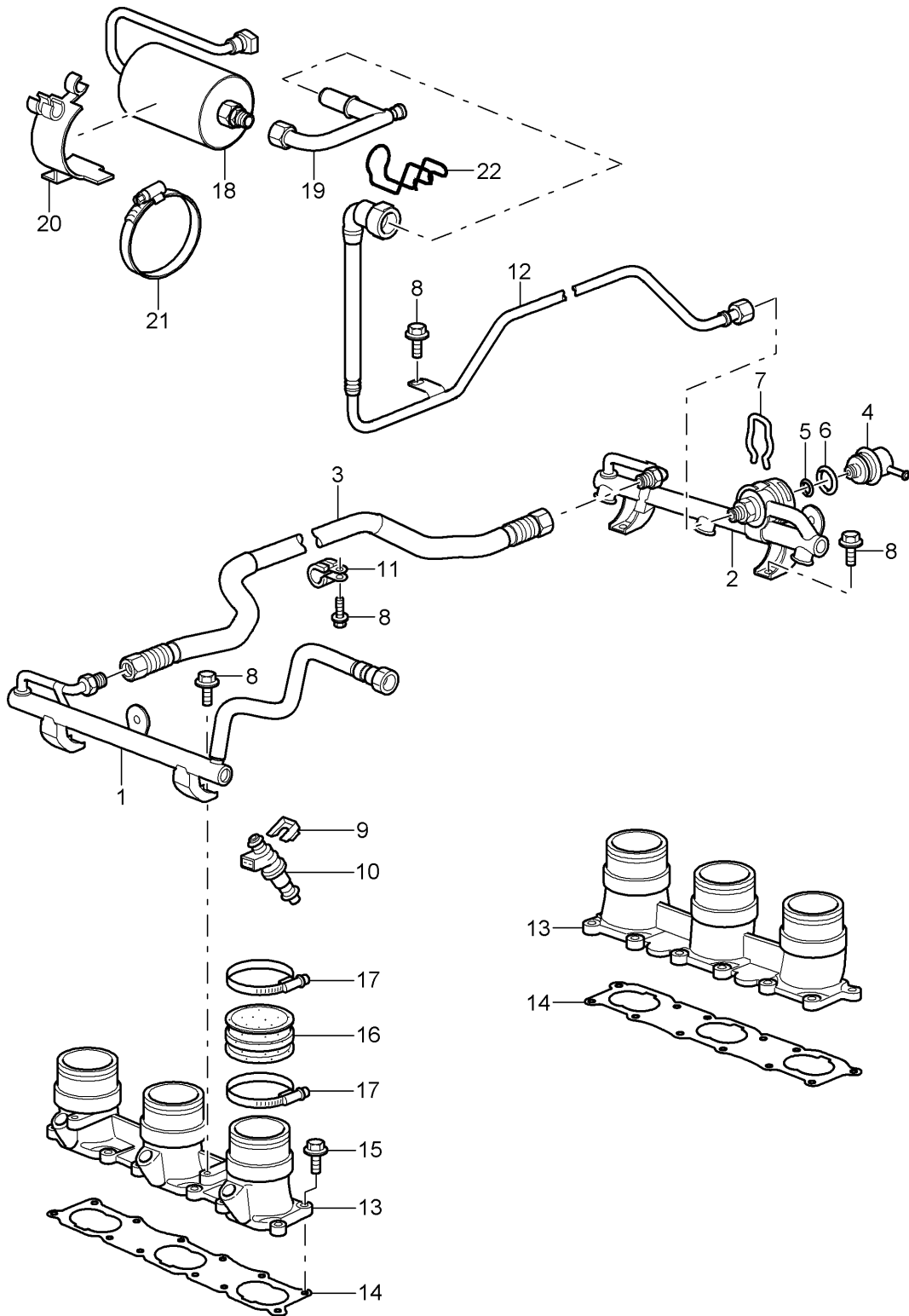


Model: 997G07 Model life 2007>>2011

Pos	Part Number	Description	Remark	Qty	Model
		Throttle body			M97.74/77
		Control line			
		Flap			
		Exhaust gas			
1	997 605 116 01	Throttle body		1	
2	997 110 319 90	Gasket		1	
3	900 385 070 01	Torx screw		4	
		M 6 X 50			
4	996 605 123 01	Change-over valve		2	
5		See illustrations		1	
		1/07/11			
6	928 574 717 05	Moulded hose		6	
6	928 574 717 07	Moulded hose		6	
6	9P1 129 487	Moulded hose		6	
7	999 239 040 40	Connecting piece		2	
8	928 573 727 05	Distributing piece		1	
		Triple			
9	928 573 729 05	Distributing piece		1	
		Fourfold			
10	997 110 161 93	Control line		1	
11	997 110 163 90	Control line		1	
		with			
		Change-over valve			
12	900 918 078 40	Pipe		1	
		4 x 1 x 75			
13	999 614 013 40	Insulating hose		2	
		10 X 0,7 X 250			
14	900 918 060 40	Pipe		2	
		4 x 1 x 300			
15	900 918 067 40	Pipe		1	
		4 x 1 x 350			
16	900 918 080 40	Pipe		1	
		4 x 1 x 530			
17	900 918 017 40	Pipe		1	
		4 x 1 x 580			
18	900 385 009 01	Torx screw		3	
		M 6 x 16			
18	900 385 019 01	Torx screw		3	
		M 6 x 20			
19	999 512 429 01	Clamp		3	
		6 x 15			
20	900 377 010 01	Hexagon nut		3	-I074/-I172 -I193
		M6			
20		Hexagon nut		1	I074/172/193
		M 6			
21	997 110 597 90	Retaining bracket		2	
22	999 507 506 40	Cable holder		2	
23	999 512 527 00	Clamp		2	
		8,5 - 10			
24		Vacuum unit		2	
		Not available			
		Front muffler			
		Use			
		See illustrations			
		2/02/01			
25	997 375 431 90	Support		2	-I004/I074 I172/193
		Cover			

Model: 997G07

Model life 2007>>2011



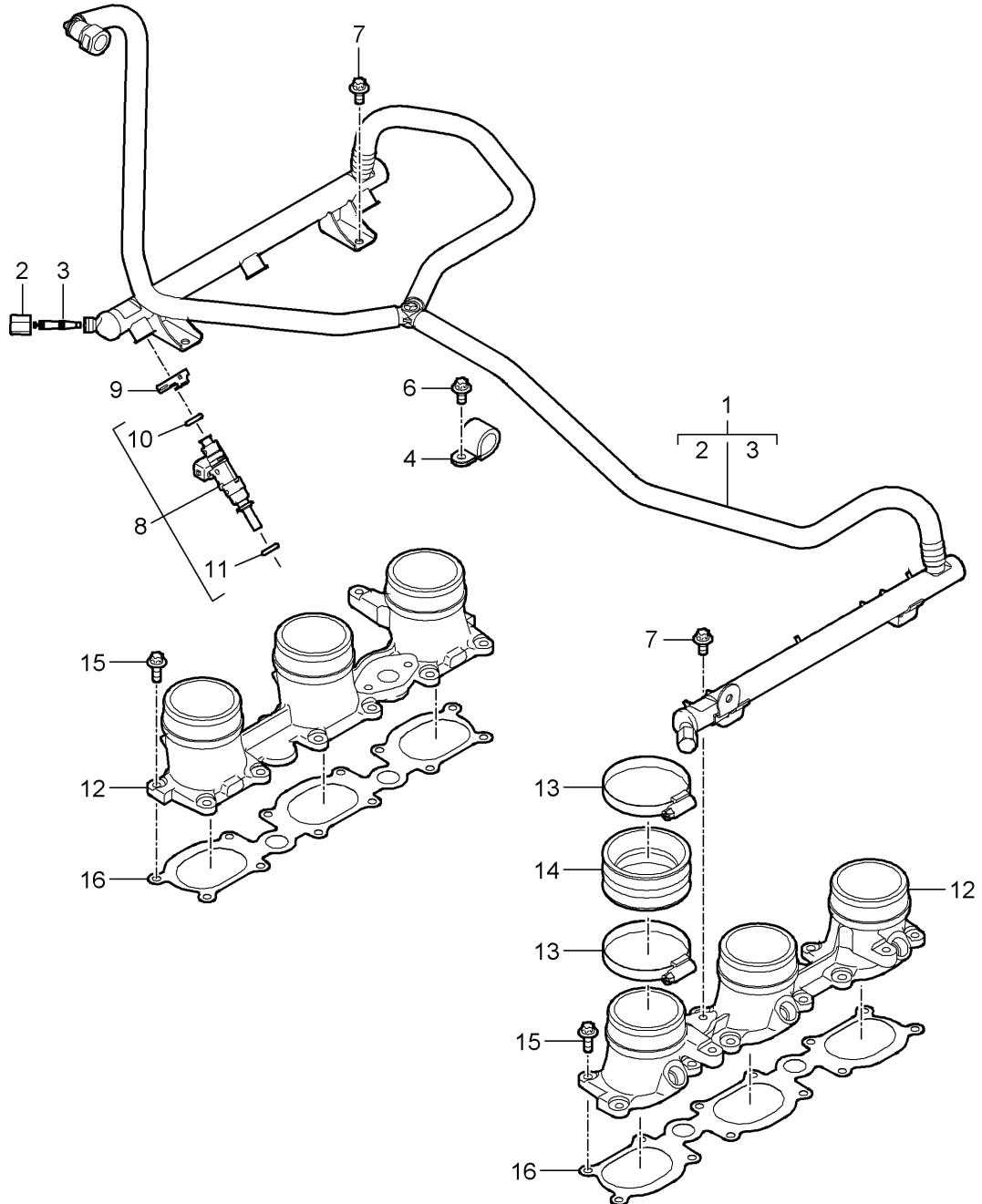
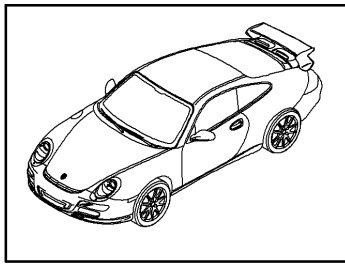
Model: 997G07

Model life 2007>>2011

Pos	Part Number	Description	Remark	Qty	Model
1	997 110 307 91	Fuel collection pipe Fuel collection pipe Cyl. 1 - 3		1	M97.76
2	997 110 308 90	Fuel collection pipe Cyl. 4 - 6		1	
3	997 110 309 90	Fuel hose		1	
4	997 110 199 70	Pressure regulator		1	
5	999 707 276 40	O-ring 5 X 2,5		1	
6	999 707 277 40	O-ring 20 X 2,5		1	
7	993 110 196 00	Retaining clip		1	
8	900 385 041 01	Torx screw M 6 X 12		7	
9	996 110 113 52	Retaining clip		6	
10	997 605 132 90	Injector valve		6	
11	999 511 177 02	Clamp 20 X 15		1	
11	999 511 177 01	Clamp 20 X 15		1	
12	997 110 324 91	Return line		1	
12	997 110 324 92	Return line		1	
13	997 110 101 90	Intake manifold		2	
14	996 110 103 93	Gasket		2	
15	900 385 009 01	Torx screw M 6 X 16		24	
16	996 110 687 90	Rubber sleeve		6	
17	999 512 349 02	Hose clamp 50 - 70/9		12	
17	999 512 349 01	Hose clamp 50 - 70/9		12	
18	996 110 253 52	Fuel filter		1	
19	997 110 065 00	Bleeder valve		1	
(19)	997 110 065 01	Bleeder valve		1	
20	997 110 257 03	Support		1	
21	999 512 390 00	Hose clamp 60- 80/13		1	
22	997 110 267 70	Safety clip		1	

Model: 997G07

Model life 2007>>2011

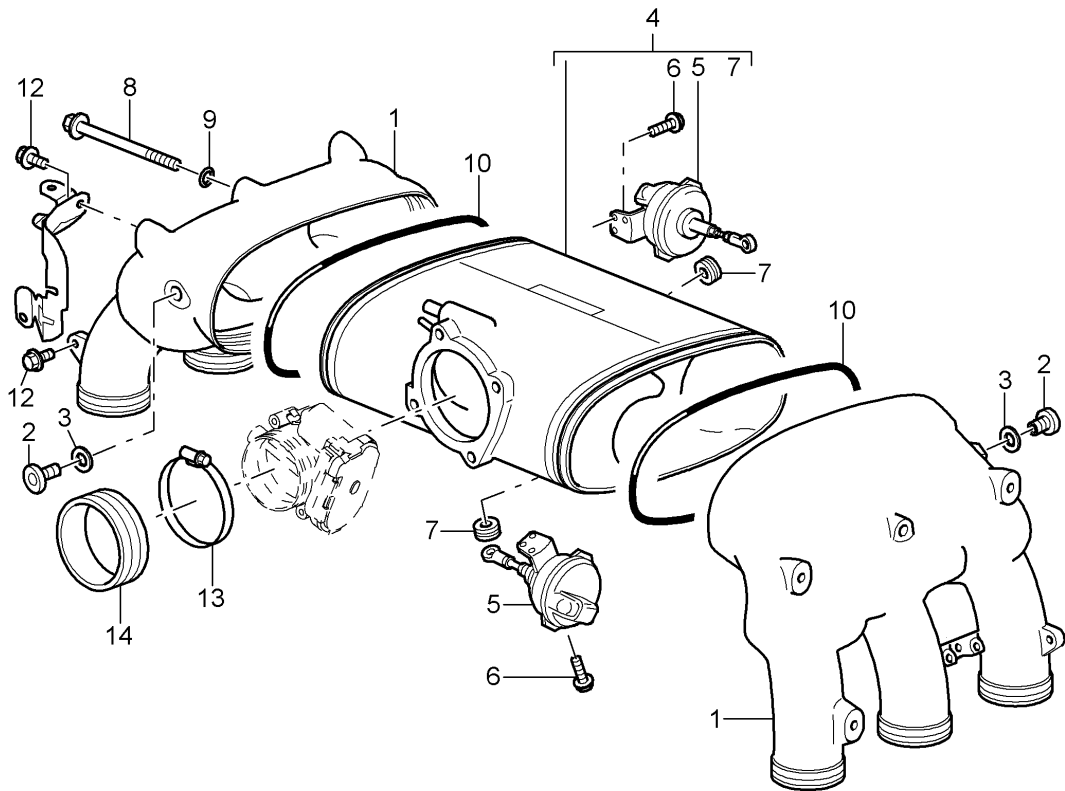
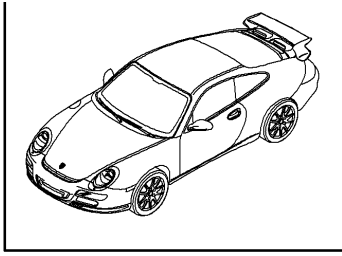


Model: 997G07 Model life 2007>>2011

Pos	Part Number	Description	Remark	Qty	Model
		Fuel collection pipe			M97.77 M97.74
1	997 110 031 91	Fuel collection pipe		1	
2	997 110 218 00	Cap		2	
		Valve			
3	993 110 217 00	Valve		2	
4	999 511 066 01	Clamp		1	
		18 x 15			
6	900 385 009 01	Torx screw		1	
		M6 x 16			
7	900 385 041 01	Torx screw		4	
		M6 x 12			
8	997 605 132 90	Injector valve		6	M97.77
8	997 605 132 91	Injector valve		6	M97.74
9	996 110 113 53	Retaining clip		6	
10	999 707 574 40	O-ring		6	
		7,52 x 3,51			
11	999 707 573 40	O-ring		6	
		8,30 x 3,05			
12	997 110 101 90	Intake manifold		2	M97.77
12	997 110 101 92	Intake manifold		2	M97.74
13	999 512 349 02	Hose clamp		12	
		50 - 70/9			
13	999 512 349 01	Hose clamp		12	
		50 - 70/9			
14	996 110 687 90	Rubber sleeve		6	M97.77
(14)	997 110 687 90	Rubber sleeve		6	M97.74
15	900 385 019 01	Torx screw		24	
		M6 x 20			
16	996 110 103 93	Gasket		2	

Model: 997G07

Model life 2007>>2011



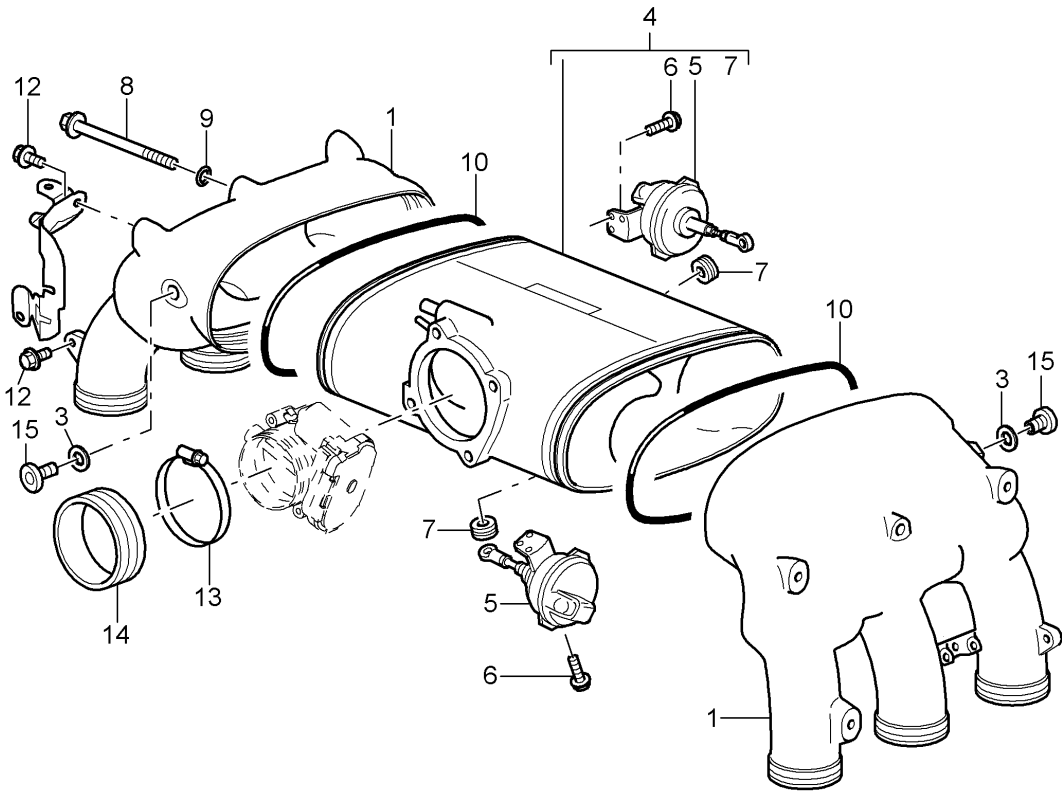
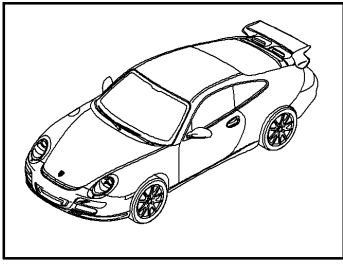
Model: 997G07

Model life 2007>>2011

Pos	Part Number	Description	Remark	Qty	Model
		Intake distributor			M97.76
1	997 110 619 90	Intake distributor		2	
2	900 219 004 01	Screw plug M 16 X 1,5		2	
3	900 123 131 30	Sealing ring A 16 X 20		2	
4	997 110 116 90	Distributor tube		1	
5	993 110 462 02	Vacuum unit		2	
6	999 146 007 01	Round head screw M 5 X 16		4	
7	999 113 477 40	Shaft sealing ring 8 X 16 X 7		2	
8	900 378 280 02	Hexagon-head bolt M 6 X 130		2	
9	N 013 804 2	Sealing ring 6 X 10		2	
10	900 331 056 40	O-ring 180 X 3,0		2	
11	997 605 665 90	Support Change-over valve		1	
12	900 385 041 01	Torx screw M 6 X 12		2	
13	999 512 539 00	Hose clamp 90 - 110/9		1	
13	999 512 539 01	Hose clamp 90 - 110/9		1	
14	997 110 621 90	Rubber sleeve		1	
15	997 110 728 90	Nipple		1	
16	N 013 802 1	Sealing ring		1	

Model: 997G07

Model life 2007>>2011



Model: 997G07

Model life 2007>>2011

Pos	Part Number	Description	Remark	Qty	Model
1	997 110 619 90	Intake distributor Intake distributor		2	M97.74/77 M97.77 -I004
1	997 110 619 91	Intake distributor		1	M97.77 I004
1		Cyl. 1 - 3 Intake distributor		1	M97.74 I004
1	997 110 619 92	Cyl. 1 - 3 M >> 61B 31503 Intake distributor		1	M97.74 I004
2	997 110 620 91	Cyl. 1 - 3 M 61B 31504 >> Intake distributor		1	M97.77 I004
2		Cyl. 4 - 6 Intake distributor		1	M97.74 I004
2	997 110 620 92	Cyl. 4 - 6 M >> 61B 31503 Intake distributor		1	M97.74 I004
-	997 110 719 90	Cyl. 4 - 6 M 61B 31504 >> Spacer sleeve for Intake distributor		2	M97.74
3	900 123 131 30	997.110.619.92 997.110.620.92 Sealing ring A 16 x 20		2	M97.77
4	997 110 116 90	Distributor tube		1	M97.77 -I004
4	997 110 116 91	Distributor tube		1	M97.74/77 I004
4	997 110 116 94	Distributor tube		1	M97.74/77 I004
5	993 110 462 02	Vacuum unit		2	
6	999 146 007 01	Round head screw M 5 X 16		4	
7	999 113 477 40	Shaft sealing ring 8 X 16 X 7		2	
8	900 385 122 01	Torx screw M 6 X 100		2	M97.74/77 I004
8	900 378 280 02	Hexagon-head bolt M 6 X 130		2	M97.77 -I004
9	N 013 804 2	Sealing ring 6 X 10		2	
10	900 331 056 40	O-ring 180 X 3,0		2	
11	997 605 665 92	Support Change-over valve		1	
12	900 385 041 01	Torx screw M 6 X 12		2	
13	999 512 539 01	Hose clamp 90 - 110/9		1	
14	997 110 621 90	Rubber sleeve		1	
15	900 219 004 01	Screw plug M 16 x 1,5		2	M97.77
16	996 110 530 90	Grommet		1	M97.77

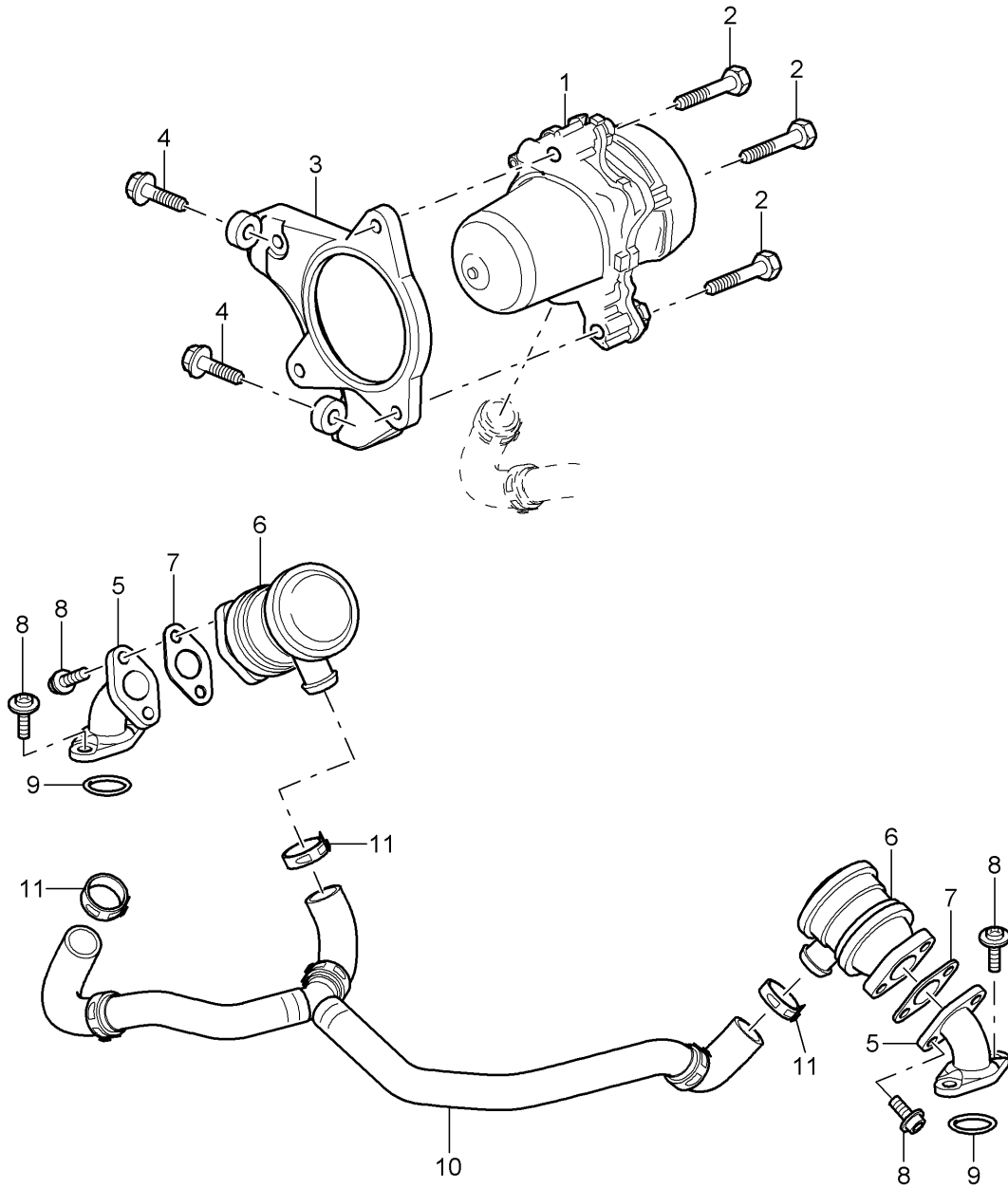
Model: 997G07

Model life 2007>>2011

Pos	Part Number	Description	Remark	Qty	Model
(16)	993 110 530 01	Temperature sensor Grommet		1	-I004 M97.74/77 I004
17	997 110 728 90	Temperature sensor Nipple		1	
18	N 013 802 1	Sealing ring		1	
19	997 606 213 00	Temperature sensor		1	

Model: 997G07

Model life 2007>>2011



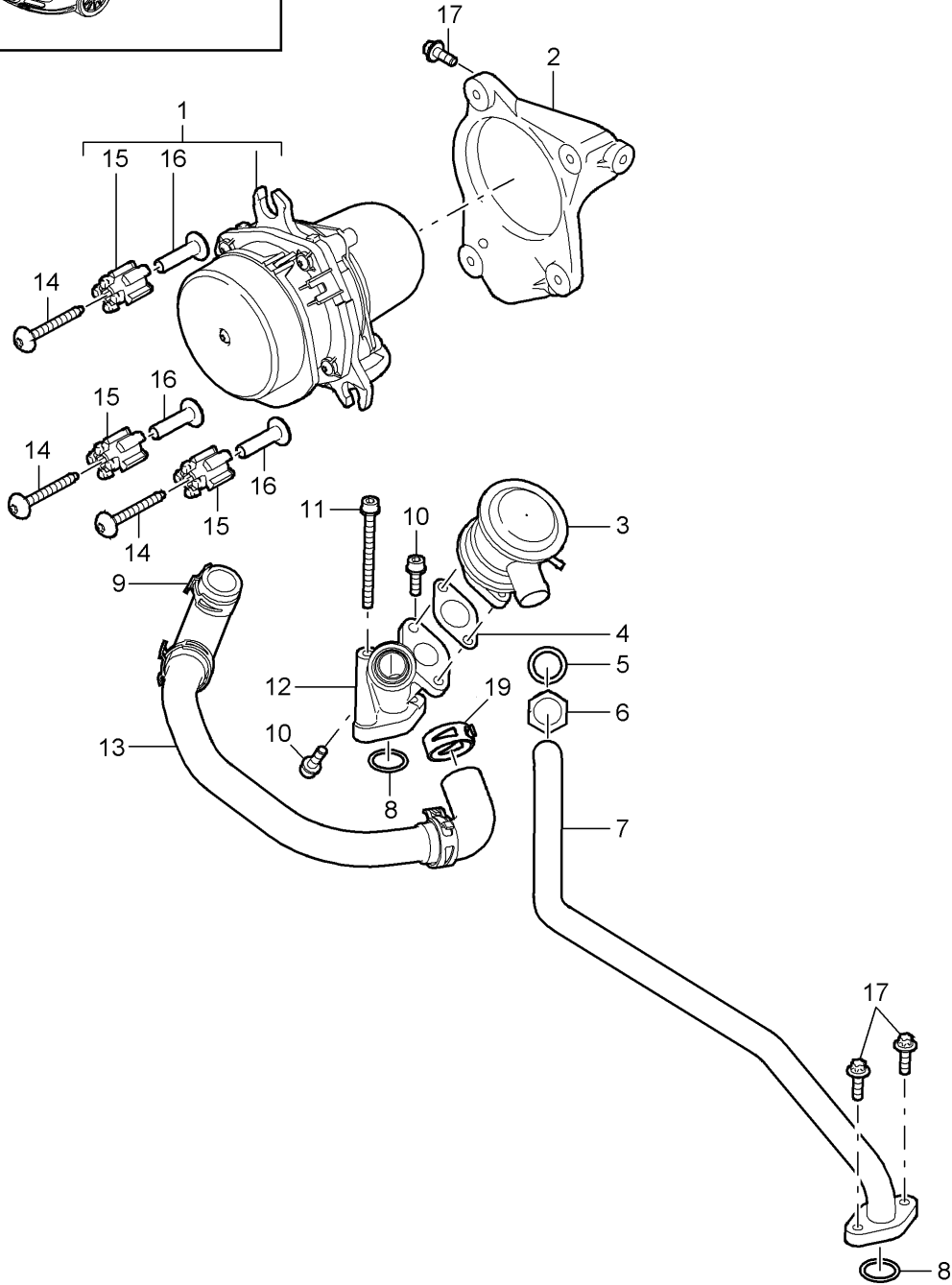
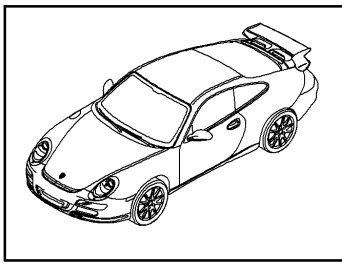
Model: 997G07

Model life 2007>>2011

Pos	Part Number	Description	Remark	Qty	Model
		Air injection			M97.76
1	997 605 104 00	Secondary pump	07	1	
(1)	997 605 104 02	Secondary pump	08-	1	
2	955 113 325 00	Oval-head screw M 6 X 50		3	
3	997 113 240 90	Support		1	
4	900 385 019 01	Torx screw M 6 X 20		2	
5	997 113 101 90	Bracket		2	
6	948 113 203 01	Valve		2	
7	993 113 258 51	Gasket		2	
8	900 067 207 01	Combination screw M 6 X 20		8	
9	999 707 472 40	O-ring 20,0 X 2,5		2	
10	997 113 107 90	Air hose		1	
11	999 512 658 09	Hose clamp 27 X 12		6	

Model: 997G07

Model life 2007>>2011



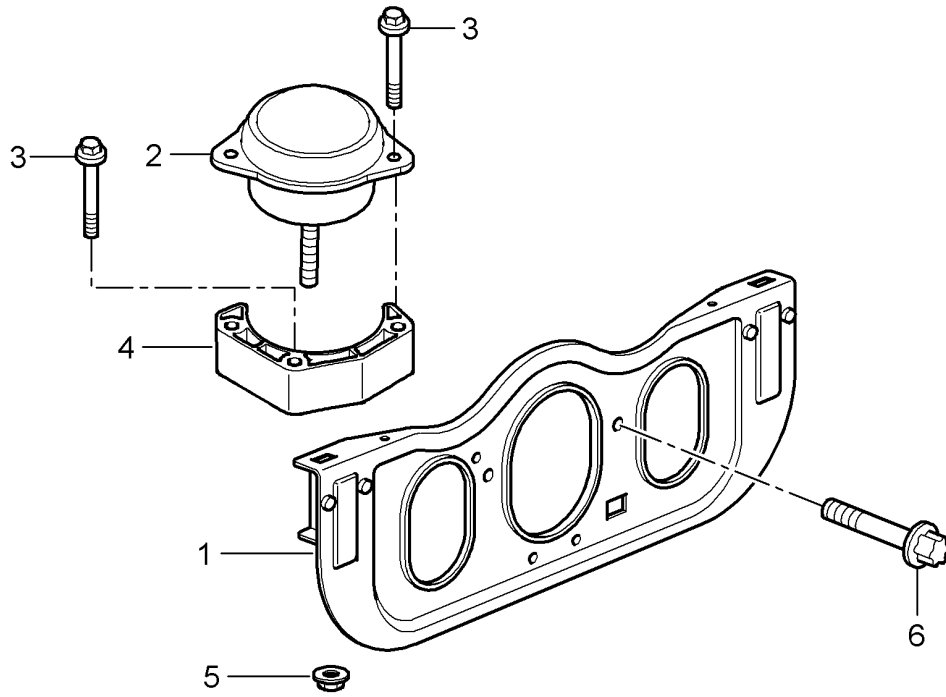
Model: 997G07

Model life 2007>>2011

Pos	Part Number	Description	Remark	Qty	Model
		Air injection			M97.74/77
1	997 605 104 02	Secondary pump		1	
2	997 113 240 90	Support		1	
3	997 113 249 90	Shut-off valve		1	
4	993 113 258 51	Gasket		1	
5	900 102 011 03	Cutting ring		1	
6	999 261 025 01	Cap screw		1	
7	997 113 117 90	Connecting line		1	
8	999 707 472 40	O-ring		2	
		20 x 2,5			
9	999 512 658 09	Hose clamp		1	
		27 x 12			
10	900 067 207 01	Combination screw		3	
		M 6 X 20			
11	900 067 331 01	Screw		2	
		M 6 x 75			
12	997 113 101 91	Bracket		1	
13	997 113 107 91	Air hose		1	
14	7L5 951 541	Screw		3	
		M 6 X 50			
14	955 113 325 00	Oval-head screw		3	
		M 6 X 50			
15	999 703 868 40	Rubber mounting		3	
16	999 209 077 01	Spacer sleeve		3	
17	900 385 019 01	Torx screw		4	
		M 6 x 20			
19	999 512 346 01	Hose clamp		1	
		16 - 27			

Model: 997G07

Model life 2007>>2011



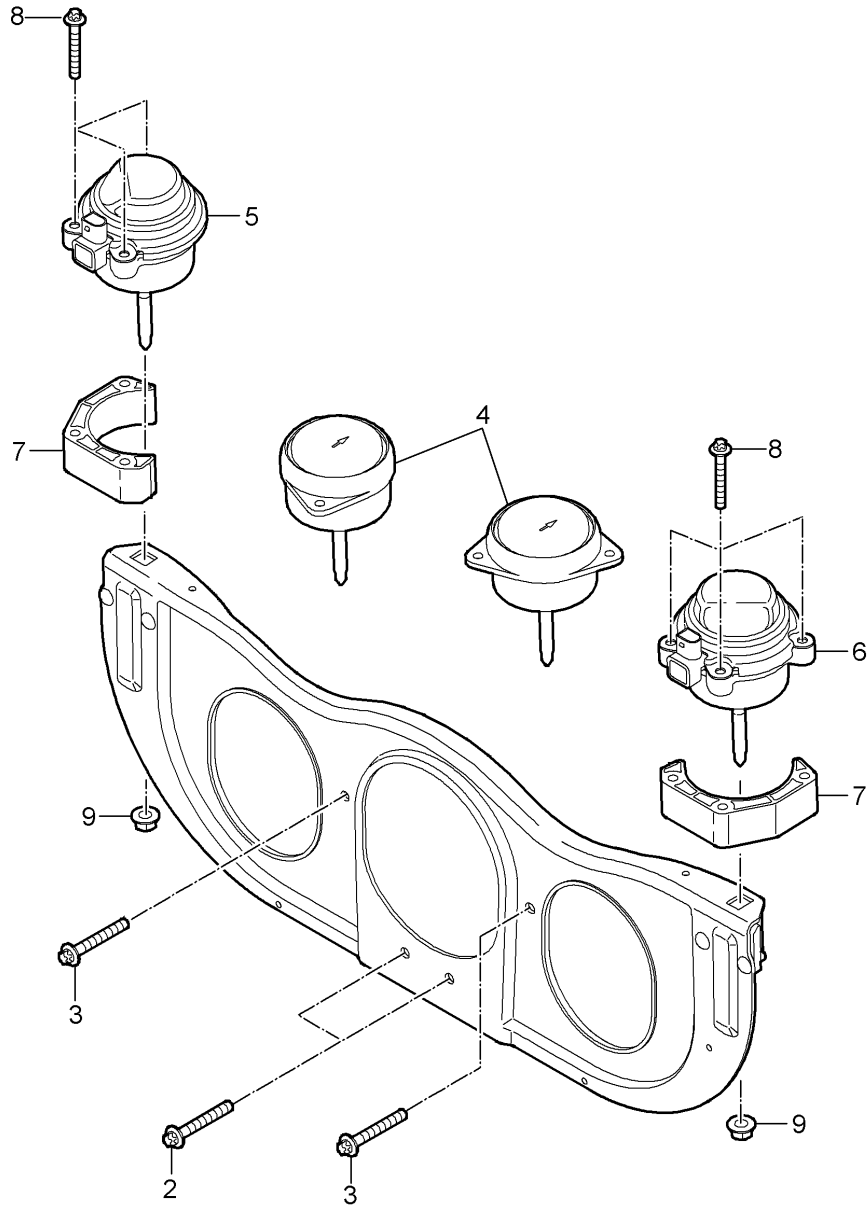
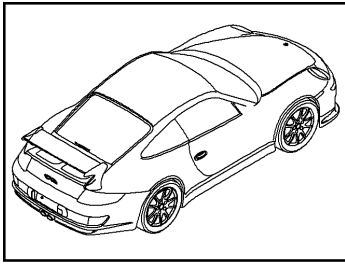
Model: 997G07

Model life 2007>>2011

Pos	Part Number	Description	Remark	Qty	Model
		Engine suspension			M97.76
1	996 375 013 01	Engine carrier		1	
2	980 375 351 01	Hydraulic mount		2	
(2)	980 375 351 02	Hydraulic mount		2	
3	900 378 159 01	Hexagon-head bolt AM 8 X 60		12	
4	996 375 221 02	Adapter		2	
5	999 084 215 09	Lock nut M 12 X 1,5		2	
6	900 385 119 01	Outer hexagon round screw M 10X 70		4	

Model: 997G07

Model life 2007>>2011



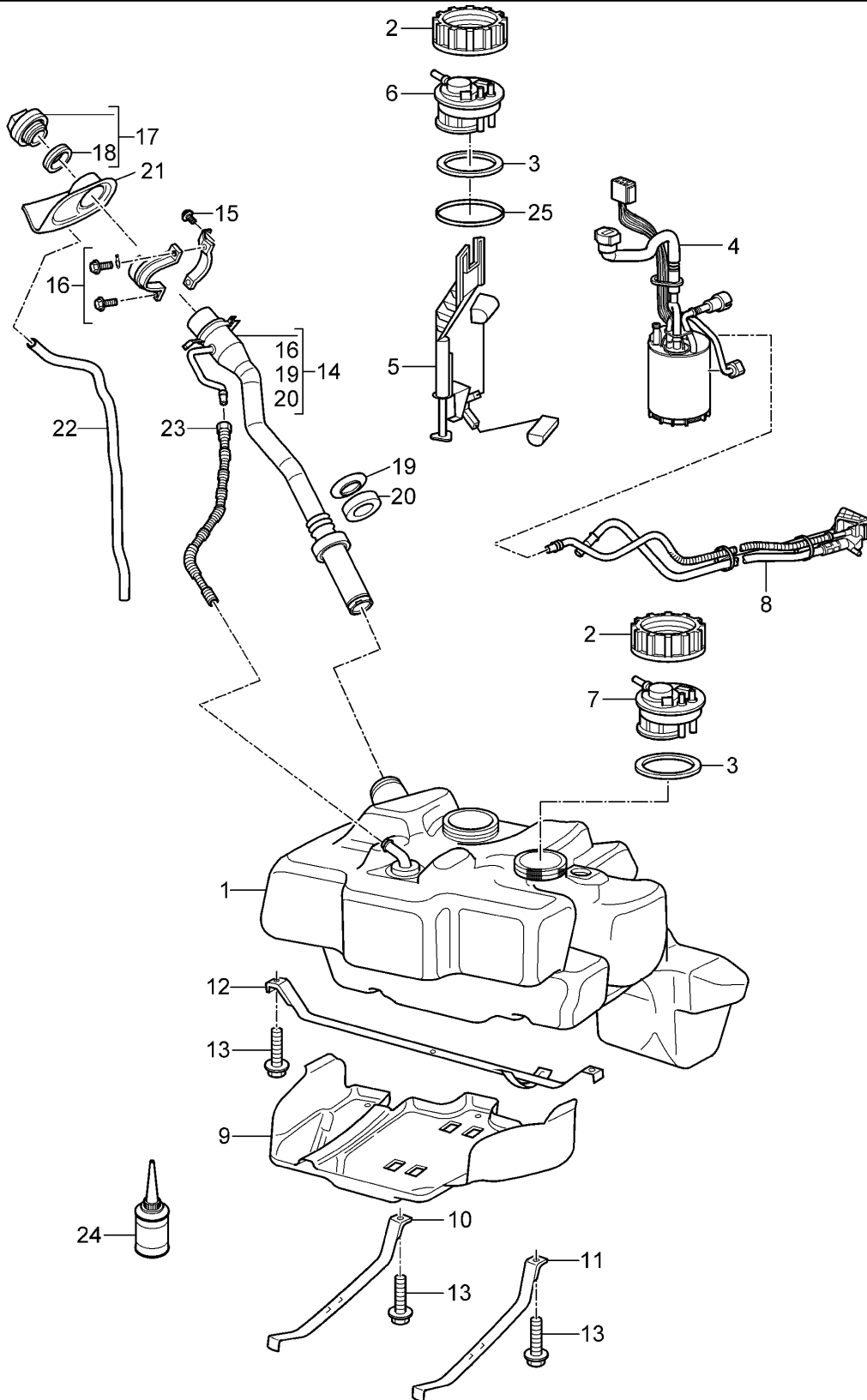
Model: 997G07

Model life 2007>>2011

Pos	Part Number	Description	Remark	Qty	Model
		Engine suspension			M97.74/77
1	997 375 011 91	Engine carrier		1	
2	900 385 062 01	Outer hexagon round screw M 10 x 80		2	
3	900 385 119 01	Outer hexagon round screw M 10 x 70		2	
4	980 375 351 02	Hydraulic mount		2	-I140
5	997 375 059 91	Hydraulic mount	/L	1	I140
5	997 375 059 92	Hydraulic mount	/L	1	I140
5	997 375 059 93	Hydraulic mount	/L	1	I140
6	997 375 060 91	Hydraulic mount	/R	1	I140
6	997 375 060 92	Hydraulic mount	/R	1	I140
6	997 375 060 93	Hydraulic mount	/R	1	I140
7	996 375 221 02	Adapter		2	
8	900 378 159 01	Hexagon-head bolt M 8 x 60		6	-I140
(8)	900 385 121 01	Outer hexagon round screw M 8 x 75		6	I140
9	999 084 215 09	Lock nut M 12 X 1,5		2	
9	999 084 215 01	Lock nut M 12 X 1,5	-11	2	

Model: 997G07

Model life 2007>>2011



Model: 997G07 Model life 2007>>2011

Pos	Part Number	Description	Remark	Qty	Model
1	997 201 021 90	Fuel tank		1	M97.76
		Fuel tank	/LL		I098
		Use also:			
-	997 201 543 90	Pipe		1	
		Inner			
1	997 201 022 02	Fuel tank	/RL	1	I099
		with			
		Breather adapter			
(1)	997 201 022 00	Fuel tank	/RL	1	I099
		without			
		Breather adapter			
(2)	997 201 623 00	Union nut		1	
2		Union nut	/LL	2	I098
(3)	997 201 733 00	Sealing ring		1	
3		Sealing ring	/LL	2	I098
4	997 620 129 00	Fuel pump		1	
5	997 620 831 02	Tank gauge	/LL	1	I098
		without			
		Flange			
(5)	997 620 833 00	Tank gauge		1	
		without			
		Flange			
6	997 201 421 01	Flange		1	
		for			
		Tank gauge			
7	997 201 421 03	Flange	/LL	1	I098
		for			
		Tank gauge			
8	997 620 116 00	Venturi tube		1	
9	997 201 331 90	Protective plate	/LL	1	I098
(9)	997 201 331 00	Protective plate	/RL	1	I099
10	997 201 106 00	Restraining strap		1	
		Right			
11	997 201 105 00	Restraining strap		1	
		Left			
12	997 201 107 00	Restraining strap	/LL	1	I098
13	900 075 479 01	Combination screw		4	
		M 8 X 40			
14	997 201 043 12	Filler neck		1	
(14)	997 201 043 10	Filler neck		1	I150/193
15	999 073 348 09	Oval-head screw		1	
		M 6 X 20			
16	997 201 951 02	Support		1	
		Complete			
17	996 201 241 03	Fuel tank cap		1	
		with			
		Clip			
		Information available			
-	999 507 499 40	Expansion rivet		1	
18	191 201 557	Sealing ring		1	
		Information available			
19	996 201 755 00	Support washer		1	
20	996 201 753 00	Gasket		1	
21	997 201 667 00	Sleeve		1	
22	996 201 153 00	Hose		1	
23	997 201 711 90	Vent line	/LL	1	I098
(23)	996 201 613 00	Vent line	/RL	1	I099
24	000 043 206 89	Additive		1	
		Fuel			
		100 ML			
24	000 043 209 02	Additive		1	
		Fuel			
		100 ML			

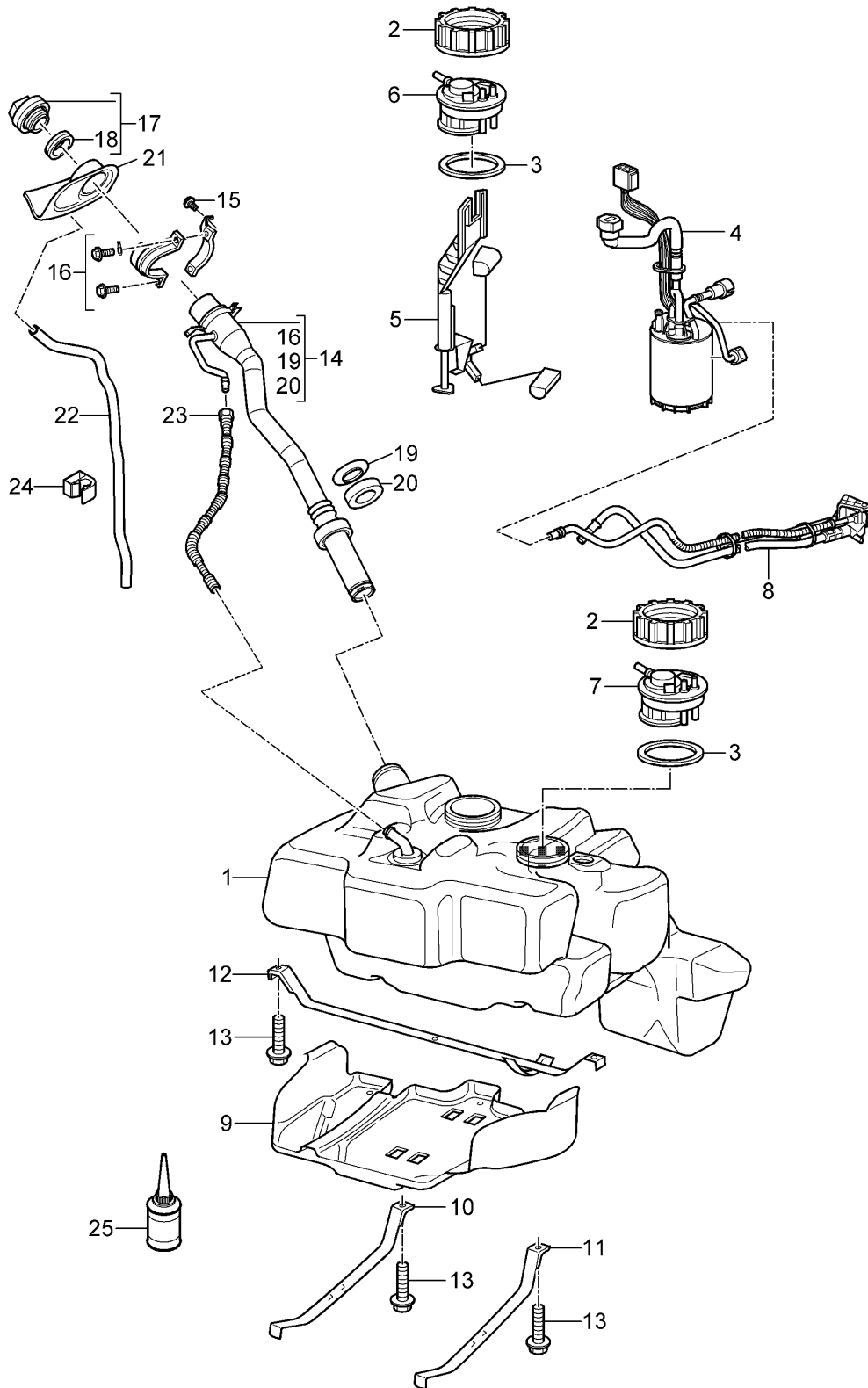
Model: 997G07

Model life 2007>>2011

Pos	Part Number	Description	Remark	Qty	Model
25	000 043 209 75	Adapter Ring Fuel tank		1	

Model: 997G07

Model life 2007>>2011



Model: 997G07 Model life 2007>>2011

Pos	Part Number	Description	Remark	Qty	Model
		Fuel tank			M97.74/77
1	997 201 021 01	Fuel tank	/LL	1	I098
1	997 201 021 90	Fuel tank	/LL	1	I082/098
-	997 201 543 02	Use also: Pipe		1	
1	997 201 022 02	Inner Fuel tank	/RL	1	I099
(1)	997 201 022 00	with Breather adapter Fuel tank	/RL	1	I099
2	997 201 623 00	without Breather adapter Union nut		1	
(2)		Union nut		2	I082
3	997 201 733 00	Sealing ring		1	
(3)		Sealing ring		2	I082
4	997 620 141 00	Fuel pump	/LL	1	I082/098
(4)	997 620 145 00	Fuel pump		1	-I082
5	997 620 831 02	Tank gauge	/LL	1	I082/098
(5)	997 620 833 00	without Flange Tank gauge		1	-I082
6	997 201 421 01	without Flange Flange		1	
(6)	997 201 421 91	for Tank gauge Flange		1	I082
7	997 201 421 03	for Tank gauge Upper Flange		1	I082
8	997 620 116 00	for Tank gauge Venturi tube		1	
8	997 620 123 00	Venturi tube		1	-I082
9	997 201 331 90	Set Left And Right Protective plate	/LL	1	I082/098
(9)	997 201 331 00	Protective plate	/RL	1	I099
10	997 201 106 00	Restraining strap		1	-I082
10	997 201 106 01	Right Restraining strap		1	I082
11	997 201 105 00	Right Restraining strap		1	-I082
11	997 201 105 01	Left Restraining strap		1	I082
12	997 201 107 00	Left Restraining strap	/LL	1	I098
13	900 075 479 01	Combination screw		4	
14	997 201 043 12	M 8 X 40 Filler neck		1	
(14)	997 201 043 10	Filler neck		1	I150/193
15	999 073 348 09	Oval-head screw		1	
16	997 201 951 02	M 6 X 20 Support		1	
17	997 201 980 00	Complete Fuel tank cap		1	
(17)	997 201 981 00	with Clip Fuel tank cap	11-	1	IXYB

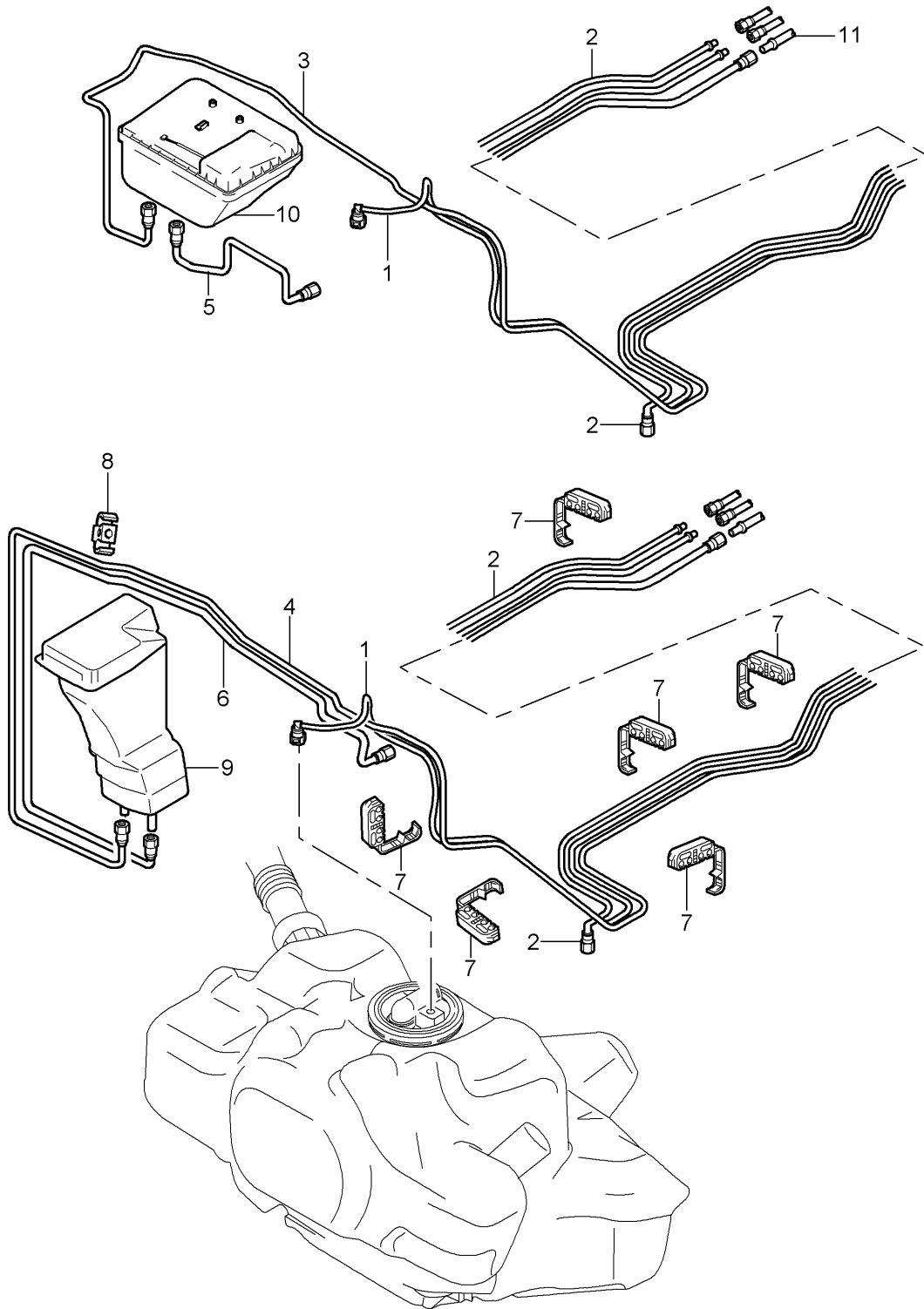
Model: 997G07

Model life 2007>>2011

Pos	Part Number	Description	Remark	Qty	Model
-	999 507 499 40	Expansion rivet		1	
18	191 201 557	Sealing ring		1	
		Information available			
19	996 201 755 00	Support washer		1	
20	996 201 753 00	Gasket		1	
21	997 201 667 00	Sleeve		1	
22	996 201 153 00	Hose		1	
23	997 201 711 00	Vent line	/LL	1	I098
(23)	997 201 711 90	Vent line	/LL	1	I082/098
(23)	996 201 613 00	Vent line	/RL	1	I099
25	000 043 206 89	Additive		1	
		Fuel			
		100 ML			
25	000 043 209 02	Additive		1	
		Fuel			
		100 ML			

Model: 997G07

Model life 2007>>2011



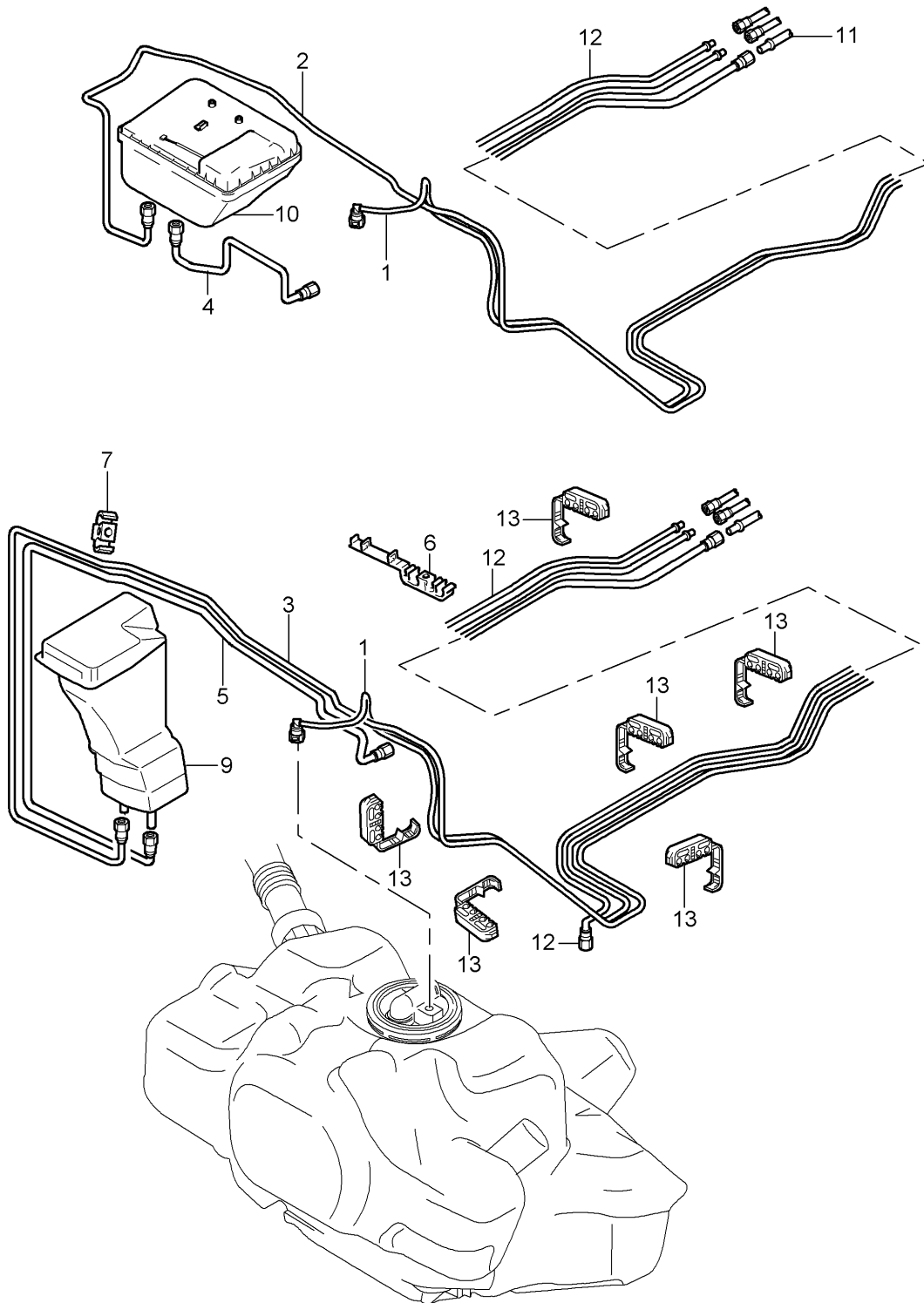
Model: 997G07

Model life 2007>>2011

Pos	Part Number	Description	Remark	Qty	Model
1	997 201 261 03	Fuel system Front Fuel line Pressure line for Engine		1	M97.76
2	997 201 271 00	Fuel line Return line to tank		1	I664
(2)	997 201 271 01	Fuel line Return line to tank		1	I664
(2)	997 201 271 90	Fuel line Return line to tank		1	
(2)	997 201 271 92	Fuel line Return line to tank		1	
4	997 201 351 02	Purge-air line Front Carbon canister for Engine		1	
6	997 201 251 01	Vent line Front Carbon canister for Fuel tank		1	
7	999 507 521 40	Cable holder 8,0/8/10		9	
8	999 507 727 40	Cable holder 8,0/10,0		3	
-	999 507 488 40	Cable holder 5,00/10,0		1	
9		Carbon canister See illustrations		1	
11		2/01/20 Lines Rear		1	

Model: 997G07

Model life 2007>>2011

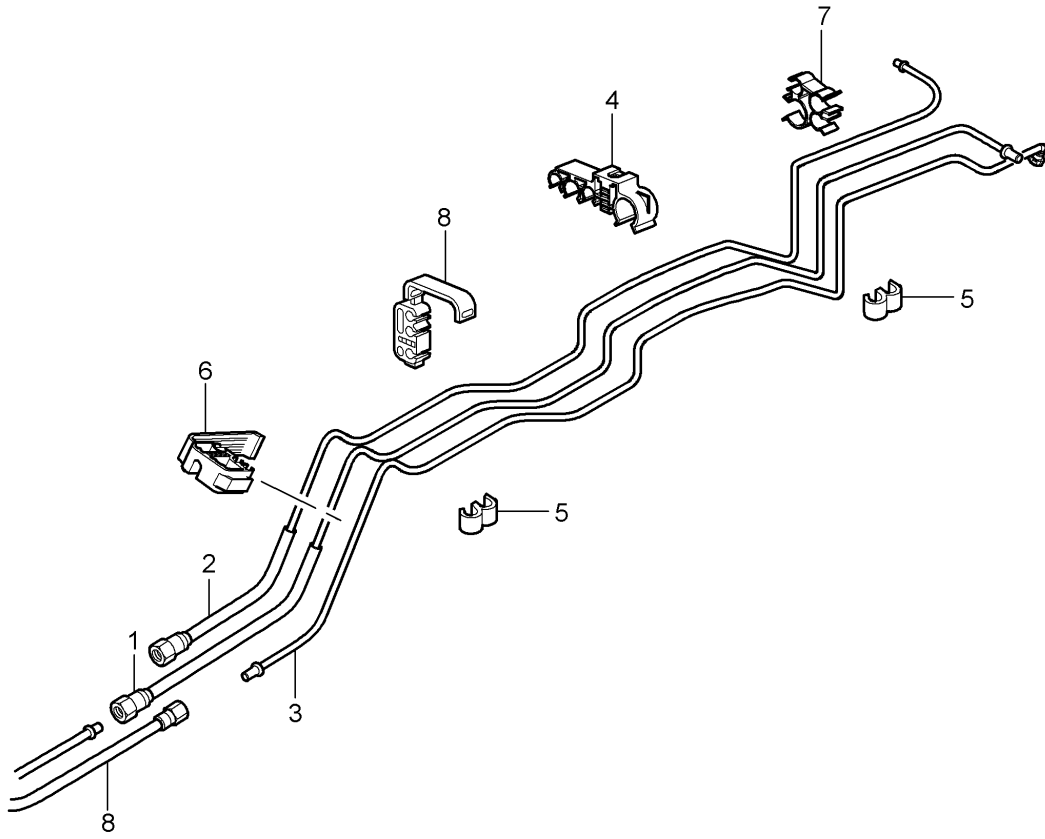


Model: 997G07 Model life 2007>>2011

Pos	Part Number	Description	Remark	Qty	Model
1	997 201 261 03	Fuel system Front Fuel line Pressure line for Engine		1	M97.74/77
1	997 201 261 91	Fuel line Pressure line for Engine		1	I082
(1)	997 201 261 93	Fuel line Pressure line for Engine		1	I082
3	997 201 351 02	Purge-air line Front Carbon canister for Engine		1	
5	997 201 251 01	Vent line Front Carbon canister for Fuel tank		1	
6	999 507 521 40	Cable holder 8,0/8/10		1	
7	999 507 727 40	Cable holder 8,0/10,0		1	I082
-	999 507 488 40	Cable holder 5,00/10,0		1	
9		Carbon canister See illustrations 2/01/21		1	
11		Lines Rear See illustrations 2/01/11		1	
12	997 201 271 01	Fuel line Return line to tank		1	I664
13	999 507 262 40	Cable holder 6,0/8,0/10,0		7	

Model: 997G07

Model life 2007>>2011



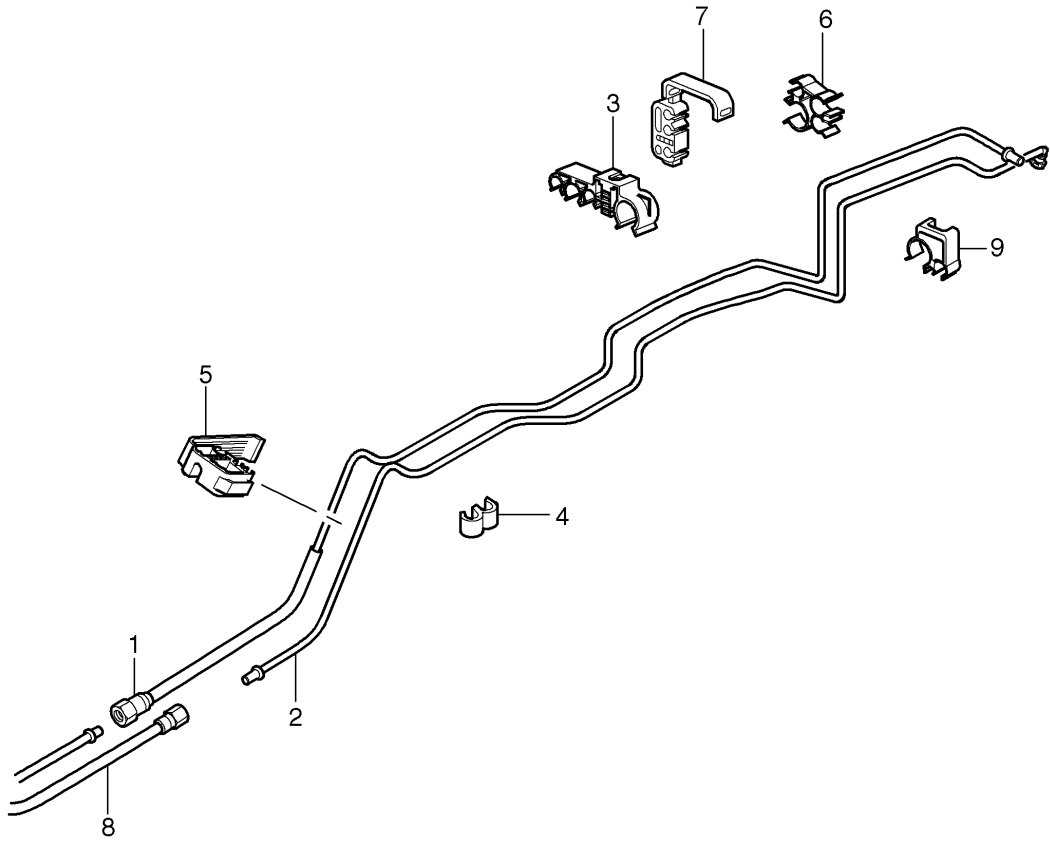
Model: 997G07

Model life 2007>>2011

Pos	Part Number	Description	Remark	Qty	Model
		Fuel system Rear			M97.76
1	997 201 265 01	Fuel line Rear		1	
		Fuel pump for Engine			
2	997 201 275 00	Fuel line Rear		1	
		Return line			
3	997 201 355 01	Air tube Rear		1	
		Carbon canister for Engine			
4	999 507 833 40	Cable holder 15-8-10-8		1	
(5)	999 507 488 40	Cable holder 5,00/10,0		2	
6	999 507 521 40	Cable holder 8/8/10		1	
7	999 507 850 40	Cable holder 8,0-15,0		1	
8	999 507 727 40	Cable holder 8/10		1	
9		Lines Front See illustrations 2/01/05		1	

Model: 997G07

Model life 2007>>2011



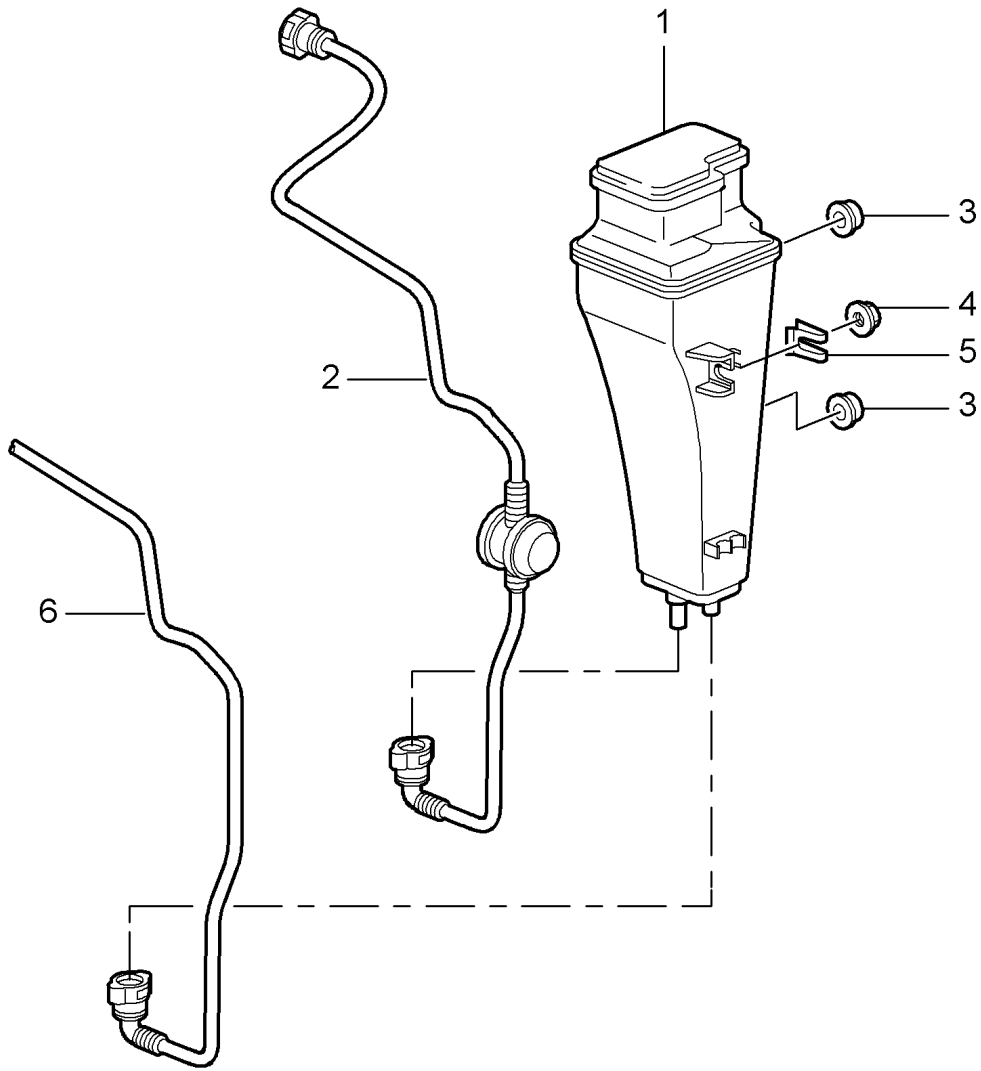
Model: 997G07

Model life 2007>>2011

Pos	Part Number	Description	Remark	Qty	Model
1	997 201 265 02	Fuel system Rear Fuel line Rear Fuel pump for Engine		1	M97.74/77
2	997 201 355 90	Air tube Rear Carbon canister for Engine		1	
3	999 507 833 40	Cable holder 15-8-10-8		1	
4	999 507 488 40	Cable holder 5,00/10,0		2	
5	999 507 521 40	Cable holder 8/8/10		1	
6	999 507 850 40	Cable holder 8,0-15,0		1	
7	999 507 727 40	Cable holder 8/10		1	
8		Lines Front See illustrations 2/01/06		1	
9	999 507 991 40	Cable holder 8,0/10,0		2	

Model: 997G07

Model life 2007>>2011



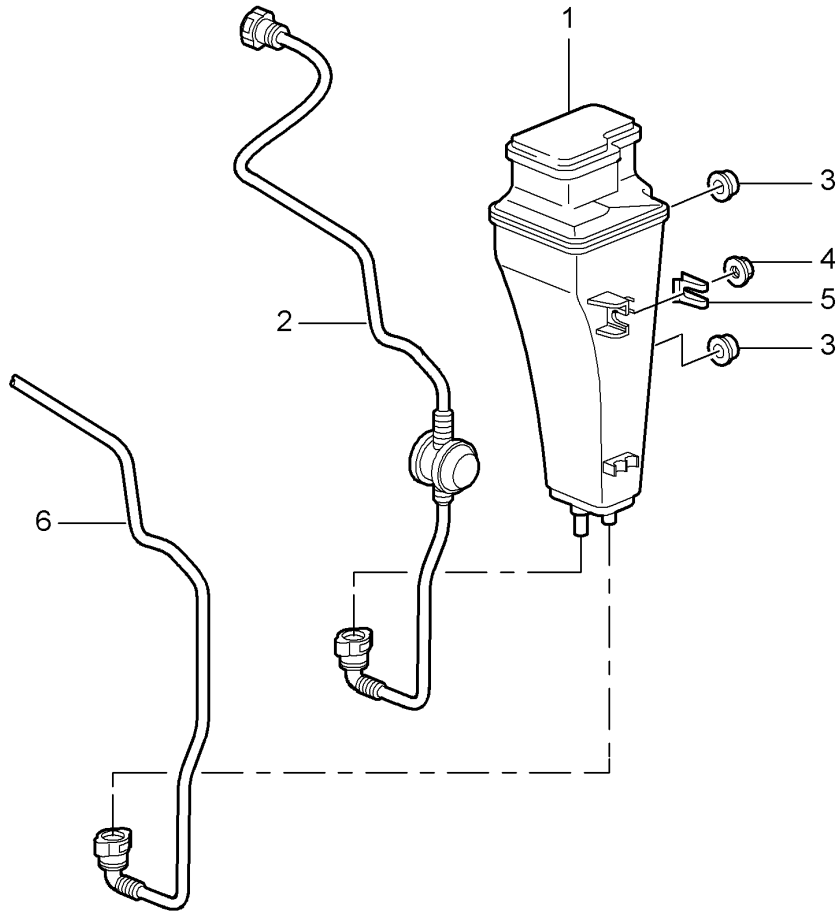
Model: 997G07

Model life 2007>>2011

Pos	Part Number	Description	Remark	Qty	Model
1	997 201 221 01	Carbon canister Carbon canister Complete		1	M97.76
2	997 201 251 01	Vent line Fuel tank for Carbon canister		1	
3	999 702 221 40	Grommet		2	
4	999 084 629 01	Hexagon nut M 6		1	
5	999 507 543 02	Clamp 2,00 - 3,00		1	
6		Purge-air line Front See illustrations 2/01/05		1	

Model: 997G07

Model life 2007>>2011



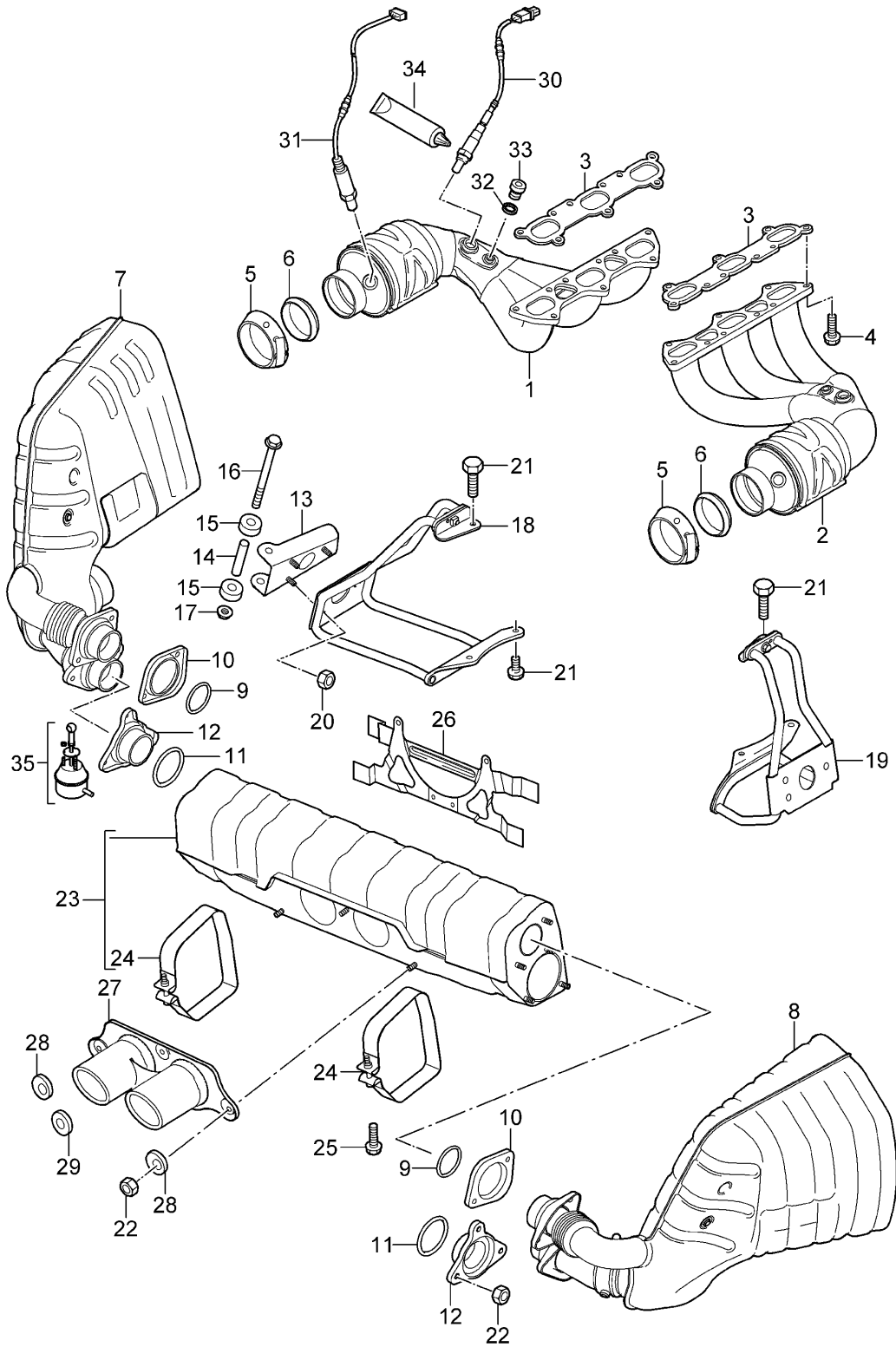
Model: 997G07

Model life 2007>>2011

Pos	Part Number	Description	Remark	Qty	Model
1	997 201 221 01	Carbon canister Carbon canister Complete		1	M97.74/77
2	997 201 251 01	Vent line Fuel tank for Carbon canister		1	
3	999 702 221 40	Grommet		2	
4	999 084 629 01	Hexagon nut M 6		1	
5	999 507 543 02	Clamp 2,00 - 3,00		1	
6		Purge-air line Front See illustrations 2/01/06		1	

Model: 997G07

Model life 2007>>2011



Model: 997G07 Model life 2007>>2011

Pos	Part Number	Description	Remark	Qty	Model
		Exhaust system			M97.76
1	997 113 021 91	Catalytic converter Cyl. 1 - 3		1	
1	997 113 021 AX	Catalytic converter Cyl. 1 - 3		1	
2	997 113 022 91	Catalytic converter Cyl. 4 - 6		1	
2	997 113 022 AX	Catalytic converter Cyl. 4 - 6		1	
3	996 111 107 71	Gasket Exhaust manifold		2	
4	900 378 131 00	Hexagon-head bolt M 8 X 28		18	
5	997 111 336 90	Clip		2	
6	980 111 561 00	Sealing ring		2	
7	997 111 047 90	Front muffler Cyl. 1 - 3		1	
7	997 111 047 95	Front muffler Cyl. 1 - 3		1	
8	997 111 048 90	Front muffler Cyl. 4 - 6		1	
8	997 111 048 95	Front muffler Cyl. 4 - 6		1	
9	997 111 561 90	Sealing ring		2	
10	997 111 461 90	Flange		2	
11	997 111 563 90	Sealing ring		2	
12	997 111 463 90	Flange		2	
13	997 111 451 90	Retaining bar		2	
14	997 111 551 90	Sleeve		2	
15	996 111 229 00	Damping piece		4	
16	900 385 102 01	Torx screw M 8 X 90		2	
17	900 377 003 01	Hexagon nut M 8		2	
18	997 111 247 90	Support	/L	1	
19	997 111 248 90	Support	/R	1	
20	900 377 003 01	Hexagon nut M 8		6	
21	900 385 001 01	Torx screw M 8 X 20		6	
22	999 084 649 01	Hexagon nut M 8		13	
23	997 111 027 90	Muffler		1	
24	997 111 119 70	Restraining strap		2	
25	900 067 362 01	Pan-head screw M 8 X 50		2	
26	996 111 024 71	Support		1	
27	997 111 253 90	Tail pipe		1	
28	997 111 753 91	Washer		2	
29	997 111 755 91	Washer		1	
30	987 606 123 01	Oxygen sensor in front of Catalytic converter		2	
30	987 606 123 03	Oxygen sensor in front of Catalytic converter		2	
(31)	987 606 124 00	Oxygen sensor After Catalytic converter		2	
31	9A1 606 124 00	Oxygen sensor After Catalytic converter		2	
32	900 123 050 20	Sealing ring		2	I660

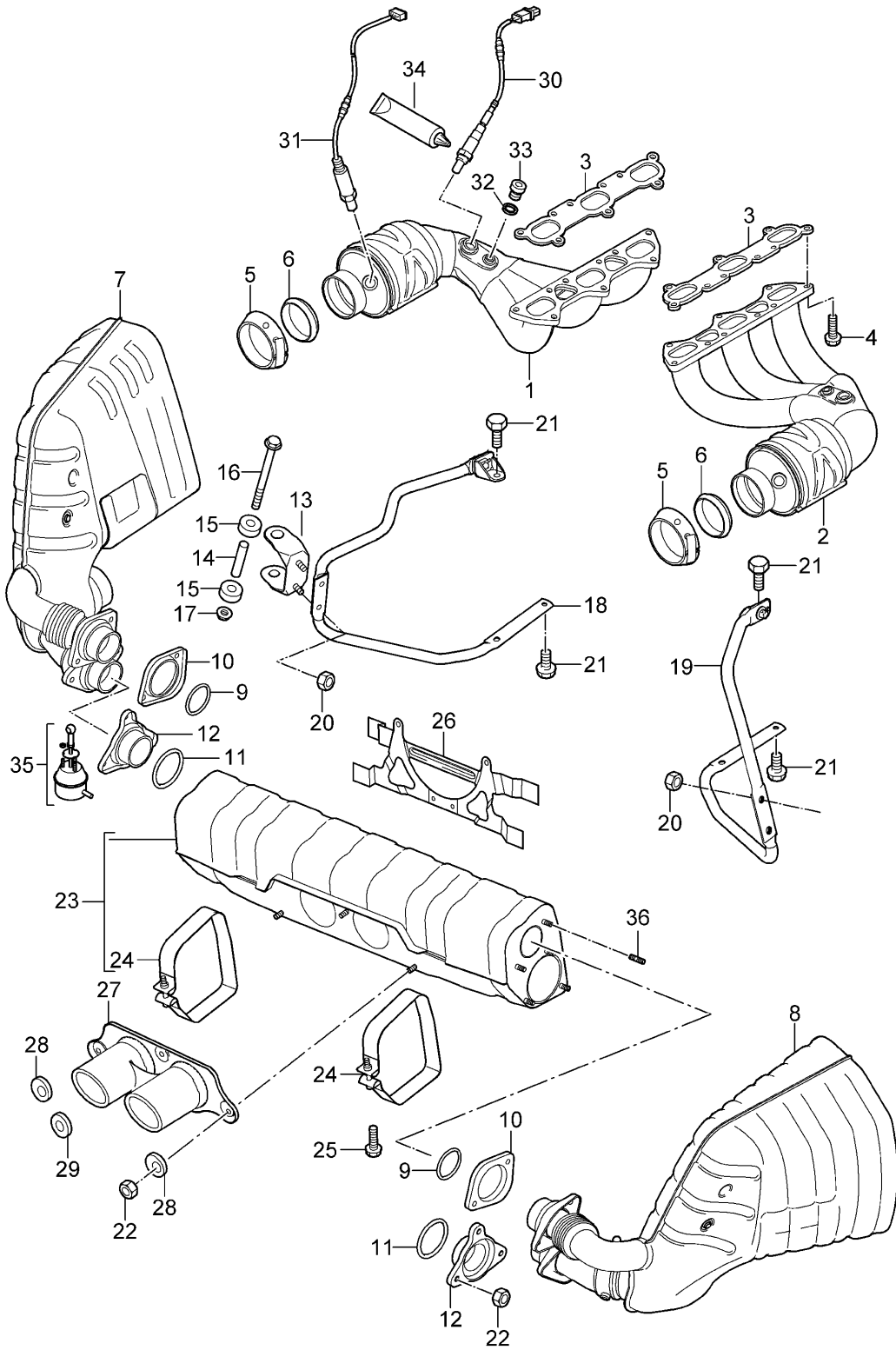
Model: 997G07

Model life 2007>>2011

Pos	Part Number	Description	Remark	Qty	Model
33	900 083 080 00	8 X 11,5 Hexagon-head bolt		2	I660
34	000 043 207 07	M 8 X 1 Grease for oxygen sensor		1	
35	997 111 901 90	Vacuum unit for Muffler	/L /R	2	

Model: 997G07

Model life 2007>>2011



Model: 997G07 Model life 2007>>2011

Pos	Part Number	Description	Remark	Qty	Model
1	997 113 021 94	Exhaust system Catalytic converter Cyl. 1 - 3		1	M97.74/77 M97.77
1	997 113 021 BX	Catalytic converter Cyl. 1 - 3		1	M97.77
1	997 113 021 97	Catalytic converter Cyl. 1 - 3		1	M97.74
1	997 113 021 CX	Catalytic converter Cyl. 1 - 3		1	M97.74
2	997 113 022 94	Catalytic converter Cyl. 4 - 6		1	M97.77
2	997 113 022 BX	Catalytic converter Cyl. 4 - 6		1	M97.77
2	997 113 022 97	Catalytic converter Cyl. 4 - 6		1	M97.74
2	997 113 022 CX	Catalytic converter Cyl. 4 - 6		1	M97.74
3	996 111 107 71	Gasket Exhaust manifold		2	
4	900 378 131 00	Hexagon-head bolt M 8 X 28		18	
5	997 111 336 90	Clip		2	
6	980 111 561 00	Sealing ring		2	
7	997 111 047 94	Front muffler Cyl. 1 - 3		1	M97.77 -I004
7	997 111 047 97	Front muffler Cyl. 1 - 3		1	M97.77 -I004
7	997 111 047 82	Front muffler Cyl. 1 - 3		1	M97.77 -I004
7	997 111 047 84	Front muffler Cyl. 1 - 3		1	M97.77 -I004
(7)	997 111 047 98	Front muffler Cyl. 1 - 3		1	M97.77 I004 M97.74 I006
(7)	997 111 047 85	Front muffler Cyl. 1 - 3		1	M97.77 I004 M97.74 I006
8	997 111 048 94	Front muffler Cyl. 4 - 6		1	M97.77 -I004
8	997 111 048 97	Front muffler Cyl. 4 - 6		1	M97.77 -I004
8	997 111 048 82	Front muffler Cyl. 4 - 6		1	M97.77 -I004
8	997 111 048 84	Front muffler Cyl. 4 - 6		1	M97.77 -I004
(8)	997 111 048 98	Front muffler Cyl. 4 - 6		1	M97.77 I004 M97.74 I006
(8)	997 111 048 85	Front muffler Cyl. 4 - 6		1	M97.77 I004 M97.74 I006

Model: 997G07 Model life 2007>>2011

Pos	Part Number	Description	Remark	Qty	Model
9	997 111 561 90	Sealing ring		2	
10	997 111 461 90	Flange		2	M97.77 -I004
(10)	997 111 461 93	Flange		2	M97.77 I004 M97.74 I006
11	997 111 563 90	Sealing ring		2	
12	997 111 463 90	Flange		2	M97.77 -I004
(12)	997 111 463 93	Flange		2	M97.77 I004 M97.74 I006
13	997 111 451 91	Retaining bar		2	
14	997 111 551 90	Sleeve		2	
15	996 111 229 00	Damping piece		4	
16	900 385 102 01	Torx screw M 8 X 90		2	
17	900 377 003 01	Hexagon nut M 8		2	
18	997 111 127 91	Support Cyl. 1 - 3	/L	1	
19	997 111 128 91	Support Cyl. 4 - 6	/R	1	
20	900 377 003 01	Hexagon nut M 8		6	
21	900 385 001 01	Torx screw M 8 X 20		6	
22	999 084 649 01	Hexagon nut M 8		13	
23	997 111 027 92	Muffler		1	M97.77 -I004
(23)	997 111 027 93	Muffler M >> 61B 29229		1	I004
(23)	997 111 027 97	Muffler		1	M97.77 I004
(23)	997 111 027 80	M 61B 29230 >> Muffler		1	M97.77 I004
(23)	997 111 027 99	M 61B 29230 >> Muffler		1	M97.77 I004
(23)	997 111 027 80	M 61B 29230 >> Muffler		1	M97.74 I006
(23)	997 111 027 99	Muffler		1	M97.74 I006
24	997 111 119 70	Restraining strap		2	
25	900 067 362 01	Pan-head screw M 8 X 50		2	
26	997 111 024 90	Support		1	
27	997 111 253 90	Tail pipe		1	-I004
(27)	997 111 253 93	Tail pipe		1	I004
28	997 111 753 91	Washer		2	-I004
(28)	997 111 753 93	Washer		2	I004
29	997 111 755 91	Washer		1	-I004
(29)	997 111 755 93	Washer		1	I004
30	9A1 606 168 01	Oxygen sensor in front of Catalytic converter		2	
(30)	9A1 606 168 02	Oxygen sensor in front of		2	M97.74

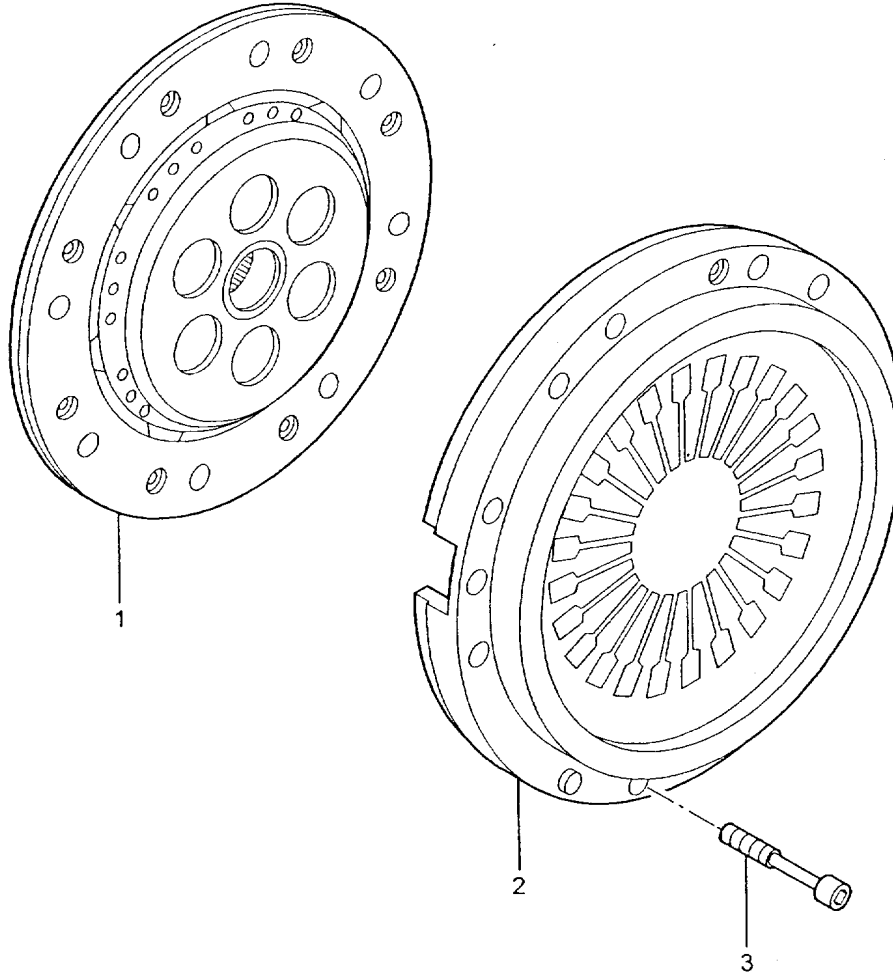
Model: 997G07

Model life 2007>>2011

Pos	Part Number	Description	Remark	Qty	Model
31	9A1 606 124 00	Catalytic converter Oxygen sensor After		2	
32	900 123 050 20	Catalytic converter Sealing ring 8 X 11,5		2	
33	900 124 021 00	Screw plug M 8 X 1		2	
33	900 124 021 01	Screw plug M 8 X 1		2	
34	000 043 207 07	Grease for oxygen sensor		1	
35	997 111 901 90	Vacuum unit for Muffler	/L /R	2	
36	997 111 727 90	Stud		10	

Model: 997G07

Model life 2007>>2011



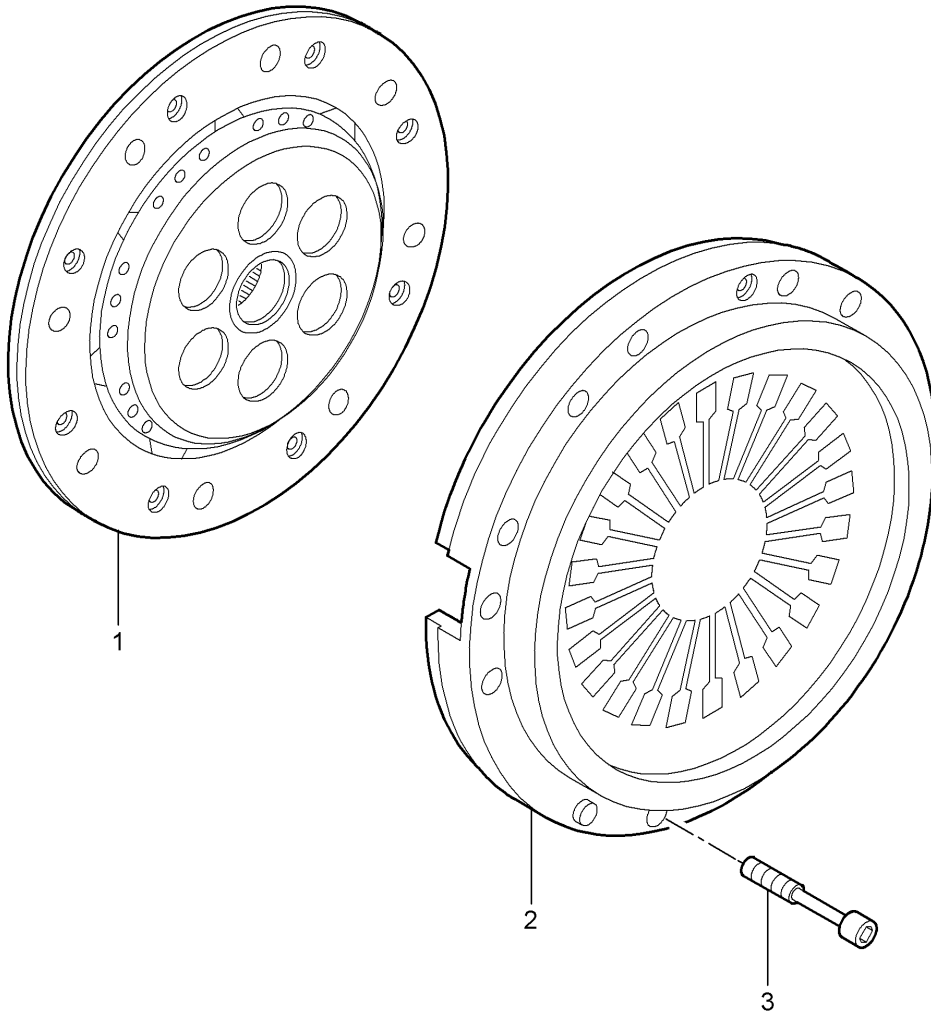
Model: 997G07

Model life 2007>>2011

Pos	Part Number	Description	Remark	Qty	Model
		Clutch			M97.76
1	996 116 015 01	Clutch plate		1	
1	996 116 015 02	Clutch plate		1	
1	996 116 015 32	Clutch plate		1	I004
2	996 116 027 51	Pressure plate		1	
3	999 510 015 02	Pan-head screw M 8 X 40		9	
(3)	N 014 715 3	Pan-head screw M 8 X 45		9	I004
(3)	900 067 103 01	Pan-head screw M 8 X 45		9	I004

Model: 997G07

Model life 2007>>2011



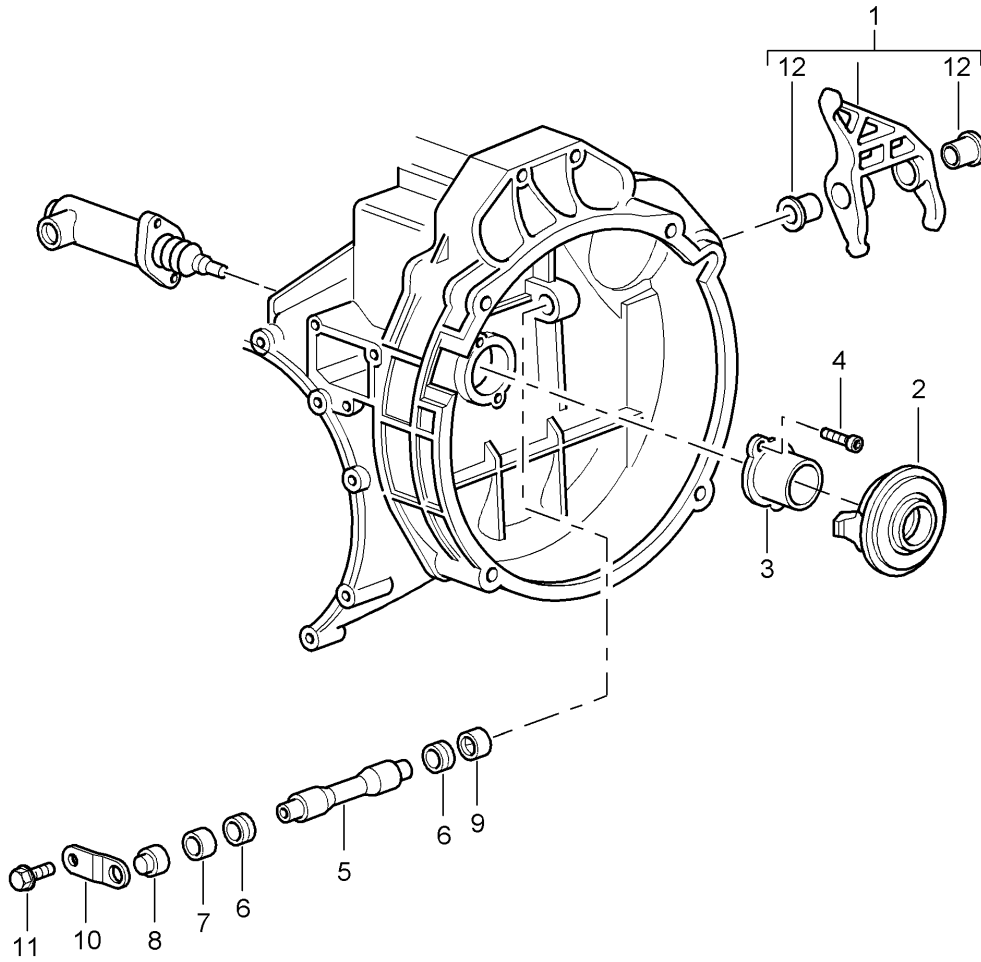
Model: 997G07

Model life 2007>>2011

Pos	Part Number	Description	Remark	Qty	Model
		Clutch			M97.77
					M97.74
1	996 116 015 01	Clutch plate		1	M97.77
1	996 116 015 02	Clutch plate		1	M97.77
1	997 116 013 90	Clutch plate		1	M97.77
					I004
1	997 116 013 91	Clutch plate		1	M97.77
					I004
1		Clutch plate		1	M97.74
2	996 116 027 51	Pressure plate		1	M97.77
					-I004
2	997 116 027 90	Pressure plate		1	M97.77
					I004
(2)	997 116 027 91	Pressure plate		1	M97.74
3	999 510 015 01	Pan-head screw M 8 X 40		9	M97.77
3	900 067 073 02	Pan-head screw M 8 X 45		9	M97.77
					I004
					M97.74
					I006

Model: 997G07

Model life 2007>>2011



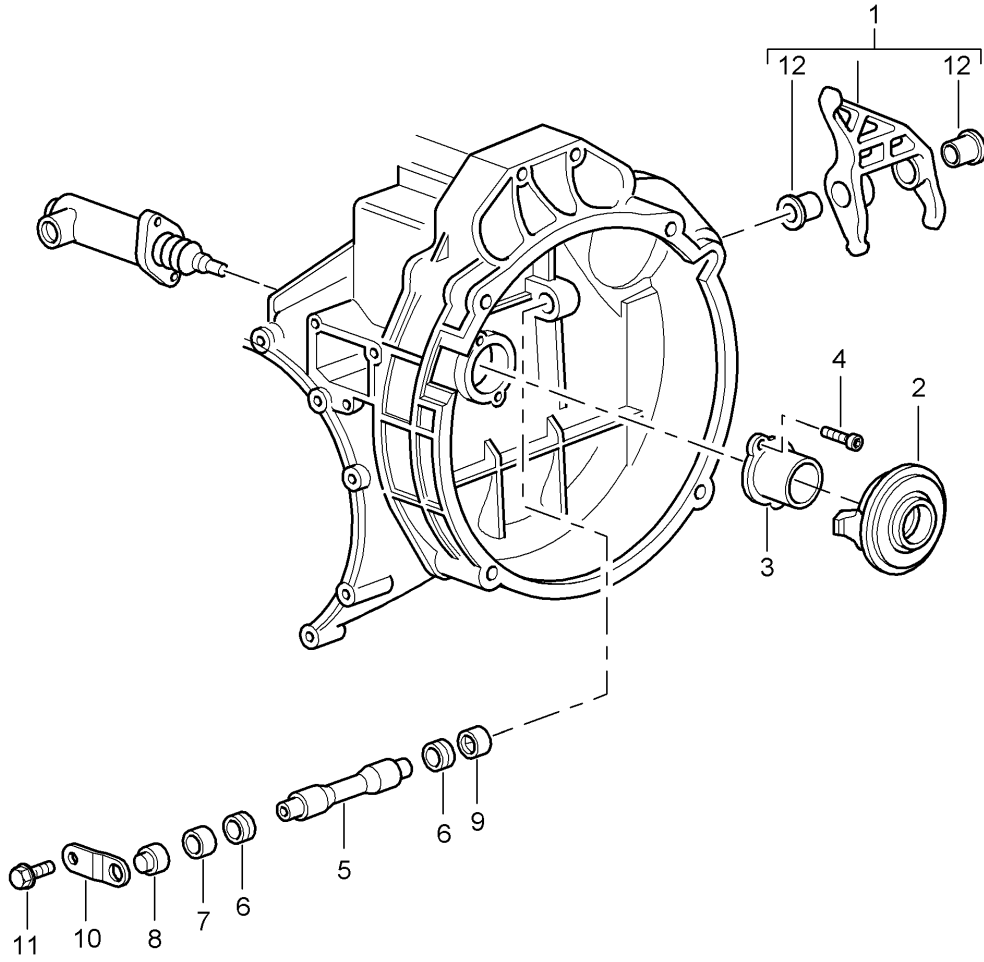
Model: 997G07

Model life 2007>>2011

Pos	Part Number	Description	Remark	Qty	Model
		Clutch release Clutch operating cylinder See illustrations 7/02/08	-09		G97.90
1	950 116 086 06	Release fork		1	
(1)	997 116 086 90	Release fork		1	
2	950 116 080 08	Clutch release bearing		1	
(2)	944 116 080 01	Clutch release bearing		1	I004
3	950 116 813 06	Guide tube		1	
(3)	950 116 813 30	Guide tube		1	I004
4	999 270 070 02	Oval-head screw M 6 X 14		2	
5	950 116 710 04	Clutch control shaft		1	
6	999 113 418 40	Gasket 13,02 X 16,4		2	
7	999 201 339 00	Bush		1	
8	950 116 725 00	Cover		1	
9	999 201 365 00	Articulated bush		1	
(9)	999 201 365 01	Articulated bush		1	
9	900 623 007 00	Hexagon socket head bolt M 6 X 12		1	
10	950 116 713 02	Retaining bracket		1	
11	900 075 057 02	Hexagon-head bolt M 6 X 16		1	
(11)	900 075 057 03	Hexagon-head bolt M 6 X 16		1	
12	950 116 715 01	Bush		2	
-	000 043 304 02	Grease KLÜBERALFA HM83-801 50 GR.		X	
-	000 043 024 00	Extreme-pressure grease LONGTIME 3EP 80 GR.		X	

Model: 997G07

Model life 2007>>2011



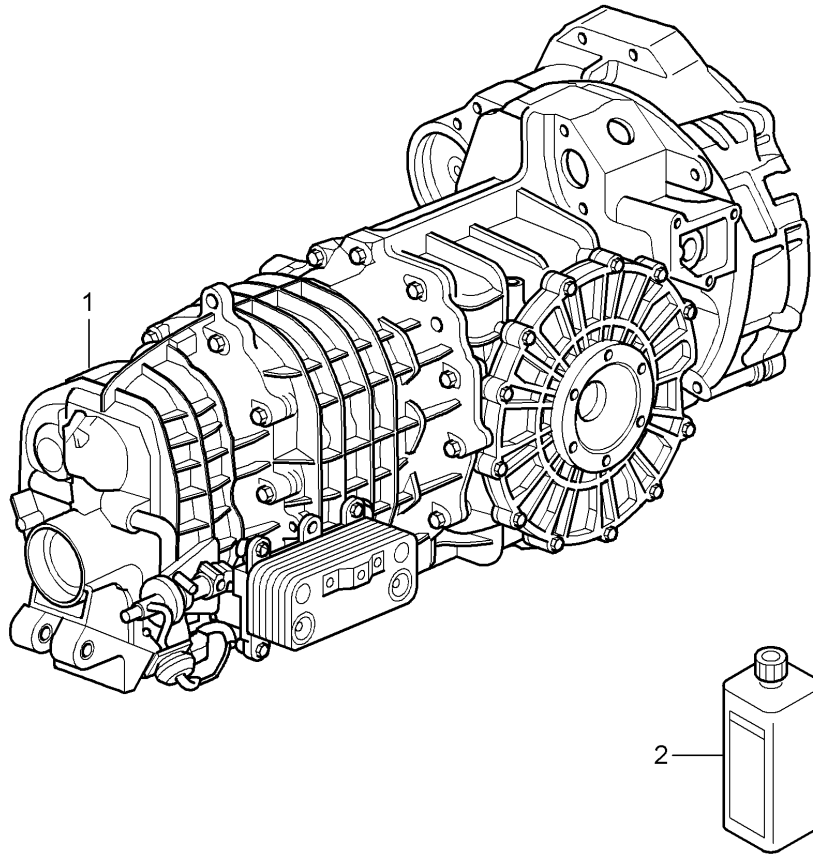
Model: 997G07

Model life 2007>>2011

Pos	Part Number	Description	Remark	Qty	Model
		Clutch release Clutch operating cylinder See illustrations 7/02/08	10-		G97.90/92
1	997 116 086 90	Release fork		1	
2	950 116 080 08	Clutch release bearing		1	
(2)	944 116 080 01	Clutch release bearing		1	I004
3	950 116 813 06	Guide tube		1	
(3)	950 116 813 30	Guide tube		1	I004
4	999 270 070 01	Oval-head screw M 6 X 14		2	
5	950 116 710 04	Clutch control shaft		1	
6	999 113 418 40	Gasket 12,3 X 16,4		2	
7	999 201 339 00	Bush		1	
8	950 116 725 00	Cover		1	
9	999 201 365 00	Articulated bush		1	
9	999 201 365 01	Articulated bush		1	
10	950 116 713 02	Retaining bracket		1	
11	900 075 057 03	Hexagon-head bolt M 6 X 16		1	
12	950 116 715 01	Bush		2	

Model: 997G07

Model life 2007>>2011



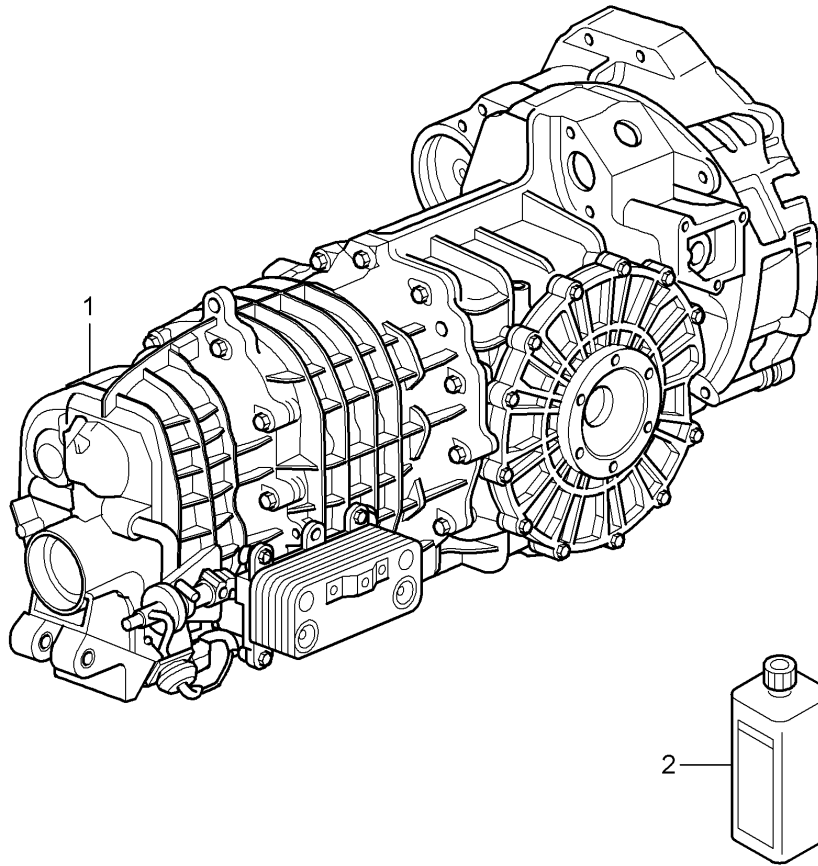
Model: 997G07

Model life 2007>>2011

Pos	Part Number	Description	Remark	Qty	Model
		Replacement transmission Ready for installation	-09		G97.90
1	997 300 020 90	Manual transmission with Limited-slip differential		1	G97.90
2	000 043 204 20	Transmission oil MOBILUBE PTX 75 W 90 Container 20 LTR.		X	

Model: 997G07

Model life 2007>>2011



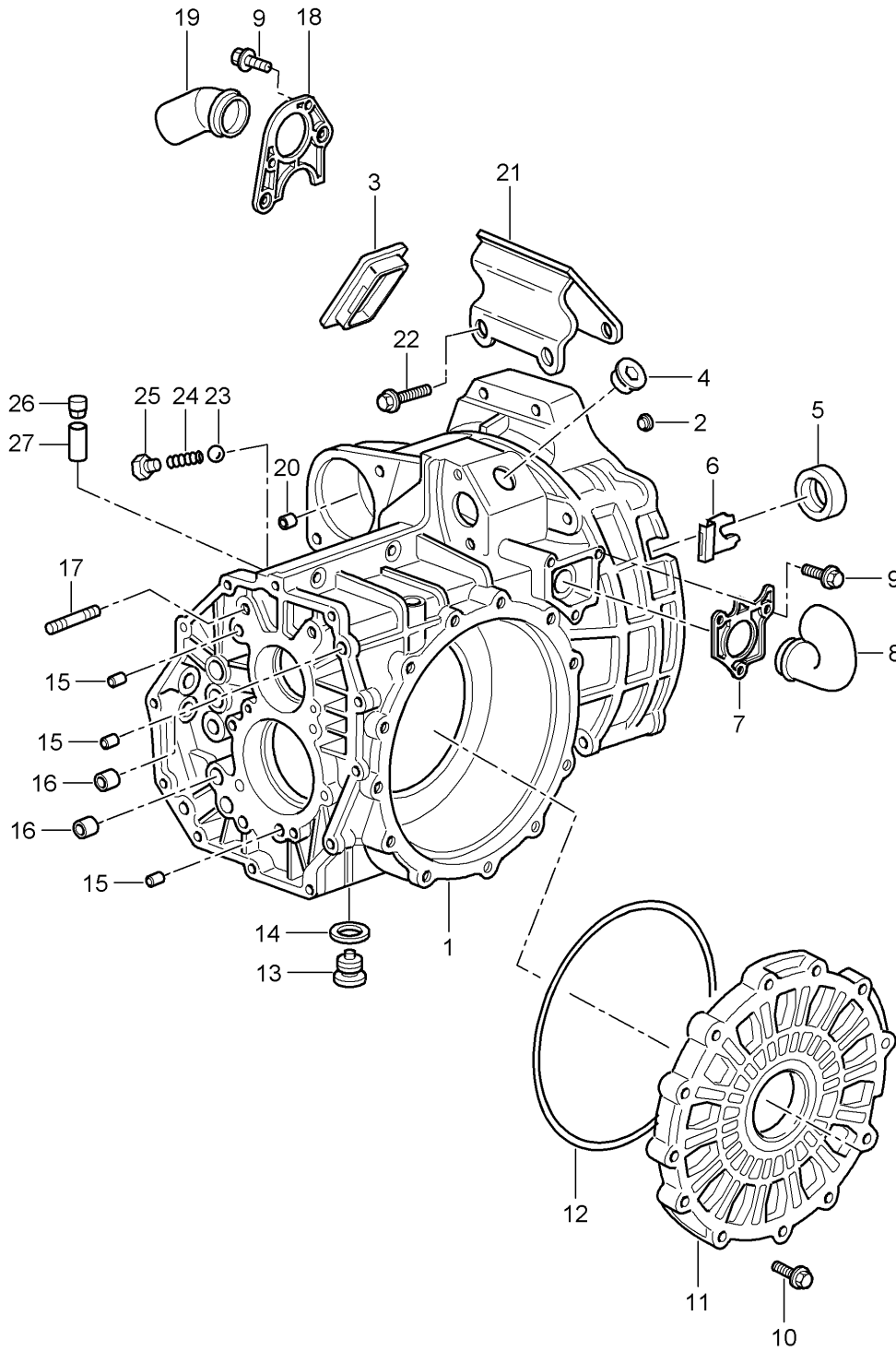
Model: 997G07

Model life 2007>>2011

Pos	Part Number	Description	Remark	Qty	Model
		Replacement transmission Ready for installation	10-		G97.90/92
1	997 300 020 91	Manual transmission with Limited-slip differential	10-	1	G97.90
(1)	997 300 020 2X	Manual transmission with Limited-slip differential	10-	1	G97.90
(1)	997 300 020 92	Manual transmission with Limited-slip differential	10-	1	G97.92
(1)	997 300 020 5X	Manual transmission with Limited-slip differential	10-	1	G97.92
2	000 043 204 20	Transmission oil MOBILUBE PTX 75 W 90 Container 20 LTR.		X	

Model: 997G07

Model life 2007>>2011



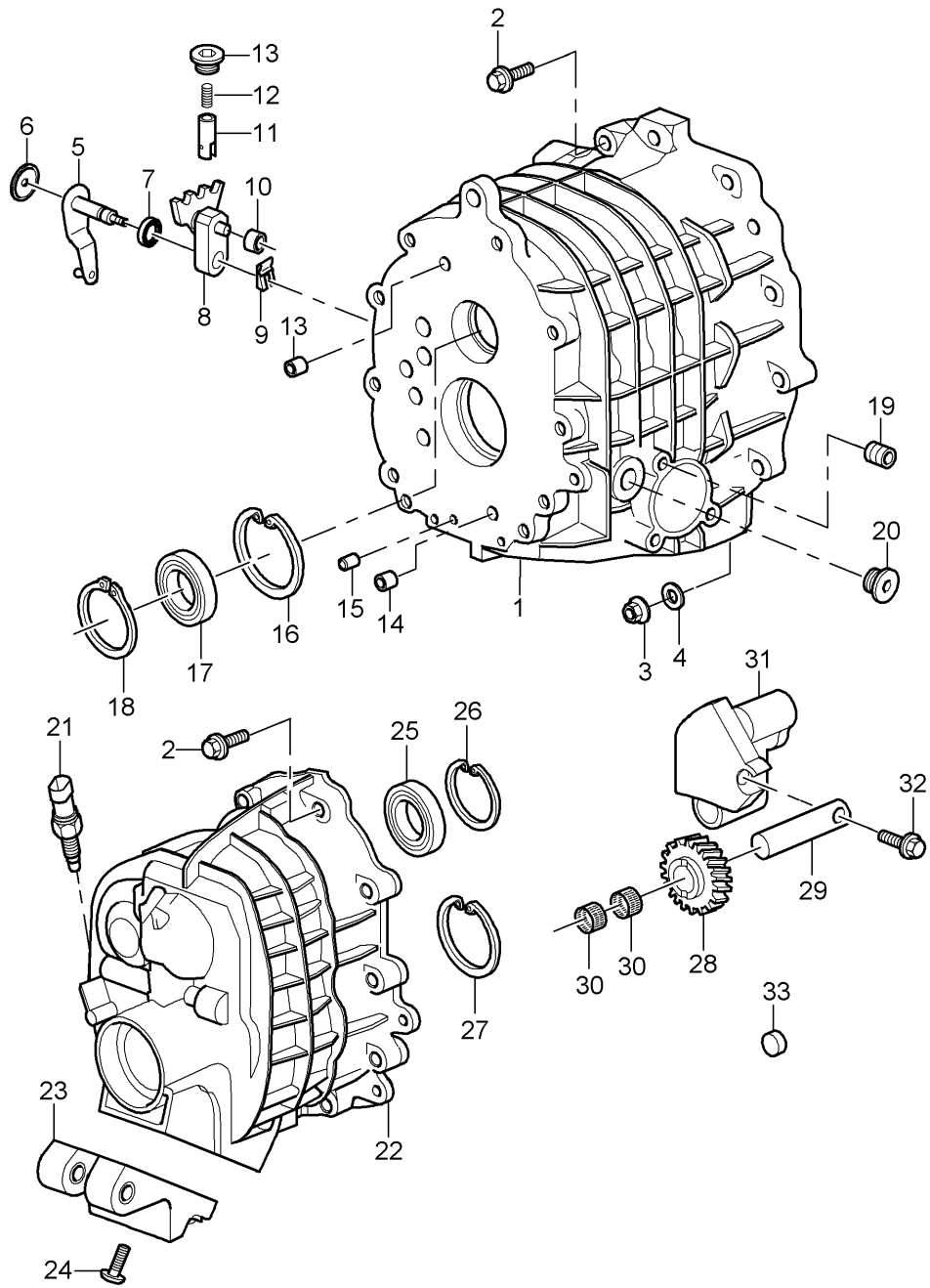
Model: 997G07

Model life 2007>>2011

Pos	Part Number	Description	Remark	Qty	Model
		Transmission case Front	-09		G97.90
1	996 301 101 88	Transmission case		1	G97.90
2	999 036 002 40	Lid A 14		1	
3	950 301 151 01	Cap		1	
4	999 703 490 40	Lid 30 X 42		1	
5	999 113 326 41	Shaft sealing ring 26,5 X 40		1	
6	993 116 630 00	Cap		1	
7	996 116 612 00	Flange		1	
8	993 116 610 00	Intake manifold		1	
9	900 378 035 09	Hexagon-head bolt M 6 X 16		5	
10	996 301 317 00	Hexagon-head bolt M 8 X 35		12	
11	996 301 312 50	Transmission cover		1	
11	996 301 312 51	Transmission cover		1	
12	999 707 328 40	O-ring 205 X 3,5		1	
13	999 063 008 02	Screw plug with magnet M 22 X 1,5		1	
14	900 123 118 30	Sealing ring A 22 X 27		1	
15	900 012 144 00	Straight pin 12 M 6 X 14		4	
16	996 303 513 00	Round socket 15 X 21 X 22		4	
17	900 081 042 02	Stud BM 8 X 42		1	
18	996 116 710 00	Flange socket		1	
19	993 116 610 00	Intake manifold		1	
20	999 531 017 10	Bush 12,1 X 14		1	
21	996 449 101 50	Hook		2	
21	997 449 101 50	Hook		2	
22	999 073 190 09	Oval-head screw M 8 X 60		2	
23	900 108 064 00	Ball 8		4	
24	996 303 245 00	Compression spring		4	
25	900 124 023 02	Screw plug M 10 X 1		4	
26	014 301 485	Cap		1	
27	014 301 473	Sleeve 12 X 30		1	
27	0A2 301 473	Sleeve		1	

Model: 997G07

Model life 2007>>2011



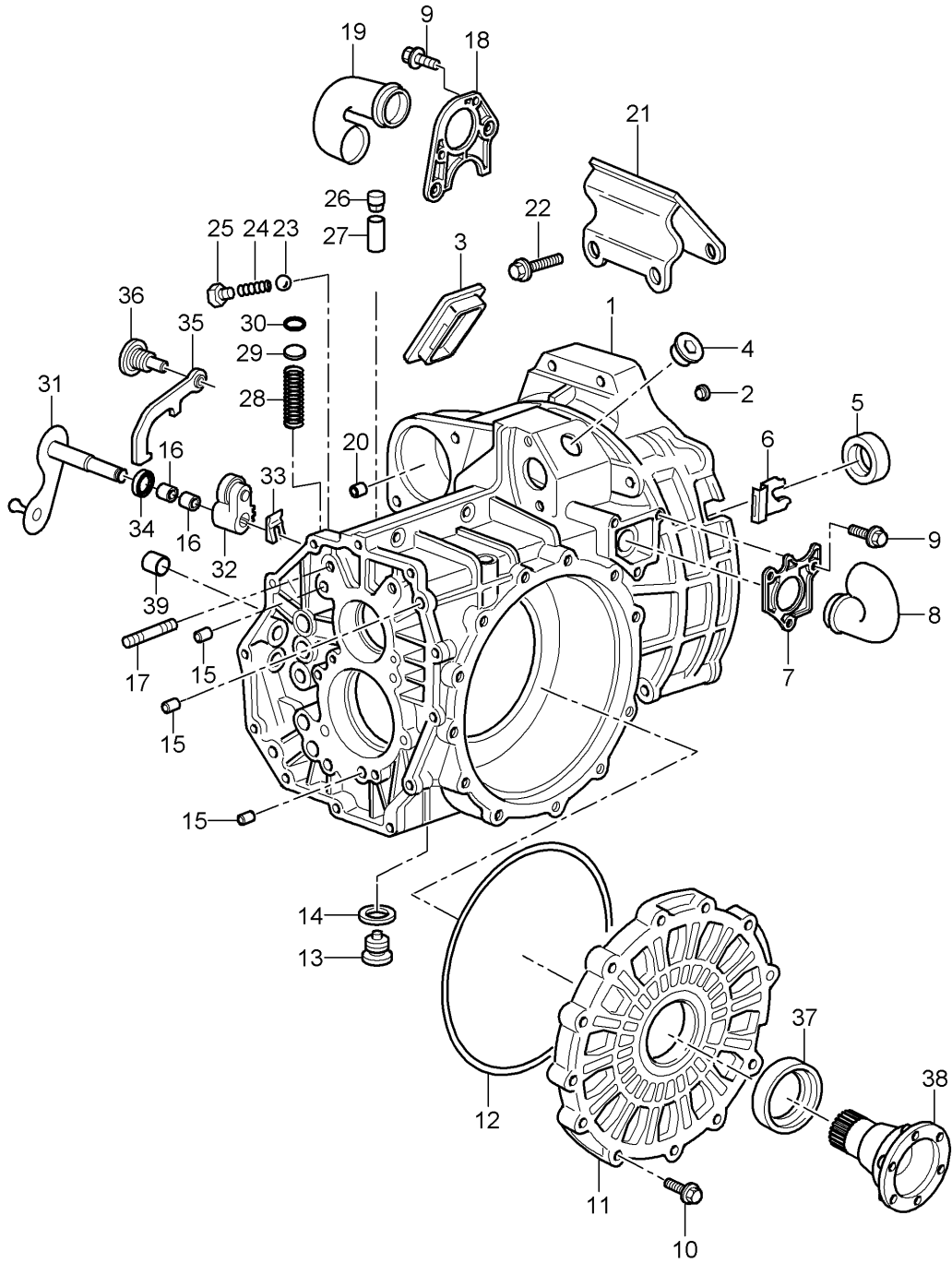
Model: 997G07

Model life 2007>>2011

Pos	Part Number	Description	Remark	Qty	Model
		Gear housing Transmission cover	-09		G97.90
1	996 301 102 9A	Gear housing		1	
2	900 378 281 01	Hexagon-head bolt M 8 X 35		20	
3	900 076 064 02	Hexagon nut M 8		2	
4	900 025 007 07	Washer A 8,4		2	
5	996 303 031 9A	Gearshift lever		1	
6	986 424 133 00	Washer		1	
7	996 303 517 00	Shaft sealing ring 15 X 21 X 7		1	
8	996 303 033 00	Shift segment		1	
9	996 303 383 00	Lock		1	
10	996 303 303 00	Roller 20 X 8 X 8		1	
11	996 303 035 00	Bolt		1	
12	996 303 235 00	Compression spring		1	
13	996 303 237 00	Screw plug M 18 X 15		1	
14	996 303 515 00	Bearing sleeve 15 X 17 X 12		2	
15	900 012 144 00	Straight pin A 12,0 X 14		2	
16	999 152 031 01	Circlip SB 68 X 1,50		1	
17	999 110 181 00	Cylindrical-roller bearing 30 X 62 X 16		1	
18	900 111 001 00	Circlip SP 62		1	
19	999 504 004 00	Threaded insert M 8 X 16		3	
20	N 910 597 01	Screw plug M 22 x 1,5		1	
21	996 606 133 00	Switch Back-up light		1	
22	996 301 301 9A	Transmission cover Rear		1	
23	722 260 006 2	Bearing Transmission cover		1	
24	999 073 095 01	Oval-head screw M 8 X 30		4	
25	999 110 194 01	Cylindrical-roller bearing 25 X 52 X 15		1	
26	999 152 062 01	Circlip SB 52 X 1,5		1	
27	999 152 024 01	Circlip SB 62 X 1,5		1	
28		Reverse idler gear See illustrations 3/03/00		1	
29	996 302 228 50	Bolt Reverse idler gear		1	
30	996 302 224 00	Needle cage 20 X 26 X 17		2	
31	996 302 225 51	Segment		1	
32	996 302 223 00	Hexagon-head bolt M 8 X 55		1	
33	999 501 023 30	Stopper 6,7		1	

Model: 997G07

Model life 2007>>2011



Model: 997G07

Model life 2007>>2011

Pos	Part Number	Description	Remark	Qty	Model
		Transmission case Front	10-		G97.90/92
1	996 301 101 88	Transmission case Use also: 99630351300		1	
2	999 036 002 40	Lid A 14		4	
				1	
3	950 301 151 01	Cap		1	
4	999 703 490 40	Lid 30 X 42		1	
5	999 113 326 41	Shaft sealing ring 26,5 X 40		1	
6	993 116 630 00	Cap		1	
7	996 116 612 00	Flange		1	
8	993 116 610 00	Intake manifold		1	
9	900 378 035 01	Hexagon-head bolt M 6 X 16		5	
10	900 378 281 01	Hexagon-head bolt M 8 X 35		12	
11	996 301 312 51	Transmission cover		1	
12	999 707 480 40	O-ring 205 X 3,5		1	
13	999 063 008 02	Screw plug with magnet M 22 X 1,5		1	
14	900 123 118 30	Sealing ring A 22 X 27		1	
15	900 012 144 00	Straight pin 12 M 6 X 14		4	
16	996 303 513 00	Round socket 15 X 21 X 22		4	
17	900 081 042 02	Stud M 8 X 42		7	
18	996 116 710 00	Flange socket		1	
19	993 116 610 00	Intake manifold		1	
20	999 531 017 10	Bush 12,1 X 14		1	
21	997 449 101 50	Hook		2	
22	999 073 374 01	Oval-head screw M 8 X 60		2	
23	900 108 064 00	Ball 8		4	
24	996 303 245 00	Compression spring		4	
25	900 124 023 02	Screw plug M 10 X 1		4	
25	900 124 004 02	Screw plug M 10 X 1		4	
26	014 301 485	Cap		1	
27	014 301 473	Sleeve 12 X 30		1	
27	0A2 301 473	Sleeve		1	
28	996 303 255 00	Compression spring		1	
29	996 303 257 00	Lid 20 X 4		1	
30	900 042 003 01	Circlip 20 X 1		1	
31	996 303 055 01	Selector lever		1	
32	996 303 057 00	Pinion		1	
33	996 303 383 00	Lock		1	
34	996 303 517 00	Shaft sealing ring 15 X 21 X 5		1	
35	996 303 053 00	Selector lever		1	
36	996 303 519 00	Bearing screw		1	

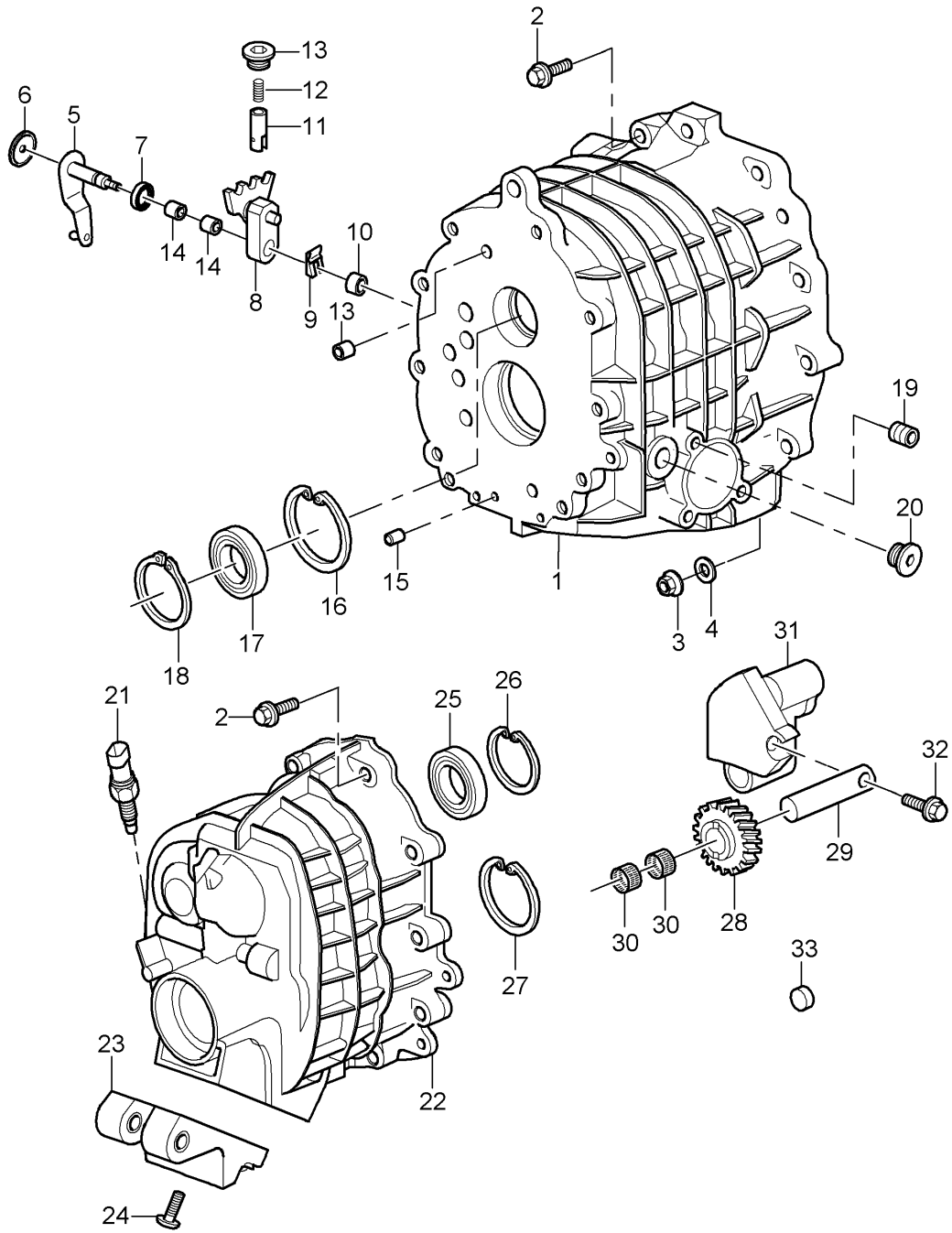
Model: 997G07

Model life 2007>>2011

Pos	Part Number	Description	Remark	Qty	Model
37	999 113 356 40	Shaft sealing ring 48 X 60 X 10		2	
38	997 332 209 51	Joint flange		2	
38	997 332 209 52	Joint flange		2	
39	996 303 515 00	Bearing sleeve 15 X 17 X 12		2	
-	000 043 209 23	Grease LIQUI MOLY PU 53 / WDR 50 GR.		X	

Model: 997G07

Model life 2007>>2011



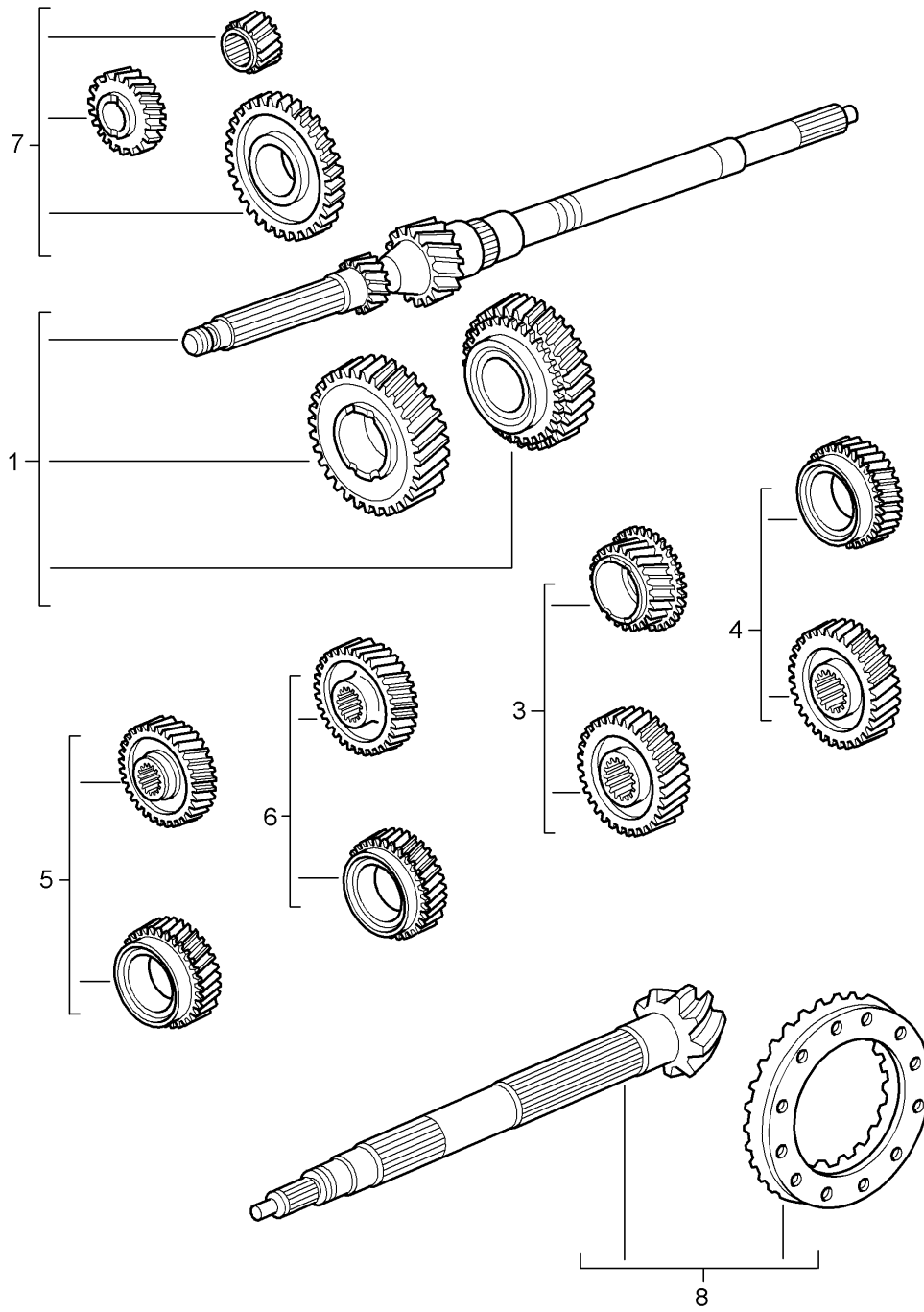
Model: 997G07

Model life 2007>>2011

Pos	Part Number	Description	Remark	Qty	Model
		Gear housing Transmission cover	10-		G97.90/92
1	996 301 102 9A	Gear housing		1	
2	900 378 281 01	Hexagon-head bolt M 8 X 35		20	
3	900 076 064 02	Hexagon nut M 8		2	
4	900 025 007 07	Washer A 8,4		2	
5	996 303 031 9A	Gearshift lever		1	
6	986 424 133 00	Washer		1	
7	996 303 517 00	Shaft sealing ring 15 X 21 X 7		1	
8	996 303 033 00	Shift segment		1	
9	996 303 383 00	Lock		1	
10	996 303 303 00	Roller 20 X 8 X 8		1	
11	996 303 035 00	Bolt		1	
12	996 303 235 00	Compression spring		1	
13	996 303 237 00	Screw plug M 18 X 15		1	
14	996 303 515 00	Bearing sleeve 15 X 17 X 12		2	
15	900 012 144 00	Straight pin A 12,0 X 14		2	
16	999 152 031 01	Circlip SB 68 X 1,50		1	
17	999 110 181 00	Cylindrical-roller bearing 30 X 62 X 16		1	
18	900 111 001 00	Circlip SP 62		1	
19	999 504 004 00	Threaded insert M 8 X 16		3	
20	N 910 597 01	Screw plug M 22 x 1,5		1	
21	996 606 133 00	Switch Back-up light		1	
22	996 301 301 9A	Transmission cover Rear		1	
23	722 260 006 2	Bearing Transmission cover		1	
24	999 073 095 01	Oval-head screw M 8 X 30		4	
25	999 110 194 01	Cylindrical-roller bearing 25 X 52 X 15		1	
26	999 152 062 01	Circlip SB 52 X 1,5		1	
27	999 152 024 01	Circlip SB 62 X 1,5		1	
28		Reverse idler gear See illustrations 3/03/01		1	
29	996 302 228 50	Bolt Reverse idler gear		1	
30	996 302 224 00	Needle cage 20 X 26 X 17		2	
31	996 302 225 51	Segment		1	
32	996 302 223 00	Hexagon-head bolt M 8 X 55		1	
33	999 501 023 30	Stopper 6,7		1	

Model: 997G07

Model life 2007>>2011



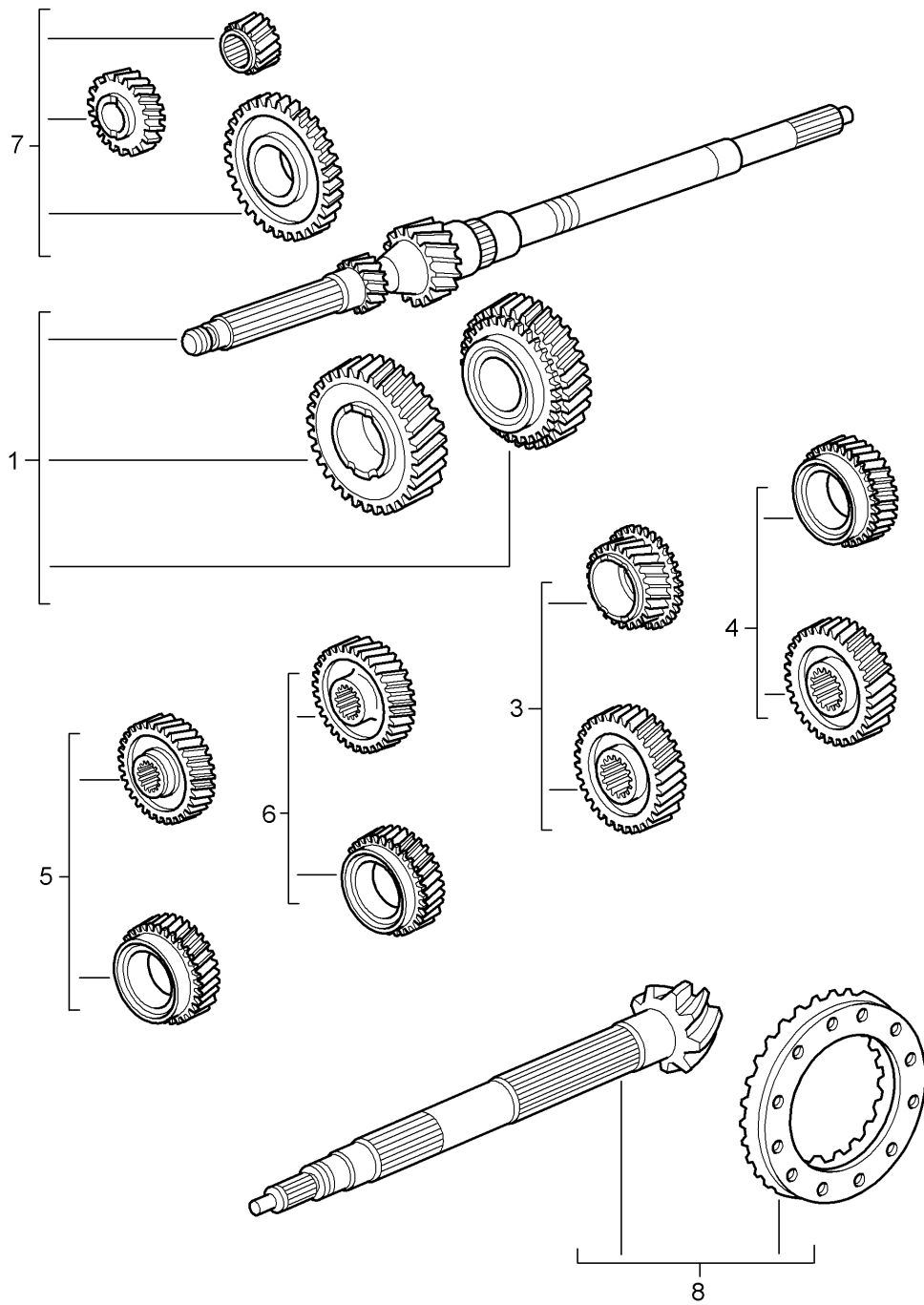
Model: 997G07

Model life 2007>>2011

Pos	Part Number	Description	Remark	Qty	Model
1	997 302 901 90	Gear wheel sets Gear set 1st / 2nd gear 1st gear Z = 42 : 11 2nd gear Z = 43 : 19	-09 07	1	G97.90
(1)	997 302 901 91	Gear set 1st / 2nd gear 1st gear Z = 42 : 11 2nd gear Z = 43 : 19	08-	1	
3	997 302 953 90	Gear set 3rd gear Z = 41 : 25		1	
4	997 302 954 90	Gear set 4th speed Z = 40 : 31		1	
5	997 302 955 90	Gear set 5th gear Z = 34 : 32		1	
6	996 302 955 50	Gear set 6th gear Z = 34 : 37		1	
7	996 302 907 50	Gear set Reverse gear		1	
8	996 302 911 71	Ring gear and pinion shaft 31 : 9		1	

Model: 997G07

Model life 2007>>2011

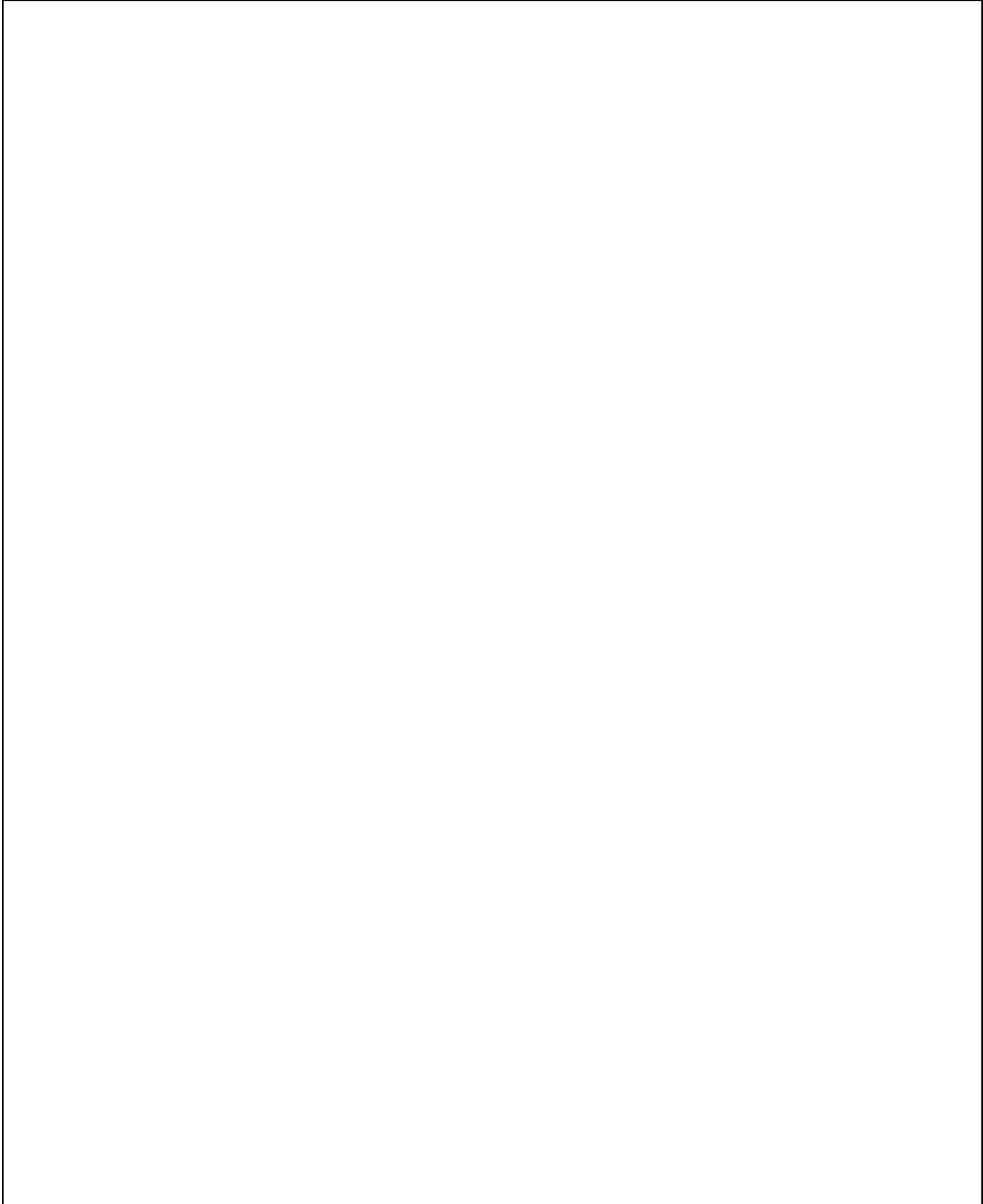


Model: 997G07 Model life 2007>>2011

Pos	Part Number	Description	Remark	Qty	Model
1	997 302 901 91	Gear wheel sets Gear set 1st / 2nd gear 1st gear Z = 42 : 11 2nd gear Z = 43 : 19	10-	1	G97.90/92
3	997 302 953 90	Gear set 3rd gear Z = 41 : 25		1	
4	997 302 954 90	Gear set 4th speed Z = 40 : 31		1	
5	997 302 955 90	Gear set 5th gear Z = 34 : 32		1	
6	996 302 955 50	Gear set 6th gear Z = 34 : 37		1	G97.90
(6)	997 302 956 90	Gear set 6th gear Z = 36 : 41		1	G97.92 I004
7	997 302 907 88	Gear set Reverse gear		1	
8	996 302 911 71	Ring gear and pinion shaft 31 : 9		1	G97.90
8	997 302 911 90	Ring gear and pinion shaft 35 : 9		1	G97.92 I004

Model: 997G07

Model life 2007>>2011



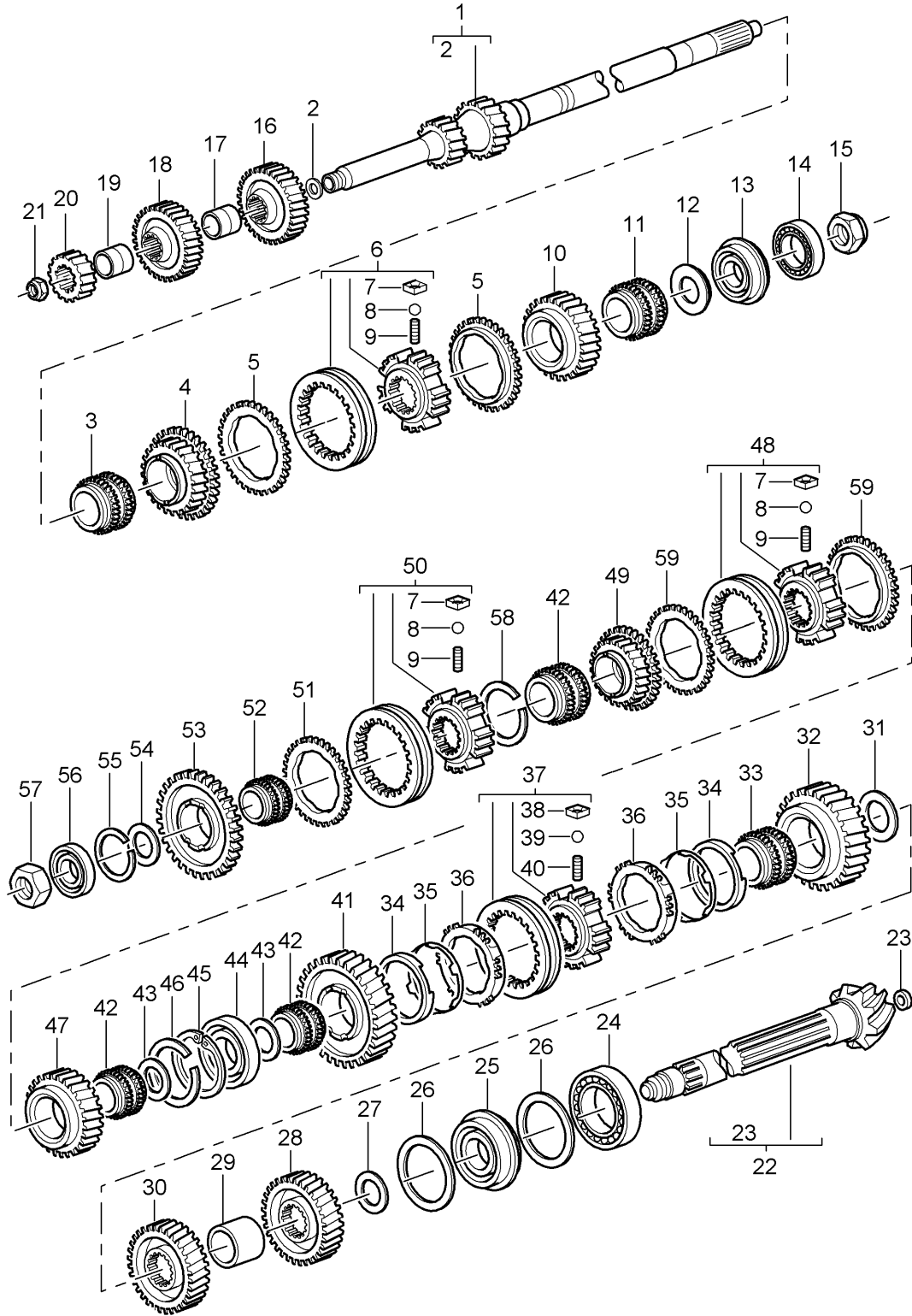
Model: 997G07

Model life 2007>>2011

Pos	Part Number	Description	Remark	Qty	Model
1	996 302 121 9A	Gears and shafts Retainer plate		1	G97.90/92

Model: 997G07

Model life 2007>>2011



Model: 997G07

Model life 2007>>2011

Pos	Part Number	Description	Remark	Qty	Model
		Gears and shafts Gear wheel sets See illustrations 3/03/00	-09		G97.90
1		Drive shaft		1	
2	964 302 335 02	Washer 7 MM		1	
3	999 201 442 00	Needle-roller bearing 42 X 47 X 32		1	
4		Loose gear wheel 3rd gear		1	
5	928 304 211 30	Synchroniser ring 3rd/4th gear		2	
6	996 304 021 51	Guide sleeve 3rd/4th gear		1	
7	928 304 251 00	Stone		9	
8	N 025 653 2	Ball 6,5 MM		9	
9	928 304 261 01	Compression spring		9	
10		Loose gear wheel 4th speed		1	
11	999 201 437 06	Needle cage 35 X 47 X 32,2		1	
12	996 302 294 50	Thrust washer 4th speed		1	
13	999 052 094 00	Four-point bearing 30 X 62 X 16		1	
13	999 052 098 00	Four-point bearing 30 X 62 X 16		1	
14	999 110 117 01	Cylindrical-roller bearing 30 X 62 X 20		1	
15	999 034 033 00	Hexagon nut M 30 X 1,5		1	
16		Fixed gear wheel 6th gear		1	
17	950 302 268 12	Spacer sleeve 5th gear		1	
		And 6th gear			
18		Fixed gear wheel 5th gear			
19	950 302 270 02	Spacer sleeve		1	
20		Fixed gear wheel Reverse gear		1	
21	999 034 035 00	Lock nut M 22 X 1,5		1	
22		Pinion shaft		1	
23	964 302 335 01	Washer 14,5		2	
24	999 110 119 01	Cylindrical-roller bearing 40 X 90 X 23		1	
25	999 052 164 00	Four-point bearing 40 X 82 X 18		1	
25	997 302 293 00	Angular-contact bearing 40 X 82 X 18		1	
26	996 302 163 50	Shim 90 X 97 X 0,50		X	
26	996 302 163 51	Shim 90 X 97 X 0,55		X	
26	996 302 163 52	Shim 90 X 97 X 0,60		X	
26	996 302 163 53	Shim 90 X 97 X 0,65		X	

Model: 997G07 Model life 2007>>2011

Pos	Part Number	Description	Remark	Qty	Model
26	996 302 163 54	Shim 90 X 97 X 0,70		X	
26	996 302 163 55	Shim 90 X 97 X 0,75		X	
26	996 302 163 56	Shim 90 X 97 X 0,80		X	
26	996 302 163 57	Shim 90 X 97 X 0,85		X	
26	996 302 163 58	Shim 90 X 97 X 0,90		X	
26	996 302 163 59	Shim 90 X 97 X 0,95		X	
26	996 302 163 60	Shim 90 X 97 X 1,00		X	
26	996 302 163 61	Shim 90 X 97 X 1,05		X	
26	996 302 163 62	Shim 90 X 97 X 1,10		X	
26	996 302 163 63	Shim 90 X 97 X 1,15		X	
26	996 302 163 64	Shim 90 X 97 X 1,20		X	
26	996 302 163 65	Shim 90 X 97 X 1,25		X	
26	996 302 163 66	Shim 90 X 97 X 1,30		X	
26	996 302 163 67	Shim 90 X 97 X 1,35		X	
26	996 302 163 68	Shim 90 X 97 X 1,40		X	
26	996 302 163 69	Shim 90 X 97 X 1,45		X	
26	996 302 163 70	Shim 90 X 97 X 1,50		X	
26	996 302 163 71	Shim 90 X 97 X 1,55		X	
26	996 302 163 72	Shim 90 X 97 X 1,60		X	
27	996 302 151 50	Shim 40 X 50 X 0,40		X	
27	996 302 151 51	Shim 40 X 50 X 0,45		X	
27	996 302 151 52	Shim 40 X 50 X 0,50		X	
27	996 302 151 53	Shim 40 X 50 X 0,55		X	
27	996 302 151 54	Shim 40 X 50 X 0,60		X	
27	996 302 151 55	Shim 40 X 50 X 0,65		X	
27	996 302 151 56	Shim 40 X 50 X 0,70		X	
27	996 302 151 57	Shim 40 X 50 X 0,80		X	
27	996 302 151 58	Shim 40 X 50 X 0,90		X	
27	996 302 151 59	Shim 40 X 50 X 1,00		X	
27	996 302 151 60	Shim 40 X 50 X 1,10		X	
27	996 302 151 61	Shim 40 X 50 X 1,20		X	
27	996 302 151 62	Shim		X	

Model: 997G07

Model life 2007>>2011

Pos	Part Number	Description	Remark	Qty	Model
27	996 302 151 63	40 X 50 X 1,30 Shim		X	
28		40 X 50 X 0,75 Fixed gear wheel		1	
29	950 302 267 02	4th speed Spacer sleeve		1	
30		Fixed gear wheel		1	
31	950 302 292 00	3rd gear Thrust washer		1	
32		2nd gear Loose gear wheel		1	
33	999 201 225 04	2nd gear Needle-roller bearing		1	
34	950 304 617 20	39,68 X 50 Ring		2	
35	996 304 613 20	Cone ring		2	
36	950 304 611 20	Synchroniser ring		2	
37	996 304 061 50	Guide sleeve		1	
38	950 304 651 00	1st / 2nd gear Stone		3	
38	996 304 651 00	Stone		3	
39	900 108 058 00	Ball		3	
40	950 304 661 03	5 MM Compression spring		3	
41		Loose gear wheel		1	
42	999 201 239 06	1st gear Needle-roller bearing		3	
43	950 302 295 07	35 X 50 X 32,2 Thrust washer		2	
44	999 110 109 01	1st gear And 6th gear Cylindrical-roller bearing		1	
45	999 152 106 00	35 X 80 X 18 Circlip		1	
46	N 100 709 01	Circlip		1	
47		SP 80 Loose gear wheel		1	
48	950 304 021 23	6th gear Guide sleeve		1	
49		5th gear And 6th gear Loose gear wheel		1	
50	996 304 021 50	5th gear Guide sleeve		1	
51	928 304 211 24	Reverse gear Synchroniser ring		1	
52	999 201 253 00	Reverse gear Needle cage		1	
53		32 X 45 X 27,2 Loose gear wheel		1	
54	950 302 296 07	Reverse gear Thrust washer		1	
55	999 152 024 01	Reverse gear Circlip		1	
56	999 110 192 00	62 X 1,50 Cylindrical-roller bearing		1	
57	999 034 034 00	30 X 62 X 16 Hexagon nut		1	
58	999 152 111 00	M 30 X 1,25 Circlip		1	
		78 X 1,50			

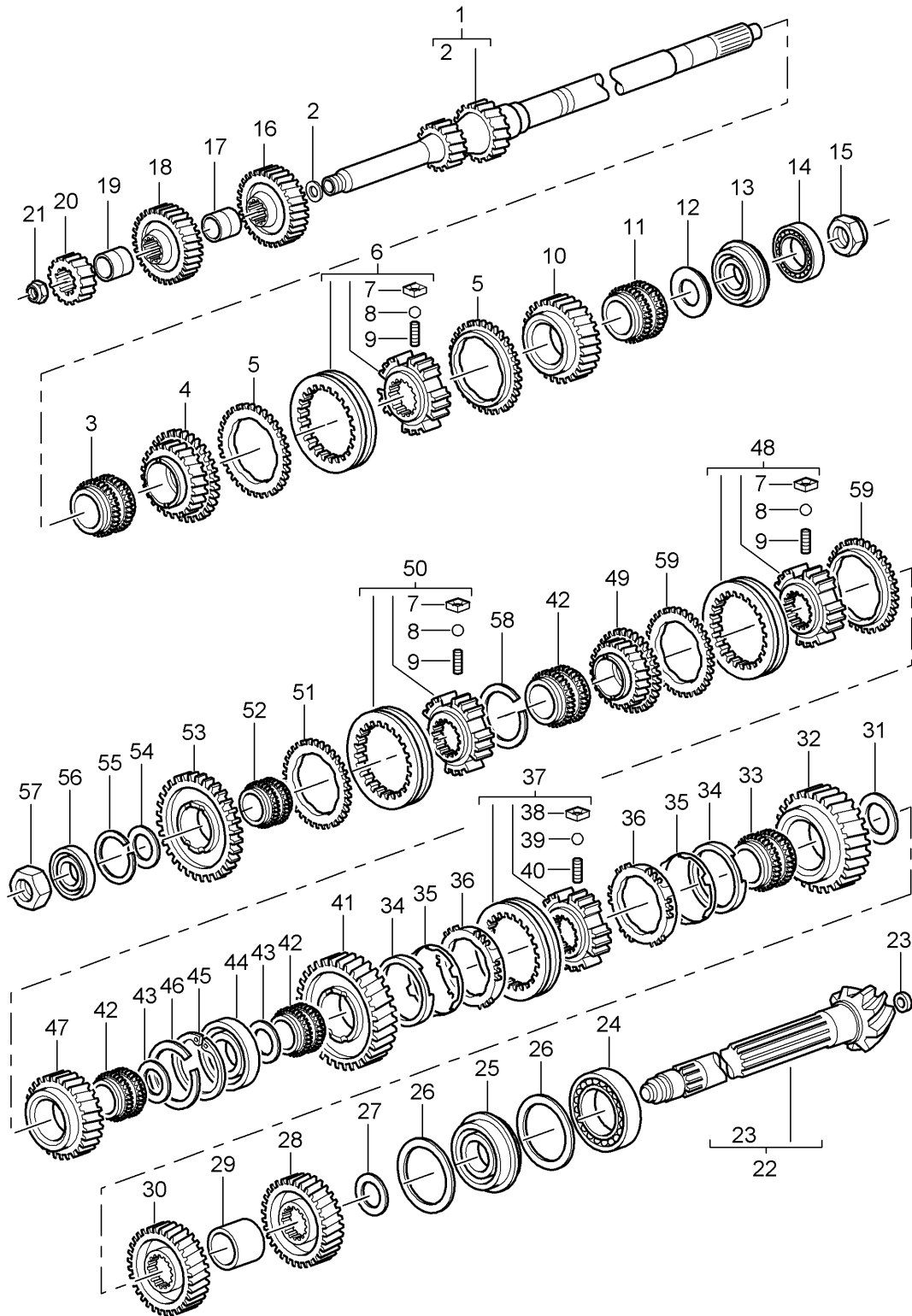
Model: 997G07

Model life 2007>>2011

Pos	Part Number	Description	Remark	Qty	Model
59	928 304 211 30	Synchroniser ring 5th and 6th gear		2	

Model: 997G07

Model life 2007>>2011



Model: 997G07

Model life 2007>>2011

Pos	Part Number	Description	Remark	Qty	Model
		Gears and shafts Gear wheel sets See illustrations 3/03/00	10-		G97.90/92
1		Drive shaft		1	
2	964 302 335 02	Washer 7 MM		1	
3	999 201 442 00	Needle-roller bearing 42 X 47 X 32		1	
4		Loose gear wheel 3rd gear		1	
5	928 304 211 30	Synchroniser ring 3rd/4th gear		2	
6	996 304 021 51	Guide sleeve 3rd/4th gear		1	
7	928 304 251 00	Stone		9	
8	N 025 653 2	Ball 6,5 MM		9	
9	928 304 261 01	Compression spring		9	
10		Loose gear wheel 4th speed		1	
11	999 201 437 06	Needle cage 35 X 47 X 32,2		1	
12	996 302 294 50	Thrust washer 4th speed		1	
13	999 052 094 00	Four-point bearing 30 X 62 X 16		1	
13	999 052 098 00	Four-point bearing 30 X 62 X 16		1	
14	999 110 117 01	Cylindrical-roller bearing 30 X 62 X 20		1	
15	999 034 033 00	Hexagon nut M 30 X 1,5		1	
16		Fixed gear wheel 6th gear		1	
17	950 302 268 12	Spacer sleeve 5th gear		1	
18		And 6th gear Fixed gear wheel 5th gear			
19	950 302 270 02	Spacer sleeve		1	
20		Fixed gear wheel Reverse gear		1	
21	999 034 035 00	Lock nut M 22 X 1,5		1	
22		Pinion shaft		1	
23	964 302 335 01	Washer 14,5		1	
24	999 110 132 01	Cylindrical-roller bearing 40 X 90 X 23		1	
25	999 052 164 00	Four-point bearing 40 X 82 X 18		1	
25	997 302 293 00	Angular-contact bearing 40 X 82 X 18		1	
26	996 302 163 50	Shim 90 X 97 X 0,50		X	
26	996 302 163 51	Shim 90 X 97 X 0,55		X	
26	996 302 163 52	Shim 90 X 97 X 0,60		X	
26	996 302 163 53	Shim 90 X 97 X 0,65		X	

Model: 997G07 Model life 2007>>2011

Pos	Part Number	Description	Remark	Qty	Model
26	996 302 163 54	Shim 90 X 97 X 0,70		X	
26	996 302 163 55	Shim 90 X 97 X 0,75		X	
26	996 302 163 56	Shim 90 X 97 X 0,80		X	
26	996 302 163 57	Shim 90 X 97 X 0,85		X	
26	996 302 163 58	Shim 90 X 97 X 0,90		X	
26	996 302 163 59	Shim 90 X 97 X 0,95		X	
26	996 302 163 60	Shim 90 X 97 X 1,00		X	
26	996 302 163 61	Shim 90 X 97 X 1,05		X	
26	996 302 163 62	Shim 90 X 97 X 1,10		X	
26	996 302 163 63	Shim 90 X 97 X 1,15		X	
26	996 302 163 64	Shim 90 X 97 X 1,20		X	
26	996 302 163 65	Shim 90 X 97 X 1,25		X	
26	996 302 163 66	Shim 90 X 97 X 1,30		X	
26	996 302 163 67	Shim 90 X 97 X 1,35		X	
26	996 302 163 68	Shim 90 X 97 X 1,40		X	
26	996 302 163 69	Shim 90 X 97 X 1,45		X	
26	996 302 163 70	Shim 90 X 97 X 1,50		X	
26	996 302 163 71	Shim 90 X 97 X 1,55		X	
26	996 302 163 72	Shim 90 X 97 X 1,60		X	
27	996 302 151 50	Shim 40 X 50 X 0,40		X	
27	996 302 151 51	Shim 40 X 50 X 0,45		X	
27	996 302 151 52	Shim 40 X 50 X 0,50		X	
27	996 302 151 53	Shim 40 X 50 X 0,55		X	
27	996 302 151 54	Shim 40 X 50 X 0,60		X	
27	996 302 151 55	Shim 40 X 50 X 0,65		X	
27	996 302 151 56	Shim 40 X 50 X 0,70		X	
27	996 302 151 57	Shim 40 X 50 X 0,80		X	
27	996 302 151 58	Shim 40 X 50 X 0,90		X	
27	996 302 151 59	Shim 40 X 50 X 1,00		X	
27	996 302 151 60	Shim 40 X 50 X 1,10		X	
27	996 302 151 61	Shim 40 X 50 X 1,20		X	
27	996 302 151 62	Shim		X	

Model: 997G07

Model life 2007>>2011

Pos	Part Number	Description	Remark	Qty	Model
27	996 302 151 63	40 X 50 X 1,30 Shim		X	
28		40 X 50 X 0,75 Fixed gear wheel		1	
29	950 302 267 02	4th speed Spacer sleeve		1	
30		Fixed gear wheel		1	
31	950 302 292 00	3rd gear Thrust washer		1	
32		2nd gear Loose gear wheel		1	
33	999 201 225 04	2nd gear Needle-roller bearing		1	
34	950 304 617 20	39,68 X 50 Ring		2	
35	996 304 613 20	Cone ring		2	
36	950 304 611 20	Synchroniser ring		2	
37	996 304 061 50	Guide sleeve		1	
38	996 304 651 00	1st / 2nd gear Stone		3	
39	900 108 058 00	Ball		3	
40	950 304 661 03	5 MM Compression spring		3	
41		Loose gear wheel		1	
42	999 201 239 06	1st gear Needle-roller bearing		3	
43	950 302 295 07	35 X 50 X 32,2 Thrust washer		2	
44	999 110 109 01	1st gear And 6th gear Cylindrical-roller bearing		1	
45	999 152 106 00	35 X 80 X 18 Circlip		1	
46	N 100 709 01	Circlip		1	
47		SP 80 Loose gear wheel		1	
48	950 304 021 23	6th gear Guide sleeve		1	
49		5th gear And 6th gear Loose gear wheel		1	
50	996 304 021 50	5th gear Guide sleeve		1	
51	928 304 211 24	Reverse gear Synchroniser ring		1	
52	999 201 253 00	Reverse gear Needle cage		1	
53		32 X 45 X 27,2 Loose gear wheel		1	
54	950 302 296 07	Reverse gear Thrust washer		1	
55	999 152 024 01	Reverse gear Circlip		1	
56	999 110 192 00	62 X 1,50 Cylindrical-roller bearing		1	
57	999 034 034 00	30 X 62 X 16 Hexagon nut		1	
58	999 152 111 00	M 30 X 1,25 Circlip		1	
59	928 304 211 30	78 X 1,50 Synchroniser ring		1	

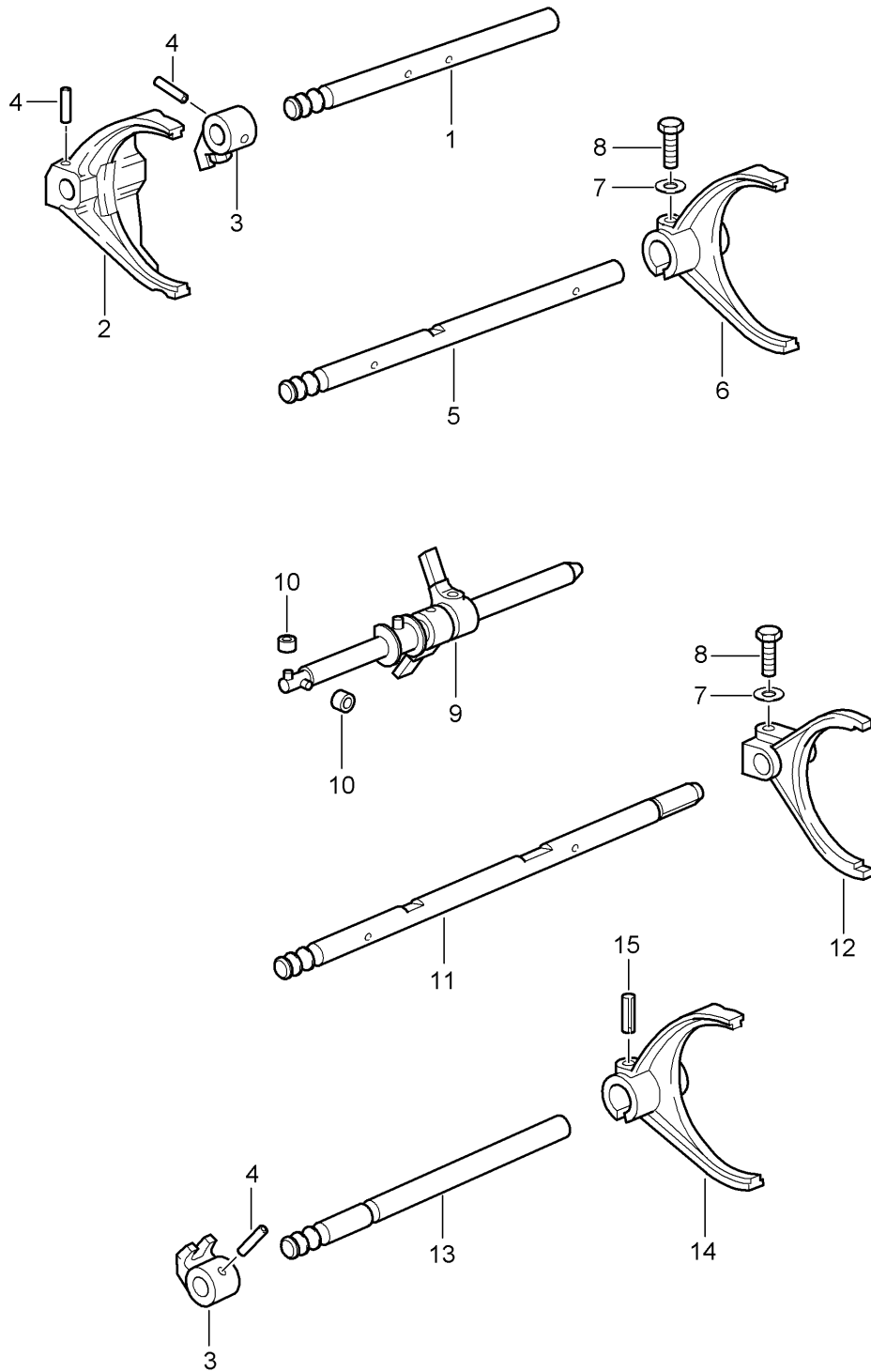
Model: 997G07

Model life 2007>>2011

Pos	Part Number	Description	Remark	Qty	Model
(59)	928 304 211 23	5th gear Synchroniser ring 6th gear		1	

Model: 997G07

Model life 2007>>2011



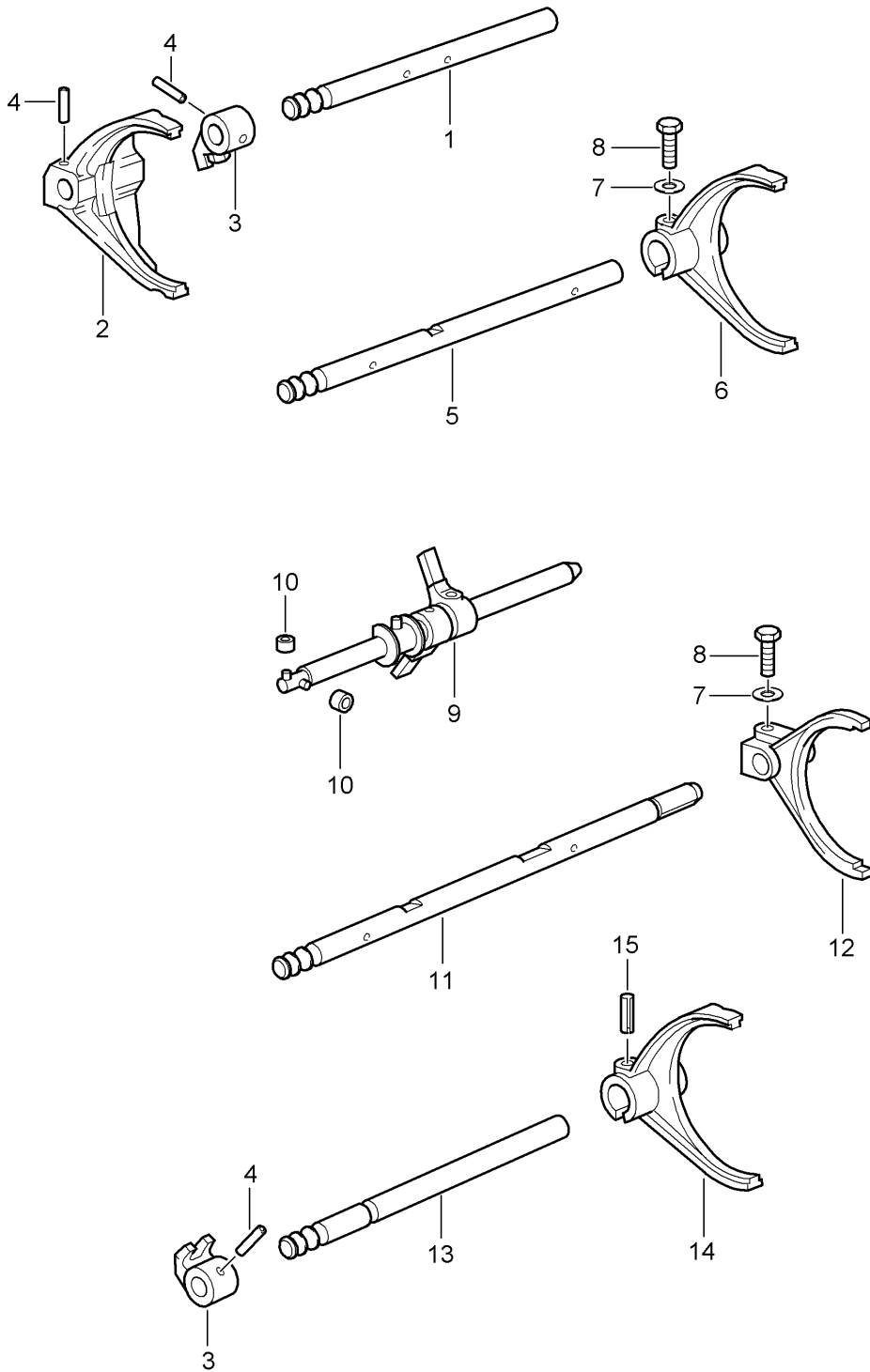
Model: 997G07

Model life 2007>>2011

Pos	Part Number	Description	Remark	Qty	Model
		Gear shift rod Shift fork Shift rod	-09		G97.90
1	996 303 103 52	Gear shift rod		1	
2	996 303 113 88	3rd/4th gear Shift fork 3rd/4th gear		1	
3	996 303 121 50	Driver		2	
4	900 309 008 00	Roll pin 6 X 24		3	
5	996 303 106 51	Gear shift rod 5th gear And 6th gear		1	
6	996 303 116 50	Shift fork 5th gear And 6th gear		1	
7	900 025 007 02	Washer A 8,4		2	
8	900 075 099 02	Hexagon-head bolt M 8 X 30		2	
8	900 075 099 03	Hexagon-head bolt M 8 X 30		2	
9	996 303 021 52	Shift rod		1	
10	996 303 403 00	Roller 10 X 5 X 3		4	
11	996 303 105 52	Gear shift rod Reverse gear		1	
12	996 303 115 50	Shift fork Reverse gear		1	
13	996 303 101 51	Gear shift rod 1st / 2nd gear		1	
14	996 303 111 51	Shift fork 1st / 2nd gear		1	
15	900 095 017 01	Roll pin 5,0 X 24		2	

Model: 997G07

Model life 2007>>2011



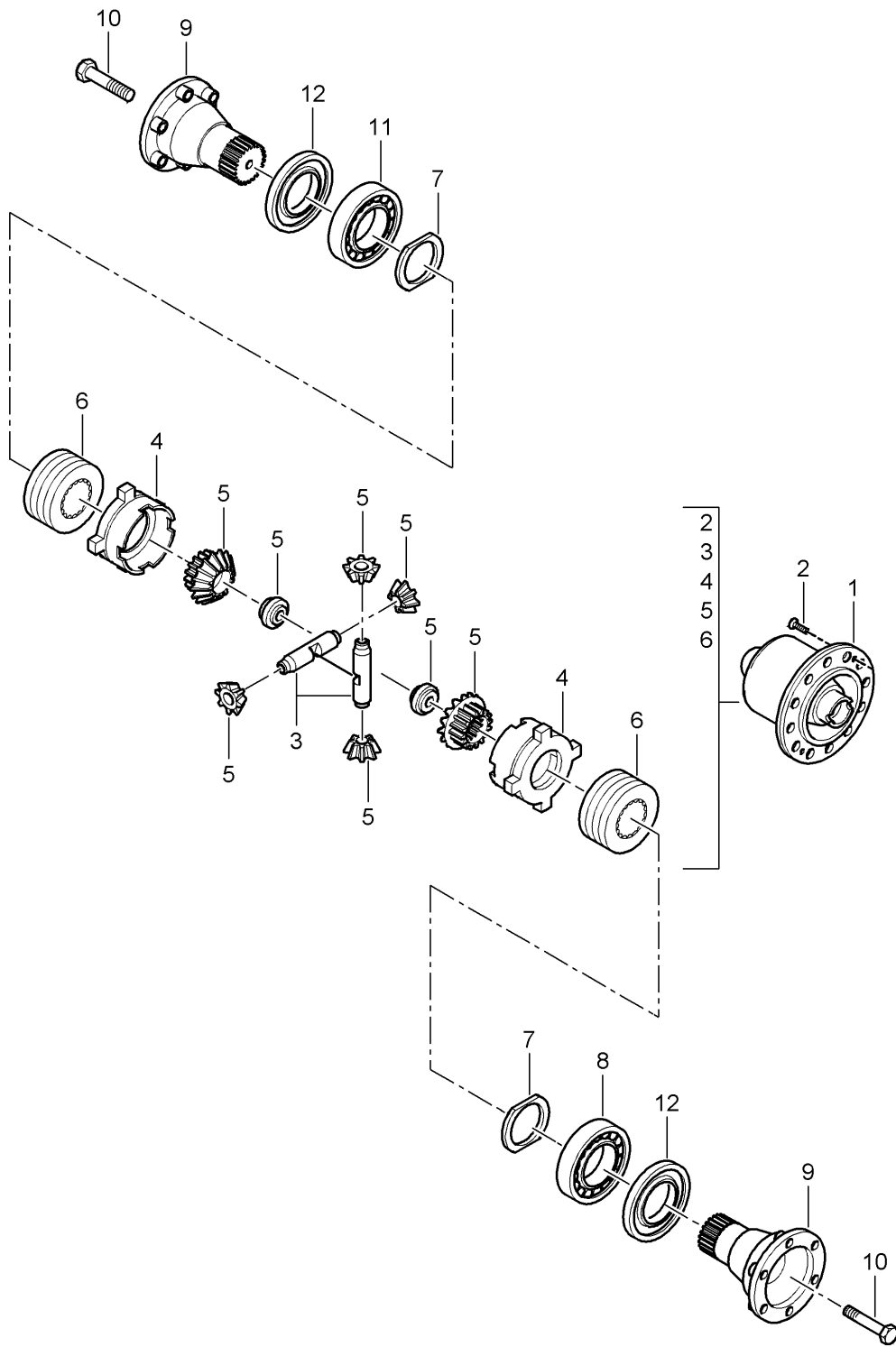
Model: 997G07

Model life 2007>>2011

Pos	Part Number	Description	Remark	Qty	Model
		Gear shift rod	10-		G97.90/92
		Shift fork			
		Shift rod			
1	996 303 103 52	Gear shift rod		1	
		3rd/4th gear			
2	996 303 113 88	Shift fork		1	
		3rd/4th gear			
3	996 303 121 50	Driver		2	
4	900 309 008 00	Roll pin		3	
		6 X 24			
5	996 303 106 51	Gear shift rod		1	
		5th gear			
		And			
		6th gear			
6	996 303 116 50	Shift fork		1	
		5th gear			
		And			
		6th gear			
7	900 025 007 02	Washer		2	
		A 8,4			
8	900 075 099 02	Hexagon-head bolt		2	
		M 8 X 30			
8	900 075 099 03	Hexagon-head bolt		2	
		M 8 X 30			
9	996 303 021 52	Shift rod		1	
10	996 303 403 00	Roller		4	
		10 X 5 X 3			
11	996 303 105 52	Gear shift rod		1	
		Reverse gear			
12	996 303 115 50	Shift fork		1	
		Reverse gear			
13	996 303 101 51	Gear shift rod		1	
		1st / 2nd gear			
14	996 303 111 51	Shift fork		1	
		1st / 2nd gear			
15	900 095 017 01	Roll pin		2	
		5,0 X 24			

Model: 997G07

Model life 2007>>2011



Model: 997G07 Model life 2007>>2011

Pos	Part Number	Description	Remark	Qty	Model
		Limited-slip differential Complete	-09		G97.90
1	997 332 083 91	And Repair kits Limited-slip differential 28/40 %		1	
(2)	999 217 152 01	FA. GKN Hexagon-head bolt M 12 X 1,25		12	
2	950 332 983 03	Countersunk-head screw Set		1	
3	950 332 983 06	FA.GKN Axle Set		1	
4	950 332 983 05	Ring Set		1	
5	950 332 983 02	Gear set		1	
6	950 332 983 36	Vanes		1	
7	996 332 266 50	Adjusting ring 50,4 X 65 X 1,50		X	
7	996 332 266 51	Adjusting ring 50,4 X 65 X 1,55		X	
7	996 332 266 52	Adjusting ring 50,4 X 65 X 1,60		X	
7	996 332 266 53	Adjusting ring 50,4 X 65 X 1,65		X	
7	996 332 266 54	Adjusting ring 50,4 X 65 X 1,70		X	
7	996 332 266 55	Adjusting ring 50,4 X 65 X 1,75		X	
7	996 332 266 56	Adjusting ring 50,4 X 65 X 1,80		X	
7	996 332 266 57	Adjusting ring 50,4 X 65 X 1,85		X	
7	996 332 266 58	Adjusting ring 50,4 X 65 X 1,90		X	
7	996 332 266 59	Adjusting ring 50,4 X 65 X 1,95		X	
7	996 332 266 60	Adjusting ring 50,4 X 65 X 2,00		X	
7	996 332 266 61	Adjusting ring 50,4 X 65 X 2,05		X	
7	996 332 266 62	Adjusting ring 50,4 X 65 X 2,10		X	
7	996 332 266 63	Adjusting ring 50,4 X 65 X 2,15		X	
7	996 332 266 64	Adjusting ring 50,4 X 65 X 2,20		X	
7	996 332 266 65	Adjusting ring 50,4 X 65 X 2,25		X	
7	996 332 266 66	Adjusting ring 50,4 X 65 X 2,30		X	
7	996 332 266 67	Adjusting ring 50,4 X 65 X 2,35		X	
7	996 332 266 68	Adjusting ring 50,4 X 65 X 2,40		X	
7	996 332 266 69	Adjusting ring 50,4 X 65 X 2,45		X	
7	996 332 266 70	Adjusting ring 50,4 X 65 X 2,50		X	
7	996 332 266 71	Adjusting ring 50,4 X 65 X 2,55		X	
7	996 332 266 72	Adjusting ring		X	

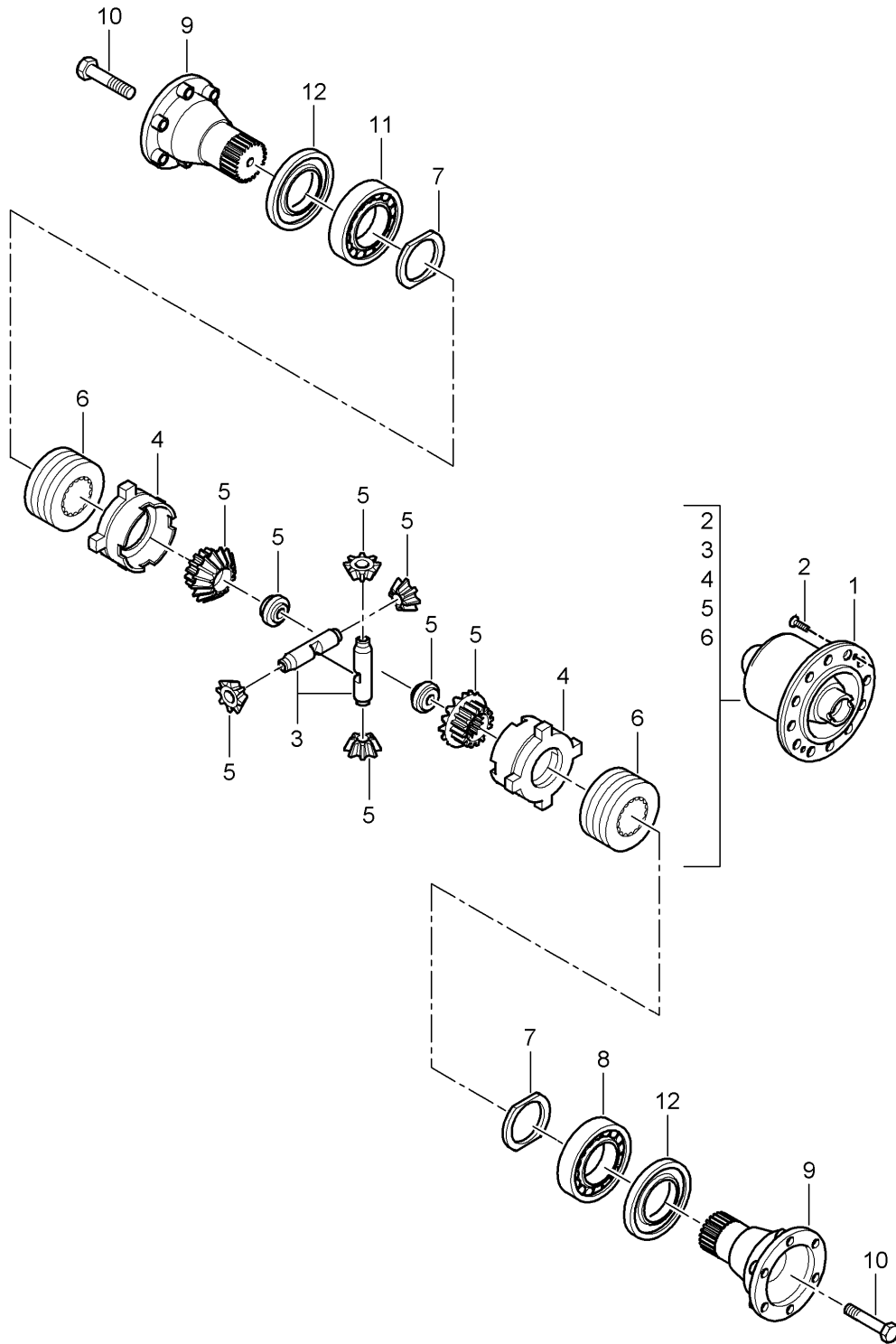
Model: 997G07

Model life 2007>>2011

Pos	Part Number	Description	Remark	Qty	Model
7	996 332 266 73	50,4 X 65 X 2,60 Adjusting ring		X	
7	996 332 266 74	50,4 X 65 X 2,65 Adjusting ring		X	
7	996 332 266 75	50,4 X 65 X 2,70 Adjusting ring		X	
7	996 332 266 76	50,4 X 65 X 2,75 Adjusting ring		X	
8	999 059 064 00	50,4 X 65 X 2,80 Taper roller bearing 50 X 90 X 20		1	
9	997 332 209 51	Joint flange		2	
(9)	997 332 209 52	Joint flange		2	
10	999 217 027 01	Hexagon-head bolt M 10 X 85		2	
11	999 059 066 02	Taper roller bearing 50 X 80 X 20		1	
12	999 113 356 40	Shaft sealing ring 48 X 68 X 10		2	

Model: 997G07

Model life 2007>>2011



Model: 997G07 Model life 2007>>2011

Pos	Part Number	Description	Remark	Qty	Model
		Limited-slip differential Complete	10-		G97.90/92
		And Repair kits			
1	997 332 083 91	Limited-slip differential 28/40 %		1	
		FA. GKN			
(2)	999 217 152 01	Hexagon-head bolt M 12 X 1,25		12	
2	950 332 983 03	Countersunk-head screw Set		1	
		FA.GKN			
3	950 332 983 06	Axle Set		1	
4	950 332 983 05	Ring Set		1	
5	950 332 983 02	Gear set		1	
6	950 332 983 36	Vanes		1	
7	996 332 266 50	Adjusting ring 50,4 X 65 X 1,50		X	
7	996 332 266 51	Adjusting ring 50,4 X 65 X 1,55		X	
7	996 332 266 52	Adjusting ring 50,4 X 65 X 1,60		X	
7	996 332 266 53	Adjusting ring 50,4 X 65 X 1,65		X	
7	996 332 266 54	Adjusting ring 50,4 X 65 X 1,70		X	
7	996 332 266 55	Adjusting ring 50,4 X 65 X 1,75		X	
7	996 332 266 56	Adjusting ring 50,4 X 65 X 1,80		X	
7	996 332 266 57	Adjusting ring 50,4 X 65 X 1,85		X	
7	996 332 266 58	Adjusting ring 50,4 X 65 X 1,90		X	
7	996 332 266 59	Adjusting ring 50,4 X 65 X 1,95		X	
7	996 332 266 60	Adjusting ring 50,4 X 65 X 2,00		X	
7	996 332 266 61	Adjusting ring 50,4 X 65 X 2,05		X	
7	996 332 266 62	Adjusting ring 50,4 X 65 X 2,10		X	
7	996 332 266 63	Adjusting ring 50,4 X 65 X 2,15		X	
7	996 332 266 64	Adjusting ring 50,4 X 65 X 2,20		X	
7	996 332 266 65	Adjusting ring 50,4 X 65 X 2,25		X	
7	996 332 266 66	Adjusting ring 50,4 X 65 X 2,30		X	
7	996 332 266 67	Adjusting ring 50,4 X 65 X 2,35		X	
7	996 332 266 68	Adjusting ring 50,4 X 65 X 2,40		X	
7	996 332 266 69	Adjusting ring 50,4 X 65 X 2,45		X	
7	996 332 266 70	Adjusting ring 50,4 X 65 X 2,50		X	
7	996 332 266 71	Adjusting ring 50,4 X 65 X 2,55		X	
7	996 332 266 72	Adjusting ring		X	

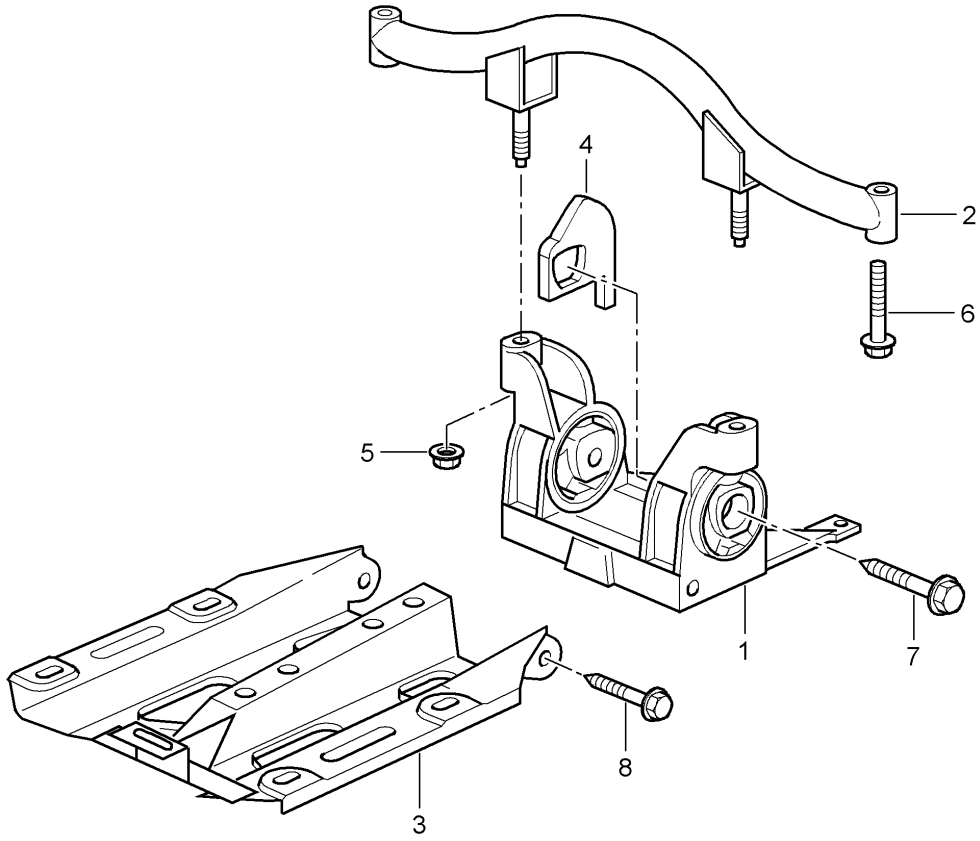
Model: 997G07

Model life 2007>>2011

Pos	Part Number	Description	Remark	Qty	Model
7	996 332 266 73	50,4 X 65 X 2,60 Adjusting ring		X	
7	996 332 266 74	50,4 X 65 X 2,65 Adjusting ring		X	
7	996 332 266 75	50,4 X 65 X 2,70 Adjusting ring		X	
7	996 332 266 76	50,4 X 65 X 2,75 Adjusting ring		X	
8	999 059 064 00	50,4 X 65 X 2,80 Taper roller bearing 50 X 90 X 20		1	
9	997 332 209 51	Joint flange		2	
9	997 332 209 52	Joint flange		2	
10	999 217 027 01	Hexagon-head bolt M 10 X 85		2	
11	999 059 066 02	Taper roller bearing 50 X 80 X 20		1	
12	999 113 356 40	Shaft sealing ring 48 X 68 X 10		2	

Model: 997G07

Model life 2007>>2011



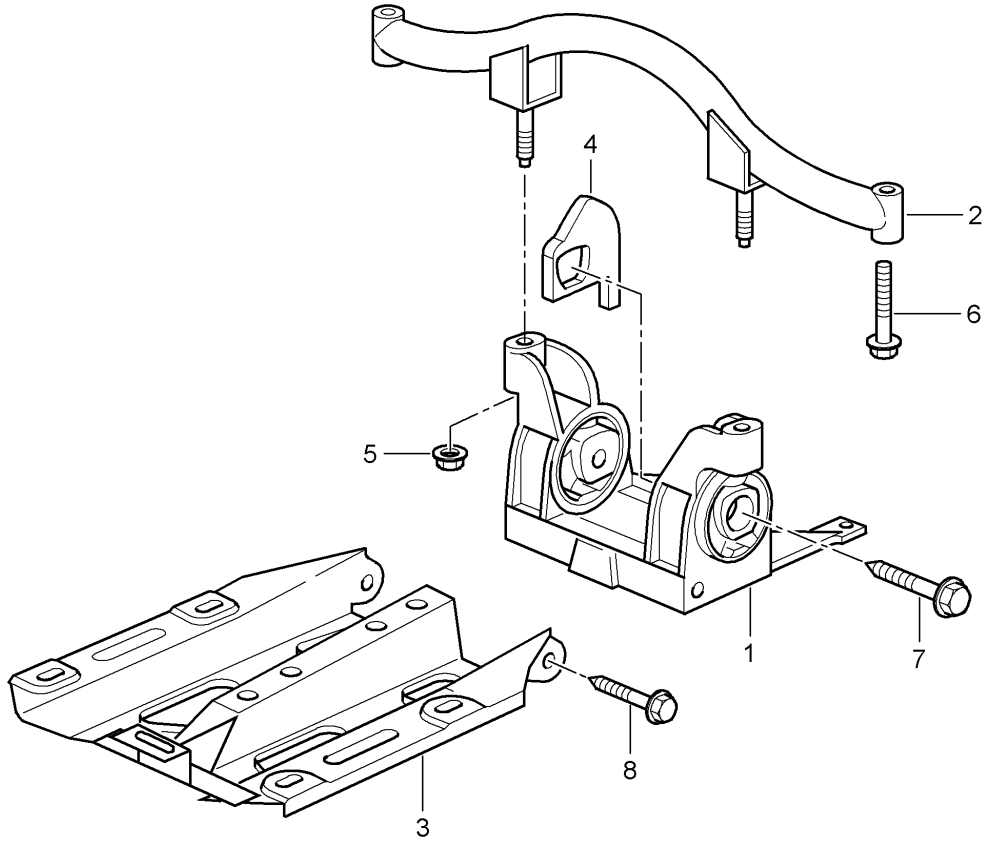
Model: 997G07

Model life 2007>>2011

Pos	Part Number	Description	Remark	Qty	Model
		Transmission suspension	-09		G97.90
1	997 375 033 03	Transmission carrier		1	
2	996 375 317 06	Bracket Upper		1	
3	997 375 115 00	Side member		1	
4	997 375 259 01	Stop		2	
5	999 084 648 01	Hexagon nut M 10		2	
6	900 378 098 09	Hexagon-head bolt M 10 X 60		2	
6	900 378 098 01	Hexagon-head bolt AM 10 X 60		4	
7	900 378 208 09	Hexagon-head bolt M 12 X 1,5 X 75		2	
8	900 378 200 09	Hexagon-head bolt		2	
8	900 378 313 01	Hexagon-head bolt M 10 X 55		2	

Model: 997G07

Model life 2007>>2011



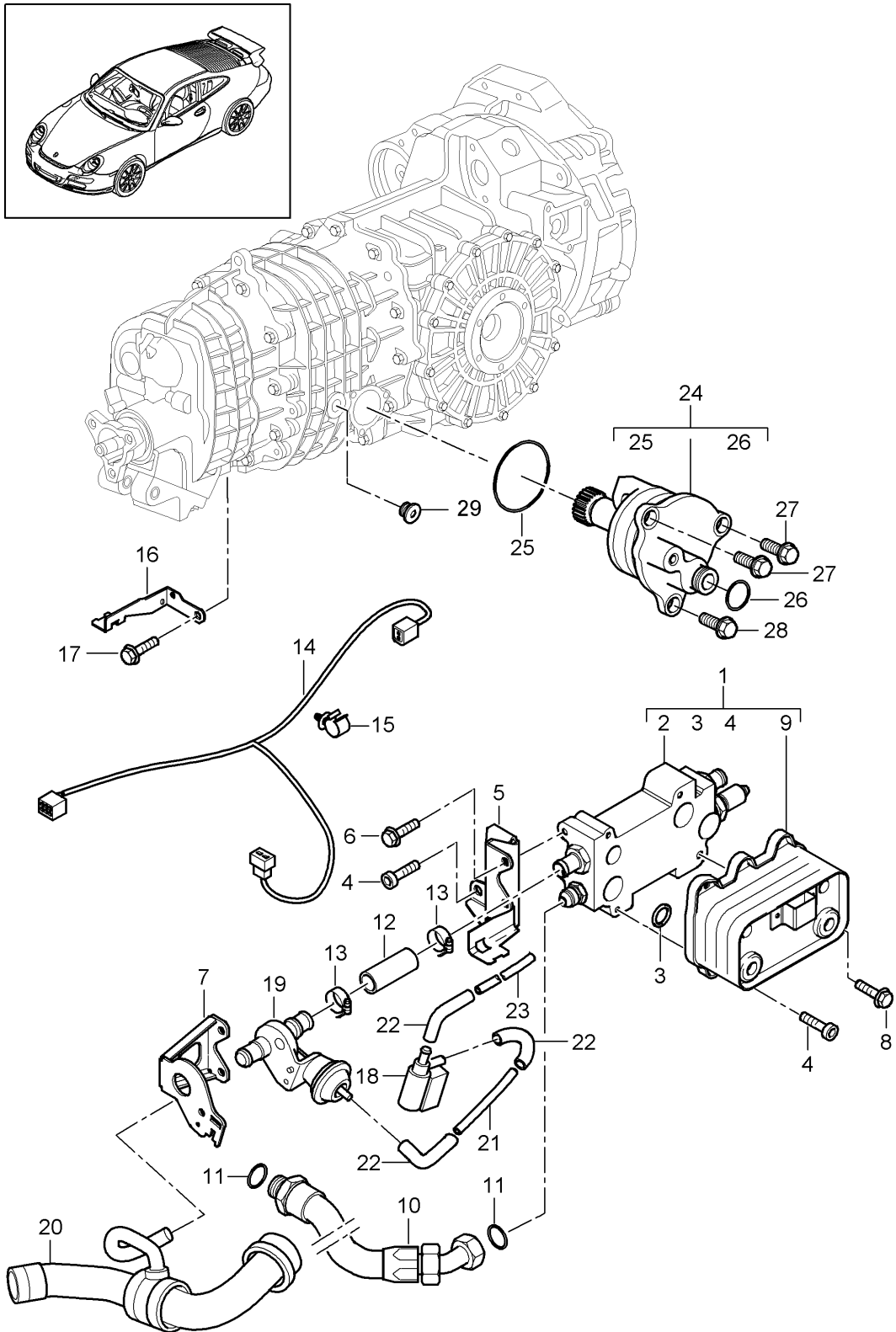
Model: 997G07

Model life 2007>>2011

Pos	Part Number	Description	Remark	Qty	Model
		Transmission suspension	10-		G97.90/92
1	997 375 033 03	Transmission carrier		1	
2	996 375 317 06	Bracket Upper		1	
3	997 375 115 00	Side member		1	
4	997 375 259 01	Stop		2	
5	999 084 648 01	Hexagon nut M 10		2	
6	900 378 098 01	Hexagon-head bolt AM 10 X 60		4	
7	900 378 315 01	Hexagon-head bolt M 12 X 1,5 X 75		2	
8	900 378 313 01	Hexagon-head bolt M 10 X 55		2	

Model: 997G07

Model life 2007>>2011



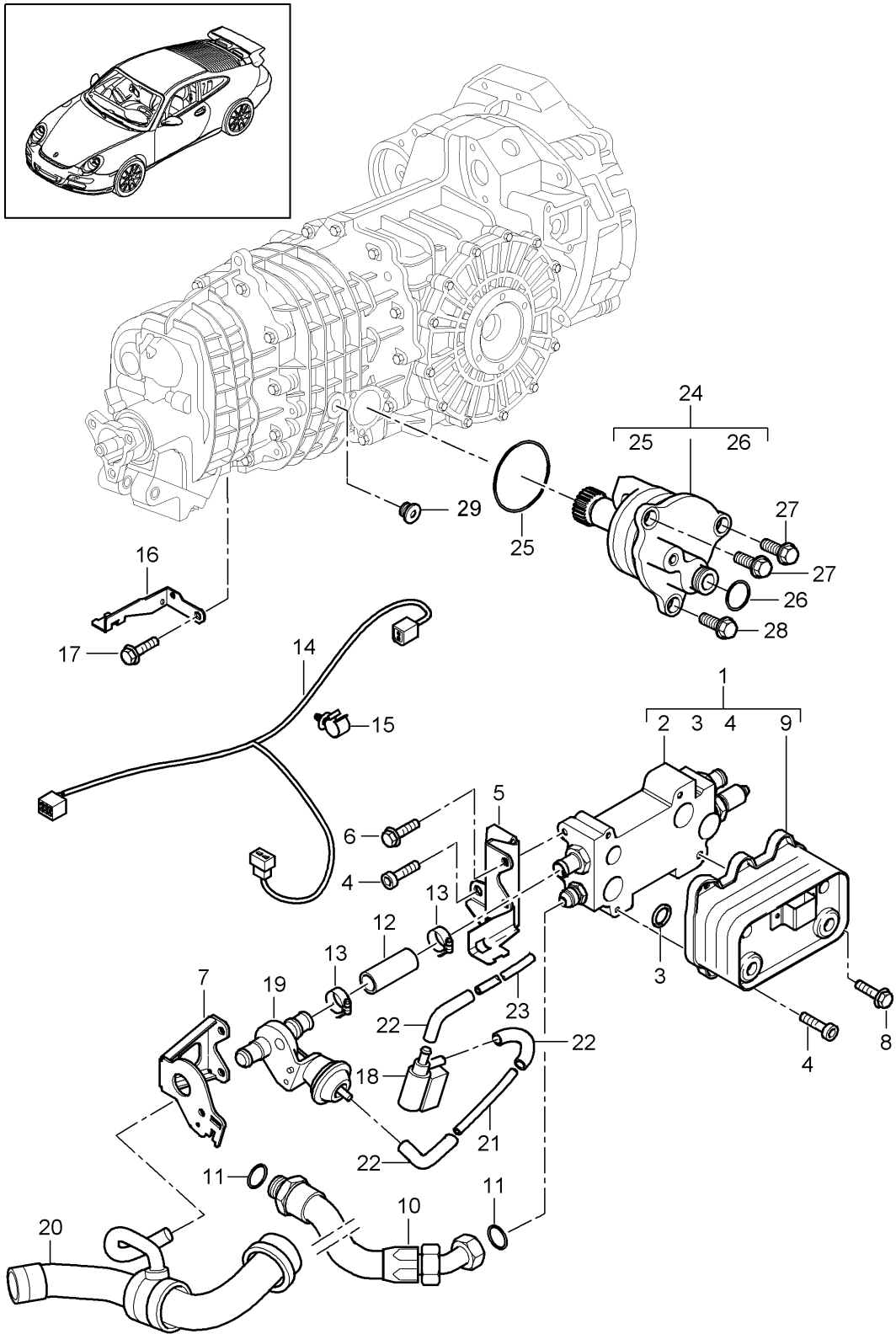
Model: 997G07

Model life 2007>>2011

Pos	Part Number	Description	Remark	Qty	Model
		Transmission oil cooler Lines	-09		G97.90
1	996 307 015 8A	Oil pump Transmission oil cooler Complete		1	
2	996 307 020 8A	Port plate		1	
3	900 331 021 40	O-ring 20 X 3,55		4	
4	999 073 103 01	Round head screw M 6 X 16		5	
5	996 307 141 88	Support		1	
5	996 307 141 89	Support		1	
6	900 378 017 01	Hexagon-head bolt M 8 X 20		2	
(7)	996 307 145 88	Support		1	
8	900 378 191 01	Hexagon-head bolt M 6 X 55		1	
9	996 307 209 88	Transmission oil cooler		1	
9	991 307 209 8A	Transmission oil cooler		1	
10	996 307 333 88	Oil hose		1	
11	900 123 152 30	Sealing ring A 16 X 22		2	
12	900 181 067 50	Water hose B18 X 3,5 X47		1	
13	999 512 552 00	Hose clamp A 20-32 / 9		2	
13	999 512 552 01	Hose clamp A 20-32 / 9		2	
14	996 612 401 70	Wiring harness		1	
15	811 971 848 B	Retaining clip		3	
16	996 106 536 72	Support		1	
16	996 106 536 73	Support		1	
17	900 378 074 01	Hexagon-head bolt M 8 X 16		2	
18	996 605 123 01	Change-over valve		1	
(19)	928 574 573 03	Disc valve		1	
20		See illustrations 1/05/10		1	
-	000 043 205 01	Pipe 4,0 X 1,0 75 MM		*	
21				1	
22	928 574 717 05	Moulded hose		3	
22	928 574 717 07	Moulded hose		3	
22	9P1 129 487	Moulded hose		3	
-	000 043 205 01	Pipe 4,0 X 1,0 1100 MM		*	
23				1	
24	997 307 023 90	Oil pump		1	
25	999 701 799 40	Round seal 65,0 X 3,0		1	
26	999 701 123 50	O-ring 15,0 X 3,0		1	
27	900 378 022 01	Hexagon-head bolt M8 X 25		2	
28	900 378 033 01	Hexagon-head bolt M8 X 30		1	
29		See illustrations 3/02/06 3/02/08			
29	900 124 020 01	Screw plug CM 22 X 1,5		1	

Model: 997G07

Model life 2007>>2011



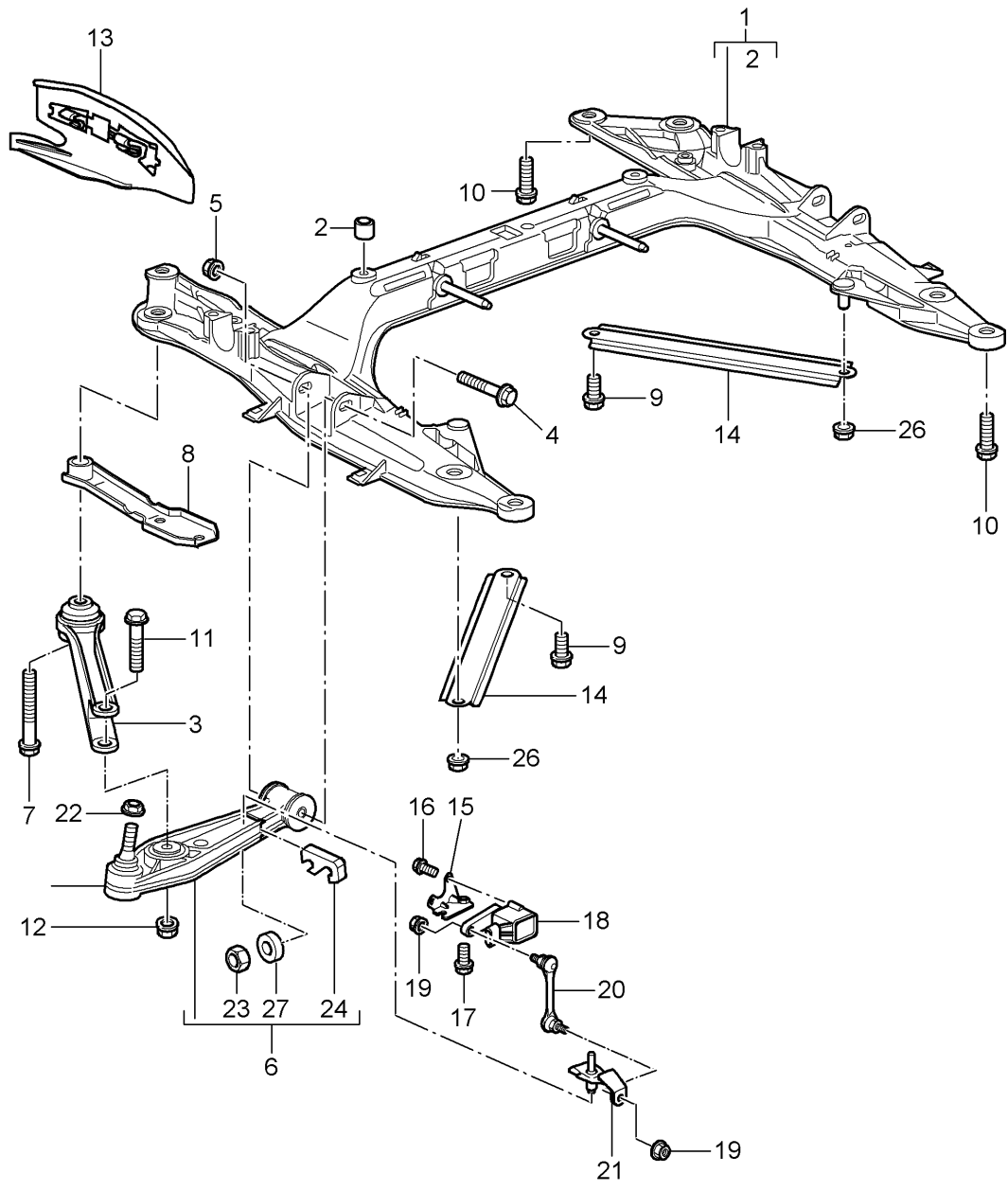
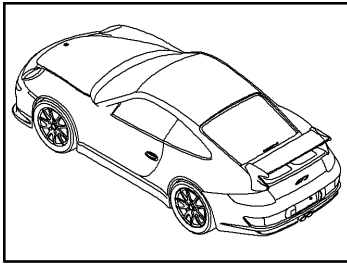
Model: 997G07

Model life 2007>>2011

Pos	Part Number	Description	Remark	Qty	Model
		Transmission oil cooler Lines	10-		G97.92
1	996 307 015 8A	Oil pump Transmission oil cooler Complete		1	
2	996 307 020 8A	Port plate		1	
3	900 331 021 40	O-ring 20 X 3,55		4	
4	999 073 103 01	Round head screw M 6 X 16		5	
5	996 307 141 88	Support		1	
5	996 307 141 89	Support		1	
6	900 378 017 01	Hexagon-head bolt M 8 X 20		2	
(7)	996 307 145 88	Support		1	
8	900 378 191 01	Disc valve Hexagon-head bolt M 6 X 55		1	
9	996 307 209 88	Transmission oil cooler		1	
9	991 307 209 8A	Transmission oil cooler		1	
10	996 307 333 88	Oil hose		1	
11	900 123 152 30	Sealing ring A 16 X 22		2	
12	900 181 067 50	Water hose B18 X 3,5 X47		1	
13	999 512 552 01	Hose clamp A 20-32 / 9		2	
14	996 612 401 70	Wiring harness		1	
15	811 971 848 B	Retaining clip		3	
16	996 106 536 73	Support		1	
17	900 378 074 01	Hexagon-head bolt M 8 X 16		2	
18	996 605 123 01	Change-over valve		1	
(19)	928 574 573 03	Disc valve		1	
20		See illustrations 1/05/11		1	
-	000 043 205 01	Pipe 4,0 X 1,0 75 MM		*	
21		Moulded hose		1	
22	928 574 717 05	Moulded hose		3	
22	928 574 717 07	Moulded hose		3	
22	9P1 129 487	Moulded hose		3	
-	000 043 205 01	Pipe 4,0 X 1,0 1100 MM		*	
23		Oil pump		1	
24	997 307 023 90	Oil pump		1	
25	999 701 799 40	Round seal 65,0 X 3,0		1	
26	999 701 123 50	O-ring 15,0 X 3,0		1	
27	900 378 022 01	Hexagon-head bolt M8 X 25		2	
28	900 378 033 01	Hexagon-head bolt M8 X 30		1	
29	N 016 163 2	Screw plug CM 22 X 1,5		1	
29	900 124 020 01	Screw plug CM 22 X 1,5		1	

Model: 997G07

Model life 2007>>2011

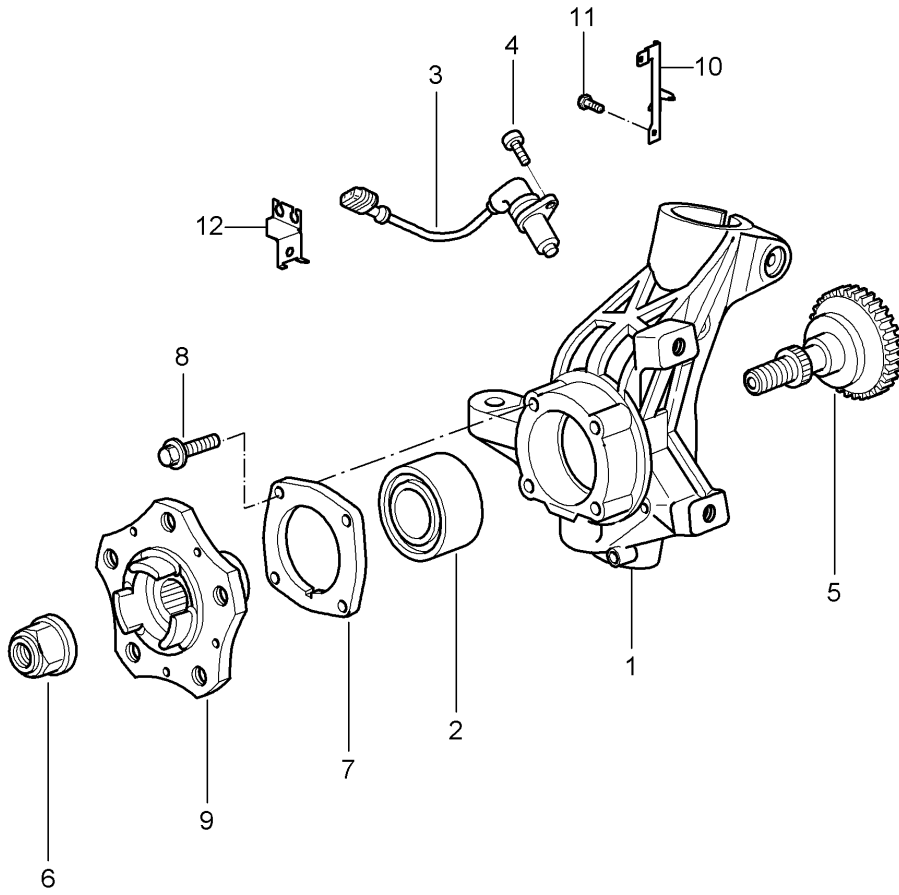


Model: 997G07 Model life 2007>>2011

Pos	Part Number	Description	Remark	Qty	Model
		Cross member			
		Wishbone			
1	997 341 081 06	Cross member		1	
2	900 197 070 00	Roll pin		1	
		13 X 14			
3	996 341 043 06	Control arm		2	
4	900 378 165 01	Hexagon-head bolt		2	
		M 12 X 1,5 X 95			
5	999 084 445 01	Lock nut		2	
		M 12 X 1,5			
6	997 341 041 94	Wishbone	/L -08	1	
(6)	997 341 041 96	Wishbone	/L 10-	1	
(6)	997 341 042 94	Wishbone	/R	1	
(6)	997 341 041 98	Wishbone	/L 10-	1	I004
(6)	997 341 042 98	Wishbone	/R 10-	1	I004
(7)	999 072 050 01	Hexagon-head bolt		2	
		M 14 X 1,5 X 120			
8	997 341 145 05	Plate		2	
(9)	999 072 047 01	Hexagon-head bolt		4	
		M 12 x 1,5 x 30			
(10)	900 378 072 01	Hexagon-head bolt		2	
		M 12 X 1,5 X 30			
		Front			
10	900 378 192 01	Hexagon-head bolt		4	
		M 14 x 1,5 x 50			
		Rear			
11	900 378 135 01	Hexagon-head bolt		2	
		M 14 X 1,5 X 75			
12	900 380 012 01	Hexagon nut		2	
		M 14 X 1,5			
13	997 341 483 92	Spoiler	/L	1	
(13)	997 341 484 92	Spoiler	/R	1	
14	997 504 433 00	Strut		2	
15		Support			I601/603
		See illustrations			
		1/05/11 Pos.10			
16	900 146 003 03	Oval-head screw		2	I601/603
		M 5 X 10			
17	900 378 036 01	Hexagon-head bolt		1	I601/603
		M 6 X 12			
18	997 631 121 00	Sensor		1	I601/603
19	900 380 015 01	Hexagon nut		2	I601/603
		VM 6			
20	997 341 375 01	Strut		1	I601/603
		Information available			I601/603
21	996 341 371 03	Support		1	I601/603
22	999 084 449 09	Lock nut		2	
		M 12 X 1,5			
23	900 076 064 02	Hexagon nut		4	
		M 8			
(24)	996 341 543 90	Adjusting shim	-08	2	
		1 mm			
(24)	997 341 543 90	Adjusting shim	10-	2	
		1 mm			
(24)	996 341 543 93	Adjusting shim	-08	X	
		7 mm			
(24)	996 341 543 99	Adjusting shim	10-	X	I004
		5 mm			
26	999 084 445 01	Lock nut		2	
		M 12 X 1,5			
27	999 025 269 01	Washer		X	
		8,5 X 17 x 6			

Model: 997G07

Model life 2007>>2011



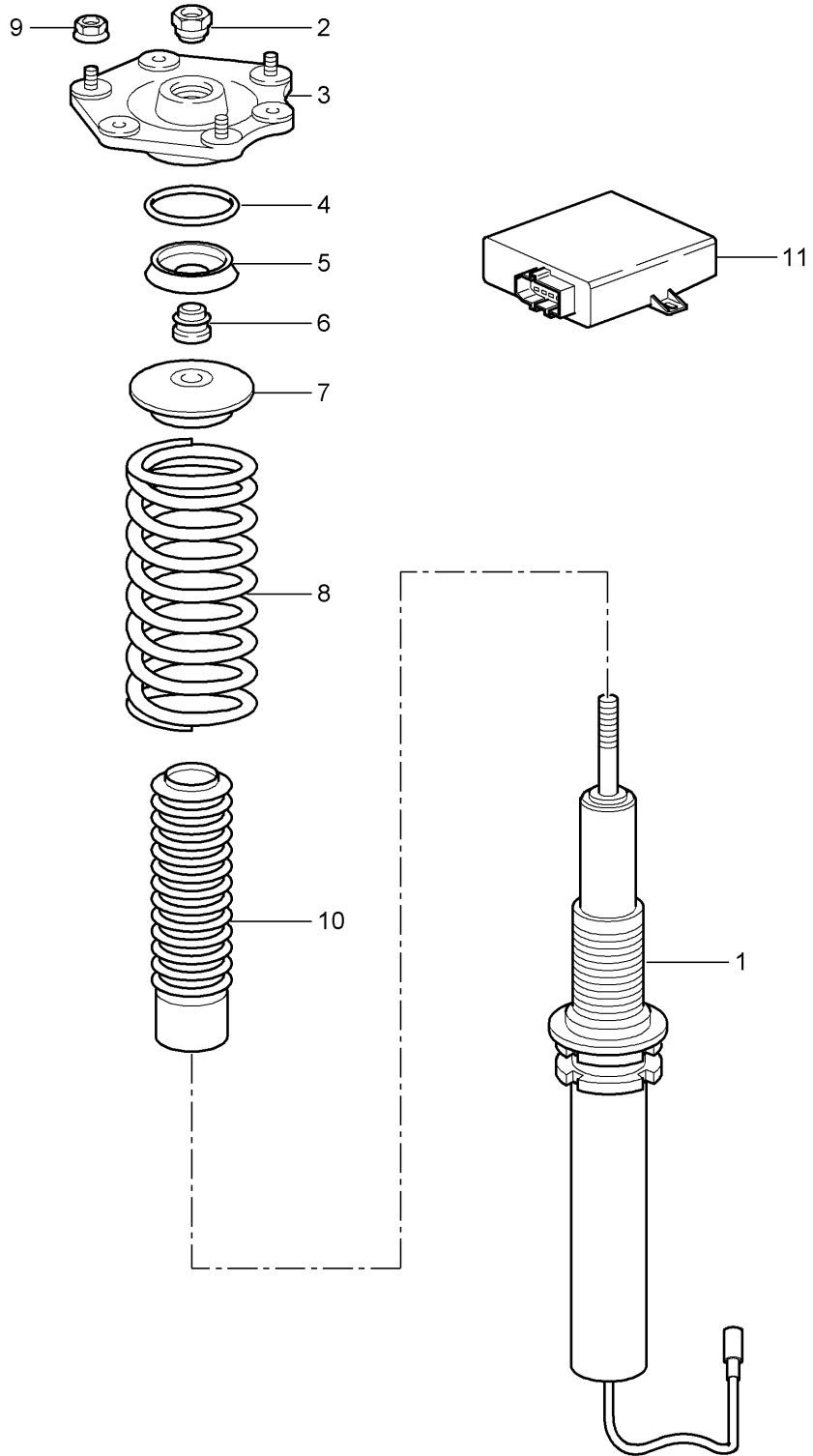
Model: 997G07

Model life 2007>>2011

Pos	Part Number	Description	Remark	Qty	Model
		Wheel carrier			
		Wheel hub			
1	997 341 157 93	Wheel carrier	/L -08	1	
(1)	997 341 157 94	Wheel carrier	/L -08	1	I450
(1)	997 341 157 95	Wheel carrier	/L 10-	1	
(1)	997 341 158 93	Wheel carrier	/R -08	1	
(1)	997 341 158 94	Wheel carrier	/R -08	1	I450
(1)	997 341 158 95	Wheel carrier	/R 10-	1	
2	999 053 054 06	Angular-contact bearing		2	
3	997 606 407 01	Speed sensor		2	
-	996 606 235 91	Heat protection for Speed sensor	/L	1	
-	996 606 236 91	Heat protection for Speed sensor	/R	1	
4	900 067 117 09	Pan-head screw M 6 X 16	-08	2	
(4)	900 067 117 04	Pan-head screw M 6 x 16	10-	2	
5	996 341 131 04	Tension bolt	-08	2	
(5)	997 341 131 00	Tension bolt	10-	2	
6	999 084 634 02	Lock nut M 22 X 1,5		2	
7	996 341 661 90	Lid	-08	2	
(7)	997 341 661 90	Lid	10-	2	
8	999 217 042 03	Hexagon-head bolt M 8 X 35		12	
8	999 217 042 04	Hexagon-head bolt M 8 X 35		12	
9	997 341 605 01	Wheel hub	-08	2	
9	991 341 605 02	Wheel hub		2	
9	991 341 605 03	Wheel hub		2	
(9)	997 341 607 02	Wheel hub	10-	2	
10	997 351 801 90	Support	/L -07	1	
(10)	997 351 801 91	Support	/L 08-	1	
(10)	997 351 802 90	Support	/R -07	1	
(10)	997 351 802 91	Support	/R 08-	1	
		Mount Cable holder			
-	900 378 202 01	Hexagon-head bolt M 10 x 20		2	
11	999 217 116 09	Hexagon-head bolt M 6 x 16	-08	6	
(11)	999 217 116 01	Hexagon-head bolt M 6 x 16	10-	X	
12	997 341 321 90	Support	/L	1	
(12)	997 341 322 90	Support	/R	1	

Model: 997G07

Model life 2007>>2011



Model: 997G07 Model life 2007>>2011

Pos	Part Number	Description	Remark	Qty	Model
		suspension			
		Shock absorber strut			
1	997 343 041 92	Vibration damper	-07	2	
(1)	997 343 041 95	Vibration damper	-08	2	I475
(1)	997 343 041 97	Vibration damper	10-	2	I475
		F >>99AS7 80811			
(1)	997 343 043 92	Vibration damper	10-	2	I475
		F 99AS7 80812>>			
(1)	997 343 043 90	Vibration damper	10-	2	I474/475
		F >>99AS7 80811			
(1)	997 343 043 93	Vibration damper	10-	2	I474/475
		F 99AS7 80812>>			
(1)	997 343 043 92	Vibration damper	10-	2	I004/475
(1)	997 343 043 93	Vibration damper	10-	2	I004/474/475
(1)	997 343 043 94	Vibration damper		2	GT3-RS 4.0
					I006/475
(1)	997 343 043 95	Vibration damper		2	GT3-RS 4.0
					I006/474/475
		Mount			
		Shock absorber			
-	900 378 138 01	Hexagon-head bolt		2	
		M 12 x 1,5 x 70			
2	997 343 561 90	Nut		2	
3	997 343 011 94	Supporting mount		2	
-	999 084 447 09	Hexagon nut	-08	6	
		M 8			
-	999 084 447 01	Hexagon nut	10-	6	
		M 8			
4	964 343 188 80	Retainer spring		2	
5	964 343 186 80	Sealing cap		2	
6	997 343 563 90	Washer		2	
7	996 343 511 90	Spring hanger	-08	1	
7	997 343 511 92	Spring hanger	10-	1	
		Use also:			
		997.343.521.90		1	
-	997 343 521 90	Friction ring	10-	2	
8	996 343 531 95	Coil spring	-08	1	
		1 set			
(8)	997 343 531 94	Coil spring	10-	1	
		1 set			
(8)	997 343 531 81	Coil spring		1	GT3- RS 4.0
					I006
		1 set			
9	999 084 447 09	Hexagon nut	-08	6	
		M 8			
(9)	999 084 447 01	Hexagon nut	10-	6	
		M 8			
10	997 343 567 90	Protective tube		2	
		for			
		Spring hanger			
11	997 618 105 90	Control unit	-07	1	
		Shock absorber			
(11)	997 618 105 91	Control unit	08	1	
		Shock absorber			
(11)	997 618 105 95	Control unit	10-	1	GT-3
		Shock absorber			
(11)	997 618 105 96	Control unit	10-	1	GT-3
		Shock absorber			
(11)		Control unit	10-	1	I004
		Shock absorber			
(11)	997 618 135 98	Control unit		1	I006
		Shock absorber			
(11)	997 618 105 96	Control unit		1	GT-3 RS 4.0

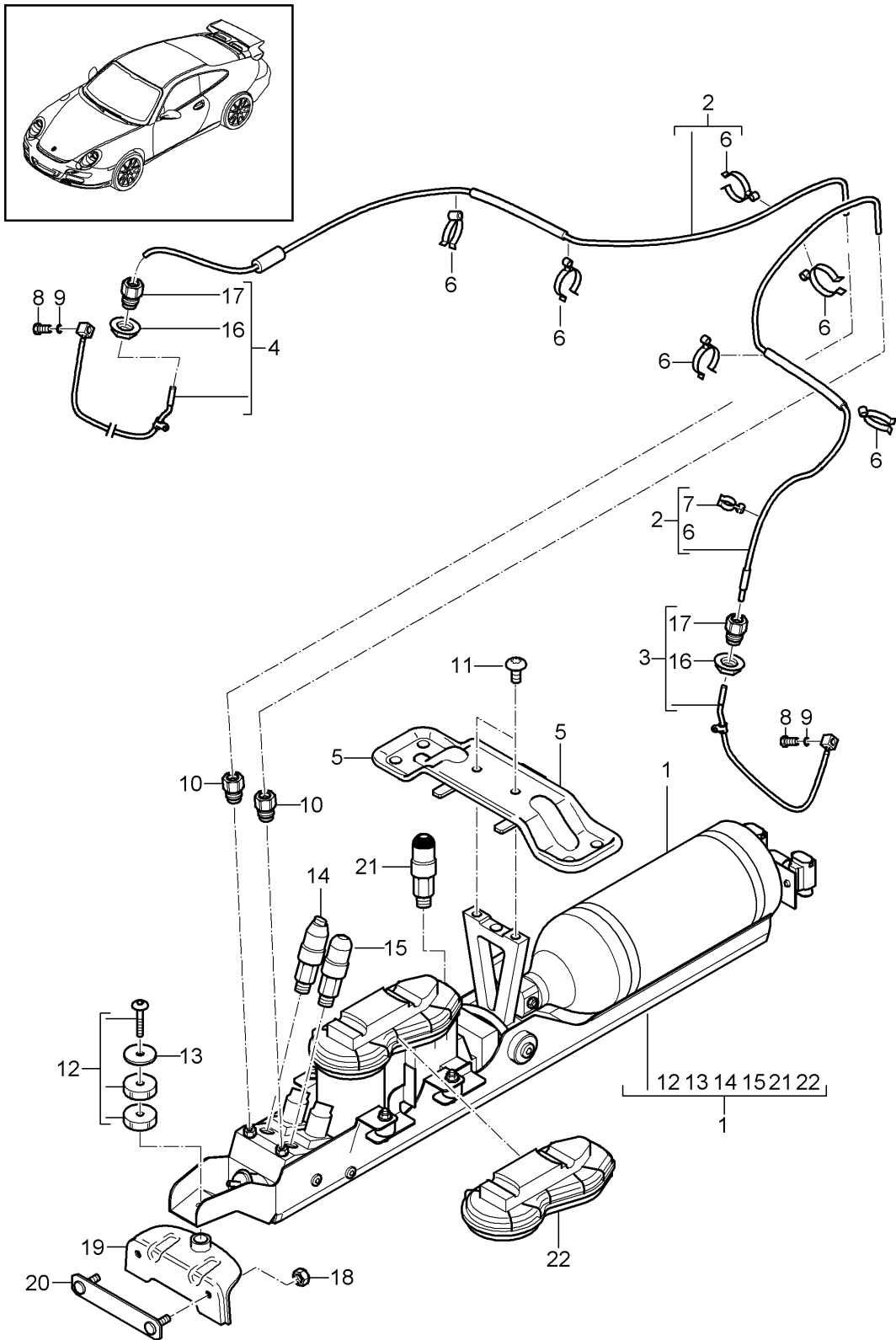
Model: 997G07

Model life 2007>>2011

Pos	Part Number	Description	Remark	Qty	Model
		Shock absorber			I006
12	997 606 111 01	Acceleration sensor		1	I475
		Body			
13	997 606 212 00	Support	07	1	I475
		Acceleration sensor			
(13)	997 606 212 01	Support	08-	1	I475
		Acceleration sensor			
-	999 507 122 40	Support		2	
		7,5 / 48 / 3			
15	999 703 457 40	Lid		2	

Model: 997G07

Model life 2007>>2011



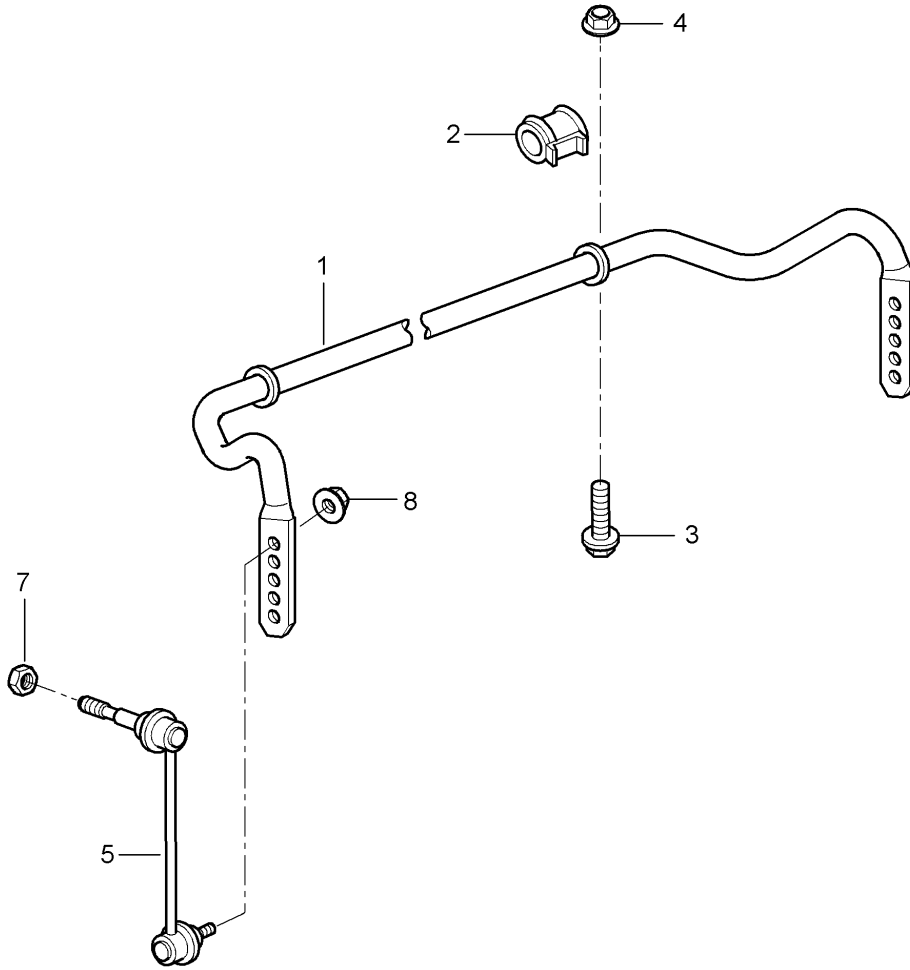
Model: 997G07

Model life 2007>>2011

Pos	Part Number	Description	Remark	Qty	Model
		Level adjustment	10-		I474
1	997 341 263 90	Front axle Pump		1	
(1)	997 341 263 X	Complete Pump		1	
(1)	997 341 263 1X	Complete Pump		1	
2	997 341 267 90	Complete Line		1	
3	997 341 265 90	Pump Line	/L	1	
4	997 341 266 90	Pump Shock absorber Information available Line	/R	1	
5	997 504 823 90	Pump Shock absorber Information available Transverse strut		1	
6	997 341 912 90	Clip		X	
7	997 341 913 90	Clip		X	
8	997 341 923 90	Banjo bolt		2	
9	N 013 807 1	Sealing ring		4	
10	999 230 598 10	Connecting piece		4	
11	997 341 969 90	Lens-head screw M 8 X 16		2	
12	997 341 945 90	Screw with Rubber mounting		1	
13	997 341 985 90	Washer		1	
14	997 341 964 90	Pressure switch Until Pump		1	
14	997 341 967 90	000 111 Pressure switch From Pump		1	
15	997 341 963 90	000 112 Pressure switch		1	
16	997 341 763 90	Hexagon nut		2	
17	999 230 598 10	Connecting piece		4	
18	999 076 048 01	Hexagon nut M 6		2	
19	997 504 473 90	Support		1	
20	997 504 675 90	Reinforcement		1	
21	997 341 965 90	Pressure switch		1	
22	997 341 961 90	Cover		1	

Model: 997G07

Model life 2007>>2011



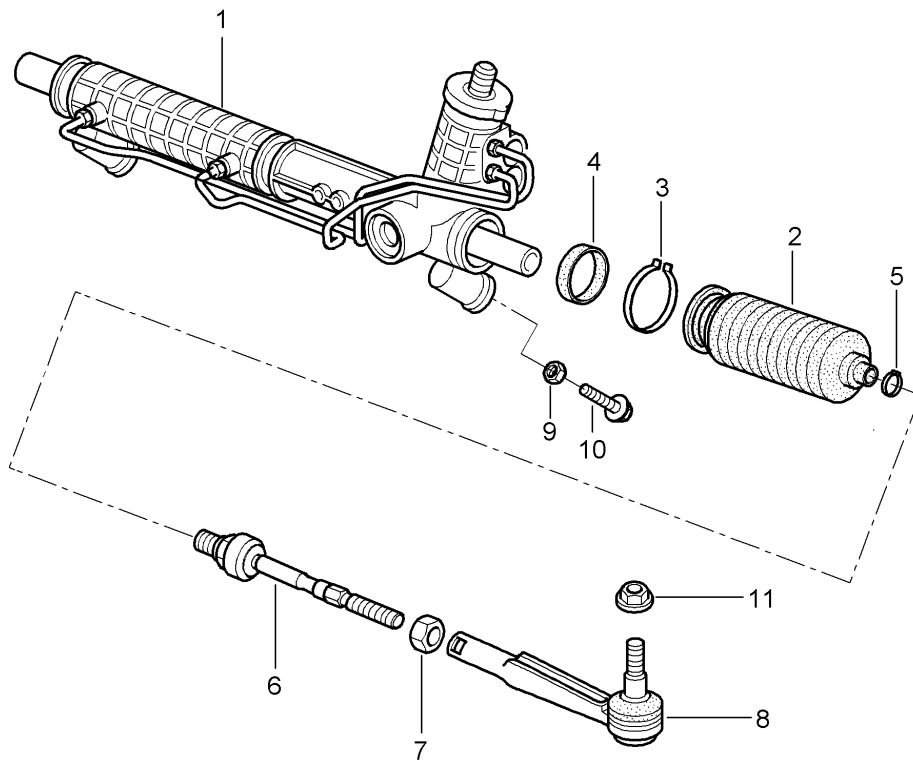
Model: 997G07

Model life 2007>>2011

Pos	Part Number	Description	Remark	Qty	Model
1	997 343 701 91	Stabiliser		1	
(1)	997 343 701 93	Stabiliser	-08	1	
(1)	997 343 701 94	Stabiliser	10-	1	
2	996 343 792 16	Stabiliser mounting	-08	2	
2	997 343 792 00	Stabiliser mounting	10-	2	
3	900 378 098 01	Hexagon-head bolt M 10 x 60		4	
4	900 380 008 01	Hexagon nut M 10		4	
5	997 343 069 03	Stabiliser mounting	/L	1	
(5)	997 343 070 03	Stabiliser mounting	/R	1	
7	999 084 445 01	Lock nut M 12 X 1,5		2	
8	999 084 123 09	Hexagon nut M 10		2	

Model: 997G07

Model life 2007>>2011



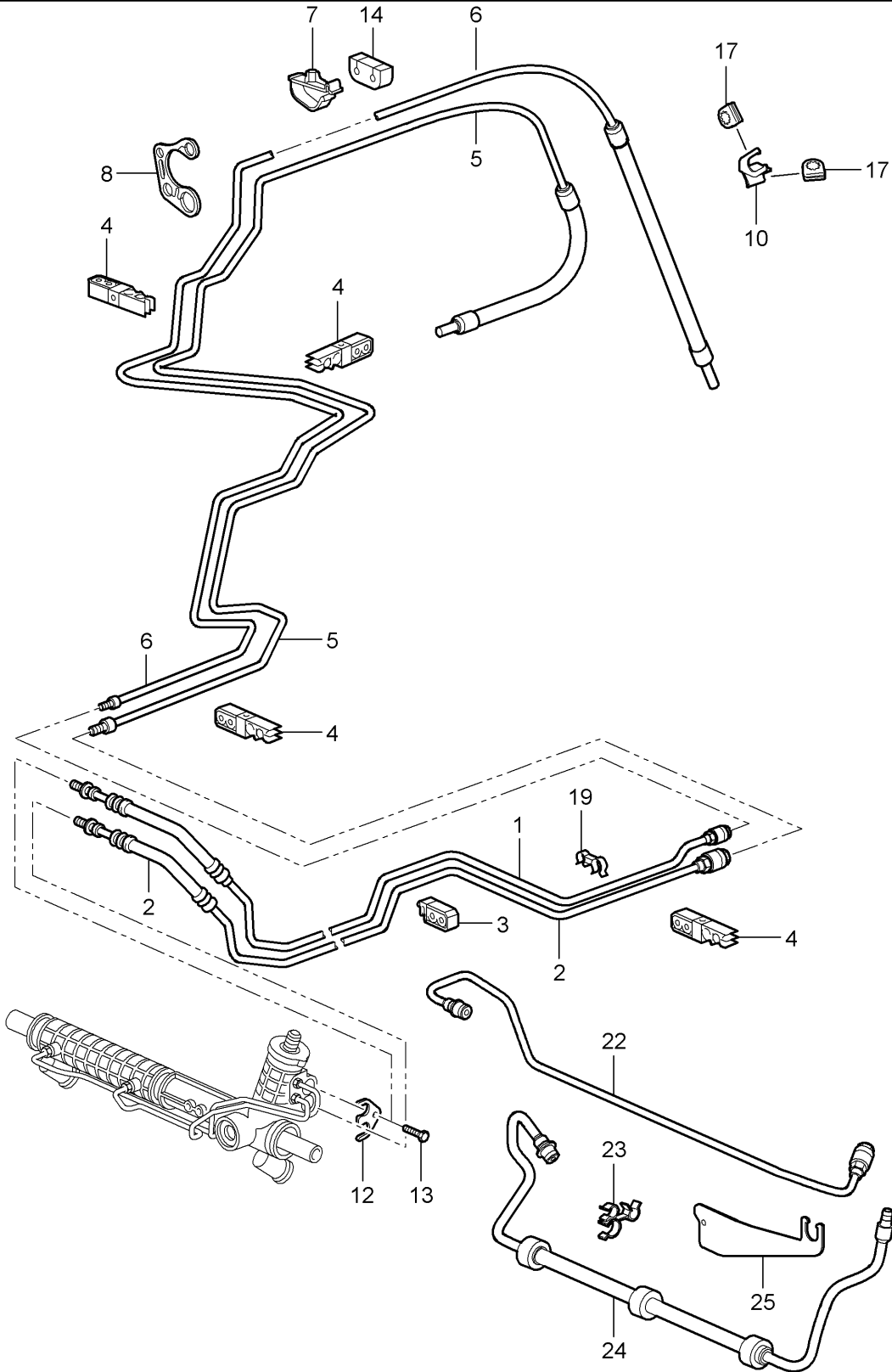
Model: 997G07

Model life 2007>>2011

Pos	Part Number	Description	Remark	Qty	Model
1	997 347 011 05	Power steering Steering gear Steering parts Steering gear	-08	1	I098
1	997 347 011 06	Power steering Steering gear	10-	1	I098
(1)	997 347 012 03	Power steering Steering gear		1	I099
(1)	997 347 012 04	Power steering Steering gear	-08	1	I099
(1)	997 347 012 05	Power steering Steering gear	10-	1	I099
-	996 347 110 02	Clip Pinion Steering gear	-08	1	
2	997 347 191 00	Bellows		2	
3	996 347 293 04	Clamping ring	-08	2	
3	996 347 293 05	Clamping ring	10-	2	
4	997 347 373 00	Sealing ring		2	
5	999 512 693 09	Clamping ring		2	
6	997 347 322 00	Joint	-08	2	
6	997 347 322 01	Joint	10-	2	
7	999 034 037 09	Hexagon nut M 14 X 1,5		2	
8	996 347 131 04	Track rod		2	
9		See illustrations 4/01/00 POS.2			
10	900 378 100 01	Hexagon-head bolt AM 10 X 45		2	
11	999 084 449 09	Lock nut M 12 X 1,5		2	

Model: 997G07

Model life 2007>>2011



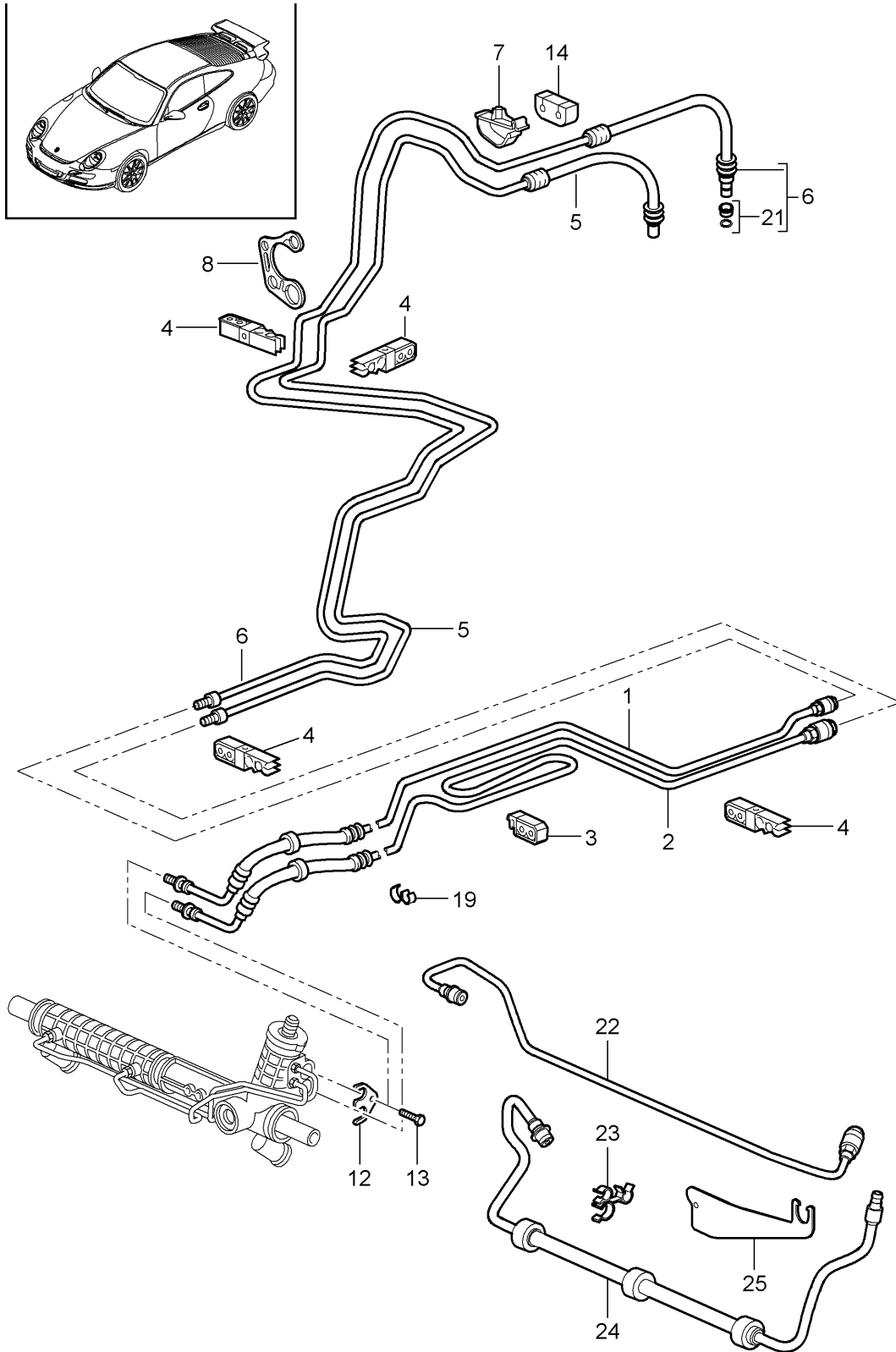
Model: 997G07

Model life 2007>>2011

Pos	Part Number	Description	Remark	Qty	Model
		Power steering Lines	-08		
1	997 347 451 03	Pressure line		1	I098
(1)	997 347 451 04	Pressure line		1	I098
(1)	997 347 451 05	Pressure line		1	I098
(1)	997 347 452 02	Pressure line		1	I099
-	999 230 539 10	Threaded joint Pressure line		1	
2	987 347 449 03	Return line		1	I098
(2)	987 347 650 03	Return line		1	I099
-	999 230 540 10	Threaded joint Return line		1	
3	996 347 543 00	Cable holder		4	
4	996 355 543 00	Support		3	
(4)	999 507 091 40	Cable holder Simple		3	
5	997 347 439 51	Return line Centre		1	
6	997 347 445 51	Pressure line		1	
(6)	997 347 445 52	Pressure line		1	
7	996 347 549 01	Support		2	
8	997 347 544 00	Support		1	
-	999 230 683 40	Safety clip for Threaded joint Pressure line		1	
-	999 230 584 40	Circlip for Threaded joint Return line		1	I098
-		Circlip for Threaded joint Return line		2	I099
10	997 347 749 00	Support		1	
12	996 347 769 01	Tension shackle		1	
13	900 067 063 02	Pan-head screw M 10 X 20		1	
14	996 347 551 01	Retainer plate		1	
17	999 702 210 40	Rubber sleeve		2	
19	999 507 575 40	Support		1	
22	997 347 564 03	Pressure line		1	I099
22	997 347 564 04	Pressure line		1	I099
23	999 507 963 40	Support		1	I099
24	997 347 462 02	Return line	07	1	I099
(24)	997 347 462 03	Return line	08-	1	I099
(24)	997 347 462 04	Return line	08-	1	I099
25	997 347 560 00	Support		1	I099

Model: 997G07

Model life 2007>>2011



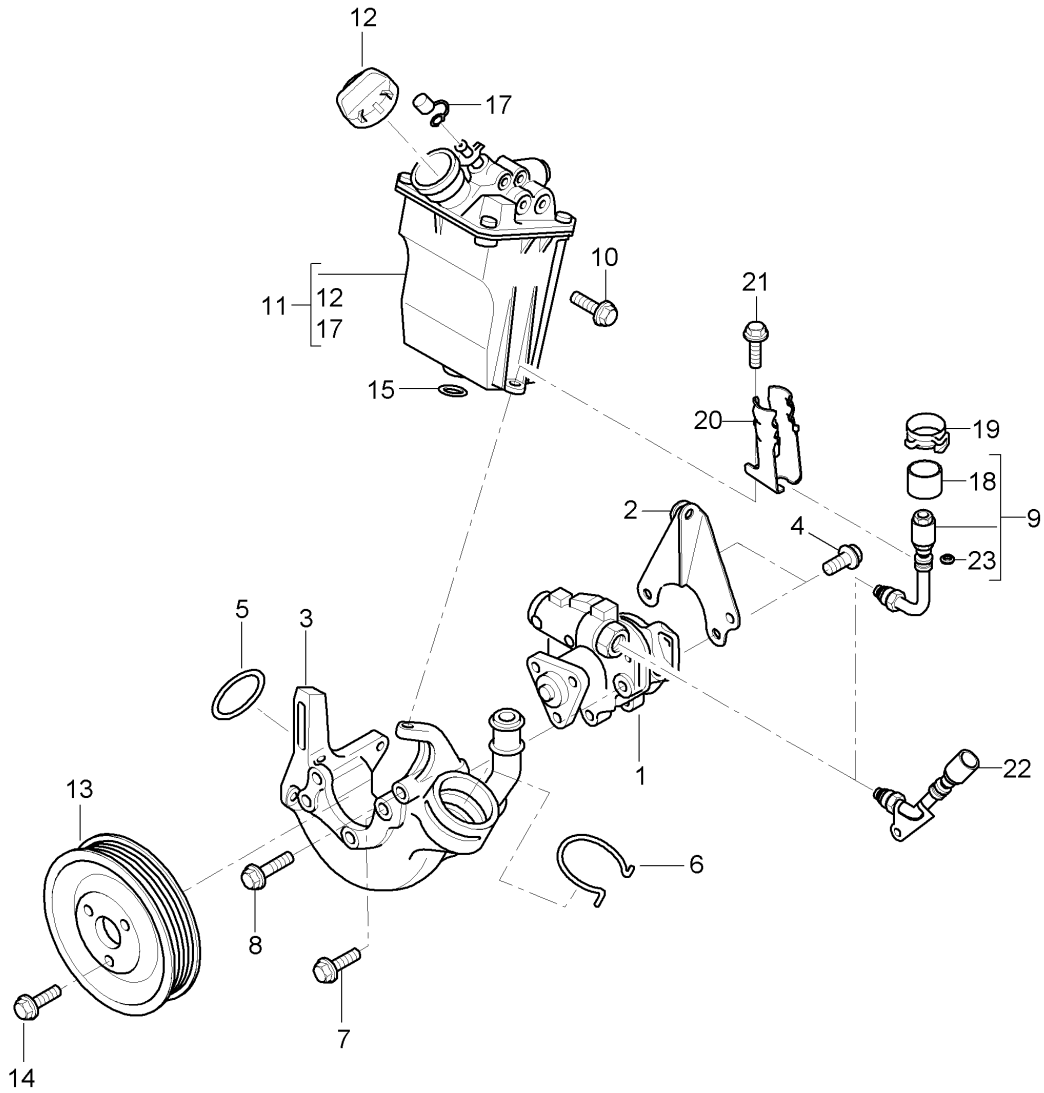
Model: 997G07

Model life 2007>>2011

Pos	Part Number	Description	Remark	Qty	Model
		Power steering Lines	10-		
1	997 347 451 11	Pressure line		1	I098
1	997 347 451 12	Pressure line		1	I098
(1)	997 347 452 11	Pressure line		1	I099
2	997 347 449 11	Return line		1	I098
(2)	997 347 650 11	Return line		1	I099
(2)	997 347 650 13	Return line		1	I099
3	996 347 543 00	Cable holder		X	
4	996 355 543 00	Support		1	
5	997 347 439 90	Return line Centre		1	
6	997 347 445 11	Pressure line Centre		1	
7	996 347 549 01	Support		2	
8	997 347 544 00	Support		1	
12	996 347 769 01	Tension shackle		1	
13	900 067 063 03	Pan-head screw M 10 x 20		1	
14	996 347 551 01	Retainer plate		1	
19	999 507 091 40	Cable holder		3	
21	997 347 945 00	Repair kit Comprising: Spring O-ring		X	
22	997 347 564 11	Pressure line		1	I099
23	999 507 963 40	Support		1	I099
24	997 347 462 12	Return line		1	I099
25	997 347 560 00	Support		1	I099

Model: 997G07

Model life 2007>>2011



Model: 997G07

Model life 2007>>2011

Pos	Part Number	Description	Remark	Qty	Model
		Power steering Power-steering pump Container			
1	996 314 050 51	Power-steering pump		1	
1	996 314 050 52	Power-steering pump		1	GT3 RS 4.0 I006
1	996 314 050 BX	Power-steering pump		1	GT3 RS 4.0 I006
(2)	997 314 431 91	Bracket		1	
(3)	997 115 091 71	Bracket	-08	1	
(3)	997 115 091 72	Bracket	10-	1	
4	900 385 044 01	Torx screw M 8 X 16		4 1	
5	999 707 298 40	O-ring		1	
6	996 106 802 10	Retainer spring	-08	1	
7	900 385 098 01	Torx screw M 8 X 25		3 1	
8	900 385 108 01	Torx screw M 6 X 80		1	
9	997 347 643 52	Pressure line	-08	1	
9	997 347 643 90	Pressure line See technical manual 48 97 19	10	1	
10	900 385 009 01	Torx screw M 6 X 16		1	
11	997 314 920 50	Container		1	
-	996 314 331 00	Drip pan for Pentosin		1	
-	993 314 803 00	Indication sticker Green for Container		1	
12	997 314 223 50	Lid		1	
13	996 147 223 71	Pulley		1	
14	900 385 099 04	Torx screw M 8 X 12		3 1	
14	900 385 099 01	Torx screw M 8 X 12		3	
15	999 707 204 40	Sealing ring 12.5 X 2N		1	
-	000 043 203 33	Pentosin 1000 ML		X	
17	997 314 332 00	Rubber cap		1	
18	997 347 748 52	Rubber ring	-08	1	
18		Rubber ring See technical manual 48 97 19	10	1	
19	999 512 740 01	Clip	-08	1	
19		Clip See technical manual 48 97 19	10	1	
20	997 347 747 51	Support	-08	1	
20		Support See technical manual 48 97 19	10	1	
21	999 073 104 01	Torx screw M 8 X 16	-08	1	
21		Torx screw M 8 X 16 See technical manual 48 97 19	10	1	
22	997 347 643 91	Pressure line	10-	1	

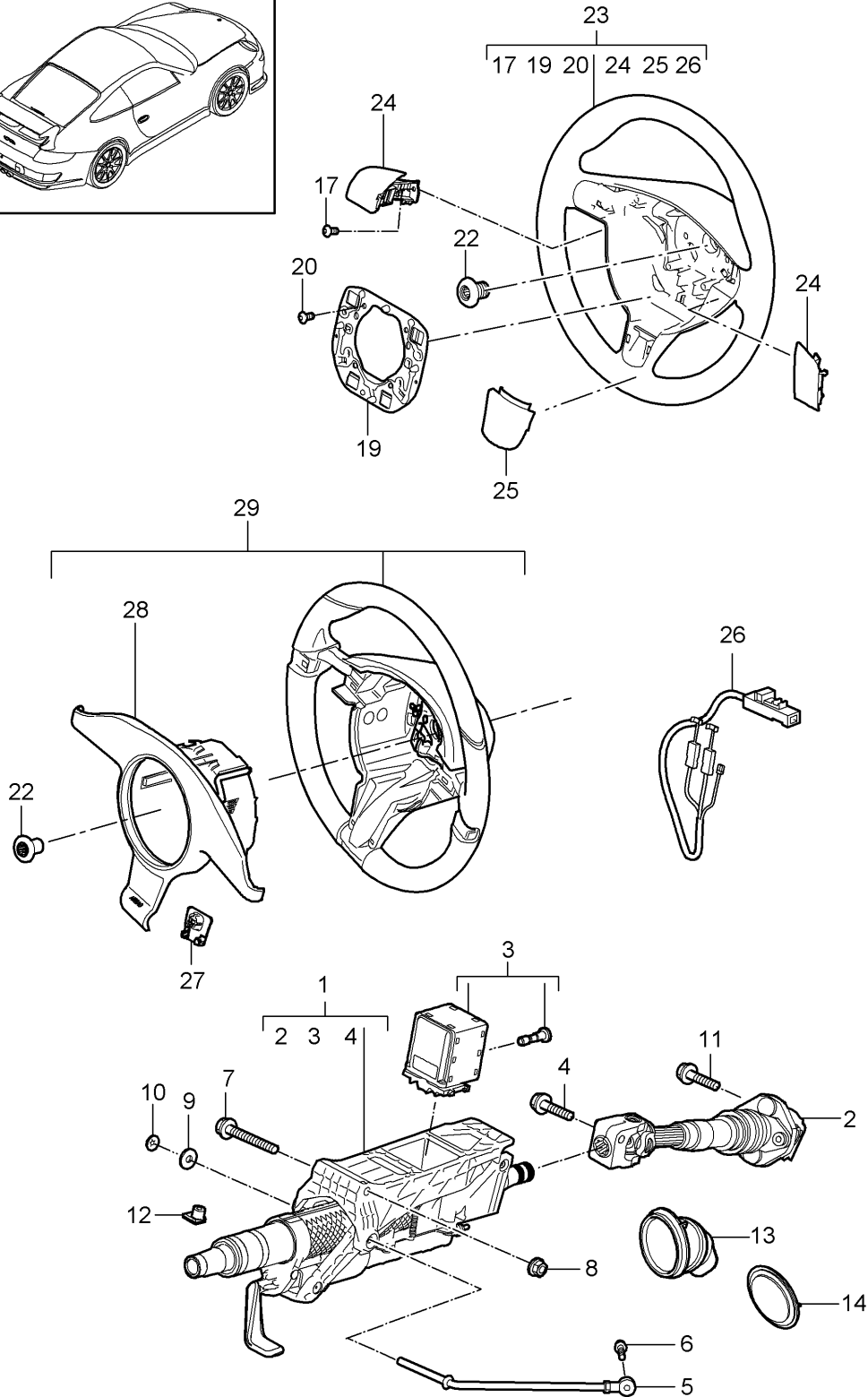
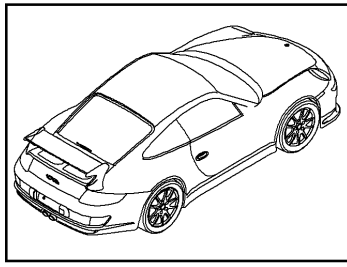
Model: 997G07

Model life 2007>>2011

Pos	Part Number	Description	Remark	Qty	Model
22	997 347 643 93	Pressure line	10-	1	
23	999 702 020 50	Rubber sleeve 8,0X12,0X2,5		1	

Model: 997G07

Model life 2007>>2011



Model: 997G07 Model life 2007>>2011

Pos	Part Number	Description	Remark	Qty	Model
(1)	997 347 007 08	Steering outer tube Steering shaft Steering wheels Steering column Complete with Steering shaft	07	1	
(1)	997 347 007 10	Steering column Complete with Steering shaft	08-	1	
(2)	997 347 023 04	Intermed. steering shaft		1	
3	997 618 158 04	Control unit Steering column with Screw		1	
4	999 217 042 03	Hexagon-head bolt M 8 X 35		1	
4	999 217 042 04	Hexagon-head bolt M 8 X 35		1	
5	997 347 243 00	Support		1	
6	900 378 173 09	Hexagon-head bolt AM 6 X 20	-08	1	
(6)	900 378 173 01	Hexagon-head bolt M 6 x 20	10-	1	
7	900 378 095 09	Hexagon-head bolt M 10 X 100	-08	1	
(7)	900 378 095 01	Hexagon-head bolt M 10 X 100	10-	1	
8	900 380 008 09	Lock nut M 10		1	
8	900 380 008 01	Hexagon nut M 10		1	
9	900 151 006 09	Washer	-08	1	
(9)	900 151 006 03	Washer	10-	1	
10	999 507 217 07	Clamping washer		1	
11	999 217 042 03	Hexagon-head bolt M 8 X 35		1	
11	999 217 042 04	Hexagon-head bolt M 8 X 35		1	
12	999 920 019 40	Plug-in nut 3,5 X 2,5 X 9		1	
13	986 347 037 01	Bellows Information available		1	
14	996 347 339 02	Rubber seal Bulkhead		1	
17	999 073 318 09	Half-round screw M 4 X 10		2	
19	997 347 880 00	Retaining frame		1	
20	999 141 022 09	Round head screw M 5 X 12,5		4	
22	N 910 207 01	Screw M 18 X 1,5 X 26		1	
23	997 347 804 42	Sports steering wheel Plain leather		1	I460
	997 347 804 42 FOK	Black/grey			
	997 347 804 42 FOR	Darkgrey natural/grey			
(23)	997 347 804 91	Sports steering wheel Leather	-08	1	I433
	997 347 804 91 A15	Black Alcantara Information available			
(23)	997 347 804 92	Sports steering wheel	-08	1	I004

Model: 997G07 Model life 2007>>2011

Pos	Part Number	Description	Remark	Qty	Model
	997 347 804 92 A15	Leather Black			
(23)	997 347 980 00	Alcantara Information available Sports steering wheel Leather	-08	1	IXPA
	997 347 980 00 A34	Black			
	997 347 980 00 B24	Stone grey			
	997 347 980 00 D14	Dark grey/natural			
	997 347 980 00 E24	Sea blue			
	997 347 980 00 J24	Palmgreen			
	997 347 980 00 M24	Terracotta			
	997 347 980 00 R24	Cocoa			
	997 347 980 00 T24	Sand Beige			
	997 347 980 00 T34	Brown/natural			
24	997 347 837 40	Cover	/L -08	1	
	997 347 837 40 V04	Galvano silver			
(24)	997 347 837 90	Cover	/L -08	1	I433
	997 347 837 90 D07	Volcano grey			
(24)	997 347 838 40	Cover	/R -08	1	
	997 347 838 40 V04	Galvano silver			
(24)	997 347 838 90	Cover	/R -08	1	I433
	997 347 838 90 D07	Volcano grey			
25	997 347 821 40	Cover	-08	1	
	997 347 821 40 V04	Galvano silver			
(25)	997 347 821 90	Cover	-08	1	I433
	997 347 821 90 D07	Volcano grey			
26	997 612 672 00	Wiring harness 3-spoke steering wheel Sports steering wheel	-08	1	
26	997 612 672 01	Wiring harness 3-spoke steering wheel Sports steering wheel	-08	1	
26	997 612 672 02	Wiring harness 3-spoke steering wheel Sports steering wheel	-08	1	
27	997 613 425 00	Tip switch		1	I345
	997 613 425 00 A05	Black			
28	997 613 459 00	Module	10	1	
	997 613 459 00 D07	Volcano grey			
28	997 613 459 03	Module	10	1	
	997 613 459 03 D07	Volcano grey			
(28)	997 613 459 00	Module	11-	1	
	997 613 459 00 5Q0	Black			
(28)	997 613 459 03	Module	11-	1	
	997 613 459 03 5Q0	Black			
29	997 347 803 51	Steering wheel Leather	10	1	I841
	997 347 803 51 A34	Black			
29	997 347 803 E8	Steering wheel Leather	10	1	I841
	997 347 803 E8 A34	Black			
(29)	997 347 803 71	Steering wheel Leather	11-	1	I841
	997 347 803 71 A34	Black			
(29)	997 347 803 B0	Steering wheel Leather	11-	1	I841
	997 347 803 B0 A34	Black			
(29)	997 347 803 F4	Steering wheel Leather	11-	1	I841
	997 347 803 F4 A34	Black			
(29)	997 347 804 95	Sports steering wheel Leather	10-	1	-I004/I839

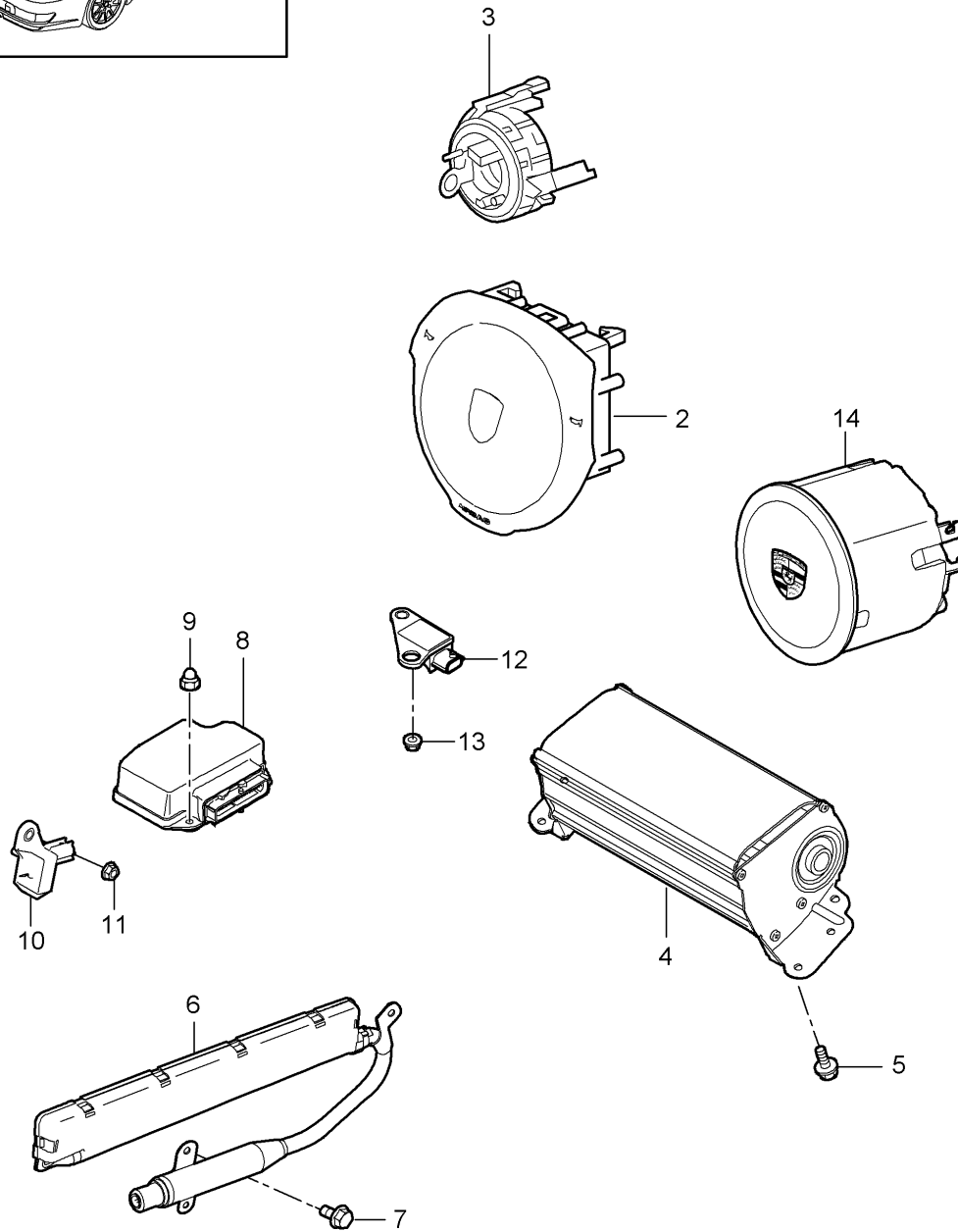
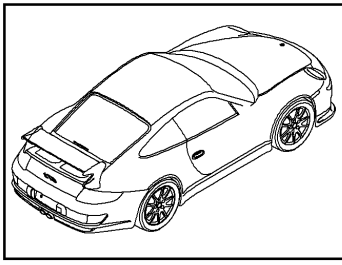
Model: 997G07

Model life 2007>>2011

Pos	Part Number	Description	Remark	Qty	Model
	997 347 804 95 A15	Black Alcantara			
(29)	997 347 804 A0	Sports steering wheel Leather	10-	1	-I004/I839
	997 347 804 A0 A15	Black Alcantara			
(29)	997 347 804 96	Sports steering wheel Leather	10-	1	I004/839
	997 347 804 96 A15	Black Alcantara			
(29)	997 347 804 A1	Sports steering wheel Leather	10-	1	I004/839
	997 347 804 A1 A15	Black Alcantara			
(29)	997 347 803 90	Sports steering wheel Leather		1	I006/480/843
	997 347 803 90 A34	Black			
(29)	997 347 803 G7	Sports steering wheel Leather		1	I006/480/843
	997 347 803 G7 A34	Black			
(29)	997 347 803 95	Steering wheel Leather		1	I006/480/840
	997 347 803 95 A34	Black			
(29)	997 347 803 95	Sports steering wheel Leather		1	I006/480/843
	997 347 803 95 DRH	Black-Red-Grey			
	997 347 803 95 DRG	Black-Red-Red			
(29)	997 347 803 90	Sports steering wheel Leather		1	I006/480/843
	997 347 803 90 DRH	Black-Red-Grey			
	997 347 803 90 DRG	Black-Red-Red			
(29)	997 347 803 G7	Information available Sports steering wheel Leather		1	I006/480/843
	997 347 803 G7 DRH	Black-Red-Grey			
	997 347 803 G7 DRG	Black-Red-Red Information available			

Model: 997G07

Model life 2007>>2011

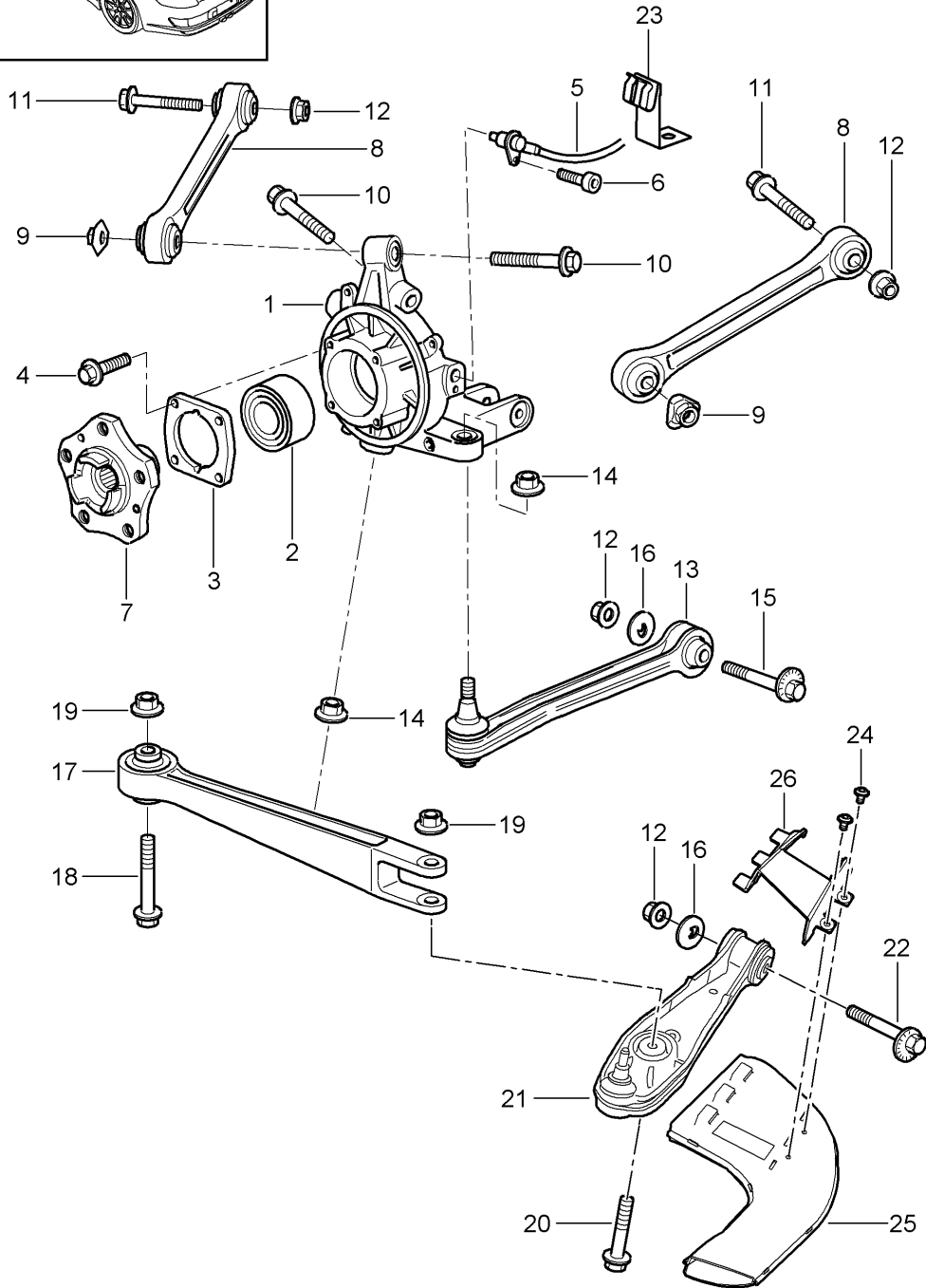
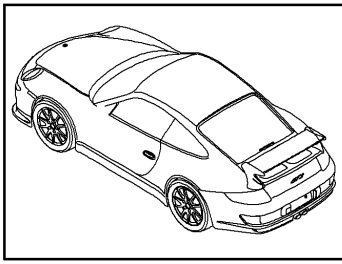


Model: 997G07 Model life 2007>>2011

Pos	Part Number	Description	Remark	Qty	Model
2	997 803 089 16	Airbag Airbag unit Sports steering wheel Plastic material Crest Coloured	-08	1	I433
	997 803 089 16 A32	Black			
2	997 803 089 21	Airbag unit Sports steering wheel Plastic material Crest Coloured	-08	1	I433
	997 803 089 21 A32	Black			
(2)	997 803 089 22	Airbag unit Sports steering wheel Leather Crest Coloured	-08	1	I433
	997 803 089 22 A34	Black			
(2)	997 803 089 17	Airbag unit Sports steering wheel Leather Crest Coloured	-08	1	I460/991 IXPA/991
	997 803 089 17 A34	Black			
(2)	997 803 089 91	Airbag unit Leather Alcantara	-08	1	I433
	997 803 089 91 A34	Black			
3	955 652 211 11	Spring with Steering-angle sensor		1	
(4)	997 803 071 07	Airbag unit Passenger's side		1	
5	900 378 222 01	Hexagon-head bolt M 6 X 16		4	
6	997 803 091 03	Side airbag for Head airbag	/L	1	
(6)	997 803 092 03	Side airbag for Head airbag	/R	1	
7	900 378 035 01	Hexagon-head bolt M 6 X 16		6	
(8)	997 618 217 08	Control unit		1	
9	999 070 015 02	Cap nut M 6		3	
10	997 618 221 01	Sensor Side airbag		2	
11	999 084 629 01	Hexagon nut M 6		8	
12	997 618 223 02	Acceleration sensor Airbag Front		2	
13	999 084 638 01	Hexagon nut M 6 SB		2	
14	997 803 089 12	Airbag unit Leather	10-	1	I839/841/991
	997 803 089 12 A34	Black			
(14)	997 803 089 12	Airbag unit Leather		1	I006/840/843 I991
	997 803 089 12 A34	Black			

Model: 997G07

Model life 2007>>2011



Model: 997G07 Model life 2007>>2011

Pos	Part Number	Description	Remark	Qty	Model
		Rear axle Wheel carrier Control arm Wheel hub Subsequent installation Cooling Brake see Technical information Group 4 2/08	-08		I004
1	997 331 111 07	Wheel carrier Use also: 997.352.993.02	/L	1	-I006
(1)	997 331 111 80	Wheel carrier	/L	1	I006
(1)	997 331 112 07	Wheel carrier	/R	1	-I006
(1)	997 331 112 80	Wheel carrier	/R	1	I006
2	999 053 055 02	Angular-contact bearing		2	
3	996 331 661 01	Lid		2	
4	999 217 042 09	Hexagon-head bolt M 8 X 35		8	
5	997 606 407 01	Speed sensor		2	
6	900 067 117 09	Pan-head screw M 6 X 16	-08	2	
(6)	900 067 117 04	Pan-head screw M 6 x 16	10-	2	
7	997 331 605 00	Wheel hub	-08	2	
7	997 331 605 01	Wheel hub		2	
(7)	997 331 607 04	Wheel hub	10-	2	
-	997 361 605 90	Spacer ring 5 mm	-08	2	
8	997 331 047 00	Wishbone	-08	2	
8	997 331 047 01	Wishbone	10-	2	
9	999 084 445 01	Lock nut M 12 X 1,5		4	
10	900 378 138 01	Hexagon-head bolt M 12 X 70		4	
11	900 378 165 01	Hexagon-head bolt M 12 X 95		4	
12	999 084 445 01	Lock nut M 12 X 1,5		10	
13	997 331 045 04	Track rod		2	-I006
13	997 331 045 80	Track rod		2	I006
14	999 084 449 09	Lock nut M 12 X 1,5		4	
15	996 331 217 02	Eccentric screw M 12 X 83	-08	2	
15	997 331 217 02	Eccentric screw M 12 X 83	10-	2	
16	996 331 219 00	Eccentric washer		2	
17	997 331 043 01	Control arm		2	
18	900 378 051 09	Hexagon-head bolt M 14 X 100		2	
19	900 380 012 01	Hexagon nut M 14 X 1,5		4	
20	900 378 135 09	Hexagon-head bolt M 14 X 1,5 x 75	-08	2	
(20)	900 378 135 01	Hexagon-head bolt M 14 x 1,5 x 75	10-	2	
21	997 331 053 01	Wishbone	-08	2	-I004/-I006
21	997 331 053 02	Wishbone	10-	2	-I004/-I006
21	997 331 053 03	Wishbone	11-	2	-I004/-I006
(21)	997 331 041 92	Wishbone	/L -08	1	I004

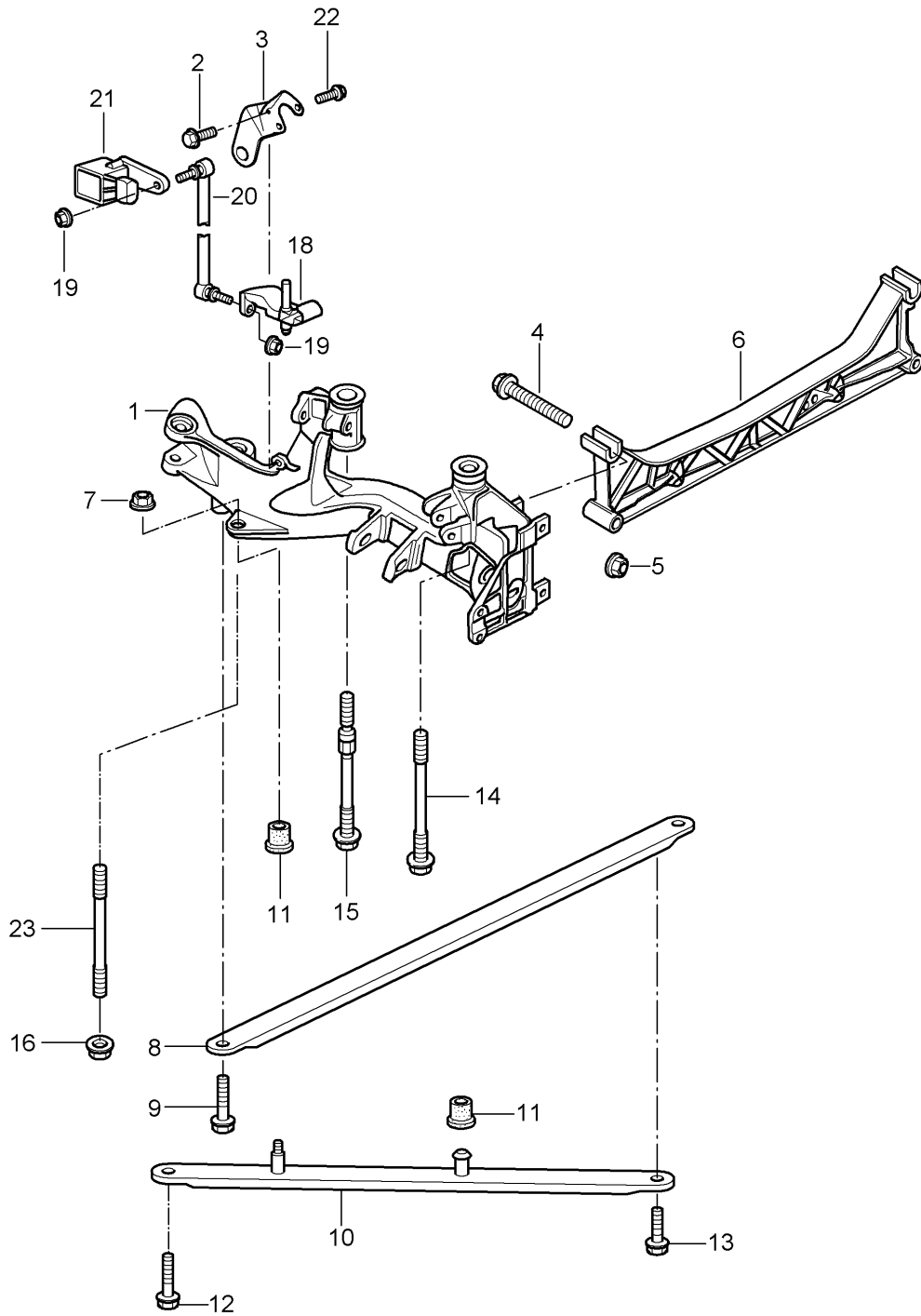
Model: 997G07

Model life 2007>>2011

Pos	Part Number	Description	Remark	Qty	Model
(21)	997 331 041 94	Wishbone	/L 10-	1	I004
(21)	997 331 041 81	Wishbone	/L	1	I006
(21)	997 331 042 92	Wishbone	/R -08	1	I004
(21)	997 331 042 94	Wishbone	/R 10-	1	I004
(21)	997 331 042 80	Wishbone	/R	1	I006
-	900 076 064 02	Hexagon nut		4	I004
-	999 025 269 01	Washer		4	I004
-	996 341 543 90	Adjusting shim 1 mm		2	I004
22	996 331 217 03	Eccentric screw	-08	2	
(22)	997 331 217 03	Eccentric screw	10-	2	
-	997 331 487 91	Spoiler	/L	1	
-	997 331 487 92	Spoiler for Position 17	/L	1	
-	997 331 488 91	Spoiler	/R	1	
-	997 331 488 92	Spoiler for Position 17	/R	1	
23	999 507 530 00	Cable holder Speed sensor		2	
24	999 073 516 01	Oval-head screw M 6 X 10		4	
25	997 575 531 90	Air guide Use also: 000.043.987.00 Adhesive tape 20 X 47 X 5,0	/L 10-	1	GT-3
25	997 575 532 90	Air guide Use also: 000.043.987.00 Adhesive tape 20 X 47 X 5,0	/R 10-	1	GT-3
-	000 043 987 00	Adhesive tape 20 X 47 X 5,0	10-	2	GT-3
26	997 575 631 90	Support	/L 10-	1	-I004
(26)	997 575 631 91	Support	/L 10-	1	I004
(26)	997 575 632 90	Support	/R 10-	1	-I004
(26)	997 575 632 91	Support	/R 10-	1	I004
27	900 060 070 01	Stud M6X30 Mount Speed sensor	10-	1	

Model: 997G07

Model life 2007>>2011



Model: 997G07 Model life 2007>>2011

Pos	Part Number	Description	Remark	Qty	Model
		Rear axle Side section Bracket			
1	997 331 051 94	Side section	/L	1	
(1)	997 331 052 94	Side section	/R	1	
2	900 067 117 09	Pan-head screw M 6 X 16	-08	2	
(2)	900 067 117 04	Pan-head screw M 6 x 16	10-	2	
3	997 355 505 02	Support for Brake hose	/L	1	
(3)	997 355 506 02	Support for Brake hose	/R	1	
4	900 378 139 09	Hexagon-head bolt M 12 X 1,5 x 80	-08	4	
(4)	900 378 139 01	Hexagon-head bolt M 12 x 1,5 x 80	10-	4	
5	999 084 445 01	Lock nut M 12 X 1,5		4	
(6)	997 331 261 02	Cross member		1	
7	999 076 053 09	Hexagon nut M 10		2	
8	996 331 171 03	Transverse strut		1	
-	999 591 629 01	Captive nut Underbody protection		X	
9	999 072 020 09	Hexagon-head bolt M 10 X 40		2	
10	997 331 081 02	Strut		2	
(10)	997 331 081 92	Strut		2	I006
-	999 591 629 01	Captive nut Underbody protection		X	
11	996 331 385 00	Rubber mounting		6	
12	999 072 031 01	Hexagon-head bolt M 10 x 45		2	
(12)	999 073 443 01	F >>998S7 90500 Combination screw M 12 X 1,5 X 40		2	
13	900 378 072 09	F 998S7 90501>> Hexagon-head bolt M 12 X 30		2	
13	900 378 072 01	Hexagon-head bolt M 12 X 30		2	
14	900 178 010 09	Hexagon-head bolt M 12 X 130	-08	2	
(14)	900 178 010 01	Hexagon-head bolt M 12 x 130	10-	2	
15	900 178 010 09	Hexagon-head bolt M 12 X 130	-08	2	
(15)	900 178 010 01	Hexagon-head bolt M 12 x 130	10-	2	
16	999 084 445 01	Lock nut M 12 X 1,5		2	
18	996 341 371 03	Support		1	I601/603
19	900 380 015 01	Hexagon nut VM 6		2	
20	997 331 375 03	Strut		1	I601/603
21	997 631 121 00	Sensor		1	I601/603
22	N 014 129 12	Oval-head screw		2	I601/603
23	999 061 103 09	Stud M 12 X 1,5	-08	2	
(23)	999 061 103 01	Stud	10-	2	

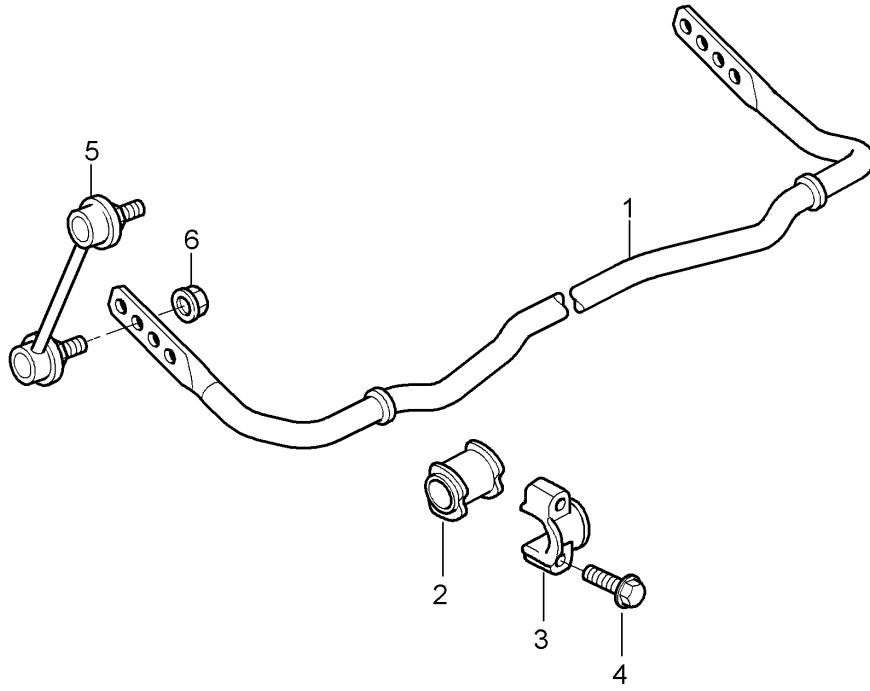
Model: 997G07

Model life 2007>>2011

Pos	Part Number	Description	Remark	Qty	Model
		M 12 X 1,5			

Model: 997G07

Model life 2007>>2011



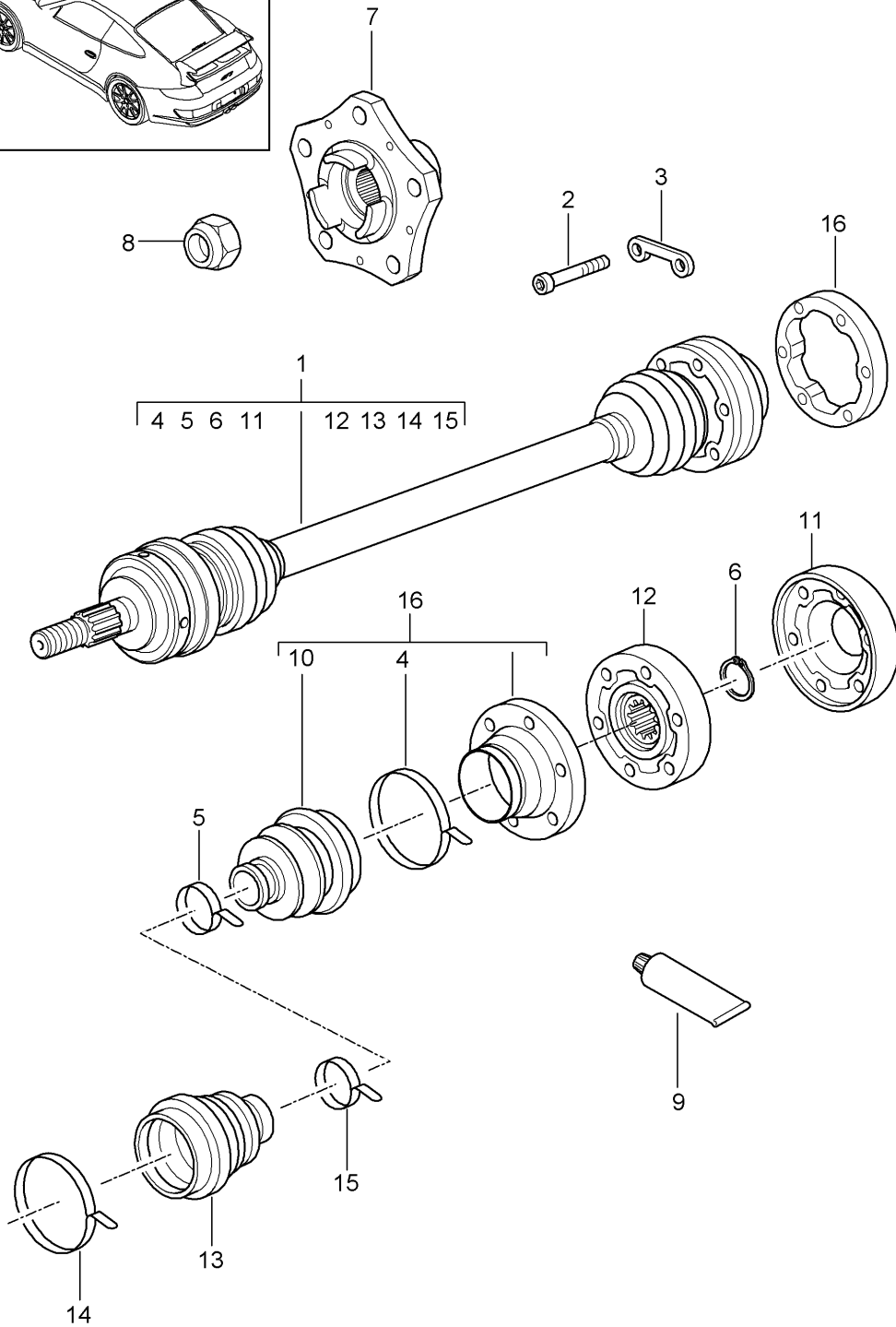
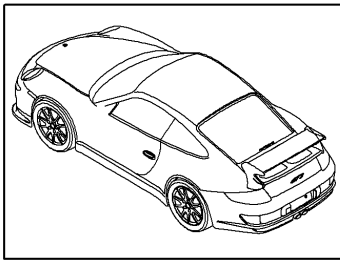
Model: 997G07

Model life 2007>>2011

Pos	Part Number	Description	Remark	Qty	Model
1	997 333 701 92	Stabiliser		1	
1	997 333 701 95	Stabiliser	-08	1	
(1)	997 333 701 96	Stabiliser	-08	1	I475
(1)		Stabiliser	10-	1	
2	997 333 792 95	Stabiliser mounting		2	
		Information available			
3	996 333 777 01	Bearing clamp		2	
4	900 378 055 01	Hexagon-head bolt		4	
5	997 333 069 05	Stabiliser mounting	-08	1	
5	997 333 069 06	Stabiliser mounting	10-	1	
(5)	997 333 070 05	Stabiliser mounting	-08	1	
(5)	997 333 070 06	Stabiliser mounting	10-	1	
6	999 084 123 09	Hexagon nut		2	
		M 10			
		Stabiliser mounting			
		Stabiliser			
(6)	999 084 643 01	Hexagon nut		2	
		M 10			
		Stabiliser			
		Wheel carrier			

Model: 997G07

Model life 2007>>2011

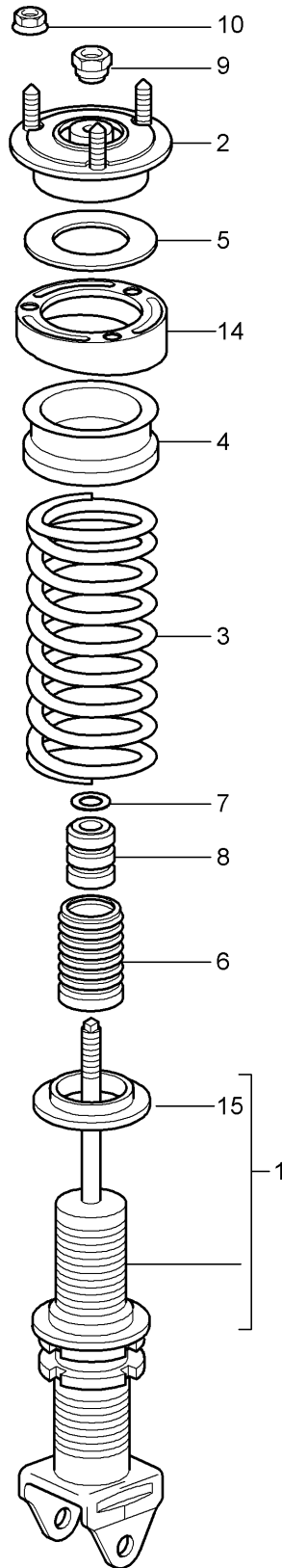
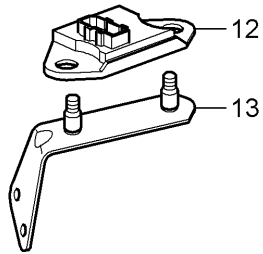
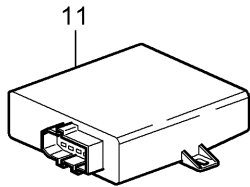
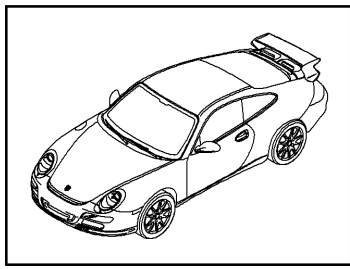


Model: 997G07 Model life 2007>>2011

Pos	Part Number	Description	Remark	Qty	Model
		Drive shaft			
		Wheel hub			
1	997 332 024 02	Drive shaft	-08	2	
1	997 332 024 04	Drive shaft	10-11	2	
2	999 073 449 01	Pan-head screw M 10 x 1 x 49		12	
(3)	996 332 191 00	Plate		6	
4	911 332 257 00	Clip	-08	2	
(4)	996 332 957 00	Clip	10-	2	
5	996 332 257 00	Clip		2	
6	900 041 014 00	Circlip		2	
7	997 331 605 00	Wheel hub	-08	2	
7	997 331 605 01	Wheel hub		2	
(7)	997 331 607 04	Wheel hub	10-	2	
8	999 084 641 01	Lock nut M 22 X 1,5		2	
9	000 043 110 01	Grease 1 100-gramme tube	-08	X	
9	000 043 110 02	Grease 1 100-gramme tube	10-	X	
(9)	000 043 205 36	Sealing compound 1 100-gramme tube		X	
10	996 332 293 00	Dust bellows Information available		2	
11	928 332 267 01	Lid		2	
11	997 332 267 00	Lid		2	
12	996 332 030 00	Joint		2	
13	996 332 293 00	Dust bellows Information available		2	
14	911 332 257 00	Clip	-08	2	
(14)	996 332 957 00	Clip	10-	2	
15	996 332 257 00	Clip	-08	2	
-	911 332 259 01	Bellow support Dust bellows	-08	2	
-	911 332 259 02	Bellow support Dust bellows		2	
16	997 332 955 00	Bellows with Cap	10-	2	

Model: 997G07

Model life 2007>>2011



Model: 997G07 Model life 2007>>2011

Pos	Part Number	Description	Remark	Qty	Model
		Shock absorber			GT-3
		Coil spring			
1	997 333 051 91	Shock absorber	07	2	
(1)	997 333 051 94	Shock absorber	08	2	
(1)	997 333 051 95	Shock absorber	10-	2	
(1)	997 333 051 99	Shock absorber	10-	2	
		Use also:			
		996.343.509.01		2	
		Mount			
		Shock absorber			
-	900 378 138 01	Hexagon-head bolt		2	
		M 12 X 1,5 X 70			
-	999 084 445 01	Lock nut		2	
		M 12 X 1,5			
2	997 333 061 01	Supporting mount		2	
2		Supporting mount	-08	2	
2	997 333 061 80	Supporting mount	10-	2	
3	997 333 531 91	Coil spring		1	-I004
		1 set			
	997 333 531 91 504	Identification			
		Red			
		D >> 23.11.2006			
(3)	997 333 531 93	Coil spring		1	-I004
		1 set			
	997 333 531 93 504	Identification			
		Red			
		D 24.11.2006>>			
(3)	997 333 531 93	Coil spring	-08	1	I004
		1 set			
	997 333 531 93 504	Identification			
		Red			
(3)	997 333 531 95	Coil spring	10-	1	
		1 set			
		Identification			
	997 333 531 95 504	Yellow			
		Blue			
(3)	997 333 531 9F	Coil spring	10-	1	
		1 set			
		Identification			
	997 333 531 9F 504	Yellow			
		Blue			
4	996 333 529 92	Spring hanger	-08	2	
(4)	997 333 504 00	Base	10-	2	I475
5	996 333 551 90	Rubber support	-08	2	
6	997 333 539 90	Bellows	-08	2	
		F >>99ZS7 90741			
(6)	993 333 107 01	Bellows	10-	2	
		Only together with			
		Shock absorber			
		997.333.051.95			
(6)	996 343 509 01	Bellows	10-	2	
		Only together with			
		Shock absorber			
		997.333.051.99			
7	999 025 271 02	Washer		2	
8	997 333 105 01	Additional spring		2	
9	999 084 050 02	Hexagon nut		2	
		M 12 X 1			
10	900 380 008 01	Hexagon nut		6	
		M 10			
11	997 618 105 90	Control unit	-07	1	
		Shock absorber			
(11)	997 618 105 91	Control unit	08-	1	

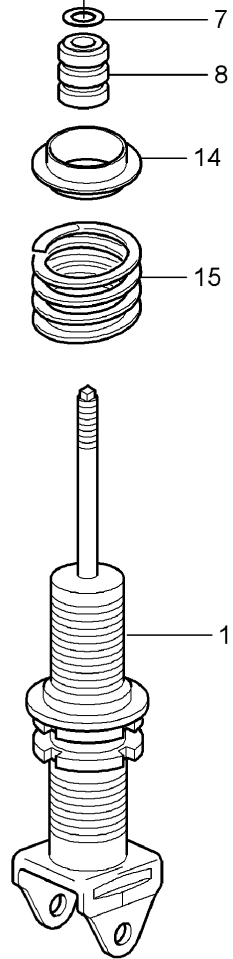
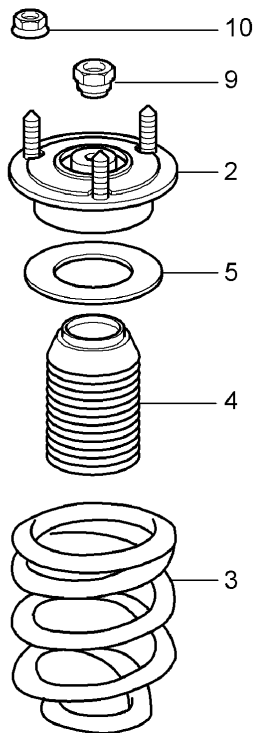
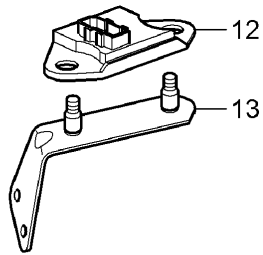
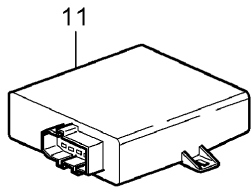
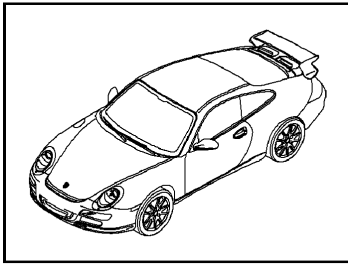
Model: 997G07

Model life 2007>>2011

Pos	Part Number	Description	Remark	Qty	Model
(11)	997 618 105 95	Shock absorber Control unit	10-	1	GT-3
(11)	997 618 105 96	Shock absorber Control unit	10-	1	GT-3
(11)		Shock absorber Control unit	10-	1	I004
-	997 618 205 00	Shock absorber Support for Control unit		1	
12	997 606 111 01	Acceleration sensor Body		1	
13	997 606 214 01	Support Acceleration sensor		1	
14	996 333 511 02	Compensating plate 0,5 MM	10-	X	
(14)	996 333 511 03	Compensating plate 4,0 MM	10-	X	
15	997 333 504 90	Rubber pad for Coil spring	10-	2	

Model: 997G07

Model life 2007>>2011



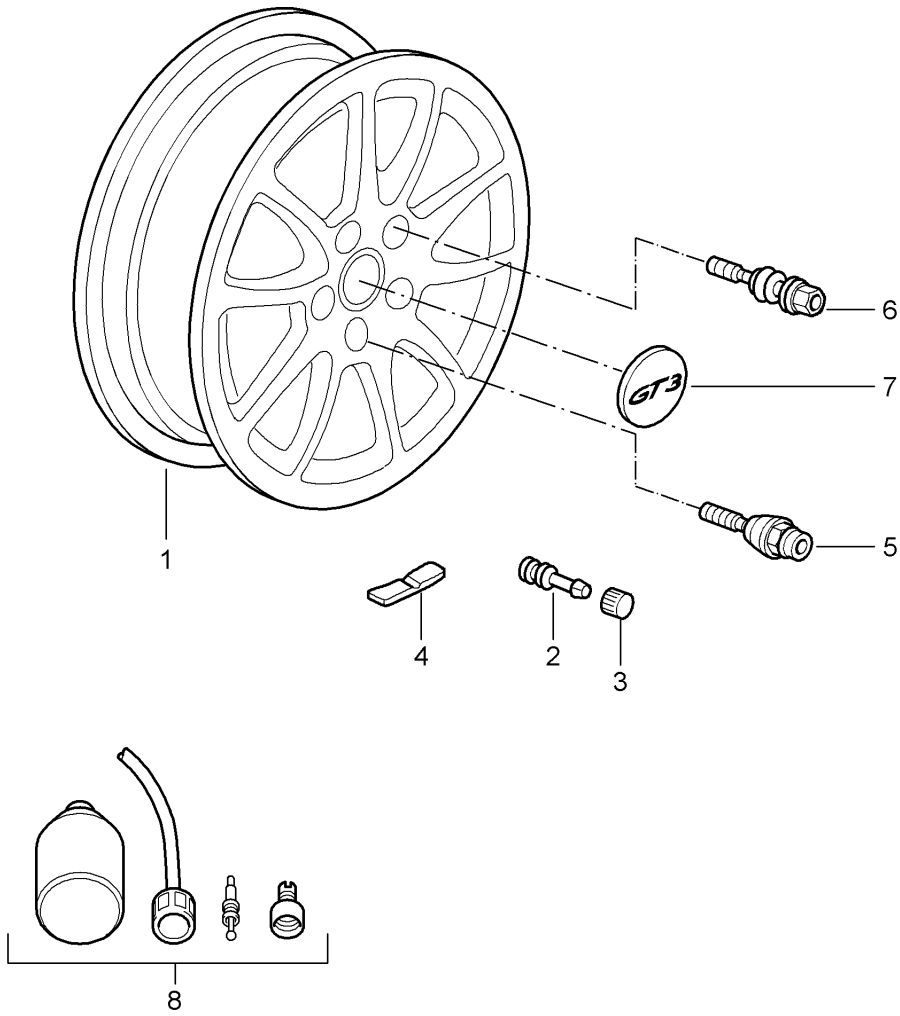
Model: 997G07

Model life 2007>>2011

Pos	Part Number	Description	Remark	Qty	Model
		Shock absorber			GT-3 RS 4.0
		Coil spring			
1	997 333 053 90	Shock absorber		2	
		Mount			
		Shock absorber			
-	900 378 138 01	Hexagon-head bolt		2	
		M 12 X 1,5 X 70			
-	999 084 445 01	Lock nut		2	
		M 12 X 1,5			
2	997 333 061 80	Supporting mount		2	
3	997 333 533 80	Coil spring		1	
	997 333 533 80 504	1 set			
4	996 343 505 00	Bellows		2	
5	996 333 551 90	Rubber support		2	
7	999 025 271 02	Washer		2	
8	997 333 105 01	Additional spring		2	
9	999 084 050 02	Hexagon nut		2	
		M 12 X 1			
10	900 380 008 01	Hexagon nut		6	
		M 10			
11	997 618 105 96	Control unit		1	
		Shock absorber			
-	997 618 205 00	Support		1	
		for			
		Control unit			
12	997 606 111 01	Acceleration sensor		1	
		Body			
13	997 606 214 01	Support		1	
		Acceleration sensor			
14	997 333 511 80	Intermediate ring		2	
15	997 333 537 82	Additional spring		2	

Model: 997G07

Model life 2007>>2011



Model: 997G07

Model life 2007>>2011

Pos	Part Number	Description	Remark	Qty	Model
		Wheels Wheel bolts see Technical information 84/11 Group 4 4407	-08		
(1)	997 362 156 95	Disc wheel Silver 8,5 J x 19 Et 53	/V	2	
(1)	997 362 164 90	Disc wheel Silver 12 J x 19 ET 68	/H	2	
(1)	997 362 156 95	Disc wheel Silver 8,5 J x 19 Et 53	/V	2	I004/346/420
(1)	997 362 156 96 997 362 156 96 041	Disc wheel Black 8,5 x 19 ET 53	/V	2	I004/420
(1)	997 362 156 96 997 362 156 96 8C6	Disc wheel Orange 8,5 J x 19 ET 53	/V	2	I004/420
(1)	997 362 164 91	Disc wheel Silver 12 J x 19 ET 51	/H	2	I004/346/420
(1)	997 362 164 92 997 362 164 92 041	Disc wheel Black 12 J x 19 ET 51	/H	2	I004/420
(1)	997 362 164 92 997 362 164 92 8C6	Disc wheel Orange 12 J x 19 ET 51	/H	2	I004/420
2	900 265 001 50	Rubber valve Rubber		4	
(2)	900 265 001 51	Rubber valve Rubber		4	
(2)	311 601 361	Rubber valve Rubber		4	
(2)		Valve Tyre pressure monitoring See illustrations 6/01/05		4	I482/483
3	993 361 163 10	Cap for Rubber valve		4	
4	997 361 405 00	Balance stick-on weight 5.G.		X	
(4)	997 361 410 00	Balance stick-on weight 10 G.		X	
(4)	997 361 415 00	Balance stick-on weight 15 G.		X	
(4)	997 361 420 00	Balance stick-on weight 20 G.		X	
(4)	997 361 425 00	Balance stick-on weight 25 G.		X	
(4)	997 361 430 00	Balance stick-on weight		X	

Model: 997G07 Model life 2007>>2011

Pos	Part Number	Description	Remark	Qty	Model
(4)	997 361 435 00	30 G. Balance stick-on weight		X	
(4)	997 361 440 00	35 G. Balance stick-on weight		X	
(4)	997 361 445 00	40 G. Balance stick-on weight		X	
(4)	997 361 450 00	45 G. Balance stick-on weight		X	
(4)	997 361 455 00	50 G. Balance stick-on weight		X	
(4)	997 361 460 00	55 G. Balance stick-on weight		X	
(4)	997 361 465 00	60 G. Balance stick-on weight		X	
(4)	997 361 470 00	65 G. Balance stick-on weight		X	
(4)	997 361 475 00	70 G. Balance stick-on weight		X	
(4)	997 361 480 00	75 G. Balance stick-on weight		X	
(4)	997 361 485 00	80 G. Balance stick-on weight		X	
(4)	997 361 490 00	85 G. Balance stick-on weight		X	
		90 G. Wheel bolts see Technical information 84/11 Group 4 4407			
5	996 361 980 02	Wheel bolt Anti-theft protection 1 set Silver		1	
(5)	997 361 980 10	Set Anti-theft protection 1 set Silver		1	
(5)	997 361 980 00	Set Anti-theft protection 1 set Silver	(GB)	1	I444
(5)	997 361 980 09	Set Anti-theft protection 1 set Silver	(GB)	1	I444
6	996 361 980 00	Wheel bolt Silver		16	
7	996 361 303 91	Hub cap Silver		4	
(7)	955 361 303 05 955 361 303 05 9A1	Hub cap Silver It is necessary to rework Paint		4	I446
(7)	997 361 303 90	Hub cap Silver Logo Black		4	I004
(7)	997 361 303 91 997 361 303 91 041	Hub cap Orange Logo Black		4	I004

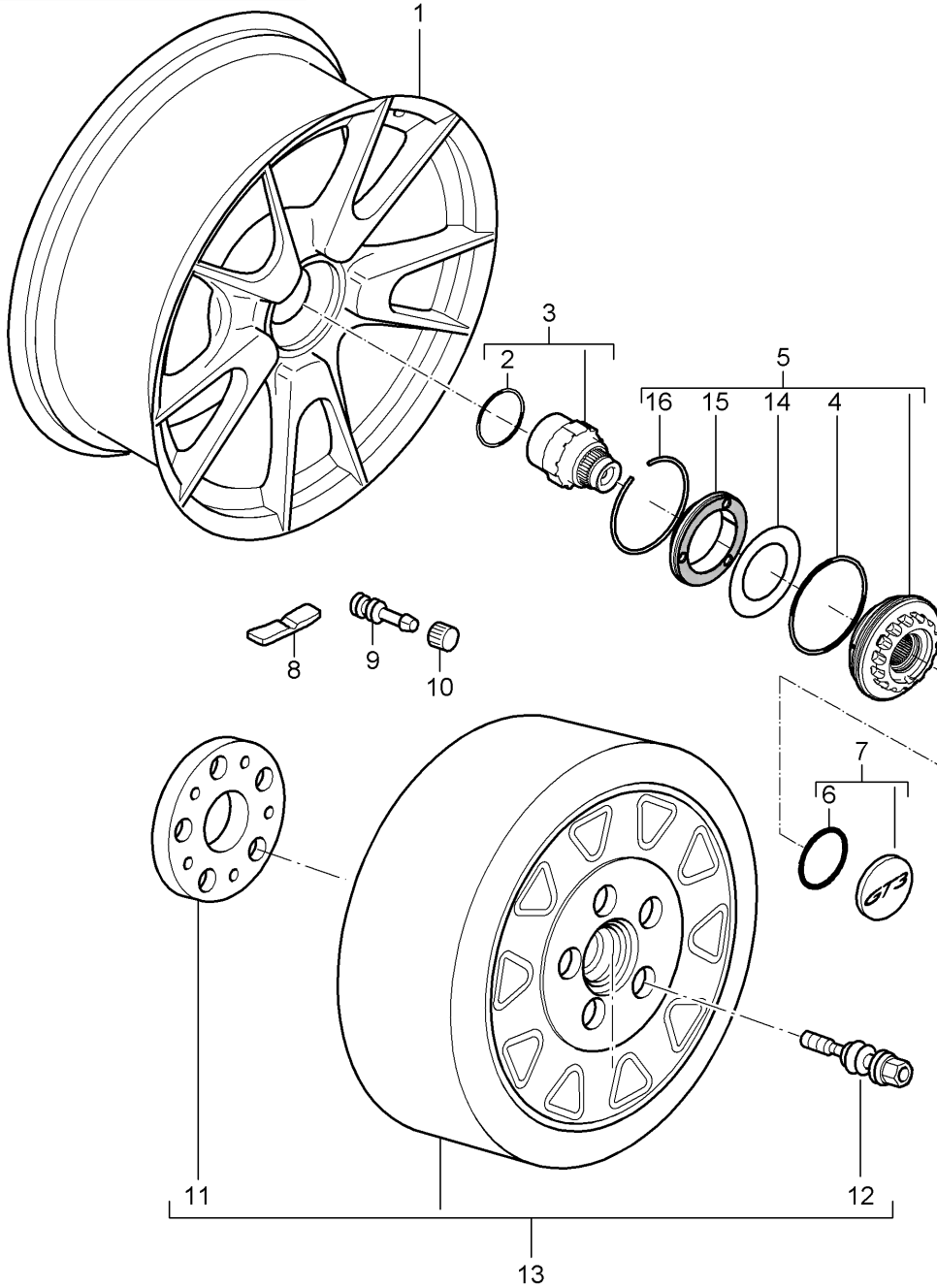
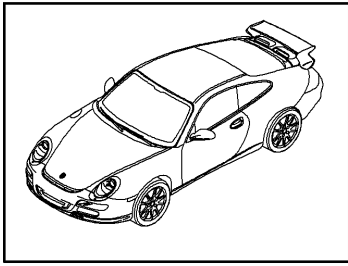
Model: 997G07

Model life 2007>>2011

Pos	Part Number	Description	Remark	Qty	Model
(7)	997 361 303 91	Hub cap Black Logo		4	I004
	997 361 303 91 8C6	Orange			
(7)	997 361 303 91	Hub cap Black Logo		4	I004
	997 361 303 91 2D8	Green			
(8)	955 722 631 00	Bottle of tyre sealant		1	
(8)	4L0 012 619 A	Bottle of tyre sealant		1	
-	911 722 201 02	Tyre pressure gauge		1	
-	996 362 020 04	Emergency wheel	-08	1	I447
-	997 362 050 00	Emergency wheel	-08	1	I447/450
-	997 362 021 00	Emergency wheel with Adapter And Wheel bolts	-08	1	I430/447
-	997 362 191 00	Adapter for emergency wheel	-08	1	I430/447
-	997 361 203 01	Wheel bolt Adapter Emergency wheel	-08	5	I430/447
-	996 361 521 00	Boot Emergency wheel		1	I447
-	999 914 001 40	Plastic gloves		1	I447
-	997 652 057 00	Compressor		1	I447

Model: 997G07

Model life 2007>>2011



Model: 997G07

Model life 2007>>2011

Pos	Part Number	Description	Remark	Qty	Model
1	997 362 157 95	Central locking Disc wheel Titanium metallic 8,5 J X 19 ET 53 Paint It is necessary to rework	10- /V	2	I430
(1)	997 362 157 95 EP8	Disc wheel Titanium metallic 8,5 J X 19 ET 53 Paint It is necessary to rework	/V	2	
(1)	997 362 157 95 997 362 157 95 9A1	Disc wheel Silver 8,5 J X 19 ET 53 Paint It is necessary to rework	/V	2	I346
(1)	997 362 157 96 997 362 157 96 9A1	Disc wheel Silver 9 J X 19 ET 47	/V	2	I004/346
(1)	997 362 157 06	Disc wheel 8,5 J X 19 ET 56 Winter wheel	/V	2	I004/346
(1)	997 362 157 96 997 362 157 96 539	Disc wheel White gold metallic 9 J X 19 ET 47	/V	2	I004/511
(1)	997 362 157 96 997 362 157 96 84A	Disc wheel Guards red 9 J X 19 ET 47	/V	2	I004/510
(1)	997 362 157 96 997 362 157 96 B9A	Disc wheel White 9 J X 19 ET 47	/V	2	I006/341
(1)	997 362 157 96 997 362 157 96 M7Z	Disc wheel Silver 9 J X 19 ET 47	/V	2	I006/347
(1)	997 362 157 96 997 362 157 96 041	Disc wheel Black 9 J X 19 ET 47	/V	2	I006/349
(1)	997 362 165 90	Disc wheel Titanium metallic 12 J X 19 ET 63 Paint It is necessary to rework	/H	2	
(1)	997 362 165 90 EP8	Disc wheel Titanium metallic 12 J X 19 ET 63 Paint It is necessary to rework	/H	2	
(1)	997 362 165 90 997 362 165 90 9A1	Disc wheel Silver 12 J X 19 ET 63	/H	2	I346

Model: 997G07 Model life 2007>>2011

Pos	Part Number	Description	Remark	Qty	Model
(1)	997 362 163 90	Paint It is necessary to rework Disc wheel 11 j X 19 ET 67 for winter use Not for Carrera RS	/H	2	
(1)	997 362 165 91 997 362 165 91 9A1	Disc wheel Silver 12 J X 19 ET 48	/H	2	I004/346
(1)	997 362 163 04	Disc wheel 11 J X 19 ET 51 Winter wheel	/H	2	I004/346
(1)	997 362 165 91 997 362 165 91 539	Disc wheel White gold metallic 12 J X 19 ET 48	/H	2	I004/511
(1)	997 362 165 91 997 362 165 91 84A	Disc wheel Guards red 12 J X 19 ET 48	/H	2	I004/510
(1)	997 362 165 91 997 362 165 91 B9A	Disc wheel White 12 J X 19 ET 48	/H	2	I006/341
(1)	997 362 165 91 997 362 165 91 M7Z	Disc wheel Silver 12 J X 19 ET 48	/H	2	I006/347
(1)	997 362 165 91 997 362 165 91 041	Disc wheel Black 12 J X 19 ET 48	/H	2	I006/349
2	999 707 012 40	O-ring 37 X 2,5 N		4	
3	997 341 251 04	Locking device		2	
4	999 707 648 40	O-ring 92,00 X 3,5		4	
5	997 361 081 05	Wheel bolt		4	
5	997 361 081 06	Wheel bolt		4	
(5)	997 361 081 92	Wheel bolt		4	I004
(5)	997 361 081 93	Wheel bolt		4	I004
6	999 701 045 40	O-ring 32 X 2,0 N		4	
7	997 361 207 03	Hub cap Crest Coloured		4	
(7)	997 361 207 90	Hub cap Logo GT-3		4	
(7)	997 361 207 91	Hub cap RS Logo Red		4	I004/510
(7)	997 361 207 92	Hub cap RS Logo Gold-coloured		4	I004/511
(7)	997 361 207 93	Hub cap RS		4	I006

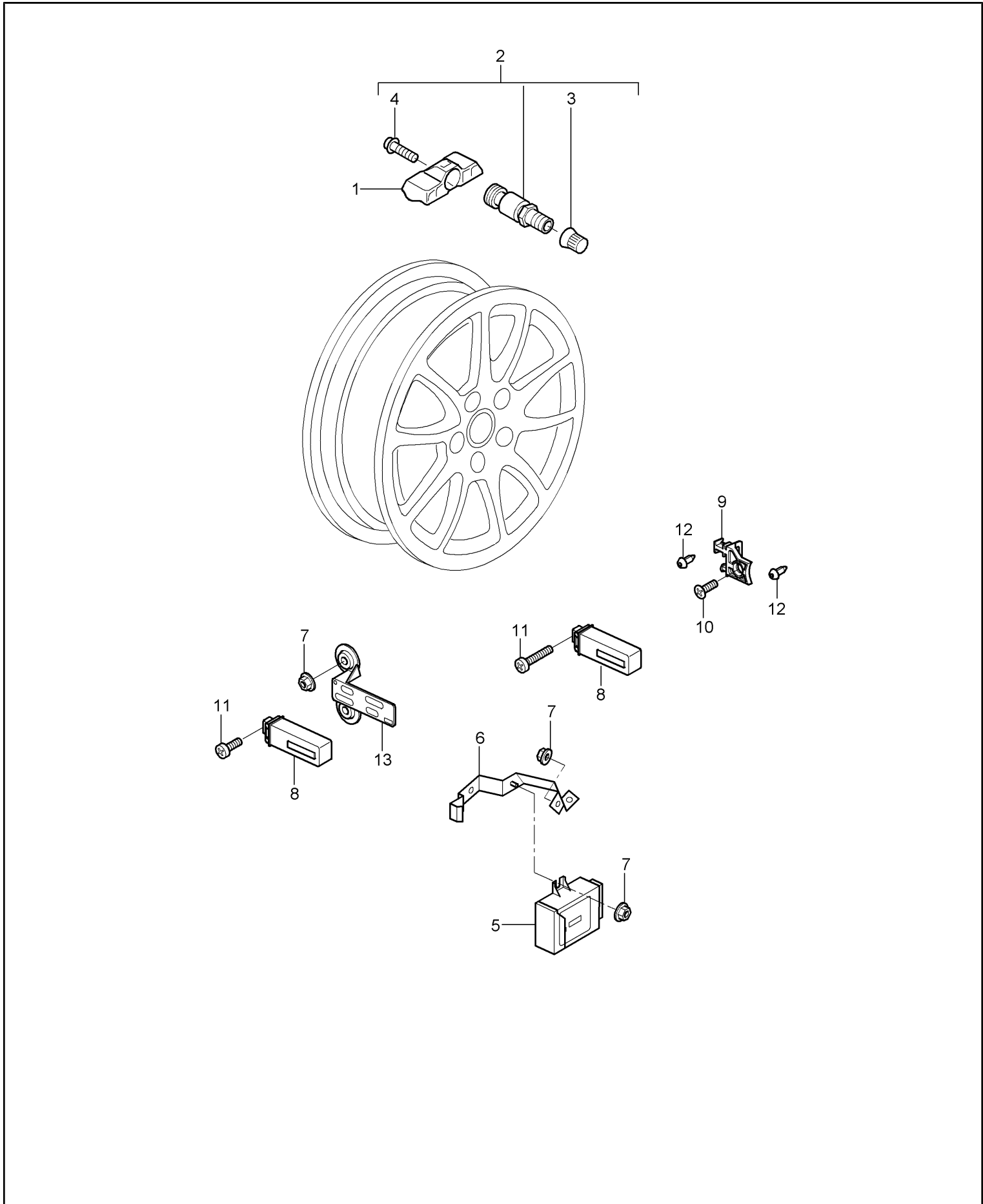
Model: 997G07

Model life 2007>>2011

Pos	Part Number	Description	Remark	Qty	Model
		Logo			
		Silver			
8	997 361 405 00	Balance stick-on weight		X	
		5.G.			
(8)	997 361 410 00	Balance stick-on weight		X	
		10 G.			
(8)	997 361 415 00	Balance stick-on weight		X	
		15 G.			
(8)	997 361 420 00	Balance stick-on weight		X	
		20 G.			
(8)	997 361 425 00	Balance stick-on weight		X	
		25 G.			
(8)	997 361 430 00	Balance stick-on weight		X	
		30 G.			
(8)	997 361 435 00	Balance stick-on weight		X	
		35 G.			
(8)	997 361 440 00	Balance stick-on weight		X	
		40 G.			
(8)	997 361 445 00	Balance stick-on weight		X	
		45 G.			
(8)	997 361 450 00	Balance stick-on weight		X	
		50 G.			
(8)	997 361 455 00	Balance stick-on weight		X	
		55 G.			
(8)	997 361 460 00	Balance stick-on weight		X	
		60 G.			
(8)	997 361 465 00	Balance stick-on weight		X	
		65 G.			
(8)	997 361 470 00	Balance stick-on weight		X	
		70 G.			
(8)	997 361 475 00	Balance stick-on weight		X	
		75 G.			
(8)	997 361 480 00	Balance stick-on weight		X	
		80 G.			
(8)	997 361 485 00	Balance stick-on weight		X	
		85 G.			
(8)	997 361 490 00	Balance stick-on weight		X	
		90 G.			
9	900 265 001 50	Rubber valve		4	
		Rubber			
9	900 265 001 51	Rubber valve		4	
		Rubber			
9	311 601 361	Rubber valve		4	
		Rubber			
10	955 361 163 00	Cap		4	
		for			
		Rubber valve			
11	997 362 191 00	Adapter		1	I447
		Emergency wheel			
12	997 361 203 01	Wheel bolt		5	I447
		Adapter			
13	997 362 021 00	Emergency wheel		1	I447
14	997 361 189 00	Washer		4	
15		Cone ring			
16	997 361 187 00	Circlip		4	
		2,0			

Model: 997G07

Model life 2007>>2011



Model: 997G07 Model life 2007>>2011

Pos	Part Number	Description	Remark	Qty	Model
1	997 606 021 00	Tyre pressure monitoring Sensor	-08 -07	4	I482/483 I482
(1)	997 606 021 01	Tyre pressure monitoring Use also: 955.361.053.00 Sensor	08-	4	I482
(1)	997 606 021 02	Tyre pressure monitoring Use also: 955.361.053.00 Sensor	08-	4	I482
(1)	997 606 023 00	Information available Sensor	-07	4	I483
(1)	997 606 023 01	Tyre pressure monitoring Use also: 955.361.053.00 Sensor	08-	4	I483
(2)	997 606 023 02	Tyre pressure monitoring Use also: 955.361.053.00 Sensor	-(ROK)	4	I483
(2)	997 606 025 00	Information available Sensor	(ROK)	4	I483
(2)	997 606 021 02	Tyre pressure monitoring Use also: 955.361.053.00 Sensor	(ROK)	4	
2	955 361 053 00	Valve Aluminium		4	
(2)	9P1 601 361 A	Valve Aluminium		4	
3	N 908 729 01	Cap		4	
4	4D0 601 365	Fastening screw		4	
5	997 618 103 06	Control unit		1	
6	997 618 203 01	Support Control unit		1	
7	999 076 081 40	Plastic nut T5 16 X 11, 2		7	
8	997 606 101 00	Antenna 433 MHZ		4	I482
(8)	997 606 103 00	Use also: 997.606.225.00 Antenna 315 MHZ		4	I483
(8)		Use also: 997.606.225.00 Antenna 315 MHZ		4	I483
(8)	997 606 102 00	Use also: 997.606.225.00 Antenna 433MHZ Only together with 997.606.021.02	(ROK)	4	
				4	

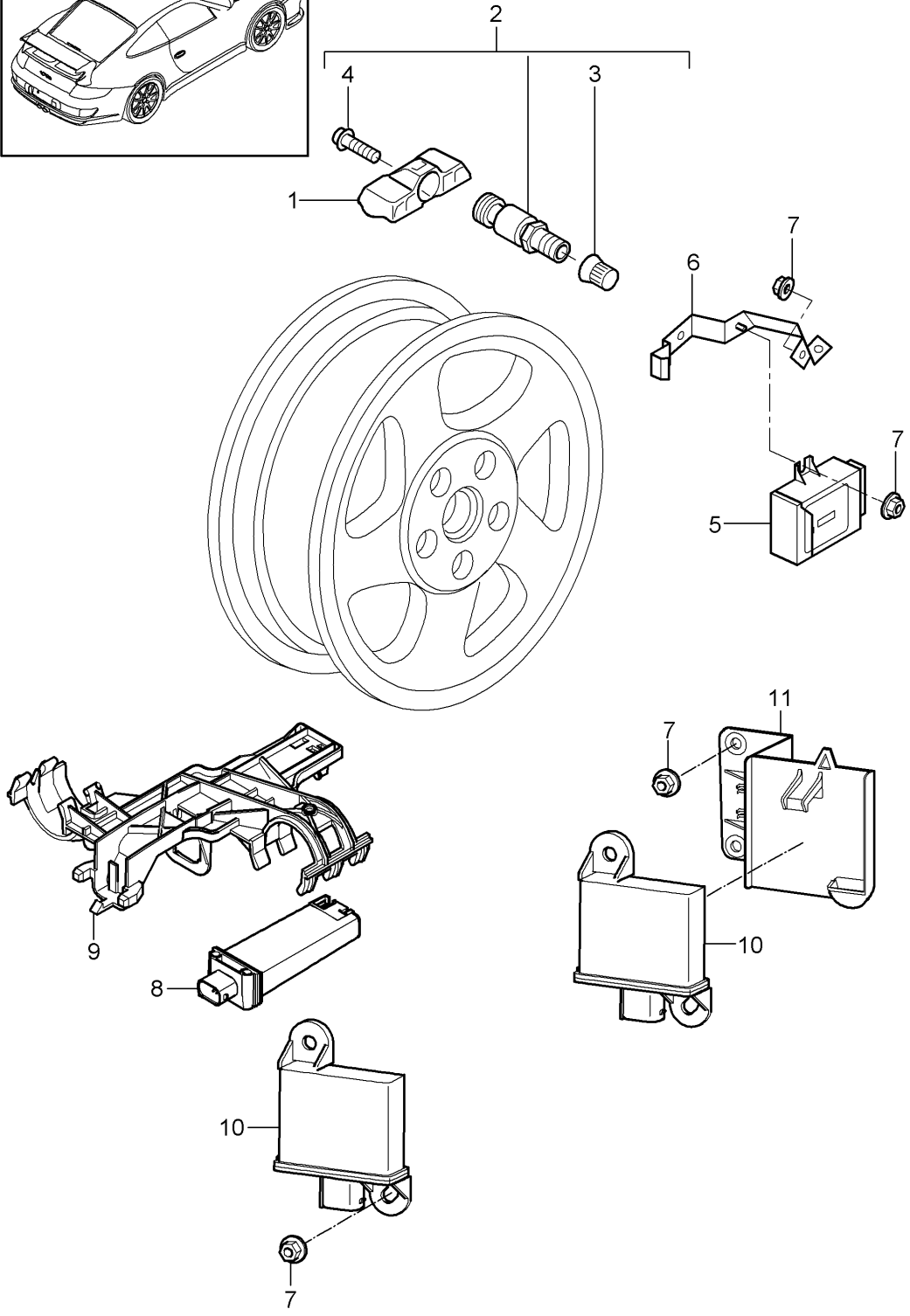
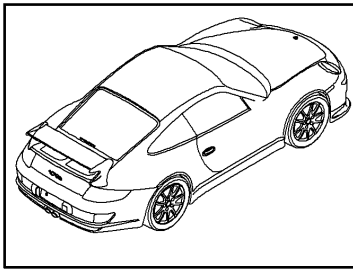
Model: 997G07

Model life 2007>>2011

Pos	Part Number	Description	Remark	Qty	Model
9	997 606 225 00	Clip for Antenna Rear axle		2	
10	999 919 121 09	Oval-head screw M 5 X 16		2	
11	999 919 023 09	Oval-head screw M 5 X 35		4	
12	N 105 168 01	Expander nut ST 4,8		4	
13	997 606 141 00	Support Antenna Front		2	

Model: 997G07

Model life 2007>>2011

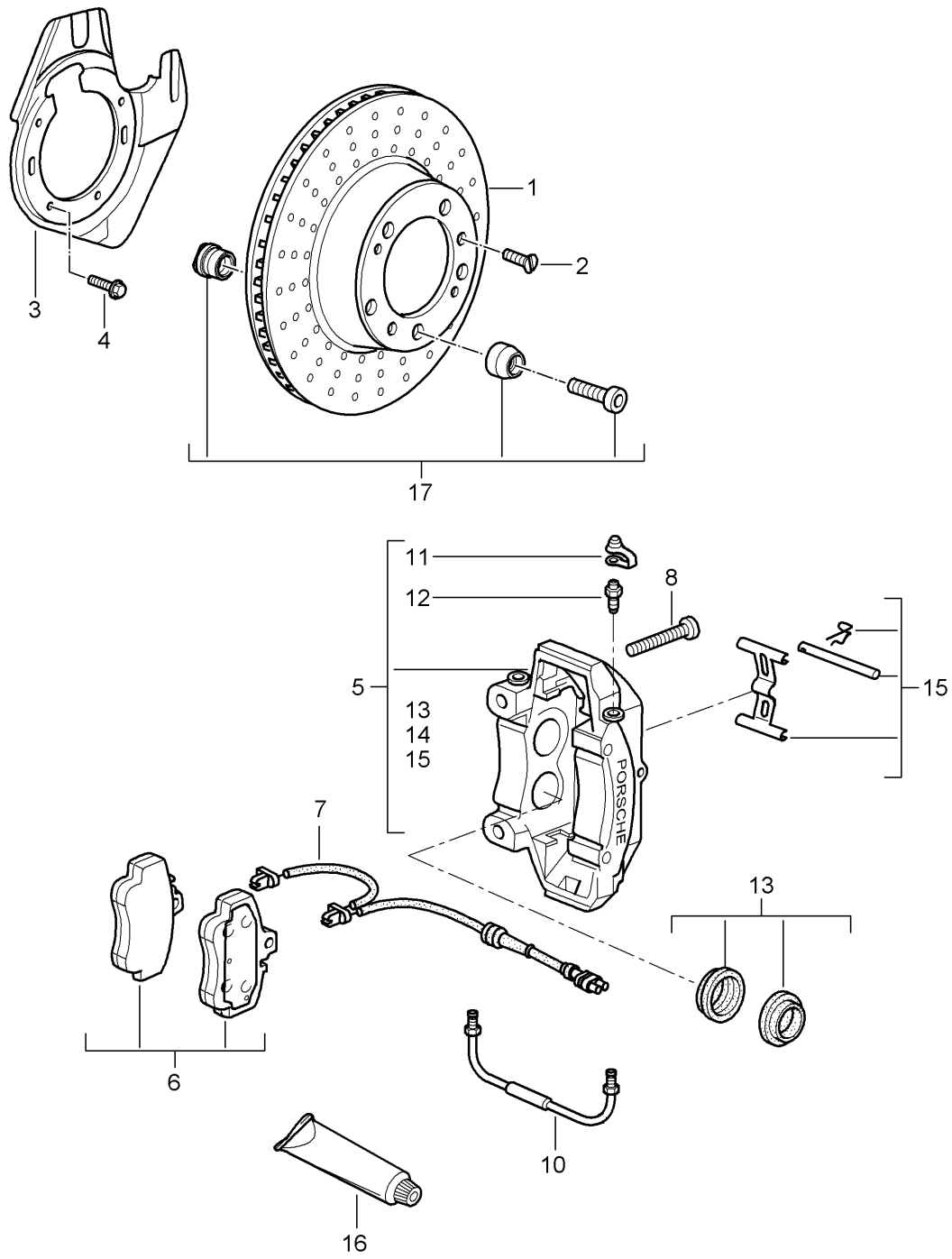


Model: 997G07 Model life 2007>>2011

Pos	Part Number	Description	Remark	Qty	Model
1	997 606 021 20	Tyre pressure monitoring Sensor	10-	4	I482/483 I482
(1)	958 361 661 00	Tyre pressure monitoring Use also: 955.361.053.00 Sensor		4	I482
(1)	7PP 907 275 F	Tyre pressure monitoring Use also: 955.361.053.00 Sensor		4	I482
(1)	997 606 023 20	Information available Sensor		4	I483
(1)	958 361 661 50	Tyre pressure monitoring Use also: 955.361.053.00 Sensor	10-	4	I483
2	955 361 053 00	Valve		4	
(2)	9P1 601 361 A	Aluminium Valve		4	
3	N 908 729 01	Aluminium Cap		4	
4	4D0 601 365	Fastening screw		4	
5	997 618 103 23	Control unit		1	
6	997 618 203 02	Support		1	
7	999 076 081 40	Control unit		1	
8	999 076 081 40	Plastic nut		8	
8	955 606 101 00	T5 16 X 11, 2 Antenna		1	I482
(8)	955 606 103 00	433 MHZ Antenna		1	I483
9	997 606 259 00	315 MHZ Support		1	
10	955 618 113 00	Antenna		1	
11	997 606 242 00	transmitter	/R	4	
(11)	997 606 241 00	Support	/L	1	
-	997 652 057 00	Front Support Front Compressor for Emergency wheel		1	

Model: 997G07

Model life 2007>>2011



Model: 997G07 Model life 2007>>2011

Pos	Part Number	Description	Remark	Qty	Model
		Disc brake Front axle Brake disc Only in pairs Replace Technical manual Attention			I450
1	997 351 409 90	Brake disc	/L -08	1	
(1)	997 351 409 91	Brake disc Only together with Grey cast iron Brake Use also: 997.341.901.00 See technical manual Group 46 50 19	/L 10-	1	
(1)	997 351 031 91	Brake disc	/L -08	1	I450
(1)	997 351 031 96	Brake disc Use also: 997.341.901.00 See technical manual Group 46 51 19	/L 10-	1	I450
(1)	997 351 410 90	Brake disc	/R -08	1	
(1)	997 351 410 91	Brake disc Only together with Grey cast iron Brake Use also: 997.341.901.00 See technical manual Group 46 50 19	/R 10-	1	
(1)	997 351 032 91	Brake disc	/R -08	1	I450
(1)	997 351 032 96	Brake disc Use also: 997.341.901.00 See technical manual Group 46 51 19	/R 10-	1	I450
2	900 269 047 09	Countersunk-head screw M 6 X 12	-08	4	
2	900 269 047 01	Countersunk-head screw M 6 X 12		4	
2	999 015 025 09	Lens-head screw M 6 X 12	-10	4	
3	996 351 813 90	Cover plate Lower	/L 07	1	
(3)	997 351 813 90	Cover plate Lower	/L 08-	1	
(3)	996 351 815 90	Air baffle plate	/L	1	
(3)	996 351 814 90	Cover plate Lower	/R 07	1	
(3)	997 351 814 90	Cover plate Lower	/R 08-	1	
(3)	996 351 816 90	Air baffle plate	/R	1	
-	900 378 036 09	Hexagon-head bolt M 6 x 16	07	4	
-	900 378 036 01	Hexagon-head bolt M 6 x 16	08-	4	
-	900 380 015 09	Hexagon nut	07	4	

Model: 997G07 Model life 2007>>2011

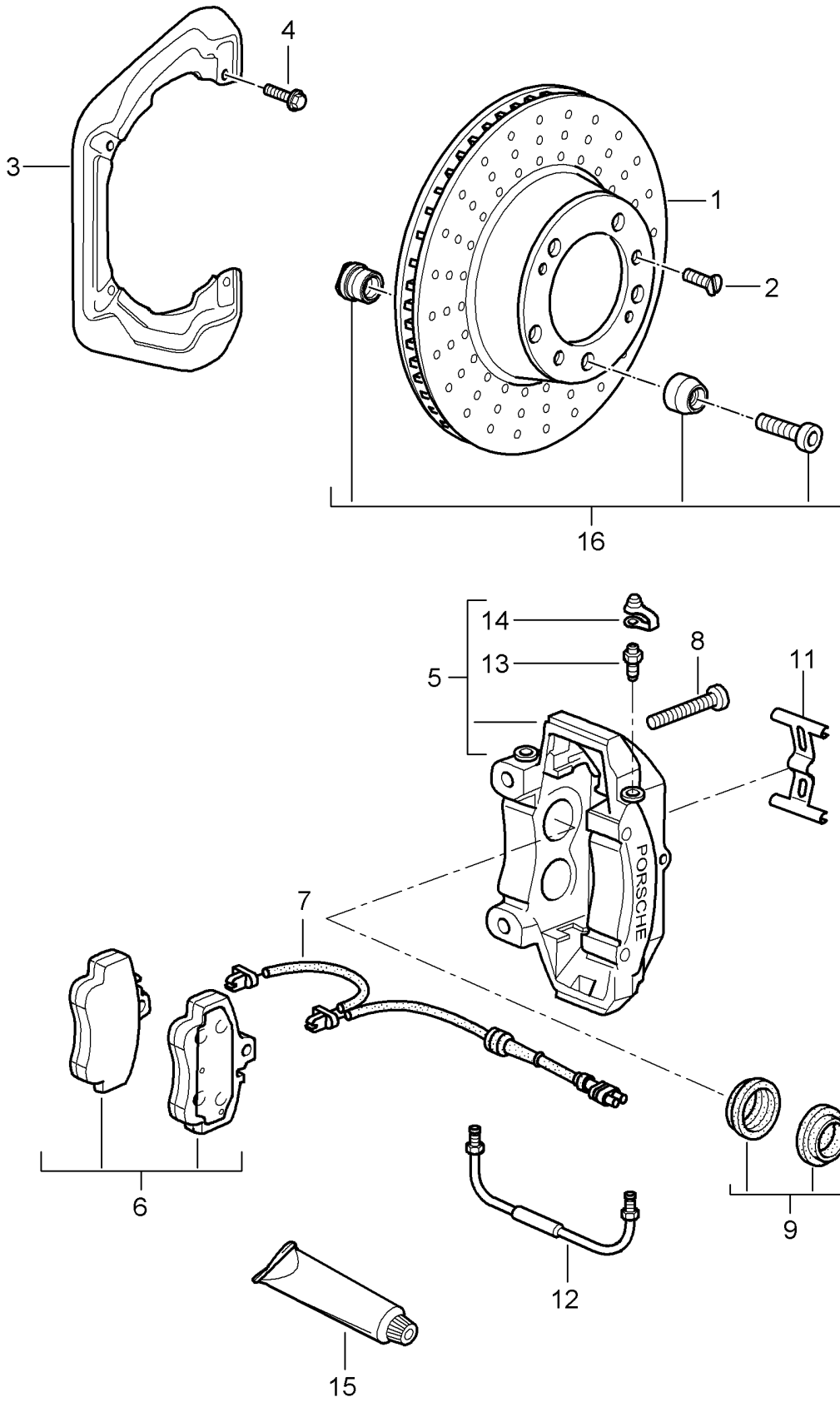
Pos	Part Number	Description	Remark	Qty	Model
-	900 380 015 01	_M 6 Hexagon nut	08-	4	
4	999 217 116 09	M 6 Hexagon-head bolt	07	X	
(4)	999 217 116 01	M 6 X 16 Hexagon-head bolt	08-	X	
5	996 351 431 90	M 6 x 16 Fixed calliper without pad	/L -08	1	
(5)	997 351 431 94	Use also: 999.067.047.09 Fixed calliper without pad	/L 10-	4 1	
(5)	997 351 431 92	Use also: 999.067.054.09 Fixed calliper without pad	/L	4 1	I450
(5)	996 351 432 90	Use also: 999.067.054.09 Fixed calliper without pad	/R	4 1	
(5)	997 351 432 94	Use also: 999.067.047.09 Fixed calliper without pad	/R 10-	4 1	
(5)	997 351 432 92	Use also: 999.067.054.09 Fixed calliper without pad	/R	4 1	I450
6	996 351 948 00	Use also: 999.067.054.09 Brake pad repair set	-08	4 1	
(6)	997 351 948 91	Use also: 999.067.047.09 Mounting parts Brake pad repair set	10-	4 1	
(6)	997 351 948 02	Use also: 999.067.054.09 Mounting parts Brake pad repair set	07	4 1	I450
(6)	997 351 948 90	Use also: 999.067.054.09 Brake pad repair set	08-	4 1	I450
-	996 352 086 01	Use also: 999.067.054.09 Damping plate Only together with Brake pad repair set	-08	4 12	
7	997 612 677 90	996.351.948.00 Warning contact		2	
-	999 507 464 40	Support		2	
-	944 612 627 00	Line bracket for		3	
8	999 067 047 09	Warning contact Pan-head screw	07	4	
(8)	999 067 053 09	M 12 X 1,5 X 85 Pan-head screw	08-	4	
(8)	999 067 054 09	m 12 x 1,5 x 85 Pan-head screw	10-	4	
(8)		M 12 X 1,5 X 62 Pan-head screw		4	I450

Model: 997G07 Model life 2007>>2011

Pos	Part Number	Description	Remark	Qty	Model
10	996 351 961 30	M 12 X 1,5 X 62 Connecting line	-08	2	
10	997 351 961 91	Connecting line	10-	2	
(10)	980 351 961 00	Connecting line		2	I450
11	930 351 927 00	Dust boot		2	
11	930 351 927 01	Dust boot		2	
12	997 352 919 00	Ventilation valve		2	
13	951 352 917 00	Repair kit Protection caps 28 MM	-08	X	
(13)	996 351 915 00	Repair kit Protection caps 32 MM	-08	X	
(13)	996 351 915 01	Repair kit Protection caps 38 MM	-08	X	
13	951 352 917 00	Repair kit Protection caps 28 MM	10-	X	
(13)	951 352 917 01	Repair kit Protection caps 30 MM	10-	X	
(13)	996 351 915 00	Repair kit Protection caps 32 MM	10-	X	
(13)	951 352 917 00	Repair kit Protection caps 28 MM		X	I450
(13)	996 351 915 00	Repair kit Protection caps 32 MM		X	I450
(13)	951 352 917 01	Repair kit Protection caps 30 mm		X	I450
15	996 351 959 30	Repair kit Mounting parts Bolt Expanding spring Screw		1	
16	000 043 117 00	Brake cylinder paste 50 G		X	
16	000 043 020 00	Optimoly 100 G		X	
17	997 341 901 00	Assembly kit Comprising: Driving pin Sleeve Fastening screw See technical manual 46 50 19 46 51 19	10-	2 5 5 5	I430

Model: 997G07

Model life 2007>>2011



Model: 997G07 Model life 2007>>2011

Pos	Part Number	Description	Remark	Qty	Model
		Disc brake Rear axle Subsequent installation Cooling Brake see Technical information Group 4 2/08 Brake disc Only in pairs Replace Technical manual Attention	-08		I004
1	997 352 405 01	Brake disc	/L -08	1	
1	997 352 405 92	Brake disc Only together with with Grey cast iron Brake Use also: 997.341.901.00 See technical manual Group 46 53 19	/L 10-	1	I450
1	997 352 405 98	Brake disc Only together with with Grey cast iron Brake Use also: 997.341.901.00 See technical manual Group 46 53 19	/L	1	GT3 RS 4.0 I006
(1)	996 352 031 04	Brake disc	/L 07	1	I450
(1)	997 352 031 00	Brake disc	/L 08	1	I450
(1)	997 352 031 01	Brake disc	/L 08-	1	I450
(1)	298 615 601	Brake disc	/L 08-	1	I450
(1)	298 615 601 C	Brake disc	/L 08-	1	I450
(1)	997 352 031 94	Brake disc Use also: 997.341.901.00 See technical manual Group 46 54 19	/L 10-	1	I450
(1)	997 352 406 01	Brake disc	/R -08	1	
1	997 352 406 92	Brake disc Only together with with Grey cast iron Brake Use also: 997.341.901.00 See technical manual Group 46 53 19	/R 10-	1	
1	997 352 406 98	Brake disc Only together with with	/R	1	GT RS 4.0 I006

Model: 997G07 Model life 2007>>2011

Pos	Part Number	Description	Remark	Qty	Model
		Grey cast iron Brake Use also: 997.341.901.00 See technical manual Group 46 53 19		X	
(1)	996 352 032 04	Brake disc	/R 07	1	I450
(1)	997 352 032 00	Brake disc	/R 08	1	I450
(1)	997 352 032 01	Brake disc	/R 08-	1	I450
(1)	298 615 602	Brake disc	/R 08-	1	I450
(1)	298 615 602 C	Brake disc	/R 08-	1	I450
(1)	997 352 032 94	Brake disc	/R 10-	1	I450
		Use also: 997.341.901.00 See technical manual Group 46 54 19		X	
(2)	900 269 047 09	Countersunk-head screw M 6 X 12	-08	4	
(2)	900 269 106 01	Countersunk-head screw M 6 X 16	-08	4	IXRP
(2)	999 015 025 09	Lens-head screw M 6 X 12	10-	4	
(3)	996 352 801 03	Cover plate	-08	2	
(3)	996 352 801 30	Cover plate	/L 10-	1	
(3)	996 352 802 30	Cover plate	/R 10-	1	
4	999 217 116 09	Hexagon-head bolt M 6 X 16	07	5	
(4)	999 217 116 01	Hexagon-head bolt M 6 x 16	08-	5	
5	997 352 425 97	Fixed calliper without pad Use also: 999.067.040.01	/L -08	1	-I450
5	997 352 425 99	Fixed calliper without pad Use also: 999.067.040.01	/L 10-	1	
(5)	997 352 425 96	Fixed calliper without pad Use also: 999.067.040.01	/L -08	1	I450
(5)	997 352 425 98	Fixed calliper without pad Use also: 999.067.040.01	/L 10-	1	I450
(5)	997 352 426 97	Fixed calliper without pad Use also: 999.067.040.01	/R -08	1	-I450
(5)	997 352 426 99	Fixed calliper without pad Use also: 999.067.040.01	/R 10-	1	
(5)	997 352 426 96	Fixed calliper without pad Use also: 999.067.040.01	/R -08	1	I450
(5)	997 352 426 98	Fixed calliper without pad Use also: 999.067.040.01	/R 10-	1	I450
		Use also: 999.067.040.01		2	

Model: 997G07

Model life 2007>>2011

Pos	Part Number	Description	Remark	Qty	Model
6	997 352 947 01	Brake pad repair set Use also: 999.067.040.01	07	1	
(6)		Brake pad repair set Use also: 999.067.040.01	07	4	I450
(6)	997 352 947 90	Brake pad repair set Use also: 999.067.040.01	08	1	
(6)	997 352 947 92	Brake pad repair set Use also: 999 067.040.01 Technical information Group 4 4636 Nr.2/08	07-08	4	
(6)	997 352 947 90	Brake pad repair set Use also: 999.067.040.01	08-	1	I450
(6)	997 352 947 93	Brake pad repair set Use also: 999.067.040.01 see Technical information Group 4 Nr.50/09	10-	4	
(6)	997 352 947 95	Brake pad repair set Use also: 999.067.040.01 see Technical information Group 4 Nr.50/09	10-	1	
(6)	997 352 947 92	Brake pad repair set Use also: 999.067.040.01 see Technical information Group 4 Nr.50/09	10-	4	
(6)	997 352 949 01	Brake pad repair set Use also: 999.067.040.01 see Technical information Group 4 Nr.50/09	10-	1	
-	996 352 086 01	Damping plate 28 MM Only together with 997.352.947.01 Grey cast iron Brake		X	
-	996 352 086 02	Damping plate 28 mm Only together with 997.352.947.01 Grey cast iron Brake		X	
7	997 612 754 00	Warning contact		2	
8	999 067 040 01	Pan-head screw M 12 X 1,5 X 95		4	
9	965 352 917 00	Repair kit		2	

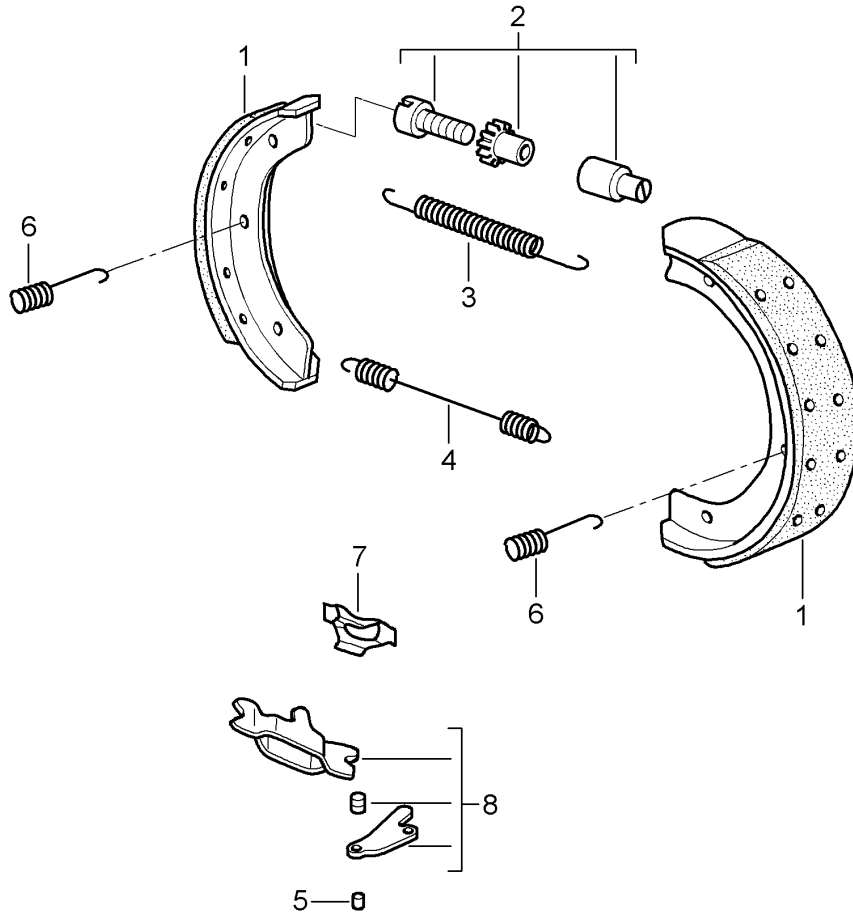
Model: 997G07

Model life 2007>>2011

Pos	Part Number	Description	Remark	Qty	Model
		Protection caps 34 MM		2	
11	997 352 959 10	Spring		2	
12	997 352 961 00	Connecting line	/L -08	2	
(12)	997 352 962 00	Connecting line	/R -08	2	
13	997 352 919 00	Ventilation valve		4	
14	930 351 927 00	Dust boot		4	
14	930 351 927 01	Dust boot		4	
15	000 043 117 00	Brake cylinder paste 50 G		X	
(15)	000 043 020 00	Optimoly 100 G		X	
16	997 341 901 00	Assembly kit Mounting parts Set Comprising: Driving pin Sleeve Fastening screw See technical manual 46 50 19 46 51 19	10-	2 5 5 5	I430

Model: 997G07

Model life 2007>>2011



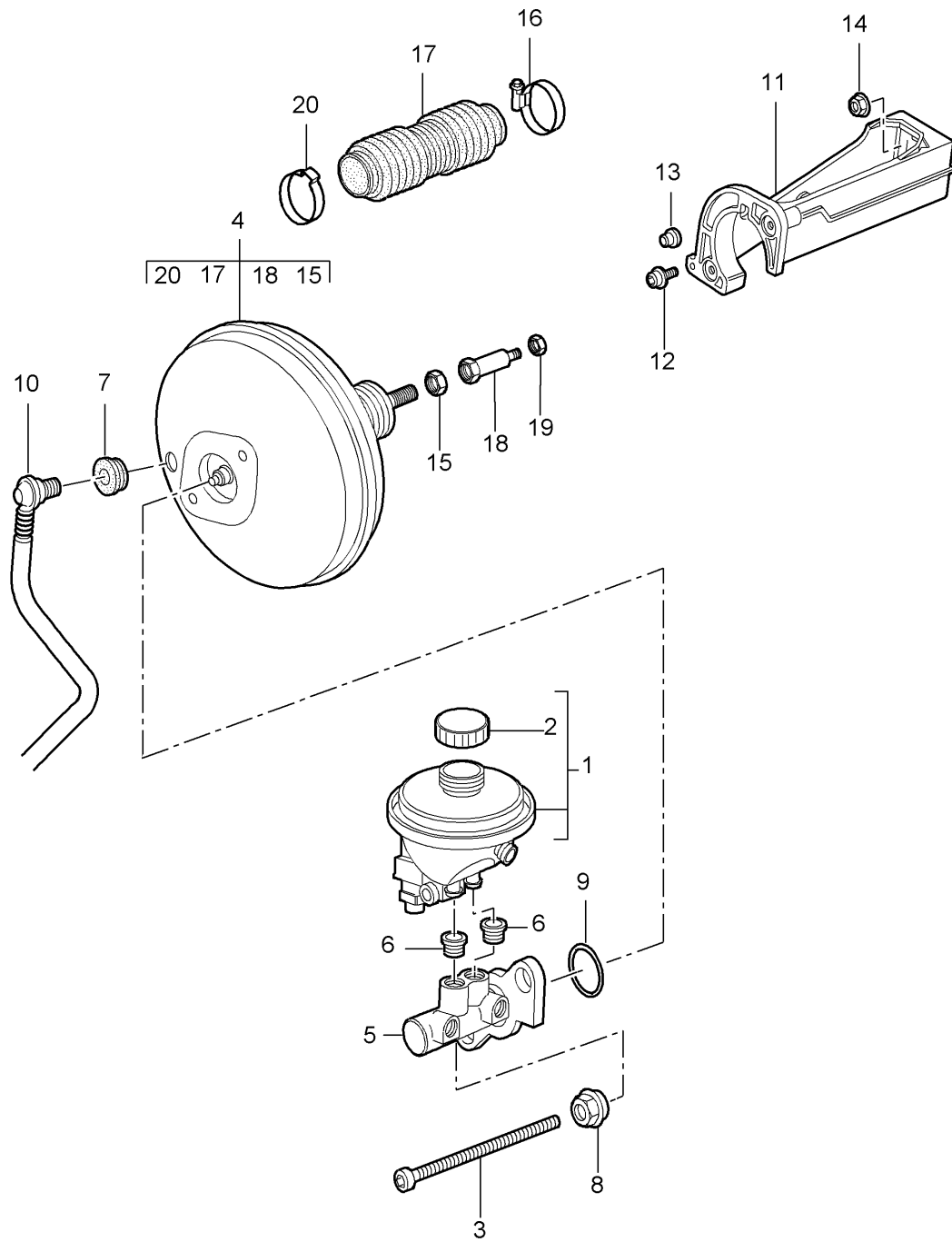
Model: 997G07

Model life 2007>>2011

Pos	Part Number	Description	Remark	Qty	Model
		Handbrake See technical manual Group 46 83 20			
(1)	997 352 993 01	Brake shoe Repair kit Only together with Compression spring 997.352.741.00	-08	1	
(1)	997 352 993 02	Brake shoe 1 set	10-	1	
2	993 352 071 00	Adjusting screw		2	
(2)	298 609 723	Adjusting screw		2	
3	997 352 721 01	Tension spring Short		2	
(3)	298 609 717	Tension spring Short		2	
4	997 352 723 02	Tension spring Long		2	
5	993 352 737 00	Bolt		2	
6	997 352 741 00	Compression spring Only together with Brake shoe 997.352.993.01	-08	4	
6	997 352 741 02	Compression spring	10-	4	
(6)	298 609 583	Compression spring	10-	4	
7	997 352 807 00	Support panel		2	
8	928 352 090 01	Push-button lock Complete		2	

Model: 997G07

Model life 2007>>2011

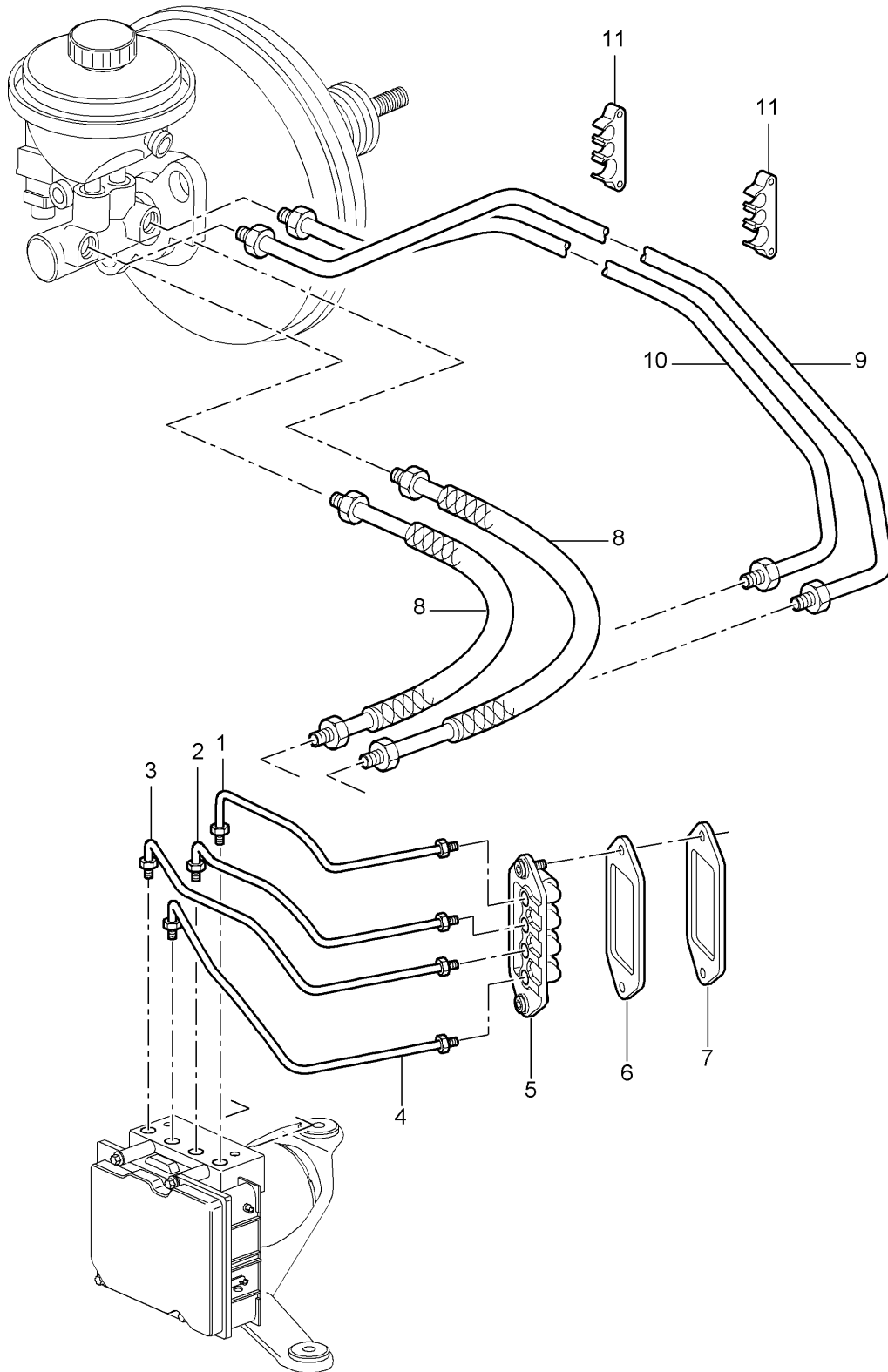


Model: 997G07 Model life 2007>>2011

Pos	Part Number	Description	Remark	Qty	Model
-	000 043 203 66	Brake master cylinder Brake booster Brake fluid DOT 4 1 Ltr.		X	
1	997 355 013 01	Expansion tank		1	
2	996 355 119 01	Catch		1	
-	997 355 125 00	Support for contact for Container		1	
3	999 073 327 09	Pan-head screw M 8 X 197 X 29		2	
4	997 355 923 90	Brake booster		1	
-	996 355 137 01	Catch Threaded joint Brake booster		1	
5	997 355 910 30	Brake master cylinder		1	
6	993 355 922 00	Grommet		2	
7	999 702 182 40	Rubber bush		1	
8	997 355 925 00	Hexagon nut		2	
9	993 355 212 00	Gasket		1	
10	997 355 577 26	Vacuum line		1	I098
(10)	997 355 578 26	Vacuum line		1	I099
11	997 423 251 00	Intermediate piece		1	
12	999 073 189 01	Round head screw M 6 X 12		2	
13	999 703 448 50	Stopper	/R	1	
14	900 380 005 01	Nut M 8		2	
15	900 183 015 02	Hexagon nut M 12 X 1,5		1	
-	996 355 901 01	Gasket Brake booster Bulkhead		1	
16	999 512 478 00	Hose clamp		1	
17	997 355 969 00	Bellows		1	
18	996 355 927 01	Connecting piece		1	
19	900 380 015 09	Hexagon nut M 6	-08	1	
(19)	900 380 015 01	Hexagon nut M 6	10-	1	
20	999 512 672 00	Clamp		1	

Model: 997G07

Model life 2007>>2011



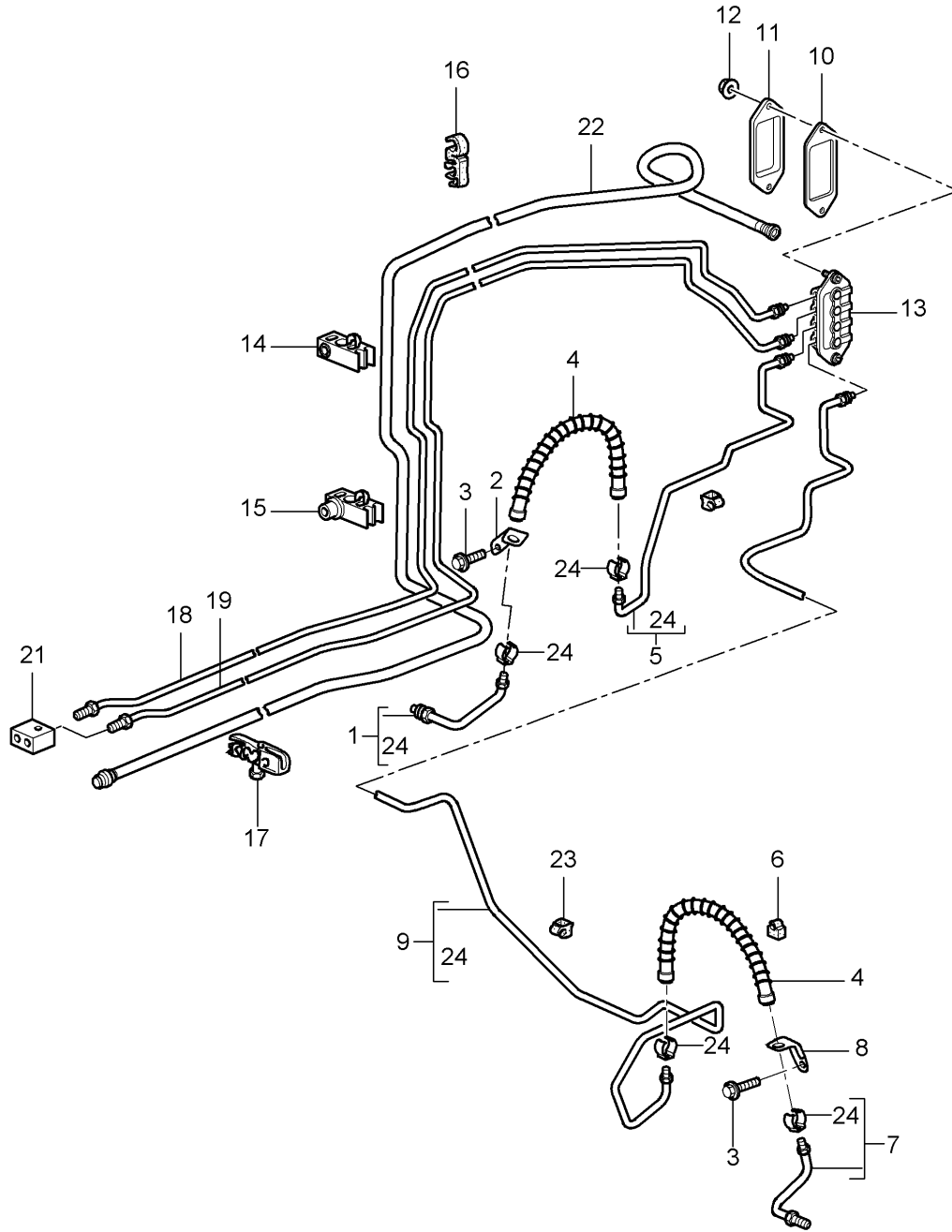
Model: 997G07

Model life 2007>>2011

Pos	Part Number	Description	Remark	Qty	Model
		Brake lines			
		Body front section			
(1)	997 355 315 26	Brake line	-08	1	I098
(1)	997 355 315 30	Brake line	10-	1	I098
(1)	997 355 315 31	Brake line	10-	1	I098
1	997 355 315 00	Brake line	-08	1	I099
1	997 355 315 10	Brake line	10-	1	I099
(2)	997 355 316 26	Brake line	-08	1	I098
(2)	997 355 316 30	Brake line	10-	1	I098
(2)	997 355 316 31	Brake line	10-	1	I098
2	997 355 316 00	Brake line	-08	1	I099
2	997 355 316 10	Brake line	10-	1	I099
(3)	997 355 327 27	Brake line	-08	1	I098
(3)	997 355 327 30	Brake line	10-	1	I098
(3)	997 355 327 31	Brake line	10-	1	I098
3	997 355 327 00	Brake line	-08	1	I099
3	997 355 327 10	Brake line	10-	1	I099
(4)	997 355 326 27	Brake line	-08	1	I098
(4)	997 355 326 30	Brake line	10-	1	I098
(4)	997 355 326 31	Brake line	10-	1	I098
4	997 355 326 00	Brake line	-08	1	I099
4	997 355 326 10	Brake line	10-	1	I099
5	997 355 650 00	Intermediate piece		1	
6	997 355 752 00	Gasket		1	
7	997 355 753 00	Reinforcement		1	
8	997 355 311 00	Pressure line	-08	2	I098
8	997 355 311 10	Pressure line	10-	2	I098
9	997 355 312 25	Pressure line	-08	1	I099
9	997 355 312 30	Pressure line	10-	1	I099
10	997 355 314 25	Pressure line	-08	1	I099
10	997 355 314 30	Pressure line	10-	1	I099
11	999 507 632 40	Cable holder		2	I099

Model: 997G07

Model life 2007>>2011



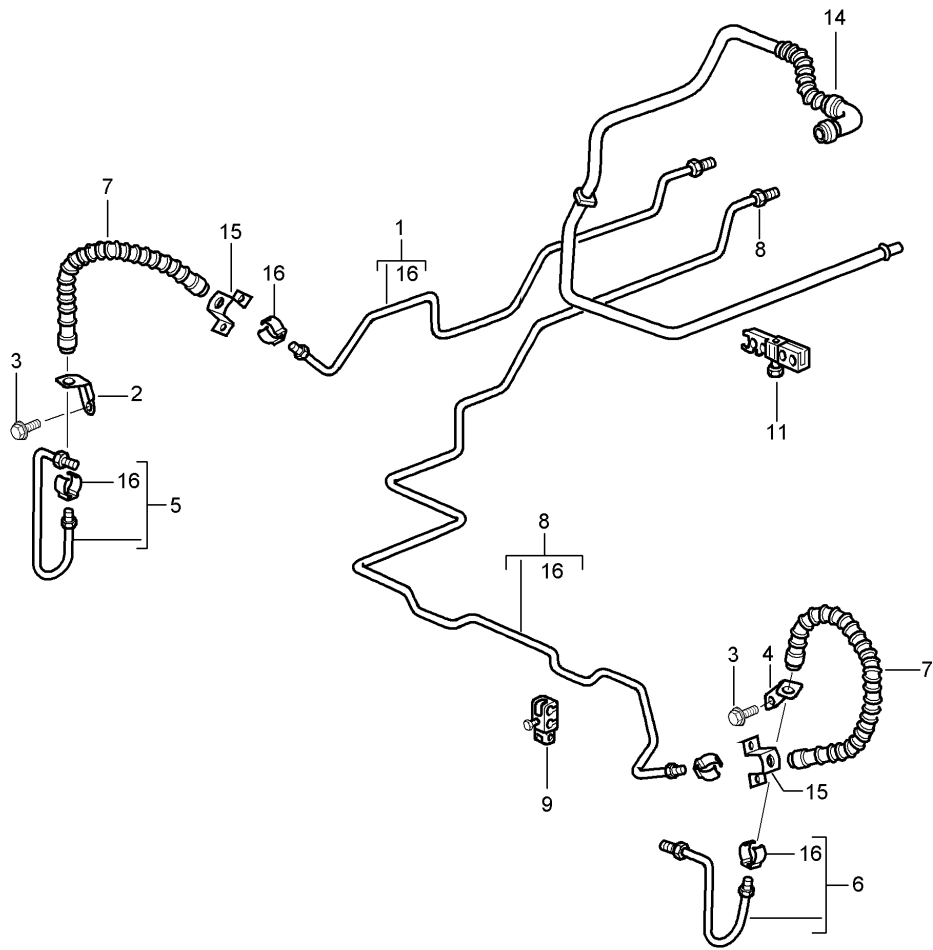
Model: 997G07

Model life 2007>>2011

Pos	Part Number	Description	Remark	Qty	Model
		Brake lines			
		Brake lines			
		Underbody			
		Vacuum line			
1	996 355 581 9B	Brake line	/L	1	
(1)	997 355 581 92	Brake line	/L	1	I450
2	996 355 501 06	Brake hose bracket	/L -08	1	
2	997 355 501 90	Brake hose bracket	/L 10-	1	
3	999 217 116 09	Hexagon-head bolt	-08	2	
		M 6 X 16			
(3)	999 217 116 01	Hexagon-head bolt	10-	2	
		M 6 x 16			
4	996 355 139 00	Brake hose		2	
5	997 355 175 02	Brake line	/L -08	1	
(5)	997 355 175 10	Brake line	/L 10-	1	
(5)	997 355 175 11	Brake line	/L 10-	1	
6	999 591 930 40	Support		X	
7	996 355 584 9B	Brake line	/R	1	
(7)	997 355 582 92	Brake line	/R	1	I450
(8)	996 355 502 06	Brake hose bracket	/R -08	1	
(8)	997 355 502 90	Brake hose bracket	/R 10-	1	
9	997 355 176 90	Brake line		1	
(9)	997 355 176 91	Brake line		1	
10	997 355 753 00	Reinforcement		1	
11	997 355 752 00	Gasket		1	
12	900 380 015 09	Hexagon nut	-08	3	
		M 6			
(12)	900 380 015 01	Hexagon nut	10-	3	
		M 6			
13	997 355 650 00	Intermediate piece		1	
14	996 355 545 00	Support		3	
15	996 355 549 00	Support		1	
16	996 355 547 01	Support		2	
17	996 355 543 00	Support		1	
18	997 355 177 01	Brake line	-08	1	
(18)	997 355 177 10	Brake line	10-	1	
19	997 355 179 01	Brake line	-08	1	
19	997 355 179 10	Brake line	10-	1	
(19)	997 355 179 11	Brake line	10-	1	
21	996 355 760 31	Connecting piece		1	
22	997 355 571 01	Vacuum line		1	
-	999 702 289 41	Grommet		1	
		Wheel housing			
23	999 651 331 40	Cable holder		5	
24	997 355 331 01	Retainer spring		X	
		for			
		Brake line			

Model: 997G07

Model life 2007>>2011

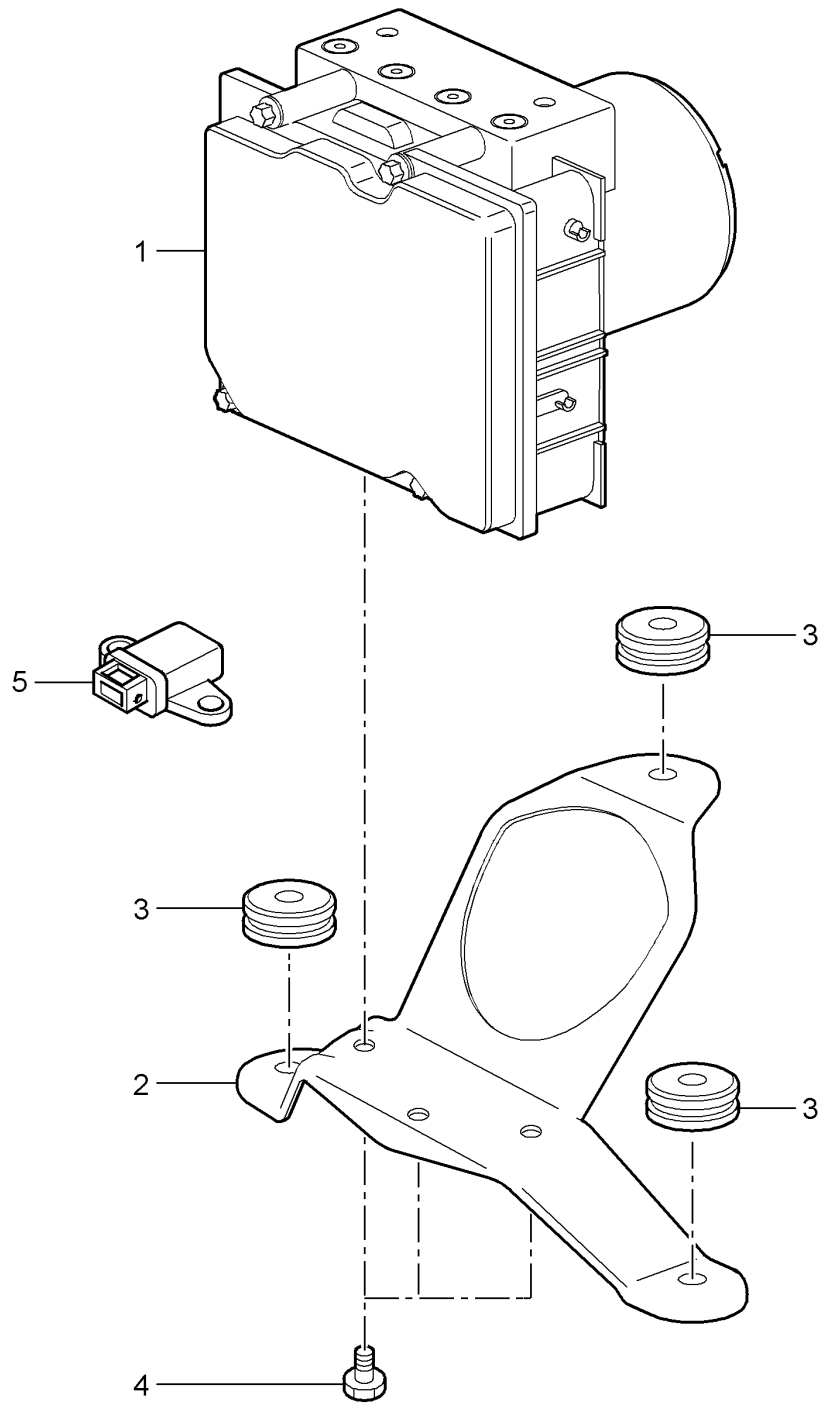


Model: 997G07 Model life 2007>>2011

Pos	Part Number	Description	Remark	Qty	Model
		Brake line			
		Underbody			
		Rear axle			
		Vacuum line			
1	997 355 189 00	Brake line	/L -08	1	
1	997 355 189 10	Brake line	/L 10-	1	
(10)	997 355 189 11	Brake line	/L 10-	1	
2	997 355 503 10	Support	/L	1	
3	900 067 117 09	Pan-head screw	-08	2	
		M 6 X 16			
(3)	900 067 117 04	Pan-head screw	10-	2	
		M 6 x 16			
4	997 355 504 10	Support	/R	1	
5	996 355 585 10	Brake line	/L -08	1	
(5)	996 355 585 11	Brake line	/L 10-	1	
6	996 355 586 10	Brake line	/R -08	1	
(6)	996 355 586 11	Brake line	/R 10-	1	
7	996 355 139 00	Brake hose		2	
8	997 355 190 02	Brake line	-08	1	
8	997 355 190 11	Brake line	10-	1	
(8)	997 355 190 14	Brake line	10-	1	
9	996 347 543 00	Cable holder		3	
11	996 355 543 00	Support		1	
14	997 355 575 51	Vacuum line	-08	1	
14	997 355 575 91	Vacuum line	10-	1	
-	999 507 495 40	Support		1	
15	996 501 815 02	Support		2	
	996 501 815 02 GRV	Prime coated			
16	997 355 331 01	Retainer spring for Brake hose		X	

Model: 997G07

Model life 2007>>2011

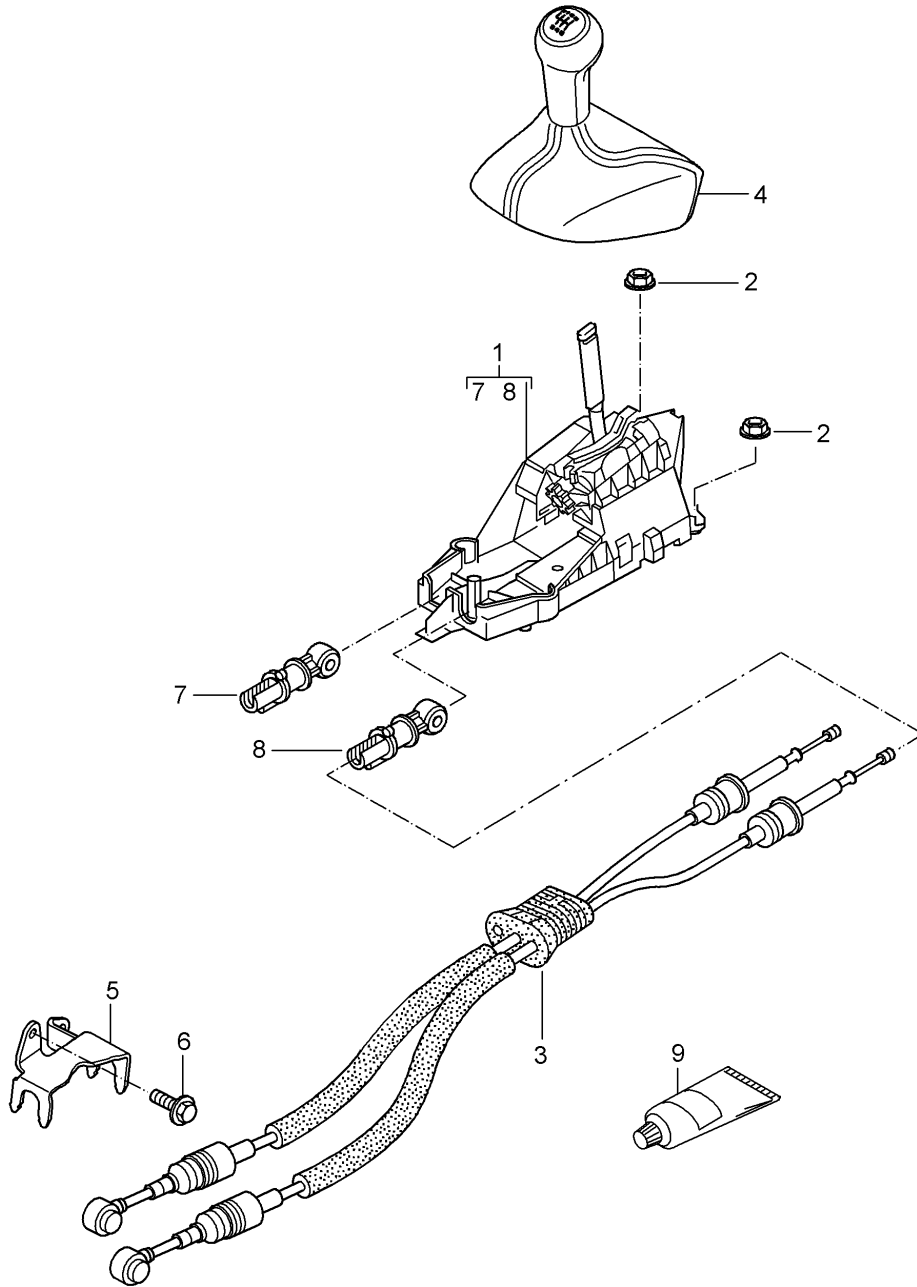


Model: 997G07 Model life 2007>>2011

Pos	Part Number	Description	Remark	Qty	Model
		Hydraulic unit Anti-lock brake system Control			
1	997 355 955 93	Hydraulic unit	-08	1	
1	997 355 955 96	Hydraulic unit	10-	1	
1	997 355 955 98	Hydraulic unit		1	I006
2	997 355 033 25	Support with Rubber mounting		1	I098
(2)	997 355 033 00	Support with Rubber mounting		1	I099
3	964 356 635 00	Rubber mounting		3	
-	999 045 004 40	Hexagon nut		3	
		Plastic material			
4	900 385 060 09	Screw BM 6 X 10	-08	3	
(4)	900 385 060 01	Screw BM 6 x 10	10-	3	
5	996 606 145 00	Sensor	-08	1	
5	997 606 145 05	Sensor	10	1	
5	997 606 145 07	Sensor	11-	1	

Model: 997G07

Model life 2007>>2011

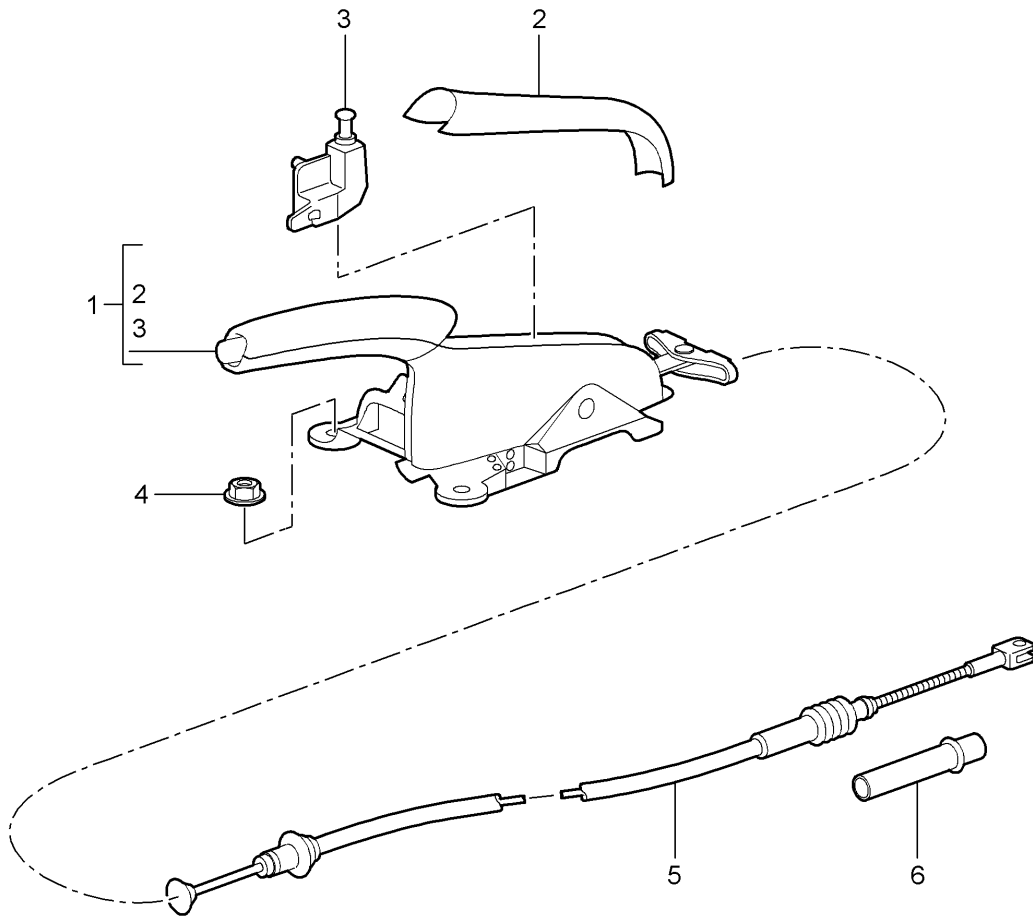


Model: 997G07 Model life 2007>>2011

Pos	Part Number	Description	Remark	Qty	Model
		Transmission control Manual transmission			
1	997 424 010 00	Gearshift bracket	-08	1	
1	997 424 010 91	Gearshift bracket	10-	1	
2	999 084 629 01	Hexagon nut M 6 SB		4	
3	996 424 041 90	Cable Transmission control	-08	1	
3	997 424 041 88	Cable Transmission control	10-	1	
4	997 424 075 90	Gearshift knob		1	
	997 424 075 90 A15	Black Information available			
4	997 424 075 90	Gearshift knob		1	GT-3 RS 4.0 I006
	997 424 075 90 DRB	Black/Guards Red			
(4)	997 424 981 90	Gearshift knob		1	IXGC
	997 424 981 90 A15	Black Information available			
(4)	997 424 981 90	Gearshift knob		1	GT-3 RS 4.0 IXGC/006
	997 424 981 90 A15	Black Information available			
-	996 424 445 00	Clip for Fastening part		X	
5	996 424 165 9B	Bearing bracket		1	
6	900 378 017 09	Hexagon-head bolt M 8 X 20		2	
7	996 424 145 01	Fastening part for Cable Adjustable		1	
8	996 424 147 00	Fastening part for Cable Adjustable		1	
9	000 043 205 93	Grease 1 100-gramme tube		X	

Model: 997G07

Model life 2007>>2011

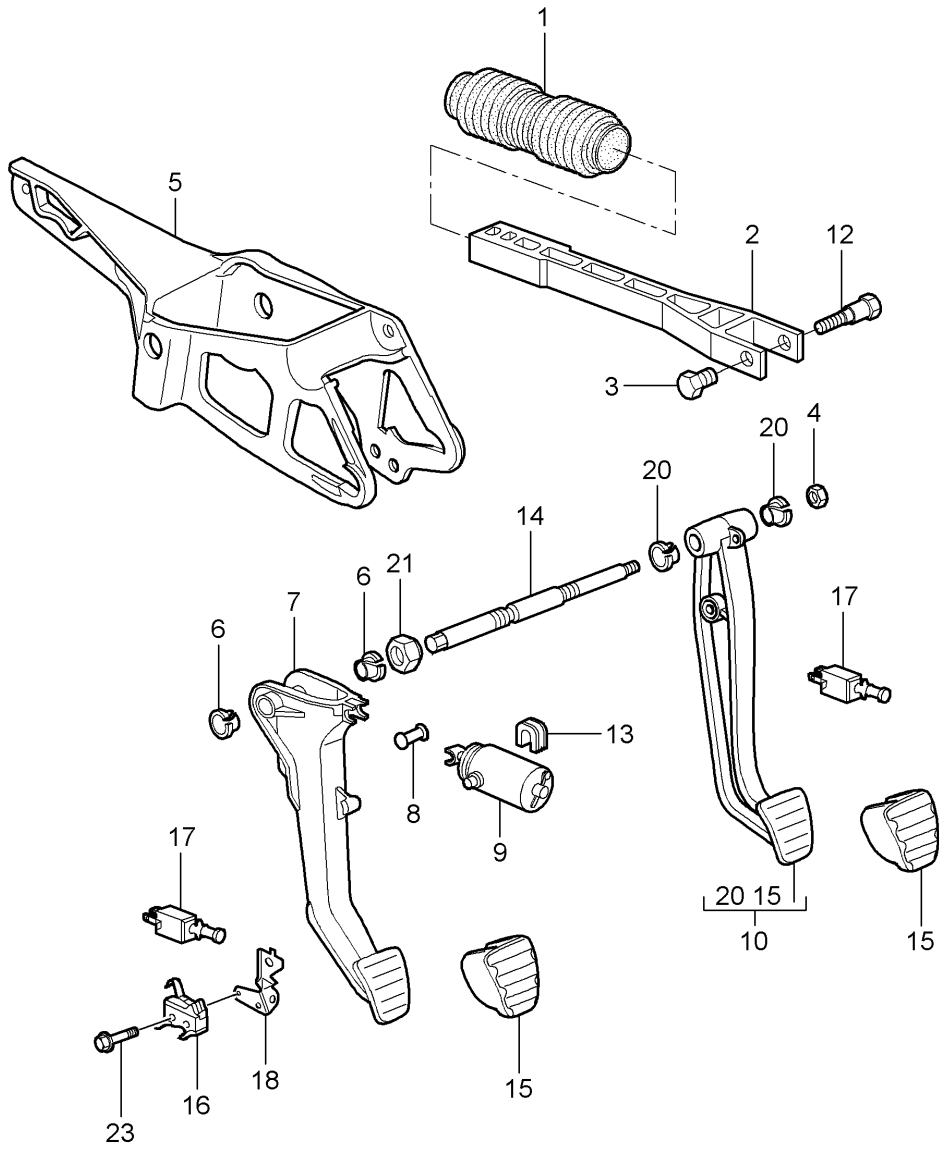


Model: 997G07 Model life 2007>>2011

Pos	Part Number	Description	Remark	Qty	Model
1	997 424 031 90	Handbrake Actuator Parking-brake lever Complete	-08	1	
(1)	997 424 031 90 A15	Black			
(1)	997 424 031 92	Parking-brake lever Complete	10-	1	
(1)	997 424 031 92 A15	Black			
(1)	997 424 031 93	Parking-brake lever Alcantara Complete	10-	1	
(1)	997 424 031 93 A15	Black			
(1)	997 424 031 92	Parking-brake lever Complete Carbon		1	GT-3 RS 4.0 I006
(1)	997 424 031 92 A15	Black			
(1)	997 424 031 92 DRA	Black-red			
(1)	997 424 031 93	Parking-brake lever Complete Alcantara		1	GT-3 RS 4.0 I006
(1)	997 424 031 93 A15	Black			
(1)	997 424 031 93 DRA	Black-red			
(1)	997 424 980 90	Parking-brake lever Complete	/LL	1	IXGD/098
(1)	997 424 980 90 A15	Black			
(1)	997 424 980 94	Parking-brake lever Complete	/LL	1	IXGD/098
(1)	997 424 980 94 A15	Black			
(1)	997 424 980 90	Parking-brake lever Complete	/LL	1	GT-3 RS 4.0 IXGD/006/098
(1)	997 424 980 90 A15	Black			
(1)	997 424 980 94	Parking-brake lever Complete	/LL	1	GT-3 RS 4.0 IXGD/006/098
(1)	997 424 980 94 A15	Black			
(1)	997 424 980 91	Parking-brake lever Complete	/RL	1	IXGD/099
(1)	997 424 980 91 A15	Black			
(1)	997 424 980 91	Parking-brake lever Complete	/RL	1	GT-3 RS 4.0 IXGD/006/099
2	997 424 980 91 A15	Black			
2	997 424 155 90	Cover		1	
3	997 424 155 90 A15	Black			
3	996 613 112 01	Switch		1	
4	999 084 630 09	Hexagon nut m 8		4	
5	997 424 141 06	Parking-brake cable		2	
6	996 424 721 02	Guide tube		2	

Model: 997G07

Model life 2007>>2011

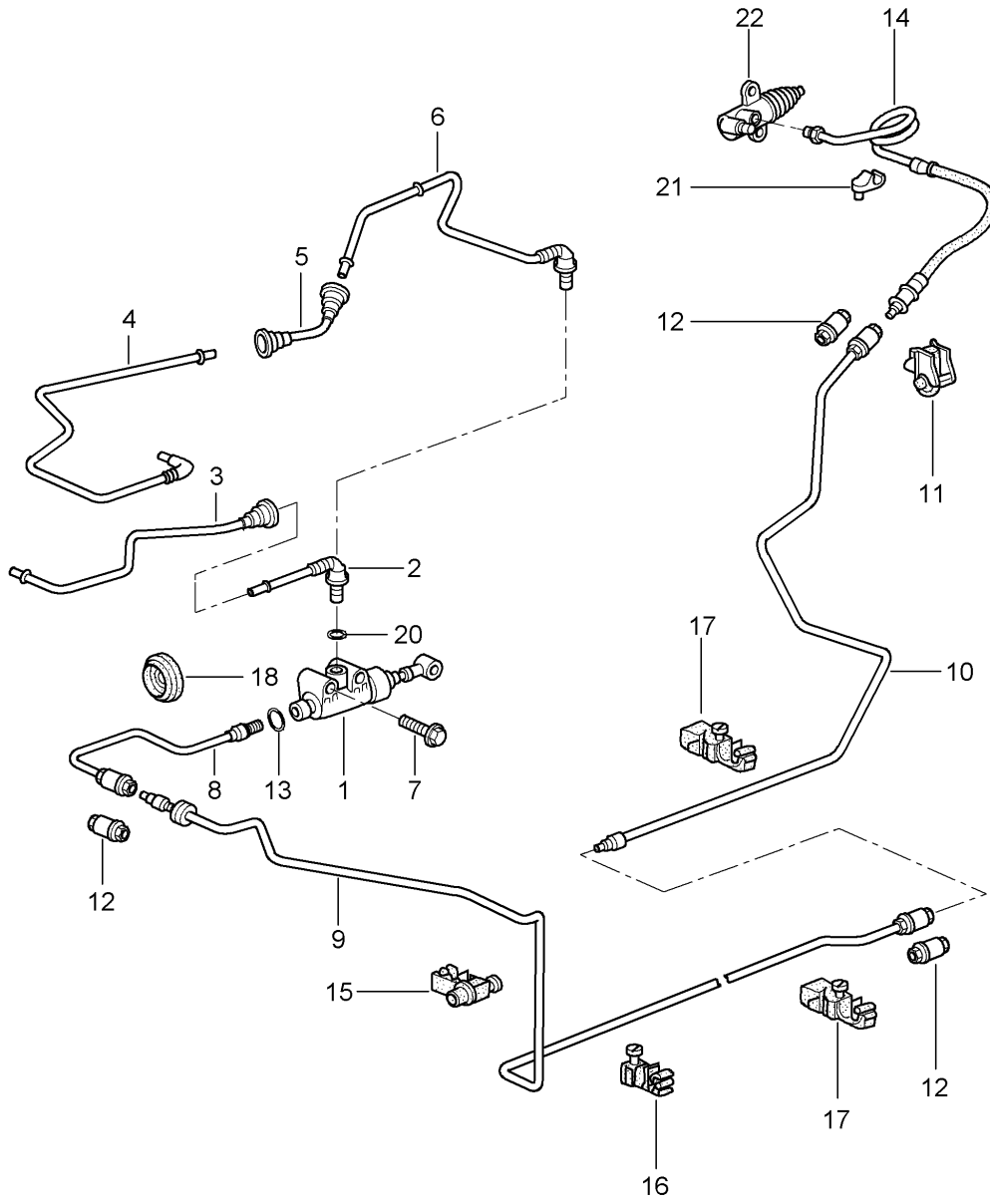


Model: 997G07 Model life 2007>>2011

Pos	Part Number	Description	Remark	Qty	Model
-	000 043 206 17	Pedals Grease 1 tube		X	
1		Bellows See illustrations 6/04/00		1	
2	996 423 165 05	Push rod		1	
3	996 423 307 00	Sleeve		1	
4	900 380 005 09	Hexagon nut M 8	-08	3	
4	999 084 457 01	Hexagon nut M 8	10-	3	
5	997 423 571 02	Bracket for Clutch power spring		1	
6	997 423 399 01	Bush		2	
7	997 423 139 01	Clutch pedal		1	
8	996 423 315 06	Bolt		1	
-	999 166 022 01	Kl-lock for Bolt		1	
9	997 423 081 06	Clutch power spring		1	
10	997 423 091 04	Brake pedal		1	I098
(10)	997 423 092 04	Brake pedal		1	I099
12	996 423 308 00	Bolt		1	
13	997 423 581 00	Bearing shell		1	
14	997 423 281 00	Axle		1	I098
(14)	997 423 284 00	Axle		1	I099
-	996 423 277 00	Bearing sleeve Brake pedal		1	I099
15	997 423 910 00	Pedal cap		2	
16	997 613 109 00	Switch		1	
17	996 613 113 01	Switch Brake pedal	-08	2	
(17)	996 613 113 02	Switch Brake pedal	10-	2	
(17)	996 613 114 01	Switch Clutch pedal		1	
18	997 423 541 00	Support		1	
20	997 423 401 00	Bush		2	I098
(20)	997 423 402 00	Bush		2	I099
21	997 423 275 01	Screw plug		1	
22	900 378 273 09	Hexagon-head bolt M 6 X 18	-08	1	
(22)	900 378 273 01	Hexagon-head bolt M 6 x 18	10-	1	
23	900 146 159 02	Round head screw M 3 X 20		1	
23	999 073 480 01	Combination screw M 3 X 20		1	
24	997 423 695 00	Rubber stop		1	
25	997 423 697 00	Rubber stop		1	

Model: 997G07

Model life 2007>>2011

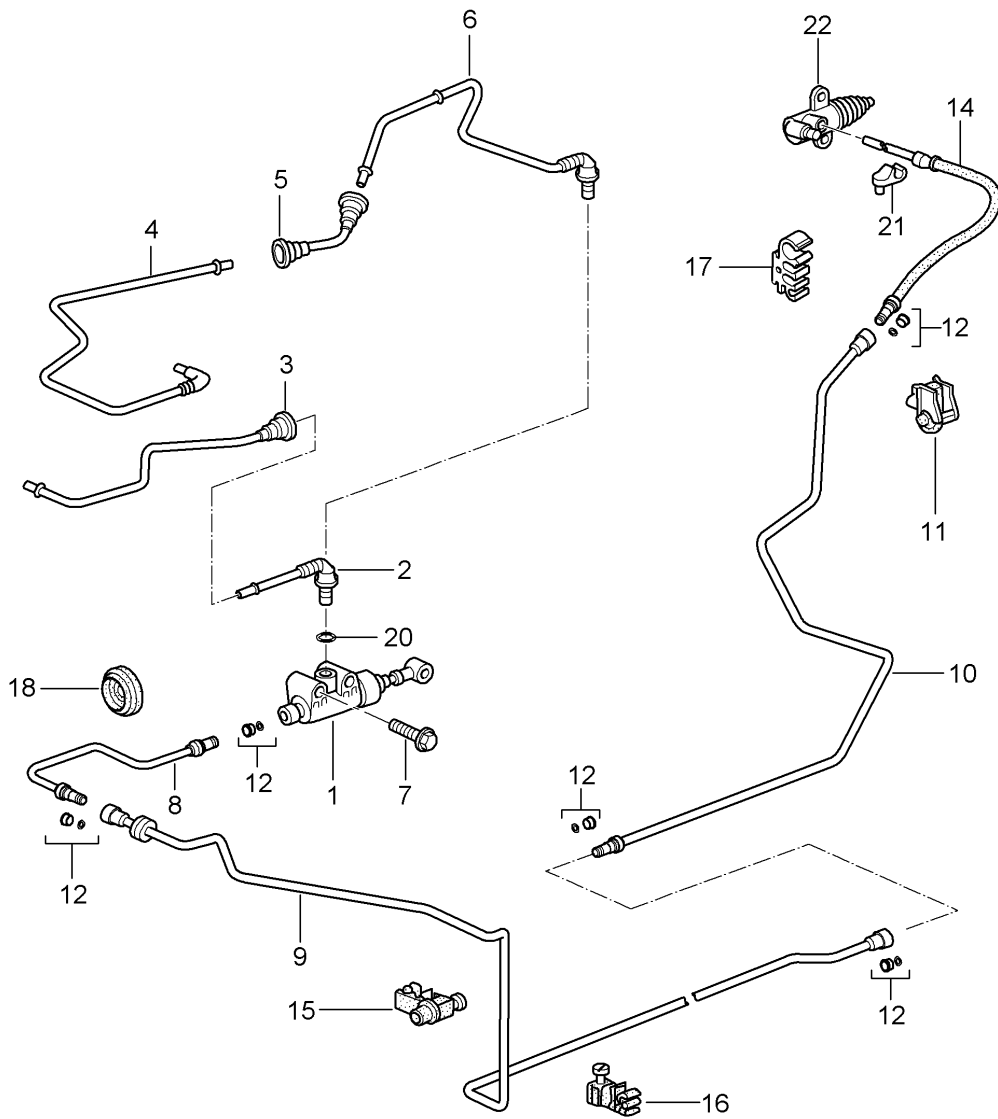
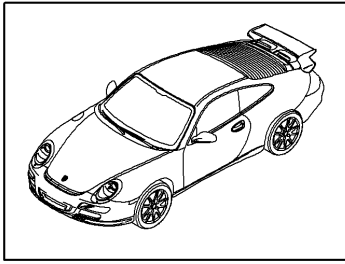


Model: 997G07 Model life 2007>>2011

Pos	Part Number	Description	Remark	Qty	Model
		clutch actuation	-08		
		Clutch master cylinder			
		Clutch pipeline			
1	997 423 171 01	Clutch master cylinder		1	
-	996 423 614 00	Circlip		1	
		Pressure line			
-	996 423 315 06	Bolt		1	
-	999 166 022 01	Kl-lock for Bolt		1	
2	997 423 147 00	Feed line		1	I098
3	997 423 137 25	Feed line		1	I098
4	997 423 138 25	Line		1	I099
5	996 423 140 02	Feed line		1	I099
6	996 423 142 02	Feed line		1	I099
7	900 378 217 09	Hexagon-head bolt M 6 X 40		2	
8	996 423 107 10	Clutch pipeline		1	I098
(8)	996 423 107 11	Clutch pipeline		1	I098
(8)	997 423 108 00	Clutch pipeline		1	I099
(8)	997 423 108 01	Clutch pipeline		1	I099
-	999 702 174 50	Grommet		1	I098
9	997 423 109 00	Clutch pipeline		1	
(9)	997 423 109 01	Clutch pipeline		1	
10	997 423 113 00	Clutch pipeline		1	
-	999 591 964 40	Support Clutch pipeline		1	
11	999 507 495 40	Support		1	
12	999 230 541 10	Threaded joint		3	
13	999 707 333 40	Sealing ring		1	
14	996 423 377 90	Clutch hose		1	
14	996 423 377 92	Clutch hose		1	
15	996 355 549 00	Support		1	
16	996 355 545 00	Support		2	
17	996 355 543 00	Support		4	
18	999 702 216 42	Grommet		1	
-	999 507 586 40	Cable holder		1	
20	999 707 333 40	Sealing ring 6,07 X 1,78N		1	
21	999 507 586 40	Cable holder		1	
22	996 116 237 90	Clutch operating cylinder		1	
-	900 075 222 09	Combination screw M 8 X 30		2	

Model: 997G07

Model life 2007>>2011

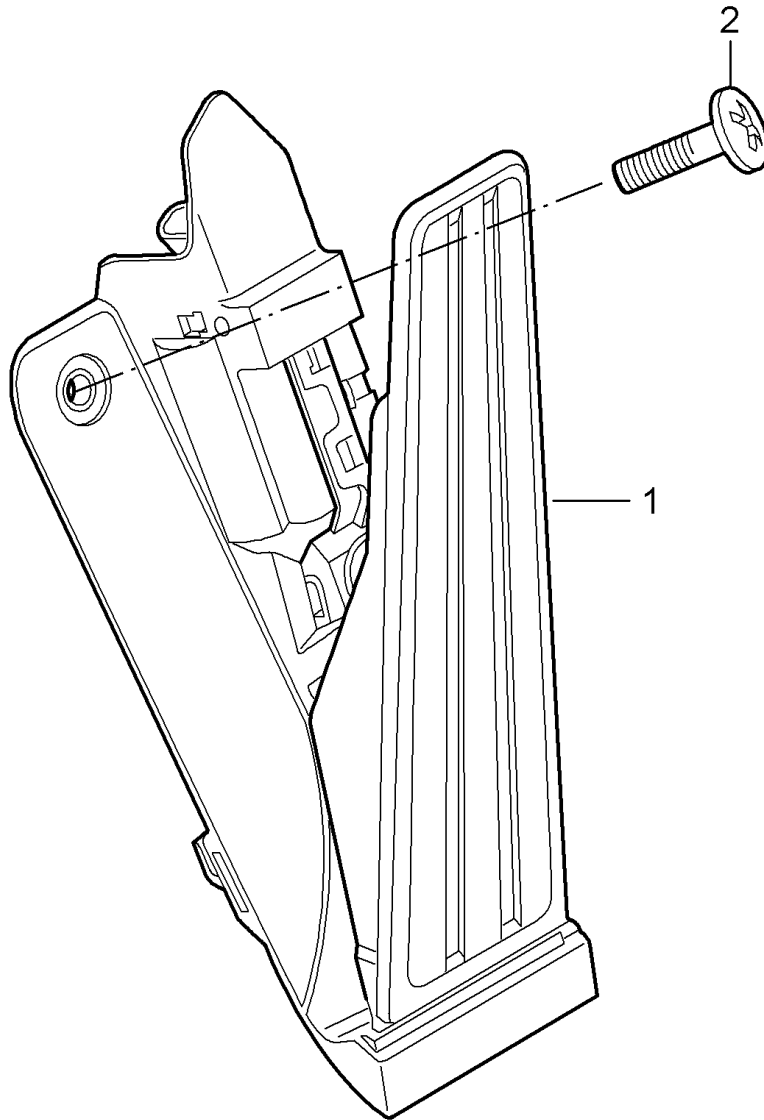


Model: 997G07 Model life 2007>>2011

Pos	Part Number	Description	Remark	Qty	Model
		clutch actuation	10-		
		Clutch master cylinder			
		Clutch pipeline			
1	997 423 171 01	Clutch master cylinder		1	
-	996 423 614 00	Circlip		1	
		Pressure line			
-	996 423 315 06	Bolt		1	
-	999 166 022 01	Kl-lock for Bolt		1	
2	997 423 147 00	Feed line		1	I098
3	997 423 191 21	Feed line		1	I098
4	997 423 138 25	Line		1	I099
5	996 423 140 02	Feed line		1	I099
6	996 423 142 02	Feed line		1	I099
7	900 378 217 09	Hexagon-head bolt M 6 X 40		2	
8	997 423 107 11	Clutch pipeline		1	I098
(8)	997 423 108 11	Clutch pipeline		1	I099
-	999 702 174 50	Grommet		1	I098
9	997 423 109 11	Clutch pipeline		1	
10	997 423 113 12	Clutch pipeline		1	
11	999 507 495 40	Support		1	
12	999 230 541 10	Threaded joint		3	
14	997 423 377 91	Clutch hose		1	
(14)	997 423 377 92	Clutch hose		1	
(14)	997 423 377 93	Clutch hose		1	
(14)	997 423 377 92	Clutch hose		1	GT3 RS 4.0 I006
(14)	997 423 377 93	Clutch hose		1	GT3 RS 4.0 I006
15	996 355 549 00	Support		1	
16	996 355 545 00	Support		2	
17	996 355 543 00	Support		4	
18	999 702 216 42	Grommet		1	
-	999 507 586 40	Cable holder		1	
20	999 707 333 40	Sealing ring 6,07 X 1,78N		1	
21	999 507 586 40	Cable holder		1	
22	996 116 237 90	Clutch operating cylinder		1	
-	900 075 222 09	Combination screw M 8 X 30		2	

Model: 997G07

Model life 2007>>2011



Model: 997G07

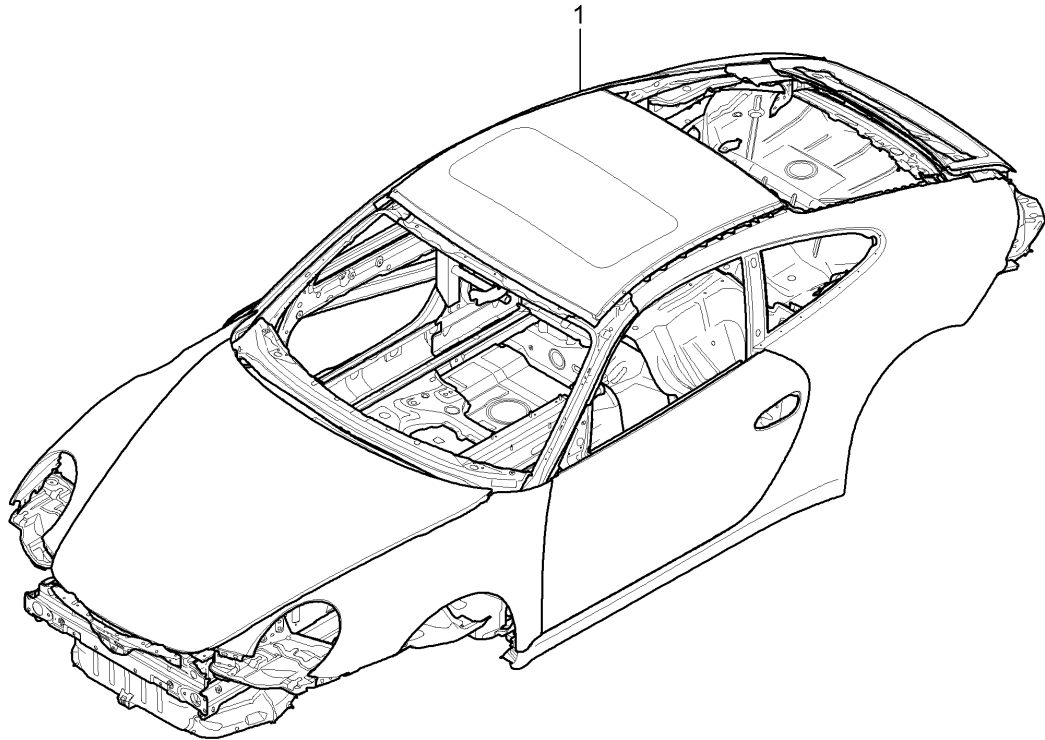
Model life 2007>>2011

Pos	Part Number	Description	Remark	Qty	Model
1	997 423 019 02	Pedals Accelerator control		1	
2	900 146 161 09	Accelerator control Round head screw M 6 X 20		1	

Model: 997G07

Model life 2007>>2011

B	WPOZZZ	99 z 7S790070	
C		997 420	
		M9701-685 G9701	
G		L6B4 AT	
D	C00	267 268 425 437	A
E		438 446 454 537 610	
		635 640 650 666 670	
F		00641 20772	



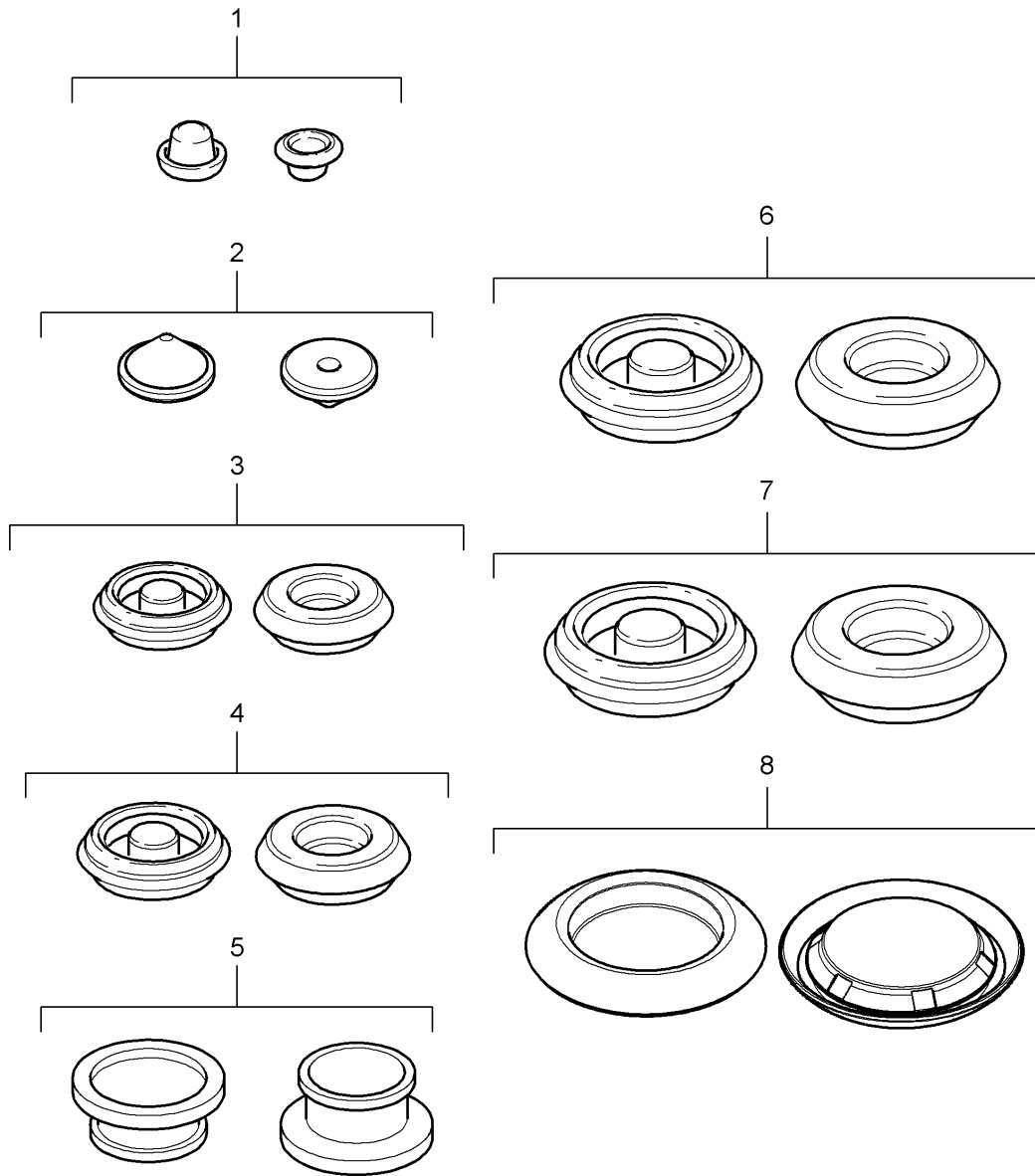
Model: 997G07

Model life 2007>>2011

Pos	Part Number	Description	Remark	Qty	Model
A		Body in white			
B		Prime coated			
C		Sealed			
D		with			
E		Underbody protection			
F		with			
G		Doors/lids/wings			
1		BodysHELLS can only			
		only available from current			
		Model year available			
		The data required			
		for your order			
		Can be found on the			
		Vehicle data carrier			
		in			
		On-board folder			
		Please indicate this data			
		in your order			
		for			
		GT3 RS			
		without			
		Rear lid			
		Vehicle data carrier			
		Vehicle Ident. No.			
		Order type			
		Country equipment			
		Optional extras			
		Additional applications			
		Indicate colour			
	997 500 900 00	Body in white		1	
	997 500 900 00 GRV	Prime coated			

Model: 997G07

Model life 2007>>2011



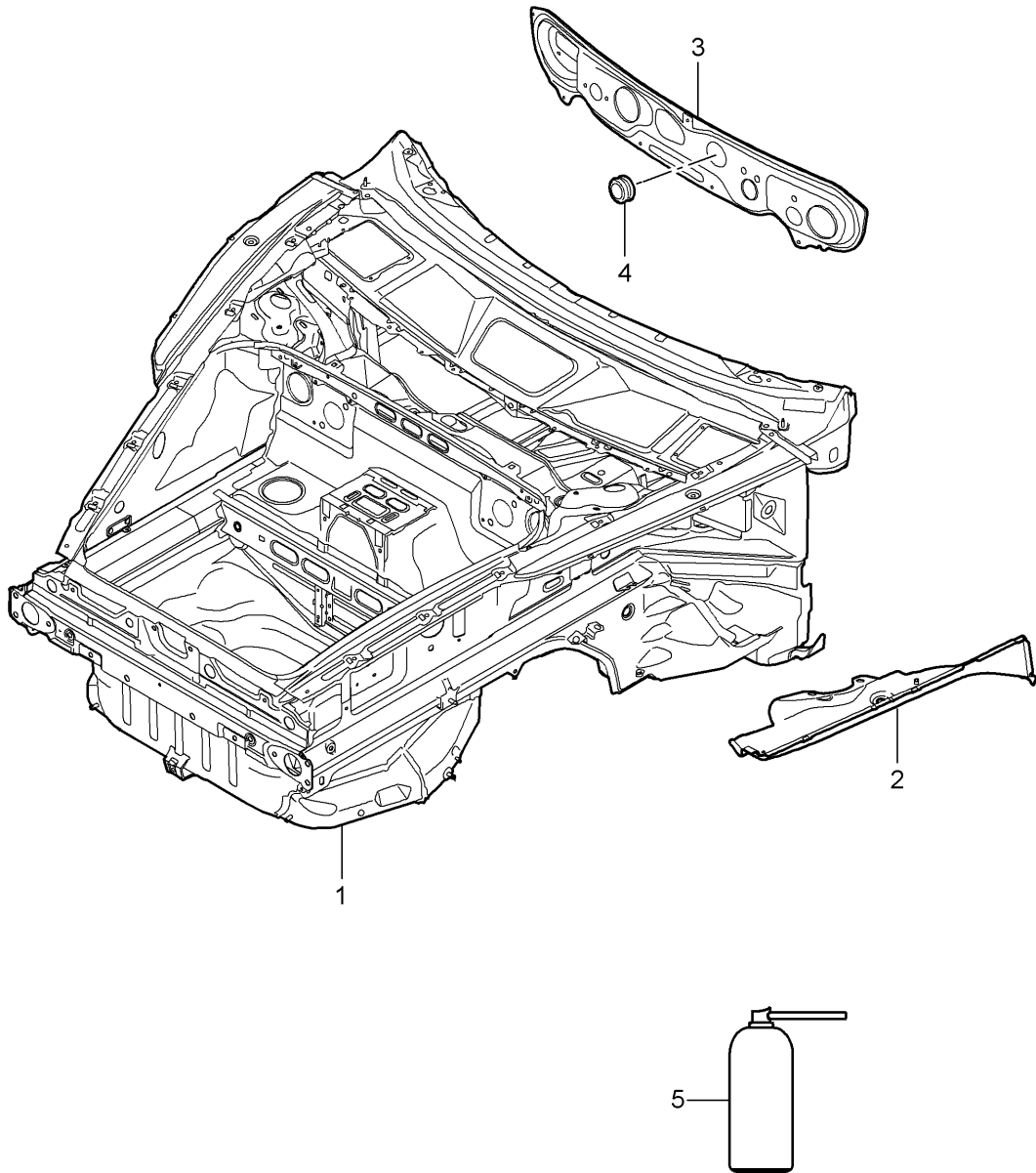
Model: 997G07

Model life 2007>>2011

Pos	Part Number	Description	Remark	Qty	Model
1	999 703 462 40	Stopper Plane See workshop manual Lid 10 x 6,5		X	
2	999 703 421 40	Grommet 15 mm		X	
4	803 803 583 A	Stopper 20 x 30		X	
4	999 703 196 40	Lid 20 x 30		X	
5	999 703 420 40	Stopper 20,3 x 30 x 11		X	
6	803 803 583	Rubber sleeve 30 x 40		X	
6	999 703 195 40	Rubber sleeve 30 x 40		X	
7	999 703 433 40	Stopper 30 x 42		X	
8	999 703 454 40	Lid 55 x 70		X	

Model: 997G07

Model life 2007>>2011



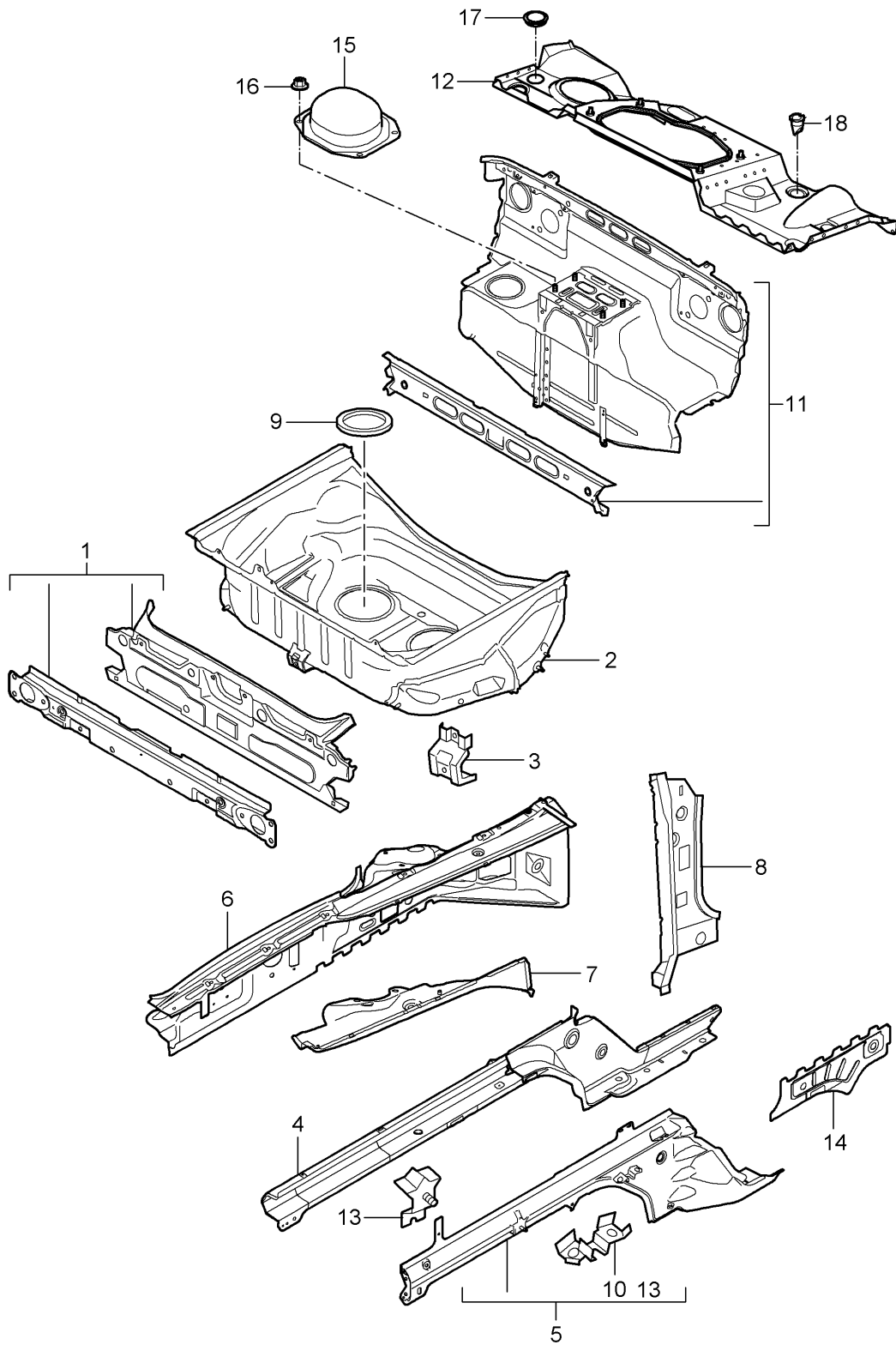
Model: 997G07

Model life 2007>>2011

Pos	Part Number	Description	Remark	Qty	Model
1	997 501 911 91 997 501 911 91 GRV	Body front section Body front section Prime coated Use also: Sealing compound Pos. 5 Processing instructions See technical manual	/LL	1	I098
1	997 501 911 92 997 501 911 92 GRV	Body front section Prime coated Use also: Sealing compound Pos. 5 Processing instructions See technical manual	/RL	1	I099
2	997 501 945 00 997 501 945 00 GRV	Bottom half Prime coated	/L	1	
(2)	997 501 946 01 997 501 946 01 GRV	Bottom half Prime coated	/R	1	
3	997 504 121 00	Lid	/LL	1	I098
(3)	997 504 121 01	Lid	/RL	1	I099
-	000 043 300 94	Adhesive set		1	
4	999 702 255 41	Lid 62,5 X 72,6		1	
5	999 915 337 40	Sealing compound		1	

Model: 997G07

Model life 2007>>2011

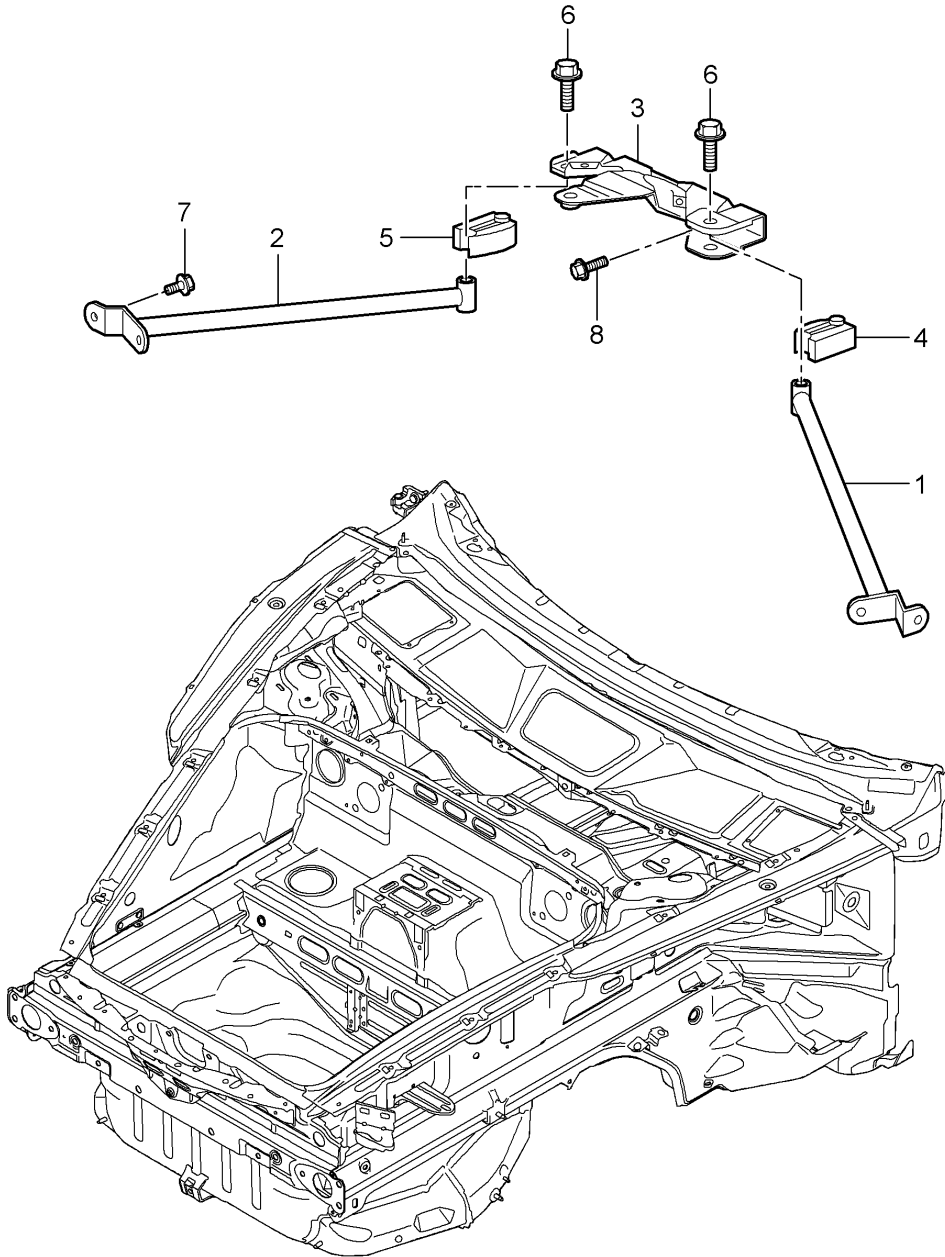


Model: 997G07 Model life 2007>>2011

Pos	Part Number	Description	Remark	Qty	Model
		Body front section			
		Single parts			
1	997 501 931 00	Terminal piece		1	
	997 501 931 00 GRV	Prime coated			
2	997 501 979 00	Spare-wheel well		1	
	997 501 979 00 GRV	Prime coated			
3	996 501 621 00	Support		3	
	996 501 621 00 GRV	Prime coated			
4	997 501 305 01	Side member	/L	1	
	997 501 305 01 GRV	Prime coated			
(4)	997 501 306 01	Side member	/R	1	
	997 501 306 01 GRV	Prime coated			
5	997 501 915 01	Side member	/L	1	
	997 501 915 01 GRV	Prime coated			
(5)	997 501 916 01	Side member	/R	1	
	997 501 916 01 GRV	Prime coated			
6	997 501 935 00	Wheel housing	/L	1	
	997 501 935 00 GRV	Prime coated			
(6)	997 501 936 01	Wheel housing	/R	1	
	997 501 936 01 GRV	Prime coated			
7	997 501 945 00	Bottom half	/L	1	
	997 501 945 00 GRV	Prime coated			
(7)	997 501 946 01	Bottom half	/R	1	
	997 501 946 01 GRV	Prime coated			
8	997 501 937 00	Hinge pillar	/L	1	
	997 501 937 00 GRV	Prime coated			
(8)	997 501 938 00	Hinge pillar	/R	1	
	997 501 938 00 GRV	Prime coated			
9	996 504 201 01	Lid		2	
		\$ 145 MM			
10	996 501 815 02	Support		2	
	996 501 815 02 GRV	Prime coated			
11	997 502 915 00	Bulkhead	/LL	1	I098
	997 502 915 00 GRV	Prime coated			
(11)	997 502 915 01	Bulkhead	/RL	1	I099
	997 502 915 01 GRV	Prime coated			
12	997 502 017 00	Cross panel		1	
	997 502 017 00 GRV	Prime coated			
13	996 501 341 00	Support		2	
	996 501 341 00 GRV	Prime coated			
14	997 501 665 01	Separator	/L	1	
	997 501 665 01 GRV	Prime coated			
(14)	997 501 666 01	Separator	/R	1	
	997 501 666 01 GRV	Prime coated			
15	997 504 471 00	Lid		1	
		Bulkhead			
16	900 380 015 09	Hexagon nut		3	
		M 6			
17	803 803 583	Rubber sleeve		1	
		30,0 X 40,0			
17	999 703 195 40	Rubber sleeve		1	
		30,0 X 40,0			
18	999 703 476 40	Grommet		4	
		29,8 X 1,0			
18	999 703 476 41	Grommet		4	
		29,8 X 1,0			

Model: 997G07

Model life 2007>>2011



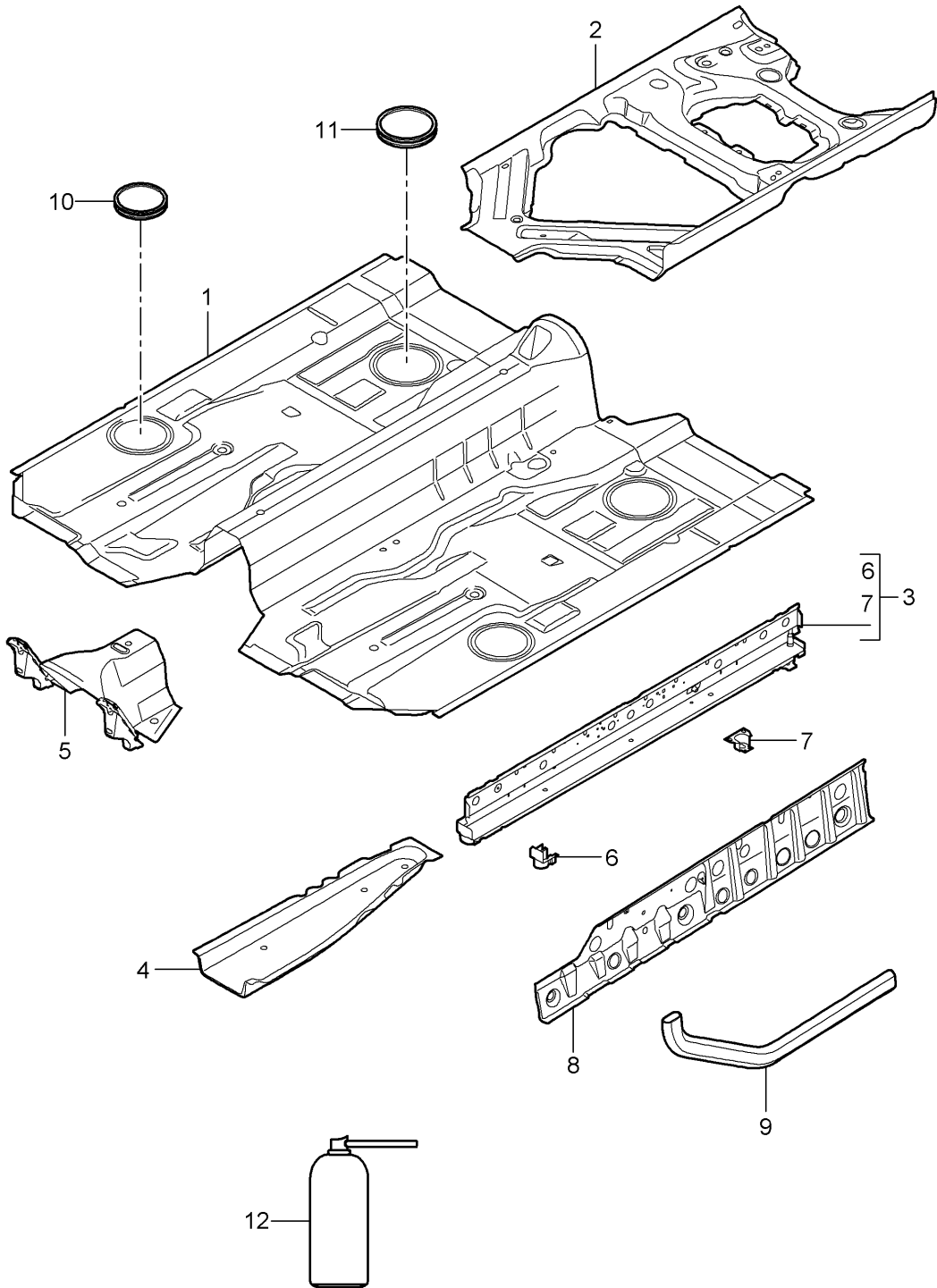
Model: 997G07

Model life 2007>>2011

Pos	Part Number	Description	Remark	Qty	Model
1	996 504 233 01	Dome strut	/L	1	
2	996 504 234 01	Dome strut	/R	1	
3	997 504 359 00	Bracket		1	
3	997 504 359 01	Bracket		1	
4	996 504 633 00	Filler piece	/L	1	
5	996 504 634 00	Filler piece	/R	1	
6	900 378 100 09	Hexagon-head bolt AM 10 X 45		2	
7	900 075 010 09	Hexagon-head bolt M 6 X 12		4	
8	900 378 173 01	Hexagon-head bolt M 6 X 20		4	

Model: 997G07

Model life 2007>>2011

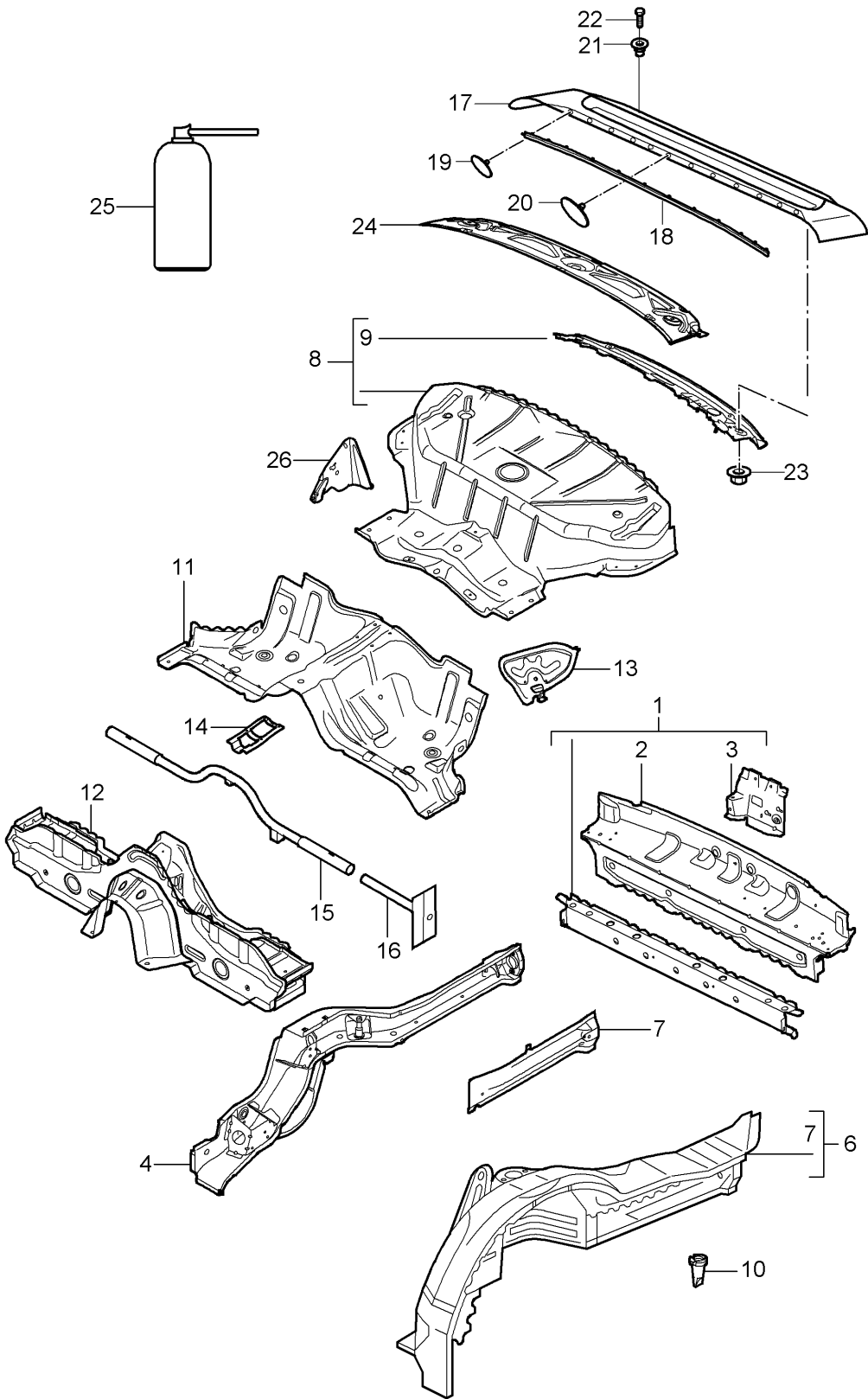


Model: 997G07 Model life 2007>>2011

Pos	Part Number	Description	Remark	Qty	Model
-	000 043 206 29	Floor Centre Adhesive set Body Comprising:		X	
-	000 043 206 30	Adhesive		1	
-	000 043 206 31	Tool		1	
-	000 043 206 32	Mixing tube		1	
-	000 043 206 33	Activator		1	
1	997 501 551 01	Floor		1	
	997 501 551 01 GRV	Prime coated			
(2)	997 501 953 01	Seat support	/L	1	
	997 501 953 01 GRV	Prime coated			
2	997 501 954 01	Seat support	/R	1	
	997 501 954 01 GRV	Prime coated			
3	997 501 157 00	Side member	/L	1	
	997 501 157 00 GRV	Prime coated			
(3)	997 501 158 00	Side member	/R	1	
	997 501 158 00 GRV	Prime coated			
4	997 501 525 00	Side member	/L	1	
	997 501 525 00 GRV	Prime coated			
(4)	997 501 526 00	Side member	/R	1	
	997 501 526 00 GRV	Prime coated			
5	996 501 751 00	Extension		1	
	996 501 751 00 GRV	Prime coated			
6	996 501 785 00	Jacking point	/L /V	1	
	996 501 785 00 GRV	Prime coated			
(6)	996 501 786 00	Jacking point	/R /V	1	
	996 501 786 00 GRV	Prime coated			
7	996 501 481 01	Jacking point	/L /H	1	
	996 501 481 01 GRV	Prime coated			
(7)	996 501 482 01	Jacking point	/R /H	1	
	996 501 482 01 GRV	Prime coated			
8	997 501 329 00	Retaining bracket	/L	1	
	997 501 329 00 GRV	Prime coated			
(8)	997 501 330 00	Retaining bracket	/R	1	
	997 501 330 00 GRV	Prime coated			
9	997 501 439 00	Support tube		2	
	997 501 439 00 GRV	Prime coated			
		Use also: Sealing compound Pos. 12 Processing instructions See technical manual 51 49 55			
10	996 504 205 01	Lid \$ 125 MM		2	
11	996 504 201 01	Lid \$ 145 MM		2	
12	999 915 337 40	Sealing compound		1	

Model: 997G07

Model life 2007>>2011



Model: 997G07 Model life 2007>>2011

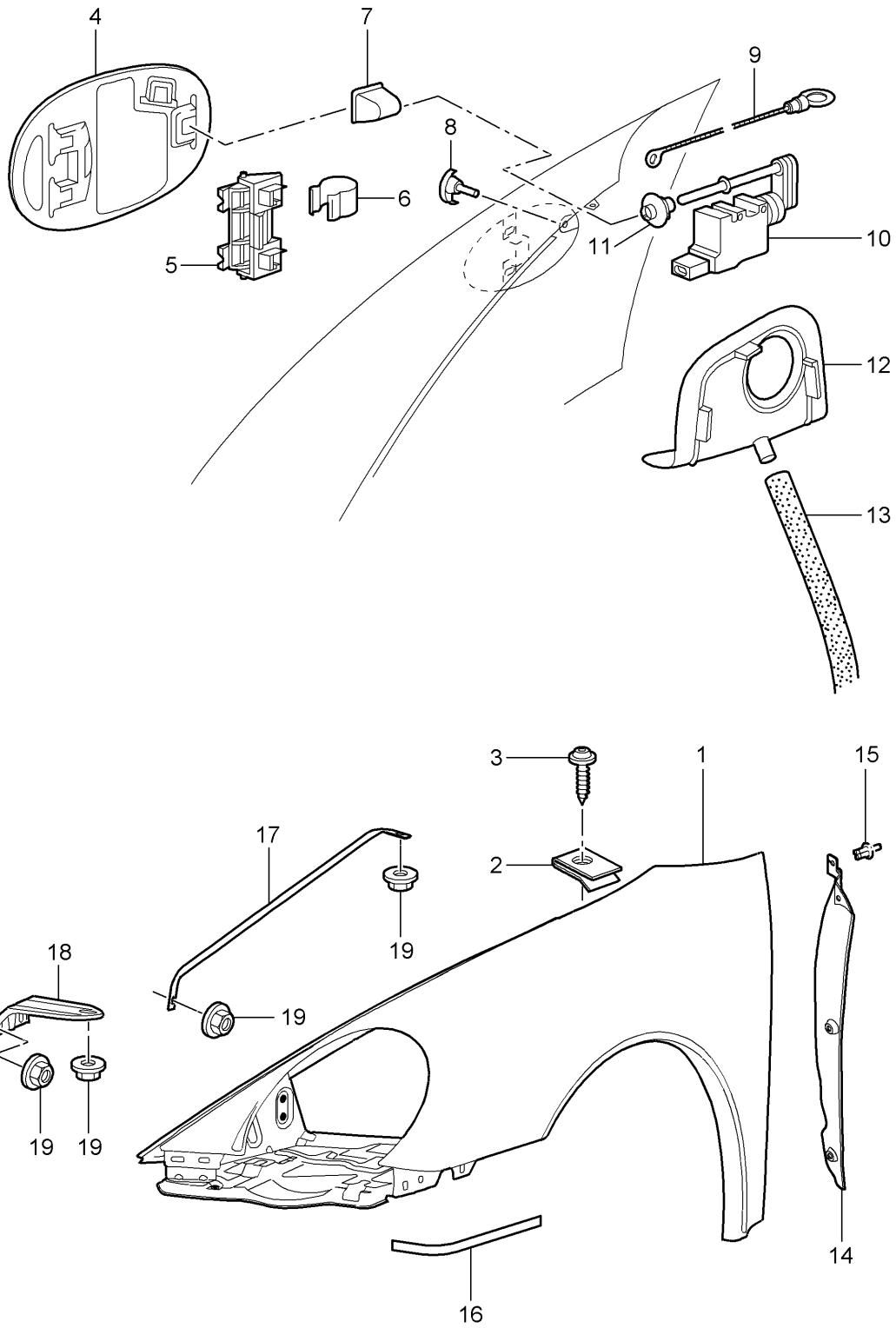
Pos	Part Number	Description	Remark	Qty	Model
1	997 501 973 01	Rear end Terminal piece		1	
	997 501 973 01 GRV	Prime coated			
2	997 501 273 00	End plate		1	
	997 501 273 00 GRV	Prime coated			
3	997 501 247 00	Lock carrier		1	
	997 501 247 00 GRV	Prime coated			
4	997 501 977 00	Side member	/L	1	
	997 501 977 00 GRV	Prime coated			
		Use also: Sealing compound POS. 25 Processing instructions See technical manual 53 48 55			
(4)	997 501 978 00	Side member	/R	1	
	997 501 978 00 GRV	Prime coated			
		Use also: Sealing compound Pos. 25 Processing instructions See technical manual 53 48 55			
6	997 501 943 00	Wheel housing	/L	1	
	997 501 943 00 GRV	Prime coated			
		It is necessary to rework See workshop manual			
(6)	997 501 944 00	Wheel housing	/R	1	
	997 501 944 00 GRV	Prime coated			
		It is necessary to rework See workshop manual			
7	996 501 595 01	Side member	/L	1	
	996 501 595 01 GRV	Prime coated			
(7)	996 501 596 01	Side member	/R	1	
	996 501 596 01 GRV	Prime coated			
8	997 502 911 02	Rear wall		1	
	997 502 911 02 GRV	Prime coated			
		Order also: POS. 12 See workshop manual			
9	997 502 673 00	Cross member		1	
	997 502 673 00 GRV	Prime coated			
10	996 561 825 00	Water drain valve		2	I650
		Wheel housing Rear			
11	997 501 549 00	Seat well		1	
	997 501 549 00 GRV	Prime coated			
12	997 501 955 00	Cross member		1	
		Seat well			
	997 501 955 00 GRV	Prime coated			
13	996 501 461 02	Reinforcement	/L	1	
		Seat well			
	996 501 461 02 GRV	Prime coated			
(13)	996 501 462 02	Reinforcement	/R	1	
		Seat well			
	996 501 462 02 GRV	Prime coated			
14	996 501 659 01	Bracket		1	
	996 501 659 01 GRV	Prime coated			
15	996 501 411 00	Pipe		1	
	996 501 411 00 GRV	Prime coated			
16	996 501 415 00	Sleeve		2	
	996 501 415 00 GRV	Prime coated			
17	997 504 345 03	Rear centre panel		1	

Model: 997G07 Model life 2007>>2011

Pos	Part Number	Description	Remark	Qty	Model
(17)	997 504 345 03 GRV 997 504 345 A1	Prime coated Rear centre panel		1	RS I004
18	997 504 345 A1 GRV 997 504 612 00	Prime coated Gasket Rear centre panel		1	
19	999 507 973 40	Mount 2,8 X 6 X 30		2	
20	999 507 974 40	Mount 2,8 X 6 X 50		10	
21	999 500 109 02	Blind rivet nut M 6/0,8 - 3		3	
22	999 073 263 09	Combination screw M 6 X 12		3	
23	999 076 029 02	Hexagon nut M 6		2	
24	997 502 409 01 997 502 409 01 GRV	Filler plate Prime coated Rear centre panel		1	
-	999 915 650 40	Use also: Adhesive TEROMIX 6700		X	
-	000 043 300 48	Tool		X	
-	000 043 206 29	Use also: Adhesive set Body		X	
-	000 043 206 30	Comprising: Adhesive		1	
-	000 043 206 31	Tool		1	
-	000 043 206 32	Mixing tube		1	
-	000 043 206 33	Activator		1	
25	999 915 337 40	Sealing compound		1	
(26)	997 504 797 00 997 504 797 00 GRV	Bracket Prime coated Belt	/L	1	
26	997 504 798 00 997 504 798 00 GRV	Bracket Prime coated Belt	/R	1	
-	996 502 653 01 996 502 653 01 GRV	Connecting piece Prime coated	/L	1	
-	996 502 654 01 996 502 654 01 GRV	Connecting piece Prime coated	/R	1	

Model: 997G07

Model life 2007>>2011



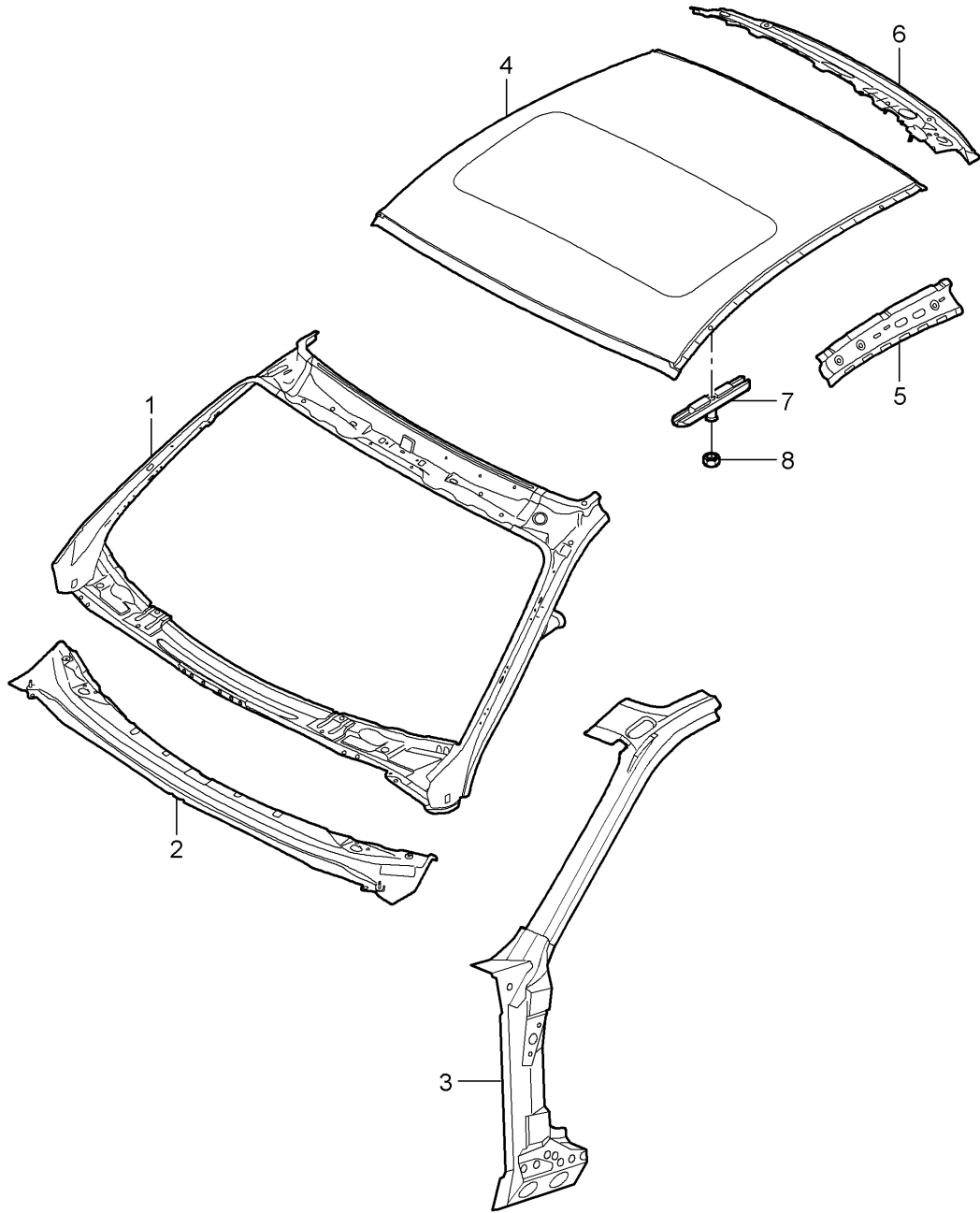
Model: 997G07

Model life 2007>>2011

Pos	Part Number	Description	Remark	Qty	Model
1	997 503 031 00	Wing		1	
	997 503 031 00 GRV	Wing	/L	1	
(1)	997 503 031 92	Prime coated		1	I004
	997 503 031 92 GRV	Wing	/L 10-	1	
(1)	997 503 031 A1	Prime coated		1	I006
(1)	997 503 032 02	Wing	/L 11-	1	
	997 503 032 02 GRV	Wing	/R	1	
(1)	997 503 032 92	Prime coated		1	I004
	997 503 032 92 GRV	Wing	/R 10-	1	
(1)	997 503 032 A1	Prime coated		1	I006
2	999 507 003 02	Wing	/R 11-	1	
		Speed nut		22	
		ST 6,3			
2	999 507 003 01	Speed nut		22	
		ST 6,3			
3	999 073 128 02	Tapping screw		22	
		ST 6,3 X 14			
4	997 504 134 00	Fuel filler flap		1	
	997 504 134 00 GRV	Prime coated			
5	996 201 063 00	Hinge		1	
6	997 504 711 00	Spring		1	
7	996 201 423 00	Cap		1	
8	997 504 888 01	Rubber stop		1	
9	996 201 493 00	Emergency operation		1	
10	997 624 113 00	Actuator		1	
11	997 624 505 00	Guide rose		1	
12	997 201 667 00	Sleeve		1	
13	996 201 153 00	Hose		1	
14	997 504 641 02	Cover	/L	1	
	997 504 641 02 01C	Black			
(14)	997 504 642 02	Cover	/R	1	
	997 504 642 02 01C	Black			
15	999 591 712 40	Expansion rivet		6	
		A 6,0 X 12,0			
16	997 504 531 00	Protective film	/L	1	
(16)	997 504 532 00	Protective film	/R	1	
17	997 504 441 00	Strut		2	
	997 504 441 00 GRV	Prime coated			
18	997 504 555 00	Bracket		2	
	997 504 555 00 GRV	Prime coated			
19	999 076 066 09	Hexagon nut		10	
		M 6			

Model: 997G07

Model life 2007>>2011

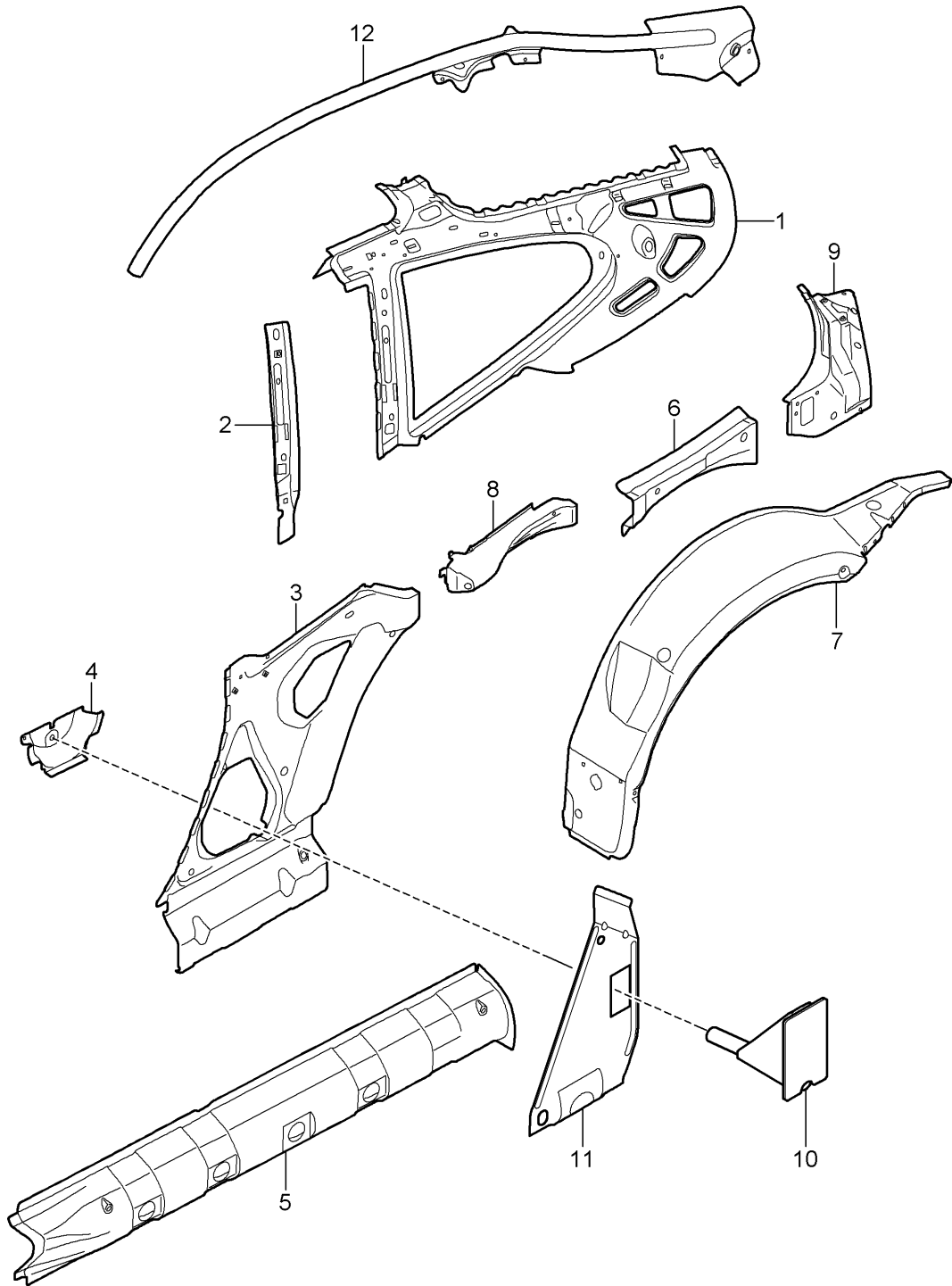


Model: 997G07 Model life 2007>>2011

Pos	Part Number	Description	Remark	Qty	Model
1	997 502 137 00 997 502 137 00 GRV	Cowl Cowl Prime coated		1	
2	997 502 437 00 997 502 437 00 GRV	Inner Cowl Prime coated		1	
3	997 502 135 03 997 502 135 03 GRV	Outer Reinforcement Prime coated	/L	1	
(3)	997 502 136 03 997 502 136 03 GRV	Inner Use also: Reinforcement Prime coated	/R	1	
-	000 043 206 29	Inner Use also: Adhesive set		X	
-	000 043 206 30	Body Comprising: Adhesive		1	
-	000 043 206 31	Tool		1	
-	000 043 206 32	Mixing tube		1	
-	000 043 206 33	Activator		1	
(4)	996 503 501 00 996 503 501 00 GRV	Outer roof panel Prime coated		1	
(4)	997 503 501 00 997 503 501 00 GRV	Use also: Outer roof panel Prime coated		1	I461
4	996 503 087 03 996 503 087 03 GRV	Use also: Outer roof panel Prime coated		1	I650
(4)	997 503 087 00 997 503 087 00 GRV	Use also: Outer roof panel Prime coated		1	I461/650
-	000 043 204 38	Use also: Sealing compound 70 ML Processing instructions See technical manual		X	
5	996 502 305 03 996 502 305 03 GRV	Roof frame Prime coated	/L	1	
(5)	996 502 306 03 996 502 306 03 GRV	Roof frame Prime coated	/R	1	
6	997 502 505 00 997 502 505 00 GRV	Roof frame Prime coated		1	
7	996 504 911 00	Plate with Threaded pin		X	
8	900 377 021 02	Hexagon nut M10 X 1		X	

Model: 997G07

Model life 2007>>2011



Model: 997G07 Model life 2007>>2011

Pos	Part Number	Description	Remark	Qty	Model
		Side section Inner			
1	997 502 153 00	Side section	/L	1	
	997 502 153 00 GRV	Prime coated			
(1)	997 502 154 00	Side section	/R	1	
	997 502 154 00 GRV	Prime coated			
2	997 502 423 00	Reinforcement	/L	1	
	997 502 423 00 GRV	Prime coated			
(2)	997 502 424 00	Reinforcement	/R	1	
	997 502 424 00 GRV	Prime coated			
3	996 502 083 02	Side section	/L	1	
	996 502 083 02 GRV	Prime coated			
(3)	996 502 084 02	Side section	/R	1	
	996 502 084 02 GRV	Prime coated			
4	996 502 383 01	Bracket		2	
	996 502 383 01 GRV	Prime coated			
5	996 502 733 01	Reinforcement	/L	1	
	996 502 733 01 GRV	Prime coated			
(5)	996 502 734 01	Reinforcement	/R	1	
	996 502 734 01 GRV	Prime coated			
-	000 043 206 29	Use also: Adhesive set Body		X	
-	000 043 206 30	Comprising: Adhesive		1	
-	000 043 206 31	Tool		1	
-	000 043 206 32	Mixing tube		1	
-	000 043 206 33	Activator		1	
-	999 703 433 40	Stopper 30 X 42 for POS. 5		10	
6	997 502 115 00	Side section	/L	1	
	997 502 115 00 GRV	Prime coated			
(6)	997 502 116 00	Side section	/R	1	
	997 502 116 00 GRV	Prime coated			
7	997 502 215 00	Wheel housing	/L	1	
	997 502 215 00 GRV	Prime coated			
(7)	997 502 215 01	Wheel housing	/L	1	I004
	997 502 215 01 GRV	Prime coated			
(7)	997 502 216 00	Wheel housing	/R	1	
	997 502 216 00 GRV	Prime coated			
(7)	997 502 216 01	Wheel housing	/R	1	I004
	997 502 216 01 GRV	Prime coated			
8	997 502 707 00	Reinforcement	/L	1	
	997 502 707 00 GRV	Prime coated			
(8)	997 502 708 00	Reinforcement	/R	1	
	997 502 708 00 GRV	Prime coated			
9	997 502 161 00	Side section	/L	1	
	997 502 161 00 GRV	Prime coated			
(9)	997 502 162 00	Information available Side section	/R	1	
	997 502 162 00 GRV	Prime coated			
10	997 502 711 00	Information available Pipe		2	
	997 502 711 00 GRV	Prime coated			
11	997 502 745 00	Reinforcement plate	/L	1	
	997 502 745 00 GRV	Prime coated			
(11)	997 502 746 00	Reinforcement plate	/R	1	
	997 502 746 00 GRV	Prime coated			
12	997 502 619 00	Pipe	/L	1	
	997 502 619 00 GRV	Prime coated			
(12)	997 502 620 00	Pipe	/R	1	

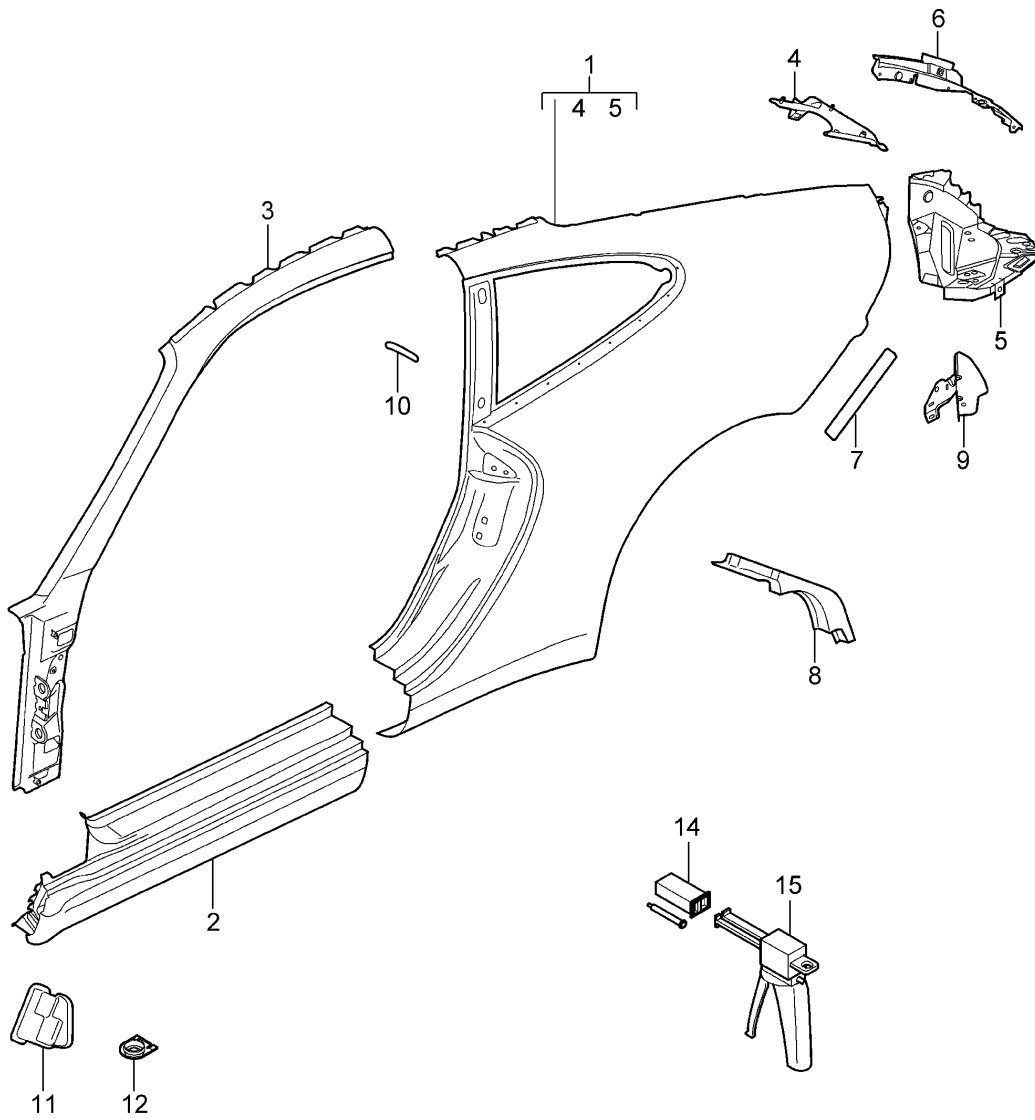
Model: 997G07

Model life 2007>>2011

Pos	Part Number	Description	Remark	Qty	Model
	997 502 620 00 GRV	Prime coated			

Model: 997G07

Model life 2007>>2011



Model: 997G07 Model life 2007>>2011

Pos	Part Number	Description	Remark	Qty	Model
1	997 503 961 07 997 503 961 07 GRV	Side section Outer Side section Prime coated Use also: 000.043.305.38	/L	1	
(1)	997 503 961 09 997 503 961 09 GRV	Side section Prime coated Use also: 000.043.305.38	/L	1	I004
(1)	997 503 962 07 997 503 962 07 GRV	Side section Prime coated Use also: 000.043.305.38	/R	1	
(1)	997 503 962 09 997 503 962 09 GRV	Side section Prime coated Use also: 000.043.305.38	/R	1	I004
2	997 503 963 00 997 503 963 00 GRV	Door sill Prime coated	/L	1	
(2)	997 503 963 02 997 503 963 02 GRV	Door sill Prime coated	/L	1	I004
(2)	997 503 964 00 997 503 964 00 GRV	Door sill Prime coated	/R	1	
(2)	997 503 964 02 997 503 964 02 GRV	Door sill Prime coated	/R	1	I004
3	997 503 965 00 997 503 965 00 GRV	Roof frame Prime coated	/L	1	
(3)	997 503 966 00 997 503 966 00 GRV	Roof frame Prime coated	/R	1	
4	997 502 365 00 997 502 365 00 GRV	Sealing channel Prime coated	/L	1	
(4)	997 502 366 00 997 502 366 00 GRV	Sealing channel Prime coated	/R	1	
5	997 502 461 00 997 502 461 00 GRV	Frame for light Prime coated	/L	1	
5	997 502 461 02 997 502 461 02 GRV	Frame for light Prime coated	/L	1	
(5)	997 502 462 00 997 502 462 00 GRV	Frame for light Prime coated	/R	1	
(5)	997 502 462 02 997 502 462 02 GRV	Frame for light Prime coated	/R	1	
6	997 502 213 02 997 502 213 02 GRV	Bracket Gas-pressure spring Prime coated	/L	1	
(6)	997 502 214 01 997 502 214 01 GRV	Bracket Gas-pressure spring Prime coated	/R	1	
7	997 504 631 00	Protective film		2	
8	997 504 907 00	Seal		2	
9	997 501 487 00 997 501 487 00 GRV	See workshop manual Reinforcement Prime coated	/L	1	
(9)	997 501 488 00 997 501 488 00 GRV	Reinforcement Prime coated	/R	1	
10	996 537 237 00	Protective film		2	
11	997 572 311 01	Water protection	/L	1	
(11)	997 572 312 01	Water protection	/R	1	
12	999 703 475 40	Water drain sleeve		2	
14	000 043 305 38	Door sill Adhesive TEROMIX		X	

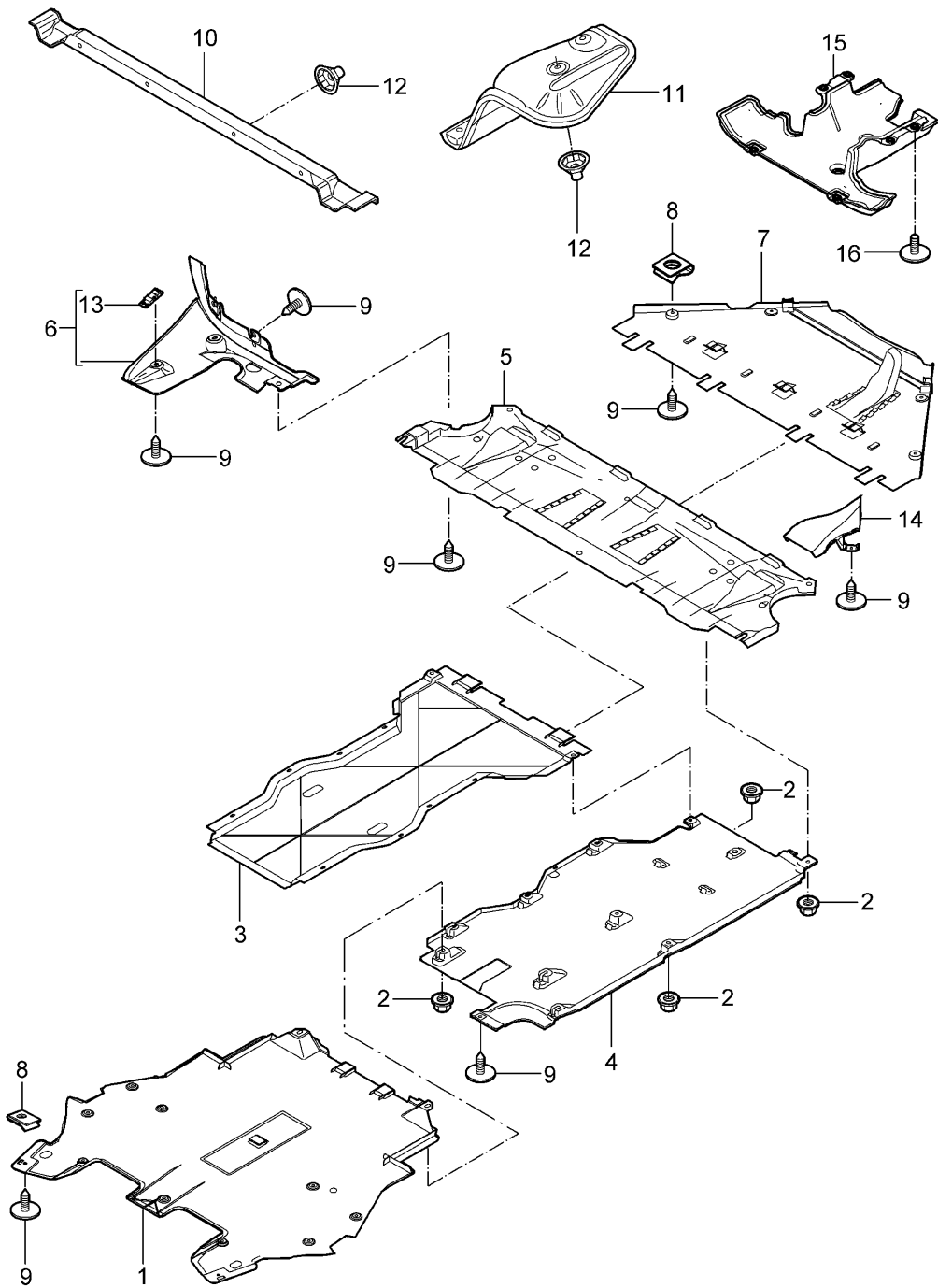
Model: 997G07

Model life 2007>>2011

Pos	Part Number	Description	Remark	Qty	Model
15	000 043 300 48	Tool See technical manual Group 5 53 55 55		X	

Model: 997G07

Model life 2007>>2011

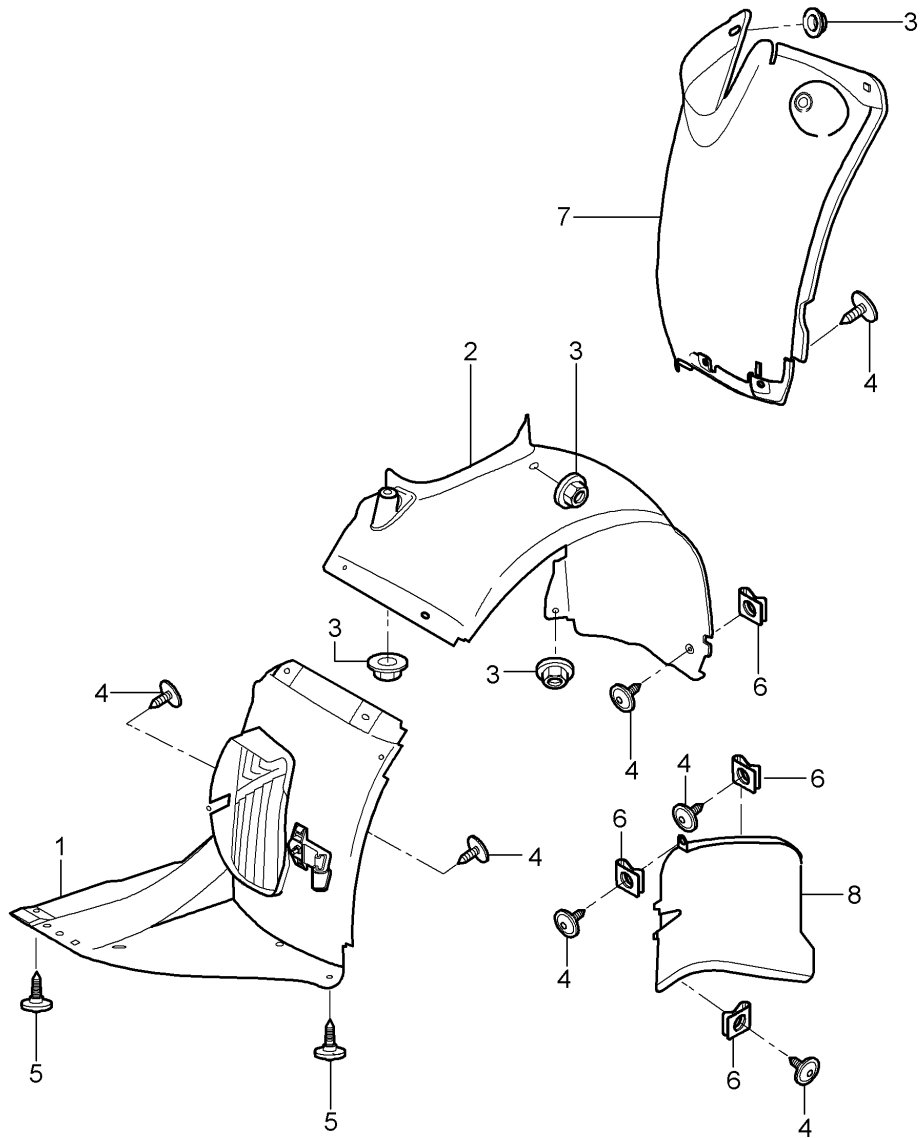


Model: 997G07 Model life 2007>>2011

Pos	Part Number	Description	Remark	Qty	Model
(1)	997 504 527 01	Linings Underbody Cover	/RL	1	I099
(1)		Front Cover		1	-I099/I664
2	999 049 028 40	Front Plastic nut T 5		26	
3	997 504 043 00	Cover Centre		1	
4	997 504 343 03	Cover Centre	/L	1	
(4)	997 504 344 03	Cover Centre	/R	1	
5	997 504 629 92	Cover Rear		1	
6	997 504 393 90	Cover	/L	1	
	997 504 393 90 01C	Satin black			
(6)	997 504 394 90	Cover	/R	1	
	997 504 394 90 01C	Satin black			
-	999 507 849 01	Captive nut ST4,8		X	
7	997 504 429 01	Cover Transmission		1	
8	999 507 795 09	Speed nut ST 4,8		4	
9	999 073 505 01	Tapping screw ST 4,8 X 16		X	
10	996 505 471 00	Heat protection Centre		1	
11	997 505 477 02	Heat protection	/L	1	
(11)	997 505 478 02	Heat protection	/R	1	
12	999 049 025 09	Collar nut T 5		12	
13	997 504 635 00	Clamp		2	
14	997 575 183 00	Air duct Brake		1	
(14)	997 575 184 00	Air duct Brake		1	
15	997 504 431 90	Engine cover		1	I074/172/193
16	999 073 295 A2	Oval-head screw		8	

Model: 997G07

Model life 2007>>2011

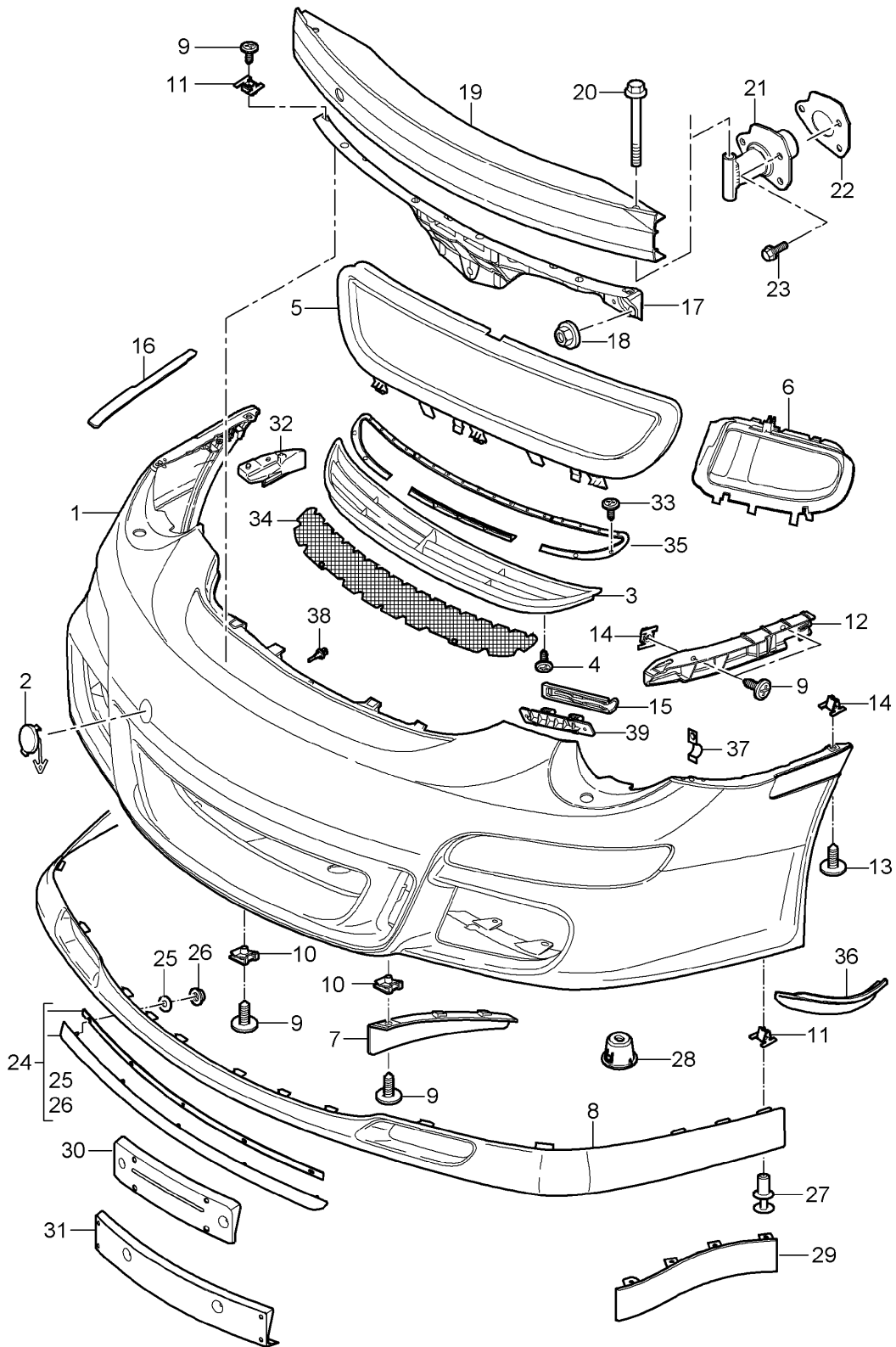


Model: 997G07 Model life 2007>>2011

Pos	Part Number	Description	Remark	Qty	Model
		Linings			
		Wheel housing			
1	997 504 123 90	Wheel-housing liner	/L /V -08	1	
1	997 504 123 93	Wheel-housing liner	/L /V 09-	1	
(1)	997 504 124 90	Wheel-housing liner	/R /V -08	1	
		Front			
(1)	997 504 124 93	Wheel-housing liner	/R /V 09-	1	
		Front			
2	997 504 203 00	Wheel-housing liner	/L /H	1	-I004
(2)	997 504 203 92	Wheel-housing liner	/L /H 10-	1	GT3RS
					I004
(2)	997 504 203 93	Wheel-housing liner	/L /H	1	I006
(2)	997 504 204 00	Wheel-housing liner	/R /H	1	
(2)	997 504 204 92	Wheel-housing liner	/R /H 10-	1	GT3RS
					I004
		Front			
(2)	997 504 204 93	Wheel-housing liner	/R /H	1	I006
3	999 049 028 40	Plastic nut		12	
		T5			
4	999 073 231 09	Tapping screw		18	
		ST 4,8 X 16			
5	999 073 227 09	Tapping screw		4	
		ST 4,8 X 19			
6	999 507 795 09	Speed nut		2	
		ST 4,8			
7	997 504 573 03	Wheel-housing liner	/H /L	1	
(7)	997 504 573 02	Wheel-housing liner	/H /L	1	I004
(7)	997 504 574 03	Wheel-housing liner	/H /R	1	
(7)	997 504 574 02	Wheel-housing liner	/H /R	1	I004
8	997 575 231 91	Air distributor	/L	1	
(8)	997 575 232 91	Air distributor	/R	1	
-	997 504 503 90	Rubber moulding	/L -08	1	GT3
-	997 504 504 90	Rubber lip	/R -08	1	GT3
-	997 504 503 93	Rubber lip	/L 10-	1	GT3RS
-	997 504 504 93	Rubber lip	/R 10-	1	GT3RS

Model: 997G07

Model life 2007>>2011



Model: 997G07 Model life 2007>>2011

Pos	Part Number	Description	Remark	Qty	Model
1	997 505 961 90	Bumper Front	-09	1	
(1)	997 505 961 91	Lining	-09	1	I288
(1)	997 505 191 90	Prime coated Lining	10-	1	
(1)	997 505 191 91	Prime coated Lining	10-	1	I288
(1)	997 505 191 A1	Prime coated Lining	10-	1	I004/288
(1)	997 505 191 A2	Prime coated Lining	10-	1	I004
2	997 505 991 01	Cover	-09	1	
2	997 505 703 05	Towing lug Cover	10-	1	
3	997 505 703 05 G2L 997 575 327 90	Towing lug Prime coated Cover	10- -09	1	
4	997 575 327 90 01C 999 919 118 09	Air exhaust Satin black Oval-head screw	-09	8	
5	997 505 541 01	4,0 X 14 Retaining frame	-09	1	
5	997 505 541 01 01C 997 505 441 80	Ventilation grille Centre Satin black Retaining frame	11-	1	GT2 RS I004/804
5	997 505 441 80 01C 997 505 561 92	Ventilation grille Centre Satin black Retaining frame	10-	1	
-	997 505 711 92	Ventilation grille Centre	10-	1	
6	997 505 985 00	Retaining frame Lateral	/L -09	1	
(6)	997 505 985 00 01C 997 505 563 92	Satin black Retaining frame Lateral	/L 10-	1	
-	997 505 713 92	Ventilation grille Lateral	/L 10-	1	
(6)	997 505 986 00	Retaining frame Lateral	/R -09	1	
(6)	997 505 986 00 01C 997 505 564 92	Satin black Retaining frame Lateral	/R 10-	1	
-	997 505 714 92	Ventilation grille Lateral	/R 10-	1	
7	997 504 651 90	Air guide	/L	1	
(7)	997 504 652 90	Brake Air guide	/R	1	
8	997 505 983 94	Brake	-09	1	-I004
(8)	997 505 557 94	Spoiler	10-	1	-I004
(8)	997 505 557 94 01C	Satin black			
(8)	997 505 983 97	Spoiler	-09	1	I004
(8)	997 505 557 93	Spoiler	10-	1	I004
(8)	997 505 557 93 01C	Satin black			
(8)	997 505 557 93	Spoiler	10-	1	I006
	997 505 557 93 01C	Satin black			

Model: 997G07

Model life 2007>>2011

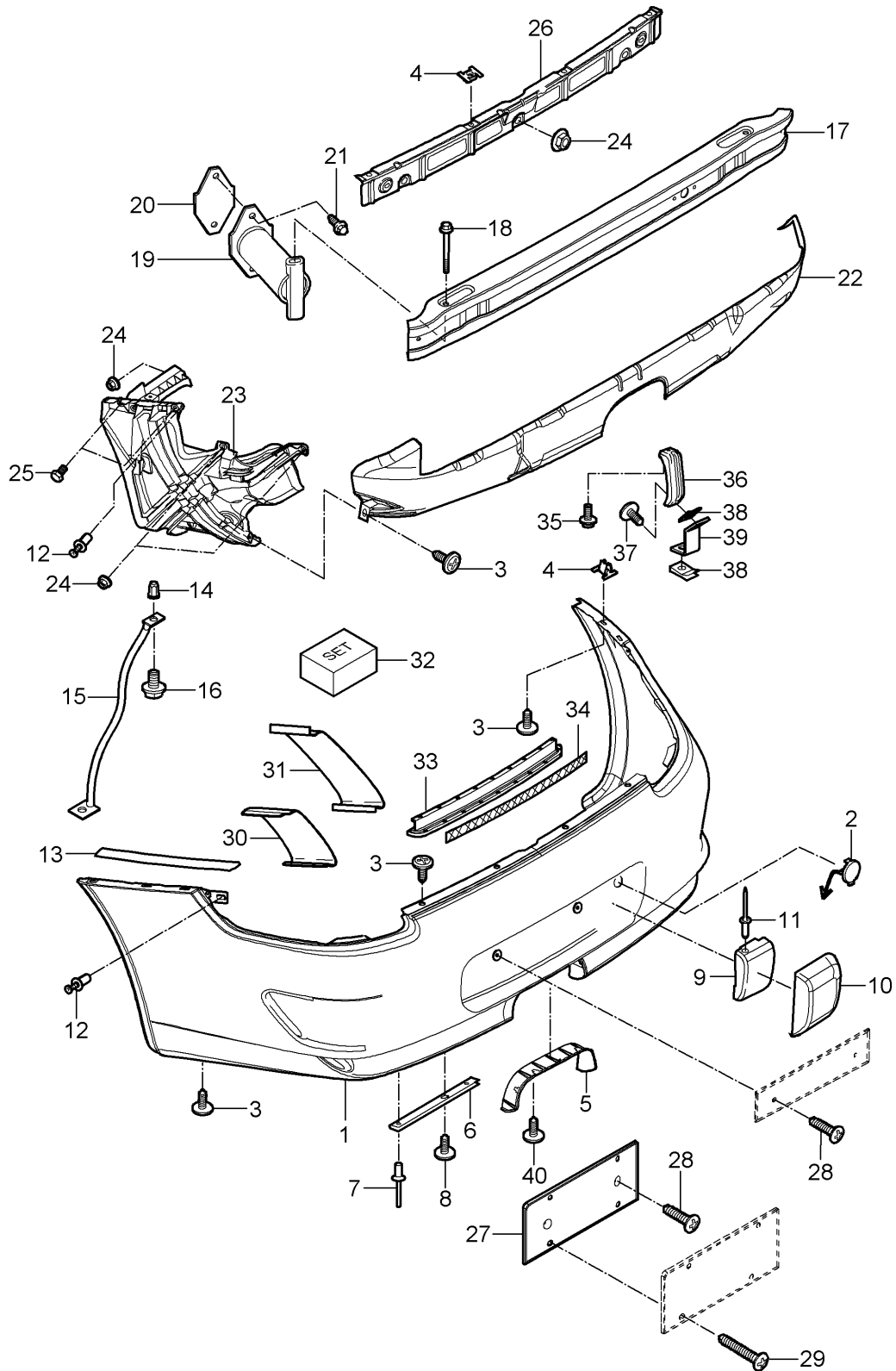
Pos	Part Number	Description	Remark	Qty	Model
9	999 073 227 09	Tapping screw ST 4,8 X 19		X	
10	999 507 795 09	Speed nut ST 4,8		2	
11	999 507 590 02	Captive nut ST 4,8		4	
12	997 505 535 01	Retaining strip	/L	1	
(12)	997 505 536 01	Retaining strip	/R	1	
13	999 073 418 01	Tapping screw ST 4,8 X 19-C		4	
14	999 507 849 01	Captive nut ST 4,8		X	
15	997 505 719 00	Fixing device		2	
(16)	997 504 531 00	Protective film	/L	1	
16		Protective film	/R	1	
17	997 505 531 00	Retaining strip Centre		1	
18	999 076 078 09	Hexagon nut M 6		3	
19	997 505 141 02	Bumper reinforcement		1	
20	900 378 088 09	Hexagon-head bolt M 12 X 100		2	
21	997 505 319 00	Impact pipe		2	
22	997 505 751 02	Seal Impact absorber		2	
23	900 378 267 09	Combination screw M 8 X 30		6	
24	997 505 996 91	Spoiler Set Comprising: Lower part with Attachment strip	-09	1	I004
25	900 025 003 04	Washer	-09	5	I004
26	900 084 095 02	Hexagon nut	-09	5	I004
27	999 507 616 40	Expander nut	-09	2	I004
28	997 505 993 00	Mounting	-09	1	
29	997 504 303 90	Spoiler Left	09-	1	
(29)	997 504 304 90	Spoiler Right	09-	1	
30	997 701 981 00	Retaining frame Number plate	-09	1	I211
(30)	997 701 981 00 01C	Satin black			
	997 701 105 90	Retaining frame Number plate	10-	1	I211
	997 701 105 90 01C	Satin black			
31	997 701 981 02	Support Number plate	-09	1	I210
(31)	997 701 981 02 01C	Satin black			
	997 701 109 90	Support Number plate	10-	1	I210
	997 701 109 90 01C	Satin black			
32	997 505 301 00	Corner panel Lining Of		1	
(32)	997 505 302 00	Corner panel Lining Of	/R	1	
33	900 187 141 09	Combination screw for Mount Spoiler		2	

Model: 997G07 Model life 2007>>2011

Pos	Part Number	Description	Remark	Qty	Model
34	997 575 717 92	Grille Air exhaust Front apron Upper		1	
35	997 575 567 92	Set Retaining frame Upper 3-part		1	
36	997 505 333 96	Spoiler Lateral	/L	1	I006/512
(36)	997 505 333 96 M7Z	GT Silver Metallic			
	997 505 334 96	Spoiler Lateral	/R	1	I006/512
	997 505 334 96 M7Z	GT Silver Metallic			
37	999 591 709 40	Support Hose Headlight washer system		2	
38	958 505 535 00	Sensor		1	
39	997 505 317 00	Retainer plate Lining		2	

Model: 997G07

Model life 2007>>2011



Model: 997G07 Model life 2007>>2011

Pos	Part Number	Description	Remark	Qty	Model
1	997 505 411 93	Bumper Rear Lining Prime coated	-09	1	-I004
1	997 505 411 A2	Lining Prime coated	-09	1	-I004
1	997 505 411 9A	Lining Prime coated	10-	1	-I004
(1)	997 505 411 95	Lining	-09	1	I004
	997 505 411 95 G2X	Prime coated			
(1)	997 505 411 A4	Lining	-09	1	I004
	997 505 411 A4 G2X	Prime coated			
(1)	997 505 421 A4	Lining Prime coated	10-	1	I004
2	997 505 803 00	Cover	-09	1	
	997 505 803 00 G2X	Prime coated			
(2)	997 505 803 02	Cover	10-	1	
	997 505 803 02 G2L	Prime coated			
3	999 073 227 09	Tapping screw 4,8 X 16		10	
4	999 507 590 02	Captive nut ST 4,8		6	
5	997 505 811 90	Heat shield Muffler	-09	1	
(5)	997 505 811 91	Heat shield Muffler	10-	1	
6	997 505 837 90	Retaining strip Lower	-09	2	
(6)	997 505 837 91	Retaining strip Lower Left	/L 10-	2	
(6)	997 505 838 91	Retaining strip Lower Left	/R 10- 10-	2	
7	999 190 104 30	Blind rivet 3,2 X 7,9		2	
8	999 073 314 09	Tapping screw ST 4,8 X 16		4	
12	999 591 941 40	Expansion rivet ST 4,2		4	
13	997 504 631 00	Protective film		2	
14	999 500 084 01	Special nut		6	
15	997 505 681 01	Strut	/L	1	
(15)	997 505 682 01	Strut	/R	1	
16	900 378 035 01	Hexagon-head bolt M6 X 16		2	
17	997 505 121 90	Bracket	-09	1	
17	997 505 121 92	Bracket	10-	1	
18	900 378 088 01	Hexagon-head bolt M 12 X 100		2	
19	996 505 019 01	Impact pipe		2	
20	996 505 775 00	Desk pad		2	
21	900 378 267 01	Hexagon-head bolt M 8 X 30		4	
22	997 505 475 90	Heat protection Centre	-09	1	
(22)	997 505 475 91	Heat protection Centre	10-	1	
23	997 505 631 90	Support Lateral	/L -09	1	
23	997 505 631 92	Support Lateral	/L 10-	1	
(23)	997 505 631 91	Support	/L -09	1	I004

Model: 997G07 Model life 2007>>2011

Pos	Part Number	Description	Remark	Qty	Model
(23)	997 505 631 93	Lateral Support	/L 10-	1	I004
(23)		Lateral Support	/L 10-	1	I004
(23)	997 505 632 90	Lateral Support	/R -09	1	
(23)	997 505 632 92	Lateral Support	/R 10-	1	
(23)	997 505 632 91	Lateral Support	/R -09	1	I004
(23)	997 505 632 93	Lateral Support	/R 10-	1	I004
24	999 076 078 09	Hexagon nut M 6		6	
25	900 075 459 09	Combination screw M 6 X 12		2	
26	997 505 641 02	Attachment strip Centre	-09	1	
26	997 505 641 03	Attachment strip Centre	10-	1	
27	997 701 113 00	Support		1	I218
	997 701 113 00 01C	Black			
-	997 701 103 00	Assembly kit Support Number plate Rear Comprising: Support Nut Rubber buffer		1	I209
-	997 701 051 13	Assembly kit Support Number plate Rear Comprising: Spacer Washer Screw Nut Lock ring		1	I209
28	999 919 228 A2	Screw Support Number plate 5 X 28		X	
29	999 919 227 A2	Tapping screw Support Number plate 5 X 13		X	
30	997 505 823 90	Air exhaust	/L -09	1	
30	997 505 817 90	Grille	/L 10-	1	
(30)	997 505 824 90	Air exhaust Lateral Lower	/R -09	1	
(30)	997 505 818 90	Grille Lateral Lower	/R 10-	1	
31	997 505 813 90	Frame Air exhaust Lateral Upper	/L -09	1	
(31)	997 505 851 90	Retaining frame	/L 10-	1	
(31)	997 505 814 90	Frame	/R -09	1	

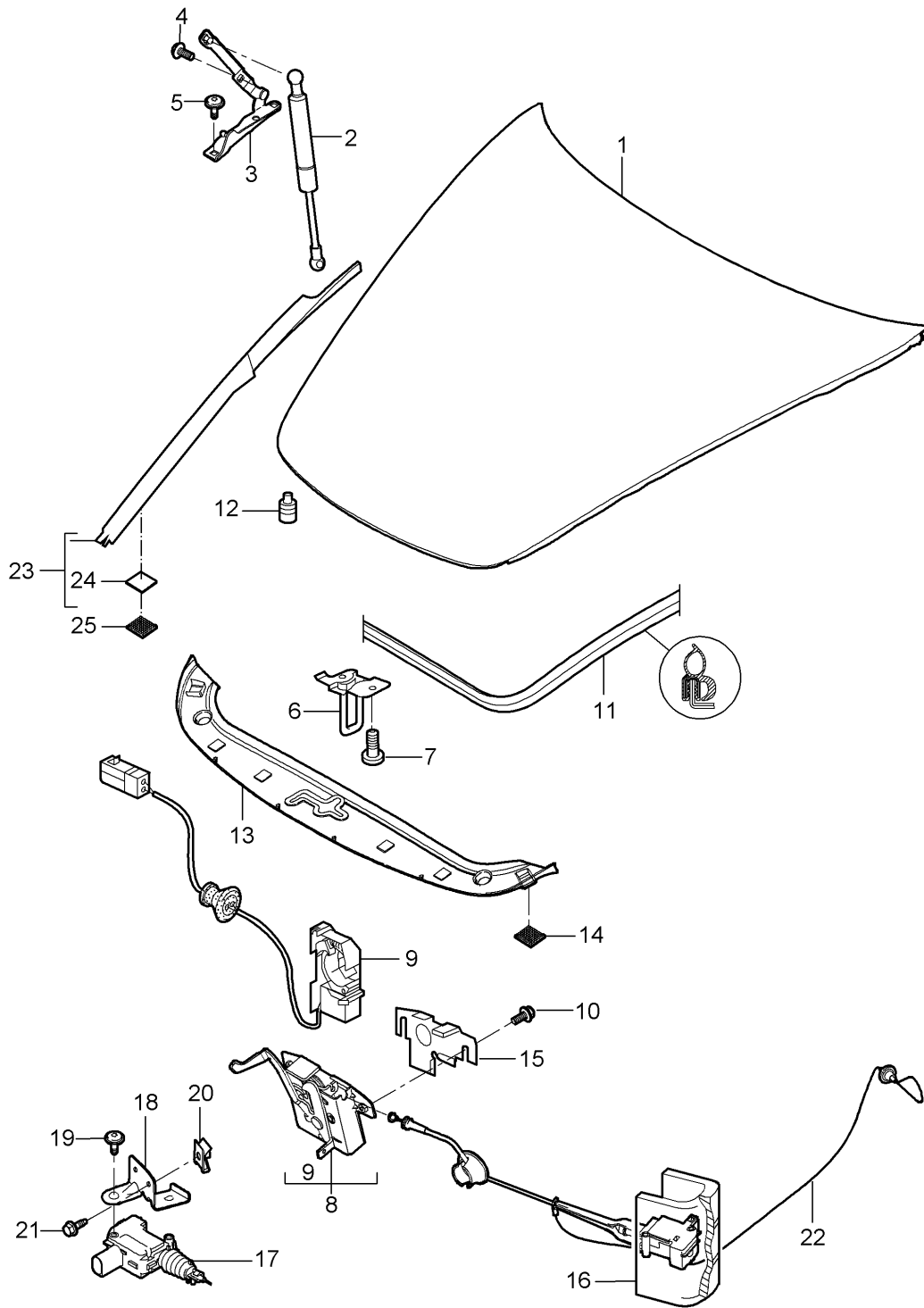
Model: 997G07

Model life 2007>>2011

Pos	Part Number	Description	Remark	Qty	Model
(31)	997 505 852 90	Air exhaust Lateral Upper Retaining frame	/R 10-	1	
-	999 919 268 01	Oval-head screw for Retaining frame	10-	3	
32	000 043 206 04	Air exhaust Adhesive tape Air exhaust Processing instructions Group 63 55 37		1	
33	997 505 835 90	Retaining frame for Grille Air exhaust		1 1 1	
34	997 505 829 90	Upper Grille Air exhaust		1	
35	999 075 056 01	Upper Combination screw M8		1	
36	997 505 639 00	Rear support	-09	1	
(36)	997 505 639 92	Rear support	10-	2	
37	900 075 335 02	Combination screw M6x22		1	
38	999 507 795 09	Speed nut		1	
39	997 505 649 00	Bracket Filler plate	-09	2	
(39)	997 505 649 91	Bracket	10-	2	
40	999 919 264 01	Oval-head screw 3,0X8,0		8	

Model: 997G07

Model life 2007>>2011

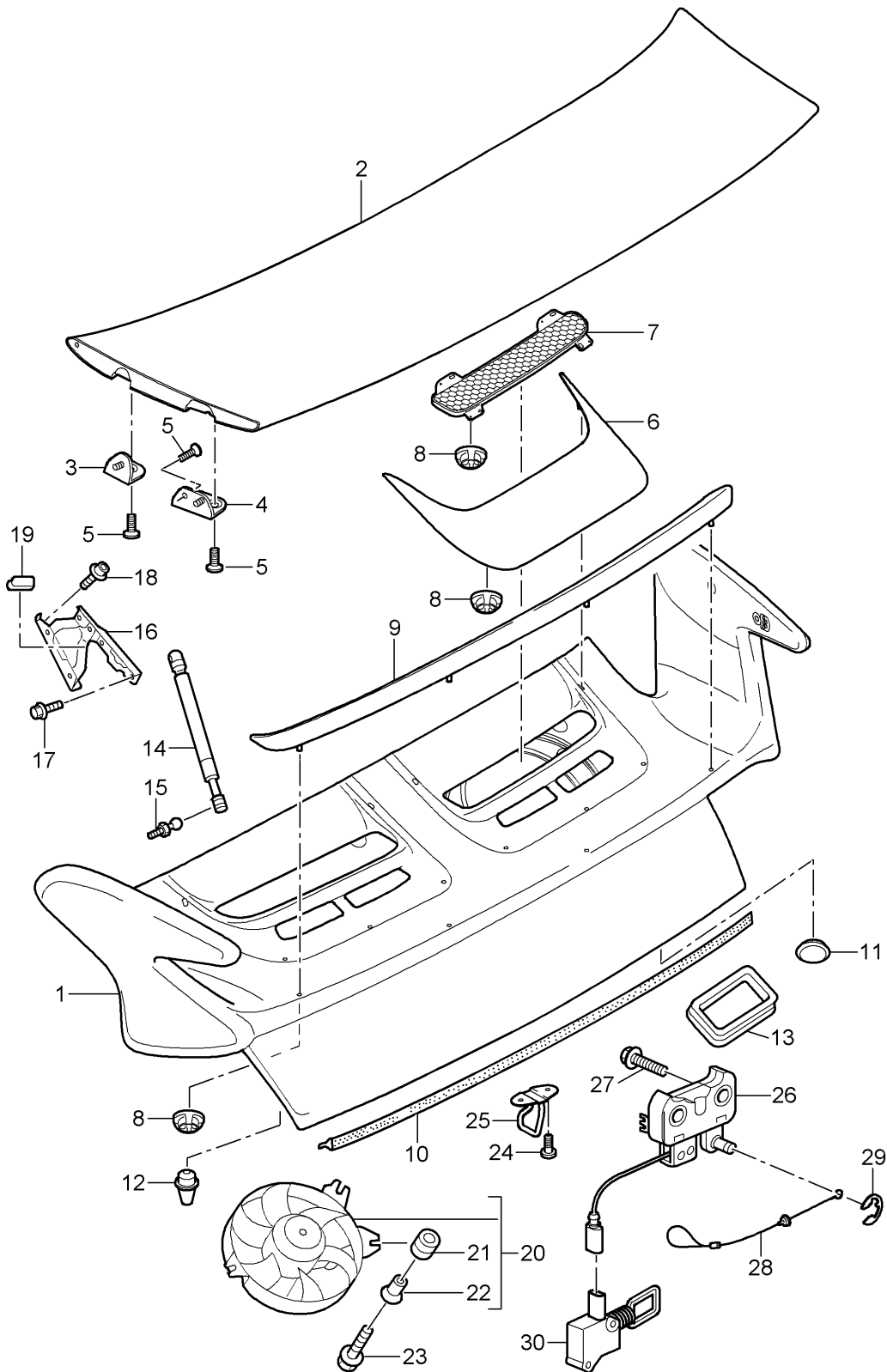


Model: 997G07 Model life 2007>>2011

Pos	Part Number	Description	Remark	Qty	Model
1	997 511 011 00	Lid Front		1	
1	997 511 011 00 GRV	Lid Prime coated		1	
1	997 511 011 A1	Lid Prime coated	11-	1	RS 4,0 I006
2	997 511 551 01	Gas-pressure spring		2	
3	997 511 151 01	Hinge	/L	1	
(3)	997 511 152 01	Hinge	/R	1	
4	999 073 357 09	Oval-head screw M 6 X 12		4	
5	999 073 348 09	Oval-head screw M 6 X 20		4	
6	997 511 051 00	Lock upper part		1	
7	999 073 378 02	Round head screw M 6 X 20		2	
8	997 511 053 00	Lock lower part		1	
9	997 613 206 00	Microswitch		1	
10	900 075 466 09	Combination screw M 6 X 16		2	
11	997 511 611 00	Gasket		1	
12	999 703 140 41	Rubber buffer		2	
13	997 504 811 03	Trim cover		1	
	997 504 811 03 FMT	Satin black			
14	999 902 049 40	Velcro fastener		4	
15	996 511 653 00	Cover		1	
16	997 511 117 00	Actuator		1	
(23)	997 572 465 02	Trim cover	/L	1	
	997 572 465 02 02A	Black			
23	997 572 466 02	Trim cover	/R	1	
	997 572 466 02 02A	Black			
24	999 902 052 40	Velcro fastener Cover 20 X 20		4	
25	999 902 051 40	Velcro fastener Wing 20 X 20		4	

Model: 997G07

Model life 2007>>2011



Model: 997G07 Model life 2007>>2011

Pos	Part Number	Description	Remark	Qty	Model
1	997 512 225 92	Lid Rear		1	-08
(1)	997 512 225 96	Lid Prime coated		1	09-
2	997 512 265 92	Spoiler		1	-08
(2)	997 512 265 A2	Spoiler Prime coated		1	09-
3	997 512 633 01	Fastening angle Front		2	
4	997 512 635 90	Fastening angle Rear	/L	1	
(4)	997 512 635 90 GRV 997 512 636 90	Prime coated Fastening angle Rear	/R	1	
5	997 512 636 90 GRV 900 249 073 01	Prime coated Countersunk-head screw Fastening angle		10	
(6)	997 512 435 92	M6 X 20 Air guide	/L	1	
6	997 512 436 92	Prime coated Air guide	/R	1	
(7)	997 512 625 90	Prime coated Grille	/L	1	
7	997 512 626 90	Grille	/R	1	
8	999 076 082 40	Cap		22	
9	997 512 365 90	T5/16 X 7,0 Spoiler		1	-08
(9)	997 512 365 91	Spoiler		1	09-
10	997 512 611 01	Gasket		1	
12	996 512 987 00	Adjusting screw		2	
13	997 512 443 90	Lid Closing element Inner part		1	
-	996 110 143 70	Air cleaner system Gasket		1	
14	996 512 551 03	Air cleaner		1	
15	999 167 051 02	Gas-pressure spring		1	
15	999 167 051 03	Ball pin		1	
16	997 512 151 02	Ball pin		1	
(16)	997 512 152 01	Hinge	/L	1	
17	900 378 214 01	Hinge	/R	1	
18	900 075 466 09	Hexagon-head bolt M 6 X 18		4	
19	997 512 153 00	Combination screw M 6 X 16		6	
20	997 624 056 01	Stop Hinge		2	
21	999 703 451 40	Blower Engine compartment		1	
22	999 209 049 02	Rubber sleeve 9,0 X 14,0 X 1,5		3	
23	999 073 417 01	Spacer sleeve 7,0 X 1,0 X 12		3	
24	900 378 214 01	Oval-head screw M6 X 30		4	
25	997 512 213 01	Hexagon-head bolt M6 x 18		2	
26	997 512 053 00	Lock upper part		1	
		Lock lower part		1	

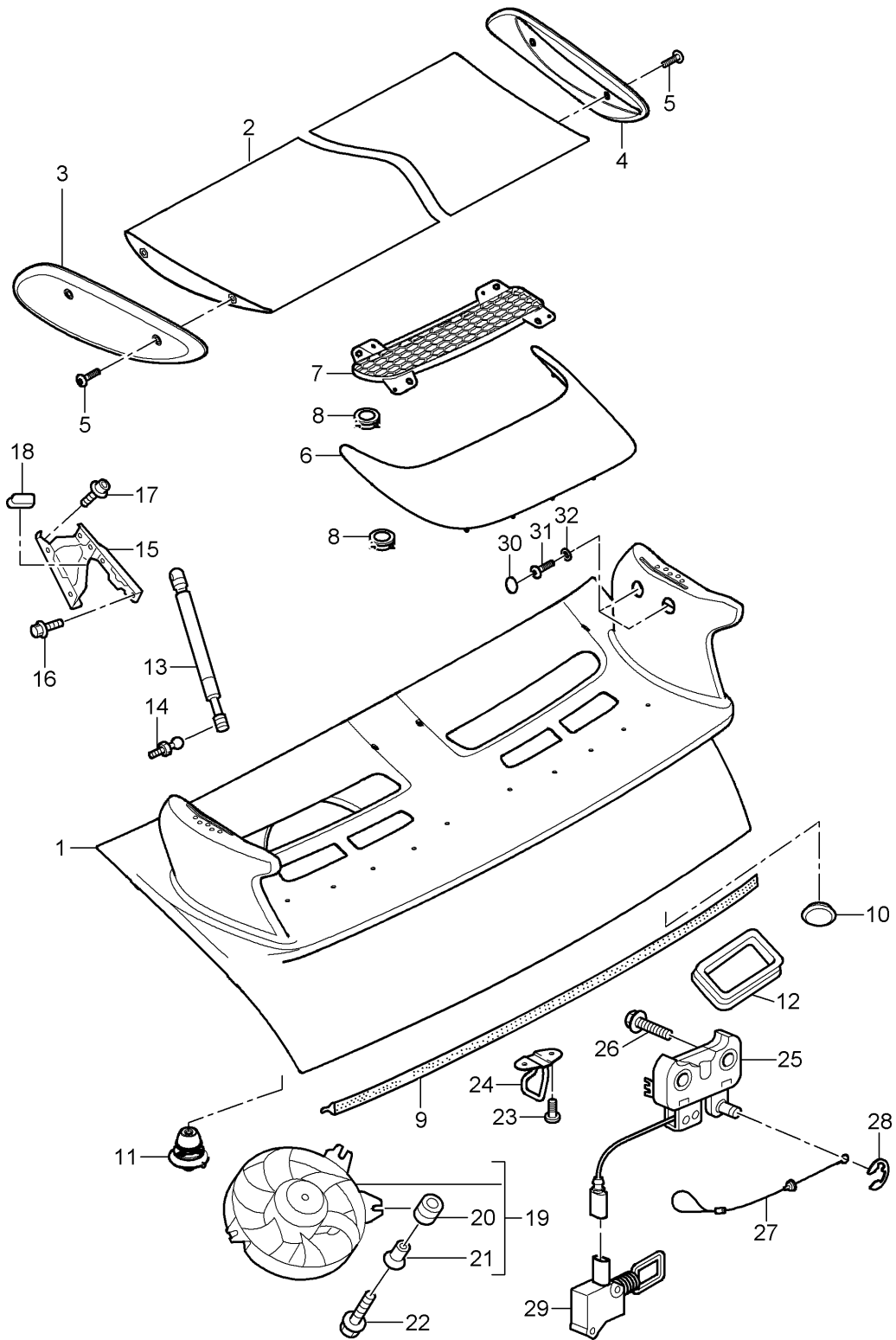
Model: 997G07

Model life 2007>>2011

Pos	Part Number	Description	Remark	Qty	Model
27	N 910 664 01	Combination screw M6 x 40		3	
28	997 512 521 00	Cable Emergency operation		1	
29	900 116 002 02	Lock washer 3,2		1	
30	997 624 118 00	Actuator	-08	1	
(30)	997 624 118 01	Actuator	09-	1	
-	997 612 916 00	Repair kit Wiring harness Actuator	-08	1	

Model: 997G07

Model life 2007>>2011



Model: 997G07 Model life 2007>>2011

Pos	Part Number	Description	Remark	Qty	Model
		Lid Rear			I004
1	997 512 225 94	Lid Prime coated		1	
(1)	997 512 227 A1	Lid Prime coated	10-	1	GT3RS IXAA
(1)	997 512 227 A5	Lid Prime coated	11-	1	RS 4,0 I006
2	997 512 165 92	Spoiler Carbon with Wing plate POSITION 3,4,5, Prime coated		1	
2	997 512 165 93	Spoiler Carbon with Wing plate POSITION 3,4,5, Prime coated		1	I193
(2)	997 512 265 97	Spoiler Carbon	10-	1	GT3RS IXAA
(2)	997 512 265 A3	Spoiler Carbon	11-	1	RS 4,0 I006
3	997 512 463 01	Spoiler Wing plate Prime coated	/L -09	1	
(3)	997 512 463 02	Spoiler	/L 10-	1	GT3RS IXAA
(3)	997 512 463 03	Wing plate Guards red Spoiler	/L 10-	1	GT3RS IXAA
(3)	997 512 463 90	Wing plate White gold metallic Spoiler	/L 11-	1	RS 4,0 I006
(3)	997 512 463 90 M7Z	Wing plate GT Silver Metallic		1	
(3)	997 512 464 01	Spoiler Wing plate Prime coated	/R	1	
(3)	997 512 464 02	Spoiler	/R 10-	1	GT3RS IXAA
(3)	997 512 464 03	Wing plate Guards red Spoiler	/R 10-	1	GT3RS IXAA
(3)	997 512 464 90	Wing plate White gold metallic Spoiler	/R 11-	1	RS 4,0 I006
5	997 512 464 90 M7Z	Wing plate GT Silver Metallic		10	
(6)	999 073 427 01	Round head screw M6 X 25		10	
(6)	997 512 435 92	Air guide Prime coated	/L	1	
6	997 512 436 92	Air guide	/R	1	

Model: 997G07 Model life 2007>>2011

Pos	Part Number	Description	Remark	Qty	Model
(7)	997 512 625 90	Prime coated Grille	/L	1	GT3RS IXAA
7	997 512 626 90	Grille	/R	1	
(7)	997 512 625 91	Grille	10-	1	
8	997 512 625 91 G2X 999 076 082 40	Prime coated Cap T5/16 X 7,0		26	I004
9	997 512 611 01	Gasket		1	
10	999 703 019 40	Lid 25,5 X 37,0		3	
11	996 512 987 00	Adjusting screw Lid		2	
12	997 512 443 90	Closing element Gasket Air cleaner system		1	
(13)	997 512 551 90	Gas-pressure spring		1	
14	999 167 051 03	Ball pin		1	
15	997 512 151 02	Hinge	/L	1	
(15)	997 512 152 01	Hinge	/R	1	
16	900 378 214 01	Hexagon-head bolt M 6 X 18		4	
17	900 075 466 09	Combination screw M 6 X 16		6	
18	997 512 153 00	Stop Hinge		2	
19	997 624 056 01	Blower Engine compartment		1	
20	999 703 451 40	Rubber sleeve 9,0 X 14,0 X 1,5		3	
21	999 209 093 01	Spacer sleeve 7,0 X 1,0 X 12		3	
22	999 073 417 01	Oval-head screw M6 X 30		4	
23	900 378 214 01	Hexagon-head bolt M6 x 18		2	
24	997 512 213 01	Lock upper part		1	
25	997 512 053 00	Lock lower part		1	
26	N 910 664 01	Combination screw M6 x 40		3	
27	997 512 521 00	Cable Emergency operation		1	
28	900 116 002 02	Lock washer 3,2		1	
29	997 624 118 00	Actuator	-08	1	
(29)	997 624 118 01	Actuator	09-	1	
-	997 612 916 00	Repair kit Wiring harness Actuator	-08	1	
30	997 512 444 00	Stopper		4	
31	999 073 430 01	Round head screw m 8 x 18		4	
32	900 336 006 01	Washer		4	
-	997 512 681 90	Support	/L 10-	1	GT3RS IXAA
-	997 512 681 93	Spoiler Support	/L 11-	1	RS 4,0 I006
-	997 512 682 90	Spoiler Support	/R 10-	1	GT3RS IXAA
-	997 512 682 93	Spoiler Support	/R 11-	1	RS 4,0

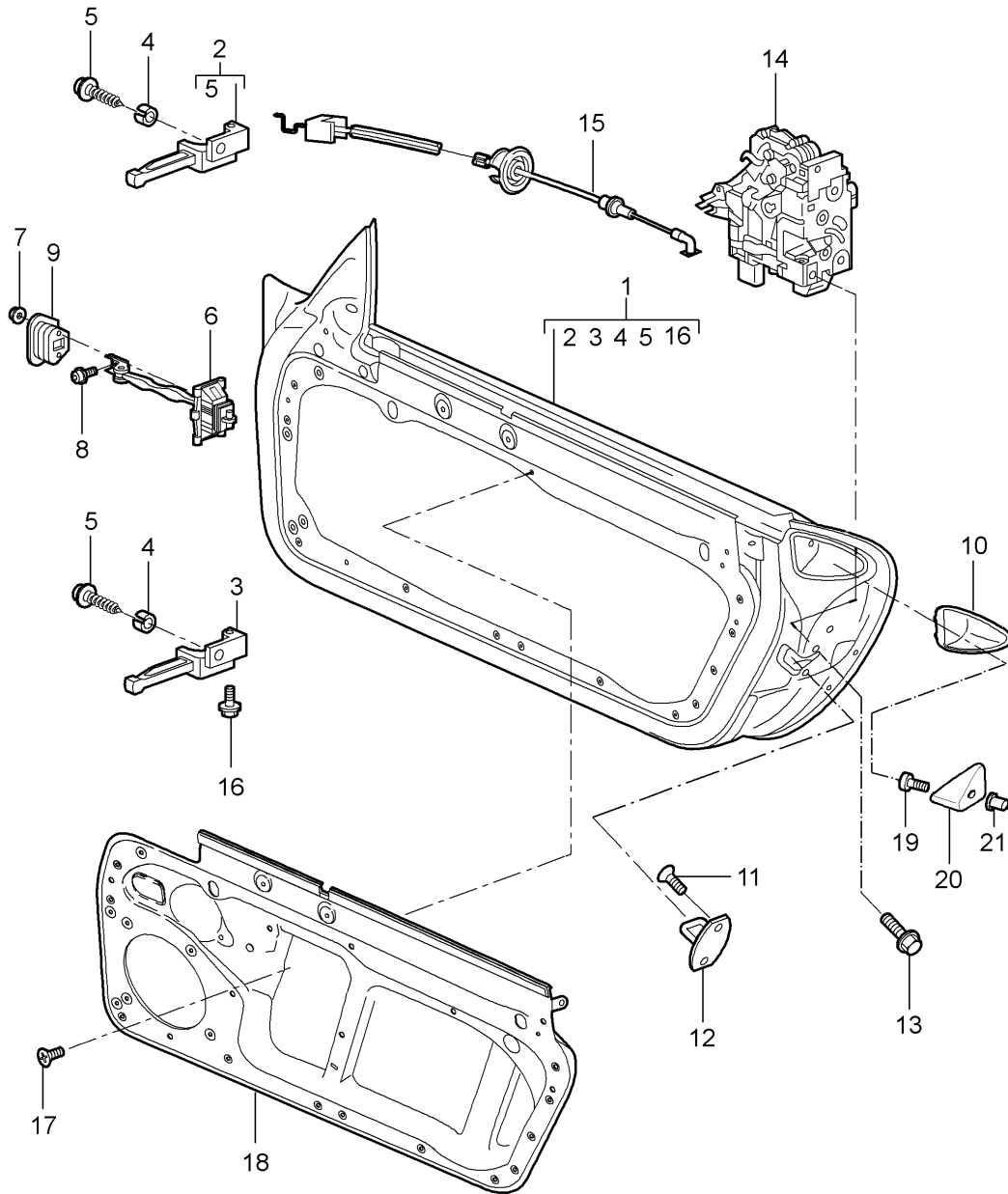
Model: 997G07

Model life 2007>>2011

Pos	Part Number	Description	Remark	Qty	Model
-		Spoiler Support	/R 11-	1	I006 RS 4,0 I006
-	997 512 783 91	Spoiler Spacer	10-	4	GT3RS IXAA
-	999 085 051 01	Nut	10-	4	GT3RS IXAA
-	999 073 509 01	M6 Countersunk-head screw	10-	4	GT3RS IXAA
-	999 073 510 01	M6 X 12 Micro-self-locking Silver Countersunk-head screw	10-	10	GT3RS IXAA
-	997 512 771 01	M6 X 25 Air duct	/L 11-	1	RS 4,0 I006
-	997 512 772 01	Air cleaner Air duct Air cleaner	/R 11-	1	RS 4,0 I006

Model: 997G07

Model life 2007>>2011



Model: 997G07

Model life 2007>>2011

Pos	Part Number	Description	Remark	Qty	Model
		Door in white Installation parts Door lock			
(1)	997 531 011 03	Door in white	/L	1	
	997 531 011 03 GRV	Prime coated			
(1)	997 531 011 05	Door in white	/L	1	I599
	997 531 011 05 GRV	Aluminium			
1	997 531 012 03	Door in white	/R	1	
	997 531 012 03 GRV	Prime coated			
1	997 531 012 05	Door in white	/R	1	I599
	997 531 012 05 GRV	Aluminium			
		Use also:			
-	000 043 204 38	Sealing compound		1	
(2)	997 531 321 01	Hinge	/L	1	
2	997 531 322 01	Hinge	/R	1	
		Upper			
(3)	997 531 319 01	Hinge	/L	1	
3	997 531 320 01	Hinge	/R	1	
		Lower			
4	996 531 831 00	Sleeve		4	
5	999 073 192 01	Pan-head screw		2	
		M 8 X 33			
6	997 537 151 01	Door arrester		2	
6	997 537 151 02	Door arrester		2	
7	999 084 212 03	Hexagon nut		4	
		M 6			
8	999 073 138 01	Round head screw		2	
		M 8 X 25			
9	996 537 751 00	Seal		2	
(10)	997 537 331 00	Support	/L	1	
	997 537 331 00 01C	Satin black			
10	997 537 332 00	Support	/R	1	
	997 537 332 00 01C	Satin black			
11	N 910 174 01	Countersunk-head screw		4	
		M 8 X 22			
12	3C0 837 767 A	Catch bar		2	
13	WHT 000 439	Combination screw		2	
		M 8 X 20			
(14)	3D1 837 015	Door lock	/LL /L	1	I098
14	3D1 837 016	Door lock	/LL /R	1	I098
(14)	3D1 837 015 C	Door lock	/L	1	I072
(14)	3D1 837 016 C	Door lock	/R	1	I072
(14)	3D2 837 015	Door lock	/RL /L	1	I099
(14)	3D2 837 016	Door lock	/RL /R	1	I099
15	997 537 319 01	Bowden cable		2	
		Information available			
-	970 556 525 00	Insulation		2	
16	999 072 043 09	Hexagon-head bolt		2	
		M 6 X 12			
		Micro-self-locking			
17	999 073 333 09	Oval-head screw		8	
		M 6 X 16			
(18)	987 537 201 00	Inner panel	/L	1	
18	987 537 202 00	Inner panel	/R	1	
18	987 537 201 01	Inner panel	/L	1	
18	987 537 202 01	Inner panel	/R	1	
19	900 119 072 00	Pan-head screw		2	
		M8 X 16			
(20)	997 537 333 01	Support	/L	1	
		Side section			
20	997 537 334 01	Support	/R	1	
		Side section			
		Prime coated			

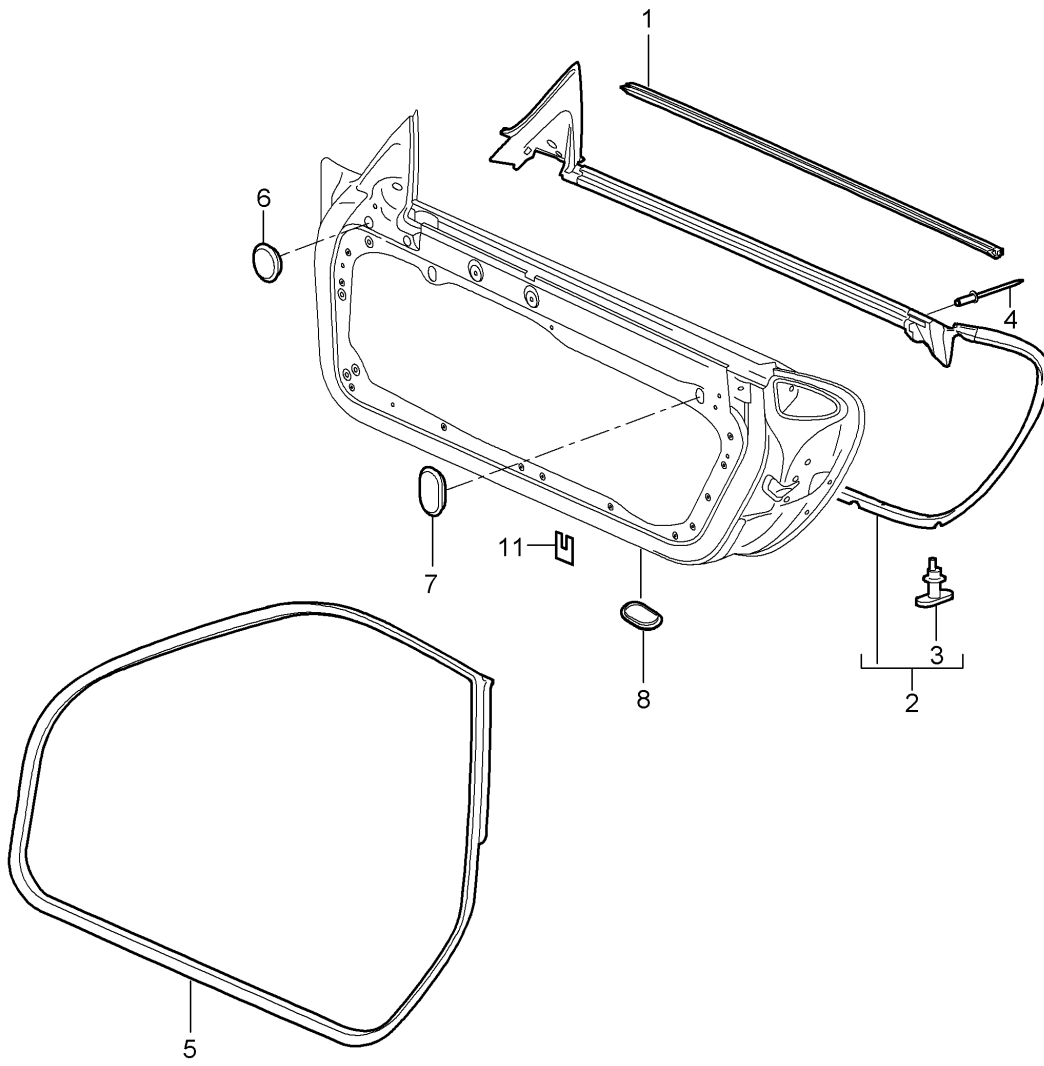
Model: 997G07

Model life 2007>>2011

Pos	Part Number	Description	Remark	Qty	Model
21	999 500 121 02	Blind rivet nut M8 / 0,8 - 3		2	
-	999 551 172 40	Lining strap 25 x 1,3 x 730 for Inner panel		2	

Model: 997G07

Model life 2007>>2011

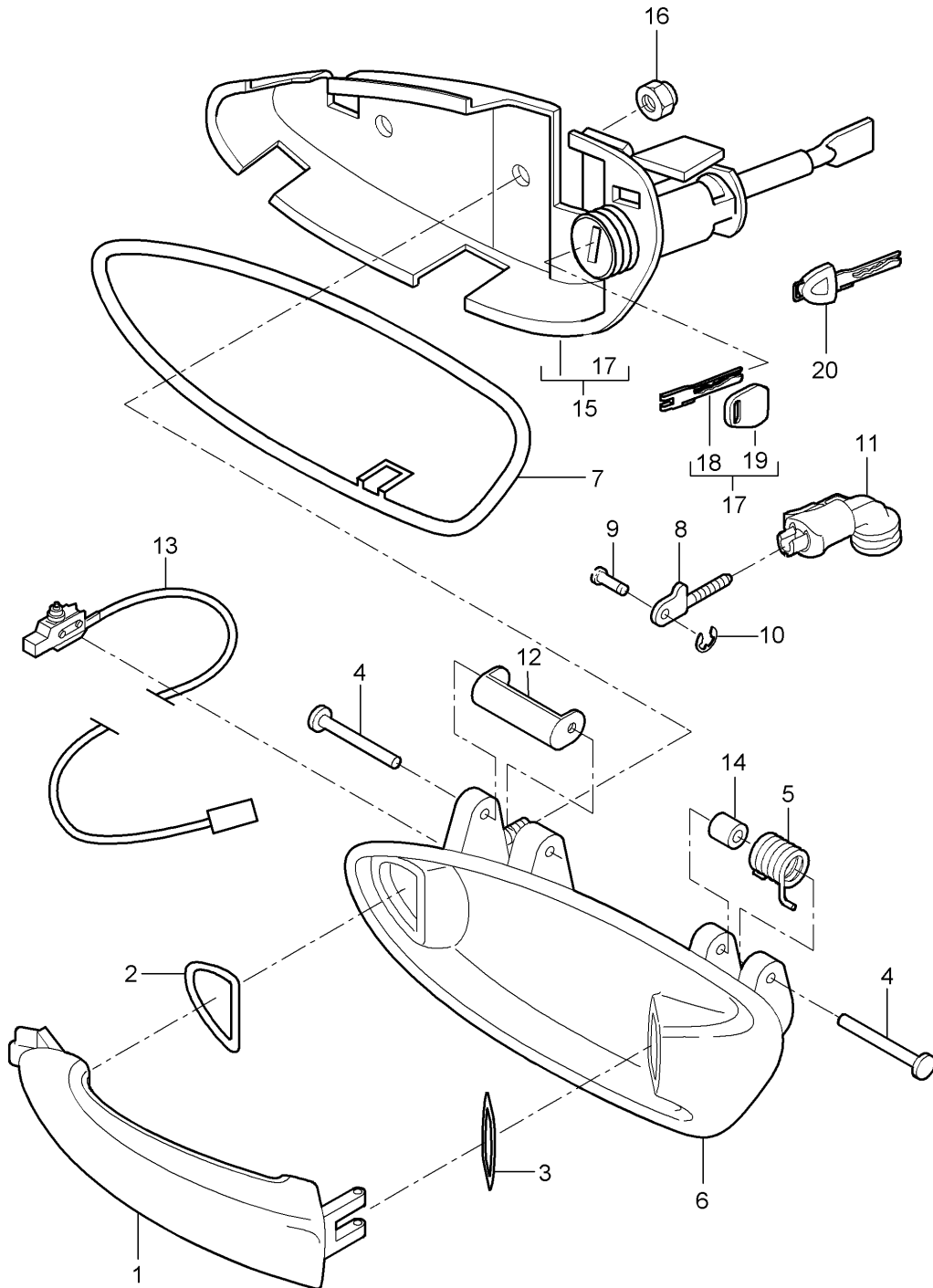


Model: 997G07 Model life 2007>>2011

Pos	Part Number	Description	Remark	Qty	Model
		Door seal			
		Gasket			
		Windscreen			
(1)	997 537 085 03	Gasket	/L	1	
1	997 537 086 03	Gasket	/R	1	
		Outer			
(2)	997 537 531 05	Gasket	/L	1	
(2)	997 537 531 08	Gasket	/L	1	
2	997 537 532 05	Gasket	/R	1	
2	997 537 532 08	Gasket	/R	1	
		Inner			
3	999 507 304 40	Clip		X	
		5,0 X 4,9			
(5)	997 537 075 05	Gasket	/L	1	
5	997 537 076 05	Gasket	/R	1	
6	803 803 583 A	Stopper		2	
		20,0 X 30,0			
6	999 703 196 40	Lid		2	
		20,0 X 30,0			
7	999 703 541 40	Lid		4	
		20 X 28 X 1			
8	999 703 542 40	Lid		8	
		23,8 X 38,7			
11	996 537 337 00	Protective film		4	

Model: 997G07

Model life 2007>>2011



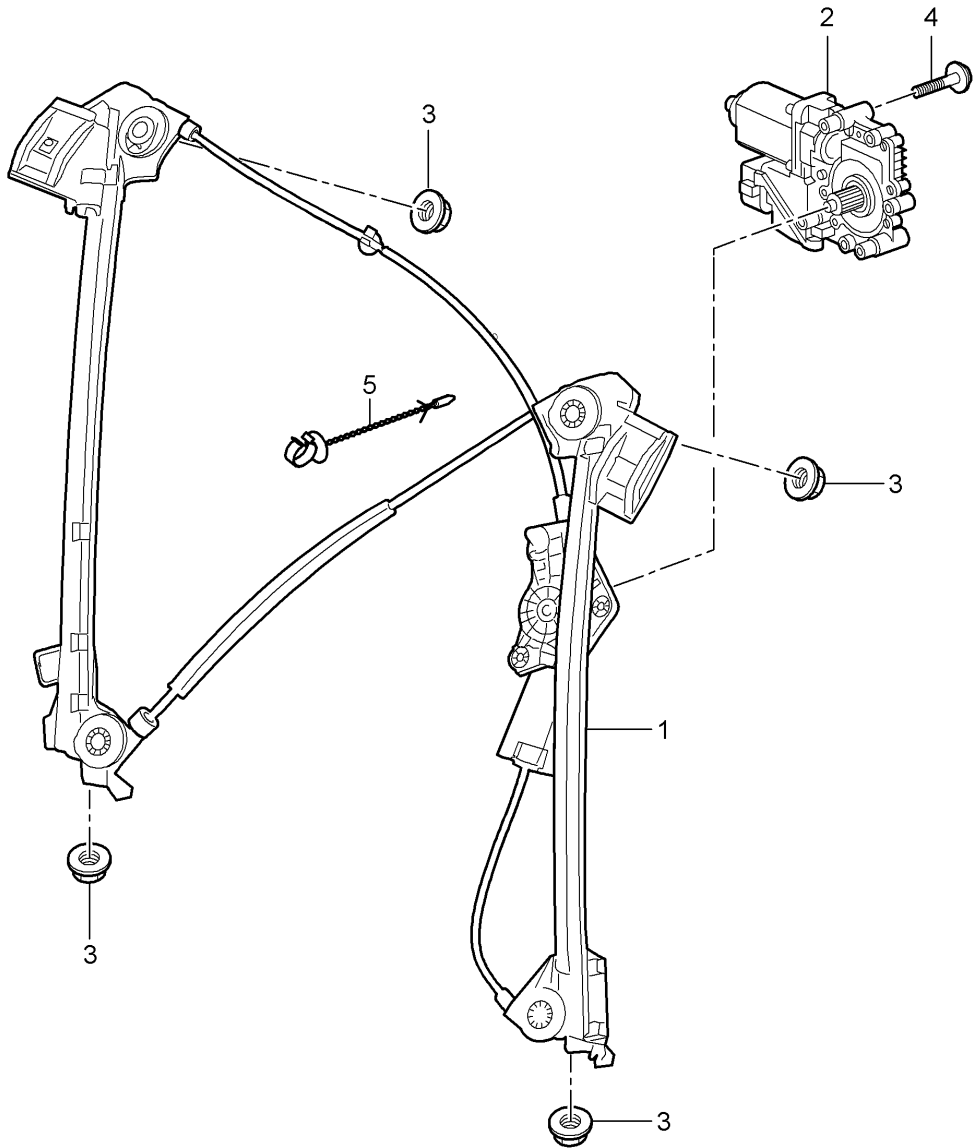
Model: 997G07

Model life 2007>>2011

Pos	Part Number	Description	Remark	Qty	Model
1	997 537 613 01	Door handle			
(1)	997 537 614 01	Outer door handle Prime coated	/L /R	1 1	
2	997 537 623 00	Buffer		2	
3	997 537 625 00	Buffer		2	
4	997 537 621 00	Axle		2	
5	997 537 611 00	Return spring	/L	1	
(5)	997 537 612 00	Return spring	/R	1	
(6)	997 537 645 02	Handle liner	/LL /L	1	I098
(6)	997 537 646 02	Handle liner	/RL /R	1	I099
(6)	997 537 645 03	Handle liner	/RL /L	1	I099
(6)	997 537 646 03	Handle liner Prime coated	/LL /R	1	I098
7	997 537 637 00	Desk pad	/L	1	
(7)	997 537 638 00	Desk pad	/R	1	
8	997 537 627 00	Operating rod		2	
9	997 537 629 00	Bolt		2	
10	996 537 641 00	Lock washer		2	
11	997 537 445 03	Connecting piece		2	
12	997 537 653 00	Actuating lever	/L	1	
(12)	997 537 654 00	Actuating lever	/R	1	
13	997 613 125 00	Microswitch		2	
13	997 613 125 02	Microswitch		2	
		Power windows			
14	997 537 633 00	Bush		2	
15	997 538 963 00	Support	/LL /L	1	I098
		with lock cylinder			
(15)	997 538 964 00	Support	/RL /R	1	I099
		with lock cylinder			
		with stipulated lock number			
(15)	997 538 963 01	Support	/LL /L	1	I098
(15)	997 538 964 01	Support	/RL /R	1	I099
		with lock cylinder			
		W/o stipulated lock number			
(15)	997 537 463 01	Support	/RL /L	1	I099
(15)	997 537 464 01	Support	/LL /R	1	I098
		without lock cylinder			
16	900 380 015 09	Hexagon nut M 6		2	
17	997 538 931 00	Replacement key with stipulated lock number		X	
		State lock number			
18	997 538 531 00	Blank key		X	
19	944 538 431 00	Key cap		X	

Model: 997G07

Model life 2007>>2011



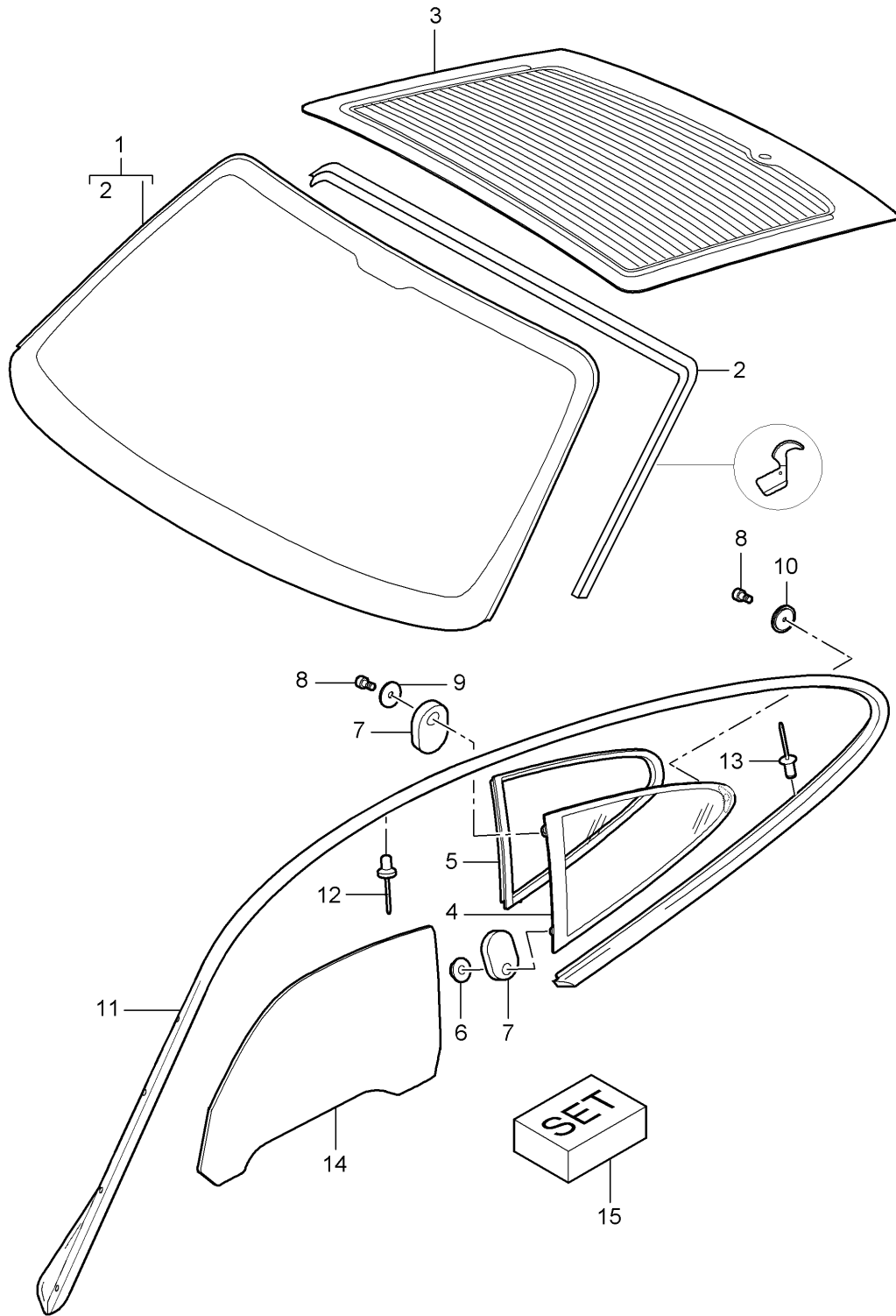
Model: 997G07

Model life 2007>>2011

Pos	Part Number	Description	Remark	Qty	Model
1	997 542 075 02	Power windows Power windows Information available	/L	1	
(1)	997 542 076 02	Power windows	/R	1	
2	997 624 181 03	Electric motor	/LL /L	1	I098
(2)	997 624 182 03	Electric motor	/LL /R	1	I098
(2)	997 624 181 03	Electric motor	/RL /R	1	I099
(2)	997 624 182 03	Electric motor	/RL /L	1	I099
3	900 380 015 09	Hexagon nut M6		4	
4	999 919 209 09	Oval-head screw M 5 X 22		3	
5	987 542 941 00	Clip Bowden cable Power windows		1	

Model: 997G07

Model life 2007>>2011



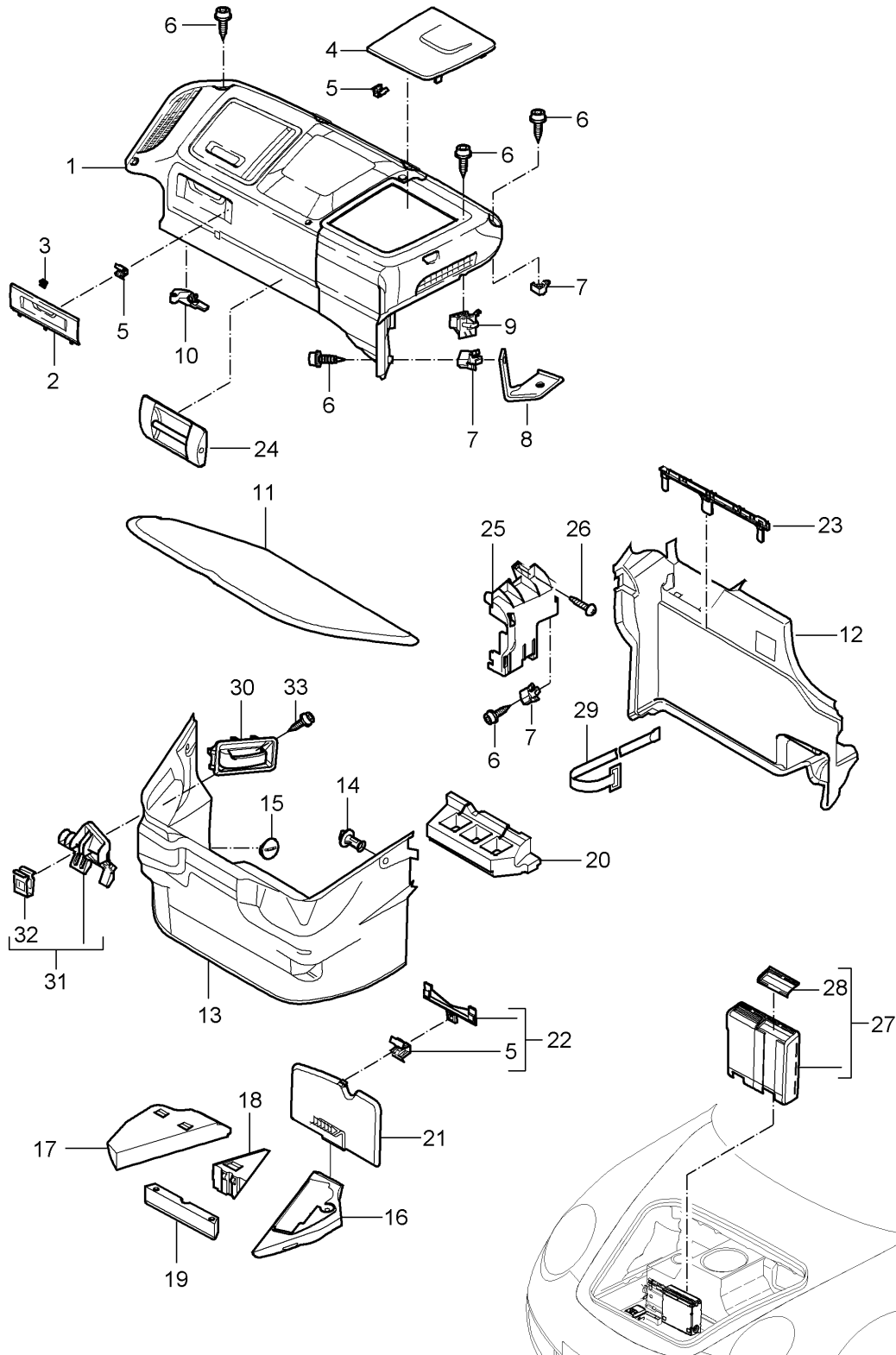
Model: 997G07

Model life 2007>>2011

Pos	Part Number	Description	Remark	Qty	Model
1	997 541 911 00	window glazing Windscreen Tinted Use also: 000.043.305.35 Information available		1	I440/568
(1)	997 541 911 01	Windscreen Use also: 000.043.305.35 Tinted Information available		1	I440/567
2	997 541 901 09	Gasket		1	
3	997 545 911 00	Rear window Use also: 000.043.305.35		1	I426
-	997 545 901 00	Gasket Rear window		1	
(3)	997 545 111 91	Rear window Use also: 000.043.305.35		1	I004
4	997 543 111 00	Rear window	/L	1	
(4)	997 543 111 80	Rear window Plastic material	/L	1	I006
(4)	997 543 112 00	Rear window	/R	1	
(4)	997 543 112 80	Rear window Plastic material	/R	1	I006
5	996 543 325 00	Sealing frame	/L	1	
(5)	996 543 326 00	Sealing frame Rear window	/R	1	
6	999 084 210 02	Hexagon nut M 8		1	
7	996 543 611 02	Gasket		2	
8	999 218 011 02	Pan-head screw M 6 X 12		2	
9	999 025 270 02	Washer 6,4 X 30 X 1,5		1	
10	996 543 625 00	Sealing washer		1	
11	997 537 481 00	Roof frame seal	/L	1	
(11)	997 537 482 00	Roof frame seal	/R	1	
12	999 190 445 37	Blind rivet 4,0 X 7,9		13	
13	999 190 450 37	Blind rivet 4,0 X 6,3		7	
14	997 542 511 00	Door window glass	/L	1	
(14)	997 542 512 00	Door window glass	/R	1	
15	000 043 305 35	Adhesive set		1	
-	000 043 206 47	Car care set Side window See technical manual		X	

Model: 997G07

Model life 2007>>2011



Model: 997G07 Model life 2007>>2011

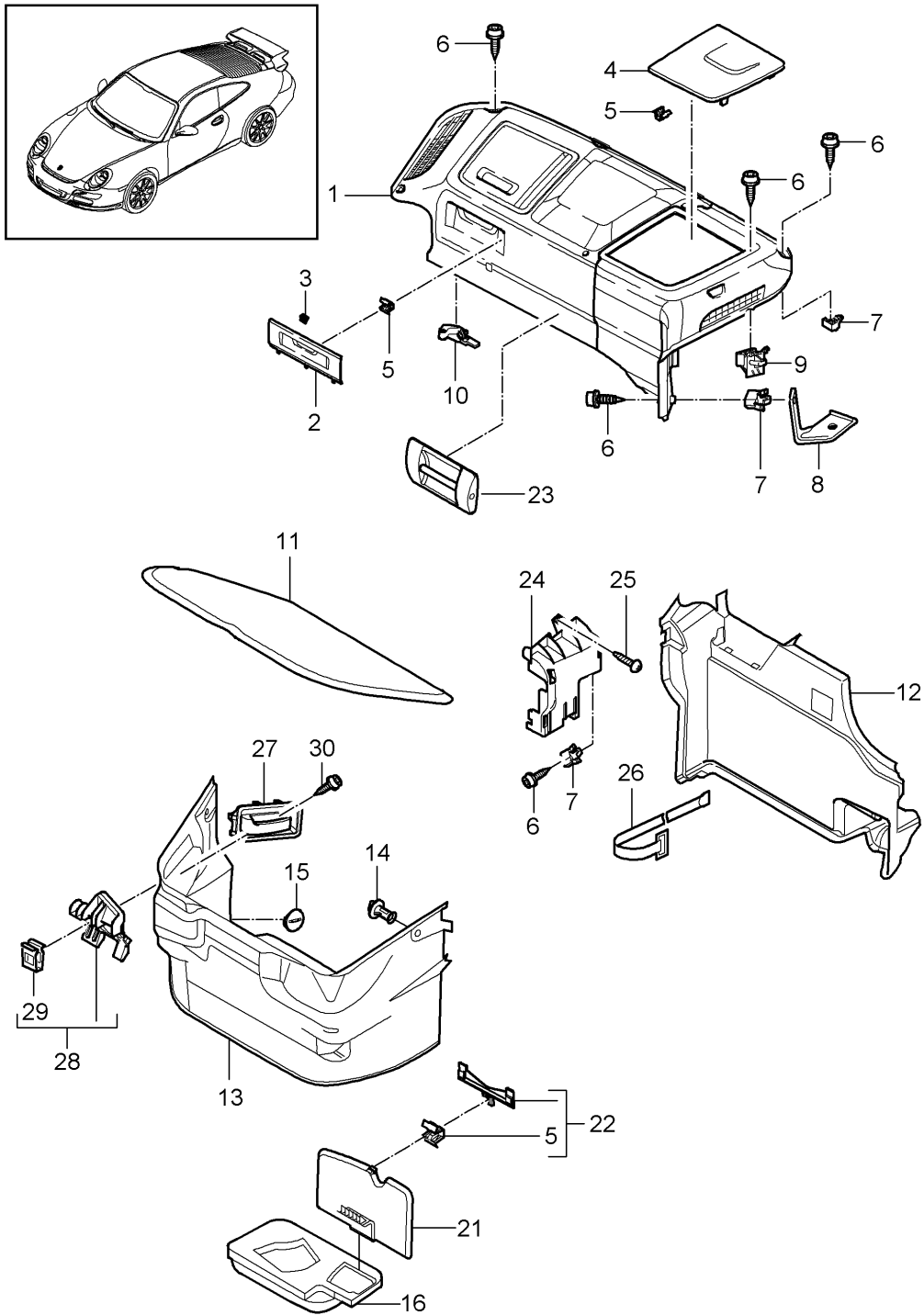
Pos	Part Number	Description	Remark	Qty	Model
		Luggage compartment	-09		
1	997 551 630 00	Front			
		Lining	/LL	1	I098
	997 551 630 00 FMU	Luggage compartment			
1	997 551 630 01	Black/black			
		Lining	/RL	1	I099
	997 551 630 01 FMU	Luggage compartment			
2	997 551 304 00	Black/black			
		Lid	/LL	1	I098
		Lining			
		Lower			
	997 551 304 00 02A	Black			
3	997 551 817 00	Support	/LL	2	I098
		Hinge			
4	997 551 309 00	Lid	/LL	1	I098
		Brake booster			
	997 551 309 00 02A	Black			
(4)	997 551 310 00	Lid	/RL	1	I099
		Brake booster			
	997 551 310 00 02A	Black			
5	999 507 552 01	Spring clamp		X	
		9 X 13/3,0			
6	999 073 048 02	Tapping screw		X	
		ST 3,5 X 13			
7	999 507 734 40	Support		X	
		ST 3,5			
8	997 551 771 02	Support		1	
		Lining			
		Luggage compartment			
9	999 507 512 40	Support		X	
		ST 3,5			
10	997 551 772 02	Support		1	
		Lining			
11	997 551 351 00	Cover	-08	1	
		Tool			
		Carpet			
	997 551 351 00 A31	Black			
(11)	997 551 351 06	Cover	/RL -08	1	I099/670/672
		Tool			
		Carpet			
	997 551 351 06 A31	Black			
(11)	997 551 351 00	Cover	09-	1	
		Tool			
		Carpet			
	997 551 351 00 A31	Black			
12	997 551 051 29	Lining	/LL	1	I098/441
		Bulkhead			
		Carpet			
	997 551 051 29 A31	Black			
(12)	997 551 051 20	Lining	/LL -08	1	I098/490
		Bulkhead			
		Carpet			
	997 551 051 20 A31	Black			
(12)	997 551 051 21	Lining	/LL -08	1	I098/490/670 I672
		Bulkhead			
		Carpet			
	997 551 051 21 A31	Black			
(12)	997 551 051 23	Lining	/RL -08	1	I099/670/672
		Bulkhead			
		Carpet			
	997 551 051 23 A31	Black			
(13)	997 551 045 90	Lining		1	

Model: 997G07 Model life 2007>>2011

Pos	Part Number	Description	Remark	Qty	Model
		Luggage compartment liner			
		Carpet			
14	997 551 045 90 A31	Black			
	999 049 006 40	Plastic nut		2	
		T5 / 30 X 7,5			
15	997 551 807 00	Cap nut		1	
(15)	999 703 455 41	Lid		1	I490
(16)	997 551 121 90	Foam part		1	
		Tool			
17	997 551 408 00	Foam part	/LL /R	1	I098
		Luggage compartment liner			
(17)	997 551 407 00	Foam part	/RL /L	1	I099
		Luggage compartment liner			
18	997 551 405 00	Foam part		1	
		Compressor			
		Rear			
19	997 551 403 00	Foam part		1	
		Compressor			
		Front			
20	997 551 412 01	Foam part	-09	1	
		Bulkhead			
21	997 551 501 00	Cover	/LL	1	I098
		Bottle of tyre sealant			
	997 551 501 00 A31	Black			
(21)	997 551 502 00	Cover	/RL	1	I099
		Bottle of tyre sealant			
	997 551 502 00 A31	Black			
22	997 551 415 00	Adapter		1	
		Bottle of tyre sealant			
24	997 551 805 01	Eye		1	
		Luggage compartment			
		Front			
	997 551 805 01 02A	Black			
25	997 551 736 01	Cover		1	
		Control unit			
26	999 073 061 02	Tapping screw		X	
		ST 4,8 X 16			
(27)	997 551 105 00	Lining	/RL	1	I099/670/672
		DVD			
	997 551 105 00 02A	Black			
(28)	997 551 811 00	Lid	/RL	1	I099/670/672
		Lining			
		DVD			
	997 551 811 00 02A	Black			
29	997 551 741 00	Retaining strap		1	I024
(29)		Retaining strap		1	I499
		First-aid kit			
34	997 556 623 00	Plastic foam strip		2	I670/672
		Information available			I670/672

Model: 997G07

Model life 2007>>2011



Model: 997G07

Model life 2007>>2011

Pos	Part Number	Description	Remark	Qty	Model
1	997 551 630 00	Luggage compartment Front Lining	10- /LL	1	I098
(1)	997 551 630 00 FMU 997 551 630 01	Luggage compartment Black/black Lining	/RL	1	I099
2	997 551 630 01 FMU 997 551 304 00	Luggage compartment Black/black Lid	/LL	1	I098
3	997 551 304 00 02A 997 551 817 00	Lining Lower Black Support	/LL	2	I098
4	997 551 309 00	Hinge Lid	/LL	1	I098
(4)	997 551 309 00 02A 997 551 310 00	Brake booster Black Lid	/RL	1	I099
5	997 551 310 00 02A 999 507 552 01	Brake booster Black Spring clamp		X	
6	999 073 048 02	9 X 13/3,0 Tapping screw		X	
7	999 507 734 40	ST 3,5 X 13 Support		X	
8	997 551 771 02	ST 3,5 Support		1	
9	999 507 512 40	Lining Luggage compartment Support		X	
10	997 551 772 02	ST 3,5 Support		1	
11	997 551 351 00	Lining Cover Tool		1	
(12)	997 551 351 00 A31 997 551 051 31	Carpet Black Lining Bulkhead	/LL	1	I098/430
(12)	997 551 051 31 A31 997 551 051 32	Carpet Black Lining Bulkhead	/RL	1	I099/430
13	997 551 051 32 A31 997 551 045 90	Carpet Black Lining Luggage compartment liner		1	
14	997 551 045 90 A31 999 049 006 40	Carpet Black Plastic nut		2	
(15)	999 703 455 41	T5 / 30 X 7,5 Lid		1	
(16)	997 551 121 90	Foam part Tool		1	
21	997 551 501 00	Cover	/LL	1	I098
(21)	997 551 501 00 A31 997 551 501 00	Bottle of tyre sealant Black Cover	/RL	1	I099/430
(21)	997 551 501 00 A31 997 551 502 00	Bottle of tyre sealant Black Cover	/LL	1	I098/430
	997 551 502 00 A31	Bottle of tyre sealant Black			

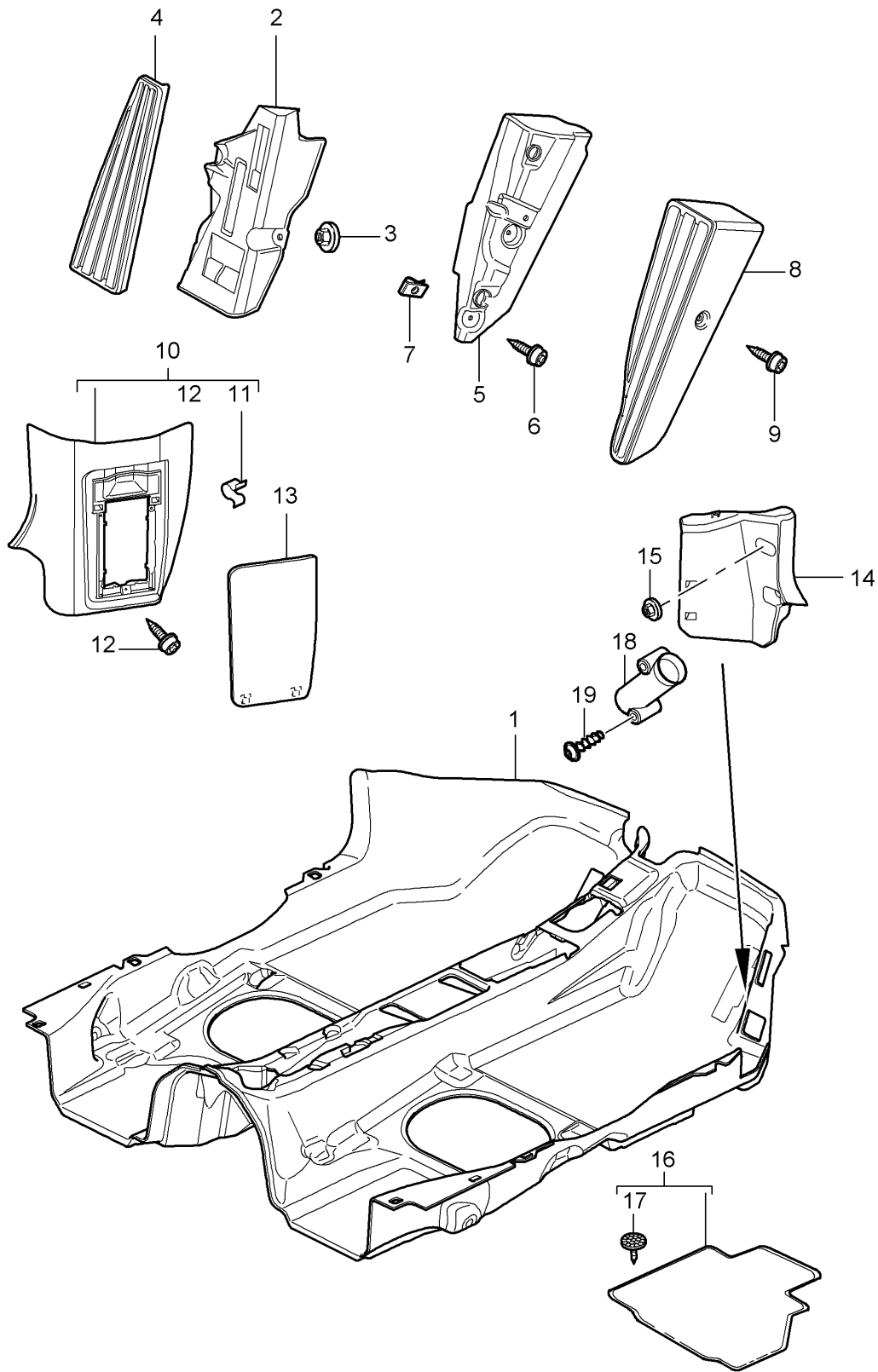
Model: 997G07

Model life 2007>>2011

Pos	Part Number	Description	Remark	Qty	Model
(21)	997 551 502 00	Cover Bottle of tyre sealant	/RL	1	I099
	997 551 502 00 A31	Black			
22	997 551 415 00	Adapter Bottle of tyre sealant		1	
(22)		Adapter Bottle of tyre sealant		1	I430
23	997 551 805 01	Eye Luggage compartment Front		1	
	997 551 805 01 02A	Black			
24	997 551 736 01	Cover Control unit		1	
25	999 073 061 02	Tapping screw ST 4,8 X 16		X	
26	997 551 741 00	Retaining strap First-aid kit		1	I024
26		Retaining strap First-aid kit		1	I499

Model: 997G07

Model life 2007>>2011



Model: 997G07 Model life 2007>>2011

Pos	Part Number	Description	Remark	Qty	Model
1	997 551 011 08	Carpet Linings Carpet	/LL -09	1	I098
1	997 551 011 08 FMD 997 551 011 08	Dark grey/natural Carpet	/LL -09	1	I098
1	997 551 011 08 FLW 997 551 011 18	Carpet Until Chassis number See technical information GR.7 NR. 17/11 KD-NR. 70 Black Carpet	/LL -09	1	I098
(1)	997 551 011 18 FLW 997 551 011 08	Carpet	/LL 10-	1	I098/703
(1)	997 551 011 08 FMD 997 551 011 08	Dark grey/natural Carpet	/LL 10-	1	I098/703
(1)	997 551 011 18 FLW 997 551 011 18	Carpet Until Chassis number See technical information GR.7 NR. 17/11 KD-NR. 70 Black Carpet	/LL 10-	1	I098/703
(1)	997 551 011 18 FLW 997 551 011 09	Carpet	/RL -09	1	I099
(1)	997 551 011 09 FMD 997 551 011 09	Dark grey/natural Carpet	/RL -09	1	I099
(1)	997 551 011 09 FLW 997 551 011 19	Carpet Until Chassis number See technical information GR.7 NR. 17/11 KD-NR. 70 Black Carpet	/RL -09	1	I099
(1)	997 551 011 19 FLW 997 551 011 09	Carpet	/RL 10-	1	I099/703
(1)	997 551 011 09 FMD 997 551 011 09	Dark grey/natural Carpet	/RL 10-	1	I099/703

Model: 997G07 Model life 2007>>2011

Pos	Part Number	Description	Remark	Qty	Model
		Carpet Until Chassis number See technical information GR.7 NR. 17/11 KD-NR. 70			
(1)	997 551 011 09 FLW 997 551 011 19	Black Carpet Carpet From Chassis number See technical information GR.7 NR. 17/11 KD-NR. 70	/RL 10-	1	I099/703
(1)	997 551 011 19 FLW 997 551 011 90	Black Carpet Carpet	/LL	1	I003/098
(1)	997 551 011 90 FMD 997 551 011 90	Dark grey/natural Carpet Carpet Until Chassis number See technical information GR.7 NR. 17/11 KD-NR. 70	/LL	1	I003/098
(1)	997 551 011 90 FLW 997 551 011 92	Black Carpet Carpet From Chassis number See technical information GR.7 NR. 17/11 KD-NR. 70	/LL	1	I003/098
(1)	997 551 011 92 FLW 997 551 011 91	Black Carpet Carpet	/RL	1	I003/099
(1)	997 551 011 91 FLW 997 551 011 91 FMD 997 551 011 91	Black Dark grey/natural Carpet Carpet Until Chassis number See technical information GR.7 NR. 17/11 KD-NR. 70	/RL	1	I003/099
(1)	997 551 011 91 FLW 997 551 011 93	Black Carpet Carpet From Chassis number See technical information GR.7 NR. 17/11 KD-NR. 70	/RL	1	I003/099
-	997 551 011 93 FLW 997 551 813 00	Black Protective film Carpet	/LL -07	1	I098
-	997 551 813 01	Protective film Carpet	/LL 08-	1	I098
-	997 551 815 00	Protective film Carpet	/RL	1	I099
2	997 551 211 01	Foot support	/LL	1	I098
3	999 076 081 40	Plastic nut T5/16 X 11,2	/LL	2	I098

Model: 997G07 Model life 2007>>2011

Pos	Part Number	Description	Remark	Qty	Model
4	997 551 611 00	for Mount Foot support Cover	/LL	1	I098
(4)	997 551 611 00 01C 997 551 986 00	Satin black Cover	/LL	1	IXXZ/098
5	997 551 212 00	Foot support	/RL	1	I099
6	999 073 060 02	Tapping screw ST 4,8 X 13	/RL	2	I099
7	999 591 485 01	for Mount Foot support Speed nut ST 4,8	/RL	2	I099
8	997 551 612 00	for Mount Foot support Cover	/RL	1	I099
9	997 551 612 00 01C 999 919 188 09	Satin black Oval-head screw 5,0 X 30	/RL	1	I099
10	997 551 101 00	for Mount Cover Foot support Lining Fusebox Carpet	/LL	1	I098
(10)	997 551 101 00 A10 997 551 101 00 D11 997 551 102 00	Black Dark grey/natural Lining Fusebox Carpet	/RL	1	I099
11	997 551 102 00 A10 997 551 102 00 D11 999 507 552 01	Black Dark grey/natural Spring clamp 9,0 X 13/4,0		2	
12	999 919 161 09	Oval-head screw 5,0 X 18		3	
13	997 551 621 00	for Mount Lining Fusebox Lid	/LL	1	I098
(13)	997 551 621 00 01C 997 551 622 00	Satin black Lid	/RL	1	I099
(14)	997 551 622 00 01C 997 551 712 02	Lining Fusebox Satin black Support	/LL	1	I098
(14)	997 551 711 02	Carpet Support	/RL	1	I099
15	999 076 081 40	Carpet Plastic nut T5/16 X 11,2 Mount Support Carpet		2	

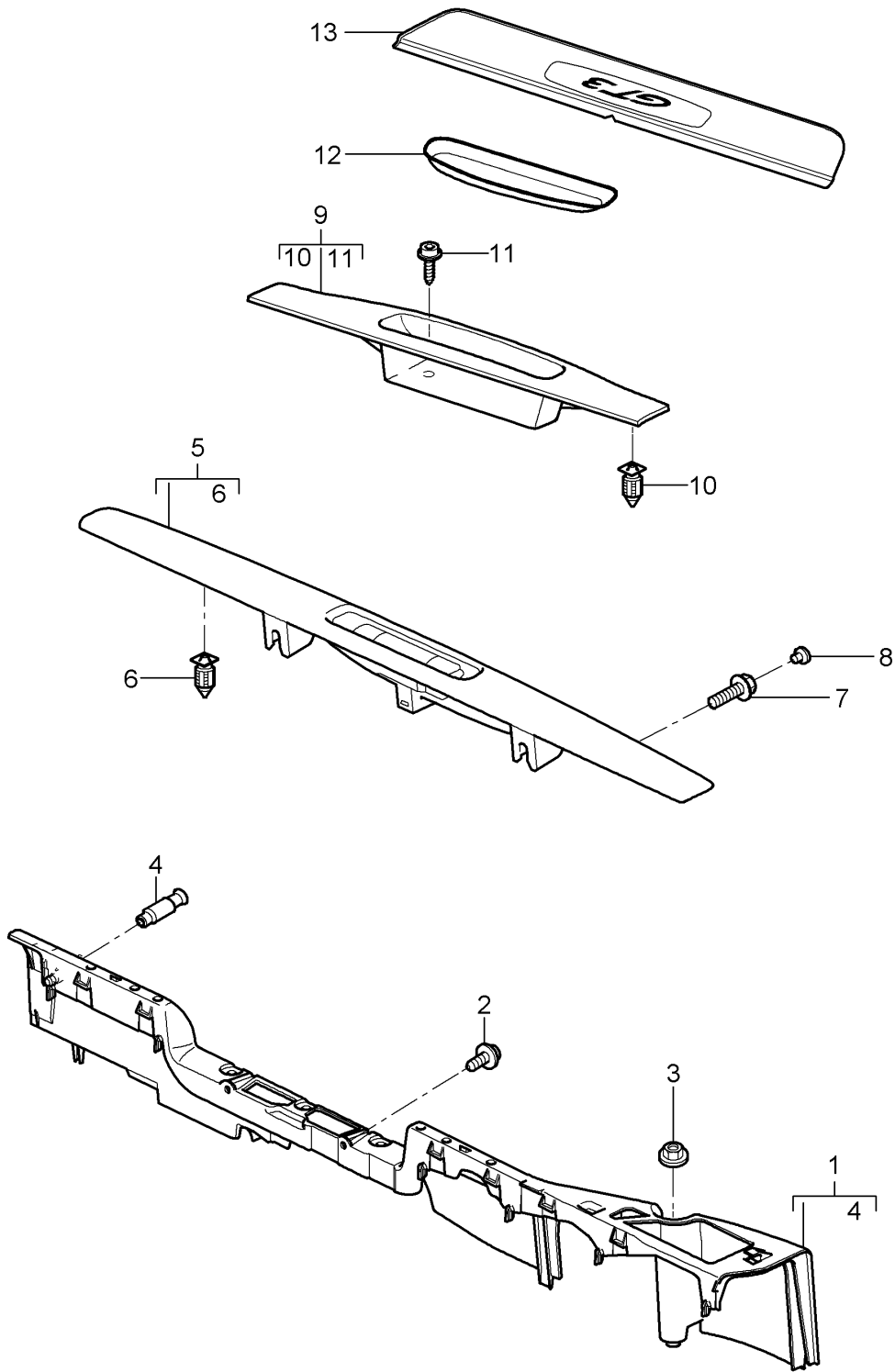
Model: 997G07

Model life 2007>>2011

Pos	Part Number	Description	Remark	Qty	Model
16		Floor mats Set See group 8/07/06 Tequipment catalogue		1	
17	999 902 054 40	Fastening plate for Floor mats		4	
18	964 551 751 00	Support Warning light	/RL	1	I099/193
(18)	997 551 852 00	Support Warning light	/LL	1	I098/193
19	999 919 254 01	Oval-head screw 4,0 x 36,5		2	I193

Model: 997G07

Model life 2007>>2011



Model: 997G07 Model life 2007>>2011

Pos	Part Number	Description	Remark	Qty	Model
1	997 551 619 02	Lining Door sill Support	/L	1	
(1)	997 551 620 01	Door sill Support	/R	1	
2	900 143 082 01	Door sill Tapping screw ST 6,3 X 13 for Mount Support		4	
3	999 076 081 40	Door sill Plastic nut T5 16 X 11,2 for Mount Support		2	
4	996 551 873 00	Door sill Locating peg for Mount Support		2	
5	997 551 019 04	Door sill Lining	/LL	1	I098
	997 551 019 04 A03	Driver's side Black			
(5)	997 551 019 05	Lining Door sill Driver's side	/RL	1	I099
	997 551 019 05 A03	Black			
(5)	997 551 982 00	Lining	/LL 10-	1	GT3 IXTG/098
		Door sill Driver's side Leather			
	997 551 982 00 A11	Black			
	997 551 982 00 D12	Dark grey/natural			
(5)	997 551 982 01	Lining	/RL 10-	1	GT3 IXTG/099
		Door sill Driver's side Leather			
	997 551 982 01 A11	Black			
	997 551 982 01 D12	Dark grey/natural			
6	999 507 484 40	Expander nut 9 X 22		6	
7	999 067 046 01	Combination screw M 6 X 20		2	
8	999 703 443 40	Stopper 8,0 X 11		2	
	999 703 443 40 01C	Satin black			
9	997 551 120 01	Lining Door sill Passenger's side		1	
	997 551 120 01 A03	Black			
9	997 551 983 00	Lining	10-	1	GT3 IXTG
		Door sill Passenger's side Leather			
	997 551 983 00 A11	Black			
	997 551 983 00 D12	Dark grey/natural			

Model: 997G07

Model life 2007>>2011

Pos	Part Number	Description	Remark	Qty	Model
10	999 507 484 40	Expander nut 9 X 22		6	
11	999 919 164 09	Oval-head screw 5,0 X 12		1	
12	996 551 513 00	Mat		1	
13	997 551 303 90	Scuff plate Lacquered		2	GT3
	997 551 303 90 A03	Black Scuff plate Exclusive without Illumination See catalogue Tequipment 8/07/06			
13	997 551 303 91	Scuff plate Lacquered	-08	2	GT3 RS I004
	997 551 303 91 A03	Black Scuff plate Exclusive without Illumination See catalogue Tequipment 8/07/06			
13	997 551 303 93	Scuff plate Lacquered	10-	2	GT3 RS I004
	997 551 303 93 A03	Black Scuff plate Exclusive without Illumination See catalogue Tequipment 8/07/06			
(13)	997 551 990 36	Scuff plate Set Stainless steel with Illumination	10-	1	GT3 IXXB
(13)	997 551 990 39	Scuff plate Set Stainless steel with Illumination	10-	1	RS 3.8 IXXB/004
(13)	997 551 991 36	Scuff plate Set Carbon with Illumination	10-	1	GT3 IXXD
(13)	997 551 991 39	Scuff plate Set Carbon with Illumination	10-	1	RS 3.8 IXXD/004
(13)	997 551 980 20	Scuff plate Set Carbon with Illumination	10-	1	RS 3.8 IX69/004

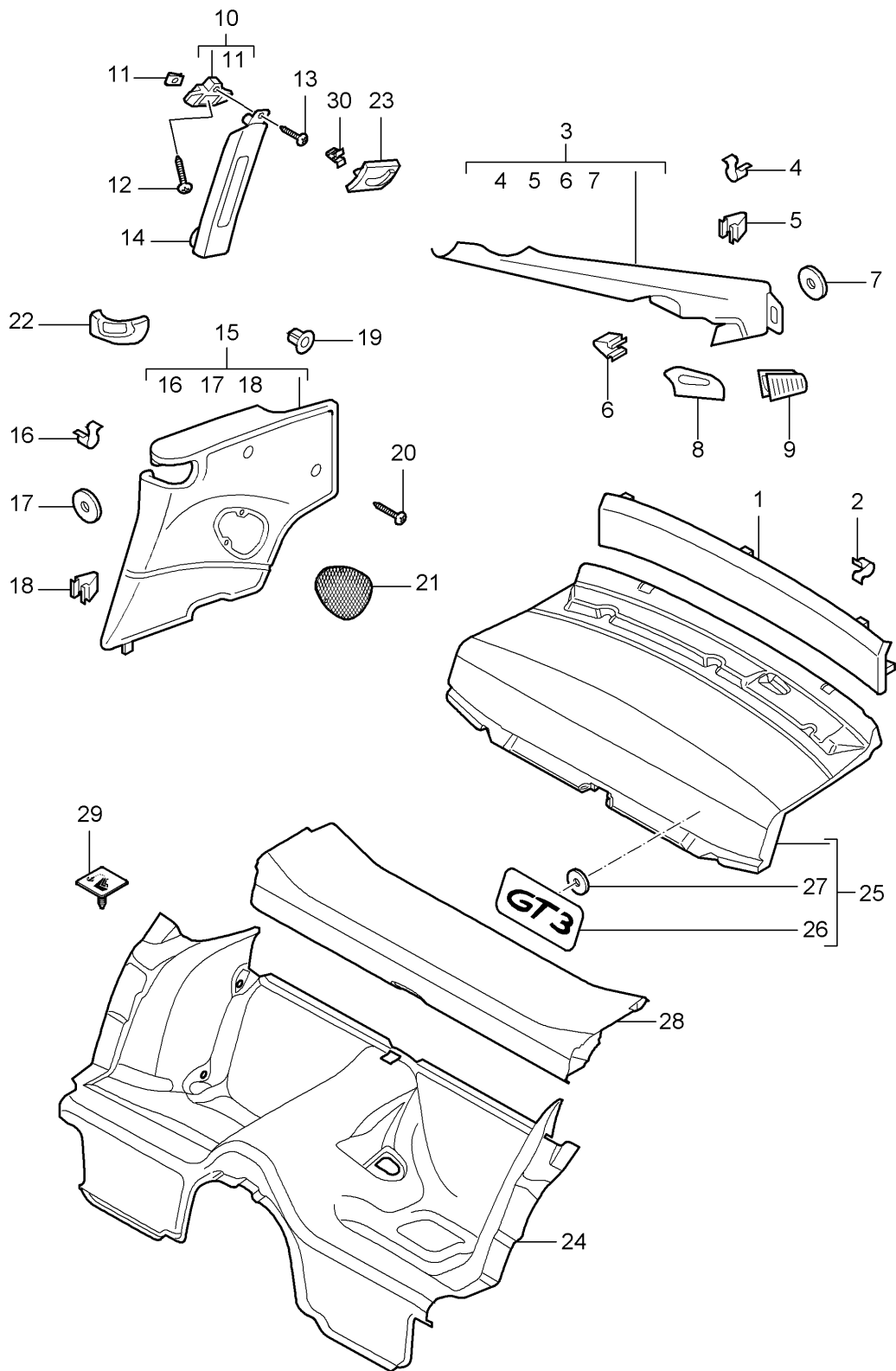
Model: 997G07

Model life 2007>>2011

Pos	Part Number	Description	Remark	Qty	Model
(13)	997 551 303 81	Set Carbon Scuff plate	11-	1	RS 4,0 IX69/006
(13)	997 551 304 81	Carbon Scuff plate	11-	1	RS 4,0 IX69/006
(13)	997 551 223 81	Carbon Scuff plate	11-	1	RS 4,0 IX69/006
		Set Carbon			

Model: 997G07

Model life 2007>>2011



Model: 997G07 Model life 2007>>2011

Pos	Part Number	Description	Remark	Qty	Model
1	997 555 081 00	Linings Rear Lining Rear wall Carpet		1	I426
	997 555 081 00 A10	Black			
	997 555 081 00 D11	Dark grey/natural			
2	999 507 687 05	Fixing clip 11,3		5	
3	997 555 187 00	Lining C-pillar Leatherette	/L	1	
	997 555 187 00 1MZ	Black			
(3)	997 555 188 00	Lining C-pillar Leatherette	/R	1	
	997 555 188 00 1MZ	Black			
3	997 555 187 01	Lining C-pillar Leather	/L	1	I981
	997 555 187 01 A11	Black			
	997 555 187 01 D12	Dark grey/natural			
(3)	997 555 188 01	Lining C-pillar Leather	/R	1	I981
	997 555 188 01 A11	Black			
	997 555 188 01 D12	Dark grey/natural			
4	999 507 533 02	Clamp 8,0 X10,0/2,5		4	
5	999 507 479 01	Clamp 2,5/09		6	
(5)	999 507 676 09	Clamp 2,5/2,2 18,0		2	
6	999 651 307 01	Cable clamp 18,0		2	
7	999 551 609 40	Plastic washer 8,0 X 23 X 3,0		7	
8	997 555 545 90	Rosette Seat belt Rear	/L	1	
	997 555 545 90 01C	Satin black			
(8)	997 555 546 90	Rosette Seat belt Rear	/R	1	
	997 555 546 90 01C	Satin black			
9	996 555 645 00	Grille Bleeding Lacquered	/L	1	
	996 555 645 00 A03	Black			
(9)	996 555 646 00	Grille Bleeding Lacquered	/R	1	
	996 555 646 00 A03	Black			
10	996 555 821 02	Bracket Coat hook	/L	1	
(10)	996 555 822 02	Bracket Coat hook	/R	1	
11	999 507 695 01	Speed nut ST 4,8		2	
12	999 073 128 01	Tapping screw 6,3 X 14 Mount		2	

Model: 997G07 Model life 2007>>2011

Pos	Part Number	Description	Remark	Qty	Model
(12)	999 025 268 01	Bracket Coat hook Washer 6,4 X 18 Mount Bracket Coat hook	07-	2	
13	999 073 060 02	Tapping screw 4,8 X 13		2	
14	997 555 183 00	Lining B-pillar Leatherette	/L	1	
(14)	997 555 183 00 1MZ	Black			
	997 555 184 00	Lining B-pillar Leatherette	/R	1	
14	997 555 184 00 1MZ	Black			
	997 555 183 01	Lining B-pillar Leather	/L	1	I981
	997 555 183 01 A11	Black			
	997 555 183 01 D12	Dark grey/natural			
(14)	997 555 184 01	Lining B-pillar Leather	/R	1	I981
	997 555 184 01 A11	Black			
	997 555 184 01 D12	Dark grey/natural			
-	996 555 859 00	Grommet B-pillar		2	
15	997 555 071 09	Side trim panel Leatherette Until Chassis number See technical information GR.7 NR. 17/11 KD-NR. 70	/L	1	
	997 555 071 09 1MZ	Black			
15	997 555 911 02	Side trim panel Leatherette From Chassis number See technical information GR.7 NR. 17/11 KD-NR. 70	/L	1	
(15)	997 555 911 02 1MZ	Black			
	997 555 072 09	Side trim panel Leatherette Until Chassis number See technical information GR.7 NR. 17/11 KD-NR. 70	/R	1	
(15)	997 555 072 09 1MZ	Black			
	997 555 912 02	Side trim panel Leatherette From Chassis number See technical information GR.7 NR. 17/11 KD-NR. 70	/R	1	
15	997 555 912 02 1MZ	Black			
	997 555 071 10	Side trim panel Leather	/L	1	I981

Model: 997G07 Model life 2007>>2011

Pos	Part Number	Description	Remark	Qty	Model
(15)	997 555 071 10 FSA	Black/grey			
	997 555 071 10 FSH	Darkgrey natural/grey			
16	997 555 072 10	Side trim panel Leather	/R	1	I981
	997 555 072 10 FSA	Black/grey			
17	997 555 072 10 FSH	Darkgrey natural/grey			
	999 507 479 01	Clamp 2,5/0,88		2	
18	999 551 609 40	Plastic washer 8,0 X 23 X 3,0		2	
	999 507 533 02	Clamp 8.0 X 10 /2,5		1	
19	999 507 050 40	Expander nut ST 4,2		2	
	999 073 142 09	Tapping screw ST 4,2 X 19		2	
21	997 555 049 00	Loudspeaker grille Side trim panel Lacquered	/L	1	
	997 555 049 00 A03	Black			
(21)	997 555 050 00	Loudspeaker grille Side trim panel Lacquered	/R	1	
	997 555 050 00 A03	Black			
(21)	997 555 049 01	Loudspeaker grille Side trim panel Leather	/L 10-	1	GT3 IXVT
	997 555 049 01 A11	Black			
(21)	997 555 049 01 D12	Dark grey/natural			
	997 555 050 01	Loudspeaker grille Side trim panel Leather	/R 10-	1	GT3 IXVT
22	997 555 050 01 A11	Black			
	997 555 050 01 D12	Dark grey/natural			
(22)	997 555 061 00	Rosette Seat belt Lacquered	/L	1	
	997 555 061 00 A03	Black			
(22)	997 555 062 00	Rosette Seat belt Lacquered	/R	1	
	997 555 062 00 A03	Black			
(22)	997 555 998 01	Rosette Seat belt Leather	/L 10-	1	GT3 IXDU
	997 555 998 01 A11	Black			
(22)	997 555 998 01 D12	Dark grey/natural			
	997 555 998 02	Rosette Seat belt Leather	/R 10-	1	GT3 IXDU
(22)	997 555 998 02 A11	Black			
	997 555 998 02 D12	Dark grey/natural			
(22)	997 555 998 09	Rosette Seat belt	/L 10-	1	IXDR
	997 555 998 09 G2X	Prime coated			
(22)	997 555 998 10	Rosette Seat belt	/R 10-	1	IXDR
	997 555 998 10 G2X	Prime coated			
(22)	997 555 998 21	Rosette	/L 10-	1	IXJJ

Model: 997G07 Model life 2007>>2011

Pos	Part Number	Description	Remark	Qty	Model
(22)	997 555 998 21 A35 997 555 998 22	Seat belt Carbon Black Rosette	/R 10-	1	IXJJ
23	997 555 998 22 A35 997 555 573 00	Seat belt Carbon Black Coat hook Lacquered	/L	1	
(23)	997 555 573 00 A03 997 555 574 00	Black Coat hook Lacquered	/R	1	
24	997 555 574 00 A03 997 551 021 90	Black Adhesive carpet Seat well Carpet		1	
24	997 551 021 90 D11 997 551 021 90	Dark grey/natural Adhesive carpet Seat well Carpet Until Chassis number See technical information GR.7 NR. 17/11 KD-NR. 70		1	
24	997 551 021 90 A10 997 551 021 92	Black Adhesive carpet Seat well Carpet From Chassis number See technical information GR.7 NR. 17/11 KD-NR. 70		1	
(24)	997 551 021 92 A10 997 551 021 93	Black Adhesive carpet Seat well Carpet		1	I006
(25)	997 551 021 93 A10 997 551 031 94	Black Adhesive carpet Rear wall Carpet		1	GT3
(25)	997 551 031 94 D11 997 551 031 94	Dark grey/natural Adhesive carpet Rear wall Carpet Until Chassis number See technical information GR.7 NR. 17/11 KD-NR. 70		1	GT3
(25)	997 551 031 94 A10 997 551 031 A2	Black Adhesive carpet Rear wall Carpet From Chassis number See technical information GR.7 NR. 17/11 KD-NR. 70		1	GT3
(25)	997 551 031 A2 A10 997 551 031 95	Black Adhesive carpet		1	GT3 I479

Model: 997G07 Model life 2007>>2011

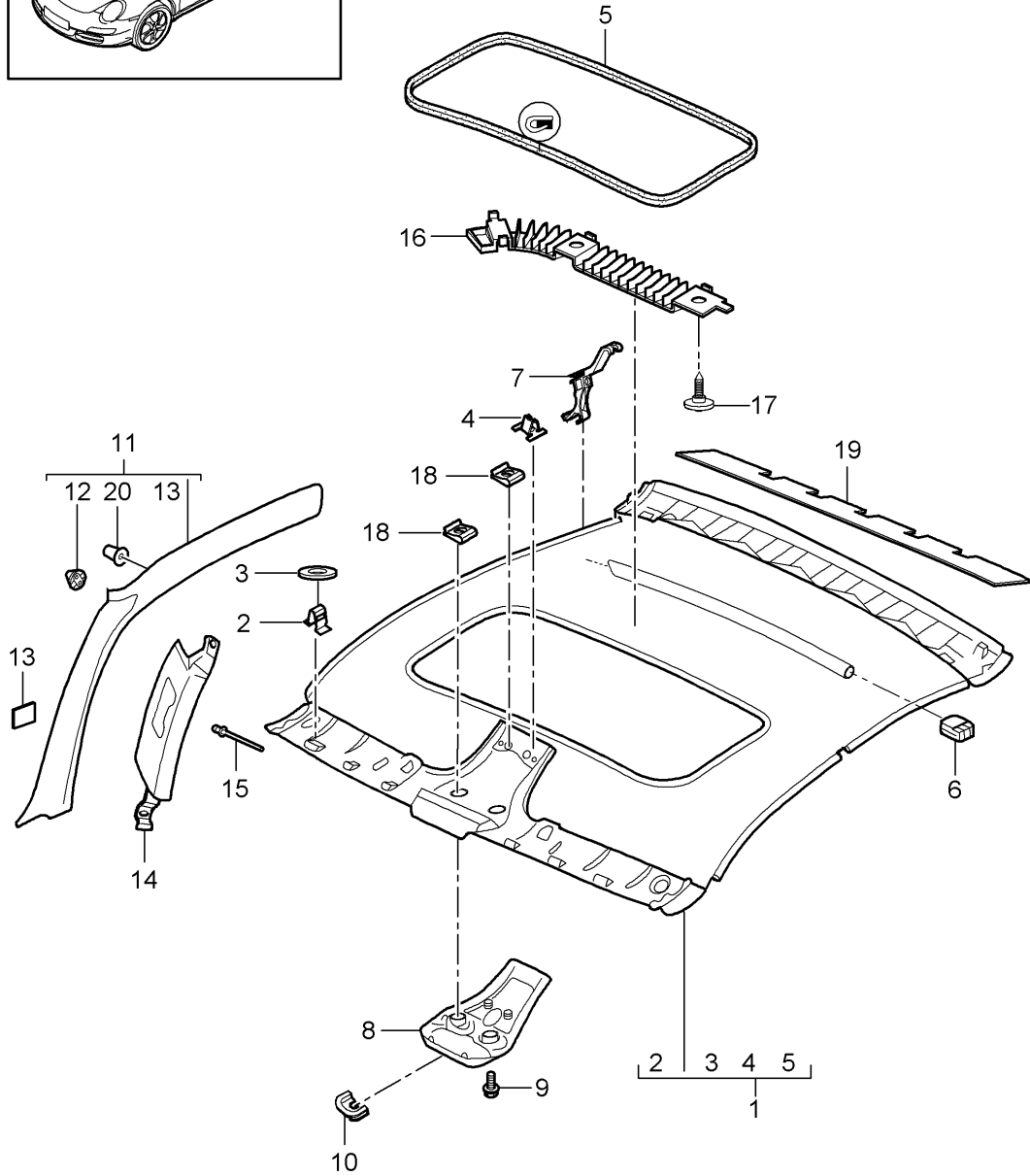
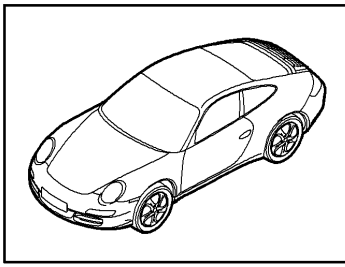
Pos	Part Number	Description	Remark	Qty	Model
(25)	997 551 031 95 D11 997 551 031 95	Rear wall Carpet Dark grey/natural Adhesive carpet		1	GT3 I479
(25)	997 551 031 95 A10 997 551 031 A3	Rear wall Carpet Until Chassis number See technical information GR.7 NR. 17/11 KD-NR. 70 Black Adhesive carpet		1	GT3 I479
(25)	997 551 031 A3 A10 997 551 031 97	Rear wall Carpet From Chassis number See technical information GR.7 NR. 17/11 KD-NR. 70 Black Adhesive carpet	-08	1	GT3 RS I004
(25)	997 551 031 97 A10 997 551 031 98	Rear wall Carpet Black Adhesive carpet	10-	1	GT3 RS I004
(25)	997 551 031 98 A10 997 551 031 A1	Rear wall Carpet Until Chassis number See technical information GR.7 NR. 17/11 KD-NR. 70 Black Adhesive carpet	10-	1	GT3 RS I004
(25)	997 551 031 A1 A10 997 551 031 99	Rear wall Carpet From Chassis number See technical information GR.7 NR. 17/11 KD-NR. 70 Black Adhesive carpet	11-	1	GT3 RS 4.0 I006
-	997 551 031 99 A10 996 551 561 00	Rear wall Carpet Black Desk pad		1	
26	996 551 305 90	Logo GT3		1	GT3
(26)	996 551 305 90 A03 997 551 355 90	Black Logo	-08	1	GT3 RS I004
(26)	997 551 355 90 A03 997 551 355 91	RS Black Logo	10-	1	GT3 RS I004

Model: 997G07 Model life 2007>>2011

Pos	Part Number	Description	Remark	Qty	Model
(26)	997 551 355 91 A03 997 551 355 92	RS 3.8 Black Logo	11-	1	GT3 RS 4.0 I006
27	997 551 355 92 A03 997 551 897 01	RS 4.0 Black Lock washer for Mount		3	
28	997 551 033 00	Logo Lining Control units Carpet		1	
28	997 551 033 00 D11 997 551 033 00	Dark grey/natural Lining Control units Carpet		1	
28	997 551 033 00 A10 997 551 033 03	Until Chassis number See technical information GR.7 NR. 17/11 KD-NR. 70 Black Lining Control units Carpet From Chassis number See technical information GR.7 NR. 17/11 KD-NR. 70		1	
(28)	997 551 033 03 A10 997 551 033 90	Black Lining Control units Carpet Until Chassis number See technical information GR.7 NR. 17/11 KD-NR. 70		1	I003
(28)	997 551 033 90 A10 997 551 033 91	Black Lining Control units Carpet From Chassis number See technical information GR.7 NR. 17/11 KD-NR. 70		1	I003
(28)	997 551 033 91 A10 997 551 033 82	Black Lining Control units Carpet	11-	1	I003/006
(28)	997 551 033 82 A10 997 551 033 83	Black Lining Control units Carpet	11-	1	I006/703
30	997 551 033 83 A10 999 507 476 01	Black Clamp 8,0 x 10 / 2,5 Mount Coat hook		2	

Model: 997G07

Model life 2007>>2011



Model: 997G07 Model life 2007>>2011

Pos	Part Number	Description	Remark	Qty	Model
1	997 555 091 02	Rooflining A-pillar		1	I652
(1)	997 555 091 02 A14	Rooflining Alcantara Black		1	GT3 RS 4.0 I006/652
(1)	997 555 091 02	Rooflining	11-	1	
(1)	997 555 091 02 A14	Alcantara Black		1	GT3 I650
(1)	997 555 091 02 N13	Guards red	-08	1	
(1)	997 555 091 03	Rooflining		1	GT3 I650
(1)	997 555 091 03 A14	Alcantara Black		1	GT3 IXMA/652
(1)	997 555 980 02	Rooflining	10-	1	
2	997 555 980 02 A11	Leather Black		6	
2	997 555 980 02 D12	Dark grey/natural		6	
3	999 507 479 01	Clamp 2,5/0,9		6	
3	999 551 609 40	Plastic washer 8,0 X 23 X 3,0		6	
4	999 507 533 02	Clamp	-08	2	GT3 I650
5	996 564 231 02	8 X 10/2,5 Piping	-08	1	GT3 I650
6	997 555 823 00	Support	-08	2	GT3 I650
7	996 555 691 02	Transverse strut Clip Mount		8	
(8)	996 555 557 09	Rooflining Cover	-08	1	GT3 I650
8	996 555 557 09 A03	Interior light Black		1	I652
(8)	996 555 557 11	Cover		1	
(8)	996 555 557 11 A03	Interior light Black		1	GT3 IXZD/652
(8)	996 555 993 03	Cover	10-	1	
9	996 555 993 03 A11	Interior light Black		X	
9	996 555 993 03 D12	Dark grey/natural Information available		X	
9	999 073 061 02	Tapping screw 4,8 X 16		X	
10	996 555 619 00	Grommet		1	
(11)	997 555 181 04	Wiring harness Rain sensor		1	
(11)	997 555 181 04	Lining A-pillar Leatherette	/L	1	
(11)	997 555 181 04 1MZ	Black		1	
(11)	997 555 182 04	Lining A-pillar Leatherette	/R	1	
(11)	997 555 182 04 1MZ	Black		1	
(11)	997 555 181 05	Lining A-pillar Leather	/L	1	I981

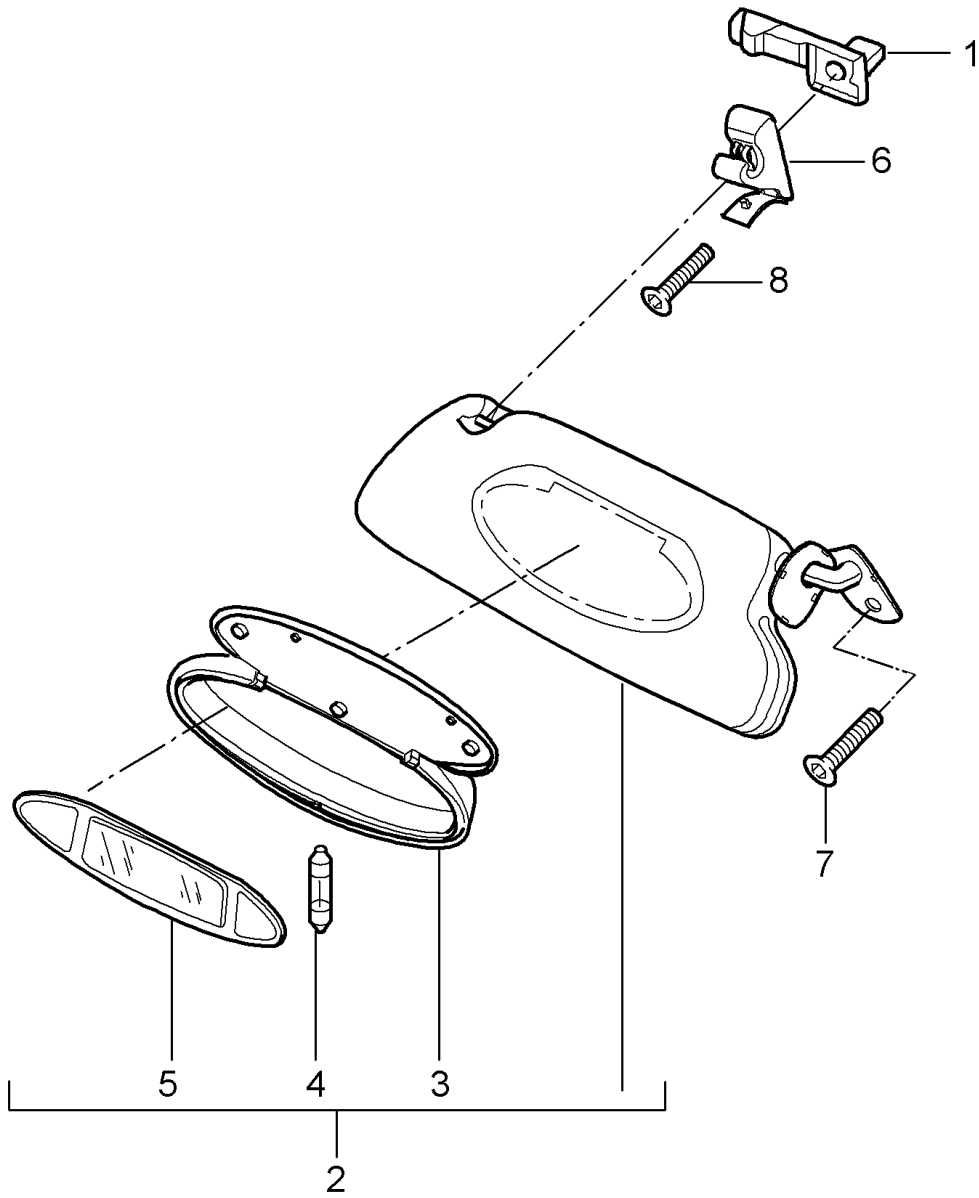
Model: 997G07

Model life 2007>>2011

Pos	Part Number	Description	Remark	Qty	Model
	997 555 181 05 A11	Black			
	997 555 181 05 D12	Dark grey/natural			
(11)	997 555 182 05	Lining A-pillar Leather	/R	1	I981
	997 555 182 05 A11	Black			
	997 555 182 05 D12	Dark grey/natural			
12	999 507 681 01	Clamp 2,5/3,0		5	
(12)	999 507 839 01	Clamp 3,5		2	
(12)	999 507 047 01	Clamp 3,6		3	
13	999 551 134 40	Adhesive tape 20 X 65		5	
15	999 190 184 01	Blind rivet 4,0 X 8,5		8	
18	999 591 348 01	Speed nut St 4,8		X	
19	997 556 603 00	Sound absorber Tensioner Rear		1	
20	997 555 857 00	Grommet A-pillar		x	

Model: 997G07

Model life 2007>>2011

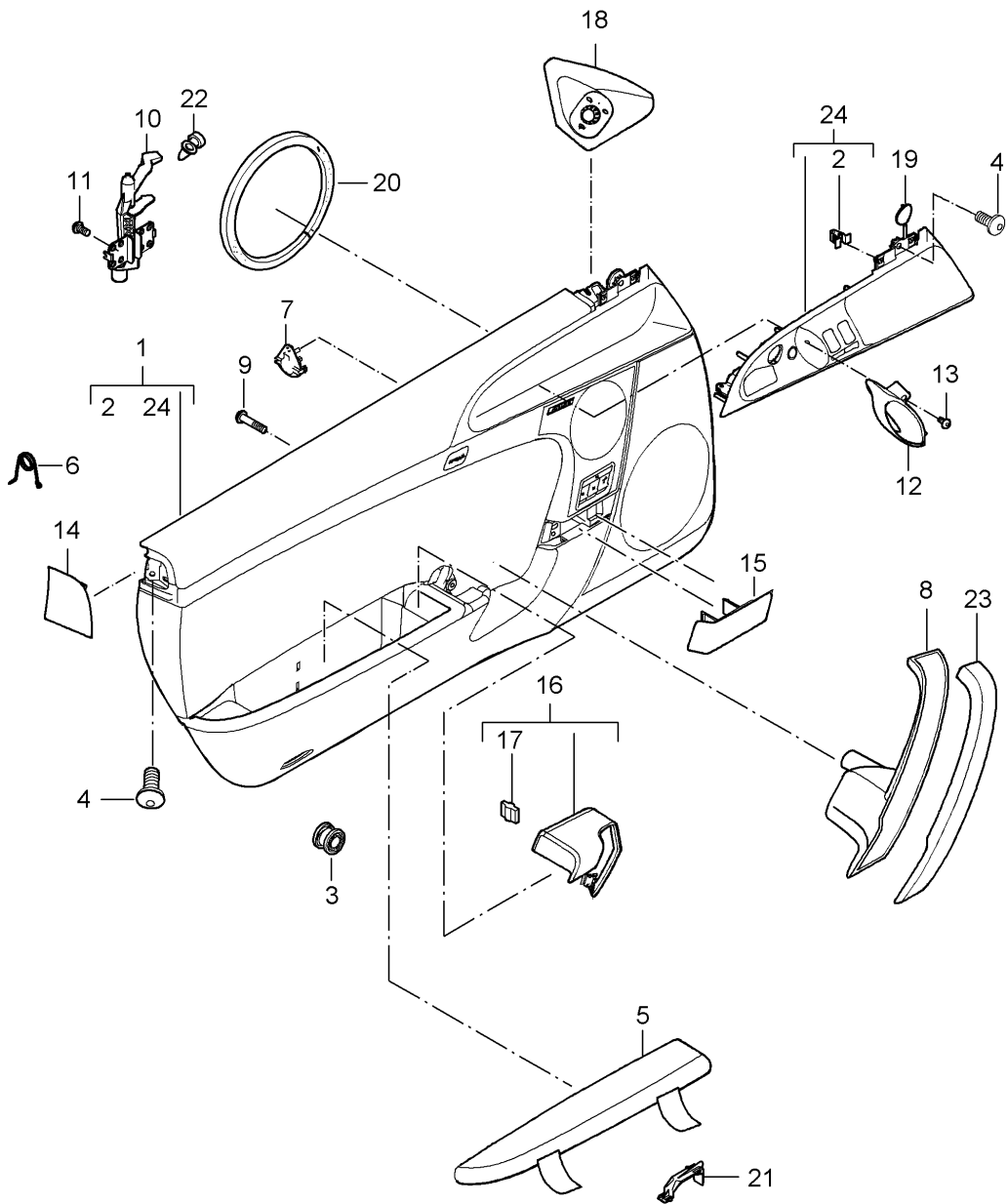


Model: 997G07 Model life 2007>>2011

Pos	Part Number	Description	Remark	Qty	Model
1	986 731 541 01	Sun visors Plate for		2	
2	997 731 031 15	Sun visors Sun visor Leatherette	/L	1	
	997 731 031 15 A12	Black			
(2)	997 731 032 15	Sun visor Leatherette	/R	1	
	997 731 032 15 A12	Black			
(2)	997 731 981 00	Sun visor	/L 10-	1	GT3 IXMP
		Leather			
	997 731 981 00 A11	Black			
	997 731 981 00 D12	Dark grey/natural			
(2)	997 731 982 00	Sun visor	/R 10-	1	GT3 IXMP
		Leather			
	997 731 982 00 A11	Black			
	997 731 982 00 D12	Dark grey/natural			
3	996 731 903 00	Mirror housing with Illumination	-08	1	
	996 731 903 00 01C	Satin black			
(3)	996 731 903 00	Mirror housing with Illumination	10-	1	
	996 731 903 00 01C	Satin black			
4	999 631 147 90	Bulb 3 W		4	
5	996 731 531 01	Mirror glass with Frame		2	
	996 731 531 01 01C	Satin black			
6	996 731 341 00	Support Sun visor	/L	1	
	996 731 341 00 01C	Satin black			
(6)	996 731 342 00	Support Sun visor	/R	1	
	996 731 342 00 01C	Satin black			
7	999 073 326 09	Oval-head screw M 5 X 10		2	
(7)	999 500 093 02	Nut M 5		2	
8	999 919 120 09	Oval-head screw 4 x 18		1	

Model: 997G07

Model life 2007>>2011



Model: 997G07 Model life 2007>>2011

Pos	Part Number	Description	Remark	Qty	Model
		Door trim panel Accessories for cars with Sports seat			I375/376/377 I378/388/389
1	997 555 201 00	Door trim panel Accessories for cars with Sports seat See illustrations 8/07/12	/LL /L -08	1	I098/375/377
1	997 555 201 00 9L4 997 555 901 00	Black Door trim panel Leatherette Until Chassis number See technical information GR.7 NR. 17/11 KD-NR. 70	/LL /L -08	1	I098/375/377
1	997 555 901 00 9L4 997 555 201 00	Black Door trim panel Leatherette Until Chassis number See technical information GR.7 NR. 17/11 KD-NR. 70	/LL /L 09-	1	I098/375/377 I441
1	997 555 201 00 9L4 997 555 901 00	Black Door trim panel Leatherette From Chassis number See technical information GR.7 NR. 17/11 KD-NR. 70	/LL /L 09-	1	I098/375/377 I441
1	997 555 901 00 9L4 997 555 201 00	Black Door trim panel Leatherette Until Chassis number See technical information GR.7 NR. 17/11 KD-NR. 70	/LL /L 10-	1	I098/388/441
1	997 555 201 00 9L4 997 555 901 00	Black Door trim panel Leatherette From Chassis number See technical information GR.7 NR. 17/11 KD-NR. 70	/LL /L 10-	1	I098/388/441
1	997 555 901 00 9L4 997 555 201 04	Black Door trim panel	/LL /L	1	I098/375/377 I490

Model: 997G07 Model life 2007>>2011

Pos	Part Number	Description	Remark	Qty	Model
1	997 555 201 04 9L4 997 555 901 01	Leatherette Until Chassis number See technical information GR.7 NR. 17/11 KD-NR. 70 Black Door trim panel	/LL /L	1	I098/375/377 I490
1	997 555 901 01 9L4 997 555 201 04	Leatherette From Chassis number See technical information GR.7 NR. 17/11 KD-NR. 70 Black Door trim panel	/LL /L 10-	1	I098/388/490
1	997 555 201 04 9L4 997 555 901 01	Leatherette Until Chassis number See technical information GR.7 NR. 17/11 KD-NR. 70 Black Door trim panel	/LL /L 10-	1	I098/388/490
(1)	997 555 901 01 9L4 997 555 202 24	Leatherette From Chassis number See technical information GR.7 NR. 17/11 KD-NR. 70 Black Door trim panel	/LL /R -08	1	I098/376/378
(1)	997 555 202 24 9L4 997 555 902 17	Leatherette Until Chassis number See technical information GR.7 NR. 17/11 KD-NR. 70 Black Door trim panel	/LL /R -08	1	I098/376/378
(1)	997 555 902 17 9L4 997 555 202 24	Leatherette From Chassis number See technical information GR.7 NR. 17/11 KD-NR. 70 Black Door trim panel	/LL /R 09-	1	I098/376/378 I441
(1)	997 555 202 24 9L4 997 555 902 17	Leatherette Until Chassis number See technical information GR.7 NR. 17/11 KD-NR. 70 Black Door trim panel	/LL /R 09-	1	I098/376/378 I441
		Leatherette From Chassis number See technical information			

Model: 997G07 Model life 2007>>2011

Pos	Part Number	Description	Remark	Qty	Model
(1)	997 555 902 17 9L4 997 555 202 24	GR.7 NR. 17/11 KD-NR. 70 Black Door trim panel Leatherette Until Chassis number See technical information GR.7 NR. 17/11 KD-NR. 70	/LL /R 10-	1	I098/389/441
(1)	997 555 202 24 9L4 997 555 902 17	Black Door trim panel Leatherette From Chassis number See technical information GR.7 NR. 17/11 KD-NR. 70	/LL /R 10-	1	I098/389/441
(1)	997 555 902 17 9L4 997 555 202 26	Black Door trim panel Leatherette Until Chassis number See technical information GR.7 NR. 17/11 KD-NR. 70	/LL /R	1	I098/376/378 I490
(1)	997 555 202 26 9L4 997 555 902 18	Black Door trim panel Leatherette From Chassis number See technical information GR.7 NR. 17/11 KD-NR. 70	/LL /R	1	I098/376/378 I490
(1)	997 555 902 18 9L4 997 555 202 26	Black Door trim panel Leatherette Until Chassis number See technical information GR.7 NR. 17/11 KD-NR. 70	/LL /R 10-	1	I098/389/490
(1)	997 555 202 26 9L4 997 555 902 18	Black Door trim panel Leatherette From Chassis number See technical information GR.7 NR. 17/11 KD-NR. 70	/LL /R 10-	1	I098/389/490
(1)	997 555 902 18 9L4 997 555 202 00	Black Door trim panel Leatherette Until Chassis number See technical information GR.7 NR. 17/11 KD-NR. 70	/RL /R -08	1	I099/376/378
(1)	997 555 202 00 9L4 997 555 902 00	Black Door trim panel Leatherette	/RL /R -08	1	I099/376/378

Model: 997G07 Model life 2007>>2011

Pos	Part Number	Description	Remark	Qty	Model
(1)	997 555 902 00 9L4 997 555 202 00	From Chassis number See technical information GR.7 NR. 17/11 KD-NR. 70 Black Door trim panel	/RL /R 09-	1	I099/376/378 I441
(1)	997 555 202 00 9L4 997 555 901 00	Leatherette Until Chassis number See technical information GR.7 NR. 17/11 KD-NR. 70 Black Door trim panel	/RL /R 09-	1	I099/376/378 I441
(1)	997 555 901 00 9L4 997 555 202 00	Leatherette From Chassis number See technical information GR.7 NR. 17/11 KD-NR. 70 Black Door trim panel	/RL /R 10-	1	I099/389/441
(1)	997 555 202 00 9L4 997 555 902 00	Leatherette Until Chassis number See technical information GR.7 NR. 17/11 KD-NR. 70 Black Door trim panel	/RL /R 10-	1	I099/389/441
(1)	997 555 902 00 9L4 997 555 202 04	Leatherette From Chassis number See technical information GR.7 NR. 17/11 KD-NR. 70 Black Door trim panel	/RL /R	1	I099/376/378 I490
(1)	997 555 202 04 9L4 997 555 902 01	Leatherette Until Chassis number See technical information GR.7 NR. 17/11 KD-NR. 70 Black Door trim panel	/RL /R	1	I099/376/378 I490
(1)	997 555 902 01 9L4 997 555 202 04	Leatherette From Chassis number See technical information GR.7 NR. 17/11 KD-NR. 70 Black Door trim panel	/RL /R 10-	1	I099/389/490
		Leatherette Until Chassis number See technical information			

Model: 997G07 Model life 2007>>2011

Pos	Part Number	Description	Remark	Qty	Model
(1)	997 555 202 04 9L4 997 555 902 01	GR.7 NR. 17/11 KD-NR. 70 Black Door trim panel Leatherette From Chassis number See technical information GR.7 NR. 17/11 KD-NR. 70	/RL /R 10-	1	I099/389/490
(1)	997 555 902 01 9L4 997 555 201 24	Black Door trim panel Leatherette Until Chassis number See technical information GR.7 NR. 17/11 KD-NR. 70	/RL /L -08	1	I099/375/377
(1)	997 555 201 24 9L4 997 555 901 17	Black Door trim panel Leatherette From Chassis number See technical information GR.7 NR. 17/11 KD-NR. 70	/RL /L -08	1	I099/375/377
(1)	997 555 901 17 9L4 997 555 201 24	Black Door trim panel Leatherette Until Chassis number See technical information GR.7 NR. 17/11 KD-NR. 70	/RL /L 09-	1	I099/375/377 I441
(1)	997 555 201 24 9L4 997 555 901 17	Black Door trim panel Leatherette From Chassis number See technical information GR.7 NR. 17/11 KD-NR. 70	/RL /L 09-	1	I099/375/377 I441
(1)	997 555 901 17 9L4 997 555 201 24	Black Door trim panel Leatherette Until Chassis number See technical information GR.7 NR. 17/11 KD-NR. 70	/RL /L 10-	1	I099/388/441
(1)	997 555 201 24 9L4 997 555 901 17	Black Door trim panel Leatherette From Chassis number See technical information GR.7 NR. 17/11 KD-NR. 70	/RL /L 10-	1	I099/388/441
(1)	997 555 901 17 9L4 997 555 201 26	Black Door trim panel	/RL /L	1	I099/375/377 I490

Model: 997G07 Model life 2007>>2011

Pos	Part Number	Description	Remark	Qty	Model
(1)	997 555 201 26 9L4 997 555 901 18	Leatherette Until Chassis number See technical information GR.7 NR. 17/11 KD-NR. 70 Black Door trim panel	/RL /L	1	I099/375/377 I490
(1)	997 555 901 18 9L4 997 555 201 26	Leatherette From Chassis number See technical information GR.7 NR. 17/11 KD-NR. 70 Black Door trim panel	/RL /L 10-	1	I099/388/490
(1)	997 555 201 26 9L4 997 555 901 18	Leatherette Until Chassis number See technical information GR.7 NR. 17/11 KD-NR. 70 Black Door trim panel	/RL /L 10-	1	I099/388/490
1	997 555 901 18 9L4 997 555 201 50	Leatherette From Chassis number See technical information GR.7 NR. 17/11 KD-NR. 70 Black Door trim panel	/LL /L -09	1	I098/375/377 I981
1	997 555 201 50 FSM 997 555 201 50 FSN 997 555 201 50	Leather/ Alcantara Black/black Dark grey natural/black Door trim panel	/LL /L 10-	1	-IXVT/I098 I375/377/981
1	997 555 201 50 FSM 997 555 201 50 FSN 997 555 201 50	Leather/ Alcantara Black/black Dark grey natural/black Door trim panel	/LL /L 10-	1	-IXVT/I098 I388/981
(1)	997 555 201 50 FSM 997 555 201 50 FSN 997 555 202 52	Leather/ Alcantara Black/black Dark grey natural/black Door trim panel	/LL /R -09	1	I098/376/378 I981
(1)	997 555 202 52 FSM 997 555 202 52 FSN 997 555 202 52	Leather/ Alcantara Black/black Dark grey natural/black Door trim panel	/LL /R 10-	1	-IXVT/I098 I376/378/981
(1)	997 555 202 52 FSM 997 555 202 52 FSN 997 555 202 52	Leather/ Alcantara Black/black Dark grey natural/black Door trim panel	/LL /R 10-	1	-IXVT/I098

Model: 997G07 Model life 2007>>2011

Pos	Part Number	Description	Remark	Qty	Model
		Leather/ Alcantara			I389/981
	997 555 202 52 FSM	Black/black			
	997 555 202 52 FSN	Dark grey natural/black			
(1)	997 555 202 50	Door trim panel	/RL /R -09	1	I099/376/378 I981
		Leather/ Alcantara			
	997 555 202 50 FSM	Black/black			
	997 555 202 50 FSN	Dark grey natural/black			
(1)	997 555 202 50	Door trim panel	/RL /R 10-	1	-IXVT/I099 I376/378/981
		Leather/ Alcantara			
	997 555 202 50 FSM	Black/black			
	997 555 202 50 FSN	Dark grey natural/black			
(1)	997 555 202 50	Door trim panel	/RL /R 10-	1	-IXVT/I099 I389/981
		Leather/ Alcantara			
	997 555 202 50 FSM	Black/black			
	997 555 202 50 FSN	Dark grey natural/black			
(1)	997 555 201 52	Door trim panel	/RL /L -09	1	I099/375/377 I981
		Leather/ Alcantara			
	997 555 201 52 FSM	Black/black			
	997 555 201 52 FSN	Dark grey natural/black			
(1)	997 555 201 52	Door trim panel	/RL /L 10-	1	-IXVT/I099 I375/377/981
		Leather/ Alcantara			
	997 555 201 52 FSM	Black/black			
	997 555 201 52 FSN	Dark grey natural/black			
(1)	997 555 201 52	Door trim panel	/RL /L 10-	1	-IXVT/I099 I388/981
		Leather/ Alcantara			
	997 555 201 52 FSM	Black/black			
	997 555 201 52 FSN	Dark grey natural/black			
(1)	997 555 981 50	Door trim panel	/LL /L 10-	1	IXVT/098/375 I377/981
		Leather			
	997 555 981 50 A11	Black			
	997 555 981 50 D12	Dark grey/natural			
(1)	997 555 982 51	Door trim panel	/LL /R 10-	1	IXVT/098/376 I378/981
		Leather			
	997 555 982 51 A11	Black			
	997 555 982 51 D12	Dark grey/natural			
(1)	997 555 982 50	Door trim panel	/RL /R 10-	1	IXVT/099/376 I378/981
		Leather			
	997 555 982 50 A11	Black			
	997 555 982 50 D12	Dark grey/natural			
(1)	997 555 981 51	Door trim panel	/RL /L 10-	1	IXVT/099/376 I378/981
		Leather			
	997 555 981 51 A11	Black			
	997 555 981 51 D12	Dark grey/natural			
(1)	997 555 981 54	Door trim panel	/LL /L 10-	1	IXTV/XVT/098 I375/377/981

Model: 997G07 Model life 2007>>2011

Pos	Part Number	Description	Remark	Qty	Model
(1)	997 555 981 54 A11	Leather Black	/LL /R 10-	1	IXTV/XVT/098 I376/378/981
	997 555 981 54 D12	Dark grey/natural			
	997 555 982 55	Door trim panel			
(1)	997 555 982 55 A11	Leather Black	/RL /R 10-	1	IXTV/XVT/099 I376/378/981
	997 555 982 55 D12	Dark grey/natural			
	997 555 982 54	Door trim panel			
(1)	997 555 982 54 A11	Leather Black	/RL /L 10-	1	IXTV/XVT/099 I375/377/981
	997 555 982 54 D12	Dark grey/natural			
	997 555 981 55	Door trim panel			
(1)	997 555 981 55 A11	Leather Black	/LL /L 10-	1	IXGE/XVT/098 I375/377/981
	997 555 981 55 D12	Dark grey/natural			
	997 555 981 58	Door trim panel			
(1)	997 555 981 58 A11	Leather Black	/LL /R 10-	1	IXGE/XVT/098 I376/378/981
	997 555 981 58 D12	Dark grey/natural			
	997 555 982 58	Door trim panel			
(1)	997 555 982 58 A11	Leather Black	/RL /R 10-	1	IXGE/XVT/099 I376/378/981
	997 555 982 58 D12	Dark grey/natural			
	997 555 982 59	Door trim panel			
(1)	997 555 982 59 A11	Leather Black	/RL /L 10-	1	IXGE/XVT/099 I375/377/981
	997 555 982 59 D12	Dark grey/natural			
	997 555 981 59	Door trim panel			
2	999 507 533 02	Leather Black Clamp 8,0X 10/2,5		2	
3	955 555 243 00	Fixing clip for Mount		9	
4	999 073 322 02	Door trim panel Oval-head screw M 6 X 20 for Mount		5	
5	997 555 221 01	Door trim panel Lid Shelf	/L -09	1	I375/377
(5)	997 555 221 01 FSA	Black/grey	/R -09	1	I376/378
	997 555 222 01	Lid Shelf			
(5)	997 555 222 01 FSA	Black/grey	/L -09	1	I375/377/981
	997 555 221 02	Lid Shelf			
(5)	997 555 221 02 FSO	Black	/L 10-	1	I375/377/388
	997 555 221 02	Lid Shelf			
(5)	997 555 221 02 FSO	Black	/R -09	1	I376/378/981
	997 555 222 02	Lid Shelf			

Model: 997G07 Model life 2007>>2011

Pos	Part Number	Description	Remark	Qty	Model
(5)	997 555 222 02 FSO 997 555 222 02	Black Lid	/R 10-	1	I376/378/389
6	997 555 222 02 FSO 997 555 833 00	Shelf Black Steering knuckle spring for Lid	/L	1	I375/377/388
(6)	997 555 834 00	Shelf Steering knuckle spring for Lid	/R	1	I376/378/389
7	997 555 841 00	Shelf Damper		1	I375/376/377 I378/388/389
(8)	997 555 261 01	Shelf Handle Lower part	/L -09	1	
(8)	997 555 261 01 A11 997 555 262 01	Black Handle Lower part	/R -09	1	
8	997 555 262 01 A11 997 555 261 02	Black Handle Lower part	/L -09	1	I981
8	997 555 261 02 A14 997 555 261 02	Black Handle Lower part	/L 10-	1	I375/377/388
(8)	997 555 261 02 A14 997 555 262 02	Black Handle Lower part	/R -09	1	I981
(8)	997 555 262 02 A14 997 555 262 02	Black Handle Lower part	/R 10-	1	I376/378/389
9	997 555 262 02 A14 999 919 229 02	Black Oval-head screw 6,0 X 40,0 for Mount		2	
10	997 555 381 02	Handle Axle bearing	/L	1	
10	997 555 382 02	Valid up to: F >>99AS7 80076 Axle bearing	/R	1	
(10)	997 555 381 03	Valid up to: F >>99AS7 80076 Axle bearing	/L	1	
(10)	997 555 382 03	Valid from: F 99AS7 80077>> Axle bearing	/R	1	
11	999 919 164 09	Valid from: F 99AS7 80077>> Oval-head screw 5 X 12 for Mount		3	
12	997 555 461 01	Axle bearing Lever	/L -09	1	
12	997 555 461 01 V05 997 555 461 01	Door opener Galvano silver Lever	/L 10-	1	I375/377/388
(12)	997 555 461 01 V05 997 555 462 01	Door opener Galvano silver Lever Door opener	/R -09	1	

Model: 997G07 Model life 2007>>2011

Pos	Part Number	Description	Remark	Qty	Model
(12)	997 555 462 01 V05 997 555 462 01	Galvano silver Lever Door opener	/R 10-	1	I376/378/389
13	997 555 462 01 V05 999 919 164 09	Galvano silver Oval-head screw 5 X 12 for Mount Lever Door opener		1	
14	997 555 683 00	Cap Airbag	/L	1	
(14)	997 555 683 00 A03 997 555 684 00	Black Cap Airbag	/R	1	
15	997 555 684 00 A03 997 555 643 01	Black Cover Front Lacquered	/L	1	
(15)	997 555 643 01 A03 997 555 644 01	Black Cover Front Lacquered	/R	1	
(15)	997 555 644 01 A03 997 555 643 02	Black Cover Front Leather	/L 10-	1	IXVT
(15)	997 555 643 02 A11 997 555 643 02 D12 997 555 644 02	Black Dark grey/natural Cover Front Leather	/R 10-	1	IXVT
16	997 555 644 02 A11 997 555 644 02 D12 997 555 431 01	Black Dark grey/natural Cover Door handle	/L -09	1	I375/377
(16)	997 555 431 01 FSA 997 555 432 01	Black/grey Cover Door handle	/R -09	1	I376/378
(16)	997 555 432 01 FSA 997 555 431 03	Black/grey Cover Door handle	/L -09	1	I375/377/981
(16)	997 555 431 03 FSO 997 555 431 03	Black Cover Door handle	/L 10-	1	I375/377/388
(16)	997 555 431 03 FSO 997 555 432 03	Black Cover Door handle	/R -09	1	I376/378/981
(16)	997 555 432 03 FSO 997 555 432 03	Black Cover Door handle	/R 10-	1	I376/378/389
17	997 555 432 03 FSO 999 591 380 01	Black Cable clamp		4	
18	997 555 685 02	Cover Door mirror Driver's side Lacquered	/LL	1	I098
(18)	997 555 685 02 A03 997 555 686 03	Black Cover Door mirror Driver's side Lacquered	/RL	1	I099
	997 555 686 03 A03	Black			

Model: 997G07 Model life 2007>>2011

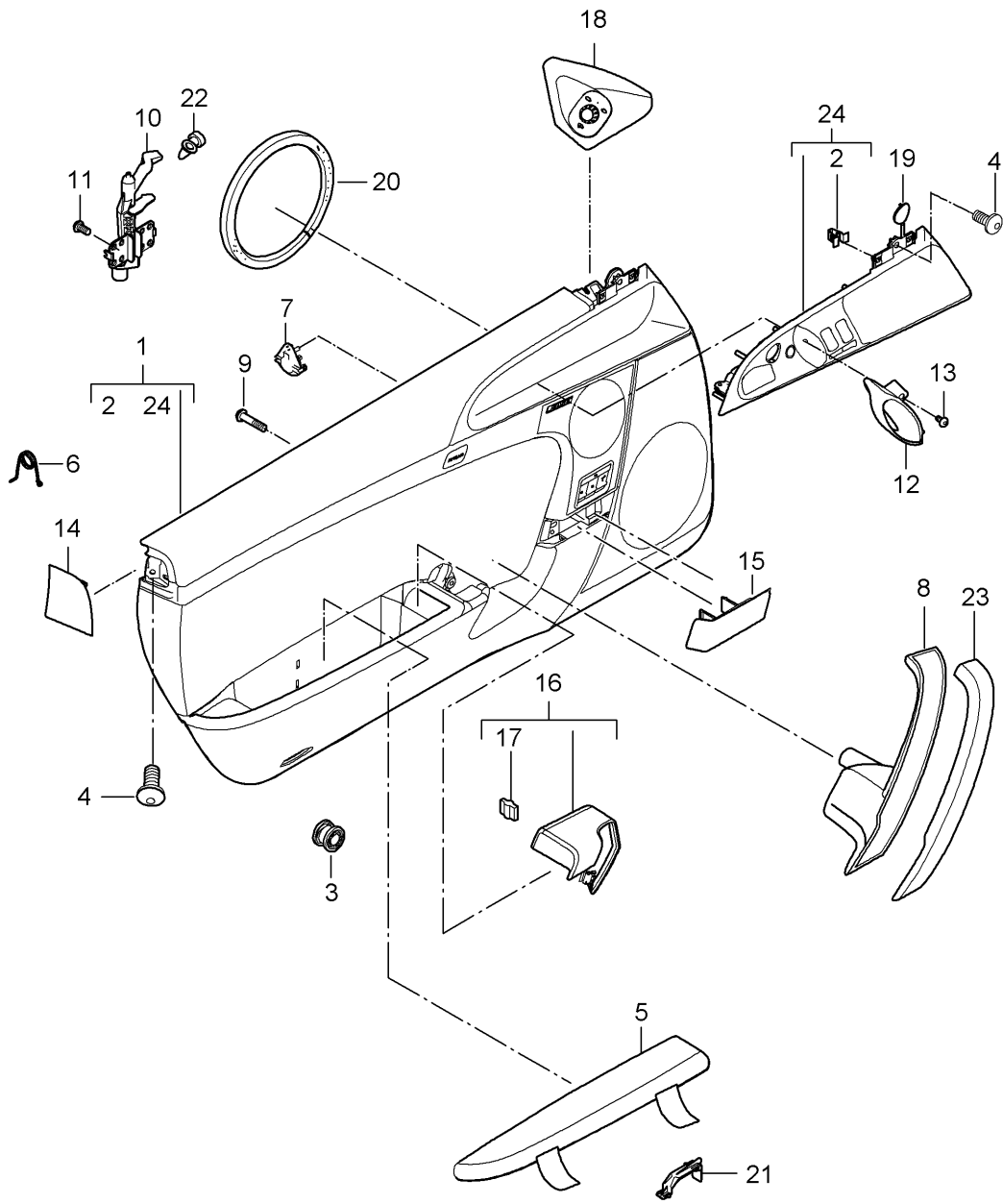
Pos	Part Number	Description	Remark	Qty	Model
(18)	997 555 995 00	Cover Door mirror Driver's side Leather	/LL 10-	1	IXDX/098
	997 555 995 00 A11	Black			
	997 555 995 00 D12	Dark grey/natural			
(18)	997 555 996 01	Cover Door mirror Driver's side Leather	/RL 10-	1	IXDX/099
	997 555 996 01 A11	Black			
	997 555 996 01 D12	Dark grey/natural			
(18)	997 555 686 02	Cover Door mirror Passenger's side Lacquered	/LL	1	I098
	997 555 686 02 A03	Black			
(18)	997 555 685 03	Cover Door mirror Passenger's side Lacquered	/RL	1	I099
	997 555 685 03 A03	Black			
(18)	997 555 996 00	Cover Door mirror Passenger's side Leather	/LL 10-	1	IXDX/098
	997 555 996 00 A11	Black			
	997 555 996 00 D12	Dark grey/natural			
(18)	997 555 995 01	Cover Door mirror Passenger's side Leather	/RL 10-	1	IXDX/099
	997 555 995 01 A11	Black			
	997 555 995 01 D12	Dark grey/natural			
19	997 555 577 00	Cap Handle liner		1	
	997 555 577 00 A03	Black			
20	997 555 895 00	Plastic foam strip for Woofer		1	
21	997 555 597 00	Spacer		2	I375/376/377 I378
		Lid hinge Spacer	10-	2	I388/389
22	999 702 281 41	Lid hinge Grommet		1	
23	997 555 271 01	Axle bearing Handle Upper part	/L -09	1	
	997 555 271 01 FSA	Black/grey			
(23)	997 555 272 01	Handle Upper part	/R -09	1	
	997 555 272 01 FSA	Black/grey			
(23)	997 555 271 02	Handle Upper part	/L -09	1	I981
	997 555 271 02 FSO	Black/grey			
(23)	997 555 271 02	Handle Upper part	/L 10-	1	I375/377/388
	997 555 271 02 FSO	Black/grey			
(23)	997 555 272 02	Handle Upper part	/R -09	1	I981
	997 555 272 02 FSO	Black			
(23)	997 555 272 02	Handle	/R 10-	1	I376/378/389

Model: 997G07 Model life 2007>>2011

Pos	Part Number	Description	Remark	Qty	Model
24	997 555 272 02 FSO 997 555 351 03	Upper part Black Insert Handle liner Lacquered	/LL /L	1	I098
24	997 555 351 03 A03 997 555 352 04	Black Insert Handle liner Lacquered	/LL /R	1	I098
(24)	997 555 352 04 A03 997 555 352 03	Black Insert Handle liner Lacquered	/RL /R	1	I099
(24)	997 555 352 03 A03 997 555 351 04	Black Insert Handle liner Lacquered	/RL /L	1	I099
24	997 555 351 04 A03 997 555 985 00	Black Insert Handle liner Leather	/LL /L	1	IXTV/098
(24)	997 555 985 00 A11 997 555 985 00 D12 997 555 986 00	Black Dark grey/natural Insert Handle liner Leather	/LL /R	1	IXTV/098
(24)	997 555 986 00 A11 997 555 986 00 D12 997 555 986 01	Black Dark grey/natural Insert Handle liner Leather	/RL /R	1	IXTV/099
(24)	997 555 986 01 A11 997 555 986 01 D12 997 555 985 02	Black Dark grey/natural Insert Handle liner Leather	/RL /L	1	IXTV/099
24	997 555 985 02 A11 997 555 985 02 D12 997 555 985 03	Black Dark grey/natural Insert Handle liner Carbon	/LL /L	1	IXGE/098
(24)	997 555 985 03 A35 997 555 986 03	Black Insert Handle liner Carbon	/LL /R	1	IXGE/098
(24)	997 555 986 03 A35 997 555 986 04	Black Insert Handle liner Carbon	/RL /R	1	IXGE/099
(24)	997 555 986 04 A35 997 555 985 05	Black Insert Handle liner Carbon	/RL /L	1	IXGE/099
	997 555 985 05 A35	Black			

Model: 997G07

Model life 2007>>2011



Model: 997G07 Model life 2007>>2011

Pos	Part Number	Description	Remark	Qty	Model
		Door trim panel Accessories for cars with Bucket seat GT			I384/385
(1)	997 555 201 58	Door trim panel Accessories for cars with Bucket seat GT See illustrations 8/07/13	/LL /L -08	1	I098/384
(1)	997 555 201 58 9L4 997 555 901 22	Black Door trim panel Leatherette Until Chassis number See technical information GR.7 NR. 17/11 KD-NR. 70	/LL /L -08	1	I098/384
(1)	997 555 901 22 9L4 997 555 201 58	Black Door trim panel Leatherette Until Chassis number See technical information GR.7 NR. 17/11 KD-NR. 70	/LL /L 09-	1	I098/384/441
(1)	997 555 201 58 9L4 997 555 901 23	Black Door trim panel Leatherette From Chassis number See technical information GR.7 NR. 17/11 KD-NR. 70	/LL /L 09-	1	I098/384/441
(1)	997 555 901 23 9L4 997 555 201 67	Black Door trim panel Leatherette Until Chassis number See technical information GR.7 NR. 17/11 KD-NR. 70	/LL /L	1	I098/384/490
(1)	997 555 201 67 9L4 997 555 901 24	Black Door trim panel Leatherette From Chassis number See technical information GR.7 NR. 17/11 KD-NR. 70	/LL /L	1	I098/384/490
(1)	997 555 901 24 9L4 997 555 202 59	Black Door trim panel Leatherette Until	/LL /R -08	1	I098/385

Model: 997G07 Model life 2007>>2011

Pos	Part Number	Description	Remark	Qty	Model
(1)	997 555 202 59 9L4 997 555 902 23	Chassis number See technical information GR.7 NR. 17/11 KD-NR. 70 Black Door trim panel Leatherette From	/LL /R -08	1	I098/385
(1)	997 555 902 23 9L4 997 555 202 59	Chassis number See technical information GR.7 NR. 17/11 KD-NR. 70 Black Door trim panel Leatherette Until	/LL /R 09-	1	I098/385/441
(1)	997 555 202 59 9L4 997 555 902 23	Chassis number See technical information GR.7 NR. 17/11 KD-NR. 70 Black Door trim panel Leatherette From	/LL /R 09-	1	I098/385/441
(1)	997 555 902 23 9L4 997 555 202 70	Chassis number See technical information GR.7 NR. 17/11 KD-NR. 70 Black Door trim panel Leatherette Until	/LL /R	1	I098/385/490
(1)	997 555 202 70 9L4 997 555 902 25	Chassis number See technical information GR.7 NR. 17/11 KD-NR. 70 Black Door trim panel Leatherette From	/LL /R	1	I098/385/490
(1)	997 555 902 25 9L4 997 555 202 58	Chassis number See technical information GR.7 NR. 17/11 KD-NR. 70 Black Door trim panel Leatherette Until	/RL /R -08	1	I099/385
(1)	997 555 202 58 9L4 997 555 902 22	Chassis number See technical information GR.7 NR. 17/11 KD-NR. 70 Black Door trim panel Leatherette From	/RL /R -08	1	I099/385
(1)	997 555 902 22 9L4 997 555 202 58	Chassis number See technical information GR.7 NR. 17/11 KD-NR. 70 Black Door trim panel Leatherette	/RL /R 09-	1	I099/385/441

Model: 997G07 Model life 2007>>2011

Pos	Part Number	Description	Remark	Qty	Model
		Until Chassis number See technical information GR.7 NR. 17/11 KD-NR. 70			
(1)	997 555 202 58 9L4 997 555 902 22	Black Door trim panel Leatherette From Chassis number See technical information GR.7 NR. 17/11 KD-NR. 70	/RL /R 09-	1	I099/385/441
(1)	997 555 902 22 9L4 997 555 202 67	Black Door trim panel Leatherette Until Chassis number See technical information GR.7 NR. 17/11 KD-NR. 70	/RL /R	1	I099/385/490
(1)	997 555 202 67 9L4 997 555 902 24	Black Door trim panel Leatherette From Chassis number See technical information GR.7 NR. 17/11 KD-NR. 70	/RL /R	1	I099/385/490
(1)	997 555 902 24 9L4 997 555 201 59	Black Door trim panel Leatherette Until Chassis number See technical information GR.7 NR. 17/11 KD-NR. 70	/RL /L -08	1	I099/384
(1)	997 555 201 59 9L4 997 555 902 23	Black Door trim panel Leatherette From Chassis number See technical information GR.7 NR. 17/11 KD-NR. 70	/RL /L -08	1	I099/384
(1)	997 555 902 23 9L4 997 555 201 59	Black Door trim panel Until Chassis number See technical information GR.7 NR. 17/11 KD-NR. 70	/RL /L 09-	1	I099/384/441
(1)	997 555 201 59 9L4 997 555 902 23	Black Door trim panel From Chassis number See technical information GR.7 NR. 17/11 KD-NR. 70 Leatherette	/RL /L 09-	1	I099/384/441
(1)	997 555 902 23 9L4 997 555 201 70	Black Door trim panel	/RL /L	1	I099/384/490

Model: 997G07 Model life 2007>>2011

Pos	Part Number	Description	Remark	Qty	Model
		Leatherette Until Chassis number See technical information GR.7 NR. 17/11 KD-NR. 70			
(1)	997 555 201 70 9L4 997 555 901 25	Black Door trim panel Leatherette From Chassis number See technical information GR.7 NR. 17/11 KD-NR. 70	/RL /L	1	I099/384/490
(1)	997 555 901 25 9L4 997 555 201 62	Black Door trim panel	/LL /L -09	1	I098/384/490 I981
(1)	997 555 201 62 FSM 997 555 201 62 FSN 997 555 201 62	Leather/ Alcantara Black/black Dark grey natural/black Door trim panel	/LL /L 10-	1	-IXVT/I098 I384/490/981
(1)	997 555 201 62 FSM 997 555 201 62 FSN 997 555 202 63	Leather/ Alcantara Black/black Dark grey natural/black Door trim panel	/LL /R -09	1	I098/385/490 I981
(1)	997 555 202 63 FSM 997 555 202 63 FSN 997 555 202 63	Leather/ Alcantara Black/black Dark grey natural/black Door trim panel	/LL /R -09	1	I098/385/441 I981
(1)	997 555 202 63 FSM 997 555 202 63 FSN 997 555 202 63	Leather/ Alcantara Black/black Dark grey natural/black Door trim panel	/LL /R 10-	1	-IXVT/I098 I385/490/981
(1)	997 555 202 63 FSM 997 555 202 63 FSN 997 555 202 62	Leather/ Alcantara Black/black Dark grey natural/black Door trim panel	/RL /R -09	1	I099/385/490 I981
(1)	997 555 202 62 FSM 997 555 202 62 FSN 997 555 202 62	Leather/ Alcantara Black/black Dark grey natural/black Door trim panel	/RL /R -09	1	I099/385/441 I981
(1)	997 555 202 62 FSM 997 555 202 62 FSN 997 555 202 62	Leather/ Alcantara Black/black Dark grey natural/black Door trim panel	/RL /R 10-	1	-IXVT/I099 I385/490/981
		Leather/ Alcantara Black/black Dark grey natural/black			

Model: 997G07 Model life 2007>>2011

Pos	Part Number	Description	Remark	Qty	Model
(1)	997 555 201 63	Door trim panel	/RL /L -09	1	I099/384/490 I981
		Leather/ Alcantara			
	997 555 201 63 FSM	Black/black			
	997 555 201 63 FSN	Dark grey natural/black			
(1)	997 555 201 63	Door trim panel	/RL /L -09	1	I099/384/441 I981
		Leather/ Alcantara			
	997 555 201 63 FSM	Black/black			
	997 555 201 63 FSN	Dark grey natural/black			
(1)	997 555 201 63	Door trim panel	/RL /L 10-	1	-IXVT/I099 I384/490/981
		Leather/ Alcantara			
	997 555 201 63 FSM	Black/black			
	997 555 201 63 FSN	Dark grey natural/black			
(1)	997 555 981 52	Door trim panel	/LL /L 10-	1	IXVT/098/384 I490/981
		Leather			
	997 555 981 52 A11	Black			
	997 555 981 52 D12	Dark grey/natural			
(1)	997 555 982 53	Door trim panel	/LL /R 10-	1	IXVT/098/385 I490/981
		Leather			
	997 555 982 53 A11	Black			
	997 555 982 53 D12	Dark grey/natural			
(1)	997 555 982 52	Door trim panel	/RL /R 10-	1	IXVT/099/385 I490/981
		Leather			
	997 555 982 52 A11	Black			
	997 555 982 52 D12	Dark grey/natural			
(1)	997 555 981 53	Door trim panel	/RL /L 10-	1	IXVT/099/384 I490/981
		Leather			
	997 555 981 53 A11	Black			
	997 555 981 53 D12	Dark grey/natural			
(1)	997 555 981 56	Door trim panel	/LL /L 10-	1	IXTV/XVT/098 I384/490/981
		Leather			
	997 555 981 56 A11	Black			
	997 555 981 56 D12	Dark grey/natural			
(1)	997 555 982 56	Door trim panel	/LL /R 10-	1	IXTV/XVT/098 I385/490/981
		Leather			
	997 555 982 56 A11	Black			
	997 555 982 56 D12	Dark grey/natural			
(1)	997 555 982 57	Door trim panel	/RL /R 10-	1	IXTV/XVT/099 I385/490/981
		Leather			
	997 555 982 57 A11	Black			
	997 555 982 57 D12	Dark grey/natural			
(1)	997 555 981 57	Door trim panel	/RL /L 10-	1	IXTV/XVT/099 I384/490/981
		Leather			
	997 555 981 57 A11	Black			
	997 555 981 57 D12	Dark grey/natural			
(1)	997 555 981 60	Door trim panel	/LL /L 10-	1	IXGE/XVT/098 I384/981
		Leather			
	997 555 981 60 A11	Black			
	997 555 981 60 D12	Dark grey/natural			

Model: 997G07 Model life 2007>>2011

Pos	Part Number	Description	Remark	Qty	Model
(1)	997 555 982 60	Door trim panel	/LL /R 10-	1	IXGE/XVT/098 I385/981
		Leather			
	997 555 982 60 A11	Black			
	997 555 982 60 D12	Dark grey/natural			
(1)	997 555 982 61	Door trim panel	/RL /R 10-	1	IXGE/XVT/099 I385/981
		Leather			
	997 555 982 61 A11	Black			
	997 555 982 61 D12	Dark grey/natural			
(1)	997 555 981 61	Door trim panel	/RL /L 10-	1	IXGE/XVT/099 I384/981
		Leather			
	997 555 981 61 A11	Black			
	997 555 981 61 D12	Dark grey/natural			
2	999 507 533 02	Clamp		2	
		8,0X 10/2,5			
3	955 555 243 00	Fixing clip		9	
		for			
		Mount			
4	999 073 322 02	Door trim panel		5	
		Oval-head screw			
		M 6 X 20			
		for			
		Mount			
5	997 555 241 90	Door trim panel	/L	1	I384
		Armrest			
		Alcantara			
		Valid up to:			
		F >>997S7 90648			
	997 555 241 90 A14	Black			
5	997 555 242 90	Door trim panel	/R	1	I385
		Armrest			
		Alcantara			
		Valid up to:			
		F >>997S7 90648			
	997 555 242 90 A14	Black			
5	997 555 241 91	Door trim panel	/L	1	I384
		Armrest			
		Alcantara			
		Valid from:			
		F 997S7 90649>>			
	997 555 241 91 A14	Black			
5	997 555 242 91	Door trim panel	/R	1	I385
		Armrest			
		Alcantara			
		Valid from:			
		F 997S7 90649>>			
	997 555 242 91 A14	Black			
6	997 555 491 90	Door trim panel	/L	1	I384
		Padding			
	997 555 491 90 FSA	Black/grey			
	997 555 491 90 FSH	Darkgrey natural/grey			
(6)	997 555 492 90	Door trim panel	/R	1	I385
		Padding			
	997 555 492 90 FSA	Black/grey			
	997 555 492 90 FSH	Darkgrey natural/grey			
7	999 919 237 00	Oval-head screw		X	I384/385
		5 x 20			
(8)	997 555 261 01	Door trim panel	/L -09	1	
		Handle			
		Lower part			
	997 555 261 01 A11	Black			
(8)	997 555 262 01	Door trim panel	/R -09	1	
		Handle			
		Lower part			
	997 555 262 01 A11	Black			
8	997 555 261 02	Door trim panel	/L -09	1	I981
		Handle			

Model: 997G07 Model life 2007>>2011

Pos	Part Number	Description	Remark	Qty	Model
8	997 555 261 02 A14 997 555 261 02	Lower part Black Handle	/L 10-	1	I384
(8)	997 555 261 02 A14 997 555 262 02	Lower part Black Handle	/R -09	1	I981
(8)	997 555 262 02 A14 997 555 262 02	Lower part Black Handle	/R 10-	1	I385
9	997 555 262 02 A14 999 919 229 02	Lower part Black Oval-head screw 6,0 X 40,0 for Mount		2	
10	997 555 381 02	Handle Axle bearing	/L	1	
(10)	997 555 382 02	Valid up to: F >>99AS7 80076 Axle bearing	/R	1	
(10)	997 555 381 03	Valid up to: F >>99AS7 80076 Axle bearing	/L	1	
(10)	997 555 382 03	Valid from: F 99AS7 80077>> Axle bearing	/R	1	
11	999 919 164 09	Valid from: F 99AS7 80077>> Oval-head screw 5 X 12 for Mount		3	
12	997 555 461 01	Axle bearing Lever	/L -09	1	
12	997 555 461 01 V05 997 555 461 01	Door opener Galvano silver Lever	/L 10-	1	I384
(12)	997 555 461 01 V05 997 555 462 01	Door opener Galvano silver Lever	/R -09	1	
(12)	997 555 462 01 V05 997 555 462 01	Door opener Galvano silver Lever	/R 10-	1	I385
13	997 555 462 01 V05 999 919 164 09	Door opener Galvano silver Oval-head screw 5 X 12 for Mount		1	
14	997 555 683 00	Lever Door opener Cap	/L	1	
(14)	997 555 683 00 A03 997 555 684 00	Airbag Black Cap	/R	1	
15	997 555 684 00 A03 997 555 643 01	Airbag Black Cover	/L	1	
(15)	997 555 643 01 A03 997 555 644 01	Front Lacquered Black Cover	/R	1	
		Front			

Model: 997G07 Model life 2007>>2011

Pos	Part Number	Description	Remark	Qty	Model
(15)	997 555 644 01 A03 997 555 643 02	Lacquered Black Cover Front Leather	/L 10-	1	IXVT
(15)	997 555 643 02 A11 997 555 643 02 D12 997 555 644 02	Black Dark grey/natural Cover Front Leather	/R 10-	1	IXVT
(16)	997 555 644 02 A11 997 555 644 02 D12 997 555 431 90	Black Dark grey/natural Cover Padding Valid up to:	/L	1	I384
(16)	997 555 431 90 A14 997 555 432 90	Black Cover Padding Valid up to: F >>997S7 90648	/R	1	I385
(16)	997 555 432 90 A14 997 555 431 91	Black Cover Padding Valid from: F 997S7 90649>>	/L	1	I385
(16)	997 555 431 91 A14 997 555 432 91	Black Cover Padding Valid from: F 997S7 90649>>	/R	1	I385
17	999 591 380 01	Cable clamp		4	
18	997 555 685 02	Cover Door mirror Driver's side Lacquered	/LL	1	I098
(18)	997 555 685 02 A03 997 555 686 03	Black Cover Door mirror Driver's side Lacquered	/RL	1	I099
(18)	997 555 686 03 A03 997 555 995 00	Black Cover Door mirror Driver's side Leather	/LL 10-	1	IXDX/098
(18)	997 555 995 00 A11 997 555 995 00 D12 997 555 996 01	Black Dark grey/natural Cover Door mirror Driver's side Leather	/RL 10-	1	IXDX/099
(18)	997 555 996 01 A11 997 555 996 01 D12 997 555 686 02	Black Dark grey/natural Cover Door mirror Passenger's side Lacquered	/LL	1	I098
(18)	997 555 686 02 A03 997 555 685 03	Black Cover Door mirror Passenger's side Lacquered	/RL	1	I099

Model: 997G07 Model life 2007>>2011

Pos	Part Number	Description	Remark	Qty	Model
(18)	997 555 685 03 A03 997 555 996 00	Black Cover Door mirror Passenger's side Leather	/LL 10-	1	IXDX/098
(18)	997 555 996 00 A11 997 555 996 00 D12 997 555 995 01	Black Dark grey/natural Cover Door mirror Passenger's side Leather	/RL 10-	1	IXDX/099
19	997 555 995 01 A11 997 555 995 01 D12 997 555 577 00	Black Dark grey/natural Cap Handle liner		1	
20	997 555 577 00 A03 997 555 895 00	Black Plastic foam strip for Woofers		1	
21	999 702 281 41	Grommet Axle bearing		1	
22	997 555 271 01	Handle Upper part	/L -09	1	
(22)	997 555 271 01 FSA 997 555 272 01	Black/grey Handle Upper part	/R -09	1	
(22)	997 555 272 01 FSA 997 555 271 02	Black/grey Handle Upper part	/L -09	1	I981
(22)	997 555 271 02 FSO 997 555 271 02	Black/grey Handle Upper part	/L 10-	1	I385
(22)	997 555 271 02 FSO 997 555 272 02	Black/grey Handle Upper part	/R -09	1	I981
(22)	997 555 272 02 FSO 997 555 272 02	Black Handle Upper part	/R 10-	1	I385
23	997 555 272 02 FSO 997 555 351 03	Black Insert Handle liner Lacquered	/LL /L	1	I098
23	997 555 351 03 A03 997 555 352 04	Black Insert Handle liner Lacquered	/LL /R	1	I098
(23)	997 555 352 04 A03 997 555 352 03	Black Insert Handle liner Lacquered	/RL /R	1	I099
(23)	997 555 352 03 A03 997 555 351 04	Black Insert Handle liner Lacquered	/RL /L	1	I099
23	997 555 351 04 A03 997 555 985 00	Black Insert Handle liner Leather	/LL /L	1	IXTV/098
(23)	997 555 985 00 A11 997 555 985 00 D12 997 555 986 00	Black Dark grey/natural Insert Handle liner Leather	/LL /R	1	IXTV/098

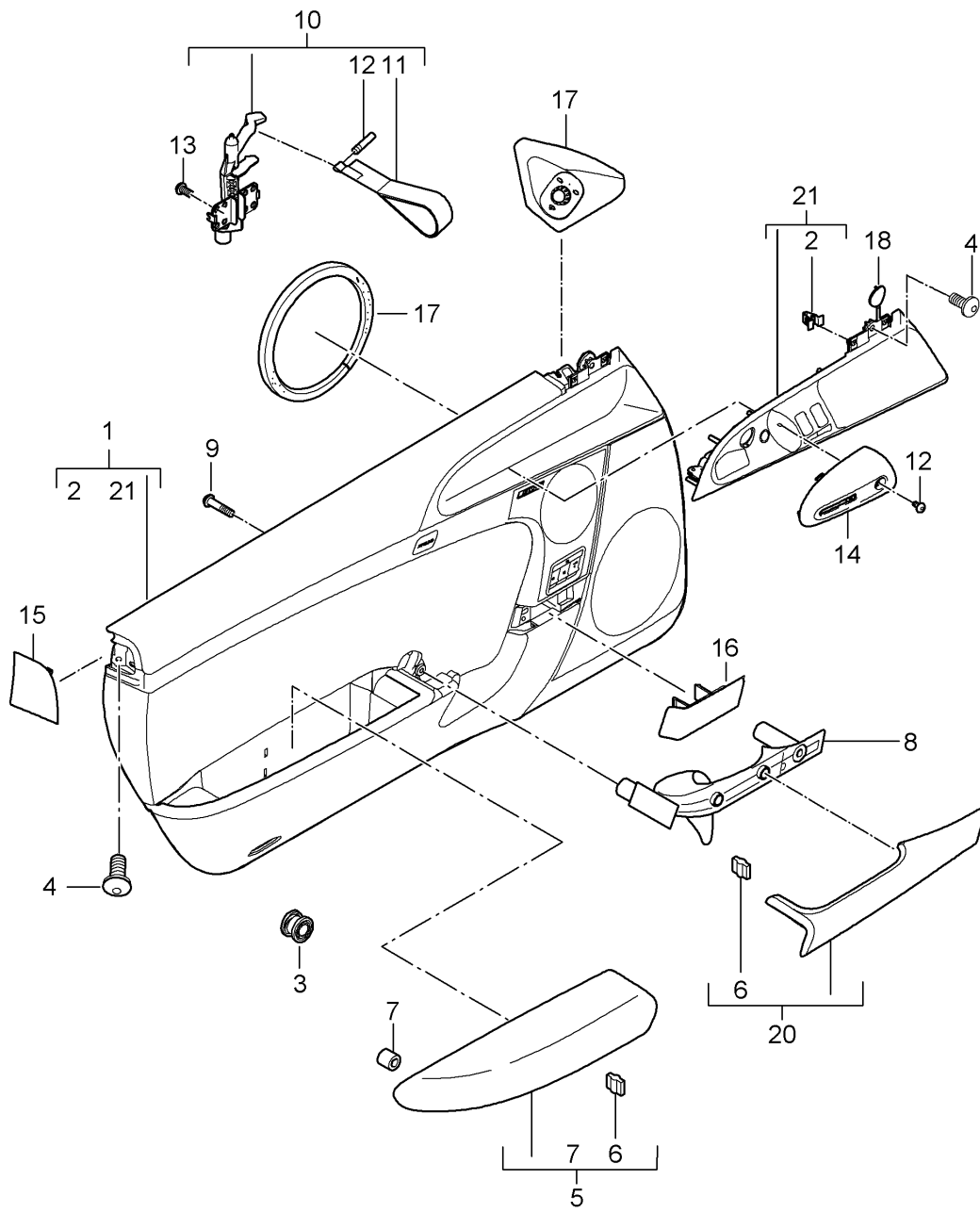
Model: 997G07

Model life 2007>>2011

Pos	Part Number	Description	Remark	Qty	Model
(23)	997 555 986 00 A11	Black			
	997 555 986 00 D12	Dark grey/natural			
	997 555 986 01	Insert Handle liner Leather	/RL /R	1	IXTV/099
(23)	997 555 986 01 A11	Black			
	997 555 986 01 D12	Dark grey/natural			
	997 555 985 02	Insert Handle liner Leather	/RL /L	1	IXTV/099
23	997 555 985 02 A11	Black			
	997 555 985 02 D12	Dark grey/natural			
	997 555 985 03	Insert Handle liner Carbon	/LL /L	1	IXGE/098
23	997 555 985 03 A35	Black			
	997 555 986 03	Insert Handle liner Carbon	/LL /R	1	IXGE/098
	997 555 986 03 A35	Black			
(23)	997 555 986 04	Insert Handle liner Carbon	/RL /R	1	IXGE/099
	997 555 986 04 A35	Black			
	997 555 985 05	Insert Handle liner Carbon	/RL /L	1	IXGE/098/099
24	997 555 985 05 A35	Black			
	900 151 027 03	Washer		7	

Model: 997G07

Model life 2007>>2011



Model: 997G07 Model life 2007>>2011

Pos	Part Number	Description	Remark	Qty	Model
1	997 555 201 90	Door trim panel Accessories Door trim panel Leatherette Until Chassis number See technical information GR.7 NR. 17/11 KD-NR. 70	/LL /L 10-	1	GT3 RS -I981/I004 I098/377/441
1	997 555 201 90 9L4 997 555 201 90	Black Door trim panel Leatherette Black	/LL /L 11-	1	GT3 RS 4.0 -I981/I006 I098/377/441
1	997 555 201 90 9L4 997 555 901 26	Door trim panel Leatherette From Chassis number See technical information GR.7 NR. 17/11 KD-NR. 70	/LL /L 10-	1	GT3 RS -I981/I004 I098/377/441
1	997 555 901 26 9L4 997 555 201 90	Black Door trim panel Leatherette Until Chassis number See technical information GR.7 NR. 17/11 KD-NR. 70	/LL /L 10-	1	GT3 RS -I981/I004 I098/388/441
1	997 555 201 90 9L4 997 555 201 90	Black Door trim panel Leatherette Black	/LL /L 11-	1	GT3 RS 4.0 -I981/I006 I098/388/441
1	997 555 201 90 9L4 997 555 901 26	Door trim panel Leatherette From Chassis number See technical information GR.7 NR. 17/11 KD-NR. 70	/LL /L 10-	1	GT3 RS -I981/I004 I098/388/441
1	997 555 901 26 9L4 997 555 201 92	Black Door trim panel Leatherette Until Chassis number See technical information GR.7 NR. 17/11 KD-NR. 70	/LL /L 10-	1	GT3 RS -I981/I004 I098/377/490
1	997 555 201 92 9L4 997 555 201 92	Black Door trim panel	/LL /L 11-	1	GT3 RS 4.0

Model: 997G07 Model life 2007>>2011

Pos	Part Number	Description	Remark	Qty	Model
					-I981/I004 I098/377/490
1	997 555 201 92 9L4 997 555 901 27	Leatherette Black Door trim panel	/LL /L 10-	1	GT3 RS -I981/I004 I098/377/490
		Leatherette From Chassis number See technical information GR.7 NR. 17/11 KD-NR. 70			
1	997 555 901 27 9L4 997 555 201 92	Black Door trim panel	/LL /L 10-	1	GT3 RS -I981/I004 I098/388/490
		Leatherette Until Chassis number See technical information GR.7 NR. 17/11 KD-NR. 70			
1	997 555 201 92 9L4 997 555 201 92	Black Door trim panel	/LL /L 10-	1	GT3 RS 4.0 -I981/I006 I098/388/490
		Leatherette Black			
1	997 555 201 92 9L4 997 555 901 27	Black Door trim panel	/LL /L 10-	1	GT3 RS -I981/I004 I098/388/490
		Leatherette From Chassis number See technical information GR.7 NR. 17/11 KD-NR. 70			
(1)	997 555 901 27 9L4 997 555 202 94	Black Door trim panel	/LL /R 10-	1	GT3 RS -I981/I004 I098/378/441
		Leatherette Until Chassis number See technical information GR.7 NR. 17/11 KD-NR. 70			
(1)	997 555 202 94 9L4 997 555 202 94	Black Door trim panel	/LL /R 11-	1	GT3 RS 4.0 -I981/I006 I098/378/441
		Leatherette Black			
(1)	997 555 202 94 9L4 997 555 902 28	Black Door trim panel	/LL /R 10-	1	GT3 RS -I981/I004 I098/378/441
		Leatherette From Chassis number See technical information GR.7 NR. 17/11 KD-NR. 70			

Model: 997G07 Model life 2007>>2011

Pos	Part Number	Description	Remark	Qty	Model
(1)	997 555 902 28 9L4 997 555 202 94	Black Door trim panel Leatherette Until Chassis number See technical information GR.7 NR. 17/11 KD-NR. 70	/LL /R 10-	1	GT3 RS -I981/I004 I098/389/441
(1)	997 555 202 94 9L4 997 555 202 94	Black Door trim panel Leatherette	/LL /R 11-	1	GT3 RS 4.0 -I981/I006 I098/389/441
(1)	997 555 202 94 9L4 997 555 902 28	Black Door trim panel Leatherette From Chassis number See technical information GR.7 NR. 17/11 KD-NR. 70	/LL /R 10-	1	GT3 RS -I981/I004 I098/389/441
(1)	997 555 902 28 9L4 997 555 202 95	Black Door trim panel Leatherette	/LL /R 11-	1	GT3 RS 4.0 -I981/I006 I098/378/490
(1)	997 555 202 95 9L4 997 555 902 29	Black Door trim panel Leatherette Until Chassis number See technical information GR.7 NR. 17/11 KD-NR. 70	/LL /R 10-	1	GT3 RS -I981/I004 I098/378/490
(1)	997 555 902 29 9L4 997 555 202 95	Black Door trim panel Leatherette Until Chassis number See technical information GR.7 NR. 17/11 KD-NR. 70	/LL /R 10-	1	GT3 RS -I981/I004 I098/389/490
(1)	997 555 202 95 9L4 997 555 202 95	Black Door trim panel Leatherette	/LL /R 11-	1	GT3 RS 4.0 -I981/I006 I098/389/490
(1)	997 555 202 95 9L4 997 555 902 29	Black Door trim panel Leatherette From Chassis number See technical information	/LL /R 10-	1	GT3 RS -I981/I004 I098/389/490

Model: 997G07 Model life 2007>>2011

Pos	Part Number	Description	Remark	Qty	Model
(1)	997 555 902 29 9L4 997 555 202 90	GR.7 NR. 17/11 KD-NR. 70 Black Door trim panel	/RL /R 10-	1	GT3 RS -I981/I004 I099/378/441
(1)	997 555 202 90 9L4 997 555 202 90	Leatherette Until Chassis number See technical information GR.7 NR. 17/11 KD-NR. 70 Black Door trim panel	/RL /R 11-	1	GT3 RS 4.0 -I981/I006 I099/378/441
(1)	997 555 202 90 9L4 997 555 902 26	Leatherette Black Door trim panel	/RL /R 10-	1	GT3 RS -I981/I004 I099/378/441
(1)	997 555 902 26 9L4 997 555 202 90	Leatherette From Chassis number See technical information GR.7 NR. 17/11 KD-NR. 70 Black Door trim panel	/RL /R 10-	1	GT3 RS -I981/I004 I099/389/441
(1)	997 555 202 90 9L4 997 555 202 90	Leatherette Until Chassis number See technical information GR.7 NR. 17/11 KD-NR. 70 Black Door trim panel	/RL /R 11-	1	GT3 RS 4.0 -I981/I006 I099/389/441
(1)	997 555 202 90 9L4 997 555 902 26	Leatherette Black Door trim panel	/RL /R 10-	1	GT3 RS -I981/I004 I099/389/441
(1)	997 555 902 26 9L4 997 555 202 92	Leatherette From Chassis number See technical information GR.7 NR. 17/11 KD-NR. 70 Black Door trim panel	/RL /R 10-	1	GT3 RS -I981/I004 I099/378/490
(1)	997 555 202 92 9L4	Leatherette Until Chassis number See technical information GR.7 NR. 17/11 KD-NR. 70 Black			

Model: 997G07 Model life 2007>>2011

Pos	Part Number	Description	Remark	Qty	Model
(1)	997 555 202 92	Door trim panel	/RL /R 11-	1	GT3 RS 4.0 -I981/I006 I099/378/490
		Leatherette			
	997 555 202 92 9L4	Black			
(1)	997 555 902 27	Door trim panel	/RL /R 10-	1	GT3 RS -I981/I004 I099/378/490
		Leatherette			
		From			
		Chassis number			
		See technical information			
		GR.7 NR. 17/11			
		KD-NR. 70			
	997 555 902 27 9L4	Black			
(1)	997 555 202 92	Door trim panel	/RL /R 10-	1	GT3 RS -I981/I004 I099/389/490
		Leatherette			
		Until			
		Chassis number			
		See technical information			
		GR.7 NR. 17/11			
		KD-NR. 70			
	997 555 202 92 9L4	Black			
(1)	997 555 202 92	Door trim panel	/RL /R 11-	1	GT3 RS 4.0 -I981/I006 I099/389/490
		Leatherette			
	997 555 202 92 9L4	Black			
(1)	997 555 902 27	Door trim panel	/RL /R 10-	1	GT3 RS -I981/I004 I099/389/490
		Leatherette			
		From			
		Chassis number			
		See technical information			
		GR.7 NR. 17/11			
		KD-NR. 70			
	997 555 902 27 9L4	Black			
(1)	997 555 201 94	Door trim panel	/RL /L 10-	1	GT3 RS -I981/I004 I099/377/441
		Leatherette			
		Until			
		Chassis number			
		See technical information			
		GR.7 NR. 17/11			
		KD-NR. 70			
	997 555 201 94 9L4	Black			
(1)	997 555 201 94	Door trim panel	/RL /L 11-	1	GT3 RS 4.0 -I981/I006 I099/377/441
		Leatherette			
	997 555 201 94 9L4	Black			
(1)	997 555 901 28	Door trim panel	/RL /L 10-	1	GT3 RS -I981/I004 I099/377/441
		Leatherette			
		From			
		Chassis number			
		See technical information			
		GR.7 NR. 17/11			

Model: 997G07 Model life 2007>>2011

Pos	Part Number	Description	Remark	Qty	Model
(1)	997 555 901 28 9L4 997 555 201 94	KD-NR. 70 Black Door trim panel	/RL /L 10-	1	GT3 RS -I981/I004 I099/388/441
		Leatherette Until Chassis number See technical information GR.7 NR. 17/11 KD-NR. 70			
(1)	997 555 201 94 9L4 997 555 201 94	Black Door trim panel	/RL /L 11-	1	GT3 RS 4.0 -I981/I006 I099/388/441
		Leatherette Until Chassis number See technical information GR.7 NR. 17/11 KD-NR. 70			
(1)	997 555 201 94 9L4 997 555 901 28	Black Door trim panel	/RL /L 10-	1	GT3 RS -I981/I004 I099/388/441
		Leatherette Until Chassis number See technical information GR.7 NR. 17/11 KD-NR. 70			
(1)	997 555 901 28 9L4 997 555 201 95	Black Door trim panel	/RL /L 10-	1	GT3 RS -I981/I004 I099/377/490
		Leatherette Until Chassis number See technical information GR.7 NR. 17/11 KD-NR. 70			
(1)	997 555 201 95 9L4 997 555 201 95	Black Door trim panel	/RL /L 11-	1	GT3 RS 4.0 -I981/I006 I099/377/490
		Leatherette Until Chassis number See technical information GR.7 NR. 17/11 KD-NR. 70			
(1)	997 555 201 95 9L4 997 555 901 29	Black Door trim panel	/RL /L 10-	1	GT3 RS -I981/I004 I099/377/490
		Leatherette From Chassis number See technical information GR.7 NR. 17/11 KD-NR. 70			
(1)	997 555 901 29 9L4 997 555 201 95	Black Door trim panel	/RL /L 10-	1	GT3 RS -I981/I004 I099/388/490
		Leatherette Until Chassis number See technical information GR.7 NR. 17/11 KD-NR. 70			
(1)	997 555 201 95 9L4 997 555 201 95	Black Door trim panel	/RL /L 11-	1	GT3 RS 4.0

Model: 997G07 Model life 2007>>2011

Pos	Part Number	Description	Remark	Qty	Model
					-I981/I006 I099/388/490
(1)	997 555 201 95 9L4 997 555 901 29	Leatherette Black Door trim panel	/RL /L 10-	1	GT3 RS -I981/I004 I099/388/490
1	997 555 901 29 9L4 997 555 201 A9	Leatherette Until Chassis number See technical information GR.7 NR. 17/11 KD-NR. 70 Black Door trim panel	/LL /L	1	I004/098/377 I981
1	997 555 201 A9 FSM 997 555 201 A9	Leather/ Alcantara Black/black Door trim panel	/LL /L	1	-IXGE/I004 I098/388/981
(1)	997 555 201 A9 FSM 997 555 202 B9	Leather/ Alcantara Black/black Door trim panel	/LL /R	1	-IXGE/I004 I098/378/981
(1)	997 555 202 B9 FSM 997 555 202 B9	Leather/ Alcantara Black/black Door trim panel	/LL /R	1	-IXGE/I004 I098/389/981
(1)	997 555 202 B9 FSM 997 555 202 A9	Leather/ Alcantara Black/black Door trim panel	/RL /R	1	I004/099/378 I389/981
(1)	997 555 202 A9 FSM 997 555 201 B9	Leather/ Alcantara Black/black Door trim panel	/RL /L	1	I004/099/377 I388/981
2	997 555 201 B9 FSM 999 507 533 02	Leather/ Alcantara Black/black Clamp		2	
3	955 555 243 00	8,0X 10/2,5 Fixing clip for Mount		9	
4	999 073 322 02	Door trim panel Oval-head screw M 6 X 20 for Mount		5	
(5)	997 555 403 00	Door trim panel Armrest	/L 10-	1	GT3 RS I004/377/388
(5)	997 555 403 00 FSO 997 555 403 00	Door trim panel Black Armrest	/L 10-	1	GT3 RS I004/377/388
	997 555 403 00 FSO	Door trim panel Black/grey			

Model: 997G07 Model life 2007>>2011

Pos	Part Number	Description	Remark	Qty	Model
(5)	997 555 403 00	Armrest	/L 11-	1	GT3 RS 4.0 I006/377/388
		Door trim panel			
	997 555 403 00 FSO	Black/grey			
	997 555 403 00 DRD	Black-red			
(5)	997 555 404 00	Armrest	/R 10-	1	GT3 RS I004/378/389
		Door trim panel			
	997 555 404 00 FSO	Black			
(5)	997 555 404 00	Armrest	/R 10-	1	GT3 RS I004/378/389
		Door trim panel			
	997 555 404 00 FSO	Black/grey			
(5)	997 555 404 00	Armrest	/R 11-	1	GT3 RS 4.0 I006/378/389
		Door trim panel			
	997 555 404 00 FSO	Black/grey			
	997 555 404 00 DRD	Black-red			
6	999 591 380 01	Cable clamp		X	I004/006
7	997 555 857 00	Grommet		X	I004/006
8	997 555 261 90	Handle	/L 10-	1	GT3 RS I004/377/388
		Lower part			
	997 555 261 90 A25	Black			
(8)	997 555 261 90	Handle	/L 11-	1	GT3 RS 4.0 I006/377/388
		Lower part			
	997 555 261 90 A25	Black			
	997 555 261 90 N13	Guards red			
(8)	997 555 262 90	Handle	/R 10-	1	GT3 RS I004/378/389
		Lower part			
	997 555 262 90 A25	Black			
(8)	997 555 262 90	Handle	/R 11-	1	GT3 RS 4.0 I006/378/389
		Lower part			
	997 555 262 90 A25	Black			
	997 555 262 90 N13	Guards red			
9	999 919 229 02	Oval-head screw 6,0 X 40,0 for Mount Handle		2	
10	987 555 381 00	Axle bearing	/L 10-	1	GT3 RS I004
	987 555 381 00 N13	Guards red			
(10)	987 555 381 00	Axle bearing	/L 11-	1	GT3 RS 4.0 I006
	987 555 381 00 N13	Guards red			
(10)	987 555 382 00	Axle bearing	/R 10-	1	GT3 RS I004
	987 555 382 00 N13	Guards red			
(10)	987 555 382 00	Axle bearing	/R 11-	1	GT3 RS 4.0 I006
	987 555 382 00 N13	Guards red			
11	987 555 563 00	Door opener	10-	2	GT3 RS I004
	987 555 563 00 N13	Guards red			
(11)	987 555 563 00	Door opener	11-	2	GT3 RS 4.0 I006
	987 555 563 00 N13	Guards red			
12	987 555 879 00	Axle		2	GT3 RS I004/006

Model: 997G07 Model life 2007>>2011

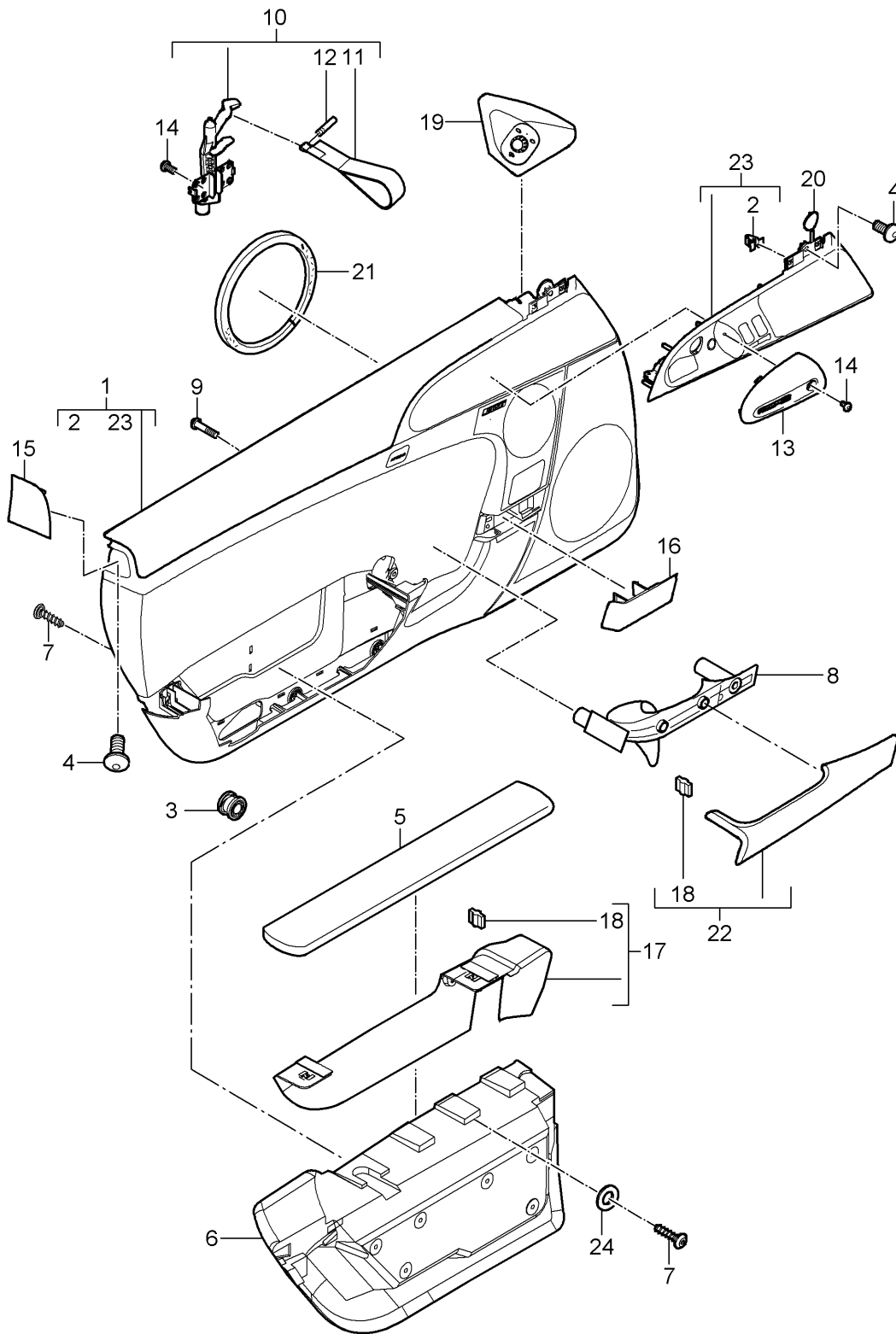
Pos	Part Number	Description	Remark	Qty	Model
13	999 919 164 09	for Mount Door opener Oval-head screw 5 X 12		X	
14	987 555 463 00	Cover	/L 10-	1	GT3 RS I004
(14)	987 555 463 00 A03	Door opener Black			
(14)	987 555 463 00	Cover	/L 11-	1	GT3 RS 4.0 I006
(14)	987 555 463 00 A03	Door opener Black			
(14)	987 555 464 00	Cover	/R 10-	1	GT RS I004
(14)	987 555 464 00 A03	Door opener Black			
(14)	987 555 464 00	Cover	/R 11-	1	GT RS 4.0 I006
15	987 555 464 00 A03	Door opener Black			
15	997 555 683 00	Cap	/L	1	
(15)	997 555 683 00 A03	Airbag Black			
(15)	997 555 684 00	Cap	/R	1	
(15)	997 555 684 00 A03	Airbag Black			
16	997 555 684 00 A03	Black			
16	997 555 643 01	Cover	/L	1	
(16)	997 555 643 01 A03	Front Lacquered Black			
(16)	997 555 644 01	Cover	/R	1	
(16)	997 555 644 01 A03	Front Lacquered Black			
17	997 555 685 02	Cover	/LL	1	I098
(17)	997 555 685 02 A03	Door mirror Driver's side Lacquered Black			
(17)	997 555 686 03	Cover	/RL	1	I099
(17)	997 555 686 03 A03	Door mirror Driver's side Lacquered Black			
(17)	997 555 686 02	Cover	/LL	1	I098
(17)	997 555 686 02 A03	Door mirror Passenger's side Lacquered Black			
(17)	997 555 685 03	Cover	/RL	1	I099
(17)	997 555 685 03 A03	Door mirror Passenger's side Lacquered Black			
18	997 555 577 00	Cap		1	
19	997 555 577 00 A03	Handle liner Black			
19	997 555 895 00	Plastic foam strip		1	
20	997 555 271 90	for Woofer Handle	/L 10-	1	GT3 RS I004/377/388

Model: 997G07 Model life 2007>>2011

Pos	Part Number	Description	Remark	Qty	Model
(20)	997 555 271 90 FS0 997 555 271 90	Upper part Black/grey Handle	/L 11-	1	GT3 RS 4.0 I006/377/388
(20)	997 555 271 90 FS0 997 555 271 90 DRD 997 555 272 90	Upper part Black/grey Black-red Handle	/R 10-	1	GT3 RS I004/378/389
(20)	997 555 272 90 FS0 997 555 272 90	Upper part Black/grey Handle	/R 11-	1	GT3 RS 4.0 I006/378/389
21	997 555 272 90 FS0 997 555 272 90 DRD 987 555 351 01	Upper part Black/grey Black-red Insert	/LL /L 10-	1	GT3 RS I004/098
21	987 555 351 01 A03 987 555 351 01	Handle liner Lacquered Black Insert	/LL /L 11-	1	GT3 RS 4.0 I006/098
(21)	987 555 351 01 A03 987 555 352 01	Handle liner Lacquered Black Insert	/RL /R 10-	1	GT3 RS I004/099
(21)	987 555 352 01 A03 987 555 352 01	Handle liner Lacquered Black Insert	/RL /R 11-	1	GT3 RS 4.0 I006/099
(21)	987 555 352 01 A03 987 555 352 02	Handle liner Lacquered Black Insert	/LL /R 10-	1	GT3 RS I004/098
(21)	987 555 352 02 A03 987 555 352 02	Handle liner Lacquered Black Insert	/LL /R 11-	1	GT3 RS 4.0 I006/098
(21)	987 555 352 02 A03 987 555 351 02	Handle liner Lacquered Black Insert	/RL /L 10-	1	GT3 RS I004/099
(21)	987 555 351 02 A03 987 555 351 02	Handle liner Lacquered Black Insert	/RL /L 11-	1	GT3 RS 4.0 I006/099
	987 555 351 02 A03	Handle liner Lacquered Black			

Model: 997G07

Model life 2007>>2011



Model: 997G07 Model life 2007>>2011

Pos	Part Number	Description	Remark	Qty	Model
		Door trim panel	10-		GT3 RS I004/384/385
		Accessories	11-		GT3 RS 4.0 I006/384/385
		for cars with Bucket seat GT			
(1)	997 555 201 96	Door trim panel	/LL /L 10-	1	GT3 RS I004/098/384 I441
		Leatherette Until Chassis number See technical information GR.7 NR. 17/11 KD-NR. 70			
	997 555 201 96 9L4	Black			
(1)	997 555 201 96	Door trim panel	/LL /L 11-	1	GT3 RS 4.0 I006/098/384 I441
		Leatherette Black			
	997 555 201 96 9L4	Black			
(1)	997 555 901 30	Door trim panel	/LL /L 10-	1	GT3 RS I004/098/384 I441
		Leatherette From Chassis number See technical information GR.7 NR. 17/11 KD-NR. 70			
	997 555 901 30 9L4	Black			
(1)	997 555 201 98	Door trim panel	/LL /L 10-	1	GT3 RS I004/098/384 I490
		Leatherette Until Chassis number See technical information GR.7 NR. 17/11 KD-NR. 70			
	997 555 201 98 9L4	Black			
(1)	997 555 201 98	Door trim panel	/LL /L 11-	1	GT3 RS 4.0 I006/098/384 I490
		Leatherette Black			
	997 555 201 98 9L4	Black			
(1)	997 555 901 32	Door trim panel	/LL /L 10-	1	GT3 RS I004/098/384 I490
		Leatherette Until Chassis number See technical information GR.7 NR. 17/11 KD-NR. 70			
	997 555 901 32 9L4	Black			
(1)	997 555 202 97	Door trim panel	/LL /R 10-	1	GT3 RS I004/098/385 I441
		Leatherette Until Chassis number			

Model: 997G07 Model life 2007>>2011

Pos	Part Number	Description	Remark	Qty	Model
(1)	997 555 202 97 9L4 997 555 202 97	See technical information GR.7 NR. 17/11 KD-NR. 70 Black Door trim panel	/LL /R 11-	1	GT3 RS 4.0 I006/098/385 I441
(1)	997 555 202 97 9L4 997 555 202 99	Leatherette Black Door trim panel	/LL /R 10-	1	GT3 RS I004/098/385 I490
(1)	997 555 202 99 9L4 997 555 202 99	Leatherette Until Chassis number See technical information GR.7 NR. 17/11 KD-NR. 70 Black Door trim panel	/LL /R 11-	1	GT3 RS 4.0 I006/098/385 I490
(1)	997 555 202 99 9L4 997 555 902 33	Leatherette Black Door trim panel	/LL /R 10-	1	GT3 RS I004/098/385 I490
(1)	997 555 902 33 9L4 997 555 902 30	Leatherette From Chassis number See technical information GR.7 NR. 17/11 KD-NR. 70 Black Door trim panel	/RL /R 10-	1	GT3 RS I004/099/385 I441
(1)	997 555 902 30 9L4 997 555 202 98	Leatherette From Chassis number See technical information GR.7 NR. 17/11 KD-NR. 70 Black Door trim panel	/RL /R 10-	1	GT3 RS I004/099/385 I490
(1)	997 555 202 98 9L4 997 555 202 98	Leatherette Until Chassis number See technical information GR.7 NR. 17/11 KD-NR. 70 Black Door trim panel	/RL /R 11-	1	GT3 RS 4.0 I006/099/385 I490
(1)	997 555 202 98 9L4 997 555 902 32	Leatherette Black Door trim panel	/RL /R 10-	1	GT3 RS I004/099/385 I490
		Leatherette			

Model: 997G07

Model life 2007>>2011

Pos	Part Number	Description	Remark	Qty	Model
(1)	997 555 902 32 9L4 997 555 201 97	From Chassis number See technical information GR.7 NR. 17/11 KD-NR. 70 Black Door trim panel	/RL /L 10-	1	GT3 RS I004/099/384 I441
(1)	997 555 201 97 9L4 997 555 201 97	Leatherette Until Chassis number See technical information GR.7 NR. 17/11 KD-NR. 70 Black Door trim panel	/RL /L 11-	1	GT3 RS 4.0 I006/099/384 I441
(1)	997 555 201 97 9L4 997 555 901 31	Leatherette Black Door trim panel	/RL /L 10-	1	GT3 RS I004/099/384 I441
(1)	997 555 901 31 9L4 997 555 201 99	Leatherette From Chassis number See technical information GR.7 NR. 17/11 KD-NR. 70 Black Door trim panel	/RL /L 10-	1	GT3 RS I004/099/384 I490
(1)	997 555 201 99 9L4 997 555 201 99	Leatherette Until Chassis number See technical information GR.7 NR. 17/11 KD-NR. 70 Black Door trim panel	/RL /L 11-	1	GT3 RS 4.0 I006/099/384 I490
(1)	997 555 201 99 9L4 997 555 901 33	Leatherette Black Door trim panel	/RL /L 10-	1	GT3 RS I004/099/384 I490
(1)	997 555 901 33 9L4 997 555 201 C9	Leatherette From Chassis number See technical information GR.7 NR. 17/11 KD-NR. 70 Black Door trim panel	/LL /L 10-	1	GT3 RS I004/098/384 I490/981
(1)	997 555 201 C9 FSM 997 555 201 C9	Leather/ Alcantara Black/black Door trim panel	/LL /L 11-	1	GT3 RS 4.0

Model: 997G07 Model life 2007>>2011

Pos	Part Number	Description	Remark	Qty	Model
(1)	997 555 201 C9 FSM 997 555 202 D9	Leather/ Alcantara Black/black Door trim panel	/LL /R 10-	1	I006/098/384 I490/981 GT3 RS I004/098/385 I490/981
(1)	997 555 202 D9 FSM 997 555 202 D9	Leather/ Alcantara Black/black Door trim panel	/LL /R 11-	1	GT3 RS 4.0 I006/098/385 I490/981
(1)	997 555 202 D9 FSM 997 555 202 C9	Leather/ Alcantara Black/black Door trim panel	/RL /R 10-	1	GT3 RS I004/099/385 I490/981
(1)	997 555 202 C9 FSM 997 555 202 C9	Leather/ Alcantara Black/black Door trim panel	/RL /R 11-	1	GT3 RS 4.0 I006/099/385 I490/981
(1)	997 555 202 C9 FSM 997 555 201 D9	Leather/ Alcantara Black/black Door trim panel	/RL /L 10-	1	GT3 RS I004/099/384 I490/981
(1)	997 555 201 D9 FSM 997 555 201 D9	Leather/ Alcantara Black/black Door trim panel	/RL /L 11-	1	GT3 RS 4.0 I006/099/384 I490/981
2	997 555 201 D9 FSM 999 507 533 02	Leather/ Alcantara Black/black Clamp		2	
3	955 555 243 00	8,0X 10/2,5 Fixing clip		9	
4	999 073 322 02	for Mount Door trim panel Oval-head screw M 6 X 20 for Mount Door trim panel		5	
5	997 555 241 91	Armrest Alcantara	/L	1	I384
(5)	997 555 241 91 A14 997 555 241 91	Black Armrest Alcantara	/L 11-	1	I006/384
5	997 555 241 91 A14 997 555 241 91 N13 997 555 242 91	Black Guards red Armrest Alcantara	/R	1	I385
(5)	997 555 242 91 A14 997 555 242 91	Black Armrest	/R 11-	1	I006/385

Model: 997G07 Model life 2007>>2011

Pos	Part Number	Description	Remark	Qty	Model
6	997 555 242 91 A14	Alcantara Black			
	997 555 242 91 N13	Guards red			
	997 555 491 90	Padding Door trim panel	/L	1	I384
6	997 555 491 90 FSA	Black/grey			
	997 555 491 90 FSH	Darkgrey natural/grey			
	997 555 491 90	Padding Door trim panel	/L 11-	1	I006/384
(6)	997 555 491 90 FSA	Black/grey			
	997 555 492 90	Padding Door trim panel	/R	1	I385
	997 555 492 90 FSA	Black/grey			
(6)	997 555 492 90 FSH	Darkgrey natural/grey			
	997 555 492 90	Padding Door trim panel	/R 11-	1	I006/385
	997 555 492 90 FSA	Black/grey			
7	999 919 237 00	Oval-head screw 5 x 20		X	I384/385
8	997 555 261 02	Handle Lower part	/L 10-	1	I384
	997 555 261 02 A14	Black			
(8)	997 555 261 02	Handle Lower part	/L 11-	1	I006/384
	997 555 261 02 A14	Black			
(8)	997 555 261 02 N13	Guards red			
	997 555 262 02	Handle Lower part	/R 10-	1	I385
(8)	997 555 262 02 A14	Black			
	997 555 262 02	Handle Lower part	/R 11-	1	I006/385
9	997 555 262 02 A14	Black			
	997 555 262 02 N13	Guards red			
	999 919 229 02	Oval-head screw 6,0 X 40,0 for Mount		2	
10	987 555 381 00	Handle Axle bearing	/L 10-	1	GT3 RS I004
	987 555 381 00 N13	Guards red			
(10)	987 555 381 00	Axle bearing	/L 11-	1	GT3 RS 4.0 I006
(10)	987 555 381 00 N13	Guards red			
	987 555 382 00	Axle bearing	/R 10-	1	GT3 RS I004
(10)	987 555 382 00 N13	Guards red			
	987 555 382 00	Axle bearing	/R 11-	1	GT3 RS 4.0 I006
11	987 555 382 00 N13	Guards red			
	987 555 563 00	Door opener	10-	2	GT3 RS I004
(11)	987 555 563 00 N13	Guards red			
	987 555 563 00	Door opener	11-	2	GT3 RS 4.0 I006
12	987 555 563 00 N13	Guards red			
	987 555 879 00	Axle for Mount		2	I004/006
13	987 555 463 00	Door opener Cover	/L 10-	1	GT3 RS I004
		Door opener			

Model: 997G07 Model life 2007>>2011

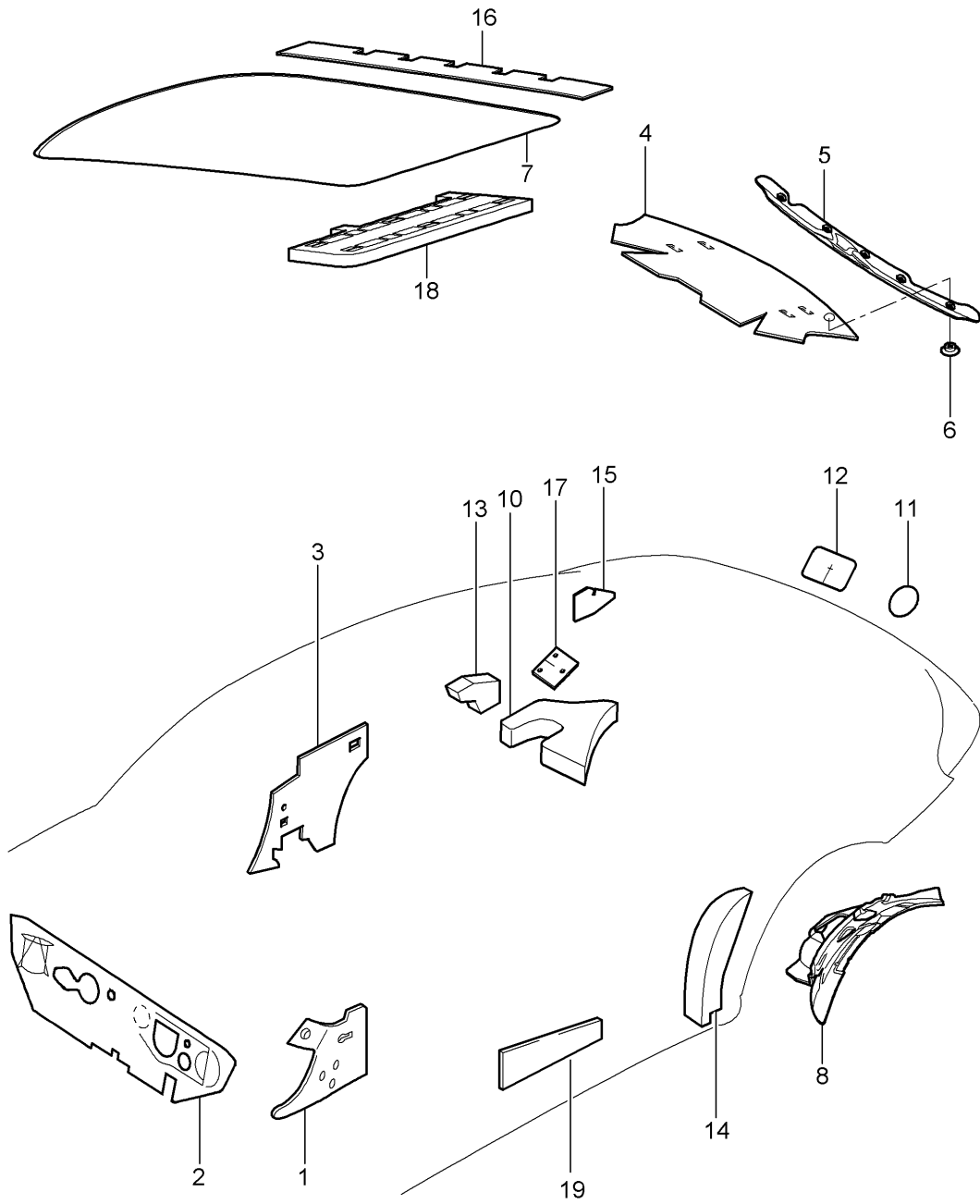
Pos	Part Number	Description	Remark	Qty	Model
(13)	987 555 463 00 A03 987 555 463 00	Black Cover Door opener	/L 11-	1	GT3 RS 4.0 I006
(13)	987 555 463 00 A03 987 555 464 00	Black Cover Door opener	/R 10-	1	GT3 RS I004
(13)	987 555 464 00 A03 987 555 464 00	Black Cover Door opener	/R 11-	1	GT3 RS 4.0 I006
14	987 555 464 00 A03 999 919 164 09	Black Oval-head screw 5 X 12		X	
15	997 555 683 00	Cap Airbag	/L	1	
(15)	997 555 683 00 A03 997 555 684 00	Black Cap Airbag	/R	1	
16	997 555 684 00 A03 997 555 643 01	Black Cover Front Lacquered	/L	1	
(16)	997 555 643 01 A03 997 555 644 01	Black Cover Front Lacquered	/R	1	
(17)	997 555 644 01 A03 997 555 431 91	Black Cover Padding	/L	1	I385
(17)	997 555 431 91 A14 997 555 432 91	Black Cover Padding	/R	1	I385
18	997 555 432 91 A14 999 591 380 01	Black Cable clamp		4	
19	997 555 685 02	Cover Door mirror Driver's side Lacquered	/LL	1	I098
(19)	997 555 685 02 A03 997 555 686 03	Black Cover Door mirror Driver's side Lacquered	/RL	1	I099
(19)	997 555 686 03 A03 997 555 686 02	Black Cover Door mirror Passenger's side Lacquered	/LL	1	I098
(19)	997 555 686 02 A03 997 555 685 03	Black Cover Door mirror Passenger's side Lacquered	/RL	1	I099
20	997 555 685 03 A03 997 555 577 00	Black Cap Handle liner		1	
21	997 555 577 00 A03 997 555 895 00	Black Plastic foam strip for Woofer		1	
(22)	997 555 271 02	Handle	/L 10-	1	I384

Model: 997G07 Model life 2007>>2011

Pos	Part Number	Description	Remark	Qty	Model
(22)	997 555 271 02 FSO 997 555 271 02	Upper part Black/grey Handle	/L 11-	1	GT3 RS 4.0 I006/384
(22)	997 555 271 02 FSO 997 555 271 02 DRD 997 555 272 02	Upper part Black/grey Black-red Handle	/R 10-	1	I385
(22)	997 555 272 02 FSO 997 555 272 02	Upper part Black Handle	/R 11-	1	GT3 RS 4.0 I006/385
23	997 555 272 02 FSO 997 555 272 02 DRD 987 555 351 01	Upper part Black Black-red Insert	/LL /L 10-	1	GT3 RS I004/098
(23)	987 555 351 01 A03 987 555 351 01	Handle liner Lacquered Black Insert	/LL /L 11-	1	GT3 RS 4.0 I006/098
(23)	987 555 351 01 A03 987 555 352 01	Handle liner Lacquered Black Insert	/RL /R 10-	1	GT3 RS I004/099
(23)	987 555 352 01 A03 987 555 352 01	Handle liner Lacquered Black Insert	/RL /R 11-	1	GT3 RS 4.0 I006/099
(23)	987 555 352 01 A03 987 555 352 02	Handle liner Lacquered Black Insert	/LL /R 10-	1	GT3 RS I004/098
(23)	987 555 352 02 A03 987 555 352 02	Handle liner Lacquered Black Insert	/LL /R 11-	1	GT3 RS 4.0 I006/098
(23)	987 555 352 02 A03 987 555 351 02	Handle liner Lacquered Black Insert	/RL /L 10-	1	GT3 RS I004/099
(23)	987 555 351 02 A03 987 555 351 02	Handle liner Lacquered Black Insert	/RL /L 11-	1	GT3 RS 4.0 I006/099
24	987 555 351 02 A03 900 151 027 03	Handle liner Lacquered Black Washer		7	

Model: 997G07

Model life 2007>>2011



Model: 997G07 Model life 2007>>2011

Pos	Part Number	Description	Remark	Qty	Model
1	997 556 605 00	Body Sound proofing 1 Sound absorber	/L	1	
(1)	997 556 606 00	Wheel housing Front Sound absorber	/R	1	
2	997 556 723 00	Wheel housing Front Sound absorber	/LL	1	I098
(2)	997 556 724 00	Firewall Sound absorber	/RL	1	I099
3	997 556 655 00	Firewall Sound absorber	/L	1	
(3)	997 556 656 00	Side trim panel Sound absorber	/R	1	
4	997 556 711 02	Side trim panel Sound absorber	07	1	
4	997 556 711 03	Sound absorber	08-	1	
5	996 556 761 01	Engine compartment Retaining strip		1	
6	999 049 020 40	Engine compartment Plastic nut		5	
7	997 556 647 00	T5/30 X 5,1 Sound absorber		1	I652
8	997 556 657 00	Roof Sound absorber	/L	1	
(8)	997 556 658 00	Wheel-housing liner Rear Sound absorber	/R	1	
9	997 556 571 02	Wheel-housing liner Rear Sound absorber		2	
10	997 556 811 01	Side trim panel Filler piece	/L	1	
(10)	997 556 812 01	Wheel housing Filler piece	/R	1	
11	997 556 807 00	Wheel housing Sound absorber		2	
12	997 556 805 00	40,0 End plate Rear end Sound absorber		1	
13	997 556 803 00	120 X 90 End plate Rear end Filler piece		2	
14	997 556 513 02	Seat well Sound absorber		2	
15	997 556 619 00	B-pillar Sound absorber	/L	1	
(15)	997 556 620 00	Air guide Sound absorber	/R	1	
16	997 556 603 00	Air guide Sound absorber		1	
17	997 556 613 00	Tensioner Rear Sound absorber	/L	1	
(17)	997 556 614 00	Mounting Spring strut Sound absorber	/R	1	
19	997 556 531 01	Mounting Spring strut Insulation		1	

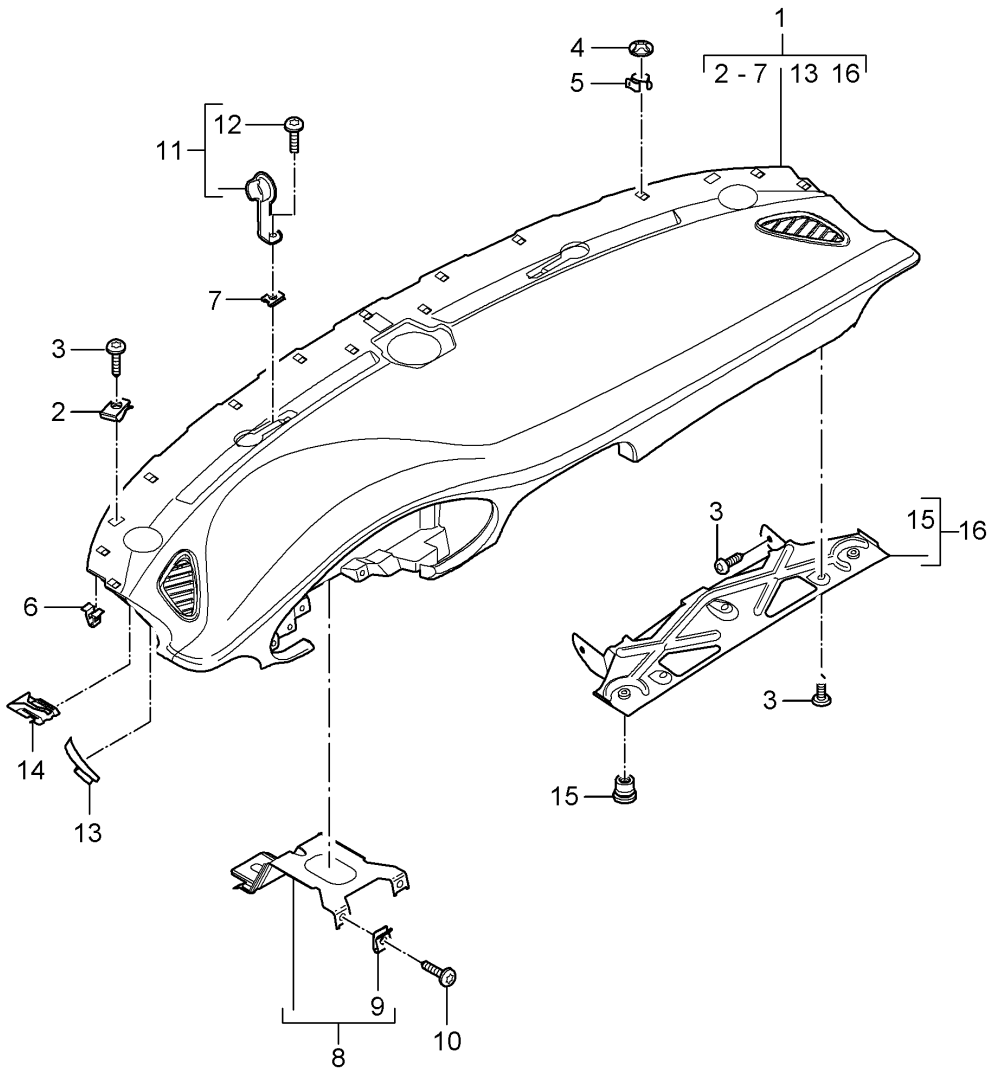
Model: 997G07

Model life 2007>>2011

Pos	Part Number	Description	Remark	Qty	Model
20	999 049 027 40	Door Plastic nut 30 X 1,8		2	
21	1H0 819 943	Screw		2	
(22)	996 572 511 04	Sound absorber Air conditioner	/LL	1	I098
(22)	996 572 511 06	Sound absorber Air conditioner	/LL	1	I098
(22)	996 572 511 05	Sound absorber Air conditioner	/RL	1	I099
(22)	996 572 511 07	Sound absorber Air conditioner	/RL	1	I099

Model: 997G07

Model life 2007>>2011



Model: 997G07 Model life 2007>>2011

Pos	Part Number	Description	Remark	Qty	Model
1	997 552 101 06	Dashboard trim Upper part with Mounting parts Accessories See illustrations 8/09/01 Dashboard Upper part Leatherette Valid up to: F >>998S7 90399	/LL	1	I098
(1)	997 552 101 06 9L4 997 552 102 06	Black Dashboard Upper part Leatherette Valid up to: F >>998S7 90399	/RL	1	I099
1	997 552 102 06 9L4 997 552 101 10	Black Dashboard Upper part Leatherette Valid from: F 998S7 90400>>	/LL	1	I098
(1)	997 552 101 10 9L4 997 552 102 10	Black Dashboard Upper part Leatherette Valid from: F 998S7 90400>>	/RL	1	I099
1	997 552 102 10 9L4 997 552 101 08	Black Dashboard Upper part Leatherette Valid up to: F >>998S7 90399	/LL	1	I098/639/640
1	997 552 101 08 9L4 997 552 102 08	Black Dashboard Upper part Leatherette Valid up to: F >>998S7 90399	/RL	1	I099/639/640
1	997 552 102 08 9L4 997 552 101 12	Black Dashboard Upper part Leatherette Valid from: F 998S7 90400>>	/LL	1	I098/639/640
(1)	997 552 101 12 9L4 997 552 102 12	Black Dashboard Upper part Leatherette Valid from: F 998S7 90400>>	/RL	1	I099/639/640
1	997 552 102 12 9L4 997 552 101 07	Black Dashboard Upper part Leather Valid up to: F >>998S7 90399	/LL	1	I098/981
(1)	997 552 101 07 FSA 997 552 101 07 FSH 997 552 102 07	Black Dark grey/natural Dashboard	/RL	1	I099/981

Model: 997G07 Model life 2007>>2011

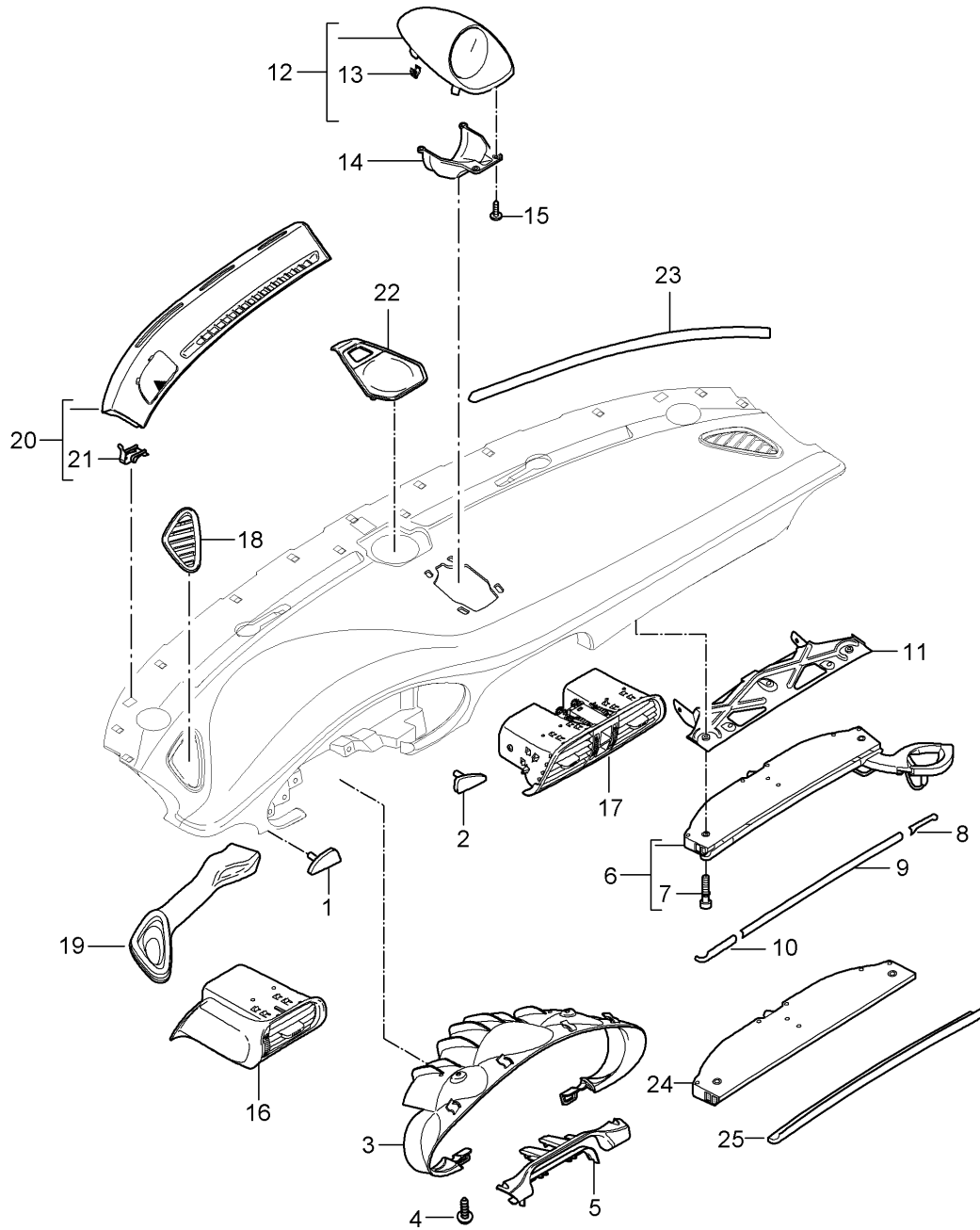
Pos	Part Number	Description	Remark	Qty	Model
1	997 552 102 07 FSA 997 552 102 07 FSH 997 552 101 11	Upper part Leather Valid up to: F >>998S7 90399 Black Dark grey/natural Dashboard	/LL	1	I098/981
1	997 552 101 11 FSA 997 552 101 11 FSH 997 552 102 11	Upper part Leather Valid from: F 998S7 90400>> Black Dark grey/natural Dashboard	/RL	1	I099/981
1	997 552 102 11 FSA 997 552 102 11 FSH 997 552 101 09	Upper part Leather Valid from: F 998S7 90400>> Black Dark grey/natural Dashboard	/LL	1	I098/639/640 I981
(1)	997 552 101 09 FSA 997 552 101 09 FSH 997 552 102 09	Upper part Leather Valid up to: F >>998S7 90399 Black Dark grey/natural Dashboard	/RL	1	I099/639/640 I981
1	997 552 102 09 FSA 997 552 102 09 FSH 997 552 101 13	Upper part Leather Valid up to: F >>998S7 90399 Black Dark grey/natural Dashboard	/LL	1	I098/639/640 I981
(1)	997 552 101 13 FSA 997 552 101 13 FSH 997 552 102 13	Upper part Leather Valid from: F 998S7 90400>> Black Dark grey/natural Dashboard	/RL	1	I099/639/640 I981
2	997 552 102 13 FSA 997 552 102 13 FSH 999 507 971 01	Upper part Leather Valid from: F 998S7 90400>> Black Dark grey/natural Speed nut		X	
3	999 073 155 09	ST 4,2 Tapping screw		X	
4	999 507 106 02	ST 4,2 X 13 Clamping washer		X	
5	999 507 573 02	8,0 Clamp		X	
6	999 507 732 01	6,7 - 8,1 Clamp		X	
7	999 507 020 01	8,0 X 12,0 /4,0 Speed nut		X	

Model: 997G07 Model life 2007>>2011

Pos	Part Number	Description	Remark	Qty	Model
8	997 552 617 01	ST 4,2 for Mount Dashboard Support Dashboard Driver's side		1	
9	999 507 020 01	Speed nut ST 4,2		2	
10	999 073 155 09	Tapping screw ST 4,2 X 13		2	
11	997 552 673 00	Lid Defroster trim		2	
12	999 073 226 09	Tapping screw ST 4,2 X 16		2	
13	997 552 481 00	Insert A-pillar	/L	1	
(13)	997 552 482 00	Insert A-pillar	/R	1	
14	8E0 857 117	Clamp Mount Dashboard Cowl panel		2	
15	999 500 132 00	Grooved nut M 5 Valid up to: F >>998S7 90399		2	
(15)	999 507 319 01	Captive nut M 5 Valid from: F 998S7 90400>>		2	
16	997 552 360 02	Retaining bracket for Beverages Support Valid up to: F >>998S7 90399	/LL	1	I098
(16)	997 552 359 02	Retaining bracket for Beverages Support Valid up to: F >>998S7 90399	/RL	1	I099
16	997 552 360 03	Retaining bracket for Beverages Support Valid from: F 998S7 90400>>	/LL	1	I098
16	997 552 359 03	Retaining bracket for Beverages Support Valid from: F 998S7 90400>>	/RL	1	I099

Model: 997G07

Model life 2007>>2011



Model: 997G07 Model life 2007>>2011

Pos	Part Number	Description	Remark	Qty	Model
1	997 552 381 01	Accessories Dashboard trim Upper part Moulding Driver's side Outer	/LL	1	I098
(1)	997 552 381 01 D07 997 552 382 01	Volcano grey Moulding Driver's side Outer	/RL	1	I099
1	997 552 382 01 D07 997 552 381 05	Volcano grey Moulding Driver's side Outer	/LL	1	IXGB/098
(1)	997 552 381 05 A35 997 552 382 05	Black Moulding Driver's side Outer	/RL	1	IXGB/099
1	997 552 382 05 A35 997 552 986 00	Black Moulding Driver's side Outer	/LL	1	GT3 IXVP/098
(1)	997 552 986 00 A11 997 552 986 00 D12 997 552 986 01	Black Dark grey/natural Moulding Driver's side Outer	/RL	1	GT3 IXVP/099
(1)	997 552 986 01 A11 997 552 986 01 D12 997 552 986 50	Black Dark grey/natural Moulding Driver's side Outer	/LL 10-	1	GT3 IXDM/098
(1)	997 552 986 50 G2X 997 552 986 51	Prime coated Moulding Driver's side Outer	/RL 10-	1	GT3 IXDM/099
2	997 552 986 51 G2X 997 552 383 01	Prime coated Moulding Driver's side Centre	/LL	1	I098
(2)	997 552 383 01 D07 997 552 384 01	Volcano grey Moulding Driver's side Centre	/RL	1	I099
2	997 552 384 01 D07 997 552 383 05	Volcano grey Moulding Driver's side Centre	/LL	1	IXGB/098
(2)	997 552 383 05 A35 997 552 384 05	Black Moulding Driver's side Centre	/RL	1	IXGB/099
2	997 552 384 05 A35 997 552 987 00	Black Moulding Driver's side Centre	/LL	1	GT3 IXVP/098
	997 552 987 00 A11 997 552 987 00 D12	Black Dark grey/natural			

Model: 997G07 Model life 2007>>2011

Pos	Part Number	Description	Remark	Qty	Model
(2)	997 552 987 01	Moulding Driver's side Centre	/RL	1	GT3 IXVP/099
	997 552 987 01 A11	Black			
	997 552 987 01 D12	Dark grey/natural			
(2)	997 552 987 50	Moulding Driver's side Centre	/LL 10-	1	GT3 IXDM/098
	997 552 987 50 G2X	Prime coated			
(2)	997 552 987 51	Moulding Driver's side Centre	/RL	1	GT3 IXDM/099
	997 552 987 51 G2X	Prime coated			
3	997 552 325 01	Cover Instrument cluster see Technical information Group 9 Nummer 53/10	/LL	1	I098
	997 552 325 01 A03	Black			
(3)	997 552 326 01	Cover Instrument cluster see Technical information Group 9 Nummer 53/10	/RL	1	I099
	997 552 326 01 A03	Black			
(3)	997 552 989 00	Cover Instrument cluster Leather see Technical information Group 9 Nummer 53/10	/LL 10-	1	GT3 IXNG/098
	997 552 989 00 A11	Black			
	997 552 989 00 D12	Dark grey/natural			
(3)	997 552 989 01	Cover Instrument cluster Leather see Technical information Group 9 Nummer 53/10	/RL 10-	1	GT3 IXNG/099
	997 552 989 01 A11	Black			
	997 552 989 01 D12	Dark grey/natural			
(3)	997 552 995 00	Cover Instrument cluster see Technical information Group 9 Nummer 53/10	/LL 10-	1	IXDP/098/099
	997 552 995 00 G2X	Prime coated			
(3)	997 552 995 01	Cover Instrument cluster see Technical information Group 9 Nummer 53/10	/RL 10-	1	IXDP/099

Model: 997G07 Model life 2007>>2011

Pos	Part Number	Description	Remark	Qty	Model
4	997 552 995 01 G2X 999 073 155 09	Prime coated Tapping screw ST 4,2 X 13		2	
5	997 552 271 01	Bridge		1	
5	997 552 271 01 A03 997 552 978 00	Black Bridge	10-	1	GT3 IXNS
	997 552 978 00 A11	Leather Black			
6	997 552 978 00 D12 997 552 294 03	Dark grey/natural Support	/LL -09	1	I098
6		Beverages Support	/LL 10-	1	I098/585
(6)	997 552 293 04	Beverages Support	/RL -09	1	I099
(6)		Beverages Support	/RL 10-	1	I099/585
-	997 552 905 00	Beverages Repair kit Flap Torsion spring for Beverages Support		1	
7	900 067 416 01	Pan-head screw M5 X 27		2	
8	997 552 394 01	Cover	/LL /R -09	1	I098
8	997 552 394 01 D07	Volcano grey Cover	/LL /R 10-	1	I098/585
(8)	997 552 394 01 D07	Volcano grey Cover	/RL /R -09	1	I099
(8)	997 552 393 01	Volcano grey Cover	/RL /R 10-	1	I099/585
8	997 552 393 01 D07	Volcano grey Cover	/LL /R -09	1	IXGB/098
8	997 552 396 05	Black Cover	/LL /R 10-	1	IXGB/098/585
(8)	997 552 396 05 A35	Black Cover	/RL /R -09	1	IXGB/099
(8)	997 552 395 05	Black Cover	/RL /R 10-	1	IXGB/099/585
8	997 552 395 05 A35	Black Cover	/LL /R	1	GT3 IXVP/098
	997 552 993 00 A11	Black			
(8)	997 552 993 00 D12 997 552 993 01	Dark grey/natural Cover	/RL /R	1	GT3 IXVP/099
	997 552 993 01 A11	Black			
(8)	997 552 993 01 D12 997 552 993 50	Dark grey/natural Cover	/LL /R	1	GT3 IXDM/098
(8)	997 552 993 50 G2X 997 552 993 51	Prime coated Cover	/RL /R	1	GT3 IXDM/099
9	997 552 993 51 G2X 997 552 398 00	Prime coated Cover	/LL -09	1	I098
	997 552 398 00 D07	Centre Volcano grey			
9	997 552 398 00	Cover Centre	/LL 10-	1	I098/585
(9)	997 552 398 00 D07 997 552 397 00	Volcano grey Cover	/RL -09	1	I099

Model: 997G07 Model life 2007>>2011

Pos	Part Number	Description	Remark	Qty	Model
(9)	997 552 397 00 D07 997 552 397 00	Centre Volcano grey Cover	/RL 10-	1	I099/585
9	997 552 397 00 D07 997 552 398 04	Centre Volcano grey Cover	/LL -09	1	IXGB/098
9	997 552 398 04 A35 997 552 398 04	Centre Black Cover	/LL 10-	1	IXGB/098/585
(9)	997 552 398 04 A35 997 552 397 04	Centre Black Cover	/RL -09	1	IXGB/099
(9)	997 552 397 04 A35 997 552 397 04	Centre Black Cover	/RL 10-	1	IXGB/099/585
9	997 552 397 04 A35 997 552 994 00	Centre Black Cover	/LL	1	GT3 IXVP/098
9	997 552 994 00 A11 997 552 994 00 D12 997 552 994 01	Centre Black Dark grey/natural Cover	/RL	1	GT3 IXVP/099
9	997 552 994 01 A11 997 552 994 01 D12 997 552 994 50	Centre Black Dark grey/natural Cover	/LL 10-	1	GT3 IXDM/098
9	997 552 994 50 G2X 997 552 994 51	Centre Prime coated Cover	/RL 10-	1	GT3 IXDM/099
(9)	997 552 994 51 G2X 997 552 398 92	Centre Prime coated Cover	/LL 11-	1	GT3 RS 4.0 IXGB/006/098 I585
(9)	997 552 398 92 A35 997 552 397 92	Centre Black Cover	/RL 11-	1	GT3 RS 4.0 IXGB/006/099 I585
10	997 552 397 92 A35 997 552 396 01	Centre Black Cover	/LL /L -09	1	I098
10	997 552 396 01 D07 997 552 396 01 D07	Volcano grey Cover Volcano grey	/LL /L 10-	1	I098/585
(10)	997 552 395 01 997 552 395 01 D07	Cover Volcano grey Cover	/RL /L -09	1	I099
(10)	997 552 395 01 997 552 395 01 D07	Cover Volcano grey Cover	/RL /L 10-	1	I099/585
10	997 552 394 05 997 552 394 05 A35	Cover Black Cover	/LL /L -09	1	IXGB/098
10	997 552 394 05 997 552 394 05 A35	Cover Black Cover	/LL /L 10-	1	IXGB/098/585
(10)	997 552 393 05 997 552 393 05 A35	Cover Black Cover	/RL /L -09	1	IXGB/099
(10)	997 552 393 05 997 552 393 05 A35	Cover Black Cover	/RL /L 10-	1	IXGB/099/585
10	997 552 992 00	Cover	/LL /L	1	GT3 IXVP/098

Model: 997G07 Model life 2007>>2011

Pos	Part Number	Description	Remark	Qty	Model
(10)	997 552 992 00 A11	Black			
	997 552 992 00 D12	Dark grey/natural			
	997 552 992 01	Cover	/RL /L	1	GT3 IXVP/099
(10)	997 552 992 01 A11	Black			
	997 552 992 01 D12	Dark grey/natural			
	997 552 992 50	Cover	/LL /L 10-	1	GT3 IXDM/098
(10)	997 552 992 50 G2X	Prime coated			
	997 552 992 51	Cover	/RL /L 10-	1	GT3 IXDM/099
11	997 552 992 51 G2X	Prime coated Retaining bracket for Beverages See illustrations 8/09/00		1	
12	997 552 371 00	Air guide Upper part		1	I639/640
(12)	997 552 371 00 A03	Black			
	997 552 371 01	Air guide Upper part		1	I639/640/981
13	997 552 371 01 A11	Black			
	997 552 371 01 D12	Dark grey/natural			
13	999 507 920 01	U-clamp 1,7-2,1		4	I639/640
14	997 552 373 01	Support for Air guide Upper part		1	I639/640
15	999 919 167 09	Oval-head screw 3,0 X 10 for Mount Support Air guide		4	
16	997 552 131 05	Side vent	/L -09	1	
16	997 552 131 05 D07	Volcano grey			
	997 552 131 07	Side vent	/L 10-	1	
(16)	997 552 131 07 D07	Volcano grey			
	997 552 132 05	Side vent	/R -09	1	
(16)	997 552 132 05 D07	Volcano grey			
	997 552 132 07	Side vent	/R 10-	1	
16	997 552 132 07 D07	Volcano grey			
	997 552 981 00	Side vent	/L	1	GT3 IXN3
(16)	997 552 981 00 A11	Black			
	997 552 981 00 D12	Dark grey/natural			
	997 552 982 00	Side vent	/R	1	GT3 IXN3
16	997 552 982 00 A11	Black			
	997 552 982 00 D12	Dark grey/natural			
	997 552 981 01	Side vent	/L	1	IXKD
(16)	997 552 981 01 A11	Black			
	997 552 981 01 D12	Dark grey/natural			
	997 552 982 01	Side vent	/R	1	IXKD
17	997 552 982 01 A11	Black			
	997 552 982 01 D12	Dark grey/natural			
17	997 552 141 05	Centre nozzle	07	1	
17	997 552 141 05 D07	Volcano grey			
	997 552 141 07	Centre nozzle	08-09	1	
17	997 552 141 07 D07	Volcano grey			
	997 552 141 09	Centre nozzle	10-	1	

Model: 997G07 Model life 2007>>2011

Pos	Part Number	Description	Remark	Qty	Model
(17)	997 552 141 09 D07	Volcano grey			
	997 552 980 00	Centre nozzle	07	1	IXVM
	997 552 980 00 A11	Black			
	997 552 980 00 D12	Dark grey/natural			
(17)	997 552 980 05	Centre nozzle	08-	1	GT3 IXVM
	997 552 980 05 A11	Black			
	997 552 980 05 D12	Dark grey/natural			
(17)	997 552 980 01	Centre nozzle	07	1	IXZB
	997 552 980 01 A11	Black			
	997 552 980 01 D12	Dark grey/natural			
(17)	997 552 980 06	Centre nozzle	08-	1	IXZB
	997 552 980 06 A11	Black			
	997 552 980 06 D12	Dark grey/natural			
18	997 552 455 01	Cover	/L	1	
		Defroster vent			
	997 552 455 01 A03	Black			
(18)	997 552 456 01	Cover	/R	1	
		Defroster vent			
	997 552 456 01 A03	Black			
19	997 552 315 02	Air guide	/L	1	
		Lateral			
(19)	997 552 316 02	Air guide	/R	1	
		Lateral			
20	997 552 175 01	Defroster trim	/L	1	
	997 552 175 01 A03	Black			
(20)	997 552 176 01	Defroster trim	/R	1	
	997 552 176 01 A03	Black			
20	997 552 983 00	Defroster trim	/L	1	GT3 IXV1
	997 552 983 00 A11	Black			
	997 552 983 00 D12	Dark grey/natural			
(20)	997 552 984 00	Defroster trim	/R	1	GT3 IXV1
	997 552 984 00 A11	Black			
	997 552 984 00 D12	Dark grey/natural			
20	997 552 983 01	Defroster trim	/L -08	1	IXKJ
	997 552 983 01 A11	Black			
	997 552 983 01 D12	Dark grey/natural			
(20)	997 552 984 01	Defroster trim	/R -08	1	IXKJ
	997 552 984 01 A11	Black			
	997 552 984 01 D12	Dark grey/natural			
21	999 591 307 01	U-clamp		2	
		Mount			
		Defroster trim			
22	997 552 351 01	Cover		1	
		Centre			
	997 552 351 01 A03	Black			
(22)	997 552 985 00	Cover		1	GT3 IXV1
		Centre			
	997 552 985 00 A11	Black			
	997 552 985 00 D12	Dark grey/natural			
(22)	997 552 985 00	Cover	-08	1	IXKJ
		Centre			
	997 552 985 00 A11	Black			
	997 552 985 00 D12	Dark grey/natural			
23	997 552 645 00	Gasket		1	
		Cowl			
24	987 552 374 00	Support	/LL 10-	1	IXGB/004/006 I098
		Cover			
(24)	987 552 373 00	Support	/RL 10-	1	IXGB/004/006

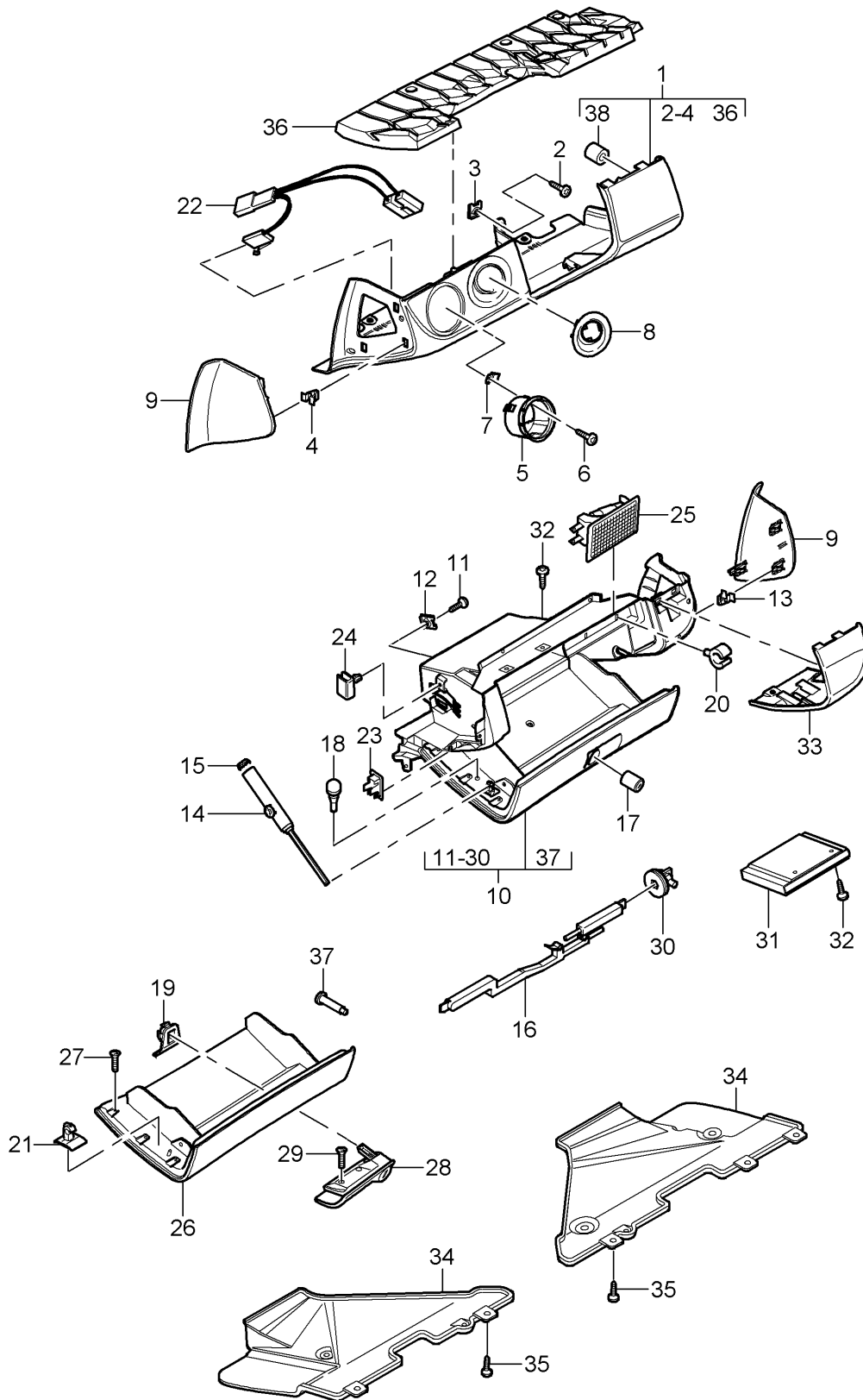
Model: 997G07

Model life 2007>>2011

Pos	Part Number	Description	Remark	Qty	Model
					I099
25	997 552 318 90	Cover Cover	/LL 10-	1	GT3 RS IXGB/004/098
(25)	997 552 318 90 A35 997 552 319 90	Carbon Cover	/RL 10-	1	GT3 RS IXGB/004/099
(25)	997 552 319 90 A35 997 552 318 91	Carbon Cover	/LL 11-	1	GT3 RS 4.0 IXGB/006/098
(25)	997 552 318 91 A35 997 552 319 91	Carbon Cover	/RL 11-	1	GT3 RS 4.0 IXGB/006/099
	997 552 319 91 A35	Carbon			

Model: 997G07

Model life 2007>>2011



Model: 997G07 Model life 2007>>2011

Pos	Part Number	Description	Remark	Qty	Model
		Glove compartment Lid And Lining Driver's side			
1	997 552 201 02	Lining Leatherette	/LL	1	I098
	997 552 201 02 1MZ	Black			
(1)	997 552 202 02	Lining Leatherette	/RL	1	I099
	997 552 202 02 1MZ	Black			
1	997 552 201 03	Lining Leather	/LL -09	1	I098/981
	997 552 201 03 A11	Black			
	997 552 201 03 D12	Dark grey/natural			
1	997 552 202 03	Lining Leather	/RL -09	1	I099/981
	997 552 202 03 A11	Black			
	997 552 202 03 D12	Dark grey/natural			
(1)	997 552 201 91	Lining Alcantara	/LL 10-	1	I098/975/981
	997 552 201 91 A14	Black			
(1)	997 552 202 90	Lining Alcantara	/RL 10-	1	I099/975/981
	997 552 202 90 A14	Black			
2	999 073 155 09	Tapping screw 4,2 X 13 for Mount		8	
3	999 507 971 01	Lining Speed nut 4,2 for Mount		8	
4	999 507 732 01	Lining Clamp 8 X 12/ 4 for Mount		7	
5	997 552 427 01	Lining Cover Light switch		1	
	997 552 427 01 A03	Black			
6	999 073 155 09	Tapping screw 4,2 X 13 for Mount Cover		3	
7	999 507 971 01	Light switch Speed nut 4,2 for Mount Cover		3	
8	997 552 425 01	Light switch Cover	/LL	1	I098
		Ignition starter lock			
	997 552 425 01 A03	Black			
(8)	997 552 426 01	Cover Ignition starter lock	/RL	1	I099
	997 552 426 01 A03	Black			
(8)	997 552 998 00	Cover	/LL 10-	1	GT3 IXDS/098

Model: 997G07 Model life 2007>>2011

Pos	Part Number	Description	Remark	Qty	Model
(8)	997 552 998 00 A11	Ignition starter lock Leather Black	/RL 10-	1	GT3 IXDS/099
	997 552 998 00 D12	Dark grey/natural			
	997 552 999 00	Cover			
9	997 552 999 00 A11	Ignition starter lock Leather Black	/L	1	
	997 552 999 00 D12	Dark grey/natural			
	997 552 405 02	Cover			
(9)	997 552 405 02 A03	Black	/R	1	
	997 552 406 02	Cover Lateral Driver's side			
(9)	997 552 406 02 A03	Black	/L 10-	1	GT3 IXDV
	997 552 996 01	Cover			
(9)	997 552 996 01 A11	Leather Black	/R 10-	1	GT3 IXDV
	997 552 996 01 D12	Dark grey/natural			
	997 552 996 02	Cover			
10	997 552 996 02 A11	Leather Black	/LL	1	I098
	997 552 996 02 D12	Dark grey/natural			
	997 552 204 04	Glove compartment Leatherette Complete Valid up to: F >>998S7 90399			
(10)	997 552 204 04 1MZ	Black	/RL	1	I099
	997 552 203 04	Glove compartment Leatherette Complete Valid up to: F >>998S7 90399			
10	997 552 203 04 1MZ	Black	/LL	1	I098
	997 552 204 06	Glove compartment Leatherette Complete Valid from: F 998S7 90400>>			
(10)	997 552 204 06 1MZ	Black	/RL	1	I099
	997 552 203 06	Glove compartment Leatherette Complete Valid from: F 998S7 90400>>			
10	997 552 203 06 1MZ	Black	/LL	1	I098/981
	997 552 204 05	Glove compartment Leather Complete Valid up to: F >>998S7 90399			
(10)	997 552 204 05 A11	Black	/RL	1	I099/981
	997 552 204 05 D12	Dark grey/natural			
	997 552 203 05	Glove compartment Leather Complete Valid up to: F >>998S7 90399			
	997 552 203 05 A11	Black			

Model: 997G07 Model life 2007>>2011

Pos	Part Number	Description	Remark	Qty	Model
10	997 552 203 05 D12 997 552 204 07	Dark grey/natural Glove compartment Leather Complete Valid from: F 998S7 90400>>	/LL -09	1	I098/981
(10)	997 552 204 07 A11 997 552 204 07 D12 997 552 203 07	Black Dark grey/natural Glove compartment Leather Complete Valid from: F 998S7 90400>>	/RL -09	1	I098/099/981
(10)	997 552 203 07 A11 997 552 203 07 D12 997 552 204 90	Black Dark grey/natural Glove compartment Alcantara Complete	/LL 10-	1	I098/981
(10)	997 552 204 90 A14 997 552 203 90	Black Glove compartment Alcantara Complete	/RL 10-	1	I099/981
(10)	997 552 203 90 A14 987 552 204 04	Black Glove compartment Leatherette Complete	/LL 11-	1	I006/098
(10)	987 552 204 04 1MZ 987 552 203 07	Black Glove compartment Leatherette Complete	/RL 11-	1	I006/099
(10)	987 552 203 07 1MZ 997 552 204 80	Black Glove compartment Alcantara Complete	/LL 11-	1	I006/098/981
(10)	997 552 204 80 A14 997 552 203 80	Black Glove compartment Alcantara Complete	/RL 11-	1	I006/099/981
11	997 552 203 80 A14 999 073 155 09	Black Tapping screw 4,2 X 13 for Mount Glove compartment		X	
12	999 507 971 01	Speed nut 4,2 for Mount Glove compartment		X	
13	999 507 732 01	Clamp 8 X 12 /4 for Mount Glove compartment		X	
14	997 552 484 01	Damper Glove compartment		1	
15	997 552 612 00	Cover Damper		1	
16	997 552 410 01	Release Glove compartment	/LL	1	I098
(16)	997 552 409 01	Release Glove compartment	/RL	1	I099
17	996 552 915 01	Lock cylinder		1	

Model: 997G07 Model life 2007>>2011

Pos	Part Number	Description	Remark	Qty	Model
18	999 703 068 40	Glove compartment Vehicle Ident. No. Indicate Buffer 3,7 x 10,3		2	
19	997 552 509 02	Glove compartment Mounting	/LL /L	1	I098
(19)	997 552 510 02	Closing element Mounting	/LL /R	1	I098
(19)	997 552 509 03	Closing element Mounting	/RL /L	1	I099
(19)	997 552 510 03	Closing element Mounting	/RL /R	1	I099
20	996 552 813 00	Closing element Support		2	
21	996 552 879 00	Pin Adapter for Damper		2	
22	997 612 651 00	Wiring harness Glove compartment light		1	
23	999 650 564 40	Clip for Wiring harness		1	
24	999 650 565 40	Microswitch Clip for Wiring harness		1	
25	997 632 071 00	Glove compartment light		1	
26	997 552 252 02	Glove compartment cover Leatherette	/LL	1	I098
(26)	997 552 252 02 1MZ	Black			
(26)	997 552 251 02	Glove compartment cover Leatherette	/RL	1	I099
(26)	997 552 251 02 1MZ	Black			
(26)	997 552 252 03	Glove compartment cover Leather	/LL -09	1	I098/981
	997 552 252 03 A11	Black			
	997 552 252 03 D12	Dark grey/natural			
(26)	997 552 251 03	Glove compartment cover Leather	/RL -09	1	I099/981
	997 552 251 03 A11	Black			
	997 552 251 03 D12	Dark grey/natural			
(26)	997 552 252 90	Glove compartment cover Alcantara	/LL 10-	1	I098/975/981
(26)	997 552 252 90 A14	Black			
(26)	997 552 251 90	Glove compartment cover Alcantara	/RL 10-	1	I099/975/981
(26)	997 552 251 90 A14	Black			
(26)	987 552 252 01	Glove compartment cover Leatherette	/LL 11-	1	I006/098
(26)	987 552 252 01 1MZ	Black			
(26)	987 552 251 03	Glove compartment cover Leatherette	/RL 11-	1	I006/099
(26)	987 552 251 03 1MZ	Black			
(26)	997 552 252 80	Glove compartment cover Alcantara	/LL 11-	1	I006/098/981
(26)	997 552 252 80 A14	Black			
(26)	997 552 251 80	Glove compartment cover Alcantara	/RL 11-	1	I006/099/981
(26)	997 552 251 80 A14	Black			
27	999 073 249 07	Tapping screw 3.5 X 12		11	

Model: 997G07 Model life 2007>>2011

Pos	Part Number	Description	Remark	Qty	Model
28	997 552 362 01	for Mount Glove compartment cover Handle Complete	/LL	1	I098
(28)	997 552 362 01 A03	Black			
	997 552 361 01	Handle Complete	/RL	1	I099
	997 552 361 01 A03	Black			
29	999 073 240 01	Screw M 4 X 10 for Mount Handle		2	
30	997 552 448 00	Stop		1	
31	997 552 663 00	Box for cds		1	I424
(31)	997 552 665 00	Cover Box for cds	10-	1	
32	999 073 240 01	Screw M 4 X 10 for Mount Box for cds		2	
33	997 552 256 02	Cover Passenger's side Leatherette	/LL	1	I098
	997 552 256 02 1MZ	Black			
(33)	997 552 255 02	Cover Passenger's side Leatherette	/RL	1	I099
	997 552 255 02 1MZ	Black			
33	997 552 256 03	Cover Passenger's side Leather	/LL -09	1	I098/981
	997 552 256 03 A11	Black			
	997 552 256 03 D12	Dark grey/natural			
(33)	997 552 255 03	Cover Passenger's side Leather	/RL -09	1	I099/981
	997 552 255 03 A11	Black			
	997 552 255 03 D12	Dark grey/natural			
(33)	997 552 256 90	Cover Passenger's side Alcantara	/LL 10-	1	I098/975/981
	997 552 256 90 A14	Black			
(33)	997 552 255 90	Cover Passenger's side Alcantara	/RL 10-	1	I099/975/981
	997 552 255 90 A14	Black			
34	997 552 414 01	Lining Footwell Passenger's side	/LL	1	I098
(34)	997 552 413 01	Lining Footwell Passenger's side	/RL	1	I099
35	1H0 819 943	Screw for Mount Lining Footwell		X	
36	997 552 451 01	Insert	/LL	1	I098
36	997 552 452 01	Insert	/RL	1	I099
37	997 552 649 01	Hinge bolt		2	

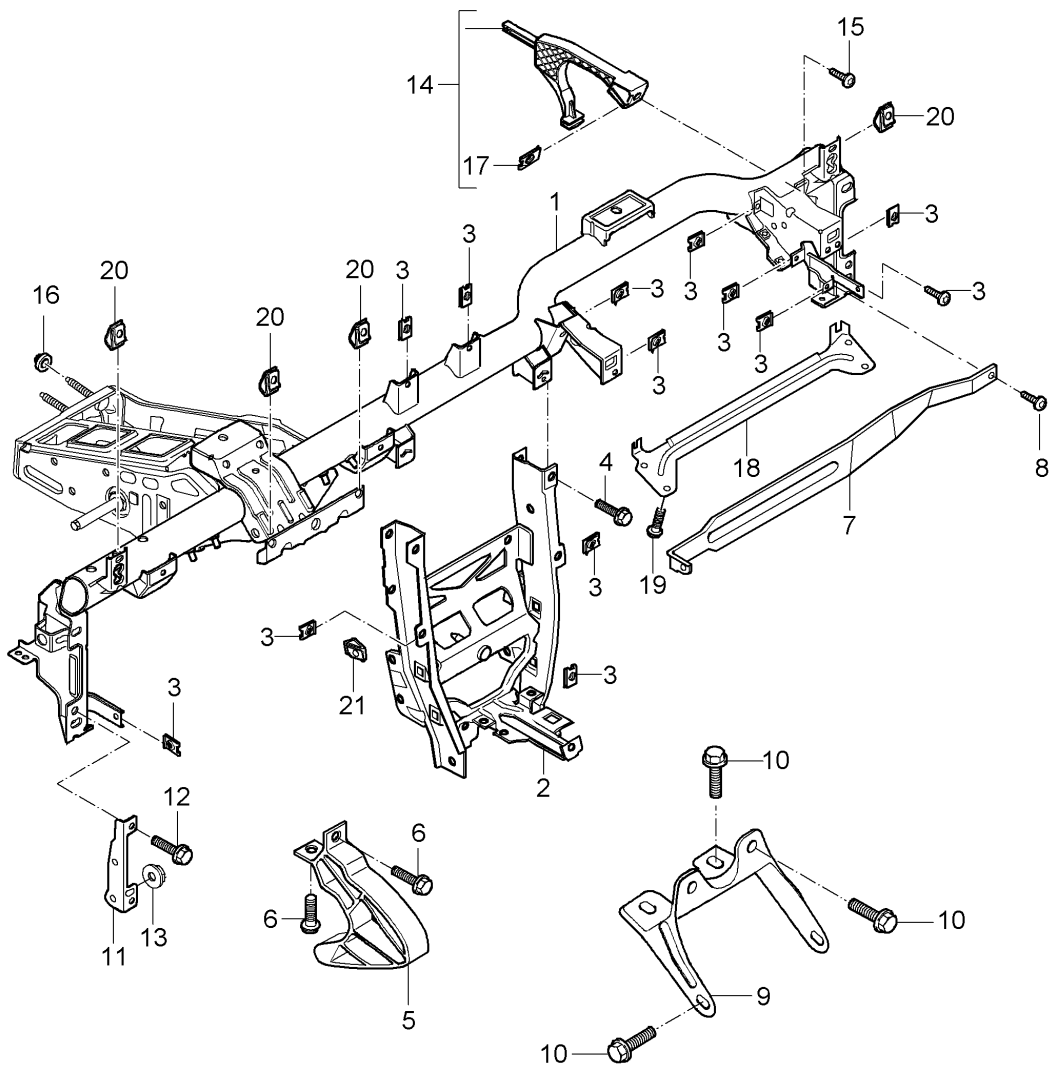
Model: 997G07

Model life 2007>>2011

Pos	Part Number	Description	Remark	Qty	Model
38	997 552 821 00	Glove compartment Grommet		3	

Model: 997G07

Model life 2007>>2011



Model: 997G07 Model life 2007>>2011

Pos	Part Number	Description	Remark	Qty	Model
		Retaining frame Dashboard			
1	997 552 063 08	Retaining frame	/LL	1	I098
(1)	997 552 063 06	Retaining frame	/RL -08	1	I099
(1)	997 552 063 10	Retaining frame	/RL 10-	1	I099
2	997 552 163 05	Support Tunnel	/LL	1	I098
(2)	997 552 163 06	Support Tunnel	/RL	1	I099
3	999 507 020 01	Speed nut ST 4,2 for Mount Retaining frame And Support Tunnel		X	
4	900 378 305 01	Hexagon-head bolt M 8 X 65 for Mount Support		2	
9	997 552 515 01	Support Tunnel		1	
10	999 073 442 01	Screw M 6 X 25 for Mount Support Tunnel		X	
11	997 552 407 01	Support	/L	1	
(11)	997 552 408 01	Support A-pillar	/R	1	
12	900 378 176 01	Hexagon-head bolt M 8 X 20 for Mount Support A-pillar		4	
13	999 084 630 09	Hexagon nut M 8 for Mount Support A-pillar		4	
14	997 552 401 00	Support Heating		1	
15	999 073 155 09	Tapping screw ST 4,2 X 13 for Mount Support Heating		1	
16	997 423 299 01	Nut for Adjustment Retaining frame Firewall		2	
17	999 507 971 01	Speed nut ST 4,2 for Mount		1	

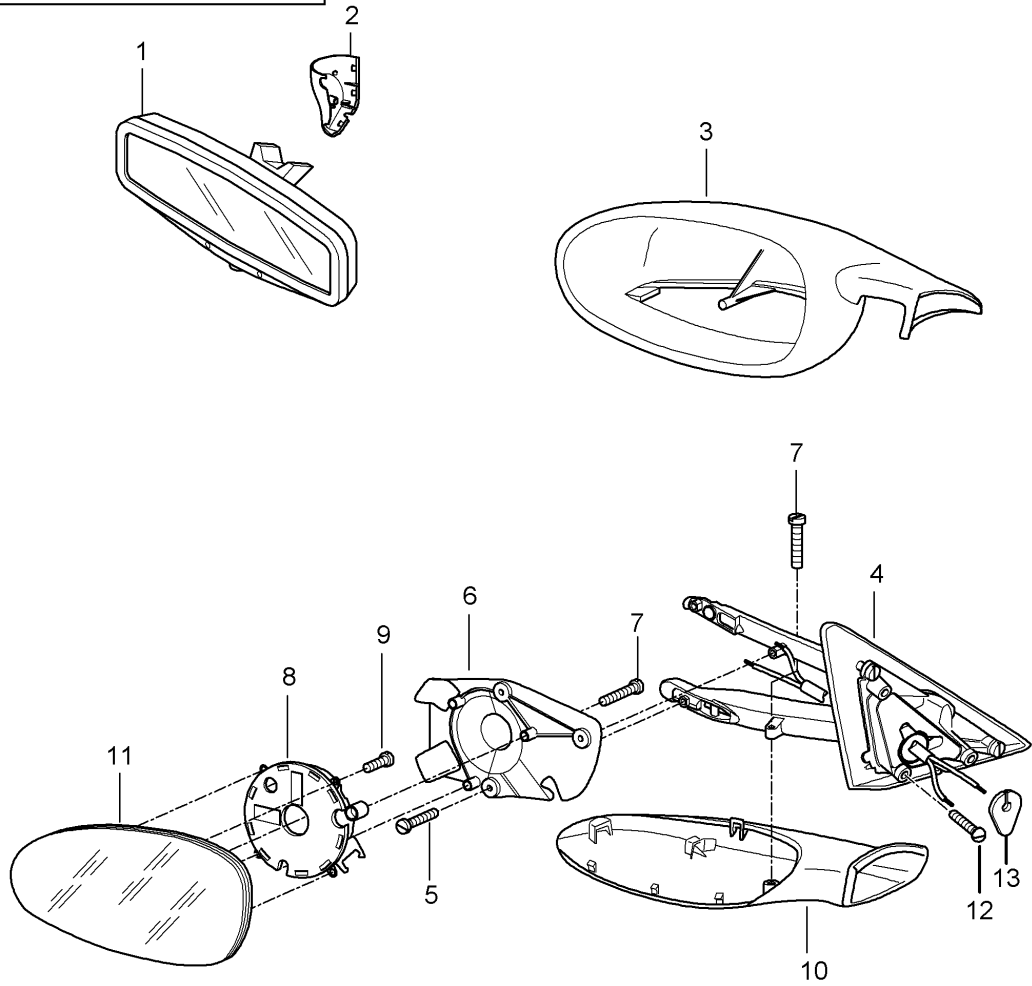
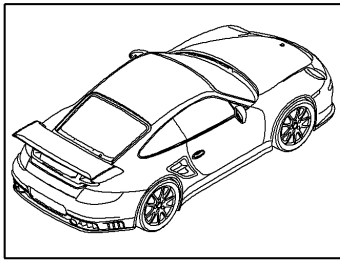
Model: 997G07

Model life 2007>>2011

Pos	Part Number	Description	Remark	Qty	Model
18	997 552 603 01	Support Heating Reinforcement plate Support		1	
19	900 378 222 09	Airbag Hexagon-head bolt M 6 X 16		4	
20	999 591 850 01	Speed nut ST 4,2		X	
21	999 591 951 03	Speed nut ST 4,2		X	

Model: 997G07

Model life 2007>>2011



Model: 997G07 Model life 2007>>2011

Pos	Part Number	Description	Remark	Qty	Model
		Interior mirror	-09		
		Door mirror			
1	997 731 511 03	Interior mirror		1	I267
(1)	997 731 511 02	Interior mirror		1	
	997 731 511 02 01C	Satin black			
2	997 731 811 00	Cover	/L	1	
		Interior mirror			
	997 731 811 00 01C	Satin black			
(2)	997 731 812 00	Cover	/R	1	
		Interior mirror			
	997 731 812 00 01C	Satin black			
3	997 731 619 00	Housing	/L	1	
	997 731 619 00 G2L	Prime coated			
(3)	997 731 620 00	Housing	/R	1	
	997 731 620 00 G2L	Prime coated			
4	997 731 219 00	Mirror base	/LL /L	1	I098
	997 731 219 00 G2L	Prime coated			
		Including			
		Wiring harness			
(4)	997 731 220 00	Mirror base	/LL /R	1	I098
		Door mirror			
	997 731 220 00 G2L	Prime coated			
		Including			
		Wiring harness			
(4)	997 731 219 02	Mirror base	/LL /L	1	I098/267
		Door mirror			
	997 731 219 02 G2L	Prime coated			
		Including			
		Wiring harness			
(4)	997 731 220 02	Mirror base	/LL /R	1	I098/267
		Door mirror			
	997 731 220 02 G2L	Prime coated			
		Including			
		Wiring harness			
(4)	997 731 219 04	Mirror base	/RL /L	1	I099
		Door mirror			
	997 731 219 04 G2L	Prime coated			
		Including			
		Wiring harness			
(4)	997 731 220 04	Mirror base	/RL /R	1	I099
		Door mirror			
	997 731 220 04 G2L	Prime coated			
		Including			
		Wiring harness			
(4)	997 731 219 06	Mirror base	/RL /L	1	I099/267
		Door mirror			
	997 731 219 06 G2L	Prime coated			
		Including			
		Wiring harness			
(4)	997 731 220 06	Mirror base	/RL /R	1	I099/267
		Door mirror			
	997 731 220 06 G2L	Prime coated			
		Including			
		Wiring harness			
5	999 919 024 09	Oval-head screw		3	
		3,0 X 12			
6	997 731 519 00	Plate	/L	1	
		Door mirror			
(6)	997 731 520 00	Plate	/R	1	
		Door mirror			
7	999 141 043 02	Oval-head screw		4	
		M 3 X 14			
8	997 624 047 00	Adjusting motor		2	

Model: 997G07 Model life 2007>>2011

Pos	Part Number	Description	Remark	Qty	Model
8	997 624 047 01	Adjusting motor		2	
8	7PP 959 578 D	Adjusting motor		2	-I537/-I538
		Door mirror			
8	997 624 048 00	Adjusting motor		2	I537/538
8	997 624 048 01	Adjusting motor		2	I537/538
9	999 141 043 02	Oval-head screw M 3,0 X 14		3	
10	997 731 719 00	Cover	/L	1	
		Lower			
	997 731 719 00 G2L	Prime coated			
(10)	997 731 720 00	Cover	/R	1	
		Lower			
	997 731 720 00 G2L	Prime coated			
11	997 731 035 00	Mirror glass Plane	/LL /L	1	I098/270
(11)	997 731 035 01	Mirror glass Aspherical	/LL /L	1	I098/271
(11)	997 731 035 04	Mirror glass Plane	/LL /L 07-	1	I098/267/270
		Dimmable			
(11)	997 731 035 05	Mirror glass Aspherical	/LL /L 07-	1	I098/267/271
		Dimmable			
(11)	997 731 037 00	Mirror glass Convex	/RL /L	1	I099
(11)	997 731 037 02	Mirror glass Convex	/RL /L 07-	1	I099/267
		Dimmable			
(11)	997 731 038 00	Mirror glass Convex	/LL /R	1	I098
(11)	997 731 038 01	Mirror glass Convex	/LL /R (ROK)	1	I098
(11)	997 731 038 02	Mirror glass Convex	/LL /R	1	I098/215
(11)	997 731 038 06	Mirror glass Convex	/LL /R 07-	1	I098/267
		Dimmable			
(11)	997 731 038 07	Mirror glass	/LL /R (ROK) 07-	1	I098/267
		Convex			
		Dimmable			
(11)	997 731 038 08	Mirror glass Convex	/LL /R 07-	1	I098/215/267
		Dimmable			
(11)	997 731 036 00	Mirror glass Plane	/RL /R	1	I099/270
(11)	997 731 036 01	Mirror glass Aspherical	/RL /R	1	I099/271
(11)	997 731 036 04	Mirror glass Plane	/RL /R 07-	1	I099/267/270
		Dimmable			
(11)	997 731 036 05	Mirror glass Aspherical	/RL /R 07-	1	I099/267/271
		Dimmable			
12	999 073 345 09	Lens-head screw M 5 X 18		3	
13	997 537 733 00	Seal	07-	1	
		Cable plug			
		Mirror base			

Model: 997G07

Model life 2007>>2011



Model: 997G07 Model life 2007>>2011

Pos	Part Number	Description	Remark	Qty	Model
		Interior mirror	10-		
		Door mirror			
1	997 731 511 05	Interior mirror		1	I267
(1)	997 731 511 02	Interior mirror		1	
	997 731 511 02 01C	Satin black			
2	997 731 811 00	Cover	/L	1	
		Interior mirror			
	997 731 811 00 01C	Satin black			
(2)	997 731 812 00	Cover	/R	1	
		Interior mirror			
	997 731 812 00 01C	Satin black			
3	997 731 619 02	Housing	/L	1	
	997 731 619 02 G2L	Prime coated			
(3)	997 731 620 02	Housing	/R	1	
	997 731 620 02 G2L	Prime coated			
4	997 731 219 00	Mirror base	/LL /L	1	I098
	997 731 219 00 G2L	Prime coated			
		Including			
		Wiring harness			
(4)	997 731 220 00	Mirror base	/LL /R	1	I098
		Door mirror			
	997 731 220 00 G2L	Prime coated			
		Including			
		Wiring harness			
(4)	997 731 219 01	Mirror base	/LL /L	1	I098/537
		Door mirror			
	997 731 219 01 G2L	Prime coated			
		Including			
		Wiring harness			
(4)	997 731 220 01	Mirror base	/LL /R	1	I098/537
		Door mirror			
	997 731 220 01 G2L	Prime coated			
		Including			
		Wiring harness			
(4)	997 731 219 02	Mirror base	/LL /L	1	I098/267
		Door mirror			
	997 731 219 02 G2L	Prime coated			
		Including			
		Wiring harness			
(4)	997 731 220 02	Mirror base	/LL /R	1	I098/267
		Door mirror			
	997 731 220 02 G2L	Prime coated			
		Including			
		Wiring harness			
(4)	997 731 219 03	Mirror base	/LL /L	1	I098/267/537
		Door mirror			
	997 731 219 03 G2L	Prime coated			
		Including			
		Wiring harness			
(4)	997 731 220 03	Mirror base	/LL /R	1	I098/267/537
		Door mirror			
	997 731 220 03 G2L	Prime coated			
		Including			
		Wiring harness			
(4)	997 731 219 04	Mirror base	/RL /L	1	I099
		Door mirror			
	997 731 219 04 G2L	Prime coated			
		Including			
		Wiring harness			
(4)	997 731 220 04	Mirror base	/RL /R	1	I099
		Door mirror			
	997 731 220 04 G2L	Prime coated			
		Including			

Model: 997G07 Model life 2007>>2011

Pos	Part Number	Description	Remark	Qty	Model
(4)	997 731 219 05	Wiring harness Mirror base	/RL /L	1	I099/538
	997 731 219 05 G2L	Door mirror Prime coated Including			
(4)	997 731 220 05	Wiring harness Mirror base	/RL /R	1	I099/538
	997 731 220 05 G2L	Door mirror Prime coated Including			
(4)	997 731 219 06	Wiring harness Mirror base	/RL /L	1	I099/267
	997 731 219 06 G2L	Door mirror Prime coated Including			
(4)	997 731 220 06	Wiring harness Mirror base	/RL /R	1	I099/267
	997 731 220 06 G2L	Door mirror Prime coated Including			
(4)	997 731 219 07	Wiring harness Mirror base	/RL /L	1	I099/267/538
	997 731 219 07 G2L	Door mirror Prime coated Including			
(4)	997 731 220 07	Wiring harness Mirror base	/RL /R	1	I099/267/538
	997 731 220 07 G2L	Door mirror Prime coated Including			
5	999 919 024 09	Wiring harness Oval-head screw 3,0 X 12		3	
6	997 731 519 00	Plate Door mirror	/L	1	
(6)	997 731 520 00	Plate Door mirror	/R	1	
7	999 141 043 02	Oval-head screw M 3 X 14		4	
8	997 624 047 00	Adjusting motor		2	
8	997 624 047 01	Adjusting motor		2	
8	7PP 959 578 D	Adjusting motor Door mirror		2	-I537/-I538
(8)	997 624 048 00	Adjusting motor		2	I537/538
(8)	997 624 048 01	Adjusting motor		2	I537/538
9	999 141 043 02	Oval-head screw M 3,0 X 14		3	
10	997 731 719 02	Cover Lower	/L	1	
(10)	997 731 719 02 G2L	Prime coated			
	997 731 720 02	Cover Lower	/R	1	
	997 731 720 02 G2L	Prime coated			
11	997 731 035 06	Mirror glass	/LL /L	1	I098/270
(11)	997 731 035 08	Mirror glass Plane	/LL /L	1	I098/267/270
(11)	997 731 035 07	Mirror glass Aspherical	/LL /L	1	I098/271
(11)	997 731 035 09	Mirror glass Aspherical	/LL /L	1	I098/267/271
(11)	997 731 036 07	Mirror glass	/RL /R	1	I099/271
(11)	997 731 036 09	Mirror glass Aspherical	/RL /R	1	I099/267/271

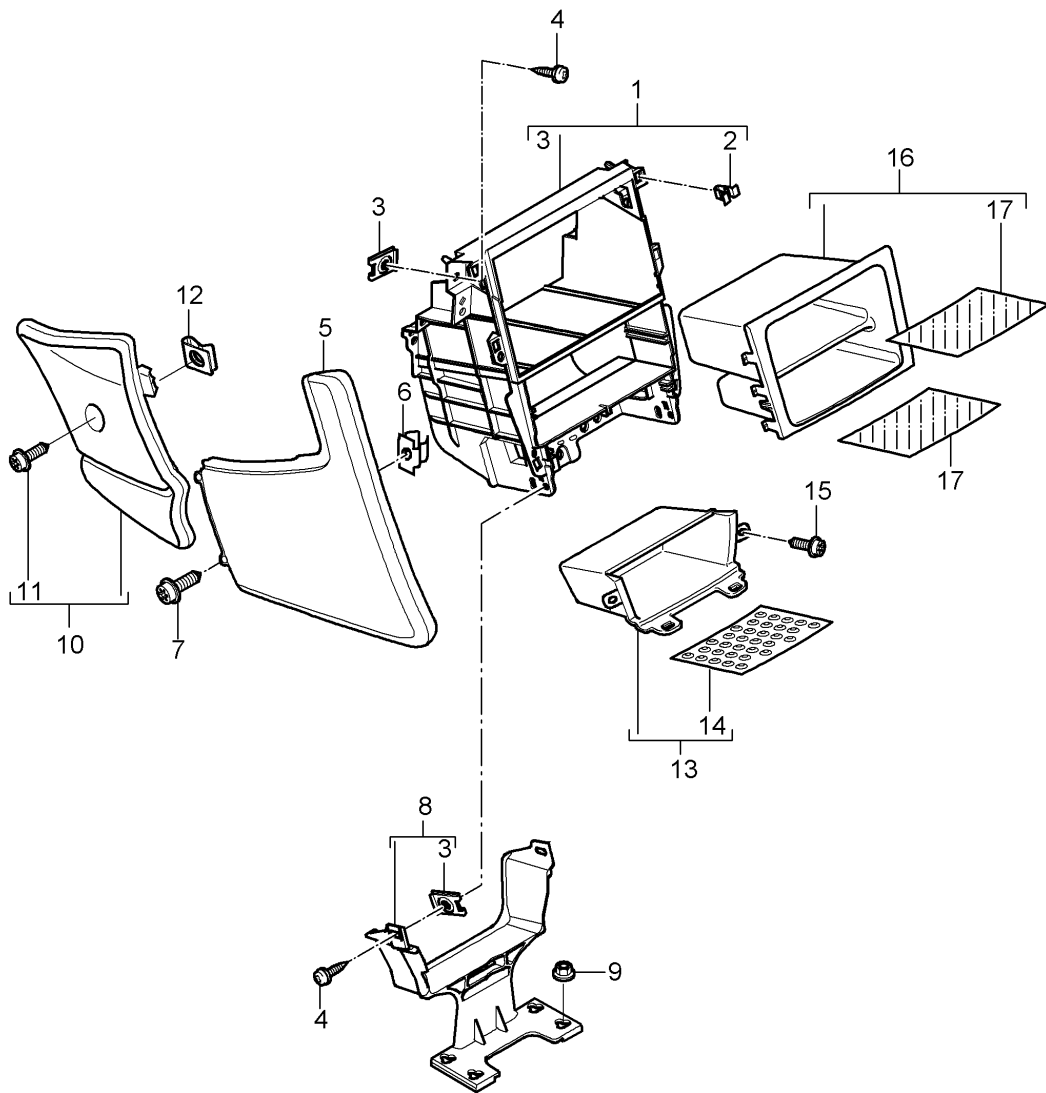
Model: 997G07

Model life 2007>>2011

Pos	Part Number	Description	Remark	Qty	Model
(11)	997 731 038 09	Mirror glass	/LL /R	1	I098
(11)	997 731 038 10	Mirror glass	/LL /R	1	I074/098
(11)	997 731 038 11	Mirror glass	/LL /R	1	I098/215
(11)	997 731 038 12	Mirror glass	/LL /R	1	I098/267
(11)	997 731 038 13	Mirror glass	/LL /R	1	I074/098/267
(11)	997 731 038 14	Mirror glass Convex	/LL /R	1	I098/215/267
(11)	997 731 037 03	Mirror glass	/RL /L	1	I099
(11)	997 731 037 04	Mirror glass Convex	/RL /L	1	I099/267
(11)	997 731 038 01	Mirror glass Convex	/LL /R (ROK)	1	I098
12	999 073 345 09	Lens-head screw M 5 X 18		3	
13	997 537 733 00	Seal Cable plug Mirror base		1	

Model: 997G07

Model life 2007>>2011



Model: 997G07 Model life 2007>>2011

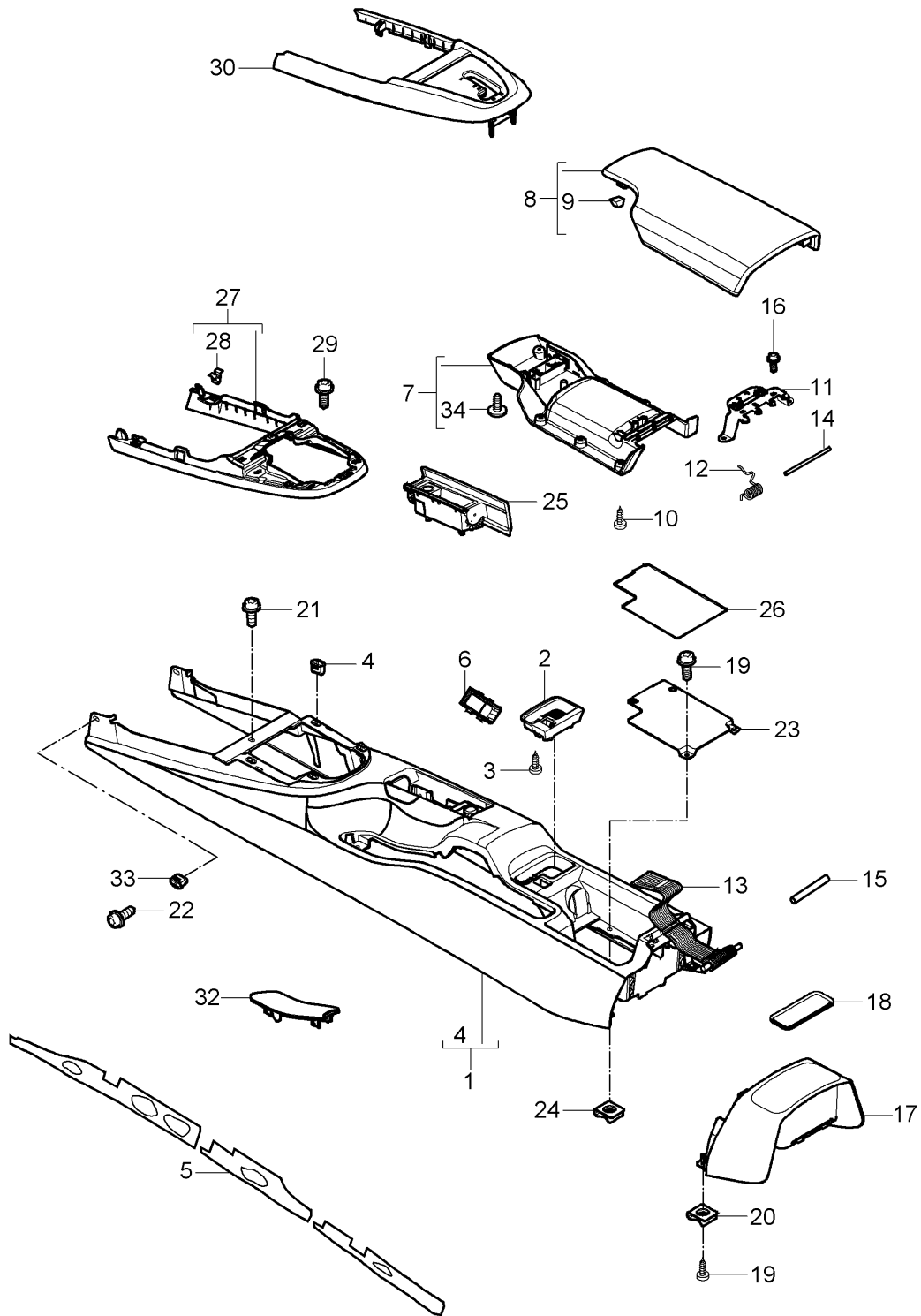
Pos	Part Number	Description	Remark	Qty	Model
1	997 553 111 03	Centre console Front Bracket		1	
2	999 507 476 01	Centre console Front Clamp		6	
3	999 507 971 01	8,0 X 10,0/2,5 Speed nut		X	
4	999 073 155 09	st 4,2 Tapping screw		X	
5	997 553 117 05	st 4,2 x 13 Cover	/L	1	-I618/-I619 -I668/-I669
(5)	997 553 117 05 9L4 997 553 118 05	Lateral Leatherette Black Cover	/R	1	-I618/-I619 -I668/-I669
5	997 553 118 05 9L4 997 553 117 06	Lateral Leatherette Black Cover	/L	1	I618/619/668 I669/981
(5)	997 553 117 06 FSA 997 553 117 06 FSH 997 553 118 06	Lateral Leather Black/grey Darkgrey natural/grey Cover	/R	1	I618/619/668 I669/981
	997 553 118 06 FSA 997 553 118 06 FSH	Lateral Leather Black/grey Darkgrey natural/grey Cover		1	
6	999 591 508 01	Lateral Leather Preparation for telephone See illustrations 9/11/10 Captive nut	07-	4	
7	999 073 226 09	st 4,2 for Mount Cover Lateral Tapping screw ST 4,2 X 16 for Mount Cover		4	
8	997 553 361 01	Lateral Support		1	
9	999 084 629 01	Centre Hexagon nut		4	
10	997 553 131 01	m 6 Cover	/L	1	
(10)	997 553 131 01 A10 997 553 131 01 D11 997 553 132 01	Footwell outlet vent Carpet Black Dark grey/natural Cover Footwell outlet vent Carpet	/LL /R	1	I098/621

Model: 997G07 Model life 2007>>2011

Pos	Part Number	Description	Remark	Qty	Model
(10)	997 553 132 01 A10	Black	/R	1	
	997 553 132 01 D11	Dark grey/natural			
	997 553 132 02	Cover			
11		Footwell outlet vent		2	
		Carpet			
	997 553 132 02 A10	Black			
	997 553 132 02 D11	Dark grey/natural			
	999 073 223 07	Oval-head screw M 6 X 25 for Mount Cover			
12	999 507 766 02	Footwell outlet vent		2	
		Speed nut			
		M 6 for Mount Cover			
		Footwell outlet vent			
13	997 553 143 01	Shelf	-08	1	
		Centre console Front			
13	997 553 143 01 D07	Volcano grey	09-	1	
		997 553 143 02			
14	997 553 143 02 A05	Black mat		1	
		997 553 543 01			
15	999 919 164 09	Oval-head screw		3	
		5,0 X 12,0 for Mount Shelf			
		Shelf			
		Shelf			
16	987 553 671 00	Shelf	10-	1	I609
		Centre			
17	987 553 671 00 A05	Black mat	10-	2	I609
		987 553 871 00			

Model: 997G07

Model life 2007>>2011



Model: 997G07 Model life 2007>>2011

Pos	Part Number	Description	Remark	Qty	Model
		Centre console	-08		
		Rear			
(1)	997 553 901 00	Centre console		1	
	997 553 901 00 A03	Black			
(1)	997 553 980 24	Centre console	-07	1	IXMZ
		Leather			
	997 553 980 24 A11	Black			
	997 553 980 24 D12	Dark grey/natural			
(1)	997 553 980 48	Centre console	08-	1	IXMZ
		Leather			
	997 553 980 48 A11	Black			
	997 553 980 48 D12	Dark grey/natural			
(1)	997 553 980 28	Centre console	-07	1	IXMJ
		Carbon			
	997 553 980 28 A35	Black			
(1)	997 553 980 52	Centre console	08-	1	IXMJ
		Carbon			
	997 553 980 52 A35	Black			
(1)	997 553 980 64	Centre console		1	IXME
	997 553 980 64 041	Black			
	997 553 980 64 84A	Guards red			
	997 553 980 64 B9A	Carrara white			
	997 553 980 64 12H	Speed yellow			
	997 553 980 64 92U	Arctic silver metallic			
	997 553 980 64 M3W	Carmon red metallic	-07		
	997 553 980 64 M5W	Lapis blue metallic	-07		
	997 553 980 64 M6W	Lagoon green metallic	-07		
	997 553 980 64 C9Z	Basalt black metallic			
	997 553 980 64 M7X	Atlas grey metallic			
	997 553 980 64 39C	Midnight Blue Metallic			
	997 553 980 64 M7W	Meteor Grey Metallic			
	997 553 980 64 2B4	Forest green metallic	-08		
	997 553 980 64 3C8	Cobalt blue metallic	-08		
	997 553 980 64 23F	Slate grey metallic	-08		
	997 553 980 64 M7Z	GT Silver Metallic			
	997 553 980 64 M6X	Dark olive-metallic	-08		
	997 553 980 64 8C6	Orange			
	997 553 980 64 2D8	Green			
(1)	997 553 997 01	Protective film		2	
		Centre console			
		See technical manual			
		681749			
2	997 553 575 02	Insert		1	
		Locking device			
		Centre console			
	997 553 575 02 01C	Satin black			
3	999 919 159 09	Oval-head screw		1	
		4 X 12			
		for			
		Mount			
		Insert			
		Locking device			
4	999 591 210 40	Expander nut		4	
		4,2			
5	997 553 843 00	Sound absorber	/L	1	
(5)	997 553 844 00	Sound absorber	/R	1	
6	997 553 579 00	Cover	-08	1	
		Lacquered			
	997 553 579 00 A03	Black			
7	997 553 433 01	Lid		1	
		Inner			
	997 553 433 01 01C	Satin black			
8	997 553 231 01	Lid		1	

Model: 997G07 Model life 2007>>2011

Pos	Part Number	Description	Remark	Qty	Model
(8)	997 553 231 01 A11	Outer Leather Black		1	I981
	997 553 231 90	Lid Outer Alcantara			
9	997 553 231 90 A25	Black		8	
	999 507 972 01	Speed nut 3,5 for Mount Lid			
10	999 073 153 01	Outer Tapping screw 3,5 X 14 for Mount Lid		8	
11	997 553 437 01	Outer Hinge		1	
12	997 553 439 00	Steering knuckle spring		1	
13	997 553 441 00	Belt		1	
14	997 553 447 00	Axle		1	
15	997 553 733 00	Retaining pin		1	
16	999 919 159 09	Oval-head screw M4X12		X	
17	997 553 221 01	Extension Centre console Lacquered		1	
	997 553 221 01 A03	Black			
(17)	997 553 983 00	Extension Centre console Leather		1	IXMZ
	997 553 983 00 A11	Black			
(17)	997 553 983 00 D12	Dark grey/natural		1	IXMJ
	997 553 983 01	Extension Centre console Leather			
(17)	997 553 983 01 A11	Black		1	IXME
	997 553 983 01 D12	Dark grey/natural			
(17)	997 553 983 05	Extension Centre console Lacquered		1	
	997 553 983 05 041	Black			
	997 553 983 05 84A	Guards red			
	997 553 983 05 B9A	Carrara white			
	997 553 983 05 12H	Speed yellow			
	997 553 983 05 92U	Arctic silver metallic			
	997 553 983 05 M3W	Carmon red metallic	-07		
	997 553 983 05 M5W	Lapis blue metallic	-07		
	997 553 983 05 M6W	Lagoon green metallic	-07		
	997 553 983 05 C9Z	Basalt black metallic			
	997 553 983 05 M7X	Atlas grey metallic			
	997 553 983 05 39C	Midnight Blue Metallic			
	997 553 983 05 M7W	Meteor Grey Metallic			
	997 553 983 05 2B4	Forest green metallic	-08		
	997 553 983 05 3C8	Cobalt blue metallic	-08		
	997 553 983 05 23F	Slate grey metallic	-08		
	997 553 983 05 M7Z	GT Silver Metallic			
	997 553 983 05 M6X	Dark olive-metallic	-08		
	997 553 983 05 8C6	Orange			
	997 553 983 05 2D8	Green			
18	997 553 625 01	Insert		1	

Model: 997G07 Model life 2007>>2011

Pos	Part Number	Description	Remark	Qty	Model
19	999 073 226 09	Extension Tapping screw 4,2 X 16		X	
20	999 507 020 01	Speed nut 4,2		X	
21	999 919 121 09	Oval-head screw 5 X 16		2	
22	999 073 155 09	Tapping screw 4,2 X 13		2	
23	997 553 615 01	Floor Centre console		1	
24	999 507 028 01	Speed nut 4,2		X	
25	997 553 902 00	Ashtray Lacquered		1	
	997 553 902 00 A03	Black			
(25)	997 553 982 00	Ashtray Leather		1	IXMZ
	997 553 982 00 A11	Black			
	997 553 982 00 D12	Dark grey/natural			
(25)	997 553 982 01	Ashtray Carbon		1	IXMJ
	997 553 982 01 A35	Black			
(25)	997 553 982 05	Ashtray Lacquered		1	IXME
	997 553 982 05 041	Black			
	997 553 982 05 84A	Guards red			
	997 553 982 05 B9A	Carrara white			
	997 553 982 05 12H	Speed yellow			
	997 553 982 05 92U	Arctic silver metallic			
	997 553 982 05 M3W	Carmon red metallic	-07		
	997 553 982 05 M5W	Coral metallic	-07		
	997 553 982 05 M6W	Lagoon green metallic	-07		
	997 553 982 05 C9Z	Basalt black metallic			
	997 553 982 05 M7X	Atlas grey metallic			
	997 553 982 05 39C	Midnight Blue Metallic			
	997 553 982 05 M7W	Meteor Grey Metallic			
	997 553 982 05 2B4	Forest green metallic	-08		
	997 553 982 05 3C8	Cobalt blue metallic	-08		
	997 553 982 05 23F	Slate grey metallic	-08		
	997 553 982 05 M7Z	GT Silver Metallic			
	997 553 982 05 M6X	Dark olive-metallic	-08		
	997 553 982 05 8C6	Orange			
	997 553 982 05 2D8	Green			
26	997 553 611 01	Insert		1	
27	997 553 261 05	Frame Lacquered		1	
	997 553 261 05 D07	Volcano grey			
28	999 507 533 02	Clamp 8,0 X 10,0/2,5		7	
29	999 073 155 09	Tapping screw 4,2 X 13 for Mount		4	
		Frame			
(30)	997 553 243 01	Cover Shift gate Lacquered		1	I480
	997 553 243 01 A03	Black			
32	997 553 903 00	Cover Parking-brake lever Lacquered		1	
	997 553 903 00 A03	Black			

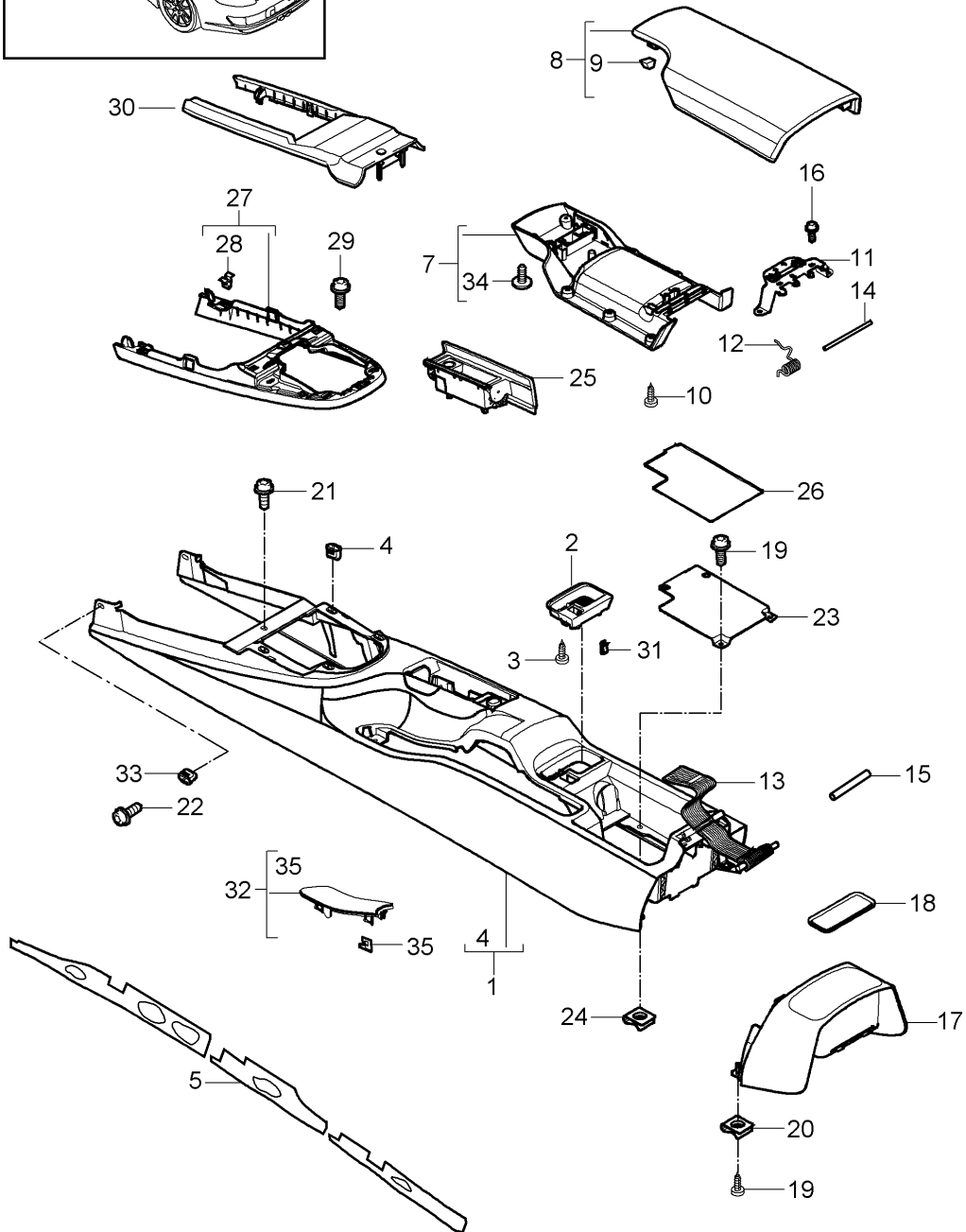
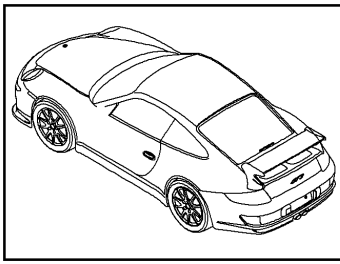
Model: 997G07

Model life 2007>>2011

Pos	Part Number	Description	Remark	Qty	Model
(32)	997 553 981 00	Cover Parking-brake lever		1	IXME
	997 553 981 00 A11	Black			
	997 553 981 00 D12	Dark grey/natural			
(32)	997 553 981 00	Cover Parking-brake lever		1	IXMJ
	997 553 981 00 A11	Black			
	997 553 981 00 D12	Dark grey/natural			
(32)	997 553 981 06	Cover Parking-brake lever		1	IXMZ
	997 553 981 06 A11	Black			
	997 553 981 06 D12	Dark grey/natural			
33	999 591 215 40	Expander nut 4,2		2	
34	997 553 732 00	Rubber buffer Lid Inner		2	

Model: 997G07

Model life 2007>>2011



Model: 997G07 Model life 2007>>2011

Pos	Part Number	Description	Remark	Qty	Model
		Centre console Rear	10-		
(1)	997 553 901 00	Centre console		1	
	997 553 901 00 A03	Black			
(1)	997 553 980 69	Centre console		1	GT3 IXMZ
		Leather			
	997 553 980 69 A11	Black			
	997 553 980 69 D12	Dark grey/natural			
(1)	997 553 980 52	Centre console		1	IXMJ
		Carbon			
	997 553 980 52 A35	Black			
(1)	997 553 980 64	Centre console		1	IXME
	997 553 980 64 041	Black			
	997 553 980 64 84A	Guards red			
	997 553 980 64 B9A	Carrara white			
	997 553 980 64 12H	Speed yellow			
	997 553 980 64 92U	Arctic silver metallic			
	997 553 980 64 C9Z	Basalt black metallic			
	997 553 980 64 M7W	Meteor Grey Metallic			
	997 553 980 64 M7Z	GT Silver Metallic			
	997 553 980 64 M8W	Macadamia Metallic			
	997 553 980 64 M3X	Ruby red metallic			
	997 553 980 64 M5X	Dark Blue Metallic			
	997 553 980 64 22G	Racing Green Metallic			
	997 553 980 64 M5R	Aqua Blue Metallic			
	997 553 980 64 51A	Creamy white			
	997 553 980 64 M2Z	Nordic Gold Metallic			
	997 553 980 64 2B5	Malachite Green Metallic			
	997 553 980 64 M4Z	Amethyst metallic			
	997 553 980 64 7A1	Grey/black	10-		
(1)	997 553 997 01	Protective film		2	
		Centre console			
		See technical manual			
		681749			
2	997 553 575 02	Insert		1	
		Locking device			
		Centre console			
	997 553 575 02 01C	Satin black			
3	999 919 159 09	Oval-head screw		1	
		4 X 12			
		for			
		Mount			
		Insert			
		Locking device			
4	999 591 210 40	Expander nut		4	
		4,2			
5	997 553 843 00	Sound absorber	/L	1	
(5)	997 553 844 00	Sound absorber	/R	1	
7	997 553 433 01	Lid		1	
		Inner			
	997 553 433 01 01C	Satin black			
8	997 553 231 01	Lid		1	
		Outer			
		Leather			
	997 553 231 01 A11	Black			
(8)	997 553 231 90	Lid		1	I975/981
		Outer			
		Alcantara			
	997 553 231 90 A25	Black			
(8)	997 553 991 20	Lid	/LL 10-	1	IXLG/098
		Outer			
		Alcantara			

Model: 997G07 Model life 2007>>2011

Pos	Part Number	Description	Remark	Qty	Model
(8)	997 553 991 20 A25 997 553 991 21	Black Lid Outer Alcantara	/RL 10-	1	IXLG/099
9	997 553 991 21 A25 999 507 972 01	Black Speed nut 3,5 for Mount Lid Outer		8	
10	999 073 153 01	Tapping screw 3,5 X 14 for Mount Lid Outer		8	
11	997 553 437 01	Hinge		1	
12	997 553 439 00	Steering knuckle spring		1	
13	997 553 441 00	Belt		1	
14	997 553 447 00	Axle		1	
15	997 553 733 00	Retaining pin		1	
16	999 919 159 09	Oval-head screw M4X12		X	
17	997 553 221 01 997 553 221 01 A03	Extension Centre console Lacquered Black		1	GT3 IXMZ
(17)	997 553 983 06 997 553 983 06 A11 997 553 983 06 D12	Extension Centre console Leather Black Dark grey/natural		1	IXMJ
(17)	997 553 983 01 997 553 983 01 A11 997 553 983 01 D12	Extension Centre console Leather Black Dark grey/natural		1	IXME
	997 553 983 05 997 553 983 05 041 997 553 983 05 84A 997 553 983 05 B9A 997 553 983 05 12H 997 553 983 05 92U 997 553 983 05 C9Z 997 553 983 05 M7W 997 553 983 05 M7Z 997 553 983 05 M8W 997 553 983 05 M3X 997 553 983 05 M5X 997 553 983 05 22G 997 553 983 05 M5R 997 553 983 05 51A 997 553 983 05 M2Z 997 553 983 05 2B5 997 553 983 05 M4Z	Extension Centre console Lacquered Black Guards red Carrara white Speed yellow Arctic silver metallic Basalt black metallic Meteor Grey Metallic GT Silver Metallic Macadamia Metallic Ruby red metallic Dark Blue Metallic Racing Green Metallic Aqua Blue Metallic Creamy white Nordic Gold Metallic Malachite Green Metallic Amethyst metallic			
18	997 553 983 05 7A1 997 553 625 01	Grey/black Insert Extension	10-	1	
19	999 073 226 09	Tapping screw		X	

Model: 997G07 Model life 2007>>2011

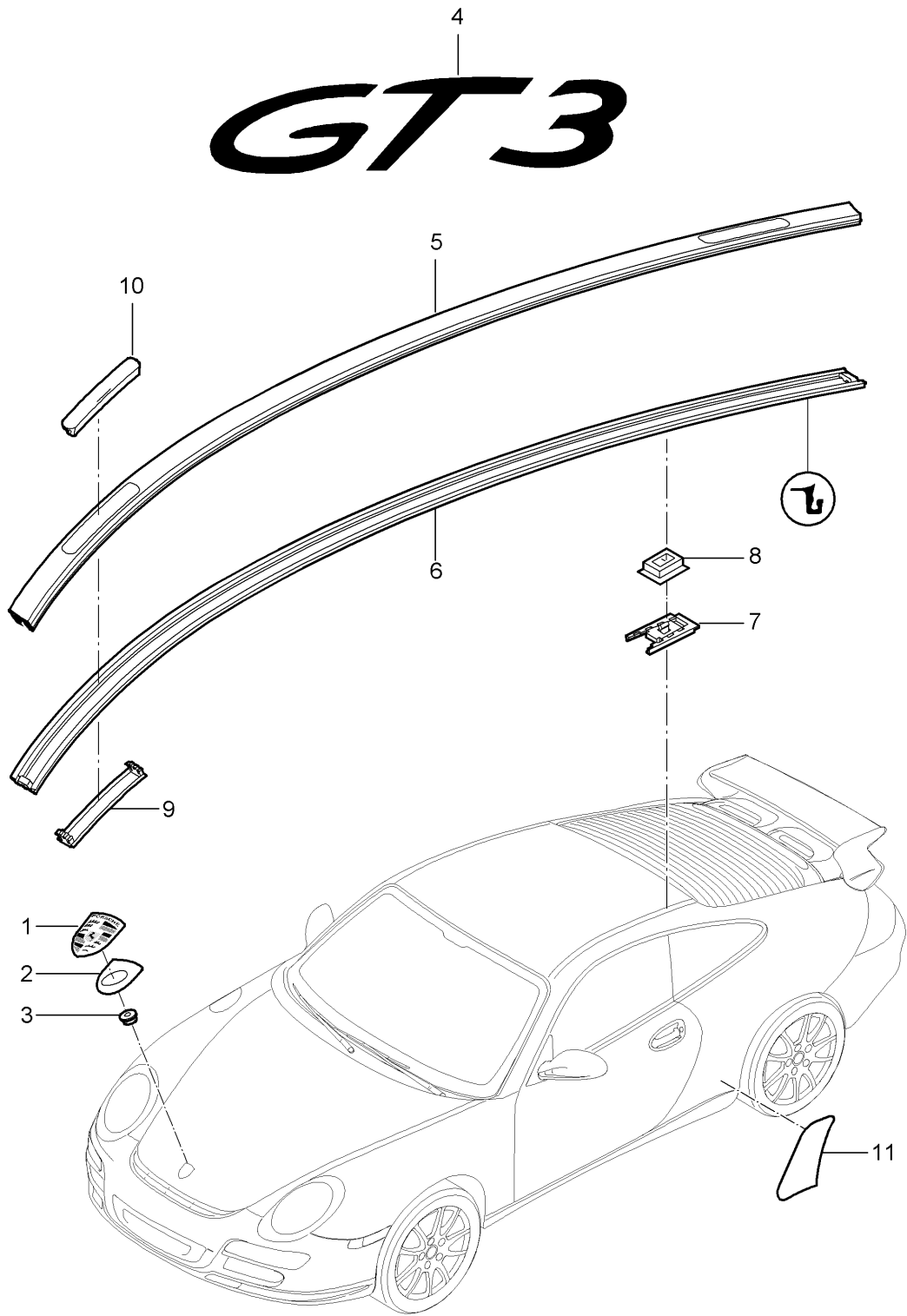
Pos	Part Number	Description	Remark	Qty	Model
20	999 507 020 01	4,2 X 16 Speed nut		X	
21	999 919 121 09	4,2 Oval-head screw		2	
22	999 073 155 09	5 X 16 Tapping screw		2	
23	997 553 615 01	4,2 X 13 Floor Centre console		1	
24	999 507 028 01	Speed nut 4,2		X	
25	997 553 902 00	Ashtray Lacquered		1	
(25)	997 553 902 00 A03	Black		1	GT3 IXMZ
(25)	997 553 982 06	Ashtray Leather		1	IXMJ
	997 553 982 06 A11	Black			
	997 553 982 06 D12	Dark grey/natural			
(25)	997 553 982 01	Ashtray Carbon		1	IXME
(25)	997 553 982 01 A35	Black		1	
	997 553 982 05	Ashtray Lacquered			
	997 553 982 05 041	Black			
	997 553 982 05 84A	Guards red			
	997 553 982 05 B9A	Carrara white			
	997 553 982 05 12H	Speed yellow			
	997 553 982 05 92U	Arctic silver metallic			
	997 553 982 05 C9Z	Basalt black metallic			
	997 553 982 05 M7W	Meteor Grey Metallic			
	997 553 982 05 M7Z	GT Silver Metallic			
	997 553 982 05 M8W	Macadamia Metallic			
	997 553 982 05 M3X	Ruby red metallic			
	997 553 982 05 M5X	Dark Blue Metallic			
	997 553 982 05 22G	Racing Green Metallic			
	997 553 982 05 M5R	Aqua Blue Metallic			
	997 553 982 05 51A	Creamy white			
	997 553 982 05 M2Z	Nordic Gold Metallic			
	997 553 982 05 2B5	Malachite Green Metallic			
	997 553 982 05 M4Z	Amethyst metallic			
	997 553 982 05 7A1	Grey/black	10-		
26	997 553 611 01	Insert		1	
(26)	997 553 613 00	Insert		1	GT3 I870
27	997 553 261 05	Frame Lacquered		1	
(27)	997 553 261 05 D07	Volcano grey			
	987 553 261 01	Frame	10-	1	IXDJ
	987 553 261 01 G2X	Prime coated			
28	999 507 533 02	Clamp		7	
29	999 073 155 09	8,0 X 10,0/2,5 Tapping screw		4	
(30)	997 553 243 01	4,2 X 13 for Mount Frame Cover Shift gate Lacquered		1	I480
(30)	997 553 243 01 A03	Black			
	997 553 996 00	Cover	10-	1	GT3 IXDZ/480

Model: 997G07 Model life 2007>>2011

Pos	Part Number	Description	Remark	Qty	Model
31	997 553 996 00 A11	Shift gate Leather Black		1	GT3 I870
	997 553 996 00 D12	Dark grey/natural			
	999 507 922 01	U-clamp			
		4,0			
32	997 553 903 00	Cover Parking-brake lever Lacquered		1	
(32)	997 553 903 00 A03	Black		1	IXME
	997 553 981 00	Cover Parking-brake lever			
(32)	997 553 981 00 A11	Black		1	IXMJ
	997 553 981 00 D12	Dark grey/natural			
	997 553 981 00	Cover Parking-brake lever			
(32)	997 553 981 00 A11	Black		1	GT3 IXMZ
	997 553 981 00 D12	Dark grey/natural			
	997 553 981 07	Cover Parking-brake lever			
33	997 553 981 07 A11	Black		2	
	997 553 981 07 D12	Dark grey/natural			
	999 591 215 40	Expander nut			
34	997 553 732 00	4,2		2	
		Rubber buffer			
35	997 553 861 00	Lid		4	GT3 IXMZ
		Inner			
		Clamp			

Model: 997G07

Model life 2007>>2011



Model: 997G07

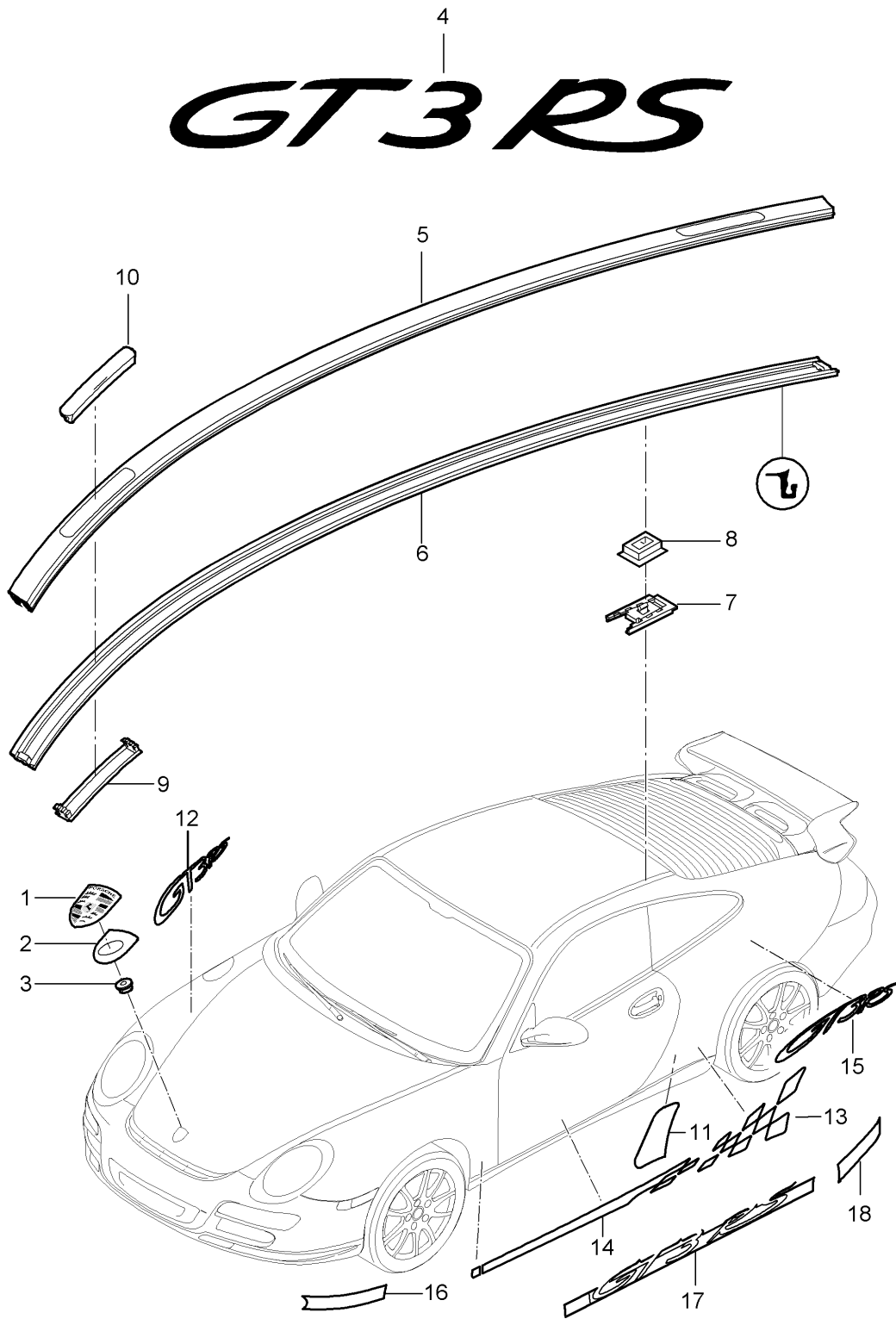
Model life 2007>>2011

Pos	Part Number	Description	Remark	Qty	Model
1	997 559 211 00	Insignias Decorative fittings Stone guard film Lid emblem Information available		1	
(1)	996 559 211 01	Lid emblem		1	
2	7L5 853 611 B	Desk pad		1	
3	999 591 423 03	Tapping nut		2	
4	996 559 237 90	Logo *GT3*		1	
		Lacquered			
	996 559 237 90 70C	Rally black			
5	997 559 401 00	Roof edge strip	/L -09	1	
	997 559 401 00 G2X	Prime coated			
(5)	997 559 402 00	Roof edge strip	/R -09	1	
	997 559 402 00 G2X	Prime coated			
(5)	997 559 401 01	Roof edge strip	/L 10-	1	
	997 559 401 01 G2X	Prime coated			
(5)	997 559 402 01	Roof edge strip	/R 10-	1	
	997 559 402 01 G2X	Prime coated			
(6)	997 559 721 00	Gasket	/L -09	1	
		Roof edge strip			
(6)	997 559 722 00	Gasket	/R -09	1	
		Roof edge strip			
(6)	997 559 721 01	Gasket	/L 10-	1	
		Roof edge strip			
(6)	997 559 722 01	Gasket	/R 10-	1	
		Roof edge strip			
7	996 559 403 01	Clip		10	
8	996 559 405 01	Adapter		10	
9	996 559 729 00	Bracket		4	
		for			
		Flap			
10	996 559 501 00	Flap		2	
		Front			
	996 559 501 00 G2X	Prime coated			
(10)	996 559 503 00	Flap		2	
		Rear			
	996 559 503 00 G2X	Prime coated			
11	997 504 825 02	Stone guard film	/L	1	
		Side section			
(11)	997 504 826 02	Stone guard film	/R	1	
		Side section			

Model: 997G07

Model life 2007>>2011

GT3 RS



Model: 997G07 Model life 2007>>2011

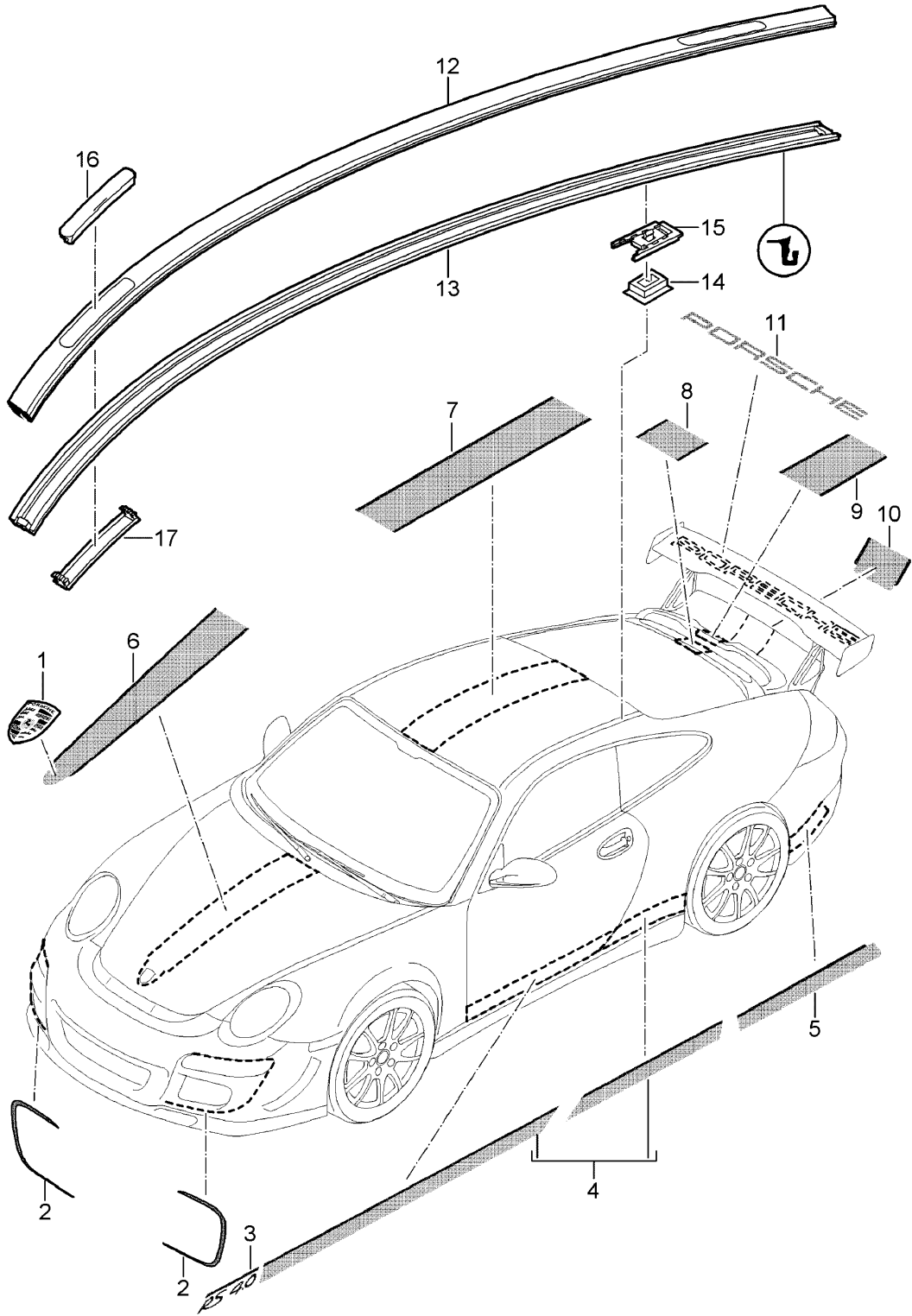
Pos	Part Number	Description	Remark	Qty	Model
		Insignias			GT3 RS I004
1	997 559 211 00	Decorative fittings Stone guard film Lid emblem Information available		1	
(1)	996 559 211 01	Lid emblem		1	
2	7L5 853 611 B	Desk pad		1	
3	999 591 423 03	Tapping nut		2	
4	997 559 237 92	Logo *GT3RS*		1	
		Lacquered			
	997 559 237 92 041	Black			
	997 559 237 92 8C6	Orange			
4	997 559 237 94	Logo *GT3RS*		1	
		Lacquered			
	997 559 237 94 539	White gold metallic			
	997 559 237 94 84A	Guards red			
5	997 559 401 91	Roof edge strip	/L	1	
	997 559 401 91 G2L	Prime coated			
(5)	997 559 402 91	Roof edge strip	/R	1	
	997 559 402 91 G2L	Prime coated			
6	997 559 721 00	Gasket	/L -09	1	
		Roof edge strip			
(6)	997 559 722 00	Gasket	/R -09	1	
		Roof edge strip			
(6)	997 559 721 01	Gasket	/L 10-	1	
		Roof edge strip			
(6)	997 559 722 01	Gasket	/R 10-	1	
		Roof edge strip			
7	996 559 403 01	Clip		10	
8	996 559 405 01	Adapter		10	
9	996 559 729 00	Bracket for Flap		4	
10	996 559 501 00	Flap Front		2	
	996 559 501 00 G2X	Prime coated			
(10)	996 559 503 00	Flap Rear		2	
	996 559 503 00 G2X	Prime coated			
11	997 504 825 91	Stone guard film	/L	1	
		Side section			
(11)	997 504 826 91	Stone guard film	/R	1	
		Side section			
12	997 559 332 91	Decorative film Logo GT3 Wing Front Right	/R 10-	1	
	997 559 332 91 539	White gold metallic			
	997 559 332 91 84A	Guards red			
13	997 559 337 91	Decorative film Side section Left	/L 10-	1	
	997 559 337 91 539	White gold metallic			
	997 559 337 91 84A	Guards red			
(13)	997 559 338 91	Decorative film Side section Right	/R 10-	1	
	997 559 338 91 539	White gold metallic			

Model: 997G07 Model life 2007>>2011

Pos	Part Number	Description	Remark	Qty	Model
14	997 559 338 91 84A	Guards red			
	997 559 333 91	Decorative film Door And Wing Left	/L 10-	1	
(14)	997 559 333 91 539	White gold metallic			
	997 559 334 91	Guards red Decorative film Door And Wing Right	/R 10-	1	
15	997 559 334 91 539	White gold metallic			
	997 559 334 91 84A	Guards red			
16	997 559 335 91	Decorative film Logo GT3 Side section Left	/L 10-	1	
	997 559 335 91 539	White gold metallic			
(16)	997 559 335 91 84A	Guards red			
	997 559 331 90	Decorative film Front	/L -08	1	
(16)	997 559 331 90 8C6	Orange			
	997 559 331 90 041	Black			
17	997 559 332 90	Decorative film Front	/R -08	1	
	997 559 332 90 8C6	Orange			
(17)	997 559 332 90 041	Black			
	997 559 333 90	Decorative film Lateral	/L -08	1	
18	997 559 333 90 8C6	Orange			
	997 559 333 90 041	Black			
(18)	997 559 334 90	Decorative film Lateral	/R -08	1	
	997 559 334 90 8C6	Orange			
18	997 559 334 90 041	Black			
	997 559 335 90	Decorative film Rear	/L -08	1	
(18)	997 559 335 90 8C6	Orange			
	997 559 335 90 041	Black			
18	997 559 336 90	Decorative film Rear	/R -08	1	
	997 559 336 90 8C6	Orange			
	997 559 336 90 041	Black			

Model: 997G07

Model life 2007>>2011



Model: 997G07 Model life 2007>>2011

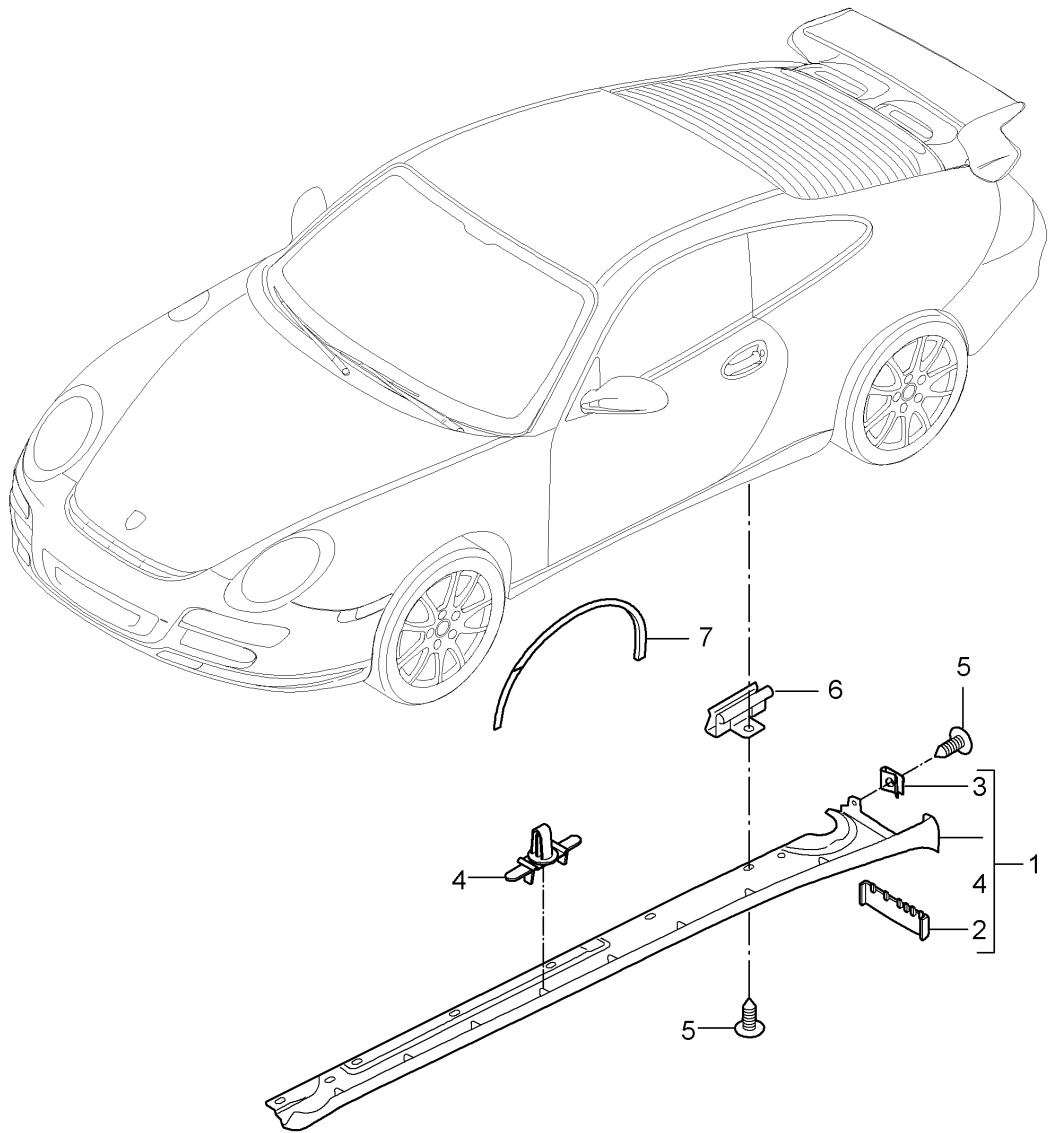
Pos	Part Number	Description	Remark	Qty	Model
		Insignias Decorative fittings			I006
1	996 559 211 90	Lid emblem		1	
2	997 559 459 92	Sticker			
		Decorative film	/L	1	I512
		Air inlet			
		Front			
(2)	997 559 459 92 M7Z	GT Silver Metallic			
	997 559 460 92	Decorative film	/R	1	I512
		Air inlet			
		Front			
	997 559 460 92 M7Z	GT Silver Metallic			
3	997 559 333 92	Decorative film	/L	1	I512
		Lateral			
		RS 4.0			
	997 559 333 92 DRI	Guards red			
		GT Silver Metallic			
(3)	997 559 334 92	Decorative film	/R	1	I512
		Lateral			
		RS 4.0			
	997 559 334 92 DRI	Guards red			
		GT Silver Metallic			
4	997 559 337 92	Decorative film	/L	1	I512
		Lateral			
		Rear			
	997 559 337 92 DRI	Guards red			
		GT Silver Metallic			
(4)	997 559 338 92	Decorative film	/R	1	I512
		Lateral			
		Rear			
	997 559 338 92 DRI	Guards red			
		GT Silver Metallic			
5	997 559 339 92	Decorative film	/L	1	I512
		Lateral			
		Lining			
		Rear			
	997 559 339 92 DRI	Guards red			
		GT Silver Metallic			
(5)	997 559 340 92	Decorative film	/R	1	I512
		Lateral			
		Lining			
		Rear			
	997 559 340 92 DRI	Guards red			
		GT Silver Metallic			
6	997 559 447 92	Decorative film		1	I512
		Lid			
		Front			
	997 559 447 92 DRI	Guards red			
		GT Silver Metallic			
7	997 559 449 92	Decorative film		1	I512
		Roof			
	997 559 449 92 DRI	Guards red			
		GT Silver Metallic			
8	997 559 457 92	Decorative film		1	I512
		Rear centre panel			
	997 559 457 92 DRI	Guards red			
		GT Silver Metallic			
9	997 559 451 92	Decorative film		1	I512
		Rear lid			
	997 559 451 92 DRI	Guards red			
		GT Silver Metallic			
10	997 559 455 92	Decorative film		1	I512
		Rear lid			

Model: 997G07 Model life 2007>>2011

Pos	Part Number	Description	Remark	Qty	Model
		Lower Logo RS 4.0			
	997 559 455 92 DRI	Guards red			
11	997 559 461 92	GT Silver Metallic Decorative film Spoiler		1	I512
	997 559 461 92 M7Z	GT Silver Metallic			
12	997 559 401 91	Roof edge strip	/L	1	
	997 559 401 91 G2L	Prime coated			
(12)	997 559 402 91	Roof edge strip	/R	1	
	997 559 402 91 G2L	Prime coated			
13	997 559 721 01	Gasket	/L	1	
		Roof edge strip			
(13)	997 559 722 01	Gasket	/R	1	
		Roof edge strip			
14	996 559 405 01	Adapter		10	
15	996 559 403 01	Clip		10	
16	996 559 501 00	Flap		2	
		Front			
	996 559 501 00 G2X	Prime coated			
(16)	996 559 503 00	Flap		2	
		Rear			
	996 559 503 00 G2X	Prime coated			
17	996 559 729 00	Bracket		4	
		for Flap			

Model: 997G07

Model life 2007>>2011



Model: 997G07

Model life 2007>>2011

Pos	Part Number	Description	Remark	Qty	Model
1	997 504 363 01	Sill cover	/L -10	1	I004
	997 504 363 01 01C	Satin black			
(1)	997 504 364 01	Sill cover	/R -10	1	I004
	997 504 364 01 01C	Satin black			
(1)	997 504 363 80	Sill cover	/L 11-	1	I004
	997 504 363 80 G2X	Prime coated			
(1)	997 504 364 80	Sill cover	/R 11-	1	I004
	997 504 364 80 G2X	Prime coated			
(1)	997 504 981 00	Sill cover	/L 08-	1	IXAJ
	997 504 981 00 G2X	Prime coated			
(1)	997 504 982 00	Sill cover	/R 08-	1	IXAJ
	997 504 982 00 G2X	Prime coated			
2	997 504 863 80	Rubber lip	/L	1	I004
	997 504 863 80 01C	Satin black			
(2)	997 504 864 80	Rubber lip	/R	1	I004
	997 504 864 80 01C	Satin black			
3	999 507 795 09	Speed nut		4	I004
		ST 4,8			
4	999 507 986 40	Fixing clip		18	I004
		Sill cover			
		9,0 x 1,5			
5	999 073 231 09	Tapping screw		24	I004
		st 4,8 x 16			
6	999 507 640 09	U-clamp		18	I004
7	997 505 365 A1	Wheel cover		1	I004
		Lining			
		Front			
		Left			
		Prime coated			
(7)	997 505 366 A1	Wheel cover		1	I004
		Lining			
		Front			
		Right			
		Prime coated			
(7)	997 503 401 A1	Wheel cover		1	I004
		Wing			
		Front			
		Left			
		Prime coated			
(7)	997 503 402 A1	Wheel cover		1	I004
		Wing			
		Front			
		Right			
		Prime coated			
-	997 503 435 92	Wheel cover	/L	1	I193
		Front			
		Left			
-	997 503 436 92	Wheel cover	/R	1	I193
		Front			
		Right			
-	997 503 431 92	Wheel cover		1	I193
		Rear			
		Upper			
		Left			
-	997 503 432 92	Wheel cover		1	I193
		Rear			
		Upper			
		Right			
-	997 503 433 92	Wheel cover		1	I193
		Rear			

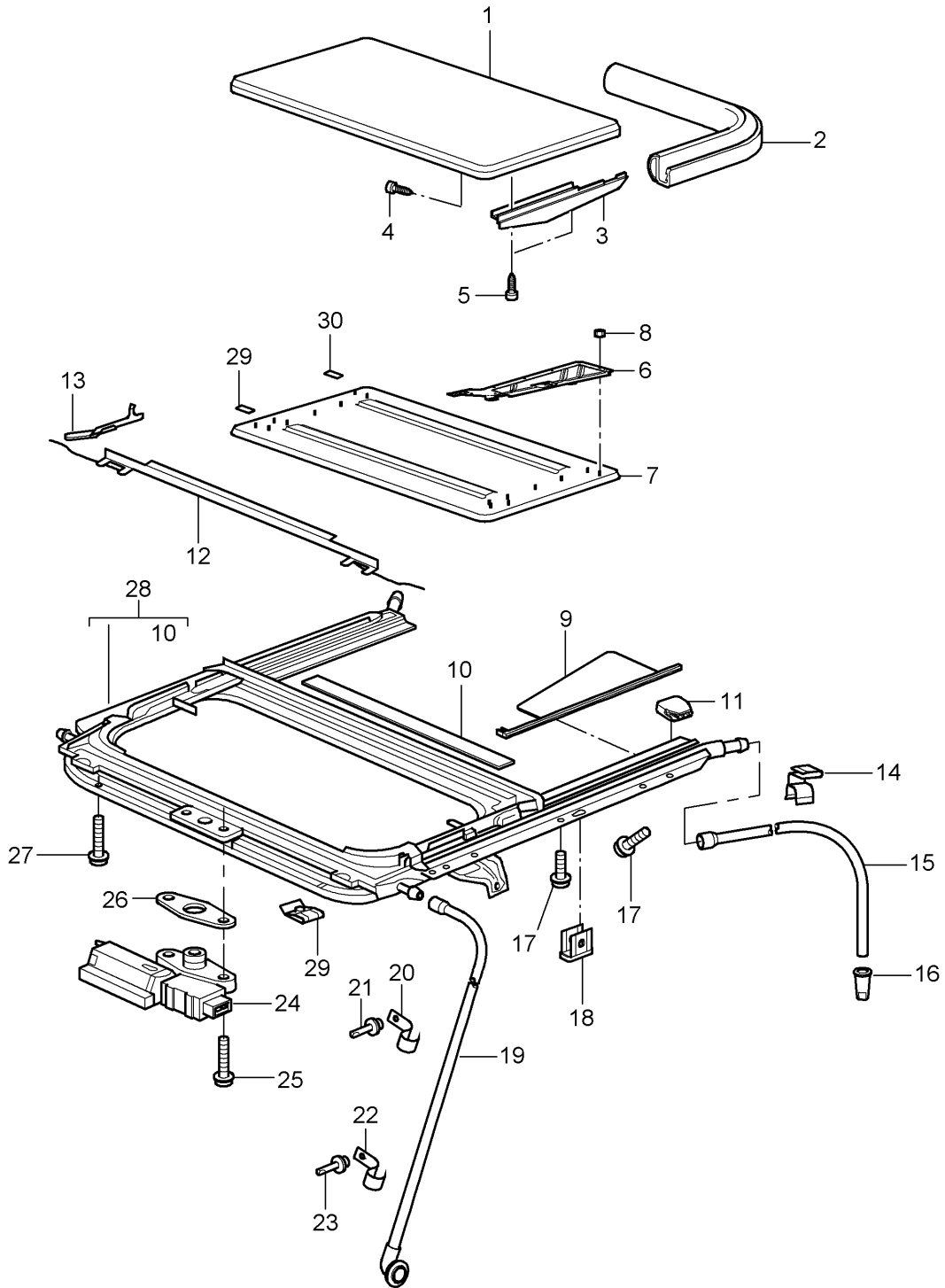
Model: 997G07

Model life 2007>>2011

Pos	Part Number	Description	Remark	Qty	Model
-	997 503 434 92	Lower Left Wheel cover Rear Lower Right		1	I193
-	997 503 901 01	Use also: Adhesive tape 750 x 10 mm		1	I004 I004
-	000 043 207 71	Wash primer		1	I004

Model: 997G07

Model life 2007>>2011



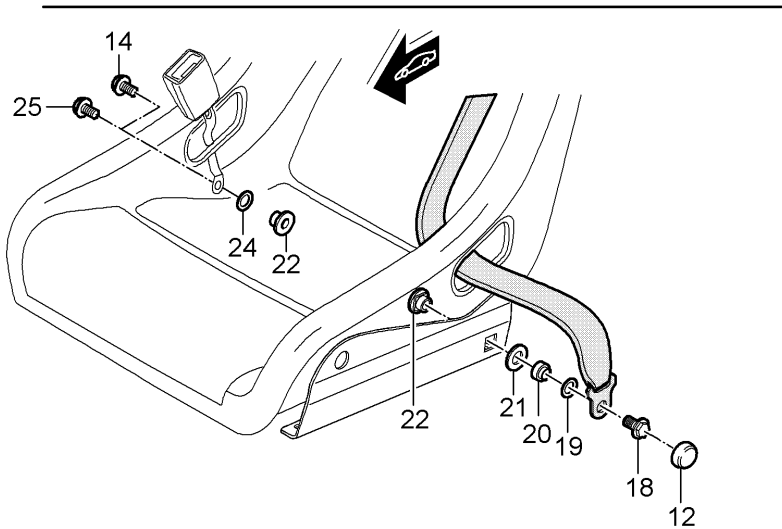
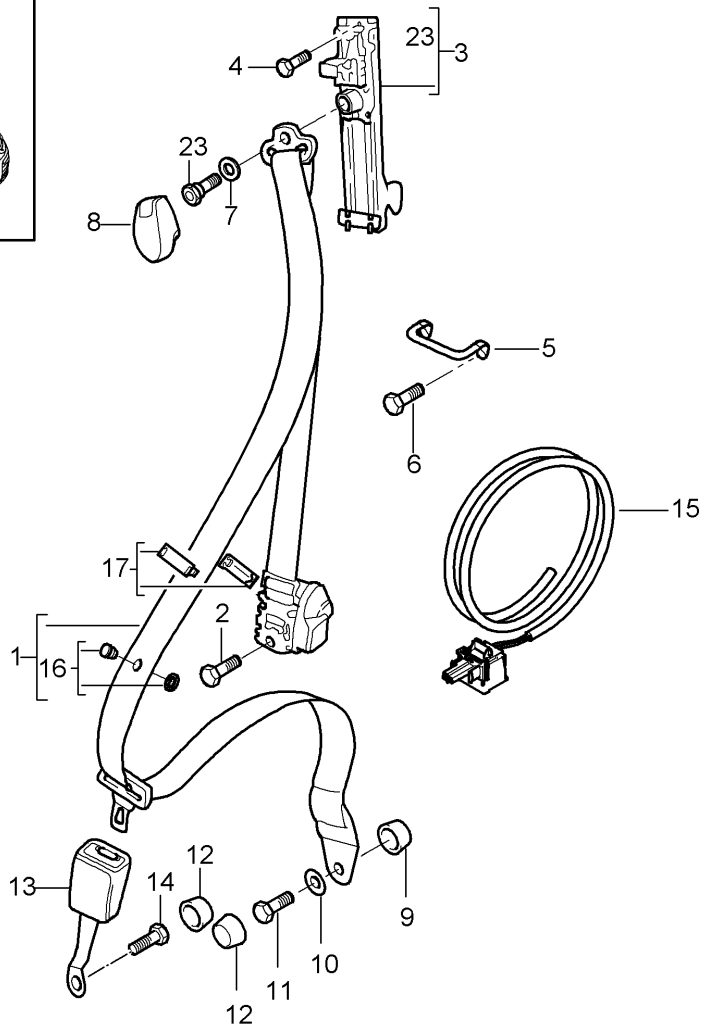
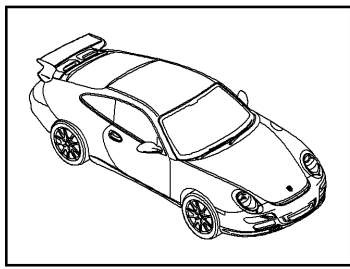
Model: 997G07

Model life 2007>>2011

Pos	Part Number	Description	Remark	Qty	Model
		Sunroof			I650
1	996 564 941 01	Lid		1	
	996 564 941 01 GRV	Prime coated			
2	997 564 211 00	Gasket		1	
3	996 564 181 00	Cover	/L	1	
	996 564 181 00 01C	Black			
(3)	996 564 182 00	Cover	/R	1	
	996 564 182 00 01C	Black			
4	996 564 245 00	Combination screw		4	
5	900 143 189 09	Tapping screw		4	
6	996 564 321 01	Guide plate	/L	1	
(6)	996 564 322 01	Guide plate	/R	1	
7	997 564 021 00	Roofliner		1	
		Alcantara			
	997 564 021 00 A14	Black			
8	900 076 084 07	Nut		16	
9	996 564 241 00	Interior lining	/L	1	
(9)	996 564 242 00	Interior lining	/R	1	
10	997 564 671 00	Edge protection		11	
11	997 555 823 00	Support		2	
12	997 564 161 00	Air deflector		10	
13	996 564 522 01	Hinge	/R	1	
(13)	996 564 521 01	Hinge	/L	1	
14	999 507 631 02	Cable holder		6	
15	996 564 205 01	Water drain hose		2	
		Rear			
16	996 561 825 00	Water drain valve		2	
		Rear			
17	999 073 130 02	Oval-head screw		6	
18	999 703 258 42	Clip		2	
19	996 564 207 00	Water drain hose		2	
		Front			
20	997 564 301 00	Support		2	
		Upper			
21	999 190 184 01	Blind rivet		2	
		4,0X8,5			
22	997 564 303 00	Support		2	
		Lower			
23	999 190 450 37	Blind rivet		1	
		4,0X6,3			
24	997 624 211 00	Driving mechanism		1	
25	999 073 135 07	Countersunk-head screw		1	
26	996 564 213 00	Spacer		1	
27	999 073 366 02	Oval-head screw		4	
28	997 564 911 00	Frame		1	

Model: 997G07

Model life 2007>>2011



Model: 997G07 Model life 2007>>2011

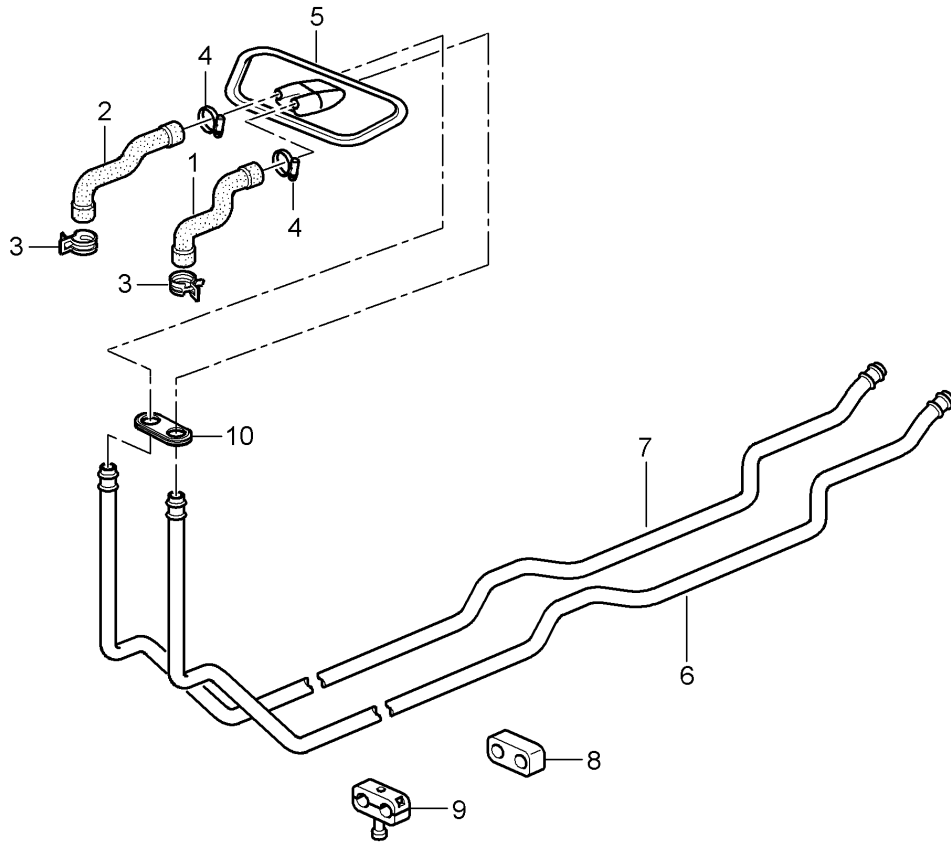
Pos	Part Number	Description	Remark	Qty	Model
		Seat belt			
		3-point automat. seat belt			
		6-point seat belt			
		Roll cage			
1	997 803 033 02	Seat belt	/L -09	1	
	997 803 033 02 A23	Black			I555
	997 803 033 02 N13	Guards red			IXSX
	997 803 033 02 U01	Silver			IXSH
	997 803 033 02 V02	Speed yellow			IXSY
1	997 803 033 05	Seat belt	/L 10-	1	
	997 803 033 05 A23	Black			I555
	997 803 033 05 N13	Guards red			IXSX
	997 803 033 05 U01	Silver			IXSH
	997 803 033 05 V02	Speed yellow			IXSY
(1)	997 803 034 04	Seat belt	/R -09	1	
	997 803 034 04 A23	Black			I555
	997 803 034 04 N13	Guards red			IXSX
	997 803 034 04 U01	Silver			IXSH
	997 803 034 04 V02	Speed yellow			IXSY
(1)	997 803 034 10	Seat belt	/R 10-	1	
	997 803 034 10 A23	Black			I555
	997 803 034 10 N13	Guards red			IXSX
	997 803 034 10 U01	Silver			IXSH
	997 803 034 10 V02	Speed yellow			IXSY
2	999 075 070 09	Hexagon-head bolt		2	
3	997 803 231 01	Support		2	
		Front vertical adjustment with			
		Fastening screw			
		Belt			
-	999 075 078 01	Hexagon-head bolt		2	
4	900 067 131 02	Pan-head screw		2	
5	996 803 825 01	Relay lever		2	
6	900 378 036 09	Hexagon-head bolt		4	
7	999 028 022 01	Spring washer	-08	2	
		B 14,2			
7	999 031 052 40	Adjusting shim	09-	2	
8	997 803 521 00	Cover		2	
	997 803 521 00 A03	Black			
9	999 924 064 02	Spacer sleeve		2	
9	999 924 064 01	Spacer sleeve		2	
10	211 857 771	Washer		2	
11	999 075 073 09	Hexagon-head bolt		2	
12	811 857 845	Cap		2	I384/385
	811 857 845 01C	Satin black			
13	996 803 183 08	Seat-belt buckle		1	I375/376/377 I378
(13)	997 803 183 02	Passenger's side Seat-belt buckle		1	I384/385
(13)	997 803 183 01	Driver's side Seat-belt buckle		1	I375/376/377 I378
13	997 803 183 03	Driver's side Seat-belt buckle		1	I384/385
(13)	997 803 183 04	Passenger's side Seat-belt buckle	10-	1	I389
(13)		Driver's side Seat-belt buckle	10-	1	I388
(13)	997 803 183 05	Driver's side Seat-belt buckle	10-	1	I388/389
		Passenger's side			
14	999 218 101 02	Hexagon-head bolt		2	
14		Hexagon-head bolt		2	I388/389

Model: 997G07 Model life 2007>>2011

Pos	Part Number	Description	Remark	Qty	Model
15		Cable for Seat-belt tensioner See illustrations 9/02/10		X	
16	955 803 056 00	Knob		2	
	955 803 056 00 HCP	Black			
17	997 803 334 00	Clamping piece		2	
	997 803 334 00 01C	Black			
18	999 075 072 09	Hexagon-head bolt		2	I384/385/388 I389
19	999 028 022 01	Spring washer		1	I384/385/388 I389
20	980 803 664 00	Spacer sleeve		1	I384/385
20	997 803 663 00	Spacer sleeve		1	I388/389
21	999 025 275 A2	Washer		2	I384/385/388 I389
22	999 048 012 01	Threaded bush		2	I384/385
23	999 075 078 01	Hexagon-head bolt Belt		1	
24	999 025 275 A2	Washer		1	I384/385
25	999 075 072 09	Hexagon-head bolt		1	I384/385
-	997 803 037 90	Seat belt		1	
		6-point seat belt			
-	997 580 986 02	Roll cage		1	

Model: 997G07

Model life 2007>>2011



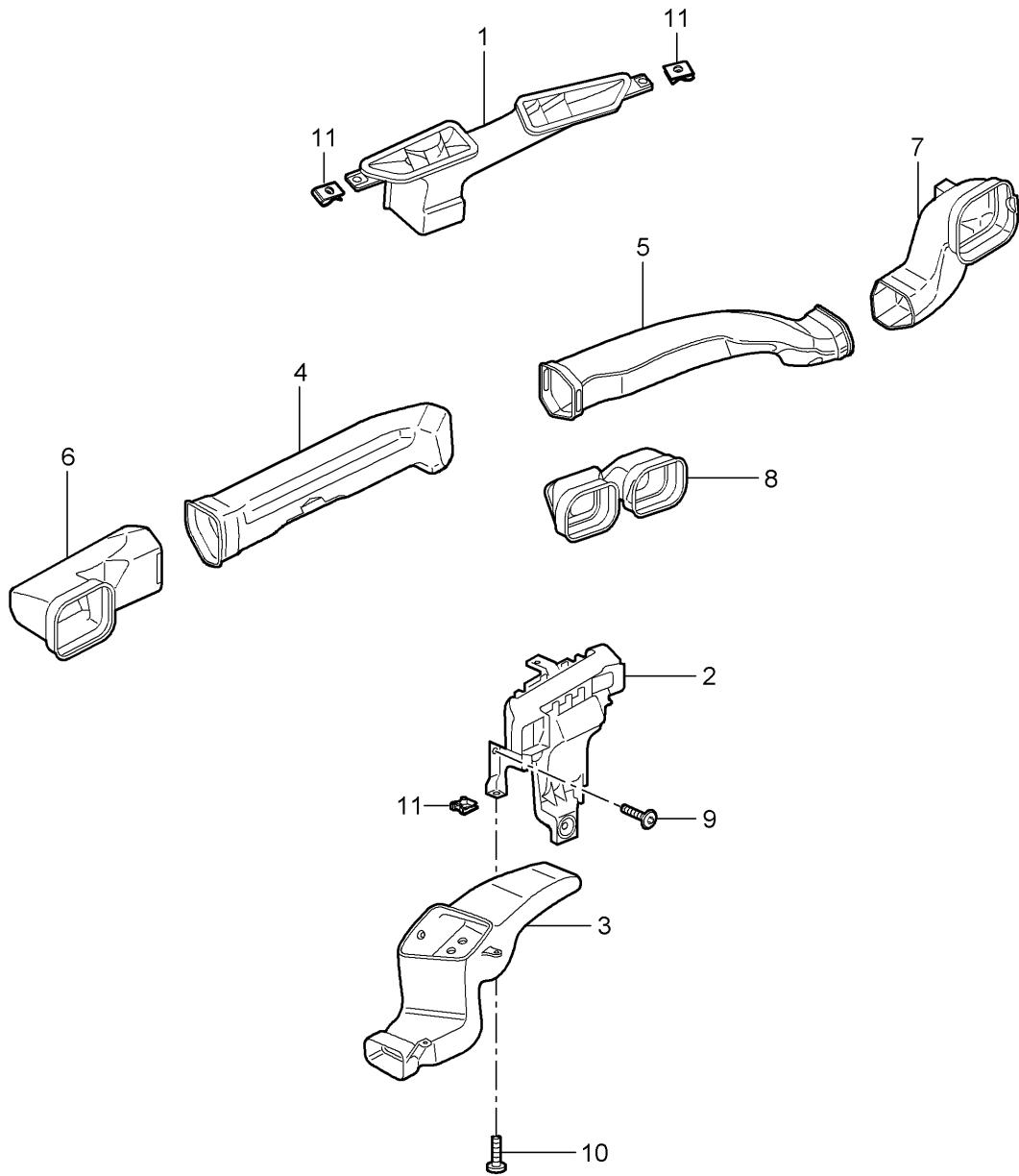
Model: 997G07

Model life 2007>>2011

Pos	Part Number	Description	Remark	Qty	Model
		Heating system 1			
		Feed line			
		Return line			
1	996 572 583 04	Heater hose	/LL	1	I098
(1)	996 572 583 05	Heater hose	/RL	1	I099
2	996 572 585 04	Heater hose	/LL	1	I098
(2)	996 572 585 05	Heater hose	/RL	1	I099
3	999 512 656 09	Hose clamp B25 X 12		2	
4	999 512 346 01	Hose clamp A16-27/9		2	
5	996 572 263 02	Gasket	/LL	1	I098
(5)	996 572 263 03	Gasket	/RL	1	I099
6	997 572 681 00	Heater pipeline Supply		1	
7	997 572 683 00	Heater pipeline Return line		1	
8	996 572 785 00	Connection piece		X	
9	999 511 230 40	Cable holder		4	
-	999 511 232 41	Rubber mounting 19/19		4	
10	996 572 765 02	Grommet		1	

Model: 997G07

Model life 2007>>2011



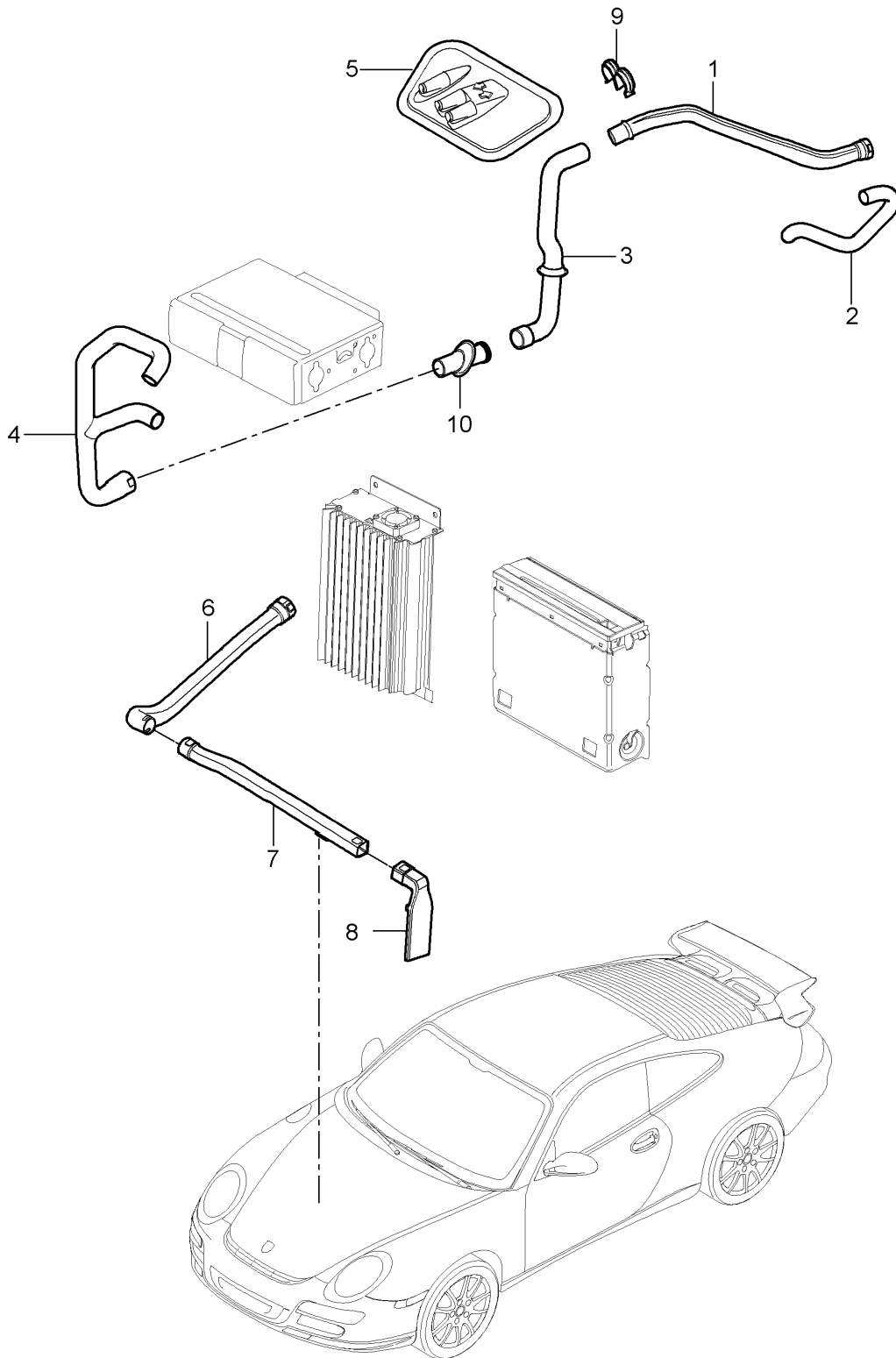
Model: 997G07

Model life 2007>>2011

Pos	Part Number	Description	Remark	Qty	Model
		Air distributor Passenger compartment			
1	997 572 631 00	Defroster vent	/LL	1	I098
(1)	997 572 631 01	Defroster vent	/RL	1	I099
2	997 572 171 00	Air distributor	/LL	1	I098
(2)	997 572 171 01	Air distributor	/RL	1	I099
3	997 572 793 00	Footwell outlet vent	/LL	1	I098
(3)	997 572 793 02	Footwell outlet vent	/LL	1	I098/680
(3)	997 572 793 01	Footwell outlet vent	/RL	1	I099
(3)	997 572 793 03	Footwell outlet vent	/RL	1	I099/680
4	997 572 463 01	Air guide	/RL /L	1	I098/099
(4)	997 572 463 00	Air guide	/LL /L	1	I098
5	997 572 464 00	Air guide	/LL /R	1	I098
(5)	997 572 464 01	Air guide	/RL /R	1	I099
6	997 572 767 00	Air guide	/LL /L	1	I098
(6)	997 572 767 01	Air guide	/RL /L	1	I099
7	997 572 768 00	Air guide	/LL /R	1	I098
(7)	997 572 768 01	Air guide	/RL /R	1	I099
8	997 572 769 00	Air guide	/LL	1	I098
(8)	997 572 769 01	Air guide	/RL	1	I099
9	999 919 118 09	Oval-head screw		2	
10	999 073 155 09	Tapping screw		2	
11	999 507 785 02	Speed nut		3	
		ST 4.2			
11	999 507 785 01	Speed nut		3	
		ST 4.2			

Model: 997G07

Model life 2007>>2011



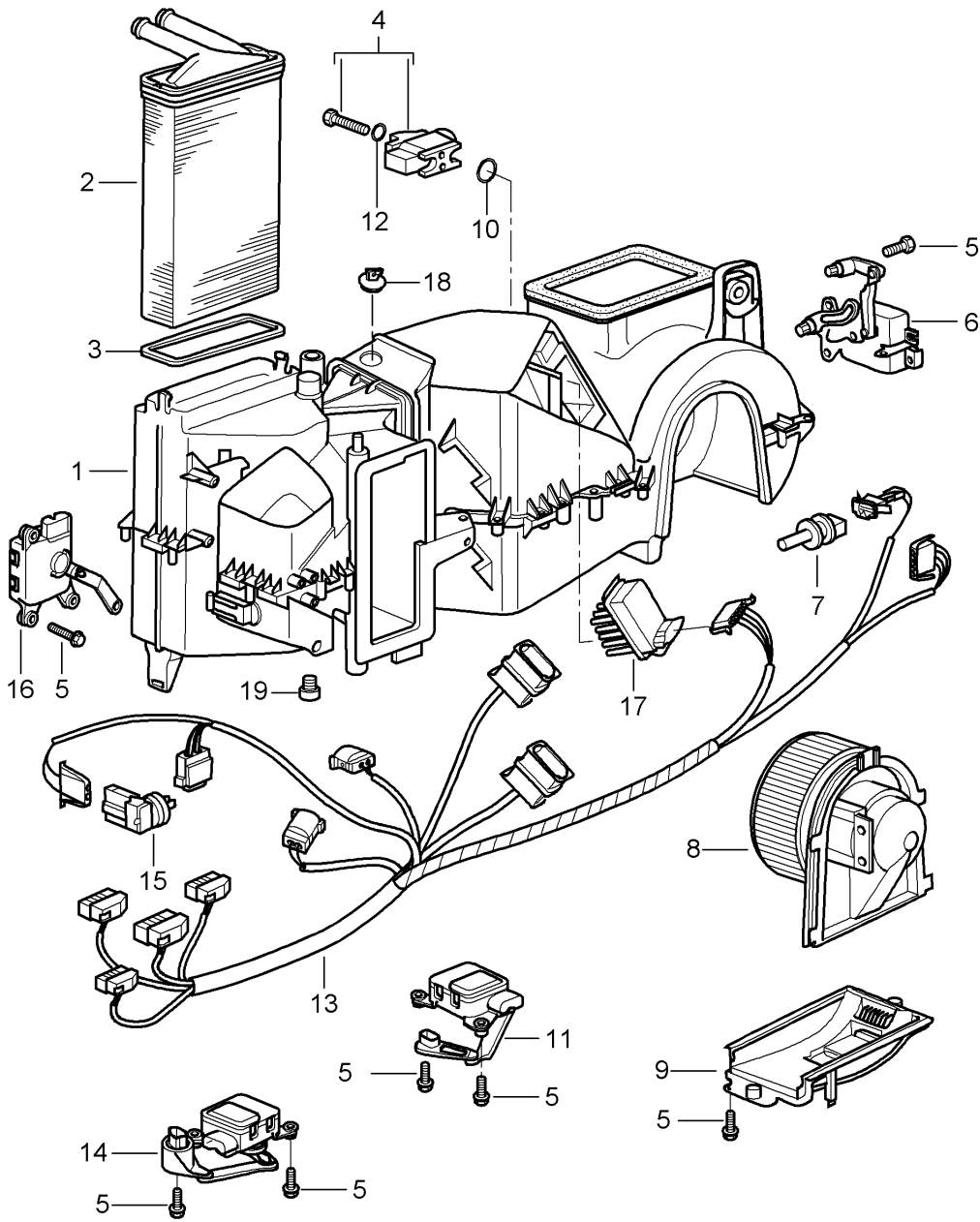
Model: 997G07

Model life 2007>>2011

Pos	Part Number	Description	Remark	Qty	Model
		Luggage compartment Cooling			I575
1	997 572 582 00	Air guide Plenum panel		1	
2	997 572 580 00	Air guide Air conditioner		1	
3	997 572 584 01	Air guide Bulkhead		1	
4	997 572 586 02	Air guide Booster		1	
5	997 572 263 00	Gasket		1	
6	997 572 586 03	Air guide Booster		1	I664
7	997 572 586 04	Air guide Booster		1	I664
8	997 572 586 05	Air guide Booster		1	I664
9	999 507 830 40	Cable holder 21,5 X 21,5		1	

Model: 997G07

Model life 2007>>2011



Model: 997G07

Model life 2007>>2011

Pos	Part Number	Description	Remark	Qty	Model
1	997 573 901 04	Air conditioner Single parts Air conditioner without Heat exchanger with Evaporator	/LL	1	I098/573
1	996 573 901 01	Air conditioner without Heat exchanger with Evaporator	/RL	1	I099/573/574
2	996 572 129 00	Heat exchanger		1	
2	997 572 129 00	Heat exchanger		1	
3	996 572 913 00	Gasket		1	
4	996 573 929 01	Expansion valve		1	
5	900 143 093 01	Combination screw		2	
6	996 573 915 00	Electric motor Fresh-air flap Identification Black	/LL	1	I098
(6)	996 573 915 01	Electric motor Fresh-air flap Identification Black	/LL	1	I098/099
7	955 572 304 10	Temperature sensor		1	
8	996 624 107 01	Blower	/LL	1	I098
8	996 624 108 01	Blower	/RL	1	I099
9	996 573 905 00	Lid		1	
10	999 707 596 40	O-ring 14X1,82		1	
11	996 573 919 02	Electric motor Temperature valve	/LL	1	I098
(11)		Electric motor Temperature valve Identification Pink	/LL	1	I098
(11)	996 573 919 03	Electric motor Temperature valve Identification Pink	/RL	1	I099
12	999 707 534 41	O-ring 17X2,00		1	
13	997 612 655 02	Wiring harness		1	I098/573
(13)	997 612 656 02	Wiring harness		1	I099/573
(13)	987 612 655 02	Wiring harness		1	I098/099/572
14	996 573 921 02	Electric motor Defroster flap Identification Yellow	/LL	1	I098
(14)	996 573 921 03	Electric motor Defroster flap Identification Yellow	/RL	1	I099
15	1H0 907 543 A	Temperature sensor		1	
16	996 573 917 02	Electric motor Central valve Identification Green	/LL	1	I098
(16)	996 573 917 03	Electric motor Central valve Identification Green	/RL	1	I099

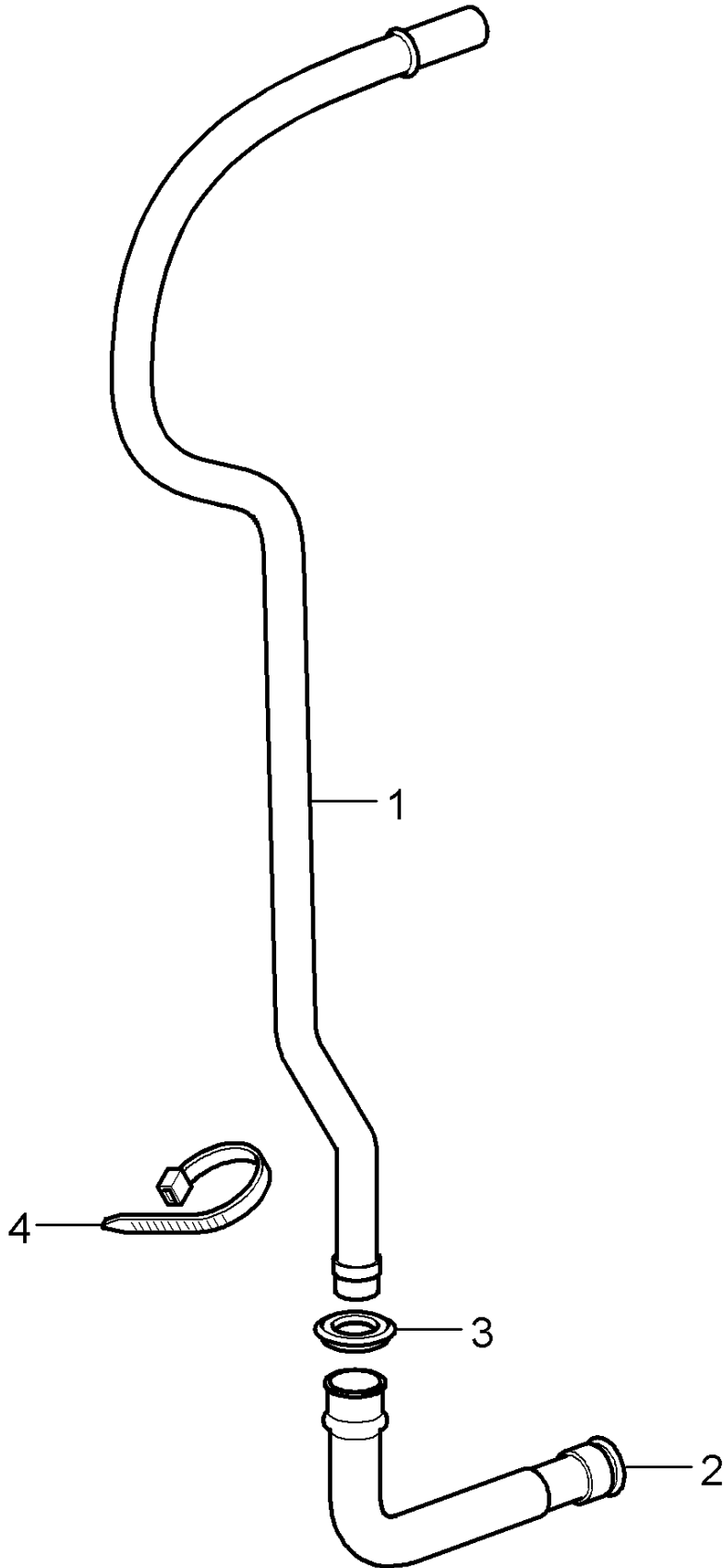
Model: 997G07

Model life 2007>>2011

Pos	Part Number	Description	Remark	Qty	Model
17	996 573 923 00	Resistor		1	
18	997 573 935 00	Stopper		1	
19	996 573 927 00	Blower outlet sensor		1	

Model: 997G07

Model life 2007>>2011



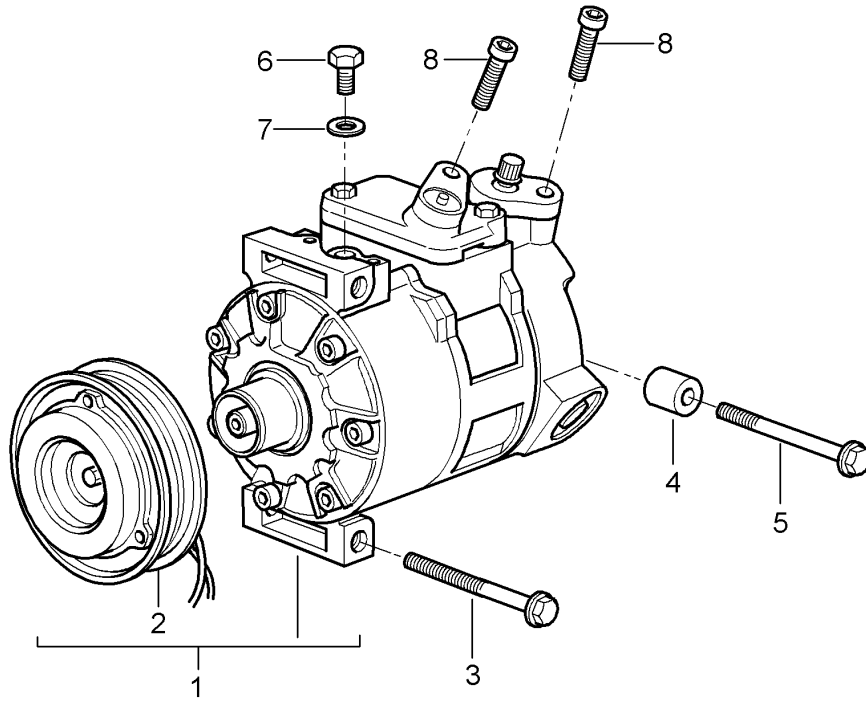
Model: 997G07

Model life 2007>>2011

Pos	Part Number	Description	Remark	Qty	Model
		Water drain tube Mount Air conditioner			
1	996 573 793 01	Water drain tube	/LL	1	I098
1	996 573 794 01	Water drain tube	/RL	1	I099
2	996 573 797 02	Connecting piece		1	
3	996 573 795 01	Grommet		1	
4	999 513 049 40	Tie-wrap		1	

Model: 997G07

Model life 2007>>2011



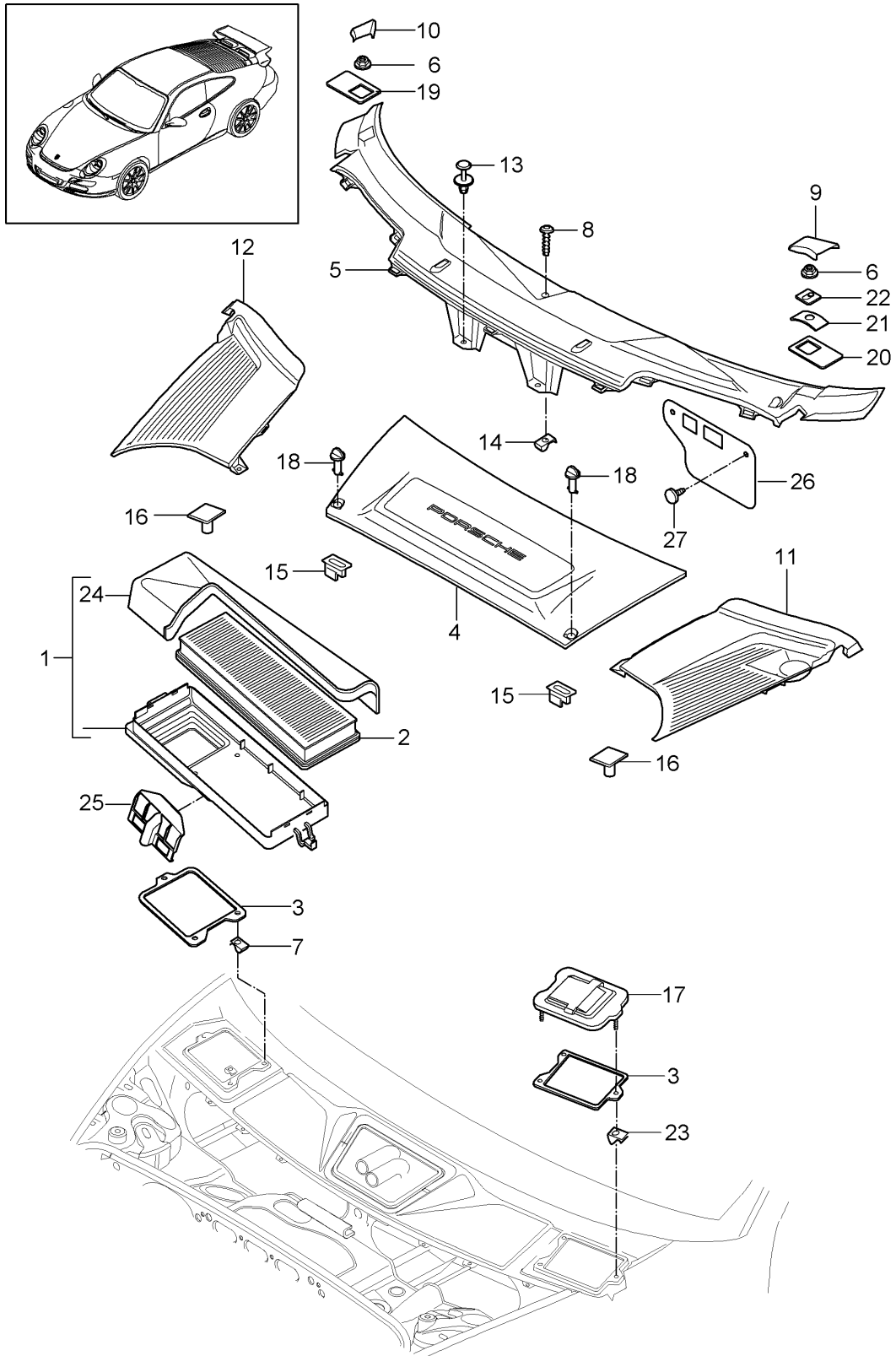
Model: 997G07

Model life 2007>>2011

Pos	Part Number	Description	Remark	Qty	Model
(1)	997 126 011 90	Compressor		1	
2	996 573 926 00	Compressor Magnetic clutch Repair kit for Compressor 996.126.011.52		1	
3	900 385 102 01	Torx screw Bm 8 X 90		2	
4	996 126 102 71	Spacer		1	
5	900 385 281 01	Torx screw M 8X120		1	
6	996 573 926 01	Oil filler screw		1	
-	000 043 200 04	Oil for Compressor 250 ml		1	

Model: 997G07

Model life 2007>>2011



Model: 997G07 Model life 2007>>2011

Pos	Part Number	Description	Remark	Qty	Model
		Particle filter			
		Cowl panel covering			
1	997 572 019 04	Housing	/LL	1	I098
1	997 572 019 05	Housing	/RL	1	I099
2	997 571 219 01	Particle filter		1	
3	997 572 221 00	Gasket		1	
4	997 572 567 04	Cover		1	
	997 572 567 04 FMT	Black			
		Battery			
(4)	997 572 729 02	Cover	/LL	1	I098
		Particle filter			
(4)	997 572 729 03	Cover	/RL	1	I099
		Particle filter			
5	997 572 563 08	Cover	/LL	1	I098
		Cowl			
	997 572 563 08 FMT	Black			
5	997 572 563 05	Cover	/RL	1	I099
	997 572 563 05 FMT	Black			
(5)	997 572 563 09	Cover	/RL	1	I099
		Cowl			
	997 572 563 09 FMT	Black			
(5)	997 572 563 11	Cover	/RL	1	I099
		Cowl			
	997 572 563 11 FMT	Black			
6	999 076 071 02	Hexagon nut		2	
		M6			
7	999 507 348 01	Speed nut		3	
8	N 906 487 02	Tapping screw		1	
9	997 572 569 04	Cap	/L	2	I098
	997 572 569 04 FMT	Black			
9	997 572 569 05	Cap	/L	2	I099
	997 572 569 05 FMT	Black			
10	997 572 570 04	Cap	/R	1	I098
	997 572 570 04 FMT	Black			
10	997 572 570 05	Cap	/R	1	I099
	997 572 570 05 FMT	Black			
11	997 572 361 06	Cover	/L	1	
	997 572 361 06 02A	Black			
11	997 572 361 07	Cover	/L	1	
	997 572 361 07 02A	Black			
12	997 572 362 07	Cover	/R	1	
	997 572 362 07 02A	Black			
12	997 572 362 08	Cover	/R	1	
	997 572 362 08 02A	Black			
13	999 507 497 40	Expansion rivet		2	
		8 X 14			
14	999 507 834 41	Expander nut		1	
		ST 4,8			
15	999 590 046 40	Disc cam		2	
16	999 902 046 40	Catch		1	
17	997 572 419 02	Lid	07	2	
17	997 572 419 03	Lid	08	2	
18	997 572 867 00	Locking bolt		2	
	997 572 867 00 02A	Black			
19	997 572 842 00	Pressure plate	-07	1	
		Passenger's side			
19	997 572 842 01	Pressure plate	/LL /R 08-	1	I098
		Passenger's side			
19	997 572 842 02	Pressure plate	/RL /L 08-	1	I099
		Passenger's side			
20	997 572 841 00	Pressure plate		1	
		Driver's side			
21	997 572 837 00	Spring plate		1	

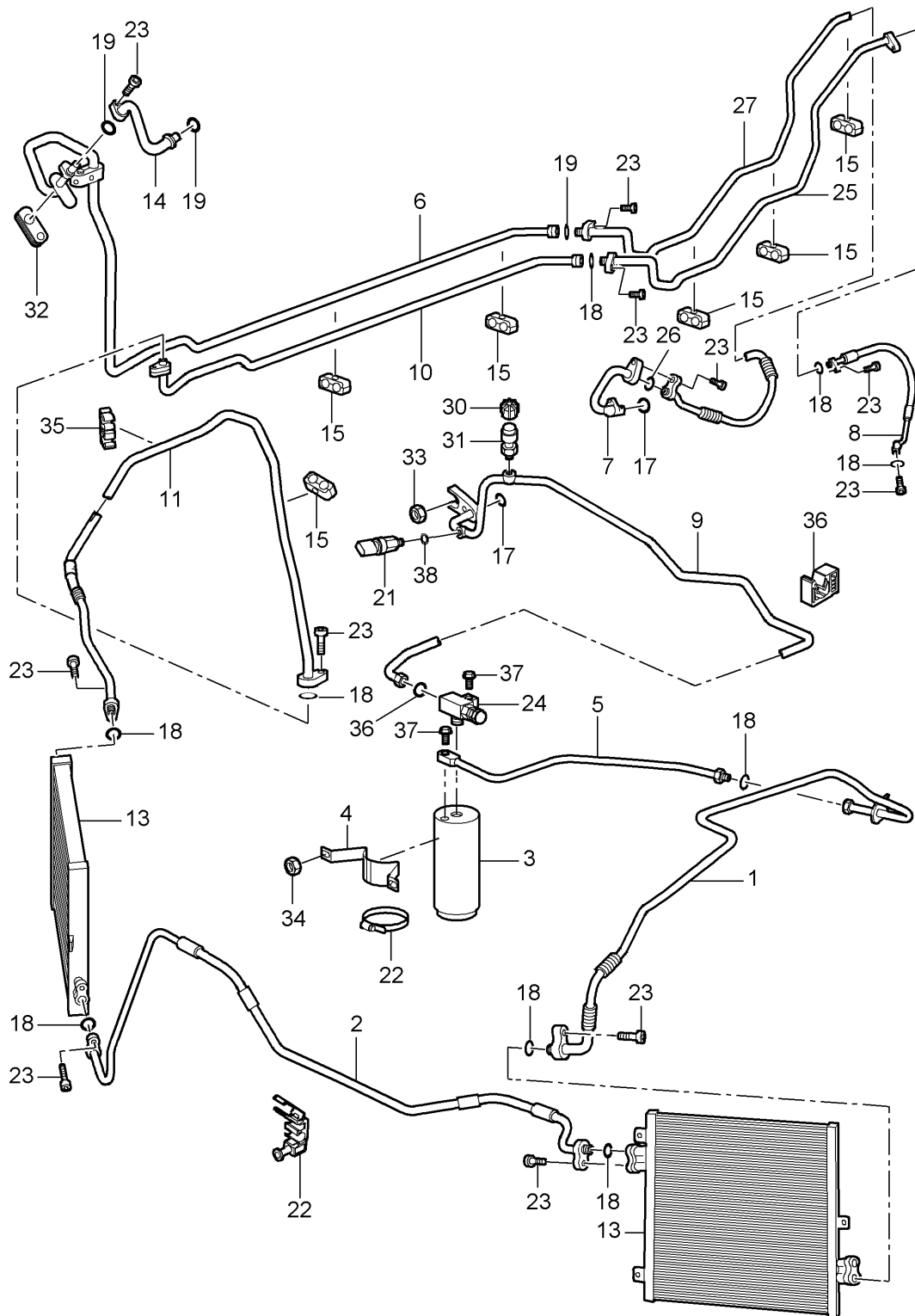
Model: 997G07

Model life 2007>>2011

Pos	Part Number	Description	Remark	Qty	Model
22	997 572 533 00	Driver's side Retainer plate		1	
23	999 591 855 02	Driver's side Speed nut		3	
24	997 572 729 02	Cover	/LL	1	I098
(24)	997 572 729 03	Particle filter Cover	/RL	1	I099
25	997 572 862 01	Particle filter Support		1	
26	997 572 763 00	Cover		1	
27	999 703 432 40	Stopper 8,0 12,2 X 25		2	

Model: 997G07

Model life 2007>>2011



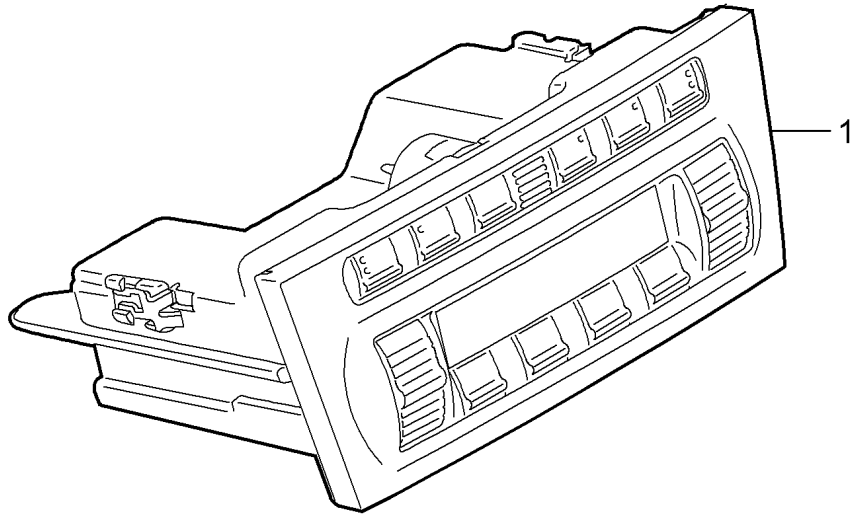
Model: 997G07

Model life 2007>>2011

Pos	Part Number	Description	Remark	Qty	Model
		Refrigerant circuit			
1	997 573 105 03	Pressure line		1	
2	997 573 103 02	Pressure line	-09	1	I573
2	997 573 103 90	Pressure line	10-	1	I573
3	944 573 143 01	Desiccator		1	
4	996 573 451 00	Support		1	
5	996 573 106 00	Refrigerant line		1	
6	996 573 091 01	Intake pipe		1	
7	997 573 099 90	Intake pipe		1	I573
(8)	997 573 097 90	Pressure line		1	I573
9	997 573 108 02	Pressure line	/LL	1	I098
(9)	997 573 108 01	Pressure line	/RL	1	I099
(9)	997 573 108 03	Pressure line	/RL	1	I099
10	996 573 092 02	Pressure line		1	
11	997 573 094 02	Pressure line		1	
12	996 347 543 00	Cable holder		1	
13	996 573 111 03	Condenser		2	
14	996 573 093 06	Intake pipe	/LL	1	I098
14	996 573 093 07	Intake pipe	/RL	1	I099
15	999 511 230 40	Cable holder		X	
		Use also:			
-	999 511 231 41	Rubber mounting		2	
16	999 707 531 41	O-ring		2	
		7,5X2			
17	999 707 439 41	O-ring		2	
		23,8X2,4			
18	999 707 434 41	O-ring		X	
		10,6X2			
19	999 707 534 41	O-ring		3	
		17X2			
20	999 707 262 40	O-ring		X	
		6,7X1,8			
21	1K0 959 126 B	Pressure sensor		1	
(21)	955 613 137 01	Pressure sensor		1	
(21)	955 613 137 02	Pressure sensor		1	
22	999 512 349 02	Hose clamp		1	
		A50 - 70/9			
22	999 512 349 01	Hose clamp		1	
		A50 - 70/9			
23	900 067 247 02	Combination screw		X	
		m8 x 30			
23	900 067 247 01	Combination screw		X	
		M8 X 30			
24	997 573 243 00	Distributing piece		1	
25	997 573 096 03	Pressure line		1	
26	999 707 558 41	O-ring		X	
		13,7x2,5			
27	997 573 095 01	Intake pipe		1	
30	944 573 663 02	Cap		1	
31	996 573 666 00	Valve		1	
32	996 573 769 01	Grommet		1	
33	900 377 010 09	Hexagon nut		1	
		M 6			
34	900 380 015 09	Hexagon nut		2	
		M6			
35	996 355 547 01	Support		1	
36	999 591 922 40	Support		1	
(36)	999 513 049 40	Tie-wrap	/RL	1	I098/099
37	900 075 340 02	Hexagon-head bolt		2	
		M6 x 22			
38	999 707 555 41	O-ring		1	
		10,8 X 1,8			

Model: 997G07

Model life 2007>>2011

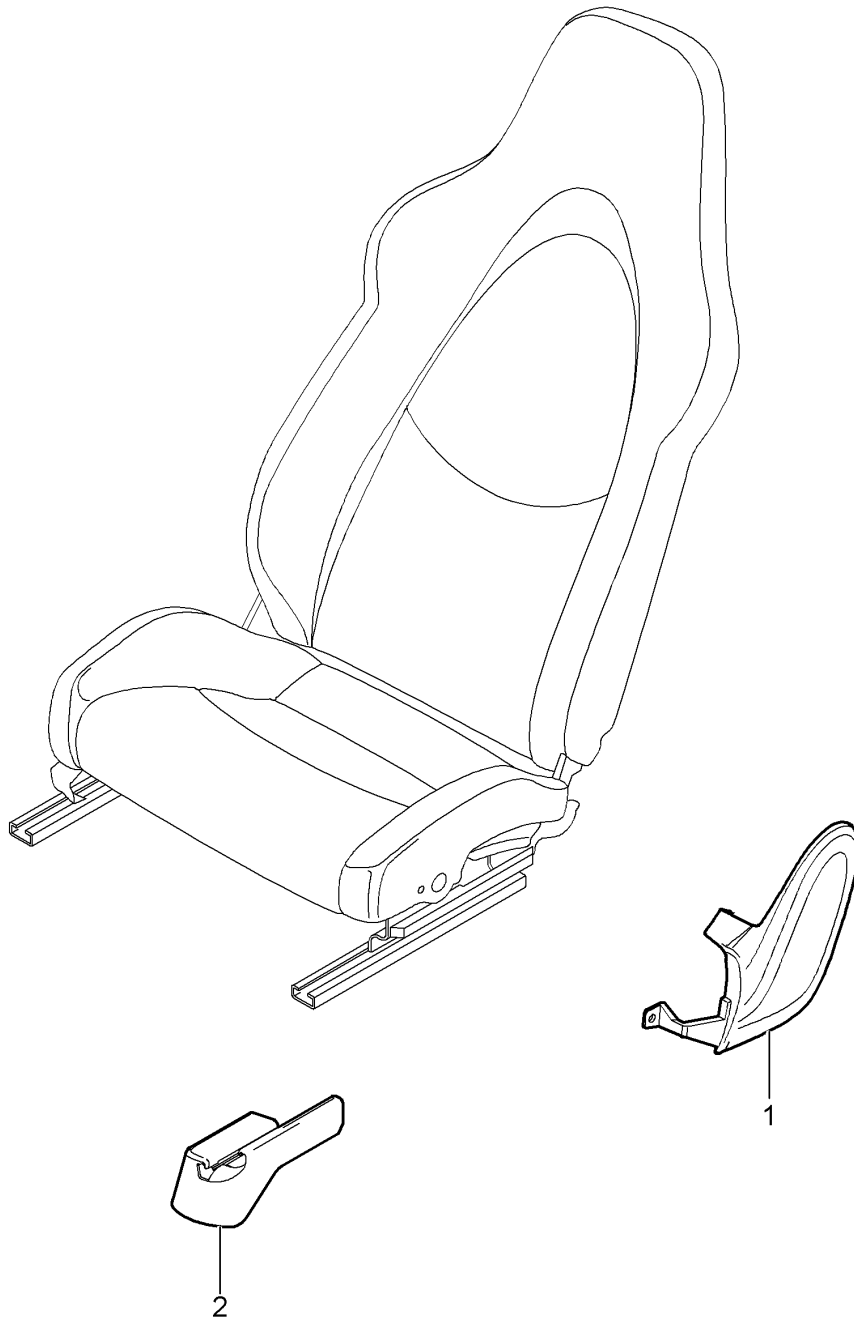


Model: 997G07 Model life 2007>>2011

Pos	Part Number	Description	Remark	Qty	Model
1	997 653 101 12	Control switch			
		Control part	-07	1	I573
	997 653 101 12 FMH	Volcano Grey/Black Mat			
1	997 653 101 13	Control part	08	1	I573
	997 653 101 13 FMH	Volcano Grey/Black Mat			
1	997 653 111 11	Control part	-07	1	I342/573
	997 653 111 11 FMH	Volcano Grey/Black Mat			
(1)	997 653 103 91	Control part	08-	1	I574
		Heating			
	997 653 103 91 FMH	Volcano Grey/Black Mat			
(1)	997 653 201 04	Control part	10-	1	I573
	997 653 201 04 FTC	Matt Black/hi-gloss chrome			
(1)	997 653 203 92	Control part	10-	1	I574
	997 653 203 92 FTC	Matt Black/hi-gloss chrome			
(1)	997 653 211 04	Control part	10-	1	I342/573
	997 653 211 04 FTC	Matt Black/hi-gloss chrome			

Model: 997G07

Model life 2007>>2011

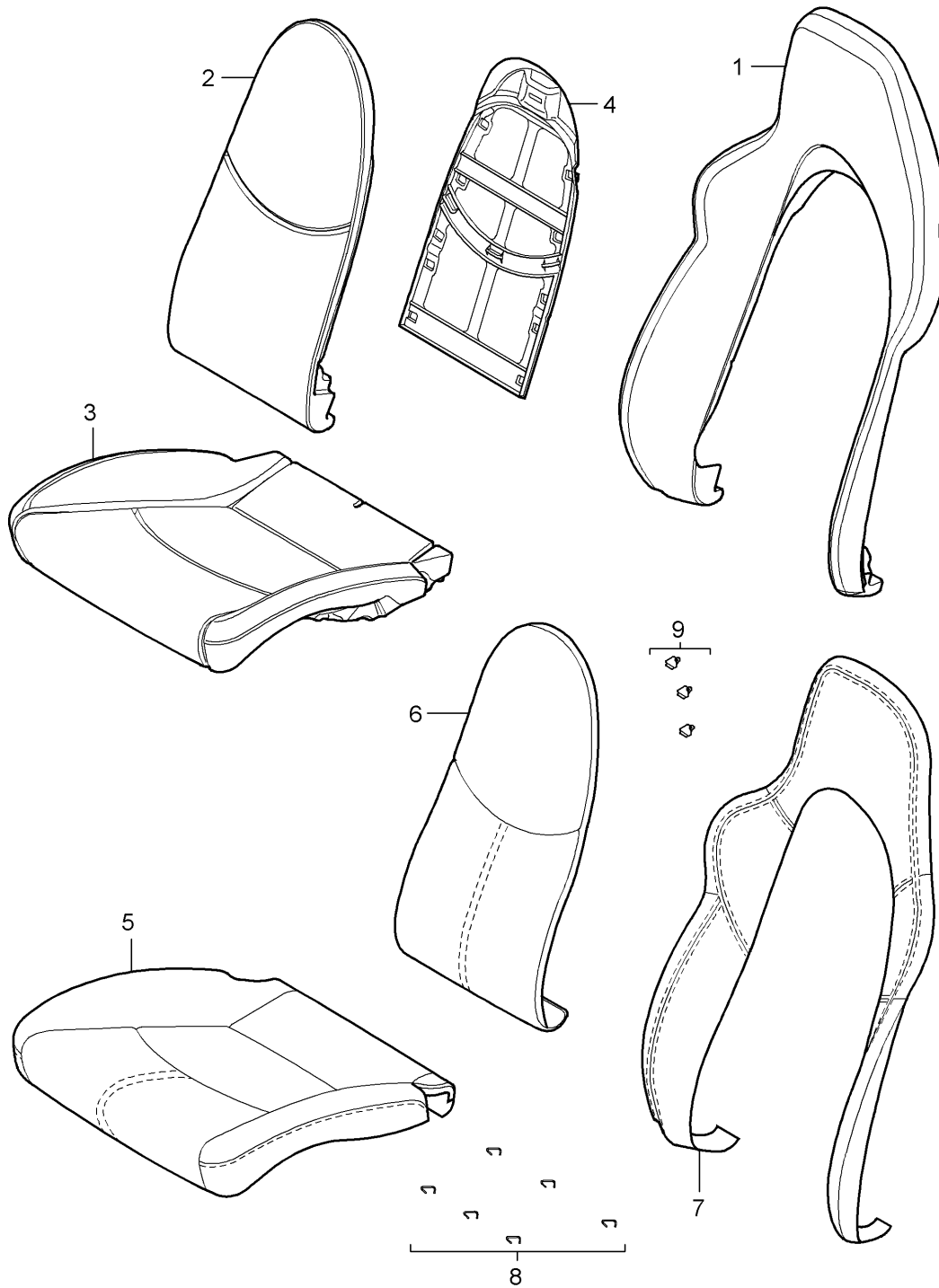


Model: 997G07 Model life 2007>>2011

Pos	Part Number	Description	Remark	Qty	Model
		Front seat Complete Not available	07-		GT3
1	997 521 315 02	Sports seat			
	997 521 315 02 D07	Trim cover	/L	1	
(1)	997 521 316 02	Volcano grey			
	997 521 316 02 D07	Trim cover	/R	1	
(1)	997 521 316 03	Volcano grey			
	997 521 316 03 D07	Trim cover		1	I560
		Mounting component			
		Advanced airbag			
2	997 521 316 03 D07	Volcano grey			
	997 521 359 01	Rail		1	I369/375
	997 521 359 01 01C	Satin black			
(2)	997 521 360 01	Rail	/R	1	I370/376
		Seat rail			
		Manually			
(2)	997 521 360 01 01C	Satin black			
	997 521 361 00	Rail		1	I377/378
		Seat rail			
(2)	997 521 361 00 01C	Satin black			
	997 521 362 00	Rail		1	I377/378
		Seat rail			
	997 521 362 00 01C	Satin black			

Model: 997G07

Model life 2007>>2011

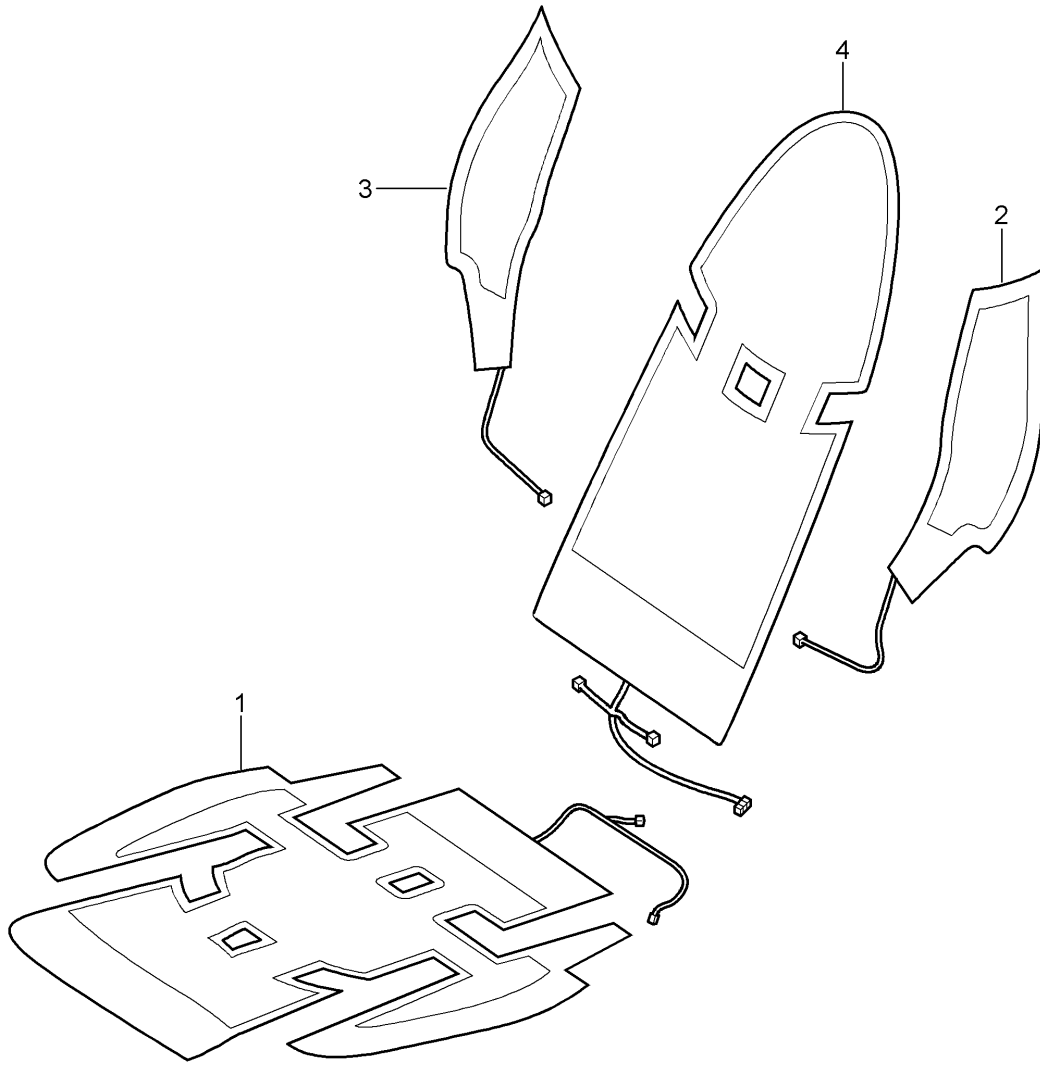


Model: 997G07 Model life 2007>>2011

Pos	Part Number	Description	Remark	Qty	Model
		Foam part Cover Sports seat	07-		GT3
1	997 521 535 01	Foam part		1	I375/376
1	997 521 535 02	Foam part Backrest Outer		1	I377/378
2	997 521 581 00	Foam part Backrest Centre		1	
3	997 521 571 01	Foam part		1	I375/376
(3)	997 521 571 02	Foam part		1	I377/378
(3)	997 521 571 04	Foam part		1	I376/560
(3)	997 521 571 05	Foam part Seat cushion		1	
4	997 521 551 01	Cushion carrier Backrest		1	
5	997 521 161 07	Cover for cushion Alcantara		1	I375/376/951
	997 521 161 07 RAA	Black			
	997 521 161 07 RAB	Dark grey/natural			
(5)	997 521 161 08	Cover for cushion Alcantara		1	I377/378/951
	997 521 161 08 RAA	Black			
	997 521 161 08 RAB	Dark grey/natural			
(5)	997 521 161 08	Cover for cushion Alcantara		1	I006/377/378 I951
	997 521 161 08 RAA	Black			
	997 521 161 08 RAC	Black/Guards Red			
6	987 521 151 00	Backrest cushion cover Centre part Alcantara		1	I375/376/377 I378/951
	987 521 151 00 A15	Black			
(6)	987 521 151 00	Backrest cushion cover Centre part Alcantara		1	I006/377/378 I951
	987 521 151 00 A15	Black			
	987 521 151 00 N13	Guards red			
7	997 521 155 01	Backrest cover Outer part		1	I376/377/378 I951
	997 521 155 01 FLC	Black			
	997 521 155 01 VAA	Dark grey/natural			
(7)	997 521 941 02	Backrest cover Outer part		1	IXSC/375/376 I377/378
	997 521 941 02 8YR	Black			
	997 521 941 02 D11	Dark grey/natural			
(7)	997 521 155 90	Backrest cover Outer part		1	I006/377/378 I951
	997 521 155 90 8YR	Black			
8	997 521 837 00	Clip Padding Seat		6	
9	997 521 897 00	Clip Backrest cover		5	

Model: 997G07

Model life 2007>>2011



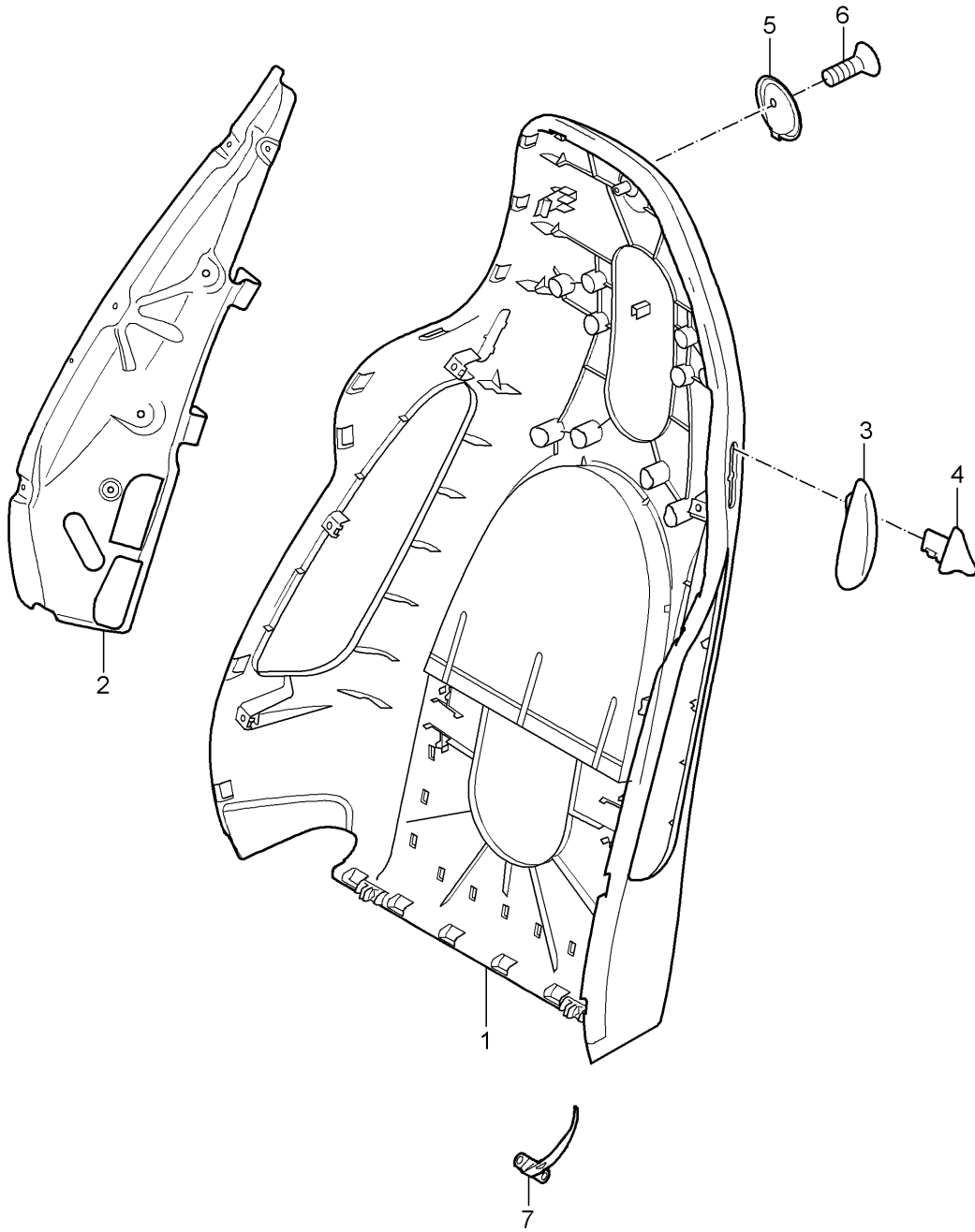
Model: 997G07

Model life 2007>>2011

Pos	Part Number	Description	Remark	Qty	Model
		Heating Sports seat	07-		GT3
2	997 653 105 03	Front seat Heating element Seat cushion	/L /R	2	I375/376/377 I342/378
2	997 653 109 01	Sports seat Heating element Backrest side bolster	/L	1	I375/376/377 I342/378
3	997 653 110 01	Sports seat Heating element Backrest side bolster	/R	1	I375/376/377 I342/378
4	997 653 107 00	Sports seat Heating element Backrest cushion	/L /R	2	I342

Model: 997G07

Model life 2007>>2011



Model: 997G07 Model life 2007>>2011

Pos	Part Number	Description	Remark	Qty	Model
		Backrest shell Sports seat	07-		GT3
1	997 521 303 13	Backrest shell	/L	1	I375/377
(1)	997 521 303 13 D07	Volcano grey			
	997 521 304 13	Backrest shell	/R	1	I376/378
(1)	997 521 304 13 D07	Volcano grey			
	997 521 981 00	Backrest shell	/L	1	IXSA/375/377
		Lacquered			
	997 521 981 00 041	Black			
	997 521 981 00 84A	Guards red			
	997 521 981 00 12H	Speed yellow			
	997 521 981 00 B9A	Carrara white			
	997 521 981 00 92U	Arctic silver metallic			
	997 521 981 00 C9Z	Basalt black metallic			
	997 521 981 00 M7W	Meteor Grey Metallic			
	997 521 981 00 M8W	Macadamia Metallic			
	997 521 981 00 M3X	Ruby red metallic			
	997 521 981 00 M5X	Dark Blue Metallic			
	997 521 981 00 22G	Racing Green Metallic			
	997 521 981 00 M5R	Aqua Blue Metallic			
	997 521 981 00 51A	Creamy white			
	997 521 981 00 M2Z	Nordic Gold Metallic			
	997 521 981 00 M7Z	GT Silver Metallic			
	997 521 981 00 2B5	Malachite Green Metallic			
	997 521 981 00 M4Z	Amethyst metallic			
(1)	997 521 981 02	Backrest shell	/L	1	IXSB/375/377
		Leather			
	997 521 981 02 A11	Black			
	997 521 981 02 D12	Dark grey/natural			
(1)	997 521 982 02	Backrest shell	/R	1	IXSB/376/378
		Leather			
	997 521 982 02 A11	Black			
	997 521 982 02 D12	Dark grey/natural			
(1)	997 521 982 00	Backrest shell	/R	1	IXSA/376/378
		Lacquered			
	997 521 982 00 041	Black			
	997 521 982 00 84A	Guards red			
	997 521 982 00 12H	Speed yellow			
	997 521 982 00 B9A	Carrara white			
	997 521 982 00 92U	Arctic silver metallic			
	997 521 982 00 C9Z	Basalt black metallic			
	997 521 982 00 M7W	Meteor Grey Metallic			
	997 521 982 00 M8W	Macadamia Metallic			
	997 521 982 00 M3X	Ruby red metallic			
	997 521 982 00 M5X	Dark Blue Metallic			
	997 521 982 00 22G	Racing Green Metallic			
	997 521 982 00 M5R	Aqua Blue Metallic			
	997 521 982 00 51A	Creamy white			
	997 521 982 00 M2Z	Nordic Gold Metallic			
	997 521 982 00 M7Z	GT Silver Metallic			
	997 521 982 00 2B5	Malachite Green Metallic			
	997 521 982 00 M4Z	Amethyst metallic			
(1)	997 521 981 04	Backrest shell	/L	1	IXSB/375/377
		Leather			
	997 521 981 04 A11	Black			
	997 521 981 04 D12	Dark grey/natural			
(1)	997 521 982 04	Backrest shell	/R	1	IXSB/376/378
		Leather			
	997 521 982 04 A11	Black			
	997 521 982 04 D12	Dark grey/natural			
(1)	997 521 984 07	Backrest shell	/R 10-	1	IXSB/378/560
		Leather			
	997 521 984 07 V04	Galvano silver			

Model: 997G07 Model life 2007>>2011

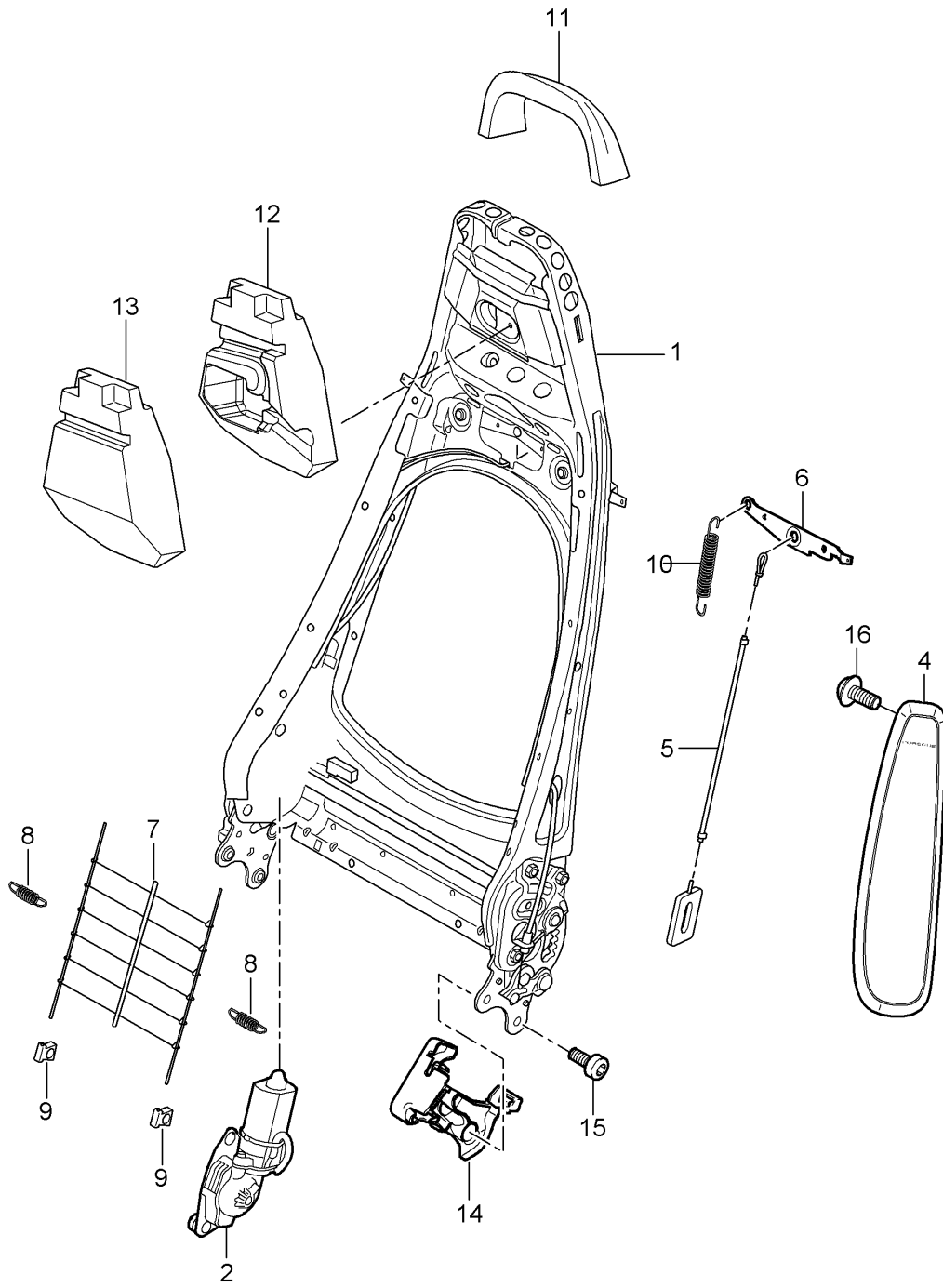
Pos	Part Number	Description	Remark	Qty	Model
(1)	997 521 983 00	Backrest shell Lacquered	/L 10-	1	IXSA/375
	997 521 983 00 041	Black			
	997 521 983 00 84A	Guards red			
	997 521 983 00 12H	Speed yellow			
	997 521 983 00 B9A	Carrara white			
	997 521 983 00 92U	Arctic silver metallic			
	997 521 983 00 C9Z	Basalt black metallic			
	997 521 983 00 M7X	Atlas grey metallic			
(1)	997 521 984 00	Backrest shell Lacquered	/R 10-	1	IXSA/376
	997 521 984 00 041	Black			
	997 521 984 00 84A	Guards red			
	997 521 984 00 12H	Speed yellow			
	997 521 984 00 B9A	Carrara white			
	997 521 984 00 92U	Arctic silver metallic			
	997 521 984 00 C9Z	Basalt black metallic			
	997 521 984 00 M7X	Atlas grey metallic			
(1)	997 521 983 01	Backrest shell Lacquered	/L 10-	1	IXSA/377
	997 521 983 01 041	Black			
	997 521 983 01 84A	Guards red			
	997 521 983 01 12H	Speed yellow			
	997 521 983 01 B9A	Carrara white			
	997 521 983 01 92U	Arctic silver metallic			
	997 521 983 01 C9Z	Basalt black metallic			
	997 521 983 01 M7X	Atlas grey metallic			
	997 521 983 01 M7W	Meteor Grey Metallic			
	997 521 983 01 M8W	Macadamia Metallic			
	997 521 983 01 M3X	Ruby red metallic			
	997 521 983 01 M5X	Dark Blue Metallic			
	997 521 983 01 22G	Racing Green Metallic			
	997 521 983 01 M5R	Aqua Blue Metallic			
	997 521 983 01 51A	Creamy white			
	997 521 983 01 M2Z	Nordic Gold Metallic			
	997 521 983 01 M7Z	GT Silver Metallic			
	997 521 983 01 2B5	Malachite Green Metallic			
(1)	997 521 984 01	Backrest shell Lacquered	/R 10-	1	IXSA/378
	997 521 984 01 041	Black			
	997 521 984 01 84A	Guards red			
	997 521 984 01 12H	Speed yellow			
	997 521 984 01 B9A	Carrara white			
	997 521 984 01 92U	Arctic silver metallic			
	997 521 984 01 C9Z	Basalt black metallic			
	997 521 984 01 M7X	Atlas grey metallic			
	997 521 984 01 M7W	Meteor Grey Metallic			
	997 521 984 01 M8W	Macadamia Metallic			
	997 521 984 01 M3X	Ruby red metallic			
	997 521 984 01 M5X	Dark Blue Metallic			
	997 521 984 01 22G	Racing Green Metallic			
	997 521 984 01 M5R	Aqua Blue Metallic			
	997 521 984 01 51A	Creamy white			
	997 521 984 01 M2Z	Nordic Gold Metallic			
	997 521 984 01 M7Z	GT Silver Metallic			
	997 521 984 01 2B5	Malachite Green Metallic			
2	997 521 319 00	Bracket	/L	1	
(2)	997 521 320 00	Bracket	/R	1	
		Backrest side bolster			
3	997 521 621 03	Rosette	/L	1	
	997 521 621 03 D07	Volcano grey			
(3)	997 521 622 03	Rosette	/R	1	
		Backrest locking lever			

Model: 997G07 Model life 2007>>2011

Pos	Part Number	Description	Remark	Qty	Model
4	997 521 622 03 D07	Volcano grey			
	997 521 623 02	Control button	/L	1	
	997 521 623 02 V05	Galvano silver			
(4)	997 521 624 02	Control button	/R	1	
	997 521 624 02 V05	Galvano silver			
5	997 521 373 01	Coat hook	/L /R	2	
	997 521 373 01 D07	Volcano grey			
6	999 919 232 09	Screw		2	
		Coat hook			
7	997 521 783 00	Support panel	/L	1	
(7)	997 521 784 00	Support panel	/R	1	
		Backrest shell			

Model: 997G07

Model life 2007>>2011

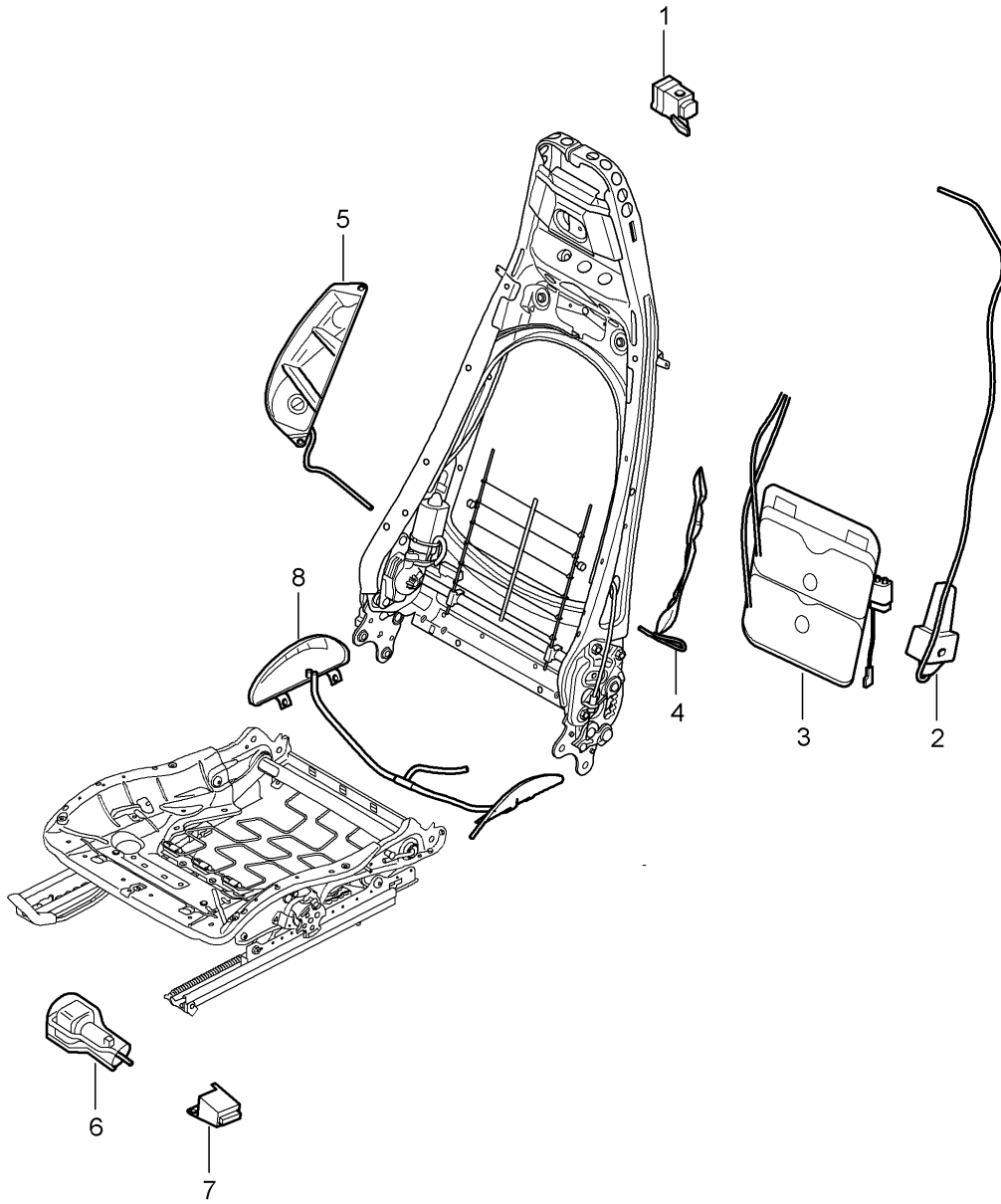


Model: 997G07 Model life 2007>>2011

Pos	Part Number	Description	Remark	Qty	Model
		Backrest frame Sports seat	07-		GT3
1	997 521 329 00	Backrest frame	/L /R -07	2	I375/376
(1)	997 521 329 02	Backrest frame without Memory	/L /R 08-	2	I375/376
(1)	997 521 329 03	Backrest frame with Memory	/L /R 08-	2	I537/538
2	997 624 321 00	Electric motor Backrest without Memory	/L /R	1	I377/378
4	997 803 081 01	Side airbag	/L	1	I375/377
(4)	997 803 081 01 D07	Volcano grey			
	997 803 082 01	Side airbag	/R	1	I376/378
	997 803 082 01 D07	Volcano grey			
5	997 521 485 00	Bowden cable Backrest frame		2	
6	997 521 375 00	Release Backrest frame		2	
7	997 521 855 00	Grille Backrest frame		2	
8	997 521 893 00	Tension spring Grille		2	
9	997 521 895 00	Clip Grille		2	
10	997 521 797 00	Tension spring Release Backrest		1	
11	997 521 885 00	Foam part Head rest Upper		1	
12	997 521 887 01	Foam part Head rest Centre		1	I377/378
13	997 521 887 00	Foam part Head rest Centre		1	I375/376
14	997 521 335 01	Cover Mounting component Inner	/L	1	
(14)	997 521 335 01 D07	Volcano grey			
	997 521 336 01	Cover Mounting component Inner	/R	1	
	997 521 336 01 D07	Volcano grey			
15	999 073 375 09	Screw Mount Backrest		4	
16	999 073 306 09	Seat adjuster Screw Mount Side airbag		2	

Model: 997G07

Model life 2007>>2011



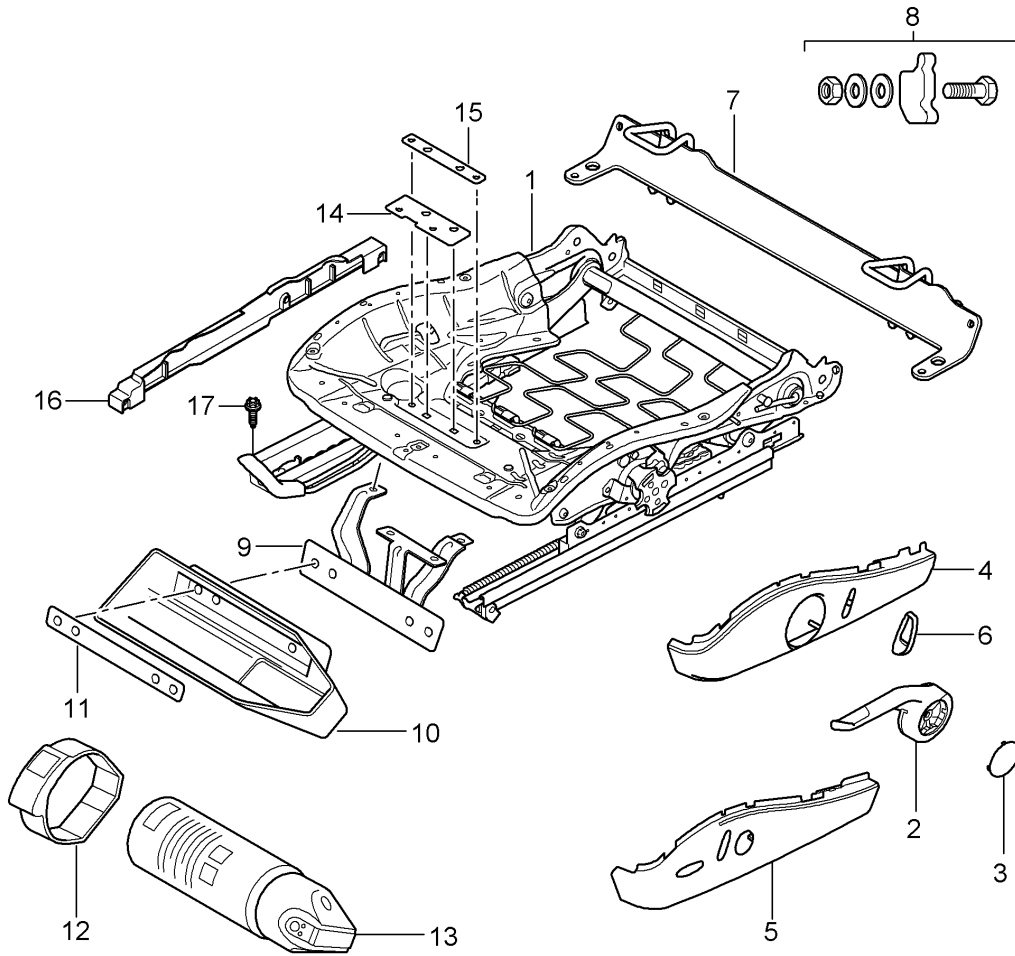
Model: 997G07

Model life 2007>>2011

Pos	Part Number	Description	Remark	Qty	Model
1	997 617 725 00	Lumbar support Sports seat Valve	07-	1	GT3
2	997 620 725 00	Lumbar support Compressor		1	
3	997 521 709 00	Lumbar Lumbar support		1	
4	997 521 711 00	Backrest Container	/L	1	
5	997 521 712 00	Air distributor Backrest side bolster Container	/R	1	
6	997 620 727 00	Air distributor Backrest side bolster Compressor		1	
7	997 617 727 00	Adjustment Seat side bolster Valve		1	
8	997 521 713 01	Adjustment Seat Wide Container		1	
		Air distributor Seat side bolster			

Model: 997G07

Model life 2007>>2011



Model: 997G07 Model life 2007>>2011

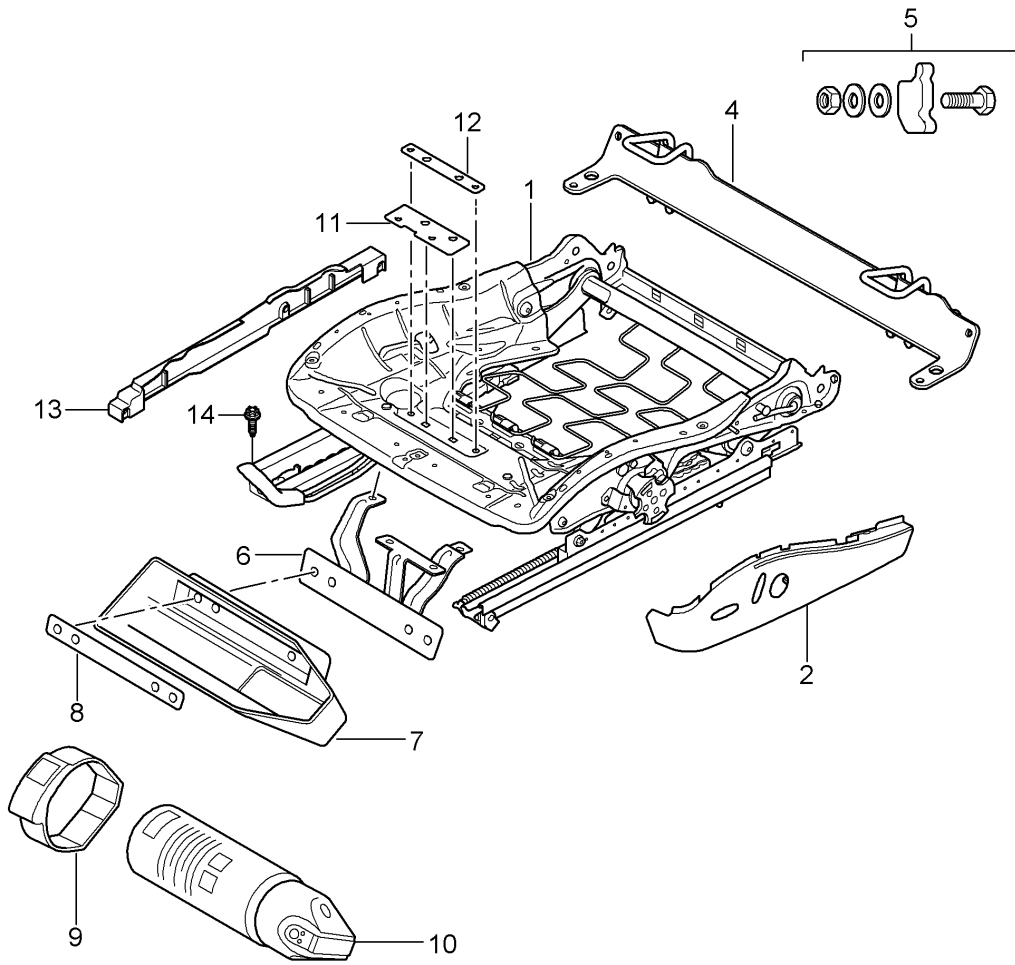
Pos	Part Number	Description	Remark	Qty	Model
		Seat adjuster Sports seat Manually	07-		GT3
1	997 521 201 00	Seat adjuster	/LL /L	1	I098/375
(1)	997 521 201 10	Seat adjuster Manually	/LL /L 07-	1	I098/375
(1)	997 521 202 00	Left-hand drive Driver's side Seat adjuster Manually	-07	1	I099/376
(1)	997 521 202 19	Right-hand drive Driver's side Seat adjuster Manually	08-	1	I099/376
(1)	997 521 201 03	Right-hand drive Driver's side Seat adjuster	/RL /L	1	I099/375
(1)	997 521 201 11	Seat adjuster Manually	/RL /L 07-	1	I099/375
(1)	997 521 202 05	Right-hand drive Passenger's side Seat adjuster	/LL /R	1	I098/376
(1)	997 521 202 20	Seat adjuster Manually	/LL /R 07-	1	I098/376
(1)	997 521 202 06	Left-hand drive Passenger's side Seat adjuster	/R	1	I376/560
(1)	997 521 202 23	Seat adjuster Manually	/R 07-	1	I376/560
(2)	997 521 627 01	Seat occupancy detection Actuating lever	/L	1	I375
(2)	997 521 627 01 V05	Galvano silver			
(2)	997 521 628 01	Actuating lever Height adjustment	/R	1	I376
3	997 521 628 01 V05	Galvano silver			
	997 521 629 01	Cap Height adjustment	/L /R	1	
4	997 521 629 01 D07	Volcano grey			
	997 521 325 06	Trim for switch	/L	1	I375
(4)	997 521 325 06 D07	Volcano grey			
	997 521 326 06	Trim for switch	/R	1	I376
5	997 521 326 06 D07	Volcano grey			
	997 521 325 08	Trim for switch Elect. backrest adjustment		1	I377
	997 521 325 08 D07	Volcano grey			
	997 521 325 08 V04	Galvano silver			
(5)	997 521 326 08	Trim for switch Elect. backrest adjustment		1	I378
	997 521 326 08 D07	Volcano grey			
	997 521 326 08 V04	Galvano silver			
(5)	997 521 326 09	Trim for switch Advanced airbag	/R	1	I376/560
(5)	997 521 326 09 D07	Volcano grey			
(5)	997 521 326 11	Trim for switch Advanced airbag	/R	1	I378/560
(6)	997 521 326 11 D07	Volcano grey			
	997 521 631 01	Control button Backrest	/L /R -10	1	
(6)	997 521 631 01 V05	Galvano silver			
(6)	997 521 631 02	Control button Backrest	11-	1	
7	997 521 631 02 V05	Galvano silver			
	997 521 061 01	Retaining bow		1	

Model: 997G07 Model life 2007>>2011

Pos	Part Number	Description	Remark	Qty	Model
8	997 521 961 01	Child car seat Not for Australien Set of fastening parts Retaining bow		1	
9	997 521 251 00	Child car seat Support Fire extinguisher		1	I098/509
(9)	997 521 252 00	Support Fire extinguisher		1	I099/509
10	997 521 607 00	Cup Fire extinguisher		1	I509
11	997 521 881 00	Support Cup Fire extinguisher		1	I509
12	997 521 851 00	Restraining strap Fire extinguisher		1	I509
13	996 722 115 00	Fire extinguisher Information available		1	I509
14	997 521 841 00	Reinforcement Front		1	I509
15	997 521 843 00	Reinforcement Rear		1	I509
16	997 521 427 01	Cover Sensor Weight	/L	1	I376/378/560
(16)	997 521 427 01 01C	Satin black			
	997 521 426 01	Cover Sensor Weight	/R	1	I376/378/560
17	997 521 426 01 01C 999 141 047 01	Satin black Torx screw Mount Seat rail		4	

Model: 997G07

Model life 2007>>2011



Model: 997G07 Model life 2007>>2011

Pos	Part Number	Description	Remark	Qty	Model
		Seat adjuster Sports seat Elect. vertical adjustment	07-		GT3
1	997 521 201 04	Seat adjuster	/L	1	I377
(1)	997 521 201 12	Seat adjuster	/L 07-	1	I377
(1)	997 521 202 10	Seat adjuster	/R	1	I378
(1)	997 521 202 21	Seat adjuster	/R 07-	1	I378
		Electric without Memory			
(1)	997 521 202 12	Seat adjuster	/R	1	I378/560
(1)	997 521 202 24	Seat adjuster with Advanced airbag	/R 07-	1	I378/560
(1)	997 521 201 24	Seat adjuster with Advanced airbag	/L /RL 07-	1	I099/377
2	997 521 325 06	Trim for switch	/L	1	I375
	997 521 325 06 D07	Volcano grey			
(2)	997 521 326 06	Trim for switch	/R	1	I376
	997 521 326 06 D07	Volcano grey			
(2)	997 521 325 08	Trim for switch	/L	1	I377
	997 521 325 08 D07	Volcano grey			
	997 521 325 08 V04	Galvano silver			
(2)	997 521 326 08	Trim for switch	/R	1	I378
	997 521 326 08 D07	Volcano grey			
	997 521 326 08 V04	Galvano silver			
(2)	997 521 326 09	Trim for switch		1	I376/560
	997 521 326 09 D07	Volcano grey Advanced airbag			
(2)	997 521 326 11	Trim for switch		1	I378/560
	997 521 326 11 D07	Volcano grey Advanced airbag			
3	997 521 631 01	Control button Backrest	-10	1	
	997 521 631 01 V05	Galvano silver			
(3)	997 521 631 02	Control button Backrest	11-	1	
	997 521 631 02 V05	Galvano silver			
4	997 521 061 01	Retaining bow Child car seat Not for Australien		1	
5	997 521 961 01	Set of fastening parts Retaining bow Child car seat		1	
6	997 521 251 00	Support Fire extinguisher		1	I098/509
(6)	997 521 252 00	Support Fire extinguisher		1	I099/509
7	997 521 607 00	Cup Fire extinguisher		1	I509
8	997 521 881 00	Support Cup Fire extinguisher		1	I509
9	997 521 851 00	Restraining strap Fire extinguisher		1	I509
10	996 722 115 00	Fire extinguisher Information available Information available		1	I509
11	997 521 841 00	Reinforcement Front		1	I509
12	997 521 843 00	Reinforcement		1	

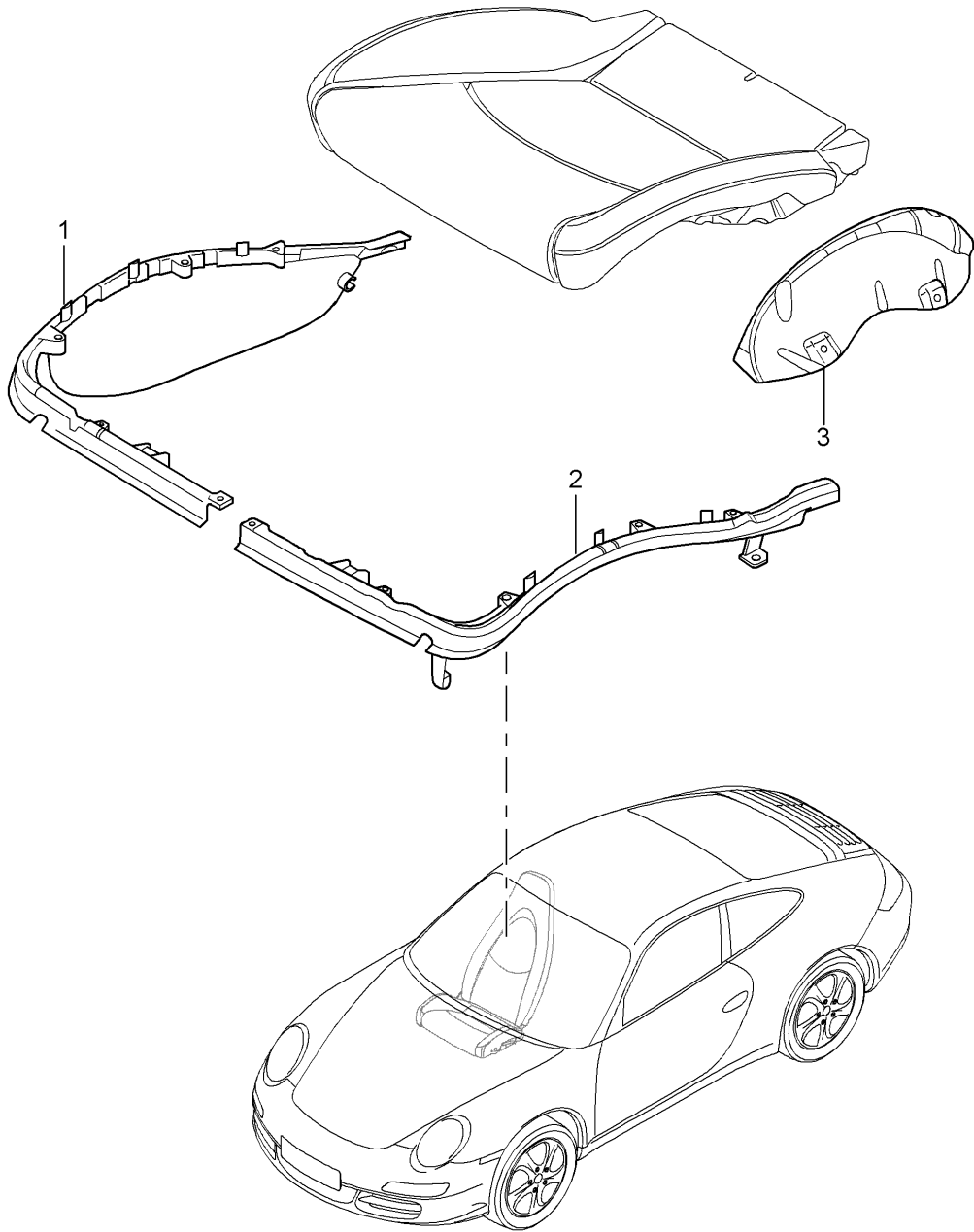
Model: 997G07

Model life 2007>>2011

Pos	Part Number	Description	Remark	Qty	Model
13	997 521 427 01	Rear Cover	/L	1	I376/378/560
	997 521 427 01 01C	Satin black			
(13)	997 521 426 01	Cover	/R	1	I376/378/560
		Sensor			
		Weight			
	997 521 426 01 01C	Satin black			
14	999 141 047 01	Torx screw		4	
		Mount			
		Seat rail			

Model: 997G07

Model life 2007>>2011

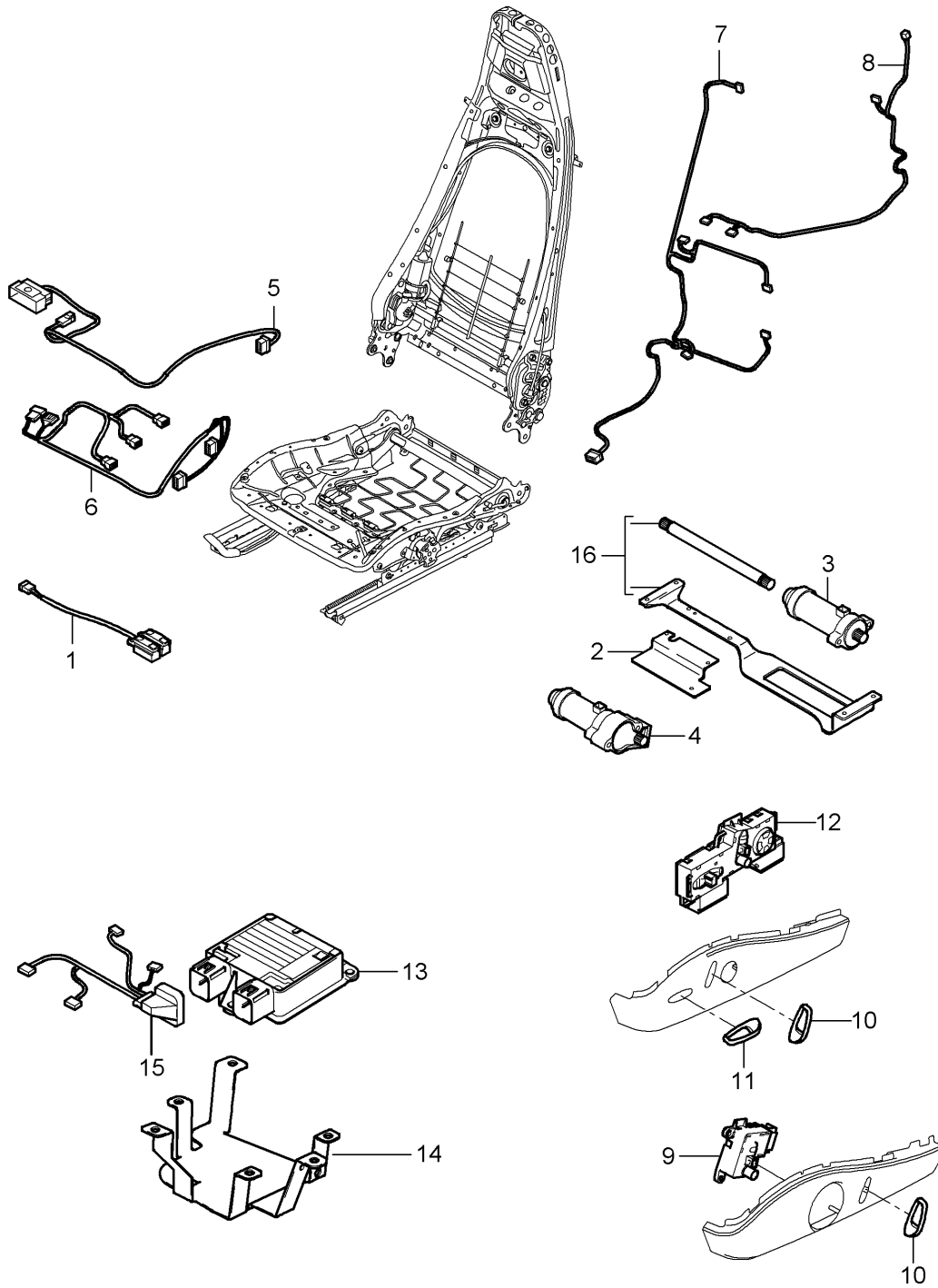


Model: 997G07 Model life 2007>>2011

Pos	Part Number	Description	Remark	Qty	Model
		Cushion carrier	07-		GT3
		Sports seat			
		Frame			
		Seat cushion			
1	997 521 547 00	Frame	/L	1	I376/378
		Inner			
		Left			
(1)	997 521 548 00	Frame	/R	1	I375/377
		Inner			
		Right			
2	997 521 545 00	Frame	/L	1	I375/377
		Outer			
		Left			
(2)	997 521 546 00	Frame	/R	1	I376/378
		Outer			
		Right			
(2)	997 521 546 01	Frame	/R	1	I376/378/560
		Outer			
		Advanced airbag			
3	997 521 519 00	Supporting plate	/L	1	I377/378
(3)	997 521 520 00	Supporting plate	/R	1	I377/378
		Seat cushion			

Model: 997G07

Model life 2007>>2011



Model: 997G07 Model life 2007>>2011

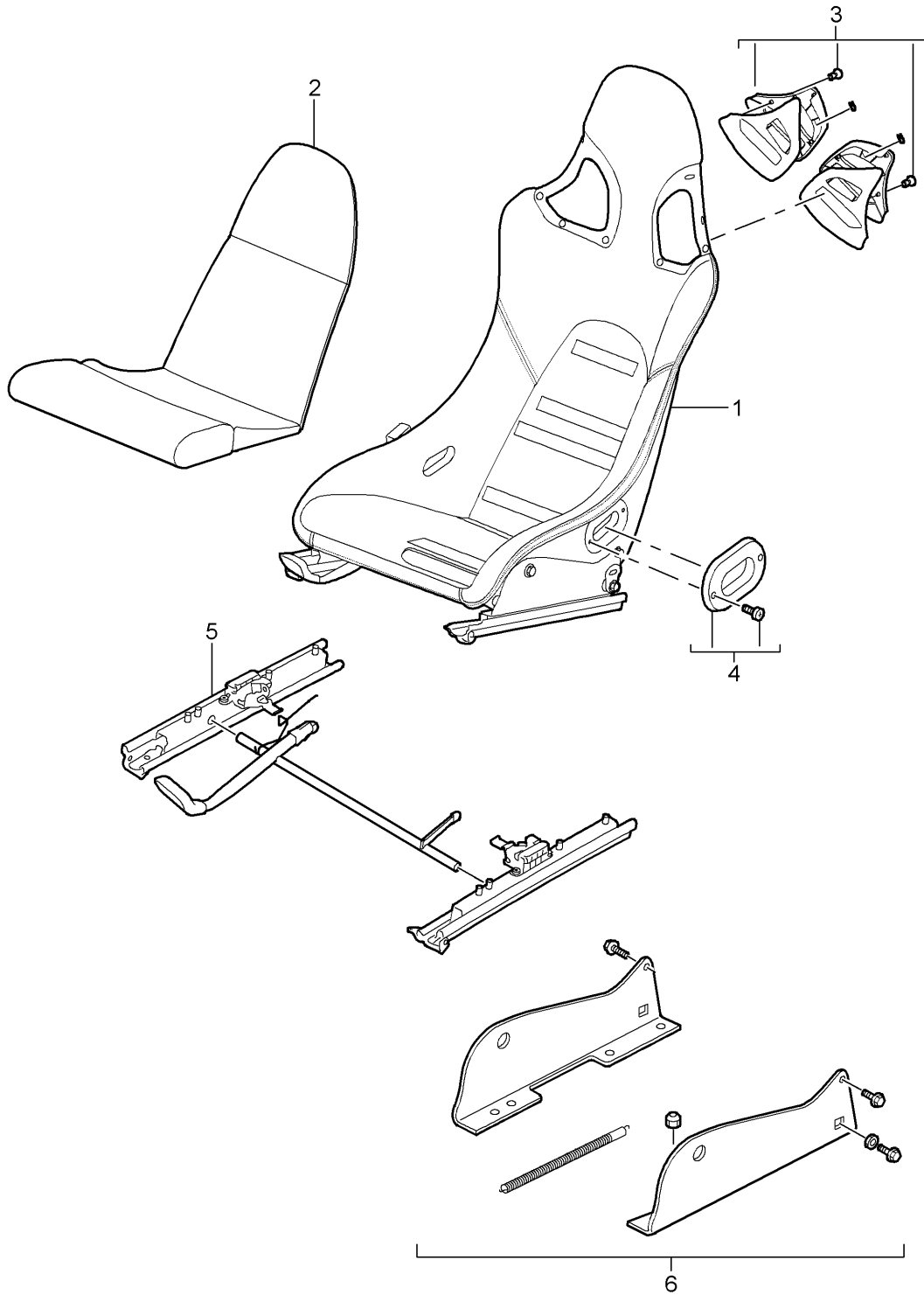
Pos	Part Number	Description	Remark	Qty	Model
		Wiring harnesses	07-		GT3
		Switch			
		Control units			
1	997 613 725 00	Sports seat		1	I377
	997 613 725 00 V05	Switch			
(1)	997 613 726 00	Galvano silver		1	I378
		Switch			
		Seat adjuster			
	997 613 726 00 V05	Galvano silver			
2	997 521 343 00	Support		1	I377/378
		Electric motor			
3	997 624 322 00	Electric motor		1	I377/378
		Seat adjuster			
		Lengthways			
		without			
		Memory			
(3)		Electric motor		1	I377/378
		Seat adjuster			
		Height adjustment			
		without			
		Memory			
4	997 624 323 00	Electric motor		1	I377/378
		Seat adjuster			
		Tilt angle			
		without			
		Memory			
5	997 612 682 01	Wiring harness		1	I375/376
		Trim for switch			
6	997 612 691 01	Wiring harness	-07	1	I377/378
		Trim for switch			
		without			
		Memory			
6	997 612 691 02	Wiring harness	08-	1	I377/378
		Trim for switch			
		without			
		Memory			
7	997 612 689 00	Wiring harness		1	I377/378
		Lumbar support			
		without			
		Memory			
8	997 612 685 01	Wiring harness		1	I377
		Backrest			
		without			
		Memory			
(8)	997 612 686 01	Wiring harness		1	I378
		Backrest			
		without			
		Memory			
9	997 613 713 00	Switch	/L -10	1	I375
9	997 613 713 01	Switch	/L 11-	1	I375
(9)	997 613 714 00	Switch	/R -10	1	I376
		Seat adjuster			
		Manually adjustable			
(9)	997 613 714 01	Switch	/R 11-	1	I376
		Seat adjuster			
		Manually adjustable			
10	997 521 631 01	Control button	/L /R -10	1	I375/376
		Backrest			I377/378
	997 521 631 01 V05	Galvano silver			
(17)	997 521 631 02	Control button	11-	1	
		Backrest			
	997 521 631 02 V05	Galvano silver			
11	997 521 633 02	Control button		1	I377/378

Model: 997G07 Model life 2007>>2011

Pos	Part Number	Description	Remark	Qty	Model
12	997 521 633 02 V05	Seat cushion Galvano silver			
	997 613 717 01	Switch	-10	1	I377
	997 613 717 01 V05	Galvano silver without Memory			
(12)	997 613 718 01	Switch	-10	1	I378
	997 613 718 01 V05	Seat adjuster Galvano silver without Memory			
(12)	997 613 717 02	Switch	11-	1	I377
	997 613 717 02 V05	Seat adjuster Galvano silver without Memory			
(12)	997 613 718 02	Switch	11-	1	I378
	997 613 718 02 V05	Seat adjuster Galvano silver without Memory			
13	997 618 233 05	Control unit		1	I376/378/560
14	997 521 646 00	Seat occupancy detection Support Control unit		1	I376/378/560
15	997 612 688 00	Seat occupancy detection Wiring harness		1	I376/378/560
16	000 043 207 06	Seat occupancy detection Pliable shaft Adjusting motor		1	
(16)	997 521 901 00	Lengthways Repair kit Pliable shaft Engine bracket		1	
-	999 650 973 40	Clip Mount Wiring harness Seat occupancy detection		1	

Model: 997G07

Model life 2007>>2011



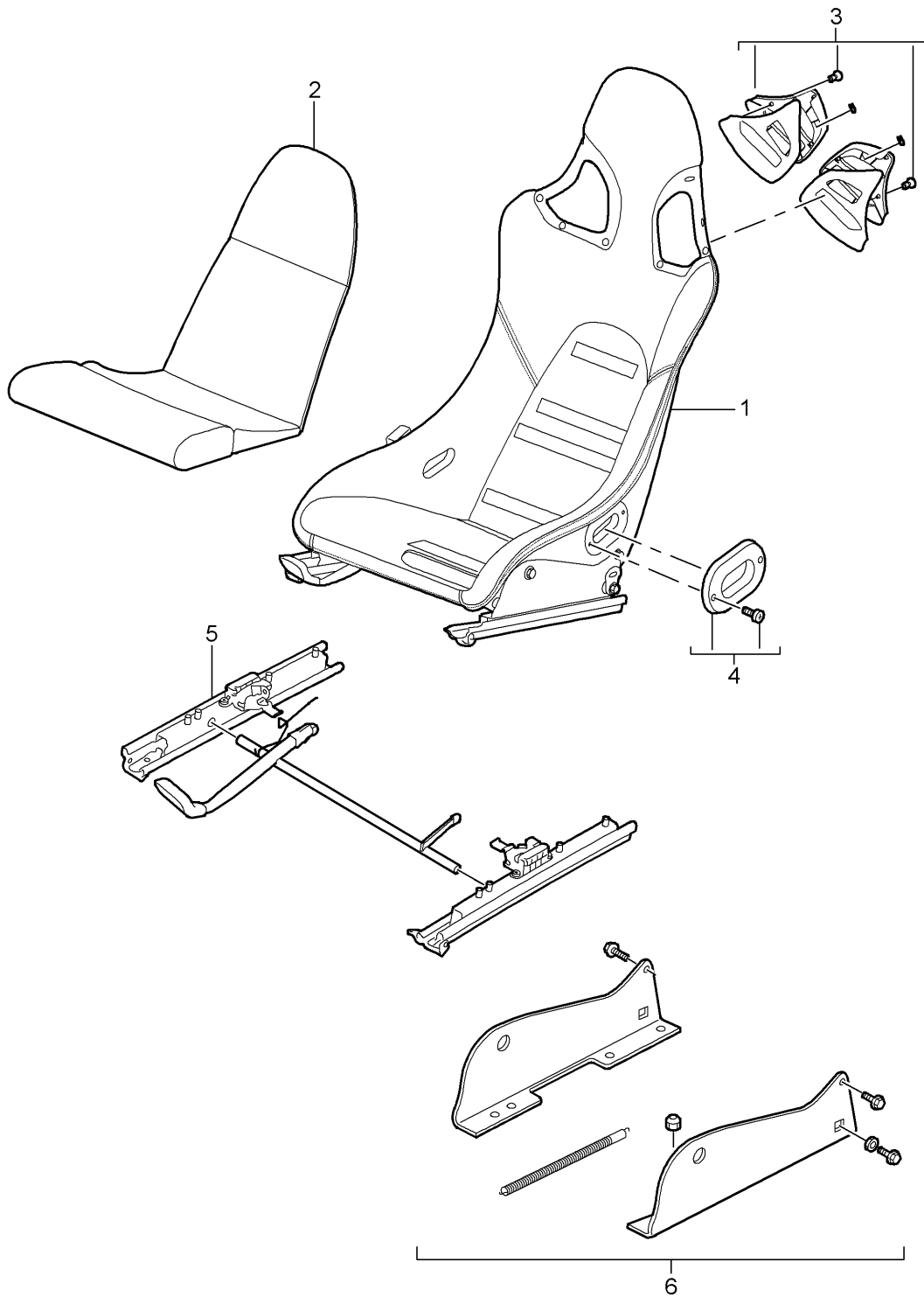
Model: 997G07

Model life 2007>>2011

Pos	Part Number	Description	Remark	Qty	Model
		Bucket seat Cover Pearl velour	07-		GT3
1	997 521 401 01	Cup	/LL /L -10	1	I098/384/990
(1)		Cup	/RL /L -10	1	I099/384/990
(1)	997 521 402 01	Cup	/RL /L -10	1	I099/384/951
(1)		Cup	/LL /R -10	1	I098/385/990
(1)		Cup	/RL /R -10	1	I099/385/990
(1)	997 521 401 03	Cup	/L 10-	1	I003/384/990
(1)	997 521 402 03	Cup	/R 10-	1	I003/385/990
(1)	997 521 401 90	Cup	/L 10-11	1	I004/384/990
(1)	997 521 402 90	Cup	/R 10-11	1	I004/385/990
2	997 521 403 01	Set Cushion Pearl velour		1	I384/385/990 I003
3	997 521 405 90	Set Cover Support for seatbelt Upper		1	I384/385
4	996 521 907 90	Parts kit Guide Belt Lower		1	I384/385
5	997 521 429 00	Seat rail Set	/L	1	I384
(5)	997 521 430 00	Seat rail Set	/R	1	I385
(6)	997 521 423 00	Adapter Set		1	I384/385
7	999 141 047 01	Torx screw Mount Seat rail		4	

Model: 997G07

Model life 2007>>2011

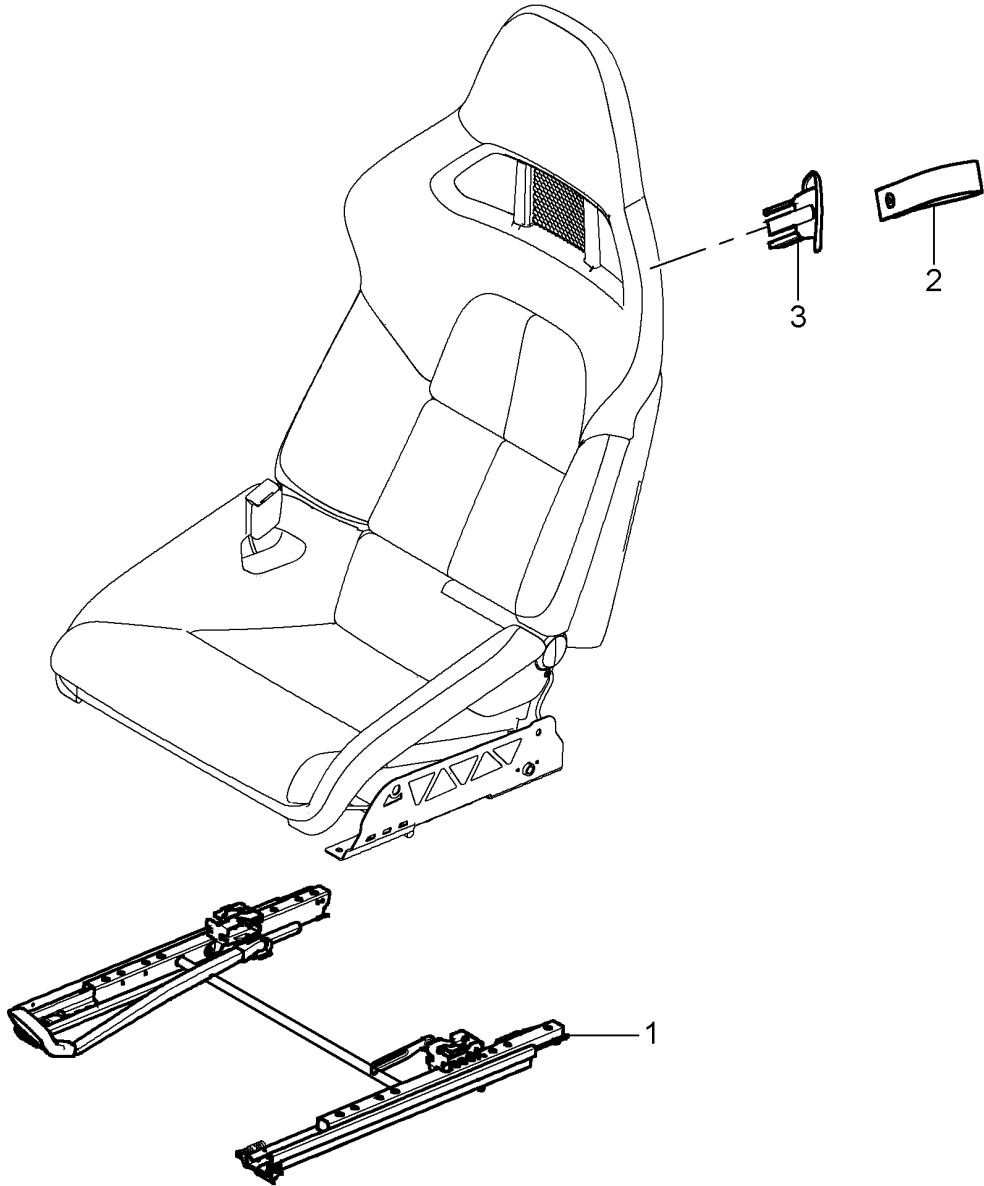


Model: 997G07 Model life 2007>>2011

Pos	Part Number	Description	Remark	Qty	Model
		Bucket seat	07-		GT3
		Cover			
		Leather			
1	997 521 401 00	Cup	/LL /L -10	1	I098
		Partial leather			
	997 521 401 00 8YR	Black			
	997 521 401 00 D11	Dark grey/natural			
(1)	997 521 401 00	Cup	/RL /L -10	1	I099
		Partial leather			
	997 521 401 00 8YR	Black			
	997 521 401 00 D11	Dark grey/natural			
(1)	997 521 402 00	Cup	/LL /R -10	1	I098
		Partial leather			
	997 521 402 00 8YR	Black			
	997 521 402 00 D11	Dark grey/natural			
(1)	997 521 402 00	Cup	/RL /R -10	1	I099
		Partial leather			
	997 521 402 00 8YR	Black			
	997 521 402 00 D11	Dark grey/natural			
(1)	997 521 401 02	Cup	/L 10-	1	I384/703
		Partial leather			
	997 521 401 02 8YR	Black			
	997 521 401 02 D11	Dark grey/natural			
(1)	997 521 402 02	Cup	/R 10-	1	I385/703
		Partial leather			
	997 521 402 02 8YR	Black			
	997 521 402 02 D11	Dark grey/natural			
(1)	997 521 401 91	Cup	/L 11-	1	I006/384/951
		Partial leather			
	997 521 401 91 8YR	Black			
(1)	997 521 402 91	Cup	/R 11-	1	I006/385/951
		Partial leather			
	997 521 402 91 8YR	Black			
2	997 521 403 00	Set		1	I384/385/703 I951
		Cushion			
		Leather			
	997 521 403 00 A15	Black			
	997 521 403 00 N13	Guards red			
3	997 521 405 90	Set		1	
		Cover			
		Support for seatbelt			
		Upper			
4	996 521 907 90	Parts kit		1	
		Guide			
		Belt			
		Lower			
5	997 521 429 00	Seat rail	/L	1	I384
		Set			
(5)	997 521 430 00	Seat rail	/R	1	I385
		Set			
6	997 521 423 00	Adapter		1	
		Set			
7	999 141 047 01	Torx screw		4	
		Mount			
		Seat rail			

Model: 997G07

Model life 2007>>2011

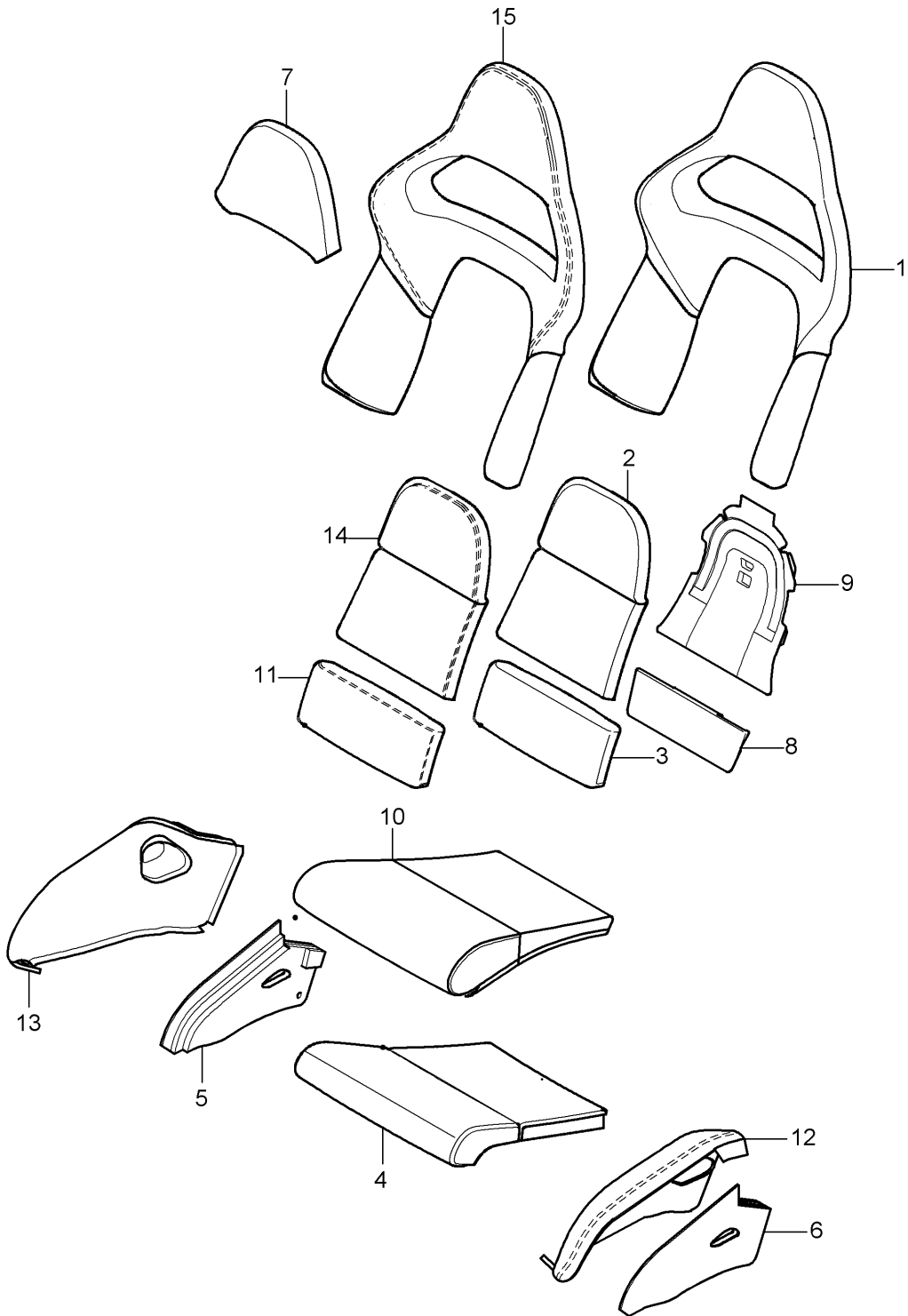


Model: 997G07 Model life 2007>>2011

Pos	Part Number	Description	Remark	Qty	Model
1	997 521 429 01	Bucket seat Collapsible Complete Not available Set	10- /LL /L	1	I098/388
(1)	997 521 430 01	Seat rail Driver's side Set	/LL /R	1	I098/389
(1)	997 521 429 02	Seat rail Passenger's side Set	/RL /L	1	I099/388
(1)	997 521 430 02	Seat rail Passenger's side Set	/RL /R	1	I099/389
2	997 521 539 00	Seat rail Driver's side Traction noose Backrest frame	/L	1	I388
(2)	997 521 539 00 A80	Black			
(2)	997 521 540 00	Traction noose Backrest frame	/R	1	I389
3	997 521 540 00 A80	Black			
(3)	997 521 538 00	Rosette Traction noose Backrest frame	/R	1	I389
(3)	997 521 538 00 01C	Satin black			
(3)	997 521 537 00	Rosette Traction noose Backrest frame	/L	1	I388
	997 521 537 00 01C	Satin black			

Model: 997G07

Model life 2007>>2011



Model: 997G07 Model life 2007>>2011

Pos	Part Number	Description	Remark	Qty	Model
		Foam part Cover Seat and backrest surface Bucket seat Collapsible	10-		
1	997 521 447 00	Foam part Backrest Outer part		2	I388/389
2	997 521 448 00	Foam part Backrest Centre part		2	I388/389
3	997 521 441 00	Foam part Seat cushion Rear		2	I388/389
4	997 521 440 00	Foam part Seat cushion Front		2	I388/389
5	997 521 443 00	Foam part Seat cushion Lateral Outer Left	/L	1	I388
(5)	997 521 444 00	Foam part Seat cushion Lateral Inner Left		1	I388
6	997 521 446 00	Foam part Seat cushion Lateral Outer Right		1	I389
(6)	997 521 445 00	Foam part Seat cushion Lateral Inner Right		1	I389
7	997 521 458 00	Foam part Head rest		2	I388/389
8	997 521 456 00	Foam part Seat cushion Rear		1	I388/389
9	997 521 457 00	Foam part Backrest		1	I388/389
10	997 521 380 01	Cover for cushion Front	/L /R	1	I388/389/951
(10)	997 521 380 01 A15	Black			
	997 521 380 01	Cover for cushion Front	/L /R	1	I006/388/389 I951
	997 521 380 01 A15	Black			
	997 521 380 01 N13	Guards red			
(10)	997 521 380 02	Cover for cushion Front Cloth	/L /R	1	I388/389/990
11	997 521 381 01	Cover for cushion Rear		1	I388/389/951
(11)	997 521 381 01 A15	Black			
	997 521 381 01	Cover for cushion Rear		1	I006/388/389 I951
	997 521 381 01 A15	Black			
	997 521 381 01 N13	Guards red			

Model: 997G07 Model life 2007>>2011

Pos	Part Number	Description	Remark	Qty	Model
(11)	997 521 381 02	Cover for cushion Rear Cloth		1	I388/389/990
12	997 521 383 00	Cover Lateral Outer	/L	1	I388/951
	997 521 383 00 8YR	Black			
	997 521 383 00 D11	Dark grey/natural			
(12)	997 521 383 01	Cover Lateral Outer Cloth	/L	1	I388/990
13	997 521 384 00	Cover Lateral Inner	/L	1	I388/951
	997 521 384 00 8YR	Black			
	997 521 384 00 D11	Dark grey/natural			
(13)	997 521 384 01	Cover Lateral Inner Cloth	/L	1	I388/990
(13)	997 521 386 00	Cover Lateral Outer	/R	1	I389/951
	997 521 386 00 8YR	Black			
	997 521 386 00 D11	Dark grey/natural			
(13)	997 521 386 01	Cover Lateral Outer Cloth	/R	1	I389/990
(13)	997 521 385 00	Cover Lateral Inner	/R	1	I389/951
	997 521 385 00 8YR	Black			
	997 521 385 00 D11	Dark grey/natural			
(13)	997 521 385 01	Cover Lateral Inner Cloth	/R	1	I389/990
14	997 521 387 01	Cover Centre part Backrest		1	I388/389/951
	997 521 387 01 A15	Black			
(14)	997 521 387 01	Cover Centre part Backrest		1	I006/388/389 I951
	997 521 387 01 A15	Black			
	997 521 387 01 N13	Guards red			
(14)	997 521 387 02	Cover Centre part Backrest Cloth		1	I388/389/990
15	997 521 388 00	Cover Backrest Outer		1	I388/389/951
	997 521 388 00 8YR	Black			
	997 521 388 00 D11	Dark grey/natural			
(15)	997 521 388 01	Cover Backrest Outer Cloth		1	I388/389/990
(15)	997 521 388 90	Cover	10-11	1	I004/388/990

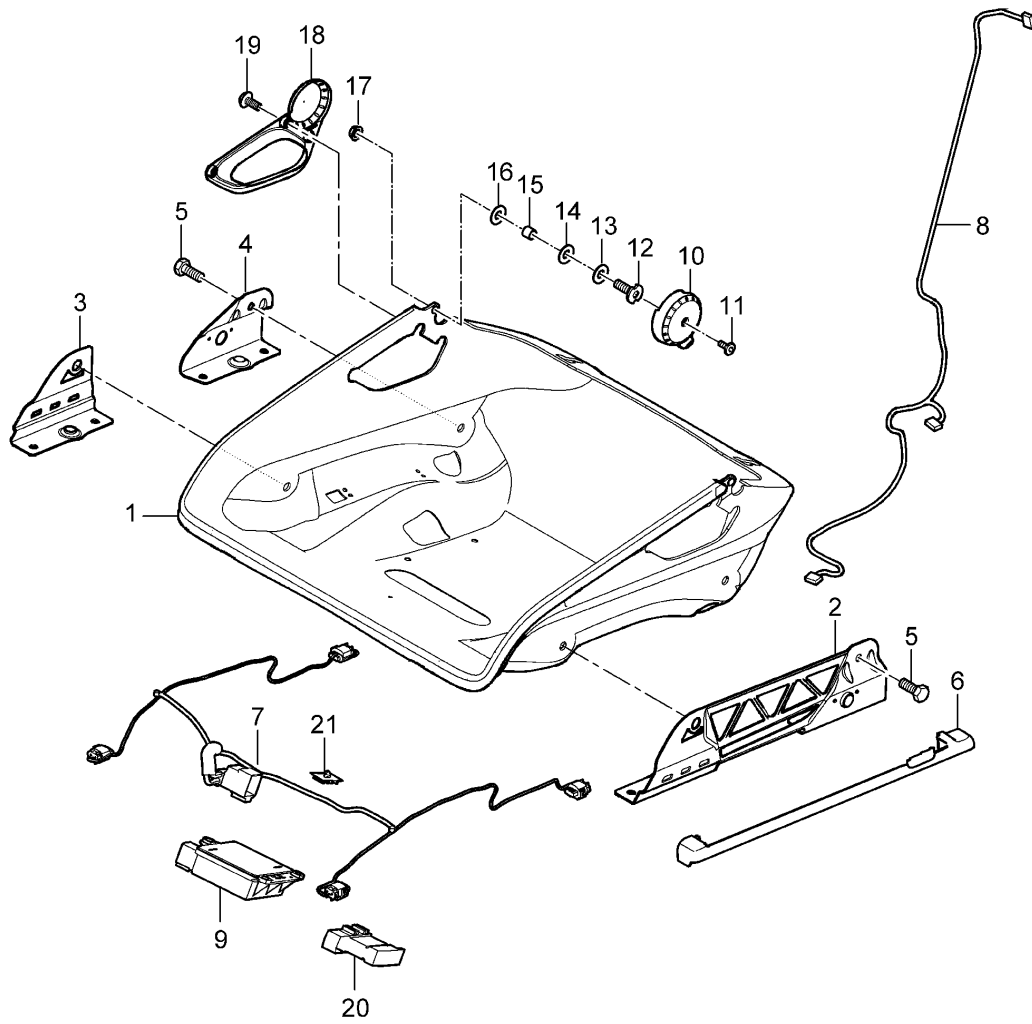
Model: 997G07

Model life 2007>>2011

Pos	Part Number	Description	Remark	Qty	Model
(15)	997 521 388 91	Backrest Outer Cloth Cover		1	I006/388/951
	997 521 388 91 8YR	Backrest Outer Leather Black			

Model: 997G07

Model life 2007>>2011



Model: 997G07 Model life 2007>>2011

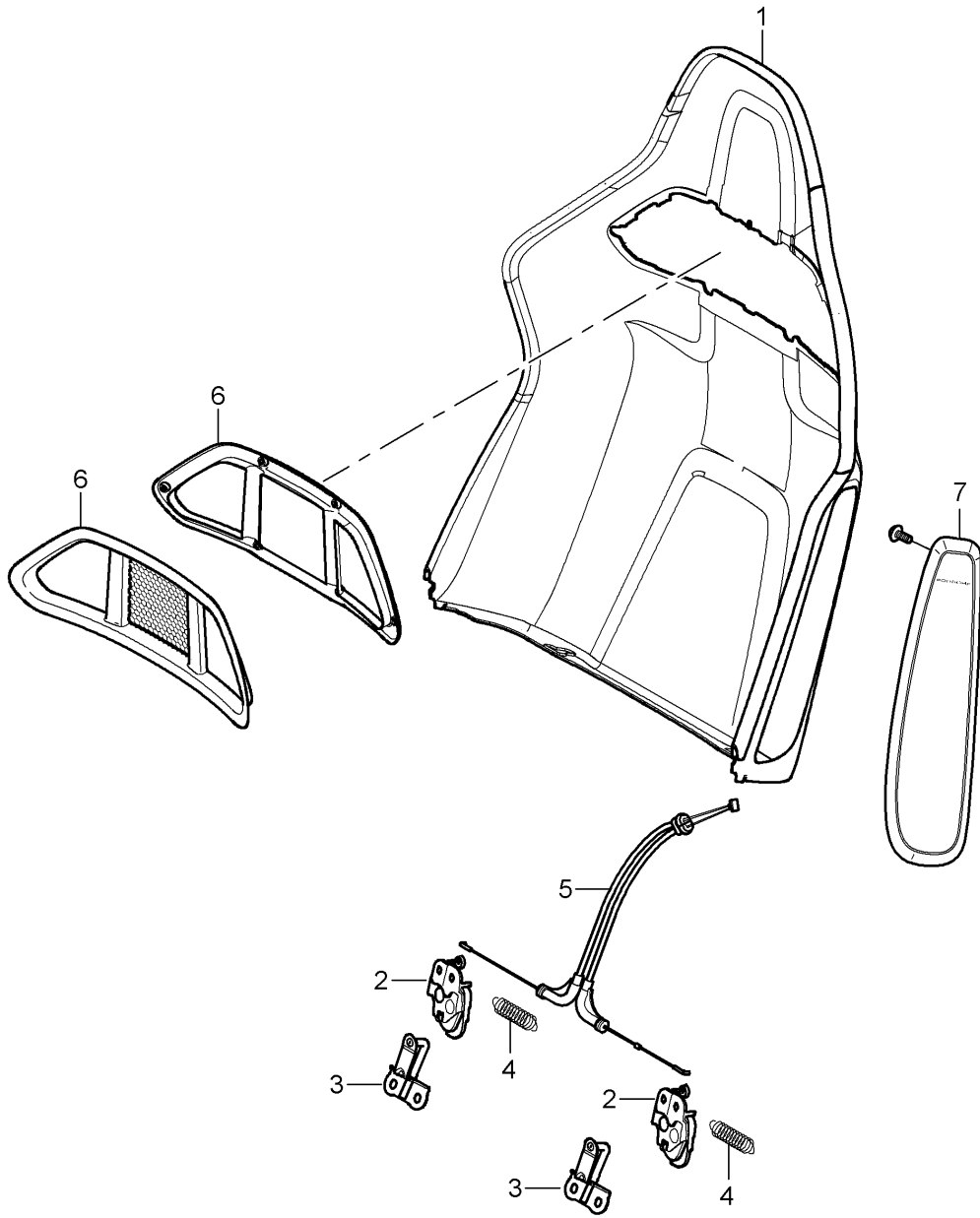
Pos	Part Number	Description	Remark	Qty	Model
1	997 521 281 00	Bucket seat Collapsible Seat adjuster Accessories Cup	10- /L /R	2	I388/389
(1)	997 521 182 00	Seat adjuster without Seat occupancy detection Cup	 /R	1	I389/560
2	997 521 433 00	Seat adjuster with Seat occupancy detection And Seat rail Adapter		1	I388
(2)	997 521 434 00	Seat adjuster Outer Left Adapter		1	I389
3	997 521 436 00	Seat adjuster Outer Right Adapter		1	I388
(3)	997 521 435 00	Seat adjuster Inner front Right Adapter		1	I389
4	997 521 438 00	Seat adjuster Inner front Left without Seat occupancy detection Adapter		1	I388
(4)	997 521 437 00	Seat adjuster Inner rear Right Adapter		1	I389
5	999 217 168 01	Seat adjuster Inner rear Left without Seat occupancy detection Hexagon-head bolt M 8 X 16 Mount Seat rail Bucket seat		4	
6	997 521 427 03	Cover Sensor Seat occupancy detection	/L	1	I389/560
(6)	997 521 427 03 01C 997 521 426 03	Satin black Cover Sensor Seat occupancy detection	 /R	1	I389/560
7	997 521 426 03 01C 997 612 688 11	Satin black Wiring harness Seat occupancy detection		1	I389/560
8	997 612 785 10	Wiring harness Side airbag	/R /L	1	I388/389
9	997 618 233 05	Control unit		1	I376/378/389 I560
10	997 521 563 00	Seat occupancy detection Cover	/L	1	I388/389

Model: 997G07 Model life 2007>>2011

Pos	Part Number	Description	Remark	Qty	Model
(10)	997 521 563 00 01C 997 521 564 00	Hinge Inner Satin black Cover	/R	1	I388/389
11	997 521 564 00 01C 999 073 456 01	Hinge Inner Satin black Round head screw M4 X 12		2	
12	997 521 690 00	Mount Cover Inner Bearing pin Backrest shell Cup Lower		2	
13	999 523 019 01	Cup spring A25		2	
14	999 234 034 00	Shim 12 X 18 X 0,2		2	
15	999 924 136 40	Plain bearing F12 X 5 X 14		2	
16	999 025 122 40	Thrust washer 20 X 12 X 0,5		2	
17	900 380 024 01	Outer hexagon round nut M8		2	
18	997 521 561 00	Cover Seat belt Lower	/L	1	I388/389
(18)	997 521 561 00 01C 997 521 562 00	Satin black Cover Seat belt Lower	/R	1	I388/389
19	997 521 562 00 01C 999 141 049 01	Satin black Lens-head screw M5 X 10 Mount Cover		3	
20	999 653 070 40	Pin connector socket 19-pole Wiring harness		1	
21	999 507 408 40	Bucket seat Collapsible Fixing clip for Connector housing Connection point		1	

Model: 997G07

Model life 2007>>2011

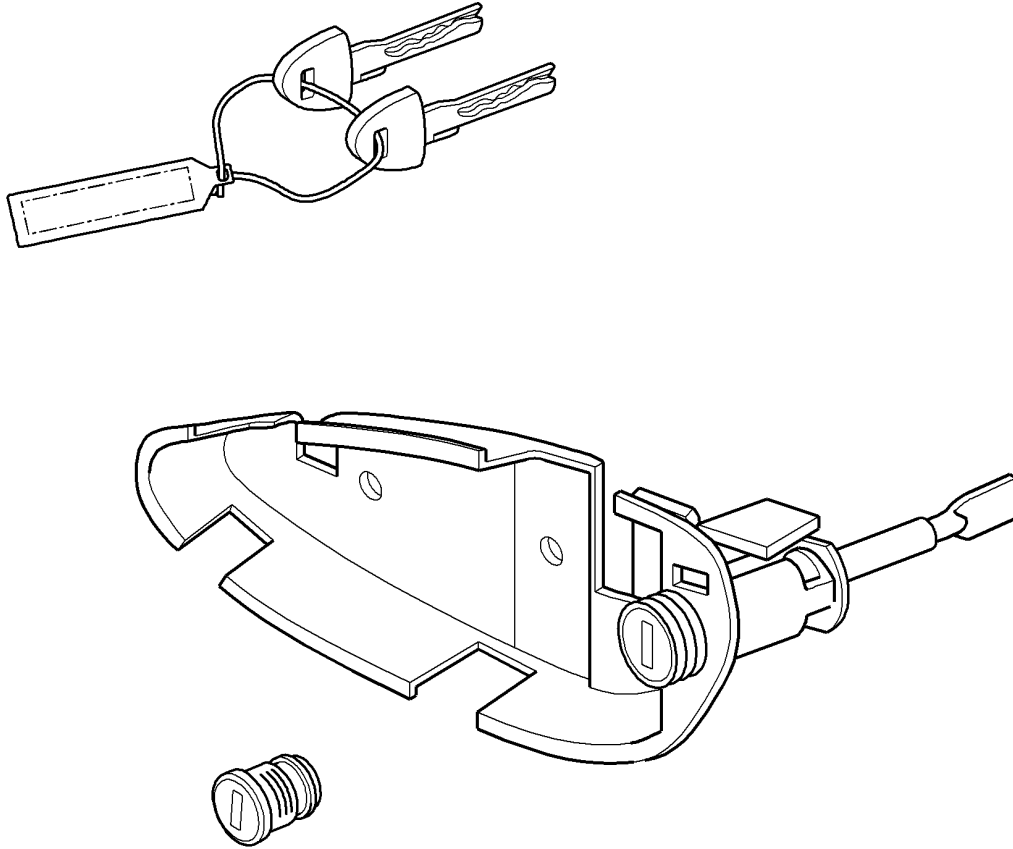


Model: 997G07 Model life 2007>>2011

Pos	Part Number	Description	Remark	Qty	Model
		Backrest shell Bucket seat Collapsible Accessories	10-		
1	997 521 271 00	Backrest shell Bucket seat Collapsible	/L	1	I388
(1)	997 521 272 00	Backrest shell Bucket seat Collapsible	/R	1	I389
2	997 521 651 00	Lock Backrest	/L	1	I388/389
(2)	997 521 652 00	Lock Backrest	/R	1	I388/389
3	997 521 660 00	Closing element Lock	/L /R	1	I388/389
4	997 521 650 00	Backrest shell Tension spring Lock	/L /R	1	I388/389
5	997 521 640 01	Backrest Bowden cable Release	/L /R	1	I388/389
-	999 507 147 40	Backrest Clip Lock	/L /R	2	I388/389
6	997 521 330 00	Bowden cable Cover Seat belt Front		1	I388/389
(6)	997 521 330 00 01C 997 521 531 00	Satin black Cover Seat belt Rear		1	I388/389
7	997 521 531 00 01C 997 803 081 01	Satin black Side airbag	/L	1	I388
(7)	997 803 081 01 A03 997 803 082 01	Black Side airbag Front seat	/R	1	I389
	997 803 082 01 A03	Black			

Model: 997G07

Model life 2007>>2011



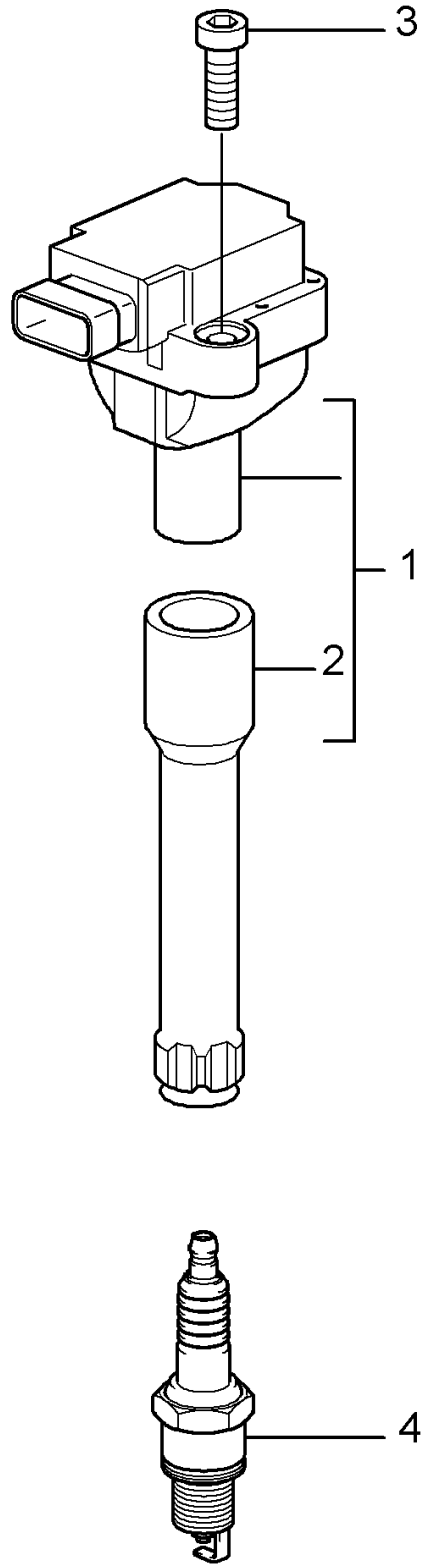
Model: 997G07

Model life 2007>>2011

Pos	Part Number	Description	Remark	Qty	Model
		Repair kits			
		Set of locks			
		Comprising:			
		Support			
		Outer door handle			
		Glove compartment lock			
		Key			
		Key tag			
>>	997 538 011 00	Set of locks		1	I098
>>	997 538 011 01	Set of locks		1	I099

Model: 997G07

Model life 2007>>2011



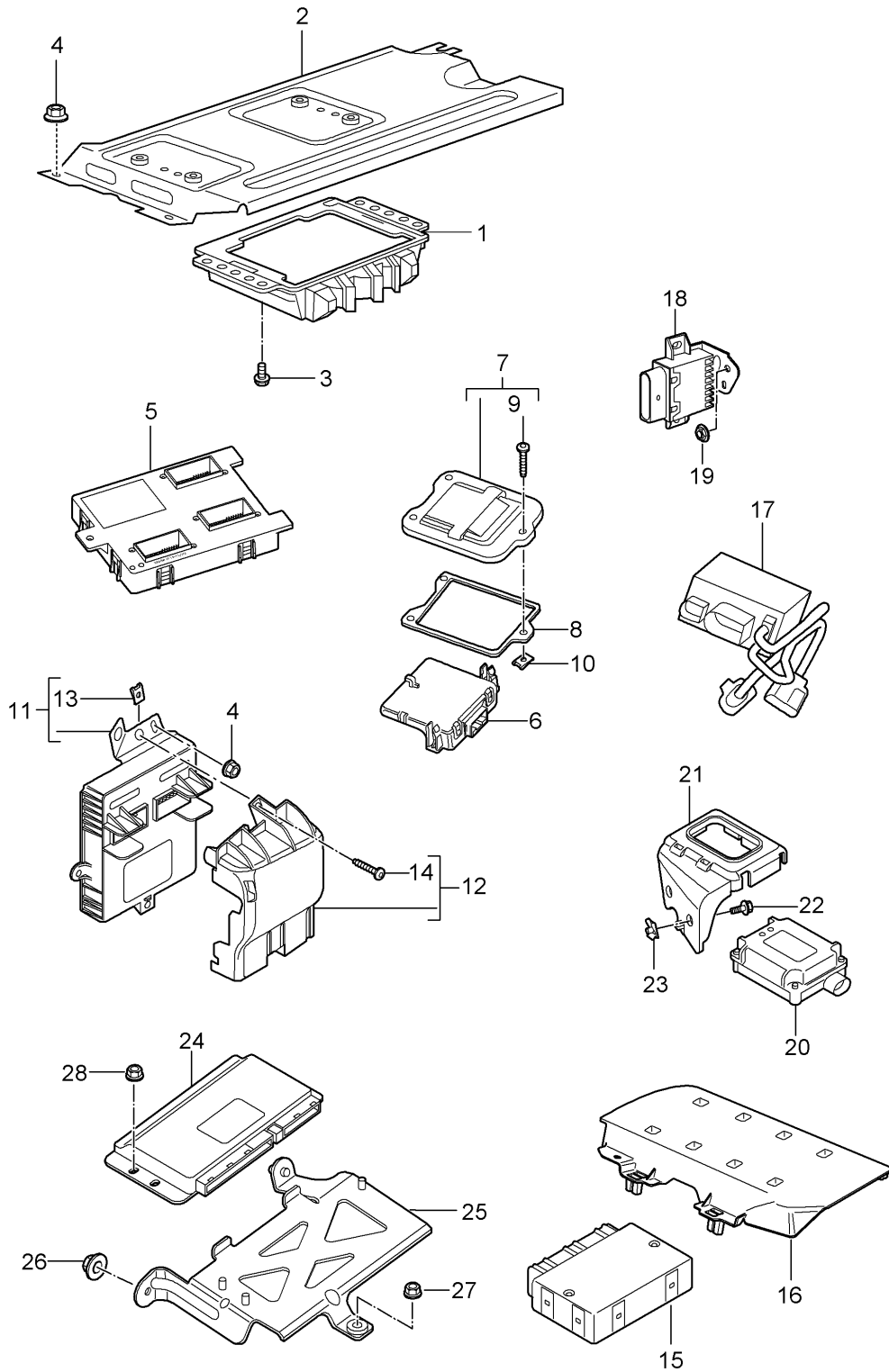
Model: 997G07

Model life 2007>>2011

Pos	Part Number	Description	Remark	Qty	Model
1	997 602 104 02	Ignition system Ignition coil	-08	6	
		Use also: 900.385.025.01		12	
(1)	9A1 602 104 02	Ignition coil	10-	6	
(1)	9A1 602 104 03	Ignition coil	10-	6	
2	996 602 105 00	Spark plug connector	-08	6	
3	900 387 008 01	Pan-head screw M 6 X 25	-08	12	
(3)	999 073 103 01	Round head screw M 6 X 16	10-	6	
(3)	900 385 025 01	Torx screw M 6 X 40		10	
4	999 170 129 90	Spark plug Y 5DDC		6	

Model: 997G07

Model life 2007>>2011



Model: 997G07 Model life 2007>>2011

Pos	Part Number	Description	Remark	Qty	Model
1	997 618 603 05	Control units Control unit	-08	1	
1	997 618 608 01	- dme - Control unit	10-	1	
2	996 618 129 01	- dme - Support Control unit		1	
3	900 378 036 01	- dme - Hexagon-head bolt M 6 X 12		4	
4	999 084 629 01	Hexagon nut M 6		3	
5	997 610 102 06	Control unit		1	
5	997 618 516 01	Vehicle electrical system Control unit		1	
6	997 610 107 04	Vehicle electrical system Control unit		1	
7	997 572 419 03	Gateway		1	
8	997 572 221 00	Lid		1	
9	900 143 094 09	Gasket		1	
9	900 143 094 09	Tapping screw ST 4,8 X 19		3	
10	999 591 855 01	Speed nut ST 4,8		3	
11	997 618 511 01	Control unit	-08	1	-I601
11		FRONT luggage compartment Control unit	10-	1	I600/603
11	997 610 105 11	FRONT luggage compartment Control unit	-08	1	I601
11	997 618 512 01	FRONT luggage compartment Control unit	10-	1	I601
(12)	997 551 736 01	FRONT luggage compartment Cover		1	
13	999 507 462 09	Speed nut 4,8		1	
14	999 073 061 02	Tapping screw 4,8 X 16		1	
15	997 618 260 08	Control unit Rear end		1	
15	997 618 260 10	Control unit Rear end	10-	1	I474
16	997 618 371 01	Support	-08	1	
16	997 618 381 00	Support	10-	1	
17	997 618 436 90	Control unit		1	
17	997 618 436 92	Control unit Cooling air control		1	
18	997 618 025 01	Control unit Fuel pump	10-	1	I663
19	999 049 025 09	Collar nut T 5	10-	2	
20	997 618 225 03	Control unit Garage door opener	10-	1	I608
20	997 618 227 02	Control unit Garage door opener	10-	1	I607
20	997 618 227 03	Control unit Garage door opener	10-	1	I607
21	997 618 257 00	Control unit Support Garage door opener	10-	1	
(21)	997 618 367 80	Support Control unit	10-	1	
22	900 075 505 01	Garage door opener Combination screw	10-	2	

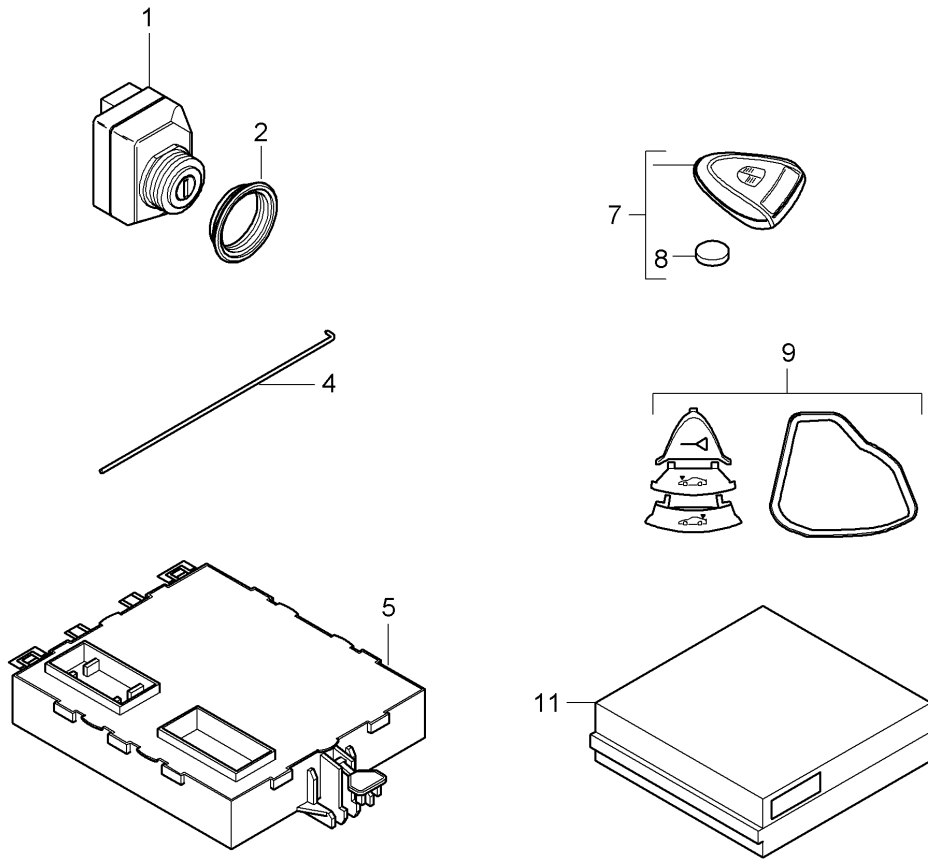
Model: 997G07

Model life 2007>>2011

Pos	Part Number	Description	Remark	Qty	Model
23	999 591 882 01	M 6 X 20 Speed nut	10-	2	
24	997 618 465 01	M 6 Control unit	10-	1	I140
		Unit mount			
24	997 618 465 03	Control unit	10-	1	I140
		Unit mount			
24	997 618 465 04	Control unit	10-	1	I140
		Unit mount			
25	997 618 163 00	Support	10-	1	I140
		Control unit			
		Unit mount			
26	999 703 496 40	Rubber mounting	10-	2	I140
27	999 703 236 40	Plastic nut	10-	1	I140
		T 5			
28	900 377 010 02	Hexagon nut	10-	3	I140
		M 6			

Model: 997G07

Model life 2007>>2011



Model: 997G07 Model life 2007>>2011

Pos	Part Number	Description	Remark	Qty	Model
1	997 618 159 04	Control units Ignition starter switch PORSCHE ACCESS SYSTEM Control unit		1	
2	997 618 759 00	Ignition starter switch Nut		1	
-	997 618 361 00	Cover Release		1	
4	970 618 761 00	Handheld transmitter Emergency operation Release		1	
5	997 618 171 14	Ignition starter switch Control unit PORSCHE ACCESS SYSTEM	07	1	I534
5	997 618 171 15	Control unit PORSCHE ACCESS SYSTEM		1	I534
5		Control unit PORSCHE ACCESS SYSTEM	10-	1	I524
5	997 618 172 14	Control unit PORSCHE ACCESS SYSTEM	07	1	I535
5	997 618 172 15	Control unit PORSCHE ACCESS SYSTEM	-08	1	I535
5	997 618 172 16	Control unit PORSCHE ACCESS SYSTEM	-08	1	I535
5	997 618 172 15	Control unit PORSCHE ACCESS SYSTEM	10-	1	I525
5	997 618 172 16	Control unit PORSCHE ACCESS SYSTEM	10-	1	I525
-	997 612 053 00	Connecting line Antenna booster Control unit POS. 5	/LL -08	1	I098/534
-		Connecting line Antenna booster Control unit POS. 5	/LL 10-	1	I098/665
-	997 612 054 00	Connecting line Antenna booster Control unit POS. 5	/RL -08	1	I099/534
-		Information available Connecting line Antenna booster Control unit POS. 5	/RL 10-	1	I099/665
-	997 612 053 01	Information available Connecting line Antenna booster Control unit POS. 5	/LL -08	1	I098/535
-		Connecting line Antenna booster Control unit POS. 5	/LL 10-	1	I098/675
-	997 612 054 01	Connecting line Antenna booster Control unit POS. 5	/RL -08	1	I099/535
-		Information available Connecting line Antenna booster Control unit POS. 5	/RL 10-	1	I099/675

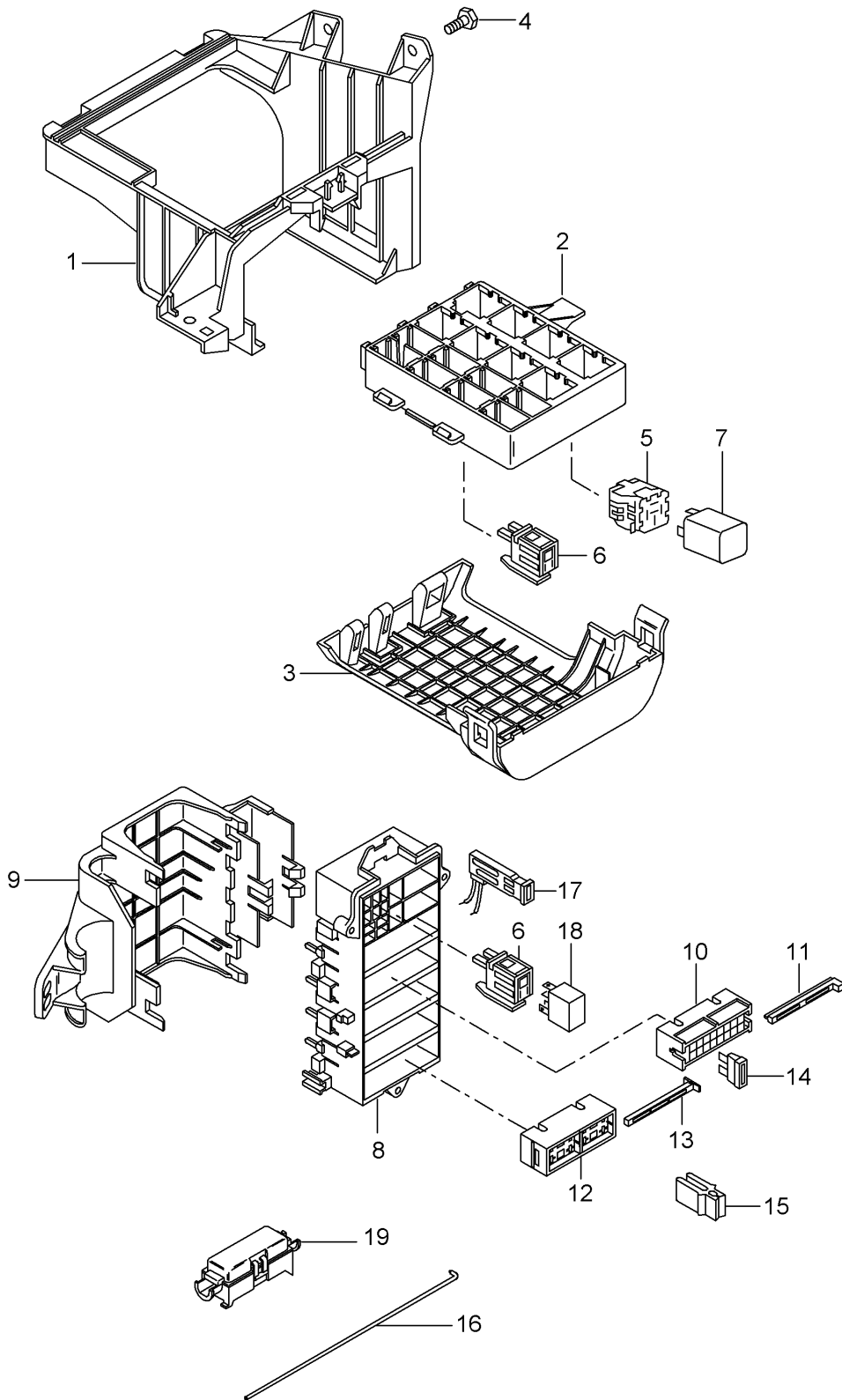
Model: 997G07

Model life 2007>>2011

Pos	Part Number	Description	Remark	Qty	Model
-	997 612 064 51	Information available Cable Antenna VEHICLE TRACKING SYSTEM		1	I674
7	997 637 244 46	Handheld transmitter		1	I534
7	997 637 107 01	Handheld transmitter	-08	1	I534
7		Handheld transmitter	10-	1	I524
7	997 637 244 47	Handheld transmitter		1	I535
7	997 637 109 01	Handheld transmitter	-08	1	I535
7		Handheld transmitter	10-	1	I525
7	997 637 244 48	Handheld transmitter	(J)	1	I535
7	997 637 111 01	Handheld transmitter	(J) -08	1	I535
7		Handheld transmitter	(J) 10-	1	I525
8	999 611 108 00	Battery		1	
9	000 043 400 14	Repair kit	-07	1	
		Key			
		Handheld transmitter			
		Version			
		Grey			
		See workshop manual			
		KD-NR.: 966237			
11	997 618 210 01	Sensor		1	
		Interior monitoring			
		Alarm siren			I536
		Tilt sensor			I521/536
		See illustrations			
		9/03/00			

Model: 997G07

Model life 2007>>2011



Model: 997G07 Model life 2007>>2011

Pos	Part Number	Description	Remark	Qty	Model
		Central electrical system			
		Dashboard			
1	997 610 117 01	Support	/LL	1	I098
(1)	997 610 118 00	Support	/RL	1	I099
2	997 610 110 01	Relay carrier		1	
		Support frame			
3	997 610 112 00	Cover		1	
		Support frame			
4	900 378 155 01	Hexagon-head bolt		2	
		M 6 X 16 ASP			
(4)	900 377 010 01	Hexagon nut		1	
		M 6			
5	928 610 511 00	Relay carrier		X	
6	999 650 538 40	Relay carrier		X	
7		Relay			
(7)	999 657 014 90	Relay		1	
		KL. X			
(7)	999 657 015 90	Relay socket/code:	S4	1	
		Relay			
		KL. 86S			
(7)		Relay socket/code:	S6	1	
		Relay			
		Fuel pump			
(7)	999 657 013 90	Relay socket/code:	S8	1	
		Relay			
		- dme -			
(7)		Relay socket/code:	S11	1	
		Relay			
		Heating			
(7)		Relay socket/code:	S12	1	I288
		Relay			
		Headlight washer system			
(7)		Relay socket/code:	S14	1	
		Relay			
		Starter			
(7)		Relay socket/code:	S15	1	
		Relay			
		KL. 15			
		Relay socket/code:	S16		
8	997 610 340 00	Bracket		1	
9	997 610 341 00	Cover		1	
10	999 650 209 40	Fuse holder		4	
11	999 650 210 40	Slide		4	
12	999 650 750 40	Fuse holder		1	
13	999 650 749 40	Slide		1	
14	999 607 082 00	Lock		X	
		5 A			
(14)	999 607 083 00	Lock		X	
		7 , 5 A			
(14)	999 607 084 00	Lock		X	
		10 A			
(14)	999 607 085 00	Lock		X	
		15 A			
(14)	999 607 087 00	Lock		X	
		25 A			
(14)	999 607 088 00	Lock		X	
		30 A			
(14)	999 607 072 00	Lock		X	
		30 A			
		Large			
(14)	999 607 073 00	Lock		X	
		40 A			
		Large			

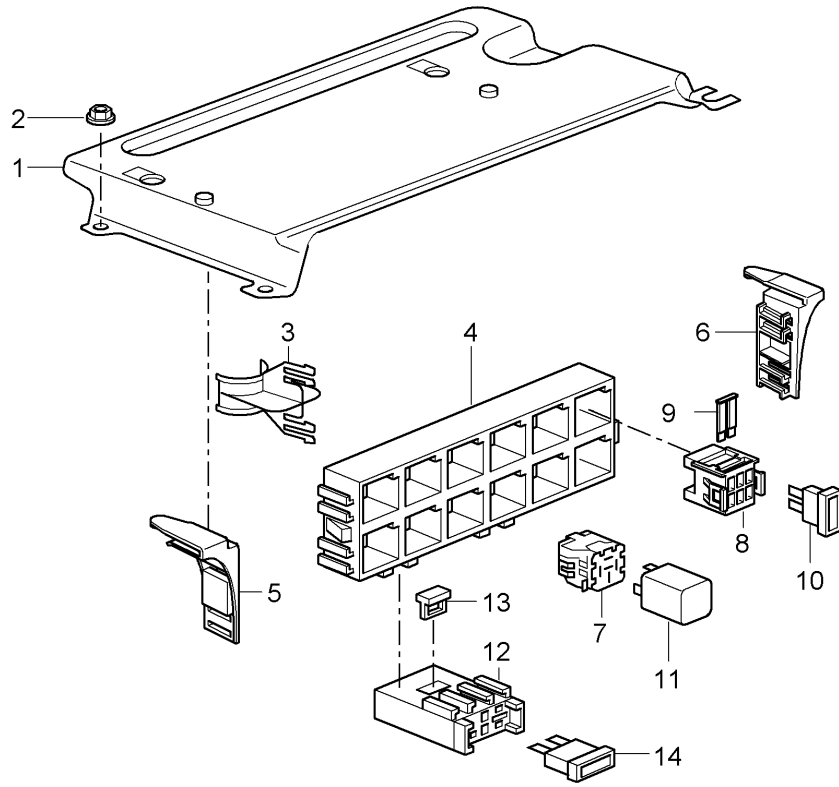
Model: 997G07

Model life 2007>>2011

Pos	Part Number	Description	Remark	Qty	Model
15	999 107 300 40	Tool		X	
-	997 610 195 07	Assignment sticker		X	
16	997 618 761 00	Lock Emergency operation Release Ignition starter switch		1	
16	970 618 761 00	Emergency operation Release Ignition starter switch Emergency operation Lid		1	
17	996 610 240 00	Terminal clamp		1	
18	999 657 014 90	Relay		1	
19	997 610 915 00	Fuse holder with Lock 80 A for Cooling air control		1	
-		Cover for Housing Lock See illustrations 8/07/02		X	

Model: 997G07

Model life 2007>>2011

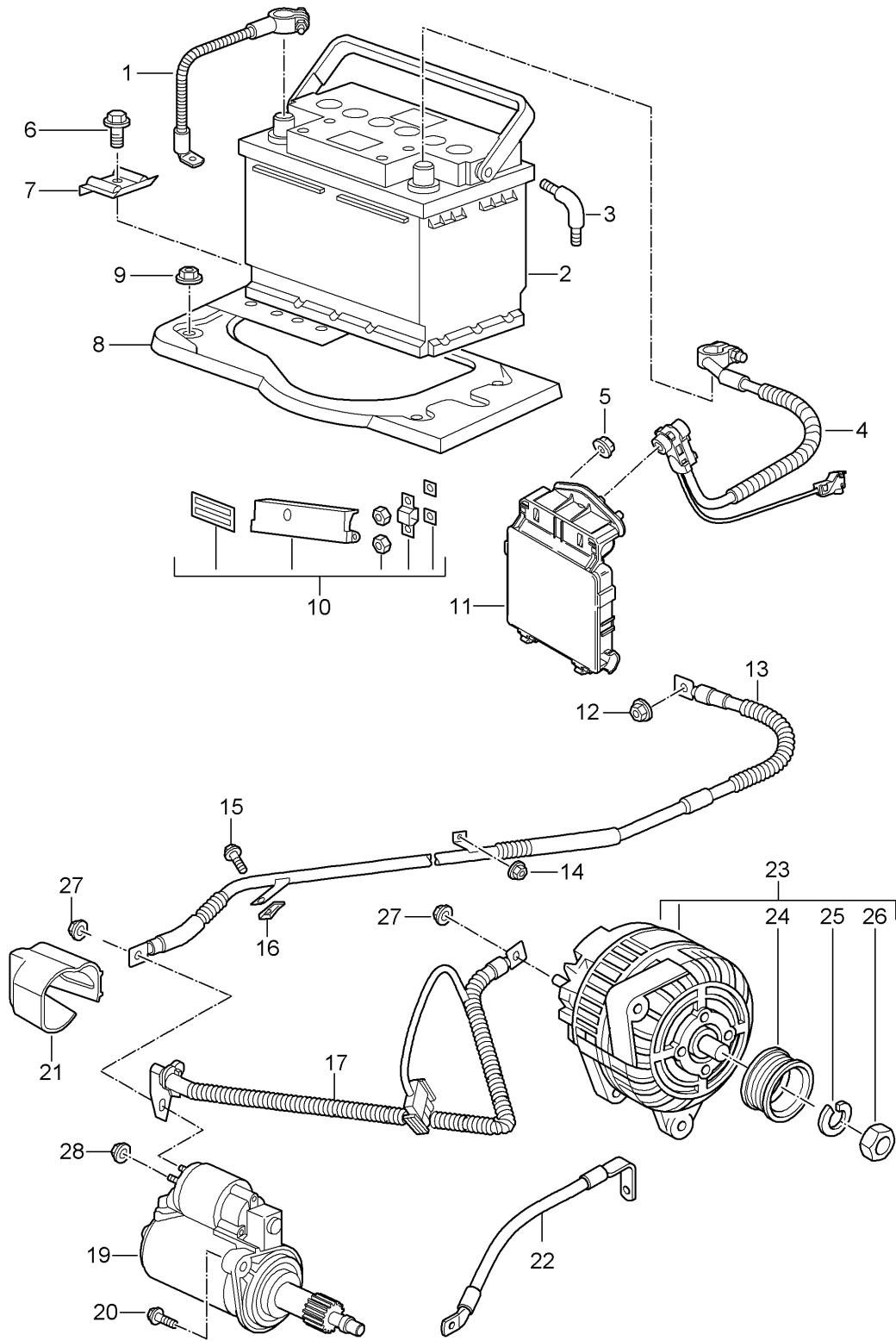


Model: 997G07 Model life 2007>>2011

Pos	Part Number	Description	Remark	Qty	Model
		Central electrical system			
		Rear end			
(1)	996 610 229 03	Mounting plate		1	
2	999 084 629 01	Hexagon nut		2	
		M 6			
3	996 610 112 00	Cable holder		1	
4	996 610 111 00	Relay carrier		X	
		Support frame			
5	987 610 118 00	Support	/R	1	
6	987 610 117 00	Support	/L	1	
7	928 610 511 00	Relay carrier		X	
8	999 650 747 40	Fuse holder		1	
9	999 650 748 40	Locking device		1	
10	999 607 083 00	Lock		X	
		7,5 A			
10	999 607 085 00	Lock		X	
		15 A			
11		Relay			
(11)	999 657 013 90	Relay		1	
		Rear window heating			
		Relay socket/code:	S1		
(11)	999 657 018 90	Relay	-08	1	I573
		Air conditioner			
		Relay socket/code:	S3		
(11)	955 615 029 00	Relay	10-	1	I474
		Pump			
		Relay socket/code:	S3		
(11)	999 657 013 90	Relay	10-	1	I474
		Switch-off			
		Relay socket/code:	S4		
(11)	999 657 016 90	Relay		1	
		Blower			
		Engine compartment			
		Relay socket/code:	S7		
(11)		Relay		1	
		Blower			
		Engine compartment			
		Relay socket/code:	S8		
(11)	999 657 017 90	Relay		1	I661
		Secondary pump			
		Relay socket/code:	S9		
12	999 650 193 40	Fuse holder		3	
13	999 650 371 40	Locking device		3	
14	999 607 073 00	Lock		3	
		40 A			
		Large			

Model: 997G07

Model life 2007>>2011



Model: 997G07 Model life 2007>>2011

Pos	Part Number	Description	Remark	Qty	Model
		Battery			
		Power distributor			
		Starter			
		Generator			
		Battery main switch			
1	997 611 090 00	Ground strap	/LL	1	I098
(1)	997 611 091 00	Ground strap	/RL	1	I099
		When required order also:			
-	900 377 010 01	Hexagon nut		1	
		M 6			
2	999 611 060 20	Battery		1	
		60 AH			
2	999 611 070 20	Battery		1	
		70 AH			
2	999 611 080 20	Battery		1	
		80 AH			
(2)	997 611 020 00	Battery	10-	1	I191
		18 AH			
(2)	997 611 020 X	Battery	10-	1	I191
		18 AH			
3	893 915 507	Angled pipe		1	
4	997 612 993 00	Repair kit	/LL	1	I098
		Wiring harness			
		Battery			
		Power distributor			
(4)	997 612 995 00	Repair kit	/RL	1	I099
		Wiring harness			
		Battery			
		Power distributor			
(4)	997 612 908 00	Repair kit	/LL	1	I098
		Wiring harness			
		Battery			
		Power distributor			
		see			
		Technical information			
		9789			
(4)	997 612 909 00	Repair kit	/RL	1	I099
		Wiring harness			
		Battery			
		Power distributor			
		see			
		Technical information			
		9789			
5	900 380 005 01	Nut		2	
		VM 8			
6	900 378 017 01	Hexagon-head bolt		1	
		M 8 X 20			
7	996 611 209 00	Rail		1	
		Battery			
8	997 504 151 01	Carrier plate for battery		1	
-	996 504 622 01	Gasket		1	
		Carrier plate for battery			
9	999 084 630 01	Hexagon nut		4	
		VM 8 SB			
10	997 610 912 00	Repair kit		1	
		Replacement			
		Fuse element			
		Comprising:			
-		Fuse element		1	
		50 AMPERE			
		Fuse element		1	
		70 AMPERE			
-		Fuse element		1	

Model: 997G07 Model life 2007>>2011

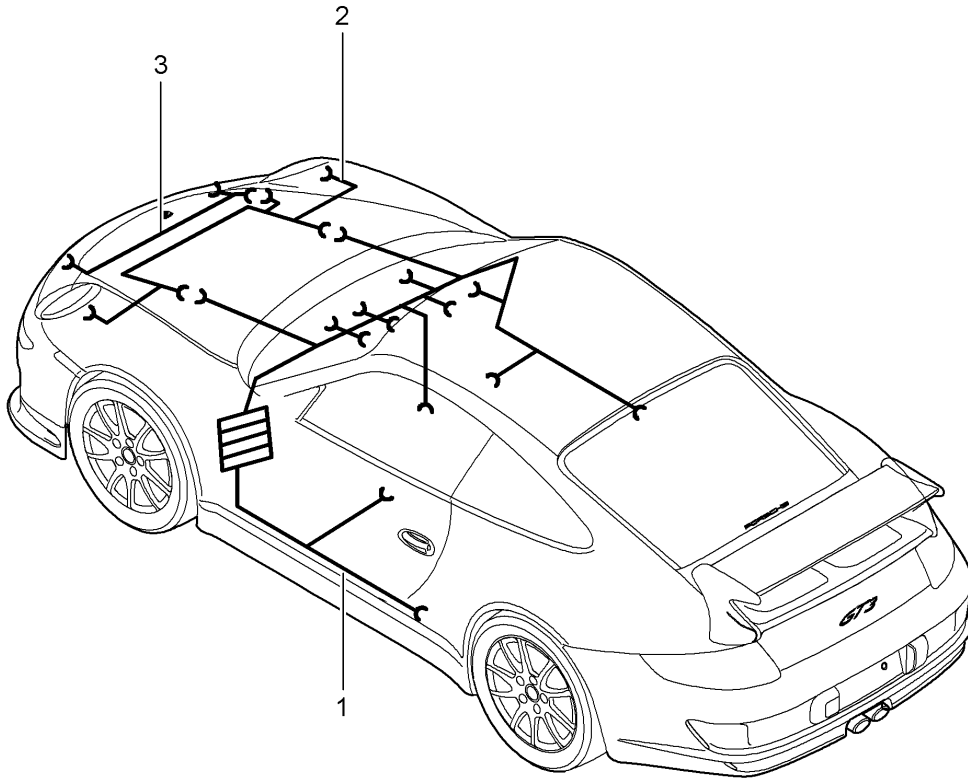
Pos	Part Number	Description	Remark	Qty	Model
-		80 AMPERE Hexagon nut		4	
-		M 5			
-		Square washer		4	
-		Cover		1	
-		Blue			
-		Seal label		1	
-		Red			
(10)	997 610 913 00	Repair kit		1	
		Replacement			
		Fuse element			
		Comprising:			
-		Fuse element		1	
-		150 AMPERE			
-		Hexagon nut		2	
-		M 8			
-		Square washer		2	
-		Cover		1	
-		Blue			
-		Seal label		1	
-		Red			
11	997 610 911 00	Repair kit		1	
		Replacement			
		Power distributor			
		Comprising:			
-		Power distributor		1	
-		without			
-		Fuse element			
-		Hexagon nut		8	
-		M 5			
-		Hexagon nut		3	
-		M 8			
-		Seal label		1	
-		Red			
12	900 084 123 02	Hexagon nut		1	
		M 8			
13	997 612 092 01	Cable	/LL	1	I098
		Power distributor			
		Starter			
(13)	997 612 098 00	Cable	/RL	1	I099
		Power distributor			
		Starter			
14	999 084 629 01	Hexagon nut		1	
		M 6			
15	900 075 497 01	Combination screw		1	
		M 5 X 10			
16	999 507 702 01	Speed nut		1	
		M 5			
17	997 607 031 92	Wiring harness		1	
		Starter			
		Generator			
19	996 604 107 01	Starter		1	
19	996 604 107 02	Starter		1	
19	996 604 107 BX	Starter		1	
20	900 385 097 01	Torx screw		2	
		BM 10 X 35			
21	996 604 118 00	Protection cap		1	
22	996 607 034 01	Ground strap		1	
		Engine			
		Body			
23	997 603 012 06	Generator	-08	1	
23	997 603 022 04	Generator	10-	1	
23	997 603 022 DX	Generator	10-	1	

Model: 997G07 Model life 2007>>2011

Pos	Part Number	Description	Remark	Qty	Model
24	996 603 151 55	Pulley		1	
25	N 012 016 1	Lock ring B 16		1	
26	900 034 013 01	Hexagon nut M 16 X 1,5		1	
-	996 603 113 00	Protection cap Mounting parts Generator		1	
-	900 385 004 01	Torx screw BM 10 X 60		1	
-	900 385 124 01	Torx screw BM 10 X 110		1	
27	900 377 003 01	Hexagon nut M 8		2	
28	900 377 010 02	Hexagon nut M 6		1	
-	997 611 027 70	Battery main switch Assembly kit Battery main switch Comprising:		1	I003 I003
-	997 611 227 70	Battery main switch		1	I003
-	997 613 183 70	Switch Outer		1	I003
-	997 613 187 70	Switch Inner		1	I003
-	997 611 927 70	Wiring harness Adapter Battery main switch	10-	1	I003
29	000 998 020	Transport box Lithium Ionen Starter Battery Defect 840X580X380 MM		1	
30	997 610 916 00	Repair kit Screw bolt Power distributor Comprising: Screw bolt Nut Seal label		1 1 2 1	

Model: 997G07

Model life 2007>>2011



Model: 997G07 Model life 2007>>2011

Pos	Part Number	Description	Remark	Qty	Model
		Wiring harnesses Passenger compartment FRONT luggage compartment Lining Front Airbag Seat-belt tensioner Repair kits Shock absorber Anti-lock brake system Brake pad wear indicator Front axle			
1	997 612 903 00	Wiring harness Passenger compartment Vehicle Ident. No. Indicate		1	
1	997 612 914 00	Wiring harness Illumination Scuff plate		1	IXES
-	996 610 120 01	Support Plug socket		1	
-	999 651 302 40	Diagnostic connector Fixing clip		X	
-	999 651 284 40	Wiring harness Passenger compartment Door sill		X	
2	997 612 520 70	Wiring harness	-08	1	
(2)	997 612 521 70	FRONT luggage compartment Wiring harness	-08	1	I601
2	997 612 521 27	FRONT luggage compartment Wiring harness	10-	1	I600
2	997 612 521 33	FRONT luggage compartment F >>99AS7 80774	10-	1	I600
(2)	997 612 521 28	FRONT luggage compartment Wiring harness F 99AS7 80775>>	10-	1	I601
(2)	997 612 521 31	FRONT luggage compartment Wiring harness F >>99AS7 80774	10-	1	I601
(2)	997 612 521 29	FRONT luggage compartment Wiring harness F 99AS7 80775>>	10-	1	I603
(2)	997 612 521 30	FRONT luggage compartment Wiring harness F >>99AS7 80774	10-	1	I603
-	997 610 215 01	Cable guide for Sensor Airbag		2	
3	997 612 501 01	Wiring harness Lining Front	-08	1	
3	997 612 501 25	Wiring harness Lining Front	10-	2	
3	997 612 501 70	Wiring harness	10-	2	I004

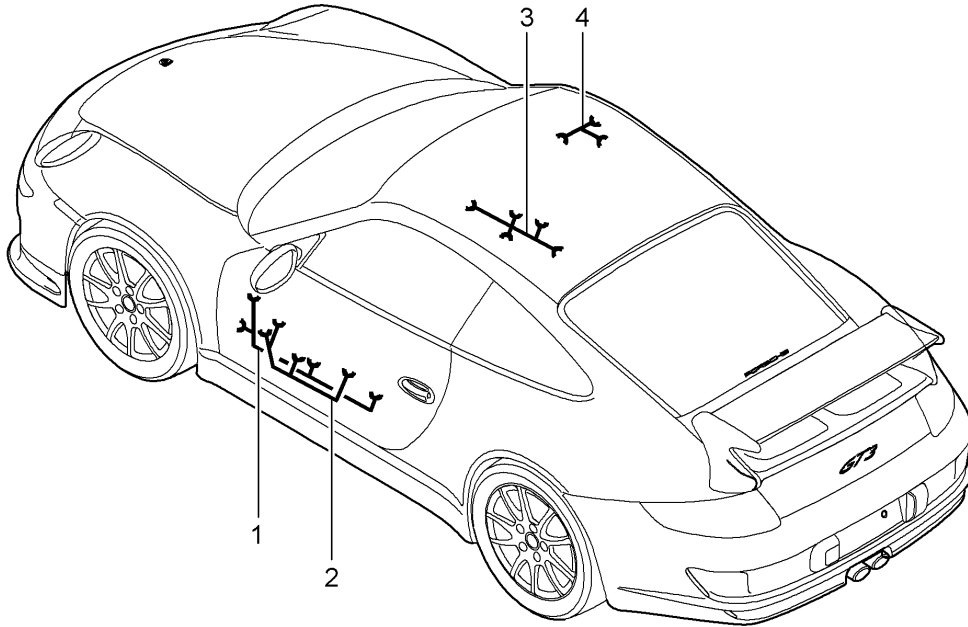
Model: 997G07

Model life 2007>>2011

Pos	Part Number	Description	Remark	Qty	Model
-	997 612 781 25	Lining Front Wiring harness Airbag Passenger's side Setting 1 Connector Green		1	
-	997 612 783 00	Wiring harness Airbag Passenger's side Setting2 Connector Yellow	07	1	
-	997 612 783 25	Wiring harness Airbag Passenger's side Setting2 Connector Yellow		1	
-	997 612 992 00	Wiring harness Control unit Airbag Connection point Door		2	
-	997 612 793 01	Wiring harness Seat-belt tensioner		2	
-	997 612 950 70	Repair kit Wiring harness Shock absorber Repair kit Wiring harness Anti-lock brake system Brake pad wear indicator Front axle	/V	2	I475
-	997 612 961 00	Repair kit Wiring harness	/V /L	1	
-	997 612 960 00	Repair kit Wiring harness Repair kit Wiring harness Rear axle See illustrations 9/02/20	/V /R	1	

Model: 997G07

Model life 2007>>2011



Model: 997G07 Model life 2007>>2011

Pos	Part Number	Description	Remark	Qty	Model
1	997 612 642 05	Wiring harnesses Doors Airbag Centre console Glove compartment Wiring harness	/LL	1	I098
(1)	997 612 644 55	Assembly frame Driver's door F >>997S7 90076 Wiring harness	/RL	1	I099
1	997 612 642 07	Assembly frame Driver's door F >>997S7 90076 Wiring harness	/LL	1	I098
(1)	997 612 644 57	Assembly frame Driver's door F 997S7 90077>> Wiring harness	/RL	1	I099
(1)	997 612 643 55	Assembly frame Passenger's door F >>997S7 90076 Wiring harness	/LL	1	I098
(1)	997 612 645 05	Assembly frame Passenger's door F >>997S7 90076 Wiring harness	/RL	1	I099
(1)	997 612 643 57	Assembly frame Passenger's door F 997S7 90077>> Wiring harness	/LL	1	I098
(1)	997 612 645 07	Assembly frame Passenger's door F 997S7 90077>> Wiring harness	/RL	1	I099
-	997 612 780 16	Wiring harness Airbag		2	
2	997 612 647 05	Wiring harness Door panel Driver's door F >>997S7 90076	/LL	1	I098
(2)	997 612 650 05	Wiring harness Door panel Driver's door F >>997S7 90076	/RL	1	I099
2	997 612 647 07	Wiring harness Door panel Driver's door F >>997S7 90076	/LL -08	1	I098
2	997 612 647 10	Wiring harness Door panel Driver's door F 997S7 90077>>	/LL 10-	1	I098
(2)	997 612 650 07	Wiring harness Door panel Driver's door F 997S7 90077>>	/RL -08	1	I099
(2)	997 612 650 10	Wiring harness Door panel Driver's door F 997S7 90077>>	/RL 10-	1	I099
(2)	997 612 648 05	Wiring harness Door panel	/LL	1	I098

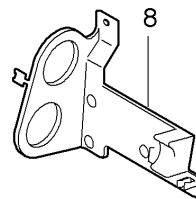
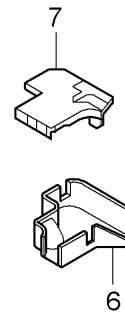
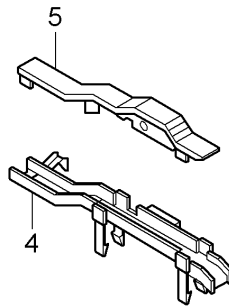
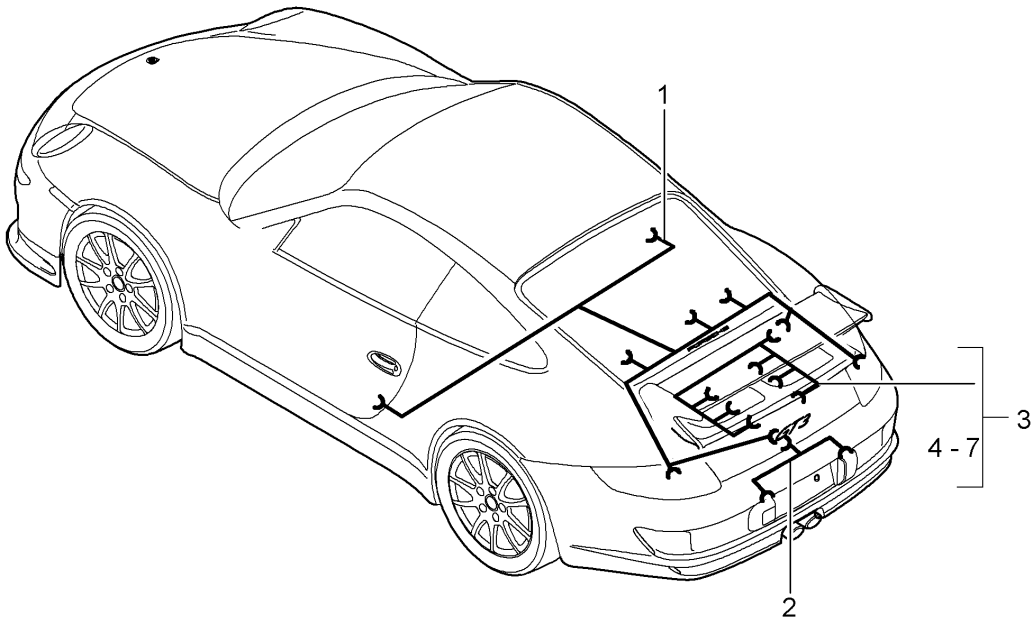
Model: 997G07

Model life 2007>>2011

Pos	Part Number	Description	Remark	Qty	Model
(2)	997 612 649 05	Passenger's door F >>997S7 90076 Wiring harness Door panel	/RL	1	I099
(2)	997 612 648 07	Passenger's door F >>997S7 90076 Wiring harness Door panel	/LL -08	1	I098
(2)	997 612 648 10	Passenger's door F 997S7 90077>> Wiring harness Door panel	/LL 10-	1	I098
(2)	997 612 649 07	Passenger's door Wiring harness Door panel	/RL -08	1	I099
(2)	997 612 649 10	Passenger's door F 997S7 90077>> Wiring harness Door panel	/RL 10-	1	I099
-	477 971 951	Passenger's door When required order also: Protective tube		2	I384/385
3	997 612 652 75	Wiring harness Centre console		1	
4	997 612 651 00	Wiring harness Glove compartment		1	

Model: 997G07

Model life 2007>>2011



Model: 997G07 Model life 2007>>2011

Pos	Part Number	Description	Remark	Qty	Model
		Wiring harnesses Rear end Lid Rear License plate light Engine Repair kits Shock absorber Anti-lock brake system Brake pad wear indicator Rear axle			
1	997 612 904 00	Wiring harness Rear end Vehicle Ident. No. Indicate		1	
-	997 612 670 71	Wiring harness Lid Rear		1	
-	997 612 670 90	Wiring harness Lid Rear	10-	1	I004/006
2	997 612 660 00	Wiring harness License plate light	-08	1	
2	997 612 660 01	Wiring harness License plate light		1	
-	999 507 944 40	Fixing clip for Connection point POS.2		1	
3	997 607 014 92	Wiring harness Engine	-08	1	
3	997 607 014 93	Wiring harness Engine	10-	1	
-	999 702 324 40	Grommet Mass air flow meter		1	
4	997 607 141 00	Cable guide Cyl. 1 - 3		1	
5	997 607 151 00	Lid Cable guide Cyl. 1 - 3		1	
6	997 607 142 90	Cable guide Cyl. 4 - 6		1	
7	997 607 152 90	Lid Cable guide Cyl. 4 - 6		1	
(8)	997 610 131 00	Support Connection point Wiring harness Engine		1	
-	997 612 950 00	Repair kit Wiring harness Shock absorber Repair kit Wiring harness Anti-lock brake system Brake pad wear indicator Rear axle	/H	2	I475
-	997 612 967 00	Repair kit Wiring harness	/H /L	1	
-	997 612 966 00	Repair kit Wiring harness	/H /R	1	
-	999 507 960 02	When required order also: Cable holder		4	

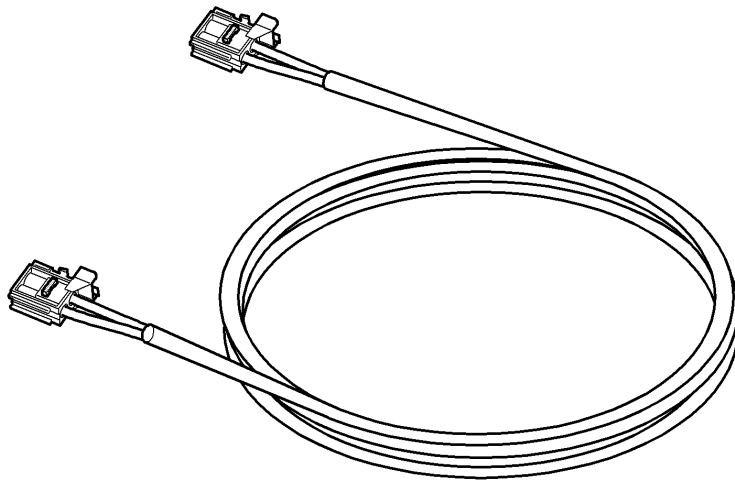
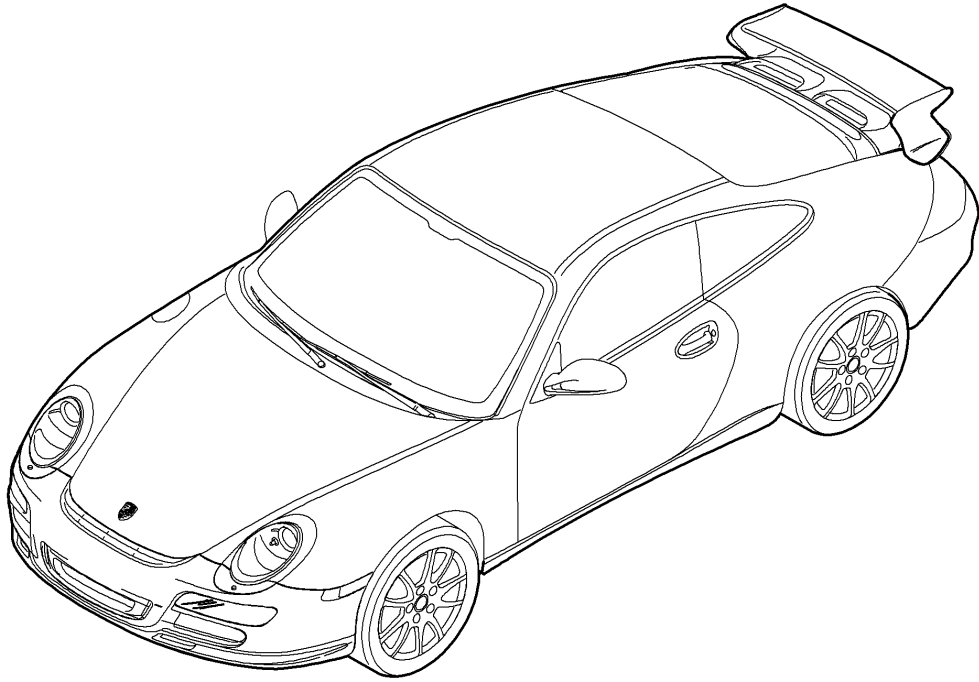
Model: 997G07

Model life 2007>>2011

Pos	Part Number	Description	Remark	Qty	Model
		Repair kit Wiring harness Front axle See illustrations 9/02/10			

Model: 997G07

Model life 2007>>2011

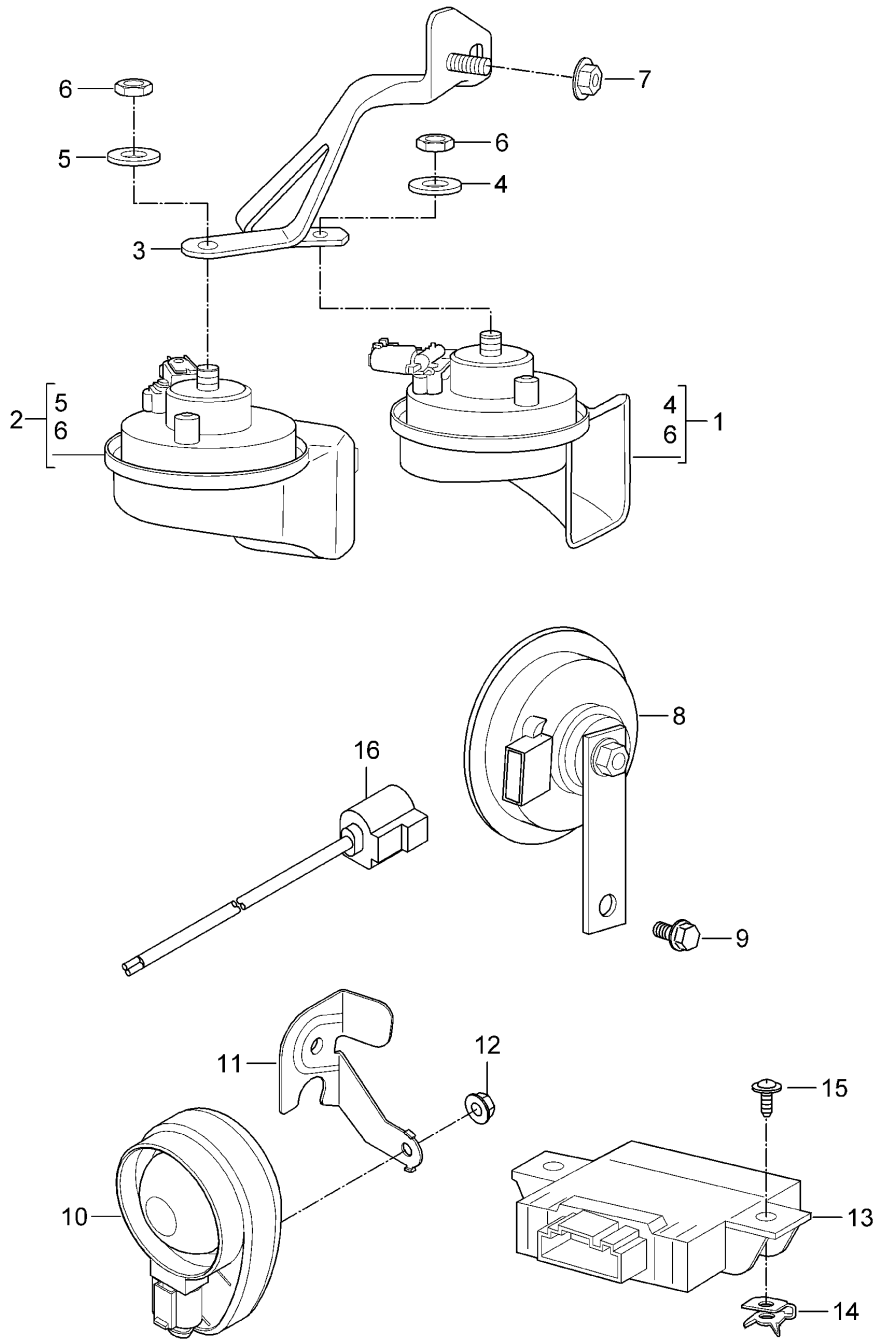


Model: 997G07 Model life 2007>>2011

Pos	Part Number	Description	Remark	Qty	Model
		Optical waveguide Module	-08		
-	997 622 701 00	Passenger compartment Optical waveguide Module	/LL	1	I098/670/672 I689
-	997 622 701 50	Optical waveguide Module	/RL	1	I099/670/672 I689
-	997 622 702 00	Optical waveguide Module	/LL	1	I098/666/689
-	997 622 702 50	Optical waveguide Module	/RL	1	I099/666/689
-	997 622 703 00	Optical waveguide Module	/LL	1	I098/666/670 I672
-	997 622 703 50	Optical waveguide Module	/RL	1	I099/666/670 I672
-	999 650 091 40	Plug bridge Optical waveguide Module		X	
-	997 610 122 00	FRONT luggage compartment Support Connection point		1	
-	997 622 723 00	FRONT luggage compartment Optical waveguide Module	/LL	1	I098/670/672
-	997 622 723 50	Optical waveguide Module	/RL	1	I099/670/672
-	997 622 722 00	Optical waveguide Module	/LL	1	I098/664/670 I672

Model: 997G07

Model life 2007>>2011



Model: 997G07 Model life 2007>>2011

Pos	Part Number	Description	Remark	Qty	Model
1	997 635 206 03	Fanfare Horn Alarm system		1	
1	997 635 206 04	Fanfare High-pitched		1	
1	997 635 216 00	Fanfare High-pitched see Technical information GR.9 NR.100/13		1	
-	997 612 947 00	KD-NR.9050 Cable Adapter see Technical information GR.9 NR.100/13 KD-NR.9050		1	
2	997 635 205 03	Fanfare Low-pitched		1	
2	997 635 205 04	Fanfare Low-pitched		1	
(2)	997 635 215 00	Fanfare Low-pitched see Technical information GR.9 NR.100/13 KD-NR.9050		1	
-	997 612 947 00	Cable Adapter see Technical information GR.9 NR.100/13 KD-NR.9050		1	
3	997 635 150 91	Support		1	
4		Washer High-pitched		1	
5		Washer Low-pitched		1	
6	900 034 001 03	Nut	07	2	
6	900 034 001 04	Nut M 8		2	
7	900 377 003 03	Hexagon nut M 8		1	
8	996 637 117 03	Horn for Alarm system		1	
8	996 637 117 05	Horn for Alarm system Replacement for 996.637.117.03 When required order also: 9P1.998.003.A		1	
9	900 075 459 01	Combination screw M 6 X 12 Z2		1	
10	955 618 237 01	Alarm siren		1	I536
11	997 637 419 01	Support		1	I536
12	900 380 015 01	Hexagon nut M 6		1	I536
13	997 618 265 00	Control unit		1	I521/536

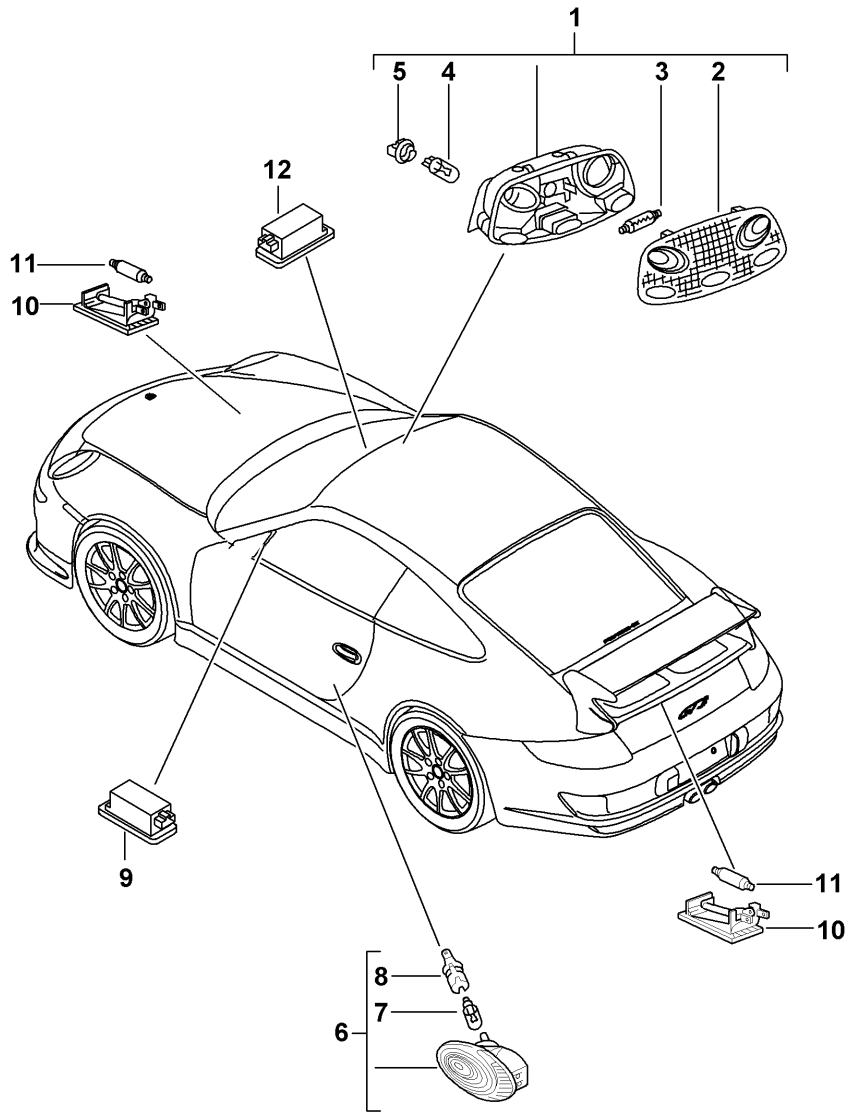
Model: 997G07

Model life 2007>>2011

Pos	Part Number	Description	Remark	Qty	Model
14	999 591 742 01	Tilt sensor Speed nut 4,2		2	I521/536
15	999 073 155 09	Tapping screw 4,2 X 13		2	I521/536
16	9P1 998 003 A	Wiring harness Modification kit Horn		1	

Model: 997G07

Model life 2007>>2011



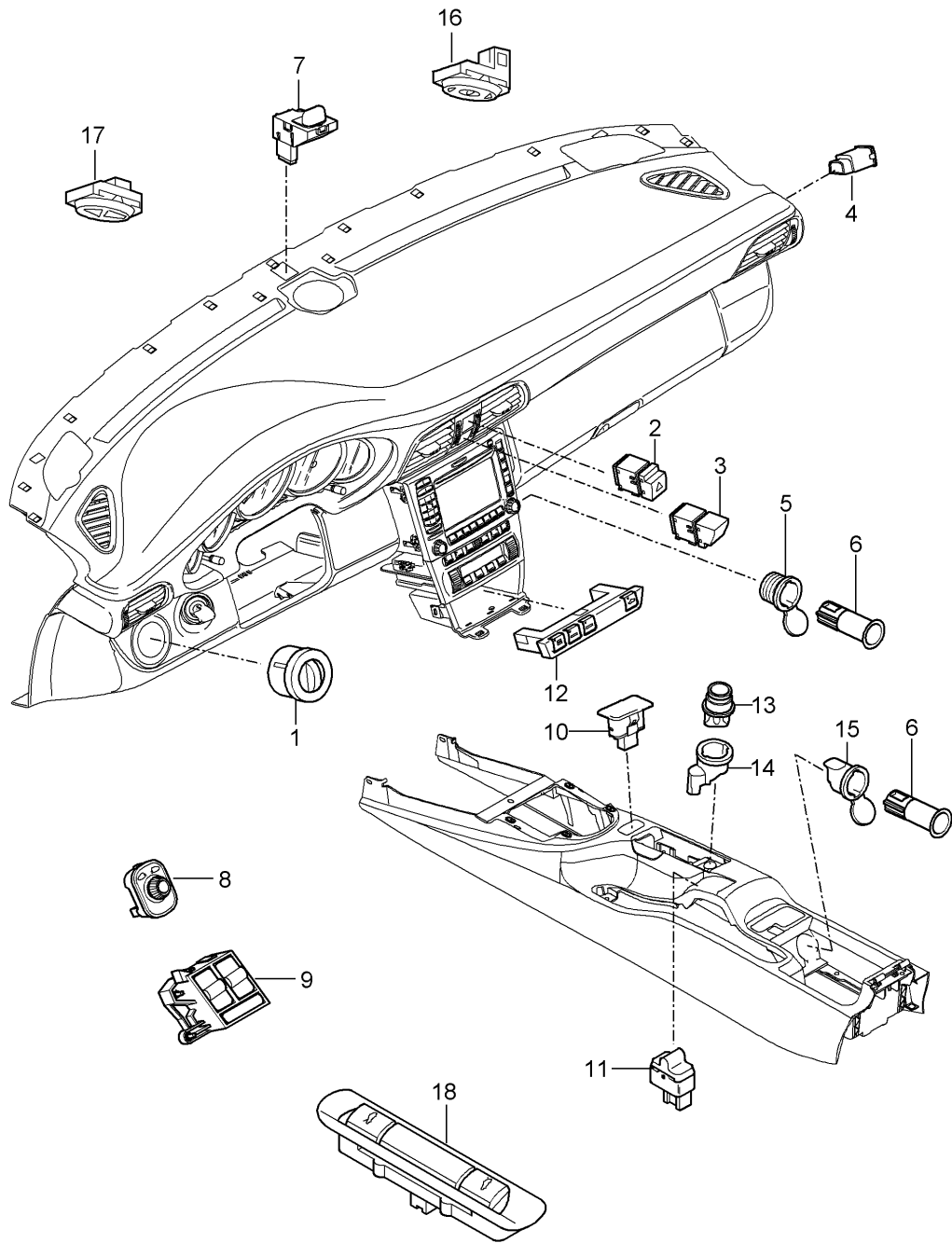
Model: 997G07

Model life 2007>>2011

Pos	Part Number	Description	Remark	Qty	Model
		Interior lights			
		Luggage compartment lamp			
		Engine compartment lamp			
		Glove compartment light			
		Footwell light			
1	997 632 051 00	Interior light		1	
2	996 632 151 00	Lens		1	
3	900 631 106 90	Linolite lamp		1	
		10 W			
4	999 631 134 90	Bulb		2	
		6 W			
5	999 632 018 00	Bulb socket		2	
6	996 632 132 01	Door guard light		2	
7	999 631 032 90	Bulb		2	
		5 W			
8	161 949 111	Bulb socket		2	
9	955 632 202 00	Light		2	
		Footwell			
10	997 632 201 00	Light		2	
		Engine compartment			
		Luggage compartment			
11	900 631 106 90	Linolite lamp		2	
		10 W			
12	997 632 071 00	Glove compartment light		1	
-	999 631 147 90	Bulb		4	
		3 W			
		Vanity mirror			

Model: 997G07

Model life 2007>>2011



Model: 997G07 Model life 2007>>2011

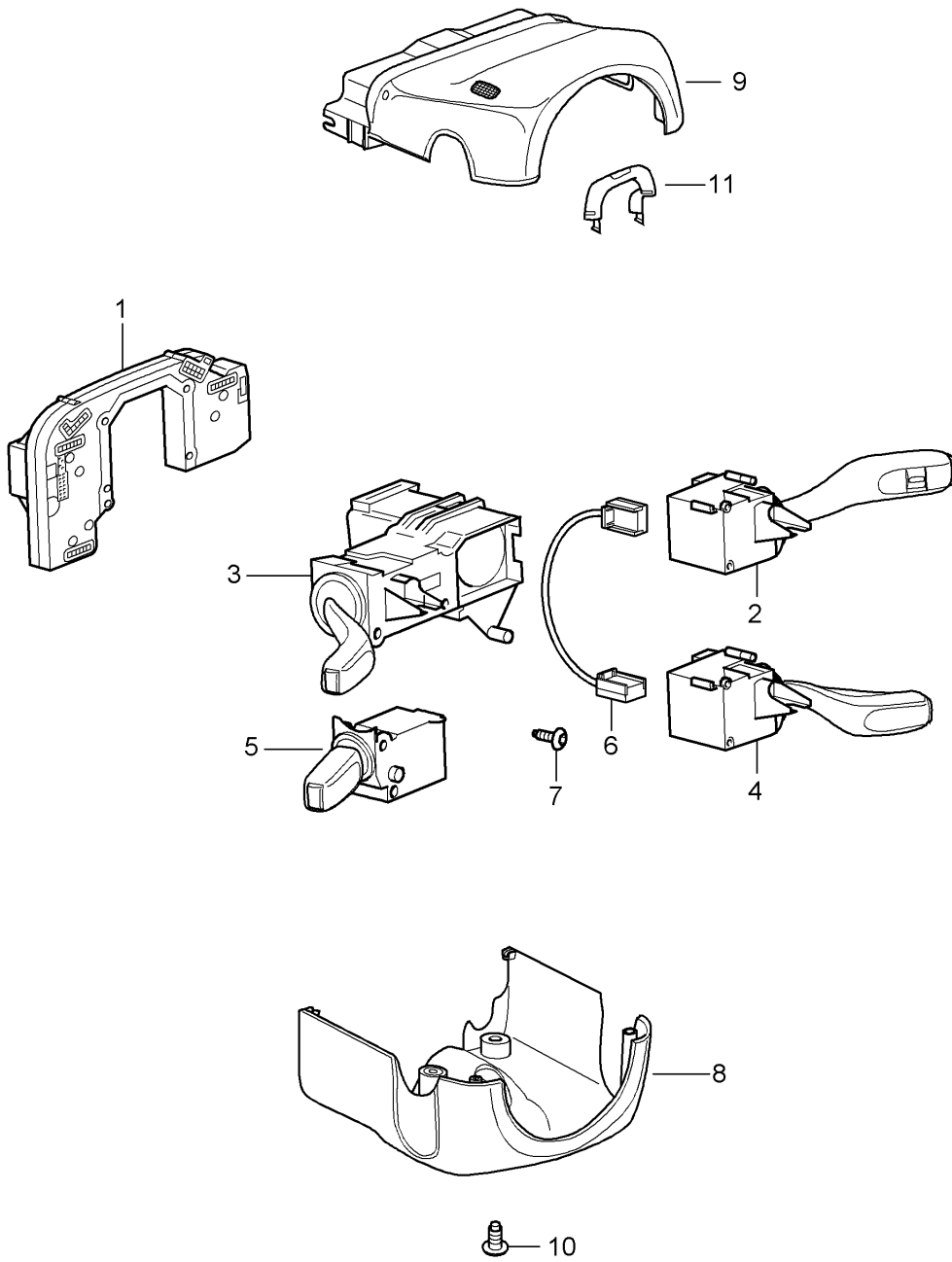
Pos	Part Number	Description	Remark	Qty	Model
1	997 613 535 01	Switch Light switch	-08	1	
(1)	997 613 535 01 A05	Black mat			
	997 613 525 00	Light switch	10-	1	
	997 613 525 00 A05	Black mat			
2	997 613 120 02	Hazard warning light sw.		1	
	997 613 120 02 A05	Black mat			
2	997 613 120 03	Hazard warning light sw.		1	
	997 613 120 03 A05	Black mat			
3	997 613 143 00	Switch Central locking system		1	
	997 613 143 00 A05	Black mat			
4	955 613 165 02	Switch Airbag		1	
	955 613 165 02 9B9	Satin black			
5	997 652 103 00	Clamping ring with Lid		1	
6	955 652 107 00	Plug socket		2	
7	997 653 251 00	Sensor Air conditioner		1	I573
8	997 613 241 01	Switch Door mirror		1	
	997 613 241 01 A05	Black mat			
9	997 613 151 05	Switch Power windows Driver's side	/LL -08	1	I098
	997 613 151 05 A05	Black mat			
9	997 613 151 05	Switch Power windows Driver's side	/LL 10-	1	I098
	997 613 151 05 A05	Black mat			
(9)	997 613 152 04	Switch Power windows Driver's side	/RL 07	1	I099
	997 613 152 04 A05	Black mat			
(9)	997 613 152 05	Switch Power windows Driver's side	/RL	1	I099
	997 613 152 05 A05	Black mat			
(9)	997 613 156 04	Switch Power windows Passenger's side	/LL -08	1	I098
	997 613 156 04 A05	Black mat			
(9)	997 613 156 05	Switch Power windows Passenger's side	/LL -08	1	I098
	997 613 156 05 A05	Black mat			
(9)	997 613 156 04	Switch Power windows Passenger's side	/LL 10-	1	I098
	997 613 156 04 A05	Black mat			
(9)	997 613 156 05	Switch Power windows Passenger's side	/LL 10-	1	I098
	997 613 156 05 A05	Black mat			
(9)	997 613 155 04	Switch Power windows Passenger's side	/RL -07	1	I099
	997 613 155 04 A05	Black mat			
(9)	997 613 155 05	Switch Power windows Passenger's side	/RL 08-	1	I099

Model: 997G07 Model life 2007>>2011

Pos	Part Number	Description	Remark	Qty	Model
10	997 613 155 05 A05	Black mat			
	997 641 165 01	Indicator light		1	
		Airbag			
(11)	997 641 165 01 A05	Black mat			
		Cover			
		See illustrations			
		8/09/20 POS.6			
12	997 613 127 00	Combined switch	-08	1	I475
	997 613 127 00 FMH	Volcano Grey/Black Mat			
(12)	997 613 541 80	Combined switch	10-11	1	I475
	997 613 541 80 A05	Black mat			
(12)	997 613 541 81	Combined switch		1	I006/475
	997 613 541 81 A05	Black mat			
(12)	997 613 537 81	Combined switch	10-11	1	I474/475
	997 613 537 81 A05	Black mat			
(12)	997 613 537 82	Combined switch		1	I006/474/475
	997 613 537 82 A05	Black mat			
13	997 652 101 00	Cigarette lighter		1	
	997 652 101 00 A05	Black mat			
14	997 652 102 00	Headlight unit		1	
15	997 652 104 00	Clamping ring		1	
		with			
		Lid			
16	997 613 147 00	Switch		1	I650
		Sunroof			
	997 613 147 00 A05	Black mat			
16	997 613 147 01	Switch		1	I650
		Sunroof			
	997 613 147 01 A05	Black mat			
17	997 613 225 02	Switch	/L 10-	1	I607/608
		Garage door opener			
	997 613 225 02 A05	Black mat			
(17)	997 613 227 01	Switch	/R 10-	1	I607/608
		Garage door opener			
	997 613 227 01 A05	Black mat			
(17)	997 613 227 02	Switch	/R 10-	1	I607/608
		Garage door opener			
	997 613 227 02 A05	Black mat			
(17)	997 613 235 00	Cover		2	
	997 613 235 00 01C	Satin black			
18	997 613 105 02	Switch		1	
		Lid			
		Front and rear			
	997 613 105 02 A05	Black mat			

Model: 997G07

Model life 2007>>2011



Model: 997G07 Model life 2007>>2011

Pos	Part Number	Description	Remark	Qty	Model
		Steering column switch			
1	997 613 297 02	Electronic unit	-08	1	
1	997 613 297 03	Electronic unit	-08	1	
1	997 613 289 01	Electronic unit	10-	1	
2	997 613 251 00	Wiper switch		1	
	997 613 251 00 01C	Satin black			
(2)	997 613 253 00	Wiper switch		1	I288
	997 613 253 00 01C	Satin black			
3	997 613 245 00	Direction indicator switch		1	
	997 613 245 00 01C	Satin black			
4	997 613 261 00	Switch		1	I454
		Cruise control			
	997 613 261 00 01C	Satin black			
5	997 613 265 00	Switch		1	I659
		On-board computer			
	997 613 265 00 01C	Satin black			
(5)	997 613 267 00	Switch	10-	1	I659/671
		On-board computer			
	997 613 267 00 01C	Satin black			
6	997 622 674 00	Wiring harness		1	I454
		Cruise control			
7	N 909 068 01	Torx screw		X	
		M 2,5 X 2,6 X 43,5-D			
8	997 552 475 02	Switch housing		1	
		Lower			
	997 552 475 02 A03	Black			
(8)	997 552 475 03	Switch housing		1	I454
		Lower			
	997 552 475 03 A03	Black			
8	997 552 979 00	Switch housing	10-	1	IXNS
		Lower			
		Leather			
	997 552 979 00 A11	Black			
	997 552 979 00 D12	Dark grey/natural			
(8)	997 552 979 01	Switch housing	10-	1	IXNS/454
		Lower			
		Leather			
	997 552 979 01 A11	Black			
	997 552 979 01 D12	Dark grey/natural			
9	997 552 273 02	Switch housing		1	
		Upper			
	997 552 273 02 A03	Black			
9	997 552 997 00	Switch housing	10-	1	IXNS
		Upper			
		Leather			
	997 552 997 00 A11	Black			
	997 552 997 00 D12	Dark grey/natural			
10	999 919 136 01	Oval-head screw		3	
		3,5 X 18			
11	997 610 206 00	Cable guide		1	

Model: 997G07

Model life 2007>>2011

Pos	Part Number	Description	Remark	Qty	Model
		Windscreen wiper system			
		Rain sensor			
1	997 624 105 01	Wiper motor	/LL	1	I098
(1)	997 624 106 01	Wiper motor	/RL	1	I099
2	997 628 235 01	Crank drive	/LL	1	I098
(2)	997 628 236 00	Crank drive	/RL 07	1	I099
(2)	997 628 236 01	Crank drive	/RL	1	I099
3	999 073 152 02	Torx screw M 6 X 18		3	
4	900 076 064 02	Hexagon nut M 8		3	
5	997 628 928 00	Repair kit		1	
		Comprising:			
-		Bearing sleeve		1	
-		Rubber bush		1	
-		Bearing sleeve		1	
-		Rubber bush		1	
-		Clamp		2	
6	999 075 075 01	Combination screw M 6 X 22 SC		3	
7	997 628 027 00	Wiper arm	/LL	1	I098
		Driver's side			
(7)	997 628 030 00	Wiper arm	/RL	1	I099
		Passenger's side			
8	997 628 029 00	Wiper arm	/LL	1	I098
		Passenger's side			
(8)	997 628 028 00	Wiper arm	/RL	1	I099
		Driver's side			
9	996 628 901 08	Wiper blade Set		1	
		Driver's side			
		Passenger's side			
10	944 628 305 01	Cap		2	
11	997 612 693 00	Rain sensor with Wiring harness		1	I268
(11)	997 612 694 00	Rain sensor with Wiring harness		1	I267/268
-	000 043 204 65	Adhesive film for Rain sensor		1	
(11)	997 612 695 00	Wiring harness with Light for cars without Rain sensor		1	

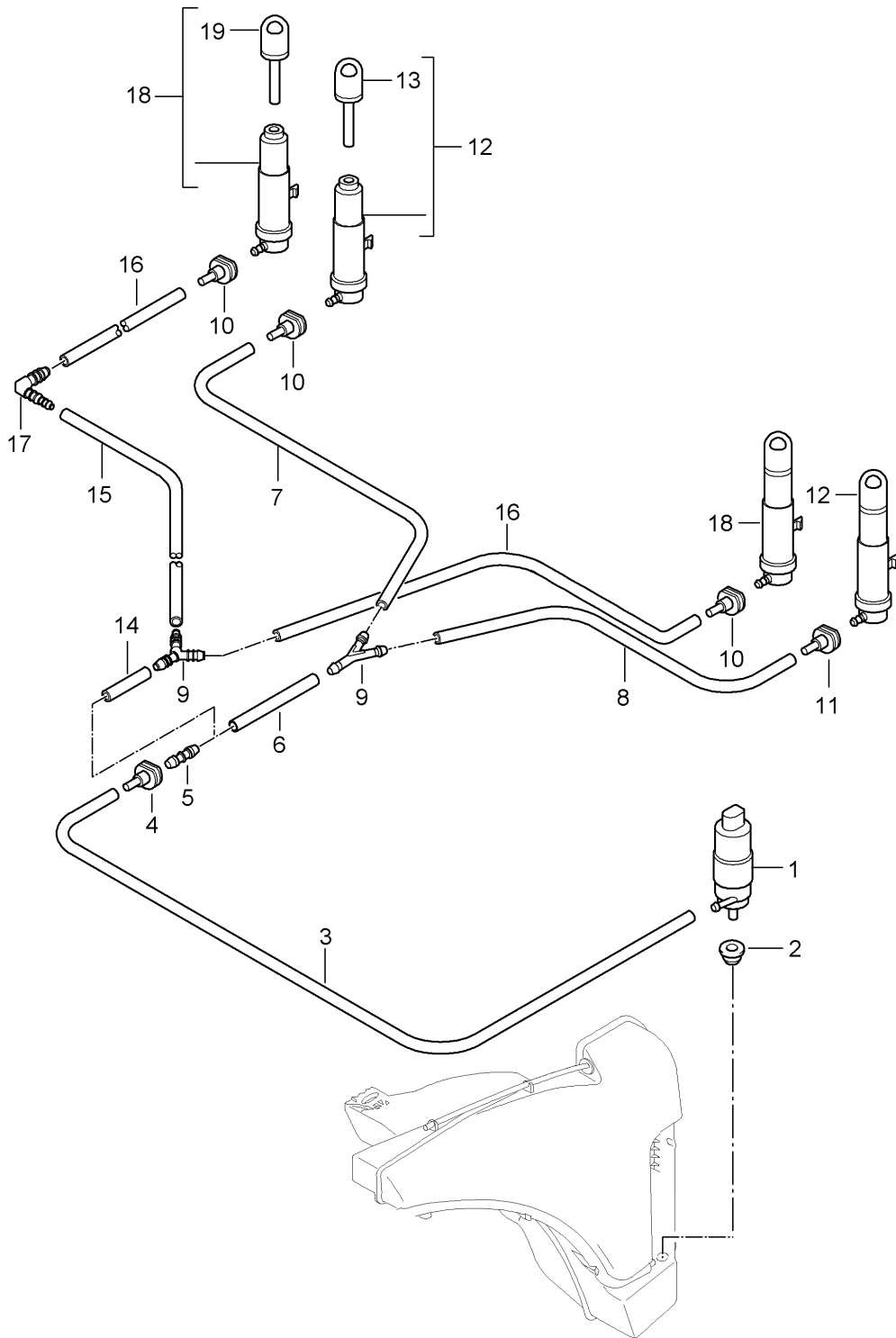
Model: 997G07

Model life 2007>>2011

Pos	Part Number	Description	Remark	Qty	Model
		Windscreen washer system			
1	997 528 701 01	Water reservoir		1	I288
(1)	997 528 701 00	Water reservoir		1	
2	996 528 711 00	Gasket		1	
3	997 528 605 00	Filler neck		1	
4	996 528 607 00	Lid		1	
5	997 528 621 00	Strainer		1	
6	996 528 615 01	Bracket		1	
-	999 137 091 40	Joining socket		X	
		Repair material for Bracket 996.528.615.01			
7	900 378 154 01	Hexagon-head bolt AM 8 X 35 SB		1	
8	999 702 221 40	Grommet		2	
9	997 628 182 00	Pump		1	
10	431 955 465 B	Sealing ring		2	
11	955 628 105 00	Tank gauge switch		1	
12	955 528 721 00	Gasket		1	
13	999 181 347 40	Breather pipe 273 MM		*	
-	999 181 815 40	Hose 5,0 X 2,5		*	
14		375 MM		1	
15		650 MM		1	
16		97 MM		1	
17		347 MM		1	
(18)	999 137 005 40	T-piece		1	
19	996 628 077 03	Nozzle	07	2	
19	997 628 077 00	Nozzle	08-	2	
20	999 901 017 42	Window cleaner 250 ML Summer		X	

Model: 997G07

Model life 2007>>2011



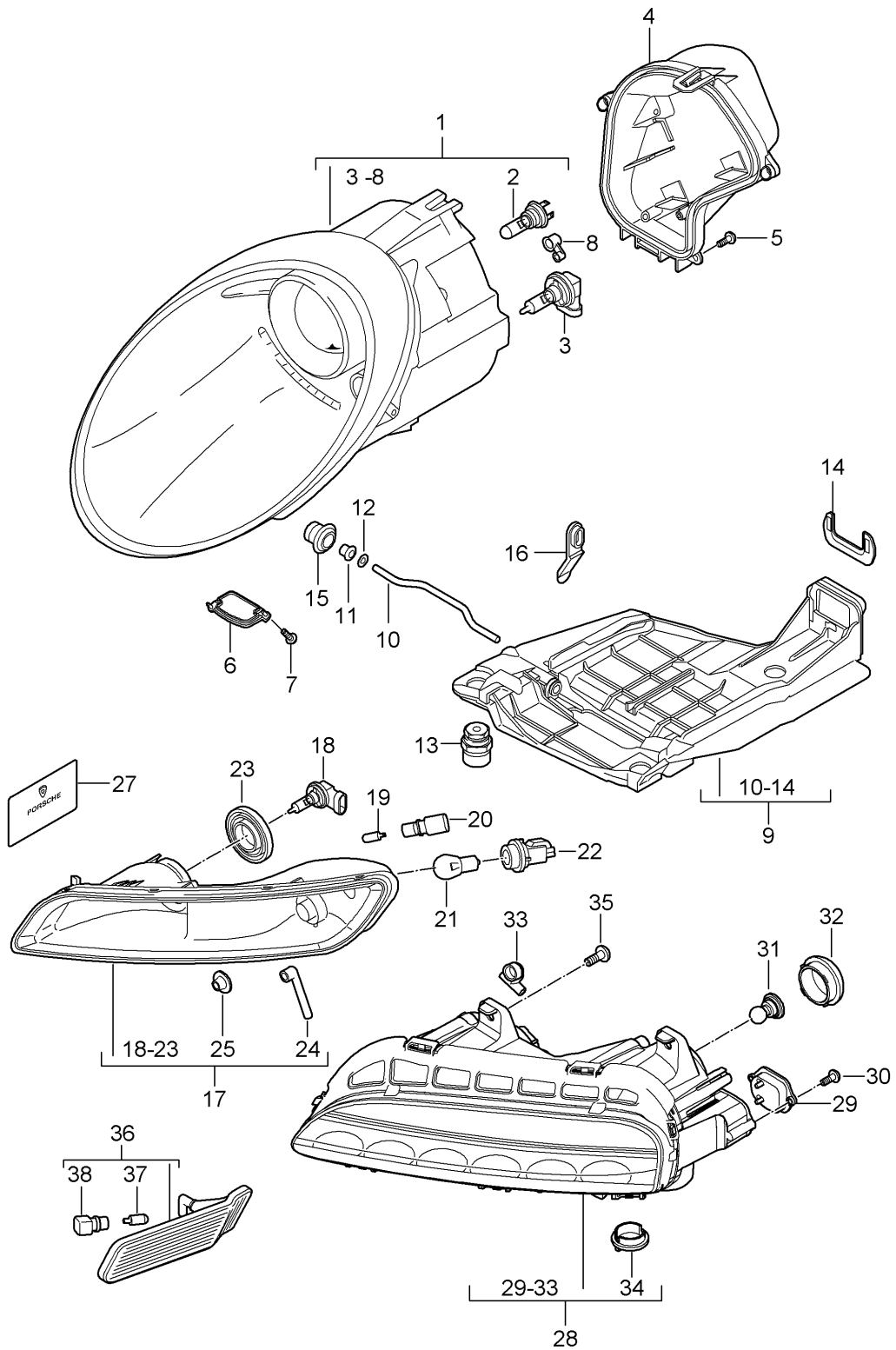
Model: 997G07

Model life 2007>>2011

Pos	Part Number	Description	Remark	Qty	Model
		Headlight washer system			I288
1	997 624 502 00	Pump		1	
2	928 628 193 00	Gasket		1	
-	000 043 204 79	Hose		*	
		8 X 3			
3		890 MM		1	
4	996 628 204 00	Clutch		1	
5	997 628 208 00	Hose connection		1	
-	999 181 760 40	Hose	-08	*	
		10 X 3			
6		440 MM	-08		
7		80 MM	-08		
8		1850 MM	-08		
9	999 137 093 40	Y-piece		1	
10	997 628 204 00	Clutch		X	
11	997 628 205 00	Clutch	-08	1	
12	997 628 133 01	Nozzle	-08	2	
13	997 628 231 00	Nozzle head	-08	2	
-	999 181 760 40	Hose	10-	*	
		10 X 3			
14		360 MM	10-		
15		2070 MM	10-		
16		135 MM	10-		
17	997 628 209 00	Angled pipe	10-	1	
18	997 628 163 01	Nozzle	10-	2	
19	997 628 263 00	Nozzle head	10-	2	
-	997 628 981 02	Cap	10-	2	IXUB
		Prime coated for POS 18 + 19			

Model: 997G07

Model life 2007>>2011



Model: 997G07

Model life 2007>>2011

Pos	Part Number	Description	Remark	Qty	Model
		Headlamp			
		Additional headlamp			
		Side marker light			
		Direction indicator light			
1	997 631 163 03	Headlamp	/L -08	1	
1		Headlamp	/L 10-	1	I600
(1)	997 631 164 03	Headlamp	/R -08	1	
(1)		Headlamp	/R 10-	1	I600
1	997 631 163 13	Headlamp	/L -08	1	I492
1		Headlamp	/L 10-	1	I492/600
(1)	997 631 164 13	Headlamp	/R -08	1	I492
(1)		Headlamp	/R 10-	1	I492/600
2	999 631 133 91	Halogen bulb H 7		2	
3	999 631 143 90	Halogen bulb H 9		2	
4	997 631 101 00	Protective cap	/L	1	
(4)	997 631 102 00	Protective cap	/R	1	
5	997 631 191 00	Screw		8	
6	997 631 149 00	Ventilation component	/L	1	
6	997 631 149 10	Ventilation component	/L	1	
(6)	997 631 150 00	Ventilation component	/R	1	
(6)	997 631 150 10	Ventilation component	/R	1	
7	997 631 153 00	Screw		4	
8	997 631 249 00	Ventilation component		2	
9	997 631 073 02	Mounting	/L	1	
(9)	997 631 074 02	Mounting	/R	1	
10	997 631 273 01	Clamping bow		2	
11	997 631 272 00	Bearing sleeve		2	
12	900 116 004 09	Lock washer		2	
13	997 631 194 00	Fastening part	-08	6	
13	997 631 194 02	Fastening part		6	
14	997 631 245 00	Locking device		2	
		Connector housing			
15	999 703 413 40	Stopper		2	
16	993 631 170 03	Stopper		4	
		Additional headlamp			
17	997 631 081 04	Additional headlamp	/L -08	1	
17	997 631 081 05	Additional headlamp	/L -08	1	
(17)	997 631 082 04	Additional headlamp	/R -08	1	
18	999 631 142 90	Halogen bulb H 8	-08	2	
19	999 631 033 90	Bulb 5 W Position light for Additional headlamp 997.631.081/082.01/02	-08	2	
19	999 631 040 90	Bulb 5 W Position light for Additional headlamp 997.631.081/082.03/04/05	-08	2	
20	997 631 137 00	Bulb socket Position light	-08	2	
21	900 631 021 90	Bulb 21 W Direction indicator light	-08	2	
22	997 631 139 00	Bulb socket Direction indicator light	-08	2	
23	997 631 145 00	Cap	-08	2	
24	997 631 147 00	Breather adapter	-08	2	

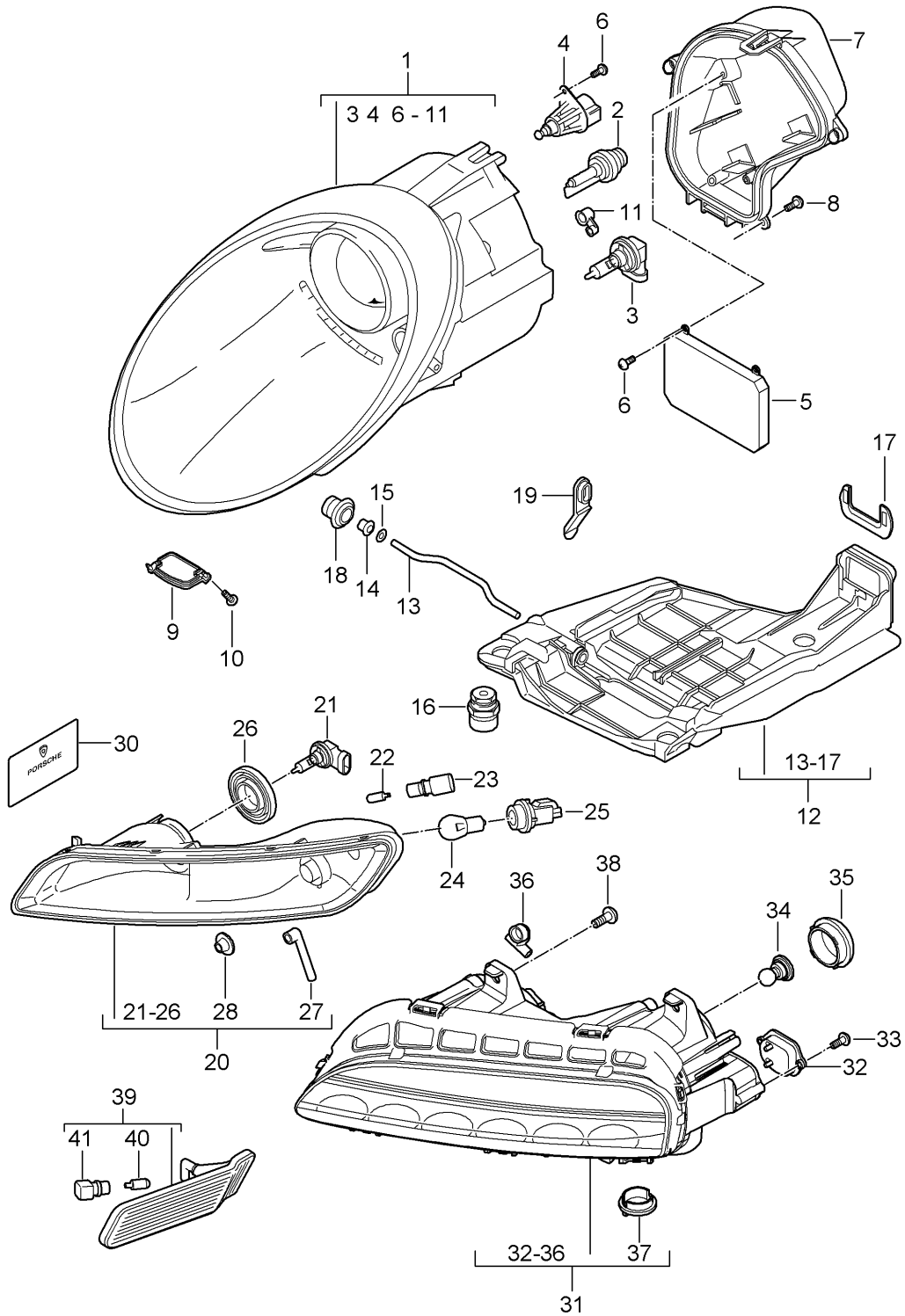
Model: 997G07

Model life 2007>>2011

Pos	Part Number	Description	Remark	Qty	Model
25	997 631 293 00	Cover	-08	4	
27	997 631 231 00	Card for Release Additional headlamp	-08	1	
28	997 631 083 01	Additional headlamp	/L 10-	1	
28	997 631 083 02	Additional headlamp	/L 10-	1	
(28)	997 631 084 01	Additional headlamp	/R 10-	1	
(28)	997 631 084 02	Additional headlamp	/R 10-	1	
29	997 631 241 00	LED module Position light	10-	2	
30	997 631 297 00	Screw	10-	4	
31	999 631 253 91	Bulb HP 24 W Direction indicator light	10-	4	
32	997 631 271 00	Cap Direction indicator light	10-	4	
33	997 631 247 00	Breather adapter	10-	2	
34	997 631 267 01	Ventilation component	10-	2	
35	999 919 246 01	Oval-head screw 6,0 X 18,0	10-	8	
36	997 631 033 02	Direction indicator light	/L	1	
36	997 631 033 90	Direction indicator light	/L 10-	1	I004
(36)	997 631 034 02	Direction indicator light	/R	1	
(36)	997 631 034 90	Direction indicator light	/R 10-	1	I004
37	999 631 138 90	Bulb 5 W Yellow		2	
38	997 631 133 00	Bulb socket		2	

Model: 997G07

Model life 2007>>2011



Model: 997G07

Model life 2007>>2011

Pos	Part Number	Description	Remark	Qty	Model
		Headlamp Additional headlamp Side marker light Direction indicator light Headlamp without Control unit And Bulb XENON			I601
1	997 631 157 03	Headlamp	/L	1	
(1)	997 631 158 03	Headlamp	/R	1	
1	997 631 157 13	Headlamp	/L	1	I492
(1)	997 631 158 13	Headlamp	/R	1	I492
2	999 631 036 90	Bulb - PHILIPS -		2	
3	999 631 144 91	Halogen bulb H 11		2	
4	997 631 141 00	Electric motor Headlight levelling system		2	
5	997 631 183 00	Control unit		2	
6	997 631 199 00	Screw		6	
7	997 631 101 00	Protective cap	/L	1	
(7)	997 631 102 00	Protective cap	/R	1	
8	997 631 191 00	Screw		8	
9	997 631 149 00	Ventilation component	/L	1	
9	997 631 149 10	Ventilation component	/L	1	
(9)	997 631 150 00	Ventilation component	/R	1	
(9)	997 631 150 10	Ventilation component	/R	1	
10	997 631 153 00	Screw		4	
11	997 631 249 00	Ventilation component		2	
12	997 631 073 02	Mounting	/L	1	
(12)	997 631 074 02	Mounting	/R	1	
13	997 631 273 01	Clamping bow		2	
14	997 631 272 00	Bearing sleeve		2	
15	900 116 004 09	Lock washer		2	
16	997 631 194 00	Fastening part	-08	6	
16	997 631 194 02	Fastening part		6	
17	997 631 245 00	Locking device Connector housing		2	
18	999 703 413 40	Stopper		2	
19	993 631 170 03	Stopper		4	
20	997 631 081 04	Additional headlamp	/L -08	1	
20	997 631 081 05	Additional headlamp	/L -08	1	
20	997 631 082 04	Additional headlamp	/R -08	1	
21	999 631 142 90	Halogen bulb H 8	-08	2	
22	999 631 033 90	Bulb 5 W Position light for	-08	2	
22	999 631 040 90	Additional headlamp 997.631.081/082.01/02 Bulb 5 W Position light for	-08	2	
23	997 631 137 00	Additional headlamp 997.631.081/082.03/04/05 Bulb socket Position light	-08	2	
24	900 631 021 90	Bulb	-08	2	

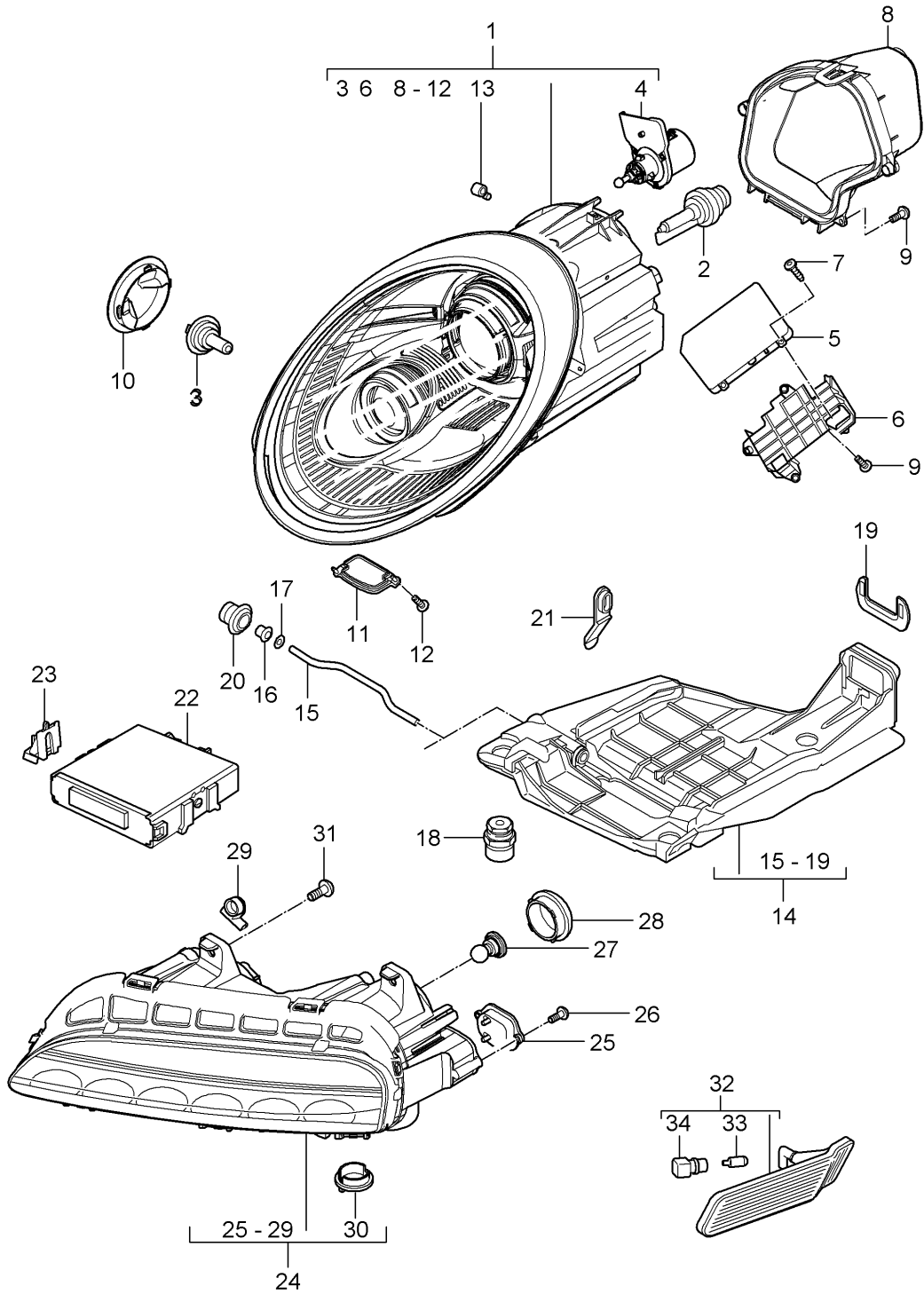
Model: 997G07

Model life 2007>>2011

Pos	Part Number	Description	Remark	Qty	Model
25	997 631 139 00	21 W Direction indicator light Bulb socket	-08	2	
26	997 631 145 00	Direction indicator light Cap	-08	2	
27	997 631 147 00	Breather adapter	-08	2	
28	997 631 293 00	Cover	-08	4	
30	997 631 231 00	Card for Release	-08	1	
31	997 631 083 01	Additional headlamp	/L 10-	1	
31	997 631 083 02	Additional headlamp	/L 10-	1	
31	997 631 084 01	Additional headlamp	/R 10-	1	
31	997 631 084 02	Additional headlamp	/R 10-	1	
32	997 631 241 00	LED module Position light	10-	2	
33	997 631 297 00	Screw	10-	4	
34	999 631 253 91	Bulb HP 24 W	10-	4	
35	997 631 271 00	Direction indicator light Cap	10-	4	
36	997 631 247 00	Direction indicator light Breather adapter	10-	2	
37	997 631 267 01	Ventilation component	10-	2	
38	999 919 246 01	Oval-head screw 6,0 X 18,0	10-	4	
39	997 631 033 02	Direction indicator light	/L	1	
39	997 631 033 90	Direction indicator light	/L 10-	1	I004
(39)	997 631 034 02	Direction indicator light	/R	1	
(39)	997 631 034 90	Direction indicator light	/R 10-	1	I004
40	999 631 138 90	Bulb 5 W Yellow		2	
41	997 631 133 00	Bulb socket		2	

Model: 997G07

Model life 2007>>2011



Model: 997G07

Model life 2007>>2011

Pos	Part Number	Description	Remark	Qty	Model
		Headlamp	10-		I603
		Additional headlamp			
		Side marker light			
		Direction indicator light			
		Headlamp			
		without			
		Control unit			
		And			
		Bulb			
		XENON			
1	997 631 169 01	Headlamp	/L	1	
(1)	997 631 170 01	Headlamp	/R	1	
1	997 631 169 11	Headlamp	/L	1	I492
(1)	997 631 170 11	Headlamp	/R	1	I492
2	999 631 036 90	Bulb		2	
		- PHILIPS -			
3	999 631 133 91	Halogen bulb		2	
		H 7			
4	997 631 227 01	Electric motor	/L	1	
		Headlight levelling system			
(4)	997 631 228 01	Electric motor	/R	1	
		Headlight levelling system			
5	997 631 283 01	Control unit		2	
6	997 631 223 00	Support	/L	1	
(6)	997 631 224 00	Support	/R	1	
7	997 631 199 00	Screw		4	
8	997 631 201 00	Protective cap	/L	1	
(8)	997 631 202 00	Protective cap	/R	1	
9	997 631 191 00	Screw		14	
10	997 631 211 00	Protective cap		2	
		High beam			
11	997 631 149 00	Ventilation component	/L	1	
11	997 631 149 10	Ventilation component	/L	1	
(11)	997 631 150 00	Ventilation component	/R	1	
(11)	997 631 150 10	Ventilation component	/R	1	
12	997 631 153 00	Screw		4	
13	997 631 249 00	Ventilation component		2	
14	997 631 073 02	Mounting	/L	1	
(14)	997 631 074 02	Mounting	/R	1	
15	997 631 273 01	Clamping bow		2	
16	997 631 272 00	Bearing sleeve		2	
17	900 116 004 09	Lock washer		2	
18	997 631 194 02	Fastening part		6	
19	997 631 245 00	Locking device		2	
		Connector housing			
20	999 703 413 40	Stopper		2	
21	993 631 170 03	Stopper		6	
22	997 618 321 02	Control unit		1	
		Dynamic cornering light			
23	997 618 331 00	Support		2	
		Additional headlamp			
24	997 631 083 01	Additional headlamp	/L	1	
24	997 631 083 02	Additional headlamp	/L	1	
(24)	997 631 084 01	Additional headlamp	/R	1	
(24)	997 631 084 02	Additional headlamp	/R	1	
25	997 631 241 00	LED module		2	
		Position light			
26	997 631 297 00	Screw		4	
27	999 631 253 91	Bulb		4	
		HP 24 W			
		Direction indicator light			
28	997 631 271 00	Cap		4	
		Direction indicator light			

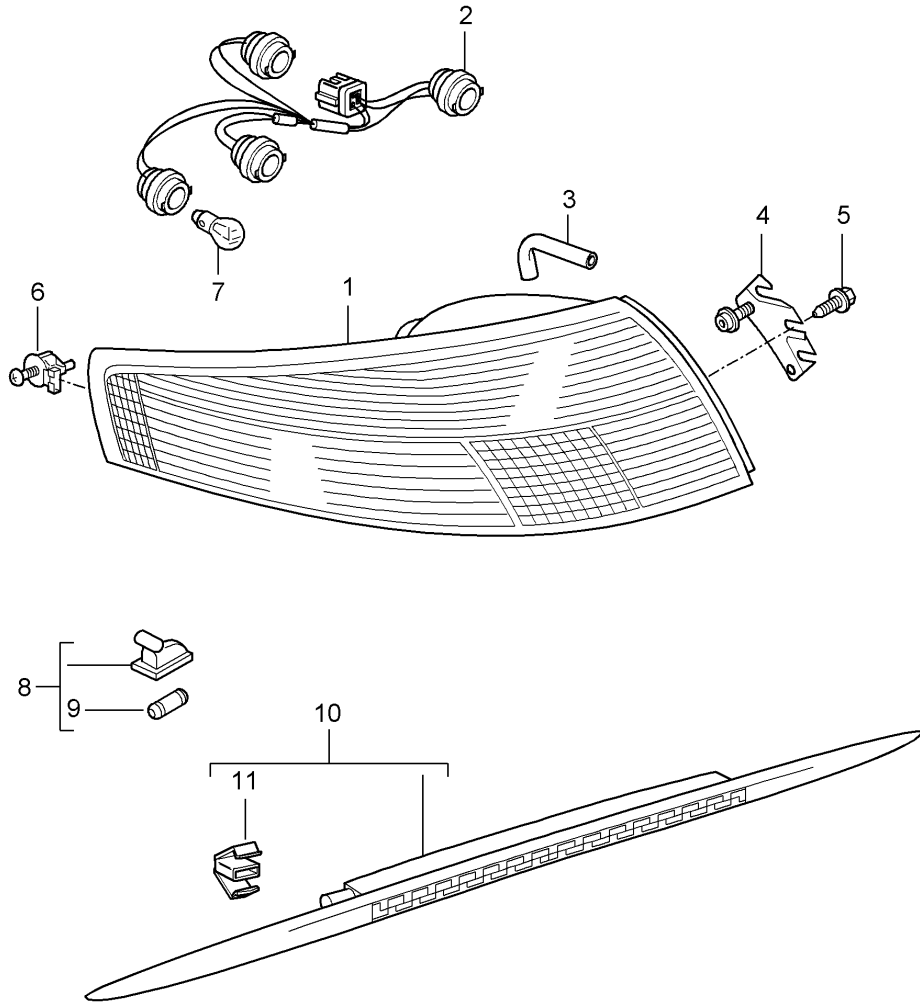
Model: 997G07

Model life 2007>>2011

Pos	Part Number	Description	Remark	Qty	Model
29	997 631 247 00	Breather adapter		2	
30	997 631 267 01	Ventilation component		2	
31	999 919 246 01	Oval-head screw 6,0 X 18,0		8	
32	997 631 033 02	Direction indicator light	/L	1	
32	997 631 033 90	Direction indicator light	/L	1	I004
(32)	997 631 034 02	Direction indicator light	/R	1	
(32)	997 631 034 90	Direction indicator light	/R	1	I004
33	999 631 138 90	Bulb 5 W Yellow		2	
34	997 631 133 00	Bulb socket		2	

Model: 997G07

Model life 2007>>2011



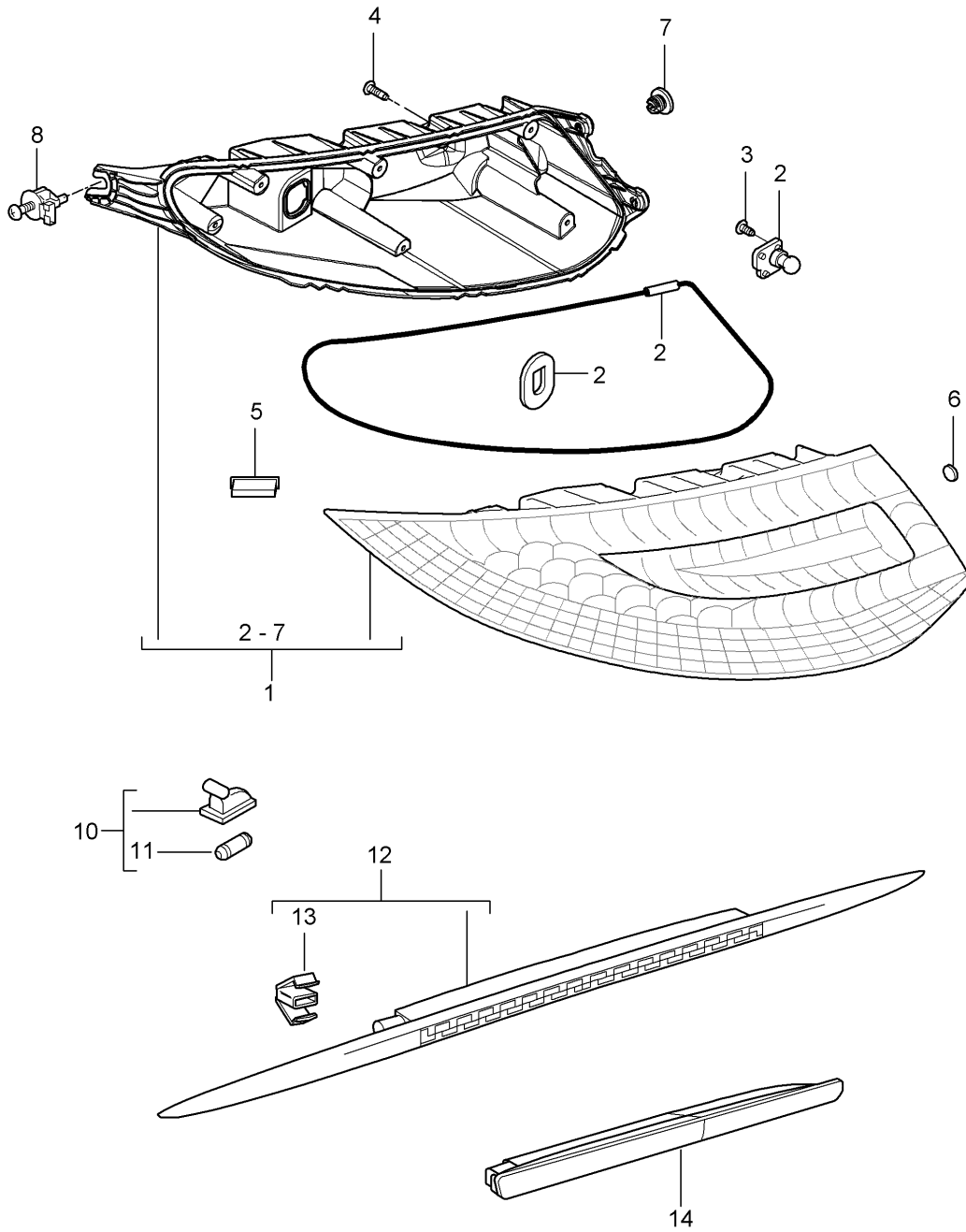
Model: 997G07

Model life 2007>>2011

Pos	Part Number	Description	Remark	Qty	Model
		Rear light	-08		
		License plate light			
		Additional brake light			
1	997 631 485 03	Tail light housing	/L	1	
(1)	997 631 486 03	Tail light housing	/R	1	
(1)	997 631 981 00	Rear light	/L 08	1	IXXF
		Complete			
(1)	997 631 982 00	Rear light	/R 08	1	IXXF
		Complete			
2	997 631 436 00	Wiring harness		2	
3	997 631 451 00	Breather adapter		4	
4	997 631 463 01	Support	/L	1	
(4)	997 631 464 01	Support	/R	1	
5	900 146 075 09	Screw		2	
		M 6 X 12			
6	997 631 471 00	Mounting		2	
7	900 631 018 90	Bulb		1	
		21 W			
		White			
		Back-up light			
7	900 631 021 90	Bulb		1	
		21 W			
		Yellow			
		Direction indicator light			
(7)	900 631 022 90	Bulb		1	
		21/5 W			
		Tail light			
7	900 631 017 90	Bulb		1	
		21/4 W			
		Rear fog light			
		Tail light			
7	900 631 017 91	Bulb		1	
		21/4 W			
		Brake light			
		Tail light			
8	997 631 620 01	License plate light		2	
8	997 631 620 02	License plate light		2	
9	900 631 025 90	Bulb		2	
		12V 5W			
10	997 631 050 04	Additional brake light		1	
11	997 631 203 00	Clip		6	

Model: 997G07

Model life 2007>>2011



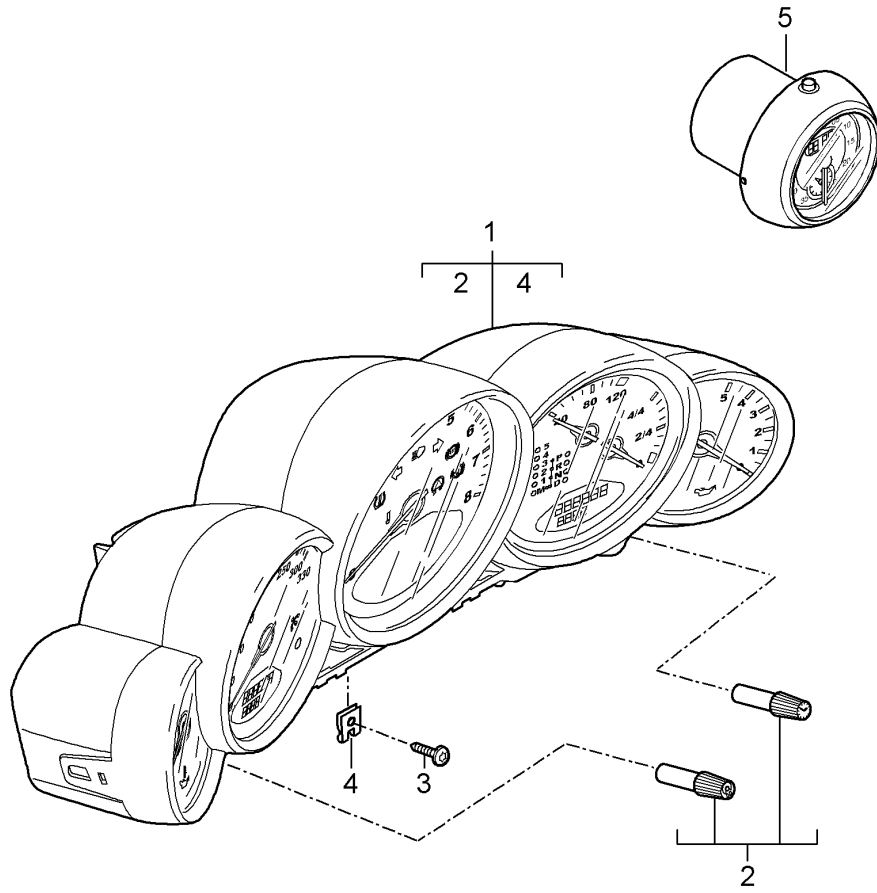
Model: 997G07

Model life 2007>>2011

Pos	Part Number	Description	Remark	Qty	Model
		Rear light	10-		
		License plate light			
		Additional brake light			
1	997 631 411 03	Rear light	/L	1	I465
1	997 631 411 04	Rear light	/L	1	I465
1	997 631 989 00	Rear light	/L	1	IXXG/465
1	997 631 989 01	Rear light	/L	1	IXXG/465
1	997 631 989 02	Rear light	/L	1	IXXG/465
(1)	997 631 412 03	Rear light	/R	1	I465
(1)	997 631 412 04	Rear light	/R	1	I465
(1)	997 631 990 00	Rear light	/R	1	IXXG/465
(1)	997 631 990 01	Rear light	/R	1	IXXG/465
(1)	997 631 990 02	Rear light	/R	1	IXXG/465
1	997 631 417 03	Rear light	/L	1	I466
1	997 631 417 04	Rear light	/L	1	I466
1	997 631 993 00	Rear light	/L	1	IXXG/466
1	997 631 993 01	Rear light	/L	1	IXXG/466
1	997 631 993 02	Rear light	/L	1	IXXG/466
(1)	997 631 418 03	Rear light	/R	1	I466
(1)	997 631 418 04	Rear light	/R	1	I466
(1)	997 631 994 00	Rear light	/R	1	IXXG/466
(1)	997 631 994 01	Rear light	/R	1	IXXG/466
(1)	997 631 994 02	Rear light	/R	1	IXXG/466
2	997 631 931 01	Repair kit		2	
		Bulb			
		Back-up light			
3	997 631 598 00	Screw		6	
4	997 631 497 00	Screw		14	
5	997 631 585 00	Buffer		2	
6	997 631 441 00	Ventilation component		4	
7	997 631 499 00	Screw		4	
8	997 631 471 00	Mounting		2	
10	997 631 620 01	License plate light		2	
10	997 631 620 02	License plate light		2	
11	900 631 025 90	Bulb		2	
		12V 5W			
12	997 631 050 04	Additional brake light		1	
13	997 631 203 00	Clip		6	
14	997 631 052 01	Additional brake light		1	
		in			
		Spoiler			

Model: 997G07

Model life 2007>>2011

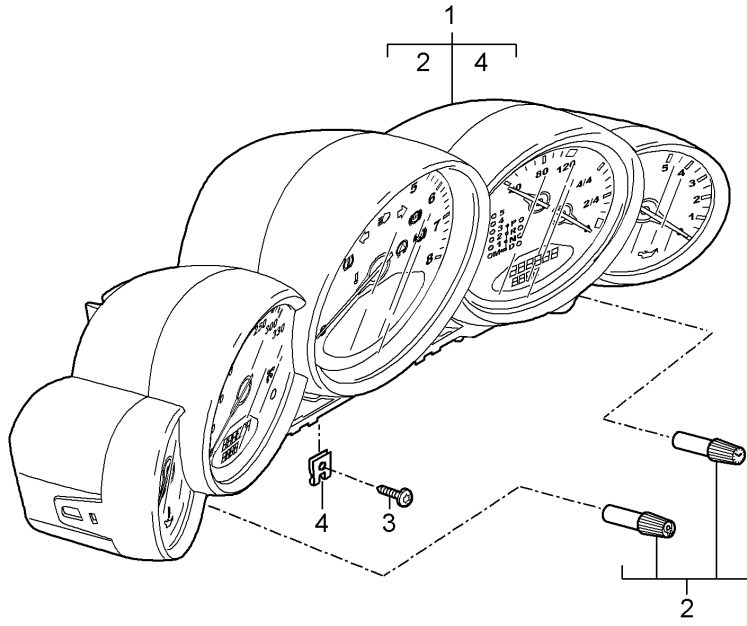


Model: 997G07 Model life 2007>>2011

Pos	Part Number	Description	Remark	Qty	Model
		Instruments Stopwatch See technical information GR. 9 NR. 5/09 KD - NR. 9025			
1	997 641 105 93	Instrument cluster Complete	-08	1	I022/480
	997 641 105 93 D07	Volcano grey			
1	997 641 105 94	Instrument cluster Complete	10-	1	I022/480
	997 641 105 94 D07	Volcano grey			
1	997 641 105 95	Instrument cluster Complete		1	I006/022/480
	997 641 105 95 D07	Volcano grey			
1	997 641 107 93	Instrument cluster Complete	(GB) -08	1	I022 I480
	997 641 107 93 D07	Volcano grey			
1	997 641 107 94	Instrument cluster Complete	(GB) 10-	1	I022 I480
	997 641 107 94 D07	Volcano grey			
1	997 641 107 95	Instrument cluster Complete	(GB)	1	I006/022/480
	997 641 107 95 D07	Volcano grey			
(2)	997 641 911 00	Knob Actuator Trip meter And Clock		1	
3	999 073 155 09	Tapping screw 4,2 X 19		2	
4	999 507 403 02	U-clamp Stopwatch		2	
5	997 641 301 94	Stopwatch	07	1	I639/640
	997 641 301 94 V05	Galvano silver			
5	997 641 301 95	Stopwatch	-08	1	I639/640
	997 641 301 95 V05	Galvano silver			
5	997 641 301 96	Stopwatch	10-	1	I639/640
	997 641 301 96 V05	Galvano silver			

Model: 997G07

Model life 2007>>2011

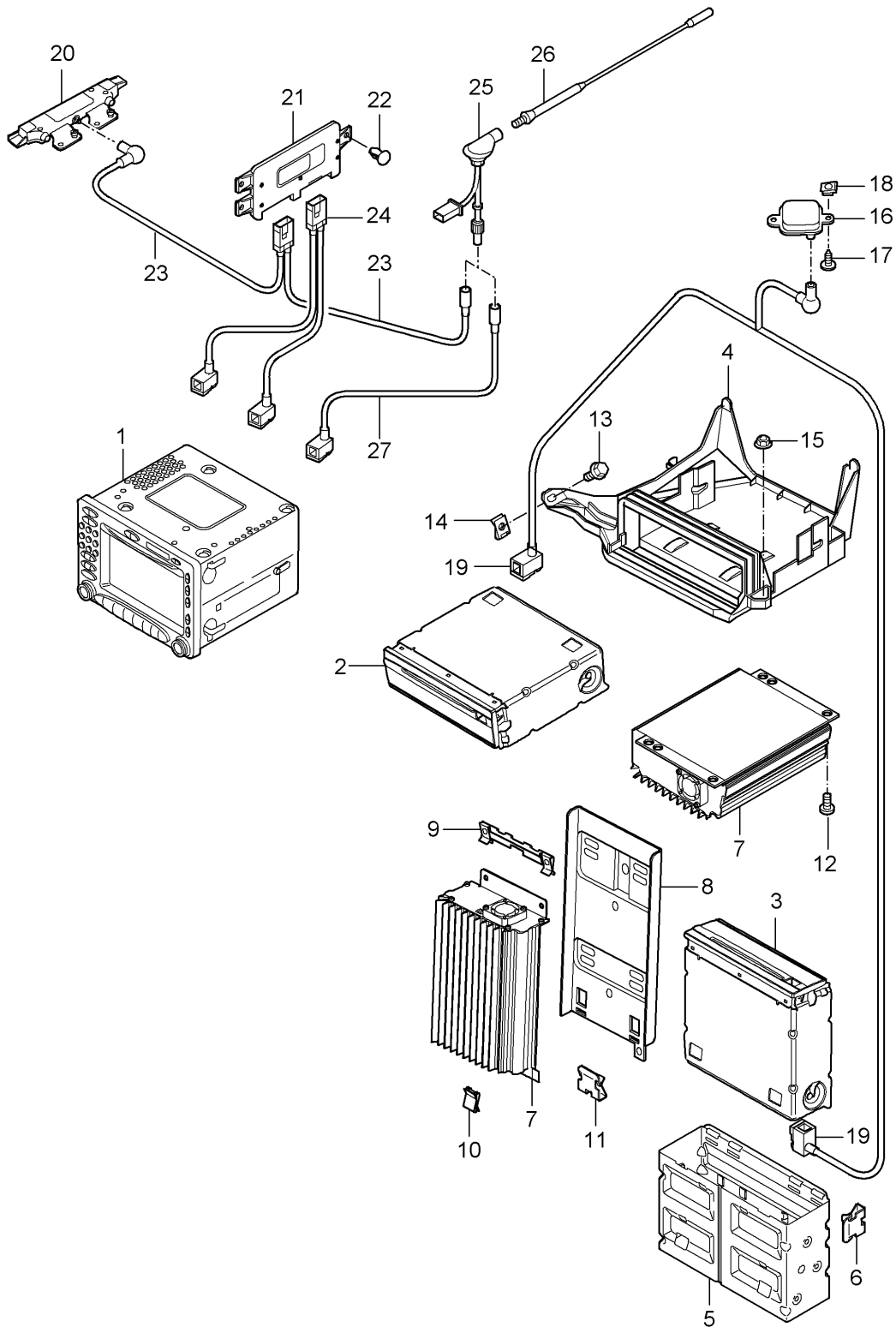


Model: 997G07 Model life 2007>>2011

Pos	Part Number	Description	Remark	Qty	Model
		Instruments Exclusive programme See technical information GR. 9 NR. 5/09 KD - NR. 9025			
1	997 641 990 15	Instrument cluster Complete Dial Lacquered	07	1	I480
	997 641 990 15 84A	Guards red			IXFG
1	997 641 990 25	Instrument cluster Complete Dial Lacquered	-08	1	I480
	997 641 990 25 84A	Guards red			IXFG
1	997 641 990 35	Instrument cluster Complete Dial Lacquered	10-	1	I480
	997 641 990 35 84A	Guards red			IXFG
	997 641 990 35 12H	Speed yellow			IXFH
	997 641 990 35 B9A	Carrara white			IXFJ
1	997 641 990 17	Instrument cluster Complete Dial Lacquered	(GB) 07	1	I480
	997 641 990 17 84A	Guards red			IXFG
1	997 641 990 27	Instrument cluster Complete Dial Lacquered	(GB) -08	1	I480
	997 641 990 27 84A	Guards red			IXFG
1	997 641 990 37	Instrument cluster Complete Dial Lacquered	(GB) 10-	1	I480
	997 641 990 37 84A	Guards red			IXFG
	997 641 990 37 12H	Speed yellow			IXFH
	997 641 990 37 B9A	Carrara white			IXFJ
2	997 641 911 00	Knob Actuator Trip meter And Clock		1	
3	999 073 155 09	Tapping screw 4,2 X 19		2	
4	999 507 403 02	U-clamp		2	

Model: 997G07

Model life 2007>>2011



Model: 997G07 Model life 2007>>2011

Pos	Part Number	Description	Remark	Qty	Model
		Radio Control part Navigation system Booster Radio See catalogue T E Q U I P M E N T	-08		
1	997 642 141 10	Control part		1	I665
	997 642 141 10 FMH	Volcano Grey/Black Mat			
-	997 642 201 00	Rotary knob	/L	1	
	997 642 201 00 A05	Black mat for Control part See technical information GR. 9 , NR. 6/04			
-	997 642 202 00	Rotary knob	/R	1	
	997 642 202 00 A05	Black mat for Control part See technical information GR. 9 , NR. 6/04			
-	997 642 941 00	Cover Drawer SIM card for Control part		1	
-	900 187 038 02	Tapping screw ST4,2 X 19 for Mount Radio And Control part		1	
2	997 642 157 01	Centre console DVD device	/LL	1	I098/670/672
3	997 642 159 01	Navigation system DVD device	/RL	1	I099/670/672
3		Navigation system DVD device		1	I664/670/672
-	997 642 255 05	Navigation system DVD	07	1	I610
-	997 642 255 06	Navigation system DVD	08	1	I610
-	997 642 259 04	Navigation system DVD	07	1	I611
-	997 642 259 05	Navigation system DVD	08	1	I611
-	997 642 261 04	Navigation system DVD	07	1	I612
-	997 642 261 05	Navigation system DVD	08	1	I612
-	997 642 263 04	Navigation system DVD	07	1	I613
-	997 642 263 05	Navigation system DVD	08	1	I613
-	997 642 265 05	Navigation system DVD	07	1	I614
-	997 642 265 06	Navigation system DVD	08	1	I614
-	997 642 267 04	Navigation system DVD	07	1	I616
-	997 642 267 05	Navigation system DVD	08	1	I616

Model: 997G07

Model life 2007>>2011

Pos	Part Number	Description	Remark	Qty	Model
4	997 645 351 00	Navigation system Support DVD device And Booster	/LL	1	I098/490/670 I672
5	997 642 231 00	Support DVD device		1	I664/670/672
(5)	997 642 335 00	Support DVD device	/RL	1	I099/670/672
6	997 645 342 01	U-clamp		4	I664/670/672
(7)	997 645 331 01	Booster		1	I490
8	997 645 341 01	Support		1	I490/664
9	997 645 340 00	Fastening clamp		1	I490/664
9		Fastening clamp	/RL	1	I099/490
10	999 507 532 01	U-clamp		2	I490/664
10		U-clamp	/RL	2	I099/490
11	997 645 342 01	U-clamp		4	I490/664
12	999 919 164 09	Oval-head screw 5,0 X 12,0	/LL	X	I098/490
13	900 378 179 09	Hexagon-head bolt M 6 X 16	/LL	1	I098/490/670 I672
14	999 507 766 02	Speed nut M 6	/LL	1	I098/490/670 I672
15	999 084 638 01	Hexagon nut M 6	/LL	1	I098/490/670 I672
16	997 642 105 00	Antenna GPS		1	I670/672
17	999 073 210 00	Tapping screw 4,8 X 13		1	I670/672
18	999 507 441 01	Speed nut 4,8		1	I670/672
19	997 612 060 25	Connecting line Antenna DVD device Navigation system		1	I670/672
20	997 647 117 00	Antenna booster	/L	1	I440
(20)	997 647 118 00	Antenna booster	/R	1	I440
21	997 647 124 00	Control unit		1	I440
22	999 591 904 40	Fastening part		2	I440
23	997 612 069 00	Connecting line Antenna booster Control unit	/LL	1	I098/461/665
23	997 612 069 50	Connecting line Antenna booster Control unit	/RL	1	I099/461/665
(23)	997 612 055 00	Connecting line Antenna booster Control unit	/LL	1	I098/665
(23)	997 612 056 00	Connecting line Antenna booster Control unit	/RL	1	I099/665
(23)	997 612 062 50	Connecting line Antenna booster Control unit		1	I694
24	997 612 058 00	Connecting line Control unit Control part		1	I665
(24)	997 612 052 00	Connecting line Control unit Radio		1	I694
25	997 647 231 00	Antenna base		1	I461
26	997 647 233 00	Antenna rod		1	I461
27	997 612 070 00	Connecting line		1	I461/694

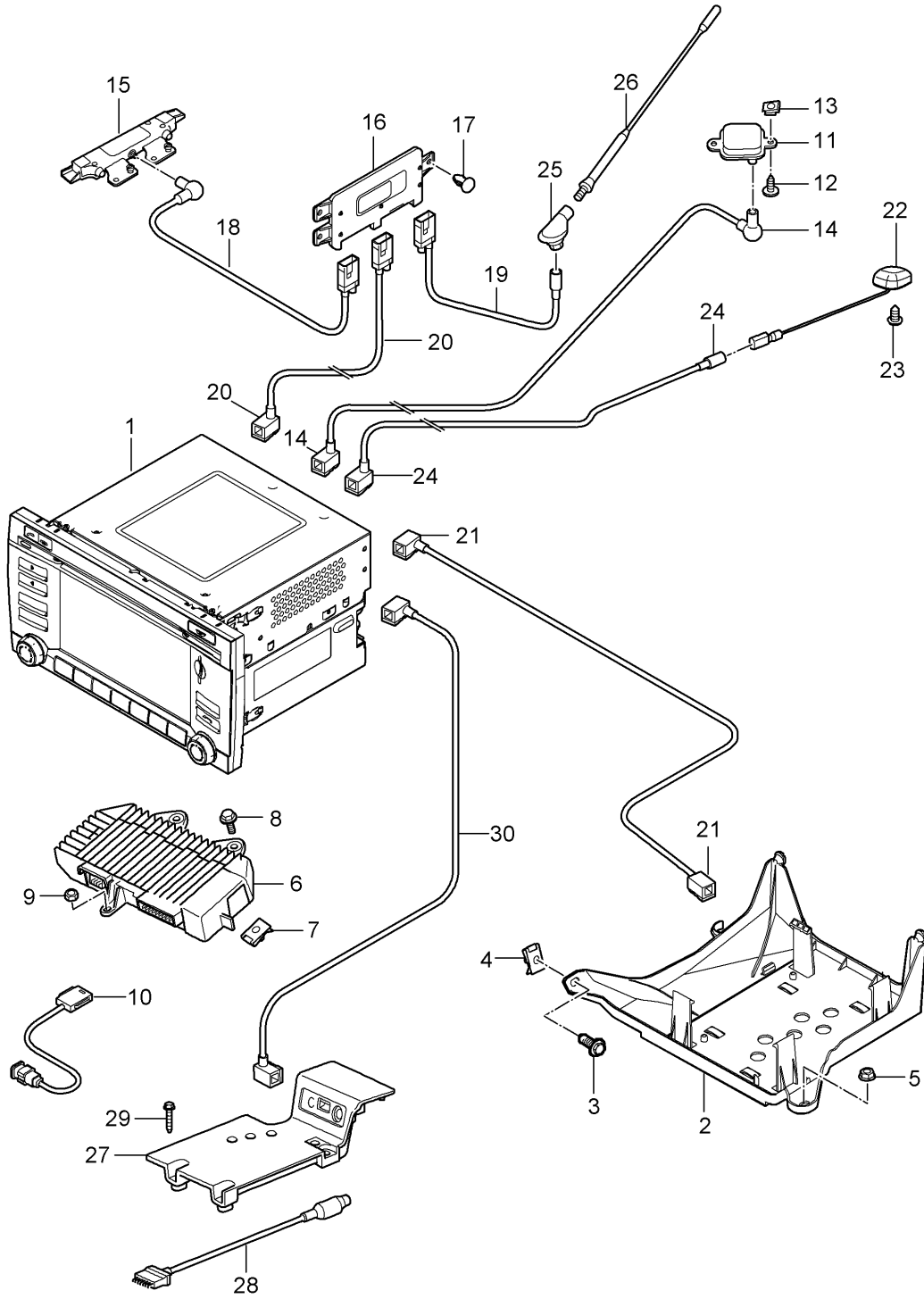
Model: 997G07

Model life 2007>>2011

Pos	Part Number	Description	Remark	Qty	Model
		Antenna base Radio			

Model: 997G07

Model life 2007>>2011



Model: 997G07 Model life 2007>>2011

Pos	Part Number	Description	Remark	Qty	Model
		Control part Navigation system Radio Booster Multimedia interface Control part Only in exchange	10-		
1	997 642 960 X 997 642 960 X FTC	Control part Matt Black/Galvano Silver We take back: 997.642.960.00.FTC		1	I665
1	997 642 962 X 997 642 962 X FTC	Control part Matt Black/Galvano Silver We take back: 997.642.962.00.FTC		1	I665/693
1	997 642 970 X 997 642 970 X FTC	Control part Matt Black/Galvano Silver We take back: 997.642.970.00.FTC	10	1	I665/672
1	997 642 970 AX 997 642 970 AX FTC	Control part Matt Black/Galvano Silver We take back: 997.642.970.01.FTC	11-	1	I665/672
1	997 642 972 X 997 642 972 X FTC	Control part Matt Black/Galvano Silver We take back: 997.642.972.00.FTC	10	1	I665/672/693
1	997 642 972 AX 997 642 972 AX FTC	Control part Matt Black/Galvano Silver We take back: 997.642.972.01.FTC	11-	1	I665/672/693
1	997 642 974 X 997 642 974 X FTC	Control part Matt Black/Galvano Silver We take back: 997.642.974.00.FTC		1	I665/673
1	997 642 975 X 997 642 975 X FTC	Control part Matt Black/Galvano Silver We take back: 997.642.975.00.FTC		1	I665/673/693
-		Control unit Telephone See illustrations 9/11/10			
-	997 642 929 00	Rotary knob for Control part	/L	1	I665
-	997 642 930 00	Rotary knob for Control part	/R	1	I665
(1)	997 645 138 04	Radio CDR 30	-10	1	I695
(1)	997 645 138 04 FTC 997 645 138 DX	Matt Black/Galvano Silver Radio CDR 30	-10	1	I695
	997 645 138 DX FTC	Matt Black/Galvano Silver We take back: 997.645.138.04			
(1)	997 645 138 05	Radio CDR 30		1	I695
(1)	997 645 138 05 FTC 997 645 138 EX	Matt Black/Galvano Silver Radio CDR 30		1	I695
	997 645 138 EX FTC	Matt Black/Galvano Silver			

Model: 997G07 Model life 2007>>2011

Pos	Part Number	Description	Remark	Qty	Model
(1)	997 645 138 06	We take back: 997.645.138.05 Radio CDR 30		1	I695
(1)	997 645 138 06 FTC 997 645 138 FX	Matt Black/Galvano Silver Radio CDR 30		1	I695
(1)	997 645 138 FX FTC	Matt Black/Galvano Silver We take back: 997.645.138.06		1	I695
(1)	997 645 142 04	Radio CDR 30	-10	1	I618/619/695
(1)	997 645 142 04 FTC 997 645 142 DX	Matt Black/Galvano Silver Radio CDR 30	-10	1	I618/619/695
(1)	997 645 142 DX FTC	Matt Black/Galvano Silver We take back: 997.645.142.04		1	I618/619/695
(1)	997 645 142 05	Radio CDR 30		1	I618/619/695
(1)	997 645 142 05 FTC 997 645 142 EX	Matt Black/Galvano Silver Radio CDR 30		1	I618/619/695
(1)	997 645 142 EX FTC	Matt Black/Galvano Silver We take back: 997.645.142.05		1	I618/619/695
(1)	997 645 142 06	Radio CDR 30		1	I618/619/695
(1)	997 645 142 06 FTC 997 645 142 FX	Matt Black/Galvano Silver Radio CDR 30		1	I618/619/695
(1)	997 645 142 FX FTC	Matt Black/Galvano Silver We take back: 997.645.142.06		1	I618/619/692 I695
(1)	997 645 144 04	Radio CDR 30	-10	1	I618/619/692 I695
(1)	997 645 144 04 FTC 997 645 144 DX	Matt Black/Galvano Silver Radio CDR 30	-10	1	I618/619/692 I695
(1)	997 645 144 DX FTC	Matt Black/Galvano Silver We take back: 997.645.144.04		1	I618/619/692 I695
(1)	997 645 144 05	Radio CDR 30		1	I618/619/692 I695
(1)	997 645 144 05 FTC 997 645 144 EX	Matt Black/Galvano Silver Radio CDR 30		1	I618/619/692 I695
(1)	997 645 144 EX FTC	Matt Black/Galvano Silver We take back: 997.645.144.05		1	I618/619/692 I695
(1)	997 645 146 04	Radio CDR 30	-10	1	I692/695
(1)	997 645 146 04 FTC 997 645 146 DX	Matt Black/Galvano Silver Radio CDR 30	-10	1	I692/695
(1)	997 645 146 DX FTC	Matt Black/Galvano Silver We take back: 997.645.146.04		1	I692/695

Model: 997G07 Model life 2007>>2011

Pos	Part Number	Description	Remark	Qty	Model
(1)	997 645 146 05 FTC 997 645 146 EX	CDR 30 Matt Black/Galvano Silver Radio		1	I692/695
(1)	997 645 146 EX FTC 997 645 920 00	CDR 30 Matt Black/Galvano Silver We take back: 997.645.146.05 Repair kit		1	I695
-	997 642 125 00	Key Radio CDR 30 Adapter		1	I673
-	999 591 941 40	-CAN- Expansion rivet for Mount Adapter		1	I673
-	997 642 271 50	-CAN- DVD Navigation system for Software 997.642.271.00 See technical information GR. 9 NR. 52/09 KD - NR. 9110		1	I610
-	997 642 271 51	DVD Navigation system for Software 997.642.271.01 See technical information GR. 9 NR. 52/09 KD - NR. 9110		1	I610
-	997 642 271 52	DVD Navigation system for Software 7PP.919.193.R		1	I610
-	997 642 271 53	DVD Navigation system for Software 7PP.919.193.AF		1	I610
-	997 642 271 54	DVD Navigation system for Software 7PP.919.193.AQ 7PP.919.193.BG		1	I610
-	997 642 275 50	DVD Navigation system for Software 997.642.275.00 See technical information GR. 9 NR. 52/09 KD - NR. 9110		1	I611
-	997 642 275 51	DVD Navigation system for Software 997.642.275.01		1	I611

Model: 997G07

Model life 2007>>2011

Pos	Part Number	Description	Remark	Qty	Model
-	997 642 275 52	See technical information GR. 9 NR. 52/09 KD - NR. 9110 DVD Navigation system for Software 7PP.919.193.T		1	I611
-	997 642 275 53	DVD Navigation system for Software 7PP.919.193.AH 7PP.919.193.AN		1	I611
-	997 642 275 54	DVD Navigation system for Software 7PP.919.193.AS		1	I611
-	997 642 277 50	DVD Navigation system for Software 997.642.277.00 See technical information GR. 9 NR. 52/09 KD - NR. 9110		1	I612
-	997 642 277 51	DVD Navigation system for Software 997.642.277.01 See technical information GR. 9 NR. 52/09 KD - NR. 9110		1	I612
-	997 642 277 52	DVD Navigation system for Software 7PP.919.193.AA		1	I612
-	997 642 277 53	DVD Navigation system for Software 7PP.919.193.AJ		1	I612
-	997 642 277 54	DVD Navigation system for Software 7PP.919.193.AT		1	I612
-	997 642 279 50	DVD Navigation system for Software 997.642.279.00 See technical information GR. 9 NR. 52/09 KD - NR. 9110		1	I613
-	997 642 279 51	DVD Navigation system for Software 997.642.279.01		1	I613

Model: 997G07

Model life 2007>>2011

Pos	Part Number	Description	Remark	Qty	Model
-	997 642 279 52	See technical information GR. 9 NR. 52/09 KD - NR. 9110 DVD Navigation system for Software 7PP.919.193.AB		1	I613
-	997 642 279 53	DVD Navigation system for Software 7PP.919.193.AK		1	I613
-	997 642 279 54	DVD Navigation system for Software 7PP.919.193.BA		1	I613
-	997 642 281 50	DVD Navigation system for Software 997.642.281.00 See technical information GR. 9 NR. 52/09 KD - NR. 9110		1	I614
-	997 642 281 51	DVD Navigation system for Software 997.642.281.01 See technical information GR. 9 NR. 52/09 KD - NR. 9110		1	I614
-	997 642 281 52	DVD Navigation system for Software 7PP.919.193.AC		1	I614
-	997 642 281 53	DVD Navigation system for Software 7PP.919.193.AL		1	I614
-	997 642 281 54	DVD Navigation system for Software 7PP.919.193.BB		1	I614
-	997 642 283 50	DVD Navigation system for Software 997.642.283.00 See technical information GR. 9 NR. 52/09 KD - NR. 9110		1	I616
-	997 642 283 51	DVD Navigation system for Software 997.642.283.01 See technical information		1	I616

Model: 997G07

Model life 2007>>2011

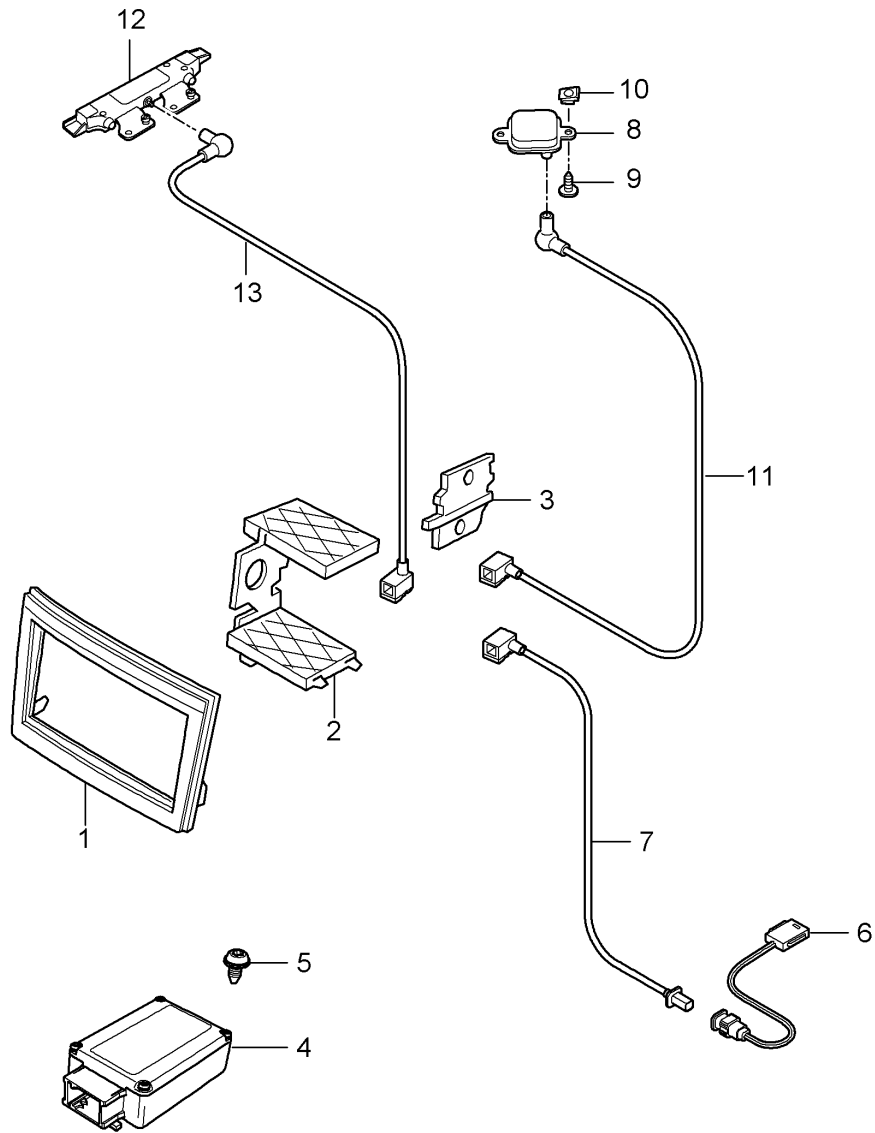
Pos	Part Number	Description	Remark	Qty	Model
-	997 642 283 52	GR. 9 NR. 52/09 KD - NR. 9110 DVD Navigation system for Software 7PP.919.193.AD		1	I616
-	997 642 283 53	DVD Navigation system for Software 7PP.919.193.AM		1	I616
-	997 642 283 54	DVD Navigation system for Software 7PP.919.193.BC		1	I616
-	997 642 148 02	CD-ROM Logbook		1	I641
2	997 642 339 00	Support Navigation system		1	I673
3	900 378 179 09	Hexagon-head bolt		1	I673
4	999 507 766 02	M 6 X 16 Speed nut		1	I673
5	999 084 638 01	M 6 Hexagon nut		1	I673
6	997 645 441 01	Booster		1	I490
7	999 500 078 00	Speed nut M 6		2	I490
8	900 378 188 09	Hexagon-head bolt M 6 X 20		2	I490
9	999 084 638 01	Hexagon nut M 6		1	I490
10	997 646 313 00	Microphone		1	I441/490/618 I619/666/671
10	997 646 319 00	Microphone		1	I618/619/665 I666/671
-	997 610 233 01	Cable guide Microphone		1	
11	997 642 105 00	Antenna GPS		1	I672/673
12	999 073 210 00	Tapping screw 4,8 X 13		1	I672/673
13	999 507 441 01	Speed nut 4,8		1	I672/673
14	997 612 030 75	Connecting line Antenna Control part		1	I672
(14)	997 612 073 25	Connecting line Antenna Control part		1	I673
15	997 647 117 00	Antenna booster	/L	1	I440
(15)	997 647 118 00	Antenna booster	/R	1	I440/665/695
16	997 618 122 00	Control unit		1	I440
17	999 591 904 40	Fastening part		2	I440
18	997 612 069 25	Connecting line Left Antenna booster Control unit	/LL	1	I098/461
18	997 612 069 75	Connecting line Left Antenna booster	/RL	1	I099/461

Model: 997G07 Model life 2007>>2011

Pos	Part Number	Description	Remark	Qty	Model
18	997 612 055 25	Control unit Connecting line Left Antenna booster	/LL	1	I098/665/695
18	997 612 056 25	Control unit Connecting line Right Antenna booster	/LL	1	I098/665/695
18	997 612 055 75	Control unit Connecting line Left Antenna booster	/RL	1	I099/665/695
18	997 612 056 75	Control unit Connecting line Right Antenna booster	/RL	1	I099/665/695
19	997 612 066 25	Control unit Connecting line Antenna base		1	I461
(19)	997 612 067 01	Control unit Connecting line Antenna base		1	I461
20	997 612 057 25	Power supply Connecting line Control unit	/LL	1	I098/665/695
20	997 612 057 75	Control part Connecting line Control unit	/RL	1	I099/665/695
21	997 612 074 25	Control part Connecting line Control part		1	I673
(21)	997 612 072 25	Computer Navigation system Connecting line Computer Navigation system - IR - Sensor		1	I673
25	997 647 221 00	Antenna base		1	I461
26	997 647 223 00	Antenna rod		1	I461
27	997 642 465 00	Adapter Multimedia interface		1	I665/870
(27)	997 642 465 00 01C	Satin black			
	997 642 463 00	Adapter Multimedia interface		1	I695/870
	997 642 463 00 01C	Satin black			
28	997 612 471 02	Connecting cable iPOD		1	I665/870
29	999 073 429 01	Tapping screw 4,2 X 25		3	I870
30	997 612 049 75	Connecting line Multimedia interface Control part		1	I665/870

Model: 997G07

Model life 2007>>2011



Model: 997G07 Model life 2007>>2011

Pos	Part Number	Description	Remark	Qty	Model
		Preparation Navigation system Japan	10-		I675
1	997 642 913 00	Front frame		1	I675
	997 642 913 00 A05	Black mat			
2	997 642 905 00	Support		2	I675
3	997 642 907 00	Guide rail		2	I675
-	997 642 329 00	Support		1	I675
	997 642 329 00 1E0	Black Card reader			
-	999 073 240 01	Glove compartment Screw M 4 X 10 for Support Card reader Glove compartment		2	I675
4	997 642 915 01	Adapter - CAN -		1	I675
4	997 642 127 00	Adapter - CAN -		1	I675
5	999 591 941 40	Expansion rivet		1	I675
6	997 646 309 00	Microphone		1	I675
-	997 610 233 01	Cable guide Microphone		1	I675
7	997 612 075 75	Connecting line Microphone		1	I675
(7)	997 612 046 25	Control part Connecting line Card reader TV		1	I675
8	997 642 105 00	Control part Antenna		1	I675
9	999 073 210 00	Navigation system Tapping screw 4,8 X 13		1	I675
10	999 507 441 01	Speed nut 4,8		1	I675
11	997 612 079 75	Connecting line Antenna Navigation system		1	I675
12	997 647 109 00	Control part Antenna booster	/L	1	I675
(12)	997 647 110 00	Antenna booster	/R	1	I675
13	997 612 076 25	Connecting line Antenna booster Left		1	I675
(13)	997 612 077 25	Control part Radio Connecting line Antenna booster Left		1	I675
(13)	997 612 078 25	Control part TV Connecting line Antenna booster Right	/LL	1	I098/675
(13)	997 612 078 75	Control part TV Connecting line Antenna booster Right Control part	/RL	1	I099/675

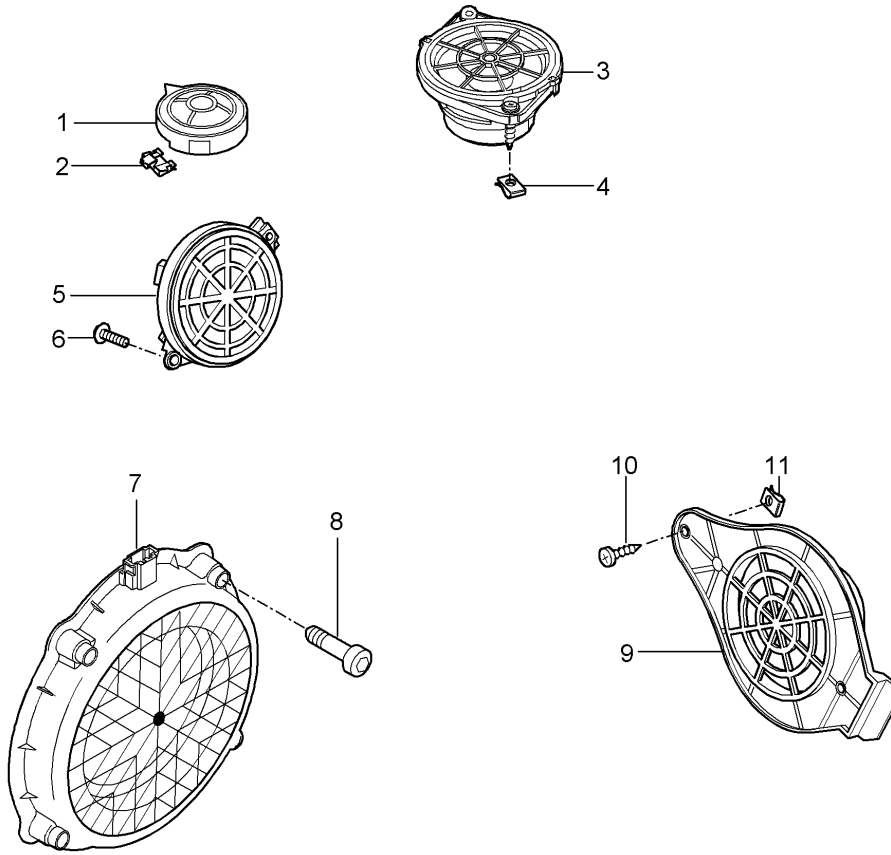
Model: 997G07

Model life 2007>>2011

Pos	Part Number	Description	Remark	Qty	Model
(13)	997 612 047 25	TV Connecting line - VICS BEACON - Antenna Control part		1	I675

Model: 997G07

Model life 2007>>2011



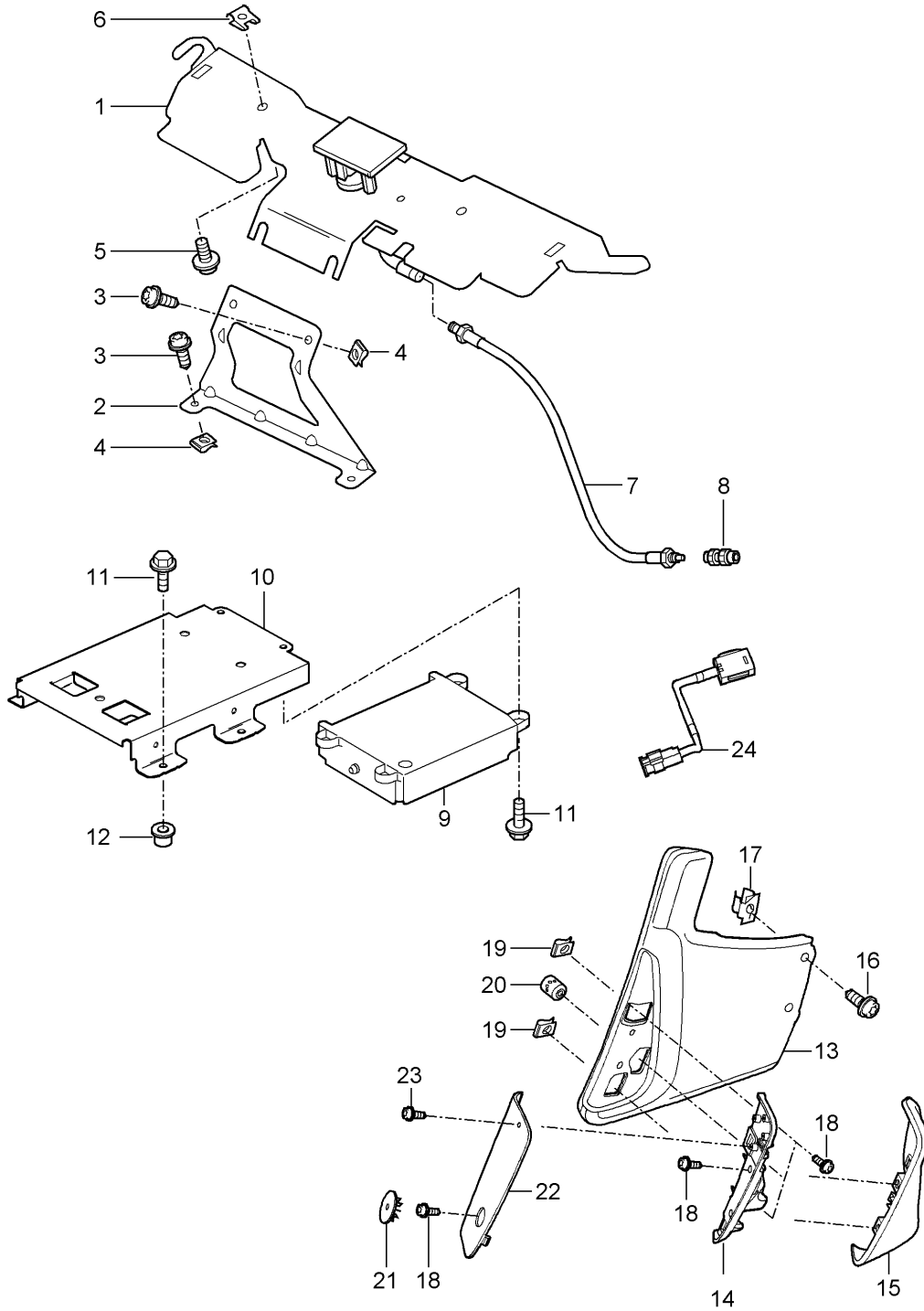
Model: 997G07

Model life 2007>>2011

Pos	Part Number	Description	Remark	Qty	Model
1	997 645 021 00	Loudspeaker Tweeter Dashboard		2	I441/490
2	999 591 303 01	U-clamp		4	
3	997 645 033 00	Loudspeaker Dashboard Centre		1	I490
4	999 507 971 01	Speed nut 4,2		4	
5	997 645 543 00	Mid-range loudspeaker Door		2	I490
6	999 919 164 09	Oval-head screw 5,0 X 12		4	
7	997 645 551 00	Woofer		2	I441
7	997 645 553 00	Woofer		2	I490
8	900 067 012 03	Pan-head screw M 6 X 30		8	
9	997 645 041 01	Loudspeaker Rear		2	I490
10	999 073 225 09	Tapping screw 4,8 X 16		2	
11	999 507 441 09	Speed nut 4,8		2	

Model: 997G07

Model life 2007>>2011



Model: 997G07

Model life 2007>>2011

Pos	Part Number	Description	Remark	Qty	Model
		Telephone	-08		I618/666
1	997 647 125 01	Antenna	/LL	1	I098
(1)	997 647 126 01	Antenna	/RL	1	I099
2	997 647 127 00	Support	/LL	1	I098
(2)	997 647 128 00	Support	/RL	1	I099
3	999 073 236 0A	Oval-head screw M 6 X 10		4	
4	999 507 550 01	Speed nut M 6		4	
5	999 073 210 00	Tapping screw 4,8 X 13		2	
6	999 507 441 01	Speed nut 4,8		2	
7	997 612 989 05	Connecting line		1	I666
8	964 646 318 00	Adapter plug		1	I618
9	997 646 209 00	Control unit Telephone		1	I666
10	997 642 216 00	Support		1	I618/666
11	900 378 035 01	Hexagon-head bolt M 6 X 16		4	I618/666
12	999 500 078 00	Speed nut M 6		2	
(12)	999 507 766 02	Speed nut M 6		2	I618/666
13	997 553 118 07	Cover Lateral	/LL	1	I098
	997 553 118 07 FSA	Black/grey			
	997 553 118 07 FSH	Darkgrey natural/grey			
(13)	997 553 117 07	Cover Lateral	/RL	1	I099
	997 553 117 07 FSA	Black/grey			
	997 553 117 07 FSH	Darkgrey natural/grey			
14	997 553 520 00	Adapter	/LL	1	I098
(14)	997 553 519 00	Adapter	/RL	1	I099
15	997 553 418 01	Cover	/LL	1	I098
	997 553 418 01 A11	Black			
	997 553 418 01 D12	Dark grey/natural			
(15)	997 553 417 01	Cover	/RL	1	I099
	997 553 417 01 A11	Black			
	997 553 417 01 D12	Dark grey/natural			
16	999 073 226 09	Tapping screw 4,2 X 16		2	
17	999 591 508 01	Captive nut 4,2		2	
18	999 073 155 09	Tapping screw 4,2 X 13		7	
19	999 507 028 01	Speed nut 4,2		2	
20	999 507 645 02	Threaded piece 4,2		1	
21	997 553 751 00	Cap		1	
	997 553 751 00 01C	Satin black			
22	997 553 522 01	Mounting plate	/LL	1	I098/618
	997 553 522 01 01C	Satin black			
(22)	997 553 521 01	Mounting plate	/RL	1	I099/618
	997 553 521 01 01C	Satin black			
23	999 919 230 00	Countersunk-head screw 3 X 10		1	I618
24	997 646 307 00	Microphone		1	
(24)	997 646 309 00	Microphone	08	1	I675
-	997 610 233 00	Cable guide Microphone	-07	1	
-	997 610 233 01	Cable guide	08	1	

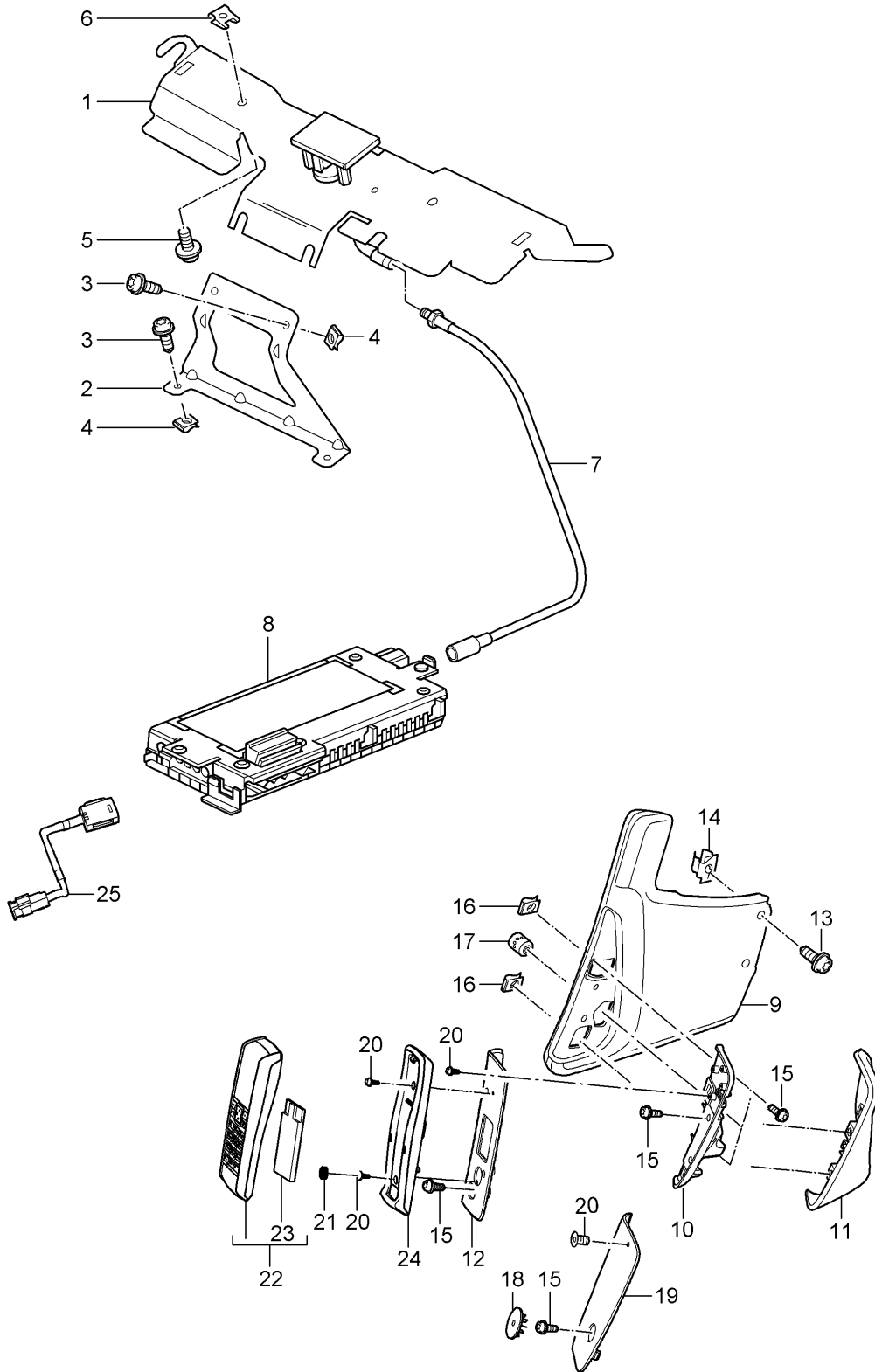
Model: 997G07

Model life 2007>>2011

Pos	Part Number	Description	Remark	Qty	Model
		Microphone			

Model: 997G07

Model life 2007>>2011



Model: 997G07 Model life 2007>>2011

Pos	Part Number	Description	Remark	Qty	Model
1	997 647 125 01	Telephone	10-		
(1)	997 647 126 01	Antenna	/LL	1	I098
2	997 647 127 00	Antenna	/RL	1	I099
(2)	997 647 128 00	Support	/LL	1	I098
3	999 073 236 0A	Support	/RL	1	I099
		Oval-head screw		4	
		M 6 X 10			
4	999 507 550 01	Speed nut		4	
		M 6			
5	999 073 210 00	Tapping screw		2	
		4,8 X 13			
6	999 507 441 01	Speed nut		2	
		4,8			
7	997 612 065 75	Connecting line		1	I666
(7)	997 612 061 25	Connecting line		1	I618/619
8	997 646 218 01	Control unit		1	I666
		Telephone			
8	7PP 035 730 A	Control unit		1	I666
		Telephone			
9	997 553 118 07	Cover	/LL	1	I098
		Lateral			
	997 553 118 07 FSA	Black/grey			
	997 553 118 07 FSH	Darkgrey natural/grey			
(9)	997 553 117 07	Cover	/RL	1	I099
		Lateral			
	997 553 117 07 FSA	Black/grey			
	997 553 117 07 FSH	Darkgrey natural/grey			
10	997 553 520 00	Adapter	/LL	1	I098/618
(10)	997 553 516 00	Adapter	/LL	1	I098/669
(10)	997 553 519 00	Adapter	/RL	1	I099/618
(10)	997 553 515 00	Adapter	/RL	1	I099/669
11	997 553 418 01	Cover	/LL	1	I098/618
	997 553 418 01 A11	Black			
	997 553 418 01 D12	Dark grey/natural			
(11)	997 553 416 00	Cover	/LL	1	I098/669
	997 553 416 00 A11	Black			
	997 553 416 00 D12	Dark grey/natural			
(11)	997 553 417 01	Cover	/RL	1	I099/618
	997 553 417 01 A11	Black			
	997 553 417 01 D12	Dark grey/natural			
(11)	997 553 415 00	Cover	/RL	1	I099/669
	997 553 415 00 A11	Black			
	997 553 415 00 D12	Dark grey/natural			
12	997 553 524 00	Mounting plate	/LL	1	I098/669
	997 553 524 00 01C	Satin black			
(12)	997 553 523 00	Mounting plate	/RL	1	I099/669
	997 553 523 00 01C	Satin black			
13	999 073 226 09	Tapping screw		2	
		4,2 X 16			
14	999 591 508 01	Captive nut		2	
		4,2			
15	999 073 155 09	Tapping screw		7	
		4,2 X 13			
16	999 507 028 01	Speed nut		2	
		4,2			
17	999 507 645 02	Threaded piece		1	
		4,2			
18	997 553 751 00	Cap		1	I618
	997 553 751 00 01C	Satin black			
19	997 553 522 01	Mounting plate	/LL	1	I098/618
	997 553 522 01 01C	Satin black			
(19)	997 553 521 01	Mounting plate	/RL	1	I099/618
	997 553 521 01 01C	Satin black			

Model: 997G07

Model life 2007>>2011

Pos	Part Number	Description	Remark	Qty	Model
20	999 919 230 00	Countersunk-head screw 3 X 10		4	
21	997 646 311 00	Stopper		2	I669
23	997 646 216 00	Battery		1	I669
23	997 646 916 00	Battery		1	I669
24	997 646 214 00	Mounting Receiver		1	I669
	997 646 214 00 A05	Black mat			
24	955 646 214 00	Mounting Receiver		1	I669
25	997 646 313 00	Microphone		1	I441/490/618 I619 I666/671
(25)	997 646 319 00	Microphone		1	I618/619/665 I666/671
-	997 610 233 01	Cable guide Microphone		1	