

**Model: 997T10****Model life 2010>>2013**

## ORDER-INFO

PET CONTAINS THE ORDERING DETAILS FOR ALL MODELS SHOWN IN THE MODEL OVERVIEW.

THE UPDATE SERVICE IS PERFORMED AUTOMATICALLY VIA INTERNET UPDATE.  
THE VERSION IS SHOWN IN THE HEADER AS "UPDATE 123/12"

SEATS AND RELATED ITEMS FOR MODELS INTRODUCED BEFORE 1997 ARE SHOWN IN THE STZ CATALOGUE.

SEATS AND RELATED ITEMS FOR MODELS INTRODUCED AFTER 1997 ARE SHOWN IN THE CORRESPONDING VEHICLE CATALOGUES.

ALL ILLUSTRATIONS ARE NON-BINDING.  
SUBJECT TO CHANGE.

Model: 997T10

Model life 2010>>2013

EXPLANAT.- VIN

EXPLANATION OF THE ABRIDGED VERSION OF THE VEHICLE IDENT. NUMBERS (VIN)  
 =====  
 USED IN THE CATALOGUE  
 =====

DIGIT:		1	2	3	4	5	6	7	8	9	10	11	12	13	14	15	16	17
--------	--	---	---	---	---	---	---	---	---	---	----	----	----	----	----	----	----	----

EXAMPLE:		W	P	0	Z	Z	Z	9	9	Z	5	S	7	0	0	1	2	5
----------	--	---	---	---	---	---	---	---	---	---	---	---	---	---	---	---	---	---

								===		=	=	=							=====
--	--	--	--	--	--	--	--	-----	--	---	---	---	--	--	--	--	--	--	-------

								!		!	!	!							!
--	--	--	--	--	--	--	--	---	--	---	---	---	--	--	--	--	--	--	---

VEHICLE TYPE 1ST+2ND DIGIT-----+										!	!	!							!
----------------------------------	--	--	--	--	--	--	--	--	--	---	---	---	--	--	--	--	--	--	---

										!	!	!							!
--	--	--	--	--	--	--	--	--	--	---	---	---	--	--	--	--	--	--	---

MODEL YEAR-----+												!	!						!
------------------	--	--	--	--	--	--	--	--	--	--	--	---	---	--	--	--	--	--	---

												!	!						!
--	--	--	--	--	--	--	--	--	--	--	--	---	---	--	--	--	--	--	---

MANUFACTURING LOCATION-----+													!						!
------------------------------	--	--	--	--	--	--	--	--	--	--	--	--	---	--	--	--	--	--	---

													!						!
--	--	--	--	--	--	--	--	--	--	--	--	--	---	--	--	--	--	--	---

VEHICLE TYPE 3RD DIGIT-----+																			!
------------------------------	--	--	--	--	--	--	--	--	--	--	--	--	--	--	--	--	--	--	---

																			!
--	--	--	--	--	--	--	--	--	--	--	--	--	--	--	--	--	--	--	---

SERIAL NUMBER-----+																			!
---------------------	--	--	--	--	--	--	--	--	--	--	--	--	--	--	--	--	--	--	---

Model: 997T10

Model life 2010>>2013

SUMMARY TYPES

VEHICLE TYPE	MY	VIN	ENGINE TYPE
997 TURBO	10 A	99AS7 60061>66000	MA1.70 368 KW
997 TURBO (CN,MEX,BR,KOR)	10 A	99AS7 66061>70000	MA1.70 368 KW
997 TURBO (USA,CDN)	10 A	A9AS7 66061>70000	MA1.70 368 KW
997 TURBO CABRIO	10 A	99AS7 70061>73000	MA1.70 368 KW
997 TURBO CAB. (CN,MEX,BR,KOR)	10 A	99AS7 73061>75000	MA1.70 368 KW
997 TURBO CABRIO (USA,CDN)	10 A	A9AS7 73061>75000	MA1.70 368 KW
997 TURBO	11 B	99BS7 60061>66000	MA1.70/S 368/390 KW
997 TURBO (CN,MEX,BR,KOR)	11 B	99BS7 66061>70000	MA1.70/S 368/390 KW
997 TURBO (USA,CDN)	11 B	A9BS7 66061>70000	MA1.70/S 368/390 KW
997 TURBO CABRIO	11 B	99BS7 70061>73000	MA1.70/S 368/390 KW
997 TURBO CAB. (CN,MEX,BR,KOR)	11 B	99BS7 73061>76000	MA1.70/S 368/390 KW
997 TURBO CABRIO (USA,CDN)	11 B	A9BS7 73061>76000	MA1.70/S 368/390 KW
997 GT2 RS	11 B	99BS7 76061>78000	M97.70 456 KW
997 GT2 RS (CN,MEX,BR,KOR)	11 B	99BS7 78061>80000	M97.70 456 KW
997 GT2 RS (USA,CDN)	11 B	A9BS7 78061>80000	M97.70 456 KW
997 TURBO	12 C	99CS7 60061>66000	MA1.70/S 368/390 KW
997 TURBO (CN,MEX,BR,KOR)	12 C	99CS7 66061>70000	MA1.70/S 368/390 KW
997 TURBO (USA,CDN)	12 C	A9CS7 66061>70000	MA1.70/S 368/390 KW
997 TURBO CABRIO	12 C	99CS7 70061>73000	MA1.70/S 368/390 KW
997 TURBO CAB. (CN,MEX,BR,KOR)	12 C	99CS7 73061>76000	MA1.70/S 368/390 KW
997 TURBO CABRIO (USA,CDN)	12 C	A9CS7 73061>76000	MA1.70/S 368/390 KW
997 TURBO	13 D	99DS7 60061>66000	MA1.70/S 368/390 KW
997 TURBO (CN,MEX,BR,KOR)	13 D	99DS7 66061>70000	MA1.70/S 368/390 KW
997 TURBO (USA,CDN)	13 D	A9DS7 66061>70000	MA1.70/S 368/390 KW
997 TURBO CABRIO	13 D	99DS7 70061>73000	MA1.70/S 368/390 KW
997 TURBO CAB. (CN,MEX,BR,KOR)	13 D	99DS7 73061>76000	MA1.70/S 368/390 KW
997 TURBO CABRIO (USA,CDN)	13 D	A9CS7 73061>76000	MA1.70/S 368/390 KW

Model: 997T10

Model life 2010>>2013

EXPL. ENGINE-NO.

EXPLANATION OF THE MOTOR-NUMBERS USED IN THE CATALOGUE

=====

DIGIT: 1 2 3 4 5 6 7 8

EXAMPLE: 6 9 5 0 0 1 3 6

= = = =====

! ! ! !

ENGINE TYPE (6 = 6-CYL.-ENGINE)-----+ ! ! !

FROM MY-09 POWER KIT (S) OTHERWISE ( )-----+ ! ! !

! ! !

ENGINE VERSION-----+ ! !

FROM MY-09 CONUNTRY VERSION (T=Taiwan) OTHERWISE( )+ ! !

! !

MODEL YEAR-----+ !

!

SERIAL NUMBER-----+ !



Model: 997T10

Model life 2010&gt;&gt;2013

## SUMMARY ENGINES

VEHICLE TYPE	ENGINE			TECHNICAL DATA
	TYPE	MY	ENGINE NO.	
997 TURBO	MA1.70	10 A	__A 00501>60000	6ZYL/3,8L /368 KW
997 TURBO	MA1.70	11 B	__B 00501>60000	6ZYL/3,8L /368 KW
997 TURBO S +I092	MA1.70	11 B	S_B 00501>60000	6ZYL/3,8L /390 KW
997 GT2 RS	M97.70	11 B	62B 30501>40000	6ZYL/3,6L /456 KW
997 TURBO	MA1.70	12 C	__C 00501>60000	6ZYL/3,8L /368 KW
997 TURBO S +I092	MA1.70	12 C	S_C 00501>60000	6ZYL/3,8L /390 KW
997 TURBO	MA1.70	13 D	__D 00501>60000	6ZYL/3,8L /368 KW
997 TURBO S +I092	MA1.70	13 D	S_D 00501>60000	6ZYL/3,8L /390 KW

Model: 997T10

Model life 2010>>2013

EXPL. TRANSM. NO.

EXPLANATION OF THE TRANSMISSION-NUMBERS USED IN THE CATALOGUE

=====

DIGIT: 1 2 3 4 5 6 7 8 9 10 11

EXAMPLE: G 9 7 0 1 1 0 0 5 4 3

= ===== = =====

! ! ! !

! ! ! !

TRANSMISSION TYPE-----+ ! !

TRANSMISSION VERSION-----+ ! !

INDEX OF VARIANTS-----+ !

SERIAL NUMBER-----+ !

**Model: 997T10****Model life 2010>>2013**

## SUMM. TRANSMISS.

VEHICLE TYPE	TRANSM.		TRANSMISSION NO.	TECHNICAL DATA
	TYPE	MY		
997 TURBO	G97.55	10 A	G9755 1 002001>999999	6-GANG
997 TURBO PDK	CG1.50	10 A	CG150 1 002001>999999	7-GANG
997 TURBO	G97.55	11 B	G9755 1 002001>999999	6-GANG
997 TURBO / S PDK	CG1.50	11 B	CG150 1 002001>999999	7-GANG
997 GT2 RS	G97.88	11 B	G9788 2 002001>999999	6-GANG
997 TURBO	G97.55	12 C	G9755 1 002001>999999	6-GANG
997 TURBO / S PDK	CG1.50	12 C	CG150 1 002001>999999	7-GANG
997 TURBO	G97.55	13 D	G9755 1 002001>999999	6-GANG
997 TURBO / S PDK	CG1.50	13 D	CG150 1 002001>999999	7-GANG

Model: 997T10

Model life 2010>>2013

LEGENDS/NOTICES

LEGENDS AND NOTICES

=====

IN COLUMN -S- STATUS

-----

- N NEW ADDITION
- P PART ALREADY IN PROGRAMME, BUT NEW AT THIS APPLICATION
- W DELETED AT THIS APPLICATION, BUT CONTINUED TO BE CARRIED
- K RACING PART: MARKETED FROM WEISSACH EMW
- A STOCK TO BE USED UP
- U DELETED WITHOUT REPLACEMENT
- \* PART ALSO OR ONLY AVAILABLE IN REPAIR KIT
- > ALSO AVAILABLE IN EXCHANGE

IN COLUMN - ILL. -

-----

- 1 IDENTIFICATION NO. IN ILLUSTRATION
- (1) PART ONLY SIMILAR AS ILLUSTRATED
- PART IS NOT ILLUSTRATED

FIG.-NUMBERS FOR WHICH THERE IS SHOWN NO TEXT ARE NOT VALID FOR THIS EDITION OF CATALOGUE

IN COLUMN -PART NUMBER/CODE-

-----

000 000 000 00 PART NUMBER EQUALS ORDERING NO., IF A CODE IS SHOWN, IT WILL HAVE TO BE PART OF ORDERING NUMBER

01C COLOUR CODE

IN COLUMN -TEXT

-----

INSTALLATION WITH ENGINE OR CHASSIS NUMBER-RANGE

EXAMPLE:

M 66W 00389>>

FROM ENGINE NO.

**Model: 997T10****Model life 2010>>2013**

F

&gt;&gt;99WS6 00889

UP TO CHASSIS NO.

Model: 997T10

Model life 2010>>2013

LEGENDS/NOTICES

IN COLUMN - QU - = NO. OF PIECES  
-----

1 NUMBER PER APPLICATION

X NUMBER AS NEEDED

\* AVAILABLE ONLY IN RUNNING LENGTHS 1 = 1 METRE

IN COLUMN - MODEL/SYMBOL -  
-----

I650 OPTIONAL EQUIPMENT - SEE I-NO. LIST  
-I650 COMPONENT NOT VALID FOR THIS I-NO.

-98 LIMITATION OF MODEL YEAR FOR INSTANCE: VALID UP TO  
END OF MODEL YEAR 1997

/LL LHD

/RL RHD

-----+  
/V FRONT I  
I

/H REAR I  
I----> APPLIES TO

/L LEFT I DIRECTION OF TRAVEL  
I

/R RIGHT I  
-----+

WW THE PART CAN BE USED INSTEAD OF THE  
PRECEDING ONE.

Model: 997T10

Model life 2010&gt;&gt;2013

COUNTRY-EQIPM.

## EQUIPMENT BY COUNTRY REGULATIONS

=====

(A)	AUSTRIA
(AG)	ARABIAN GULF STATES
(AUS)	AUSTRALIA
(B)	BELGIUM
(BR)	BRAZIL
(CDN)	CANADA
(CH)	SWITZERLAND
(CN)	PEOPLE'S REPUBLIC OF CHINA
(D)	FEDERAL REPUBLIC OF GERMANY
(DK)	DENMARK
(E)	SPAIN
(F)	FRANCE
(GB)	GREAT BRITAIN
(GR)	GREECE
(HK)	HONGKONG
(I)	ITALY
(J)	JAPAN
(L)	LUXEMBURG
(N)	NORWAY
(NL)	NETHERLANDS
(NZ)	NEW ZEALAND
(P)	PORTUGAL
(ROK)	KOREA
(RC)	TAIWAN
(THA)	THAILAND
(S)	SWEDEN
(SA)	SAUDI ARABIA
(SF)	FINLAND
(USA)	UNITED STATES OF AMERICA

Model: 997T10

Model life 2010>>2013

(ZA)

SOUTH AFRICA



Model: 997T10

Model life 2010&gt;&gt;2013

NR	Description
IIY2	Model year period from week 45 to week 22
IXAA	Aerokit Cup
IXAF	Turbo aerokit
IXAG	Carrera - rear spoiler
IXAH	Carrera 4S aerokit
IXAJ	Painted sill covers
IXCA	Dashboard trim strip (3-part) sports seats
IXCB	Instrument surround sports seats
IXCC	Side air vents sports seats
IXCD	Center air vent bracket sports seats
IXCE	Rear center console sports seats
IXCG	Sports seat backrest in Aluminium Look finish
IXCH	Side/centre air vent slats, sports seats
IXCK	Rear center console in Galvano Silver
IXCL	Instrument surround in Galvano Silver
IXCM	Roll-over bar in Galvano Silver
IXCN	Side air vents in Aluminium Look finish (997)
IXCW	Aluminium Look trim on belt opening in B-pillar
IXCY	Center air vent in Aluminium Look finish
IXCZ	Short shifter
IXDJ	Decorative trim on gear lever/selector, painted
IXDM	Decorative dashboard trim, painted
IXDP	Instrument cluster frame, painted
IXDR	Painted trim on belt opening in B-pillar
IXDS	Ignition lock surround in leather
IXDU	Leather trim on belt opening in B-pillar
IXDV	Dashboard end-trim in leather
IXDX	Mirror attachment point finisher, leather
IXDZ	Selector lever cover in leather
IXD9	Wheel painted in body colour
IXEA	Passive handset in leather
IXE8	Gear lever knob aluminium/dark burr maple/leather
IXE9	Handbrake lever aluminium/dark burr maple/leather
IXFD	Instrument dials in Sand Beige
IXFE	Instrument dials in Terracotta
IXFF	Instrument dials in Brown/Natural
IXFG	Instrument dials in Guards Red
IXFH	Instrument dials in Speed Yellow
IXFJ	Instrument dials in Carrara White
IXFP	Handbrake lever Aluminium II
IXGB	Decorative dashboard trim, carbon
IXGC	Dashboard carbon/Alcantara
IXGD	Parking brake handle carbon/Alcantara
IXGE	Handle recess insert, carbon
IXJJ	Carbon trim on belt opening in B-pillar
IXJL	Makassar Ebony side air vent
IXJM	Sycamore side air vent

Model: 997T10

Model life 2010&gt;&gt;2013

NR	Description
IXJN	Makassar Ebony center air vent
IXJP	Sycamore center air vent
IXJR	Makassar Ebony windscreen defroster panel
IXJS	Sycamore windscreen defroster panel
IXJT	Makassar Ebony rear center console
IXJU	Sycamore rear center console
IXJ4	Leather cover for ignition lock surround
IXKB	Side air vent in light burr maple
IXKC	Side air vent in dark burr maple
IXKD	Side air vent in Carbon
IXKG	"Defroster trim in light burr maple; leather"
IXKH	"Defroster trim in dark burr maple; leather"
IXKJ	Defroster trim in Carbon/leather
IXKL	Leather speaker covers
IXKM	Speaker covers in light burr maple
IXKN	Speaker covers in dark burr maple
IXKP	Carbon speaker covers
IXKR	Center air vent bracket in light burr maple
IXKS	Center air vent bracket in dark burr maple
IXLF	Sports exhaust system
IXLG	Centre console storage bin cover in Alcantara, with logo
IXMA	Rooflining in leather
IXME	Rear section of centre console painted
IXMF	Front center console including 2 storage bins, leather
IXMJ	Rear section of centre console in Carbon
IXMK	Roll-over bar in exterior color
IXML	Rear center console in light burr maple
IXMP	Leather sun visor, 2 illuminated vanity mirrors *
IXMR	Sun visor in leather, 2 illuminated vanity mirrors,
IXMZ	Rear section of centre console in leather
IXNB	Rear center console in dark burr maple
IXNG	Instrument surround in leather
IXNN	Center air vent bracket in leather
IXNR	Carbon center air vent bracket
IXNS	Leather steering column trim, 4-part
IXNU	Leather trim strip (dashboard)
IXNV	Trim strip (dashboard) in light burr maple
IXNW	Trim strip (dashboard) in dark burr maple
IXNX	Carbon trim strip (dashboard)
IXN3	Dashboard side air vent in leather
IXPA	3-spoke sports steering wheel in leather interior co
IXPB	3-spoke sports steering wheel, light burr maple, leather
IXPC	3-spoke sports steering wheel, dark burr maple, leather

Model: 997T10

Model life 2010&gt;&gt;2013

NR	Description
IXPD	3-spoke sports steering wheel, Carbon/leather
IXPG	3-spoke sports steering wheel, sports seats
IXPT	Centre console storage bin lid with crest
IXPU	Multi-function steering wheel Galvano Silver, new generation
IXPV	Multi-function steering wheel, Galvano Silver
IXPW	Instrument surround in light burr maple
IXPX	Instrument surround in dark burr maple *
IXPY	Carbon instrument surround
IXRB	18-inch Sport Classic II wheel
IXRC	18-inch SportTechno wheel
IXRL	18-inch SportDesign wheel
IXRN	17-mm spacers, rear
IXRP	5-mm spacers, front/rear
IXRR	19-in. Carrera Sport wheel
IXSA	Painted sports seat backrest
IXSB	Leather sports seat backrest
IXSC	Porsche Crest embossed in headrest
IXSD	Front seat controls in leather
IXSE	Bucket seat, left
IXSF	Bucket seat, right
IXSG	Racing bucket seat, left
IXSH	Silver seat belts
IXSJ	6-point harness
IXSL	6-point safety catch
IXSM	Racing safety cage
IXSN	Omission of rear seats
IXSR	Carbon back for bucket seat, right
IXSS	Carbon back for bucket seat, left
IXST	Seat belts in Sand Beige
IXSU	Upholstered seat
IXSW	Seat belts in Maritime Blue
IXSX	Seat belts in Guards Red
IXSY	Seat belts in Speed Yellow
IXTG	Inner door sills in leather
IXTJ	Door panel parts in light burr maple
IXTK	Door panel parts in dark burr maple
IXTL	Door panel parts in Carbon
IXTR	Door panel parts in Aluminium Look finish
IXTT	Makassar Ebony door panel parts
IXTU	Sycamore door panel parts
IXTV	Leather door panel parts
IXTW	Door panel parts in Galvano Silver
IXUA	Spoiler lip painted
IXUB	Cover on headlight cleaning system, painted

Model: 997T10

Model life 2010&gt;&gt;2013

NR	Description
IXUC	Model designation painted
IXUE	Rear apron painted in exterior colour
IXUV	Centre console storage bin lid with logo
IXVM	Leather center air vent
IXVP	Trim strip including cupholder cover in leather
IXVR	Side/centre air vent in leather
IXVT	Cover for loudspeakers, doors and rear in leather
IXV1	Defroster trim in leather
IXWR	PDK gate frame in Aluminium Look
IXWS	PDK gate frame painted
IXWT	PDK gate frame painted Black
IXWU	PDK gate frame in leather
IXXB	Door entry guards, stainless steel, illuminated
IXXD	Door entry guards, carbon, illuminated
IXXF	Red tail lights
IXXG	Tail lights in clear glass look
IXXZ	Footrest
IXX1	Floor mats, logo, leather border
IXX2	Illuminated footwell
IXYA	PDK selector lever (EXC)
IXY5	Tiptronic gear selector gate in leather
IXZB	Carbon centre air vent
IXZD	Interior light surround in leather
IX45	Instrument dial in interior color
IX46	Tiptronic selector lever in aluminium/leather
IX47	Gear lever knob in Carbon/leather
IX48	Tiptronic selector lever in Carbon/aluminium
IX50	Powerkit 331/340 kW
IX54	Stainless steel tailpipes
IX58	Handbrake lever in Carbon/leather
IX65	Tiptronic selector lever in light burr maple/aluminium
IX66	Tiptronic selector lever in dark burr maple/aluminium
IX69	Door entry guards in Carbon with logo
IX70	Door entry guards in stainless steel with logo
IX71	Instrument dial painted/Aluminium Look finish
IX72	Gear lever knob aluminium/light burr maple/leather
IX73	Turbo sports suspension
IX74	Sports suspension (exclusive)
IX75	Differential lock (exclusive)
IX76	Inner door sill guard, left/right
IX97	Gear lever knob in aluminium/leather
IX98	Handbrake lever in aluminium/leather
IX99	Natural leather
I003	Clubsport package
I004	RS version
I018	Special model: 911 Turbo S Edition

Model: 997T10

Model life 2010&gt;&gt;2013

NR	Description
	918 Spyder
I022	Black-coloured instrument dials, instrument cluster
I023	Silver -coloured instrument dials, instrument cluster
I024	Version for Greece
I025	Black-coloured instrument dials, stopwatch
I026	Silver-coloured instrument dials, stopwatch
I029	Standard chassis
I030	Sport-type chassis
I032	Touring suspension
I034	Version for Italy
I058	Impact absorbers, front and rear
I061	Version for Great Britain
I062	Version for Sweden
I063	Version Luxemburg
I064	Version for Netherlands
I065	Version for Denmark
I066	Version for Norway
I067	Version for Finland
I068	PAP right-hand drive version
I069	Other country version
I071	EU country version
I072	Version for Mexico
I073	Version for Russia
I074	PAP left-hand drive version
I075	China version
I082	Fuel tank, 90-litre
I092	Turbo S
I098	Left-hand drive version
I099	Right-hand drive version
I101	Special GT2 engine parts
I111	Version for Austria
I113	Version for Canada
I114	Version for Taiwan
I119	Version for Spain
I124	Version for France
I126	Control and indications in French lettering
I127	Control and indications in Swedish lettering
I130	Control and indications in English lettering
I140	Dynamic engine mounts (PADM)
I150	Operation with leaded gas
I152	Fuel cooling
I191	Lightweight battery
I193	Version for Japan
I194	Battery, 60 Ah
I195	Battery, 70 Ah
I196	Battery, 80 Ah
I197	Stronger battery

Model: 997T10

Model life 2010&gt;&gt;2013

NR	Description
I198	Enhanced starter motor (1.7 kW)
I199	Battery disconnection switch
I200	95 Ah battery
I210	Licence plate holder version 2
I211	Licence plate holder version 3
I215	Version for Saudi Arabia
I218	Licence plate holder version 4
I219	Differential
I220	Locking differential 40 %
I225	Version for Belgium
I250	PDK transmission (dual clutch)
I265	Automatic anti-dazzle interior mirror with rain sensor
I266	Automatic anti-dazzle door mirror
I267	Automatically dimmable interior and door mirrors
I268	Rain sensor
I270	Door mirrors -flat - driver's side, electrically adjustable and heatable
I271	Door mirrors -aspherical- driver's side, electrically adjustable and heatable
I273	Door mirrors, electrically adjustable and heatable
I274	Vanity mirror, illuminated
I277	Version for Switzerland
I288	Headlamp washer
I301	Transmission ratio long
I303	Front-axle final drive with higher setting torque
I305	Gear lever in Alcantara, Black
I308	Selector lever in Alcantara, Black
I325	Version for South Africa/New Zealand
I335	Automatic seat belt, 3-point, rear
I338	Rear-wheel drive
I339	All-wheel drive
I342	Seat heating, left/right seat
I345	Heated steering wheel
I346	Rims, painted Silver
I369	Standard seat, left
I370	Standard seat, right
I375	Sports seat, backrest shell, left
I376	Sports seat, backrest shell, right
I377	Sports seat, backrest shell, left, electrically adjustable
I378	Sports seat, backrest shell, right, electrically adjustable

Model: 997T10

Model life 2010&gt;&gt;2013

NR	Description
I384	Carrera GT bucket seat, left
I385	Carrera GT bucket seat, right
I388	Sports bucket seat, left
I389	Sports bucket seat, right
I392	17-inch Carrera wheel
I393	17-inch Boxster II wheel (987)
I397	18-inch Boxster II wheel (987)
I398	19" Cayman S wheel
I401	18-in. Cayman S wheel
I402	Carrera 3 wheel 18-inch
I403	Carrera S wheel 19-inch
I404	19" Turbo-1 wheel
I405	Carrera Classic wheel 19-inch
I406	Carrera GT wheel 19-inch/20-inch
I407	SportDesign wheel 19-inch
I410	18" Turbo-2/Panamera wheel
I411	18-inch Carrera wheel -->2005 19-inch Carrera wheel 2012-->
I415	18-inch Turbo-Look II wheel
I416	18-inch GT3 wheel
I418	18-inch Turbo II wheel in GT Silver
I420	GT3 wheel 19"
I421	Turbo 2 wheel, 19"
I422	Turbo wheel, 19" ;, central lock
I424	Cd compartment
I425	Rear window wiper
I426	Without rear window wiper
I430	GT3 wheel, 19" ;, central lock
I431	Multi-function steering wheel, touch + feel
I432	19" Carrera wheel (6)
I435	Sports steering wheel
I436	3-spoke airbag steering wheel
I437	Comfort seat, left, electrically adjustable
I438	Comfort seat, right, electrically adjustable
I439	20" 911 Turbo 4 wheel
I440	Antenna diversity
I441	Radio preparation
I444	Anti-theft lock, wheel bolts "THATCHAM"
I446	Concave wheel centers with full-colour Porsche Crest
I447	Emergency wheel
I448	Brake pad; sport version
I450	Ceramic brake (PCCB)
I451	Multi-function steering wheel, Makassar Ebony, touch + feel

Model: 997T10

Model life 2010&gt;&gt;2013

NR	Description
I452	Multi-function steering wheel, Sycamore, touch + feel
I453	Multi-function steering wheel, Carbon, touch + feel
I454	Automatic speed control
I459	3-spoke airbag steering wheel, touch + feel
I460	20" RS Spyder Design wheel
I461	External antenna
I465	Rear fog light, left
I466	Rear fog light, right
I475	"PASM" electronic damper control
I476	Porsche Stability Management (PSM)
I478	Central wheel lock
I479	Version for Australia
I480	6-speed manual transmission
I482	Tire Pressure Monitoring TPM, 433 MHz
I483	315-MHz TPM, Tire Pressure Monitoring
I484	Version for USA
I488	Inscriptions in German language
I490	Sound system "ASK"
I492	Headlights for left-hand traffic
I498	Deletion of model designation on rear end
I499	Version for Germany
I501	Car cover
I509	Fire extinguisher
I510	Contrasting colour: Red (GTX RS)
I511	Contrasting colour: Gold (GTX RS)
I513	Lumbar support, right seat
I521	Tilt sensor
I524	Immobilizer, central locking, 433 MHz
I525	Immobilizer, central locking, 315 MHz
I532	Alarm system remote control omitted
I533	Radio convertible-top operation omitted
I534	Theft security system, 433 MHz
I535	Theft security system, 315 MHz
I536	-07 Alarm siren and tilt sensor 08- Alarm siren
I537	Seat position control for comfort seat, left
I538	Seat position control for comfort seat, right
I539	Mechanical seat height adjustment, left
I540	Mechanical seat height adjustment, right
I541	Active seat ventilation (incl. heated seats)
I544	Anti-theft protection without infrared monitoring, 433 MHz
I545	Anti-theft protection without infrared monitoring, 315 MHz



Model: 997T10

Model life 2010&gt;&gt;2013

NR	Description
I549	Roof Transport System
I550	Hard top
I551	Wind deflector
I553	Version for USA, Canada
I554	Front spoiler lip included
I555	Black seat belts
I560	Advanced airbag
I562	Airbag, driver's side and front passenger's side
I563	Side airbag
I566	Front fog lights, white
I567	Windscreen tinted, upper part darker coloured
I568	Windscreen without shade band
I571	Activated charcoal filter
I572	Manual air-conditioning system
I573	Air conditioner
I574	Without air conditioner
I575	Luggage compartment cooling system
I581	Centre console, front
I584	Storage box on engine cover
I585	Cupholder
I586	Lumbar support, left seat
I589	Front wing in Carbon
I594	Alcantara rooflining
I599	Aluminium doors
I600	Lightweight halogen headlights
I601	Xenon lighting system
I602	Raised stop lamp
I603	Bi-Xenon and dynamic cornering light
I605	LED daytime driving lights
I606	Daytime driving lights
I607	Garage door opener "Homelink", 315 MHz
I608	Garage door opener "Homelink" 433 MHz
I609	without radio
I610	DVD navigation, "Europe package"
I611	DVD navigation South Africa
I612	DVD navigation middle east
I613	DVD navigation australia
I614	DVD navigation asia-pacific
I615	DVD navigation system, North America
I616	DVD, Navigation Russia
I617	DVD Navigation China
I618	Preparation for telephone installation
I619	Mobile phone preparation (BLUETOOTH) without console
I621	12-V socket, passenger's side, footwell
I625	"KESSY" Porsche Entry and Drive
I635	Parking assistant

Model: 997T10

Model life 2010&gt;&gt;2013

NR	Description
I639	Sport Chrono package
I640	Sport Chrono Package Plus
I641	electronic logbook
I650	Electrical sliding roof
I651	Electric window opener
I652	Without sliding/tilting roof
I657	Power assisted steering
I659	On-board computer
I660	Obd 2
I661	Stricter emission-control concept
I663	Fuel pump activation
I664	Orvr
I665	-2008 PCM 2, 2009- PCM 3 basic module incl. radio
I666	-2008 PCM 2, 2009- PCM 3 telephone (GSM)
I668	PCM2 telephone handset
I669	PCM 3 - Telephone handset (BLUETOOTH)
I670	PCM2 navigation
I671	Voice control system
I672	-2008 PCM 2, 2009- PCM 3 Offroad navigation
I673	Navigation system preparation, China
I674	"Vehicle Tracking System" preparation
I675	Without radio preparation (Japan navigation system)
I676	TV tuner
I677	"Driver card" antenna
I678	Alarm system connection
I679	Restart inhibitor
I680	BOSE sound package
I685	Rear seats, split
I686	SAT radio reception XM (SDARS)
I689	Preperation for CD autochanger
I690	CD radio "Porsche Online Pro"
I692	CD autochanger "Porsche"
I693	Integrated CD/DVD autochanger
I694	CD radio "PORSCHE CDR 24"
I695	CD radio, Porsche CDR 30
I697	CD radio "Porsche CDR-23"
I703	without Clubsport package
I711	Omission underbody protection
I789	Colour to sample
I796	Full leather trim natural leather
I798	Full leather trim special leather
I799	Full leather trim by choice
I801	Makassar Ebony wood package, dark (matt satin finish)
I802	Sycamore package, light (matt satin finish)
I803	Carbon package
I804	GT2 Carbon exterior package
I805	Lifestyle package

Model: 997T10

Model life 2010&gt;&gt;2013

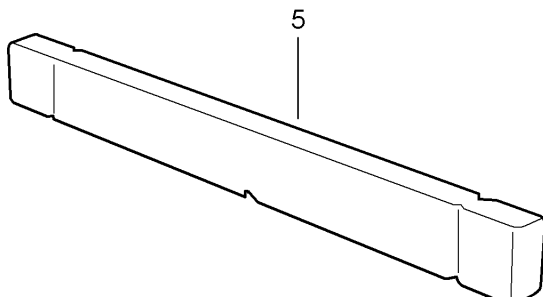
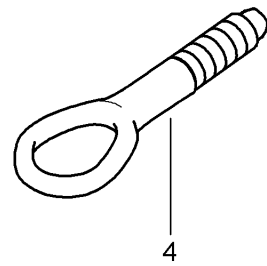
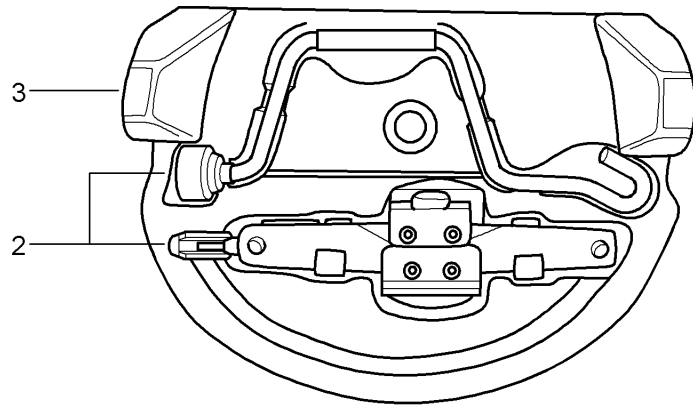
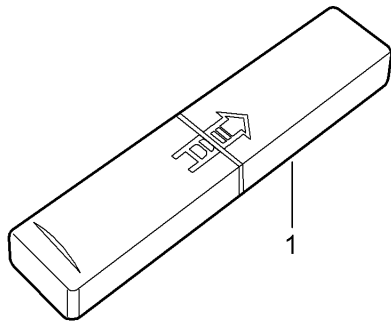
NR	Description
I810	Floor mats
I839	GT3 Alcantara steering wheel
I840	Sports steering wheel (for PDK with paddle)
I841	Basic steering wheel Smooth leather
I844	Multi-function steering wheel Smooth leather
I845	Multi-function steering wheel Carbon
I847	Multi-function steering wheel Makassar
I870	Universal multimedia interface
I912	without ID plate
I936	Seat covers, rear, leather
I937	Seat covers, rear, leatherette
I939	Seat covers, rear, draped leather
I946	Seat covers, front, leather/leather/leatherette
I950	Alcantara seat covers, front
I951	Seat covers front, Alcantara/leather/leather
I970	Two-tone interior
I971	"TORO" embossed leather
I981	Leather equipment, without seat covers
I982	Seat covers, front, draped leather/leather/leather
I983	Seat covers, front, leather
I985	Seat covers, leather/leather/leatherette, 2
I990	Seat covers, front, cloth/cloth/leatherette
I991	Steering wheel airbag module in leather
I998	Leather, natural
I999	Passenger compartment monitoring sensor for leather colour of choice

Model: 997T10

Model life 2010>>2013

Model: 997T10

Model life 2010>>2013



Model: 997T10 Model life 2010>>2013

Pos	Part Number	Description	Remark	Qty	Model
1	997 721 115 00	Tool Jack Tool kit with contents Comprising:		1	
-	477 012 229	Double-end spanner 10 X 13		1	
-	477 012 231	Screwdriver		1	
-	111 012 287	Handle for Screwdriver		1	
-	999 571 077 02	Socket wrench - 5 - for Headlamp		1	
2	996 721 211 00	Scissors type jack		1	I447
3	996 722 101 00	Foam part		1	TURBO -I450/I447
3		Foam part		1	GT2/RS I447
(3)	997 722 101 00	Foam part		1	TURBO I422/447/450
-	999 571 074 30	Threaded bolt for Assembly Wheels		1	I447
-	477 012 221 A	Rim wrench		1	I447
-	999 571 070 30	Operating rod for Tool		1	I447
-	997 361 181 52	Wheel bolt		1	I422/430/447
-	997 361 069 02	Tool for Wheel bolt		1	I422/430
-	997 361 161 00	Extension for Tool Wheel bolt		1	I422/430/447
-	997 362 193 00	Spacer	/V	1	I422/430/447
-	997 362 195 00	Spacer	/H	1	I422/430/447
-	997 722 801 00	Mounting for Tool		1	I447
-	996 361 521 00	Boot		1	I447
-	997 722 061 01	Cover		1	TURBO -I422/-I450 I447
-	997 722 061 02	Emergency wheel Cover		1	TURBO I422/447/450
-		Emergency wheel Cover		1	GT2/RS I430/447
-	997 722 073 00	Emergency wheel Restraining strap		1	TURBO I422/447/450
-	997 722 103 00	Emergency wheel Mounting		1	TURBO/COUPE I447
-	997 722 103 01	Emergency wheel Mounting		1	TURBO/CABRIO I447
-		Emergency wheel			

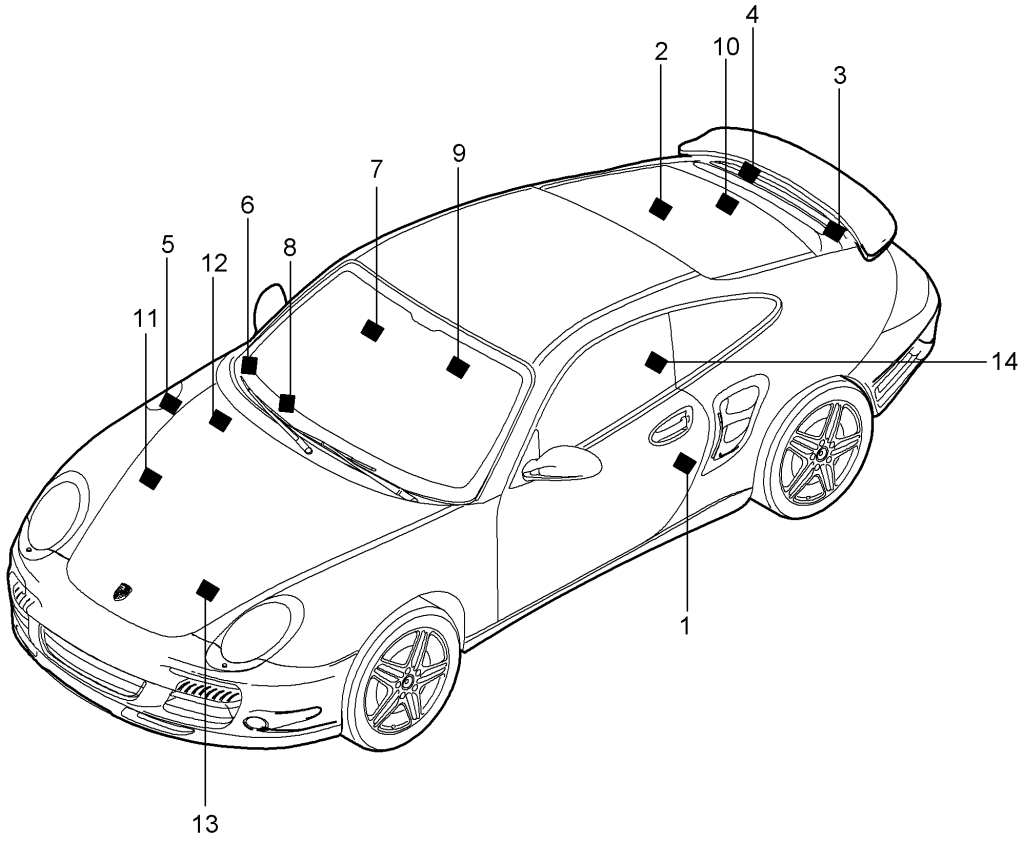
Model: 997T10

Model life 2010&gt;&gt;2013

Pos	Part Number	Description	Remark	Qty	Model
4	997 721 551 00	Towing lug		1	
5	000 722 722 06	Warning triangle		1	
-	997 722 709 00	Support		2	
		Warning triangle			
-	993 722 041 00	First-aid kit		1	

Model: 997T10

Model life 2010>>2013





Model: 997T10

Model life 2010&gt;&gt;2013

Pos	Part Number	Description	Remark	Qty	Model
2	7PP 010 707 K	Stickers Sticker Stickers Engine specifications		1	I422/447/450
3	7PP 010 751 C	Sticker		1	I068
3	955 701 675 00	Sticker Expansion tank		1	I193
4	997 006 544 00	Sticker Engine oil - MOBIL 1 -		1	
4	997 701 535 00	Sticker Engine-oil level Stickers Type of fuel		1	I193
5	996 006 117 00	Sticker 98 ROZ		1	
5	996 006 117 01	Sticker 98 ROZ		1	I150
5	996 006 117 02	Sticker 96 ROZ	(AUS)	1	
5	996 006 117 03	Sticker 93 RON/MON/2		1	I193
5	955 701 676 15	Sticker Fuel		1	I193
5	955 701 676 10	Sticker Fuel filler flap Stickers Airbag		1	I193
6	3B0 010 219 B	Sticker Child car seat		1	
6	8D0 010 141 Q	Sticker Child car seat	(AUS)	1	
6	997 701 430 00	Sticker Child car seat German		1	
6	997 701 430 01	Sticker Child car seat English		1	
6	997 701 430 02	Sticker Child car seat French		1	
6	997 701 430 03	Sticker Child car seat Italian		1	
6	997 701 430 04	Sticker Child car seat Swedish		1	
6	997 701 430 05	Sticker Child car seat Spanish		1	
6	997 701 430 06	Sticker Child car seat Arabic		1	
6	997 701 430 07	Sticker Child car seat Chinese		1	
6	955 701 675 10	Sticker Recycling		1	I193
9	997 701 531 00	Sticker Airbag		1	I193
9	955 701 676 00	Sticker Warning light Engine		1	I193

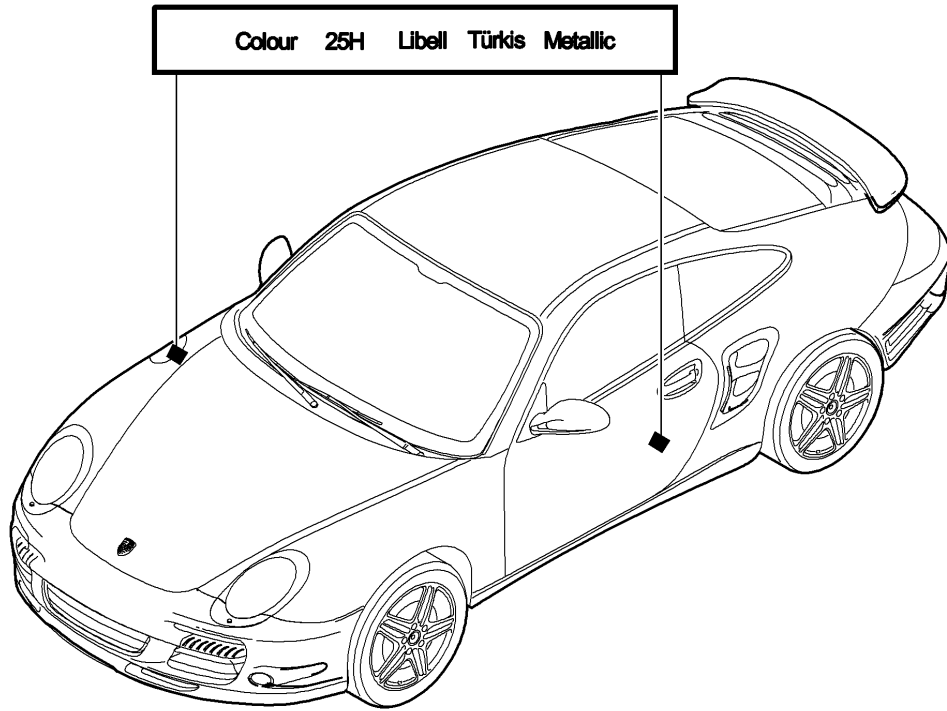
Model: 997T10

Model life 2010&gt;&gt;2013

Pos	Part Number	Description	Remark	Qty	Model
10	955 701 675 15	Sticker Import Japan		1	I193
11	996 701 141 01	Sticker Air conditioner		1	
11	997 701 521 00	Sticker Air conditioner		1	I193
12	955 701 673 00	Sticker Battery		1	I193
12	997 701 170 00	Sticker First-aid kit		1	
13	997 701 527 00	Sticker Headlamp		1	I193
13	955 701 675 05	Sticker Brake fluid		1	I193

Model: 997T10

Model life 2010>>2013

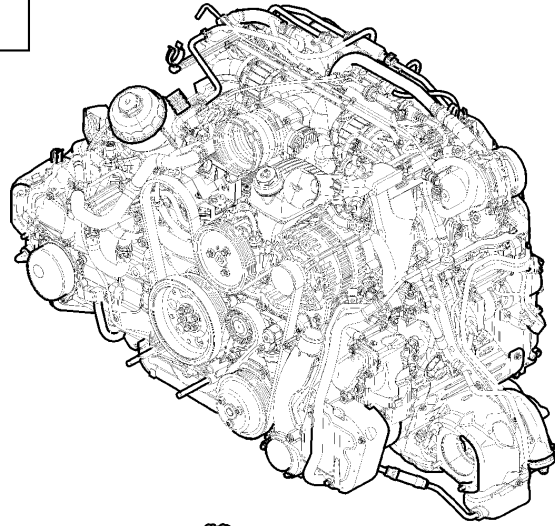
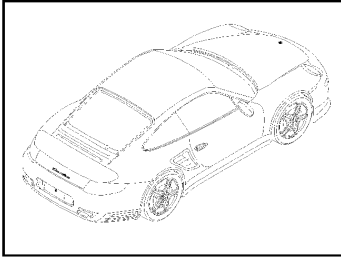


Model: 997T10 Model life 2010>>2013

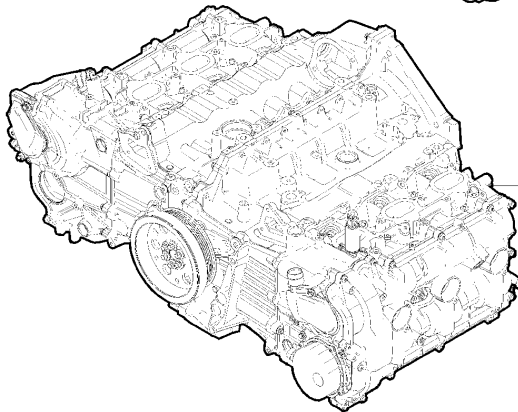
Pos	Part Number	Description	Remark	Qty	Model
		Paint touch-up applicator Lacquers			
-	911 095 932 20	Paint touch-up applicator		X	
	911 095 932 20 041	Black			A 1
	911 095 932 20 80K	Guards red			G 1
	911 095 932 20 B9A	Carrara white			B 4
	911 095 932 20 12G	Speed yellow			X 4
	911 095 932 20 51A	Creamy white			T 2
-	911 095 933 20	Paint touch-up applicator Set Comprising: Paint touch-up applicator Primer Paint touch-up applicator Clear lacquer		X	
	911 095 933 20 92T	Arctic silver metallic			X 1
	911 095 933 20 C9Z	Basalt black metallic			Z 4
	911 095 933 20 M7X	Atlas grey metallic			E 7
	911 095 933 20 M7Z	GT Silver Metallic			U 2
	911 095 933 20 M7W	Meteor Grey Metallic			9 Q
	911 095 933 20 M3X	Ruby red metallic			A 6
	911 095 933 20 M8W	Macadamia Metallic			9 S
	911 095 933 20 2B5	Malachite Green Metallic			H 1
	911 095 933 20 M2Z	Nordic Gold Metallic			8 W
	911 095 933 20 M5R	Aqua Blue Metallic			D 2
	911 095 933 20 M5X	Dark Blue Metallic			N 4
	911 095 933 20 22G	Racing Green Metallic			J 1
	911 095 933 20 M4Z	Amethyst metallic			N 6
	911 095 933 20 M5Q	Ice Blue Metallic			H 3
	911 095 933 20 M7T	Platinum Silver Metallic			1 H
	911 095 933 20 3S2	Ipanema Blue Metallic			F 2

Model: 997T10

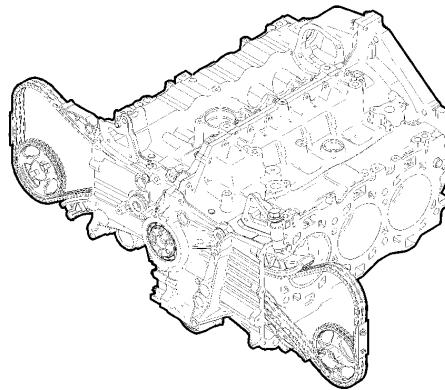
Model life 2010>>2013



1



2



3

Model: 997T10

Model life 2010>>2013

Pos	Part Number	Description	Remark	Qty	Model
1	9A1 100 970 00	Replacement engine			MA1.70
1	9A1 100 970 X	Replacement engine	-10	1	I480
1	9A1 100 970 02	Replacement engine	-10	1	I480
1	9A1 100 970 CX	Replacement engine	11-	1	-I092/I480
1	9A1 100 970 05	Replacement engine	11-	1	-I092/I480
1	9A1 100 970 05	Replacement engine	12-	1	-I092/I480
1	9A1 100 970 EX	Replacement engine	12-	1	-I092/I480
1	9A1 100 970 10	Replacement engine	13-	1	-I092/I480
1	9A1 100 970 KX	Replacement engine	13-	1	-I092/I480
1	9A1 100 970 01	Replacement engine	-10	1	I250
1	9A1 100 970 AX	Replacement engine	-10	1	I250
1	9A1 100 970 03	Replacement engine	11-	1	-I092/I250
1	9A1 100 970 06	Replacement engine	11-	1	-I092/I250
1	9A1 100 970 BX	Replacement engine	11-	1	-I092/I250
1	9A1 100 970 06	Replacement engine	12-	1	-I092/I250
1	9A1 100 970 FX	Replacement engine	12-	1	-I092/I250
1	9A1 100 970 11	Replacement engine	13-	1	-I092/I250
1	9A1 100 970 LX	Replacement engine	13-	1	-I092/I250
1	9A1 100 970 08	Replacement engine		1	-I092/I075
1	9A1 100 970 HX	Replacement engine		1	I250
1	9A1 100 970 04	Replacement engine		1	-I092/I075
1	9A1 100 970 04	Replacement engine		1	I250
1	9A1 100 970 07	Replacement engine M >> B 03675		1	I092
1	9A1 100 970 07	Replacement engine M >> B 03675		1	I092
1	9A1 100 970 DX	Replacement engine M >> B 03675		1	I092
1	9A1 100 970 07	Replacement engine M B 03675 >>		1	I092
1	9A1 100 970 GX	Replacement engine M B 03675 >>		1	I092
1	9A1 100 970 12	Replacement engine	13-	1	I092
1	9A1 100 970 MX	Replacement engine	13-	1	I092
1	9A1 100 970 09	Replacement engine M B 03675 >>		1	I075/092
1	9A1 100 970 JX	Replacement engine M B 03675 >>		1	I075/092
2	9A1 100 970 60	Short engine Comprising: Crankcase Cylinder head Valve cover Connecting rod Crankshaft Piston Oil pump Timing chain Parts kit without Gaskets Use also: 99907353601 99711121770 99917022890 94810722200 94810732200		1	
2	9A1 100 970 RX	Short engine Comprising: Crankcase Cylinder head Valve cover Connecting rod		1	
				18	
				2	
				6	
				1	
				1	
				1	

Model: 997T10 Model life 2010>>2013

Pos	Part Number	Description	Remark	Qty	Model
-	997 111 107 31	Crankshaft Piston Oil pump Timing chain Parts kit without Gaskets Use also: 99907353601 99711121770 99917022890 94810722200 94810732200 Gasket Short engine 9A110097060/RX Parts kit for seals Use also: 9A111086604 99970111241 9A111052402 90090601102 9A111052001 99970402090 99970764340 99970740440 9A110622502 99970751740 99970758940 9A110630500 99970762540 9A110655800 Gasket Intake distributor Short engine 9A110097060/RX Parts kit for seals Accessories Use also: 99970734840 9A110621500 9A110632500 9A110632600 9A110231200 9A110232200 99970760440 99970758940 Short engine Comprising: Crankcase Connecting rod Crankshaft Piston Oil pump Timing chain Parts kit without Gaskets Use also: 99907353601 99711121770 99917022890 94810722200		18 2 6 1 1 2  6 6 6 6 6 6 1 2 1 4 4 1 1 6  1 2 1 1 1 2 2 2 2 1  18 2 6 1	
-	9A1 110 215 01	Gasket Intake distributor Short engine 9A110097060/RX Parts kit for seals Accessories Use also: 99970734840 9A110621500 9A110632500 9A110632600 9A110231200 9A110232200 99970760440 99970758940 Short engine Comprising: Crankcase Connecting rod Crankshaft Piston Oil pump Timing chain Parts kit without Gaskets Use also: 99907353601 99711121770 99917022890 94810722200		6  1 2 1 1 1 2 2 2 2 1  18 2 6 1	
3	9A1 100 970 50	Short engine Comprising: Crankcase Connecting rod Crankshaft Piston Oil pump Timing chain Parts kit without Gaskets Use also: 99907353601 99711121770 99917022890 94810722200		1  18 2 6 1	





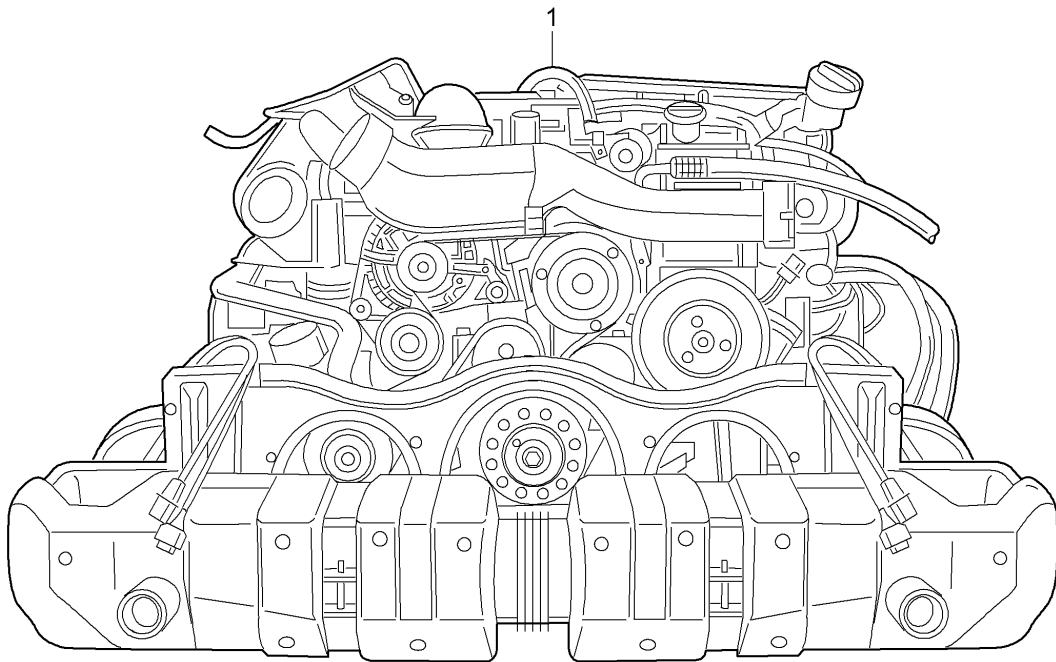
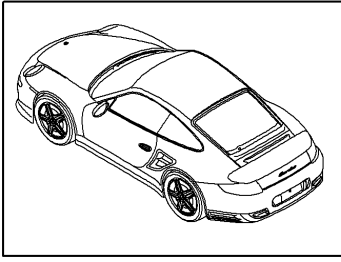
Model: 997T10

Model life 2010>>2013

Pos	Part Number	Description	Remark	Qty	Model
		Parts kit for seals Accessories Use also: 99970751740 99970758940 9A110630500 99970762540 9A110655800 9A110515304 9A110515504 9A110510103 99970734640 90012301121 99970106640		4 4 1 1 1 2 2 2 6 2 2	

Model: 997T10

Model life 2010>>2013



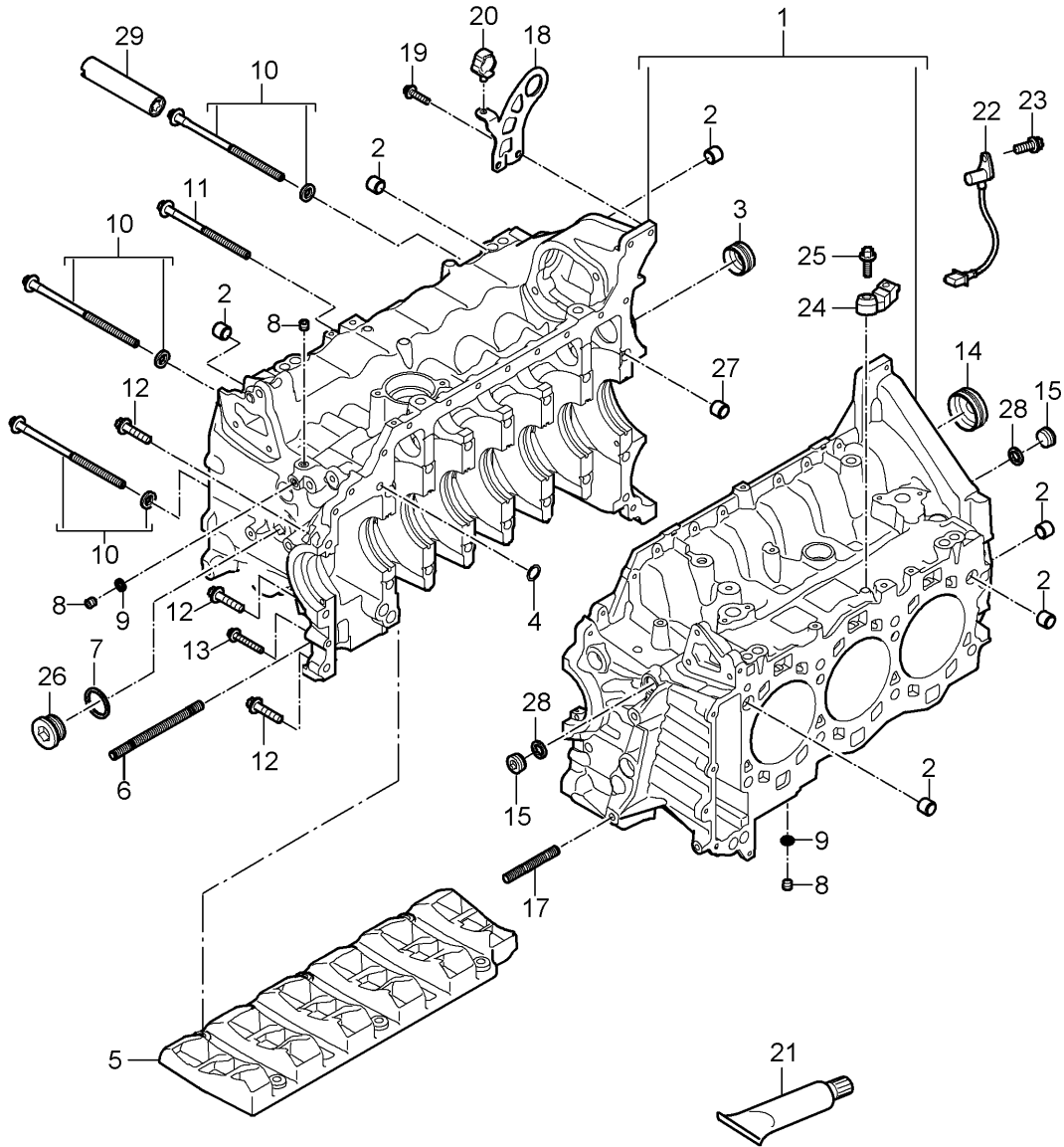
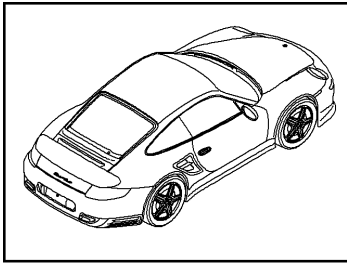
Model: 997T10

Model life 2010>>2013

Pos	Part Number	Description	Remark	Qty	Model
(1)	997 100 970 80	Replacement engine Replacement engine	11-	1	M97.70 I004/101/152 I480/573
(1)	997 100 970 1X	Replacement engine	11-	1	I004/101/152 I480/573
(1)	997 100 970 81	Replacement engine	11-	1	I004/101/480 I574
(1)	997 100 970 2X	Replacement engine	11-	1	I004/101/480 I574

Model: 997T10

Model life 2010>>2013



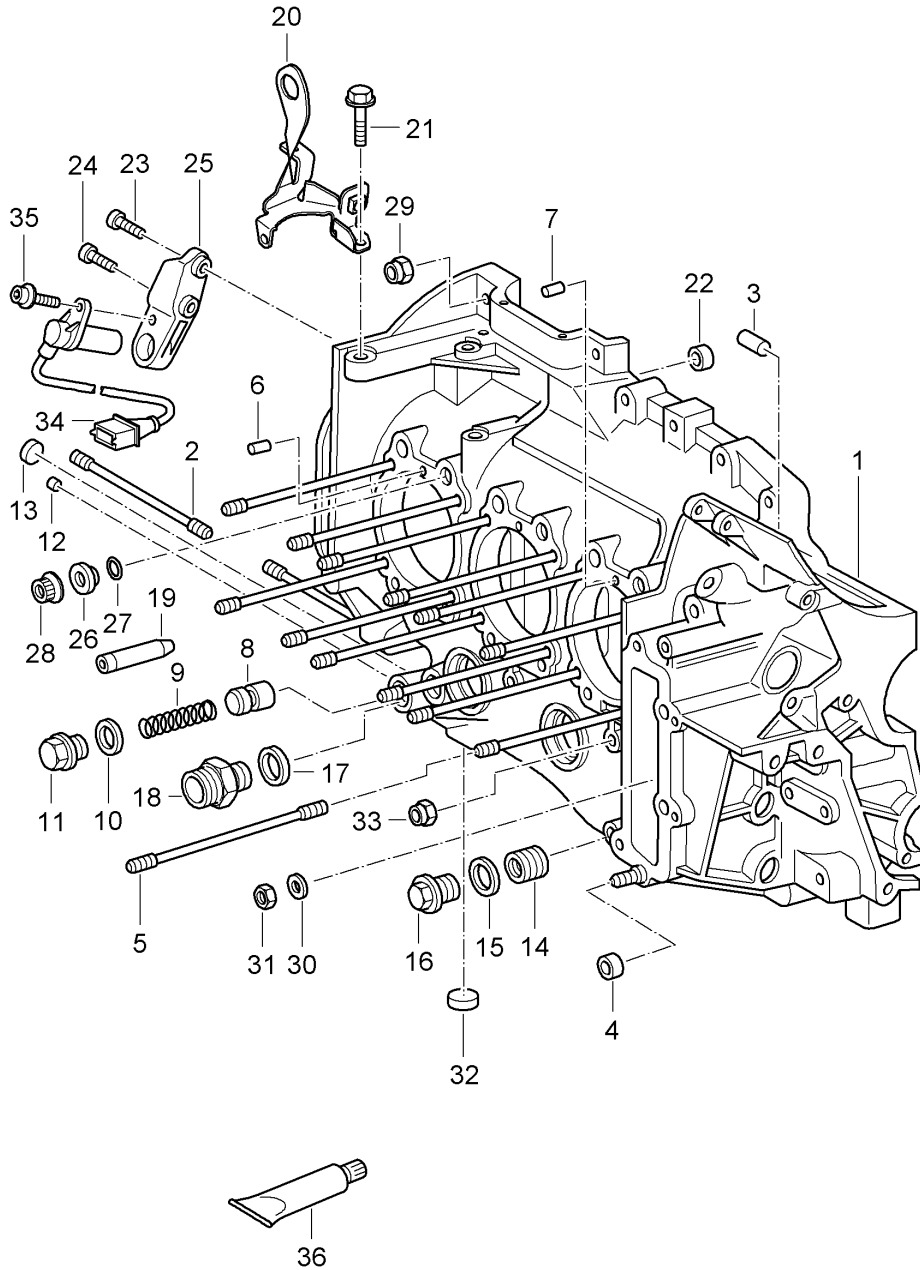
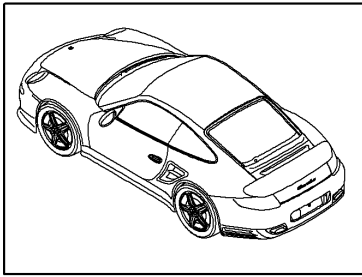
Model: 997T10

Model life 2010>>2013

Pos	Part Number	Description	Remark	Qty	Model
		Crankcase			MA1.70
1	9A1 101 939 00	Crankcase		1	
2	014 301 153 B	Dowel sleeve		6	
3	9A1 101 215 01	Lid		1	
4	999 707 568 40	O-ring		1	
		12,0 X 3,0			
5		Oil separator		1	
		See illustrations			
		1/04/02			
6	900 060 108 01	Stud		1	
		M10 X 60			
7	900 123 015 30	Sealing ring		1	
		A30 X 36			
8	900 219 023 01	Screw plug		4	
		M10 X 1,0			
9	900 123 160 30	Sealing ring		4	
		10 X 13,5			
10	9A1 101 250 00	Outer hexagon round screw		14	
		M10 X 1,5 X 195			
11	900 385 281 01	Torx screw		1	
		M8 X 120			
12	900 385 042 01	Torx screw		3	
		M8 x 35			
13	900 385 045 01	Torx screw		1	
		M6 X 40			
14	9A1 101 216 01	Lid		1	
15	900 219 019 01	Screw plug		2	
		M20 X 1,5			
17	900 060 108 01	Stud		1	
		M10 x 60			
18	9A1 101 213 00	Shackle for transportation		1	
19	900 385 072 01	Torx screw		14	
		M6 X 25			
20	999 507 075 40	Cable holder		1	
21	000 043 207 31	Sealing compound		X	
		80 ML			
22	9A1 606 112 01	Pulse sender		1	
23	900 387 264 01	Pan-head screw		2	
		M6 X 16			
23	N 105 464 03	Pan-head screw		2	
		M6 X 16			
24	997 606 121 00	Knock sensor		2	
		Information available			
25	900 385 042 01	Torx screw		3	
		M8 X 35			
26	900 219 025 30	Screw plug		1	
		M30 x 1,5			
27	996 101 225 50	Dowel sleeve		1	
28	900 123 159 30	Sealing ring		2	
		20 x 24			
29	9A1 101 511 01	Adapter		12	

Model: 997T10

Model life 2010>>2013



Model: 997T10

Model life 2010&gt;&gt;2013

Pos	Part Number	Description	Remark	Qty	Model
		Crankcase Left			M97.70
1	996 101 901 75	Crankcase with studs		1	
2	900 060 096 01	Stud BM 10FO X 105		3	
3	999 501 065 30	Stopper 9,2 MM		1	
4	901 101 145 00	Dowel sleeve		4	
5	996 101 172 70	Stud		24	
6	900 012 046 00	Straight pin A 8,0 X 14		2	
7	900 012 057 00	Straight pin A 6,0 X 14		2	
8	911 107 512 00	Piston		1	
9	901 107 531 01	Compression spring		1	
10	900 123 106 30	Sealing ring A18 X 24		1	
11	999 064 026 01	Screw plug AM 18 X 1,5		1	
12	911 101 186 02	Stopper 7,5 X 8,0		1	
(12)	911 101 186 01	Stopper Oversize 8,5 X 8,0		1	
13	900 036 047 01	Lid A 13		1	
(13)	911 101 182 01	Stopper Oversize 14,00 X 8,5		1	
14	999 504 127 00	Threaded insert 20 X 1,5		1	
15	900 123 118 30	Sealing ring A 22 X 27		1	
16	944 107 197 03	Screw plug		1	
17	900 123 011 30	Sealing ring A 22 X 27		1	
18	999 136 044 01	Union 18		1	
19	997 101 018 92	Spray jet D = 1,2		6	
(19)	997 101 018 93	Spray jet D = 0,8		6	
20	997 101 251 73	Retaining bar		1	
21	900 074 040 03	Hexagon-head bolt M 8 X 50		1	
22	901 101 195 00	Dowel sleeve		2	
23	900 385 009 01	Torx screw M 6 X 16		1	
24	900 385 270 01	Outer hexagon round screw M 6 X 35		1	
25	964 101 187 01	Support		1	
26	964 101 313 71	Washer		12	
26	964 101 313 05	Washer		12	
27	999 701 006 41	O-ring 8 X 2		12	
28	959 101 172 70	Nut		12	
28	959 101 172 00	Nut		12	
29	999 084 202 01	Lock nut M 8		21	
30	900 025 008 03	Washer A 10,5		1	
31	999 084 096 02	Lock nut		1	

Model: 997T10

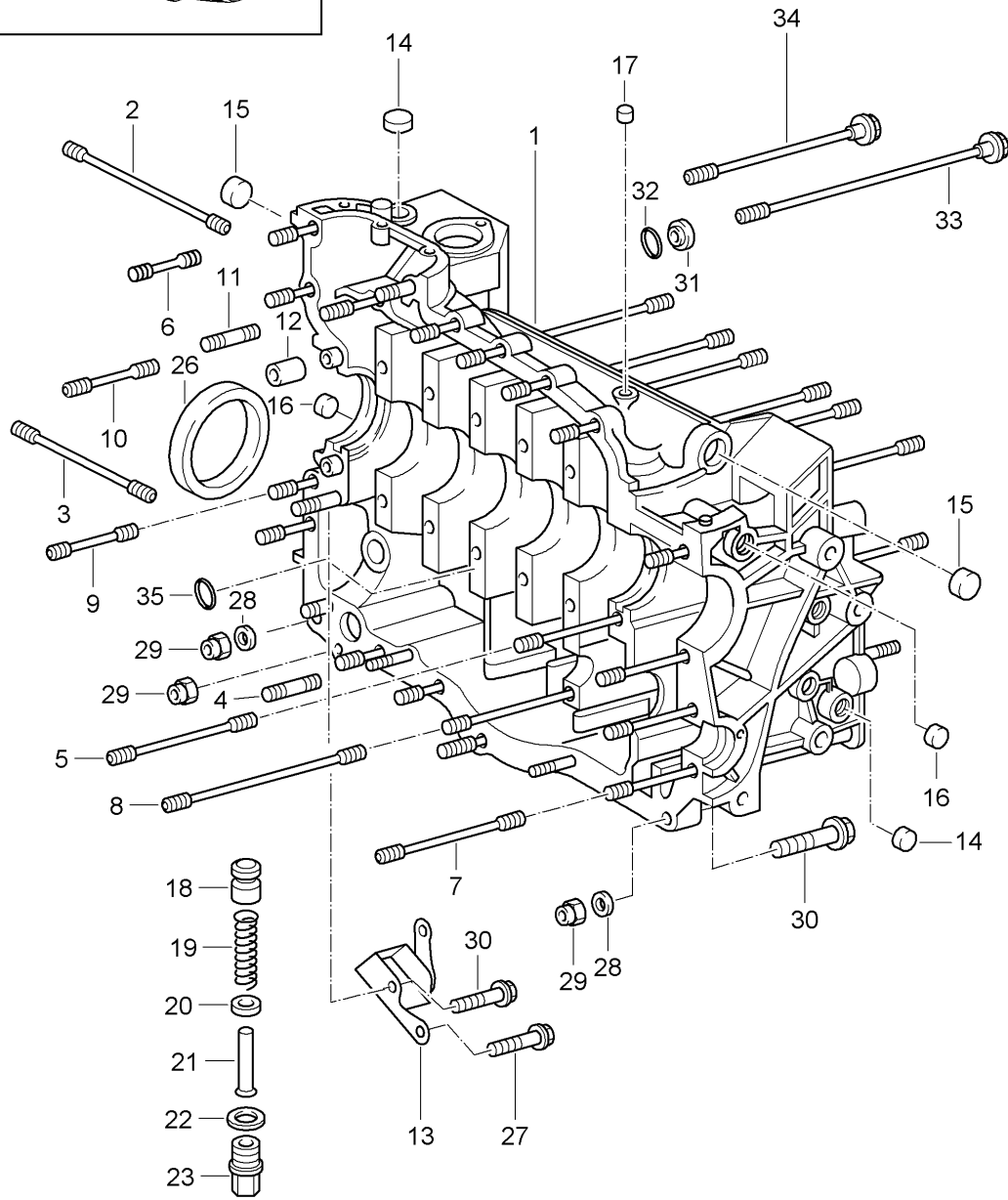
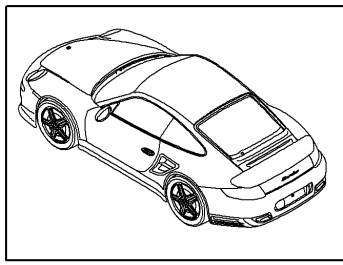
Model life 2010&gt;&gt;2013

Pos	Part Number	Description	Remark	Qty	Model
31	900 910 130 01	M 10 X 1,25 Lock nut		1	
(32)	911 101 184 01	M 10 X 1,25 Stopper Oversize 20,00 X 13		1	
33	999 084 096 02	Lock nut M 10		1	
33	900 910 130 01	Lock nut M 10		1	
34	996 606 105 01	Pulse sender		1	
35	900 387 264 01	Pan-head screw M 6 X 16		1	
35	N 105 464 03	Pan-head screw M 6 X 16		1	
36	000 043 204 58	Sealing compound 30 GR. Drei Bond Silikon 2210		X	



Model: 997T10

Model life 2010>>2013



Model: 997T10

Model life 2010&gt;&gt;2013

Pos	Part Number	Description	Remark	Qty	Model
		Crankcase Right			M97.70
1	996 101 901 75	Crankcase with studs		1	
2	900 060 095 01	Stud BM 10 X 140		1	
3	900 060 096 01	Stud BM 10 X 105		1	
4	900 060 106 01	Stud BM8FO x 22		3	
5	996 101 175 70	Stud		1	
6	900 060 104 01	Stud BM8FO x 32		13	
7	900 060 101 01	Stud BM 8 X 78		3	
8	900 060 099 01	Stud BM 10FO X 110		1	
9	900 060 103 01	Stud BM 8FOX 48		2	
10	900 060 102 01	Stud BM 8FO x 52		1	
11	900 060 105 01	Stud BM 8FO X 28		1	
12	901 101 195 00	Dowel sleeve		2	
13	996 101 206 71	Hook		1	
(14)	911 101 184 01	Stopper Oversize 20,00 X 13		2	
15	900 036 046 01	Lid A 22		2	
(15)	911 101 185 01	Stopper Oversize 23,00 X 9		2	
16	900 036 047 01	Lid A 13		2	
(16)	911 101 182 01	Stopper Oversize 14,00 X 8,5		2	
17	911 101 186 02	Stopper 7,5 X 8,0		1	
(17)	911 101 186 01	Stopper Oversize 8,50 X 8		2	
18	911 107 512 00	Piston		1	
19	930 107 531 01	Compression spring		1	
20	964 107 532 01	Spacer ring		1	
21	930 107 533 01	Guide sleeve		1	
22	900 123 106 30	Sealing ring A 18 X 24		1	
23	999 064 026 01	Screw plug AM 18 X 1,5		1	
24	900 036 008 03	Lid B 15		1	
25	900 036 029 03	Lid B 16		1	
26	999 113 426 41	Radial sealing ring 90 X 110 X 12		1	
27	900 378 150 01	Hexagon-head bolt M 8 X 55		1	
28	900 031 105 01	Washer 8,4 X 15 X 1,6		1	
29	999 084 202 01	Lock nut M 8		1	

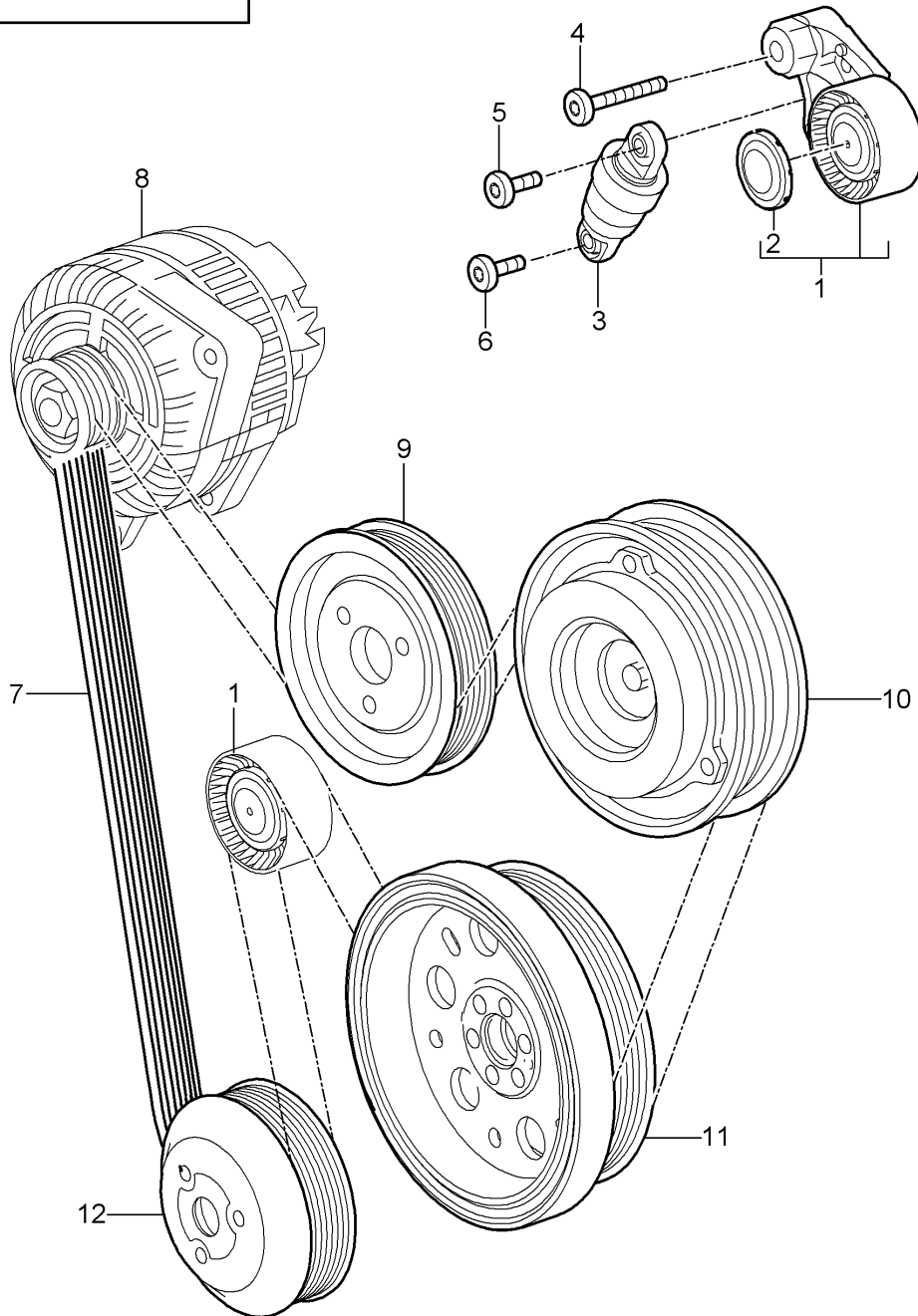
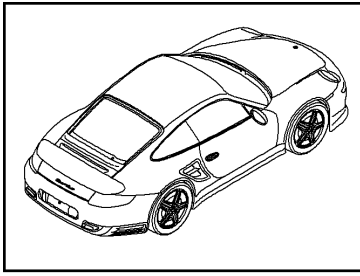
Model: 997T10

Model life 2010&gt;&gt;2013

Pos	Part Number	Description	Remark	Qty	Model
30	900 378 150 01	Hexagon-head bolt M 8 X 55		1	
31	964 101 313 71	Washer		12	
31	964 101 313 05	Washer		12	
32	999 701 006 41	O-ring 8 X 2		12	
33	959 101 173 70	Screw		11	
33	959 101 173 01	Screw		11	
34	964 101 174 70	Screw		2	
35	999 701 596 40	O-ring 8,3 X 2,4		2	

Model: 997T10

Model life 2010>>2013

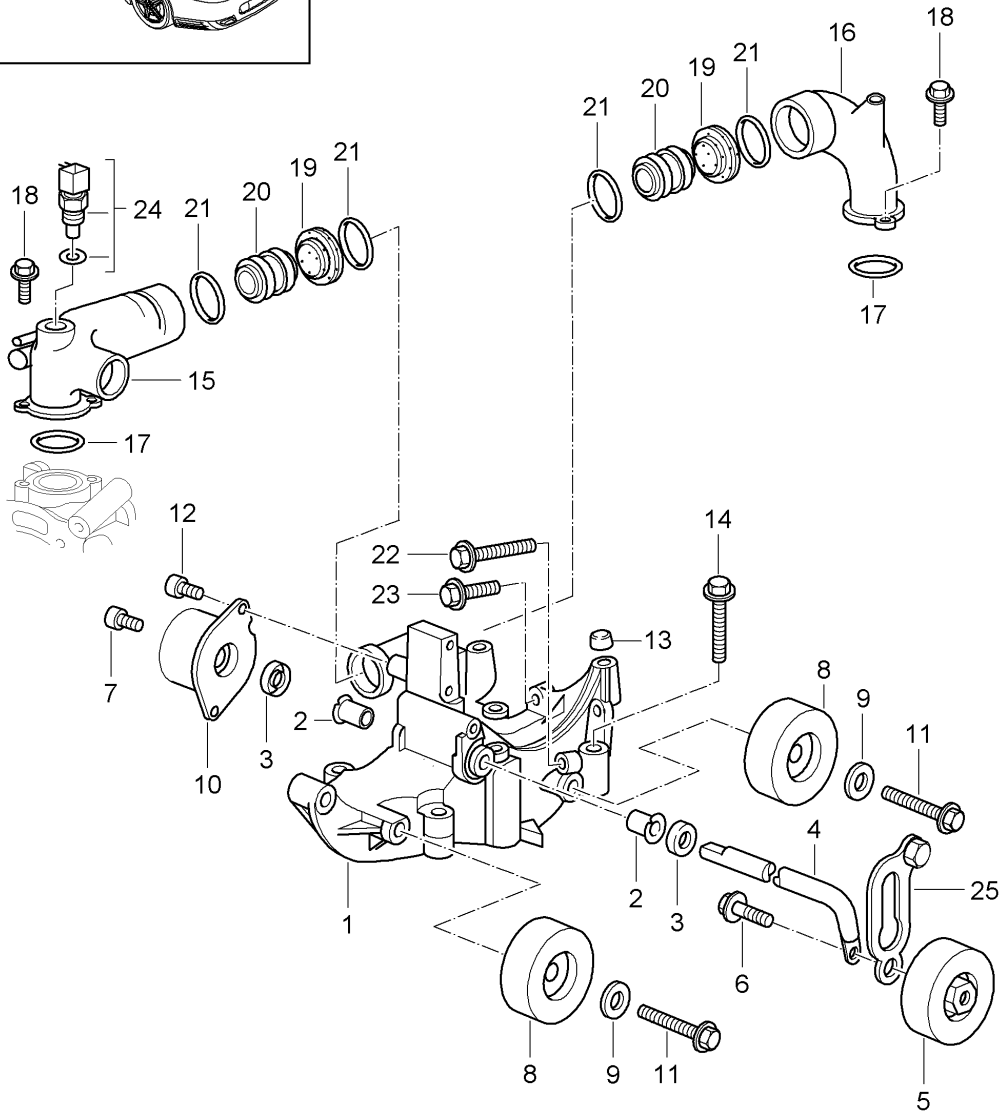
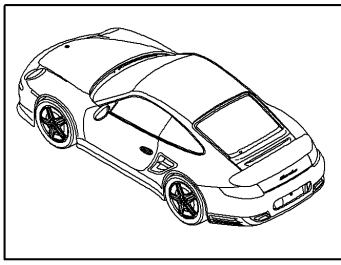


Model: 997T10 Model life 2010>>2013

Pos	Part Number	Description	Remark	Qty	Model
		Belt tensioner			MA1.70
1	9A1 102 211 00	V-belt Lever		1	
1	9A2 102 211 00	Tensioning roller Lever		1	
		Tensioning roller			
		Use also:			
		9A110221200			
		99907357901			
		94810283900			
2	948 102 839 00	Protection cap		1	
3	948 102 261 00	Tensioner		1	
		Hydraulic			
4	999 073 411 01	Outer hexagon round screw		1	
		M8 X 60			
5	999 073 246 09	Torx screw		1	
		M8 X 33			
6	999 073 412 01	Torx screw		1	
		M8 X 26			
7	9A1 102 216 01	V-belt		1	
8		Generator		1	
		See illustrations			
		9/02/05			
9		Pulley		1	
		Power-steering pump			
		See illustrations			
		4/03/03			
10		Pulley		1	
		Compressor			
		See illustrations			
		8/13/15			
11		Pulley		1	
		Crankshaft			
		See illustrations			
		1/02/00			
12		Pulley		1	
		Water pump			
		See illustrations			
		1/05/00			

Model: 997T10

Model life 2010>>2013



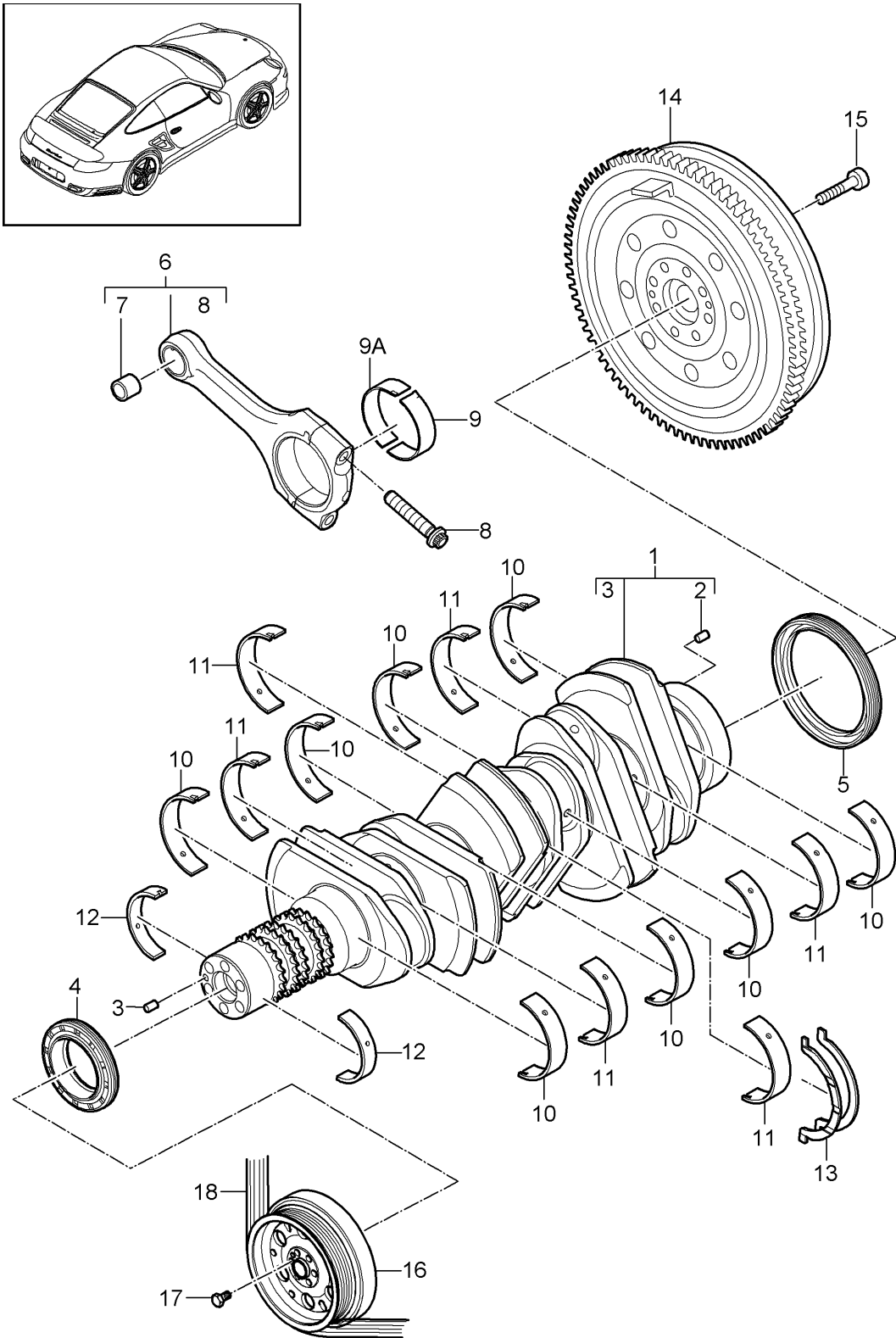
Model: 997T10

Model life 2010>>2013

Pos	Part Number	Description	Remark	Qty	Model
		Belt tensioner			M97.70
		Belt drive			
1	996 115 112 70	Bracket		1	
2	997 102 167 00	Bush		2	
3	996 102 365 50	Dust boot		2	
4	996 115 913 71	Lever		1	
5	996 115 016 72	Tensioning roller		1	
6	999 072 039 01	Hexagon-head bolt M 10 X 30		1	
7	900 067 117 05	Pan-head screw M 6 X 16		1	
8	996 115 015 75	Deflection roller		X	
8		Deflection roller	11-	X	I101/573
(8)	997 102 118 70	Deflection roller	11-	1	I101/574
9	996 102 125 53	Cover disc		2	
10	996 115 221 72	Tensioner		1	
11	900 385 120 01	Hexagon socket head bolt M 10 X 55		2	
12	900 067 131 03	Pan-head screw M 8 X 16		2	
13	999 095 063 01	Dowel sleeve 11 M 6 X 10		X	
14	900 385 004 01	Torx screw AM 10 X 60		4	
15	997 106 039 72	Connection piece		1	
16	997 106 440 70	Connection piece		1	
17	999 707 410 40	O-ring 39,20 X 3,00		2	
18	900 385 019 01	Torx screw M 6 X 20		4	
19	996 106 214 70	Protective ring		2	
20	996 106 238 71	Joining socket		2	
21	999 707 411 40	O-ring 28,00 X 4,50		4	
22	900 385 036 01	Hexagon socket head bolt M 8 X 55		1	
23	900 385 098 01	Torx screw M 8 X 25		2	
24	997 606 420 00	Temperature sensor		1	
25	996 115 213 71	Driver		1	
26	9A1 102 290 01	Cover		1	
		V-belt see Quick Information: SY 2513			
27	9A1 102 295 01	Support Cover		1	
28	9A1 110 292 01	Support Throttle valve		1	
29	900 385 009 01	Torx screw M 6 X 16		2	

Model: 997T10

Model life 2010>>2013





Model: 997T10 Model life 2010>>2013

Pos	Part Number	Description	Remark	Qty	Model
		Crankshaft			MA1.70
1	9A1 102 077 70	Crankshaft		1	
2	900 095 031 00	Tensioning sleeve 6,0 X 16		1	
3	900 302 016 00	Straight pin A 6,0 X 16		1	
4	9A1 101 222 02	Shaft sealing ring 52,5 X 9		1	
5	997 101 212 01	Shaft sealing ring 85 x 105 x 11		1	
6	9A1 103 917 03	Connecting rod Set		1	
		Comprising: Connecting rods		6	
8	9A1 103 115 02	Connecting rod bolt M 10 X 1,25 X 51		12	
9	9A1 103 053 00	Connecting-rod bearing Identification Red		6	
(9)	9A1 103 053 01	Connecting-rod bearing Identification Yellow		6	
(9)	9A1 103 053 02	Connecting-rod bearing Identification Blue		6	
9A	9A1 103 073 03	Connecting-rod bearing Identification Red		6	
9A	9A1 103 073 04	Connecting-rod bearing Identification Yellow		6	
9A	9A1 103 073 07	Connecting-rod bearing Identification Yellow		6	
9A	9A1 103 073 05	Connecting-rod bearing Identification Blue		6	
10	9A1 101 064 00	Crankshaft bearing Identification Red		8	
(10)	9A1 101 064 01	Crankshaft bearing Identification Yellow		8	
(10)	9A1 101 064 02	Crankshaft bearing Identification Blue		8	
11	9A1 101 063 00	Crankshaft bearing with Partial-groove Identification Red		6	
(11)	9A1 101 063 01	Crankshaft bearing with Partial-groove Identification Yellow		6	
(11)	9A1 101 063 02	Crankshaft bearing with Partial-groove Identification Blue		6	
12	9A1 101 052 00	Supporting mount Identification		2	

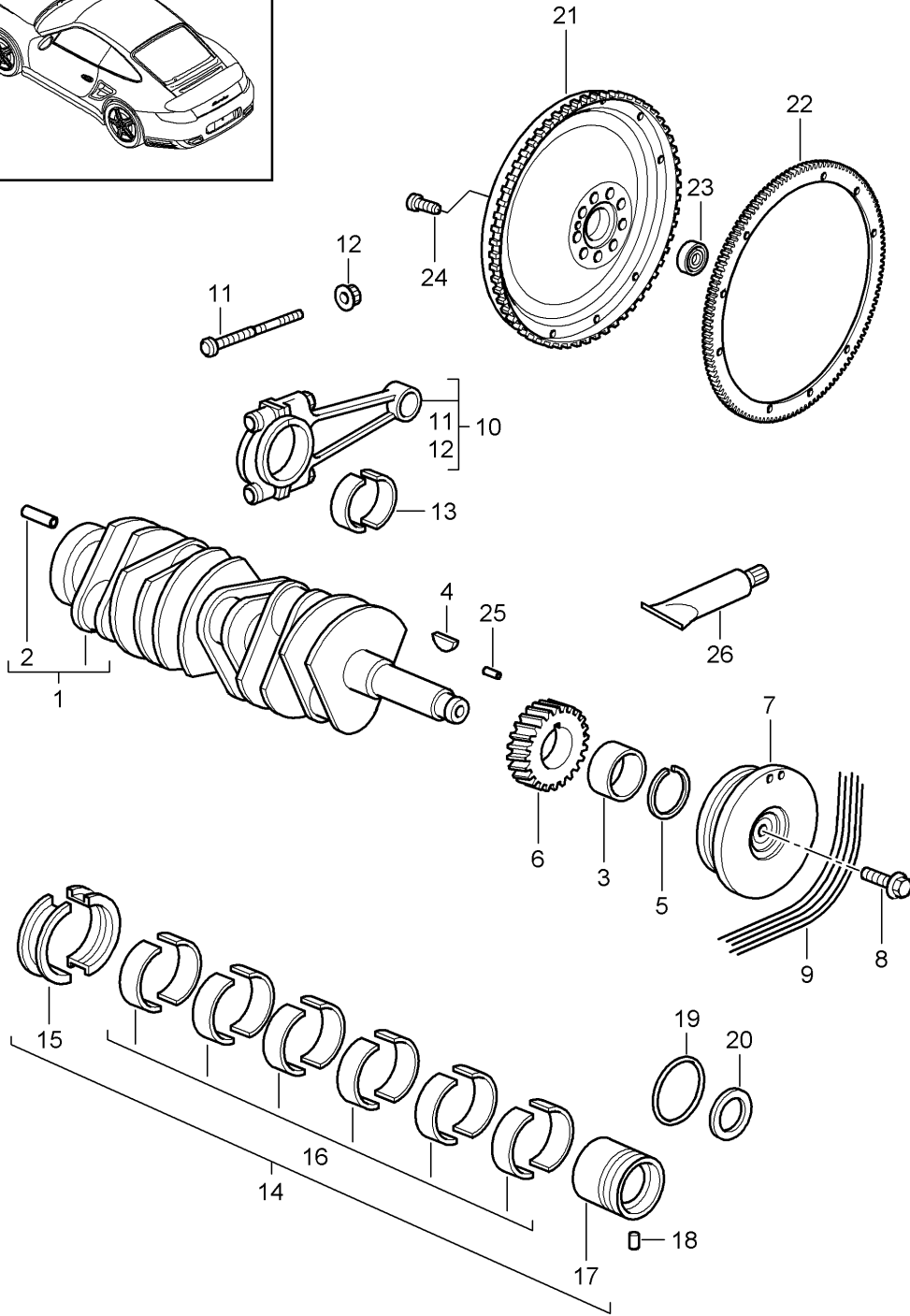
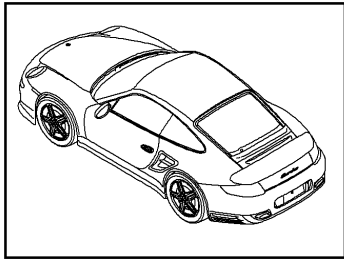
Model: 997T10

Model life 2010>>2013

Pos	Part Number	Description	Remark	Qty	Model
(12)	9A1 101 052 01	Red Supporting mount Identification		2	
(12)	9A1 101 052 02	Yellow Supporting mount Identification		2	
13	996 101 132 00	Blue Thrust washer D = 63		2	
14	9G1 114 012 51	Double-mass flywheel		1	I480
(14)	9G1 114 020 51	Double-mass flywheel		1	I250
15	N 906 651 01	Pan-head screw M 10 X 1 X 29		10	I250
15	999 119 033 01	Pan-head screw M 10 X 1 X 57		10	I480
16	9A1 102 146 02	Pulley with Vibration damper		1	
17	900 385 127 01	Outer hexagon round screw M 8 X 25		6	
18		V-belt See illustrations 1/01/10		1	

Model: 997T10

Model life 2010>>2013



Model: 997T10

Model life 2010&gt;&gt;2013

Pos	Part Number	Description	Remark	Qty	Model
		Crankshaft			M97.70
1	997 102 021 77	Crankshaft		1	
2	900 095 031 00	Tensioning sleeve 6 X 16		1	
3	959 102 321 00	Intermediate ring		1	
4	901 102 147 00	Woodruff key		1	
5	901 102 148 00	Circlip Number 0		1	
5	901 102 148 01	Circlip Number 1		1	
5	901 102 148 02	Circlip Number 2		1	
5	901 102 148 03	Circlip Number 3		1	
6		See illustrations 1/03/17		1	
7	996 102 017 72	Pulley		1	
8	999 217 128 02	Hexagon-head bolt M 14 X 1,5 X 33		1	
9	999 192 379 50	Poly-rib belt		1	I573
(9)	997 102 151 70	Poly-rib belt		1	I101/574
10	997 103 920 70	Connecting rod		1	
		Connecting rods Comprising:			
10	997 103 921 70	Connecting rods		6	
		Connecting rod Connecting rods Comprising:		1	I004/101
		Connecting rods		6	
11	996 103 176 70	Connecting rod bolt		12	
12	993 103 174 02	Connecting rod nut		12	
13	997 103 901 00	Connecting-rod bearing		6	
		Set			
14	997 101 901 00	Set of crankshaft bearings		1	
15	996 101 231 92	Thrust bearing I		2	
16	996 101 232 92	Main bearing II-VII		12	
16	996 101 232 95	Main bearing II-VII		12	
17	964 101 138 01	Bearing sleeve VIII		1	
18	900 012 061 00	Straight pin 5 H 8 X 10		1	
19	999 707 285 41	O-ring 51 X 4,5		1	
20	999 113 290 41	Radial sealing ring 30 X 50 X 10		1	
21	964 102 239 81	Flywheel		1	
22	964 114 143 31	Ring gear		1	
23	931 102 111 00	Deep-groove ball bearing		1	
23	931 102 111 02	Deep-groove ball bearing		1	
24	928 102 151 01	Pan-head screw M 10 X 1,25 X 24		9	
25	900 302 046 01	Straight pin M 5 X 18		1	
26	000 043 300 21	Grease 100 Gr. for Titanium		1	
(26)	000 043 024 00	Connecting rod bolt Extreme-pressure grease 1 tube		1	

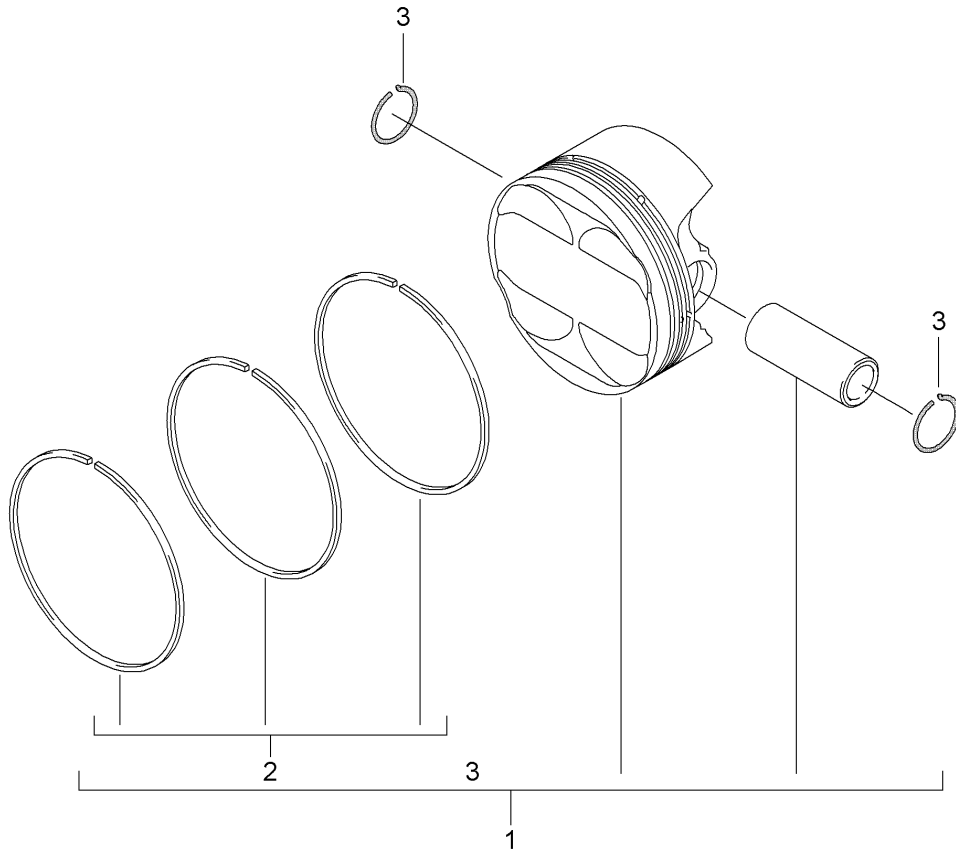
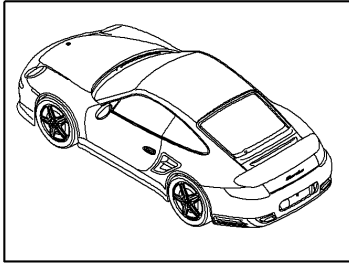
Model: 997T10

Model life 2010>>2013

Pos	Part Number	Description	Remark	Qty	Model
		80 Gr. for Connecting-rod bearing			

Model: 997T10

Model life 2010>>2013



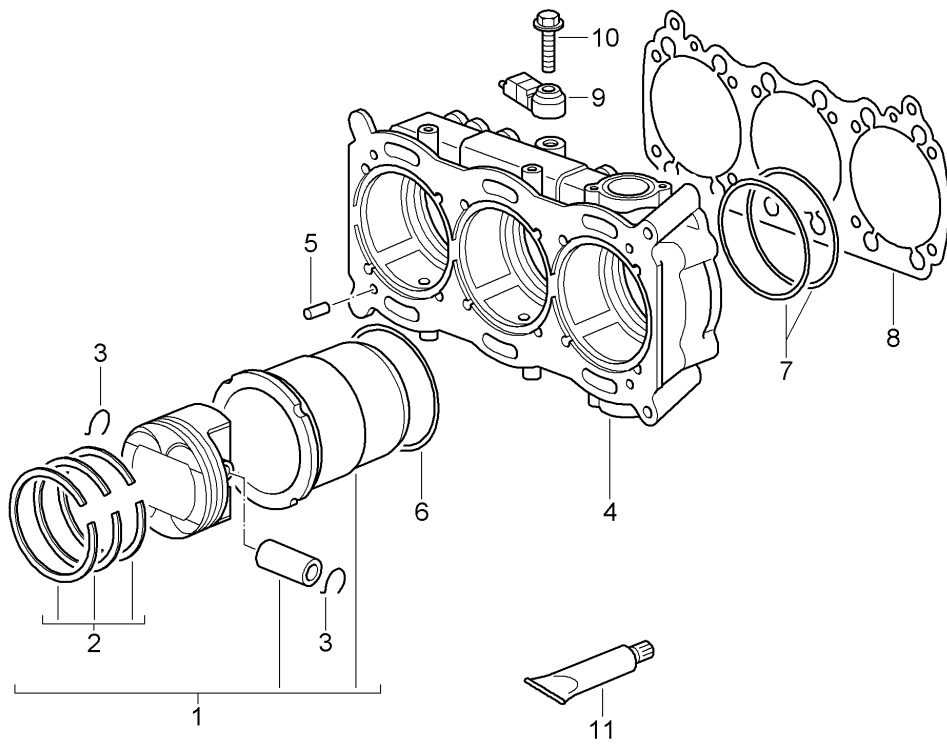
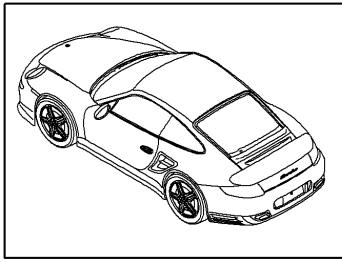
Model: 997T10

Model life 2010&gt;&gt;2013

Pos	Part Number	Description	Remark	Qty	Model
1	9A1 103 039 73	Piston Piston Tolerance range X		6	MA1.70
2	9A1 103 075 02	Set of piston rings		6	
3	9A1 103 241 01	Circlip		12	

Model: 997T10

Model life 2010>>2013





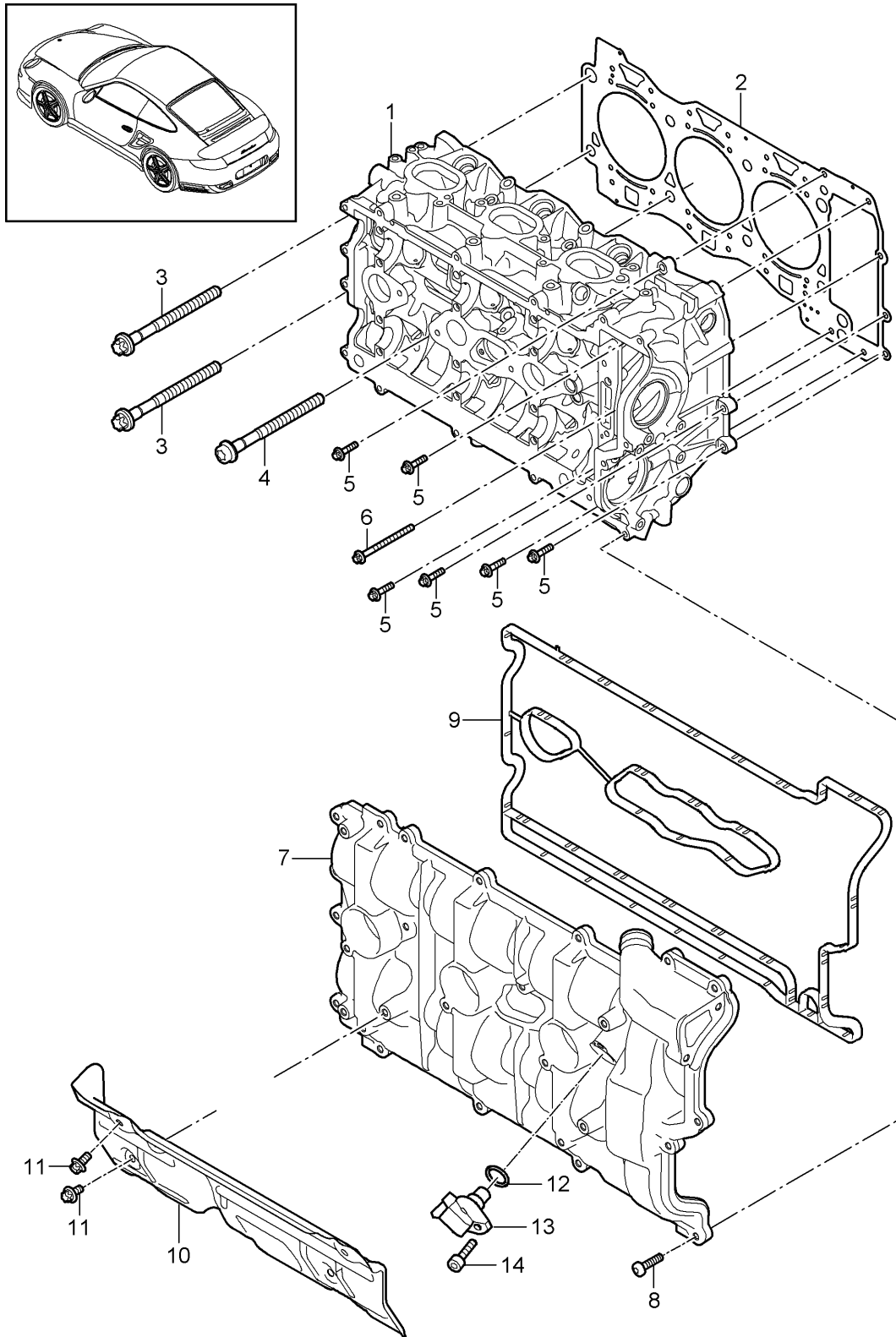
Model: 997T10

Model life 2010&gt;&gt;2013

Pos	Part Number	Description	Remark	Qty	Model
1	997 103 915 71	Cylinder with piston Cylinder with piston Number plate /- 564 - 570 G		6	M97.70
(1)	997 103 916 71	Cylinder with piston Number plate /+ 570 - 576 G		6	
2	997 103 071 70	Piston ring Set		6	
3	999 178 016 00	Circlip		12	
4	997 101 311 70	Housing		2	
5	900 012 046 00	Straight pin A 8,0 X 14		8	
6	999 707 393 40	O-ring 104,00 X 2,00		6	
7	999 707 394 40	O-ring 110,00 X 2,50		12	
8	997 101 193 71	Cylinder base gasket		2	
9	997 606 121 00	Knock sensor Information available		2	
10	900 385 042 01	Torx screw M 8 X 35		2	
11	000 043 205 10	Grease 80 GR.		1	

Model: 997T10

Model life 2010>>2013

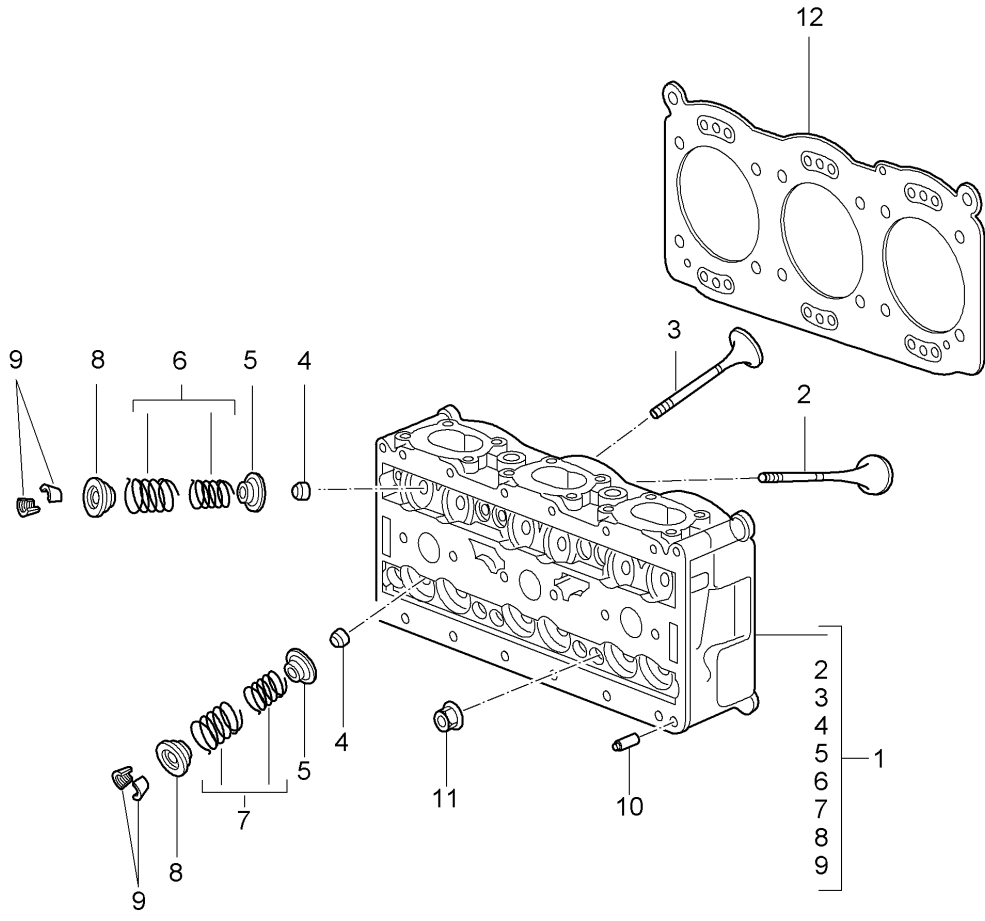
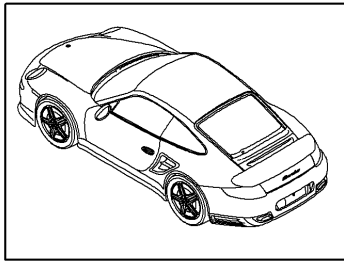


Model: 997T10 Model life 2010>>2013

Pos	Part Number	Description	Remark	Qty	Model
		Cylinder head with Valves Cylinder head gasket Valve cover			MA1.70
1	9A1 104 909 00	Cylinder head Cyl. 1 - 3		1	
(1)	9A1 104 910 00	Cylinder head Cyl. 4 - 6		1	
2	9A1 104 147 03	Cylinder head gasket Cyl. 1 - 3		1	
(2)	9A1 104 146 03	Cylinder head gasket Cyl. 4 - 6		1	
3	9A1 104 191 00	Torx screw M12 X 1,5 X 140		4	
4	9A1 104 191 02	Torx screw M12 X 1,5 X 140		12	
5	900 385 072 01	Torx screw M6 X 25		10	
6	900 385 108 02	Torx screw M6 X 80		2	
7	9A1 105 231 04	Valve cover Cyl. 1 - 3		1	
(7)	9A1 105 232 04	Valve cover Cyl. 4 - 6		1	
8	9A1 107 313 00	Torx screw M6 X 25		40	
9	9A1 105 731 03	Gasket Valve cover Cyl. 1 - 3		1	
(9)	9A1 105 732 03	Gasket Valve cover Cyl. 4 - 6		1	
10	9A1 104 309 71	Heat protection Cyl. 1 - 3	-10	1	
10	9A1 104 309 72	Heat protection Cyl. 1 - 3	11-	1	
(10)	9A1 104 310 70	Heat protection Cyl. 4 - 6		1	
11	900 385 041 01	Torx screw M6 X 12		4	
12	999 707 404 40	O-ring 17,05 X 1,78 To Use 997.606.106.03 To Use 997.606.106.03		2	
13	997 606 106 03	Hall sender		2	
14	900 387 264 01	Pan-head screw M 6 X 16		2	
14	N 105 464 03	Pan-head screw M 6 X 16		2	

Model: 997T10

Model life 2010>>2013



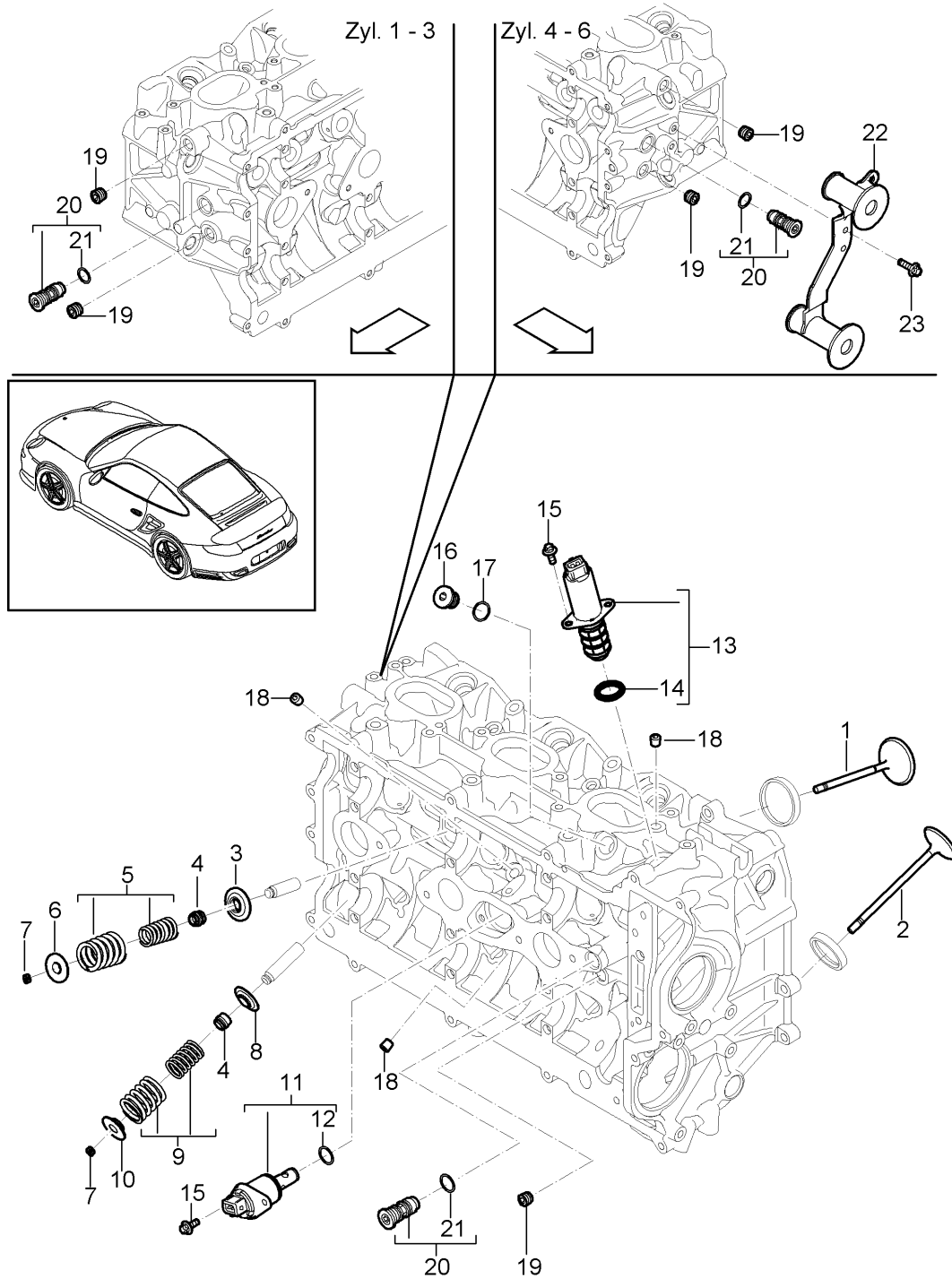
Model: 997T10

Model life 2010>>2013

Pos	Part Number	Description	Remark	Qty	Model
1	997 104 001 72	Cylinder head Cylinder head Ready for installation		2	M97.70
2	996 105 111 72	Intake valve		12	
3	996 105 113 72	Exhaust valve		12	
4	996 105 115 52	Valve stem seal		24	
5	996 105 117 74	Concave washer		24	
6	996 105 093 70	Set of valve springs		12	
7	997 105 025 71	Set of valve springs		12	
8	996 105 121 73	Concave washer		24	
9	996 105 123 52	Valve collet		48	
10	900 012 046 00	Straight pin		4	
11	996 104 382 71	Cylinder head nut		24	
12	997 104 170 71	Cylinder head gasket		2	

Model: 997T10

Model life 2010>>2013



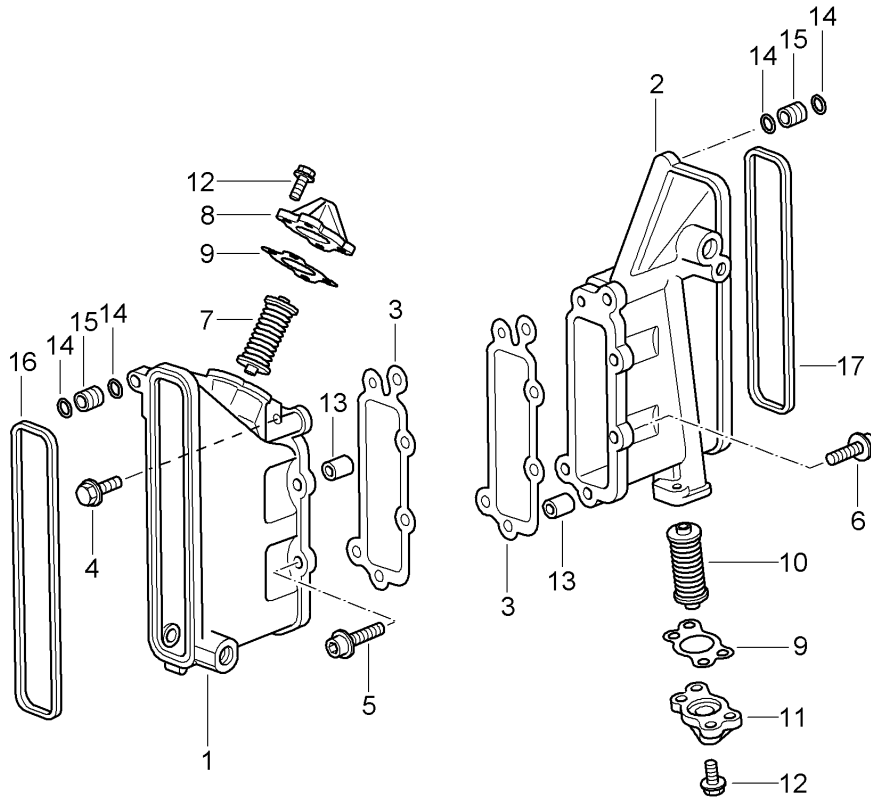
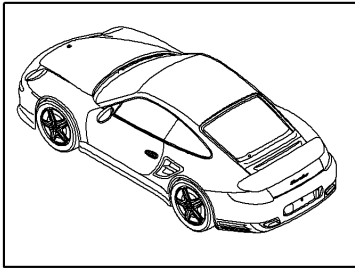
Model: 997T10

Model life 2010&gt;&gt;2013

Pos	Part Number	Description	Remark	Qty	Model
		Cylinder head Accessories Valves			MA1.70
1	9A1 105 312 02	Intake valve		12	
2	9A1 105 326 00	Exhaust valve		12	
3	948 105 151 01	Concave washer Intake Lower		12	
4	996 105 115 52	Valve stem seal		24	
5	948 105 094 00	Set of valve springs Intake		12	
6	948 105 150 01	Concave washer Intake Upper		12	
7	996 105 123 52	Valve collet		48	
8	9A1 105 253 70	Concave washer Exhaust Lower		12	
9	9A1 105 115 70	Set of valve springs Set Exhaust		12	
10	9A1 105 252 70	Concave washer Exhaust Upper		12	
11	9A1 105 308 02	Actuator VVS		2	
12	900 331 057 40	O-ring 11,2 X 2,65		2	
13	9A1 105 304 02	Actuator NVS		2	
13	9A1 105 304 03	Actuator NVS		2	
13	9A1 105 304 04	Actuator NVS		2	
14	999 707 446 40	O-ring 18 X 2,5		2	
15	900 385 112 01	Torx screw M 5 X 12		8	
16	900 219 002 03	Screw plug		1	
17	900 123 104 30	Sealing ring 14 X 18		2	
18	999 063 035 02	Screw plug M 8 X 1,0 Cyl. 1 - 3		3	
(18)		Screw plug M 8 X 1,0 Cyl. 4 - 6		4	
20	9A1 104 250 00	Restrictor		4	
21	999 707 577 40	O-ring 10 x 2,5N		4	
22	9A1 104 370 01	Connection piece Cyl. 4 - 6		1	
22	9A1 104 272 01	Connection piece Cyl. 4 - 6		1	
23	900 385 019 01	Torx screw M 6 x 20		2	
24	9A1 104 371 00	Damping piece		2	

Model: 997T10

Model life 2010>>2013





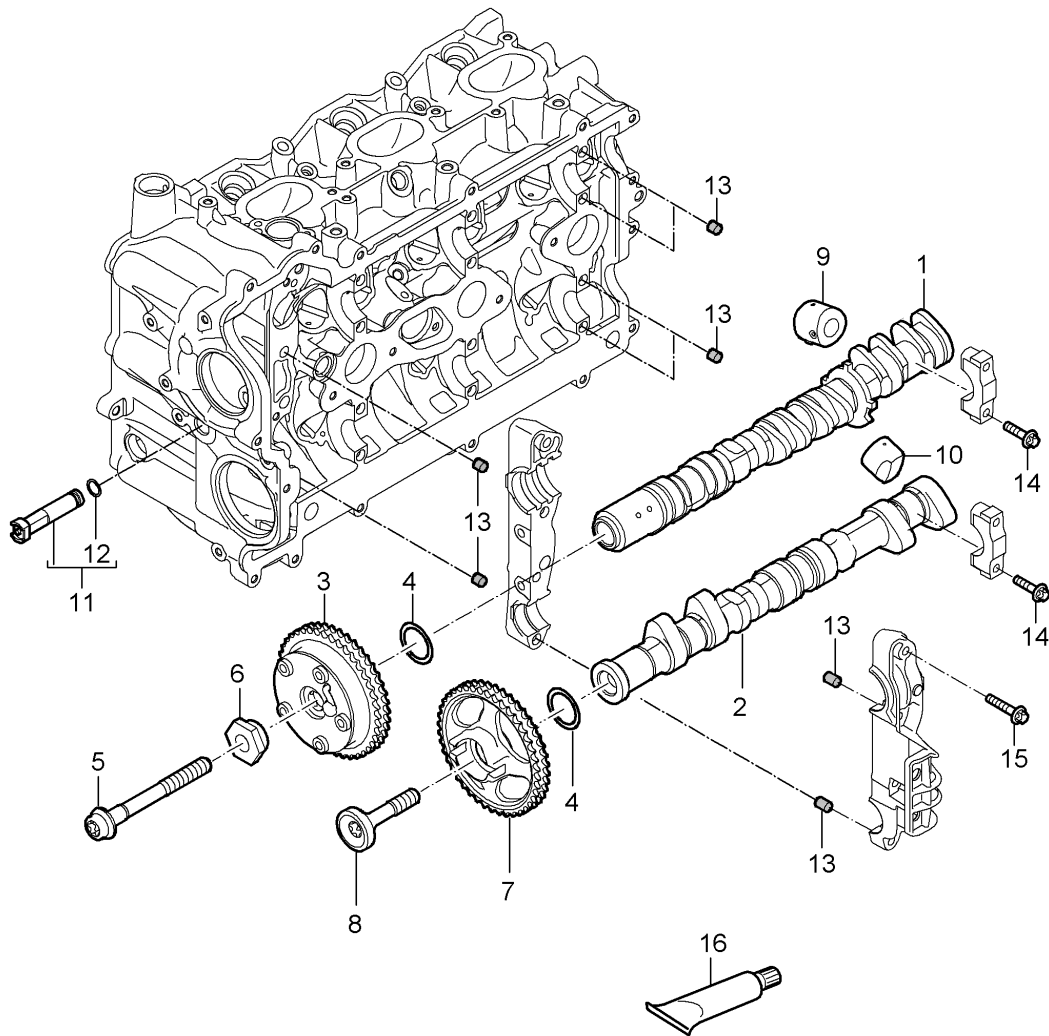
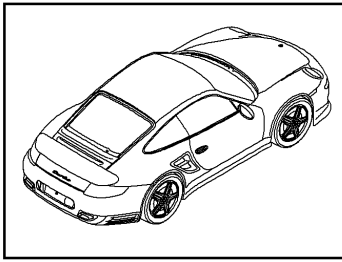
Model: 997T10

Model life 2010>>2013

Pos	Part Number	Description	Remark	Qty	Model
		Chain case			M97.70
		Chain adjuster			
1	997 105 143 70	Chain case	/L	1	
2	997 105 144 72	Chain case	/R	1	
3	996 105 192 71	Gasket		2	
4	900 385 098 01	Torx screw AM 8 X 25		1	
5	900 067 276 01	Combination screw M 8 X 35		4	
6	900 067 247 01	Combination screw M 8 X 30		5	
7	997 105 061 70	Chain adjuster	/L	1	
8	997 105 023 71	Lid	/L	1	
9	996 105 172 70	Gasket		2	
10	997 105 062 70	Chain adjuster	/R	1	
11	993 105 022 01	Lid	/R	1	
12	900 385 019 01	Torx screw M 6 X 20		4	
13	901 101 145 00	Dowel sleeve		4	
14	999 707 229 40	O-ring 9,25 x 1,78		4	
15	996 105 229 90	Intermediate piece		2	
16	996 105 513 72	Gasket	/L	1	
17	996 105 514 72	Gasket	/R	1	

Model: 997T10

Model life 2010>>2013



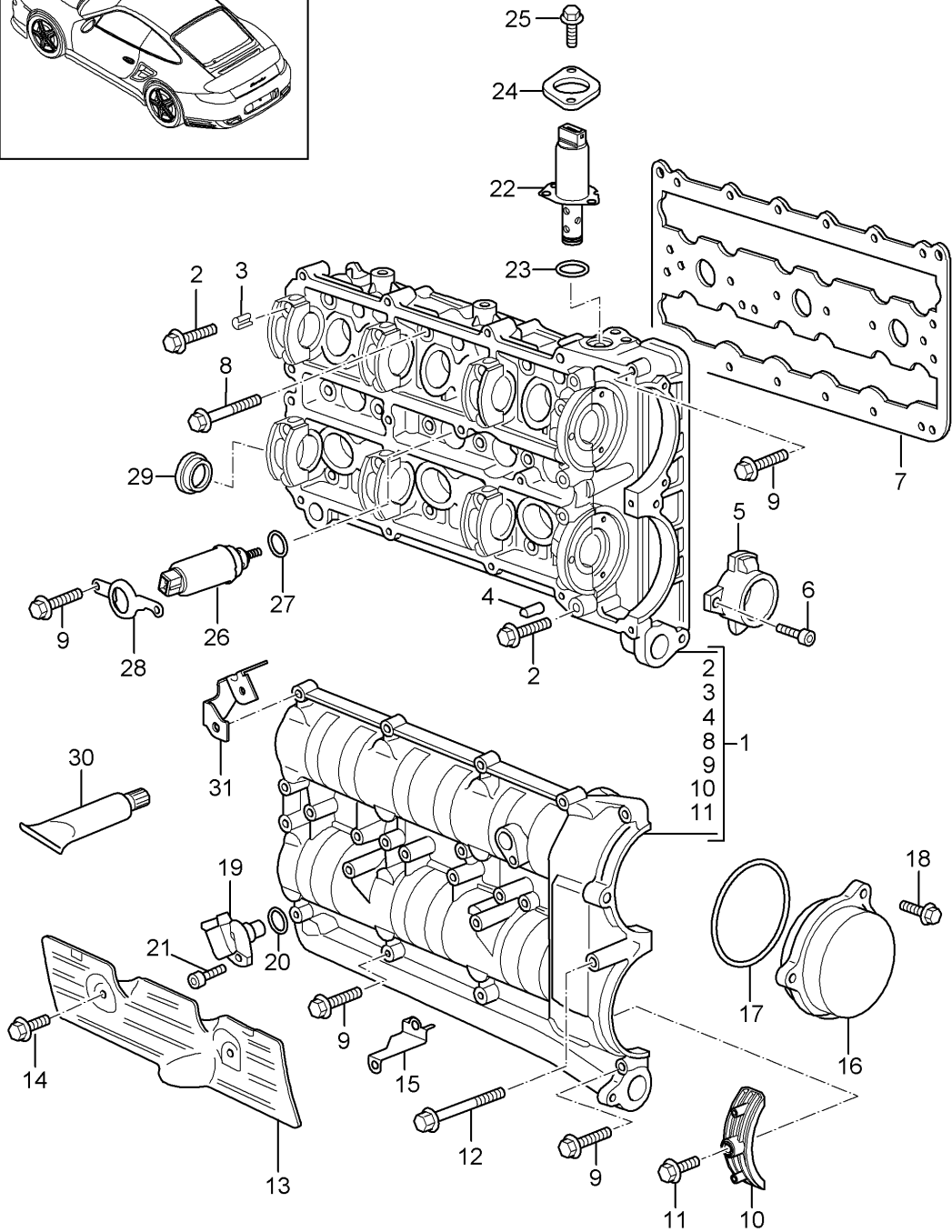
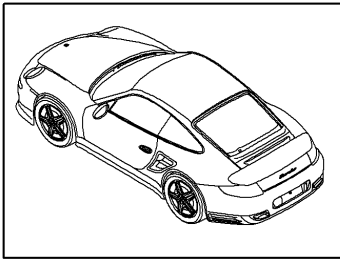
Model: 997T10

Model life 2010>>2013

Pos	Part Number	Description	Remark	Qty	Model
		Camshaft Hydraulic valve tappet Camshaft adjuster			MA1.70
1	9A1 105 013 74	Camshaft Intake Cyl. 1 - 3		1	
(1)	9A1 105 014 74	Camshaft Intake Cyl. 4 - 6		1	
2	9A1 105 215 73	Camshaft Exhaust Cyl. 1 - 3		1	
2	9A1 105 215 74	Camshaft Exhaust Cyl. 1 - 3		1	
(2)	9A1 105 216 73	Camshaft Exhaust Cyl. 4 - 6		1	
(2)	9A1 105 216 74	Camshaft Exhaust Cyl. 4 - 6		1	
3	9A1 105 052 01	Camshaft adjuster		2	
4	9A1 105 403 02	Washer Camshaft adjuster		4	
5	9A1 105 254 02	Torx screw M12 X 50		2	
6	9A1 105 245 00	Sleeve Camshaft adjuster		2	
7	9A1 105 147 02	Sprocket Camshaft Exhaust Cyl. 1 - 3		1	
7	9A1 105 148 02	Sprocket Camshaft Exhaust Cyl. 4 - 6		1	
8	9A1 105 255 01	Torx screw		2	
8	9A1 105 255 02	Torx screw		2	
9	9A1 105 070 03	Hydraulic valve tappet Intake		12	
10	9A1 105 071 00	Hydraulic valve tappet Exhaust		12	
11	9A1 104 402 02	Oil tube Cyl. 4 - 6		1	
12	999 707 576 40	O-ring 7,0 X 2,5		1	
13	999 095 075 01	Dowel sleeve 8 x 7		32	
14	999 073 450 02	Outer hexagon round screw M 6 X 37		24	
15	900 385 111 01	Torx screw M 6 X 55		8	
16	000 043 024 00	Extreme-pressure grease 1 tube 80 Gr. for Camshaft		1	

Model: 997T10

Model life 2010>>2013



Model: 997T10

Model life 2010&gt;&gt;2013

Pos	Part Number	Description	Remark	Qty	Model
1	997 105 929 70	Camshaft housing			M97.70
(1)	997 105 930 70	Camshaft housing Cyl. 1 - 3	/L	1	
2	900 385 048 01	Camshaft housing Cyl. 4 - 6	/R	1	
3	900 385 048 01	Torx screw		40	
4	944 104 361 00	M 6 X 30		24	
4	900 012 071 00	Dowel sleeve		4	
5	996 105 233 73	Straight pin		4	
(5)	996 105 234 73	A 4,0 X 8	/L	1	
6	900 067 051 03	Oil-conducting housing	/R	1	
7	996 105 613 75	Oil-conducting housing		6	
(7)	996 105 614 75	Pan-head screw	/L	1	
8	900 385 071 01	M 5 X 10	/R	1	
9	900 385 270 01	Gasket		36	
10	997 105 311 70	M 8 X 50		28	
11	999 385 005 02	Outer hexagon round screw		2	
12	900 385 118 01	M 6 X 35		2	
13	997 104 426 70	Slide		2	
13	997 104 426 71	Torx screw		2	
(13)	997 104 427 70	M 6 X 16	/R	1	I004/101
(13)	997 104 427 71	Outer hexagon round screw	/L	1	
14	900 385 041 01	M 6 X 75	/L	1	I004/101
15	997 104 425 70	Heat shield		4	
16	997 105 315 71	Heat shield	/R	1	
17	999 707 482 41	Heat shield	/L	1	
18	900 385 019 01	Heat shield	/L	1	
19	997 606 106 03	Torx screw		2	
20	999 707 404 40	M 6 X 12		4	
21	900 387 264 01	Support	/R	1	
21	N 105 464 03	Lid		2	
22	997 105 303 72	O-ring		2	
(22)	997 105 303 73	90,00 X 2,50		6	
23	996 105 903 05	Torx screw		2	
24	997 105 305 75	M 6 X 20		2	
25	900 385 275 01	Hall sender		2	
26	996 105 301 04	O-ring		2	
27	996 105 901 03	17,05 X 1,78		2	
28	997 105 310 71	To Use 997.606.106.03		2	
		Pan-head screw		2	
		M 6 X 16		2	
		Pan-head screw		2	
		M 6 X 16		2	
		Actuator		2	
		Camshaft		2	
		Actuator		2	
		Camshaft		2	
		O-ring		2	
		18,72 X 2,62		2	
		Support		2	
		Actuator		2	
		Camshaft		2	
		Torx screw		4	
		M 6 X 20		2	
		Actuator		2	
		Valve		2	
		O-ring		2	
		21,00 X 3,00		2	
		Support		2	

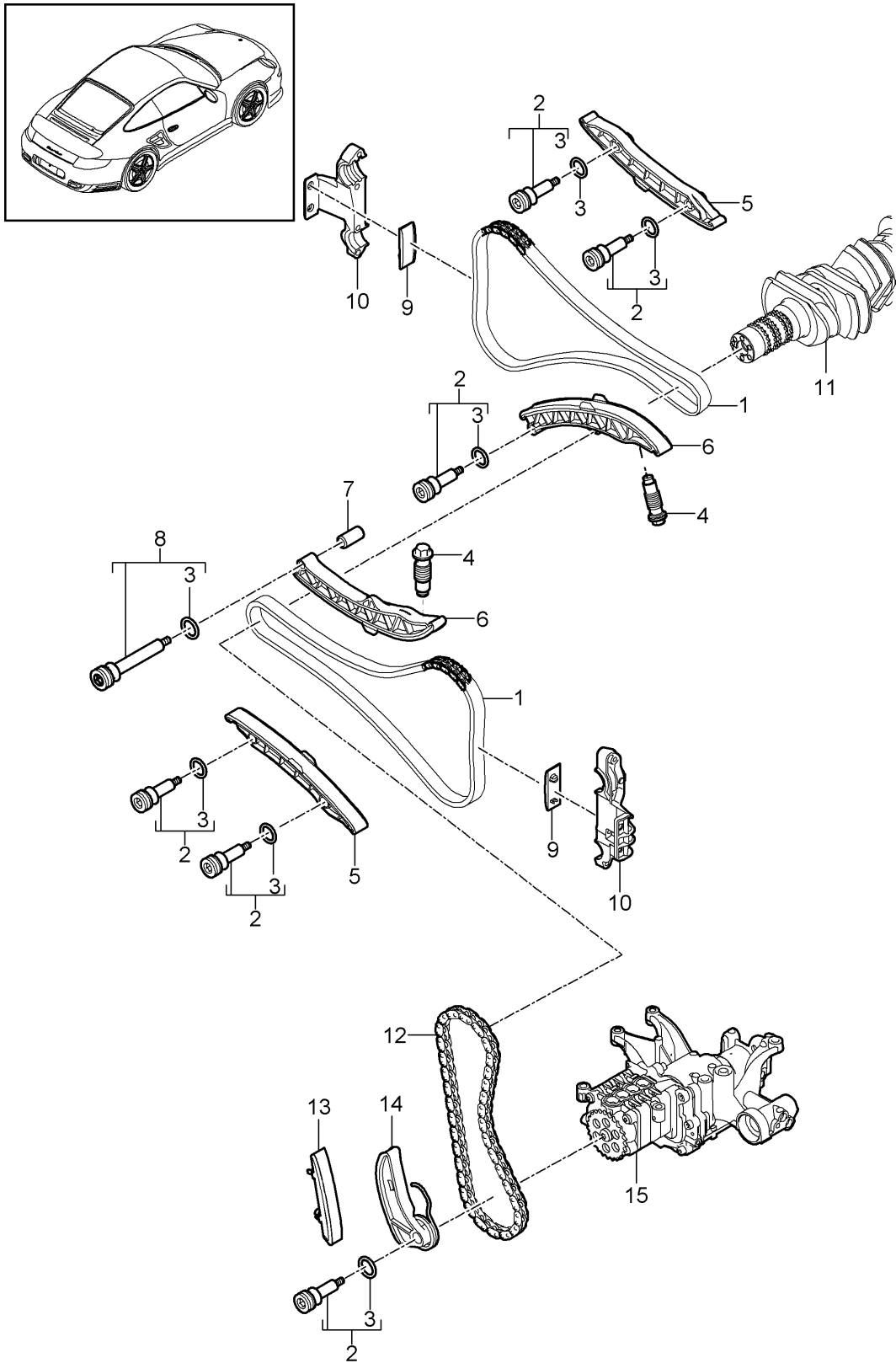
Model: 997T10

Model life 2010>>2013

Pos	Part Number	Description	Remark	Qty	Model
29	996 105 329 70	Actuator Valve Lid		4	
30	000 043 204 58	Sealing compound Silicon FD 2210 Container 30 gr.		1	
(30)	000 043 024 00	Extreme-pressure grease 1 tube 80 Gr. for Camshaft		1	
31	997 606 114 04	Support Cable Speed sensor		1	

Model: 997T10

Model life 2010>>2013



Model: 997T10

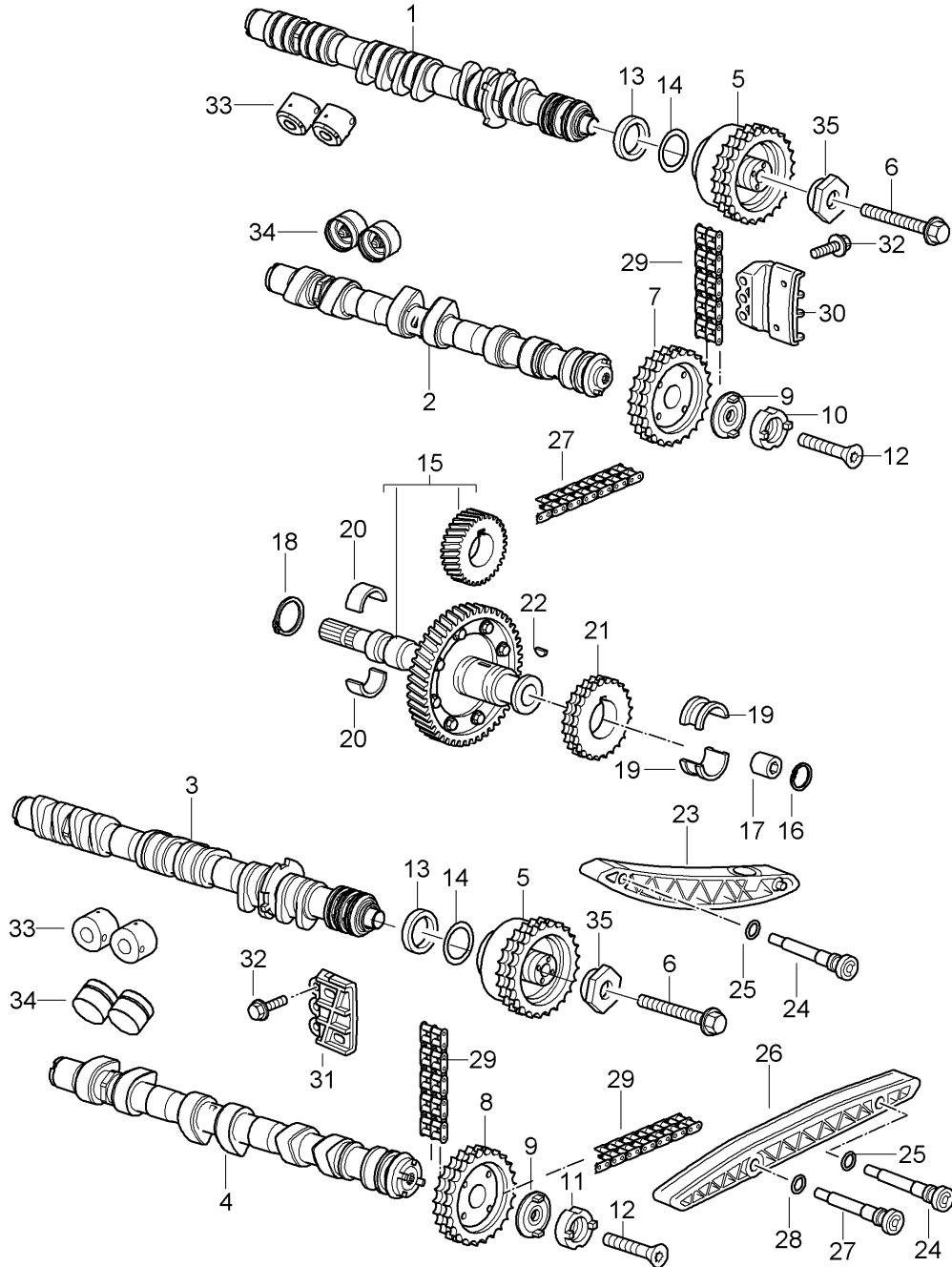
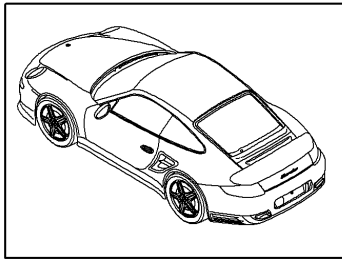
Model life 2010>>2013

Pos	Part Number	Description	Remark	Qty	Model
1	9A1 105 142 02	Valve control Timing chain Camshaft Crankshaft		2	MA1.70
2	9A1 105 162 01	Screw Tensioner blade		6	
3	999 707 346 40	O-ring 15,0 X 3,0		X	
4	9A1 105 157 02	Chain adjuster		2	
5	9A1 105 153 02	Guide rail		2	
6	9A1 105 155 02	Tensioner blade		2	
7	9A1 105 165 01	Spacer sleeve		2	
8	9A1 105 163 01	Screw		1	
9	9A1 105 101 02	Guide rail		2	
10		Housing See illustrations 1/03/00		2	
11		Crankshaft See illustrations 1/02/00		1	
12	9A1 105 233 02	Timing chain Oil pump Crankshaft		1	
13	9A1 105 237 02	Guide rail		1	
14	9A1 105 235 02	Tensioner blade		1	
15		Oil pump See illustrations 1/04/00		1	



Model: 997T10

Model life 2010>>2013



Model: 997T10

Model life 2010&gt;&gt;2013

Pos	Part Number	Description	Remark	Qty	Model
1	997 105 019 73	Valve control Camshaft Intake Cyl. 1 - 3		1	M97.70
1	997 105 019 74	Camshaft Intake Cyl. 1 - 3		1	
2	997 105 217 74	Camshaft Exhaust Cyl. 1 - 3		1	
3	997 105 020 73	Camshaft Intake Cyl. 4 - 6		1	
3	997 105 020 74	Camshaft Intake Cyl. 4 - 6		1	
4	997 105 218 73	Camshaft Exhaust Cyl. 4 - 6		1	
5	997 105 051 71	Camshaft adjuster		2	
5	997 105 051 72	Camshaft adjuster		2	
6	987 105 254 00	Hexagon-head bolt M 12 X 1,5 X 130		2	
7	996 105 177 72	Sprocket Cyl. 1 - 3		1	
8	996 105 178 72	Sprocket Cyl. 4 - 6		1	
9	996 105 647 81	Washer		2	
10	959 105 161 03	Drive plate Cyl. 1 - 3		1	
11	959 105 161 04	Drive plate Cyl. 4 - 6		1	
12	997 105 317 71	Pan-head screw		2	
13	996 105 280 90	Ring		6	
14	997 105 203 70	Washer		2	
15	996 105 911 70	Intermediate shaft with Timing gear Size 0		1	
15	996 105 911 71	Intermediate shaft with Timing gear Size 1		1	
16	900 041 026 01	Circlip 13 X 1		1	
17	993 105 275 52	Intermediate piece Information available		1	
18	900 041 025 01	Circlip 36 X 1,75		2	
19	996 101 137 80	Bearing		2	
20	996 101 435 70	Bearing shell		2	
21	901 105 125 04	Sprocket		2	
22	900 118 010 00	Woodruff key		2	
23	997 105 165 70	Tensioner blade		2	
24	964 105 171 03	Bolt		4	
25	900 123 131 30	Sealing ring A16 X 20		4	
26	996 105 167 70	Guide rail	/L	1	
(26)	996 105 166 70	Guide rail	/R	1	
27	996 105 175 70	Bearing pin		2	
28	900 123 152 30	Sealing ring A16 X 22		2	
29	997 105 551 71	Timing chain		2	

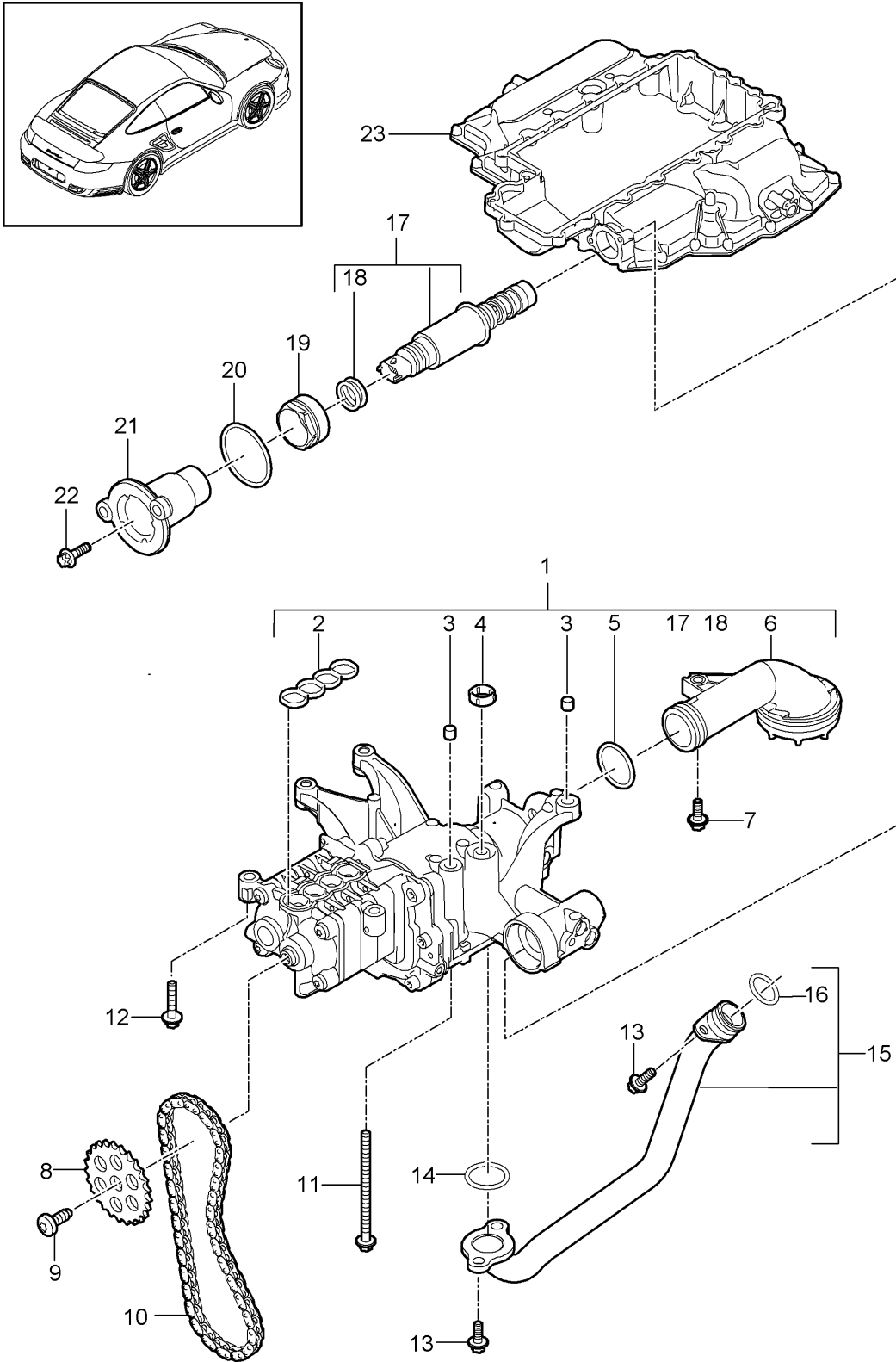
Model: 997T10

Model life 2010>>2013

Pos	Part Number	Description	Remark	Qty	Model
30	996 105 037 75	Guide rail	/L	1	
31	996 105 038 75	Guide rail	/R	1	
32	900 385 072 01	Torx screw M 6 X 20		6	
33	996 105 255 25	Hydraulic valve tappet Intake		12	
34	996 105 041 73	Hydraulic valve tappet Exhaust		12	
35	997 105 260 70	Intermediate piece Camshaft adjuster		2	
-	000 043 024 00	Extreme-pressure grease 1 tube 80 Gr. for Camshaft		1	

Model: 997T10

Model life 2010>>2013



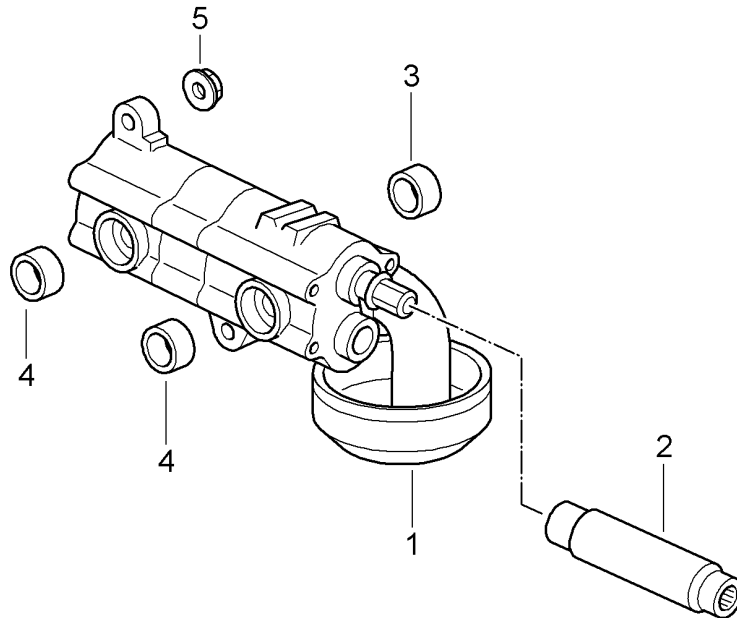
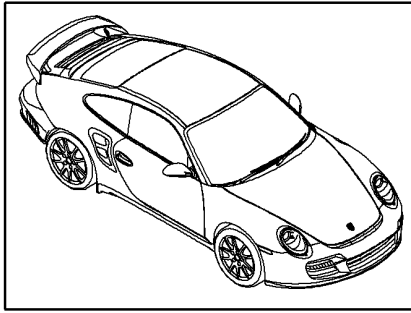
Model: 997T10

Model life 2010&gt;&gt;2013

Pos	Part Number	Description	Remark	Qty	Model
		Oil pump			MA1.70
1	9A1 107 070 04	Oil pump	-11	1	
(1)	9A1 107 070 05	Oil pump	12-	1	
(1)	9A1 107 070 10	Oil pump		1	
2	9A1 107 370 00	Gasket		1	
		Use with Oil pump 9A110707004 9A110707005			
3	996 106 103 50	Dowel sleeve 8,2 X 7,0		2	
4	9A1 107 327 00	Sealing ring		1	
5	999 707 375 40	O-ring 30,00 X 3,00		1	
6	9A1 107 075 02	Suction tube	-11	1	
(6)	9A1 107 075 10	Suction tube	12-	1	
7	999 073 102 01	Round head screw M6 X 25		1	
8	9A1 105 225 02	Sprocket		1	
9	999 073 380 01	Oil pump Torx screw M8 X 22		1	
10		Chain Oil pump See illustrations 1/03/15		1	
11	900 385 126 01	Torx screw M6 X 95		1	
12	900 385 048 01	Torx screw M6 X 30		5	
13	900 385 009 01	Torx screw M6 X 16		1	
14	999 707 409 41	O-ring 26,00 X 3,00	-11	1	
15	9A1 107 025 01	Oil tube Oil pump Crankcase		1	
16	999 707 575 40	O-ring 20,00 X 3,00		1	
17	948 107 113 02	Solenoid valve	-11	1	
(17)	948 107 113 10	Solenoid valve	12-	1	
(17)	948 107 113 11	Solenoid valve		1	
18	999 707 567 40	O-ring 17,00 X 3,00		2	
19	999 261 024 01	Union nut M36 x 1,0 x 12		1	
20	999 707 570 40	O-ring 44,00 x 3,00		1	
21	9A1 107 330 01	Joint flange Control valve		1	
22	900 385 019 01	Torx screw M6 X 20		2	
23		Oil pan Upper part See illustrations 1/04/02		1	
-	9A1 107 545 72	Connection piece		1	

Model: 997T10

Model life 2010>>2013



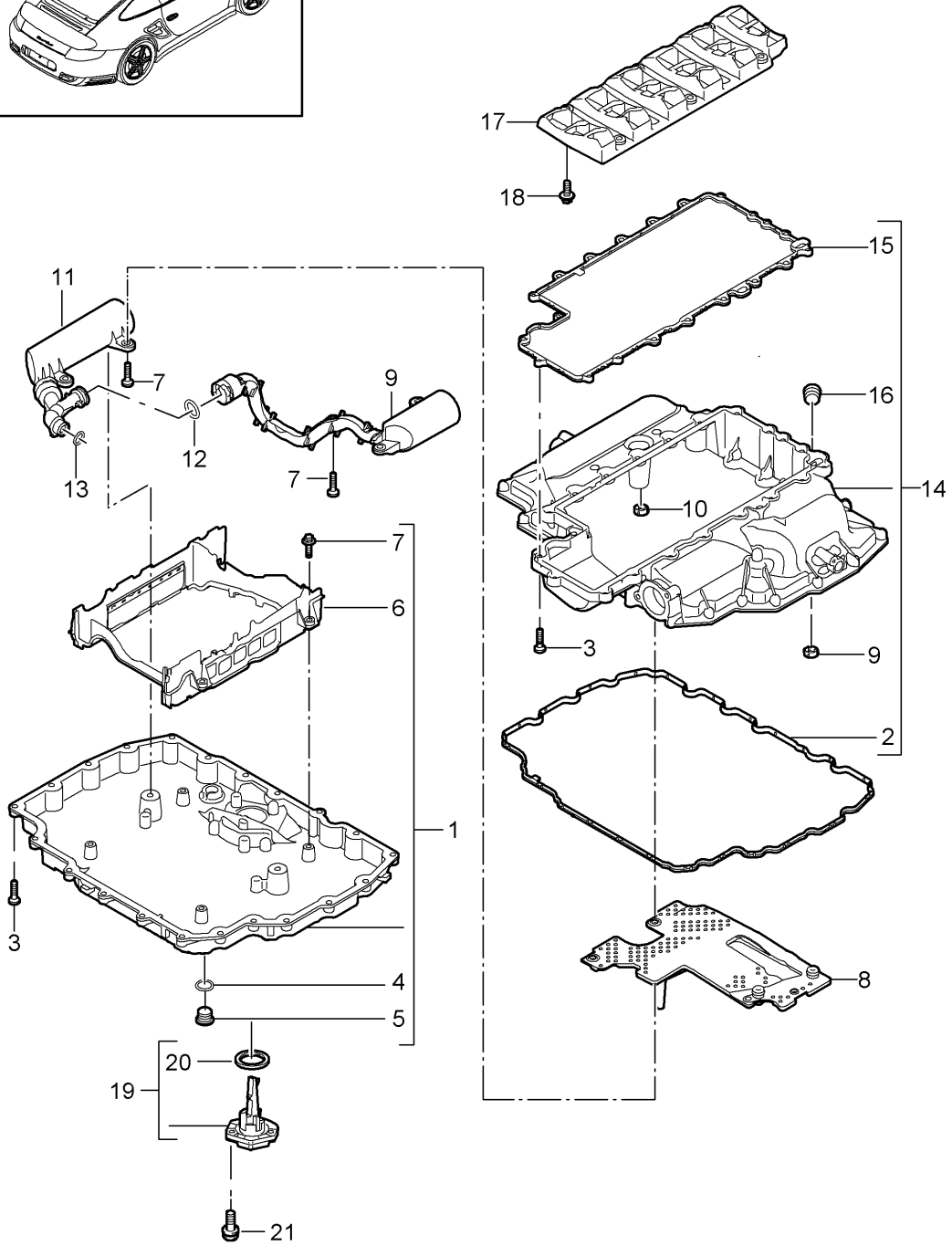
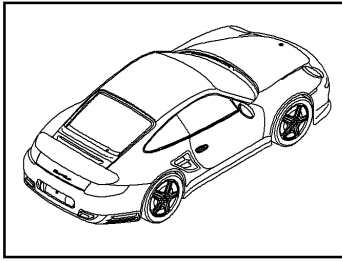
Model: 997T10

Model life 2010&gt;&gt;2013

Pos	Part Number	Description	Remark	Qty	Model
1	996 107 007 94	Oil pump		1	M97.70
2	930 107 143 03	Oil pump		1	
3	999 704 173 50	Connecting shaft		1	
		Sealing ring		1	
		19,5 X 26			
4	999 704 172 50	Sealing ring		2	
		16,3 X 22			
5	900 380 005 01	Nut		3	
		M 8			

Model: 997T10

Model life 2010>>2013





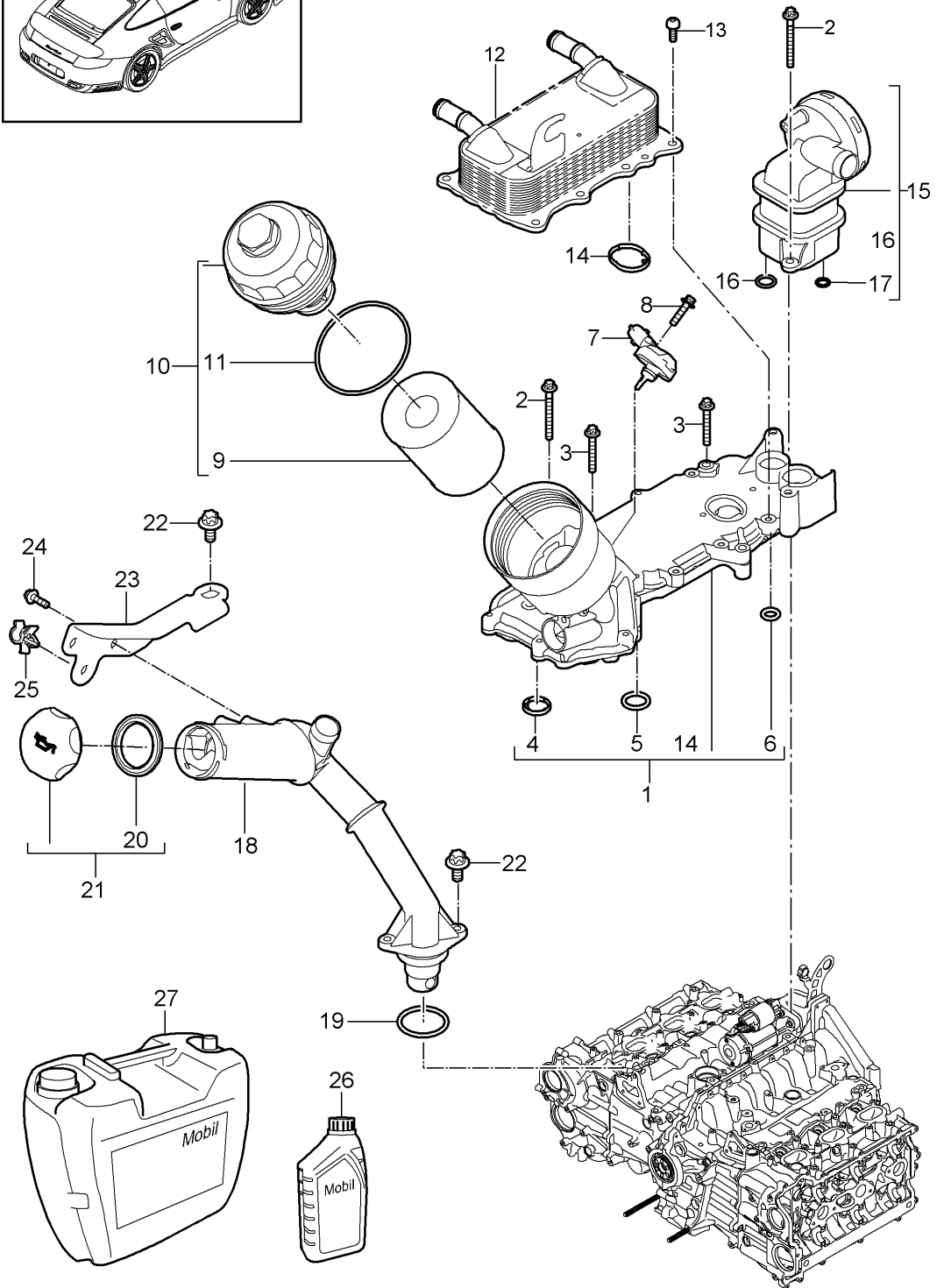
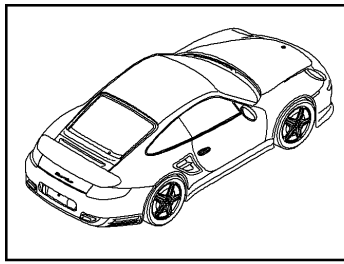
Model: 997T10

Model life 2010>>2013

Pos	Part Number	Description	Remark	Qty	Model
1	9A1 107 032 71	Oil pan Oil pan Lower part		1	MA1.70
1	9A1 107 032 70	Oil pan Lower part		1	
1	9A1 107 032 75	Oil pan Lower part		1	
2	9A1 107 325 02	Gasket Oil pan		1	
3	9A1 107 313 00	Torx screw M 6 X 25		X	
4	900 123 106 30	Sealing ring A 18 X 24		1	
5	900 219 020 31	Screw plug M 18 X 1,5		1	
6	9A1 107 243 70	Bulkhead		1	
(6)	9A1 107 243 75	Bulkhead		1	
7	900 385 019 01	Torx screw M6 x 20		4	
8	9A1 107 420 70	Oil separator		1	
9	9A1 107 383 01	Oil separator		1	
10	9A1 107 327 00	Sealing ring		3	
11	9A1 107 380 01	Oil separator		1	
12	948 107 439 10	O-ring 20,0 X 3,8	-11	2	
(12)	999 707 651 40	O-ring 20,0 X 3,8 N	12-	2	
13	999 707 637 40	O-ring 15,0 X 3,0 Deleted without Replacement	-11	1	
14	9A1 107 031 71	Oil pan Upper part		1	
15	9A1 107 315 03	Gasket		1	
16	900 063 010 01	Screw plug M8 X 1,0		1	
17	9A1 101 010 00	Oil separator		1	
18	900 385 019 01	Torx screw M6 X 20		3	
19	948 606 150 00	Oil-level sender		1	
20	948 606 240 00	Gasket		1	
21	900 385 072 01	Torx screw M 6 X 25		3	

Model: 997T10

Model life 2010>>2013



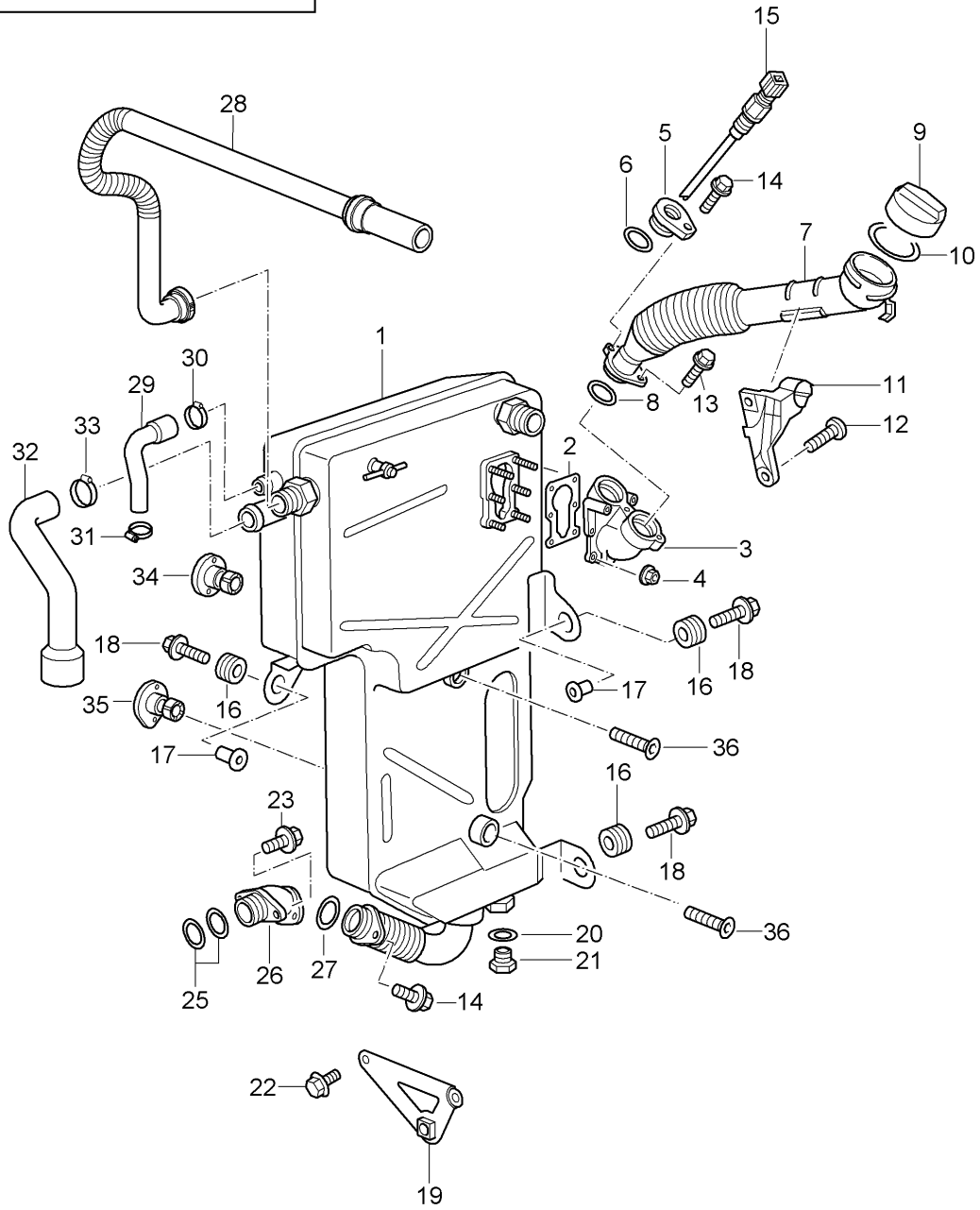
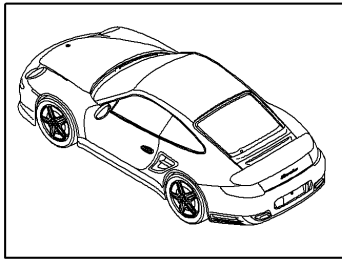
Model: 997T10

Model life 2010>>2013

Pos	Part Number	Description	Remark	Qty	Model
		Engine lubrication			MA1.70
1	9A1 107 030 02	Oil-conducting housing		1	
1	9A1 107 030 03	Oil-conducting housing		1	
1	9A1 107 030 04	Oil-conducting housing		1	
1	9A1 107 030 06	Oil-conducting housing		1	
2	900 385 276 01	Torx screw M 6 X 60		1	
3	900 385 125 01	Torx screw M 6 X 45		6	
4	9A1 107 465 01	Sealing ring Oil-conducting housing Crankcase		2	
5	999 707 595 40	O-ring 20,0 x 4,0		1	
6	999 707 594 40	O-ring 11 X 4,0		1	
7	948 606 213 00	Oil pressure sender		1	
8	900 385 019 01	Torx screw M 6 X 25		2	
9	948 107 222 00	Filter element Use also: 948.107.322.00		1	
10	948 107 022 00	Oil filter Complete		1	
11	948 107 322 00	Sealing ring 91,0 X 4,0		1	
12	9A1 107 455 00	Heat exchanger		1	
13	999 073 416 01	Combination screw M 6 X 20		6	
14	948 107 175 00	Gasket		2	
15	9A1 107 040 00	Oil separator		1	
16	999 707 635 40	O-ring 21,0 x 4,0		1	
17	999 707 634 40	O-ring 18,50 X 4,0		1	
18	9A1 107 115 02	Filler tube Engine oil		1	
19	999 707 348 40	O-ring 42,0 X 4,0		1	
20	9A1 107 336 00	Gasket Lid		1	
21	9A1 107 035 01	Lid		1	
22	900 385 019 01	Torx screw M 6 X 20		5	
23	9A1 107 215 02	Support Filler tube		1	
24	900 385 041 01	Torx screw M 6 X 20		X	
25	999 507 886 40	Hose holder		1	
26	000 043 301 19	Engine oil EXXON MOBIL 1 0W-40 1 LITER Container Information available		X	
27	000 043 301 21	Engine oil EXXON MOBIL 1 0W-40 20 LITER Container Information available		X	

Model: 997T10

Model life 2010>>2013



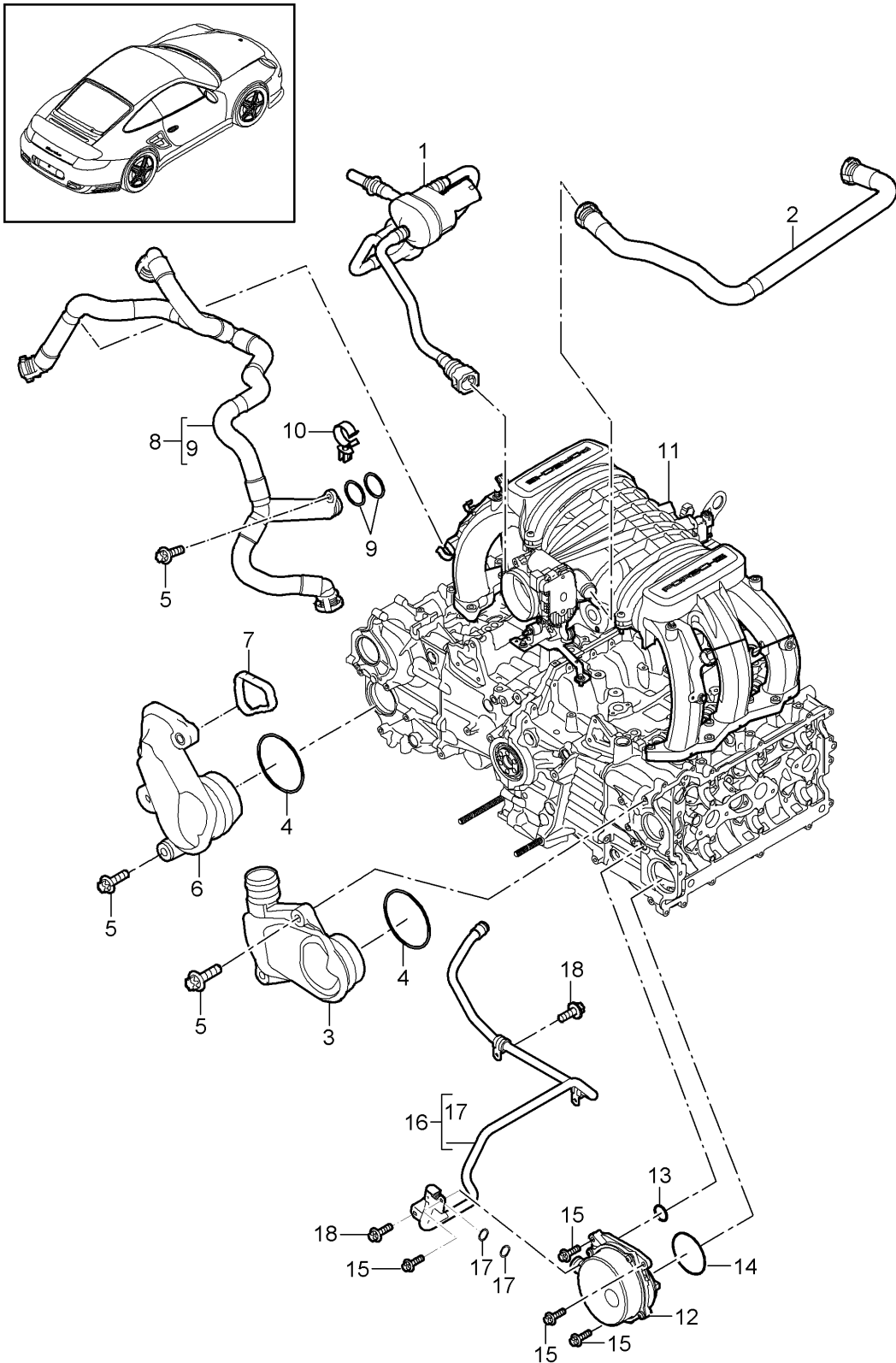
Model: 997T10

Model life 2010&gt;&gt;2013

Pos	Part Number	Description	Remark	Qty	Model
		Engine lubrication			M97.70
		Oil tank			
1	997 207 070 72	Oil tank		1	
2	993 207 226 00	Gasket		1	
3	996 207 150 73	Intermediate piece		1	
4	900 377 009 01	Hexagon nut M 5		6	
5	996 207 212 70	Flange		1	
6	999 707 343 41	O-ring 25,07 X 2,62		1	
7	997 207 016 70	Filler tube		1	
8	999 707 481 40	O-ring 24 X 3,0		1	
9	996 107 035 52	Lid		1	
10	996 107 336 00	Gasket		1	
11	997 207 216 73	Support for Filler tube		1	
12	999 073 189 01	Round head screw M 6 X 12		2	
13	900 385 050 01	Outer hexagon round screw M 6 x 16		1	
14	900 385 275 01	Torx screw M 6 X 20		1	
15	996 606 140 00	Oil-level sender		1	
16	999 702 193 40	Rubber sleeve 17,0 X 24,0 X 1,8		3	
17	999 209 037 01	Spacer sleeve 8,4 X 1,8		3	
18	900 385 116 01	Torx screw M 8 X 30		3	
19	997 207 417 71	Support		1	
20	900 123 010 20	Sealing ring		1	
21	900 065 018 00	Screw plug		1	
22	900 385 042 01	Torx screw M 8 X 35		2	
23	900 385 001 01	Torx screw M 8 X 20		1	
25	999 707 316 41	O-ring 21,89 X 2,62		2	
26	996 207 012 74	Intake connection		1	
27	999 707 364 41	Sealing ring 30 X 2,5		1	
28	997 207 037 72	Vent line		1	
29	997 207 139 71	Hose Tank ventilation		1	
30	999 512 652 09	Hose clamp 19 X 12		1	
31	999 512 651 09	Hose clamp 15 X 12		1	
32	997 207 143 71	Hose		1	
33	999 512 252 01	Hose clamp 23 - 35/9		1	
34	996 207 207 73	Spacer		1	
35	996 207 206 73	Spacer		1	
36	900 249 061 01	Countersunk-head screw M 12 X 40		2	

Model: 997T10

Model life 2010>>2013



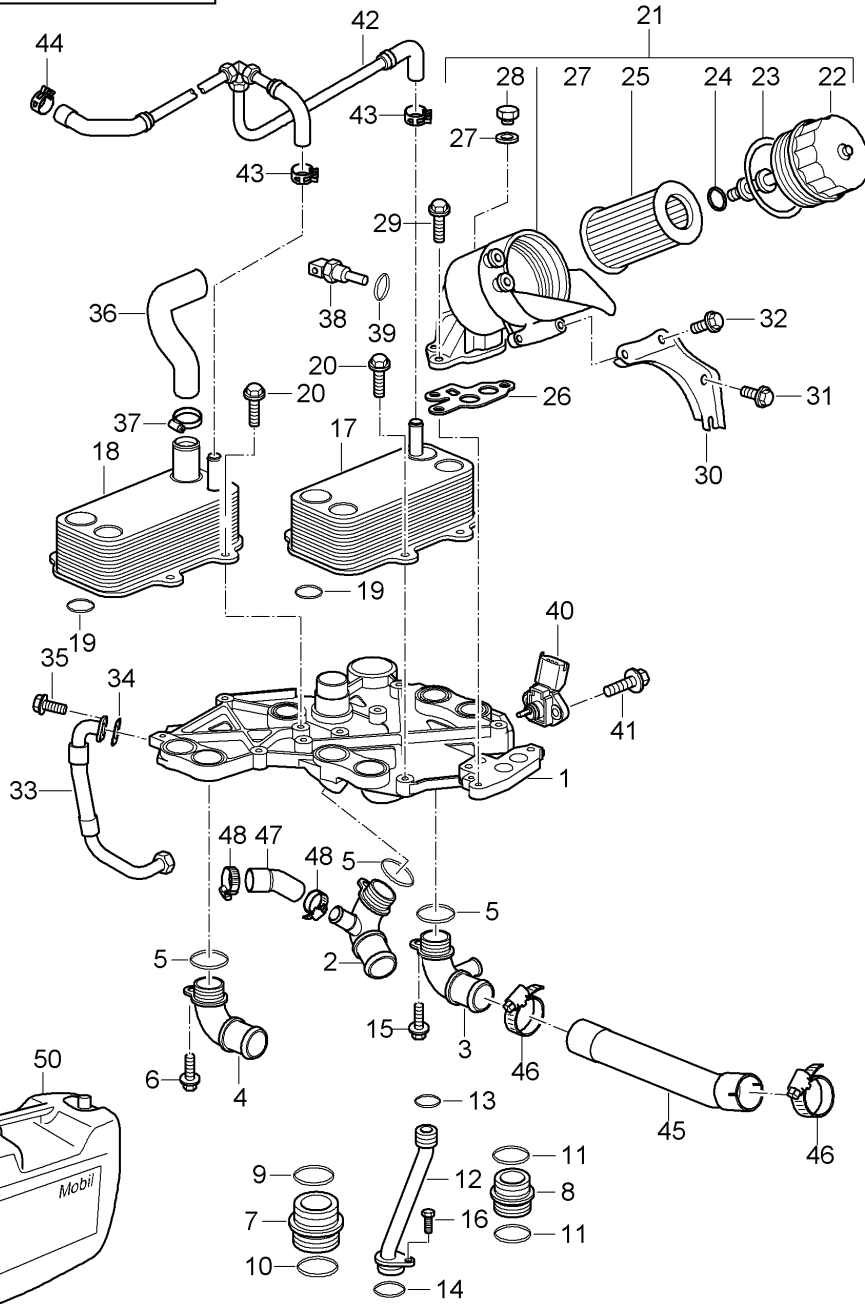
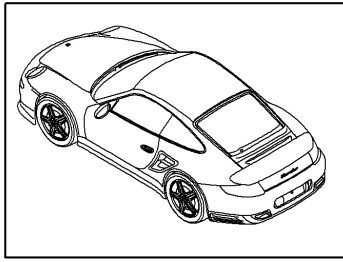
Model: 997T10

Model life 2010>>2013

Pos	Part Number	Description	Remark	Qty	Model
		Crankcase Bleeding Tank ventilation Vacuum pump			MA1.70
1	9A1 110 093 71	Vent line Complete		1	
2	9A1 107 530 01	Vent line Distributor tube		1	
3	9A1 105 038 00	Lid Crankcase Bleeding		1	
4	999 707 636 40	Cyl. 4 - 6 O-ring 44,0 X 3,5N		2	
5	900 385 019 01	Torx screw M 6 x 20		6	
6	9A1 105 039 00	Lid Crankcase Bleeding		1	
7	9A1 105 339 00	Cyl. 1 - 3 Gasket for Lid		1	
8	9A1 107 525 00	Crankcase Vent line Crankcase		1	
9	999 707 639 40	O-ring		2	
12	9A1 110 090 03	Vacuum pump		1	
12	9A1 110 090 04	Vacuum pump		1	
12	9A1 110 090 05	Vacuum pump		1	
12	9A1 110 090 06	Vacuum pump		1	
13	999 701 504 40	O-ring 10 x 2,5		1	
14	999 701 505 40	O-ring 54 x 2,5		1	
15	900 385 019 01	Torx screw M 6 x 20		3	
16	9A1 110 055 02	Vacuum line		1	
16	9A1 110 055 03	Vacuum line		1	
16	9A1 110 055 04	Vacuum line		1	
17	999 701 789 40	O-ring 12 x 2,0		2	
18	900 385 041 01	Torx screw M 6 x 12		4	
19	9A1 107 540 74	Ventilation pipe Crankcase		1	

Model: 997T10

Model life 2010>>2013





Model: 997T10

Model life 2010&gt;&gt;2013

Pos	Part Number	Description	Remark	Qty	Model
		Oil filter			M97.70
		Bracket			
1	997 107 233 74	Bracket		1	
2	997 106 315 70	Connecting piece		1	
3	997 106 314 71	Connecting piece		1	
4	997 106 313 72	Connecting piece		1	
5	999 707 478 40	O-ring		6	
		24,00 X 3,00			
6	900 385 009 01	Torx screw		3	
		M 6 X 16			
7	996 107 441 71	Joining socket		1	
8	997 107 451 71	Joining socket		1	
9	999 707 422 41	O-ring		1	
		32,92 X 3,53			
10	999 707 426 41	O-ring		1	
		37,69 X 3,53			
11	999 707 113 41	O-ring		2	
		20,22 X 3,53			
12	997 107 311 72	Oil tube		1	
13	999 701 789 40	O-ring		1	
		12,00 X 2,00			
14	999 707 446 40	O-ring		2	
		18,00 X 2,50			
15	999 073 316 02	Round head screw		4	
		M 6 X 20			
16	900 385 041 01	Torx screw		1	
		M 6 X 12			
17	997 107 025 71	Heat exchanger		1	
		1			
18	997 107 026 71	Heat exchanger		1	
		2			
19	999 707 409 41	O-ring		7	
		26,00 X 3,00			
20	900 385 009 01	Torx screw		8	
		M 6 X 16			
21	997 107 020 70	Housing		1	
22	996 107 285 70	Lid		1	
23	996 107 313 51	Sealing ring		1	
24	999 707 465 40	O-ring		1	
		10,00 X 2,00			
25	996 107 225 53	Filter element		1	
26	996 107 217 71	Gasket		1	
27	900 123 104 30	Sealing ring		1	
		14 X 18			
28	900 219 002 03	Screw plug		1	
		M 14 X1,5			
29	900 385 098 01	Torx screw		3	
		M 8 X 25			
30	997 107 301 71	Support		1	
31	900 067 291 01	Combination screw		2	
		M 8 X 16			
32	900 385 041 01	Torx screw		2	
		M 6 X 12			
33	997 107 028 70	Return line		1	
		Return line			
34	993 113 258 51	Gasket		1	
35	900 385 019 01	Torx screw		2	
		M 6 X 20			
36	997 107 121 73	Moulded hose		1	
37	999 512 657 09	Hose clamp		1	
38	997 606 420 00	Temperature sensor		1	
39	993 110 530 01	Grommet		1	
40	997 606 203 02	Oil pressure sender		1	

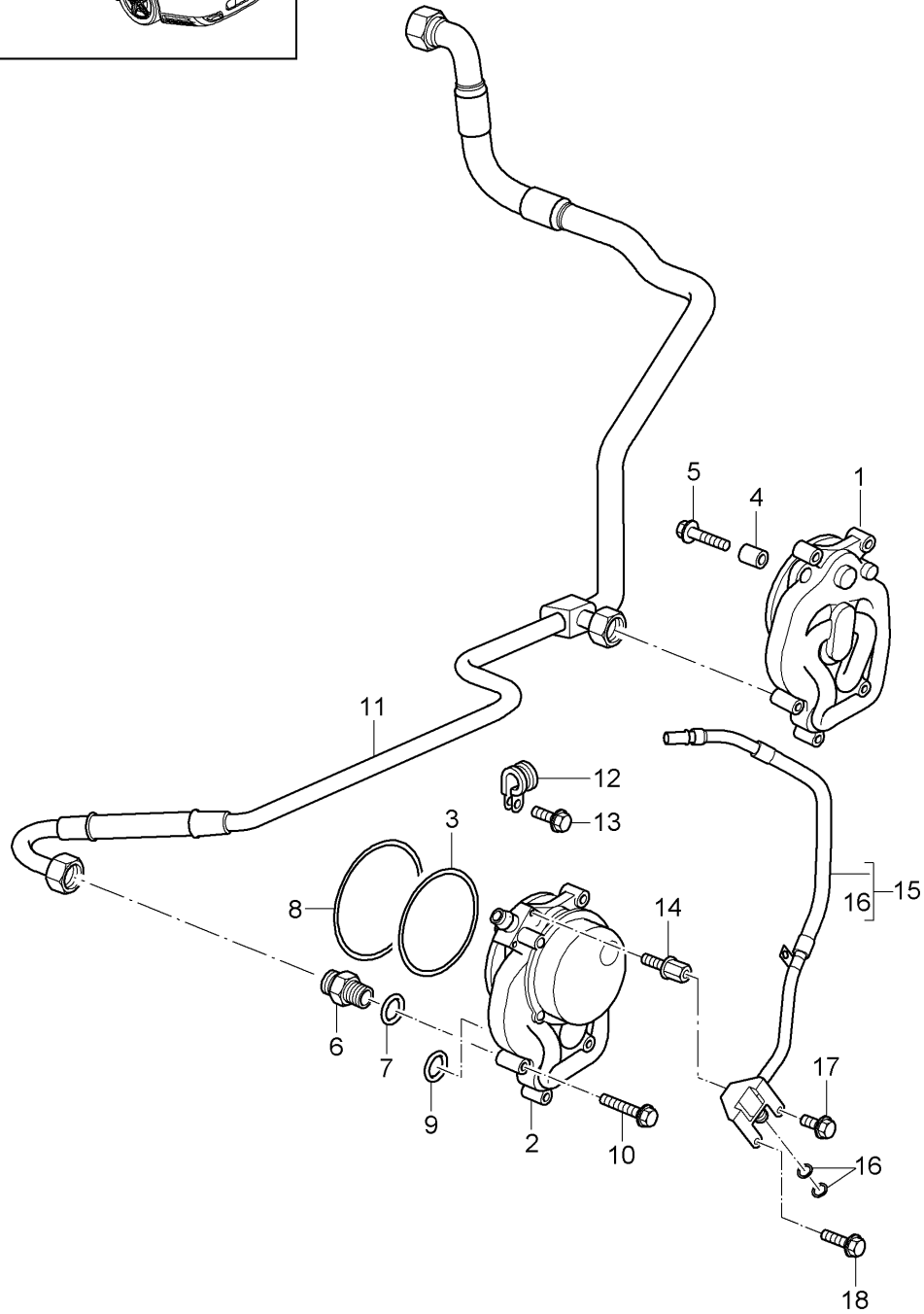
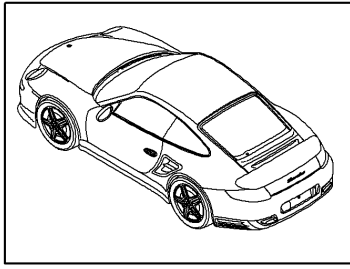
Model: 997T10

Model life 2010>>2013

Pos	Part Number	Description	Remark	Qty	Model
41	900 385 019 01	Torx screw M 6 X 20		2	
42	997 106 049 72	Vent line		1	
43	999 512 568 01	Clamp 13,9 - 16,1		2	
44	999 512 633 00	Clamp 15,6 - 17,8		1	
45	997 106 328 72	Water hose Return line		1	
46	999 512 552 01	Hose clamp 20- 32/9		2	
47	997 106 374 73	Water hose Supply Water pump Turbocharger		1	
48	999 512 346 01	Hose clamp 16- 27/9		2	
49	000 043 301 19	Engine oil EXXON MOBIL 1 0W-40 1 LITER Container Information available		X	
50	000 043 301 21	Engine oil EXXON MOBIL 1 0W-40 20 LITER Container Information available		X	

Model: 997T10

Model life 2010>>2013



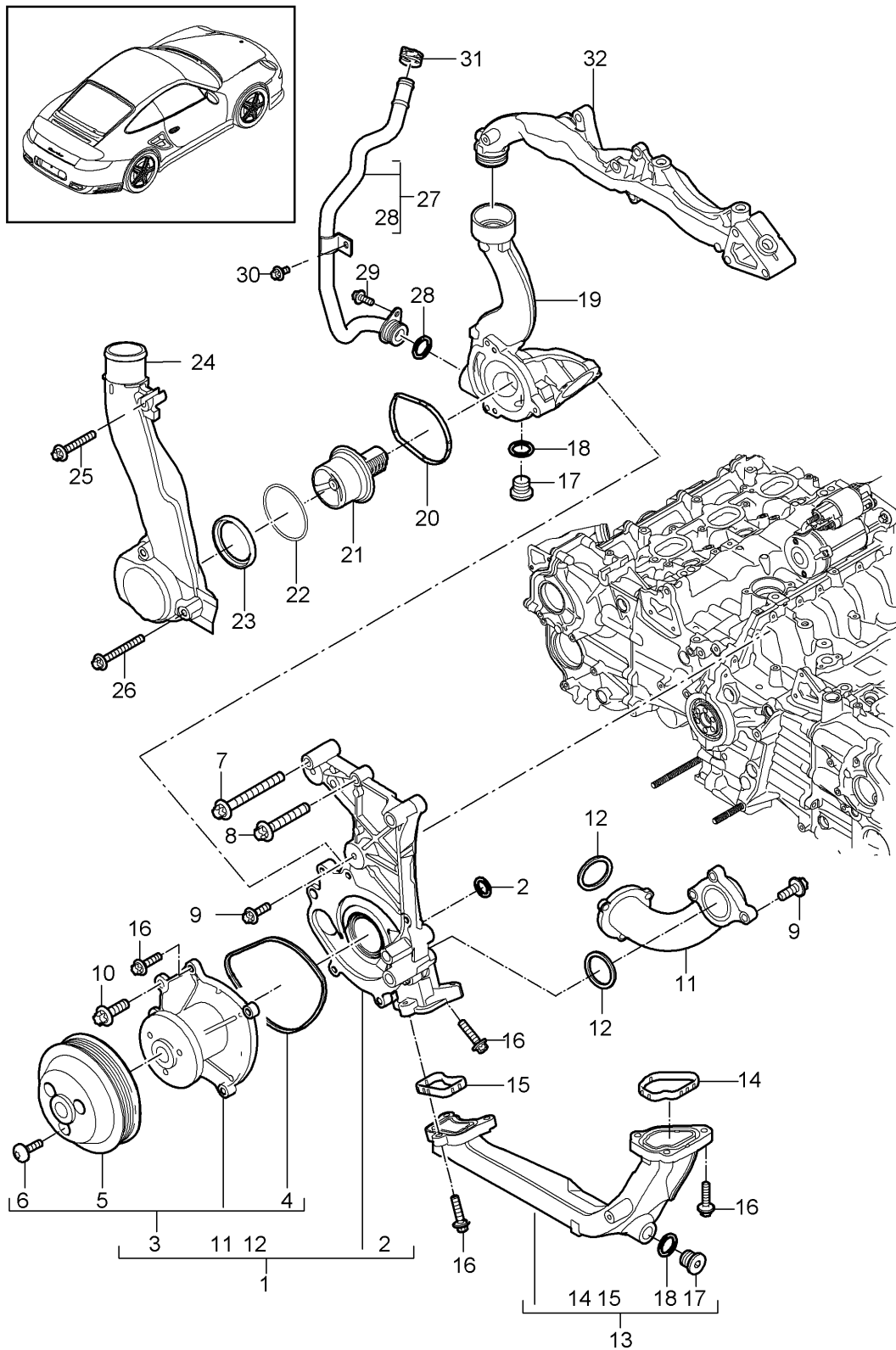
Model: 997T10

Model life 2010&gt;&gt;2013

Pos	Part Number	Description	Remark	Qty	Model
		Oil supply Return line			M97.70
1	996 107 021 73	Oil pump Cyl. 4 - 6		1	
2	997 107 022 72	Tandem pump Cyl. 1 - 3		1	
3	999 707 425 40	O-ring 85,32 X 3,53		2	
4	999 095 067 00	Dowel sleeve 8M6 X 10		4	
5	900 378 225 01	Hexagon-head bolt M 6 X 30		8	
6	900 915 006 01	Union A 15		2	
7	900 123 106 30	Sealing ring A 18 X 24		2	
8	999 707 482 41	O-ring 90,00 X 2,5		2	
9	999 707 499 40	O-ring 21,00 X 3,00		4	
10	900 385 128 01	Hexagon-head bolt M 6 X 25		1	
11	997 107 019 71	Return line		1	
12	999 511 250 01	Pipe clamp		1	
13	900 385 041 01	Torx screw M 6 X 12		1	
14	997 107 357 70	Combination screw		1	
15	997 105 036 70	Vacuum line Tandem pump		1	
-	999 651 394 40	Cable holder		1	
16	999 701 789 40	O-ring 12 X 2		2	
17	900 385 130 01	Hexagon socket head bolt M 6 X 10		1	
18	900 385 050 01	Outer hexagon round screw M 6 X 16		1	

Model: 997T10

Model life 2010>>2013



Model: 997T10

Model life 2010>>2013

Pos	Part Number	Description	Remark	Qty	Model
		Water pump Thermostat housing			MA1.70
1	9A1 106 038 71	Water pump Complete		1	
1	9A1 106 038 72	Water pump Complete		1	
2	999 707 604 40	O-ring 34,0 X 3,0		2	
3	9A1 106 048 70	Water pump		1	
3	9A1 106 048 71	Water pump		1	
4	9A1 106 217 00	Gasket		1	
5	9A1 106 248 00	Pulley		1	
6	999 073 104 01	Torx screw M8 X 16		3	
7	900 385 115 01	Torx screw M8 X 70		X	
8	900 385 071 01	Torx screw M8 X 50		X	
9	900 385 019 01	Torx screw M6 X 20		3	
10	900 385 098 01	Torx screw M8 X 25		1	
(10)	900 385 114 01	Torx screw M8 X 25		1	
11	9A1 106 238 00	Water tube		1	
12	9A1 106 215 00	Gasket Water tube		2	
13	9A1 106 125 01	Water tube		1	
14	9A1 106 326 00	Gasket Water tube		1	
15	9A1 106 325 00	Gasket Water tube		1	
16	900 385 072 01	Torx screw M6 X 25		16	
17	900 219 018 30	Screw plug M14 X 1,5		2	
17	999 063 038 01	Screw plug M14 X 1,5		2	
18	900 123 104 30	Sealing ring 14 X 18		2	
18	900 123 173 20	Sealing ring 14 X 18		2	
19	9A1 106 150 01	Housing Thermostat		1	
20	9A1 106 305 00	Gasket Thermostat		1	
21	9A1 106 225 01	Thermostat insert		1	
21	9A1 106 225 02	Thermostat insert		1	
22	999 707 625 40	O-ring 59,0 X 5,2		1	
23	9A1 106 558 00	Sealing ring		1	
24	9A1 106 111 01	Water guide housing		1	
25	900 385 045 01	Torx screw M6 X 40		4	
26	900 385 070 01	Torx screw M6 X 50		3	
27	9A1 106 850 03	Water line		1	
28	999 707 517 40	O-ring 22 X 3		2	
29	900 385 009 01	Torx screw M6 X 16		1	
30	900 385 041 01	Torx screw M6 X 12		1	

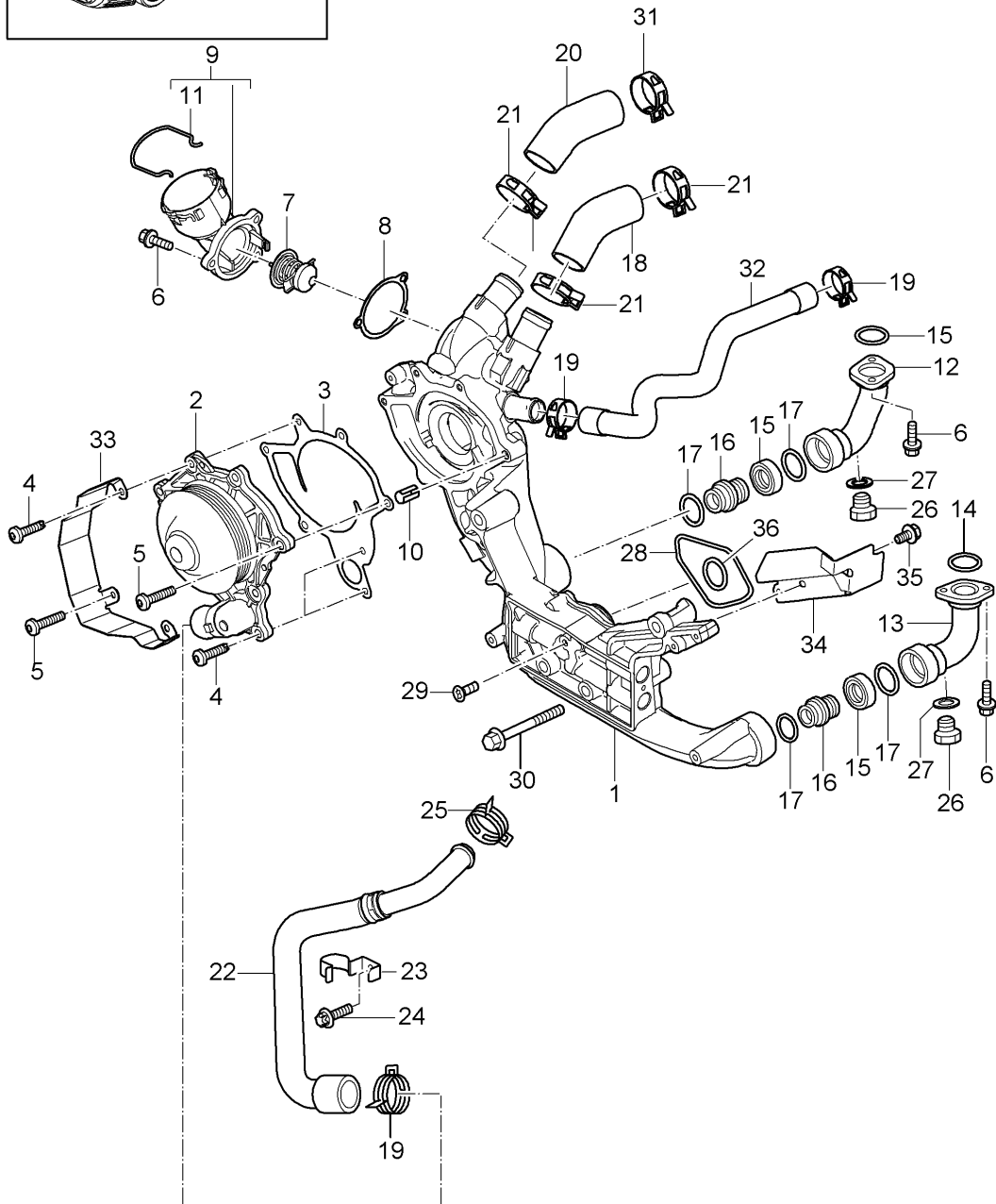
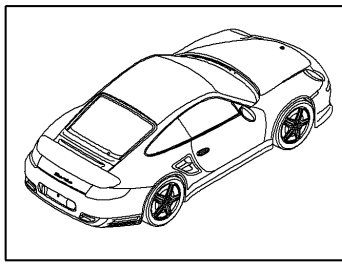
Model: 997T10

Model life 2010&gt;&gt;2013

Pos	Part Number	Description	Remark	Qty	Model
31	999 512 683 09	Hose clamp		1	
32		Unit carrier See illustrations 1/05/03		1	

Model: 997T10

Model life 2010>>2013





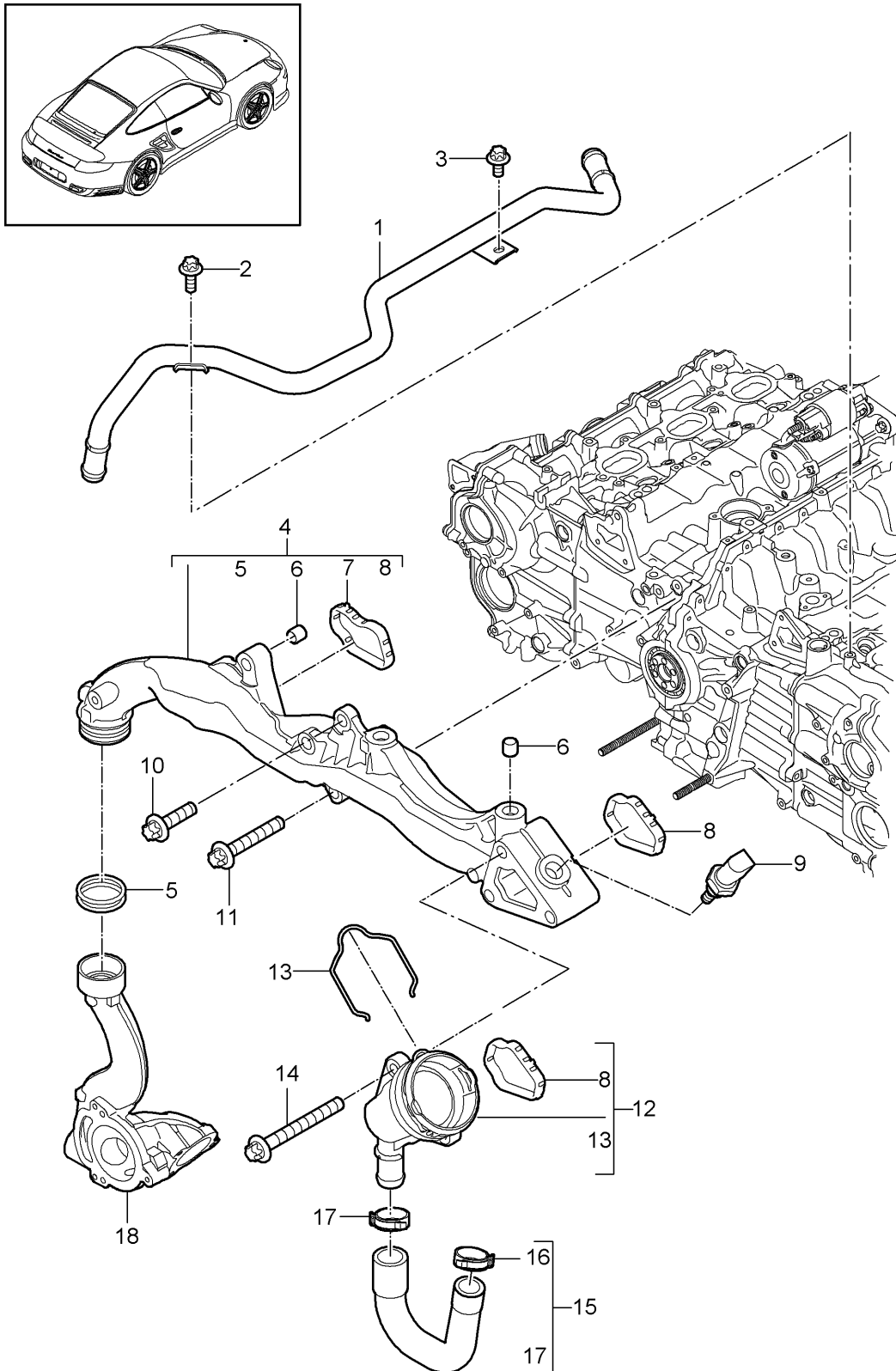
Model: 997T10

Model life 2010&gt;&gt;2013

Pos	Part Number	Description	Remark	Qty	Model
		Water pump			M97.70
		Water pump housing			
1	997 106 002 70	Water pump housing		1	
2	997 106 011 70	Water pump		1	
(2)	997 106 011 71	Water pump		1	
(2)	997 106 011 72	Water pump		1	
3	997 106 340 00	Gasket		1	
4	999 073 102 01	Round head screw M 6 X 25		5	
5	999 073 110 01	Round head screw M 6 X 30		2	
6	900 385 019 01	Torx screw BM 6 X 20		11	
7	996 106 125 72	Thermostat insert		1	
8	996 106 326 71	Gasket		1	
9	996 106 121 72	Lid		1	
10	996 106 103 50	Dowel sleeve 8,2 X 7		2	
11	997 106 802 03	Spring		1	
12	996 106 139 71	Connection piece		1	
13	996 106 140 71	Connection piece		1	
14	999 707 410 40	O-ring 39,20 X 3,00		2	
15	996 106 214 70	Protective ring		2	
16	996 106 238 71	Joining socket		2	
17	999 707 411 40	O-ring 28,00 X 4,50		4	
18	996 106 529 73	Hose		1	
19	999 512 552 01	Hose clamp 20 -32/9		2	
20	996 106 512 74	Hose		1	
21	999 512 551 01	Hose clamp 25 - 40/9		3	
22	997 106 250 72	Hose		1	
23	996 106 550 72	Support		1	
24	900 385 041 01	Torx screw M 6 X 12		1	
25	999 512 660 09	Hose clamp 29 X 12		1	
26	900 219 007 01	Screw plug M 10 X 1		2	
27	900 123 144 30	Sealing ring A 10 X 13,5		2	
28	999 707 468 40	O-ring 68 X 2		1	
29	999 073 013 01	Countersunk-head screw M 6 X 10		1	
30	900 385 119 01	Outer hexagon round screw M 10 X 70		4	
31	999 512 252 01	Hose clamp 23- 35/9		1	
32	997 106 477 72	Hose		1	
33	996 115 521 73	Supply Support		1	
34	997 115 661 70	Left Protective plate Right		1	
35	900 385 041 01	Torx screw M 6 X 12		2	
36	999 707 315 41	O-ring 33,30 X 2,4		1	

Model: 997T10

Model life 2010>>2013



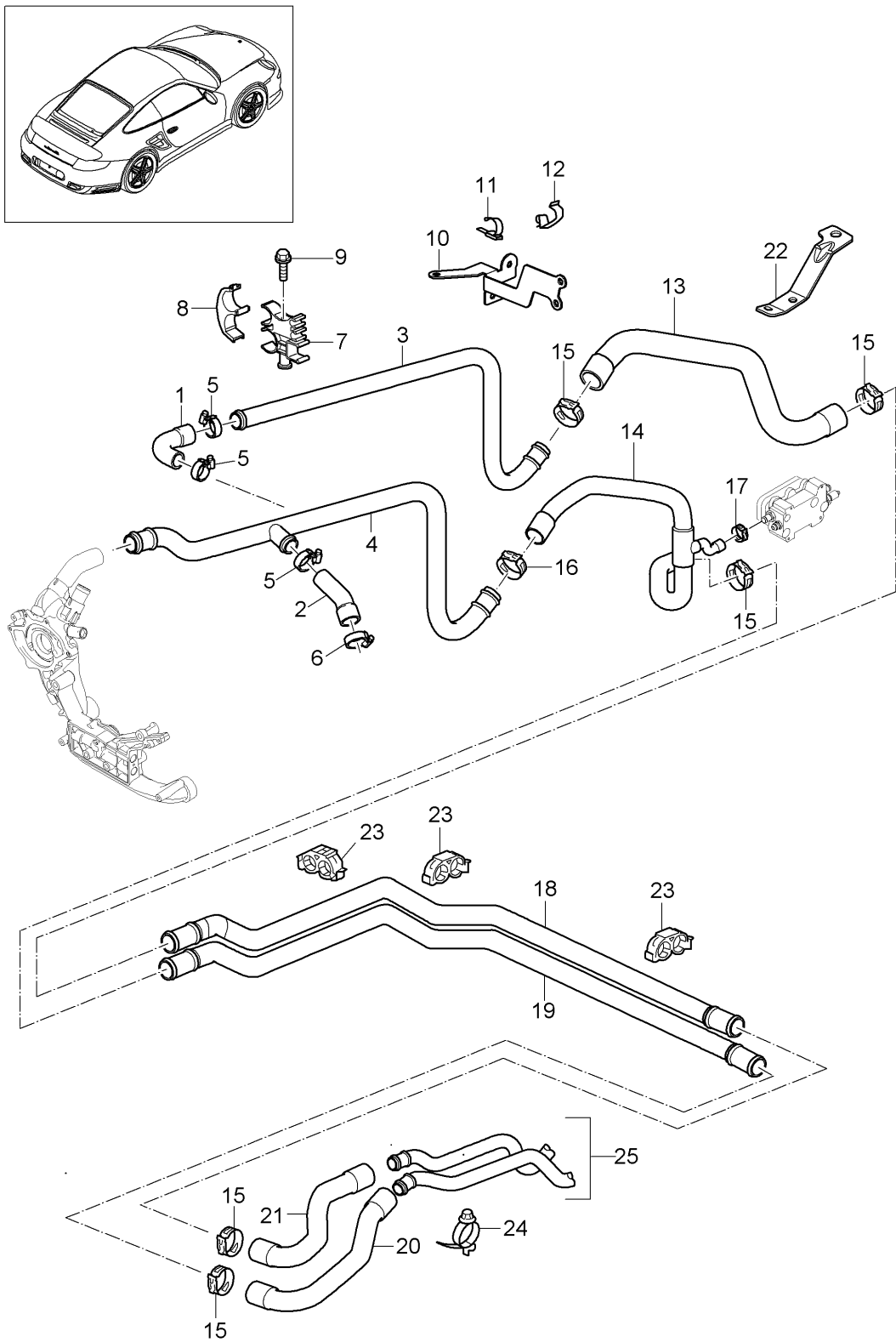
Model: 997T10

Model life 2010>>2013

Pos	Part Number	Description	Remark	Qty	Model
		Unit carrier			MA1.70
1	9A1 106 810 01	Water tube Hot air duct Supply		1	
2	900 385 009 01	Torx screw 6 X 16		1	
3	900 385 041 01	Torx screw M6 X 12		1	
4	9A1 102 112 02	Unit carrier		1	
5	999 707 589 40	O-ring 31,0 X 3,0		2	
6	999 095 063 01	Dowel sleeve 11 M6 X 10		2	
7	9A1 102 312 00	Gasket Cyl. 1 - 3		1	
8	9A1 102 322 00	Gasket Cyl. 4 - 6		2	
9	997 606 420 01	Temperature sensor Use also: 900.123.111.20		1	
10	900 385 116 01	Torx screw M8 X 30		2	
11	900 385 071 01	Torx screw M8 X 50		2	
12	9A1 106 131 00	Connection piece		1	
13	997 106 802 03	Spring		1	
14	900 385 115 01	Torx screw M8 X 70		3	
15	9A1 106 660 00	Water hose Supply	-10	1	
16	999 512 601 09	Hose clamp 23 X 12		1	
(16)	999 512 683 09	Hose clamp 23 X 12		1	
17	999 512 603 09	Hose clamp 26 X 12		1	
(17)	999 512 657 09	Hose clamp 26 X 12		1	
18	900 123 111 20	Sealing ring Copper Temperature sensor		1	
18	900 123 111 21	Sealing ring Copper Temperature sensor		1	
19		Housing Thermostat See illustrations 1/05/00			

Model: 997T10

Model life 2010>>2013



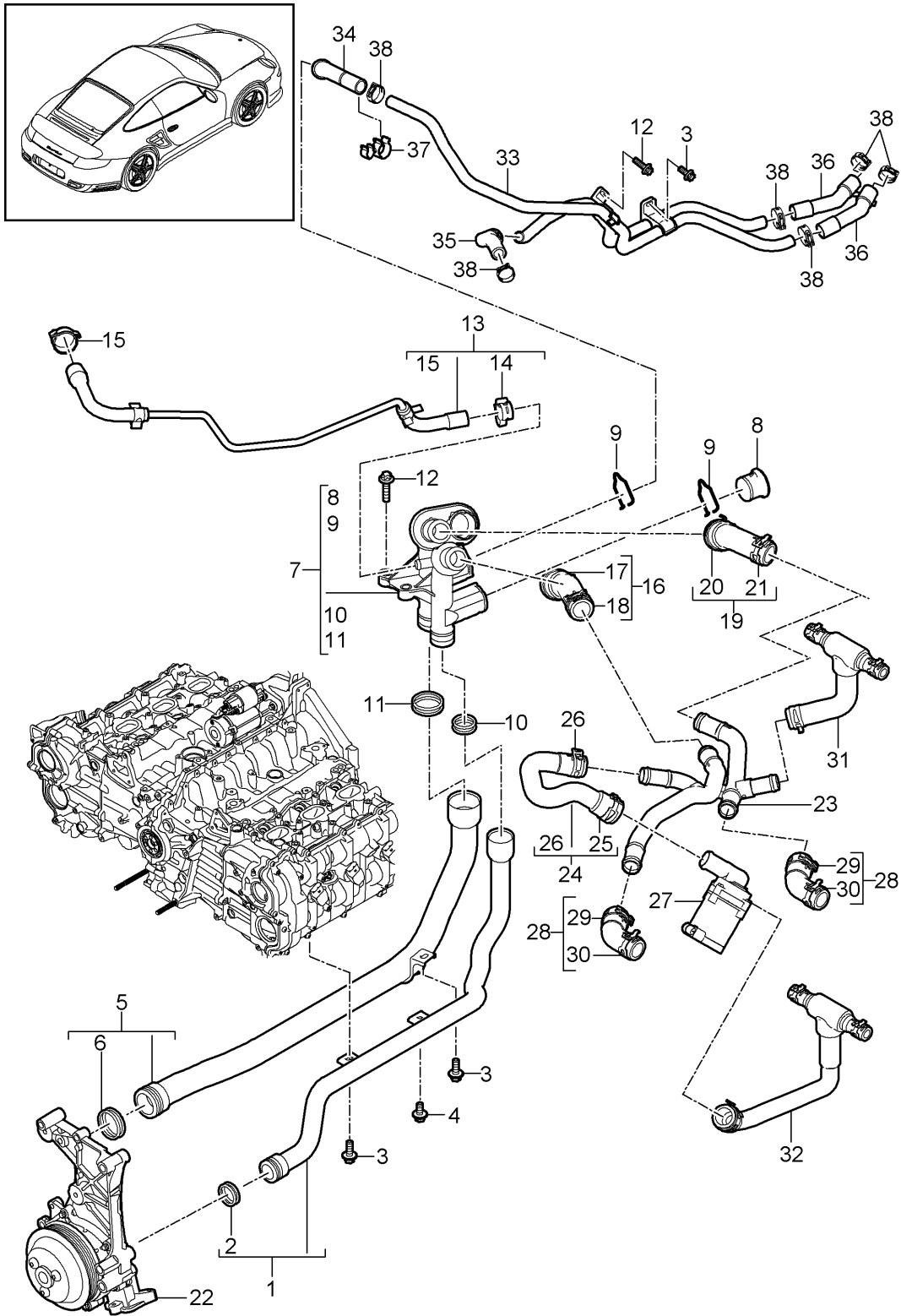
Model: 997T10

Model life 2010>>2013

Pos	Part Number	Description	Remark	Qty	Model
		Lines Heating GT2 RS			M97.70
1	997 106 233 72	Hose Supply		1	
2	997 106 328 72	Water hose Return line		1	
3	997 106 252 71	Water tube Supply		1	
4	997 106 254 71	Water tube Return line		1	
5	999 512 552 01	Hose clamp		3	
6	999 512 346 01	20- 32/9 Hose clamp 16- 27/9		1	
7	997 106 455 71	Support		2	
8	997 106 456 71	Retaining bar		2	
9	900 385 111 01	Torx screw M 6 X 55		2	
10	997 106 450 71	Support		1	
11	999 651 300 40	Hose holder 25,0 - 30,0		1	
12	999 507 728 40	Support 18,0 - 19,0		1	
13	997 106 434 90	Water hose Supply		1	
14	996 106 422 78	Hose Return line		1	
15	999 512 658 09	Hose clamp B27 X 12		7	
16	999 512 662 09	Hose clamp B32 X 12		1	
17	999 512 656 09	Hose clamp B25 X 12		1	
18	997 106 312 90	Water tube Supply		1	
19	996 106 322 72	Water tube Return line		1	
20	996 106 212 75	Hose Supply		1	
21	996 106 222 75	Hose Return line		1	
22	996 106 526 90	Support		1	
23	999 507 700 41	Hose holder		3	
24	999 513 023 40	Tie-wrap 15 - 40		2	
25		Water tube Heizung See illustrations 8/13/00		1	

Model: 997T10

Model life 2010>>2013



Model: 997T10 Model life 2010>>2013

Pos	Part Number	Description	Remark	Qty	Model
		Connection			MA1.70
		Water tube			
1	9A1 106 620 01	Water tube		1	
		Intake			
2	999 707 517 40	O-ring		4	
		22 X 3			
3	900 385 009 01	Torx screw		4	
		M6 X 16			
4	900 385 041 01	Torx screw		1	
		M6 X 12			
5	9A1 106 625 01	Water tube		1	
		Return line			
6	999 707 589 40	O-ring		4	
		31 X 3			
7	9A1 106 010 01	Connection		1	
(7)	9A1 106 010 02	Connection		1	
8	9A1 106 546 00	Stopper		3	
9	997 106 802 04	Spring clip		3	
10	999 707 517 40	O-ring		2	
		22 X 3			
11	999 707 589 40	O-ring		2	
		31 X 3			
12	900 385 072 01	Torx screw		3	
		M6 X 25			
13	9A1 106 549 01	Vent line		1	
14	999 512 699 01	Hose clamp		1	
		18 X 12			
		with			
		Clip			
15	999 512 741 01	Hose clamp		1	
		19 X 12			
16	9A1 106 606 72	Moulded hose		1	
		Supply			
17	999 512 658 09	Hose clamp		1	
		B 27 X 12			
18	999 512 656 09	Hose clamp		1	
		B 25 X 12			
19	9A1 106 607 72	Moulded hose		1	
		Return line			
20	999 512 662 09	Hose clamp		1	
		B 32 X 12			
21	999 512 658 09	Hose clamp		1	
		B 27 X 12			
22		Water pump			
		See illustrations			
		1/05/00			
23	9A1 106 605 70	Distributor tube		1	
		Water cooling			
24	9A1 106 609 72	Moulded hose		1	
		Water pump			
25	999 512 658 09	Hose clamp		1	
		B 27 X 12			
26	999 512 656 09	Hose clamp		1	
		B 25 X 12			
27		Water pump		1	
		Turbocharger			
		See illustrations			
		2/02/05			
		POS.33			
28	9A1 106 608 72	Moulded hose		2	
		Supply			
		Return line			
29	999 512 658 09	Hose clamp		2	

Model: 997T10

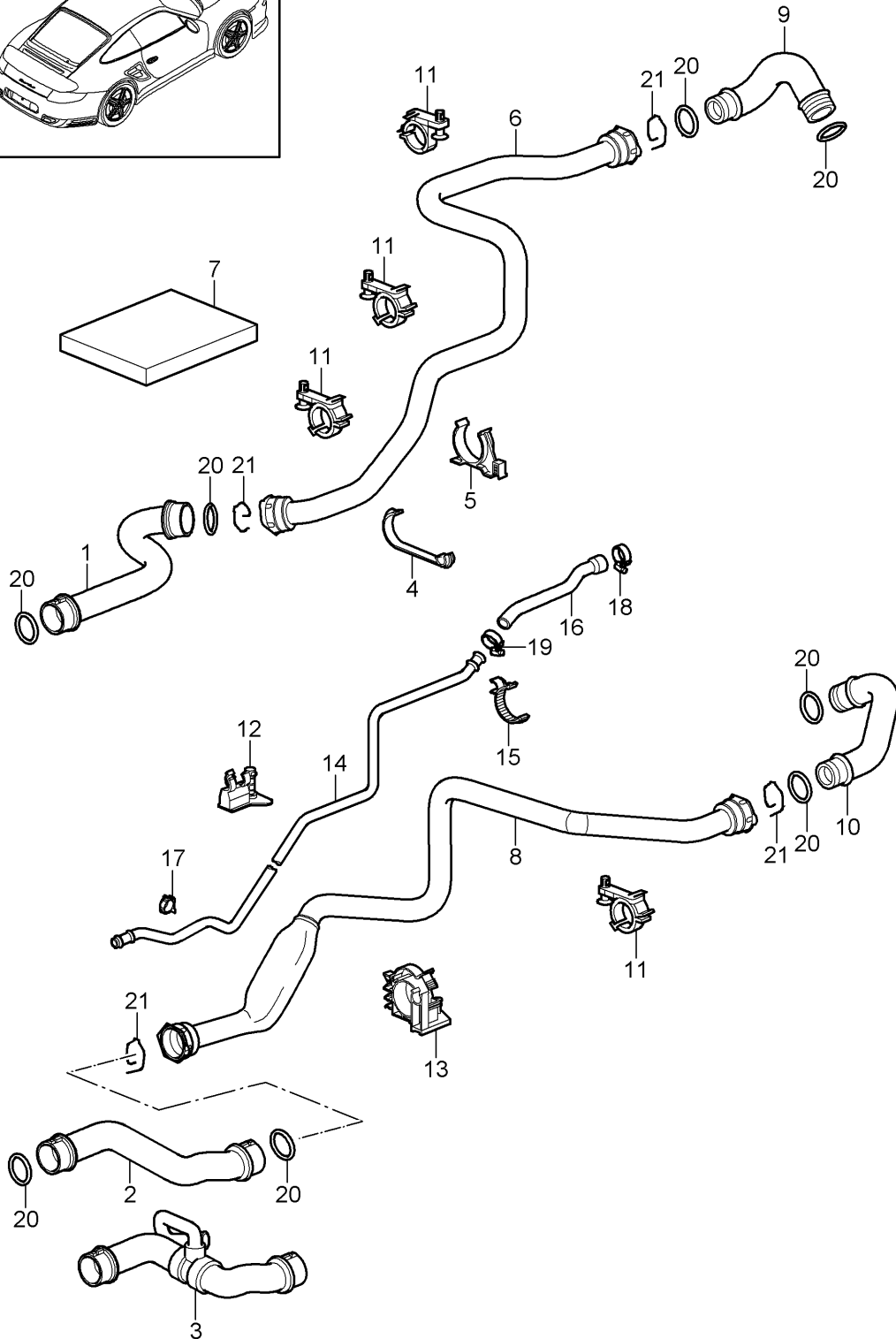
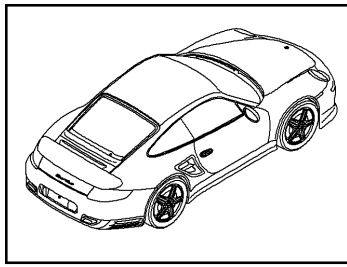
Model life 2010>>2013

Pos	Part Number	Description	Remark	Qty	Model
30	999 512 656 09	B 27 X 12 Hose clamp		2	
31		B 25 X 12 T-piece Water line See illustrations 2/02/05		1	
32		POS.28 T-piece Water line See illustrations 2/02/05		1	
33	997 106 181 72	Heater pipeline		1	I480
(33)	997 106 182 32	Heater pipeline		1	I250
34	997 106 822 31	Hose Return line		1	
35	997 106 812 30	Hose Supply		1	
36	997 106 212 32	Hose		2	
37	999 507 807 41	Support 9,5 / 18		1	
(37)	N 107 675 01	Spacer 19 X 30 X 20 for Heater pipeline		1	
38	999 512 658 09	Hose clamp 27 X 12		6	



Model: 997T10

Model life 2010>>2013



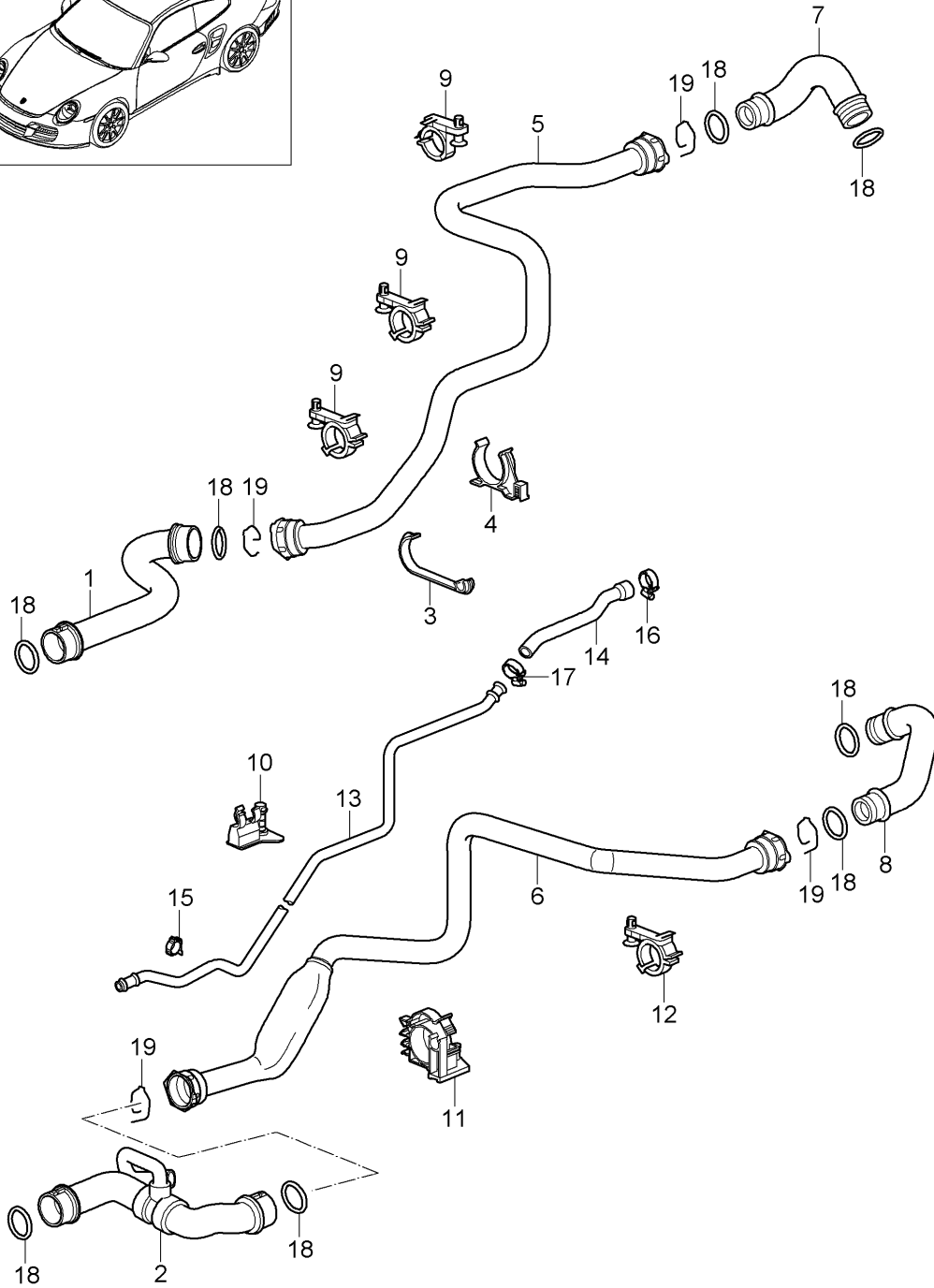
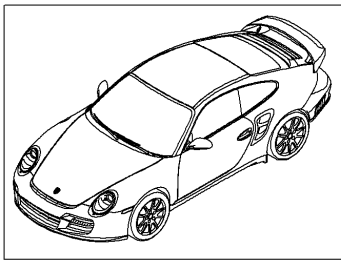
Model: 997T10

Model life 2010>>2013

Pos	Part Number	Description	Remark	Qty	Model
1	997 106 740 06	Water cooling 1 Water hose Supply		1	MA1.70
2	997 106 741 07	Water hose Return line		1	I480
3	997 106 742 71	Water hose Return line		1	I250
4	997 106 426 00	Support		1	
5	997 106 427 01	Support		1	
6	997 106 610 31	Cooling water tube Supply		1	
8	997 106 809 01	Cooling water tube Return line		1	
8	997 106 069 00	Cooling water tube Return line		1	
9	997 106 831 31	Water hose Supply		1	
10	997 106 832 31	Water hose Return line		1	
11	996 106 417 73	Support		4	
11		Support		5	
(11)	997 106 457 32	Support		1	
12	997 106 428 01	Support		1	
13	997 106 429 01	Support		1	
14	997 106 681 32	Vent line		1	
14	997 106 682 03	Vent line		1	
15	997 106 512 03	Connection piece		1	
16	997 106 251 01	Breather hose		1	
17	999 507 743 40	Cable holder 12,0		1	
18	999 512 656 09	Hose clamp 25 X 12		1	
19	999 512 653 09	Hose clamp 20 X 12		1	
20	996 106 801 03	O-ring		8	
21	997 106 802 03	Spring		4	
22	997 106 609 01	Support		1	
23	900 378 074 01	Hexagon-head bolt M 8 X 16		1	

Model: 997T10

Model life 2010>>2013



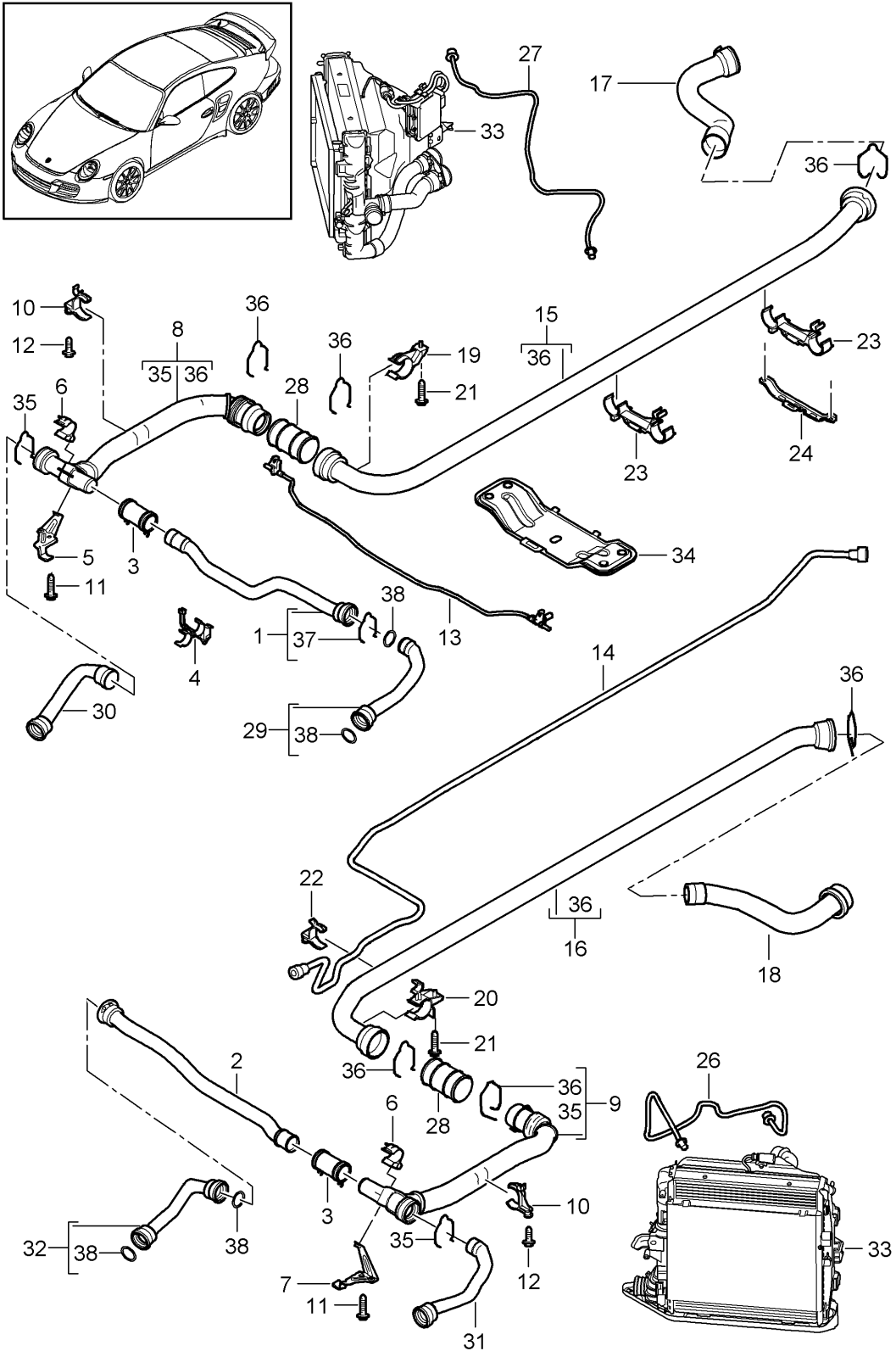
Model: 997T10

Model life 2010>>2013

Pos	Part Number	Description	Remark	Qty	Model
1	997 106 740 06	Water cooling 1 Water hose Supply		1	M97.70
2	997 106 889 96	Water hose Return line		1	
3	997 106 426 00	Support		1	
4	997 106 427 01	Support		1	
5	997 106 610 31	Cooling water tube Supply		1	
6	997 106 069 00	Cooling water tube Return line		1	
7	997 106 501 01	Water hose Supply		1	
8	997 106 502 00	Water hose Return line		1	
9	996 106 417 73	Support		4	
10	997 106 428 01	Support		1	
11	997 106 429 01	Support		1	
12	997 106 457 32	Support		1	
13	997 106 682 03	Vent line		1	
14	997 106 251 01	Breather hose		1	
15	999 507 743 40	Cable holder 12,0		1	
16	999 512 656 09	Hose clamp 25 X 12		1	
17	999 512 653 09	Hose clamp 20 X 12		1	
18	996 106 801 03	O-ring		8	
19	997 106 802 03	Spring		4	

Model: 997T10

Model life 2010>>2013



Model: 997T10 Model life 2010>>2013

Pos	Part Number	Description	Remark	Qty	Model
1	997 106 711 02	Water cooling 2 Water tube		1	MA1.70
1	997 106 711 03	Cross tube Supply Water tube		1	
2	997 106 720 02	Cross tube Supply Water tube		1	
2	997 106 720 03	Cross tube Return line Water tube		1	
3	997 106 723 06	Cross tube Return line Water hose		2	
4	997 106 525 01	Support Water tube		1	
5	997 106 574 02	Cross tube Centre Support		1	
6	997 106 526 01	Distributor tube Right Support		2	
7	997 106 573 02	Cross tube Upper Support		1	
8	997 106 752 04	Distributor tube Left Distributor tube		1	
9	997 106 751 04	Supply Distributor tube		1	
10	997 106 413 01	Return line Support		2	
(10)		Distributor tube Support	/R	1	I601
(10)	997 106 414 00	Distributor tube Support	/L	1	I601
11	900 378 013 09	Distributor tube Hexagon-head bolt M6 X 25		2	
12	900 378 036 09	Hexagon-head bolt M6 X 12		2	
13	997 106 767 02	Vent line Transverse		1	
14	997 106 227 03	Vent line Tunnel		1	
15	997 106 651 03	Water tube Supply Tunnel		1	-I004
15	997 106 651 04	Water tube Supply Tunnel		1	-I004
(15)	997 106 651 90	Water tube Supply Tunnel		1	I004
16	997 106 652 03	Return pipe Tunnel		1	-I004
16	997 106 652 04	Return pipe Tunnel		1	-I004
(16)	997 106 652 90	Return pipe Tunnel		1	I004
17	997 106 520 02	Support Bulkhead Right		1	

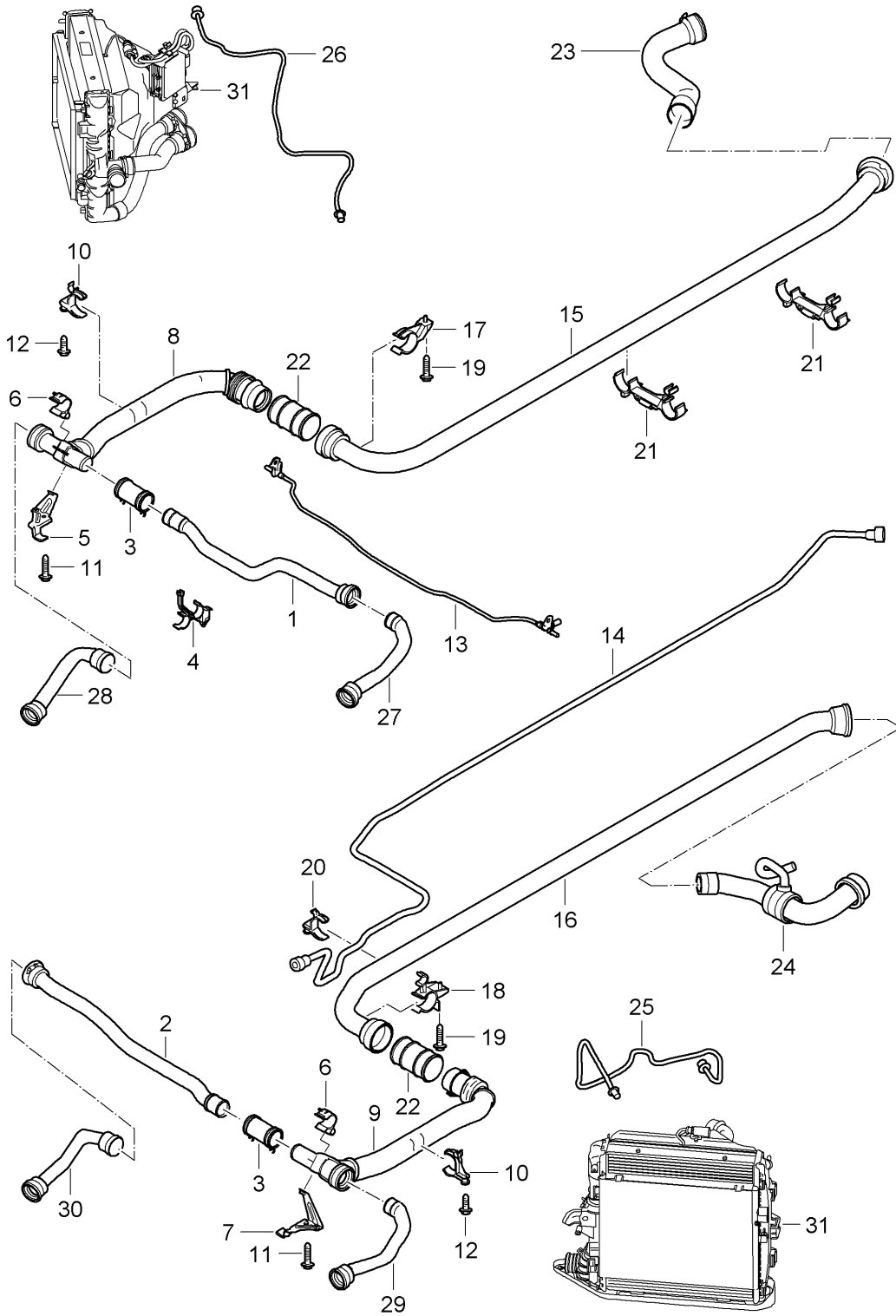
Model: 997T10

Model life 2010&gt;&gt;2013

Pos	Part Number	Description	Remark	Qty	Model
18	997 106 521 01	Support Bulkhead Left		1	
19	900 378 035 01	Hexagon-head bolt M6 X 16		2	
20	997 106 512 03	Connection piece Vent line		1	
21	997 106 540 02	Support Tunnel		2	
22	997 106 551 03	Sleeve		2	
23		See illustrations 1/05/05		X	
24		See illustrations 1/05/05		X	
26	997 106 865 02	Line	/L	1	
27	997 106 866 02	Line	/R	1	
28	997 106 551 03	Sleeve		2	
29	997 106 623 03	Water hose Return line	/L	1	
30	997 106 627 03	Water hose Supply	/R	1	
31	997 106 728 03	Water hose Return line	/L	1	
32	997 106 624 03	Water hose Return line	/R	1	
33		Radiator See illustrations 1/05/15		X	
34		Transverse strut Tunnel See illustrations 8/01/70		X	
35	997 106 802 02	Spring SCB 36		2	
36	997 106 802 03	Spring SCB 42		6	
37	997 106 802 01	Spring SCB 33		2	
38	996 106 801 02	O-ring		X	

Model: 997T10

Model life 2010>>2013





Model: 997T10 Model life 2010>>2013

Pos	Part Number	Description	Remark	Qty	Model
1	997 106 711 02	Water cooling 2 Water tube		1	M97.70
1	997 106 711 03	Cross tube Supply Water tube		1	
2	997 106 720 02	Cross tube Supply Water tube		1	
2	997 106 720 03	Cross tube Return line Water tube		1	
3	997 106 723 07	Cross tube Return line Water hose		2	
4	997 106 525 01	Support Water tube		1	
5	997 106 574 02	Cross tube Centre Support		1	
6	997 106 526 01	Distributor tube Right Support		2	
7	997 106 573 02	Cross tube Upper Support		1	
8	997 106 752 04	Distributor tube Left Distributor tube		1	
9	997 106 751 04	Supply Distributor tube		1	
10	997 106 413 01	Return line Support	/L	1	
(10)	997 106 414 00	Distributor tube Support	/R	1	
11	900 378 013 01	Distributor tube Hexagon-head bolt M6 X 25		2	
12	900 378 036 01	Hexagon-head bolt M6 X 12		2	
13	997 106 767 02	Vent line Transverse		1	
14	997 106 227 03	Vent line Tunnel		1	
15	997 106 651 90	Water tube Supply Tunnel		1	
16	997 106 652 90	Return pipe Tunnel		1	
17	997 106 520 02	Support Bulkhead Right		1	
18	997 106 521 01	Support Bulkhead Left		1	
19	900 378 035 01	Hexagon-head bolt M6 X 16		2	
20	997 106 512 03	Connection piece Vent line		1	
21	997 106 540 02	Support		2	
22	997 106 551 03	Sleeve		2	
23		Water hose See illustrations 1/05/08		1	

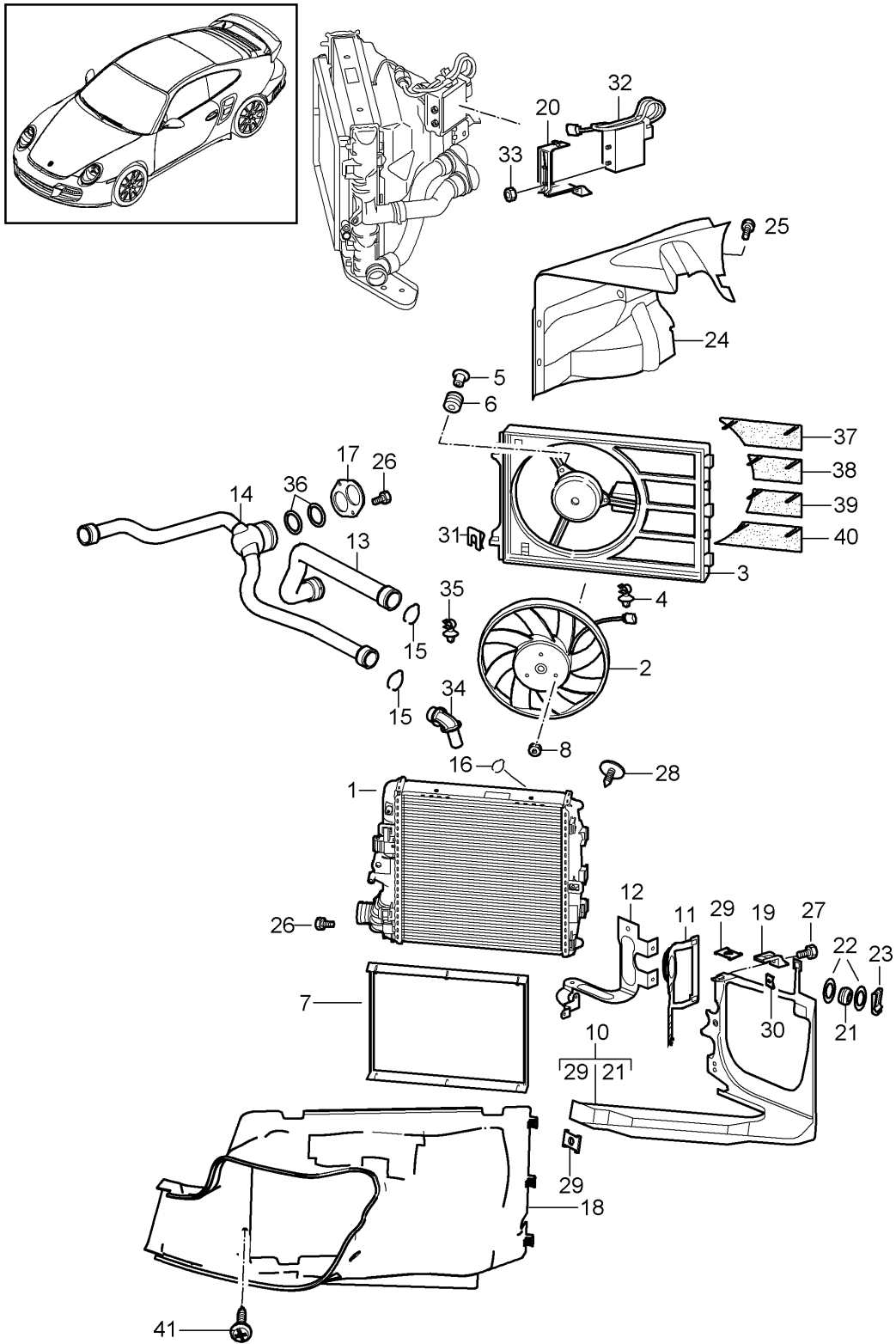
Model: 997T10

Model life 2010>>2013

Pos	Part Number	Description	Remark	Qty	Model
24		Water hose See illustrations 1/05/08			
25	997 106 865 02	Line	/L	1	
26	997 106 866 02	Line	/R	1	
27	997 106 623 03	Water hose Supply	/L	1	
28	997 106 627 03	Water hose Supply	/R	1	
29	997 106 728 03	Water hose Return line	/L	1	
30	997 106 624 03	Water hose Return line	/R	1	
31		See illustrations 1/05/16		1	

Model: 997T10

Model life 2010>>2013



Model: 997T10

Model life 2010>>2013

Pos	Part Number	Description	Remark	Qty	Model
		Water cooling 3			MA1.70
1	996 106 131 74	Radiator	/L	1	
(1)	996 106 132 72	Radiator	/R	1	
(2)	997 624 127 02	Fan	/L	1	
(2)	997 624 128 02	Fan	/R	1	
3	997 624 141 00	Air guide		2	
4	999 507 085 40	Clip		2	
5	996 624 175 00	Bush		6	
6	996 624 173 00	Rubber mounting		6	
7	996 573 711 01	Frame		2	
8	900 377 010 09	Hexagon nut		6	
9	999 209 049 02	Spacer sleeve		6	
10	997 106 165 02	Bracket	/L	1	
(10)	997 106 166 02	Bracket	/R	1	
11	997 106 265 01	Bracket	/L	1	
(11)	997 106 266 01	Bracket	/R	1	
12	997 106 365 02	Support	/L	1	
(12)	997 106 366 02	Support	/R	1	
13	997 106 635 02	Water hose	/L	1	
		Return line			
(13)	997 106 636 01	Water hose	/R	1	
		Return line			
14	997 106 631 01	Water hose	/L	1	
		Supply			
(14)	997 106 632 01	Water hose	/R	1	
		Supply			
15	996 106 802 16	Retainer spring		4	
		SC 32			
16	996 106 802 15	Retainer spring		2	
		SC 08			
17	997 106 255 02	Connecting piece		2	
18	997 575 321 01	Air guide	/L	1	
(18)	997 575 322 01	Air guide	/R	1	
19	997 106 455 00	Support	/L	1	
20	997 106 456 00	Support	/R	1	
21	999 702 214 40	Grommet		4	
		14 X 20,5 X 7,5			
22	999 025 255 02	Washer		12	
23	999 166 017 01	Kl-lock		6	
24	997 575 341 01	Air guide	/L	1	
(24)	997 575 342 01	Air guide	/R	1	
25	999 919 134 09	Oval-head screw		12	
		6,0 X 16			
26	900 378 123 01	Hexagon-head bolt		2	
		M 8 X 12			
27	900 378 035 01	Hexagon-head bolt		6	
		M 6 X 16			
28	999 073 231 09	Tapping screw		12	
		4,8 X 16			
29	999 591 329 01	Speed nut		10	
		ST 4,8			
30	999 591 350 01	Speed nut		2	
		ST 4,8			
31	999 591 699 01	Speed nut		8	
		ST 4,8			
32		Control unit		1	
		See illustrations			
		9/01/03			
		POS.22			
33	900 377 010 01	Hexagon nut		2	
		M 6			
34	997 106 565 00	Adapter		2	
35	999 507 126 40	Hose holder		1	

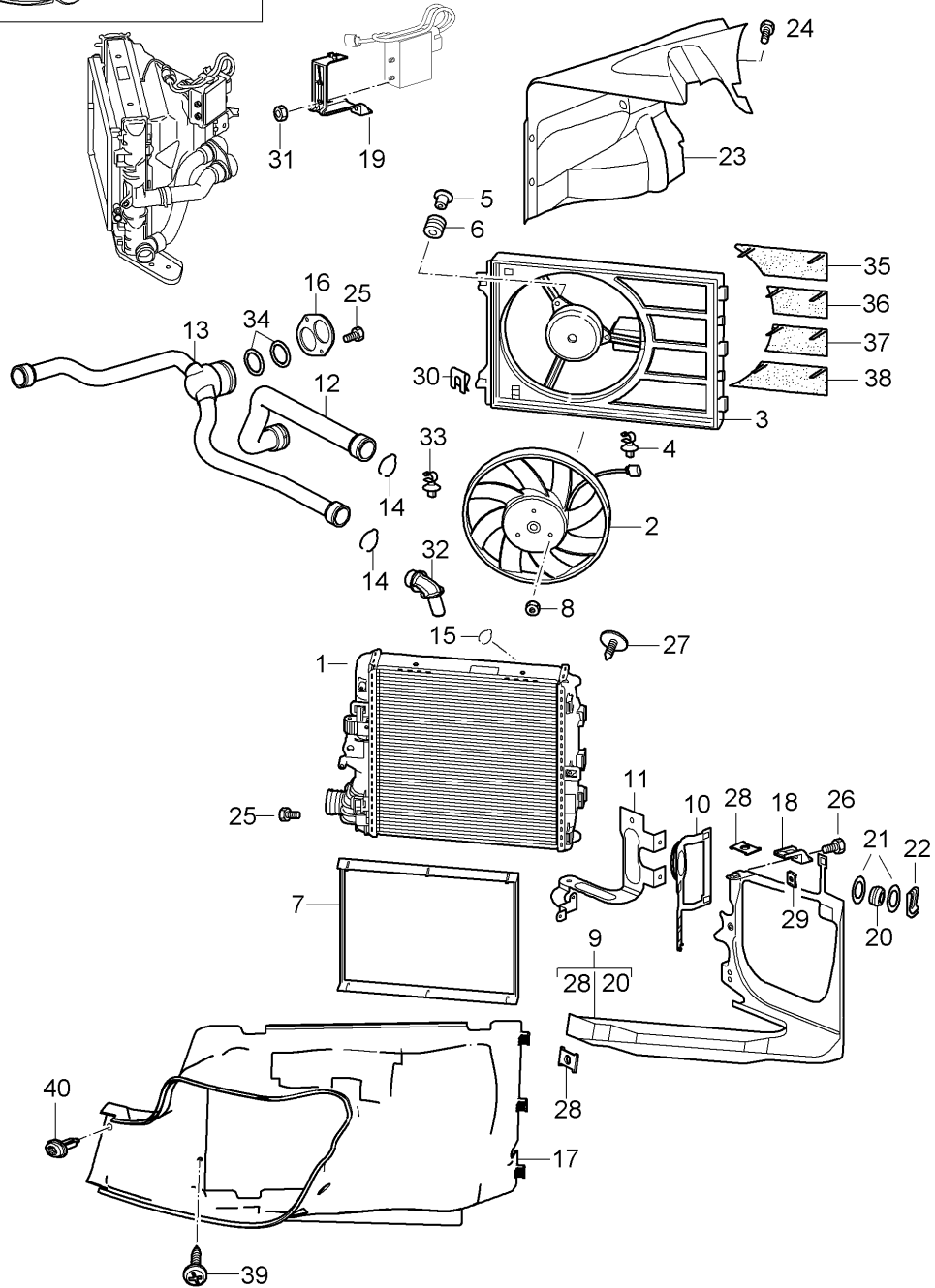
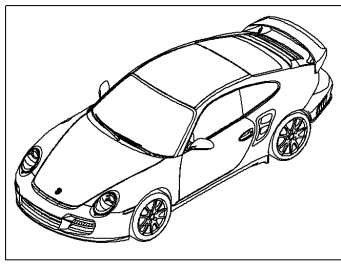
Model: 997T10

Model life 2010>>2013

Pos	Part Number	Description	Remark	Qty	Model
36	996 106 801 02	O-ring		4	
37	996 624 157 00	Air flap	/L	1	
(37)	996 624 158 00	Air flap	/R	1	
38	996 624 159 00	Air flap	/L	1	
(38)	996 624 160 00	Air flap	/R	1	
39	996 624 161 00	Air flap	/L	1	
(39)	996 624 162 00	Air flap	/R	1	
40	996 624 163 00	Air flap	/L	1	
(40)	996 624 164 00	Air flap	/R	1	
41	N 906 487 02	Tapping screw ST 4,8 X 16		4	
-	997 106 113 70	Protection cover Radiator	/L	1	
-	997 106 114 70	Protection cover Radiator	/R	1	

Model: 997T10

Model life 2010>>2013



Model: 997T10

Model life 2010&gt;&gt;2013

Pos	Part Number	Description	Remark	Qty	Model
		Water cooling 3			M97.70
1	996 106 131 74	Radiator	/L	1	
(1)	996 106 132 72	Radiator	/R	1	
2	997 624 128 02	Fan	/R	1	
3	997 624 141 00	Air guide	/R	1	
4	999 507 085 40	Clip		1	
5	996 624 175 00	Bush		3	
6	996 624 173 00	Rubber mounting		3	
7	996 573 711 01	Frame		2	
8	900 377 010 01	Hexagon nut		3	
9	997 106 165 02	Bracket	/L	1	
(9)	997 106 166 02	Bracket	/R	1	
10	997 106 265 01	Bracket	/L	1	
(10)	997 106 266 01	Bracket	/R	1	
11	997 106 365 02	Support	/L	1	
(11)	997 106 366 02	Support	/R	1	
12	997 106 631 01	Water hose	/L	1	
		Supply			
(12)	997 106 632 80	Water hose	/R	1	
		Supply			
13	997 106 635 80	Water hose	/L	1	
		Return line			
(13)	997 106 636 01	Water hose	/R	1	
		Return line			
14	996 106 802 16	Retainer spring		4	
		SC 32			
15	996 106 802 15	Retainer spring		2	
		SC 08			
16	997 106 255 02	Connecting piece		2	
17	997 575 321 80	Air guide	/L	1	
(17)	997 575 322 80	Air guide	/R	1	
18	997 106 455 00	Support	/L	1	
19	997 106 456 00	Support	/R	1	
20	999 702 214 40	Grommet		6	
		14 X 20,5 X 7,5			
21	999 025 255 01	Washer		12	
22	999 166 017 02	Kl-lock		6	
23	997 575 341 01	Air guide	/L	1	
(23)	997 575 342 01	Air guide	/R	1	
24	999 919 134 09	Oval-head screw		12	
		6,0 X 16			
25	900 378 123 01	Hexagon-head bolt		2	
		M 8 X 12			
26	900 378 035 01	Hexagon-head bolt		6	
		M 6 X 16			
27	999 073 231 09	Tapping screw		12	
		4,8 X 16			
28	999 591 329 09	Speed nut		10	
		ST 4,8			
29	999 591 350 01	Speed nut		2	
		ST 4,8			
30	999 591 699 01	Speed nut		8	
		ST 4,8			
31	900 377 010 01	Hexagon nut		2	
		M 6			
32	997 106 565 00	Adapter		2	
33	999 507 126 40	Hose holder		1	
34	996 106 801 02	O-ring		4	
35	996 624 158 00	Air flap	/R	1	
36	996 624 160 00	Air flap	/R	1	
37	996 624 162 00	Air flap	/R	1	
38	996 624 164 00	Air flap	/R	1	
39	999 073 418 01	Tapping screw		4	

Model: 997T10

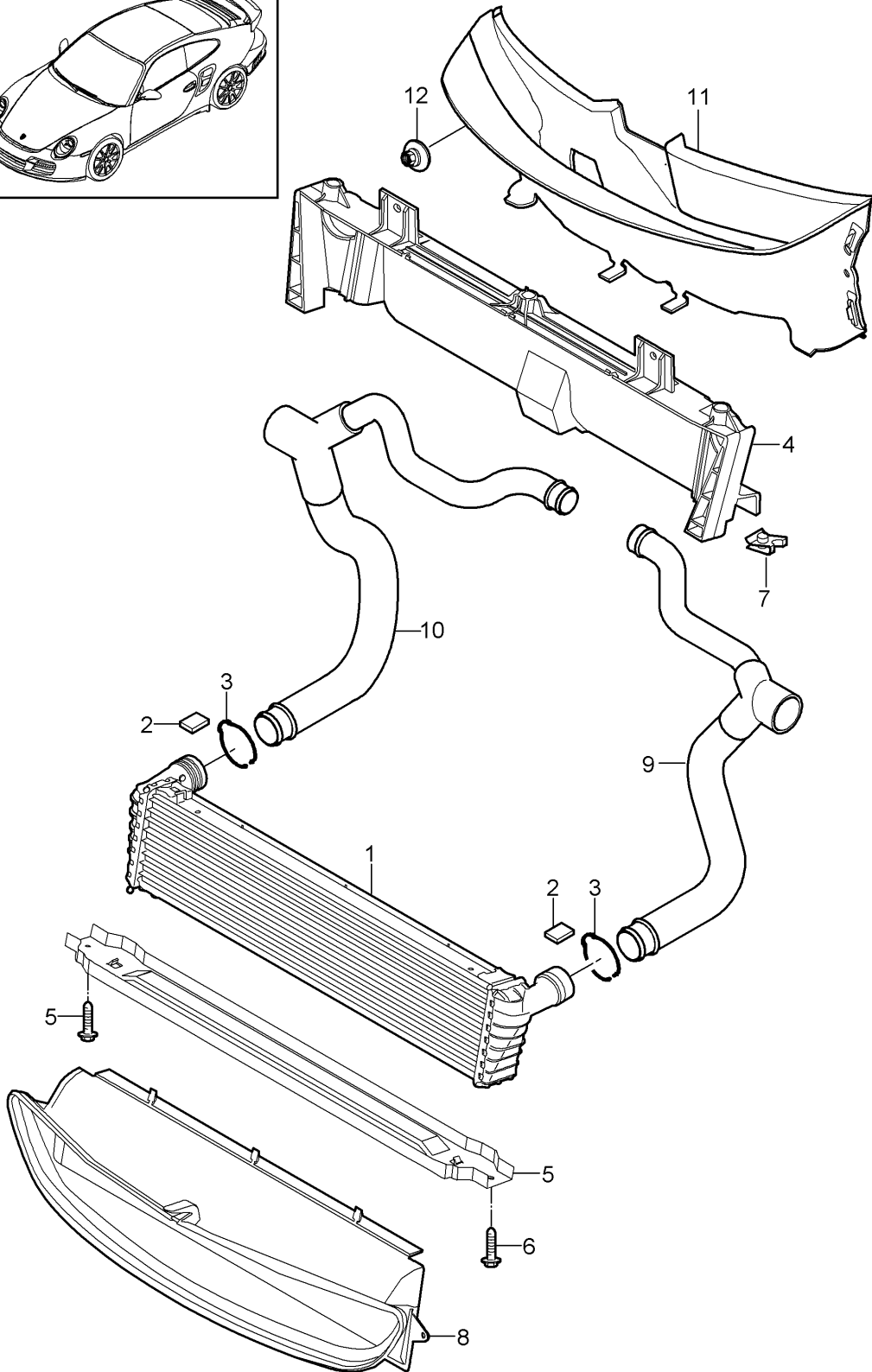
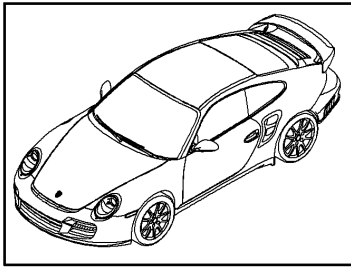
Model life 2010>>2013

Pos	Part Number	Description	Remark	Qty	Model
40	999 591 941 40	ST 4,8 X 19 Expansion rivet ST 4,2		2	



Model: 997T10

Model life 2010>>2013



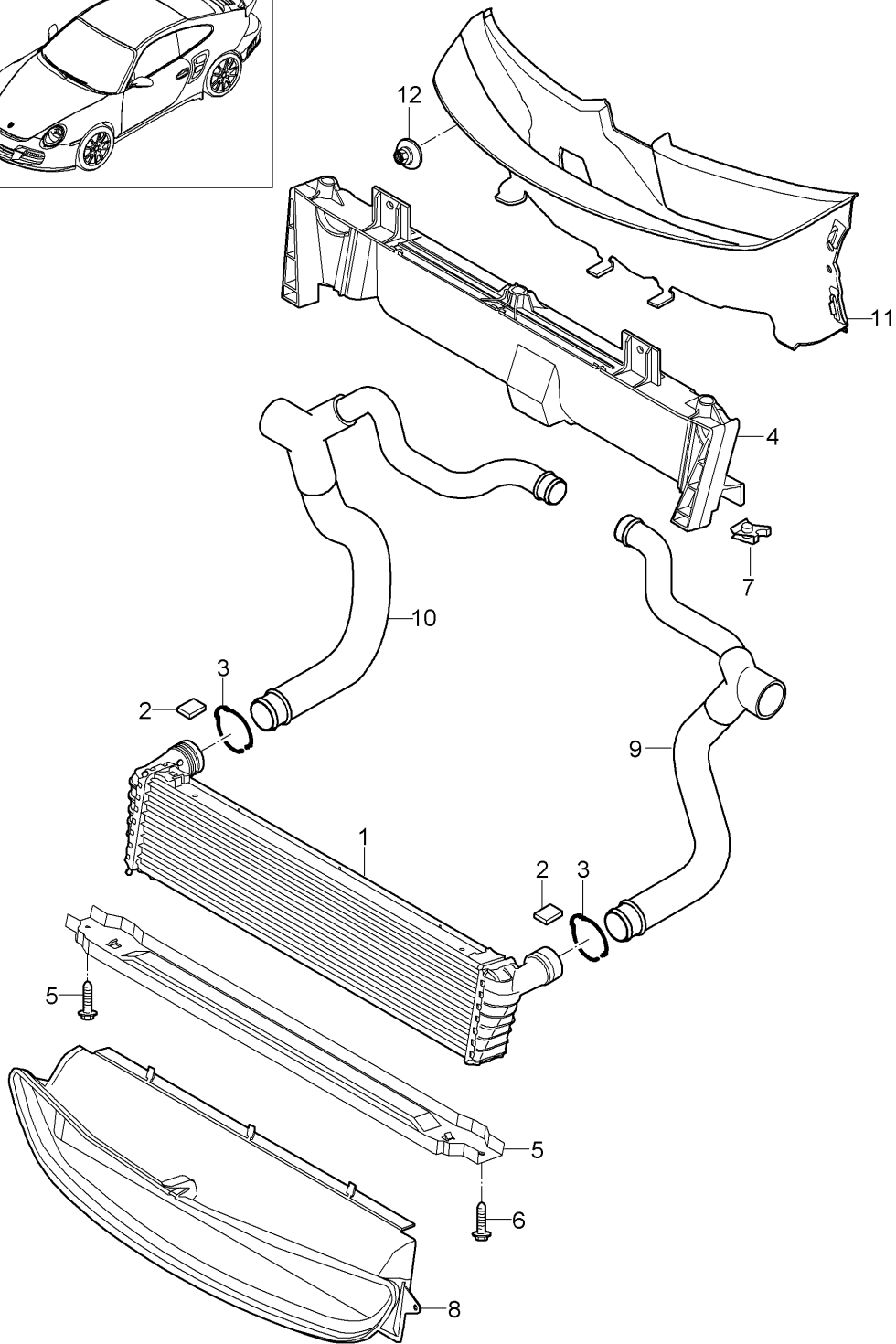
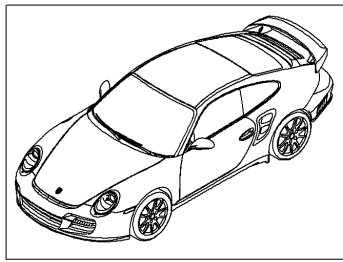
Model: 997T10

Model life 2010&gt;&gt;2013

Pos	Part Number	Description	Remark	Qty	Model
		Radiator Centre			MA1.70
1	997 106 038 04	Radiator		1	
2	997 106 437 02	Rubber mounting		4	
3	997 106 802 00	Spring SCB-26		2	
4	997 504 487 01	Frame Radiator		1	
5	997 504 485 01	Profile rail Radiator Lower		1	
6	900 378 035 01	Hexagon-head bolt		2	
7	999 591 882 01	M 6 X 16 Speed nut M 6		2	
8	997 575 141 01	Air guide		1	
9	997 106 635 02	Water hose Return line		1	
10	997 106 632 01	Water hose Supply		1	

Model: 997T10

Model life 2010>>2013



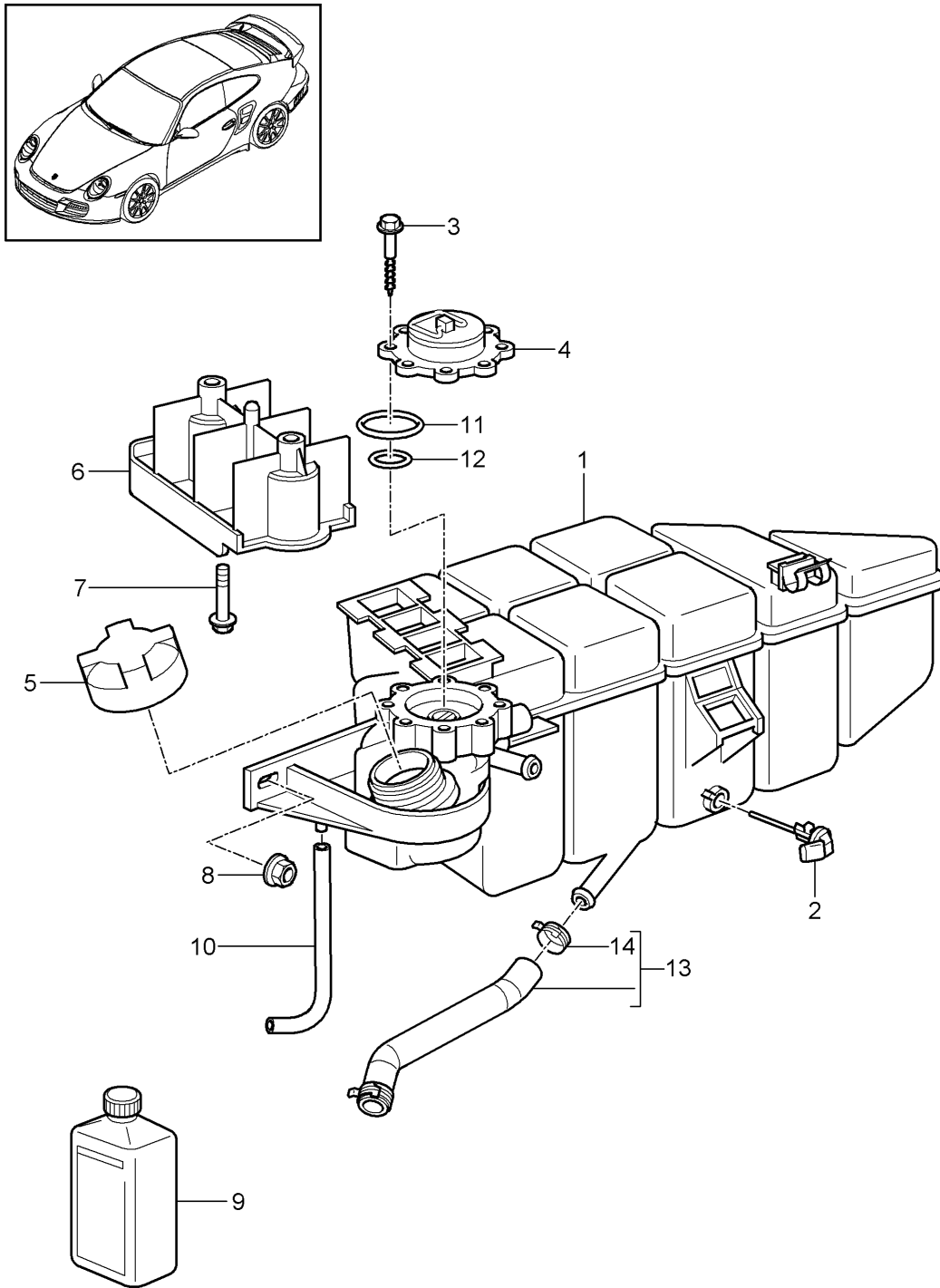
Model: 997T10

Model life 2010&gt;&gt;2013

Pos	Part Number	Description	Remark	Qty	Model
		Radiator Centre			M97.70
1	996 106 037 75	Radiator		1	
-	996 106 545 71	Stopper		1	
		Water drain valve			
2	930 113 430 00	Rubber mounting		4	
3	996 106 802 17	Retainer spring SC-25		2	
-	996 106 802 15	Retainer spring SC-08		3	
4	997 504 487 80	Frame		1	
5	997 504 485 81	Radiator Retaining frame Radiator Lower		1	
6	900 378 035 01	Hexagon-head bolt M 6 X 16		2	
7	999 591 882 01	Speed nut M 6		2	
8	997 575 141 80	Air guide		1	
9	997 106 635 80	Water hose Return line		1	
10	997 106 632 80	Water hose Supply		1	
11	997 504 489 81	Air duct		1	
12	999 049 029 01	Hexagon nut T5		2	

Model: 997T10

Model life 2010>>2013



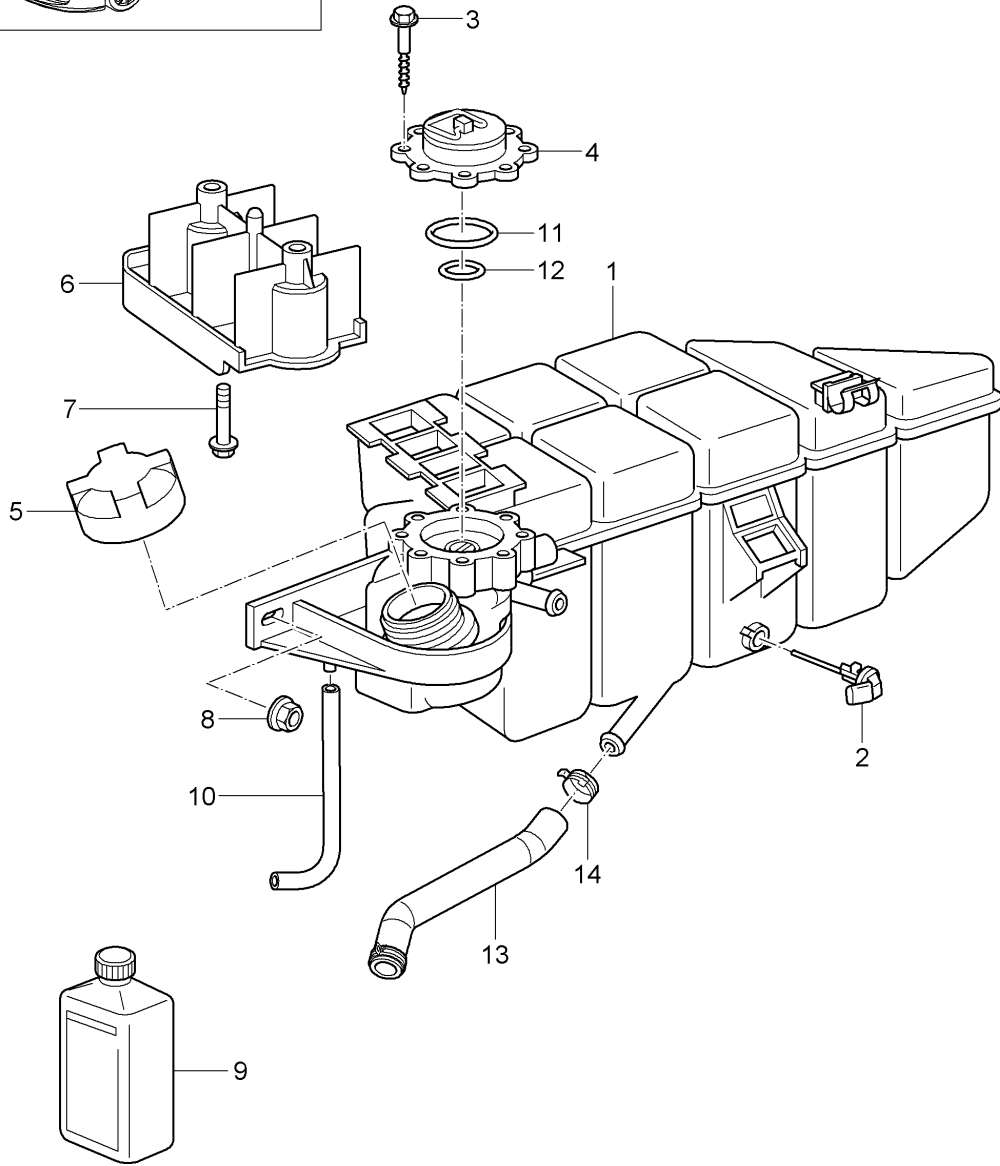
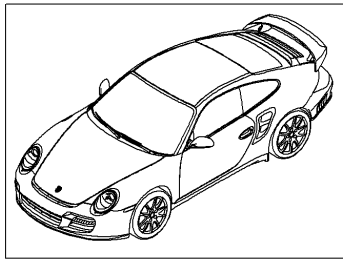
Model: 997T10

Model life 2010>>2013

Pos	Part Number	Description	Remark	Qty	Model
		Water cooling 4			MA1.70
1	996 106 157 03	Water reservoir		1	
2	997 641 503 00	Switch		1	
3	999 919 058 02	Hexagon-head bolt 5,0 X 40		8	
4	996 106 347 02	Bleeder valve		1	
5	996 106 447 01	Lid See technical manual Group 1 Nr.190101		1	
6	996 106 405 52	Support		1	
7	900 378 141 09	Hexagon-head bolt M 6 X 35		2	
8	999 076 071 02	Hexagon nut M 6		1	
9	000 043 301 03	Antifreeze 1 LTR. Container		X	
(9)	000 043 301 04	Antifreeze 20 LTR. Container		X	
10	996 106 297 05	Overflow hose		1	
11	999 707 370 40	O-ring 47 X 4		1	
12	999 707 371 40	O-ring 17 X 4		1	
13	997 106 851 34	Water hose		1	
14	999 512 660 09	Hose clamp 29 X 12		1	

Model: 997T10

Model life 2010>>2013



Model: 997T10

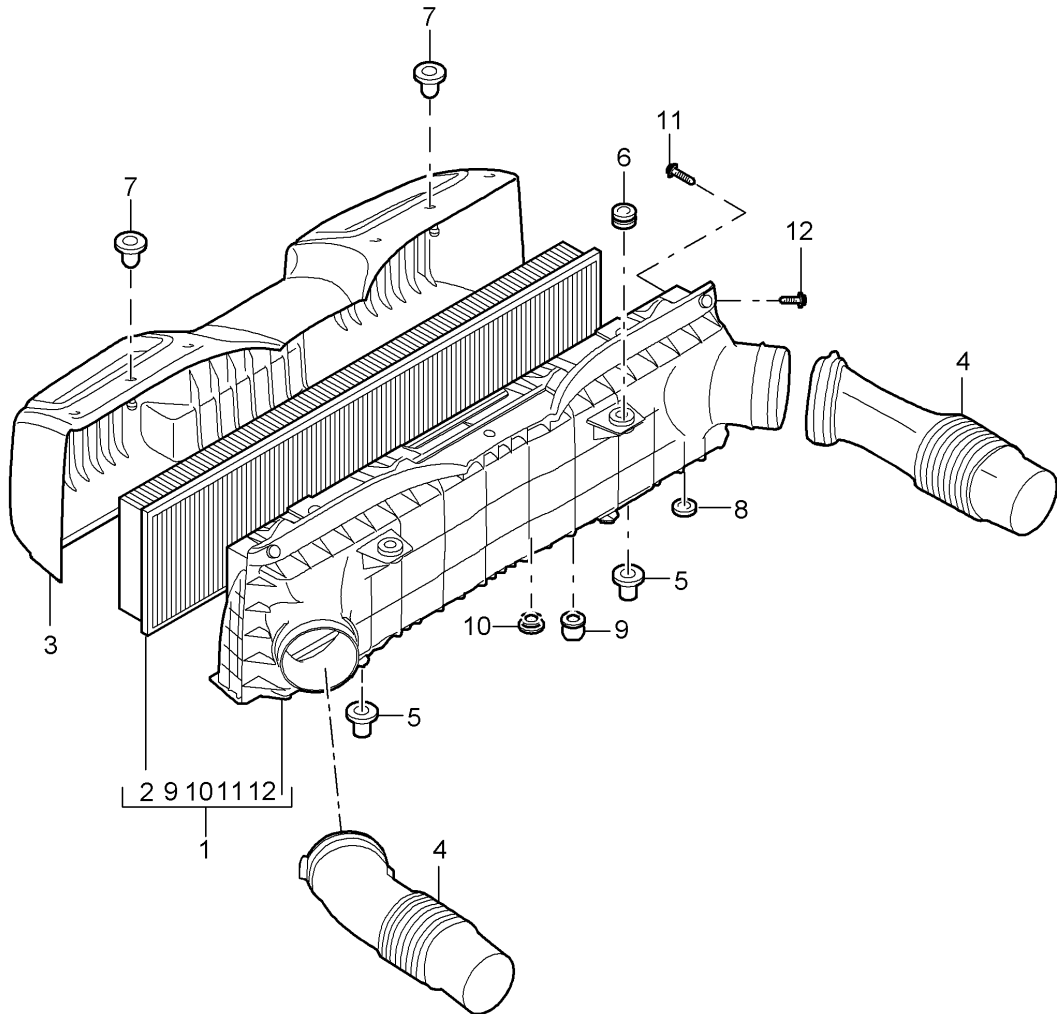
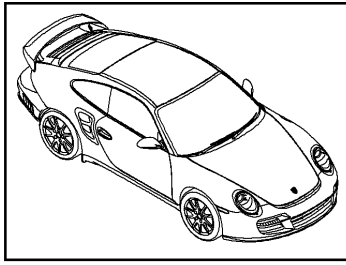
Model life 2010>>2013

Pos	Part Number	Description	Remark	Qty	Model
		Water cooling 4			M97.70
1	996 106 157 03	Water reservoir		1	
2	997 641 503 00	Switch		1	
3	999 919 058 01	Hexagon-head bolt 5,0 X 40		8	
4	996 106 347 02	Bleeder valve		1	
5	996 106 447 04	Lid		1	
6	996 106 405 52	Support		1	
7	900 378 141 01	Hexagon-head bolt M 6 X 35		2	
8	999 076 071 02	Hexagon nut M 6		1	
9	000 043 301 03	Antifreeze 1 LTR. Container		X	
(9)	000 043 301 04	Antifreeze 20 LTR. Container		X	
10	996 106 297 05	Overflow hose		1	
11	999 707 370 40	O-ring 47 X 4		1	
12	999 707 371 40	O-ring 17 X 4		1	
13	997 106 350 00	Water hose		1	
14	999 512 660 09	Hose clamp 29 X 12		1	



Model: 997T10

Model life 2010>>2013



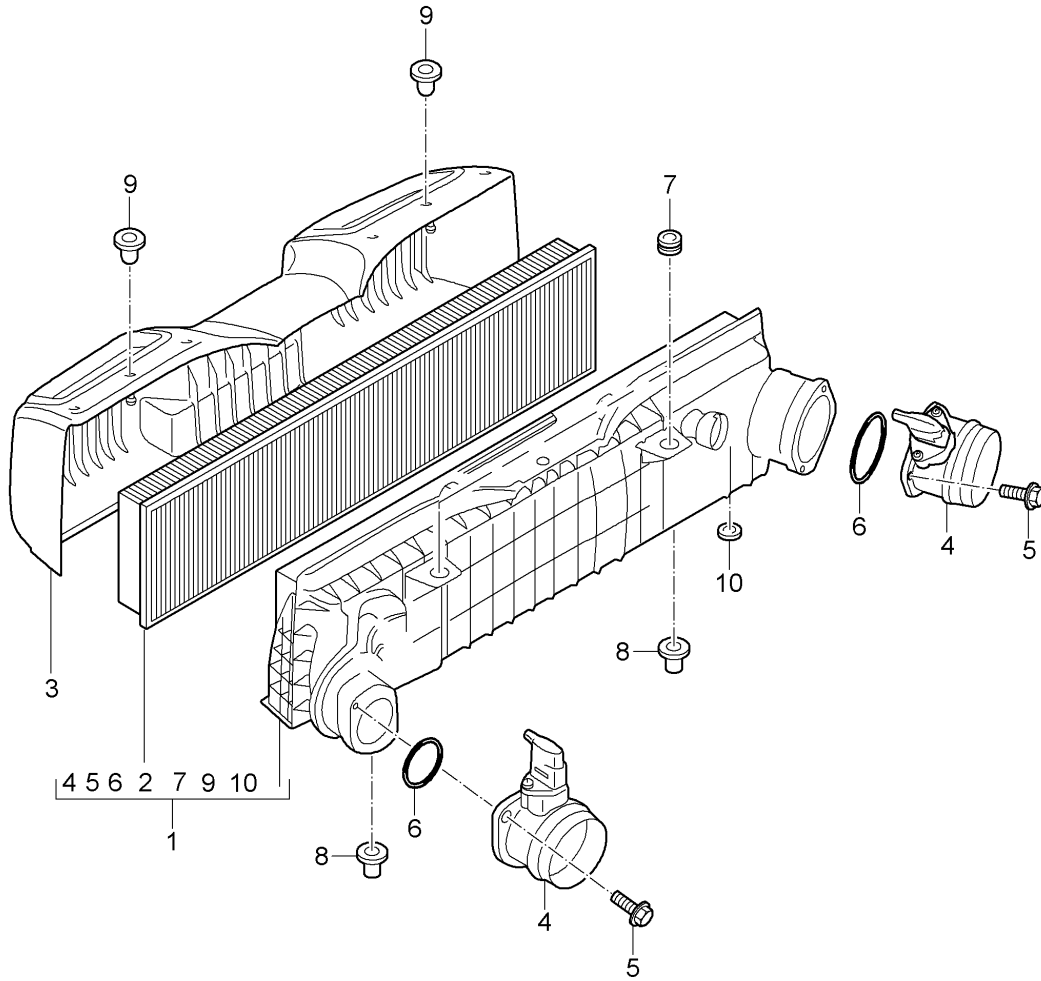
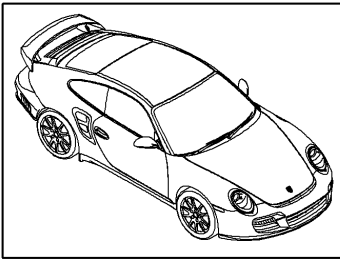
Model: 997T10

Model life 2010>>2013

Pos	Part Number	Description	Remark	Qty	Model
		Air cleaner			MA1.70
1	997 110 028 30	Air cleaner		1	
2	997 110 131 30	Air cleaner cartridge		1	
3	997 110 122 30	Air cleaner		1	
(3)	997 110 124 30	Air cleaner		1	I092
(3)	997 110 124 31	Air cleaner		1	I092
4	997 606 125 00	Mass air flow meter		2	
5		Oval-head screw 5 X 21		8	
		Part number in Preparation			
6	999 701 089 40	O-ring		1	
7	999 702 246 40	Grommet 12,0 X 17,0 X 3		2	
8	999 703 267 40	Bush		1	
9	997 110 239 00	Mounting		4	
10	997 110 238 00	Rubber stop		3	
11	999 919 237 00	Oval-head screw M 5 X 20		4	
12	997 555 533 01	Stop		4	

Model: 997T10

Model life 2010>>2013



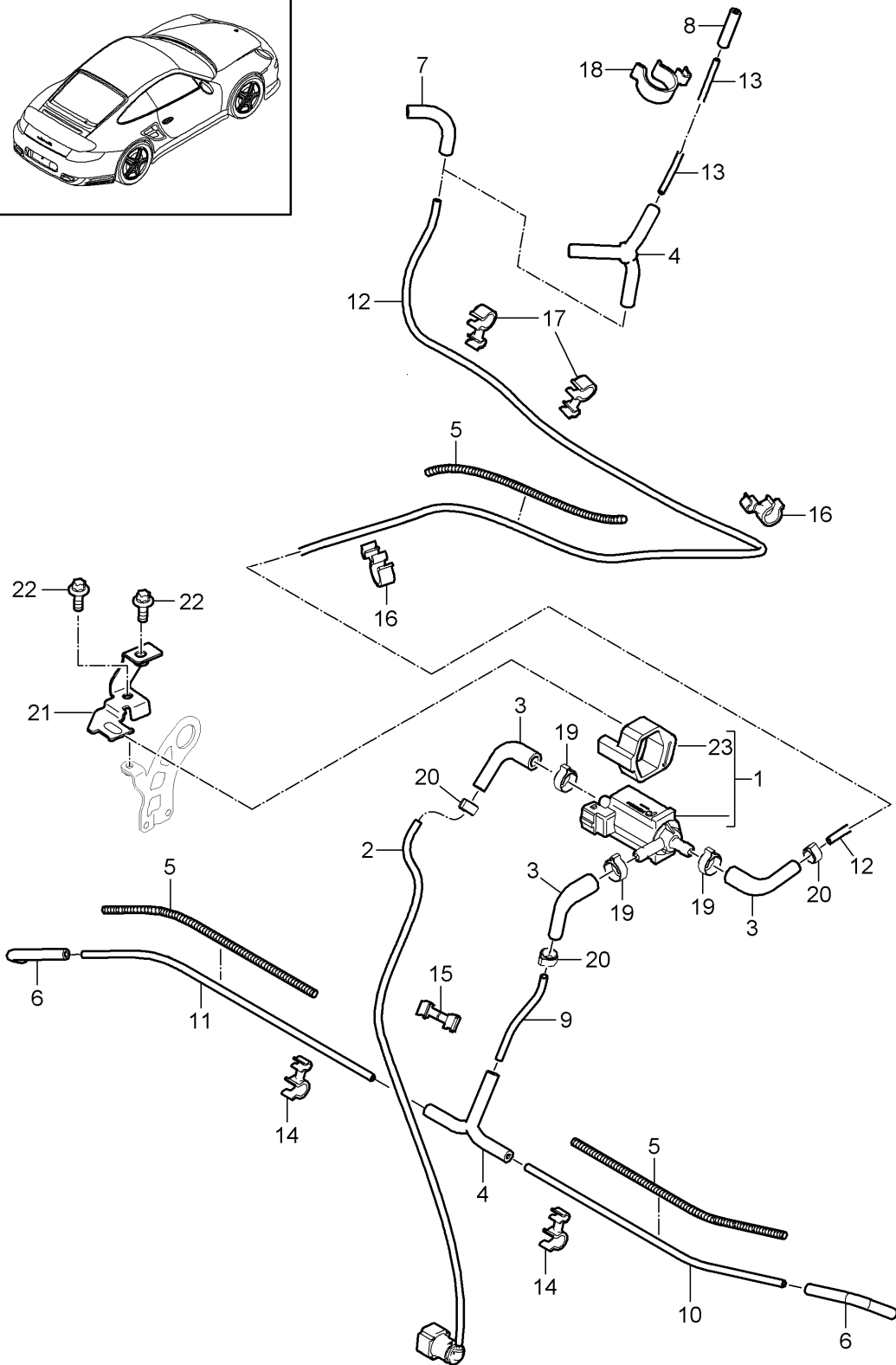
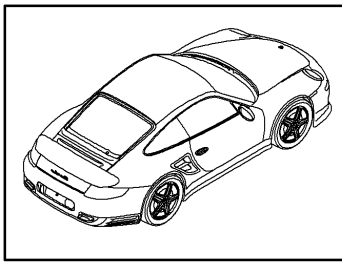
Model: 997T10

Model life 2010>>2013

Pos	Part Number	Description	Remark	Qty	Model
		Air cleaner			M97.70
1	997 110 021 74	Air cleaner		1	
2	997 110 131 74	Air cleaner cartridge		1	
3	997 110 124 80	Air cleaner		1	
4	997 606 125 00	Mass air flow meter		2	
5	999 919 160 07	Oval-head screw 5 X 20		8	
6	999 701 089 40	O-ring 79,0 X 6,0		1	
7	999 702 246 40	Grommet 12,0 X 17,0 X 3		2	
8	999 703 267 40	Bush		1	
9	997 110 239 00	Mounting		4	
10	997 110 238 00	Rubber stop		3	

Model: 997T10

Model life 2010>>2013



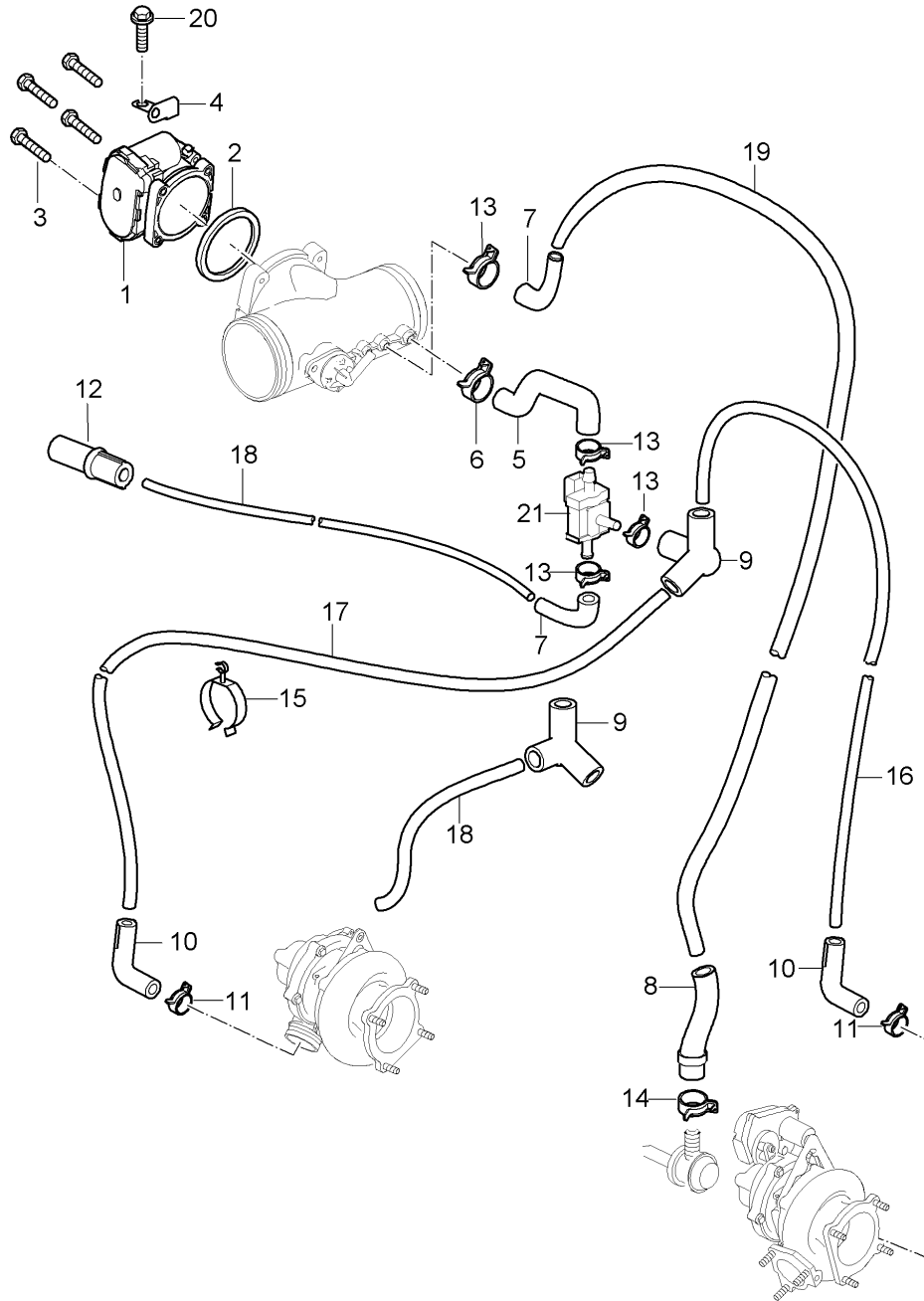
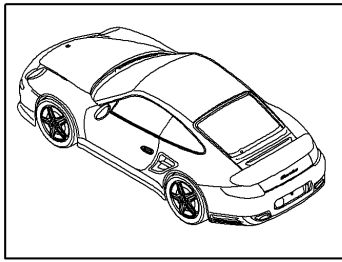
Model: 997T10

Model life 2010&gt;&gt;2013

Pos	Part Number	Description	Remark	Qty	Model
1	9A1 605 125 00	Vacuum control Change-over valve Information available		1	MA1.70
2	9A1 110 170 70	Vacuum line		1	
3	996 110 695 71	Moulded hose		3	
4	928 573 727 05	Distributing piece		1	G97.55
4		Distributing piece		2	CG1.50
5	999 181 445 40	Protective tube 5 X 200		3	
6	999 239 042 40	Hose		2	
7	928 574 717 05	Moulded hose		1	G97.55
7	928 574 717 07	Moulded hose		1	G97.55
7	9P1 129 487	Moulded hose		1	G97.55
8	999 239 040 40	Connecting piece		1	CG1.50
9	999 181 447 40	Vacuum line 5 X 1,0 X 70		1	
10	999 181 448 40	Vacuum line 5 X 1,0 X 250		1	
11	999 181 449 40	Vacuum line 5 X 1,0 X 280		1	
12	999 181 435 40	Vacuum line 5 X 1,0 X 980		1	
13	999 181 397 40	Vacuum line 4 X 1,0 X 420		1	G97.55
14	999 507 904 40	Line bracket		2	
15	999 507 866 40	Line bracket		1	
16	999 507 905 40	Line bracket 5.0 / 14.0		1	
17	999 507 821 40	Line bracket 5.0 / 11.0		1	
18	999 507 872 40	Support 4.0 / 22.0		1	CG1.50
19	999 512 498 00	Hose clamp		3	
20	999 512 527 00	Clamp		3	
21	9A1 106 213 70	Support		1	
22	900 385 041 01	Torx screw		1	
23	07L 145 726 A	Rubber holder		1	

Model: 997T10

Model life 2010>>2013



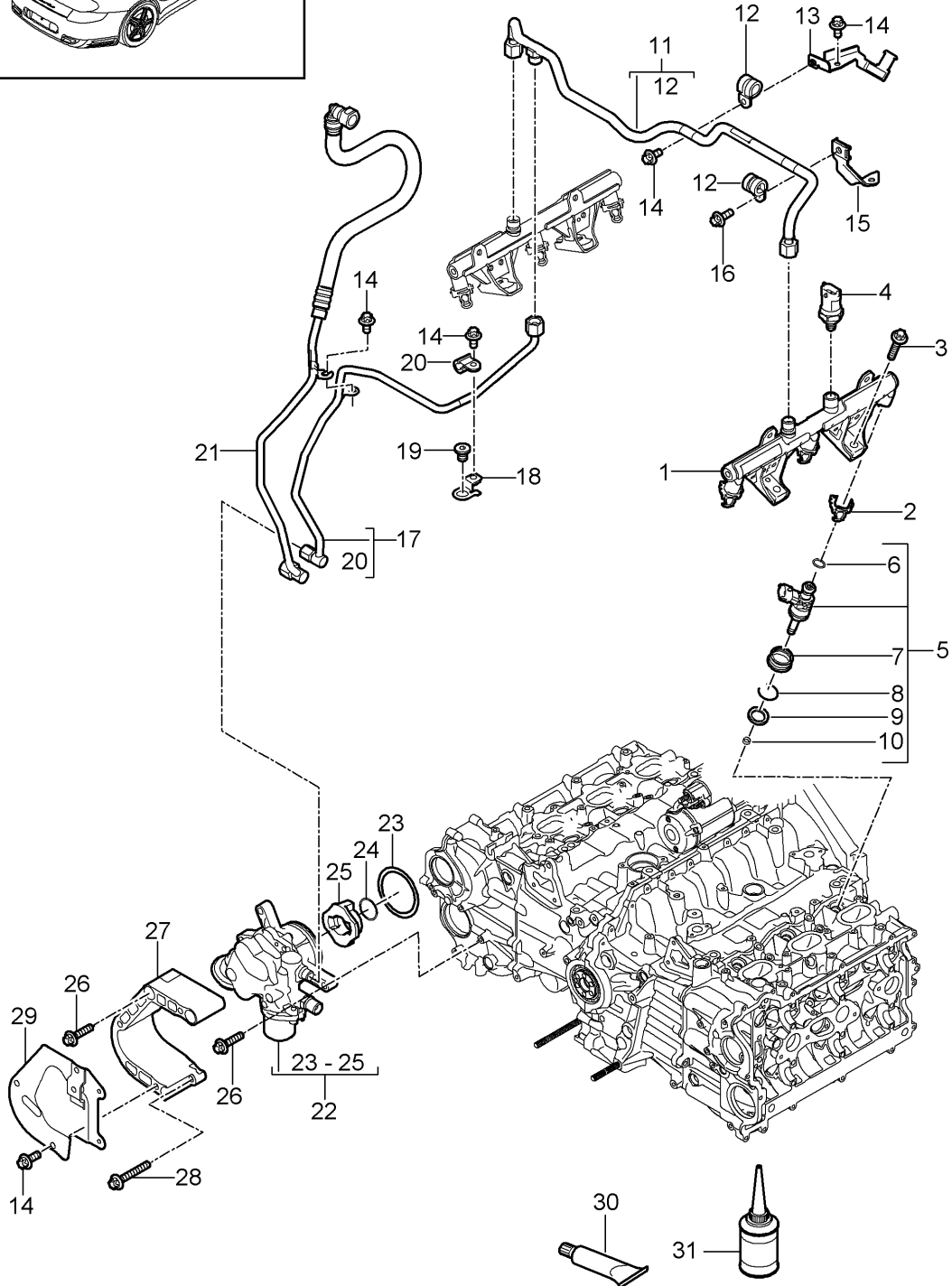
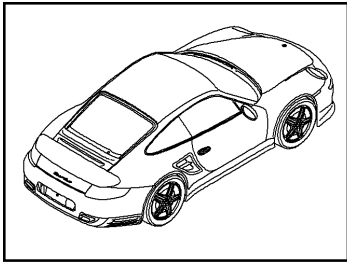
Model: 997T10 Model life 2010>>2013

Pos	Part Number	Description	Remark	Qty	Model
		Throttle body			M97.70
1	997 605 115 01	Throttle body		1	
2	997 110 319 00	Gasket		1	
3	900 385 045 01	Torx screw BM 6 X 40		4	-I101
3		Torx screw BM 6 X 40		2	I101
(3)	900 385 125 01	Torx screw BM 6 X 45		2	I101
-	900 385 023 01	Torx screw BM 6 X 25		1	I101
4	997 110 423 70	Bracket		1	-I101
4	997 110 423 71	Bracket		1	I004/101
5	997 110 693 70	Hose Recirculating air valve		1	
6	999 512 498 00	Hose clamp		1	
7	996 110 695 71	Moulded hose		2	
8	928 574 717 05	Moulded hose		1	
8	928 574 717 07	Moulded hose		1	
8	9P1 129 487	Moulded hose		1	
9	997 110 683 70	Y-piece Change-over valve Electric		2	
10	997 110 666 71	Angled pipe Vacuum unit Turbocharger		2	
11	999 512 445 00	Clamp		2	
12	997 110 697 71	Adapter		1	
13	999 512 498 00	Hose clamp		4	
14	999 512 527 00	Clamp		1	
15	999 507 859 40	Hose holder		1	
-	900 918 005 40	Pipe 5 X 1,0		X	
16		980 MM		1	
17		600 MM		1	
18		420 MM		1	
-	000 043 205 01	Pipe 4 X 1,0		*	
19		480 MM		1	
20	900 377 010 04	Hexagon nut M 6		1	
20	900 377 010 01	Hexagon nut M 6		1	
21		Change-over valve See illustrations 1/08/07		1	



Model: 997T10

Model life 2010>>2013



Model: 997T10

Model life 2010&gt;&gt;2013

Pos	Part Number	Description	Remark	Qty	Model
		Fuel collection pipe high-pressure pump			MA1.70
1	9A1 110 859 71	Fuel collection pipe Cyl. 1 - 3		1	
1	9A1 110 859 72	Fuel collection pipe Cyl. 1 - 3		1	
(1)	9A1 110 860 72	Fuel collection pipe Cyl. 4 - 6		1	
(1)	9A1 110 860 73	Fuel collection pipe Cyl. 4 - 6		1	
2	9A1 110 866 01	Fixing device		6	
(2)	9A1 110 866 02	Fuel collection pipe high-pressure injector Fixing device		6	
(2)	9A1 110 866 03	Fuel collection pipe high-pressure injector Fixing device	11-	6	
3	900 385 048 01	Fuel collection pipe high-pressure injector Torx screw M6 X 30		8	
4	948 606 230 01	Pressure sensor M10 X 1		2	
-	999 653 067 40	Connector Pressure sensor		1	
5	9A1 110 128 70	high-pressure injector		6	
5	9A1 110 128 71	high-pressure injector		6	
6	999 701 112 40	O-ring 7,52 X 3,51 See technical manual Group 24		6	
7	9A1 110 524 02	Bellows high-pressure injector		6	
8	900 906 011 02	Circlip A 14		6	
9	9A1 110 520 01	Spacer ring		6	
10	999 704 020 90	Sealing ring 6,3 X 2,8		6	
11	9A1 110 092 70	Pressure line Fuel collection pipe See technical manual Group 24		1	
11	9A1 110 092 71	Pressure line Fuel collection pipe See technical manual Group 24		1	
12	999 511 803 01	Hose clamp D1 11X 15		2	
13	9A1 110 945 70	Support Pressure line		1	
14	900 385 009 01	Torx screw M6 X 16		X	
15	9A1 110 947 01	Support Pressure line		1	
16	900 385 009 01	Torx screw M6 X 16		1	
17	9A1 110 095 70	Pressure line high-pressure pump T-piece See technical manual		1	

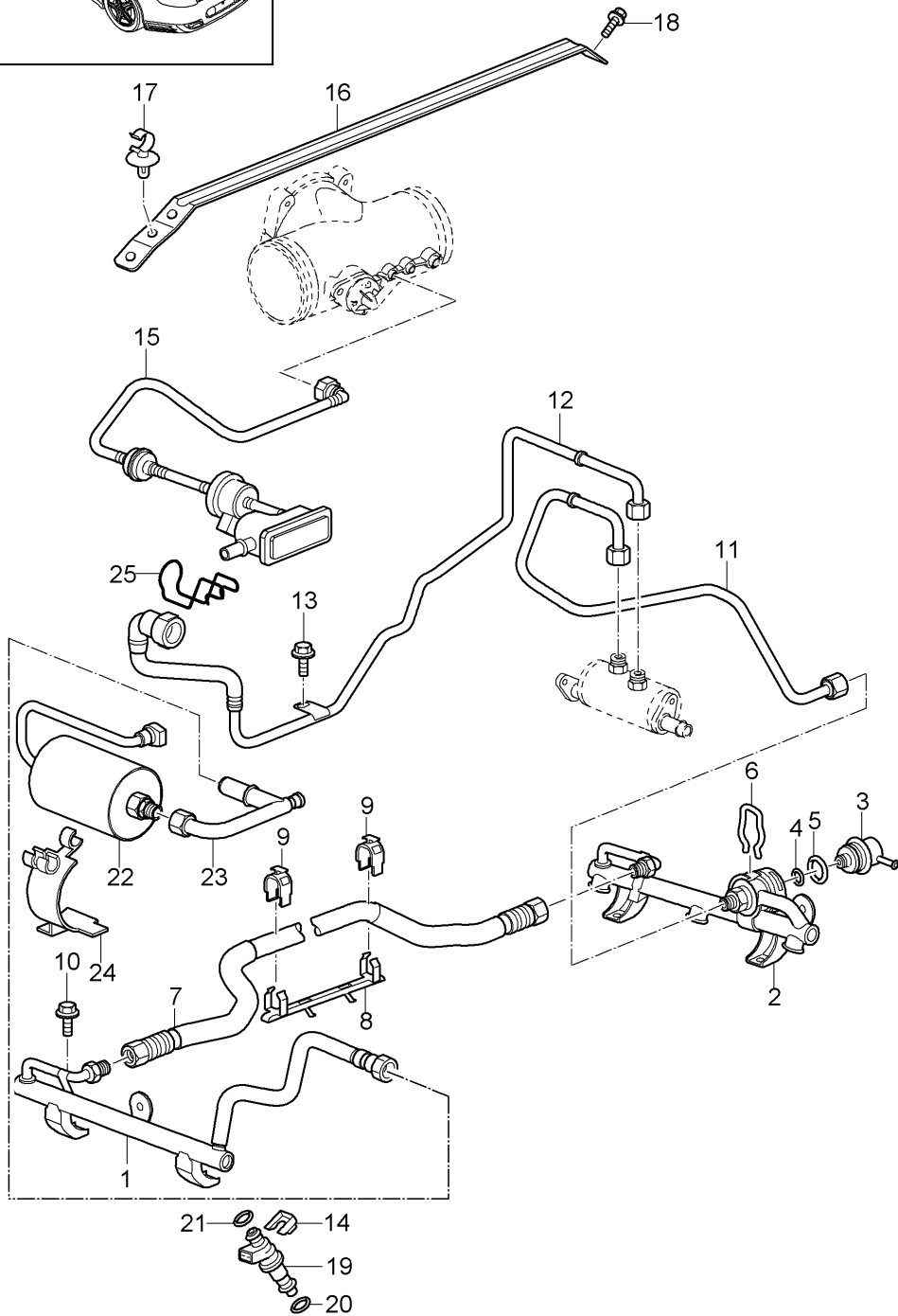
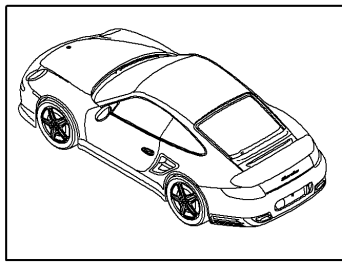
Model: 997T10

Model life 2010&gt;&gt;2013

Pos	Part Number	Description	Remark	Qty	Model
17	9A1 110 095 71	Group 24 Pressure line high-pressure pump T-piece See technical manual		1	
18	9A1 110 940 01	Group 24 Support		1	
19	900 219 006 01	Pressure line Screw plug		1	
20	999 511 153 01	M12 X 1,5 Hose clamp		1	
21	9A1 110 905 71	D1 8 X 15 Fuel line See technical manual		1	
21	9A1 110 905 72	Group 24 Fuel line See technical manual		1	
22	9A1 110 315 70	Group 24 high-pressure pump		1	
(22)	9A1 110 315 72	high-pressure pump		1	
23	999 707 643 40	O-ring 55,25 x 2,62		1	
24	999 701 362 40	O-ring 19,5 x 1,55		1	
25	9A1 105 291 70	Clutch		1	
-	9A1 110 525 00	Cap for high-pressure pump		1	
26	900 385 072 01	Torx screw M6 X 25		4	
27	9A1 110 880 70	Cover high-pressure pump		1	
28	900 385 045 01	Torx screw M6 X 40		1	
29	9A1 110 881 70	Heat protection high-pressure pump		1	
30	000 043 207 35	Grease 30 ml		1	
31	000 043 207 36	Lubricants 50 ml		1	
31	000 043 303 27	Lubricants 50 ml		1	

Model: 997T10

Model life 2010>>2013



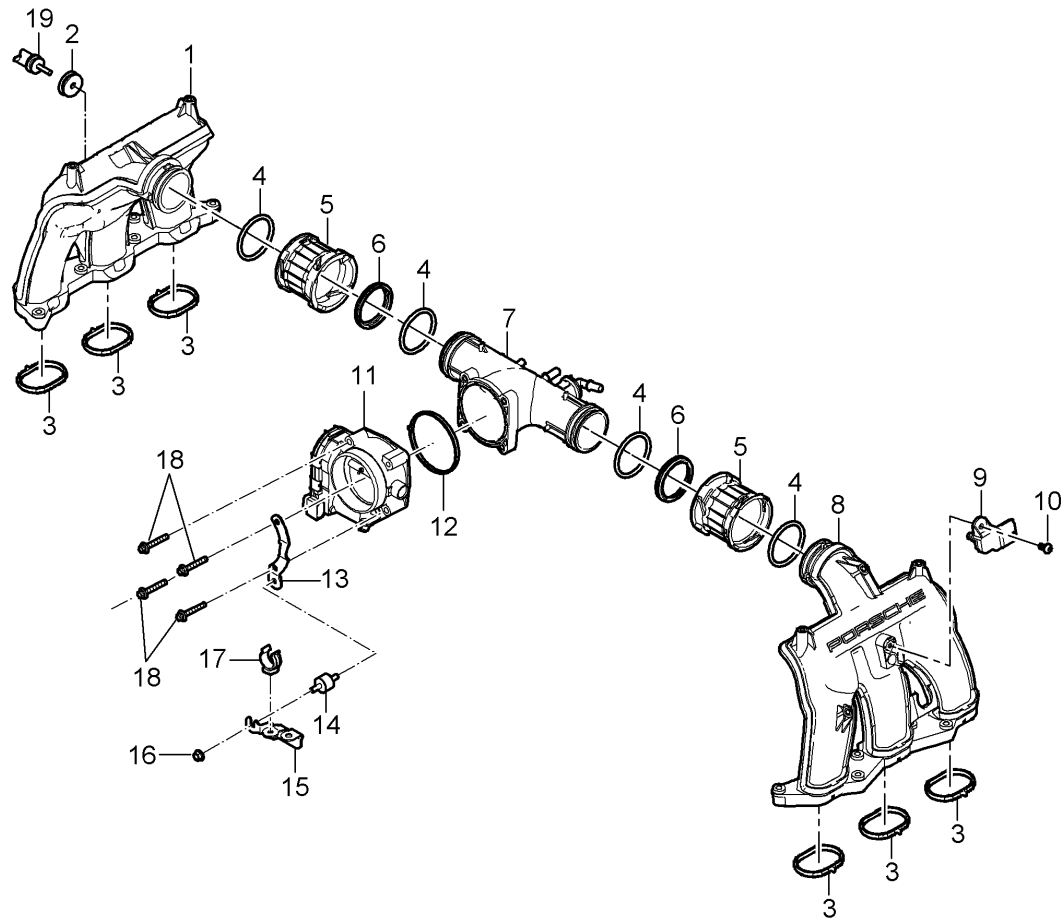
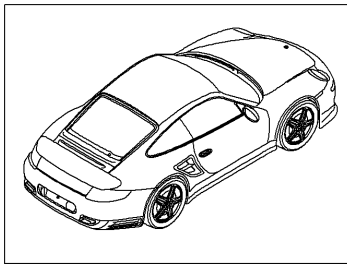
Model: 997T10

Model life 2010>>2013

Pos	Part Number	Description	Remark	Qty	Model
1	997 110 307 74	Fuel collection pipe		1	M97.70
2	997 110 308 73	Fuel collection pipe Cyl. 1 - 3		1	
3	997 110 199 70	Fuel collection pipe Cyl. 4 - 6		1	
4	999 707 276 40	Pressure regulator		1	
5	999 707 277 40	O-ring 5 X 2,5		1	
6	993 110 196 00	O-ring 20 X 2,5		1	
7	997 110 309 72	Retaining clip		1	
8	997 110 311 70	Fuel hose		1	
9	997 110 312 70	Guide rail		1	
10	900 385 041 01	Fuel line		2	
11	997 110 314 71	Clamp		4	
12	997 110 315 70	Torx screw M 6 X 12		1	
(12)	997 110 315 72	Fuel line		1	I573
13	900 385 009 01	Fuel cooler		1	I574
14	996 110 113 53	Fuel line		1	
15	997 110 029 73	Return line		1	
16	997 110 249 71	Information available		1	
17	999 507 128 41	Torx screw M 6 X 16		6	
18	900 385 041 01	Retaining clip		1	
19	997 605 132 01	Vent line		1	
20	999 707 573 40	Support		1	
21	999 707 574 40	Tank ventilation		2	
22	996 110 253 52	Line bracket		2	
23	997 110 065 01	Torx screw M 6 X 12		6	
24	997 110 257 03	Injector valve		6	
25	997 110 267 70	mit O-ring		6	
		O-ring 8,30 x 3,05		6	
		O-ring 7,52 x 3,51		1	
		Fuel filter		1	
		Bleeder valve		1	
		Support		1	
		Safety clip		1	

Model: 997T10

Model life 2010>>2013



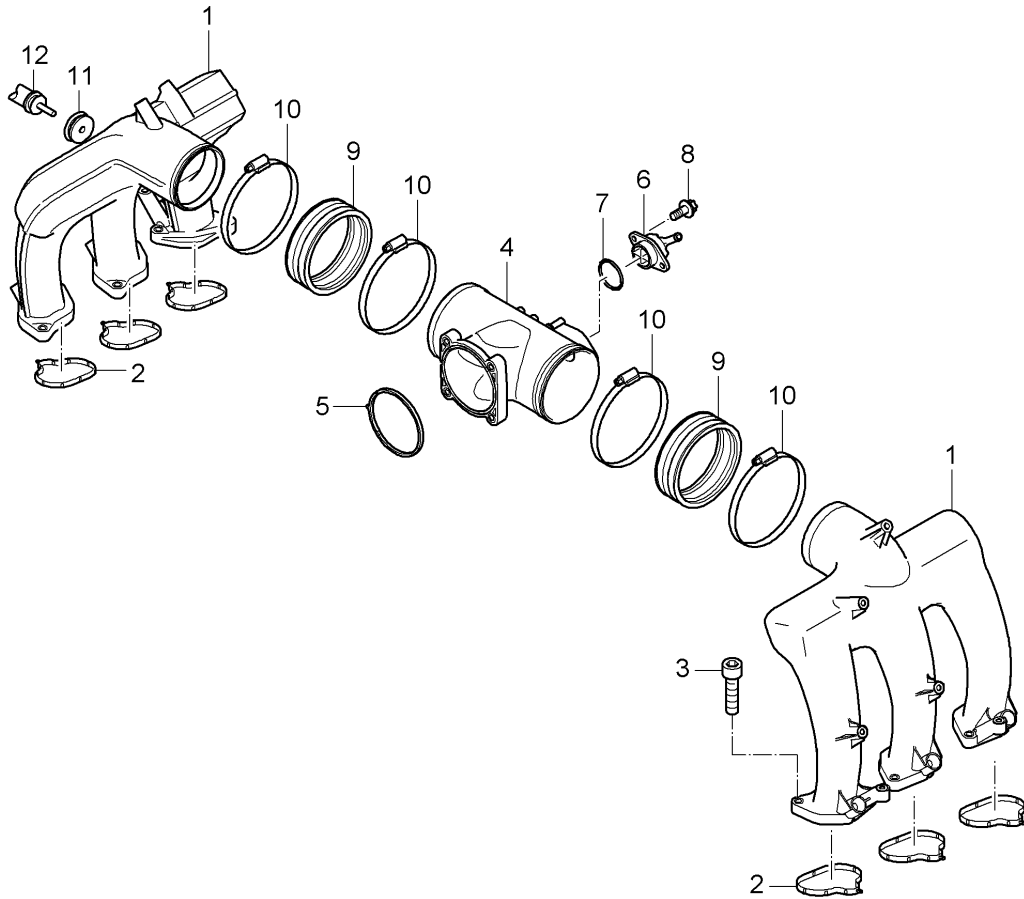
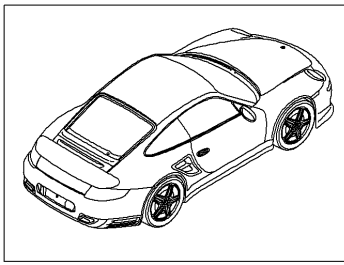
Model: 997T10

Model life 2010>>2013

Pos	Part Number	Description	Remark	Qty	Model
		Intake distributor			MA1.70
		Throttle body			
1	9A1 110 117 72	Intake distributor		1	
2	993 110 530 01	Grommet		1	
3	9A1 110 215 01	Gasket		6	
4	999 707 642 40	O-ring		4	
		53,00 x 5,00			
5	9A1 110 222 71	Sleeve		2	
6	9A1 110 223 70	Sealing ring		2	
7	9A1 110 120 74	Distributor tube		1	
8	9A1 110 118 71	Intake distributor		1	
		M >> B 03674			
8		Intake distributor		1	I075
		M B 03675 >>			
(8)	9A1 110 118 72	Intake distributor		1	-I075
		M B 03675 >>			
(8)		Intake distributor	12-	2	
9	996 606 180 00	Sensor		1	
		Boost pressure			
		M >> B 03674			
9		Sensor		1	I075
		Boost pressure			
		M B 03675 >>			
(9)	948 606 180 00	Pressure sensor		1	-I075
		Boost pressure			
		M B 03675 >>			
10	999 919 241 01	Lens-head screw		1	-I004/-I101
		M 6 x 15			
(10)	999 919 246 01	Oval-head screw		1	I004/101
		M 6 X 18			
11	997 605 115 01	Throttle body		1	
12	997 110 319 00	Gasket		1	
		for			
		Distributor tube			
13	9A1 110 290 71	Bracket		1	
14	999 703 239 01	Damping piece		1	
15	9A1 110 292 70	Support		1	
16	900 377 010 01	Hexagon nut		1	
		M6			
17	999 507 930 40	Hose holder		1	
		21,0 - 23,0			
18	900 385 045 01	Torx screw		4	
		M 6 x 40			
(18)	900 385 125 01	Torx screw		2	
		BM 6 X 45			
19	997 606 213 00	Temperature sensor		1	
		Engine compartment			
-	9A1 110 249 70	Support		1	
		Intake distributor			
-	900 385 041 01	Torx screw		2	
		M 6 x 12			

Model: 997T10

Model life 2010>>2013





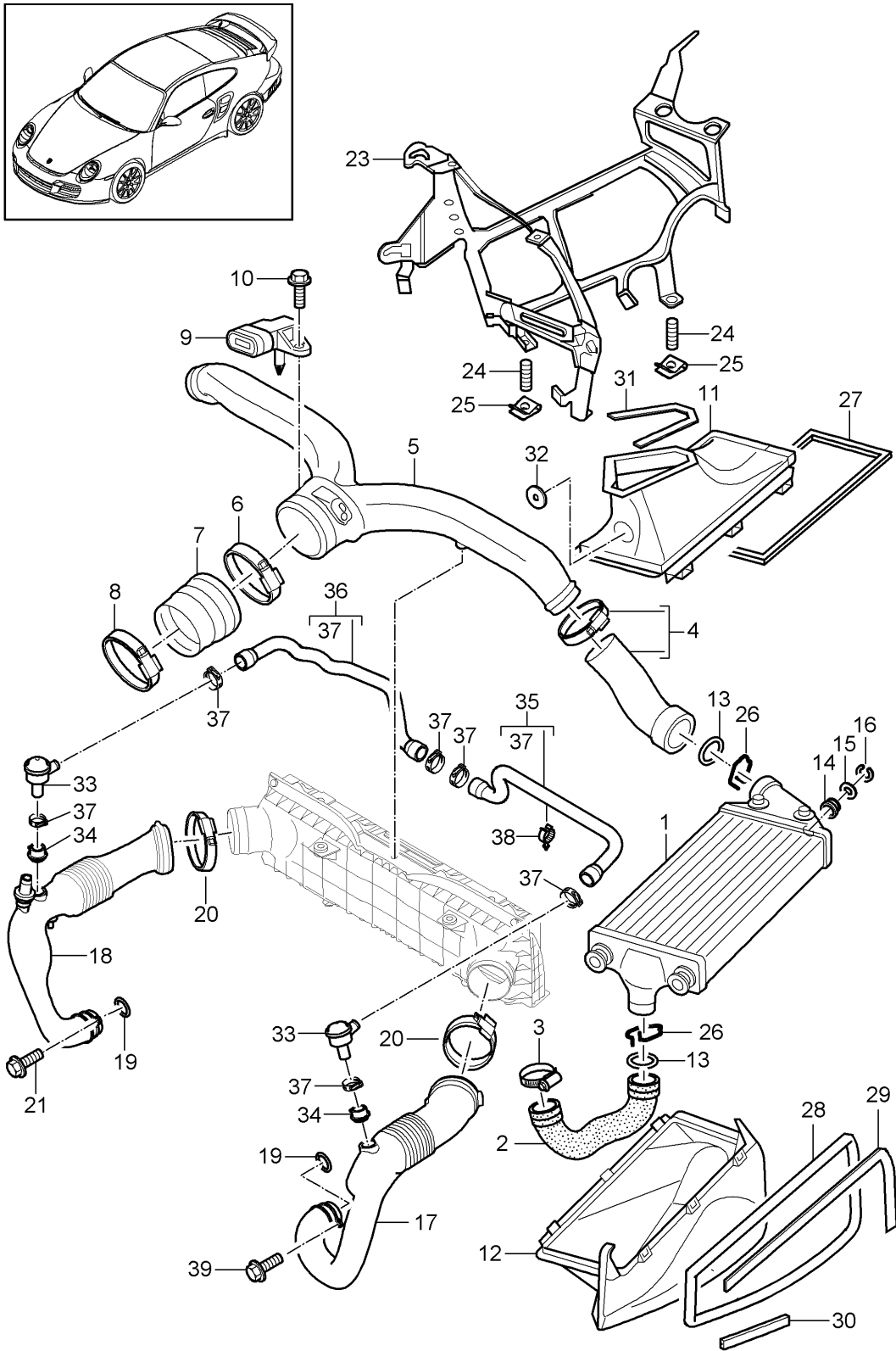
Model: 997T10

Model life 2010>>2013

Pos	Part Number	Description	Remark	Qty	Model
		Intake distributor			M97.70
1	997 110 157 70	Intake distributor		2	
1	997 110 677 72	Intake distributor		2	
1	997 110 477 72	Intake distributor		2	
2	997 110 747 70	Gasket		6	
3	900 067 354 01	Combination screw M 6 X 25		12	
4	997 110 159 70	Distributor tube		1	
(4)	997 110 059 70	Distributor tube Complete		1	
5	997 110 319 00	Gasket		1	
6	997 110 178 70	Check valve		1	
7	999 707 409 41	O-ring 26,0 X 3,0		1	
8	900 385 050 01	Outer hexagon round screw M 6 X 16		2	
9	997 110 687 71	Rubber sleeve		2	
10	999 512 698 01	Hose clamp 70 - 90/9		4	
11	993 110 530 01	Grommet		1	
12	997 606 213 00	Temperature sensor Engine compartment		1	

Model: 997T10

Model life 2010>>2013



Model: 997T10 Model life 2010>>2013

Pos	Part Number	Description	Remark	Qty	Model
		Turbocharging			MA1.70
1	997 110 639 70	Charge air cooler	/L	1	
(1)	997 110 639 71	Charge air cooler	/L	1	
(1)	997 110 640 70	Charge air cooler	/R	1	
(1)	997 110 640 71	Charge air cooler	/R	1	
2	997 110 635 71	Pressure hose	/L -10	1	
		Turbocharger			
		Cyl. 1 - 3			
(2)	997 110 635 72	Pressure hose	/L 11-	1	
		Turbocharger			
		Cyl. 1 - 3			
(2)	997 110 636 72	Pressure hose	/R	1	
		Turbocharger			
		Cyl. 4 - 6			
-	996 106 801 06	Sealing ring for Pressure hose		2	
3	999 512 348 01	Hose clamp 40 - 60		2	
4	997 110 645 70	Pressure hose for	/L	1	
		Pressure pipe			
(4)	997 110 644 70	Pressure hose for	/R	1	
		Pressure pipe			
5	997 110 646 74	Pressure pipe		1	
5	997 110 046 72	Pressure pipe		1	
6	999 512 629 00	Hose clamp 90 - 110		1	
7	997 110 647 73	Rubber sleeve		1	
8	999 512 542 00	Hose clamp 80 - 100		1	
9	996 606 180 00	Sensor		1	
10	999 919 241 01	Lens-head screw M 6 X 15		1	
11	997 575 657 01	Air guide	/L	1	
(11)	997 575 658 01	Air guide	/R	1	
12	997 575 471 01	Air guide	/L	1	
	997 575 471 01 01C	Satin black			
(12)	997 575 472 01	Air guide	/R	1	
	997 575 472 01 01C	Satin black			
13	996 106 801 06	Sealing ring		4	
14	996 110 638 70	Rubber mounting		8	
15	999 025 255 01	Washer 16 X 32 X 0,5		8	
16	900 116 015 09	Lock washer		8	
17	9A1 110 623 73	Intake pipe	/L	1	
18	9A1 110 624 73	Intake pipe	/R	1	
19	999 707 564 40	O-ring 50.00 X 2,50		2	
20	999 512 698 01	Hose clamp 70 - 90/9		2	
21	900 385 019 01	Torx screw M 6 X 20		4	
22	900 377 010 02	Hexagon nut M 6		1	
23	997 504 253 01	Bracket	/L	1	
(23)	997 504 254 01	Bracket	/R	1	
24	999 516 023 05	Threaded bolt		8	
25	999 507 668 02	Speed nut ST 4,8		12	
25	999 507 668 01	Speed nut ST 4,8		12	

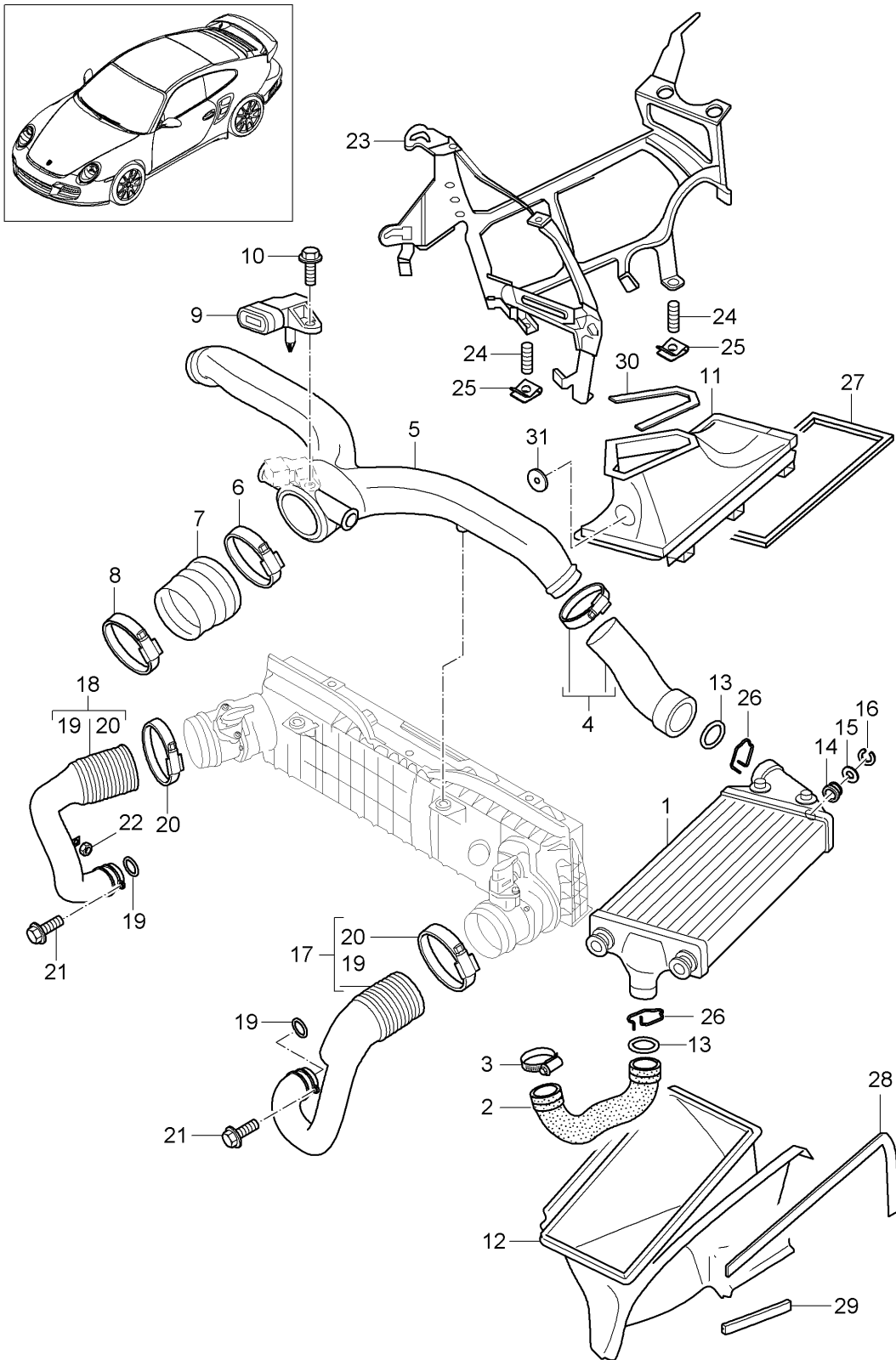
Model: 997T10

Model life 2010&gt;&gt;2013

Pos	Part Number	Description	Remark	Qty	Model
26	997 106 802 05	Retainer spring D 41		4	
27	997 575 869 01	Gasket Charge air cooler	/L /R	1	
28	997 575 890 00	Gasket Air-guide cowl 1110 mm	/L /R	1	
31	997 575 789 00	Plastic foam strip Air-guide cowl	/L /R	1	
32	997 575 777 00	Lid Air-guide cowl	/L /R	1	
33	9A1 110 337 70	Shut-off valve	/L /R	1	
34	9A1 110 662 70	Rubber sleeve	/L /R	1	
35	9A1 110 663 70	Pressure hose	/L	1	
36	9A1 110 664 70	Pressure hose	/R	1	
37	999 512 662 09	Hose clamp Clamp 32 X 12		6	
38	999 507 159 40	Hose holder		1	
39	900 385 048 01	Torx screw BM 6 X 30		2	

Model: 997T10

Model life 2010>>2013



Model: 997T10 Model life 2010>>2013

Pos	Part Number	Description	Remark	Qty	Model
		Turbocharging			M97.70
1	997 110 639 70	Charge air cooler	/L	1	
(1)	997 110 639 71	Charge air cooler	/L	1	
(1)	997 110 640 70	Charge air cooler	/R	1	
(1)	997 110 640 71	Charge air cooler	/R	1	
2	997 110 631 02	Pressure hose	/L	1	
(2)	997 110 630 02	Pressure hose	/R	1	
3	999 512 348 01	Hose clamp 40 - 60		2	
4	997 110 645 70	Pressure hose for	/L	1	
(4)	997 110 644 70	Pressure pipe Pressure hose for	/R	1	
5	997 110 046 73	Pressure pipe		1	
6	999 512 629 00	Hose clamp 90 - 110		1	
7	997 110 647 73	Rubber sleeve		1	
8	999 512 542 00	Hose clamp 80 - 100		1	
9	997 606 180 00	Sensor		1	
10	999 919 246 01	Oval-head screw M 6 X 18		1	
11	997 575 657 01	Air guide	/L	1	
(11)	997 575 658 01	Air guide	/R	1	
12	997 575 571 81	Air guide	/L	1	
(12)	997 575 572 81	Air guide	/R	1	
13	996 106 801 06	Sealing ring		4	
14	996 110 638 70	Rubber mounting		8	
15	999 025 255 01	Washer 16 X 32 X 0,5		8	
16	900 116 015 09	Lock washer		8	
17	997 110 623 73	Intake pipe	/L	1	
(17)	997 110 623 74	Intake pipe	/L	1	I004/101
(17)	997 110 023 74	Intake pipe	/L	1	I004/101
17	997 110 023 73	Intake pipe	/L	1	
17	997 110 023 74	Intake pipe	/L	1	I004/101
18	997 110 624 73	Intake pipe	/R	1	
18	997 110 024 73	Intake pipe	/R	1	
19	999 707 564 40	O-ring 50.00 X 2,50		2	
20	999 512 698 01	Hose clamp 70 - 90/9		2	
21	900 385 019 01	Torx screw M 6 X 20		4	
22	900 377 010 02	Hexagon nut M 6		1	
23	997 504 253 81	Bracket	/L	1	
(23)	997 504 254 81	Bracket	/R	1	
24	999 516 023 05	Threaded bolt		8	
25	999 507 795 09	Speed nut ST 4,8		12	
26	997 106 802 05	Retainer spring D 41		4	
27	997 575 869 01	Gasket Charge air cooler	/L /R	1	
28	997 575 889 81	Gasket Air-guide cowl 600 mm	/L /R	1	
29	997 575 890 81	Gasket Air-guide cowl 160 mm	/L /R	1	

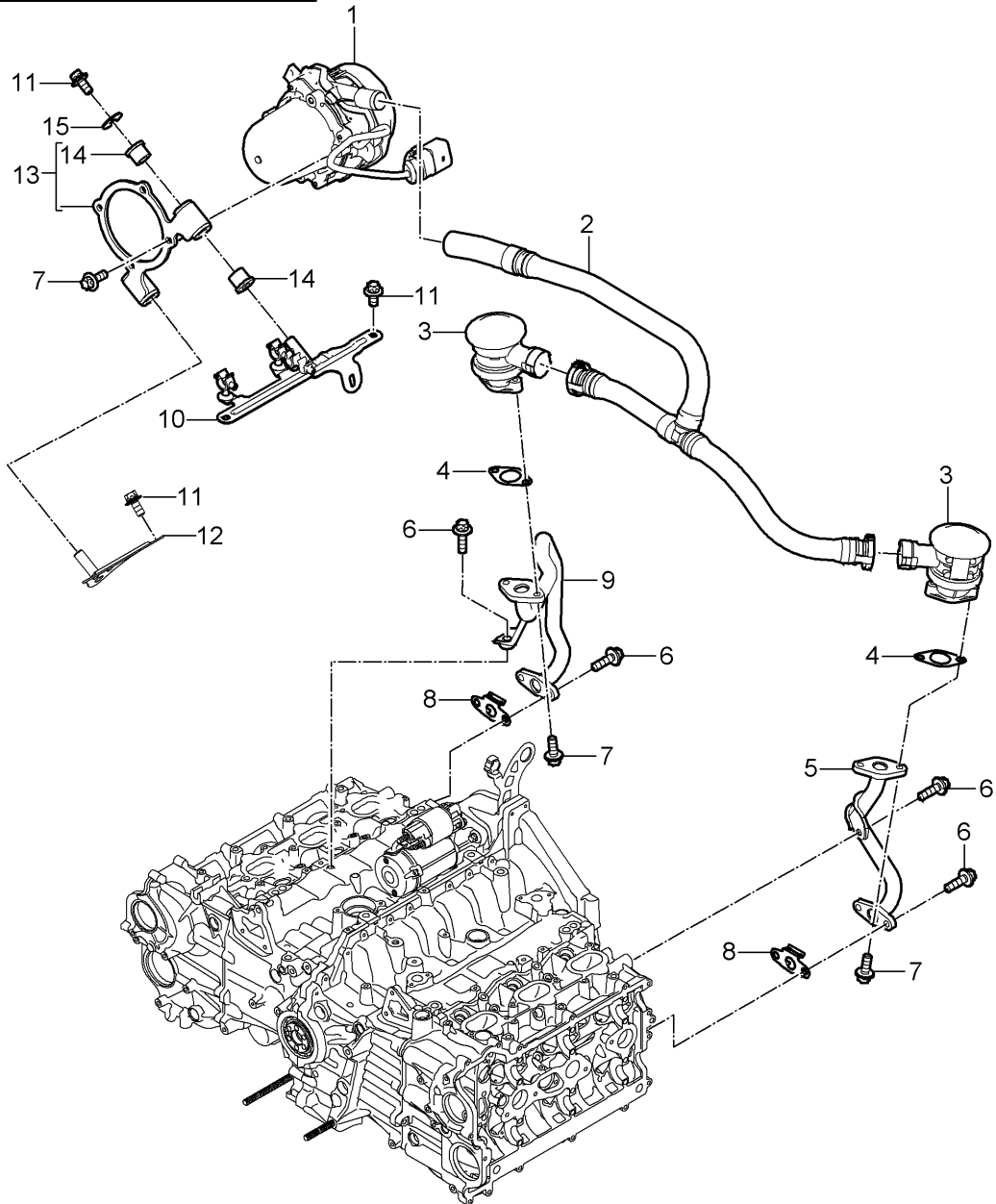
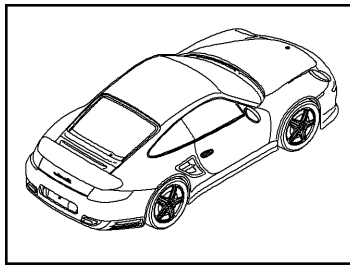
Model: 997T10

Model life 2010&gt;&gt;2013

Pos	Part Number	Description	Remark	Qty	Model
30	997 575 789 00	Plastic foam strip Air-guide cowl	/L /R	1	
31	997 575 777 00	Lid Air-guide cowl	/L /R	1	

Model: 997T10

Model life 2010>>2013





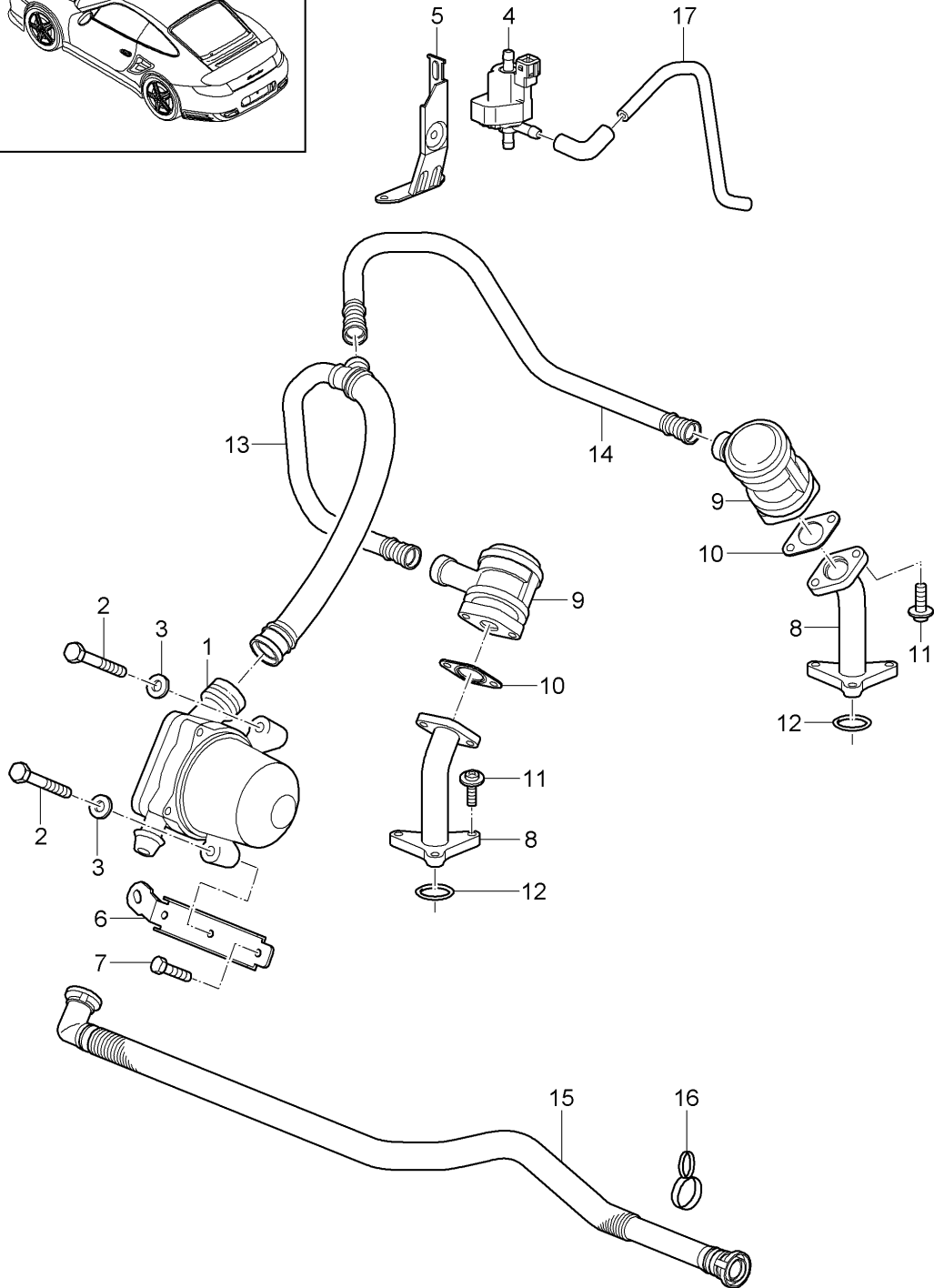
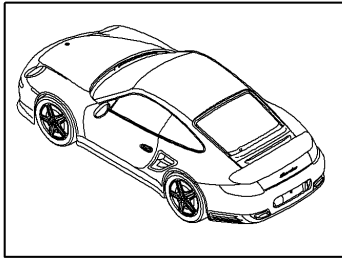
Model: 997T10

Model life 2010&gt;&gt;2013

Pos	Part Number	Description	Remark	Qty	Model
		Air injection			MA1.70
1	9A1 605 104 71	Secondary pump		1	
1	9A1 605 104 72	Secondary pump		1	
1	95B 959 253	Secondary pump		1	
2	9A1 113 340 71	Pressure line		1	
3	997 113 203 71	Valve		2	
4	993 113 258 51	Gasket		2	
5	9A1 113 118 75	Connecting line Cyl. 4 - 6		1	
6	900 385 019 01	Torx screw M 6 x 20		6	
7	900 385 009 01	Torx screw M 6 x 16		8	
8	9A1 113 258 00	Gasket		2	
9	9A1 113 017 72	Connecting line Cyl. 1 - 3		1	
10	9A1 113 106 76	Support Upper		1	
11	900 385 041 01	Torx screw M 6 X 12		6	
12	9A1 113 105 75	Support Lower		1	
13	9A1 113 101 72	Bracket Lower		1	
14	970 113 231 00	Rubber bush Bracket		4	
15	999 025 268 01	Secondary pump Washer 6,4 x 18 x 1,2		2	

Model: 997T10

Model life 2010>>2013



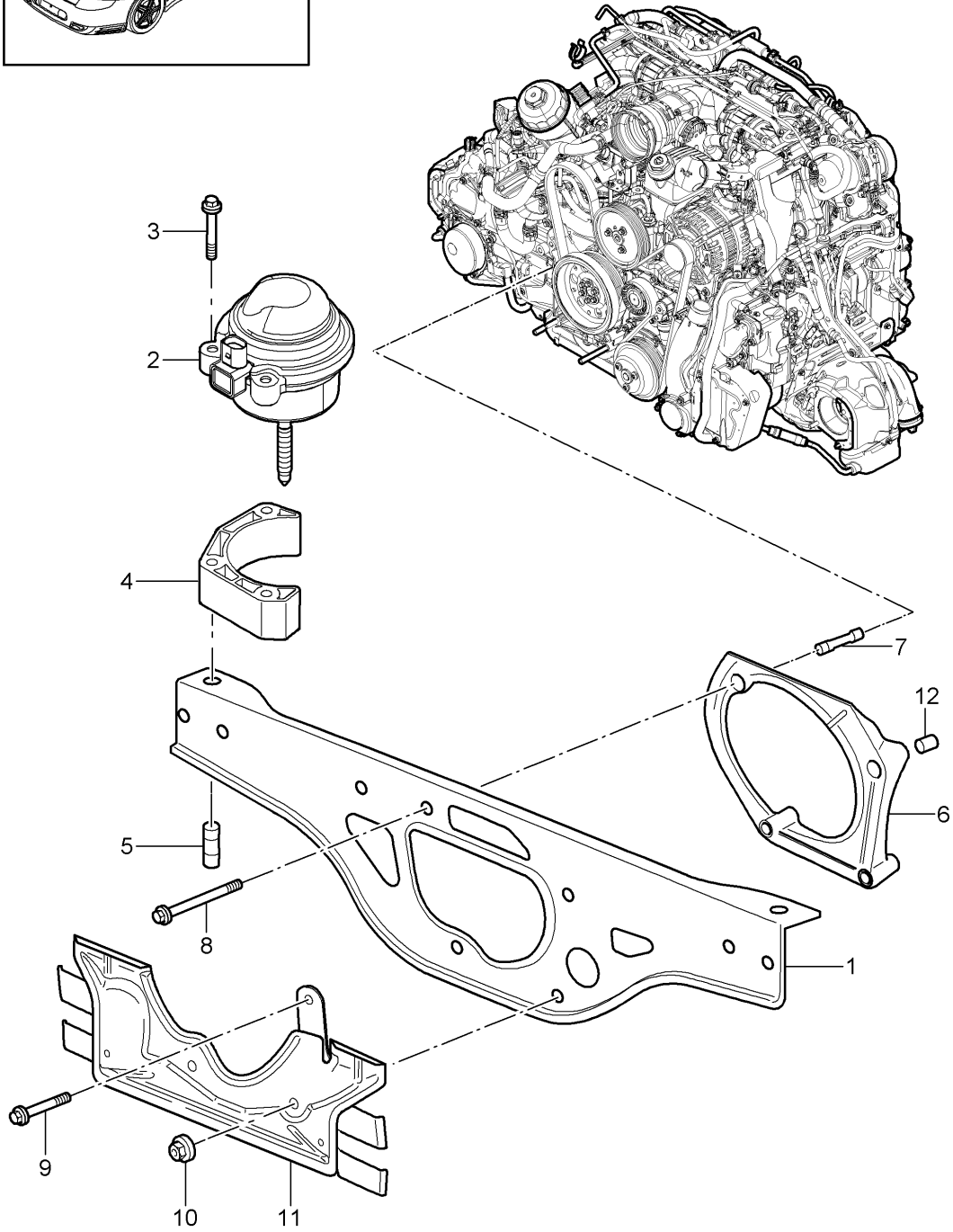
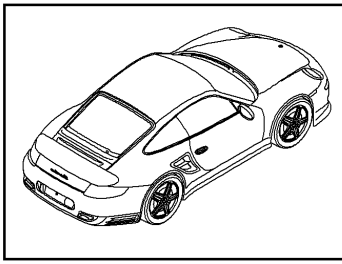
Model: 997T10

Model life 2010&gt;&gt;2013

Pos	Part Number	Description	Remark	Qty	Model
		Air injection			M97.70
1	997 605 204 00	Secondary pump		1	
2	900 385 070 01	Torx screw		2	
		M 6 X 50			
3	999 025 268 01	Washer		2	
		6,4 X 18 X 1,2			
4	948 605 125 01	Change-over valve		1	
-	948 605 167 01	Rubber holder		1	
		for			
		Change-over valve			
5	997 605 101 01	Support		1	
		Change-over valve			
6	997 113 105 71	Support		1	
		Secondary pump			
7	900 385 041 01	Torx screw		2	
		M 6 X 12			
8	997 113 101 74	Bracket		2	
9	997 113 203 71	Valve		2	
10	993 113 258 51	Gasket		2	
11	900 067 207 01	Combination screw		10	
		M 6 X 20			
12	999 707 472 40	O-ring		2	
		20,00 X 2,50			
13	997 113 111 70	Pressure line		1	
		Cyl. 1 - 3			
14	997 113 112 70	Pressure line		1	
		Cyl. 4 - 6			
15	997 113 211 72	Suction hose		1	
16	999 507 857 40	Support		1	
		16,0 / 8,0			
17		Pipe			
		See illustrations			
		1/07/02			

Model: 997T10

Model life 2010>>2013



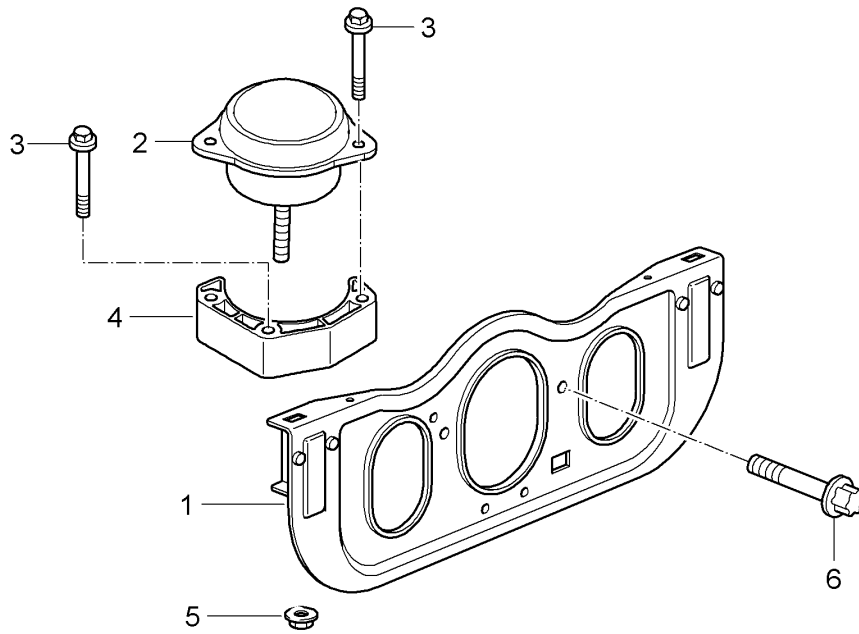
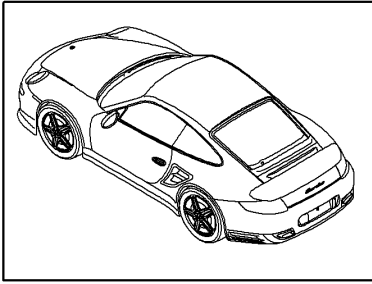
Model: 997T10

Model life 2010&gt;&gt;2013

Pos	Part Number	Description	Remark	Qty	Model
1	9A1 375 013 03	Engine suspension		1	MA1.70
2	997 375 049 07	Engine carrier		2	CABRIO
(2)	997 375 049 08	Hydraulic mount		2	-I140 COUPE
(2)	997 375 059 01	Hydraulic mount	/L	1	-I140 COUPE
(2)	997 375 059 03	Hydraulic mount	/L	1	I140 COUPE
(2)	997 375 060 01	Hydraulic mount	/R	1	I140 COUPE
(2)	997 375 060 03	Hydraulic mount	/R	1	I140 COUPE
(2)	997 375 059 02	Hydraulic mount	/L	1	I140 CABRIO
(2)	997 375 059 04	Hydraulic mount	/L	1	I140 CABRIO
(2)	997 375 059 06	Hydraulic mount	/L	1	I140 CABRIO
(2)	997 375 060 02	Hydraulic mount	/R	1	I140 CABRIO
(2)	997 375 060 04	Hydraulic mount	/R	1	I140 CABRIO
3	900 378 159 01	Hexagon-head bolt M 8 X 60		6	-I140
3	900 385 121 01	Outer hexagon round screw M 8 X 75		6	I140
4	996 375 221 02	Adapter		2	
5	9A1 375 425 01	Sleeve M 12 X 1,5		2	
6	9A1 375 235 02	Intermediate flange		1	
7	9A1 375 245 01	Spacer sleeve		1	
8	900 378 283 01	Torx screw M 10 X 130		1	
8	900 385 286 01	Outer hexagon round screw BM 10 X 130		1	
9	900 378 261 01	Hexagon-head bolt M 10 X 65		1	
9	900 378 310 01	Hexagon-head bolt M 10 X 80		1	
9	900 385 062 01	Outer hexagon round screw BM 10 X 80		1	
10	900 380 021 01	Hexagon nut M 12 x 1,5		2	
11		Support Front muffler See illustrations 2/02/00			
12	9A1 115 245 00	Spacer sleeve		1	

Model: 997T10

Model life 2010>>2013



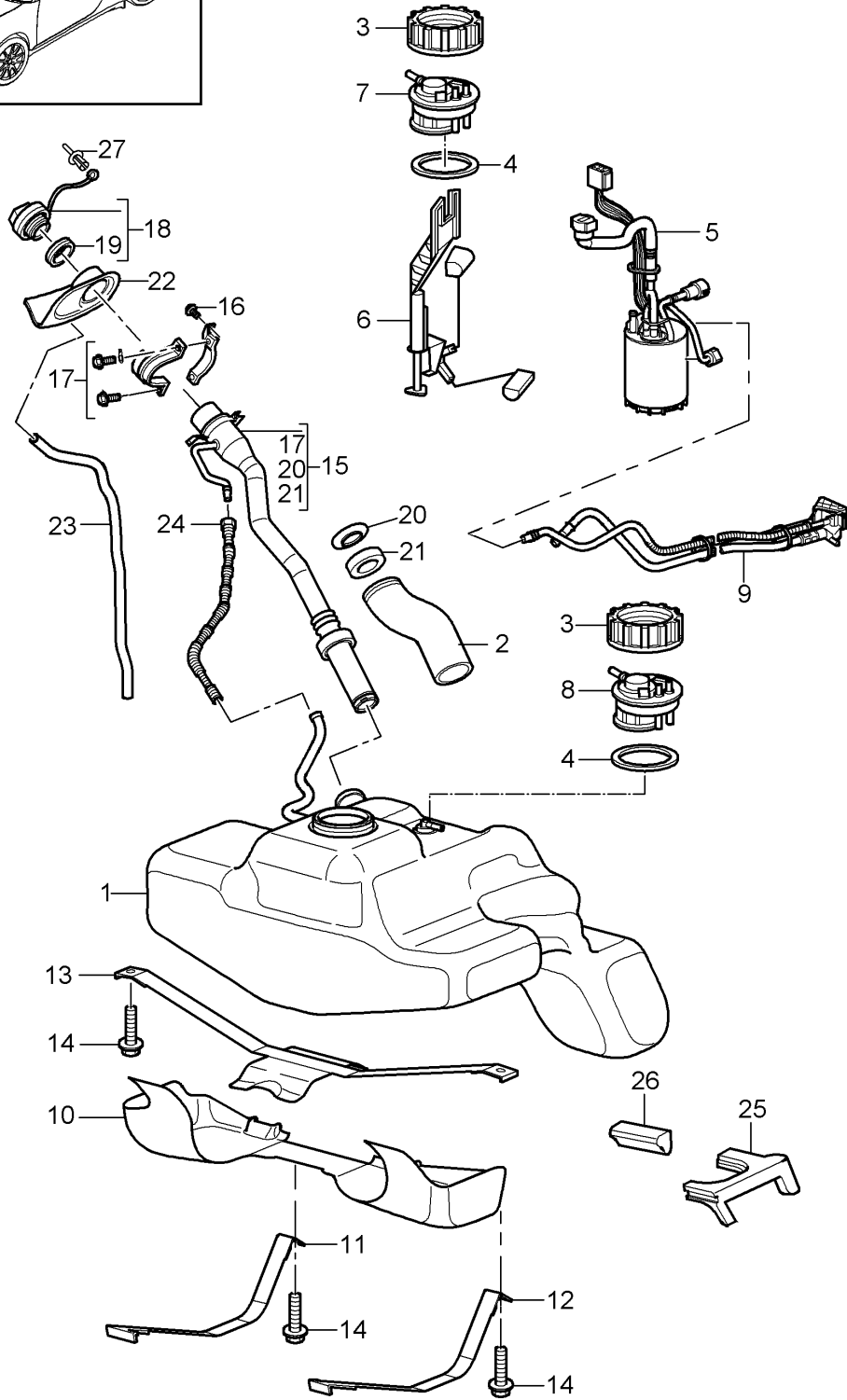
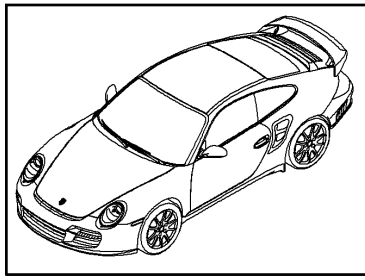
Model: 997T10

Model life 2010>>2013

Pos	Part Number	Description	Remark	Qty	Model
		Engine suspension			M97.70
1	996 375 013 01	Engine carrier		1	
2	997 375 049 91	Hydraulic mount		2	
3	900 378 159 01	Hexagon-head bolt AM 8 X 60		6	
4	996 375 221 02	Adapter		2	
5	999 084 215 01	Lock nut M 12 X 1,5		2	
6	900 385 119 01	Outer hexagon round screw M 10 X 70		4	

Model: 997T10

Model life 2010>>2013





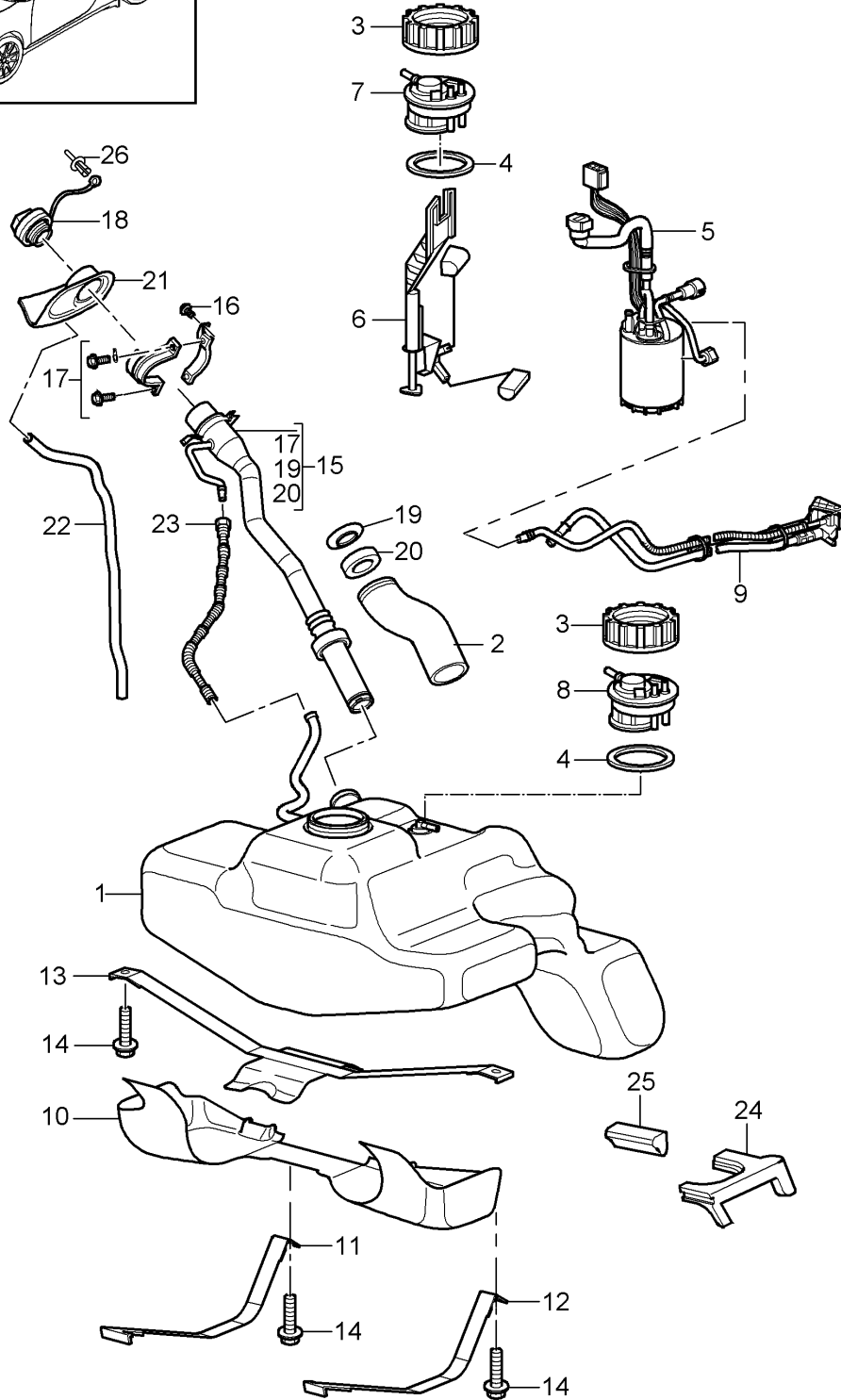
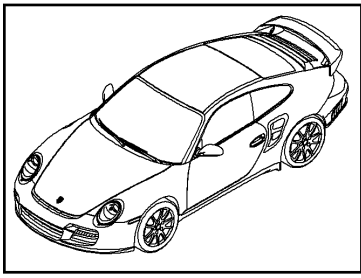
Model: 997T10

Model life 2010>>2013

Pos	Part Number	Description	Remark	Qty	Model
1	997 201 021 01	Fuel tank		1	I098
(1)	997 201 022 00	Fuel tank	/LL	1	I099
(3)	997 201 623 00	Union nut	/RL	1	
(4)	997 201 733 00	Sealing ring		1	
5	997 620 148 00	Fuel pump		1	
6	997 620 833 00	Tank gauge without Flange		1	
7	997 201 421 01	Flange for Tank gauge		1	
9	997 620 117 00	Venturi tube		1	
10	997 201 331 00	Protective plate		1	
11	997 201 106 00	Restraining strap Right		1	
12	997 201 105 00	Restraining strap Left		1	
13	997 201 107 00	Restraining strap		1	
14	900 075 479 01	Combination screw M 8 X 40		4	
15	997 201 043 12	Filler neck		1	
(15)	997 201 043 10	Filler neck		1	I150/193
16	999 073 348 09	Oval-head screw M 6 X 20		1	
17	997 201 951 02	Support		1	
18	996 201 241 03	Fuel tank cap with Clip		1	
19	191 201 557	Information available Sealing ring Information available		1	
20	996 201 755 00	Support washer		1	
21	996 201 753 00	Gasket		1	
22	997 201 667 00	Sleeve		1	
23	996 201 153 00	Hose		1	
24	996 201 613 00	Vent line Fuel tank To Filler neck	/RL	1	I099
(24)	997 201 711 00	Vent line Fuel tank To Filler neck	/LL	1	I098
(24)	997 201 721 00	Vent line In-tank fuel pump To Inner Pipe		1	
26	997 201 813 00	Foam part		1	
27	999 507 499 40	Expansion rivet 5,0 X 11,5		1	

Model: 997T10

Model life 2010>>2013



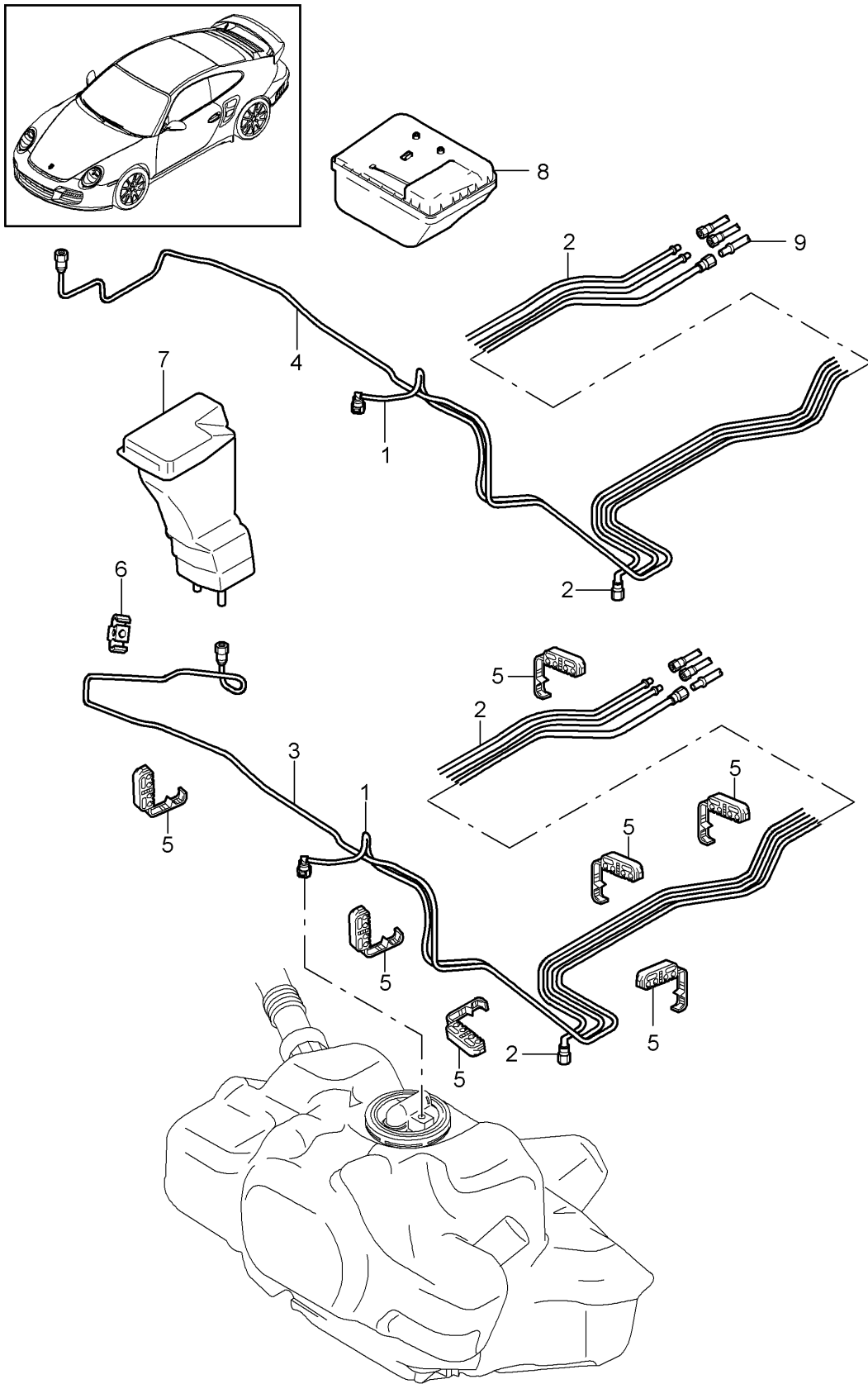
Model: 997T10

Model life 2010>>2013

Pos	Part Number	Description	Remark	Qty	Model
		Fuel tank			GT2 RS
1	997 201 021 90	Fuel tank	/LL	1	I098
(1)	997 201 022 00	Fuel tank	/RL	1	I099
2	997 201 543 90	Pipe Inner	/LL	1	I098
3	997 201 623 00	Union nut		2	
4	997 201 733 00	Sealing ring		2	
5	997 620 129 00	Fuel pump		1	
6	997 620 833 00	Tank gauge without Flange		1	
7	997 201 421 01	Flange for Tank gauge		1	
8	997 201 421 03	Flange for Tank gauge	/LL	1	I098
9	997 620 116 00	Venturi tube		1	
10	997 201 331 90	Protective plate	/LL	1	I098
(10)	997 201 331 00	Protective plate	/RL	1	I099
11	997 201 106 00	Restraining strap Right		1	-I082
(11)	997 201 106 01	Restraining strap Right		1	I082
12	997 201 105 00	Restraining strap Left		1	
13	997 201 107 00	Restraining strap		1	
14	900 075 479 01	Combination screw M 8 X 40		4	
15	997 201 043 12	Filler neck		1	
(15)	997 201 043 10	Filler neck		1	I150
16	999 073 348 09	Oval-head screw M 6 X 20		1	
17	997 201 951 02	Support		1	
18	997 201 981 00	Fuel tank cap		1	
19	996 201 755 00	Support washer		1	
20	996 201 753 00	Gasket		1	
21	997 201 667 00	Sleeve		1	
22	996 201 153 00	Hose		1	
23	997 201 711 90	Vent line	/LL	1	I098
(23)	996 201 613 00	Vent line	/RL	1	I099
(23)	997 201 723 90	Vent line	/LL	1	I098
		Fuel tank Inner			
(23)	997 201 721 00	Vent line Fuel tank Inner	/RL	1	I099
25	997 201 813 00	Foam part		1	
26	999 507 499 40	Expansion rivet 5,0 X 11,5		1	

Model: 997T10

Model life 2010>>2013



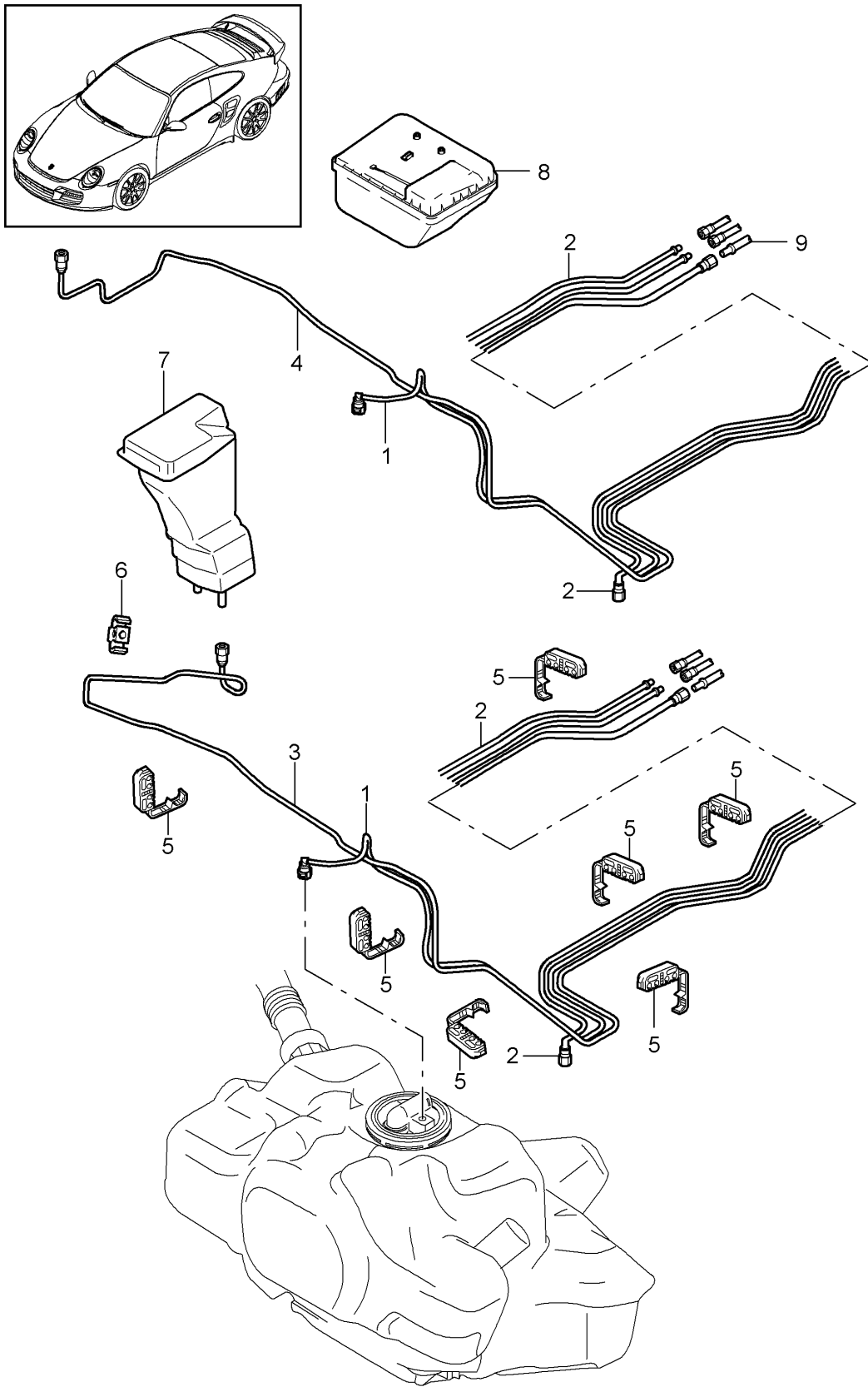
Model: 997T10

Model life 2010>>2013

Pos	Part Number	Description	Remark	Qty	Model
1	997 201 261 03	Fuel system Front Fuel line Front Fuel pump for Engine		1	
2	997 201 271 01	Fuel line Return line		1	TURBO
(2)		Fuel line Return line		1	TURBO
3	997 201 351 02	Purge-air line Front Carbon canister for Engine		1	
5	999 507 521 40	Cable holder 8,0/8/10		8	
6	999 507 727 40	Cable holder 8,0/10,0		1	
7		Carbon canister See illustrations 2/01/20		1	
9		Lines Rear See illustrations 2/01/10		1	

Model: 997T10

Model life 2010>>2013



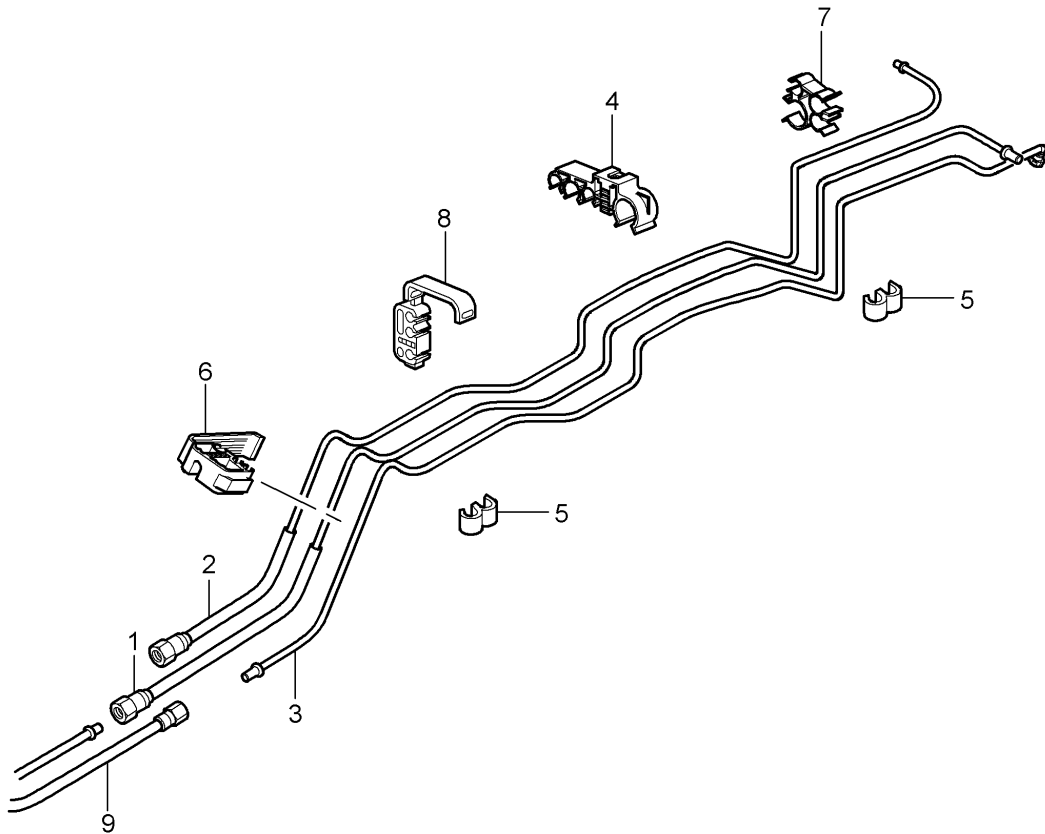
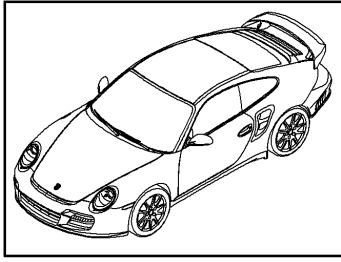
Model: 997T10

Model life 2010>>2013

Pos	Part Number	Description	Remark	Qty	Model
		Fuel system Front			GT2 RS
1	997 201 261 03	Fuel line Front Fuel pump for Engine		1	
2	997 201 271 90	Fuel line Return line		1	
(2)	997 201 271 92	Fuel line Return line		1	
(2)	997 201 271 00	Fuel line Return line		1	I664
(2)	997 201 271 01	Fuel line Return line		1	I664
3	997 201 351 02	Purge-air line Front Carbon canister for Engine		1	
5	999 507 521 40	Cable holder 8,0/8/10,0		8	
6	999 507 727 40	Cable holder 8,0/10,0		1	
7		Carbon canister See illustrations 2/01/22		1	
9		Lines Rear See illustrations 2/01/12		1	

Model: 997T10

Model life 2010>>2013





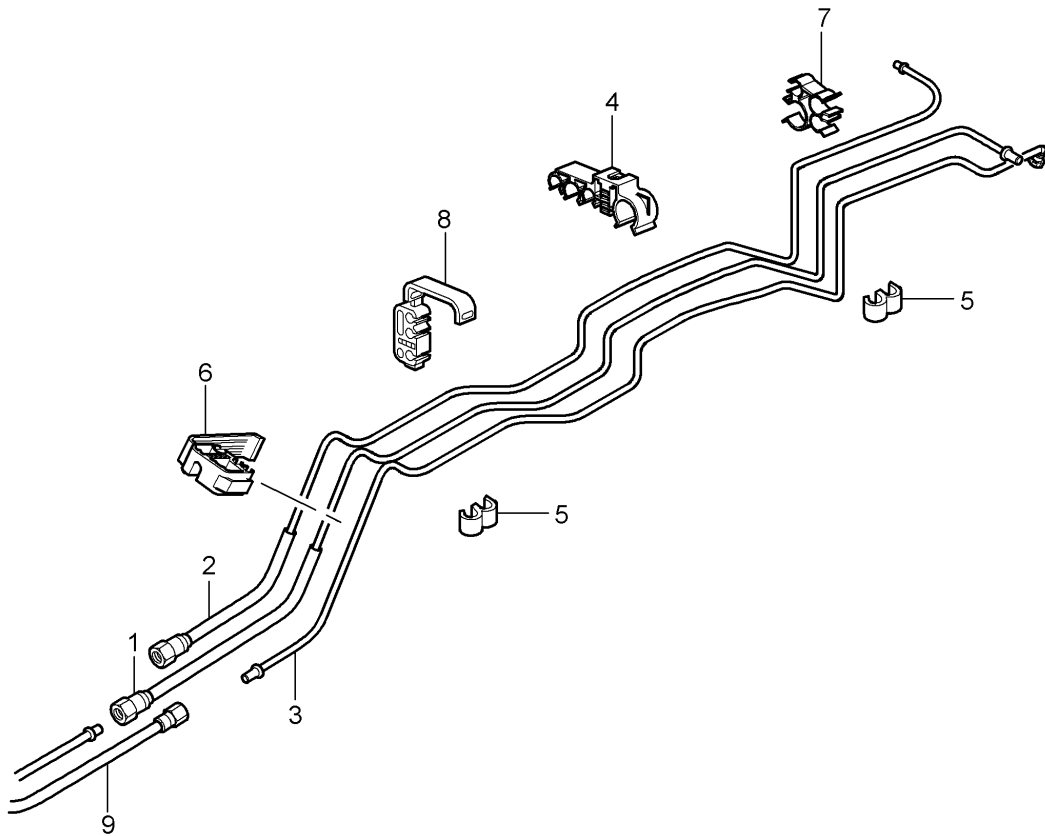
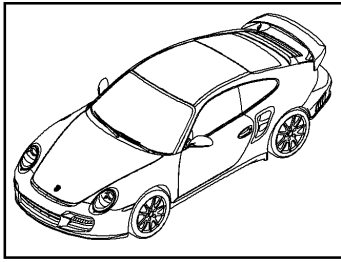
Model: 997T10

Model life 2010>>2013

Pos	Part Number	Description	Remark	Qty	Model
1	997 201 265 02	Fuel system Rear Fuel line Rear Fuel pump for Engine		1	
3	997 201 355 02	Purge-air line Rear Carbon canister for Engine		1	
4	999 507 833 40	Cable holder 15/8/10/8		1	
5	999 507 488 40	Cable holder 5,0/10,0		4	
6	999 507 521 40	Cable holder 8/8/10		1	
7	999 507 850 40	Cable holder 8,0/15,0		1	
8	999 507 727 40	Cable holder 8/10		1	
9		Lines Front See illustrations 2/01/05			

Model: 997T10

Model life 2010>>2013



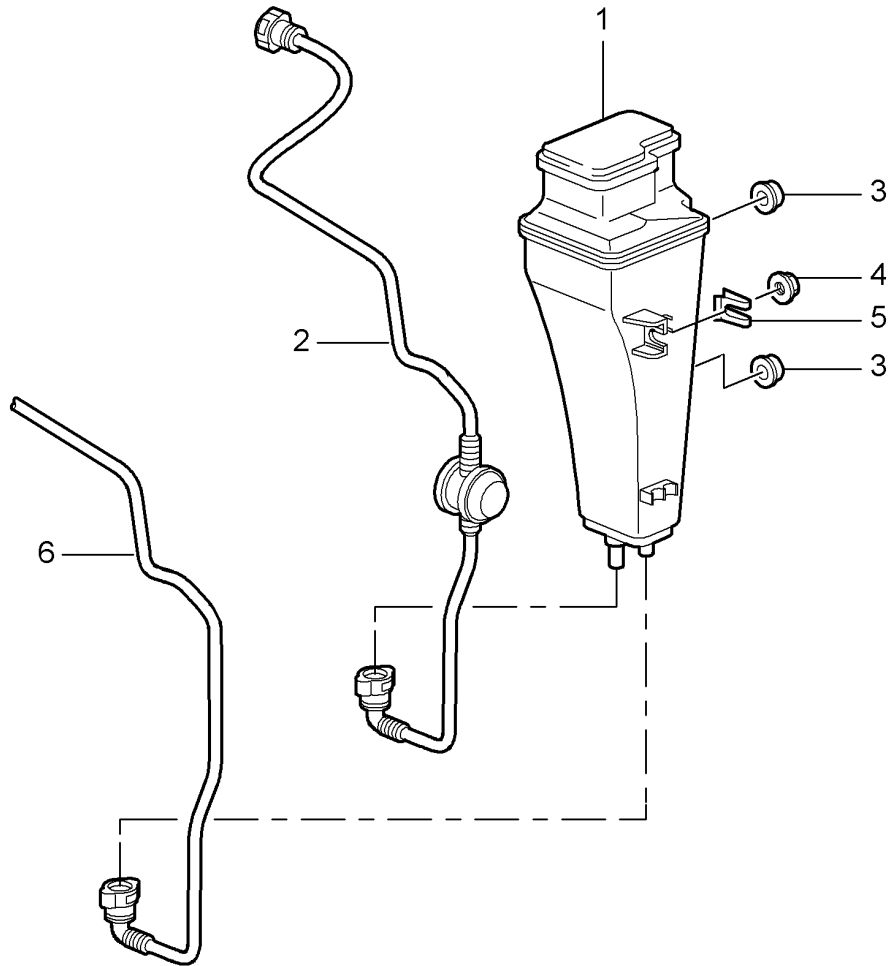
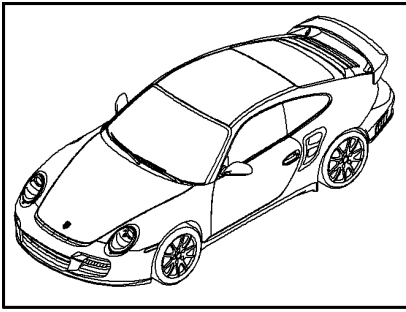
Model: 997T10

Model life 2010>>2013

Pos	Part Number	Description	Remark	Qty	Model
		Fuel system Rear			GT2 RS
1	997 201 265 01	Fuel line Rear		1	
		Fuel pump for Engine			
2	997 201 275 00	Fuel line Rear		1	
		Return line			
3	997 201 355 01	Air tube Rear		1	
		Carbon canister for Engine			
4	999 507 833 40	Cable holder 15/8/10/8		1	
5	999 507 488 40	Cable holder 5,0/10,0		2	
6	999 507 521 40	Cable holder 8/8/10		1	
7	999 507 850 40	Cable holder 8,0/15,0		1	
8	999 507 727 40	Cable holder 8,0/10,0		1	
9		Lines Front See illustrations 2/01/07			

Model: 997T10

Model life 2010>>2013



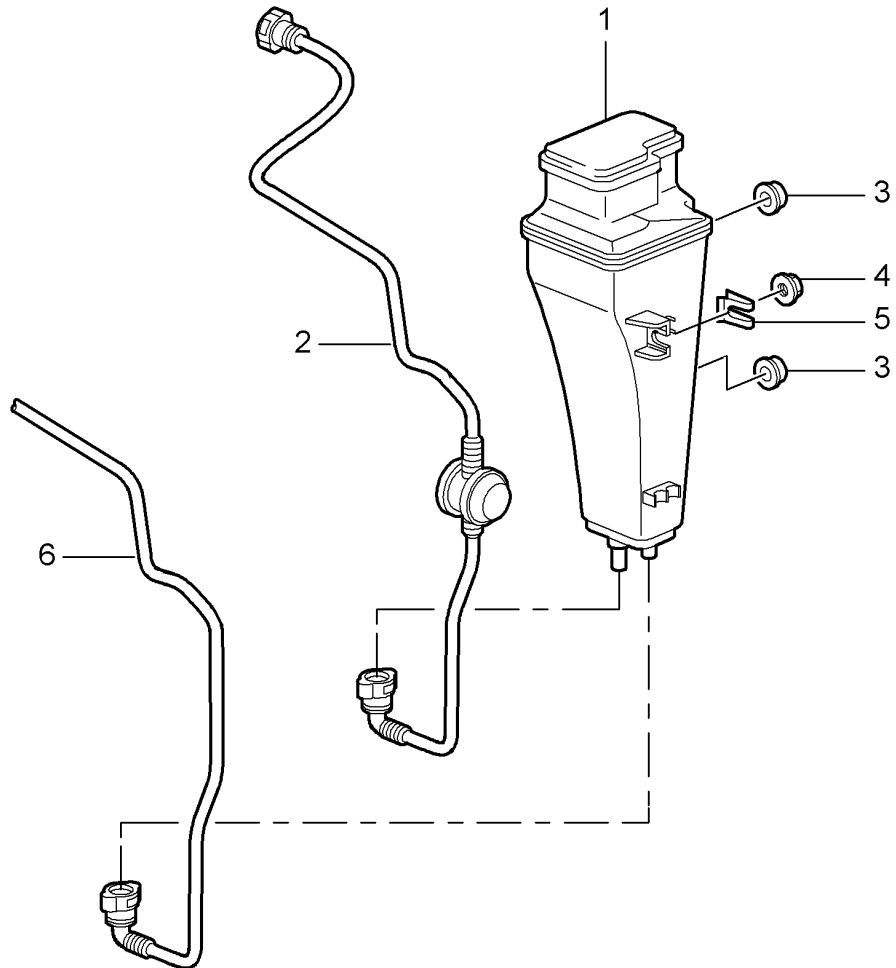
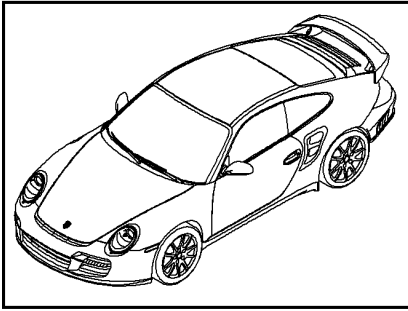
Model: 997T10

Model life 2010>>2013

Pos	Part Number	Description	Remark	Qty	Model
1	997 201 221 01	Carbon canister Carbon canister Complete		1	
2	997 201 251 01	Vent line Fuel tank for Carbon canister		1	
3	999 702 221 40	Grommet		2	
4	999 084 629 01	Hexagon nut M 6		1	
5	999 507 543 02	Clamp 2,00 - 3,00		1	
6		Purge-air line Front See illustrations 2/01/05			

Model: 997T10

Model life 2010>>2013



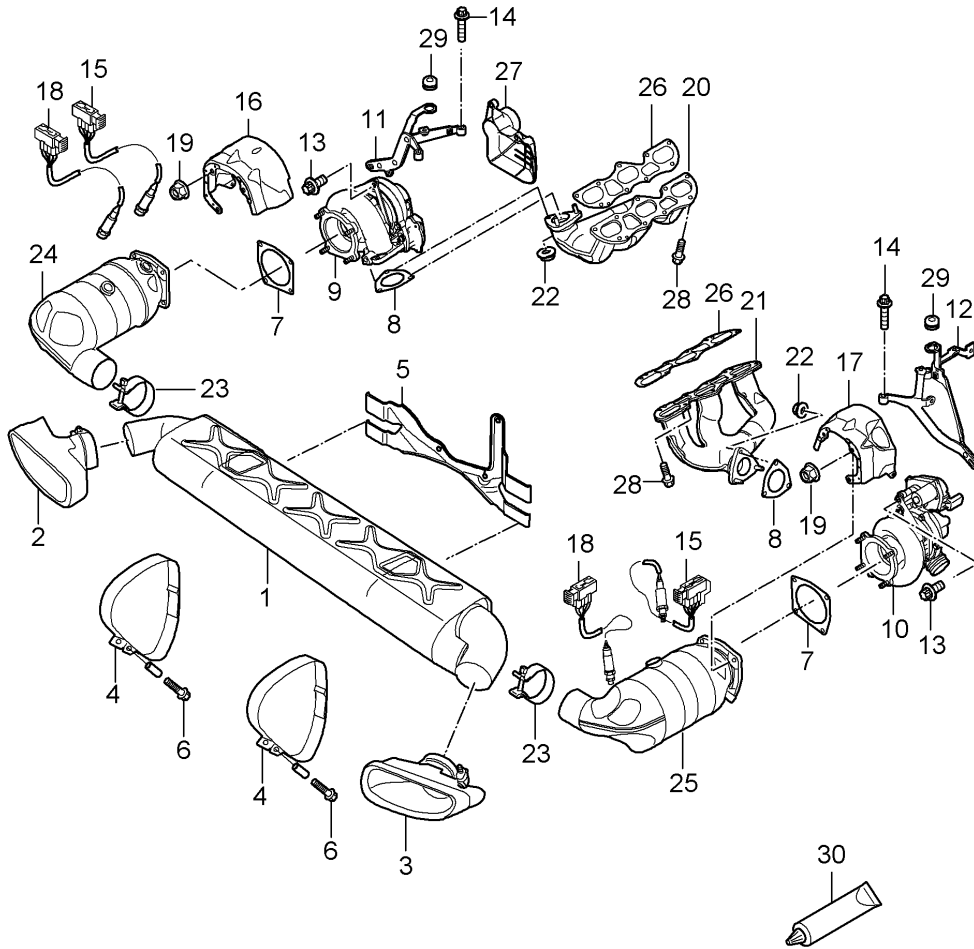
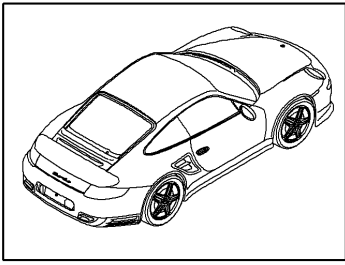
Model: 997T10

Model life 2010&gt;&gt;2013

Pos	Part Number	Description	Remark	Qty	Model
1	997 201 221 01	Carbon canister Carbon canister Complete		1	GT2 RS
2	997 201 251 01	Vent line Fuel tank for Carbon canister		1	
3	999 702 221 40	Grommet		2	
4	999 084 629 01	Hexagon nut M 6		1	
5	999 507 543 02	Clamp 2,00 - 3,00		1	
6		Purge-air line Front See illustrations 2/01/07			

Model: 997T10

Model life 2010>>2013





Model: 997T10 Model life 2010>>2013

Pos	Part Number	Description	Remark	Qty	Model
		Exhaust system with Heat protection			
1	997 111 027 30	Main exhaust muffler	-10	1	
(1)	997 111 027 31	Main exhaust muffler F >>99BS7 61031	11-	1	
(1)	997 111 027 32	Main exhaust muffler F 99BS7 61032>>		1	
2	997 111 251 32	Tail pipe Chrome	/L	1	
3	997 111 252 32	Tail pipe Chrome	/R	1	
4	997 113 119 31	Restraining strap		2	
5	997 113 027 31	Support Muffler		1	
(5)	997 113 026 32	Support Muffler with Heat protection	11-	1	
6	900 067 362 01	Pan-head screw M 8 x 50		2	
7	997 111 217 70	Gasket Turbocharger Muffler		2	
8	997 111 215 70	Gasket Exhaust manifold Turbocharger		2	
9	9A1 123 013 74	Turbocharger Cyl. 1 - 3	/L	1	
(9)	9A1 123 013 X	Turbocharger Cyl. 1 - 3	/L	1	
(9)	9A1 123 013 75	Turbocharger Cyl. 1 - 3	/L	1	
(9)	9A1 123 013 AX	Turbocharger Cyl. 1 - 3	/L	1	
10	9A1 123 014 73	Turbocharger Cyl. 4 - 6	/R	1	
(10)	9A1 123 014 X	Turbocharger Cyl. 4 - 6	/R	1	
(10)	9A1 123 014 74	Turbocharger Cyl. 4 - 6	/R	1	
(10)	9A1 123 014 AX	Turbocharger Cyl. 4 - 6	/R	1	
11	9A1 111 213 70	Bracket Turbocharger Cyl. 1 - 3	/L	1	MA1.70
(11)	997 111 023 70	Bracket Turbocharger Cyl. 1 - 3	/L	1	M97.70
12	9A1 111 214 71	Bracket Turbocharger Cyl. 4 - 6	/R	1	MA1.70
(12)	997 111 024 70	Bracket Turbocharger Cyl. 4 - 6	/R	1	M97.70
13	900 385 044 01	Torx screw M 8 x 16		2	
14	900 385 042 01	Torx screw M 8 X 35		4	
15	9A1 606 128 00	Oxygen sensor in front of Catalytic converter		2	
16	9A1 123 215 71	Heat shield	/L	1	

Model: 997T10

Model life 2010&gt;&gt;2013

Pos	Part Number	Description	Remark	Qty	Model
17	9A1 123 216 71	Cyl. 1 - 3 Heat shield	/R	1	
18	9A1 606 138 01	Cyl. 4 - 6 Oxygen sensor After Catalytic converter		1	
19	999 084 642 02	Hexagon nut M 8		8	
20	997 111 171 32	Exhaust manifold Cyl. 1 - 3		1	
(20)	997 111 171 33	Exhaust manifold Cyl. 1 - 3		1	
21	997 111 172 32	Exhaust manifold Cyl. 4 - 6		1	
(21)	997 111 172 33	Exhaust manifold Cyl. 4 - 6		1	
22	999 084 642 02	Hexagon nut M 8		6	
23	997 111 230 80	Clamp		2	
24	997 113 009 30	Catalytic converter Cyl. 1 - 3		1	
24	997 113 009 AX	Catalytic converter Cyl. 1 - 3		1	
25	997 113 010 30	Catalytic converter Cyl. 4 - 6		1	
25	997 113 010 AX	Catalytic converter Cyl. 4 - 6		1	
26	997 111 107 30	Gasket	-10	2	
(26)	997 111 107 31	Gasket	11-	2	
27	9A1 123 211 70	Cover Turbocharger Cyl. 1 - 3		1	
28	999 073 536 01	Torx screw M 8 x 27		18	
29	999 702 246 40	Grommet 12,0 X 17,0 X 3,0		2	
30	000 043 207 07	Grease for oxygen sensor		1	
-	9A1 606 161 71	Support Oxygen sensor		1	
-	9A1 606 162 71	Support Oxygen sensor		1	
-	999 651 407 01	Cable clamp 12,0 - 14,0		2	
-	999 651 399 40	Line bracket 5,0		1	
-	9A1 123 209 70	Heat shield Cyl. 1 - 3		1	
-	997 606 169 02	Support Line Oxygen sensor		1	
-	997 606 167 00	Support Line Oxygen sensor		1	
-	999 651 394 40	Right Cable holder 6,0		2	
-	999 651 392 07	Line Cable holder 9,5 - 10,5 Line Oxygen sensor		3	

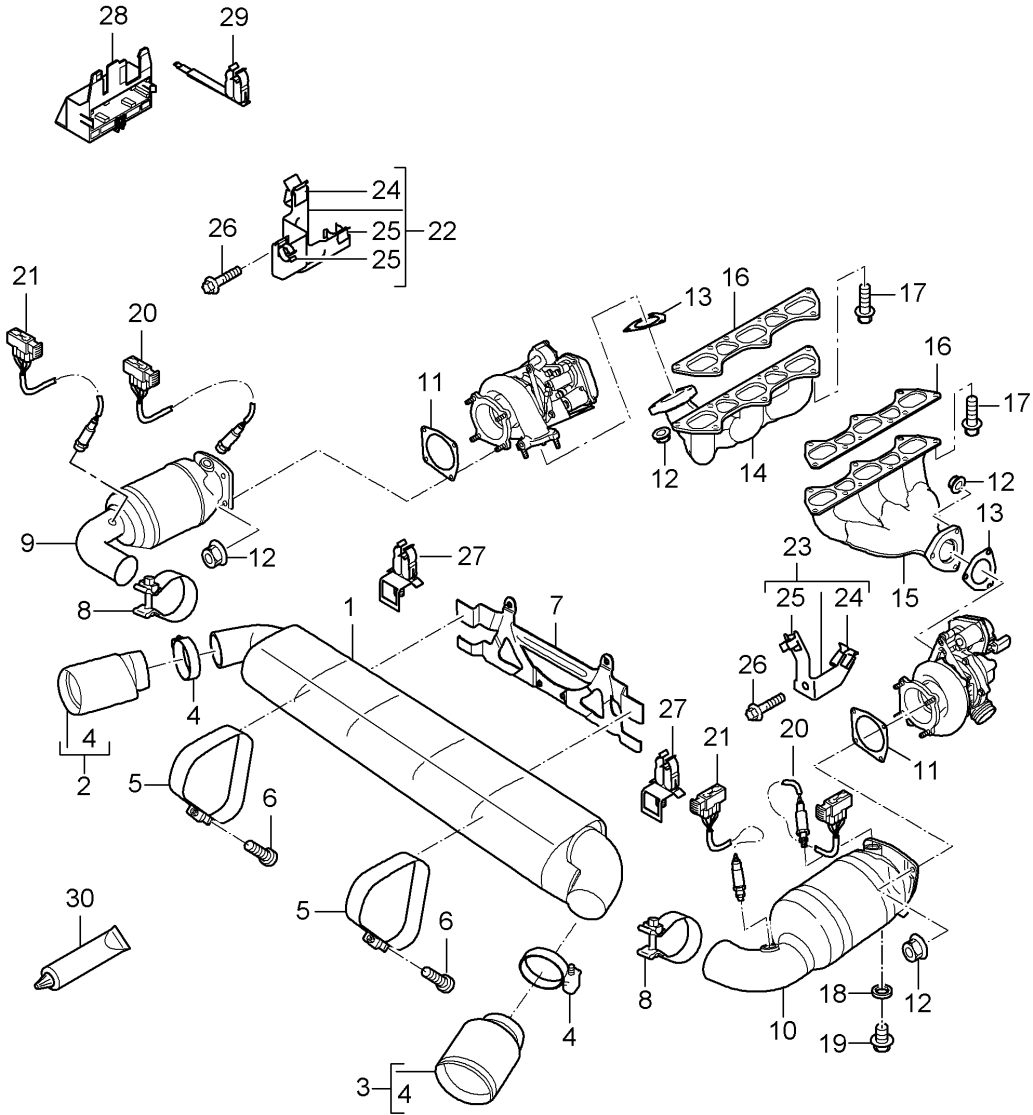
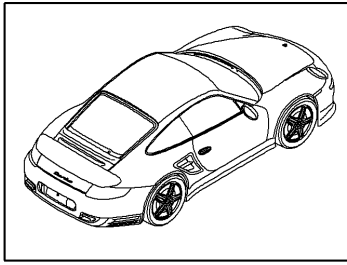
Model: 997T10

Model life 2010>>2013

Pos	Part Number	Description	Remark	Qty	Model
-	997 606 151 01	Support Line		2	
-	997 606 107 02	Oxygen sensor Support Connector		2	
-	997 606 108 00	Oxygen sensor Clip Line		2	
-	000 043 303 68	Oxygen sensor Cleaning agent Tail pipe DR.WACK P21S ALU-POLISH		X	

Model: 997T10

Model life 2010>>2013



Model: 997T10

Model life 2010&gt;&gt;2013

Pos	Part Number	Description	Remark	Qty	Model
		Exhaust system			GT2 RS M97.70
1	997 111 026 80	Main exhaust muffler		1	
2	997 111 252 82	Tail pipe	/L	1	
3	997 111 251 82	Tail pipe	/R	1	
4	997 111 240 80	Clip		2	
5	997 113 119 31	Restraining strap		2	
6	900 067 362 01	Pan-head screw AM 8 X 50		2	
7	997 111 124 81	Support Main exhaust muffler		1	
8	997 111 230 80	Clamp		2	
9	997 113 009 80	Catalytic converter Cyl. 1 - 3	/L	1	
9	997 113 009 BX	Catalytic converter Cyl. 1 - 3	/L	1	
10	997 113 010 80	Catalytic converter Cyl. 4 - 6	/R	1	
10	997 113 010 BX	Catalytic converter Cyl. 4 - 6	/R	1	
11	997 111 217 70	Gasket		2	
12	999 084 203 01	Lock nut M 8		14	
13	997 111 215 70	Gasket		2	
14	996 111 101 76	Exhaust manifold Cyl. 1 - 3	/L	1	
15	996 111 102 76	Exhaust manifold Cyl. 4 - 6	/R	1	
16	996 111 107 71	Gasket		2	
17	900 378 227 01	Hexagon-head bolt AM 8 X 28		18	
18	900 123 050 20	Sealing ring 8 X 11,5		2	
19	900 124 021 01	Screw plug CM 8 X 1		2	
20	997 606 128 02	Oxygen sensor in front of Catalytic converter		2	
21	997 606 185 00	Oxygen sensor After Catalytic converter		2	
22	997 606 169 02	Support Line Oxygen sensor	/L	1	
23	997 606 167 00	Support Line Oxygen sensor	/R	1	
24	999 651 394 40	Cable holder 6,0 Line		2	
25	999 651 392 07	Cable holder 9,5 - 10,5 Line		3	
26	900 385 019 01	Oxygen sensor Torx screw M 6 X 20		2	
27	997 606 151 01	Support Line Oxygen sensor		2	
28	997 606 107 02	Support Connector Oxygen sensor		2	

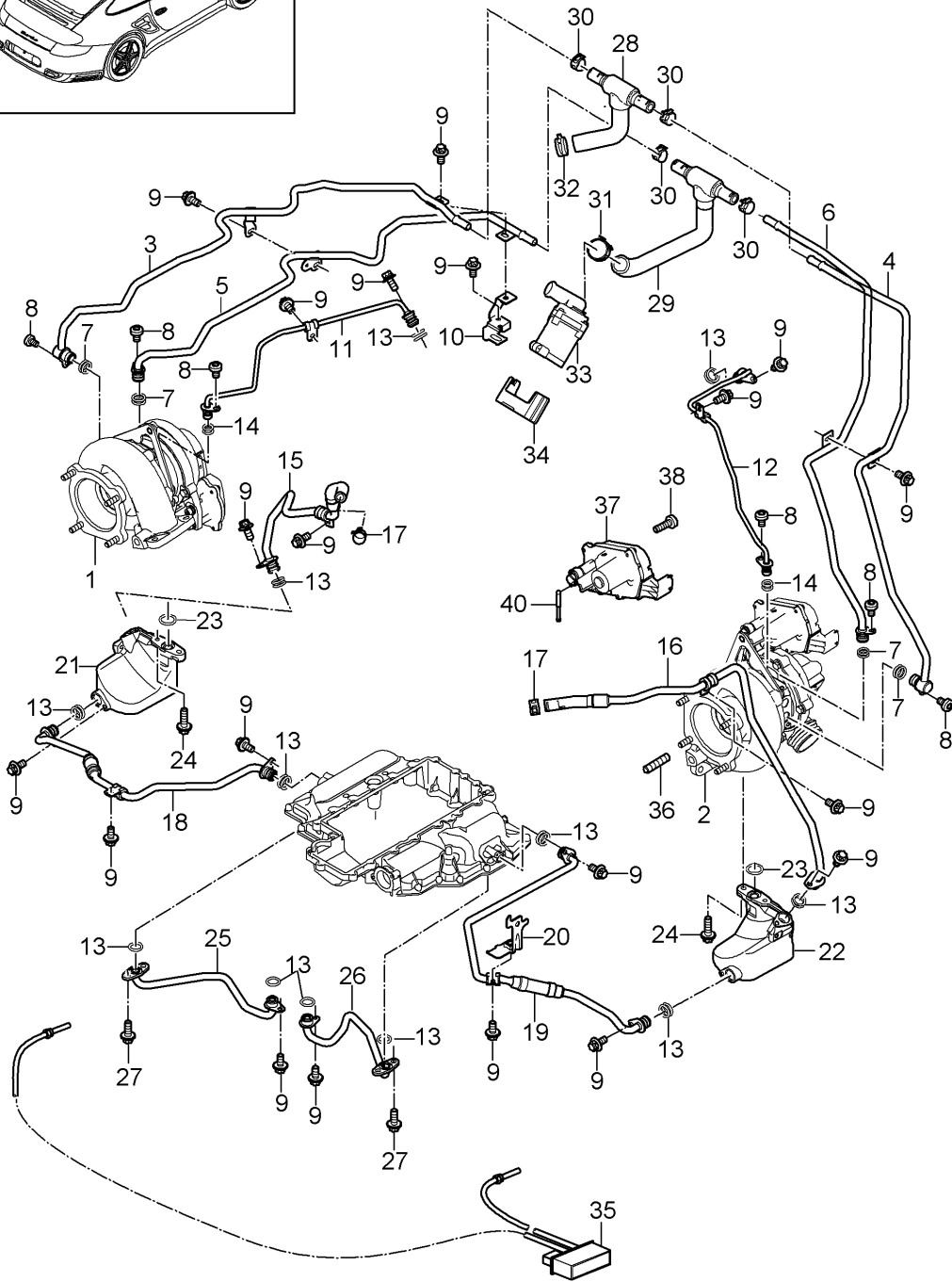
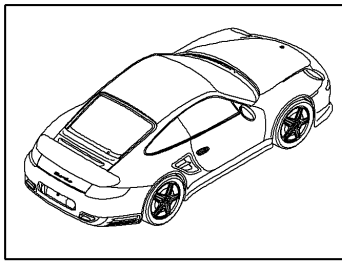
Model: 997T10

Model life 2010&gt;&gt;2013

Pos	Part Number	Description	Remark	Qty	Model
29	997 606 108 00	Clip Line		2	
30	000 043 207 07	Oxygen sensor Grease for Oxygen sensor		1	
31	9A1 606 161 71	Support Oxygen sensor		1	
32	9A1 606 162 71	Support Oxygen sensor		1	
33	999 651 407 01	Cable clamp 12,0 - 14,0		2	
34	999 651 399 40	Line bracket 5,0		1	

Model: 997T10

Model life 2010>>2013



Model: 997T10

Model life 2010&gt;&gt;2013

Pos	Part Number	Description	Remark	Qty	Model
1		Turbocharger with Heat protection And Oil pipe Water line Turbocharger Cyl. 1 - 3 See illustrations 2/02/00		1	
2		Turbocharger Cyl. 4 - 6 See illustrations 2/02/00		1	
3	9A1 106 073 70	Water line Supply Cyl. 1 - 3		1	
4	9A1 106 074 70	Water line Supply Cyl. 4 - 6		1	
5	9A1 106 075 70	Water line Return line Cyl. 1 - 3		1	
6	9A1 106 076 70	Water line Return line Cyl. 4 - 6		1	
7	999 707 597 40	O-ring 12,00 X 2,50		8	
8	999 073 236 0A	Oval-head screw M 6 X 10		6	
9	900 385 041 01	Torx screw BM 6 X 12		20	
10	9A1 106 213 70	Support Water line		1	
11	9A1 107 219 70	Pressure line Cyl. 1 - 3		1	
(11)	9A1 107 219 71	Pressure line Cyl. 1 - 3		1	
12	9A1 107 220 70	Pressure line Cyl. 4 - 6		1	
(12)	9A1 107 220 71	Pressure line Cyl. 4 - 6		1	
13	999 707 612 40	O-ring 12,00 X 2,50		20	
14	999 707 613 40	O-ring 8,00 X 2,50		4	
15	9A1 107 239 70	Vent line Cyl. 1 - 3		1	
16	9A1 107 240 70	Vent line Cyl. 4 - 6		1	
17	999 512 651 09	Hose clamp B 15 X 12		2	
18	9A1 107 323 70	Intake pipe Turbocharger Cyl. 1 - 3		1	
19	9A1 107 324 70	Intake pipe Turbocharger Cyl. 4 - 6		1	
20	9A1 107 424 70	Support Intake pipe Cyl. 4 - 6		1	
21	9A1 107 331 70	Oil collection container Turbocharger		1	

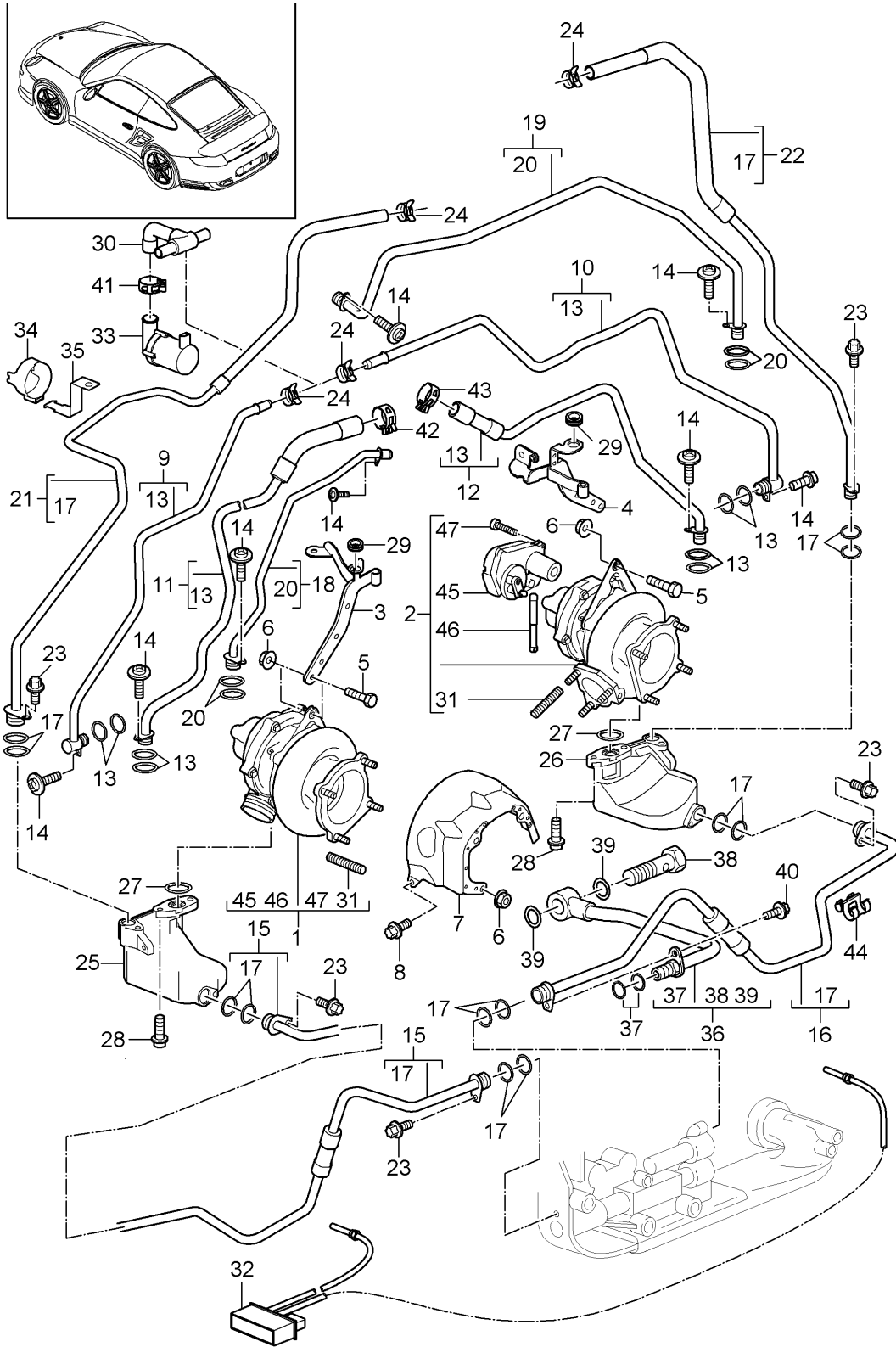


Model: 997T10 Model life 2010>>2013

Pos	Part Number	Description	Remark	Qty	Model
22	9A1 107 332 70	Cyl. 1 - 3 Oil collection container Turbocharger		1	
23	999 707 387 40	Cyl. 4 - 6 O-ring 15,00 X 2,50		2	
24	900 385 019 01	Torx screw BM 6 X 20		4	
25	9A1 107 311 70	Intake pipe Oil pump		1	
26	9A1 107 312 70	Cyl. 1 - 3 Intake pipe Oil pump		1	
27	900 385 009 01	Cyl. 4 - 6 Torx screw BM 6 X 16		4	
28	9A1 106 651 72	T-piece Water line Return line		1	
29	9A1 106 649 72	T-piece Water line Supply		1	
30	999 512 686 09	Hose clamp B 17 X 12		4	
31	999 512 656 09	Hose clamp B 25 X 12		1	
32	999 512 658 09	Hose clamp B 27 X 12		1	
33	9A1 620 251 00	Water pump Turbocharger		1	
34	9A1 106 201 70	Support ring Water pump Turbocharger		1	
35	9A1 606 250 06	Sensor Exhaust gas		1	
(35)	9A1 606 250 07	Sensor Exhaust gas Information available		1	
36	900 081 059 00	Stud M 8 X 22		14	
36	900 081 059 01	Stud M 8 X 22		10	
(37)	9A1 605 315 02	Adjusting motor Cyl. 1 - 3		1	
(37)	9A1 605 315 03	Adjusting motor Cyl. 1 - 3		1	
37	9A1 605 316 01	Adjusting motor Cyl. 4 - 6		1	
(37)	9A1 605 316 02	Adjusting motor Cyl. 4 - 6		1	
38	000 043 207 53	Pan-head screw M 6 X 25,6 -8.8		6	
39	997 606 950 00	Protective tube		1	
40	997 123 123 70	Operating rod Cyl. 1 - 3		1	
(40)	997 123 124 70	Operating rod Cyl. 4 - 6		1	
41	9A1 606 163 01	Support Sensor Exhaust gas		1	

Model: 997T10

Model life 2010>>2013



Model: 997T10

Model life 2010>>2013

Pos	Part Number	Description	Remark	Qty	Model
		Turbocharger			GT2 RS M97.70
		with			
		Heat protection			
		And			
		Oil pipe			
		Water line			
1	997 123 077 73	Turbocharger		1	
		Cyl. 1 - 3			
(1)	997 123 077 AX	Turbocharger		1	
		Cyl. 1 - 3			
2	997 123 078 73	Turbocharger		1	
		Cyl. 4 - 6			
(2)	997 123 078 AX	Turbocharger		1	
		Cyl. 4 - 6			
3	997 111 023 71	Bracket		1	
		Cyl. 1 - 3			
4	997 111 024 71	Bracket		1	
		Cyl. 4 - 6			
5	900 385 044 01	Torx screw		2	
		M 8 X 16			
6	999 084 203 01	Lock nut		10	
		M 8			
7	997 123 215 72	Heat shield		1	
		Cyl. 1 - 3			
(7)	997 123 216 72	Heat shield		1	
		Cyl. 4 - 6			
8	900 385 041 01	Torx screw		2	
		M 6 X 16			
9	997 106 073 75	Water line		1	
		Supply			
		Cyl. 1 - 3			
10	997 106 074 74	Water line		1	
		Supply			
		Cyl. 4 - 6			
11	997 106 075 74	Water line		1	
		Return line			
		Cyl. 1 - 3			
12	997 106 076 73	Water line		1	
		Return line			
		Cyl. 4 - 6			
13	999 707 583 40	O-ring		8	
		12,0 X 2,0			
14	999 073 236 0A	Oval-head screw		8	
		M 6 X 10			
15	997 107 329 70	Intake pipe		1	
		Cyl. 1 - 3			
16	997 107 328 70	Intake pipe		1	
		Cyl. 4 - 6			
17	999 701 789 40	O-ring		8	
		12,0 X 2,0			
18	997 107 219 76	Pressure line		1	
		Cyl. 1 - 3			
19	997 107 220 75	Pressure line		1	
		Cyl. 4 - 6			
20	999 707 614 40	O-ring		6	
		9,25 X 1,78			
21	997 107 239 76	Vent line		1	
		Cyl. 1 - 3			
		Information available			
22	997 107 240 74	Vent line		1	
		Cyl. 4 - 6			
		Information available			

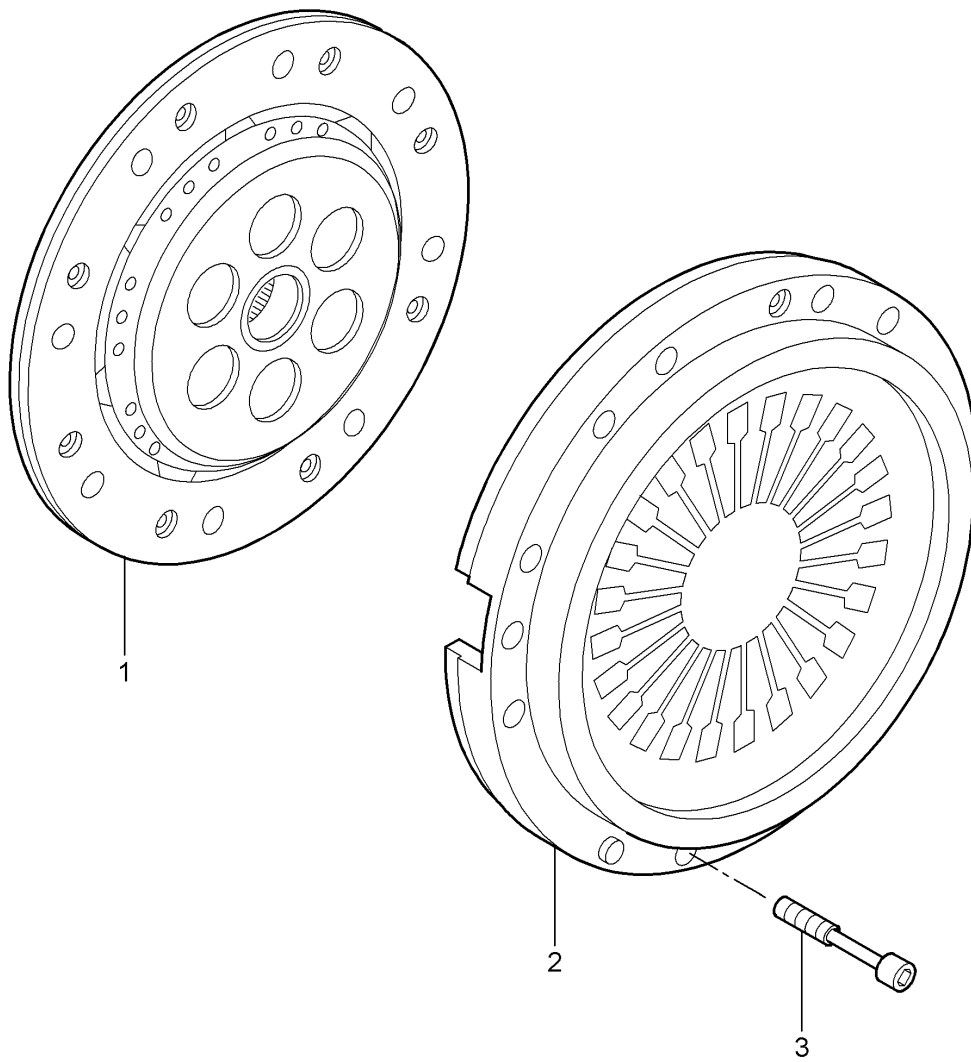
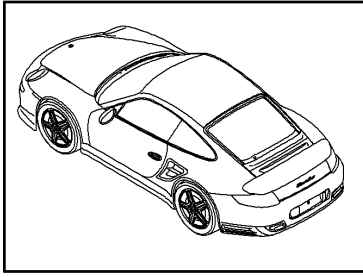
Model: 997T10

Model life 2010&gt;&gt;2013

Pos	Part Number	Description	Remark	Qty	Model
23	900 385 041 01	Torx screw M 6 X 12		5	
24	999 512 686 09	Hose clamp B 17 X 12		4	
25	997 107 327 72	Oil collection container Cyl. 1 - 3		1	
26	997 107 326 72	Oil collection container Cyl. 4 - 6		1	
27	999 707 387 40	O-ring 15,0 X 2,5		2	
28	900 385 019 01	Torx screw M 6 X 20		4	
29	999 702 246 40	Grommet		2	
30	997 106 649 74	T-piece Water line Supply Turbocharger		1	
31	900 081 059 00	Stud M 8 X 22		14	
31	900 081 059 01	Stud M 8 X 22		14	
32	997 606 250 04	Sensor Exhaust gas M >> B 30811		1	
(32)	997 606 250 05	Sensor Exhaust gas M B 30812 >> Information available		1	
33	997 620 251 01	Water pump Turbocharger		1	
34	997 106 201 71	Support ring Water pump Turbocharger		1	
35	997 106 211 72	Support Water pump Turbocharger		1	
36	997 107 216 70	Return line		1	
37	999 701 789 40	O-ring 12,0 X 2,0		2	
38	900 175 022 09	Banjo bolt M 16 X 1,5 X 36		1	
39	900 123 152 30	Sealing ring A 16 X 22		2	
40	900 385 009 01	Torx screw M 6 X 16		2	
41	999 512 658 09	Hose clamp B 27 X 12		1	
42	999 512 652 09	Hose clamp B 19 X 12		1	
43	999 512 655 09	Hose clamp B 22 X 12		1	
44	999 651 122 01	Cable clamp 7 - 1		2	
(45)	997 605 315 03	Adjusting motor Cyl. 1 - 3		1	
45	997 605 316 04	Adjusting motor Cyl. 4 - 6		1	
(46)	997 123 123 70	Operating rod Cyl. 1 - 3		1	
46	997 123 124 70	Operating rod Cyl. 4 - 6		1	
47	000 043 207 53	Pan-head screw M 6 X 25,6 -8.8		3	

Model: 997T10

Model life 2010>>2013



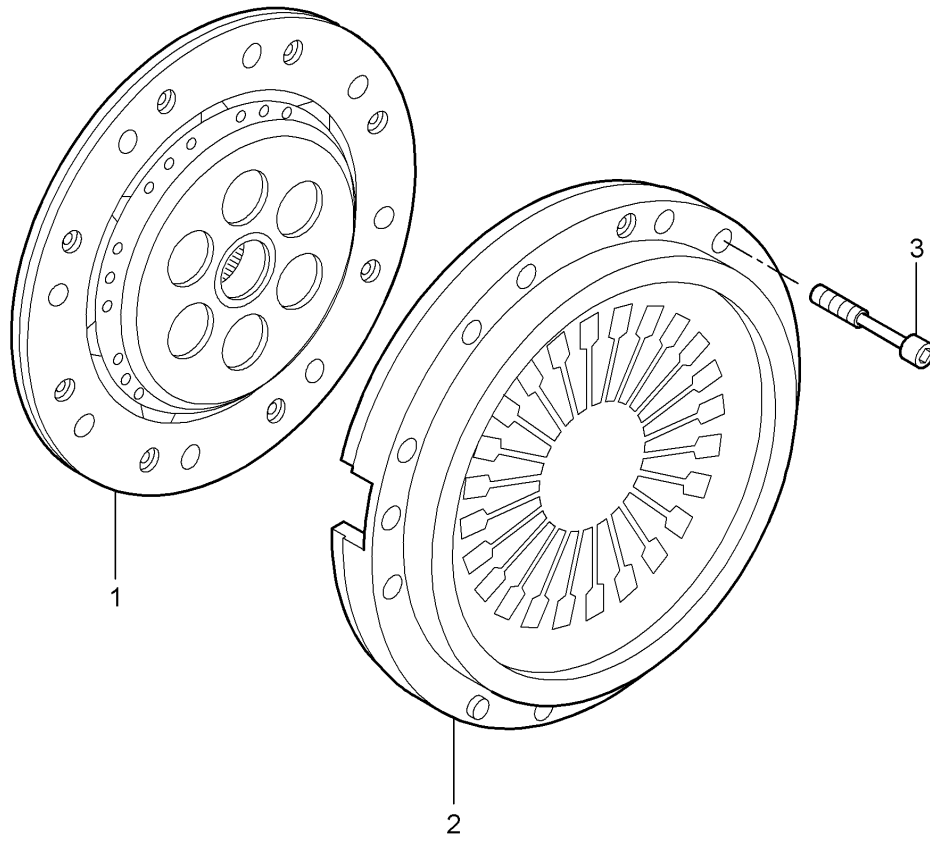
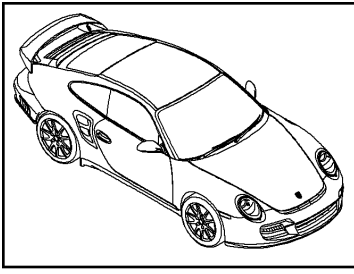
Model: 997T10

Model life 2010&gt;&gt;2013

Pos	Part Number	Description	Remark	Qty	Model
1	997 116 013 51	Clutch Clutch plate		1	
2	997 116 027 50	Pressure plate		1	
(2)	997 116 027 51	Pressure plate		1	
3	999 510 015 01	Pan-head screw M 8 X 40		9	

Model: 997T10

Model life 2010>>2013



Model: 997T10

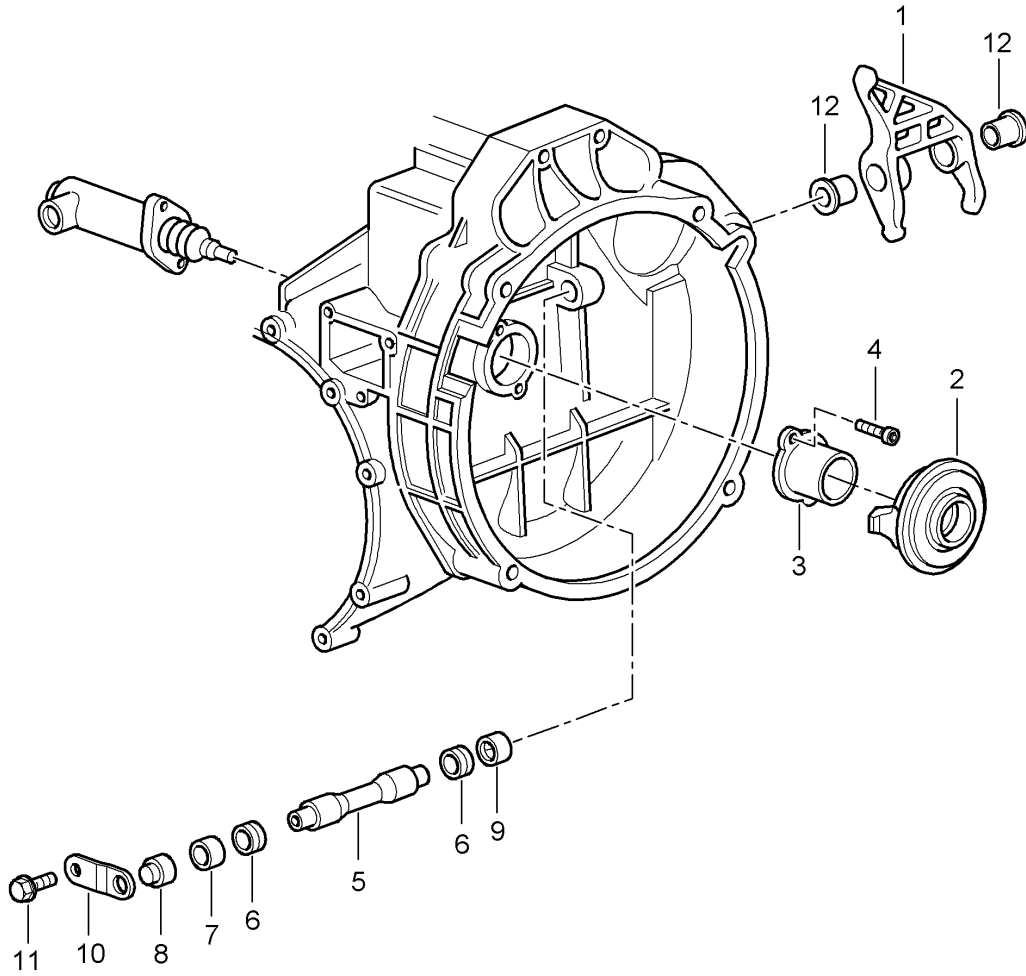
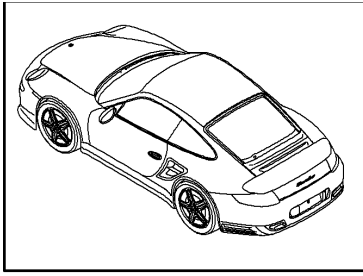
Model life 2010&gt;&gt;2013

Pos	Part Number	Description	Remark	Qty	Model
		Clutch			GT2 RS M97.70
1	997 116 013 91	Clutch plate		1	
2	996 116 027 51	Pressure plate		1	
3	900 067 073 02	Pan-head screw M 8 X 45		9	



Model: 997T10

Model life 2010>>2013



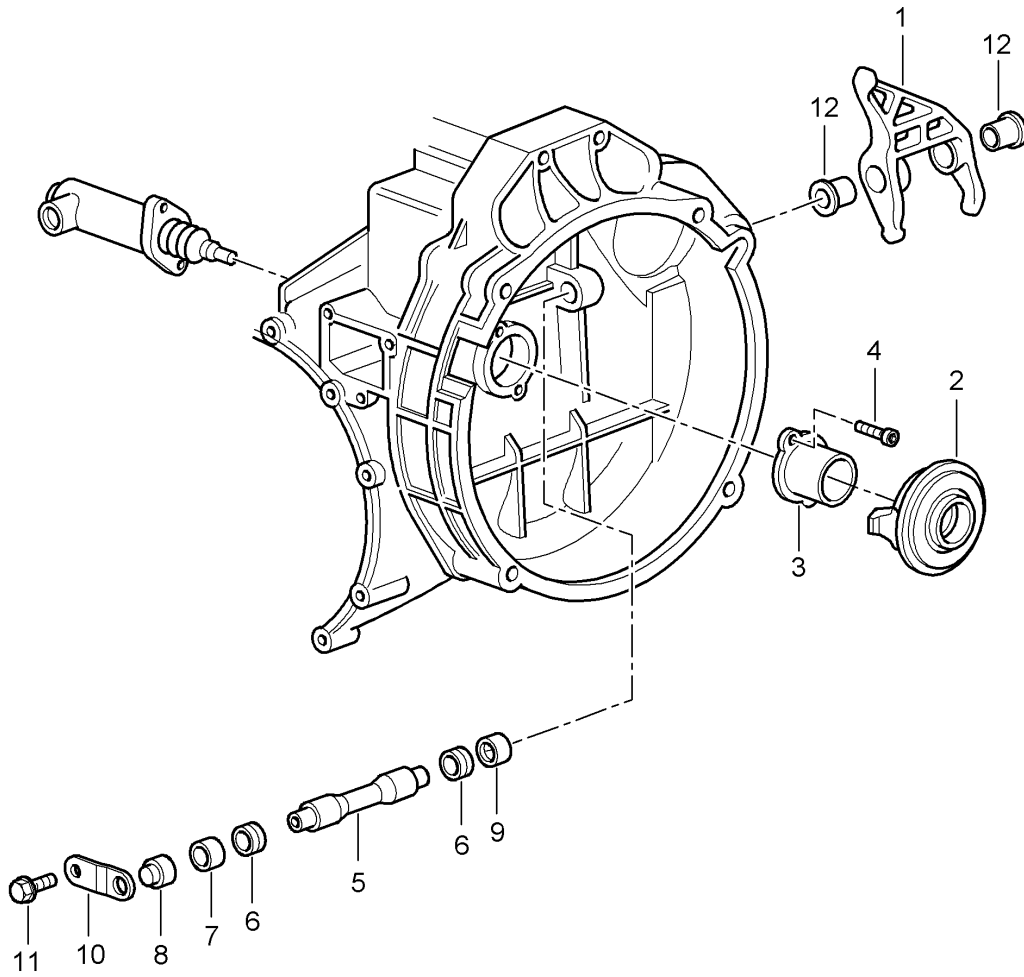
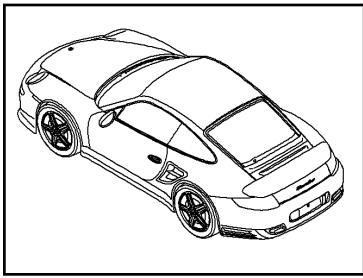
Model: 997T10

Model life 2010&gt;&gt;2013

Pos	Part Number	Description	Remark	Qty	Model
		Clutch release Clutch operating cylinder See illustrations 7/02/08			G97.55
1	997 116 712 50	Clutch release lever without Bush		1	
2	950 116 080 08	Clutch release bearing		1	
3	950 116 813 06	Guide tube		1	
4	999 270 070 01	Oval-head screw M 6 X 14		2	
5	950 116 710 04	Clutch control shaft		1	
6	999 113 418 40	Gasket 12,3 X 16,4		2	
7	999 201 339 00	Bush		1	
8	950 116 725 00	Cover		1	
9	999 201 365 00	Articulated bush		1	
9	999 201 365 01	Articulated bush		1	
10	950 116 713 02	Retaining bracket		1	
11	900 075 057 03	Hexagon-head bolt M 6 X 16		1	
12	950 116 715 01	Bush		2	

Model: 997T10

Model life 2010>>2013



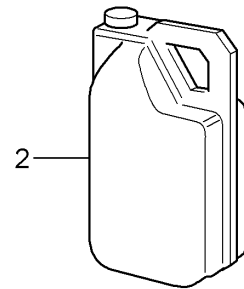
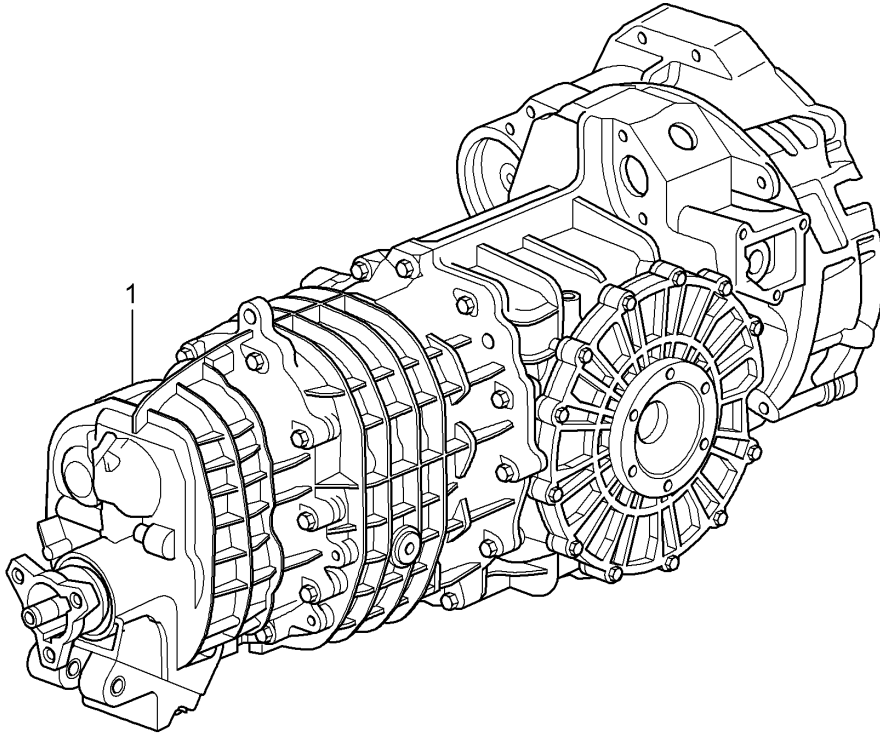
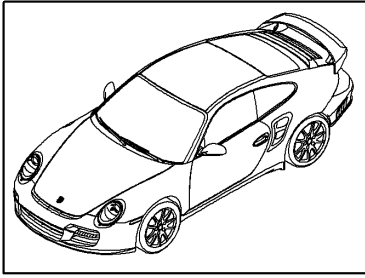
Model: 997T10

Model life 2010&gt;&gt;2013

Pos	Part Number	Description	Remark	Qty	Model
		Clutch release			GT2 RS G97.88
		Clutch operating cylinder See illustrations 7/02/08			
1	997 116 086 90	Release fork with Bush		1	
2	944 116 080 01	Clutch release bearing		1	
3	950 116 813 30	Guide tube		1	
4	999 270 070 01	Oval-head screw M 6 X 14		2	
5	950 116 710 04	Clutch control shaft		1	
6	999 113 418 40	Gasket 12,3 X 16,4		2	
7	999 201 339 00	Bush 13 X 19		1	
8	950 116 725 00	Cover		1	
9	999 201 365 00	Articulated bush 13 X 19		1	
9	999 201 365 01	Articulated bush 13 X 19		1	
10	950 116 713 02	Retaining bracket		1	
11	900 075 057 03	Hexagon-head bolt M 6 X 16		1	
12	950 116 715 01	Bush Release fork		2	

Model: 997T10

Model life 2010>>2013



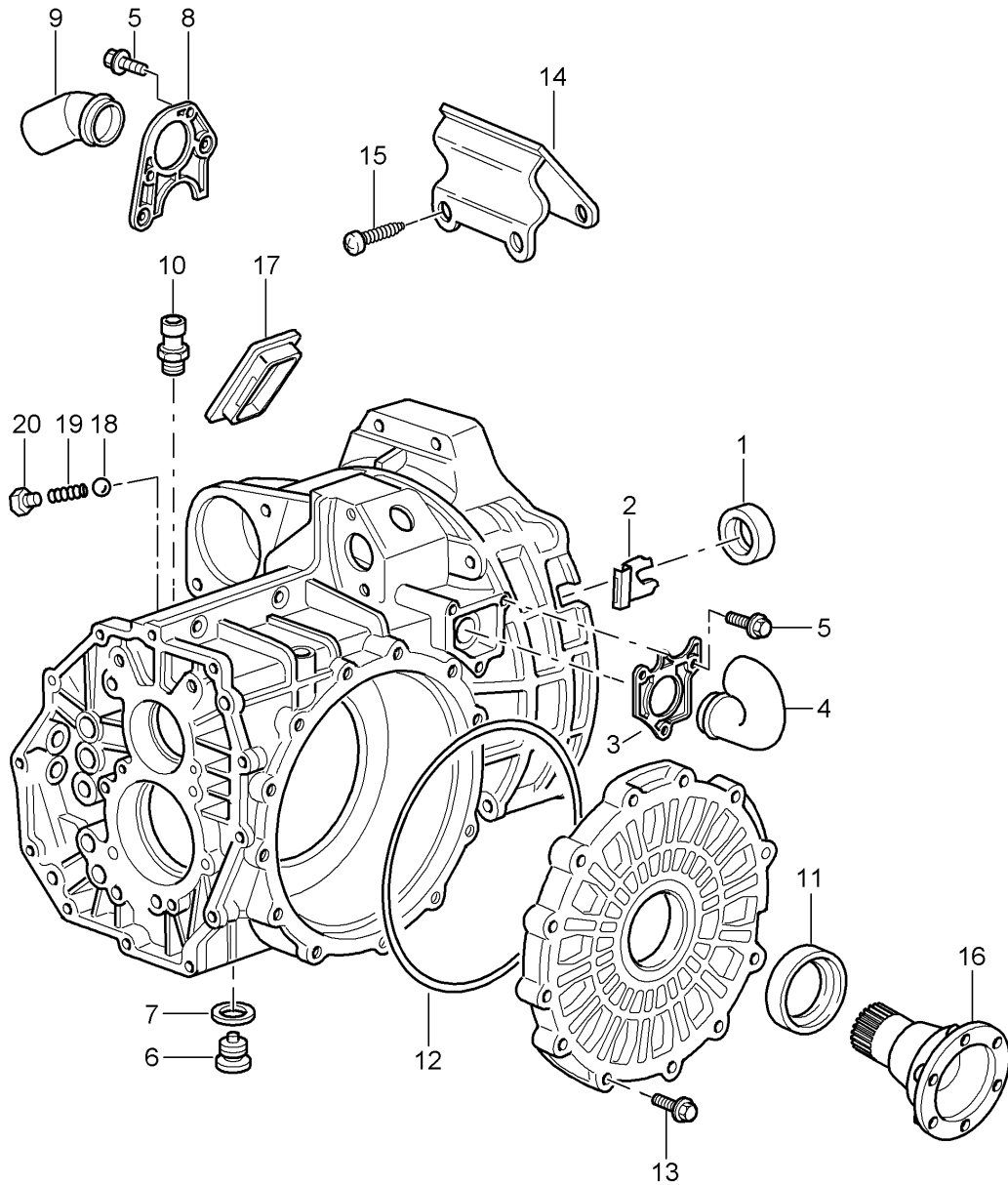
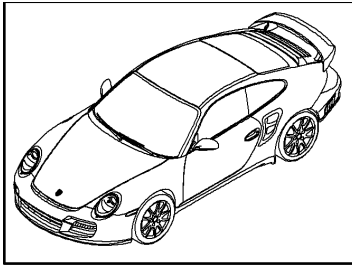
Model: 997T10

Model life 2010>>2013

Pos	Part Number	Description	Remark	Qty	Model
1	997 300 010 55	Replacement transmission Manual transmission  without Limited-slip differential		1	G97.55 G97.55 I219
1	997 300 010 56	Manual transmission  without Limited-slip differential		1	G97.55 I219
1	997 300 010 2X	Manual transmission  without Limited-slip differential	-10	1	G97.55 I219
1	997 300 010 56	Manual transmission  without Limited-slip differential	11-	1	G97.55 I219
1	997 300 010 3X	Manual transmission  without Limited-slip differential	11-	1	G97.55 I219
1	997 300 020 55	Manual transmission  with Limited-slip differential		1	G97.55 I220
1	997 300 020 3X	Manual transmission  with Limited-slip differential		1	G97.55 I220
2	000 043 204 20	Transmission oil MOBILUBE PTX 75 W 90 Container 20 LTR.		X	

Model: 997T10

Model life 2010>>2013



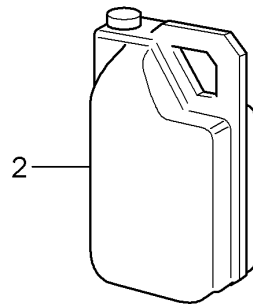
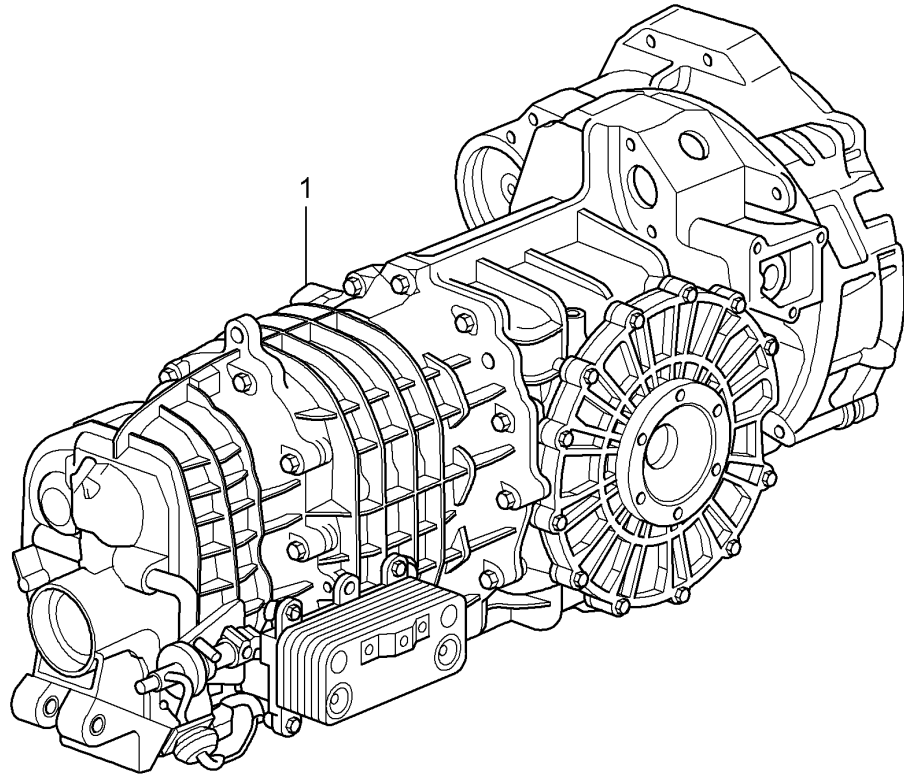
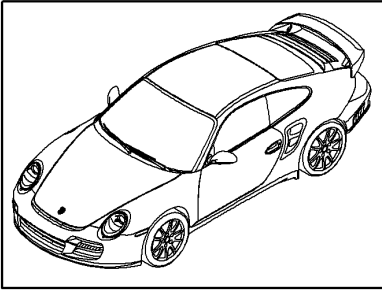
Model: 997T10 Model life 2010>>2013

Pos	Part Number	Description	Remark	Qty	Model
		Transmission case			G97.55
1	999 113 326 41	Shaft sealing ring 26,5 X 40		1	
2	993 116 630 00	Cap		1	
3	996 116 612 00	Flange		1	
4	993 116 610 00	Intake manifold		1	
5	900 378 035 09	Hexagon-head bolt M 6 X 16		5	
6	999 063 008 02	Screw plug with magnet M 22 X 1,5		1	
7	900 123 118 30	Sealing ring		1	
8	996 116 710 00	Flange socket		1	
9	993 116 610 00	Intake manifold		1	
10	996 301 071 00	Bleeder 17 X 12 X 28,1		1	
11	999 113 356 40	Shaft sealing ring 48 X 68 X 10		2	
12	999 701 008 40	O-ring 215 X 3,5		1	
13	999 141 048 01	Hexagon socket head bolt M 8 X 40		12	
14	997 449 101 50	Hook		1	
15	999 073 190 09	Oval-head screw M 8 X 60		2 2	
16	997 332 209 51	Joint flange		2	
(16)	997 332 209 52	Joint flange		2	
17	950 301 151 01	Cap		1	
18	900 108 064 00	Ball 8		4	
19	996 303 245 00	Compression spring		4	
20	900 124 027 01	Screw plug CM 10 X 1		4	
-	996 606 133 00	Switch		1	
-	000 043 209 23	Back-up light Grease LIQUI MOLY PU 53 / WDR 50 GR.		X	



Model: 997T10

Model life 2010>>2013



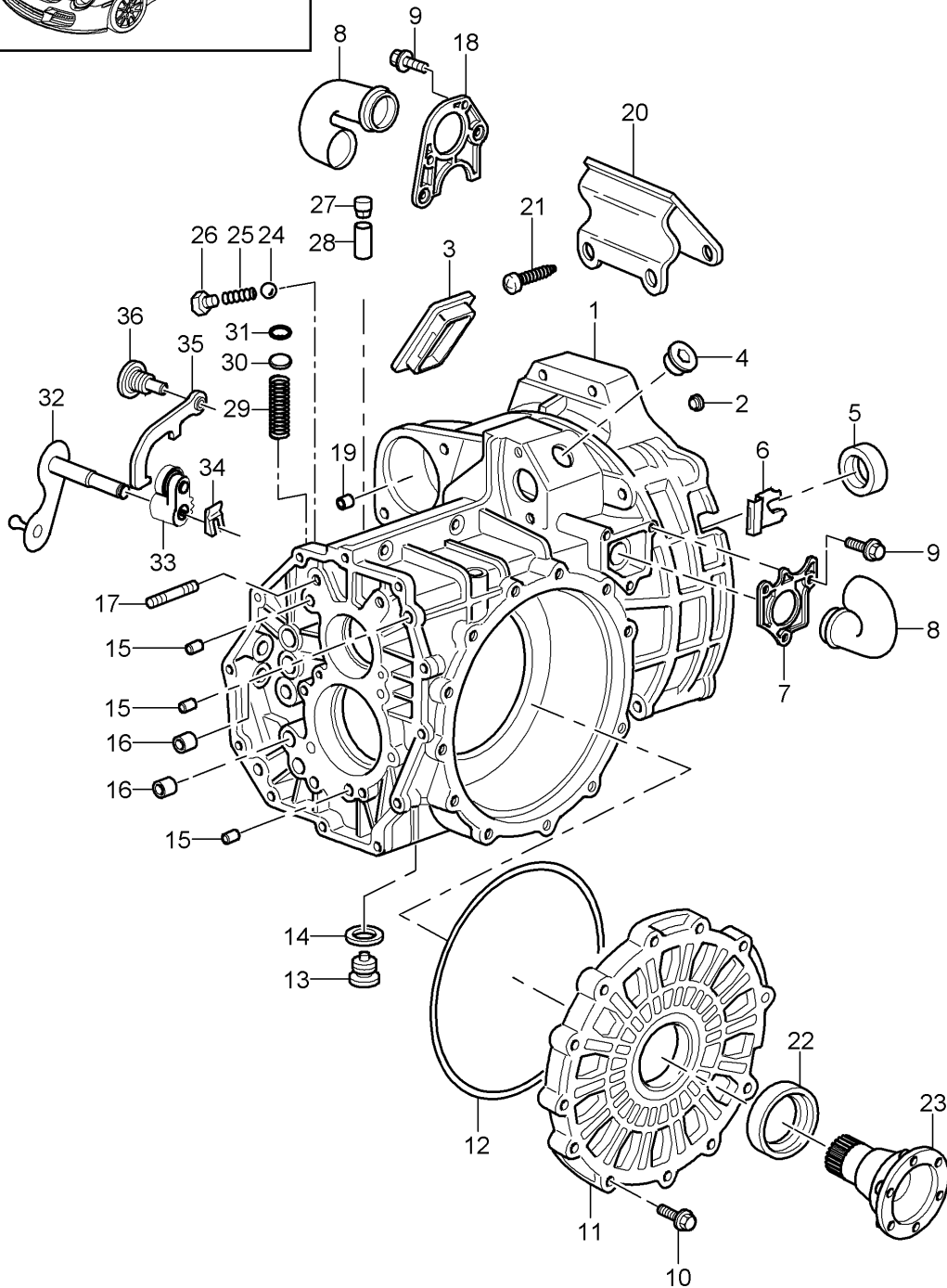
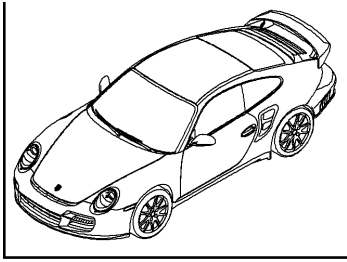
Model: 997T10

Model life 2010&gt;&gt;2013

Pos	Part Number	Description	Remark	Qty	Model
		Replacement transmission			GT2 RS G97.88
1	997 300 020 81	Manual transmission with Limited-slip differential		1	I220
1	997 300 020 8X	Manual transmission with Limited-slip differential		1	I220
2	000 043 204 20	Transmission oil MOBILUBE PTX 75 W 90 Container 20 LTR.		X	

Model: 997T10

Model life 2010>>2013



Model: 997T10

Model life 2010&gt;&gt;2013

Pos	Part Number	Description	Remark	Qty	Model
		Transmission case			GT2 RS G97.88
1	996 301 101 88	Transmission case		1	
2	999 036 002 40	Lid A 14 X 4,0		1	
3	950 301 151 01	Cap		1	
4	999 703 490 40	Lid 30 X 42		1	
5	999 113 326 41	Shaft sealing ring 26,5 X 40		1	
6	993 116 630 00	Cap		1	
7	996 116 612 00	Flange		1	
8	993 116 610 00	Intake manifold		2	
9	900 378 035 01	Hexagon-head bolt M 6 X 16		5	
10	900 378 281 01	Hexagon-head bolt M 8 X 35		12	
11	996 301 312 51	Transmission cover		1	
12	999 707 480 40	O-ring 205 X 3,5		1	
13	997 301 307 00	Screw plug with magnet M 22 X 1,5		1	
14	900 123 118 30	Sealing ring A 22 X 27		1	
15	900 012 144 00	Straight pin 12 M 6 X 14		4	
16	996 303 513 00	Round socket 15 X 21 X 22		4	
17	900 081 042 01	Stud BM 8 X 42		7	
18	996 116 710 00	Flange socket		1	
19	999 531 017 10	Bush 12,1 X 14		1	
20	997 449 101 50	Hook		1	
21	999 073 374 01	Oval-head screw M 8 X 60		2	
22	999 113 356 40	Shaft sealing ring 48 X 60 X 10		2	
23	997 332 209 51	Joint flange		2	
(23)	997 332 209 52	Joint flange		2	
24	900 108 064 00	Ball 8		4	
25	996 303 245 00	Compression spring		4	
26	900 219 007 01	Screw plug M 10 X 1		4	
27	014 301 485	Cap Bleeder		1	
28	014 301 473	Sleeve 12 X 30		1	
28	0A2 301 473	Sleeve		1	
29	996 303 255 00	Compression spring		1	
30	996 303 257 00	Lid 20 X 4		1	
31	900 042 003 01	Circlip 20 X 1		1	
32	996 303 055 01	Selector lever		1	
33	996 303 057 00	Pinion		1	
34	996 303 383 00	Lock		1	
35	996 303 053 00	Selector lever		1	
36	996 303 519 00	Bearing screw		1	
-	000 043 209 23	Grease LIQUI MOLY		X	

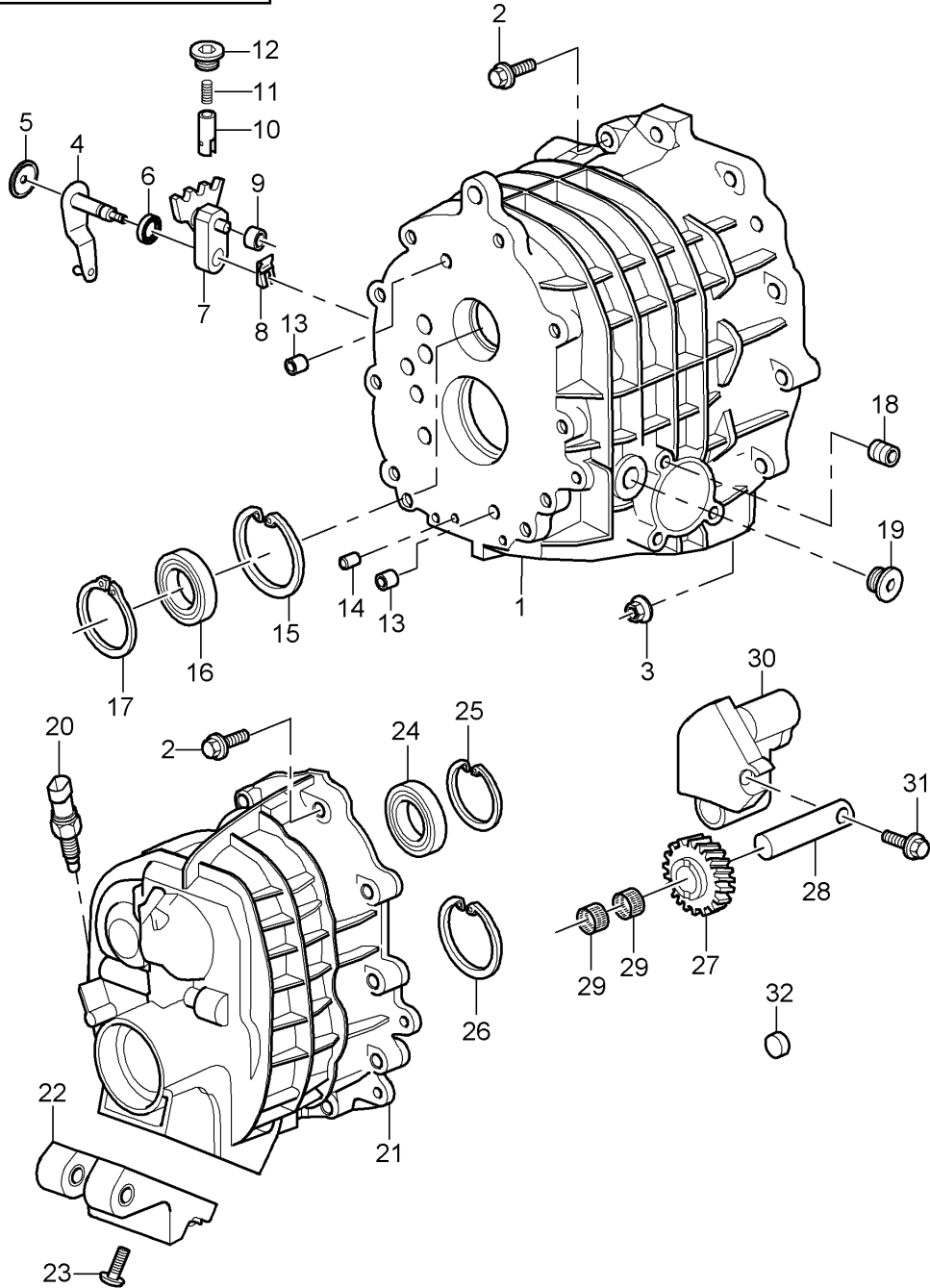
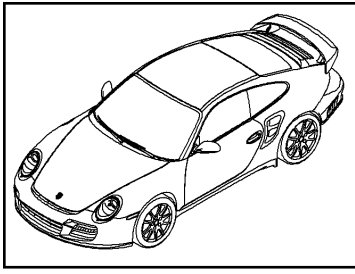
Model: 997T10

Model life 2010>>2013

Pos	Part Number	Description	Remark	Qty	Model
		PU 53 / WDR 50 GR.			

Model: 997T10

Model life 2010>>2013



Model: 997T10

Model life 2010&gt;&gt;2013

Pos	Part Number	Description	Remark	Qty	Model
		Gear housing			GT2 RS G97.88
		Transmission cover			
1	996 301 102 9A	Gear housing		1	
2	900 378 281 01	Hexagon-head bolt M 8 X 35		10	
3	900 076 064 02	Hexagon nut M 8		2	
4	996 303 031 9A	Gearshift lever		1	
5	986 424 133 00	Washer		1	
6	996 303 517 01	Shaft sealing ring 15 X 21 X 7		1	
6	996 303 517 00	Shaft sealing ring 15 X 21 X 7		1	
7	996 303 033 00	Shift segment		1	
8	996 303 383 00	Lock		1	
9	996 303 303 00	Roller 20 X 8 X 8		1	
10	996 303 035 00	Bolt		1	
11	996 303 235 00	Compression spring		1	
12	900 908 021 01	Screw plug M 18 X 1,5		1	
13	996 303 515 00	Bearing sleeve 15 X 17 X 12		2	
14	900 012 144 00	Straight pin A 12,0 X 14		2	
15	999 152 031 01	Circlip SB 68 X 1,50		1	
16	999 110 181 00	Cylindrical-roller bearing 30 X 62 X 16		1	
17	900 111 001 00	Circlip SP 62		1	
18	999 504 004 00	Threaded insert M 8 X 16		3	
19	N 910 597 01	Screw plug M 22 x 1,5		1	
20	996 606 133 00	Switch		1	
21	996 301 301 9A	Back-up light Transmission cover Rear		1	
22	722 260 006 2	Bearing		1	
23	999 073 095 01	Transmission cover Oval-head screw M 8 X 30		4	
24	999 110 194 01	Cylindrical-roller bearing 25 X 52 X 15		1	
25	999 152 062 01	Circlip SB 52 X 1,5		1	
26	999 152 024 01	Circlip SB 62 X 1,5		1	
27		Reverse idler gear See illustrations 3/03/01		1	
28	996 302 228 50	Bolt		1	
29	996 302 224 00	Reverse idler gear Needle cage 20 X 26 X 17		2	
(30)	996 302 225 51	Segment		1	
31	900 378 150 01	Hexagon-head bolt M 8 X 55		1	
32	999 501 023 30	Stopper 6,7		1	
33	996 303 523 01	Bearing sleeve		2	

Model: 997T10

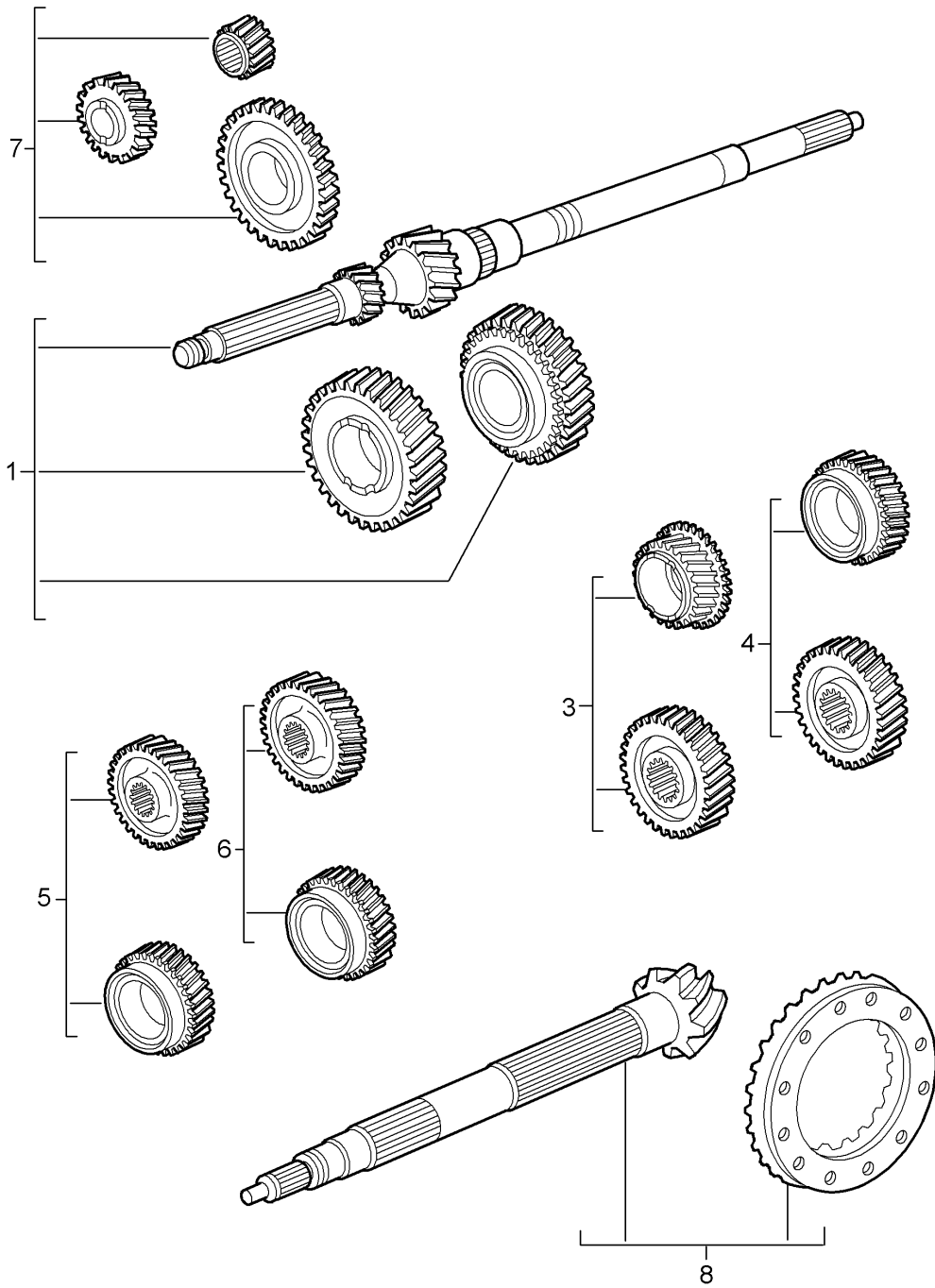
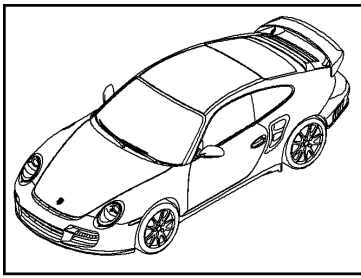
Model life 2010>>2013

Pos	Part Number	Description	Remark	Qty	Model
		13X15X10			



Model: 997T10

Model life 2010>>2013



Model: 997T10

Model life 2010>>2013

Pos	Part Number	Description	Remark	Qty	Model
		Gear wheel sets			GT2 RS G97.88
1	997 302 901 88	Gear set 1st / 2nd gear 1st gear Z = 41 : 13 2nd gear Z = 34 : 18		1	
3	997 302 953 88	Gear set 3rd gear Z = 35 : 25		1	
4	997 302 954 88	Gear set 4th speed Z = 35 : 32		1	
5	997 302 955 88	Gear set 5th gear Z = 33 : 37		1	
6	997 302 956 88	Gear set 6th gear Z = 33 : 45		1	
7	997 302 907 88	Gear set Reverse gear		1	
8	950 302 911 71	Ring gear and pinion shaft 31 : 9		1	

Model: 997T10

Model life 2010>>2013



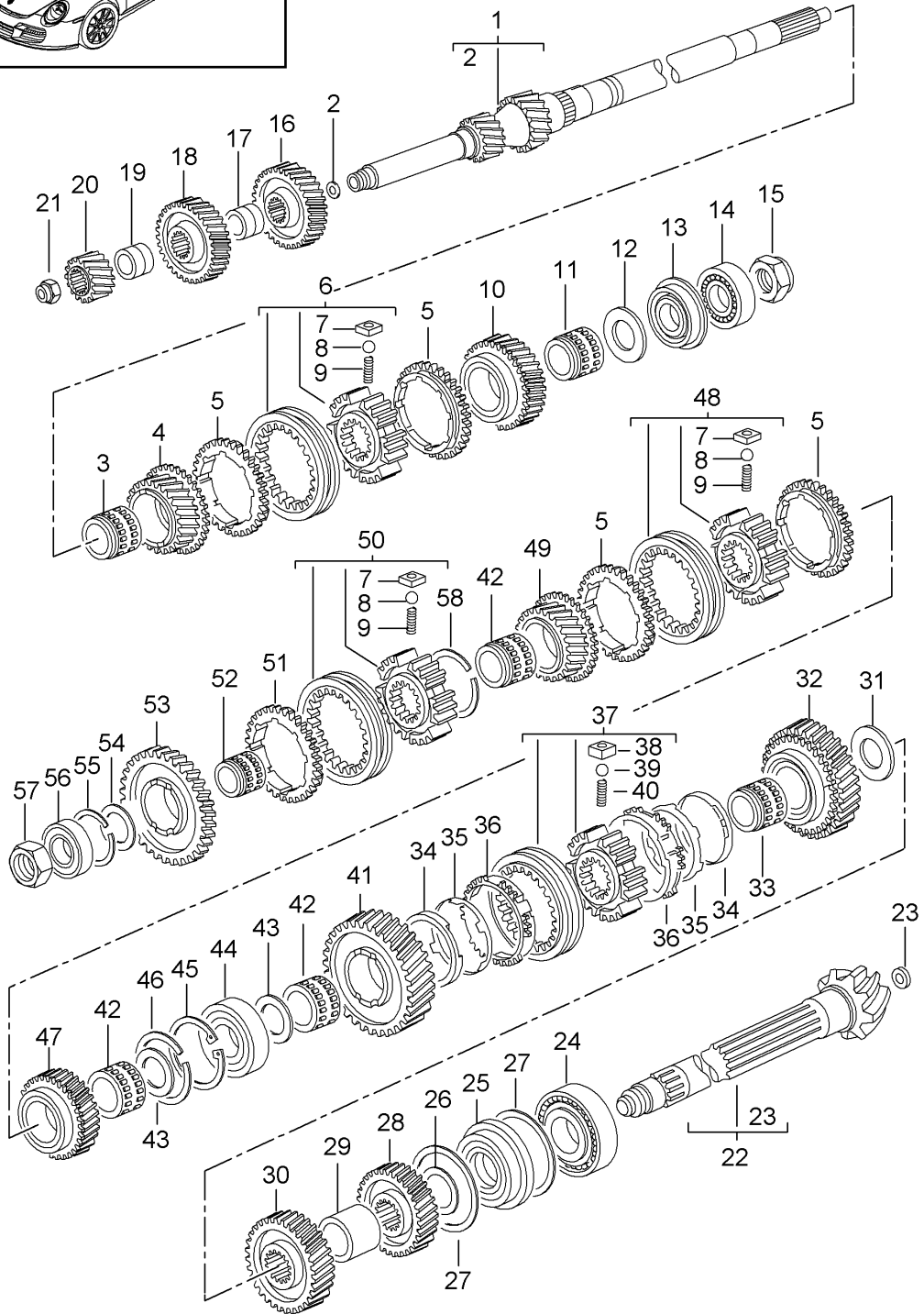
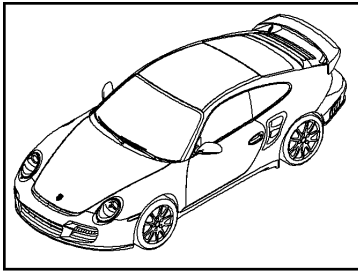
Model: 997T10

Model life 2010&gt;&gt;2013

Pos	Part Number	Description	Remark	Qty	Model
1	996 302 121 9A	Gears and shafts Retainer plate		1	G97.88

Model: 997T10

Model life 2010>>2013



Model: 997T10

Model life 2010&gt;&gt;2013

Pos	Part Number	Description	Remark	Qty	Model
		Gears and shafts			GT2 RS G97.88
		Gear wheel sets See illustrations 3/03/01			
1		Drive shaft		1	
2	964 302 335 02	Washer 7 MM		1	
3	999 201 718 02	Needle-roller bearing 42 X 47 X 32		1	
4		Loose gear wheel 3rd gear		1	
5	928 304 211 30	Synchroniser ring		4	
6	996 304 021 51	Guide sleeve 3rd/4th gear		1	
10		Loose gear wheel 4th speed		1	
11	999 201 719 02	Needle-roller bearing 35 X 47 X 32,2		1	
12	996 302 294 50	Thrust washer 4th speed		1	
13	999 052 094 00	Four-point bearing 30 X 62 X 16		1	
13	999 052 098 00	Four-point bearing 30 X 62 X 16		1	
14	999 110 117 01	Cylindrical-roller bearing 30 X 62 X 20		1	
15	999 034 033 00	Hexagon nut M 30 X 1,5		1	
16		Fixed gear wheel 6th gear		1	
17	950 302 268 12	Spacer sleeve 5th gear And 6th gear		1	
18		Fixed gear wheel 5th gear		1	
19	950 302 270 02	Spacer sleeve		1	
20		Fixed gear wheel Reverse gear		1	
21	999 034 035 00	Lock nut M 22 X 1,5		1	
22		Pinion shaft		1	
23	964 302 335 01	Washer 14,5		1	
24	999 110 119 01	Cylindrical-roller bearing 40 X 90 X 23		1	
25	999 052 227 00	Angular-contact bearing 40 X 82 X 18		1	
26	996 302 163 50	Shim 90 X 97 X 0,50		X	
26	996 302 163 51	Shim 90 X 97 X 0,55		X	
26	996 302 163 52	Shim 90 X 97 X 0,60		X	
26	996 302 163 53	Shim 90 X 97 X 0,65		X	
26	996 302 163 54	Shim 90 X 97 X 0,70		X	
26	996 302 163 55	Shim 90 X 97 X 0,75		X	
26	996 302 163 56	Shim 90 X 97 X 0,80		X	

Model: 997T10

Model life 2010&gt;&gt;2013

Pos	Part Number	Description	Remark	Qty	Model
26	996 302 163 57	Shim 90 X 97 X 0,85		X	
26	996 302 163 58	Shim 90 X 97 X 0,90		X	
26	996 302 163 59	Shim 90 X 97 X 0,95		X	
26	996 302 163 60	Shim 90 X 97 X 1,00		X	
26	996 302 163 61	Shim 90 X 97 X 1,05		X	
26	996 302 163 62	Shim 90 X 97 X 1,10		X	
26	996 302 163 63	Shim 90 X 97 X 1,15		X	
26	996 302 163 64	Shim 90 X 97 X 1,20		X	
26	996 302 163 65	Shim 90 X 97 X 1,25		X	
26	996 302 163 66	Shim 90 X 97 X 1,30		X	
26	996 302 163 67	Shim 90 X 97 X 1,35		X	
26	996 302 163 68	Shim 90 X 97 X 1,40		X	
26	996 302 163 69	Shim 90 X 97 X 1,45		X	
26	996 302 163 70	Shim 90 X 97 X 1,50		X	
26	996 302 163 71	Shim 90 X 97 X 1,55		X	
26	996 302 163 72	Shim 90 X 97 X 1,60		X	
27	996 302 151 50	Shim 40 X 50 X 0,40		X	
27	996 302 151 51	Shim 40 X 50 X 0,45		X	
27	996 302 151 52	Shim 40 X 50 X 0,50		X	
27	996 302 151 53	Shim 40 X 50 X 0,55		X	
27	996 302 151 54	Shim 40 X 50 X 0,60		X	
27	996 302 151 55	Shim 40 X 50 X 0,65		X	
27	996 302 151 56	Shim 40 X 50 X 0,70		X	
27	996 302 151 57	Shim 40 X 50 X 0,80		X	
27	996 302 151 58	Shim 40 X 50 X 0,90		X	
27	996 302 151 59	Shim 40 X 50 X 1,00		X	
27	996 302 151 60	Shim 40 X 50 X 1,10		X	
27	996 302 151 61	Shim 40 X 50 X 1,20		X	
27	996 302 151 62	Shim 40 X 50 X 1,30		X	
27	996 302 151 63	Shim 40 X 50 X 0,75		X	
28		Fixed gear wheel 4th speed		1	
(29)	964 307 331 01	Drive wheel		1	

Model: 997T10

Model life 2010>>2013

Pos	Part Number	Description	Remark	Qty	Model
30		Oil pump		1	
31	996 302 295 50	Fixed gear wheel 3rd gear		1	
32		Thrust washer 2nd gear		1	
(33)	999 201 471 00	Loose gear wheel 2nd gear		1	
(33)	999 201 471 01	Needle-roller bearing 45 X 50 X 32 Large Red		1	
33	999 201 471 02	Needle-roller bearing 45 X 50 X 32 Medium Black		1	
-	999 201 472 00	Needle-roller bearing 45 X 50 X 32 Small Grey		1	
34	950 304 617 20	Inner ring		2	
35	996 304 613 20	Needle-roller bearing 39,68 X 45		2	
36	950 304 611 20	Ring		2	
37	996 304 061 50	Cone ring		2	
38	996 304 651 00	Synchroniser ring		1	
39	900 108 058 00	Guide sleeve 1st / 2nd gear		3	
40	950 304 661 03	Stone		3	
41		Ball 5 MM		3	
42	999 201 715 02	Compression spring		3	
43	950 302 295 07	Loose gear wheel 1st gear		1	
44	999 110 109 01	Needle-roller bearing 35 X 50 X 32,2		3	
45	999 152 106 00	Thrust washer 1st gear		2	
46	N 100 709 01	And 6th gear		1	
47		Cylindrical-roller bearing 35 X 80 X 18		1	
48	950 304 021 23	Circlip SP 80		1	
49		Loose gear wheel 6th gear		1	
50	996 304 021 50	Guide sleeve 5th gear		1	
51	928 304 211 24	And 6th gear		1	
52	999 201 716 02	Loose gear wheel 5th gear		1	
53		Guide sleeve Reverse gear		1	
54	950 302 296 07	Synchroniser ring Reverse gear		1	
55	999 152 024 01	Needle-roller bearing 32 X 45 X 27,2		1	
		Loose gear wheel Reverse gear		1	
		Thrust washer Reverse gear		1	
		Circlip		1	



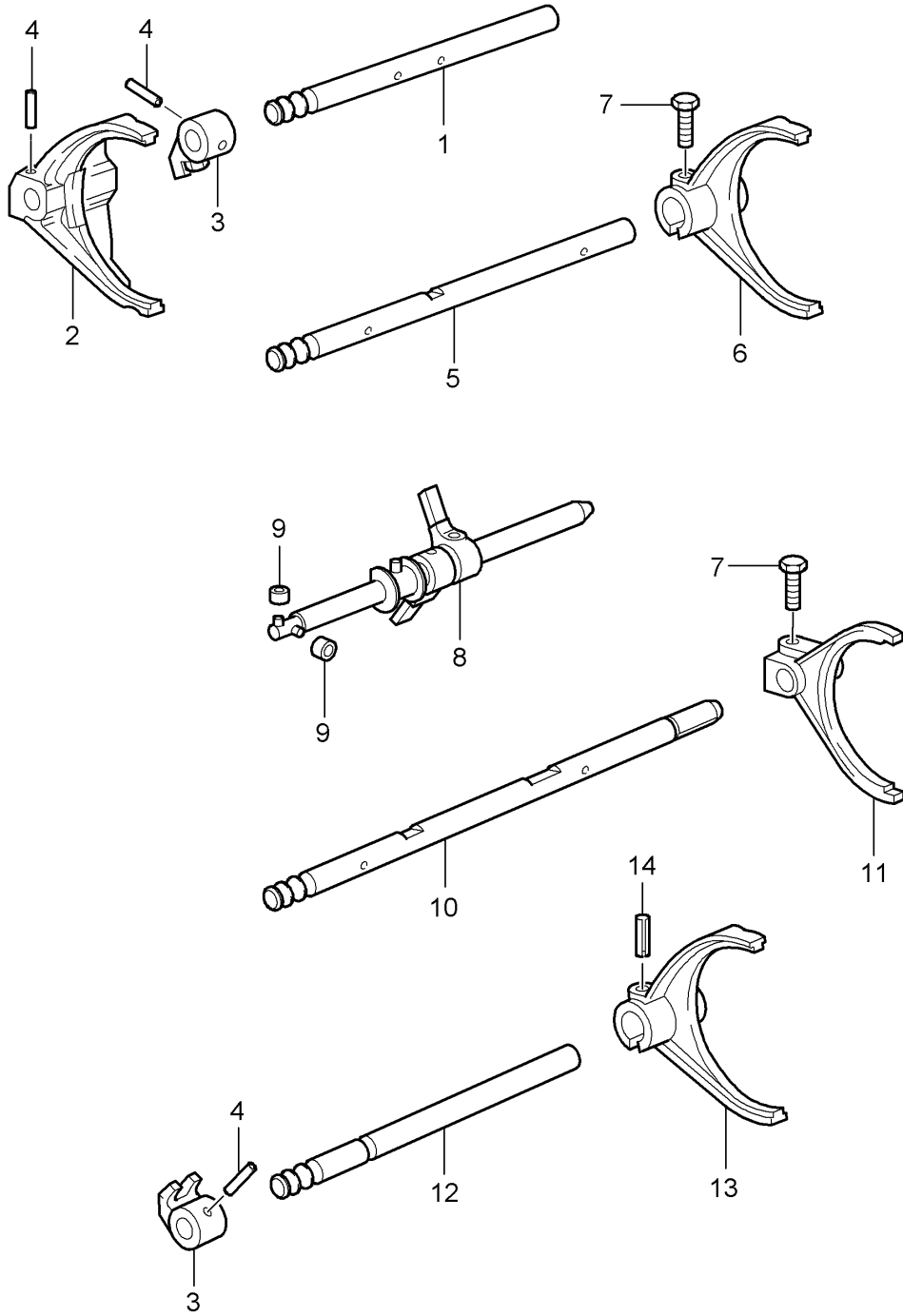
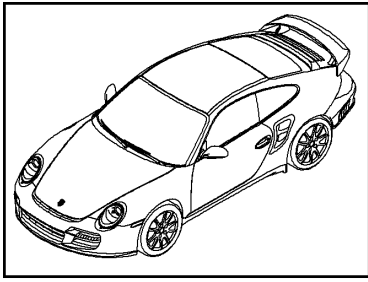
Model: 997T10

Model life 2010&gt;&gt;2013

Pos	Part Number	Description	Remark	Qty	Model
56	999 110 192 00	62 X 1,50 Cylindrical-roller bearing		1	
57	999 034 034 00	30 X 62 X 16 Hexagon nut		1	
58	999 152 111 00	M 30 X 1,25 Circlip 78 X 1,50		1	

Model: 997T10

Model life 2010>>2013



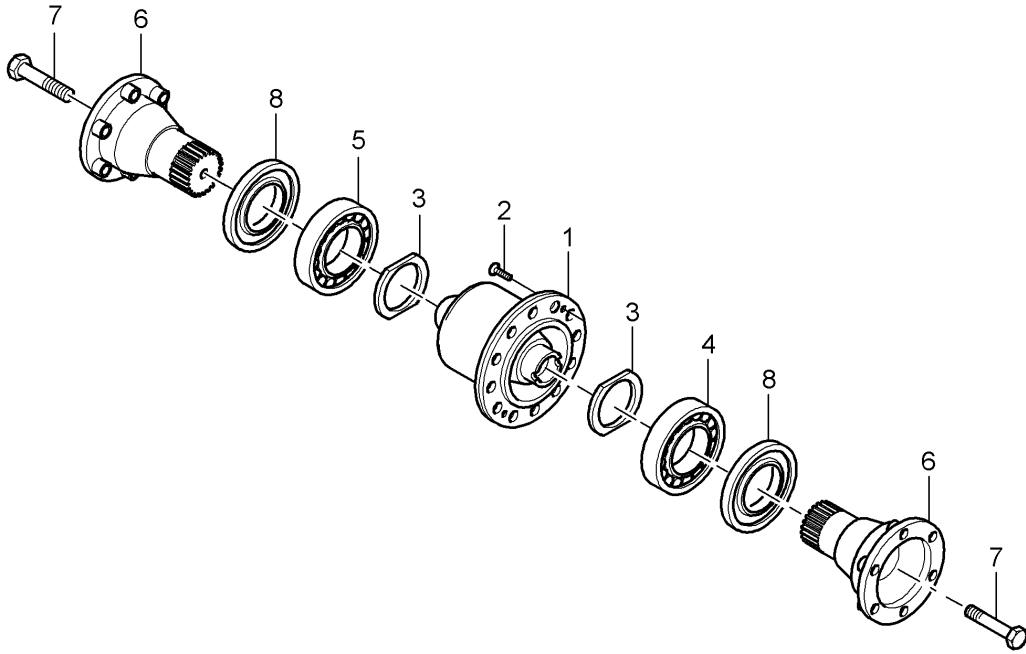
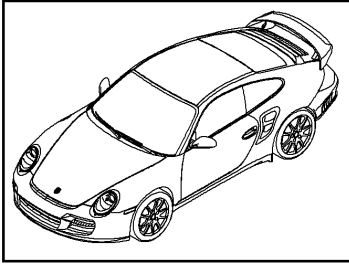
Model: 997T10

Model life 2010>>2013

Pos	Part Number	Description	Remark	Qty	Model
		Gear shift rod			GT2 RS G97.88
1	996 303 103 52	Shift fork Shift rod Gear shift rod		1	
2	996 303 113 88	3rd/4th gear Shift fork 3rd/4th gear		1	
3	996 303 121 50	Driver		2	
4	900 309 008 00	Roll pin 6 X 24		3	
5	996 303 106 51	Gear shift rod 5th gear And		1	
6	996 303 116 50	6th gear Shift fork 5th gear And		1	
7	999 217 036 01	6th gear Hexagon-head bolt M 8 X 30		2	
8	997 303 021 52	Shift rod		1	
9	996 303 403 00	Roller 10 X 5 X 3		4	
10	996 303 105 52	Gear shift rod Reverse gear		1	
11	996 303 115 50	Shift fork Reverse gear		1	
12	996 303 101 51	Gear shift rod 1st / 2nd gear		1	
13	996 303 111 51	Shift fork 1st / 2nd gear		1	
14	900 095 017 01	Roll pin 5,0 X 24		2	
-	996 303 141 50	Detent		1	
-	996 303 142 50	Detent Short		2	
-	996 303 143 50	Detent Intermediate piece		2	

Model: 997T10

Model life 2010>>2013



Model: 997T10

Model life 2010&gt;&gt;2013

Pos	Part Number	Description	Remark	Qty	Model
		Limited-slip differential			GT2 RS G97.88
		Complete			
1	997 332 083 91	Limited-slip differential 28/40 %		1	
2	999 217 152 01	Hexagon-head bolt M 12 X 1,25		12	
3	996 332 266 50	Adjusting ring 50,4 X 65 X 1,50		X	
3	996 332 266 51	Adjusting ring 50,4 X 65 X 1,55		X	
3	996 332 266 52	Adjusting ring 50,4 X 65 X 1,60		X	
3	996 332 266 53	Adjusting ring 50,4 X 65 X 1,65		X	
3	996 332 266 54	Adjusting ring 50,4 X 65 X 1,70		X	
3	996 332 266 55	Adjusting ring 50,4 X 65 X 1,75		X	
3	996 332 266 56	Adjusting ring 50,4 X 65 X 1,80		X	
3	996 332 266 57	Adjusting ring 50,4 X 65 X 1,85		X	
3	996 332 266 58	Adjusting ring 50,4 X 65 X 1,90		X	
3	996 332 266 59	Adjusting ring 50,4 X 65 X 1,95		X	
3	996 332 266 60	Adjusting ring 50,4 X 65 X 2,00		X	
3	996 332 266 61	Adjusting ring 50,4 X 65 X 2,05		X	
3	996 332 266 62	Adjusting ring 50,4 X 65 X 2,10		X	
3	996 332 266 63	Adjusting ring 50,4 X 65 X 2,15		X	
3	996 332 266 64	Adjusting ring 50,4 X 65 X 2,20		X	
3	996 332 266 65	Adjusting ring 50,4 X 65 X 2,25		X	
3	996 332 266 66	Adjusting ring 50,4 X 65 X 2,30		X	
3	996 332 266 67	Adjusting ring 50,4 X 65 X 2,35		X	
3	996 332 266 68	Adjusting ring 50,4 X 65 X 2,40		X	
3	996 332 266 69	Adjusting ring 50,4 X 65 X 2,45		X	
3	996 332 266 70	Adjusting ring 50,4 X 65 X 2,50		X	
3	996 332 266 71	Adjusting ring 50,4 X 65 X 2,55		X	
3	996 332 266 72	Adjusting ring 50,4 X 65 X 2,60		X	
3	996 332 266 73	Adjusting ring 50,4 X 65 X 2,65		X	
3	996 332 266 74	Adjusting ring 50,4 X 65 X 2,70		X	
3	996 332 266 75	Adjusting ring 50,4 X 65 X 2,75		X	
3	996 332 266 76	Adjusting ring 50,4 X 65 X 2,80		X	
4	999 059 064 00	Taper roller bearing 50 X 90 X 20		1	

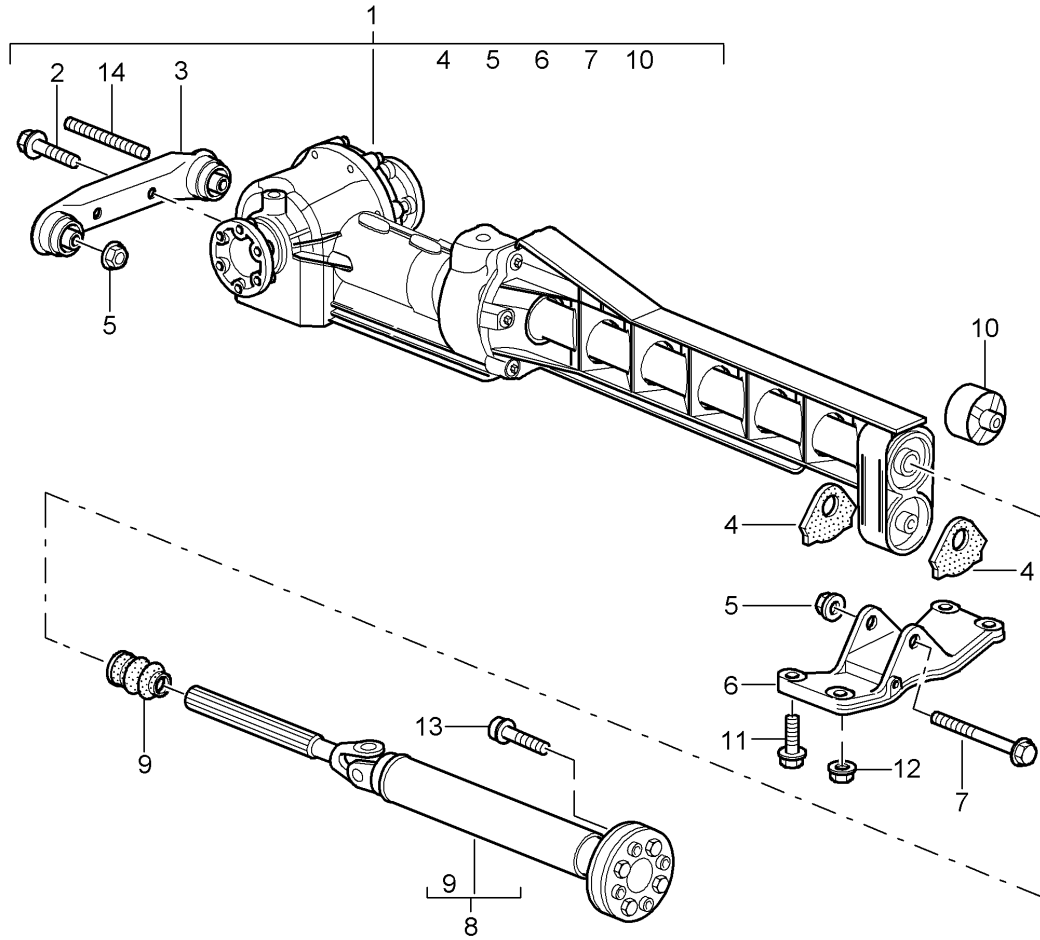
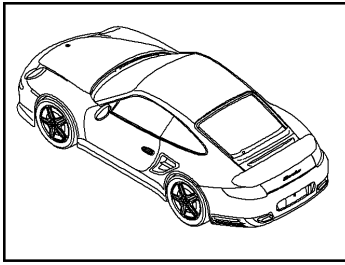
Model: 997T10

Model life 2010>>2013

Pos	Part Number	Description	Remark	Qty	Model
5	999 059 066 02	Taper roller bearing 50 X 80 X 20		1	
6	997 332 209 51	Joint flange		2	
(6)	997 332 209 52	Joint flange		2	
7	999 217 027 01	Hexagon-head bolt M 10 X 85		2	
8	999 113 356 40	Shaft sealing ring 48 X 68 X 10		2	

Model: 997T10

Model life 2010>>2013



Model: 997T10

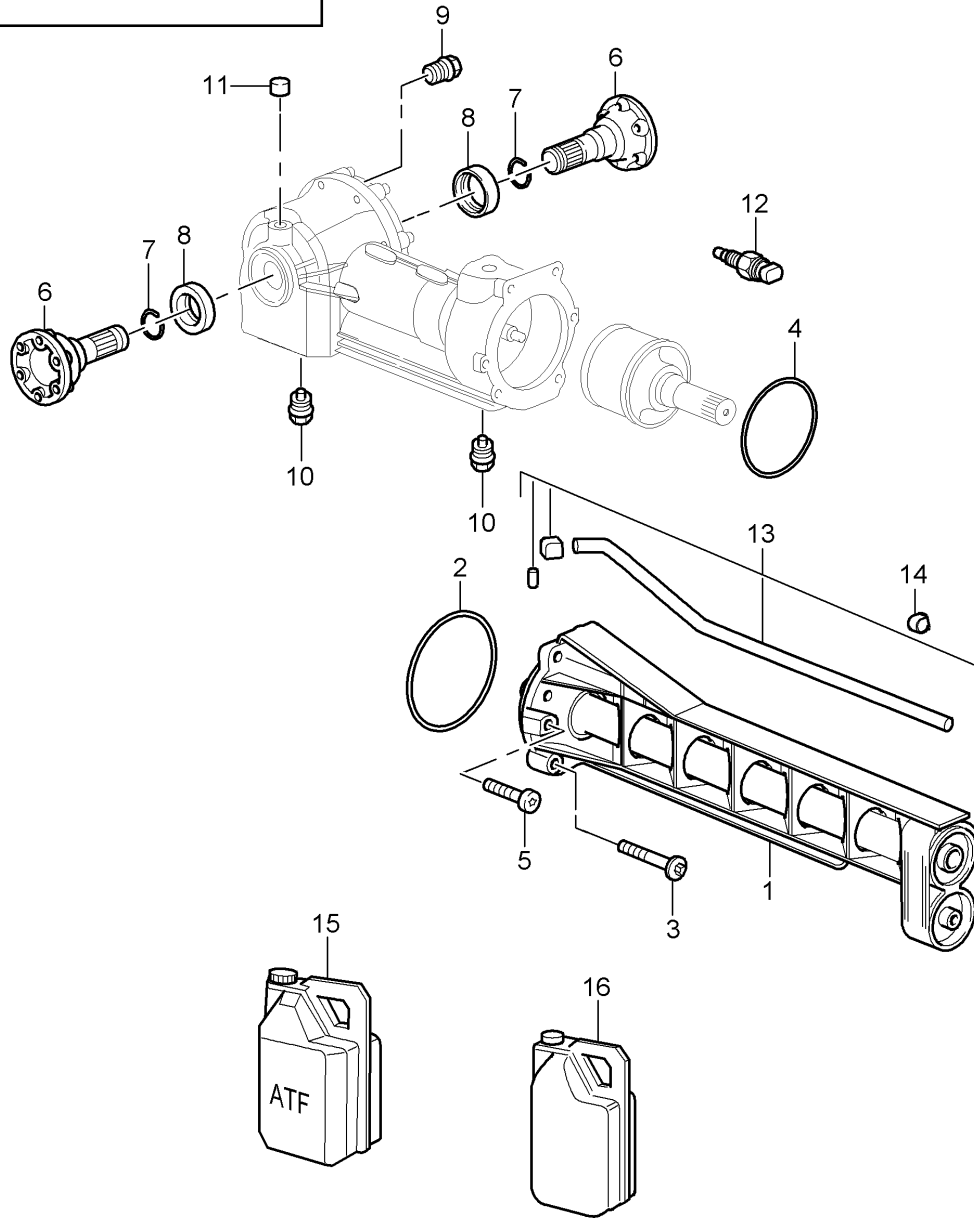
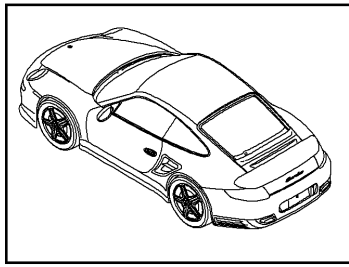
Model life 2010&gt;&gt;2013

Pos	Part Number	Description	Remark	Qty	Model
		Front-axle final drive Cardan shaft			
1	997 349 020 53	Front-axle final drive Ready for installation		1	
1	997 349 020 54	Front-axle final drive Ready for installation		1	
1	997 349 010 50	Front-axle final drive Ready for installation		1	I303
2	999 072 034 01	Conical screw M 10 X 28		2	
3	997 375 934 00	Transmission carrier Front		1	
4	997 375 257 00	Stop		2	
5	900 380 008 01	Hexagon nut M 10		1	
6	997 375 343 00	Transmission carrier Rear		1	
7	900 378 142 01	Hexagon-head bolt M 10 X 90		1	
8	997 421 020 01	Cardan shaft		1	I480
(8)	9G1 421 020 01	Cardan shaft		1	I250
9	996 421 145 01	Boot		1	
10	996 375 054 03	Transmission mounting Rear		1	
11	900 385 123 01	Combination screw M 10 X 25		4	
12	999 076 053 09	Hexagon nut M 10		2	
13	900 385 097 01	Torx screw M 10 X 35		3	
14	999 061 111 99	Stud M 10 X 121		2	



Model: 997T10

Model life 2010>>2013



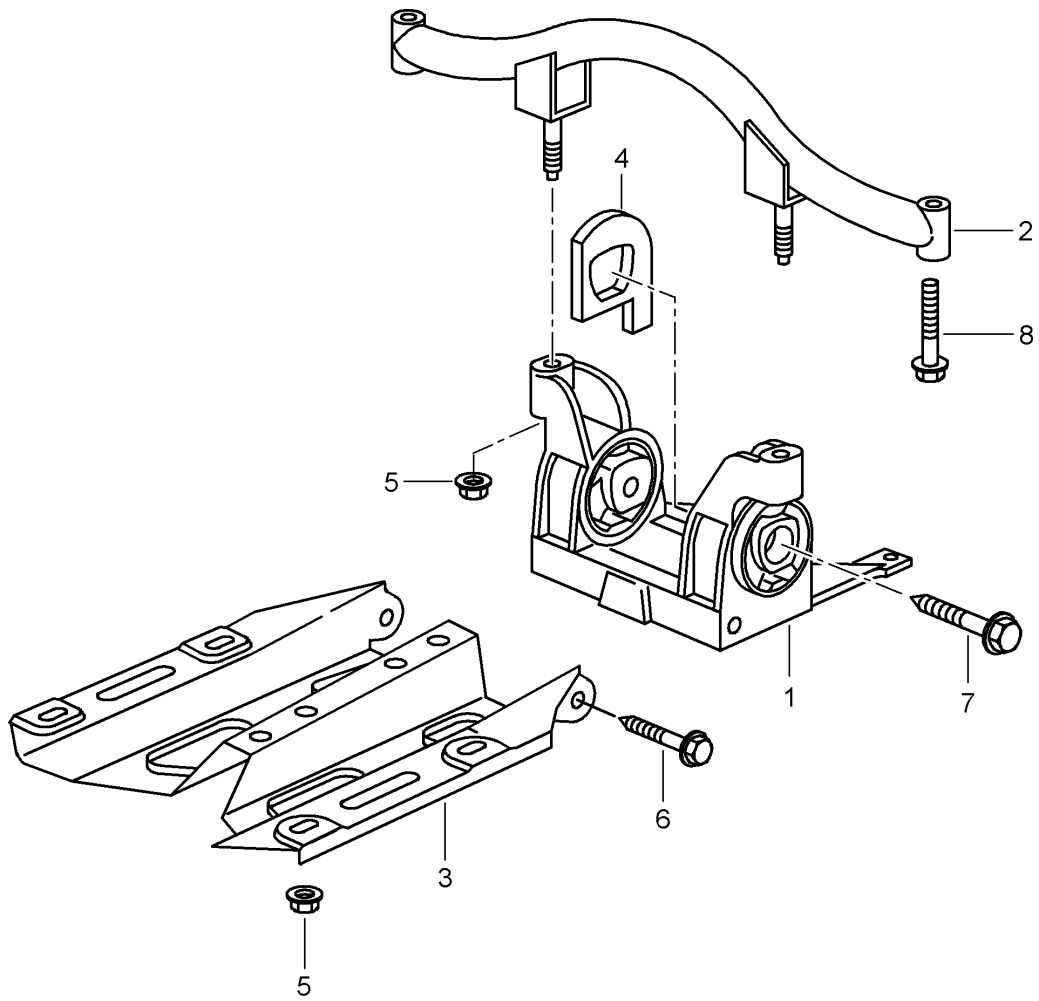
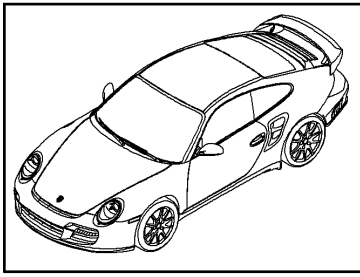
Model: 997T10

Model life 2010>>2013

Pos	Part Number	Description	Remark	Qty	Model
		Front-axle final drive Clutch Single parts			
1	997 337 041 50	Bracket		1	
2	999 707 455 40	O-ring 123 X 3		1	
3	900 385 141 01	Torx screw M 8 X 40		5	
5	997 337 825 00	Pan-head screw M 8 X 25		2	
6	997 332 309 00	Joint flange		2	
7	996 332 311 00	Circlip 20 X 2,5		2	
8	999 113 454 40	Shaft sealing ring 40 X 60 X 9		2	
9	900 124 013 01	Screw plug M 18 X 1,5		2	
10	900 124 014 01	Oil filler screw Screw plug M 18 X 1,5		2	
11	014 301 485	Drain plug Cap Bleeder 17 X 13,5		1	
12	997 606 303 00	Temperature sensor		1	
13	997 337 071 00	Breather hose		1	
14	999 507 339 01	Cable terminal		4	
15	000 043 303 00	Transmission oil for Clutch 1 LTR. Container		1	
16		Transmission oil Front-axle final drive See illustrations 3/02/00			

Model: 997T10

Model life 2010>>2013



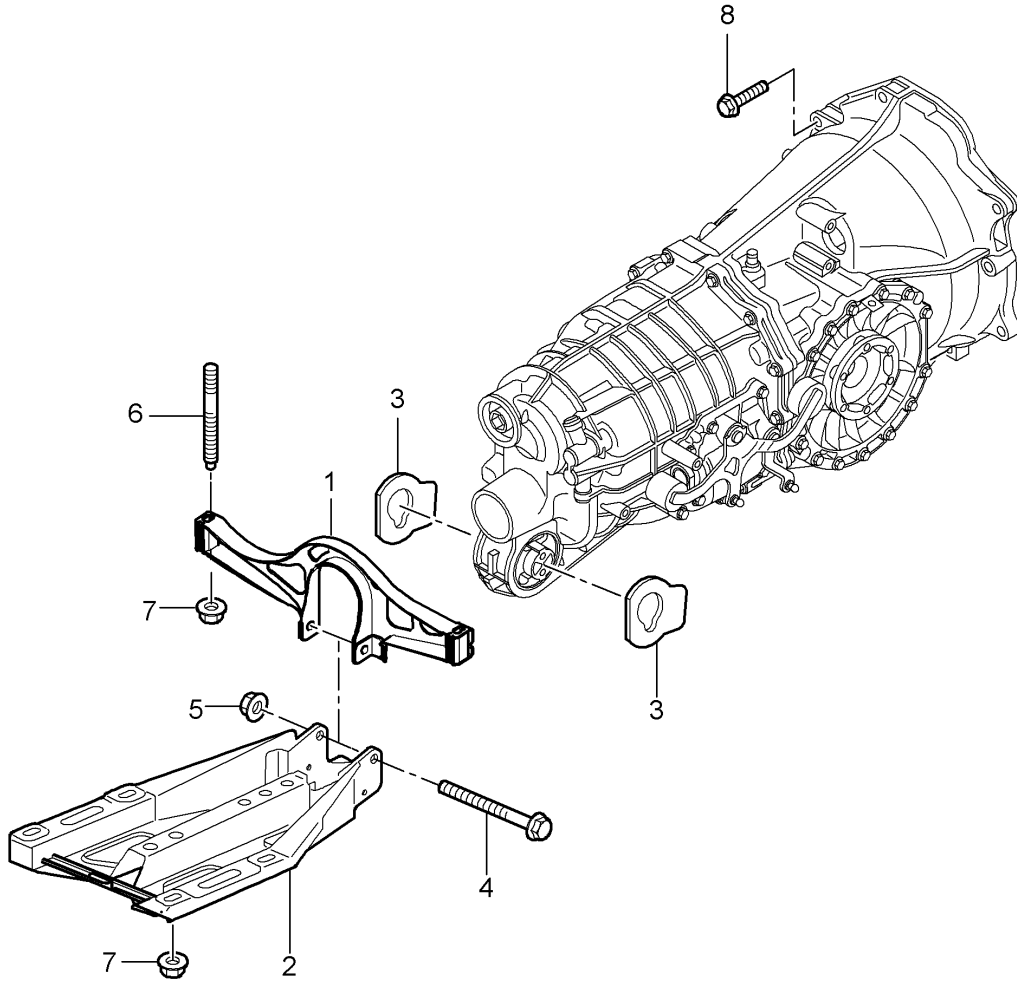
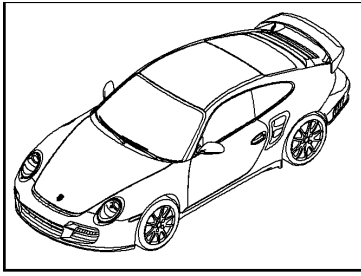
Model: 997T10

Model life 2010&gt;&gt;2013

Pos	Part Number	Description	Remark	Qty	Model
		Transmission suspension			G97.55 G97.88
1	997 375 033 03	Transmission carrier		1	G97.55/88
2	996 375 317 06	Bracket Upper		1	
3	997 375 115 00	Side member		1	
4	997 375 259 01	Stop		2	
5	999 084 648 01	Hexagon nut M 10		6	
6	900 378 313 01	Hexagon-head bolt M 10 x 55		2	
7	900 378 315 01	Hexagon-head bolt M 12 x 1,5 x 75		2	
8	900 378 098 01	Hexagon-head bolt M 10 x 60		2	

Model: 997T10

Model life 2010>>2013



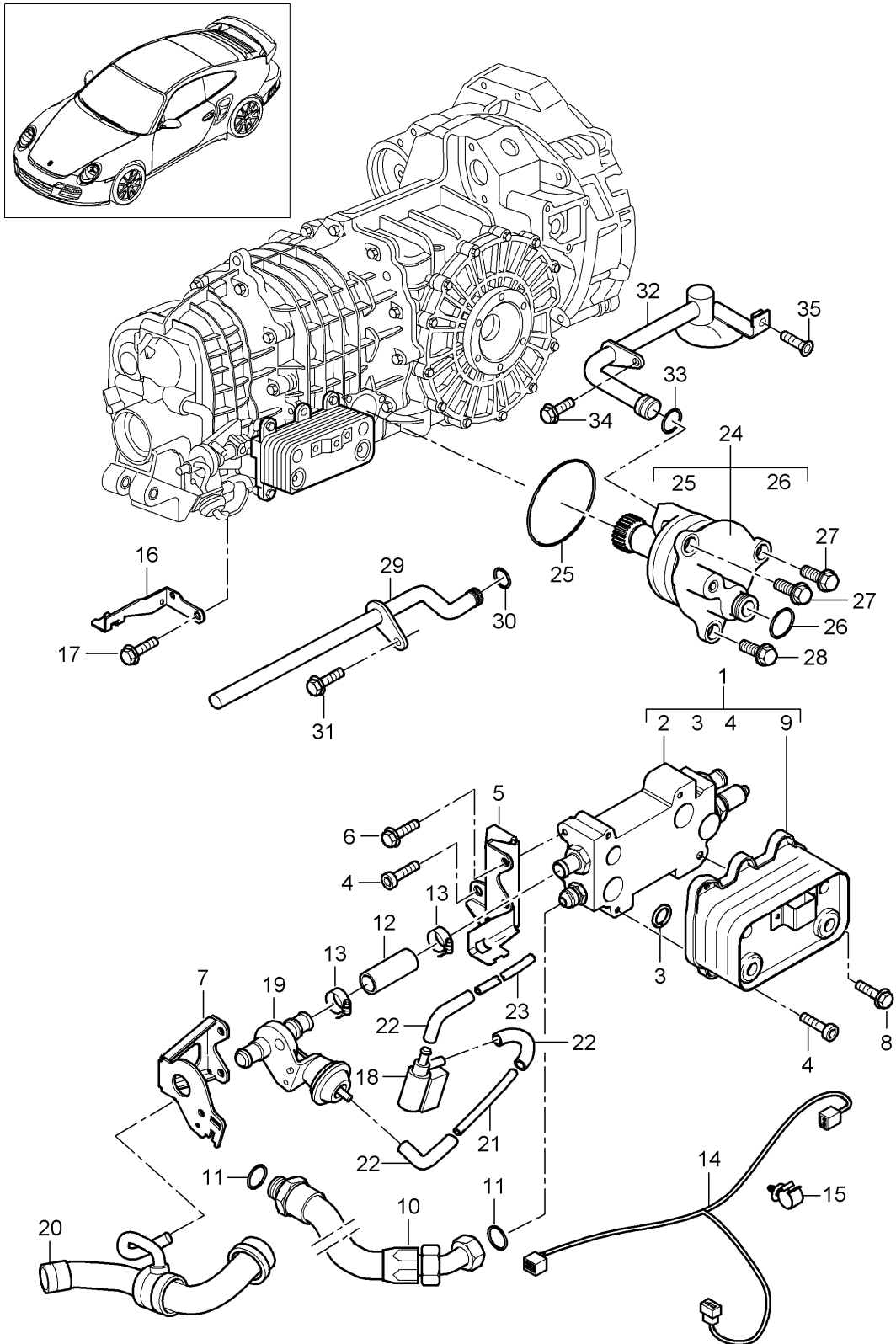
Model: 997T10

Model life 2010&gt;&gt;2013

Pos	Part Number	Description	Remark	Qty	Model
		Transmission suspension			CG1.50
1	9A1 375 039 01	Transmission carrier		1	
(1)	9A1 375 039 02	Transmission carrier		1	
2	9A1 375 113 01	Side member		1	
3	9A1 375 255 00	Stop		2	
(3)	9A1 375 256 00	Stop		2	
4	900 385 283 01	Torx screw BM12 X 1,5 X 130		1	
5	999 086 009 02	Nut M12 X 1,5		1	
6	999 061 116 01	Stud M10 X 100		2	
7	999 084 648 01	Hexagon nut M 10		6	
8	999 385 009 01	Outer hexagon round screw BM 12 X 1,5 X 55		2	

Model: 997T10

Model life 2010>>2013



Model: 997T10

Model life 2010&gt;&gt;2013

Pos	Part Number	Description	Remark	Qty	Model
		Transmission oil cooler			GT2 RS G97.88
		Lines			
		Oil pump			
1	996 307 015 8A	Transmission oil cooler Complete		1	
2	996 307 020 8A	Port plate		1	
3	900 331 021 40	O-ring 20 X 3,55		4	
4	999 073 103 01	Round head screw M 6 X 16		5	
5	996 307 141 89	Support		1	
6	900 378 017 01	Hexagon-head bolt M 8 X 20		2	
(7)	996 307 145 89	Support		1	
		Disc valve			
8	900 378 191 01	Hexagon-head bolt M 6 X 55		1	
9	996 307 209 88	Transmission oil cooler		1	
9	991 307 209 8A	Transmission oil cooler		1	
10	996 307 333 88	Oil hose		1	
11	900 123 152 30	Sealing ring A 16 X 22		2	
12	900 181 067 50	Water hose B18 X 3,5 X47		1	
13	999 512 552 00	Hose clamp A 20-32 / 9		2	
13	999 512 552 01	Hose clamp A 20-32 / 9		2	
14	996 612 401 70	Wiring harness		1	
15	811 971 848 B	Retaining clip		3	
16	996 106 536 73	Support		1	
17	900 378 074 01	Hexagon-head bolt M 8 X 16		2	
18	996 605 123 01	Change-over valve		1	
(19)	928 574 573 03	Disc valve		1	
20		See illustrations 1/05/11			
-	000 043 205 01	Pipe 4,0 X 1,0 75 MM		*	
21				1	
22	928 574 717 05	Moulded hose		3	
22	928 574 717 07	Moulded hose		3	
22	9P1 129 487	Moulded hose		3	
-	000 043 205 01	Pipe 4,0 X 1,0 1100 MM		*	
23				1	
24	997 307 023 90	Oil pump		1	
25	999 701 799 40	Round seal 65,0 X 3,0		1	
26	999 701 123 50	O-ring 15,0 X 3,0		1	
27	900 378 022 01	Hexagon-head bolt M8 X 25		2	
28	900 378 033 01	Hexagon-head bolt M8 X 30		1	
29	996 307 043 88	Oil splash tube		1	
30	999 701 439 40	O-ring 11,5 X 1,5		1	
31	900 075 001 03	Hexagon-head bolt M 5X 8		1	
32	996 307 049 9B	Intake manifold		1	
33	999 707 171 40	O-ring		1	



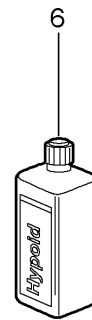
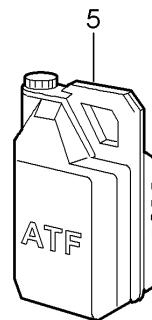
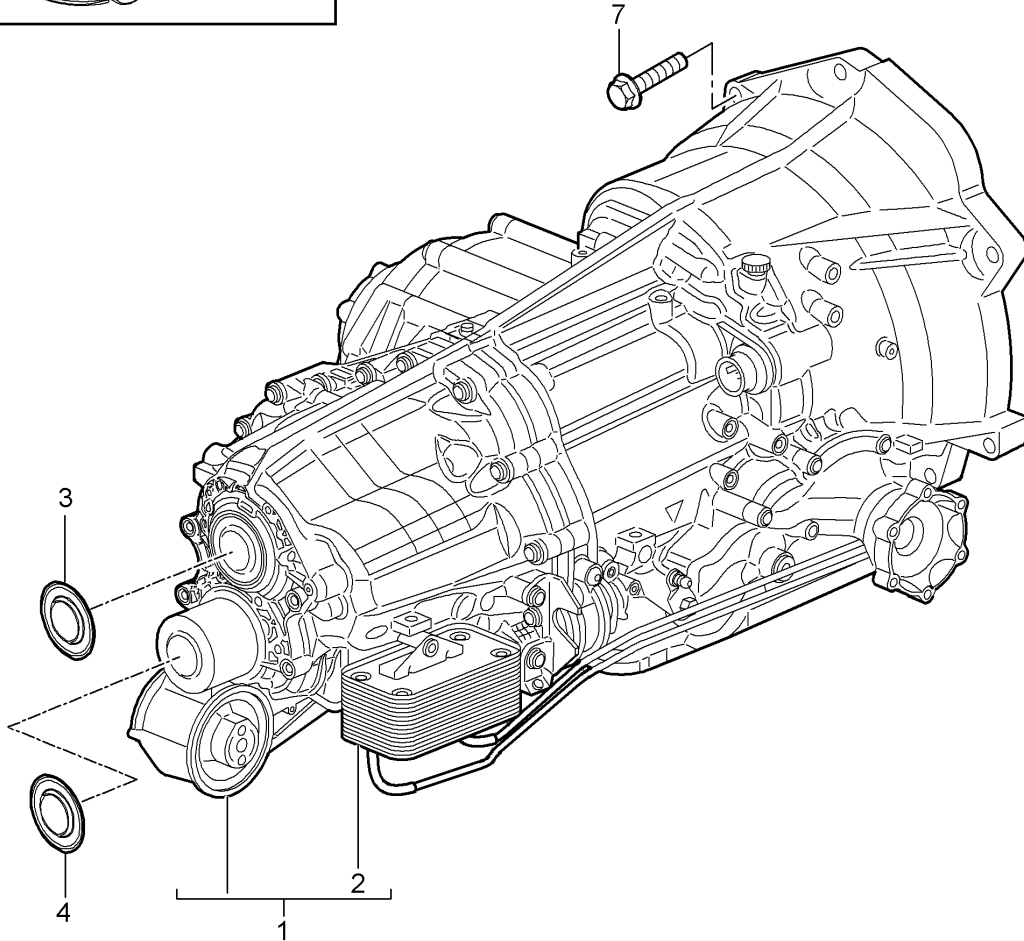
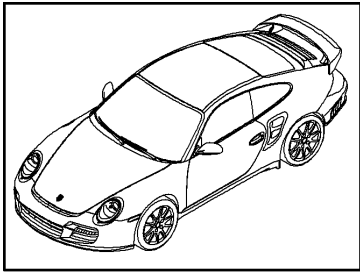
Model: 997T10

Model life 2010&gt;&gt;2013

Pos	Part Number	Description	Remark	Qty	Model
34	900 378 036 01	13,0 X 1,5 Hexagon-head bolt		1	
35	900 269 107 01	M 6 X 12 Countersunk-head screw M 6 X 10		1	

Model: 997T10

Model life 2010>>2013



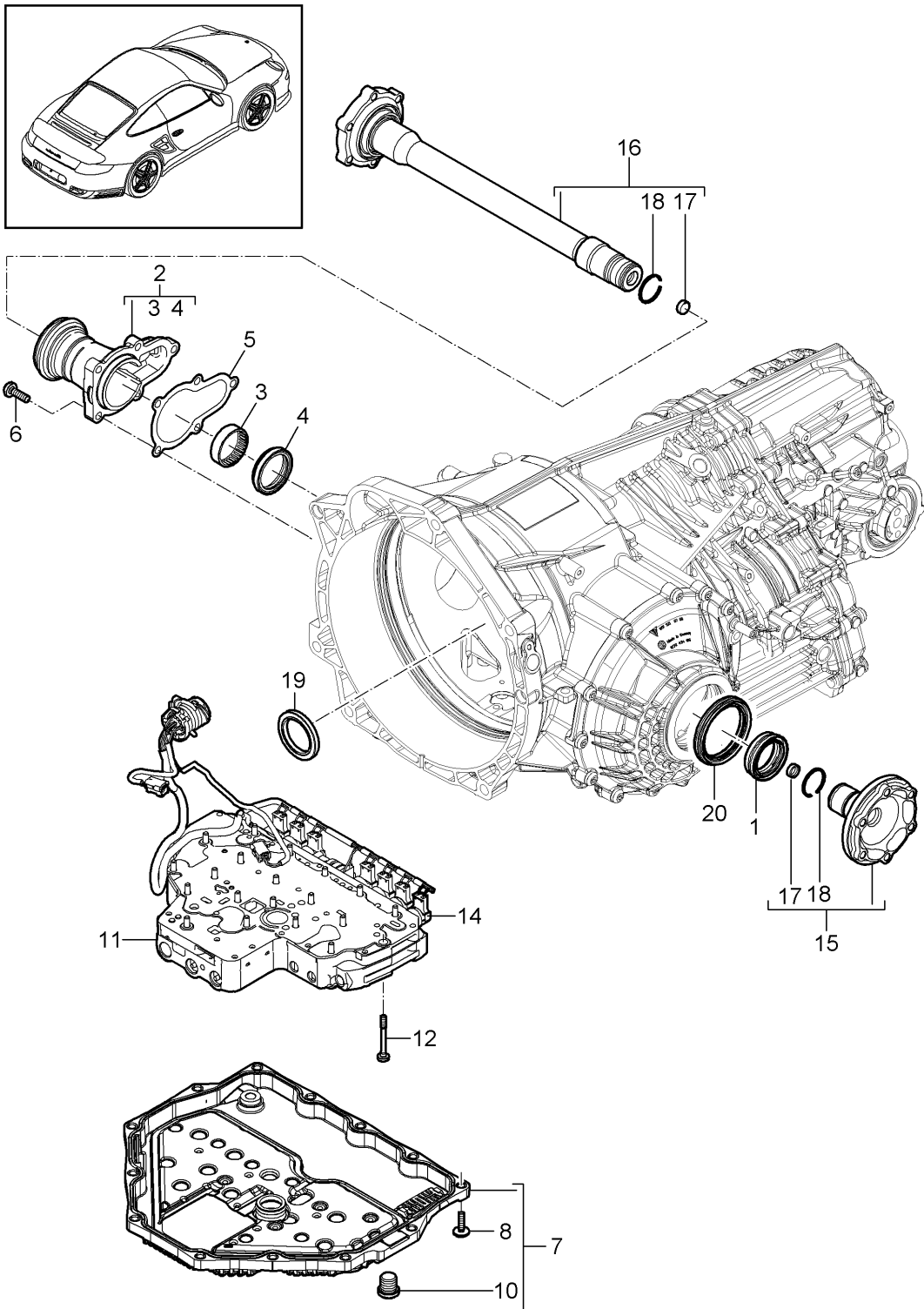
Model: 997T10

Model life 2010>>2013

Pos	Part Number	Description	Remark	Qty	Model
		- PDK - Transmission			
		Replacement transmission			CG1.50
1	9G1 300 011 50	Transmission		1	I219
1	9G1 300 011 CX	Transmission		1	I219
1	9G1 300 021 50	Transmission		1	I220
1	9G1 300 021 CX	Transmission	-(CN)	1	I220
2		Heat exchanger See illustrations 3/60/00		1	
3	9G1 321 360 00	Lid Transmission case Rear		2	
4		Lid Transmission case Rear		1	
5	000 043 207 30	Transmission oil Pentosin FFL 3 20 LTR. Container		X	
(5)	000 043 207 29	Transmission oil Pentosin FFL 3 1 LTR. Container		X	
6	999 917 546 00	Transmission oil 75 W 90 Differential 1 LTR. Container		X	
7	999 385 009 01	Outer hexagon round screw M12 X 1,5 X 55 Threaded joint Engine and transmission		6	

Model: 997T10

Model life 2010>>2013



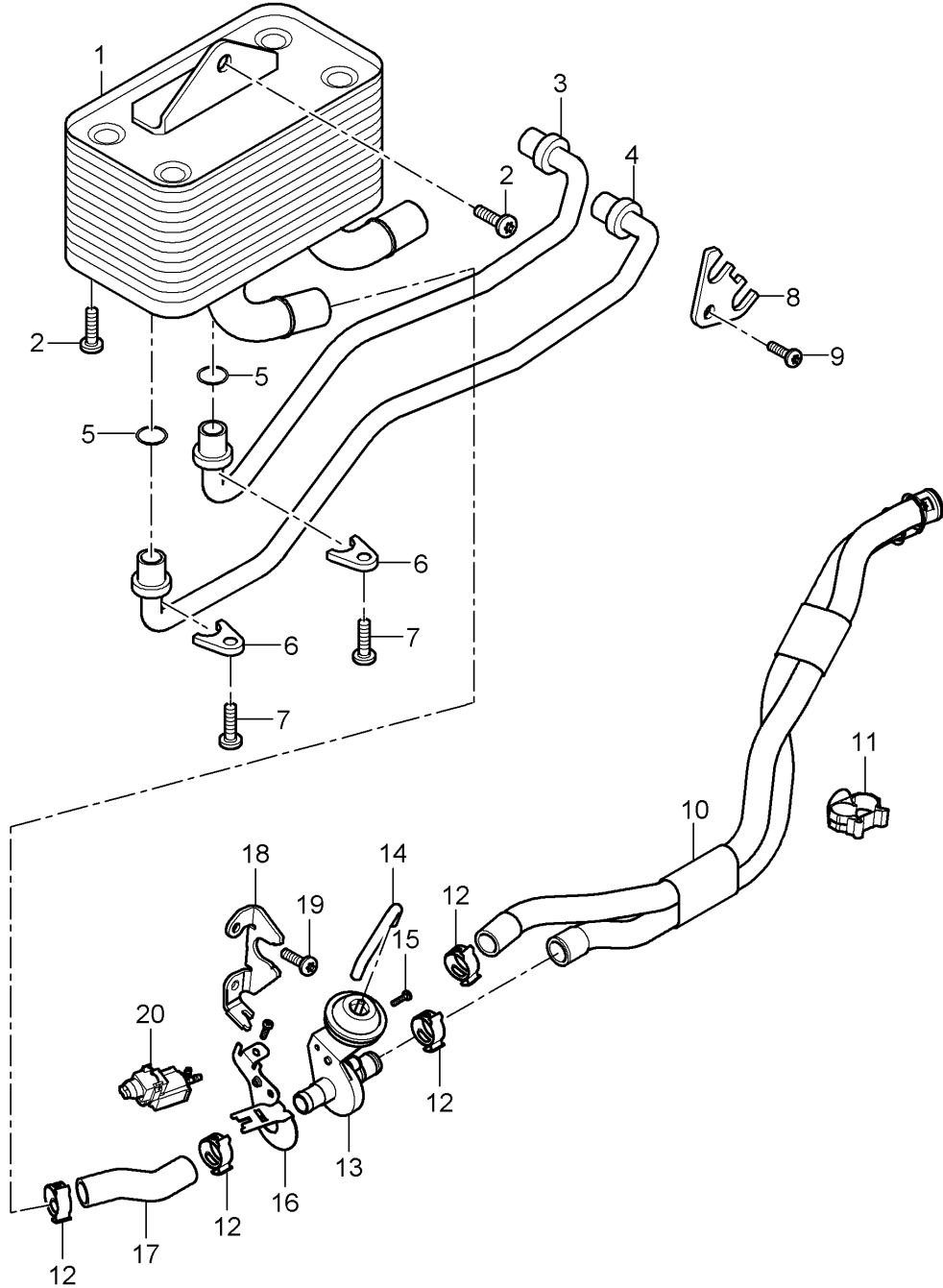
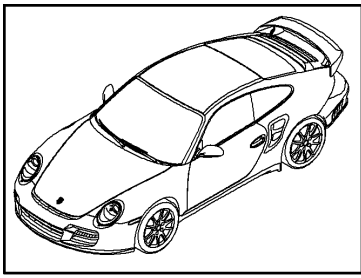
Model: 997T10

Model life 2010>>2013

Pos	Part Number	Description	Remark	Qty	Model
		- PDK - Transmission Single parts			
1	9G1 332 806 00	Shaft sealing ring 40X52 / 55X40		1	
2	9G1 321 959 00	Housing neck Complete		1	
5	9G1 321 259 00	Gasket Flange		1	
6	9G1 332 801 00	Torx screw M8 X 25		5	
7	9G1 321 025 00	Oil pan Complete		1	
8	9G1 321 801 00	Torx screw M6 X 25		13	
9	9G1 321 805 00	Screw plug with Sealing ring		1	
10	9G1 321 825 00	Screw plug Included Sealing ring		1	
10	9G1 321 825 01	Screw plug Included Sealing ring		1	
11	9G1 317 015 00	Control unit Hydraulic PDK		1	
12	9G1 317 801 00	Screw M6x55		20	
13	9G1 317 697 00	Connector housing Pressure regulator		2	
14	9G1 317 698 00	Connector housing Solenoid valve		6	
(15)	9G1 332 028 50	Joint flange Short	-10	1	
(15)	9G1 332 028 55	Joint flange Short	11-	1	
(16)	9G1 332 029 50	Joint flange Long		1	
(16)	9G1 332 029 55	Joint flange Long		1	
17	9G1 332 821 00	Lid		2	
18	9G1 332 820 00	Circlip D36 x 2,6		2	
19	9G1 116 807 00	Shaft sealing ring 40 x 57 x 6		1	
20	9G1 332 803 00	Shaft sealing ring 64X82X8		1	
21	9G1 307 385 05	Pressure sensor		2	
22	970 324 805 00	Shaft sealing ring 10 X 18 X 5		1	
22	9G1 321 815 00	O-ring 221 X 3 Lid Limited-slip differential		1	

Model: 997T10

Model life 2010>>2013



Model: 997T10

Model life 2010&gt;&gt;2013

Pos	Part Number	Description	Remark	Qty	Model
		- PDK - Transmission Heat exchanger Oil tube Water tube			CG1.50
1	9G1 307 017 00	Heat exchanger		1	
2	9G1 307 813 00	Torx screw M6 X 12		3	
3	9G1 307 087 00	Oil pipe Heat exchanger Return line		2	
3	9G1 307 087 05	C 007896 >> C 003628 >> Oil pipe Heat exchanger Return line		2	
4	9G1 307 085 00	C >> 007897 C >> 003629 Oil pipe Heat exchanger Supply		1	
4	9G1 307 085 05	C 007896 >> C 003628 >> Oil pipe Heat exchanger Supply		1	
5	9G1 307 891 00	C >> 007897 C >> 003629 Sealing ring Oil pipe		4	
6	9G1 307 245 00	Heat exchanger Retaining bracket Oil pipe		2	
7	9G1 307 813 00	Heat exchanger Torx screw M6 X 12		2	
8	9G1 307 255 00	Retaining bracket Oil pipe Transmission		1	
9	9G1 307 802 00	Torx screw M8 X 15		1	
10	9G1 307 711 01	Hose line		1	
(10)	9G1 307 715 00	Hose line Return line		1	
-	999 707 590 40	O-ring 21,35 x 3,0		X	
11	999 507 855 40	Cable holder 22,0 / 22,0		1	
12	999 512 656 09	Hose clamp B25 X 12		4	
(13)	928 574 573 03	Disc valve		1	
13	991 307 573 00	Disc valve Use also: 9G1.307.401.05		1	
14	9G1 307 673 00	Moulded hose		1	
15	999 073 415 01	Round head screw M4 X 16		2	
(16)	9G1 307 401 02	Support Disc valve		1	
16	9G1 307 401 05	Support Disc valve Together with 991.307.573.00		1	

Model: 997T10

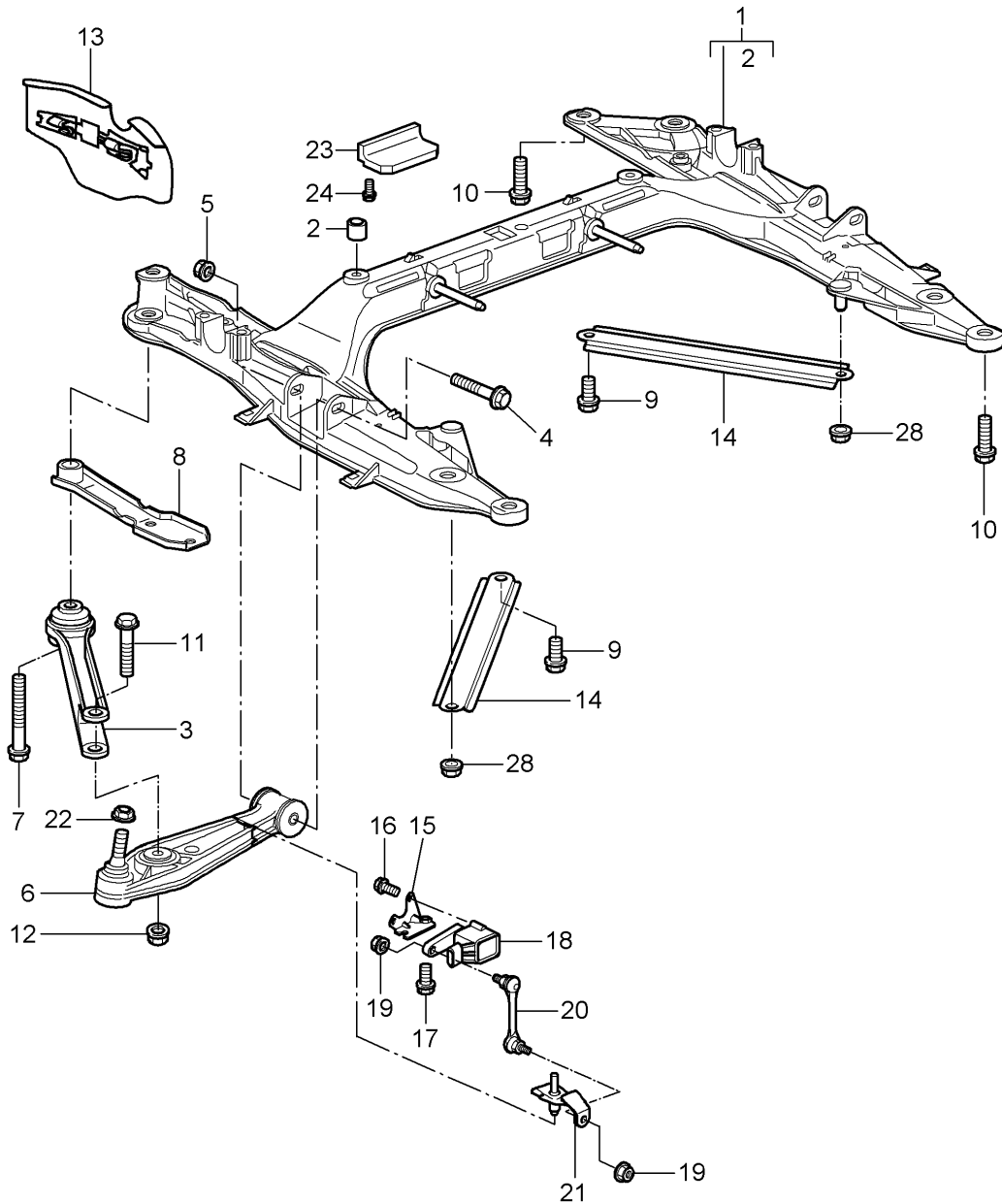
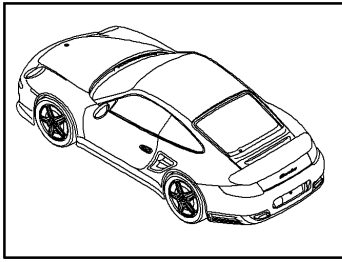
Model life 2010&gt;&gt;2013

Pos	Part Number	Description	Remark	Qty	Model
17	9G1 307 713 00	Water hose		1	
18	9G1 426 211 00	Support		1	
19	9G1 426 801 00	Round head screw M8 X 20		2	
20	996 605 123 01	Change-over valve		1	



Model: 997T10

Model life 2010>>2013



Model: 997T10

Model life 2010&gt;&gt;2013

Pos	Part Number	Description	Remark	Qty	Model
		Cross member			
		Wishbone			
1	997 341 081 11	Cross member		1	TURBO
1	997 341 081 06	Cross member		1	GT-2 RS
2	900 197 070 00	Roll pin		1	
		13 X 14			
3	997 341 043 00	Control arm		2	TURBO
3	996 341 043 06	Control arm		2	GT-2 RS
4	900 378 165 01	Hexagon-head bolt		2	
		M 12 X 1,5 X 95			
5	999 084 445 01	Lock nut		2	
		M 12 x 1,5			
6	997 341 053 04	Wishbone		2	TURBO
(6)	997 341 041 98	Wishbone	/L	1	GT-2 RS
(6)	997 341 042 98	Wishbone	/R	1	GT-2 RS
7	999 072 050 01	Hexagon-head bolt		2	
		M 14 X 1,5 X 120			
8	997 341 145 05	Plate		2	
9	999 072 047 01	Hexagon-head bolt		4	
		M 12 x 1,5 x 30			
(10)	900 378 072 01	Hexagon-head bolt		2	
		M 12 X 1,5 X 30			
		Front			
10	900 378 192 01	Hexagon-head bolt		2	
		M 14 x 1,5 x 50			
		Rear			
11	900 378 279 01	Hexagon-head bolt		2	TURBO
		M 14 X 1,5 X 95		2	
(11)	900 378 135 01	Hexagon-head bolt		2	GT-2 RS
		M 14 X 1,5 X 73			
12	900 380 012 09	Hexagon nut		2	
		M 14 X 1,5			
12	900 380 012 01	Hexagon nut		2	
		M 14 X 1,5			
13	997 341 483 03	Spoiler	/L	1	TURBO
13	997 341 483 92	Spoiler	/L	1	GT-2 RS
(13)	997 341 484 03	Spoiler	/R	1	TURBO
(13)	997 341 484 92	Spoiler	/R	1	GT-2 RS
14	997 504 433 01	Strut		2	
15		Support			TURBO I603
		See illustrations			
		1/05/10			
16	900 146 003 03	Oval-head screw		2	TURBO I603
		M 5 x 10			
17	900 378 036 01	Hexagon-head bolt		1	TURBO I603
		M 6 x 12			
18	997 631 121 00	Sensor		1	TURBO I603
19	900 380 015 01	Hexagon nut		2	TURBO I603
		VM 6			
20	997 341 375 01	Strut		1	TURBO I603
		Information available			I603
21	996 341 371 03	Support		1	TURBO I603
22	999 084 449 09	Lock nut		2	TURBO I603
		M 12 X 1,5			
23	997 341 431 02	Stop		1	

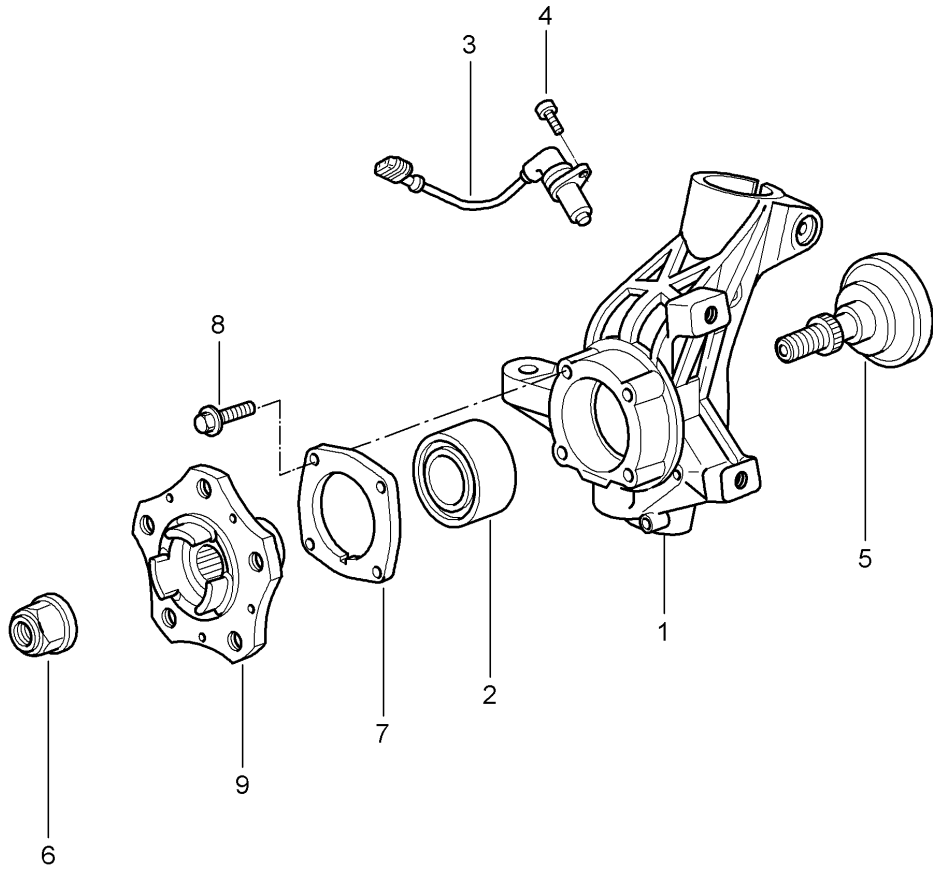
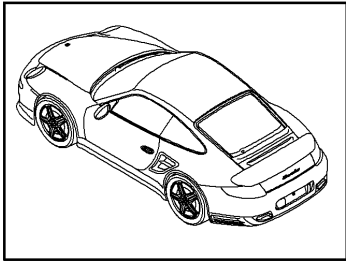
Model: 997T10

Model life 2010&gt;&gt;2013

Pos	Part Number	Description	Remark	Qty	Model
24	999 072 047 01	Hexagon-head bolt M 12 x 1,5 x 30		4	
28	999 084 445 01	Lock nut M 12 X 1,5		2	

Model: 997T10

Model life 2010>>2013



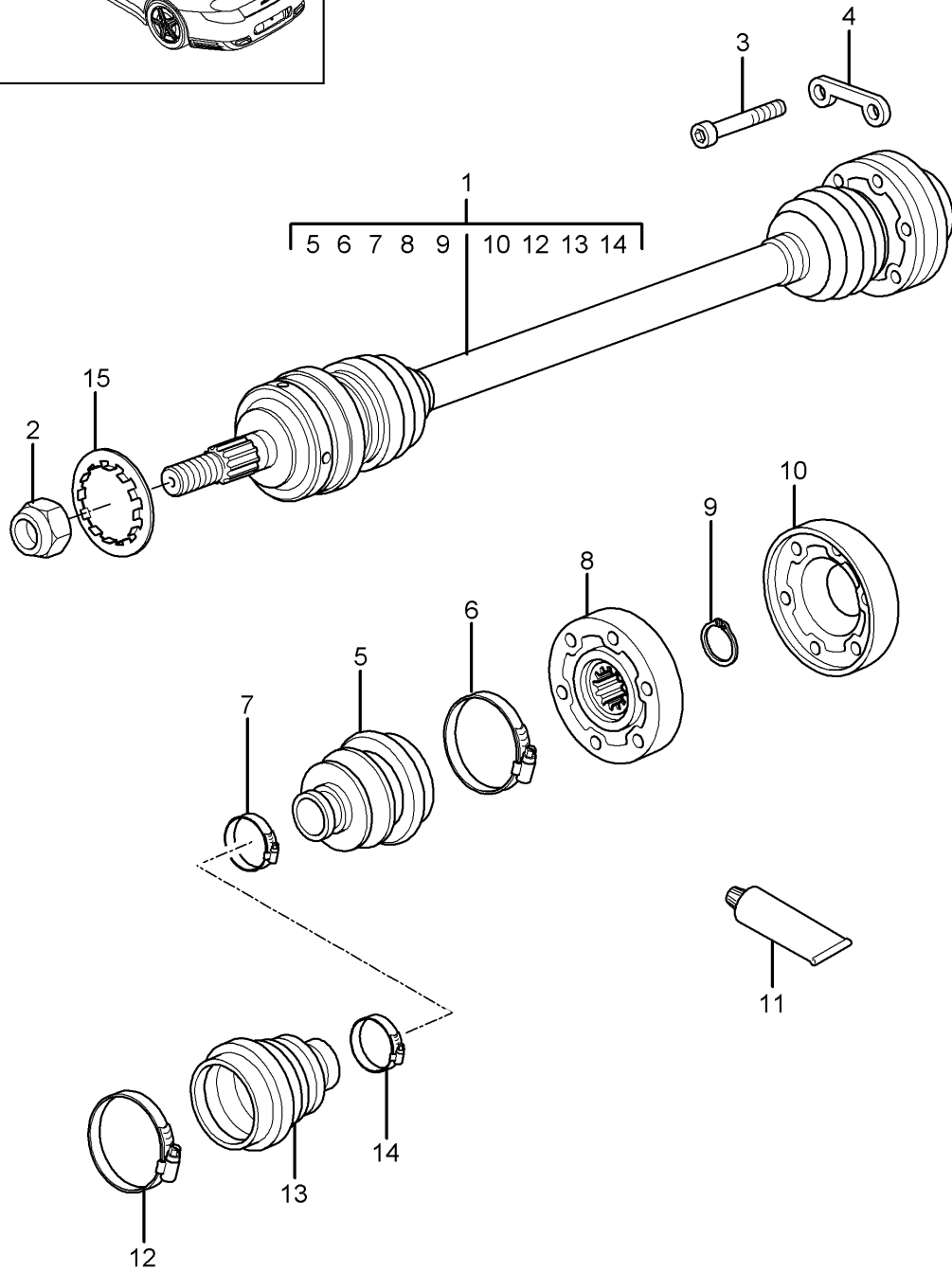
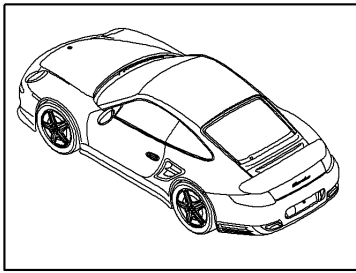
Model: 997T10

Model life 2010>>2013

Pos	Part Number	Description	Remark	Qty	Model
		Wheel carrier			
		Wheel hub			
1	997 341 165 24	Wheel carrier	/L -10	1	TURBO
(1)	997 341 165 25	Wheel carrier	/L 11-	1	TURBO
(1)	997 341 157 95	Wheel carrier	/L	1	GT-2 RS
(1)	997 341 166 24	Wheel carrier	/R -10	1	TURBO
(1)	997 341 166 25	Wheel carrier	/R 11-	1	TURBO
(1)	997 341 158 95	Wheel carrier	/R	1	GT-2 RS
2	999 053 054 06	Angular-contact bearing		2	
3	997 606 407 01	Speed sensor		2	
-	997 341 321 90	Support		2	
		Cable			
		Speed sensor			
4	900 067 117 04	Pan-head screw		2	
		M 6 x 16			
5	997 341 131 00	Tension bolt		2	GT-2 RS
6	999 084 641 01	Lock nut		2	
		M 22 x 1,5			
7	986 331 661 20	Lid		2	TURBO
(7)	997 341 661 90	Lid		2	GT-2 RS
8	999 217 042 09	Hexagon-head bolt		8	TURBO
		M 8 X 35			
8	999 217 042 03	Hexagon-head bolt		12	GT-2 RS
		M 8 X 35			
9	997 341 605 01	Wheel hub		2	TURBO
(9)	991 341 605 02	Wheel hub		2	-I478
(9)	991 341 605 03	Wheel hub		2	-I478
(9)	997 341 607 02	Wheel hub		2	TURBO
					I422
(9)		Wheel hub		2	GT-2 RS

Model: 997T10

Model life 2010>>2013



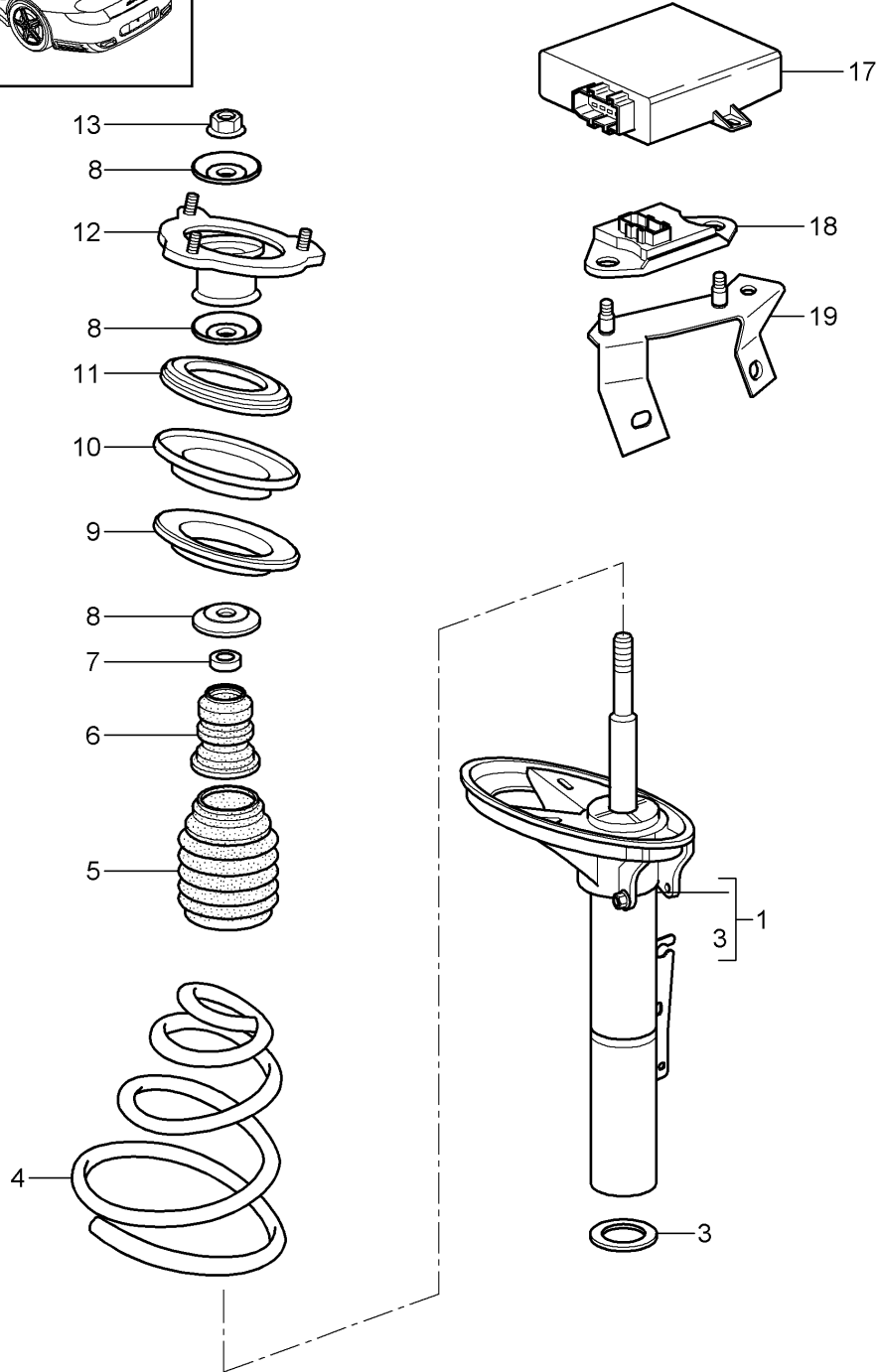
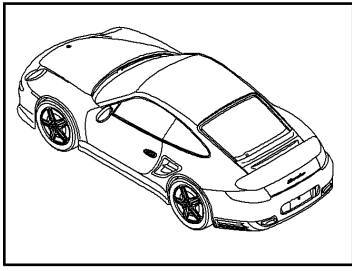
Model: 997T10

Model life 2010>>2013

Pos	Part Number	Description	Remark	Qty	Model
		Drive shaft			TURBO
1	997 349 038 01	Drive shaft		2	
2	999 084 641 01	Lock nut M 22 X 1,5		2	
3	900 067 073 02	Pan-head screw M 8 X 45		12	
(4)	996 349 191 01	Plate		6	
(4)	9P1 407 306	Plate		6	
5	996 349 293 00	Dust bellows		2	
-	997 349 955 00	Bellows with Bellow support		2	
6	997 349 957 00	Clip		2	
7	996 349 257 03	Clip		2	
8	996 349 030 00	Joint		2	
9	900 041 011 01	Circlip		2	
10	996 349 267 00	Lid		2	
10	996 349 267 01	Lid		2	
11	000 043 110 01	Grease 1 100-gramme tube		X	
(11)	000 043 205 36	Sealing compound Drive shaft 1 100-gramme tube		X	
12	996 349 257 00	Clip		2	
13	996 349 291 00	Dust bellows		2	
14	996 349 257 01	Clip		2	
15	997 349 269 00	Protective ring		2	

Model: 997T10

Model life 2010>>2013





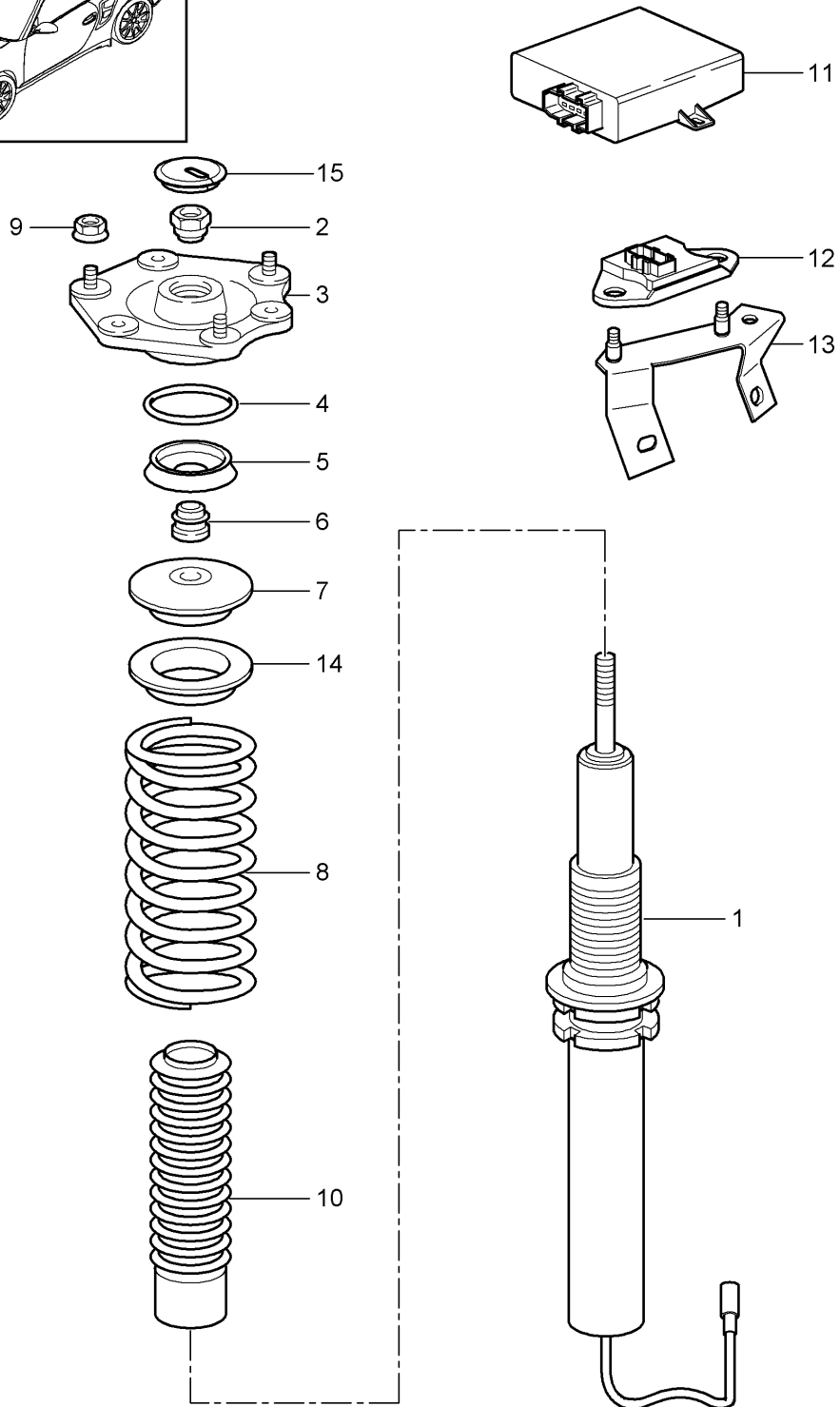
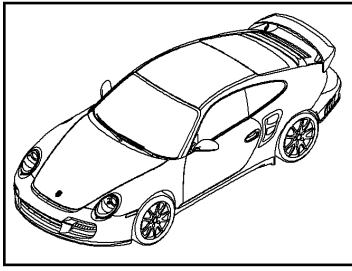
Model: 997T10

Model life 2010>>2013

Pos	Part Number	Description	Remark	Qty	Model
		suspension			TURBO
1	997 343 047 35	Shock absorber strut			
(1)	997 343 048 35	Vibration damper	/L	1	
		Vibration damper	/R	1	
		Mount			
		Shock absorber			
-	900 378 138 01	Hexagon-head bolt		2	
		M 12 X 1,5 X 70			
-	999 084 445 01	Lock nut		2	
		M 12 xs 1,5			
4	997 343 533 41	Coil spring		1	
		1 set			
	997 343 533 41 504	Identification			
		White			
		Green			
5	996 343 509 01	Bellows		2	
6	996 343 301 02	Additional spring		2	
7	996 343 513 00	Washer		2	
8	997 343 107 00	Stop plate		2	
		Upper			
(8)	997 343 107 01	Stop plate		4	
		Lower			
9	996 343 525 00	Compensating plate		X	
		3,0 MM			
(9)	996 343 525 01	Compensating plate		X	
		6,5 MM			
10	996 343 523 00	Support ring		2	
11	996 343 501 00	Angular-contact bearing		2	
12	997 343 015 02	Supporting mount		1	
(12)	997 343 016 02	Supporting mount	/L	1	
		Supporting mount	/R	1	
-	999 084 447 01	Hexagon nut		12	
		M 8			
13	900 380 012 01	Hexagon nut		2	
		M 14 X 1,5			
-	999 703 457 40	Lid		2	
		Supporting mount			
(17)	997 618 460 01	Control unit		1	
(17)	997 618 460 02	Control unit		1	
18	997 606 111 01	Acceleration sensor		1	
		Body			
19	997 606 212 01	Support		1	
		Acceleration sensor			

Model: 997T10

Model life 2010>>2013



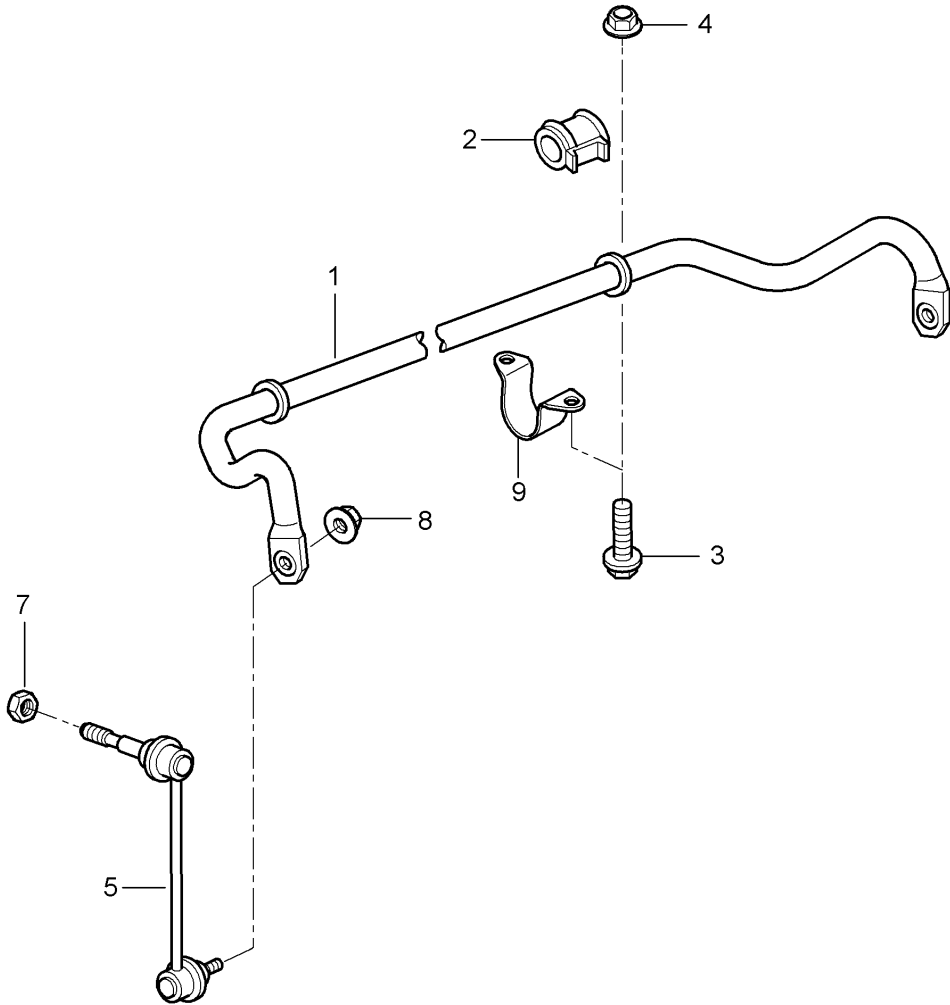
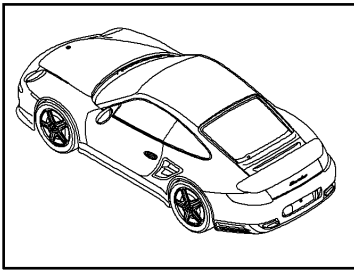
Model: 997T10

Model life 2010&gt;&gt;2013

Pos	Part Number	Description	Remark	Qty	Model
		suspension			GT-2 RS
1	997 343 041 80	Shock absorber strut Vibration damper Mount		2	
-	900 378 138 01	Shock absorber Hexagon-head bolt m 12 x 1,5 x 70		2	
2	997 343 561 90	Nut		2	
3	997 343 011 94	Supporting mount		2	
-	999 084 447 01	Hexagon nut M 8		6	
4	964 343 188 80	Retainer spring		2	
5	964 343 186 80	Sealing cap		2	
6	997 343 563 90	Washer		2	
7	997 343 511 92	Spring hanger		1	
8	997 343 531 80	Coil spring		1	
	997 343 531 80 504	1 set			
9	999 084 447 01	Hexagon nut M 8		6	
10	996 343 567 90	Bellows for Spring hanger		2	
11	997 618 105 96	Control unit		1	
12	997 606 111 01	Shock absorber Acceleration sensor Body		1	
13	997 606 212 01	Support Acceleration sensor		1	
14	997 343 521 91	Plain bearing Black/yellow		2	
15	999 703 457 40	Lid		2	

Model: 997T10

Model life 2010>>2013

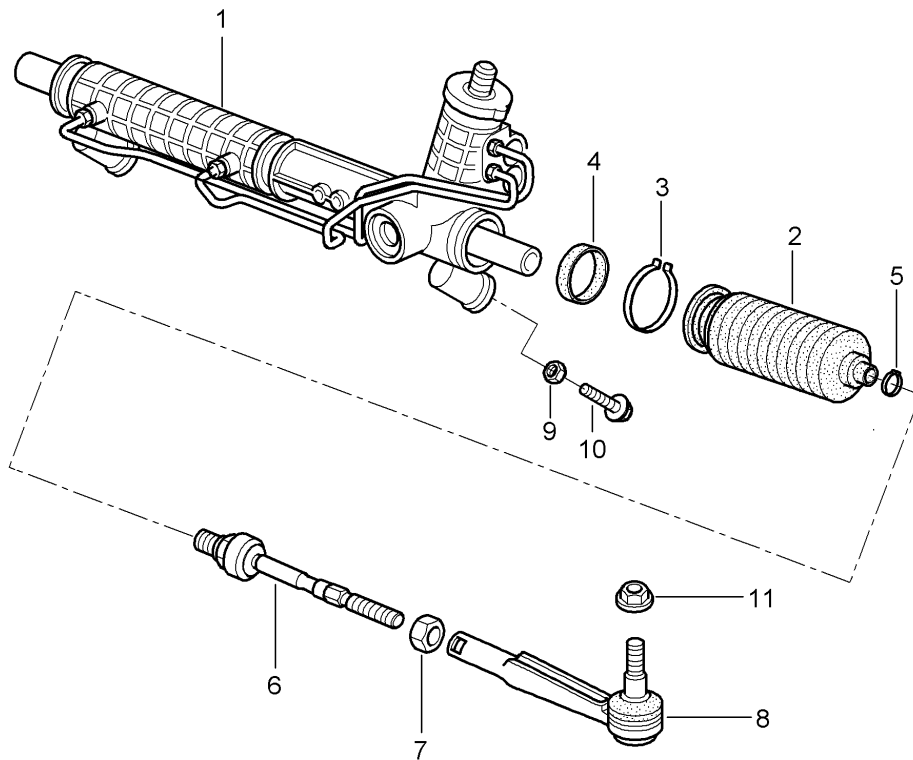
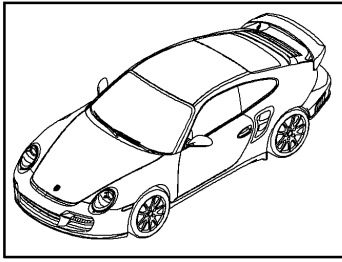


Model: 997T10 Model life 2010>>2013

Pos	Part Number	Description	Remark	Qty	Model
1	997 343 703 10	Stabiliser Stabiliser		1	TURBO -I220 COUPE CABRIO
(1)	997 343 703 07	Stabiliser		1	TURBO I220 COUPE CABRIO
(1)	997 343 701 94	Stabiliser		1	GT-2 RS
(2)	996 343 792 17	Stabiliser mounting		2	TURBO -I220 COUPE CABRIO
(2)	997 343 792 00	Stabiliser mounting		2	TURBO I220 COUPE CABRIO
(2)		Stabiliser mounting		2	GT-2 RS
3	900 378 098 01	Hexagon-head bolt m 10 x 60		2	
4	900 380 008 01	Hexagon nut M 10		4	
5	997 343 073 03	Stabiliser mounting	/L	1	TURBO
(5)	997 343 074 03	Stabiliser mounting	/R	1	TURBO
(5)	997 343 069 03	Stabiliser mounting	/L	1	GT-2 RS
(5)	997 343 070 03	Stabiliser mounting	/R	1	GT_2 RS
7	999 084 643 09	Hexagon nut M 10		4	
8		Hexagon nut M 10		4	
9	997 343 777 01	Clip		2	

Model: 997T10

Model life 2010>>2013



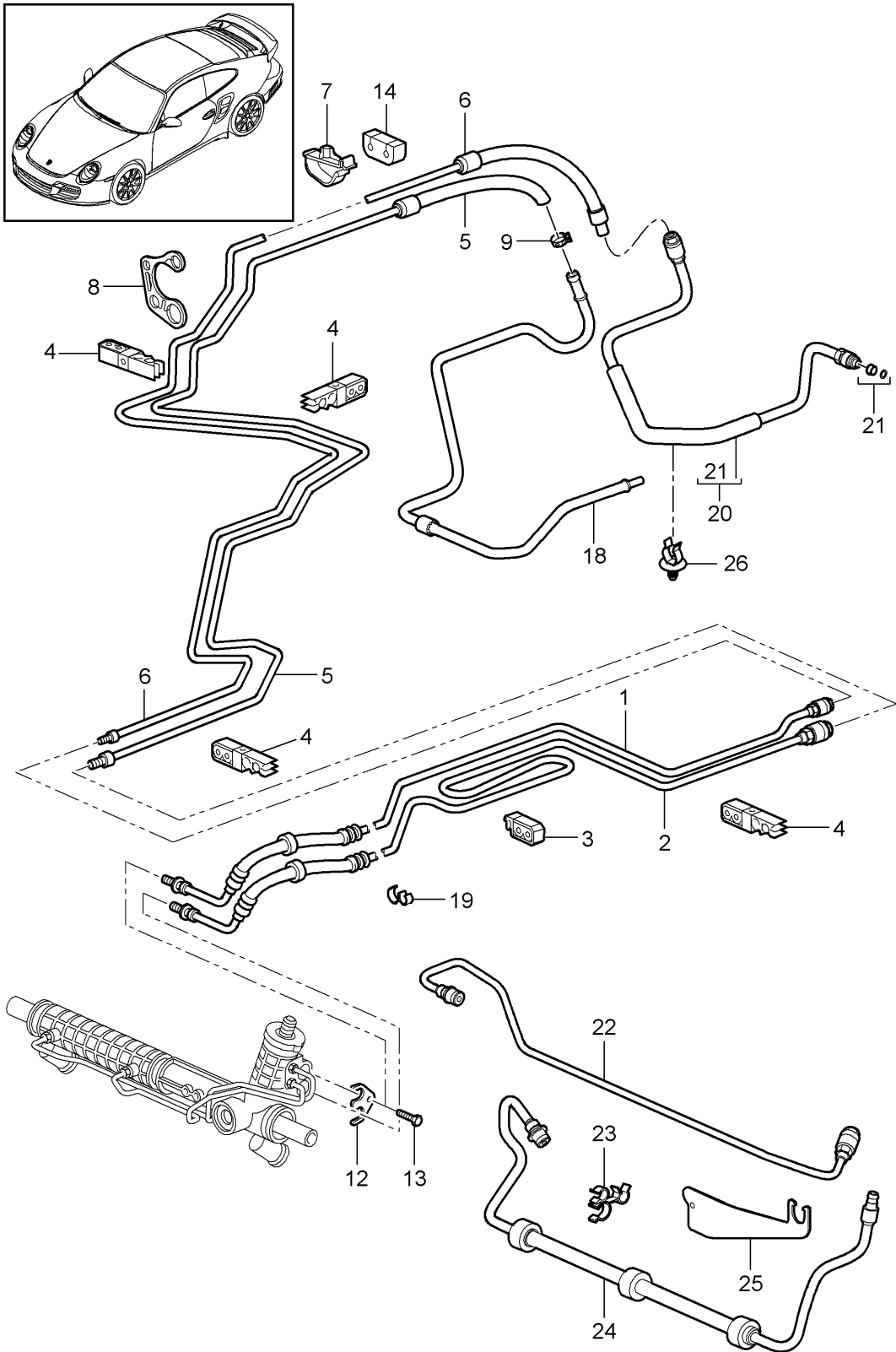
Model: 997T10

Model life 2010>>2013

Pos	Part Number	Description	Remark	Qty	Model
1	997 347 011 06	Power steering Steering gear Steering parts Steering gear	/LL	1	I098
1	997 347 011 FX	Power steering Steering gear	/LL	1	I098
(1)	997 347 012 05	Power steering Steering gear	/RL	1	I099
(1)	997 347 012 EX	Power steering Steering gear Power steering	/RL	1	I099
2	997 347 191 00	Bellows		2	
3	996 347 293 05	Clamping ring		2	
4	997 347 373 00	Sealing ring		2	
5	999 512 645 09	Hose clamp		2	
6	997 347 322 01	Joint		2	
7	999 034 037 09	Hexagon nut M 14 X 1,5		2	
8	996 347 131 04	Track rod		2	
9		See illustrations 4/01/00 POS.2			
10	900 378 100 01	Hexagon-head bolt AM 10 X 45		2	
11	999 084 449 09	Lock nut M 12 X 1,5		2	

Model: 997T10

Model life 2010>>2013



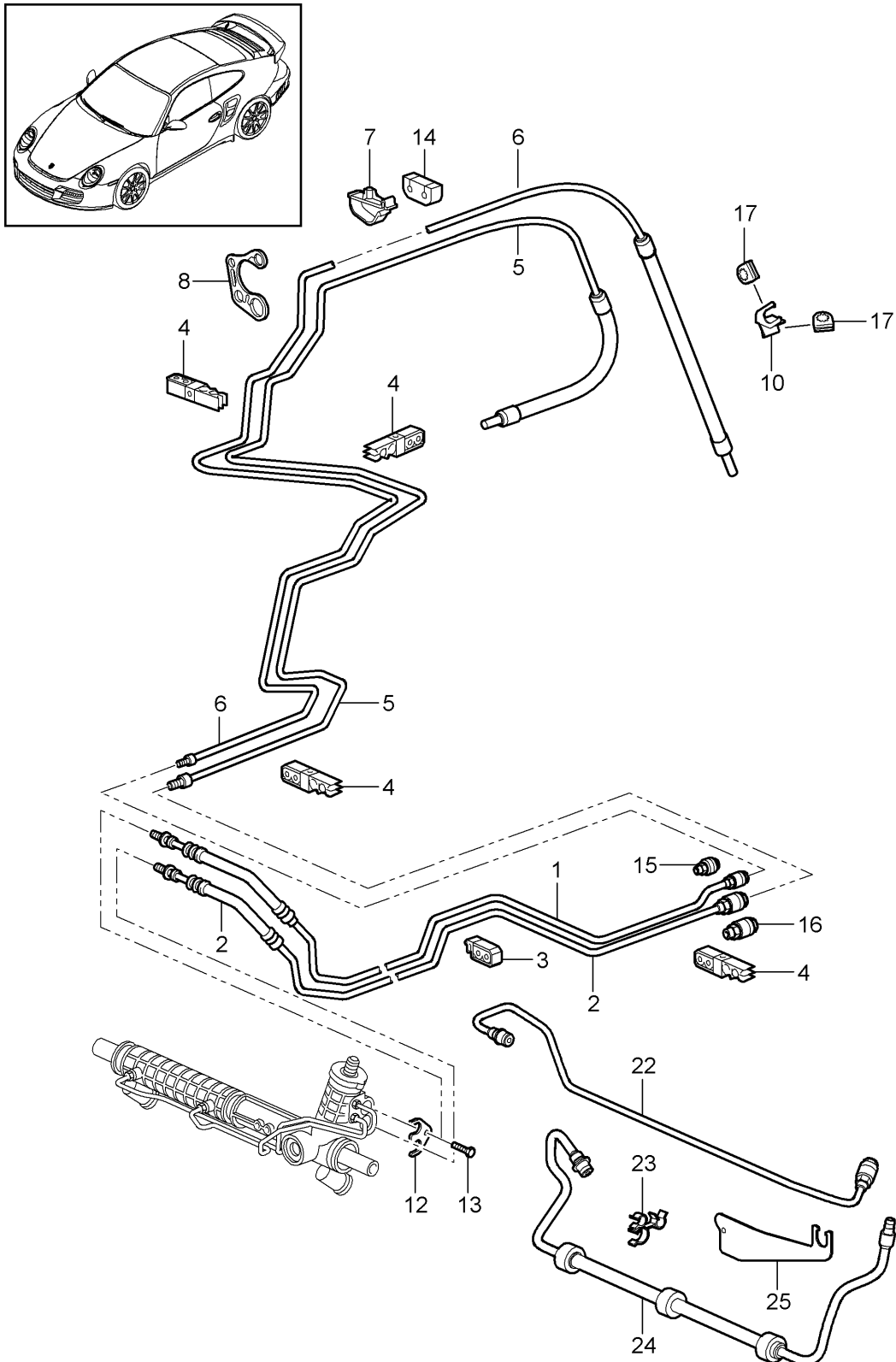


Model: 997T10 Model life 2010>>2013

Pos	Part Number	Description	Remark	Qty	Model
		Power steering Lines			TURBO
1	997 347 451 11	Pressure line		1	I098
1	997 347 451 12	Pressure line		1	I098
(1)	997 347 452 12	Pressure line		1	I099
(1)	997 347 452 13	Pressure line		1	I099
2	997 347 449 11	Return line		1	I098
(2)	997 347 650 11	Return line		1	I099
(2)	997 347 650 13	Return line		1	I099
3	996 347 543 00	Cable holder		X	
4	996 355 543 00	Support		1	
5	997 347 439 12	Return line Centre	-10	1 1	
5	997 347 439 17	Return line Centre	11-	1 1	
(5)	997 347 439 18	Return line Centre	11-	1 1	
6	997 347 445 12	Pressure line Centre		1 1	
(6)	997 347 445 13	Pressure line Centre		1 1	
(6)	997 347 445 14	Pressure line Centre		1 1	
7	996 347 549 01	Support		2	
8	997 347 544 00	Support		1	
9	999 512 639 09	Spring clamp		1	
12	996 347 769 01	Tension shackle		1	
13	900 067 063 03	Pan-head screw M 10 x 20		1	
14	996 347 551 01	Retainer plate		1	
18	9A1 347 441 03	Return line		1	
19	999 507 091 40	Cable holder		3	
20	9A1 347 443 02	Pressure line		1	
(20)	9A1 347 443 03	Pressure line		1	
21	997 347 945 00	Repair kit Comprising: Spring O-ring		X	
22	997 347 564 11	Pressure line		1	I099
23	999 507 963 40	Support		1	I099
24	997 347 462 11	Return line		1	I099
25	997 347 560 00	Support		1	I099
26	999 507 136 41	Cable holder		1	

Model: 997T10

Model life 2010>>2013

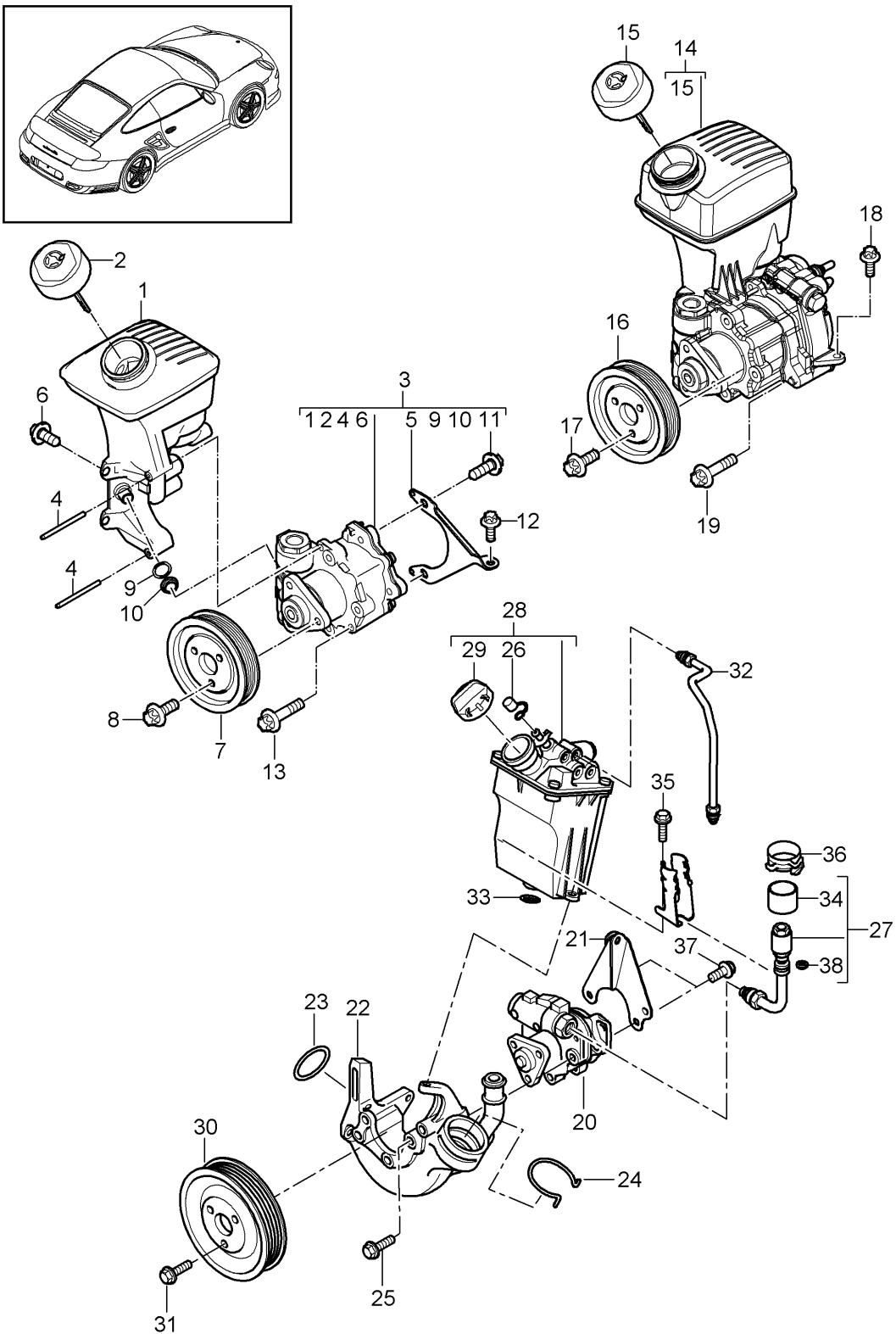


Model: 997T10 Model life 2010>>2013

Pos	Part Number	Description	Remark	Qty	Model
		Power steering Lines			GT-2 RS
1	997 347 451 04	Pressure line		1	I098
(1)	997 347 451 05	Pressure line		1	I098
(1)	997 347 452 02	Pressure line		1	I099
-	999 230 543 40	Repair kit O-ring		1	
2	987 347 449 05	Return line		1	I098
2	987 347 449 07	Return line		1	I098
(2)	987 347 650 03	Return line		1	I099
-	999 230 542 40	O-ring		1	
3	996 347 543 00	Cable holder		4	
4	996 355 543 00	Support		3	
(4)	999 507 091 40	Cable holder Simple		3	
5	997 347 439 52	Return line Centre		1	
(5)	997 347 439 53	Return line Centre		1	
6	997 347 445 51	Pressure line		1	
(6)	997 347 445 52	Pressure line		1	
7	996 347 549 01	Support		2	
8	997 347 544 00	Support		1	
-	999 230 683 40	Safety clip for Threaded joint Pressure line		1	
-	999 230 584 40	Circlip for Threaded joint Return line	/LL	1	I098
-		Circlip for Threaded joint Return line	/RL	2	I099
10	997 347 749 00	Support		1	
12	996 347 769 01	Tension shackle		1	
13	900 067 063 03	Pan-head screw M 10 x 20		1	
14	996 347 551 01	Retainer plate		1	
15	999 230 539 10	Threaded joint		X	
16	999 230 540 10	Threaded joint		X	
17	999 702 210 40	Rubber sleeve		2	
22	997 347 564 03	Pressure line		1	I099
22	997 347 564 04	Pressure line		1	I099
23	999 507 963 40	Support		1	I099
(24)	997 347 462 03	Return line		1	I099
(24)	997 347 462 04	Return line		1	I099
25	997 347 560 00	Support		1	I099

Model: 997T10

Model life 2010>>2013



Model: 997T10

Model life 2010>>2013

Pos	Part Number	Description	Remark	Qty	Model
		Power steering Power-steering pump Container for Turbo			
1	9A1 314 220 05	Oil tank		1	I250
2	9A1 314 223 02	Lid		1	I250
(3)	9A1 314 020 04	Power-steering pump		1	I250
4	996 314 320 03	Straight pin		2	I250
5	9A1 314 430 02	Bracket		1	I250
6	900 385 044 01	Torx screw BM 8 X 16		2	I250
7	9A1 147 123 00	Pulley		1	I250
8	900 385 099 01	Torx screw BM 8 X 12		3	I250
9		Sealing ring 12,5 X 2,15		1	I250
10		Guide		1	I250
11	900 385 044 01	Torx screw BM 8 X 16		2	I250
12	900 385 009 01	Torx screw BM 6 X 16		1	I250
13	900 385 042 01	Torx screw BM 8 X 35		2	I250
-	000 043 203 33	Pentosin 1000 ML		X	
14	9A1 314 020 33	Power-steering pump	10	1	I480
14	9A1 314 020 34	Power-steering pump	11-	1	I480
15	9A1 314 223 32	Lid		1	I480
16	9A1 147 123 00	Pulley		1	I480
17	900 385 099 01	Torx screw BM 8 X 12		3	I480
18	900 385 009 01	Torx screw BM 6 X 16		1	I480
19	900 385 042 01	Torx screw BM 8 X 35 for GT2 RS		2	I480 GT-2 RS
20	996 314 050 51	Power-steering pump		1	
21	996 314 431 53	Bracket		1	
22	997 115 091 72	Bracket		1	
23	999 707 298 40	O-ring		1	
24	996 106 802 10	Retainer spring		1	
25	900 385 098 01	Torx screw M 8 X 25		3	
26	997 314 332 00	Rubber cap		1	
27	997 347 643 52	Pressure line		1	
-	999 707 355 40	Sealing ring 7,65 x 1,65		1	
28	997 314 920 50	Container		1	
-	996 314 331 00	Drip pan for Pentosin		1	
-	993 314 803 00	Indication sticker Green for Container		1	
29	997 314 223 50	Lid		1	
-	999 707 364 41	Sealing ring 30 X 2,5		1	
30	996 147 223 71	Pulley		1	
31	900 385 099 04	Torx screw BM 8 x 12		3	

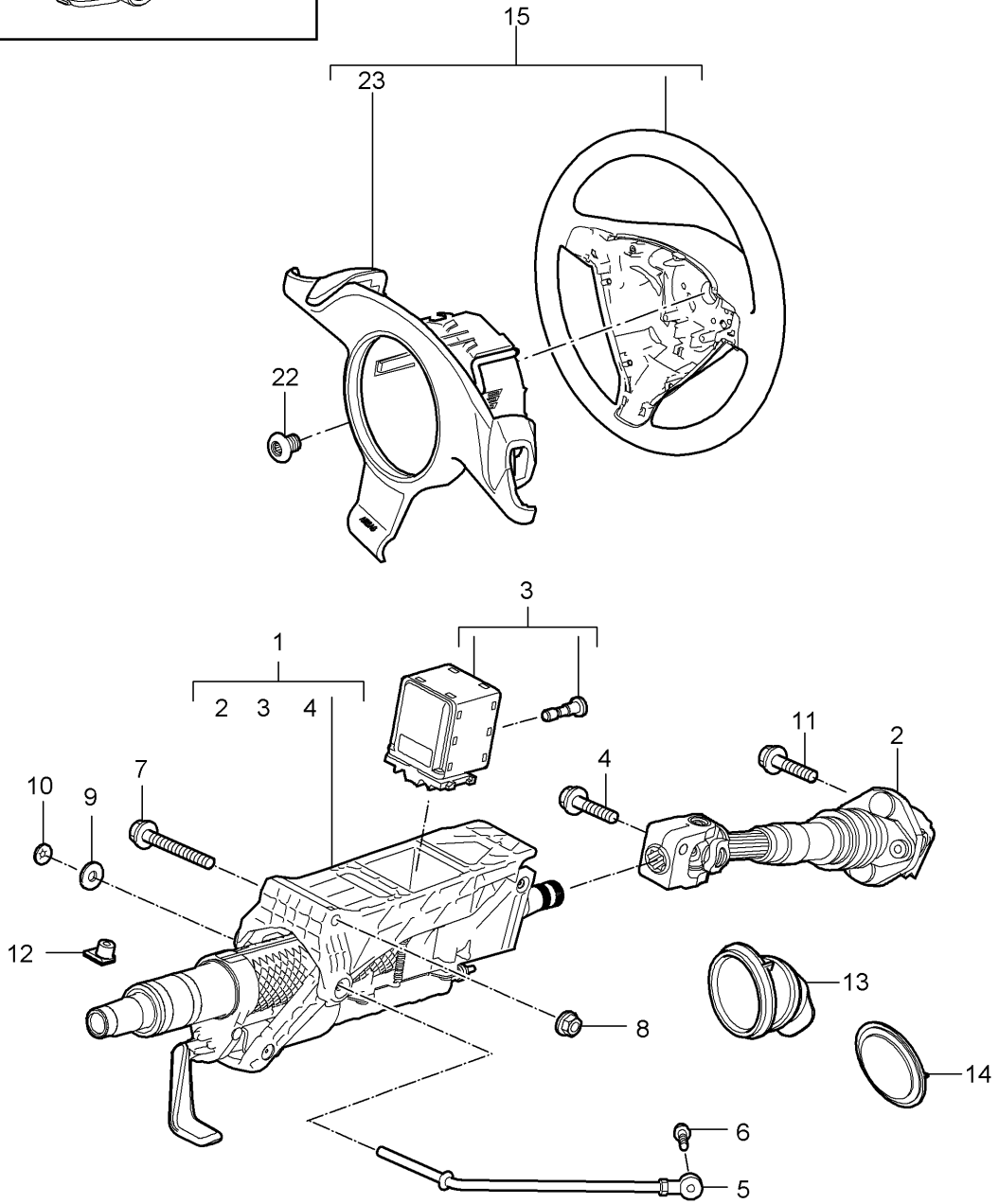
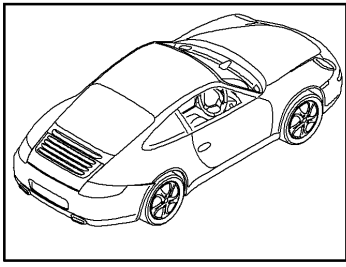
Model: 997T10

Model life 2010&gt;&gt;2013

Pos	Part Number	Description	Remark	Qty	Model
31	900 385 099 01	Torx screw BM 8 x 12		3	
32	997 314 269 01	Pressure line		1	
(32)	997 314 269 02	Pressure line		1	
33	999 707 204 40	Sealing ring 12.5 X 2N		1	
34	997 347 748 52	Rubber ring		1	
35	999 073 104 01	Torx screw M 8 X 16		1	
36	999 512 740 01	Clip		1	
37	999 073 104 01	Torx screw M 8 X 16		2	
-	000 043 203 33	Pentosin 1000 ML		X	
38	999 702 020 50	Rubber sleeve 8,0X12,0X2,5		1	

Model: 997T10

Model life 2010>>2013



Model: 997T10 Model life 2010>>2013

Pos	Part Number	Description	Remark	Qty	Model
		Steering outer tube			TURBO I250
(1)	997 347 007 10	Steering shaft Steering wheels Steering column Complete		1	
2	997 347 023 04	Steering shaft		1	
3	997 618 158 04	Intermed. steering shaft Control unit		1	
		Steering column with Screw			
4	999 217 042 03	Hexagon-head bolt M 8 X 35		1	
4	999 217 042 04	Hexagon-head bolt M 8 X 35		1	
5	997 347 243 00	Support		1	
6	900 378 173 01	Hexagon-head bolt M 6 x 20		1	
7	900 378 095 01	Hexagon-head bolt M 10 X 100		1	
8	900 380 008 01	Hexagon nut M 10		1	
9	900 151 006 03	Washer		1	
10	999 507 217 07	Clamping washer		1	
11	999 217 042 03	Hexagon-head bolt M 8 X 35		1	
11	999 217 042 04	Hexagon-head bolt M 8 X 35		1	
12	999 920 019 40	Plug-in nut 3,5 X 2,5 X 9		1	
13	986 347 037 01	Bellows Information available		1	
14	996 347 339 02	Rubber seal Bulkhead		1	
15	997 347 803 32	Steering wheels Steering wheel Plain leather	-10 -10	1	I841
	997 347 803 32 A34	Black			
	997 347 803 32 B24	Stone grey			
	997 347 803 32 T24	Sand Beige			
	997 347 803 32 E24	Sea blue			
	997 347 803 32 M24	Terracotta			
	997 347 803 32 R24	Cocoa			
	997 347 803 32 D14	Dark grey/natural			
	997 347 803 32 T34	Brown/natural			
	997 347 803 32 N14	Carrera Red			
(15)	997 347 803 98	Steering wheel Plain leather	-10	1	-I345/I841
	997 347 803 98 A34	Black			
	997 347 803 98 B24	Stone grey			
	997 347 803 98 T24	Sand Beige			
	997 347 803 98 E24	Sea blue			
	997 347 803 98 M24	Terracotta			
	997 347 803 98 R24	Cocoa			
	997 347 803 98 D14	Dark grey/natural			
	997 347 803 98 T34	Brown/natural			
	997 347 803 98 N14	Carrera Red			
(15)	997 347 803 D6	Steering wheel Plain leather	-10	1	-I345/I841
	997 347 803 D6 A34	Black			
	997 347 803 D6 B24	Stone grey			
	997 347 803 D6 T24	Sand Beige			



Model: 997T10 Model life 2010>>2013

Pos	Part Number	Description	Remark	Qty	Model
	997 347 803 D6 E24	Sea blue			
	997 347 803 D6 M24	Terracotta			
	997 347 803 D6 R24	Cocoa			
	997 347 803 D6 D14	Dark grey/natural			
	997 347 803 D6 T34	Brown/natural			
	997 347 803 D6 N14	Carrera Red			
(15)	997 347 803 37	Steering wheel	-10	1	I841
		Plain leather			I345
	997 347 803 37 A34	Black			
	997 347 803 37 B24	Stone grey			
	997 347 803 37 T24	Sand Beige			
	997 347 803 37 E24	Sea blue			
	997 347 803 37 M24	Terracotta			
	997 347 803 37 R24	Cocoa			
	997 347 803 37 D14	Dark grey/natural			
	997 347 803 37 T34	Brown/natural			
	997 347 803 37 N14	Carrera Red			
(15)	997 347 803 A3	Steering wheel	-10	1	I841
		Plain leather			I345
	997 347 803 A3 A34	Black			
	997 347 803 A3 B24	Stone grey			
	997 347 803 A3 T24	Sand Beige			
	997 347 803 A3 E24	Sea blue			
	997 347 803 A3 M24	Terracotta			
	997 347 803 A3 R24	Cocoa			
	997 347 803 A3 D14	Dark grey/natural			
	997 347 803 A3 T34	Brown/natural			
	997 347 803 A3 N14	Carrera Red			
(15)	997 347 803 E1	Steering wheel	-10	1	I841
		Plain leather			I345
	997 347 803 E1 A34	Black			
	997 347 803 E1 B24	Stone grey			
	997 347 803 E1 T24	Sand Beige			
	997 347 803 E1 E24	Sea blue			
	997 347 803 E1 M24	Terracotta			
	997 347 803 E1 R24	Cocoa			
	997 347 803 E1 D14	Dark grey/natural			
	997 347 803 E1 T34	Brown/natural			
	997 347 803 E1 N14	Carrera Red			
(15)	997 347 803 33	Steering wheel	-10	1	I844
		Plain leather			
		Multi-function			
	997 347 803 33 A34	Black			
	997 347 803 33 B24	Stone grey			
	997 347 803 33 T24	Sand Beige			
	997 347 803 33 E24	Sea blue			
	997 347 803 33 M24	Terracotta			
	997 347 803 33 R24	Cocoa			
	997 347 803 33 D14	Dark grey/natural			
	997 347 803 33 T34	Brown/natural			
	997 347 803 33 N14	Carrera Red			
(15)	997 347 803 99	Steering wheel	-10	1	I844
		Plain leather			
		Multi-function			
	997 347 803 99 A34	Black			
	997 347 803 99 B24	Stone grey			
	997 347 803 99 T24	Sand Beige			
	997 347 803 99 E24	Sea blue			
	997 347 803 99 M24	Terracotta			
	997 347 803 99 R24	Cocoa			
	997 347 803 99 D14	Dark grey/natural			
	997 347 803 99 T34	Brown/natural			
	997 347 803 99 N14	Carrera Red			

Model: 997T10 Model life 2010>>2013

Pos	Part Number	Description	Remark	Qty	Model
(15)	997 347 803 D7	Steering wheel Plain leather Multi-function	-10	1	I844
	997 347 803 D7 A34	Black			
	997 347 803 D7 B24	Stone grey			
	997 347 803 D7 T24	Sand Beige			
	997 347 803 D7 E24	Sea blue			
	997 347 803 D7 M24	Terracotta			
	997 347 803 D7 R24	Cocoa			
	997 347 803 D7 D14	Dark grey/natural			
	997 347 803 D7 T34	Brown/natural			
	997 347 803 D7 N14	Carrera Red			
(15)	997 347 803 36	Steering wheel Plain leather Multi-function	-10	1	I844 I345
	997 347 803 36 A34	Black			
	997 347 803 36 B24	Stone grey			
	997 347 803 36 T24	Sand Beige			
	997 347 803 36 E24	Sea blue			
	997 347 803 36 M24	Terracotta			
	997 347 803 36 R24	Cocoa			
	997 347 803 36 D14	Dark grey/natural			
	997 347 803 36 T34	Brown/natural			
	997 347 803 36 N14	Carrera Red			
(15)	997 347 803 A2	Steering wheel Plain leather Multi-function	-10	1	I844 I345
	997 347 803 A2 A34	Black			
	997 347 803 A2 B24	Stone grey			
	997 347 803 A2 T24	Sand Beige			
	997 347 803 A2 E24	Sea blue			
	997 347 803 A2 M24	Terracotta			
	997 347 803 A2 R24	Cocoa			
	997 347 803 A2 D14	Dark grey/natural			
	997 347 803 A2 T34	Brown/natural			
	997 347 803 A2 N14	Carrera Red			
(15)	997 347 803 E0	Steering wheel Plain leather Multi-function	-10	1	I844 I345
	997 347 803 E0 A34	Black			
	997 347 803 E0 B24	Stone grey			
	997 347 803 E0 T24	Sand Beige			
	997 347 803 E0 E24	Sea blue			
	997 347 803 E0 M24	Terracotta			
	997 347 803 E0 R24	Cocoa			
	997 347 803 E0 D14	Dark grey/natural			
	997 347 803 E0 T34	Brown/natural			
	997 347 803 E0 N14	Carrera Red			
(15)	997 347 803 34	Steering wheel Multi-function Carbon	-10	1	I845 I345
	997 347 803 34 A34	Black			
	997 347 803 34 B24	Stone grey			
	997 347 803 34 T24	Sand Beige			
	997 347 803 34 E24	Sea blue			
	997 347 803 34 M24	Terracotta			
	997 347 803 34 R24	Cocoa			
	997 347 803 34 D14	Dark grey/natural			
	997 347 803 34 T34	Brown/natural			
	997 347 803 34 N14	Carrera Red			
(15)	997 347 803 A0	Steering wheel Multi-function Carbon	-10	1	I845 I345

Model: 997T10 Model life 2010>>2013

Pos	Part Number	Description	Remark	Qty	Model
	997 347 803 A0 A34	Black			
	997 347 803 A0 B24	Stone grey			
	997 347 803 A0 T24	Sand Beige			
	997 347 803 A0 E24	Sea blue			
	997 347 803 A0 M24	Terracotta			
	997 347 803 A0 R24	Cocoa			
	997 347 803 A0 D14	Dark grey/natural			
	997 347 803 A0 T34	Brown/natural			
	997 347 803 A0 N14	Carrera Red			
(15)	997 347 803 D8	Steering wheel Multi-function Carbon	-10	1	I845 I345
	997 347 803 D8 A34	Black			
	997 347 803 D8 B24	Stone grey			
	997 347 803 D8 T24	Sand Beige			
	997 347 803 D8 E24	Sea blue			
	997 347 803 D8 M24	Terracotta			
	997 347 803 D8 R24	Cocoa			
	997 347 803 D8 D14	Dark grey/natural			
	997 347 803 D8 T34	Brown/natural			
	997 347 803 D8 N14	Carrera Red			
(15)	997 347 803 35	Steering wheel Multi-function Macassar	-10	1	I847 I345
	997 347 803 35 A34	Black			
	997 347 803 35 B24	Stone grey			
	997 347 803 35 T24	Sand Beige			
	997 347 803 35 E24	Sea blue			
	997 347 803 35 M24	Terracotta			
	997 347 803 35 R24	Cocoa			
	997 347 803 35 D14	Dark grey/natural			
	997 347 803 35 T34	Brown/natural			
	997 347 803 35 N14	Carrera Red			
(15)	997 347 803 A1	Steering wheel Multi-function Macassar	-10	1	I847 I345
	997 347 803 A1 A34	Black			
	997 347 803 A1 B24	Stone grey			
	997 347 803 A1 T24	Sand Beige			
	997 347 803 A1 E24	Sea blue			
	997 347 803 A1 M24	Terracotta			
	997 347 803 A1 R24	Cocoa			
	997 347 803 A1 D14	Dark grey/natural			
	997 347 803 A1 T34	Brown/natural			
	997 347 803 A1 N14	Carrera Red			
(15)	997 347 803 D9	Steering wheel Multi-function Macassar	-10	1	I847 I345
	997 347 803 D9 A34	Black			
	997 347 803 D9 B24	Stone grey			
	997 347 803 D9 T24	Sand Beige			
	997 347 803 D9 E24	Sea blue			
	997 347 803 D9 M24	Terracotta			
	997 347 803 D9 R24	Cocoa			
	997 347 803 D9 D14	Dark grey/natural			
	997 347 803 D9 T34	Brown/natural			
	997 347 803 D9 N14	Carrera Red			
(15)	997 347 980 09	Steering wheel Multi-function Aluminium look	-10	1	IXPU I345
	997 347 980 09 A34	Black			
	997 347 980 09 B24	Stone grey			
	997 347 980 09 T24	Sand Beige			

Model: 997T10 Model life 2010>>2013

Pos	Part Number	Description	Remark	Qty	Model
	997 347 980 09 E24	Sea blue			
	997 347 980 09 M24	Terracotta			
	997 347 980 09 R24	Cocoa			
	997 347 980 09 D14	Dark grey/natural			
	997 347 980 09 T34	Brown/natural			
	997 347 980 09 N14	Carrera Red			
(15)	997 347 980 14	Steering wheel Multi-function Aluminium look	-10	1	IXPU I345
	997 347 980 14 A34	Black			
	997 347 980 14 B24	Stone grey			
	997 347 980 14 T24	Sand Beige			
	997 347 980 14 E24	Sea blue			
	997 347 980 14 M24	Terracotta			
	997 347 980 14 R24	Cocoa			
	997 347 980 14 D14	Dark grey/natural			
	997 347 980 14 T34	Brown/natural			
	997 347 980 14 N14	Carrera Red			
(15)	997 347 980 B7	Steering wheel Multi-function Aluminium look	-10	1	IXPU I345
	997 347 980 B7 A34	Black			
	997 347 980 B7 B24	Stone grey			
	997 347 980 B7 T24	Sand Beige			
	997 347 980 B7 E24	Sea blue			
	997 347 980 B7 M24	Terracotta			
	997 347 980 B7 R24	Cocoa			
	997 347 980 B7 D14	Dark grey/natural			
	997 347 980 B7 T34	Brown/natural			
	997 347 980 B7 N14	Carrera Red			
15	997 347 803 03	Steering wheel Plain leather	-10	1	I841 I639/640
	997 347 803 03 A34	Black			
	997 347 803 03 B24	Stone grey			
	997 347 803 03 T24	Sand Beige			
	997 347 803 03 E24	Sea blue			
	997 347 803 03 M24	Terracotta			
	997 347 803 03 R24	Cocoa			
	997 347 803 03 D14	Dark grey/natural			
	997 347 803 03 T34	Brown/natural			
	997 347 803 03 N14	Carrera Red			
(15)	997 347 803 16	Steering wheel Plain leather	-10	1	I841 I639/640 I345
	997 347 803 16 A34	Black			
	997 347 803 16 B24	Stone grey			
	997 347 803 16 T24	Sand Beige			
	997 347 803 16 E24	Sea blue			
	997 347 803 16 M24	Terracotta			
	997 347 803 16 R24	Cocoa			
	997 347 803 16 D14	Dark grey/natural			
	997 347 803 16 T34	Brown/natural			
	997 347 803 16 N14	Carrera Red			
(15)	997 347 803 10	Steering wheel Plain leather Multi-function	-10	1	I844 I639/640
	997 347 803 10 A34	Black			
	997 347 803 10 B24	Stone grey			
	997 347 803 10 T24	Sand Beige			
	997 347 803 10 E24	Sea blue			
	997 347 803 10 M24	Terracotta			
	997 347 803 10 R24	Cocoa			
	997 347 803 10 D14	Dark grey/natural			
	997 347 803 10 T34	Brown/natural			

Model: 997T10 Model life 2010>>2013

Pos	Part Number	Description	Remark	Qty	Model
(15)	997 347 803 10 N14	Carrera Red			
	997 347 803 A5	Steering wheel Plain leather Multi-function	-10	1	I844 I639/640
	997 347 803 A5 A34	Black			
	997 347 803 A5 B24	Stone grey			
	997 347 803 A5 T24	Sand Beige			
	997 347 803 A5 E24	Sea blue			
	997 347 803 A5 M24	Terracotta			
	997 347 803 A5 R24	Cocoa			
	997 347 803 A5 D14	Dark grey/natural			
	997 347 803 A5 T34	Brown/natural			
(15)	997 347 803 A5 N14	Carrera Red			
	997 347 803 E3	Steering wheel Plain leather Multi-function	-10	1	I844 I639/640
	997 347 803 E3 A34	Black			
	997 347 803 E3 B24	Stone grey			
	997 347 803 E3 T24	Sand Beige			
	997 347 803 E3 E24	Sea blue			
	997 347 803 E3 M24	Terracotta			
	997 347 803 E3 R24	Cocoa			
	997 347 803 E3 D14	Dark grey/natural			
	997 347 803 E3 T34	Brown/natural			
(15)	997 347 803 E3 N14	Carrera Red			
	997 347 803 15	Steering wheel Plain leather Multi-function	-10	1	I844 I639/640 I345
	997 347 803 15 A34	Black			
	997 347 803 15 B24	Stone grey			
	997 347 803 15 T24	Sand Beige			
	997 347 803 15 E24	Sea blue			
	997 347 803 15 M24	Terracotta			
	997 347 803 15 R24	Cocoa			
	997 347 803 15 D14	Dark grey/natural			
	997 347 803 15 T34	Brown/natural			
(15)	997 347 803 15 N14	Carrera Red			
	997 347 803 A8	Steering wheel Plain leather Multi-function	-10	1	I844 I639/640 I345
	997 347 803 A8 A34	Black			
	997 347 803 A8 B24	Stone grey			
	997 347 803 A8 T24	Sand Beige			
	997 347 803 A8 E24	Sea blue			
	997 347 803 A8 M24	Terracotta			
	997 347 803 A8 R24	Cocoa			
	997 347 803 A8 D14	Dark grey/natural			
	997 347 803 A8 T34	Brown/natural			
(15)	997 347 803 A8 N14	Carrera Red			
	997 347 803 E6	Steering wheel Plain leather Multi-function	-10	1	I844 I639/640 I345
	997 347 803 E6 A34	Black			
	997 347 803 E6 B24	Stone grey			
	997 347 803 E6 T24	Sand Beige			
	997 347 803 E6 E24	Sea blue			
	997 347 803 E6 M24	Terracotta			
	997 347 803 E6 R24	Cocoa			
	997 347 803 E6 D14	Dark grey/natural			
	997 347 803 E6 T34	Brown/natural			
(15)	997 347 803 E6 N14	Carrera Red			
	997 347 803 11	Steering wheel Multi-function	-10	1	I845 I639/640

Model: 997T10 Model life 2010>>2013

Pos	Part Number	Description	Remark	Qty	Model
		Carbon			I345
	997 347 803 11 A34	Black			
	997 347 803 11 B24	Stone grey			
	997 347 803 11 T24	Sand Beige			
	997 347 803 11 E24	Sea blue			
	997 347 803 11 M24	Terracotta			
	997 347 803 11 R24	Cocoa			
	997 347 803 11 D14	Dark grey/natural			
	997 347 803 11 T34	Brown/natural			
	997 347 803 11 N14	Carrera Red			
(15)	997 347 803 13	Steering wheel	-10	1	I847
		Multi-function			I639/640
		Macassar			I345
	997 347 803 13 A34	Black			
	997 347 803 13 B24	Stone grey			
	997 347 803 13 T24	Sand Beige			
	997 347 803 13 E24	Sea blue			
	997 347 803 13 M24	Terracotta			
	997 347 803 13 R24	Cocoa			
	997 347 803 13 D14	Dark grey/natural			
	997 347 803 13 T34	Brown/natural			
	997 347 803 13 N14	Carrera Red			
(15)	997 347 980 06	Steering wheel	-10	1	IXPU
		Multi-function			I639/640
		Aluminium look			I345
	997 347 980 06 A34	Black			
	997 347 980 06 B24	Stone grey			
	997 347 980 06 T24	Sand Beige			
	997 347 980 06 E24	Sea blue			
	997 347 980 06 M24	Terracotta			
	997 347 980 06 R24	Cocoa			
	997 347 980 06 D14	Dark grey/natural			
	997 347 980 06 T34	Brown/natural			
	997 347 980 06 N14	Carrera Red			
(15)	997 347 980 13	Steering wheel	-10	1	IXPU
		Multi-function			I639/640
		Aluminium look			I345
	997 347 980 13 A34	Black			
	997 347 980 13 B24	Stone grey			
	997 347 980 13 T24	Sand Beige			
	997 347 980 13 E24	Sea blue			
	997 347 980 13 M24	Terracotta			
	997 347 980 13 R24	Cocoa			
	997 347 980 13 D14	Dark grey/natural			
	997 347 980 13 T34	Brown/natural			
	997 347 980 13 N14	Carrera Red			
(15)	997 347 980 B6	Steering wheel	-10	1	IXPU
		Multi-function			I639/640
		Aluminium look			I345
	997 347 980 B6 A34	Black			
	997 347 980 B6 B24	Stone grey			
	997 347 980 B6 T24	Sand Beige			
	997 347 980 B6 E24	Sea blue			
	997 347 980 B6 M24	Terracotta			
	997 347 980 B6 R24	Cocoa			
	997 347 980 B6 D14	Dark grey/natural			
	997 347 980 B6 T34	Brown/natural			
	997 347 980 B6 N14	Carrera Red			
(15)	997 347 803 30	Steering wheel	-10	1	I840
		Shifting paddle			
	997 347 803 30 A34	Black			
	997 347 803 30 B24	Stone grey			
	997 347 803 30 T24	Sand Beige			

Model: 997T10 Model life 2010>>2013

Pos	Part Number	Description	Remark	Qty	Model
	997 347 803 30 E24	Sea blue			
	997 347 803 30 M24	Terracotta			
	997 347 803 30 R24	Cocoa			
	997 347 803 30 D14	Dark grey/natural			
	997 347 803 30 T34	Brown/natural			
	997 347 803 30 N14	Carrera Red			
(15)	997 347 803 B7	Steering wheel Shifting paddle	-10	1	I840
	997 347 803 B7 A34	Black			
	997 347 803 B7 B24	Stone grey			
	997 347 803 B7 T24	Sand Beige			
	997 347 803 B7 E24	Sea blue			
	997 347 803 B7 M24	Terracotta			
	997 347 803 B7 R24	Cocoa			
	997 347 803 B7 D14	Dark grey/natural			
	997 347 803 B7 T34	Brown/natural			
	997 347 803 B7 N14	Carrera Red			
(15)	997 347 803 G0	Steering wheel Shifting paddle	-10	1	I840
	997 347 803 G0 A34	Black			
	997 347 803 G0 B24	Stone grey			
	997 347 803 G0 T24	Sand Beige			
	997 347 803 G0 E24	Sea blue			
	997 347 803 G0 M24	Terracotta			
	997 347 803 G0 R24	Cocoa			
	997 347 803 G0 D14	Dark grey/natural			
	997 347 803 G0 T34	Brown/natural			
	997 347 803 G0 N14	Carrera Red			
(15)	997 347 803 31	Steering wheel Shifting paddle	-10	1	I840 I639/640
	997 347 803 31 A34	Black			
	997 347 803 31 B24	Stone grey			
	997 347 803 31 T24	Sand Beige			
	997 347 803 31 E24	Sea blue			
	997 347 803 31 M24	Terracotta			
	997 347 803 31 R24	Cocoa			
	997 347 803 31 D14	Dark grey/natural			
	997 347 803 31 T34	Brown/natural			
	997 347 803 31 N14	Carrera Red			
(15)	997 347 803 B8	Steering wheel Shifting paddle	-10	1	I840 I639/640
	997 347 803 B8 A34	Black			
	997 347 803 B8 B24	Stone grey			
	997 347 803 B8 T24	Sand Beige			
	997 347 803 B8 E24	Sea blue			
	997 347 803 B8 M24	Terracotta			
	997 347 803 B8 R24	Cocoa			
	997 347 803 B8 D14	Dark grey/natural			
	997 347 803 B8 T34	Brown/natural			
	997 347 803 B8 N14	Carrera Red			
(15)	997 347 803 G1	Steering wheel Shifting paddle	-10	1	I840 I639/640
	997 347 803 G1 A34	Black			
	997 347 803 G1 B24	Stone grey			
	997 347 803 G1 T24	Sand Beige			
	997 347 803 G1 E24	Sea blue			
	997 347 803 G1 M24	Terracotta			
	997 347 803 G1 R24	Cocoa			
	997 347 803 G1 D14	Dark grey/natural			
	997 347 803 G1 T34	Brown/natural			
	997 347 803 G1 N14	Carrera Red			
		Steering wheels	11-		
15	997 347 803 59	Steering wheel	11-	1	I841

Model: 997T10 Model life 2010>>2013

Pos	Part Number	Description	Remark	Qty	Model
		Plain leather			
	997 347 803 59 A34	Black			
	997 347 803 59 B24	Stone grey			
	997 347 803 59 T24	Sand Beige			
	997 347 803 59 E24	Sea blue			
	997 347 803 59 M24	Terracotta			
	997 347 803 59 R24	Cocoa			
	997 347 803 59 D14	Dark grey/natural			
	997 347 803 59 T34	Brown/natural			
	997 347 803 59 N14	Carrera Red			
15	997 347 803 98	Steering wheel	11-	1	I841
		Plain leather			
	997 347 803 98 A34	Black			
	997 347 803 98 B24	Stone grey			
	997 347 803 98 T24	Sand Beige			
	997 347 803 98 E24	Sea blue			
	997 347 803 98 M24	Terracotta			
	997 347 803 98 R24	Cocoa			
	997 347 803 98 D14	Dark grey/natural			
	997 347 803 98 T34	Brown/natural			
	997 347 803 98 N14	Carrera Red			
	997 347 803 98 6H6	Espresso			
15	997 347 803 D6	Steering wheel	11-	1	I841
		Plain leather			
	997 347 803 D6 A34	Black			
	997 347 803 D6 B24	Stone grey			
	997 347 803 D6 T24	Sand Beige			
	997 347 803 D6 E24	Sea blue			
	997 347 803 D6 M24	Terracotta			
	997 347 803 D6 R24	Cocoa			
	997 347 803 D6 D14	Dark grey/natural			
	997 347 803 D6 T34	Brown/natural			
	997 347 803 D6 N14	Carrera Red			
	997 347 803 D6 6H6	Espresso			
(15)	997 347 803 64	Steering wheel	11-	1	I345/841
		Plain leather			
	997 347 803 64 A34	Black			
	997 347 803 64 B24	Stone grey			
	997 347 803 64 T24	Sand Beige			
	997 347 803 64 E24	Sea blue			
	997 347 803 64 M24	Terracotta			
	997 347 803 64 R24	Cocoa			
	997 347 803 64 D14	Dark grey/natural			
	997 347 803 64 T34	Brown/natural			
	997 347 803 64 N14	Carrera Red			
(15)	997 347 803 A3	Steering wheel	11-	1	I345/841
		Plain leather			
	997 347 803 A3 A34	Black			
	997 347 803 A3 B24	Stone grey			
	997 347 803 A3 T24	Sand Beige			
	997 347 803 A3 E24	Sea blue			
	997 347 803 A3 M24	Terracotta			
	997 347 803 A3 R24	Cocoa			
	997 347 803 A3 D14	Dark grey/natural			
	997 347 803 A3 T34	Brown/natural			
	997 347 803 A3 N14	Carrera Red			
	997 347 803 A3 6H6	Espresso			
(15)	997 347 803 E1	Steering wheel	11-	1	I345/841
		Plain leather			
	997 347 803 E1 A34	Black			
	997 347 803 E1 B24	Stone grey			
	997 347 803 E1 T24	Sand Beige			
	997 347 803 E1 E24	Sea blue			



Model: 997T10 Model life 2010>>2013

Pos	Part Number	Description	Remark	Qty	Model
	997 347 803 E1 M24	Terracotta			
	997 347 803 E1 R24	Cocoa			
	997 347 803 E1 D14	Dark grey/natural			
	997 347 803 E1 T34	Brown/natural			
	997 347 803 E1 N14	Carrera Red			
	997 347 803 E1 6H6	Espresso			
(15)	997 347 803 60	Steering wheel Plain leather Multi-function	11-	1	I844
	997 347 803 60 A34	Black			
	997 347 803 60 B24	Stone grey			
	997 347 803 60 T24	Sand Beige			
	997 347 803 60 E24	Sea blue			
	997 347 803 60 M24	Terracotta			
	997 347 803 60 R24	Cocoa			
	997 347 803 60 D14	Dark grey/natural			
	997 347 803 60 T34	Brown/natural			
	997 347 803 60 N14	Carrera Red			
(15)	997 347 803 99	Steering wheel Plain leather Multi-function	11-	1	I844
	997 347 803 99 A34	Black			
	997 347 803 99 B24	Stone grey			
	997 347 803 99 T24	Sand Beige			
	997 347 803 99 E24	Sea blue			
	997 347 803 99 M24	Terracotta			
	997 347 803 99 R24	Cocoa			
	997 347 803 99 D14	Dark grey/natural			
	997 347 803 99 T34	Brown/natural			
	997 347 803 99 N14	Carrera Red			
	997 347 803 99 6H6	Espresso			
(15)	997 347 803 D7	Steering wheel Plain leather Multi-function	11-	1	I844
	997 347 803 D7 A34	Black			
	997 347 803 D7 B24	Stone grey			
	997 347 803 D7 T24	Sand Beige			
	997 347 803 D7 E24	Sea blue			
	997 347 803 D7 M24	Terracotta			
	997 347 803 D7 R24	Cocoa			
	997 347 803 D7 D14	Dark grey/natural			
	997 347 803 D7 T34	Brown/natural			
	997 347 803 D7 N14	Carrera Red			
	997 347 803 D7 6H6	Espresso			
(15)	997 347 803 63	Steering wheel Plain leather Multi-function	11-	1	I345/844
	997 347 803 63 A34	Black			
	997 347 803 63 B24	Stone grey			
	997 347 803 63 T24	Sand Beige			
	997 347 803 63 E24	Sea blue			
	997 347 803 63 M24	Terracotta			
	997 347 803 63 R24	Cocoa			
	997 347 803 63 D14	Dark grey/natural			
	997 347 803 63 T34	Brown/natural			
	997 347 803 63 N14	Carrera Red			
(15)	997 347 803 A2	Steering wheel Plain leather Multi-function	11-	1	I345/844
	997 347 803 A2 A34	Black			
	997 347 803 A2 B24	Stone grey			
	997 347 803 A2 T24	Sand Beige			
	997 347 803 A2 E24	Sea blue			

Model: 997T10 Model life 2010>>2013

Pos	Part Number	Description	Remark	Qty	Model
	997 347 803 A2 M24	Terracotta			
	997 347 803 A2 R24	Cocoa			
	997 347 803 A2 D14	Dark grey/natural			
	997 347 803 A2 T34	Brown/natural			
	997 347 803 A2 N14	Carrera Red			
	997 347 803 A2 6H6	Espresso			
(15)	997 347 803 E0	Steering wheel Plain leather Multi-function	11-	1	I345/844
	997 347 803 E0 A34	Black			
	997 347 803 E0 B24	Stone grey			
	997 347 803 E0 T24	Sand Beige			
	997 347 803 E0 E24	Sea blue			
	997 347 803 E0 M24	Terracotta			
	997 347 803 E0 R24	Cocoa			
	997 347 803 E0 D14	Dark grey/natural			
	997 347 803 E0 T34	Brown/natural			
	997 347 803 E0 N14	Carrera Red			
	997 347 803 E0 6H6	Espresso			
(15)	997 347 803 61	Steering wheel Multi-function Carbon	11-	1	I345/845
	997 347 803 61 A34	Black			
	997 347 803 61 B24	Stone grey			
	997 347 803 61 T24	Sand Beige			
	997 347 803 61 E24	Sea blue			
	997 347 803 61 M24	Terracotta			
	997 347 803 61 R24	Cocoa			
	997 347 803 61 D14	Dark grey/natural			
	997 347 803 61 T34	Brown/natural			
	997 347 803 61 N14	Carrera Red			
(15)	997 347 803 A0	Steering wheel Multi-function Carbon	11-	1	I345/845
	997 347 803 A0 A34	Black			
	997 347 803 A0 B24	Stone grey			
	997 347 803 A0 T24	Sand Beige			
	997 347 803 A0 E24	Sea blue			
	997 347 803 A0 M24	Terracotta			
	997 347 803 A0 R24	Cocoa			
	997 347 803 A0 D14	Dark grey/natural			
	997 347 803 A0 T34	Brown/natural			
	997 347 803 A0 N14	Carrera Red			
	997 347 803 A0 6H6	Espresso			
(15)	997 347 803 D8	Steering wheel Multi-function Carbon	11-	1	I345/845
	997 347 803 D8 A34	Black			
	997 347 803 D8 B24	Stone grey			
	997 347 803 D8 T24	Sand Beige			
	997 347 803 D8 E24	Sea blue			
	997 347 803 D8 M24	Terracotta			
	997 347 803 D8 R24	Cocoa			
	997 347 803 D8 D14	Dark grey/natural			
	997 347 803 D8 T34	Brown/natural			
	997 347 803 D8 N14	Carrera Red			
	997 347 803 D8 6H6	Espresso			
(15)	997 347 803 62	Steering wheel Multi-function Macassar	11-	1	I345/847
	997 347 803 62 A34	Black			
	997 347 803 62 B24	Stone grey			
	997 347 803 62 T24	Sand Beige			

Model: 997T10 Model life 2010>>2013

Pos	Part Number	Description	Remark	Qty	Model
	997 347 803 62 E24	Sea blue			
	997 347 803 62 M24	Terracotta			
	997 347 803 62 R24	Cocoa			
	997 347 803 62 D14	Dark grey/natural			
	997 347 803 62 T34	Brown/natural			
	997 347 803 62 N14	Carrera Red			
(15)	997 347 803 A1	Steering wheel Multi-function Macassar	11-	1	I345/847
	997 347 803 A1 A34	Black			
	997 347 803 A1 B24	Stone grey			
	997 347 803 A1 T24	Sand Beige			
	997 347 803 A1 E24	Sea blue			
	997 347 803 A1 M24	Terracotta			
	997 347 803 A1 R24	Cocoa			
	997 347 803 A1 D14	Dark grey/natural			
	997 347 803 A1 T34	Brown/natural			
	997 347 803 A1 N14	Carrera Red			
	997 347 803 A1 6H6	Espresso			
(15)	997 347 803 D9	Steering wheel Multi-function Macassar	11-	1	I345/847
	997 347 803 D9 A34	Black			
	997 347 803 D9 B24	Stone grey			
	997 347 803 D9 T24	Sand Beige			
	997 347 803 D9 E24	Sea blue			
	997 347 803 D9 M24	Terracotta			
	997 347 803 D9 R24	Cocoa			
	997 347 803 D9 D14	Dark grey/natural			
	997 347 803 D9 T34	Brown/natural			
	997 347 803 D9 N14	Carrera Red			
	997 347 803 D9 6H6	Espresso			
(15)	997 347 980 11	Steering wheel Multi-function Aluminium look	11-	1	IXPU/345
	997 347 980 11 A34	Black			
	997 347 980 11 B24	Stone grey			
	997 347 980 11 T24	Sand Beige			
	997 347 980 11 E24	Sea blue			
	997 347 980 11 M24	Terracotta			
	997 347 980 11 R24	Cocoa			
	997 347 980 11 D14	Dark grey/natural			
	997 347 980 11 T34	Brown/natural			
	997 347 980 11 N14	Carrera Red			
(15)	997 347 980 14	Steering wheel Multi-function Aluminium look	11-	1	IXPU/345
	997 347 980 14 A34	Black			
	997 347 980 14 B24	Stone grey			
	997 347 980 14 T24	Sand Beige			
	997 347 980 14 E24	Sea blue			
	997 347 980 14 M24	Terracotta			
	997 347 980 14 R24	Cocoa			
	997 347 980 14 D14	Dark grey/natural			
	997 347 980 14 T34	Brown/natural			
	997 347 980 14 N14	Carrera Red			
	997 347 980 14 6H6	Espresso			
(15)	997 347 980 B7	Steering wheel Multi-function Aluminium look	11-	1	IXPU/345
	997 347 980 B7 A34	Black			
	997 347 980 B7 B24	Stone grey			
	997 347 980 B7 T24	Sand Beige			

Model: 997T10 Model life 2010>>2013

Pos	Part Number	Description	Remark	Qty	Model
	997 347 980 B7 E24	Sea blue			
	997 347 980 B7 M24	Terracotta			
	997 347 980 B7 R24	Cocoa			
	997 347 980 B7 D14	Dark grey/natural			
	997 347 980 B7 T34	Brown/natural			
	997 347 980 B7 N14	Carrera Red			
	997 347 980 B7 6H6	Espresso			
(15)	997 347 980 10	Steering wheel	11-	1	IXPU/345/639 I640
		Multi-function Aluminium look			
	997 347 980 10 A34	Black			
	997 347 980 10 B24	Stone grey			
	997 347 980 10 T24	Sand Beige			
	997 347 980 10 E24	Sea blue			
	997 347 980 10 M24	Terracotta			
	997 347 980 10 R24	Cocoa			
	997 347 980 10 D14	Dark grey/natural			
	997 347 980 10 T34	Brown/natural			
	997 347 980 10 N14	Carrera Red			
(15)	997 347 980 13	Steering wheel	11-	1	IXPU/345/639 I640
		Multi-function Aluminium look			
	997 347 980 13 A34	Black			
	997 347 980 13 B24	Stone grey			
	997 347 980 13 T24	Sand Beige			
	997 347 980 13 E24	Sea blue			
	997 347 980 13 M24	Terracotta			
	997 347 980 13 R24	Cocoa			
	997 347 980 13 D14	Dark grey/natural			
	997 347 980 13 T34	Brown/natural			
	997 347 980 13 N14	Carrera Red			
	997 347 980 13 6H6	Espresso			
(15)	997 347 980 B6	Steering wheel	11-	1	IXPU/345/639 I640
		Multi-function Aluminium look			
	997 347 980 B6 A34	Black			
	997 347 980 B6 B24	Stone grey			
	997 347 980 B6 T24	Sand Beige			
	997 347 980 B6 E24	Sea blue			
	997 347 980 B6 M24	Terracotta			
	997 347 980 B6 R24	Cocoa			
	997 347 980 B6 D14	Dark grey/natural			
	997 347 980 B6 T34	Brown/natural			
	997 347 980 B6 N14	Carrera Red			
	997 347 980 B6 6H6	Espresso			
15	997 347 803 65	Steering wheel	11-	1	I841 I639/640
		Plain leather			
	997 347 803 65 A34	Black			
	997 347 803 65 B24	Stone grey			
	997 347 803 65 T24	Sand Beige			
	997 347 803 65 E24	Sea blue			
	997 347 803 65 M24	Terracotta			
	997 347 803 65 R24	Cocoa			
	997 347 803 65 D14	Dark grey/natural			
	997 347 803 65 T34	Brown/natural			
	997 347 803 65 N14	Carrera Red			
(15)	997 347 803 70	Steering wheel	11-	1	I841 I639/640 I345
		Plain leather			
	997 347 803 70 A34	Black			
	997 347 803 70 B24	Stone grey			

Model: 997T10 Model life 2010>>2013

Pos	Part Number	Description	Remark	Qty	Model
	997 347 803 70 T24	Sand Beige			
	997 347 803 70 E24	Sea blue			
	997 347 803 70 M24	Terracotta			
	997 347 803 70 R24	Cocoa			
	997 347 803 70 D14	Dark grey/natural			
	997 347 803 70 T34	Brown/natural			
	997 347 803 70 N14	Carrera Red			
(15)	997 347 803 66	Steering wheel Plain leather Multi-function	11-	1	I844 I639/640
	997 347 803 66 A34	Black			
	997 347 803 66 B24	Stone grey			
	997 347 803 66 T24	Sand Beige			
	997 347 803 66 E24	Sea blue			
	997 347 803 66 M24	Terracotta			
	997 347 803 66 R24	Cocoa			
	997 347 803 66 D14	Dark grey/natural			
	997 347 803 66 T34	Brown/natural			
	997 347 803 66 N14	Carrera Red			
(15)	997 347 803 A5	Steering wheel Plain leather Multi-function	11-	1	I844 I639/640
	997 347 803 A5 A34	Black			
	997 347 803 A5 B24	Stone grey			
	997 347 803 A5 T24	Sand Beige			
	997 347 803 A5 E24	Sea blue			
	997 347 803 A5 M24	Terracotta			
	997 347 803 A5 R24	Cocoa			
	997 347 803 A5 D14	Dark grey/natural			
	997 347 803 A5 T34	Brown/natural			
	997 347 803 A5 N14	Carrera Red			
(15)	997 347 803 E3	Steering wheel Plain leather Multi-function	11-	1	I844 I639/640
	997 347 803 E3 A34	Black			
	997 347 803 E3 B24	Stone grey			
	997 347 803 E3 T24	Sand Beige			
	997 347 803 E3 E24	Sea blue			
	997 347 803 E3 M24	Terracotta			
	997 347 803 E3 R24	Cocoa			
	997 347 803 E3 D14	Dark grey/natural			
	997 347 803 E3 T34	Brown/natural			
	997 347 803 E3 N14	Carrera Red			
(15)	997 347 803 69	Steering wheel Plain leather Multi-function	11-	1	I844 I639/640 I345
	997 347 803 69 A34	Black			
	997 347 803 69 B24	Stone grey			
	997 347 803 69 T24	Sand Beige			
	997 347 803 69 E24	Sea blue			
	997 347 803 69 M24	Terracotta			
	997 347 803 69 R24	Cocoa			
	997 347 803 69 D14	Dark grey/natural			
	997 347 803 69 T34	Brown/natural			
	997 347 803 69 N14	Carrera Red			
(15)	997 347 803 A8	Steering wheel Plain leather Multi-function	11-	1	I844 I639/640 I345
	997 347 803 A8 A34	Black			
	997 347 803 A8 B24	Stone grey			
	997 347 803 A8 T24	Sand Beige			
	997 347 803 A8 E24	Sea blue			
	997 347 803 A8 M24	Terracotta			

Model: 997T10 Model life 2010>>2013

Pos	Part Number	Description	Remark	Qty	Model
	997 347 803 A8 R24	Cocoa			
	997 347 803 A8 D14	Dark grey/natural			
	997 347 803 A8 T34	Brown/natural			
	997 347 803 A8 N14	Carrera Red			
	997 347 803 A8 6H6	Espresso			
(15)	997 347 803 E6	Steering wheel Plain leather Multi-function	11-	1	I844 I639/640 I345
	997 347 803 E6 A34	Black			
	997 347 803 E6 B24	Stone grey			
	997 347 803 E6 T24	Sand Beige			
	997 347 803 E6 E24	Sea blue			
	997 347 803 E6 M24	Terracotta			
	997 347 803 E6 R24	Cocoa			
	997 347 803 E6 D14	Dark grey/natural			
	997 347 803 E6 T34	Brown/natural			
	997 347 803 E6 N14	Carrera Red			
	997 347 803 E6 6H6	Espresso			
(15)	997 347 803 67	Steering wheel Multi-function Carbon	11-	1	I845 I639/640 I345
	997 347 803 67 A34	Black			
	997 347 803 67 B24	Stone grey			
	997 347 803 67 T24	Sand Beige			
	997 347 803 67 E24	Sea blue			
	997 347 803 67 M24	Terracotta			
	997 347 803 67 R24	Cocoa			
	997 347 803 67 D14	Dark grey/natural			
	997 347 803 67 T34	Brown/natural			
	997 347 803 67 N14	Carrera Red			
(15)	997 347 803 A6	Steering wheel Multi-function Carbon	11-	1	I845 I639/640 I345
	997 347 803 A6 A34	Black			
	997 347 803 A6 B24	Stone grey			
	997 347 803 A6 T24	Sand Beige			
	997 347 803 A6 E24	Sea blue			
	997 347 803 A6 M24	Terracotta			
	997 347 803 A6 R24	Cocoa			
	997 347 803 A6 D14	Dark grey/natural			
	997 347 803 A6 T34	Brown/natural			
	997 347 803 A6 N14	Carrera Red			
	997 347 803 A6 6H6	Espresso			
(15)	997 347 803 E4	Steering wheel Multi-function Carbon	11-	1	I845 I639/640 I345
	997 347 803 E4 A34	Black			
	997 347 803 E4 B24	Stone grey			
	997 347 803 E4 T24	Sand Beige			
	997 347 803 E4 E24	Sea blue			
	997 347 803 E4 M24	Terracotta			
	997 347 803 E4 R24	Cocoa			
	997 347 803 E4 D14	Dark grey/natural			
	997 347 803 E4 T34	Brown/natural			
	997 347 803 E4 N14	Carrera Red			
	997 347 803 E4 6H6	Espresso			
(15)	997 347 803 68	Steering wheel Multi-function Macassar	11-	1	I847 I639/640 I345
	997 347 803 68 A34	Black			
	997 347 803 68 B24	Stone grey			
	997 347 803 68 T24	Sand Beige			
	997 347 803 68 E24	Sea blue			

Model: 997T10 Model life 2010>>2013

Pos	Part Number	Description	Remark	Qty	Model
(15)	997 347 803 68 M24	Terracotta	11-	1	I847 I639/640 I345
	997 347 803 68 R24	Cocoa			
	997 347 803 68 D14	Dark grey/natural			
	997 347 803 68 T34	Brown/natural			
	997 347 803 68 N14	Carrera Red			
	997 347 803 A7	Steering wheel Multi-function Macassar			
	997 347 803 A7 A34	Black			
	997 347 803 A7 B24	Stone grey			
	997 347 803 A7 T24	Sand Beige			
	997 347 803 A7 E24	Sea blue			
	997 347 803 A7 M24	Terracotta			
	997 347 803 A7 R24	Cocoa			
	997 347 803 A7 D14	Dark grey/natural			
	997 347 803 A7 T34	Brown/natural			
	997 347 803 A7 N14	Carrera Red			
(15)	997 347 803 A7 6H6	Espresso	11-	1	I847 I639/640 I345
	997 347 803 E5	Steering wheel Multi-function Macassar			
	997 347 803 E5 A34	Black			
	997 347 803 E5 B24	Stone grey			
	997 347 803 E5 T24	Sand Beige			
	997 347 803 E5 E24	Sea blue			
	997 347 803 E5 M24	Terracotta			
	997 347 803 E5 R24	Cocoa			
	997 347 803 E5 D14	Dark grey/natural			
	997 347 803 E5 T34	Brown/natural			
	997 347 803 E5 N14	Carrera Red			
	997 347 803 E5 6H6	Espresso			
	997 347 803 80	Steering wheel			
	997 347 803 80 A34	PADDLE Black			
	997 347 803 80 B24	Stone grey			
997 347 803 80 T24	Sand Beige				
997 347 803 80 E24	Sea blue				
997 347 803 80 M24	Terracotta				
997 347 803 80 R24	Cocoa				
997 347 803 80 D14	Dark grey/natural				
997 347 803 80 T34	Brown/natural				
997 347 803 80 N14	Carrera Red				
(15)	997 347 803 91	Steering wheel	11-	1	-I345/-I639 -I640/I840
	997 347 803 91 A34	Shifting paddle Black			
	997 347 803 91 B24	Stone grey			
	997 347 803 91 T24	Sand Beige			
	997 347 803 91 E24	Sea blue			
	997 347 803 91 M24	Terracotta			
	997 347 803 91 R24	Cocoa			
	997 347 803 91 D14	Dark grey/natural			
	997 347 803 91 T34	Brown/natural			
	997 347 803 91 N14	Carrera Red			
	997 347 803 91 6H6	Espresso			
	997 347 803 B7	Steering wheel			
	997 347 803 B7 A34	Shifting paddle Black			
	997 347 803 B7 B24	Stone grey			
	997 347 803 B7 T24	Sand Beige			
997 347 803 B7 E24	Sea blue				

Model: 997T10

Model life 2010&gt;&gt;2013

Pos	Part Number	Description	Remark	Qty	Model
	997 347 803 B7 M24	Terracotta			
	997 347 803 B7 R24	Cocoa			
	997 347 803 B7 D14	Dark grey/natural			
	997 347 803 B7 T34	Brown/natural			
	997 347 803 B7 N14	Carrera Red			
	997 347 803 B7 6H6	Espresso			
(15)	997 347 803 G0	Steering wheel	11-	1	-I345/-I639 -I640/I840
		PADDLE			
	997 347 803 G0 A34	Black			
	997 347 803 G0 B24	Stone grey			
	997 347 803 G0 T24	Sand Beige			
	997 347 803 G0 E24	Sea blue			
	997 347 803 G0 M24	Terracotta			
	997 347 803 G0 R24	Cocoa			
	997 347 803 G0 D14	Dark grey/natural			
	997 347 803 G0 T34	Brown/natural			
	997 347 803 G0 N14	Carrera Red			
	997 347 803 G0 6H6	Espresso			
(15)	997 347 803 81	Steering wheel	11-	1	-I345/I639 I640/840
		Shifting paddle			
	997 347 803 81 A34	Black			
	997 347 803 81 B24	Stone grey			
	997 347 803 81 T24	Sand Beige			
	997 347 803 81 E24	Sea blue			
	997 347 803 81 M24	Terracotta			
	997 347 803 81 R24	Cocoa			
	997 347 803 81 D14	Dark grey/natural			
	997 347 803 81 T34	Brown/natural			
	997 347 803 81 N14	Carrera Red			
(15)	997 347 803 92	Steering wheel	11-	1	-I345/I639 I640/840
		Shifting paddle			
	997 347 803 92 A34	Black			
	997 347 803 92 B24	Stone grey			
	997 347 803 92 T24	Sand Beige			
	997 347 803 92 E24	Sea blue			
	997 347 803 92 M24	Terracotta			
	997 347 803 92 R24	Cocoa			
	997 347 803 92 D14	Dark grey/natural			
	997 347 803 92 T34	Brown/natural			
	997 347 803 92 N14	Carrera Red			
	997 347 803 92 6H6	Espresso			
(15)	997 347 803 B8	Steering wheel	11-	1	-I345/I639 I640/840
		Shifting paddle			
	997 347 803 B8 A34	Black			
	997 347 803 B8 B24	Stone grey			
	997 347 803 B8 T24	Sand Beige			
	997 347 803 B8 E24	Sea blue			
	997 347 803 B8 M24	Terracotta			
	997 347 803 B8 R24	Cocoa			
	997 347 803 B8 D14	Dark grey/natural			
	997 347 803 B8 T34	Brown/natural			
	997 347 803 B8 N14	Carrera Red			
	997 347 803 B8 6H6	Espresso			
(15)	997 347 803 G1	Steering wheel	11-	1	-I345/I639 I640/840
		Shifting paddle			
	997 347 803 G1 A34	Black			
	997 347 803 G1 B24	Stone grey			
	997 347 803 G1 T24	Sand Beige			



Model: 997T10 Model life 2010>>2013

Pos	Part Number	Description	Remark	Qty	Model
	997 347 803 G1 E24	Sea blue			
	997 347 803 G1 M24	Terracotta			
	997 347 803 G1 R24	Cocoa			
	997 347 803 G1 D14	Dark grey/natural			
	997 347 803 G1 T34	Brown/natural			
	997 347 803 G1 N14	Carrera Red			
	997 347 803 G1 6H6	Espresso			
(15)	997 347 803 97	Steering wheel	12-	1	I018/639/640 I840
		Shifting paddle			
	997 347 803 97 DTB	Black/Carrara White			
	997 347 803 97 DTP	Black/Pure Blue			
(15)	997 347 803 C3	Steering wheel	12-	1	I018/639/640 I840
		Shifting paddle			
	997 347 803 C3 DTB	Black/Carrara White			
	997 347 803 C3 DTP	Black/Pure Blue			
(15)	997 347 803 G6	Steering wheel	12-	1	I018/639/640 I840
		Shifting paddle			
	997 347 803 G6 DTB	Black/Carrara White			
	997 347 803 G6 DTP	Black/Pure Blue			
(15)	997 347 803 K4	Steering wheel		1	I018/639/640 I840
		Shifting paddle			
	997 347 803 K4 FVC	Black/Acid Green			+53, +99, I345
-	7PP 951 527	Switch		1	
	7PP 951 527 A05	Black			
22	N 910 207 01	Screw		1	
		M 18 X 1,5 X 26			
23	997 613 461 00	Module		1	I250/841
	997 613 461 00 FUP	Volcano grey/galvanosilver			
23	997 613 461 00	Module		1	I250/841
	997 613 461 00 5Q0	Black			
(23)	997 613 465 00	Module		1	I250/844/845 I847
	997 613 465 00 FUQ	Volcano grey/galvanosilver			
(23)	997 613 465 01	Module		1	I250/844/845 I847
	997 613 465 01 FUQ	Volcano grey/galvanosilver			
(23)	997 613 465 01	Module		1	I250/844/845 I847
	997 613 465 01 5Q0	Black			
(23)	997 613 467 00	Module		1	I250/639/640 I841
	997 613 467 00 FUP	Volcano grey/galvanosilver			
(23)	997 613 467 03	Module		1	I250/639/640 I841
	997 613 467 03 FUP	Volcano grey/galvanosilver			
(23)	997 613 467 00	Module		1	I250/639/640 I841
	997 613 467 00 5Q0	Black			
(23)	997 613 467 03	Module		1	I250/639/640 I841
	997 613 467 03 5Q0	Black			
(23)	997 613 469 00	Module		1	I250/639/640 I844/845/847
	997 613 469 00 FUQ	Volcano grey/galvanosilver			
(23)	997 613 469 03	Multi-function Module		1	I250/639/640 I844/845/847
	997 613 469 03 FUQ	Volcano grey/galvanosilver			
		Multi-function			

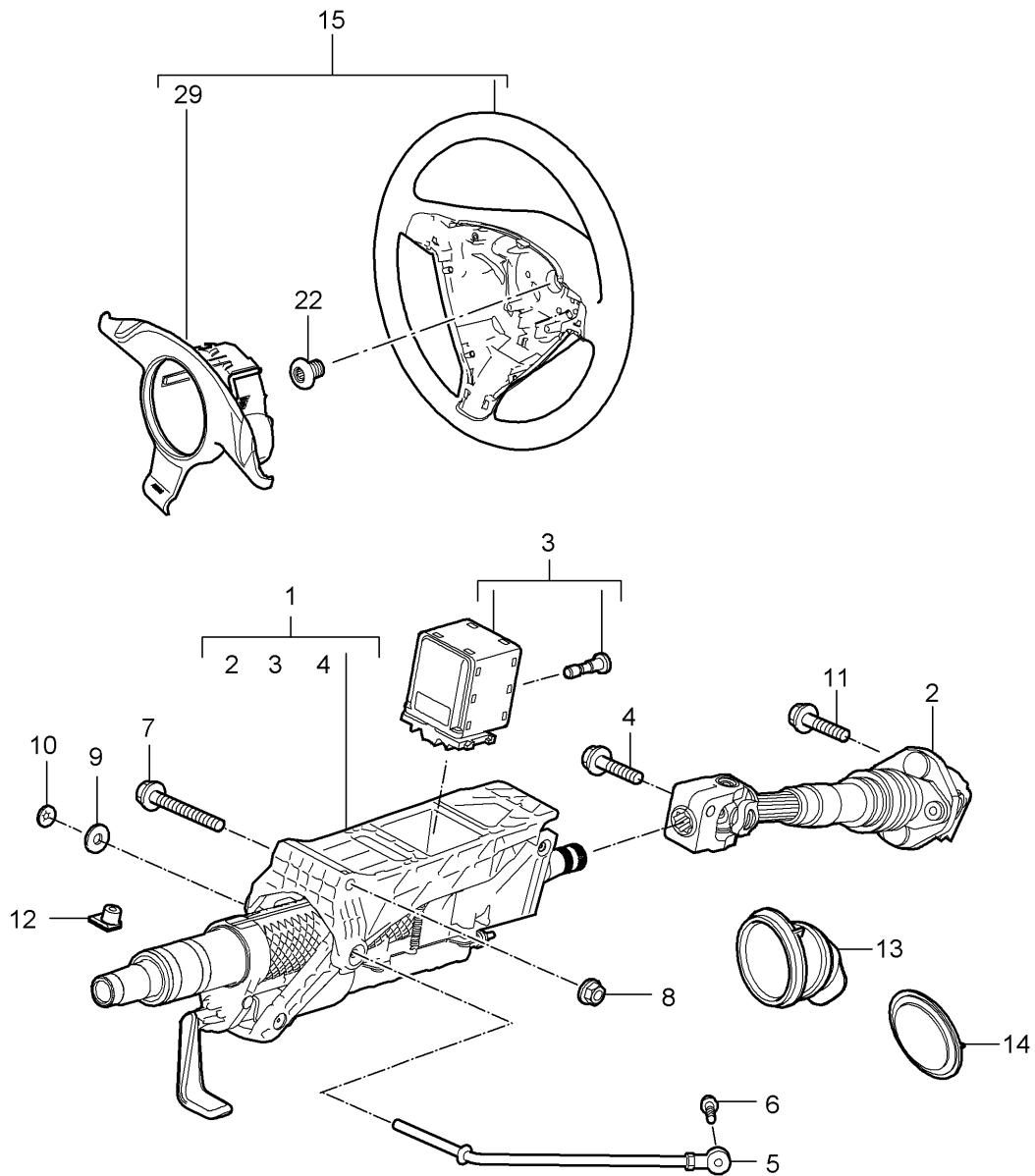
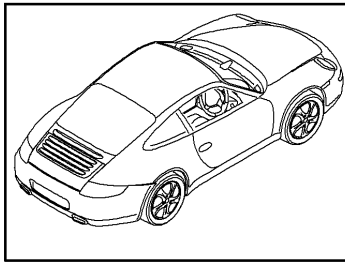
Model: 997T10

Model life 2010>>2013

Pos	Part Number	Description	Remark	Qty	Model
(23)	997 613 469 00	Module		1	I250/639/640 I844/845/847
	997 613 469 00 5Q0	Black Multi-function			
(23)	997 613 469 03	Module		1	I250/639/640 I844/845/847
	997 613 469 03 5Q0	Black Multi-function			
(23)		Module paddle See technical manual 48 12 55			I840
-	000 043 207 50	Mixing tube		X	
-	000 043 207 48	Adhesive set Steering wheel See technical manual suspension Group 48 12 55		1	
-	000 043 209 01	Mixing tube Only together with 000.043.209.00		X	
-	000 043 209 00	Adhesive set Steering wheel Only together with 000.043.209.01 See technical manual suspension Group 48 12 55		1	

Model: 997T10

Model life 2010>>2013



Model: 997T10 Model life 2010>>2013

Pos	Part Number	Description	Remark	Qty	Model
1	997 347 007 10	Steering outer tube Steering shaft Steering wheels Steering column Complete		1	I480
2	997 347 023 04	Steering shaft Intermed. steering shaft		1	
3	997 618 158 04	Control unit Steering column with Screw		1	
4	999 217 042 03	Hexagon-head bolt M 8 X 35		1	
4	999 217 042 04	Hexagon-head bolt M 8 X 35		1	
5	997 347 243 00	Support		1	
6	900 378 173 01	Hexagon-head bolt M 6 x 20		1	
7	900 378 095 01	Hexagon-head bolt M 10 X 100		1	
8	900 380 008 01	Hexagon nut M 10		1	
9	900 151 006 03	Washer		1	
10	999 507 217 07	Clamping washer		1	
11	999 217 042 03	Hexagon-head bolt M 8 X 35		1	
11	999 217 042 04	Hexagon-head bolt M 8 X 35		1	
12	999 920 019 40	Plug-in nut 3,5 X 2,5 X 9		1	
13	986 347 037 01	Bellows Information available		1	
14	996 347 339 02	Rubber seal Bulkhead		1	
(15)	997 347 803 51	Steering wheels Steering wheel Leather	10	1	I841
	997 347 803 51 A34	Black			
	997 347 803 51 B24	Stone grey			
	997 347 803 51 T24	Sand Beige			
	997 347 803 51 E24	Sea blue			
	997 347 803 51 R24	Cocoa			
	997 347 803 51 M24	Terracotta			
	997 347 803 51 D14	Dark grey/natural			
	997 347 803 51 T34	Brown/natural			
	997 347 803 51 N14	Carrera Red			
(15)	997 347 803 E8	Steering wheel Leather		1	I841
	997 347 803 E8 A34	Black			
	997 347 803 E8 B24	Stone grey			
	997 347 803 E8 T24	Sand Beige			
	997 347 803 E8 E24	Sea blue			
	997 347 803 E8 R24	Cocoa			
	997 347 803 E8 M24	Terracotta			
	997 347 803 E8 D14	Dark grey/natural			
	997 347 803 E8 T34	Brown/natural			
	997 347 803 E8 N14	Carrera Red			
(15)	997 347 803 57	Steering wheel Leather		1	I345/841
	997 347 803 57 A34	Black			
	997 347 803 57 B24	Stone grey			
	997 347 803 57 T24	Sand Beige			
	997 347 803 57 E24	Sea blue			

Model: 997T10 Model life 2010>>2013

Pos	Part Number	Description	Remark	Qty	Model
(15)	997 347 803 57 R24	Cocoa		1	I345/841
	997 347 803 57 M24	Terracotta			
	997 347 803 57 D14	Dark grey/natural			
	997 347 803 57 T34	Brown/natural			
	997 347 803 57 N14	Carrera Red			
	997 347 803 F2	Steering wheel Leather			
	997 347 803 F2 A34	Black			
	997 347 803 F2 B24	Stone grey			
	997 347 803 F2 T24	Sand Beige			
	997 347 803 F2 E24	Sea blue			
	997 347 803 F2 R24	Cocoa			
	997 347 803 F2 M24	Terracotta			
	997 347 803 F2 D14	Dark grey/natural			
	997 347 803 F2 T34	Brown/natural			
	997 347 803 F2 N14	Carrera Red			
(15)	997 347 803 52	Steering wheel Leather		1	I844
	997 347 803 52 A34	Black			
	997 347 803 52 B24	Stone grey			
	997 347 803 52 T24	Sand Beige			
	997 347 803 52 E24	Sea blue			
	997 347 803 52 R24	Cocoa			
	997 347 803 52 M24	Terracotta			
	997 347 803 52 D14	Dark grey/natural			
	997 347 803 52 T34	Brown/natural			
	997 347 803 52 N14	Carrera Red			
	997 347 803 E9	Steering wheel Leather			
	997 347 803 E9 A34	Black			
	997 347 803 E9 B24	Stone grey			
	997 347 803 E9 T24	Sand Beige			
	997 347 803 E9 E24	Sea blue			
997 347 803 E9 R24	Cocoa				
997 347 803 E9 M24	Terracotta				
997 347 803 E9 D14	Dark grey/natural				
997 347 803 E9 T34	Brown/natural				
997 347 803 E9 N14	Carrera Red				
(15)	997 347 803 58	Steering wheel Leather		1	I345/844
	997 347 803 58 A34	Black			
	997 347 803 58 B24	Stone grey			
	997 347 803 58 T24	Sand Beige			
	997 347 803 58 E24	Sea blue			
	997 347 803 58 R24	Cocoa			
	997 347 803 58 M24	Terracotta			
	997 347 803 58 D14	Dark grey/natural			
	997 347 803 58 T34	Brown/natural			
	997 347 803 58 N14	Carrera Red			
	997 347 803 F3	Steering wheel Leather			
	997 347 803 F3 A34	Black			
	997 347 803 F3 B24	Stone grey			
	997 347 803 F3 T24	Sand Beige			
	997 347 803 F3 E24	Sea blue			
997 347 803 F3 R24	Cocoa				
997 347 803 F3 M24	Terracotta				
997 347 803 F3 D14	Dark grey/natural				
997 347 803 F3 T34	Brown/natural				
997 347 803 F3 N14	Carrera Red				
(15)	997 347 803 53	Steering wheel Leather		1	I345/845
	997 347 803 53 A34	Black			

Model: 997T10 Model life 2010>>2013

Pos	Part Number	Description	Remark	Qty	Model
	997 347 803 53 B24	Stone grey			
	997 347 803 53 T24	Sand Beige			
	997 347 803 53 E24	Sea blue			
	997 347 803 53 R24	Cocoa			
	997 347 803 53 M24	Terracotta			
	997 347 803 53 D14	Dark grey/natural			
	997 347 803 53 T34	Brown/natural			
	997 347 803 53 N14	Carrera Red			
(15)	997 347 803 55	Steering wheel Leather		1	I345/847
	997 347 803 55 A34	Black			
	997 347 803 55 B24	Stone grey			
	997 347 803 55 T24	Sand Beige			
	997 347 803 55 E24	Sea blue			
	997 347 803 55 R24	Cocoa			
	997 347 803 55 M24	Terracotta			
	997 347 803 55 D14	Dark grey/natural			
	997 347 803 55 T34	Brown/natural			
	997 347 803 55 N14	Carrera Red			
(15)	997 347 980 08	Steering wheel Leather		1	IXPU/345
	997 347 980 08 A34	Black			
	997 347 980 08 B24	Stone grey			
	997 347 980 08 T24	Sand Beige			
	997 347 980 08 E24	Sea blue			
	997 347 980 08 R24	Cocoa			
	997 347 980 08 M24	Terracotta			
	997 347 980 08 D14	Dark grey/natural			
	997 347 980 08 T34	Brown/natural			
	997 347 980 08 N14	Carrera Red			
(15)	997 347 803 71	Steering wheels Steering wheel Leather	11- 11-	1	I841
	997 347 803 71 A34	Black			
	997 347 803 71 B24	Stone grey			
	997 347 803 71 T24	Sand Beige			
	997 347 803 71 E24	Sea blue			
	997 347 803 71 R24	Cocoa			
	997 347 803 71 M24	Terracotta			
	997 347 803 71 D14	Dark grey/natural			
	997 347 803 71 T34	Brown/natural			
	997 347 803 71 N14	Carrera Red			
(15)	997 347 803 B0	Steering wheel Leather	11-	1	I841
	997 347 803 B0 A34	Black			
	997 347 803 B0 B24	Stone grey			
	997 347 803 B0 T24	Sand Beige			
	997 347 803 B0 E24	Sea blue			
	997 347 803 B0 R24	Cocoa			
	997 347 803 B0 M24	Terracotta			
	997 347 803 B0 D14	Dark grey/natural			
	997 347 803 B0 T34	Brown/natural			
	997 347 803 B0 N14	Carrera Red			
(15)	997 347 803 F4	Steering wheel Leather	11-	1	I841
	997 347 803 F4 A34	Black			
	997 347 803 F4 B24	Stone grey			
	997 347 803 F4 T24	Sand Beige			
	997 347 803 F4 E24	Sea blue			
	997 347 803 F4 R24	Cocoa			
	997 347 803 F4 M24	Terracotta			
	997 347 803 F4 D14	Dark grey/natural			
	997 347 803 F4 T34	Brown/natural			

Model: 997T10

Model life 2010>>2013

Pos	Part Number	Description	Remark	Qty	Model
(15)	997 347 803 F4 N14 997 347 803 76	Carrera Red Steering wheel Leather	11-	1	I345/841
	997 347 803 76 A34	Black			
	997 347 803 76 B24	Stone grey			
	997 347 803 76 T24	Sand Beige			
	997 347 803 76 E24	Sea blue			
	997 347 803 76 R24	Cocoa			
	997 347 803 76 M24	Terracotta			
	997 347 803 76 D14	Dark grey/natural			
	997 347 803 76 T34	Brown/natural			
(15)	997 347 803 76 N14 997 347 803 B5	Carrera Red Steering wheel Leather	11-	1	I345/841
	997 347 803 B5 A34	Black			
	997 347 803 B5 B24	Stone grey			
	997 347 803 B5 T24	Sand Beige			
	997 347 803 B5 E24	Sea blue			
	997 347 803 B5 R24	Cocoa			
	997 347 803 B5 M24	Terracotta			
	997 347 803 B5 D14	Dark grey/natural			
	997 347 803 B5 T34	Brown/natural			
	997 347 803 B5 N14	Carrera Red			
(15)	997 347 803 B5 6H6 997 347 803 F8	Espresso Steering wheel Leather	11-	1	I345/841
	997 347 803 F8 A34	Black			
	997 347 803 F8 B24	Stone grey			
	997 347 803 F8 T24	Sand Beige			
	997 347 803 F8 E24	Sea blue			
	997 347 803 F8 R24	Cocoa			
	997 347 803 F8 M24	Terracotta			
	997 347 803 F8 D14	Dark grey/natural			
	997 347 803 F8 T34	Brown/natural			
	997 347 803 F8 N14	Carrera Red			
(15)	997 347 803 F8 6H6 997 347 803 72	Espresso Steering wheel Leather	11-	1	I844
	997 347 803 72 A34	Black			
	997 347 803 72 B24	Stone grey			
	997 347 803 72 T24	Sand Beige			
	997 347 803 72 E24	Sea blue			
	997 347 803 72 R24	Cocoa			
	997 347 803 72 M24	Terracotta			
	997 347 803 72 D14	Dark grey/natural			
	997 347 803 72 T34	Brown/natural			
	997 347 803 72 N14	Carrera Red			
(15)	997 347 803 B1	Steering wheel Leather	11-	1	I844
	997 347 803 B1 A34	Black			
	997 347 803 B1 B24	Stone grey			
	997 347 803 B1 T24	Sand Beige			
	997 347 803 B1 E24	Sea blue			
	997 347 803 B1 R24	Cocoa			
	997 347 803 B1 M24	Terracotta			
	997 347 803 B1 D14	Dark grey/natural			
	997 347 803 B1 T34	Brown/natural			
	997 347 803 B1 N14	Carrera Red			
(15)	997 347 803 B1 6H6 997 347 803 F5	Espresso Steering wheel Leather	11-	1	I844
	997 347 803 F5 A34	Black			
	997 347 803 F5 B24	Stone grey			

Model: 997T10 Model life 2010>>2013

Pos	Part Number	Description	Remark	Qty	Model
	997 347 803 F5 T24	Sand Beige			
	997 347 803 F5 E24	Sea blue			
	997 347 803 F5 R24	Cocoa			
	997 347 803 F5 M24	Terracotta			
	997 347 803 F5 D14	Dark grey/natural			
	997 347 803 F5 T34	Brown/natural			
	997 347 803 F5 N14	Carrera Red			
	997 347 803 F5 6H6	Espresso			
(15)	997 347 803 77	Steering wheel Leather	11-	1	I345/844
	997 347 803 77 A34	Black			
	997 347 803 77 B24	Stone grey			
	997 347 803 77 T24	Sand Beige			
	997 347 803 77 E24	Sea blue			
	997 347 803 77 R24	Cocoa			
	997 347 803 77 M24	Terracotta			
	997 347 803 77 D14	Dark grey/natural			
	997 347 803 77 T34	Brown/natural			
	997 347 803 77 N14	Carrera Red			
(15)	997 347 803 B6	Steering wheel Leather	11-	1	I345/844
	997 347 803 B6 A34	Black			
	997 347 803 B6 B24	Stone grey			
	997 347 803 B6 T24	Sand Beige			
	997 347 803 B6 E24	Sea blue			
	997 347 803 B6 R24	Cocoa			
	997 347 803 B6 M24	Terracotta			
	997 347 803 B6 D14	Dark grey/natural			
	997 347 803 B6 T34	Brown/natural			
	997 347 803 B6 N14	Carrera Red			
	997 347 803 B6 6H6	Espresso			
(15)	997 347 803 F9	Steering wheel Leather	11-	1	I345/844
	997 347 803 F9 A34	Black			
	997 347 803 F9 B24	Stone grey			
	997 347 803 F9 T24	Sand Beige			
	997 347 803 F9 E24	Sea blue			
	997 347 803 F9 R24	Cocoa			
	997 347 803 F9 M24	Terracotta			
	997 347 803 F9 D14	Dark grey/natural			
	997 347 803 F9 T34	Brown/natural			
	997 347 803 F9 N14	Carrera Red			
	997 347 803 F9 6H6	Espresso			
(15)	997 347 803 73	Steering wheel Leather	11-	1	I345/845
	997 347 803 73 A34	Black			
	997 347 803 73 B24	Stone grey			
	997 347 803 73 T24	Sand Beige			
	997 347 803 73 E24	Sea blue			
	997 347 803 73 R24	Cocoa			
	997 347 803 73 M24	Terracotta			
	997 347 803 73 D14	Dark grey/natural			
	997 347 803 73 T34	Brown/natural			
	997 347 803 73 N14	Carrera Red			
(15)	997 347 803 B2	Steering wheel Leather	11-	1	I345/845
	997 347 803 B2 A34	Black			
	997 347 803 B2 B24	Stone grey			
	997 347 803 B2 T24	Sand Beige			
	997 347 803 B2 E24	Sea blue			
	997 347 803 B2 R24	Cocoa			
	997 347 803 B2 M24	Terracotta			
	997 347 803 B2 D14	Dark grey/natural			



Model: 997T10 Model life 2010>>2013

Pos	Part Number	Description	Remark	Qty	Model
(15)	997 347 803 B2 T34	Brown/natural	11-	1	I345/845
	997 347 803 B2 N14	Carrera Red			
	997 347 803 B2 6H6	Espresso			
	997 347 803 F6	Steering wheel Leather			
	997 347 803 F6 A34	Black			
	997 347 803 F6 B24	Stone grey			
	997 347 803 F6 T24	Sand Beige			
	997 347 803 F6 E24	Sea blue			
	997 347 803 F6 R24	Cocoa			
	997 347 803 F6 M24	Terracotta			
(15)	997 347 803 F6 D14	Dark grey/natural	11-	1	I345/847
	997 347 803 F6 T34	Brown/natural			
	997 347 803 F6 N14	Carrera Red			
	997 347 803 F6 6H6	Espresso			
	997 347 803 75	Steering wheel Leather			
	997 347 803 75 A34	Black			
	997 347 803 75 B24	Stone grey			
	997 347 803 75 T24	Sand Beige			
	997 347 803 75 E24	Sea blue			
	997 347 803 75 R24	Cocoa			
(15)	997 347 803 75 M24	Terracotta	11-	1	I345/847
	997 347 803 75 D14	Dark grey/natural			
	997 347 803 75 T34	Brown/natural			
	997 347 803 75 N14	Carrera Red			
	997 347 803 B4	Steering wheel Leather			
	997 347 803 B4 A34	Black			
	997 347 803 B4 B24	Stone grey			
	997 347 803 B4 T24	Sand Beige			
	997 347 803 B4 E24	Sea blue			
	997 347 803 B4 R24	Cocoa			
(15)	997 347 803 B4 M24	Terracotta	11-	1	I345/847
	997 347 803 B4 D14	Dark grey/natural			
	997 347 803 B4 T34	Brown/natural			
	997 347 803 B4 N14	Carrera Red			
	997 347 803 B4 6H6	Espresso			
	997 347 803 F7	Steering wheel Leather			
	997 347 803 F7 A34	Black			
	997 347 803 F7 B24	Stone grey			
	997 347 803 F7 T24	Sand Beige			
	997 347 803 F7 E24	Sea blue			
(15)	997 347 803 F7 R24	Cocoa	11-	1	IXPU/345
	997 347 803 F7 M24	Terracotta			
	997 347 803 F7 D14	Dark grey/natural			
	997 347 803 F7 T34	Brown/natural			
	997 347 803 F7 N14	Carrera Red			
	997 347 803 F7 6H6	Espresso			
	997 347 980 12	Steering wheel Leather			
	997 347 980 12 A34	Black			
	997 347 980 12 B24	Stone grey			
	997 347 980 12 T24	Sand Beige			
(15)	997 347 980 12 E24	Sea blue	11-	1	IXPU/345
	997 347 980 12 R24	Cocoa			
	997 347 980 12 M24	Terracotta			
	997 347 980 12 D14	Dark grey/natural			
	997 347 980 12 T34	Brown/natural			
	997 347 980 12 N14	Carrera Red			
	997 347 980 B3	Steering wheel Leather			

Model: 997T10 Model life 2010>>2013

Pos	Part Number	Description	Remark	Qty	Model
	997 347 980 B3 A34	Black			
	997 347 980 B3 B24	Stone grey			
	997 347 980 B3 T24	Sand Beige			
	997 347 980 B3 E24	Sea blue			
	997 347 980 B3 R24	Cocoa			
	997 347 980 B3 M24	Terracotta			
	997 347 980 B3 D14	Dark grey/natural			
	997 347 980 B3 T34	Brown/natural			
	997 347 980 B3 N14	Carrera Red			
	997 347 980 B3 6H6	Espresso			
(15)	997 347 980 C0	Steering wheel Leather	11-	1	IXPU/345
	997 347 980 C0 A34	Black			
	997 347 980 C0 B24	Stone grey			
	997 347 980 C0 T24	Sand Beige			
	997 347 980 C0 E24	Sea blue			
	997 347 980 C0 R24	Cocoa			
	997 347 980 C0 M24	Terracotta			
	997 347 980 C0 D14	Dark grey/natural			
	997 347 980 C0 T34	Brown/natural			
	997 347 980 C0 N14	Carrera Red			
	997 347 980 C0 6H6	Espresso			
(15)	997 347 803 95	Steering wheel Leather	12-	1	I480/840
	997 347 803 95 A34	Black			
	997 347 803 95 B24	Stone grey			
	997 347 803 95 T24	Sand Beige			
	997 347 803 95 E24	Sea blue			
	997 347 803 95 R24	Cocoa			
	997 347 803 95 M24	Terracotta			
	997 347 803 95 D14	Dark grey/natural			
	997 347 803 95 T34	Brown/natural			
	997 347 803 95 N14	Carrera Red			
	997 347 803 95 6H6	Espresso			
(15)	997 347 803 C1	Steering wheel Leather	12-	1	I480/840
	997 347 803 C1 A34	Black			
	997 347 803 C1 B24	Stone grey			
	997 347 803 C1 T24	Sand Beige			
	997 347 803 C1 E24	Sea blue			
	997 347 803 C1 R24	Cocoa			
	997 347 803 C1 M24	Terracotta			
	997 347 803 C1 D14	Dark grey/natural			
	997 347 803 C1 T34	Brown/natural			
	997 347 803 C1 N14	Carrera Red			
	997 347 803 C1 6H6	Espresso			
(15)	997 347 803 G4	Steering wheel Leather	12-	1	I480/840
	997 347 803 G4 A34	Black			
	997 347 803 G4 B24	Stone grey			
	997 347 803 G4 T24	Sand Beige			
	997 347 803 G4 E24	Sea blue			
	997 347 803 G4 R24	Cocoa			
	997 347 803 G4 M24	Terracotta			
	997 347 803 G4 D14	Dark grey/natural			
	997 347 803 G4 T34	Brown/natural			
	997 347 803 G4 N14	Carrera Red			
	997 347 803 G4 6H6	Espresso			
(29)	997 347 803 71	Steering wheel Leather	11-	1	GT2-RS I004/841
	997 347 803 71 A34	Black			
(29)	997 347 803 B0	Steering wheel	11-	1	GT2-RS

Model: 997T10

Model life 2010&gt;&gt;2013

Pos	Part Number	Description	Remark	Qty	Model
		Leather			I004/841
(29)	997 347 803 B0 A34	Black			
	997 347 803 F4	Steering wheel	11-	1	GT2-RS I004/841
		Leather			
(29)	997 347 803 F4 A34	Black			
	997 347 804 96	Sports steering wheel	11-	1	GT2-RS I004/839
		Leather			
	997 347 804 96 A15	Alcantara			
	997 347 804 96 A15	Black			
(29)	997 347 804 A1	Alcantara Sports steering wheel	11-	1	GT2-RS I004/839
		Leather			
	997 347 804 A1 A15	Alcantara			
	997 347 804 A1 A15	Black			
(29)	997 347 804 96	Alcantara Sports steering wheel	11-	1	GT2-RS I004/839
		Leather			
	997 347 804 96 DRA	Alcantara			
	997 347 804 96 DRA	Black-red			
(29)	997 347 804 A1	Sports steering wheel	11-	1	GT2-RS I004/839
		Leather			
	997 347 804 A1 DRA	Alcantara			
-	7PP 951 527	Black-red Switch		1	I345
	7PP 951 527 A05	Black			
22	N 910 207 01	Screw		1	
		M 18 X 1,5 X 26			
29	997 613 463 01	Module	-10	1	I480/844/845 I847
	997 613 463 01 FUR	Volcano Grey/Black Mat Multi-function			
29	997 613 463 03	Module	-10	1	I480/844/845 I847
	997 613 463 03 FUR	Volcano Grey/Black Mat Multi-function			
29	997 613 463 01	Module	11-	1	I480/844/845 I847
	997 613 463 01 5Q0	Black Multi-function			
29	997 613 463 03	Module	11-	1	I480/844/845 I847
	997 613 463 03 5Q0	Black Multi-function			
-	000 043 207 50	Mixing tube		X	
-	000 043 207 48	Adhesive set		1	
		Steering wheel			
		See technical manual			
		suspension			
		Group			
		48 12 55			
-	000 043 209 01	Mixing tube		X	
		Only together with			
		000.043.209.00			
-	000 043 209 00	Adhesive set		1	
		Steering wheel			
		Only together with			
		000.043.209.01			

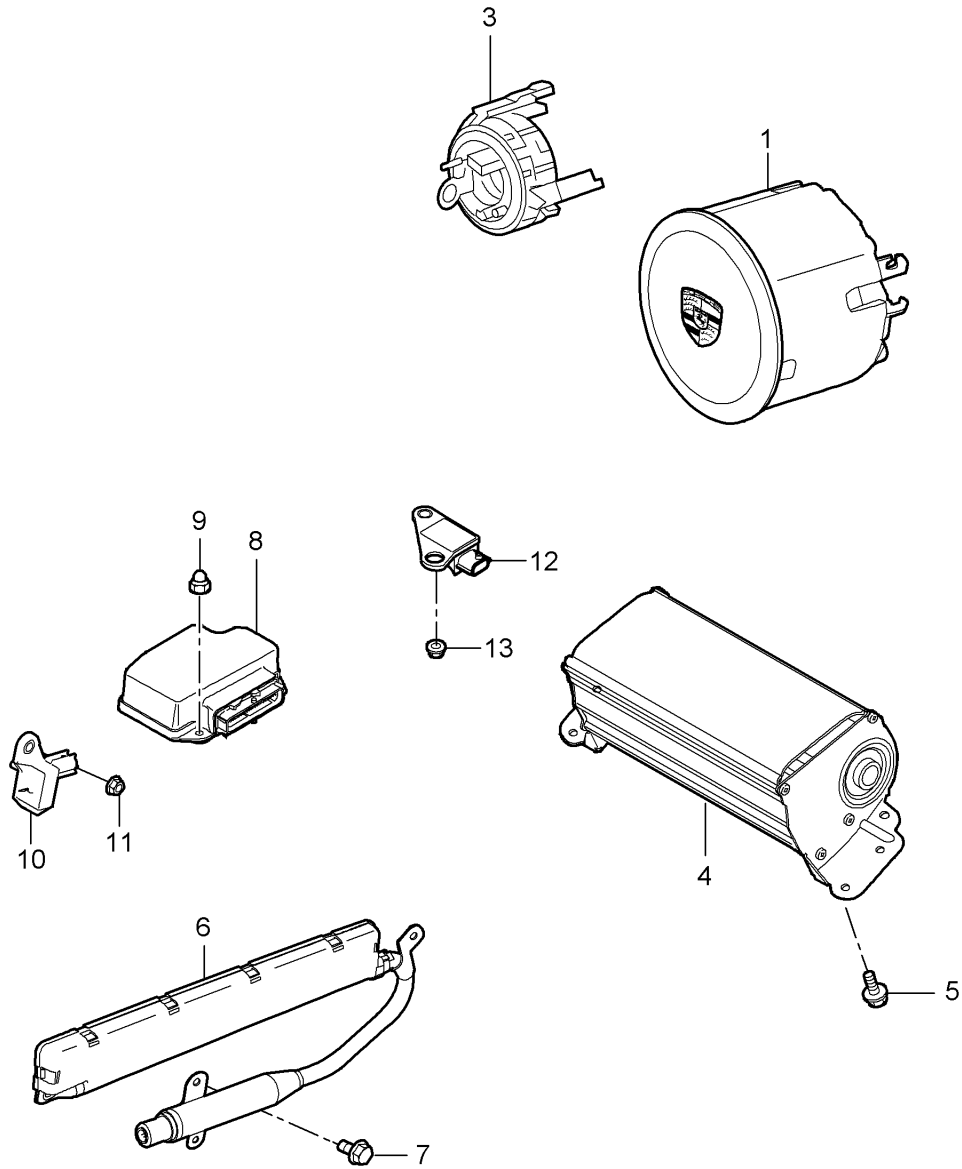
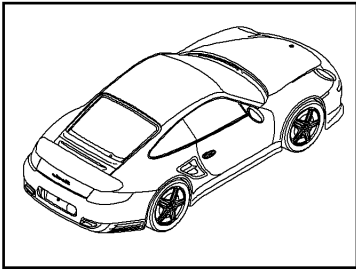
Model: 997T10

Model life 2010>>2013

Pos	Part Number	Description	Remark	Qty	Model
		See technical manual suspension Group 48 12 55			

Model: 997T10

Model life 2010>>2013



Model: 997T10 Model life 2010>>2013

Pos	Part Number	Description	Remark	Qty	Model
1	997 803 089 12	Airbag Airbag unit Leather		1	TURBO
	997 803 089 12 A34	Black			
	997 803 089 12 B24	Stone grey			
	997 803 089 12 T24	Sand Beige			
	997 803 089 12 E24	Sea blue			
	997 803 089 12 M24	Terracotta			
	997 803 089 12 R24	Cocoa			
	997 803 089 12 D14	Dark grey/natural			
	997 803 089 12 T34	Brown/natural			
	997 803 089 12 N14	Carrera Red			
(1)	997 803 089 24	Airbag unit Leather		1	TURBO
	997 803 089 24 A34	Black			
	997 803 089 24 B24	Stone grey			
	997 803 089 24 T24	Sand Beige			
	997 803 089 24 E24	Sea blue			
	997 803 089 24 M24	Terracotta			
	997 803 089 24 R24	Cocoa			
	997 803 089 24 D14	Dark grey/natural			
	997 803 089 24 T34	Brown/natural			
	997 803 089 24 N14	Carrera Red			
(1)	997 803 089 12	Airbag unit Leather		1	
	997 803 089 12 A34	Black	11-		I839/841
	997 803 089 12 6H6	Espresso			I840
(1)	997 803 089 24	Airbag unit Leather		1	
	997 803 089 24 A34	Black	11-		I839/841
	997 803 089 24 6H6	Espresso			I840
3	955 652 211 11	Spring with Steering-angle sensor		1	
3	955 652 211 22	Spring with Steering-angle sensor		1	I345
4	997 803 071 08	Airbag unit Passenger's side		1	
5	900 378 222 01	Hexagon-head bolt M 6 X 16		4	
6	997 803 091 04	Side airbag for Head airbag	/L	1	
(6)	997 803 092 04	Side airbag for Head airbag	/R	1	
7	900 378 035 01	Hexagon-head bolt M 6 X 16		6	
8	997 618 217 08	Control unit		1	TURBO COUPE
(8)	997 618 219 09	Control unit		1	TURBO CABRIO
(8)	997 618 217 08	Control unit		1	GT-2 RS
9	999 070 015 02	Cap nut M 6		3	
10	997 618 221 01	Sensor Side airbag		2	
11	999 084 629 01	Hexagon nut M 6		8	
12	997 618 223 02	Acceleration sensor Airbag Front		2	

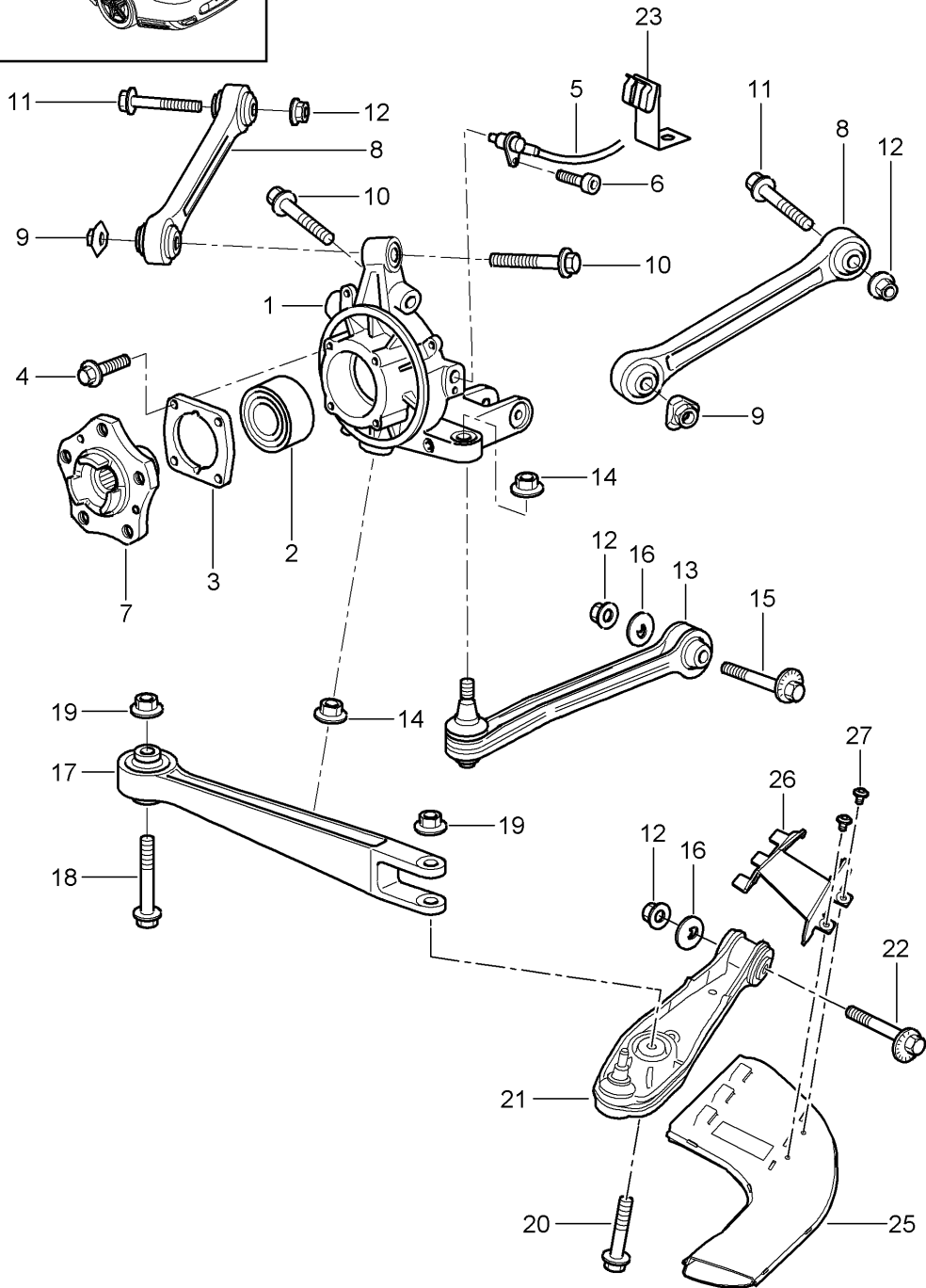
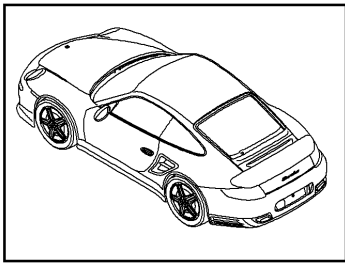
Model: 997T10

Model life 2010>>2013

Pos	Part Number	Description	Remark	Qty	Model
13	999 084 638 01	Hexagon nut M 6 SB		2	

Model: 997T10

Model life 2010>>2013





Model: 997T10

Model life 2010&gt;&gt;2013

Pos	Part Number	Description	Remark	Qty	Model
		Rear axle			
		Wheel carrier			
		Control arm			
		Wheel hub			
1	997 331 111 07	Wheel carrier	/L	1	TURBO
1	997 331 111 80	Wheel carrier	/L	1	GT-2 RS
(1)	997 331 112 07	Wheel carrier	/R	1	TURBO
1	997 331 112 80	Wheel carrier	/R	1	GT-2 RS
2	999 053 055 02	Angular-contact bearing		2	
3	996 331 661 01	Lid		2	
(4)	999 217 042 04	Hexagon-head bolt M 8 X 35		8	
5	997 606 407 01	Speed sensor		2	
(6)	900 067 117 04	Pan-head screw M 6 x 16		2	
7	997 331 605 00	Wheel hub		2	TURBO
7	997 331 605 01	Wheel hub		2	
(7)	997 331 607 02	Wheel hub		2	TURBO I422
(7)	997 331 607 04	Wheel hub		2	GT-2 RS I430
8	997 331 047 01	Wishbone		2	
(9)	999 084 445 01	Lock nut M 12 x 1,5		4	
10	900 378 138 01	Hexagon-head bolt M 12 X 70		4	
11	900 378 165 01	Hexagon-head bolt M 12 X 95		4	
(12)	999 084 445 01	Lock nut M 12 x 1,5		10	
13	997 331 045 04	Track rod		2	TURBO
13	997 331 045 80	Track rod		2	GT-2 RS
14	999 084 449 09	Lock nut M 12 X 1,5		4	
15	997 331 217 02	Eccentric screw M 12 X 83		2	
16	996 331 219 00	Eccentric washer		2	
17	997 331 043 01	Control arm		2	
(18)	900 378 051 01	Hexagon-head bolt M 14 x 100		2	
19	900 380 012 09	Hexagon nut M 14 X 1,5		4	
19	900 380 012 01	Hexagon nut M 14 X 1,5		4	
(20)	900 378 135 01	Hexagon-head bolt M 14 x 1,5 x 75		2	
21	997 331 053 02	Wishbone		2	TURBO
21	997 331 041 80	Wishbone	/L	2	GT-2 RS
(21)	997 331 042 80	Wishbone	/R	2	GT-2 RS
22	997 331 217 03	Eccentric screw		2	
23	997 331 487 02	Spoiler	/L	1	
(23)	997 331 488 02	Spoiler	/R	1	
24	999 507 530 00	Cable holder		2	
		Speed sensor			
25	997 575 531 90	Air guide	/L	1	GT-2 RS
(25)	997 575 532 90	Air guide	/R	2	GT-2 RS
26	997 575 631 91	Support	/L	1	GT-2 RS
(26)	997 575 632 91	Support	/R	1	GT-2 RS
27	999 073 516 01	Oval-head screw M 6 X 10		2	GT-2 RS
28	900 060 070 01	Stud M6X30 Mount	10-	1	

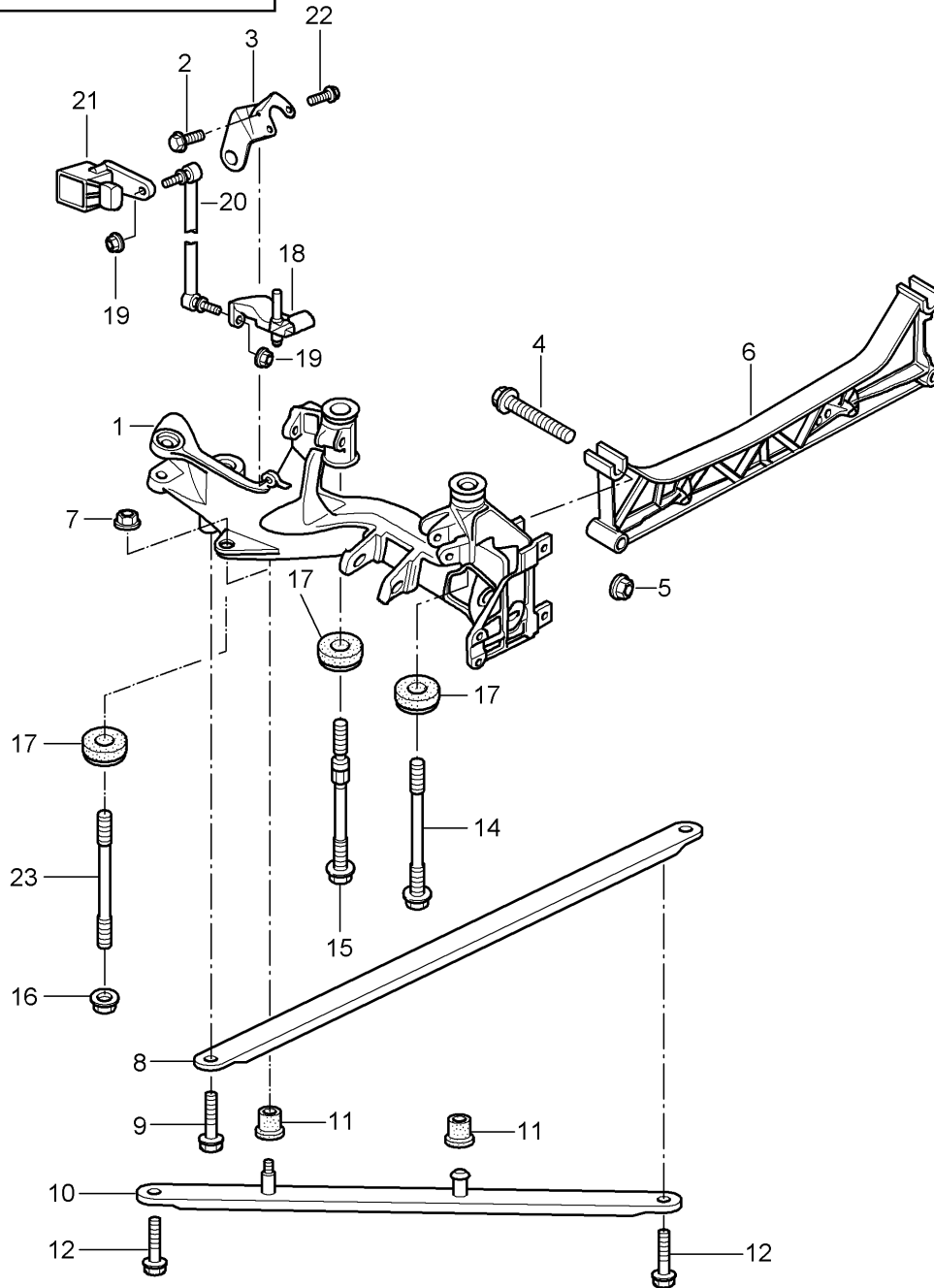
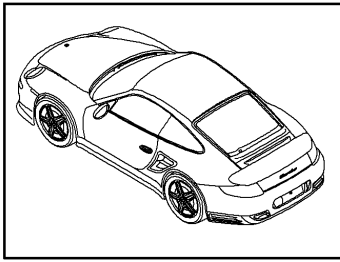
Model: 997T10

Model life 2010>>2013

Pos	Part Number	Description	Remark	Qty	Model
		Speed sensor			

Model: 997T10

Model life 2010>>2013



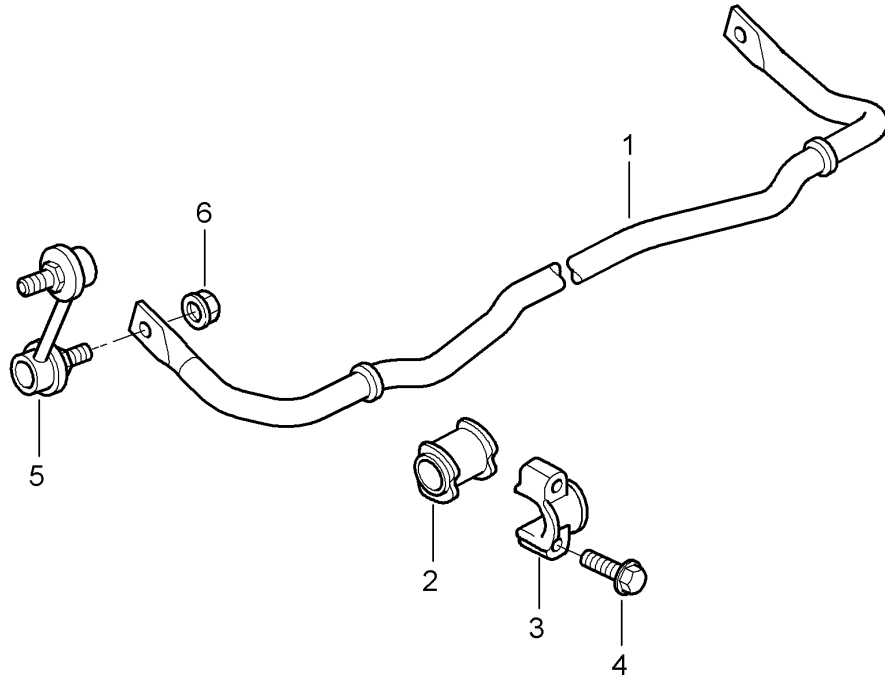
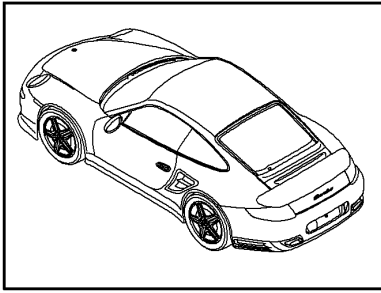
Model: 997T10

Model life 2010>>2013

Pos	Part Number	Description	Remark	Qty	Model
		Rear axle Side section Bracket			
1	997 331 051 05	Side section	/L	1	TURBO
(1)	997 331 051 94	Side section	/L	1	GT-2 RS
(1)	997 331 052 05	Side section	/R	1	TURBO
(1)	997 331 052 94	Side section	/R	1	GT-2 RS
2	900 067 117 04	Pan-head screw m 6 x 16		2	
3	997 355 505 02	Support for Brake hose	/L	1	
(3)	997 355 506 02	Support for Brake hose	/R	1	
4	900 378 139 01	Hexagon-head bolt M 12 x 1,5 x 80		4	
5	999 084 445 01	Lock nut M 12 x 1,5		4	
6	997 331 261 22	Cross member		1	TURBO
6	997 331 261 02	Cross member		1	GT-2 RS
7	999 076 053 01	Hexagon nut M 10		2	
8	997 331 171 20	Transverse strut Front		1	
-	999 591 629 01	Captive nut Underbody protection		X	
9	999 073 443 01	Combination screw M 10 X 1,5 X 40		2	
10	997 331 081 20	Strut		2	TURBO
10	997 331 081 92	Strut		2	GT-2 RS
-	999 591 629 01	Captive nut Underbody protection		X	
11	996 331 385 00	Rubber mounting		6	
12	900 378 072 09	Hexagon-head bolt M 12 X 1,5 X 30		2	
12	900 378 072 01	Hexagon-head bolt M 12 X 1,5 X 30		2	
14	900 178 010 01	Hexagon-head bolt M 12 x 130		2	
15		Hexagon-head bolt M 12 x 130		2	
16	999 084 445 01	Lock nut M 12 x 1,5		2	
17	997 331 291 00	Washer		6	
18	996 341 371 03	Support		1	TURBO I603
19	900 380 015 01	Hexagon nut		2	TURBO I603
20	997 331 375 03	VM 6 Strut		1	TURBO I603
21	997 631 121 00	Sensor		1	TURBO I603
22	900 146 003 03	Oval-head screw M 5 x 10		2	TURBO I603
23	999 061 103 01	Stud M 12 X 1,5		2	

Model: 997T10

Model life 2010>>2013



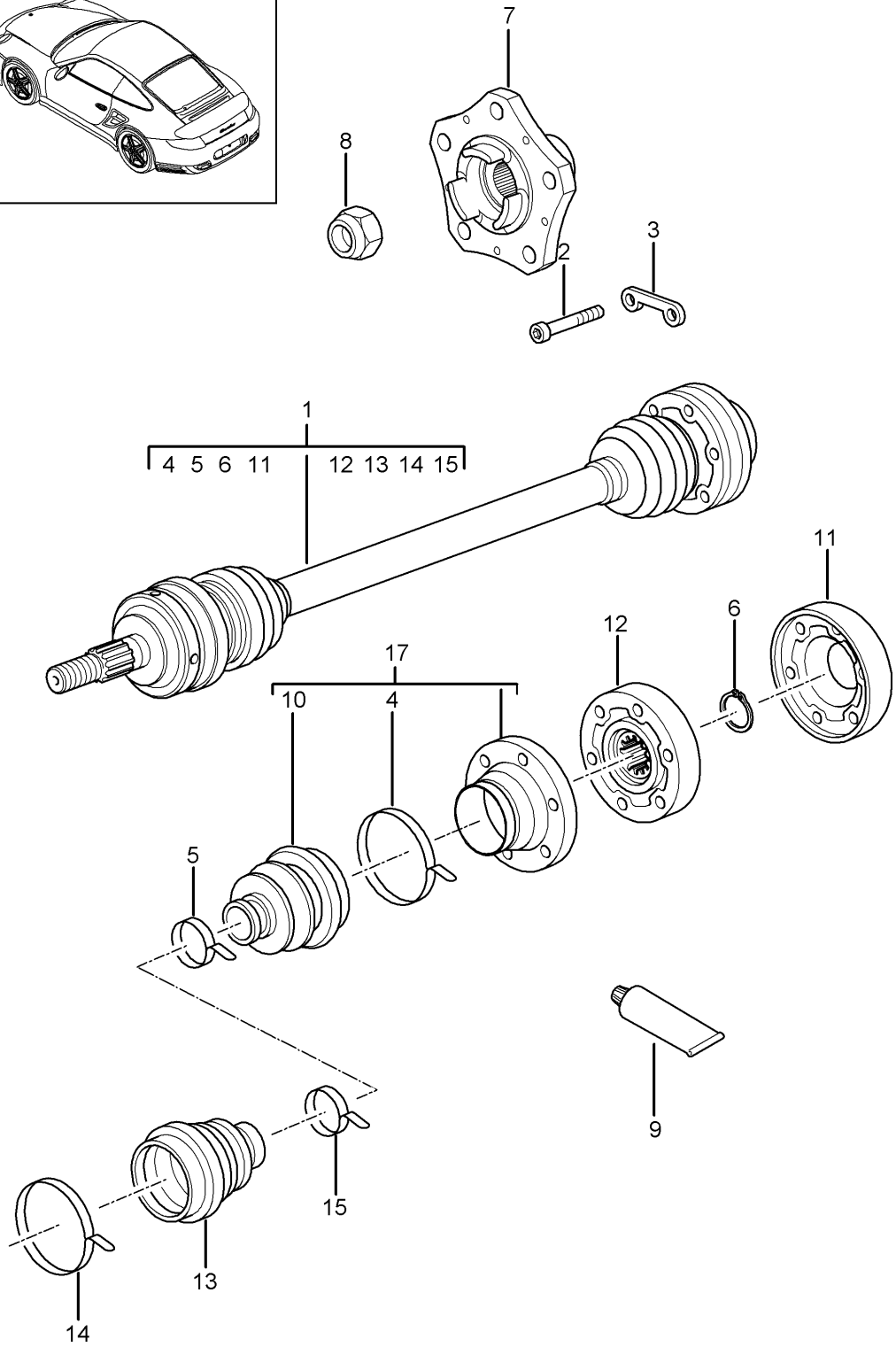
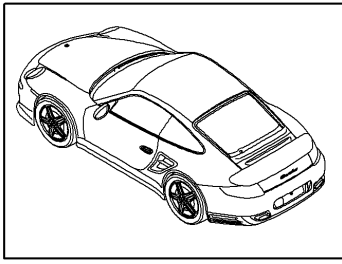
Model: 997T10

Model life 2010>>2013

Pos	Part Number	Description	Remark	Qty	Model
1	997 333 703 03	Stabiliser		1	TURBO
(1)	997 333 701 96	Stabiliser		1	GT-2 RS
2	996 333 792 26	Stabiliser mounting		2	TURBO
		Information available			
(2)	997 333 792 95	Stabiliser mounting		2	GT-2 RS
		Information available			
3	996 333 777 01	Bearing clamp		2	
4	900 378 055 01	Hexagon-head bolt		4	
		AM 8 X 40			
5	997 333 069 06	Stabiliser mounting	/L	1	
(5)	997 333 070 06	Stabiliser mounting	/R	1	
6	999 084 123 09	Hexagon nut		2	
		M 10			
		Stabiliser mounting			
		Stabiliser			
(6)	999 084 643 01	Hexagon nut		2	
		M 10			
		Stabiliser			
		Wheel carrier			

Model: 997T10

Model life 2010>>2013



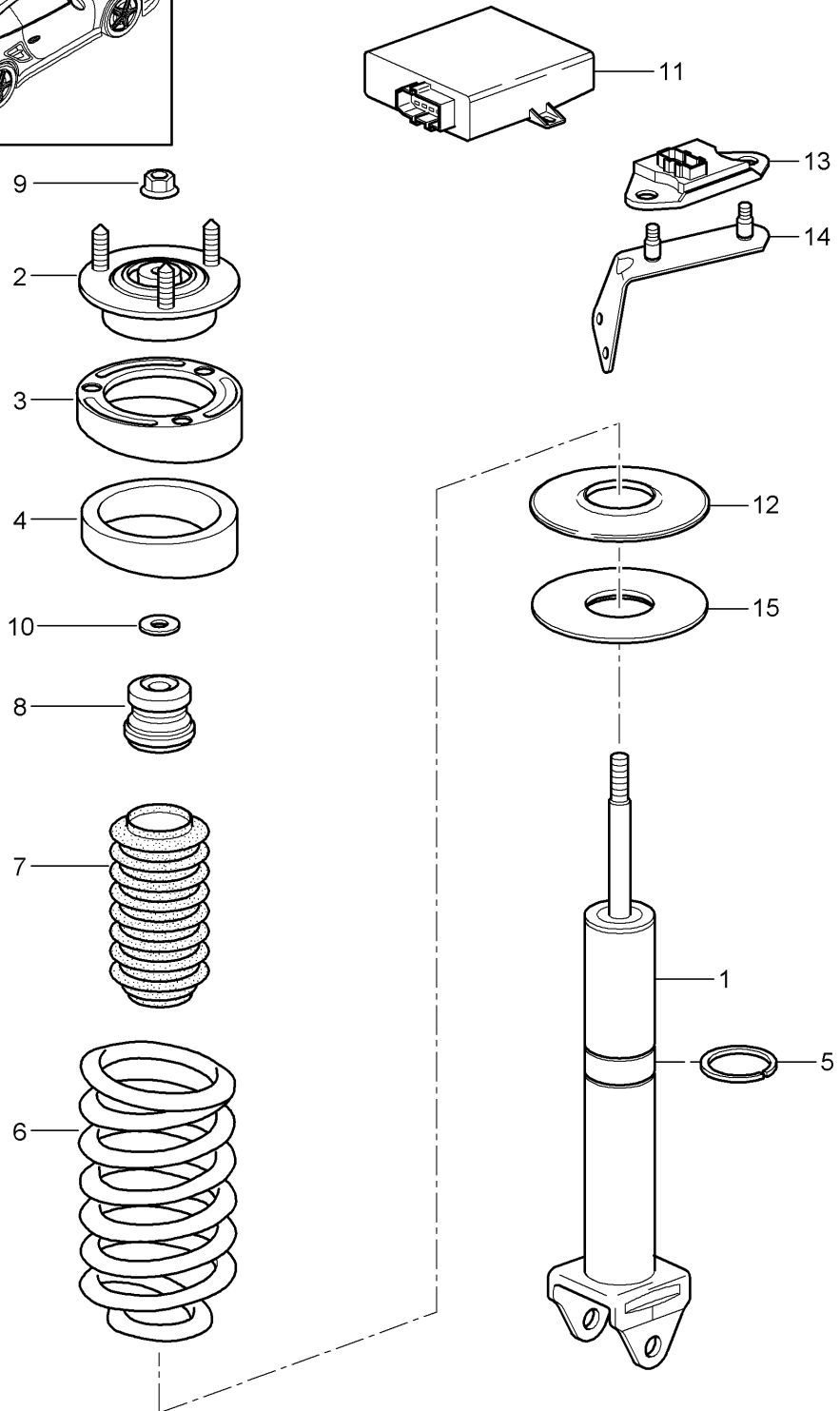
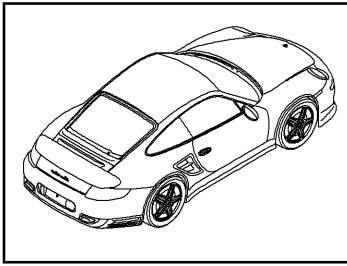
Model: 997T10 Model life 2010>>2013

Pos	Part Number	Description	Remark	Qty	Model
		Drive shaft			
		Wheel hub			
1	997 332 024 42	Drive shaft		2	I480
1	997 332 024 43	Drive shaft		2	I480
(1)	997 332 024 56	Drive shaft		2	TURBO I250
(1)	997 332 024 57	Drive shaft		2	TURBO I250
2	999 073 517 01	Pan-head screw M 10 X 1 X 46,5		12	
3	996 332 191 00	Plate		6	
4	997 332 257 00	Clip		2	
5	996 332 957 00	Clip		2	
6	900 041 055 01	Circlip		2	
7	997 331 605 00	Wheel hub		2	TURBO I421
7	997 331 605 01	Wheel hub		2	
7	997 331 607 04	Wheel hub		2	GT-2 RS
(7)	997 331 607 02	Wheel hub		2	TURBO I422
8	999 084 641 01	Lock nut M 22 X 1,5		2	
9	000 043 110 01	Grease		X	
(9)	000 043 205 36	1 100-gramme tube Sealing compound		X	
		Drive shaft			
		1 100-gramme tube			
10	997 332 293 00	Dust bellows		2	
11	997 332 267 00	Lid		2	
12	997 332 033 00	Joint		2	
13	997 332 293 00	Dust bellows		2	
14	997 332 257 00	Clip		2	
15	996 332 957 00	Clip		2	
17	997 332 955 01	Bellows with Support		2	



Model: 997T10

Model life 2010>>2013



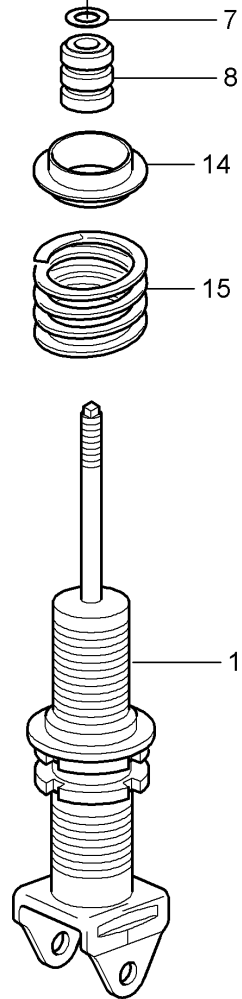
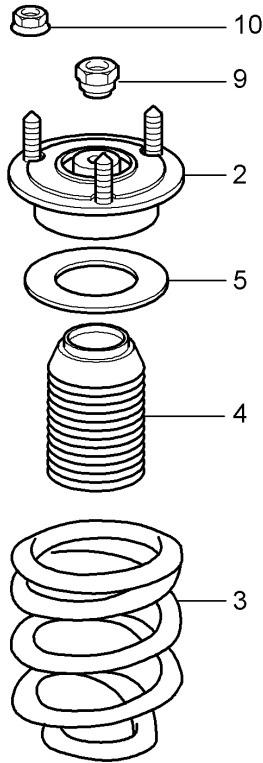
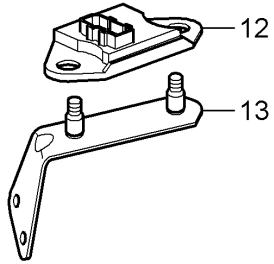
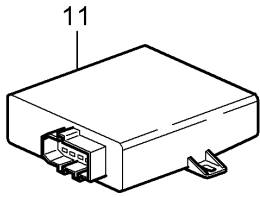
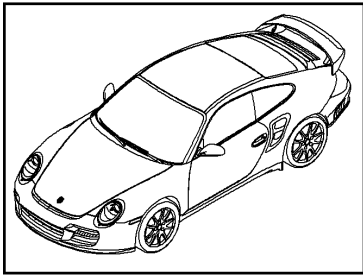
Model: 997T10

Model life 2010>>2013

Pos	Part Number	Description	Remark	Qty	Model
		Shock absorber Coil spring Vibration damper Mount Shock absorber		2	TURBO
1	997 333 053 26				
-	900 378 138 01	Hexagon-head bolt M 12 X 1,5 X 70		2	
-	999 084 445 01	Lock nut M 12 x 1,5		2	
2	997 333 061 01	Supporting mount		2	
-	900 380 008 01	Hexagon nut M 10		12	
3	996 333 511 02	Compensating plate 0,5 MM		X	
(3)	996 333 511 03	Compensating plate 4,0 MM		X	
4	997 333 504 01	Base		2	
5	999 152 163 00	Circlip SW 52		2	
6	997 333 531 68	Coil spring 1 set		1	
	997 333 531 68 504	Identification White White Green			
7	993 333 107 01	Bellows		2	
8	997 333 105 01	Additional spring		2	
9	999 084 050 02	Hexagon nut M 12 X 1		2	
10	999 025 271 02	Washer		2	
11	997 618 460 01	Control unit Shock absorber		1	
11	997 618 460 02	Control unit Shock absorber		1	
-	997 618 205 00	Support for Control unit		1	
12	997 333 523 02	Concave washer		2	
13	997 606 111 01	Acceleration sensor Body		1	
14	997 606 214 01	Support Acceleration sensor		1	
15	997 333 513 03	Concave washer Base		2	

Model: 997T10

Model life 2010>>2013



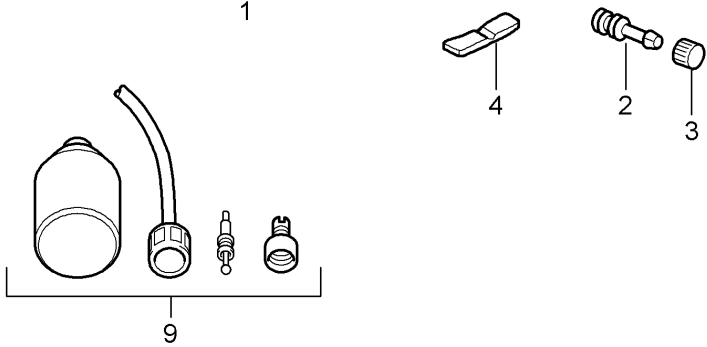
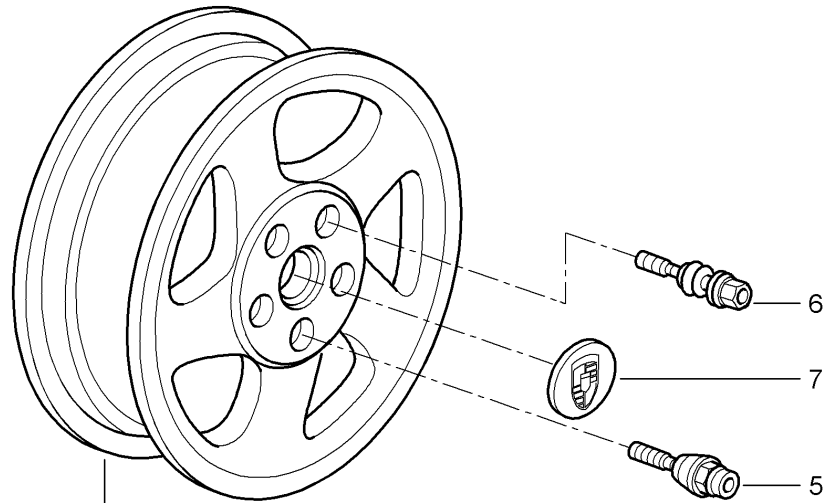
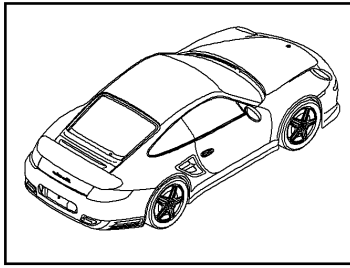
Model: 997T10

Model life 2010>>2013

Pos	Part Number	Description	Remark	Qty	Model
		Shock absorber			GT-2 RS
		Coil spring			
1	997 333 051 80	Shock absorber		2	
		Mount			
		Shock absorber			
-	900 378 138 01	Hexagon-head bolt		2	
		M 12 X 1,5 X 70			
-	999 084 445 01	Lock nut		2	
		M 12 X 1,5			
2	997 333 061 80	Supporting mount		2	
3	997 333 531 81	Coil spring		1	
	997 333 531 81 504	1 set			
4	996 343 505 00	Bellows		2	
5	996 333 551 90	Rubber support		2	
7	999 025 271 02	Washer		2	
8	997 333 105 01	Additional spring		2	
9	999 084 050 02	Hexagon nut		2	
		M 12 X 1			
10	900 380 008 01	Hexagon nut		6	
		M 10			
11	997 618 105 96	Control unit		1	
		Shock absorber			
-	997 618 205 00	Support		1	
		for			
		Control unit			
12	997 606 111 01	Acceleration sensor		1	
		Body			
13	997 606 214 01	Support		1	
		Acceleration sensor			
14	997 333 511 80	Intermediate ring		2	
15	997 333 537 81	Additional spring		2	

Model: 997T10

Model life 2010>>2013



Model: 997T10

Model life 2010&gt;&gt;2013

Pos	Part Number	Description	Remark	Qty	Model
		Wheels Wheel bolts see Technical information 84/11 Group 4 4407	TURBO		
(1)	997 362 156 55	Disc wheel 8,5 J X 19 ET 55 Paint	/V	2	IXRR
1	997 362 157 05	It is necessary to rework Disc wheel 8,5 J X 19 ET 56	/V	2	I421
(1)	997 362 157 56	Information available Disc wheel 8,5 J X 19 ET 55 F 99BS7 66189 F 99BS7 66190 F 99BS7 66194 F 99BS7 66195 F 99BS7 66196 F 99BS7 66198 F 99BS7 66202 F 99BS7 66204 F 99BS7 66206 F 99BS7 66207 Paint	/V (CN)	2	
(1)	997 362 162 56	It is necessary to rework Disc wheel 11,5 J x 19 ET 50 Paint	/H	2	IXRR
(1)	997 362 163 02	It is necessary to rework Disc wheel 11 J x 19 ET 51	/H	2	I421
(1)	997 362 163 56	Information available Disc wheel 11,5 J X 19 ET 50 F 99BS7 66189 F 99BS7 66190 F 99BS7 66194 F 99BS7 66195 F 99BS7 66196 F 99BS7 66198 F 99BS7 66202 F 99BS7 66204 F 99BS7 66206 F 99BS7 66207 Paint	/H (CN)	2	
2	900 265 001 50	It is necessary to rework Rubber valve Rubber		4	
(2)	900 265 001 51	Rubber valve Rubber		4	
(2)	311 601 361	Rubber valve Rubber		4	
-		Valve Tyre pressure monitoring			I482/483

Model: 997T10

Model life 2010>>2013

Pos	Part Number	Description	Remark	Qty	Model
		See illustrations 6/01/05			
3	955 361 163 00	Cap for Rubber valve		4	
(4)	997 361 405 00	Balance stick-on weight 5.G.		X	
(4)	997 361 410 00	Balance stick-on weight 10 G.		X	
(4)	997 361 415 00	Balance stick-on weight 15 G.		X	
(4)	997 361 420 00	Balance stick-on weight 20 G.		X	
(4)	997 361 425 00	Balance stick-on weight 25 G.		X	
(4)	997 361 430 00	Balance stick-on weight 30 G.		X	
(4)	997 361 435 00	Balance stick-on weight 35 G.		X	
(4)	997 361 440 00	Balance stick-on weight 40 G.		X	
(4)	997 361 445 00	Balance stick-on weight 45 G.		X	
(4)	997 361 450 00	Balance stick-on weight 50 G.		X	
(4)	997 361 455 00	Balance stick-on weight 55 G.		X	
(4)	997 361 460 00	Balance stick-on weight 60 G.		X	
(4)	997 361 465 00	Balance stick-on weight 65 G.		X	
(4)	997 361 470 00	Balance stick-on weight 70 G.		X	
(4)	997 361 475 00	Balance stick-on weight 75 G.		X	
(4)	997 361 480 00	Balance stick-on weight 80 G.		X	
(4)	997 361 485 00	Balance stick-on weight 85 G.		X	
(4)	997 361 490 00	Balance stick-on weight 90 G.		X	
		Wheel bolts see Technical information 84/11 Group 4 4407			
5	997 361 057 02	Set Anti-theft protection 1 set Silver		1	
(5)	991 361 057 01	Set Anti-theft protection 1 set Black		1	-I444
(5)	997 361 057 01	Set Anti-theft protection 1 set Silver	(GB)	1	I444
(5)	991 361 057 00	Set Anti-theft protection 1 set Black	(GB)	1	I444

Model: 997T10

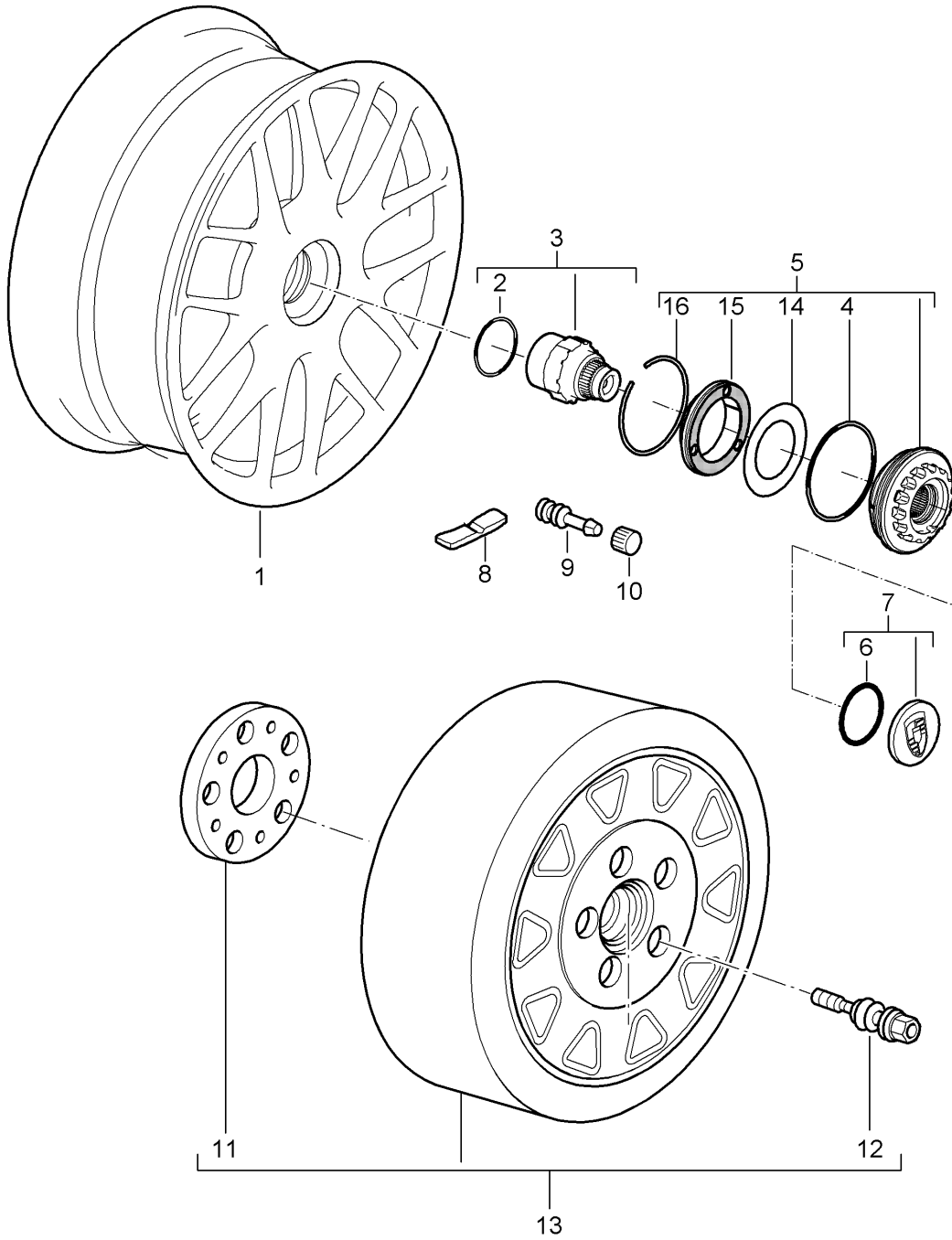
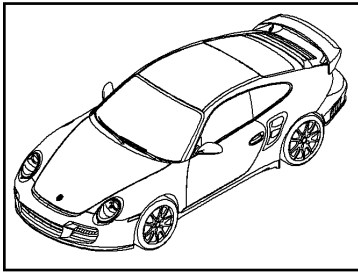
Model life 2010>>2013

Pos	Part Number	Description	Remark	Qty	Model
(5)	991 361 057 02	Set Anti-theft protection 1 set Black	(GB)	1	I444
(5)	WHT 006 980 A	Set Anti-theft protection 1 set Black	(GB)	1	I444
(5)	WHT 006 980 C	Set Anti-theft protection 1 set Black	(GB)	1	I444
6	997 361 203 01	Wheel bolt Silver		16	
(6)	970 361 203 00	Wheel bolt Black		X	
7	7PP 601 149	Hub cap		4	I421
7	7PP 601 149 A	Hub cap		4	I421/446
-	999 914 001 40	Plastic gloves		X	I447
(9)	955 722 631 00	Bottle of tyre sealant		1	
(9)	4L0 012 619 A	Bottle of tyre sealant		1	
(9)	997 652 057 00	Compressor for Emergency wheel		1	I447
-	996 362 020 04	Emergency wheel Grey cast iron Brake		1	I447
-	997 362 050 00	Emergency wheel PCCB Brake		1	I447/450



Model: 997T10

Model life 2010>>2013



Model: 997T10

Model life 2010&gt;&gt;2013

Pos	Part Number	Description	Remark	Qty	Model
		Central locking			TURBO I422
1	997 362 157 06	Disc wheel 8,5 J X 19 ET 56	/V	2	
1	997 362 157 07	Disc wheel 8,5 J X 19 ET 56	/V	2	I018
(1)	997 362 163 04	Disc wheel 11 J X 19 ET 51	/H	2	
(1)	997 362 163 05	Disc wheel 11 J X 19 ET 51	/H	2	I018
2	999 707 012 40	O-ring 37 X 2,5 N		4	
3	997 341 251 04	Locking device		2	
4	999 707 648 40	O-ring 92,00 X 3,5		4	
5	997 361 081 05	Wheel bolt		4	
5	997 361 081 06	Wheel bolt		4	
6	999 701 045 40	O-ring 32 X 2,0 N		4	
7	997 361 207 03	Hub cap		4	
7	997 361 207 04	Hub cap		4	I018
8	997 361 405 00	Balance stick-on weight 5.G.		X	
(8)	997 361 410 00	Balance stick-on weight 10 G.		X	
(8)	997 361 415 00	Balance stick-on weight 15 G.		X	
(8)	997 361 420 00	Balance stick-on weight 20 G.		X	
(8)	997 361 425 00	Balance stick-on weight 25 G.		X	
(8)	997 361 430 00	Balance stick-on weight 30 G.		X	
(8)	997 361 435 00	Balance stick-on weight 35 G.		X	
(8)	997 361 440 00	Balance stick-on weight 40 G.		X	
(8)	997 361 445 00	Balance stick-on weight 45 G.		X	
(8)	997 361 450 00	Balance stick-on weight 50 G.		X	
(8)	997 361 455 00	Balance stick-on weight 55 G.		X	
(8)	997 361 460 00	Balance stick-on weight 60 G.		X	
(8)	997 361 465 00	Balance stick-on weight 65 G.		X	
(8)	997 361 470 00	Balance stick-on weight 70 G.		X	
(8)	997 361 475 00	Balance stick-on weight 75 G.		X	
(8)	997 361 480 00	Balance stick-on weight 80 G.		X	
(8)	997 361 485 00	Balance stick-on weight 85 G.		X	
(8)	997 361 490 00	Balance stick-on weight 90 G.		X	
9	900 265 001 50	Rubber valve Rubber		4	

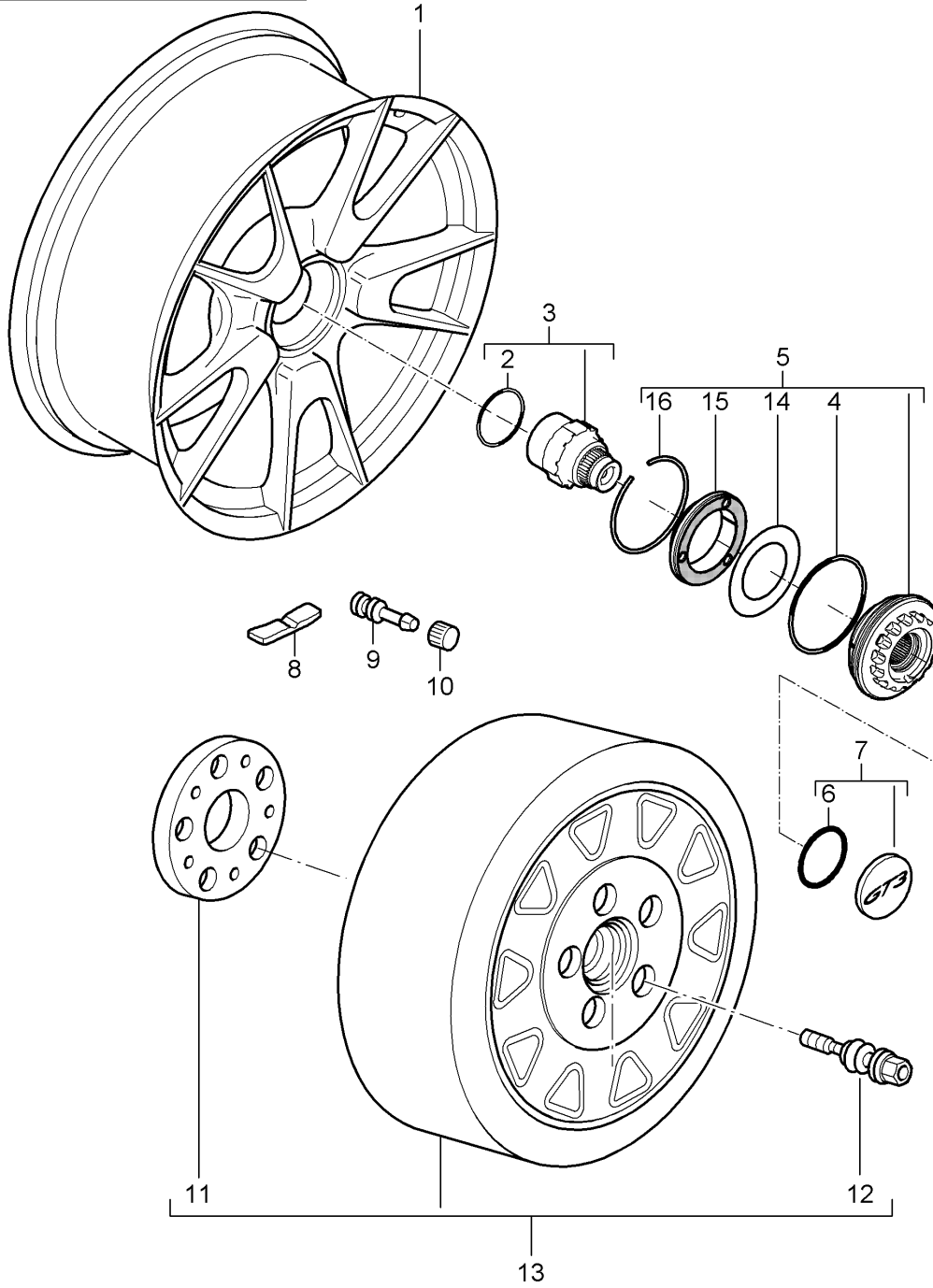
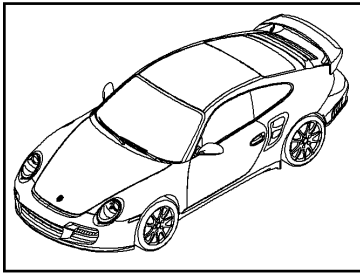
Model: 997T10

Model life 2010>>2013

Pos	Part Number	Description	Remark	Qty	Model
9	900 265 001 51	Rubber valve Rubber		4	
9	311 601 361	Rubber valve Rubber		4	
10	955 361 163 00	Cap for Rubber valve		4	
11	997 362 191 00	Adapter Emergency wheel		1	I447
12	997 361 203 01	Wheel bolt Adapter		5	I447
13	997 362 021 00	Emergency wheel		1	I447
14	997 361 189 00	Washer		4	
15		Cone ring		4	
16	997 361 187 00	Circlip 2,0		4	

Model: 997T10

Model life 2010>>2013



Model: 997T10

Model life 2010&gt;&gt;2013

Pos	Part Number	Description	Remark	Qty	Model
1	997 362 157 96 997 362 157 96 539	Central locking Disc wheel White gold metallic 9 J X 19 ET 47	/V	2	GT-2 RS
1	997 362 157 06	Disc wheel 8,5 J X 19 ET 56 for winter use Paint	/V	2	I346
1	997 362 165 91 997 362 165 91 539	Disc wheel White gold metallic 12 J X 19 ET 48	/H	2	
1	997 362 163 04	Disc wheel 11 J X 19 ET 51 for winter use Lacquers It is necessary to rework	/H	2	I346
2	999 707 012 40	O-ring 37 X 2,5 N		4	
3	997 341 251 04	Locking device		2	
4	999 707 648 40	O-ring 92,00 X 3,5		4	
5	997 361 081 92	Wheel bolt		4	
5	997 361 081 93	Wheel bolt		4	
6	999 701 045 40	O-ring 32 X 2,0 N		4	
7	997 361 207 92	Hub cap RS Logo Gold-coloured		4	I511
7	997 361 207 03	Hub cap Crest Coloured		4	I346
8	997 361 405 00	Balance stick-on weight 5.G.		X	
(8)	997 361 410 00	Balance stick-on weight 10 G.		X	
(8)	997 361 415 00	Balance stick-on weight 15 G.		X	
(8)	997 361 420 00	Balance stick-on weight 20 G.		X	
(8)	997 361 425 00	Balance stick-on weight 25 G.		X	
(8)	997 361 430 00	Balance stick-on weight 30 G.		X	
(8)	997 361 435 00	Balance stick-on weight 35 G.		X	
(8)	997 361 440 00	Balance stick-on weight 40 G.		X	
(8)	997 361 445 00	Balance stick-on weight 45 G.		X	
(8)	997 361 450 00	Balance stick-on weight 50 G.		X	
(8)	997 361 455 00	Balance stick-on weight 55 G.		X	
(8)	997 361 460 00	Balance stick-on weight 60 G.		X	
(8)	997 361 465 00	Balance stick-on weight 65 G.		X	

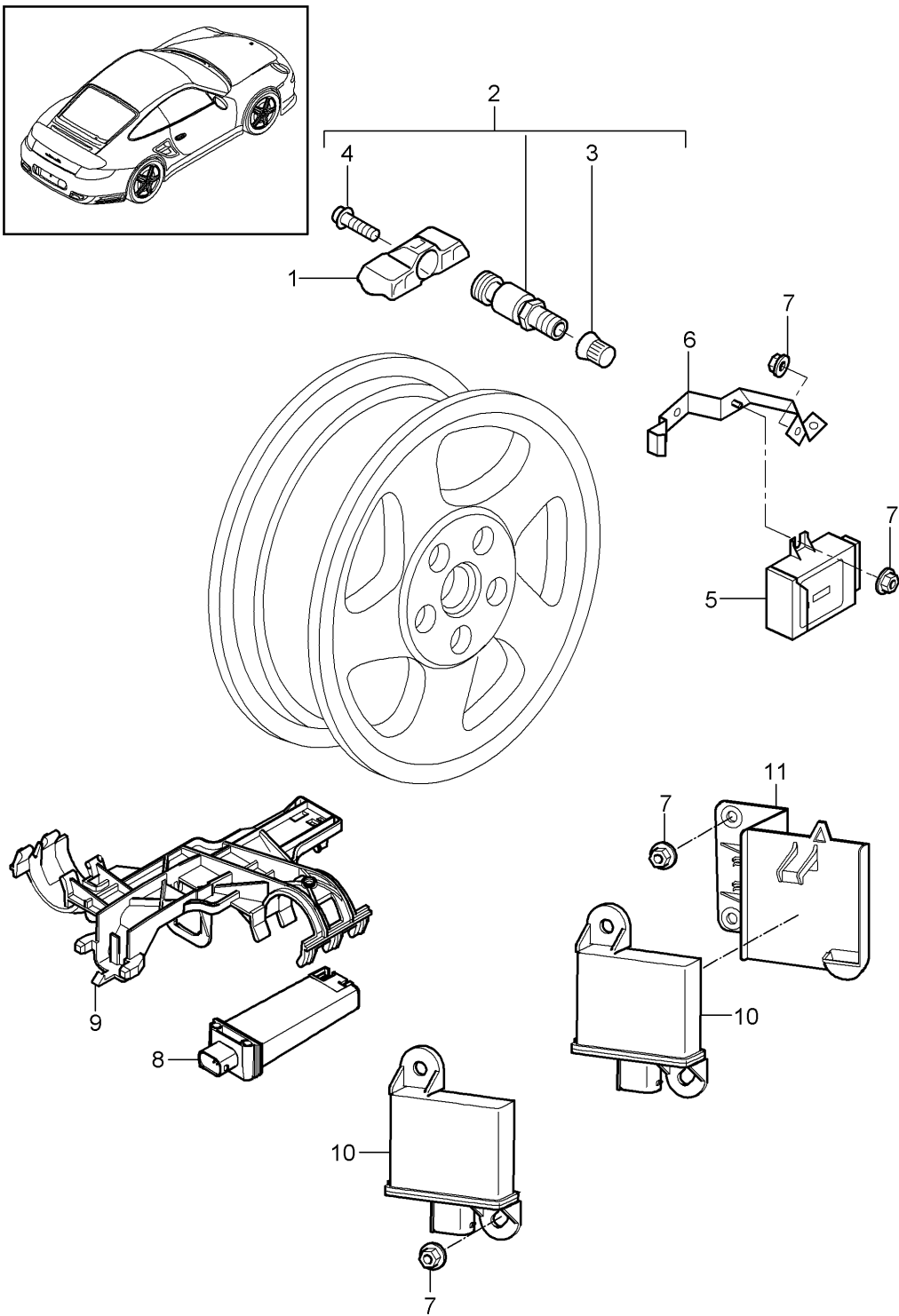
Model: 997T10

Model life 2010&gt;&gt;2013

Pos	Part Number	Description	Remark	Qty	Model
(8)	997 361 470 00	Balance stick-on weight 70 G.		X	
(8)	997 361 475 00	Balance stick-on weight 75 G.		X	
(8)	997 361 480 00	Balance stick-on weight 80 G.		X	
(8)	997 361 485 00	Balance stick-on weight 85 G.		X	
(8)	997 361 490 00	Balance stick-on weight 90 G.		X	
9	900 265 001 50	Rubber valve Rubber		4	
9	900 265 001 51	Rubber valve Rubber		4	
9	311 601 361	Rubber valve Rubber		4	
10	955 361 163 00	Cap for Rubber valve		4	
11	997 362 191 00	Adapter Emergency wheel		1	I447
12	997 361 203 01	Wheel bolt Adapter		5	I447
13	997 362 021 00	Emergency wheel		1	I447
14	997 361 189 01	Washer		4	
15		Cone ring			
16	997 361 187 00	Circlip 2,0		4	
-	955 722 631 00	Bottle of tyre sealant		X	
-	4L0 012 619 A	Bottle of tyre sealant		X	

Model: 997T10

Model life 2010>>2013



Model: 997T10

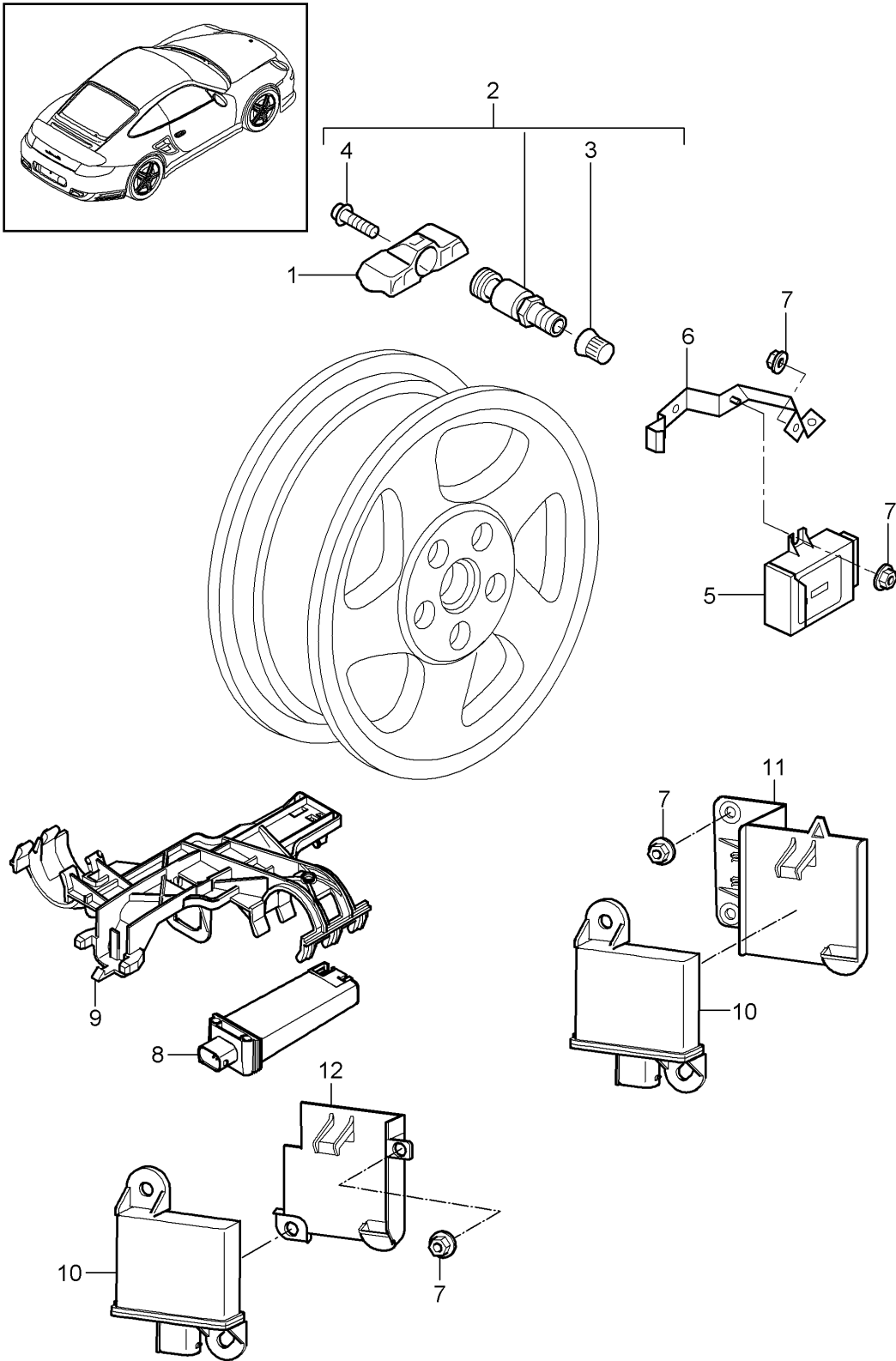
Model life 2010>>2013

Pos	Part Number	Description	Remark	Qty	Model
		Tyre pressure monitoring			TURBO I482/483
1	997 606 021 20	Sensor Tyre pressure monitoring Use also: 955.361.053.00		4	I482
(1)	958 361 661 00	Sensor Tyre pressure monitoring Use also: 955.361.053.00		4	I482
(1)	7PP 907 275 F	Sensor Tyre pressure monitoring Use also: 955.361.053.00		4	I482
(1)	958 361 661 50	Information available Sensor Tyre pressure monitoring Use also: 955.361.053.00	10-	4	I483
2	955 361 053 00	Valve Aluminium		4	
(2)	9P1 601 361 A	Valve Aluminium		4	
3	N 908 729 01	Cap		4	
4	4D0 601 365	Fastening screw		4	
5	997 618 191 02	Control unit		1	
6	997 618 203 02	Support Control unit		1	
7	999 076 081 40	Plastic nut T5 16 X 11, 2		8	
8	955 606 101 00	Antenna 433 MHZ		1	I482
(8)	955 606 103 00	Antenna 315 MHZ		1	I483
9	997 606 259 00	Support Antenna		1	
10	7PP 907 283	transmitter		4	
11	997 606 242 00	Support Front	/R	1	
(11)	997 606 241 00	Support Front	/L	1	
-	997 652 057 00	Compressor for Emergency wheel		1	



Model: 997T10

Model life 2010>>2013



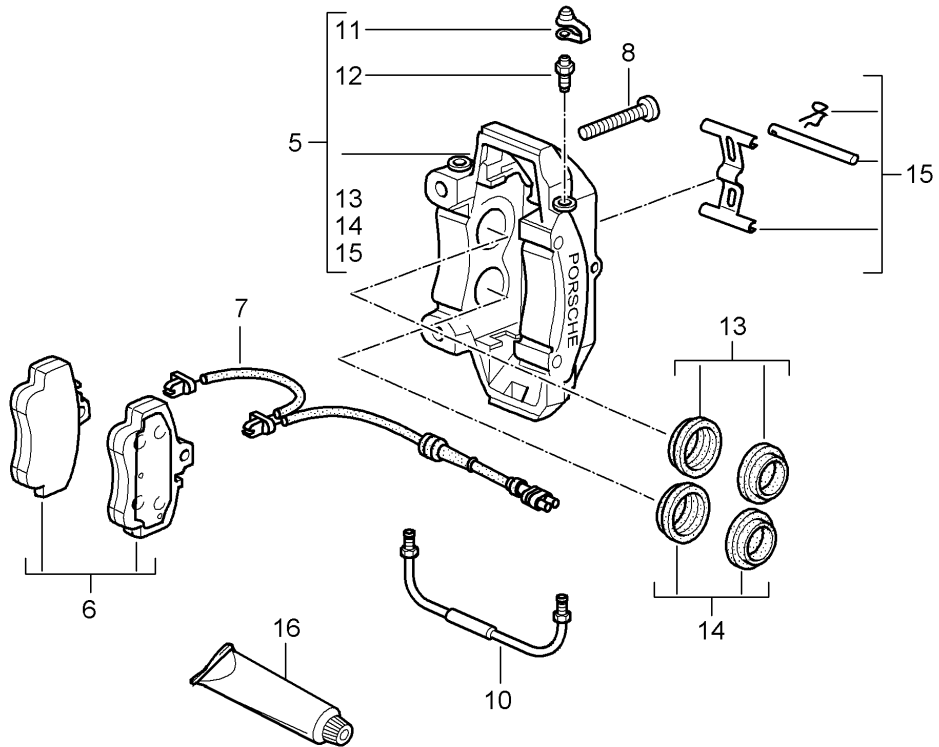
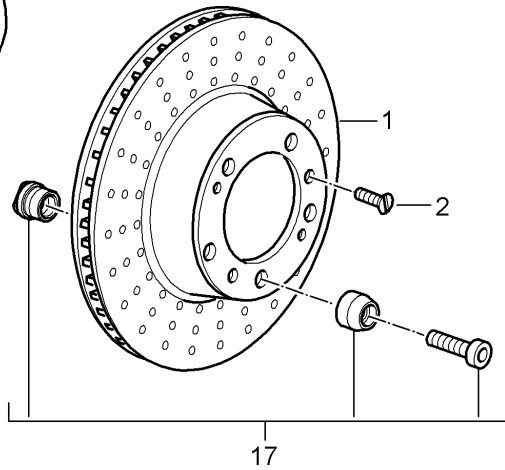
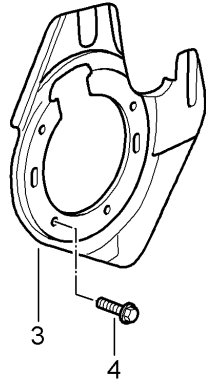
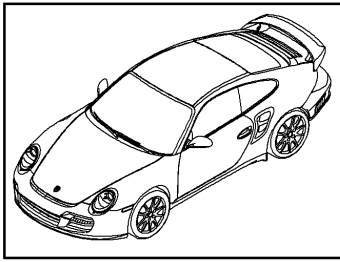
Model: 997T10

Model life 2010>>2013

Pos	Part Number	Description	Remark	Qty	Model
		Tyre pressure monitoring			GT-2 RS I482/483
1	997 606 021 20	Sensor Tyre pressure monitoring Use also: 955.361.053.00		4	I482
(1)	958 361 661 00	Sensor Tyre pressure monitoring Use also: 955.361.053.00		4	I482
(1)	7PP 907 275 F	Sensor Tyre pressure monitoring Use also: 955.361.053.00		4	I482
(1)	997 606 023 21	Information available Sensor Tyre pressure monitoring Use also: 955.361.053.00		4	I483
2	955 361 053 00	Valve Aluminium		4	
(2)	9P1 601 361 A	Valve Aluminium		4	
3	N 908 729 01	Cap		4	
4	4D0 601 365	Fastening screw		4	
5	997 618 103 23	Control unit		1	
6	997 618 203 02	Support Control unit		1	
7	999 076 081 40	Plastic nut T5 16 X 11, 2		8	
8	955 606 101 00	Antenna 433 MHZ		1	I482
(8)	955 606 103 00	Antenna 315 MHZ		1	I483
9	997 606 259 00	Support Antenna		1	
10	955 618 113 00	transmitter		4	
11	997 606 242 00	Support Front	/R	1	
(11)	997 606 241 00	Support Front	/L	1	
-	997 652 057 00	Compressor for Emergency wheel		1	

Model: 997T10

Model life 2010>>2013



Model: 997T10 Model life 2010>>2013

Pos	Part Number	Description	Remark	Qty	Model
		Disc brake Front axle Brake disc Only in pairs Replace Technical manual Attention			TURBO
1	997 351 405 01	Brake disc	/L	1	I450
(1)	997 351 405 02	Brake disc Only together with with Grey cast iron Brake Use also: 997.341.901.00 See technical manual Group 46 50 19	/L	1	I422
1	997 351 031 33	Brake disc	/L	1	I450
(1)		Brake disc Use also: 997.341.901.00 See technical manual Group 46 51 19	/L	1	I422/450
(1)	997 351 406 01	Brake disc	/R	1	
(1)	997 351 406 02	Brake disc Only together with with Grey cast iron Brake Use also: 997.341.901.00 See technical manual Group 46 50 19	/R	1	I422
(1)	997 351 032 33	Brake disc	/R	1	I450
(1)	997 351 032 36	Brake disc Use also: 997.341.901.00 See technical manual Group 46 51 19	/R	1	I422/450
(2)	900 269 047 01	Countersunk-head screw M 6 X 12		4	
3	997 351 805 05	Cover plate	/L	1	
(3)	997 351 806 05	Cover plate	/R	1	
4	999 217 116 01	Hexagon-head bolt M 6 x 16		X	
5	997 351 431 10	Fixed calliper without pad Use also: 999.067.047.09	/L	1	
(5)	997 351 427 32	Fixed calliper without pad Use also: 999.067.054.09	/L	1	I450
(5)	997 351 427 33	Fixed calliper without pad Use also: 999.067.054.09	/L	1	I018/450
(5)	997 351 432 10	Fixed calliper	/R	1	

Model: 997T10

Model life 2010>>2013

Pos	Part Number	Description	Remark	Qty	Model
		without pad Mounting parts Fastening screw 999.067.047.09		2	
(5)	997 351 428 32	Fixed calliper without pad Use also: 999.067.054.09	/R	1	I450
(5)	997 351 428 33	Fixed calliper without pad Use also: 999.067.054.09	/R	1	I018/450
-	997 351 505 02	Adapter		2	I450
-	999 073 313 09	Round head screw M 12 x 1,5		4	I450
(6)	997 351 947 01	Brake pad repair set Use also:		1	
(6)	997 351 948 02	Mounting parts Brake pad repair set Use also:	-10	1	I450
(6)	997 351 948 01	Mounting parts See technical manual Group 4 Nr.46 34 20 Brake pad repair set Use also:	11-	1	I450
7	997 612 677 00	Warning contact		2	
-	999 507 464 40	Support		2	
-	944 612 627 00	Line bracket for Warning contact		3	
(8)	999 067 053 09	Pan-head screw M 12 x 1,5 x 85		4	
(8)	999 067 054 09	Pan-head screw M 12 X 1,5 X 62		4	I450
(1)	996 351 961 30	Connecting line		2	
(10)	980 351 961 00	Connecting line		2	I450
11	930 351 927 00	Dust boot		2	
11	930 351 927 01	Dust boot		2	
12	997 352 919 00	Ventilation valve		2	
13	951 352 917 00	Repair kit Protection caps 28 mm		X	
14	996 351 915 00	Repair kit Protection caps 32 mm		X	
(13)	996 351 915 01	Repair kit Protection caps 38 mm		X	
(13)	951 352 917 00	Repair kit Protection caps 28 mm		X	I450
(13)	996 351 915 00	Repair kit Protection caps 32 mm		X	I450
(13)	951 351 917 00	Repair kit Protection caps 36 mm		X	I450
(15)	996 351 959 30	Repair kit Mounting parts Bolt Expanding spring		1	

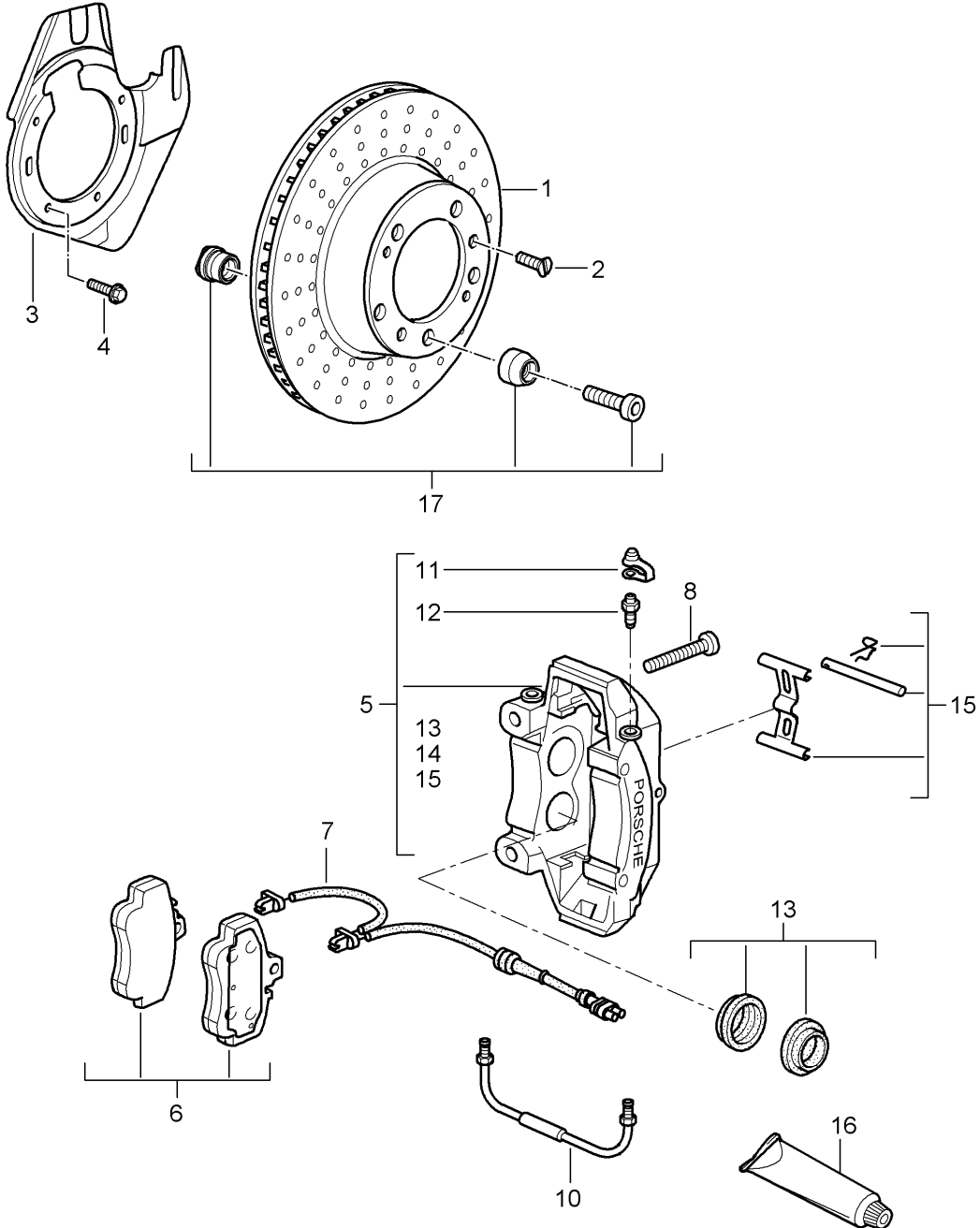
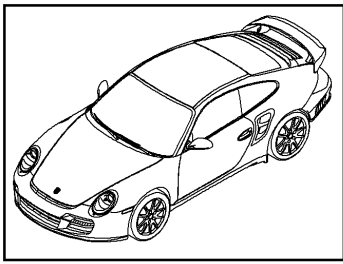
Model: 997T10

Model life 2010>>2013

Pos	Part Number	Description	Remark	Qty	Model
16	000 043 117 00	Screw Brake cylinder paste 50 G		X	
(16)	000 043 020 00	Optimoly 100 G		X	
17	997 341 901 00	Assembly kit Comprising: Driving pin Sleeve Fastening screw See technical manual 46 50 19 46 51 19		2  5 5 5	I422

Model: 997T10

Model life 2010>>2013



Model: 997T10

Model life 2010>>2013

Pos	Part Number	Description	Remark	Qty	Model
		Disc brake Front axle Brake disc Only in pairs Replace Technical manual Attention			GT-2 RS
1	997 351 031 96	Brake disc Use also: 997.341.901.00 See technical manual Group 46 51 19	/L	1	
(1)	997 351 032 96	Brake disc Use also: 997.341.901.00 See technical manual Group 46 51 19	/R	1	
2	999 015 025 09	Lens-head screw M 6 X 12		4	
3	997 351 813 90	Cover plate Lower	/L	1	
(3)	996 351 815 90	Air baffle plate	/L	1	
(3)	997 351 814 90	Cover plate Lower	/R	1	
(3)	996 351 816 90	Air baffle plate	/R	1	
-	900 378 036 01	Hexagon-head bolt M 6 x 16		4	
-	900 380 015 01	Hexagon nut M 6		4	
4	999 217 116 01	Hexagon-head bolt M 6 x 16		X	
5	997 351 431 92	Fixed calliper without pad Use also: 999.067.054.09	/L	1	
(5)	997 351 432 92	Fixed calliper without pad Use also: 999.067.054.09	/R	1	
6	997 351 948 90	Brake pad repair set Use also: 999.067.054.09		4 1	
7	997 612 677 90	Warning contact		2	
-	999 507 464 40	Support		2	
-	944 612 627 00	Line bracket for Warning contact		3	
8	999 067 054 09	Pan-head screw M 12 X 1,5 X 62		4	
10	980 351 961 00	Connecting line		2	
11	930 351 927 00	Dust boot		2	
11	930 351 927 01	Dust boot		2	
12	997 352 919 00	Ventilation valve		2	
13	951 352 917 00	Repair kit Protection caps 28 MM		X	
(13)	996 351 915 00	Repair kit Protection caps 32 MM		X	
(13)	951 352 917 01	Repair kit		X	



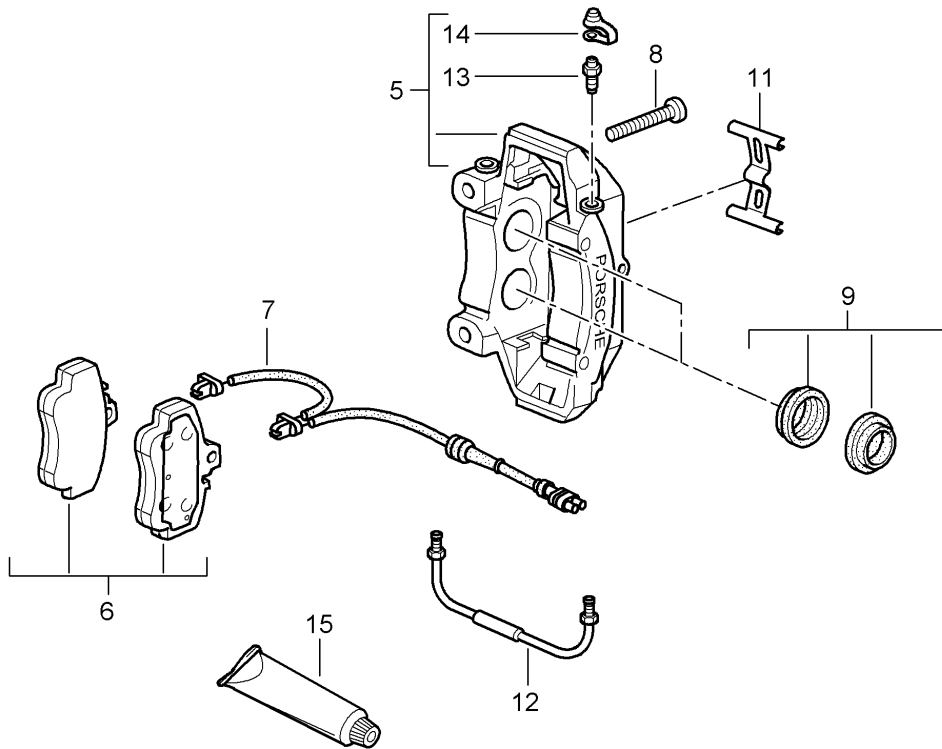
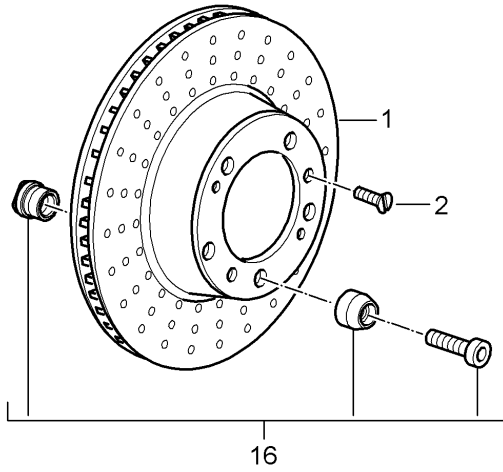
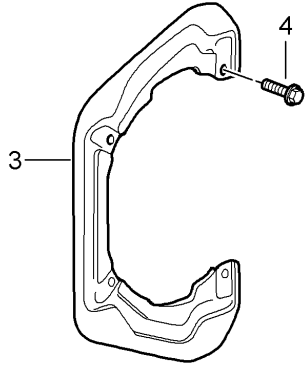
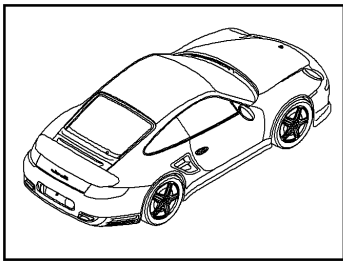
Model: 997T10

Model life 2010>>2013

Pos	Part Number	Description	Remark	Qty	Model
15	996 351 959 30	Protection caps 30 mm Repair kit Mounting parts Bolt Expanding spring Screw		1	
16	000 043 117 00	Brake cylinder paste 50 G		X	
16	000 043 020 00	Optimoly 100 G		X	
17	997 341 901 00	Assembly kit Comprising: Driving pin Sleeve Fastening screw See technical manual 46 50 19 46 51 19		2 5 5 5	

Model: 997T10

Model life 2010>>2013



Model: 997T10

Model life 2010>>2013

Pos	Part Number	Description	Remark	Qty	Model
		Disc brake Rear axle			TURBO
		Brake disc Only in pairs Replace Technical manual Attention			I450
1	997 352 405 02	Brake disc	/L	1	
(1)	997 352 405 03	Brake disc Only together with with Grey cast iron Brake Use also: 997.341.901.00 See technical manual 46 53 19	/L	1	I422
(1)	997 352 031 01	Brake disc	/L	1	I450
(1)	298 615 601	Brake disc	/L	1	I450
(1)	298 615 601 C	Brake disc	/L	1	I450
(1)	997 352 031 01	Brake disc Use also: 997.341.901.00 See technical manual 46 53 19	/L	1	I422/450
(1)	298 615 601	Brake disc Use also: 997.341.901.00 See technical manual 46 54 19	/L	1	I422/450
(1)	298 615 601 C	Brake disc Use also: 997.341.901.00 See technical manual 46 54 19	/L	1	I422/450
(1)	997 352 406 02	Brake disc	/R	1	
(1)	997 352 406 03	Brake disc Only together with Grey cast iron Brake Use also: 997.341.901.00 See technical manual 46 53 19	/R	1	I422
(1)	997 352 032 01	Brake disc	/R	1	I450
(1)	298 615 602	Brake disc	/R	1	I450
(1)	298 615 602 C	Brake disc	/R	1	I450
(1)	997 352 032 01	Brake disc Use also: 997.341.901.00 See technical manual 46 54 19	/R	1	I422/450
(1)	298 615 602	Brake disc Use also: 997.341.901.00 See technical manual 46 54 19	/R	1	I422/450
(1)	298 615 602 C	Brake disc Use also: 997.341.901.00 See technical manual 46 54 19	/R	1	I422/450

Model: 997T10

Model life 2010&gt;&gt;2013

Pos	Part Number	Description	Remark	Qty	Model
(2)	900 269 047 01	Countersunk-head screw M 6 X 12		4	
3	996 352 801 03	Cover plate		2	
(3)	997 352 801 02	Cover plate	/L	1	I450
(3)	997 352 802 02	Cover plate	/R	1	I450
4	999 217 116 01	Hexagon-head bolt M 6 x 16		X	
5	997 352 425 12	Fixed calliper without pad Use also: 999.067.040.01	/L	1	
(5)	997 352 425 32	Fixed calliper without pad Use also: 999.067.040.01	/L	1	I450
(5)	997 352 425 33	Fixed calliper Acid Green without pad Use also: 999.067.040.01	/L	1	I018/450
(5)	997 352 426 12	Fixed calliper without pad Use also: 999.067.040.01	/R	1	
(5)	997 352 426 32	Fixed calliper without pad Use also: 999.067.040.01	/R	1	I450
(5)	997 352 426 33	Fixed calliper Acid Green without pad Use also: 999.067.040.01	/R	1	I018/450
(6)	997 352 949 05	Brake pad repair set Use also: 999.067.040.01		2 1	
(6)	997 352 947 02	Brake pad repair set Use also: 999.067.040.01		4 1	I450
-	997 352 086 02	See technical manual Group 4 Nr.463520 Damping plate 34 mm Only together with Grey cast iron Brake		4	
7	997 612 754 00	Warning contact		2	
-	999 507 464 40	Support		2	
8	999 067 040 01	Warning contact		4	
9	965 352 917 00	Pan-head screw M 12 X 1,5 X 95 Repair kit Protection caps 34 MM		4 X 2	
11	997 352 959 10	Spring		2	
13	930 351 919 01	Ventilation valve		4	
14	930 351 927 00	Dust boot		4	
14	930 351 927 01	Dust boot		4	
15	000 043 117 00	Brake cylinder paste 50 G		X	
(15)	000 043 020 00	Optimoly 100 G		X	

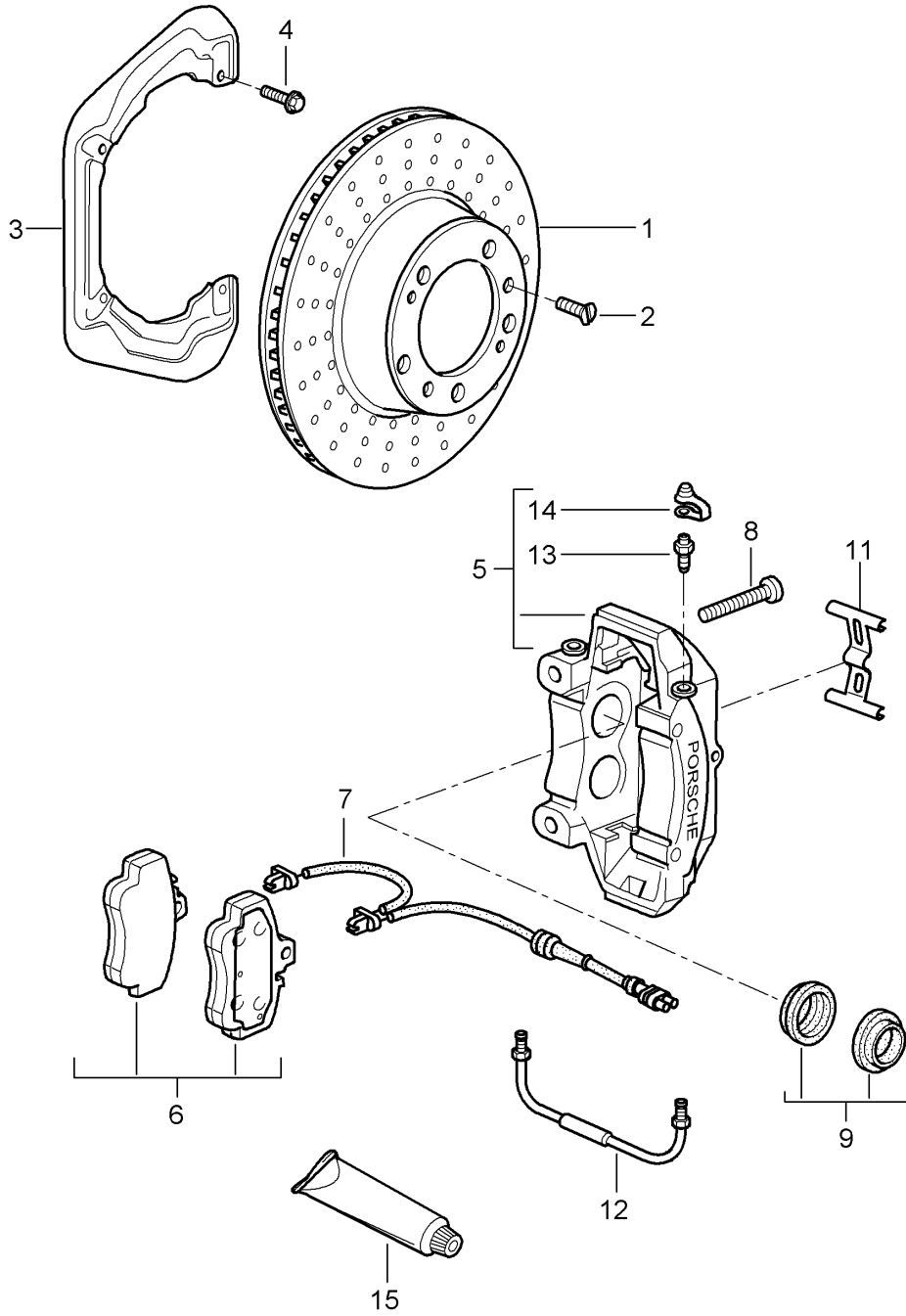
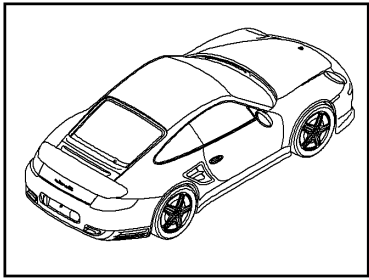
Model: 997T10

Model life 2010>>2013

Pos	Part Number	Description	Remark	Qty	Model
16	997 341 901 00	Assembly kit Comprising: Driving pin Sleeve Fastening screw See technical manual 46 53 19 46 54 19		2  5 5 5	I422

Model: 997T10

Model life 2010>>2013



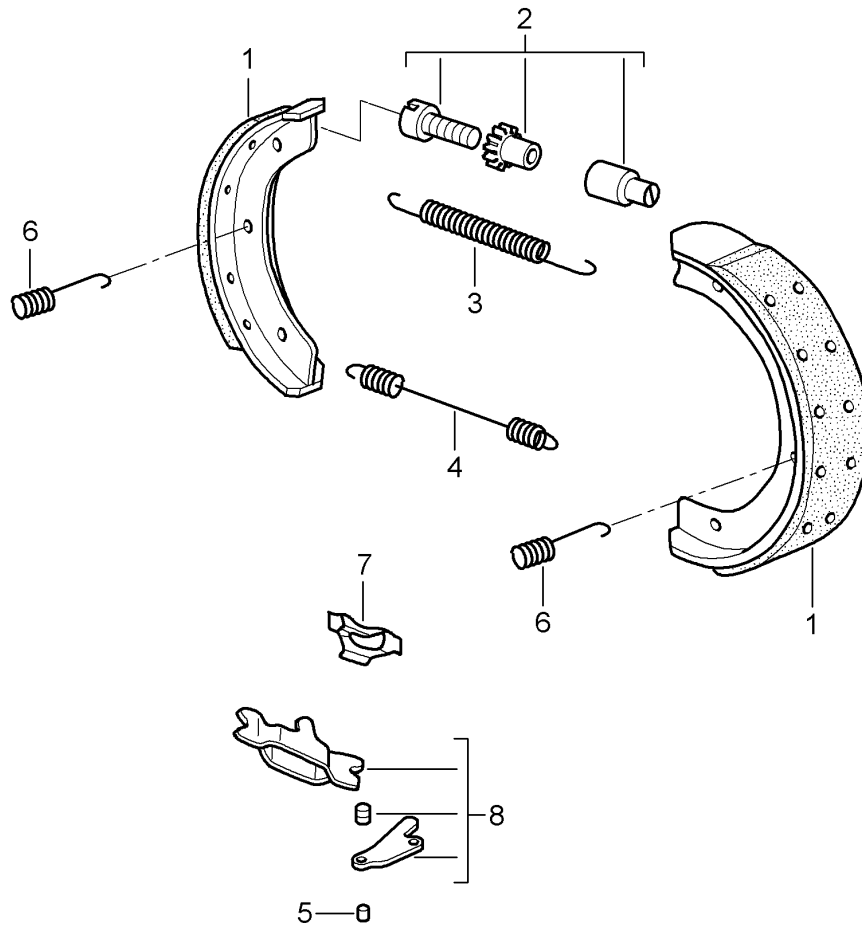
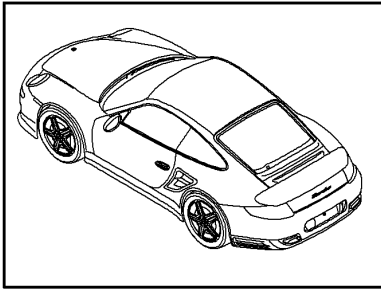
Model: 997T10

Model life 2010>>2013

Pos	Part Number	Description	Remark	Qty	Model
		Disc brake Rear axle Brake disc Only in pairs Replace Technical manual Attention			GT-2 RS
1	997 352 031 94	Brake disc	/L	1	
(1)	997 352 032 94	Brake disc	/R	1	
2	900 269 047 01	Countersunk-head screw M 6 X 12		4	
3	996 352 801 30	Cover plate	/L	2	
(3)	996 352 802 30	Cover plate	/R	2	
4	999 217 116 01	Hexagon-head bolt M 6 x 16		X	
5	997 352 425 98	Fixed calliper without pad Use also: 999.067.040.01	/L	2	
(5)	997 352 426 98	Fixed calliper without pad Use also: 999.067.040.01	/R	1	
6	997 352 947 90	Brake pad repair set Use also: 999.067.040.01		2 1 4	
7	997 612 754 00	Warning contact		2	
-	999 507 464 40	Support		2	
8	999 067 040 01	Warning contact		2	
8	999 067 040 01	Pan-head screw M 12 X 1,5 X 95		4	
9	965 352 917 00	Repair kit Protection caps 34 MM		2 2	
11	997 352 959 10	Spring		2	
12	997 351 961 00	Connecting line		2	
13	997 352 919 00	Ventilation valve		4	
14	930 351 927 00	Dust boot		4	
14	930 351 927 01	Dust boot		4	
15	000 043 117 00	Brake cylinder paste 50 G		X	
(15)	000 043 020 00	Optimoly 100 G		X	

Model: 997T10

Model life 2010>>2013





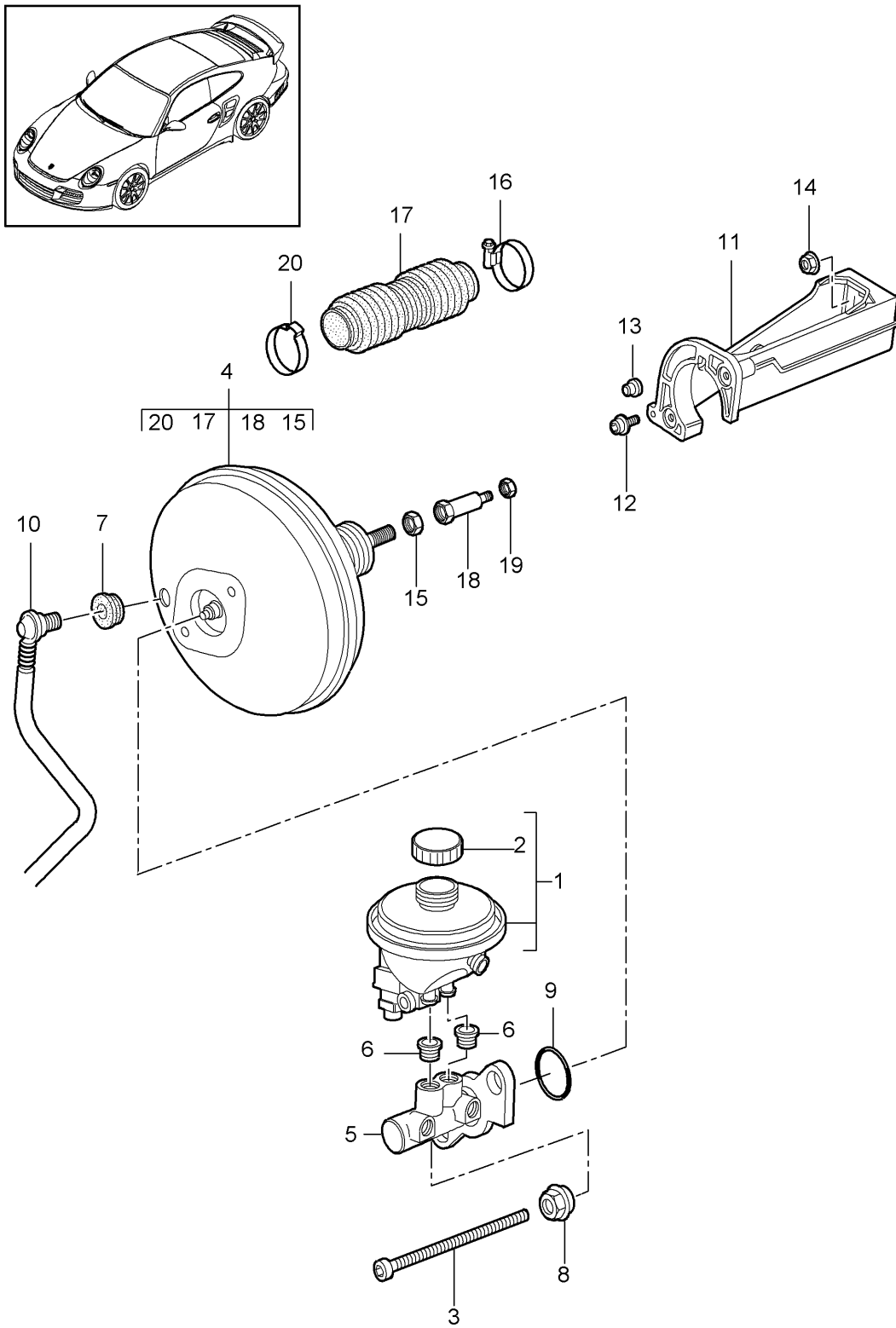
Model: 997T10

Model life 2010&gt;&gt;2013

Pos	Part Number	Description	Remark	Qty	Model
1	997 352 993 02	Handbrake Brake shoe 1 set		1	
2	993 352 071 00	Adjusting screw		2	
(2)	298 609 723	Adjusting screw		2	
3	997 352 721 01	Tension spring Short		2	
(3)	298 609 717	Tension spring		2	
4	997 352 723 02	Tension spring Long		2	
5	993 352 737 00	Bolt		2	
6	997 352 741 02	Compression spring		4	
(6)	298 609 583	Compression spring		4	
7	997 352 807 00	Support panel		2	
8	928 352 090 01	Push-button lock Complete		2	

Model: 997T10

Model life 2010>>2013



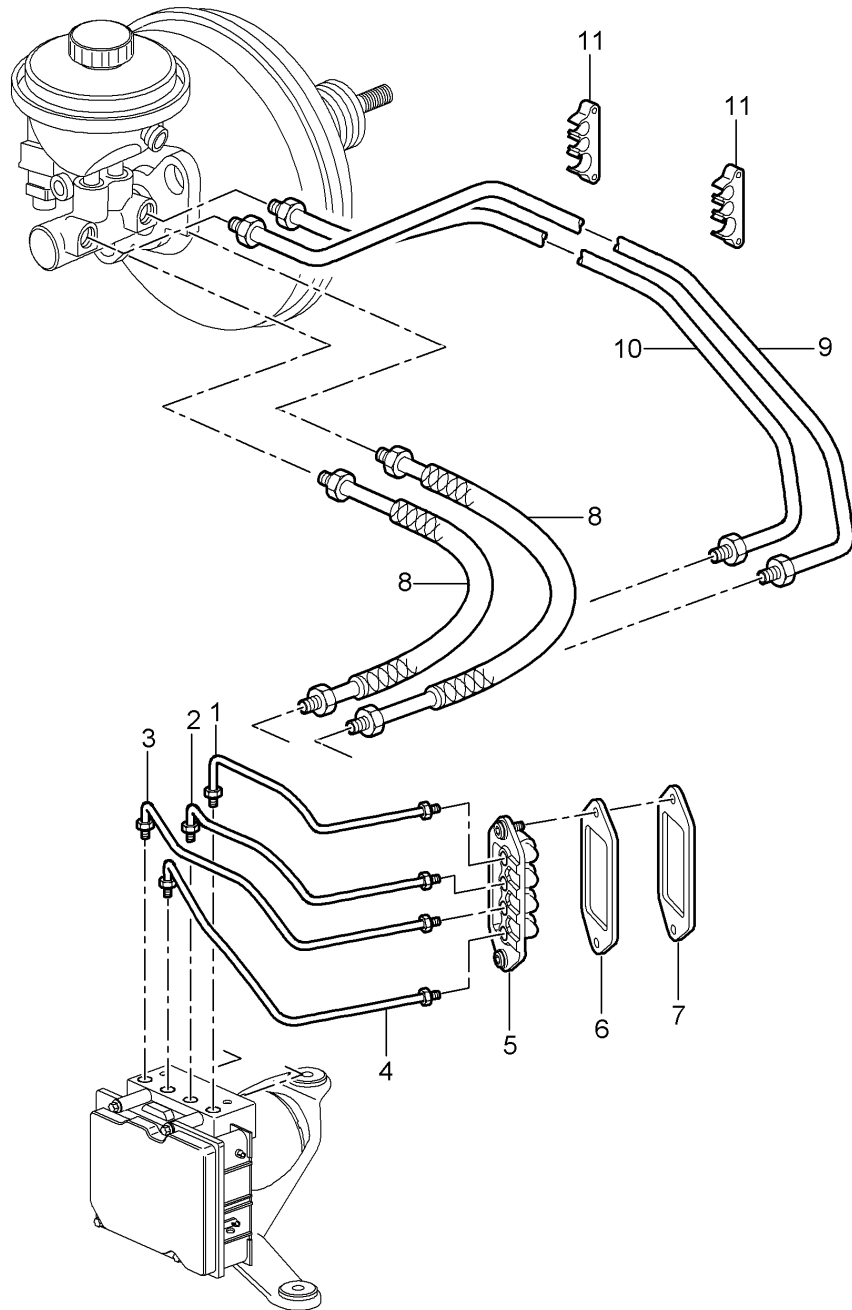
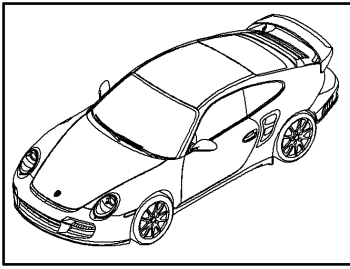
Model: 997T10

Model life 2010>>2013

Pos	Part Number	Description	Remark	Qty	Model
-	000 043 203 66	Brake master cylinder Brake booster Brake fluid DOT 4 1 Ltr.		X	
1	997 355 013 21	Expansion tank		1	TURBO
1	997 355 013 01	Expansion tank		1	GT-2 RS
2	996 355 119 01	Catch		1	
-	997 355 125 00	Support for contact for Container		1	
3	999 073 327 09	Pan-head screw M 8 X 197 X 29		2	
4	997 355 925 37	Brake booster		1	TURBO
4	997 355 923 90	Brake booster		1	GT-2 RS
5	997 355 910 30	Brake master cylinder		1	
6	993 355 922 00	Grommet		2	
7	999 702 182 40	Rubber bush		1	
8	997 355 925 00	Hexagon nut		2	
9	993 355 212 00	Gasket		1	
10	997 355 577 26	Vacuum line	/LL	1	I098
(10)	997 355 578 26	Vacuum line	/RL	1	I099
11	997 423 251 00	Intermediate piece		1	
12	999 073 189 01	Round head screw M 6 X 12		2	
13	999 703 448 50	Stopper	/R	1	
14	900 380 005 01	Nut M 8		2	
15	900 183 015 01	Hexagon nut M 12 X 1,5		1	
-	996 355 901 01	Gasket Brake booster Bulkhead		1	
16	999 512 478 00	Hose clamp		1	
17	997 355 969 00	Bellows		1	
18	996 355 927 01	Connecting piece		1	
19	900 380 015 01	Hexagon nut M 6		1	
20	999 512 672 00	Clamp		1	

Model: 997T10

Model life 2010>>2013



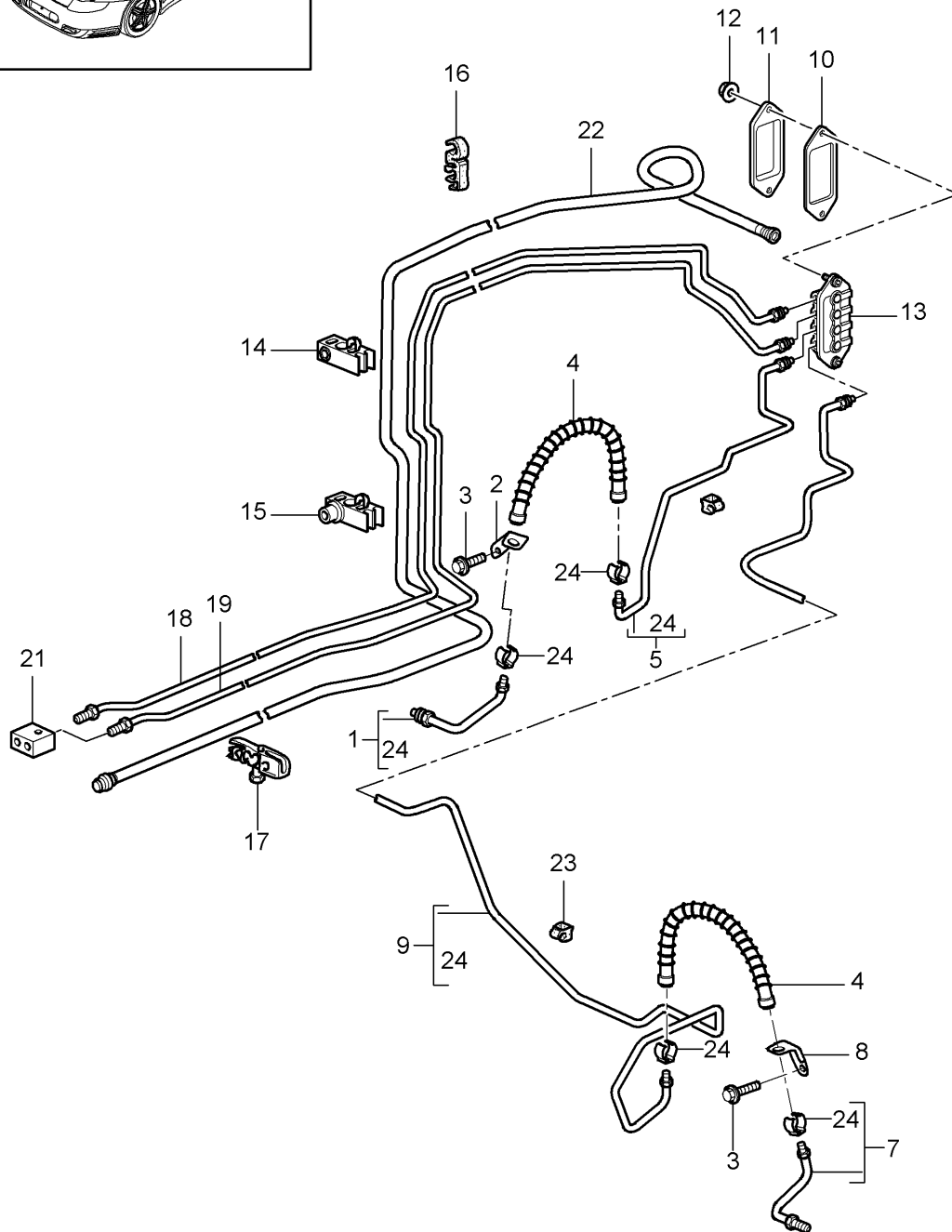
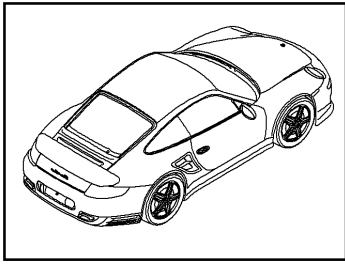
Model: 997T10

Model life 2010>>2013

Pos	Part Number	Description	Remark	Qty	Model
		Brake lines			
		Body front section			
1	997 355 315 30	Brake line	/LL	1	I098
(1)	997 355 315 31	Brake line	/LL	1	I098
(1)	997 355 315 10	Brake line	/RL	1	I099
2	997 355 316 30	Brake line	/LL	1	I098
(2)	997 355 316 31	Brake line	/LL	1	I098
(2)	997 355 316 10	Brake line	/RL	1	I099
3	997 355 327 30	Brake line	/LL	1	I098
(3)	997 355 327 31	Brake line	/LL	1	I098
(3)	997 355 327 10	Brake line	/RL	1	I099
4	997 355 326 30	Brake line	/LL	1	I098
(4)	997 355 326 31	Brake line	/LL	1	I098
(4)	997 355 326 10	Brake line	/RL	1	I099
5	997 355 650 00	Intermediate piece		1	
6	997 355 752 00	Gasket		1	
7	997 355 753 00	Reinforcement		1	
8	997 355 311 10	Pressure line	/LL	1	I098
(9)	997 355 312 30	Pressure line	/RL	1	I099
10	997 355 314 30	Pressure line	/RL	1	I099
11	999 507 632 40	Cable holder	/RL	2	I099

Model: 997T10

Model life 2010>>2013



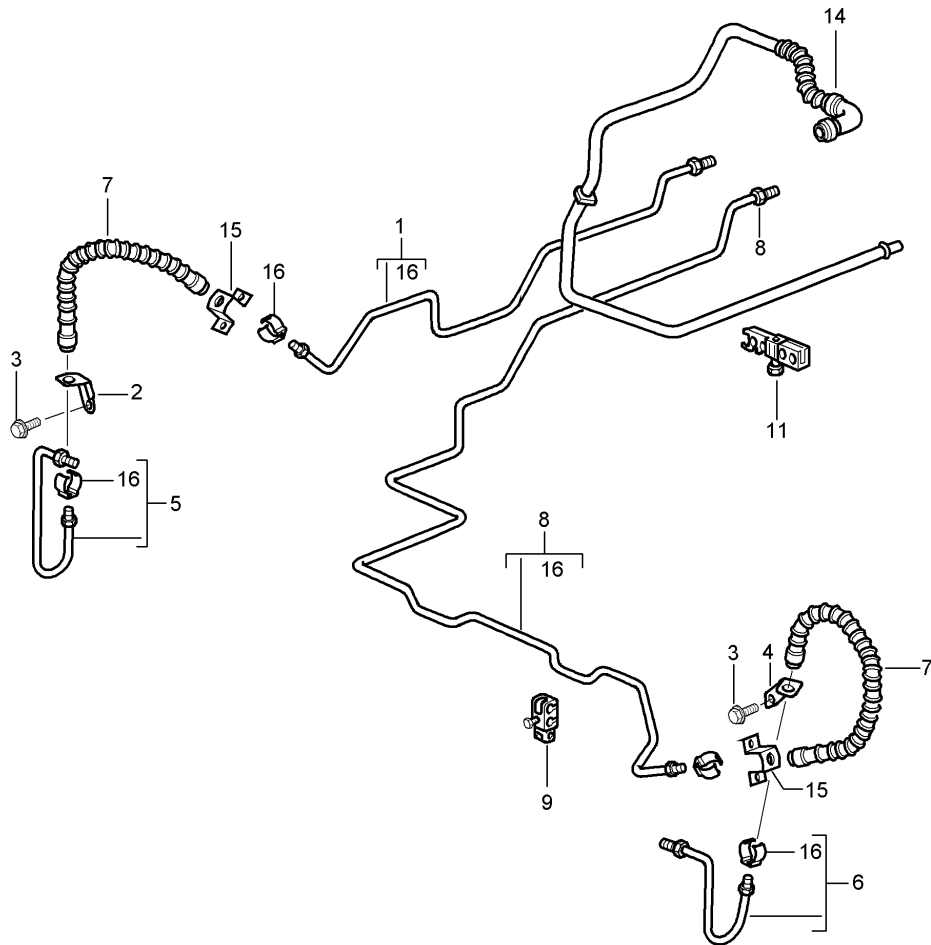
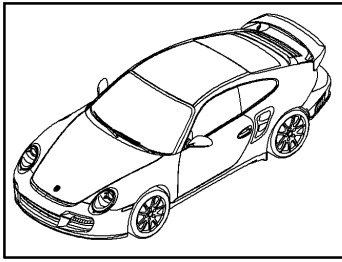
Model: 997T10

Model life 2010>>2013

Pos	Part Number	Description	Remark	Qty	Model
		Brake lines			
		Brake lines			
		Underbody			
		Vacuum line			
1	997 355 587 03	Brake line	/L	1	TURBO
(1)	997 355 587 11	Brake line	/L	1	TURBO I450
(1)	997 355 581 92	Brake line	/L	1	GT-2 RS
2	996 355 507 05	Brake hose bracket	/L	1	TURBO
2	997 355 501 90	Brake hose bracket	/L	1	GT-2 RS
3	900 067 117 04	Pan-head screw M 6 x 16		4	TURBO
3	999 217 116 01	Hexagon-head bolt M 6 x 16		4	GT-2 RS
4	996 355 139 01	Brake hose		2	
(4)	996 355 139 03	Brake hose		2	
5	997 355 175 30	Brake line	/L	1	TURBO
(5)	997 355 175 31	Brake line	/L	1	TURBO
(5)	997 355 175 10	Brake line	/L	1	GT-2 RS
(5)	997 355 175 11	Brake line	/L	1	GT-2 RS
7	997 355 588 03	Brake line	/R	1	TURBO
(7)	997 355 588 11	Brake line	/R	1	TURBO I450
(7)	997 355 582 92	Brake line	/R	1	GT-2 RS
5	997 355 175 30	Brake line	/L	1	TURBO
(5)	997 355 175 31	Brake line	/L	1	TURBO
(5)	997 355 175 10	Brake line	/L	1	GT-2 RS
(5)	997 355 175 11	Brake line	/L	1	GT-2 RS
8	996 355 508 05	Brake hose bracket	/R	1	TURBO
8	997 355 502 90	Brake hose bracket	/R	1	GT-2 RS
9	997 355 176 30	Brake line		1	TURBO
9	997 355 176 90	Brake line		1	GT-2 RS
9	997 355 176 91	Brake line		1	GT-2 RS
10	997 355 753 00	Reinforcement		1	
11	997 355 752 00	Gasket		1	
12	900 380 015 01	Hexagon nut M 6		3	
13	997 355 650 00	Intermediate piece		1	
14	996 355 545 00	Support		3	
15	996 355 549 00	Support		1	
16	996 355 547 01	Support		2	
17	996 355 543 00	Support		1	
18	997 355 177 10	Brake line		1	
19	997 355 179 10	Brake line		1	
(19)	997 355 179 11	Brake line		1	
21	996 355 760 31	Connecting piece		1	
22	997 355 571 01	Vacuum line		1	
-	999 702 289 41	Grommet		1	
		Wheel housing			
23	999 651 331 40	Cable holder		5	
24	997 355 331 01	Retainer spring for Brake line		X	

Model: 997T10

Model life 2010>>2013





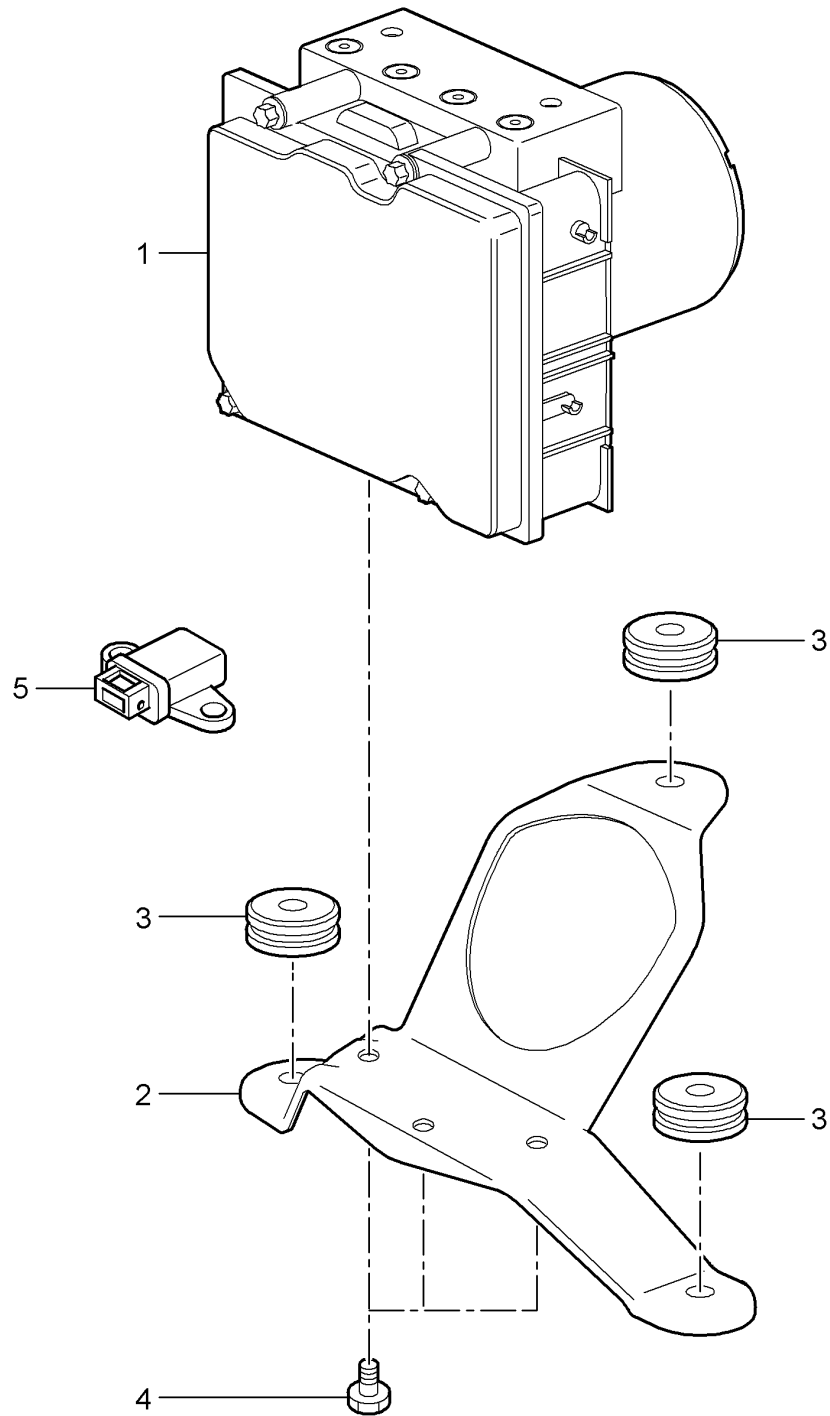
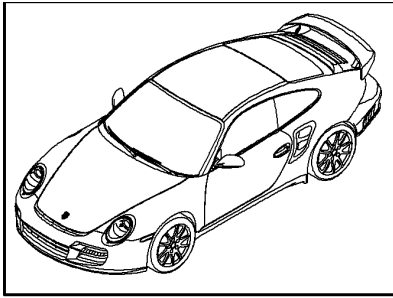
Model: 997T10

Model life 2010>>2013

Pos	Part Number	Description	Remark	Qty	Model
		Brake line			
		Underbody			
		Rear axle			
		Vacuum line			
1	997 355 189 10	Brake line	/L	1	
(1)	997 355 189 11	Brake line	/L	1	
2	997 355 503 10	Support	/L	1	
3	900 067 117 04	Pan-head screw M 6 x 16		2	
4	997 355 504 10	Support	/R	1	
5	996 355 585 11	Brake line	/L	1	
6	996 355 586 11	Brake line	/R	1	
7	996 355 139 01	Brake hose		2	
(7)	996 355 139 03	Brake hose		2	
8	997 355 190 11	Brake line		1	TURBO
(8)	997 355 190 14	Brake line		1	TURBO
8	997 355 190 10	Brake line		1	GT-2 RS
(8)	997 355 190 13	Brake line		1	GT-2 RS
9	996 347 543 00	Cable holder		3	
11	996 355 543 00	Support		1	
14	997 355 575 12	Vacuum line		1	TURBO
14	997 355 575 51	Vacuum line		1	GT-2 RS
-	999 507 495 40	Support		1	
15	996 501 815 02	Support		2	
	996 501 815 02 GRV	Prime coated			
16	997 355 331 00	Retainer spring for Brake line		X	

Model: 997T10

Model life 2010>>2013



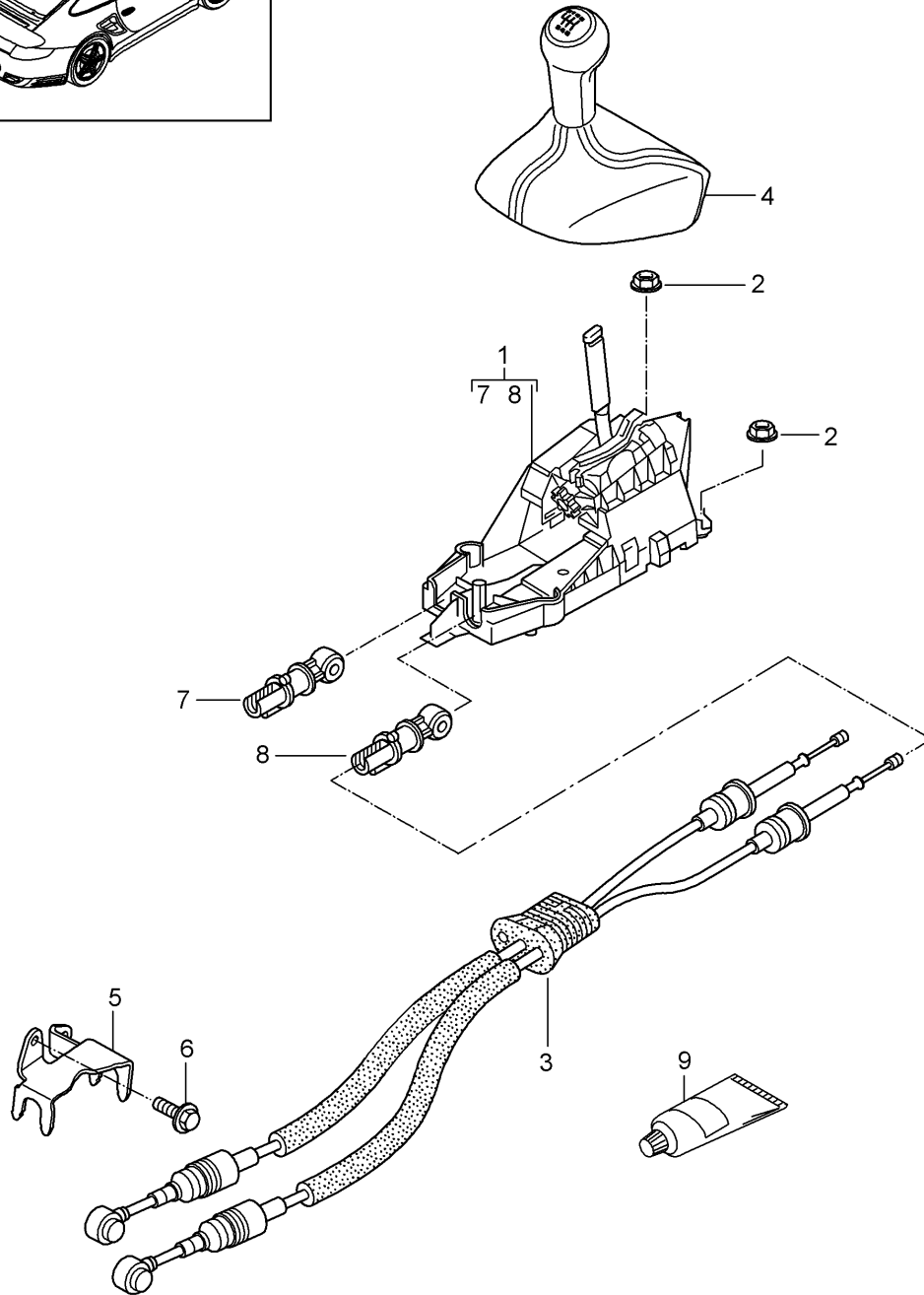
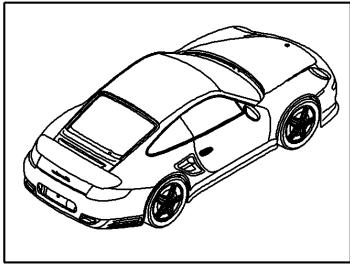
Model: 997T10

Model life 2010>>2013

Pos	Part Number	Description	Remark	Qty	Model
		Hydraulic unit Anti-lock brake system Control			
1	997 355 955 63	Hydraulic unit		1	TURBO
1	997 355 955 97	Hydraulic unit		1	GT-2 RS
2	997 355 033 25	Support with Rubber mounting		1	I098
(2)	997 355 033 00	Support with Rubber mounting		1	I099
3	964 356 635 00	Rubber mounting		3	
-	999 045 004 40	Hexagon nut		3	
		Plastic material			
4	900 385 060 01	Screw BM 6 X 10		3	
5	997 606 145 05	Sensor	10	1	
5	997 606 145 07	Sensor	11-	1	
-	900 378 035 01	Hexagon-head bolt M 6 X 16		2	

Model: 997T10

Model life 2010>>2013



Model: 997T10 Model life 2010>>2013

Pos	Part Number	Description	Remark	Qty	Model
		Transmission control Manual transmission			I480
(1)	997 424 010 00	Gearshift bracket		1	TURBO
(1)	997 424 983 00	Gearshift bracket		1	TURBO IXCZ
(1)	997 424 010 91	Gearshift bracket		1	GT-2 RS
2	999 084 629 01	Hexagon nut M 6 SB		4	
3	997 424 041 50	Cable		1	TURBO
3	997 424 041 88	Transmission control Cable		1	GT-2 RS
4	997 424 075 50	Transmission control Gearshift knob Leather		1	TURBO
	997 424 075 50 FOT	Black/black			
	997 424 075 50 FOU	Stone grey/stone grey			
	997 424 075 50 FOV	Sand beige/sand beige			
	997 424 075 50 FOW	Sea blue/sea blue			
	997 424 075 50 FPW	Terracotta/terracotta			
	997 424 075 50 FPX	Cocoa/Cocoa			
	997 424 075 50 FOY	Dark grey/dark grey			
	997 424 075 50 FOZ	Brown nat./brown nat.			
	997 424 075 50 FSR	Carrera Red/Carrera Red			
(4)	997 424 075 54	Gearshift knob Macassar		1	TURBO I801
	997 424 075 54 FPA	Black			
	997 424 075 54 FPB	Stone grey			
	997 424 075 54 FPC	Sand Beige			
	997 424 075 54 FPD	Sea blue			
	997 424 075 54 FPY	Terracotta			
	997 424 075 54 FPZ	Cocoa			
	997 424 075 54 FPF	Dark grey/natural			
	997 424 075 54 FPG	Brown/natural			
	997 424 075 54 FST	Carrera Red			
(4)	997 424 075 53	Gearshift knob Carbon		1	TURBO I803
	997 424 075 53 FPP	Black			
	997 424 075 53 FPQ	Stone grey			
	997 424 075 53 FPR	Sand Beige			
	997 424 075 53 FPS	Sea blue			
	997 424 075 53 FQC	Terracotta			
	997 424 075 53 FQD	Cocoa			
	997 424 075 53 FPU	Dark grey/natural			
	997 424 075 53 FPV	Brown/natural			
	997 424 075 53 FSS	Carrera Red			
(4)	997 424 981 00	Gearshift knob Aluminium look Leather		1	TURBO IX97
	997 424 981 00 8YR	Black			
	997 424 981 00 5X5	Stone grey			
	997 424 981 00 8G1	Sand Beige			
	997 424 981 00 3S8	Sea blue			
	997 424 981 00 9N2	Terracotta			
	997 424 981 00 9Q3	Cocoa			
	997 424 981 00 D11	Dark grey/natural			
	997 424 981 00 T11	Brown/natural			
	997 424 981 00 N11	Carrera Red			
(7)	997 424 990 00	Gearshift knob Aluminium		1	TURBO
	997 424 990 00 8YR	Black			
	997 424 990 00 5X5	Stone grey			
	997 424 990 00 8G1	Sand Beige			

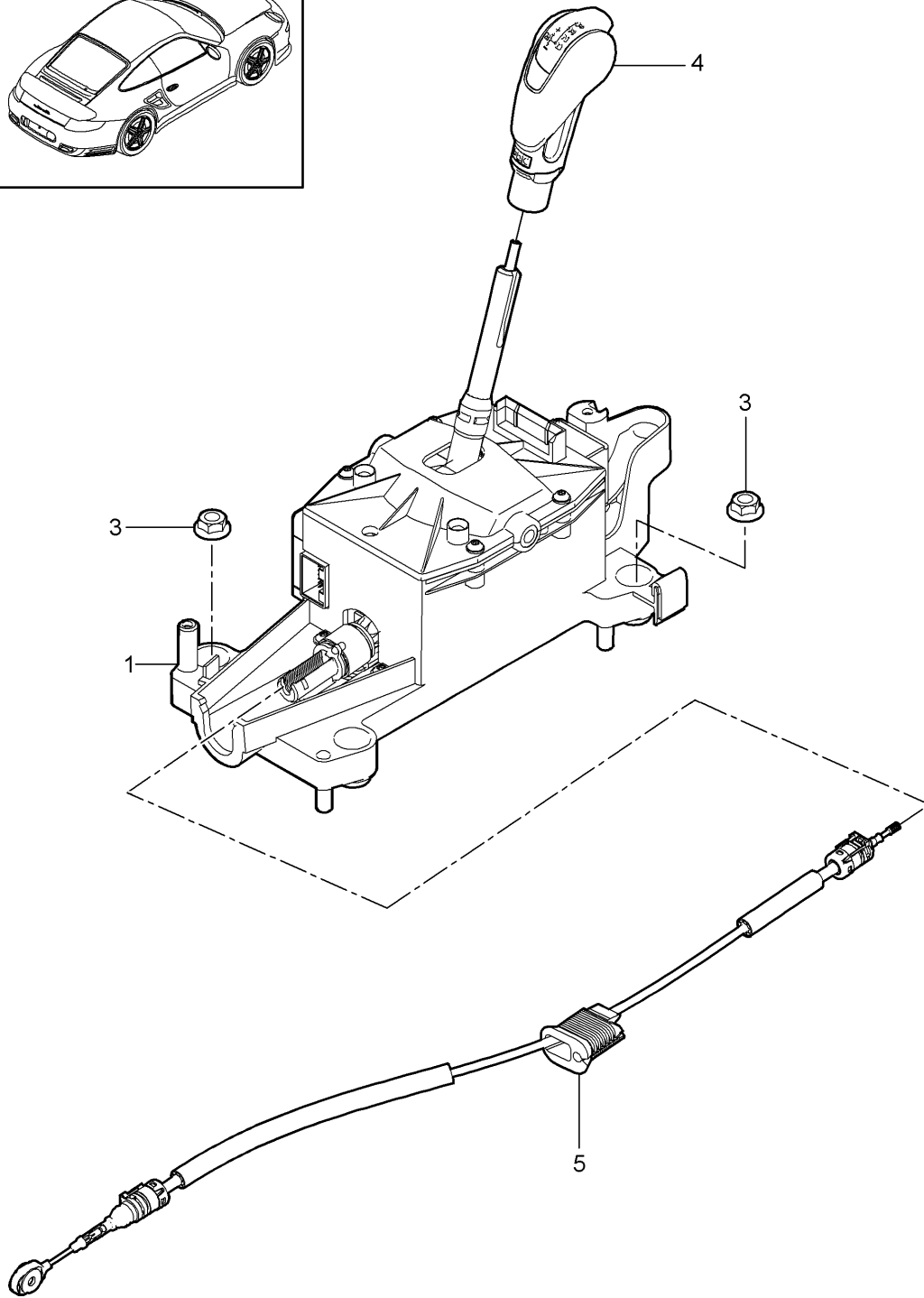
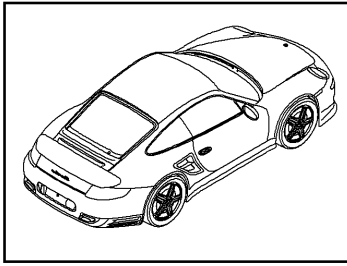
Model: 997T10

Model life 2010>>2013

Pos	Part Number	Description	Remark	Qty	Model
	997 424 990 00 3S8	Sea blue			
	997 424 990 00 9N2	Terracotta			
	997 424 990 00 9Q3	Cocoa			
	997 424 990 00 D11	Dark grey/natural			
	997 424 990 00 T11	Brown/natural			
	997 424 990 00 N11	Carrera Red			
4	997 424 075 90	Gearshift knob Leather		1	GT-2 RS
	997 424 075 90 A15	Black			
	997 424 075 90 DRB	Black/Guards Red			
-	996 424 445 00	Clip for Fastening part		X	
5	997 424 165 55	Bearing bracket		1	TURBO
5	996 424 165 9B	Bearing bracket		1	GT-2 RS
6	999 073 209 09	Pan-head screw M 10 x 20		2	TURBO
(6)	900 378 017 09	Hexagon-head bolt M 8 x 20		2	GT-2 RS
7	996 424 145 01	Fastening part for Cable Adjustable		1	
8	996 424 147 00	Fastening part for Cable Adjustable		1	
9	000 043 205 93	Grease 1 100-gramme tube		X	

Model: 997T10

Model life 2010>>2013



Model: 997T10 Model life 2010>>2013

Pos	Part Number	Description	Remark	Qty	Model
		Selector lever			TURBO I250
1	9G1 426 011 05	Tiptronic Support with Housing		1	
3	999 084 629 01	Hexagon nut M 6		4	
4	9G1 426 069 00	Selector knob Leather Volcano grey		1	
	9G1 426 069 00 FTE	Black			
	9G1 426 069 00 FTF	Stone grey			
	9G1 426 069 00 FTG	Sand Beige			
	9G1 426 069 00 FTH	Sea blue			
	9G1 426 069 00 FTJ	Terracotta			
	9G1 426 069 00 FTK	Cocoa			
	9G1 426 069 00 FTL	Dark grey/natural			
	9G1 426 069 00 FTM	Brown/natural			
	9G1 426 069 00 FTN	Carrera Red			
(4)	9G1 426 069 04	Selector knob Macassar Volcano grey		1	I801
	9G1 426 069 04 FTO	Black			
	9G1 426 069 04 FTP	Stone grey			
	9G1 426 069 04 FTQ	Sand Beige			
	9G1 426 069 04 FTR	Sea blue			
	9G1 426 069 04 FTS	Terracotta			
	9G1 426 069 04 FTT	Cocoa			
	9G1 426 069 04 FTU	Dark grey/natural			
	9G1 426 069 04 FTV	Brown/natural			
	9G1 426 069 04 FTW	Carrera Red			
(4)	9G1 426 069 14	Selector knob Macassar Volcano grey		1	I801
	9G1 426 069 14 FTO	Black			
	9G1 426 069 14 FTP	Stone grey			
	9G1 426 069 14 FTQ	Sand Beige			
	9G1 426 069 14 FTR	Sea blue			
	9G1 426 069 14 FTS	Terracotta			
	9G1 426 069 14 FTT	Cocoa			
	9G1 426 069 14 FTU	Dark grey/natural			
	9G1 426 069 14 FTV	Brown/natural			
	9G1 426 069 14 FTW	Carrera Red			
(4)	9G1 426 069 03	Selector knob Leather Carbon Volcano grey		1	I803
	9G1 426 069 03 FTX	Black			
	9G1 426 069 03 FTY	Stone grey			
	9G1 426 069 03 FTZ	Sand Beige			
	9G1 426 069 03 FUA	Sea blue			
	9G1 426 069 03 FUB	Terracotta			
	9G1 426 069 03 FUC	Cocoa			
	9G1 426 069 03 FUD	Dark grey/natural			
	9G1 426 069 03 FUE	Brown/natural			
	9G1 426 069 03 FUF	Carrera Red			
(4)	9G1 426 069 13	Selector knob Leather Carbon Volcano grey		1	I803
	9G1 426 069 13 FTX	Black			
	9G1 426 069 13 FTY	Stone grey			



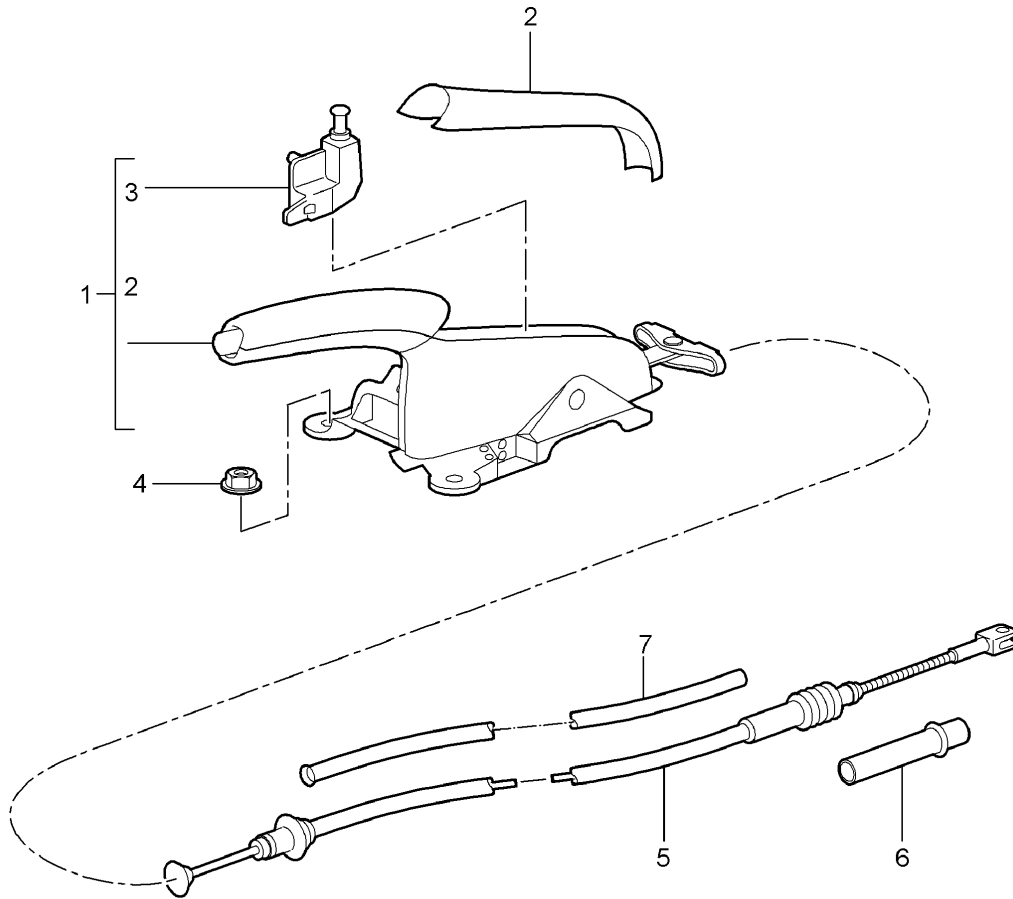
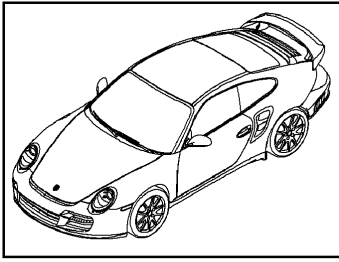
Model: 997T10

Model life 2010>>2013

Pos	Part Number	Description	Remark	Qty	Model
	9G1 426 069 13 FTZ	Sand Beige			
	9G1 426 069 13 FUA	Sea blue			
	9G1 426 069 13 FUB	Terracotta			
	9G1 426 069 13 FUC	Cocoa			
	9G1 426 069 13 FUD	Dark grey/natural			
	9G1 426 069 13 FUE	Brown/natural			
	9G1 426 069 13 FUF	Carrera Red			
(4)	9G1 426 980 00	Selector knob		1	IXYA
	9G1 426 980 00 D11	Dark grey/natural			
	9G1 426 980 00 N11	Carrera Red			
	9G1 426 980 00 T11	Brown/natural			
	9G1 426 980 00 3S8	Sea blue			
	9G1 426 980 00 5X5	Stone grey			
	9G1 426 980 00 8G1	Sand Beige			
	9G1 426 980 00 FTE	Black			
	9G1 426 980 00 9N2	Terracotta			
	9G1 426 980 00 9Q3	Cocoa			
5	9G1 426 033 00	Cable		1	

Model: 997T10

Model life 2010>>2013



Model: 997T10

Model life 2010>>2013

Pos	Part Number	Description	Remark	Qty	Model
(1)	997 424 031 67	Handbrake Actuator Parking-brake lever Complete Leather		1	TURBO
	997 424 031 67 8YR	Black			
	997 424 031 67 5X5	Stone grey			
	997 424 031 67 8G1	Sand Beige			
	997 424 031 67 3S8	Sea blue			
	997 424 031 67 9N2	Terracotta			
	997 424 031 67 9Q3	Cocoa			
	997 424 031 67 D11	Dark grey/natural			
	997 424 031 67 T11	Brown/natural			
	997 424 031 67 N11	Carrera Red			
(1)	997 424 031 68	Parking-brake lever Complete Macassar		1	TURBO I801
	997 424 031 68 8YR	Black			
	997 424 031 68 5X5	Stone grey			
	997 424 031 68 8G1	Sand Beige			
	997 424 031 68 3S8	Sea blue			
	997 424 031 68 9N2	Terracotta			
	997 424 031 68 9Q3	Cocoa			
	997 424 031 68 D11	Dark grey/natural			
	997 424 031 68 T11	Brown/natural			
	997 424 031 68 N11	Carrera Red			
(1)	997 424 031 70	Parking-brake lever Complete Carbon		1	TURBO I803
	997 424 031 70 8YR	Black			
	997 424 031 70 5X5	Stone grey			
	997 424 031 70 8G1	Sand Beige			
	997 424 031 70 3S8	Sea blue			
	997 424 031 70 9N2	Terracotta			
	997 424 031 70 9Q3	Cocoa			
	997 424 031 70 D11	Dark grey/natural			
	997 424 031 70 T11	Brown/natural			
	997 424 031 70 N11	Carrera Red			
(1)	997 424 980 00	Parking-brake lever Complete	/LL	1	TURBO IX98/098
	997 424 980 00 8YR	Black			
	997 424 980 00 5X5	Stone grey			
	997 424 980 00 8G1	Sand Beige			
	997 424 980 00 3S8	Sea blue			
	997 424 980 00 9N2	Terracotta			
	997 424 980 00 9Q3	Cocoa			
	997 424 980 00 D11	Dark grey/natural			
	997 424 980 00 T11	Brown/natural			
	997 424 980 00 N11	Carrera Red			
	997 424 980 00 TSF	Black/black			
(1)	997 424 980 06	Parking-brake lever Complete	/LL	1	TURBO IX98/098
	997 424 980 06 8YR	Black			
	997 424 980 06 5X5	Stone grey			
	997 424 980 06 8G1	Sand Beige			
	997 424 980 06 3S8	Sea blue			
	997 424 980 06 9N2	Terracotta			
	997 424 980 06 9Q3	Cocoa			
	997 424 980 06 D11	Dark grey/natural			

Model: 997T10 Model life 2010>>2013

Pos	Part Number	Description	Remark	Qty	Model
(1)	997 424 980 06 T11	Brown/natural		1	TURBO IXFP/098
	997 424 980 06 N11	Carrera Red			
	997 424 980 06 TSF	Black/black			
	997 424 991 00	Parking-brake lever	/LL		
		Complete			
	997 424 991 00 8YR	Black			
	997 424 991 00 5X5	Stone grey			
	997 424 991 00 8G1	Sand Beige			
	997 424 991 00 3S8	Sea blue			
	997 424 991 00 9N2	Terracotta			
	997 424 991 00 9Q3	Cocoa			
(1)	997 424 991 00 D11	Dark grey/natural		1	TURBO IX98/099
	997 424 991 00 T11	Brown/natural			
	997 424 991 00 N11	Carrera Red			
	997 424 991 00 TSF	Black/black			
	997 424 980 01	Parking-brake lever	/RL		
		Complete			
	997 424 980 01 8YR	Black			
	997 424 980 01 5X5	Stone grey			
	997 424 980 01 8G1	Sand Beige			
	997 424 980 01 3S8	Sea blue			
	997 424 980 01 9N2	Terracotta			
(1)	997 424 980 01 9Q3	Cocoa		1	TURBO IX98/099
	997 424 980 01 D11	Dark grey/natural			
	997 424 980 01 T11	Brown/natural			
	997 424 980 01 N11	Carrera Red			
	997 424 980 01 TSF	Black/black			
	997 424 980 07	Parking-brake lever	/RL		
		Complete			
	997 424 980 07 8YR	Black			
	997 424 980 07 5X5	Stone grey			
	997 424 980 07 8G1	Sand Beige			
	997 424 980 07 3S8	Sea blue			
(1)	997 424 980 07 9N2	Terracotta		1	TURBO IXFP/099
	997 424 980 07 9Q3	Cocoa			
	997 424 980 07 D11	Dark grey/natural			
	997 424 980 07 T11	Brown/natural			
	997 424 980 07 N11	Carrera Red			
	997 424 980 07 TSF	Black/black			
	997 424 991 01	Parking-brake lever	/RL		
		Complete			
	997 424 991 01 8YR	Black			
	997 424 991 01 5X5	Stone grey			
	997 424 991 01 8G1	Sand Beige			
(1)	997 424 991 01 3S8	Sea blue		1	GT-2 RS
	997 424 991 01 9N2	Terracotta			
	997 424 991 01 9Q3	Cocoa			
	997 424 991 01 D11	Dark grey/natural			
	997 424 991 01 T11	Brown/natural			
	997 424 991 01 N11	Carrera Red			
	997 424 991 01 TSF	Black/black			
	997 424 031 93	Parking-brake lever			
		Complete			
		Alcantara			
	997 424 031 93 A15	Black			
2	997 424 031 93 DRA	Black-red		1	TURBO
	997 424 155 00	Cover			
	997 424 155 00 8YR	Leather Black			

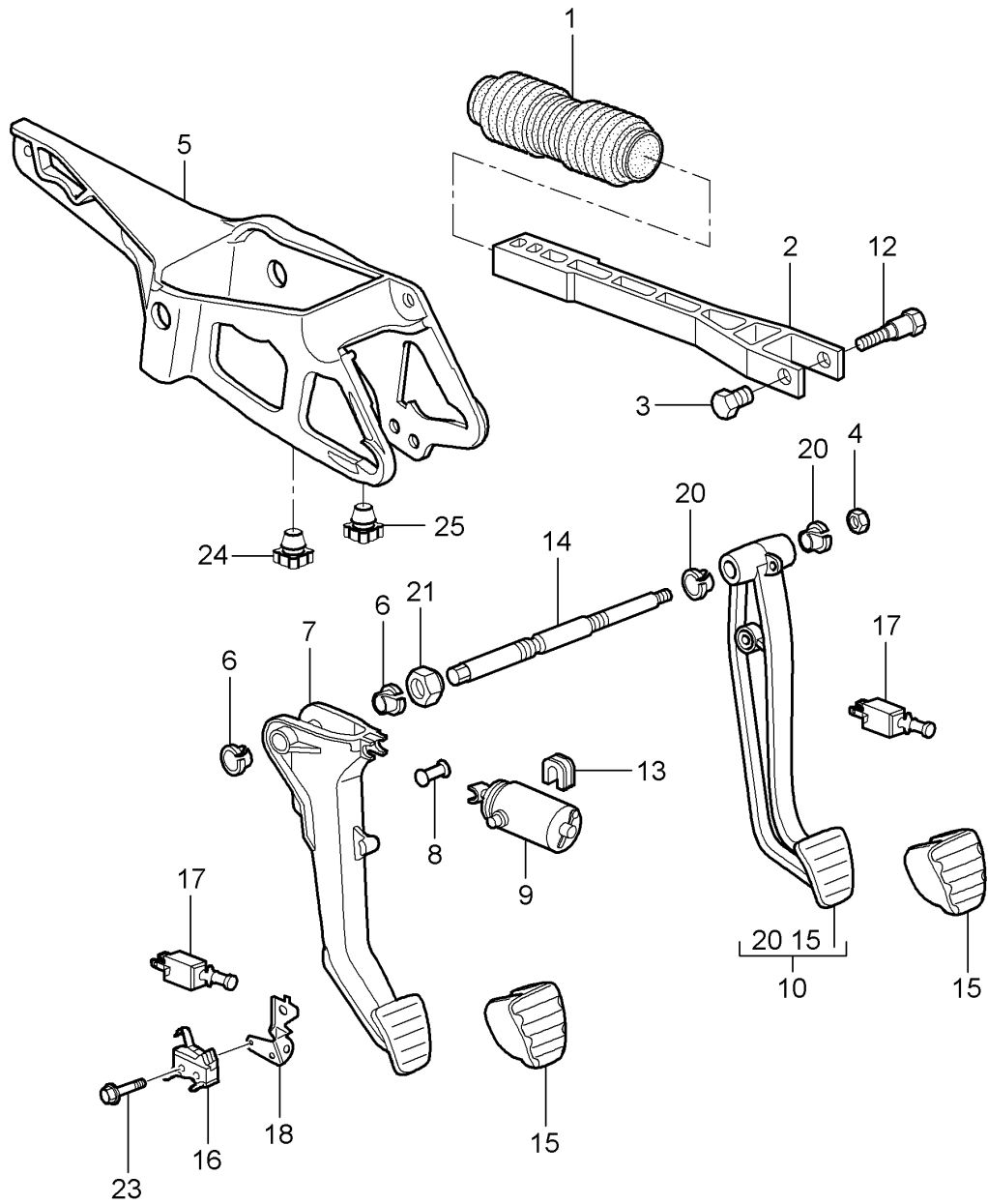
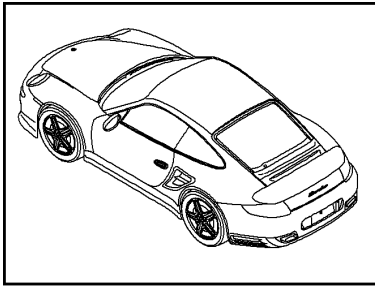
Model: 997T10

Model life 2010>>2013

Pos	Part Number	Description	Remark	Qty	Model
	997 424 155 00 5X5	Stone grey			
	997 424 155 00 8G1	Sand Beige			
	997 424 155 00 3S8	Sea blue			
	997 424 155 00 9N2	Terracotta			
	997 424 155 00 9Q3	Cocoa			
	997 424 155 00 D11	Dark grey/natural			
	997 424 155 00 T11	Brown/natural			
	997 424 155 00 N11	Carrera Red			
3	996 613 112 01	Switch		1	
4	999 084 630 09	Hexagon nut M 8		4	
5	997 424 141 06	Parking-brake cable		2	
6	996 424 721 02	Guide tube		2	
7	997 501 691 01	Guide tube Parking-brake cable Tunnel	/L	1	TURBO
(7)	997 501 692 01	Guide tube Parking-brake cable Tunnel	/R	1	TURBO

Model: 997T10

Model life 2010>>2013

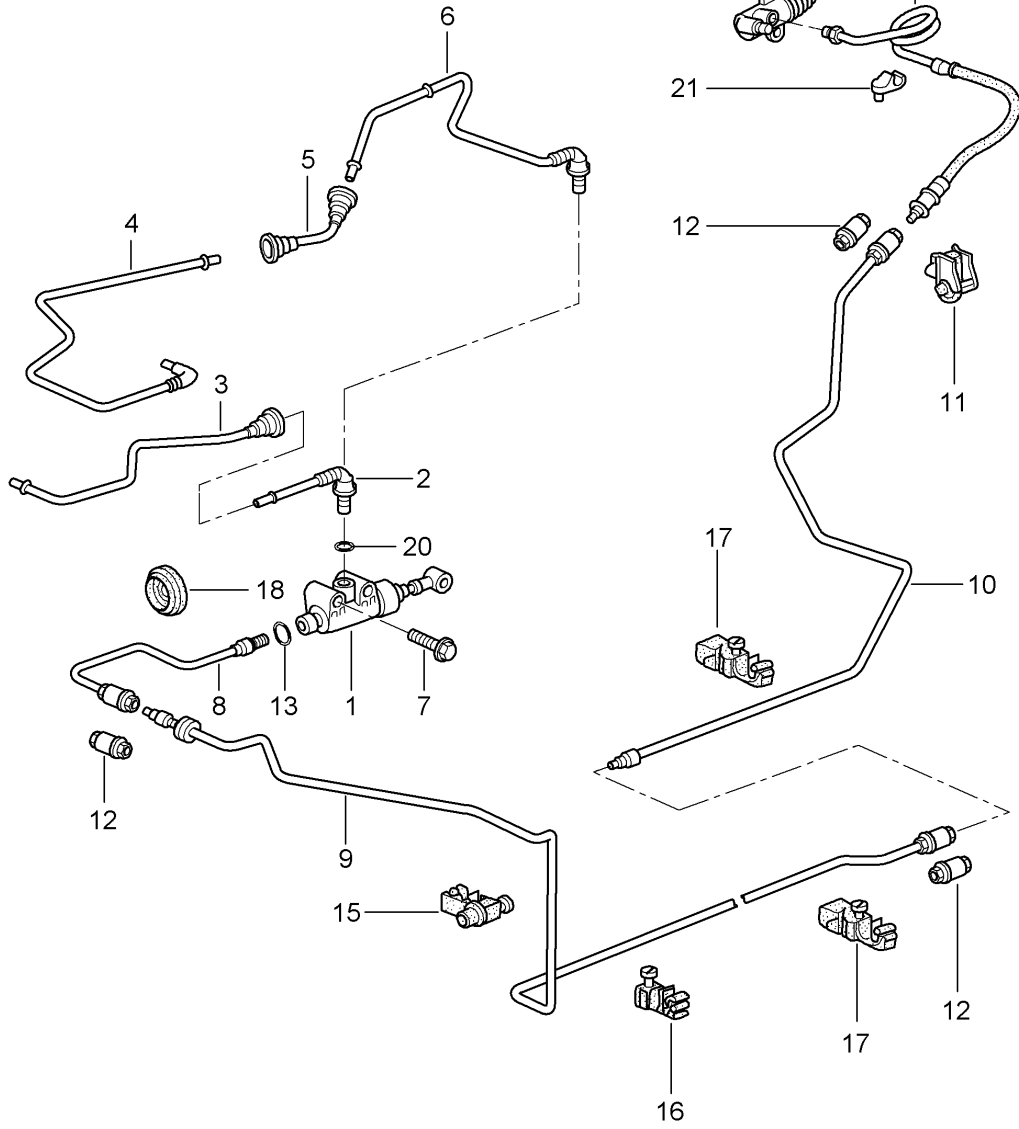
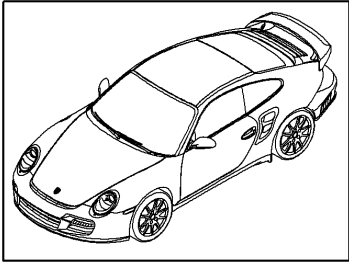


Model: 997T10 Model life 2010>>2013

Pos	Part Number	Description	Remark	Qty	Model
-	000 043 206 17	Pedals Grease 1 tube		X	
1		Bellows See illustrations 6/04/00			
2	996 423 165 05	Push rod		1	
3	996 423 307 00	Sleeve		1	
4	999 084 457 01	Hexagon nut M 8		3	
5	997 423 571 02	Bracket for Clutch power spring		1	I480
6	997 423 399 01	Bush		2	I480
7	997 423 139 01	Clutch pedal		1	I480
8	996 423 315 06	Bolt		1	I480
-	999 166 022 01	kl-lock for Bolt		1	I480
9	997 423 081 52	Clutch power spring		1	
10	997 423 091 04	Brake pedal	/LL	1	I098/480
(10)	997 423 092 04	Brake pedal	/RL	1	I099/480
(10)	997 423 093 04	Brake pedal	/LL	1	TURBO I098/250
10	997 423 094 04	Brake pedal	/RL	1	TURBO I099/250
12	996 423 308 00	Bolt		1	
13	997 423 581 00	Bearing shell		1	
14	997 423 281 00	Axle	/LL	1	I098/480
(14)	997 423 284 00	Axle	/RL	1	I099/480
(14)	996 423 283 05	Axle	/LL	1	TURBO I098/250
(14)	996 423 286 05	Axle	/RL	1	TURBO I099/250
-	996 423 277 00	Bearing sleeve Brake pedal	/RL	1	I099
15	997 423 910 00	Pedal cap		2	I480
(15)	997 423 912 00	Pedal cap		1	TURBO I250
16	997 613 109 02	Switch		1	I480
16	997 613 109 50	Switch		1	I480
17	996 613 113 02	Switch		2	
(17)	996 613 114 01	Brake pedal Switch Clutch pedal		1	
18	997 423 541 00	Support		1	
20	997 423 401 00	Bush	/LL	2	I098
(20)	997 423 402 00	Bush	/RL	2	I099
21	997 423 275 01	Screw plug		1	
23	900 146 159 02	Round head screw M 3 X 20		1	
23	999 073 480 01	Combination screw M 3 X 20		1	
24	997 423 695 00	Rubber stop		1	
25	997 423 697 00	Rubber stop		1	

Model: 997T10

Model life 2010>>2013





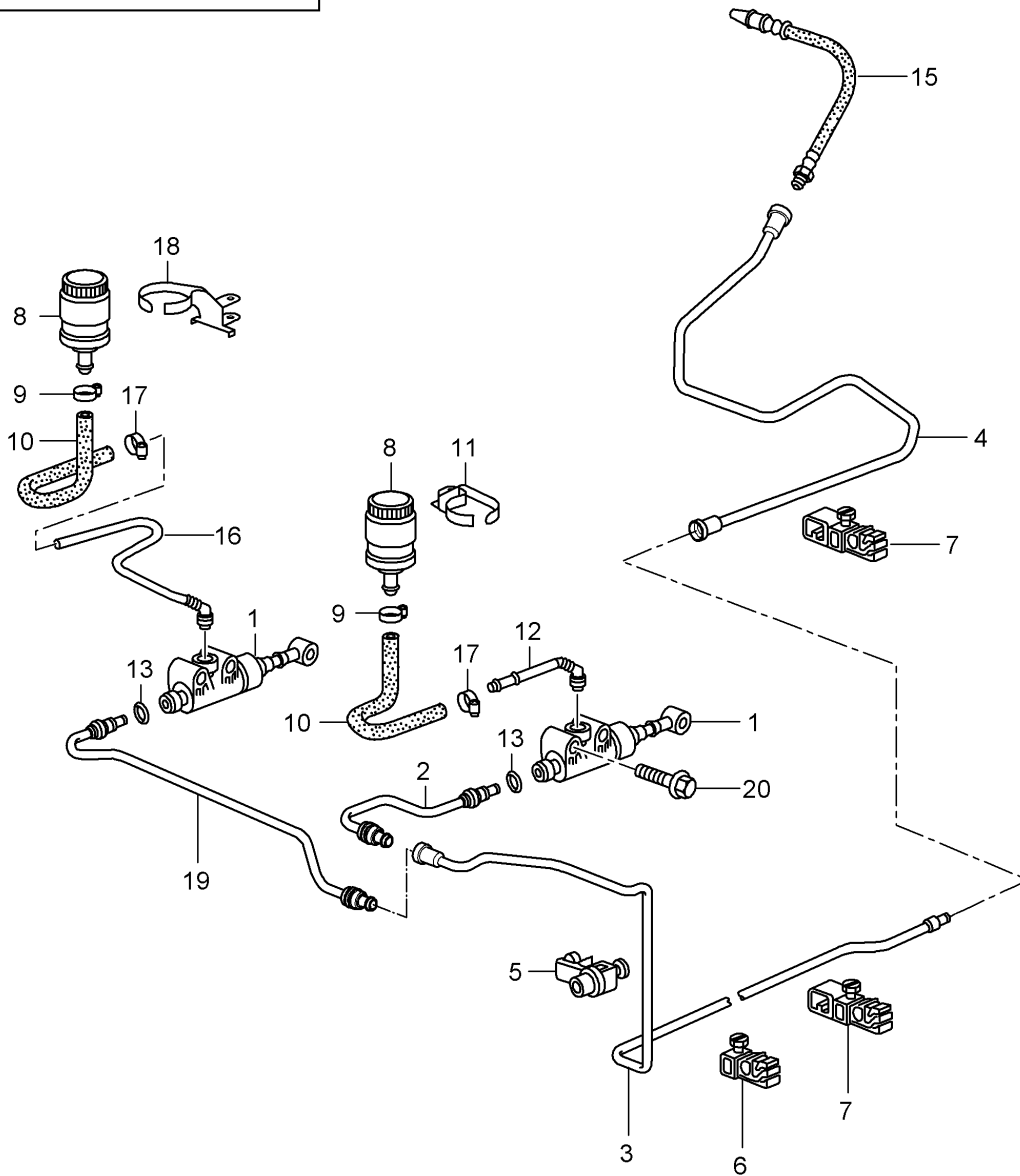
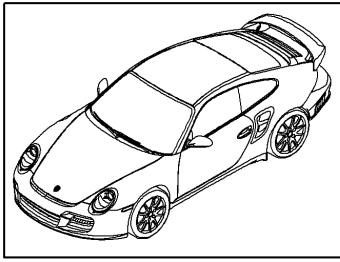
Model: 997T10

Model life 2010>>2013

Pos	Part Number	Description	Remark	Qty	Model
		clutch actuation			GT-2 RS
		Clutch master cylinder			
		Clutch pipeline			
1	997 423 171 01	Clutch master cylinder		1	
-	996 423 614 00	Circlip		1	
		Pressure line			
-	996 423 315 06	Bolt		1	
-	999 166 022 01	Kl-lock for Bolt		1	
2	997 423 147 00	Feed line	/LL	1	I098
3	997 423 137 25	Feed line	/LL	1	I098
4	997 423 138 25	Line	/RL	1	I099
5	996 423 140 02	Feed line	/RL	1	I099
6	996 423 142 02	Feed line	/RL	1	I099
7	900 378 217 09	Hexagon-head bolt M 6 X 40		2	
8	996 423 107 10	Clutch pipeline	/LL	1	I098
(8)	996 423 107 11	Clutch pipeline	/LL	1	I098
(8)	997 423 108 00	Clutch pipeline	/RL	1	I099
(8)	997 423 108 01	Clutch pipeline	/RL	1	I099
-	999 702 174 50	Grommet	/LL	1	I098
9	997 423 109 00	Clutch pipeline		1	
(9)	997 423 109 01	Clutch pipeline		1	
10	997 423 113 00	Clutch pipeline		1	
11	999 507 495 40	Support		1	
12	999 230 541 10	Threaded joint		3	
13	999 707 333 40	Sealing ring		1	
14	996 423 377 90	Clutch hose		1	
(14)	996 423 377 92	Clutch hose		1	
15	996 355 549 00	Support		1	
16	996 355 545 00	Support		2	
17	996 355 543 00	Support		4	
18	999 702 216 42	Grommet		1	
-	999 507 586 40	Cable holder		1	
20	999 707 333 40	Sealing ring 6,07 X 1,78N		1	
21	999 507 586 40	Cable holder		1	
22	996 116 237 90	Clutch operating cylinder		1	
-	900 075 222 09	Combination screw M 8 X 30		2	

Model: 997T10

Model life 2010>>2013

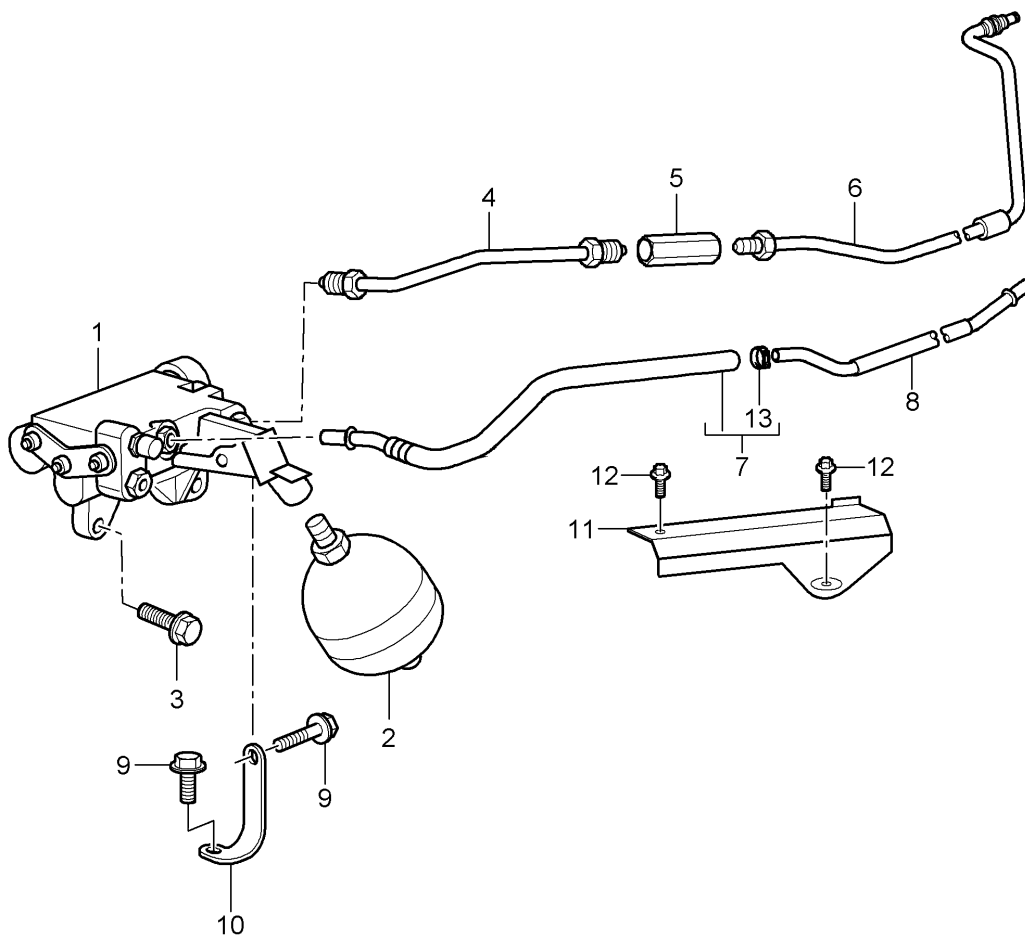
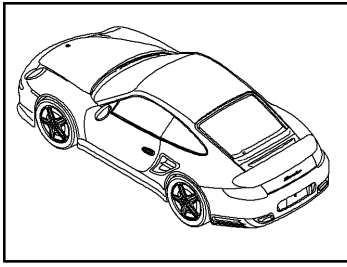


Model: 997T10 Model life 2010>>2013

Pos	Part Number	Description	Remark	Qty	Model
		clutch actuation			TURBO
		Clutch master cylinder			
		Clutch pipeline			
1	997 423 171 50	Clutch master cylinder		1	
-	996 423 614 00	Circlip		1	
		Pressure line			
-	996 423 315 06	Bolt		1	
-	999 166 022 01	Kl-lock for Bolt		1	
2	997 423 107 60	Clutch pipeline	/LL	1	I098
3	997 423 109 60	Clutch pipeline		1	
4	997 423 113 60	Clutch pipeline		1	
5	996 355 549 00	Support		1	
6	996 355 545 00	Support		2	
7	996 355 543 00	Support		4	
8	993 423 417 00	Container		1	
9	999 512 650 09	Hose clamp		1	
10	997 423 343 51	Moulded hose	/LL	1	I098
(10)	997 423 344 51	Moulded hose	/RL	1	I099
11	997 423 245 50	Support	/LL	1	I098
12	997 423 147 50	Feed line	/LL	1	I098
13	997 423 913 00	Repair kit Comprising: O-ring		X	
		Sealing rubber		1	
-	999 591 964 40	Support		X	
		Clutch hose			
15	9A1 423 377 50	Clutch hose		1	
16	996 423 142 51	Clutch pipeline	/RL	1	I099
17	999 512 650 09	Hose clamp		1	
18	997 423 246 50	Support	/RL	1	I099
19	997 423 108 60	Clutch pipeline	/RL	1	I099
20	900 378 029 01	Hexagon-head bolt M 6 X 40		2	
-	000 043 203 33	Pentosin 1000 ML		X	

Model: 997T10

Model life 2010>>2013



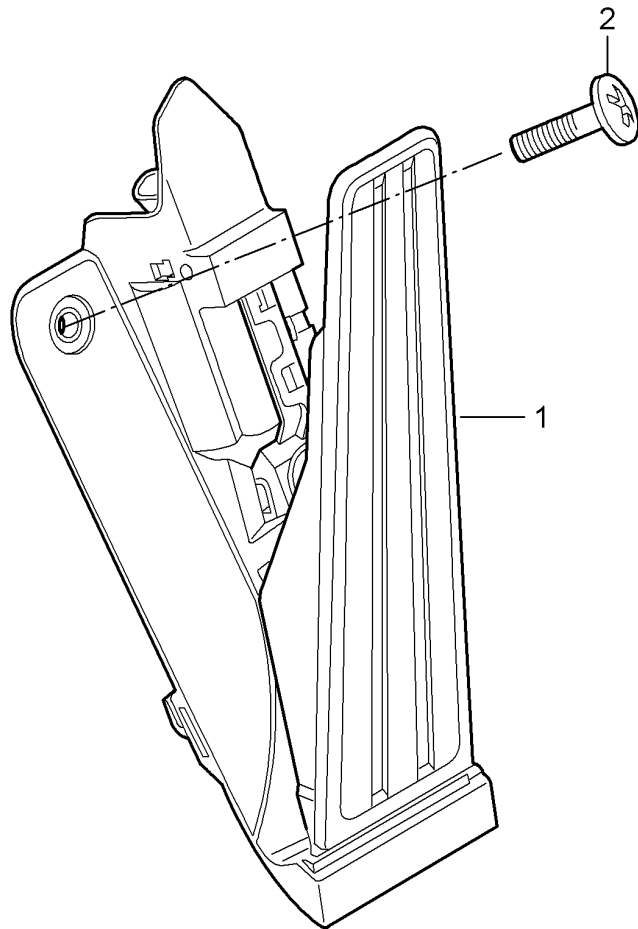
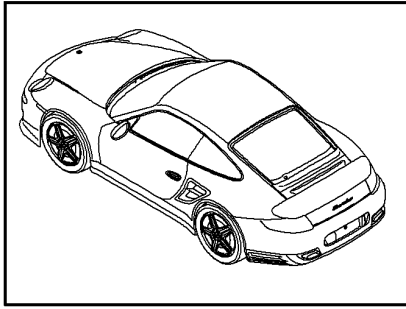
Model: 997T10

Model life 2010>>2013

Pos	Part Number	Description	Remark	Qty	Model
		clutch actuation			TURBO I480
		Clutch pipeline			
		Pressure accumulator			
		Clutch operating cylinder			
1	996 116 237 52	Clutch operating cylinder		1	
-	999 507 745 09	Cable clamp		1	
		13,5			
2	997 314 166 00	Pressure accumulator		1	
-	999 707 529 40	Sealing ring		1	
		for			
		Pressure accumulator			
3	900 075 222 09	Combination screw		2	
		M 8 X 30			
4	9A1 314 288 02	Pressure line		1	
5	999 136 041 30	Threaded joint		1	
6	9A1 314 282 03	Pressure line		1	
7	9A1 314 283 01	Return line		1	
8	9A1 314 280 03	Return line		1	
8	9A1 314 280 04	Return line		1	
9	900 378 017 01	Hexagon-head bolt		2	
		M 8 x 20			
10	997 116 201 55	Support		1	
11	9A1 314 312 01	Support		1	
-	999 651 122 01	Cable clamp		2	
		7.00/11,00			
12	900 385 009 01	Torx screw		2	
		M 6 X 16			
13	999 512 775 01	Hose clamp		1	
-	000 043 203 33	Pentosin		X	
		1000 ML			

Model: 997T10

Model life 2010>>2013



Model: 997T10

Model life 2010>>2013

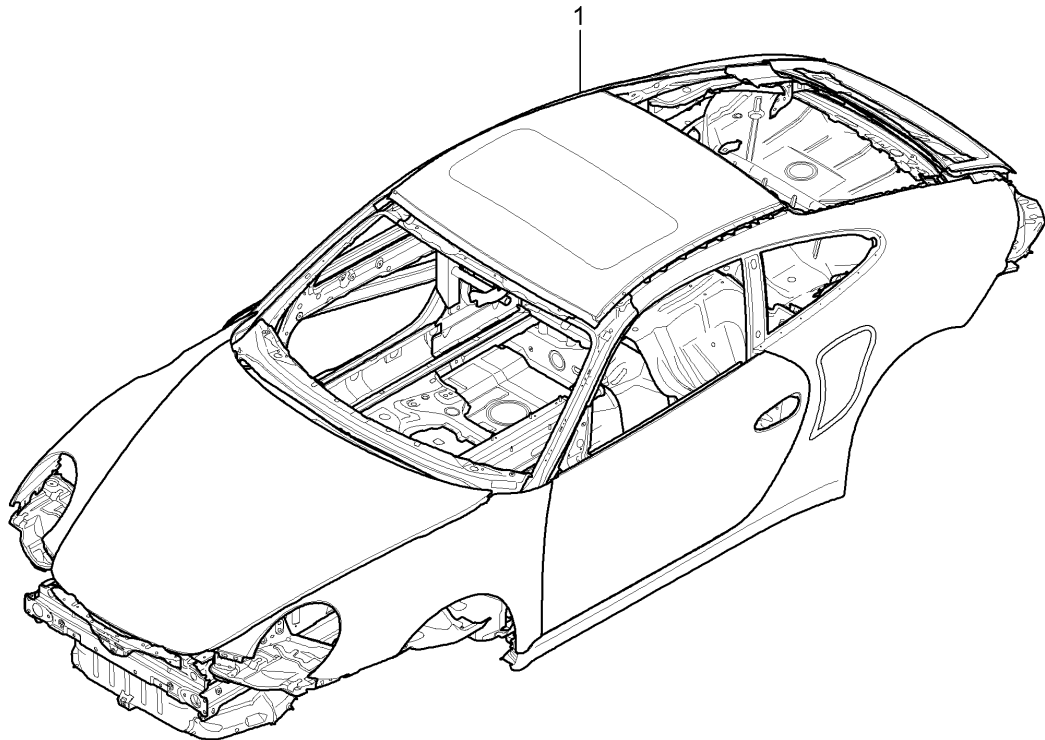
Pos	Part Number	Description	Remark	Qty	Model
		Pedals			
1	997 423 019 02	Accelerator control		1	I480
(1)	997 423 021 02	Accelerator control		1	I250
2	900 146 161 09	Round head screw M 6 X 20		1	

Model: 997T10

Model life 2010>>2013

- B — WPOZZZ **99 z 7S780070**
- C — **997 420**  
M9701-685 G9701
- G — **L6B4 AT**
- D — C00 267 268 425 437
- E — 438 446 454 537 610  
635 640 650 666 670
- F — 00641 20772

A





Model: 997T10

Model life 2010>>2013

Pos	Part Number	Description	Remark	Qty	Model
A		Body in white			
B		Prime coated			
C		Sealed			
D		with			
E		Underbody protection			
F		with			
G		Doors/lids/wings			
1	997 500 900 00	Bodyshells can only			
	997 500 900 00 GRV	only available from current			
		Model year available			
		The data required			
		for your order			
		Can be found on the			
		Vehicle data carrier			
		in			
		On-board folder			
		Please indicate this data			
		in your order			
		Vehicle data carrier			
		Vehicle Ident. No.			
		Order type			
		Country equipment			
		Optional extras			
		Additional applications			
		Indicate colour			
		Body in white		1	
		Prime coated			

Model: 997T10

Model life 2010>>2013



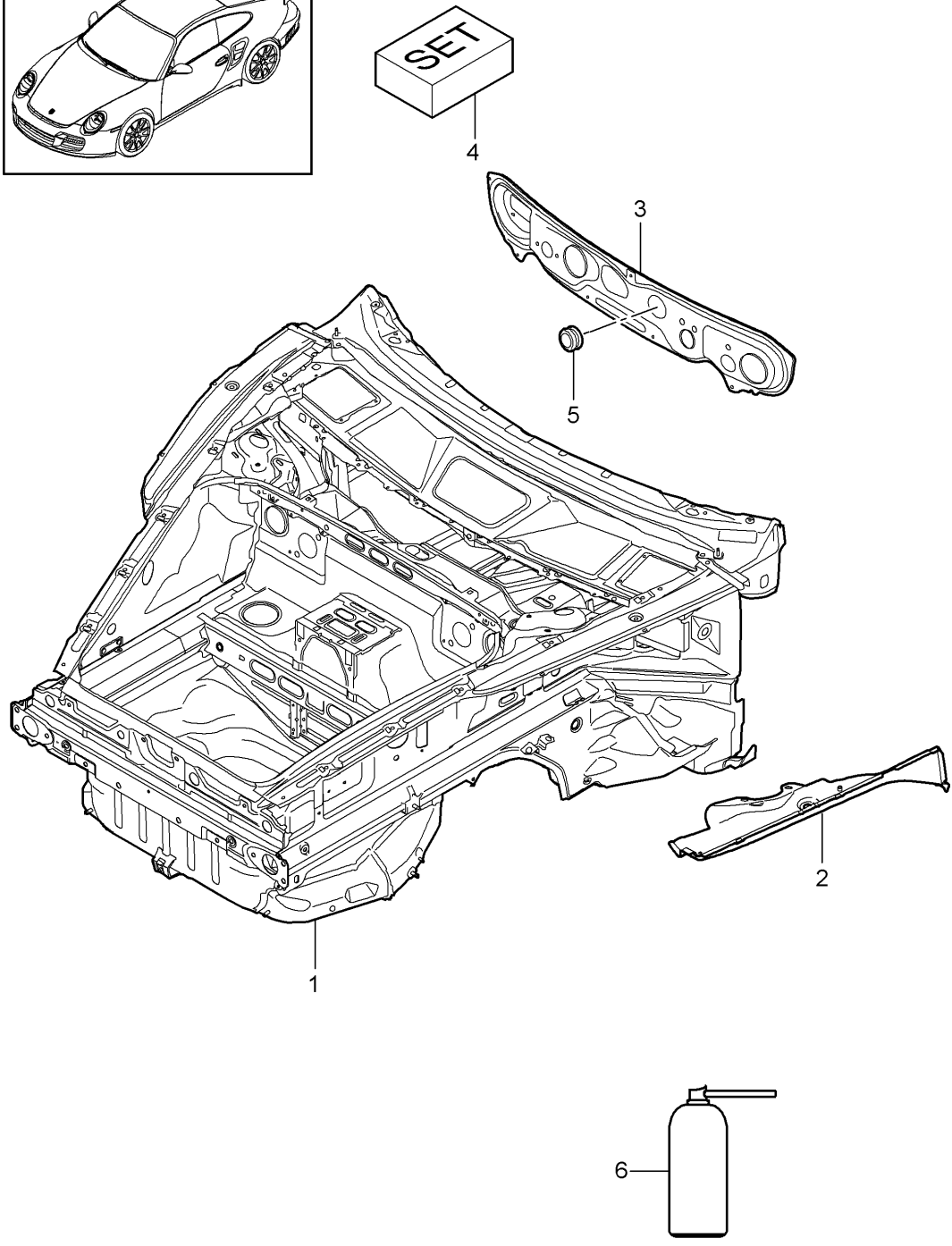
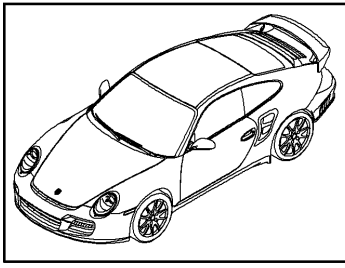
Model: 997T10

Model life 2010>>2013

Pos	Part Number	Description	Remark	Qty	Model
1	999 703 462 40	Stopper Lid 10 x 6,5		X	
2	999 703 421 40	Grommet 15 mm		X	
3	999 703 318 40	Lid 20 x 28		X	
4	803 803 583 A	Stopper 20 x 30		X	
4	999 703 196 40	Lid 20 x 30		X	
5	999 703 420 40	Stopper 20,3 x 30 x 11		X	
6	803 803 583	Rubber sleeve 30 x 40		X	
6	999 703 195 40	Rubber sleeve 30 x 40		X	
7	999 703 433 40	Stopper 30 x 42		X	
8	999 703 454 40	Lid 55 x 70		X	

Model: 997T10

Model life 2010>>2013



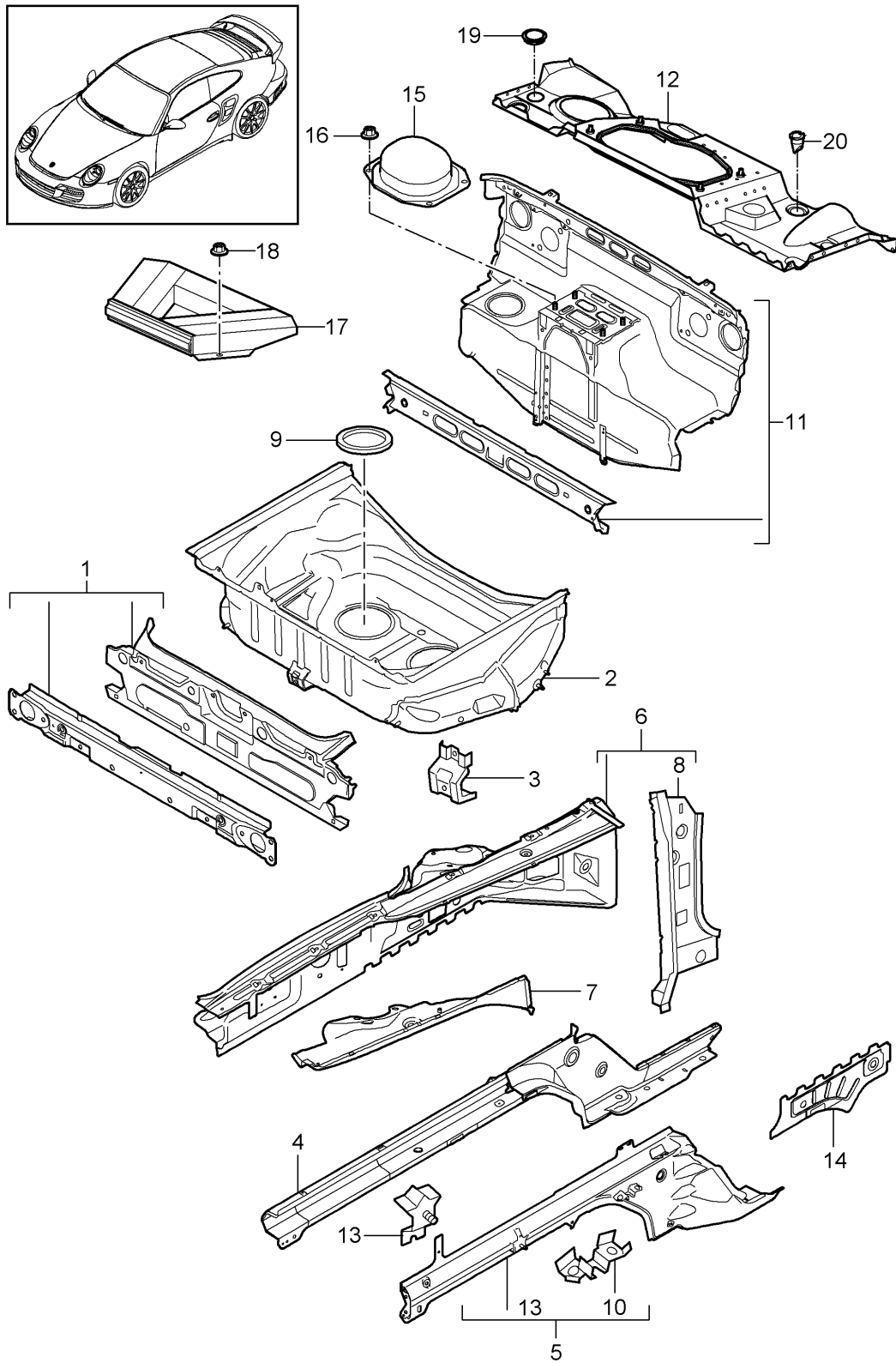
Model: 997T10

Model life 2010>>2013

Pos	Part Number	Description	Remark	Qty	Model
1	997 501 911 01 997 501 911 01 GRV	Body front section Body front section Prime coated Use also: Sealing compound Pos. 5 Processing instructions See technical manual	/LL	1	I098
(1)	997 501 911 02 997 501 911 02 GRV	Body front section Prime coated Use also: Sealing compound Pos. 5 Processing instructions See technical manual Use also:	/RL	1	I099
2	997 501 945 00 997 501 945 00 GRV	Bottom half Prime coated	/L	1	
(2)	997 501 946 01 997 501 946 01 GRV	Bottom half Prime coated	/R	1	
3	997 504 121 00	Lid	/LL	1	I098
(3)	997 504 121 01	Lid Use also:	/RL	1	I099
4	000 043 300 94	Adhesive set		1	
5	999 702 255 41	Lid 61,5 X 72,6		1	
6	999 915 337 40	Sealing compound		1	

Model: 997T10

Model life 2010>>2013



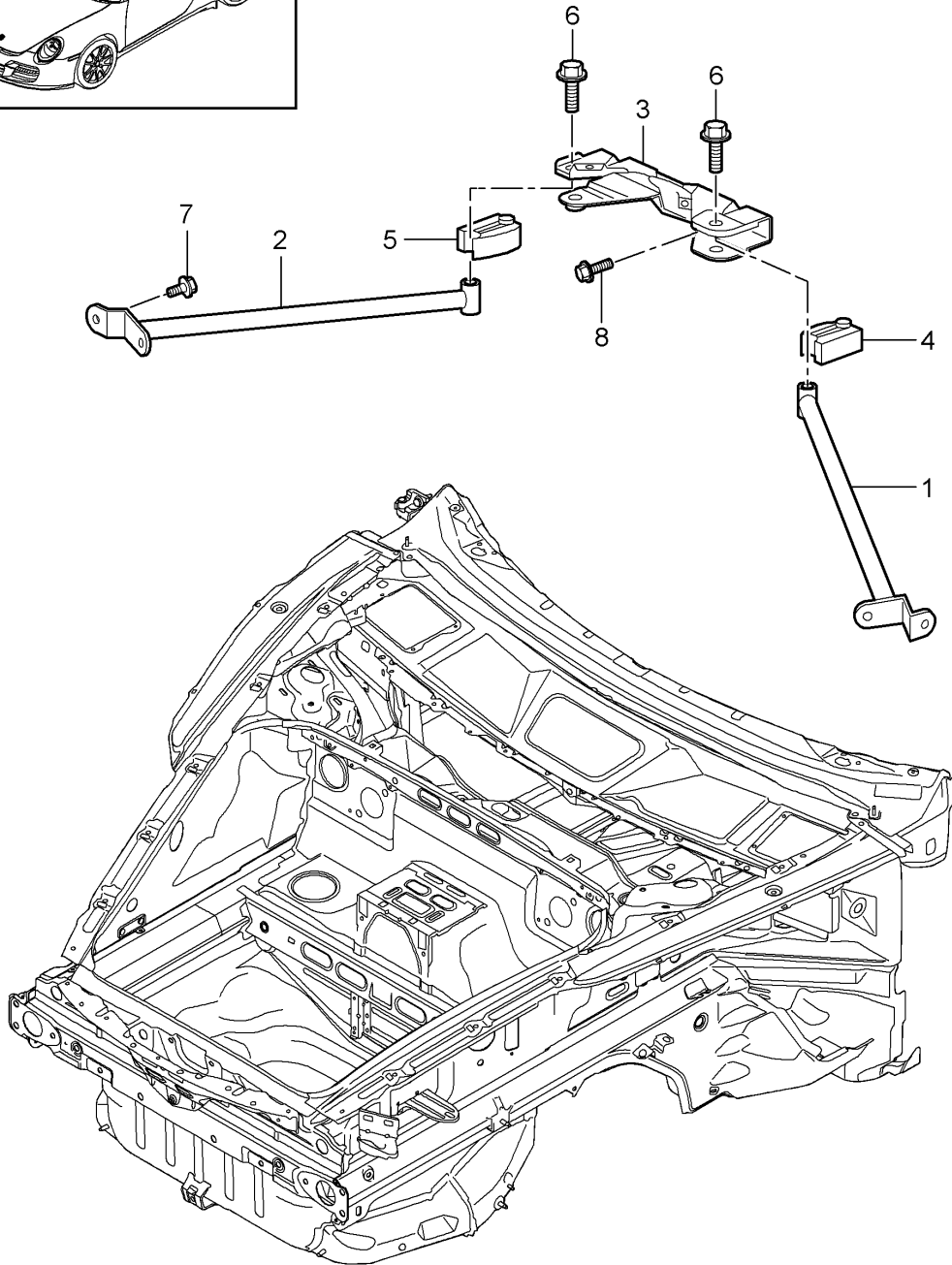
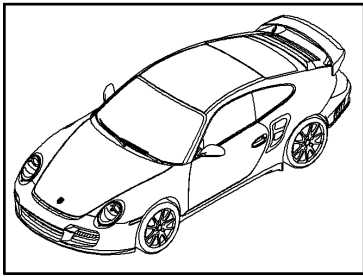
Model: 997T10

Model life 2010>>2013

Pos	Part Number	Description	Remark	Qty	Model
		Body front section			
		Single parts			
1	997 501 931 00	Terminal piece		1	
	997 501 931 00 GRV	Prime coated			
2	997 501 979 01	Spare-wheel well	/LL	1	I098
	997 501 979 01 GRV	Prime coated			
2	997 501 979 02	Spare-wheel well	/RL	1	I099
	997 501 979 02 GRV	Prime coated			
3	996 501 621 00	Support		3	
	996 501 621 00 GRV	Prime coated			
4	997 501 305 01	Side member	/L	1	
	997 501 305 01 GRV	Prime coated			
(4)	997 501 306 01	Side member	/R	1	
	997 501 306 01 GRV	Prime coated			
5	997 501 915 01	Side member	/L	1	
	997 501 915 01 GRV	Prime coated			
(5)	997 501 916 01	Side member	/R	1	
	997 501 916 01 GRV	Prime coated			
6	997 501 935 01	Wheel housing	/L	1	
	997 501 935 01 GRV	Prime coated			
(6)	997 501 936 01	Wheel housing	/R	1	
	997 501 936 01 GRV	Prime coated			
7	997 501 945 00	Bottom half	/L	1	
	997 501 945 00 GRV	Prime coated			
(7)	997 501 946 01	Bottom half	/R	1	
	997 501 946 01 GRV	Prime coated			
8	997 501 937 00	Hinge pillar	/L	1	
	997 501 937 00 GRV	Prime coated			
(8)	997 501 938 00	Hinge pillar	/R	1	
	997 501 938 00 GRV	Prime coated			
9	996 504 201 01	Lid		2	
		\$ 145 MM			
10	996 501 815 02	Support		2	
	996 501 815 02 GRV	Prime coated			
11	997 502 915 00	Bulkhead	/LL	1	I098
	997 502 915 00 GRV	Prime coated			
(11)	997 502 915 01	Bulkhead	/RL	1	I099
	997 502 915 01 GRV	Prime coated			
12	997 502 017 00	Cross panel		1	
	997 502 017 00 GRV	Prime coated			
13	996 501 341 00	Support		2	
	996 501 341 00 GRV	Prime coated			
14	997 501 665 01	Separator	/L	1	
	997 501 665 01 GRV	Prime coated			
(14)	997 501 666 01	Separator	/R	1	
	997 501 666 01 GRV	Prime coated			
15	997 504 471 00	Lid		1	
		Bulkhead			
16	900 380 015 09	Hexagon nut		7	
		M6			
17	997 504 403 00	Insert		1	
		Spare-wheel well			
18	999 084 638 09	Hexagon nut		3	
		M 6			
19	803 803 583	Rubber sleeve		1	
		30,0 X 40,0			
19	999 703 195 40	Rubber sleeve		1	
		30,0 X 40,0			
20	999 703 476 40	Grommet		4	
		29,8 X 1,0			
20	999 703 476 41	Grommet		4	
		29,8 X 1,0			

Model: 997T10

Model life 2010>>2013





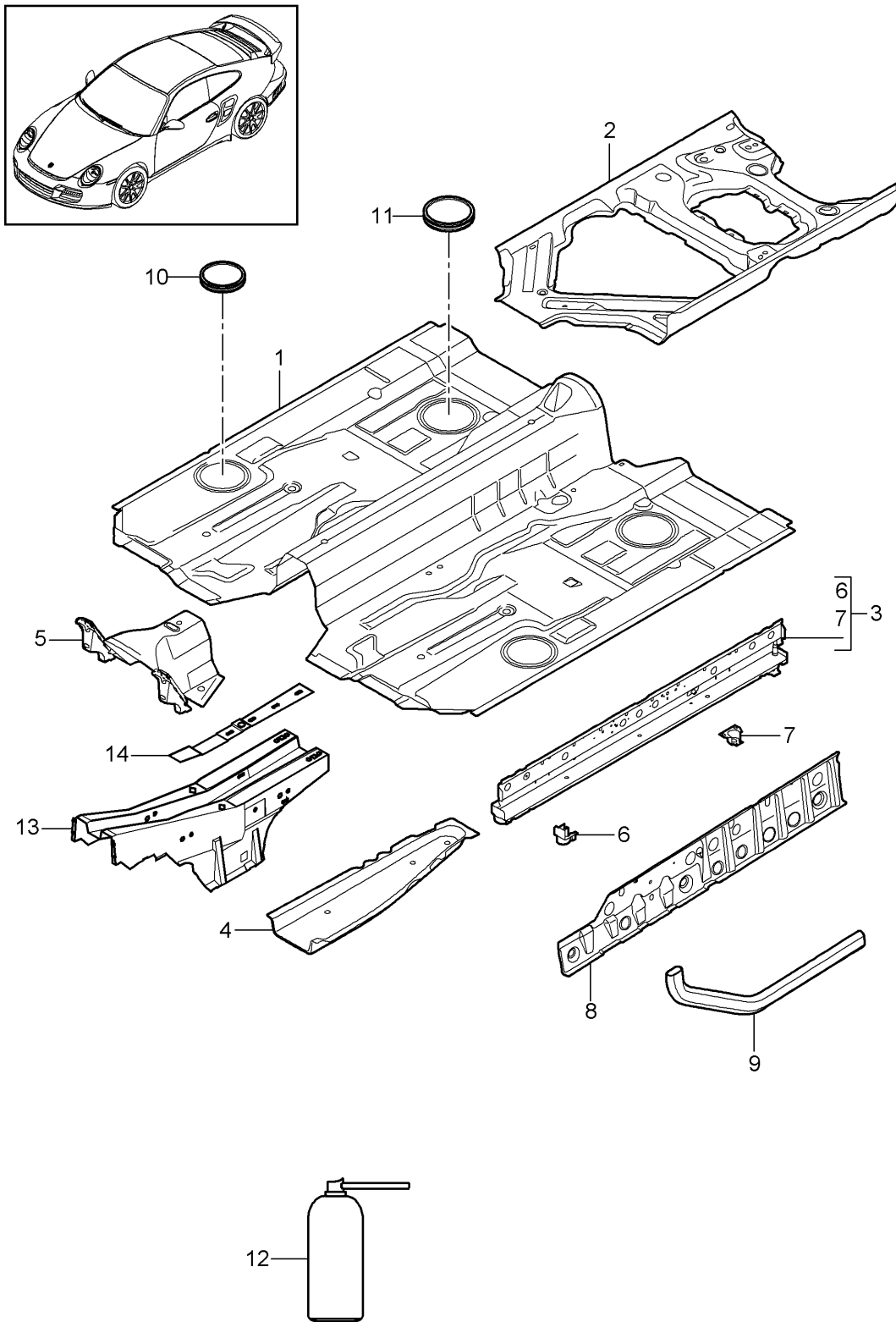
Model: 997T10

Model life 2010&gt;&gt;2013

Pos	Part Number	Description	Remark	Qty	Model
1	996 504 233 01	Dome strut	/L	1	
2	996 504 234 01	Dome strut	/R	1	
3	997 504 359 00	Bracket		1	
4	996 504 633 00	Filler piece	/L	1	
5	996 504 634 00	Filler piece	/R	1	
6	900 378 100 01	Hexagon-head bolt AM 10 X 45		2	
7	900 075 010 09	Hexagon-head bolt M 6 X 12		4	
8	900 378 173 01	Hexagon-head bolt M 6 X 20		4	

Model: 997T10

Model life 2010>>2013



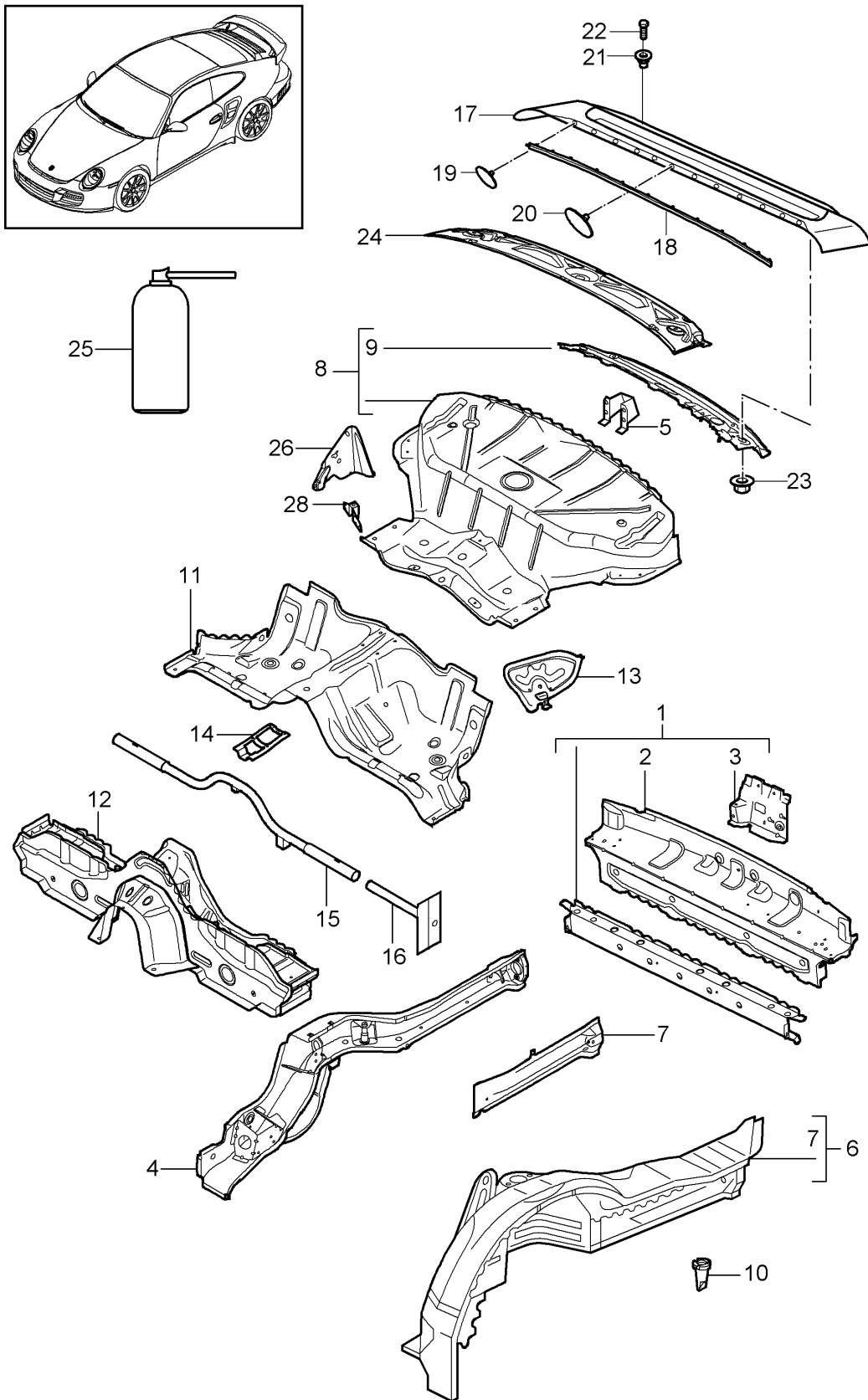
Model: 997T10

Model life 2010>>2013

Pos	Part Number	Description	Remark	Qty	Model
-	000 043 206 29	Floor Centre Adhesive set Body Comprising:		X	
-	000 043 206 30	Adhesive		1	
-	000 043 206 31	Tool		1	
-	000 043 206 32	Mixing tube		1	
-	000 043 206 33	Activator		1	
1	997 501 551 01	Floor		1	
	997 501 551 01 GRV	Prime coated			
2	997 501 953 01	Seat support	/L	1	
	997 501 953 01 GRV	Prime coated			
(2)	997 501 954 02	Seat support	/R	1	
	997 501 954 02 GRV	Prime coated			
3	997 501 157 01	Side member	/L	1	
	997 501 157 01 GRV	Prime coated			
(3)	997 501 158 01	Side member	/R	1	
	997 501 158 01 GRV	Prime coated			
4	997 501 525 00	Side member	/L	1	
	997 501 525 00 GRV	Prime coated			
(4)	997 501 526 00	Side member	/R	1	
	997 501 526 00 GRV	Prime coated			
5	996 501 751 00	Extension		1	
	996 501 751 00 GRV	Prime coated			
6	996 501 785 00	Jacking point	/L /V	1	
	996 501 785 00 GRV	Prime coated			
(6)	996 501 786 00	Jacking point	/R /V	1	
	996 501 786 00 GRV	Prime coated			
7	997 501 481 00	Jacking point	/L /H	1	
	997 501 481 00 GRV	Prime coated			
(7)	997 501 482 00	Jacking point	/R /H	1	
	997 501 482 00 GRV	Prime coated			
8	997 501 329 00	Retaining bracket	/L	1	
	997 501 329 00 GRV	Prime coated			
(8)	997 501 330 00	Retaining bracket	/R	1	
	997 501 330 00 GRV	Prime coated			
9	997 501 439 00	Support tube		2	
	997 501 439 00 GRV	Prime coated			
		Use also: Sealing compound Pos. 12 Processing instructions See technical manual 51 49 55			
10	996 504 205 01	Lid \$ 125 MM		2	
11	996 504 201 01	Lid \$ 145 MM		2	
12	999 915 337 40	Sealing compound		1	
13	997 501 409 00	Bracket		1	
14	997 501 619 00	Front Closing element		1	

Model: 997T10

Model life 2010>>2013



Model: 997T10 Model life 2010>>2013

Pos	Part Number	Description	Remark	Qty	Model
1	997 501 973 01	Rear end Terminal piece		1	
	997 501 973 01 GRV	Prime coated			
2	997 501 273 01	End plate		1	
	997 501 273 01 GRV	Prime coated			
3	997 501 247 00	Lock carrier		1	
	997 501 247 00 GRV	Prime coated			
4	997 501 977 00	Side member	/L	1	
	997 501 977 00 GRV	Prime coated			
		Use also: Sealing compound POS. 25 Processing instructions See technical manual 53 48 55			
(4)	997 501 978 01	Side member	/R	1	
	997 501 978 01 GRV	Prime coated			
		Use also: Sealing compound POS. 25 Processing instructions See technical manual 53 48 55			
5	997 502 525 00	Bracket		1	
	997 502 525 00 GRV	Prime coated			
6	997 501 943 02	Wheel housing	/L	1	COUPE
	997 501 943 02 GRV	Prime coated			
		It is necessary to rework See workshop manual			
6	997 501 943 03	Wheel housing	/L	1	CABRIO
	997 501 943 03 GRV	Prime coated			
		It is necessary to rework See workshop manual			
(6)	997 501 944 02	Wheel housing	/R	1	COUPE
	997 501 944 02 GRV	Prime coated			
		It is necessary to rework See workshop manual			
(6)	997 501 944 03	Wheel housing	/R	1	CABRIO
	997 501 944 03 GRV	Prime coated			
		It is necessary to rework See workshop manual			
7	996 501 595 01	Side member	/L	1	
	996 501 595 01 GRV	Prime coated			
(7)	996 501 596 01	Side member	/R	1	
	996 501 596 01 GRV	Prime coated			
8	997 502 911 02	Rear wall		1	
	997 502 911 02 GRV	Prime coated			
		Order also: POS. 12 See workshop manual			
8	997 502 911 02	Rear wall		1	
	997 502 911 02 GRV	Prime coated			
		Order also: POS. 12 See workshop manual			
8	997 502 911 04	Rear wall		1	CABRIO
	997 502 911 04 GRV	Prime coated			
		Order also: POS. 12 See workshop manual			
9	997 502 673 00	Cross member		1	
	997 502 673 00 GRV	Prime coated			
9	997 502 673 01	Cross member		1	CABRIO

Model: 997T10 Model life 2010>>2013

Pos	Part Number	Description	Remark	Qty	Model
10	997 502 673 01 GRV 996 561 825 00	Prime coated Water drain valve Wheel housing		2	I650
11	997 501 949 01	Rear Seat well		1	
12	997 501 949 01 GRV 997 501 955 00	Prime coated Cross member Seat well		1	
13	997 501 955 00 GRV 997 501 461 00	Prime coated Reinforcement Seat well	/L	1	
(13)	997 501 461 00 GRV 996 501 462 02	Prime coated Reinforcement Seat well	/R	1	
14	996 501 462 02 GRV 996 501 659 01	Prime coated Bracket Bearing bracket		1	
15	996 501 659 01 GRV 996 501 411 00	Prime coated Pipe		1	
16	996 501 411 00 GRV 996 501 415 00	Prime coated Sleeve		2	
17	996 501 415 00 GRV 997 504 345 01	Prime coated Rear centre panel Outer		1	
(17)	997 504 345 01 GRV 997 504 345 80	Prime coated Rear centre panel Carbon		1	I004
18	997 504 612 00	Gasket Rear centre panel		1	
19	999 507 973 40	Prime coated Mount 2,8 X 6 X 30		2	
20	999 507 974 40	Mount 2,8 X 6 X 50		10	
21	999 500 109 02	Blind rivet nut M 6/0,8 - 3		3	
22	999 073 263 09	Combination screw M 6 X 12		3	
23	999 076 029 02	Hexagon nut M 6		2	
24	997 502 409 01 997 502 409 01 GRV	Filler plate Prime coated Rear centre panel		1	
-	999 915 650 40	Use also: Adhesive TEROMIX 6700		X	
-	000 043 300 48	Tool Use also:		X	
-	000 043 206 29	Adhesive set Body		X	
-	000 043 206 30	Comprising: Adhesive		1	
-	000 043 206 31	Tool		1	
-	000 043 206 32	Mixing tube		1	
-	000 043 206 33	Activator		1	
25	999 915 337 40	Sealing compound		1	
25	000 043 305 59	Sealing compound		1	
26	997 504 797 00 997 504 797 00 GRV	Bracket Prime coated Belt	/L	1	
(26)	997 504 798 01 997 504 798 01 GRV	Bracket Prime coated Belt	/R	1	

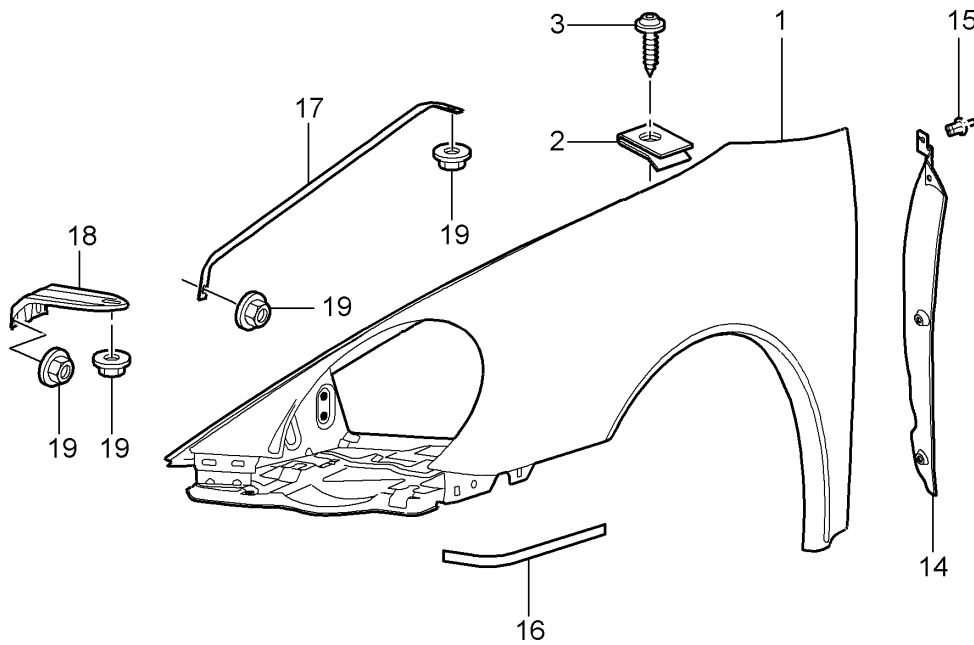
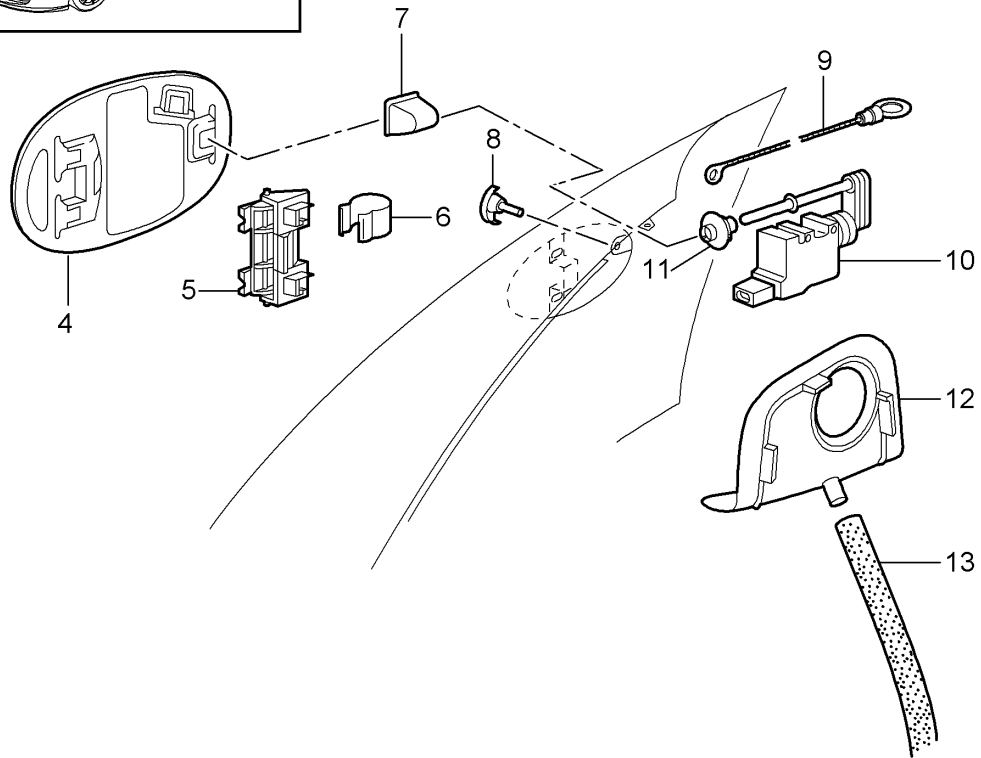
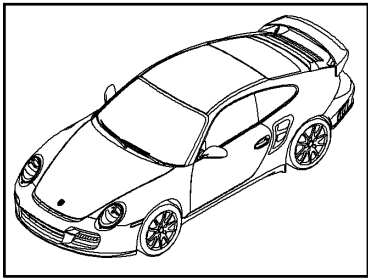
Model: 997T10

Model life 2010>>2013

Pos	Part Number	Description	Remark	Qty	Model
27	996 502 653 01	Connecting piece	/L	1	COUPE
	996 502 653 01 GRV	Prime coated			
(27)	996 502 654 01	Connecting piece	/R	1	COUPE
	996 502 654 01 GRV	Prime coated			
27	997 502 553 00	Connecting piece	/L	1	CABRIO
	997 502 553 00 GRV	Prime coated			
(27)	997 502 554 00	Connecting piece	/R	1	CABRIO
	997 502 554 00 GRV	Prime coated			
28	997 501 611 00	Mounting		1	
	997 501 611 00 GRV	Prime coated			
(28)	997 501 612 00	Mounting		1	
	997 501 612 00 GRV	Prime coated			

Model: 997T10

Model life 2010>>2013



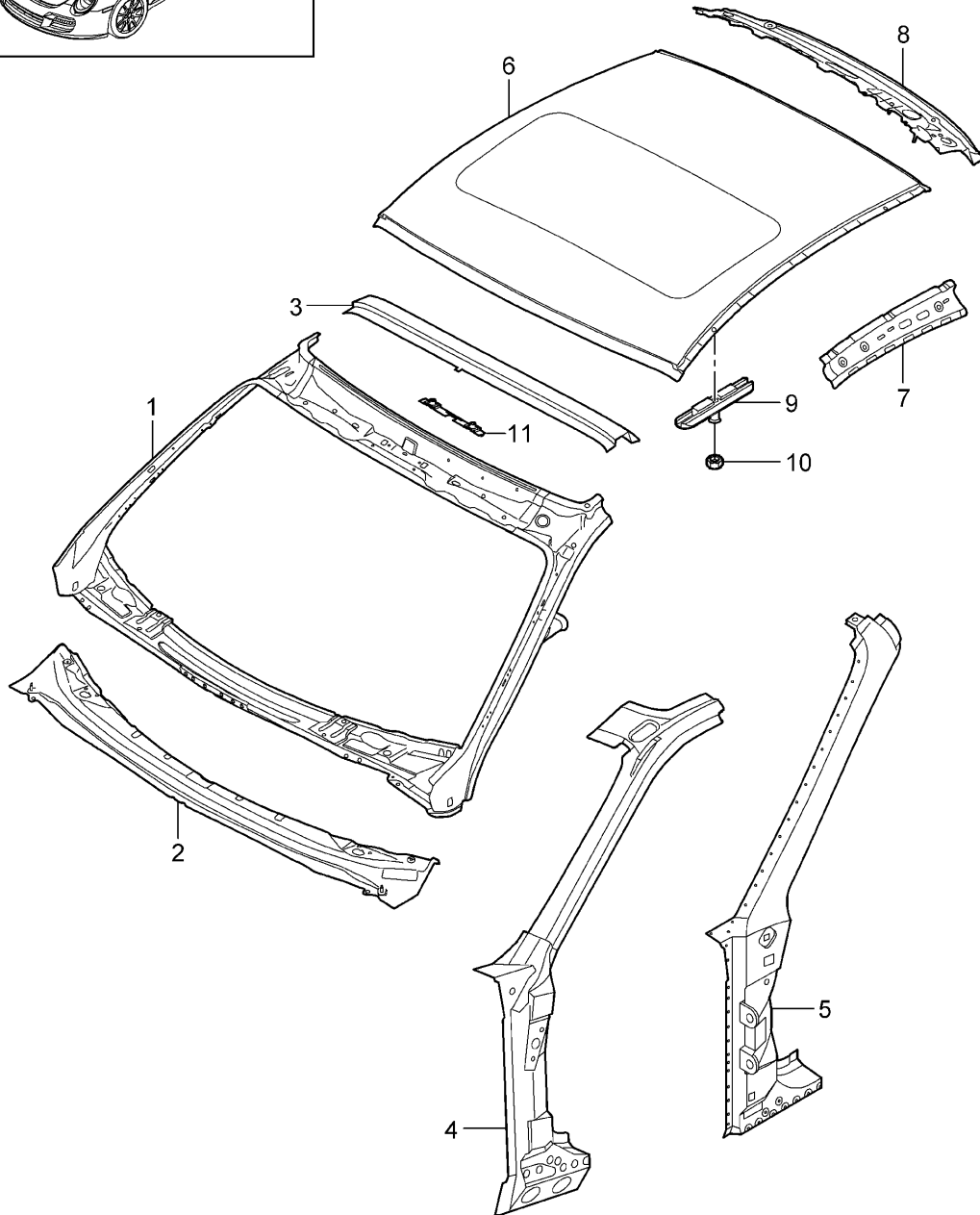
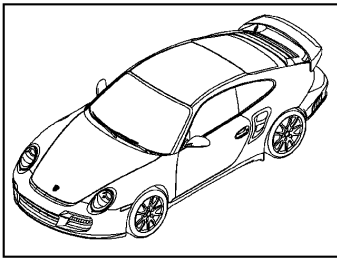


Model: 997T10 Model life 2010>>2013

Pos	Part Number	Description	Remark	Qty	Model
1	997 503 031 00	Wing	/L	1	
	997 503 031 00 GRV	Prime coated			
1	997 503 031 92	Wing	/L	1	GT2RS I004
	997 503 031 92 GRV	Prime coated			
1	997 503 031 A1	Wing	/L	1	GT2RS I004/589
		Prime coated			
(1)	997 503 032 02	Wing	/R	1	
	997 503 032 02 GRV	Prime coated			
(1)	997 503 032 92	Wing	/R	1	GT2RS I004
	997 503 032 92 GRV	Prime coated			
(1)	997 503 032 A1	Wing	/R	1	GT2RS I004/589
		Prime coated			
2	999 507 003 01	Speed nut ST 6,3		22	
3	999 073 128 02	Tapping screw ST 6,3 X 14		22	
4	997 504 134 00	Fuel filler flap		1	
	997 504 134 00 GRV	Prime coated			
5	997 201 063 00	Hinge		1	
6	997 504 711 00	Spring		1	
7	996 201 423 00	Cap		1	
8	997 504 888 01	Rubber stop		1	
9	996 201 493 00	Emergency operation		1	
10	997 624 113 00	Actuator		1	
11	997 624 505 00	Guide rose		1	
12	997 201 667 00	Sleeve		1	
13	996 201 153 00	Hose		1	
14	997 504 641 02	Cover	/L	1	
	997 504 641 02 01C	Black			
(14)	997 504 642 02	Cover	/R	1	
	997 504 642 02 01C	Black			
15	999 591 712 40	Expansion rivet A 6,0 X 12,0		6	
16	997 504 531 00	Protective film	/L	1	
(16)	997 504 532 00	Protective film	/R	1	
17	997 504 441 00	Strut		2	
	997 504 441 00 GRV	Prime coated			
18	997 504 555 00	Bracket		2	
	997 504 555 00 GRV	Prime coated			
19	999 076 066 09	Hexagon nut M 6		10	

Model: 997T10

Model life 2010>>2013



Model: 997T10 Model life 2010>>2013

Pos	Part Number	Description	Remark	Qty	Model
1	997 502 137 00 997 502 137 00 GRV	Cowl Cowl Prime coated Inner Use also: 000.043.206.30		1	
(1)	997 502 137 01 997 502 137 01 GRV	Cowl Prime coated Inner Use also: 000.043.206.30		1	CABRIO
2	997 502 437 00 997 502 437 00 GRV	Cowl Prime coated Outer		1	
3	997 502 529 00 997 502 529 00 GRV	Cowl Prime coated Outer		1	CABRIO
4	997 502 135 03 997 502 135 03 GRV	Reinforcement Prime coated Inner Use also: 000.043.206.30	/L	1	COUPE
(4)	997 502 135 04 997 502 135 04 GRV	Reinforcement Prime coated Inner Use also: 000.043.206.30	/L	1	CABRIO
(4)	997 502 136 03 997 502 136 03 GRV	Reinforcement Prime coated Inner Use also: 000.043.206.30	/R	1	COUPE
(4)	997 502 136 04 997 502 136 04 GRV	Reinforcement Prime coated Inner Use also: 000.043.206.30	/R	1	CABRIO
-	000 043 206 29	Adhesive set Body Comprising:		X	
-	000 043 206 30	Adhesive		1	
-	000 043 206 31	Tool		1	
-	000 043 206 32	Mixing tube		1	
-	000 043 206 33	Activator		1	
5	997 502 335 00 997 502 335 00 GRV	Hinge pillar Prime coated Use also: 000.043.206.30	/L	1	CABRIO
(5)	997 502 336 00 997 502 336 00 GRV	Hinge pillar Prime coated Use also: 000.043.206.30	/R	1	CABRIO
-	000 043 206 29	Adhesive set Body Comprising:		X	
-	000 043 206 30	Adhesive		1	
-	000 043 206 31	Tool		1	
-	000 043 206 32	Mixing tube		1	
-	000 043 206 33	Activator		1	
(6)	996 503 501 00 996 503 501 00 GRV	Outer roof panel Prime coated		1	
(6)	997 503 501 00 997 503 501 00 GRV	Outer roof panel Prime coated		1	I461

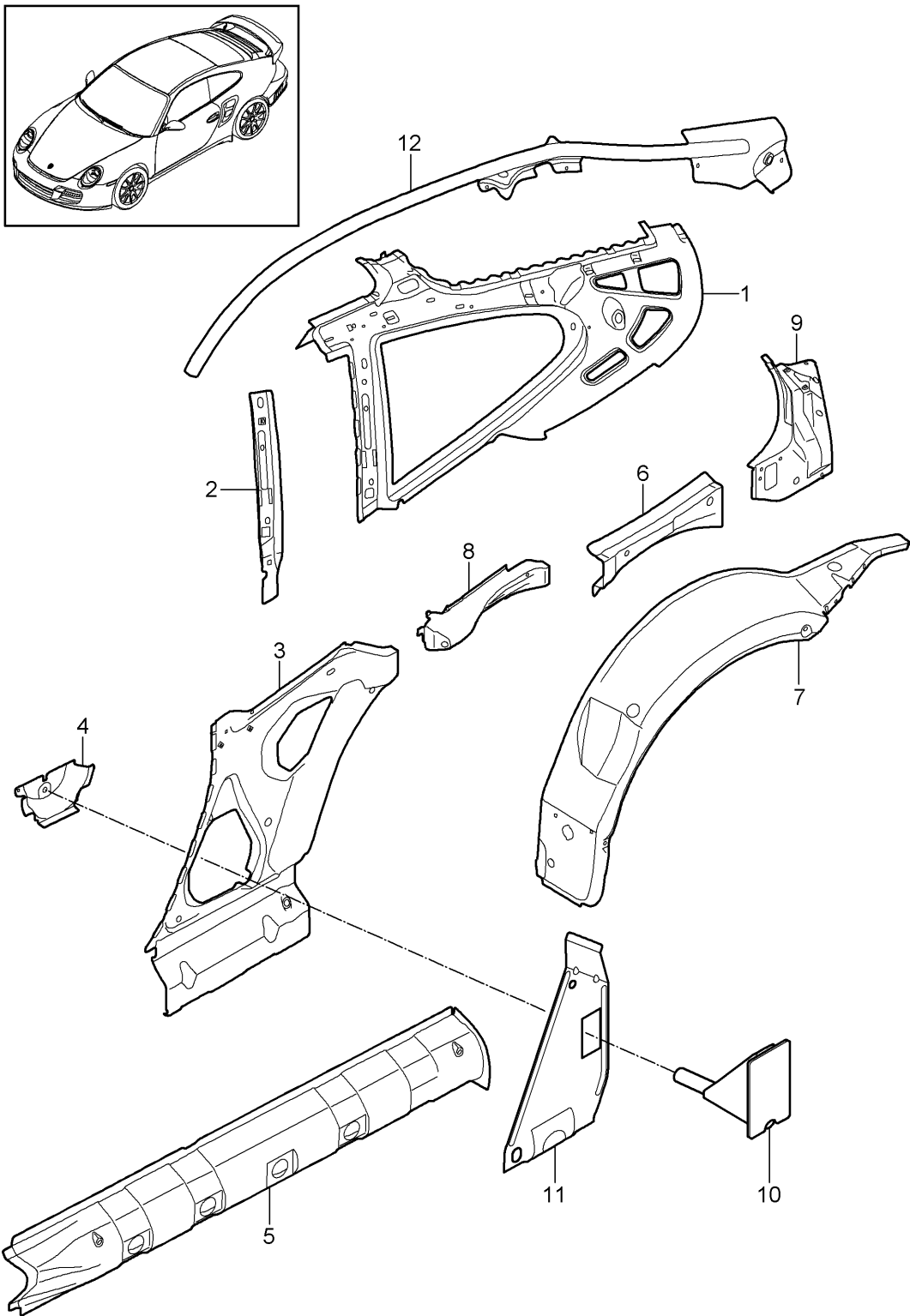
Model: 997T10

Model life 2010>>2013

Pos	Part Number	Description	Remark	Qty	Model
6	996 503 087 03	Outer roof panel		1	I650
	996 503 087 03 GRV	Prime coated			
(6)	997 503 087 00	Outer roof panel		1	I461/650
	997 503 087 00 GRV	Prime coated			
		Use also:			
-	000 043 204 38	Sealing compound 70 ML		X	
		Processing instructions			
		See technical manual			
7	996 502 305 03	Roof frame	/L	1	
	996 502 305 03 GRV	Prime coated			
(7)	996 502 306 03	Roof frame	/R	1	
	996 502 306 03 GRV	Prime coated			
8	997 502 505 00	Roof frame		1	
	997 502 505 00 GRV	Prime coated			
9	996 504 911 00	Plate with Threaded pin		X	
10	900 377 021 02	Hexagon nut M10 X 1		X	
11	997 502 739 01	Speed nut M6 Cowl		1	

Model: 997T10

Model life 2010>>2013

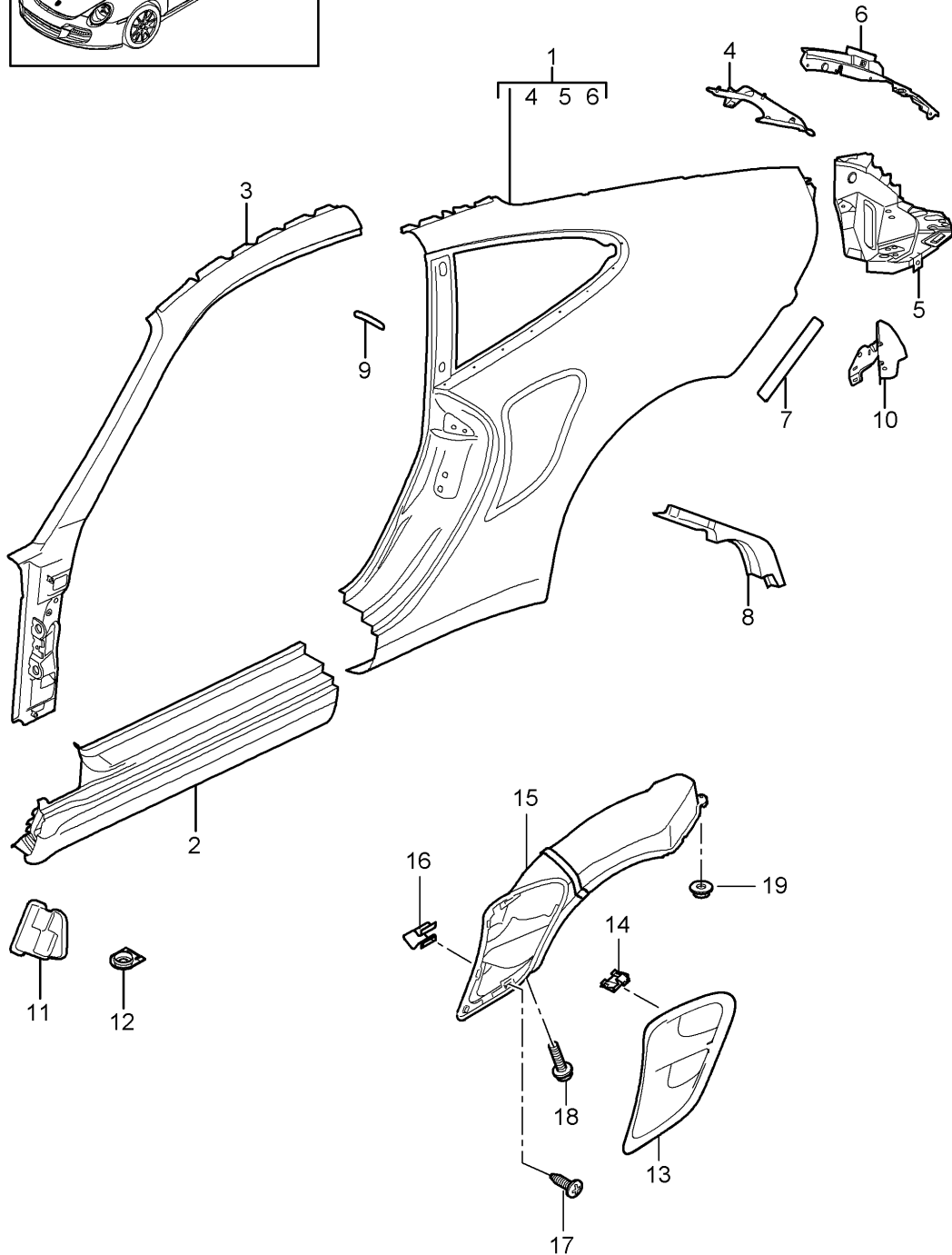
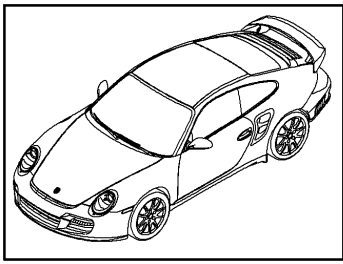


Model: 997T10 Model life 2010>>2013

Pos	Part Number	Description	Remark	Qty	Model
		Side section Inner			COUPE
1	997 502 153 00	Side section	/L	1	
	997 502 153 00 GRV	Prime coated			
(1)	997 502 154 00	Side section	/R	1	
	997 502 154 00 GRV	Prime coated			
2	997 502 423 00	Reinforcement	/L	1	
	997 502 423 00 GRV	Prime coated			
(2)	997 502 424 00	Reinforcement	/R	1	
	997 502 424 00 GRV	Prime coated			
3	996 502 083 02	Side section	/L	1	
	996 502 083 02 GRV	Prime coated			
(3)	996 502 084 02	Side section	/R	1	
	996 502 084 02 GRV	Prime coated			
4	996 502 383 01	Bracket		2	
	996 502 383 01 GRV	Prime coated			
5	996 502 733 01	Reinforcement	/L	1	
	996 502 733 01 GRV	Prime coated			
(5)	996 502 734 01	Reinforcement	/R	1	
	996 502 734 01 GRV	Prime coated			
-	000 043 206 29	Use also: Adhesive set Body		X	
		Comprising:			
-	000 043 206 30	Adhesive		1	
-	000 043 206 31	Tool		1	
-	000 043 206 32	Mixing tube		1	
-	000 043 206 33	Activator		1	
-	999 703 433 40	Stopper 30 X 42 for POS. 5		10	
6	997 502 115 00	Side section	/L	1	
	997 502 115 00 GRV	Prime coated			
(6)	997 502 116 00	Side section	/R	1	
	997 502 116 00 GRV	Prime coated			
7	997 502 215 05	Wheel housing	/L	1	
	997 502 215 05 GRV	Prime coated			
(7)	997 502 216 05	Wheel housing	/R	1	
	997 502 216 05 GRV	Prime coated			
8	997 502 707 00	Reinforcement	/L	1	
	997 502 707 00 GRV	Prime coated			
(8)	997 502 708 00	Reinforcement	/R	1	
	997 502 708 00 GRV	Prime coated			
9	997 502 161 00	Side section	/L	1	
	997 502 161 00 GRV	Prime coated			
		Information available			
(9)	997 502 162 00	Side section	/R	1	
	997 502 162 00 GRV	Prime coated			
		Information available			
10	997 502 711 00	Pipe		2	
	997 502 711 00 GRV	Prime coated			
11	997 502 745 00	Reinforcement plate	/L	1	
	997 502 745 00 GRV	Prime coated			
(11)	997 502 746 00	Reinforcement plate	/R	1	
	997 502 746 00 GRV	Prime coated			
12	997 502 619 00	Pipe	/L	1	
	997 502 619 00 GRV	Prime coated			
(12)	997 502 620 00	Pipe	/R	1	
	997 502 620 00 GRV	Prime coated			

Model: 997T10

Model life 2010>>2013



Model: 997T10

Model life 2010>>2013

Pos	Part Number	Description	Remark	Qty	Model
		Side section Outer			COUPE
1	997 503 961 12 997 503 961 12 GRV	Side section Prime coated Use also: 000.043.305.41 Use also: 000.043.305.41	/L	1	
(1)	997 503 962 12 997 503 962 12 GRV	Side section Prime coated Use also: 000.043.305.41	/R	1	
2	997 503 963 02 997 503 963 02 GRV	Door sill Prime coated	/L	1	
(2)	997 503 964 02 997 503 964 02 GRV	Door sill Prime coated	/R	1	
3	997 503 965 03 997 503 965 03 GRV	Roof frame Prime coated	/L	1	
(3)	997 503 966 03 997 503 966 03 GRV	Roof frame Prime coated	/R	1	
4	997 502 365 00 997 502 365 00 GRV	Sealing channel Prime coated	/L	1	
(4)	997 502 366 00 997 502 366 00 GRV	Sealing channel Prime coated	/R	1	
5	997 502 461 01 997 502 461 01 GRV	Frame for light Prime coated	/L	1	
5	997 502 461 02 997 502 461 02 GRV	Frame for light Prime coated	/L	1	
(5)	997 502 462 01 997 502 462 01 GRV	Frame for light Prime coated	/R	1	
(5)	997 502 462 02 997 502 462 02 GRV	Frame for light Prime coated	/R	1	
6	997 502 213 02 997 502 213 02 GRV	Bracket Gas-pressure spring Prime coated	/L	1	
(6)	997 502 214 01 997 502 214 01 GRV	Bracket Gas-pressure spring Prime coated	/R	1	
7	997 504 631 00	Protective film		2	
8	997 504 907 00	Seal See workshop manual		2	
9	996 537 237 00	Protective film		2	
10	997 501 487 02 997 501 487 02 GRV	Reinforcement Prime coated Use also:	/L	1	
(10)	997 501 488 02 997 501 488 02 GRV	Reinforcement Prime coated Use also:	/R	1	
-	000 043 206 29	Adhesive set Body Comprising:		X	
-	000 043 206 30	Adhesive		1	
-	000 043 206 31	Tool		1	
-	000 043 206 32	Mixing tube		1	
-	000 043 206 33	Activator		1	
11	997 572 311 01	Water protection	/L	1	
(11)	997 572 312 01	Water protection	/R	1	
12	999 703 475 40	Water drain sleeve Door sill		2	
13	997 504 361 01 997 504 361 01 G2X	Air inlet Prime coated	/L	1	
(13)	997 504 361 80	Air inlet Carbon	/L	1	I004



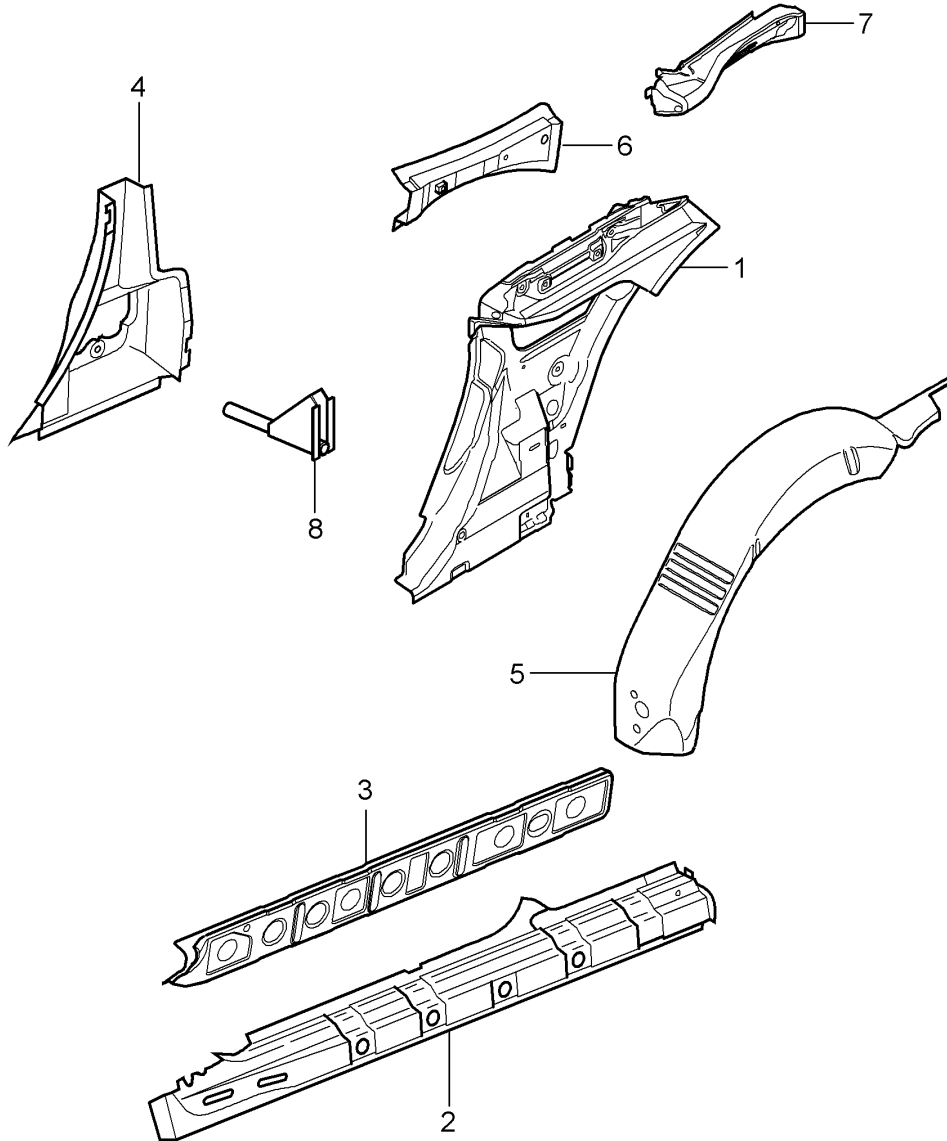
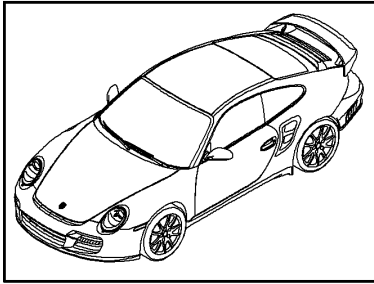
Model: 997T10

Model life 2010>>2013

Pos	Part Number	Description	Remark	Qty	Model
(13)	997 504 361 81	Air inlet Carbon	/L	1	I018
(13)	997 504 362 01	Air inlet	/R	1	
	997 504 362 01 G2X	Prime coated			
13	997 504 362 80	Air inlet Carbon	/R	1	I004
(13)	997 504 362 81	Air inlet Carbon	/R	1	I018
14	999 507 835 09	Clamp 1,50		4	
15	997 504 459 00	Air duct Inner front	/L	1	-I004
	997 504 459 00 01C	Satin black			
15	997 504 459 80	Air duct Inner front	/L	1	I004/018
	997 504 459 80 01C	Satin black			
(15)	997 504 460 00	Air duct Inner front	/R	1	-I004
	997 504 460 00 01C	Satin black			
15	997 504 460 80	Air duct Inner front	/R	1	I004/018
	997 504 460 80 01C	Satin black			
16	999 507 836 09	Clamp 9,0 X 13,0/4,0		10	
17	999 073 155 09	Tapping screw ST 4,2 X 13		14	
18	999 074 060 09	Hexagon-head bolt M6 X 18		20	
19	999 076 078 01	Hexagon nut M 6		4	

Model: 997T10

Model life 2010>>2013



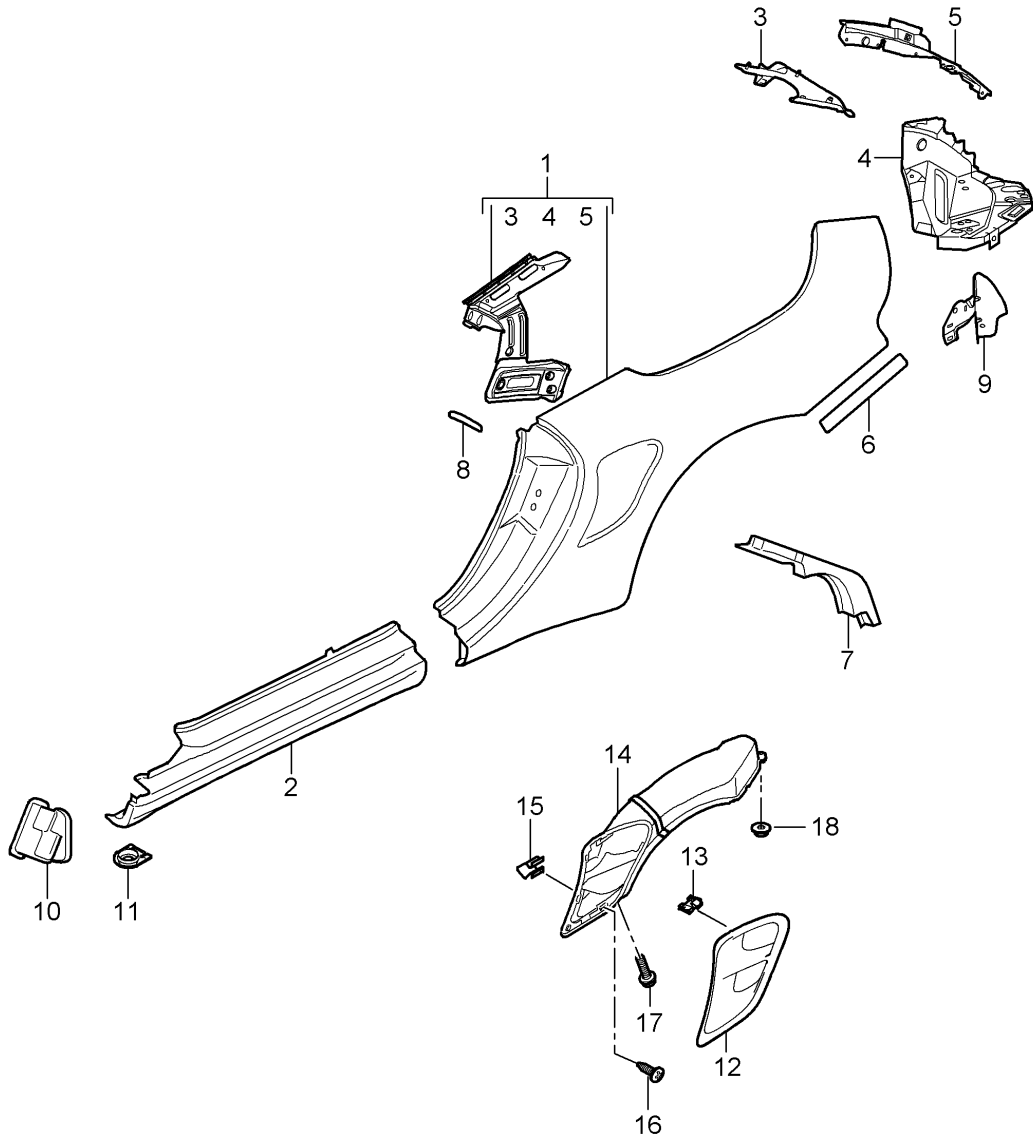
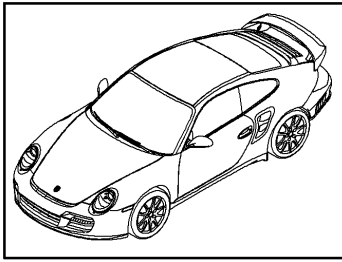
Model: 997T10

Model life 2010>>2013

Pos	Part Number	Description	Remark	Qty	Model
		Side section Inner			CABRIO
1	997 502 073 02	Side section	/L	1	
	997 502 073 02 GRV	Prime coated			
(1)	997 502 074 02	Side section	/R	1	
	997 502 074 02 GRV	Prime coated			
2	997 502 663 00	Reinforcement	/L	1	
	997 502 663 00 GRV	Prime coated			
		Use also:			
(2)	997 502 664 00	Reinforcement	/R	1	
	997 502 664 00 GRV	Prime coated			
		Use also:			
-	000 043 206 29	Adhesive set Body		X	
		Comprising:			
-	000 043 206 30	Adhesive		1	
-	000 043 206 31	Tool		1	
-	000 043 206 32	Mixing tube		1	
-	000 043 206 33	Activator		1	
3	996 502 683 01	Separator	/L	1	
	996 502 683 01 GRV	Prime coated			
(3)	996 502 684 01	Separator	/R	1	
	996 502 684 01 GRV	Prime coated			
4	996 502 415 01	B-pillar	/L	1	
	996 502 415 01 GRV	Prime coated			
(4)	996 502 416 01	B-pillar	/R	1	
	996 502 416 01 GRV	Prime coated			
5	997 502 215 02	Wheel housing	/L	1	
	997 502 215 02 GRV	Prime coated			
(5)	997 502 216 02	Wheel housing	/R	1	
	997 502 216 02 GRV	Prime coated			
6	997 502 115 02	Side section	/L	1	
	997 502 115 02 GRV	Prime coated			
(6)	997 502 116 02	Side section	/R	1	
	997 502 116 02 GRV	Prime coated			
7	997 502 161 01	Side section	/L	1	
	997 502 161 01 GRV	Prime coated			
		Information available			
(7)	997 502 162 01	Side section	/R	1	
	997 502 162 01 GRV	Prime coated			
		Information available			
8	997 502 711 01	Pipe		2	
	997 502 711 01 GRV	Prime coated			

Model: 997T10

Model life 2010>>2013



Model: 997T10 Model life 2010>>2013

Pos	Part Number	Description	Remark	Qty	Model
		Side section Outer			CABRIO
1	997 503 961 06	Side section	/L	1	
	997 503 961 06 GRV	Prime coated			
(1)	997 503 962 06	Side section	/R	1	
	997 503 962 06 GRV	Prime coated			
-	999 915 650 40	Use also: Adhesive TEROMIX 6700		X	
-	000 043 300 48	Tool Processing instructions See technical manual Group 5 53 55 55		X	
2	997 503 963 03	Door sill	/L	1	
	997 503 963 03 GRV	Prime coated			
(2)	997 503 964 03	Door sill	/R	1	
	997 503 964 03 GRV	Prime coated			
3	997 502 365 01	Sealing channel	/L	1	
	997 502 365 01 GRV	Prime coated			
(3)	997 502 366 01	Sealing channel	/R	1	
	997 502 366 01 GRV	Prime coated			
4	997 502 461 01	Frame for light	/L	1	
	997 502 461 01 GRV	Prime coated			
4	997 502 461 02	Frame for light	/L	1	
	997 502 461 02 GRV	Prime coated			
(4)	997 502 462 01	Frame for light	/R	1	
	997 502 462 01 GRV	Prime coated			
(4)	997 502 462 02	Frame for light	/R	1	
	997 502 462 02 GRV	Prime coated			
5	997 502 213 02	Bracket	/L	1	
	997 502 213 02 GRV	Prime coated			
(5)	997 502 214 01	Bracket	/R	1	
	997 502 214 01 GRV	Prime coated			
6	997 504 631 00	Protective film		2	
7	997 504 907 00	Seal		2	
		It is necessary to rework See workshop manual			
8	996 537 237 00	Protective film		2	
9	997 501 487 02	Reinforcement	/L	1	
	997 501 487 02 GRV	Prime coated			
(9)	997 501 488 02	Reinforcement	/R	1	
	997 501 488 02 GRV	Prime coated			
10	997 572 311 01	Water protection	/L	1	
(10)	997 572 312 01	Water protection	/R	1	
11	999 703 475 40	Water drain sleeve		2	
12	997 504 361 01	Door sill Air inlet	/L	1	
	997 504 361 01 G2X	Prime coated			
(12)	997 504 362 01	Air inlet	/R	1	
	997 504 362 01 G2X	Prime coated			
13	999 507 835 09	Clamp		4	
		1,50			
14	997 504 459 00	Air duct		1	
	997 504 459 00 01C	Satin black			
(14)	997 504 460 00	Air duct		1	
	997 504 460 00 01C	Satin black			
15	999 507 836 09	Clamp		10	
		9,0 x 13,0/4,0			
16	999 073 155 09	Tapping screw		14	
		st 4,2 x 13			
17	999 074 060 09	Hexagon-head bolt		20	
		m 6 x 18			

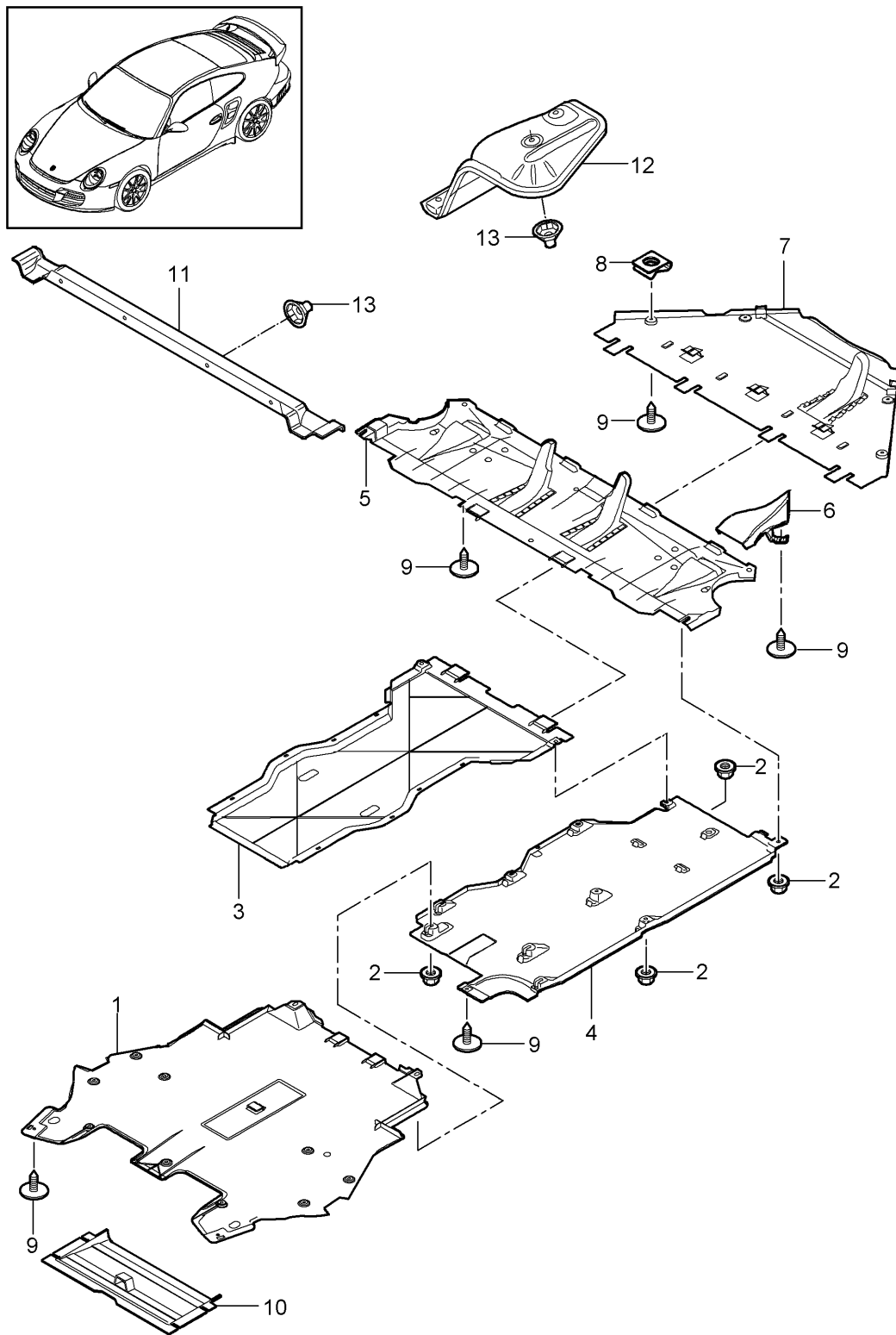
Model: 997T10

Model life 2010&gt;&gt;2013

Pos	Part Number	Description	Remark	Qty	Model
18	999 076 078 01	Hexagon nut m 6		4	

Model: 997T10

Model life 2010>>2013



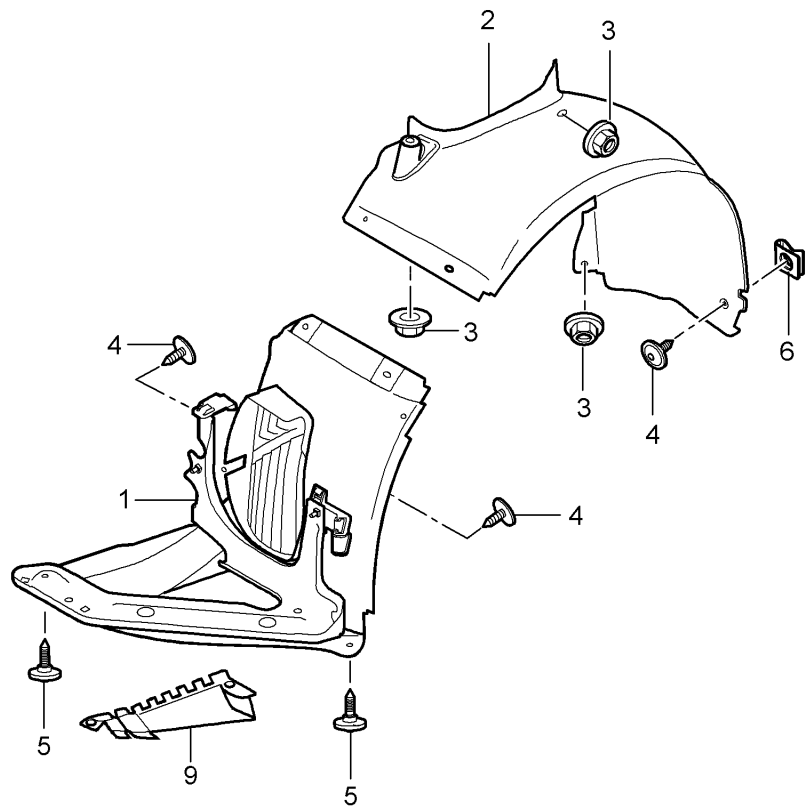
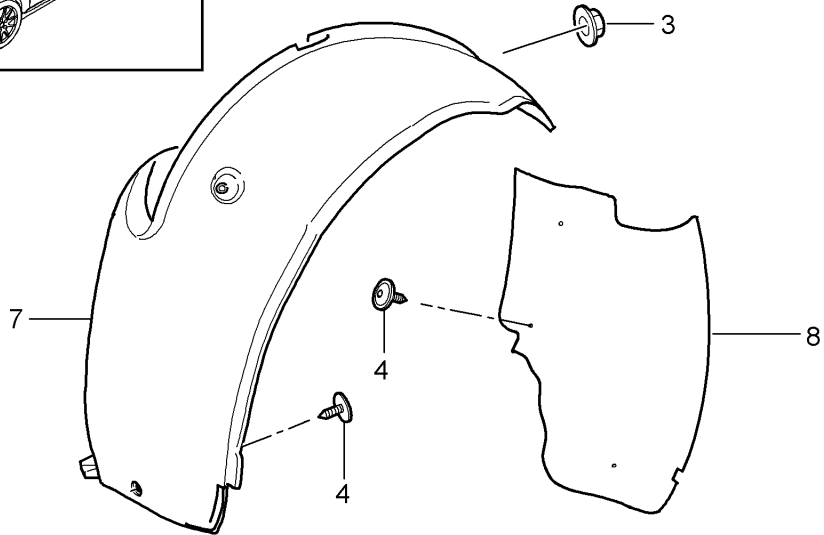
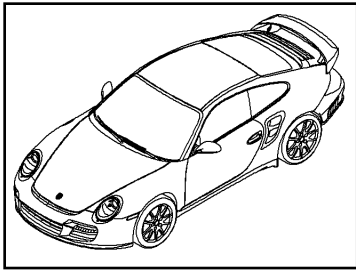
Model: 997T10 Model life 2010>>2013

Pos	Part Number	Description	Remark	Qty	Model
1	997 504 527 01	Linings Underbody Cover		1	
1		Front Cover	/RL	1	GT2 I099
(1)	997 504 527 02	Front Cover	/LL	1	GT2 I098
2	999 049 028 40	Front Plastic nut T 5		26	
3	997 504 043 00	Cover Centre		1	
4	997 504 343 03	Cover	/L	1	
(4)	997 504 344 03	Cover Centre	/R	1	
5	997 504 029 03	Cover		1	TURBO I480
(5)	997 504 629 03	Cover		1	TURBO I250
(5)	997 504 629 92	Cover		1	GT2 I480
6	997 575 183 01	Rear Air duct	/L	1	
(6)	997 575 184 01	Air duct	/R	1	
7	997 504 429 01	Brake Cover		1	I480
(7)	997 504 029 04	Transmission Cover		1	I250
8	999 507 795 09	Transmission Speed nut		9	
9	999 073 231 09	ST 4,8 Tapping screw		15	
10	997 575 161 01	ST 4,8 X 16 Cooling air duct		1	TURBO
11	996 505 471 00	Heat protection		1	
12	997 505 477 01	Heat protection	/L	1	
(12)	997 505 478 01	Heat protection	/R	1	
13	999 049 025 09	Collar nut T5		12	



Model: 997T10

Model life 2010>>2013

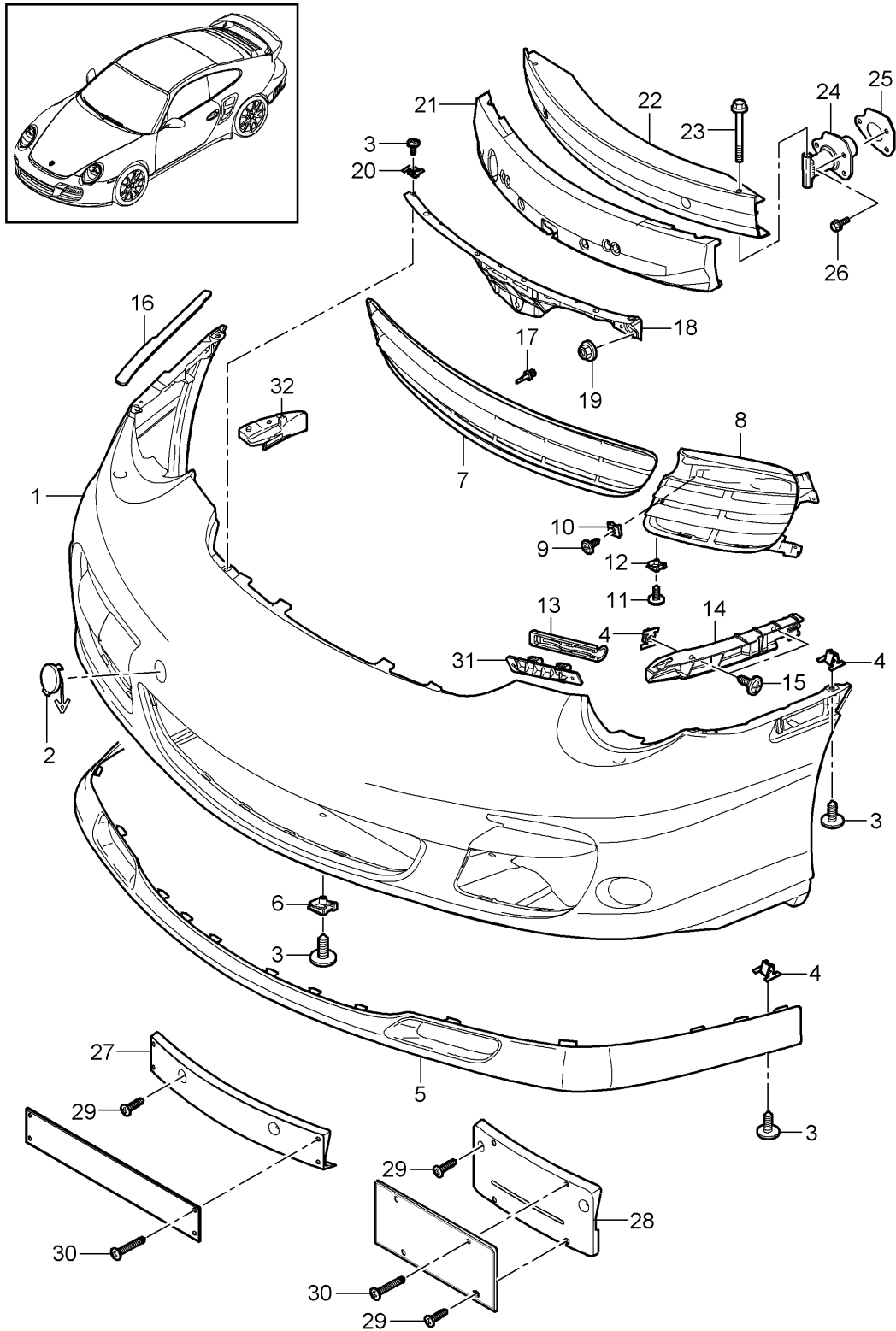


Model: 997T10 Model life 2010>>2013

Pos	Part Number	Description	Remark	Qty	Model
1	997 504 123 01	Linings Wheel housing Wheel-housing liner	/L /V	1	
(1)	997 504 124 01	Front Wheel-housing liner	/R /V	1	
(1)	997 504 123 80	Front Wheel-housing liner	/L /V	1	GT2
(1)	997 504 124 80	Front Wheel-housing liner	/R /V	1	GT2
-	997 504 303 80	Spoiler	/L	1	GT2
-	997 504 304 80	Spoiler	/R	1	GT2
2	997 504 203 01	Wheel-housing liner	/L /H	1	
(2)	997 504 203 92	Wheel-housing liner	/L /H	1	GT2
(2)	997 504 203 93	Wheel-housing liner	/L /H	1	-I589/I004 GT2 I004/589
(2)	997 504 204 01	Wheel-housing liner Front	/R /H	1	
(2)	997 504 204 92	Wheel-housing liner	/R /H	1	GT2
(2)	997 504 204 93	Wheel-housing liner	/R /H	1	-I589/I004 GT2 I004/589
3	999 049 007 40	Plastic nut T5		12	
4	999 073 231 09	Tapping screw ST 4,8 X 16		18	
5	999 073 227 09	Tapping screw ST 4,8 X 19		6	
6	999 507 795 09	Speed nut ST 4,8		5	
7	997 504 573 02	Wheel-housing liner	/L /V	1	
(7)	997 504 574 02	Wheel-housing liner Rear	/R /V	1	
8	997 504 623 00	Wheel-housing liner	/L /H	1	
(8)	997 504 624 00	Wheel-housing liner	/R /H	1	
9	997 504 603 00	Air guide	/L	1	TURBO
(9)	996 504 604 01	Air guide	/R	1	TURBO

Model: 997T10

Model life 2010>>2013



Model: 997T10 Model life 2010>>2013

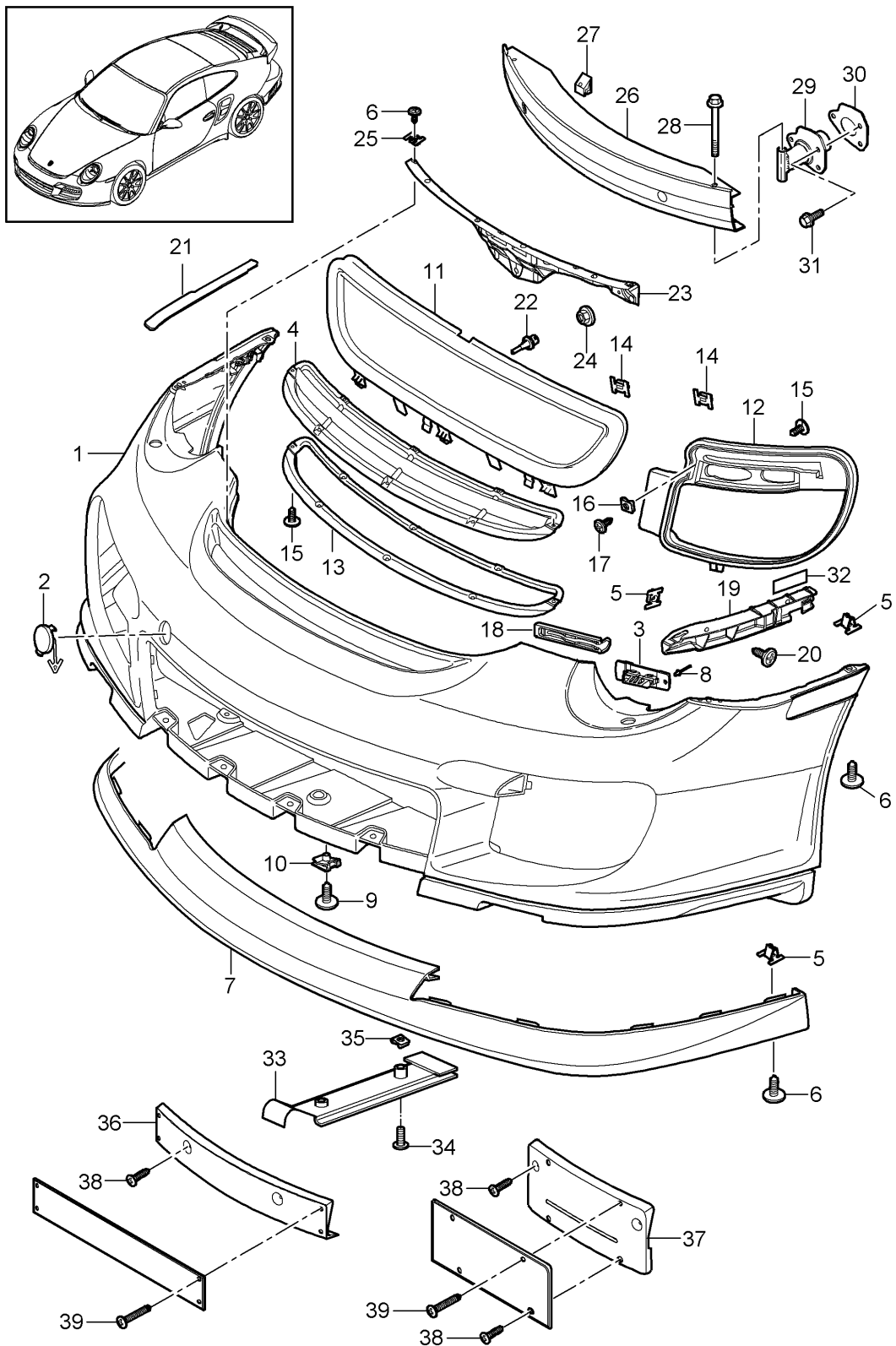
Pos	Part Number	Description	Remark	Qty	Model
1	997 505 191 06	Bumper Front Lining Prime coated		1	I288
2	997 505 703 01	Cover		1	
	997 505 703 01 G2X	Prime coated			
3	999 073 227 09	Tapping screw ST 4,8 X 19		10	
4	999 507 849 01	Captive nut ST 4,8		10	
5	997 505 557 01	Spoiler		1	
	997 505 557 01 01C	Satin black			
(5)	997 505 557 07	Spoiler Prime coated		1	IXUA
				1	
(5)	997 505 557 11	Spoiler Prime coated		1	IXAF
6	999 591 699 01	Speed nut ST 4,8		1	
7	997 505 541 04	Retaining frame Centre		1	
	997 505 541 04 01C	Satin black			
8	997 505 563 06	Retaining frame for Vanes Lateral Left	/L	1	
	997 505 563 06 01C	Satin black			
8	997 505 763 50	Set Vanes Two-piece Left	/L	1	
	997 505 763 50 9B1	Titanium metallic			
(8)	997 505 564 06	Retaining frame Lateral Right	/R	1	
	997 505 564 06 01C	Satin black			
(8)	997 505 764 50	Set Vanes Two-piece Right	/R	1	
	997 505 764 50 9B1	Titanium metallic			
-	999 902 057 40	Velcro fastener for Direction indicator light		2	
9	999 073 080 02	Combination screw ST 4,2 X 16		4	
10	999 507 768 02	Speed nut ST 4,2		4	
11	999 073 505 01	Tapping screw 4,8 X 16		20	
12	999 507 795 09	Speed nut ST 4,8		2	
13	997 505 719 00	Fixing device		2	
14	997 505 535 01	Retaining strip Lateral	/L	1	
(14)	997 505 536 01	Retaining strip Lateral	/R	1	
15	999 073 418 01	Tapping screw ST 4,8 X 19		4	
(16)	997 504 531 00	Protective film	/L	1	
16	997 504 532 00	Protective film	/R	1	
17	996 641 142 00	Temperature sensor		1	
18	997 505 531 00	Retaining strip		1	

Model: 997T10 Model life 2010>>2013

Pos	Part Number	Description	Remark	Qty	Model
19	999 076 048 01	Centre Hexagon nut M6		3	
20	999 507 849 01	Captive nut ST 4,8		3	
21	997 505 777 00	Insert		1	
22	997 505 141 02	Bumper reinforcement		1	
23	900 378 088 01	Hexagon-head bolt M 12 X 100		2	
24	997 505 319 00	Impact pipe		2	
25	997 505 751 02	Seal Impact absorber		2	
26	900 378 267 01	Hexagon-head bolt M 8 X 30		6	
27	997 701 105 01	Support Number plate		1	I211
	997 701 105 01 01C	Black			
(27)	997 701 109 01	Support Number plate		1	I210
	997 701 109 01 01C	Black			
29	999 919 243 01	Screw 5.0 x 13		2	I210/211/218
30	999 919 242 01	Screw 5,0 x 28		2	I210/211/218
31	997 505 317 00	Retainer plate Lining		2	
-	999 190 104 30	Blind rivet A 3,2X7,9		4	
32	997 505 301 00	Corner panel Lining Of	/L	1	
(32)	997 505 302 00	Corner panel Lining Of	/R	1	
-	999 591 709 40	Support Hose Headlight washer system		2	

Model: 997T10

Model life 2010>>2013



Model: 997T10 Model life 2010>>2013

Pos	Part Number	Description	Remark	Qty	Model
		Bumper			GT2RS I004
1	997 505 191 81	Front Lining Prime coated		1	-I288
1	997 505 191 82	Lining Prime coated		1	I288
2	997 505 703 80	Cover		1	
	997 505 703 80 G2X	Prime coated			
3	997 505 301 00	Corner panel Lining Of	/L	1	
(3)	997 505 302 00	Corner panel Lining Of	/R	1	
4	997 575 327 81	Cover Air exhaust Carbon		1	
5	999 507 849 01	Captive nut ST 4,8		10	
6	999 073 227 09	Tapping screw ST 4,8 X 19		15	
7	997 505 557 81	Spoiler		1	
	997 505 557 81 01C	Satin black			
8	999 190 481 30	Blind rivet A 4,0 X 18,8		7	
9	999 073 227 09	Tapping screw ST 4,8 X 19		1	
10	999 591 699 02	Speed nut ST 4,8		1	
11	997 505 441 81	Retaining frame Centre with Carbon		1	
	997 505 441 81 01C	Satin black			
12	997 505 563 82	Retaining frame Lateral with Carbon	/L	1	
	997 505 563 82 01C	Satin black			
(12)	997 505 564 82	Retaining frame Lateral with Carbon	/R	1	
	997 505 564 82 01C	Satin black			
13	997 575 325 80	Frame Air exhaust Centre		1	
14	999 507 696 00	U-clamp 1,2 - 1,7		21	
15	999 919 118 09	Oval-head screw 4,0 X 14		14	
16	999 507 768 02	Speed nut ST 4,2 for		4	
17	999 073 080 02	Direction indicator light Combination screw ST 4,2 X 16 for		4	
18	997 505 719 00	Direction indicator light Fixing device		2	
19	997 505 535 01	Retaining strip Lateral	/L	1	

Model: 997T10

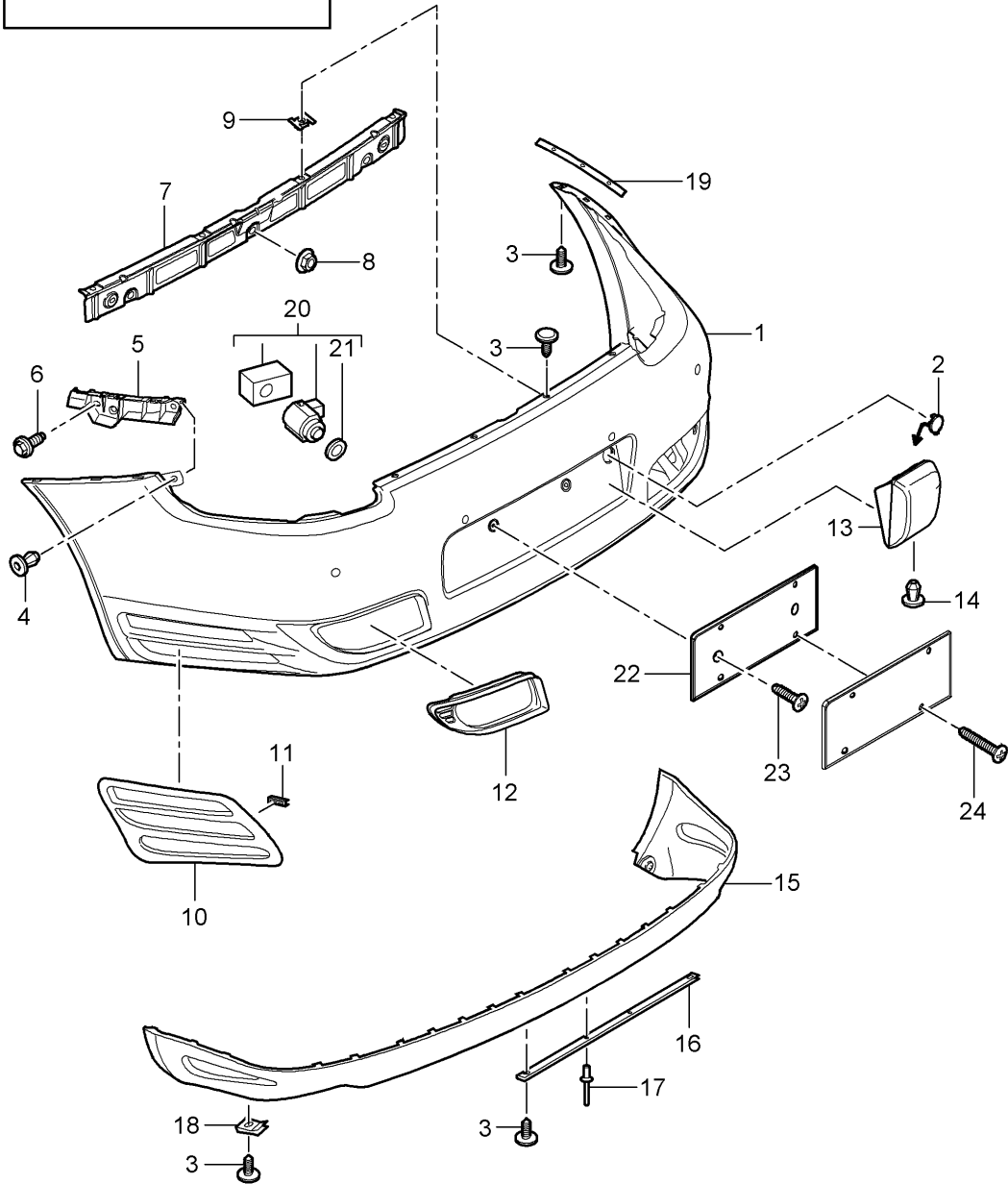
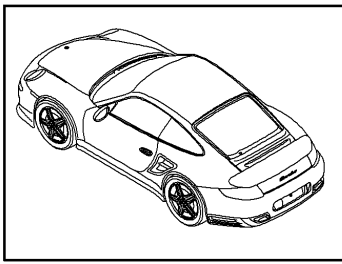
Model life 2010>>2013

Pos	Part Number	Description	Remark	Qty	Model
(19)	997 505 536 01	Retaining strip Lateral	/R	1	
20	999 073 418 01	Tapping screw ST 4,8 X 19		4	
(21)	997 504 531 00	Protective film	/L	1	
21	997 504 532 00	Protective film	/R	1	
22	958 505 535 00	Sensor		1	
23	997 505 531 00	Retaining strip Centre		1	
24	999 076 048 01	Hexagon nut M6		3	
25	999 507 849 01	Captive nut ST 4,8		3	
26	997 505 141 02	Bumper reinforcement		1	
28	900 378 088 01	Hexagon-head bolt M 12 X 100		2	
29	997 505 319 00	Impact pipe		2	
30	997 505 751 02	Seal Impact absorber		2	
31	900 378 267 01	Hexagon-head bolt M 8 X 30		6	
32	999 902 057 40	Velcro fastener for Direction indicator light		2	
33	997 505 585 81	Support panel Front apron Including Fastening part		1	
34	999 073 252 09	Oval-head screw Use also:		2	
35	999 591 882 01	Speed nut		2	
36	997 701 105 80	Support Number plate		1	I211
	997 701 105 80 01C	Black			
(36)	997 701 109 80	Support Number plate		1	I218
	997 701 109 80 01C	Black			
38	999 919 243 01	Screw 5.0 x 13		2	
39	999 919 242 01	Screw 5,0 x 28		2	



Model: 997T10

Model life 2010>>2013



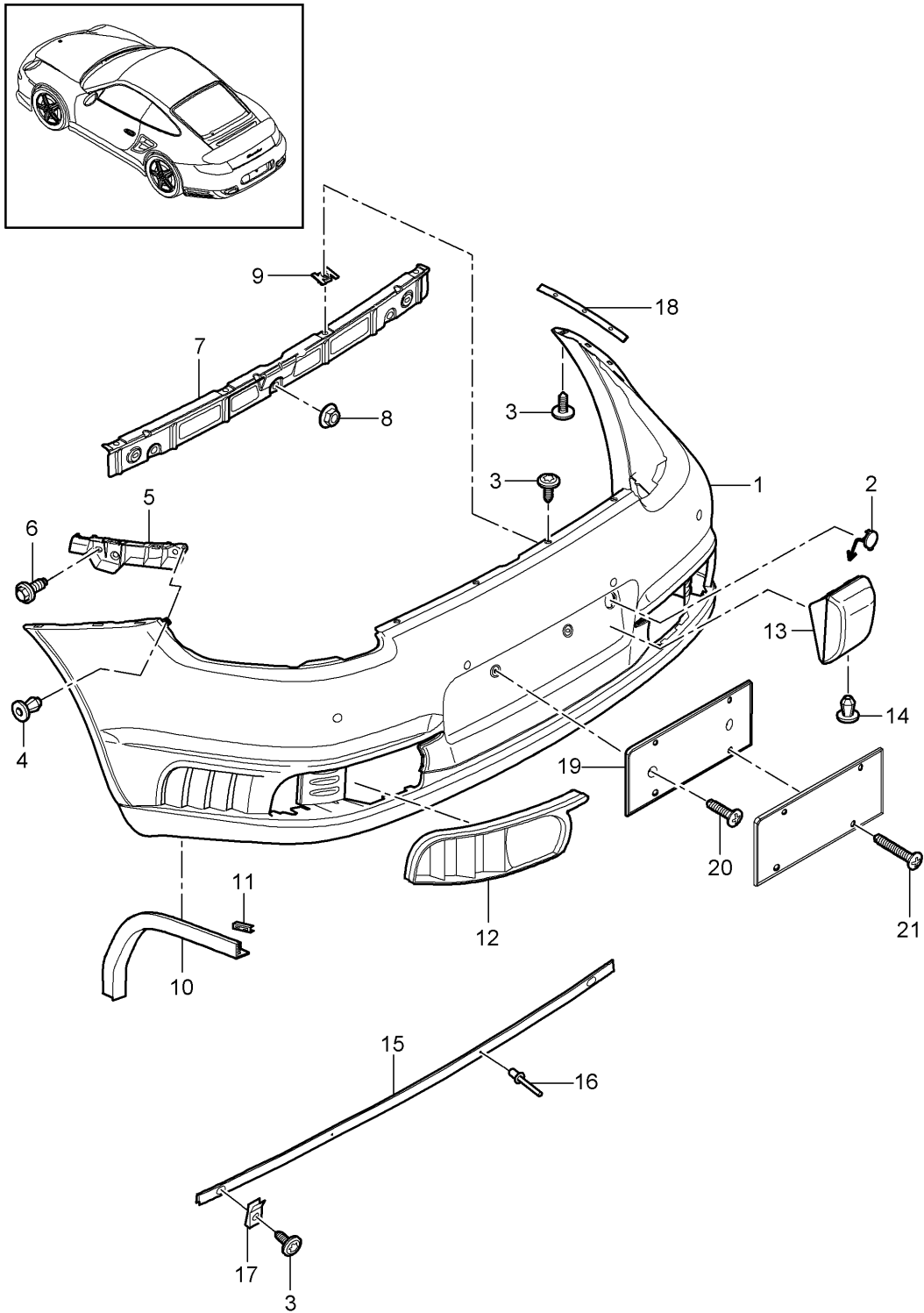
Model: 997T10

Model life 2010>>2013

Pos	Part Number	Description	Remark	Qty	Model
1	997 505 411 40	Lining Bumper Rear		1	-I635
1	997 505 411 41	Lining Prime coated		1	I635
2	997 505 803 02	Cover Towing lug		1	
3	997 505 803 02 G2X 999 073 227 09	Prime coated Tapping screw 4,8 X 16		10	
4	999 591 941 40	Expansion rivet ST 4,8		2	
5	997 505 635 01	Retaining strip Lateral	/L	1	
(5)	997 505 636 01	Retaining strip Lateral	/R	1	
6	900 075 459 01	Combination screw M6 X 12		4	
7	997 505 641 03	Attachment strip Centre		1	
8	999 076 078 01	Hexagon nut M6		4	
9	999 507 590 02	Captive nut ST 4,8		6	
10	997 505 663 00	Frame Air exhaust	/L	1	
(10)	997 505 663 00 01C 997 505 664 00	Satin black Frame	/R	1	
11	997 505 664 00 01C 999 507 696 00	Air exhaust Satin black U-clamp 1,20 - 1,70		10	
12	997 505 651 02	Cover Exhaust pipe	/L	1	
(12)	997 505 651 02 01C 997 505 652 02	Satin black Cover Exhaust pipe	/R	1	
15	997 505 652 02 01C 997 505 511 00	Satin black Lining Lower		1	
(15)	997 505 511 00 01C 997 505 511 01	Satin black Lining Lower		1	IXAF/XUE
16	997 505 837 01	Retaining strip Lower		1	
17	999 190 104 30	Blind rivet A 3,2 X 7,9		2	
18	999 507 795 09	Speed nut ST 4,8		6	
19	997 504 631 00	Protective film		2	
20	955 606 275 03	Sensor ParkAssist		4	I635
21	955 606 659 01	Ring		4	I635

Model: 997T10

Model life 2010>>2013



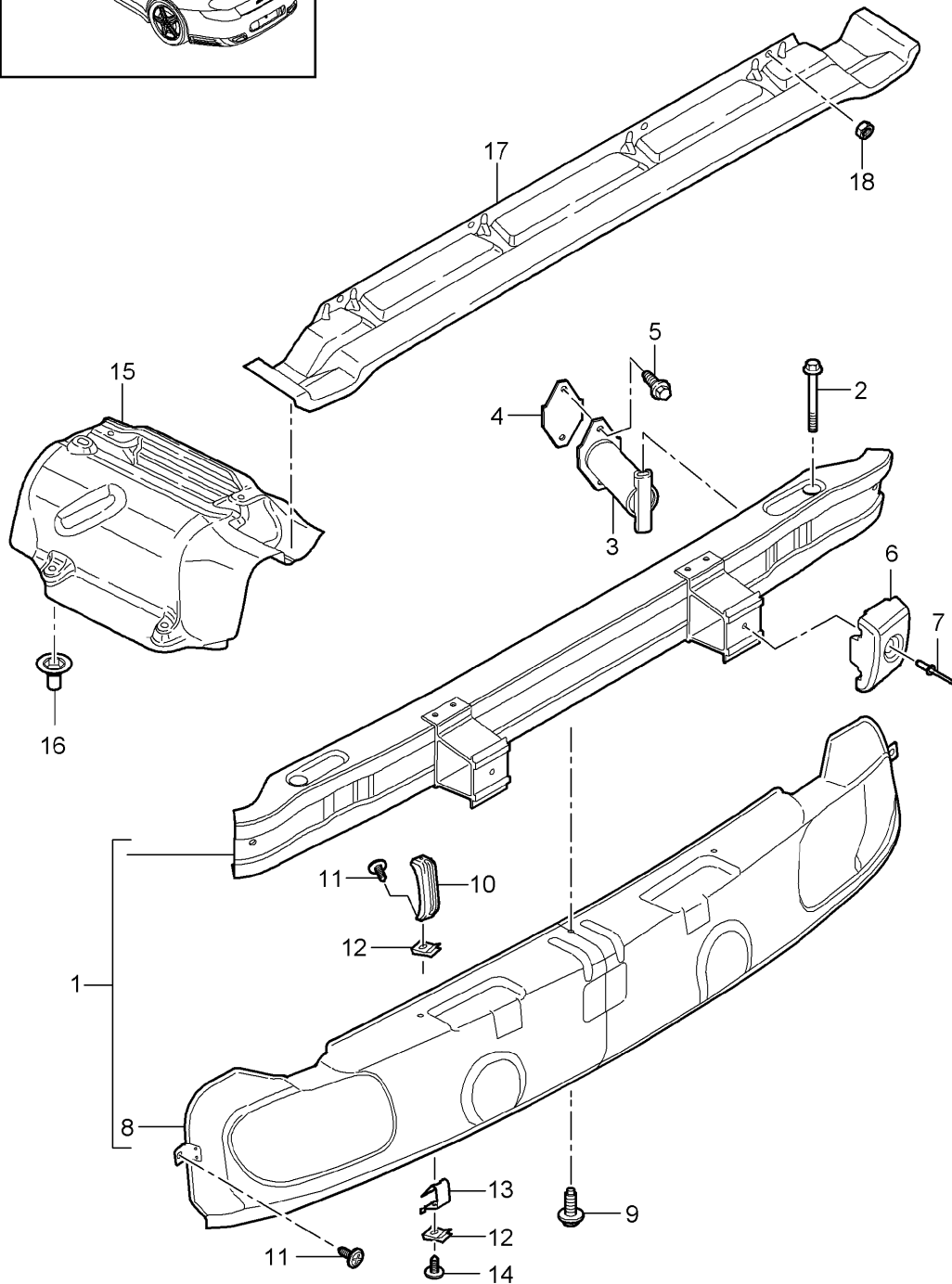
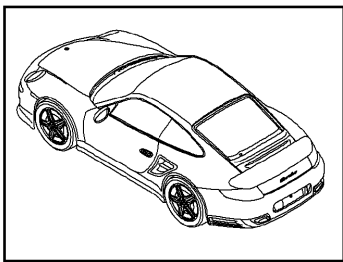
Model: 997T10

Model life 2010&gt;&gt;2013

Pos	Part Number	Description	Remark	Qty	Model
		Lining Bumper Rear			GT2RS
1	997 505 421 82	Lining Prime coated		1	
2	997 505 803 03	Cover Towing lug Prime coated		1	
3	999 073 227 09	Tapping screw 4,8 X 19		12	
4	999 591 941 40	Expansion rivet ST 4,8		2	
5	997 505 635 01	Retaining strip Lateral	/L	1	
(5)	997 505 636 01	Retaining strip Lateral	/R	1	
6	999 073 442 01	Screw M6 X 25		4	
7	997 505 641 03	Attachment strip Centre		1	
8	999 076 048 01	Hexagon nut M6		3	
9	999 507 849 01	Captive nut ST 4,8		6	
11	999 507 696 00	U-clamp 1,20 - 1,70		6	
12	997 505 651 82	Cover Exhaust pipe Carbon	/L	1	
(12)	997 505 652 82	Cover Exhaust pipe Carbon	/R	1	
15	997 505 837 81	Retaining strip Lower		1	
16	999 190 104 30	Blind rivet A 3,2 X 7,9		4	
17	999 507 795 09	Speed nut ST 4,8		4	
18	997 504 631 00	Protective film		2	

Model: 997T10

Model life 2010>>2013

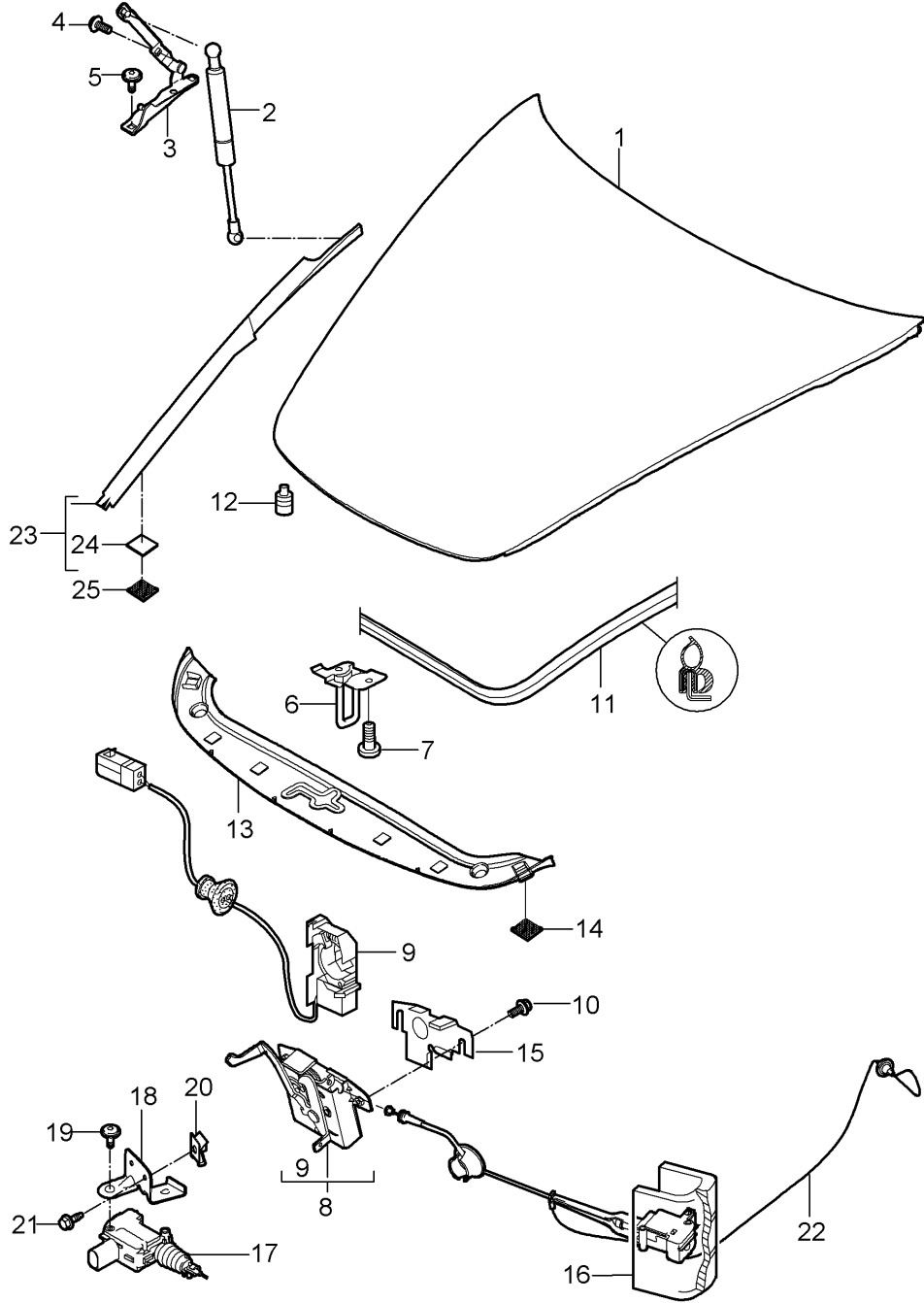
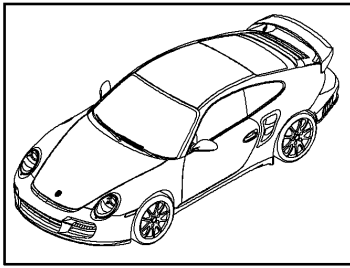


Model: 997T10 Model life 2010>>2013

Pos	Part Number	Description	Remark	Qty	Model
		Bumper			
		Heat protection			
		Rear			
(1)	997 505 121 08	Bumper reinforcement		1	
2	900 378 088 01	Hexagon-head bolt		2	
		M 12 X 100			
3	996 505 019 01	Impact pipe		2	
4	996 505 775 00	Desk pad		2	
5	900 378 267 01	Hexagon-head bolt		4	
		M 8 X 30			
8	997 505 475 03	Heat protection		1	
		Centre			
(8)	997 505 475 81	Heat protection		1	I004
		Centre			
9	999 075 056 01	Combination screw		3	
		M 6 X 22			
10	997 505 639 01	Rear support		2	
11	999 073 418 01	Tapping screw		2	
		ST 4,8 X 16			
12	999 507 795 09	Speed nut		4	
		ST 4,8			
13	997 505 649 00	Filler plate		2	
14	999 073 227 09	Tapping screw		2	
		ST 4,8 X 19			
15	997 505 477 03	Heat protection	/L	1	
		Lateral		1	
		Left		1	
(15)	997 505 477 80	Heat protection	/L	1	I004
		Lateral		1	
		Left		1	
(15)	997 505 478 03	Heat protection	/R	1	
		Lateral			
		Right			
(15)	997 505 478 80	Heat protection	/R	1	I004
		Lateral			
		Right			
16	999 049 025 09	Collar nut		8	
		T5			
17	996 505 471 00	Heat protection		1	
		Upper			
18	999 049 029 01	Hexagon nut		4	
		T5			

Model: 997T10

Model life 2010>>2013



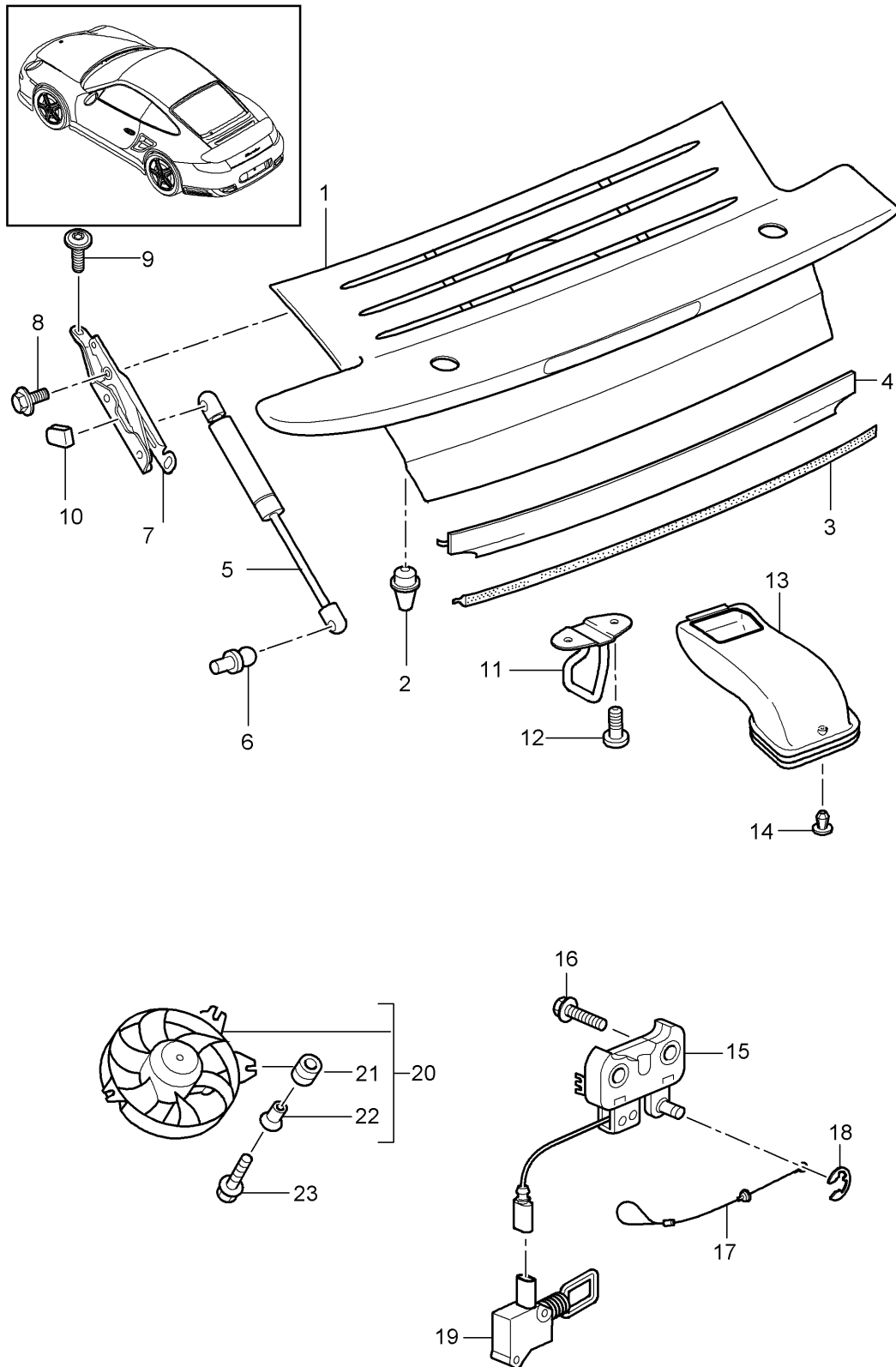
Model: 997T10 Model life 2010>>2013

Pos	Part Number	Description	Remark	Qty	Model
1	997 511 011 00	Lid Front		1	
(1)	997 511 011 00 GRV	Lid Prime coated		1	GT2 RS I004
	997 511 011 92	Lid		1	
2	997 511 551 01	Carbon Gas-pressure spring		2	
3	997 511 151 01	Hinge	/L	1	
(3)	997 511 152 01	Hinge	/R	1	
4	999 073 357 01	Oval-head screw M 6 X 12		4	
5	999 073 348 09	Oval-head screw M 6 X 20		4	
6	997 511 051 00	Lock upper part		1	
7	999 073 378 02	Round head screw M 6 X 20		2	
8	997 511 053 00	Lock lower part		1	
9	997 613 206 00	Microswitch		1	
10	900 075 505 01	Combination screw M 6 X 20		2	
11	997 511 611 01	Gasket		1	
12	999 703 140 41	Rubber buffer		2	
13	997 504 811 04	Trim cover		1	
	997 504 811 04 FMT	Satin black			
14	999 902 049 40	Velcro fastener		4	
15	996 511 653 00	Cover		1	
16	997 511 117 00	Actuator		1	
(23)	997 572 465 02	Trim cover	/L	1	
		Wing			
	997 572 465 02 02A	Black			
23	997 572 466 02	Trim cover	/R	1	
		Wing			
	997 572 466 02 02A	Black			
24	999 902 052 40	Velcro fastener		4	
		Cover			
		20 X 20			
25	999 902 051 40	Velcro fastener		4	
		Wing			
		20 X 20			



Model: 997T10

Model life 2010>>2013



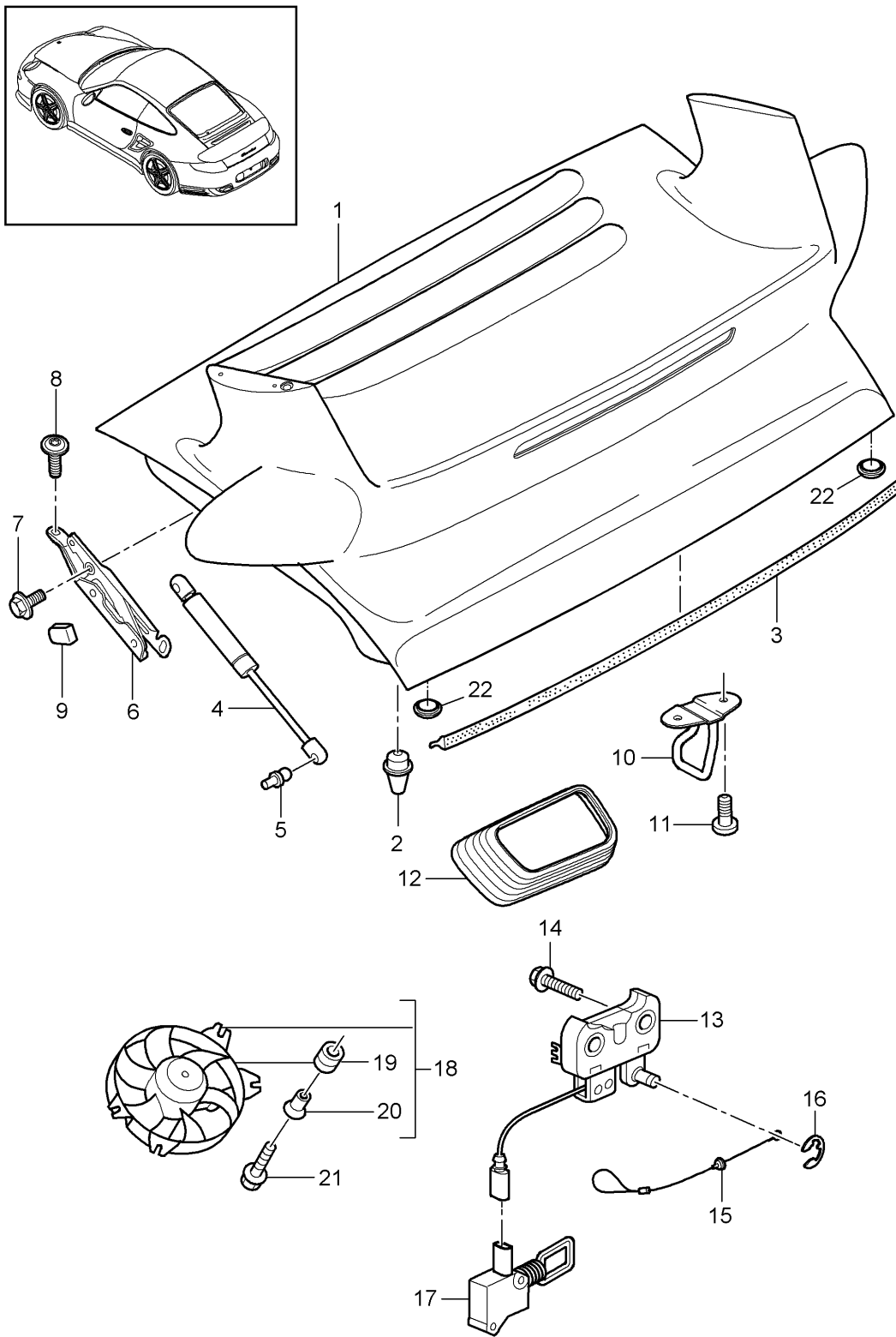
Model: 997T10

Model life 2010>>2013

Pos	Part Number	Description	Remark	Qty	Model
1	997 512 921 00	Lid Rear Lid Prime coated		1	
-	000 043 204 38	Use also: Sealing compound		1	
2	996 512 987 00	Adjusting screw Lid		2	
3	997 512 611 01	Gasket		1	
4	997 512 711 00	Additional gasket Lid Rear		1	
5	996 512 551 03	Gas-pressure spring		2	
6	999 167 051 03	Ball pin		2	
7	997 512 151 03	Hinge	/L	1	
(7)	997 512 152 01	Hinge	/R	1	
8	900 378 214 01	Hexagon-head bolt M 6 X 18		4	
9	900 075 466 09	Combination screw M 6 X 16		6	
10	997 512 153 00	Stop Hinge		2	
11	997 512 213 01	Lock upper part		1	
12	900 378 214 01	Hexagon-head bolt M 6 X 18		2	
(13)	997 110 171 00	Intake manifold Air cleaner	/L	1	
13	997 110 172 00	Intake manifold Air cleaner	/R	1	
14	999 591 712 40	Expansion rivet Intake manifold 6,0 X 12,0		2	
15	997 512 053 00	Lock lower part		1	
16	N 910 664 01	Combination screw M 6 X 40		2	
17	997 512 521 00	Cable Emergency operation		1	
18	900 116 002 02	Lock washer		1	
19	997 624 118 01	Actuator		1	
20	997 624 056 01	Blower Engine compartment		1	
21	999 703 451 40	Rubber sleeve 9,0 X 14,0 X 1,5		3	
22	999 209 093 01	Spacer sleeve 7,0 X 1,0 X 12		3	
23	999 073 417 01	Oval-head screw M6 X 30		4	

Model: 997T10

Model life 2010>>2013



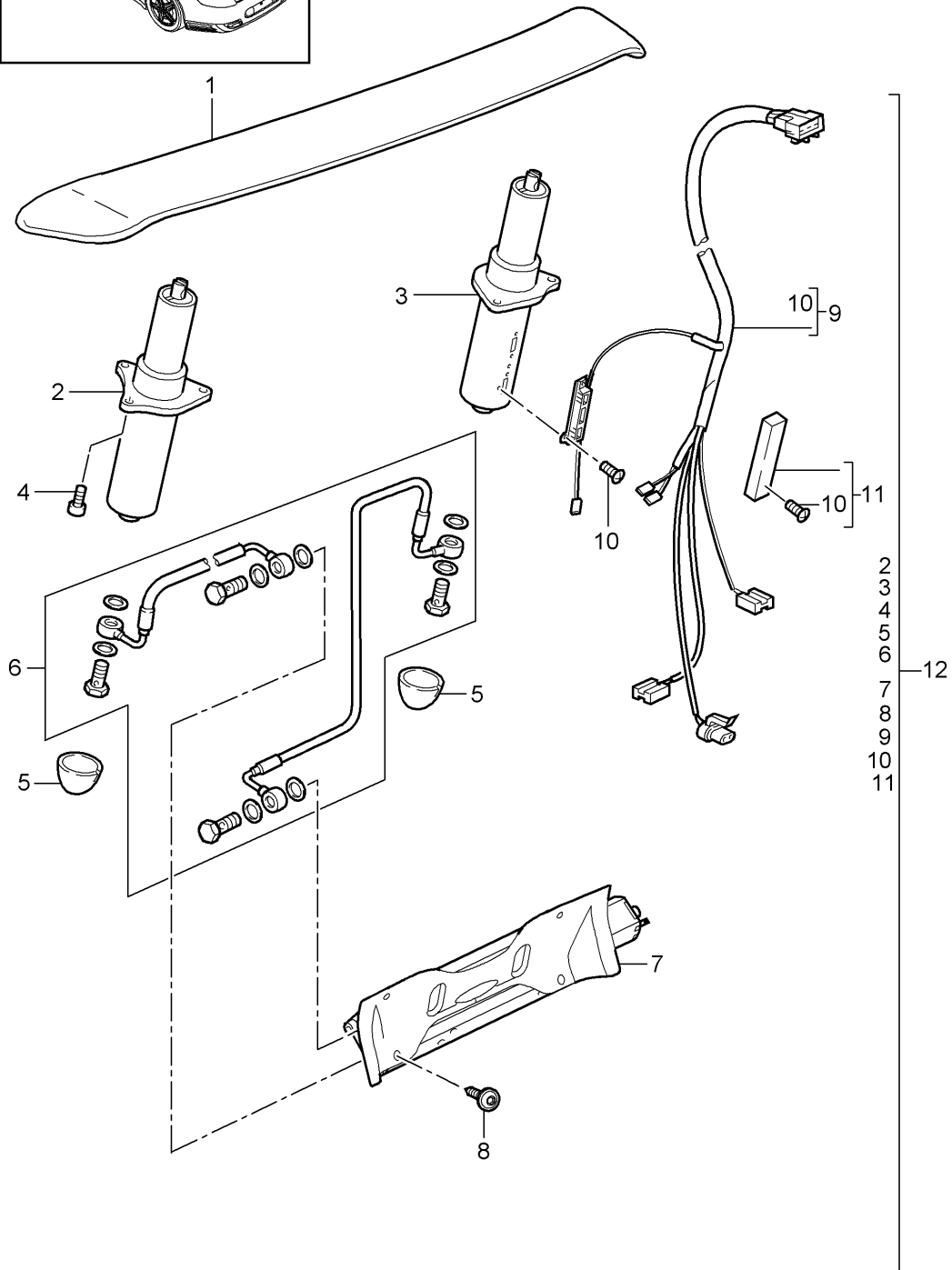
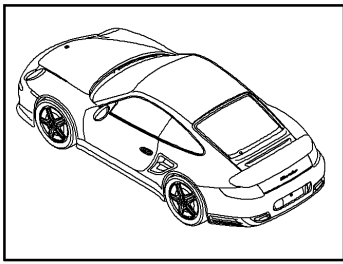
Model: 997T10

Model life 2010>>2013

Pos	Part Number	Description	Remark	Qty	Model
		Lid			GT2
		Rear			
1	997 512 233 83	Lid		1	
		Prime coated			
		Use also:			
-	000 043 204 38	Sealing compound		1	
2	996 512 987 00	Adjusting screw		2	
		Lid			
3	997 512 611 01	Gasket		1	
4	997 512 551 90	Gas-pressure spring		1	
5	999 167 051 03	Ball pin		2	
6	997 512 151 03	Hinge	/L	1	
(6)	997 512 152 01	Hinge	/R	1	
7	900 378 214 01	Hexagon-head bolt		4	
		M 6 X 18			
8	900 075 466 01	Combination screw		4	
		M 6 X 16			
9	997 512 153 00	Stop		2	
		Hinge			
10	997 512 213 01	Lock upper part		1	
11	999 073 378 02	Round head screw		2	
		M 6 X 20			
12	997 512 771 00	Air duct	/L	1	
		Air cleaner			
(12)	997 512 772 00	Air duct	/R	1	
		Air cleaner			
(12)		Air duct	/R	1	
		Air cleaner			
13	997 512 053 01	Lock lower part		1	
14	N 910 664 01	Combination screw		2	
		M 6 X 40			
15	997 512 521 00	Cable		1	
		Emergency operation			
16	900 116 002 03	Lock washer		1	
17	997 624 118 01	Actuator		1	
18	997 624 056 05	Blower		1	
		Engine compartment			
19	999 703 451 40	Rubber sleeve		4	
		9,0 X 14,0 X 1,5			
20	999 209 093 01	Spacer sleeve		4	
		7,0 X 1,0 X 12			
21	999 073 417 01	Oval-head screw		4	
		M6 X 30			
22	999 703 019 40	Lid		4	
		25,5 X 37,0			

Model: 997T10

Model life 2010>>2013



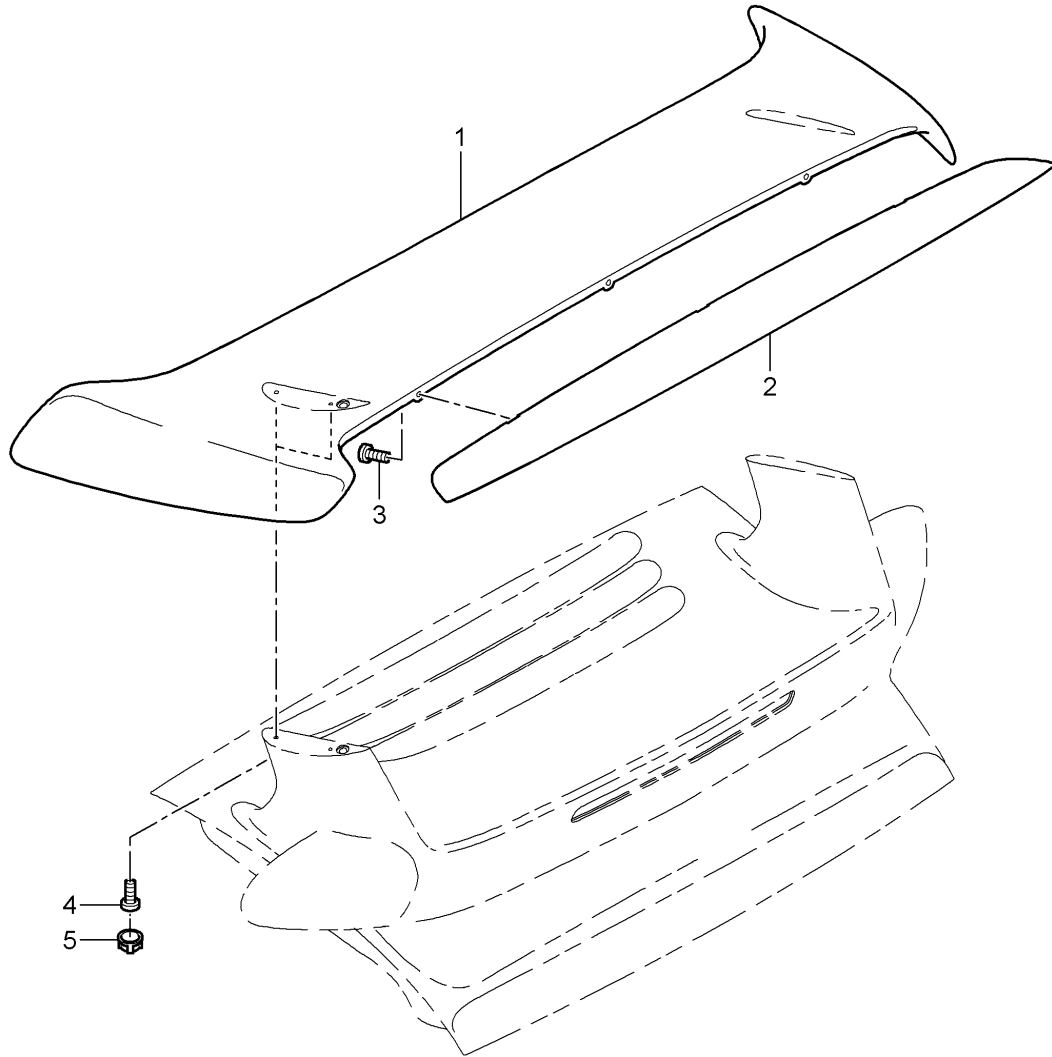
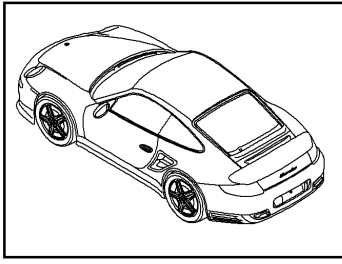
Model: 997T10

Model life 2010>>2013

Pos	Part Number	Description	Remark	Qty	Model
1	997 512 901 00	Rear spoiler Rear spoiler Prime coated		1	
2	997 512 951 00	Hinge	/L	1	COUPE
(2)	997 512 951 01	Hinge	/L	1	CABRIO
3	997 512 952 00	Hinge	/R	1	COUPE
(3)	997 512 952 01	Hinge	/R	1	CABRIO
4	900 387 003 09	Combination screw M6 X 25		6	
5	996 512 617 00	Cap Hinge		1	
6	997 512 915 00	Hydraulic line Set		1	
7	997 512 943 00	Pump with Support		1	
8	999 073 152 09	Oval-head screw M6 X 18		4	
9	997 622 670 00	Wiring harness with Microswitch Use also: 997.622.970.00		1	COUPE
(9)	997 622 671 01	Wiring harness with Microswitch Use also: 997.622.971.00		1	CABRIO
10	999 919 002 02	Oval-head screw 3,0 X 6,0		2	
(11)	997 613 248 00	Cap Microswitch Repair kit Wiring harness Use		1	
11	997 622 970 00	Repair kit Wiring harness with Cover Cable clip Tie-wrap Oval-head screw		1	COUPE
11	997 622 971 00	Repair kit Wiring harness with Cover Cable clip Tie-wrap Oval-head screw		1	CABRIO
12	997 512 111 02	Driving mechanism Complete		1	COUPE
12	997 512 111 03	Driving mechanism Complete		1	CABRIO

Model: 997T10

Model life 2010>>2013



Model: 997T10

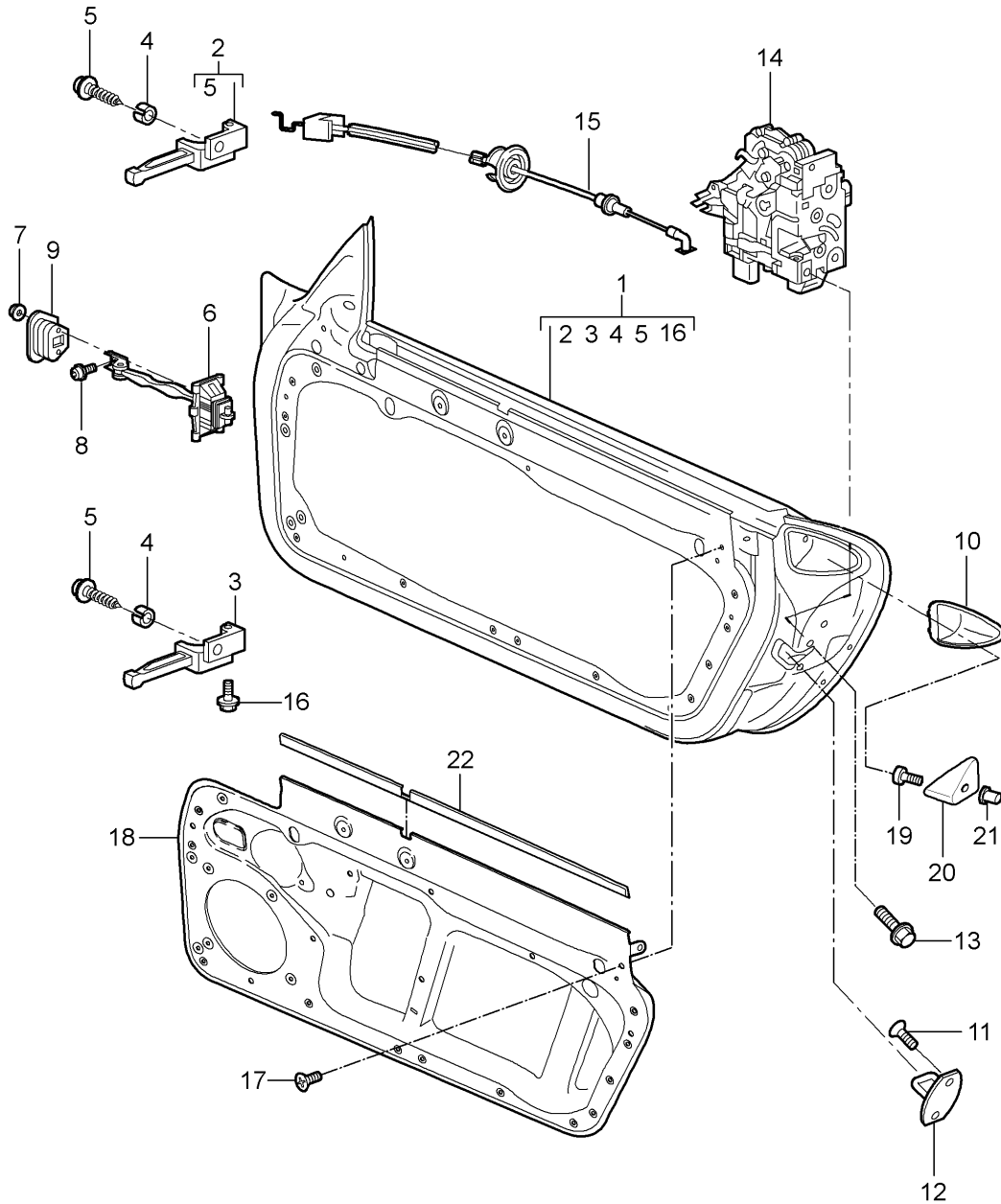
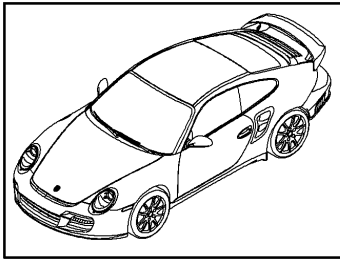
Model life 2010>>2013

Pos	Part Number	Description	Remark	Qty	Model
1	997 512 261 81	Rear spoiler		1	GT2
2	997 512 365 81	Rear spoiler		1	I789
(2)	997 512 365 82	Spoiler	-10	1	I004
		Spoiler	11-	1	
		Carbon			
3	999 073 252 09	Oval-head screw		3	
		M 6 X 20			
4	999 015 042 01	Oval-head screw		4	
		m 6 x 14			
		Micro-self-locking			
5	999 076 082 40	Cap		26	
		T5/16 X 7,0			
-		See illustrations		1	
		8/03/06			



Model: 997T10

Model life 2010>>2013

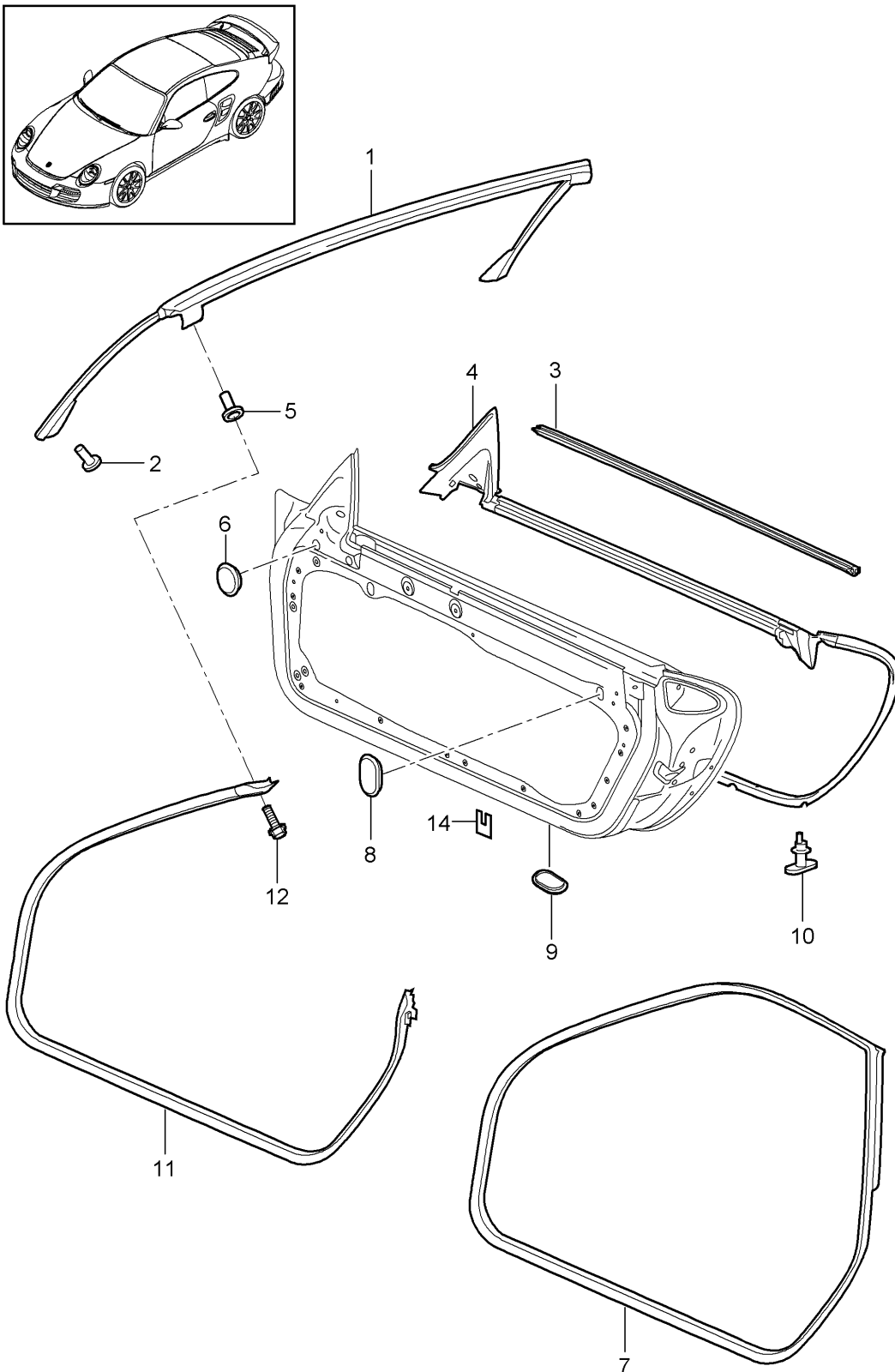


Model: 997T10 Model life 2010>>2013

Pos	Part Number	Description	Remark	Qty	Model
		Door in white Installation parts Door lock			
(1)	997 531 011 05	Door in white	/L	1	I599
	997 531 011 05 GRV	Aluminium			
1	997 531 012 05	Door in white	/R	1	I599
	997 531 012 05 GRV	Aluminium			
		Use also:			
-	000 043 204 38	Sealing compound		1	
(2)	997 531 321 01	Hinge	/L	1	
2	997 531 322 01	Hinge	/R	1	
		Upper			
(3)	997 531 319 01	Hinge	/L	1	
3	997 531 320 01	Hinge	/R	1	
		Lower			
4	996 531 831 00	Sleeve		4	
5	999 073 192 01	Pan-head screw M 8 X 20		2	
6	997 537 151 01	Door arrester		2	
6	997 537 151 02	Door arrester		2	
7	999 084 212 03	Hexagon nut M 6		4	
8	999 073 138 01	Round head screw M 8 X 25		2	
9	996 537 751 00	Seal		2	
(10)	997 537 331 00	Support	/L	1	
	997 537 331 00 01C	Satin black			
10	997 537 332 00	Support	/R	1	
	997 537 332 00 01C	Satin black			
11	N 910 174 01	Countersunk-head screw M 8 X 22		4	
12	3C0 837 767 A	Catch bar		2	
13	WHT 000 439	Combination screw M 8 X 20		2	
(14)	3D1 837 015	Door lock	/LL /L	1	I098
14	3D1 837 016	Door lock	/LL /R	1	I098
(14)	3D1 837 015 C	Door lock	/L	1	I072
(14)	3D1 837 016 C	Door lock	/R	1	I072
(14)	3D2 837 015	Door lock	/RL /L	1	I099
(14)	3D2 837 016	Door lock	/RL /R	1	I099
15	997 537 319 03	Bowden cable		2	
-	970 556 525 00	Insulation		2	
16	999 072 043 09	Hexagon-head bolt M 6 X 12		2	
		Micro-self-locking			
17	999 073 333 09	Oval-head screw M 6 X 16		8	
(18)	987 537 201 01	Inner panel	/L	1	
18	987 537 202 01	Inner panel	/R	1	
19	900 119 072 00	Pan-head screw M8 X 16		2	
(20)	997 537 333 00	Support	/L	1	
	997 537 333 00 G2X	Prime coated			
20	997 537 334 00	Support	/R	1	
		Side section			
	997 537 334 00 G2X	Prime coated			
21	999 500 121 02	Blind rivet nut M8 / 0,8 - 3		2	
-	999 551 172 40	Lining strap 25 x 1,3 x 730 for Inner panel		2	

Model: 997T10

Model life 2010>>2013



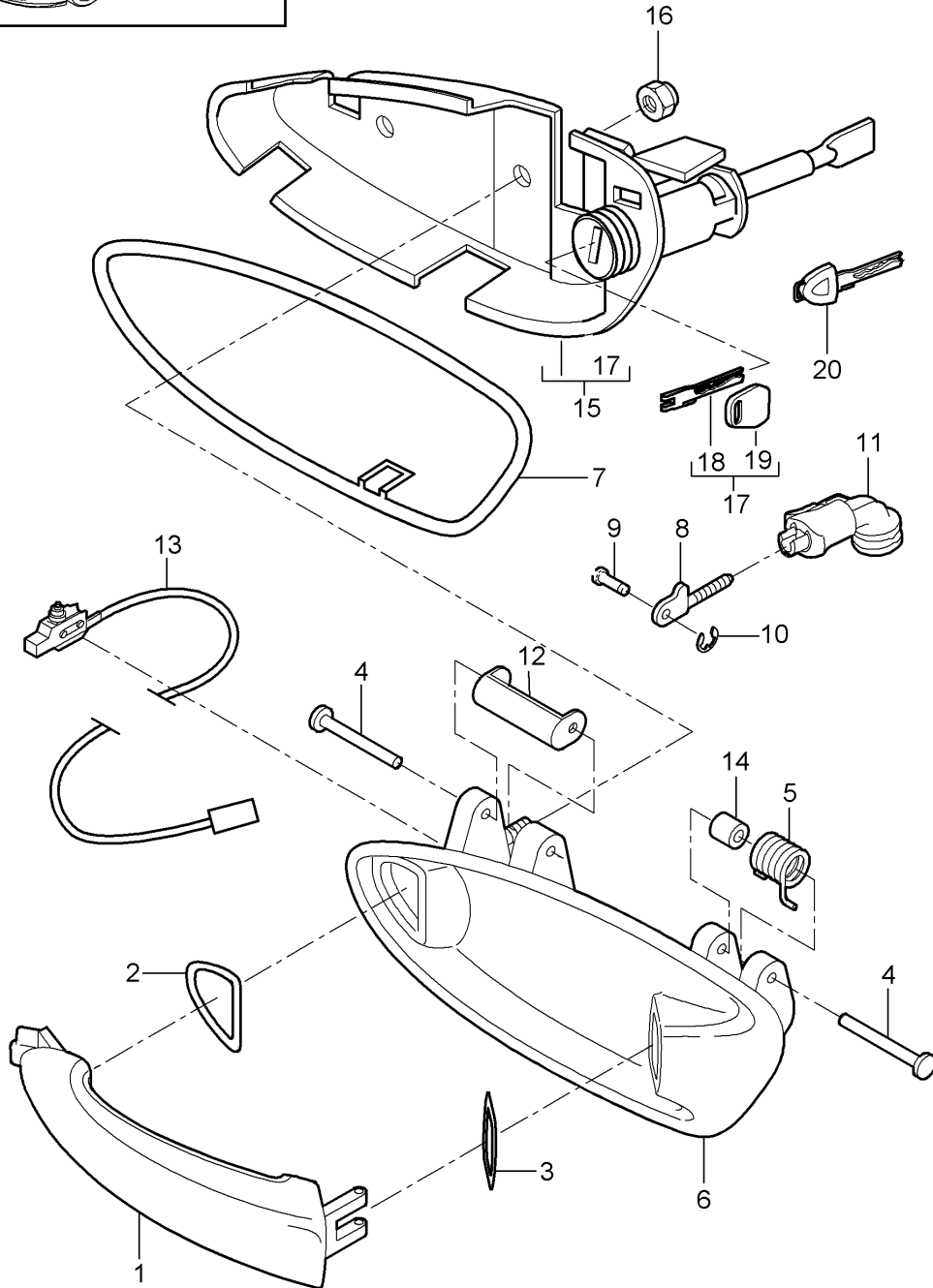
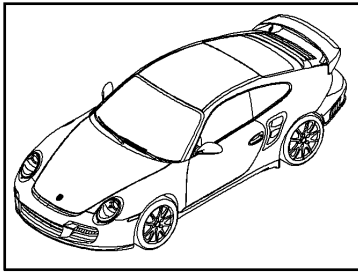
Model: 997T10

Model life 2010>>2013

Pos	Part Number	Description	Remark	Qty	Model
1	997 537 077 02	Door seal Gasket Windscreen		1	CABRIO
2	999 190 445 37	Gasket Windscreen Blind rivet A 4,0 X 7,9		36	CABRIO
3	997 537 085 03	Gasket Outer	/L	1	
(3)	997 537 086 03	Gasket Outer	/R	1	
4	997 537 531 08	Gasket Inner	/L	1	
(4)	997 537 532 08	Gasket Inner	/R	1	
5	999 500 098 02	Blind rivet nut M5/0 - 3		1	
6	803 803 583 A	Stopper 20,0 X 30,0		2	
6	999 703 196 40	Lid 20,0 X 30,0		2	
(7)	997 537 075 05	Gasket	/L	1	COUPE
7	997 537 076 05	Gasket	/R	1	COUPE
8	999 703 541 40	Lid 20 X 28 X 1		4	
9	999 703 542 40	Lid 23,8 X 38,7		8	
10	999 507 304 41	Clip Gasket Outer 5,0 X 4,9		36	
11	997 537 075 07	Gasket	/L	1	CABRIO
(11)	997 537 076 07	Gasket	/R	1	CABRIO
12	900 075 362 01	Combination screw M 5 X 16		2	CABRIO
13	999 500 098 02	Blind rivet nut M 5/0 - 3		2	CABRIO
14	996 537 337 00	Protective film		4	

Model: 997T10

Model life 2010>>2013



Model: 997T10 Model life 2010>>2013

Pos	Part Number	Description	Remark	Qty	Model
1	997 537 613 01	Door handle			
(1)	997 537 614 01	Outer door handle Prime coated	/L /R	1 1	
2	997 537 623 00	Buffer		2	
3	997 537 625 00	Buffer		2	
4	997 537 621 00	Axle		2	
5	997 537 611 00	Return spring	/L	1	
(5)	997 537 612 00	Return spring	/R	1	
6	997 537 645 01	Handle liner	/RL /L	1	I099
(6)	997 537 645 01 G2X	Prime coated			
(6)	997 537 646 01	Handle liner	/LL /R	1	I098
(6)	997 537 646 01 G2X	Prime coated			
(6)	997 537 645 02	Handle liner	/LL /L	1	I098/789
(6)	997 537 646 02	Handle liner	/RL /R	1	I099/789
(6)	997 537 645 03	Handle liner	/RL /L	1	I099/789
(6)	997 537 646 03	Handle liner Prime coated	/LL /R	1	I098/789
7	997 537 637 01	Desk pad	/L	1	
(7)	997 537 638 01	Desk pad	/R	1	
8	997 537 627 00	Operating rod		2	
9	997 537 629 00	Bolt		2	
10	997 537 641 00	Lock washer		2	
11	997 537 445 03	Connecting piece		2	
12	997 537 653 00	Actuating lever	/L	1	
(12)	997 537 654 00	Actuating lever	/R	1	
13	997 613 125 01	Microswitch		2	
13	997 613 125 02	Power windows Microswitch Power windows		2	
14	997 537 633 00	Bush		2	
15	997 538 963 00	Support	/LL /L	1	I098
(15)	997 538 964 00	Support with lock cylinder	/RL /R	1	I099
(15)	997 538 963 01	Support with lock cylinder	/LL /L	1	I098
(15)	997 538 964 01	Support with lock cylinder	/RL /R	1	I099
(15)	997 538 963 02	Support W/o stipulated lock number	/LL /L	1	I098/625
(15)	997 538 964 02	Support with lock cylinder	/RL /R	1	I099/625
(15)	997 538 963 03	Support with lock cylinder	/LL /L	1	I098/625
(15)	997 538 964 03	Support with lock cylinder	/RL /R	1	I099/625
(15)	997 537 463 01	Support without lock cylinder	/RL /L	1	I099
(15)	997 537 464 01	Support without lock cylinder	/LL /R	1	I098
16	900 380 015 09	Hexagon nut M 6		2	
17	997 538 931 00	Replacement key with stipulated lock number State lock number		X	
18	997 538 531 00	Blank key		X	
19	944 538 431 00	Key cap		X	
20	955 538 916 00	Emergency key		X	

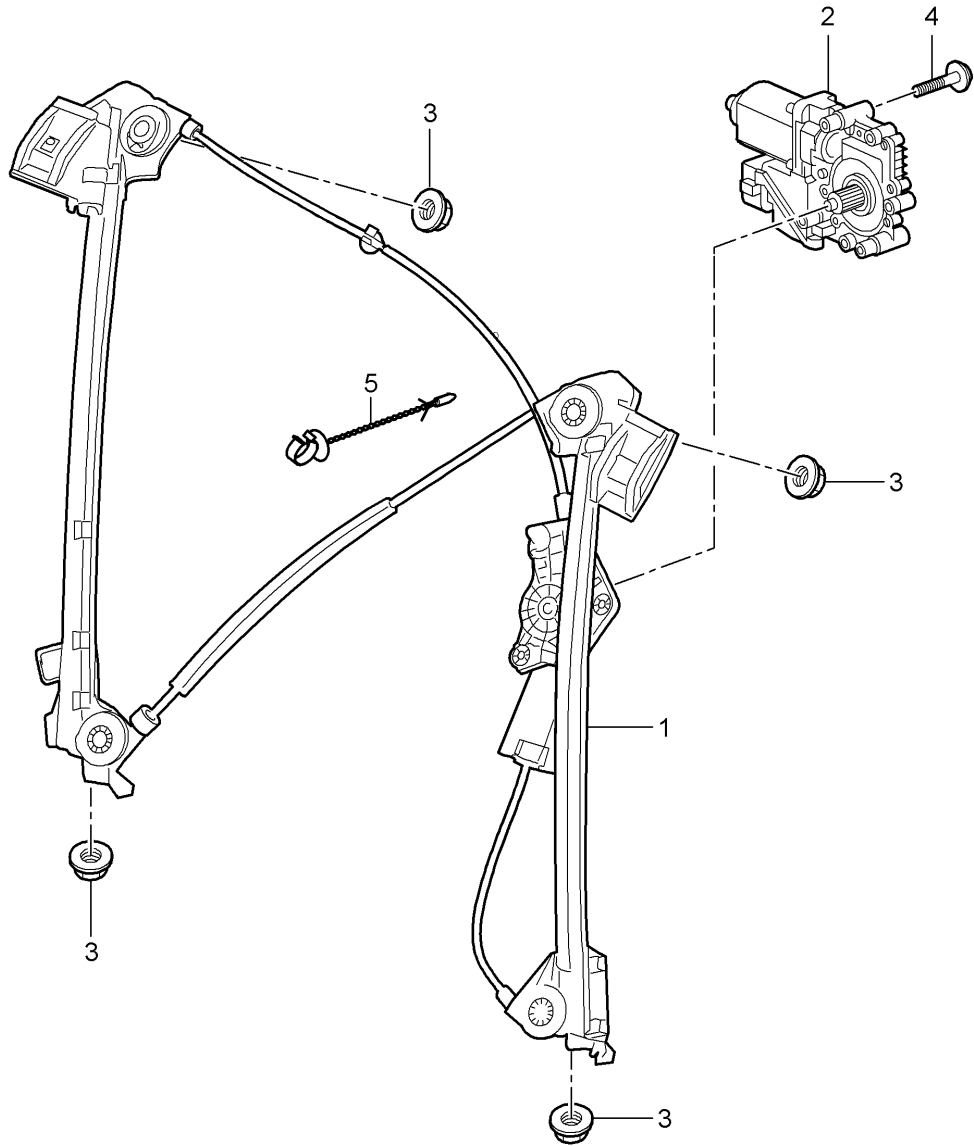
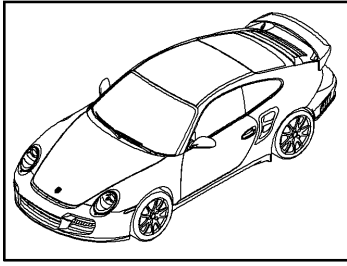
Model: 997T10

Model life 2010>>2013

Pos	Part Number	Description	Remark	Qty	Model
(20)	955 538 216 00	with stipulated lock number State lock number Information available Emergency key W/o stipulated lock number		x	

Model: 997T10

Model life 2010>>2013





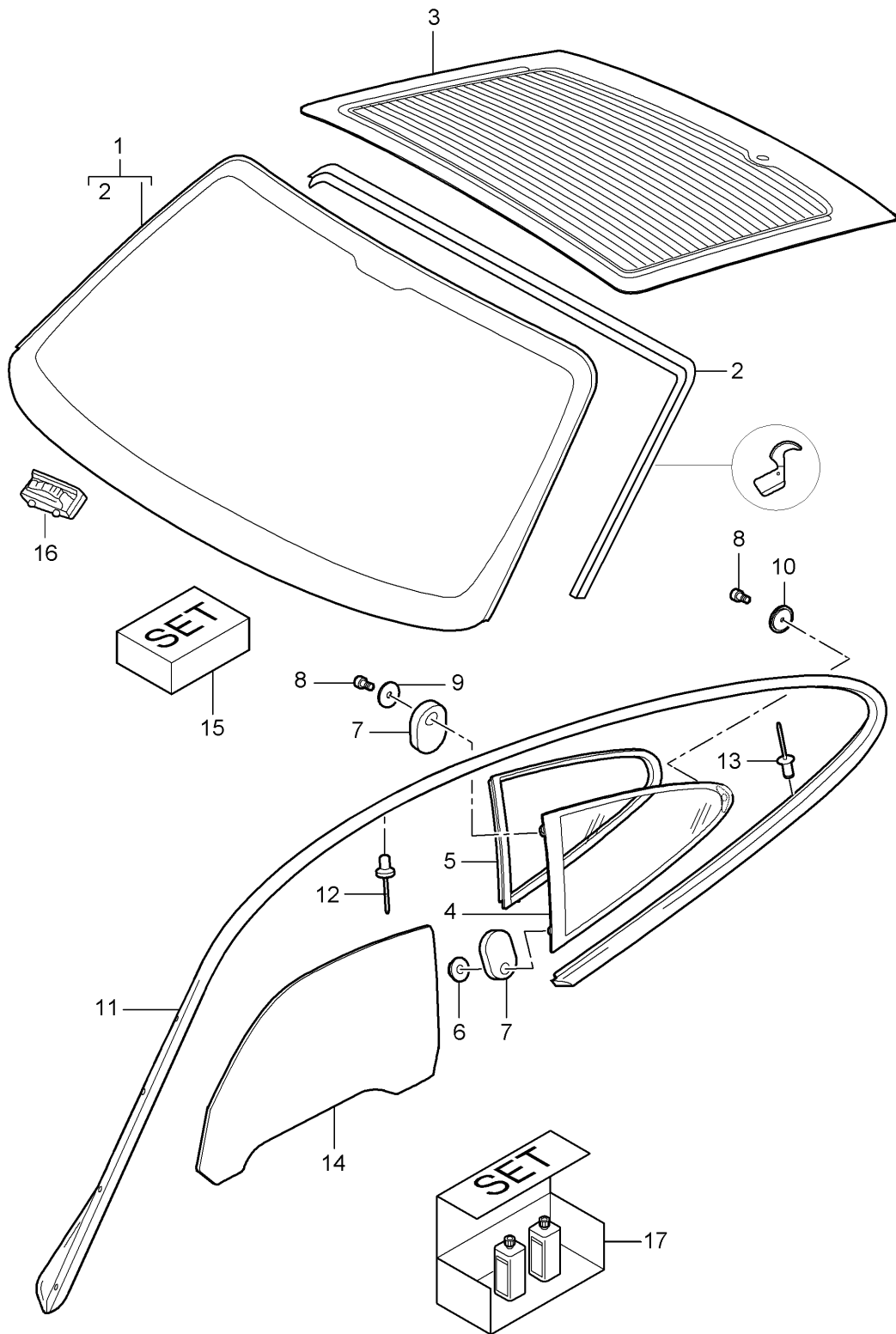
Model: 997T10

Model life 2010>>2013

Pos	Part Number	Description	Remark	Qty	Model
1	997 542 075 01	Power windows	/L	1	
(1)	997 542 076 01	Power windows	/R	1	
2	997 624 181 06	Electric motor	/L	1	I098
(2)	997 624 182 06	Electric motor	/R	1	I098
(2)	997 624 181 06	Electric motor	/R	1	I099
(2)	997 624 182 06	Electric motor	/L	1	I099
3	900 380 015 09	Hexagon nut M6		4	
4	999 919 209 09	Oval-head screw M 5 X 22		3	
5	987 542 941 00	Clip Bowden cable Power windows		1	

Model: 997T10

Model life 2010>>2013

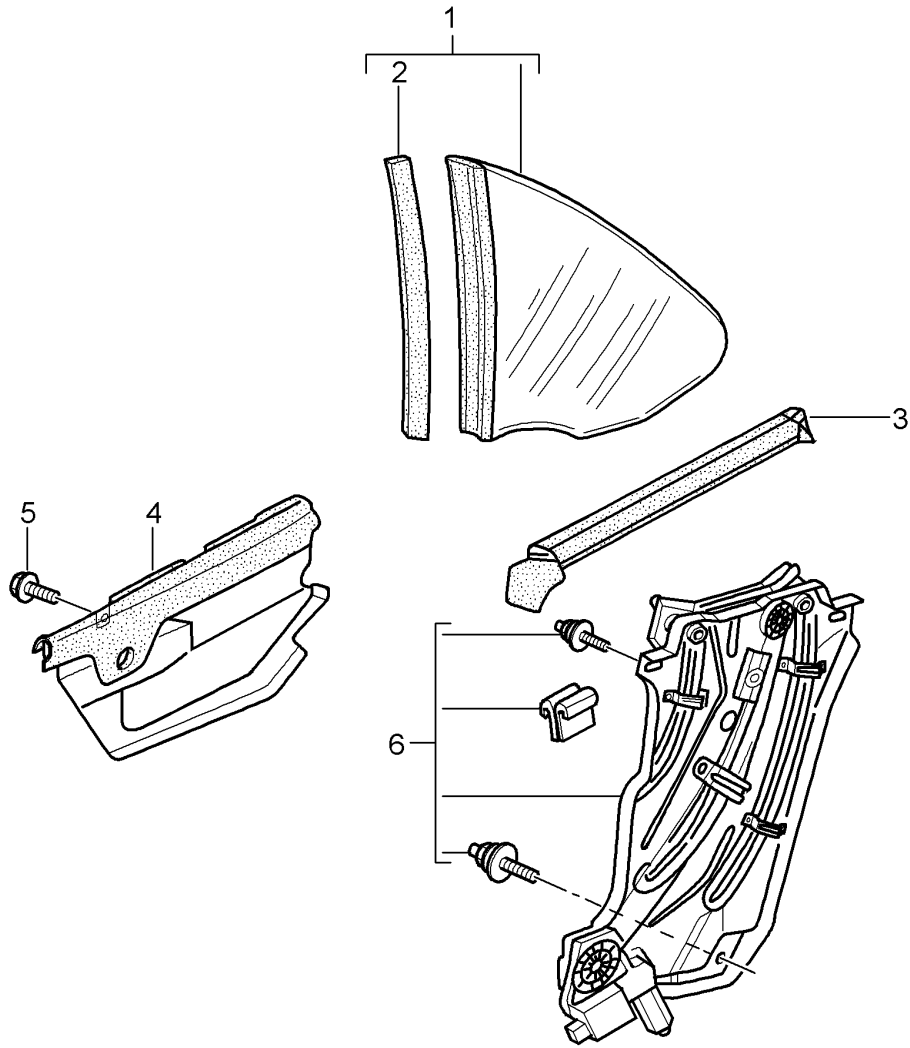
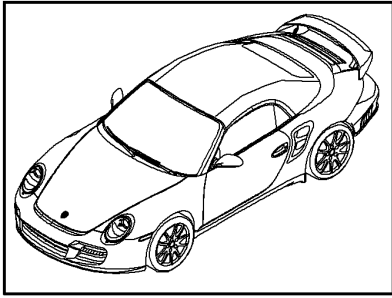


Model: 997T10 Model life 2010>>2013

Pos	Part Number	Description	Remark	Qty	Model
1	997 541 911 06	window glazing Windscreen		1	Cabrio I440/568
(1)	997 541 911 07	Tinted Windscreen		1	Cabrio I440/567
(1)	997 541 911 08	Tinted Windscreen		1	Coupe I440/568
(1)	997 541 911 09	Tinted Windscreen		1	Coupe I440/567
2	997 541 901 09	Tinted Gasket		1	Cabrio
(2)	997 541 901 10	Windscreen Gasket		1	Coupe
3	997 545 911 01	Windscreen		1	
3	997 545 911 03	Rear window		1	I425
(3)	997 545 911 00	Rear window		1	I425
-	997 545 901 00	Rear window Gasket		1	I426
(3)	997 545 111 91	Rear window		1	I004
(3)	997 545 111 93	Rear window		1	I004
4	997 543 111 05	Rear window	/L	1	
(4)	997 543 111 80	Rear window	/L	1	I004
(4)	997 543 112 05	Rear window	/R	1	
(4)	997 543 112 80	Rear window	/R	1	I004
5	996 543 325 00	Sealing frame	/L	1	
(5)	996 543 326 00	Rear window Sealing frame	/R	1	
6	999 084 210 01	Rear window Hexagon nut		1	
7	996 543 611 02	M 8 Gasket		2	
8	999 218 011 03	Pan-head screw		2	
9	999 025 270 02	M 6 X 12 Washer		1	
10	996 543 625 00	6,4 X 30 X 1,5 Sealing washer		1	
11	997 537 481 00	Roof frame seal	/L	1	
(11)	997 537 482 00	Roof frame seal	/R	1	
12	999 190 445 37	Blind rivet		13	
13	999 190 450 37	4,0 X 7,9 Blind rivet		7	
14	997 542 511 02	4,0 X 6,3 Door window glass	/L	1	COUPE
(14)	997 542 512 02	Door window glass	/R	1	COUPE
(14)	997 542 511 03	Door window glass	/L	1	CABRIO
(14)	997 542 512 03	Door window glass	/R	1	CABRIO
15	000 043 300 94	Adhesive set		1	
16	999 507 576 41	TEROSTAT 8593 Support		2	
17	000 043 206 47	Car care set Side window See technical manual		X	

Model: 997T10

Model life 2010>>2013



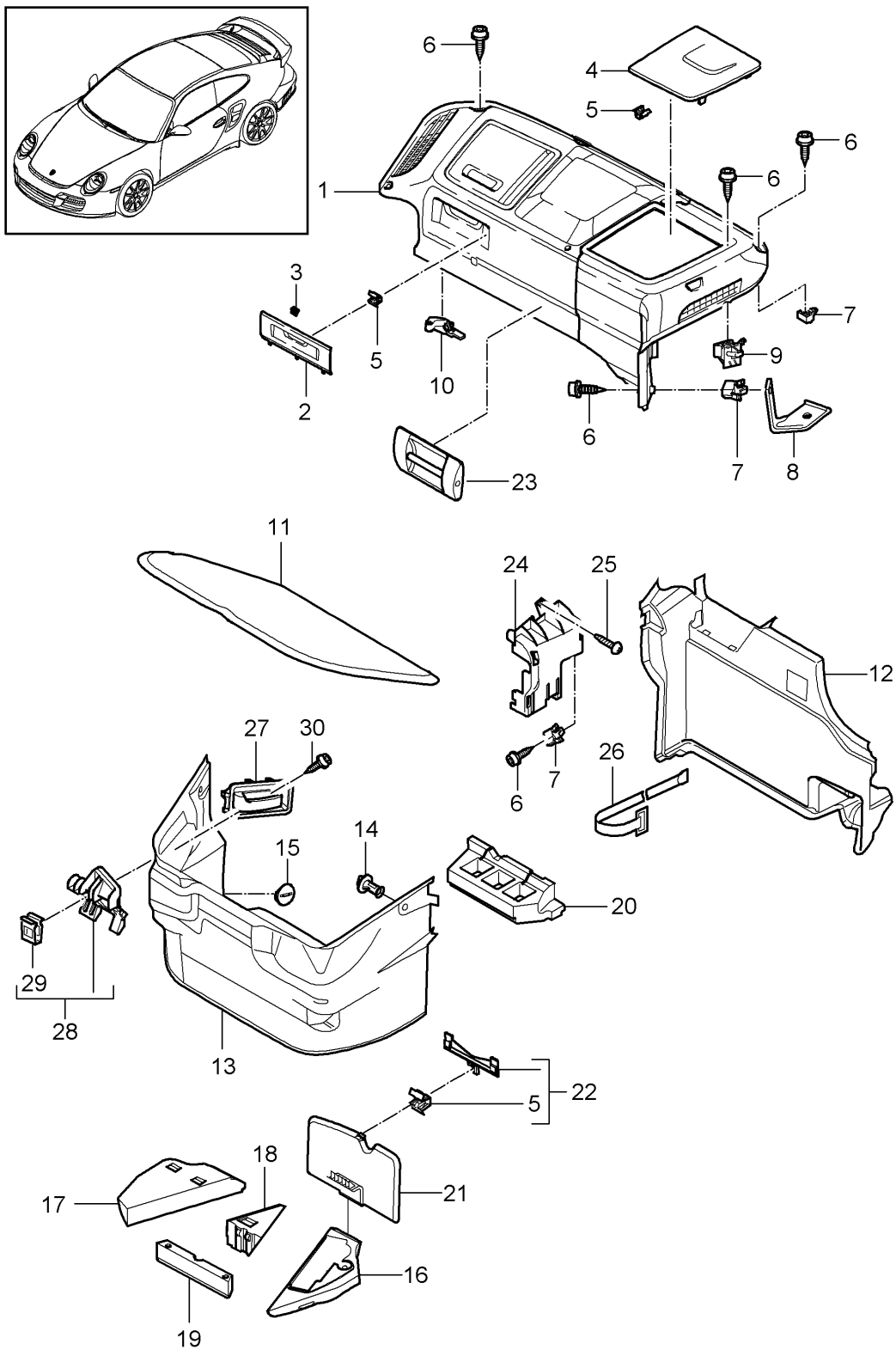
Model: 997T10

Model life 2010>>2013

Pos	Part Number	Description	Remark	Qty	Model
		Rear window			CABRIO
1	997 543 111 11	Rear window	/L	1	
(1)	997 543 112 11	Rear window	/R	1	
2	996 543 615 03	Gasket	/L	1	
(2)	996 543 616 03	Gasket	/R	1	
3	997 543 475 00	Gasket Outer	/L	1	
(3)	997 543 476 00	Gasket Outer	/R	1	
4	996 543 177 01	Gasket Inner	/L	1	
(4)	996 543 178 01	Gasket Inner	/R	1	
5	900 378 036 01	Hexagon-head bolt M 6 X 12		4	
6	997 543 015 02	Power windows FA.KUESTER	/L	1	
(6)	997 543 016 02	Power windows FA.KUESTER	/R	1	

Model: 997T10

Model life 2010>>2013



Model: 997T10 Model life 2010>>2013

Pos	Part Number	Description	Remark	Qty	Model
1	997 551 630 00	Luggage compartment Lining	/LL	1	I098
1	997 551 630 00 FMU 997 551 630 01	Luggage compartment Black/black Lining	/RL	1	I099
2	997 551 630 01 FMU 997 551 304 00	Luggage compartment Black/black Lid	/LL	1	I098
3	997 551 304 00 02A 997 551 817 00	Lining Lower Black Support	/LL	2	I098
4	997 551 309 00	Hinge Lid	/LL	1	I098
(4)	997 551 309 00 02A 997 551 310 00	Brake booster Black Lid	/RL	1	I099
5	997 551 310 00 02A 999 507 552 01	Brake booster Black Spring clamp		X	
6	999 073 048 02	9 X 13/3,0 Tapping screw		X	
7	999 507 734 40	ST 3,5 X 13 Support		X	
8	997 551 771 02	ST 3,5 Support		1	
9	999 507 512 40	Lining Luggage compartment Support		X	
10	997 551 772 02	ST 3,5 Support		1	
(11)	997 551 351 00	Lining Cover Tool Carpet		1	
12	997 551 351 00 A31 997 551 051 29	Black Lining	/LL	1	Turbo I098
(12)	997 551 051 29 A31 997 551 051 30	Bulkhead Carpet Black Lining	/RL	1	Turbo I099
(12)	997 551 051 30 A31 997 551 051 31	Bulkhead Carpet Black Lining	/LL	1	Turbo I098/422
(12)	997 551 051 31 A31 997 551 051 32	Bulkhead Carpet Black Lining	/RL	1	Turbo I099/422
13	997 551 051 32 A31 997 551 045 17	Bulkhead Carpet Black Lining	/LL	1	Turbo I098
(13)	997 551 045 17 A31 997 551 045 19	Luggage compartment liner Carpet Black Lining	/RL	1	Turbo I099

Model: 997T10 Model life 2010>>2013

Pos	Part Number	Description	Remark	Qty	Model
(13)	997 551 045 19 A31 997 551 045 90	Luggage compartment liner Carpet Black Lining		1	GT2
14	997 551 045 90 A31 999 049 006 40	Luggage compartment liner Carpet Black Plastic nut T5 / 30 X 7,5		2	
15	997 551 807 00	Cap nut		1	
(15)	999 703 455 41	Lid		1	
16	997 551 401 00	Foam part	/LL /L	1	TURBO I098
(16)	997 551 402 00	Tool Foam part	/RL /R	1	TURBO I099
(16)	997 551 121 90	Tool Foam part		1	GT2
17	997 551 408 00	Tool Foam part	/LL /R	1	TURBO I098
(17)	997 551 407 00	Luggage compartment liner Foam part	/RL /L	1	TURBO I099
18	997 551 405 00	Luggage compartment liner Foam part		1	TURBO
19	997 551 403 00	Compressor Rear Foam part Compressor Front		1	TURBO
20	997 551 432 00	Foam part	/LL	1	I098
20	997 551 431 00	Bulkhead Foam part Bulkhead	/RL	1	I099
21	997 551 501 00	Cover	/LL	1	I098
21	997 551 501 00 A31 997 551 501 00	Bottle of tyre sealant Black Cover	/RL	1	Turbo I099/422
(21)	997 551 501 00 A31 997 551 502 00	Bottle of tyre sealant Black Cover	/RL	1	I099
(21)	997 551 502 00 A31 997 551 502 00	Bottle of tyre sealant Black Cover	/LL	1	Turbo I098/422
22	997 551 502 00 A31 997 551 415 00	Bottle of tyre sealant Black Adapter Bottle of tyre sealant Adapter		1	
22				1	Turbo I422
23	997 551 805 01	Bottle of tyre sealant Eye Luggage compartment Front		1	
24	997 551 805 01 02A 997 551 736 01	Black Cover		1	
25	999 073 061 02	Control unit Tapping screw ST 4,8 X 16		X	
26	997 551 741 00	Retaining strap		1	I024



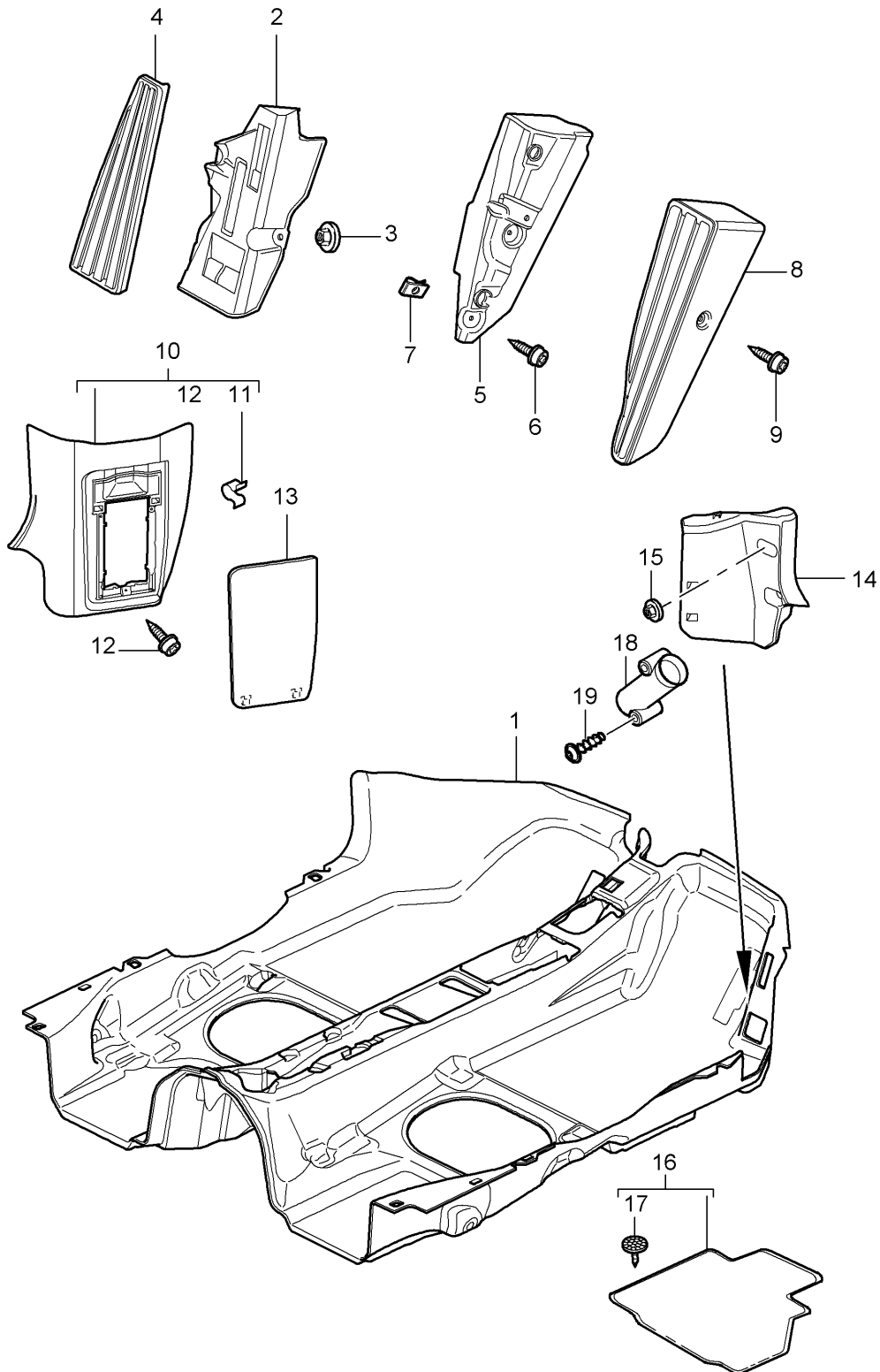
Model: 997T10

Model life 2010&gt;&gt;2013

Pos	Part Number	Description	Remark	Qty	Model
(26)		First-aid kit Retaining strap First-aid kit		1	I499

Model: 997T10

Model life 2010>>2013



Model: 997T10

Model life 2010>>2013

Pos	Part Number	Description	Remark	Qty	Model
1	997 551 011 08	Carpet Linings Carpet	/LL	1	TURBO/COUPE I098
	997 551 011 08 FMB	Carpet Terracotta			
	997 551 011 08 FMC	Cocoa			
	997 551 011 08 FMD	Dark grey/natural			
	997 551 011 08 FME	Brown/natural			
1	997 551 011 08	Carpet	/LL	1	TURBO/COUPE I098
		Carpet Until Chassis number See technical information GR.7 NR. 17/11 KD-NR. 70			
	997 551 011 08 FLW	Black			
	997 551 011 08 FLX	Stone grey			
	997 551 011 08 FLY	Sand Beige			
	997 551 011 08 FLZ	Sea blue			
	997 551 011 08 FSV	Carrera Red			
1	997 551 011 18	Carpet	/LL	1	TURBO/COUPE I098
		Carpet From Chassis number See technical information GR.7 NR. 17/11 KD-NR. 70			
	997 551 011 18 FLW	Black			
	997 551 011 18 FLX	Stone grey			
	997 551 011 18 FLY	Sand Beige			
	997 551 011 18 FLZ	Sea blue			
	997 551 011 18 FWG	Espresso			
	997 551 011 18 FSV	Carrera Red			
(1)	997 551 011 09	Carpet	/RL	1	TURBO/COUPE I099
		Carpet Until Chassis number See technical information GR.7 NR. 17/11 KD-NR. 70			
	997 551 011 09 FMB	Terracotta			
	997 551 011 09 FMC	Cocoa			
	997 551 011 09 FMD	Dark grey/natural			
	997 551 011 09 FME	Brown/natural			
(1)	997 551 011 09	Carpet	/RL	1	TURBO/COUPE I099
		Carpet Until Chassis number See technical information GR.7 NR. 17/11 KD-NR. 70			
	997 551 011 09 FLW	Black			
	997 551 011 09 FLX	Stone grey			
	997 551 011 09 FLY	Sand Beige			
	997 551 011 09 FLZ	Sea blue			
	997 551 011 09 FSV	Carrera Red			
(1)	997 551 011 19	Carpet	/RL	1	TURBO/COUPE I099
		Carpet From Chassis number See technical information GR.7 NR. 17/11			

Model: 997T10 Model life 2010>>2013

Pos	Part Number	Description	Remark	Qty	Model
		KD-NR. 70			
	997 551 011 19 FLW	Black			
	997 551 011 19 FLX	Stone grey			
	997 551 011 19 FLY	Sand Beige			
	997 551 011 19 FLZ	Sea blue			
	997 551 011 19 FSV	Carrera Red			
(1)	997 551 011 12	Carpet	/LL	1	CABRIO I098/680
		Carpet			
	997 551 011 12 FMB	Terracotta			
	997 551 011 12 FMC	Cocoa			
	997 551 011 12 FMD	Dark grey/natural			
	997 551 011 12 FME	Brown/natural			
(1)	997 551 011 12	Carpet	/LL	1	CABRIO I098/680
		Carpet			
		Until			
		Chassis number			
		See technical information			
		GR.7 NR. 17/11			
		KD-NR. 70			
	997 551 011 12 FLW	Black			
	997 551 011 12 FLX	Stone grey			
	997 551 011 12 FLY	Sand Beige			
	997 551 011 12 FLZ	Sea blue			
	997 551 011 12 FSV	Carrera Red			
(1)	997 551 011 22	Carpet	/LL	1	CABRIO I098/680
		Carpet			
		From			
		Chassis number			
		See technical information			
		GR.7 NR. 17/11			
		KD-NR. 70			
	997 551 011 22 FLW	Black			
	997 551 011 22 FWG	Espresso			
	997 551 011 22 FLX	Stone grey			
	997 551 011 22 FLY	Sand Beige			
	997 551 011 22 FLZ	Sea blue			
	997 551 011 22 FSV	Carrera Red			
(1)	997 551 011 13	Carpet	/RL	1	CABRIO I099/680
		Carpet			
	997 551 011 13 FMB	Terracotta			
	997 551 011 13 FMC	Cocoa			
	997 551 011 13 FMD	Dark grey/natural			
	997 551 011 13 FME	Brown/natural			
(1)	997 551 011 13	Carpet	/RL	1	CABRIO I099/680
		Carpet			
		From			
		Chassis number			
		See technical information			
		GR.7 NR. 17/11			
		KD-NR. 70			
	997 551 011 13 FLW	Black			
	997 551 011 13 FLX	Stone grey			
	997 551 011 13 FLY	Sand Beige			
	997 551 011 13 FLZ	Sea blue			
	997 551 011 13 FSV	Carrera Red			
(1)	997 551 011 23	Carpet	/RL	1	CABRIO I099/680
		Carpet			

Model: 997T10 Model life 2010>>2013

Pos	Part Number	Description	Remark	Qty	Model
		From Chassis number See technical information GR.7 NR. 17/11 KD-NR. 70			
	997 551 011 23 FLW	Black			
	997 551 011 23 FLX	Stone grey			
	997 551 011 23 FLY	Sand Beige			
	997 551 011 23 FLZ	Sea blue			
	997 551 011 23 FSV	Carrera Red			
-	997 551 813 01	Protective film Carpet	/LL	1	I098
-	997 551 815 01	Protective film Carpet	/RL	1	I099
2	997 551 211 01	Foot support	/LL	1	I098
3	999 076 081 40	Plastic nut T5/16 X 11,2 for Mount	/LL	2	I098
4	997 551 611 00	Foot support Cover	/LL	1	I098
(4)	997 551 611 00 01C	Satin black			
	997 551 986 00	Cover Foot support	/LL	1	IXXZ/098
5	997 551 212 00	Foot support	/RL	1	I099
6	999 073 060 02	Tapping screw ST 4,8 X 13 for Mount	/RL	2	I099
7	999 591 485 01	Foot support Speed nut ST 4,8 for Mount	/RL	2	I099
8	997 551 612 00	Foot support Cover	/RL	1	I099
	997 551 612 00 01C	Satin black			
9	999 919 188 09	Oval-head screw 5,0 X 30 for Mount	/RL	1	I099
10	997 551 101 00	Cover Foot support Lining	/LL	1	Turbo I098
		Fusebox Carpet			
	997 551 101 00 A10	Black			
	997 551 101 00 B10	Stone grey			
	997 551 101 00 T10	Sand Beige			
	997 551 101 00 E10	Sea blue			
	997 551 101 00 M10	Terracotta			
	997 551 101 00 R10	Cocoa			
	997 551 101 00 D11	Dark grey/natural			
	997 551 101 00 T11	Brown/natural			
	997 551 101 00 N10	Carrera Red			
(10)	997 551 102 00	Lining	/RL	1	Turbo I099
		Fusebox Carpet			
	997 551 102 00 A10	Black			

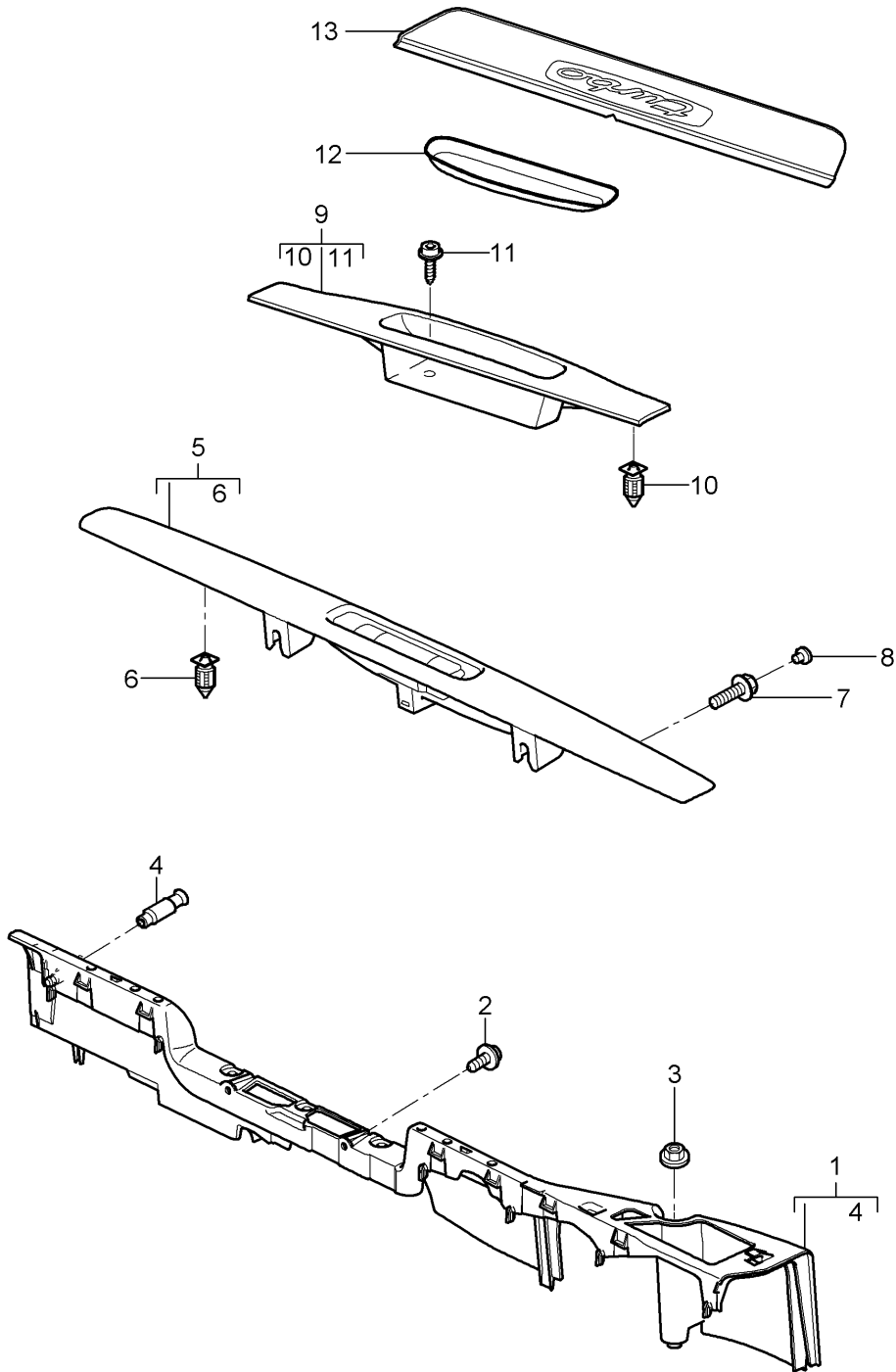
Model: 997T10

Model life 2010>>2013

Pos	Part Number	Description	Remark	Qty	Model
	997 551 102 00 B10	Stone grey			
	997 551 102 00 T10	Sand Beige			
	997 551 102 00 E10	Sea blue			
	997 551 102 00 M10	Terracotta			
	997 551 102 00 R10	Cocoa			
	997 551 102 00 D11	Dark grey/natural			
	997 551 102 00 T11	Brown/natural			
	997 551 102 00 N10	Carrera Red			
11	999 507 552 01	Spring clamp 9,0 X 13/4,0		2	
12	999 919 161 09	Oval-head screw 5,0 X 18 for Mount Lining Fusebox		3	
13	997 551 621 00	Lid Lining Fusebox	/LL	1	I098
(13)	997 551 621 00 01C 997 551 622 00	Satin black Lid Lining Fusebox	/RL	1	I099
(14)	997 551 622 00 01C 997 551 712 02	Satin black Support Carpet	/LL	1	I098
(14)	997 551 711 02	Support Carpet	/RL	1	I099
15	999 076 081 40	Plastic nut T5/16 X 11,2 Mount Support Carpet		2	
16		Floor mats Set See group 8/07/06		1	
17	999 902 054 40	Tequipment catalogue Fastening plate for Floor mats		4	
18	964 551 751 00	Support Warning light	/RL	1	I099/193
(18)	997 551 852 00	Support Warning light	/LL	1	I098/193
19	WHT 004 083	Oval-head screw 40 x 36,5		2	I193

Model: 997T10

Model life 2010>>2013



Model: 997T10 Model life 2010>>2013

Pos	Part Number	Description	Remark	Qty	Model
1	997 551 619 02	Lining Door sill Support	/L	1	
(1)	997 551 620 01	Door sill Support	/R	1	
2	900 143 082 01	Door sill Tapping screw ST 6,3 X 13 for Mount Support		4	
3	999 076 081 40	Door sill Plastic nut T5 16 X 11,2 for Mount Support		2	
4	996 551 873 00	Door sill Locating peg for Mount Support		2	
5	997 551 019 04	Door sill Lining Driver's side	/LL	1	I098
(5)	997 551 019 04 A03	Black			
	997 551 019 05	Lining Door sill Driver's side	/RL	1	I099
	997 551 019 05 A03	Black			
5	997 551 982 00	Lining Door sill Driver's side Leather	/LL	1	Turbo IXTG/098
	997 551 982 00 A11	Black			
	997 551 982 00 5X6	Stone grey			
	997 551 982 00 8G2	Sand Beige			
	997 551 982 00 3S9	Sea blue			
	997 551 982 00 9S5	Terracotta			
	997 551 982 00 9V6	Cocoa			
	997 551 982 00 D12	Dark grey/natural			
	997 551 982 00 T12	Brown/natural			
	997 551 982 00 N12	Carrera Red			
	997 551 982 00 6J0	Espresso			
	997 551 982 00 TSB	Black-black			
(5)	997 551 982 01	Lining Door sill Driver's side Leather	/RL	1	Turbo IXTG/099
	997 551 982 01 A11	Black			
	997 551 982 01 5X6	Stone grey			
	997 551 982 01 8G2	Sand Beige			
	997 551 982 01 3S9	Sea blue			
	997 551 982 01 9S5	Terracotta			
	997 551 982 01 9V6	Cocoa			
	997 551 982 01 D12	Dark grey/natural			
	997 551 982 01 T12	Brown/natural			
	997 551 982 01 N12	Carrera Red			
	997 551 982 01 6J0	Espresso			
	997 551 982 01 TSB	Black-black			



Model: 997T10 Model life 2010>>2013

Pos	Part Number	Description	Remark	Qty	Model
6	999 507 484 40	Expander nut 9 X 22		6	
7	999 067 046 01	Combination screw M 6 X 20		2	
8	999 703 443 40	Stopper 8,0 X 11		2	
	999 703 443 40 01C	Satin black			
9	997 551 120 01	Lining Door sill Passenger's side		1	
	997 551 120 01 A03	Black			
(9)	997 551 983 00	Lining Door sill Passenger's side Leather		1	Turbo IXTG
	997 551 983 00 A11	Black			
	997 551 983 00 5X6	Stone grey			
	997 551 983 00 8G2	Sand Beige			
	997 551 983 00 3S9	Sea blue			
	997 551 983 00 9S5	Terracotta			
	997 551 983 00 9V6	Cocoa			
	997 551 983 00 D12	Dark grey/natural			
	997 551 983 00 T12	Brown/natural			
	997 551 983 00 N12	Carrera Red			
	997 551 983 00 6J0	Espresso			
	997 551 983 00 TSB	Black-black			
10	999 507 484 40	Expander nut 9 X 22		6	
11	999 919 164 09	Oval-head screw 5,0 X 12		1	
12	996 551 513 00	Mat		1	
13	997 551 303 11	Scuff plate Lacquered		2	TURBO
	997 551 303 11 A03	Black Scuff plate Exclusive without illumination See catalogue Tequipment 8/07/06			
13	997 551 303 15	Scuff plate	11-	2	TURBO "S" I092
	997 551 303 15 A03	Black			
(13)	997 551 990 34	Scuff plate	10-	1	TURBO IXXB
		Set Stainless steel with illumination			
(13)	997 551 990 35	Scuff plate	11-	1	TURBO S IXXB/092
		Set Stainless steel with illumination			
(13)	997 551 991 34	Scuff plate	10-	1	TURBO IXXD
		Set Carbon			

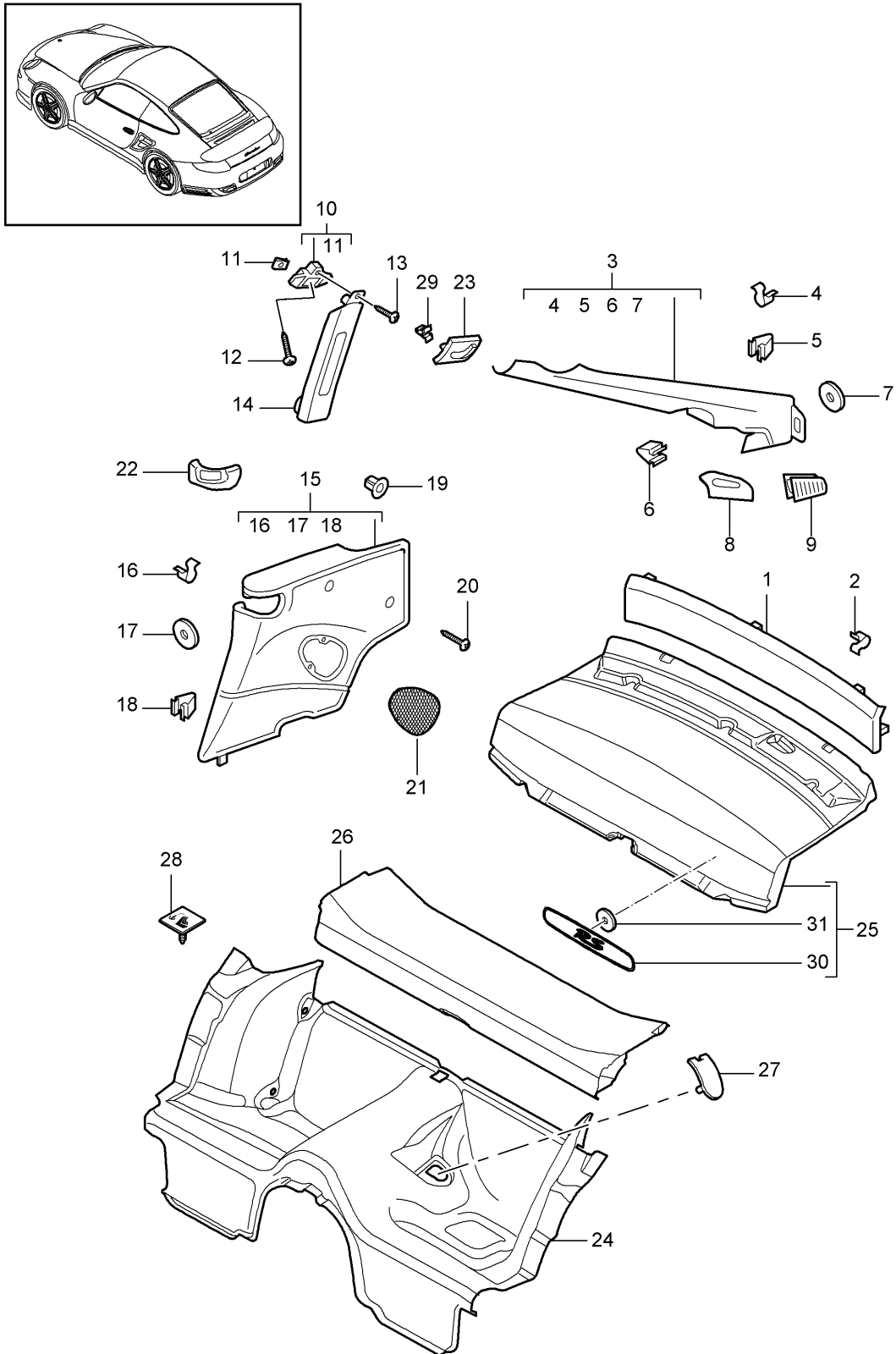
Model: 997T10

Model life 2010>>2013

Pos	Part Number	Description	Remark	Qty	Model
(13)	997 551 991 35	with Illumination Scuff plate	10-	1	TURBO S IXXD/092
(13)	997 551 223 80	Set Carbon with Illumination Scuff plate		1	GT2 RS IX69/004
(13)	997 551 991 41	Set Carbon Scuff plate	12-	1	Turbo Spyder IXXD/018/092
		Set Carbon with Illumination			

Model: 997T10

Model life 2010>>2013



Model: 997T10 Model life 2010>>2013

Pos	Part Number	Description	Remark	Qty	Model
1	997 555 081 00	Linings Rear Lining		1	COUPE Turbo I426
	997 555 081 00 A10	Rear wall Carpet Black			
	997 555 081 00 B10	Stone grey			
	997 555 081 00 T10	Sand Beige			
	997 555 081 00 E10	Sea blue			
	997 555 081 00 M10	Terracotta			
	997 555 081 00 R10	Cocoa			
	997 555 081 00 D11	Dark grey/natural			
	997 555 081 00 T11	Brown/natural			
	997 555 081 00 N10	Carrera Red			
1	997 555 081 00	Lining	11-	1	GT2RS I426
		Rear wall Carpet			
	997 555 081 00 A10	Black			
(1)	997 555 093 00	Information available Lining	12-	1	Turbo S I426
		Rear wall Carpet			
	997 555 093 00 R75	Espresso			
(1)	997 555 081 01	Lining		1	TURBO I425
		Rear wall Carpet			
	997 555 081 01 A10	Black			
	997 555 081 01 B10	Stone grey			
	997 555 081 01 T10	Sand Beige			
	997 555 081 01 E10	Sea blue			
	997 555 081 01 M10	Terracotta			
	997 555 081 01 R10	Cocoa			
	997 555 081 01 D11	Dark grey/natural			
	997 555 081 01 T11	Brown/natural			
	997 555 081 01 N10	Carrera Red			
2	999 507 687 05	Fixing clip 11,3		5	
3	997 555 187 01	Lining	/L	1	Turbo I981
		C-pillar Leather			
	997 555 187 01 A11	Black			
	997 555 187 01 5X6	Stone grey			
	997 555 187 01 8G2	Sand Beige			
	997 555 187 01 3S9	Sea blue			
	997 555 187 01 9S5	Terracotta			
	997 555 187 01 9V6	Cocoa			
	997 555 187 01 D12	Dark grey/natural			
	997 555 187 01 T12	Brown/natural			
	997 555 187 01 N12	Carrera Red			
(3)	997 555 187 00	Lining	/L 11-	1	GT2RS
		C-pillar Leatherette			
	997 555 187 00 1MZ	Black			
3	997 555 187 01	Lining	/L 11-	1	GT2RS I981
		C-pillar Leather			
	997 555 187 01 A11	Black			

Model: 997T10 Model life 2010>>2013

Pos	Part Number	Description	Remark	Qty	Model
(3)	997 555 188 01	Lining	/R	1	Turbo I981
		C-pillar			
		Leather			
	997 555 188 01 A11	Black			
	997 555 188 01 5X6	Stone grey			
	997 555 188 01 8G2	Sand Beige			
	997 555 188 01 3S9	Sea blue			
	997 555 188 01 9S5	Terracotta			
	997 555 188 01 9V6	Cocoa			
	997 555 188 01 D12	Dark grey/natural			
	997 555 188 01 T12	Brown/natural			
	997 555 188 01 N12	Carrera Red			
(3)	997 555 188 00	Lining	/R 11-	1	GT2RS
		C-pillar			
		Leatherette			
	997 555 188 00 1MZ	Black			
(3)	997 555 188 01	Lining	/R 11-	1	GT2RS I981
		C-pillar			
		Leather			
	997 555 188 01 A11	Black			
4	999 507 533 02	Clamp		4	
		8,0 X10,0/2,5			
5	999 507 479 01	Clamp		6	
		2,5/09			
(5)	999 507 676 09	Clamp		2	
		2,5/2,2			
		18,0			
6	999 651 307 01	Cable clamp		2	
		18,0			
7	999 551 609 40	Plastic washer		7	
		8,0 X 23 X 3,0			
8	996 555 545 01	Rosette	/L	1	TURBO
		Seat belt			
		Rear			
		Lacquered			
	996 555 545 01 A03	Black			
	996 555 545 01 5V7	Stone grey			
	996 555 545 01 5Z1	Sand Beige			
	996 555 545 01 8W7	Sea blue			
	996 555 545 01 8X8	Terracotta			
	996 555 545 01 8P9	Cocoa			
	996 555 545 01 T13	Brown/natural			
	996 555 545 01 N23	Carrera Red			
(8)	996 555 546 01	Rosette	/R	1	TURBO
		Seat belt			
		Rear			
		Lacquered			
	996 555 546 01 A03	Black			
	996 555 546 01 5V7	Stone grey			
	996 555 546 01 5Z1	Sand Beige			
	996 555 546 01 8W7	Sea blue			
	996 555 546 01 8X8	Terracotta			
	996 555 546 01 8P9	Cocoa			
	996 555 546 01 T13	Brown/natural			
	996 555 546 01 N23	Carrera Red			
(8)	997 555 545 90	Rosette	/L 11-	1	GT2RS
		Seat belt			
		Rear			
	997 555 545 90 01C	Satin black			
(8)	997 555 546 90	Rosette	/R 11-	1	GT2RS
		Seat belt			

Model: 997T10 Model life 2010>>2013

Pos	Part Number	Description	Remark	Qty	Model
9	997 555 546 90 01C 996 555 645 00	Rear Satin black Grille Bleeding Lacquered	/L	1	Turbo
	996 555 645 00 A03 996 555 645 00 5V7 996 555 645 00 5Z1 996 555 645 00 8W7 996 555 645 00 8X8 996 555 645 00 8P9 996 555 645 00 T13 996 555 645 00 N23	Black Stone grey Sand Beige Sea blue Terracotta Cocoa Brown/natural Carrera Red			
9	996 555 645 00	Grille Bleeding Lacquered	/L 11-	1	GT2RS
(9)	996 555 645 00 A03 996 555 646 00	Black Grille Bleeding Lacquered	/R	1	Turbo
	996 555 646 00 A03 996 555 646 00 5V7 996 555 646 00 5Z1 996 555 646 00 8W7 996 555 646 00 8X8 996 555 646 00 8P9 996 555 646 00 T13 996 555 646 00 N23	Black Stone grey Sand Beige Sea blue Terracotta Cocoa Brown/natural Carrera Red			
(9)	996 555 646 00	Grille Bleeding Lacquered	/R 11-	1	GT2RS
10	996 555 646 00 A03 996 555 821 02	Black Bracket	/L	1	
(10)	996 555 822 02	Coat hook Bracket Coat hook	/R	1	
11	999 507 695 01	Speed nut ST 4,8		2	
12	999 073 128 01	Tapping screw 6,3 X 14 Mount Bracket Coat hook		2	
(12)	999 025 268 01	Washer 6,4 X 18 Mount Bracket Coat hook		2	
13	999 073 060 02	Tapping screw 4,8 X 13		2	
14	997 555 183 01	Lining B-pillar Leather	/L	1	Turbo I981
	997 555 183 01 A11 997 555 183 01 5X6 997 555 183 01 8G2 997 555 183 01 3S9 997 555 183 01 9S5 997 555 183 01 9V6 997 555 183 01 D12 997 555 183 01 T12 997 555 183 01 N12	Black Stone grey Sand Beige Sea blue Terracotta Cocoa Dark grey/natural Brown/natural Carrera Red			

Model: 997T10 Model life 2010>>2013

Pos	Part Number	Description	Remark	Qty	Model
(14)	997 555 184 01	Lining	/R	1	Turbo I981
		B-pillar			
		Leather			
	997 555 184 01 A11	Black			
	997 555 184 01 5X6	Stone grey			
	997 555 184 01 8G2	Sand Beige			
	997 555 184 01 3S9	Sea blue			
	997 555 184 01 9S5	Terracotta			
	997 555 184 01 9V6	Cocoa			
	997 555 184 01 D12	Dark grey/natural			
	997 555 184 01 T12	Brown/natural			
	997 555 184 01 N12	Carrera Red			
-	996 555 859 00	Grommet		2	
		B-pillar			
15	997 555 071 01	Side trim panel	/L	1	TURBO I981
		Leather			
	997 555 071 01 FSA	Black/grey			
	997 555 071 01 FSD	Sea blue/grey			
	997 555 071 01 FSF	Terracotta/terracotta			
	997 555 071 01 FSG	Cocoa/Cocoa			
	997 555 071 01 FSH	Darkgrey natural/grey			
	997 555 071 01 FSJ	Brown nat./brown nat.			
15	997 555 071 01	Side trim panel	/L	1	TURBO I981
		Leather			
		Until			
		Chassis number			
		See technical information			
		GR.7 NR. 17/11			
		KD-NR. 70			
	997 555 071 01 FSB	Stone grey/stone grey			
	997 555 071 01 FSC	Sand beige/sand beige			
	997 555 071 01 FSP	Carrera Red			
15	997 555 911 00	Side trim panel	/L	1	TURBO I981
		Leather			
		From			
		Chassis number			
		See technical information			
		GR.7 NR. 17/11			
		KD-NR. 70			
	997 555 911 00 FSB	Stone grey/stone grey			
	997 555 911 00 FSC	Sand beige/sand beige			
	997 555 911 00 FSP	Carrera Red			
(15)	997 555 072 01	Side trim panel	/R	1	TURBO I981
		Leather			
	997 555 072 01 FSA	Black/grey			
	997 555 072 01 FSD	Sea blue/grey			
	997 555 072 01 FSF	Terracotta/terracotta			
	997 555 072 01 FSG	Cocoa/Cocoa			
	997 555 072 01 FSH	Darkgrey natural/grey			
	997 555 072 01 FSJ	Brown nat./brown nat.			
(15)	997 555 072 01	Side trim panel	/R	1	TURBO I981
		Leather			
		Until			
		Chassis number			
		See technical information			
		GR.7 NR. 17/11			
		KD-NR. 70			

Model: 997T10

Model life 2010&gt;&gt;2013

Pos	Part Number	Description	Remark	Qty	Model
(15)	997 555 072 01 FSB	Stone grey/stone grey	/R	1	TURBO I981
	997 555 072 01 FSC	Sand beige/sand beige			
	997 555 072 01 FSP	Carrera Red			
	997 555 912 00	Side trim panel			
15		Leather From Chassis number See technical information GR.7 NR. 17/11 KD-NR. 70	/L	1	TURBO I970
	997 555 912 00 FSB	Stone grey/stone grey			
	997 555 912 00 FSC	Sand beige/sand beige			
	997 555 912 00 FSP	Carrera Red			
(15)	997 555 071 06	Side trim panel	/R	1	TURBO I970
		two-colour			
	997 555 071 06 BCG	Black/stone grey			
	997 555 071 06 BCH	Black/sand beige			
(15)	997 555 071 06 BCJ	Black/terracotta	/L	1	GT2 I981
	997 555 072 06	Side trim panel			
		two-colour			
	997 555 072 06 BCG	Black/stone grey			
(15)	997 555 072 06 BCH	Black/sand beige	/R	1	GT2 I981
	997 555 072 06 BCJ	Black/terracotta			
	997 555 071 10	Side trim panel			
	997 555 071 10 FSA	Leather Black/grey			
16	997 555 071 10 FSH	Darkgrey natural/grey	/L	2	
	997 555 072 10	Side trim panel			
	997 555 072 10 FSA	Leather Black/grey			
	997 555 072 10 FSH	Darkgrey natural/grey			
17	999 507 479 01	Clamp 2,5/0,88		2	
17	999 551 609 40	Plastic washer 8,0 X 23 X 3,0		2	
18	999 507 533 02	Clamp 8.0 X 10 /2,5		1	
19	999 507 050 40	Expander nut ST 4,2		2	
20	999 073 142 09	Tapping screw ST 4,2 X 19		2	
21	997 555 049 00	Loudspeaker grille Side trim panel Lacquered	/L	1	GT2
21	997 555 049 00 A03	Black	/L	1	Turbo
	997 555 049 00	Loudspeaker grille Side trim panel Lacquered			
	997 555 049 00 A03	Black			
	997 555 049 00 5V7	Stone grey			
	997 555 049 00 5Z1	Sand Beige			
	997 555 049 00 8W7	Sea blue			
	997 555 049 00 8X8	Terracotta			
	997 555 049 00 8P9	Cocoa			
	997 555 049 00 T13	Brown/natural			
	997 555 049 00 N23	Carrera Red			
	(21) 997 555 049 01	Loudspeaker grille			



Model: 997T10 Model life 2010>>2013

Pos	Part Number	Description	Remark	Qty	Model
		Side trim panel Leather			
	997 555 049 01 A11	Black			
	997 555 049 01 5X6	Stone grey			
	997 555 049 01 8G2	Sand Beige			
	997 555 049 01 3S9	Sea blue			
	997 555 049 01 9S5	Terracotta			
	997 555 049 01 9V6	Cocoa			
	997 555 049 01 D12	Dark grey/natural			
	997 555 049 01 T12	Brown/natural			
	997 555 049 01 N12	Carrera Red			
(21)	997 555 050 00	Loudspeaker grille Side trim panel Lacquered	/R	1	GT2
	997 555 050 00 A03	Black			
(21)	997 555 050 00	Loudspeaker grille Side trim panel Lacquered	/R	1	Turbo
	997 555 050 00 A03	Black			
	997 555 050 00 5V7	Stone grey			
	997 555 050 00 5Z1	Sand Beige			
	997 555 050 00 8W7	Sea blue			
	997 555 050 00 8X8	Terracotta			
	997 555 050 00 8P9	Cocoa			
	997 555 050 00 T13	Brown/natural			
	997 555 050 00 N23	Carrera Red			
(21)	997 555 050 01	Loudspeaker grille	/R 10-	1	Turbo IXVT
		Side trim panel Leather			
	997 555 050 01 A11	Black			
	997 555 050 01 5X6	Stone grey			
	997 555 050 01 8G2	Sand Beige			
	997 555 050 01 3S9	Sea blue			
	997 555 050 01 9S5	Terracotta			
	997 555 050 01 9V6	Cocoa			
	997 555 050 01 D12	Dark grey/natural			
	997 555 050 01 T12	Brown/natural			
	997 555 050 01 N12	Carrera Red			
22	997 555 061 00	Rosette Seat belt Lacquered	/L	1	GT2
	997 555 061 00 A03	Black			
22	997 555 062 00	Rosette Seat belt Lacquered	/R	1	GT2
	997 555 062 00 A03	Black			
22	997 555 061 00	Rosette Seat belt Lacquered	/L	1	Turbo
	997 555 061 00 A03	Black			
	997 555 061 00 5V7	Stone grey			
	997 555 061 00 5Z1	Sand Beige			
	997 555 061 00 8W7	Sea blue			
	997 555 061 00 8X8	Terracotta			
	997 555 061 00 8P9	Cocoa			
	997 555 061 00 T13	Brown/natural			
	997 555 061 00 N23	Carrera Red			
(22)	997 555 062 00	Rosette Seat belt Lacquered	/R	1	Turbo
	997 555 062 00 A03	Black			
	997 555 062 00 5V7	Stone grey			

Model: 997T10 Model life 2010>>2013

Pos	Part Number	Description	Remark	Qty	Model
	997 555 062 00 5Z1	Sand Beige			
	997 555 062 00 8W7	Sea blue			
	997 555 062 00 8X8	Terracotta			
	997 555 062 00 8P9	Cocoa			
	997 555 062 00 T13	Brown/natural			
	997 555 062 00 N23	Carrera Red			
(22)	997 555 998 01	Rosette	/L 10-	1	Turbo IXDU
		Seat belt Leather			
	997 555 998 01 A11	Black			
	997 555 998 01 5X6	Stone grey			
	997 555 998 01 8G2	Sand Beige			
	997 555 998 01 3S9	Sea blue			
	997 555 998 01 9S5	Terracotta			
	997 555 998 01 9V6	Cocoa			
	997 555 998 01 D12	Dark grey/natural			
	997 555 998 01 T12	Brown/natural			
	997 555 998 01 N12	Carrera Red			
(22)	997 555 998 02	Rosette	/R 10-	1	Turbo IXDU
		Seat belt Leather			
	997 555 998 02 A11	Black			
	997 555 998 02 5X6	Stone grey			
	997 555 998 02 8G2	Sand Beige			
	997 555 998 02 3S9	Sea blue			
	997 555 998 02 9S5	Terracotta			
	997 555 998 02 9V6	Cocoa			
	997 555 998 02 D12	Dark grey/natural			
	997 555 998 02 T12	Brown/natural			
	997 555 998 02 N12	Carrera Red			
(22)	997 555 998 05	Rosette	/L 10-	1	Turbo IXCW
		Seat belt Aluminium			
	997 555 998 05 V04	Galvano silver			
(22)	997 555 998 06	Rosette	/R 10-	1	Turbo IXCW
		Seat belt Aluminium			
	997 555 998 06 V04	Galvano silver			
(22)	997 555 998 09	Rosette	/L 10-	1	Turbo IXDR
		Seat belt			
	997 555 998 09 G2X	Prime coated			
(22)	997 555 998 10	Rosette	/R 10-	1	Turbo IXDR
		Seat belt			
	997 555 998 10 G2X	Prime coated			
(22)	997 555 998 21	Rosette	/L 10-	1	Turbo IXJJ
		Seat belt Carbon			
	997 555 998 21 A35	Black			
(22)	997 555 998 22	Rosette	/R 10-	1	Turbo IXJJ
		Seat belt Carbon			
	997 555 998 22 A35	Black			
23	997 555 573 00	Coat hook Lacquered	/L	1	Turbo
	997 555 573 00 A03	Black			

Model: 997T10 Model life 2010>>2013

Pos	Part Number	Description	Remark	Qty	Model
	997 555 573 00 5V7	Stone grey			
	997 555 573 00 5Z1	Sand Beige			
	997 555 573 00 8W7	Sea blue			
	997 555 573 00 8X8	Terracotta			
	997 555 573 00 8P9	Cocoa			
	997 555 573 00 T13	Brown/natural			
	997 555 573 00 N23	Carrera Red			
(23)	997 555 574 00	Coat hook Lacquered	/R	1	Turbo
	997 555 574 00 A03	Black			
	997 555 574 00 5V7	Stone grey			
	997 555 574 00 5Z1	Sand Beige			
	997 555 574 00 8W7	Sea blue			
	997 555 574 00 8X8	Terracotta			
	997 555 574 00 8P9	Cocoa			
	997 555 574 00 T13	Brown/natural			
	997 555 574 00 N23	Carrera Red			
24	997 551 017 02	Adhesive carpet		1	TURBO I685
		Seat well			
	997 551 017 02 M10	Terracotta			
	997 551 017 02 R10	Cocoa			
	997 551 017 02 D11	Dark grey/natural			
	997 551 017 02 T11	Brown/natural			
24	997 551 017 02	Adhesive carpet		1	TURBO I685
		Seat well			
		Until			
		Chassis number			
		See technical information			
		GR.7 NR. 17/11			
		KD-NR. 70			
	997 551 017 02 A10	Black			
	997 551 017 02 B10	Stone grey			
	997 551 017 02 T10	Sand Beige			
	997 551 017 02 E10	Sea blue			
	997 551 017 02 N10	Carrera Red			
24	997 551 017 06	Adhesive carpet		1	TURBO I685
		Seat well			
		From			
		Chassis number			
		See technical information			
		GR.7 NR. 17/11			
		KD-NR. 70			
	997 551 017 06 A10	Black			
	997 551 017 06 B10	Stone grey			
	997 551 017 06 T10	Sand Beige			
	997 551 017 06 E10	Sea blue			
	997 551 017 06 R75	Espresso			
	997 551 017 06 N10	Carrera Red			
(25)	997 551 031 21	Adhesive carpet		1	TURBO I680
		Rear wall			
		Carpet			
	997 551 031 21 M10	Terracotta			
	997 551 031 21 R10	Cocoa			
	997 551 031 21 D11	Dark grey/natural			
	997 551 031 21 T11	Brown/natural			
(25)	997 551 031 21	Adhesive carpet		1	TURBO I680
		Rear wall			
		Carpet			

Model: 997T10 Model life 2010>>2013

Pos	Part Number	Description	Remark	Qty	Model
		Until Chassis number See technical information GR.7 NR. 17/11 KD-NR. 70			
	997 551 031 21 A10	Black			
	997 551 031 21 B10	Stone grey			
	997 551 031 21 T10	Sand Beige			
	997 551 031 21 E10	Sea blue			
	997 551 031 21 N10	Carrera Red			
(25)	997 551 031 32	Adhesive carpet		1	TURBO I680
		Rear wall Carpet From Chassis number See technical information GR.7 NR. 17/11 KD-NR. 70			
	997 551 031 32 A10	Black			
	997 551 031 32 B10	Stone grey			
	997 551 031 32 T10	Sand Beige			
	997 551 031 32 E10	Sea blue			
	997 551 031 32 R75	Espresso			
	997 551 031 32 N10	Carrera Red			
(25)	997 551 031 22	Adhesive carpet		1	TURBO I479/680
		Rear wall Carpet			
	997 551 031 22 M10	Terracotta			
	997 551 031 22 R10	Cocoa			
	997 551 031 22 D11	Dark grey/natural			
	997 551 031 22 T11	Brown/natural			
(25)	997 551 031 22	Adhesive carpet		1	TURBO I479/680
		Rear wall Carpet Until Chassis number See technical information GR.7 NR. 17/11 KD-NR. 70			
	997 551 031 22 A10	Black			
	997 551 031 22 B10	Stone grey			
	997 551 031 22 T10	Sand Beige			
	997 551 031 22 E10	Sea blue			
	997 551 031 22 N10	Carrera Red			
(25)	997 551 031 33	Adhesive carpet		1	TURBO I479/680
		Rear wall Carpet From Chassis number See technical information GR.7 NR. 17/11 KD-NR. 70			
	997 551 031 33 A10	Black			
	997 551 031 33 B10	Stone grey			
	997 551 031 33 T10	Sand Beige			
	997 551 031 33 E10	Sea blue			
	997 551 031 33 N10	Carrera Red			
(25)	997 551 031 86	Adhesive carpet	11-	1	GT2RS I004

Model: 997T10 Model life 2010>>2013

Pos	Part Number	Description	Remark	Qty	Model
26	997 551 031 86 A10 997 551 033 01	Rear wall Carpet with Logo Black Lining		1	Turbo I680
26	997 551 033 01 M10 997 551 033 01 R10 997 551 033 01 D11 997 551 033 01 T11 997 551 033 01	Control units Carpet Terracotta Cocoa Dark grey/natural Brown/natural Lining		1	Turbo I680
26	997 551 033 01 A10 997 551 033 01 B10 997 551 033 01 T10 997 551 033 01 E10 997 551 033 01 N10 997 551 033 04	Control units Carpet Until Chassis number See technical information GR.7 NR. 17/11 KD-NR. 70 Black Stone grey Sand Beige Sea blue Carrera Red Lining		1	Turbo I680
(26)	997 551 033 04 A10 997 551 033 04 B10 997 551 033 04 T10 997 551 033 04 E10 997 551 033 04 R75 997 551 033 04 N10 997 551 033 80	Control units Carpet From Chassis number See technical information GR.7 NR. 17/11 KD-NR. 70 Black Stone grey Sand Beige Sea blue Espresso Carrera Red Lining	11-	1	GT2RS
(26)	997 551 033 80 A10 997 551 033 83	Control units Carpet Until Chassis number See technical information GR.7 NR. 17/11 KD-NR. 70 Black Lining	11-	1	GT2RS
(26)	997 551 033 83 A10 997 551 033 81	Control units Carpet From Chassis number See technical information GR.7 NR. 17/11 KD-NR. 70 Black Lining	11-	1	GT2RS I003
		Control units			

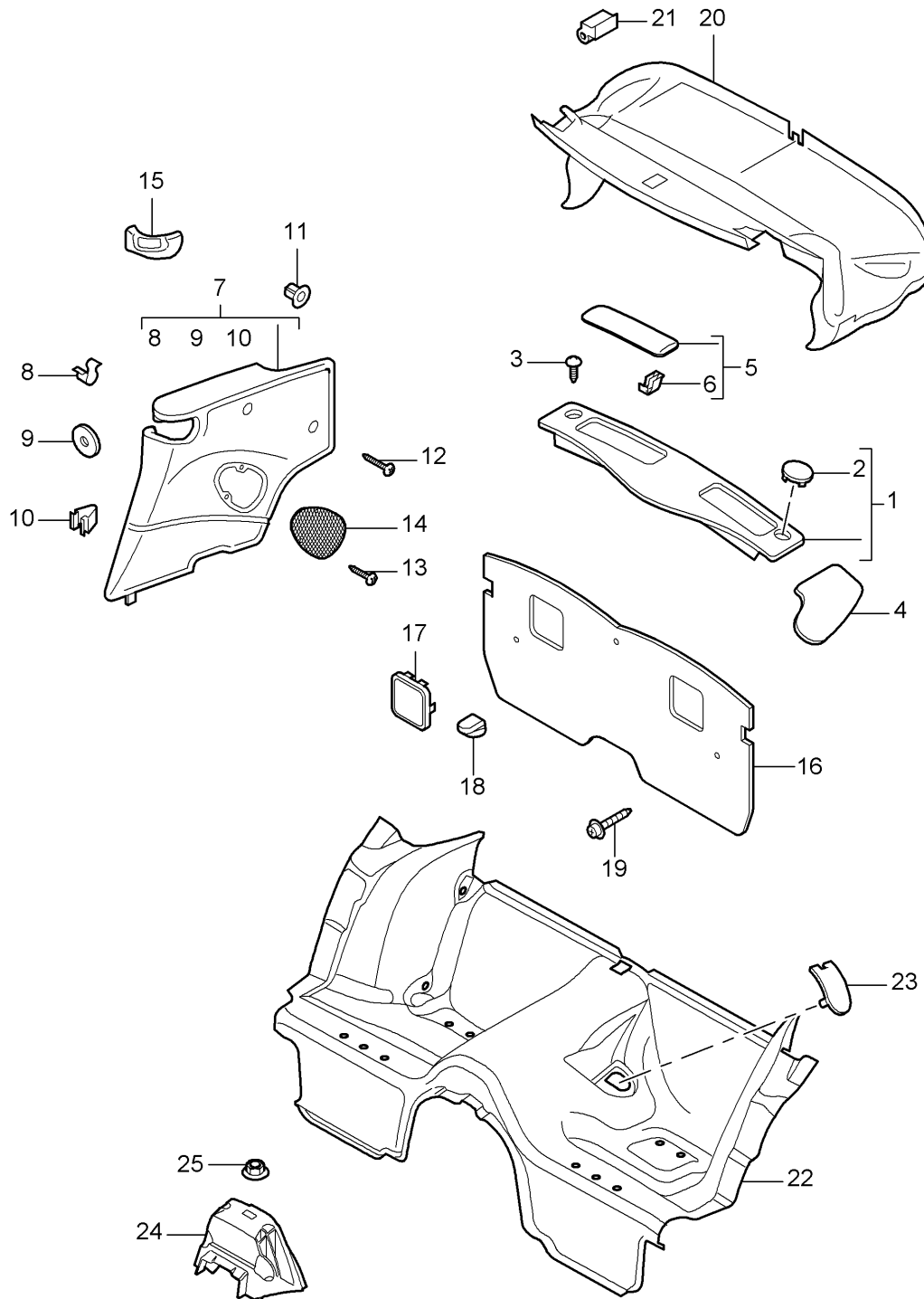
Model: 997T10

Model life 2010>>2013

Pos	Part Number	Description	Remark	Qty	Model
		Carpet Until Chassis number See technical information GR.7 NR. 17/11 KD-NR. 70			
(26)	997 551 033 81 A10 997 551 033 82	Black Lining	11-	1	GT2RS I003
		Control units Carpet From Chassis number See technical information GR.7 NR. 17/11 KD-NR. 70			
27	997 551 033 82 A10 997 551 525 00	Black Cover	/L	1	Turbo
		Seat-belt buckle			
(27)	997 551 525 00 01C 997 551 526 00	Satin black Cover	/R	1	Turbo
		Seat-belt buckle			
29	997 551 526 00 01C 999 507 476 01	Satin black Clamp 8,0 x 10 / 2,5		2	
		Mount			
30	997 551 355 90	Coat hook Logo	11-	1	GT2RS I004
		RS			
31	997 551 355 90 A03 997 551 897 01	Black Lock washer	11-	3	GT2RS I004
		for Mount Logo			

Model: 997T10

Model life 2010>>2013



Model: 997T10

Model life 2010>>2013

Pos	Part Number	Description	Remark	Qty	Model
1	996 555 083 04	Linings Rear Cover Convertible top Cloth		1	CABRIO
	996 555 083 04 EDK	Black			
	996 555 083 04 FNX	Stone grey			
	996 555 083 04 ERN	Metropole blue			
	996 555 083 04 FNZ	Brown			
2	996 555 457 00	Lid Hardtop Mounting Lacquered		2	
	996 555 457 00 A10	Black			
	996 555 457 00 5V7	Stone grey			
	996 555 457 00 G10	Metropole blue			
	996 555 457 00 8P9	Cocoa			
3	999 073 060 02	Tapping screw 4,8 X 13 for Mount Cover		3	
4	996 555 263 03	Convertible top Flap Convertible top Cloth	/L	1	
	996 555 263 03 A07	Black			
	996 555 263 03 C19	Stone grey			
	996 555 263 03 G03	Metropole blue			
	996 555 263 03 R18	Brown			
(4)	996 555 264 03	Flap Convertible top Cloth	/R	1	
	996 555 264 03 A07	Black			
	996 555 264 03 C19	Stone grey			
	996 555 264 03 G03	Metropole blue			
	996 555 264 03 R18	Brown			
5	996 555 341 01	Flap Cover	/L	1	
	996 555 341 01 A07	Black			
	996 555 341 01 C19	Stone grey			
	996 555 341 01 G03	Metropole blue			
	996 555 341 01 R18	Brown			
(5)	996 555 342 01	Flap Cover	/R	1	
	996 555 342 01 A07	Black			
	996 555 342 01 C19	Stone grey			
	996 555 342 01 G03	Metropole blue			
	996 555 342 01 R18	Brown			
6	996 555 355 00	Hinge Outer		2	
(6)	996 555 356 00	Hinge Inner		2	
-	996 580 667 00	Support		2	
-	999 591 489 02	Speed nut 4,8		2	
-	999 591 489 01	Speed nut 4,8		2	
-	999 073 060 02	Tapping screw 4,8 X 13		3	
7	997 555 071 12	Side trim panel Leather When required order also:	/L	1	I981



Model: 997T10 Model life 2010>>2013

Pos	Part Number	Description	Remark	Qty	Model
		999.551.173.40 See TPI Group 8 Nr. 52			
	997 555 071 12 FSA	Black/grey			
	997 555 071 12 FSD	Sea blue/grey			
	997 555 071 12 FSF	Terracotta/terracotta			
	997 555 071 12 FSG	Cocoa/Cocoa			
	997 555 071 12 FSH	Darkgrey natural/grey			
	997 555 071 12 FSJ	Brown nat./brown nat.			
7	997 555 071 12	Side trim panel Leather When required order also: 999.551.173.40 See TPI Group 8 Nr. 52 Until Chassis number See technical information GR.7 NR. 17/11 KD-NR. 70	/L	1	I981
	997 555 071 12 FSB	Stone grey/stone grey			
	997 555 071 12 FSC	Sand beige/sand beige			
7	997 555 911 03	Side trim panel Leather When required order also: 999.551.173.40 See TPI Group 8 Nr. 52 From Chassis number See technical information GR.7 NR. 17/11 KD-NR. 70	/L	1	I981
	997 555 911 03 FSB	Stone grey/stone grey			
	997 555 911 03 FSC	Sand beige/sand beige			
(7)	997 555 072 12	Side trim panel Leather When required order also: 999.551.173.40 See TPI Group 8 Nr. 52	/R	1	I981
	997 555 072 12 FSA	Black/grey			
	997 555 072 12 FSD	Sea blue/grey			
	997 555 072 12 FSF	Terracotta/terracotta			
	997 555 072 12 FSG	Cocoa/Cocoa			
	997 555 072 12 FSH	Darkgrey natural/grey			
	997 555 072 12 FSJ	Brown nat./brown nat.			
(7)	997 555 072 12	Side trim panel Leather When required order also: 999.551.173.40 See TPI Group 8 Nr. 52 Until Chassis number See technical information GR.7 NR. 17/11 KD-NR. 70	/R	1	I981

Model: 997T10 Model life 2010>>2013

Pos	Part Number	Description	Remark	Qty	Model
(7)	997 555 072 12 FSB 997 555 072 12 FSC 997 555 912 03	Stone grey/stone grey Sand beige/sand beige Side trim panel Leather When required order also: 999.551.173.40 See TPI Group 8 Nr. 52 From Chassis number See technical information GR.7 NR. 17/11 KD-NR. 70	/R	1	I981
7	997 555 912 03 FSB 997 555 912 03 FSC 997 555 071 13	Stone grey/stone grey Sand beige/sand beige Side trim panel two-colour When required order also: 999.551.173.40 See TPI Group 8 Nr. 52	/L	1	I970
(7)	997 555 071 13 BCK 997 555 071 13 BCL 997 555 071 13 BCM 997 555 072 13	Black/stone grey Black/sand beige Black/terracotta Side trim panel two-colour When required order also: 999.551.173.40 See TPI Group 8 Nr. 52	/R	1	I970
-	999 551 173 40	Felt strip 35 x 22 x 5		2	
8	999 507 676 09	Clamp 2,5/2,2		1	
9	999 551 609 40	Plastic washer 8,0 X 23 X3,0		1	
10	999 507 533 02	Clamp 8,0 X 10 /2,5		2	
11	999 507 050 40	Expander nut ST 4,2		2	
12	999 073 142 09	Tapping screw ST 4,2 X 19		2	
13	999 073 048 02	Tapping screw ST 3,5 X 13		2	
14	997 555 049 00	Loudspeaker grille Side trim panel Lacquered	/L	1	
	997 555 049 00 A03	Black			
	997 555 049 00 5V7	Stone grey			
	997 555 049 00 5Z1	Sand Beige			
	997 555 049 00 8W7	Sea blue			
	997 555 049 00 8X8	Terracotta			
	997 555 049 00 8P9	Cocoa			
	997 555 049 00 T13	Brown/natural			
	997 555 049 00 N23	Carrera Red			
(14)	997 555 050 00	Loudspeaker grille Side trim panel	/R	1	

Model: 997T10 Model life 2010>>2013

Pos	Part Number	Description	Remark	Qty	Model
		Lacquered			
	997 555 050 00 A03	Black			
	997 555 050 00 5V7	Stone grey			
	997 555 050 00 5Z1	Sand Beige			
	997 555 050 00 8W7	Sea blue			
	997 555 050 00 8X8	Terracotta			
	997 555 050 00 8P9	Cocoa			
	997 555 050 00 T13	Brown/natural			
	997 555 050 00 N23	Carrera Red			
(14)	997 555 049 01	Loudspeaker grille Side trim panel Leather	/L 10-	1	IXVT
	997 555 049 01 A11	Black			
	997 555 049 01 5X6	Stone grey			
	997 555 049 01 8G2	Sand Beige			
	997 555 049 01 3S9	Sea blue			
	997 555 049 01 9S5	Terracotta			
	997 555 049 01 9V6	Cocoa			
	997 555 049 01 D12	Dark grey/natural			
	997 555 049 01 T12	Brown/natural			
	997 555 049 01 N12	Carrera Red			
(14)	997 555 050 01	Loudspeaker grille Side trim panel Leather	/R 10-	1	IXVT
	997 555 050 01 A11	Black			
	997 555 050 01 5X6	Stone grey			
	997 555 050 01 8G2	Sand Beige			
	997 555 050 01 3S9	Sea blue			
	997 555 050 01 9S5	Terracotta			
	997 555 050 01 9V6	Cocoa			
	997 555 050 01 D12	Dark grey/natural			
	997 555 050 01 T12	Brown/natural			
	997 555 050 01 N12	Carrera Red			
(15)	997 555 671 01	Rosette Seat belt	/L	1	
	997 555 671 01 A03	Black			
	997 555 671 01 5V7	Stone grey			
	997 555 671 01 5Z1	Sand Beige			
	997 555 671 01 8W7	Sea blue			
	997 555 671 01 N23	Carrera Red			
	997 555 671 01 8X8	Terracotta			
	997 555 671 01 8P9	Cocoa			
	997 555 671 01 T13	Brown/natural			
(15)	997 555 672 01	Rosette Seat belt	/R	1	
	997 555 672 01 A03	Black			
	997 555 672 01 5V7	Stone grey			
	997 555 672 01 5Z1	Sand Beige			
	997 555 672 01 8W7	Sea blue			
	997 555 672 01 N23	Carrera Red			
	997 555 672 01 8X8	Terracotta			
	997 555 672 01 8P9	Cocoa			
	997 555 672 01 T13	Brown/natural			
(15)	997 555 998 03	Rosette Seat belt Leather	/L 10-	1	IXDU
	997 555 998 03 A11	Black			
	997 555 998 03 5X6	Stone grey			
	997 555 998 03 8G2	Sand Beige			
	997 555 998 03 3S9	Sea blue			
	997 555 998 03 9S5	Terracotta			
	997 555 998 03 9V6	Cocoa			
	997 555 998 03 D12	Dark grey/natural			

Model: 997T10 Model life 2010>>2013

Pos	Part Number	Description	Remark	Qty	Model
(15)	997 555 998 03 T12	Brown/natural			
	997 555 998 03 N12	Carrera Red			
	997 555 998 04	Rosette	/R 10-	1	IXDU
		Seat belt			
		Leather			
	997 555 998 04 A11	Black			
	997 555 998 04 5X6	Stone grey			
	997 555 998 04 8G2	Sand Beige			
	997 555 998 04 3S9	Sea blue			
	997 555 998 04 9S5	Terracotta			
997 555 998 04 9V6	Cocoa				
997 555 998 04 D12	Dark grey/natural				
997 555 998 04 T12	Brown/natural				
997 555 998 04 N12	Carrera Red				
(15)	997 555 998 07	Rosette	/L 10-	1	IXCW
		Seat belt			
		Aluminium			
(15)	997 555 998 07 V04	Galvano silver			
(15)	997 555 998 08	Rosette	/R 10-	1	IXCW
		Seat belt			
		Aluminium			
(15)	997 555 998 08 V04	Galvano silver			
(15)	997 555 998 11	Rosette	/L 10-	1	IXDR
		Seat belt			
(15)	997 555 998 11 G2X	Prime coated			
(15)	997 555 998 12	Rosette	/R 10-	1	IXDR
		Seat belt			
(15)	997 555 998 12 G2X	Prime coated			
(15)	997 555 998 23	Rosette	/L 10-	1	IXJJ
		Seat belt			
		Carbon			
(15)	997 555 998 23 A35	Black			
(15)	997 555 998 24	Rosette	/R 10-	1	IXJJ
		Seat belt			
		Carbon			
(16)	997 555 998 24 A35	Black			
(16)	996 555 281 06	Back wall lining		1	
		Carpet			
	996 555 281 06 A10	Black			
	996 555 281 06 B10	Stone grey			
	996 555 281 06 E10	Sea blue			
	996 555 281 06 N10	Carrera Red			
	996 555 281 06 M10	Terracotta			
	996 555 281 06 R10	Cocoa			
	996 555 281 06 D11	Dark grey/natural			
	996 555 281 06 T11	Brown/natural			
16	996 555 281 07	Back wall lining		1	I479
		Carpet			
	996 555 281 07 A10	Black			
	996 555 281 07 B10	Stone grey			
	996 555 281 07 E10	Sea blue			
	996 555 281 07 N10	Carrera Red			
	996 555 281 07 M10	Terracotta			
	996 555 281 07 R10	Cocoa			
	996 555 281 07 D11	Dark grey/natural			
	996 555 281 07 T11	Brown/natural			
17	996 555 785 00	Cover		2	I479
		Release			
		Carpet			
	996 555 785 00 EDA	Black			
	996 555 785 00 FNQ	Stone grey			
	996 555 785 00 FNR	Sand Beige			
	996 555 785 00 FNS	Sea blue			

Model: 997T10 Model life 2010>>2013

Pos	Part Number	Description	Remark	Qty	Model
	996 555 785 00 FSW	Carrera Red			
	996 555 785 00 FNU	Terracotta			
	996 555 785 00 FNV	Cocoa			
	996 555 785 00 VSM	Dark grey/natural			
	996 555 785 00 VSN	Brown/natural			
18	996 555 789 00	Base		1	
		Wind deflector			
	996 555 789 00 01C	Satin black			
19	999 073 062 02	Tapping screw 4,8 X 12		2	
20	997 551 035 01	Lining Convertible top frame Carpet		1	
	997 551 035 01 B04	Dark grey			
21	999 703 432 40	Stopper for Mount Lining Convertible top frame		X	
22	997 551 017 03	Adhesive carpet Seat well Carpet		1	
	997 551 017 03 M10	Terracotta			
	997 551 017 03 R10	Cocoa			
	997 551 017 03 D11	Dark grey/natural			
	997 551 017 03 T11	Brown/natural			
22	997 551 017 03	Adhesive carpet Seat well Carpet Until Chassis number See technical information GR.7 NR. 17/11 KD-NR. 70		1	
	997 551 017 03 A10	Black			
	997 551 017 03 B10	Stone grey			
	997 551 017 03 T10	Sand Beige			
	997 551 017 03 E10	Sea blue			
	997 551 017 03 N10	Carrera Red			
22	997 551 017 07	Adhesive carpet Seat well Carpet From Chassis number See technical information GR.7 NR. 17/11 KD-NR. 70		1	
	997 551 017 07 A10	Black			
	997 551 017 07 B10	Stone grey			
	997 551 017 07 T10	Sand Beige			
	997 551 017 07 E10	Sea blue			
	997 551 017 07 N10	Carrera Red			
(23)	997 551 525 00	Cover Seat-belt buckle	/L	1	
	997 551 525 00 01C	Satin black			
23	997 551 526 00	Cover Seat-belt buckle	/R	1	
	997 551 526 00 01C	Satin black			
24	997 551 221 00	Support Seat well		1	
25	999 076 081 40	Plastic nut T5 16 X 11,2		2	
26	996 561 871 00	Clip		1	

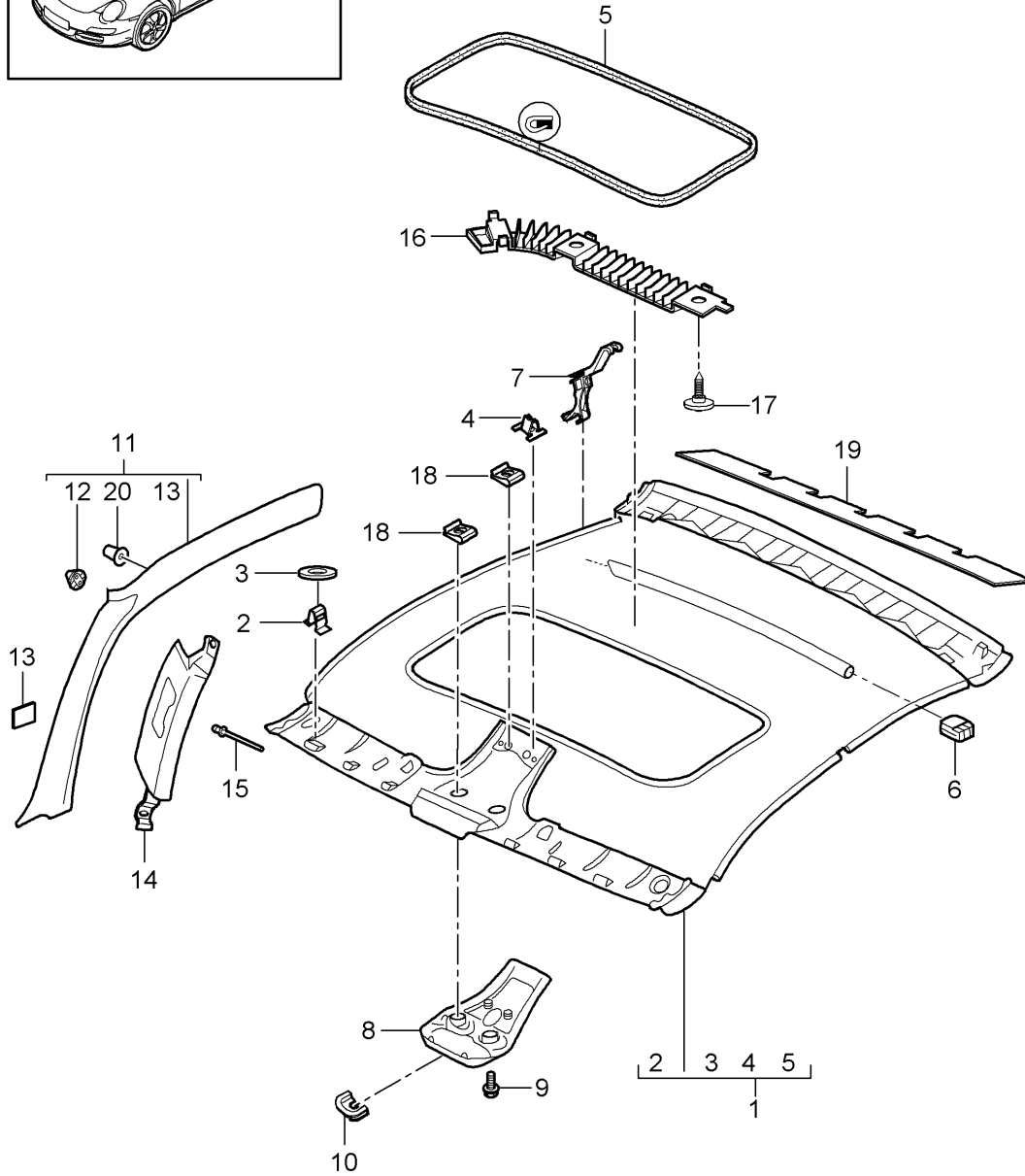
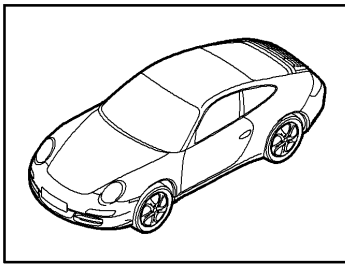
Model: 997T10

Model life 2010&gt;&gt;2013

Pos	Part Number	Description	Remark	Qty	Model
		Mount Side trim panel And Water drip pan			

Model: 997T10

Model life 2010>>2013



Model: 997T10 Model life 2010>>2013

Pos	Part Number	Description	Remark	Qty	Model
1	997 555 091 02	Rooflining A-pillar Rooflining		1	COUPE  Turbo I652
	997 555 091 02 A14	Alcantara Black			
	997 555 091 02 B14	Stone grey			
	997 555 091 02 T44	Sand Beige			
	997 555 091 02 G14	Metropole blue			
(1)	997 555 091 03	Rooflining		1	TURBO I650
	997 555 091 03 A14	Alcantara Black			
	997 555 091 03 B14	Stone grey			
	997 555 091 03 T44	Sand Beige			
	997 555 091 03 G14	Metropole blue			
(1)	997 555 980 02	Rooflining		1	Turbo IXMA/652
	997 555 980 02 A11	Black			
	997 555 980 02 5X6	Stone grey			
	997 555 980 02 8G2	Sand Beige			
	997 555 980 02 3S9	Sea blue			
	997 555 980 02 9S5	Terracotta			
	997 555 980 02 9V6	Cocoa			
	997 555 980 02 D12	Dark grey/natural			
	997 555 980 02 T12	Brown/natural			
	997 555 980 02 N12	Carrera Red			
(1)	997 555 980 03	Rooflining		1	TURBO IXMA/650
	997 555 980 03 A11	Black			
	997 555 980 03 5X6	Stone grey			
	997 555 980 03 8G2	Sand Beige			
	997 555 980 03 3S9	Sea blue			
	997 555 980 03 9S5	Terracotta			
	997 555 980 03 9V6	Cocoa			
	997 555 980 03 D12	Dark grey/natural			
	997 555 980 03 T12	Brown/natural			
	997 555 980 03 N12	Carrera Red			
2	999 507 479 01	Clamp 2,5/0,9		6	
3	999 551 609 40	Plastic washer 8,0 X 23 X 3,0		6	
4	999 507 533 02	Clamp 8 X 10/2,5		2	TURBO I650
5	996 564 231 02	Piping		1	TURBO I650
6	997 555 823 00	Support		2	TURBO I650
7	996 555 691 02	Transverse strut Clip Mount		8	
(8)	996 555 557 09	Rooflining Cover		1	TURBO I650
	996 555 557 09 A03	Interior light Black			
	996 555 557 09 5V7	Stone grey			
	996 555 557 09 5Z1	Sand Beige			
	996 555 557 09 8W7	Sea blue			
8	996 555 557 11	Cover Interior light		1	Turbo I652



Model: 997T10 Model life 2010>>2013

Pos	Part Number	Description	Remark	Qty	Model			
(8)	996 555 557 11 A03	Black		1	TURBO IXZD/650			
	996 555 557 11 5V7	Stone grey						
	996 555 557 11 5Z1	Sand Beige						
	996 555 557 11 8W7	Sea blue						
	996 555 993 02	Cover						
		Interior light						
		Leather						
	996 555 993 02 A11	Black						
	996 555 993 02 5X6	Stone grey						
	996 555 993 02 8G2	Sand Beige						
	996 555 993 02 3S9	Sea blue						
	996 555 993 02 9S5	Terracotta						
	996 555 993 02 9V6	Cocoa						
	996 555 993 02 D12	Dark grey/natural						
	996 555 993 02 T12	Brown/natural						
	996 555 993 02 N12	Carrera Red						
	(8)	996 555 993 03	Cover				1	Turbo IXZD/652
		Interior light						
		Leather						
996 555 993 03 A11		Black						
996 555 993 03 5X6		Stone grey						
996 555 993 03 8G2		Sand Beige						
996 555 993 03 3S9		Sea blue						
996 555 993 03 9S5		Terracotta						
996 555 993 03 9V6		Cocoa						
996 555 993 03 D12		Dark grey/natural						
996 555 993 03 T12		Brown/natural						
996 555 993 03 N12		Carrera Red						
		Information available						
9		999 073 061 02	Tapping screw 4,8 X 16		X			
10		996 555 619 00	Grommet Wiring harness		1			
(11)		997 555 181 05	Rain sensor Lining	/L	1	Turbo I981		
			A-pillar					
		Leather						
	997 555 181 05 A11	Black						
	997 555 181 05 5X6	Stone grey						
	997 555 181 05 8G2	Sand Beige						
	997 555 181 05 3S9	Sea blue						
	997 555 181 05 9S5	Terracotta						
	997 555 181 05 9V6	Cocoa						
	997 555 181 05 D12	Dark grey/natural						
	997 555 181 05 T12	Brown/natural						
	997 555 181 05 N12	Carrera Red						
	(11)	997 555 182 05	Lining	/R			1	Turbo I981
			A-pillar					
			Leather					
		997 555 182 05 A11	Black					
		997 555 182 05 5X6	Stone grey					
997 555 182 05 8G2		Sand Beige						
997 555 182 05 3S9		Sea blue						
997 555 182 05 9S5		Terracotta						
997 555 182 05 9V6		Cocoa						
997 555 182 05 D12		Dark grey/natural						
997 555 182 05 T12		Brown/natural						
997 555 182 05 N12		Carrera Red						
12		999 507 681 01	Clamp		5			

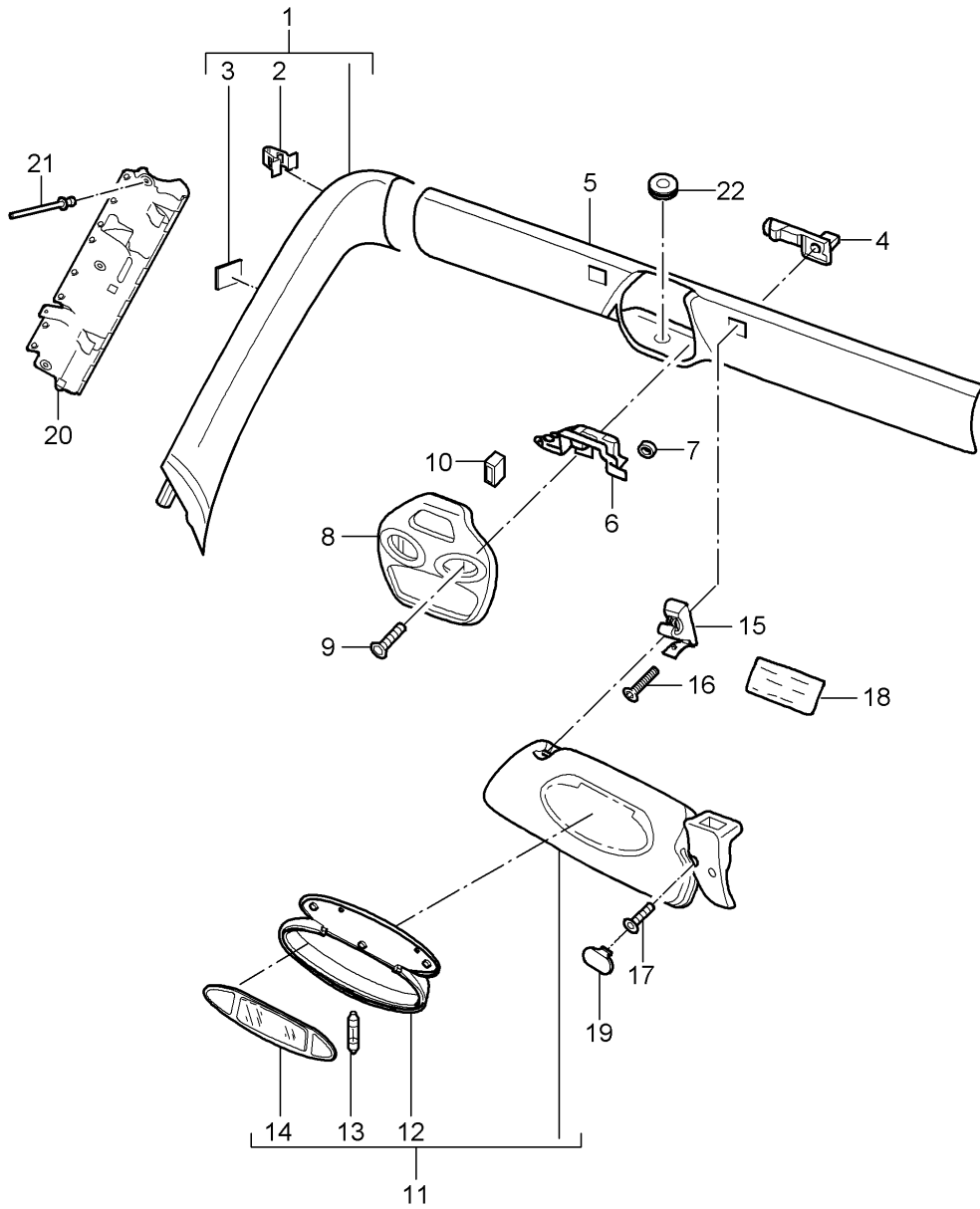
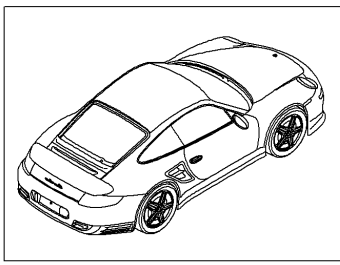
Model: 997T10

Model life 2010&gt;&gt;2013

Pos	Part Number	Description	Remark	Qty	Model
(12)	999 507 839 01	2,5/3,0 Clamp		2	
(12)	999 507 047 01	3,5 Clamp		3	
13	999 551 134 40	3,6 Adhesive tape		5	
15	999 190 184 01	20 X 65 Blind rivet		8	
18	999 591 348 01	4,0 X 8,5 Speed nut		X	
19	997 556 603 00	St 4,8 Sound absorber		1	
20	997 555 857 00	Tensioner Rear Grommet A-pillar		X	

Model: 997T10

Model life 2010>>2013



Model: 997T10 Model life 2010>>2013

Pos	Part Number	Description	Remark	Qty	Model
1	997 555 181 07	A-pillar Windscreen frame Sun visors Lining	/L	1	CABRIO CABRIO COUPE/CABRIO CABRIO I981
	997 555 181 07 A11	Leather Black			
	997 555 181 07 5X6	Stone grey			
	997 555 181 07 8G2	Sand Beige			
	997 555 181 07 3S9	Sea blue			
	997 555 181 07 9S5	Terracotta			
	997 555 181 07 9V6	Cocoa			
	997 555 181 07 D12	Dark grey/natural			
	997 555 181 07 T12	Brown/natural			
	997 555 181 07 N12	Carrera Red			
(1)	997 555 182 07	Lining	/R	1	CABRIO I981
	997 555 182 07 A11	A-pillar Leather Black			
	997 555 182 07 5X6	Stone grey			
	997 555 182 07 8G2	Sand Beige			
	997 555 182 07 3S9	Sea blue			
	997 555 182 07 9S5	Terracotta			
	997 555 182 07 9V6	Cocoa			
	997 555 182 07 D12	Dark grey/natural			
	997 555 182 07 T12	Brown/natural			
	997 555 182 07 N12	Carrera Red			
2	999 507 047 01	Clamp 3,6		2	
3	999 551 134 40	Adhesive tape 20 X 65		2	
4	986 731 541 01	Plate for Sun visors		2	
5	997 555 059 01	Lining		1	CABRIO I981
	997 555 059 01 A11	Windscreen frame part Leather Black			
	997 555 059 01 5X6	Stone grey			
	997 555 059 01 8G2	Sand Beige			
	997 555 059 01 3S9	Sea blue			
	997 555 059 01 9S5	Terracotta			
	997 555 059 01 9V6	Cocoa			
	997 555 059 01 D12	Dark grey/natural			
	997 555 059 01 T12	Brown/natural			
	997 555 059 01 N12	Carrera Red			
6	996 613 795 01	Microswitch		1	CABRIO
7	999 507 534 02	Clamping washer 2,5		2	CABRIO
8	996 561 635 00	Cover Interior light Lacquered		1	CABRIO
-	996 561 635 00 A09	Rally black			
-	996 561 613 00	Cover		1	CABRIO
-	996 561 613 00 01C	Satin black			
9	999 073 166 09	Countersunk-head screw M6 X 25		2	CABRIO
10	996 561 609 00	Cap		1	CABRIO
11	997 731 031 15	Sun visor Leatherette	/L	1	TURBO/COUPE

Model: 997T10 Model life 2010>>2013

Pos	Part Number	Description	Remark	Qty	Model
11	997 731 031 15 A12	Black	/L 11-	1	GT2RS
	997 731 031 15 8W4	Stone grey			
(11)	997 731 031 15 7E3	Sand Beige	/R	1	TURBO/COUPE
	997 731 031 15 8Z5	Sea blue			
(11)	997 731 031 15	Sun visor	/R 11-	1	GT2RS
		Leatherette			
(11)	997 731 031 15 A12	Black	/L	1	TURBO/COUPE IXMP
	997 731 032 15	Sun visor			
(11)	997 731 032 15 A12	Black	11-	1	Turbo S TURBO/COUPE IXMP
	997 731 032 15 8W4	Stone grey			
(11)	997 731 032 15 7E3	Sand Beige	/R	1	Turbo S TURBO/COUPE IXMP
	997 731 032 15 8Z5	Sea blue			
(11)	997 731 032 15	Sun visor	/L	1	Turbo S TURBO/COUPE IXMP
		Leatherette			
(11)	997 731 032 15 A12	Black	11-	1	Turbo S TURBO/COUPE IXMP
	997 731 981 00	Sun visor			
(11)		Leather	/R	1	Turbo S TURBO/COUPE IXMP
	997 731 981 00 A11	Black			
(11)	997 731 981 00 5X6	Stone grey	/L	1	Turbo S TURBO/COUPE IXMP
	997 731 981 00 8G2	Sand Beige			
(11)	997 731 981 00 3S9	Sea blue	/L	1	Turbo S TURBO/COUPE IXMP
	997 731 981 00 9S5	Terracotta			
(11)	997 731 981 00 9V6	Cocoa	/L	1	Turbo S TURBO/COUPE IXMP
	997 731 981 00 T12	Brown/natural			
(11)	997 731 981 00 D12	Dark grey/natural	/L	1	Turbo S TURBO/COUPE IXMP
	997 731 981 00 N12	Carrera Red			
(11)	997 731 981 00 TSB	Black/black	/L	1	Turbo S TURBO/COUPE IXMP
	997 731 982 00	Sun visor			
(11)		Leather	/L	1	Turbo S TURBO/COUPE IXMP
	997 731 982 00 A11	Black			
(11)	997 731 982 00 5X6	Stone grey	/L	1	Turbo S TURBO/COUPE IXMP
	997 731 982 00 8G2	Sand Beige			
(11)	997 731 982 00 3S9	Sea blue	/L	1	Turbo S TURBO/COUPE IXMP
	997 731 982 00 9S5	Terracotta			
(11)	997 731 982 00 9V6	Cocoa	/L	1	Turbo S TURBO/COUPE IXMP
	997 731 982 00 T12	Brown/natural			
(11)	997 731 982 00 D12	Dark grey/natural	/L	1	Turbo S TURBO/COUPE IXMP
	997 731 982 00 N12	Carrera Red			
(11)	997 731 982 00 TSB	Black/black	/L	1	Turbo S TURBO/COUPE IXMP
	997 731 031 18	Sun visor			
(11)		Leatherette	/R	1	CABRIO
	997 731 031 18 A12	Black			
(11)	997 731 031 18 8W4	Stone grey	/R	1	CABRIO
	997 731 031 18 7E3	Sand Beige			
(11)	997 731 031 18 8Z5	Sea blue	/R	1	CABRIO
		Information available			
(11)	997 731 032 18	Sun visor	/L	1	CABRIO IXMP
		Leatherette			
(11)	997 731 032 18 A12	Black	/L	1	CABRIO IXMP
	997 731 032 18 8W4	Stone grey			
(11)	997 731 032 18 7E3	Sand Beige	/L	1	CABRIO IXMP
	997 731 032 18 8Z5	Sea blue			
(11)		Information available	/L	1	CABRIO IXMP
	997 731 981 06	Sun visor			
(11)		Leather	/L	1	CABRIO IXMP
	997 731 981 06 A11	Black			
(11)	997 731 981 06 5X6	Stone grey	/L	1	CABRIO IXMP
	997 731 981 06 8G2	Sand Beige			
(11)	997 731 981 06 3S9	Sea blue	/L	1	CABRIO IXMP
		Information available			

Model: 997T10 Model life 2010>>2013

Pos	Part Number	Description	Remark	Qty	Model
	997 731 981 06 9S5	Terracotta			
	997 731 981 06 9V6	Cocoa			
	997 731 981 06 D12	Dark grey/natural			
	997 731 981 06 T12	Brown/natural			
	997 731 981 06 N12	Carrera Red			
	997 731 981 06 TSB	Black/black	11-		Turbo S
(11)	997 731 982 06	Sun visor	/R	1	CABRIO IXMP
		Leather			
	997 731 982 06 A11	Black			
	997 731 982 06 5X6	Stone grey			
	997 731 982 06 8G2	Sand Beige			
	997 731 982 06 3S9	Sea blue			
	997 731 982 06 9S5	Terracotta			
	997 731 982 06 9V6	Cocoa			
	997 731 982 06 D12	Dark grey/natural			
	997 731 982 06 T12	Brown/natural			
	997 731 982 06 N12	Carrera Red			
	997 731 982 06 TSB	Black/black	11-		Turbo S
12	996 731 903 00	Mirror housing with Illumination		1	
	996 731 903 00 01C	Satin black			
13	999 631 147 90	Bulb 3 W		4	
14	996 731 531 01	Mirror glass with Frame		2	
	996 731 531 01 01C	Satin black			
15	996 731 341 00	Support Sun visor	/L	1	
	996 731 341 00 01C	Satin black			
(15)	996 731 342 00	Support Sun visor	/R	1	
	996 731 342 00 01C	Satin black			
16	999 919 120 09	Oval-head screw M 4 x 18		1	
17	999 073 166 09	Countersunk-head screw M 6 X 25		42	CABRIO
(17)	999 073 326 09	Oval-head screw M 5 X 10		2	COUPE
(17)	999 500 093 02	Nut M5		2	COUPE
(18)	997 701 401 06	Indication sticker  Convertible top control German		1	CABRIO I488
(18)	997 701 401 07	Indication sticker  Convertible top control English		1	CABRIO I130
(18)	997 701 401 08	Indication sticker  Convertible top control French		1	CABRIO I113/126
(18)	997 701 401 09	Indication sticker  Convertible top control Italian		1	CABRIO I034
(18)	997 701 401 10	Indication sticker  Convertible top control Spanish		1	CABRIO I119

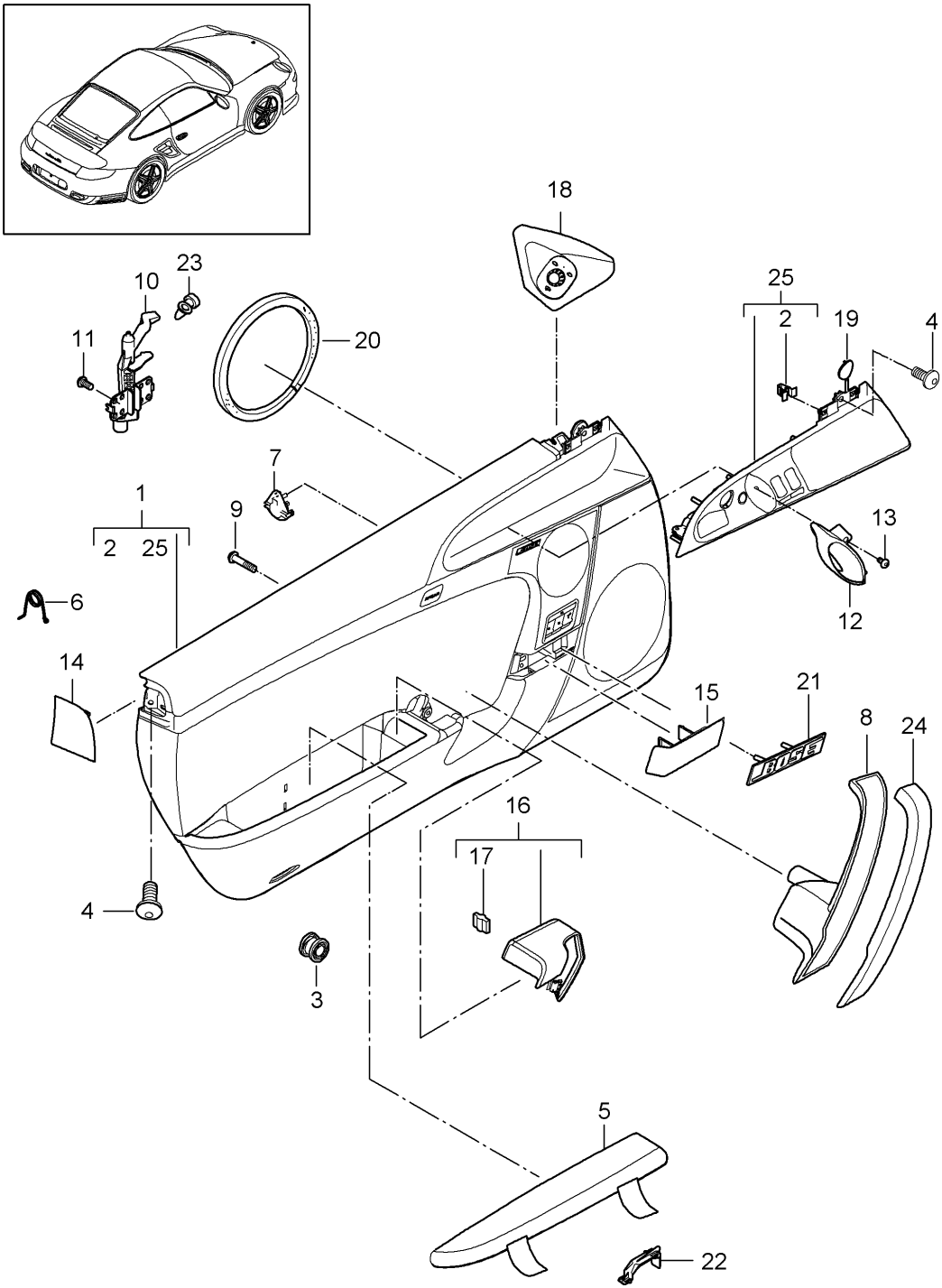
Model: 997T10

Model life 2010>>2013

Pos	Part Number	Description	Remark	Qty	Model
(18)	997 701 401 11	Indication sticker		1	CABRIO I193
19	996 561 613 00	Convertible top control Japanese Cover Mounting		1	CABRIO
23	996 561 613 00 01C	Satin black			
	996 555 619 00	Grommet Wiring harness Rain sensor		1	

Model: 997T10

Model life 2010>>2013





Model: 997T10 Model life 2010>>2013

Pos	Part Number	Description	Remark	Qty	Model
1	997 555 201 09	Door trim panel Accessories Door trim panel	/LL /L	1	TURBO/COUPE -IXVT/-I537 I098/680/981
		Leather			
	997 555 201 09 FSA	Black/grey			
	997 555 201 09 FSB	Stone grey/stone grey			
	997 555 201 09 FSC	Sand Beige			
	997 555 201 09 FSD	Sea blue/grey			
	997 555 201 09 FSF	Terracotta/terracotta			
	997 555 201 09 FSG	Cocoa/Cocoa			
	997 555 201 09 FSH	Darkgrey natural/grey			
	997 555 201 09 FSJ	Brown nat./brown nat.			
	997 555 201 09 FSP	Carrera Red			
	997 555 201 09 FWH	Espresso			
	997 555 201 09 BCB	Black/stone grey			
	997 555 201 09 BCD	Black/stone grey			
	997 555 201 09 BCE	Black/sand beige			
	997 555 201 09 BCF	Black/terracotta			
	997 555 201 09 BCN	Black/Cream			
	997 555 201 09 BCO	Black/Titanium Blue			
	997 555 201 09 BCP	Espresso/Luxor Beige			
1	997 555 201 11	Door trim panel	/LL /L	1	TURBO/COUPE -IXVT/I098 I537/680/981
		Leather			
	997 555 201 11 FSA	Black/grey			
	997 555 201 11 FSB	Stone grey/stone grey			
	997 555 201 11 FSC	Sand Beige			
	997 555 201 11 FSD	Sea blue/grey			
	997 555 201 11 FSF	Terracotta/terracotta			
	997 555 201 11 FSG	Cocoa/Cocoa			
	997 555 201 11 FSH	Darkgrey natural/grey			
	997 555 201 11 FSJ	Brown nat./brown nat.			
	997 555 201 11 FSP	Carrera Red			
	997 555 201 11 FVB	Black/Peridot			
	997 555 201 11 BCD	Black/stone grey			
	997 555 201 11 BCE	Black/sand beige			
	997 555 201 11 BCF	Black/terracotta			
	997 555 201 11 BCN	Black/Cream			
	997 555 201 11 BCO	Black/Titanium Blue			
1	997 555 201 11	Door trim panel	/LL /L	1	TURBO/COUPE -IXVT/-I018 I098/537/680 I981
		Leather			
	997 555 201 11 FSA	Black/grey			
	997 555 201 11 FSB	Stone grey/stone grey			
	997 555 201 11 FSC	Sand Beige			
	997 555 201 11 FSD	Sea blue/grey			
	997 555 201 11 FSP	Carrera Red			
	997 555 201 11 FWH	Espresso			
	997 555 201 11 BCD	Black/stone grey			
	997 555 201 11 BCE	Black/sand beige			
	997 555 201 11 BCN	Black/Cream			
	997 555 201 11 BCO	Black/Titanium Blue			
	997 555 201 11 BCP	Espresso/Luxor Beige			
(1)	997 555 201 21	Door trim panel	/LL /L	1	CABRIO -IXVT/I098 I680/981
		Leather			
	997 555 201 21 FSA	Black/grey			

Model: 997T10

Model life 2010>>2013

Pos	Part Number	Description	Remark	Qty	Model
	997 555 201 21 FSB	Stone grey/stone grey			
	997 555 201 21 FSC	Sand Beige			
	997 555 201 21 FSD	Sea blue/grey			
	997 555 201 21 FSF	Terracotta/terracotta			
	997 555 201 21 FSG	Cocoa/Cocoa			
	997 555 201 21 FSH	Darkgrey natural/grey			
	997 555 201 21 FSJ	Brown nat./brown nat.			
	997 555 201 21 BCD	Black/stone grey			
	997 555 201 21 BCE	Black/sand beige			
	997 555 201 21 BCF	Black/terracotta			
	997 555 201 21 FSP	Carrera Red			
(1)	997 555 201 23	Door trim panel	/LL /L	1	CABRIO -IXVT/I098 I537/680/981
		Leather			
	997 555 201 23 FSA	Black/grey			
	997 555 201 23 FSB	Stone grey/stone grey			
	997 555 201 23 FSC	Sand Beige			
	997 555 201 23 FSD	Sea blue/grey			
	997 555 201 23 FSF	Terracotta/terracotta			
	997 555 201 23 FSG	Cocoa/Cocoa			
	997 555 201 23 FSH	Darkgrey natural/grey			
	997 555 201 23 FSJ	Brown nat./brown nat.			
	997 555 201 23 BCD	Black/stone grey			
	997 555 201 23 BCE	Black/sand beige			
	997 555 201 23 BCF	Black/terracotta			
	997 555 201 23 FSP	Carrera Red			
	997 555 201 23 FWH	Espresso			
	997 555 201 23 BCN	Black/Cream			
	997 555 201 23 BCO	Black/Titanium Blue			
	997 555 201 23 BCP	Espresso/Luxor Beige			
(1)	997 555 202 29	Door trim panel	/LL /R	1	TURBO/COUPE -IXVT/I098 I680/981
		Leather			
	997 555 202 29 FSA	Black/grey			
	997 555 202 29 FSB	Stone grey/stone grey			
	997 555 202 29 FSC	Sand Beige			
	997 555 202 29 FSD	Sea blue/grey			
	997 555 202 29 FSF	Terracotta/terracotta			
	997 555 202 29 FSG	Cocoa/Cocoa			
	997 555 202 29 FSH	Darkgrey natural/grey			
	997 555 202 29 FSJ	Brown nat./brown nat.			
	997 555 202 29 FVB	Black/Peridot			
	997 555 202 29 BCD	Black/stone grey			
	997 555 202 29 BCE	Black/sand beige			
	997 555 202 29 BCF	Black/terracotta			
	997 555 202 29 FSP	Carrera Red			
	997 555 202 29 BCN	Black/Cream			
	997 555 202 29 BCO	Black/Titanium Blue			
(1)	997 555 202 29	Door trim panel	/LL /R	1	TURBO/COUPE -IXVT/-I018 I098/680/981
		Leather			
	997 555 202 29 FSA	Black/grey			
	997 555 202 29 FSB	Stone grey/stone grey			
	997 555 202 29 FSC	Sand Beige			
	997 555 202 29 FSD	Sea blue/grey			
	997 555 202 29 FWH	Espresso			
	997 555 202 29 FSP	Carrera Red			
	997 555 202 29 BCD	Black/stone grey			
	997 555 202 29 BCE	Black/sand beige			
	997 555 202 29 BCN	Black/Cream			

Model: 997T10 Model life 2010>>2013

Pos	Part Number	Description	Remark	Qty	Model
(1)	997 555 202 29 BCO	Black/Titanium Blue	/LL /R	1	CABRIO -IXVT/I098 I680/981
	997 555 202 29 BCP	Espresso/Luxor Beige			
	997 555 202 29	Door trim panel			
		Leather			
	997 555 202 29 FSA	Black/grey			
	997 555 202 29 FSB	Stone grey/stone grey			
	997 555 202 29 FSC	Sand Beige			
	997 555 202 29 FSD	Sea blue/grey			
	997 555 202 29 FSF	Terracotta/terracotta			
	997 555 202 29 FSG	Cocoa/Cocoa			
	997 555 202 29 FSH	Darkgrey natural/grey			
	997 555 202 29 FSJ	Brown nat./brown nat.			
	997 555 202 29 BCD	Black/stone grey			
(1)	997 555 202 29 BCE	Black/sand beige	/RL /R	1	TURBO/COUPE -IXVT/-I538 I099/680/981
	997 555 202 29 BCF	Black/terracotta			
	997 555 202 29 FSP	Carrera Red			
	997 555 202 29 FWH	Espresso			
	997 555 202 09	Door trim panel			
		Leather			
	997 555 202 09 FSA	Black/grey			
	997 555 202 09 FSB	Stone grey/stone grey			
	997 555 202 09 FSC	Sand Beige			
	997 555 202 09 FSD	Sea blue/grey			
	997 555 202 09 FSF	Terracotta/terracotta			
	997 555 202 09 FSG	Cocoa/Cocoa			
	997 555 202 09 FSH	Darkgrey natural/grey			
997 555 202 09 FSJ	Brown nat./brown nat.				
(1)	997 555 202 09 FWH	Espresso	/RL /R	1	TURBO/COUPE -IXVT/I099 I538/680/981
	997 555 202 09 BCD	Black/stone grey			
	997 555 202 09 BCE	Black/sand beige			
	997 555 202 09 BCF	Black/terracotta			
	997 555 202 09 BCO	Black/Titanium Blue			
	997 555 202 09 BCP	Espresso/Luxor Beige			
	997 555 202 09 FSP	Carrera Red			
	997 555 202 11	Door trim panel			
		Leather			
	997 555 202 11 FSA	Black/grey			
	997 555 202 11 FSB	Stone grey/stone grey			
	997 555 202 11 FSC	Sand Beige			
	997 555 202 11 FSD	Sea blue/grey			
997 555 202 11 FSF	Terracotta/terracotta				
(1)	997 555 202 11 FSG	Cocoa/Cocoa	/RL /R	1	TURBO/COUPE -IXVT/-I018 I099/538/680 I981
	997 555 202 11 FSH	Darkgrey natural/grey			
	997 555 202 11 FSJ	Brown nat./brown nat.			
	997 555 202 11 FVB	Black/Peridot			
	997 555 202 11 BCD	Black/stone grey			
	997 555 202 11 BCE	Black/sand beige			
	997 555 202 11 BCF	Black/terracotta			
	997 555 202 11 FSP	Carrera Red			
	997 555 202 11 BCN	Black/Cream			
	997 555 202 11 BCO	Black/Titanium Blue			
	997 555 202 11	Door trim panel			
		Leather			
	997 555 202 11 FSA	Black/grey			

Model: 997T10

Model life 2010>>2013

Pos	Part Number	Description	Remark	Qty	Model
	997 555 202 11 FSB	Stone grey/stone grey			
	997 555 202 11 FSC	Sand Beige			
	997 555 202 11 FSD	Sea blue/grey			
	997 555 202 11 FWH	Espresso			
	997 555 202 11 BCP	Espresso/Luxor Beige			
	997 555 202 11 BCD	Black/stone grey			
	997 555 202 11 BCE	Black/sand beige			
	997 555 202 11 FSP	Carrera Red			
	997 555 202 11 BCN	Black/Cream			
	997 555 202 11 BCO	Black/Titanium Blue			
(1)	997 555 202 11 BCP	Espresso/Luxor Beige			
	997 555 202 21	Door trim panel	/RL /R	1	CABRIO -IXVT/I099 I680/981
		Leather			
	997 555 202 21 FSA	Black/grey			
	997 555 202 21 FSB	Stone grey/stone grey			
	997 555 202 21 FSC	Sand Beige			
	997 555 202 21 FSD	Sea blue/grey			
	997 555 202 21 FSF	Terracotta/terracotta			
	997 555 202 21 FSG	Cocoa/Cocoa			
	997 555 202 21 FSH	Darkgrey natural/grey			
	997 555 202 21 FSJ	Brown nat./brown nat.			
	997 555 202 21 BCD	Black/stone grey			
	997 555 202 21 BCE	Black/sand beige			
	997 555 202 21 BCF	Black/terracotta			
(1)	997 555 202 21 FSP	Carrera Red			
	997 555 202 23	Door trim panel	/RL /R	1	CABRIO -IXVT/I099 I538/680/981
		Leather			
	997 555 202 23 FSA	Black/grey			
	997 555 202 23 FSB	Stone grey/stone grey			
	997 555 202 23 FSC	Sand Beige			
	997 555 202 23 FSD	Sea blue/grey			
	997 555 202 23 FSF	Terracotta/terracotta			
	997 555 202 23 FSG	Cocoa/Cocoa			
	997 555 202 23 FSH	Darkgrey natural/grey			
	997 555 202 23 FSJ	Brown nat./brown nat.			
	997 555 202 23 BCD	Black/stone grey			
	997 555 202 23 BCE	Black/sand beige			
	997 555 202 23 BCF	Black/terracotta			
	997 555 202 23 FSP	Carrera Red			
	997 555 202 23 BCN	Black/Cream			
	997 555 202 23 BCO	Black/Titanium Blue			
(1)	997 555 201 29	Door trim panel	/RL /L	1	TURBO/COUPE -IXVT/I099 I680/981
		Leather			
	997 555 201 29 FSA	Black/grey			
	997 555 201 29 FSB	Stone grey/stone grey			
	997 555 201 29 FSC	Sand Beige			
	997 555 201 29 FSD	Sea blue/grey			
	997 555 201 29 FSF	Terracotta/terracotta			
	997 555 201 29 FSG	Cocoa/Cocoa			
	997 555 201 29 FSJ	Brown nat./brown nat.			
	997 555 201 29 FVB	Black/Peridot			
	997 555 201 29 BCD	Black/stone grey			
	997 555 201 29 BCE	Black/sand beige			
	997 555 201 29 BCF	Black/terracotta			
	997 555 201 29 FSP	Carrera Red			
	997 555 201 29 BCN	Black/Cream			
	997 555 201 29 BCO	Black/Titanium Blue			

Model: 997T10

Model life 2010>>2013

Pos	Part Number	Description	Remark	Qty	Model
(1)	997 555 201 29	Door trim panel	/RL /L	1	TURBO/COUPE -IXVT/-I018 I099/680/981
		Leather			
	997 555 201 29 FSA	Black/grey			
	997 555 201 29 FSB	Stone grey/stone grey			
	997 555 201 29 FSC	Sand Beige			
	997 555 201 29 FSD	Sea blue/grey			
	997 555 201 29 FWH	Espresso			
	997 555 201 29 BCP	Espresso/Luxor Beige			
	997 555 201 29 BCD	Black/stone grey			
	997 555 201 29 BCE	Black/sand beige			
	997 555 201 29 FSP	Carrera Red			
	997 555 201 29 BCN	Black/Cream			
	997 555 201 29 BCO	Black/Titanium Blue			
	997 555 201 29 BCP	Espresso/Luxor Beige			
(1)	997 555 201 29	Door trim panel	/RL /L	1	CABRIO -IXVT/I099 I680/981
		Leather			
	997 555 201 29 FSA	Black/grey			
	997 555 201 29 FSB	Stone grey/stone grey			
	997 555 201 29 FSC	Sand Beige			
	997 555 201 29 FSD	Sea blue/grey			
	997 555 201 29 FSF	Terracotta/terracotta			
	997 555 201 29 FSG	Cocoa/Cocoa			
	997 555 201 29 FSH	Darkgrey natural/grey			
	997 555 201 29 FSJ	Brown nat./brown nat.			
	997 555 201 29 BCD	Black/stone grey			
	997 555 201 29 BCE	Black/sand beige			
	997 555 201 29 BCF	Black/terracotta			
	997 555 201 29 FSP	Carrera Red			
(1)	997 555 981 02	Door trim panel	/LL /L 10-	1	TURBO/COUPE -I537/IXVT I098/680/981
		Leather			
	997 555 981 02 A11	Black			
	997 555 981 02 5X6	Stone grey			
	997 555 981 02 8G2	Sand Beige			
	997 555 981 02 3S9	Sea blue			
	997 555 981 02 9S5	Terracotta			
	997 555 981 02 9V6	Cocoa			
	997 555 981 02 BCD	Black/stone grey			
	997 555 981 02 BCE	Black/sand beige			
	997 555 981 02 BCF	Black/terracotta			
	997 555 981 02 D12	Dark grey/natural			
	997 555 981 02 T12	Brown/natural			
	997 555 981 02 N12	Carrera Red			
(1)	997 555 981 03	Door trim panel	/LL /L 10-	1	TURBO/COUPE IXVT/098/537 I680/981
		Leather			
	997 555 981 03 A11	Black			
	997 555 981 03 5X6	Stone grey			
	997 555 981 03 8G2	Sand Beige			
	997 555 981 03 3S9	Sea blue			
	997 555 981 03 9S5	Terracotta			
	997 555 981 03 9V6	Cocoa			
	997 555 981 03 BCD	Black/stone grey			
	997 555 981 03 BCE	Black/sand beige			
	997 555 981 03 BCF	Black/terracotta			
	997 555 981 03 D12	Dark grey/natural			
	997 555 981 03 T12	Brown/natural			

Model: 997T10 Model life 2010>>2013

Pos	Part Number	Description	Remark	Qty	Model
(1)	997 555 981 03 N12 997 555 981 06	Carrera Red Door trim panel	/LL /L 10-	1	CABRIO IXVT/098/680 I981
		Leather			
	997 555 981 06 A11	Black			
	997 555 981 06 5X6	Stone grey			
	997 555 981 06 8G2	Sand Beige			
	997 555 981 06 3S9	Sea blue			
	997 555 981 06 9S5	Terracotta			
	997 555 981 06 9V6	Cocoa			
	997 555 981 06 BCD	Black/stone grey			
	997 555 981 06 BCE	Black/sand beige			
	997 555 981 06 BCF	Black/terracotta			
	997 555 981 06 D12	Dark grey/natural			
	997 555 981 06 T12	Brown/natural			
(1)	997 555 981 06 N12 997 555 981 07	Carrera Red Door trim panel	/LL /L 10-	1	CABRIO IXVT/098/537 I680/981
		Leather			
	997 555 981 07 A11	Black			
	997 555 981 07 5X6	Stone grey			
	997 555 981 07 8G2	Sand Beige			
	997 555 981 07 3S9	Sea blue			
	997 555 981 07 9S5	Terracotta			
	997 555 981 07 9V6	Cocoa			
	997 555 981 07 BCD	Black/stone grey			
	997 555 981 07 BCE	Black/sand beige			
	997 555 981 07 BCF	Black/terracotta			
	997 555 981 07 D12	Dark grey/natural			
	997 555 981 07 T12	Brown/natural			
(1)	997 555 981 07 N12 997 555 982 09	Carrera Red Door trim panel	/LL /R 10-	1	IXVT/098/680 I981
		Leather			
	997 555 982 09 A11	Black			
	997 555 982 09 5X6	Stone grey			
	997 555 982 09 8G2	Sand Beige			
	997 555 982 09 3S9	Sea blue			
	997 555 982 09 9S5	Terracotta			
	997 555 982 09 9V6	Cocoa			
	997 555 982 09 BCD	Black/stone grey			
	997 555 982 09 BCE	Black/sand beige			
	997 555 982 09 BCF	Black/terracotta			
	997 555 982 09 D12	Dark grey/natural			
	997 555 982 09 T12	Brown/natural			
(1)	997 555 982 09 N12 997 555 982 02	Carrera Red Door trim panel	/RL /R 10-	1	TURBO/COUPE IXVT/099/680 I981
		Leather			
	997 555 982 02 A11	Black			
	997 555 982 02 5X6	Stone grey			
	997 555 982 02 8G2	Sand Beige			
	997 555 982 02 3S9	Sea blue			
	997 555 982 02 9S5	Terracotta			
	997 555 982 02 9V6	Cocoa			
	997 555 982 02 BCD	Black/stone grey			
	997 555 982 02 BCE	Black/sand beige			
	997 555 982 02 BCF	Black/terracotta			
	997 555 982 02 D12	Dark grey/natural			
	997 555 982 02 T12	Brown/natural			

Model: 997T10 Model life 2010>>2013

Pos	Part Number	Description	Remark	Qty	Model
(1)	997 555 982 02 N12 997 555 982 03	Carrera Red Door trim panel	/RL /R 10-	1	TURBO/COUPE IXVT/099/538 I680/981
		Leather			
	997 555 982 03 A11	Black			
	997 555 982 03 5X6	Stone grey			
	997 555 982 03 8G2	Sand Beige			
	997 555 982 03 3S9	Sea blue			
	997 555 982 03 9S5	Terracotta			
	997 555 982 03 9V6	Cocoa			
	997 555 982 03 BCD	Black/stone grey			
	997 555 982 03 BCE	Black/sand beige			
	997 555 982 03 BCF	Black/terracotta			
	997 555 982 03 D12	Dark grey/natural			
	997 555 982 03 T12	Brown/natural			
(1)	997 555 982 03 N12 997 555 982 06	Carrera Red Door trim panel	/RL /R 10-	1	CABRIO IXVT/099/680 I981
		Leather			
	997 555 982 06 A11	Black			
	997 555 982 06 5X6	Stone grey			
	997 555 982 06 8G2	Sand Beige			
	997 555 982 06 3S9	Sea blue			
	997 555 982 06 9S5	Terracotta			
	997 555 982 06 9V6	Cocoa			
	997 555 982 06 BCD	Black/stone grey			
	997 555 982 06 BCE	Black/sand beige			
	997 555 982 06 BCF	Black/terracotta			
	997 555 982 06 D12	Dark grey/natural			
	997 555 982 06 T12	Brown/natural			
(1)	997 555 982 06 N12 997 555 982 07	Carrera Red Door trim panel	/RL /R 10-	1	CABRIO IXVT/099/538 I680/981
		Leather			
	997 555 982 07 A11	Black			
	997 555 982 07 5X6	Stone grey			
	997 555 982 07 8G2	Sand Beige			
	997 555 982 07 3S9	Sea blue			
	997 555 982 07 9S5	Terracotta			
	997 555 982 07 9V6	Cocoa			
	997 555 982 07 BCD	Black/stone grey			
	997 555 982 07 BCE	Black/sand beige			
	997 555 982 07 BCF	Black/terracotta			
	997 555 982 07 D12	Dark grey/natural			
	997 555 982 07 T12	Brown/natural			
(1)	997 555 982 07 N12 997 555 981 09	Carrera Red Door trim panel	/RL /L 10-	1	IXVT/099/680 I981
		Leather			
	997 555 981 09 A11	Black			
	997 555 981 09 5X6	Stone grey			
	997 555 981 09 8G2	Sand Beige			
	997 555 981 09 3S9	Sea blue			
	997 555 981 09 9S5	Terracotta			
	997 555 981 09 9V6	Cocoa			
	997 555 981 09 BCD	Black/stone grey			
	997 555 981 09 BCE	Black/sand beige			
	997 555 981 09 BCF	Black/terracotta			
	997 555 981 09 D12	Dark grey/natural			
	997 555 981 09 T12	Brown/natural			

Model: 997T10 Model life 2010>>2013

Pos	Part Number	Description	Remark	Qty	Model
(1)	997 555 981 09 N12 997 555 981 12	Carrera Red Door trim panel	/LL /L 10-	1	TURBO/COUPE IXTL/XVT/098 I680/981
		Leather			
	997 555 981 12 A11	Black			
	997 555 981 12 5X6	Stone grey			
	997 555 981 12 8G2	Sand Beige			
	997 555 981 12 3S9	Sea blue			
	997 555 981 12 9S5	Terracotta			
	997 555 981 12 9V6	Cocoa			
	997 555 981 12 BCD	Black/stone grey			
	997 555 981 12 BCE	Black/sand beige			
	997 555 981 12 BCF	Black/terracotta			
	997 555 981 12 D12	Dark grey/natural			
	997 555 981 12 T12	Brown/natural			
(1)	997 555 981 12 N12 997 555 981 13	Carrera Red Door trim panel	/LL /L 10-	1	TURBO/COUPE IXTL/XVT/098 I537/680/981
		Leather			
	997 555 981 13 A11	Black			
	997 555 981 13 5X6	Stone grey			
	997 555 981 13 8G2	Sand Beige			
	997 555 981 13 3S9	Sea blue			
	997 555 981 13 9S5	Terracotta			
	997 555 981 13 9V6	Cocoa			
	997 555 981 13 BCD	Black/stone grey			
	997 555 981 13 BCE	Black/sand beige			
	997 555 981 13 BCF	Black/terracotta			
	997 555 981 13 D12	Dark grey/natural			
	997 555 981 13 T12	Brown/natural			
(1)	997 555 981 13 N12 997 555 981 18	Carrera Red Door trim panel	/LL /L 10-	1	CABRIO IXTL/XVT/098 I680/981
		Leather			
	997 555 981 18 A11	Black			
	997 555 981 18 5X6	Stone grey			
	997 555 981 18 8G2	Sand Beige			
	997 555 981 18 3S9	Sea blue			
	997 555 981 18 9S5	Terracotta			
	997 555 981 18 9V6	Cocoa			
	997 555 981 18 BCD	Black/stone grey			
	997 555 981 18 BCE	Black/sand beige			
	997 555 981 18 BCF	Black/terracotta			
	997 555 981 18 D12	Dark grey/natural			
	997 555 981 18 T12	Brown/natural			
(1)	997 555 981 18 N12 997 555 981 19	Carrera Red Door trim panel	/LL /L 10-	1	CABRIO IXTL/XVT/098 I537/680/981
		Leather			
	997 555 981 19 A11	Black			
	997 555 981 19 5X6	Stone grey			
	997 555 981 19 8G2	Sand Beige			
	997 555 981 19 3S9	Sea blue			
	997 555 981 19 9S5	Terracotta			
	997 555 981 19 9V6	Cocoa			
	997 555 981 19 BCD	Black/stone grey			
	997 555 981 19 BCE	Black/sand beige			
	997 555 981 19 BCF	Black/terracotta			
	997 555 981 19 D12	Dark grey/natural			



Model: 997T10 Model life 2010>>2013

Pos	Part Number	Description	Remark	Qty	Model
(1)	997 555 981 19 T12	Brown/natural		1	IXTL/XVT/098 I680/981
	997 555 981 19 N12	Carrera Red			
	997 555 982 15	Door trim panel	/LL /L 10-		
		Leather			
	997 555 982 15 A11	Black			
	997 555 982 15 5X6	Stone grey			
	997 555 982 15 8G2	Sand Beige			
	997 555 982 15 3S9	Sea blue			
	997 555 982 15 9S5	Terracotta			
	997 555 982 15 9V6	Cocoa			
	997 555 982 15 BCD	Black/stone grey			
	997 555 982 15 BCE	Black/sand beige			
	997 555 982 15 BCF	Black/terracotta			
997 555 982 15 D12	Dark grey/natural				
997 555 982 15 T12	Brown/natural				
997 555 982 15 N12	Carrera Red				
(1)	987 555 981 35	Door trim panel	/LL /L 10-	1	-IXVT/IXTL I098/680/981
		Leather			
		Carbon			
	987 555 981 35 A11	Black			
	987 555 981 35 8G2	Sand Beige			
	987 555 981 35 N12	Carrera Red			
	987 555 981 35 6J0	Espresso			
	987 555 981 35 BCE	Black/sand beige			
	987 555 981 35 BCN	Black/Cream			
	987 555 981 35 BC0	Black/Titanium Blue			
	987 555 981 35 BCP	Espresso/Luxor Beige			
	987 555 982 27	Door trim panel	/LL /R 10-		
		Leather			
	Carbon				
987 555 982 27 A11	Black				
987 555 982 27 8G2	Sand Beige				
987 555 982 27 N12	Carrera Red				
987 555 982 27 6J0	Espresso				
987 555 982 27 BCE	Black/sand beige				
987 555 982 27 BCN	Black/Cream				
987 555 982 27 BC0	Black/Titanium Blue				
987 555 982 27 BCP	Espresso/Luxor Beige				
(1)	997 555 982 12	Door trim panel	/RL /R 10-	1	TURBO/COUPE IXTL/XVT/099 I680/981
		Leather			
	997 555 982 12 A11	Black			
	997 555 982 12 5X6	Stone grey			
	997 555 982 12 8G2	Sand Beige			
	997 555 982 12 3S9	Sea blue			
	997 555 982 12 9S5	Terracotta			
	997 555 982 12 9V6	Cocoa			
	997 555 982 12 BCD	Black/stone grey			
	997 555 982 12 BCE	Black/sand beige			
	997 555 982 12 BCF	Black/terracotta			
	997 555 982 12 D12	Dark grey/natural			
	997 555 982 12 T12	Brown/natural			
997 555 982 12 N12	Carrera Red				
(1)	997 555 982 13	Door trim panel	/RL /R 10-	1	TURBO/COUPE IXTL/XVT/099 I538/680/981
		Leather			
	997 555 982 13 A11	Black			
	997 555 982 13 5X6	Stone grey			

Model: 997T10 Model life 2010>>2013

Pos	Part Number	Description	Remark	Qty	Model
	997 555 982 13 8G2	Sand Beige			
	997 555 982 13 3S9	Sea blue			
	997 555 982 13 9S5	Terracotta			
	997 555 982 13 9V6	Cocoa			
	997 555 982 13 BCD	Black/stone grey			
	997 555 982 13 BCE	Black/sand beige			
	997 555 982 13 BCF	Black/terracotta			
	997 555 982 13 D12	Dark grey/natural			
	997 555 982 13 T12	Brown/natural			
	997 555 982 13 N12	Carrera Red			
(1)	997 555 982 18	Door trim panel	/RL /R 10-	1	CABRIO IXTL/XVT/099 I680/981
		Leather			
	997 555 982 18 A11	Black			
	997 555 982 18 5X6	Stone grey			
	997 555 982 18 8G2	Sand Beige			
	997 555 982 18 3S9	Sea blue			
	997 555 982 18 9S5	Terracotta			
	997 555 982 18 9V6	Cocoa			
	997 555 982 18 BCD	Black/stone grey			
	997 555 982 18 BCE	Black/sand beige			
	997 555 982 18 BCF	Black/terracotta			
	997 555 982 18 D12	Dark grey/natural			
	997 555 982 18 T12	Brown/natural			
	997 555 982 18 N12	Carrera Red			
(1)	997 555 982 19	Door trim panel	/RL /R 10-	1	CABRIO IXTL/XVT/099 I538/680/981
		Leather			
	997 555 982 19 A11	Black			
	997 555 982 19 5X6	Stone grey			
	997 555 982 19 8G2	Sand Beige			
	997 555 982 19 3S9	Sea blue			
	997 555 982 19 9S5	Terracotta			
	997 555 982 19 9V6	Cocoa			
	997 555 982 19 BCD	Black/stone grey			
	997 555 982 19 BCE	Black/sand beige			
	997 555 982 19 BCF	Black/terracotta			
	997 555 982 19 D12	Dark grey/natural			
	997 555 982 19 T12	Brown/natural			
	997 555 982 19 N12	Carrera Red			
(1)	997 555 981 15	Door trim panel	/RL /L 10-	1	IXTL/XVT/099 I680/981
		Leather			
	997 555 981 15 A11	Black			
	997 555 981 15 5X6	Stone grey			
	997 555 981 15 8G2	Sand Beige			
	997 555 981 15 3S9	Sea blue			
	997 555 981 15 9S5	Terracotta			
	997 555 981 15 9V6	Cocoa			
	997 555 981 15 BCD	Black/stone grey			
	997 555 981 15 BCE	Black/sand beige			
	997 555 981 15 BCF	Black/terracotta			
	997 555 981 15 D12	Dark grey/natural			
	997 555 981 15 T12	Brown/natural			
	997 555 981 15 N12	Carrera Red			
(1)	997 555 981 22	Door trim panel	/LL /L 10-	1	TURBO/COUPE IXTT/XVT/098 I680/981
		Leather			
	997 555 981 22 A11	Black			
	997 555 981 22 5X6	Stone grey			

Model: 997T10 Model life 2010>>2013

Pos	Part Number	Description	Remark	Qty	Model
	997 555 981 22 8G2	Sand Beige			
	997 555 981 22 3S9	Sea blue			
	997 555 981 22 9S5	Terracotta			
	997 555 981 22 9V6	Cocoa			
	997 555 981 22 BCD	Black/stone grey			
	997 555 981 22 BCE	Black/sand beige			
	997 555 981 22 BCF	Black/terracotta			
	997 555 981 22 D12	Dark grey/natural			
	997 555 981 22 T12	Brown/natural			
	997 555 981 22 N12	Carrera Red			
(1)	997 555 981 23	Door trim panel	/LL /L 10-	1	TURBO/COUPE IXTT/XVT/098 I537/680/981
		Leather			
	997 555 981 23 A11	Black			
	997 555 981 23 5X6	Stone grey			
	997 555 981 23 8G2	Sand Beige			
	997 555 981 23 3S9	Sea blue			
	997 555 981 23 9S5	Terracotta			
	997 555 981 23 9V6	Cocoa			
	997 555 981 23 BCD	Black/stone grey			
	997 555 981 23 BCE	Black/sand beige			
	997 555 981 23 BCF	Black/terracotta			
	997 555 981 23 D12	Dark grey/natural			
	997 555 981 23 T12	Brown/natural			
	997 555 981 23 N12	Carrera Red			
(1)	997 555 981 28	Door trim panel	/LL /L 10-	1	CABRIO IXTT/XVT/098 I680/981
		Leather			
	997 555 981 28 A11	Black			
	997 555 981 28 5X6	Stone grey			
	997 555 981 28 8G2	Sand Beige			
	997 555 981 28 3S9	Sea blue			
	997 555 981 28 9S5	Terracotta			
	997 555 981 28 9V6	Cocoa			
	997 555 981 28 BCD	Black/stone grey			
	997 555 981 28 BCE	Black/sand beige			
	997 555 981 28 BCF	Black/terracotta			
	997 555 981 28 D12	Dark grey/natural			
	997 555 981 28 T12	Brown/natural			
	997 555 981 28 N12	Carrera Red			
(1)	997 555 981 29	Door trim panel	/LL /L 10-	1	CABRIO IXTT/XVT/098 I537/680/981
		Leather			
	997 555 981 29 A11	Black			
	997 555 981 29 5X6	Stone grey			
	997 555 981 29 8G2	Sand Beige			
	997 555 981 29 3S9	Sea blue			
	997 555 981 29 9S5	Terracotta			
	997 555 981 29 9V6	Cocoa			
	997 555 981 29 BCD	Black/stone grey			
	997 555 981 29 BCE	Black/sand beige			
	997 555 981 29 BCF	Black/terracotta			
	997 555 981 29 D12	Dark grey/natural			
	997 555 981 29 T12	Brown/natural			
	997 555 981 29 N12	Carrera Red			
(1)	997 555 982 25	Door trim panel	/LL /R 10-	1	IXTT/XVT/098 I680/981
		Leather			
	997 555 982 25 A11	Black			
	997 555 982 25 5X6	Stone grey			

Model: 997T10 Model life 2010>>2013

Pos	Part Number	Description	Remark	Qty	Model
	997 555 982 25 8G2	Sand Beige			
	997 555 982 25 3S9	Sea blue			
	997 555 982 25 9S5	Terracotta			
	997 555 982 25 9V6	Cocoa			
	997 555 982 25 BCD	Black/stone grey			
	997 555 982 25 BCE	Black/sand beige			
	997 555 982 25 BCF	Black/terracotta			
	997 555 982 25 D12	Dark grey/natural			
	997 555 982 25 T12	Brown/natural			
	997 555 982 25 N12	Carrera Red			
(1)	997 555 982 22	Door trim panel	/RL /R 10-	1	TURBO/COUPE IXTT/XVT/099 I680/981
		Leather			
	997 555 982 22 A11	Black			
	997 555 982 22 5X6	Stone grey			
	997 555 982 22 8G2	Sand Beige			
	997 555 982 22 3S9	Sea blue			
	997 555 982 22 9S5	Terracotta			
	997 555 982 22 9V6	Cocoa			
	997 555 982 22 BCD	Black/stone grey			
	997 555 982 22 BCE	Black/sand beige			
	997 555 982 22 BCF	Black/terracotta			
	997 555 982 22 D12	Dark grey/natural			
	997 555 982 22 T12	Brown/natural			
	997 555 982 22 N12	Carrera Red			
(1)	997 555 982 23	Door trim panel	/RL /R 10-	1	TURBO/COUPE IXTT/XVT/099 I538/680/981
		Leather			
	997 555 982 23 A11	Black			
	997 555 982 23 5X6	Stone grey			
	997 555 982 23 8G2	Sand Beige			
	997 555 982 23 3S9	Sea blue			
	997 555 982 23 9S5	Terracotta			
	997 555 982 23 9V6	Cocoa			
	997 555 982 23 BCD	Black/stone grey			
	997 555 982 23 BCE	Black/sand beige			
	997 555 982 23 BCF	Black/terracotta			
	997 555 982 23 D12	Dark grey/natural			
	997 555 982 23 T12	Brown/natural			
	997 555 982 23 N12	Carrera Red			
(1)	997 555 982 28	Door trim panel	/RL /R 10-	1	CABRIO IXTT/XVT/099 I680/981
		Leather			
	997 555 982 28 A11	Black			
	997 555 982 28 5X6	Stone grey			
	997 555 982 28 8G2	Sand Beige			
	997 555 982 28 3S9	Sea blue			
	997 555 982 28 9S5	Terracotta			
	997 555 982 28 9V6	Cocoa			
	997 555 982 28 BCD	Black/stone grey			
	997 555 982 28 BCE	Black/sand beige			
	997 555 982 28 BCF	Black/terracotta			
	997 555 982 28 D12	Dark grey/natural			
	997 555 982 28 T12	Brown/natural			
	997 555 982 28 N12	Carrera Red			
(1)	997 555 982 29	Door trim panel	/RL /R 10-	1	CABRIO IXTT/XVT/099 I538/680/981
		Leather			
	997 555 982 29 A11	Black			

Model: 997T10 Model life 2010>>2013

Pos	Part Number	Description	Remark	Qty	Model
	997 555 982 29 5X6	Stone grey			
	997 555 982 29 8G2	Sand Beige			
	997 555 982 29 3S9	Sea blue			
	997 555 982 29 9S5	Terracotta			
	997 555 982 29 9V6	Cocoa			
	997 555 982 29 BCD	Black/stone grey			
	997 555 982 29 BCE	Black/sand beige			
	997 555 982 29 BCF	Black/terracotta			
	997 555 982 29 D12	Dark grey/natural			
	997 555 982 29 T12	Brown/natural			
	997 555 982 29 N12	Carrera Red			
(1)	997 555 981 25	Door trim panel	/RL /L 10-	1	IXTT/XVT/099 I680/981
		Leather			
	997 555 981 25 A11	Black			
	997 555 981 25 5X6	Stone grey			
	997 555 981 25 8G2	Sand Beige			
	997 555 981 25 3S9	Sea blue			
	997 555 981 25 9S5	Terracotta			
	997 555 981 25 9V6	Cocoa			
	997 555 981 25 BCD	Black/stone grey			
	997 555 981 25 BCE	Black/sand beige			
	997 555 981 25 BCF	Black/terracotta			
	997 555 981 25 D12	Dark grey/natural			
	997 555 981 25 T12	Brown/natural			
	997 555 981 25 N12	Carrera Red			
(1)	997 555 981 32	Door trim panel	/LL /L 10-	1	TURBO/COUPE IXTV/XVT/098 I680/981
		Leather			
	997 555 981 32 A11	Black			
	997 555 981 32 5X6	Stone grey			
	997 555 981 32 8G2	Sand Beige			
	997 555 981 32 3S9	Sea blue			
	997 555 981 32 9S5	Terracotta			
	997 555 981 32 9V6	Cocoa			
	997 555 981 32 BCD	Black/stone grey			
	997 555 981 32 BCE	Black/sand beige			
	997 555 981 32 BCF	Black/terracotta			
	997 555 981 32 D12	Dark grey/natural			
	997 555 981 32 T12	Brown/natural			
	997 555 981 32 N12	Carrera Red			
(1)	997 555 981 33	Door trim panel	/LL /L 10-	1	TURBO/COUPE IXTV/XVT/098 I537/680/981
		Leather			
	997 555 981 33 A11	Black			
	997 555 981 33 5X6	Stone grey			
	997 555 981 33 8G2	Sand Beige			
	997 555 981 33 3S9	Sea blue			
	997 555 981 33 9S5	Terracotta			
	997 555 981 33 9V6	Cocoa			
	997 555 981 33 BCD	Black/stone grey			
	997 555 981 33 BCE	Black/sand beige			
	997 555 981 33 BCF	Black/terracotta			
	997 555 981 33 D12	Dark grey/natural			
	997 555 981 33 T12	Brown/natural			
	997 555 981 33 N12	Carrera Red			
(1)	997 555 981 38	Door trim panel	/LL /L 10-	1	CABRIO IXTV/XVT/098 I680/981
		Leather			
	997 555 981 38 A11	Black			

Model: 997T10 Model life 2010>>2013

Pos	Part Number	Description	Remark	Qty	Model
	997 555 981 38 5X6	Stone grey			
	997 555 981 38 8G2	Sand Beige			
	997 555 981 38 3S9	Sea blue			
	997 555 981 38 9S5	Terracotta			
	997 555 981 38 9V6	Cocoa			
	997 555 981 38 BCD	Black/stone grey			
	997 555 981 38 BCE	Black/sand beige			
	997 555 981 38 BCF	Black/terracotta			
	997 555 981 38 D12	Dark grey/natural			
	997 555 981 38 T12	Brown/natural			
	997 555 981 38 N12	Carrera Red			
(1)	997 555 981 39	Door trim panel	/LL /L 10-	1	CABRIO IXTV/XVT/098 I537/680/981
		Leather			
	997 555 981 39 A11	Black			
	997 555 981 39 5X6	Stone grey			
	997 555 981 39 8G2	Sand Beige			
	997 555 981 39 3S9	Sea blue			
	997 555 981 39 9S5	Terracotta			
	997 555 981 39 9V6	Cocoa			
	997 555 981 39 BCD	Black/stone grey			
	997 555 981 39 BCE	Black/sand beige			
	997 555 981 39 BCF	Black/terracotta			
	997 555 981 39 D12	Dark grey/natural			
	997 555 981 39 T12	Brown/natural			
	997 555 981 39 N12	Carrera Red			
(1)	997 555 982 35	Door trim panel	/LL /R 10-	1	IXTV/XVT/098 I680/981
		Leather			
	997 555 982 35 A11	Black			
	997 555 982 35 5X6	Stone grey			
	997 555 982 35 8G2	Sand Beige			
	997 555 982 35 3S9	Sea blue			
	997 555 982 35 9S5	Terracotta			
	997 555 982 35 9V6	Cocoa			
	997 555 982 35 BCD	Black/stone grey			
	997 555 982 35 BCE	Black/sand beige			
	997 555 982 35 BCF	Black/terracotta			
	997 555 982 35 D12	Dark grey/natural			
	997 555 982 35 T12	Brown/natural			
	997 555 982 35 N12	Carrera Red			
(1)	997 555 982 32	Door trim panel	/RL /R 10-	1	TURBO/COUPE IXTV/XVT/099 I680/981
		Leather			
	997 555 982 32 A11	Black			
	997 555 982 32 5X6	Stone grey			
	997 555 982 32 8G2	Sand Beige			
	997 555 982 32 3S9	Sea blue			
	997 555 982 32 9S5	Terracotta			
	997 555 982 32 9V6	Cocoa			
	997 555 982 32 BCD	Black/stone grey			
	997 555 982 32 BCE	Black/sand beige			
	997 555 982 32 BCF	Black/terracotta			
	997 555 982 32 D12	Dark grey/natural			
	997 555 982 32 T12	Brown/natural			
	997 555 982 32 N12	Carrera Red			
(1)	997 555 982 33	Door trim panel	/RL /R 10-	1	TURBO/COUPE IXTV/XVT/099 I538/680/981
		Leather			
	997 555 982 33 A11	Black			

Model: 997T10 Model life 2010>>2013

Pos	Part Number	Description	Remark	Qty	Model
	997 555 982 33 5X6	Stone grey			
	997 555 982 33 8G2	Sand Beige			
	997 555 982 33 3S9	Sea blue			
	997 555 982 33 9S5	Terracotta			
	997 555 982 33 9V6	Cocoa			
	997 555 982 33 BCD	Black/stone grey			
	997 555 982 33 BCE	Black/sand beige			
	997 555 982 33 BCF	Black/terracotta			
	997 555 982 33 D12	Dark grey/natural			
	997 555 982 33 T12	Brown/natural			
	997 555 982 33 N12	Carrera Red			
(1)	997 555 982 38	Door trim panel	/RL /R 10-	1	CABRIO IXTV/XVT/099 I680/981
		Leather			
	997 555 982 38 A11	Black			
	997 555 982 38 5X6	Stone grey			
	997 555 982 38 8G2	Sand Beige			
	997 555 982 38 3S9	Sea blue			
	997 555 982 38 9S5	Terracotta			
	997 555 982 38 9V6	Cocoa			
	997 555 982 38 BCD	Black/stone grey			
	997 555 982 38 BCE	Black/sand beige			
	997 555 982 38 BCF	Black/terracotta			
	997 555 982 38 D12	Dark grey/natural			
	997 555 982 38 T12	Brown/natural			
	997 555 982 38 N12	Carrera Red			
(1)	997 555 982 39	Door trim panel	/RL /R 10-	1	CABRIO IXTV/XVT/099 I538/680/981
		Leather			
	997 555 982 39 A11	Black			
	997 555 982 39 5X6	Stone grey			
	997 555 982 39 8G2	Sand Beige			
	997 555 982 39 3S9	Sea blue			
	997 555 982 39 9S5	Terracotta			
	997 555 982 39 9V6	Cocoa			
	997 555 982 39 BCD	Black/stone grey			
	997 555 982 39 BCE	Black/sand beige			
	997 555 982 39 BCF	Black/terracotta			
	997 555 982 39 D12	Dark grey/natural			
	997 555 982 39 T12	Brown/natural			
	997 555 982 39 N12	Carrera Red			
(1)	997 555 981 35	Door trim panel	/RL /L 10-	1	IXTV/XVT/099 I680/981
		Leather			
	997 555 981 35 A11	Black			
	997 555 981 35 5X6	Stone grey			
	997 555 981 35 8G2	Sand Beige			
	997 555 981 35 3S9	Sea blue			
	997 555 981 35 9S5	Terracotta			
	997 555 981 35 9V6	Cocoa			
	997 555 981 35 BCD	Black/stone grey			
	997 555 981 35 BCE	Black/sand beige			
	997 555 981 35 BCF	Black/terracotta			
	997 555 981 35 D12	Dark grey/natural			
	997 555 981 35 T12	Brown/natural			
	997 555 981 35 N12	Carrera Red			
(1)	997 555 981 32	Door trim panel	/LL /L 10-	1	TURBO/COUPE IXTV/XVT/098 I680/981
		Leather			
	997 555 981 32 A11	Black			

Model: 997T10 Model life 2010>>2013

Pos	Part Number	Description	Remark	Qty	Model
	997 555 981 32 5X6	Stone grey			
	997 555 981 32 8G2	Sand Beige			
	997 555 981 32 3S9	Sea blue			
	997 555 981 32 9S5	Terracotta			
	997 555 981 32 9V6	Cocoa			
	997 555 981 32 BCD	Black/stone grey			
	997 555 981 32 BCE	Black/sand beige			
	997 555 981 32 BCF	Black/terracotta			
	997 555 981 32 D12	Dark grey/natural			
	997 555 981 32 T12	Brown/natural			
	997 555 981 32 N12	Carrera Red			
(1)	997 555 981 33	Door trim panel	/LL /L 10-	1	TURBO/COUPE IXTV/XVT/098 I537/680/981
		Leather			
	997 555 981 33 A11	Black			
	997 555 981 33 5X6	Stone grey			
	997 555 981 33 8G2	Sand Beige			
	997 555 981 33 3S9	Sea blue			
	997 555 981 33 9S5	Terracotta			
	997 555 981 33 9V6	Cocoa			
	997 555 981 33 BCD	Black/stone grey			
	997 555 981 33 BCE	Black/sand beige			
	997 555 981 33 BCF	Black/terracotta			
	997 555 981 33 D12	Dark grey/natural			
	997 555 981 33 T12	Brown/natural			
	997 555 981 33 N12	Carrera Red			
(1)	997 555 981 38	Door trim panel	/LL /L 10-	1	CABRIO IXTV/XVT/098 I680/981
		Leather			
	997 555 981 38 A11	Black			
	997 555 981 38 5X6	Stone grey			
	997 555 981 38 8G2	Sand Beige			
	997 555 981 38 3S9	Sea blue			
	997 555 981 38 9S5	Terracotta			
	997 555 981 38 9V6	Cocoa			
	997 555 981 38 BCD	Black/stone grey			
	997 555 981 38 BCE	Black/sand beige			
	997 555 981 38 BCF	Black/terracotta			
	997 555 981 38 D12	Dark grey/natural			
	997 555 981 38 T12	Brown/natural			
	997 555 981 38 N12	Carrera Red			
(1)	997 555 981 39	Door trim panel	/LL /L 10-	1	CABRIO IXTV/XVT/098 I537/680/981
		Leather			
	997 555 981 39 A11	Black			
	997 555 981 39 5X6	Stone grey			
	997 555 981 39 8G2	Sand Beige			
	997 555 981 39 3S9	Sea blue			
	997 555 981 39 9S5	Terracotta			
	997 555 981 39 9V6	Cocoa			
	997 555 981 39 BCD	Black/stone grey			
	997 555 981 39 BCE	Black/sand beige			
	997 555 981 39 BCF	Black/terracotta			
	997 555 981 39 D12	Dark grey/natural			
	997 555 981 39 T12	Brown/natural			
	997 555 981 39 N12	Carrera Red			
(1)	997 555 982 35	Door trim panel	/LL /R 10-	1	IXTV/XVT/098 I680/981
		Leather			
	997 555 982 35 A11	Black			



Model: 997T10 Model life 2010>>2013

Pos	Part Number	Description	Remark	Qty	Model
	997 555 982 35 5X6	Stone grey			
	997 555 982 35 8G2	Sand Beige			
	997 555 982 35 3S9	Sea blue			
	997 555 982 35 9S5	Terracotta			
	997 555 982 35 9V6	Cocoa			
	997 555 982 35 BCD	Black/stone grey			
	997 555 982 35 BCE	Black/sand beige			
	997 555 982 35 BCF	Black/terracotta			
	997 555 982 35 D12	Dark grey/natural			
	997 555 982 35 T12	Brown/natural			
	997 555 982 35 N12	Carrera Red			
(1)	997 555 982 32	Door trim panel	/RL /R 10-	1	TURBO/COUPE IXTV/XVT/099 I680/981
		Leather			
	997 555 982 32 A11	Black			
	997 555 982 32 5X6	Stone grey			
	997 555 982 32 8G2	Sand Beige			
	997 555 982 32 3S9	Sea blue			
	997 555 982 32 9S5	Terracotta			
	997 555 982 32 9V6	Cocoa			
	997 555 982 32 BCD	Black/stone grey			
	997 555 982 32 BCE	Black/sand beige			
	997 555 982 32 BCF	Black/terracotta			
	997 555 982 32 D12	Dark grey/natural			
	997 555 982 32 T12	Brown/natural			
	997 555 982 32 N12	Carrera Red			
(1)	997 555 982 33	Door trim panel	/RL /R 10-	1	TURBO/COUPE IXTV/XVT/099 I538/680/981
		Leather			
	997 555 982 33 A11	Black			
	997 555 982 33 5X6	Stone grey			
	997 555 982 33 8G2	Sand Beige			
	997 555 982 33 3S9	Sea blue			
	997 555 982 33 9S5	Terracotta			
	997 555 982 33 9V6	Cocoa			
	997 555 982 33 BCD	Black/stone grey			
	997 555 982 33 BCE	Black/sand beige			
	997 555 982 33 BCF	Black/terracotta			
	997 555 982 33 D12	Dark grey/natural			
	997 555 982 33 T12	Brown/natural			
	997 555 982 33 N12	Carrera Red			
(1)	997 555 982 38	Door trim panel	/RL /R 10-	1	CABRIO IXTV/XVT/099 I680/981
		Leather			
	997 555 982 38 A11	Black			
	997 555 982 38 5X6	Stone grey			
	997 555 982 38 8G2	Sand Beige			
	997 555 982 38 3S9	Sea blue			
	997 555 982 38 9S5	Terracotta			
	997 555 982 38 9V6	Cocoa			
	997 555 982 38 BCD	Black/stone grey			
	997 555 982 38 BCE	Black/sand beige			
	997 555 982 38 BCF	Black/terracotta			
	997 555 982 38 D12	Dark grey/natural			
	997 555 982 38 T12	Brown/natural			
	997 555 982 38 N12	Carrera Red			
(1)	997 555 982 39	Door trim panel	/RL /R 10-	1	CABRIO IXTV/XVT/099 I538/680/981
		Leather			

Model: 997T10 Model life 2010>>2013

Pos	Part Number	Description	Remark	Qty	Model
	997 555 982 39 A11	Black			
	997 555 982 39 5X6	Stone grey			
	997 555 982 39 8G2	Sand Beige			
	997 555 982 39 3S9	Sea blue			
	997 555 982 39 9S5	Terracotta			
	997 555 982 39 9V6	Cocoa			
	997 555 982 39 BCD	Black/stone grey			
	997 555 982 39 BCE	Black/sand beige			
	997 555 982 39 BCF	Black/terracotta			
	997 555 982 39 D12	Dark grey/natural			
	997 555 982 39 T12	Brown/natural			
	997 555 982 39 N12	Carrera Red			
(1)	997 555 981 35	Door trim panel	/RL /L 10-	1	IXTV/XVT/099 I680/981
		Leather			
	997 555 981 35 A11	Black			
	997 555 981 35 5X6	Stone grey			
	997 555 981 35 8G2	Sand Beige			
	997 555 981 35 3S9	Sea blue			
	997 555 981 35 9S5	Terracotta			
	997 555 981 35 9V6	Cocoa			
	997 555 981 35 BCD	Black/stone grey			
	997 555 981 35 BCE	Black/sand beige			
	997 555 981 35 BCF	Black/terracotta			
	997 555 981 35 D12	Dark grey/natural			
	997 555 981 35 T12	Brown/natural			
	997 555 981 35 N12	Carrera Red			
(1)	997 555 981 42	Door trim panel	/LL /L 10-	1	TURBO/COUPE IXTW/XVT/098 I680/981
		Leather			
	997 555 981 42 A11	Black			
	997 555 981 42 5X6	Stone grey			
	997 555 981 42 8G2	Sand Beige			
	997 555 981 42 3S9	Sea blue			
	997 555 981 42 9S5	Terracotta			
	997 555 981 42 9V6	Cocoa			
	997 555 981 42 BCD	Black/stone grey			
	997 555 981 42 BCE	Black/sand beige			
	997 555 981 42 BCF	Black/terracotta			
	997 555 981 42 D12	Dark grey/natural			
	997 555 981 42 T12	Brown/natural			
	997 555 981 42 N12	Carrera Red			
(1)	997 555 981 43	Door trim panel	/LL /L 10-	1	TURBO/COUPE IXTW/XVT/098 I537/680/981
		Leather			
	997 555 981 43 A11	Black			
	997 555 981 43 5X6	Stone grey			
	997 555 981 43 8G2	Sand Beige			
	997 555 981 43 3S9	Sea blue			
	997 555 981 43 9S5	Terracotta			
	997 555 981 43 9V6	Cocoa			
	997 555 981 43 BCD	Black/stone grey			
	997 555 981 43 BCE	Black/sand beige			
	997 555 981 43 BCF	Black/terracotta			
	997 555 981 43 D12	Dark grey/natural			
	997 555 981 43 T12	Brown/natural			
	997 555 981 43 N12	Carrera Red			
(1)	997 555 981 48	Door trim panel	/LL /L 10-	1	CABRIO IXTW/XVT/098 I680/981
		Leather			

Model: 997T10

Model life 2010>>2013

Pos	Part Number	Description	Remark	Qty	Model
	997 555 981 48 A11	Black			
	997 555 981 48 5X6	Stone grey			
	997 555 981 48 8G2	Sand Beige			
	997 555 981 48 3S9	Sea blue			
	997 555 981 48 9S5	Terracotta			
	997 555 981 48 9V6	Cocoa			
	997 555 981 48 BCD	Black/stone grey			
	997 555 981 48 BCE	Black/sand beige			
	997 555 981 48 BCF	Black/terracotta			
	997 555 981 48 D12	Dark grey/natural			
	997 555 981 48 T12	Brown/natural			
	997 555 981 48 N12	Carrera Red			
(1)	997 555 981 49	Door trim panel	/LL /L 10-	1	CABRIO IXTW/XVT/098 I537/680/981
		Leather			
	997 555 981 49 A11	Black			
	997 555 981 49 5X6	Stone grey			
	997 555 981 49 8G2	Sand Beige			
	997 555 981 49 3S9	Sea blue			
	997 555 981 49 9S5	Terracotta			
	997 555 981 49 9V6	Cocoa			
	997 555 981 49 BCD	Black/stone grey			
	997 555 981 49 BCE	Black/sand beige			
	997 555 981 49 BCF	Black/terracotta			
	997 555 981 49 D12	Dark grey/natural			
	997 555 981 49 T12	Brown/natural			
	997 555 981 49 N12	Carrera Red			
(1)	997 555 982 45	Door trim panel	/LL /R 10-	1	IXTW/XVT/098 I680/981
		Leather			
	997 555 982 45 A11	Black			
	997 555 982 45 5X6	Stone grey			
	997 555 982 45 8G2	Sand Beige			
	997 555 982 45 3S9	Sea blue			
	997 555 982 45 9S5	Terracotta			
	997 555 982 45 9V6	Cocoa			
	997 555 982 45 BCD	Black/stone grey			
	997 555 982 45 BCE	Black/sand beige			
	997 555 982 45 BCF	Black/terracotta			
	997 555 982 45 D12	Dark grey/natural			
	997 555 982 45 T12	Brown/natural			
	997 555 982 45 N12	Carrera Red			
(1)	997 555 982 42	Door trim panel	/RL /R 10-	1	TURBO/COUPE IXTW/XVT/099 I680/981
		Leather			
	997 555 982 42 A11	Black			
	997 555 982 42 5X6	Stone grey			
	997 555 982 42 8G2	Sand Beige			
	997 555 982 42 3S9	Sea blue			
	997 555 982 42 9S5	Terracotta			
	997 555 982 42 9V6	Cocoa			
	997 555 982 42 BCD	Black/stone grey			
	997 555 982 42 BCE	Black/sand beige			
	997 555 982 42 BCF	Black/terracotta			
	997 555 982 42 D12	Dark grey/natural			
	997 555 982 42 T12	Brown/natural			
	997 555 982 42 N12	Carrera Red			
(1)	997 555 982 43	Door trim panel	/RL /R 10-	1	TURBO/COUPE IXTW/XVT/099 I538/680/981
		Leather			

Model: 997T10

Model life 2010>>2013

Pos	Part Number	Description	Remark	Qty	Model
	997 555 982 43 A11	Black			
	997 555 982 43 5X6	Stone grey			
	997 555 982 43 8G2	Sand Beige			
	997 555 982 43 3S9	Sea blue			
	997 555 982 43 9S5	Terracotta			
	997 555 982 43 9V6	Cocoa			
	997 555 982 43 BCD	Black/stone grey			
	997 555 982 43 BCE	Black/sand beige			
	997 555 982 43 BCF	Black/terracotta			
	997 555 982 43 D12	Dark grey/natural			
	997 555 982 43 T12	Brown/natural			
	997 555 982 43 N12	Carrera Red			
(1)	997 555 982 48	Door trim panel	/RL /R 10-	1	CABRIO IXTW/XVT/099 I680/981
		Leather			
	997 555 982 48 A11	Black			
	997 555 982 48 5X6	Stone grey			
	997 555 982 48 8G2	Sand Beige			
	997 555 982 48 3S9	Sea blue			
	997 555 982 48 9S5	Terracotta			
	997 555 982 48 9V6	Cocoa			
	997 555 982 48 BCD	Black/stone grey			
	997 555 982 48 BCE	Black/sand beige			
	997 555 982 48 BCF	Black/terracotta			
	997 555 982 48 D12	Dark grey/natural			
	997 555 982 48 T12	Brown/natural			
	997 555 982 48 N12	Carrera Red			
(1)	997 555 982 49	Door trim panel	/RL /R 10-	1	CABRIO IXTW/XVT/099 I538/680/981
		Leather			
	997 555 982 49 A11	Black			
	997 555 982 49 5X6	Stone grey			
	997 555 982 49 8G2	Sand Beige			
	997 555 982 49 3S9	Sea blue			
	997 555 982 49 9S5	Terracotta			
	997 555 982 49 9V6	Cocoa			
	997 555 982 49 BCD	Black/stone grey			
	997 555 982 49 BCE	Black/sand beige			
	997 555 982 49 BCF	Black/terracotta			
	997 555 982 49 D12	Dark grey/natural			
	997 555 982 49 T12	Brown/natural			
	997 555 982 49 N12	Carrera Red			
(1)	997 555 981 45	Door trim panel	/RL /L 10-	1	IXTW/XVT/099 I680/981
		Leather			
	997 555 981 45 A11	Black			
	997 555 981 45 5X6	Stone grey			
	997 555 981 45 8G2	Sand Beige			
	997 555 981 45 3S9	Sea blue			
	997 555 981 45 9S5	Terracotta			
	997 555 981 45 9V6	Cocoa			
	997 555 981 45 BCD	Black/stone grey			
	997 555 981 45 BCE	Black/sand beige			
	997 555 981 45 BCF	Black/terracotta			
	997 555 981 45 D12	Dark grey/natural			
	997 555 981 45 T12	Brown/natural			
	997 555 981 45 N12	Carrera Red			
(1)	987 555 993 37	Door trim panel	/LL /L	1	IXTV/098/537 I680/981
		Leather			
	987 555 993 37 A11	Black			

Model: 997T10 Model life 2010>>2013

Pos	Part Number	Description	Remark	Qty	Model
	987 555 993 37 5X6	Stone grey			
	987 555 993 37 8G2	Sand Beige			
	987 555 993 37 3S9	Sea blue			
	987 555 993 37 9S5	Terracotta			
	987 555 993 37 9V6	Cocoa			
	987 555 993 37 D12	Dark grey/natural			
	987 555 993 37 T12	Brown/natural			
	987 555 993 37 6J0	Espresso			
	987 555 993 37 N12	Carrera Red			
	987 555 993 37 BCD	Black/stone grey			
	987 555 993 37 BCE	Black/sand beige			
	987 555 993 37 BCF	Black/terracotta			
	987 555 993 37 BCN	Black/Cream			
	987 555 993 37 BCO	Black/Titanium Blue			
	987 555 993 37 BCP	Espresso/Luxor Beige			
(1)	987 555 994 27	Door trim panel	/LL /R	1	IXTV/098/680 I981
		Leather			
	987 555 994 27 A11	Black			
	987 555 994 27 5X6	Stone grey			
	987 555 994 27 8G2	Sand Beige			
	987 555 994 27 3S9	Sea blue			
	987 555 994 27 9S5	Terracotta			
	987 555 994 27 9V6	Cocoa			
	987 555 994 27 D12	Dark grey/natural			
	987 555 994 27 T12	Brown/natural			
	987 555 994 27 6J0	Espresso			
	987 555 994 27 N12	Carrera Red			
	987 555 994 27 BCD	Black/stone grey			
	987 555 994 27 BCE	Black/sand beige			
	987 555 994 27 BCF	Black/terracotta			
	987 555 994 27 BCN	Black/Cream			
	987 555 994 27 BCO	Black/Titanium Blue			
	987 555 994 27 BCP	Espresso/Luxor Beige			
(1)	987 555 981 22	Door trim panel	/L	1	I018/537/680 I981
		Leather			
(1)	987 555 981 22 FVB	Black/Peridot			
(1)	987 555 981 37	Door trim panel	/L	1	I018/537/680 I981
		Leather			
(1)	987 555 981 37 FVB	Black/Peridot			
(1)	987 555 981 27	Door trim panel	/RL /L	1	I018/099/680 I981
		Leather			
(1)	987 555 981 27 FVB	Black/Peridot			
(1)	987 555 982 22	Door trim panel	/R	1	I018/538/680 I981
		Leather			
(1)	987 555 982 22 FVB	Black/Peridot			
(1)	987 555 982 37	Door trim panel	/R	1	I018/538/680 I981
		Leather			
(1)	987 555 982 37 FVB	Black/Peridot			
(1)	987 555 982 27	Door trim panel	/LL /R	1	I018/098/680 I981
		Leather			
2	999 507 533 02	Clamp		2	
3	955 555 243 00	Fixing clip for Mount		9	

Model: 997T10 Model life 2010>>2013

Pos	Part Number	Description	Remark	Qty	Model
4	999 073 322 02	Door trim panel Oval-head screw M 6 X 20 for Mount		5	
5	997 555 221 01	Door trim panel Lid	/L	1	TURBO -IXTL/-IXTT -IXTW
		Shelf			
	997 555 221 01 FSA	Black/grey			
	997 555 221 01 FSB	Stone grey/stone grey			
	997 555 221 01 FSC	Sand Beige			
	997 555 221 01 FSD	Sea blue/grey			
	997 555 221 01 FSF	Terracotta/terracotta			
	997 555 221 01 FSG	Cocoa/Cocoa			
	997 555 221 01 FSH	Darkgrey natural/grey			
	997 555 221 01 FSJ	Brown nat./brown nat.			
	997 555 221 01 FSP	Carrera Red			
(5)	997 555 222 01	Lid	/R	1	TURBO -IXTL/-IXTT -IXTW
		Shelf			
	997 555 222 01 FSA	Black/grey			
	997 555 222 01 FSB	Stone grey/stone grey			
	997 555 222 01 FSC	Sand Beige			
	997 555 222 01 FSD	Sea blue/grey			
	997 555 222 01 FSF	Terracotta/terracotta			
	997 555 222 01 FSG	Cocoa/Cocoa			
	997 555 222 01 FSH	Darkgrey natural/grey			
	997 555 222 01 FSJ	Brown nat./brown nat.			
	997 555 222 01 FSP	Carrera Red			
(5)	997 555 989 00	Lid	/L	1	TURBO IXTL
		Shelf			
		Carbon			
	997 555 989 00 A35	Black			
(5)	997 555 990 00	Lid	/R	1	TURBO IXTL
		Shelf			
		Carbon			
	997 555 990 00 A35	Black			
(5)	997 555 989 02	Lid	/L	1	TURBO IXTT
		Shelf			
	997 555 989 02 S61	Macassar			
(5)	997 555 990 02	Lid	/R	1	TURBO IXTT
		Shelf			
	997 555 990 02 S61	Macassar			
(5)	997 555 989 03	Lid	/L	1	TURBO IXTW
		Shelf			
	997 555 989 03 V04	Galvano silver			
(5)	997 555 990 03	Lid	/R	1	TURBO IXTW
		Shelf			
	997 555 990 03 V04	Galvano silver			
6	997 555 833 00	Steering knuckle spring for Lid	/L	1	
		Shelf			
(6)	997 555 834 00	Steering knuckle spring	/R	1	

Model: 997T10 Model life 2010>>2013

Pos	Part Number	Description	Remark	Qty	Model
7	997 555 841 00	for Lid Shelf Damper Shelf		1	
(8)	997 555 261 01	Handle Lower part	/L	1	TURBO
	997 555 261 01 A11	Black			
	997 555 261 01 5X6	Stone grey			
	997 555 261 01 8G2	Sand Beige			
	997 555 261 01 3S9	Sea blue			
	997 555 261 01 9S5	Terracotta			
	997 555 261 01 9V6	Cocoa			
	997 555 261 01 D12	Dark grey/natural			
	997 555 261 01 T12	Brown/natural			
	997 555 261 01 N12	Carrera Red			
(8)	997 555 262 01	Handle Lower part	/R	1	TURBO
	997 555 262 01 A11	Black			
	997 555 262 01 5X6	Stone grey			
	997 555 262 01 8G2	Sand Beige			
	997 555 262 01 3S9	Sea blue			
	997 555 262 01 9S5	Terracotta			
	997 555 262 01 9V6	Cocoa			
	997 555 262 01 D12	Dark grey/natural			
	997 555 262 01 T12	Brown/natural			
	997 555 262 01 N12	Carrera Red			
9	999 919 229 02	Oval-head screw 6,0 X 40,0 for Mount Handle		2	
(10)	997 555 381 03	Axle bearing	/L	1	
(10)	997 555 382 03	Axle bearing	/R	1	
11	999 919 164 09	Oval-head screw 5 X 12 for Mount Axle bearing		3	
12	997 555 461 01	Lever Door opener	/L	1	
	997 555 461 01 V05	Galvano silver			
(12)	997 555 462 01	Lever Door opener	/R	1	
	997 555 462 01 V05	Galvano silver			
13	999 919 164 09	Oval-head screw 5 X 12 for Mount Lever Door opener		1	
14	997 555 683 00	Cap Airbag	/L	1	
	997 555 683 00 A03	Black			
	997 555 683 00 5V7	Stone grey			
	997 555 683 00 5Z1	Sand Beige			
	997 555 683 00 8W7	Sea blue			
	997 555 683 00 8X8	Terracotta			
	997 555 683 00 8P9	Cocoa			
	997 555 683 00 T13	Brown/natural			
	997 555 683 00 N23	Carrera Red			
(14)	997 555 684 00	Cap Airbag	/R	1	

Model: 997T10 Model life 2010>>2013

Pos	Part Number	Description	Remark	Qty	Model			
15	997 555 684 00 A03	Black		1	-IXVT			
	997 555 684 00 5V7	Stone grey						
	997 555 684 00 5Z1	Sand Beige						
	997 555 684 00 8W7	Sea blue						
	997 555 684 00 8X8	Terracotta						
	997 555 684 00 8P9	Cocoa						
	997 555 684 00 T13	Brown/natural						
	997 555 684 00 N23	Carrera Red						
	997 555 643 01	Cover						
		Front						
		Lacquered						
	997 555 643 01 A03	Black						
	997 555 643 01 5V7	Stone grey						
	997 555 643 01 5Z1	Sand Beige						
	(15)	997 555 643 01 8W7				Sea blue		1
997 555 643 01 8X8		Terracotta						
997 555 643 01 8P9		Cocoa						
997 555 643 01 T13		Brown/natural						
997 555 643 01 N23		Carrera Red						
997 555 644 01		Cover						
		Front						
		Lacquered						
997 555 644 01 A03		Black						
997 555 644 01 5V7		Stone grey						
997 555 644 01 5Z1		Sand Beige						
997 555 644 01 8W7		Sea blue						
997 555 644 01 8X8		Terracotta						
997 555 644 01 8P9		Cocoa						
997 555 644 01 T13		Brown/natural						
997 555 644 01 N23	Carrera Red							
(15)	997 555 643 02	Cover		1	IXVT			
		Front						
		Leather						
	997 555 643 02 A11	Black						
	997 555 643 02 5X6	Stone grey						
	997 555 643 02 8G2	Sand Beige						
	997 555 643 02 3S9	Sea blue						
	997 555 643 02 9S5	Terracotta						
	997 555 643 02 9V6	Cocoa						
	997 555 643 02 D12	Dark grey/natural						
	997 555 643 02 T12	Brown/natural						
	997 555 643 02 N12	Carrera Red						
	997 555 644 02	Cover						
		Front						
		Leather						
(15)	997 555 644 02 A11	Black		1	IXVT			
	997 555 644 02 5X6	Stone grey						
	997 555 644 02 8G2	Sand Beige						
	997 555 644 02 3S9	Sea blue						
	997 555 644 02 9S5	Terracotta						
	997 555 644 02 9V6	Cocoa						
	997 555 644 02 D12	Dark grey/natural						
	997 555 644 02 T12	Brown/natural						
	997 555 644 02 N12	Carrera Red						
	997 555 431 01	Cover					1	TURBO -IXTL/-IXTT -IXTW
		Door handle						
	997 555 431 01 FSA	Black/grey						
	997 555 431 01 FSB	Stone grey/stone grey						
	997 555 431 01 FSC	Sand Beige						
	997 555 431 01 FSD	Sea blue/grey						
997 555 431 01 FSF	Terracotta/terracotta							



Model: 997T10 Model life 2010>>2013

Pos	Part Number	Description	Remark	Qty	Model
(16)	997 555 431 01 FSG	Cocoa/Cocoa	/R	1	TURBO -IXTL/-IXTT -IXTW
	997 555 431 01 FSH	Darkgrey natural/grey			
	997 555 431 01 FSJ	Brown nat./brown nat.			
	997 555 431 01 FSP	Carrera Red			
	997 555 432 01	Cover			
		Door handle			
	997 555 432 01 FSA	Black/grey			
	997 555 432 01 FSB	Stone grey/stone grey			
	997 555 432 01 FSC	Sand Beige			
	997 555 432 01 FSD	Sea blue/grey			
(16)	997 555 432 01 FSF	Terracotta/terracotta	/L	1	TURBO IXTL
	997 555 432 01 FSG	Cocoa/Cocoa			
	997 555 432 01 FSH	Darkgrey natural/grey			
	997 555 432 01 FSJ	Brown nat./brown nat.			
	997 555 432 01 FSP	Carrera Red			
	997 555 991 00	Cover			
		Door handle			
		Carbon			
	997 555 991 00 A11	Black			
	997 555 991 00 5X6	Stone grey			
(16)	997 555 991 00 8G2	Sand Beige	/R	1	TURBO IXTL
	997 555 991 00 3S9	Sea blue			
	997 555 991 00 9S5	Terracotta			
	997 555 991 00 9V6	Cocoa			
	997 555 991 00 D12	Dark grey/natural			
	997 555 991 00 T12	Brown/natural			
	997 555 991 00 N12	Carrera Red			
	997 555 992 00	Cover			
		Door handle			
		Carbon			
(16)	997 555 992 00 A11	Black	/L	1	TURBO IXTT
	997 555 992 00 5X6	Stone grey			
	997 555 992 00 8G2	Sand Beige			
	997 555 992 00 3S9	Sea blue			
	997 555 992 00 9S5	Terracotta			
	997 555 992 00 9V6	Cocoa			
	997 555 992 00 D12	Dark grey/natural			
	997 555 992 00 T12	Brown/natural			
	997 555 992 00 N12	Carrera Red			
	997 555 991 02	Cover			
(16)		Door handle	/R	1	TURBO IXTT
		Macassar			
	997 555 991 02 A11	Black			
	997 555 991 02 5X6	Stone grey			
	997 555 991 02 8G2	Sand Beige			
	997 555 991 02 3S9	Sea blue			
	997 555 991 02 9S5	Terracotta			
	997 555 991 02 9V6	Cocoa			
	997 555 991 02 D12	Dark grey/natural			
	997 555 991 02 T12	Brown/natural			
(16)	997 555 991 02 N12	Carrera Red	/R	1	TURBO IXTT
	997 555 992 02	Cover			
		Door handle			
		Macassar			
(16)	997 555 992 02 A11	Black			
	997 555 992 02 5X6	Stone grey			
	997 555 992 02 8G2	Sand Beige			

Model: 997T10 Model life 2010>>2013

Pos	Part Number	Description	Remark	Qty	Model				
(16)	997 555 992 02 3S9	Sea blue	/L	1	TURBO IXTW				
	997 555 992 02 9S5	Terracotta							
	997 555 992 02 9V6	Cocoa							
	997 555 992 02 D12	Dark grey/natural							
	997 555 992 02 T12	Brown/natural							
	997 555 992 02 N12	Carrera Red							
	997 555 991 03	Cover							
		Door handle							
		Aluminium look							
	997 555 991 03 A11	Black							
	997 555 991 03 5X6	Stone grey							
	997 555 991 03 8G2	Sand Beige							
	997 555 991 03 3S9	Sea blue							
	997 555 991 03 9S5	Terracotta							
	997 555 991 03 9V6	Cocoa							
	997 555 991 03 D12	Dark grey/natural							
997 555 991 03 T12	Brown/natural								
997 555 991 03 N12	Carrera Red								
(16)	997 555 992 03	Cover	/R	1	TURBO IXTW				
		Door handle							
		Aluminium look							
	997 555 992 03 A11	Black							
	997 555 992 03 5X6	Stone grey							
	997 555 992 03 8G2	Sand Beige							
	997 555 992 03 3S9	Sea blue							
	997 555 992 03 9S5	Terracotta							
	997 555 992 03 9V6	Cocoa							
	997 555 992 03 D12	Dark grey/natural							
	997 555 992 03 T12	Brown/natural							
	997 555 992 03 N12	Carrera Red							
	17	999 591 380 01				Cable clamp		4	
	18	997 555 685 02				Cover	/LL /L	1	I098
						Door mirror			
						Driver's side			
		Lacquered							
997 555 685 02 A03		Black							
997 555 685 02 5V7		Stone grey							
997 555 685 02 5Z1		Sand Beige							
997 555 685 02 8W7		Sea blue							
997 555 685 02 8X8		Terracotta							
997 555 685 02 8P9		Cocoa							
997 555 685 02 T13		Brown/natural							
997 555 685 02 N23		Carrera Red							
(18)		997 555 686 03	Cover	/RL /R	1	I099			
			Door mirror						
			Driver's side						
			Lacquered						
		997 555 686 03 A03	Black						
		997 555 686 03 5V7	Stone grey						
	997 555 686 03 5Z1	Sand Beige							
	997 555 686 03 8W7	Sea blue							
	997 555 686 03 8X8	Terracotta							
	997 555 686 03 8P9	Cocoa							
	997 555 686 03 T13	Brown/natural							
	997 555 686 03 N23	Carrera Red							
	(18)	997 555 995 00	Cover				/LL /L	1	IXDX/098
			Door mirror						
			Driver's side						
			Leather						
		997 555 995 00 A11	Black						
		997 555 995 00 5X6	Stone grey						

Model: 997T10 Model life 2010>>2013

Pos	Part Number	Description	Remark	Qty	Model
	997 555 995 00 8G2	Sand Beige			
	997 555 995 00 3S9	Sea blue			
	997 555 995 00 9S5	Terracotta			
	997 555 995 00 9V6	Cocoa			
	997 555 995 00 T12	Brown/natural			
	997 555 995 00 N12	Carrera Red			
(18)	997 555 996 01	Cover	/RL /R	1	IXDX/099
		Door mirror			
		Driver's side			
		Leather			
	997 555 996 01 A11	Black			
	997 555 996 01 5X6	Stone grey			
	997 555 996 01 8G2	Sand Beige			
	997 555 996 01 3S9	Sea blue			
	997 555 996 01 9S5	Terracotta			
	997 555 996 01 9V6	Cocoa			
	997 555 996 01 T12	Brown/natural			
	997 555 996 01 N12	Carrera Red			
(18)	997 555 686 02	Cover	/LL /R	1	I098
		Door mirror			
		Passenger's side			
		Lacquered			
	997 555 686 02 A03	Black			
	997 555 686 02 5V7	Stone grey			
	997 555 686 02 5Z1	Sand Beige			
	997 555 686 02 8W7	Sea blue			
	997 555 686 02 8X8	Terracotta			
	997 555 686 02 8P9	Cocoa			
	997 555 686 02 T13	Brown/natural			
	997 555 686 02 N23	Carrera Red			
(18)	997 555 685 03	Cover	/RL /L	1	I099
		Door mirror			
		Passenger's side			
		Lacquered			
	997 555 685 03 A03	Black			
	997 555 685 03 5V7	Stone grey			
	997 555 685 03 5Z1	Sand Beige			
	997 555 685 03 8W7	Sea blue			
	997 555 685 03 8X8	Terracotta			
	997 555 685 03 8P9	Cocoa			
	997 555 685 03 T13	Brown/natural			
	997 555 685 03 N23	Carrera Red			
(18)	997 555 996 00	Cover	/LL /R	1	IXDX/098
		Door mirror			
		Passenger's side			
		Leather			
	997 555 996 00 A11	Black			
	997 555 996 00 5X6	Stone grey			
	997 555 996 00 8G2	Sand Beige			
	997 555 996 00 3S9	Sea blue			
	997 555 996 00 9S5	Terracotta			
	997 555 996 00 9V6	Cocoa			
	997 555 996 00 D12	Dark grey/natural			
	997 555 996 00 T12	Brown/natural			
	997 555 996 00 N12	Carrera Red			
(18)	997 555 995 01	Cover	/RL /L	1	IXDX/099
		Door mirror			
		Passenger's side			
		Leather			
	997 555 995 01 A11	Black			
	997 555 995 01 5X6	Stone grey			
	997 555 995 01 8G2	Sand Beige			
	997 555 995 01 3S9	Sea blue			

Model: 997T10 Model life 2010>>2013

Pos	Part Number	Description	Remark	Qty	Model			
19	997 555 995 01 9S5	Terracotta		1				
	997 555 995 01 9V6	Cocoa						
	997 555 995 01 D12	Dark grey/natural						
	997 555 995 01 T12	Brown/natural						
	997 555 995 01 N12	Carrera Red						
	997 555 577 00	Cap						
		Handle liner						
	997 555 577 00 A03	Black						
	997 555 577 00 5V7	Stone grey						
	997 555 577 00 8W7	Sea blue						
20	997 555 577 00 8X8	Terracotta		1				
	997 555 577 00 8P9	Cocoa						
	997 555 577 00 T13	Brown/natural						
	997 555 577 00 N23	Carrera Red						
	997 555 895 00	Plastic foam strip for Woofer						
	21	997 645 511 00	Logo				2	I680
	22	997 555 597 00	Spacer				2	
	23	999 702 281 41	Lid hinge				1	
			Grommet					
	24	997 555 271 01	Handle			/L	1	TURBO
		Upper part						
997 555 271 01 FSA		Black/grey						
997 555 271 01 FSB		Stone grey/stone grey						
997 555 271 01 FSC		Sand Beige						
997 555 271 01 FSD		Sea blue/grey						
997 555 271 01 FSF		Terracotta/terracotta						
997 555 271 01 FSG		Cocoa/Cocoa						
997 555 271 01 FSH		Darkgrey natural/grey						
997 555 271 01 FSJ		Brown nat./brown nat.						
(24)	997 555 271 01 FSP	Carrera Red		1	TURBO			
	997 555 272 01	Handle	/R					
		Upper part						
	997 555 272 01 FSA	Black/grey						
	997 555 272 01 FSB	Stone grey/stone grey						
	997 555 272 01 FSC	Sand Beige						
	997 555 272 01 FSD	Sea blue/grey						
	997 555 272 01 FSF	Terracotta/terracotta						
	997 555 272 01 FSG	Cocoa/Cocoa						
	997 555 272 01 FSH	Darkgrey natural/grey						
(24)	997 555 272 01 FSJ	Brown nat./brown nat.		1	TURBO IXTL			
	997 555 272 01 FSP	Carrera Red						
	997 555 987 00	Handle	/L					
		Upper part						
	997 555 987 00 A35	Black						
	(24)	997 555 988 00	Handle			/R	1	TURBO IXTL
			Upper part					
		Carbon						
	(24)	997 555 988 00 A35	Black				1	TURBO IXTT
			Handle			/L		
	Upper part							
(24)	997 555 987 02 S61	Macassar		1	TURBO IXTT			
		Handle	/R					
	Upper part							
(24)	997 555 988 02 S61	Macassar		1	TURBO IXTW			
		Handle	/L					

Model: 997T10 Model life 2010>>2013

Pos	Part Number	Description	Remark	Qty	Model
(24)	997 555 987 03 V04 997 555 988 03	Upper part Galvano silver Handle	/R	1	TURBO IXTW
25	997 555 988 03 V04 997 555 351 03	Upper part Galvano silver Insert	/LL /L	1	COUPE I098
		Handle liner Lacquered			
	997 555 351 03 A03	Black			
	997 555 351 03 5V7	Stone grey			
	997 555 351 03 5Z1	Sand Beige			
	997 555 351 03 8W7	Sea blue			
	997 555 351 03 8X8	Terracotta			
	997 555 351 03 8P9	Cocoa			
	997 555 351 03 T13	Brown/natural			
	997 555 351 03 N23	Carrera Red			
25	997 555 352 03	Insert	/RL /R	1	COUPE I099
		Handle liner Lacquered			
	997 555 352 03 A03	Black			
	997 555 352 03 5V7	Stone grey			
	997 555 352 03 5Z1	Sand Beige			
	997 555 352 03 8W7	Sea blue			
	997 555 352 03 8X8	Terracotta			
	997 555 352 03 8P9	Cocoa			
	997 555 352 03 T13	Brown/natural			
	997 555 352 03 N23	Carrera Red			
(25)	997 555 351 05	Insert	/LL /L	1	CABRIO I098
		Handle liner Lacquered			
	997 555 351 05 A03	Black			
	997 555 351 05 5V7	Stone grey			
	997 555 351 05 5Z1	Sand Beige			
	997 555 351 05 8W7	Sea blue			
	997 555 351 05 8X8	Terracotta			
	997 555 351 05 8P9	Cocoa			
	997 555 351 05 T13	Brown/natural			
	997 555 351 05 N23	Carrera Red			
(25)	997 555 352 05	Insert	/RL /R	1	CABRIO I099
		Handle liner Lacquered			
	997 555 352 05 A03	Black			
	997 555 352 05 5V7	Stone grey			
	997 555 352 05 5Z1	Sand Beige			
	997 555 352 05 8W7	Sea blue			
	997 555 352 05 8X8	Terracotta			
	997 555 352 05 8P9	Cocoa			
	997 555 352 05 T13	Brown/natural			
	997 555 352 05 N23	Carrera Red			
25	997 555 352 04	Insert	/LL /R	1	I098
		Handle liner Lacquered			
	997 555 352 04 A03	Black			
	997 555 352 04 5V7	Stone grey			
	997 555 352 04 5Z1	Sand Beige			
	997 555 352 04 8W7	Sea blue			
	997 555 352 04 8X8	Terracotta			
	997 555 352 04 8P9	Cocoa			

Model: 997T10 Model life 2010>>2013

Pos	Part Number	Description	Remark	Qty	Model
(25)	997 555 352 04 T13	Brown/natural	/RL /L	1	I099
	997 555 352 04 N23	Carrera Red			
	997 555 351 04	Insert			
		Handle liner			
		Lacquered			
	997 555 351 04 A03	Black			
	997 555 351 04 5V7	Stone grey			
	997 555 351 04 5Z1	Sand Beige			
	997 555 351 04 8W7	Sea blue			
	997 555 351 04 8X8	Terracotta			
25	997 555 351 04 8P9	Cocoa	/LL /L	1	COUPE IXTV/098
	997 555 351 04 T13	Brown/natural			
	997 555 351 04 N23	Carrera Red			
	997 555 985 00	Insert			
		Handle liner			
		Leather			
	997 555 985 00 A11	Black			
	997 555 985 00 5X6	Stone grey			
	997 555 985 00 8G2	Sand Beige			
	997 555 985 00 3S9	Sea blue			
(25)	997 555 985 00 9S5	Terracotta	/RL /R	1	COUPE IXTV/099
	997 555 985 00 9V6	Cocoa			
	997 555 985 00 D12	Dark grey/natural			
	997 555 985 00 T12	Brown/natural			
	997 555 985 00 N12	Carrera Red			
	997 555 986 01	Insert			
		Handle liner			
		Leather			
	997 555 986 01 A11	Black			
	997 555 986 01 5X6	Stone grey			
(25)	997 555 986 01 8G2	Sand Beige	/LL /L	1	CABRIO IXTV/098
	997 555 986 01 3S9	Sea blue			
	997 555 986 01 9S5	Terracotta			
	997 555 986 01 9V6	Cocoa			
	997 555 986 01 D12	Dark grey/natural			
	997 555 986 01 T12	Brown/natural			
	997 555 986 01 N12	Carrera Red			
	997 555 985 01	Insert			
		Handle liner			
		Leather			
(25)	997 555 985 01 A11	Black	/RL /R	1	CABRIO IXTV/099
	997 555 985 01 5X6	Stone grey			
	997 555 985 01 8G2	Sand Beige			
	997 555 985 01 3S9	Sea blue			
	997 555 985 01 9S5	Terracotta			
	997 555 985 01 9V6	Cocoa			
	997 555 985 01 D12	Dark grey/natural			
	997 555 985 01 T12	Brown/natural			
	997 555 985 01 N12	Carrera Red			
	997 555 986 02	Insert			
(25)		Handle liner	/RL /R	1	CABRIO IXTV/099
		Leather			
	997 555 986 02 A11	Black			
	997 555 986 02 5X6	Stone grey			
	997 555 986 02 8G2	Sand Beige			
	997 555 986 02 3S9	Sea blue			
	997 555 986 02 9S5	Terracotta			
	997 555 986 02 9V6	Cocoa			
	997 555 986 02 D12	Dark grey/natural			

Model: 997T10 Model life 2010>>2013

Pos	Part Number	Description	Remark	Qty	Model
(25)	997 555 986 02 T12	Brown/natural	/LL /R	1	IXTV/098
	997 555 986 02 N12	Carrera Red			
	997 555 986 00	Insert			
		Handle liner			
		Leather			
	997 555 986 00 A11	Black			
	997 555 986 00 5X6	Stone grey			
	997 555 986 00 8G2	Sand Beige			
	997 555 986 00 3S9	Sea blue			
	997 555 986 00 9S5	Terracotta			
(25)	997 555 986 00 9V6	Cocoa	/RL /L	1	IXTV/099
	997 555 986 00 D12	Dark grey/natural			
	997 555 986 00 T12	Brown/natural			
	997 555 986 00 N12	Carrera Red			
	997 555 985 02	Insert			
		Handle liner			
		Leather			
	997 555 985 02 A11	Black			
	997 555 985 02 5X6	Stone grey			
	997 555 985 02 8G2	Sand Beige			
25	997 555 985 02 3S9	Sea blue	/LL /L	1	TURBO/COUPE IXTL/098
	997 555 985 02 9S5	Terracotta			
	997 555 985 02 9V6	Cocoa			
	997 555 985 02 D12	Dark grey/natural			
	997 555 985 02 T12	Brown/natural			
	997 555 985 02 N12	Carrera Red			
	997 555 985 03	Insert			
		Handle liner			
		Carbon			
	997 555 985 03 A35	Black			
(25)	997 555 985 03	Insert	/LL /L	1	Coupe I018/098
		Handle liner			
(25)	997 555 985 03 A35	Black	/RL /R	1	TURBO/COUPE IXTL/099
	997 555 986 04	Insert			
(25)		Handle liner	/RL /R	1	Coupe I018/099
		Carbon			
(25)	997 555 986 04 A35	Black	/LL /L	1	CABRIO IXTL/098
	997 555 985 04	Insert			
(25)		Handle liner	/LL /L	1	CABRIO I018/098
		Carbon			
(25)	997 555 986 04 A35	Black	/RL /R	1	CABRIO IXTL/099
	997 555 985 04	Insert			
(25)		Handle liner	/RL /R	1	Cabrio I018/099
		Carbon			
(25)	997 555 985 04 A35	Black	/RL /R	1	Cabrio I018/099
	997 555 986 05	Insert			
(25)		Handle liner	/RL /R	1	Cabrio I018/099
		Carbon			
(25)	997 555 986 05 A35	Black	/RL /R	1	Cabrio I018/099
	997 555 986 05	Insert			

Model: 997T10 Model life 2010>>2013

Pos	Part Number	Description	Remark	Qty	Model
(25)	997 555 986 05 A35 997 555 986 03	Handle liner Carbon Black Insert	/LL /R	1	TURBO IXTL/098
(25)	997 555 986 03 A35 997 555 986 03	Handle liner Carbon Black Insert	/LL /R	1	I018/098
(25)	997 555 986 03 A35 997 555 985 05	Handle liner Carbon Black Insert	/RL /L	1	TURBO IXTL/099
(25)	997 555 985 05 A35 997 555 985 05	Handle liner Carbon Black Insert	/RL /L	1	I018/099
25	997 555 985 05 A35 997 555 985 09	Handle liner Carbon Black Insert	/LL /L	1	TURBO/COUPE IXTT/098
(25)	997 555 985 09 S61 997 555 986 10	Handle liner Macassar Insert	/RL /R	1	TURBO/COUPE IXTT/099
(25)	997 555 986 10 S61 997 555 985 10	Handle liner Macassar Insert	/LL /L	1	CABRIO IXTT/098
(25)	997 555 985 10 S61 997 555 986 11	Handle liner Macassar Insert	/RL /R	1	CABRIO IXTT/099
25	997 555 986 11 S61 997 555 986 09	Handle liner Macassar Insert	/LL /R	1	TURBO IXTT/098
(25)	997 555 986 09 S61 997 555 985 11	Handle liner Macassar Insert	/RL /L	1	TURBO IXTT/099
25	997 555 985 11 S61 997 555 985 12	Handle liner Macassar Insert	/LL /L	1	TURBO/COUPE IXTW/098
(25)	997 555 985 12 V04 997 555 986 13	Handle liner Galvano silver Insert	/RL /R	1	TURBO/COUPE IXTW/099
(25)	997 555 986 13 V04 997 555 985 13	Handle liner Galvano silver Insert	/LL /L	1	CABRIO IXTW/098
(25)	997 555 985 13 V04 997 555 986 14	Handle liner Galvano silver Insert	/RL /R	1	CABRIO IXTW/099
25	997 555 986 14 V04 997 555 986 12	Handle liner Galvano silver Insert	/LL /R	1	TURBO IXTW/098



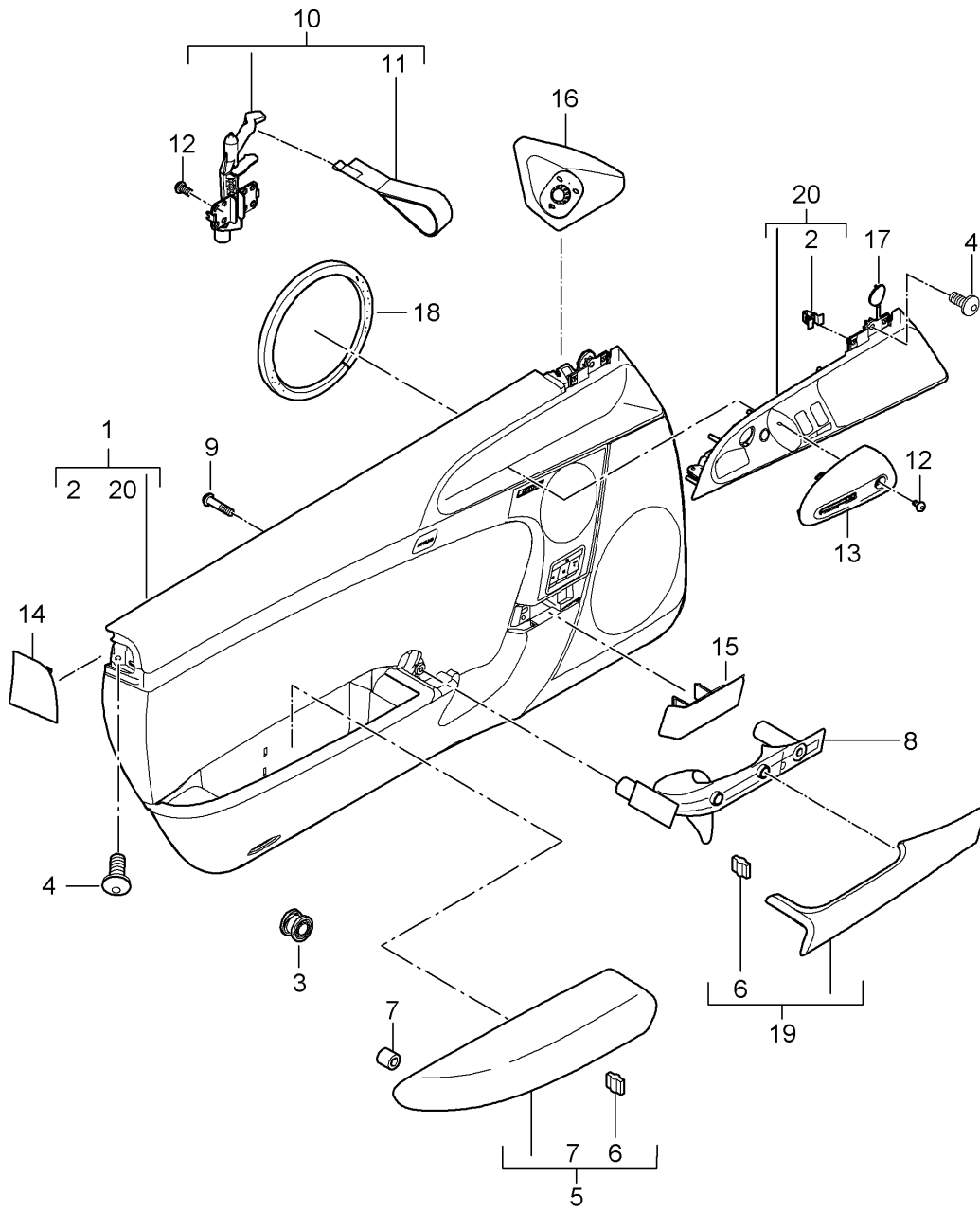
Model: 997T10

Model life 2010>>2013

Pos	Part Number	Description	Remark	Qty	Model
(25)	997 555 986 12 V04 997 555 985 14	Handle liner Galvano silver Insert	/RL /L	1	TURBO IXTW/099
(25)	997 555 985 14 V04 997 555 985 14	Handle liner Galvano silver Insert	/RL /L	1	TURBO IXTW/099
	997 555 985 14 V04	Handle liner Galvano silver			

Model: 997T10

Model life 2010>>2013



Model: 997T10 Model life 2010>>2013

Pos	Part Number	Description	Remark	Qty	Model
		Door trim panel			GT2 RS I004
		Accessories for cars with Sports seat			I377/378/388 I389
1	997 555 201 90	Door trim panel	/LL /L	1	I004/098/377 I441
		Leatherette Black			
(1)	997 555 201 90 9L4 997 555 201 90	Door trim panel	/LL /L	1	I004/098/388 I441
		Leatherette Black			
(1)	997 555 201 90 9L4 997 555 201 92	Door trim panel	/LL /L	1	I004/098/377 I490
		Leatherette Black			
(1)	997 555 201 92 9L4 997 555 201 92	Door trim panel	/LL /L	1	I004/098/388 I490
		Leatherette Black			
(1)	997 555 201 92 9L4 997 555 202 94	Door trim panel	/LL /R	1	I004/098/378 I441
		Leatherette Black			
(1)	997 555 202 94 9L4 997 555 202 94	Door trim panel	/LL /R	1	I004/098/389 I441
		Leatherette Black			
(1)	997 555 202 94 9L4 997 555 202 95	Door trim panel	/LL /R	1	I004/098/378 I490
		Leatherette Black			
(1)	997 555 202 95 9L4 997 555 202 95	Door trim panel	/LL /R	1	I004/098/389 I490
		Leatherette Black			
(1)	997 555 202 95 9L4 997 555 202 90	Door trim panel	/RL /R	1	I004/099/378 I441
		Leatherette Black			
(1)	997 555 202 90 9L4 997 555 202 90	Door trim panel	/RL /R	1	I004/099/389 I441
		Leatherette Black			
(1)	997 555 202 90 9L4 997 555 202 92	Door trim panel	/RL /R	1	I004/099/378 I490
		Leatherette Black			
(1)	997 555 202 92 9L4 997 555 202 92	Door trim panel	/RL /R	1	I004/099/378 I490
		Leatherette Black			
(1)	997 555 202 92 9L4 997 555 201 94	Door trim panel	/RL /L	1	I004/099/377 I441
		Leatherette Black			
(1)	997 555 201 94 9L4 997 555 201 94	Door trim panel	/RL /L	1	I004/099/388 I441
		Leatherette Black			
(1)	997 555 201 94 9L4 997 555 201 95	Door trim panel	/RL /L	1	I004/099/377

Model: 997T10 Model life 2010>>2013

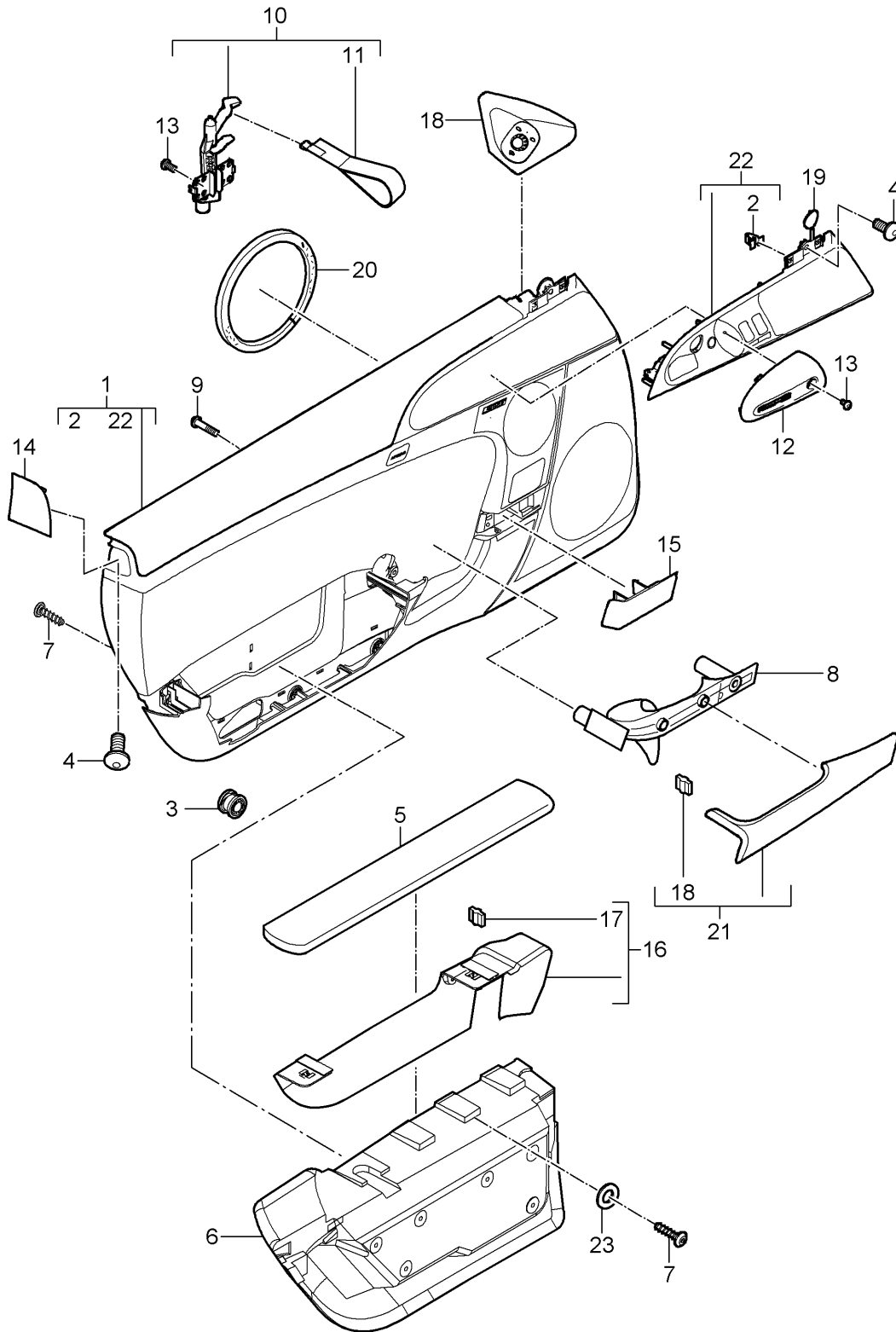
Pos	Part Number	Description	Remark	Qty	Model
		Leatherette			I490
(1)	997 555 201 95 9L4	Black			
	997 555 201 95	Door trim panel	/RL /L	1	I004/099/388 I490
2	997 555 201 95 9L4	Leatherette			
	999 507 533 02	Black Clamp		2	
3	955 555 243 00	8,0X 10/2,5 Fixing clip		9	
		for Mount			
4	999 073 322 02	Door trim panel Oval-head screw M 6 X 20		5	
		for Mount			
5	997 555 403 00	Door trim panel Armrest	/L	1	I004/377/388
		Door trim panel			
(5)	997 555 403 00 FSO	Black/grey			
	997 555 403 00 DRD	Black-red			
	997 555 404 00	Armrest	/R	1	I004/378/389
		Door trim panel			
	997 555 404 00 FSO	Black/grey			
	997 555 404 00 DRD	Black-red			
6	999 591 380 01	Cable clamp		X	I004
7	997 555 857 00	Grommet		X	I004
8	997 555 261 90	Handle	/L	1	I004/377/388
		Lower part			
(8)	997 555 261 90 A25	Black			
	997 555 261 90 N13	Guards red			
	997 555 262 90	Handle	/R	1	I004/378/389
		Lower part			
	997 555 262 90 A25	Black			
	997 555 262 90 N13	Guards red			
9	999 919 229 02	Oval-head screw 6,0 X 40,0		2	
		for Mount			
		Handle			
10	987 555 381 00	Axle bearing	/L	1	I004
	987 555 381 00 N13	Guards red			
(10)	987 555 382 00	Axle bearing	/R	1	I004
	987 555 382 00 N13	Guards red			
11	987 555 563 00	Door opener		2	I004
	987 555 563 00 N13	Guards red			
12	999 919 164 09	Oval-head screw 5 X 12		X	I004
13	987 555 463 00	Cover	/L	1	I004
		Door opener Lacquered			
(13)	987 555 463 00 A03	Black			
	987 555 464 00	Cover	/R	1	I004
		Door opener Lacquered			
14	987 555 464 00 A03	Black			
	997 555 683 00	Cap	/L	1	I004
		Airbag			
(14)	997 555 683 00 A03	Black			
	997 555 684 00	Cap	/R	1	I004
		Airbag			
	997 555 684 00 A03	Black			

Model: 997T10 Model life 2010>>2013

Pos	Part Number	Description	Remark	Qty	Model
15	997 555 643 01	Cover Front Lacquered	/L	1	I004
(15)	997 555 643 01 A03 997 555 644 01	Black Cover Front Lacquered	/R	1	I004
16	997 555 644 01 A03 997 555 685 02	Black Cover Door mirror Driver's side Lacquered	/LL /L	1	I004/098
(16)	997 555 685 02 A03 997 555 686 02	Black Cover Door mirror Passenger's side Lacquered	/LL /R	1	I004/098
(16)	997 555 686 02 A03 997 555 686 03	Black Cover Door mirror Driver's side Lacquered	/RL /R	1	I004/099
(16)	997 555 686 03 A03 997 555 685 03	Black Cover Door mirror Passenger's side Lacquered	/RL /L	1	I004/099
17	997 555 685 03 A03 997 555 577 00	Black Cap Handle liner		2	I004
18	997 555 577 00 A03 997 555 895 00	Black Plastic foam strip for Woofer		2	I004
19	997 555 271 90	Handle Upper part	/L	1	I004
(19)	997 555 271 90 FS0 997 555 271 90 DRD 997 555 272 90	Black/grey Black-red Handle Upper part	/R	1	I004
20	997 555 272 90 FS0 997 555 272 90 DRD 987 555 351 01	Black/grey Black-red Insert Handle liner Driver's side Lacquered	/LL /L	1	I004/098
(20)	987 555 351 01 A03 987 555 352 02	Black Insert Handle liner Passenger's side Lacquered	/LL /R	1	I004/098
(20)	987 555 352 02 A03 987 555 352 01	Black Insert Handle liner Driver's side Lacquered	/RL /R	1	I004/099
(20)	987 555 352 01 A03 987 555 351 02	Black Insert Handle liner Passenger's side Lacquered	/RL /L	1	I004/099
	987 555 351 02 A03	Black			

Model: 997T10

Model life 2010>>2013



Model: 997T10 Model life 2010>>2013

Pos	Part Number	Description	Remark	Qty	Model
		Door trim panel			GT2 RS I004
		Accessories for cars with Bucket seat GT			I384/385
1	997 555 201 96	Door trim panel	/LL /L	1	I004/098/384 I441
	997 555 201 96 9L4	Leatherette Black			
(1)	997 555 201 98	Door trim panel	/LL /L	1	I004/098/384 I490
	997 555 201 98 9L4	Leatherette Black			
(1)	997 555 202 97	Door trim panel	/LL /R	1	I004/098/385 I441
	997 555 202 97 9L4	Leatherette Black			
(1)	997 555 202 99	Door trim panel	/LL /R	1	I004/098/385 I490
	997 555 202 99 9L4	Leatherette Black			
(1)	997 555 202 96	Door trim panel	/RL /R	1	I004/099/385 I441
	997 555 202 96 9L4	Leatherette Black			
(1)	997 555 202 98	Door trim panel	/RL /R	1	I004/099/385 I490
	997 555 202 98 9L4	Leatherette Black			
(1)	997 555 201 97	Door trim panel	/RL /L	1	I004/099/384 I441
	997 555 201 97 9L4	Leatherette Black			
(1)	997 555 201 99	Door trim panel	/RL /L	1	I004/099/384 I490
	997 555 201 99 9L4	Leatherette Black			
(1)	997 555 201 C9	Door trim panel	/LL /L	1	I004/098/384 I490/981
	997 555 201 C9 FSM	Leather/ Alcantara Black/black			
(1)	997 555 202 D9	Door trim panel	/LL /R	1	I004/098/385 I490/981
	997 555 202 D9 FSM	Leather/ Alcantara Black/black			
(1)	997 555 202 C9	Door trim panel	/RL /R	1	I004/099/385 I490/981
	997 555 202 C9 FSM	Leather/ Alcantara Black/black			
(1)	997 555 201 D9	Door trim panel	/RL /L	1	I004/099/384 I490/981
	997 555 201 D9 FSM	Leather/ Alcantara Black/black			
2	999 507 533 02	Clamp		2	
3	955 555 243 00	Fixing clip for Mount		9	

Model: 997T10 Model life 2010>>2013

Pos	Part Number	Description	Remark	Qty	Model
4	999 073 322 02	Door trim panel Oval-head screw M 6 X 20 for Mount		5	
5	997 555 241 91	Door trim panel Armrest Alcantara	/L	1	I004/384
	997 555 241 91 A14	Black			
	997 555 241 91 N13	Guards red			
(5)	997 555 242 91	Door trim panel Armrest Alcantara	/R	1	I004/385
	997 555 242 91 A14	Black			
	997 555 242 91 N13	Guards red			
6	997 555 491 90	Padding Door trim panel	/L	1	I004/384
	997 555 491 90 FSA	Black/grey			
(6)	997 555 492 90	Padding Door trim panel	/R	1	I004/385
	997 555 492 90 FSA	Black/grey			
7	999 919 237 00	Oval-head screw 5 x 20		X	
8	997 555 261 02	Handle Lower part	/L	1	I004/384
	997 555 261 02 A14	Black			
	997 555 261 02 N13	Guards red			
(8)	997 555 262 02	Handle Lower part	/R	1	I004/385
	997 555 262 02 A14	Black			
	997 555 262 02 N13	Guards red			
9	999 919 229 02	Oval-head screw 6,0 X 40,0 for Mount Handle		2	
10	987 555 381 00	Axle bearing	/L	1	I004/384
	987 555 381 00 N13	Guards red			
(10)	987 555 382 00	Axle bearing	/R	1	I004/385
	987 555 382 00 N13	Guards red			
11	987 555 563 00	Door opener		2	I004
	987 555 563 00 N13	Guards red			
12	987 555 463 00	Cover Door opener	/L	1	I004/384
	987 555 463 00 A03	Black			
(12)	987 555 464 00	Cover Door opener	/R	1	I004/385
	987 555 464 00 A03	Black			
13	999 919 164 09	Oval-head screw 5 X 12		X	
14	997 555 683 00	Cap Airbag	/L	1	I004/384
	997 555 683 00 A03	Black			
(14)	997 555 684 00	Cap Airbag	/R	1	I004/385
	997 555 684 00 A03	Black			
15	997 555 643 01	Cover Front Lacquered	/L	1	I004/384
	997 555 643 01 A03	Black			
(15)	997 555 644 01	Cover Front Lacquered	/R	1	I004/385
	997 555 644 01 A03	Black			

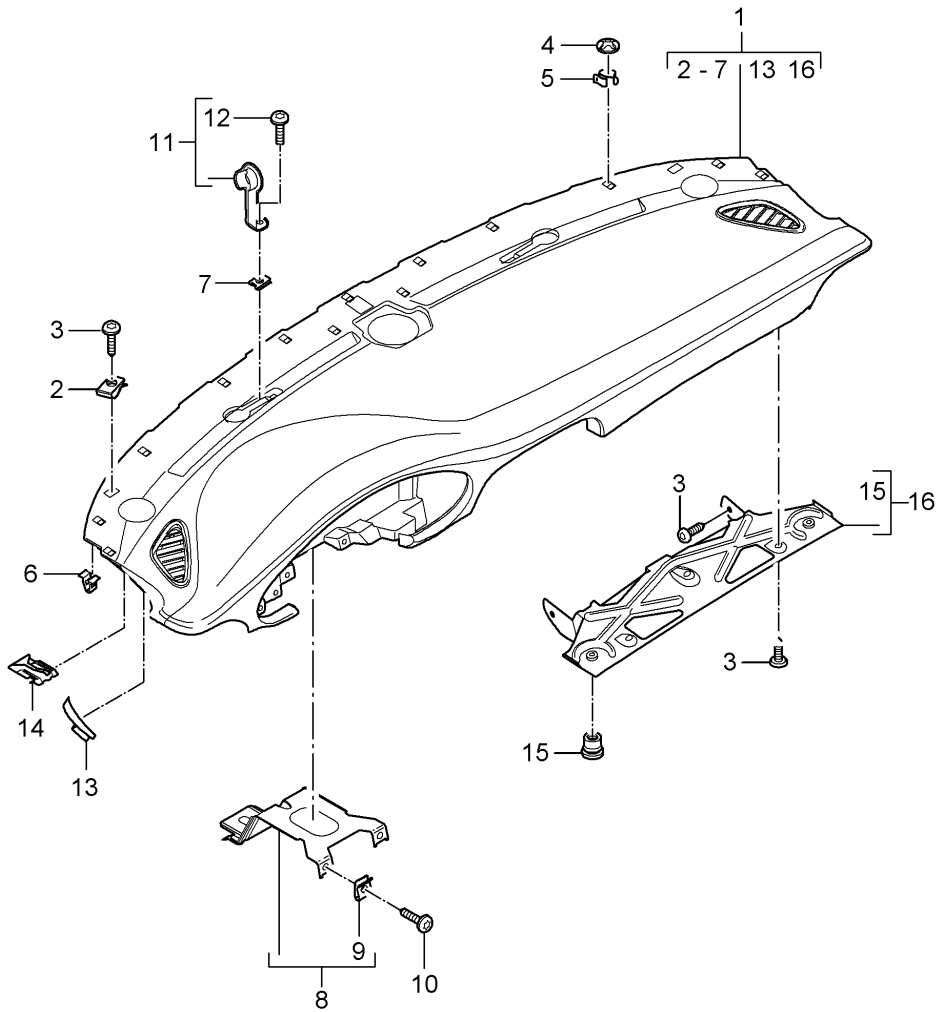
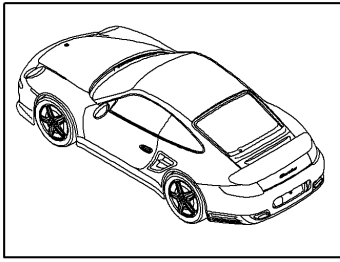


Model: 997T10 Model life 2010>>2013

Pos	Part Number	Description	Remark	Qty	Model
16	997 555 431 91	Cover Padding	/L	1	I004/384
(16)	997 555 431 91 A14 997 555 432 91	Black Cover Padding	/R	1	I004/385
	997 555 432 91 A14	Black			
17	999 591 380 01	Cable clamp		4	
18	997 555 685 02	Cover	/LL /L	1	I004/098/384
		Door mirror Driver's side Lacquered			
(18)	997 555 685 02 A03 997 555 686 03	Black Cover	/RL /R	1	I004/099/385
		Door mirror Driver's side Lacquered			
(18)	997 555 686 03 A03 997 555 686 02	Black Cover	/LL /R	1	I004/098/385
		Door mirror Passenger's side Lacquered			
(18)	997 555 686 02 A03 997 555 685 03	Black Cover	/RL /L	1	I004/099/384
		Door mirror Passenger's side Lacquered			
19	997 555 685 03 A03 997 555 577 00	Black Cap		2	I004
		Handle liner			
20	997 555 577 00 A03 997 555 895 00	Black Plastic foam strip for		2	I004
		Woofer			
21	997 555 271 02	Handle	/L	1	I004/384
		Upper part			
	997 555 271 02 FSO	Black/grey			
	997 555 271 02 DRD	Black-red			
(21)	997 555 272 02	Handle	/R	1	I004/385
		Upper part			
	997 555 272 02 FSO	Black			
	997 555 272 02 DRD	Black-red			
22	987 555 351 01	Insert	/LL /L	1	I004/098/384
		Handle liner Lacquered			
(22)	987 555 351 01 A03 987 555 352 01	Black Insert	/RL /R	1	I004/099/385
		Handle liner Lacquered			
(22)	987 555 352 01 A03 987 555 352 02	Black Insert	/LL /R	1	I004/098/385
		Handle liner Lacquered			
(22)	987 555 352 02 A03 987 555 351 02	Black Insert	/RL /L	1	I004/099/384
		Handle liner Lacquered			
23	987 555 351 02 A03 900 151 027 03	Black Washer		7	

Model: 997T10

Model life 2010>>2013



Model: 997T10

Model life 2010>>2013

Pos	Part Number	Description	Remark	Qty	Model
1	997 552 101 11	Dashboard trim Upper part with Mounting parts Accessories See illustrations 8/09/01 Dashboard Upper part Leather	/LL	1	I098/981
	997 552 101 11 FSA	Black			
	997 552 101 11 FSB	Stone grey			
	997 552 101 11 FSC	Sand Beige			
	997 552 101 11 FSD	Sea blue			
	997 552 101 11 FSF	Terracotta			
	997 552 101 11 FSG	Cocoa			
	997 552 101 11 FSH	Dark grey/natural			
	997 552 101 11 FSJ	Brown/natural			
	997 552 101 11 FSP	Carrera Red			
1	997 552 102 11	Dashboard Upper part Leather	/RL	1	I099/981
	997 552 102 11 FSA	Black			
	997 552 102 11 FSB	Stone grey			
	997 552 102 11 FSC	Sand Beige			
	997 552 102 11 FSD	Sea blue			
	997 552 102 11 FSF	Terracotta			
	997 552 102 11 FSG	Cocoa			
	997 552 102 11 FSH	Dark grey/natural			
	997 552 102 11 FSJ	Brown/natural			
	997 552 102 11 FSP	Carrera Red			
1	997 552 101 13	Dashboard Upper part Leather	/LL	1	I098/639/640 I981
	997 552 101 13 FSA	Black			
	997 552 101 13 FSB	Stone grey			
	997 552 101 13 FSC	Sand Beige			
	997 552 101 13 FSD	Sea blue			
	997 552 101 13 FSF	Terracotta			
	997 552 101 13 FSG	Cocoa			
	997 552 101 13 FSH	Dark grey/natural			
	997 552 101 13 FSJ	Brown/natural			
	997 552 101 13 FSP	Carrera Red			
	997 552 101 13 FWH	Espresso			
	997 552 101 13 FWM	Espresso/Luxor Beige			Turbo S
	997 552 101 13 TSA	Black/Titanium Blue			Turbo S
	997 552 101 13 TSC	Black/Cream			Turbo S
(1)	997 552 102 13	Dashboard Upper part Leather	/RL	1	I099/639/640 I981
	997 552 102 13 FSA	Black			
	997 552 102 13 FSB	Stone grey			
	997 552 102 13 FSC	Sand Beige			
	997 552 102 13 FSD	Sea blue			
	997 552 102 13 FSF	Terracotta			
	997 552 102 13 FSG	Cocoa			
	997 552 102 13 FSH	Dark grey/natural			
	997 552 102 13 FSJ	Brown/natural			
	997 552 102 13 FSP	Carrera Red			
	997 552 102 13 FWH	Espresso			
	997 552 102 13 TSA	Black/Titanium Blue			Turbo S

Model: 997T10

Model life 2010&gt;&gt;2013

Pos	Part Number	Description	Remark	Qty	Model
(19)	997 552 102 13 TSC 997 552 101 10	Black/Cream Dashboard  Upper part Leatherette	/LL 11-	1	Turbo S GT2RS I098
(1)	997 552 101 10 9L4 997 552 102 10	Black Dashboard  Upper part Leatherette	/RL 11-	1	GT2RS I099
(1)	997 552 102 10 9L4 997 552 101 12	Black Dashboard  Upper part Leatherette	/LL 11-	1	GT2RS I098/639/640
(1)	997 552 101 12 9L4 997 552 102 12	Black Dashboard  Upper part Leatherette	/RL 11-	1	GT2RS I099/639/640
2	997 552 102 12 9L4 999 507 971 01	Black Speed nut ST 4,2		X	
3	999 073 155 09	Tapping screw ST 4,2 X 13		X	
4	999 507 106 02	Clamping washer 8,0		X	
5	999 507 573 02	Clamp 6,7 - 8,1		X	
6	999 507 732 01	Clamp 8,0 X 12,0 /4,0		X	
7	999 507 020 01	Speed nut ST 4,2 for Mount		X	
8	997 552 617 01	Dashboard Support Dashboard Driver's side		1	
9	999 507 020 01	Speed nut ST 4,2		2	
10	999 073 155 09	Tapping screw ST 4,2 X 13		2	
11	997 552 673 00	Lid Defroster trim		2	
12	999 073 226 09	Tapping screw ST 4,2 X 16		2	
13	997 552 481 00	Insert A-pillar	/L	1	
(13)	997 552 482 00	Insert A-pillar	/R	1	
14	8E0 857 117	Clamp Mount Dashboard Cowl panel		2	
(15)	999 507 319 01	Captive nut M 5		2	
16	997 552 360 03	Retaining bracket for Beverages Support	/LL	1	I098
16	997 552 359 03	Retaining bracket for	/RL	1	I099

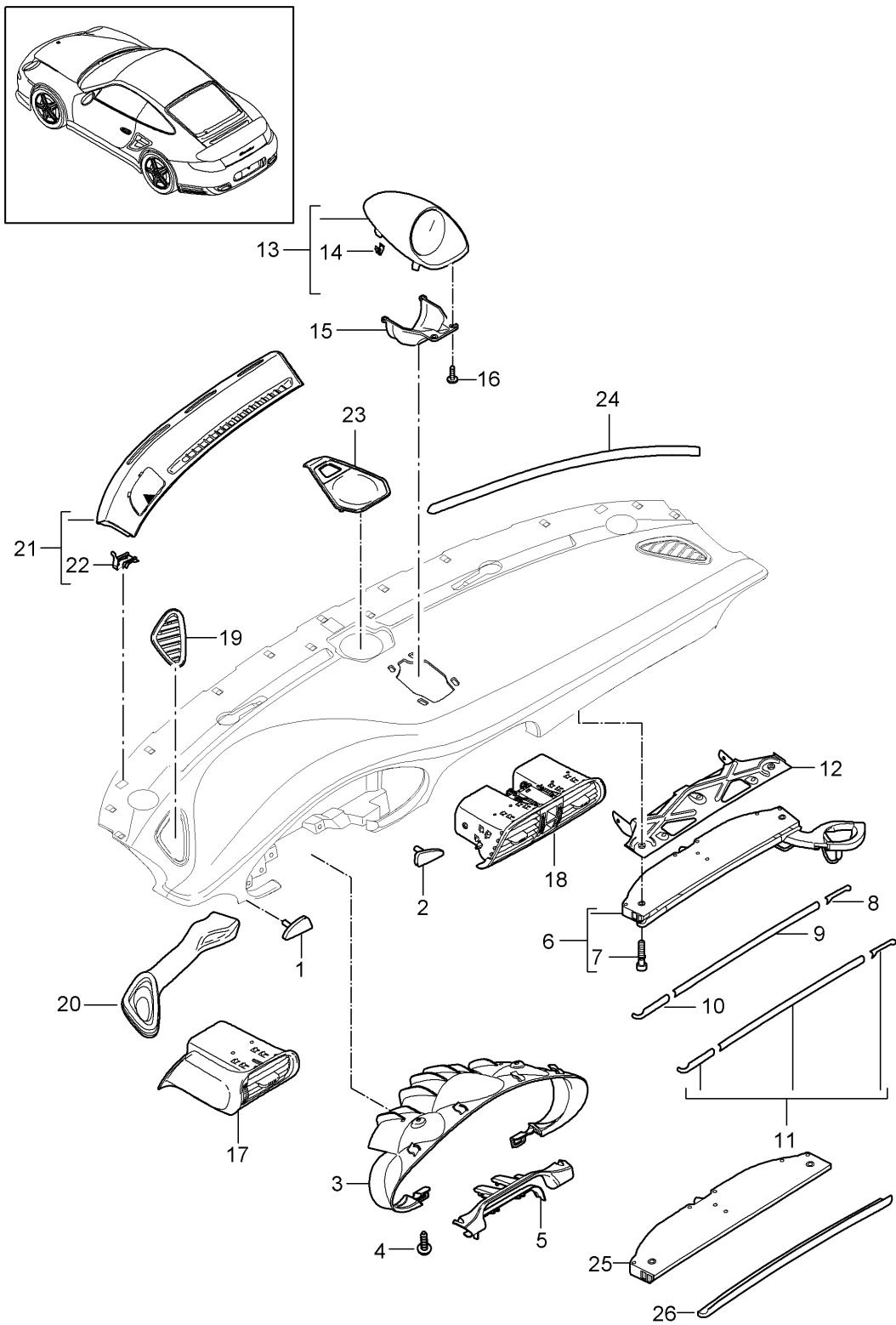
Model: 997T10

Model life 2010>>2013

Pos	Part Number	Description	Remark	Qty	Model
		Beverages Support			

Model: 997T10

Model life 2010>>2013



Model: 997T10 Model life 2010>>2013

Pos	Part Number	Description	Remark	Qty	Model
1	997 552 381 02	Accessories Dashboard trim Upper part Moulding	/LL	1	TURBO I098
1	997 552 381 02 V04 997 552 382 02	Driver's side Outer Galvano silver Moulding	/RL	1	TURBO I099
1	997 552 382 02 V04 997 552 381 03	Driver's side Outer Galvano silver Moulding	/LL	1	TURBO I098/801
1	997 552 381 03 S61 997 552 382 03	Driver's side Outer Macassar Moulding	/RL	1	TURBO I099/801
1	997 552 382 03 S61 997 552 381 05	Driver's side Outer Macassar Moulding	/LL	1	TURBO I098/803
1	997 552 381 05 A35 997 552 381 05	Driver's side Outer Black Moulding	/LL 11-	1	GT2RS IXGB/098
(1)	997 552 381 05 A35 997 552 382 05	Driver's side Outer Carbon Black Moulding	/RL	1	TURBO I099/803
(1)	997 552 382 05 A35 997 552 382 05	Driver's side Outer Black Moulding	/RL 11-	1	GT2RS IXGB/099
1	997 552 382 05 A35 997 552 986 00	Driver's side Outer Carbon Black Moulding	/LL	1	IXVP/098
(1)	997 552 986 00 A11 997 552 986 00 5X6 997 552 986 00 8G2 997 552 986 00 3S9 997 552 986 00 9S5 997 552 986 00 9V6 997 552 986 00 D12 997 552 986 00 T12 997 552 986 00 N12 997 552 986 00 6J0 997 552 986 01	Driver's side Outer Black Stone grey Sand Beige Sea blue Terracotta Cocoa Dark grey/natural Brown/natural Carrera Red Espresso Moulding	/RL	1	IXVP/099
	997 552 986 01 A11 997 552 986 01 5X6	Driver's side Outer Black Stone grey			

Model: 997T10 Model life 2010>>2013

Pos	Part Number	Description	Remark	Qty	Model
	997 552 986 01 8G2	Sand Beige			
	997 552 986 01 3S9	Sea blue			
	997 552 986 01 9S5	Terracotta			
	997 552 986 01 9V6	Cocoa			
	997 552 986 01 D12	Dark grey/natural			
	997 552 986 01 T12	Brown/natural			
	997 552 986 01 N12	Carrera Red			
	997 552 986 01 6J0	Espresso			
(1)	997 552 986 50	Moulding Driver's side Outer	/LL	1	IXDM/098
	997 552 986 50 G2X	Prime coated			
(1)	997 552 986 51	Moulding Driver's side Outer	/RL	1	IXDM/099
	997 552 986 51 G2X	Prime coated			
2	997 552 383 02	Moulding  Driver's side Centre	/LL	1	TURBO I098
	997 552 383 02 V04	Galvano silver			
(2)	997 552 384 02	Moulding  Driver's side Centre	/RL	1	TURBO I099
	997 552 384 02 V04	Galvano silver			
2	997 552 383 03	Moulding  Driver's side Centre	/LL	1	TURBO I098/801
	997 552 383 03 S61	Macassar			
(2)	997 552 384 03	Moulding  Driver's side Centre	/RL	1	TURBO I099/801
	997 552 384 03 S61	Macassar			
2	997 552 383 05	Moulding  Driver's side Centre	/LL	1	TURBO I098/803
	997 552 383 05 A35	Black			
2	997 552 383 05	Moulding  Driver's side Centre Carbon	/LL 11-	1	GT2RS IXGB/098
	997 552 383 05 A35	Black			
(2)	997 552 384 05	Moulding  Driver's side Centre	/RL	1	TURBO I099/803
	997 552 384 05 A35	Black			
(2)	997 552 384 05	Moulding  Driver's side Centre Carbon	/RL 11-	1	GT2RS IXGB/099
	997 552 384 05 A35	Black			
2	997 552 987 00	Moulding Driver's side Centre	/LL	1	IXVP/098
	997 552 987 00 A11	Black			
	997 552 987 00 5X6	Stone grey			



Model: 997T10 Model life 2010>>2013

Pos	Part Number	Description	Remark	Qty	Model
	997 552 987 00 8G2	Sand Beige			
	997 552 987 00 3S9	Sea blue			
	997 552 987 00 9S5	Terracotta			
	997 552 987 00 9V6	Cocoa			
	997 552 987 00 D12	Dark grey/natural			
	997 552 987 00 T12	Brown/natural			
	997 552 987 00 N12	Carrera Red			
	997 552 987 00 6J0	Espresso			
(2)	997 552 987 01	Moulding Driver's side Centre	/RL	1	IXVP/099
	997 552 987 01 A11	Black			
	997 552 987 01 5X6	Stone grey			
	997 552 987 01 8G2	Sand Beige			
	997 552 987 01 3S9	Sea blue			
	997 552 987 01 9S5	Terracotta			
	997 552 987 01 9V6	Cocoa			
	997 552 987 01 D12	Dark grey/natural			
	997 552 987 01 T12	Brown/natural			
	997 552 987 01 N12	Carrera Red			
	997 552 987 01 6J0	Espresso			
(2)	997 552 987 50	Moulding Driver's side Centre	/LL	1	IXDM/098
	997 552 987 50 G2X	Prime coated			
(2)	997 552 987 51	Moulding Driver's side Centre	/RL	1	IXDM/099
	997 552 987 51 G2X	Prime coated			
3	997 552 325 01	Cover Instrument cluster see Technical information Group 9 NUMMER 53/10	/LL	1	I098
	997 552 325 01 A03	Black			
	997 552 325 01 5V7	Stone grey			
	997 552 325 01 5Z1	Sand Beige			
	997 552 325 01 8W7	Sea blue			
	997 552 325 01 8X8	Terracotta			
	997 552 325 01 8P9	Cocoa			
	997 552 325 01 T13	Brown/natural			
	997 552 325 01 N23	Carrera Red			
	997 552 325 01 2S8	Espresso			
(3)	997 552 326 01	Cover Instrument cluster see Technical information Group 9 NUMMER 53/10	/RL	1	I099
	997 552 326 01 A03	Black			
	997 552 326 01 5V7	Stone grey			
	997 552 326 01 5Z1	Sand Beige			
	997 552 326 01 8W7	Sea blue			
	997 552 326 01 8X8	Terracotta			
	997 552 326 01 8P9	Cocoa			
	997 552 326 01 T13	Brown/natural			
	997 552 326 01 N23	Carrera Red			
	997 552 326 01 2S8	Espresso			
3	997 552 989 00	Cover Instrument cluster see Technical information	/LL	1	IXNG/098

Model: 997T10 Model life 2010>>2013

Pos	Part Number	Description	Remark	Qty	Model
		Group 9 NUMMER 53/10			
	997 552 989 00 A11	Black			
	997 552 989 00 5X6	Stone grey			
	997 552 989 00 8G2	Sand Beige			
	997 552 989 00 3S9	Sea blue			
	997 552 989 00 9S5	Terracotta			
	997 552 989 00 9V6	Cocoa			
	997 552 989 00 D12	Dark grey/natural			
	997 552 989 00 T12	Brown/natural			
	997 552 989 00 N12	Carrera Red			
	997 552 989 00 6J0	Espresso			
(3)	997 552 989 01	Cover	/RL	1	IXNG/099
		Instrument cluster see Technical information			
		Group 9 NUMMER 53/10			
	997 552 989 01 A11	Black			
	997 552 989 01 5X6	Stone grey			
	997 552 989 01 8G2	Sand Beige			
	997 552 989 01 3S9	Sea blue			
	997 552 989 01 9S5	Terracotta			
	997 552 989 01 9V6	Cocoa			
	997 552 989 01 D12	Dark grey/natural			
	997 552 989 01 T12	Brown/natural			
	997 552 989 01 N12	Carrera Red			
	997 552 989 01 6J0	Espresso			
3	997 552 989 02	Cover	/LL	1	TURBO IXCL/098
		Instrument cluster see Technical information			
		Group 9 Nummer 53/10			
(3)	997 552 989 02 V04	Galvano silver	/RL	1	TURBO IXCL/099
	997 552 989 03	Cover			
		Instrument cluster see Technical information			
		Group 9 Nummer 53/10			
(3)	997 552 989 03 V04	Galvano silver	/LL	1	TURBO IXDP/098
	997 552 995 00	Cover			
		Instrument cluster see Technical information			
		Group 9 Nummer 53/10			
(3)	997 552 995 00 G2X	Prime coated	/RL	1	TURBO IXDP/099
	997 552 995 01	Cover			
		Instrument cluster see Technical information			
		Group 9 Nummer 53/10			
4	997 552 995 01 G2X	Prime coated			
	999 073 155 09	Tapping screw ST 4,2 X 13		2	
5	997 552 271 01	Bridge		1	

Model: 997T10 Model life 2010>>2013

Pos	Part Number	Description	Remark	Qty	Model
	997 552 271 01 A03	Black			
	997 552 271 01 5V7	Stone grey			
	997 552 271 01 5Z1	Sand Beige			
	997 552 271 01 8W7	Sea blue			
	997 552 271 01 8X8	Terracotta			
	997 552 271 01 8P9	Cocoa			
	997 552 271 01 T13	Brown/natural			
	997 552 271 01 N23	Carrera Red			
	997 552 271 01 2S8	Espresso			
5	997 552 978 00	Bridge Leather		1	IXNS
	997 552 978 00 A11	Black			
	997 552 978 00 5X6	Stone grey			
	997 552 978 00 8G2	Sand Beige			
	997 552 978 00 3S9	Sea blue			
	997 552 978 00 9S5	Terracotta			
	997 552 978 00 9V6	Cocoa			
	997 552 978 00 D12	Dark grey/natural			
	997 552 978 00 T12	Brown/natural			
	997 552 978 00 N12	Carrera Red			
	997 552 978 00 6J0	Espresso			
6	997 552 294 03	Support	/LL	1	I098
		Beverages			
(6)	997 552 293 04	Support	/RL	1	I099
		Beverages			
-	997 552 905 00	Repair kit Flap Torsion spring for Beverages		1	
		Support			
7	900 067 416 01	Pan-head screw M5 X 27		2	
8	997 552 394 02	Cover	/LL /R	1	TURBO I098
	997 552 394 02 V04	Galvano silver			
(8)	997 552 393 02	Cover	/RL /R	1	TURBO I099
	997 552 393 02 V04	Galvano silver			
8	997 552 396 05	Cover	/LL /R	1	TURBO I098/803
	997 552 396 05 A35	Black			
(8)	997 552 396 05	Cover	/LL /R	1	GT2RS IXGB/098/585
		Carbon			
	997 552 396 05 A35	Black			
(8)	997 552 395 05	Cover	/RL /R	1	TURBO I099/803
	997 552 395 05 A35	Black			
(8)	997 552 395 05	Cover	/RL /R	1	GT2RS IXGB/099/585
		Carbon			
	997 552 395 05 A35	Black			
8	997 552 993 00	Cover	/LL /R	1	IXVP/098
	997 552 993 00 A11	Black			
	997 552 993 00 5X6	Stone grey			
	997 552 993 00 8G2	Sand Beige			
	997 552 993 00 3S9	Sea blue			
	997 552 993 00 9S5	Terracotta			
	997 552 993 00 9V6	Cocoa			
	997 552 993 00 D12	Dark grey/natural			
	997 552 993 00 T12	Brown/natural			
	997 552 993 00 N12	Carrera Red			

Model: 997T10 Model life 2010>>2013

Pos	Part Number	Description	Remark	Qty	Model
(8)	997 552 993 00 6J0	Espresso			
	997 552 993 01	Cover	/RL /R	1	IXVP/099
	997 552 993 01 A11	Black			
	997 552 993 01 5X6	Stone grey			
	997 552 993 01 8G2	Sand Beige			
	997 552 993 01 3S9	Sea blue			
	997 552 993 01 9S5	Terracotta			
	997 552 993 01 9V6	Cocoa			
	997 552 993 01 D12	Dark grey/natural			
	997 552 993 01 T12	Brown/natural			
	997 552 993 01 N12	Carrera Red			
	997 552 993 01 6J0	Espresso			
(8)	997 552 993 50	Cover	/LL /R	1	IXDM/098
	997 552 993 50 G2X	Prime coated			
(8)	997 552 993 51	Cover	/RL /R	1	IXDM/099
	997 552 993 51 G2X	Prime coated			
9	997 552 398 01	Cover	/LL	1	TURBO I098
		Centre			
	997 552 398 01 V04	Galvano silver			
(9)	997 552 397 01	Cover	/RL	1	TURBO I099
		Centre			
	997 552 397 01 V04	Galvano silver			
9	997 552 398 04	Cover	/LL	1	TURBO I098/803
		Centre			
	997 552 398 04 A35	Black			
9	997 552 398 04	Cover	/LL	1	GT2RS IXGB/098/585
		Centre			
	997 552 398 04 A35	Black			
(9)	997 552 397 04	Cover	/RL	1	TURBO I099/803
		Centre			
	997 552 397 04 A35	Black			
(9)	997 552 397 04	Cover	/RL	1	GT2RS IXGB/099/585
		Centre			
	997 552 397 04 A35	Black			
9	997 552 994 00	Cover	/LL	1	IXVP/098
		Centre			
	997 552 994 00 A11	Black			
	997 552 994 00 5X6	Stone grey			
	997 552 994 00 8G2	Sand Beige			
	997 552 994 00 3S9	Sea blue			
	997 552 994 00 9S5	Terracotta			
	997 552 994 00 9V6	Cocoa			
	997 552 994 00 D12	Dark grey/natural			
	997 552 994 00 T12	Brown/natural			
	997 552 994 00 N12	Carrera Red			
	997 552 994 00 6J0	Espresso			
9	997 552 994 01	Cover	/RL	1	IXVP/099
		Centre			
	997 552 994 01 A11	Black			
	997 552 994 01 5X6	Stone grey			
	997 552 994 01 8G2	Sand Beige			
	997 552 994 01 3S9	Sea blue			
	997 552 994 01 9S5	Terracotta			
	997 552 994 01 9V6	Cocoa			
	997 552 994 01 D12	Dark grey/natural			

Model: 997T10 Model life 2010>>2013

Pos	Part Number	Description	Remark	Qty	Model
9	997 552 994 01 T12	Brown/natural			
	997 552 994 01 N12	Carrera Red			
	997 552 994 01 6J0	Espresso			
	997 552 994 50	Cover Centre	/LL	1	IXDM/098
9	997 552 994 50 G2X	Prime coated			
	997 552 994 51	Cover Centre	/RL	1	IXDM/099
10	997 552 994 51 G2X	Prime coated			
	997 552 396 02	Cover	/LL /L	1	TURBO I098
(10)	997 552 396 02 V04	Galvano silver			
	997 552 395 02	Cover	/RL /L	1	TURBO I099
10	997 552 395 02 V04	Galvano silver			
	997 552 394 05	Cover	/LL /L	1	TURBO I098/803
10	997 552 394 05 A35	Black			
	997 552 394 05	Cover	/LL /L	1	GT2RS IXGB/098/585
(10)	997 552 394 05 A35	Carbon Black			
	997 552 393 05	Cover	/RL /L	1	TURBO I099/803
(10)	997 552 393 05 A35	Black			
	997 552 393 05	Cover	/RL /L	1	GT2RS IXGB/099/585
10	997 552 393 05 A35	Carbon Black			
	997 552 992 00	Cover	/LL /L	1	IXVP/098
(10)	997 552 992 00 A11	Black			
	997 552 992 00 5X6	Stone grey			
	997 552 992 00 8G2	Sand Beige			
	997 552 992 00 3S9	Sea blue			
	997 552 992 00 9S5	Terracotta			
	997 552 992 00 9V6	Cocoa			
	997 552 992 00 D12	Dark grey/natural			
	997 552 992 00 T12	Brown/natural			
	997 552 992 00 N12	Carrera Red			
	997 552 992 00 6J0	Espresso			
	997 552 992 01	Cover	/RL /L	1	IXVP/099
	997 552 992 01 A11	Black			
	997 552 992 01 5X6	Stone grey			
	997 552 992 01 8G2	Sand Beige			
	997 552 992 01 3S9	Sea blue			
	997 552 992 01 9S5	Terracotta			
	997 552 992 01 9V6	Cocoa			
	997 552 992 01 D12	Dark grey/natural			
	997 552 992 01 T12	Brown/natural			
	997 552 992 01 N12	Carrera Red			
997 552 992 01 6J0	Espresso				
(10)	997 552 992 50	Cover	/LL /L	1	IXDM/098
(10)	997 552 992 50 G2X	Prime coated			
(10)	997 552 992 51	Cover	/RL /L	1	IXDM/099
11	997 552 992 51 G2X	Prime coated			
	997 552 904 00	Set	/LL	1	TURBO I098/801
(11)		Cover Wood			
	997 552 904 00 S61	Macassar			
	997 552 903 00	Set	/RL	1	TURBO I099/801
		Cover			

Model: 997T10 Model life 2010>>2013

Pos	Part Number	Description	Remark	Qty	Model
12	997 552 903 00 S61	Wood Macassar Retaining bracket for Beverages Support See illustrations 8/09/00		1	
(13)	997 552 371 01	Air guide Upper part		1	I639/640/981
	997 552 371 01 A11	Black			
	997 552 371 01 5X6	Stone grey			
	997 552 371 01 8G2	Sand Beige			
	997 552 371 01 3S9	Sea blue			
	997 552 371 01 9S5	Terracotta			
	997 552 371 01 9V6	Cocoa			
	997 552 371 01 D12	Dark grey/natural			
	997 552 371 01 T12	Brown/natural			
	997 552 371 01 N12	Carrera Red			
	997 552 371 01 6J0	Espresso			
14	999 507 920 01	U-clamp 1,7-2,1		4	I639/640
15	997 552 373 01	Support for Air guide Upper part		1	I639/640
16	999 919 167 09	Oval-head screw 3,0 X 10 for Mount Support Air guide		4	
17	997 552 131 07	Side vent	/L 11-	1	GT2RS
(17)	997 552 131 07 D07	Volcano grey			
(17)	997 552 132 07	Side vent	/R 11-	1	GT2RS
	997 552 132 07 D07	Volcano grey			
17	997 552 131 08	Side vent	/L	1	TURBO
	997 552 131 08 V04	Galvano silver			
(17)	997 552 132 08	Side vent	/R	1	TURBO
	997 552 132 08 V04	Galvano silver			
17	997 552 981 00	Side vent	/L	1	IXN3
	997 552 981 00 A11	Black			
	997 552 981 00 5X6	Stone grey			
	997 552 981 00 8G2	Sand Beige			
	997 552 981 00 3S9	Sea blue			
	997 552 981 00 9S5	Terracotta			
	997 552 981 00 9V6	Cocoa			
	997 552 981 00 D12	Dark grey/natural			
	997 552 981 00 T12	Brown/natural			
	997 552 981 00 N12	Carrera Red			
	997 552 981 00 6J0	Espresso			
(17)	997 552 982 00	Side vent	/R	1	IXN3
	997 552 982 00 A11	Black			
	997 552 982 00 5X6	Stone grey			
	997 552 982 00 8G2	Sand Beige			
	997 552 982 00 3S9	Sea blue			
	997 552 982 00 9S5	Terracotta			
	997 552 982 00 9V6	Cocoa			
	997 552 982 00 D12	Dark grey/natural			
	997 552 982 00 T12	Brown/natural			
	997 552 982 00 N12	Carrera Red			
	997 552 982 00 6J0	Espresso			
17	997 552 981 01	Side vent	/L	1	IXKD

Model: 997T10 Model life 2010>>2013

Pos	Part Number	Description	Remark	Qty	Model
	997 552 981 01 A11	Black			
	997 552 981 01 5X6	Stone grey			
	997 552 981 01 8G2	Sand Beige			
	997 552 981 01 3S9	Sea blue			
	997 552 981 01 9S5	Terracotta			
	997 552 981 01 9V6	Cocoa			
	997 552 981 01 D12	Dark grey/natural			
	997 552 981 01 T12	Brown/natural			
	997 552 981 01 N12	Carrera Red			
	997 552 981 01 6J0	Espresso			
(17)	997 552 982 01	Side vent	/R	1	IXKD
	997 552 982 01 A11	Black			
	997 552 982 01 5X6	Stone grey			
	997 552 982 01 8G2	Sand Beige			
	997 552 982 01 3S9	Sea blue			
	997 552 982 01 9S5	Terracotta			
	997 552 982 01 9V6	Cocoa			
	997 552 982 01 D12	Dark grey/natural			
	997 552 982 01 T12	Brown/natural			
	997 552 982 01 N12	Carrera Red			
	997 552 982 01 6J0	Espresso			
17	997 552 981 03	Side vent	/L	1	TURBO IXJL
	997 552 981 03 A11	Black			
	997 552 981 03 5X6	Stone grey			
	997 552 981 03 8G2	Sand Beige			
	997 552 981 03 3S9	Sea blue			
	997 552 981 03 9S5	Terracotta			
	997 552 981 03 9V6	Cocoa			
	997 552 981 03 D12	Dark grey/natural			
	997 552 981 03 T12	Brown/natural			
	997 552 981 03 N12	Carrera Red			
	997 552 981 03 6J0	Espresso			
(17)	997 552 982 03	Side vent	/R	1	TURBO IXJL
	997 552 982 03 A11	Black			
	997 552 982 03 5X6	Stone grey			
	997 552 982 03 8G2	Sand Beige			
	997 552 982 03 3S9	Sea blue			
	997 552 982 03 9S5	Terracotta			
	997 552 982 03 9V6	Cocoa			
	997 552 982 03 D12	Dark grey/natural			
	997 552 982 03 T12	Brown/natural			
	997 552 982 03 N12	Carrera Red			
	997 552 982 03 6J0	Espresso			
17	997 552 981 04	Side vent	/L	1	TURBO IXCN
	997 552 981 04 A11	Black			
	997 552 981 04 5X6	Stone grey			
	997 552 981 04 8G2	Sand Beige			
	997 552 981 04 3S9	Sea blue			
	997 552 981 04 9S5	Terracotta			
	997 552 981 04 9V6	Cocoa			
	997 552 981 04 D12	Dark grey/natural			
	997 552 981 04 T12	Brown/natural			
	997 552 981 04 N12	Carrera Red			
	997 552 981 04 6J0	Espresso			
(17)	997 552 982 04	Side vent	/R	1	TURBO IXCN
	997 552 982 04 A11	Black			
	997 552 982 04 5X6	Stone grey			
	997 552 982 04 8G2	Sand Beige			
	997 552 982 04 3S9	Sea blue			

Model: 997T10 Model life 2010>>2013

Pos	Part Number	Description	Remark	Qty	Model
	997 552 982 04 9S5	Terracotta			
	997 552 982 04 9V6	Cocoa			
	997 552 982 04 D12	Dark grey/natural			
	997 552 982 04 T12	Brown/natural			
	997 552 982 04 N12	Carrera Red			
	997 552 982 04 6J0	Espresso			
(18)	997 552 141 09	Centre nozzle	11-	1	GT2RS
	997 552 141 09 D07	Volcano grey			
(18)	997 552 141 10	Centre nozzle		1	TURBO
	997 552 141 10 V04	Galvano silver			
(18)	997 552 980 05	Centre nozzle		1	IXVM
	997 552 980 05 A11	Black			
	997 552 980 05 5X6	Stone grey			
	997 552 980 05 8G2	Sand Beige			
	997 552 980 05 3S9	Sea blue			
	997 552 980 05 9S5	Terracotta			
	997 552 980 05 9V6	Cocoa			
	997 552 980 05 D12	Dark grey/natural			
	997 552 980 05 T12	Brown/natural			
	997 552 980 05 N12	Carrera Red			
	997 552 980 05 6J0	Espresso			
(18)	997 552 980 06	Centre nozzle		1	IXZB
	997 552 980 06 A11	Black			
	997 552 980 06 5X6	Stone grey			
	997 552 980 06 8G2	Sand Beige			
	997 552 980 06 3S9	Sea blue			
	997 552 980 06 9S5	Terracotta			
	997 552 980 06 9V6	Cocoa			
	997 552 980 06 D12	Dark grey/natural			
	997 552 980 06 T12	Brown/natural			
	997 552 980 06 N12	Carrera Red			
	997 552 980 06 6J0	Espresso			
(18)	997 552 980 08	Centre nozzle		1	TURBO IXJN
	997 552 980 08 A11	Black			
	997 552 980 08 5X6	Stone grey			
	997 552 980 08 8G2	Sand Beige			
	997 552 980 08 3S9	Sea blue			
	997 552 980 08 9S5	Terracotta			
	997 552 980 08 9V6	Cocoa			
	997 552 980 08 D12	Dark grey/natural			
	997 552 980 08 T12	Brown/natural			
	997 552 980 08 N12	Carrera Red			
	997 552 980 08 6J0	Espresso			
(18)	997 552 980 09	Centre nozzle		1	TURBO IXCY
	997 552 980 09 A11	Black			
	997 552 980 09 5X6	Stone grey			
	997 552 980 09 8G2	Sand Beige			
	997 552 980 09 3S9	Sea blue			
	997 552 980 09 9S5	Terracotta			
	997 552 980 09 9V6	Cocoa			
	997 552 980 09 D12	Dark grey/natural			
	997 552 980 09 T12	Brown/natural			
	997 552 980 09 N12	Carrera Red			
	997 552 980 09 6J0	Espresso			
19	997 552 455 01	Cover	/L	1	
	997 552 455 01 A03	Defroster vent			
	997 552 455 01 5V7	Black			
	997 552 455 01 5Z1	Stone grey			
	997 552 455 01 8W7	Sand Beige			
	997 552 455 01 8X8	Sea blue			
	997 552 455 01 8X8	Terracotta			



Model: 997T10 Model life 2010>>2013

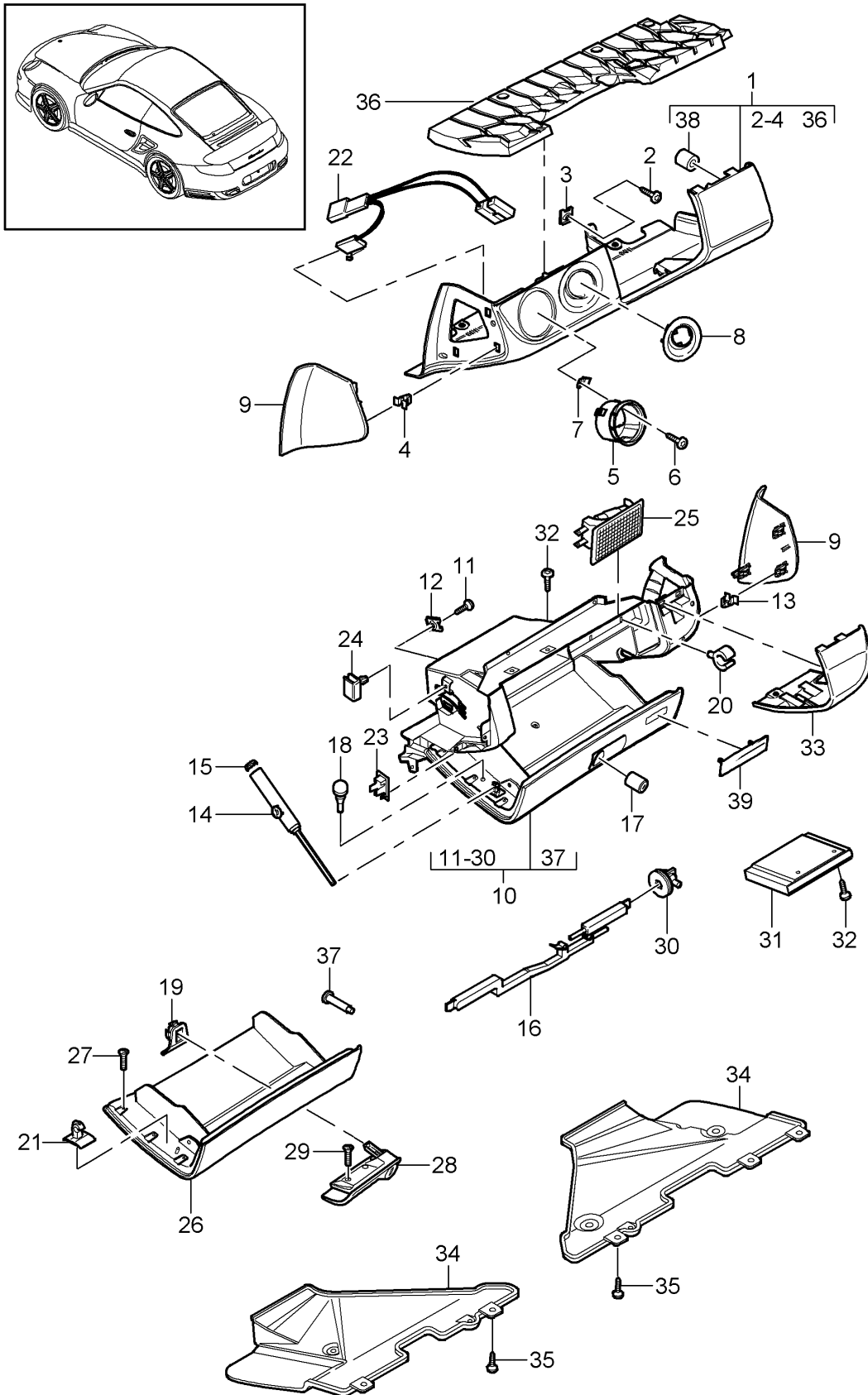
Pos	Part Number	Description	Remark	Qty	Model
	997 552 455 01 8P9	Cocoa			
	997 552 455 01 T13	Brown/natural			
	997 552 455 01 N23	Carrera Red			
	997 552 455 01 2S8	Espresso			
(19)	997 552 456 01	Cover	/R	1	
		Defroster vent			
	997 552 456 01 A03	Black			
	997 552 456 01 5V7	Stone grey			
	997 552 456 01 5Z1	Sand Beige			
	997 552 456 01 8W7	Sea blue			
	997 552 456 01 8X8	Terracotta			
	997 552 456 01 8P9	Cocoa			
	997 552 456 01 T13	Brown/natural			
	997 552 456 01 N23	Carrera Red			
	997 552 456 01 2S8	Espresso			
20	997 552 315 02	Air guide	/L	1	
		Lateral			
(20)	997 552 316 02	Air guide	/R	1	
		Lateral			
21	997 552 175 01	Defroster trim	/L	1	
	997 552 175 01 A03	Black			
	997 552 175 01 5V7	Stone grey			
	997 552 175 01 5Z1	Sand Beige			
	997 552 175 01 8W7	Sea blue			
	997 552 175 01 8X8	Terracotta			
	997 552 175 01 8P9	Cocoa			
	997 552 175 01 T13	Brown/natural			
	997 552 175 01 N23	Carrera Red			
	997 552 175 01 2S8	Espresso			
(21)	997 552 176 01	Defroster trim	/R	1	
	997 552 176 01 A03	Black			
	997 552 176 01 5V7	Stone grey			
	997 552 176 01 5Z1	Sand Beige			
	997 552 176 01 8W7	Sea blue			
	997 552 176 01 8X8	Terracotta			
	997 552 176 01 8P9	Cocoa			
	997 552 176 01 T13	Brown/natural			
	997 552 176 01 N23	Carrera Red			
	997 552 176 01 2S8	Espresso			
21	997 552 983 00	Defroster trim	/L	1	IXV1
	997 552 983 00 A11	Black			
	997 552 983 00 5X6	Stone grey			
	997 552 983 00 8G2	Sand Beige			
	997 552 983 00 3S9	Sea blue			
	997 552 983 00 9S5	Terracotta			
	997 552 983 00 9V6	Cocoa			
	997 552 983 00 D12	Dark grey/natural			
	997 552 983 00 T12	Brown/natural			
	997 552 983 00 N12	Carrera Red			
	997 552 983 00 2S8	Espresso			
(21)	997 552 984 00	Defroster trim	/R	1	IXV1
	997 552 984 00 A11	Black			
	997 552 984 00 5X6	Stone grey			
	997 552 984 00 8G2	Sand Beige			
	997 552 984 00 3S9	Sea blue			
	997 552 984 00 9S5	Terracotta			
	997 552 984 00 9V6	Cocoa			
	997 552 984 00 D12	Dark grey/natural			
	997 552 984 00 T12	Brown/natural			
	997 552 984 00 N12	Carrera Red			
22	999 591 307 01	U-clamp		2	
		Mount			
		Defroster trim			

Model: 997T10 Model life 2010>>2013

Pos	Part Number	Description	Remark	Qty	Model
23	997 552 351 01	Cover Centre		1	
	997 552 351 01 A03	Black			
	997 552 351 01 5V7	Stone grey			
	997 552 351 01 5Z1	Sand Beige			
	997 552 351 01 8W7	Sea blue			
	997 552 351 01 8X8	Terracotta			
	997 552 351 01 8P9	Cocoa			
	997 552 351 01 T13	Brown/natural			
	997 552 351 01 N23	Carrera Red			
(23)	997 552 985 00	Cover Centre		1	IXV1
	997 552 985 00 A11	Black			
	997 552 985 00 5X6	Stone grey			
	997 552 985 00 8G2	Sand Beige			
	997 552 985 00 3S9	Sea blue			
	997 552 985 00 9S5	Terracotta			
	997 552 985 00 9V6	Cocoa			
	997 552 985 00 D12	Dark grey/natural			
	997 552 985 00 T12	Brown/natural			
	997 552 985 00 N12	Carrera Red			
24	997 552 645 00	Gasket Cowl		1	
25	987 552 374 00	Support	/LL 11-	1	GT2RS IXGB/004/098
		Cover			
(25)	987 552 373 00	Support	/RL 11-	1	GT2RS IXGB/004/099
		Cover			
26	997 552 318 80	Cover	/LL 11-	1	GT2RS IXGB/004/098
		Carbon			
	997 552 318 80 A35	Black			
(26)	997 552 319 80	Cover	/RL 11-	1	GT2RS IXGB/004/099
		Carbon			
	997 552 319 80 A35	Black			

Model: 997T10

Model life 2010>>2013



Model: 997T10 Model life 2010>>2013

Pos	Part Number	Description	Remark	Qty	Model
1	997 552 201 03	Glove compartment Lid And Lining Driver's side	/LL	1	I098/981
	997 552 201 03 A11	Leather Black			
	997 552 201 03 5X6	Stone grey			
	997 552 201 03 8G2	Sand Beige			
	997 552 201 03 3S9	Sea blue			
	997 552 201 03 9S5	Terracotta			
	997 552 201 03 9V6	Cocoa			
	997 552 201 03 D12	Dark grey/natural			
	997 552 201 03 T12	Brown/natural			
	997 552 201 03 N12	Carrera Red			
(1)	997 552 202 03	Lining Leather	/RL	1	I099/981
	997 552 202 03 A11	Black			
	997 552 202 03 5X6	Stone grey			
	997 552 202 03 8G2	Sand Beige			
	997 552 202 03 3S9	Sea blue			
	997 552 202 03 9S5	Terracotta			
	997 552 202 03 9V6	Cocoa			
	997 552 202 03 D12	Dark grey/natural			
	997 552 202 03 T12	Brown/natural			
	997 552 202 03 N12	Carrera Red			
(1)	997 552 201 02	Lining	/LL 11-	1	GT2RS I098
	997 552 201 02 1MZ	Leatherette Black			
(1)	997 552 202 02	Lining	/RL 11-	1	GT2RS I099
	997 552 202 02 1MZ	Leatherette Black			
2	999 073 155 09	Tapping screw 4,2 X 13 for Mount		8	
3	999 507 971 01	Lining Speed nut 4,2 for Mount		8	
4	999 507 732 01	Lining Clamp 8 X 12/ 4 for Mount		7	
5	997 552 427 01	Lining Cover Light switch		1	
	997 552 427 01 A03	Black			
	997 552 427 01 5V7	Stone grey			
	997 552 427 01 5Z1	Sand Beige			
	997 552 427 01 8W7	Sea blue			
	997 552 427 01 8X8	Terracotta			
	997 552 427 01 8P9	Cocoa			
	997 552 427 01 T13	Brown/natural			
	997 552 427 01 N23	Carrera Red			
6	999 073 155 09	Tapping screw 4,2 X 13 for		3	

Model: 997T10 Model life 2010>>2013

Pos	Part Number	Description	Remark	Qty	Model
7	999 507 971 01	Mount Cover Light switch Speed nut 4,2 for Mount Cover		3	
8	997 552 425 01	Light switch Cover Ignition starter lock	/LL	1	I098
	997 552 425 01 A03	Black			
	997 552 425 01 5V7	Stone grey			
	997 552 425 01 5Z1	Sand Beige			
	997 552 425 01 8W7	Sea blue			
	997 552 425 01 8X8	Terracotta			
	997 552 425 01 8P9	Cocoa			
	997 552 425 01 T13	Brown/natural			
	997 552 425 01 N23	Carrera Red			
(8)	997 552 426 01	Cover Ignition starter lock	/RL	1	I099
	997 552 426 01 A03	Black			
	997 552 426 01 5V7	Stone grey			
	997 552 426 01 5Z1	Sand Beige			
	997 552 426 01 8W7	Sea blue			
	997 552 426 01 8X8	Terracotta			
	997 552 426 01 8P9	Cocoa			
	997 552 426 01 T13	Brown/natural			
	997 552 426 01 N23	Carrera Red			
(8)	997 552 998 00	Cover Ignition starter lock Leather	/LL	1	IXDS/098
	997 552 998 00 A11	Black			
	997 552 998 00 5X6	Stone grey			
	997 552 998 00 8G2	Sand Beige			
	997 552 998 00 3S9	Sea blue			
	997 552 998 00 9S5	Terracotta			
	997 552 998 00 9V6	Cocoa			
	997 552 998 00 D12	Dark grey/natural			
	997 552 998 00 T12	Brown/natural			
	997 552 998 00 N12	Carrera Red			
(8)	997 552 999 00	Cover Ignition starter lock Leather	/RL	1	IXDS/099
	997 552 999 00 A11	Black			
	997 552 999 00 5X6	Stone grey			
	997 552 999 00 8G2	Sand Beige			
	997 552 999 00 3S9	Sea blue			
	997 552 999 00 9S5	Terracotta			
	997 552 999 00 9V6	Cocoa			
	997 552 999 00 D12	Dark grey/natural			
	997 552 999 00 T12	Brown/natural			
	997 552 999 00 N12	Carrera Red			
9	997 552 405 02	Cover	/L	1	
	997 552 405 02 A03	Black			
	997 552 405 02 5V7	Stone grey			
	997 552 405 02 5Z1	Sand Beige			
	997 552 405 02 8W7	Sea blue			
	997 552 405 02 8X8	Terracotta			
	997 552 405 02 8P9	Cocoa			
	997 552 405 02 T13	Brown/natural			
	997 552 405 02 N23	Carrera Red			
(9)	997 552 406 02	Cover	/R	1	

Model: 997T10 Model life 2010>>2013

Pos	Part Number	Description	Remark	Qty	Model				
(9)	997 552 406 02 A03	Black	/L	1	TURBO IXDV				
	997 552 406 02 5V7	Stone grey							
	997 552 406 02 5Z1	Sand Beige							
	997 552 406 02 8W7	Sea blue							
	997 552 406 02 8X8	Terracotta							
	997 552 406 02 8P9	Cocoa							
	997 552 406 02 T13	Brown/natural							
	997 552 406 02 N23	Carrera Red							
	997 552 996 01	Cover							
		Leather							
	997 552 996 01 A11	Black							
	997 552 996 01 5X6	Stone grey							
	997 552 996 01 8G2	Sand Beige							
	997 552 996 01 3S9	Sea blue							
	997 552 996 01 9S5	Terracotta							
	997 552 996 01 9V6	Cocoa							
	997 552 996 01 D12	Dark grey/natural							
	997 552 996 01 T12	Brown/natural							
997 552 996 01 N12	Carrera Red								
(9)	997 552 996 02	Cover	/R	1	TURBO IXDV				
		Leather							
	997 552 996 02 A11	Black							
	997 552 996 02 5X6	Stone grey							
	997 552 996 02 8G2	Sand Beige							
	997 552 996 02 3S9	Sea blue							
	997 552 996 02 9S5	Terracotta							
	997 552 996 02 9V6	Cocoa							
	997 552 996 02 D12	Dark grey/natural							
	997 552 996 02 T12	Brown/natural							
	997 552 996 02 N12	Carrera Red							
	10	997 552 204 07				Glove compartment	/LL	1	I098/981
						Leather			
						Complete			
		997 552 204 07 A11				Black			
		997 552 204 07 5X6				Stone grey			
		997 552 204 07 8G2				Sand Beige			
		997 552 204 07 3S9				Sea blue			
997 552 204 07 9S5		Terracotta							
997 552 204 07 9V6		Cocoa							
997 552 204 07 D12		Dark grey/natural							
997 552 204 07 T12		Brown/natural							
997 552 204 07 N12		Carrera Red							
(10)		997 552 203 07	Glove compartment	/RL	1	I099/981			
			Leather						
			Complete						
		997 552 203 07 A11	Black						
		997 552 203 07 5X6	Stone grey						
		997 552 203 07 8G2	Sand Beige						
	997 552 203 07 3S9	Sea blue							
	997 552 203 07 9S5	Terracotta							
	997 552 203 07 9V6	Cocoa							
	997 552 203 07 D12	Dark grey/natural							
	997 552 203 07 T12	Brown/natural							
	997 552 203 07 N12	Carrera Red							
	(10)	987 552 204 04	Glove compartment				/LL 11-	1	GT2RS I004/098
			Leatherette						
		Complete							
	(10)	987 552 204 04 1MZ	Black				/RL 11-	1	GT2RS I004/099
		987 552 203 07	Glove compartment						

Model: 997T10

Model life 2010&gt;&gt;2013

Pos	Part Number	Description	Remark	Qty	Model
(10)	987 552 203 07 1MZ 997 552 204 80	Leatherette Complete Black Glove compartment	/LL 11-	1	GT2RS I004/098/981
(10)	997 552 204 80 A14 997 552 203 80	Alcantara Complete Black Glove compartment	/RL 11-	1	GT2RS I004/099/981
(10)	997 552 203 80 A14 987 552 204 06	Alcantara Complete Black Glove compartment	/LL 12-	1	I018/098/981
(10)	987 552 204 06 A11 987 552 203 06	Leather Complete Black Glove compartment	/RL 12-	1	I018/099/981
11	987 552 203 06 A11 999 073 155 09	Leather Complete Black Tapping screw 4,2 X 13 for Mount		X	
12	999 507 971 01	Glove compartment Speed nut 4,2 for Mount		X	
13	999 507 732 01	Glove compartment Clamp 8 X 12 /4 for Mount		X	
14	997 552 484 01	Glove compartment Damper		1	
15	997 552 612 00	Glove compartment Cover		1	
16	997 552 410 01	Damper Release	/LL	1	I098
(16)	997 552 409 01	Glove compartment Release	/RL	1	I099
17	996 552 915 01	Glove compartment Lock cylinder Glove compartment Vehicle Ident. No. Indicate		1	
18	999 703 068 40	Buffer 3,7 x 10,3 Glove compartment		2	
19	997 552 509 02	Mounting Closing element	/LL /L	1	I098
(19)	997 552 510 02	Mounting Closing element	/LL /R	1	I098
(19)	997 552 509 03	Mounting Closing element	/RL /L	1	I099
(19)	997 552 510 03	Mounting Closing element	/RL /R	1	I099
20	996 552 813 00	Support Pin		2	
21	996 552 879 00	Adapter for		2	

Model: 997T10 Model life 2010>>2013

Pos	Part Number	Description	Remark	Qty	Model
22	997 612 651 00	Damper Wiring harness		1	
23	999 650 564 40	Glove compartment light Clip for Wiring harness		1	
24	999 650 565 40	Microswitch Clip for Wiring harness		1	
25	997 632 071 00	Glove compartment light		1	
26	997 552 252 03	Glove compartment cover Leather	/LL	1	I098/981
	997 552 252 03 A11	Black			
	997 552 252 03 5X6	Stone grey			
	997 552 252 03 8G2	Sand Beige			
	997 552 252 03 3S9	Sea blue			
	997 552 252 03 9S5	Terracotta			
	997 552 252 03 9V6	Cocoa			
	997 552 252 03 D12	Dark grey/natural			
	997 552 252 03 T12	Brown/natural			
	997 552 252 03 N12	Carrera Red			
(26)	997 552 251 03	Glove compartment cover Leather	/RL	1	I099/981
	997 552 251 03 A11	Black			
	997 552 251 03 5X6	Stone grey			
	997 552 251 03 8G2	Sand Beige			
	997 552 251 03 3S9	Sea blue			
	997 552 251 03 9S5	Terracotta			
	997 552 251 03 9V6	Cocoa			
	997 552 251 03 D12	Dark grey/natural			
	997 552 251 03 T12	Brown/natural			
	997 552 251 03 N12	Carrera Red			
(26)	987 552 252 01	Glove compartment cover Leatherette	/LL 11-	1	GT2RS I004/098
	987 552 252 01 1MZ	Black			
(26)	987 552 251 03	Glove compartment cover Leatherette	/RL 11-	1	GT2RS I004/099
	987 552 251 03 1MZ	Black			
(26)	997 552 252 80	Glove compartment cover Alcantara	/LL 11-	1	GT2RS I004/098/981
	997 552 252 80 A14	Black			
(26)	997 552 251 80	Glove compartment cover Alcantara	/RL 11-	1	GT2RS I004/099/981
	997 552 251 80 A14	Black			
(26)	987 552 252 03	Glove compartment cover Leather	/LL 12-	1	I018/098/981
	987 552 252 03 A11	Black			
(26)	987 552 251 02	Glove compartment cover Leather	/RL 12-	1	I018/099/981
	987 552 251 02 A11	Black			
27	999 073 249 07	Tapping screw 3.5 X 12 for Mount		11	
28	997 552 362 01	Glove compartment cover Handle Complete	/LL	1	I098/981
	997 552 362 01 A03	Black			



Model: 997T10 Model life 2010>>2013

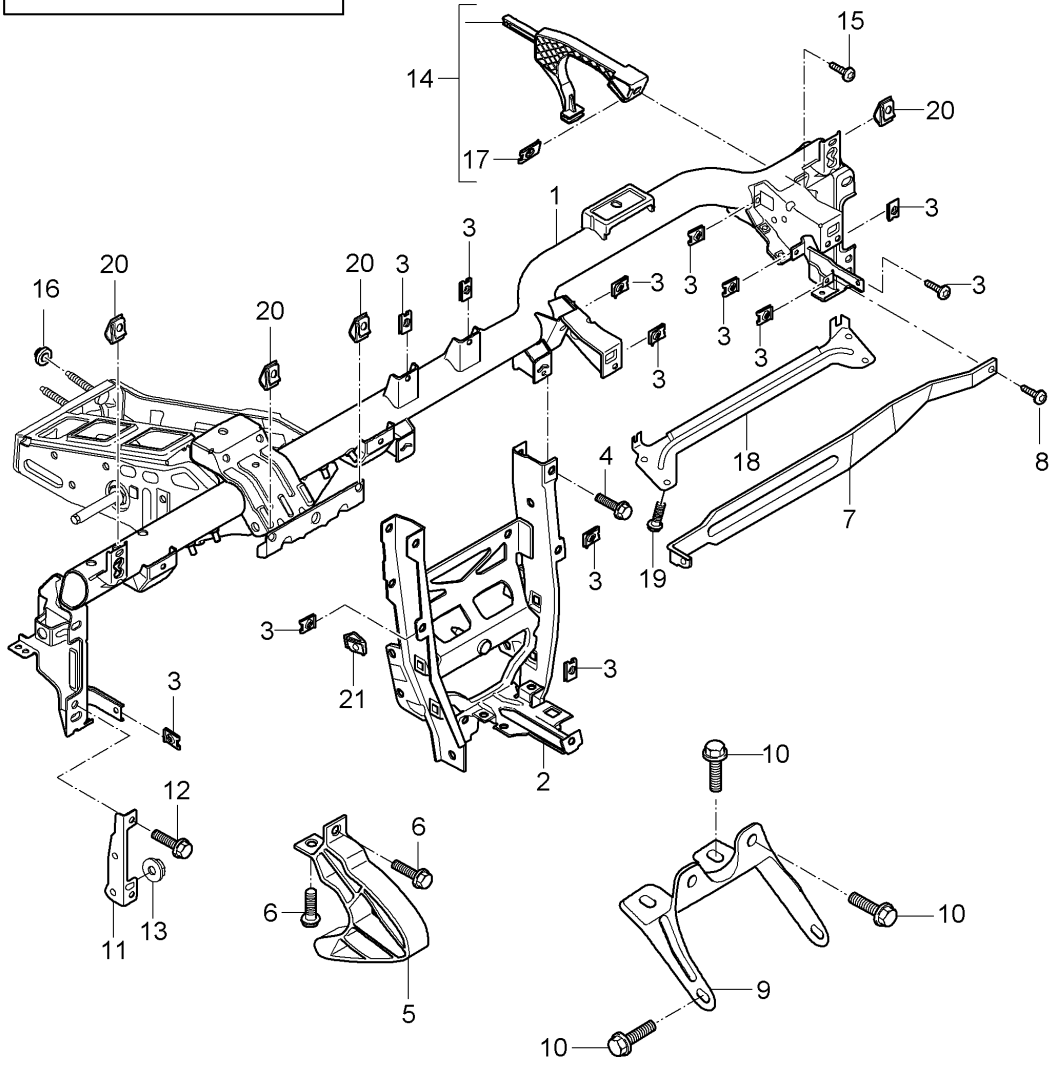
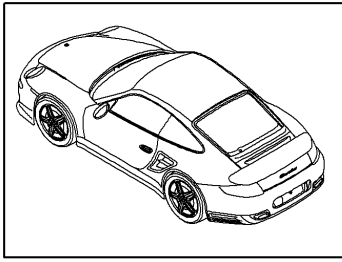
Pos	Part Number	Description	Remark	Qty	Model
	997 552 362 01 5V7	Stone grey			
	997 552 362 01 5Z1	Sand Beige			
	997 552 362 01 8W7	Sea blue			
	997 552 362 01 8X8	Terracotta			
	997 552 362 01 8P9	Cocoa			
	997 552 362 01 T13	Brown/natural			
	997 552 362 01 N23	Carrera Red			
(28)	997 552 361 01	Handle Complete	/RL	1	I099/981
	997 552 361 01 A03	Black			
	997 552 361 01 5V7	Stone grey			
	997 552 361 01 5Z1	Sand Beige			
	997 552 361 01 8W7	Sea blue			
	997 552 361 01 8X8	Terracotta			
	997 552 361 01 8P9	Cocoa			
	997 552 361 01 T13	Brown/natural			
	997 552 361 01 N23	Carrera Red			
29	999 073 240 01	Screw M 4 X 10 for Mount Handle		2	
30	997 552 448 00	Stop		1	
31	997 552 663 00	Box for cds		1	I424
32	999 073 240 01	Screw M 4 X 10 for Mount Box for cds		2	
33	997 552 256 03	Cover Passenger's side Leather	/LL	1	I098/981
	997 552 256 03 A11	Black			
	997 552 256 03 5X6	Stone grey			
	997 552 256 03 8G2	Sand Beige			
	997 552 256 03 3S9	Sea blue			
	997 552 256 03 9S5	Terracotta			
	997 552 256 03 9V6	Cocoa			
	997 552 256 03 D12	Dark grey/natural			
	997 552 256 03 T12	Brown/natural			
	997 552 256 03 N12	Carrera Red			
(33)	997 552 255 03	Cover Passenger's side Leather	/RL	1	I099/981
	997 552 255 03 A11	Black			
	997 552 255 03 5X6	Stone grey			
	997 552 255 03 8G2	Sand Beige			
	997 552 255 03 3S9	Sea blue			
	997 552 255 03 9S5	Terracotta			
	997 552 255 03 9V6	Cocoa			
	997 552 255 03 D12	Dark grey/natural			
	997 552 255 03 T12	Brown/natural			
	997 552 255 03 N12	Carrera Red			
(33)	997 552 256 02	Cover Passenger's side Leatherette	/LL 11-	1	GT2RS I098
(33)	997 552 256 02 1MZ	Black			
(33)	997 552 255 02	Cover Passenger's side Leatherette	/RL 11-	1	GT2RS I099
	997 552 255 02 1MZ	Black			

Model: 997T10 Model life 2010>>2013

Pos	Part Number	Description	Remark	Qty	Model
(33)	997 552 256 90	Cover Passenger's side	/LL 11-	1	GT2RS I098/981
	997 552 256 90 A14	Black			
(33)	997 552 255 90	Cover Passenger's side	/RL 11-	1	GT2RS I099/981
	997 552 255 90 A14	Black			
34	997 552 414 01	Lining Footwell Passenger's side	/LL	1	I098
(34)	997 552 413 01	Lining Footwell Passenger's side	/RL	1	I099
35	1H0 819 943	Screw for Mount Lining Footwell		X	
36	997 552 451 01	Insert	/LL	1	I098
36	997 552 452 01	Insert	/RL	1	I099
37	997 552 649 01	Hinge bolt Glove compartment		2	
38	997 552 821 00	Grommet		3	
39	997 552 783 80	Badge	11-	1	GT2RS I004
		Special model Vehicle Ident. No. Indicate			

Model: 997T10

Model life 2010>>2013



Model: 997T10

Model life 2010>>2013

Pos	Part Number	Description	Remark	Qty	Model
		Retaining frame Dashboard			
1	997 552 063 08	Retaining frame	/LL	1	I098
(1)	997 552 063 10	Retaining frame	/RL	1	I099
2	997 552 163 05	Support Tunnel	/LL	1	I098
(2)	997 552 163 06	Support Tunnel	/RL	1	I099
3	999 507 020 01	Speed nut ST 4,2		X	
4	900 378 305 01	Hexagon-head bolt M 8 X 65 for Mount Support		2	
9	997 552 515 01	Support Tunnel		1	
10	999 073 442 01	Screw M 6 X 25 for Mount Support Tunnel		X	
11	997 552 407 01	Support A-pillar	/L	1	
(11)	997 552 408 01	Support A-pillar	/R	1	
12	900 378 176 01	Hexagon-head bolt M 8 X 20 for Mount Support A-pillar		4	
13	999 084 630 09	Hexagon nut M 8 for Mount Support A-pillar		4	
14	997 552 401 00	Support Heating		1	
15	999 073 155 09	Tapping screw ST 4,2 X 13 for Mount Support Heating		1	
16	997 423 299 01	Nut for Adjustment Retaining frame Firewall		2	
17	999 507 971 01	Speed nut ST 4,2 for Mount Support Heating		1	
18	997 552 603 01	Reinforcement plate Support Airbag		1	
19	900 378 222 09	Hexagon-head bolt M 6 X 16		4	

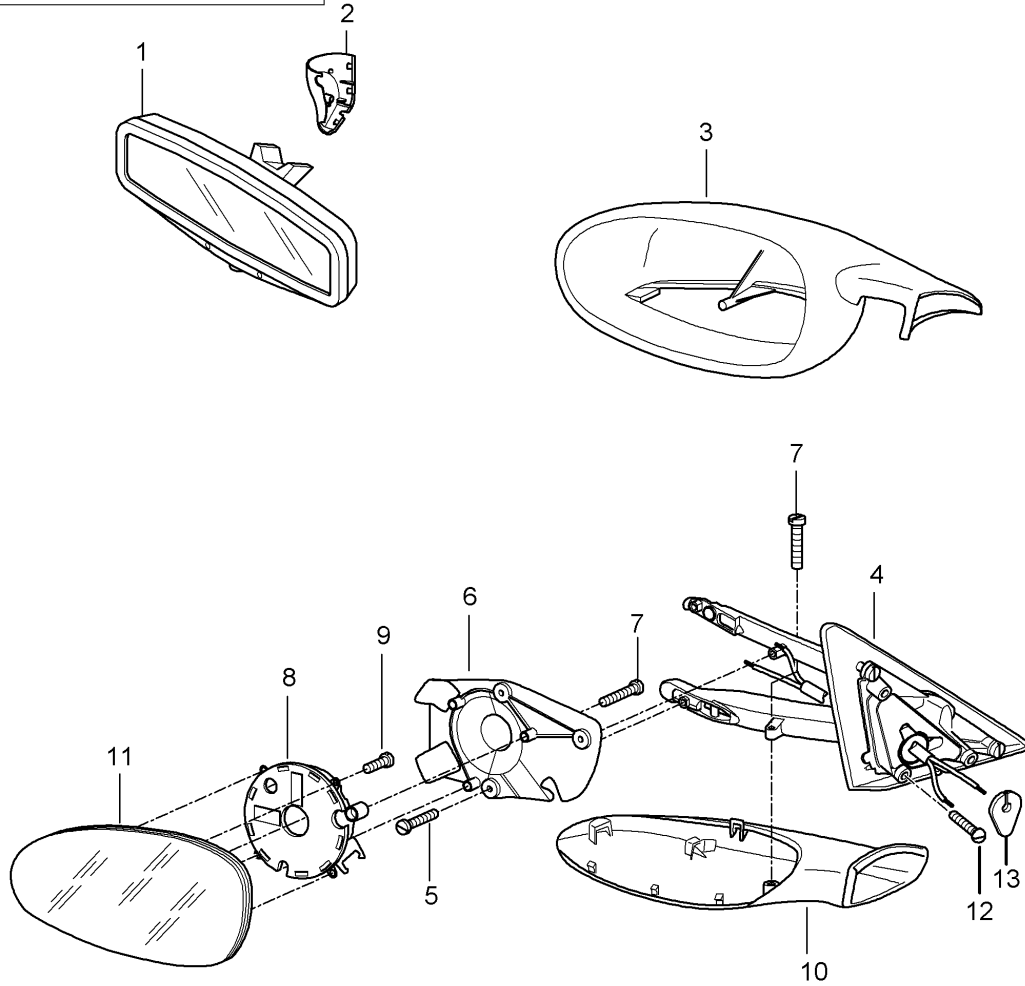
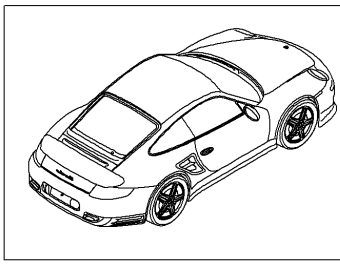
Model: 997T10

Model life 2010&gt;&gt;2013

Pos	Part Number	Description	Remark	Qty	Model
20	999 591 850 01	Speed nut ST 4,2		X	
21	999 591 951 03	Speed nut ST 4,2		X	

Model: 997T10

Model life 2010>>2013



Model: 997T10 Model life 2010>>2013

Pos	Part Number	Description	Remark	Qty	Model
1	997 731 511 05	Interior mirror		1	I267
2	997 731 811 00	Door mirror		1	
		Interior mirror	/L		
		Cover		1	
		Interior mirror			
(2)	997 731 811 00 01C	Satin black		1	
	997 731 812 00	Cover	/R		
		Interior mirror			
		Satin black		1	
3	997 731 619 02	Housing	/L		
	997 731 619 02 G2L	Prime coated		1	
(3)	997 731 619 04	Mirror housing	/L		I018
		Carbon		1	
(3)	997 731 619 81	Mirror housing	/L		I004
		Carbon		1	
(3)	997 731 619 82	Mirror housing	/L		I004/499
		Carbon		1	
(3)	997 731 620 02	Housing	/R		
	997 731 620 02 G2L	Prime coated		1	
(3)	997 731 620 04	Mirror housing	/R		I018
		Carbon		1	
(3)	997 731 620 81	Mirror housing	/R		I004
		Carbon		1	
(3)	997 731 620 82	Mirror housing	/R		I004/499
		Carbon		1	
4	997 731 219 00	Mirror base	/LL /L		I098
	997 731 219 00 G2L	Prime coated		1	
		Including			
		Wiring harness			
(4)	997 731 220 00	Mirror base	/LL /R		I098
		Door mirror		1	
	997 731 220 00 G2L	Prime coated			
		Including			
		Wiring harness			
(4)	997 731 219 01	Mirror base	/LL /L		I098/537
		Door mirror		1	
	997 731 219 01 G2L	Prime coated			
		Including			
		Wiring harness			
(4)	997 731 220 01	Mirror base	/LL /R		I098/537
		Door mirror		1	
	997 731 220 01 G2L	Prime coated			
		Including			
		Wiring harness			
(4)	997 731 219 02	Mirror base	/LL /L		I098/267
		Door mirror		1	
	997 731 219 02 G2L	Prime coated			
		Including			
		Wiring harness			
(4)	997 731 220 02	Mirror base	/LL /R		I098/267
		Door mirror		1	
	997 731 220 02 G2L	Prime coated			
		Including			
		Wiring harness			
(4)	997 731 219 03	Mirror base	/LL /L		I098/267/537
		Door mirror		1	
	997 731 219 03 G2L	Prime coated			
		Including			
		Wiring harness			
(4)	997 731 220 03	Mirror base	/LL /R		I098/267/537
		Door mirror		1	
	997 731 220 03 G2L	Prime coated			
		Including			

Model: 997T10 Model life 2010>>2013

Pos	Part Number	Description	Remark	Qty	Model
(4)	997 731 219 04	Wiring harness Mirror base	/RL /L	1	I099
	997 731 219 04 G2L	Door mirror Prime coated Including			
(4)	997 731 220 04	Wiring harness Mirror base	/RL /R	1	I099
	997 731 220 04 G2L	Door mirror Prime coated Including			
(4)	997 731 219 05	Wiring harness Mirror base	/RL /L	1	I099/538
	997 731 219 05 G2L	Door mirror Prime coated Including			
(4)	997 731 220 05	Wiring harness Mirror base	/RL /R	1	I099/538
	997 731 220 05 G2L	Door mirror Prime coated Including			
(4)	997 731 219 06	Wiring harness Mirror base	/RL /L	1	I099/267
	997 731 219 06 G2L	Door mirror Prime coated Including			
(4)	997 731 220 06	Wiring harness Mirror base	/RL /R	1	I099/267
	997 731 220 06 G2L	Door mirror Prime coated Including			
(4)	997 731 219 07	Wiring harness Mirror base	/RL /L	1	I099/267/538
	997 731 219 07 G2L	Door mirror Prime coated Including			
(4)	997 731 220 07	Wiring harness Mirror base	/RL /R	1	I099/267/538
	997 731 220 07 G2L	Door mirror Prime coated Including			
5	999 919 024 09	Wiring harness Oval-head screw 3,0 X 12		3	
6	997 731 519 00	Adjusting motor Plate	/L	1	
(6)	997 731 520 00	Adjusting motor Plate	/R	1	
7	999 141 043 02	Adjusting motor Oval-head screw M 3 X 14		4	
8	997 624 047 00	Adjusting motor		2	-I537/-I538
8	997 624 047 01	Adjusting motor		2	-I537/-I538
(8)	997 624 048 00	Adjusting motor		2	I537/538
(8)	997 624 048 01	Adjusting motor		2	I537/538
(8)		Adjusting motor		2	I538
9	999 141 043 02	Adjusting motor Oval-head screw M 3,0 X 14		3	
10	997 731 719 02	Cover Lower	/L	1	
	997 731 719 02 G2L	Prime coated			
(10)	997 731 720 02	Cover Lower	/R	1	
	997 731 720 02 G2L	Prime coated			
11	997 731 035 06	Mirror glass	/LL /L	1	I098/270



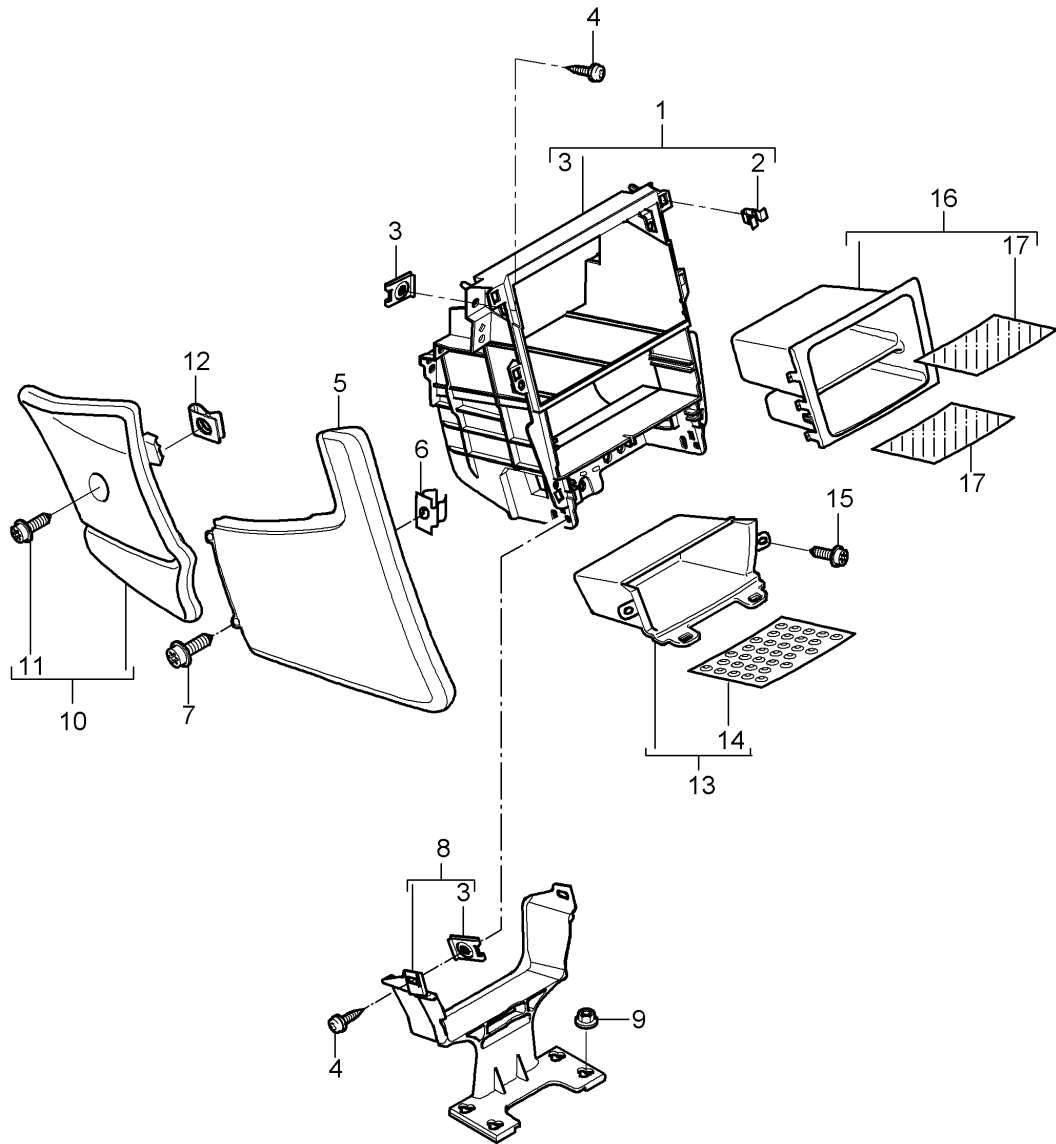
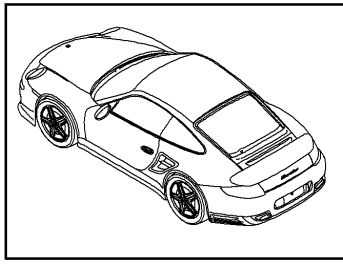
Model: 997T10

Model life 2010>>2013

Pos	Part Number	Description	Remark	Qty	Model
(11)	997 731 035 08	Mirror glass Plane	/LL /L	1	I098/267/270
(11)	997 731 035 07	Mirror glass Aspherical	/LL /L	1	I004/098/271
(11)	997 731 035 09	Mirror glass Aspherical	/LL /L	1	I098/267/271
(11)	997 731 036 07	Mirror glass	/RL /R	1	I004/099/271
(11)	997 731 036 09	Mirror glass Aspherical	/RL /R	1	I099/267/271
(11)	997 731 038 09	Mirror glass	/LL /R	1	I004/098
(11)	997 731 038 10	Mirror glass	/LL /R	1	I004/074/098
(11)	997 731 038 11	Mirror glass	/LL /R	1	I004/098/215
(11)	997 731 038 12	Mirror glass	/LL /R	1	I098/267
(11)	997 731 038 13	Mirror glass	/LL /R	1	I074/098/267
(11)	997 731 038 14	Mirror glass Convex	/LL /R	1	I098/215/267
(11)	997 731 037 03	Mirror glass	/RL /L	1	I004/099
(11)	997 731 037 04	Mirror glass Convex	/RL /L	1	I099/267
12	999 073 345 09	Lens-head screw M 5 X 18		3	
13	997 537 733 00	Seal Cable plug Mirror base		1	

Model: 997T10

Model life 2010>>2013



Model: 997T10 Model life 2010>>2013

Pos	Part Number	Description	Remark	Qty	Model
1	997 553 111 03	Centre console Front Bracket		1	
2	999 507 476 01	Centre console Front Clamp 8,0 X 10,0/2,5		6	
3	999 507 971 01	Speed nut st 4,2		X	
4	999 073 155 09	Tapping screw st 4,2 x 13		X	
5	997 553 117 06	Cover	/L	1	I618/619/668 I669/981
		Lateral Leather			
	997 553 117 06 FSA	Black/grey			
	997 553 117 06 FSB	Stone grey/stone grey			
	997 553 117 06 FSC	Sand beige/sand beige			
	997 553 117 06 FSD	Sea blue/grey			
	997 553 117 06 FSF	Terracotta/terracotta			
	997 553 117 06 FSG	Cocoa/Cocoa			
	997 553 117 06 FSH	Darkgrey natural/grey			
	997 553 117 06 FSJ	Brown nat./brown nat.			
	997 553 117 06 FSP	Carrera Red			
	997 553 117 06 TSB	Black/black	11-		Turbo S
(5)	997 553 118 06	Cover	/R	1	I618/619/668 I669/981
		Lateral Leather			
	997 553 118 06 FSA	Black/grey			
	997 553 118 06 FSB	Stone grey/stone grey			
	997 553 118 06 FSC	Sand beige/sand beige			
	997 553 118 06 FSD	Sea blue/grey			
	997 553 118 06 FSF	Terracotta/terracotta			
	997 553 118 06 FSG	Cocoa/Cocoa			
	997 553 118 06 FSH	Darkgrey natural/grey			
	997 553 118 06 FSJ	Brown nat./brown nat.			
	997 553 118 06 FSP	Carrera Red			
	997 553 118 06 TSB	Black/black	11-		Turbo S
(5)	997 553 117 05	Cover	/L	1	GT2RS
		Lateral Leatherette			
	997 553 117 05 9L4	Black			
(5)	997 553 118 05	Cover	/R	1	GT2RS
		Lateral Leatherette			
	997 553 118 05 9L4	Black			
		Cover		1	
		Lateral with Preparation for telephone See illustrations 9/11/10			
6	999 591 508 01	Captive nut st 4,2 for Mount Cover		4	
7	999 073 226 09	Lateral Tapping screw ST 4,2 X 16 for Mount		4	

Model: 997T10 Model life 2010>>2013

Pos	Part Number	Description	Remark	Qty	Model
8	997 553 361 01	Cover Lateral Support		1	
9	999 084 629 01	Centre Hexagon nut M 6		4	
10	997 553 131 01	Cover Footwell outlet vent Carpet	/L	1	I098
	997 553 131 01 A10	Black			
	997 553 131 01 B10	Stone grey			
	997 553 131 01 T10	Sand Beige			
	997 553 131 01 E10	Sea blue			
	997 553 131 01 M10	Terracotta			
	997 553 131 01 R10	Cocoa			
	997 553 131 01 D11	Dark grey/natural			
	997 553 131 01 T11	Brown/natural			
10	997 553 131 01	Cover Footwell outlet vent Carpet	/L	1	I099
	997 553 131 01 A10	Black			
	997 553 131 01 B10	Stone grey			
	997 553 131 01 T10	Sand Beige			
	997 553 131 01 E10	Sea blue			
	997 553 131 01 M10	Terracotta			
	997 553 131 01 R10	Cocoa			
	997 553 131 01 D11	Dark grey/natural			
	997 553 131 01 T11	Brown/natural			
(10)	997 553 132 01	Cover Footwell outlet vent Carpet	/LL /R	1	I098/621
	997 553 132 01 A10	Black			
	997 553 132 01 B10	Stone grey			
	997 553 132 01 T10	Sand Beige			
	997 553 132 01 E10	Sea blue			
	997 553 132 01 M10	Terracotta			
	997 553 132 01 R10	Cocoa			
	997 553 132 01 D11	Dark grey/natural			
	997 553 132 01 T11	Brown/natural			
	997 553 132 01 N10	Carrera Red			
(10)	997 553 132 02	Cover Footwell outlet vent Carpet	/LL /R	1	I098
	997 553 132 02 A10	Black			
	997 553 132 02 B10	Stone grey			
	997 553 132 02 T10	Sand Beige			
	997 553 132 02 E10	Sea blue			
	997 553 132 02 M10	Terracotta			
	997 553 132 02 R10	Cocoa			
	997 553 132 02 D11	Dark grey/natural			
	997 553 132 02 T11	Brown/natural			
	997 553 132 02 N10	Carrera Red			
(10)	997 553 132 02	Cover Footwell outlet vent Carpet	/RL /R	1	I099
	997 553 132 02 A10	Black			
	997 553 132 02 B10	Stone grey			
	997 553 132 02 T10	Sand Beige			
	997 553 132 02 E10	Sea blue			
	997 553 132 02 M10	Terracotta			
	997 553 132 02 R10	Cocoa			
	997 553 132 02 D11	Dark grey/natural			
	997 553 132 02 T11	Brown/natural			

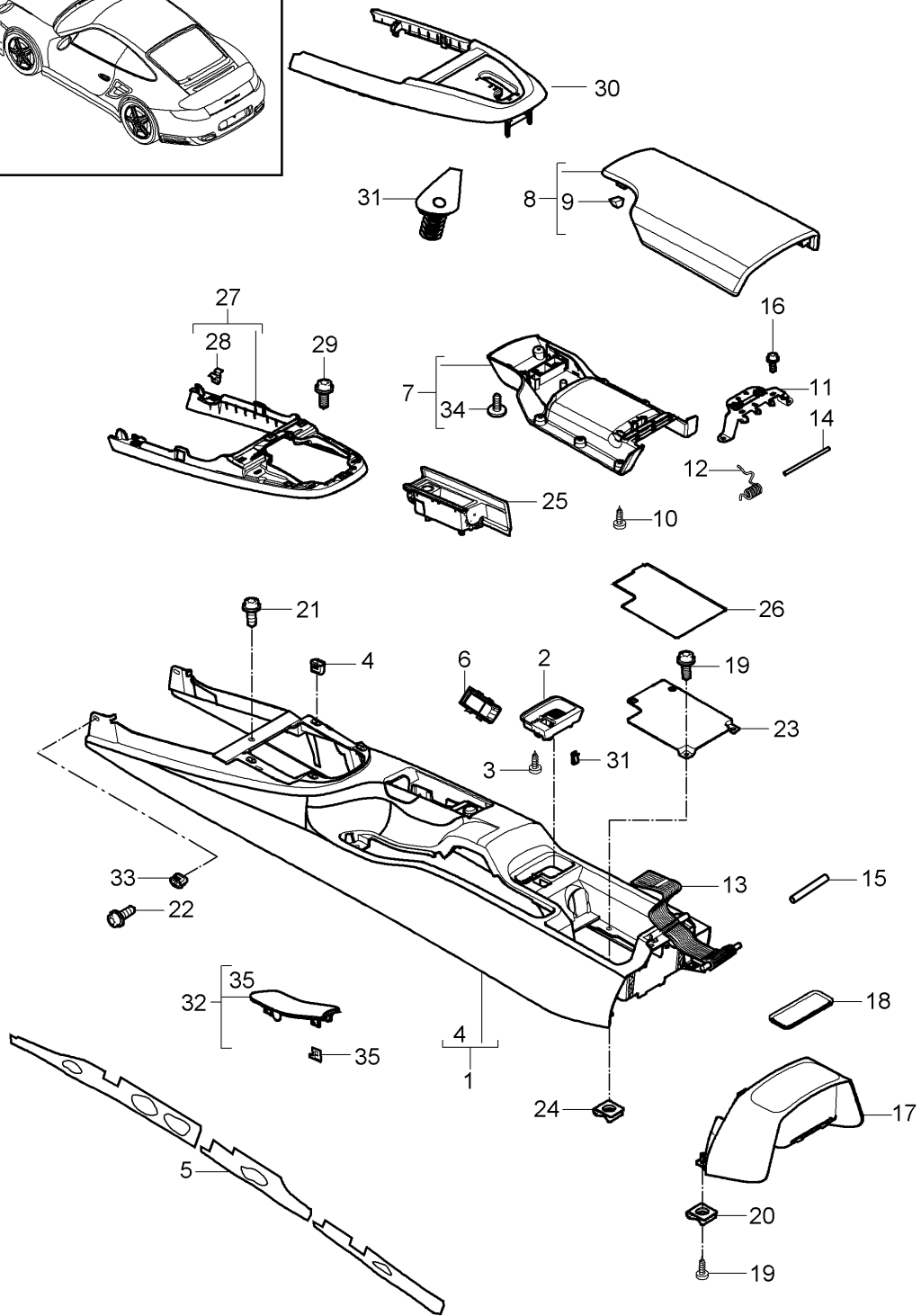
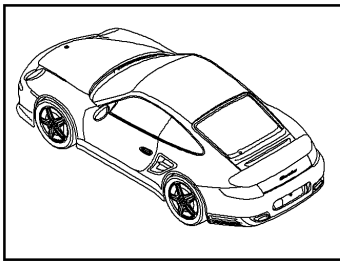
Model: 997T10

Model life 2010>>2013

Pos	Part Number	Description	Remark	Qty	Model
11	997 553 132 02 N10 999 073 223 07	Carrera Red Oval-head screw M 6 X 25 for Mount Cover Footwell outlet vent		2	
12	999 507 766 02	Speed nut M 6 for Mount Cover Footwell outlet vent		2	
13	997 553 143 02	Shelf Centre console Front		1	
14	997 553 143 02 A05 997 553 543 01	Black mat Insert Shelf		1	
15	999 919 164 09	Oval-head screw 5,0 X 12,0 for Mount Shelf		3	
16	987 553 671 00	Shelf Centre	11-	1	I609
17	987 553 671 00 A05 987 553 871 00	Black mat Insert Shelf Centre	11-	2	I609

Model: 997T10

Model life 2010>>2013



Model: 997T10 Model life 2010>>2013

Pos	Part Number	Description	Remark	Qty	Model
1	997 553 901 00	Centre console Rear		1	COUPE
	997 553 901 00 A03	Black			
	997 553 901 00 5V7	Stone grey			
	997 553 901 00 5Z1	Sand Beige			
	997 553 901 00 8W7	Sea blue			
	997 553 901 00 8X8	Terracotta			
	997 553 901 00 8P9	Cocoa			
	997 553 901 00 T13	Brown/natural			
	997 553 901 00 N23	Carrera Red			
(1)	997 553 901 02	Centre console		1	CABRIO
	997 553 901 02 A03	Black			
	997 553 901 02 5V7	Stone grey			
	997 553 901 02 5Z1	Sand Beige			
	997 553 901 02 8W7	Sea blue			
	997 553 901 02 8X8	Terracotta			
	997 553 901 02 8P9	Cocoa			
	997 553 901 02 T13	Brown/natural			
	997 553 901 02 N23	Carrera Red			
(1)	997 553 980 69	Centre console		1	COUPE IXMZ
		Leather			
	997 553 980 69 A11	Black			
	997 553 980 69 5X6	Stone grey			
	997 553 980 69 8G2	Sand Beige			
	997 553 980 69 3S9	Sea blue			
	997 553 980 69 9S5	Terracotta			
	997 553 980 69 9V6	Cocoa			
	997 553 980 69 D12	Dark grey/natural			
	997 553 980 69 T12	Brown/natural			
	997 553 980 69 N12	Carrera Red			
(1)	997 553 980 71	Centre console		1	CABRIO IXMZ
		Leather			
	997 553 980 71 A11	Black			
	997 553 980 71 5X6	Stone grey			
	997 553 980 71 8G2	Sand Beige			
	997 553 980 71 3S9	Sea blue			
	997 553 980 71 9S5	Terracotta			
	997 553 980 71 9V6	Cocoa			
	997 553 980 71 D12	Dark grey/natural			
	997 553 980 71 T12	Brown/natural			
	997 553 980 71 N12	Carrera Red			
(1)	997 553 980 52	Centre console		1	COUPE IXMJ
		Carbon			
	997 553 980 52 A35	Black			
(1)	997 553 980 54	Centre console		1	CABRIO IXMJ
		Carbon			
	997 553 980 54 A35	Black			
(1)	997 553 980 56	Centre console		1	COUPE IXJT
	997 553 980 56 S61	Macassar			
(1)	997 553 980 58	Centre console		1	CABRIO IXJT
	997 553 980 58 S61	Macassar			
(1)	997 553 980 60	Centre console		1	COUPE IXCK
	997 553 980 60 V04	Galvano silver			
(1)	997 553 980 62	Centre console		1	CABRIO IXCK

Model: 997T10 Model life 2010>>2013

Pos	Part Number	Description	Remark	Qty	Model
(1)	997 553 980 62 V04	Galvano silver		1	COUPE IXME
	997 553 980 64	Centre console			
	997 553 980 64 041	Black			
	997 553 980 64 84A	Guards red			
	997 553 980 64 12H	Speed yellow			
	997 553 980 64 B9A	Carrara white			
	997 553 980 64 92U	Arctic silver metallic			
	997 553 980 64 C9Z	Basalt black metallic			
	997 553 980 64 M7X	Atlas grey metallic			
	997 553 980 64 39C	Midnight Blue Metallic			
	997 553 980 64 M7W	Meteor Grey Metallic			
	997 553 980 64 M8W	Macadamia Metallic			
	997 553 980 64 M3X	Ruby red metallic			
	997 553 980 64 M5X	Dark Blue Metallic			
	997 553 980 64 22G	Racing Green Metallic			
	997 553 980 64 M5R	Aqua Blue Metallic			
	997 553 980 64 51A	Creamy white			
	997 553 980 64 M2Z	Nordic Gold Metallic			
	997 553 980 64 M7Z	GT Silver Metallic			
(1)	997 553 980 64 2B5	Malachite Green Metallic			
	997 553 980 66	Centre console			
	997 553 980 66 041	Black			
	997 553 980 66 84A	Guards red			
	997 553 980 66 12H	Speed yellow			
	997 553 980 66 B9A	Carrara white			
	997 553 980 66 92U	Arctic silver metallic			
	997 553 980 66 C9Z	Basalt black metallic			
	997 553 980 66 M7X	Atlas grey metallic			
	997 553 980 66 39C	Midnight Blue Metallic			
	997 553 980 66 M7W	Meteor Grey Metallic			
	997 553 980 66 M8W	Macadamia Metallic			
	997 553 980 66 M3X	Ruby red metallic			
	997 553 980 66 M5X	Dark Blue Metallic			
	997 553 980 66 22G	Racing Green Metallic			
	997 553 980 66 M5R	Aqua Blue Metallic			
	997 553 980 66 51A	Creamy white			
	997 553 980 66 M2Z	Nordic Gold Metallic			
	997 553 980 66 M7Z	GT Silver Metallic			
(1)	997 553 980 66 2B5	Malachite Green Metallic		2	
	997 553 997 01	Protective film Centre console See technical manual 681749			
2	997 553 575 02	Insert Locking device Centre console		1	
3	997 553 575 02 01C	Satin black		1	
	999 919 159 09	Oval-head screw 4 X 12 for Mount Insert Locking device			
4	999 591 210 40	Expander nut 4,2			
5	997 553 843 00	Sound absorber	/L		
(5)	997 553 844 00	Sound absorber	/R	1	
7	997 553 433 01	Lid Inner		1	
	997 553 433 01 01C	Satin black		1	TURBO
8	997 553 231 01	Lid			



Model: 997T10 Model life 2010>>2013

Pos	Part Number	Description	Remark	Qty	Model
		Outer Leather			
	997 553 231 01 A11	Black			
	997 553 231 01 5X6	Stone grey			
	997 553 231 01 8G2	Sand Beige			
	997 553 231 01 3S9	Sea blue			
	997 553 231 01 9S5	Terracotta			
	997 553 231 01 9V6	Cocoa			
	997 553 231 01 D12	Dark grey/natural			
	997 553 231 01 T12	Brown/natural			
	997 553 231 01 N12	Carrera Red			
(8)	997 553 231 90	Lid		1	GT2RS
		Outer Alcantara			
	997 553 231 90 A25	Black			
	997 553 231 90 N13	Guards red			
(8)	997 553 991 05	Lid		1	TURBO IXPT
		Outer with Porsche crest			
	997 553 991 05 A11	Black			
	997 553 991 05 5X6	Stone grey			
	997 553 991 05 8G2	Sand Beige			
	997 553 991 05 3S9	Sea blue			
	997 553 991 05 9S5	Terracotta			
	997 553 991 05 9V6	Cocoa			
	997 553 991 05 D12	Dark grey/natural			
	997 553 991 05 T12	Brown/natural			
	997 553 991 05 N12	Carrera Red			
(8)	997 553 991 29	Lid	/LL	1	TURBO IXUV/098
		Outer with Logo Turbo			
	997 553 991 29 A11	Black			
	997 553 991 29 5X6	Stone grey			
	997 553 991 29 8G2	Sand Beige			
	997 553 991 29 3S9	Sea blue			
	997 553 991 29 9S5	Terracotta			
	997 553 991 29 9V6	Cocoa			
	997 553 991 29 D12	Dark grey/natural			
	997 553 991 29 T12	Brown/natural			
	997 553 991 29 N12	Carrera Red			
(8)	997 553 991 30	Lid	/RL	1	TURBO IXUV/099
		Outer with Logo Turbo			
	997 553 991 30 A11	Black			
	997 553 991 30 5X6	Stone grey			
	997 553 991 30 8G2	Sand Beige			
	997 553 991 30 3S9	Sea blue			
	997 553 991 30 9S5	Terracotta			
	997 553 991 30 9V6	Cocoa			
	997 553 991 30 D12	Dark grey/natural			
	997 553 991 30 T12	Brown/natural			
	997 553 991 30 N12	Carrera Red			
(8)	997 553 991 43	Lid	/LL	1	TURBO S IXUV/098
		Outer			

Model: 997T10

Model life 2010>>2013

Pos	Part Number	Description	Remark	Qty	Model
		with Logo Turbo S			
	997 553 991 43 A11	Black			
	997 553 991 43 5X6	Stone grey			
	997 553 991 43 8G2	Sand Beige			
	997 553 991 43 3S9	Sea blue			
	997 553 991 43 9S5	Terracotta			
	997 553 991 43 9V6	Cocoa			
	997 553 991 43 D12	Dark grey/natural			
	997 553 991 43 T12	Brown/natural			
	997 553 991 43 N12	Carrera Red			
	997 553 991 43 TSB	Black-black			
(8)	997 553 991 44	Lid	/RL	1	TURBO S IXUV/099
		Outer with Logo Turbo S			
	997 553 991 44 A11	Black			
	997 553 991 44 5X6	Stone grey			
	997 553 991 44 8G2	Sand Beige			
	997 553 991 44 3S9	Sea blue			
	997 553 991 44 9S5	Terracotta			
	997 553 991 44 9V6	Cocoa			
	997 553 991 44 D12	Dark grey/natural			
	997 553 991 44 T12	Brown/natural			
	997 553 991 44 N12	Carrera Red			
	997 553 991 44 TSB	Black-black			
(8)	997 553 991 20	Lid	/LL	1	IXLG/098
		Outer Alcantara			
	997 553 991 20 A25	Black			
(8)	997 553 991 21	Lid	/RL	1	IXLG/099
		Outer Alcantara			
	997 553 991 21 A25	Black			
9	999 507 972 01	Speed nut 3,5 3,5 X 14 for Mount Lid		8	
10	999 073 153 01	Outer Tapping screw 3,5 X 14 for Mount Lid		8	
11	997 553 437 01	Outer Hinge		1	
12	997 553 439 00	Steering knuckle spring		1	
13	997 553 441 00	Belt		1	
14	997 553 447 00	Axle		1	
15	997 553 733 00	Retaining pin		1	
16	999 919 159 09	Oval-head screw M4X12		X	
17	997 553 221 01	Extension Centre console Lacquered		1	COUPE/TURBO
	997 553 221 01 A03	Black			
	997 553 221 01 5V7	Stone grey			
	997 553 221 01 5Z1	Sand Beige			

Model: 997T10 Model life 2010>>2013

Pos	Part Number	Description	Remark	Qty	Model
(17)	997 553 221 01 8W7	Sea blue		1	COUPE/TURBO IXMZ
	997 553 221 01 8X8	Terracotta			
	997 553 221 01 8P9	Cocoa			
	997 553 221 01 T13	Brown/natural			
	997 553 221 01 N23	Carrera Red			
	997 553 983 00	Extension			
		Centre console			
		Leather			
	997 553 983 00 A11	Black			
	997 553 983 00 5X6	Stone grey			
(17)	997 553 983 00 8G2	Sand Beige		1	COUPE/TURBO IXMJ
	997 553 983 00 3S9	Sea blue			
	997 553 983 00 9S5	Terracotta			
	997 553 983 00 9V6	Cocoa			
	997 553 983 00 D12	Dark grey/natural			
	997 553 983 00 T12	Brown/natural			
	997 553 983 00 N12	Carrera Red			
	997 553 983 01	Extension			
		Centre console			
		Leather			
(17)	997 553 983 01 A11	Black		1	COUPE/TURBO IXJT
	997 553 983 01 5X6	Stone grey			
	997 553 983 01 8G2	Sand Beige			
	997 553 983 01 3S9	Sea blue			
	997 553 983 01 9S5	Terracotta			
	997 553 983 01 9V6	Cocoa			
	997 553 983 01 D12	Dark grey/natural			
	997 553 983 01 T12	Brown/natural			
	997 553 983 01 N12	Carrera Red			
	997 553 983 03	Extension			
(17)		Centre console		1	COUPE/TURBO IXCK
		Leather			
	997 553 983 03 A11	Black			
	997 553 983 03 5X6	Stone grey			
	997 553 983 03 8G2	Sand Beige			
	997 553 983 03 3S9	Sea blue			
	997 553 983 03 9S5	Terracotta			
	997 553 983 03 9V6	Cocoa			
	997 553 983 03 D12	Dark grey/natural			
	997 553 983 03 T12	Brown/natural			
(17)	997 553 983 03 N12	Carrera Red		1	COUPE/TURBO IXME
	997 553 983 04	Extension			
		Centre console			
		Leather			
	997 553 983 04 A11	Black			
	997 553 983 04 5X6	Stone grey			
	997 553 983 04 8G2	Sand Beige			
	997 553 983 04 3S9	Sea blue			
	997 553 983 04 9S5	Terracotta			
	997 553 983 04 9V6	Cocoa			
(17)	997 553 983 04 D12	Dark grey/natural		1	COUPE/TURBO IXME
	997 553 983 04 T12	Brown/natural			
	997 553 983 04 N12	Carrera Red			
	997 553 983 05	Extension			
		Centre console			
		Lacquered			
	997 553 983 05 041	Black			
	997 553 983 05 84A	Guards red			

Model: 997T10

Model life 2010>>2013

Pos	Part Number	Description	Remark	Qty	Model
	997 553 983 05 12H	Speed yellow			
	997 553 983 05 B9A	Carrara white			
	997 553 983 05 92U	Arctic silver metallic			
	997 553 983 05 C9Z	Basalt black metallic			
	997 553 983 05 M7X	Atlas grey metallic			
	997 553 983 05 39C	Midnight Blue Metallic			
	997 553 983 05 M7W	Meteor Grey Metallic			
	997 553 983 05 M8W	Macadamia Metallic			
	997 553 983 05 M3X	Ruby red metallic			
	997 553 983 05 M5X	Dark Blue Metallic			
	997 553 983 05 22G	Racing Green Metallic			
	997 553 983 05 M5R	Aqua Blue Metallic			
	997 553 983 05 51A	Creamy white			
	997 553 983 05 M2Z	Nordic Gold Metallic			
	997 553 983 05 M7Z	GT Silver Metallic			
	997 553 983 05 2B5	Malachite Green Metallic			
18	997 553 625 01	Insert Extension		1	COUPE/TURBO
19	999 073 226 09	Tapping screw 4,2 X 16		X	
20	999 507 020 01	Speed nut 4,2		X	
21	999 919 121 09	Oval-head screw 5 X 16		2	
22	999 073 155 09	Tapping screw 4,2 X 13		2	
23	997 553 615 01	Floor Centre console		1	
24	999 507 028 01	Speed nut 4,2		X	
25	997 553 902 00	Ashtray Lacquered		1	
	997 553 902 00 A03	Black			
	997 553 902 00 5V7	Stone grey			
	997 553 902 00 5Z1	Sand Beige			
	997 553 902 00 8W7	Sea blue			
	997 553 902 00 8X8	Terracotta			
	997 553 902 00 8P9	Cocoa			
	997 553 902 00 T13	Brown/natural			
	997 553 902 00 N23	Carrera Red			
(25)	997 553 982 06	Ashtray Leather		1	IXMZ
	997 553 982 06 A11	Black			
	997 553 982 06 5X6	Stone grey			
	997 553 982 06 8G2	Sand Beige			
	997 553 982 06 3S9	Sea blue			
	997 553 982 06 9S5	Terracotta			
	997 553 982 06 9V6	Cocoa			
	997 553 982 06 D12	Dark grey/natural			
	997 553 982 06 T12	Brown/natural			
	997 553 982 06 N12	Carrera Red			
(25)	997 553 982 01	Ashtray Carbon		1	IXMJ
	997 553 982 01 A35	Black			
(25)	997 553 982 03	Ashtray		1	IXJT
	997 553 982 03 S61	Macassar			
(25)	997 553 982 04	Ashtray Aluminium look		1	IXCK
	997 553 982 04 V04	Galvano silver			
(25)	997 553 982 05	Ashtray Lacquered		1	IXME
	997 553 982 05 041	Black			
	997 553 982 05 84A	Guards red			

Model: 997T10 Model life 2010>>2013

Pos	Part Number	Description	Remark	Qty	Model
	997 553 982 05 12H	Speed yellow			
	997 553 982 05 B9A	Carrara white			
	997 553 982 05 92U	Arctic silver metallic			
	997 553 982 05 C9Z	Basalt black metallic			
	997 553 982 05 M7X	Atlas grey metallic			
	997 553 982 05 39C	Midnight Blue Metallic			
	997 553 982 05 M7W	Meteor Grey Metallic			
	997 553 982 05 M8W	Macadamia Metallic			
	997 553 982 05 M3X	Ruby red metallic			
	997 553 982 05 M5X	Dark Blue Metallic			
	997 553 982 05 22G	Racing Green Metallic			
	997 553 982 05 M5R	Aqua Blue Metallic			
	997 553 982 05 51A	Creamy white			
	997 553 982 05 M2Z	Nordic Gold Metallic			
	997 553 982 05 M7Z	GT Silver Metallic			
	997 553 982 05 2B5	Malachite Green Metallic			
26	997 553 611 01	Insert		1	
(26)	997 553 613 00	Insert		1	I870
27	997 553 261 06	Frame Lacquered		1	Turbo
	997 553 261 06 V04	Galvano silver			
(27)	987 553 261 01	Frame	10-	1	Turbo IXDJ
	987 553 261 01 G2X	Prime coated			
(27)	997 553 261 05	Frame Lacquered	11-	1	GT2RS
	997 553 261 05 D07	Volcano grey			
28	999 507 533 02	Clamp 8,0 X 10,0/2,5		7	
29	999 073 155 09	Tapping screw 4,2 X 13 for Mount Frame		4	
30	997 553 245 01	Cover Shift gate		1	Turbo I250
	997 553 245 01 FUG	Black/Galvano Silver			
	997 553 245 01 FUH	Stone Grey/Galvano Silver			
	997 553 245 01 FUJ	Sand Beige/Galvano Silver			
	997 553 245 01 FUK	Ocean Blue/Galvano Silver			
	997 553 245 01 FUL	Terracotta/Galvano Silver			
	997 553 245 01 FUM	Cocoa/Galvano Silver			
	997 553 245 01 FUN	Natural Brown/Galvano Silver			
	997 553 245 01 FU0	Carrera Red/Galvano Silver			
(30)	997 553 987 00	Cover Shift gate Lacquered		1	IXWS/250
	997 553 987 00 041	Black			
	997 553 987 00 84A	Guards red			
	997 553 987 00 12H	Speed yellow			
	997 553 987 00 B9A	Carrara white			
	997 553 987 00 92U	Arctic silver metallic			
	997 553 987 00 C9Z	Basalt black metallic			
	997 553 987 00 M7X	Atlas grey metallic			
	997 553 987 00 39C	Midnight Blue Metallic			
	997 553 987 00 M7W	Meteor Grey Metallic			
	997 553 987 00 M8W	Macadamia Metallic			
	997 553 987 00 M3X	Ruby red metallic			
	997 553 987 00 M5X	Dark Blue Metallic			
	997 553 987 00 22G	Racing Green Metallic			
	997 553 987 00 M5R	Aqua Blue Metallic			
	997 553 987 00 51A	Creamy white			

Model: 997T10 Model life 2010>>2013

Pos	Part Number	Description	Remark	Qty	Model
(30)	997 553 987 00 M2Z	Nordic Gold Metallic		1	IXWT/250
	997 553 987 00 M7Z	GT Silver Metallic			
	997 553 987 00 2B5	Malachite Green Metallic			
(30)	997 553 987 00	Cover		1	IXWR/250
		Shift gate			
		Lacquered			
(30)	997 553 987 00 041	Black		1	IXWU/250
	997 553 987 01	Cover			
		Shift gate			
(30)	997 553 987 01 V04	Galvano silver		1	I480
	997 553 987 02	Cover			
		Shift gate			
(30)		Leather		1	Turbo IXDZ/480
	997 553 987 02 A11	Black			
	997 553 987 02 5X6	Stone grey			
(30)	997 553 987 02 8G2	Sand Beige		1	I870
	997 553 987 02 3S9	Sea blue			
	997 553 987 02 9S5	Terracotta			
(30)	997 553 987 02 9V6	Cocoa		1	IXCK
	997 553 987 02 D12	Dark grey/natural			
	997 553 987 02 T12	Brown/natural			
(30)	997 553 987 02 N12	Carrera Red		1	I870
	997 553 243 01	Cover			
		Shift gate			
(30)		Lacquered		1	I870
	997 553 243 01 A03	Black			
	997 553 243 01 5V7	Stone grey			
(30)	997 553 243 01 5Z1	Sand Beige		1	IXCK
	997 553 243 01 8W7	Sea blue			
	997 553 243 01 8X8	Terracotta			
(30)	997 553 243 01 8P9	Cocoa		1	IXCK
	997 553 243 01 T13	Brown/natural			
	997 553 243 01 N23	Carrera Red			
(30)	997 553 996 00	Cover		1	IXCK
		Shift gate			
		Leather			
(30)	997 553 996 00 A11	Black		1	IXCK
	997 553 996 00 5X6	Stone grey			
	997 553 996 00 8G2	Sand Beige			
(30)	997 553 996 00 3S9	Sea blue		1	IXCK
	997 553 996 00 9S5	Terracotta			
	997 553 996 00 9V6	Cocoa			
(30)	997 553 996 00 D12	Dark grey/natural		1	IXCK
	997 553 996 00 T12	Brown/natural			
	997 553 996 00 N12	Carrera Red			
31	999 507 922 01	U-clamp		1	I870
32		4,0		1	IXCK
	997 553 903 00	Cover			
		Parking-brake lever			
(32)		Lacquered		1	IXCK
	997 553 903 00 A03	Black			
	997 553 903 00 5V7	Stone grey			
(32)	997 553 903 00 5Z1	Sand Beige		1	IXCK
	997 553 903 00 8W7	Sea blue			
	997 553 903 00 8X8	Terracotta			
(32)	997 553 903 00 8P9	Cocoa		1	IXCK
	997 553 903 00 T13	Brown/natural			
	997 553 903 00 N23	Carrera Red			
(32)	997 553 981 00	Cover		1	IXCK
		Parking-brake lever			
	997 553 981 00 A11	Black			
	997 553 981 00 5X6	Stone grey			

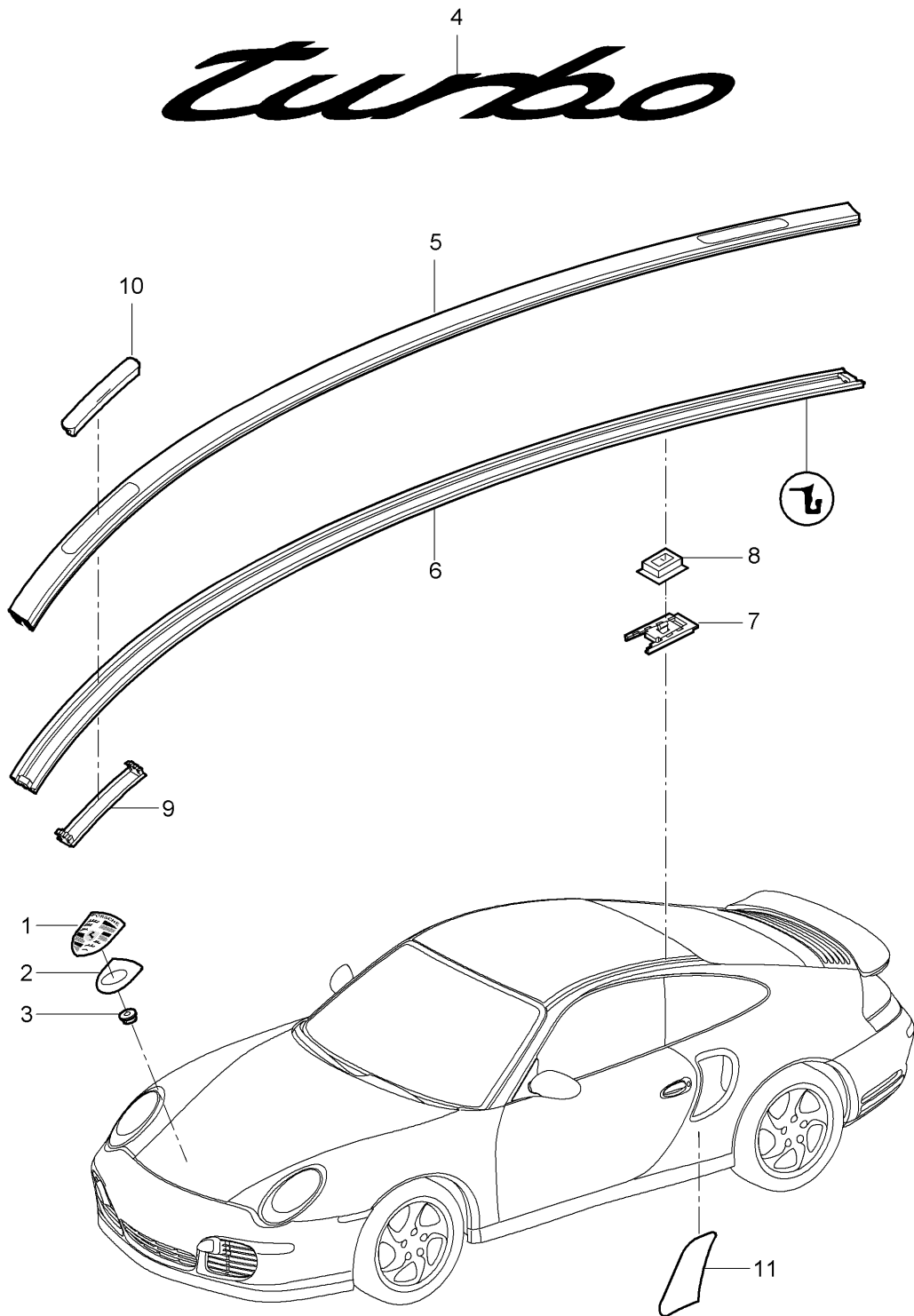
Model: 997T10 Model life 2010>>2013

Pos	Part Number	Description	Remark	Qty	Model
	997 553 981 00 8G2	Sand Beige			
	997 553 981 00 3S9	Sea blue			
	997 553 981 00 9S5	Terracotta			
	997 553 981 00 9V6	Cocoa			
	997 553 981 00 D12	Dark grey/natural			
	997 553 981 00 T12	Brown/natural			
	997 553 981 00 N12	Carrera Red			
(32)	997 553 981 00	Cover		1	IXJT
		Parking-brake lever			
	997 553 981 00 A11	Black			
	997 553 981 00 5X6	Stone grey			
	997 553 981 00 8G2	Sand Beige			
	997 553 981 00 3S9	Sea blue			
	997 553 981 00 9S5	Terracotta			
	997 553 981 00 9V6	Cocoa			
	997 553 981 00 D12	Dark grey/natural			
	997 553 981 00 T12	Brown/natural			
	997 553 981 00 N12	Carrera Red			
(32)	997 553 981 00	Cover		1	IXME
		Parking-brake lever			
	997 553 981 00 A11	Black			
	997 553 981 00 5X6	Stone grey			
	997 553 981 00 8G2	Sand Beige			
	997 553 981 00 3S9	Sea blue			
	997 553 981 00 9S5	Terracotta			
	997 553 981 00 9V6	Cocoa			
	997 553 981 00 D12	Dark grey/natural			
	997 553 981 00 T12	Brown/natural			
	997 553 981 00 N12	Carrera Red			
(32)	997 553 981 00	Cover		1	IXMJ
		Parking-brake lever			
	997 553 981 00 A11	Black			
	997 553 981 00 5X6	Stone grey			
	997 553 981 00 8G2	Sand Beige			
	997 553 981 00 3S9	Sea blue			
	997 553 981 00 9S5	Terracotta			
	997 553 981 00 9V6	Cocoa			
	997 553 981 00 D12	Dark grey/natural			
	997 553 981 00 T12	Brown/natural			
	997 553 981 00 N12	Carrera Red			
(32)	997 553 981 07	Cover		1	IXMZ
		Parking-brake lever			
	997 553 981 07 A11	Black			
	997 553 981 07 5X6	Stone grey			
	997 553 981 07 8G2	Sand Beige			
	997 553 981 07 3S9	Sea blue			
	997 553 981 07 9S5	Terracotta			
	997 553 981 07 9V6	Cocoa			
	997 553 981 07 D12	Dark grey/natural			
	997 553 981 07 T12	Brown/natural			
	997 553 981 07 N12	Carrera Red			
33	999 591 215 40	Expander nut		2	
		4,2			
34	997 553 732 00	Rubber buffer		2	
		Lid			
		Inner			
35	997 553 861 00	Clamp		4	IXMZ

Model: 997T10

Model life 2010>>2013

# Turbo





Model: 997T10 Model life 2010>>2013

Pos	Part Number	Description	Remark	Qty	Model
1	997 559 211 00	Insignias Decorative fittings Stone guard film Lid emblem Information available		1	
(1)	996 559 211 90	Lid emblem		1	GT2RS
2	7L5 853 611 B	Desk pad		1	
3	999 591 423 03	Tapping nut		2	
4	997 559 237 03	Logo *Turbo* Chrome		1	TURBO
(4)	997 559 984 02	Logo *Turbo* Prime coated		1	TURBO IXUC
(4)	987 559 985 00	Logo *S*		1	TURBO IXUC/092
(4)	986 559 243 01	Prime coated Logo *S*		1	TURBO I092
(4)	997 559 237 81	Chrome Logo *GT2RS*		1	GT2RS I004
(4)	997 559 237 81 539	White gold metallic		1	GT2RS I004
(4)	997 559 237 81	Logo *GT2RS*		1	GT2RS I004
5	997 559 237 81 A72	Black mat		1	
	997 559 401 00	Roof edge strip	/L	1	
	997 559 401 00 G2X	Prime coated		1	
(5)	997 559 401 91	Roof edge strip	/L	1	GT2RS
	997 559 401 91 G2L	Prime coated		1	
(5)	997 559 402 00	Roof edge strip	/R	1	
	997 559 402 00 G2X	Prime coated		1	
(5)	997 559 402 91	Roof edge strip	/R	1	
	997 559 402 91 G2L	Prime coated		1	
6	997 559 721 00	Gasket	/L	1	
		Roof edge strip		1	
(6)	997 559 722 00	Gasket	/R	1	
		Roof edge strip		10	
7	996 559 403 01	Clip		10	
8	996 559 405 01	Adapter		4	
9	996 559 729 00	Bracket for Flap		2	
10	996 559 501 00	Front		2	
	996 559 501 00 G2X	Prime coated		2	
(10)	996 559 503 00	Flap Rear		1	
	996 559 503 00 G2X	Prime coated		1	
11	997 504 825 03	Stone guard film	/L	1	
		Side section		1	GT2RS
(11)	997 504 825 80	Stone guard film	/L	1	
		Side section		1	
(11)	997 504 826 03	Stone guard film	/R	1	
		Side section		1	GT2RS
(11)	997 504 826 80	Stone guard film	/R	1	
		Side section		1	GT2RS
12	997 559 333 81	Logo		1	GT2RS

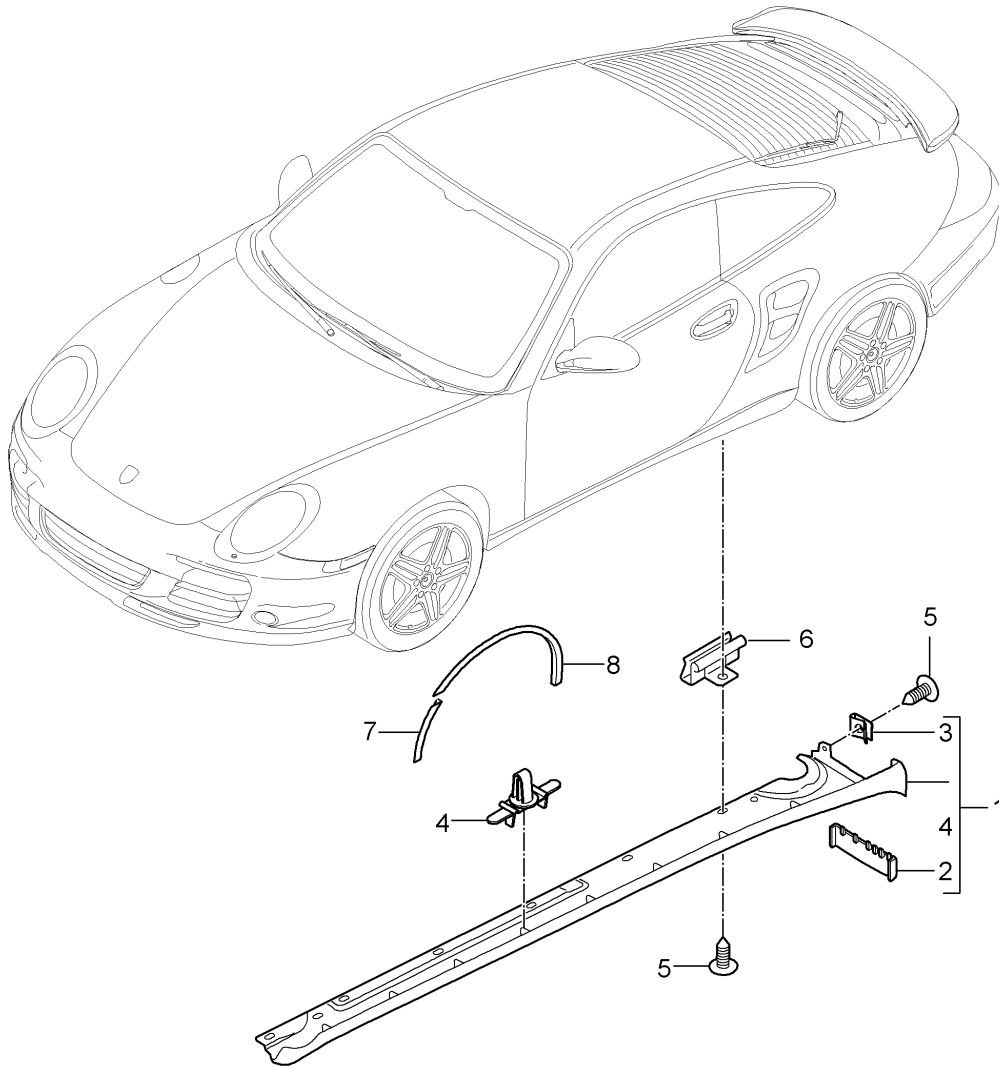
Model: 997T10

Model life 2010>>2013

Pos	Part Number	Description	Remark	Qty	Model
		Lateral *GT2RS*			I004
(12)	997 559 333 81 539	White gold metallic		1	GT2RS I004
	997 559 333 81	Logo			
	997 559 333 81 A72	Lateral *GT2RS* Black mat			

Model: 997T10

Model life 2010>>2013

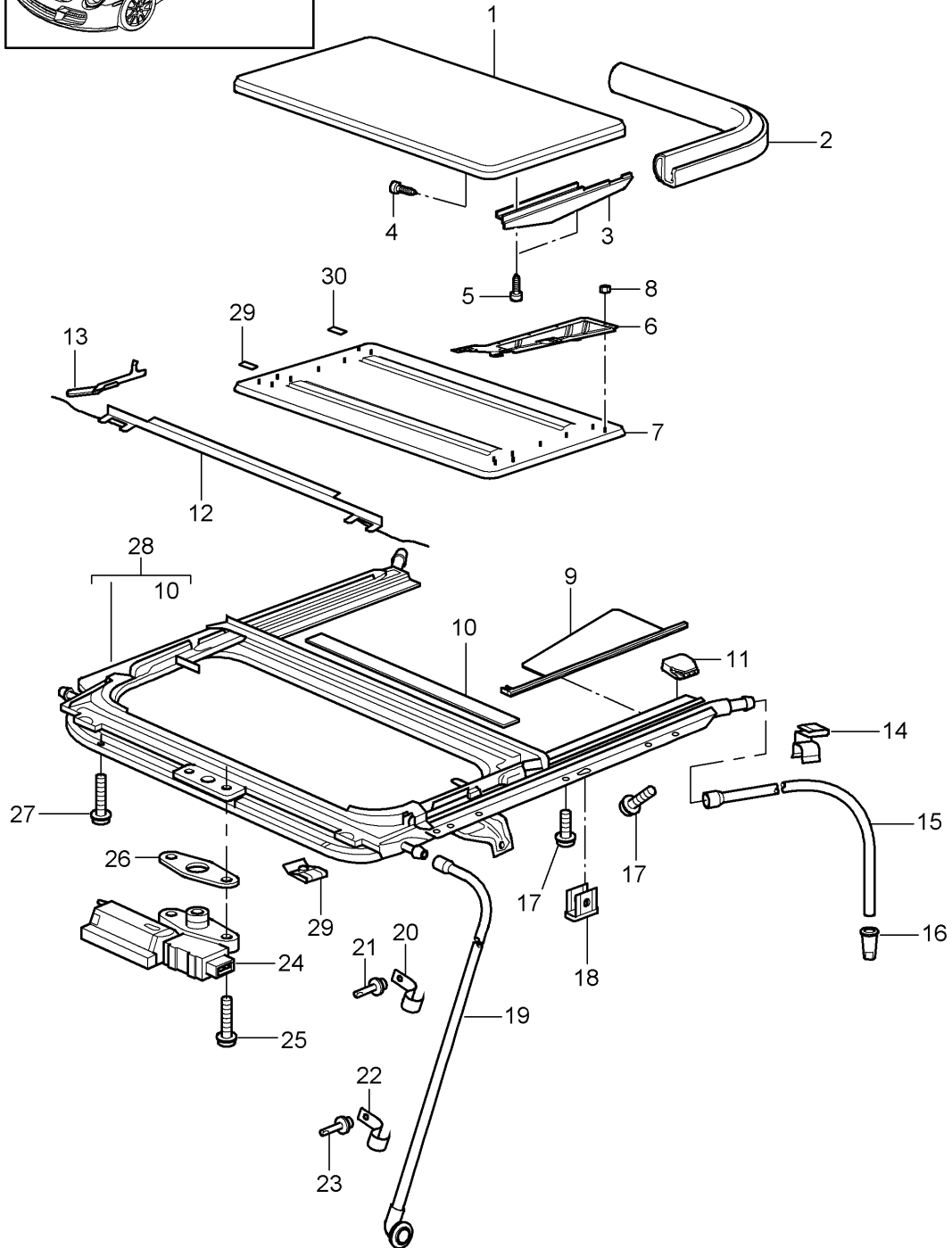
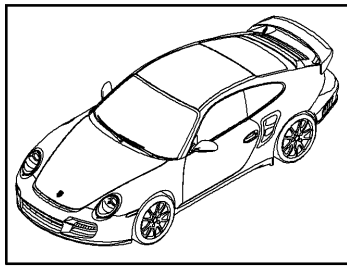


Model: 997T10 Model life 2010>>2013

Pos	Part Number	Description	Remark	Qty	Model
		Sill cover Outer			
1	997 504 363 00	Sill cover	/L	1	TURBO
	997 504 363 00 01C	Satin black			
1	997 504 363 80	Sill cover	/L	1	GT2RS
	997 504 363 80 01C	Satin black			
(1)	997 504 364 00	Sill cover	/R	1	TURBO
	997 504 364 00 01C	Satin black			
(1)	997 504 364 80	Sill cover	/R	1	GT2RS
	997 504 364 80 01C	Satin black			
1	997 504 981 00	Sill cover	/L	1	TURBO IXAJ
	997 504 981 00 G2X	Prime coated			
(1)	997 504 982 00	Sill cover	/R	1	TURBO IXAJ
	997 504 982 00 G2X	Prime coated			
2	997 504 863 00	Rubber lip Sill cover	/L	1	TURBO
	997 504 863 00 01C	Satin black			
(2)	997 504 863 80	Rubber lip Sill cover	/L	1	GT2RS
	997 504 863 80 01C	Satin black			
(2)	997 504 864 00	Rubber lip Sill cover	/R	1	TURBO
	997 504 864 00 01C	Satin black			
(2)	997 504 864 80	Rubber lip Sill cover	/R	1	GT2RS
	997 504 864 80 01C	Satin black			
3	999 507 795 09	Speed nut ST 4,8		4	
4	999 507 986 40	Fixing clip Sill cover 9,0 x 1,5		18	
5	999 073 505 01	Tapping screw 4,8 X 16		20	
6	999 507 640 09	U-clamp		18	
7	997 505 365 A2	Wheel cover Lining Front Left Prime coated	10-	1	I004
(7)	997 505 366 A2	Wheel cover Lining Front Right Prime coated	10-	1	I004
8	997 503 401 A1	Wheel cover Wing Front Left Prime coated		1	I004
(8)	997 503 402 A1	Wheel cover Wing Front Right Prime coated		1	I004

Model: 997T10

Model life 2010>>2013



Model: 997T10

Model life 2010>>2013

Pos	Part Number	Description	Remark	Qty	Model
		Sunroof			I650
1	996 564 941 01	Lid		1	
	996 564 941 01 GRV	Prime coated			
2	997 564 211 00	Gasket		1	
3	997 564 181 00	Cover	/L	1	
	997 564 181 00 01C	Black			
(3)	997 564 182 00	Cover	/R	1	
	997 564 182 00 01C	Black			
4	996 564 245 00	Combination screw		4	
5	900 143 189 09	Tapping screw		4	
6	996 564 321 01	Guide plate	/L	1	
(6)	996 564 322 01	Guide plate	/R	1	
7	997 564 021 00	Roofliner		1	
		Alcantara			
	997 564 021 00 A14	Black			
	997 564 021 00 B14	Stone grey			
	997 564 021 00 G14	Metropole blue			
	997 564 021 00 T44	Sand Beige			
(7)	996 564 983 00	Roofliner		1	
		Leather			
	996 564 983 00 A11	Black			
	996 564 983 00 5X6	Stone grey			
	996 564 983 00 8G2	Sand Beige			
	996 564 983 00 3S9	Sea blue			
	996 564 983 00 9S5	Terracotta			
	996 564 983 00 D12	Dark grey/natural			
	996 564 983 00 T12	Natural brown			
	996 564 983 00 9V6	Cocoa			
	996 564 983 00 N12	Carrera Red			
8	900 076 084 02	Nut		16	
9	997 564 241 00	Interior lining	/L	1	
(9)	997 564 242 00	Interior lining	/R	1	
10	997 564 671 00	Edge protection		1	
11	997 555 823 00	Support		2	
12	997 564 161 00	Air deflector		1	
13	996 564 522 01	Hinge	/R	1	
(13)	996 564 521 01	Hinge	/L	1	
14	999 507 631 01	Cable holder		4	
15	996 564 205 01	Water drain hose		2	
		Rear			
16	996 561 825 00	Water drain valve		2	
		Rear			
17	999 073 279 02	Oval-head screw		6	
18	999 703 258 42	Clip		2	
19	996 564 207 00	Water drain hose		2	
		Front			
20	997 564 301 00	Support		2	
		Upper			
21	999 190 190 01	Blind rivet		2	
		4,0X8,5			
22	997 564 303 00	Support		2	
		Lower			
23	999 190 445 37	Blind rivet		1	
		4,0X6,3			
24	997 624 211 00	Driving mechanism		1	
25	999 073 135 01	Countersunk-head screw		2	
26	996 564 213 00	Spacer		1	
27	999 073 366 02	Oval-head screw		4	
28	997 564 911 00	Frame		1	
		without			
		Driving mechanism			
29	997 564 903 00	Damping piece		3	
		Front			

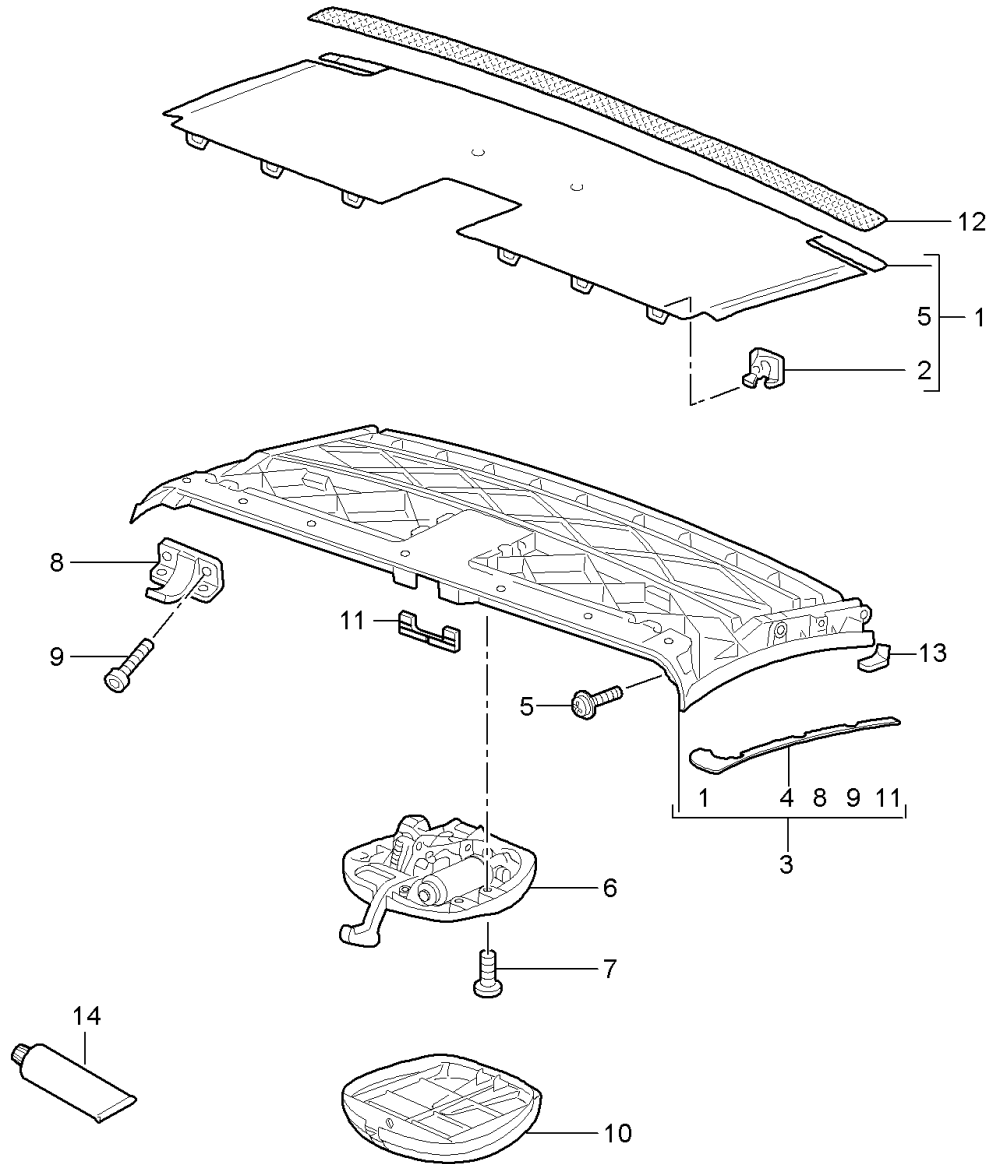
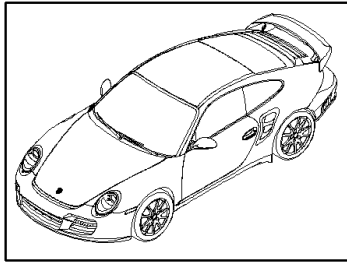
Model: 997T10

Model life 2010&gt;&gt;2013

Pos	Part Number	Description	Remark	Qty	Model
30	997 564 905 00	Damping piece Rear		3	

Model: 997T10

Model life 2010>>2013



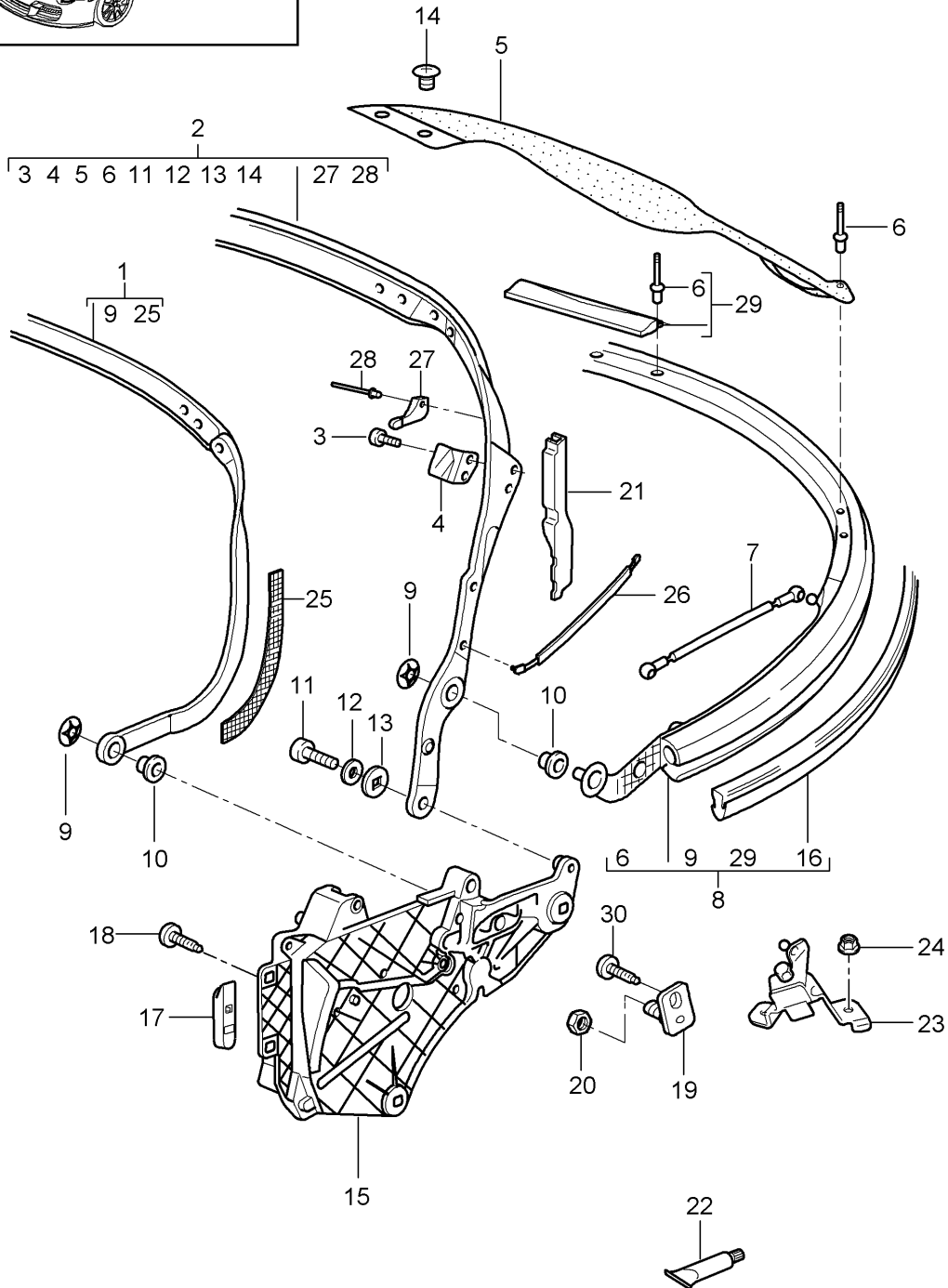
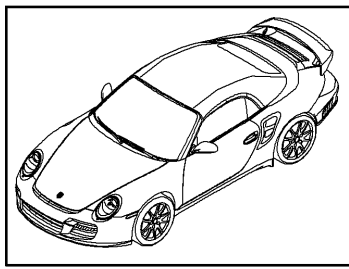


Model: 997T10 Model life 2010>>2013

Pos	Part Number	Description	Remark	Qty	Model
		Convertible top frame			Cabrio
		Front			
		Roof frame			
		Catch			
		Lubricants			
1	996 561 963 00	Base		1	
		Including			
		Felt			
2	996 561 731 00	Clip		6	
3	997 561 905 00	Roof frame		1	
	997 561 905 00 A09	Black			
		Use also:			
-	997 561 509 00	Felt strip		1	
		60 x 25			
		See TPI			
		Group 8			
		Nummer 53			
4	996 561 807 00	Gasket	/L	1	
		Roof frame			
		Plastic foam strip			
(4)	996 561 808 00	Gasket	/R	1	
		Roof frame			
		Plastic foam strip			
5	999 507 497 40	Expansion rivet		6	
6	997 561 117 01	Catch		1	
7	999 073 195 01	Round head screw		4	
		M6x20			
8	997 561 605 00	Centring journal	/L	1	
(8)	997 561 606 00	Centring journal	/R	1	
9	999 919 144 09	Oval-head screw		4	
10	997 561 515 00	Trim cover		1	
	997 561 515 00 01C	Black			
11		Buffer		1	
		See illustrations			
		8/11/09			
12	000 043 207 44	Felt strip		1	
		30 mm x 5 Meter			
13	997 561 827 00	Foam part	/L	1	
(13)	997 561 828 00	Foam part	/R	1	
14	000 043 206 65	Grease		X	
		Krytox			
		1 tube			
		56 Gramm			
(14)	000 043 206 83	Grease		X	
		Optitemp LG2			
		1 tube			
		80 Gramm			
(14)	999 917 557 00	Grease		X	
		Osixo			
		30 ml			

Model: 997T10

Model life 2010>>2013

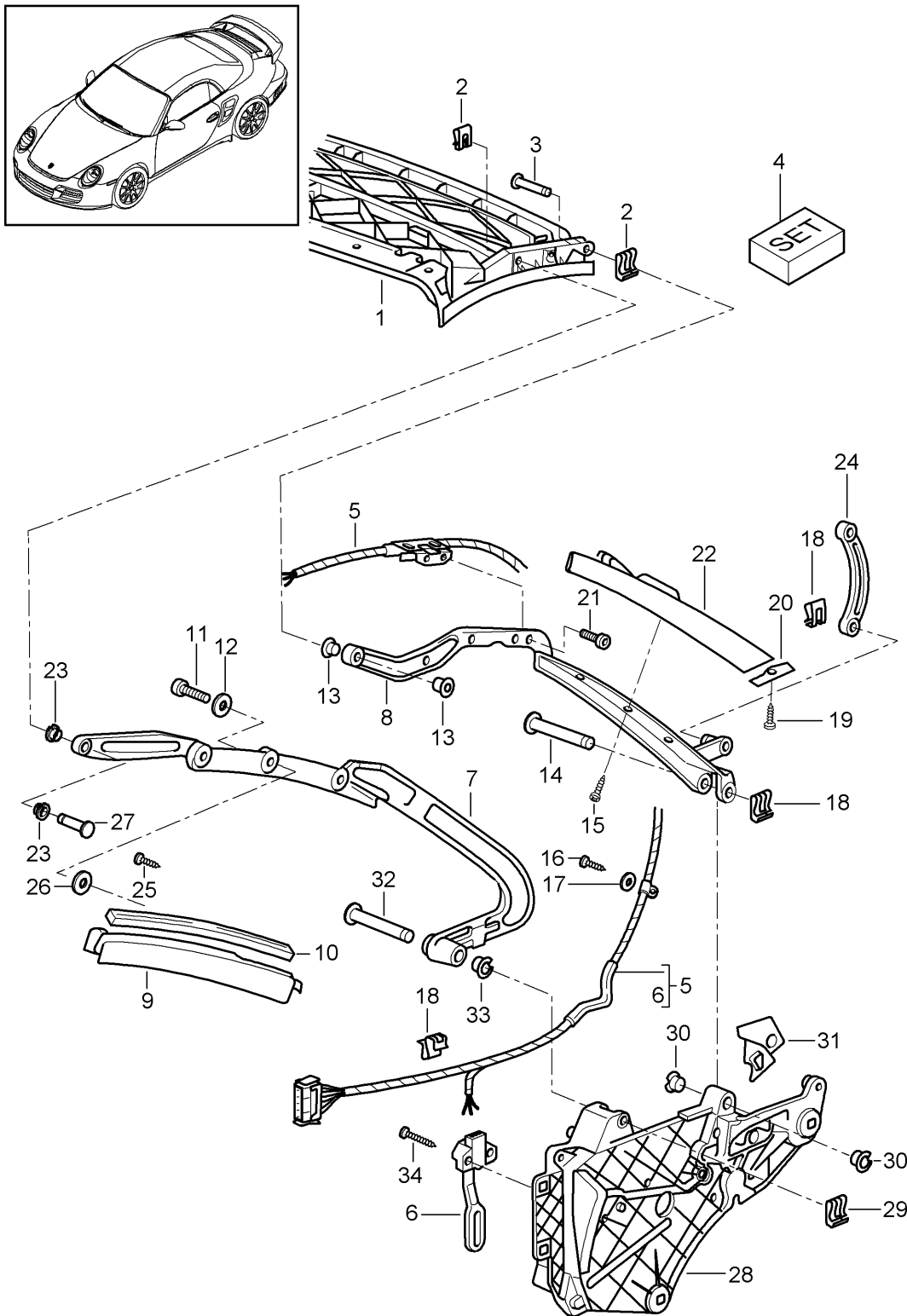


Model: 997T10 Model life 2010>>2013

Pos	Part Number	Description	Remark	Qty	Model
		Convertible top frame Single parts			Cabrio
1	997 561 942 00	Roof strut		1	
2	997 561 931 00	Main folding top bow Set		1	
3	900 146 003 03	Oval-head screw		4	
4	996 561 959 00	Thrust wedge		2	
5	997 561 089 02	Restraining strap	/L	1	
(5)	997 561 090 02	Restraining strap	/R	1	
6	999 190 446 30	Blind rivet		X	
7	996 561 191 00	Tension rope Lower		2	
8	997 561 941 00	Roof strut with Buffer		1	
9	996 561 645 00	Lock		8	
10	999 924 122 40	Bush		8	
11	999 073 195 01	Round head screw M6 X 20		2	
12	900 151 006 03	Washer 6,4		2	
13	999 924 131 30	Washer 8,5 X 28 X 2		2	
14	999 919 141 09	Oval-head screw M5 X 12		4	
15	997 561 943 00	Convertible top support	/L	1	
(15)	997 561 944 00	Convertible top support	/R	1	
16	996 561 693 00	Gaskets for Roof strut POS.8		2	
17	996 561 735 02	Adjusting shim		2	
18	999 075 065 09	Hexagon-head bolt M8x35 Mount Convertible top support		6	
19	996 561 715 00	Support		2	
20	999 084 629 01	Hexagon nut		2	
21	996 561 259 00	Gasket	/L	1	
(21)	996 561 260 00	Gasket	/R	1	
22	928 101 921 00	Loctite		1	
23	996 561 055 01	Bracket for Tension rope	/L	1	
(23)	996 561 056 01	Bracket for Tension rope	/R	1	
24	999 084 629 01	Hexagon nut		4	
25	997 561 897 00	Velcro strip	/L	1	
(25)	997 561 898 00	Velcro strip	/R	1	
26	997 561 531 00	Spring plate		2	
27	997 561 579 00	Protective plate	/L	1	
(27)	997 561 580 00	Protective plate	/R	1	
28	999 190 494 30	Rivet A 4.8x12.0		2	
29	997 561 961 00	Buffer Set		1	
30	999 073 138 01	Round head screw M8x25		1	

Model: 997T10

Model life 2010>>2013



Model: 997T10 Model life 2010>>2013

Pos	Part Number	Description	Remark	Qty	Model
		Convertible top frame			Cabrio
		Single parts			
1	997 561 905 00	Roof frame		1	
	997 561 905 00 A09	Black			
		Use also:			
-	997 561 509 00	Felt strip		1	
		60 x 25			
		See TPI			
		Group 8			
		Nr. 53			
2	999 166 075 09	Safety clip		X	
3	999 088 050 30	Bolt		2	
		8X27,8			
4	997 561 909 00	Repair kit		1	
		Bush			
		Bolt			
		Lock			
		for			
		Roof frame			
5	997 612 698 01	Wiring harness		1	
		Only			
		for			
		Convertible top			
		Black			
5	997 612 698 03	Wiring harness		1	
		for			
		Convertible top			
		Coloured			
-	997 561 965 00	Boot		1	
		for			
		Wiring harness			
6	996 613 313 02	Potentiometer		1	
7	996 561 335 00	Roof frame	/L	1	
(7)	996 561 336 00	Roof frame	/R	1	
8	997 561 939 00	Roof frame	/L	1	
(8)	997 561 940 00	Roof frame	/R	1	
9	997 561 355 01	Sealing frame	/L	1	
	997 561 355 01 A09	Black			
(9)	997 561 356 01	Sealing frame	/R	1	
	997 561 356 01 A09	Black			
10	996 561 219 00	Gasket		2	
		for			
		Sealing frame			
11	999 073 195 09	Oval-head screw		10	
		M 6X20			
12	900 151 006 09	Washer		X	
13	999 924 086 40	Bearing sleeve		16	
14	999 088 037 30	Bolt		1	
15	999 919 153 09	Oval-head screw		X	
16	900 144 101 02	Tapping screw		X	
17	900 151 027 02	Washer		8	
18	999 166 076 02	Safety clip		4	
18	999 166 076 01	Safety clip		4	
19	999 190 495 30	Blind rivet		2	
20	997 561 239 00	Gasket	/L	1	
(20)	997 561 240 00	Gasket	/R	1	
21	N 014 128 13	Oval-head screw		4	
		M5X8			
22	997 561 319 03	Sealing frame	/L	1	
	997 561 319 03 A09	Black			
(22)	997 561 320 03	Sealing frame	/R	1	
	997 561 320 03 A09	Black			
23	999 924 086 40	Bearing sleeve		8	

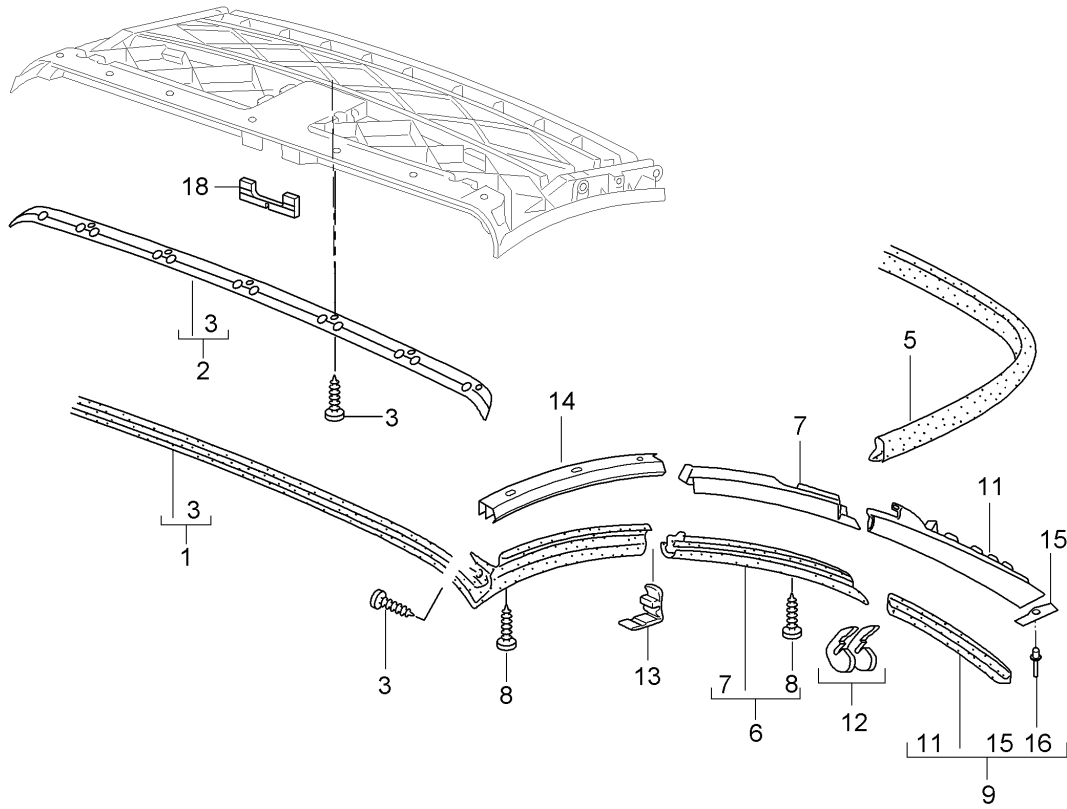
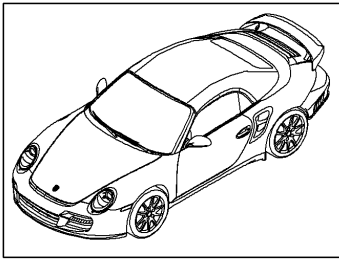
Model: 997T10

Model life 2010&gt;&gt;2013

Pos	Part Number	Description	Remark	Qty	Model
24	996 561 051 01	Lever	/L	1	
(24)	996 561 052 01	Lever	/R	1	
25	999 919 141 09	Oval-head screw		8	
26	999 025 267 09	Washer		4	
27	999 088 049 30	Bolt 8x32,8		2	
28	997 561 943 00	Convertible top support	/L	1	
(28)	997 561 944 00	Convertible top support	/R	1	
29	999 166 076 02	Safety clip		6	
29	999 166 076 01	Safety clip		6	
30	999 924 125 40	Bush		2	
31	996 561 249 01	Sealing strip	/L	1	
(31)	996 561 250 01	Sealing strip	/R	1	
32	999 088 031 30	Bolt		4	
33	999 924 125 40	Bush		4	
34	999 919 152 09	Oval-head screw 3,5x8		2	

Model: 997T10

Model life 2010>>2013



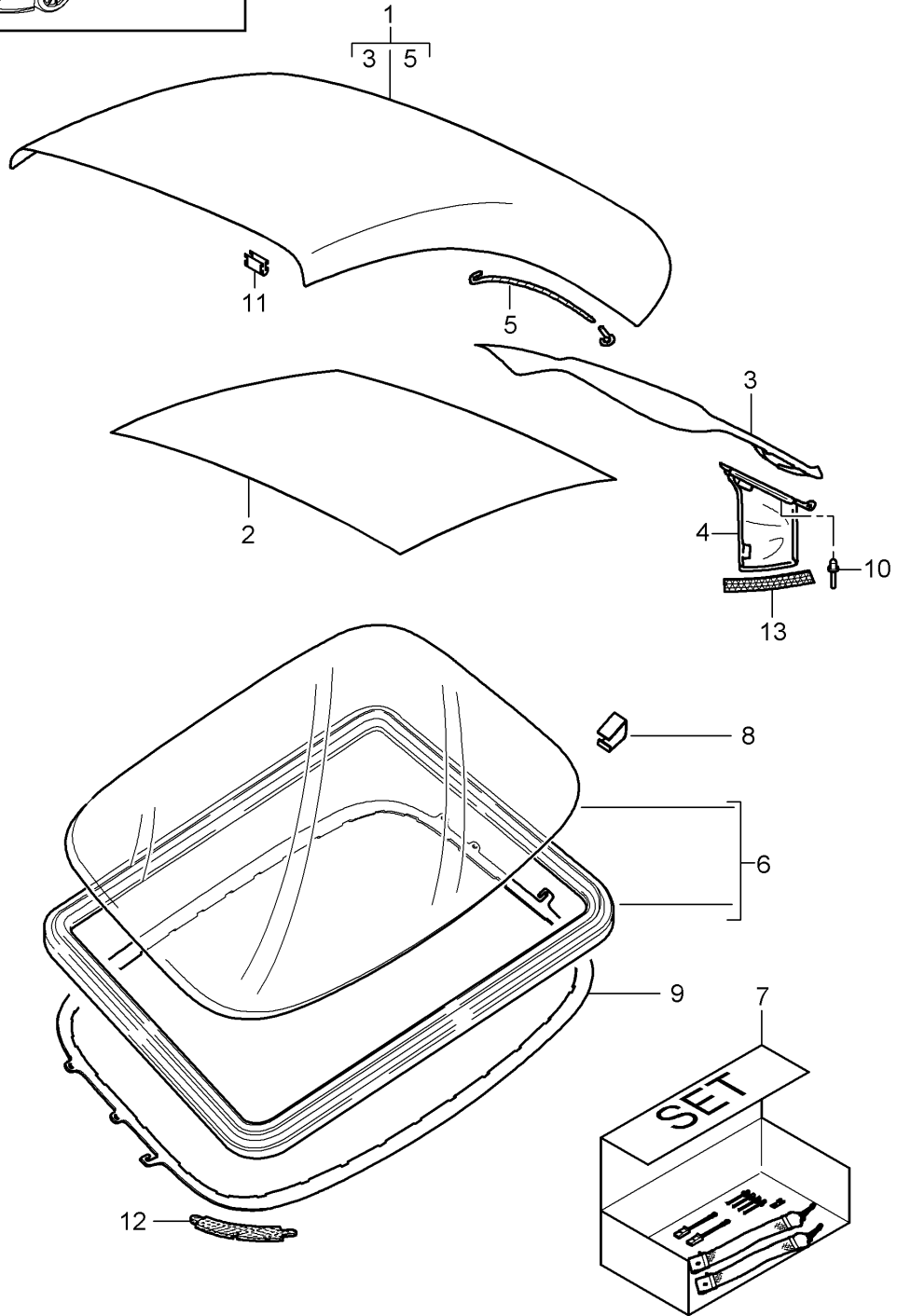
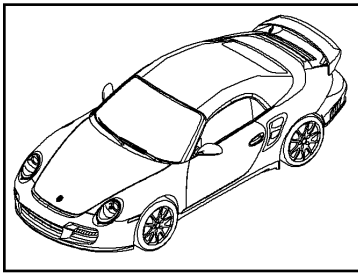
Model: 997T10 Model life 2010>>2013

Pos	Part Number	Description	Remark	Qty	Model
		Convertible top			Cabrio
		Seal			
1	997 561 937 00	Roof frame seal		1	
		Set			
2	997 561 951 00	Retaining strip		1	
		Set			
3	999 141 036 09	Oval-head screw		7	
5	997 561 949 00	Gasket		1	
		Roof strut			
6	997 561 913 02	Gaskets	/L	1	
		Assembly kit			
(6)	997 561 914 02	Gaskets	/R	1	
		Assembly kit			
7	997 561 355 01	Sealing frame	/L	1	
	997 561 355 01 A09	Black			
(7)	997 561 356 01	Sealing frame	/R	1	
	997 561 356 01 A09	Black			
8	999 919 152 09	Oval-head screw		X	
9	997 561 923 03	Gaskets	/L	1	
		Assembly kit			
(9)	997 561 924 03	Gaskets	/R	1	
		Assembly kit			
11	997 561 319 03	Sealing frame	/L	1	
	997 561 319 03 A09	Black			
(11)	997 561 320 03	Sealing frame	/R	1	
	997 561 320 03 A09	Black			
12	996 561 935 00	Filler piece		2	
		Set			
13	997 561 813 00	Filler piece	/L	1	
		Roof frame			
		Front			
(13)	997 561 814 00	Filler piece	/R	1	
		Roof frame			
		Front			
14	996 561 527 00	Mounting	/L	1	
(14)	996 561 528 00	Mounting	/R	1	
15	997 561 239 00	Gasket	/L	1	
(15)	997 561 240 00	Gasket	/R	1	
16	999 190 495 30	Blind rivet		4	
18	996 561 745 00	Buffer		1	



Model: 997T10

Model life 2010>>2013



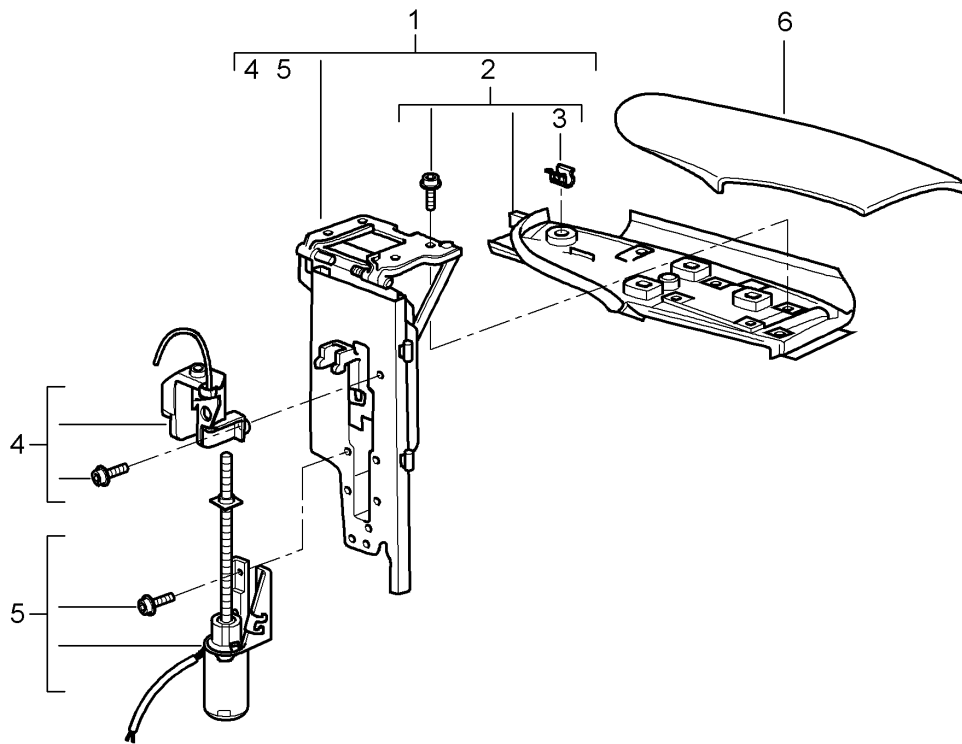
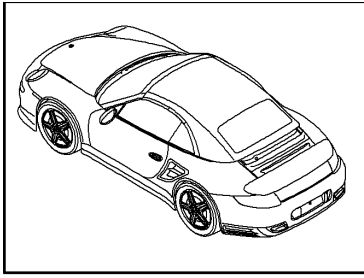
Model: 997T10

Model life 2010>>2013

Pos	Part Number	Description	Remark	Qty	Model
		Convertible top covering Roofliner			Cabrio
1	997 561 901 03	Convertible top covering without Rear window		1	
	997 561 901 03 A10	Black			
	997 561 901 03 C17	Stone grey			
	997 561 901 03 G02	Metropole blue			
	997 561 901 03 R17	Brown			
2	997 561 085 02	Roofliner		1	
	997 561 085 02 A21	Black			
3		Restraining strap See illustrations 8/11/06		2	
4	997 561 095 02	Stripe	/L	1	
	997 561 095 02 A21	Black			
(4)	997 561 096 02	Stripe	/R	1	
	997 561 096 02 A21	Black			
5	996 561 931 01	Tension rope Repair kit		2	
6	997 561 979 00	Rear window with Gasket		1	
7	997 561 929 00	Set of fastening parts Frame Rear window		1	
8	996 561 205 00	Clamp		32	
9	996 561 203 00	Frame Order also: 997.561.929.00		1	
-	997 561 929 00	Set of fastening parts		1	
10	999 190 446 30	Blind rivet		4	
11	997 561 915 00	Clamp Set for Roofliner Pieces		1	
12	997 561 721 00	Velcro strip Frame Rear window		20 2	
13	997 561 897 00	Velcro strip Mount Bag	/L	1	
(13)	997 561 898 00	Velcro strip Mount Bag	/R	1	

Model: 997T10

Model life 2010>>2013



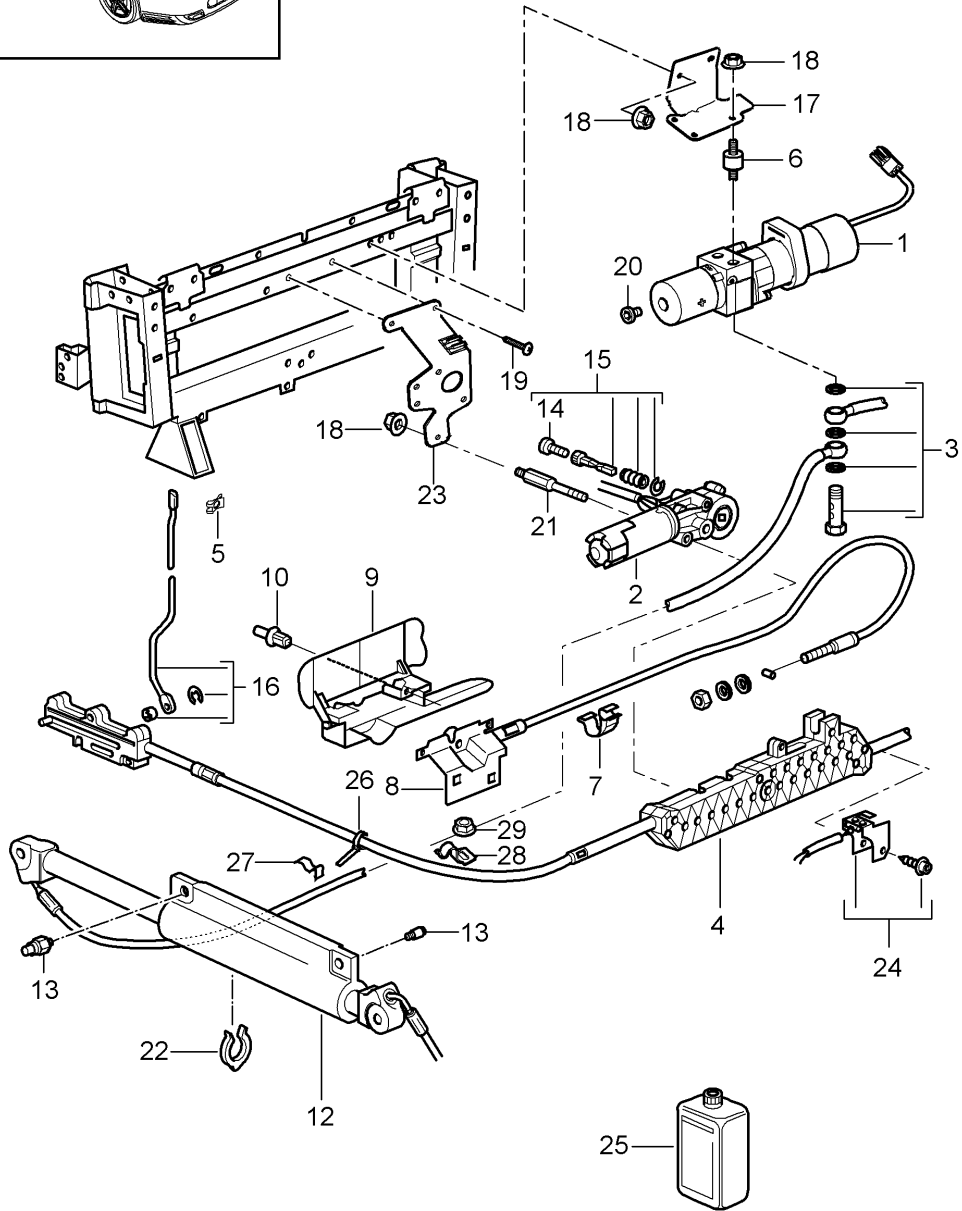
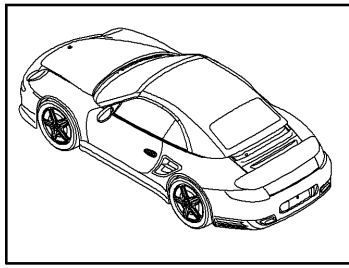
Model: 997T10

Model life 2010>>2013

Pos	Part Number	Description	Remark	Qty	Model
		Flap Lateral Folding top			Cabrio
1	996 561 175 01	Flap	/L	1	
(1)	996 561 176 01	Flap	/R	1	
2	996 561 625 00	Lower part	/L	1	
(2)	996 561 626 00	Lower part	/R	1	
3	999 507 533 02	Clamp		X	
4	996 561 685 00	Microswitch	/L	1	
(4)	996 561 686 00	Microswitch	/R	1	
5	996 561 675 00	Driving mechanism	/L	1	
(5)	996 561 676 00	Driving mechanism	/R	1	
6		See illustrations 8/07/07		1	

Model: 997T10

Model life 2010>>2013



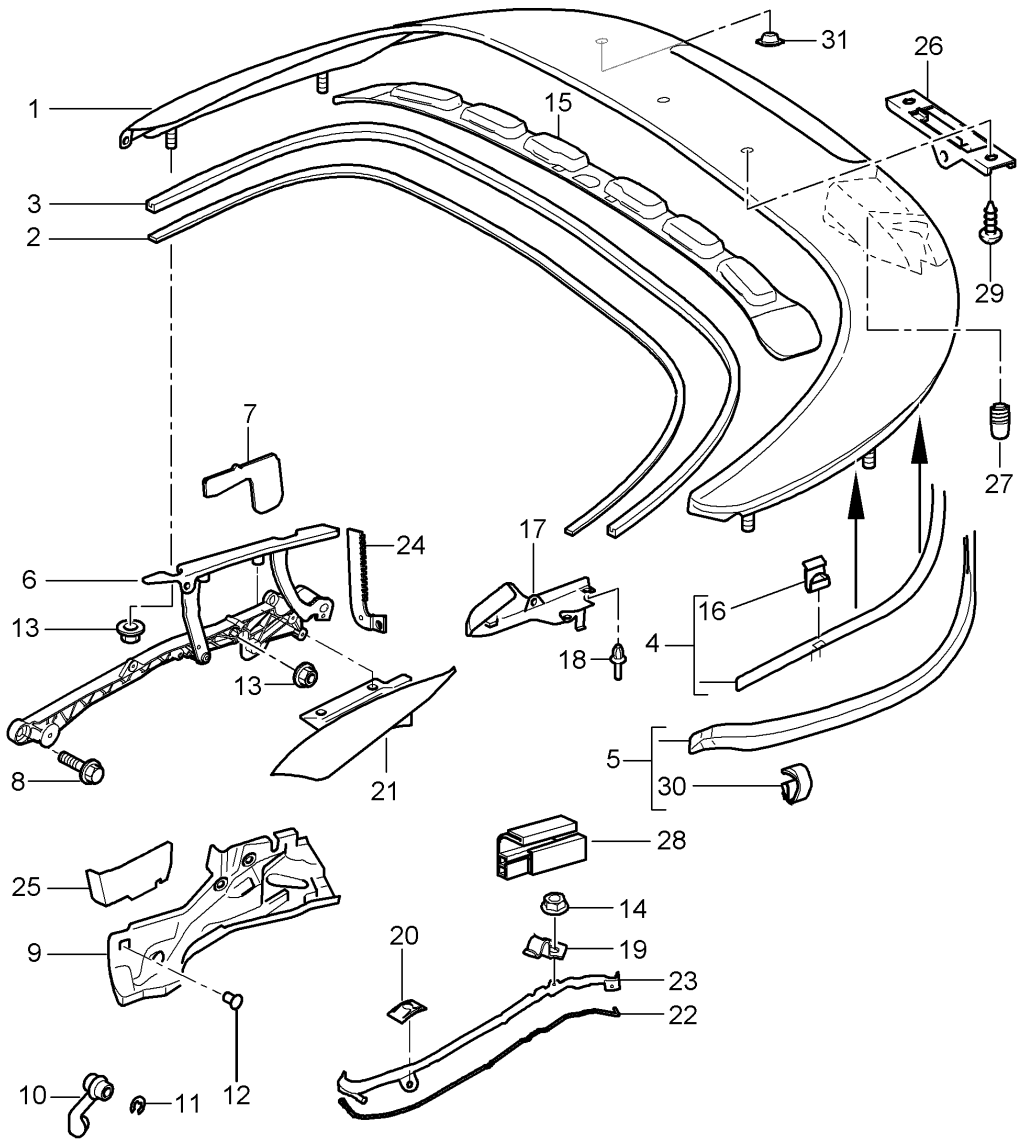
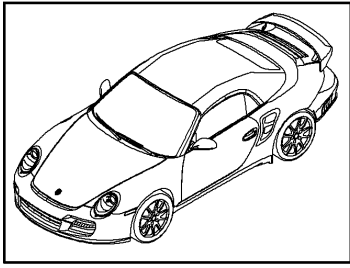
Model: 997T10

Model life 2010>>2013

Pos	Part Number	Description	Remark	Qty	Model
		Convertible top Driving mechanism Hydraulic			Cabrio
1	997 561 307 00	Hydraulic unit		1	
2	996 561 933 01	Engine		1	
3	996 561 573 00	Banjo bolt		2	
4	997 561 021 00	Driving mechanism		1	
5	999 166 054 01	Sl-lock		2	
6	999 703 235 01	Bonded rubber buffer		2	
7	999 507 683 40	Cable holder		X	
8	996 561 065 01	Locking device		1	
9	996 561 265 03	Lining		1	
10	999 591 941 40	Expansion rivet		X	
12	997 561 945 01	Cylinder		2	
13	996 561 245 00	Bolt		1	
		Set			
14	996 561 671 00	Screw		1	
		Emergency operation			
15	996 561 673 01	Repair kit		1	
16	996 561 229 00	Push rod	/L	1	
(16)	996 561 230 00	Push rod	/R	1	
17	997 561 217 00	Support		1	
		Hydraulic unit			
18	900 377 010 01	Hexagon nut		7	
		M 6			
19	999 073 228 09	Tapping screw		6	
		St 4,8			
20	996 561 407 01	Oil filler screw		1	
21	996 561 863 01	Stud		3	
22	996 561 281 00	Retainer		2	
23	996 561 207 01	Support		1	
		Driving mechanism			
		Convertible top compartm.			
24	996 561 165 01	Microswitch		1	
25	000 043 204 89	Oil		X	
		250 ML			
26	999 513 077 40	Tie-wrap		2	
27	997 561 773 00	Clamp		2	
		Hydraulic line			
28	997 561 775 00	Support		2	
		Bowden cable			
29	900 380 015 01	Hexagon nut		2	
		M6			

Model: 997T10

Model life 2010>>2013



Model: 997T10 Model life 2010>>2013

Pos	Part Number	Description	Remark	Qty	Model
		Convertible top compartm. Lid			Cabrio
1	997 514 011 05	Gaskets		1	
	997 514 011 05 GRV	Lid			-I686
2	997 514 633 01	Prime coated Sealing strip		1	
-	000 043 207 26	Use also: Adhesive tape 3 Meter 8mm breit		1	
3	996 514 731 00	Gasket		1	
4	997 514 714 02	Edge protection		1	
5	997 514 211 01	Gasket		1	
6	997 561 928 00	Body Hinge Right	/R	1	
(6)	997 561 927 00	Use also: 996.561.904.00 Hinge Left	/L	1	
7	996 561 904 00	Use also: 996.561.904.00 Gasket Hinge		1	
8	900 378 180 01	Hexagon-head bolt		2	
9	997 561 806 00	Water drip pan Right	/R	1	
(9)	997 561 805 00	Water drip pan Left	/L	1	
10	996 561 816 01	Water drain hose Right	/R	1	
(10)	996 561 815 01	Water drain hose Left	/L	1	
11	996 561 809 00	Clamp for Pos. 10		1	
12	999 703 432 40	Stopper		1	
13	900 377 003 03	Hexagon nut M 8		X	
14	900 380 015 01	Hexagon nut M6		1	
15	997 561 633 01	Buffer Foam part		1	
16	999 507 600 09	U-clamp		4	
17	997 514 651 02	Mounting	/L	1	
(17)	997 514 652 02	Mounting	/R	1	
18	999 591 712 40	Expansion rivet		2	
19	997 561 775 00	Support		1	
20	999 507 647 01	Clamping washer Front for Water drain strip		1	
21	996 561 062 02	Flap Right	/R	1	
(21)	996 561 061 02	Flap Left	/L	1	
22	999 911 673 41	Sealing cord		1	
23	997 561 756 02	Water drain strip Right	/R	1	
(23)	997 561 755 02	Water drain strip Left	/L	1	
24	996 612 504 00	Cable guide Wiring harness	/L	1	



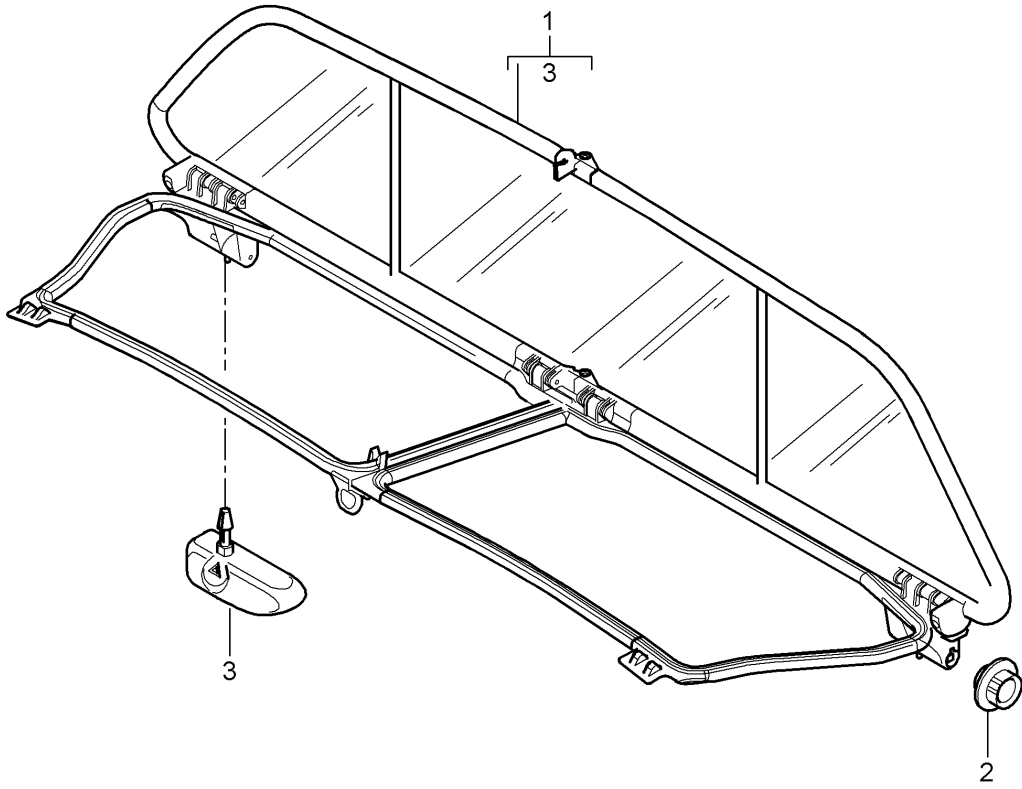
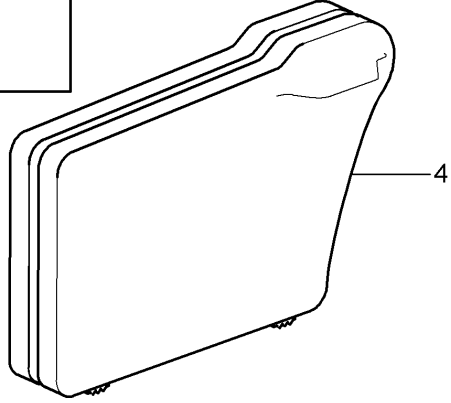
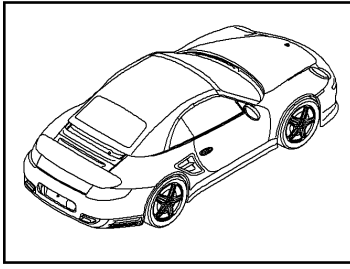
Model: 997T10

Model life 2010>>2013

Pos	Part Number	Description	Remark	Qty	Model
25	997 561 522 01	Brake light Cover Right	/R	1	
(25)	997 561 521 01	Cover Left	/L	1	
26	996 561 465 00	Clip		1	
27	999 703 140 40	Rubber buffer		2	
28	997 561 801 00	Stop -2MM		2	
28	997 561 801 01	Stop -1MM		2	
28	997 561 801 02	Stop +-0		2	
28	997 561 801 03	Stop +1MM		2	
28	997 561 801 04	Stop +2MM		2	
28	997 561 801 05	Stop +3MM		2	
29	999 073 130 02	Oval-head screw		2	
30	996 514 511 00	Clip		2	
31	999 703 462 40	Lid 10x6,5	Turbo	2	
-	999 703 117 40	Stopper		1	

Model: 997T10

Model life 2010>>2013



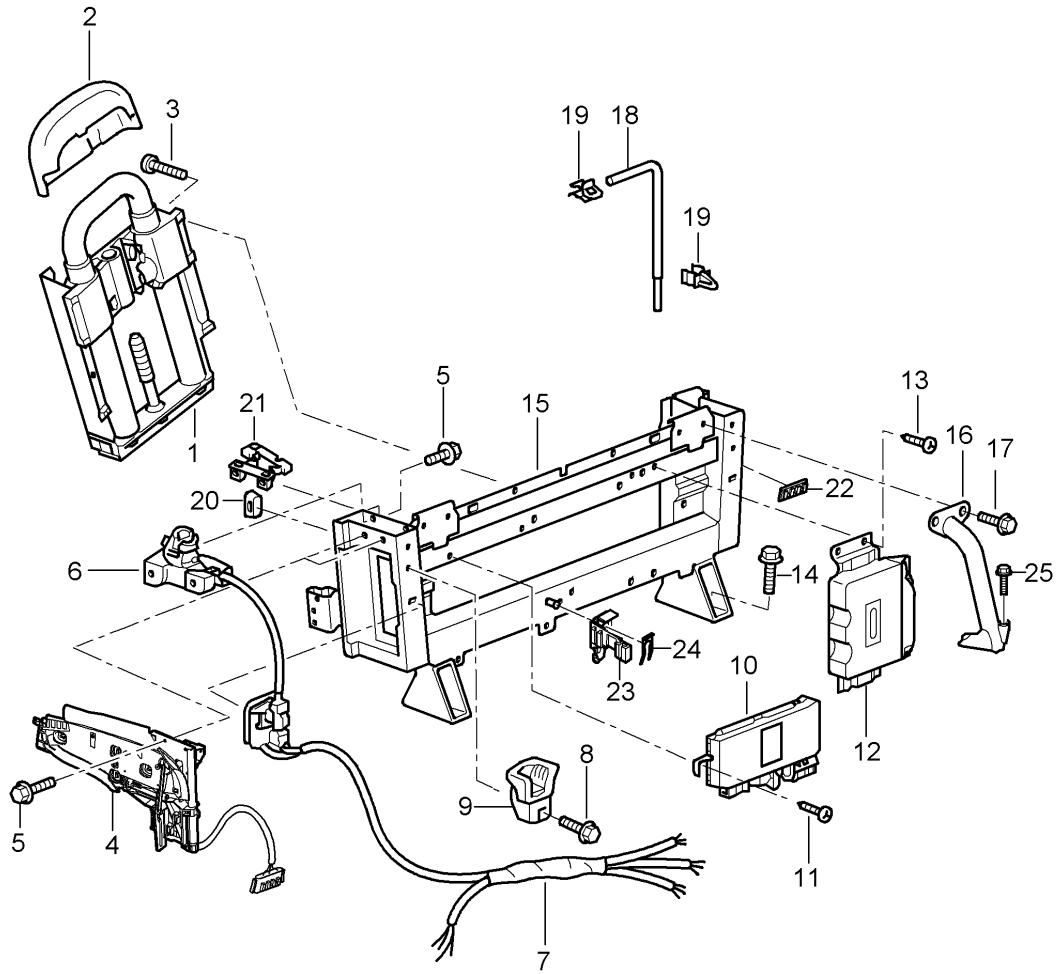
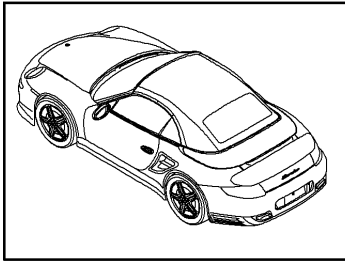
Model: 997T10

Model life 2010>>2013

Pos	Part Number	Description	Remark	Qty	Model
1	997 561 125 01	Wind deflector		1	I551
	997 561 125 01 01C	Black			
2	996 561 127 00	Rosette	/L	1	
	996 561 127 00 01C	Black			
2	996 561 128 00	Rosette	/R	1	
	996 561 128 00 01C	Black			
3	997 561 955 00	Locking device	/L	1	
		Repair kit			
(3)	997 561 956 00	Locking device	/R	1	
		Repair kit			
4	997 561 161 02	Bag		1	
		Wind deflector			

Model: 997T10

Model life 2010>>2013



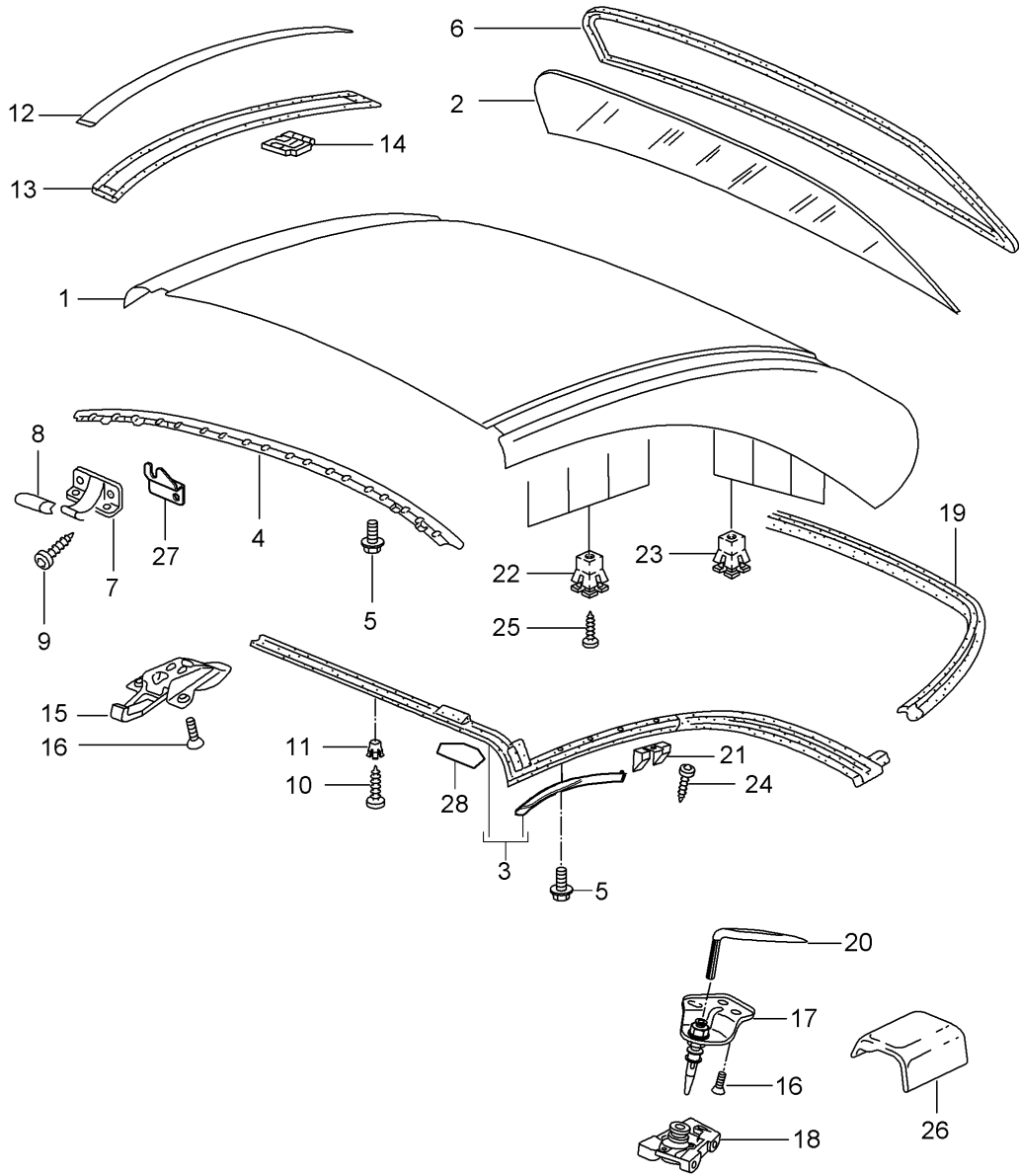
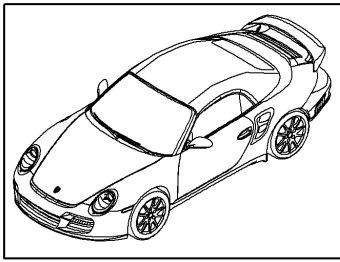
Model: 997T10

Model life 2010>>2013

Pos	Part Number	Description	Remark	Qty	Model
		Roll-over bar			Cabrio
1	997 580 021 04	Cassette		2	
2	996 580 191 01	Cover		2	
3	900 067 394 01	Pan-head screw		12	
4	996 561 175 01	Flap	/L	1	
		See illustrations 8/11/30			
(4)	996 561 176 01	Flap	/R	1	
		See illustrations 8/11/30			
5	900 378 173 01	Hexagon-head bolt		6	
6		Mounting		2	I550
		See illustrations 8/11/55			
6	996 561 653 04	Mounting	/L	1	I550
(6)	996 561 654 04	Mounting	/R	1	I550
7	997 612 696 00	Wiring harness		1	
8	900 378 173 01	Hexagon-head bolt M6 X 20		4	
9	996 561 463 02	Guide	/L	1	
(9)	996 561 464 02	Guide	/R	1	
10	997 618 111 03	Control unit		1	
11	999 073 228 09	Tapping screw		X	
12		Control unit - dme - See illustrations 9/01/03		X	
13	999 073 228 09	Tapping screw		X	
14	999 385 006 01	Hexagon-head bolt		4	
15	997 580 911 00	Auxiliary support		1	
		Use also:			
-	997 580 913 00	Set of fastening parts Blind rivet Screw		1	
16	997 580 331 02	Bracket	/L	1	
(16)	997 580 332 02	Bracket	/R	1	
17	900 385 097 01	Torx screw BM10 X 35		4	
18	999 571 079 03	Screwdriver Emergency operation		1	
19	999 507 633 40	Clamp		2	
20	997 561 457 00	Sleeve		2	
21	996 561 297 00	Insert	/L	1	-I550
(21)	996 561 298 00	Insert	/R	1	-I550
22	999 650 176 40	Clip for Connector housing		3	
23	996 610 126 00	Support Relay carrier 2		1	
24	996 610 128 00	Fixing clip Relay carrier 2		1	
25	999 217 166 01	Hexagon-head bolt M10x55		2	

Model: 997T10

Model life 2010>>2013



Model: 997T10

Model life 2010>>2013

Pos	Part Number	Description	Remark	Qty	Model
		Hardtop Accessories Gaskets			I550
1	996 563 911 00	Hardtop without Accessories		1	
	996 563 911 00 GRV	Prime coated			
2	996 563 091 00	Rear window Ready for installation		1	
3	997 563 225 00	Gasket with Retaining strip Rear		1	
-	996 563 309 00	When required order also: Retaining strip Front	/L	1	
-	996 563 310 00	Retaining strip Front	/R	1	
4	996 563 319 00	Retaining strip		1	
5	999 073 049 02	Tapping screw for Retaining strip Front Transverse		8	
6	996 563 029 00	Gasket		1	
7	996 563 405 00	Centring journal	/L	1	
(7)	996 563 406 00	Centring journal	/R	1	
8	996 563 705 01	Cap	/L	1	
(8)	996 563 706 01	Cap	/R	1	
9	999 919 144 09	Oval-head screw		4	
10	999 073 049 02	Tapping screw		14	
11	999 507 547 40	Expander nut		8	
12	996 563 707 00	Cover strip	/L	1	
	996 563 707 00 GRV	Prime coated			
(12)	996 563 708 00	Cover strip	/R	1	
	996 563 708 00 GRV	Prime coated			
13	996 563 361 00	Gasket	/L	1	
(13)	996 563 362 00	Gasket	/R	1	
14	986 563 721 00	Clip		8	
15	996 563 401 00	Catch		1	
16	900 249 055 09	Countersunk-head screw M 6X20		3	
17	996 563 403 04	Catch	/L	1	
(17)	996 563 404 04	Catch	/R	1	
18	997 561 653 00	Mounting	/L	1	
-	996 561 657 02	Insert		1	
-	900 249 031 09	Countersunk-head screw		6	
(18)	997 561 654 00	Mounting	/R	1	
-	996 561 658 02	Insert		1	
19	996 563 027 01	Gasket		1	
20	996 563 413 01	Tool		1	
21	996 563 125 00	Thrust wedge		2	
22	999 507 923 40	Expander nut Green		8	
23	999 507 924 40	Expander nut Yellow		8	
24	999 450 008 09	Tapping screw		2	
25	999 073 049 02	Tapping screw		16	
26	996 563 421 01	Protective tab		2	
-	999 507 659 40	Expander nut	/L	1	
		Hardtop Support for contact			
-	999 507 662 40	Expander nut	/R	1	

Model: 997T10

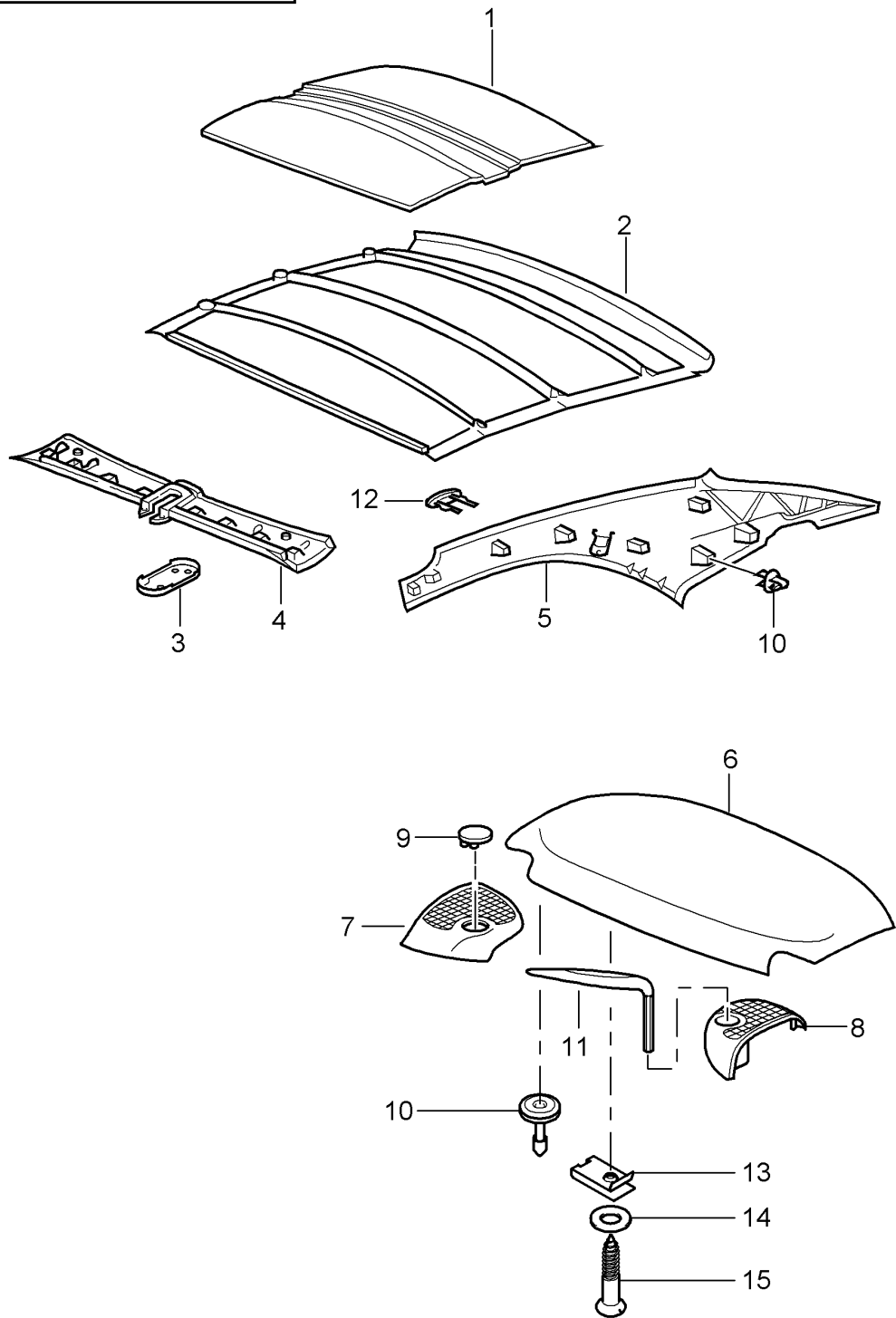
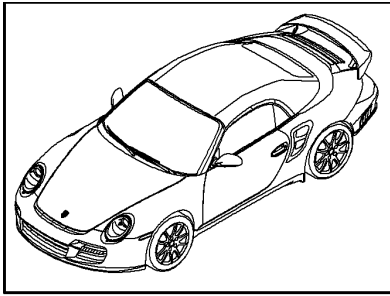
Model life 2010&gt;&gt;2013

Pos	Part Number	Description	Remark	Qty	Model
27	996 563 509 00	Hardtop Support for contact Support for Lining See illustrations 8/11/60 POS. 5	/L	1	
(27)	996 563 510 00	Support for Lining See illustrations 8/11/60 POS. 5	/R	1	
28	997 563 539 00	Protective film Cowl	/L	1	
(28)	997 563 540 00	Protective film Cowl	/R	1	



Model: 997T10

Model life 2010>>2013

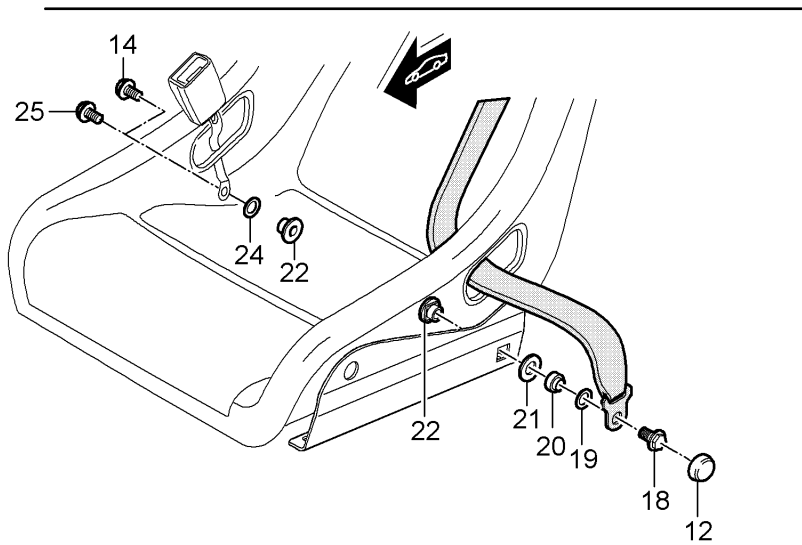
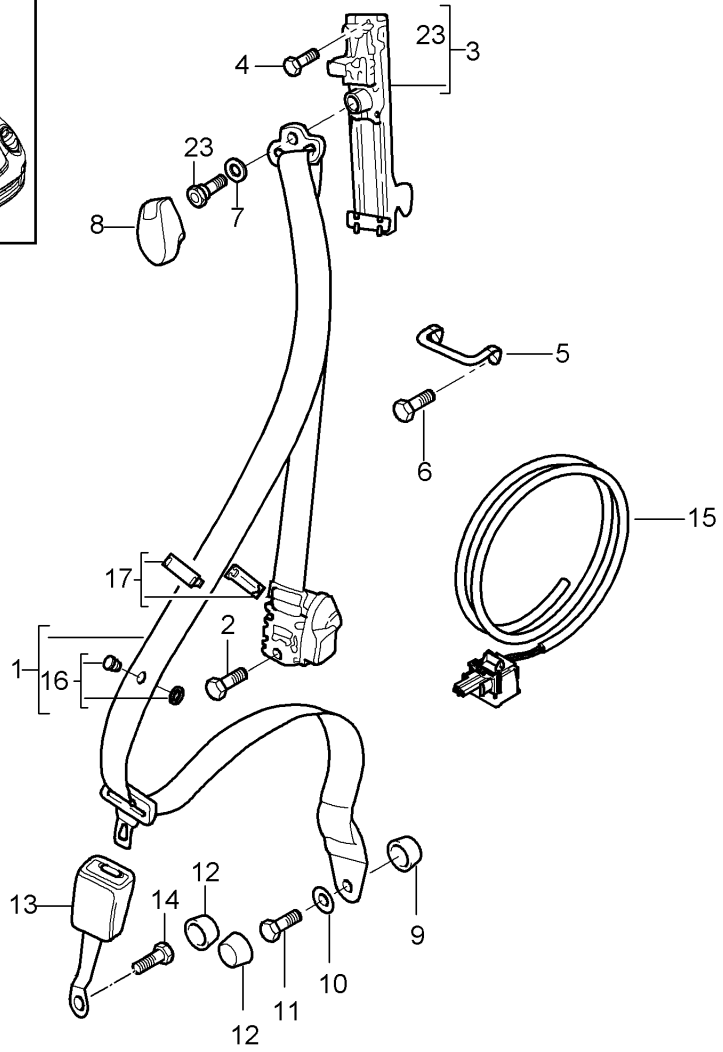
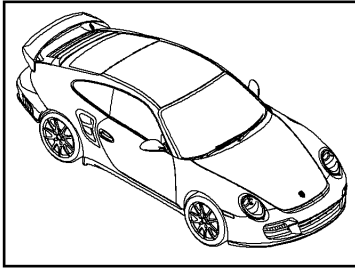


Model: 997T10 Model life 2010>>2013

Pos	Part Number	Description	Remark	Qty	Model
		Hardtop			I550
		Sound absorber			
1	996 563 523 00	Sound absorber		1	
2	996 563 111 01	Roofliner		1	
	996 563 111 01 A21	Black			
3	997 563 551 00	Trim cover		1	
	997 563 551 00 01C	Black			
4	997 563 501 00	Lining		1	
		Leatherette			
	997 563 501 00 1MZ	Black			
	997 563 501 00 1TK	Sand Beige			
	997 563 501 00 1VM	Sea blue			
	997 563 501 00 1YP	Stone grey			
5	997 563 503 00	Lining	/L	1	
		Leatherette			
	997 563 503 00 1MZ	Black			
	997 563 503 00 1TK	Sand Beige			
	997 563 503 00 1VM	Sea blue			
	997 563 503 00 1YP	Stone grey			
(5)	997 563 504 00	Lining	/R	1	
		Leatherette			
	997 563 504 00 1MZ	Black			
	997 563 504 00 1TK	Sand Beige			
	997 563 504 00 1VM	Sea blue			
	997 563 504 00 1YP	Stone grey			
6	996 563 505 00	Lining		1	
	996 563 505 00 A07	Black			
	996 563 505 00 C19	Stone grey			
	996 563 505 00 R18	Brown			
	996 563 505 00 G03	Metropole blue			
7	996 563 554 00	Lining	/R	1	
	996 563 554 00 A10	Black			
	996 563 554 00 5V7	Stone grey			
	996 563 554 00 8P9	Cocoa			
	996 563 554 00 G10	Metropole blue			
8	996 563 553 00	Lining	/L	1	
	996 563 553 00 A10	Black			
	996 563 553 00 5V7	Stone grey			
	996 563 553 00 8P9	Cocoa			
	996 563 553 00 G10	Metropole blue			
9	996 555 457 00	Lid		2	
	996 555 457 00 A10	Black			
	996 555 457 00 5V7	Stone grey			
	996 555 457 00 8P9	Cocoa			
	996 555 457 00 G10	Metropole blue			
10	999 507 764 40	Clip		X	
11	996 563 413 01	Tool		1	
12	996 563 561 00	Rubber stop		2	
		for			
		Sun visors			
	996 563 561 00 01C	Black			
13	999 507 139 01	Speed nut		X	
14	900 151 027 02	Washer		2	
15	900 143 046 02	Oval-head sheetmetal screw		2	
15	900 143 046 01	Oval-head sheetmetal screw		2	

Model: 997T10

Model life 2010>>2013



Model: 997T10 Model life 2010>>2013

Pos	Part Number	Description	Remark	Qty	Model
		Seat belt Front			Coupe
1	997 803 033 05	Roll cage			
	997 803 033 05 A23	Seat belt	/L	1	I555
	997 803 033 05 N13	Black			IXSX
	997 803 033 05 U01	Guards red			IXSH
	997 803 033 05 V02	Silver			IXSY
(1)	997 803 034 10	Speed yellow			
	997 803 034 10 A23	Seat belt	/R	1	I555
	997 803 034 10 N13	Black			IXSX
	997 803 034 10 U01	Guards red			IXSH
	997 803 034 10 V02	Silver			IXSY
2	999 075 070 09	Speed yellow		2	
3	997 803 231 01	Hexagon-head bolt		2	
		Support		2	
		Front vertical adjustment with Fastening screw			
-	999 075 078 01	Belt		2	
4	900 067 131 02	Hexagon-head bolt		2	
5	996 803 825 01	Pan-head screw		2	
6	900 378 036 09	Relay lever		2	
7	999 031 052 40	Hexagon-head bolt		4	
8	999 031 052 40	Adjusting shim		2	
	997 803 521 00	Cover		2	
	997 803 521 00 A03	Black			
9	999 924 064 02	Spacer sleeve		2	
9	999 924 064 01	Spacer sleeve		2	
10	211 857 771	Washer		2	
11	999 075 079 01	Hexagon-head bolt		2	
12	811 857 845	Cap		X	
	811 857 845 01C	Satin black			
13	996 803 183 08	Seat-belt buckle		1	
		Passenger's side			
(13)	997 803 183 09	Seat-belt buckle		1	
		Driver's side			
13	997 803 183 11	Seat-belt buckle		1	I388
		Driver's side			
(13)		Seat-belt buckle		1	I389
		Driver's side			
(13)	997 803 183 05	Seat-belt buckle		1	I389
		Passenger's side			
13		Seat-belt buckle		1	I388
		Passenger's side			
13	997 803 183 03	Seat-belt buckle		1	I384/385
		Passenger's side			
(13)	997 803 183 10	Seat-belt buckle		1	I384/385
		Driver's side			
14	999 218 101 02	Hexagon-head bolt		2	
14		Hexagon-head bolt		2	I388/389
15		Cable		X	
		for Seat-belt tensioner See illustrations 9/02/10			
16	955 803 056 00	Knob		2	
	955 803 056 00 HCP	Black			
17	997 803 334 00	Clamping piece		2	
	997 803 334 00 01C	Black			
18	999 075 072 09	Hexagon-head bolt		1	I384/385/388
					I389
19	999 028 022 01	Spring washer		1	I384/385/388
					I389

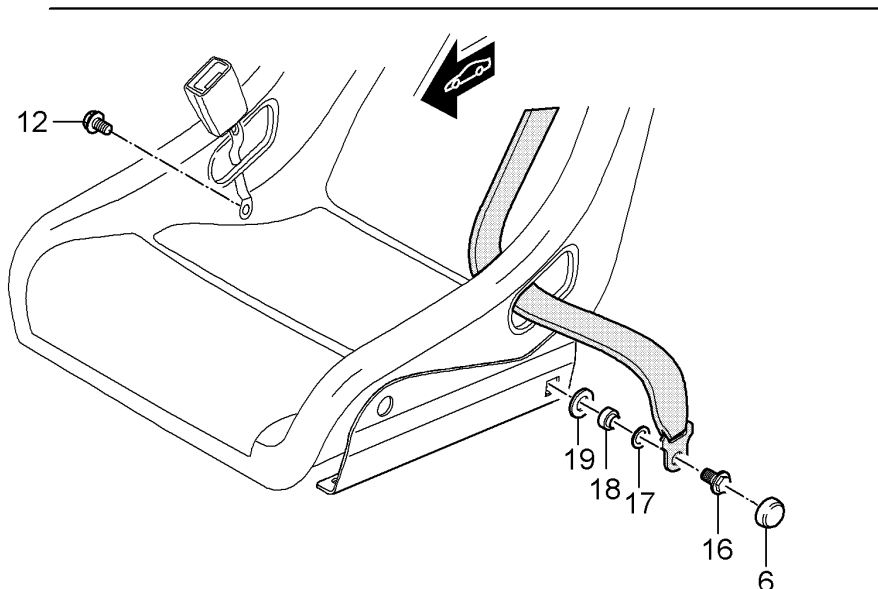
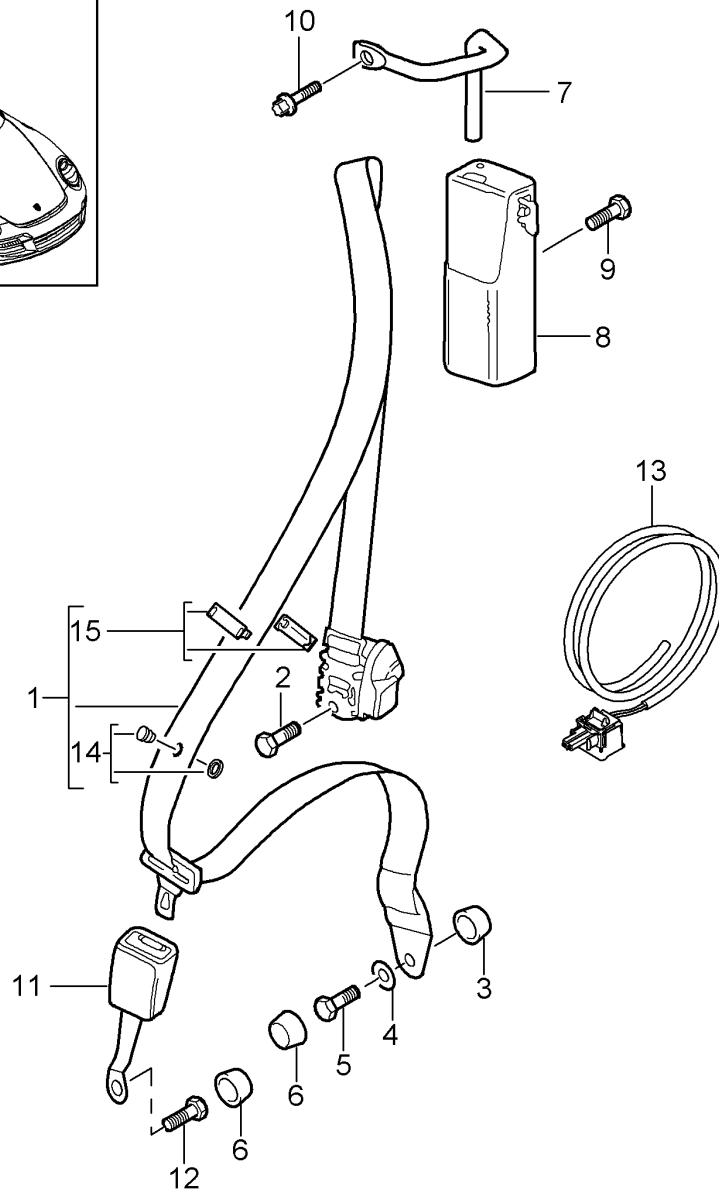
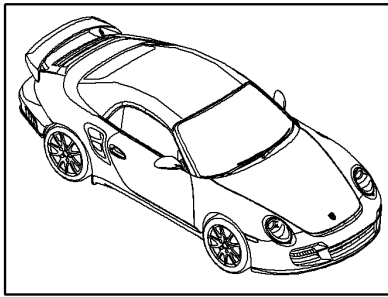
Model: 997T10

Model life 2010>>2013

Pos	Part Number	Description	Remark	Qty	Model
20	997 803 663 00	Spacer sleeve		1	I388/389
(20)	980 803 664 00	Spacer sleeve		1	I384/385
21	999 025 275 A2	Washer		2	I384/385/388 I389
22	999 048 012 01	Threaded bush		2	I384/385
23	999 075 078 01	Hexagon-head bolt		1	
		Belt			
24	999 025 275 A2	Washer		1	I384/385
25	999 075 072 09	Hexagon-head bolt		1	I384/385
-	997 580 986 05	Roll cage with installation parts	11-	1	GT2RS
-	997 803 037 90	Seat belt 6-point seat belt Red	11-	2	GT2RS

Model: 997T10

Model life 2010>>2013

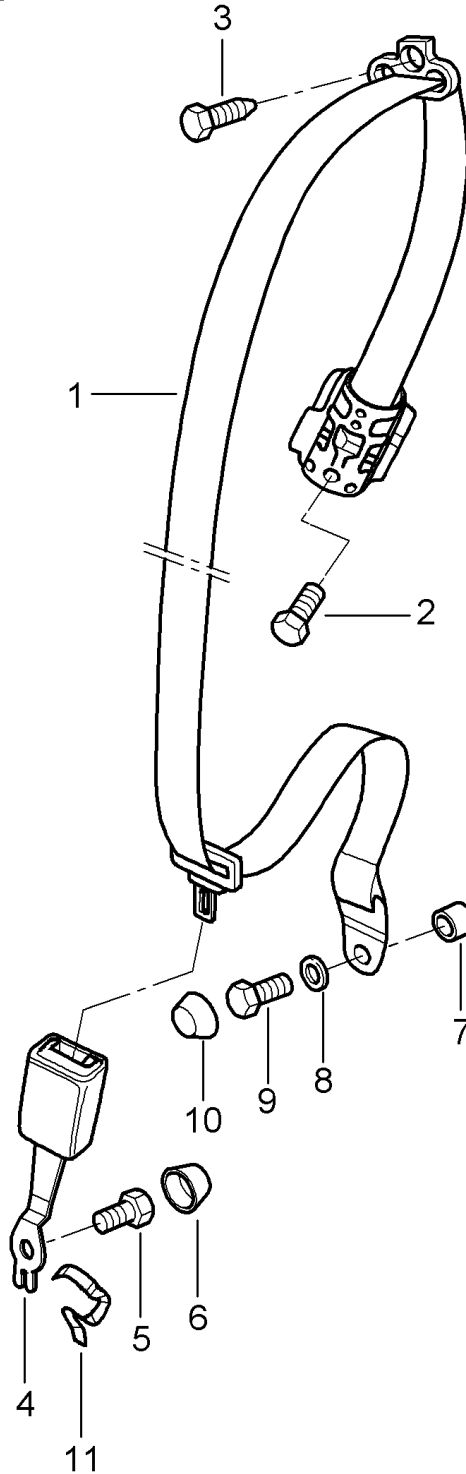
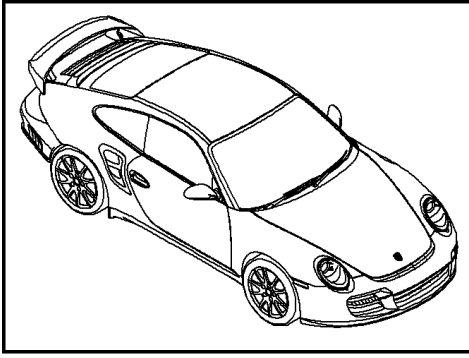


Model: 997T10 Model life 2010>>2013

Pos	Part Number	Description	Remark	Qty	Model
		Seat belt Front			Cabrio
1	997 803 033 06	Seat belt	/L	1	
	997 803 033 06 A23	Black			I555
	997 803 033 06 N13	Guards red			IXSX
	997 803 033 06 V02	Speed yellow			IXSY
	997 803 033 06 U01	Silver			IXSH
	997 803 033 06 6M4	Sand Beige			IXST
(1)	997 803 034 11	Seat belt	/R	1	
	997 803 034 11 A23	Black			I555
	997 803 034 11 N13	Guards red			IXSX
	997 803 034 11 V02	Speed yellow			IXSY
	997 803 034 11 U01	Silver			IXSH
	997 803 034 11 6M4	Sand Beige			IXST
2	999 075 070 09	Hexagon-head bolt		2	
3	999 924 064 02	Spacer sleeve		2	
3	999 924 064 01	Spacer sleeve		2	
4	211 857 771	Washer		2	
5	999 075 079 01	Hexagon-head bolt		2	
6	811 857 845	Cap		X	
	811 857 845 01C	Satin black			
7	996 803 815 00	Reverse lever	/L	1	
(7)	996 803 816 00	Reverse lever	/R	1	
8	996 803 581 00	Mounting	/L	1	
(8)	996 803 582 00	Mounting	/R	1	
9	999 075 065 09	Hexagon-head bolt M8x35		4	
10	900 378 017 01	Hexagon-head bolt M8x20		2	
11	996 803 183 08	Seat-belt buckle Passenger's side		1	
(11)	997 803 183 09	Seat-belt buckle Driver's side		1	
11	997 803 183 11	Seat-belt buckle Driver's side		1	I388
(11)		Seat-belt buckle Driver's side		1	I389
(11)	997 803 183 05	Seat-belt buckle Passenger's side		1	I389
11		Seat-belt buckle Passenger's side		1	I388
12	999 218 101 02	Hexagon-head bolt		2	
13		Cable for Seat-belt tensioner See illustrations 9/02/10		X	
14	955 803 056 00	Knob		2	
	955 803 056 00 HCP	Black			
15	997 803 334 00	Clamping piece		2	
	997 803 334 00 01C	Black			
16	999 075 072 09	Hexagon-head bolt		2	I388/389
17	999 028 022 01	Spring washer		1	I388/389
18	997 803 663 00	Spacer sleeve		1	I388/389
19	999 025 275 A2	Washer		1	I388/389

Model: 997T10

Model life 2010>>2013



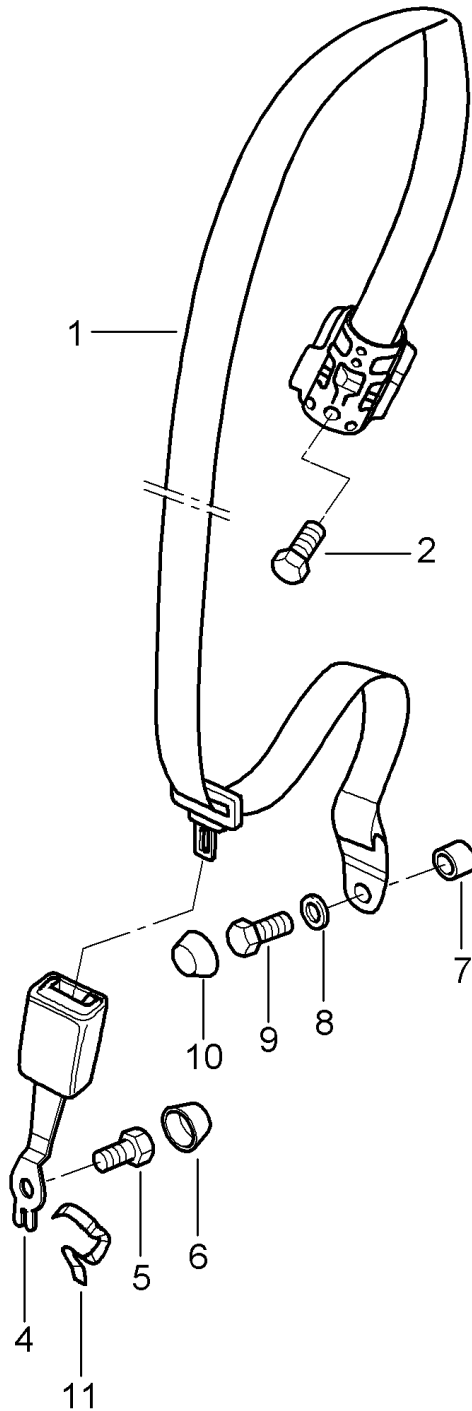
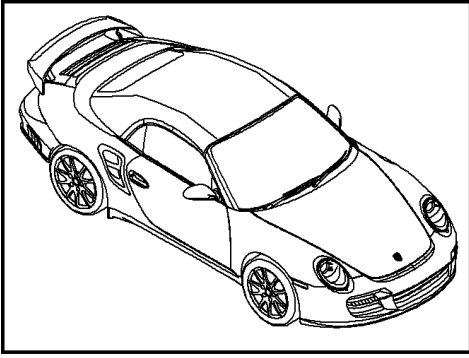


Model: 997T10 Model life 2010>>2013

Pos	Part Number	Description	Remark	Qty	Model
		Seat belt Rear			Coupe
1	997 803 035 02	Seat belt	/L	1	
	997 803 035 02 V02	Speed yellow			IXSY
	997 803 035 02 N13	Guards red			IXSX
	997 803 035 02 U01	Silver			IXSH
	997 803 035 02 A23	Black			I555
	997 803 035 02 6M4	Sand Beige			IXST
(1)	997 803 036 02	Seat belt	/R	1	
	997 803 036 02 V02	Speed yellow			IXSY
	997 803 036 02 N13	Guards red			IXSX
	997 803 036 02 U01	Silver			IXSH
	997 803 036 02 A23	Black			I555
	997 803 036 02 6M4	Sand Beige			IXST
2	999 075 070 09	Hexagon-head bolt		2	
3	999 075 057 09	Hexagon-head bolt		2	
4	996 803 165 01	Seat-belt buckle	/L	1	
(4)	996 803 166 01	Seat-belt buckle	/R	1	
5	999 075 070 09	Hexagon-head bolt		2	
6	811 857 845	Cap		2	
	811 857 845 01C	Satin black			
7	999 924 064 01	Spacer sleeve		2	
8	211 857 771	Washer		2	
9	999 075 079 01	Hexagon-head bolt		2	
10	811 857 845	Cap		2	I193
	811 857 845 01C	Satin black			
11	996 551 745 00	Fastening clamp	/L	2	
(11)	996 551 746 00	Fastening clamp	/R	2	

Model: 997T10

Model life 2010>>2013



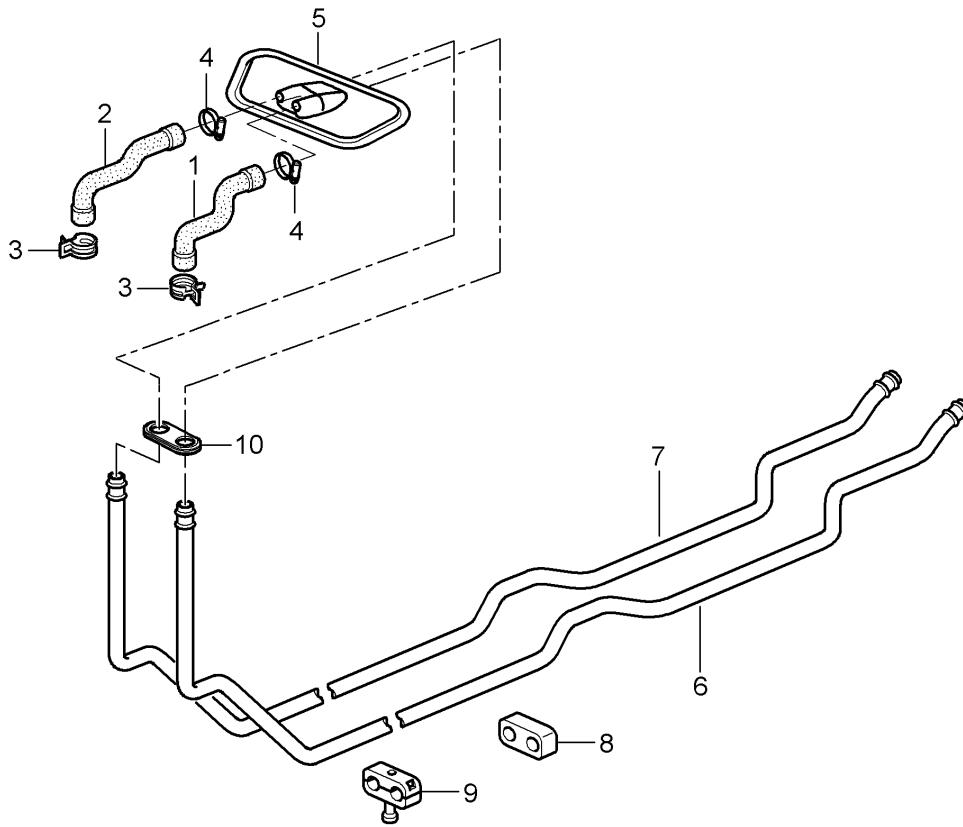
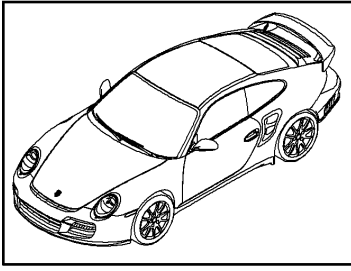
Model: 997T10

Model life 2010>>2013

Pos	Part Number	Description	Remark	Qty	Model
		Seat belt Rear			Cabrio
1	997 803 035 00	Seat belt	/L	1	I553
	997 803 035 00 V02	Speed yellow			IXSY
	997 803 035 00 N13	Guards red			IXSX
	997 803 035 00 U01	Silver			IXSH
	997 803 035 00 A23	Black			I555
	997 803 035 00 6M4	Sand Beige			IXST
(1)	997 803 036 00	Seat belt	/R	1	I553
	997 803 036 00 V02	Speed yellow			IXSY
	997 803 036 00 N13	Guards red			IXSX
	997 803 036 00 U01	Silver			IXSH
	997 803 036 00 A23	Black			I555
	997 803 036 00 6M4	Sand Beige			IXST
2	999 075 070 09	Hexagon-head bolt		2	
4	996 803 165 01	Seat-belt buckle	/L	1	
(4)	996 803 166 01	Seat-belt buckle	/R	1	
5	999 075 070 09	Hexagon-head bolt		2	
6	811 857 845	Cap		2	
	811 857 845 01C	Satin black			
7	999 924 064 01	Spacer sleeve		2	
8	211 857 771	Washer		2	
9	999 075 079 01	Hexagon-head bolt		2	
10	811 857 845	Cap		2	
	811 857 845 01C	Satin black			
11	996 551 745 00	Fastening clamp		2	

Model: 997T10

Model life 2010>>2013



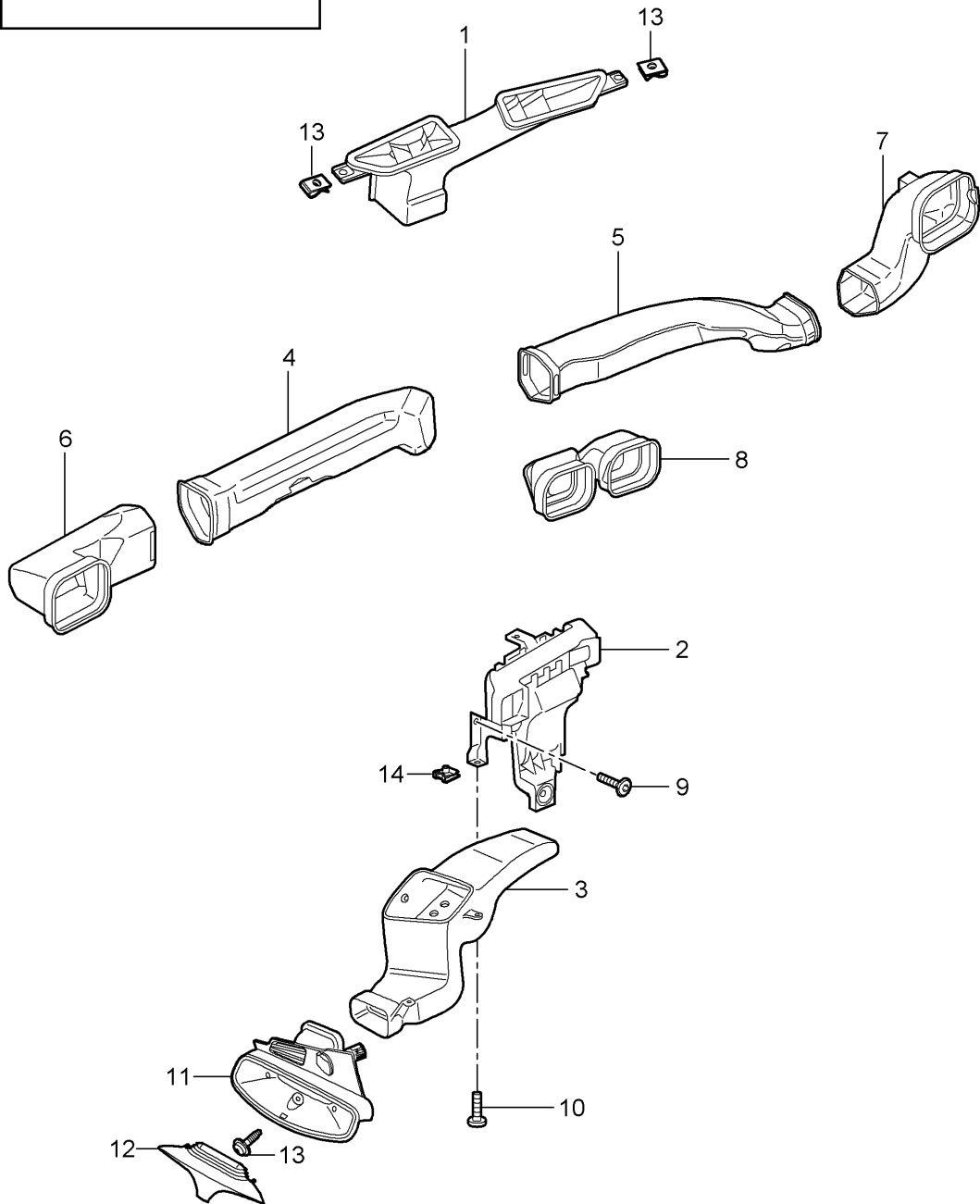
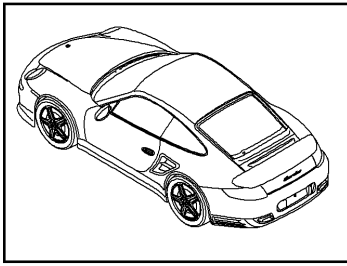
Model: 997T10

Model life 2010>>2013

Pos	Part Number	Description	Remark	Qty	Model
1	997 572 553 00	Heating system 1 Feed line Return line Heater hose	/LL	1	I098
(1)	997 572 553 01	Intake Heater hose	/RL	1	I099
2	997 572 555 00	Intake Heater hose	/LL	1	I098
(2)	997 572 555 01	Return line Heater hose	/RL	1	I099
3	999 512 656 09	Return line Hose clamp		2	
4	999 512 346 01	B25 X 12 Hose clamp		2	
5	996 572 263 02	A16-27/9 Gasket	/LL	1	I098
(5)	996 572 263 03	Gasket	/RL	1	I099
6	997 572 681 00	Heater pipeline Supply		1	
7	997 572 683 00	Heater pipeline Return line		1	
8	996 572 785 00	Connection piece		X	
9	999 511 230 40	Cable holder		4	
-	999 511 232 41	Rubber mounting		4	
10	996 572 765 02	19/19 Grommet		1	

Model: 997T10

Model life 2010>>2013



Model: 997T10

Model life 2010>>2013

Pos	Part Number	Description	Remark	Qty	Model
		Air distributor Passenger compartment			
1	997 572 631 00	Defroster vent	/LL	1	I098
(1)	997 572 631 01	Defroster vent	/RL	1	I099
2	997 572 171 00	Air distributor	/LL	1	I098
(2)	997 572 171 01	Air distributor	/RL	1	I099
3	997 572 793 00	Footwell outlet vent	/LL	1	I098
(3)	997 572 793 02	Footwell outlet vent	/LL	1	I098/680
(3)	997 572 793 01	Footwell outlet vent	/RL	1	I099
(3)	997 572 793 03	Footwell outlet vent	/RL	1	I099/680
4	997 572 463 00	Air guide	/LL /L	1	I098
(4)	997 572 463 01	Air guide	/RL /L	1	I099
5	997 572 464 00	Air guide	/LL /R	1	I098
(5)	997 572 464 01	Air guide	/RL /R	1	I099
6	997 572 767 00	Air guide	/LL /L	1	I098
(6)	997 572 767 01	Air guide	/RL /L	1	I099
7	997 572 768 00	Air guide	/RL /R	1	I098/099
(7)	997 572 768 01	Air guide	/LL /R	1	I098/099
8	997 572 769 00	Air guide		1	
(8)	997 572 769 01	Air guide		1	
9	999 919 118 09	Oval-head screw		2	
10	999 073 339 09	Tapping screw		2	
(11)	997 572 396 02	Cover	/LL /R	1	I098/680
	997 572 396 02 01C	Satin black			
11	997 572 395 02	Cover	/RL /L	1	I099/680
	997 572 395 02 01C	Satin black			
(11)	997 572 396 03	Cover	/LL /R	1	I098/680
	997 572 396 03 5V7	Stone grey			
	997 572 396 03 N23	Carrera Red			
	997 572 396 03 5Z1	Sand Beige			
	997 572 396 03 8P9	Cocoa			
	997 572 396 03 8W7	Sea blue			
	997 572 396 03 8X8	Terracotta			
	997 572 396 03 T13	Brown/natural			
(11)	997 572 395 03	Cover	/RL /L	1	I099/680
		Lacquered			
	997 572 395 03 5V7	Stone grey			
	997 572 395 03 N23	Carrera Red			
	997 572 395 03 5Z1	Sand Beige			
	997 572 395 03 8P9	Cocoa			
	997 572 395 03 8W7	Sea blue			
	997 572 395 03 8X8	Terracotta			
	997 572 395 03 T13	Brown/natural			
(12)	997 572 798 02	Cover	/LL /R	1	I098/680
	997 572 798 02 01C	Satin black			
12	997 572 797 02	Cover	/RL /L	1	I099/680
	997 572 797 02 01C	Satin black			
12	997 572 798 03	Cover	/LL	1	I098/680
		Lacquered			
	997 572 798 03 5V7	Stone grey			
	997 572 798 03 N23	Carrera Red			
	997 572 798 03 5Z1	Sand Beige			
	997 572 798 03 8P9	Cocoa			
	997 572 798 03 8W7	Sea blue			
	997 572 798 03 8X8	Terracotta			
	997 572 798 03 T13	Brown/natural			
12	997 572 797 03	Cover	/RL	1	I099/680
		Lacquered			
	997 572 797 03 5V7	Stone grey			
	997 572 797 03 N23	Carrera Red			
	997 572 797 03 5Z1	Sand Beige			
	997 572 797 03 8P9	Cocoa			
	997 572 797 03 8W7	Sea blue			

Model: 997T10

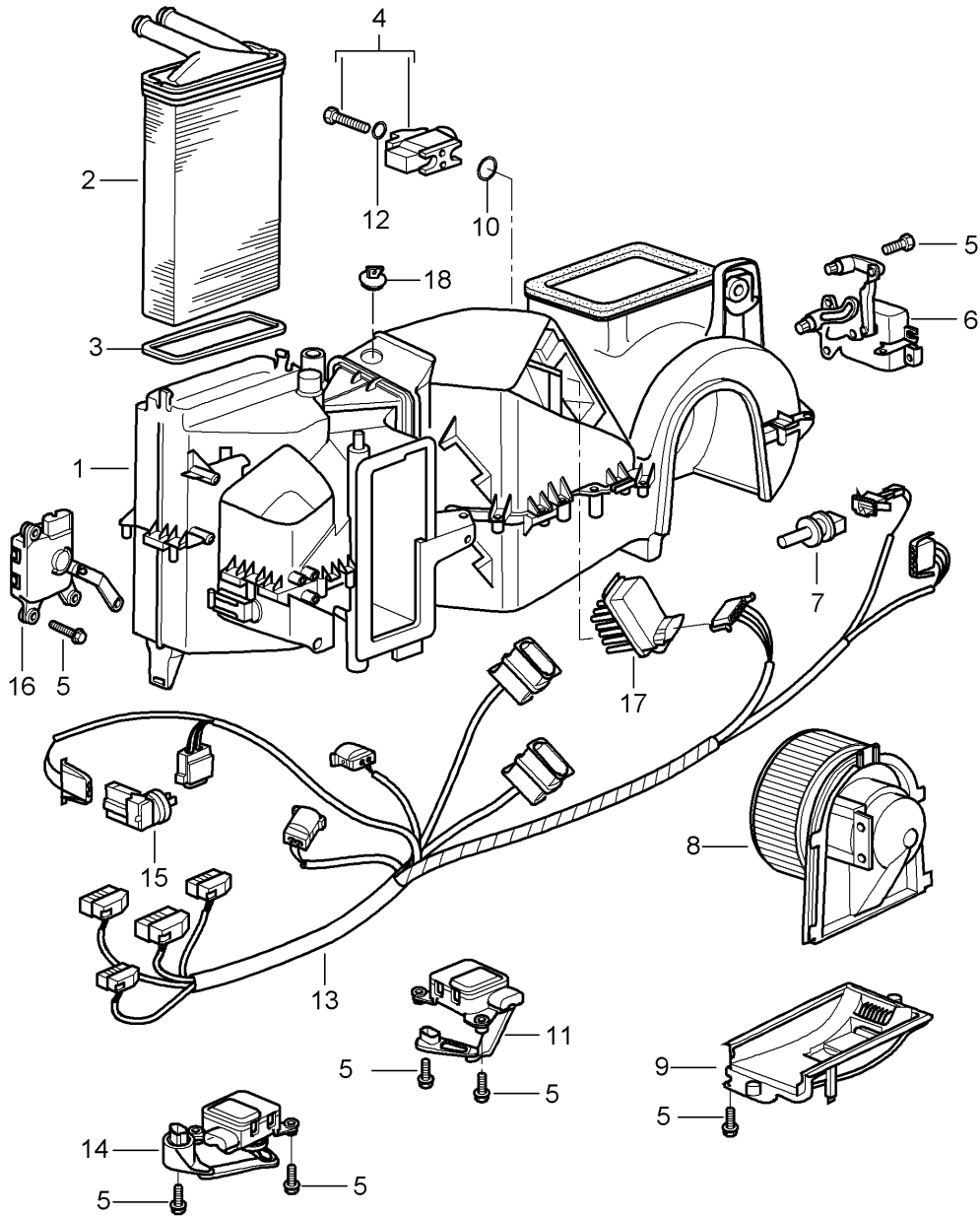
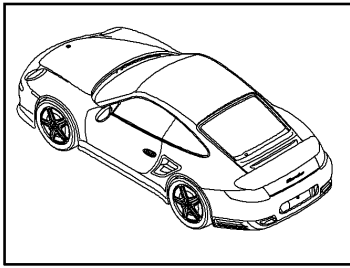
Model life 2010>>2013

Pos	Part Number	Description	Remark	Qty	Model
	997 572 797 03 8X8	Terracotta			
	997 572 797 03 T13	Brown/natural			
13	999 073 345 09	Lens-head screw M 5 x 18		1	I680
14	999 507 785 02	Speed nut ST 4,2		3	
14	999 507 785 01	Speed nut ST 4,2		3	



Model: 997T10

Model life 2010>>2013



Model: 997T10

Model life 2010&gt;&gt;2013

Pos	Part Number	Description	Remark	Qty	Model
(1)	997 573 901 04	Air conditioner Single parts Air conditioner without Heat exchanger with Evaporator	/LL	1	I098/573
(1)	997 573 901 05	Air conditioner without Heat exchanger with Evaporator	/RL	1	I099/573
2	997 572 129 00	Heat exchanger		1	
3	996 572 913 00	Gasket		1	
4	996 573 929 01	Expansion valve		1	
5	900 143 102 02	Combination screw		X	
6	996 573 915 00	Electric motor Fresh-air flap Identification Black	/LL	1	I098/573
(6)	996 573 915 01	Electric motor Fresh-air flap Identification Black	/RL	1	I099/573
7	955 572 304 10	Temperature sensor		1	
8	996 624 107 01	Blower	/LL	1	I098
(8)	996 624 108 01	Blower	/RL	1	I099
9	996 573 905 00	Lid		1	
10	999 707 596 40	O-ring 14x1,82		1	
11	996 573 919 02	Electric motor Temperature valve Identification Pink	/LL	1	I098
(11)	996 573 919 03	Electric motor Temperature valve Identification Pink	/RL	1	I099
12	999 707 534 41	O-ring 17x2,00		1	
13	997 612 655 26	Wiring harness	/LL	1	I098/573
(13)	987 612 656 26	Wiring harness	/RL	1	I099/572
-	997 612 664 01	Wiring harness Interference-suppr. choke		1	
14	996 573 921 02	Electric motor Defroster flap Identification Yellow	/LL	1	I098
(14)	996 573 921 03	Electric motor Defroster flap Identification Yellow	/RL	1	I099
15	1H0 907 543 A	Temperature sensor		1	
16	996 573 917 02	Electric motor Central valve Identification Green	/LL	1	I098
(16)	996 573 917 03	Electric motor Central valve Identification Green	/RL	1	I099
17	996 573 923 00	Resistor		1	
-	996 573 927 00	Blower outlet sensor		1	I573

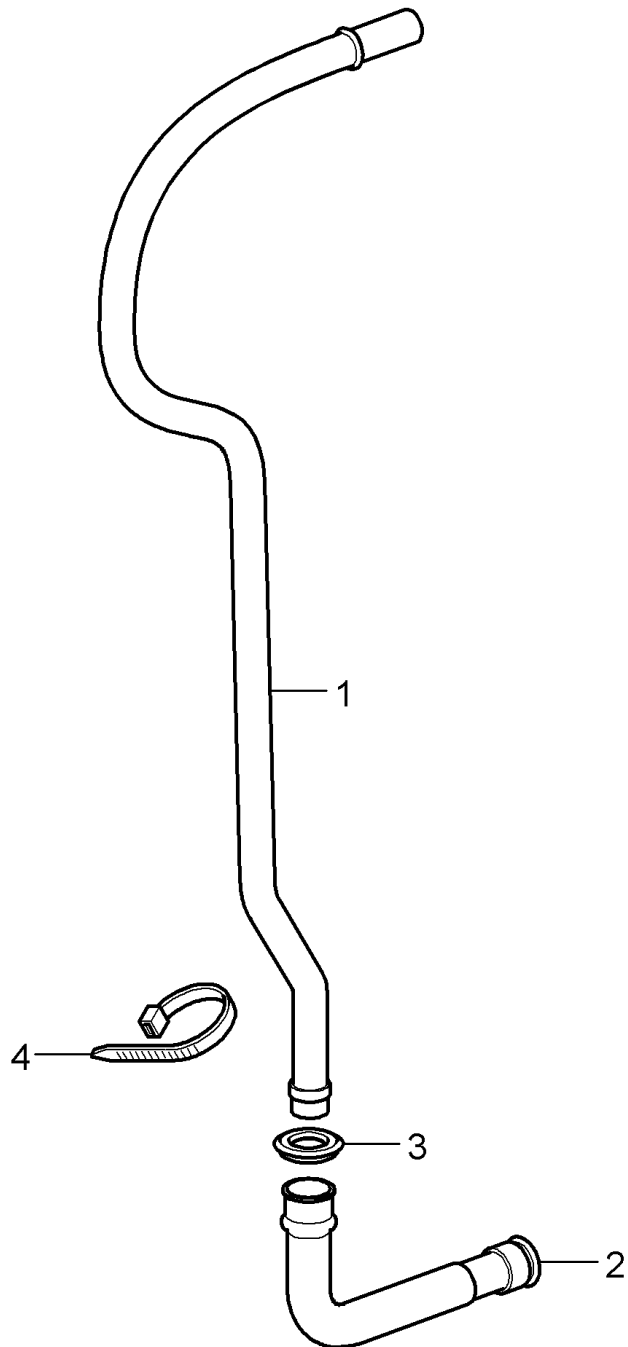
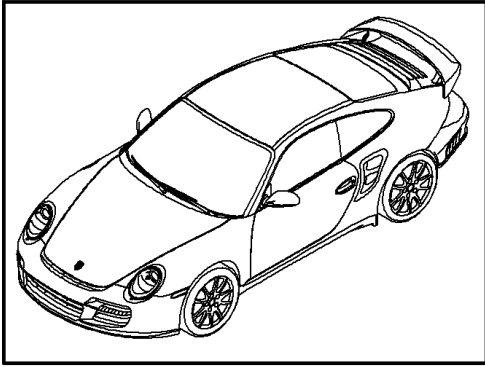
Model: 997T10

Model life 2010>>2013

Pos	Part Number	Description	Remark	Qty	Model
-	1H0 819 943	Screw		2	
18	997 573 935 00	Stopper		1	
-	997 573 937 00	Gasket		1	
		Air inlet			
-	997 573 939 00	Gasket		1	
		Heat exchanger			
-	997 573 941 00	Gasket		1	
		Evaporator housing			
-	997 573 943 00	Gasket		1	
		Pipe			
		Evaporator			
-	997 573 945 00	Gasket	/LL	1	I098
		Expansion valve			
-	997 573 947 00	Gasket	/RL	1	I099
		Expansion valve			

Model: 997T10

Model life 2010>>2013



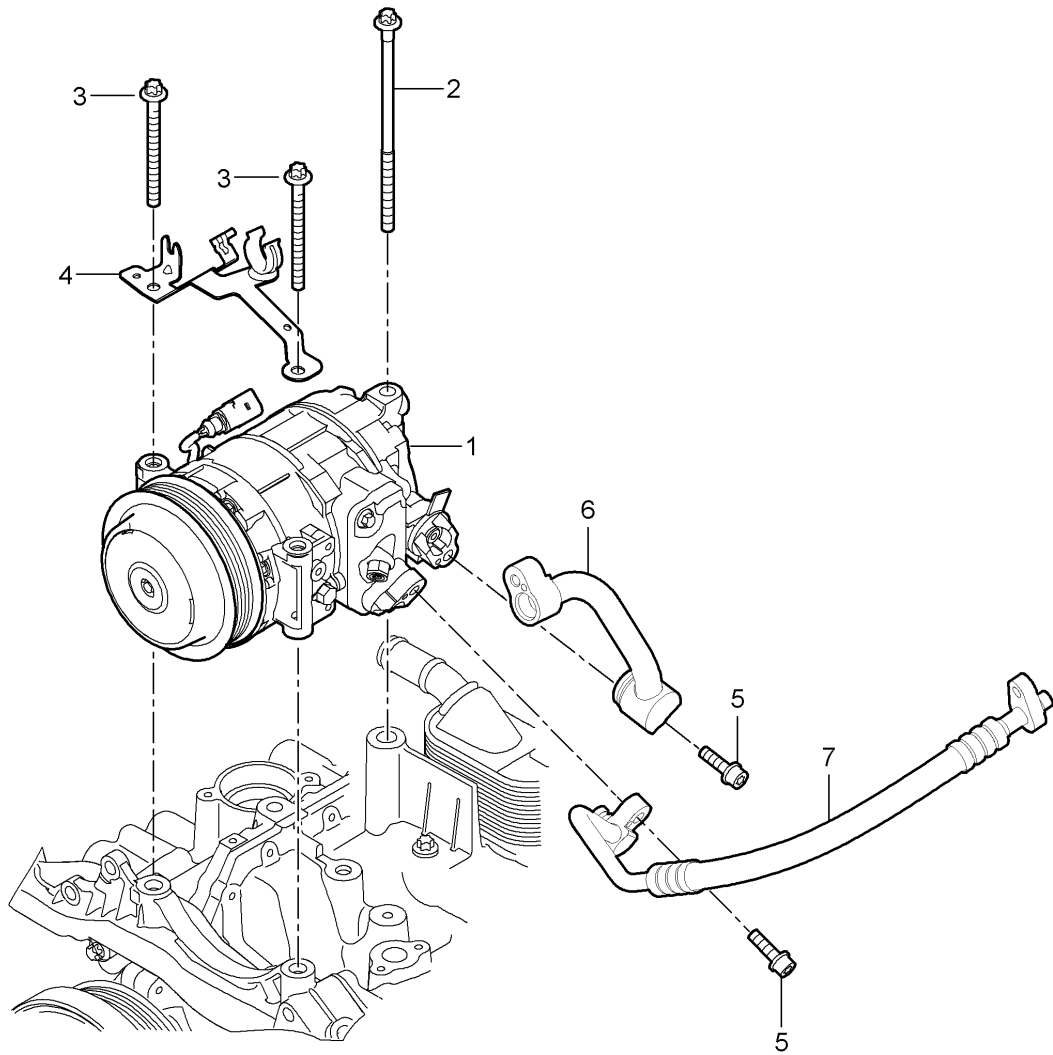
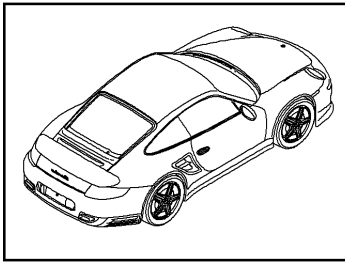
Model: 997T10

Model life 2010&gt;&gt;2013

Pos	Part Number	Description	Remark	Qty	Model
		Water drain tube Mount Air conditioner			
1	996 573 793 01	Water drain tube	/LL	1	I098
1	996 573 794 01	Water drain tube	/RL	1	I099
2	997 573 797 00	Connecting piece		1	
3	996 573 795 01	Grommet		1	
4	999 513 049 40	Tie-wrap		1	

Model: 997T10

Model life 2010>>2013



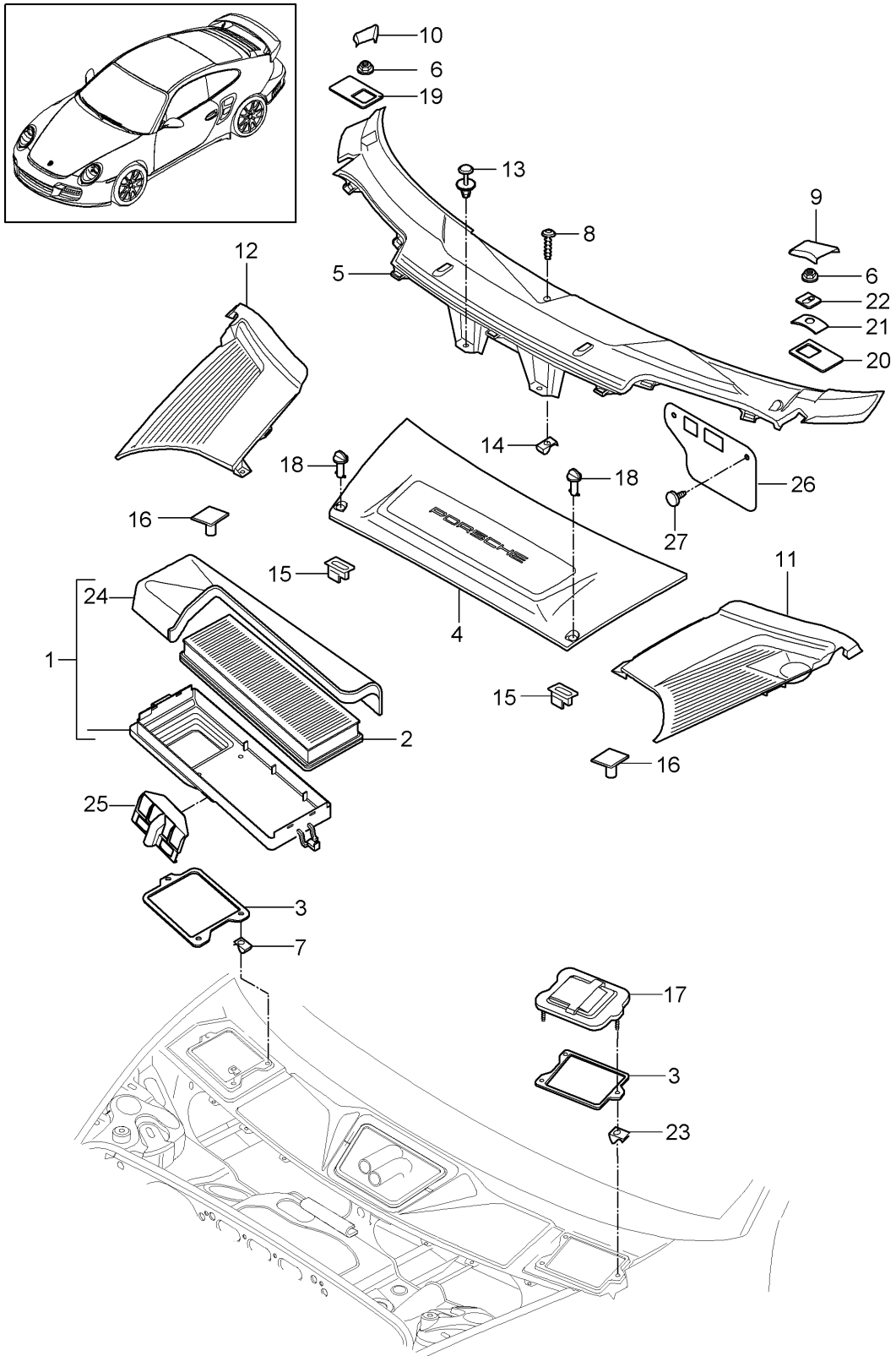
Model: 997T10

Model life 2010>>2013

Pos	Part Number	Description	Remark	Qty	Model
1	9A1 126 011 02	Compressor		1	
2	900 385 134 01	Compressor Outer hexagon round screw M 8 X 170		1	
3	900 385 102 01	Torx screw M 8 X 90		2	
4		Support See illustrations 1/07/10			
5	N 104 144 02	Pan-head screw		2	
6		Intake pipe See illustrations 8/13/25 POS.28			
7		Pressure line See illustrations 8/13/25 POS.1			
-	000 043 200 04	Oil for Compressor 250 ml		1	

Model: 997T10

Model life 2010>>2013





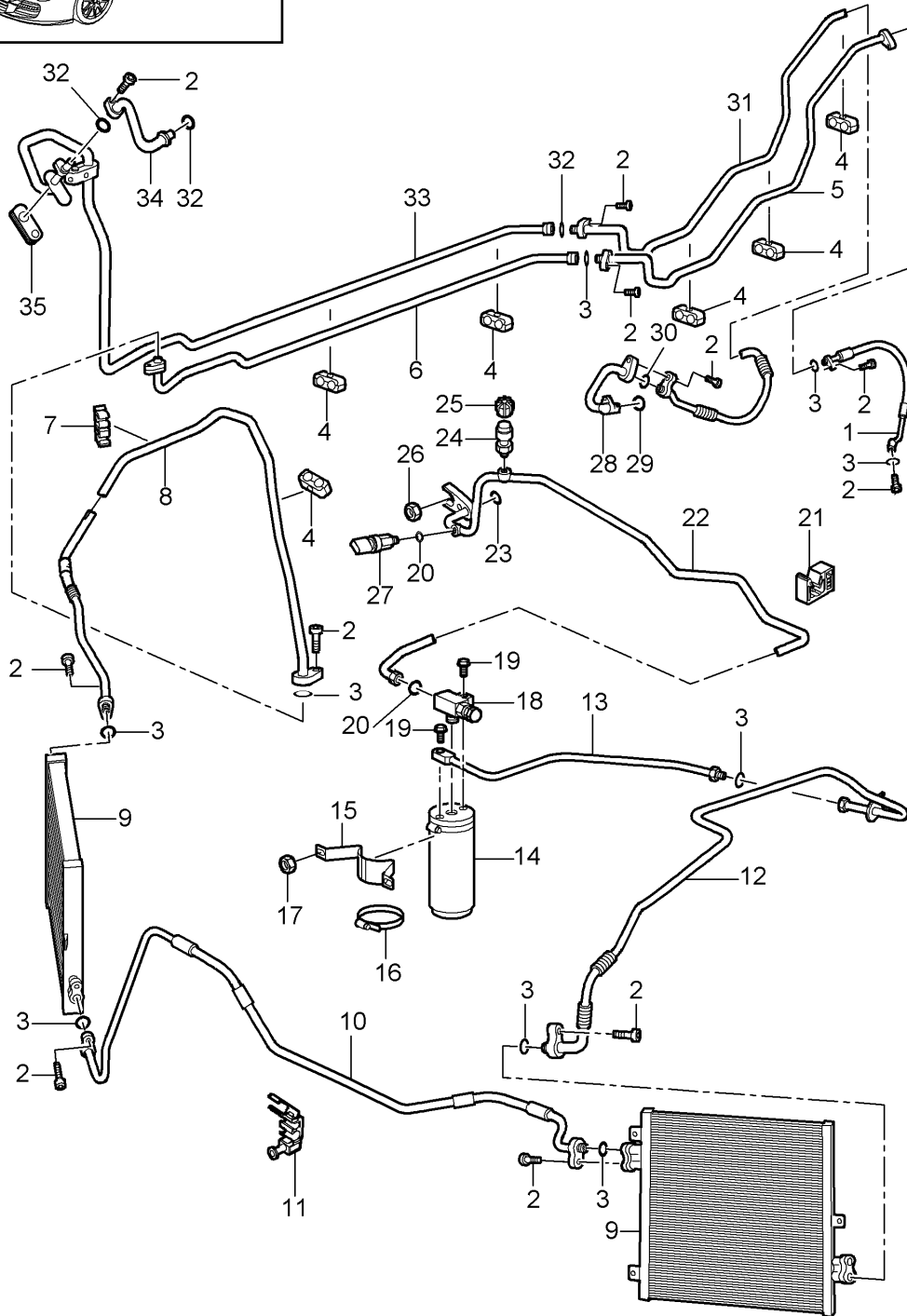
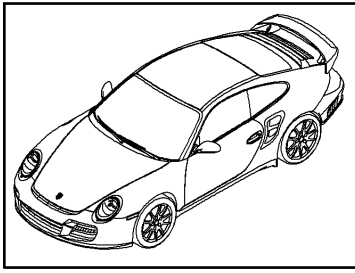
Model: 997T10

Model life 2010>>2013

Pos	Part Number	Description	Remark	Qty	Model
		Particle filter			
		Cowl panel covering			
1	997 572 019 04	Housing	/LL	1	I098
(1)	997 572 019 05	Housing	/RL	1	I099
2	997 571 219 01	Particle filter		1	
3	997 572 221 00	Gasket		1	
4	997 572 567 04	Cover		1	
	997 572 567 04 FMT	Black			
		Battery			
(4)	997 572 729 02	Cover	/LL	1	I098
(4)	997 572 729 03	Cover	/RL	1	I099
		Particle filter			
5	997 572 563 08	Cover	/LL	1	I098
		Cowl			
	997 572 563 08 FMT	Black			
5	997 572 563 09	Cover	/RL	1	I099
		Cowl			
	997 572 563 09 FMT	Black			
6	999 076 071 02	Hexagon nut		2	
		M6			
7	999 507 348 01	Speed nut		3	
8	N 906 487 04	Tapping screw		1	
9	997 572 569 04	Cap	/L	2	I098
	997 572 569 04 FMT	Black			
(9)	997 572 569 05	Cap	/L	2	I099
	997 572 569 05 FMT	Black			
10	997 572 570 04	Cap	/R	1	I098
	997 572 570 04 FMT	Black			
(10)	997 572 570 05	Cap	/R	1	I099
	997 572 570 05 FMT	Black			
11	997 572 361 07	Cover	/L	1	
	997 572 361 07 02A	Black			
12	997 572 362 08	Cover	/R	1	
	997 572 362 08 02A	Black			
13	999 507 497 40	Expansion rivet		2	
		8 X 14			
14	999 507 834 41	Expander nut		1	
		ST 4,8			
15	999 590 046 40	Disc cam		2	
16	999 902 046 40	Catch		1	
17	997 572 419 03	Lid		2	
18	997 572 867 00	Locking bolt		2	
	997 572 867 00 02A	Black			
19	997 572 842 01	Pressure plate	/LL /R	1	I098
		Passenger's side			
19	997 572 842 02	Pressure plate	/RL /L	1	I099
		Passenger's side			
20	997 572 841 00	Pressure plate		1	
		Driver's side			
21	997 572 837 00	Spring plate		1	
		Driver's side			
22	997 572 533 00	Retainer plate		1	
		Driver's side			
23	999 591 855 02	Speed nut		3	
24	997 572 729 02	Cover	/LL	1	I098
		Particle filter			
(24)	997 572 729 03	Cover	/RL	1	I099
		Particle filter			
25	997 572 862 01	Support		1	
26	997 572 763 00	Cover		1	
27	999 703 432 40	Stopper		2	
		8,0			
		12,2 X 25			

Model: 997T10

Model life 2010>>2013



Model: 997T10

Model life 2010&gt;&gt;2013

Pos	Part Number	Description	Remark	Qty	Model
1	9A1 573 097 02	Refrigerant circuit Pressure line		1	
2	900 067 247 02	Compressor Combination screw		X	
2	900 067 247 01	M8 X 30 Combination screw		X	
3	999 707 434 41	M8 X 30 O-ring		X	
4	999 511 230 40	10,6 X 2,0 Cable holder		X	
5	997 573 096 03	Pressure line		1	
6	996 573 092 02	Pressure line		1	
7	996 355 547 01	Support		1	
8	997 573 094 03	Pressure line		1	
9	997 573 911 02	Condenser		2	
10	997 573 103 03	Pressure line		1	TURBO
11	996 347 543 00	Cable holder 4,75 / 8,0		2	
12	997 573 105 04	Pressure line Condenser		1	
13	996 573 106 00	Desiccator Refrigerant line		1	
14	944 573 143 01	Desiccator		1	
15	996 573 451 00	Support		1	
16	999 512 349 01	Hose clamp A50-70/9		1	
17	900 380 015 09	Hexagon nut M6		2	
18	997 573 243 00	Distributing piece		1	
19	900 075 340 01	Combination screw M6 X 22		2	
20	999 707 555 41	O-ring 10,8 X 1,8		X	
21	999 591 922 40	Support 4,8 / 8,0	/LL	1	I098
(21)	999 513 049 40	Tie-wrap 8,0 - 30	/RL	1	I099
22	997 573 108 04	Pressure line	/LL	1	I098
(22)	997 573 108 03	Pressure line	/RL	1	I099
23	999 707 531 41	O-ring 7,5 X 2,04		X	
24	996 573 466 00	Valve Pressure line		1	
(24)	996 573 465 00	Valve Intake pipe		1	
25	944 573 663 02	Cap Pressure line		1	
(25)	944 573 663 01	Cap Intake pipe		1	
26	900 377 010 09	Hexagon nut M6		2	
27	955 613 137 01	Pressure sensor		1	
(27)	955 613 137 02	Pressure sensor		1	
28	9A1 573 099 02	Intake pipe		1	
29	999 707 439 41	O-ring 23,8 X 2,4		X	
30	999 707 558 41	O-ring 13,7 X 2,5		X	
31	997 573 095 05	Intake pipe		1	
32	999 707 534 41	O-ring 17,0 X 2,0		X	

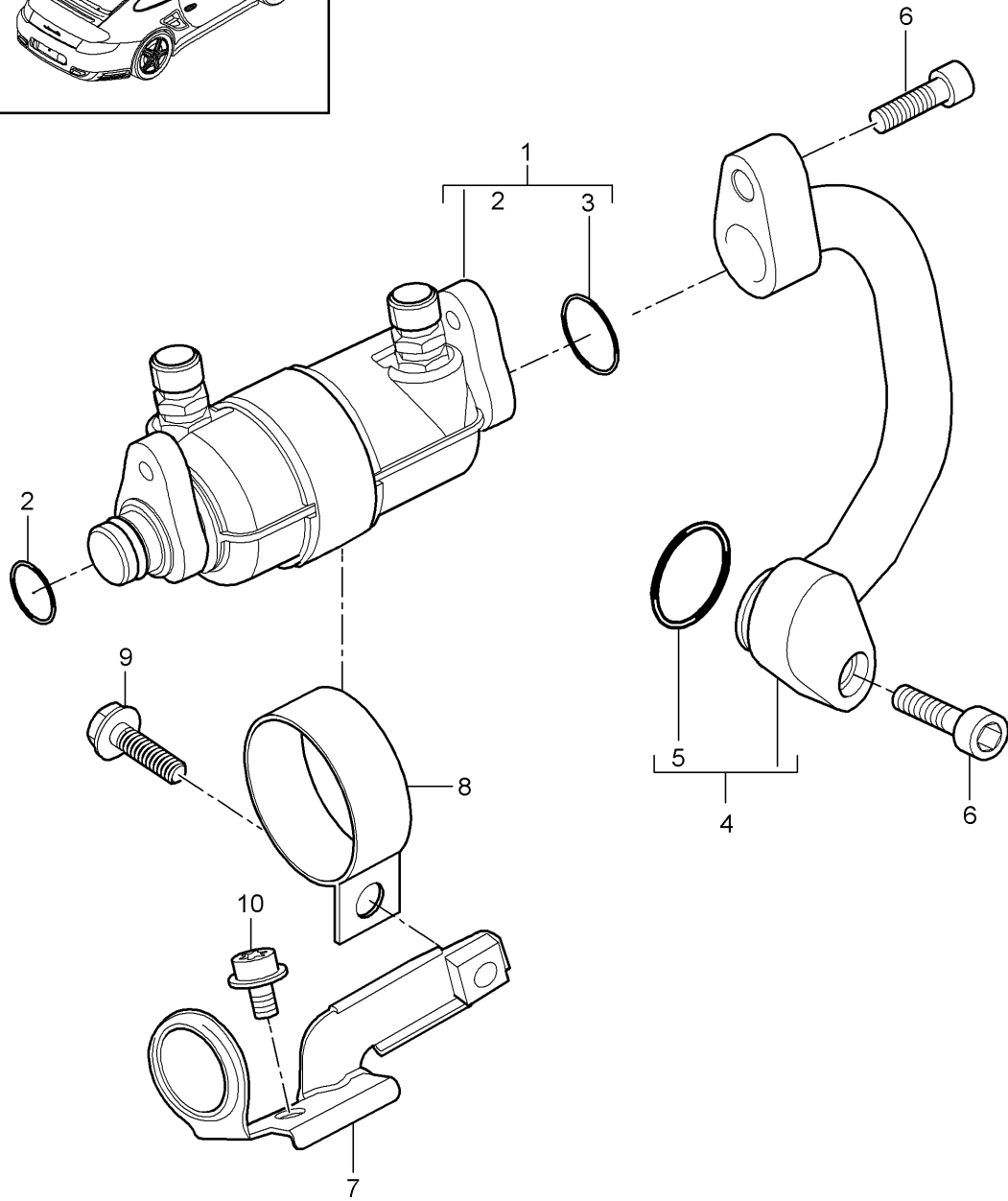
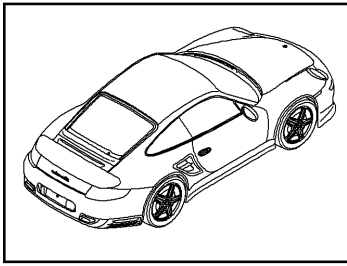
Model: 997T10

Model life 2010>>2013

Pos	Part Number	Description	Remark	Qty	Model
33	996 573 091 01	Intake pipe		1	
34	996 573 093 06	Intake pipe	/LL	1	I098
(34)	996 573 093 07	Intake pipe	/RL	1	I099
35	996 573 769 01	Grommet		1	

Model: 997T10

Model life 2010>>2013



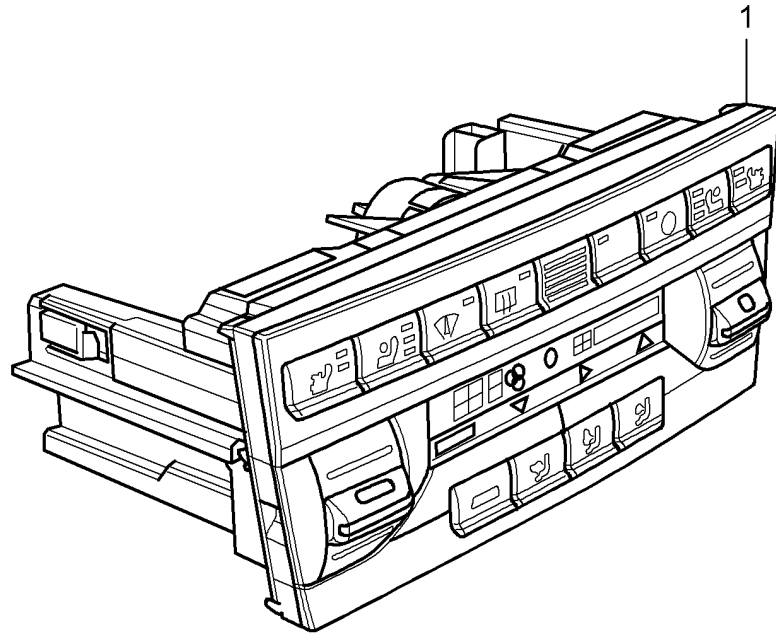
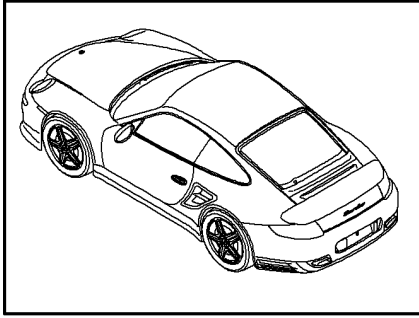
Model: 997T10

Model life 2010>>2013

Pos	Part Number	Description	Remark	Qty	Model
1	997 573 069 01	Fuel cooler		1	
2	999 707 558 41	Fuel cooler		1	
		O-ring			
		13,70 X 2,50N			
3	999 707 534 41	O-ring		1	
		17,00 X 2,00N			
4	997 573 099 03	Intake pipe		1	
5	999 707 439 41	O-ring		1	
		23,80 X 2,40N			
6	900 067 276 01	Combination screw		2	
		M8 X 35			
7	997 573 231 03	Support		1	
(7)	997 126 231 70	Support	11	1	M97.70 I004/101/574
		Temperature sensor			
8	999 512 202 01	Clamp		1	
		B1 49 X 20			
9	900 067 314 01	Combination screw		1	
		M8 X 25			
10	900 385 001 01	Torx screw		1	
		M8 X 20			

Model: 997T10

Model life 2010>>2013



Model: 997T10

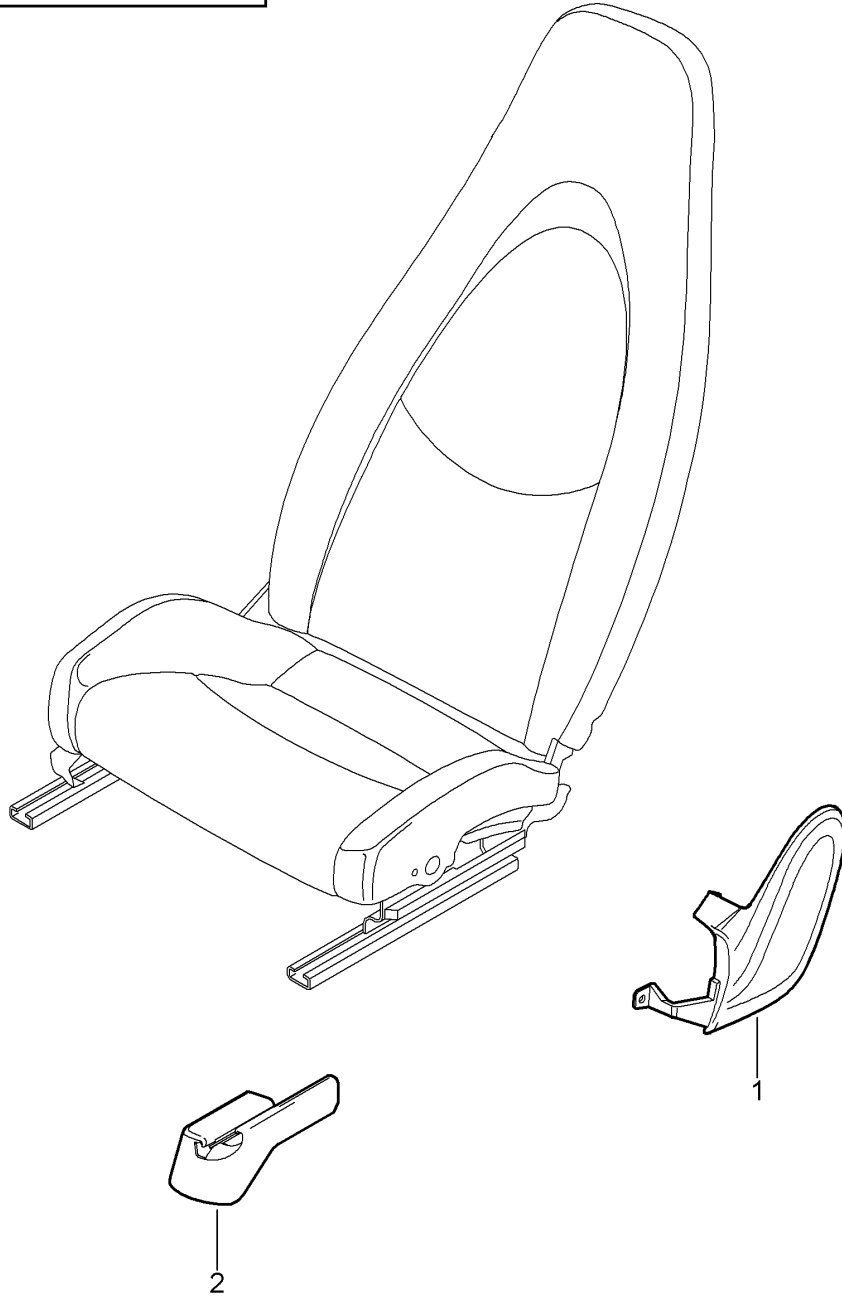
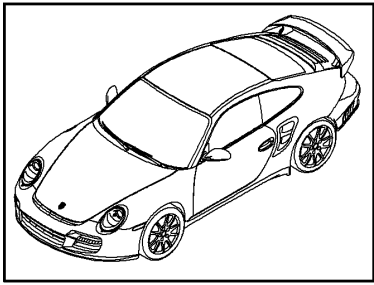
Model life 2010>>2013

Pos	Part Number	Description	Remark	Qty	Model
(1)	997 653 201 02	Control switch		1	I573
	997 653 201 02 FTC	Control part			
(1)	997 653 201 04	Matt Black/Galvano Silver		1	I573
	997 653 201 04 FTC	Control part			
(1)	997 653 211 02	Matt Black/Galvano Silver		1	I342/573
	997 653 211 02 FTC	Control part			
(1)	997 653 211 04	Matt Black/Galvano Silver		1	I342/573
	997 653 211 04 FTC	Control part			
(1)	997 653 221 04	Matt Black/Galvano Silver		1	I342/541/573
	997 653 221 04 FTC	Control part			



Model: 997T10

Model life 2010>>2013



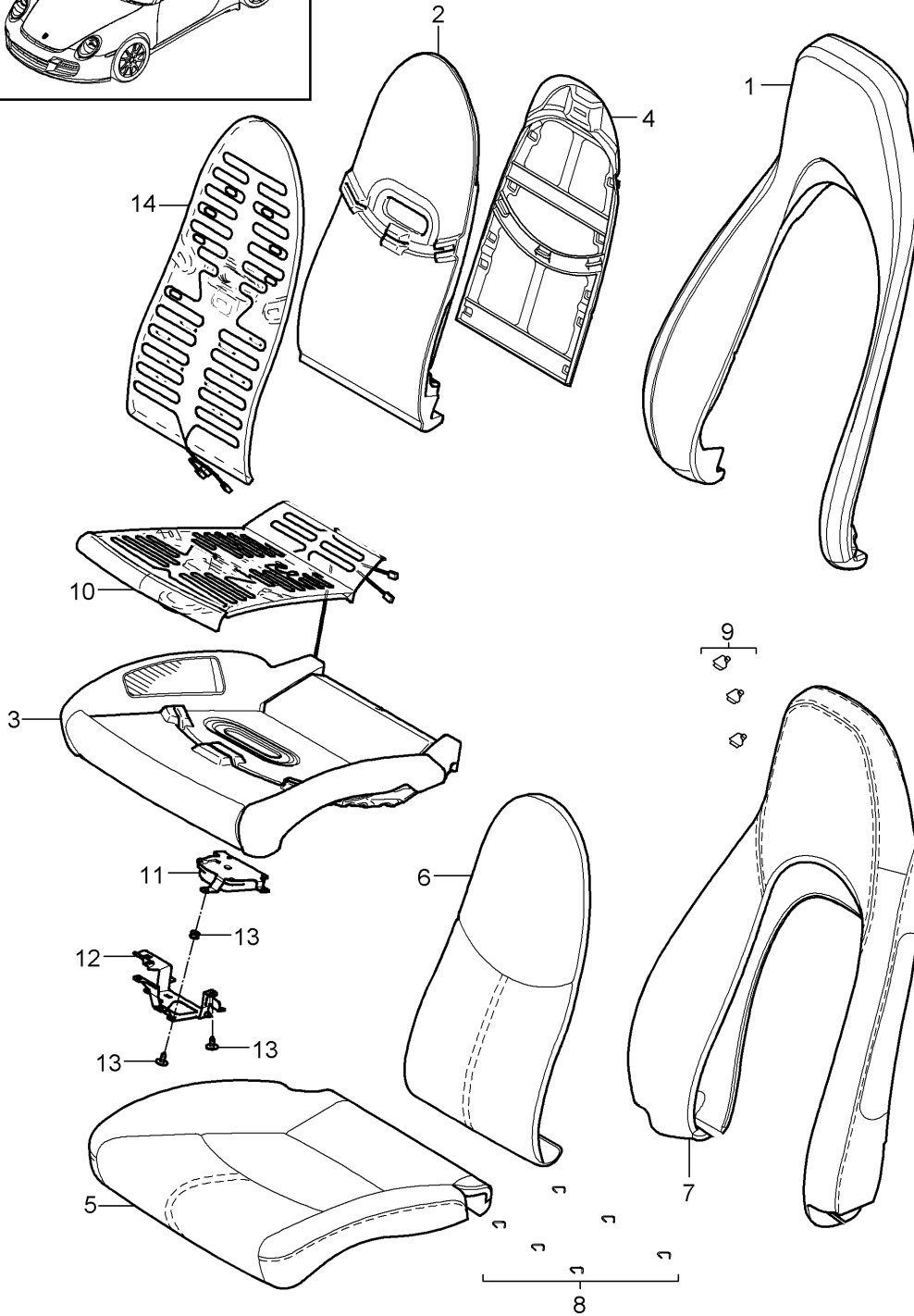
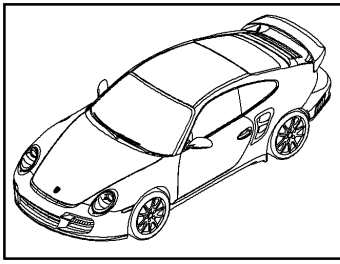
Model: 997T10

Model life 2010>>2013

Pos	Part Number	Description	Remark	Qty	Model
1	997 521 315 02	Front seat Complete Not available Comfort seat Trim cover Mounting component	/L	1	I375/377/437
(1)	997 521 315 02 D07	Volcano grey			
(1)	997 521 316 02	Trim cover Mounting component	/R	1	I376/378/438
	997 521 316 02 D07	Volcano grey			
2	997 521 359 01	Rail Seat rail	/L	1	I375/388
(2)	997 521 359 01 01C	Satin black			
(2)	997 521 362 00	Rail	/R	1	I375/377/378 I388/437/438
	997 521 362 00 01C	Seat rail Satin black			
(2)	997 521 361 00	Rail	/L	1	I376/377/378 I389/437/438
	997 521 361 00 01C	Seat rail Satin black			
(2)	997 521 360 01	Rail	/R	1	I376/389
	997 521 360 01 01C	Seat rail Satin black			

Model: 997T10

Model life 2010>>2013



Model: 997T10 Model life 2010>>2013

Pos	Part Number	Description	Remark	Qty	Model
1	997 521 535 00	Foam part Cover Standard seat Comfort seat		1	I437/438
(1)	997 521 535 03	Foam part Backrest Outer part		1	I437/438/541
2	997 521 581 00	Foam part		1	I375/376/377 I378/437/438
(2)	997 521 581 01	Backrest Centre part Foam part Backrest Centre part		1	I437/438/541
3	997 521 571 00	Foam part Seat cushion with heating		1	I437/438
(3)	997 521 571 03	Foam part Seat cushion with heating		1	I438/560
(3)	997 521 571 06	Foam part Seat cushion with heating		1	I437/438/541
(3)	997 521 571 07	Foam part Seat cushion with heating		1	I438/541/560
4	997 521 551 01	Cushion carrier Backrest		1	
5	997 521 161 01	Cover for cushion		1	I437/438/983
	997 521 161 01 FLC	Black			
	997 521 161 01 FLF	Stone grey			
	997 521 161 01 FLJ	Sand Beige			
	997 521 161 01 FLM	Sea blue			
	997 521 161 01 FLQ	Terracotta			
	997 521 161 01 FLR	Cocoa			
	997 521 161 01 VAA	Dark grey/natural			
	997 521 161 01 VAB	Brown/natural			
	997 521 161 01 VAC	Carrera Red			
	997 521 161 01 TLA	Black/Cream			
	997 521 161 01 FLI	Black/Titanium Blue			
(5)	997 521 161 10	Cover for cushion		1	I437/438/541 I983
	997 521 161 10 FLC	Black			
	997 521 161 10 FLF	Stone grey			
	997 521 161 10 FLJ	Sand Beige			
	997 521 161 10 FLM	Sea blue			
	997 521 161 10 FLQ	Terracotta			
	997 521 161 10 FLR	Cocoa			
	997 521 161 10 VAA	Dark grey/natural			
	997 521 161 10 VAB	Brown/natural			
	997 521 161 10 VAC	Carrera Red			
	997 521 161 10 TLA	Black/Cream			
	997 521 161 10 FLI	Black/Titanium Blue			
(5)	997 521 161 02	Cover for cushion		1	I437/438/982
	997 521 161 02 FLC	Black			
	997 521 161 02 FLF	Stone grey			
	997 521 161 02 FLJ	Sand Beige			
	997 521 161 02 FLM	Sea blue			
	997 521 161 02 FLQ	Terracotta			
	997 521 161 02 FLR	Cocoa			

Model: 997T10 Model life 2010>>2013

Pos	Part Number	Description	Remark	Qty	Model
6	997 521 161 02 VAA	Dark grey/natural		1	I375/376/377 I378/437/438 I983
	997 521 161 02 VAB	Brown/natural			
	997 521 161 02 VAC	Carrera Red			
	997 521 161 02 TLA	Black/Cream			
	997 521 161 02 FLI	Black/Titanium Blue			
	997 521 151 00	Backrest cushion cover			
		Centre part			
	997 521 151 00 8YR	Black			
	997 521 151 00 5X5	Stone grey			
	997 521 151 00 8G1	Sand Beige			
	997 521 151 00 3S8	Sea blue			
	997 521 151 00 9N2	Terracotta			
	997 521 151 00 9Q3	Cocoa			
	997 521 151 00 D11	Dark grey/natural			
	997 521 151 00 T11	Brown/natural			
	997 521 151 00 N11	Carrera Red			
	997 521 151 00 6G0	Cream			
997 521 151 00 DJ3	Titanium Blue				
(6) 997 521 151 03	Backrest cushion cover		1	I437/438/541 I983	
	Centre part				
997 521 151 03 8YR	Black				
997 521 151 03 5X5	Stone grey				
997 521 151 03 8G1	Sand Beige				
997 521 151 03 3S8	Sea blue				
997 521 151 03 9N2	Terracotta				
997 521 151 03 9Q3	Cocoa				
997 521 151 03 D11	Dark grey/natural				
997 521 151 03 T11	Brown/natural				
997 521 151 03 N11	Carrera Red				
997 521 151 03 6G0	Cream				
997 521 151 03 DJ3	Titanium Blue				
(6) 997 521 151 01	Backrest cushion cover		1	I437/438/982	
	Centre part				
997 521 151 01 8YR	Black				
997 521 151 01 5X5	Stone grey				
997 521 151 01 8G1	Sand Beige				
997 521 151 01 3S8	Sea blue				
997 521 151 01 9N2	Terracotta				
997 521 151 01 9Q3	Cocoa				
997 521 151 01 D11	Dark grey/natural				
997 521 151 01 T11	Brown/natural				
997 521 151 01 N11	Carrera Red				
997 521 151 01 6G0	Cream				
997 521 151 01 DJ3	Titanium Blue				
7 997 521 141 01	Backrest cover		/L	1	I437/982/983
	Outer part				
997 521 141 01 FLC	Black				
997 521 141 01 FLF	Stone grey				
997 521 141 01 FLJ	Sand Beige				
997 521 141 01 FLM	Sea blue				
997 521 141 01 FLQ	Terracotta				
997 521 141 01 FLR	Cocoa				
997 521 141 01 VAA	Dark grey/natural				
997 521 141 01 VAB	Brown/natural				
997 521 141 01 VAC	Carrera Red				
997 521 141 01 TSD	Black/Cream				
997 521 141 01 TSE	Black/Titanium Blue				
(7) 997 521 141 05	Backrest cover		/L	1	I437/541/983
	Outer part				
997 521 141 05 FLC	Black				

Model: 997T10 Model life 2010>>2013

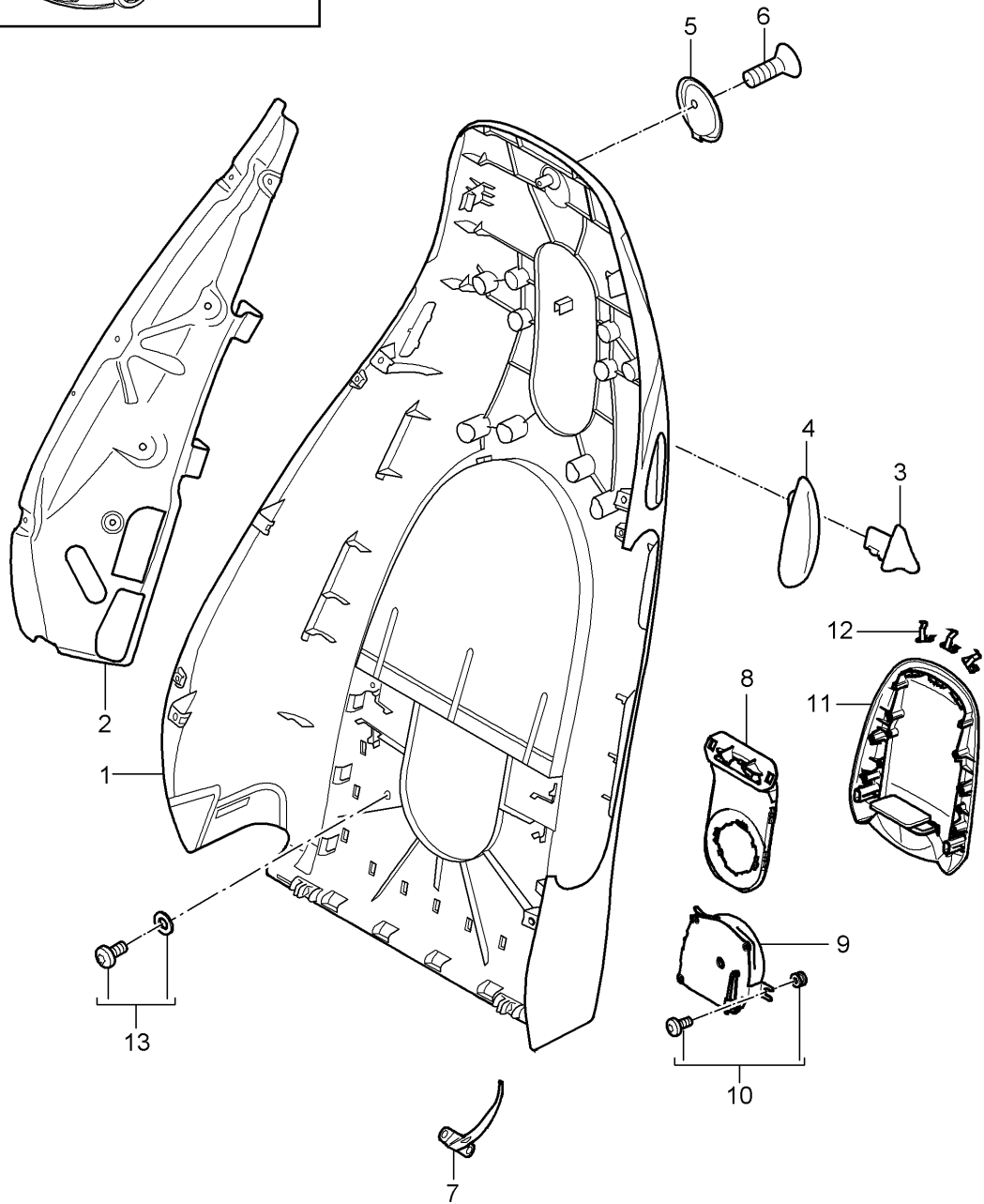
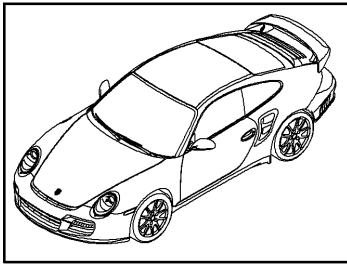
Pos	Part Number	Description	Remark	Qty	Model
	997 521 141 05 FLF	Stone grey			
	997 521 141 05 FLJ	Sand Beige			
	997 521 141 05 FLM	Sea blue			
	997 521 141 05 FLQ	Terracotta			
	997 521 141 05 FLR	Cocoa			
	997 521 141 05 VAA	Dark grey/natural			
	997 521 141 05 VAB	Brown/natural			
	997 521 141 05 VAC	Carrera Red			
	997 521 141 05 TSD	Black/Cream			
	997 521 141 05 TSE	Black/Titanium Blue			
(7)	997 521 142 01	Backrest cover Outer part	/R	1	I438/982/983
	997 521 142 01 FLC	Black			
	997 521 142 01 FLF	Stone grey			
	997 521 142 01 FLJ	Sand Beige			
	997 521 142 01 FLM	Sea blue			
	997 521 142 01 FLQ	Terracotta			
	997 521 142 01 FLR	Cocoa			
	997 521 142 01 VAA	Dark grey/natural			
	997 521 142 01 VAB	Brown/natural			
	997 521 142 01 VAC	Carrera Red			
	997 521 142 01 TSD	Black/Cream			
	997 521 142 01 TSE	Black/Titanium Blue			
(7)	997 521 142 05	Backrest cover Outer part	/R	1	I438/541/983
	997 521 142 05 FLC	Black			
	997 521 142 05 FLF	Stone grey			
	997 521 142 05 FLJ	Sand Beige			
	997 521 142 05 FLM	Sea blue			
	997 521 142 05 FLQ	Terracotta			
	997 521 142 05 FLR	Cocoa			
	997 521 142 05 VAA	Dark grey/natural			
	997 521 142 05 VAB	Brown/natural			
	997 521 142 05 VAC	Carrera Red			
	997 521 142 05 TSD	Black/Cream			
	997 521 142 05 TSE	Black/Titanium Blue			
(7)	997 521 941 01	Backrest cover Outer part	/L	1	IXSC/437/982 I983
	997 521 941 01 8YR	Black			
	997 521 941 01 5X5	Stone grey			
	997 521 941 01 8G1	Sand Beige			
	997 521 941 01 3S8	Sea blue			
	997 521 941 01 9N2	Terracotta			
	997 521 941 01 9Q3	Cocoa			
	997 521 941 01 D11	Dark grey/natural			
	997 521 941 01 T11	Brown/natural			
	997 521 941 01 N11	Carrera Red			
	997 521 941 01 TSD	Black/Cream			
	997 521 941 01 TSE	Black/Titanium Blue			
(7)	997 521 942 01	Backrest cover Outer part	/R	1	IXSC/438/982 I983
	997 521 942 01 8YR	Black			
	997 521 942 01 5X5	Stone grey			
	997 521 942 01 8G1	Sand Beige			
	997 521 942 01 3S8	Sea blue			
	997 521 942 01 9N2	Terracotta			
	997 521 942 01 9Q3	Cocoa			
	997 521 942 01 D11	Dark grey/natural			
	997 521 942 01 T11	Brown/natural			
	997 521 942 01 N11	Carrera Red			
	997 521 942 01 TSD	Black/Cream			

Model: 997T10 Model life 2010>>2013

Pos	Part Number	Description	Remark	Qty	Model
(7)	997 521 942 01 TSE 997 521 941 05	Black/Titanium Blue Backrest cover	/L	1	IXSC/437/541 I983
		Outer part			
	997 521 941 05 8YR	Black			
	997 521 941 05 5X5	Stone grey			
	997 521 941 05 8G1	Sand Beige			
	997 521 941 05 3S8	Sea blue			
	997 521 941 05 9N2	Terracotta			
	997 521 941 05 9Q3	Cocoa			
	997 521 941 05 D11	Dark grey/natural			
	997 521 941 05 T11	Brown/natural			
	997 521 941 05 N11	Carrera Red			
(7)	997 521 942 05	Backrest cover	/R	1	IXSC/438/541 I983
		Outer part			
	997 521 942 05 8YR	Black			
	997 521 942 05 5X5	Stone grey			
	997 521 942 05 8G1	Sand Beige			
	997 521 942 05 3S8	Sea blue			
	997 521 942 05 9N2	Terracotta			
	997 521 942 05 9Q3	Cocoa			
	997 521 942 05 D11	Dark grey/natural			
	997 521 942 05 T11	Brown/natural			
	997 521 942 05 N11	Carrera Red			
8	997 521 837 00	Clip		6	
		Padding			
(8)	000 043 207 39	Fixing clip		3	I541
		Seat			
9	997 521 897 00	Clip		5	
		Backrest cover			
(9)	000 043 207 39	Fixing clip		3	I541
		Backrest cover			
10	997 521 721 00	Airbag		1	I437/438/541
		Seat cushion			
11	997 624 335 00	Electric motor		1	I541
		Seat cushion			
12	997 521 661 00	Support		1	I437/438/541
		Electric motor			
		Seat cushion			
13	000 043 207 38	Set of fastening parts		13	I541
		Electric motor			
		Seat cushion			
		Backrest			
14	997 521 731 00	Airbag		1	I437/438/541
		Backrest			
14		Airbag		1	I437/438/541
		Backrest			
15	997 521 709 03	Lumbar support		1	I437/438/537 I538/541
		Airbag with			
		Memory			
(15)	997 521 709 02	Lumbar support		1	I437/438/541
		Airbag without			
		Memory			

Model: 997T10

Model life 2010>>2013





Model: 997T10 Model life 2010>>2013

Pos	Part Number	Description	Remark	Qty	Model
1	997 521 303 10	Backrest shell	/L	1	I437/982/983
	997 521 303 10 A80	Standard seat			
	997 521 303 10 B80	Comfort seat			
	997 521 303 10 T80	Accessories			
	997 521 303 10 E80	Black			
	997 521 303 10 M80	Stone grey			
	997 521 303 10 R80	Sand Beige			
(1)	997 521 303 15	Sea blue	/L	1	I437/541/983
	997 521 303 15 A80	Terracotta			
	997 521 303 15 B80	Cocoa			
	997 521 303 15 T80	Black			
	997 521 303 15 E80	Stone grey			
	997 521 303 15 M80	Sand Beige			
	997 521 303 15 R80	Sea blue			
(1)	997 521 304 10	Terracotta	/R	1	I438/982/983
	997 521 304 10 A80	Cocoa			
	997 521 304 10 B80	Black			
	997 521 304 10 T80	Stone grey			
	997 521 304 10 E80	Sand Beige			
	997 521 304 10 M80	Sea blue			
	997 521 304 10 R80	Terracotta			
(1)	997 521 304 15	Cocoa	/R	1	I438/541/983
	997 521 304 15 A80	Black			
	997 521 304 15 B80	Stone grey			
	997 521 304 15 T80	Sand Beige			
	997 521 304 15 E80	Sea blue			
	997 521 304 15 M80	Terracotta			
	997 521 304 15 R80	Cocoa			
(1)	997 521 303 11	Backrest shell	/L	1	I437/983/998
	997 521 303 11 D11	Dark grey/natural			
	997 521 303 11 T11	Brown/natural			
	997 521 303 11 N11	Carrera Red			
(1)	997 521 303 16	Backrest shell	/L	1	I437/541/983 I998
	997 521 303 16 D11	Dark grey/natural			
	997 521 303 16 T11	Brown/natural			
	997 521 303 16 N11	Carrera Red			
(1)	997 521 304 11	Backrest shell	/R	1	I438/982/983 I998
	997 521 304 11 D11	Dark grey/natural			
	997 521 304 11 T11	Brown/natural			
	997 521 304 11 N11	Carrera Red			
(1)	997 521 304 16	Backrest shell	/R	1	I438/541/983 I998
	997 521 304 16 D11	Dark grey/natural			
	997 521 304 16 T11	Brown/natural			
	997 521 304 16 N11	Carrera Red			
2	997 521 319 00	Bracket	/L	1	
(2)	997 521 320 00	Backrest side bolster	/R	1	
3	997 521 623 02	Bracket	/L	1	
(3)	997 521 623 02 V05	Backrest side bolster	/R	1	
	997 521 624 02	Control button			
	997 521 624 02 V05	Backrest locking lever			
4	997 521 624 02	Galvano silver	/R	1	
	997 521 621 02	Control button			
		Backrest locking lever			
		Galvano silver			
		Rosette	/L	1	I437/438
		Backrest locking lever			

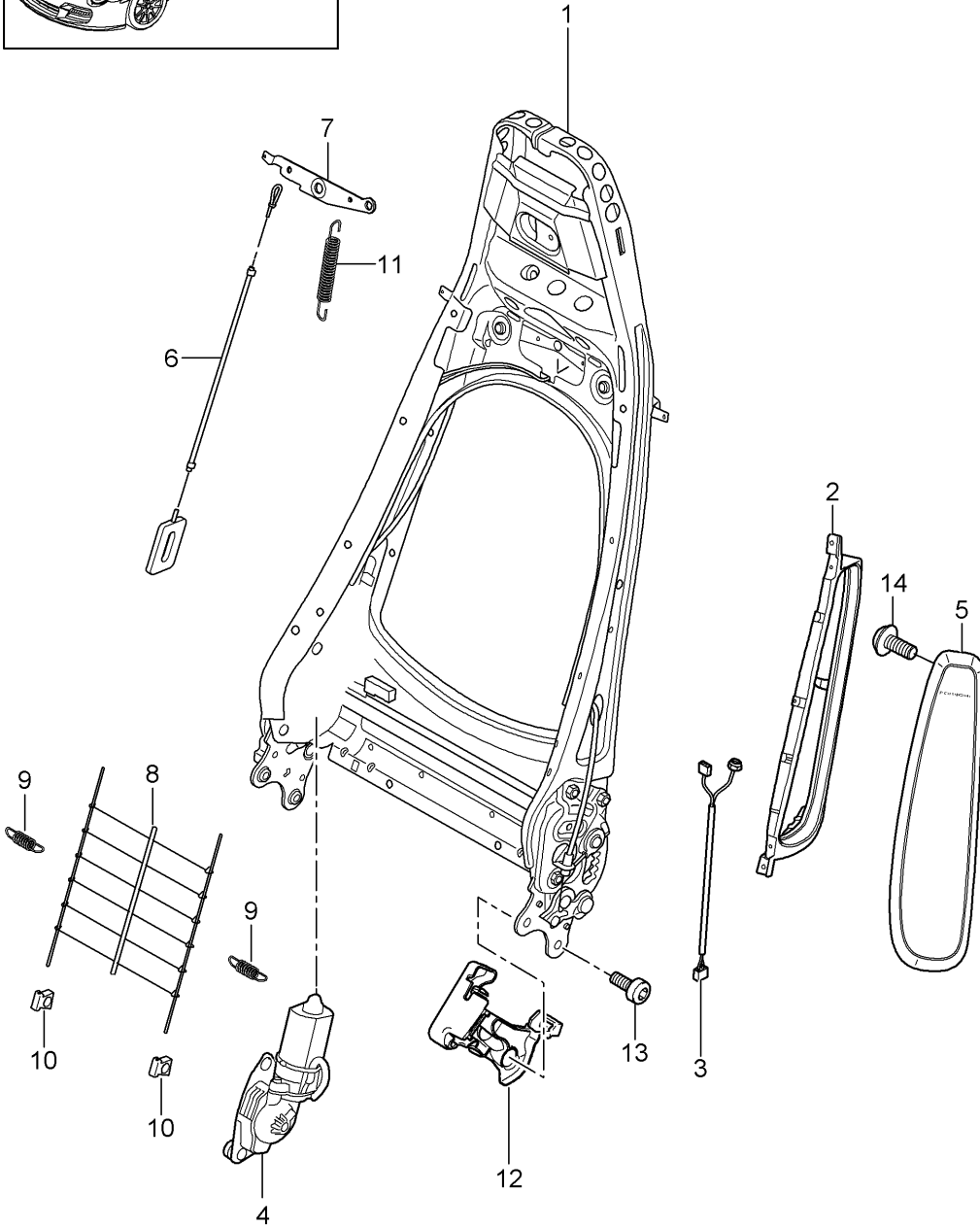
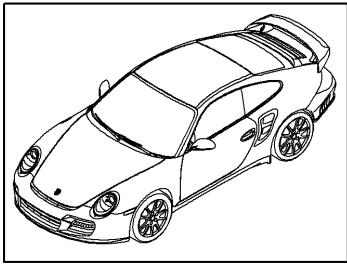
Model: 997T10

Model life 2010>>2013

Pos	Part Number	Description	Remark	Qty	Model
(4)	997 521 621 02 D07 997 521 622 02	Volcano grey Rosette Backrest locking lever		1	I437/438
5	997 521 622 02 D07 997 521 373 01	Volcano grey Coat hook		1	
6	997 521 373 01 D07 999 919 232 09	Volcano grey Screw M5 X 20 Coat hook		1	I369/370/437 I438
7	997 521 783 00	Support panel Backrest shell	/L	1	
(7)	997 521 784 00	Support panel Backrest shell	/R	1	
8	997 521 733 00	Air duct Backrest shell		1	I437/438/541
9	997 624 337 00	Electric motor Vented Backrest		1	I541
10	000 043 207 38	Set of fastening parts Electric motor		1	I541
11	997 521 491 01	Cover Fan 997 521 491 01 A80 Black 997 521 491 01 B80 Stone grey 997 521 491 01 T80 Sand Beige 997 521 491 01 E80 Sea blue 997 521 491 01 M80 Terracotta 997 521 491 01 R80 Cocoa		1	I437/438/541 I983
(11)	997 521 491 02	Cover Fan 997 521 491 02 D11 Dark grey/natural 997 521 491 02 T11 Brown/natural 997 521 491 02 N11 Carrera Red		1	I437/438/541 I983/998
12	000 043 207 40	Clamp Mount Cover Fan		3	I541
13	000 043 207 41	Set of fastening parts Mount Cover Fan		1	I541

Model: 997T10

Model life 2010>>2013



Model: 997T10 Model life 2010>>2013

Pos	Part Number	Description	Remark	Qty	Model
1	997 521 329 02	Backrest frame Standard seat Comfort seat Backrest frame		1	I377/378/437 I438
(1)	997 521 329 03	without Memory Backrest frame with Memory		1	I537/538
2	997 521 533 00	Cushion carrier	/L	1	I437
(2)	997 521 534 00	Side airbag Cushion carrier Side airbag	/R	1	I438
3	997 612 785 01	Wiring harness Side airbag	/L	1	I537
(3)	997 612 786 01	Wiring harness Side airbag	/R	1	I538
4	997 624 331 00	Electric motor Backrest frame Memory		1	I537/538
(4)	997 624 321 00	Electric motor Backrest frame without Memory		1	I377/378/437 I438
5	997 803 081 02	Side airbag	/L	1	I437
	997 803 081 02 A03	Black			
	997 803 081 02 5V7	Stone grey			
	997 803 081 02 5Z1	Sand Beige			
	997 803 081 02 8W7	Sea blue			
	997 803 081 02 8X8	Terracotta			
	997 803 081 02 8P9	Cocoa			
	997 803 081 02 T13	Brown/natural			
	997 803 081 02 N23	Carrera Red			
	997 803 081 02 2S8	Espresso			
(5)	997 803 082 02	Side airbag	/R	1	I438
	997 803 082 02 A03	Black			
	997 803 082 02 5V7	Stone grey			
	997 803 082 02 5Z1	Sand Beige			
	997 803 082 02 8W7	Sea blue			
	997 803 082 02 8X8	Terracotta			
	997 803 082 02 8P9	Cocoa			
	997 803 082 02 T13	Brown/natural			
	997 803 082 02 N23	Carrera Red			
	997 803 082 02 2S8	Espresso			
6	997 521 485 00	Bowden cable Backrest frame		2	I437/438
7	997 521 375 00	Release		1	I377/378/437 I438
8	997 521 855 00	Backrest frame Grille		1	I377/378/437 I438
9	997 521 893 00	Backrest frame Tension spring		2	I377/378/437 I438
10	997 521 895 00	Inner spring Clip		2	I377/378/437 I438
11	997 521 797 00	Inner spring Tension spring Release		1	I377/378/437 I438

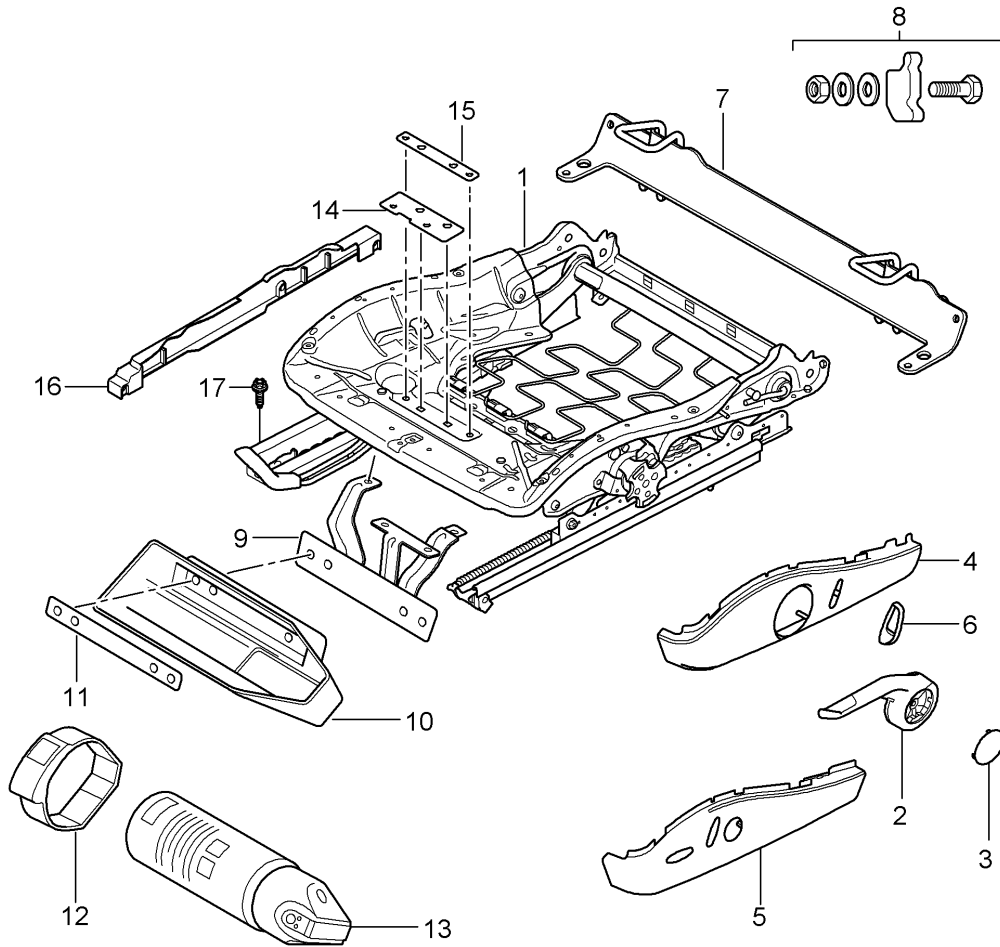
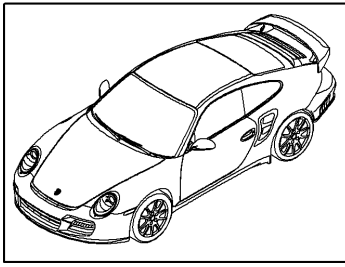
Model: 997T10

Model life 2010>>2013

Pos	Part Number	Description	Remark	Qty	Model
12	997 521 335 01	Backrest Cover	/L	1	I377/378/437 I438
		Mounting component Inner			
(12)	997 521 335 01 D07	Volcano grey			
	997 521 336 01	Cover	/R	1	I377/378/437 I438
		Mounting component Inner			
13	997 521 336 01 D07	Volcano grey			
	999 073 375 09	Screw Mount Backrest Seat adjuster		4	
14	999 073 306 09	Screw Mount Side airbag		2	

Model: 997T10

Model life 2010>>2013



Model: 997T10 Model life 2010>>2013

Pos	Part Number	Description	Remark	Qty	Model
1	997 521 201 24	Seat adjuster Standard seat Comfort seat Seat adjuster Electric without Memory Driver's side	/L	1	I437/480
(1)	997 521 201 26	Seat adjuster Electric without Memory Driver's side	/L	1	I437/541
(1)	997 521 202 30	Seat adjuster Electric without Memory Driver's side	/R	1	I438
(1)	997 521 202 24	Seat adjuster Electric without Memory Driver's side	/R	1	I438/560
(1)	997 521 202 32	Seat adjuster Electric without Memory Driver's side	/R	1	I438/541
(1)	997 521 201 25	Seat adjuster Electric with Memory Driver's side	/L	1	I437/537
(1)	997 521 201 27	Seat adjuster Electric with Memory Driver's side	/L	1	I437/537/541
(1)	997 521 202 31	Seat adjuster Electric with Memory Driver's side	/R	1	I438/538
(1)	997 521 202 33	Seat adjuster Electric with Memory Driver's side	/R	1	I438/538/541
2	997 521 627 01	Actuating lever Height adjustment	/L	1	I369/375
(2)	997 521 627 01 V05 997 521 628 01	Galvano silver Actuating lever Height adjustment	/R	1	I370/376
3	997 521 628 01 V05 997 521 629 01	Galvano silver Cap Actuating lever		2	I369/370/375 I376
5	997 521 629 01 D07 997 521 325 07	Volcano grey Trim for switch	/L	1	I437
(5)	997 521 325 07 D07 997 521 326 07	Volcano grey Trim for switch	/R	1	I438
(5)	997 521 326 07 D07 997 521 326 10	Volcano grey Trim for switch	/R	1	I438/560

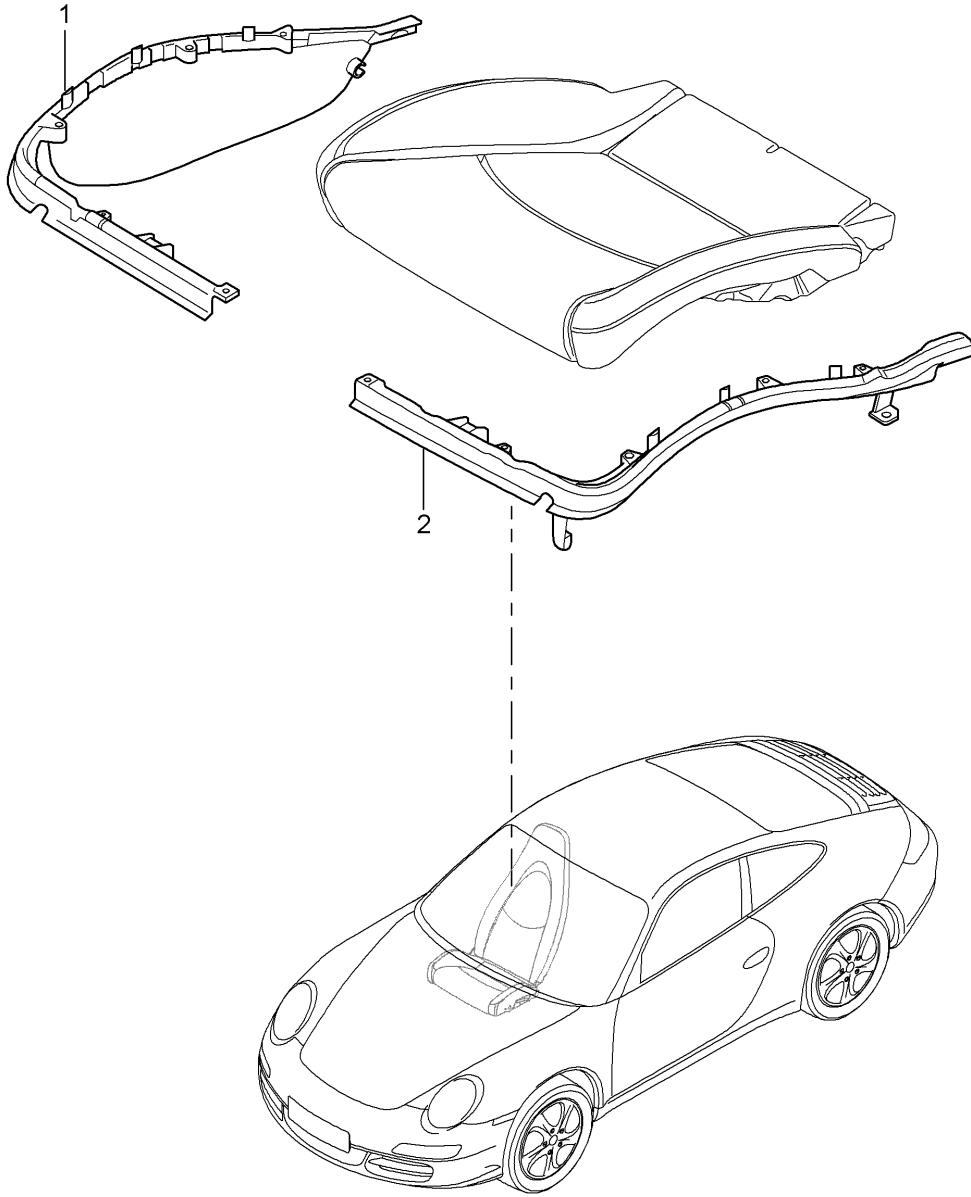
Model: 997T10 Model life 2010>>2013

Pos	Part Number	Description	Remark	Qty	Model
6	997 521 326 10 D07 997 521 631 01	Volcano grey Control button Backrest	-10	1	I437/438
6	997 521 631 01 V05 997 521 631 02	Galvano silver Control button Backrest	11-	1	I437/438
7	997 521 631 02 V05 997 521 061 01	Galvano silver Retaining bow Child car seat ISOFIX Not for AUSTRALIEN		1	
8	997 521 961 01	Set of fastening parts Retaining bow		1	
9	997 521 251 00	Support Fire extinguisher		1	I098/509
(9)	997 521 252 00	Support Fire extinguisher		1	I099/509
10	7PP 882 650	Cup Fire extinguisher		1	I509
11	7PP 882 649	Insert Cup Fire extinguisher		1	I509
12	7PP 882 645	Restraining strap Fire extinguisher		1	I509
13	996 722 115 00	Fire extinguisher Information available Information available		1	I509
14	997 521 841 00	Reinforcement Front		1	I509
15	997 521 843 00	Reinforcement Rear		1	I509
16	997 521 427 01	Cover Sensor Weight	/L	1	I438/560
(16)	997 521 427 01 01C 997 521 426 01	Satin black Cover Sensor Weight	/R	1	I438/560
17	997 521 426 01 01C 999 141 047 01	Satin black Torx screw Seat rail Mount		4	



Model: 997T10

Model life 2010>>2013



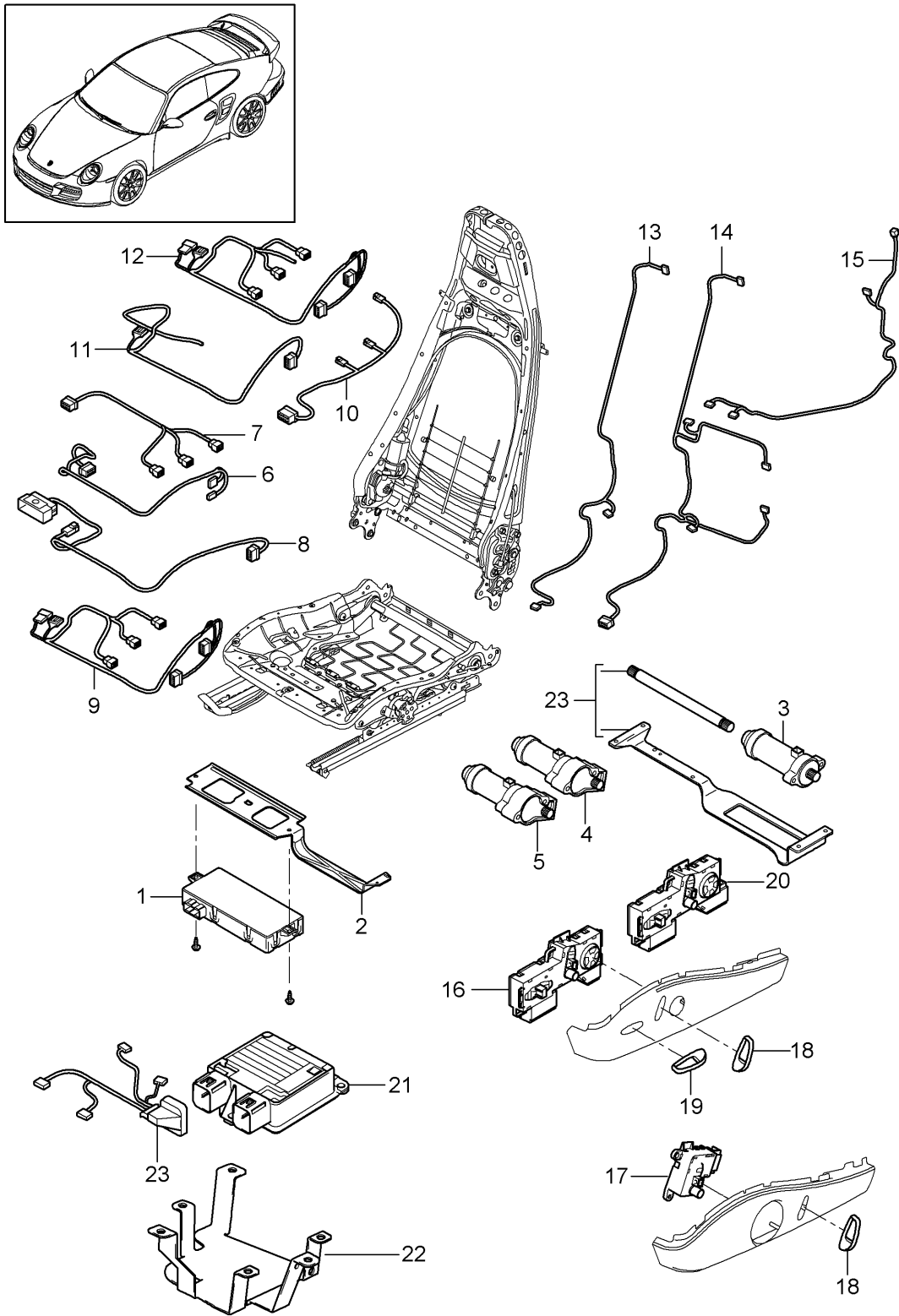
Model: 997T10

Model life 2010>>2013

Pos	Part Number	Description	Remark	Qty	Model
		Cushion carrier			
		Frame			
		Seat surface			
		Standard seat			
		Comfort seat			
1	997 521 547 00	Frame	/L	1	I438
		Inner			
(1)	997 521 548 00	Frame	/R	1	I437
		Inner			
2	997 521 545 00	Frame	/L	1	I437
		Outer			
(2)	997 521 546 00	Frame	/R	1	I438
		Outer			
(2)	997 521 546 01	Frame	/R	1	I438/560
		Outer			

Model: 997T10

Model life 2010>>2013



Model: 997T10

Model life 2010>>2013

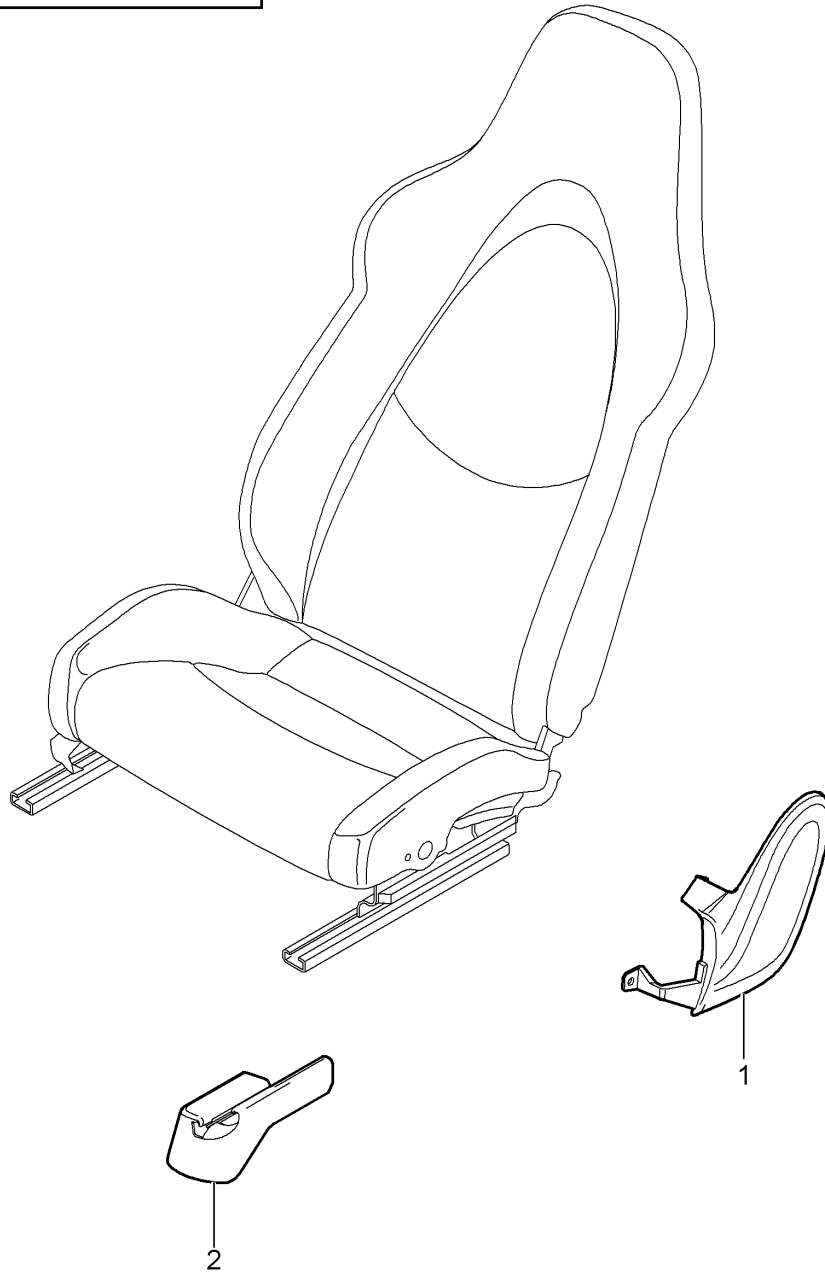
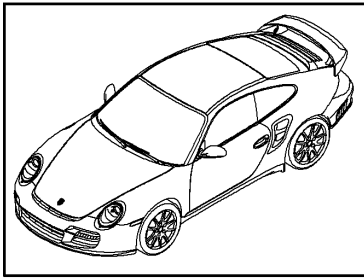
Pos	Part Number	Description	Remark	Qty	Model
1	997 618 537 07	Wiring harnesses Switch Control unit Electric motor Standard seat Comfort seat Control unit		1	I537/538
2	997 521 643 01	Seating position control Support		1	I437/438/537 I538
3	997 624 322 00	Control unit Seating position control Electric motor Seat adjuster Lengthways without Memory		1	I437/438
(3)	997 624 332 00	Electric motor Seat adjuster Lengthways with Memory		1	I537/538
4	997 624 322 00	Electric motor Seat adjuster Height adjustment without Memory		1	I437/438
(4)	997 624 332 00	Electric motor Seat adjuster Height adjustment with Memory		1	I537/538
5	997 624 323 00	Electric motor Seat adjuster Tilt angle without Memory		1	I437/438
(5)	997 624 333 00	Electric motor Seat adjuster Tilt angle with Memory		1	I537/538
6	997 612 684 00	Wiring harness Seat adjuster Memory		1	I537/538
7	997 612 690 00	Wiring harness Lengthways Height adjustment Memory		1	I537/538
9	997 612 683 01	Wiring harness Switch Seat adjuster without Memory		1	I437/438
10	997 612 657 00	Wiring harness Seat		2	I541
12	997 612 659 00	Wiring harness Comfort seat Electric		1	I437/438/541
13	997 612 689 00	Wiring harness Lumbar support without Memory		1	I437/438

Model: 997T10 Model life 2010>>2013

Pos	Part Number	Description	Remark	Qty	Model
14	997 612 687 00	Wiring harness Lumbar Backrest Memory		1	I437/438/537 I538
15	997 612 685 01	Wiring harness Backrest	/L	1	I437
(15)	997 612 686 01	Wiring harness Backrest	/R	1	I438
16	997 613 721 01	Switch Seat adjuster Memory switch	/L	1	I437/537
(16)	997 613 721 01 V05 997 613 722 01	Galvano silver Switch Seat adjuster Memory switch	/R	1	I438/538
18	997 613 722 01 V05 997 521 631 01	Galvano silver Control button Backrest	-10	1	I437/438
(18)	997 521 631 01 V05 997 521 631 02	Galvano silver Control button Backrest	11-	1	I437/438
19	997 521 631 02 V05 997 521 633 02	Galvano silver Control button Seat cushion		1	I437/438
20	997 521 633 02 V05 997 613 717 01	Galvano silver Switch Seat adjuster without Memory	/L	1	I437
(20)	997 613 717 01 V05 997 613 718 01	Galvano silver Switch Seat adjuster without Memory	/R	1	I438
(21)	997 613 718 01 V05 997 618 233 05	Galvano silver Control unit Seat occupancy detection		1	I438/560
22	997 521 646 00	Support Control unit Seat occupancy detection		1	I438/560
23	997 612 688 01	Wiring harness Seat occupancy detection		1	I438/560
(24)	997 521 901 00	Repair kit Pliable shaft Engine bracket		1	
-	999 650 973 40	Clip Mount Wiring harness Seat occupancy detection		1	

Model: 997T10

Model life 2010>>2013



Model: 997T10

Model life 2010>>2013

Pos	Part Number	Description	Remark	Qty	Model
1	997 521 315 02	Front seat Complete Not available Sports seat Trim cover Mounting component	/L	1	I375/377
(1)	997 521 315 02 D07	Volcano grey			
	997 521 316 02	Trim cover Mounting component	/R	1	I370/376/378 I438
	997 521 316 02 D07	Volcano grey			
	997 521 316 02 A03	Black			
2	997 521 359 01	Rail Seat rail	/L	1	I375/388
(2)	997 521 359 01 01C	Satin black			
	997 521 362 00	Rail Seat rail	/R	1	I375/377/378
(2)	997 521 362 00 01C	Satin black			
	997 521 361 00	Rail Seat rail	/L	1	I376/377/378
(2)	997 521 361 00 01C	Satin black			
	997 521 360 01	Rail Seat rail	/R	1	I376/389
	997 521 360 01 01C	Satin black			





Model: 997T10 Model life 2010>>2013

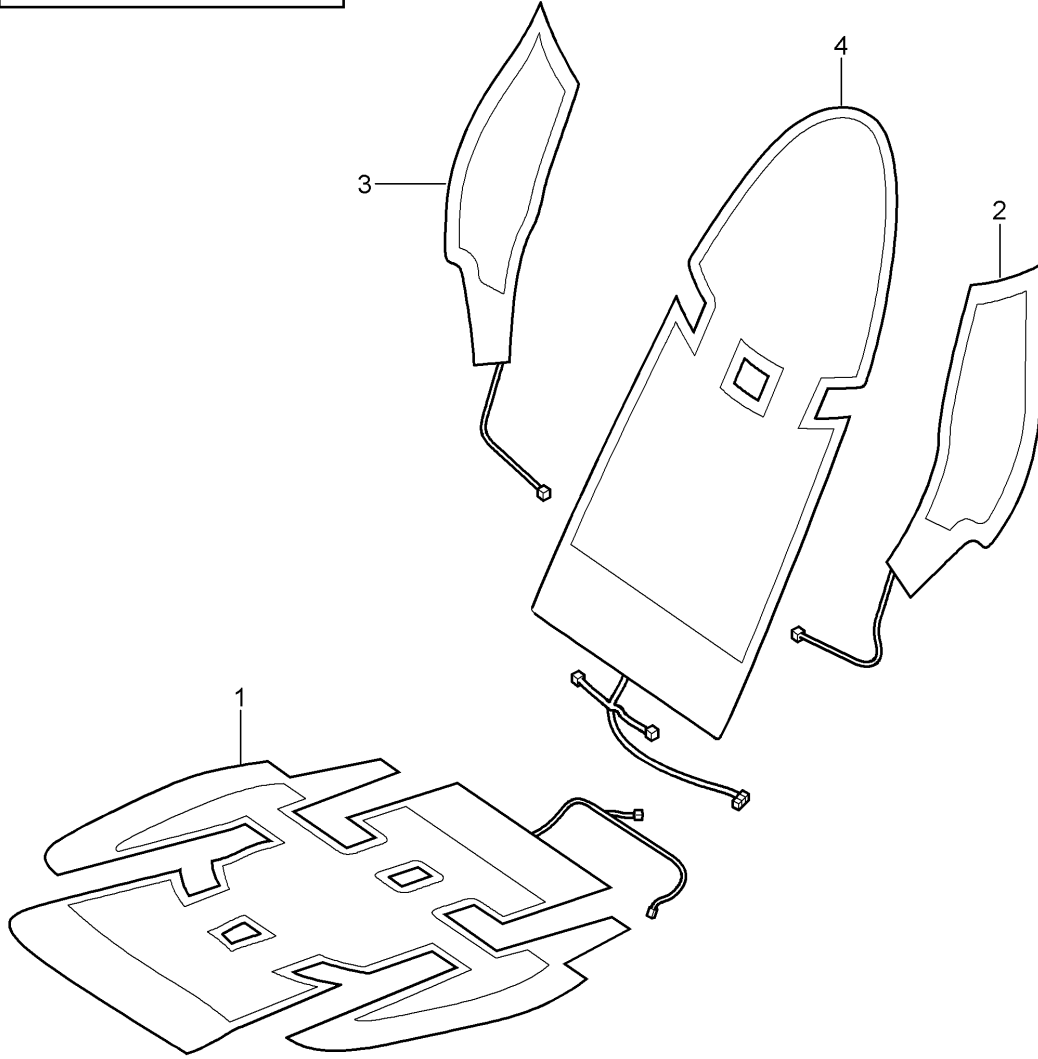
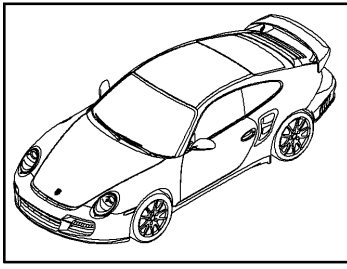
Pos	Part Number	Description	Remark	Qty	Model
1	997 521 535 01	Foam part Cover Sports seat Foam part Backrest Outer		2	I375/376
(1)	997 521 535 02	Foam part Backrest Outer		2	I377/378
2	997 521 581 00	Foam part  Backrest Centre part		1	I375/376/377 I378
3	997 521 571 01	Foam part Seat cushion with heating		1	I375/376
(3)	997 521 571 02	Foam part Seat cushion with heating		1	I378
(3)	997 521 571 04	Foam part Seat cushion with heating		1	I376/560
(3)	997 521 571 05	Foam part Seat cushion with heating		1	I378/560
4	997 521 551 01	Cushion carrier  Backrest		2	I375/376/377 I378
5	997 521 161 03	Cover for cushion		1	I375/376/983
	997 521 161 03 FLC	Black			
	997 521 161 03 FLF	Stone grey			
	997 521 161 03 FLJ	Sand Beige			
	997 521 161 03 FLM	Sea blue			
	997 521 161 03 FLQ	Terracotta			
	997 521 161 03 FLR	Cocoa			
	997 521 161 03 VAA	Dark grey/natural			
	997 521 161 03 VAB	Brown/natural			
	997 521 161 03 VAC	Carrera Red			
	997 521 161 03 TLA	Black/Cream			
	997 521 161 03 FLI	Black/Titanium Blue			
(5)	997 521 161 06	Cover for cushion		1	I377/378/983
	997 521 161 06 FLC	Black			
	997 521 161 06 FLF	Stone grey			
	997 521 161 06 FLJ	Sand Beige			
	997 521 161 06 FLM	Sea blue			
	997 521 161 06 FLQ	Terracotta			
	997 521 161 06 FLR	Cocoa			
	997 521 161 06 VAA	Dark grey/natural			
	997 521 161 06 VAB	Brown/natural			
	997 521 161 06 VAC	Carrera Red			
	997 521 161 06 TLA	Black/Cream			
	997 521 161 06 FLI	Black/Titanium Blue			
	997 521 161 06 TLB	Espresso/Luxor Beige			
(5)	997 521 161 14	Cover for cushion		1	I018/377/378 I983
	997 521 161 14 FVA	Black/green			
6	997 521 151 00	Backrest cushion cover  Centre part		1	I375/376/377 I378/983
	997 521 151 00 8YR	Black			
	997 521 151 00 5X5	Stone grey			
	997 521 151 00 8G1	Sand Beige			
	997 521 151 00 3S8	Sea blue			

Model: 997T10 Model life 2010>>2013

Pos	Part Number	Description	Remark	Qty	Model
	997 521 151 00 9N2	Terracotta			
	997 521 151 00 9Q3	Cocoa			
	997 521 151 00 D11	Dark grey/natural			
	997 521 151 00 T11	Brown/natural			
	997 521 151 00 N11	Carrera Red			
	997 521 151 00 6G0	Cream			
	997 521 151 00 DJ3	Titanium Blue			
(6)	997 521 151 08	Backrest cushion cover		1	I018/092/377 I378/983
		Centre part			
	997 521 151 08 8YR	Black			
(7)	997 521 155 01	Backrest cover		2	I375/376/377 I378/983
		Outer part			
	997 521 155 01 FLC	Black			
	997 521 155 01 FLF	Stone grey			
	997 521 155 01 FLJ	Sand Beige			
	997 521 155 01 FLM	Sea blue			
	997 521 155 01 FLQ	Terracotta			
	997 521 155 01 FLR	Cocoa			
	997 521 155 01 VAA	Dark grey/natural			
	997 521 155 01 VAB	Brown/natural			
	997 521 155 01 VAC	Carrera Red			
	997 521 155 01 TSD	Black/Cream			
	997 521 155 01 TSE	Black/Titanium Blue			
(7)	997 521 941 02	Backrest cover		1	IXSC/375/376 I377/378/983
		Outer part			
	997 521 941 02 8YR	Black			
	997 521 941 02 5X5	Stone grey			
	997 521 941 02 8G1	Sand Beige			
	997 521 941 02 3S8	Sea blue			
	997 521 941 02 9N2	Terracotta			
	997 521 941 02 9Q3	Cocoa			
	997 521 941 02 D11	Dark grey/natural			
	997 521 941 02 T11	Brown/natural			
	997 521 941 02 N11	Carrera Red			
	997 521 941 02 TSD	Black/Cream			
	997 521 941 02 TSE	Black/Titanium Blue			
(7)	997 521 155 04	Backrest cover		1	I018/377/378 I983
		Outer part			
	997 521 155 04 FVA	Black/green			
8	997 521 837 00	Clip		6	
		Padding			
		Seat			
-	999 917 822 40	Paint for Seat side bolster cover Outer		X	Berucoat

Model: 997T10

Model life 2010>>2013



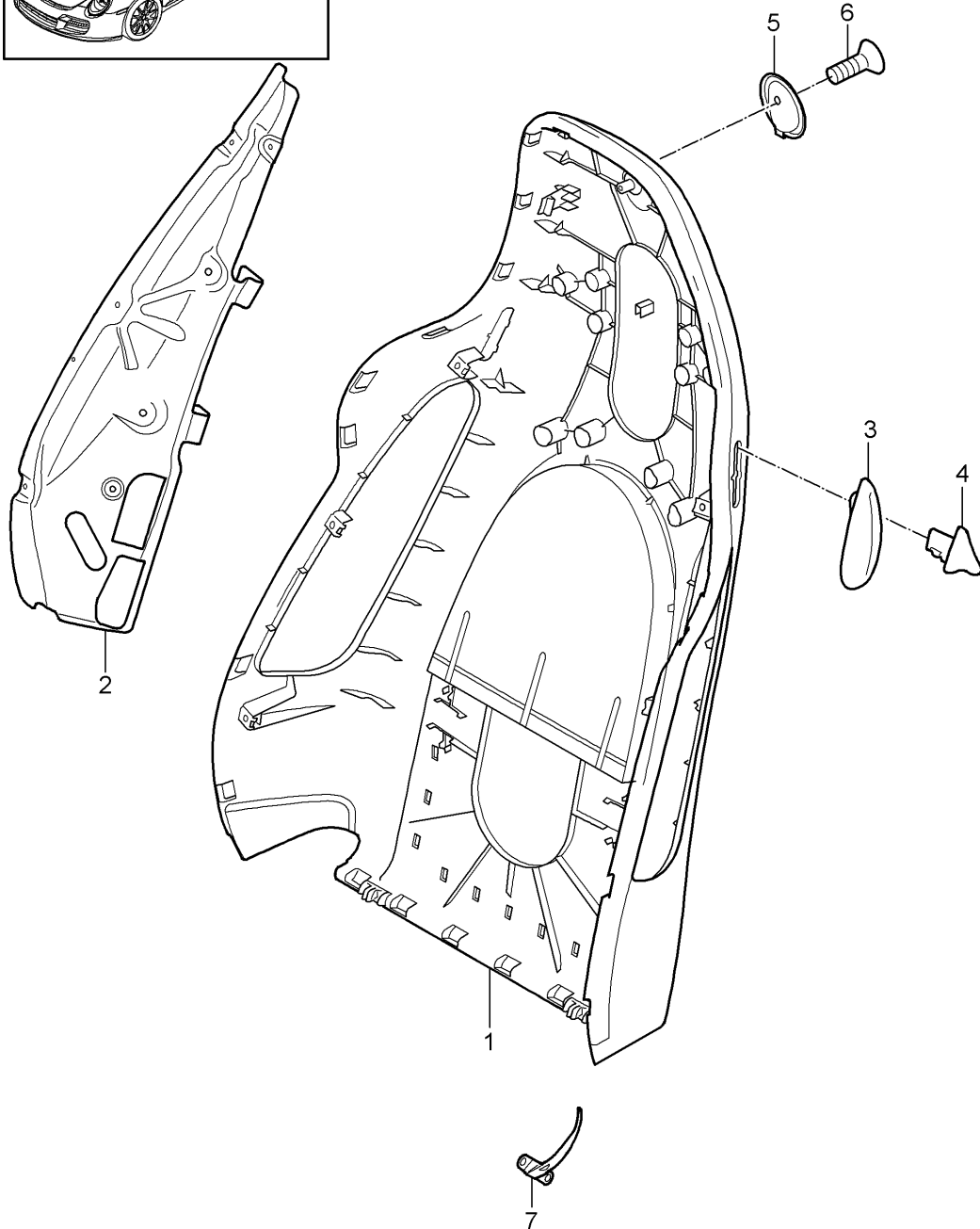
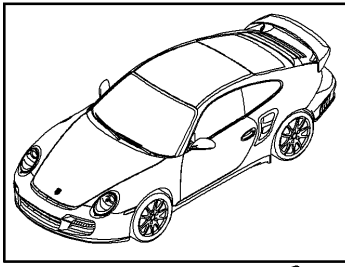
Model: 997T10

Model life 2010>>2013

Pos	Part Number	Description	Remark	Qty	Model
1	997 653 105 02	Heating Front seat Heating element Seat cushion Standard seat Comfort seat		2	I342/437/438
(1)	997 653 105 03	Heating element  Seat cushion Sports seat		2	I342/375/376 I377/378
(1)	997 653 117 00	Heating element Seat side bolster	/L	2	I541
(1)	997 653 118 00	Heating element Seat side bolster	/R	2	I541
2	997 653 109 00	Heating element Backrest side bolster Standard seat Comfort seat	/L	1	I342/437/438
(2)	997 653 121 00	Heating element Backrest side bolster Standard seat Comfort seat	/L	1	I541
(2)	997 653 109 01	Heating element  Backrest side bolster Sports seat	/L	1	I342/375/376 I377/378
3	997 653 110 00	Heating element Backrest side bolster Standard seat Comfort seat	/R	1	I342/437/438
(3)	997 653 122 00	Heating element Backrest side bolster Standard seat Comfort seat	/R	1	I541
(3)	997 653 110 01	Heating element  Backrest side bolster Sports seat	/R	1	I342/375/376 I377/378
4	997 653 107 00	Heating element Backrest cushion		2	I342

Model: 997T10

Model life 2010>>2013



Model: 997T10 Model life 2010>>2013

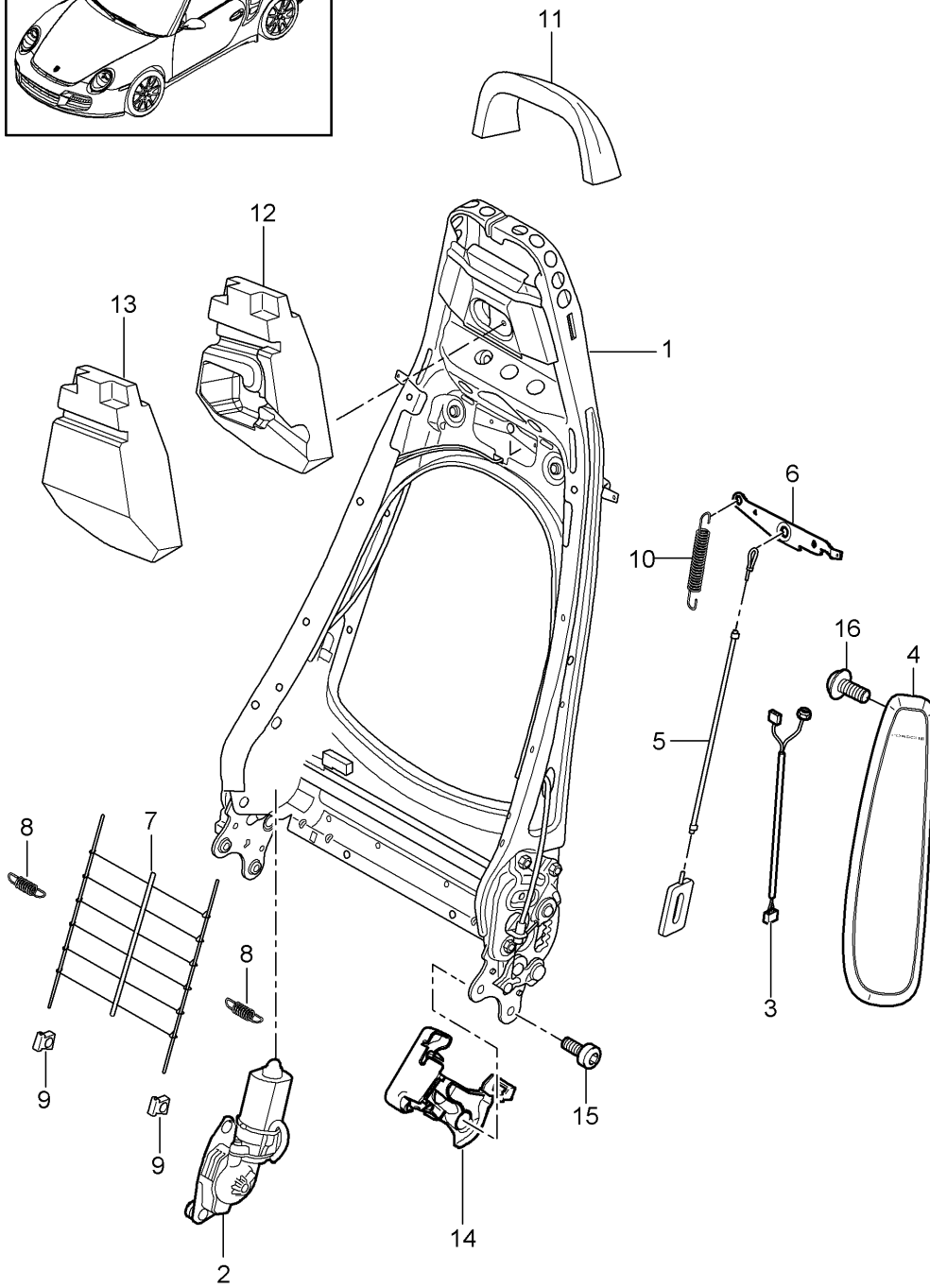
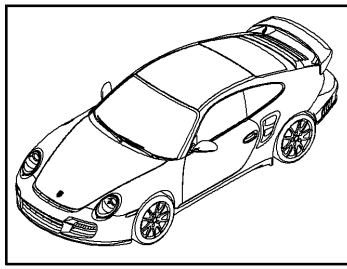
Pos	Part Number	Description	Remark	Qty	Model
1	997 521 303 13	Backrest shell Sports seat			
	997 521 303 13 D07	Volcano grey	/L	1	I375/377
(1)	997 521 304 13	Backrest shell	/R	1	I376/378
	997 521 304 13 D07	Volcano grey			
(1)	997 521 981 00	Backrest shell	/L	1	IXSA/375/377
	997 521 981 00 041	Black			
	997 521 981 00 84A	Guards red			
	997 521 981 00 12H	Speed yellow			
	997 521 981 00 B9A	Carrara white			
	997 521 981 00 92U	Arctic silver metallic			
	997 521 981 00 C9Z	Basalt black metallic			
	997 521 981 00 M7X	Atlas grey metallic			
	997 521 981 00 39C	Midnight Blue Metallic			
	997 521 981 00 M7Z	GT Silver Metallic			
	997 521 981 00 M7W	Meteor Grey Metallic			
	997 521 981 00 M8W	Macadamia Metallic			
	997 521 981 00 M3X	Ruby red metallic			
	997 521 981 00 M5X	Dark Blue Metallic			
	997 521 981 00 22G	Racing Green Metallic			
	997 521 981 00 M5R	Aqua Blue Metallic			
	997 521 981 00 51A	Creamy white			
	997 521 981 00 M2Z	Nordic Gold Metallic			
	997 521 981 00 2B5	Malachite Green Metallic			
(1)	997 521 982 00	Backrest shell	/R	1	IXSA/376/378
	997 521 982 00 041	Black			
	997 521 982 00 84A	Guards red			
	997 521 982 00 12H	Speed yellow			
	997 521 982 00 B9A	Carrara white			
	997 521 982 00 92U	Arctic silver metallic			
	997 521 982 00 C9Z	Basalt black metallic			
	997 521 982 00 M7X	Atlas grey metallic			
	997 521 982 00 39C	Midnight Blue Metallic			
	997 521 982 00 M7Z	GT Silver Metallic			
	997 521 982 00 M7W	Meteor Grey Metallic			
	997 521 982 00 M8W	Macadamia Metallic			
	997 521 982 00 M3X	Ruby red metallic			
	997 521 982 00 M5X	Dark Blue Metallic			
	997 521 982 00 22G	Racing Green Metallic			
	997 521 982 00 M5R	Aqua Blue Metallic			
	997 521 982 00 51A	Creamy white			
	997 521 982 00 M2Z	Nordic Gold Metallic			
	997 521 982 00 2B5	Malachite Green Metallic			
(1)	997 521 981 02	Backrest shell	/L	1	IXSB/375/377
		Leather			
	997 521 981 02 A11	Black			
	997 521 981 02 5X6	Stone grey			
	997 521 981 02 8G2	Sand Beige			
	997 521 981 02 3S9	Sea blue			
	997 521 981 02 9S5	Terracotta			
	997 521 981 02 9V6	Cocoa			
	997 521 981 02 D12	Dark grey/natural			
	997 521 981 02 T12	Brown/natural			
	997 521 981 02 N12	Carrera Red			
(1)	997 521 982 02	Backrest shell	/R	1	IXSB/376/378
		Leather			
	997 521 982 02 A11	Black			
	997 521 982 02 5X6	Stone grey			
	997 521 982 02 8G2	Sand Beige			
	997 521 982 02 3S9	Sea blue			
	997 521 982 02 9S5	Terracotta			
	997 521 982 02 9V6	Cocoa			

Model: 997T10 Model life 2010>>2013

Pos	Part Number	Description	Remark	Qty	Model
2	997 521 982 02 D12	Dark grey/natural			
	997 521 982 02 T12	Brown/natural			
	997 521 982 02 N12	Carrera Red			
(2)	997 521 319 00	Bracket Backrest side bolster	/L	1	
	997 521 320 00	Bracket Backrest side bolster	/R	1	
3	997 521 621 03	Rosette Backrest locking lever	/L	1	I375/376/377 I378
	997 521 621 03 D07	Volcano grey			
(3)	997 521 622 03	Rosette Backrest locking lever	/R	1	I375/376/377 I378
	997 521 622 03 D07	Volcano grey			
4	997 521 623 02	Control button Backrest locking lever	/L	1	I375/376/377 I378
	997 521 623 02 V05	Galvano silver			
(4)	997 521 624 02	Control button Backrest locking lever	/R	1	I375/376/377 I378
	997 521 624 02 V05	Galvano silver			
5	997 521 373 01	Coat hook		2	I375/376/377 I378
	997 521 373 01 D07	Volcano grey			
6	999 919 232 09	Screw M5 X 20		1	I375/376/377 I378
	997 521 783 00	Coat hook Support panel	/L	1	I375/376/377 I378
(7)	997 521 784 00	Backrest shell Support panel	/R	1	I375/376/377 I378
		Backrest shell			

Model: 997T10

Model life 2010>>2013





Model: 997T10 Model life 2010>>2013

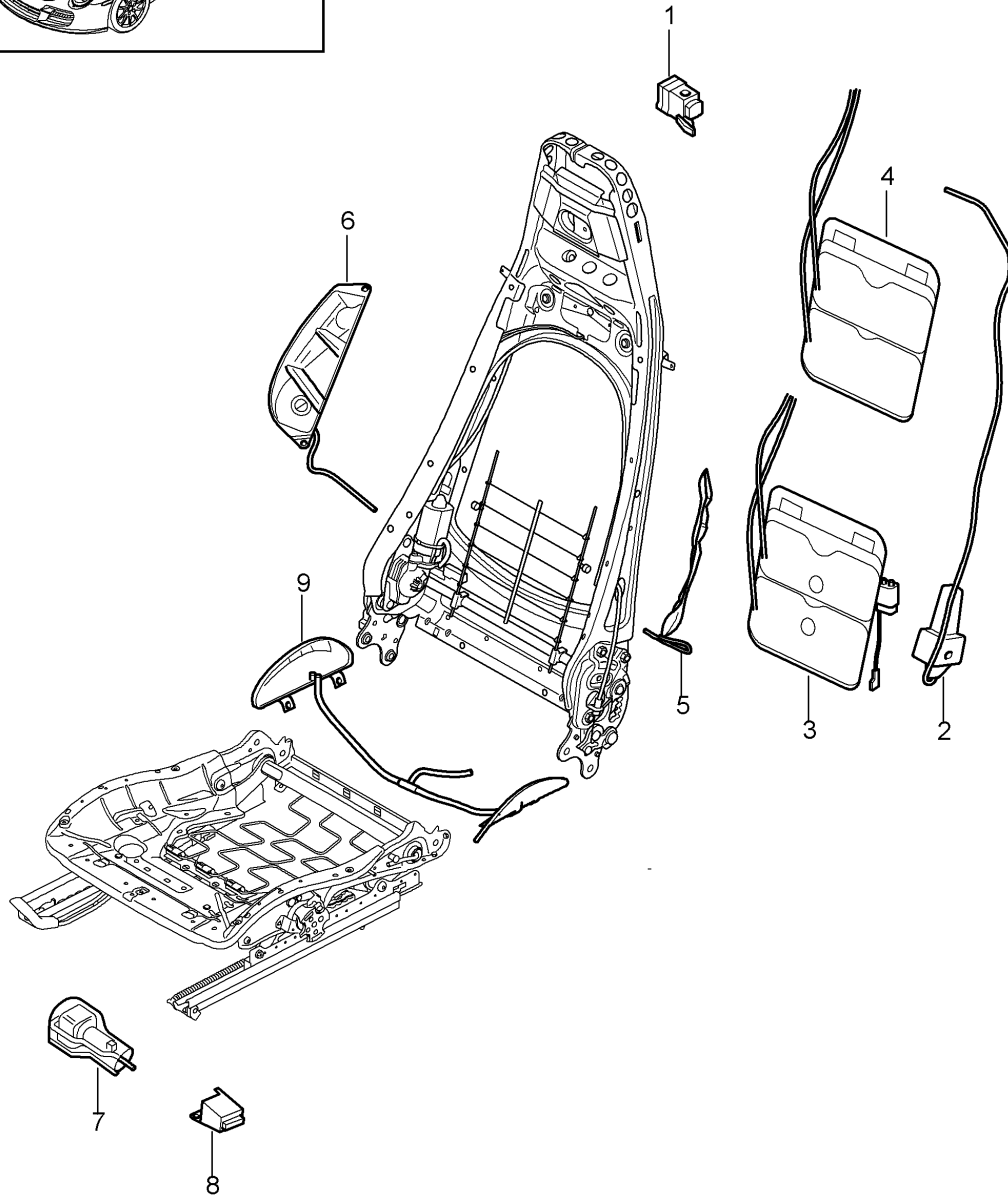
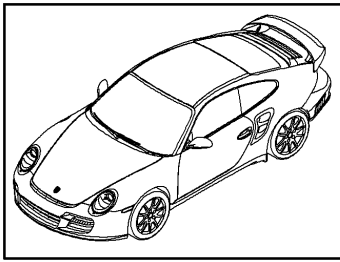
Pos	Part Number	Description	Remark	Qty	Model
1	997 521 329 02	Backrest frame Sports seat Backrest frame		1	I375/376/377 I378
(1)	997 521 329 03	without Memory Backrest frame with Memory		1	I537/538
2	997 624 331 00	Electric motor Backrest with Memory		1	I537/538
(2)	997 624 321 00	Electric motor Backrest without Memory		1	I375/376/377 I378
3	997 612 785 01	Wiring harness Side airbag	/L	1	I537
(3)	997 612 786 01	Wiring harness Side airbag	/R	1	I538
(3)	997 612 685 01	Wiring harness Side airbag without Memory	/L	1	I375/377
3	997 612 686 01	Wiring harness Side airbag without Memory	/R	1	I376/378
4	997 803 081 02	Side airbag	/L	1	I375/377/388
(4)	997 803 081 02 D07	Volcano grey			
	997 803 082 02	Side airbag	/R	1	I376/378/389
	997 803 082 02 D07	Volcano grey			
(4)	997 803 981 00	Side airbag	/L	1	IXSA/XSB/375 I377
	997 803 981 00 A03	Black			
	997 803 981 00 5V7	Stone grey			
	997 803 981 00 5Z1	Sand Beige			
	997 803 981 00 8W7	Sea blue			
	997 803 981 00 8X8	Terracotta			
	997 803 981 00 8P9	Cocoa			
	997 803 981 00 T13	Brown/natural			
	997 803 981 00 N23	Carrera Red			
(4)	997 803 982 00	Side airbag	/R	1	IXSA/XSB/376 I378
	997 803 982 00 A03	Black			
	997 803 982 00 5V7	Stone grey			
	997 803 982 00 5Z1	Sand Beige			
	997 803 982 00 8W7	Sea blue			
	997 803 982 00 8X8	Terracotta			
	997 803 982 00 8P9	Cocoa			
	997 803 982 00 T13	Brown/natural			
	997 803 982 00 N23	Carrera Red			
5	997 521 485 00	Bowden cable		2	I375/376/377 I378
6	997 521 375 00	Backrest frame Release		1	I375/376/377 I378
7	997 521 855 00	Backrest frame Grille Backrest frame		1	I375/376/377 I378

Model: 997T10 Model life 2010>>2013

Pos	Part Number	Description	Remark	Qty	Model
8	997 521 893 00	Tension spring		2	I375/376/377 I378
9	997 521 895 00	Inner spring Clip		2	I375/376/377 I378
10	997 521 797 00	Inner spring Tension spring		1	I375/376/377 I378
11	997 521 885 00	Release Backrest Foam part		1	I375/376/377 I378
12	997 521 887 01	Head rest Upper Foam part Head rest Centre Electric		1	I377/378
13	997 521 887 00	Foam part Head rest Centre		1	I375/376
14	997 521 335 01	Cover	/L	1	I375/376/377 I378
(14)	997 521 335 01 D07	Mounting component Inner Volcano grey			
	997 521 336 01	Cover	/R	1	I375/376/377 I378
15	997 521 336 01 D07 999 073 375 09	Mounting component Inner Volcano grey Screw Mount Backrest Seat adjuster		4	
16	999 073 306 09	Screw Mount Side airbag		2	

Model: 997T10

Model life 2010>>2013

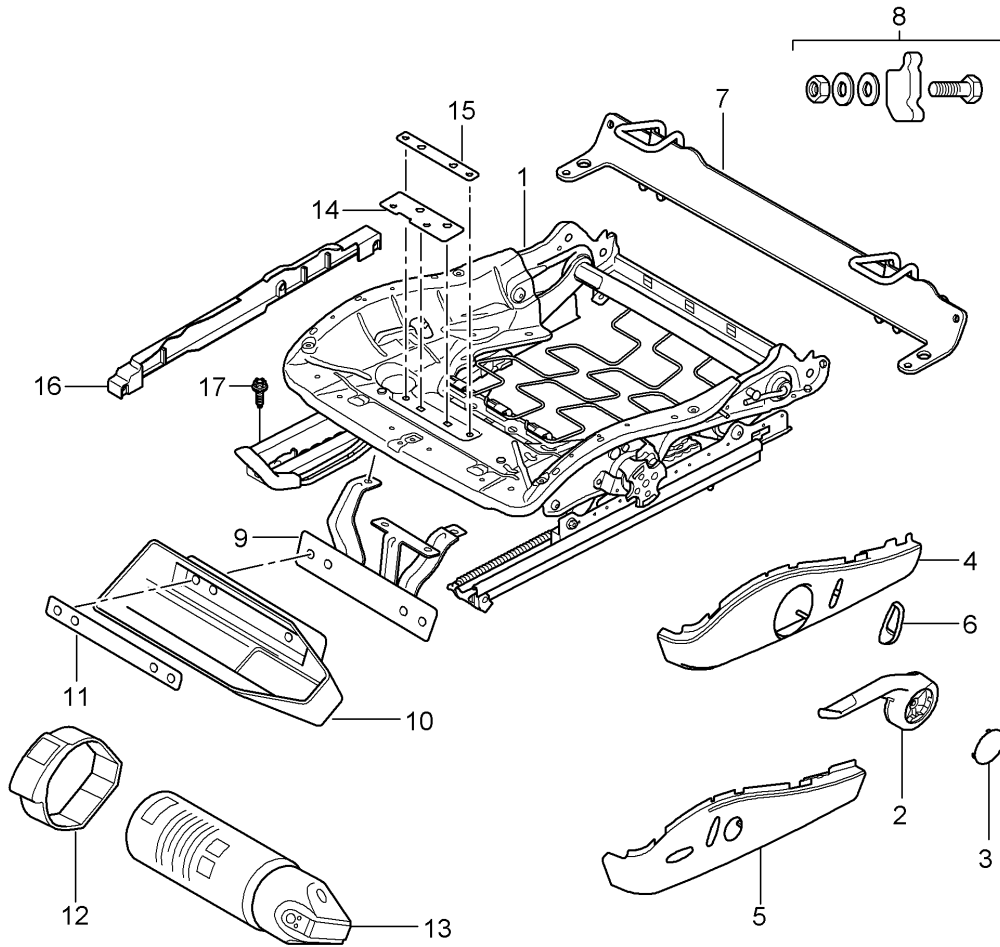
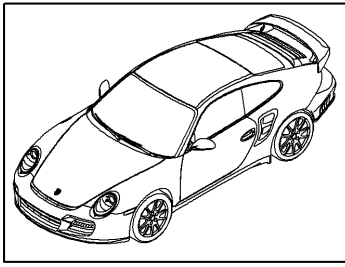


Model: 997T10 Model life 2010>>2013

Pos	Part Number	Description	Remark	Qty	Model
1	997 617 725 00	Lumbar support Seat width adjustment Seat adjuster Valve		1	I377/378/437 I438
(1)	997 617 726 00	Lumbar support without Memory Valve		1	I537/538
2	997 620 725 00	Lumbar support Memory Compressor		1	I377/378/437 I438 I437/438
3	997 521 709 01	Lumbar Lumbar support		1	I377/378/437 I438/537/538
(3)	997 521 709 03	Airbag with Memory Lumbar support		1	I437/438/537 I538/541
4	997 521 709 00	Airbag with Memory Lumbar support		1	I377/378
(4)	997 521 709 02	Airbag without Memory Lumbar support		1	I437/438/541
5	997 521 711 00	Airbag without Memory Container Air distributor Backrest side bolster	/L	1	I377/378
6	997 521 712 00	Container Air distributor Backrest side bolster	/R	1	I377/378
7	997 620 727 00	Compressor Adjustment Seat side bolster		1	I377/378
8	997 617 727 00	Valve Adjustment Seat Wide		1	I377/378
9	997 521 713 01	Container Air distributor Seat side bolster		1	I377/378

Model: 997T10

Model life 2010>>2013



Model: 997T10 Model life 2010>>2013

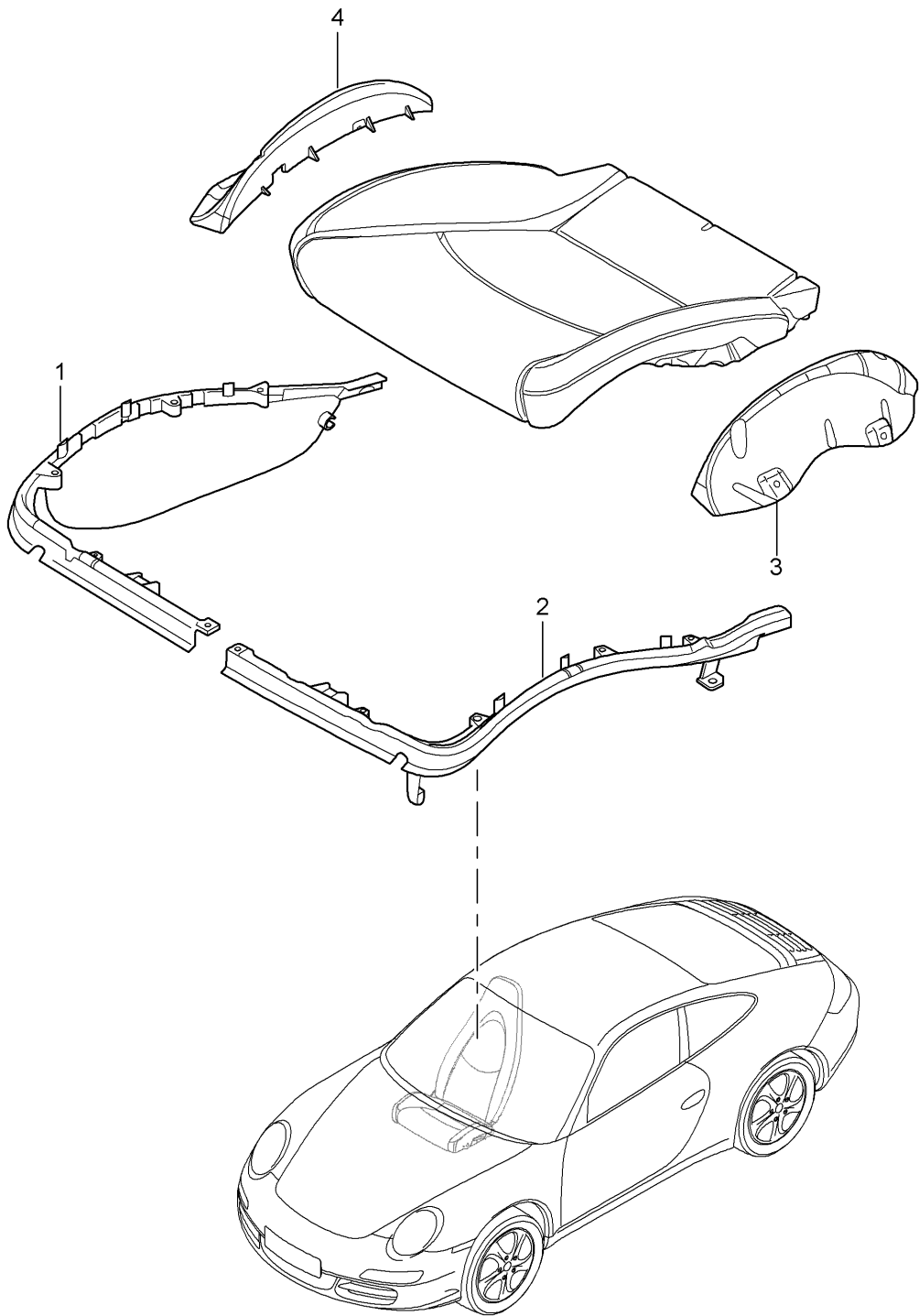
Pos	Part Number	Description	Remark	Qty	Model
1	997 521 201 10	Seat adjuster Sports seat Seat adjuster Manually Driver's side	/LL /L	1	I098/375
(1)	997 521 202 19	Seat adjuster Manually Driver's side	/RL /R	1	I099/376
(1)	997 521 202 23	Seat adjuster Manually Passenger's side	/R	1	I376/560
(1)	997 521 201 24	Seat adjuster Electric without Memory Driver's side	/L	1	I377
(1)	997 521 201 26	Seat adjuster Electric without Memory Driver's side	/L	1	I377/541
(1)	997 521 202 30	Seat adjuster Electric without Memory Driver's side	/R	1	I378
(1)	997 521 202 24	Seat adjuster Electric without Memory Driver's side	/R	1	I378/560
(1)	997 521 201 25	Seat adjuster Electric Memory Driver's side	/L	1	I377/537
(1)	997 521 201 27	Seat adjuster Electric Memory Driver's side	/L	1	I377/537/541
(1)	997 521 202 31	Seat adjuster Electric Memory Driver's side	/R	1	I378/538
(1)	997 521 202 20	Seat adjuster Manually Passenger's side	/LL /R	1	I098/376
(1)	997 521 201 11	Seat adjuster Manually Passenger's side	/RL /L	1	I099/375
2	997 521 627 01	Actuating lever Height adjustment	/L	1	I375
(2)	997 521 627 01 V05	Galvano silver			
(2)	997 521 628 01	Actuating lever Height adjustment	/R	1	I376
(2)	997 521 628 01 V05	Galvano silver			
3	997 521 629 01	Cap Height adjustment		2	I375/376
(4)	997 521 629 01 D07	Volcano grey			
4	997 521 325 06	Trim for switch	/L	1	I375
(4)	997 521 325 06 D07	Volcano grey			
(4)	997 521 326 06	Trim for switch	/R	1	I376
(4)	997 521 326 06 D07	Volcano grey			
(4)	997 521 326 09	Trim for switch	/R	1	I376/560

Model: 997T10 Model life 2010>>2013

Pos	Part Number	Description	Remark	Qty	Model
5	997 521 326 09 D07	Volcano grey			
	997 521 325 08	Trim for switch	/L	1	I377
(5)	997 521 325 08 D07	Volcano grey			
	997 521 326 08	Trim for switch	/R	1	I378
(5)	997 521 326 08 D07	Volcano grey			
	997 521 326 11	Trim for switch		1	I378/560
	997 521 326 11 D07	Volcano grey			
6	997 521 631 01	Control button	-10	1	I375/376/377 I378
		Backrest			
(6)	997 521 631 01 V05	Galvano silver			
	997 521 631 02	Control button	11-	1	I375/376/377 I378
		Backrest			
	997 521 631 02 V05	Galvano silver			
7	997 521 061 01	Retaining bow		1	
		Child car seat			
		Retaining bow			
		Not for			
		AUSTRALIEN			
8	997 521 961 01	Set of fastening parts		1	
		Retaining bow			
9	997 521 251 00	Support		1	I098/509
(9)	997 521 252 00	Fire extinguisher		1	I099/509
		Support			
		Fire extinguisher			
10	7PP 882 650	Cup		1	I509
		Fire extinguisher			
11	7PP 882 649	Insert		1	I509
		Cup			
		Fire extinguisher			
12	997 521 851 00	Restraining strap		1	I509
		Fire extinguisher			
13	996 722 115 00	Fire extinguisher		1	I509
		Information available			
		Information available			
14	997 521 841 00	Reinforcement		1	I509
		Front			
15	997 521 843 00	Reinforcement		1	I509
		Rear			
16	997 521 427 01	Cover	/L	1	I376/378/560
		Sensor			
		Weight			
(16)	997 521 427 01 01C	Satin black			
	997 521 426 01	Cover	/R	1	I376/378/560
		Sensor			
		Weight			
	997 521 426 01 01C	Satin black			
17	999 141 047 01	Torx screw		4	
		Seat rail			
		Mount			

Model: 997T10

Model life 2010>>2013





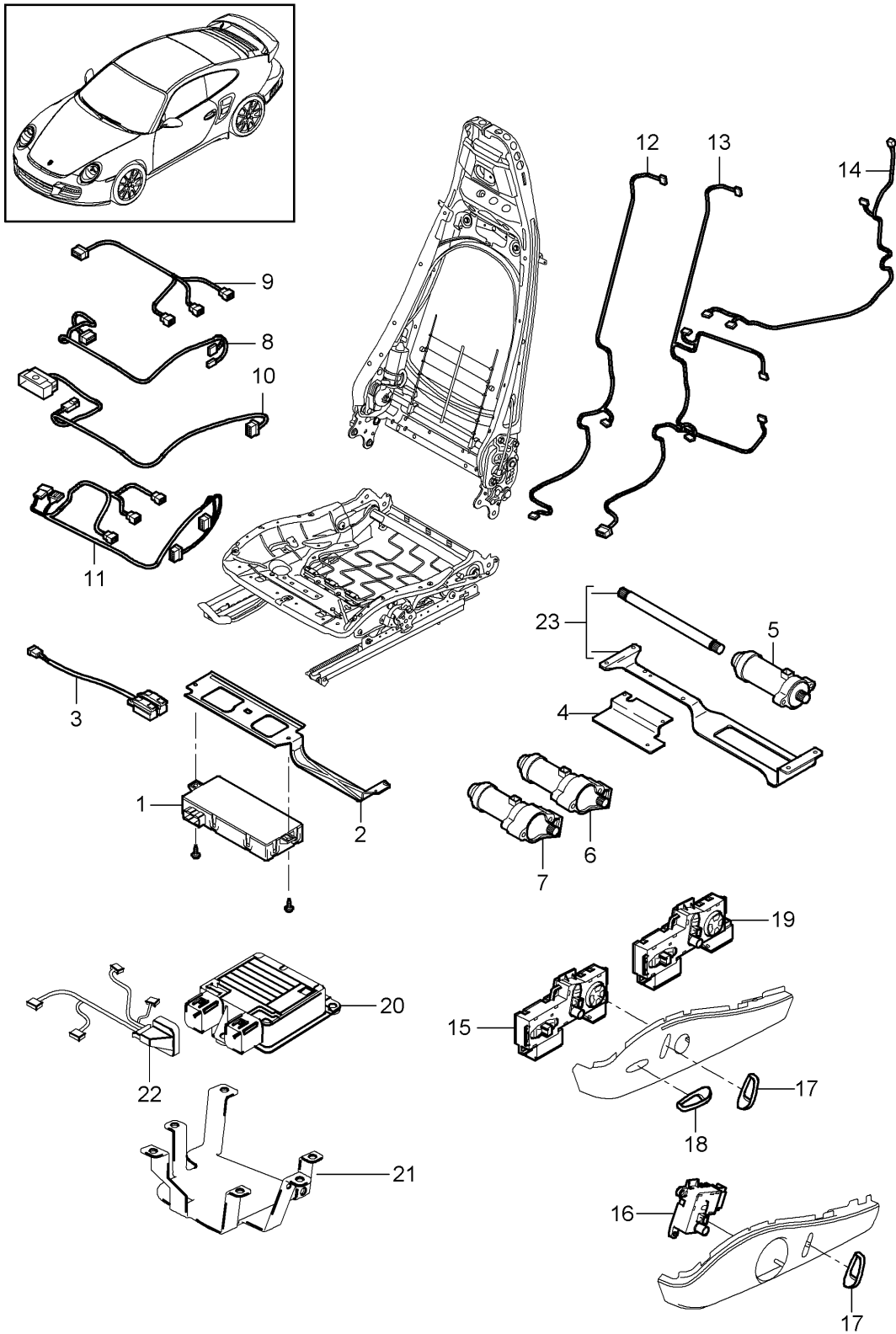
Model: 997T10

Model life 2010>>2013

Pos	Part Number	Description	Remark	Qty	Model
		Cushion carrier			
		Frame			
		Seat surface			
		Sports seat			
1	997 521 547 00	Frame	/L	1	I376/378
		Inner			
(1)	997 521 548 00	Frame	/R	1	I375/377
		Inner			
2	997 521 545 00	Frame	/L	1	I375/377
		Outer			
(2)	997 521 546 00	Frame	/R	1	I376/378
		Outer			
(2)	997 521 546 01	Frame	/R	1	I376/378/560
		Outer			
3	997 521 519 00	Supporting plate	/L	1	I377/378
		Seat cushion			
4	997 521 520 00	Supporting plate	/R	1	I377/378
		Seat cushion			

Model: 997T10

Model life 2010>>2013



Model: 997T10 Model life 2010>>2013

Pos	Part Number	Description	Remark	Qty	Model
		Wiring harnesses Switch Control unit Electric motor Sports seat			
1	997 618 537 07	Control unit Seating position control		1	I537/538
2	997 521 643 01	Support Control unit Seating position control		1	I537/538
3	997 613 725 00	Switch Seat adjuster		1	I377
(3)	997 613 725 00 V05	Galvano silver		1	I378
	997 613 726 00	Switch Seat adjuster			
4	997 613 726 00 V05	Galvano silver		1	I377/378
	997 521 343 00	Support Electric motor			
5	997 624 322 00	Electric motor Seat adjuster		1	I377/378
		Lengthways without Memory			
(5)	997 624 332 00	Electric motor Seat adjuster		1	I537/538
		Lengthways with Memory			
6	997 624 322 00	Electric motor Seat adjuster Height adjustment without Memory		1	I377/378
(6)	997 624 332 00	Electric motor Seat adjuster		1	I537/538
		Height adjustment with Memory			
7	997 624 323 00	Electric motor Seat adjuster Tilt angle without Memory		1	I377/378
(7)	997 624 333 00	Electric motor Seat adjuster		1	I537/538
		Tilt angle with Memory			
8	997 612 684 00	Wiring harness Switch Seat adjuster Memory		1	I537/538
9	997 612 690 00	Wiring harness Lengthways Height adjustment Memory		1	I537/538
10	997 612 682 01	Wiring harness Switch Seat adjuster		1	I375/376
11	997 612 691 02	Wiring harness Switch		1	I377/378
		without Memory			

Model: 997T10 Model life 2010>>2013

Pos	Part Number	Description	Remark	Qty	Model
12	997 612 689 00	Wiring harness Lumbar support without Memory		1	I377/378
13	997 612 692 01	Wiring harness  Backrest Lumbar with Memory		1	I377/378/537 I538
14	997 612 685 01	Wiring harness Backrest without Memory	/L	1	I375/377
(14)	997 612 686 01	Wiring harness Backrest without Memory	/R	1	I376/378
15	997 613 721 01	Switch Seat adjuster Memory switch	/L	1	I377/537
(15)	997 613 721 01 V05 997 613 722 01	Galvano silver Switch Seat adjuster Memory switch	/R	1	I378/538
16	997 613 722 01 V05 997 613 713 00	Galvano silver Switch Seat adjuster Manually adjustable	/L -10	1	I375
(16)	997 613 713 01	Switch Seat adjuster Manually adjustable	/L 11-	1	I375
(16)	997 613 714 00	Switch Seat adjuster Manually adjustable	/R -10	1	I376
(16)	997 613 714 01	Switch Seat adjuster Manually adjustable	/R 11-	1	I376
17	997 521 631 01	Control button  Backrest	-10	1	I375/376/377 I378
(17)	997 521 631 01 V05 997 521 631 02	Galvano silver Control button  Backrest	11-	1	I375/376/377 I378
18	997 521 631 02 V05 997 521 633 02	Galvano silver Control button Seat cushion		1	I377/378
19	997 521 633 02 V05 997 613 717 01	Galvano silver Switch Seat adjuster without Memory	/L	1	I377
(19)	997 613 717 01 V05 997 613 718 01	Galvano silver Switch Seat adjuster without Memory	/R	1	I378
(20)	997 613 718 01 V05 997 618 233 05	Galvano silver Control unit		1	I376/378/389 I560
(21)	997 521 646 00	Seat occupancy detection Support		1	I376/378/560

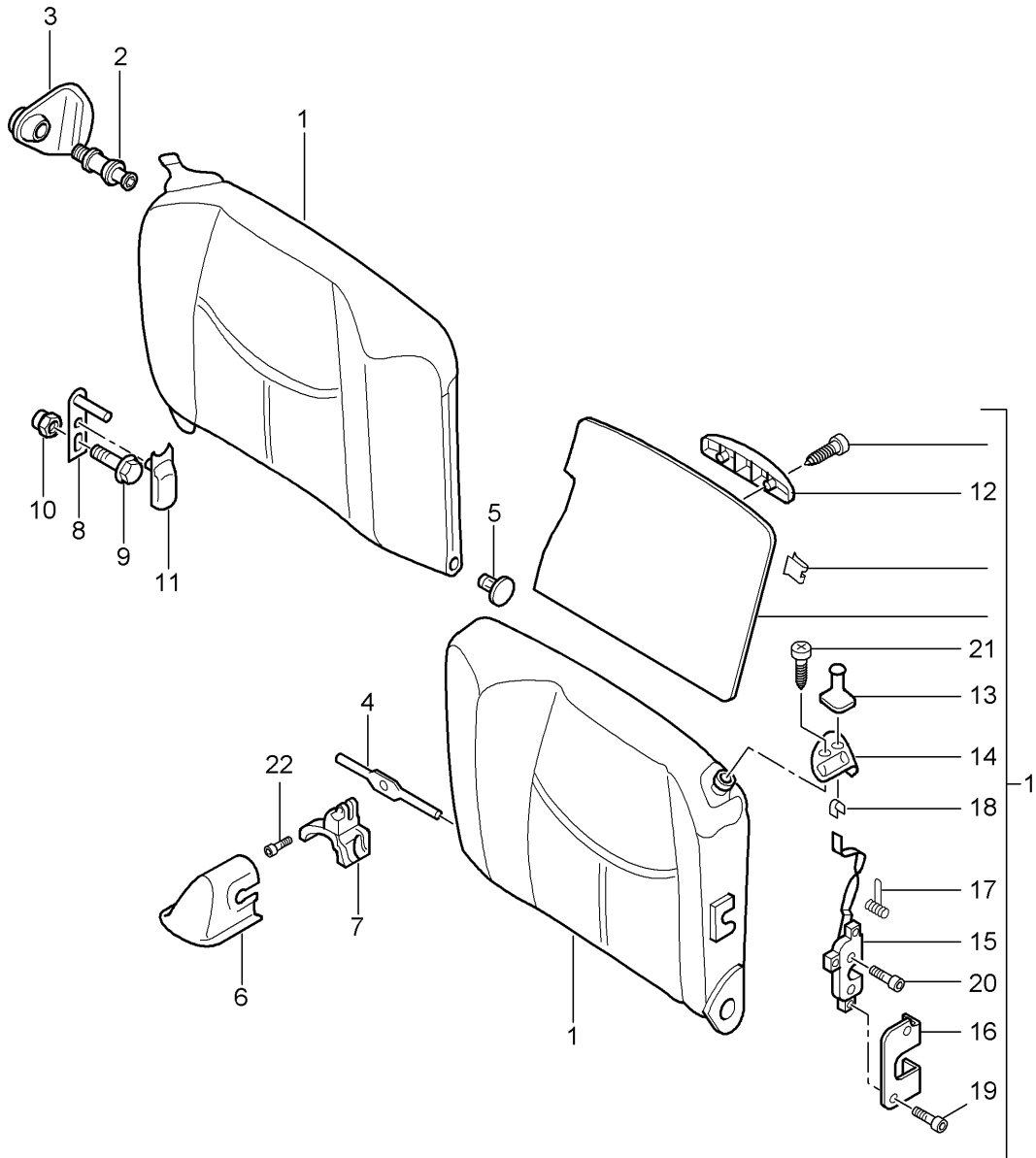
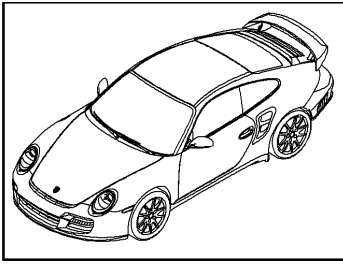
Model: 997T10

Model life 2010>>2013

Pos	Part Number	Description	Remark	Qty	Model
22	997 612 688 01	Control unit Seat occupancy detection Wiring harness		1	I376/378/560
(23)	997 521 901 00	Seat occupancy detection Repair kit Pliable shaft Engine bracket		1	
-	999 650 973 40	Clip Mount Wiring harness Seat occupancy detection		1	

Model: 997T10

Model life 2010>>2013



Model: 997T10

Model life 2010>>2013

Pos	Part Number	Description	Remark	Qty	Model
		Back seat backrest Accessories			Coupe
1	997 522 011 07	Back seat backrest	/L	1	I685/936
	997 522 011 07 8YR	Black			
	997 522 011 07 5X5	Stone grey			
	997 522 011 07 8G1	Sand Beige			
	997 522 011 07 3S8	Sea blue			
	997 522 011 07 9N2	Terracotta			
	997 522 011 07 9Q3	Cocoa			
	997 522 011 07 D11	Dark grey/natural			
	997 522 011 07 T11	Brown/natural			
	997 522 011 07 N11	Carrera Red			
(1)	997 522 012 07	Back seat backrest	/R	1	I685/936
	997 522 012 07 8YR	Black			
	997 522 012 07 5X5	Stone grey			
	997 522 012 07 8G1	Sand Beige			
	997 522 012 07 3S8	Sea blue			
	997 522 012 07 9N2	Terracotta			
	997 522 012 07 9Q3	Cocoa			
	997 522 012 07 D11	Dark grey/natural			
	997 522 012 07 T11	Brown/natural			
	997 522 012 07 N11	Carrera Red			
(1)	997 522 011 08	Back seat backrest	/L	1	I685/939
	997 522 011 08 8YR	Black			
	997 522 011 08 5X5	Stone grey			
	997 522 011 08 8G1	Sand Beige			
	997 522 011 08 3S8	Sea blue			
	997 522 011 08 9N2	Terracotta			
	997 522 011 08 9Q3	Cocoa			
	997 522 011 08 D11	Dark grey/natural			
	997 522 011 08 T11	Brown/natural			
	997 522 011 08 N11	Carrera Red			
(1)	997 522 012 08	Back seat backrest	/R	1	I685/939
	997 522 012 08 8YR	Black			
	997 522 012 08 5X5	Stone grey			
	997 522 012 08 8G1	Sand Beige			
	997 522 012 08 3S8	Sea blue			
	997 522 012 08 9N2	Terracotta			
	997 522 012 08 9Q3	Cocoa			
	997 522 012 08 D11	Dark grey/natural			
	997 522 012 08 T11	Brown/natural			
	997 522 012 08 N11	Carrera Red			
(1)	997 522 011 15	Back seat backrest	/L	1	I018/437/685 I936
	997 522 011 15 8YR	Black			
(1)	997 522 012 15	Back seat backrest	/R	1	I018/438/685 I936
	997 522 012 15 8YR	Black			
(1)	997 522 011 24	Back seat backrest	/L	1	I018/377/685 I936
	997 522 011 24 8YR	Black			
(1)	997 522 012 24	Back seat backrest	/R	1	I018/378/685 I936
	997 522 012 24 8YR	Black			
2	996 522 267 06	Bolt		2	I685
		Locking device			
3	997 522 095 01	Stop	/L	1	I685
	997 522 095 01 01C	Satin black			
(3)	997 522 096 01	Stop	/R	1	I685
	997 522 096 01 01C	Satin black			
4	997 522 615 01	Bearing shaft		1	I685
-	999 073 436 01	Combination screw		1	I685
		Bearing shaft			

Model: 997T10

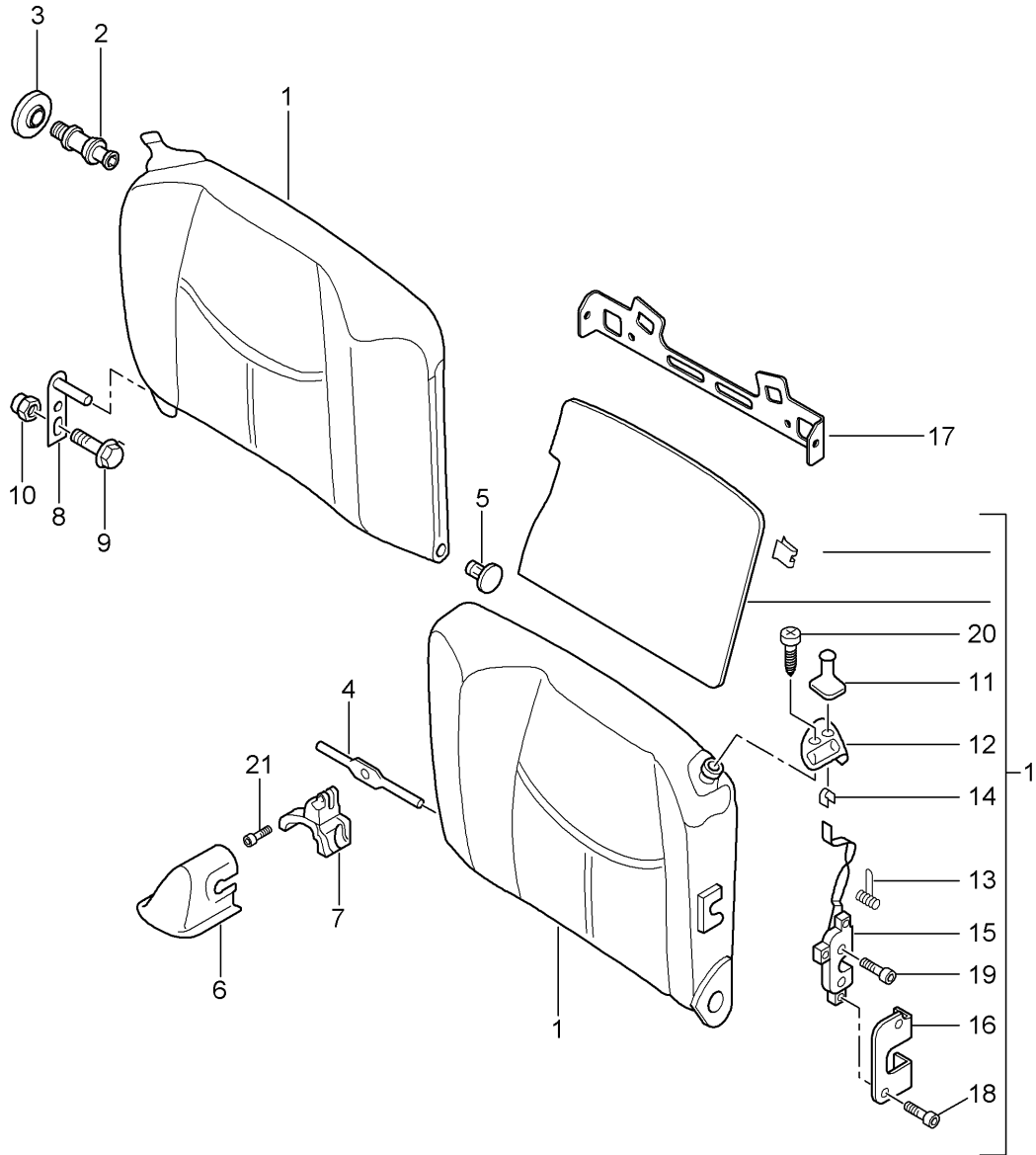
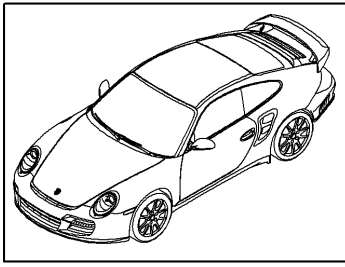
Model life 2010&gt;&gt;2013

Pos	Part Number	Description	Remark	Qty	Model
5	996 522 571 00	Protection washer		1	I685
	996 522 571 00 01C	Satin black			
6	996 522 431 02	Cover		1	I685
	996 522 431 02 01C	Satin black			
7	996 522 333 00	Bracket		1	I685
8	997 522 211 00	Bearing		2	I685
		Outer			
9	999 073 138 01	Round head screw		2	I685
		M 8 X 25			
10	996 522 271 00	Bush		2	I685
11	996 522 425 01	Cover		1	I685
	996 522 425 01 01C	Satin black			
12	996 522 421 00	Stop		2	I685
		Backrest			
	996 522 421 00 01C	Satin black			
13	997 522 321 00	Actuating lever	/L	1	I685
		Backrest			
	997 522 321 00 01C	Satin black			
(13)	997 522 322 00	Actuating lever	/R	1	I685
		Backrest			
	997 522 322 00 01C	Satin black			
14	996 522 315 00	Rosette	/L	1	I685
		Control button			
	996 522 315 00 01C	Satin black			
(14)	996 522 316 00	Rosette	/R	1	I685
		Control button			
	996 522 316 00 01C	Satin black			
15	996 522 281 02	Lock	/L	1	I685
		Backrest			
(15)	996 522 282 02	Lock	/R	1	I685
		Backrest			
16	997 522 771 00	Trim cover	/L	1	I685
		Lock			
	997 522 771 00 01C	Satin black			
(16)	997 522 772 00	Trim cover	/R	1	I685
		Lock			
	997 522 772 00 01C	Satin black			
17	996 522 653 00	Spring		2	I685
		Lock			
18	999 507 630 01	Clamp		2	I685
		Control button			
19	999 073 049 02	Tapping screw		4	I685
		ST 3,5 X 16			
20	900 269 028 03	Countersunk-head screw		4	I685
		M 8 X 30			
21	900 145 041 07	Tapping screw		4	I685
		B 3,5 X 16			
22	999 073 436 01	Combination screw		1	I685
		M 5 X 16			



Model: 997T10

Model life 2010>>2013



Model: 997T10

Model life 2010&gt;&gt;2013

Pos	Part Number	Description	Remark	Qty	Model
		Back seat backrest Accessories			Cabrio
1	997 522 011 10	Back seat backrest	/L	1	I685/936
	997 522 011 10 8YR	Black			
	997 522 011 10 5X5	Stone grey			
	997 522 011 10 8G1	Sand Beige			
	997 522 011 10 3S8	Sea blue			
	997 522 011 10 9N2	Terracotta			
	997 522 011 10 9Q3	Cocoa			
	997 522 011 10 D11	Dark grey/natural			
	997 522 011 10 T11	Brown/natural			
	997 522 011 10 N11	Carrera Red			
	997 522 011 10 TLA	Black/Cream			
	997 522 011 10 FLI	Black/Titanium Blue			
(1)	997 522 012 10	Back seat backrest	/R	1	I685/936
	997 522 012 10 8YR	Black			
	997 522 012 10 5X5	Stone grey			
	997 522 012 10 8G1	Sand Beige			
	997 522 012 10 3S8	Sea blue			
	997 522 012 10 9N2	Terracotta			
	997 522 012 10 9Q3	Cocoa			
	997 522 012 10 D11	Dark grey/natural			
	997 522 012 10 T11	Brown/natural			
	997 522 012 10 N11	Carrera Red			
	997 522 012 10 TLA	Black/Cream			
	997 522 012 10 FLI	Black/Titanium Blue			
(1)	997 522 011 11	Back seat backrest	/L	1	I685/939
	997 522 011 11 8YR	Black			
	997 522 011 11 5X5	Stone grey			
	997 522 011 11 8G1	Sand Beige			
	997 522 011 11 3S8	Sea blue			
	997 522 011 11 9N2	Terracotta			
	997 522 011 11 9Q3	Cocoa			
	997 522 011 11 D11	Dark grey/natural			
	997 522 011 11 T11	Brown/natural			
	997 522 011 11 N11	Carrera Red			
(1)	997 522 012 11	Back seat backrest	/R	1	I685/939
	997 522 012 11 8YR	Black			
	997 522 012 11 5X5	Stone grey			
	997 522 012 11 8G1	Sand Beige			
	997 522 012 11 3S8	Sea blue			
	997 522 012 11 9N2	Terracotta			
	997 522 012 11 9Q3	Cocoa			
	997 522 012 11 D11	Dark grey/natural			
	997 522 012 11 T11	Brown/natural			
	997 522 012 11 N11	Carrera Red			
(1)	997 522 011 18	Back seat backrest	/L	1	I018/437/685 I936
	997 522 011 18 8YR	Black			
(1)	997 522 012 18	Back seat backrest	/R	1	I018/438/685 I936
	997 522 012 18 8YR	Black			
(1)	997 522 011 25	Back seat backrest	/L	1	I018/377/685 I936
	997 522 011 25 8YR	Black			
(1)	997 522 012 25	Back seat backrest	/R	1	I018/378/685 I936
	997 522 012 25 8YR	Black			
2	996 522 267 07	Bolt		2	I685
		Locking device			
3	996 522 097 08	Rosette		2	I685
	996 522 097 08 01C	Satin black			
4	997 522 615 01	Bearing shaft		1	I685

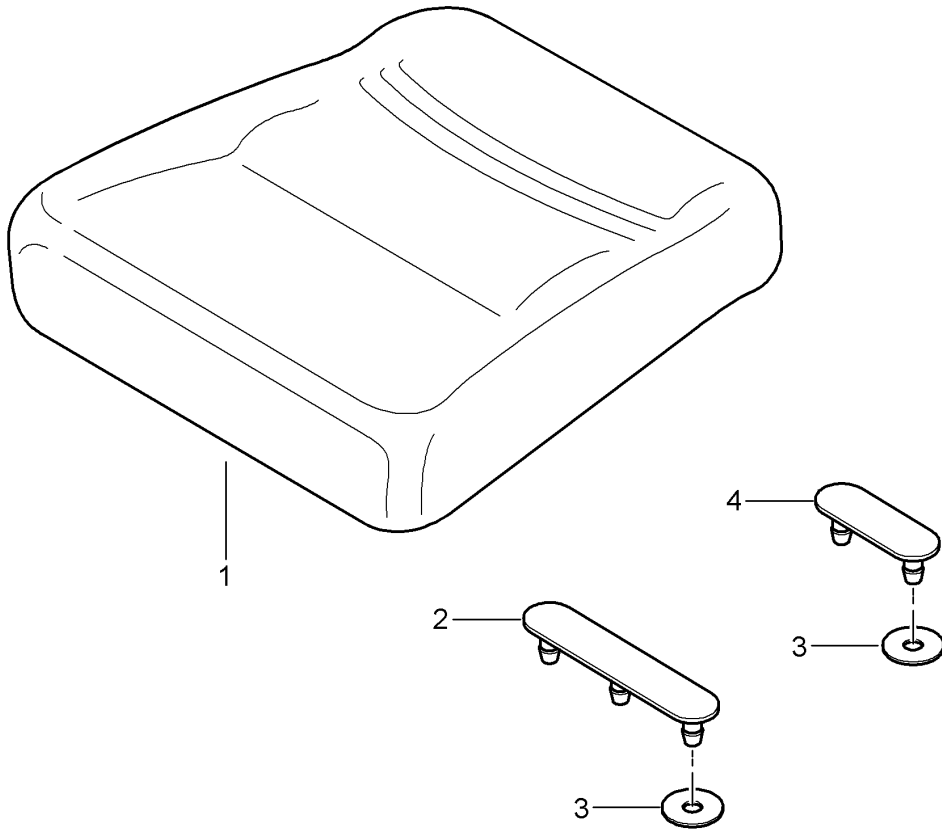
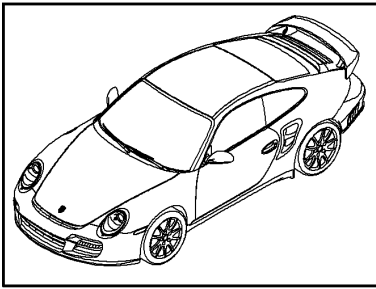
Model: 997T10

Model life 2010>>2013

Pos	Part Number	Description	Remark	Qty	Model
-	999 073 436 01	Combination screw Bearing shaft		1	I685
5	996 522 571 00 996 522 571 00 01C	Protection washer Satin black		1	I685
6	996 522 431 02 996 522 431 02 01C	Cover Satin black		1	I685
7	996 522 041 00	Bearing		1	
8	997 522 211 00	Bearing Outer		2	I685
9	999 073 138 01	Round head screw M 8 X 25		2	I685
10	996 522 271 00	Bush		2	I685
11	997 522 321 00 997 522 321 00 01C	Actuating lever Satin black	/L	1	I685
(11)	997 522 322 00 997 522 322 00 01C	Actuating lever Satin black	/R	1	I685
12	996 522 315 00 996 522 315 00 01C	Rosette Satin black	/L	1	I685
(12)	996 522 316 00 996 522 316 00 01C	Rosette Satin black	/R	1	I685
13	996 522 653 00	Spring Lock		2	I685
14	999 507 630 01	Clamp Control button		2	I685
15	996 522 281 02	Lock Backrest	/L	1	I685
(15)	996 522 282 02	Lock Backrest	/R	1	I685
16	997 522 771 00 997 522 771 00 01C	Trim cover Satin black	/L	1	I685
(16)	997 522 772 00 997 522 772 00 01C	Trim cover Satin black	/R	1	I685
17	997 803 721 00	Support Child car seat Filler plate Back seat backrest		1	I335/479
18	999 073 049 02	Tapping screw ST 4,3 X 16		4	I685
19	900 269 028 03	Countersunk-head screw M 8 X 30		4	I685
20	900 145 041 07	Tapping screw B 3,5 X 16		4	I685
21	999 073 436 01	Combination screw M 5 X 16		1	I685

Model: 997T10

Model life 2010>>2013

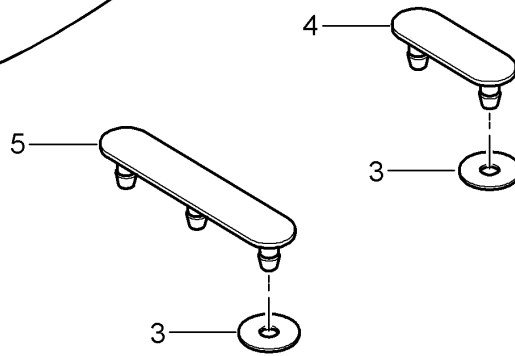
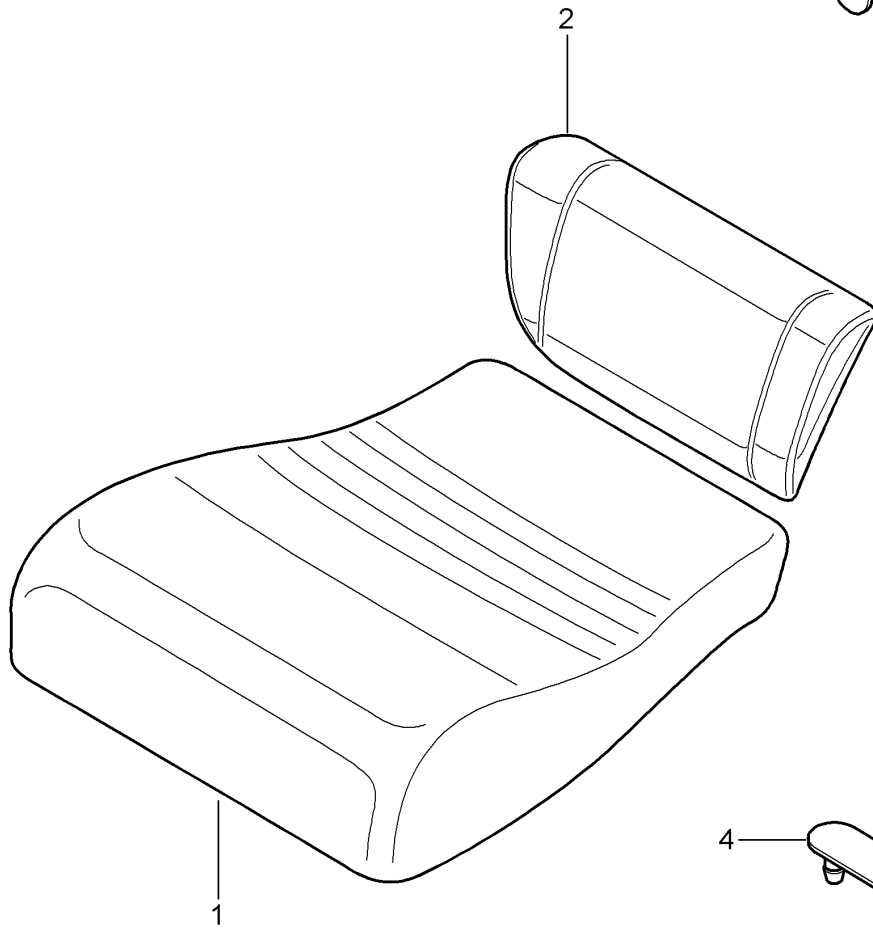
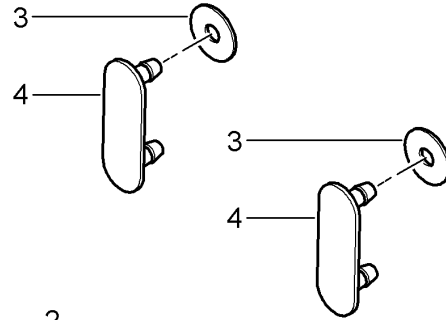
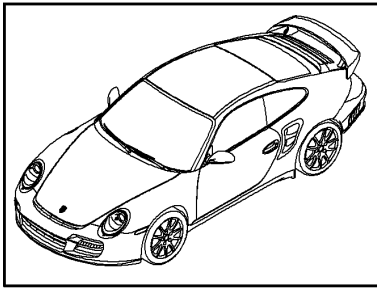


Model: 997T10 Model life 2010>>2013

Pos	Part Number	Description	Remark	Qty	Model
1	997 522 051 01	Back seat cushion	/L	1	Coupe
	997 522 051 01 8YR	Black			I685/936
	997 522 051 01 5X5	Stone grey			
	997 522 051 01 8G1	Sand Beige			
	997 522 051 01 3S8	Sea blue			
	997 522 051 01 9N2	Terracotta			
	997 522 051 01 9Q3	Cocoa			
	997 522 051 01 D11	Dark grey/natural			
	997 522 051 01 T11	Brown/natural			
	997 522 051 01 N11	Carrera Red			
	997 522 051 01 8C0	Espresso			
(1)	997 522 052 01	Back seat cushion	/R	1	I685/936
	997 522 052 01 8YR	Black			
	997 522 052 01 5X5	Stone grey			
	997 522 052 01 8G1	Sand Beige			
	997 522 052 01 3S8	Sea blue			
	997 522 052 01 9N2	Terracotta			
	997 522 052 01 9Q3	Cocoa			
	997 522 052 01 D11	Dark grey/natural			
	997 522 052 01 T11	Brown/natural			
	997 522 052 01 N11	Carrera Red			
	997 522 052 01 8C0	Espresso			
(1)	997 522 051 02	Back seat cushion	/L	1	I685/939
	997 522 051 02 8YR	Black			
	997 522 051 02 5X5	Stone grey			
	997 522 051 02 8G1	Sand Beige			
	997 522 051 02 3S8	Sea blue			
	997 522 051 02 9N2	Terracotta			
	997 522 051 02 9Q3	Cocoa			
	997 522 051 02 D11	Dark grey/natural			
	997 522 051 02 T11	Brown/natural			
	997 522 051 02 N11	Carrera Red			
(1)	997 522 052 02	Back seat cushion	/R	1	I685/939
	997 522 052 02 8YR	Black			
	997 522 052 02 5X5	Stone grey			
	997 522 052 02 8G1	Sand Beige			
	997 522 052 02 3S8	Sea blue			
	997 522 052 02 9N2	Terracotta			
	997 522 052 02 9Q3	Cocoa			
	997 522 052 02 D11	Dark grey/natural			
	997 522 052 02 T11	Brown/natural			
	997 522 052 02 N11	Carrera Red			
(1)	997 522 051 14	Back seat cushion	/L	1	I018/685/936
	997 522 051 14 8YR	Black			
(1)	997 522 052 14	Back seat cushion	/R	1	I018/685/936
	997 522 052 14 8YR	Black			
2	997 551 893 01	Clip Triple		X	I685
3	997 551 897 01	Lock washer		X	I685
4	997 551 895 01	Clip Double		X	I685

Model: 997T10

Model life 2010>>2013



Model: 997T10 Model life 2010>>2013

Pos	Part Number	Description	Remark	Qty	Model
1	997 522 051 10	Back seat cushion	/L	1	Cabrio I685/936
	997 522 051 10 8YR	Black			
	997 522 051 10 5X5	Stone grey			
	997 522 051 10 8G1	Sand Beige			
	997 522 051 10 3S8	Sea blue			
	997 522 051 10 9N2	Terracotta			
	997 522 051 10 9Q3	Cocoa			
	997 522 051 10 D11	Dark grey/natural			
	997 522 051 10 T11	Brown/natural			
	997 522 051 10 N11	Carrera Red			
	997 522 051 10 6G0	Cream	11-		
(1)	997 522 052 10	Back seat cushion	/R	1	I685/936
	997 522 052 10 8YR	Black			
	997 522 052 10 5X5	Stone grey			
	997 522 052 10 8G1	Sand Beige			
	997 522 052 10 3S8	Sea blue			
	997 522 052 10 9N2	Terracotta			
	997 522 052 10 9Q3	Cocoa			
	997 522 052 10 D11	Dark grey/natural			
	997 522 052 10 T11	Brown/natural			
	997 522 052 10 N11	Carrera Red			
	997 522 052 10 6G0	Cream	11-		
(1)	997 522 051 11	Back seat cushion	/L	1	I685/939
	997 522 051 11 8YR	Black			
	997 522 051 11 5X5	Stone grey			
	997 522 051 11 8G1	Sand Beige			
	997 522 051 11 3S8	Sea blue			
	997 522 051 11 9N2	Terracotta			
	997 522 051 11 9Q3	Cocoa			
	997 522 051 11 D11	Dark grey/natural			
	997 522 051 11 T11	Brown/natural			
	997 522 051 11 N11	Carrera Red			
(1)	997 522 052 11	Back seat cushion	/R	1	I685/939
	997 522 052 11 8YR	Black			
	997 522 052 11 5X5	Stone grey			
	997 522 052 11 8G1	Sand Beige			
	997 522 052 11 3S8	Sea blue			
	997 522 052 11 9N2	Terracotta			
	997 522 052 11 9Q3	Cocoa			
	997 522 052 11 D11	Dark grey/natural			
	997 522 052 11 T11	Brown/natural			
	997 522 052 11 N11	Carrera Red			
(1)	997 522 051 17	Back seat cushion	/L	1	I018/685/936
	997 522 051 17 8YR	Black			
(1)	997 522 052 17	Back seat cushion	/R	1	I018/685/936
	997 522 052 17 8YR	Black			
2	997 522 235 01	Centre part	/L	1	I685/936
		Back seat backrest			
	997 522 235 01 8YR	Black			
	997 522 235 01 5X5	Stone grey			
	997 522 235 01 8G1	Sand Beige			
	997 522 235 01 3S8	Sea blue			
	997 522 235 01 9N2	Terracotta			
	997 522 235 01 9Q3	Cocoa			
	997 522 235 01 D11	Dark grey/natural			
	997 522 235 01 T11	Brown/natural			
	997 522 235 01 N11	Carrera Red			
(2)	997 522 236 01	Centre part	/R	1	I685/936
		Back seat backrest			
	997 522 236 01 8YR	Black			
	997 522 236 01 5X5	Stone grey			
	997 522 236 01 8G1	Sand Beige			

Model: 997T10

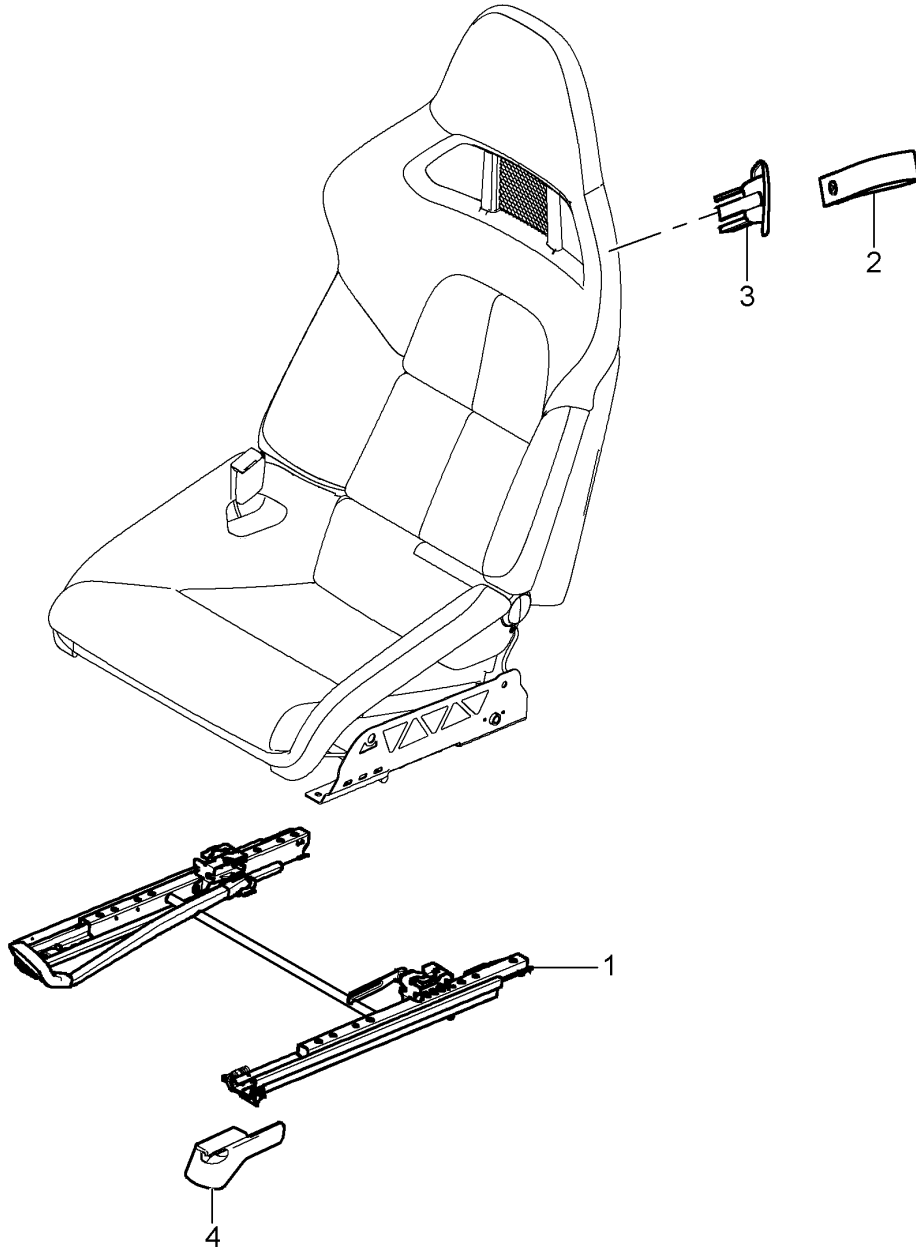
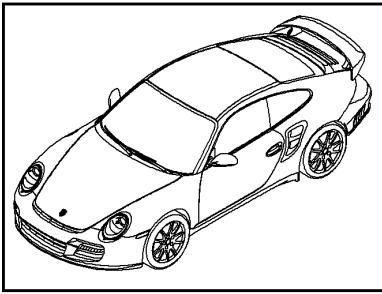
Model life 2010>>2013

Pos	Part Number	Description	Remark	Qty	Model
	997 522 236 01 3S8	Sea blue			
	997 522 236 01 9N2	Terracotta			
	997 522 236 01 9Q3	Cocoa			
	997 522 236 01 D11	Dark grey/natural			
	997 522 236 01 T11	Brown/natural			
	997 522 236 01 N11	Carrera Red			
(2)	997 522 235 02	Centre part	/L	1	I685/939
		Back seat backrest			
	997 522 235 02 8YR	Black			
	997 522 235 02 5X5	Stone grey			
	997 522 235 02 8G1	Sand Beige			
	997 522 235 02 3S8	Sea blue			
	997 522 235 02 9N2	Terracotta			
	997 522 235 02 9Q3	Cocoa			
	997 522 235 02 D11	Dark grey/natural			
	997 522 235 02 T11	Brown/natural			
	997 522 235 02 N11	Carrera Red			
(2)	997 522 236 02	Centre part	/R	1	I685/939
		Back seat backrest			
	997 522 236 02 8YR	Black			
	997 522 236 02 5X5	Stone grey			
	997 522 236 02 8G1	Sand Beige			
	997 522 236 02 3S8	Sea blue			
	997 522 236 02 9N2	Terracotta			
	997 522 236 02 9Q3	Cocoa			
	997 522 236 02 D11	Dark grey/natural			
	997 522 236 02 T11	Brown/natural			
	997 522 236 02 N11	Carrera Red			
(3)	997 551 897 01	Lock washer		X	I685
4	997 551 895 01	Clip		X	
		Double			
5	997 551 893 01	Clip		X	I685
		Triple			



Model: 997T10

Model life 2010>>2013

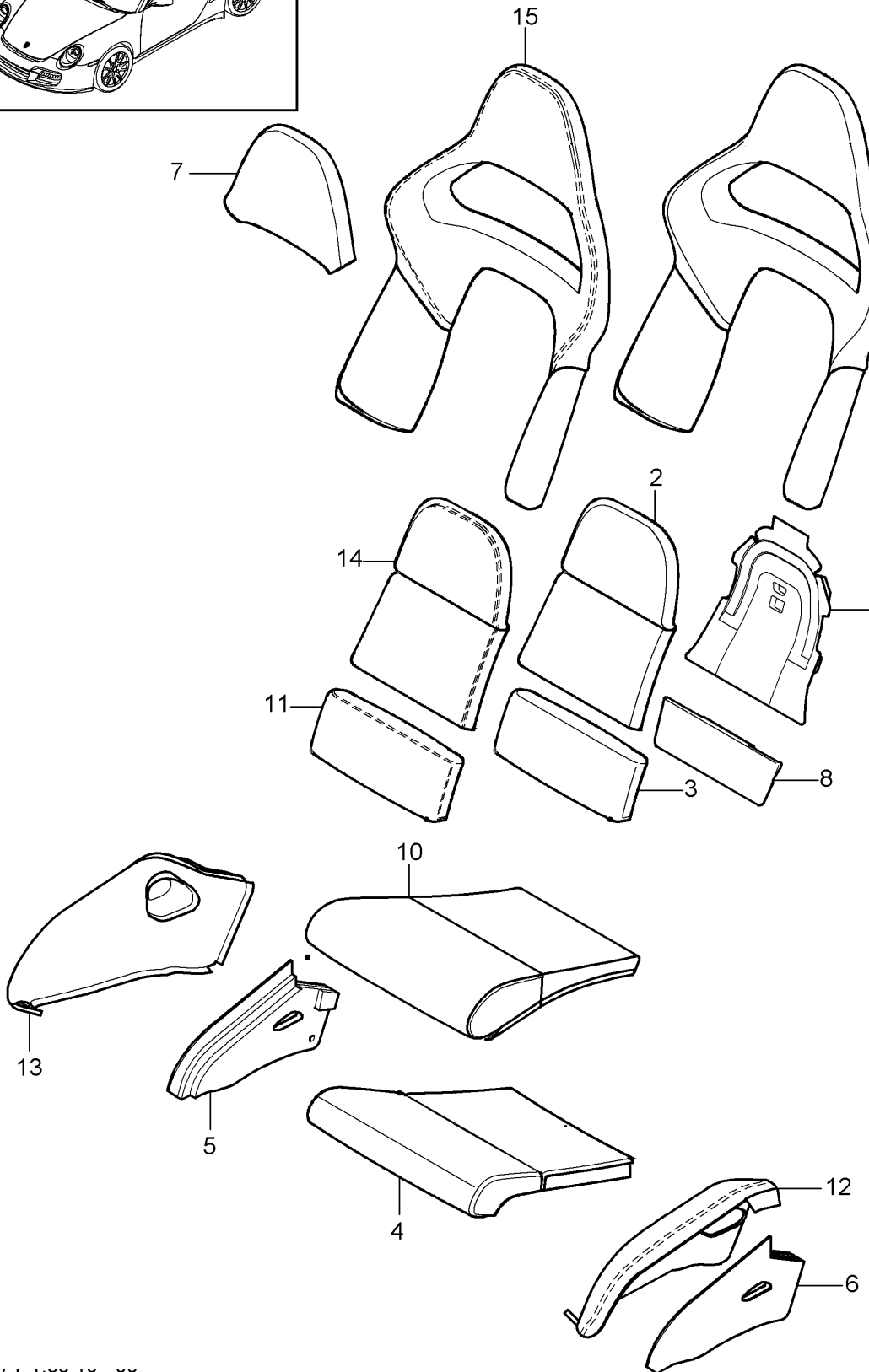
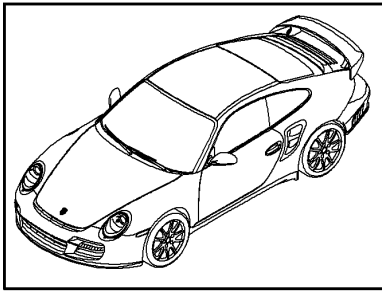


Model: 997T10 Model life 2010>>2013

Pos	Part Number	Description	Remark	Qty	Model
		Bucket seat Collapsible Complete Not available			COUPE CABRIO
(1)	997 521 430 01	Set Seat rail Passenger's side	/LL /R	1	I098/389
(1)	997 521 429 02	Set Seat rail Passenger's side	/RL /L	1	I099/388
2	997 521 539 00	Traction noose Backrest frame	/L	1	I388
	997 521 539 00 A80	Black			
(2)	997 521 540 00	Traction noose Backrest frame	/R	1	I389
	997 521 540 00 A80	Black			
3	997 521 538 00	Rosette Traction noose Backrest frame	/R	1	I389
	997 521 538 00 01C	Satin black			
(3)	997 521 537 00	Rosette Traction noose Backrest frame	/L	1	I388
	997 521 537 00 01C	Satin black			
4	997 521 359 01	Rail Seat rail Manually	/L	1	I388
	997 521 359 01 01C	Satin black			
(4)	997 521 360 01	Rail Seat rail Manually	/R	1	I389
	997 521 360 01 01C	Satin black			
(4)	997 521 361 00	Rail Seat rail	/L	1	I388
	997 521 361 00 01C	Satin black			
(4)	997 521 362 00	Rail Seat rail	/R	1	I389
	997 521 362 00 01C	Satin black			

Model: 997T10

Model life 2010>>2013



001110010 00

Model: 997T10 Model life 2010>>2013

Pos	Part Number	Description	Remark	Qty	Model
1	997 521 447 00	Foam part Cover Seat and backrest surface Bucket seat Collapsible		2	I388/389
2	997 521 448 00	Foam part Backrest Outer part		2	I388/389
3	997 521 441 00	Foam part Centre part Seat cushion		2	I388/389
4	997 521 440 00	Rear Foam part Seat cushion		2	I388/389
5	997 521 443 00	Front Foam part Seat cushion	/L	1	I388
(5)	997 521 444 00	Lateral Outer Left Foam part Seat cushion		1	I388
6	997 521 446 00	Lateral Inner Left Foam part Seat cushion	/R	1	I389
(6)	997 521 445 00	Lateral Outer Right Foam part Seat cushion	/R	1	I389
7	997 521 458 00	Lateral Inner Right Foam part Head rest		2	I388/389
8	997 521 456 00	Foam part Seat cushion		1	I388/389
9	997 521 457 00	Rear Foam part Backrest		1	I388/389
10	997 521 380 00	Cover for cushion Front		1	I388/389/983
	997 521 380 00 8YR	Black			
	997 521 380 00 5X5	Stone grey			
	997 521 380 00 8G1	Sand Beige			
	997 521 380 00 3S8	Sea blue			
	997 521 380 00 9N2	Terracotta			
	997 521 380 00 9Q3	Cocoa			
	997 521 380 00 D11	Dark grey/natural			
	997 521 380 00 T11	Brown/natural			
	997 521 380 00 N11	Carrera Red			
11	997 521 381 00	Cover for cushion Rear		1	I388/389/983
	997 521 381 00 8YR	Black			
	997 521 381 00 5X5	Stone grey			
	997 521 381 00 8G1	Sand Beige			
	997 521 381 00 3S8	Sea blue			
	997 521 381 00 9N2	Terracotta			
	997 521 381 00 9Q3	Cocoa			

Model: 997T10 Model life 2010>>2013

Pos	Part Number	Description	Remark	Qty	Model
12	997 521 381 00 D11	Dark grey/natural	/L	1	I388/983
	997 521 381 00 T11	Brown/natural			
	997 521 381 00 N11	Carrera Red			
	997 521 383 00	Cover			
		Lateral			
		Outer			
	997 521 383 00 8YR	Black			
	997 521 383 00 5X5	Stone grey			
	997 521 383 00 8G1	Sand Beige			
	997 521 383 00 3S8	Sea blue			
13	997 521 383 00 9N2	Terracotta	/L	1	I388/983
	997 521 383 00 9Q3	Cocoa			
	997 521 383 00 D11	Dark grey/natural			
	997 521 383 00 T11	Brown/natural			
	997 521 383 00 N11	Carrera Red			
	997 521 384 00	Cover			
		Lateral			
		Inner			
	997 521 384 00 8YR	Black			
	997 521 384 00 5X5	Stone grey			
(13)	997 521 384 00 8G1	Sand Beige	/R	1	I389/983
	997 521 384 00 3S8	Sea blue			
	997 521 384 00 9N2	Terracotta			
	997 521 384 00 9Q3	Cocoa			
	997 521 384 00 D11	Dark grey/natural			
	997 521 384 00 T11	Brown/natural			
	997 521 384 00 N11	Carrera Red			
	997 521 386 00	Cover			
		Lateral			
		Outer			
(13)	997 521 386 00 8YR	Black	/R	1	I389/983
	997 521 386 00 5X5	Stone grey			
	997 521 386 00 8G1	Sand Beige			
	997 521 386 00 3S8	Sea blue			
	997 521 386 00 9N2	Terracotta			
	997 521 386 00 9Q3	Cocoa			
	997 521 386 00 D11	Dark grey/natural			
	997 521 386 00 T11	Brown/natural			
	997 521 386 00 N11	Carrera Red			
	997 521 385 00	Cover			
14	997 521 385 00	Lateral	/R	1	I388/389/983
		Inner			
	997 521 385 00 8YR	Black			
	997 521 385 00 5X5	Stone grey			
	997 521 385 00 8G1	Sand Beige			
	997 521 385 00 3S8	Sea blue			
	997 521 385 00 9N2	Terracotta			
	997 521 385 00 9Q3	Cocoa			
	997 521 385 00 D11	Dark grey/natural			
	997 521 385 00 T11	Brown/natural			
14	997 521 385 00 N11	Carrera Red	/R	1	I388/389/983
	997 521 387 00	Cover			
		Centre part			
		Backrest			
	997 521 387 00 8YR	Black			
	997 521 387 00 5X5	Stone grey			
	997 521 387 00 8G1	Sand Beige			
	997 521 387 00 3S8	Sea blue			
	997 521 387 00 9N2	Terracotta			
	997 521 387 00 9Q3	Cocoa			
14	997 521 387 00 D11	Dark grey/natural	/R	1	I388/389/983
	997 521 387 00 T11	Brown/natural			
	997 521 387 00 N11	Carrera Red			

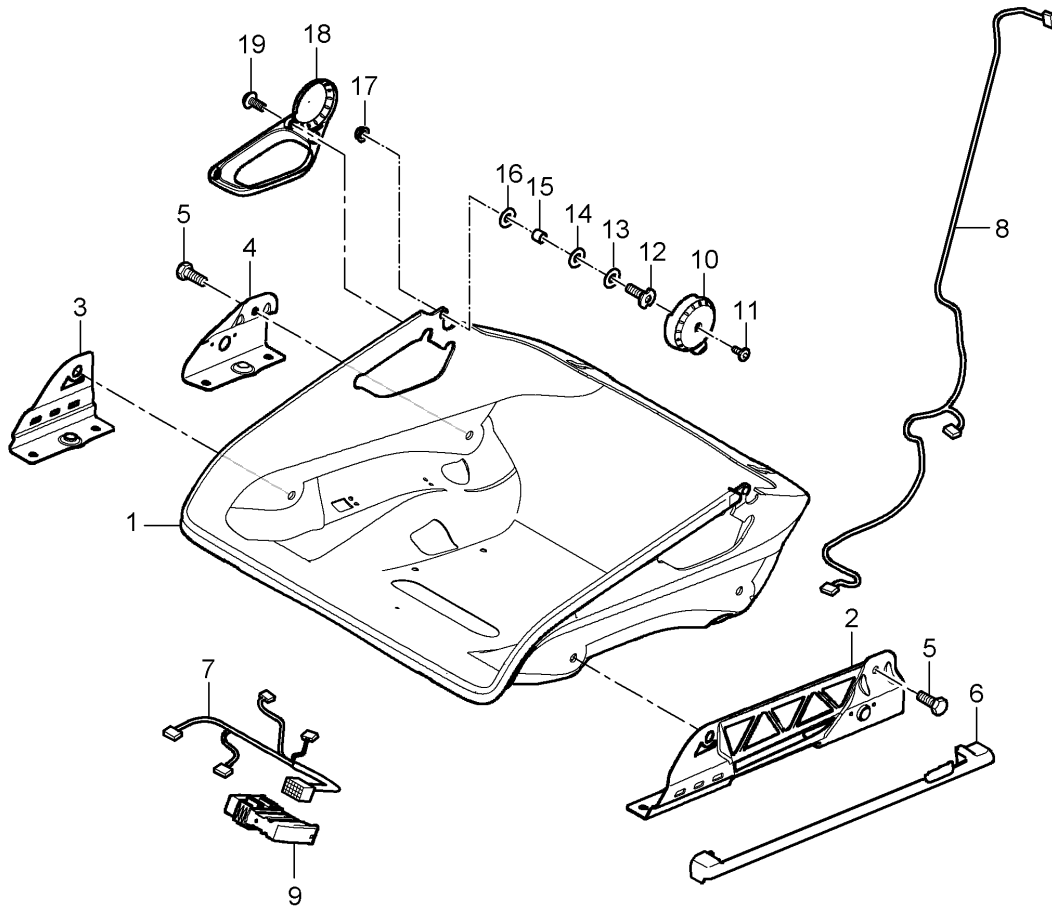
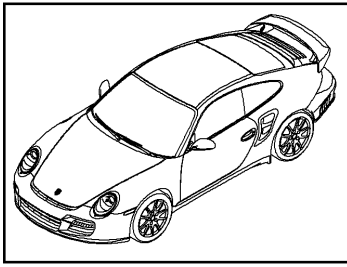
Model: 997T10

Model life 2010>>2013

Pos	Part Number	Description	Remark	Qty	Model
15	997 521 388 00	Cover		1	I388/389/983
		Backrest			
		Outer			
	997 521 388 00 8YR	Black			
	997 521 388 00 5X5	Stone grey			
	997 521 388 00 8G1	Sand Beige			
	997 521 388 00 3S8	Sea blue			
	997 521 388 00 9N2	Terracotta			
	997 521 388 00 9Q3	Cocoa			
	997 521 388 00 D11	Dark grey/natural			
	997 521 388 00 T11	Brown/natural			
	997 521 388 00 N11	Carrera Red			

Model: 997T10

Model life 2010>>2013



Model: 997T10 Model life 2010>>2013

Pos	Part Number	Description	Remark	Qty	Model
1	997 521 281 00	Bucket seat Collapsible Seat adjuster Accessories Cup Seat adjuster without Seat occupancy detection		2	I388/389
2	997 521 433 00	Adapter Seat adjuster Outer Left		1	I388
(2)	997 521 434 00	Adapter Seat adjuster Outer Right		1	I389
3	997 521 436 00	Adapter Seat adjuster Inner front Right		1	I388
(3)	997 521 435 00	Adapter Seat adjuster Inner front Left without Seat occupancy detection		1	I389
4	997 521 438 00	Adapter Seat adjuster Inner rear Right		1	I388
(4)	997 521 437 00	Adapter Seat adjuster Inner rear Left without Seat occupancy detection		1	I389
5	999 217 168 01	Hexagon-head bolt M 8 X 16 Mount Seat rail		4	
6	997 521 427 03	Bucket seat Cover Sensor Seat occupancy detection	/L	1	I389/560
(6)	997 521 427 03 01C 997 521 426 03	Satin black Cover Sensor Seat occupancy detection	/R	1	I389/560
7	997 521 426 03 01C 997 612 688 11	Satin black Wiring harness Seat occupancy detection		1	I389/560
8	997 612 785 10	Wiring harness Side airbag		1	I388/389
9	997 618 233 05	Control unit Seat occupancy detection		1	I389/560
10	997 521 563 00	Cover Hinge Inner	/L	1	
(10)	997 521 563 00 01C 997 521 564 00	Satin black Cover Hinge Inner	/R	1	
	997 521 564 00 01C	Satin black			

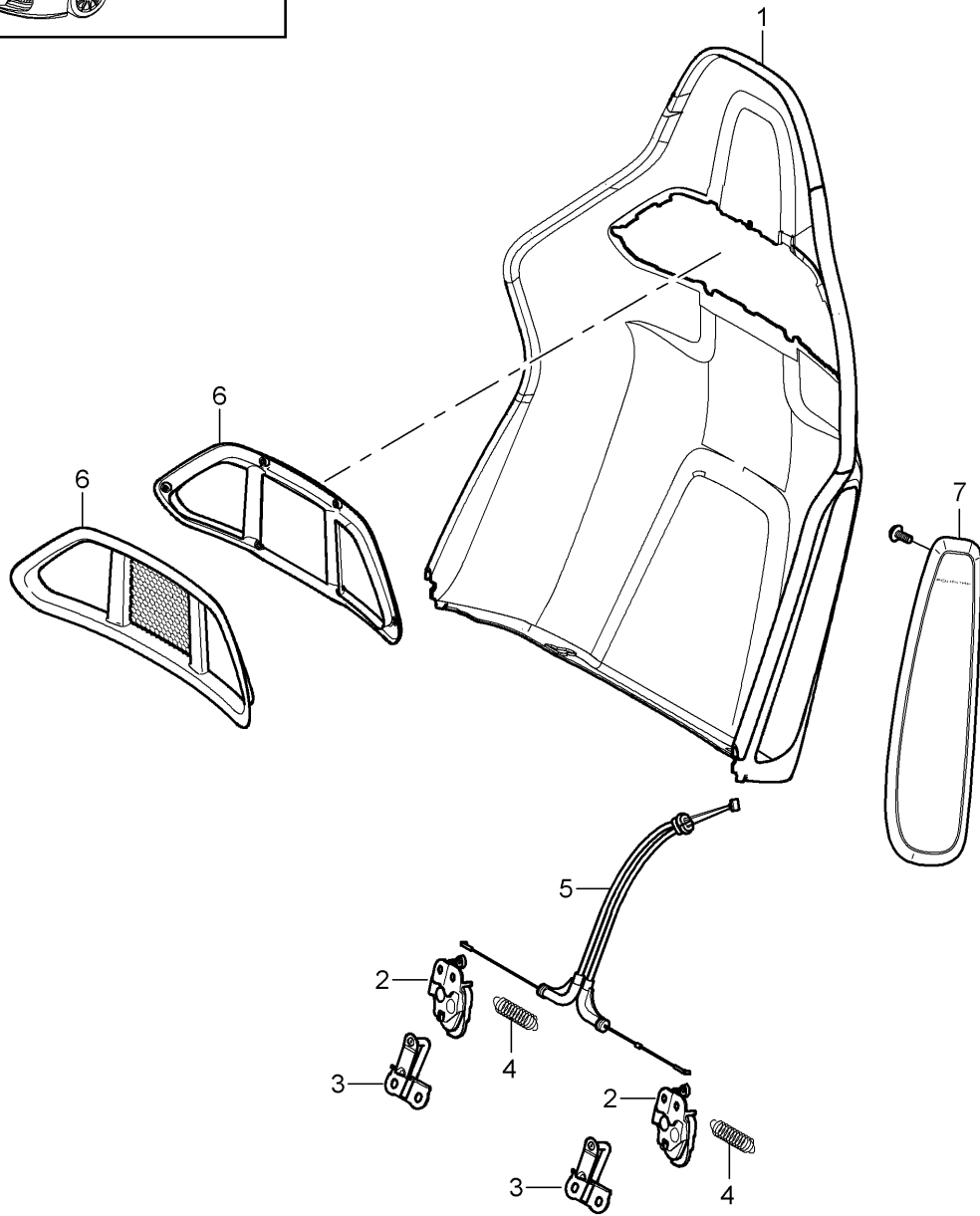
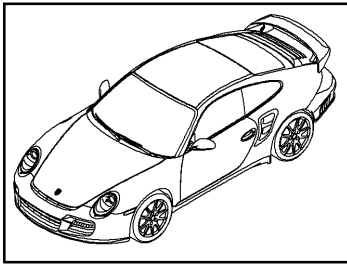


Model: 997T10 Model life 2010>>2013

Pos	Part Number	Description	Remark	Qty	Model
11	999 073 456 01	Round head screw M4 X 12 Mount Cover Inner		2	
12	997 521 690 00	Bearing pin Backrest shell Cup Lower		2	
13	999 523 019 01	Cup spring A25		2	
14	999 234 034 00	Shim		2	
15	999 924 136 40	Plain bearing F12 X 5 X 14		2	
16	999 025 122 40	Thrust washer 20 X 12 X 0,5		2	
17	900 380 024 01	Outer hexagon round nut M8		2	
18	997 521 561 00	Cover Seat belt Lower	/L	1	
(18)	997 521 561 00 01C	Satin black			
	997 521 562 00	Cover Seat belt Lower	/R	1	
	997 521 562 00 01C	Satin black			
19	999 141 049 01	Lens-head screw M5 X 10 Mount Cover		3	

Model: 997T10

Model life 2010>>2013

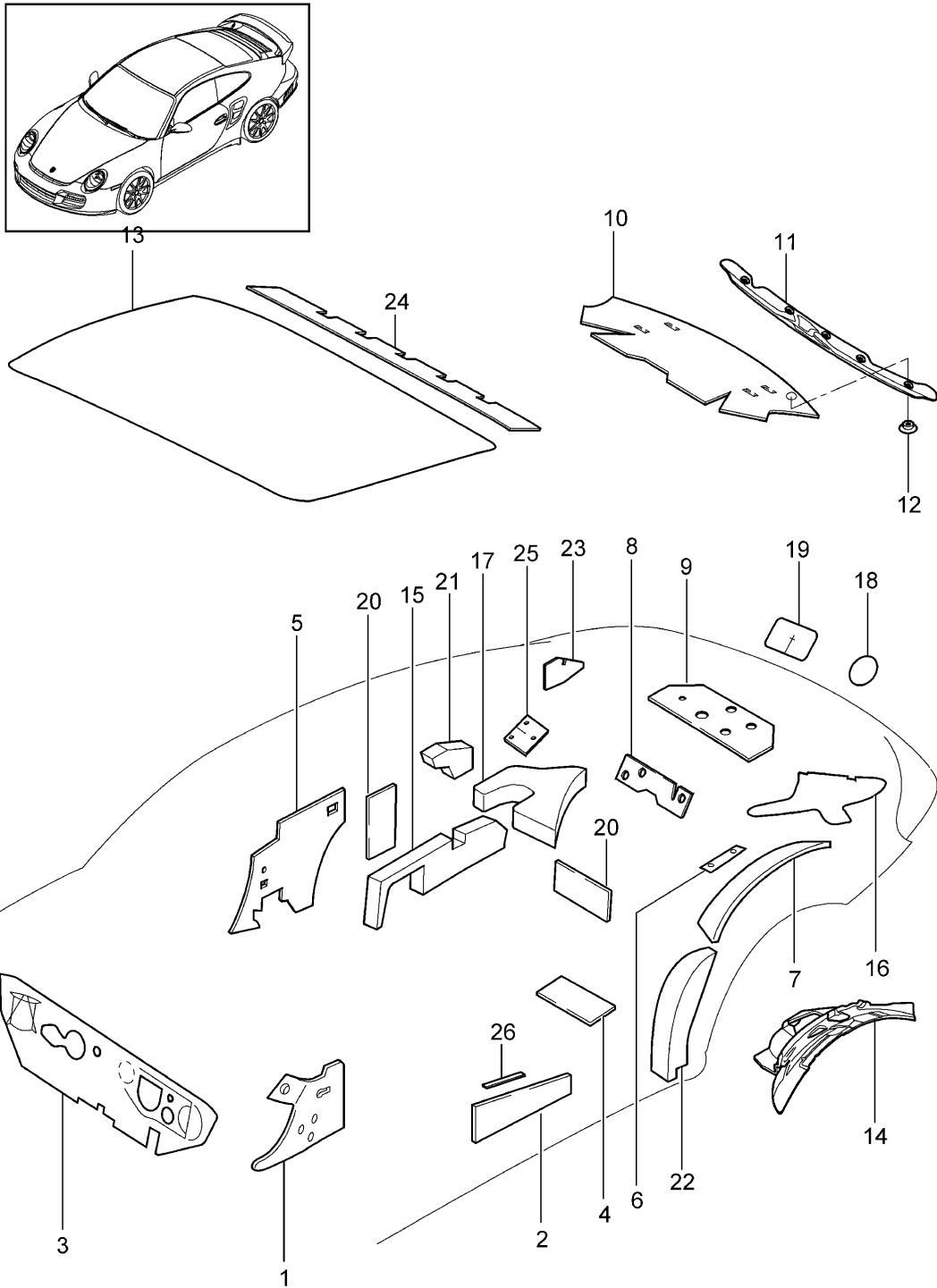


Model: 997T10 Model life 2010>>2013

Pos	Part Number	Description	Remark	Qty	Model
1	997 521 271 00	Backrest shell Bucket seat Collapsible Accessories	/L	1	I388
(1)	997 521 272 00	Backrest shell Bucket seat Collapsible	/R	1	I389
2	997 521 651 00	Lock Backrest	/L	1	I388/389
(2)	997 521 652 00	Lock Backrest	/R	1	I388/389
3	997 521 660 00	Closing element Lock		2	I388/389
4	997 521 650 00	Backrest shell Tension spring Lock		2	I388/389
5	997 521 640 01	Backrest Bowden cable Release		1	I388/389
6	997 521 330 00	Backrest Cover Seat belt Front		1	I388/389
(6)	997 521 330 00 01C 997 521 531 00	Satin black Cover Seat belt Rear		1	I388/389
7	997 521 531 00 01C 997 803 081 02	Satin black Side airbag Front seat		1	I388
(7)	997 803 081 02 A03 997 803 082 02	Black Side airbag Front seat		1	I389
-	997 803 082 02 A03 999 507 147 40	Black Clip Bowden cable Front seat		1	I388/389

Model: 997T10

Model life 2010>>2013



Model: 997T10

Model life 2010&gt;&gt;2013

Pos	Part Number	Description	Remark	Qty	Model
1	997 556 605 00	Body Sound proofing 1 Sound absorber	/L	1	COUPE
(1)	997 556 606 00	Wheel housing Front Sound absorber	/R	1	
2	997 556 531 01	Wheel housing Front Insulation		2	I599
3	997 556 723 00	Door Sound absorber	/LL	1	I098
(3)	997 556 724 00	Firewall Sound absorber	/RL	1	I099
4	997 556 503 00	Firewall Insulation		2	
5	997 556 655 00	Floor Sound absorber	/L	1	
(5)	997 556 656 00	Side trim panel Sound absorber	/R	1	
6	997 556 523 00	Side trim panel Insulation		2	
7	997 556 507 00	Tray Insulation	/L	1	
(7)	997 556 508 00	Wheel housing Rear Insulation	/R	1	
8	997 556 511 00	Wheel housing Rear Insulation		1	
9	997 556 521 00	Rear wall Lower Insulation		1	
10	997 556 711 03	Rear wall Upper Sound absorber		1	
11	996 556 761 01	Engine compartment Retaining strip		1	
12	999 049 020 40	Engine compartment Plastic nut		5	
13	997 556 647 00	T5/30 X 5,1 Sound absorber		1	I652
14	997 556 657 02	Roof Sound absorber	/L	1	
(14)	997 556 658 00	Wheel-housing liner Rear Sound absorber	/R	1	
15	997 556 571 02	Wheel-housing liner Rear Sound absorber		2	
16	996 556 753 01	Side trim panel Seal	/L	1	
(16)	996 556 754 01	Side section Upper Seal	/R	1	
17	997 556 811 01	Side section Upper Filler piece	/L	1	
(17)	997 556 812 01	Wheel housing Filler piece	/R	1	
18	997 556 807 00	Wheel housing Sound absorber 40,0 End plate		2	

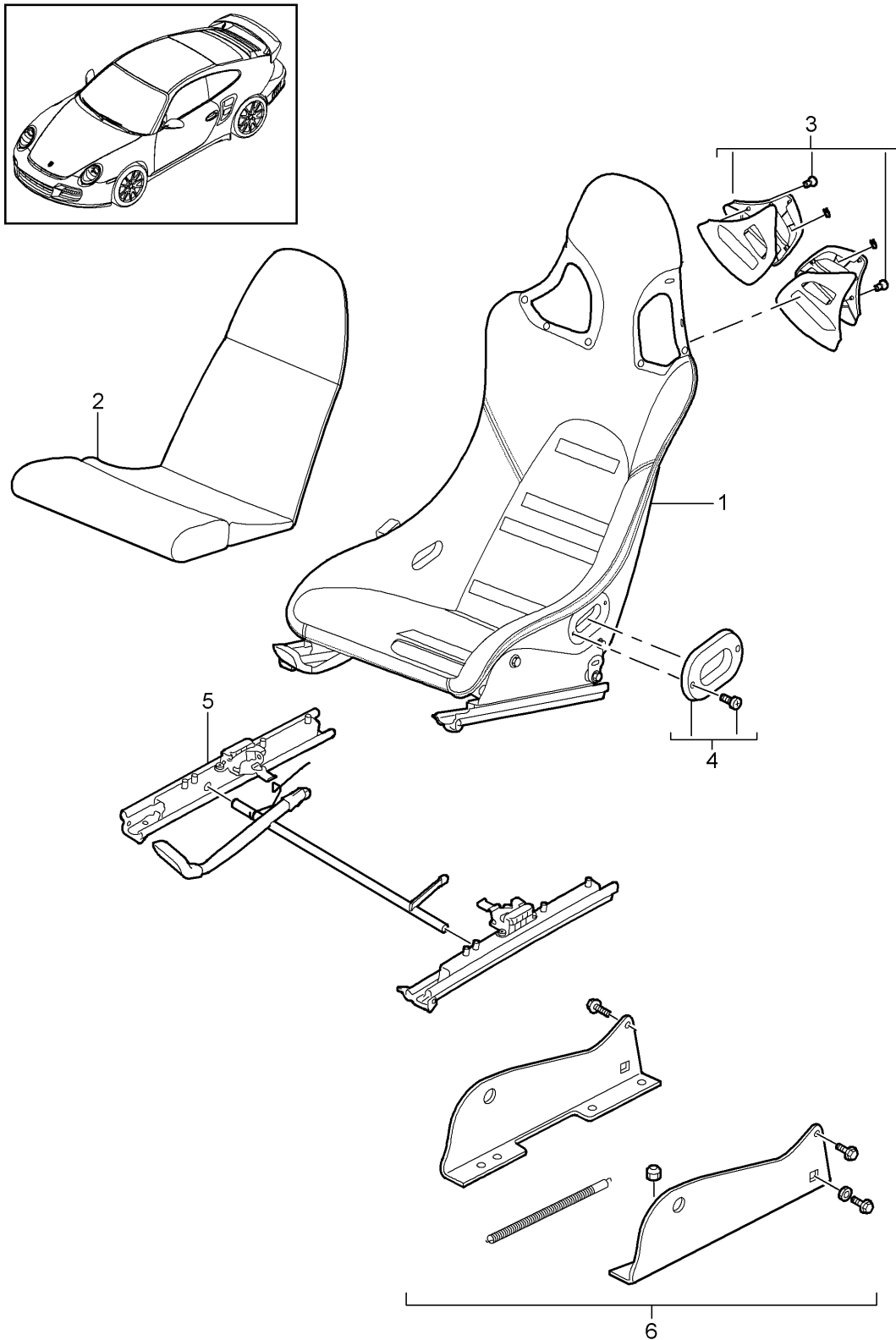
Model: 997T10

Model life 2010>>2013

Pos	Part Number	Description	Remark	Qty	Model
19	997 556 805 00	Rear end Sound absorber 120 X 90 End plate		1	
20	997 556 801 00	Rear end Sound absorber Seat well		4	
21	997 556 803 00	Filler piece Seat well		2	
23	997 556 619 00	Sound absorber Air guide	/L	1	
(23)	997 556 620 00	Sound absorber Air guide	/R	1	
24	997 556 603 00	Sound absorber Tensioner Rear		1	
25	997 556 613 00	Sound absorber Mounting Spring strut	/L	1	
(25)	997 556 614 00	Sound absorber Mounting Spring strut	/R	1	
27	999 049 027 40	Plastic nut 30 X 1,8		2	

Model: 997T10

Model life 2010>>2013



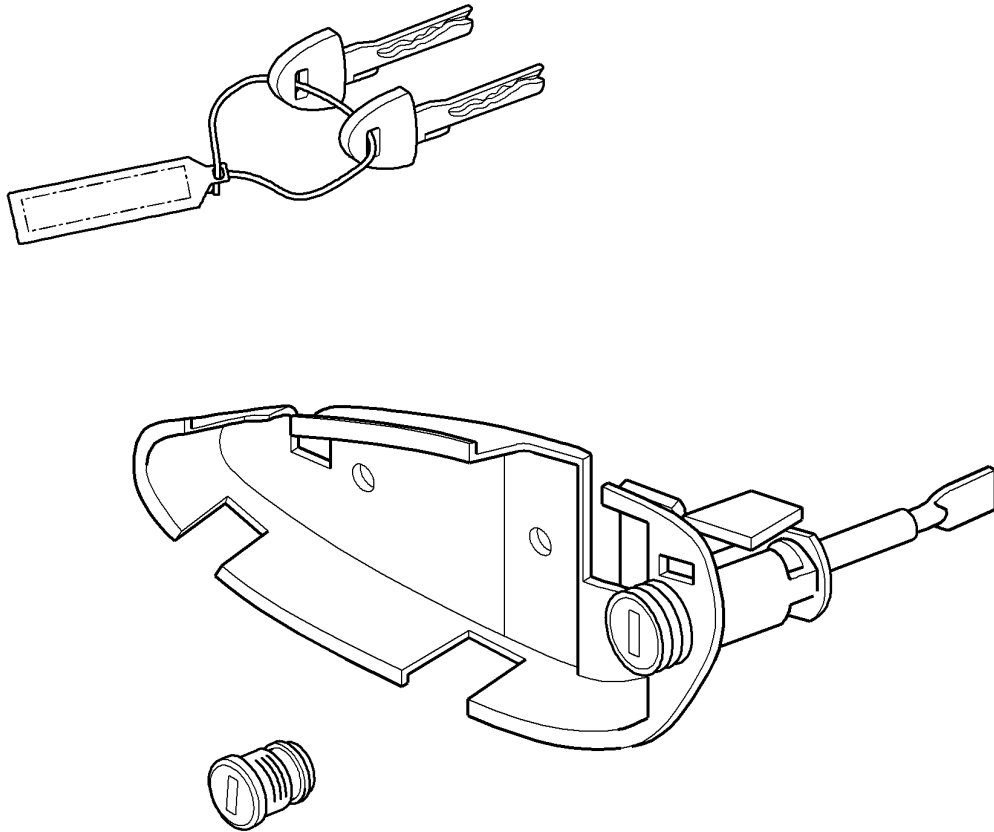
Model: 997T10 Model life 2010>>2013

Pos	Part Number	Description	Remark	Qty	Model
		Bucket seat	11		GT2 RS
		Cover			
		Leather			
1	997 521 401 02	Cup	/L	1	I384
		Partial leather			
	997 521 401 02 8YR	Black			
(1)	997 521 402 02	Cup	/R	1	I385
		Partial leather			
	997 521 402 02 8YR	Black			
2	997 521 403 00	Set		2	I951
		Cushion			
		Leather			
	997 521 403 00 A15	Black			
(2)	997 521 403 01	Set		2	I990
		Cushion			
		Cloth			
3	997 521 405 90	Set		1	
		Cover			
		Support for seatbelt			
		Upper			
4	996 521 907 90	Parts kit		1	
		Guide			
		Belt			
		Lower			
5	997 521 429 00	Seat rail	/L	1	I384
		Set			
(5)	997 521 430 00	Seat rail	/R	1	I385
		Set			
6	997 521 423 00	Adapter		1	
		Set			
7	999 141 047 01	Torx screw		4	
		M 10 X 28			
		Mount			
		Seat rail			



Model: 997T10

Model life 2010>>2013



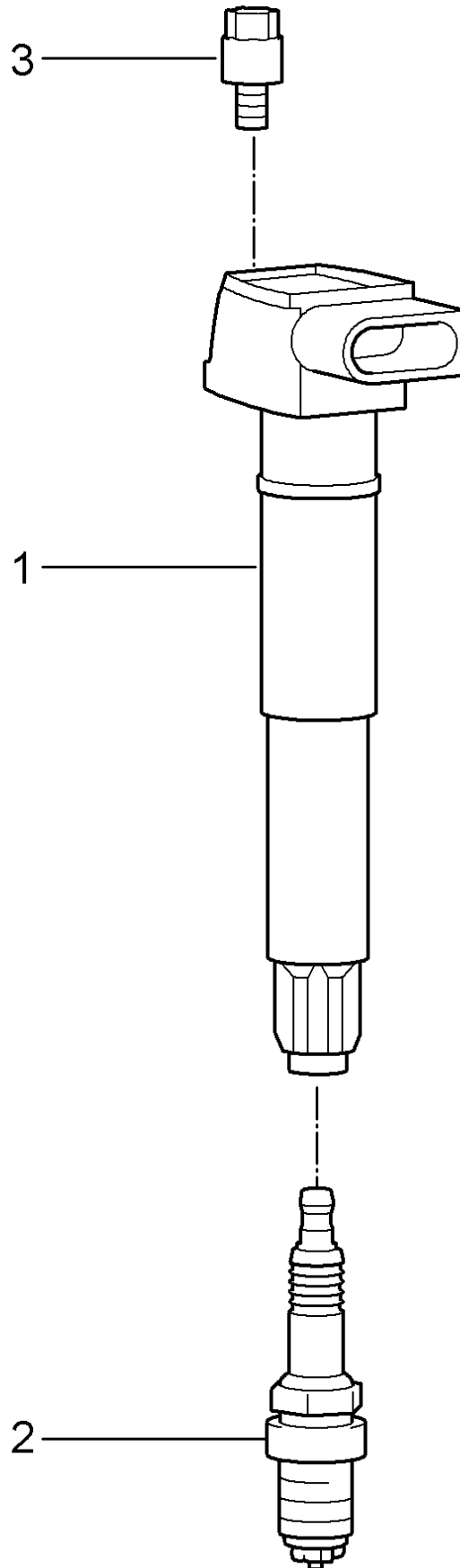
Model: 997T10

Model life 2010>>2013

Pos	Part Number	Description	Remark	Qty	Model
		Repair kits			
		Set of locks			
		Comprising:			
		Support			
		Outer door handle			
		Glove compartment lock			
		Key			
		Key tag			
>>	997 538 011 06	Set of locks	/LL	1	I098
>>	997 538 011 07	Set of locks	/RL	1	I099

Model: 997T10

Model life 2010>>2013



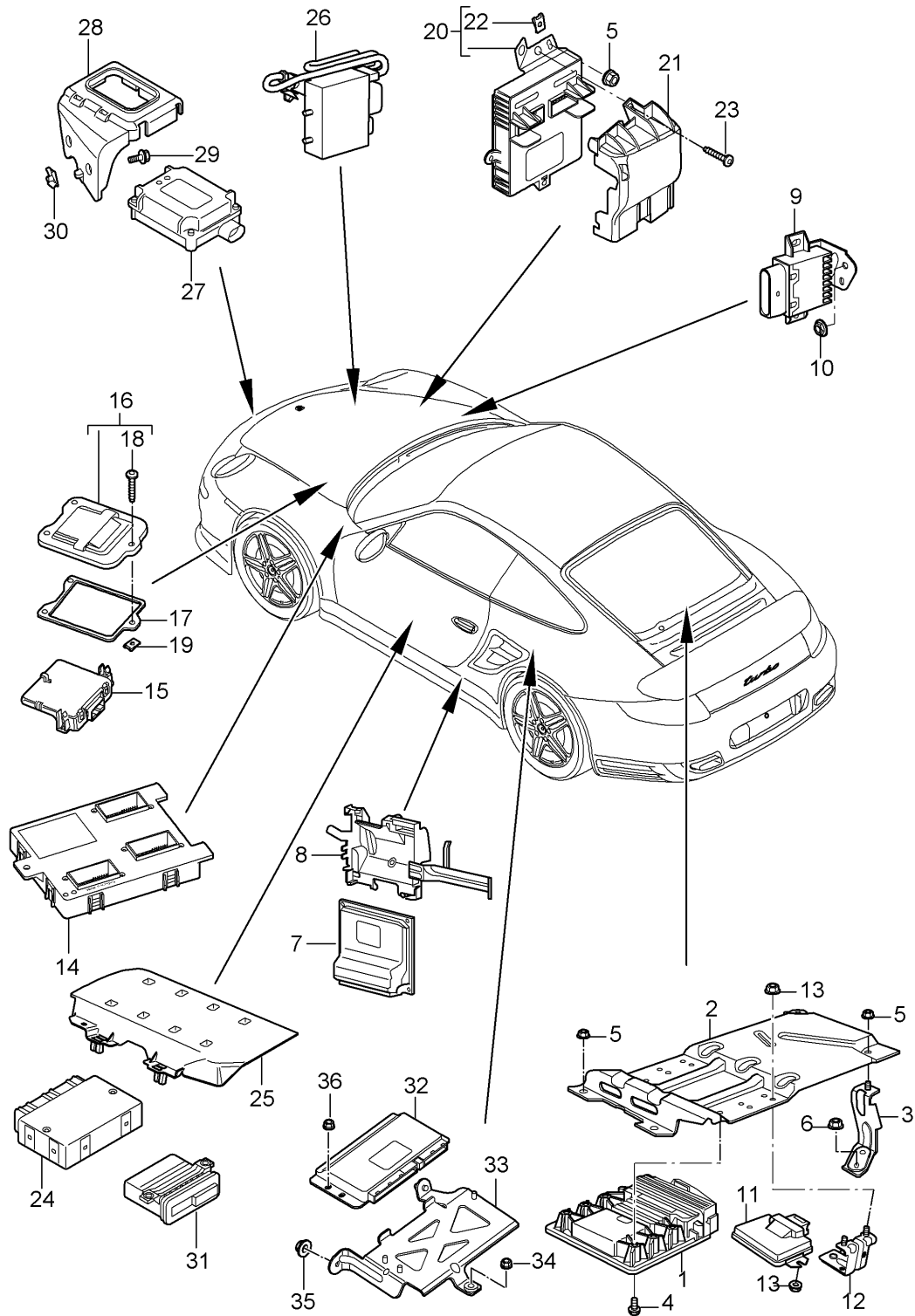
Model: 997T10

Model life 2010&gt;&gt;2013

Pos	Part Number	Description	Remark	Qty	Model
		Ignition system			
1	9A1 602 104 02	Ignition coil		6	MA1.70
1	9A1 602 104 03	Ignition coil		6	MA1.70
1	997 602 104 00	Ignition coil		1	M97.70
2	999 170 228 90	Spark plug FR6 NPP		6	MA1.70
2	999 170 103 90	Spark plug FR6 DPP332		6	M97.70
3	999 073 103 01	Round head screw M 6 X 16		6	MA1.70
3	900 387 008 01	Pan-head screw M 6 X 25		2	M97.70
3	900 385 025 01	Torx screw M 6 X 40		10	M97.70

Model: 997T10

Model life 2010>>2013



Model: 997T10

Model life 2010&gt;&gt;2013

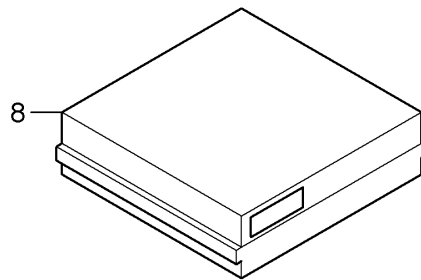
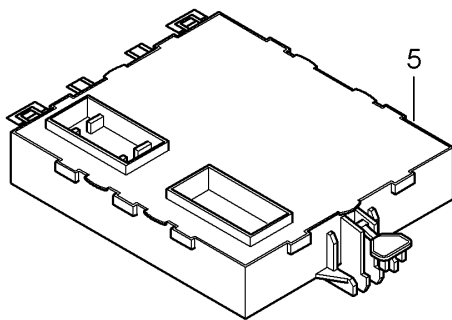
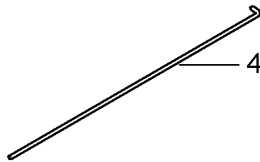
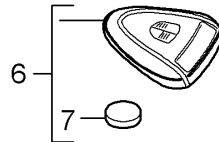
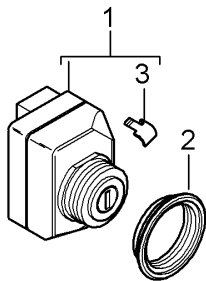
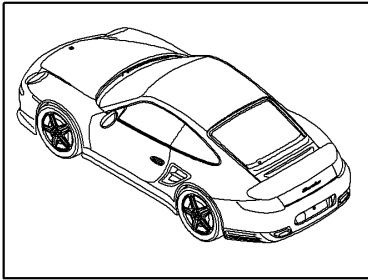
Pos	Part Number	Description	Remark	Qty	Model
1	997 618 607 05	Control units Control unit		1	TURBO/S
1	997 618 602 03	- dme - Control unit		1	GT2/RS
2	997 618 133 00	- dme - Support Control unit		1	COUPE
(2)	996 618 129 01	- dme - Support Control unit		1	GT2/RS
(2)	997 618 141 00	- dme - Support Control unit		1	CABRIO
3	997 618 134 00	- dme - Support		1	COUPE
4	999 141 044 09	Oval-head screw M 6 X 16		6	TURBO/S
(4)	999 073 189 01	Round head screw M 6 X 12		6	GT2/RS
5	999 084 629 01	Hexagon nut M 6		4	COUPE
(5)	999 073 228 09	Tapping screw 4,8 X 13		3	CABRIO
6	999 049 025 09	Collar nut T 5		2	COUPE
7	997 618 270 33	Control unit - PDK -		1	I250
7	997 618 270 40	Control unit - PDK -		1	I250
8	997 618 255 00	Support Control unit		1	I250
9	997 618 025 01	- PDK - Control unit		1	I663
9	997 618 027 00	Fuel pump Control unit		1	I663/676
10	999 049 025 09	Fuel pump Collar nut		2	
-		T 5 Control unit		1	CABRIO
11	997 618 195 20	Convertible top control See illustrations 8/11/15 Control unit		1	TURBO/S
11	997 618 195 21	All-wheel Control unit		1	TURBO/S
12	997 618 143 00	All-wheel Support Control unit		2	COUPE
13	900 377 010 01	All-wheel Hexagon nut M 6		6	COUPE
14	997 618 516 01	Control unit Vehicle electrical system		1	
15	997 610 107 04	Control unit Gateway		1	
16	997 572 419 03	Lid		1	
17	997 572 221 00	Gasket		1	
18	900 143 094 09	Tapping screw ST 4,8 X 19		3	
19	999 591 855 01	Speed nut ST 4,8		3	
20	997 618 513 01	Control unit FRONT luggage compartment		1	

Model: 997T10 Model life 2010>>2013

Pos	Part Number	Description	Remark	Qty	Model
21	997 551 736 01	Cover		1	
22	999 507 462 09	Speed nut 4,8		1	
23	999 073 061 02	Tapping screw 4,8 X 16		1	
24	997 618 260 08	Control unit Rear end		1	
25	997 618 381 00	Support		1	
26	997 618 436 03	Control unit Cooling air control		1	TURBO/S
26	997 618 436 92	Control unit Cooling air control		1	GT2/RS
27	997 618 225 03	Control unit Garage door opener		1	I608
27	997 618 227 02	Control unit Garage door opener		1	I607
27	997 618 227 03	Control unit Garage door opener		1	I607
28	997 618 257 00	Support Control unit Garage door opener		1	
(28)	997 618 367 80	Support Additional support Control unit Garage door opener		1	GT2/RS
29	900 075 505 01	Combination screw M 6 X 20		2	
30	999 591 882 01	Speed nut M 6		2	
31	997 618 183 01	Control unit ParkAssist Sensor See illustrations 8/02/05		1	I635 I635
32	997 618 465 03	Control unit Unit mount		1	I140
32	997 618 465 04	Control unit Unit mount		1	I140
33	997 618 163 00	Support  Control unit Unit mount		1	COUPE I140
34	999 703 236 40	Plastic nut		1	COUPE I140
35	999 703 496 40	Rubber mounting		2	COUPE I140
36	900 377 010 02	T 5 Hexagon nut  M 6		3	COUPE I140

Model: 997T10

Model life 2010>>2013





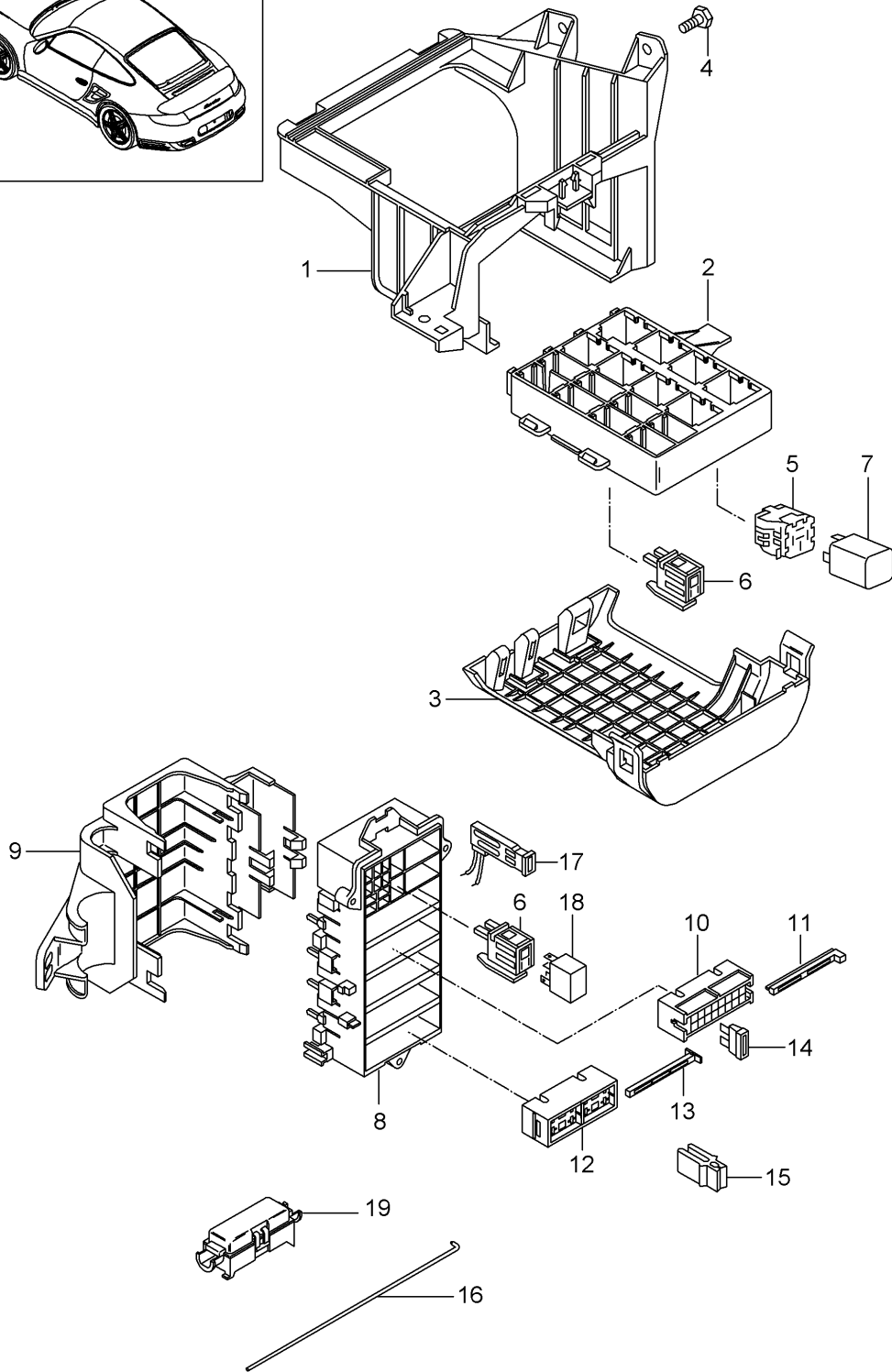
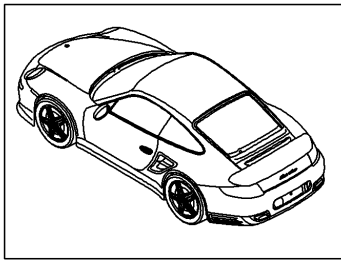
Model: 997T10

Model life 2010>>2013

Pos	Part Number	Description	Remark	Qty	Model
1	997 618 159 04	Control units Ignition starter switch PORSCHE ACCES SYSTEM Control unit		1	
2	997 618 759 00	Ignition starter switch Nut		1	
3	997 618 361 00	Cover Release		1	
4	970 618 761 00	Handheld transmitter Emergency operation Release		1	
5	997 618 171 16	Ignition starter switch Control unit		1	I524
5	997 618 172 16	PORSCHE ACCESS SYSTEM Control unit		1	I525
-	997 612 053 00	PORSCHE ACCESS SYSTEM Connecting line Antenna booster Control unit POS. 5	/LL	1	I098/665
-	997 612 053 01	Connecting line Antenna booster Control unit POS. 5	/LL	1	I098/675
-	997 612 054 00	Connecting line Antenna booster Control unit POS. 5	/RL	1	I099/665
-	997 612 054 01	Information available Connecting line Antenna booster Control unit POS. 5	/RL	1	I099/675
-	997 612 064 51	Information available Cable Antenna		1	I674
6	997 637 107 01	VEHICLE TRACKING SYSTEM Handheld transmitter		1	COUPE I524
6		Handheld transmitter		1	CABRIO I524 I533
6	997 637 109 01	Handheld transmitter		1	COUPE I525
6		Handheld transmitter		1	CABRIO I525 I533
6	997 637 111 01	Handheld transmitter	(J)	1	COUPE I525
(6)	997 637 101 01	Handheld transmitter		1	CABRIO I524
(6)	997 637 103 01	Handheld transmitter		1	CABRIO I525
(6)	997 637 105 01	Handheld transmitter	(J)	1	CABRIO I525
7	999 611 108 00	Battery		1	
8	997 618 210 01	Sensor Interior monitoring Alarm siren Tilt sensor See illustrations 9/03/00		1	I536 I521

Model: 997T10

Model life 2010>>2013



Model: 997T10 Model life 2010>>2013

Pos	Part Number	Description	Remark	Qty	Model
		Central electrical system			
		Dashboard			
1	997 610 117 01	Support	/LL	1	I098
(1)	997 610 118 00	Support	/RL	1	I099
2	997 610 110 01	Relay carrier		1	
		Support frame			
3	997 610 112 00	Cover		1	
		Support frame			
4	900 378 155 01	Hexagon-head bolt		2	
		M 6 X 16 ASP			
(4)	900 377 010 01	Hexagon nut		1	
		M 6			
5	928 610 511 00	Relay carrier		X	
6	999 650 538 40	Relay carrier		X	
7		Relay			
(7)	999 657 015 90	Relay		1	
		Fuel pump			
(7)		Relay socket/code:	S1	1	
		Relay			
		Fuel pump			
(7)	999 657 014 90	Relay socket/code:	S2	1	
		Relay			
		KL. 86S			
(7)	999 657 013 90	Relay socket/code:	S4	1	
		Relay			
		- dme -			
(7)		Relay socket/code:	S11	1	
		Relay			
		Heating			
(7)		Relay socket/code:	S12	1	I288
		Relay			
		Headlight washer system			
(7)		Relay socket/code:	S14	1	
		Relay			
		Starter			
(7)		Relay socket/code:	S15	1	
		Relay			
		KL. 15			
		Relay socket/code:	S16		
8	997 610 340 00	Bracket		1	
9	997 610 341 00	Cover		1	
10	999 650 209 40	Fuse holder		4	
11	999 650 210 40	Slide		4	
12	999 650 750 40	Fuse holder		1	
13	999 650 749 40	Slide		1	
14	999 607 082 00	Lock		X	
		5 A			
(14)	999 607 083 00	Lock		X	
		7 , 5 A			
(14)	999 607 084 00	Lock		X	
		10 A			
(14)	999 607 085 00	Lock		X	
		15 A			
(14)	999 607 087 00	Lock		X	
		25 A			
(14)	999 607 088 00	Lock		X	
		30 A			
(14)	999 607 072 00	Lock		X	
		30 A			
		Large			
(14)	999 607 073 00	Lock		X	
		40 A			
		Large			

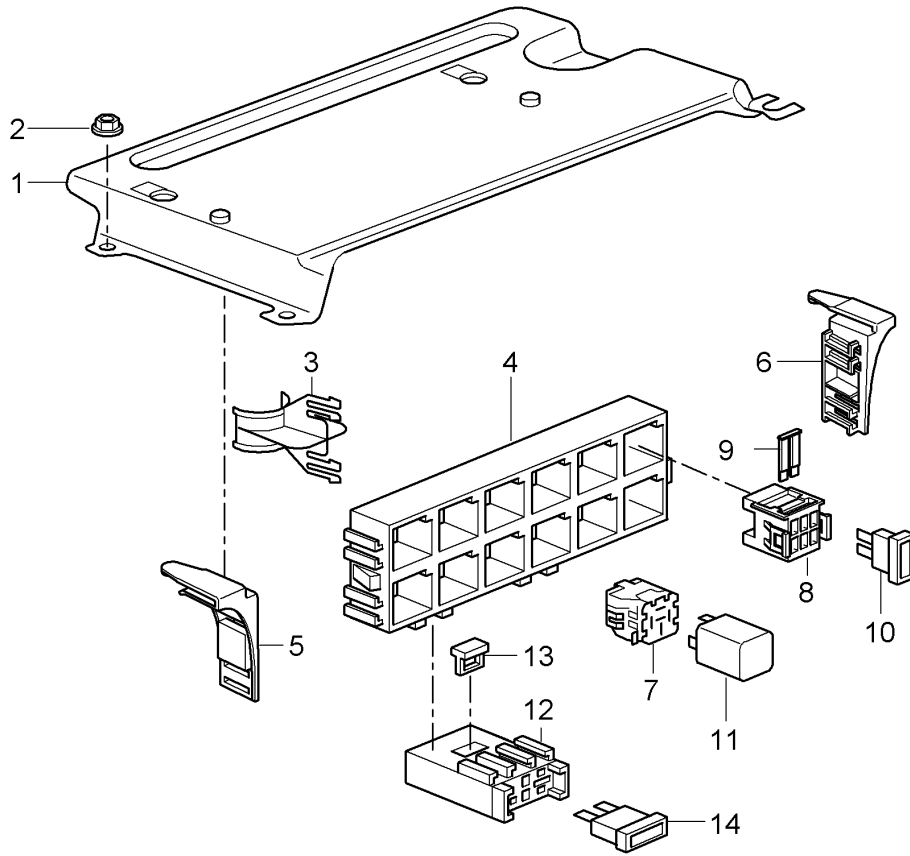
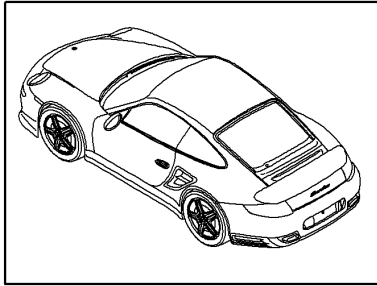
Model: 997T10

Model life 2010>>2013

Pos	Part Number	Description	Remark	Qty	Model
15	999 107 300 40	Tool		X	
-	997 610 195 25	Assignment sticker		X	
16	970 618 761 00	Lock Emergency operation Release Ignition starter switch Emergency operation Lid		1	
17	996 610 240 00	Terminal clamp		1	
18	999 657 014 90	Relay		1	
19	997 610 915 00	Fuse holder		1	
-		with Lock 80 A for Cooling air control Cover for Housing Lock See illustrations 8/07/02		X	

Model: 997T10

Model life 2010>>2013



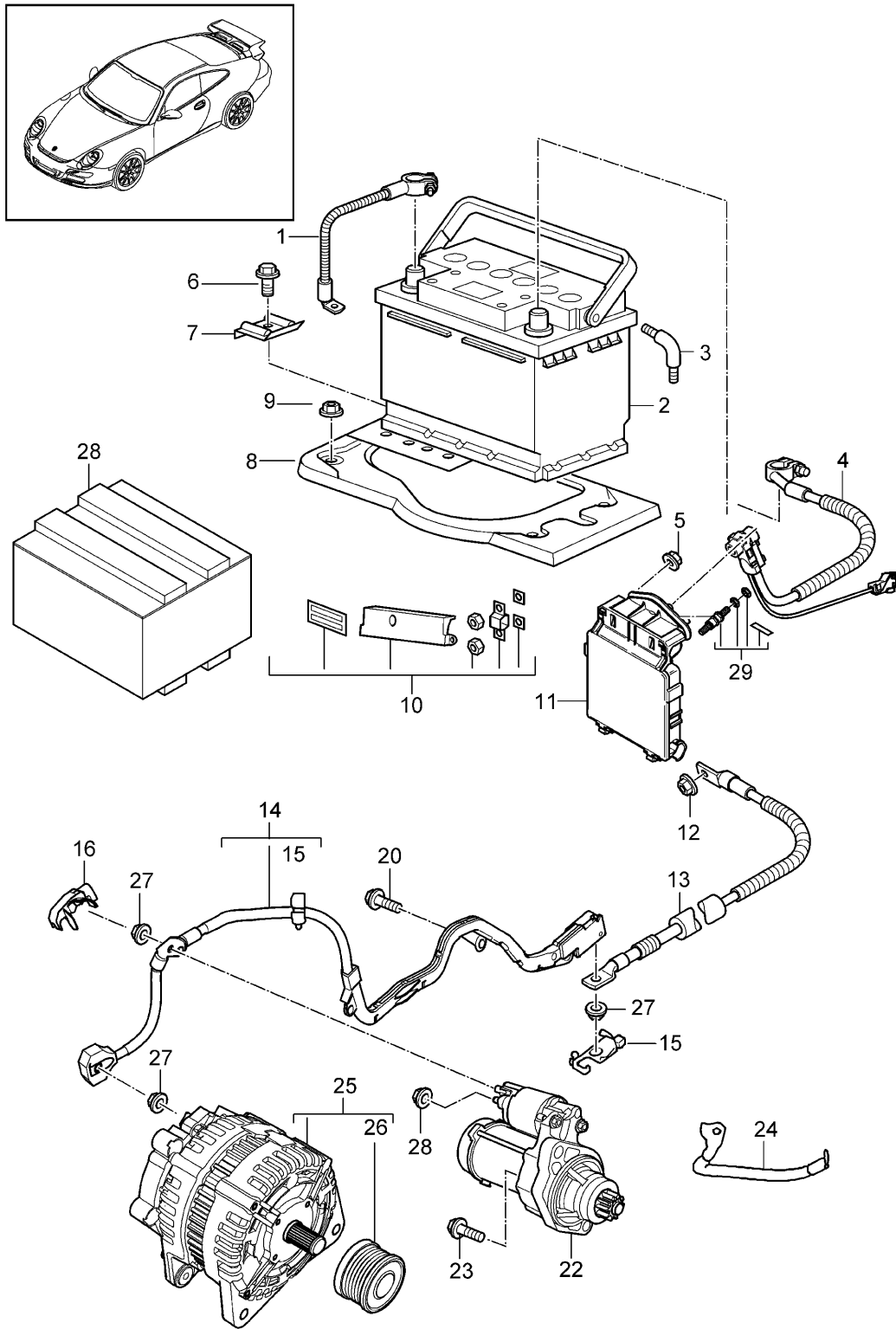
Model: 997T10

Model life 2010>>2013

Pos	Part Number	Description	Remark	Qty	Model
		Central electrical system			
		Rear end			
(1)	996 610 229 03	Mounting plate		1	COUPE
2	999 084 629 01	Hexagon nut		2	
		M 6			
3	996 610 112 00	Cable holder		1	
4	996 610 111 00	Relay carrier		X	
		Support frame			
5	987 610 118 00	Support	/R	1	COUPE
(5)	996 610 126 00	Support	/R	1	CABRIO
6	987 610 117 00	Support	/L	1	COUPE
(6)	996 610 127 00	Support	/L	1	CABRIO
-	996 610 128 00	Fixing clip		2	CABRIO
-	999 074 059 01	Round head screw		2	CABRIO
		M 5			
7	928 610 511 00	Relay carrier		X	
8	999 650 747 40	Fuse holder		1	
9	999 650 748 40	Locking device		1	
10	999 607 084 00	Lock		X	
		10 A			
10	999 607 098 00	Lock		X	
		3 A			
11		Relay			
(11)	999 657 013 90	Relay		1	COUPE
		Rear window heating			
(11)	996 615 112 00	Relay socket/code:	S1	1	CABRIO
		Relay			
		Rear window heating			
(11)	999 657 016 90	Relay socket/code:	S2	1	
		Relay			
		Blower			
		Engine compartment			
(11)		Relay socket/code:	S7	1	
		Relay			
		Blower			
		Engine compartment			
(11)	999 657 017 90	Relay socket/code:	S8	1	I661
		Relay			
		Secondary pump			
		Relay socket/code:	S9		
12	999 650 193 40	Fuse holder		3	
13	999 650 371 40	Locking device		3	
14	999 607 073 00	Lock		X	
		40 A			
		Large			
14	999 607 077 00	Lock		X	I661
		60 A			
		Large			

Model: 997T10

Model life 2010>>2013



Model: 997T10

Model life 2010>>2013

Pos	Part Number	Description	Remark	Qty	Model
		Battery			
		Power distributor			
		Starter			
		Generator			
		Battery main switch			
1	997 611 090 00	Ground strap	/LL	1	I098
(1)	997 611 091 00	Ground strap	/RL	1	I099
		When required order also:			
-	900 377 010 01	Hexagon nut		1	
		M 6			
(2)	999 611 070 20	Battery		1	
		70 AH			
2	999 611 080 20	Battery		1	
		80 AH			
(2)	999 611 095 20	Battery		1	I200
		95 AH			
(2)	997 611 020 00	Battery		1	I191
		18 AH			
(2)	997 611 020 X	Battery		1	I191
		18 AH			
(2)	999 611 060 20	Battery		1	I194
		60 AH			
3	893 915 507	Angled pipe		1	
4	997 612 993 00	Repair kit	/LL	1	I098
		Wiring harness			
		Battery			
		Power distributor			
(4)	997 612 995 00	Repair kit	/RL	1	I099
		Wiring harness			
		Battery			
		Power distributor			
(4)	997 612 908 00	Repair kit	/LL	1	I098
		Wiring harness			
		Battery			
		Power distributor			
		see			
		Technical information			
		9789			
(4)	997 612 909 00	Repair kit	/RL	1	I099
		Wiring harness			
		Battery			
		Power distributor			
		see			
		Technical information			
		9789			
5	900 380 005 01	Nut		2	
		VM 8			
6	900 378 017 01	Hexagon-head bolt		1	
		M 8 X 20			
7	996 611 209 01	Rail		1	
		Battery			
8	997 504 151 01	Carrier plate for battery		1	
-	996 504 622 01	Gasket		1	
		Carrier plate for battery			
9	999 084 630 01	Hexagon nut		4	
		VM 8 SB			
10	997 610 912 00	Repair kit		1	
		Replacement			
		Fuse element			
		Comprising:			
-		Fuse element		1	
		50 AMPERE			
-		Fuse element		1	



Model: 997T10 Model life 2010>>2013

Pos	Part Number	Description	Remark	Qty	Model
-		70 AMPERE Fuse element		1	
-		80 AMPERE Hexagon nut		4	
-		M 5 Square washer		4	
-		Cover Blue		1	
-		Seal label Red		1	
(10)	997 610 913 00	Repair kit Replacement Fuse element Comprising:		1	
-		Fuse element 150 AMPERE		1	
-		Hexagon nut M 8		2	
-		Square washer		2	
-		Cover Blue		1	
-		Seal label Red		1	
11	997 610 911 00	Repair kit Replacement Power distributor Comprising:		1	
-		Power distributor without Fuse element		1	
-		Hexagon nut M 5		8	
-		Hexagon nut M 8		3	
-		Seal label Red		1	
12	900 084 123 02	Hexagon nut M 8		1	
13	997 612 092 25	Cable	/LL	1	TURBO I098/480
13	997 612 092 01	Power distributor Connection point Cable	/LL	1	GT2/RS I098
(13)	997 612 098 25	Power distributor Starter Cable	/RL	1	TURBO I099/480
(13)	997 612 098 00	Power distributor Connection point Cable	/RL	1	GT2/RS I099
(13)	997 612 091 25	Power distributor Starter Cable	/LL	1	TURBO I098/250
(13)	997 612 097 00	Power distributor Connection point Cable	/RL	1	TURBO I099/250
-	999 651 404 01	Power distributor Connection point Cable clamp		1	I480

Model: 997T10 Model life 2010>>2013

Pos	Part Number	Description	Remark	Qty	Model
-	999 084 629 01	16,0 for Mount POS. 13 Hexagon nut M 6		1	I480
14	9A1 607 031 01	for Cable clamp Wiring harness		1	TURBO I480
(14)	997 607 031 00	with Connection point Starter Generator Wiring harness		1	GT2/RS
(14)	9A1 607 032 00	Starter Generator Wiring harness		1	TURBO I250
15	9A1 607 237 00	with Connection point Starter Generator Lid		1	TURBO I480
(15)	9A1 607 230 00	Connection point Lid		1	TURBO I250
16	9A1 607 251 70	Connection point Protection cap Starter		1	TURBO
(16)	996 604 118 00	Protection cap Starter		1	GT2/RS
20	900 385 009 01	Torx screw BM 6 X 16		X	
22	9A1 604 103 00	Starter		1	TURBO
22	9A1 604 103 X	Starter		1	TURBO
22	996 604 107 02	Starter		1	GT2/RS
22	996 604 107 BX	Starter		1	GT2/RS
23	900 385 097 01	Torx screw BM 10 X 35		2	
24	9A1 607 070 00	Ground strap Engine Body		1	
25	9A1 603 012 00	Generator		1	TURBO
25	9A1 603 012 X	Generator		1	TURBO
(25)	997 603 022 05	Generator		1	GT2/RS
(25)	997 603 022 EX	with Pulley Free wheel lock Generator		1	GT2/RS
26	9A1 603 953 00	with Pulley Free wheel lock Repair kit		1	TURBO
(26)	997 603 154 00	Pulley Pulley with Free wheel lock Mounting parts		1	GT2/RS
-	900 385 102 01	Generator Torx screw BM 8 X 90		2	

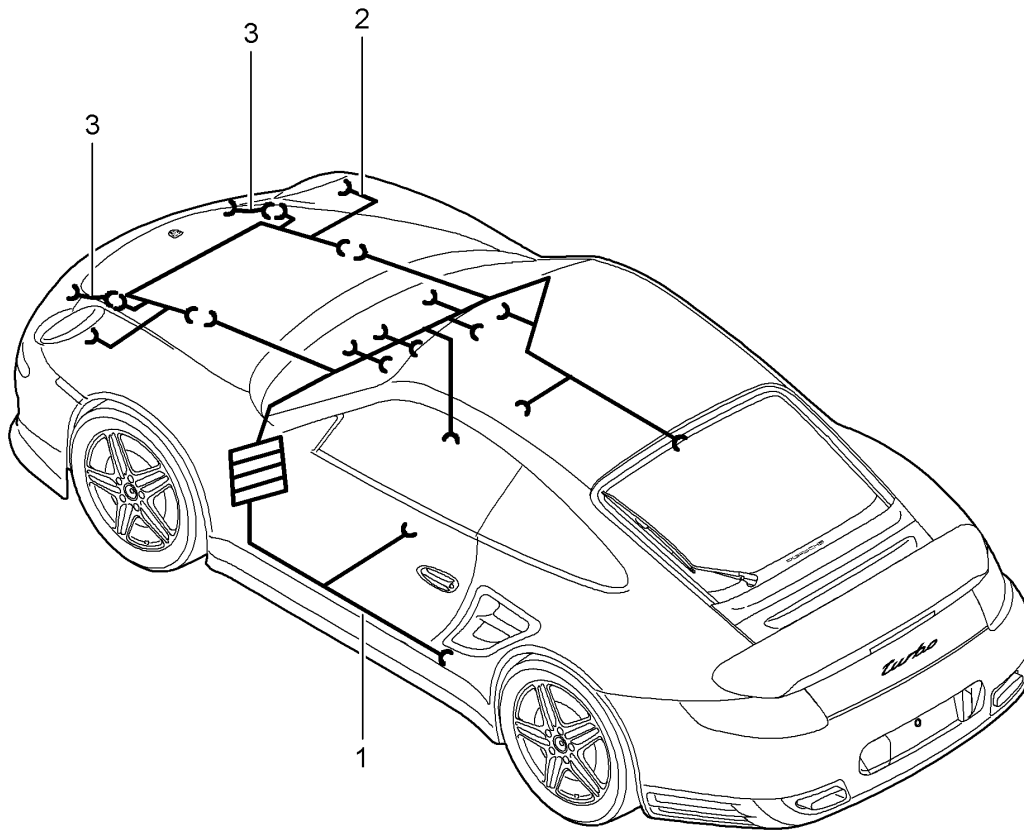
Model: 997T10

Model life 2010&gt;&gt;2013

Pos	Part Number	Description	Remark	Qty	Model
27	900 377 003 01	Hexagon nut M 8		3	
28	900 377 010 02	Hexagon nut M 6		1	
-	997 611 027 70	Battery main switch Assembly kit		1	GT2/RS GT2/RS
-	997 611 227 70	Battery main switch		1	GT2/RS
-	997 613 183 70	Switch Outer		1	GT2/RS
-	997 613 187 70	Switch Inner		1	GT2/RS
29	000 998 020	Transport box Lithium Ionen Starter Battery Defect		1	
30	997 610 916 00	840X580X380 MM Repair kit Screw bolt Power distributor Comprising: Screw bolt Nut Seal label		1     1 2 1	

Model: 997T10

Model life 2010>>2013



Model: 997T10 Model life 2010>>2013

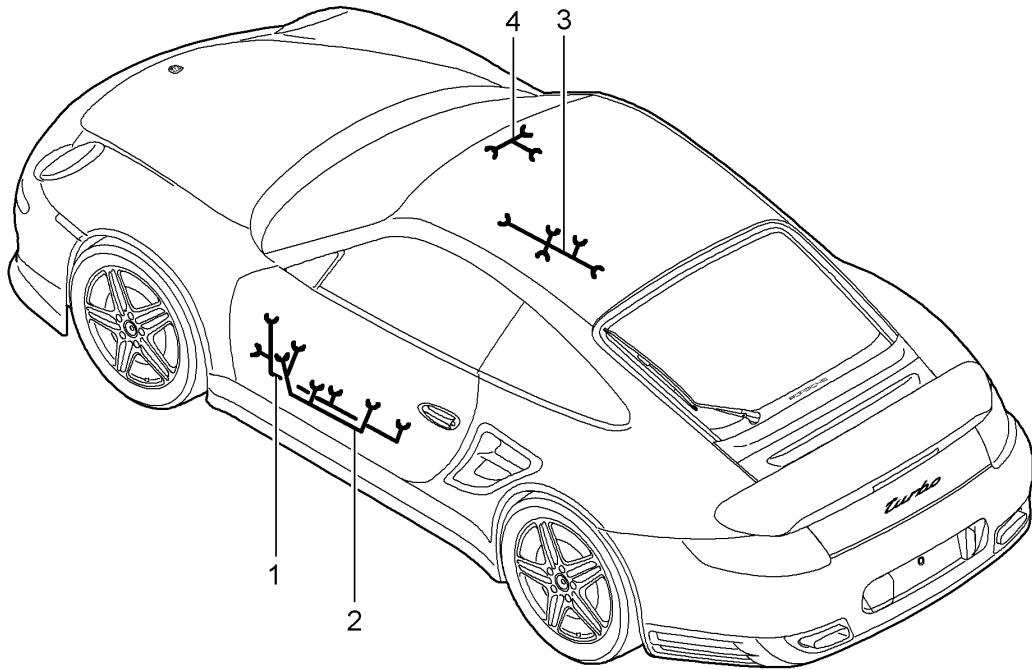
Pos	Part Number	Description	Remark	Qty	Model
		Wiring harnesses Passenger compartment FRONT luggage compartment Lining Front Airbag Seat-belt tensioner Repair kits Shock absorber Anti-lock brake system Brake pad wear indicator Front axle			
1	997 622 903 00	Wiring harness Passenger compartment Vehicle Ident. No. Indicate		1	
1	997 612 914 00	Wiring harness Illumination Scuff plate		1	
-	996 610 120 01	Support Plug socket Diagnostic connector		1	
-	999 651 302 40	Fixing clip Wiring harness Passenger compartment Door sill		X	
-	999 651 284 40	Fixing clip Wiring harness Passenger compartment Door sill		X	
2	997 622 521 26	Wiring harness  FRONT luggage compartment F >>99AS7 60327 F >>99AS7 70198		1	TURBO I601
2	997 622 521 27	Wiring harness  FRONT luggage compartment F 99AS7 60328>> F 99AS7 70199>>		1	TURBO I601
2	997 612 522 77	Wiring harness  FRONT luggage compartment F >>99AS7 60327 F >>99AS7 70198		1	TURBO I603
2	997 622 522 78	Wiring harness  FRONT luggage compartment F 99AS7 60328>> F 99AS7 70199>>		1	TURBO I603
2	997 622 521 76	Wiring harness  FRONT luggage compartment F 99AS7 60328>> F 99AS7 70199>>		1	GT2/RS I601
2	997 612 520 26	FRONT luggage compartment Wiring harness		1	GT2/RS I600
-	997 610 215 01	FRONT luggage compartment Cable guide for Sensor		2	
3	997 622 501 25	Airbag Wiring harness Lining Front		2	TURBO

Model: 997T10 Model life 2010>>2013

Pos	Part Number	Description	Remark	Qty	Model
(3)	997 622 501 81	Wiring harness Lining Front		2	GT2/RS
-	997 612 781 25	Wiring harness Airbag Passenger's side Setting 1 Connector Green		1	
-	997 612 783 25	Wiring harness Airbag Passenger's side Setting2 Connector Yellow		1	
-	997 612 992 00	Wiring harness Control unit Airbag Connection point Door Wiring harness Airbag Seat See illustrations 8/17/06 8/17/21		2	
-	997 612 793 01	Wiring harness Seat-belt tensioner		2	
-	997 612 950 00	Repair kit  Wiring harness Shock absorber Repair kit Wiring harness Anti-lock brake system Brake pad wear indicator Front axle	/V	2	TURBO I475
-	997 612 965 00	Repair kit Wiring harness	/V /L	1	
-	997 612 964 00	Repair kit Wiring harness	/V /R	1	
-	999 513 049 40	When required order also: Tie-wrap Repair kit Wiring harness Rear axle See illustrations 9/02/20		4	

Model: 997T10

Model life 2010>>2013



Model: 997T10

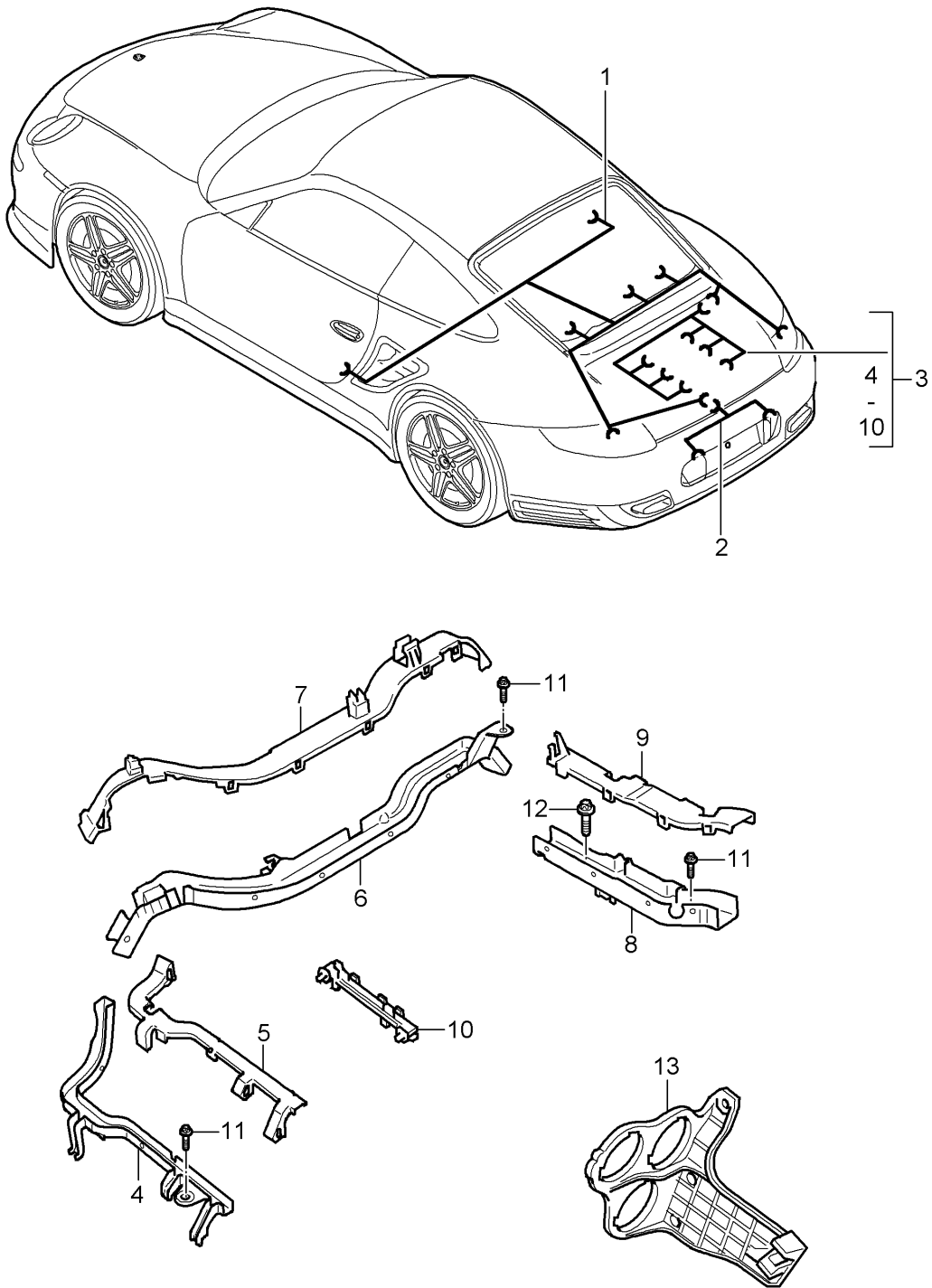
Model life 2010>>2013

Pos	Part Number	Description	Remark	Qty	Model
		Wiring harnesses Doors Airbag Centre console Glove compartment Convertible top control Auxiliary support			
1	997 612 642 07	Wiring harness Assembly frame Driver's door	/LL	1	I098
(1)	997 612 644 57	Wiring harness Assembly frame Driver's door	/RL	1	I099
(1)	997 612 643 57	Wiring harness Assembly frame Passenger's door	/LL	1	I098
(1)	997 612 645 07	Wiring harness Assembly frame Passenger's door	/RL	1	I099
-	997 612 780 16	Wiring harness Airbag		2	
2	997 612 647 10	Wiring harness Door panel Driver's door	/LL	1	I098
(2)	997 612 650 10	Wiring harness Door panel Driver's door	/RL	1	I099
(2)	997 612 648 10	Wiring harness Door panel Passenger's door	/LL	1	I098
(2)	997 612 649 10	Wiring harness Door panel Passenger's door	/RL	1	I099
3	997 612 652 75	Wiring harness Centre console		1	
4	997 612 651 00	Wiring harness Glove compartment		1	
-		Wiring harness Convertible top control See illustrations 8/11/15		1	CABRIO
-		Wiring harness Auxiliary support See illustrations 8/11/15		1	CABRIO



Model: 997T10

Model life 2010>>2013



Model: 997T10 Model life 2010>>2013

Pos	Part Number	Description	Remark	Qty	Model
		Wiring harnesses Rear end Rear lid License plate light Engine Transmission Repair kits Shock absorber Anti-lock brake system Brake pad wear indicator Rear axle			GT2/RS
1	997 622 905 00	Wiring harness Rear end Vehicle Ident. No. Indicate		1	
-	997 622 670 70	Wiring harness Rear lid		1	GT2/RS
2	997 612 660 01	Wiring harness License plate light		1	
(2)	997 612 661 25	Wiring harness ParkAssist License plate light		1	I635
-	999 507 944 40	Fixing clip for Connection point POS.2		1	
3	9A1 607 015 02	Wiring harness Engine M >> B 02510		1	TURBO
3	9A1 607 015 03	Wiring harness Engine M B 02511 >>		1	TURBO
(3)	997 607 015 03	Wiring harness Engine		1	GT2/RS
-	999 702 324 40	Grommet Mass air flow meter		1	
4	9A1 607 115 00	Cable guide Cyl. 1 - 3		1	TURBO
(4)	997 607 141 00	Cable guide Cyl. 1 - 3		1	GT2/RS
5	9A1 607 125 00	Lid Cable guide Cyl. 1 - 3		1	TURBO
(5)	997 607 151 00	Lid Cable guide Cyl. 1 - 3		1	GT2/RS
6	9A1 607 110 00	Cable guide Centre		1	TURBO
(6)	997 607 143 00	Cable guide Centre		1	GT2/RS
7	9A1 607 120 01	Lid Cable guide Centre		1	TURBO
(7)	997 607 153 00	Lid Cable guide Centre		1	GT2/RS
8	9A1 607 116 00	Cable guide Cyl. 4 - 6		1	TURBO
(8)	997 607 142 01	Cable guide Cyl. 4 - 6		1	GT2/RS
9	9A1 607 126 00	Lid Cable guide Cyl. 4 - 6		1	TURBO

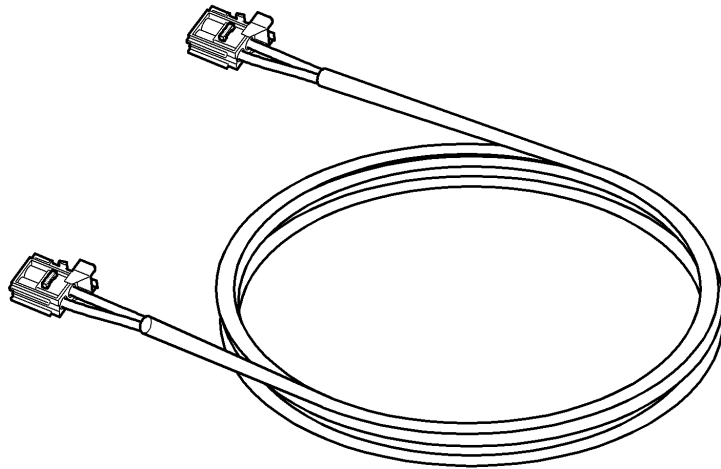
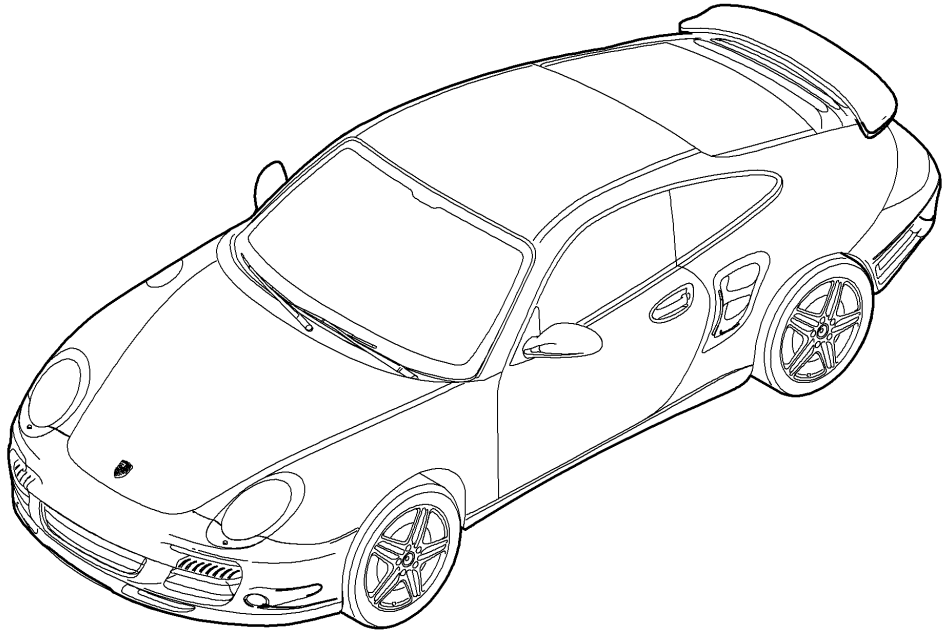
Model: 997T10

Model life 2010>>2013

Pos	Part Number	Description	Remark	Qty	Model
(9)	997 607 152 00	Lid Cable guide Cyl. 4 - 6		1	GT2/RS
10	9A1 607 113 00	Cable guide Fuel collection pipe		2	TURBO
11	900 385 009 01	Torx screw BM 6 X 16		4	
12	900 385 044 01	Torx screw BM 8 X 16		1	
13	997 610 131 00	Support Connection point Wiring harness Engine		1	
-	997 612 950 00	Repair kit Wiring harness Shock absorber Repair kit Wiring harness Anti-lock brake system Brake pad wear indicator Rear axle	/H	2	I475
-	997 612 967 00	Repair kit Wiring harness	/H /L	1	
-	997 612 966 00	Repair kit Wiring harness Repair kit Wiring harness Front axle See illustrations 9/02/10	/H /R	1	

Model: 997T10

Model life 2010>>2013



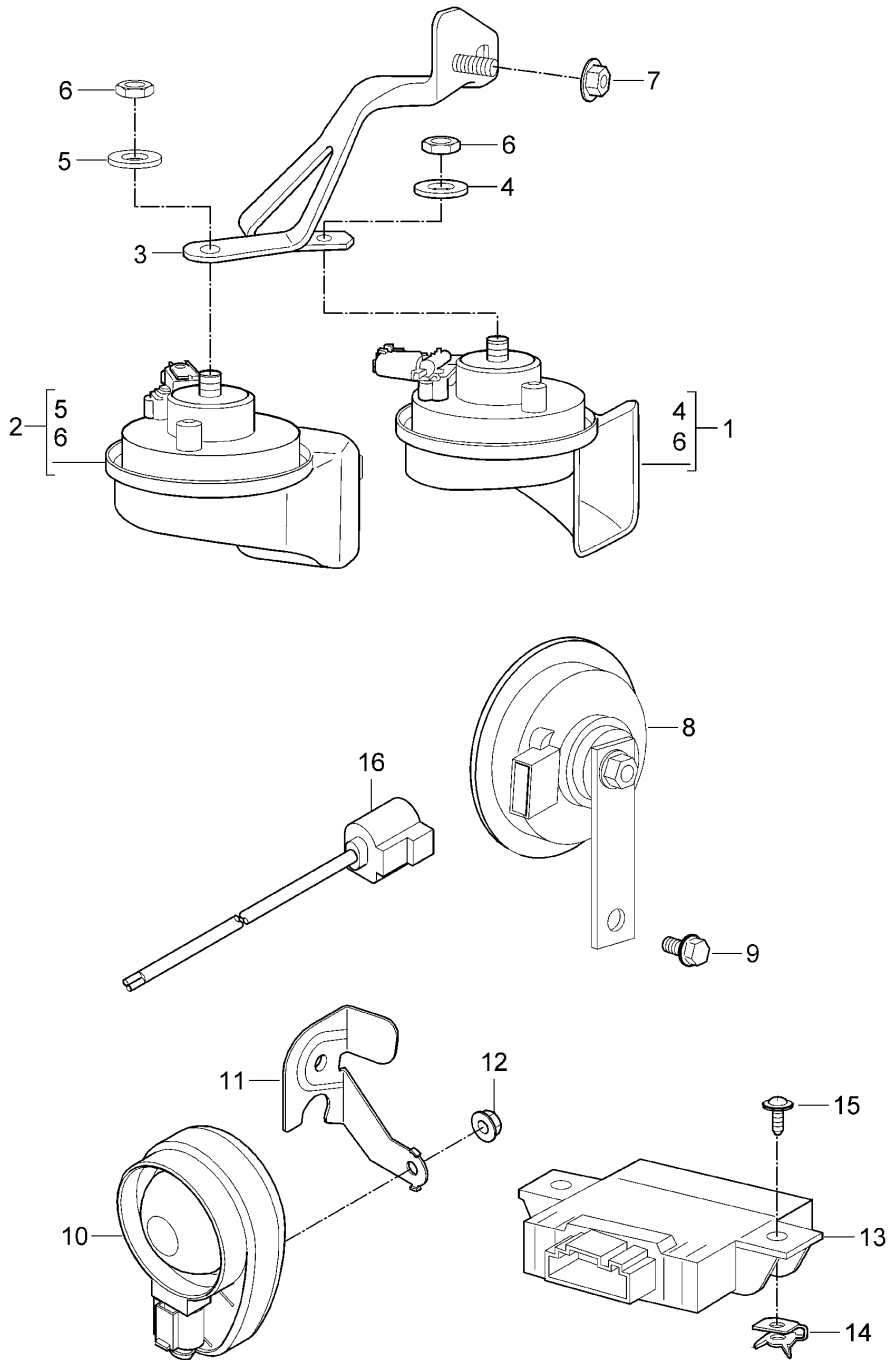
Model: 997T10

Model life 2010>>2013

Pos	Part Number	Description	Remark	Qty	Model
-	997 622 701 25	Optical waveguide Optical waveguide Module	/LL	1	I098/665/680
-	997 622 701 75	Optical waveguide Optical waveguide Module	/RL	1	I099/665/680
-	997 622 704 25	Optical waveguide Optical waveguide Module	/LL	1	I098/665/676 I680
-	997 622 704 75	Optical waveguide Optical waveguide Module	/RL	1	I099/665/676 I680
-	999 650 091 40	Plug bridge Optical waveguide		X	

Model: 997T10

Model life 2010>>2013



Model: 997T10 Model life 2010>>2013

Pos	Part Number	Description	Remark	Qty	Model
1	997 635 206 04	Fanfare Horn Alarm system Fanfare		1	
1	997 635 216 00	High-pitched Fanfare High-pitched see Technical information GR.9 NR.100/13 KD-NR.9050		1	
-	997 612 947 00	Cable Adapter see Technical information GR.9 NR.100/13 KD-NR.9050		1	
2	997 635 205 04	Fanfare Low-pitched		1	
(2)	997 635 215 00	Fanfare Low-pitched see Technical information GR.9 NR.100/13 KD-NR.9050		1	
-	997 612 947 00	Cable Adapter see Technical information GR.9 NR.100/13 KD-NR.9050		1	
3	997 635 150 05	Support		1	
4		Washer High-pitched		1	
5		Washer Low-pitched		1	
6	900 034 001 04	Nut M 8		2	
7	900 377 003 03	Hexagon nut M 8		1	
8	996 637 117 03	Horn for Alarm system		1	
8	996 637 117 05	Horn for Alarm system Replacement for 996.637.117.03 When required order also: 9P1.998.003.A		1	
9	900 075 459 01	Combination screw M 6 X 12 Z2		1	
10	955 618 237 01	Alarm siren		1	I536
11	997 637 419 01	Support		1	I536
12	900 380 015 01	Hexagon nut M 6		1	I536
13	997 618 265 00	Control unit Tilt sensor		1	I521
14	999 591 742 01	Speed nut 4,2		2	I521
15	999 073 155 09	Tapping screw 4,2 X 13		2	I521

Model: 997T10

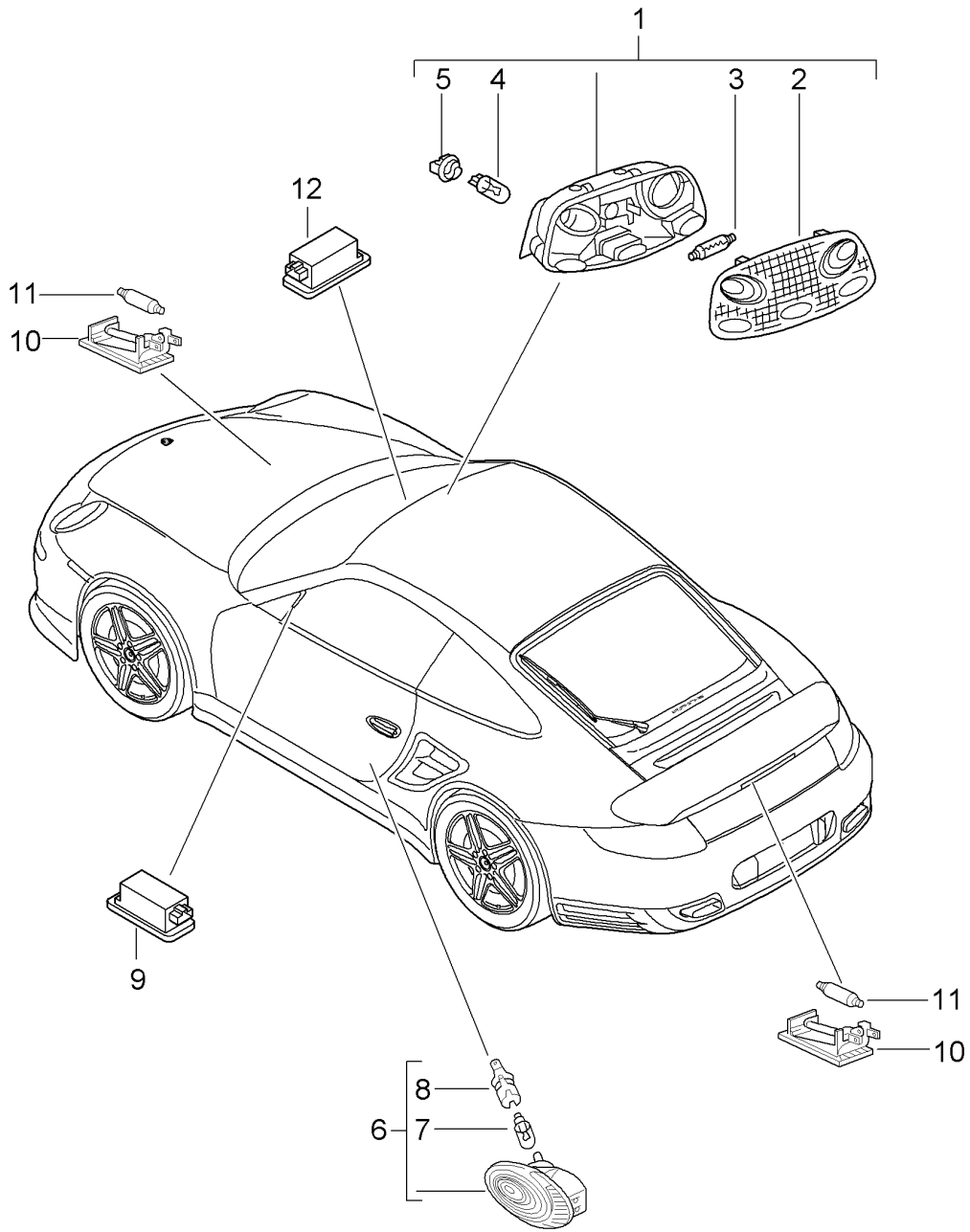
Model life 2010&gt;&gt;2013

Pos	Part Number	Description	Remark	Qty	Model
16	9P1 998 003 A	Wiring harness Modification kit Horn		1	



Model: 997T10

Model life 2010>>2013



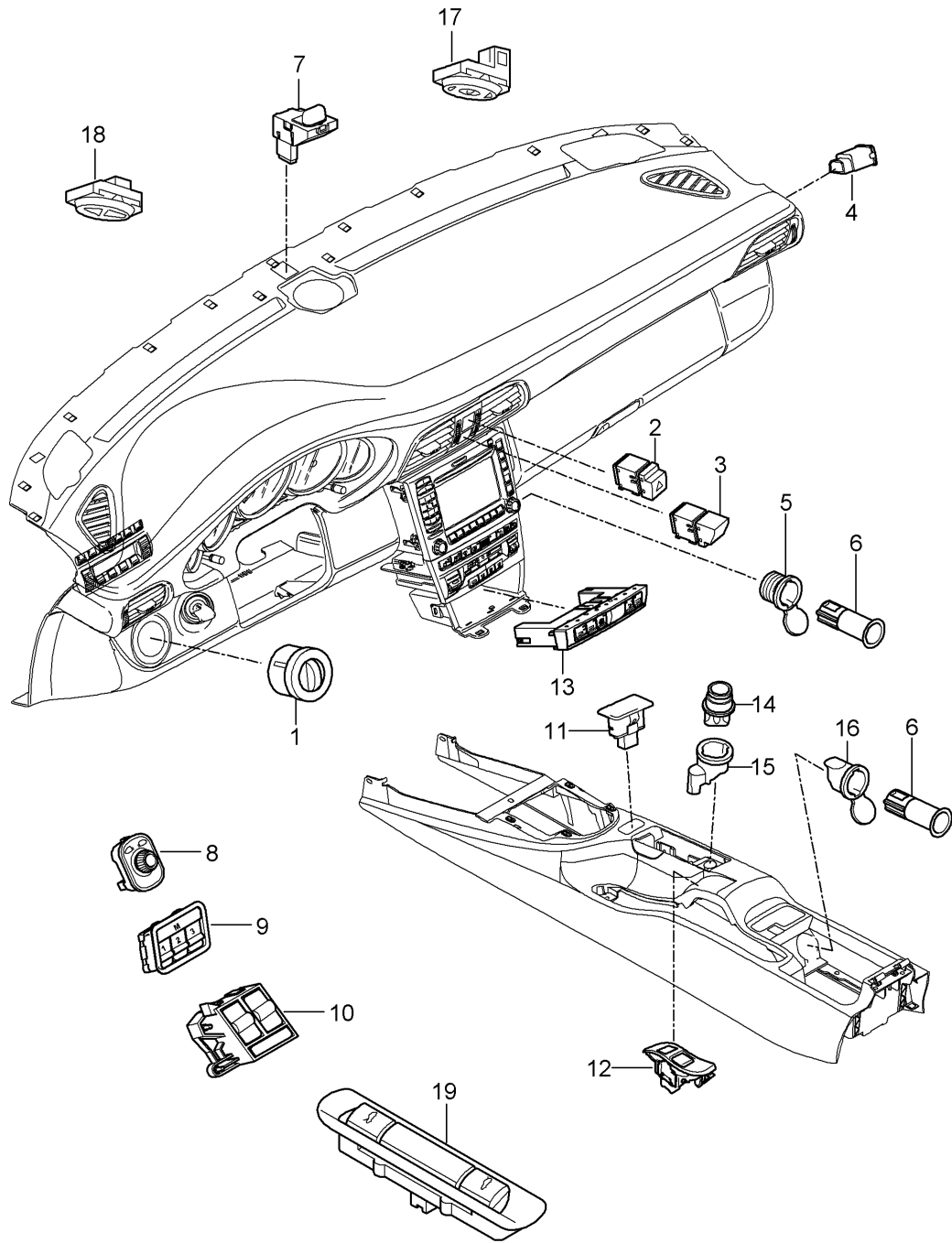
Model: 997T10

Model life 2010>>2013

Pos	Part Number	Description	Remark	Qty	Model
		Interior lights			
		Luggage compartment lamp			
		Engine compartment lamp			
		Glove compartment light			
		Footwell light			
1	997 632 051 00	Interior light		1	
2	996 632 151 00	Lens		1	
3	900 631 106 90	Linolite lamp		1	
		10 W			
4	999 631 134 90	Bulb		2	
		6 W			
5	999 632 018 00	Bulb socket		2	
6	996 632 132 01	Door guard light		2	
7	999 631 032 90	Bulb		2	
		5 W			
8	161 949 111	Bulb socket		2	
9	955 632 202 00	Light		2	
		Footwell			
10	997 632 201 00	Light		2	
		Engine compartment			
		Luggage compartment			
11	900 631 106 90	Linolite lamp		2	
		10 W			
12	997 632 071 00	Glove compartment light		1	
-	999 631 147 90	Bulb		4	
		3 W			
		Vanity mirror			

Model: 997T10

Model life 2010>>2013



Model: 997T10 Model life 2010>>2013

Pos	Part Number	Description	Remark	Qty	Model
1	997 613 525 00	Switch Light switch		1	I605
	997 613 525 00 A05	Black mat			
2	997 613 120 02	Hazard warning light sw.		1	
	997 613 120 02 A05	Black mat			
2	997 613 120 03	Hazard warning light sw.		1	
	997 613 120 03 A05	Black mat			
3	997 613 143 00	Switch Central locking system		1	
	997 613 143 00 A05	Black mat			
4	955 613 165 02	Switch Airbag		1	
	955 613 165 02 9B9	Satin black			
5	997 652 103 00	Clamping ring with Lid		1	
6	955 652 107 00	Plug socket		2	
7	997 653 251 00	Sensor Air conditioner		1	I573
8	997 613 241 01	Switch Door mirror		1	
	997 613 241 01 A05	Black mat			
9	997 613 103 00	Memory switch	/L	1	I537
	997 613 103 00 A05	Black mat			
9	997 613 103 01	Memory switch	/L	1	I537
	997 613 103 01 A05	Black mat			
(9)	997 613 104 00	Memory switch	/R	1	I538
	997 613 104 00 A05	Black mat			
10	997 613 151 05	Switch  Power windows Driver's side	/LL	1	COUPE I098
	997 613 151 05 A05	Black mat			
(10)	997 613 152 04	Switch  Power windows Driver's side	/RL	1	COUPE I099
	997 613 152 04 A05	Black mat			
(10)	997 613 152 05	Switch  Power windows Driver's side	/RL	1	COUPE I099
	997 613 152 05 A05	Black mat			
(10)	997 613 153 04	Switch  Power windows Driver's side	/LL	1	CABRIO I098
	997 613 153 04 A05	Black mat			
(10)	997 613 153 05	Switch  Power windows Driver's side	/LL	1	CABRIO I098
	997 613 153 05 A05	Black mat			
(10)	997 613 154 04	Switch  Power windows Driver's side	/RL	1	CABRIO I099
	997 613 154 04 A05	Black mat			
(10)	997 613 154 05	Switch  Power windows Driver's side	/RL	1	CABRIO I099
	997 613 154 05 A05	Black mat			

Model: 997T10 Model life 2010>>2013

Pos	Part Number	Description	Remark	Qty	Model
(10)	997 613 156 04	Switch Power windows Passenger's side	/LL	1	I098
	997 613 156 04 A05	Black mat			
(10)	997 613 156 05	Switch Power windows Passenger's side	/LL	1	I098
	997 613 156 05 A05	Black mat			
(10)	997 613 155 04	Switch Power windows Passenger's side	/RL	1	I099
	997 613 155 04 A05	Black mat			
11	997 641 165 01	Indicator light Airbag		1	
	997 641 165 01 A05	Black mat			
(12)	997 613 141 11	Switch Convertible top control		1	CABRIO
	997 613 141 11 A05	Black mat			
(13)	997 613 547 01	Combined switch	-11	1	TURBO/S I475/476/480 I639/640
	997 613 547 01 A05	Black mat			
(13)	997 613 547 02	Combined switch	12-	1	TURBO/S I475/476/480 I639/640
	997 613 547 02 A05	Black mat			
(13)	997 613 559 01	Combined switch	-11	1	TURBO/S I250/475/476 I639/640
	997 613 559 01 A05	Black mat			
(13)	997 613 559 02	Combined switch	12-	1	TURBO/S I250/475/476 I639/640
	997 613 559 02 A05	Black mat			
(13)	997 613 545 01	Combined switch	-11	1	TURBO/S I475/476
	997 613 545 01 A05	Black mat			
(13)	997 613 545 02	Combined switch	12-	1	TURBO/S I475/476
	997 613 545 02 A05	Black mat			
(13)	997 613 539 81	Combined switch		1	GT2/RS I475
	997 613 539 81 A05	Black mat			
14	997 652 101 00	Cigarette lighter		1	
	997 652 101 00 A05	Black mat			
15	7PP 919 341	Tensioning sleeve		1	
16	997 652 104 00	Headlight unit Clamping ring with Lid		1	
17	997 613 147 00	Switch Sunroof		1	I650
	997 613 147 00 A05	Black mat			
17	997 613 147 01	Switch Sunroof		1	I650
	997 613 147 01 A05	Black mat			
18	997 613 225 02	Switch Garage door opener	/L	1	I607/608
	997 613 225 02 A05	Black mat			
(18)	997 613 227 01	Switch Garage door opener	/R	1	I607/608
	997 613 227 01 A05	Black mat			
(18)	997 613 227 02	Switch	/R	1	I607/608

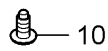
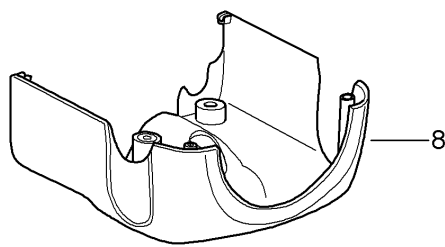
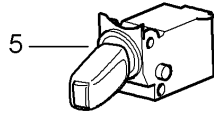
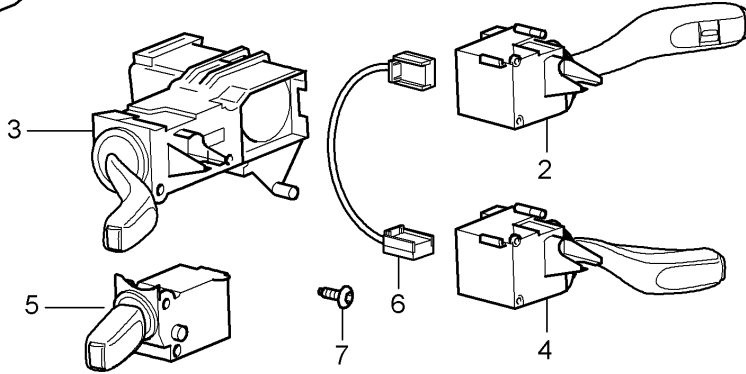
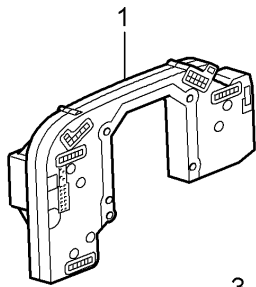
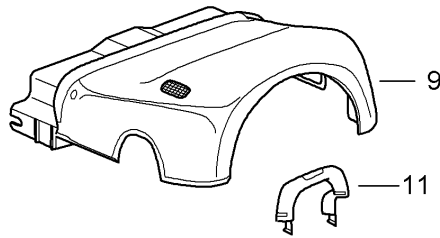
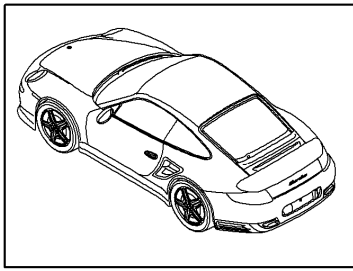
Model: 997T10

Model life 2010>>2013

Pos	Part Number	Description	Remark	Qty	Model
		Garage door opener			
	997 613 227 02 A05	Black mat			
(18)	997 613 235 00	Cover		2	
	997 613 235 00 01C	Satin black			
19	997 613 105 02	Switch		1	
		Lid			
		Front and rear			
	997 613 105 02 A05	Black mat			

Model: 997T10

Model life 2010>>2013



Model: 997T10 Model life 2010>>2013

Pos	Part Number	Description	Remark	Qty	Model
		Steering column switch			
1	997 613 289 01	Electronic unit		1	
1	997 613 299 01	Electronic unit		1	I345
1	997 613 299 02	Electronic unit		1	I345
2	997 613 253 00	Wiper switch		1	I288
	997 613 253 00 01C	Satin black			
(2)	997 613 257 00	Wiper switch		1	I288/425
	997 613 257 00 01C	Satin black			
3	997 613 245 00	Direction indicator switch		1	
	997 613 245 00 01C	Satin black			
4	997 613 261 00	Switch		1	I454
		Cruise control			
	997 613 261 00 01C	Satin black			
5	997 613 265 00	Switch		1	I659
		On-board computer			
	997 613 265 00 01C	Satin black			
5	997 613 267 00	Switch		1	I659/671
		On-board computer			
	997 613 267 00 01C	Satin black			
6	997 622 674 00	Wiring harness		1	I454
		Cruise control			
7	N 909 068 01	Torx screw		X	
		M 2,5 X 2,6 X 43,5-D			
8	997 552 475 02	Switch housing		1	
		Lower			
	997 552 475 02 A03	Black			
(8)	997 552 475 03	Switch housing		1	I454
		Lower			
	997 552 475 03 A03	Black			
8	997 552 979 00	Switch housing		1	IXNS
		Lower			
		Leather			
	997 552 979 00 A11	Black			
	997 552 979 00 5X6	Stone grey			
	997 552 979 00 8G2	Sand Beige			
	997 552 979 00 3S9	Sea blue			
	997 552 979 00 9S5	Terracotta			
	997 552 979 00 9V6	Cocoa			
	997 552 979 00 D12	Dark grey/natural			
	997 552 979 00 T12	Brown/natural			
	997 552 979 00 N12	Carrera Red			
(8)	997 552 979 01	Switch housing		1	IXNS/454
		Lower			
		Leather			
	997 552 979 01 A11	Black			
	997 552 979 01 5X6	Stone grey			
	997 552 979 01 8G2	Sand Beige			
	997 552 979 01 3S9	Sea blue			
	997 552 979 01 9S5	Terracotta			
	997 552 979 01 9V6	Cocoa			
	997 552 979 01 D12	Dark grey/natural			
	997 552 979 01 T12	Brown/natural			
	997 552 979 01 N12	Carrera Red			
9	997 552 273 02	Switch housing		1	
		Upper			
	997 552 273 02 A03	Black			
9	997 552 997 00	Switch housing		1	IXNS
		Upper			
		Leather			
	997 552 997 00 A11	Black			
	997 552 997 00 5X6	Stone grey			
	997 552 997 00 8G2	Sand Beige			
	997 552 997 00 3S9	Sea blue			



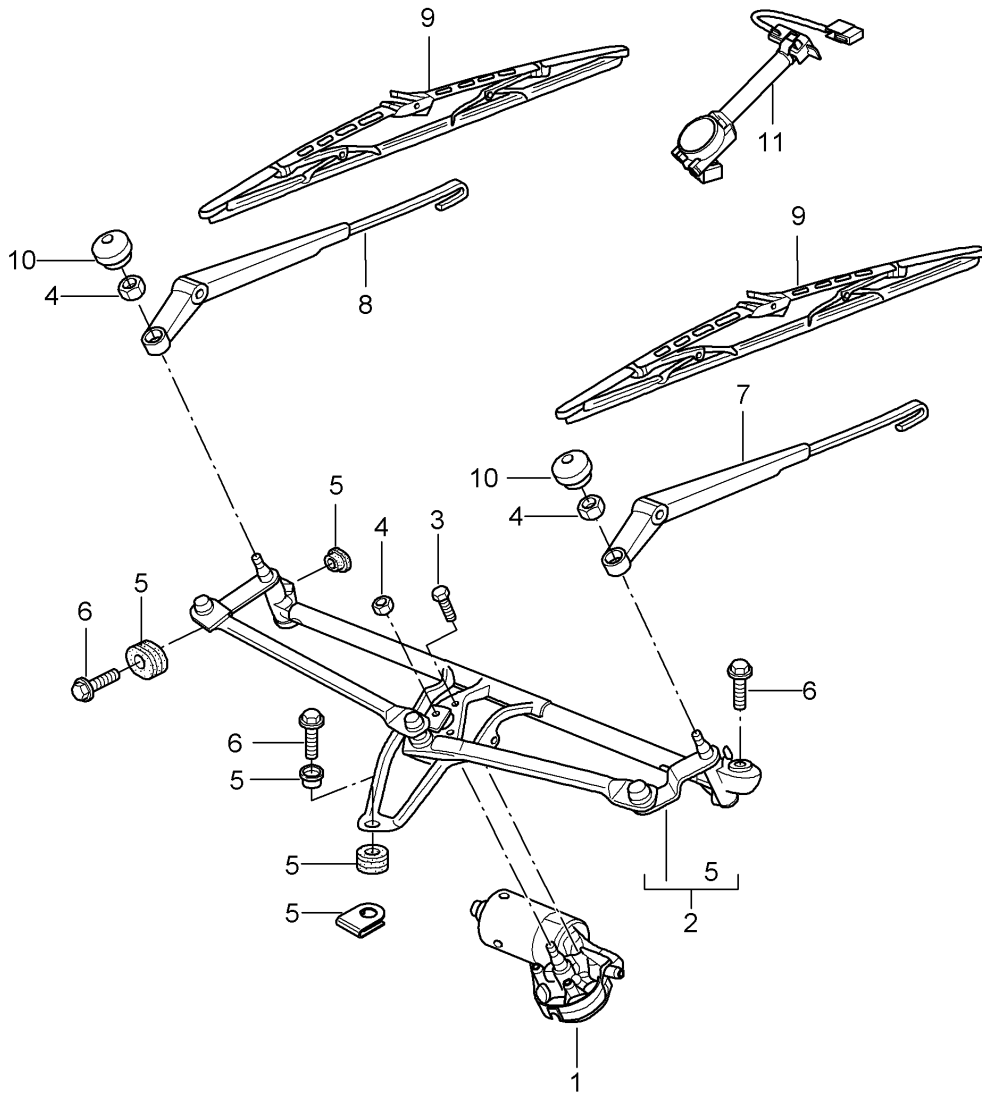
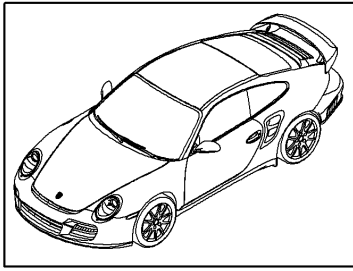
Model: 997T10

Model life 2010&gt;&gt;2013

Pos	Part Number	Description	Remark	Qty	Model
	997 552 997 00 9S5	Terracotta			
	997 552 997 00 9V6	Cocoa			
	997 552 997 00 D12	Dark grey/natural			
	997 552 997 00 T12	Brown/natural			
	997 552 997 00 N12	Carrera Red			
10	999 919 136 01	Oval-head screw 3,5 X 18		3	
11	997 610 206 00	Cable guide		1	

Model: 997T10

Model life 2010>>2013



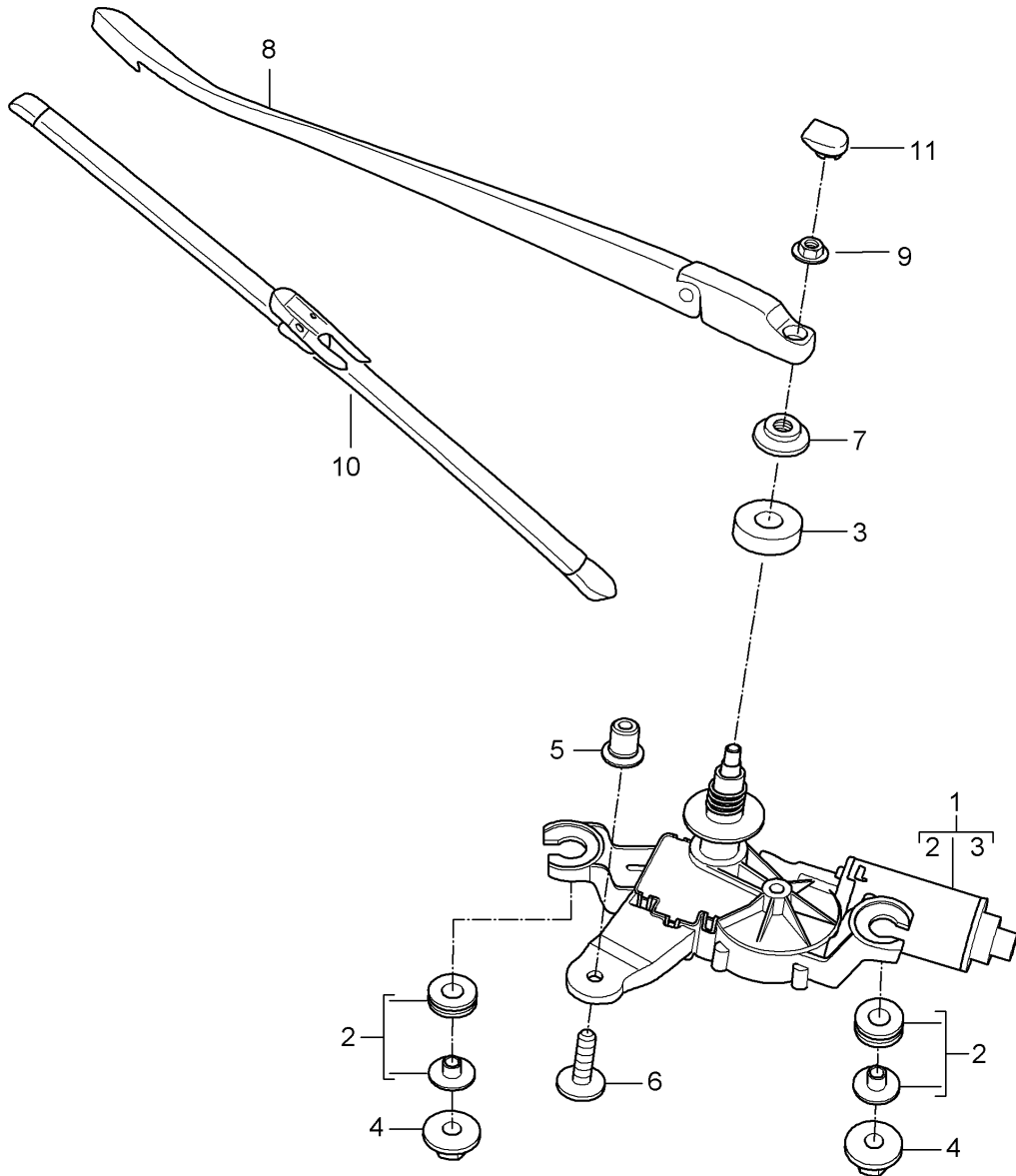
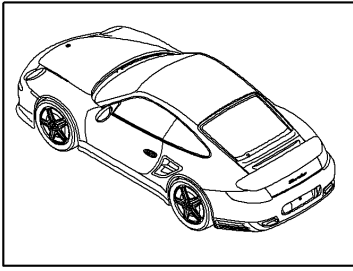
Model: 997T10

Model life 2010>>2013

Pos	Part Number	Description	Remark	Qty	Model
		Windscreen wiper system			
		Rain sensor			
1	997 624 105 01	Wiper motor	/LL	1	I098
(1)	997 624 106 01	Wiper motor	/RL	1	I099
2	997 628 235 01	Crank drive	/LL	1	I098
(2)	997 628 236 01	Crank drive	/RL	1	I099
3	999 073 152 02	Torx screw M 6 X 18		3	
4	900 076 064 02	Hexagon nut M 8		3	
5	997 628 928 00	Repair kit		1	
		Comprising:			
-		Bearing sleeve		1	
-		Rubber bush		1	
-		Bearing sleeve		1	
-		Rubber bush		1	
-		Clamp		2	
6	999 075 075 01	Combination screw M 6 X 22 SC		3	
7	997 628 027 00	Wiper arm Driver's side	/LL	1	I098
(7)	997 628 030 00	Wiper arm Passenger's side	/RL	1	I099
8	997 628 029 00	Wiper arm Passenger's side	/LL	1	I098
(8)	997 628 028 00	Wiper arm Driver's side	/RL	1	I099
9	996 628 901 08	Wiper blade Set Driver's side Passenger's side		1	
10	944 628 305 01	Cap		2	
11	997 612 694 00	Rain sensor		1	COUPE I267/268
(11)	997 612 694 25	with Wiring harness Rain sensor		1	CABRIO I267/268
(11)	997 612 693 00	with Wiring harness Rain sensor		1	GT2/RS I268
-	000 043 204 65	with Wiring harness Adhesive film for Rain sensor		1	
(11)	997 612 695 00	Wiring harness		1	GT2/RS -I267/-I268
		with Light for cars without Rain sensor			

Model: 997T10

Model life 2010>>2013



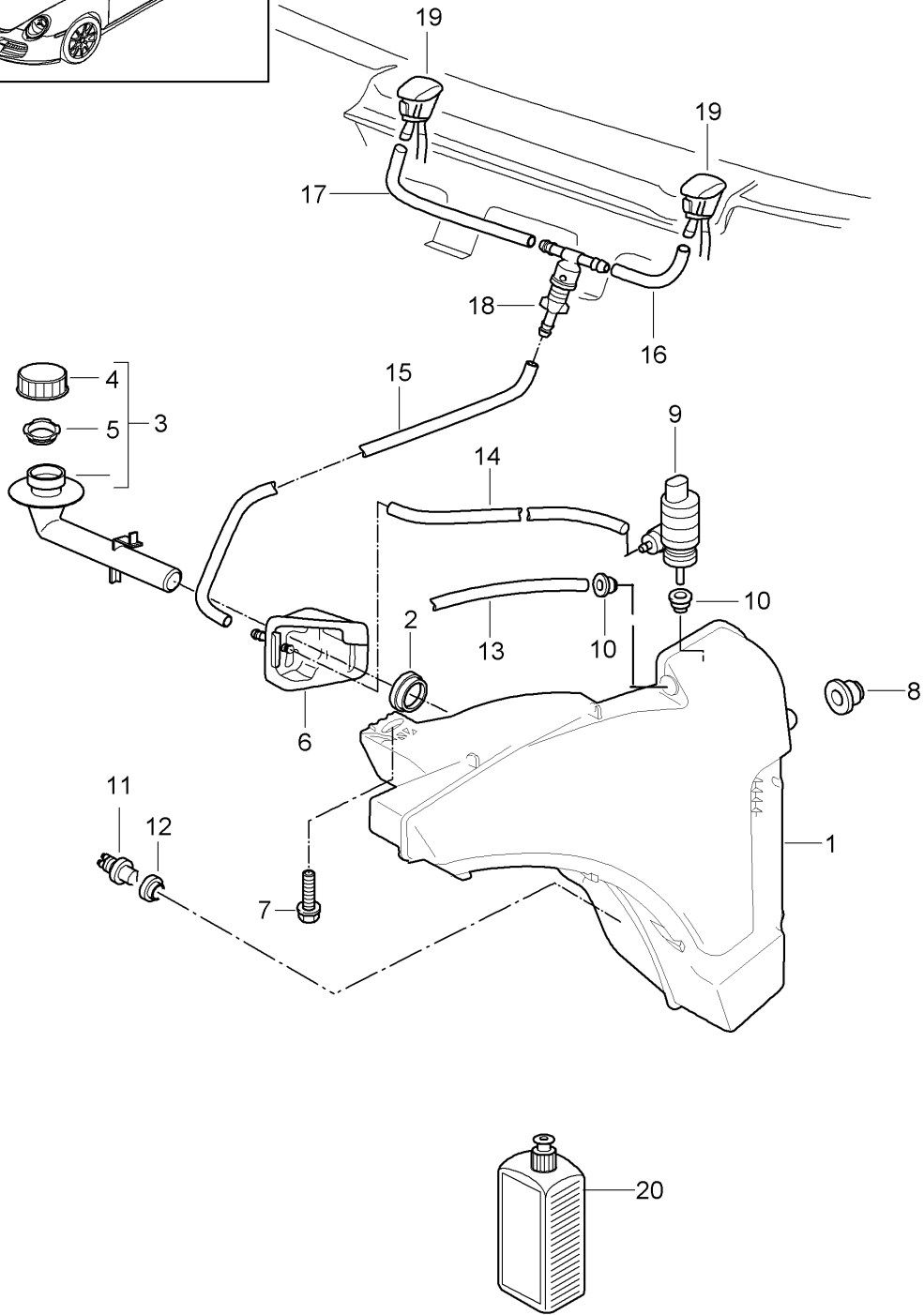
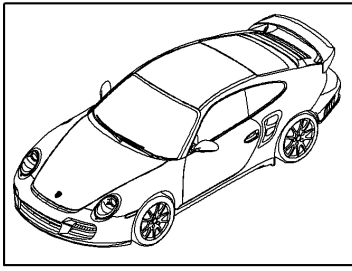
Model: 997T10

Model life 2010>>2013

Pos	Part Number	Description	Remark	Qty	Model
		Rear window wiper			I425
1	997 628 080 00	Wiper motor		1	
2	997 628 908 00	Repair kit		1	
		Comprising:			
		Grommet		2	
		Bush		2	
3	997 628 910 00	Sealing ring		1	
4	999 076 078 01	Hexagon nut		2	
		M 6			
5	999 500 078 00	Speed nut		1	
6	999 073 468 01	Combination screw		1	
		M 6 X 22 SC			
7	997 628 273 00	Grommet		1	
8	997 628 169 00	Wiper arm		1	
9	900 377 003 03	Hexagon nut		1	
10	997 628 189 00	Wiper blade		1	
11	997 628 122 00	Cap		1	

Model: 997T10

Model life 2010>>2013



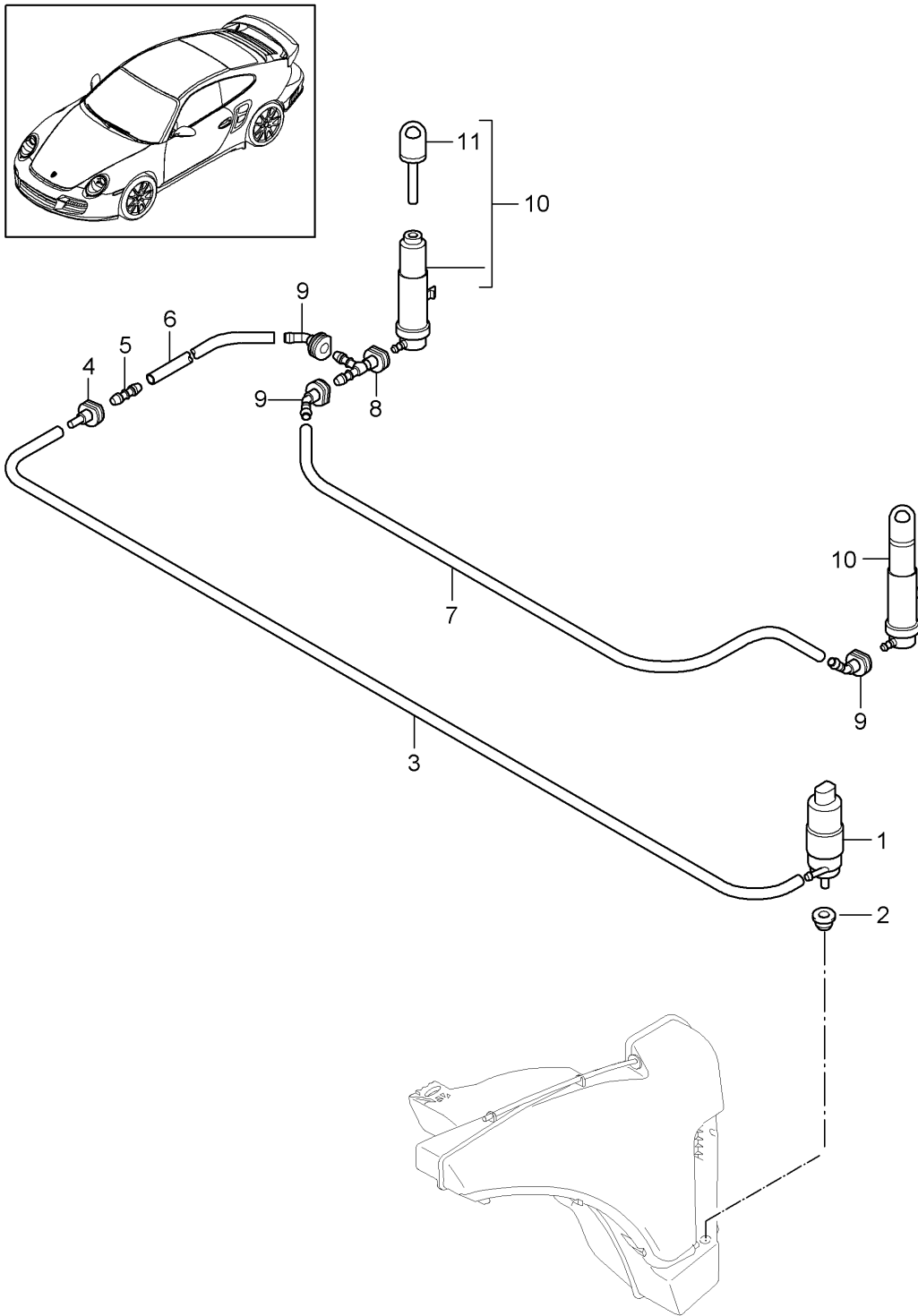
Model: 997T10

Model life 2010>>2013

Pos	Part Number	Description	Remark	Qty	Model
1	997 528 701 01	Windscreen washer system		1	I288
(1)	997 528 701 00	Water reservoir		1	GT2/RS -I288
2	996 528 711 00	Gasket		1	
3	997 528 605 00	Filler neck		1	
4	996 528 607 00	Lid		1	
5	997 528 621 00	Strainer		1	
6	996 528 615 01	Bracket		1	
-	999 137 091 40	Joining socket		X	
		Repair material for Bracket 996.528.615.01			
7	900 378 154 01	Hexagon-head bolt AM 8 X 35 SB		1	
8	999 702 221 40	Grommet		2	
9	997 628 182 00	Pump		1	
10	431 955 465 B	Sealing ring		2	
11	955 628 105 00	Tank gauge switch		1	
12	955 528 721 00	Gasket		1	
13	999 181 347 40	Breather pipe 273 MM		*	
-	999 181 815 40	Hose 5,0 X 2,5		*	
14		375 MM		1	
15		650 MM		1	
16		97 MM		1	
17		347 MM		1	
(18)	999 137 005 40	T-piece		1	
19	997 628 077 00	Nozzle		2	
20	999 901 017 42	Window cleaner 250 ML Summer		X	

Model: 997T10

Model life 2010>>2013





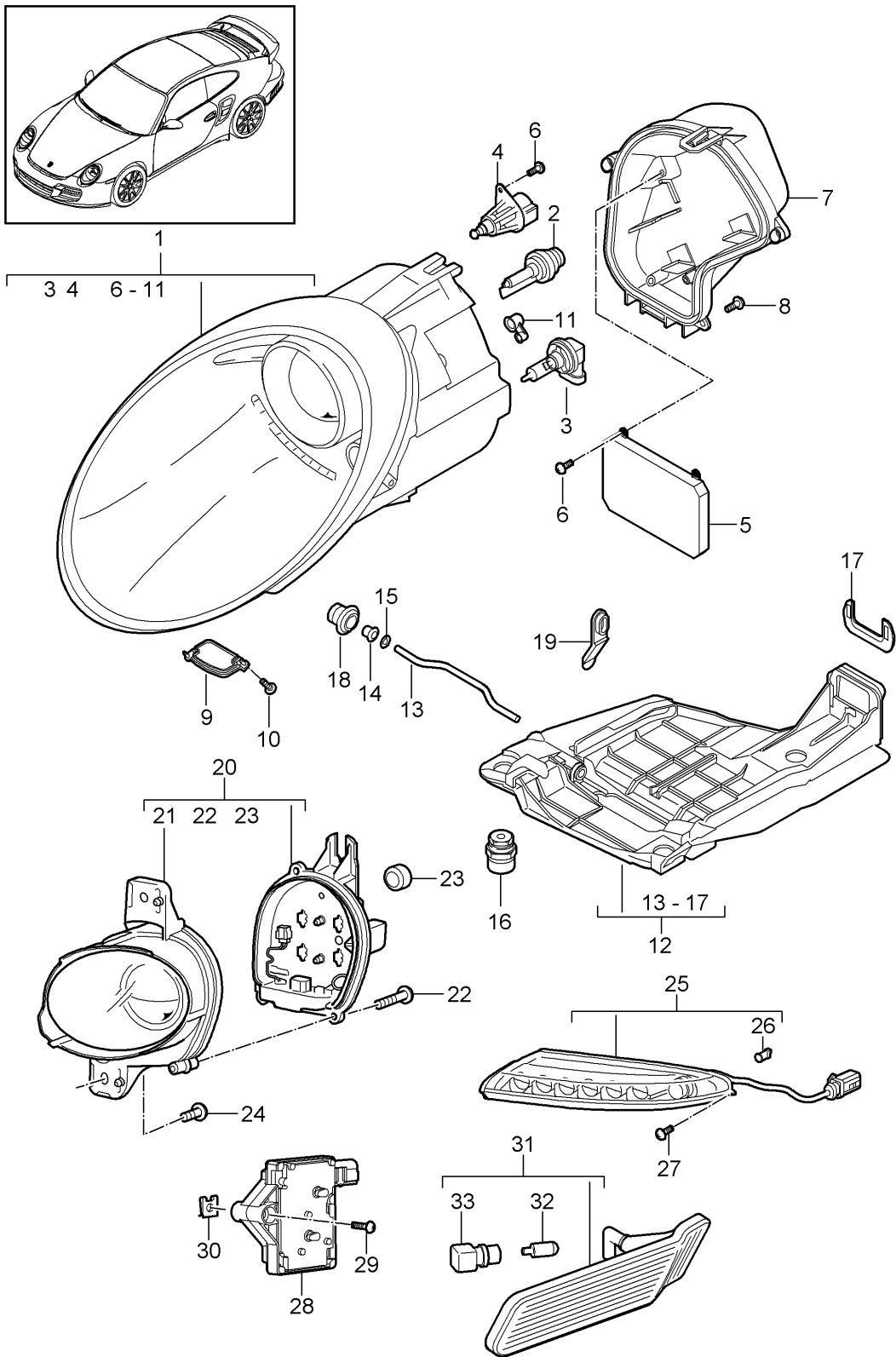
Model: 997T10

Model life 2010>>2013

Pos	Part Number	Description	Remark	Qty	Model
		Headlight washer system			I288
1	997 624 502 00	Pump		1	
2	928 628 193 00	Gasket		1	
-	000 043 204 79	Hose		*	
		8 X 3			
3		890 MM		1	
4	996 628 204 00	Clutch		1	
5	997 628 208 00	Hose connection		1	
-	999 181 760 40	Hose		*	
		10 X 3			
6		405 MM			
7		2340 MM			
8	997 628 207 00	T-piece		1	
9	997 628 205 00	Clutch		3	
10	997 628 133 01	Nozzle		2	
11	997 628 231 00	Nozzle head		2	
-	997 628 981 02	Cap		2	IXUB
		Prime coated for POS 10 + 11			

Model: 997T10

Model life 2010>>2013



Model: 997T10 Model life 2010>>2013

Pos	Part Number	Description	Remark	Qty	Model
		Headlamp Additional headlamp Direction indicator light Side marker light Direction indicator light Headlamp without Control unit And Bulb XENON			I601
1	997 631 157 03	Headlamp	/L	1	I601
1	997 631 157 07	Headlamp	/L	1	I601/676
(1)	997 631 158 03	Headlamp	/R	1	I601
(1)	997 631 158 07	Headlamp	/R	1	I601/676
1	997 631 157 13	Headlamp	/L	1	I492/601
1	997 631 157 17	Headlamp	/L	1	I492/601/676
(1)	997 631 158 13	Headlamp	/R	1	I492/601
(1)	997 631 158 17	Headlamp	/R	1	I492/601/676
2	999 631 036 90	Bulb - PHILIPS -		2	
3	999 631 144 91	Halogen bulb H 11		2	
4	997 631 141 00	Electric motor Headlight levelling system		2	
5	997 631 183 00	Control unit		2	I601
5	997 631 283 01	Control unit		2	I601/676
6	997 631 199 00	Screw		6	
7	997 631 101 00	Protective cap	/L	1	
(7)	997 631 102 00	Protective cap	/R	1	
8	997 631 191 00	Screw		8	
9	997 631 149 10	Ventilation component	/L	1	
(9)	997 631 150 10	Ventilation component	/R	1	
10	997 631 153 00	Screw		4	
11	997 631 249 00	Ventilation component		2	
12	997 631 073 02	Mounting	/L	1	
(12)	997 631 074 02	Mounting	/R	1	
13	997 631 273 01	Clamping bow		2	
14	997 631 272 00	Bearing sleeve		2	
15	900 116 004 09	Lock washer		2	
16	997 631 194 02	Fastening part		6	
17	997 631 245 00	Locking device Connector housing		2	
18	999 703 413 40	Stopper		2	
19	993 631 170 03	Stopper		4	
20	997 631 077 01	Additional headlamp	/L -10	1	I605
20	997 631 077 03	Additional headlamp	/L 11-	1	I605
(20)	997 631 078 01	Additional headlamp	/R -10	1	I605
(20)	997 631 078 03	Additional headlamp	/R 11-	1	I605
21	997 631 177 00	Housing for light	/L -10	1	I605
21	997 631 177 02	Housing for light	/L 11-	1	I605
(21)	997 631 178 00	Housing for light	/R -10	1	I605
(21)	997 631 178 02	Housing for light	/R 11-	1	I605
22	997 631 297 00	Screw		6	I605
23	987 631 291 00	Cap		2	I605
24	999 073 231 09	Tapping screw 4,8 X 16		4	
25	997 631 091 03	Direction indicator light Direction indicator light When required order also:	/L	1	
-	999 902 057 40	Velcro fastener 25 X 30		2	

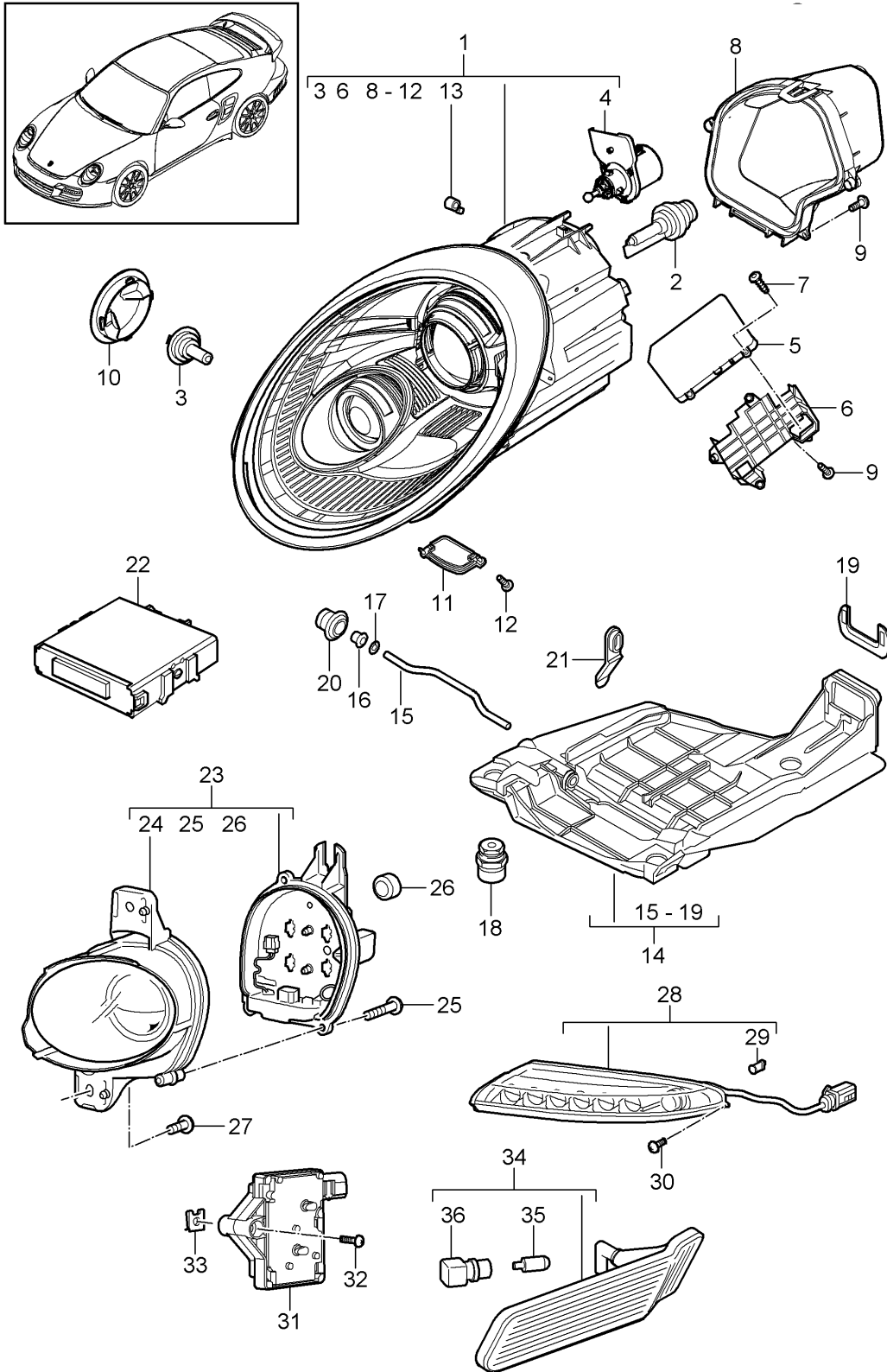
Model: 997T10

Model life 2010&gt;&gt;2013

Pos	Part Number	Description	Remark	Qty	Model
(25)	997 631 092 03	Direction indicator light	/R	1	
-	999 902 057 40	When required order also: Velcro fastener		2	
26	999 631 040 90	25 X 30 Bulb		2	
		5 W Position light			
27	999 073 080 02	Combination screw		2	
		4,2 X 16			
28	997 618 201 00	Control unit		2	
29	999 073 376 01	Direction indicator light Tapping screw		2	
		6,3 X 45			
30	999 507 003 01	Speed nut		2	
		6,3			
31	997 631 033 02	Direction indicator light	/L	1	TURBO/S
31	997 631 033 90	Direction indicator light	/L	1	GT2/RS I004
(31)	997 631 034 02	Direction indicator light	/R	1	TURBO/S
(31)	997 631 034 90	Direction indicator light	/R	1	GT2/RS I004
32	999 631 138 90	Bulb		2	
		5 W Yellow			
33	997 631 133 00	Bulb socket		2	

Model: 997T10

Model life 2010>>2013



Model: 997T10 Model life 2010>>2013

Pos	Part Number	Description	Remark	Qty	Model
		Headlamp Additional headlamp Side marker light Direction indicator light Headlamp without Control unit And Bulb XENON			I603
1	997 631 169 01	Headlamp	/L	1	
(1)	997 631 170 01	Headlamp	/R	1	
1	997 631 169 11	Headlamp	/L	1	I492
(1)	997 631 170 11	Headlamp	/R	1	I492
(1)	997 631 169 50	Headlamp Only for F 99BS7 66189 F 99BS7 66190 F 99BS7 66194 F 99BS7 66195 F 99BS7 66196 F 99BS7 66198 F 99BS7 66202 F 99BS7 66204 F 99BS7 66206 F 99BS7 66207	/L (CN)	1	
(1)	997 631 170 50	Headlamp Only for F 99BS7 66189 F 99BS7 66190 F 99BS7 66194 F 99BS7 66195 F 99BS7 66196 F 99BS7 66198 F 99BS7 66202 F 99BS7 66204 F 99BS7 66206 F 99BS7 66207	/R (CN)	1	
2	999 631 036 90	Bulb - PHILIPS -		2	
3	999 631 133 91	Halogen bulb H 7		2	
4	997 631 227 01	Electric motor Headlight levelling system	/L	1	
(4)	997 631 228 01	Electric motor Headlight levelling system	/R	1	
5	997 631 283 01	Control unit		2	
6	997 631 223 00	Support	/L	1	
(6)	997 631 224 00	Support	/R	1	
7	997 631 199 00	Screw		4	
8	997 631 201 00	Protective cap	/L	1	
(8)	997 631 202 00	Protective cap	/R	1	
9	997 631 191 00	Screw		14	
10	997 631 211 00	Protective cap High beam		2	
11	997 631 149 10	Ventilation component	/L	1	
(11)	997 631 150 10	Ventilation component	/R	1	
12	997 631 153 00	Screw		4	
13	997 631 249 00	Ventilation component		2	
14	997 631 073 02	Mounting	/L	1	
(14)	997 631 074 02	Mounting	/R	1	

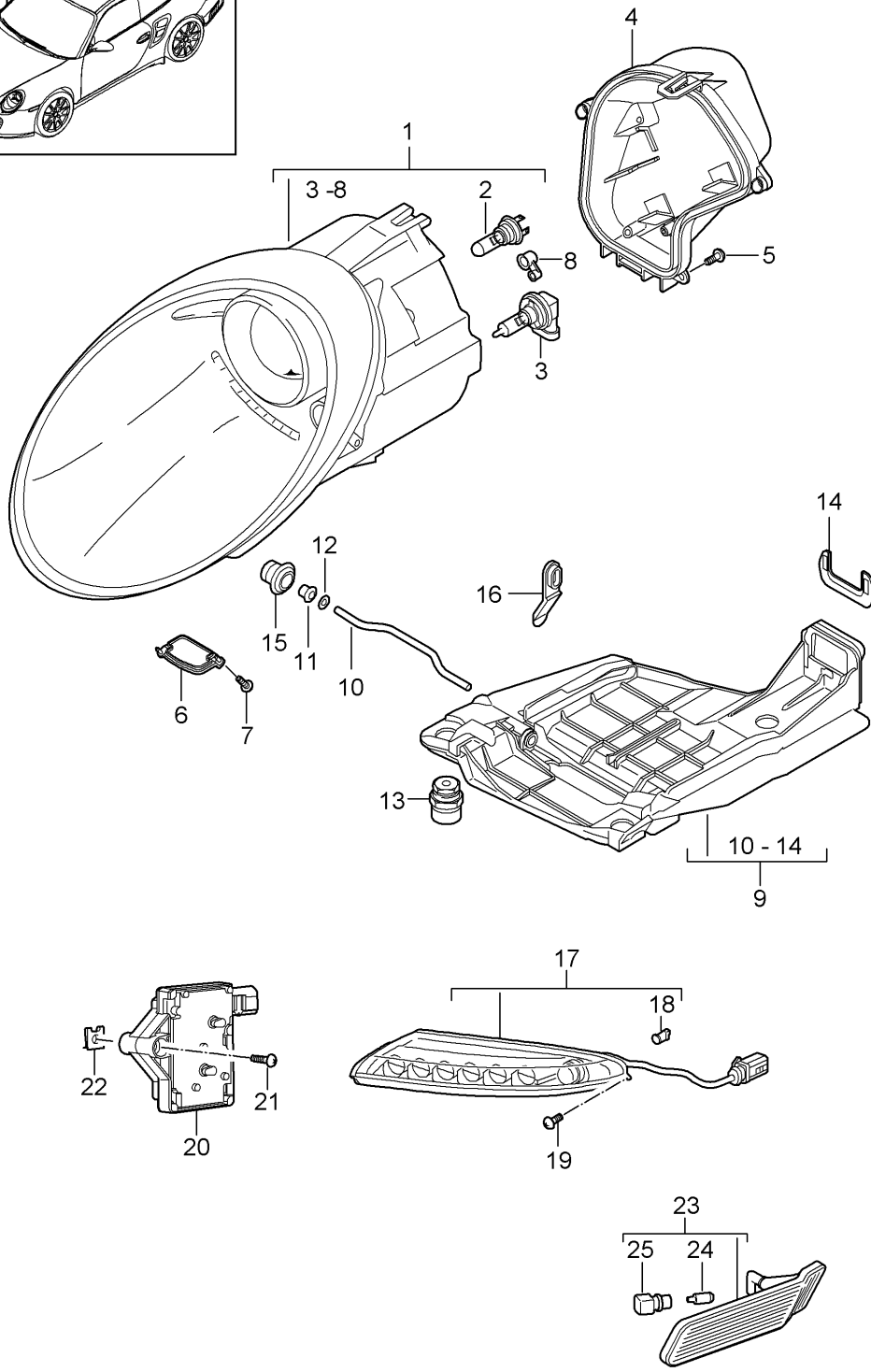
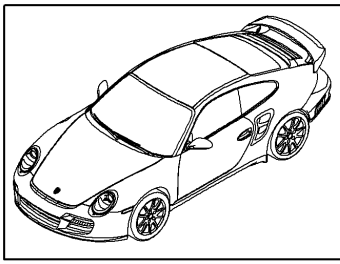
Model: 997T10

Model life 2010&gt;&gt;2013

Pos	Part Number	Description	Remark	Qty	Model
15	997 631 273 01	Clamping bow		2	
16	997 631 272 00	Bearing sleeve		2	
17	900 116 004 09	Lock washer		2	
18	997 631 194 02	Fastening part		6	
19	997 631 245 00	Locking device		2	
		Connector housing			
20	999 703 413 40	Stopper		2	
21	993 631 170 03	Stopper		6	
22	997 618 321 02	Control unit		1	
		Dynamic cornering light			
		Additional headlamp			
23	997 631 077 01	Additional headlamp	/L -10	1	I605
23	997 631 077 03	Additional headlamp	/L 11-	1	I605
(23)	997 631 078 01	Additional headlamp	/R -10	1	I605
(23)	997 631 078 03	Additional headlamp	/R 11-	1	I605
24	997 631 177 00	Housing for light	/L -10	1	I605
24	997 631 177 02	Housing for light	/L 11-	1	I605
(24)	997 631 178 00	Housing for light	/R -10	1	I605
(24)	997 631 178 02	Housing for light	/R 11-	1	I605
25	997 631 297 00	Screw		6	I605
26	987 631 291 00	Cap		2	I605
27	999 073 231 09	Tapping screw		4	
		4,8 X 16			
		Direction indicator light			
28	997 631 091 03	Direction indicator light	/L	1	
		When required order also:			
-	999 902 057 40	Velcro fastener		2	
		25 X 30			
(28)	997 631 092 03	Direction indicator light	/R	1	
		When required order also:			
-	999 902 057 40	Velcro fastener		2	
		25 X 30			
29	999 631 040 90	Bulb		2	
		5 W			
		Position light			
30	999 073 080 02	Combination screw		2	
		4,2 X 16			
31	997 618 201 00	Control unit		2	
		Direction indicator light			
32	999 073 376 01	Tapping screw		2	
		6,3 X 45			
33	999 507 003 01	Speed nut		2	
		6,3			
34	997 631 033 02	Direction indicator light	/L	1	
(34)	997 631 034 02	Direction indicator light	/R	1	
35	999 631 138 90	Bulb		2	
		5 W			
		Yellow			
36	997 631 133 00	Bulb socket		2	

Model: 997T10

Model life 2010>>2013





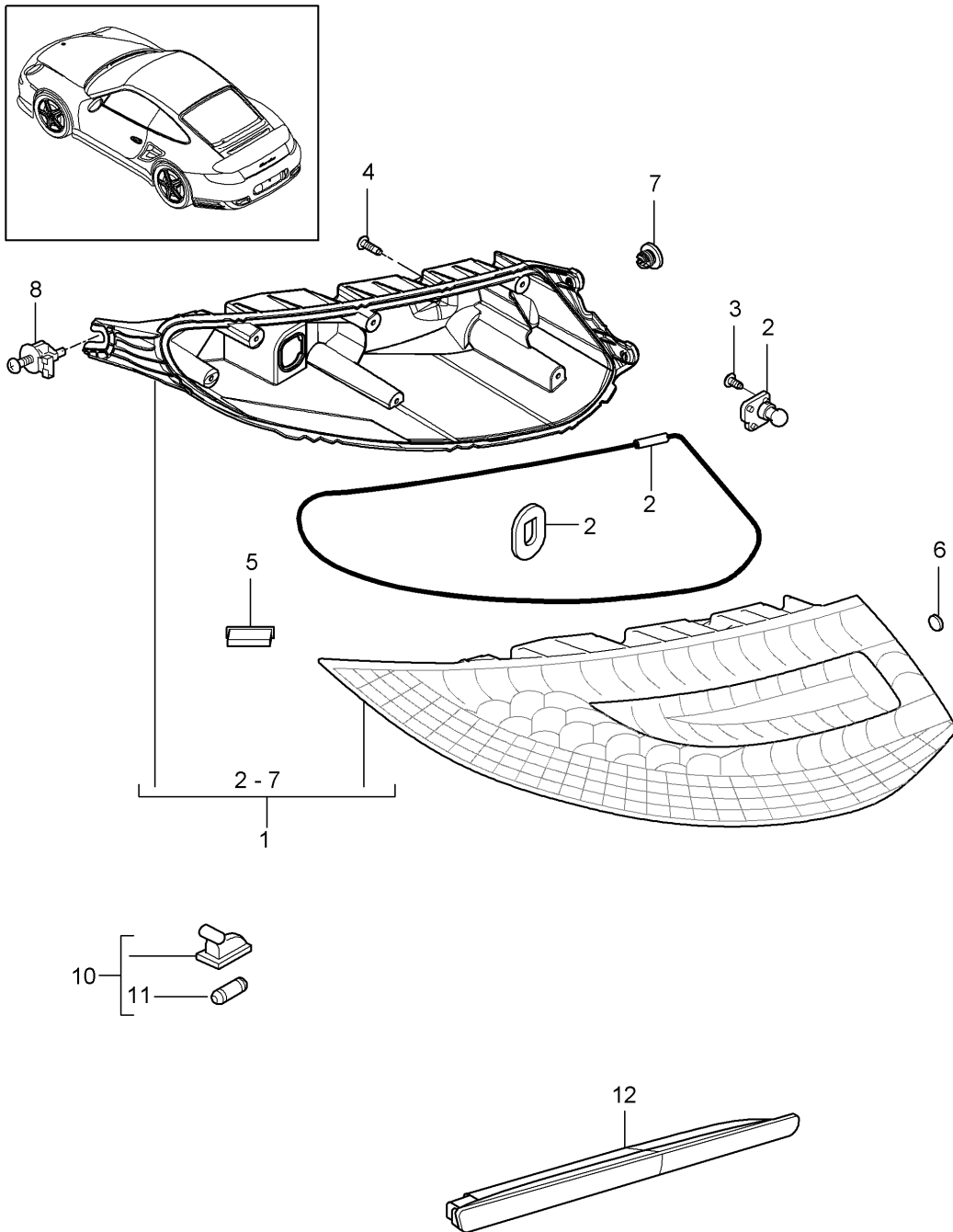
Model: 997T10

Model life 2010&gt;&gt;2013

Pos	Part Number	Description	Remark	Qty	Model
		Headlamp			GT2/RS I600
		Additional headlamp			
		Side marker light			
		Direction indicator light			
1	997 631 163 03	Headlamp	/L	1	I600
(1)	997 631 164 03	Headlamp	/R	1	I600
1	997 631 163 13	Headlamp	/L	1	I492/600
(1)	997 631 164 13	Headlamp	/R	1	I492/600
2	999 631 133 91	Halogen bulb H 7		2	
3	999 631 143 90	Halogen bulb H 9		2	
4	997 631 101 00	Protective cap	/L	1	
(4)	997 631 102 00	Protective cap	/R	1	
5	997 631 191 00	Screw		8	
6	997 631 149 10	Ventilation component	/L	1	
(6)	997 631 150 10	Ventilation component	/R	1	
7	997 631 153 00	Screw		4	
8	997 631 249 00	Ventilation component		2	
9	997 631 073 02	Mounting	/L	1	
(9)	997 631 074 02	Mounting	/R	1	
10	997 631 273 01	Clamping bow		2	
11	997 631 272 00	Bearing sleeve		2	
12	900 116 004 09	Lock washer		2	
13	997 631 194 02	Fastening part		6	
14	997 631 245 00	Locking device Connector housing		2	
15	999 703 413 40	Stopper		2	
16	993 631 170 03	Stopper		4	
17	997 631 091 03	Direction indicator light			
		Direction indicator light	/L	1	
		When required order also: Velcro fastener 25 X 30		2	
(17)	997 631 092 03	Direction indicator light	/R	1	
		When required order also: Velcro fastener 25 X 30		2	
18	999 631 040 90	Bulb 5 W		2	
19	999 073 080 02	Position light Combination screw 4,2 X 16		2	
20	997 618 201 00	Control unit		2	
21	999 073 376 01	Direction indicator light Tapping screw 6,3 X 45		2	
22	999 507 003 01	Speed nut 6,3		2	
23	997 631 033 90	Direction indicator light	/L	1	
(23)	997 631 034 90	Direction indicator light	/R	1	
24	999 631 138 90	Bulb 5 W Yellow		2	
25	997 631 133 00	Bulb socket		2	

Model: 997T10

Model life 2010>>2013



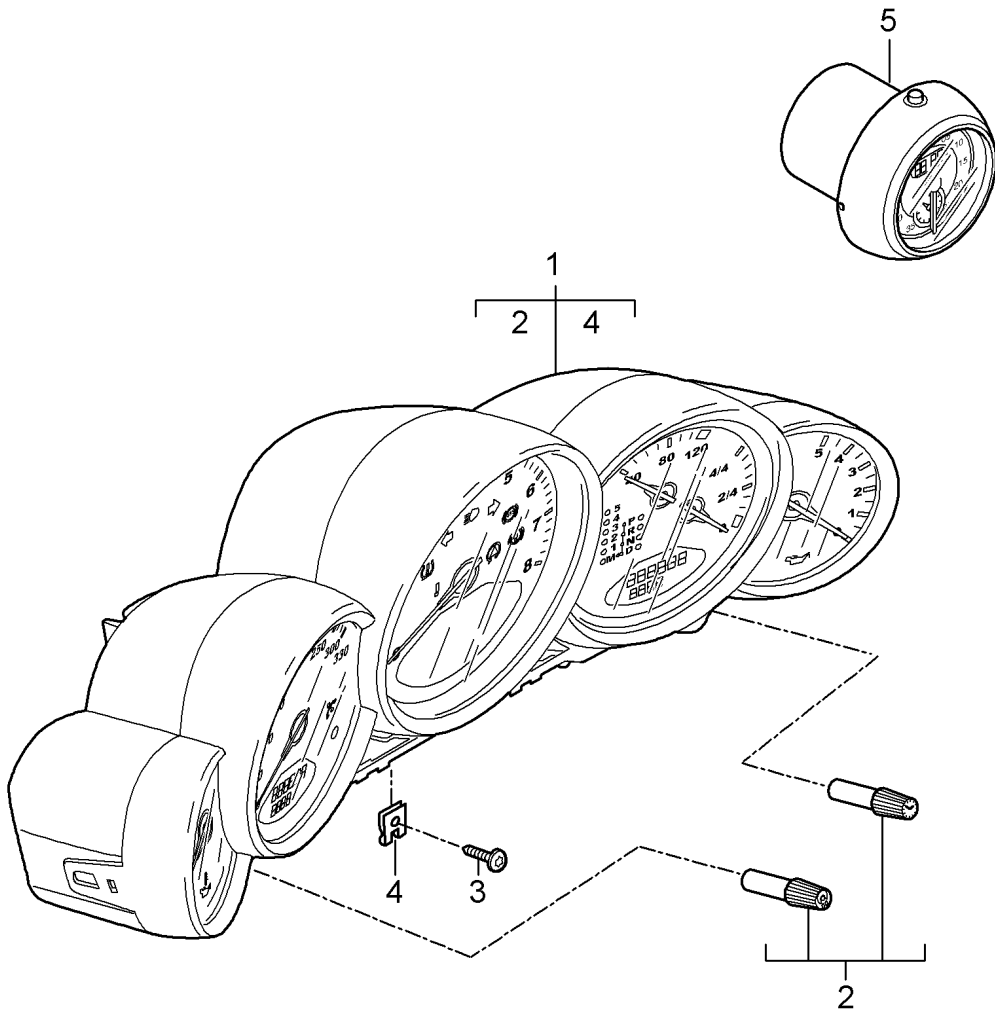
Model: 997T10

Model life 2010>>2013

Pos	Part Number	Description	Remark	Qty	Model
		Rear light			
		License plate light			
		Additional brake light			
1	997 631 411 03	Rear light	/L	1	I465
1	997 631 411 04	Rear light	/L	1	I465
1	997 631 989 00	Rear light	/L	1	IXXG/465
1	997 631 989 01	Rear light	/L	1	IXXG/465
1	997 631 989 02	Rear light	/L	1	IXXG/465
(1)	997 631 412 03	Rear light	/R	1	I465
(1)	997 631 412 04	Rear light	/R	1	I465
(1)	997 631 990 00	Rear light	/R	1	IXXG/465
(1)	997 631 990 01	Rear light	/R	1	IXXG/465
(1)	997 631 990 02	Rear light	/R	1	IXXG/465
1	997 631 417 03	Rear light	/L	1	I466
1	997 631 417 04	Rear light	/L	1	I466
1	997 631 993 00	Rear light	/L	1	IXXG/466
1	997 631 993 01	Rear light	/L	1	IXXG/466
1	997 631 993 02	Rear light	/L	1	IXXG/466
(1)	997 631 418 03	Rear light	/R	1	I466
(1)	997 631 418 04	Rear light	/R	1	I466
(1)	997 631 994 00	Rear light	/R	1	IXXG/466
(1)	997 631 994 01	Rear light	/R	1	IXXG/466
(1)	997 631 994 02	Rear light	/R	1	IXXG/466
2	997 631 931 01	Repair kit		2	
		Bulb			
		Back-up light			
3	997 631 598 00	Screw		6	
4	997 631 497 00	Screw		14	
5	997 631 585 00	Buffer		2	
6	997 631 441 00	Ventilation component		4	
7	997 631 499 00	Screw		4	
8	997 631 471 00	Mounting		2	
10	997 631 620 01	License plate light		2	
10	997 631 620 02	License plate light		2	
11	900 631 025 90	Bulb		2	
		12V 5W			
12	997 631 052 01	Additional brake light		1	

Model: 997T10

Model life 2010>>2013



Model: 997T10 Model life 2010>>2013

Pos	Part Number	Description	Remark	Qty	Model
		Instruments Stopwatch See technical information GR. 9 NR. 5/09 KD - NR. 9025			
1	997 641 333 01	Instrument cluster	-11	1	TURBO I023/480
		Complete			
	997 641 333 01 D07	Volcano grey			
1	997 641 333 03	Instrument cluster	12-	1	TURBO I023/480
		Complete			
	997 641 333 03 D07	Volcano grey			
1	997 641 105 84	Instrument cluster		1	GT2/RS I022/480
		Complete			
	997 641 105 84 D07	Volcano grey			
1	997 641 334 01	Instrument cluster	-11	1	TURBO I023/250
		Complete			
	997 641 334 01 D07	Volcano grey			
1	997 641 334 02	Instrument cluster	-11	1	TURBO I023/250
		Complete			
	997 641 334 02 D07	Volcano grey			
1	997 641 334 03	Instrument cluster	12-	1	TURBO I023/250
		Complete			
	997 641 334 03 D07	Volcano grey			
1	997 641 384 01	Instrument cluster	-11	1	TURBO S I023/092/250
		Complete			
	997 641 384 01 D07	Volcano grey			
1	997 641 384 02	Instrument cluster	12-	1	TURBO S I023/092/250
		Complete			
	997 641 384 02 D07	Volcano grey			
1	997 641 354 00	Instrument cluster		1	TURBO S 918 I018/022/092 I250
		Complete			
	997 641 354 00 V04	Galvano silver			
1	997 641 337 01	Instrument cluster	(GB) -11	1	TURBO I023/480
		Complete			
	997 641 337 01 D07	Volcano grey			
1	997 641 337 03	Instrument cluster	(GB) 12-	1	TURBO I023/480
		Complete			
	997 641 337 03 D07	Volcano grey			
1	997 641 107 84	Instrument cluster	(GB)	1	GT2/RS I022/480
		Complete			
	997 641 107 84 D07	Volcano grey			
1	997 641 338 01	Instrument cluster	(GB) -11	1	TURBO I023/250
		Complete			
	997 641 338 01 D07	Volcano grey			
1	997 641 338 03	Instrument cluster	(GB) 12-	1	TURBO I023/250
		Complete			
	997 641 338 03 D07	Volcano grey			
1	997 641 388 01	Instrument cluster	(GB) -11	1	TURBO S

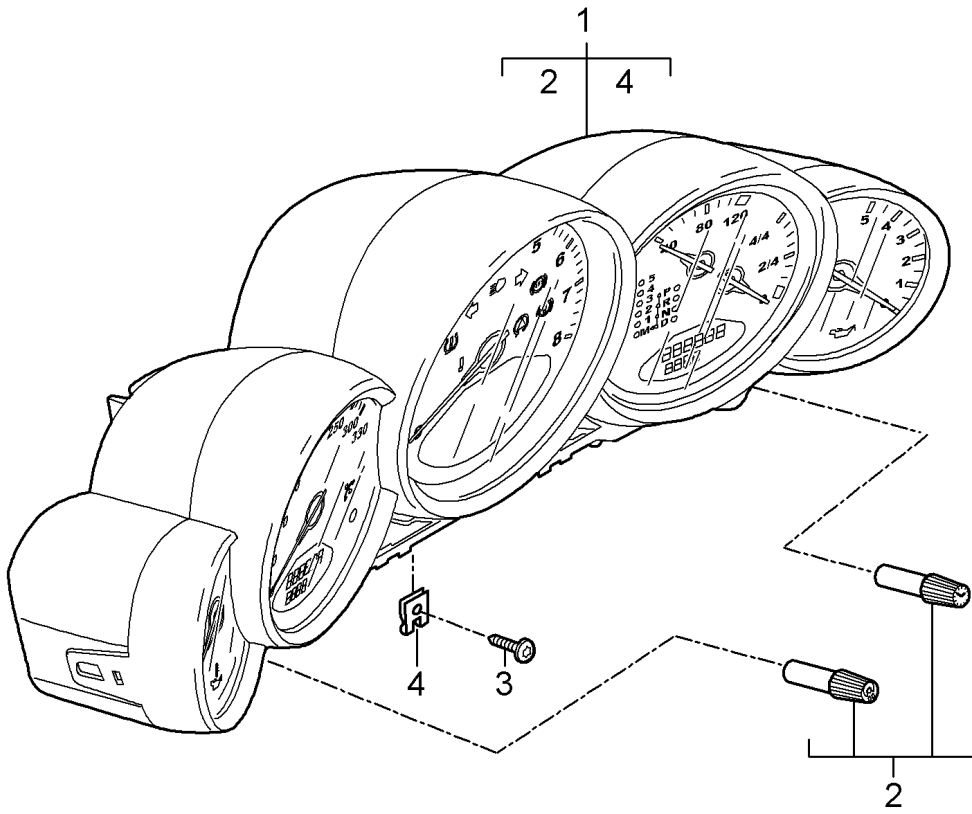
Model: 997T10

Model life 2010>>2013

Pos	Part Number	Description	Remark	Qty	Model
		Complete			I023/092/250
1	997 641 388 01 D07	Volcano grey			
	997 641 388 02	Instrument cluster	(GB) 12-	1	TURBO S I023/092/250
		Complete			
1	997 641 388 02 D07	Volcano grey			
	997 641 358 00	Instrument cluster	(GB)	1	TURBO S 918 I018/022/092 I250
		Complete			
2	997 641 358 00 V04	Galvano silver			
	997 641 911 00	Knob Actuator Trip meter And Clock		1	
3	999 073 155 09	Tapping screw 4,2 X 19		2	
4	999 507 403 02	U-clamp		2	
5	997 641 311 26	Stopwatch		1	TURBO/S I026/639/640
		Complete			
5	997 641 311 26 V05	Galvano silver			
	997 641 301 98	Stopwatch		1	TURBO S 918 I018/025/639 I640
		Complete			
5	997 641 301 98 V05	Galvano silver			
	997 641 301 96	Stopwatch		1	GT2/RS I639/640
		Complete			
	997 641 301 96 V05	Galvano silver			

Model: 997T10

Model life 2010>>2013



Model: 997T10 Model life 2010>>2013

Pos	Part Number	Description	Remark	Qty	Model
		Instruments Exclusive programme See technical information GR. 9 NR. 5/09 KD - NR. 9025			
(1)	997 641 985 53	Instrument cluster Complete Dial Lacquered	-11	1	I480
	997 641 985 53 5Z1	Sand Beige			IXFD
	997 641 985 53 84A	Guards red			IXFG
	997 641 985 53 12H	Speed yellow			IXFH
	997 641 985 53 B9A	Carrara white			IXFJ
(1)	997 641 985 63	Instrument cluster Complete Dial Lacquered		1	I480
	997 641 985 63 5Z1	Sand Beige			IXFD
	997 641 985 63 84A	Guards red			IXFG
	997 641 985 63 12H	Speed yellow			IXFH
	997 641 985 63 B9A	Carrara white			IXFJ
1	997 641 985 54	Instrument cluster Complete Dial Lacquered	-11	1	I250
	997 641 985 54 5Z1	Sand Beige			IXFD
	997 641 985 54 84A	Guards red			IXFG
	997 641 985 54 12H	Speed yellow			IXFH
	997 641 985 54 B9A	Carrara white			IXFJ
1	997 641 985 64	Instrument cluster Complete Dial Lacquered		1	I250
	997 641 985 64 5Z1	Sand Beige			IXFD
	997 641 985 64 84A	Guards red			IXFG
	997 641 985 64 12H	Speed yellow			IXFH
	997 641 985 64 B9A	Carrara white			IXFJ
1	997 641 986 04	Instrument cluster Complete Dial Lacquered	-11	1	I092/250
	997 641 986 04 5Z1	Sand Beige			IXFD
	997 641 986 04 84A	Guards red			IXFG
	997 641 986 04 12H	Speed yellow			IXFH
	997 641 986 04 B9A	Carrara white			IXFJ
1	997 641 986 14	Instrument cluster Complete Dial Lacquered	12-	1	I092/250
	997 641 986 14 5Z1	Sand Beige			IXFD
	997 641 986 14 84A	Guards red			IXFG
	997 641 986 14 12H	Speed yellow			IXFH
	997 641 986 14 B9A	Carrara white			IXFJ
(1)	997 641 985 57	Instrument cluster Complete Dial Lacquered	(GB) -11	1	I480
	997 641 985 57 5Z1	Sand Beige			IXFD
	997 641 985 57 84A	Guards red			IXFG
	997 641 985 57 12H	Speed yellow			IXFH
	997 641 985 57 B9A	Carrara white			IXFJ
(1)	997 641 985 67	Instrument cluster Complete	(GB)	1	I480

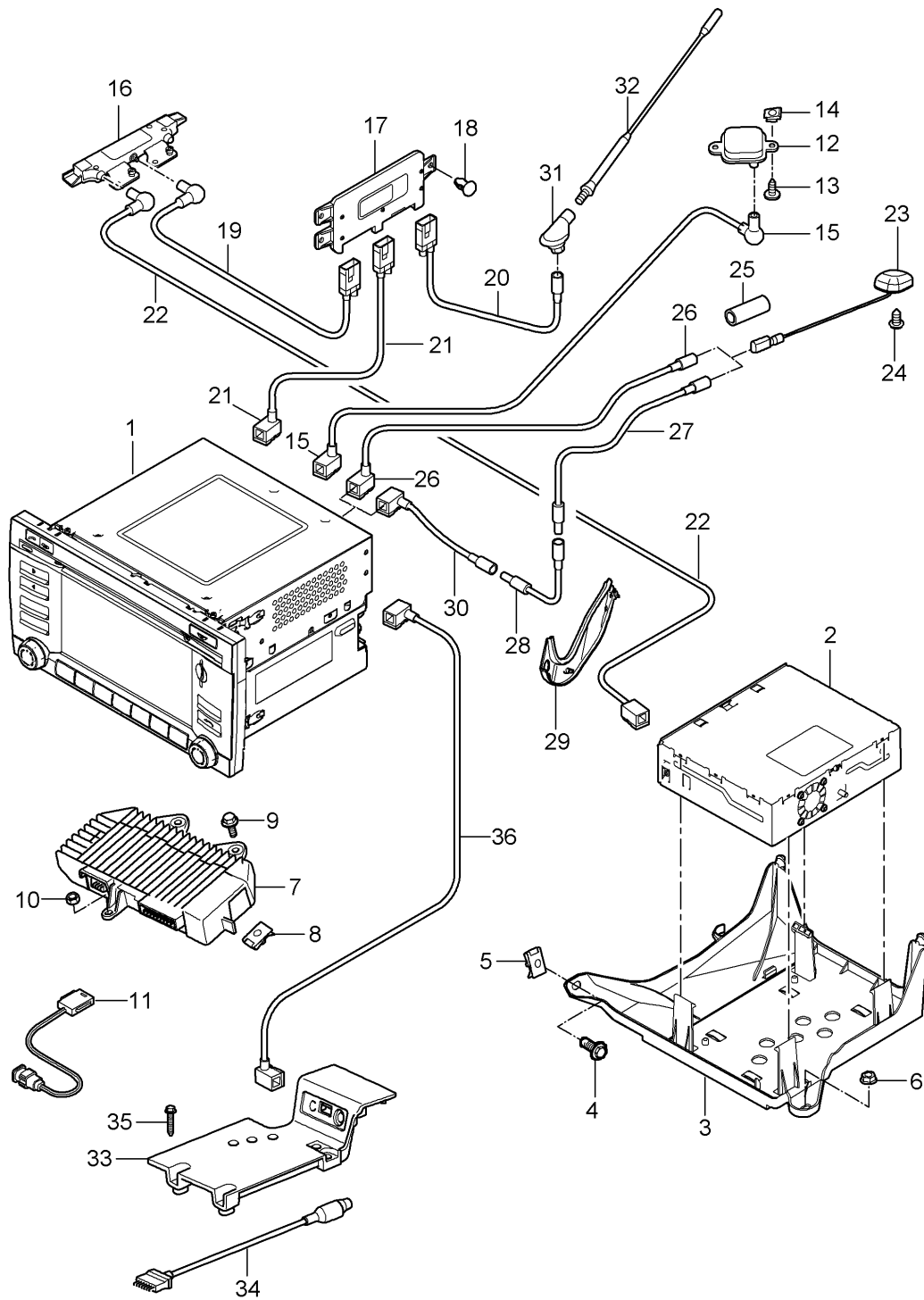


Model: 997T10 Model life 2010>>2013

Pos	Part Number	Description	Remark	Qty	Model
1		Dial Lacquered			
	997 641 985 67 5Z1	Sand Beige			IXFD
	997 641 985 67 84A	Guards red			IXFG
	997 641 985 67 12H	Speed yellow			IXFH
	997 641 985 67 B9A	Carrara white			IXFJ
1	997 641 985 58	Instrument cluster Complete Dial Lacquered	(GB) -11	1	I250
1		Dial Lacquered			
	997 641 985 58 5Z1	Sand Beige			IXFD
	997 641 985 58 84A	Guards red			IXFG
	997 641 985 58 12H	Speed yellow			IXFH
	997 641 985 58 B9A	Carrara white			IXFJ
1	997 641 985 68	Instrument cluster Complete Dial Lacquered	(GB)	1	I250
1		Dial Lacquered			
	997 641 985 68 5Z1	Sand Beige			IXFD
	997 641 985 68 84A	Guards red			IXFG
	997 641 985 68 12H	Speed yellow			IXFH
	997 641 985 68 B9A	Carrara white			IXFJ
1	997 641 986 08	Instrument cluster Complete Dial Lacquered	(GB) -11	1	I092/250
1		Dial Lacquered			
	997 641 986 08 5Z1	Sand Beige			IXFD
	997 641 986 08 84A	Guards red			IXFG
	997 641 986 08 12H	Speed yellow			IXFH
	997 641 986 08 B9A	Carrara white			IXFJ
1	997 641 986 18	Instrument cluster Complete Dial Lacquered	(GB) 12-	1	I092/250
(2)		Dial Lacquered			
	997 641 986 18 5Z1	Sand Beige			IXFD
	997 641 986 18 84A	Guards red			IXFG
	997 641 986 18 12H	Speed yellow			IXFH
	997 641 986 18 B9A	Carrara white			IXFJ
	997 641 911 00	Knob Actuator Trip meter And Clock		1	
3	999 073 155 09	Tapping screw 4,2 X 19		2	
4	999 507 403 02	U-clamp		2	

Model: 997T10

Model life 2010>>2013



Model: 997T10 Model life 2010>>2013

Pos	Part Number	Description	Remark	Qty	Model
1	997 642 960 X 997 642 960 X FTC	Control part Navigation system Receiving part TV Booster Control part Only in exchange Control part Matt Black/Galvano Silver We take back: 997.642.960.00.FTC		1	I665
1	997 642 962 X 997 642 962 X FTC	Control part Matt Black/Galvano Silver We take back: 997.642.962.00.FTC		1	I665/693
1	997 642 970 X 997 642 970 X FTC	Control part Matt Black/Galvano Silver We take back: 997.642.970.00.FTC	10	1	I665/672
1	997 642 970 AX 997 642 970 AX FTC	Control part Matt Black/Galvano Silver We take back: 997.642.970.01.FTC	11-	1	I665/672
1	997 642 972 X 997 642 972 X FTC	Control part Matt Black/Galvano Silver We take back: 997.642.972.00.FTC	10	1	I665/672/693
1	997 642 972 AX 997 642 972 AX FTC	Control part Matt Black/Galvano Silver We take back: 997.642.972.01.FTC	11-	1	I665/672/693
1	997 642 974 X 997 642 974 X FTC	Control part Matt Black/Galvano Silver We take back: 997.642.974.00.FTC		1	I665/673
1	997 642 975 X 997 642 975 X FTC	Control part Matt Black/Galvano Silver We take back: 997.642.975.00.FTC		1	I665/673/693
-		Control unit Telephone See illustrations 9/11/10			
-	997 642 929 00	Rotary knob for Control part	/L	1	I665
-	997 642 930 00	Rotary knob for Control part	/R	1	I665
(1)	997 645 138 06	Radio CDR 30		1	GT2/RS I695
(1)	997 645 138 06 FTC 997 645 138 FX	Matt Black/Galvano Silver Radio CDR 30		1	GT2/RS I695
(1)	997 645 138 FX FTC 997 645 142 06	Matt Black/Galvano Silver We take back: 997.645.138.06 Radio CDR 30		1	GT2/RS I618/619/695
	997 645 142 06 FTC	Matt Black/Galvano Silver			

Model: 997T10 Model life 2010>>2013

Pos	Part Number	Description	Remark	Qty	Model
(1)	997 645 142 FX	Radio CDR 30		1	GT2/RS I618/619/695
	997 645 142 FX FTC	Matt Black/Galvano Silver We take back: 997.645.142.06			
(1)	997 645 920 00	Repair kit Key Radio CDR 30		1	I695
-	997 642 125 00	Adapter -CAN-		1	I673
-	999 591 941 40	Expansion rivet for Mount Adapter -CAN-		1	I673
-	997 642 148 02	CD-ROM Logbook	-11	1	I641
-	7PP 919 855	CD-ROM Logbook	12-	1	I641
-	997 642 271 51	DVD Navigation system for Software 997.642.271.01		1	I610
-	997 642 271 52	DVD Navigation system for Software 7PP.919.193.R		1	I610
-	997 642 271 53	DVD Navigation system for Software 7PP.919.193.AF		1	I610
-	997 642 271 54	DVD Navigation system for Software 7PP.919.193.AQ 7PP.919.193.BG		1	I610
-	997 642 271 55	DVD Navigation system for Software 7PP.919.193.BJ		1	I611
-	997 642 275 51	DVD Navigation system for Software 997.642.275.01		1	I611
-	997 642 275 52	DVD Navigation system for Software 7PP.919.193.T		1	I611
-	997 642 275 53	DVD Navigation system for Software 7PP.919.193.AH 7PP.919.193.AN		1	I611

Model: 997T10

Model life 2010&gt;&gt;2013

Pos	Part Number	Description	Remark	Qty	Model
-	997 642 275 54	DVD Navigation system for Software 7PP.919.193.AS		1	I611
-	997 642 275 55	DVD Navigation system for Software 7PP.919.193.BL		1	I611
-	997 642 277 51	DVD Navigation system for Software 997.642.277.01		1	I612
-	997 642 277 52	DVD Navigation system for Software 7PP.919.193.AA		1	I612
-	997 642 277 53	DVD Navigation system for Software 7PP.919.193.AJ		1	I612
-	997 642 277 54	DVD Navigation system for Software 7PP.919.193.AT		1	I612
-	997 642 277 55	DVD Navigation system for Software 7PP.919.193.BR		1	I612
-	997 642 279 51	DVD Navigation system for Software 997.642.279.01		1	I613
-	997 642 279 52	DVD Navigation system for Software 7PP.919.193.AB		1	I613
-	997 642 279 53	DVD Navigation system for Software 7PP.919.193.AK		1	I613
-	997 642 279 54	DVD Navigation system for Software 7PP.919.193.BA		1	I613
-	997 642 279 55	DVD Navigation system for Software 7PP.919.193.BN		1	I613
-	997 642 281 51	DVD Navigation system for		1	I614

Model: 997T10 Model life 2010>>2013

Pos	Part Number	Description	Remark	Qty	Model
-	997 642 281 52	Software 997.642.281.01 DVD Navigation system for Software 7PP.919.193.AC		1	I614
-	997 642 281 53	DVD Navigation system for Software 7PP.919.193.AL		1	I614
-	997 642 281 54	DVD Navigation system for Software 7PP.919.193.BB		1	I614
-	997 642 281 55	DVD Navigation system for Software 7PP.919.193.BP		1	I614
-	997 642 283 51	DVD Navigation system for Software 997.642.283.01		1	I616
-	997 642 283 52	DVD Navigation system for Software 7PP.919.193.AD		1	I616
-	997 642 283 53	DVD Navigation system for Software 7PP.919.193.AM		1	I616
-	997 642 283 54	DVD Navigation system for Software 7PP.919.193.BC		1	I616
-	997 642 283 55	DVD Navigation system for Software 7PP.919.193.BQ		1	I616
2	7PP 919 148	Receiving part TV		1	I676
2	7PP 919 148 A	Receiving part TV		1	I676
3	997 642 333 00	Support Receiving part TV	/LL	1	I098/676
3	997 642 339 00	Support Navigation system		1	I673
(3)	997 642 332 00	Support Receiving part TV	/RL	1	I099/676
4	900 378 179 09	Hexagon-head bolt M 6 X 16	/LL	1	I098/673/676
5	999 507 766 02	Speed nut M 6	/LL	1	I098/673/676

Model: 997T10 Model life 2010>>2013

Pos	Part Number	Description	Remark	Qty	Model
6	999 084 638 01	Hexagon nut M 6	/LL	1	I098/673/676
7	7PP 035 223 K	Booster Note coding		1	I680
(7)	997 645 441 01	Booster		1	GT2/RS I490
(7)	7PP 035 223 J	Booster		1	I675/680
8	999 507 766 02	Speed nut M 6		2	I490/680
9	900 378 035 01	Hexagon-head bolt M 6 X 16		2	I490/680
10	999 084 638 01	Hexagon nut M 6		1	I490/680
11	997 646 315 00	Microphone		1	I618/619/666 I671/680
11	997 646 317 00	Microphone		1	I680
11	997 646 319 00	Microphone		1	I618/619/665 I666/671
11	997 646 313 00	Microphone		1	GT2/RS I490/619/666 I671
-	997 610 233 01	Cable guide Microphone		1	
12	997 642 105 00	Antenna GPS		1	I672/673
13	999 073 210 00	Tapping screw 4,8 X 13		1	I672/673
14	999 507 441 01	Speed nut 4,8		1	I672/673
15	997 612 030 75	Connecting line Antenna Control part		1	I672
(15)	997 612 073 25	Connecting line Antenna Control part		1	I673
16	997 647 117 00	Antenna booster	/L	1	I440
(16)	997 647 118 00	Antenna booster	/R	1	I440
(16)	997 647 119 00	Antenna booster	/L	1	I440/676
(16)	997 647 120 00	Antenna booster	/R	1	I440/676
17	997 618 122 00	Control unit		1	I440
18	999 591 904 40	Fastening part		2	I440
19	997 612 069 25	Connecting line Left Antenna booster Control unit	/LL	1	I098/461
19	997 612 069 75	Connecting line Left Antenna booster Control unit	/RL	1	I099/461
19	997 612 055 25	Connecting line Left Antenna booster Control unit	/LL	1	I098/665
19	997 612 056 25	Connecting line Right Antenna booster Control unit	/LL	1	I098/665
19	997 612 055 75	Connecting line Left Antenna booster Control unit	/RL	1	I099/665
19	997 612 056 75	Connecting line Right Antenna booster Control unit	/RL	1	I099/665

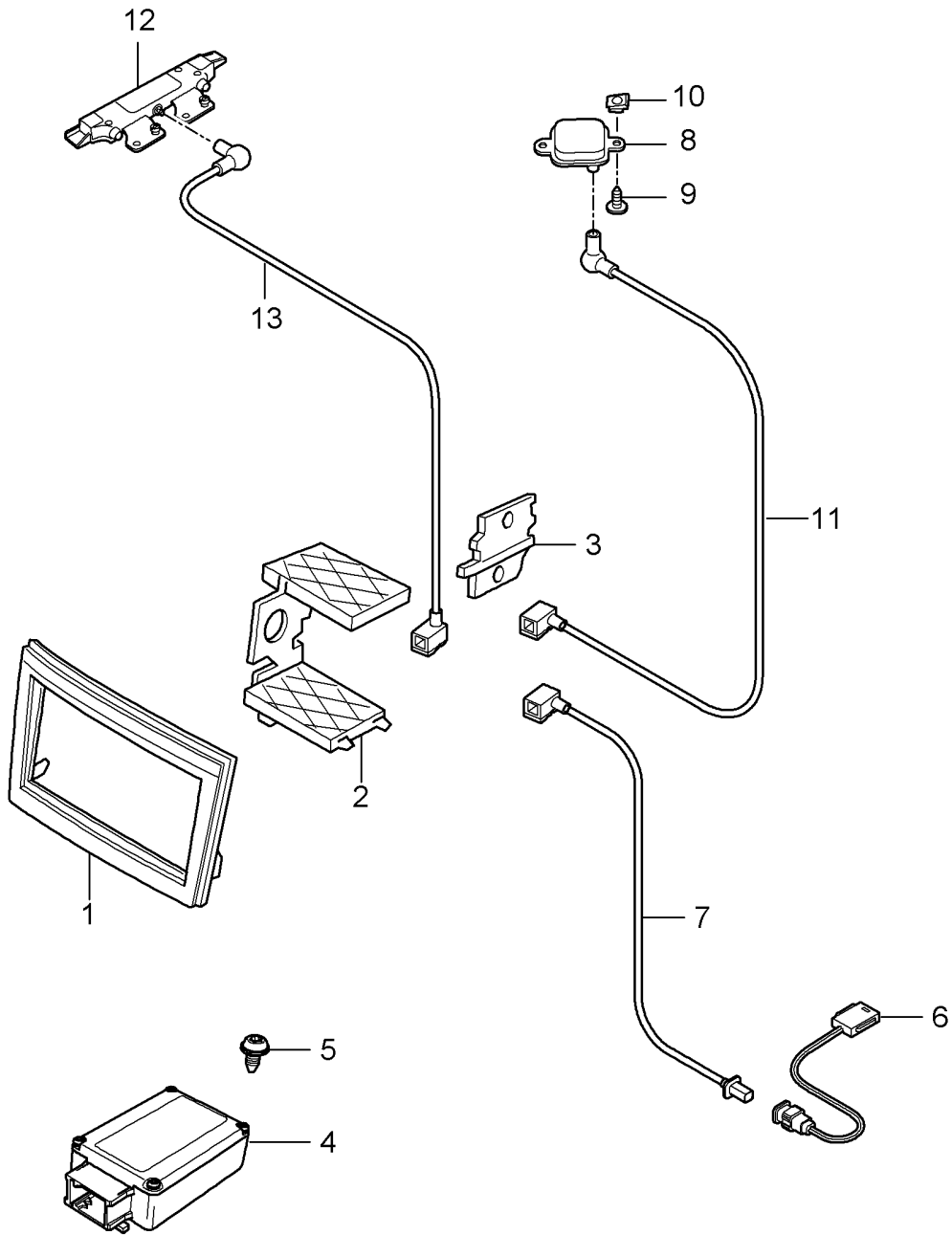
Model: 997T10 Model life 2010>>2013

Pos	Part Number	Description	Remark	Qty	Model
20	997 612 066 25	Antenna booster Control unit Connecting line		1	I461
(20)	997 612 067 01	Antenna base Control unit Connecting line		1	I461
21	997 612 057 25	Antenna base Power supply Connecting line	/LL	1	I098/665
21	997 612 057 75	Control unit Control part Connecting line	/RL	1	I099/665
22	997 612 089 25	Control unit Control part Connecting line	/LL	1	I098/676
22	997 612 089 75	Antenna booster Receiving part TV Connecting line	/RL	1	I099/676
(22)	997 612 074 25	Antenna booster Receiving part TV Connecting line		1	I673
(22)	997 612 072 25	Control part Computer Navigation system Connecting line		1	I673
31	997 647 221 00	Computer Navigation system - IR - Sensor Antenna base		1	I461
32	997 647 223 00	Antenna rod		1	I461
33	997 642 465 00	Adapter Multimedia interface		1	I665/870
(33)	997 642 465 00 01C	Satin black		1	GT2/RS I695/870
	997 642 463 00	Adapter		1	
	997 642 463 00 01C	Multimedia interface Satin black		1	
34	997 612 471 02	Connecting cable iPOD		1	I665/870
35	999 073 429 01	Tapping screw 4,2 X 25		3	I870
36	997 612 049 75	Connecting line Multimedia interface Control part		1	I665/870



Model: 997T10

Model life 2010>>2013



Model: 997T10 Model life 2010>>2013

Pos	Part Number	Description	Remark	Qty	Model
		Preparation Navigation system Japan			I675
1	997 642 913 00	Front frame		1	I675
	997 642 913 00 A05	Black mat			
2	997 642 905 00	Support		2	I675
3	997 642 907 00	Guide rail		2	I675
-	997 642 329 00	Support		1	I675
	997 642 329 00 1E0	Black Card reader Glove compartment			
-	999 073 240 01	Screw M 4 X 10 for Support Card reader Glove compartment		2	I675
4	997 642 127 00	Adapter - CAN -		1	I675
5	999 591 941 40	Expansion rivet		1	I675
6	997 646 309 00	Microphone		1	I675
-	997 610 233 01	Cable guide Microphone		1	I675
7	997 612 075 75	Connecting line Microphone Control part		1	I675
(7)	997 612 046 25	Connecting line Card reader TV Control part		1	I675
8	997 642 105 00	Antenna Navigation system		1	I675
9	999 073 210 00	Tapping screw 4,8 X 13		1	I675
10	999 507 441 01	Speed nut 4,8		1	I675
11	997 612 079 75	Connecting line Antenna Navigation system Control part		1	I675
12	997 647 109 00	Antenna booster	/L	1	I675
(12)	997 647 110 00	Antenna booster	/R	1	I675
13	997 612 076 25	Connecting line Antenna booster Left Control part Radio		1	I675
(13)	997 612 077 25	Connecting line Antenna booster Left Control part TV		1	I675
(13)	997 612 078 25	Connecting line Antenna booster Right Control part TV	/LL	1	I098/675
(13)	997 612 078 75	Connecting line Antenna booster Right Control part TV	/RL	1	I099/675
(13)	997 612 047 25	Connecting line		1	I675

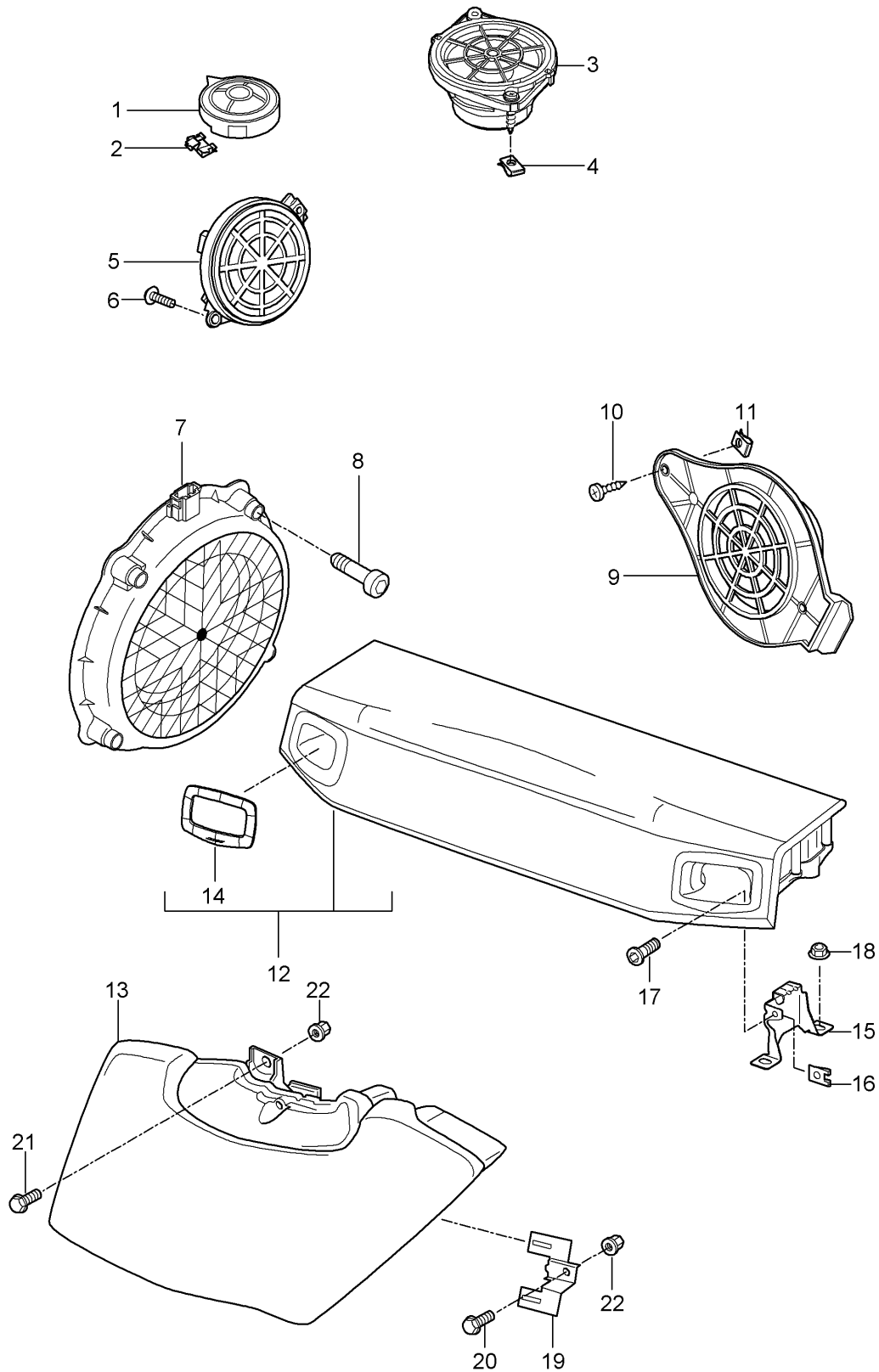
Model: 997T10

Model life 2010&gt;&gt;2013

Pos	Part Number	Description	Remark	Qty	Model
		- VICS BEACON - Antenna Control part			

Model: 997T10

Model life 2010>>2013



Model: 997T10 Model life 2010>>2013

Pos	Part Number	Description	Remark	Qty	Model
1	997 645 021 00	Loudspeaker Tweeter		2	GT2/RS I441/490
(1)	997 645 025 00	Dashboard Tweeter		2	I680
2	999 591 303 01	Dashboard U-clamp		4	
3	997 645 033 00	Loudspeaker		1	GT2/RS I490
(3)	997 645 035 00	Dashboard Centre Loudspeaker		1	I680
4	999 507 971 01	Dashboard Centre Speed nut 4,2		4	
5	997 645 543 00	Mid-range loudspeaker		2	GT2/RS I490
(5)	997 645 545 00	Door Mid-range loudspeaker Door		2	I680
6	999 919 164 09	Oval-head screw 5,0 X 12		4	
7	997 645 551 00	Woofers		2	GT2/RS I441
7	997 645 553 00	Woofers		2	GT2/RS I490
(7)	997 645 555 00	Woofers		2	I680
8	900 067 012 03	Pan-head screw M 6 X 30		8	
9	997 645 041 01	Loudspeaker		2	GT2/RS I490
(9)	997 645 045 01	Rear Loudspeaker Rear		2	I680
10	999 073 225 09	Tapping screw 4,8 X 16		2	
11	999 507 441 09	Speed nut 4,8		2	
12	997 645 564 00	Subwoofer		1	COUPE I680
	997 645 564 00 FMP	Terracotta			
	997 645 564 00 FMQ	Cocoa			
	997 645 564 00 FMR	Dark grey/natural			
	997 645 564 00 FMS	Brown/natural			
12	997 645 564 00	Subwoofer		1	COUPE I680
		Until Chassis number See technical information GR.7 NR. 17/11 KD-NR. 70			
	997 645 564 00 FMF	Black			
	997 645 564 00 FMG	Stone grey			
	997 645 564 00 FMM	Sand Beige			
	997 645 564 00 FMN	Sea blue			
	997 645 564 00 FTA	Carrera Red			
12	997 645 564 01	Subwoofer		1	COUPE I680
		From Chassis number See technical information			

Model: 997T10 Model life 2010>>2013

Pos	Part Number	Description	Remark	Qty	Model
		GR.7 NR. 17/11 KD-NR. 70			
	997 645 564 01 FMF	Black			
	997 645 564 01 FMG	Stone grey			
	997 645 564 01 FMM	Sand Beige			
	997 645 564 01 FMN	Sea blue			
	997 645 564 01 FTA	Carrera Red			
	997 645 564 01 FWK	Espresso			
13	997 645 566 00	Subwoofer	/LL	1	CABRIO I098 I680
	997 645 566 00 M10	Terracotta			
	997 645 566 00 R10	Cocoa			
	997 645 566 00 D11	Dark grey/natural			
	997 645 566 00 T11	Brown/natural			
13	997 645 566 00	Subwoofer	/LL	1	CABRIO I098 I680
		Until Chassis number See technical information GR.7 NR. 17/11 KD-NR. 70			
	997 645 566 00 A10	Black			
	997 645 566 00 B10	Stone grey			
	997 645 566 00 T10	Sand Beige			
	997 645 566 00 E10	Sea blue			
	997 645 566 00 N10	Carrera Red			
13	997 645 566 01	Subwoofer	/LL	1	CABRIO I098 I680
		From Chassis number See technical information GR.7 NR. 17/11 KD-NR. 70			
	997 645 566 01 A10	Black			
	997 645 566 01 B10	Stone grey			
	997 645 566 01 T10	Sand Beige			
	997 645 566 01 E10	Sea blue			
	997 645 566 01 N10	Carrera Red			
(13)	997 645 567 00	Subwoofer	/RL	1	CABRIO I099 I680
	997 645 567 00 M10	Terracotta			
	997 645 567 00 R10	Cocoa			
	997 645 567 00 D11	Dark grey/natural			
	997 645 567 00 T11	Brown/natural			
(13)	997 645 567 00	Subwoofer	/RL	1	CABRIO I099 I680
		Until Chassis number See technical information GR.7 NR. 17/11 KD-NR. 70			
	997 645 567 00 A10	Black			
	997 645 567 00 B10	Stone grey			
	997 645 567 00 T10	Sand Beige			
	997 645 567 00 E10	Sea blue			
	997 645 567 00 N10	Carrera Red			
(13)	997 645 567 01	Subwoofer	/RL	1	CABRIO I099

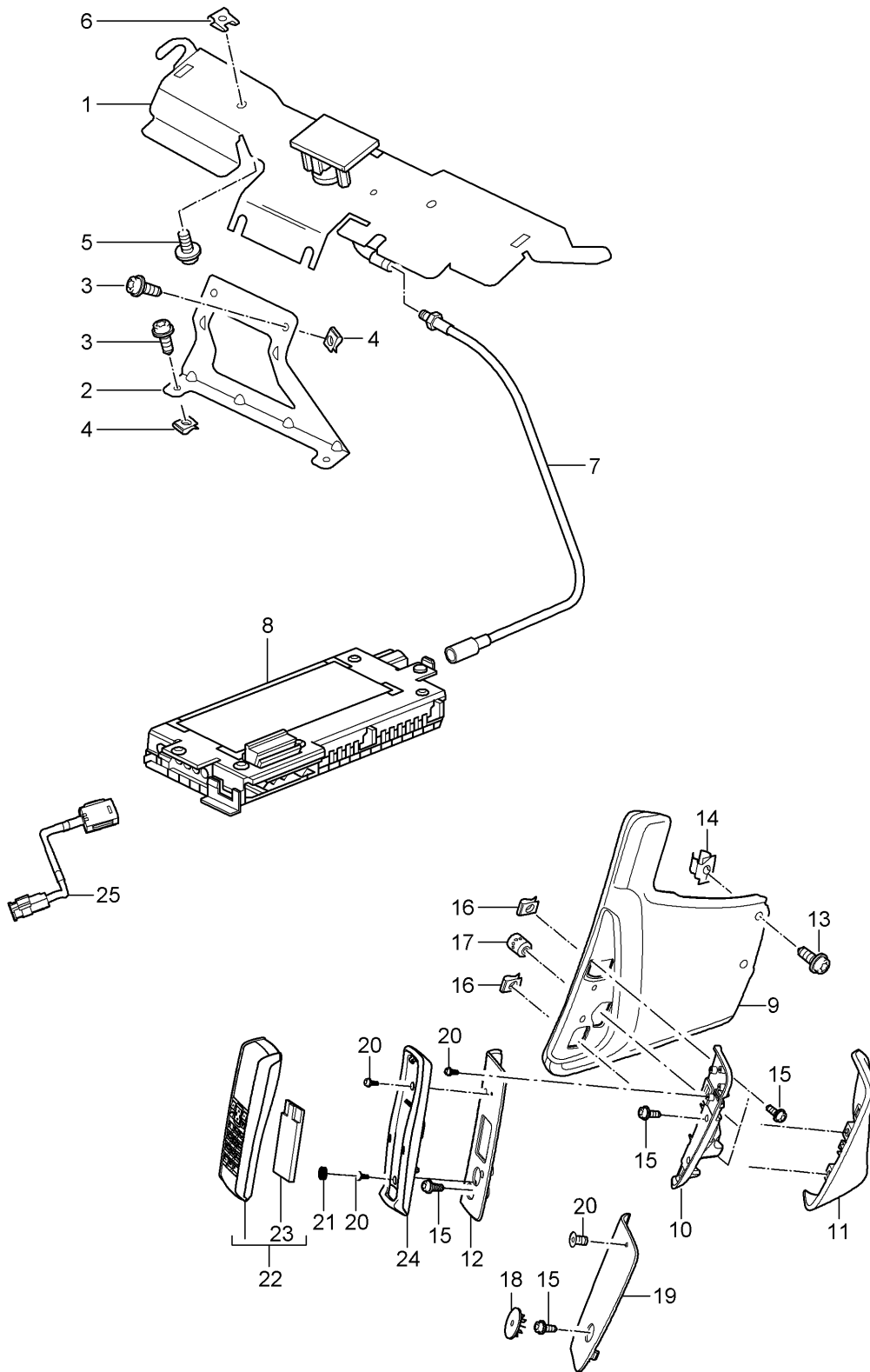
Model: 997T10

Model life 2010>>2013

Pos	Part Number	Description	Remark	Qty	Model
		From Chassis number See technical information GR.7 NR. 17/11 KD-NR. 70			I680
	997 645 567 01 A10	Black			
	997 645 567 01 B10	Stone grey			
	997 645 567 01 T10	Sand Beige			
	997 645 567 01 E10	Sea blue			
	997 645 567 01 N10	Carrera Red			
14	996 645 568 00	Rosette		2	COUPE I680
	996 645 568 00 A03	Black			
	996 645 568 00 5V7	Stone grey			
	996 645 568 00 5Z1	Sand Beige			
	996 645 568 00 8W7	Sea blue			
	996 645 568 00 8X8	Terracotta			
	996 645 568 00 8P9	Cocoa			
	996 645 568 00 T13	Brown/natural			
	996 645 568 00 N23	Carrera Red			
(15)	996 645 245 00	Support	/L	1	COUPE I680
15	996 645 246 00	Support	/R	1	COUPE I680
16	999 507 766 02	Speed nut		2	COUPE I680
		M 6			
17	999 073 113 09	Oval-head screw		2	COUPE I680
		M 6,0 X 50 ASP			
18	900 380 015 01	Hexagon nut		4	COUPE I680
		VM 6			
19	997 645 569 00	Support		2	CABRIO I680
20	900 378 035 01	Hexagon-head bolt		2	CABRIO I680
		M 6 X 16			
21	999 073 223 01	Combination screw		1	CABRIO I680
		M 6 X 25			
22	999 500 069 01	Blind rivet nut		3	CABRIO I680
		M 6			

Model: 997T10

Model life 2010>>2013





Model: 997T10 Model life 2010>>2013

Pos	Part Number	Description	Remark	Qty	Model
1	997 647 125 01	Telephone Antenna	/LL	1	I098
(1)	997 647 126 01	Antenna	/RL	1	I099
2	997 647 127 00	Support	/LL	1	I098
(2)	997 647 128 00	Support	/RL	1	I099
3	999 073 236 0A	Oval-head screw M 6 X 10		4	
4	999 507 550 01	Speed nut M 6		4	
5	999 073 210 00	Tapping screw 4,8 X 13		2	
6	999 507 441 01	Speed nut 4,8		2	
7	997 612 065 75	Connecting line		1	I666
(7)	997 612 061 25	Connecting line		1	I618/619
8	7PP 035 730 B	Control unit Telephone		1	IIY2/666
8	7PP 035 730 C	Control unit Telephone		1	IIY2/666
9	997 553 118 07	Cover Lateral	/LL	1	I098
	997 553 118 07 FSA	Black/grey			
	997 553 118 07 FSB	Stone grey/stone grey			
	997 553 118 07 FSC	Sand beige/sand beige			
	997 553 118 07 FSD	Sea blue/grey			
	997 553 118 07 FSF	Terracotta/terracotta			
	997 553 118 07 FSG	Cocoa/Cocoa			
	997 553 118 07 FSH	Darkgrey natural/grey			
	997 553 118 07 FSJ	Brown nat./brown nat.			
	997 553 118 07 FSP	Carrera Red/Carrera Red			
	997 553 118 07 FWH	Espresso			
(9)	997 553 117 07	Cover Lateral	/RL	1	I099
	997 553 117 07 FSA	Black/grey			
	997 553 117 07 FSB	Stone grey/stone grey			
	997 553 117 07 FSC	Sand beige/sand beige			
	997 553 117 07 FSD	Sea blue/grey			
	997 553 117 07 FSF	Terracotta/terracotta			
	997 553 117 07 FSG	Cocoa/Cocoa			
	997 553 117 07 FSH	Darkgrey natural/grey			
	997 553 117 07 FSJ	Brown nat./brown nat.			
	997 553 117 07 FSP	Carrera Red/Carrera Red			
	997 553 117 07 FWH	Espresso			
10	997 553 520 00	Adapter	/LL	1	I098/618
(10)	997 553 516 00	Adapter	/LL	1	I098/669
(10)	997 553 519 00	Adapter	/RL	1	I099/618
(10)	997 553 515 00	Adapter	/RL	1	I099/669
11	997 553 418 01	Cover	/LL	1	I098/618
	997 553 418 01 A11	Black			
	997 553 418 01 5X6	Stone grey			
	997 553 418 01 8G2	Sand Beige			
	997 553 418 01 3S9	Sea blue			
	997 553 418 01 9S5	Terracotta			
	997 553 418 01 9V6	Cocoa			
	997 553 418 01 D12	Dark grey/natural			
	997 553 418 01 T12	Brown/natural			
	997 553 418 01 N12	Carrera Red			
	997 553 418 01 6J0	Espresso			
(11)	997 553 416 00	Cover	/LL	1	I098/669
	997 553 416 00 A11	Black			
	997 553 416 00 5X6	Stone grey			
	997 553 416 00 8G2	Sand Beige			
	997 553 416 00 3S9	Sea blue			

Model: 997T10 Model life 2010>>2013

Pos	Part Number	Description	Remark	Qty	Model
	997 553 416 00 9S5	Terracotta			
	997 553 416 00 9V6	Cocoa			
	997 553 416 00 D12	Dark grey/natural			
	997 553 416 00 T12	Brown/natural			
	997 553 416 00 N12	Carrera Red			
	997 553 416 00 6J0	Espresso			
(11)	997 553 417 01	Cover	/RL	1	I099/618
	997 553 417 01 A11	Black			
	997 553 417 01 5X6	Stone grey			
	997 553 417 01 8G2	Sand Beige			
	997 553 417 01 3S9	Sea blue			
	997 553 417 01 9S5	Terracotta			
	997 553 417 01 9V6	Cocoa			
	997 553 417 01 D12	Dark grey/natural			
	997 553 417 01 T12	Brown/natural			
	997 553 417 01 N12	Carrera Red			
	997 553 417 01 6J0	Espresso			
(11)	997 553 415 00	Cover	/RL	1	I099/669
	997 553 415 00 A11	Black			
	997 553 415 00 5X6	Stone grey			
	997 553 415 00 8G2	Sand Beige			
	997 553 415 00 3S9	Sea blue			
	997 553 415 00 9S5	Terracotta			
	997 553 415 00 9V6	Cocoa			
	997 553 415 00 D12	Dark grey/natural			
	997 553 415 00 T12	Brown/natural			
	997 553 415 00 N12	Carrera Red			
	997 553 415 00 6J0	Espresso			
12	997 553 524 00	Mounting plate	/LL	1	I098/669
	997 553 524 00 01C	Satin black			
(12)	997 553 523 00	Mounting plate	/RL	1	I099/669
	997 553 523 00 01C	Satin black			
13	999 073 226 09	Tapping screw		2	
		4,2 X 16			
14	999 591 508 01	Captive nut		2	
		4,2			
15	999 073 155 09	Tapping screw		7	
		4,2 X 13			
16	999 507 971 01	Speed nut		2	
		4,2			
17	999 507 645 02	Threaded piece		1	
		4,2			
18	997 553 751 00	Cap		1	I618
	997 553 751 00 01C	Satin black			
19	997 553 522 01	Mounting plate	/LL	1	I098/618
	997 553 522 01 01C	Satin black			
(19)	997 553 521 01	Mounting plate	/RL	1	I099/618
	997 553 521 01 01C	Satin black			
20	999 919 230 00	Countersunk-head screw		4	
		3 X 10			
21	955 646 311 00	Stopper		2	I669
22	7PP 035 725	Receiver		1	I669
		Telephone			
22	7PP 035 725 C	Receiver		1	I669
		Telephone			
23	997 646 216 00	Battery		1	I669
23	997 646 916 00	Battery		1	I669
24	955 646 214 00	Mounting		1	I669
		Receiver			
(25)	997 646 315 00	Microphone		1	I618/619/666 I671/680
(25)	997 646 319 00	Microphone		1	I618/619/665 I666/671

Model: 997T10

Model life 2010&gt;&gt;2013

Pos	Part Number	Description	Remark	Qty	Model
-	997 610 233 01	Cable guide Microphone		1	