

Model: 911 74**Model life 1974>>1977**

ORDER-INFO

THIS PARTS CATALOGUE CONTAINS ALL ORDER INFORMATION OF
TYPES 911 FROM MODEL YEAR 1974 - 1977
912E FROM MODEL YEAR 1976 ONLY USA

IT IS AVAILABLE IN TWO EDITIONS IN THE FOLLOWING LANGUAGES:

EDITION

USA, CANADA - *

EDITION

ALL OTHER COUNTRIES - GERMAN

* - ENGLISH

- FRENCH

- ITALIAN

- SPANISH

UPDATING IS BEING PERFORMED BY CHANGING OF UPDATE.

THE EDITION CAN BE RECOGNIZED BY THE CURRENT NO.
IN THE BOTTOM LINE OF SUBJECT UPDATE.

THE PREVIOUS UPDATE SHOULD NO LONGER BE USED.

ALL ILLUSTRATIONS ARE SUBJECT TO CHANGE WITHOUT OBLIGATION.

WE RESERVE THE RIGHT TO SUPPLY A SUBSEQUENTLY
PRODUCED COMPONENT, ON WHICH ADDITIONAL WORK
IS NECESSARY, INSTEAD OF THE COMPONENT LISTED IN
THE CATALOGUE

Model: 911 74

Model life 1974>>1977

EXPLANAT.-VIN

EXPLANATION OF THE ABRIDGED VERSION OF THE VEHICLE IDENT. NUMBERS (VIN)
 =====
 USED IN THE CATALOGUE
 =====

DIGIT:	1	2	3	4	5	6	7	8	9	10
--------	---	---	---	---	---	---	---	---	---	----

EXAMPLE:	9	1	1	7	3	0	0	2	5	3
----------	---	---	---	---	---	---	---	---	---	---

=====	=	=	=====
-------	---	---	-------

!	!	!	!
---	---	---	---

VEHICLE TYPE-----+	!	!	!
--------------------	---	---	---

!	!	!
---	---	---

MODEL YEAR-----+	!	!
------------------	---	---

!	!
---	---

CODE FOR BODY AND ENGINE-----+	!	!
--------------------------------	---	---

!

SERIAL NUMBER-----+	!
---------------------	---

Model: 911 74

Model life 1974>>1977

SUMMARY TYPES

VEHICLE TYPE	MY	VEHICLE IDENT.NR.	ENGINE TYPE
911 COUPE	74 4	91141 00001>>	911.92/911.97 SPM
911 TARGA	74 4	91141 10001>>	911.92/911.97 SPM
911S COUPE	74 4	91143 00001>>	911.93/911.98 SPM
911S TARGA	74 4	91143 10001>>	911.93/911.98 SPM
911 CARRERA COUPE	74 4	91146 00001>>	911.83
911 CARRERA TARGA	74 4	91146 10001>>	911.83
911 CARRERA COUPE (USA)(CDN)	74 4	91144 00001>>	911.93/911.98 SPM
911 CARRERA TARGA (USA)(CDN)	74 4	91144 10001>>	911.93/911.98 SPM
911 COUPE	75 5	91151 00001>>	911.41/911.46 SPM
911 TARGA	75 5	91151 10001>>	911.41/911.46 SPM
911S COUPE	75 5	91153 00001>>	911.42/911.47 SPM
911S TARGA	75 5	91153 10001>>	911.42/911.47 SPM
911 CARRERA COUPE	75 5	91156 00001>>	911.83
911 CARRERA TARGA	75 5	91156 10001>>	911.83
911S COUPE (USA)(CDN)	75 5	91152 00001>>	911.43/911.48 SPM
911S TARGA (USA)(CDN)	75 5	91152 10001>>	911.43/911.48 SPM
911 CARRERA COUPE (USA)(CDN)	75 5	91154 00001>>	911.43/911.48 SPM
911 CARRERA TARGA (USA)(CDN)	75 5	91154 10001>>	911.43/911.48 SPM
911S COUPE (CAL)	75 5	91152 00001>>	911.44/911.49 SPM
911S TARGA (CAL)	75 5	91152 10001>>	911.44/911.49 SPM
911 CARRERA COUPE (CAL)	75 5	91154 00001>>	911.44/911.49 SPM
911 CARRERA TARGA (CAL)	75 5	91154 10001>>	911.41/911.49 SPM
911 COUPE	76 6	91163 00001>>	911.81/911.86 SPM
911 TARGA	76 6	91163 10001>>	911.81/911.86 SPM
911 CARRERA COUPE	76 6	91166 09001>>	911.83
911 CARRERA TARGA	76 6	91166 19001>>	911.83
911 CARRERA COUPE	76 6	91166 00001>>	930.02/930.12 SPM
911 CARRERA TARGA	76 6	91166 10001>>	930.02/930.12 SPM
912E COUPE (USA)(CDN)	76 6	91260 00001>>	923.02
911S COUPE (USA)(CDN)	76 6	91162 00001>>	911.82/911.89 SPM
911S TARGA (USA)(CDN)	76 6	91162 10001>>	911.82/911.89 SPM
911S COUPE (CAL)	76 6	91162 00001>>	911.84
911S TARGA (CAL)	76 6	91162 10001>>	911.84
911 COUPE (J)	76 6	91161 00001>>	911.41
911 TARGA (J)	76 6	91161 10001>>	911.41
911S COUPE (J)	76 6	91163 00001>>	911.81/911.86 SPM
911S TARGA (J)	76 6	91163 10001>>	911.81/911.86 SPM
911 COUPE	77 7	91173 00001>>	911.81/911.86 SPM
911 TARGA	77 7	91173 10001>>	911.81/911.86 SPM
911 CARRERA COUPE	77 7	91176 00001>>	930.02/930.12 SPM
911 CARRERA TARGA	77 7	91176 10001>>	930.02/930.12 SPM
911S COUPE (USA)(CDN)	77 7	91172 00001>>	911.85/911.90 SPM
911S TARGA (USA)(CDN)	77 7	91172 10001>>	911.85/911.90 SPM
911S COUPE (J)	77 7	91173 00001>>	911.94/911.99 SPM
911S TARGA (J)	77 7	91173 10001>>	911.94/911.99 SPM

Model: 911 74

Model life 1974>>1977

EXPL. ENGINE-NO.

EXPLANATION OF THE MOTOR-NUMBERS USED IN THE CATALOGUE

```

=====
DIGIT:                1 2 3   4 5 6 7
EXAMPLE:              6 3 7   0 2 5 3
                      = = =   =====
                      ! ! !   !
ENGINE TYPE (4 = 4-CYL.-ENGINE)-----+ ! !   !
          (6 = 6-CYL.-ENGINE)-----+ ! !   !
                      ! !   !
ENGINE VERSION-----+ !   !
                      !   !
MODEL YEAR-----+   !
                      !
SERIAL NUMBER-----+
    
```

Model: 911 74

Model life 1974>>1977

SUMMARY ENGINES

VEHICLE TYPE	ENGINE			TECHNICAL DATA
	TYPE	MJ	ENGINE-NO.	
911	911.92	74 4	614 0001>>	6CYL/2,7L/110KW
911 SPM	911.97	74 4	614 9001>>	6CYL/2,7L/110KW
911S	911.93	74 4	634 0001>>	6CYL/2,7L/129KW
911S SPM	911.98	74 4	634 9001>>	6CYL/2,7L/129KW
911 CARRERA 2.7	911.83	74 4	664 0001>>	6CYL/2,7L/154KW
911 CARRERA (USA)(CDN)	911.93	74 4	634 0001>>	6CYL/2,7L/129KW
911 CARRERA SPM (USA)(CDN)	911.98	74 4	634 9001>>	6CYL/2,7L/129KW
911	911.41	75 5	615 0001>>	6CYL/2,7L/110KW
911 SPM	911.46	75 5	615 9001>>	6CYL/2,7L/110KW
911S	911.42	75 5	635 0001>>	6CYL/2,7L/129KW
911S SPM	911.47	75 5	635 9001>>	6CYL/2,7L/129KW
911 CARRERA 2.7	911.83	75 5	665 0001>>	6CYL/2,7L/154KW
911S CARRERA (USA)(CDN)	911.43	75 5	645 0001>>	6CYL/2,7L/121KW
911S CARRERA SPM (USA)(CDN)	911.48	75 5	645 9001>>	6CYL/2,7L/121KW
911S CARRERA (CAL)	911.44	75 5	655 0001>>	6CYL/2,7L/118KW
911S CARRERA SPM (CAL)	911.49	75 5	655 9001>>	6ZYL/2,7L/118KW
911	911.81	76 6	636 0001>>	6ZYL/2,7L/121KW
911 SPM	911.86	76 6	636 9001>>	6ZYL/2,7L/121KW
911 CARRERA 2.7	911.83	76 6	666 8001>>	6ZYL/2,7L/154KW
911 CARRERA3.0	930.02	76 6	666 0001>>	6ZYL/3,0L/147KW
911 CARRERA 3.0 SPM	930.12	76 6	666 9001>>	6ZYL/3,0L/147KW
912E	923.02	76 6	406 0001>>	4ZYL/2,0L/ 66KW
911S (USA)(CDN)	911.82	76 6	646 0001>>	6ZYL/2,7L/121KW
911S SPM (USA)(CDN)	911.89	76 6	656 9001>>	6ZYL/2,7L/121KW
911S (CAL)	911.84	76 6	656 0001>>	6ZYL/2,7L/121KW
911 (J)	911.41	76 6	616 0001>>	6ZYL/2,7L/110KW
911S (J)	911.81	76 6	636 0001>>	6ZYL/2,7L/121KW
911S SPM (J)	911.86	76 6	636 9001>>	6ZYL/2,7L/121KW
911	911.81	77 7	637 0001>>	6ZYL/2,7L/121KW
911 SPM	911.86	77 7	637 9001>>	6ZYL/2,7L/121KW
911 CARRERA 3.0	930.02	77 7	667 0001>>	6ZYL/3,0L/147KW
911 CARRERA 3.0 SPM	930.12	77 7	667 9001>>	6ZYL/3,0L/147KW
911S (USA)(CDN)	911.85	77 7	627 0001>>	6ZYL/2,7L/21KW
911S SPM (USA)(CDN)	911.90	77 7	627 9001>>	6ZYL/2,7L/21KW
911S (J)	911.94	77 7	617 0001>>	6ZYL/2,7L/21KW
911S SPM (J)	911.99	77 7	617 9001>>	6ZYL/2,7L/21KW

Model: 911 74

Model life 1974>>1977

EXPL. TRANSM. NO.

EXPLANATION OF THE TRANSMISSION-NUMBERS USED IN THE CATALOGUE

```

=====
DIGIT:                1 2 3   4 5 6 7
EXAMPLE:              7 2 7   0 3 5 5
                      = = =   =====
                      ! ! !   !
TRANSMISSION TYPE-----+ ! !   !
                      ! !   !
TRANSMISSION VERSION-----+ !   !
                      !   !
MODEL YEAR-----+   !
                      !
SERIAL NUMBER-----+
    
```

Model: 911 74

Model life 1974>>1977

SUMM. TRANSMISS.

VEHICLE TYPE	TRANSM.			TRANSMISSION NO.	TECHNICAL DATA
	TYPE	MJ			
911/911S/CARRERA	915.16	74 4	724	0001>>	4-SPEED
911/911S/CARRERA	915.06	74 4	734	0001>>	5-SPEED
911/911S/CARRERA SPM	925.02	74 4	764	0001>>	4-SPEED
911	915.48	75 5	745	0001>>	4-SPEED
911	915.43	75 5	725	0001>>	5-SPEED
911S	915.45	75 5	735	0001>>	4-SPEED
911S	915.40	75 5	715	0001>>	5-SPEED
911/911S SPM	925.02	75 5	765	2001>>	4-SPEED
911 CARRERA 2.7	915.16	75 5	785	5001>>	4-SPEED
911 CARRERA 2.7	915.06	75 5	785	0001>>	5-SPEED
911 CARRERA (USA) (CDN) (CAL)	915.45	75 5	735	0001>>	4-SPEED
911 CARRERA (USA) (CDN) (CAL)	915.40	75 5	715	0001>>	5-SPEED
911S/CARRERA SPM (USA) (CDN) (CAL)	925.10	75 5	765	0001>>	3-SPEED
911	915.45	76 6	726	1001>>	4-SPEED (MECAN. SPEEDOMETER)
911	915.40	76 6	716	7001>>	5-SPEED (MECAN. SPEEDOMETER)
911 CARRERA 2.7/911 (J)	915.43	76 6	716	9501>>	5-SPEED
911/CARRERA 3.0/911S (J)	915.49	76 6	726	0001>>	4-SPEED (ELECTR. SPEEDOMETER)
911/CARRERA 3.0/911S	915.44	76 6	716	0001>>	5-SPEED (ELECTR. SPEEDOMETER)
911 SPM	925.09	76 6	766	2001>>	3-SPEED (MECAN. SPEEDOMETER)
911/911S SPM	925.12	76 6	766	0001>>	3-SPEED (ELECTR. SPEEDOMETER)
911 CARRERA 3.0 SPM	925.13	76 6	766	1001>>	3-SPEED
912 E	923.05	76 6	506	0001>>	5-SPEED
911/911S	915.65	77 7	727	0001>>	4-SPEED (WITHOUT CLUTCH SPRING)
911/911S	915.60	77 7	707	0001>>	5-SPEED (WITHOUT CLUTCH SPRING)
911/911S/CARRERA 3.0	915.66	77 7	727	1001>>	4-SPEED (WITH CLUTCH SPRING)
911/911S/CARRERA 3.0	915.61	77 7	717	0001>>	5-SPEED (WITH CLUTCH SPRING)
911 SPM	925.15	77 7	767	0001>>	3-SPEED
911 CARRERA 3.0 SPM	925.16	77 7	767	1001>>	3-SPEED
911S SPM (USA) (CDN) (J)	925.17	77 7	767	0501>>	3-SPEED

Model: 911 74

Model life 1974>>1977

LEGENDS/NOTICES

LEGENDS AND NOTICES

=====

IN COLUMN -S- STATUS

- N NEW ADDITION
- P PART ALREADY IN PROGRAMME, BUT NEW AT THIS APPLICATION
- W DELETED AT THIS APPLICATION, BUT CONTINUED TO BE CARRIED
- A STOCK TO BE USED UP
- U DELETED WITHOUT REPLACEMENT
- * PART ALSO OR ONLY AVAILABLE IN REPAIR KIT
- > ALSO AVAILABLE IN EXCHANGE

IN COLUMN - ILL. -

- 1 IDENTIFICATION NO. IN ILLUSTRATION
- (1) PART ONLY SIMILAR AS ILLUSTRATED
- PART IS NOT ILLUSTRATED

FIG.-NUMBERS FOR WHICH THERE IS SHOWN NO TEXT ARE NOT VALID FOR THIS EDITION OF CATALOGUE

IN COLUMN -PART NUMBER/CODE-

000 000 000 00 PART NUMBER EQUALS ORDERING NO., IF A CODE IS SHOWN, IT WILL HAVE TO BE PART OF ORDERING NUMBER

AC3 COLOUR CODE

IN COLUMN -TEXT

INSTALLATION WIRH ENGINE OR CHASSIS NUMBER-RANGE

EXAMPLE:

M 637 0134 >> FROM ENGINE NO.

Model: 911 74

Model life 1974>>1977

F >> 911730 0143 UP TO VIN

Model: 911 74

Model life 1974>>1977

LEGENDS/NOTICES

IN COLUMN - A -

IDENTIFICATION LETTER FOR PERIOD OF INSTALLATION
THAT IS REPEATED SEVERAL TIMES IN THE CATALOG GROUP.

EXPLANATION PLEASE FIND IN TEXT COLUMN OF THE CATALOG GROUP

IN COLUMN - QU - = NO. OF PIECES

1 NUMBER PER APPLICATION

X NUMBER AS NEEDED

* AVAILABLE ONLY IN RUNNING LENGTHS 1 = 1 METRE

IN COLUMN - MODEL/SYMBOL -

-76 LIMITATION OF MODEL YEAR FOR INSTANCE: VALID UP TO
END OF MODEL YEAR 1976

/LL LHD

/RL RHD

/V FRONT I
I

/H REAR I

/L LEFT I I----> APPLIES TO
DIRECTION OF TRAVEL

/R RIGHT I
-----+

SPM SPORTOMATIC

WW THE PART CAN BE USED INSTEAD OF THE
PRECEDING ONE

Model: 911 74

Model life 1974>>1977

COUNTRY-EQIPM.

EQUIPMENT BY COUNTRY REGULATIONS

=====

(A)	AUSTRIA
(AUS)	AUSTRALIA
(B)	BELGIUM
(CDN)	CANADA
(CH)	SWITZERLAND
(D)	FEDERAL REPUBLIC OF GERMANY
(DK)	DENMARK
(E)	SPAIN
(F)	FRANCE
(GB)	GREAT BRITAIN
(GR)	GREECE
(HK)	HONGKONG
(I)	ITALY
(J)	JAPAN
(L)	LUXEMBURG
(N)	NORWAY
(NL)	NETHERLANDS
(NS)	NEW ZEALAND
(P)	PORTUGAL
(RC)	TAIWAN
(S)	SWEDEN
(SA)	SAUDI ARABIA
(SF)	FINLAND
(USA)	UNITED STATES OF AMERICA

Model: 911 74

Model life 1974>>1977



Model: 911 74 Model life 1974>>1977

Pos	Part Number	Description	Remark	Qty	Model
>>	911 721 002 01	Tool Jack Tool bag with contents Comprising:	-75	1	
-		Tool bag		1	
-	901 721 221 00	Rim wrench		1	
-	999 195 011 02	Double-end spanner 8 X 9		1	
-	999 195 012 02	Double-end spanner 10 X 11		1	
-	999 195 007 02	Double-end spanner 12 X 13		1	
-	999 195 014 02	Double-end spanner 14 X 15		1	
-	999 195 015 02	Double-end spanner 17 X 19		1	
-	999 571 017 02	Ring wrench		1	
-	911 721 107 02	Screwdriver Set		1	
-	999 107 003 02	Universal pliers		1	
-	999 192 176 50	Narrow v-belt 9,5 X 710		1	
-	999 192 176 5A	Narrow v-belt 9,5 X 710		1	
-	911 721 013 00	Bag with Lock		1	
-	911 721 702 00	Retaining bracket for V-belt pulley		5	
-	477 012 203 A	Spark plug wrench		1	
-	477 012 227	Angular screw driver		1	
-	911 721 051 00	Towing lug		1	
>>	911 721 002 04	Tool bag	76-	1	
-		Tool bag		1	
-	901 721 221 00	Rim wrench		1	
-	999 195 011 02	Double-end spanner 8 X 9		1	
-	999 195 012 02	Double-end spanner 10 X 11		1	
-	999 195 007 02	Double-end spanner 12 X 13		1	
-	999 195 014 02	Double-end spanner 14 X 15		1	
-	999 195 015 02	Double-end spanner 17 X 19		1	
-	999 205 003 02	Tool		1	
-	999 107 003 02	Universal pliers		1	
-	999 192 097 50	Narrow v-belt 9,5 x 725		1	
-	911 721 013 00	Bag with Lock		1	
-	999 571 047 02	Tool for V-belt pulley		5	
-	477 012 203 A	Spark plug wrench		1	
-	477 012 227	Angular screw driver		1	
-	911 721 051 00	Towing lug		1	
-	911 721 107 02	Screwdriver		1	
-		Jack			
-	911 721 011 04	Jack		1	

Model: 911 74

Model life 1974>>1977

Pos	Part Number	Description	Remark	Qty	Model
-	914 722 021 10	Bracket for Jack	-75	1	911/911S CARRERA 2.7
-	911 722 021 01	Bracket	76	1	911/911S CARRERA 3.0
-		Bracket	77-	1	911/911S CARRERA 3.0
-	900 143 031 02	Oval-head sheetmetal screw B 4,2 X 9.5		1	
-	911 721 131 00	Clamping piece		1	
-	911 721 131 01	Clamping piece without Adhesive film		1	
-	911 556 208 02	Felt strip		1	

Model: 911 74

Model life 1974>>1977



Model: 911 74 Model life 1974>>1977

Pos	Part Number	Description	Remark	Qty	Model
-	901 701 111 05	Stickers Sticker		1	
-	900 093 001 02	Paint T-headed screw		4	
-	911 701 127 00	Rivet Sticker		1	
-	911 701 171 00	Indication sticker Starter Sticker	77-	1	
-	911 701 173 00	Actuator Heating Ventilation Sticker	77-	1	911/911S
-	911 701 503 00	Speed warning device Indication sticker	(GB) -74	1	
-	901 006 502 00	Belt Sticker		1	
-	901 006 503 00	Firing order Sticker		1	
-	911 006 504 01	Adjustment Valve clearance Sticker		1	
-	911 006 508 00	Engine-oil level Sticker		1	CARRERA 2.7
-	911 006 501 00	Ignition point Sticker	-75	1	911/911S
-	911 006 501 01	Ignition point Sticker	76-	1	911/911S
-	911 006 502 00	Ignition point Sticker	-74	1	CARRERA 3.0 911/911S
-	911 006 503 07	Adjustment Exhaust system Sticker	(J) 77-	1	911S
-	911 006 535 01	Adjustment Exhaust system Sticker		1	911/911S
-	930 006 535 03	Exhaust system Sticker	(S) 77-	1	CARRERA 3.0
-	901 006 505 01	Exhaust system Sticker	(S)	1	
-	911 006 512 10	Tyre pressure Sticker	77-	1	911/911S
-	911 006 517 02	Sticker	77-	1	911/911S
-	911 006 522 01	Tyre pressure Sticker	-74	1	911/911S
-	911 006 522 08	Tyre pressure Sticker	(AUS) 75	1	911/911S
-	911 006 521 01	Tyre pressure Sticker	(AUS) -75	1	CARRERA 2.7
-	911 006 521 03	Tyre pressure Sticker	(AUS) 76	1	CARRERA 3.0
-	911 006 522 08	Tyre pressure Sticker	(AUS) 77-	1	CARRERA 3.0
-	911 006 522 08	Tyre pressure Sticker	(AUS) 77- (AUS) 76	1	911S
-	911 006 522 05	Tyre pressure Sticker	(AUS) 77-	1	911S
-	911 006 522 06	Tyre pressure Sticker	(AUS)	1	911S
-	911 006 522 06	Tyre pressure Front	(AUS)	1	CARRERA 3.0

Model: 911 74

Model life 1974>>1977

Pos	Part Number	Description	Remark	Qty	Model
-	911 006 531 00	6 J X 16 Rear		1	
-	911 006 541 00	7 J X 16 Sticker		1	911/911S CARRERA 3.0

Model: 911 74

Model life 1974>>1977



Model: 911 74

Model life 1974>>1977

Pos	Part Number	Description	Remark	Qty	Model
-	911 361 909 00	Snow chains Snow chains 1 set ERLAU "EUROPA" 165 X 15		1	
-	911 361 903 00	Cross chain 1 set ERLAU "EUROMONT" 165 X 15		1	
-	911 361 902 00	Snow chains 1 set ERLAU "EUROPA" 185/70 X 15		1	
-	901 361 901 00	Edge chain 1 set RUD 185/70 X 15		1	
-	911 361 904 00	Edge chain 1 set RUD 215/60 VR 15		1	
-	911 361 909 00	Snow chains 1 set RUD 225/50 VR 15		1	
-	930 361 901 00	Edge chain 1 set RUD 225/50 VR 16		1	

Model: 911 74

Model life 1974>>1977



Model: 911 74 Model life 1974>>1977

Pos	Part Number	Description	Remark	Qty	Model
-	901 801 010 01	Roof rack Ski rack Trailer coupling Vehicle cover Roof rack with Ski rack Chrome		1	
-	901 801 953 00	Leather strap 1 set		1	
-	901 801 015 20	Ski rack		1	
-	901 801 013 40	Ski rack		1	
-	901 801 951 00	Strap for ski fastening 1 set		1	
-	901 801 950 00	Strap for ski fastening		1	
-	911 722 031 00	Trailer coupling Trailer coupling Complete		1	
-	PCG 043 202 02	Cover Porsche crest with spoiler Aussenspiegel Left Right		1	911
-	000 043 202 02	Cover Porsche crest with spoiler Aussenspiegel Left Right		1	911
-	PCG 043 202 01	Cover Porsche crest Ohne Spoiler Aussenspiegel Left Right		1	911
-	000 043 202 01	Cover Porsche crest Ohne Spoiler Aussenspiegel Left Right		1	911
-	PCG 043 203 01	Cover Porsche crest Ohne Spoiler Aussenspiegel Left		1	911

Model: 911 74

Model life 1974>>1977



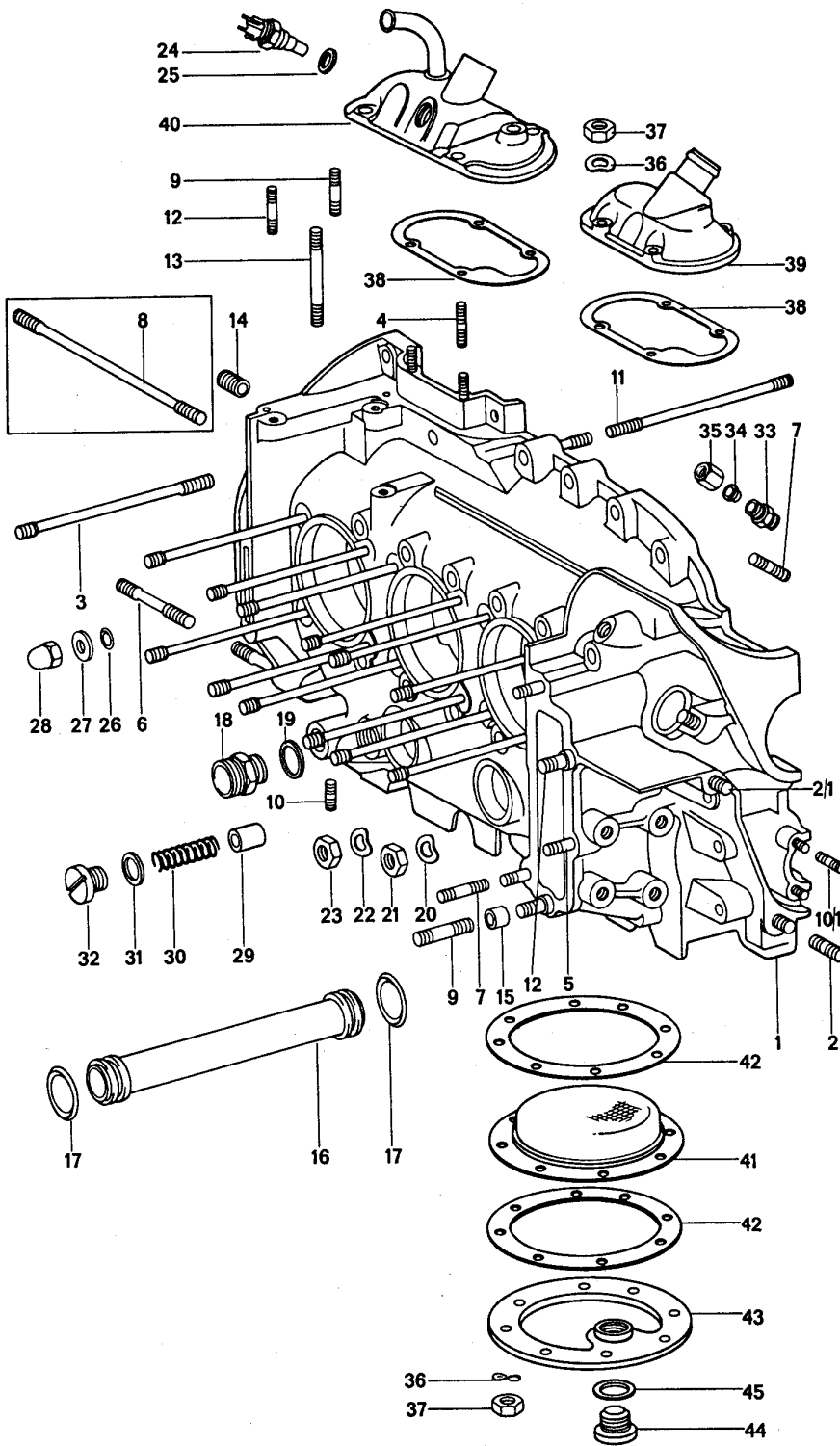
Model: 911 74

Model life 1974>>1977

Pos	Part Number	Description	Remark	Qty	Model
		Replacement engine			
		Replacement engine			
		Complete			
		Ready for installation			
-	911 100 192 00	Engine		1	911/92
		K-jetronic			
-	911 100 141 00	Engine		1	911/41
		K-jetronic			
-	911 100 181 00	Engine		1	911/81
		K-jetronic			
-	911 100 197 00	Engine		1	911/97/SPM
		K-jetronic			
-	911 100 146 00	Engine		1	911/46/SPM
		K-jetronic			
-	911 100 186 00	Engine		1	911/86/SPM
		K-jetronic			
-	911 100 193 00	Engine		1	911/93
		K-jetronic			
-	911 100 194 00	Engine	(J)	1	911/94
		K-jetronic			
-	911 100 142 00	Engine		1	911/42
		K-jetronic			
-	911 100 198 00	Engine		1	911/98/SPM
		K-jetronic			
-	911 100 199 00	Engine	(J)	1	911/99/SPM
		K-jetronic			
-	911 100 147 00	Engine		1	911/47/SPM
		K-jetronic			
-	911 100 183 01	Engine		1	911/83
		with			
		Mechanical injection			
-	930 100 202 00	Engine		1	930/02
		K-jetronic			
-	930 100 112 00	Engine		1	930/12/SPM
		K-jetronic			

Model: 911 74

Model life 1974>>1977



Model: 911 74 Model life 1974>>1977

Pos	Part Number	Description	Remark	Qty	Model
1	911 101 915 00	Crankcase Left Crankcase		1	911/911S CARRERA 2,7
1	930 101 913 00	with studs Crankcase with studs		1	CARRERA 3,0
2	999 062 090 02	Stud M 10 X 40		1	
2/1	999 062 039 02	Stud M 10 X 50		1	
2/1	999 062 183 02	Stud M 10 X 50		1	
3	911 101 172 00	Stud		12	
3	930 101 170 00	Stud (DILAVAR)		12	
4	999 062 085 02	Stud M 6 X 20		4	
5	999 062 006 02	Stud M 8 X 20		2	
6	999 061 034 02	Stud M 10 X 69		2	
7	999 062 007 02	Stud M 8 X 22		5	
7	900 060 106 01	Stud M 8 X 22		5	
8	999 062 099 02	Stud M 10 X 105		2	SPM
8	900 060 096 01	Stud M 10 X 105		2	SPM
9	999 062 009 02	Stud M 8 X 28		3	
9	900 060 105 01	Stud M 8 X 28		3	
10	999 062 055 02	Stud M 6 X 12		5	
10/1	999 062 002 02	Stud M 6 X 15		3	
11	901 101 174 00	Stud		2	911/911S CARRERA 2,7 CARRERA 3,0
(11)	930 101 174 01	Stud		2	
12	999 062 008 02	Stud M 8 X 25		3	
13	999 062 147 02	Stud M 8 X 62		1	
14	999 504 062 02	Threaded bush	-76	1	
15	901 101 145 00	Dowel sleeve		4	
16	901 107 351 01	Oil tube		4	
(16)	930 107 040 01	Set Set Divided Comprising: Oil tube I Oil tube II		X	
-	900 041 013 01	Circlip		1	
-	999 707 113 40	Round seal		2	
-	999 707 113 41	O-ring		2	
-	999 707 112 40	Round seal		2	
-	999 707 112 4A	Round seal		2	
17	999 707 112 40	Round seal		8	
17	999 707 112 4A	Round seal		8	

Model: 911 74 Model life 1974>>1977

Pos	Part Number	Description	Remark	Qty	Model
18	999 136 008 09	Connection piece		1	
18	999 136 008 01	Connection piece		1	
19	900 123 011 30	Sealing ring		1	
		A 22X 27			
20	900 031 014 30	Washer		22	
		A 8,4			
21	900 084 004 03	Hexagon nut		22	
		M 8			
21	900 084 004 02	Hexagon nut		22	
		M 8			
22	N 012 242 3	Spring washer		1	
		B 10 X 18			
23	900 157 002 02	Hexagon nut		1	911,911S CARRERA 2,7
		M 10			
23	900 157 002 03	Hexagon nut		1	911,911S CARRERA 2,7
		M 10			
23	900 076 052 02	Hexagon nut		1	CARRERA 3,0
		M 10 X 1			
24	911 617 117 00	Temperature switch		1	CARRERA 2,7
25	900 123 007 70	Sealing ring		1	CARRERA 2,7
		A 14 X 18			
26	999 701 006 40	O-ring		12	
27	901 101 161 01	Washer		12	
(27)	901 101 161 02	Washer		12	
28	999 070 004 02	Cap nut		13	911,911S CARRERA 2,7
28	999 070 004 03	Cap nut		13	911,911S CARRERA 2,7
28	930 101 172 01	Cap nut		13	CARRERA 2,7 CARRERA 3,0
		M10 X 1			
29	901 107 512 01	Piston		1	
		See technical information			
		GR.1/NR.5			
29	911 107 512 00	Piston		1	
30	901 107 531 00	Compression spring		1	
31	900 123 071 30	Sealing ring		1	
		A 18 X 24			
32	999 064 026 02	Screw plug		1	
32	999 064 026 01	Screw plug		1	
33	901 107 375 00	Screw socket		1	
-	900 123 005 30	Sealing ring		1	
		A 12 X 16			
		for			
		Screw socket			
34	N 020 825 1	Cutting ring		1	
		LL 8			
35	900 104 003 02	Union nut		1	
		ALL 8			
35	900 104 003 03	Union nut		1	
		ALL 8			
36	N 012 226 5	Spring washer		12	
		B 6			
37	900 076 010 02	Nut		12	
		M 6			
37	900 076 010 0B	Nut		12	
		M 6			
38	930 107 791 00	Gasket		1	
39	901 107 073 02	Lid		1	911
40	930 107 073 02	Lid		1	CARRERA 2,7 CARRERA 3,0
		for			
		Bleeder			911S
41	901 101 380 01	Oil strainer		1	
42	930 101 391 01	Gasket		2	

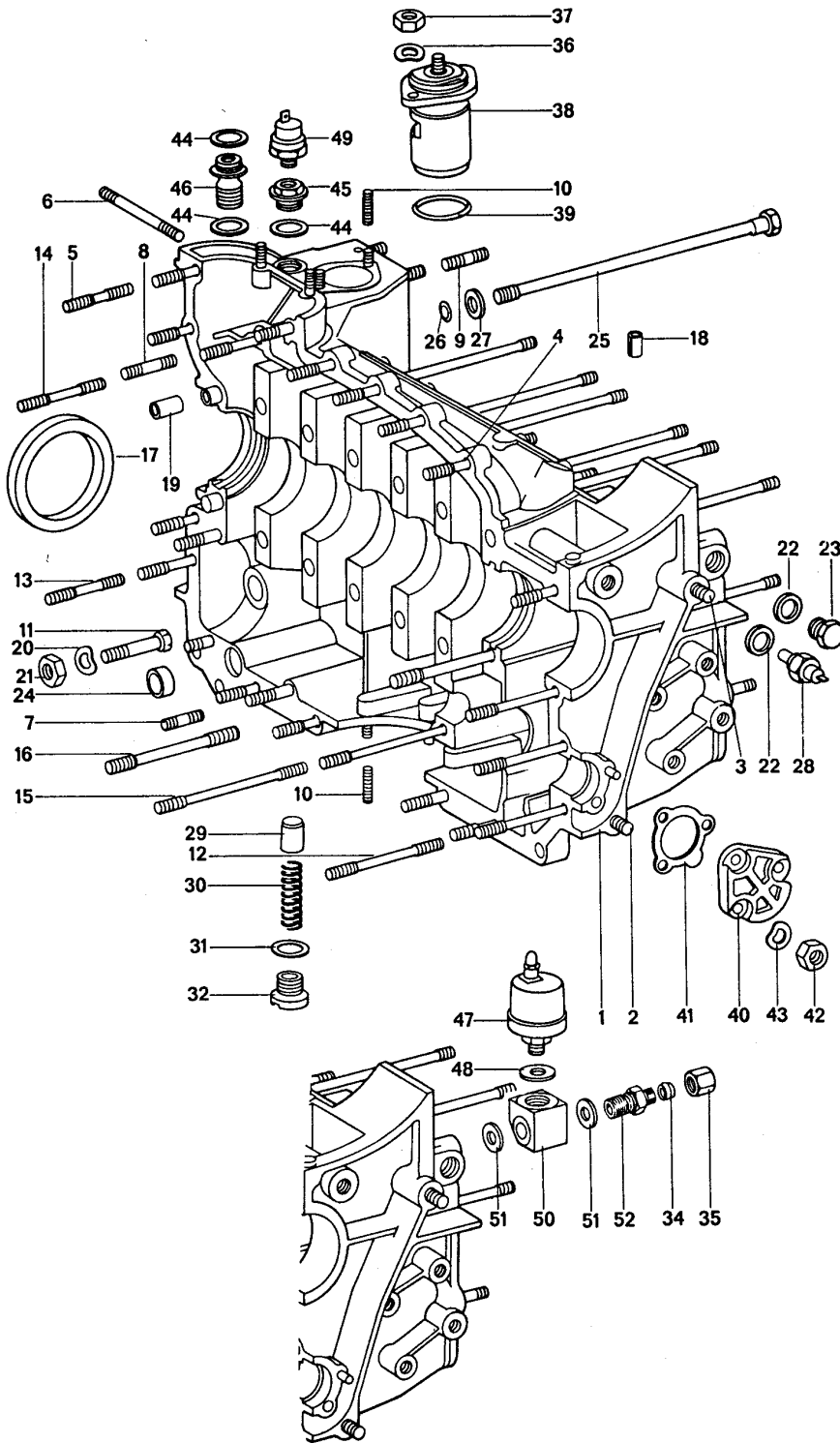
Model: 911 74

Model life 1974>>1977

Pos	Part Number	Description	Remark	Qty	Model
43	930 101 902 00	for Oil strainer Lid Technical information gr.1 nr.1/85		1	
44	911 107 176 01	Magnetic screw		1	
44	911 107 176 03	Screw plug		1	
45	900 123 011 20	Sealing ring A 22 X 27		1	

Model: 911 74

Model life 1974>>1977



Model: 911 74 Model life 1974>>1977

Pos	Part Number	Description	Remark	Qty	Model	
1	911 101 915 00	Crankcase Right		1	911/911S CARRERA 2,7 CARRERA 3,0	
1	930 101 913 00	Crankcase with studs		1		
2	999 062 090 02	Crankcase with studs		1		
		Stud		1		
		M 10 X 40		1		
3	999 061 056 02	Stud		1		
4	999 062 010 02	Stud		1		
		M 8 X 35		12		
5	999 062 115 02	Stud		1		
		M 8 X 32		1		
6	999 062 192 02	Stud		1		
		M 10 X 102		1		
(6)	999 062 191 02	Stud		1		SPM
		M 10 X145		3		
7	999 062 006 02	Stud		1		
		M 8 X 20		1		
8	999 062 009 02	Stud		1		
		M 8 X 28		1		
8	900 060 105 01	Stud		4		
		M 8 X 28		4		
9	900 061 057 02	Stud		4		
		M 8 X 15		4		
9	999 062 057 02	Stud		4		
		M 8 X 15		4		
9	999 062 073 02	Stud		7		
		M 8 X 15		1		
10	999 062 055 02	Stud		1		
		M 6 X 12		1		
11	900 074 134 02	Hexagon-head bolt		1		
		M 8 X 45		1		
-	900 025 007 02	Washer		1		
		A 8,4		1		
		for		1		
		Ground strap		1		
-	900 025 007 03	Washer		3		
		A 8,4		2		
		for		1		
		Ground strap		1		
12	900 060 101 01	Stud		1		
		M 8 X 78		2		
13	999 062 075 02	Stud		1		
		M 8 X 48		1		
14	999 062 138 02	Stud		1		
		M 8 X 52		1		
14	900 060 102 01	Stud		1		
		M 8 X 52		1		
15	999 062 051 02	Stud		1		
		M 8 X 108		1		
16	999 062 217 08	Screw		1	911/911S CARRERA 2,7 CARRERA 3,0	
		M 10 X 85		1		
(16)	930 101 175 00	Stud		1		
17	999 113 057 52	Radial sealing ring		1		
		65 X 85 X 10		1		
(17)	901 102 911 00	Radial sealing ring		1		
		Undersize		1		
		64,5 X 85 X 10		1		
18	900 095 025 01	Roll pin		1		
		8 X 16		2		
19	901 101 195 00	Dowel sleeve		1		
20	900 031 014 30	Washer		1		

Model: 911 74

Model life 1974>>1977

Pos	Part Number	Description	Remark	Qty	Model
21	900 084 004 03	A 8,4 Hexagon nut		1	
21	900 084 004 02	M 8 Hexagon nut		1	
22	900 123 007 30	M 8 Sealing ring		1	
23	900 124 002 02	14 X 18 Screw plug		1	SPM
24	999 704 172 50	AM 14 X 1,5 Sealing ring		1	
25	901 101 173 00	Screw		11	911/911S
25	930 101 173 02	for Crankcase Screw		11	CARRERA 2,7
25	930 101 173 02	for Crankcase		11	CARRERA 3,0
26	999 701 006 40	O-ring		12	
27	901 101 161 01	Washer		12	
(27)	901 101 161 02	Washer		12	
28	901 641 632 00	Remote temperature sensor		1	
28	911 606 112 00	Remote temperature sensor	77-	1	
28	911 606 112 00	for 911/81/85/94 930/02/52/53/54			
29	901 107 512 01	Piston See technical information GR.1/NR.5		1	
29	911 107 512 00	Piston		1	
30	901 107 531 00	Compression spring		1	
31	900 123 071 30	Sealing ring		1	
31	900 123 071 30	A 18 X 24			
32	999 064 026 02	Screw plug		1	
32	999 064 026 01	Screw plug		1	
32	999 064 010 02	Screw plug		1	
32	999 064 010 02	See technical information GR.1/NR.5			
34	N 020 825 1	Cutting ring		1	
34	N 020 825 1	LL 8			
35	900 104 003 02	Union nut		1	
35	900 104 003 02	ALL 8			
35	900 104 003 03	Union nut		1	
35	900 104 003 03	ALL 8			
36	N 012 226 5	Spring washer		2	
36	N 012 226 5	B 6			
37	900 076 010 02	Nut		2	
37	900 076 010 02	M 6			
37	900 076 010 0B	Nut		2	
37	900 076 010 0B	M 6			
38	930 107 765 00	Oil thermostat		1	
39	999 701 053 50	Sealing ring		1	
39	999 701 053 50	39,2 X 3			
40	901 105 141 02	Cover	-75	1	
40	911 105 162 00	Cover	76-	1	911/911S
40	911 105 162 00	Cover			CARRERA 2,7
41	930 105 198 01	Gasket for Cover		1	911/911S
41	930 105 198 01	Gasket for Cover			CARRERA 3,0
42	900 084 010 02	Lock nut		3	
42	900 084 010 02	M 6			
43	900 031 011 30	Washer		3	
43	900 031 011 30	A 6,4			
44	900 123 044 30	Sealing ring		1	

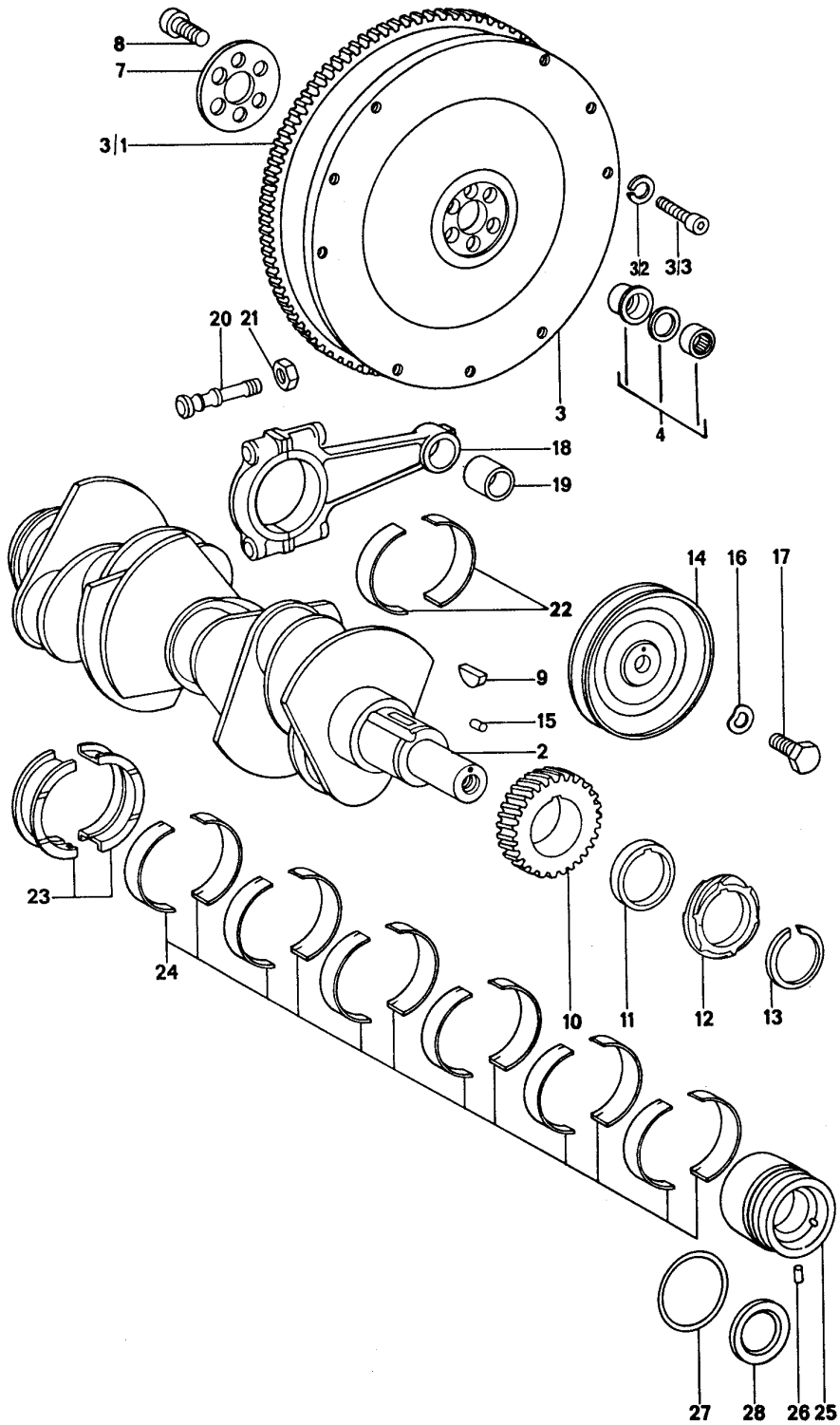
Model: 911 74

Model life 1974>>1977

Pos	Part Number	Description	Remark	Qty	Model
45	901 101 175 01	A 18 X 22 Reducing socket		1	
46	901 110 133 00	Connection piece		1	
47	911 606 111 00	Pressure transmitter		1	
47	911 606 111 02	Pressure transmitter		1	
48	900 123 009 20	Sealing ring		1	
49	911 606 230 00	Oil pressure switch		1	
50	911 107 704 00	Connection piece		1	
51	900 123 005 30	Sealing ring		2	
		A 12 X 16			
52	911 107 709 01	Screw socket		1	

Model: 911 74

Model life 1974>>1977



Model: 911 74 Model life 1974>>1977

Pos	Part Number	Description	Remark	Qty	Model
2	916 102 016 00	Crankshaft		1	
3	911 102 201 11	Flywheel		1	
3	911 102 201 12	Flywheel		1	
3/1	911 116 239 00	Starter ring		1	
3/1	911 116 239 04	Starter ring		1	
3/2	900 027 015 02	Lock ring B 8 See group 3/01/00		9	
3/2	900 027 015 03	Lock ring B 8 See group 3/01/00		9	
3/3	900 067 090 02	Pan-head screw M 8 X 42 See group 3/01/00		9	
4	901 102 025 01	Bush		1	
7	901 102 162 04	Washer		1	
8	911 102 171 00	Pan-head screw		6	
(8)	999 067 009 01	Pan-head screw		6	SPM
9	901 102 147 00	Woodruff key		1	
10	901 102 111 00	Timing gear for Number 0		1	
(10)	901 102 111 10	Timing gear for Number 1		1	
(10)	901 102 111 20	Timing gear for Number 1		1	
11	901 102 145 00	Intermediate ring		1	
12	901 102 115 00	Drive wheel		1	
12	901 102 115 01	Drive wheel		1	
13	901 102 148 00	Circlip		1	
14	911 102 017 50	V-belt pulley 116,5 \$	-75	1	
(14)	911 102 017 04	V-belt pulley 131,0 \$	76-	1	911/911S CARRERA 3,0
15	900 012 060 00	Straight pin 5M 6 X 10		1	
16	900 028 014 01	Lock ring B 12		1	
17	999 093 005 02	Hexagon-head bolt M 12 X 1,5 X 22		1	
19	911 103 015 32	Connecting rod Weight group: 4 = 654 -663 GR		6	
18	911 103 015 33	Connecting rod Weight group: 4 = 663 -672 GR		6	
18	911 103 015 34	Connecting rod Weight group: 4 = 672 - 681 GR.		6	
18	911 103 015 35	Connecting rod Weight group: 5 = 681 - 690 GR.		6	
18	911 103 015 36	Connecting rod Weight group: 6 = 690 - 699 GR.		6	
18	911 103 015 37	Connecting rod Weight group:		6	

Model: 911 74 Model life 1974>>1977

Pos	Part Number	Description	Remark	Qty	Model
18	911 103 015 38	7 = 699 - 708 GR. Connecting rod		6	
		Weight group:			
18	911 103 015 39	8 = 708 - 717 GR. Connecting rod		6	
		Weight group:			
-	911 103 959 00	9 = 718 - 727 GR. Connecting rod 1 set		1	
		Comprising:			
		Connecting rod		6	
19	901 103 131 01	Connecting rod bush		6	
20	914 103 171 00	Connecting rod bolt		12	
20	914 103 171 01	Connecting rod bolt		12	
21	901 103 173 00	Connecting rod nut		12	
21	901 103 173 02	Connecting rod nut		12	
22	914 103 141 00	Connecting-rod bearing		12	
(22)	914 103 141 50	Connecting-rod bearing Undersize 0,25 MM		12	
(22)	914 103 141 60	Connecting-rod bearing Undersize 0,50 MM		12	
(22)	914 103 141 70	Connecting-rod bearing Undersize 0,75 MM		12	
(22)	914 103 141 80	Conrod bearing shell Undersize 1,00 MM		12	
-	911 101 901 00	Set of crankshaft bearings Comprising: M >> 615 0305 M >> 615 9066 M >> 635 0094 M >> 635 9040 M >> 645 0388 M >> 645 9030 M >> 655 0022 M >> 655 9021 M >> 665 0113		1	911/911S CARRERA 2,7
23	901 101 131 00	Bearing shell I		2	
24	901 101 132 00	Bearing shell II - VII		12	
25	901 101 138 03	Bearing sleeve VIII		1	
-	911 101 902 00	Set of crankshaft bearings Comprising: M 615 0306 >> M 615 9067 >> M 635 0095 >> M 635 9041 >> M 645 0389 >> M 645 9031 >> M 655 0023 >> M 655 9022 >> M 665 0114 >>		1	
23	901 101 131 00	Bearing shell I		2	
24	911 101 133 00	Bearing shell II - VII		12	
25	901 101 138 03	Bearing sleeve VIII		1	

Model: 911 74

Model life 1974>>1977

Pos	Part Number	Description	Remark	Qty	Model
-	911 101 901 50	Set of crankshaft bearings Undersize Inner 0,25 MM Comprising: M >> 615 0305 M >> 615 9066 M >> 635 0094 M >> 635 9040 M >> 645 0388 M >> 645 9030 M >> 655 0022 M >> 655 9021 M >> 665 0113		1	911/911S CARRERA 2,7
(23)	901 101 131 50	Bearing shell I		2	
(23)	901 101 131 93	Bearing shell I		2	
(24)	901 101 132 50	Bearing shell II - VII		12	
(25)	901 101 138 53	Bearing sleeve VIII		1	
-	911 101 902 50	Set of crankshaft bearings Undersize Inner 0,25 MM Comprising: M 615 0306 >> M 615 9067 >> M 635 0095 >> M 635 9041 >> M 645 0389 >> M 645 9031 >> M 655 0023 >> M 655 9022 >> M 665 0114 >>		1	
(23)	901 101 131 50	Bearing shell I		2	
(23)	901 101 131 93	Bearing shell I		2	
(24)	911 101 133 50	Bearing shell II - VII		12	
(25)	901 101 138 53	Bearing sleeve VIII		1	
-	911 101 901 55	Set of crankshaft bearings Undersize Inner 0,50 MM Comprising: M >> 615 0305 M >> 615 9066 M >> 635 0094 M >> 635 9040 M >> 645 0388 M >> 645 9030 M >> 655 0022 M >> 655 9021 M >> 665 0113		1	911/911S CARRERA 2,7
(23)	901 101 131 55	Bearing shell I		2	
(24)	901 101 132 55	Bearing shell II - VII		12	
(25)	901 101 138 58	Bearing sleeve		1	

Model: 911 74 Model life 1974>>1977

Pos	Part Number	Description	Remark	Qty	Model
-	911 101 902 55	VIII Set of crankshaft bearings Crankshaft bearing Undersize Inner 0,50 MM Comprising: M 615 0306 >> M 615 9067 >> M 635 0095 >> M 635 9041 >> M 645 0389 >> M 645 9031 >> M 655 0023 >> M 655 9022 >> M 665 0114 >>		1	
(23)	901 101 131 55	Bearing shell I		2	
(24)	911 101 133 55	Bearing shell II - VII		12	
(25)	901 101 138 58	Bearing sleeve		1	
-	911 101 901 65	VIII Set of crankshaft bearings Undersize Inner 0,75 MM Comprising: M >> 615 0305 M >> 615 9066 M >> 635 0094 M >> 635 9040 M >> 645 0388 M >> 645 9030 M >> 655 0022 M >> 655 9021 M >> 665 0113		1	911/911S CARRERA 2,7
(23)	901 101 131 65	Bearing shell I		2	
(24)	901 101 132 65	Bearing shell II - VII		12	
(25)	901 101 138 68	Bearing sleeve		1	
-	911 101 902 65	VIII Set of crankshaft bearings Undersize Inner 0,75 MM Comprising: M 615 0306 >> M 615 9067 >> M 635 0095 >> M 635 9041 >> M 645 0389 >> M 645 9031 >> M 655 0023 >> M 655 9022 >> M 665 0114 >>		1	
(23)	901 101 131 65	Bearing shell I		2	
(24)	911 101 133 65	Bearing shell II - VII		12	
(25)	901 101 138 68	Bearing sleeve		1	
-	911 101 901 69	VIII Set of crankshaft bearings		1	911/911S

Model: 911 74 Model life 1974>>1977

Pos	Part Number	Description	Remark	Qty	Model
		Undersize Inner 1,00 MM Comprising: M >> 615 0305 M >> 615 9066 M >> 635 0094 M >> 635 9040 M >> 645 0388 M >> 645 9030 M >> 655 0022 M >> 655 9021 M >> 665 0113			CARRERA 2,7
(23)	901 101 131 69	Bearing shell		2	
		I			
(24)	901 101 132 69	Bearing shell		12	
		II - VII			
(25)	901 101 138 69	Bearing sleeve		1	
		VIII			
-	911 101 902 69	Set Crankshaft bearing		1	
		Undersize Inner 1,00 MM Comprising: M 615 0306 >> M 615 9067 >> M 635 0095 >> M 635 9041 >> M 645 0389 >> M 645 9031 >> M 655 0023 >> M 655 9022 >> M 665 0114 >>			
(23)	901 101 131 69	Bearing shell		2	
		I			
(24)	911 101 133 69	Bearing shell		12	
		II - VII			
(25)	901 101 138 69	Bearing sleeve		1	
		VIII			
-	911 101 901 60	Set of crankshaft bearings		1	911/911S CARRERA 2,7
		Oversize Outer 0,25 MM Comprising: M >> 615 0305 M >> 615 9066 M >> 635 0094 M >> 635 9040 M >> 645 0388 M >> 645 9030 M >> 655 0022 M >> 655 9021 M >> 665 0113			
(23)	901 101 131 60	Bearing shell		2	
		I			
(24)	901 101 132 60	Bearing shell		12	
		II - VII			
(24)	901 101 132 61	Bearing shell		12	
		II - VII			
(25)	901 101 138 63	Bearing sleeve		1	
		VIII			
-	911 101 902 60	Set of crankshaft bearings		1	

Model: 911 74 Model life 1974>>1977

Pos	Part Number	Description	Remark	Qty	Model
(23)	901 101 131 60	Oversize Outer 0,25 MM Comprising: M 615 0306 >> M 615 9067 >> M 635 0095 >> M 635 9041 >> M 645 0389 >> M 645 9031 >> M 655 0023 >> M 655 9022 >> M 665 0114 >> Bearing shell		2	
(24)	911 101 133 60	I Bearing shell		12	
(24)	911 101 133 61	II - VII Bearing shell		12	
(25)	901 101 138 63	II - VII Bearing sleeve		1	
-	911 101 901 70	VIII Set of crankshaft bearings		1	911/911S CARRERA 2,7
		Oversize Outer 0,25 MM Undersize Inner 0,25 MM Comprising: M >> 615 0305 M >> 615 9066 M >> 635 0094 M >> 635 9040 M >> 645 0388 M >> 645 9030 M >> 655 0022 M >> 655 9021 M >> 665 0113			
(23)	901 101 131 70	Bearing shell		2	
(24)	901 101 132 70	I Bearing shell		12	
(25)	901 101 138 73	II - VII Bearing sleeve		1	
-	911 101 902 70	VIII Set of crankshaft bearings		1	
		Oversize Outer 0,25 MM Undersize Inner 0,25 MM Comprising: M 615 0306 >> M 615 9067 >> M 635 0095 >> M 635 9041 >> M 645 0389 >> M 645 9031 >> M 655 0023 >> M 655 9022 >> M 665 0114 >>			
(23)	901 101 131 70	Bearing shell		2	
		I			

Model: 911 74 Model life 1974>>1977

Pos	Part Number	Description	Remark	Qty	Model
(24)	911 101 133 70	Bearing shell II - VII		12	
(25)	901 101 138 73	Bearing sleeve VIII		1	
-	911 101 901 75	Set of crankshaft bearings Oversize Outer 0,25 MM Undersize Inner 0,50 MM Comprising: M >> 615 0305 M >> 615 9066 M >> 635 0094 M >> 635 9040 M >> 645 0388 M >> 645 9030 M >> 655 0022 M >> 655 9021 M >> 665 0113		1	911/911S CARRERA 2,7
(23)	901 101 131 75	Bearing shell I		2	
(24)	901 101 132 75	Bearing shell II - VII		12	
(25)	901 101 138 78	Bearing sleeve VIII		1	
-	911 101 902 75	Set of crankshaft bearings Oversize Outer 0,25 MM Undersize Inner 0,50 MM Comprising: M 615 0306 >> M 615 9067 >> M 635 0095 >> M 635 9041 >> M 645 0389 >> M 645 9031 >> M 655 0023 >> M 655 9022 >> M 665 0114 >>		1	
(23)	901 101 131 75	Bearing shell I		2	
(24)	911 101 133 75	Bearing shell II - VII		12	
(25)	901 101 138 78	Bearing sleeve VIII		1	
-	911 101 901 85	Set of crankshaft bearings Oversize Outer 0,25 MM Undersize Inner 0,75 MM Comprising: M >> 615 0305 M >> 615 9066 M >> 635 0094 M >> 635 9040 M >> 645 0388		1	911/911S CARRERA 2,7

Model: 911 74 Model life 1974>>1977

Pos	Part Number	Description	Remark	Qty	Model
(23)	901 101 131 85	M >> 645 9030 M >> 655 0022 M >> 655 9021 M >> 665 0113 Bearing shell I		2	
(24)	901 101 132 85	Bearing shell II - VII		12	
(25)	901 101 138 88	Bearing sleeve VIII		1	
-	911 101 902 85	Set of crankshaft bearings Oversize Outer 0,25 MM Undersize Inner 0,75 MM Comprising: M 615 0306 >> M 615 9067 >> M 635 0095 >> M 635 9041 >> M 645 0389 >> M 645 9031 >> M 655 0023 >> M 655 9022 >> M 665 0114 >>		1	
(23)	901 101 131 85	Bearing shell I		2	
(24)	911 101 133 85	Bearing shell II - VII		12	
(25)	901 101 138 88	Bearing sleeve VIII		1	
-	911 101 901 89	Set of crankshaft bearings Oversize Outer 0,25 MM Undersize Inner 1,00 MM Comprising: M >> 615 0305 M >> 615 9066 M >> 635 0094 M >> 635 9040 M >> 645 0388 M >> 645 9030 M >> 655 0022 M >> 655 9021 M >> 665 0113		1	911/911S CARRERA 2,7
(23)	901 101 131 89	Bearing shell I		2	
(24)	901 101 132 89	Bearing shell II - VII		12	
(25)	901 101 138 89	Bearing sleeve VIII		1	
-	911 101 902 89	Set Crankshaft bearing Oversize Outer 0,25 MM Undersize Inner		1	

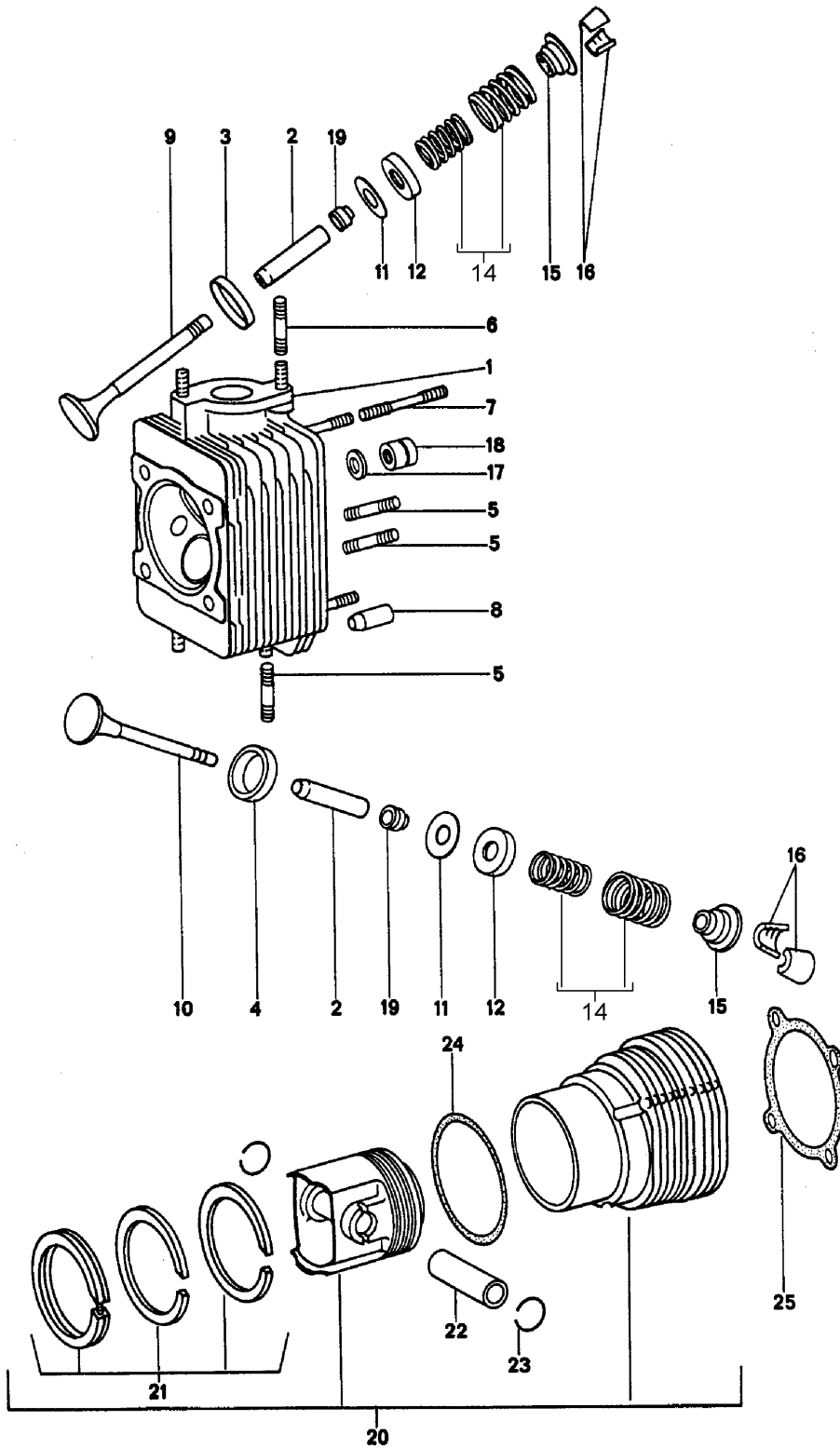
Model: 911 74

Model life 1974>>1977

Pos	Part Number	Description	Remark	Qty	Model
		1,00 MM Comprising: M 615 0306 >> M 615 9067 >> M 635 0095 >> M 635 9041 >> M 645 0389 >> M 645 9031 >> M 655 0023 >> M 655 9022 >> M 665 0114 >>			
(23)	901 101 131 89	Bearing shell		2	
(24)	911 101 133 89	I Bearing shell		12	
(25)	901 101 138 89	II - VII Bearing sleeve		1	
26	900 012 061 00	VIII Straight pin		1	
		5H 8 X 10			
27	900 174 041 40	Sealing ring		1	
27	900 174 068 40	Sealing ring		1	
28	999 113 049 52	Radial sealing ring		1	
		30 X 50 X 10			
(28)	999 113 291 40	Sealing ring		1	
		29,5 X 50 X 10			
		Undersize			

Model: 911 74

Model life 1974>>1977



Model: 911 74 Model life 1974>>1977

Pos	Part Number	Description	Remark	Qty	Model
1	911 104 044 00	Cylinder head Cylinder with piston Cylinder head with studs without valves for 911/41/46/92/97		6	
1	911 104 045 00	Cylinder head with studs without valves	-74	6	911/93/98
1		Cylinder head with studs without valves for 911/42/47/81/86	75-	6	
1	911 104 046 02	Cylinder head with studs without valves for 911/44/49/84/85/89 911/90/94/99		6	
1	911 104 038 00	Cylinder head with studs without valves		6	911/83
1	930 104 029 02	Cylinder head with studs without valves		6	930/02/12
(1)	911 104 013 00	Cylinder head with studs with valves Ready for installation for 911/41/46/92/97	-74 75-	6	
(1)	911 104 014 00	Cylinder head with studs with valves Ready for installation	-74	6	911/93/98
(1)		Cylinder head with studs with valves Ready for installation for 911/42/47/81/86	75-	6	
(1)	911 104 016 02	Cylinder head with studs with valves Ready for installation for 911/44/49/84/85/89 911/90/94/99		6	
(1)	911 104 008 00	Cylinder head with studs with valves Ready for installation - NACHARBEIT ERFORDERLICH		6	911/83
(1)	930 104 019 02	Cylinder head with studs with valves Ready for installation		6	930/02/12
2	930 104 321 50	Valve guide 1st oversize		12	
(2)	901 104 321 61	Valve guide 2nd oversize		12	

Model: 911 74 Model life 1974>>1977

Pos	Part Number	Description	Remark	Qty	Model
3	911 104 311 51	Valve seat ring for Intake Oversize		6	911/911S CARRERA 2,7
3	930 104 331 50	Valve seat ring for Intake Oversize		6	CARRERA 3.0
4	911 104 315 53	Valve seat ring for Exhaust Oversize		6	911/911S CARRERA 2,7
4	930 104 335 50	Valve seat ring for Exhaust Oversize		6	CARRERA 3.0
5	999 062 006 02	Stud BM 8 X 20		24	
6	999 062 007 02	Stud BM 8 X 22		12	911/911S CARRERA 2,7
6	900 060 106 01	Stud BM 8 X 22		12	911/911S CARRERA 2,7
(6)	999 062 008 02	Stud BM 8 X 25	75-	12	911/911S CARRERA 2,7
(6)	999 062 009 02	Stud BM 8 X 28		12	CARRERA 3.0
(6)	900 060 105 01	Stud BM 8 X 28		12	CARRERA 3.0
7	900 061 012 02	Stud BM 8 X 50		24	
8	999 012 006 00	Straight pin		12	
9	911 105 411 20	Intake valve		6	911/911S CARRERA 2,7
9	930 105 409 13	Intake valve		6	CARRERA 3.0
9	930 105 409 01	Intake valve		6	CARRERA 3.0
10	911 105 415 50	Exhaust valve		6	911/911S CARRERA 2,7
10	930 105 419 02	Exhaust valve		6	CARRERA 3.0
11	930 105 461 00	Washer		X	
12	901 105 463 00	Ring		12	
14	901 105 901 50	Set of valve springs		12	
14	901 105 901 51	Set of valve springs		12	
15	901 105 421 03	Concave washer		12	
16	901 105 417 00	Collet		24	
17	999 031 083 01	Washer		24	
17	999 031 083 02	Washer		24	
18	901 104 382 02	Nut		24	
18	901 104 382 03	Nut		24	
19	911 104 193 00	Valve stem seal		12	
(20)	911 103 948 01	Cylinder with piston And Piston (LS) (SCHMIDT) Group 5 for 911/41/46/92/97		6	
(20)	911 103 948 02	Cylinder with piston And Piston (LS)(SCHMIDT) Group 6 for 911/41/46/92/97		6	

Model: 911 74 Model life 1974>>1977

Pos	Part Number	Description	Remark	Qty	Model
(20)	911 103 951 01	Cylinder with piston And Piston Group 5 - mahle - NIKASIL for 911/41/46/92/97		6	
(20)	911 103 951 02	Cylinder with piston And Piston Group 6 - mahle - NIKASIL for 911/41/46/92/97		6	
20	PCG 503 599 2	Cylinder with piston Complete Fa. Mahle Only by sets 911/42/43/44/47/48 911/49/81/82/84/85 911/86/89/90/93/94 911/98/99		6	
(20)	911 103 949 91	Cylinder with piston And Piston Group 5 - mahle - NIKASIL for 911/42/43/44/47/48 911/49/81/82/84/85 911/86/89/90/93/94 911/98/99		6	
(20)	911 103 949 02	Cylinder with piston And Piston Group 6 - mahle - NIKASIL for 911/42/43/44/47/48 911/49/81/82/84/85 911/86/89/90/93/94 911/98/99		6	
(20)	911 103 958 01	Cylinder with piston And Piston (LS) (SCHMIDT) Group 5 for 911/42/43/44/47/48 911/49/81/82/84/85 911/86/89/90/93/94 911/98/99		6	
(20)	911 103 958 02	Cylinder with piston And Piston (LS) (SCHMIDT) Group 6 for 911/42/43/44/47/48		6	

Model: 911 74 Model life 1974>>1977

Pos	Part Number	Description	Remark	Qty	Model
(20)	911 103 957 01	911/49/81/82/84/85 911/86/89/90/93/94 911/98/99 Cylinder with piston And Piston (LS) - mahle - Group 5 for 911/42/43/44/47/48 911/49/81/82/84/85 911/86/89/90/93/94 911/98/99		6	
(20)	911 103 957 02	Cylinder with piston And Piston (LS) - mahle - Group 6 for 911/42/43/44/47/48 911/49/81/82/84/85 911/86/89/90/93/94 911/98/99		6	
(20)	911 103 928 01	Cylinder with piston And Piston Group 5 - mahle -		6	911/83
(20)		Cylinder with piston And Piston Group 6 - mahle -		6	911/83
(20)	930 103 962 04	Cylinder with piston And Piston Group 5 - mahle -		6	CARRERA 3.0
(20)	930 103 962 05	Cylinder with piston And Piston Group 6 - mahle -		6	CARRERA 3.0
21	911 103 939 00	Set of piston rings - mahle - NIKASIL		6	911/911S
(21)	911 103 956 00	Set of piston rings (LS)		6	911/911S
(21)	911 103 934 00	Set of piston rings		6	CARRERA 2.7
(21)	930 103 963 00	Set of piston rings		6	CARRERA 3.0
22	911 103 321 00	Piston pin		6	911/911S
(22)	911 103 367 00	Piston pin		6	911/911S
(22)	911 103 338 00	Piston pin		6	CARRERA 2.7
(22)	930 103 375 00	Piston pin		6	CARRERA 3.0
23	N 012 278 1	Circlip		12	911/911S CARRERA 3,0
(23)	901 103 381 00	Circlip		12	CARRERA 2.7
24	911 104 192 00	Cylinder base gasket		6	911/911S CARRERA 2,7
24	911 104 192 06	Cylinder base gasket 0,50 MM		6	911/911S CARRERA 2,7

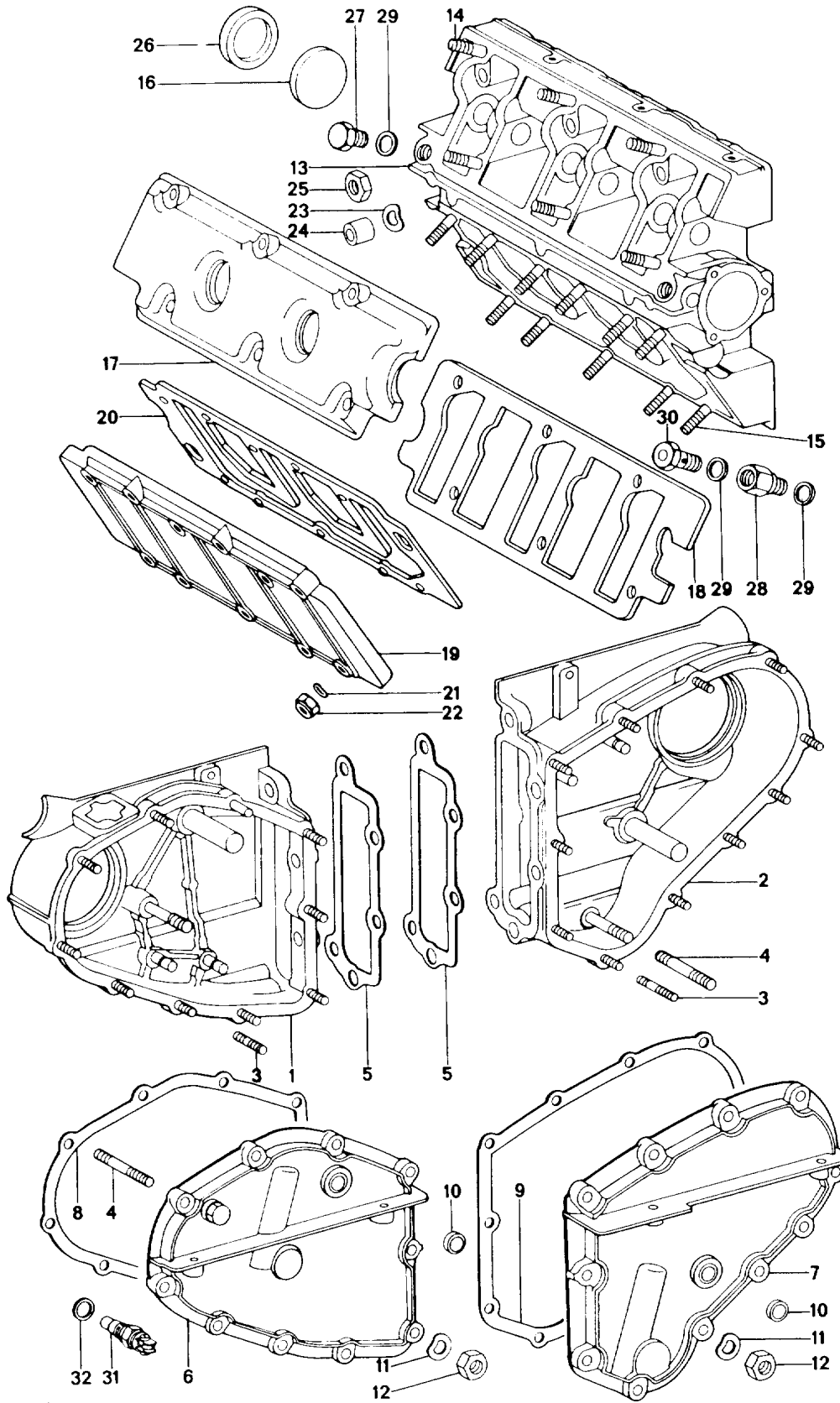
Model: 911 74

Model life 1974>>1977

Pos	Part Number	Description	Remark	Qty	Model
(24)	930 104 194 02	Cylinder base gasket		6	CARRERA 3.0
(24)	930 104 194 01	Cylinder base gasket 0,50 MM		6	CARRERA 3.0
25	912 104 314 00	Cylinder head gasket		6	911/911S CARRERA 2,7
(25)	930 104 317 00	Ce-seal ring		6	CARRERA 3.0

Model: 911 74

Model life 1974>>1977



Model: 911 74 Model life 1974>>1977

Pos	Part Number	Description	Remark	Qty	Model
		Chain case			
		Camshaft housing			
1	930 105 061 02	Chain case	/L	1	
2	930 105 062 01	Chain case	/R	1	
-	999 062 046 02	Stud	75-	2	
-	999 062 052 02	Stud	75-	2	
3	999 062 102 02	Stud		21	
		BM 6 X 22			
3	999 062 092 02	Screw		2	911/911S CARRERA 2,7
		BM 6 X 42			
4	900 061 012 02	Stud	/R	1	
		BM 8 X 50			
4	900 061 209 02	Stud	/L	1	
		BM 8 X 60			
5	930 105 193 00	Gasket		2	
5	930 105 193 05	Gasket		2	
(6)	930 105 063 01	Lid	/L	1	
7	930 105 064 00	Lid	/R	1	
8	930 105 191 03	Gasket	/L	1	
9	930 105 192 01	Gasket	/R	1	
9	930 105 192 03	Gasket	/R	1	
9	930 105 192 04	Gasket	/R	1	
10	900 036 008 02	Lid		2	
		15			
11	900 031 011 30	Washer		21	
		6,4 X 11 AL			
11	900 151 035 30	Washer		2	
		B 6,4 X 18 AL			
-	900 031 014 30	Washer		2	
		8,4			
12	900 084 010 02	Lock nut		21	
		M 6			
-	900 076 025 02	Hexagon nut		2	
		M 8			
-	900 076 064 02	Hexagon nut		2	
		M 8			
13	901 105 021 05	Camshaft housing		2	911/911S CARRERA 2,7
(13)	930 105 021 00	Camshaft housing		2	CARRERA 3.0
-	901 105 362 01	Oil splash tube		2	911/911S CARRERA 2,7
					CARRERA 3.0
-	930 105 362 00	Oil splash tube		2	
-	901 105 379 00	Stopper		4	
14	999 062 009 02	Stud		12	
		BM 8 X 28			
14	900 060 105 01	Stud		12	
		BM 8 X 28			
15	999 062 010 02	Stud		22	
		BM 8 X 35			
16	901 105 161 01	Lid		2	911/911S CARRERA 2,7
(16)	930 105 161 00	Lid		2	CARRERA 3.0
(16)	901 105 161 01	Lid		1	SPM
17	901 105 115 03	Lid		2	
		for			
		Camshaft housing			
18	930 105 194 00	Gasket		2	
		for			
		Camshaft housing			
18	930 105 194 02	Gasket		2	
		for			
		Camshaft housing			
18	930 105 194 04	Gasket		2	

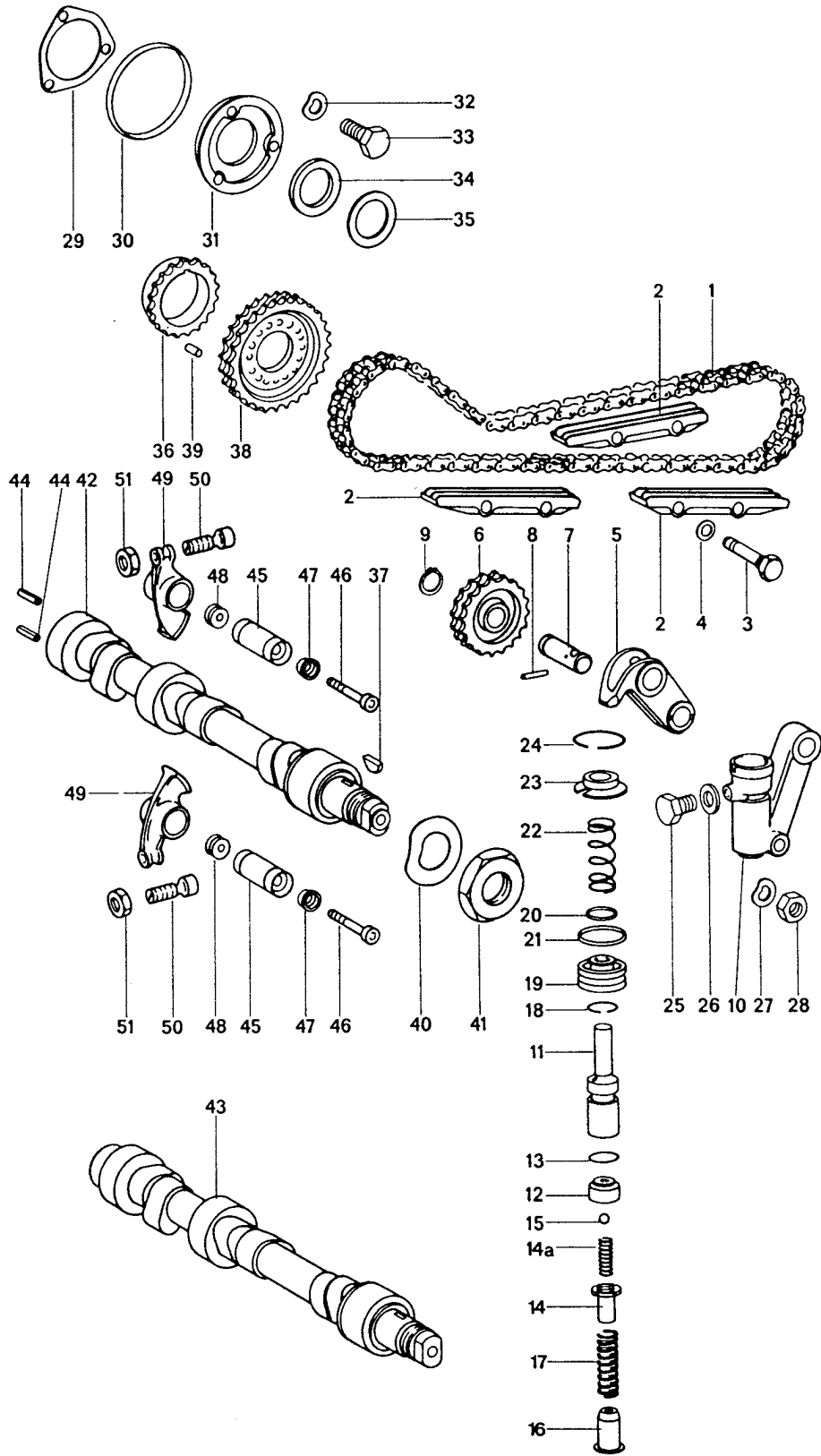
Model: 911 74

Model life 1974>>1977

Pos	Part Number	Description	Remark	Qty	Model
19	930 105 116 00	for Camshaft housing Lid		2	
19	930 105 116 05	for Camshaft housing Lid		2	
20	930 105 195 00	for Camshaft housing Gasket		2	
20	930 105 195 02	for Camshaft housing Gasket		2	
20	930 105 195 05	for Camshaft housing Gasket		2	
20	930 105 195 06	for Camshaft housing Gasket		2	
20	930 105 195 07	for Camshaft housing Gasket		2	
21	900 031 014 30	Washer 8,4		40	
22	900 084 004 03	Hexagon nut M 8		40	
22	900 084 004 02	Hexagon nut M 8		40	
23	N 012 241 8	Spring washer B 8 X 15		40	
24	901 111 271 00	Nut		6	
25	900 076 025 02	Hexagon nut M 8		34	
25	900 076 064 02	Hexagon nut M 8		34	
26	999 113 068 50	Radial sealing ring BA 35 X 47 X 7		1	CARRERA 2.7
27	901 105 374 00	Screw plug		2	
28	901 105 361 01	Intermediate piece		2	
28	901 105 361 02	Intermediate piece		2	
29	900 123 005 00	Sealing ring A 12 X 16		8	
30	900 134 006 02	Banjo bolt A 6		2	
30	N 021 056 3	Banjo bolt A 6		2	
30	999 134 018 02	Banjo bolt A 6		2	
31	911 617 117 00	Temperature switch		1	911/911S CARRERA 3,0
32	900 123 007 70	Sealing ring		1	911/911S CARRERA 3,0
32		Sealing ring A 14 X 18		1	

Model: 911 74

Model life 1974>>1977



Model: 911 74

Model life 1974>>1977

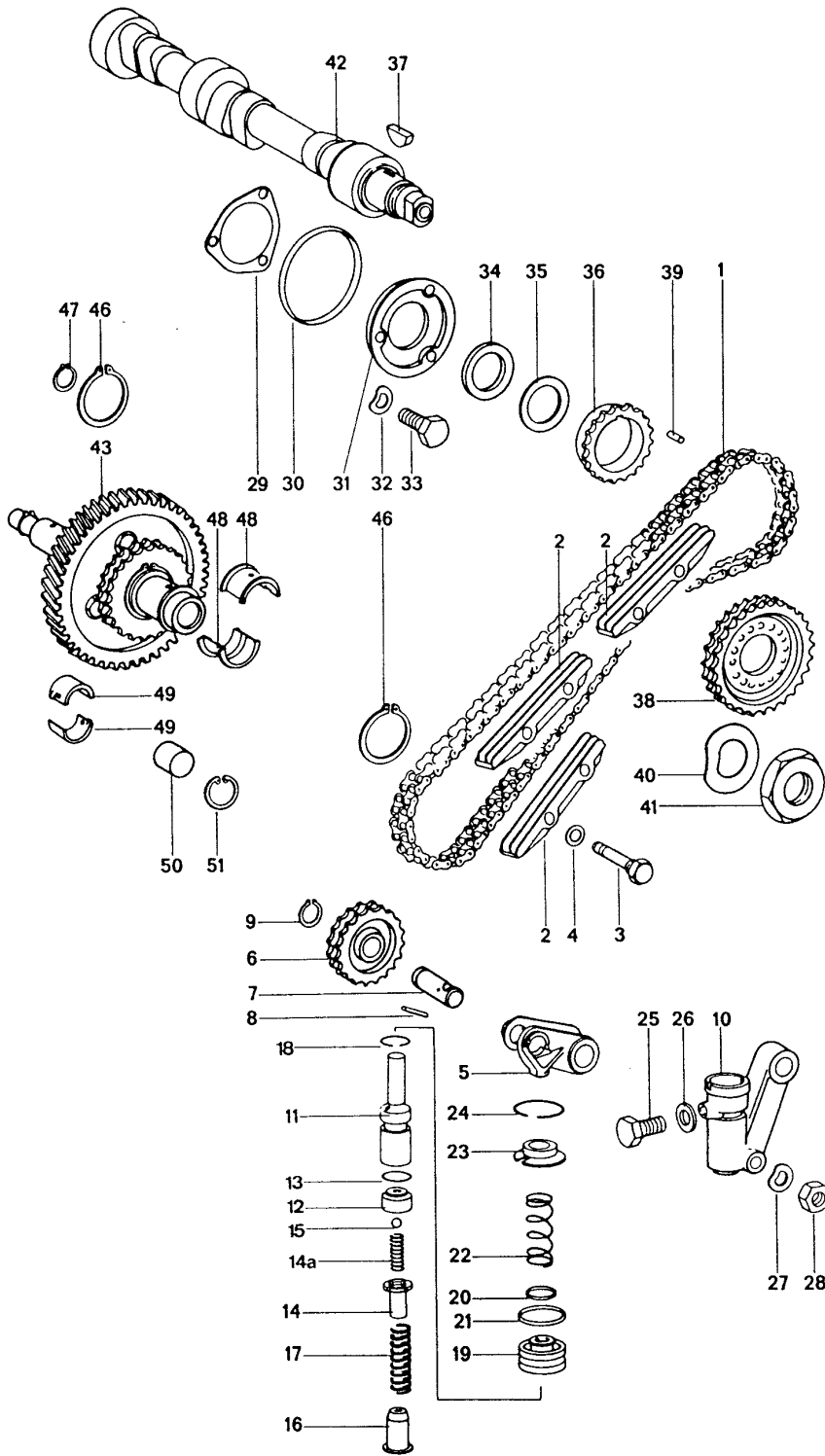
Pos	Part Number	Description	Remark	Qty	Model
		Valve control Left			
1	901 105 529 00	Timing chain Closed		1	
1	911 105 529 00	Timing chain Closed		1	
1	993 105 529 00	Timing chain Closed		1	
(1)	911 105 529 50	Timing chain Divided with Connecting link		1	
(1)	911 105 529 51	Timing chain Divided with Connecting link		1	
-	901 105 530 00	Connecting link for 901.105.529.50		1	
2	911 105 222 06	Guide rail		3	
3	901 105 226 03	Bolt		4	
4	900 123 066 30	Sealing ring A 10 X 16		4	
5	901 105 505 02	Chain wheel support		1	
6	901 105 055 00	Sprocket		1	
7	901 105 056 01	Bolt Complete		1	
7	901 105 056 02	Bolt Complete		1	
8	900 197 010 00	Tensioning sleeve 3 X 22		1	
9	N 012 415 1	Circlip 15 X 1		1	
10-26	930 105 049 00	Chain adjuster Complete		1	
10	901 105 050 01	Housing for Chain adjuster		1	
11	930 105 559 00	Piston		1	
12		Intermediate piece		1	
13		O-ring CR 10 - 1		1	
14		Sleeve for Valve		1	
14A		Compression spring		1	
15		Ball		1	
16		Spring guide		1	
17	916 105 534 00	Compression spring		1	
17	916 105 534 01	Compression spring		1	
18		Circlip 16		1	
19	930 105 557 00	Piston		1	
20		O-ring CR 8,3 - 2,4		1	
21		O-ring CR 20,3 - 2,4		1	
22	930 105 535 01	Compression spring		1	
23	930 105 568 00	Concave washer		1	
24		Circlip 28		1	
25	930 105 573 00	Bleeder screw		1	
26		Sealing ring		1	

Model: 911 74 Model life 1974>>1977

Pos	Part Number	Description	Remark	Qty	Model
27	N 012 241 8	6 X 10 Spring washer		1	
28	900 076 025 02	B 8 X 15 Hexagon nut		1	
28	900 076 064 02	M 8 Hexagon nut		1	
29	930 105 197 05	M 8 Gasket		1	911/911S CARRERA 2,7 CARRERA 3.0
29		Gasket		1	
30	999 701 468 40	Round seal		1	
31	930 105 196 00	67,5 X 75,4 X4 Cover		1	
32	N 012 226 5	Spring washer		3	
33	900 075 017 02	B 6 Hexagon-head bolt		3	
33	900 075 017 03	M 6 X 25 Hexagon-head bolt		3	
34	901 105 562 00	M 6 X 25 Thrust washer		1	
34	901 105 562 02	Thrust washer		1	
35	901 105 561 00	Shim		X	
36	901 105 583 01	Flange		1	
37	900 118 005 00	Woodruff key		1	
38	901 105 546 02	4 X 5 Sprocket		1	
38	901 105 546 04	II Sprocket		1	
39	900 243 001 00	II Straight pin		1	
40	900 028 021 01	6 H 8 X 14 Spring washer		1	
41	901 105 172 00	B 30 Nut		1	
42	911 105 143 00	Camshaft	/L	1	
		for 911/42/43/44/47/48/49/ 911/81/82/84/85/86/89 911/90/93/94/98/99			
(42)	911 105 141 00	Camshaft	/L	1	
		for 911/41/46/92/97			
(42)	930 105 147 08	Camshaft	/L	1	930/02/12
43	901 105 183 01	Camshaft	/L	1	911/83
43	901 105 183 02	Camshaft	/L	1	911/83
44	900 095 017 01	Roll pin		1	SPM
		5 X 24			
45	901 105 342 04	Rocker shaft		12	
46	999 067 008 00	Pan-head screw		12	
47	901 105 344 02	Bush		12	
47	901 105 344 03	Bush		12	
48	901 105 376 02	Nut		12	
49	930 105 043 00	Rocker arm		12	
49	930 105 043 02	Rocker arm		12	
50	901 105 370 02	Adjusting screw		12	
51	999 034 005 00	Nut		12	

Model: 911 74

Model life 1974>>1977



Model: 911 74

Model life 1974>>1977

Pos	Part Number	Description	Remark	Qty	Model
1	901 105 529 00	Valve control Right Timing chain Closed		1	
1	911 105 529 00	Timing chain Closed		1	
1	993 105 529 00	Timing chain Closed		1	
(1)	911 105 529 50	Timing chain Divided with Connecting link		1	
(1)	911 105 529 51	Timing chain Divided with Connecting link		1	
-	901 105 530 00	Connecting link Only together with 911.105.529.50		1	
2	911 105 222 05	Guide rail		1	
2	911 105 222 06	Guide rail		2	
3	901 105 226 03	Bolt		4	
4	900 123 066 30	Sealing ring A 10 X 16		4	
5	901 105 506 02	Chain wheel support		1	
6	901 105 055 00	Sprocket		1	
7	901 105 056 01	Bolt Complete		1	
7	901 105 056 02	Bolt Complete		1	
8	900 197 010 00	Tensioning sleeve 3 X 22		1	
9	N 012 415 1	Circlip 15 X 1		1	
10-26	930 105 049 00	Chain adjuster Complete		1	
10	901 105 050 01	Housing for Chain adjuster		1	
11	930 105 559 00	Piston		1	
12		Intermediate piece		1	
13		O-ring CR 10 - 1		1	
14		Sleeve for Valve		1	
14A		Compression spring		1	
15		Ball		1	
16		Spring guide		1	
17	916 105 534 00	Compression spring		1	
17	916 105 534 01	Compression spring		1	
18		Circlip 16		1	
19	930 105 557 00	Piston		1	
20		O-ring CR 8,3 - 2,4		1	
21		O-ring CR 20,3 - 2,4		1	
22	930 105 535 01	Compression spring		1	
23	930 105 568 00	Concave washer		1	
24		Circlip 28		1	
25	930 105 573 00	Bleeder screw		1	

Model: 911 74 Model life 1974>>1977

Pos	Part Number	Description	Remark	Qty	Model
26		Sealing ring A 6,5 X 9,5		1	
27	N 012 241 8	Spring washer B 8 X 15		1	
28	900 076 025 02	Hexagon nut M 8		1	
28	900 076 064 02	Hexagon nut M 8		1	
29	930 105 197 05	Gasket		1	911/911S
29		Gasket		1	CARRERA 2,7
30	999 701 468 40	Round seal 67,5 X 75,4 X 4		1	CARRERA 3.0
31	930 105 196 00	Cover		1	
32	N 012 226 5	Spring washer B 6		3	
33	900 075 017 02	Hexagon-head bolt M 6 X 25		3	
33	900 075 017 03	Hexagon-head bolt M 6 X 25		3	
34	901 105 562 00	Thrust washer		1	
34	901 105 562 02	Thrust washer		1	
35	901 105 561 00	Shim		X	
36	901 105 583 01	Flange		1	
37	900 118 005 00	Woodruff key 4 X 5		1	
38	901 105 546 02	Sprocket II		1	
38	901 105 546 04	Sprocket II		1	
39	900 243 001 00	Straight pin 6 H 8 X 14		1	
40	900 028 021 01	Spring washer B 30		1	
41	901 105 172 00	Nut		1	
42	901 105 168 01	Camshaft	/R	1	911/83
42	901 105 168 02	Camshaft	/R	1	911/83
(42)	911 105 144 00	Camshaft		1	911/911S
(42)	911 105 142 00	Camshaft for 911/41/46/92/97	/R	1	
(42)	911 105 142 03	Camshaft for 911/41/46/92/97	/R	1	
(42)	930 105 148 08	Camshaft	/R	1	930/02/12
43	930 105 013 01	Intermediate shaft Size 0		1	
43	930 105 013 04	Intermediate shaft Size 0		1	
(43)	930 105 013 11	Intermediate shaft Size 1 for 911/41/42/43/44/46/47/48 911/49/83/92/93/97/98		1	
(43)		Intermediate shaft Size 1		1	-
46	900 041 025 01	Circlip 36 X 1,75		2	
47	900 041 026 01	Circlip 13 X 1		1	
48	916 101 137 00	Thrust bearing		2	
48	993 101 137 00	Thrust bearing		2	
48	993 101 137 01	Thrust bearing		2	

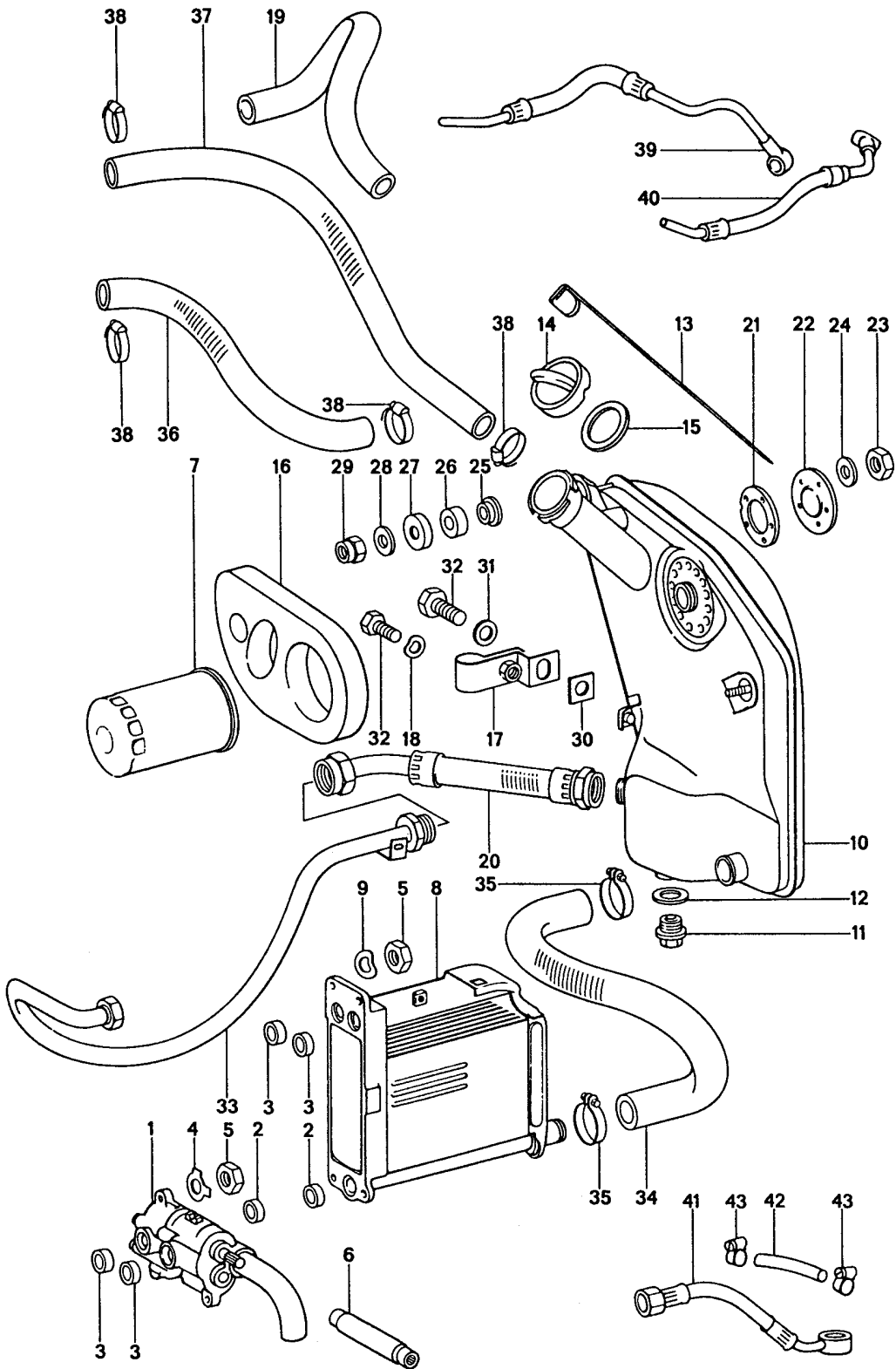
Model: 911 74

Model life 1974>>1977

Pos	Part Number	Description	Remark	Qty	Model
49	901 101 135 00	Bearing		2	
50	901 105 275 00	Stopper		1	
51	N 012 296 1	Circlip 16 X 1		1	

Model: 911 74

Model life 1974>>1977



Model: 911 74

Model life 1974>>1977

Pos	Part Number	Description	Remark	Qty	Model
1	901 107 002 06	Engine lubrication Oil pump	-75	1	911/911S CARRERA 2,7
1		Oil pump	76-	1	911/83
(1)	911 107 008 01	Oil pump	76-	1	911/911S CARRERA 3,0
2	999 704 173 50	Sealing ring		2	
3	999 704 172 50	Sealing ring		4	
4	999 039 001 00	Tab washer		3	
5	900 076 025 02	Hexagon nut M 8		7	
5	900 076 064 02	Hexagon nut M 8		7	
6	901 107 121 00	Connecting shaft		1	
7	911 107 764 00	Oil filter		1	
7	911 107 754 00	Oil filter		1	
7	930 107 764 00	Oil filter		1	
7	930 107 764 01	Oil filter		1	
7	930 107 764 03	Oil filter		1	
8	911 107 041 00	Oil cooler		1	
8	911 107 041 02	Oil cooler		1	
9	N 012 241 8	Spring washer B 8 X 15		4	
10	911 107 006 30	Oil tank Sportomatic See group 1/04/20		1	
10	911 107 006 20	Oil tank Sportomatic See group 1/04/20		1	
11	911 107 176 03	Screw plug		1	
12	900 123 011 20	Sealing ring A 22 X 27		1	
13	930 107 731 00	Oil level dipstick		1	
14	911 107 072 00	Fuel tank cap		1	
14	911 107 072 01	Fuel tank cap		1	
14	911 107 072 02	Fuel tank cap		1	
15	901 201 272 00	Sealing ring		1	
15	930 107 272 01	Sealing ring		1	
16	911 107 192 03	Gasket		1	
17	901 501 930 22	Support		1	
18	900 028 003 01	Lock ring A 6		1	
19	911 107 393 00	Connecting hose		1	911/911S CARRERA 3,0
20	911 107 728 00	Oil pipe Engine	-74	1	911
(20)	911 107 742 10	Oil pipe	75-	1	911
21	914 201 891 00	Gasket		1	
22	901 107 636 00	Lid		1	911
23	900 076 027 02	Nut M 5		5	CARRERA 3,0
24	900 025 003 30	Washer 5,3		5	
25	901 107 692 00	Washer		2	
26	901 107 693 01	Washer		2	
27	901 107 661 00	Washer		2	
28	900 151 008 02	Washer B 8,4		2	
29	999 090 004 02	Hexagon nut		2	

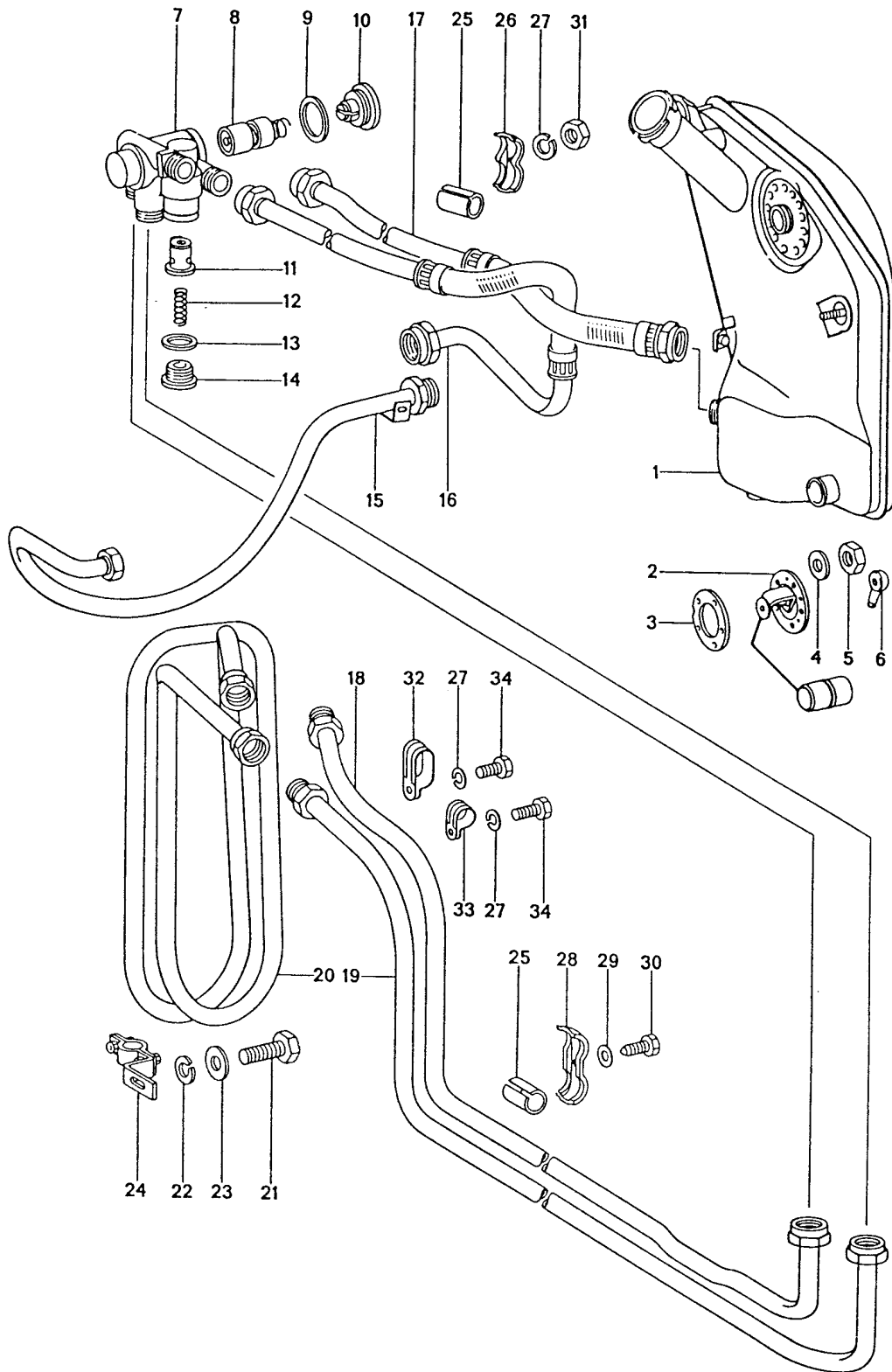
Model: 911 74

Model life 1974>>1977

Pos	Part Number	Description	Remark	Qty	Model
29	900 084 004 02	M 8 Hexagon nut		2	
30	901 501 909 20	M 8 Intermediate layer		1	
31	N 011 524 7	Washer 6,4		1	
31	N 011 524 27	Washer 6,4		1	
32	900 075 057 02	Hexagon-head bolt M 6 X 16		2	
32	900 075 057 03	Hexagon-head bolt M 6 X 16		2	
32	900 075 010 02	Hexagon nut M 6 X 12	75-	2	
32	N 010 212 14	Hexagon-head bolt M 6 X 12	75-	2	
32	999 072 005 09	Hexagon nut M 6 X 12	75-	2	
32	999 072 005 01	Hexagon nut M 6 X 12	75-	2	
33	911 107 739 10	Oil pipe	-74	1	911/911S CARRERA 2,7
33		Oil pipe	75-	1	911/83
(33)	930 107 741 11	Oil pipe	75-	1	911/911S CARRERA 3,0
(34)	911 107 233 00	Suction hose		1	
35	999 512 091 00	Hose clamp S 40/15 SKZ-1 4571		2	
36	901 107 394 00	Breather hose		1	911/911S CARRERA 3,0
37	930 107 399 00	Connecting hose Oil tank Air cleaner 560 MM		1	911/83
38	999 512 356 02	Hose clamp (22 X 36) X 9		4	
39	901 107 347 01	Oil hose	/L	1	
39	901 107 347 02	Oil hose	/L	1	
40	901 107 348 00	Oil hose	/R	1	
40	901 107 348 02	Oil hose	/R	1	
41	901 110 041 01	Hose line Intake Injection system		1	911/83
41	901 110 041 02	Hose line Intake Injection system		1	911/83
-	999 180 029 50	Fuel hose 11 X 17,5		*	911/83
42		Hose Return line Injection system		1	911/83
43	999 512 134 02	Hose clamp 13 - 19 X 9		2	911/83

Model: 911 74

Model life 1974>>1977



Model: 911 74 Model life 1974>>1977

Pos	Part Number	Description	Remark	Qty	Model
1		Engine lubrication Radiator coil Oil tank See group 1/04/00		1	
2	911 641 541 01	Tank gauge		1	SPM
(2)		Tank gauge		1	
3	914 201 891 00	Gasket		1	
4	900 025 003 30	Washer 5,3		5	
5	900 076 027 02	Nut M 5		5	
6	999 659 011 50	Water protection cap		1	SPM
(6)		Water protection cap		1	
7	930 107 017 00	Regulator housing		1	
8	930 107 155 00	Regulator insert		1	
9	900 123 136 30	Sealing ring A 42 X 49		1	
10	911 107 155 00	Screw plug		1	
11	930 107 076 00	Piston		1	
12	900 280 008 00	Compression spring 2 X 10 X 55		1	
13	900 123 075 30	Sealing ring A 32 X 38		1	
14	916 107 276 00	Screw plug		1	
15	911 107 739 10	Oil pipe		1	911/911S
15		Oil pipe	75-	1	CARRERA 2,7
(15)	930 107 741 11	Oil pipe		1	CARRERA 2.7 911/911S
16	911 107 729 10	Oil pipe	-74	1	CARRERA 3,0 911/911S
16		Oil pipe	75-	1	CARRERA 2,7
(16)	911 107 743 10	Oil pipe	75-	1	CARRERA 2.7
(16)	911 107 743 12	Oil pipe	75-	1	911/911S CARRERA 3,0
17	911 107 730 11	Oil pipe		1	
18	911 207 046 00	Return pipe		1	
18	930 207 046 00	Return pipe		1	
18	930 207 046 01	Return pipe		1	
18	930 207 046 02	Return pipe		1	
19	930 207 045 00	Intake tube		1	
(19)	930 207 045 01	Intake tube		1	
(19)	930 207 045 03	Intake tube		1	
20	911 207 050 01	Radiator coil		1	
21	900 075 085 02	Hexagon-head bolt M 8 X 20		1	
22	900 025 007 02	Washer 8,4		1	
22	900 025 007 03	Washer 8,4		1	
23	900 027 015 02	Lock ring B 8		1	
23	900 027 015 03	Lock ring B 8		1	
24	911 207 051 00	Clip		1	
25	911 207 302 00	Hose		8	
26	911 207 237 00	Support		1	
27	900 027 014 01	Lock ring B 6		4	
27	900 027 014 02	Lock ring B 6		4	
27	N 012 006 4	Lock ring		4	

Model: 911 74

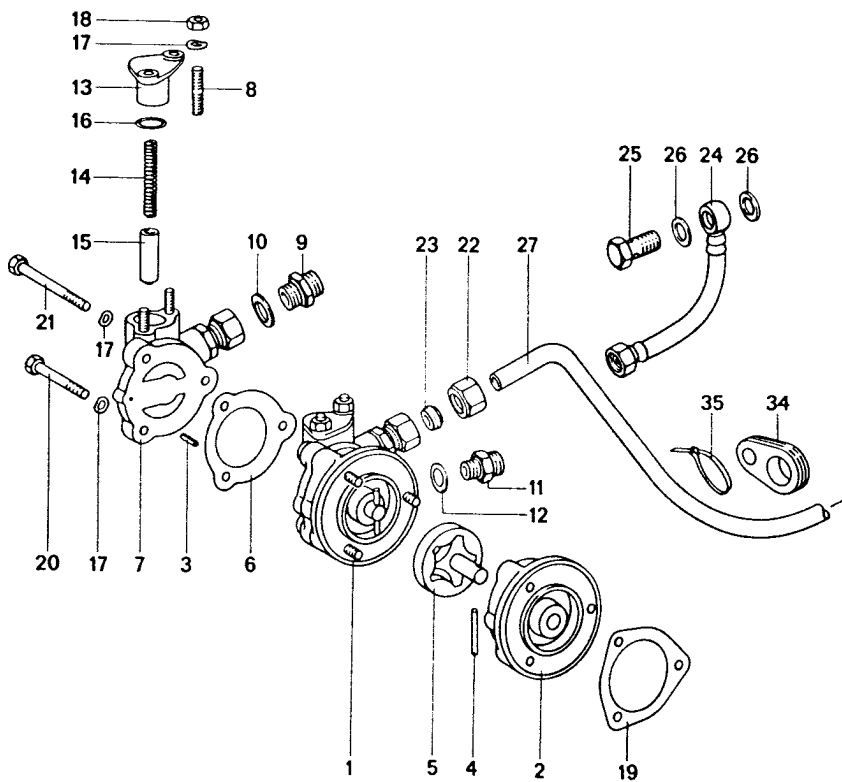
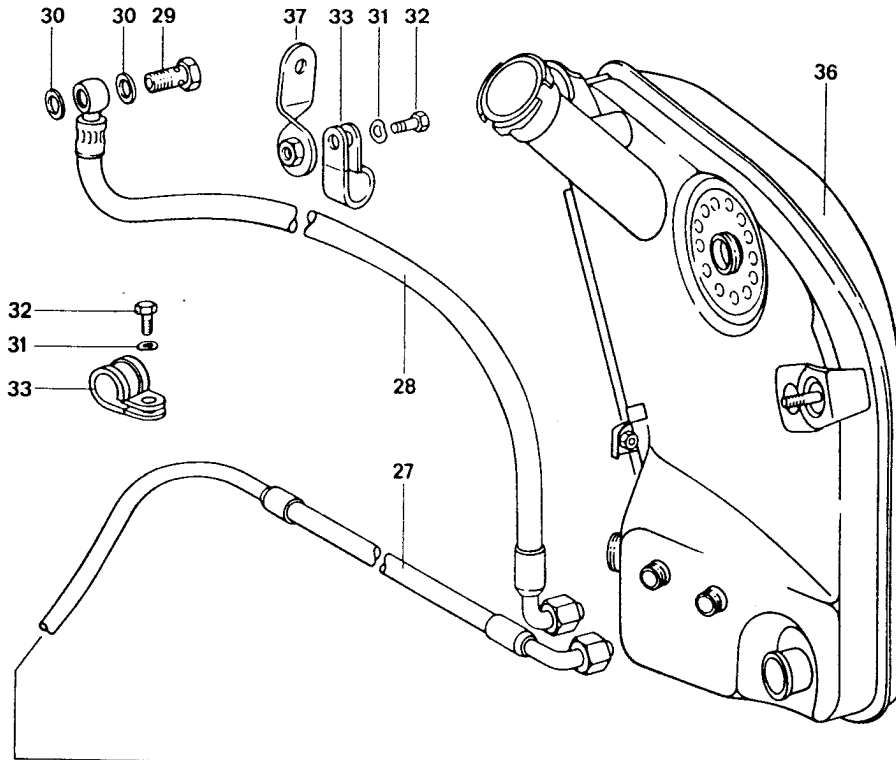
Model life 1974>>1977

Pos	Part Number	Description	Remark	Qty	Model
28	911 207 303 00	B 6 Support		3	
-	911 559 145 01	Spacer sleeve		3	
29	900 151 007 02	Washer B 7,4		3	
29	900 151 007 03	Washer B 7,4		3	
30	900 187 032 02	Tapping screw BZ 6,3 X 32		3	
31	900 076 010 02	Nut M 6		1	
31	900 076 010 0B	Nut M 6		1	
32	999 511 084 02	Pipe clamp 1100 2 X 22/15		1	
33	999 511 080 02	Clamp 1100 22/15		2	
34	900 378 030 09	Hexagon-head bolt M 6 X 20		3	

Model: 911 74

Model life 1974>>1977

SPORTOMATIC 925



Model: 911 74 Model life 1974>>1977

Pos	Part Number	Description	Remark	Qty	Model
		Oil supply for Converter Oil tank			SPM
1	905 107 006 04	Oil pump		1	911/911S
1	905 107 006 07	Oil pump		1	CARRERA 3.0
2	905 107 101 03	Rotor housing		1	911/911S
2	905 107 101 06	Rotor housing		1	CARRERA 3.0
3	900 197 017 00	Tensioning sleeve 4 X 14		1	
4	900 302 001 00	Straight pin 4 M 6 X 32		1	
5	905 107 901 01	Rotor set		1	
6	905 107 191 02	Gasket		1	
6	905 107 191 03	Gasket		1	
7	905 107 015 04	Lid		1	
8	999 062 002 02	Stud BM 6 X 15		2	
9	999 099 011 02	Union AM-10-11 ST.		1	
10	900 123 008 30	Sealing ring A 14 X 20		1	
11	999 136 007 02	Union		1	
12	900 123 043 30	Sealing ring A 12 X 15,5		1	
13	905 107 141 03	Flat connector		1	
14	905 107 142 01	Compression spring		1	
15	905 107 143 01	Slide		1	
16	999 701 135 50	O-ring R 15 X 2,5		1	
17	N 012 226 5	Spring washer B 6		5	
18	900 076 010 02	Nut M 6		2	
18	900 076 010 0B	Nut M 6		2	
19	930 105 197 05	Gasket		1	911/911S
19		Gasket		1	CARRERA 3.0
20	900 074 111 02	Hexagon-head bolt M 6 X 50		2	
21	900 074 022 02	Hexagon-head bolt M 6 X 65		1	
22	999 104 007 02	Union nut A 10 - 11		1	
23	999 103 001 02	Collet B 10 - 11		1	
24	925 125 038 06	Pressure pipe		1	
25	999 134 012 02	Banjo bolt		1	
26	900 123 006 30	Sealing ring A 12 X 18		2	
27	905 107 037 00	Oil pipe	-74	1	
(27)	911 125 335 00	Oil pipe	75-	1	
(27)	911 125 335 01	Oil pipe	75-	1	
28	925 301 117 02	Return line		1	925/02
(28)	925 301 117 11	Return line		1	
29	900 134 002 02	Banjo bolt A 10		1	
30	900 123 019 30	Sealing ring A 16 X 22		2	
31	900 028 008 01	Lock ring B 6		2	
32	N 010 215 13	Hexagon-head bolt M 6 X 15		2	

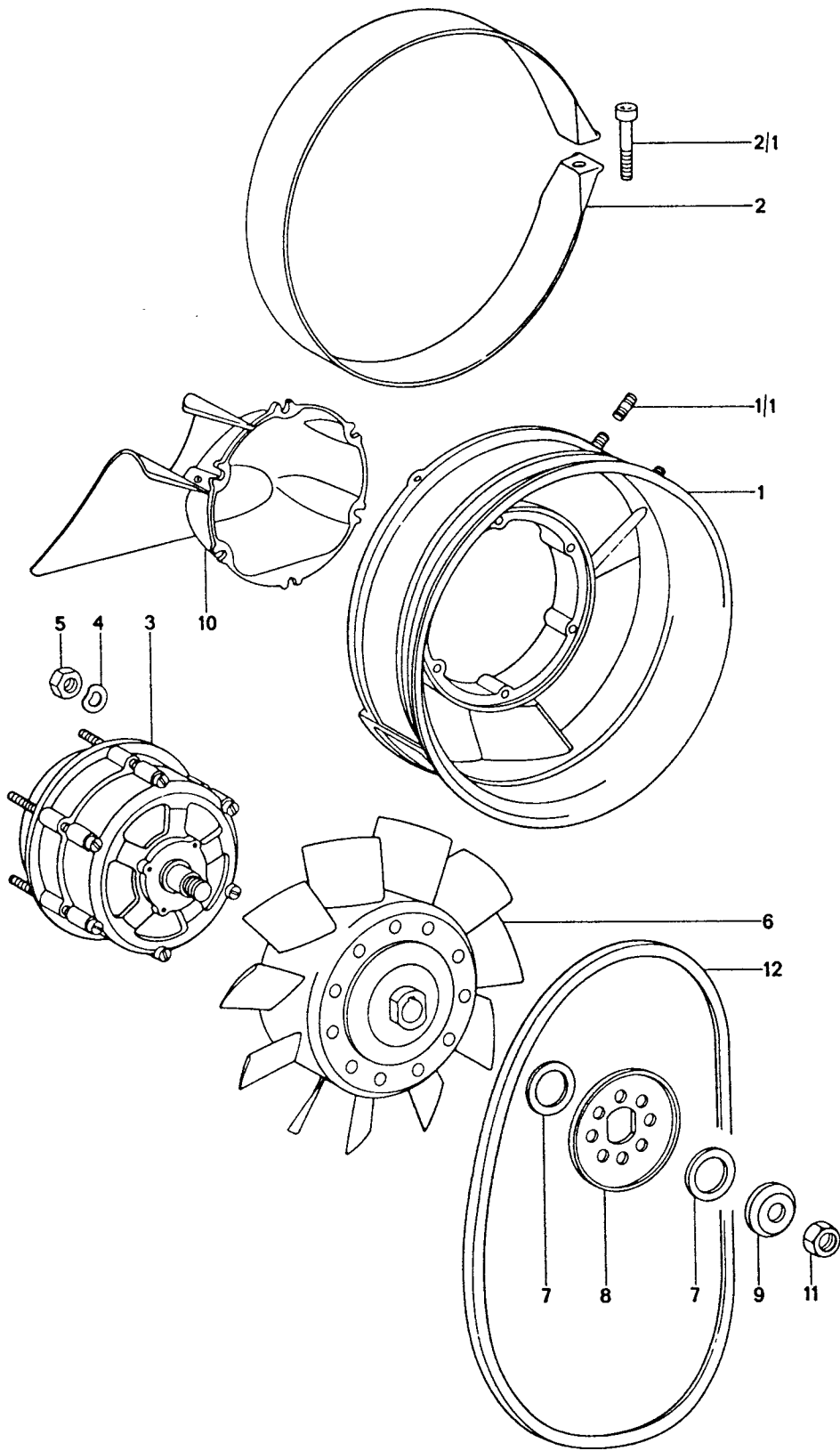
Model: 911 74

Model life 1974>>1977

Pos	Part Number	Description	Remark	Qty	Model
33	N 020 607 1	Clamp		2	
34	905 107 173 00	Spacer rubber		2	
35	999 513 002 40	Tie-wrap		2	
35	N 020 910 4	Tie-wrap		2	
35	999 513 003 40	Tie-wrap		2	
36	930 107 006 00	Oil tank		1	
37	925 301 018 00	Fastening clip		1	

Model: 911 74

Model life 1974>>1977



Model: 911 74 Model life 1974>>1977

Pos	Part Number	Description	Remark	Qty	Model
1	901 106 011 00	Air cooling Fan housing Complete	-74	1	911,911S CARRERA 2,7
1		Fan housing Complete	75-	1	CARRERA 2.7
(1)	911 106 008 00	Fan housing		1	911/911S CARRERA 3,0
1/1	999 062 006 02	Stud BM 8 X 20		2	
2	964 106 251 20	Clip		1	
2/1	N 014 715 3	Pan-head screw M 8 X 45		1	
2/1	900 067 103 01	Pan-head screw M 8 X 45		1	
3		Generator See group 9/02/10			
4	N 012 226 5	Spring washer B 6		6	
5	900 076 010 02	Nut M 6		6	
5	900 076 010 0B	Nut M 6		6	
-	900 118 006 00	Woodruff key 4 X 6,5		1	
6	901 106 010 03	Impeller for 911/41/42/43/44/46 911/47/48/49/83/82 911/92/93/97/98		1	
(6)	911 106 028 00	Impeller for 911/81/82/84/85/86 911/89/90/94/99 930/02/12		1	
7	901 105 561 00	Shim	-75	X	911/911S CARRERA 2,7
7	930 106 564 00	Shim		X	911/911S CARRERA 3,0
8	901 603 421 01	Pulley half	-74	1	911/911S CARRERA 2,7
8		Pulley half for 911/41/42/46/47/83	75-	1	
(8)	930 106 209 02	Pulley half for 911/81/86 930/02/12		1	
9	901 603 428 00	Tensioning cap for Generator (MOTOROLA, MARCHAL SEV, ALTERNATEURS)		1	
9	901 603 428 01	Not for Tensioning cap for Generator (MOTOROLA, MARCHAL SEV, ALTERNATEURS)	(CAL)	1	
10	911 106 033 01	Not for Hub extension	(CAL)	1	911/911S
10	911 106 033 03	Hub extension	-74	1	911/911S CARRERA 3,0

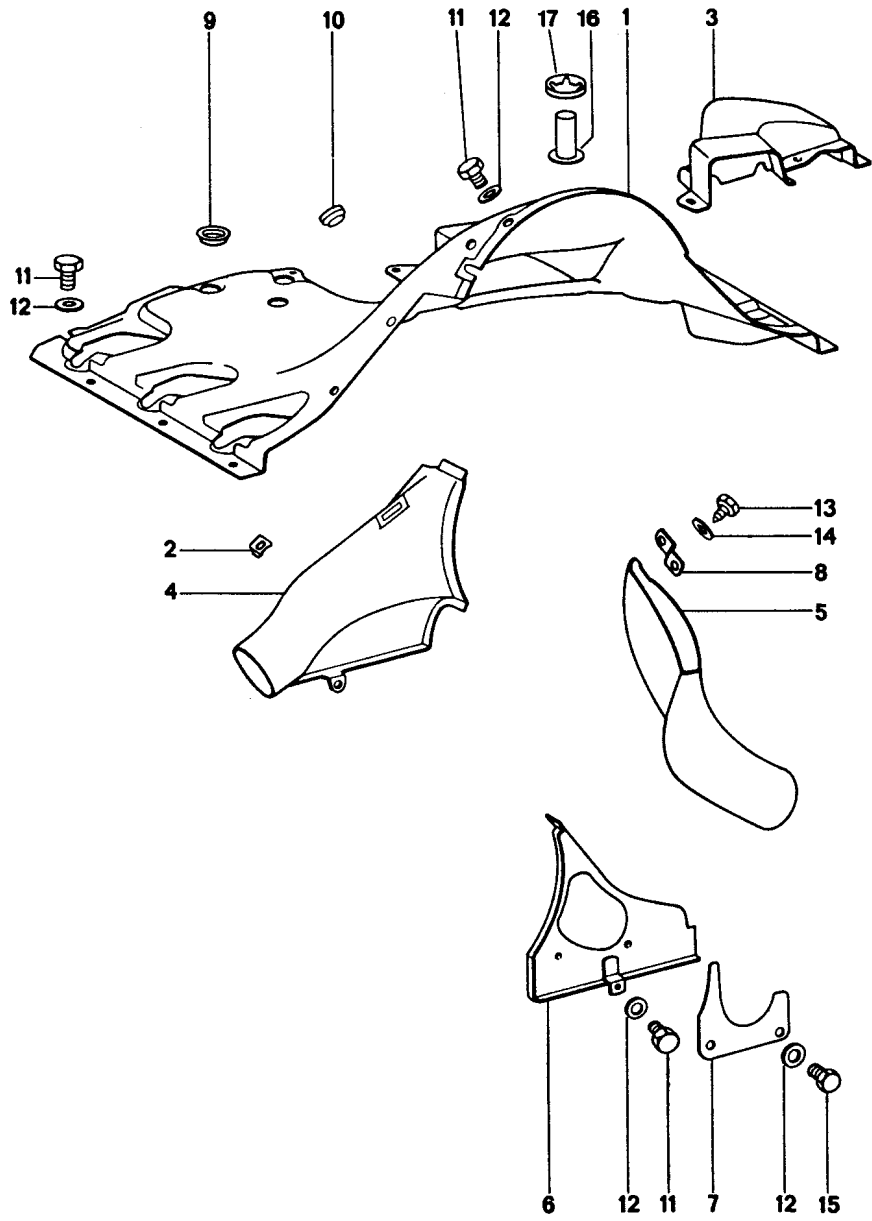
Model: 911 74

Model life 1974>>1977

Pos	Part Number	Description	Remark	Qty	Model
(10)	911 106 033 00	Hub extension		1	CARRERA 2.7
11	901 603 905 00	Hexagon nut M 16 X 1		1	
11	901 603 905 01	Hexagon nut M 16 X 1		1	
12	999 192 176 50	Narrow v-belt 9,5 X 710	-75	1	911/911S CARRERA 2,7
12	999 192 176 5A	Narrow v-belt 9,5 X 710		1	911/911S CARRERA 2,7
12	999 192 097 50	Narrow v-belt 9,5 x 725		1	911/911S CARRERA 3,0

Model: 911 74

Model life 1974>>1977



Model: 911 74 Model life 1974>>1977

Pos	Part Number	Description	Remark	Qty	Model
1	911 106 901 06	Air guide		1	911
(1)	911 106 901 05	Air guide Black		1	911/911S
(1)	911 106 901 03	Air guide Green		1	CARRERA 2.7
(1)	930 106 041 00	Air guide Red		1	CARRERA 3.0
2	999 507 003 02	Speed nut B 6,3		5	
2	999 507 003 01	Speed nut B 6,3		5	
3	911 106 406 00	Air guide		1	
4	911 106 321 00	Hot air socket	/H /L -74	1	911/911S CARRERA 2,7
4	930 106 021 50	Hot air socket	/H /L	1	911/911S CARRERA 2,7
4	911 106 321 00	Hot air socket	/H /L 75-	1	CARRERA 2.7
4	930 106 021 50	Hot air socket	/H /L 75-	1	CARRERA 2.7
(4)	930 106 326 01	Hot air socket	/H /L 75-	1	911/911S CARRERA 3,0
-	N 020 902 1	Tie-wrap 6,4 X 120		1	
-	N 020 902 A	Tie-wrap 6,4 X 120		1	
5	911 106 327 00	Hot air socket	/H /R -74	1	911/911S CARRERA 2,7
5		Hot air socket	/H /R 75-	1	CARRERA 2.7
6	911 106 036 00	Cover plate	/H /R -74	1	911/911S CARRERA 2,7
6		Cover plate	/H /R 75-	1	CARRERA 2.7
(6)	911 106 036 01	Cover plate	/H /R 75-	1	911/911S CARRERA 2,7
7	911 106 827 00	Closing plate	/H /R -74	1	911/911S CARRERA 2,7
7		Closing plate	/H /R 75-	1	CARRERA 2.7
8	911 106 331 00	Support		1	
9	999 703 056 40	Stopper		1	CARRERA 2.7
10	999 703 092 40	Stopper 9 X 18.4/14 for cars without Carbon canister		1	
11	900 075 010 02	Hexagon nut M 6 X 12		18	
11	N 010 212 14	Hexagon-head bolt M 6 X 12		18	
11	999 072 005 09	Hexagon nut M 6 X 12		18	
11	999 072 005 01	Hexagon nut M 6 X 12		18	
(11)	900 075 057 02	Hexagon-head bolt M 6 X 16		2	
(11)	900 075 057 03	Hexagon-head bolt M 6 X 16		2	
-	N 012 226 5	Spring washer B 6		8	
12	N 011 524 7	Washer 6,4		8	
12	N 011 524 27	Washer 6,4		8	
12	999 025 108 02	Washer 6,4 X 14		13	

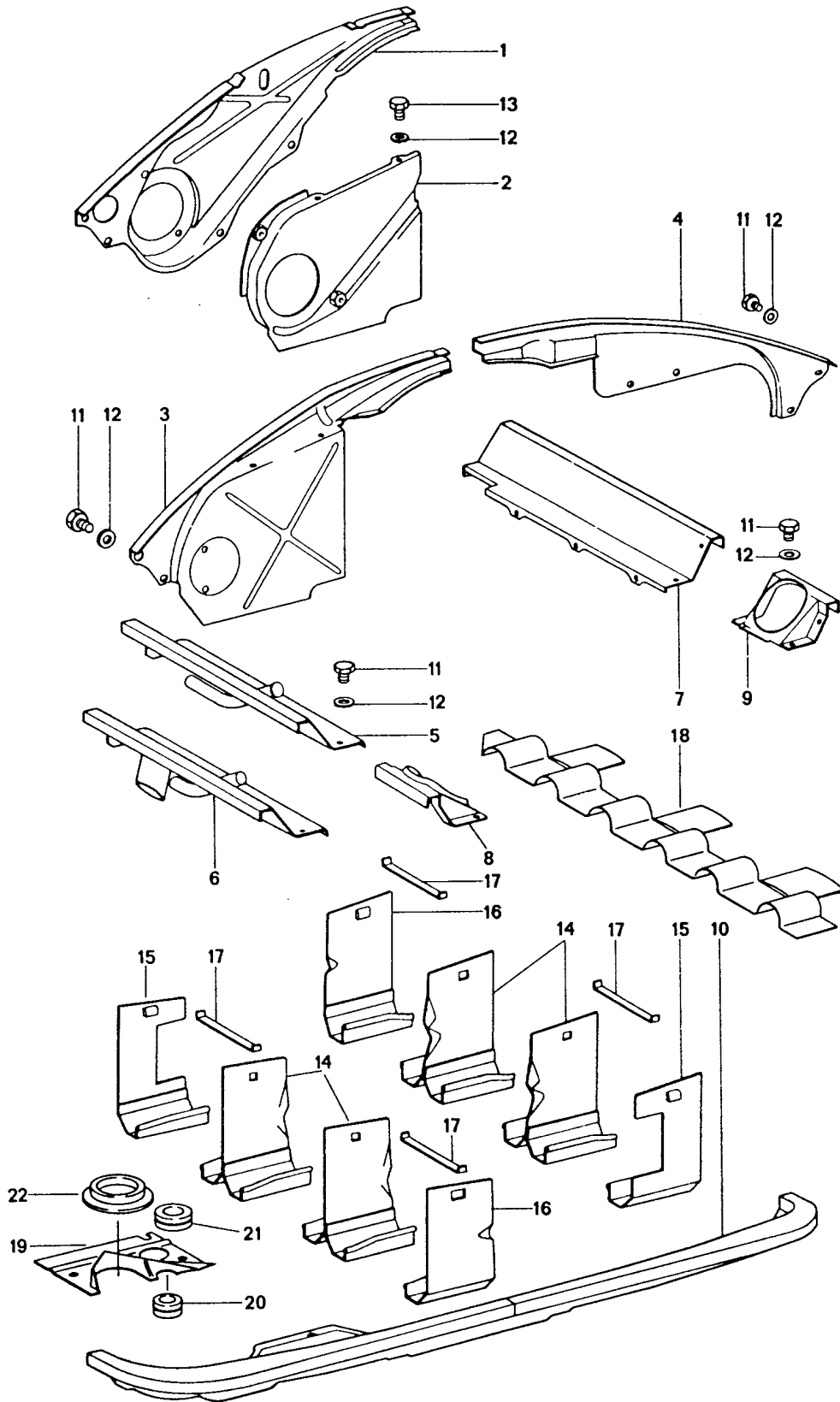
Model: 911 74

Model life 1974>>1977

Pos	Part Number	Description	Remark	Qty	Model
-	999 511 081 02	Pipe clamp		1	
13	900 187 015 02	Hexagon-head tapping screw B 6,3 X 16		4	
14	999 025 108 02	Washer 6,4 X 14 X 1,5 - ST.		2	
15	900 187 010 02	Hexagon-head tapping screw BZ 6,3 X 19	-74	1	911/911S CARRERA 2,7
15	900 187 010 03	Hexagon-head tapping screw BZ 6,3 X 19		1	911/911S CARRERA 2,7
15	900 187 027 02	Hexagon-head tapping screw BZ 6,3 X 22	75-	1	CARRERA 2.7

Model: 911 74

Model life 1974>>1977

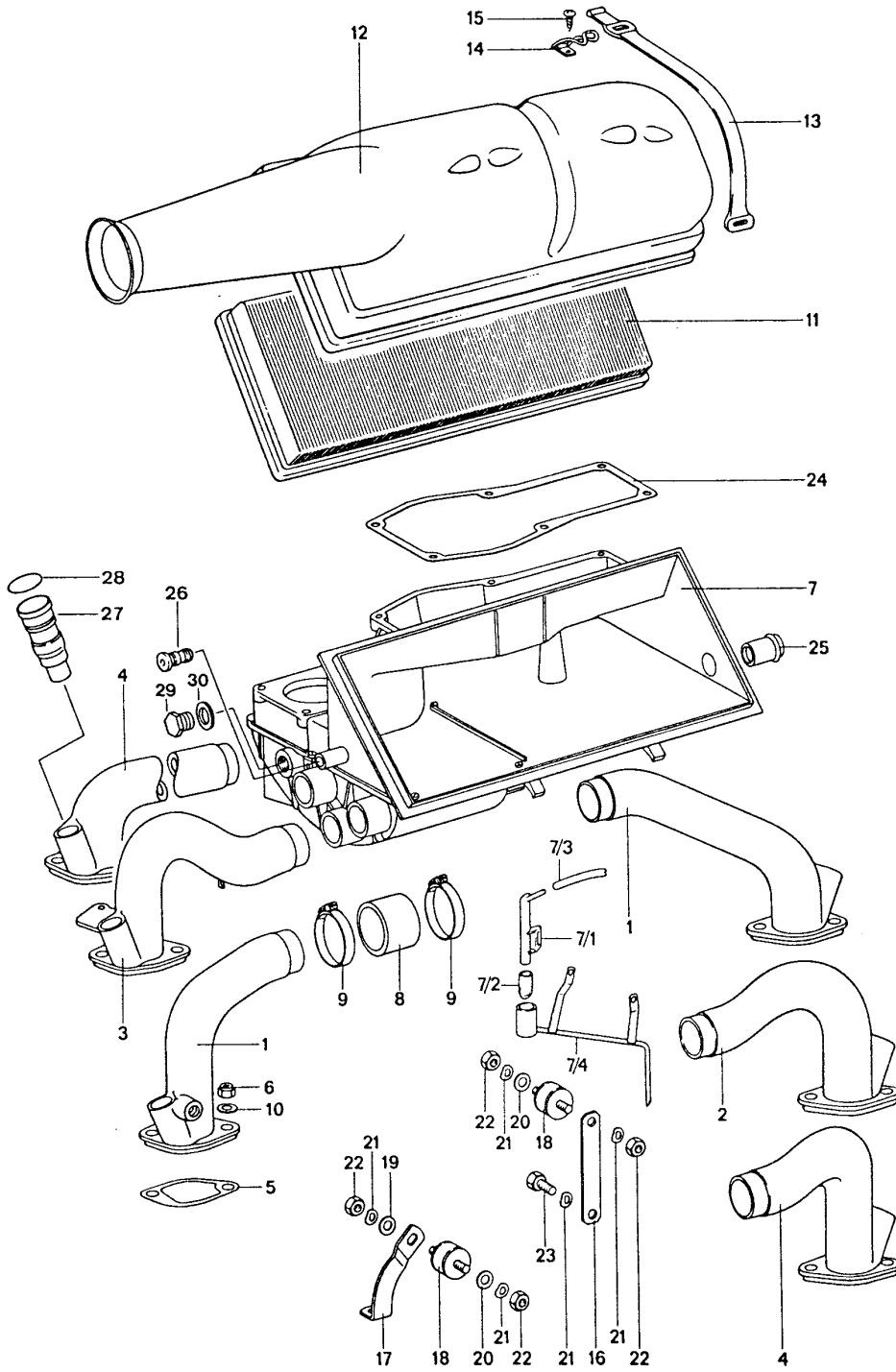


Model: 911 74 Model life 1974>>1977

Pos	Part Number	Description	Remark	Qty	Model
		Air guide			
		Engine cover			
1	901 106 702 00	Engine cover i	/L	1	CARRERA 2,7
2	901 106 071 01	Engine cover ii	/L	1	CARRERA 2,7
3	901 106 081 04	Engine cover		1	911/911S CARRERA 3,0
(3)	905 106 081 04	Engine cover	/L	1	SPM
(3)	930 106 083 00	Engine cover	/L	1	SPM
4	911 106 802 00	Engine cover	/R	1	
4	911 106 802 04	Engine cover	/R	1	
5	901 106 083 02	Engine cover		1	911/911S CARRERA 3,0
5	911 106 083 00	Engine cover	/L	1	911S
6	901 106 083 04	Engine cover	/L	1	CARRERA 2,7
7	901 106 084 00	Engine cover	/R 75-	1	
7	911 106 084 00	Engine cover	/R	1	911/94/99
8	901 106 825 00	Cover	/L -74	1	911/911S CARRERA 2,7 CARRERA 2,7
8		Cover	/L 75-	1	CARRERA 2,7
8	911 106 853 00	Cover		1	911/911S CARRERA 3,0
9	901 106 826 00	Cover	/R	1	
10	901 106 085 05	Engine cover		1	911/911S
(10)	911 106 085 00	Engine cover		1	911/83
10	911 106 085 02	Engine cover	75-	1	911/911S CARRERA 3,0
10	911 106 085 03	Engine cover	75-	1	911/911S CARRERA 3,0
		Air conditioner			
11	900 075 010 02	Hexagon nut		39	
		M 6 X 12			
11	N 010 212 14	Hexagon-head bolt		39	
		M 6 X 12			
11	999 072 005 09	Hexagon nut		39	
		M 6 X 12			
11	999 072 005 01	Hexagon nut		39	
		M 6 X 12			
-	N 012 226 5	Spring washer		39	
		B 6			
12	N 011 524 7	Washer		41	
		6,4			
12	N 011 524 27	Washer		41	
		6,4			
13	N 010 208 5	Hexagon-head bolt		2	
		M 6 X 8			
14	901 106 035 01	Baffle plate		4	911/911S CARRERA 2,7
(14)	930 106 023 00	Baffle plate		4	CARRERA 3,0
15	901 106 041 00	Baffle plate	/V/L/H/R	2	911/911S
(15)	930 106 221 00	Baffle plate	/V/L/H/R	2	CARRERA 2,7 CARRERA 3,0
16	901 106 039 01	Baffle plate	/V/R/H/L	2	911/911S CARRERA 2,7
(16)	930 106 222 00	Baffle plate	/V/R/H/L	2	CARRERA 3,0
17	901 106 339 01	Leaf spring		4	911/911S CARRERA 2,7
17	930 106 228 00	Leaf spring		6	CARRERA 3,0
18	930 106 301 00	Cover plate		2	CARRERA 3,0

Model: 911 74

Model life 1974>>1977



Model: 911 74 Model life 1974>>1977

Pos	Part Number	Description	Remark	Qty	Model
1	911 110 420 00	Air cleaner K-jetronic Intake pipe Cylinder 1./6. for 911/41/46/92/97		2	
(1)	911 110 420 02	Intake pipe	75-	2	911/911S
(1)	911 110 420 04	Intake pipe Cylinder 1./6.		2	CARRERA 3.0
(1)	911 110 490 02	Intake pipe	75-	1	911
2	911 110 410 00	Intake pipe Cylinder 5. for 911/41/46/92/97		1	
(2)	911 110 410 02	Intake pipe	-75	1	911S
(2)	911 110 450 02	Intake pipe	76-	1	911/911S
(2)	911 110 450 04	Intake pipe Cylinder 5.	76-	1	CARRERA 3.0
3	911 110 430 00	Intake pipe Cylinder 2.	-74	1	911
(3)	911 110 470 00	Intake pipe Cylinder 2.	75-	1	911/41/46
(3)	911 110 430 02	Intake pipe	-74	1	911S
(3)	911 110 470 02	Intake pipe	75-	1	911/911S
(3)	911 110 470 04	Intake pipe Cylinder 2.		1	CARRERA 3.0
-	999 513 002 40	Tie-wrap		1	911 CARRERA 3,0
-	N 020 910 4	Tie-wrap		1	911 CARRERA 3,0
-	999 513 003 40	Tie-wrap		1	911 CARRERA 3,0
4	911 110 440 00	Intake pipe Cylinder 3./4.	-74	2	911
4		Intake pipe Cylinder 4.	75-	1	911/41/46
4	911 110 480 00	Intake pipe Cylinder 3.	75-	1	911/41/46
(4)	911 110 440 02	Intake pipe	-74	2	911S
(4)		Intake pipe Cylinder 4. for 911/42/43/44/47/48/49 911/81/82/84/85/86/89 911/90/94/99		1	
(4)	911 110 480 02	Intake pipe Cylinder 3. for 911/42/43/44/47/48/49 911/81/82/84/85/86/89 911/90/94/99		1	

Model: 911 74 Model life 1974>>1977

Pos	Part Number	Description	Remark	Qty	Model
(4)	911 110 440 04	Intake pipe Cylinder 4.		1	CARRERA 3.0
(4)	911 110 480 04	Intake pipe Cylinder 3.		1	CARRERA 3.0
5	911 110 192 01	Gasket		6	911/911S CARRERA 3,0
5	930 110 197 01	Gasket		6	911/911S CARRERA 3,0
5	930 110 197 12	Gasket		6	911/911S CARRERA 3,0
6	999 084 601 02	Lock nut		12	911/911S CARRERA 3,0
6	999 084 601 0C	Lock nut		12	911/911S CARRERA 3,0
(7)	911 110 104 19	Housing for 911/41/42/43/46/47/48		1	
(7)	911 110 904 00	Housing for 911/41/42/43/46/47/48		1	
(7)	911 110 904 01	Housing for 911/41/42/43/46/47/48		1	
(7)		Housing for 911/41/42/43/46/47/48		1	
(7)	911 110 104 24	Housing for 911/81/82/86/92/93/97/98		1	
(7)	911 110 904 00	Housing for 911/81/82/86/92/93/97/98		1	
(7)	911 110 904 01	Housing for 911/81/82/86/92/93/97/98		1	
(7)	911 110 106 13	Housing	76-	1	930/02/12
(7)	911 110 906 00	Housing	76-	1	930/02/12
(7)	911 110 106 20	Housing Use also: 900.123.118.30 900.124.020.01	76-	1 1	930/02/12
7/1	911 108 021 02	Tube		1	911/911S CARRERA 3,0
7/2	253 260 180	Water drain valve		1	911/911S CARRERA 3,0
-	999 180 030 50	Fuel hose		*	911/911S CARRERA 3,0
-	999 180 030 5A	Fuel hose		*	911/911S CARRERA 3,0
7/3		285 MM		1	911/911S CARRERA 3,0
7/4	930 110 453 00	Pipeline		1	911/911S CARRERA 3,0
8	911 110 885 02	Rubber sleeve		6	911/911S
8	911 110 885 03	Rubber sleeve for Intake pipe		6	CARRERA 3.0
9	999 512 267 02	Hose clamp		12	911/911S
9	999 512 267 0B	Hose clamp		12	911/911S
9		Hose clamp		12	911/911S
9	999 512 230 02	Hose clamp		12	CARRERA 3.0

Model: 911 74 Model life 1974>>1977

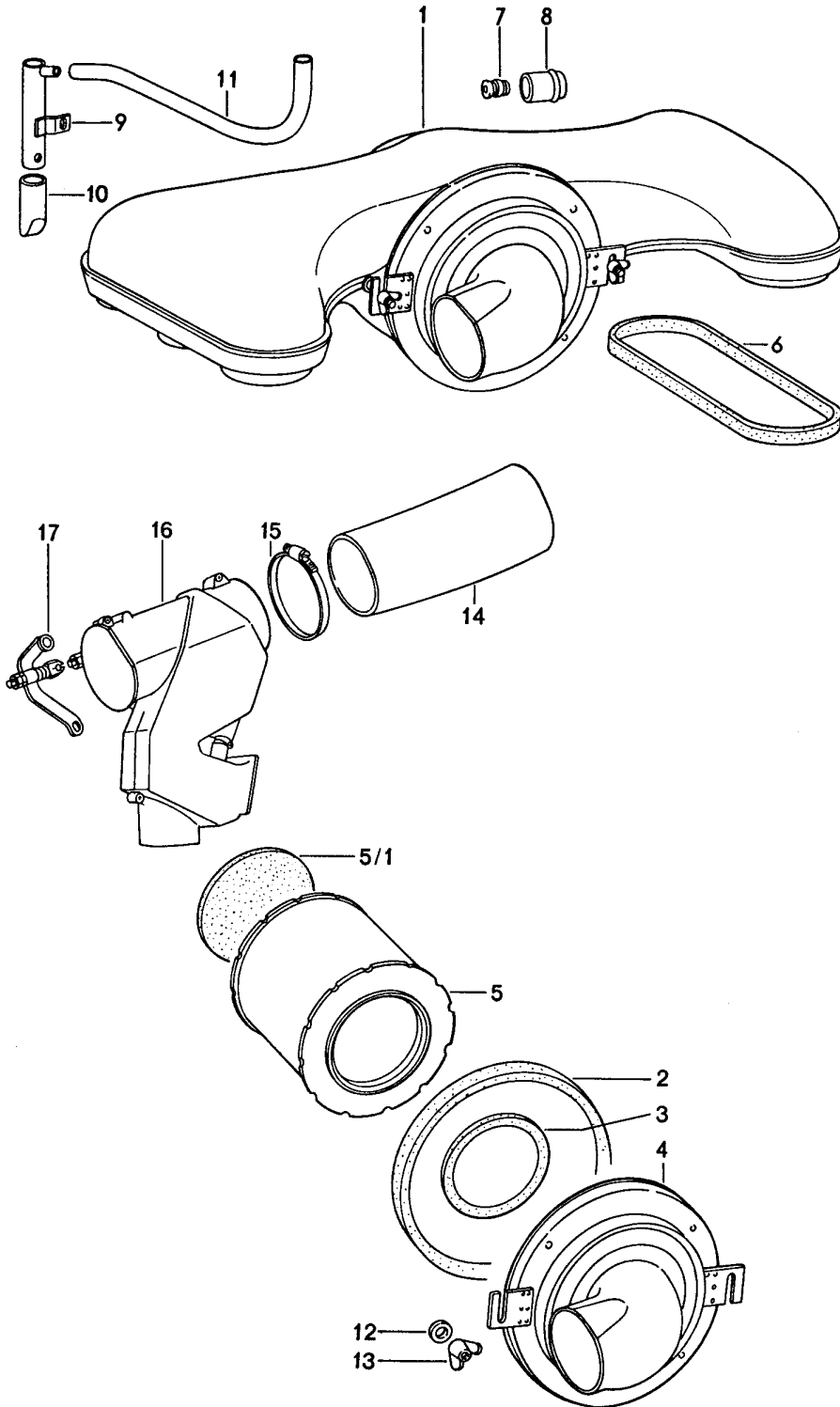
Pos	Part Number	Description	Remark	Qty	Model
10	900 025 007 02	51/9 ZY. Washer		12	911/911S CARRERA 3,0
10	900 025 007 03	Washer		12	911/911S CARRERA 3,0
11	911 110 185 02	Filter element		1	911/911S CARRERA 3,0
12	930 110 184 00	Lid		1	911/911S CARRERA 3,0
13	911 110 365 01	Rubber strap	-76	2	911/911S CARRERA 3,0
13	911 110 365 03	Rubber strap	-76	2	911/911S CARRERA 3,0
13	930 110 365 00	Restraining strap		2	911/911S CARRERA 3,0
14	911 110 356 01	Support		2	911/911S CARRERA 3,0
15	900 143 126 02	Tapping screw		2	911/911S CARRERA 3,0
15	900 143 126 0C	Tapping screw		2	911/911S CARRERA 3,0
16	911 110 133 02	Strut		1	911/911S CARRERA 3,0
17	911 110 132 00	Strut	-74	1	911/911S
(17)	911 110 269 00	Strut	75-	1	911/911S CARRERA 3,0
18	911 110 154 00	Bonded rubber buffer		2	911/911S CARRERA 3,0
19	900 025 007 02	Washer		1	911/911S CARRERA 3,0
19	900 025 007 03	Washer		1	911/911S CARRERA 3,0
20	900 151 008 02	Washer		2	911/911S CARRERA 3,0
21	N 012 241 8	Spring washer		5	911/911S CARRERA 3,0
22	900 076 025 02	Hexagon nut		4	911/911S CARRERA 3,0
22	900 076 064 02	Hexagon nut		4	911/911S CARRERA 3,0
23	N 010 239 11	Hexagon-head bolt		1	911/911S CARRERA 3,0
23	N 010 239 30	Hexagon-head bolt		1	911/911S CARRERA 3,0
24	911 110 394 02	Gasket		1	911/911S CARRERA 3,0
25	901 107 729 00	Backfire grid		1	911/911S CARRERA 3,0
26	911 108 291 00	Stopper		1	911/911S CARRERA 3,0
27	911 110 886 03	O-ring		6	911/911S CARRERA 3,0
28	999 701 446 40	O-ring		6	911/911S CARRERA 3,0
29	900 124 002 02	Screw plug		1	911/911S CARRERA 3,0
-	911 125 341 01	Union	/LL	1	911/911S CARRERA 3,0
30	900 123 007 30	Sealing ring		1	911/911S CARRERA 3,0
-	930 110 267 00	for cars with Brake booster Hose connection	/LL	1	CARRERA 3,0

Model: 911 74 Model life 1974>>1977

Pos	Part Number	Description	Remark	Qty	Model
-	911 125 703 01	Vacuum hose	/LL	1	911/911S CARRERA 3,0
-	999 512 056 02	Hose clamp	/LL	2	911/911S CARRERA 3,0 911/911S
-	911 606 102 01	Auxiliary air regulator		1	
-	911 606 102 AX	Auxiliary air regulator		1	
-	911 110 273 00	Additional air valve		1	911/911S CARRERA 3,0
-	911 110 273 X	Additional air valve	76-	1	911/911S CARRERA 3,0
-	911 110 274 01	Support	76-	1	911/911S CARRERA 3,0
-	911 110 277 01	Pipeline	76-	1	911/911S CARRERA 3,0
-	999 512 552 00	Hose clamp	76-	5	911/911S CARRERA 3,0
-	999 512 552 01	Hose clamp	76-	5	911/911S CARRERA 3,0
-	911 110 276 02	Hose line	76-	1	911/911S CARRERA 3,0
-	999 512 045 02	Hose clamp	76-	1	911/911S CARRERA 3,0

Model: 911 74

Model life 1974>>1977



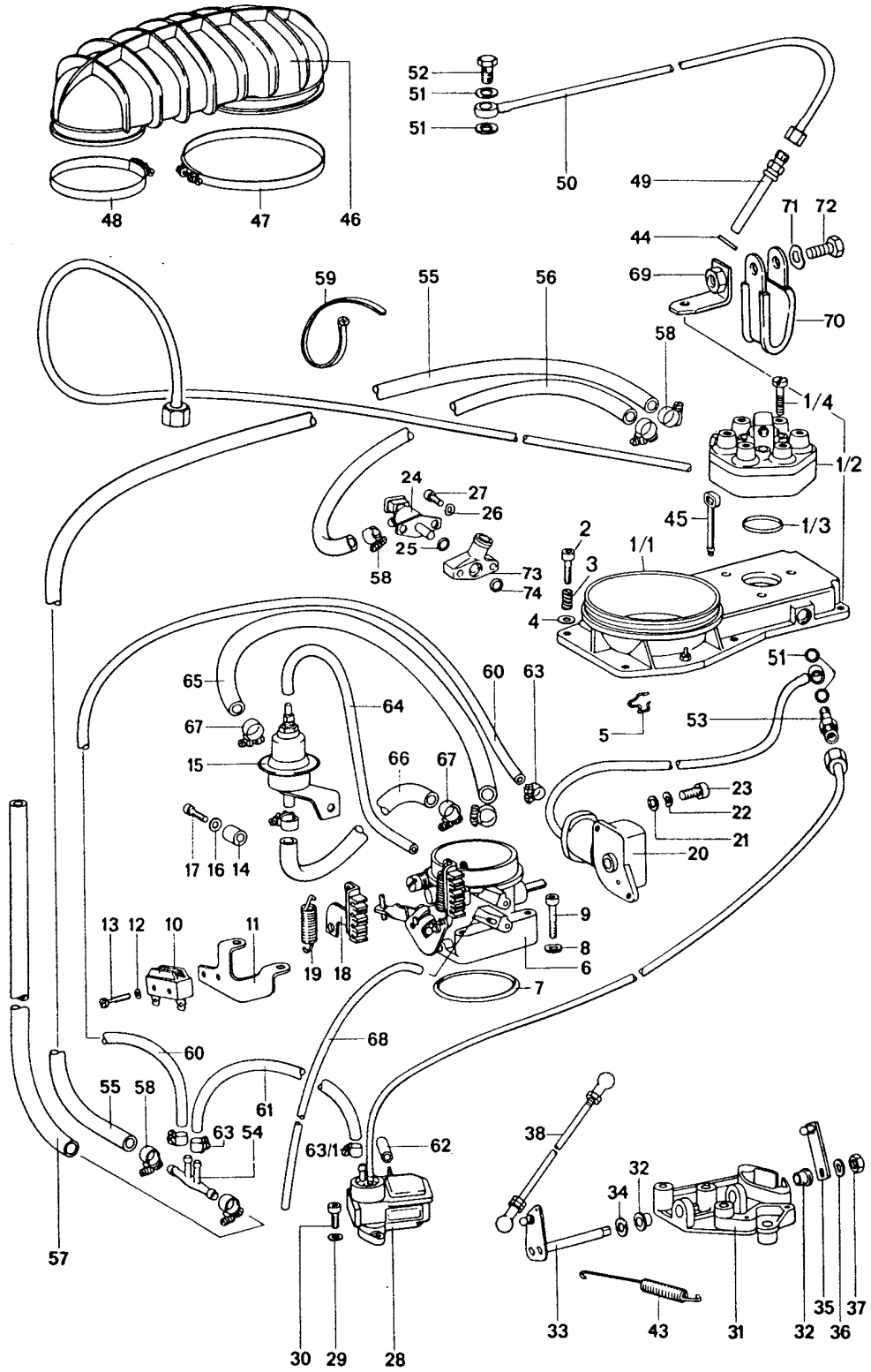
Model: 911 74

Model life 1974>>1977

Pos	Part Number	Description	Remark	Qty	Model
		Air cleaner Regulator housing Not for COUPE/TARGA			911/83
1	911 108 002 00	Air cleaner system without POS. 5, 6, 8		1	
2	901 108 215 00	Gasket		1	
2	901 108 215 02	Gasket		1	
3	901 108 983 00	Gasket		1	
4	911 108 044 00	Lid Complete		1	
5	901 108 955 11	Filter element		1	
5/1	911 108 285 00	Sealing washer		1	
6	901 108 214 03	Gasket		2	
7	911 108 291 00	Stopper		1	
8	901 107 729 00	Backfire grid		1	
9	911 108 021 02	Tube		1	
10	253 260 180	Water drain valve		1	
-	999 180 030 50	Fuel hose C 7 X 12		*	
-	999 180 030 5A	Fuel hose C 7 X 12 285 MM		*	
11		285 MM		1	
12	900 025 038 40	Washer 8,4		2	
13	900 029 003 40	Winged nut M 8		2	
14	911 108 272 00	Hose		1	
15	999 512 181 02	Hose clamp		1	
(15)	999 512 181 0B	Hose clamp 58 - 75 X 12		1	
16	911 108 015 00	Regulator housing		1	
17	911 108 061 00	Lever		1	
17	911 108 061 01	Lever		1	

Model: 911 74

Model life 1974>>1977



Model: 911 74 Model life 1974>>1977

Pos	Part Number	Description	Remark	Qty	Model
-	911 110 925 00	for K - JETRONIC Mixture control unit Mixture control unit for 911/92/93/97/98	74-76 74-76	1	
1/1	911 110 948 00	Mass air flow meter		1	911/911S
1/1	911 110 948 X	Mass air flow meter		1	911/911S
1/1	930 110 801 00	Mass air flow meter		1	CARRERA 3.0
1/1	930 110 801 X	Mass air flow meter		1	CARRERA 3.0
1/2		Fuel distributor siehe 1/07/10		1	
1/2	930 110 802 00	Fuel distributor		1	CARRERA 3.0
1/3	911 110 932 00	Sealing ring		1	911/911S CARRERA 3,0
1/4	911 110 933 00	Pan-head screw		3	911/911S CARRERA 3,0
-	911 110 928 00	Set		1	911/911S
-	911 110 094 01	Fuel line		1	911/911S
-	911 110 570 00	Fuel line		1	911/911S CARRERA 3,0
-	N 020 704 2	Connection piece		2	911/911S CARRERA 3,0
-	N 013 812 2	Sealing ring		2	911/911S CARRERA 3,0
2	900 067 089 02	Pan-head screw		6	911/911S CARRERA 3,0
2	900 067 089 01	Pan-head screw		6	911/911S CARRERA 3,0
3	911 110 364 00	Compression spring		6	911/911S CARRERA 3,0
4	900 031 011 02	Washer		6	911/911S CARRERA 3,0
5	911 110 921 00	Clamp		1	911/911S CARRERA 3,0
6	911 110 247 01	Flap-Nozzle for 911/41/42/43/46-48/92/93/ 911/97/98 56 \$	-75	1	
(6)	911 110 247 09	Not for Flap-Nozzle 56 \$	(CAL) 75- 76-	1	911/81/82/86
(6)	911 110 247 10	Flap-Nozzle 56 \$	76-	1	911/85/90 911/94/99
(6)	930 110 248 00	Flap-Nozzle 63 \$		1	CARRERA 3.0
-	911 110 923 00	Compression spring		1	911/911S CARRERA 3,0
-	911 110 924 00	Throttle screw		1	911/911S CARRERA 3,0
7	999 701 124 40	O-ring		1	911/911S CARRERA 3,0
8	N 012 226 5	Spring washer		4	911/911S CARRERA 3,0
9	900 067 013 02	Pan-head screw		4	911/911S CARRERA 3,0
10	911 613 106 00	Microswitch	-75	1	911/911S
11	911 110 580 00	Support	-75	1	911/911S
12	900 028 018 01	Spring washer	-75	2	911/911S
13	900 014 091 02	Pan-head screw	-75	2	911/911S

Model: 911 74 Model life 1974>>1977

Pos	Part Number	Description	Remark	Qty	Model
14	911 110 591 00	Spacer sleeve		1	911/911S CARRERA 3,0
15	911 110 220 00	Vacuum limiter		1	911/911S
15	930 110 220 00	Vacuum limiter		1	CARRERA 3.0
16	N 012 226 5	Spring washer		1	911/911S
17	N 010 220 3	Hexagon-head bolt		1	911/911S
18	911 110 918 00	Support		1	911/911S CARRERA 3,0
19	930 110 497 00	Tension spring		1	911/911S CARRERA 3,0
20	911 110 916 00	Control valve Use also: 911.110.096.00 Fuel line		1	911/911S
20		Control valve Use also: 911.110.096.00 Fuel line	75	1	911/911S
-	911 110 096 00	Fuel line		1	911/911S
21	N 011 556 2	Washer		2	911/911S
22	N 012 005 3	Lock ring		2	911/911S
23	900 067 003 02	Pan-head screw		2	911/911S
23	900 067 434 01	Pan-head screw		2	911/911S
24	911 606 101 02	Start valve		1	911/911S
(24)	911 606 107 01	Start valve		1	911/911S CARRERA 3,0
25	999 701 144 50	O-ring		1	911/911S
(25)	999 701 395 50	O-ring		1	911/911S CARRERA 3,0
26	900 028 007 02	Spring washer		2	911/911S CARRERA 3,0
27	900 067 134 02	Pan-head screw	-75	2	911S CARRERA 2,7
27	900 067 150 02	Pan-head screw		2	911/911S CARRERA 3,0
28	911 110 927 00	Warm-up valve		1	911/911S
(28)	911 606 903 00	Warm-up valve	75	1	911/911S
(28)	911 606 903 X	Warm-up valve	75	1	911/911S
(28)	911 606 105 04	Warm-up valve		1	911/911S
(28)	911 606 105 DX	Warm-up valve		1	911/911S CARRERA 3,0
-	911 110 097 01	Fuel line		1	911/911S
-		Fuel line	75	1	911/911S
-		Mixture control unit			
-	911 110 501 00	Warm-up valve Fuel line		1	911/911S CARRERA 3,0
29	N 012 226 5	Spring washer		2	911/911S CARRERA 3,0
30	N 014 740 2	Pan-head screw		2	911/911S
30	N 014 740 11	Pan-head screw		2	911/911S
30	N 014 740 2	Pan-head screw		2	911/911S
30	N 014 740 11	Pan-head screw M 6 X 16		2	911/911S
(30)	N 044 703 3	Pan-head screw M 6 X 16		2	911/911S CARRERA 3,0
-	900 915 004 02	Connection piece		1	911/911S CARRERA 3,0
-	900 123 003 30	Sealing ring		1	911/911S CARRERA 3,0
31	911 110 234 00	Bracket		1	911/911S CARRERA 3,0

Model: 911 74 Model life 1974>>1977

Pos	Part Number	Description	Remark	Qty	Model
32	901 423 253 00	Bearing sleeve		2	911/911S CARRERA 3,0
33	911 110 060 01	Lever		1	911/911S CARRERA 3,0
34	900 031 001 02	Washer		1	911/911S CARRERA 3,0
34	900 031 105 01	Washer		1	911/911S CARRERA 3,0
35	911 110 110 00	Lever		1	911/911S CARRERA 3,0
36	N 012 241 8	Spring washer		1	911/911S CARRERA 3,0
37	900 076 025 02	Hexagon nut		1	911/911S CARRERA 3,0
37	900 076 064 02	Hexagon nut		1	911/911S CARRERA 3,0
38	911 110 077 01	Pull rod		1	911/911S CARRERA 3,0
43	911 110 165 02	Tension spring		1	911/911S CARRERA 3,0
44	999 701 423 40	O-ring		6	911/911S CARRERA 3,0
45	911 110 934 00	Stopper		1	911/911S CARRERA 3,0
45		Stopper		1	
46	911 110 358 02	Air guide		1	911/911S
46		Air guide	-74	1	911/911S CARRERA 2,7
(46)	930 110 358 00	Air guide	75	1	911/911S
(46)		Air guide	75	1	911S
(46)	930 110 358 03	Air guide		1	CARRERA 2,7 911/911S CARRERA 3,0
(46)		Air guide	-74	1	911S
-	911 110 286 00	Connecting pipe		1	911/911S CARRERA 3,0
-	N 024 141 2	Hose clamp		2	911/911S CARRERA 3,0
47	999 512 303 02	Hose clamp		1	911/911S CARRERA 3,0
48	999 512 302 02	Hose clamp		1	911/911S CARRERA 3,0
48	PCG 512 302 02	Hose clamp		1	911/911S CARRERA 3,0
49	911 110 225 01	Injector valve		6	911/911S CARRERA 3,0
50	911 110 093 11	Injection line		3	911/911S CARRERA 3,0
50	911 110 093 12	Injection line		3	911/911S CARRERA 3,0
51	900 123 050 20	Sealing ring		14	911/911S CARRERA 3,0
52	911 110 899 00	Banjo bolt		6	911/911S CARRERA 3,0
53	911 110 159 00	Screw socket		1	911/911S CARRERA 3,0
53		Screw socket	75-	1	911/911S
(53)	911 110 160 01	Screw socket		1	911/911S CARRERA 3,0
54	911 110 134 02	Reducing socket		1	911/911S
-	999 181 152 50	Fuel hose		*	911/911S
55		630 MM		1	911/911S
-	999 181 152 50	Fuel hose		*	911/911S

Model: 911 74 Model life 1974>>1977

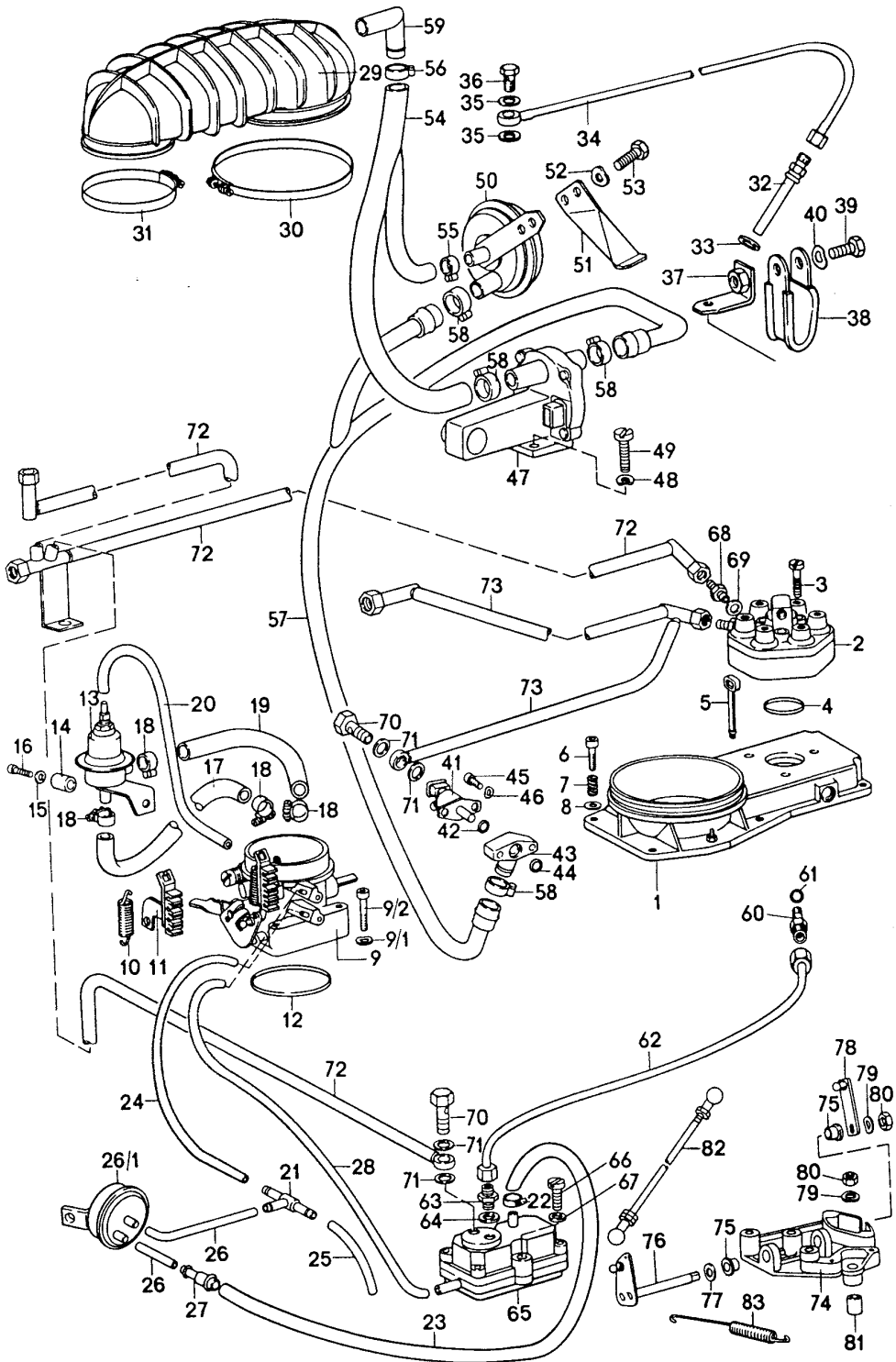
Pos	Part Number	Description	Remark	Qty	Model
56		410 MM		1	911/911S
-	999 181 152 50	Fuel hose		*	911/911S
57		330 MM		1	911/911S
58	999 512 160 02	Hose clamp	-74	6	911/911S
58	PCG 512 160 02	Hose clamp		6	911/911S
59	999 513 002 40	Tie-wrap		1	911/911S
					CARRERA 3,0
59	N 020 910 4	Tie-wrap		1	911/911S
					CARRERA 3,0
59	999 513 003 40	Tie-wrap		1	911/911S
					CARRERA 3,0
59	999 513 002 40	Tie-wrap		1	
		186 MM			
59	N 020 910 4	Tie-wrap		1	
		186 MM			
59	999 513 003 40	Tie-wrap		1	
		186 MM			
59	999 513 008 40	Tie-wrap		1	911/911S
					CARRERA 3,0
59		Tie-wrap		1	
		100 MM			
-	999 181 167 50	Hose		*	911/911S
60		360 MM		1	911/911S
-	911 110 406 00	Fuel line	75	1	911/911S
		Complete			
		Mixture control unit			
		Warm-up valve	76		
		Control valve			
-	911 110 502 00	Fuel line	76	1	911/911S
					CARRERA 3,0
-	999 181 167 50	Hose		*	911/911S
61		300 MM		1	911/911S
62	911 110 285 00	Insulating sleeve		1	911/911S
					CARRERA 3,0
63	999 512 082 02	Hose clamp		4	911/911S
63	999 512 082 01	Hose clamp		4	911/911S
63/1	999 512 160 02	Hose clamp		1	911/911S
					CARRERA 3,0
63/1	PCG 512 160 02	Hose clamp		1	911/911S
					CARRERA 3,0
-	999 181 715 40	Hose		*	911/911S
					CARRERA 3,0
64		220 MM		1	911/911S
					CARRERA 3,0
-	999 181 167 50	Hose		*	911
					CARRERA 3,0
-		520 MM	76-	1	911
					CARRERA 3,0
-	N 020 359 1	Hose		*	911/911S
65		190 MM		1	911/911S
-	N 020 359 1	Hose		*	911/911S
					CARRERA 3,0
65		190 MM		1	911/911S
					CARRERA 3,0
-	N 020 359 1	Hose		*	911/911S
					CARRERA 3,0
-	911 110 287 00	Reducing t-union	76	1	911
					CARRERA 2,7
-	N 020 359 1	Hose		*	911/911S
					CARRERA 3,0
66		100 MM		1	911/911S
					CARRERA 3,0
-	N 020 359 1	Hose		*	911/911S

Model: 911 74 Model life 1974>>1977

Pos	Part Number	Description	Remark	Qty	Model
-		Hose C 9 X 15 120 MM	3.0	*	CARRERA 3,0 911/CARRERA
		Flap-Nozzle		1	911/CARRERA
67	N 023 570 2	Vacuum limiter		4	911/911S CARRERA 3,0
		Hose clamp		*	
-	999 180 093 50	Hose		*	
-	999 180 093 5A	Hose		*	
68		650 MM		1	911/911S
-	999 181 281 50	Hose		*	911/911S
68		650 MM		1	CARRERA 3,0 911/911S
69	911 110 238 00	Bracket		1	CARRERA 3,0 911/911S
70	999 511 097 02	Pipe clamp		1	CARRERA 3,0 911/911S
71	N 012 226 5	Spring washer		1	CARRERA 3,0 911/911S
72	900 075 010 02	Hexagon nut		1	CARRERA 3,0 911/911S
72	N 010 212 14	Hexagon-head bolt		1	CARRERA 3,0 911/911S
72	999 072 005 09	Hexagon nut		1	CARRERA 3,0 911/911S
72	999 072 005 01	Hexagon nut		1	CARRERA 3,0 911/911S
73	911 110 264 00	Intermediate piece		1	CARRERA 3,0 911/911S
73	911 110 264 01	Intermediate piece		1	CARRERA 3,0 911/911S
74	999 701 210 40	O-ring		1	CARRERA 3,0 911/911S
74	999 701 210 4A	O-ring		1	CARRERA 3,0 911/911S
-	999 181 701 50	Vacuum hose		*	911 CARRERA 3,0
-	999 511 096 02	Pipe clamp 1100. 12-18/15	75-	1	911/911S

Model: 911 74

Model life 1974>>1977



Model: 911 74

Model life 1974>>1977

Pos	Part Number	Description	Remark	Qty	Model
		for K - JETRONIC			
		Mixture control unit	77-		
1	911 110 948 00	Mass air flow meter		1	911/911S
1	911 110 948 X	Mass air flow meter		1	911/911S
(1)	930 110 801 00	Mass air flow meter		1	CARRERA 3.0
(1)	930 110 801 X	Mass air flow meter		1	CARRERA 3.0
2	911 110 935 01	Fuel distributor		1	911/911S
(2)	930 110 802 00	Fuel distributor		1	CARRERA 3.0
3	911 110 933 00	Pan-head screw M 5 X 50		3	
4	911 110 932 00	Sealing ring		1	
5	911 110 934 00	Stopper		1	
6	900 067 089 02	Pan-head screw M 6 X 25		6	
6	900 067 089 01	Pan-head screw M 6 X 25		6	
7	911 110 364 00	Compression spring		6	
8	900 031 011 02	Washer 6,4		6	
9	911 110 247 09	Flap-Nozzle \$ 56		1	911/81/86
(9)	911 110 247 10	Flap-Nozzle \$ 56		1	
(9)	930 110 248 00	for 911/85/90/94/99 Flap-Nozzle \$ 63		1	930/02/12
9/1	N 012 226 5	Spring washer B 6		4	
9/2	900 067 013 02	Pan-head screw M 6 X 35		4	
10	930 110 497 00	Tension spring		1	
11	911 110 918 01	Support		1	
12	999 701 124 40	O-ring 67,5 X 4		1	
13	911 110 220 00	Vacuum limiter		1	911/911S
(13)	930 110 220 00	Vacuum limiter		1	CARRERA 3.0
14	911 110 591 00	Spacer sleeve		1	
15	N 012 226 5	Spring washer B 6		1	
16	N 010 220 3	Hexagon-head bolt M 6 X 28		1	
-	N 020 359 1	Hose C 9 X 15 190 MM		*	
17		190 MM		1	
18	N 023 570 2	Hose clamp		4	
-	N 020 359 1	Hose C 9 X 15 110 MM		*	
19		110 MM		1	
-	999 181 715 40	Hose 4 X 10 220 MM		*	
20		220 MM		1	
21	999 137 004 40	T-piece		1	
22	999 512 160 02	Hose clamp		1	
22	PCG 512 160 02	Hose clamp		1	
-	999 181 709 50	Hose 8 X 14 40 MM		*	
23		40 MM		1	
-	999 181 281 50	Hose C 3,2 X 7 300 MM		*	
24		300 MM		1	
-	999 181 281 50	Hose		*	

Model: 911 74

Model life 1974>>1977

Pos	Part Number	Description	Remark	Qty	Model
25		C 3,2 X 7 350 MM		1	
-	999 181 715 40	Hose 4 X 10		*	
26		300 MM		1	
26/1	911 606 106 01	Thermo valve		1	
27	930 110 273 02	Reducing socket		1	
-	911 110 297 00	Stopper		1	
-	999 181 167 50	Hose C 4,5 X 10		*	
28		520 MM		1	
-	N 023 570 2	Hose clamp		4	
29	930 110 358 03	Air guide		1	
30	999 512 303 02	Hose clamp		1	
31	999 512 302 02	Hose clamp		1	
31	PCG 512 302 02	Hose clamp		1	
32	911 110 225 01	Injector valve		6	
33	999 701 423 40	O-ring		6	
34	911 110 093 11	Injection line Cylinder 1./2./3.		3	
(34)	911 110 093 12	Injection line Cylinder 4./5./6.		3	
35	900 123 050 20	Sealing ring		12	
36	911 110 899 00	Banjo bolt		6	
37	911 110 238 00	Bracket		1	
38	999 511 097 02	Pipe clamp		1	
39	900 075 010 02	Hexagon nut B 6 X 12		1	
39	N 010 212 14	Hexagon-head bolt B 6 X 12		1	
39	999 072 005 09	Hexagon nut B 6 X 12		1	
39	999 072 005 01	Hexagon nut B 6 X 12		1	
40	N 012 226 5	Spring washer B 6		1	
41	911 606 107 01	Start valve		1	
42	999 701 395 50	O-ring 7 - 2 B		1	
43	911 110 264 00	Intermediate piece		1	
44	999 701 210 40	O-ring 20 - 2,5		1	
44	999 701 210 4A	O-ring 20 - 2,5		1	
45	900 067 150 02	Pan-head screw M 5 X 32		2	
46	900 028 007 02	Spring washer B 5		2	
47	911 606 102 01	Auxiliary air regulator for 911/81/86/94/99 930/02/12		1	
47	911 606 102 AX	Auxiliary air regulator for 911/81/86/94/99 930/02/12		1	
48	N 012 226 5	Spring washer A6		2	
49	N 014 740 2	Pan-head screw M 6 X 16		2	
49	N 014 740 11	Pan-head screw		2	

Model: 911 74

Model life 1974>>1977

Pos	Part Number	Description	Remark	Qty	Model
50	911 110 273 00	M 6 X 16 Additional air valve for 911/81/85/86/94 930/02/12		1	
50	911 110 273 X	Additional air valve for 911/81/85/86/94 930/02/12		1	
50	911 110 273 01	Additional air valve		1	911/90/99
50	911 110 273 AX	Additional air valve		1	911/90/99
51	911 110 274 01	Support for Additional air valve		1	
52	N 012 226 5	Spring washer B 6		2	
53	N 010 210 13	Hexagon-head bolt		2	
54	911 110 276 02	Hose line		1	
55	999 512 045 02	Hose clamp		1	
56	N 024 141 2	Hose clamp		2	
57	911 110 277 01	Pipeline		1	
58	999 512 552 00	Hose clamp		4	
58	999 512 552 01	Hose clamp		4	
59	911 110 286 00	Connecting pipe		1	
-	999 512 045 02	Hose clamp		1	
60	911 110 160 01	Screw socket		1	
61	900 123 050 20	Sealing ring 8 X 11,5		1	
62	911 110 501 00	Fuel line		1	
63	900 915 004 02	Connection piece		1	
64	900 123 003 30	Sealing ring 10 X 14		1	
65	911 606 105 04	Warm-up valve		1	
65	911 606 105 DX	Warm-up valve		1	
66	N 044 703 3	Pan-head screw M 6 X 45		2	
67	N 012 226 5	Spring washer A 6		2	
68	N 020 704 2	Connection piece		2	
69	N 013 812 2	Sealing ring A 12 X 15,5		2	
70	911 110 899 00	Banjo bolt		2	
71	900 123 050 20	Sealing ring A 8,5 X 11,5		4	
72	911 110 514 01	Fuel line		1	
72	911 110 514 02	Fuel line		1	
73	930 110 570 00	Fuel line		1	
-	999 513 008 40	Tie-wrap 100 MM Mount Fuel line		1	
-	999 513 002 40	Tie-wrap Mount Fuel line		1	
-	N 020 910 4	Tie-wrap Mount Fuel line		1	
-	999 513 003 40	Tie-wrap Mount Fuel line		1	
74	911 110 234 00	Bracket		1	
75	901 423 253 00	Bearing sleeve		2	
76	911 110 060 01	Lever		1	

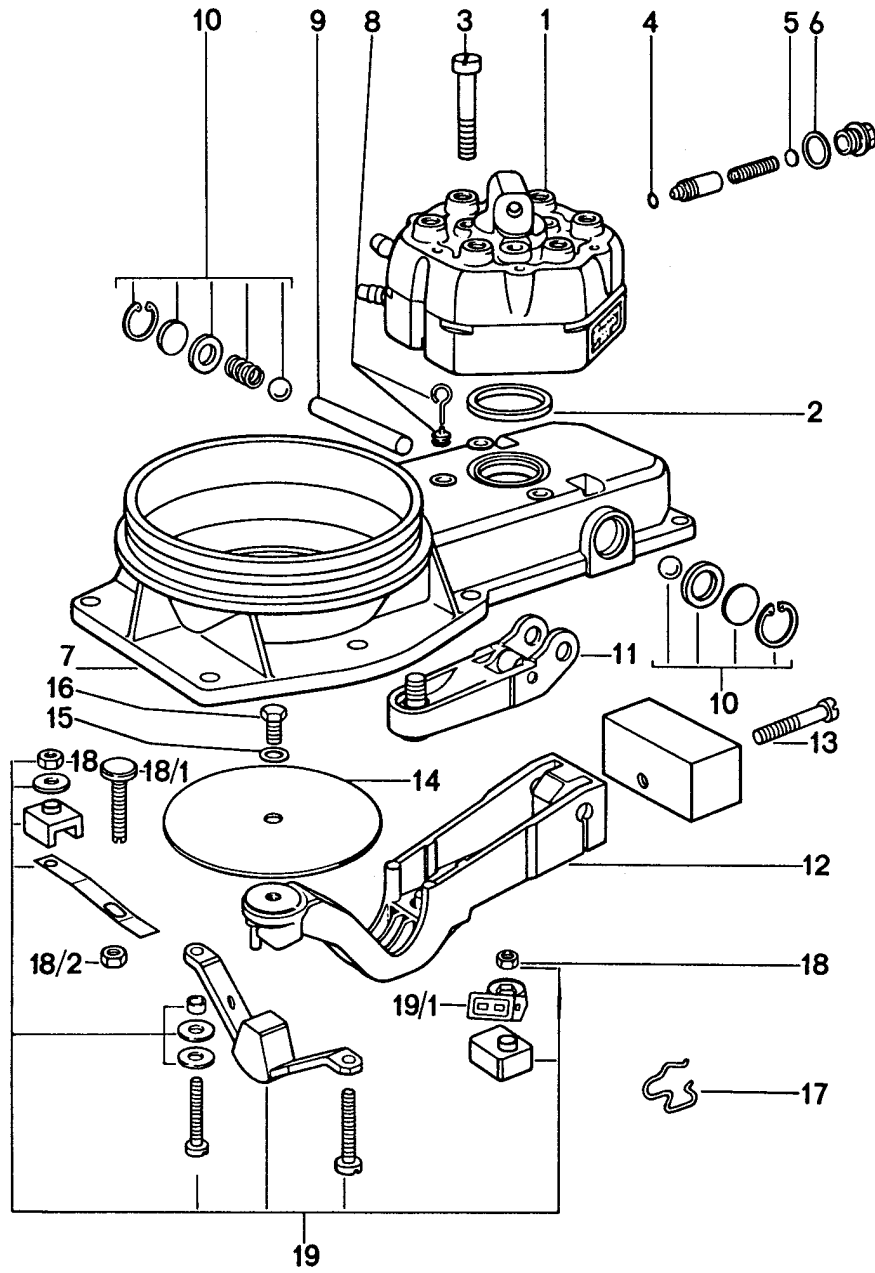
Model: 911 74

Model life 1974>>1977

Pos	Part Number	Description	Remark	Qty	Model
77	900 031 001 02	Washer 8,4		1	
77	900 031 105 01	Washer 8,4		1	
78	911 110 110 00	Lever		1	
79	N 012 241 8	Spring washer B 8 X 15		4	
80	900 076 025 02	Hexagon nut M 8		4	
80	900 076 064 02	Hexagon nut M 8		4	
81	901 110 236 00	Spacer tube		1	
82	911 110 077 01	Pull rod		1	
83	911 110 165 02	Tension spring		1	

Model: 911 74

Model life 1974>>1977



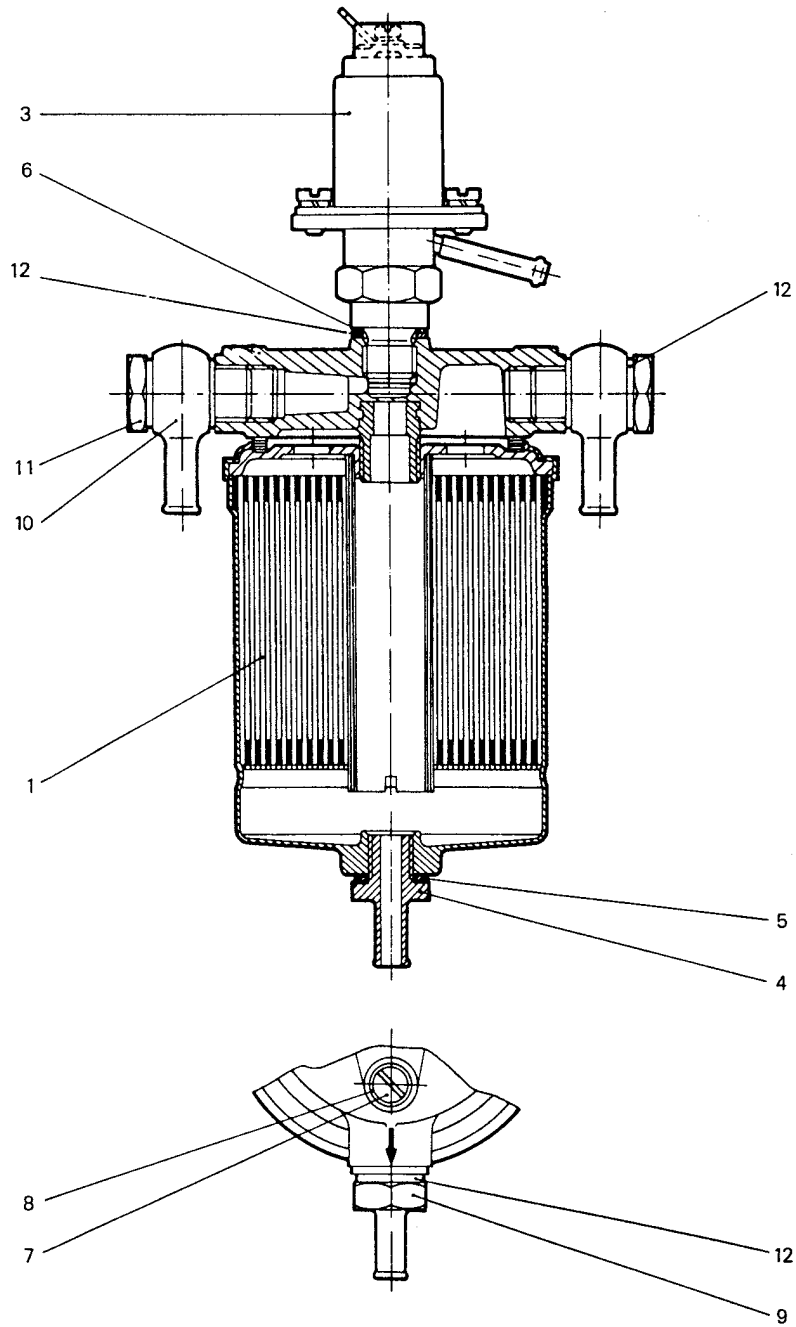
Model: 911 74

Model life 1974>>1977

Pos	Part Number	Description	Remark	Qty	Model
		Mixture control unit Single parts			
1	911 110 935 02	Fuel distributor		1	
1	911 110 935 BX	Fuel distributor for 911/91/92/93/96/97/98		1	
-	911 110 928 00	Set	-74	1	911/911S
1	930 110 802 00	Fuel distributor		1	930/02/12
1	911 110 935 01	Fuel distributor for 911/41/42/43/44 911/46/47/48/49 911/81/82/84/85/86/89 911/90/94/99		1	
2	911 110 932 00	Sealing ring		1	
3	911 110 933 00	Pan-head screw M 5 X 50		3	
4	911 110 936 00	Sealing ring		1	
5	911 110 937 00	Shim 0,1MM		X	
(5)	911 110 937 01	Shim 0,5MM		X	
6	900 123 033 20	Sealing ring A 10 X 13,5		1	
7	911 110 948 00	Mass air flow meter		1	911/911S
7	911 110 948 X	Mass air flow meter		1	911/911S
7	930 110 801 00	Mass air flow meter Complete		1	930/02/12
7	930 110 801 X	Mass air flow meter Complete		1	930/02/12
8	911 110 934 00	Stopper		1	
9	911 110 941 00	Straight pin		1	
10	911 110 946 00	Parts kit Bearing Control lever		1	
11	911 110 940 00	Lever		1	
12	911 110 939 00	Control lever		1	
13	900 014 107 02	Pan-head screw M 8 X 40		1	
14	911 110 943 00	Air flow sensor plate		1	
14	911 110 943 02	Air flow sensor plate		1	
15	N 012 226 5	Spring washer A 6		1	
16	911 110 944 00	Hexagon-head bolt		1	
17	911 110 921 00	Clamp		1	
18	911 110 945 00	Lock nut		2	
18/1	911 110 949 00	Adjusting screw		1	
18/2	911 110 950 00	Hexagon nut		1	
19	911 110 947 02	Stop bar		1	
19/1	911 110 929 00	Safety contact		1	

Model: 911 74

Model life 1974>>1977



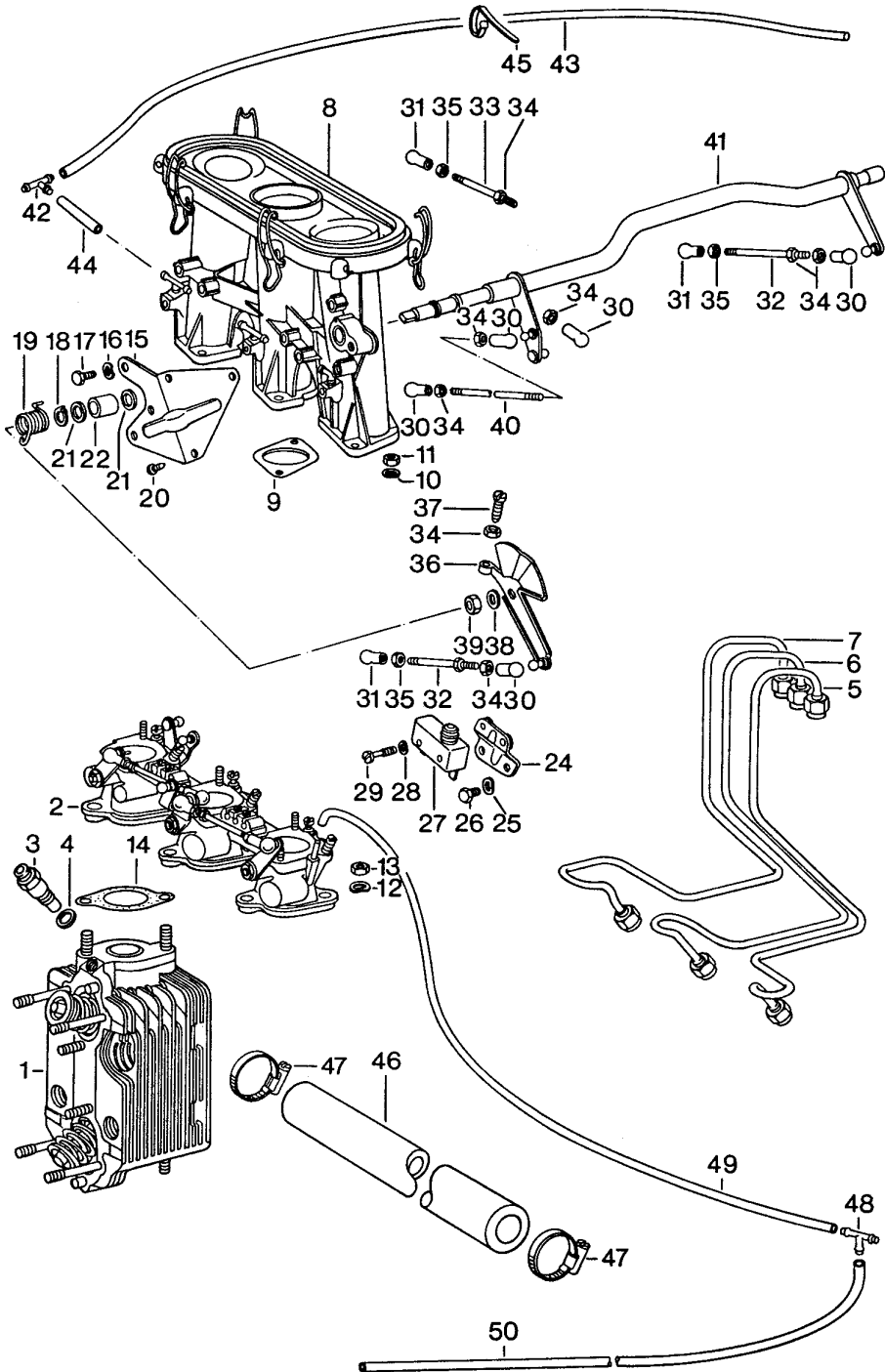
Model: 911 74

Model life 1974>>1977

Pos	Part Number	Description	Remark	Qty	Model
		Fuel filter Complete			911/83
1-12	901 110 232 00	Fuel filter - bosch -		1	
1	PCG 110 909 10	Fuel filter		1	
-	PCG 110 232 00	Bracket		1	
3	901 110 911 00	Solenoid valve Complete		1	
3	901 110 911 01	Solenoid valve Complete		1	
4	901 110 912 00	Hose connection		1	
5	900 123 006 25	Sealing ring A 12 X 18		1	
6	901 110 920 00	Shim		1	
7	901 110 913 00	Bleeder screw		1	
8	901 110 914 00	Sealing ring ZU 7		1	
9	901 110 915 00	Valve		1	
9	901 110 915 01	Valve		1	
10	901 110 916 00	Ring piece		1	
10	901 110 916 01	Ring piece		1	
11	901 110 917 00	Banjo bolt		1	
11	901 110 917 01	Banjo bolt		1	
12	N 013 849 2	Sealing ring A 14 X 18 for POS 3; 9 + 11		1	

Model: 911 74

Model life 1974>>1977



Model: 911 74

Model life 1974>>1977

Pos	Part Number	Description	Remark	Qty	Model
		Mechanical injection			911/83
		Left			
1	911 104 008 00	Cylinder head - NACHARBEIT ERFORDERLICH Fase anbringen !		6	
2	911 110 085 10	Throttle body		1	
3	901 110 271 00	Injector valve		3	
4	N 013 812 2	Sealing ring A 12 X 15,5		3	
5	911 110 021 00	Injection line Cylinder		1	
6	911 110 022 00	1. Injection line Cylinder		1	
7	911 110 023 00	2. Injection line Cylinder		1	
8	911 110 063 02	3. Intake pipe		1	
9	911 110 191 01	Gasket		6	
10	N 012 226 5	Spring washer B 6		12	
11	900 076 010 02	Nut M 6		12	
11	900 076 010 0B	Nut M 6		12	
12	900 031 014 30	Washer 8,4		12	
13	999 084 601 02	Lock nut M 8		12	
13	999 084 601 0C	Lock nut M 8		12	
14	901 108 391 05	Gasket		6	
15	911 108 325 00	Support		1	
16	N 012 226 5	Spring washer B 6		3	
17	900 075 010 02	Hexagon nut M 6 X 12		3	
17	N 010 212 14	Hexagon-head bolt M 6 X 12		3	
17	999 072 005 09	Hexagon nut M 6 X 12		3	
17	999 072 005 01	Hexagon nut M 6 X 12		3	
18	900 041 005 01	Circlip		1	
19	901 110 131 00	Steering knuckle spring		1	
19	901 110 131 02	Steering knuckle spring		1	
20	900 143 126 02	Tapping screw BZ 5,5 X 13		3	
20	900 143 126 0C	Tapping screw BZ 5,5 X 13		3	
21	900 234 019 01	Shim 12 X 18 X 1		3	
22	999 201 035 00	Needle sleeve 12 X 18 X 16		2	
24	901 110 036 00	Support		1	
25	N 012 226 5	Spring washer B 6		2	
26	900 075 010 02	Hexagon nut M 6 X 12		2	
26	N 010 212 14	Hexagon-head bolt M 6 X 12		2	
26	999 072 005 09	Hexagon nut		2	

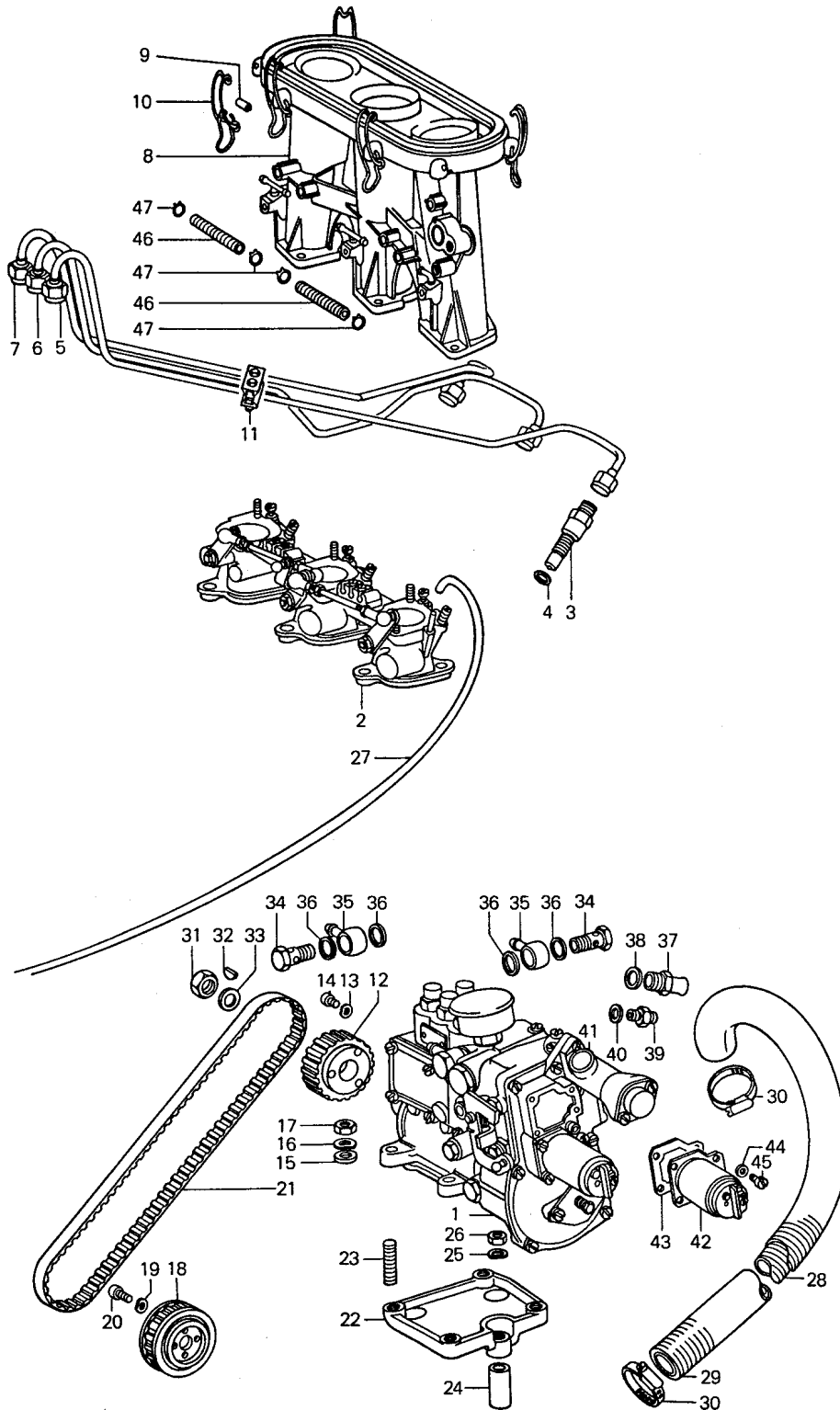
Model: 911 74

Model life 1974>>1977

Pos	Part Number	Description	Remark	Qty	Model
26	999 072 005 01	M 6 X 12 Hexagon nut		2	
27	901 613 106 00	M 6 X 12 Microswitch		1	
28	900 028 018 01	Intake manifold Spring washer		2	
29	900 014 091 02	B 4 Pan-head screw		2	
30	999 169 002 02	BM 4 X 25 Ball socket		5	
31	999 169 001 02	Ball socket		3	
32	901 110 062 00	Push rod		2	
33	901 110 063 00	Push rod		1	
34	900 076 027 02	Nut M 5		9	
35	900 076 029 02	Hexagon nut M 5		3	
36	911 110 054 00	Lever		1	
37	999 014 007 02	Pan-head screw		1	
38	999 523 102 02	Washer M 8		2	
38	999 523 102 0B	Washer M 8		2	
39	900 076 025 02	Hexagon nut M 8 SW 13		1	
39	900 076 064 02	Hexagon nut M 8 SW 13		1	
40	911 110 611 00	Pull rod		1	
41	911 110 073 00	Reverse lever Complete		1	
42	999 137 005 40	T-piece		1	
-	999 181 167 50	Hose C 4,5 X 10		*	
43	999 181 167 50	550 MM Hose	/R	1	
-	999 181 167 50	Hose C 4,5 X 10		*	
44		35 MM	/L	1	
45	N 020 902 1	Tie-wrap 6,5 X 120		1	
45	N 020 902 A	Tie-wrap 6,5 X 120		1	
46	000 043 205 21	Hose 25 X 440		1	
47	999 512 551 00	Injection pump Hose clamp		2	
48	999 137 004 40	25 X 42 X 9 T-piece		1	
-	999 180 093 50	Hose C 3 X 6,5	-74	*	
-	999 180 093 5A	Hose C 3 X 6,5		*	
49	999 181 281 50	180 MM Hose	75-	1	
-	999 181 281 50	Hose C 3,2 X 7		*	
49	999 180 093 50	180 MM Hose	-74	*	
-	999 180 093 5A	Hose C 3 X 6,5		*	
50	999 181 281 50	275 MM Hose	75-	1	
-	999 181 281 50	Hose C 3,2 X 7		*	
50		275 MM		1	

Model: 911 74

Model life 1974>>1977



Model: 911 74

Model life 1974>>1977

Pos	Part Number	Description	Remark	Qty	Model
		Mechanical injection Right			911/83
1	911 110 254 00	Injection pump		1	
2	911 110 085 10	Throttle body		1	
3	901 110 271 00	Injector valve		3	
4	N 013 812 2	Sealing ring A 12 X 15,5		3	
5	911 110 024 01	Injection line Cylinder 4.		1	
6	911 110 025 00	Injection line Cylinder 5.		1	
7	911 110 026 00	Injection line Cylinder 6.		1	
8	911 110 063 02	Intake pipe		1	
9	900 197 028 00	Tensioning sleeve 5 X 14		8	
10	911 108 167 00	Catch		8	
-	911 110 075 00	Distributing piece		4	
-	911 110 078 00	Angled pipe		2	
11	911 110 333 00	Clamp		2	
12	901 110 022 00	Gear wheel		1	
13	N 012 226 5	Injection pump Spring washer A 6		3	
-	901 110 238 00	Washer		1	
14	900 067 009 02	Pan-head screw M 6 X 15		3	
14	900 067 429 01	Pan-head screw M 6 X 15		3	
15	900 025 007 02	Washer 8,4		4	
15	900 025 007 03	Washer 8,4		4	
16	N 012 241 8	Spring washer B 8 X 15		4	
17	502 08 310	Hexagon nut		4	
18	901 110 023 00	Gear wheel Camshaft		1	
19	N 012 226 5	Spring washer A 6		2	
20	900 067 008 02	Pan-head screw M 6 X 15		2	
20	900 067 008 03	Pan-head screw M 6 X 15		2	
21	999 192 030 40	Toothed belt		1	
22	901 110 027 00	Bracket		1	
23	999 062 007 02	Stud BM 8 X 22		4	
23	900 060 106 01	Stud BM 8 X 22		4	
24	901 110 236 00	Spacer tube		1	
25	N 012 241 8	Spring washer B 8 X 15		3	
26	900 076 025 02	Hexagon nut M 8		3	
26	900 076 064 02	Hexagon nut M 8		3	
-	999 180 093 50	Hose C 3 X 6,5		*	
-	999 180 093 5A	Hose		*	

Model: 911 74

Model life 1974>>1977

Pos	Part Number	Description	Remark	Qty	Model
27		C 3 X 6,5 500 MM Throttle body Right T-socket	-74	1	
-	999 181 281 50	Hose C 3,2 X 7		*	
27		500 MM Throttle body Right T-socket	75-	1	
28	901 110 295 00	Hose		1	
29	PCG 110 296 00	Hose		1	
30	999 512 132 02	Hose clamp 20 X 30 X 9		2	
31	900 078 003 00	Hexagon nut M 12		1	
32	N 012 706 1	Woodruff key 3 X 6,5		1	
33	900 028 014 01	Lock ring B 12		1	
34	911 108 910 00	Banjo bolt		2	
34	911 108 910 01	Banjo bolt		2	
35	911 108 912 00	Ring piece		2	
35	911 108 912 01	Ring piece		2	
36	911 108 911 00	Sealing ring		4	
37	901 110 919 00	Adapter		1	
38	N 013 849 2	Sealing ring A 14 X 18		1	
39	901 110 918 00	Adapter		1	
40	900 123 033 20	Sealing ring A 10 X 13,5		1	
41	901 110 924 00	Thermostat Complete		1	
-	901 110 925 00	Insulating piece		1	
-	900 014 081 02	Pan-head screw M 6 X 18		2	
-	901 110 926 00	Insulating piece		2	
42	911 110 911 00	Magnet		1	
43	901 110 922 00	Gasket		1	
44	901 110 923 00	Sealing ring		4	
45	900 014 058 02	Pan-head screw AM 5 X 12		4	
-	999 181 167 50	Hose C 4,5 X 10		*	
46		110 MM Intake pipe		4	
47	999 512 185 02	Hose clamp		8	
47	N 102 313 01	Hose clamp		8	
-	911 602 103 00	Pipe clamp for Vacuum hose 999.181.281.50		1	
-	999 513 002 40	Distributor Tie-wrap for Hose 901.110.295.00/296.00		1	
-	N 020 910 4	Regulator housing Tie-wrap for Hose 901.110.295.00/296.00		1	

Model: 911 74

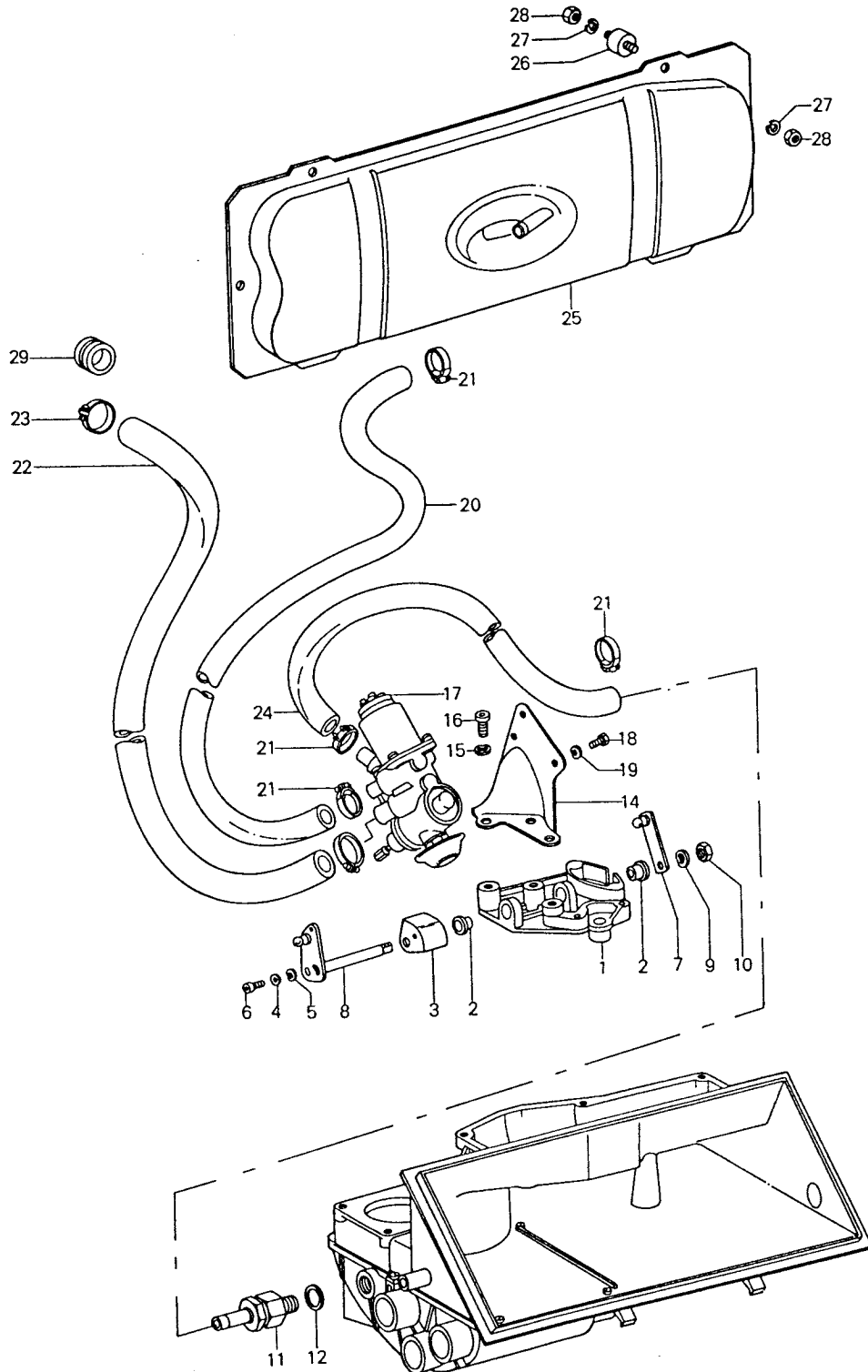
Model life 1974>>1977

Pos	Part Number	Description	Remark	Qty	Model
-	999 513 003 40	Regulator housing Tie-wrap for Hose 901.110.295.00/296.00 Regulator housing		1	

Model: 911 74

Model life 1974>>1977

SPORTOMATIC



Model: 911 74

Model life 1974>>1977

Pos	Part Number	Description	Remark	Qty	Model
		Vacuum system for			SPM
1	911 110 234 00	Clutch release Bracket		1	
2	901 423 253 00	Bearing sleeve		2	
3	911 125 027 01	Disc cam		1	
4	900 089 011 02	Washer 4		1	
5	N 012 224 3	Spring washer B 4		1	
6	900 067 080 02	Pan-head screw M 4 X 10		1	
6	900 067 080 03	Pan-head screw M 4 X 10		1	
7	911 110 110 00	Lever		1	
8	911 110 060 01	Lever		1	
9	N 012 241 8	Spring washer B 8 X 15		1	
10	900 076 025 02	Hexagon nut M 8		2	
10	900 076 064 02	Hexagon nut M 8		2	
11	905 116 725 00	Check valve	-75	1	
(11)	911 125 341 01	Union	76-	1	
12	900 123 007 30	Sealing ring A 14 X 18		1	
14	911 125 331 01	Support		1	
15	N 012 241 8	Spring washer B 8 X 15		3	
16	N 014 707 2	Pan-head screw M 8 X 15		3	
16	900 067 131 03	Pan-head screw M 8 X 15		3	
17	905 108 370 01	Control valve		1	911/911S
(17)	905 108 370 02	Control valve		1	CARRERA 3.0
(17)	905 108 370 03	Control valve		1	911/90/99
18	900 075 010 02	Hexagon nut M 6 X 12		3	
18	N 010 212 14	Hexagon-head bolt M 6 X 12		3	
18	999 072 005 09	Hexagon nut M 6 X 12		3	
18	999 072 005 01	Hexagon nut M 6 X 12		3	
19	N 012 226 5	Spring washer B 6		3	
-	911 125 703 00	Vacuum hose 12 X 3,5 450 MM		*	
20				1	
21	999 512 056 02	Hose clamp S 18/9		1	
-	999 181 282 50	Vacuum hose 15 X 3,5 350 MM		*	
22				1	
23	N 023 565 3	Hose clamp S 21/9		2	
-	999 181 282 50	Vacuum hose 12 X 3,5 360 MM		*	
24				1	
25	911 116 033 00	Vacuum tank		1	
26	901 504 853 20	Bearing		2	
27	900 027 014 01	Lock ring B 6		8	

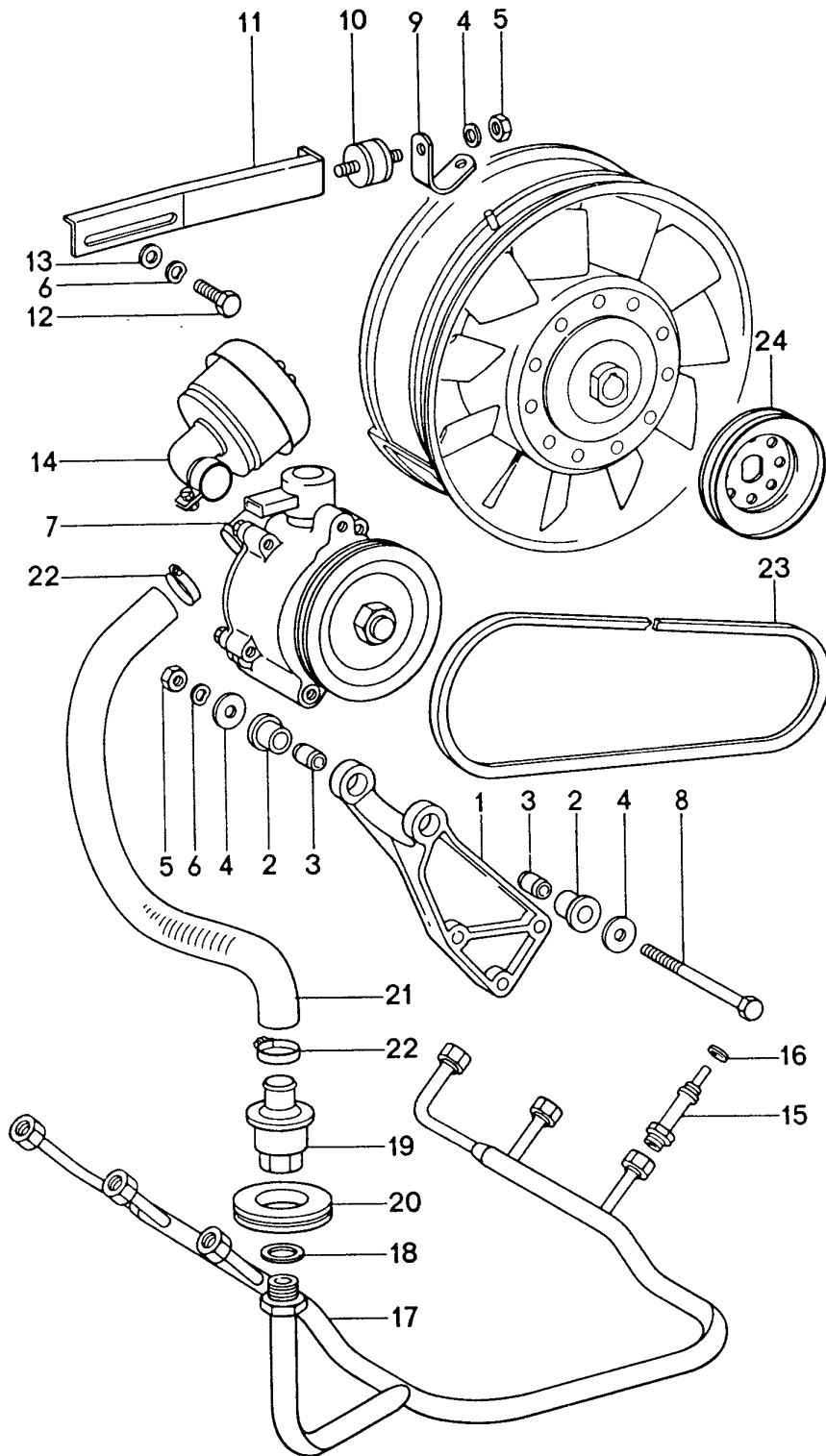
Model: 911 74

Model life 1974>>1977

Pos	Part Number	Description	Remark	Qty	Model
27	900 027 014 02	Lock ring B 6		8	
27	N 012 006 4	Lock ring B 6		8	
28	900 076 010 02	Nut M 6		8	
28	900 076 010 0B	Nut M 6		8	
29	999 702 064 50	Grommet for Brake booster		1	
-	911 125 342 00	Y-piece	/LL 77-	1	
-	911 125 703 01	Vacuum hose 12 X 3,5 220 MM	/LL 77-	*	
-	911 125 703 02	Vacuum hose 12 X 3,5 130 MM	/LL 77-	*	
-	999 512 056 02	Hose clamp	/LL 77-	1	
				2	

Model: 911 74

Model life 1974>>1977



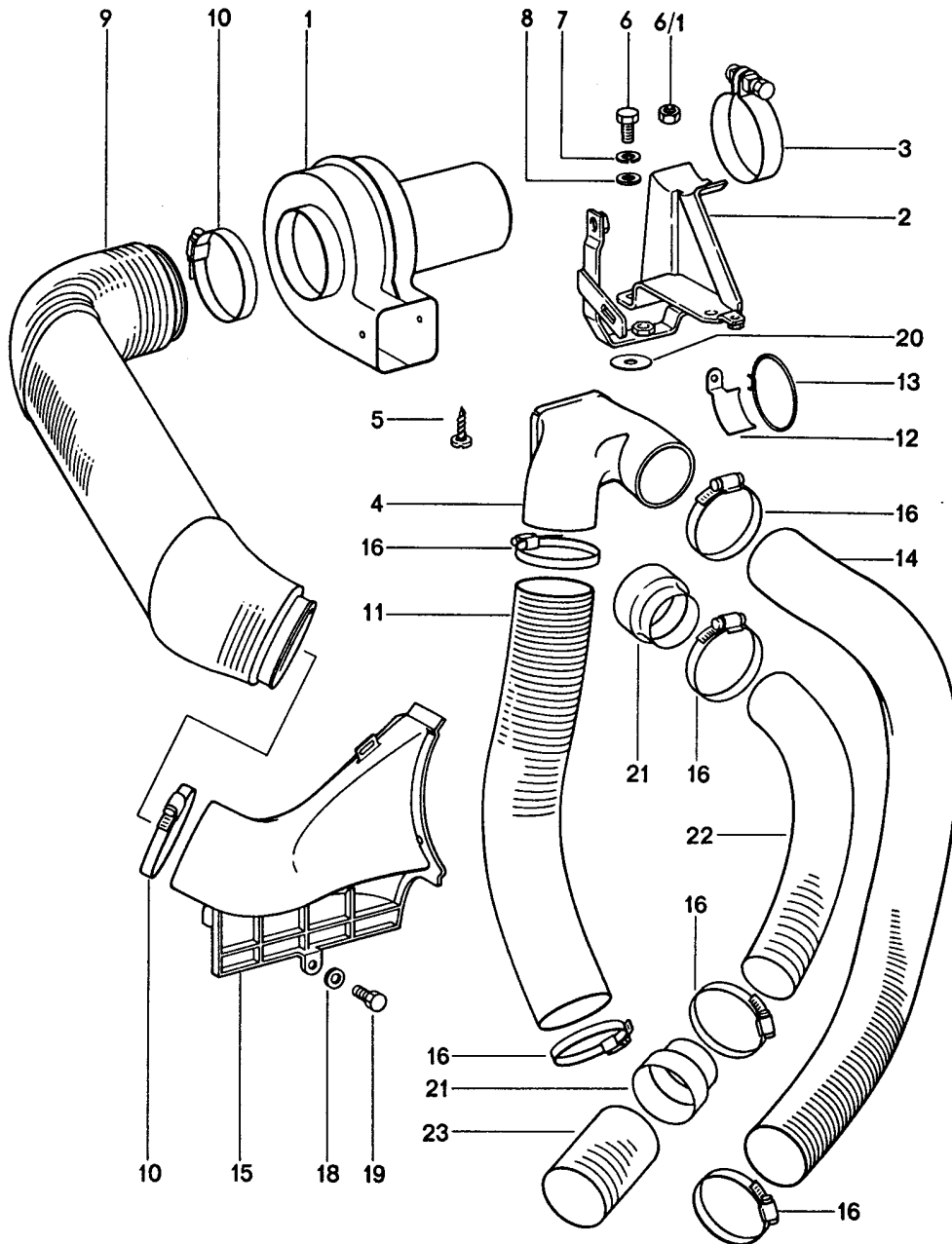
Model: 911 74

Model life 1974>>1977

Pos	Part Number	Description	Remark	Qty	Model
		Air injection			
			(J) 77-		
1	911 113 113 02	Bracket		1	911S
2	911 113 121 00	Rubber mounting		2	911S
3	911 113 122 00	Spacer sleeve		2	911S
4	900 151 008 02	Washer		2	911S
5	900 076 025 02	Hexagon nut		6	911S
5	900 076 064 02	Hexagon nut		6	911S
6	N 012 241 8	Spring washer		6	911S
(7)	911 113 111 03	Air pump without Pulley	76-	1	911S
-	911 113 158 01	Pulley for 911/82/85/90/94/99	76-	1	
(8)	900 249 006 02	Countersunk-head screw M 8 X 120	76-	1	911S
9	911 113 126 02	Retaining bracket		1	911S
10	911 110 154 00	Bonded rubber buffer		1	911S
11	911 113 125 02	Support		1	911S
12	900 075 085 02	Hexagon-head bolt		1	911S
13	900 025 007 02	Washer		1	911S
13	900 025 007 03	Washer		1	911S
14	911 113 117 02	Air cleaner		1	911S
-	930 113 401 00	Filter cartridge		1	911S
15	911 113 145 02	Union		6	911S
15	911 113 145 04	Union		6	911S
16	900 123 033 20	Sealing ring		6	911S
17	911 113 043 01	Air tube		1	911S
18	900 123 060 30	Sealing ring		1	911S
19	911 113 115 01	Check valve		1	911S
20	911 113 146 00	Gasket		1	911S
21	911 113 118 02	Hose		1	911S
22	999 512 038 02	Hose clamp		1	911S
22	PCG 512 038 02	Hose clamp		1	911S
23	900 192 021 50	Narrow v-belt 9,5 X 950 for 911/82/85/90/94/99	76-	1	911S
24	911 106 208 00	Pulley for 911/82/84/85/89 911/90/94/99	76-	1	911S

Model: 911 74

Model life 1974>>1977



Model: 911 74 Model life 1974>>1977

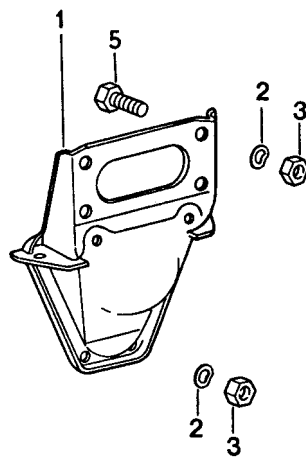
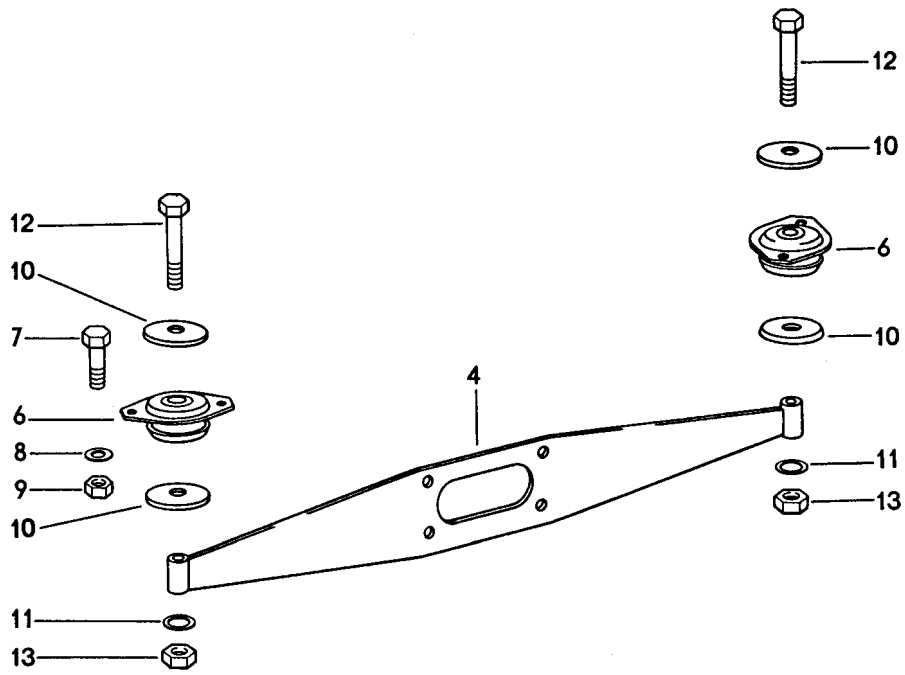
Pos	Part Number	Description	Remark	Qty	Model
1	911 624 151 02	Additional blower Blower	75-	1	911/911S CARRERA 3,0
(1)	911 624 901 00	Suction housing von ZSB 91162415102		1	
2	911 211 139 02	Support		1	911/911S CARRERA 3,0
-	999 513 003 40	Tie-wrap		1	911/911S CARRERA 3,0
-	999 511 076 02	Clamp		1	911/911S CARRERA 3,0
3	999 512 244 02	Clamp		1	911/911S CARRERA 3,0
4	911 211 135 02	Distributing piece		1	911/911S CARRERA 3,0
-	311 261 261 B	Clip		1	911/911S CARRERA 3,0
5	900 143 049 07	Tapping screw		1	911/911S CARRERA 3,0
6	N 010 239 11	Hexagon-head bolt		2	911/911S
6	N 010 239 30	Hexagon-head bolt		2	911/911S
6/1	900 084 004 03	Hexagon nut		2	911/911S CARRERA 3,0
6/1	900 084 004 02	Hexagon nut		2	911/911S CARRERA 3,0
7	N 012 241 8	Spring washer		2	911/911S CARRERA 3,0
8	900 025 007 02	Washer		2	911/911S CARRERA 3,0
8	900 025 007 03	Washer		2	911/911S CARRERA 3,0
-	999 511 069 02	Clamp		1	911/911S CARRERA 3,0
-	999 511 069 0C	Clamp		1	911/911S CARRERA 3,0
-	900 075 010 02	Hexagon nut		4	911/911S CARRERA 3,0
-	N 010 212 14	Hexagon-head bolt		4	911/911S CARRERA 3,0
-	999 072 005 09	Hexagon nut		4	911/911S CARRERA 3,0
-	999 072 005 01	Hexagon nut		4	911/911S CARRERA 3,0
-	N 012 226 5	Spring washer		4	911/911S CARRERA 3,0
-	999 511 081 02	Pipe clamp 1100 2 X 8/15 for Mount Injection line Cylinder 1. Mixture control unit Warm-up valve		1	911/911S CARRERA 3,0
-		Pipe clamp		1	911/911S CARRERA 3,0
-	999 511 085 02	Clamp		1	CARRERA 3.0
9	911 211 272 02	Hose		1	911/911S CARRERA 3,0
10	999 512 351 02	Hose clamp		2	911/911S CARRERA 3,0
11	901 211 195 00	Heater hose	/L	1	911/911S CARRERA 3,0

Model: 911 74 Model life 1974>>1977

Pos	Part Number	Description	Remark	Qty	Model
11	901 211 195 01	Heater hose	/L	1	911/911S CARRERA 3,0
12	911 211 277 00	Support		1	911/911S CARRERA 3,0
(12)	911 211 277 02	Support		1	911/911S CARRERA 3,0
(12)	911 211 277 03	Support		1	911 CARRERA 3,0
13	999 513 010 40	Tie-wrap		1	911/911S CARRERA 3,0
14	911 211 522 00	Heater hose	/R	1	911/911S CARRERA 2,7
14	911 211 522 01	Heater hose	/R	1	911/911S CARRERA 2,7
15	930 106 326 01	Hot air socket	/L	1	911/911S CARRERA 3,0
16	999 512 349 02	Hose clamp		4	911/911S CARRERA 3,0
16	999 512 349 01	Hose clamp		4	911/911S CARRERA 3,0
16	999 512 349 0B	Hose clamp		4	911/911S CARRERA 3,0
18	N 011 524 7	Washer		2	911/911S CARRERA 3,0
18	N 011 524 27	Washer		2	911/911S CARRERA 3,0
19	900 075 010 02	Hexagon nut		2	911/911S CARRERA 3,0
19	N 010 212 14	Hexagon-head bolt		2	911/911S CARRERA 3,0
19	999 072 005 09	Hexagon nut		2	911/911S CARRERA 3,0
19	999 072 005 01	Hexagon nut		2	911/911S CARRERA 3,0
20	911 211 401 00	Rubber washer		2	911/911S CARRERA 3,0
21	911 211 275 01	Reducing socket		2	911/911S CARRERA 3,0
22	911 211 274 00	Heater hose		1	911/911S CARRERA 3,0
23	911 211 273 00	Heater hose	RERA 3.0	1	911/911S/CAR CARRERA 3,0
23	911 211 273 02	Heater hose	RERA 3.0	1	911/911S/CAR CARRERA 3,0

Model: 911 74

Model life 1974>>1977



Model: 911 74

Model life 1974>>1977

Pos	Part Number	Description	Remark	Qty	Model
1	911 115 014 03	Engine suspension Bracket		1	
2	N 012 242 3	Spring washer B 10 X 18		8	
3	900 157 002 02	Hexagon nut M 10		8	
3	900 157 002 03	Hexagon nut M 10		8	
4	930 375 011 01	Bracket		1	
5	900 156 006 02	Hexagon-head bolt M 10 X 18		4	
6	911 375 043 00	Bearing		2	
7	N 010 335 5	Hexagon-head bolt M 8 X 35		4	
7	900 075 032 03	Hexagon-head bolt M 8 X 35		4	
8	900 027 015 02	Lock ring B 8		4	
8	900 027 015 03	Lock ring B 8		4	
9	900 076 025 02	Hexagon nut M 8		4	
9	900 076 064 02	Hexagon nut M 8		4	
10	901 305 311 00	Seat		4	
11	999 523 109 02	Lock washer M 12	-74	2	
12	900 082 026 01	Hexagon-head bolt M 12 X 1,5 X 92	-74	2	
(12)	N 010 191 2	Hexagon-head bolt M 12 X 1,5 X 95	75-	2	
(12)	900 082 142 01	Hexagon-head bolt M 12 X 1,5 X 95	75-	2	
13	900 076 016 02	Hexagon-head bolt M 12 X 1,5	-74	2	
(13)	900 910 046 02	Lock nut Self-locking nut	75-	2	
(13)	999 084 439 09	Lock nut Self-locking nut	75-	2	
(13)	999 084 445 09	Lock nut Self-locking nut	75-	2	
(13)	999 084 445 01	Lock nut Self-locking nut	75-	2	

Model: 911 74

Model life 1974>>1977



Model: 911 74 Model life 1974>>1977

Pos	Part Number	Description	Remark	Qty	Model
1	PCG 911 111 25	Gasket set Repair kits Maintenance set Gasket set Injector valve Comprising:	74-	1	
-	999 701 423 40	O-ring		6	
-	911 110 886 03	O-ring		6	
-	999 701 446 40	O-ring		6	
>>	911 100 905 01	Gasket set Cylinder Cylinder head for 911/92/93/97/98 K-jetronic Comprising:		1	
-	999 704 172 50	Sealing ring		2	
-	911 104 192 00	Cylinder base gasket		6	
-	912 104 314 00	Cylinder head gasket		6	
-	911 104 193 00	Valve stem seal		12	
-	930 105 193 00	Gasket		2	
-	930 105 193 05	Gasket		2	
-	999 701 449 40	O-ring 8,3 - 2,4		2	
-	999 701 598 40	O-ring 20,3 - 2,4		2	
-	999 701 298 40	O-ring 10 - 1,3		2	
-	N 013 804 2	Sealing ring A 6 X 10		2	
-	930 105 197 05	Gasket		3	
-	999 701 124 40	O-ring 67,5		1	
-	930 105 191 03	Gasket		1	
-	930 105 192 01	Gasket		1	
-	930 105 192 03	Gasket		1	
-	930 105 192 04	Gasket		1	
-	900 031 011 30	Washer 6,4		21	
-	930 105 194 00	Gasket		2	
-	930 105 194 02	Gasket		2	
-	930 105 194 04	Gasket		2	
-	930 105 195 00	Gasket		2	
-	930 105 195 02	Gasket		2	
-	930 105 195 05	Gasket		2	
-	930 105 195 06	Gasket		2	
-	930 105 195 07	Gasket		2	
-	900 031 014 30	Washer 8,4		40	
-	999 704 173 50	Sealing ring		1	
-	900 123 005 30	Sealing ring A 12 X 16		7	
-	999 707 112 40	Round seal		8	
-	999 707 112 4A	Round seal		8	
-	911 110 192 01	Gasket		6	
-	930 110 197 01	Gasket		6	
-	930 110 197 12	Gasket		6	
-	900 123 007 70	Sealing ring A 14 X 18		2	
-	911 110 394 02	Gasket		1	
-	999 701 423 40	O-ring 6 X 5		6	
-	900 123 050 20	Sealing ring		14	

Model: 911 74 Model life 1974>>1977

Pos	Part Number	Description	Remark	Qty	Model
-	999 701 144 50	A 8 X 11,5 O-ring		1	
-	901 111 193 00	6 - 2 Gasket		2	
-	905 107 191 02	Gasket		1	
-	905 107 191 03	Gasket		1	
-	900 123 008 30	Sealing ring A 14 X 20		1	
-	900 123 043 30	Sealing ring A 12 X 15,5		1	
-	999 701 135 50	O-ring 15 X 2,5		1	
-	900 123 006 30	Sealing ring A 12 X 18		2	
-	930 111 191 13	Gasket		6	
-	999 701 468 40	Round seal		2	
>>	911 100 905 03	Gasket set Cylinder Cylinder head Comprising:		1	911/83
-	999 704 172 50	Sealing ring		2	
-	911 104 192 00	Cylinder base gasket		6	
-	912 104 314 00	Cylinder head gasket		6	
-	911 104 193 00	Valve stem seal		12	
-	930 105 193 00	Gasket		2	
-	930 105 193 05	Gasket		2	
-	999 701 449 40	O-ring 8,3 - 2,4		2	
-	999 701 598 40	O-ring 20,3 - 2,4		2	
-	999 701 298 40	O-ring 10 - 1,3		2	
-	N 013 804 2	Sealing ring A 6 X 10		2	
-	930 105 197 05	Gasket		2	
-	999 701 468 40	Round seal 67,5		2	
-	900 123 007 30	Sealing ring 14 X 18		2	
-	930 105 191 03	Gasket		1	
-	930 105 192 01	Gasket		1	
-	930 105 192 03	Gasket		1	
-	930 105 192 04	Gasket		1	
-	900 031 011 30	Washer 6,4		21	
-	900 151 035 30	Washer B 6,4		2	
-	900 031 014 30	Washer 8,4		2	
-	999 113 068 50	Radial sealing ring 35 X 47 X 7		1	
-	930 105 194 00	Gasket		2	
-	930 105 194 02	Gasket		2	
-	930 105 194 04	Gasket		2	
-	930 105 195 00	Gasket		2	
-	930 105 195 02	Gasket		2	
-	930 105 195 05	Gasket		2	
-	930 105 195 06	Gasket		2	
-	930 105 195 07	Gasket		2	
-	900 031 014 30	Washer 8,4		40	
-	999 704 173 50	Sealing ring		1	
-	900 123 005 30	Sealing ring		7	

Model: 911 74 Model life 1974>>1977

Pos	Part Number	Description	Remark	Qty	Model
-	999 707 112 40	A 12 X 16 Round seal		8	
-	999 707 112 4A	Round seal		8	
-	N 013 812 2	Sealing ring A 12 X 15,5		6	
-	901 108 391 05	Gasket		6	
-	901 108 214 03	Gasket		2	
-	911 110 191 01	Gasket		6	
-	901 111 193 00	Gasket		2	
-	930 111 191 13	Gasket		6	
-	900 123 007 70	Sealing ring A 14 X 18		1	
-	900 123 009 20	Sealing ring A 18 X 24		1	
-	N 013 808 3	Sealing ring A 10 X 16		1	
-	911 108 911 00	Sealing ring A 12 X 15,5		4	
-	900 123 033 20	Sealing ring A 10 X 13,5		1	
-	N 013 849 2	Sealing ring A 14 X 18		1	
-	901 110 922 00	Gasket		1	
>>	911 100 905 04	Gasket set Crankcase Comprising:		1	911/83
-	999 704 172 50	Sealing ring		3	
-	999 701 006 40	O-ring		26	
-	999 113 057 52	Radial sealing ring 65 X 85 X 10		1	
-	930 101 391 01	Gasket		2	
-	900 123 011 20	Sealing ring A 22 X 27		1	
-	999 113 049 50	Oil scraper ring 30 X 50 X 10		1	
-	900 174 041 40	Sealing ring 50 X 4		1	
-	900 174 068 40	Sealing ring 50 X 4		1	
-	900 123 044 30	Sealing ring A 18 X 22		3	
-	900 123 066 30	Sealing ring A 10 X 16		8	
-	900 031 011 30	Washer 6,4		3	
-	900 123 005 00	Sealing ring A 12 X 16		4	
-	930 105 198 01	Gasket		1	
-	900 031 014 30	Washer 8,4		24	
-	999 704 173 50	Sealing ring		1	
-	900 123 011 30	Sealing ring A 22 X 27		1	
-	999 701 053 50	Sealing ring 39,2 X 3		1	
-	900 123 071 30	Sealing ring A 18 X 24		2	
-	930 107 791 00	Gasket		1	
-	911 602 102 01	Sealing ring		1	
>>	911 100 907 03	Gasket set Cylinder Cylinder head for		1	

Model: 911 74

Model life 1974>>1977

Pos	Part Number	Description	Remark	Qty	Model
		911/41/42/43/46/47/48/ 911/81/82/84/85/86/89/ 911/90/94/99 K-jetronic Comprising:			
-	999 704 172 50	Sealing ring		2	
-	911 104 192 00	Cylinder base gasket		6	
-	912 104 314 00	Cylinder head gasket		6	
-	911 104 193 00	Valve stem seal		12	
-	930 105 193 00	Gasket		2	
-	930 105 193 05	Gasket		2	
-	900 031 014 30	Washer 8,4		42	
-	999 701 449 40	O-ring 8,3 - 2,4		2	
-	999 701 598 40	O-ring 20,3 - 2,4		2	
-	999 701 298 40	O-ring 10 - 1,3		2	
-	N 013 804 2	Sealing ring A 6 X 10		2	
-	930 105 197 05	Gasket		3	
-	999 701 124 40	O-ring 67,5 X 4		1	
-	930 105 191 03	Gasket		1	
-	930 105 192 01	Gasket		1	
-	930 105 192 03	Gasket		1	
-	930 105 192 04	Gasket		1	
-	900 031 011 30	Washer 6,4		21	
-	930 105 194 00	Gasket		2	
-	930 105 194 02	Gasket		2	
-	930 105 194 04	Gasket		2	
-	930 105 195 00	Gasket		2	
-	930 105 195 02	Gasket		2	
-	930 105 195 05	Gasket		2	
-	930 105 195 06	Gasket		2	
-	930 105 195 07	Gasket		2	
-	999 704 173 50	Sealing ring		1	
-	900 123 005 30	Sealing ring A 12 X 16		7	
-	999 707 112 40	Round seal		8	
-	999 707 112 4A	Round seal		8	
-	911 110 192 01	Gasket		6	
-	930 110 197 01	Gasket		6	
-	930 110 197 12	Gasket		6	
-	911 110 394 02	Gasket		1	
-	999 701 423 40	O-ring 6 X 5		6	
-	900 123 050 20	Sealing ring A 8 X 11,5		18	
-	900 123 003 30	Sealing ring 10 X 14		1	
-	N 013 812 2	Sealing ring A 12 X 15,5		2	
-	999 701 395 50	O-ring 7 - 2		1	
-	999 701 210 40	O-ring 20 - 2,5		1	
-	999 701 210 4A	O-ring 20 - 2,5		1	
-	911 111 191 01	Gasket		1	
-	911 111 191 02	Gasket		1	

Model: 911 74 Model life 1974>>1977

Pos	Part Number	Description	Remark	Qty	Model
-	911 111 128 00	Gasket		2	
-	911 111 162 02	Gasket		1	
-	930 111 193 07	Gasket		1	
-	911 111 188 02	Support washer		1	
-	911 111 189 03	Gasket		1	
-	900 123 033 20	Sealing ring A 10 X 13,5		6	
-	900 123 060 30	Sealing ring A 24 X 29		1	
-	905 107 191 02	Gasket		1	
-	905 107 191 03	Gasket		1	
-	900 123 008 30	Sealing ring A 14 X 20		1	
-	900 123 043 30	Sealing ring A 12 X 15,5		1	
-	999 701 135 50	O-ring 15 X 2,5		1	
-	900 123 006 30	Sealing ring A 12 X 18		2	
-	930 111 191 13	Gasket		6	
-	900 123 007 70	Sealing ring A 14 X 18		2	
-	999 701 468 40	Round seal		2	
>>	911 100 907 05	Gasket set Crankcase K-jetronic Comprising:		1	
-	900 123 007 30	Sealing ring 14 X 18		2	
-	999 704 172 50	Sealing ring		3	
-	999 701 006 40	O-ring		26	
-	999 113 057 52	Radial sealing ring 65 X 85 X 10		1	
-	930 101 391 01	Gasket		2	
-	900 123 011 20	Sealing ring A 22 X 27		1	
-	999 113 049 50	Oil scraper ring 30 X 50 X 10		1	
-	900 174 041 40	Sealing ring R 50 X 4		1	
-	900 174 068 40	Sealing ring R 50 X 4		1	
-	900 123 044 30	Sealing ring A 18 X 22		2	
-	900 031 014 30	Washer 8,4		24	
-	900 123 066 30	Sealing ring A 10 X 16		8	
-	900 031 011 30	Washer 6,4		3	
-	900 123 005 00	Sealing ring A 12 X 16		4	
-	930 105 198 01	Gasket		1	
-	999 704 173 50	Sealing ring		1	
-	900 123 011 30	Sealing ring A 22 X 27		1	
-	999 701 053 50	Sealing ring 39,2 X 3		1	
-	900 123 071 30	Sealing ring A 18 X 24		2	
-	930 107 791 00	Gasket		1	
-	911 602 102 01	Sealing ring		1	
-	900 123 009 20	Sealing ring		1	

Model: 911 74

Model life 1974>>1977

Pos	Part Number	Description	Remark	Qty	Model
>>	930 100 902 03	A 18 X 24 Gasket set Cylinder Cylinder head Comprising:		1	930/02/12
-	999 704 172 50	Sealing ring		2	
-	930 104 194 02	Cylinder base gasket		6	
-	930 104 317 00	Ce-seal ring		6	
-	911 104 193 00	Valve stem seal		12	
-	930 105 193 00	Gasket		2	
-	930 105 193 05	Gasket		2	
-	900 031 014 30	Washer 8,4		42	
-	999 701 449 40	O-ring 8,3 - 2,4		2	
-	999 701 598 40	O-ring 20,3 - 2,4		2	
-	999 701 298 40	O-ring 10 - 1,3		2	
-	N 013 804 2	Sealing ring A 6 X 10		2	
-	930 105 197 05	Gasket		3	
-	999 701 124 40	O-ring 67,5 X 4		1	
-	930 105 191 03	Gasket		1	
-	930 105 192 01	Gasket		1	
-	930 105 192 03	Gasket		1	
-	930 105 192 04	Gasket		1	
-	900 031 011 30	Washer 6,4		19	
-	930 105 194 00	Gasket		2	
-	930 105 194 02	Gasket		2	
-	930 105 194 04	Gasket		2	
-	930 105 195 00	Gasket		2	
-	930 105 195 02	Gasket		2	
-	930 105 195 05	Gasket		2	
-	930 105 195 06	Gasket		2	
-	930 105 195 07	Gasket		2	
-	999 704 173 50	Sealing ring		1	
-	900 123 005 30	Sealing ring A 12 X 16		7	
-	999 707 112 40	Round seal		8	
-	999 707 112 4A	Round seal		8	
-	911 110 192 01	Gasket		6	
-	930 110 197 01	Gasket		6	
-	930 110 197 12	Gasket		6	
-	911 110 394 02	Gasket		1	
-	999 701 423 40	O-ring 6 X 5		6	
-	900 123 050 20	Sealing ring A 8 X 11,5		17	
-	900 123 003 30	Sealing ring 10 X 14		1	
-	N 013 812 2	Sealing ring A 12 X 15,5		2	
-	999 701 395 50	O-ring 7 - 2		1	
-	999 701 210 40	O-ring 20 - 2,5		1	
-	999 701 210 4A	O-ring 20 - 2,5		1	
-	911 111 191 01	Gasket		1	
-	911 111 191 02	Gasket		1	

Model: 911 74 Model life 1974>>1977

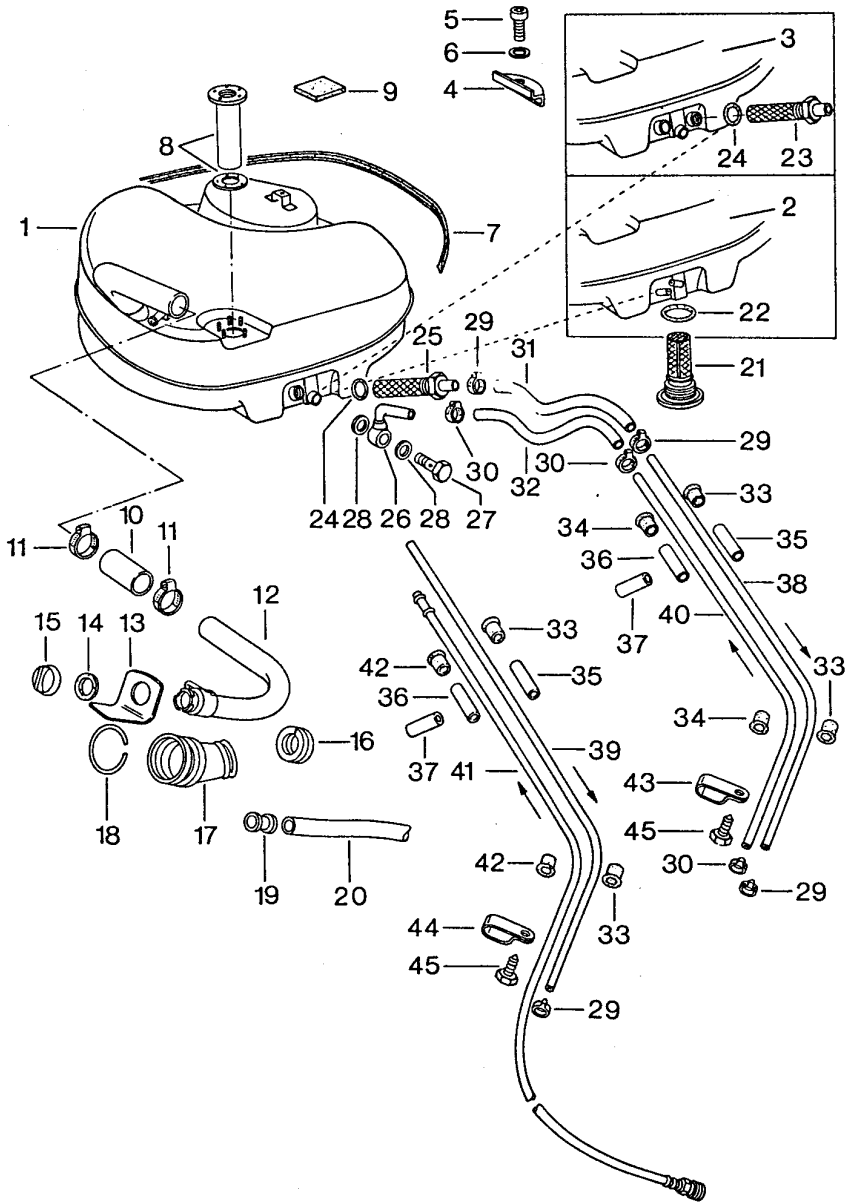
Pos	Part Number	Description	Remark	Qty	Model
-	911 111 128 00	Gasket		2	
-	911 111 162 02	Gasket		1	
-	930 111 193 07	Gasket		1	
-	911 111 188 02	Support washer		1	
-	911 111 189 03	Gasket		1	
-	900 123 033 20	Sealing ring A 10 X 13,5		6	
-	900 123 060 30	Sealing ring A 24 X 29		1	
-	905 107 191 02	Gasket		1	
-	905 107 191 03	Gasket		1	
-	900 123 008 30	Sealing ring A 14 X 20		1	
-	900 123 043 30	Sealing ring A 12 X 15,5		1	
-	999 701 135 50	O-ring 15 X 2,5		1	
-	930 105 197 05	Gasket		1	
-	900 123 006 30	Sealing ring A 12 X18		2	
-	930 111 191 13	Gasket		6	
-	900 123 007 70	Sealing ring A 14 X 18		2	
-	999 701 468 40	Round seal		2	
>>	930 100 902 02	Gasket set Crankcase Comprising:		1	930/02/12
-	900 123 007 30	Sealing ring 14 X 18		1	
-	999 704 172 50	Sealing ring		3	
-	999 701 006 40	O-ring		26	
-	999 113 057 52	Radial sealing ring 65 X 85 X 10		1	
-	930 101 391 01	Gasket		2	
-	900 123 011 20	Sealing ring A 22 X 27		1	
-	999 113 049 50	Oil scraper ring 30 X 50 X 10		1	
-	900 174 041 40	Sealing ring 50 X 4		1	
-	900 174 068 40	Sealing ring 50 X 4		1	
-	900 123 044 30	Sealing ring A 18 X 22		1	
-	900 031 014 30	Washer 8,4		24	
-	900 123 066 30	Sealing ring A 10 X 16		8	
-	900 123 005 00	Sealing ring A 12 X 16		4	
-	930 105 198 01	Gasket		1	
-	900 031 011 30	Washer 6,4		3	
-	999 704 173 50	Sealing ring		1	
-	900 123 011 30	Sealing ring A 22 X 27		1	
-	999 701 053 50	Sealing ring 39,2 X 3		1	
-	900 123 071 30	Sealing ring A 18 X 24		2	
-	930 107 791 00	Gasket		1	
-	900 123 009 20	Sealing ring A 18 X 24		1	

Model: 911 74 Model life 1974>>1977

Pos	Part Number	Description	Remark	Qty	Model
>>	911 103 939 00	Set of piston rings - mahle - NIKASIL Set of piston rings Set of piston rings (LS)		6	911/911S
>>	911 103 956 00	Set of piston rings		6	911/911S
>>	911 103 934 00	Set of piston rings \$ 90 MM		6	CARRERA 2.7
>>	930 103 963 00	Set of piston rings \$ 95 MM		6	CARRERA 3.0
>>	911 105 901 01	Repair kit for Chain adjuster 930.105.049.00 See group 1/03/10 1/03/15 Comprising:		1	
-		Intermediate piece		1	
-		O-ring OR 10 - 1		1	
-		Sleeve for Valve		1	
-		Compression spring		1	
-		Ball 5 MM V		1	
-		Spring guide		1	
-		Circlip B 16		1	
-		O-ring CR 8,3 - 2,4		1	
-		O-ring CR 20,3 - 2,4		1	
-		Circlip B 28		1	
-		Gasket A 6 X 10		1	

Model: 911 74

Model life 1974>>1977



Model: 911 74 Model life 1974>>1977

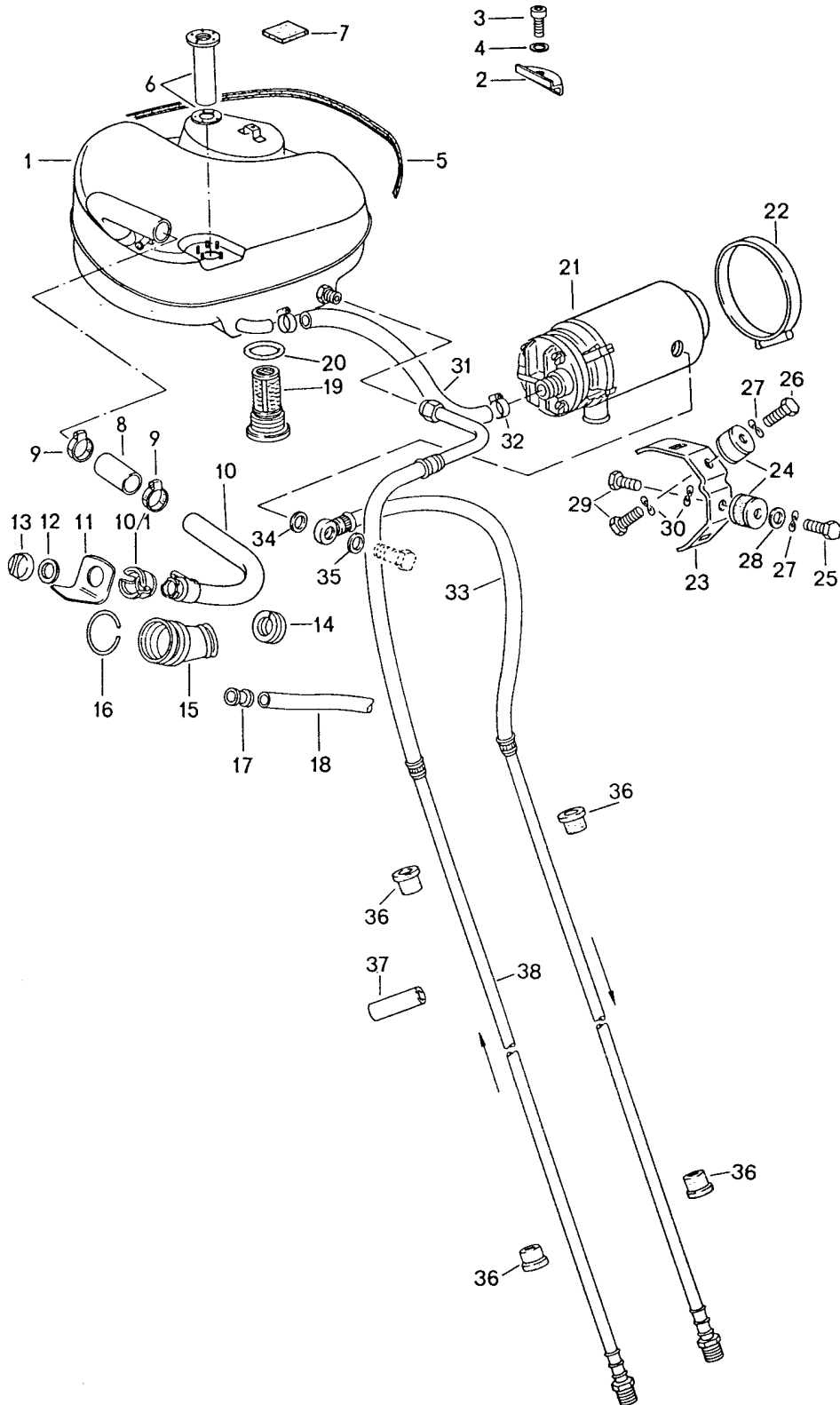
Pos	Part Number	Description	Remark	Qty	Model
		Fuel system Front for cars with Steel auxiliary support			
1	911 201 010 02	Fuel tank		1	CARRERA 2,7
2	930 201 010 01	Fuel tank		1	911/911S
-	911 356 902 00	Installation set		1	911/911S
3	911 201 010 05	Fuel tank	/LL	1	CARRERA 2,7
(3)	930 201 010 01	Fuel tank	/LL	1	911/911S
		Only together with 999.512.055.02 999.512.056.02 999.137.013.40			
4	911 201 311 00	Bracket		3	911/911S CARRERA 2,7
5	900 067 151 02	Pan-head screw M 8 X 20		3	911/911S CARRERA 2,7
5	900 067 151 0C	Pan-head screw M 8 X 20		3	911/911S CARRERA 2,7
6	900 031 001 02	Washer 8,4		3	911/911S CARRERA 2,7
6	900 031 105 01	Washer 8,4		3	911/911S CARRERA 2,7
7	901 504 932 20	Sealing strap		1	911/911S CARRERA 2,7
8		See group 9/03/00		1	911/911S CARRERA 2,7
9	911 201 259 00	Desk pad Emergency wheel		2	911/911S CARRERA 2,7
(9)	911 201 259 01	Desk pad Emergency wheel		1	911/911S CARRERA 2,7
10	911 201 515 00	Hose		1	911/911S CARRERA 2,7
11	999 512 348 02	Hose clamp		2	911/911S CARRERA 2,7
12	911 201 049 02	Filler neck		1	911/911S CARRERA 2,7
13	911 201 279 01	Protective flap		1	911/911S CARRERA 2,7
14	901 201 272 00	Sealing ring		1	911/911S CARRERA 2,7
14	930 107 272 01	Sealing ring		1	911/911S CARRERA 2,7
15	901 201 271 00	Fuel tank cap Bayonet lock		1	911/911S CARRERA 2,7
15	901 201 271 01	Fuel tank cap Bayonet lock		1	911/911S CARRERA 2,7
16	911 201 095 00	Gasket		1	911/911S CARRERA 2,7
17	901 201 591 20	Sleeve		1	911/911S CARRERA 2,7
17	901 201 591 21	Sleeve		1	911/911S CARRERA 2,7
18	999 152 004 00	Circlip		1	911/911S CARRERA 2,7
19	911 201 593 00	Overflow socket		1	911/911S CARRERA 2,7
20	901 201 931 00	Overflow hose		1	911/911S CARRERA 2,7

Model: 911 74 Model life 1974>>1977

Pos	Part Number	Description	Remark	Qty	Model
21	911 201 141 00	Fuel filter		1	911/911S
22	911 201 143 00	Sealing ring		1	911/911S
23	901 201 023 04	Fuel tank cap		1	911/911S
			/LL		CARRERA 2,7
23	901 201 023 06	Fuel tank cap		1	911/911S
			/LL		CARRERA 2,7
23	900 123 011 20	Sealing ring	-75	2	
25	911 201 031 00	Threaded joint	-75	1	CARRERA 2.7
26	901 356 049 00	Ring piece	-75	1	CARRERA 2.7
27	900 134 007 02	Banjo bolt	-75	1	CARRERA 2.7
27	900 134 007 01	Banjo bolt		1	CARRERA 2.7
27	PCG 134 007 01	Banjo bolt		1	CARRERA 2.7
28	900 123 007 60	Sealing ring	-75	2	CARRERA 2.7
29	999 512 056 02	Hose clamp		3	911/911S
					CARRERA 2,7
30	999 512 055 02	Hose clamp		3	CARRERA 2.7
30	PCG 512 055 02	Hose clamp		3	CARRERA 2.7
(30)	999 512 160 02	Hose clamp		3	911/911S
(30)	PCG 512 160 02	Hose clamp		3	911/911S
-	999 180 029 50	Fuel hose		*	CARRERA 2.7
		C 11 X 17,5			
31		280 MM		1	
-	999 181 168 50	Hose		*	911/911S
(31)		270 MM		1	
-	999 180 030 50	Fuel hose	-74	*	CARRERA 2.7
		C 7 X 12			
-	999 180 030 5A	Fuel hose		*	CARRERA 2.7
		C 7 X 12			
32		275 MM		1	
-	999 181 152 50	Fuel hose		*	911/911S
		C 7,5 X 13,5			CARRERA 2,7
(32)		275 MM		1	
33	911 356 202 00	Rubber sleeve	-75	2	
34	914 356 201 00	Rubber sleeve	-74	2	911/911S
34		Rubber sleeve		2	CARRERA 2.7
35	911 356 203 01	Boot	-75	1	
36	914 356 203 00	Protective grommet		1	911/911S
					CARRERA 2,7
37	999 613 017 40	Covering		*	911/911S
					CARRERA 2,7
38	911 356 505 12	Intake pipe		1	CARRERA 2.7
(38)	911 356 067 01	Intake pipe	-74	1	911/911S
39	911 356 067 02	Intake pipe	75-	1	911/911S
40	911 356 533 11	Return line		1	CARRERA 2.7
(40)	911 356 062 03	Return line	-74	1	911/911S
41	911 356 062 04	Return line	75-	1	911/911S
42	911 356 202 02	Rubber sleeve		2	911/911S
43	999 511 091 02	Pipe clamp	-74	1	
43	999 511 091 0C	Pipe clamp		1	
43	999 511 091 02	Pipe clamp	75-	1	CARRERA 2.7
43	999 511 091 0C	Pipe clamp	75-	1	CARRERA 2.7
44	999 511 093 02	Pipe clamp	75-	1	911/911S
45	900 187 104 02	Tapping screw		1	911/911S
		B 4,8 X 13			CARRERA 2,7

Model: 911 74

Model life 1974>>1977



Model: 911 74 Model life 1974>>1977

Pos	Part Number	Description	Remark	Qty	Model
-	911 356 902 00	Fuel system Front for cars with Aluminium auxil. support Installation set Fuel line for Model year POS.1	-75	1	911/911S CARRERA 2,7
1	930 201 010 01	Fuel tank		1	
2	911 201 311 00	Bracket		3	911/911S CARRERA 3,0
4	900 031 001 02	Washer		3	911/911S CARRERA 3,0
4	900 031 105 01	Washer		3	911/911S CARRERA 3,0
5	901 504 932 20	Sealing strap		1	911/911S CARRERA 3,0
6		See illustrations 9/03/00			
7	911 201 259 00	Desk pad		2	911/911S CARRERA 3,0
(7)	911 201 259 01	Desk pad		1	911/911S CARRERA 3,0
8	911 201 515 00	Hose		1	911/911S CARRERA 3,0
9	999 512 348 02	Hose clamp		2	911/911S CARRERA 3,0
10	911 201 049 02	Filler neck		1	911/911S CARRERA 3,0
-	N 011 524 7	Washer		2	911/911S CARRERA 3,0
-	N 011 524 27	Washer		2	911/911S CARRERA 3,0
-	900 910 012 02	Lock nut		2	911/911S CARRERA 3,0
-	900 910 047 09	Lock nut		2	911/911S CARRERA 3,0
10/1	911 201 269 00	Guide		1	911/911S CARRERA 3,0
11	911 201 279 01	Protective flap		1	911/911S CARRERA 3,0
12	901 201 272 00	Sealing ring		1	911/911S CARRERA 3,0
12	930 107 272 01	Sealing ring		1	911/911S CARRERA 3,0
12	477 201 557	Gasket		1	911/911S CARRERA 3,0
12	944 201 553 00	Gasket		1	911/911S CARRERA 3,0
13	901 201 271 00	Fuel tank cap		1	911/911S CARRERA 3,0
13	901 201 271 01	Fuel tank cap		1	911/911S CARRERA 3,0
(13)	911 201 272 00	Fuel tank cap		1	911/911S CARRERA 3,0
14	911 201 095 00	Gasket		1	911/911S CARRERA 3,0
15	901 201 591 20	Sleeve		1	911/911S CARRERA 3,0
15	901 201 591 21	Sleeve		1	911/911S CARRERA 3,0
16	999 152 004 00	Circlip		1	911/911S

Model: 911 74 Model life 1974>>1977

Pos	Part Number	Description	Remark	Qty	Model
17	911 201 593 00	Overflow socket		1	CARRERA 3,0 911/911S
18	901 201 931 00	Overflow hose		1	CARRERA 3,0 911/911S
19	911 201 141 00	Fuel filter		1	CARRERA 3,0 911/911S
20	911 201 143 00	Sealing ring		1	CARRERA 3,0 911/911S
21	911 608 110 02	Fuel pump		1	CARRERA 3,0 911/911S
21	911 608 110 03	Fuel pump		1	CARRERA 3,0 911/911S
21	911 608 110 06	Fuel pump		1	CARRERA 3,0 911/911S
(21)	911 608 102 00	Fuel pump	77-	1	
-	911 608 211 00	Intermediate piece	77-	1	
-	N 013 812 2	Sealing ring A 12 X 15,5	77-	1	
-	900 123 033 20	Sealing ring A 10 X 13,5	77-	2	
-	900 070 010 02	Cap nut M 10 X 1,25	77-	1	
22	999 512 394 00	Hose clamp		1	911/911S CARRERA 3,0
23	911 608 105 01	Support		1	911/911S CARRERA 3,0
24	911 608 206 00	Bonded rubber buffer		2	911/911S CARRERA 3,0
25	900 075 010 02	Hexagon nut		1	911/911S CARRERA 3,0
25	N 010 212 14	Hexagon-head bolt		1	911/911S CARRERA 3,0
25	999 072 005 09	Hexagon nut		1	911/911S CARRERA 3,0
25	999 072 005 01	Hexagon nut		1	911/911S CARRERA 3,0
26	N 010 208 5	Hexagon-head bolt		1	911/911S CARRERA 3,0
27	N 012 226 5	Spring washer		2	911/911S CARRERA 3,0
28	N 011 524 7	Washer		1	911/911S CARRERA 3,0
28	N 011 524 27	Washer		1	911/911S CARRERA 3,0
29	N 010 208 5	Hexagon-head bolt		2	911/911S CARRERA 3,0
30	N 012 226 5	Spring washer		2	911/911S CARRERA 3,0
-	999 181 168 50	Hose		*	911/911S CARRERA 3,0
31		85 MM		1	
32	999 512 056 02	Hose clamp		2	911/911S CARRERA 3,0
33	911 356 066 03	Pressure line		1	911/911S CARRERA 3,0
33	911 356 066 07	Pressure line	77-	1	
34	911 608 902 00	Gasket		1	911/911S CARRERA 3,0
35	911 608 902 01	Gasket		1	911/911S CARRERA 3,0
36	911 356 202 03	Rubber sleeve		4	911/911S CARRERA 3,0

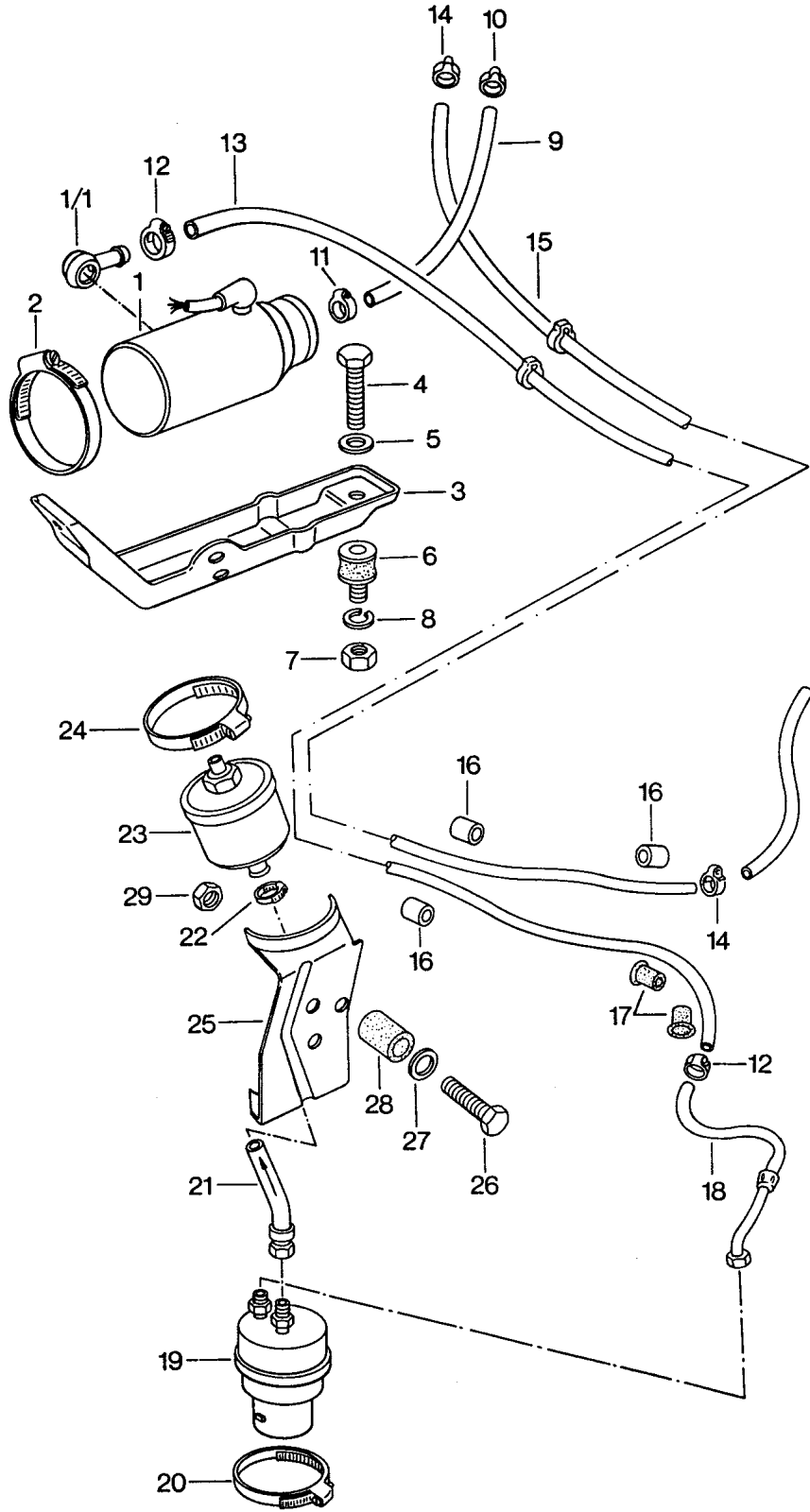
Model: 911 74

Model life 1974>>1977

Pos	Part Number	Description	Remark	Qty	Model
37	999 613 017 40	Covering		*	911/911S CARRERA 3,0
38	911 356 062 07	Return line		1	911/911S CARRERA 3,0

Model: 911 74

Model life 1974>>1977



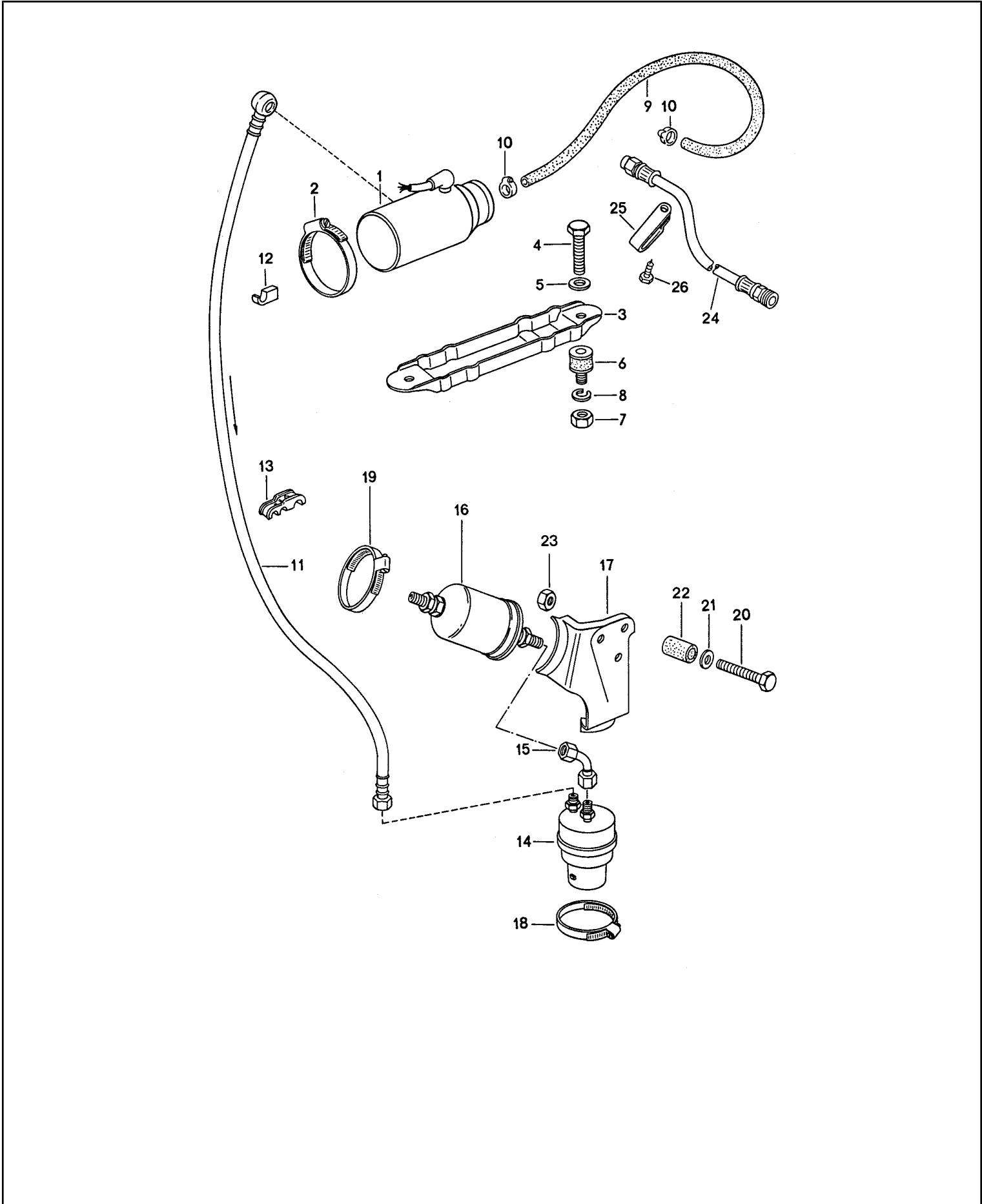
Model: 911 74

Model life 1974>>1977

Pos	Part Number	Description	Remark	Qty	Model
		Fuel system Rear	-74		K-JETRONIC
1	911 608 110 02	Fuel pump		1	911/911S
1	911 608 110 03	Fuel pump		1	911/911S
1	911 608 110 06	Fuel pump		1	911/911S
1/1	911 608 901 00	Check valve		1	911/911S
2	999 512 164 02	Hose clamp		1	
3	911 608 120 00	Support		1	
4	N 010 208 5	Hexagon-head bolt M 6 X 8		1	
5	N 012 007 2	Lock ring M 6		1	
5	900 027 004 03	Lock ring M 6		1	
6	999 703 384 00	Megulastik pivot bearing		1	
6	999 703 384 01	Megulastik pivot bearing		1	
7	900 076 010 02	Nut M 6		1	
7	900 076 010 0B	Nut M 6		1	
8	N 012 007 2	Lock ring A 6		1	
8	900 027 004 03	Lock ring A 6		1	
-	999 180 029 50	Fuel hose C 11 X 17,5 280 MM		*	
9				1	
10	999 512 056 02	Hose clamp		1	
11	N 023 570 2	Hose clamp		1	
12	999 512 160 02	Hose clamp		2	911/911S
12	PCG 512 160 02	Hose clamp		2	911/911S
13	911 356 066 31	Pressure line		1	911/911S
13	911 356 066 34	Pressure line		1	911/911S
14	999 512 160 02	Hose clamp		2	911/911S
14	PCG 512 160 02	Hose clamp		2	911/911S
15	911 356 064 32	Return line		1	911/911S
16	914 356 203 00	Protective grommet		3	911/911S
17	914 356 201 00	Rubber sleeve		2	911/911S
18	911 356 074 01	Pressure line		1	911/911S
19	477 209 083	Pressure accumulator		1	911/911S
20	999 512 322 02	Hose clamp		1	911/911S
21	911 356 076 02	Connecting line		1	911/911S
22	999 512 160 02	Hose clamp		1	911/911S
22	PCG 512 160 02	Hose clamp		1	911/911S
23	911 110 184 00	Fuel filter		1	911/911S
24	999 512 181 02	Hose clamp		1	911/911S
(24)	999 512 181 0B	Hose clamp 58 - 75 X 12		1	
25	911 356 541 01	Fastening angle		1	911/911S
26	900 074 015 02	Hexagon-head bolt		3	911/911S
26	900 074 015 03	Hexagon-head bolt		3	911/911S
27	999 025 108 02	Washer		3	911/911S
28	901 504 859 20	Hose piece		3	911/911S
29	900 084 010 02	Lock nut		3	911/911S
>>	911 356 901 00	Conversion set		1	911/911S
-	911 110 176 00	Fuel filter		1	
-	911 110 176 23	Fuel filter		1	
-	911 356 541 02	Support		1	
-	911 356 076 01	Angled pipe		1	
-	999 512 348 02	Hose clamp		1	
-	911 110 619 00	Angled pipe		1	

Model: 911 74

Model life 1974>>1977



Model: 911 74 Model life 1974>>1977

Pos	Part Number	Description	Remark	Qty	Model
		Fuel system Rear	75-		K-JETRONIC
1	911 608 110 02	Fuel pump	75	1	911/911S
1	911 608 110 03	Fuel pump	75	1	911/911S
1	911 608 110 06	Fuel pump	75-	1	911/911S
2	999 512 164 02	Hose clamp		1	911/911S
3	911 608 105 00	Support		1	911/911S
4	N 010 208 5	Hexagon-head bolt		2	911/911S
5	N 012 007 2	Lock ring		2	911/911S
5	900 027 004 03	Lock ring		2	911/911S
6	999 703 384 00	Megulastik pivot bearing		2	911/911S
6	999 703 384 01	Megulastik pivot bearing		2	
6		Megulastik pivot bearing		2	
7	900 076 010 02	Nut		2	911/911S
7	900 076 010 0B	Nut		2	911/911S
8	N 012 007 2	Lock ring		2	911/911S
8	900 027 004 03	Lock ring		2	911/911S
-	999 181 168 50	Hose		*	911/911S
9		1030 MM	75	1	
10	999 512 056 02	Hose clamp	75	2	911/911S
11	911 356 066 33	Pressure line	75	1	911/911S
(11)	911 356 066 04	Pressure line	76- 76-	1	911/911S CARRERA 3,0
(11)	911 356 066 06	Pressure line	77-	1	
(11)	911 356 066 10	Pressure line	77-	1	
12	911 356 543 01	Support		1	911/911S CARRERA 3,0
13		Support		1	911/911S CARRERA 3,0
14	477 209 083	Pressure accumulator		1	911/911S CARRERA 3,0
(14)	911 110 197 01	Fuel accumulator	77-	1	
15	911 356 076 01	Angled pipe		1	911/911S CARRERA 3,0
(15)	930 356 083 00	Fuel line		1	911/911S CARRERA 3,0
16	911 110 176 00	Fuel filter		1	911/911S CARRERA 3,0
16	911 110 176 23	Fuel filter		1	911/911S CARRERA 3,0
(16)	911 110 176 02	Fuel filter	77-	1	
17	911 356 541 02	Support		1	911/911S CARRERA 3,0
(17)	911 356 041 00	Bracket	77-	1	
18	999 512 322 02	Hose clamp		1	911/911S CARRERA 3,0
19	999 512 181 02	Hose clamp	75	1	
(19)	999 512 181 0B	Hose clamp 58 - 75 X 12		1	
19	999 512 234 02	Hose clamp		1	911/911S CARRERA 3,0
20	900 074 015 02	Hexagon-head bolt		3	911/911S CARRERA 3,0
20	900 074 015 03	Hexagon-head bolt		3	911/911S CARRERA 3,0
21	999 025 108 02	Washer		3	911/911S CARRERA 3,0
22	901 504 859 20	Hose piece		3	911/911S CARRERA 3,0
23	900 084 010 02	Lock nut		3	911/911S CARRERA 3,0
24	911 356 062 05	Return line		1	911/911S CARRERA 3,0

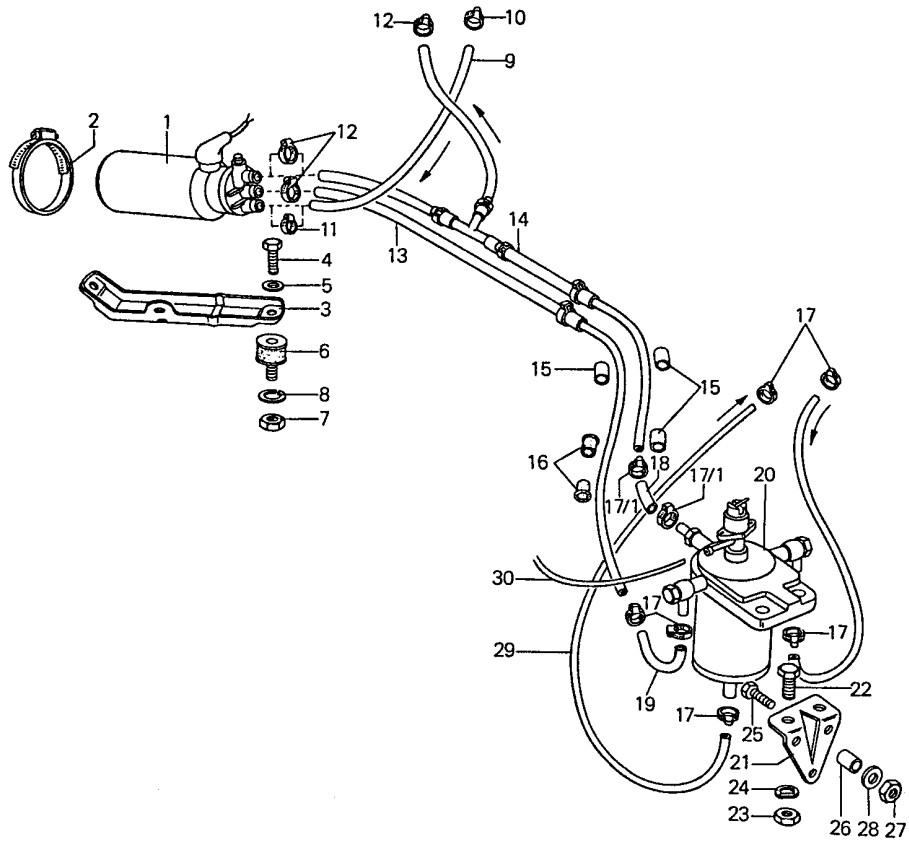
Model: 911 74

Model life 1974>>1977

Pos	Part Number	Description	Remark	Qty	Model
25	999 511 100 02	Pipe clamp		1	911/911S CARRERA 3,0
26	900 187 104 02	Tapping screw		1	911/911S CARRERA 3,0

Model: 911 74

Model life 1974>>1977



Model: 911 74

Model life 1974>>1977

Pos	Part Number	Description	Remark	Qty	Model
		Fuel system Rear for Mechanical injection for Engine 911/83			CARRERA 2.7
1	901 608 105 00	Fuel pump		1	
2	999 512 164 02	Hose clamp		1	
3	911 608 120 00	Support		1	
4	N 010 208 5	Hexagon-head bolt M 6 X 8		2	
5	N 012 007 2	Lock ring A 6		2	
5	900 027 004 03	Lock ring A 6		2	
6	999 703 303 00	Megulastik pivot bearing		2	
6	999 703 384 00	Megulastik pivot bearing		2	
6	999 703 384 01	Megulastik pivot bearing		2	
7	900 076 010 02	Nut M 6		2	
7	900 076 010 0B	Nut M 6		2	
8	N 012 007 2	Lock ring A 6		2	
8	900 027 004 03	Lock ring A 6		2	
-	999 180 029 50	Fuel hose C 11 X 17,5 280 MM		*	
9				1	
10	999 512 056 02	Hose clamp		1	
11	N 023 569 2	Hose clamp		1	
11	PCG 023 569 2	Hose clamp		1	
12	999 512 055 02	Hose clamp		3	
12	PCG 512 055 02	Hose clamp		3	
13	911 356 066 02	Pressure line		1	
13	911 356 066 11	Pressure line		1	
14	911 356 064 03	Return line		1	
14	911 356 064 07	Return line		1	
15	914 356 203 00	Protective grommet		3	
16	911 356 202 02	Rubber sleeve		2	
17	999 512 055 02	Hose clamp		6	
17	PCG 512 055 02	Hose clamp		6	
17/1	999 512 160 02	Hose clamp		2	
17/1	PCG 512 160 02	Hose clamp		2	
-	999 181 152 50	Fuel hose C 7,5 X 13,5 180 MM		*	
18				1	
-	999 180 030 50	Fuel hose C 7 X 12		*	
-	999 180 030 5A	Fuel hose C 7 X 12 240 MM		*	
19				1	
20		See group 1/07/15		X	
21	901 108 541 00	Fastening angle		1	
22	900 075 041 02	Hexagon-head bolt M 10 X 25		2	
23	N 011 010 6	Hexagon nut M 10		2	
23	N 101 552 10	Hexagon nut M 10		2	
24	N 012 230 1	Spring washer		2	

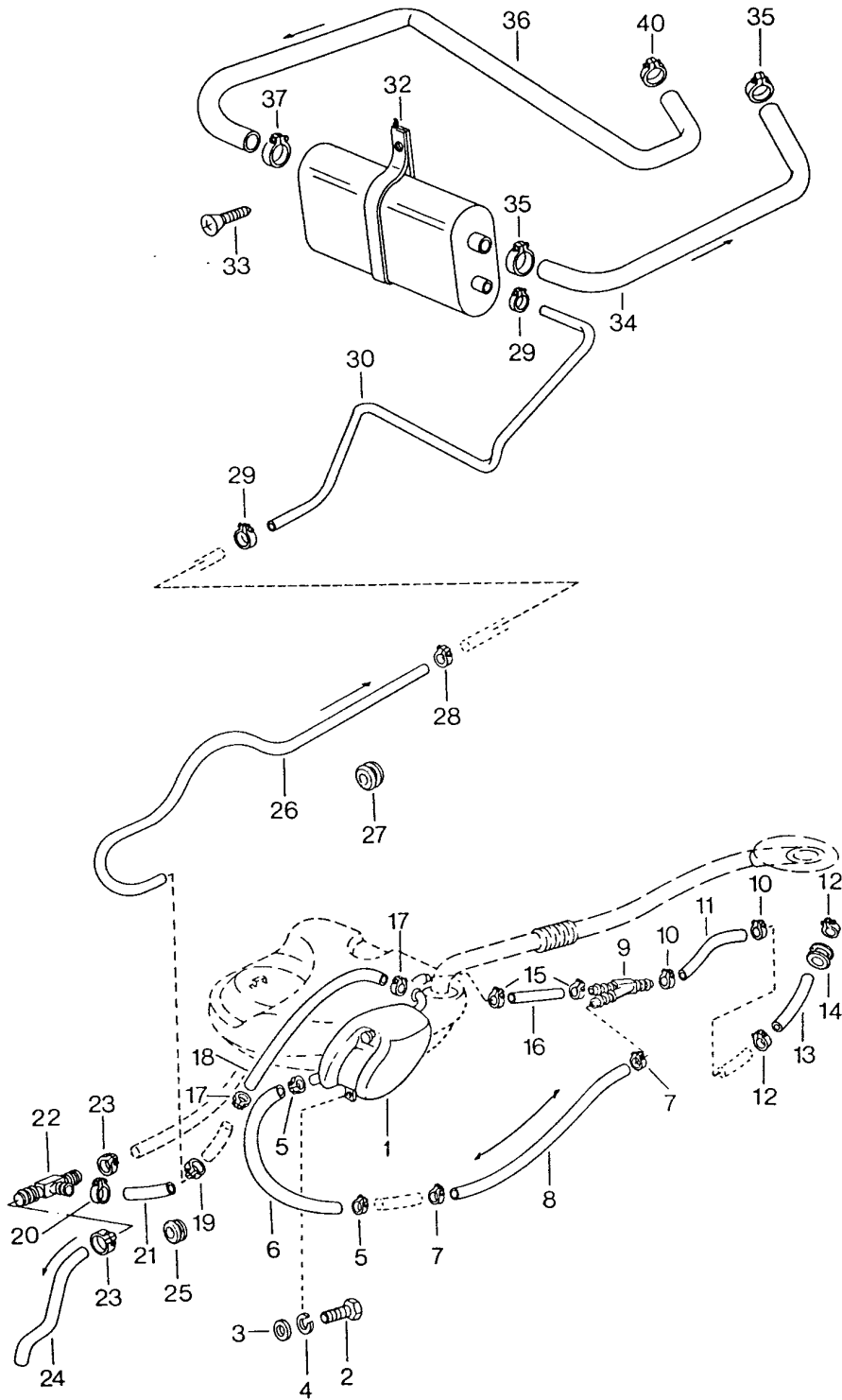
Model: 911 74

Model life 1974>>1977

Pos	Part Number	Description	Remark	Qty	Model
25	900 074 015 02	B 10 Hexagon-head bolt M 6 X 30		3	
25	900 074 015 03	Hexagon-head bolt M 6 X 30		3	
26	901 504 859 20	Hose piece		3	
27	900 084 010 02	Lock nut M 6		3	
28	999 025 108 02	Washer		3	
-	999 180 030 50	Fuel hose C 7 X 12		*	
-	999 180 030 5A	Fuel hose C 7 X 12		*	
29		620 MM		2	
-	999 181 167 50	Hose C 4,5 X 10		*	
30		275 MM		1	

Model: 911 74

Model life 1974>>1977



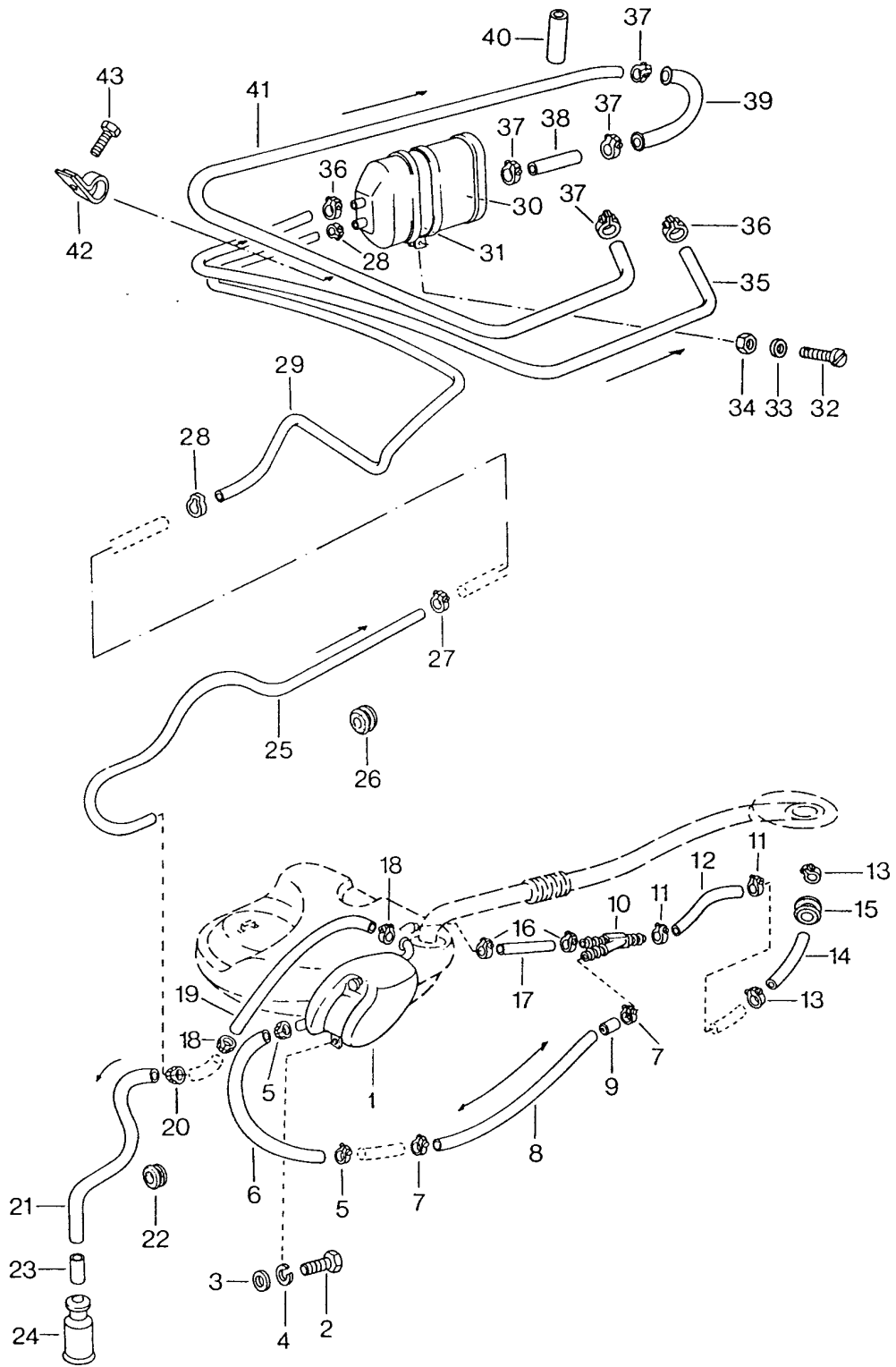
Model: 911 74

Model life 1974>>1977

Pos	Part Number	Description	Remark	Qty	Model
		Tank ventilation	-74		
1	911 201 077 02	Expansion tank		1	
2	900 075 057 02	Hexagon-head bolt		1	
		M 6 X 16			
2	900 075 057 03	Hexagon-head bolt		1	
		M 6 X 16			
3	N 011 524 7	Washer		1	
		6,4			
3	N 011 524 27	Washer		1	
		6,4			
4	N 012 007 2	Lock ring		1	
		A 6			
4	900 027 004 03	Lock ring		1	
		A 6			
5	N 023 570 2	Hose clamp		2	
6	N 020 359 1	Hose		*	
7	999 512 160 02	Hose clamp		2	
7	PCG 512 160 02	Hose clamp		2	
-	N 020 359 1	Hose		*	
		9 X 2,5			
8		350 MM		1	
9	911 201 171 02	Connecting piece		1	
10	999 512 160 02	Hose clamp		2	
10	PCG 512 160 02	Hose clamp		2	
11	911 201 194 00	Breather hose		1	
		9 X 12 X 400			
12	N 023 570 2	Hose clamp		2	
-	N 020 359 1	Hose		*	
		9 X 2,5			
13		250 MM		1	
14	999 702 085 50	Rubber sleeve		1	
15	999 512 160 02	Hose clamp		2	
15	PCG 512 160 02	Hose clamp		2	
16	911 201 189 01	Hose piece		1	
		10 X 3 X 190			
17	999 512 069 02	Hose clamp		2	
17	PCG 512 069 02	Hose clamp		2	
-	N 020 361 2	Hose		*	
		4 X 1,5			
18		370 MM		1	
19	999 512 069 02	Hose clamp		1	
19	PCG 512 069 02	Hose clamp		1	
20	999 512 069 02	Hose clamp		1	
20	PCG 512 069 02	Hose clamp		1	
-	N 020 361 2	Hose		*	
		4 X 1,5			
21		270 MM		1	
22	999 137 010 40	Branch socket		1	
23	999 512 069 02	Hose clamp		2	
23	PCG 512 069 02	Hose clamp		2	
-	N 020 361 2	Hose		*	
		4 X 1,5			
24		400 MM		1	
25	911 612 865 00	Rubber sleeve		1	

Model: 911 74

Model life 1974>>1977



Model: 911 74

Model life 1974>>1977

Pos	Part Number	Description	Remark	Qty	Model
		Tank ventilation	75-		
1	911 201 077 02	Expansion tank		1	
2	900 075 057 02	Hexagon-head bolt		1	
		M6 X 16			
2	900 075 057 03	Hexagon-head bolt		1	
		M6 X 16			
3	N 011 524 7	Washer		1	
		6,4			
3	N 011 524 27	Washer		1	
		6,4			
4	N 012 007 2	Lock ring		1	
		A 6			
4	900 027 004 03	Lock ring		1	
		A 6			
5	N 023 570 2	Hose clamp		2	
-	N 020 359 1	Hose	-76	*	
		9 X 3			
6		265 MM	-76	1	
-	N 020 359 1	Hose		*	
		9 X 2,5			
6		390 MM	77-	1	
7	999 512 160 02	Hose clamp	75	2	
7	PCG 512 160 02	Hose clamp	75-	2	
7	N 023 570 2	Hose clamp		2	
8	911 201 194 00	Breather hose	75	1	
		9 X 12 X 350			
-	N 020 359 1	Hose		*	
		9 X 2,5			
8		400 MM	-76	1	
-	N 020 359 1	Hose		*	
		9 X 2,5			
8		150 MM	77-	1	
9	911 201 263 01	Restrictor		1	
9	911 201 263 02	Restrictor		1	
10	911 201 171 02	Connecting piece		1	
11	999 512 160 02	Hose clamp	75	2	
11	PCG 512 160 02	Hose clamp	75-	2	
11	N 023 570 2	Hose clamp		2	
-	N 020 359 1	Hose		*	
		9 X 2,5			
12		350 MM	-76	1	
-	N 020 359 1	Hose		*	
		9 X 2,5			
12		270 MM	77-	1	
13	N 023 570 2	Hose clamp		2	
-	N 020 359 1	Hose		*	
		9 X 2,5			
14		250 MM	-76	1	
15	999 702 085 50	Rubber sleeve		1	
16	999 512 198 02	Hose clamp		2	
16	PCG 512 198 02	Hose clamp		2	
16	N 023 570 2	Hose clamp		2	
17	911 201 189 01	Hose piece	-76	1	
		10 X 3 X 190			
-	N 020 359 1	Hose		*	
		9 X 2,5			
17		220 MM	77-	1	
18	999 512 069 02	Hose clamp		2	
18	PCG 512 069 02	Hose clamp		2	
-	N 020 361 2	Hose		*	
		4 X 1,5			
19		370 MM		1	
20	999 512 069 02	Hose clamp		1	

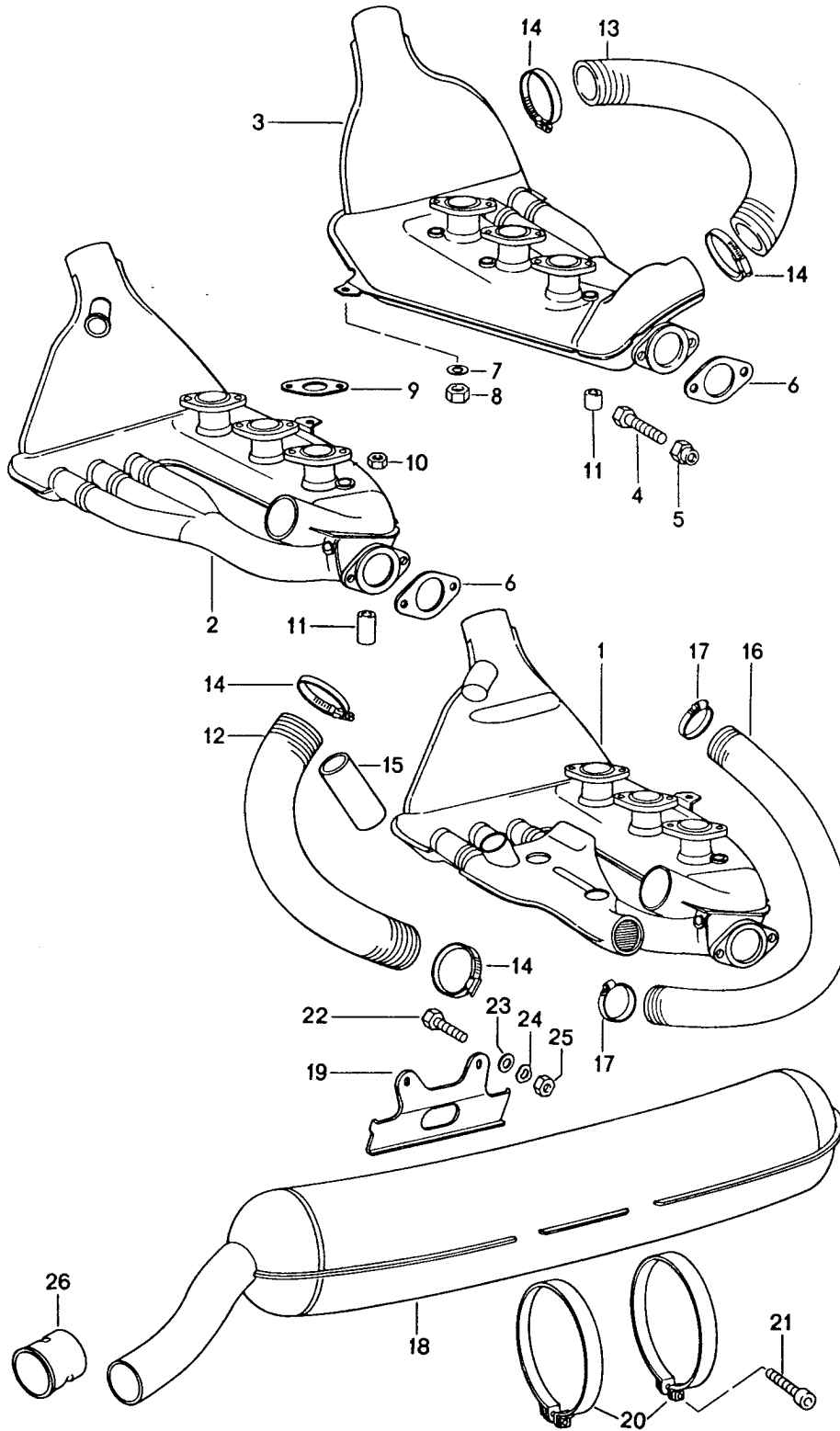
Model: 911 74

Model life 1974>>1977

Pos	Part Number	Description	Remark	Qty	Model
20	PCG 512 069 02	Hose clamp		1	
-	N 020 361 2	Hose		*	
		4 X 1,5			
21		650 MM	-76	1	
-	N 020 361 2	Hose		*	
		4 X 1,5			
21		1020 MM	77-	1	
22	911 612 865 00	Rubber sleeve		1	
23	911 201 157 01	Sleeve		1	
24	999 659 015 40	Protection cap		1	

Model: 911 74

Model life 1974>>1977



Model: 911 74 Model life 1974>>1977

Pos	Part Number	Description	Remark	Qty	Model
		Exhaust system	74		K-JETRONIC
1	911 211 021 14	Heat exchanger Complete	74- /L	1	911.83 911/83
2	911 211 021 60	Heat exchanger		1	911/911S
3	911 211 022 10	Heat exchanger Complete	/R -74	1	911/911S CARRERA 2,7
3		Heat exchanger Complete	/R	1	911/83
4	900 075 148 02	Hexagon-head bolt M 10 X 32	-74	4	911/911S CARRERA 2,7
4		Hexagon-head bolt M 10 X 32		4	911/83
5	999 084 002 02	Hexagon nut M 10	-74	4	911/911S CARRERA 2,7
5		Hexagon nut M10		4	911/83
6	901 111 193 00	Gasket	-74	4	911/911S CARRERA 2,7
6		Gasket		2	911/83
7	N 012 226 5	Spring washer B 6	-74	2	911/911S CARRERA 2,7
8	900 076 010 02	Nut M 6		2	911/911S CARRERA 2,7
8	900 076 010 0B	Nut M 6		2	911/911S CARRERA 2,7
9	911 113 190 01	Gasket	-74	2	911/911S CARRERA 2,7
10	900 076 025 02	Hexagon nut SW 13 M 8	-74	6	911/911S CARRERA 2,7
10	900 076 064 02	Hexagon nut SW 13 M 8		6	911/911S CARRERA 2,7
11	999 085 001 02	Socket head nut M 8	-74	6	911/911S CARRERA 2,7
12	901 211 194 00	Heater hose	-74 /L	1	911/911S CARRERA 2,7
12	901 211 194 01	Heater hose	/L	1	911/911S CARRERA 2,7
13	901 211 194 00	Heater hose	-74 /R	1	911/911S CARRERA 2,7
13	901 211 194 01	Heater hose	/R	1	911/911S CARRERA 2,7
14	999 512 349 02	Hose clamp	-74	4	911/911S CARRERA 2,7
14	999 512 349 01	Hose clamp		4	911/911S CARRERA 2,7
14	999 512 349 0B	Hose clamp	-74	4	911/911S CARRERA 2,7
15	911 106 329 00	Flexible pipe Engine cover	/L -74	1	CARRERA 2,7
16	911 108 151 00	Heat exchanger Flexible pipe	-74	1	CARRERA 2,7
17	999 512 348 02	Heat exchanger REGELGEHAEUSE	-74	1	CARRERA 2,7
18	911 111 025 01	Hose clamp 38 - 58 X 9 Exhaust silencer	-74	1	911/911S CARRERA 2,7
18		Exhaust silencer		1	911/83
19	901 111 151 04	Bracket		1	911/911S CARRERA 2,7
20	901 111 157 04	Clamp		2	911/911S CARRERA 2,7

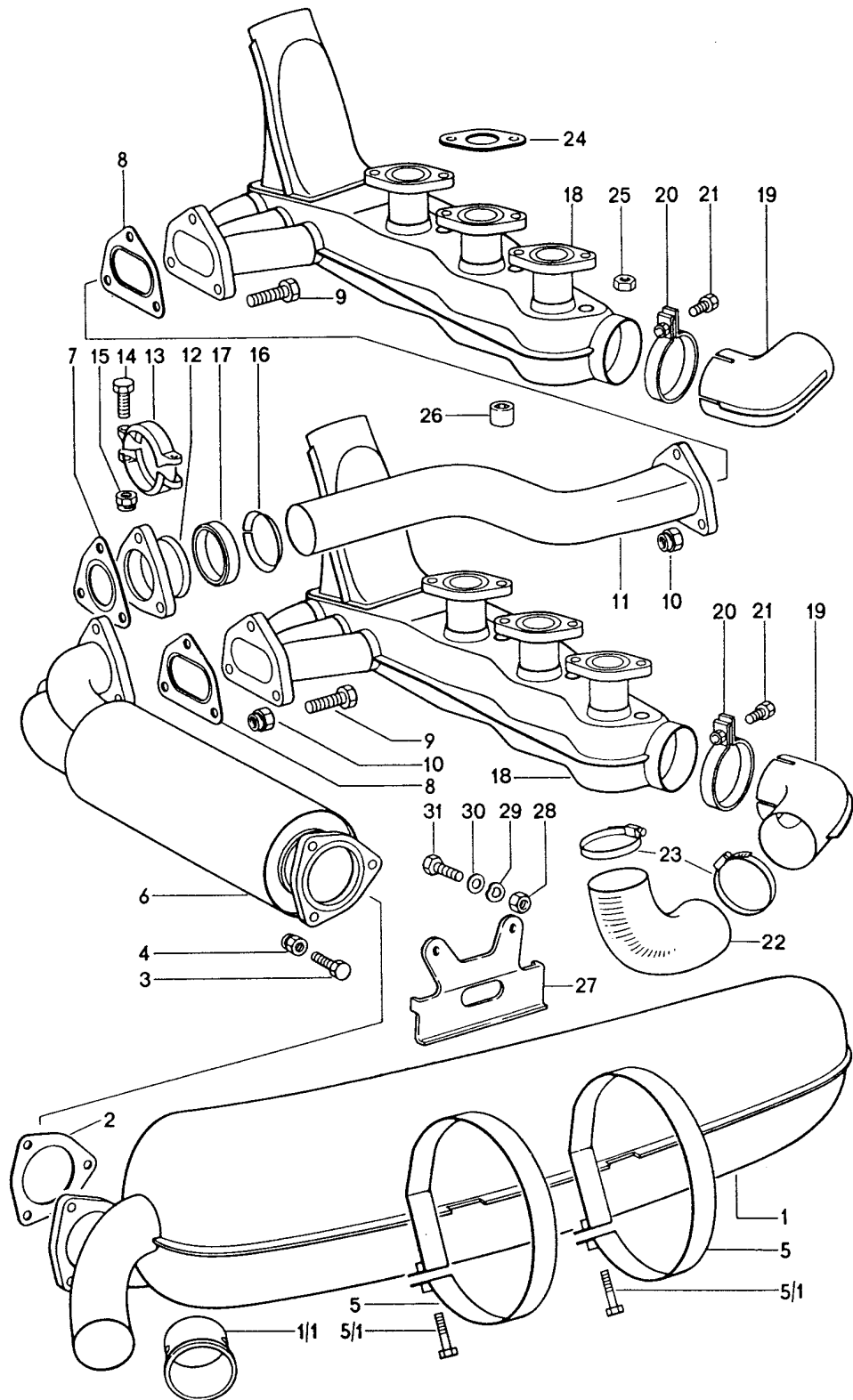
Model: 911 74

Model life 1974>>1977

Pos	Part Number	Description	Remark	Qty	Model
21	900 067 161 02	Pan-head screw M 10 X 50		2	911/911S CARRERA 2,7
22	900 075 078 02	Hexagon-head bolt		2	911/911S CARRERA 2,7
22	900 075 078 03	Hexagon-head bolt		2	911/911S CARRERA 2,7
23	900 025 007 02	Washer		2	911/911S CARRERA 2,7
23	900 025 007 03	Washer		2	911/911S CARRERA 2,7
24	N 012 241 8	Spring washer		2	911/911S CARRERA 2,7
25	900 076 025 02	Hexagon nut		2	911/911S CARRERA 2,7
25	900 076 064 02	Hexagon nut		2	911/911S CARRERA 2,7
26	911 111 245 00	Ornamental exhaust pipe		1	911/911S CARRERA 2,7
26	911 111 245 02	Ornamental exhaust pipe Black		1	911/911S CARRERA 2,7
26	911 111 245 03	Ornamental exhaust pipe Chrome		1	911/911S

Model: 911 74

Model life 1974>>1977



Model: 911 74 Model life 1974>>1977

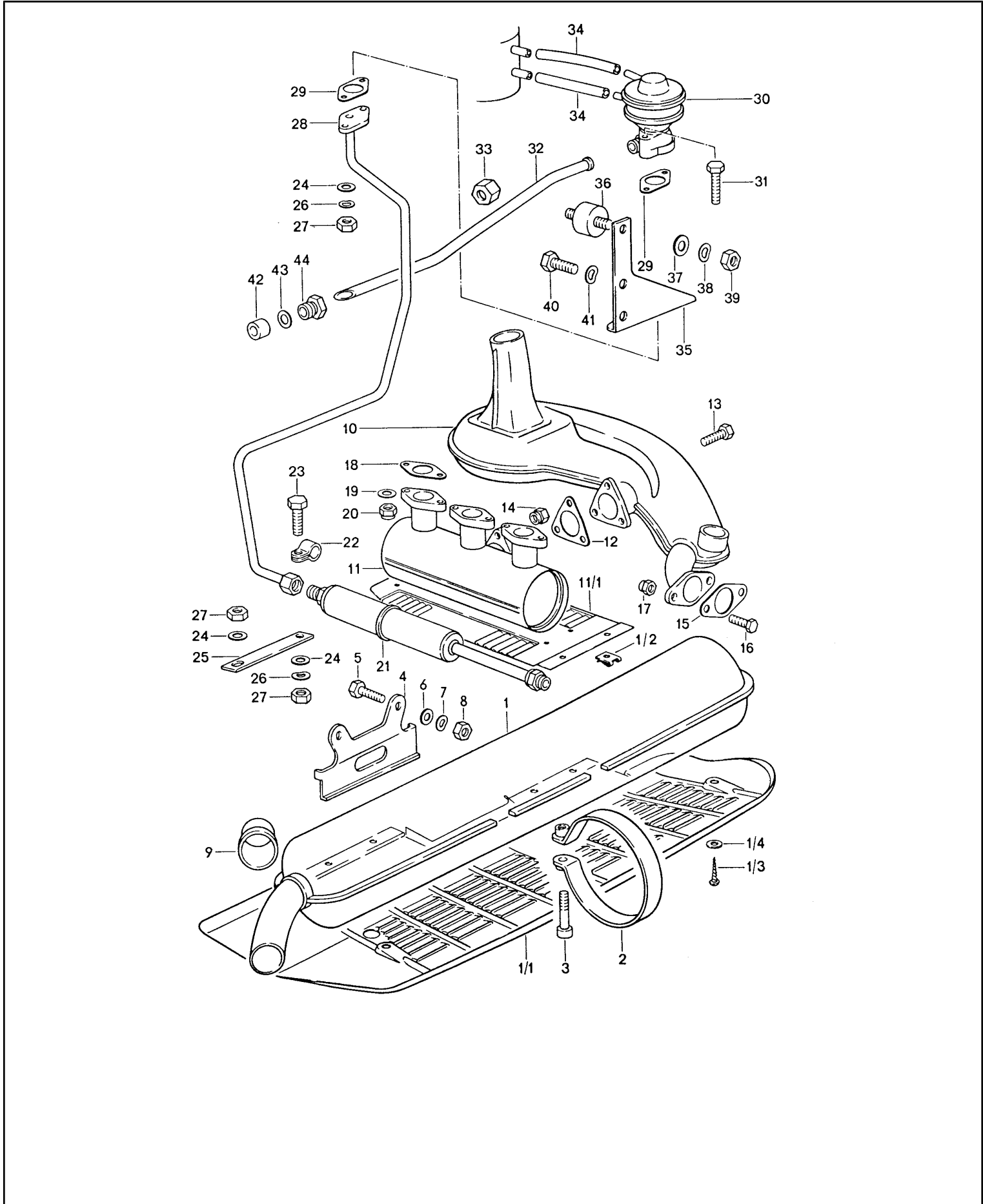
Pos	Part Number	Description	Remark	Qty	Model
1	930 111 022 00	Exhaust system Exhaust silencer	75-	1	K-JETRONIC 911/911S CARRERA 3,0
1	930 111 022 03	Exhaust silencer		1	911/911S CARRERA 3,0
1/1	911 111 245 00	Ornamental exhaust pipe		1	911/911S CARRERA 3,0
1/1	911 111 245 02	Ornamental exhaust pipe Black		1	911/911S CARRERA 3,0
1/1	911 111 245 03	Ornamental exhaust pipe Chrome		1	911/911S CARRERA 3,0
2	911 111 191 01	Gasket		1	911/911S CARRERA 3,0
2	911 111 191 02	Gasket Black		1	911/911S CARRERA 3,0
2	911 111 191 03	Gasket Chrome		1	911/911S
3	N 040 222 2	Hexagon-head bolt		3	911/911S CARRERA 3,0
4	999 084 052 02	Lock nut		4	911/911S CARRERA 3,0
5	901 111 157 04	Clamp		2	911/911S CARRERA 3,0
5/1	900 067 161 02	Pan-head screw M 10 X 50		2	911/911S CARRERA 3,0
6	930 111 183 01	Front muffler		1	911/911S
6		Front muffler		1	911/911S CARRERA 3,0
7	911 111 162 02	Gasket		1	911/911S CARRERA 3,0
7	930 111 193 07	Gasket		1	911/911S CARRERA 3,0
8	911 111 128 00	Gasket	A	2	911/911S CARRERA 3,0
9	N 040 222 2	Hexagon-head bolt		9	911/911S CARRERA 3,0
10	999 084 052 02	Lock nut	A	9	911/911S CARRERA 3,0
11	930 111 169 05	Exhaust line	-75	1	911/911S
11		Exhaust line		1	911/911S CARRERA 3,0
12	911 111 186 00	Compensating socket	-75	1	911/911S
12	930 111 157 00	Compensating socket		1	911/911S CARRERA 3,0
13	911 111 187 00	Clamp		2	911/911S CARRERA 3,0
14	900 074 019 02	Hexagon-head bolt		2	911/911S CARRERA 3,0
14	N 010 339 3	Hexagon-head bolt		2	911/911S CARRERA 3,0
15	900 910 096 02	Lock nut		2	911/911S CARRERA 3,0
16	911 111 188 02	Support washer		1	911/911S CARRERA 3,0
17	911 111 189 03	Gasket		1	911/911S CARRERA 3,0
18	930 211 025 01	Heat exchanger		2	911/911S CARRERA 3,0
19	911 211 131 00	Adapter		2	911/911S CARRERA 3,0
20	999 512 246 02	Clamp		2	911/911S CARRERA 3,0
20	999 512 246 0C	Clamp		2	911/911S

Model: 911 74 Model life 1974>>1977

Pos	Part Number	Description	Remark	Qty	Model
-	999 075 057 0B	Hexagon-head bolt M 8 X 35		X	CARRERA 3,0
-	999 075 057 02	Hexagon-head bolt M 6 X 16		X	
21	900 075 057 02	Hexagon-head bolt M 6 X 16		2	911/911S CARRERA 3,0
21	900 075 057 03	Hexagon-head bolt M 6 X 16		2	911/911S CARRERA 3,0
21	900 075 057 0B	Hexagon-head bolt Slotted screw M 6 X 16		2	911/911S CARRERA 3,0
22	911 211 553 00	Flexible pipe		1	911/911S CARRERA 3,0
23	999 512 349 02	Hose clamp		2	911/911S CARRERA 3,0
23	999 512 349 01	Hose clamp		2	911/911S CARRERA 3,0
23	999 512 349 0B	Hose clamp		2	911/911S CARRERA 3,0
24	930 111 191 13	Gasket		6	911/911S CARRERA 3,0
25	900 076 025 02	Hexagon nut		6	911/911S CARRERA 3,0
25	900 076 064 02	Hexagon nut		6	911/911S CARRERA 3,0
26	999 085 001 02	Socket head nut		6	911/911S CARRERA 3,0
27	901 111 151 04	Bracket		1	911/911S CARRERA 3,0
28	900 076 025 02	Hexagon nut		2	911/911S CARRERA 3,0
28	900 076 064 02	Hexagon nut		2	911/911S CARRERA 3,0
29	N 012 241 8	Spring washer		2	911/911S CARRERA 3,0
30	900 025 007 02	Washer		2	911/911S CARRERA 3,0
30	900 025 007 03	Washer		2	911/911S CARRERA 3,0
31	900 075 078 02	Hexagon-head bolt		2	911/911S CARRERA 3,0
31	900 075 078 03	Hexagon-head bolt		2	911/911S CARRERA 3,0

Model: 911 74

Model life 1974>>1977



Model: 911 74

Model life 1974>>1977

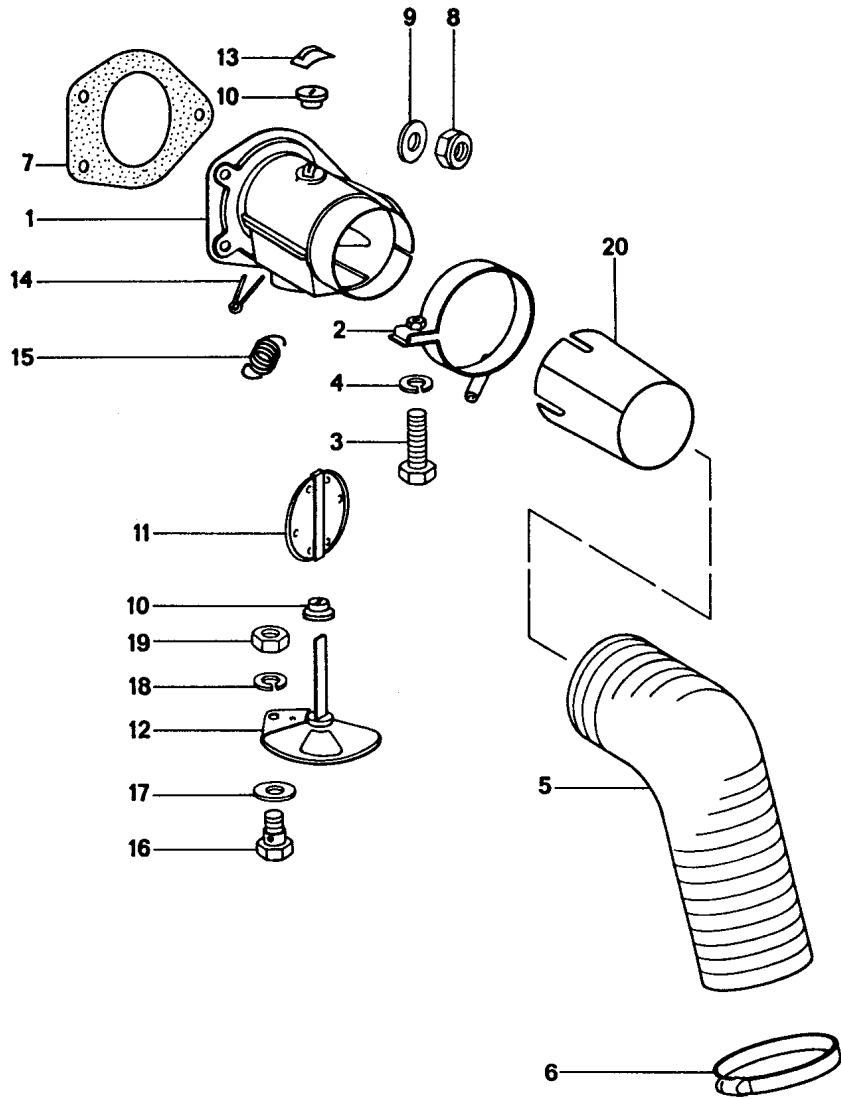
Pos	Part Number	Description	Remark	Qty	Model
		Exhaust system	(CAL) 75- (USA) (CDN) (J) 77-		K-JETRONIC
1	911 111 025 04	Exhaust silencer	(J)	1	911S
1/1	911 111 184 00	Cover	(J)	1	911S
1/2	999 591 327 02	Speed nut	(J)	16	911S
1/2	999 501 327 01	Speed nut	(J)	16	911S
1/2	999 591 327 01	Speed nut	(J)	16	911S
1/3	N 013 890 5	Hexagon-head tapping screw	(J)	16	911S
1/4	900 151 006 09	Washer	(J)	16	911S
2	901 111 157 04	Clamp		2	911S
3	900 067 161 02	Pan-head screw		2	911S
4	901 111 151 04	Bracket		1	911S
5	900 075 078 02	Hexagon-head bolt		2	911S
5	900 075 078 03	Hexagon-head bolt		2	911S
6	900 025 007 02	Washer		2	911S
6	900 025 007 03	Washer		2	911S
7	N 012 241 8	Spring washer		2	911S
8	900 076 025 02	Hexagon nut		2	911S
8	900 076 064 02	Hexagon nut		2	911S
9	911 111 245 00	Ornamental exhaust pipe		1	911S
9	911 111 245 02	Ornamental exhaust pipe Black		1	911S
9	911 111 245 03	Ornamental exhaust pipe Chrome		1	911S
10	911 211 028 00	Heat exchanger	/R	1	911S
(10)	911 211 027 01	Heat exchanger	/L	1	911S
11	930 113 150 05	Reactor	(J)	2	911S
-	930 113 151 00	Entrance tube for Reactor See technical information Group 2. NR. 13 - 25.2.77		6	911S
-	911 113 148 00	Entrance tube for Reactor See technical information Group 2. NR. 13 - 25.2.77		6	911S
11/1	911 113 208 01	Protection for reactor	(J)	2	911S
12	911 111 162 02	Gasket		4	911S
12	930 111 193 07	Gasket		4	911S
13	N 010 335 5	Hexagon-head bolt		2	911S
13	900 075 032 03	Hexagon-head bolt		2	911S
14	999 084 052 02	Lock nut		6	911S
15	901 111 193 00	Gasket		6	911S
16	900 075 148 02	Hexagon-head bolt		4	911S
17	999 084 002 02	Hexagon nut		4	911S
18	911 113 190 01	Gasket		6	911S
19	900 031 001 02	Washer	76-	12	911S
19	900 031 105 01	Washer	76-	12	911S
20	999 084 052 02	Lock nut		12	911S
21	911 113 173 01	Exhaust gas filter		1	911S
22	999 512 243 02	Pipe clamp		1	911S
23	900 075 010 02	Hexagon nut		X	911S
23	N 010 212 14	Hexagon-head bolt		X	911S
23	999 072 005 09	Hexagon nut		X	911S
23	999 072 005 01	Hexagon nut		X	911S
24	N 011 524 7	Washer		X	911S
24	N 011 524 27	Washer		X	911S
25	911 113 123 00	Support		1	911S

Model: 911 74 Model life 1974>>1977

Pos	Part Number	Description	Remark	Qty	Model
26	N 012 226 5	Spring washer		X	911S
28	911 113 176 05	Pipeline for 911/85/90/94/99		1	
29	911 113 179 02	Gasket	-75	2	911S
29		Gasket	76-	1	911S
30	911 113 183 04	Egr valve	(J)	1	911/94/99
31	N 010 347 5	Hexagon-head bolt		1	911S
31	900 074 019 02	Hexagon-head bolt		1	911S
32	911 113 177 03	Pipeline		1	911S
33	900 104 014 02	Union nut	-76	1	911S
-	999 181 281 50	Hose C 3,2 X 7 465 MM		*	
34				2	911S
35	911 113 175 04	Retaining bracket	-75	1	911S
35		Retaining bracket for 911/44/49/84/85/89 911/90/94/99		1	
40	N 010 239 11	Hexagon-head bolt		2	911S
40	N 010 239 30	Hexagon-head bolt		2	911S
41	N 012 241 8	Spring washer		2	911S
42	911 113 205 02	Sealing rubber		1	911S
43	N 011 564 2	Washer		1	911S
43	N 011 564 4	Washer		1	911S
44	911 113 206 00	Pressure screw		1	911S

Model: 911 74

Model life 1974>>1977



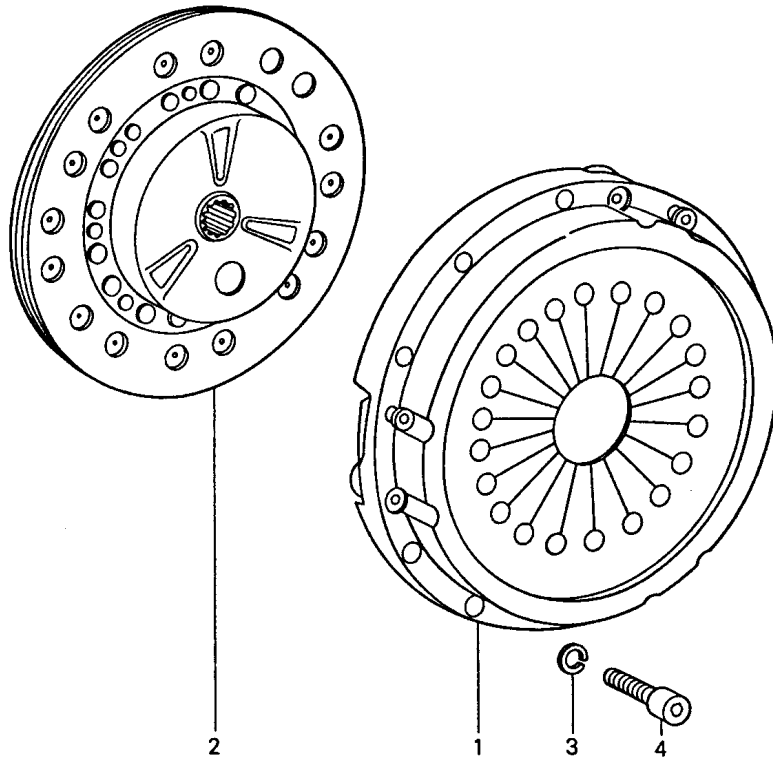
Model: 911 74

Model life 1974>>1977

Pos	Part Number	Description	Remark	Qty	Model
1	901 211 007 22	Heating air supply Heat control box Black	/L	1	
1	901 211 007 23	Heat control box Red	/L	1	
(1)	901 211 008 22	Heat control box Black	/R	1	
(1)	901 211 008 23	Heat control box Red	/R	1	
2	901 211 051 21	Pipe clamp	/L	1	
2	901 211 051 22	Pipe clamp	/L	1	
(2)	901 211 052 21	Pipe clamp	/R	1	
(2)	901 211 052 22	Pipe clamp	/R	1	
3	900 378 030 09	Hexagon-head bolt M 6 X 20		2	
4	900 027 014 01	Lock ring B 6		2	
4	900 027 014 02	Lock ring B 6		2	
4	N 012 006 4	Lock ring B 6		2	
5	930 211 622 01	Connecting hose 250 MM	-74	2	911/911S CARRERA 2,7
(5)	911 211 622 00	Connecting hose	75-	2	
6	999 512 349 02	Hose clamp		2	
6	999 512 349 01	Hose clamp		2	
6	999 512 349 0B	Hose clamp		2	
7	911 211 297 00	Gasket		2	
8	900 084 010 02	Lock nut M 6		6	
9	N 011 524 7	Washer 6,4		6	
9	N 011 524 27	Washer 6,4		6	
10	901 211 255 21	Bearing		4	
11	901 211 028 22	Air flap		2	
12	901 211 035 21	Rotary slide	/L	1	
(12)	901 211 036 21	Rotary slide	/R	1	
13	999 507 222 02	Mecano-speed-fix		2	
14	900 021 014 02	Cotter pin 3 X 15		2	
15	999 522 013 01	Spring		2	
16	901 211 683 00	Clamping screw		2	
17	999 025 042 02	Washer		2	
18	900 027 011 01	Lock ring B 4		2	
19	N 011 004 6	Hexagon nut M 4		2	
19	N 011 004 G	Nut M 4		2	

Model: 911 74

Model life 1974>>1977



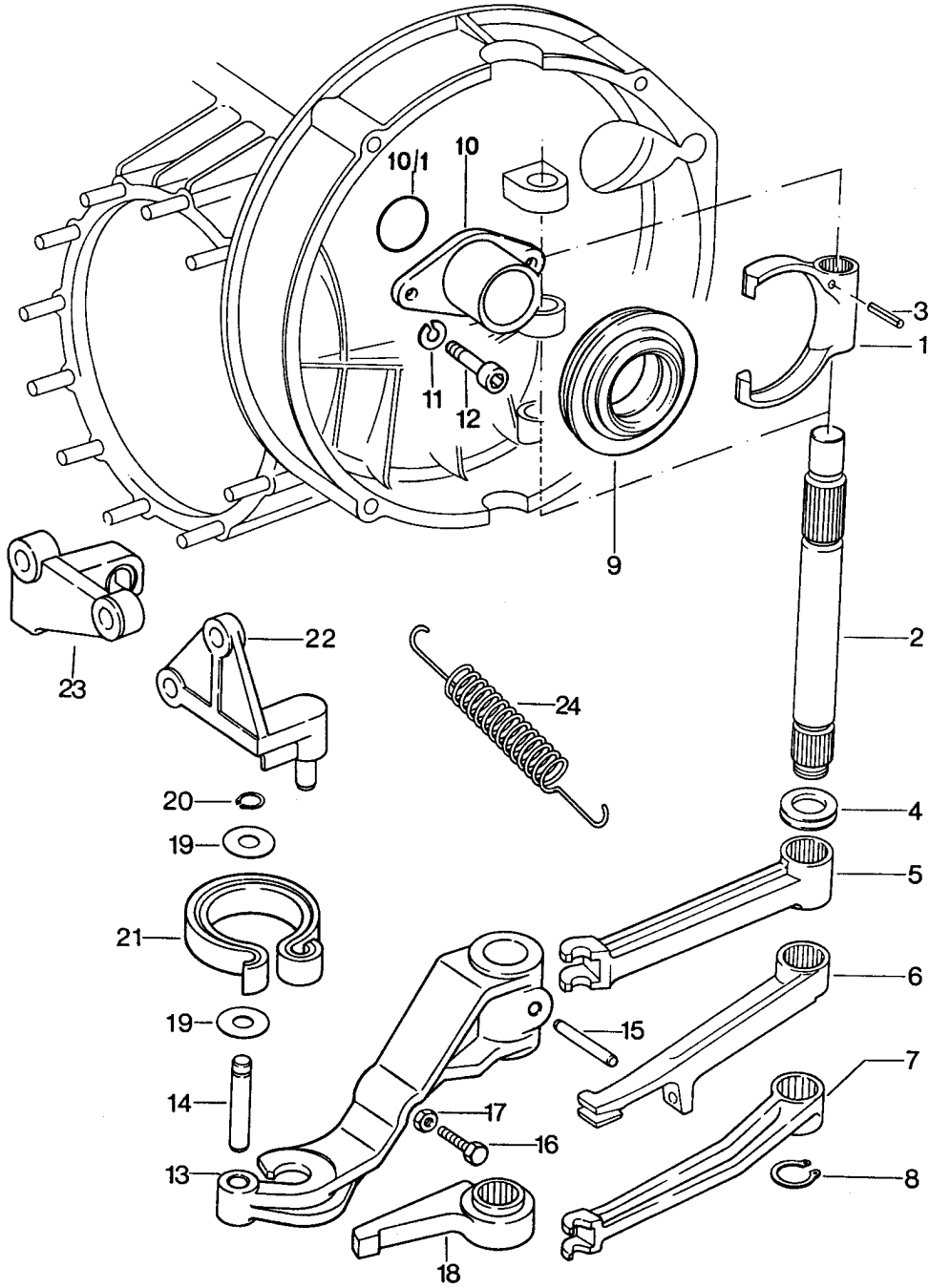
Model: 911 74

Model life 1974>>1977

Pos	Part Number	Description	Remark	Qty	Model
1	915 116 001 27	Clutch Pressure plate		1	
2	915 116 011 14	Clutch plate	-76	1	
2	915 116 011 22	Clutch plate	-76	1	
2	915 116 051 03	Clutch plate	77-	1	911/911S CARRERA 3,0
2	915 116 011 22	Clutch plate	77-	1	911/911S CARRERA 3,0
3	900 027 015 02	Lock ring B 8		9	
3	900 027 015 03	Lock ring B 8		9	
4	900 067 090 02	Pan-head screw M 8 X 42		9	
-	915 116 911 00	Repair kit for Clutch Comprising: Pressure plate Clutch plate Clutch release bearing		1	

Model: 911 74

Model life 1974>>1977

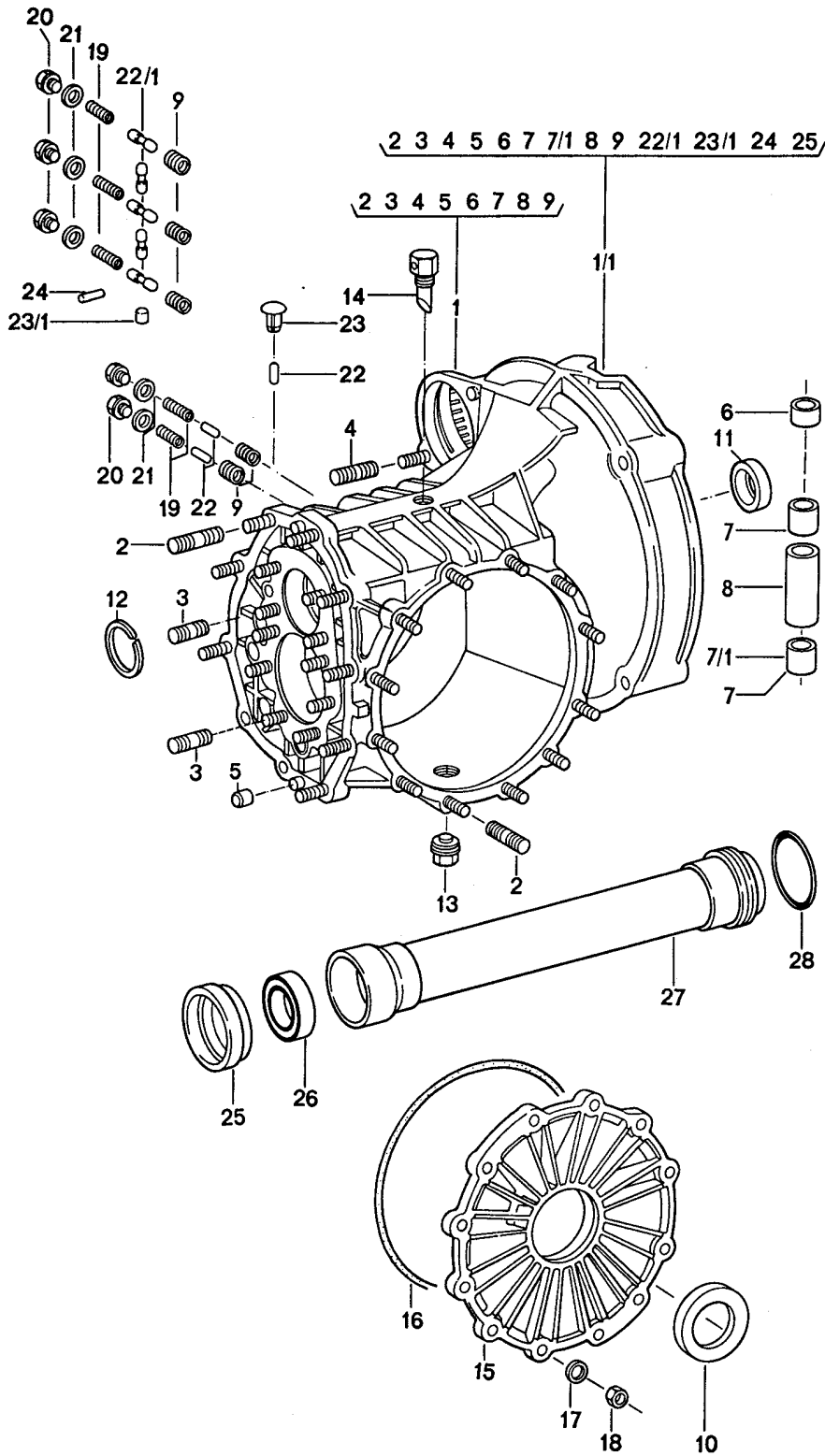


Model: 911 74 Model life 1974>>1977

Pos	Part Number	Description	Remark	Qty	Model
1	915 116 712 01	Clutch release Release fork		1	
1	915 116 712 03	Release fork		1	
2	915 116 133 03	Bellcrank		1	
2	915 116 133 07	Bellcrank		1	
(2)	915 116 133 05	Bellcrank		1	915/61/66
3	900 095 050 00	Roll pin		1	
4	915 301 139 00	Sealing ring		1	
5	915 116 713 01	Clutch release lever		1	915/06/16
6	915 116 713 04	Clutch release lever for 915/40/43/45/48		1	
(7)	915 116 713 05	Clutch release lever for 915/44/49/60/65		1	
8	N 012 418 1	Circlip 18 X 1,2		1	
9	915 116 082 80	Clutch release bearing		1	
(10)	915 116 087 03	Guide tube		1	911/911S CARRERA 3,0
(10)	915 116 087 06	Guide tube		1	911/911S CARRERA 3,0
10/1	999 701 359 40	O-ring		1	911/911S CARRERA 3,0
(12)	900 270 055 02	Rais. counters. h. tap. s.		2	911/911S CARRERA 3,0
(12)	999 270 070 01	Oval-head screw		2	911/911S CARRERA 3,0
13	930 116 713 03	Clutch release lever		1	
14	915 116 624 00	Bolt		1	
15	900 012 132 00	Straight pin 5 X 32		1	
16	930 116 701 00	Adjusting screw		1	
17	N 011 118 11	Hexagon nut M 8		1	
17	900 034 001 05	Hexagon nut M 8		1	
18	915 116 717 00	Change lever		1	
19	930 116 617 00	Washer		2	
20	900 041 003 01	Circlip 8 X 0,8		1	
21	930 116 064 06	Spring Picture 22 - 24 for 915/61/66		1	
22	915 116 070 00	Bearing bracket		1	
22	915 116 070 02	Bearing bracket		1	
23	915 116 613 01	Support		1	
24	915 116 614 02	Tension spring		1	

Model: 911 74

Model life 1974>>1977



Model: 911 74

Model life 1974>>1977

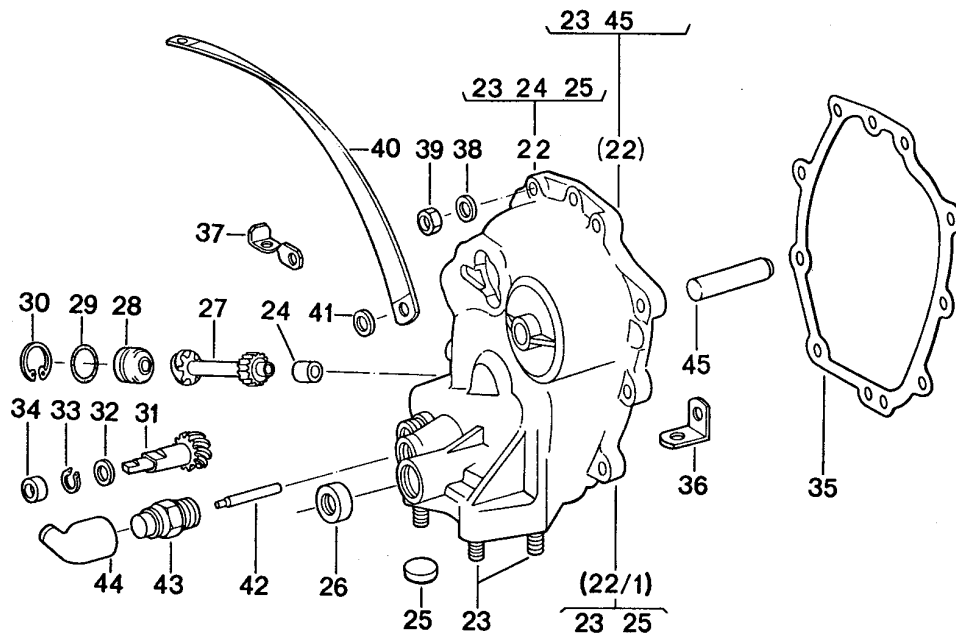
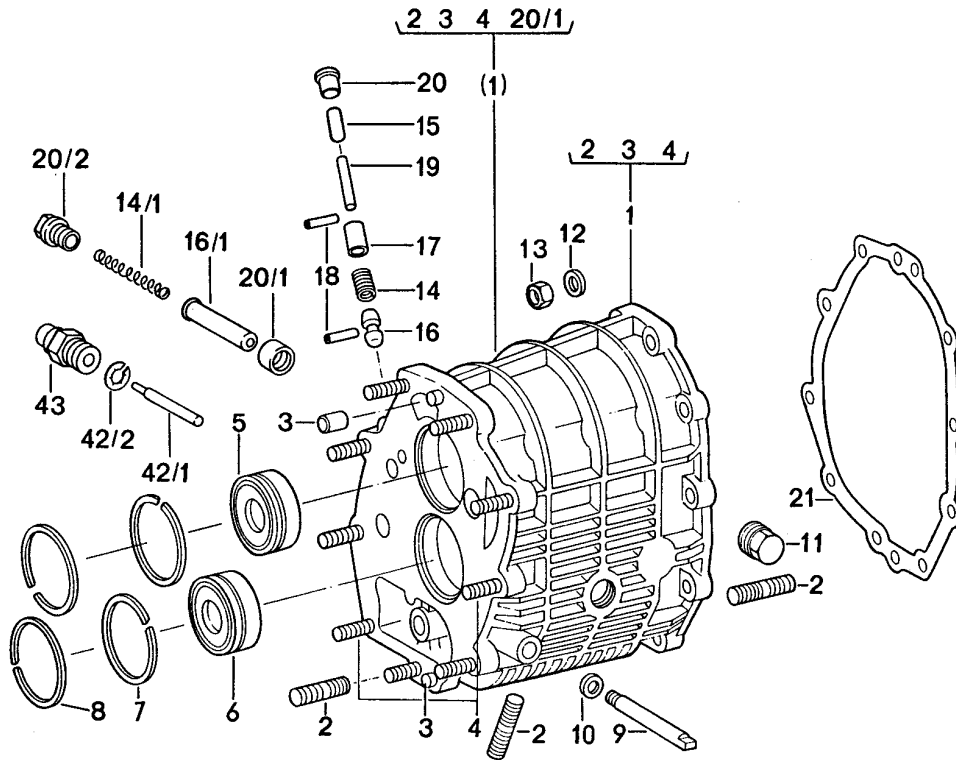
Pos	Part Number	Description	Remark	Qty	Model
-	915 300 010 16	Replacement transmission Transmission case Replacement transmission 4-speed Ready for installation		1	915/16
-	915 300 901 16	Replacement transmission 4-speed Ready for installation Limited-slip differential		1	915/16.11
-	915 300 010 48	Replacement transmission 4-speed Ready for installation		1	915/48
-	915 300 901 48	Replacement transmission 4-speed Ready for installation Limited-slip differential		1	915/48.11
-	915 300 010 45	Replacement transmission 4-speed Ready for installation		1	915/45
-	915 300 901 45	Replacement transmission 4-speed Ready for installation Limited-slip differential		1	915/45.11
-	915 300 010 49	Replacement transmission 4-speed Ready for installation		1	915/49
-	915 300 010 65	Replacement transmission 4-speed Ready for installation		1	915/65
-	915 300 010 66	Replacement transmission 4-speed Ready for installation		1	915/66
-	915 300 010 06	Replacement transmission 5-speed Ready for installation		1	915/06
-	915 300 903 06	Replacement transmission 5-speed Ready for installation Limited-slip differential		1	915/06.11
-	915 300 010 43	Replacement transmission 5-speed Ready for installation		1	915/43
-	915 300 903 43	Replacement transmission 5-speed Ready for installation Limited-slip differential		1	915/43.11
-	915 300 010 40	Replacement transmission 5-speed Ready for installation		1	915/40
-	915 300 903 40	Replacement transmission 5-speed Ready for installation Limited-slip differential		1	915/40.11
-	915 300 010 44	Replacement transmission 5-speed Ready for installation		1	915/44
-	915 300 010 60	Replacement transmission 5-speed Ready for installation		1	915/60
-	915 300 010 61	Replacement transmission 5-speed Ready for installation		1	915/61
1	915 301 901 03	Transmission case		1	

Model: 911 74 Model life 1974>>1977

Pos	Part Number	Description	Remark	Qty	Model
1	915 301 901 04	Transmission case	77-	1	915/61/65
2	999 062 139 02	Stud M 8 X 26		20	
(2)	999 062 098 02	Stud M 8 X 38	77-	4	
3	999 062 073 02	Stud M 8 X 20		10	
4	999 062 182 02	Stud M 10 X 25		1	
5	900 012 110 00	Straight pin 10 M 6 X 14		2	
6	915 301 125 01	Bearing sleeve	-76	1	
(6)	915 301 119 00	Bearing sleeve	77-	1	
7	915 301 129 00	Bush		2	
7	915 301 129 01	Bush		2	
8	915 301 133 00	Pipe		1	
9	999 504 047 00	Threaded insert Heli-coil		2	
10	999 113 183 40	Radial shaft seal		2	
11	915 302 381 00	Shaft sealing ring		1	
11	999 113 283 40	Shaft sealing ring		1	
11	999 113 327 40	Shaft sealing ring		1	
12	999 041 327 01	Circlip SB 62		1	
13	999 064 020 02	Screw plug M 24 X 1,5 with magnet		1	
14	904 301 071 00	Bleeder		1	
15	915 301 311 05	Transmission cover		1	
(15)		Transmission cover		1	915/61/66
16	999 701 392 40	O-ring		1	
17	900 031 014 30	Washer 8,4		12	
(17)	N 012 241 8	Spring washer B 8		12	
18	900 076 025 02	Hexagon nut M 8		12	
18	900 076 064 02	Hexagon nut M 8		12	
19	915 303 232 00	Spring		2	
20	900 075 352 02	Hexagon-head bolt		2	
21	900 123 066 30	Sealing ring A 10 X 16		2	
22	915 303 131 00	Detent		3	
23	915 301 126 00	Locking bolt		1	

Model: 911 74

Model life 1974>>1977



Model: 911 74

Model life 1974>>1977

Pos	Part Number	Description	Remark	Qty	Model
		Gear housing			
		Transmission cover			
1	915 301 902 00	Gear housing		1	
2	999 062 139 02	Stud		13	
		M 8 X 26			
3	900 012 110 00	Straight pin		2	
		10 M 6 X 14			
4	999 062 044 02	Stud		1	
		M 8 X 30			
5	999 110 025 00	Cylindrical-roller bearing		1	
6	915 302 399 05	Cylindrical-roller bearing		1	
6	915 302 399 06	Cylindrical-roller bearing		1	
7	900 111 001 00	Circlip		2	
		SP 62			
8	999 152 031 01	Circlip		2	
		SB 68			
9	914 301 307 00	Bolt		1	
10	900 031 001 02	Washer		1	
		B 8,4			
10	900 031 105 01	Washer		1	
		B 8,4			
11	999 064 007 02	Screw plug		1	
		without			
		Magnet			
		Yellow			
		Anodised			
12	900 031 014 30	Washer		10	
		8,4			
(12)	N 012 241 8	Spring washer		10	
		B 8			
13	900 076 025 02	Hexagon nut		10	
		M 8			
13	900 076 064 02	Hexagon nut		10	
		M 8			
14	915 303 232 00	Spring		1	
15	915 303 131 00	Detent		1	
		Short			
16	915 303 130 00	Detent		1	
		Long			
17	915 303 135 00	Sleeve		1	
18	900 308 009 00	Spiral clamping pin		2	
		3,5 X 18			
19	915 303 271 00	Pin		1	
20	915 301 126 00	Locking bolt		1	
21	915 301 191 00	Gasket		1	
		Transmission cover			
		Front			
22	915 301 903 01	Transmission cover		1	
		Front			
		for			
		915/06/16/40/43/45/48			
22/1	915 301 903 03	Transmission cover		1	
		Front			
		for			
		915/44/49/60/61/65/66			
23	999 062 006 02	Stud		4	
		M 8 X 20			
24	915 318 339 00	Bearing sleeve		1	
		for			
		915/06/16/40/43/45/48			
25	999 703 385 40	Stopper		1	
26	999 113 185 40	Shaft sealing ring		1	
27	915 318 033 00	Drive shaft		1	

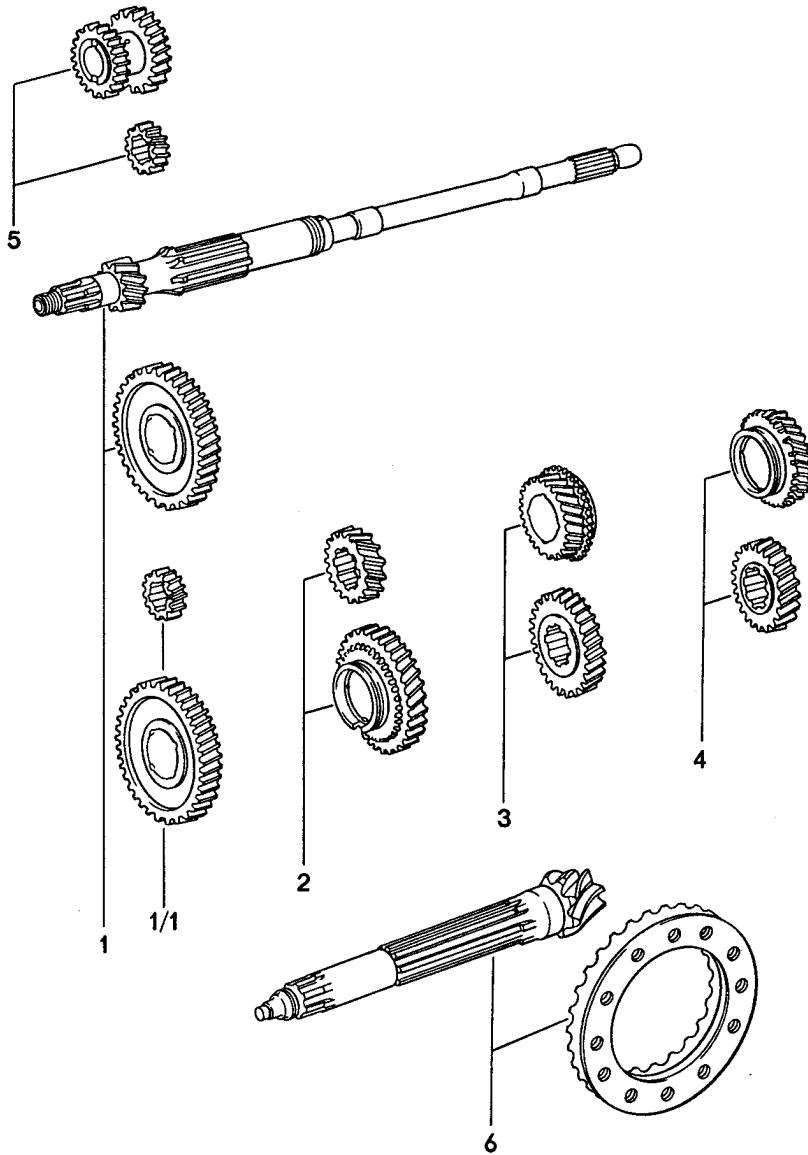
Model: 911 74

Model life 1974>>1977

Pos	Part Number	Description	Remark	Qty	Model
27	915 318 033 02	for 915/06/16/43/48 Drive shaft		1	915/40/45
28	915 318 307 00	Fitting bushing		1	
28	915 318 307 01	for 915/06/16/40/43/45/48 Fitting bushing		1	915/40/45
29	999 701 349 40	for 915/06/16/40/43/45/48 O-ring		1	
30	900 042 004 01	Circlip 22 X 1		1	
31	915 318 034 00	Drive shaft		1	
31	915 318 034 02	for 915/06/16/43/48 Drive shaft		1	
32	915 318 337 00	Thrust washer		1	
33	N 012 407 1	Circlip 7 X 0,8		1	
34	999 113 175 40	Shaft sealing ring		1	
35	915 301 351 00	Gasket		1	
36	901 423 369 00	Retaining bracket		1	
37	915 301 369 00	Clip		1	
38	900 031 014 30	Washer 8,4		9	
(38)	N 012 241 8	Spring washer B 8		9	
39	900 076 025 02	Hexagon nut M 8		9	
39	900 076 064 02	Hexagon nut M 8		9	
40	999 611 920 20	Ground strap		1	
41	999 151 022 02	Washer 20 X 8,4 X 2		1	
42	915 303 145 00	Cam follower		1	
42	915 303 145 01	Cam follower		1	
43	914 613 541 02	Back-up light switch		1	
44	914 613 491 00	Protection cap		1	

Model: 911 74

Model life 1974>>1977



Model: 911 74 Model life 1974>>1977

Pos	Part Number	Description	Remark	Qty	Model
1	915 302 901 05	Gear wheel sets 4-speed Transmission Gear set 1st gear Z = 11:35		1	915/16/48
2	923 302 902 33	Gear wheel pair 2nd gear Z = 20:32		1	
3	915 302 904 20	Gear set 3rd gear Z = 25:26		1	
4	923 302 904 78	Gear wheel pair 4th speed Z = 29:21		1	
5	915 302 912 04	Gear wheel pair Reverse gear		1	
5	915 302 912 05	Gear wheel pair Reverse gear		1	
6	915 302 911 16	Ring gear and pinion shaft 7:31		1	
1	915 302 901 05	Transmission Gear set 1st gear Z = 11:35 (AZ)		1	915/45/49 915/49
2	923 302 902 33	Gear wheel pair 2nd gear Z = 20:32 (KW)		1	
3	923 302 904 18	Gear wheel pair 3rd gear Z = 25:27 (PR)		1	
4	915 302 904 60	Gear set 4th speed Z = 28:23 (SN)		1	
5	915 302 912 04	Gear wheel pair Reverse gear		1	
5	915 302 912 05	Gear wheel pair Reverse gear		1	
6	915 302 911 17	Ring gear and pinion shaft 8:31		1	915/45
(6)		Ring gear and pinion shaft 8:31		1	915/49
1	915 302 921 14	Transmission Gear set 1st gear Z = 11:35 (AZ)		1	915/65/66
1	915 302 921 15	Gear set 1st gear Z = 11:35 (AZ)		1	
1	915 302 921 16	Gear set 1st gear Z = 11:35 (AZ)		1	
2	923 302 902 33	Gear wheel pair 2nd gear Z = 20:32 (KW)		1	
3	923 302 904 18	Gear wheel pair 3rd gear Z = 25:27 (PR)		1	
4	915 302 904 60	Gear set 4th speed Z = 28:23 (SN)		1	
5	915 302 912 04	Gear wheel pair Reverse gear		1	

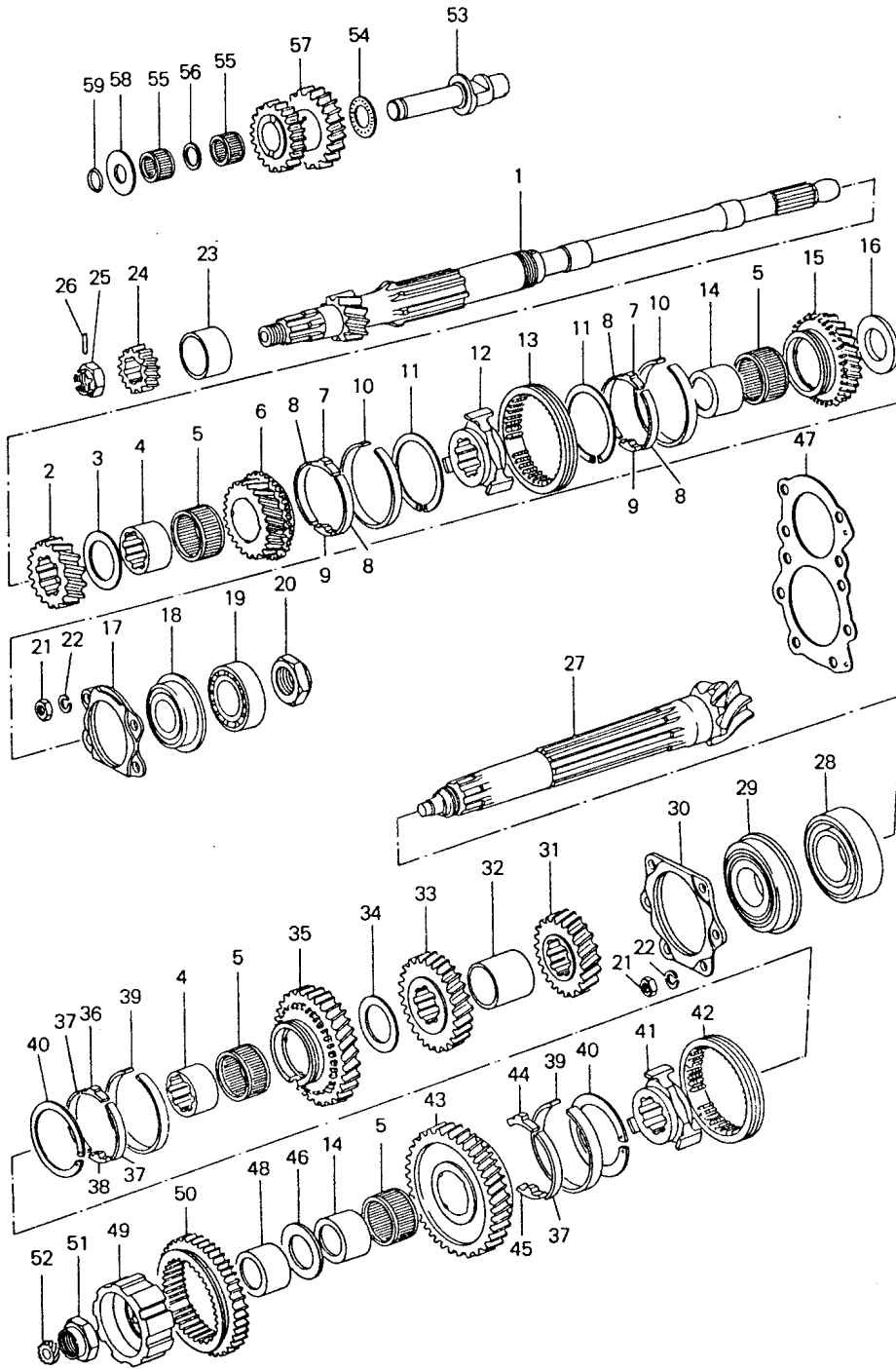
Model: 911 74

Model life 1974>>1977

Pos	Part Number	Description	Remark	Qty	Model
5	915 302 912 05	Gear wheel pair Reverse gear		1	
6	915 302 911 17	Ring gear and pinion shaft 8:31		1	

Model: 911 74

Model life 1974>>1977



Model: 911 74

Model life 1974>>1977

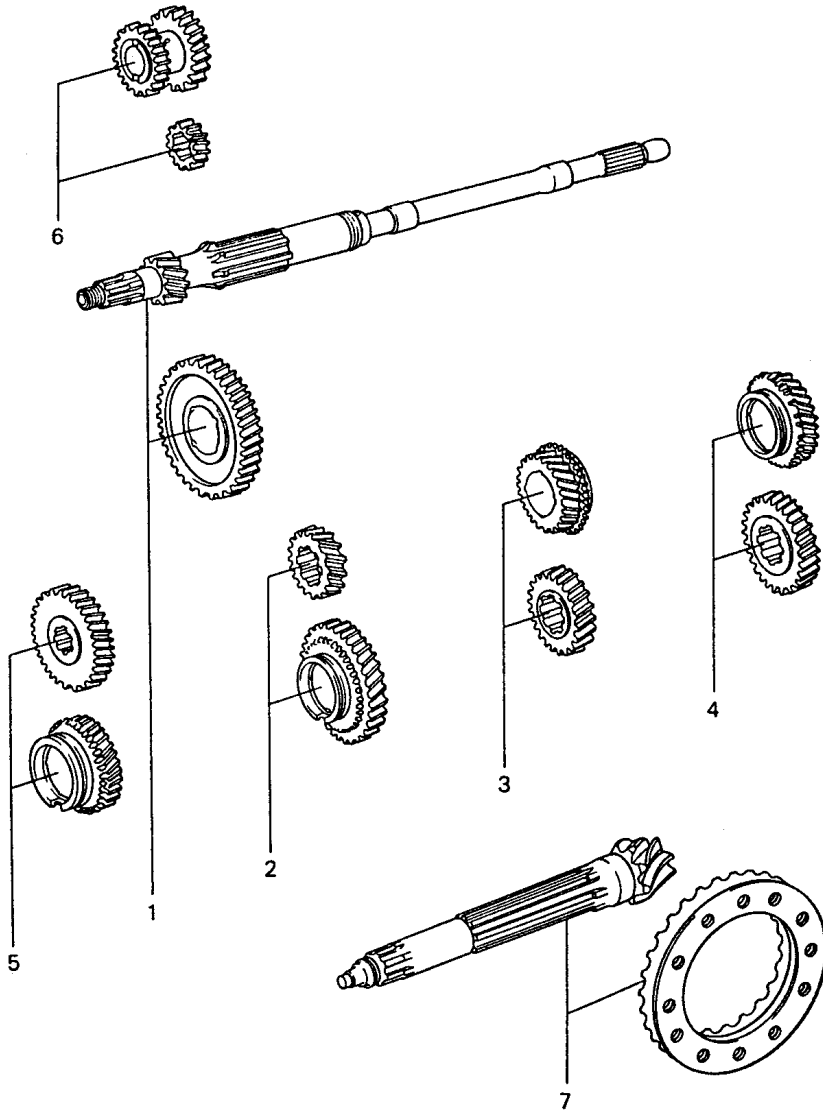
Pos	Part Number	Description	Remark	Qty	Model
		Gears and shafts 4-speed Gear wheel sets See group 3/03/00			915
1		Drive shaft		1	
-	915 302 267 00	Spacer sleeve		X	
2		Fixed gear wheel 2nd gear		2	
3	915 302 292 00	Thrust washer		1	
4	915 302 262 00	Bush		1	
5	999 201 470 00	Needle cage		4	
6		Loose gear wheel 3rd gear		1	
7	911 302 315 00	Detent 3rd/4th gear		2	
8	911 302 316 00	Spring 3rd/4th gear		4	
9	911 302 317 01	Stop 3rd/4th gear		2	
10	911 302 301 06	Synchroniser ring 3rd/4th gear		2	
10	911 302 301 13	Synchroniser ring 3rd/4th gear		2	
11	911 302 311 01	Circlip		2	
12	901 302 402 02	Sleeve		1	915/16/48
12	911 302 402 20	Guide sleeve for 915/44/45/49/65/66		1	
13	911 302 411 10	Shift sleeve		1	915/16/48
13	911 302 411 20	Shift sleeve for 915/44/45/49/65/66		1	
13	911 302 411 26	Shift sleeve for 915/44/45/49/65/66		1	
13	911 302 411 27	Shift sleeve for 915/44/45/49/65/66		1	
14	915 302 261 00	Bush		2	
14	915 302 261 03	Bush		2	
15		Loose gear wheel 4th speed		1	
16	915 302 294 01	Thrust washer		1	
17	915 302 121 03	Tensioning plate		1	
17	915 302 121 04	Tensioning plate		1	
18	999 052 030 00	Four-point bearing		1	
19	999 110 032 00	Cylindrical-roller bearing		1	
20	999 034 033 00	Hexagon nut		1	
21	502 08 310	Hexagon nut M 8		10	
22	900 142 002 01	Lock ring		10	
23	915 302 277 00	Spacer sleeve		1	
24		Reverse gear wheel 1		1	
25	900 079 009 00	Castle nut M 18 X 1,5		1	
26	900 309 005 00	Roll pin 4 X 26		1	
27		Pinion shaft		1	
28	999 110 146 00	Cylindrical-roller bearing		1	
28	999 110 146 01	Cylindrical-roller bearing		1	
29	999 052 043 00	Four-point bearing		1	

Model: 911 74 Model life 1974>>1977

Pos	Part Number	Description	Remark	Qty	Model
30	915 302 123 03	Tensioning plate		1	
30	915 302 123 04	Tensioning plate		1	
31		Fixed gear wheel 4th speed		1	
32	915 302 265 01	Spacer sleeve		1	
33		Fixed gear wheel 3rd gear		1	
34	915 302 293 00	Thrust washer		1	
35		Loose gear wheel 2nd gear		1	
36	915 302 315 01	Stone 2nd gear		1	
37	915 302 316 01	Brake band		3	
(37)	928 302 318 02	Double barricade tape 2nd gear		1	915/65/66
(37)	928 302 319 08	Double barricade tape 1st gear		1	915/65/66
38	915 302 321 00	Stop 2nd gear		1	
(38)	928 302 322 00	Stop 2nd gear		1	915/65/66
39	915 302 301 04	Synchroniser ring		2	
(39)	915 302 301 06	Synchroniser ring 1st gear		1	915/65/66
(39)	915 302 301 04	Synchroniser ring 2nd gear		1	915/65/66
40	915 302 311 01	Circlip		1	
41	915 302 401 00	Guide sleeve		2	
(41)	915 302 401 02	Guide sleeve		1	915/65/66
42	915 302 411 00	Shift sleeve		1	
(42)	930 302 411 01	Shift sleeve		1	915/65/66
(42)	930 302 411 02	Shift sleeve		1	915/65/66
(42)	930 302 411 03	Shift sleeve		1	915/65/66
43		Loose gear wheel 1st gear		1	
44	915 302 318 00	Stone 1st gear		1	
(44)	915 302 315 01	Stone 1st gear		1	915/65/66
45	915 302 321 00	Stop		1	
(45)	928 302 321 00	Stop		1	915/65/66
46	915 302 291 00	Thrust washer		1	
47	915 302 268 03	Adjusting shim 0,10 MM		X	
-	915 302 268 04	Adjusting shim 0,15 MM		X	
-	915 302 268 05	Adjusting shim 0,20 MM		X	
48	915 302 278 01	Spacer sleeve		1	
49	915 302 405 01	Guide sleeve		1	
50	915 302 227 09	Shifting gear Reverse gear		1	
51	915 302 282 00	Collar nut		1	
52	915 318 331 00	Speedometer pinion 1		1	915/16/45/48
53	915 302 228 03	Bolt		1	
54	999 202 001 00	Needle cage		1	
55	999 201 107 00	Needle cage		2	
56	915 302 231 00	Intermediate ring		1	
57		Reverse idler gear		1	
58	915 302 229 01	Thrust washer		1	
59	999 701 169 40	O-ring		1	

Model: 911 74

Model life 1974>>1977



Model: 911 74 Model life 1974>>1977

Pos	Part Number	Description	Remark	Qty	Model
1	915 302 901 05	Gear wheel sets 5-speed for Transmission 915.06/43 Gear set 1st gear Z = 11:35 (AZ)		1	
2	915 302 902 39	Gear wheel pair 2nd gear Z = 18:33 (HX)		1	
3	923 302 903 23	Gear wheel pair 3rd gear Z = 23:29 (NT)		1	
4	915 302 904 40	Gear set 4th speed Z = 27:25 (RP)		1	
4	915 302 904 74	Gear wheel pair 4th speed Z = 29:28		1	
5	923 302 905 53	Gear wheel pair 5th gear Z = 29:21 (TL)		1	
6	915 302 912 04	Gear wheel pair Reverse gear		1	
6	915 302 912 05	Gear wheel pair Reverse gear		1	
7	915 302 911 16	Ring gear and pinion shaft 7:31 for Transmission 915.40/44		1	
1	915 302 901 05	Gear set 1st gear Z = 11:35 (AZ)		1	915/44
2	915 302 902 39	Gear wheel pair 2nd gear Z = 18:33 (HX)		1	
3	923 302 903 23	Gear wheel pair 3rd gear Z = 23:29 (NT)		1	
4	923 302 904 28	Gear wheel pair 4th speed Z = 26:26 (QQ)		1	
5	923 302 905 23	Gear wheel pair 5th gear Z = 28:23 (SN)		1	
6	915 302 912 04	Gear wheel pair Reverse gear		1	
6	915 302 912 05	Gear wheel pair Reverse gear		1	
7	915 302 911 17	Ring gear and pinion shaft 8:31		1	915/40
(7)		Ring gear and pinion shaft 8:31 for Transmission for Transmission 915.60/61		1	915/44
1	915 302 921 14	Gear set 1st gear Z = 11:35 (AZ)		1	

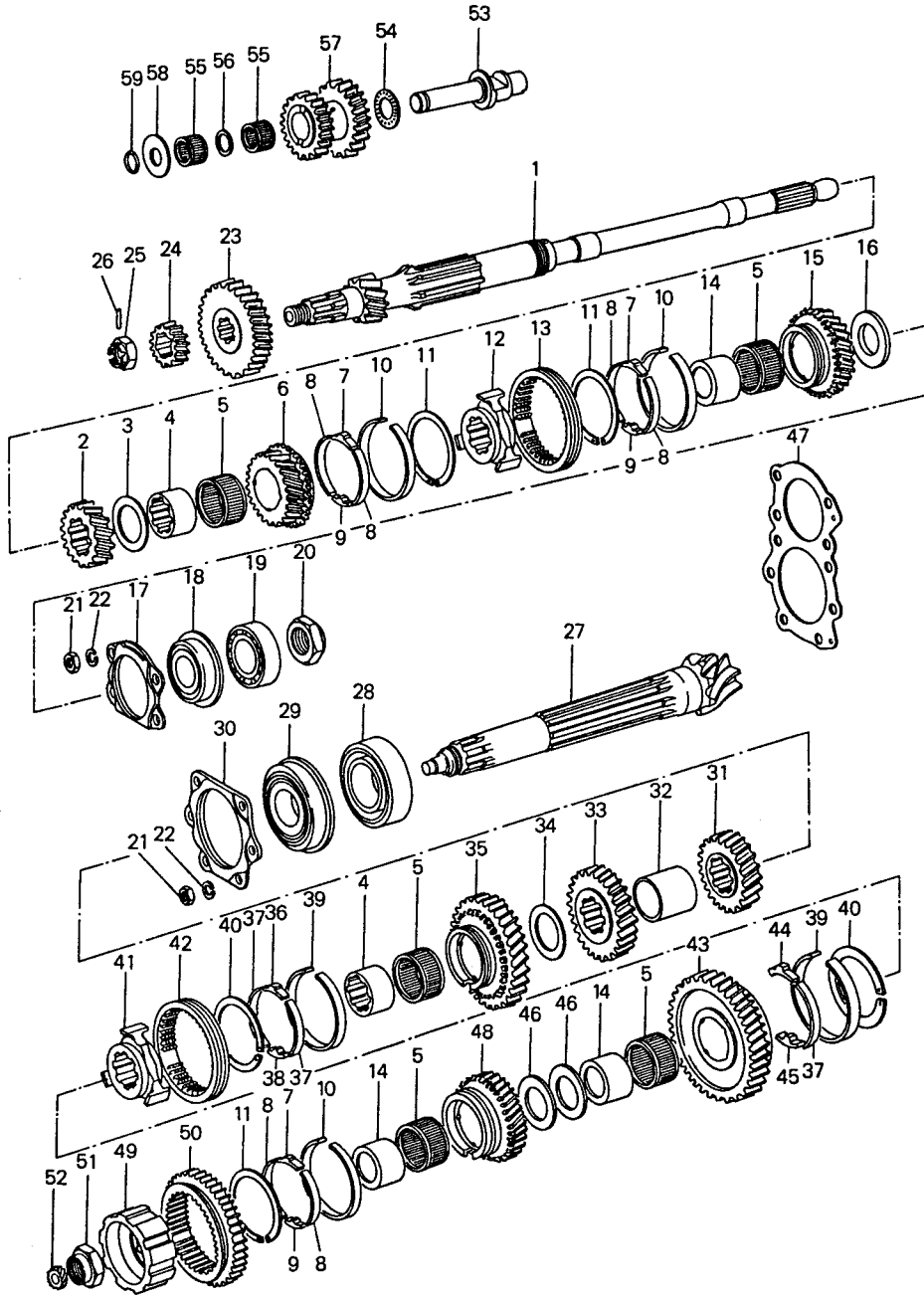
Model: 911 74

Model life 1974>>1977

Pos	Part Number	Description	Remark	Qty	Model
1	915 302 921 15	Gear set 1st gear Z = 11:35 (AZ)		1	
1	915 302 921 16	Gear set 1st gear Z = 11:35 (AZ)		1	
2	915 302 902 39	Gear wheel pair 2nd gear Z = 18:33 (HX)		1	
3	923 302 903 23	Gear wheel pair 3rd gear Z = 23:29 (NT)		1	
4	923 302 904 28	Gear wheel pair 4th speed Z = 26:26 (QQ)		1	
5	923 302 905 23	Gear wheel pair 5th gear Z = 28:23 (SN)		1	
6	915 302 912 04	Gear wheel pair Reverse gear		1	
6	915 302 912 05	Gear wheel pair Reverse gear		1	
7	915 302 911 17	Ring gear and pinion shaft 8:31		1	

Model: 911 74

Model life 1974>>1977



Model: 911 74 Model life 1974>>1977

Pos	Part Number	Description	Remark	Qty	Model
		Gears and shafts			TYP 915
		5			TYP 923
		Speed			
		Gear wheel sets			
		See group			
		3/03/10			
1		Drive shaft		1	
-	915 302 267 00	Spacer sleeve		X	
2		Fixed gear wheel		1	
		2.			
		Speed			
3	915 302 292 00	Thrust washer		1	
4	915 302 262 00	Bush		2	
5	999 201 470 00	Needle cage		5	
6		Loose gear wheel		1	
		3.			
		Speed			
7	911 302 315 00	Detent		1	
		3. - 5.			
		Speed			
8	911 302 316 00	Spring		6	
		3. - 5.			
		Speed			
9	911 302 317 01	Stop		3	
		3. - 5.			
		Speed			
10	911 302 301 06	Synchroniser ring		3	
		3. - 5.			
		Speed			
10	911 302 301 13	Synchroniser ring		3	
		3. - 5.			
		Speed			
11	911 302 311 01	Circlip		3	
12	901 302 402 02	Sleeve		1	915/06/43
12	911 302 402 20	Guide sleeve		1	
		for			
		915/40/44/60/61			
13	911 302 411 10	Shift sleeve		1	915/06/43
13	911 302 411 20	Shift sleeve		1	
		for			
		915/40/44/60/61			
13	911 302 411 26	Shift sleeve		1	
		for			
		915/40/44/60/61			
13	911 302 411 27	Shift sleeve		1	
		for			
		915/40/44/60/61			
14	915 302 261 00	Bush		3	
14	915 302 261 03	Bush		3	
15		Loose gear wheel		1	
		4.			
		Speed			
16	915 302 294 01	Thrust washer		1	
17	915 302 121 03	Tensioning plate		1	
17	915 302 121 04	Tensioning plate		1	
18	999 052 030 00	Four-point bearing		1	
19	999 110 032 00	Cylindrical-roller bearing		1	
20	999 034 033 00	Hexagon nut		1	
21	502 08 310	Hexagon nut		10	
		M 8			
22	900 142 002 01	Lock ring		10	
23		Fixed gear wheel		1	
		5.			

Model: 911 74

Model life 1974>>1977

Pos	Part Number	Description	Remark	Qty	Model
24		Speed Reverse gear wheel 1		1	
25	900 079 009 00	Castle nut M 18 X 1,5		1	
25		Castle nut M 18 X 1,5		1	
26	900 309 005 00	Roll pin 4 X 26		1	
27		Pinion shaft		1	
28	999 110 146 00	Cylindrical-roller bearing		1	
28	999 110 146 01	Cylindrical-roller bearing		1	
29	999 052 043 00	Four-point bearing		1	
30	915 302 123 03	Tensioning plate		1	
30	915 302 123 04	Tensioning plate		1	
31		Fixed gear wheel 4.		1	
32	915 302 265 01	Speed Spacer sleeve		1	
33		Fixed gear wheel 3.		1	
34	915 302 293 00	Speed Thrust washer		1	
35		Loose gear wheel 2.		1	
36	915 302 315 01	Speed Stone 2.		1	
37	915 302 316 01	Speed Brake band		3	
(37)	928 302 318 02	Double barricade tape 2.		1	915/60/61
(37)	928 302 319 08	Speed Double barricade tape 1.		1	915/60/61
38	915 302 321 00	Speed Stop 2.		1	
(38)	928 302 322 00	Speed Stop 2.		1	915/60/61
39	915 302 301 04	Speed Synchroniser ring		2	
(39)		Synchroniser ring 2.		1	915/60/61
(39)	915 302 301 06	Speed Synchroniser ring 1.		1	915/60/61
40	915 302 311 01	Speed Circlip		2	
41	915 302 401 00	Guide sleeve		1	
(41)	915 302 401 02	Guide sleeve		1	915/60/61
42	915 302 411 00	Shift sleeve		1	
(42)	930 302 411 01	Shift sleeve		1	915/60/61
(42)	930 302 411 02	Shift sleeve		1	915/60/61
(42)	930 302 411 03	Shift sleeve		1	915/60/61
43		Loose gear wheel 1.		1	
44	915 302 318 00	Speed Stone 1.		1	
(44)	915 302 315 01	Speed Stone		1	915/60/61

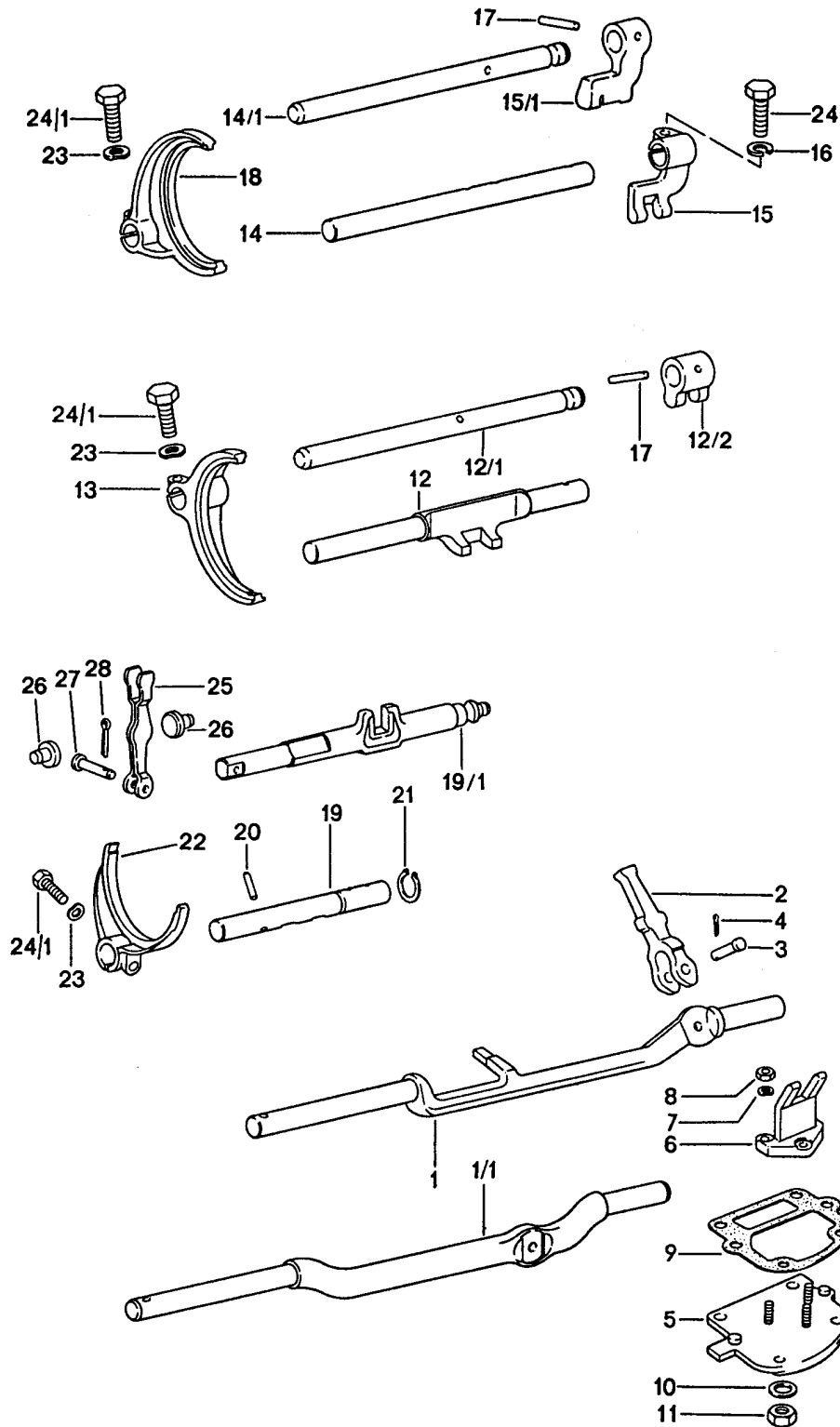
Model: 911 74

Model life 1974>>1977

Pos	Part Number	Description	Remark	Qty	Model
		1. Speed			
45	915 302 321 00	Stop		1	
(45)	928 302 321 00	Stop		1	915/60/61
46	915 302 291 00	Thrust washer		2	
47	915 302 268 03	Adjusting shim 0,10 MM		X	
-	915 302 268 04	Adjusting shim 0,15 MM		X	
-	915 302 268 05	Adjusting shim 0,20 MM		X	
48		Loose gear wheel		1	
		5. Speed			
49	915 302 405 01	Guide sleeve		1	
50	915 302 227 09	Shifting gear		1	
51	915 302 282 00	Collar nut		1	
52	915 318 331 00	Speedometer pinion		1	915/06/40/43
53	915 302 228 03	Bolt		1	
		Reverse idler gear			
54	999 202 001 00	Needle cage		1	
55	999 201 107 00	Needle cage		2	
56	915 302 231 00	Intermediate ring		1	
57		Reverse idler gear		1	
58	915 302 229 01	Thrust washer		1	
59	999 701 169 40	O-ring		1	

Model: 911 74

Model life 1974>>1977



Model: 911 74

Model life 1974>>1977

Pos	Part Number	Description	Remark	Qty	Model
		Shift rods			
		shift forks			
1	915 303 132 00	Gear shift rod		1	
2	915 303 133 00	Shift lever		1	
3	901 303 171 01	Bolt		1	
4	N 012 512 1	Cotter pin 2 X 12		1	
5	915 303 023 02	Shift cover		1	
6	915 303 129 09	Fork		1	
7	N 012 006 4	Lock ring B 6		3	
8	900 076 010 02	Nut M 6		3	
8	900 076 010 0B	Nut M 6		3	
9	915 303 225 00	Gasket		1	
10	900 031 014 30	Washer 8,4		4	
(10)	N 012 241 8	Spring washer		4	
11	900 076 025 02	Hexagon nut M 8		4	
11	900 076 064 02	Hexagon nut M 8		4	
12	915 303 101 00	Gear shift rod for 1./2. Speed		1	
13	915 303 111 00	Shift fork for 1./2. Speed		1	
14	915 303 103 50	Gear shift rod for 3./4 Speed		1	
15	915 303 115 09	Shift fork		1	
15	915 303 115 10	Shift fork		1	
16	900 027 015 02	Lock ring B 8		1	
16	900 027 015 03	Lock ring B 8		1	
18	915 303 112 00	Shift fork for 3./4. Speed		1	
19	915 303 105 09	Gear shift rod for Reverse gear And 5. Speed		1	
20	900 309 005 00	Roll pin 4 X 26		1	
21	N 012 415 1	Circlip 15 X 1 for 4 Speed		1	911/911S CARRERA 2,7 CARRERA 3.0
22	915 303 113 01	Transmission Shift fork for Reverse gear		1	

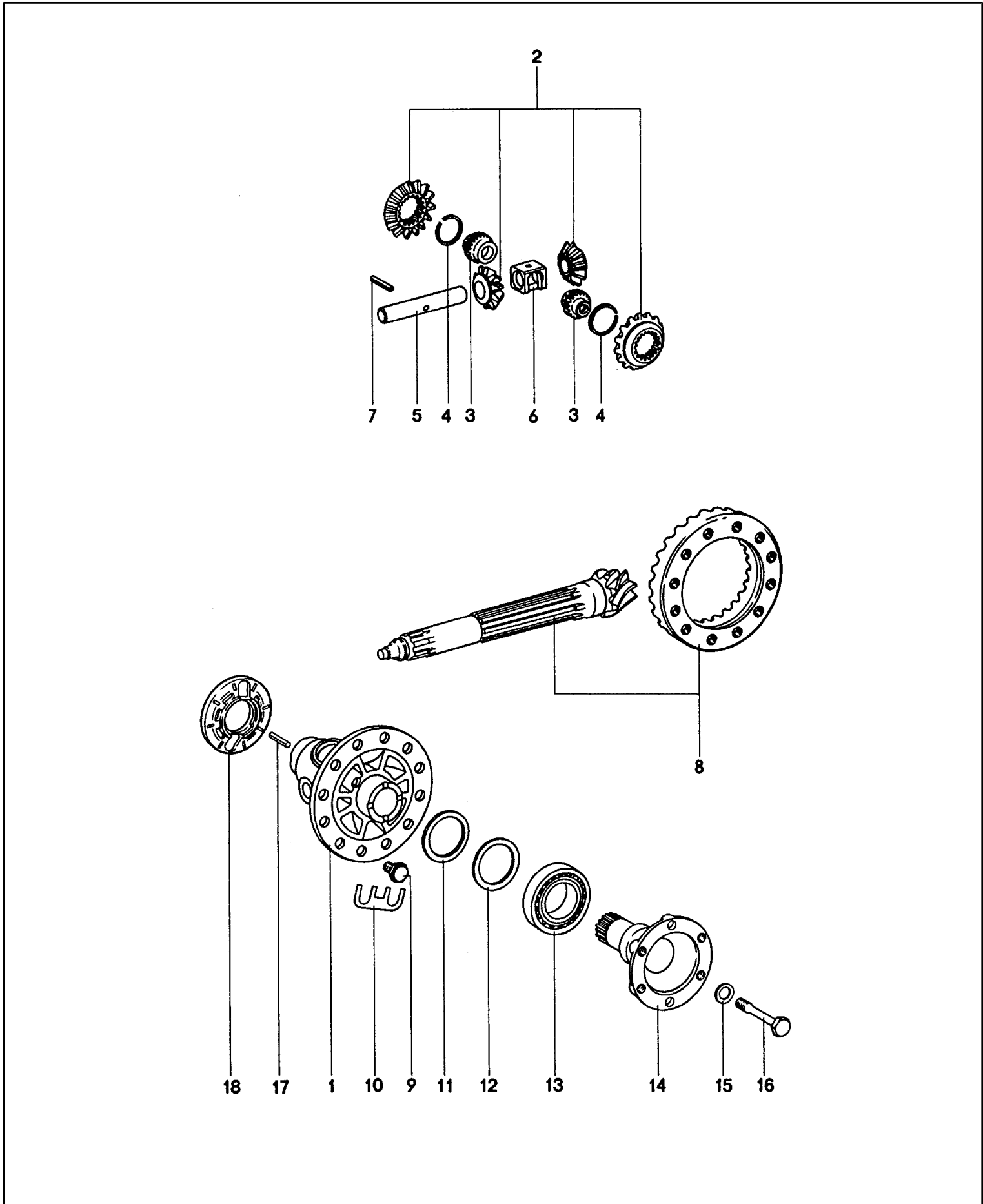
Model: 911 74

Model life 1974>>1977

Pos	Part Number	Description	Remark	Qty	Model
23	N 012 241 1	And 5. Speed Spring washer B 8 X 15		3	
24	900 075 136 02	Hexagon-head bolt M 8 X 28		1	
24/1	900 075 099 02	Hexagon-head bolt M 8 X 30		3	
24/1	900 075 099 03	Hexagon-head bolt M 8 X 30		3	

Model: 911 74

Model life 1974>>1977



Model: 911 74 Model life 1974>>1977

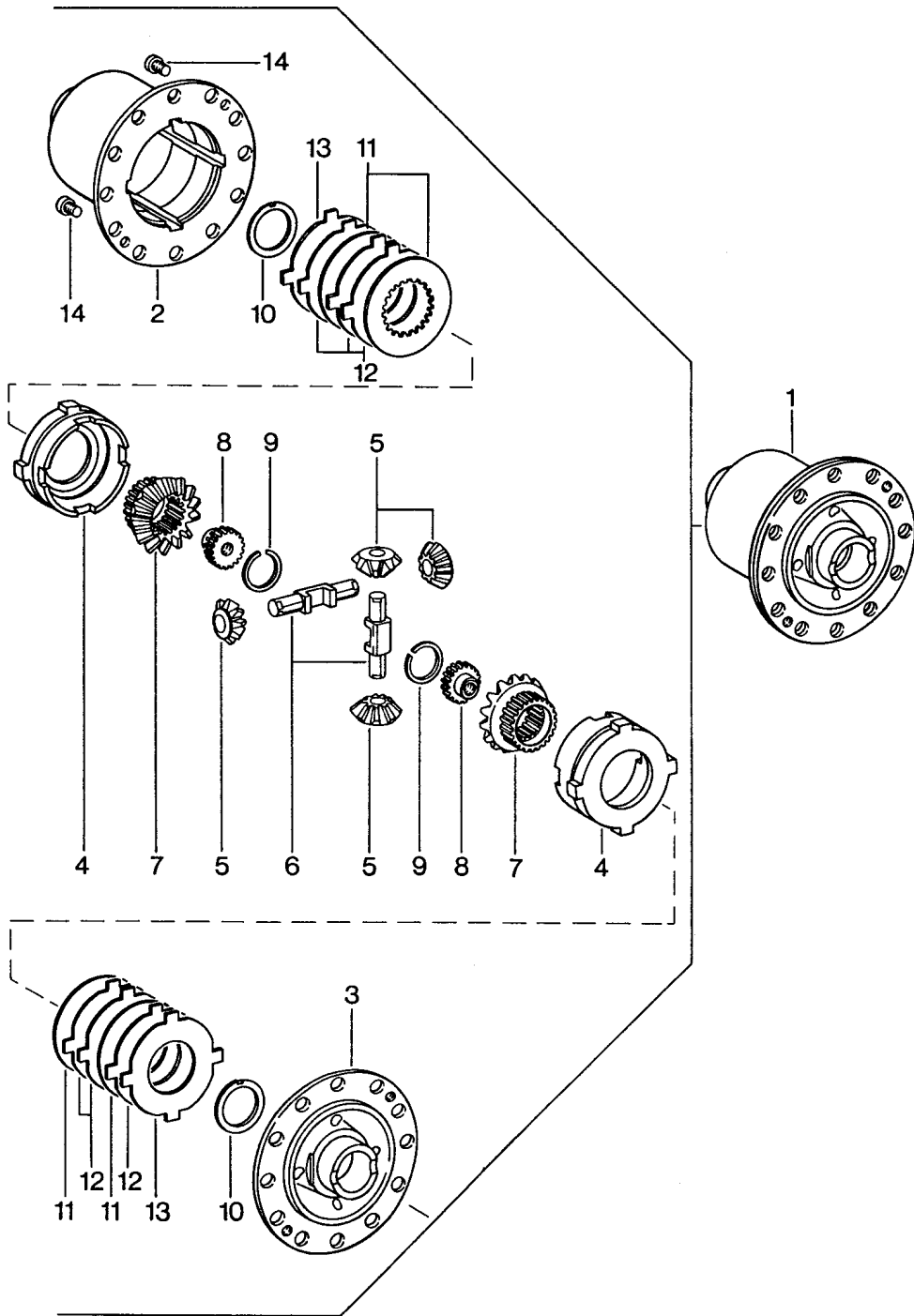
Pos	Part Number	Description	Remark	Qty	Model
1	911 332 212 00	Differential Differential pinions for 915/06/16/43/48 925/02		1	SPM
1	925 332 212 00	Housing for 915/40/45, 925/10		1	SPM
1	925 332 212 01	Housing for 915/44/49/60/61 915/65/66, 923/02 925/12/13/15/16/17 930/30/32/33		1	SPM
2	911 332 902 00	Differential pinions 1 set		1	SPM
3	911 332 206 01	Nut		2	SPM
4	999 152 014 00	Circlip		2	SPM
5	911 332 207 00	Differential bolt		1	
6	911 332 208 00	Armature		1	
7	900 308 005 00	Roll pin 6 X 28		1	
8	915 302 911 16	Ring gear and pinion shaft 7 : 31 for 915/06/16/43/48		1	
(8)	915 302 911 17	Ring gear and pinion shaft 8 : 31		1	915/40/45
(8)		Ring gear and pinion shaft 8 : 31 for 915/44/49 915/60/61/65/66		1	
(8)	925 302 911 00	Ring gear and pinion shaft 7 : 27		1	925/02 SPM
(8)	925 302 911 11	Ring gear and pinion shaft 8 : 27 for 925/10/12/13 925/15/16/17		1	SPM
9	915 332 276 00	Hexagon-head bolt		12	
(9)	928 332 276 03	Hexagon-head bolt		12	
10	901 332 285 01	Tab washer		6	
11	915 332 265 00	Adjusting ring 2,4 MM		X	
(11)	915 332 265 01	Adjusting ring 2,5 MM		X	
(11)	915 332 265 02	Adjusting ring 2,6 MM		X	
(11)	915 332 265 03	Adjusting ring 2,7 MM		X	
(11)	915 332 265 04	Adjusting ring 2,8 MM		X	
(11)	915 332 265 05	Adjusting ring 2,9 MM		X	
(11)	915 332 265 06	Adjusting ring 3,0 MM		X	
(11)	915 332 265 07	Adjusting ring 3,1 MM		X	
(11)	915 332 265 08	Adjusting ring 3,2 MM		X	
(11)	915 332 265 09	Adjusting ring 3,3 MM		X	

Model: 911 74 Model life 1974>>1977

Pos	Part Number	Description	Remark	Qty	Model
(11)	915 332 265 10	Adjusting ring 3,4 MM		X	
(11)	915 332 265 11	Adjusting ring 3,5 MM		X	
(11)	915 332 265 12	Adjusting ring 3,6 MM		X	
(11)	915 332 265 13	Adjusting ring 3,7 MM		X	
12	915 332 263 00	Adjusting ring		2	
13	999 059 027 00	Taper roller bearing		2	SPM
13	999 059 027 02	Taper roller bearing		2	SPM
14	915 332 209 01	Joint flange		2	911/911S CARRERA 2,7
(14)	925 332 209 04	Joint flange		2	SPM
(14)	925 332 209 05	Joint flange		2	SPM
		Limited-slip differential			
15	901 332 261 11	Washer		2	
16	901 332 275 12	Elastic bolt		2	
17	900 095 078 00	Tensioning sleeve		1	911/911S CARRERA 3,0
18	915 318 045 03	Magnet carrier disc		1	SPM

Model: 911 74

Model life 1974>>1977

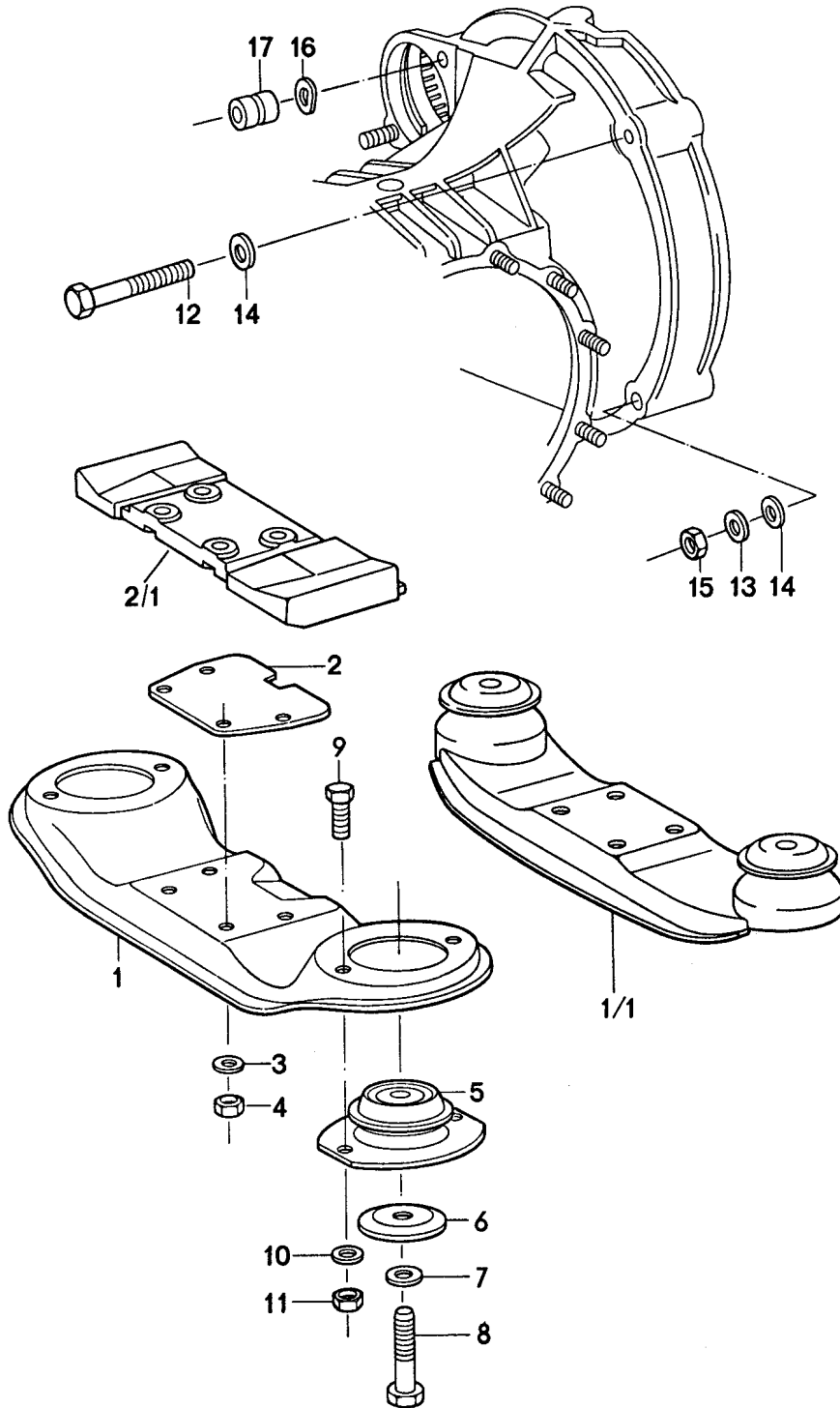


Model: 911 74 Model life 1974>>1977

Pos	Part Number	Description	Remark	Qty	Model
1	901 332 053 13	Limited-slip differential Limited-slip differential 80 % for 915/06/16/43/48		1	
(1)	915 332 053 01	Limited-slip differential 80 %		1	915/40/45
(1)	915 332 053 10	Limited-slip differential 80 % for		1	
(1)	915 332 053 12	915/44/49,925/12/13 Limited-slip differential 40 % for 915/44/49/60/61 915/65/66 923/02 925/15/16/17		1	
2	901 332 055 13	Housing for 915/06/16/43/48		1	
3	901 332 506 11	Housing cover for 915/06/16/43/48		1	
4	901 332 511 11	Thrust ring		2	
5	915 332 531 02	Bevel pinion		4	
6	915 332 541 02	Differential shaft		2	
7	901 332 535 11	Shaft bevel gear		2	
8	901 332 206 12	Threaded piece		2	
9	999 152 014 00	Circlip		2	
10	901 332 561 11	Thrust washer		2	
11	928 332 551 00	Inner disc 2,0 MM		X	
12	917 332 552 10	Disc with external splines 1,9 MM		6	
12	917 332 552 11	Disc with external splines 2,0 MM		6	
12	917 332 552 12	Disc with external splines 2,1 MM		6	
13	928 332 555 00	Cup spring		2	
14	900 119 002 00	Pan-head screw		2	
-	900 095 078 00	Tensioning sleeve		1	911/911S CARRERA 3,0

Model: 911 74

Model life 1974>>1977



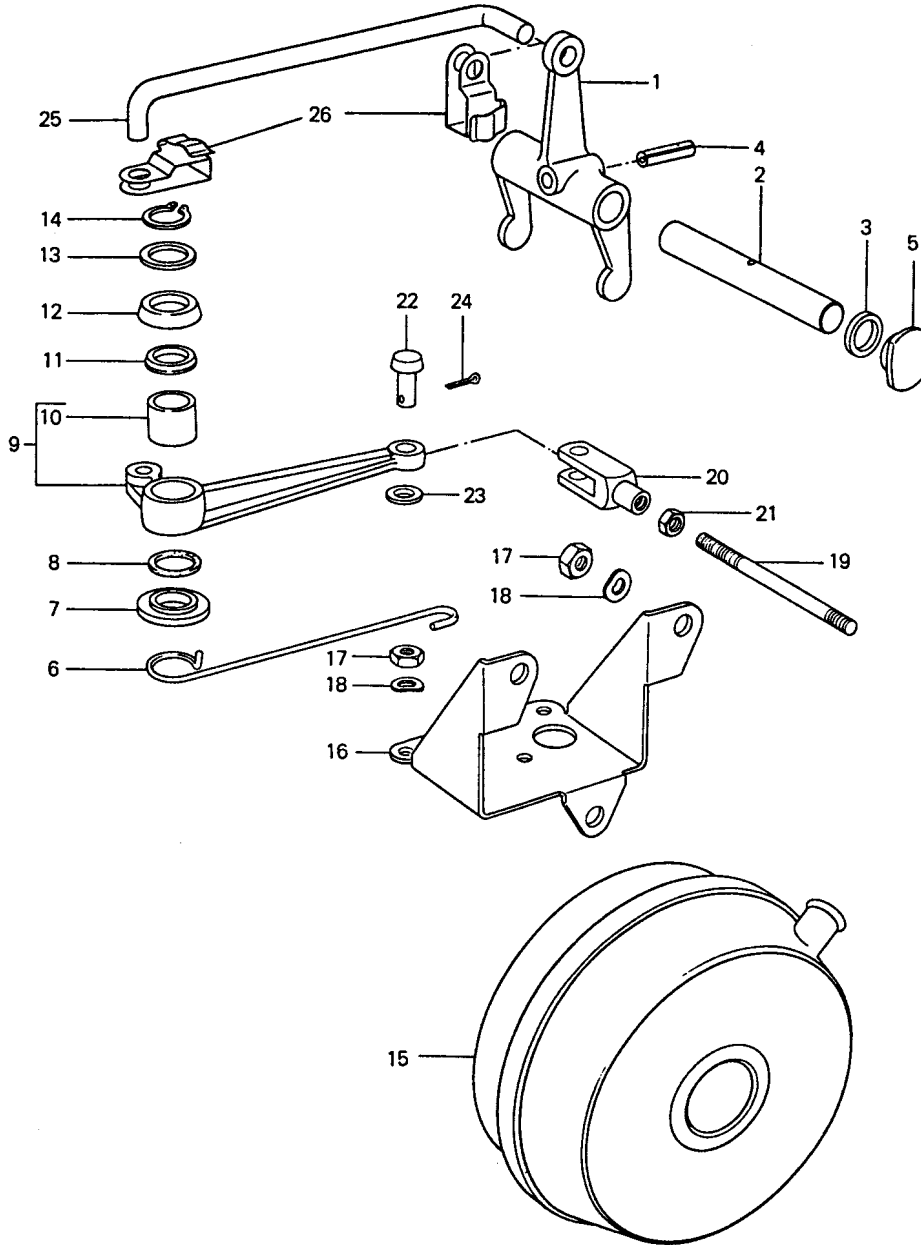
Model: 911 74 Model life 1974>>1977

Pos	Part Number	Description	Remark	Qty	Model
1	911 375 033 01	Transmission suspension		1	
2	911 375 311 00	Transmission carrier		1	
3	900 031 001 02	Plate		4	
		Washer			
		8,4			
3	900 031 105 01	Washer		4	
		8,4			
4	999 090 101 02	Mid-grip nut		4	
5	911 375 043 00	Bearing		2	
6	901 305 311 00	Seat		2	
7	900 027 017 02	Lock ring		2	
		B 12			
8	901 305 317 00	Hexagon-head bolt		2	
9	900 075 087 02	Hexagon-head bolt		4	
		M 8 X 16			
9	900 075 087 03	Hexagon-head bolt		4	
		M 8 X 16			
10	900 027 015 02	Lock ring		4	
		B 12			
10	900 027 015 03	Lock ring		4	
		B 12			
11	900 076 025 02	Hexagon nut		4	
		M 8			
11	900 076 064 02	Hexagon nut		4	
		M 8			
		Mount			
		Engine			
		Transmission			
12	900 155 023 02	Hexagon-head bolt		1	
		M 10 X 72			
13	999 523 103 01	Schnorr retainng washer		2	
		M 10			
14	900 031 005 02	Washer		5	
		10,5			
14	900 031 005 03	Washer		5	
		10,5			
15	900 157 002 02	Hexagon nut		X	
		M 10			
15	900 157 002 03	Hexagon nut		X	
		M 10			
16	N 012 242 3	Spring washer		X	
		B 10 X 18			
17	901 104 382 02	Nut		X	
17	901 104 382 03	Nut		X	

Model: 911 74

Model life 1974>>1977

SPORTOMATIC



Model: 911 74

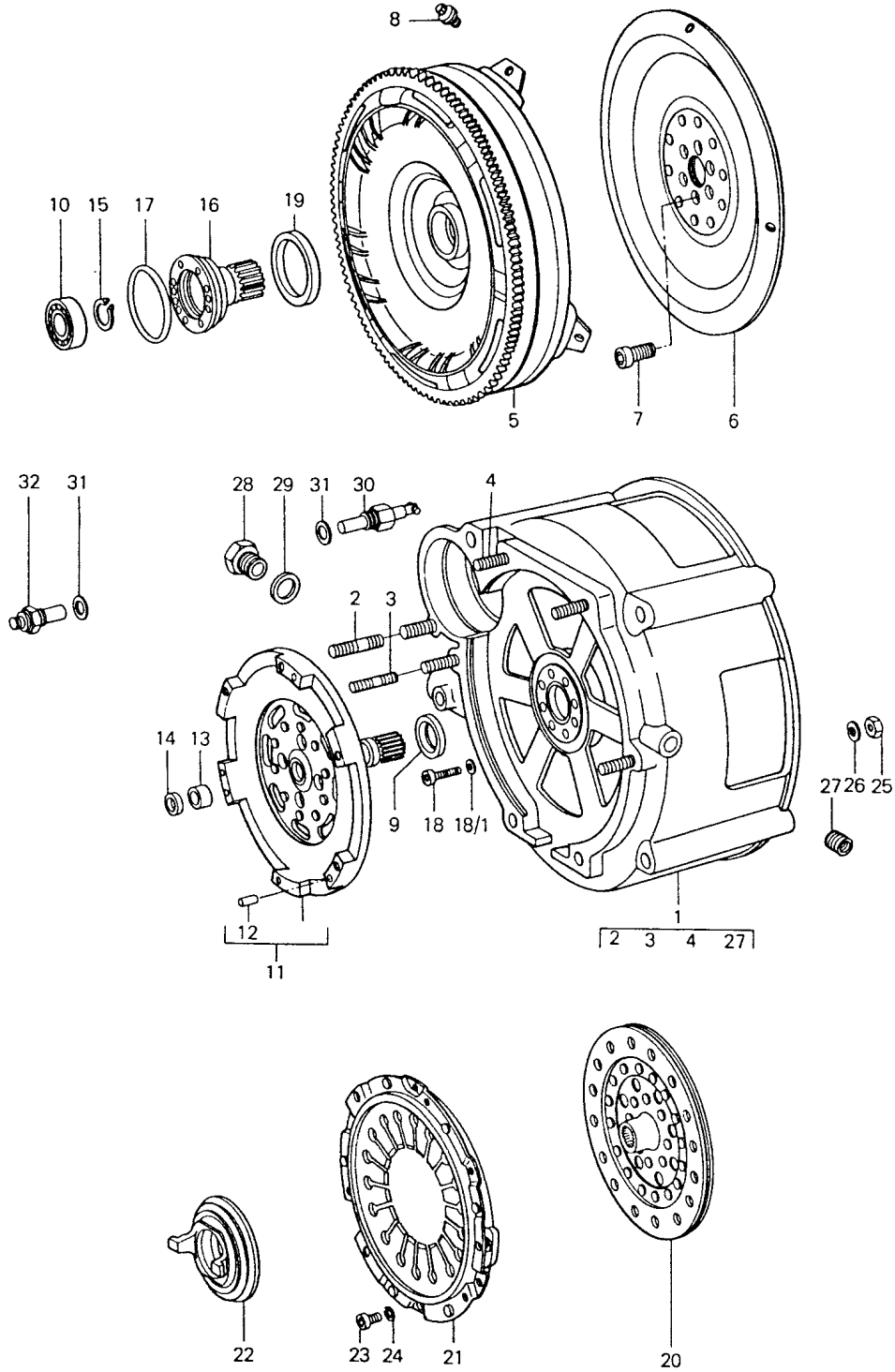
Model life 1974>>1977

Pos	Part Number	Description	Remark	Qty	Model
		Clutch release			SPM
1	905 116 711 01	Clutch release lever		1	
2	905 116 709 00	Clutch lever shaft		1	
3	905 116 712 00	Spacer ring		1	
4	900 095 013 00	Roll pin 4 X 20		1	
5	905 116 713 00	Cap		2	
6	905 116 714 00	Spring		1	
7	905 116 708 00	Washer		1	
8	999 701 169 40	O-ring		1	
9	905 116 071 00	Intermediate shift lever		1	
(9)	914 116 071 15	Intermediate shift lever for 925/13/15/16/17		1	
10	905 116 701 01	Bush		1	
11	905 116 719 01	Spacer		1	
12	999 704 019 50	Sleeve T 25 - 1		1	
13	900 234 006 02	Shim 15 X 22 X 1		1	
14	N 012 415 1	Circlip 15 X 1		1	
15	905 116 721 01	Servo-motor 135 X 60		1	
(15)	PCG 116 721 05	Servo-motor 135 X 60 for 925/13/15/16/17		1	
16	925 116 715 00	Servo-motor support		1	
17	900 076 025 02	Hexagon nut M 8		6	
17	900 076 064 02	Hexagon nut M 8		6	
18	900 027 005 01	Lock ring A 8		6	
19	905 116 716 00	Pull rod		1	
(19)	914 116 716 15	Pull rod for 925/13/15/16/17		1	
20	900 166 002 02	Clevis G 6 X 24		1	
20	900 166 002 01	Clevis G 6 X 24		1	
21	900 076 010 02	Nut M 6		1	
21	900 076 010 0B	Nut M 6		1	
22	905 116 717 00	Bolt for Pull rod		1	
23	900 089 005 02	Washer 6		1	
24	900 021 002 00	Cotter pin 1,5 X 10		1	
25	925 116 751 04	Push rod		1	
(25)	925 116 751 06	Push rod for 925/13/15/16/17		1	
26	925 116 752 00	Clamping spring		X	
-	N 013 295 1	Tensioning sleeve 3 X 12		1	

Model: 911 74

Model life 1974>>1977

SPORTOMATIC



Model: 911 74 Model life 1974>>1977

Pos	Part Number	Description	Remark	Qty	Model
		Converter			SPM
		Converter housing			
1	925 301 007 00	Converter housing		1	
2	900 061 014 02	Stud		1	
		M 10 X 22			
3	999 062 008 02	Stud		3	
		M 8 X 25			
4	999 062 009 02	Stud		1	
		M 8 X 28			
4	900 060 105 01	Stud		1	
		M 8 X 28			
5	925 116 005 10	Converter		1	
(5)		Converter		1	
6	905 116 024 11	Drive plate		1	
(6)	925 116 024 01	Drive plate		1	
7	999 067 009 01	Pan-head screw		6	
8	905 116 026 00	12 point socket		4	
9	999 113 205 40	Shaft sealing ring		1	
		26 X 37 X 7			
10	900 052 095 00	Deep-groove ball bearing		1	
10	900 052 095 01	Deep-groove ball bearing		1	
11	925 116 027 00	Turbine shaft		1	
12	999 012 018 00	Straight pin		3	
13	999 201 021 00	Needle sleeve		1	
14	PCG 201 301 00	Shaft sealing ring		1	
		12 X 18 X 3			
15	N 042 364 1	Circlip		1	
		20 X 17,5			
16	925 116 020 01	Free wheel lock		1	
17	999 701 397 40	O-ring		1	
		OR 72-2,5			
18	999 186 002 01	Pan-head screw		8	
18/1	N 013 804 2	Sealing ring		8	
		A 6 X 10			
19	999 113 189 40	Radial sealing ring		1	
20	925 116 254 02	Clutch plate		1	
21	925 116 255 05	Clutch pressure plate		1	
21	925 116 255 07	Clutch pressure plate		1	925/17
22	925 116 081 00	Clutch release bearing		1	
23	999 067 010 01	Pan-head screw		6	
24	N 012 026 3	Lock ring		6	
		6			
25	N 011 010 6	Hexagon nut		6	
		M 10			
25	N 101 552 10	Hexagon nut		6	
		M 10			
26	N 012 242 3	Spring washer		2	
		B 10 X 18			
27	999 504 090 00	Threaded insert		1	
		Heli-coil			
		M 12 X 1,5			
28	925 301 115 00	Screw socket		1	925/02
(28)		Screw socket		1	
		for			
		925/10/12/13/15-17			
29	900 123 060 30	Sealing ring		1	
		A 24 X 29			
30	905 613 102 04	Temperature switch		1	
31	900 123 007 30	Sealing ring		2	
		A 14 X 18			
32	901 641 632 00	Remote temperature sensor		1	925/02/10
-	900 124 002 02	Screw plug		1	
		for			

Model: 911 74

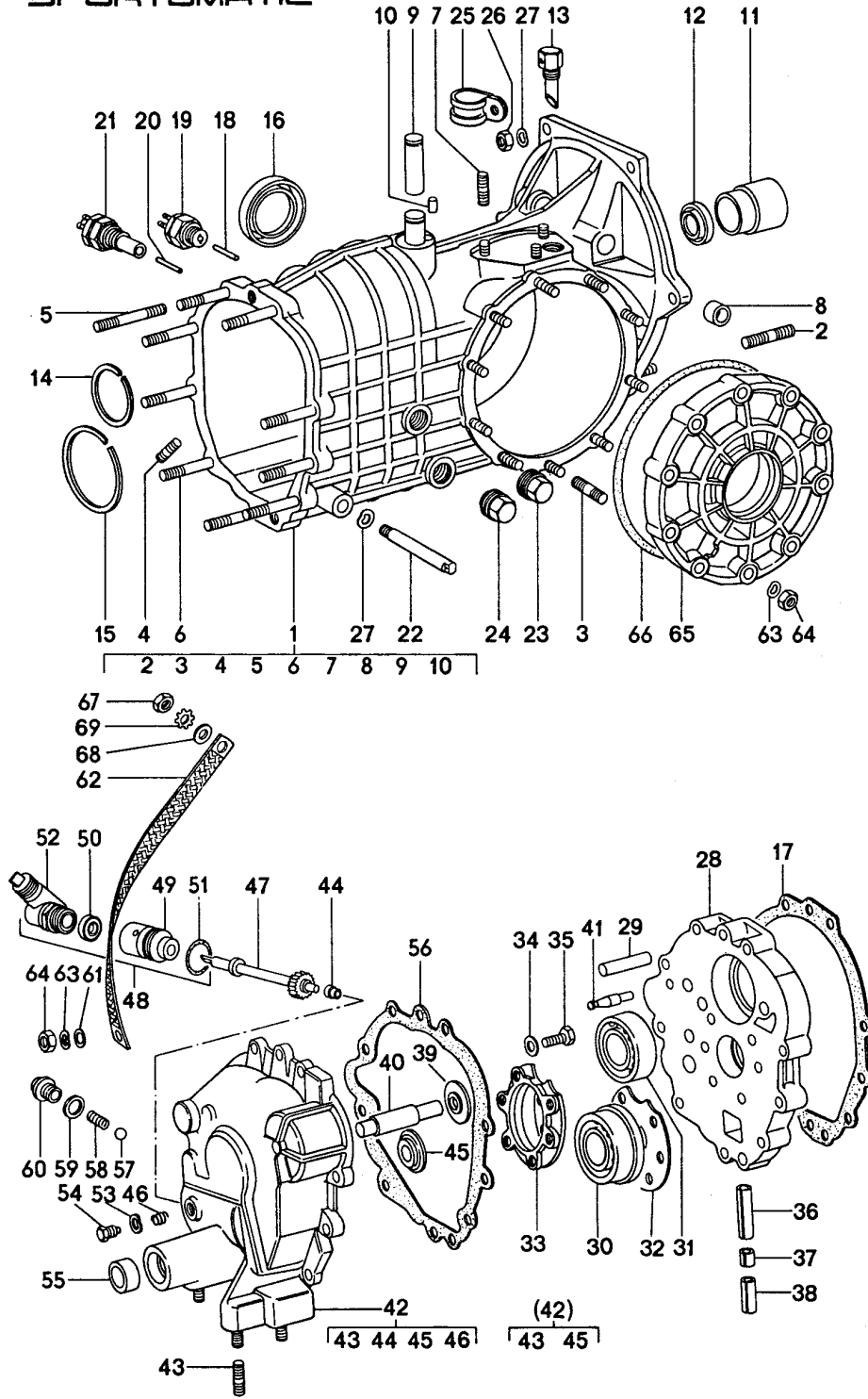
Model life 1974>>1977

Pos	Part Number	Description	Remark	Qty	Model
		925/12/13/15-17			

Model: 911 74

Model life 1974>>1977

SPORTOMATIC



Model: 911 74

Model life 1974>>1977

Pos	Part Number	Description	Remark	Qty	Model
		Replacement transmission Transmission case			SPM
-	925 300 010 02	Replacement transmission 4-speed with converter Ready for installation		1	925/02
-	925 300 010 09	Replacement transmission with converter Ready for installation		1	925/09
-	925 300 010 12	Replacement transmission with converter Ready for installation		1	925/12
-	925 300 010 13	Replacement transmission with converter Ready for installation		1	925/13
-	925 300 010 15	Replacement transmission with converter Ready for installation		1	925/15
-	925 300 010 16	Replacement transmission with converter Ready for installation		1	925/16
1	925 301 010 10	Transmission case		1	925/02/09/10
1		Transmission case for 925/12/13/15-17		1	
2	900 061 118 02	Stud M 10 X 28		2	
3	999 062 008 02	Stud M 8 X 25		10	
4	900 061 057 02	Stud M 8 X 15		2	
4	999 062 057 02	Stud M 8 X 15		2	
4	999 062 073 02	Stud M 8 X 15		2	
5	900 061 070 02	Stud M 8 X 55		8	
6	900 061 050 02	Stud M 8 X 60		1	
7	900 061 004 02	Stud M 8 X 12		3	
8	905 116 727 00	Bush for Clutch lever shaft		2	
9	905 116 707 01	Bearing pin		1	
10	900 309 017 00	Roll pin 5 X 12		1	
11	905 116 813 01	Guide tube		1	
12	999 113 286 40	Shaft sealing ring		1	
13	904 301 071 00	Bleeder		1	
14	999 042 301 01	Circlip SB 52		3	
15	999 041 305 01	Circlip SB 79		1	
16	999 113 183 40	Radial shaft seal 45 X 68 X 10		2	
17	925 301 191 00	Gasket 0,1 MM		X	
(17)	925 301 191 01	Gasket 0,15 MM		X	
(17)	925 301 191 02	Gasket 0,20 MM		X	
18	905 303 245 02	Cam follower		1	

Model: 911 74

Model life 1974>>1977

Pos	Part Number	Description	Remark	Qty	Model
19	905 613 051 02	for Back-up light switch		1	
20	914 303 246 10	Back-up light switch Cam follower		1	
21	905 613 101 02	for Bridging switch		1	
22	914 301 307 00	Bridging switch Bolt		1	
23	999 064 007 02	for Reverse lever Screw plug	-77	1	
24	999 064 008 02	without Magnet Yellow Anodised Screw plug	-77	1	
25	N 020 607 1	with magnet Yellow Anodised Clamp		1	
26	999 090 101 02	Mid-grip nut		4	
27	900 031 001 02	Washer		5	
27	900 031 105 01	8,4 Washer		5	
28	925 301 221 00	8,4 Intermediate plate		1	
29	900 012 027 00	Straight pin 10 M 6 X 40		2	
30	999 052 016 00	Four-point bearing		1	
30	999 052 016 0A	Four-point bearing		1	
31	900 052 006 00	Deep-groove ball bearing		1	
32	925 301 255 00	Plate		1	
33	925 301 035 00	Tensioning plate		1	
34	900 025 007 02	Washer		6	
34	900 025 007 03	8,4 Washer		6	
35	900 075 083 02	8,4 Hexagon-head bolt M 8 X 25		6	
36	901 303 241 01	Bush		1	
37	905 303 242 00	Bush		1	
38	905 303 243 00	Bush		1	
39	925 302 291 00	Thrust washer		1	
40	925 302 255 00	Bolt		1	
41	925 303 136 01	Reverse idler gear Bolt		1	
42	925 301 031 02	Transmission cover		1	925/02/09/10
(42)	925 301 903 00	And for Speedometer drive Mechanical Transmission cover		1	
43	999 062 006 02	for 925/12/13/15-17 And for Speedometer drive Electric Stud		4	
44	915 318 339 00	M 8 X 20 Bearing sleeve		1	925/02/09/10
45	925 302 292 00	Thrust washer		1	
46	999 504 070 00	Threaded insert		1	925/02/09/10

Model: 911 74

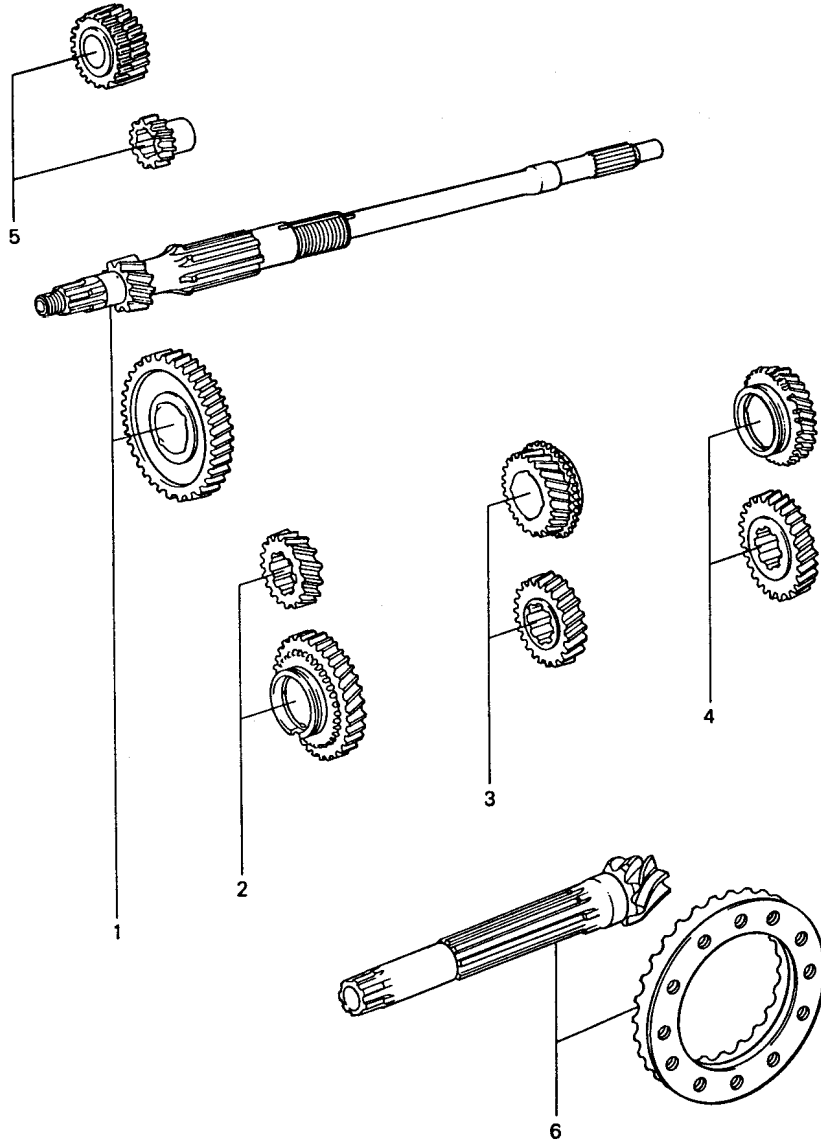
Model life 1974>>1977

Pos	Part Number	Description	Remark	Qty	Model
		Heli-coil M 8 X 10			
47	925 318 031 05	Pinion shaft		1	925/02
(47)	925 318 031 11	Pinion shaft		1	925/09/10
48	925 318 045 00	Speedometer drive		1	925/02/09/10
49	915 318 341 20	Guide bush		1	925/02/09/10
50	999 113 175 40	Shaft sealing ring 6 X 15 X 6		1	925/02/09/10
51	999 701 084 50	O-ring OR 25,3 X 2,4		1	925/02/09/10
52	925 318 029 01	Speedometer drive		1	
53	900 031 001 02	Washer 6,4		1	
53	900 031 105 01	Washer 6,4		1	
54	901 318 272 03	Hexagon-head bolt		1	
55	999 113 185 40	Shaft sealing ring 15 X 24 X 7		1	
56	925 301 392 00	Gasket		1	
57	N 025 667 2	Ball 9 MM V		1	
58	905 303 237 00	Parking lock Spring		1	
59	900 123 007 30	Parking lock Sealing ring A 14 X 18		1	
60	925 303 238 00	Screw plug		1	
61	999 151 022 02	Washer 20 X 8,4 X 2		2	
62	999 611 918 20	Ground strap		1	
63	N 012 241 8	Spring washer		19	
64	900 076 025 02	Hexagon nut M 8		19	
64	900 076 064 02	Hexagon nut M 8		19	
65	925 301 311 01	Transmission cover		1	
66	999 701 376 40	O-ring 170 X 3,5		1	
67	900 076 030 02	Hexagon nut M 8		1	
68	900 025 025 02	Washer 8,4		1	
69	N 012 132 2	Shake-proof washer A 8,4		1	
-	915 301 369 00	Clip		1	

Model: 911 74

Model life 1974>>1977

SPORTOMATIC



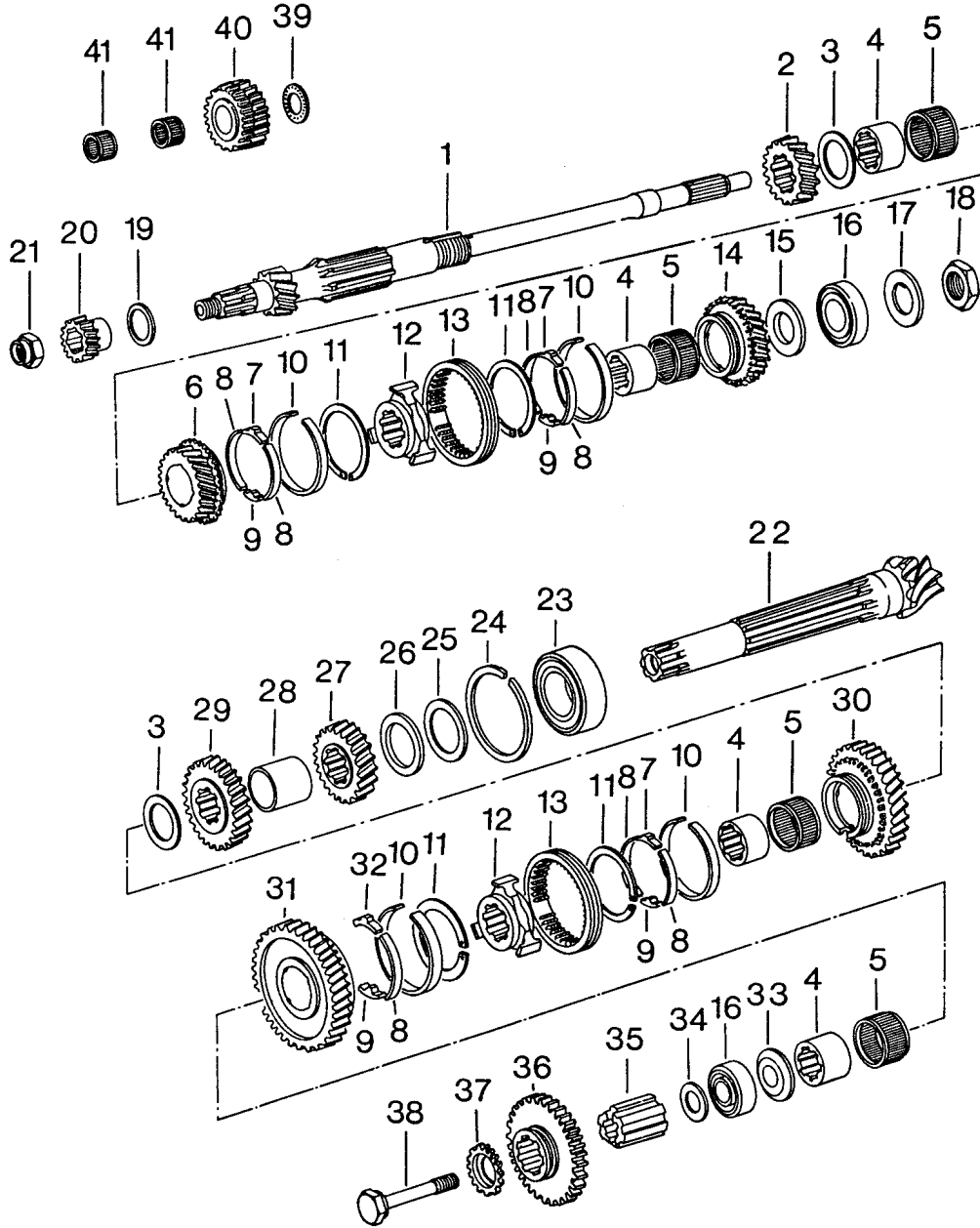
Model: 911 74 Model life 1974>>1977

Pos	Part Number	Description	Remark	Qty	Model
		Gear wheel sets			SPM 925/02
1	925 302 901 00	Gear set 1st gear Z = 15:36 (C)		1	
2	901 302 908 10	Gear wheel pair 2nd gear Z = 20:31(I)		1	
3	904 302 920 10	Gear wheel pair 3rd gear Z = 24:27 (Q)		1	
4	901 302 913 10	Gear wheel pair 4th speed Z = 28:23 (Y)		1	
5	925 302 912 00	Gear set Reverse gear		1	
6	925 302 911 00	Ring gear and pinion shaft 7:27 Gear wheel sets		1	
1	925 302 901 20	Gear set 1st gear Z = 16:34 (DA)		1	SPM 925/10
2	925 302 902 10	Gear wheel pair 2nd gear Z = 22:29 (M)		1	
3	925 302 903 50	Gear wheel pair 3rd gear Z = 27:25 (V)		1	
5	925 302 912 00	Gear set Reverse gear		1	
(6)	925 302 911 11	Ring gear and pinion shaft 8:27 Gear wheel sets		1	
(1)	925 302 901 02	Gear set 1st gear Z = 15:36 (C)		1	SPM 925/09/12/13
2	925 302 902 15	Gear wheel pair 2nd gear Z = 21:30 (K)		1	
3	925 302 903 50	Gear wheel pair 3rd gear Z = 27:25 (V)		1	
5	925 302 912 00	Gear set Reverse gear		1	
(6)	925 302 911 11	Ring gear and pinion shaft 8:27 Gear wheel sets		1	
1	925 302 901 03	Gear set 1st gear Z =15:36 (C)		1	SPM 925/15/16/17
2	925 302 902 15	Gear wheel pair 2nd gear Z = 21:30 (K)		1	
3	925 302 903 50	Gear wheel pair 3rd gear Z = 27:25 (V)		1	
5	925 302 912 00	Gear set Reverse gear		1	
(6)	925 302 911 11	Ring gear and pinion shaft 8:27		1	

Model: 911 74

Model life 1974>>1977

SPORTOMATIC



Model: 911 74 Model life 1974>>1977

Pos	Part Number	Description	Remark	Qty	Model
		Gears and shafts			SPM
		Gear wheel sets			
		See group			
		3/09/00			
1		Drive shaft		1	
-	925 302 267 00	Spacer sleeve		1	
		for			
		925/09/12/13/15/16/17			
2		Fixed gear wheel		1	
		2.			
		Speed			
3	901 302 294 01	Thrust washer		2	925/02
(3)	925 302 294 10	Thrust washer		2	
		for			
		925/09/10/12/13/15/16/17			
4	901 302 261 01	Bush		4	925/02
(4)	915 302 262 00	Bush		3	
		for			
		925/09/10/12/13/15/16/17			
5	999 201 470 00	Needle cage		4	
6		Loose gear wheel		1	
		3.			
		Speed			
7	911 302 315 00	Detent		3	
		2. - 4.			
		Speed			
8	911 302 316 00	Spring		7	
9	911 302 317 01	Stop		4	
10	925 302 301 02	Synchroniser ring		4	
11	911 302 311 01	Circlip		4	
12	901 302 402 02	Sleeve		2	925/02
(12)	911 302 402 20	Guide sleeve		2	
		for			
		925/09/10/12/13			
13	911 302 411 10	Shift sleeve		2	925/02
(13)	911 302 411 20	Shift sleeve		2	
		for			
		925/09/10/12/13			
(13)	911 302 411 26	Shift sleeve		2	
		for			
		925/09/10/12/13			
(13)	911 302 411 27	Shift sleeve		2	
		for			
		925/09/10/12/13			
(13)	911 302 411 20	Shift sleeve		1	925/15/16/17
(13)	911 302 411 26	Shift sleeve		1	925/15/16/17
(13)	911 302 411 27	Shift sleeve		1	925/15/16/17
(13)	911 302 411 24	Shift sleeve		1	925/15/16/17
		1. / 2.			
		Speed			
14		Loose gear wheel		1	925/02
		4.			
		Speed			
-	925 302 263 10	Spacer sleeve		1	
		for			
		925/09/10/12/13/15/16/17			
(15)	925 302 264 10	Washer		1	
		for			
		925/09/10/12/13/15/16/17			
15	925 302 270 00	Thrust washer		1	925/02
16	999 110 008 00	Cylindrical-roller bearing		2	
17	999 038 001 00	Tab washer		1	
18	999 183 001 00	Hexagon nut		1	

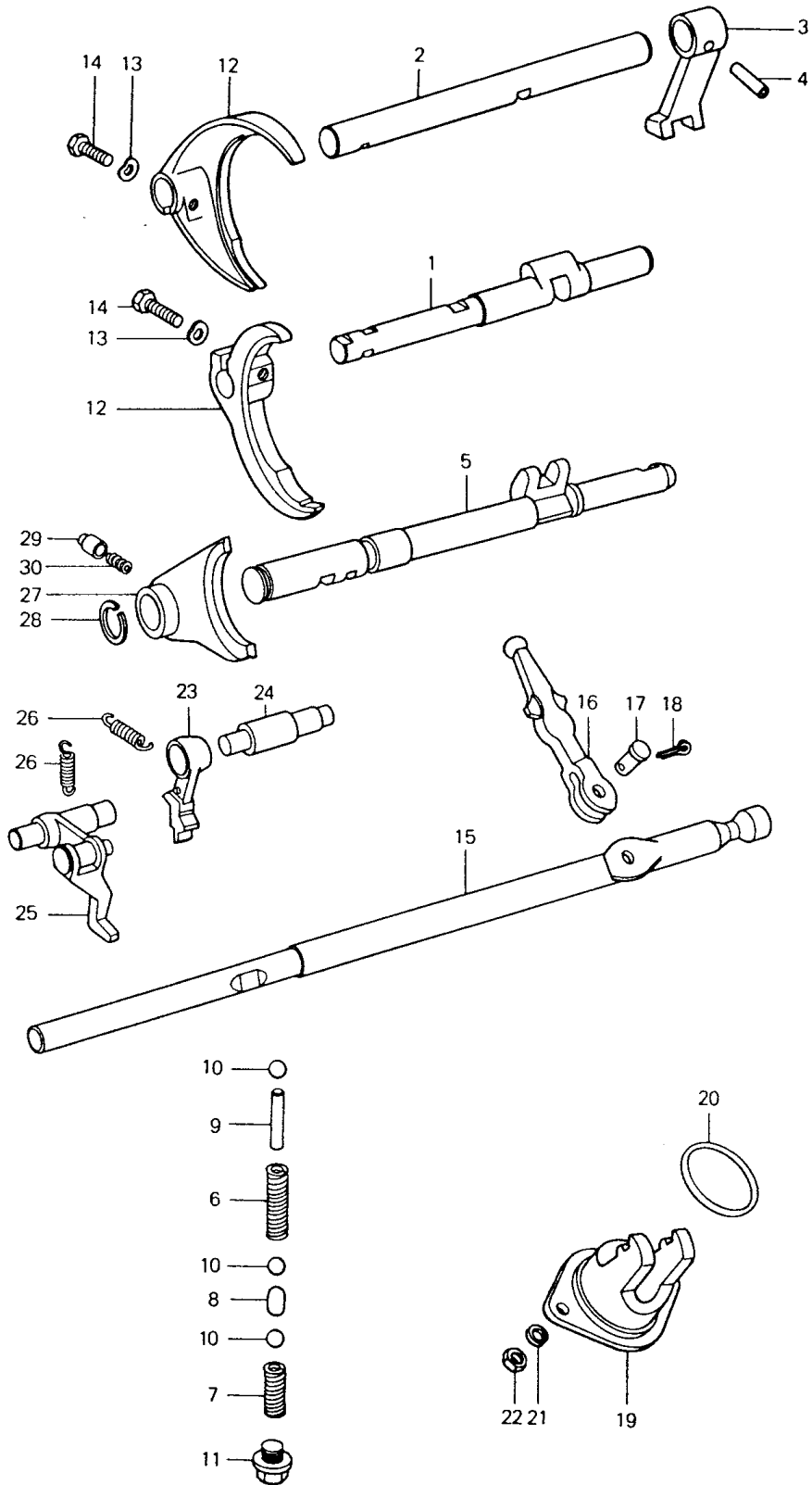
Model: 911 74 Model life 1974>>1977

Pos	Part Number	Description	Remark	Qty	Model
19	925 302 259 00	Spacer ring		1	925/02
(19)	925 302 259 10	Spacer ring for 925/09/10/12/13/15/16/17		1	
20		Gear wheel 1 for Reverse gear		1	
21	925 302 283 00	Collar nut		1	
22		Pinion shaft		1	
23	999 110 007 00	Cylindrical-roller bearing		1	
23	999 110 013 00	Cylindrical-roller bearing		1	
23	999 110 012 00	Cylindrical-roller bearing		1	
23	999 110 012 01	Cylindrical-roller bearing		1	
24	900 111 002 00	Circlip SP 72		1	
25	901 302 297 01	Adjusting shim 0,25 MM		X	
(25)	901 302 297 11	Adjusting shim 0,30 MM		X	
(25)	901 302 297 21	Adjusting shim 0,40 MM		X	
26	925 302 299 00	Spacer ring		1	925/02
(26)	925 302 266 10	Spacer sleeve for 925/09/10/12/13/15/16/17		1	
27		Fixed gear wheel 4. Speed		1	925/02
28	901 302 265 01	Spacer sleeve		1	
29		Fixed gear wheel 3. Speed		1	
30		Loose gear wheel 2. Speed		1	
31		Loose gear wheel 1. Speed		1	
32	901 302 318 02	Detent 1. Speed		1	
33	901 302 268 01	Spacer 5,8 mm		1	
34	925 302 281 00	Spacer		1	
35	925 302 257 00	Spline shaft sleeve		1	
36	925 302 224 00	Sliding gear for Reverse gear		1	
37	925 318 331 01	Speedometer drive		1	925/02
(37)	925 318 331 11	Speedometer drive		1	925/09/10
38	925 302 271 00	Elastic bolt		1	
39	999 202 001 00	Needle cage		1	
40		Reverse idler gear		1	
41	999 201 106 00	Needle cage		2	

Model: 911 74

Model life 1974>>1977

SPORTOMATIC



Model: 911 74 Model life 1974>>1977

Pos	Part Number	Description	Remark	Qty	Model
1	901 303 101 01	Shift rods shift forks Gear shift rod 1./2. Speed		1	SPM 925
2	901 303 103 01	Gear shift rod 3./4. Speed		1	925/02
(2)	925 303 103 00	Gear shift rod 4. Speed for 925/10/12/13/15 925/16/17		1	
-	900 041 023 01	Circlip 14 X 1 for 925/10/12/13/15 925/16/17		1	
3	901 303 161 01	Shift finger		1	925/02
(3)	925 303 161 00	Contact for 925/10/12/13/15 925/16/17		1	
4	900 309 003 00	Roll pin 5 X 24		1	
5	925 303 141 01	Gear shift rod Reverse gear		1	
6	901 303 232 01	Compression spring 1. - 4. Speed		1	
7	905 303 232 01	Compression spring Reverse gear		1	
8	905 303 211 00	Detent		1	
9	901 303 271 01	Pin		1	
10	N 025 667 2	Ball 9 MM V		3	
11	999 065 004 02	Screw plug		1	
12	901 303 111 01	Shift fork		2	
13	N 012 241 1	Spring washer B 8 X 25		2	
14	900 075 083 02	Hexagon-head bolt M 8 X 25		2	
15	905 303 132 20	Gear shift rod		1	
16	901 303 133 01	Gearshift lever		1	
17	901 303 171 01	Bolt		1	
18	N 012 512 1	Cotter pin 2 X 12		1	
19	911 303 129 00	Fork		1	925/02
(19)	925 303 129 11	Fork for 925/09/10/12/13/15 925/16/17		1	
20	999 701 359 40	O-ring OR 40 X 1,5		1	
21	900 027 015 02	Lock ring B 8		2	
21	900 027 015 03	Lock ring B 8		2	
22	900 076 025 02	Hexagon nut M 8		2	
22	900 076 064 02	Hexagon nut M 8		2	

Model: 911 74

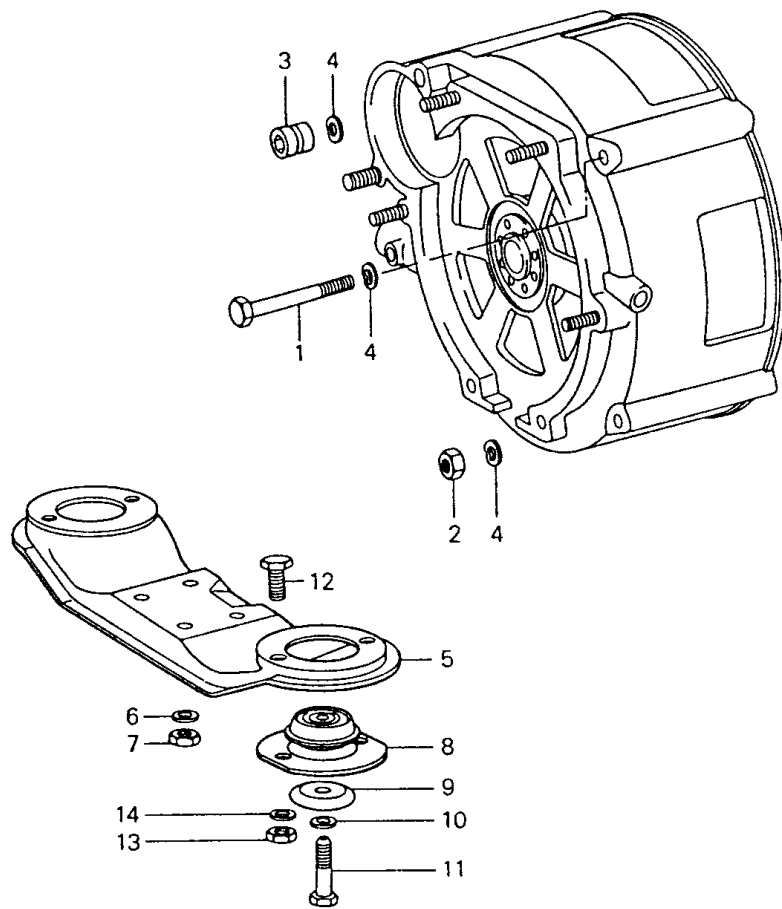
Model life 1974>>1977

Pos	Part Number	Description	Remark	Qty	Model
23	925 303 137 01	Stop		1	
24	925 303 138 00	Shaft		1	
25	925 303 015 02	Lever		1	
		Parking lock			
26	905 303 235 00	Tension spring		2	
27	925 303 151 00	Shift fork		1	
		Reverse gear			
-	999 152 023 01	Circlip		1	
		SB 22			
28	999 041 301 01	Circlip		1	
		SW 18			
29	925 303 149 01	Locking bolt		1	
30	925 303 148 01	Spring		1	

Model: 911 74

Model life 1974>>1977

SPORTOMATIC



Model: 911 74

Model life 1974>>1977

Pos	Part Number	Description	Remark	Qty	Model
1	900 155 018 02	Transmission suspension Hexagon-head bolt M 10 X 110 Geared motor Mount		1	SPM
2	900 157 002 02	Hexagon nut M 10		2	
2	900 157 002 03	Hexagon nut M 10		2	
3	901 104 382 02	Nut		2	
3	901 104 382 03	Nut		2	
4	N 012 242 3	Spring washer B 10 X 18		5	
5	911 375 033 01	Transmission carrier		1	
6	900 031 001 02	Washer 8,4		4	
6	900 031 105 01	Washer 8,4		4	
7	999 090 101 02	Mid-grip nut		4	
8	911 375 043 00	Bearing		2	
9	901 305 311 00	Seat		2	
10	900 027 017 02	Lock ring B 12		2	
11	901 305 317 00	Hexagon-head bolt		2	
12	900 075 087 02	Hexagon-head bolt M 8 X 16		4	
12	900 075 087 03	Hexagon-head bolt M 8 X 16		4	
13	900 076 025 02	Hexagon nut M 8		4	
13	900 076 064 02	Hexagon nut M 8		4	
14	900 027 015 02	Lock ring B 8		4	
14	900 027 015 03	Lock ring B 8		4	

Model: 911 74

Model life 1974>>1977



Model: 911 74

Model life 1974>>1977

Pos	Part Number	Description	Remark	Qty	Model
>>	915 300 911 00	Repair kits Gasket set Transmission - TYP 915 - 923 - Comprising:		1	
-	915 301 139 00	Sealing ring		1	
-	999 113 183 40	Radial shaft seal 45 X 68 X 10		2	
-	999 113 182 40	Shaft sealing ring 23 X 40 X 10		1	
-	915 302 381 00	Shaft sealing ring 23 X 35 X 8/11		1	
-	999 113 283 40	Shaft sealing ring 23 X 35 X 8/11		1	
-	999 113 327 40	Shaft sealing ring 23 X 35 X 8/11		1	
-	999 701 392 40	O-ring OR 195 X 3,5		1	
-	915 301 191 00	Gasket		1	
-	900 123 066 30	Sealing ring A 10 X 16		2	
-	999 113 185 40	Shaft sealing ring 15 X 24 X 7		1	
-	999 701 349 40	O-ring 17,5 X 2,4		1	
-	999 113 175 40	Shaft sealing ring 6 X 15 X 6		1	
-	915 301 351 00	Gasket		1	
-	999 701 169 40	O-ring 14,3 X 2,4		1	
-	915 303 225 00	Gasket		1	
>>	925 300 911 00	Gasket set Transmission - TYP 925 - SPM Comprising:		1	
-	999 113 205 40	Shaft sealing ring 26 X 37 X 7		1	
-	PCG 201 301 00	Shaft sealing ring 12 X 18 X 3		1	
-	999 701 397 40	O-ring 72 X 2,5		1	
-	N 013 804 2	Sealing ring A 6 X 10		8	
-	999 113 189 40	Radial sealing ring		1	
-	900 123 060 30	Sealing ring A 24 X 29		1	
-	900 123 007 30	Sealing ring A 14 X 18		2	
-	999 113 286 40	Shaft sealing ring		1	
-	999 113 183 40	Radial shaft seal 45 X 68 X 10		2	
-	925 301 191 00	Gasket 0,10 MM		1	
-	925 301 191 01	Gasket 0,15 MM		1	
-	925 301 191 02	Gasket 0,20 MM		1	
-	999 113 175 40	Shaft sealing ring 6 X 15 X 6		1	
-	999 701 084 50	O-ring 25,3 X 2,4		1	
-	999 113 185 40	Shaft sealing ring		1	

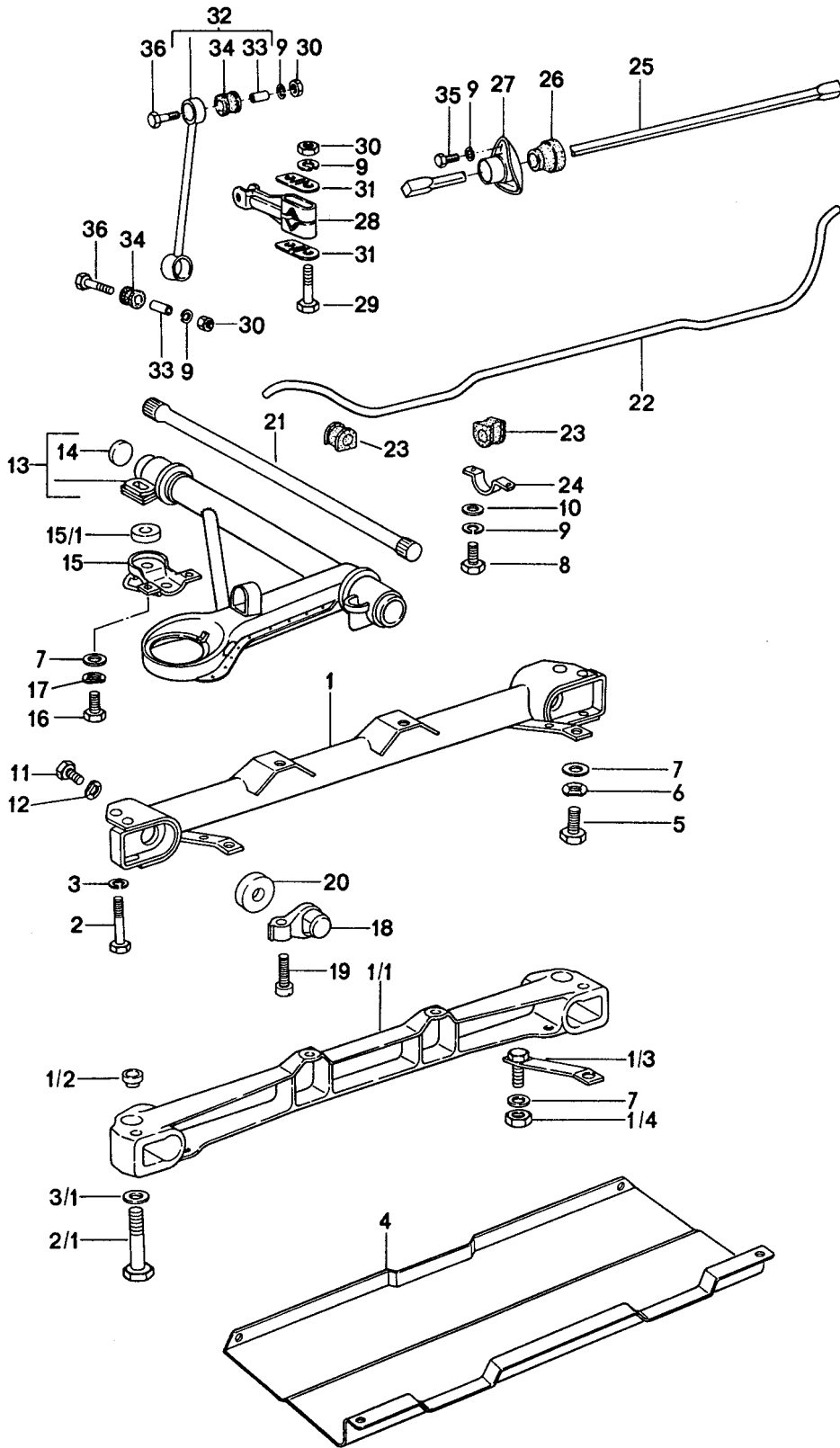
Model: 911 74

Model life 1974>>1977

Pos	Part Number	Description	Remark	Qty	Model
-	925 301 392 00	15 X 24 X 7 Gasket		1	
-	900 123 007 30	Sealing ring 14 X 8		1	
-	999 701 376 40	O-ring 170 X 3,5		1	
-	999 701 359 40	O-ring 40 X 1,5		1	

Model: 911 74

Model life 1974>>1977



Model: 911 74

Model life 1974>>1977

Pos	Part Number	Description	Remark	Qty	Model
1	911 341 013 05	Front axle Stabiliser Steel auxiliary support Auxiliary support		1	911/911S CARRERA 2.7
2	900 082 020 02	Hexagon-head bolt		2	911/911S CARRERA 2.7
3	900 027 017 02	M 12 X 1,5 X 80 Lock ring		2	911/911S CARRERA 2.7
4	911 341 161 02	B 12 Protective plate		1	911/911S CARRERA 2.7
1/1	911 341 013 10	Auxiliary support Light alloy Auxiliary support		1	911/911S CARRERA 3.0
1/3	911 341 031 01	Strut		2	911/911S CARRERA 3.0
1/4	900 910 031 09	Lock nut		2	911/911S CARRERA 3.0
1/4	900 910 031 01	Lock nut		2	911/911S CARRERA 3.0
2/1	900 082 110 02	Hexagon-head bolt		2	911/911S CARRERA 3.0
3/1	900 028 014 02	Washer		2	911/911S CARRERA 3.0
3/1	900 028 014 03	Washer		2	911/911S CARRERA 3.0
(4)	911 341 161 04	Protective plate		1	911/911S CARRERA 3.0
(4)	911 341 161 05	Protective plate		1	911/911S CARRERA 3.0
5	N 014 721 2	Pan-head screw M 10 X 25		2	
6	N 012 028 1	Lock ring 10		2	
7	900 025 008 02	Washer 10,5		8	
7	N 011 527 4	Washer 10,5		8	
7	900 025 008 09	Washer 10,5		8	
7	900 025 008 04	Washer 10,5		8	
8	900 075 087 02	Hexagon-head bolt M 8 X 16		2	
8	900 075 087 03	Hexagon-head bolt M 8 X 16		2	
9	900 027 015 02	Lock ring B 8		2	
9	900 027 015 03	Lock ring B 8		2	
10	900 025 007 02	Washer 8,4		2	
10	900 025 007 03	Washer 8,4		2	
11	N 010 235 3	Hexagon-head bolt		2	911/911S CARRERA 2.7
12	N 012 241 1	M 8 X 10 Spring washer B 8 X 15		2	911/911S CARRERA 2.7

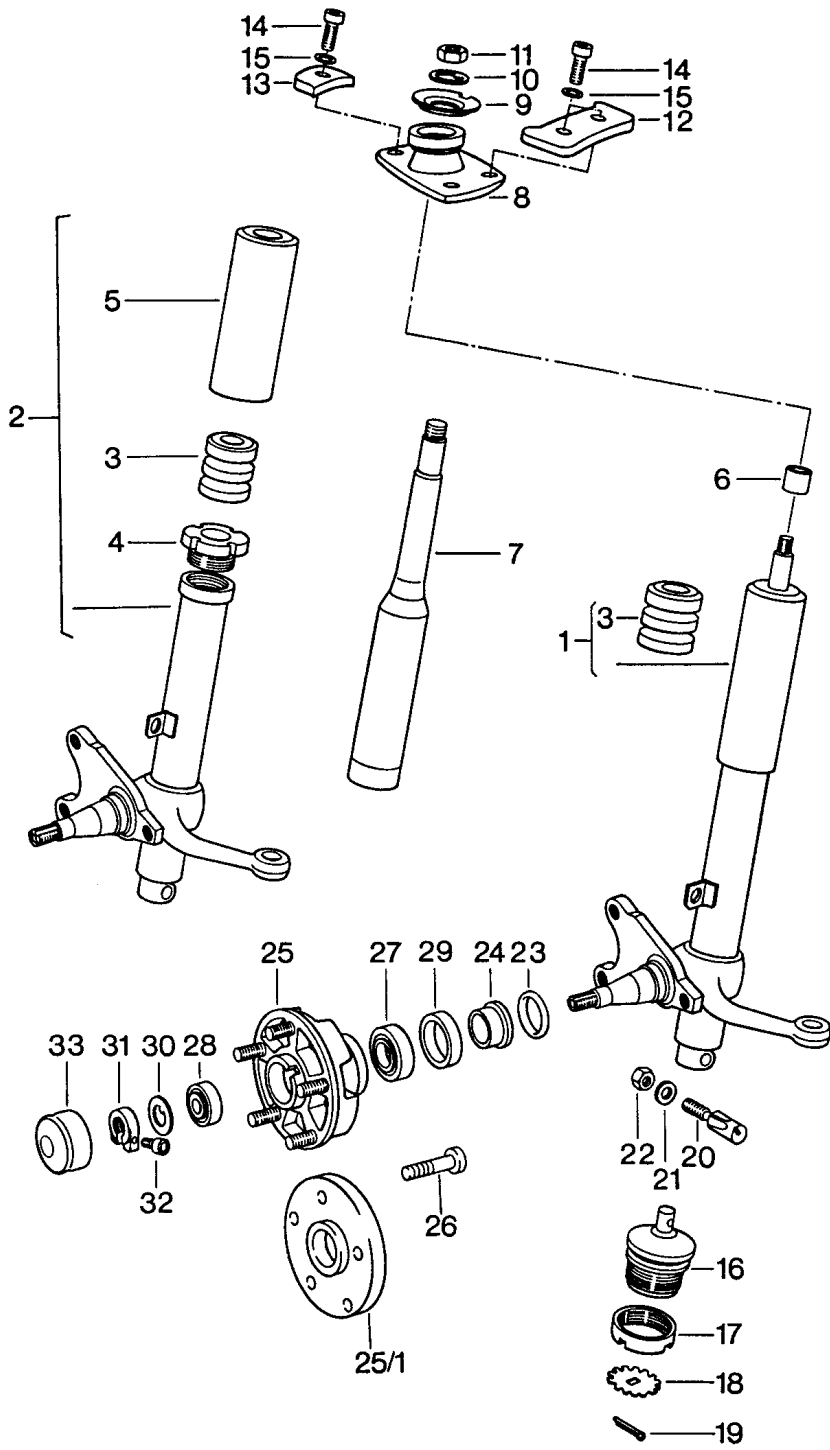
Model: 911 74

Model life 1974>>1977

Pos	Part Number	Description	Remark	Qty	Model
13	911 341 901 01	Wishbone	/L	1	
(13)	911 341 902 01	Wishbone	/R	1	
(14)	900 040 008 01	Lid		2	
15	911 341 037 02	Protective bracket	/L	1	
(15)	901 341 159 00	Protective bracket	/R	1	
(15)	911 341 038 02	Protective bracket Overseas	/R	1	
16	N 010 275 3	Hexagon-head bolt M 10 X 35		6	
16	900 075 460 01	Hexagon-head bolt M 10 X 35		6	
17	900 027 016 02	Lock ring B 10		6	
17	900 027 016 03	Lock ring B 10		6	
18	901 341 033 00	Reverse lever		2	
19	911 341 115 00	Adjusting screw		2	
20	901 341 475 00	Gasket		2	
21	901 343 101 12	Torsion bar	/L	1	
21	901 343 101 14	Torsion bar	/L	1	
(21)	901 343 102 12	Torsion bar	/R	1	
(21)	901 343 102 14	Torsion bar	/R	1	
22	911 343 703 06	Stabiliser 16 MM		1	
(22)	911 343 703 10	Stabiliser 20 MM		1	
23	911 343 792 02	Stabiliser mounting 16 MM		4	
(23)	911 343 792 03	Stabiliser mounting 20 MM		4	
24	911 343 775 00	Clip		2	

Model: 911 74

Model life 1974>>1977



Model: 911 74 Model life 1974>>1977

Pos	Part Number	Description	Remark	Qty	Model
-	PCG 043 110 00	Shock absorber strut Lubricants Grease Bearing 200 GR.		1	
1	911 341 041 10	Shock absorber strut - koni - for S-calliper A-calliper	/L M	1	
(1)	911 341 042 10	Shock absorber strut - koni - for S-calliper A-calliper	/R	1	
1	911 341 079 36	Shock absorber strut - bilstein - for S-calliper	-74 -74	1	911/911S CARRERA 2.7
(1)	911 341 080 36	Shock absorber strut - bilstein - for S-calliper	-74	1	911/911S CARRERA 2.7
1	911 341 041 30	Shock absorber strut - bilstein - for S-calliper	/L M	X	
(1)	911 341 042 30	Shock absorber strut - bilstein - for S-calliper	/R M	X	
1	911 341 041 31	Shock absorber strut - bilstein -	/L 77-	1	911/911S
(1)	911 341 042 31	Shock absorber strut - bilstein -	/R 77-	1	911/911S
1	911 341 079 00	Shock absorber strut - boge - for S-calliper	/L -74	1	CARRERA 2.7
(1)	911 341 080 00	Shock absorber strut - boge - for S-calliper	/R -74	1	CARRERA 2.7
2	911 341 043 01	Shock absorber strut Outer part - boge - for M calliper F >>91151 01182 F >>91151 10920 F >>91152 02045 F >>91152 11217 F >>91153 00373 F >>91153 10241 F >>91154 00341 F >>91154 10147	/L	1	911/911S
(2)	911 341 044 01	Shock absorber strut Outer part - boge - for M calliper	/R	1	911/911S

Model: 911 74 Model life 1974>>1977

Pos	Part Number	Description	Remark	Qty	Model
2	911 341 043 02	F >>91151 01182 F >>91151 10920 F >>91152 02045 F >>91152 11217 F >>91153 00373 F >>91153 10241 F >>91154 00341 F >>91154 10147 Shock absorber strut Outer part - boge - for S-calliper A-calliper F 91151 01183>> F 91151 10921>> F 91152 02046>> F 91152 11218>> F 91153 00374>> F 91153 10242>> F 91154 00342>> F 91154 10148>>	/L	1	
2	911 341 043 04	Shock absorber strut Outer part for S-calliper A-calliper F 91151 01183>> F 91151 10921>> F 91152 02046>> F 91152 11218>> F 91153 00374>> F 91153 10242>> F 91154 00342>> F 91154 10148>>	/L	1	
(2)	911 341 044 02	Shock absorber strut Outer part - boge - for S-calliper A-calliper F 91151 01183>> F 91151 10921>> F 91152 02046>> F 91152 11218>> F 91153 00374>> F 91153 10242>> F 91154 00342>> F 91154 10148>>	/R	1	
3	901 343 301 00	Rubber stop - koni - - boge -		2	
4	911 341 804 00	Screw plug - boge -		2	
4	911 341 804 01	Screw plug Inner Threaded ring - boge -		2	
5	911 341 805 01	Protective tube Inner Threaded ring - boge -		2	
7	911 341 913 03	Repair set	-76	2	

Model: 911 74

Model life 1974>>1977

Pos	Part Number	Description	Remark	Qty	Model
7	911 341 913 09	for Shock absorber strut - boge - Repair set for Shock absorber strut in pairs Use Attention Deleted 90134330100 POSITION 3	-76	2	
7	911 341 913 03	Repair set for Shock absorber strut - boge -	77-	2	CARRERA 3.0
7	911 341 913 09	Repair set for Shock absorber strut in pairs Use Attention Deleted 90134330100 POSITION 3	77-	2	CARRERA 3.0
(7)	911 341 913 04	Repair set for Shock absorber strut - boge -	77-	2	911/911S
(7)	PCG 341 903 01	Vibration damper - koni - for Shock absorber strut - boge - Comprising: Damper Installation set in pairs Use Only together with Rear axle PCG33305103	77-	1	911/911S
7	911 341 914 02	Repair set for Shock absorber strut - koni -	hinten	2	
7	PCG 341 904 01	Vibration damper for Shock absorber strut - koni - Comprising: Damper Installation set NUR in pairs Use		2	
8	911 341 018 00	Supporting mount		2	
9	901 341 629 00	Support washer		2	
10	900 038 002 01	Tab washer 14		2	
11	N 011 021 3	Hexagon nut M 14 X 1,5		2	

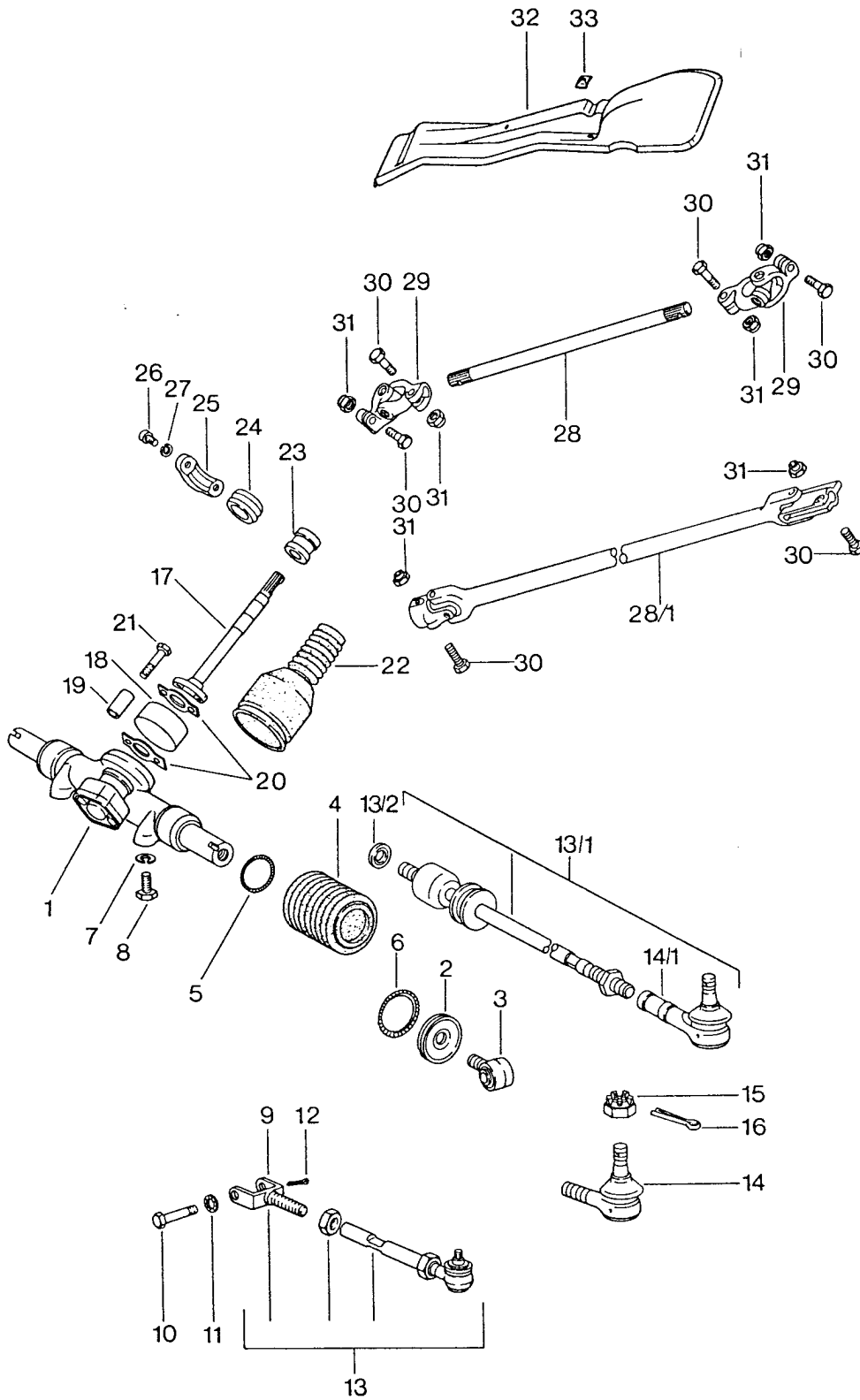
Model: 911 74

Model life 1974>>1977

Pos	Part Number	Description	Remark	Qty	Model
12	911 501 933 00	Double-bore pressure plate		2	
13	911 501 934 00	One-bore pressure plate		2	
14	900 067 063 02	Pan-head screw M 10 X 20		6	
15	999 523 103 01	Schnorr retainng washer		6	
16	911 341 049 01	Ball joint		2	
16	911 341 049 05	Ball joint		2	
17	901 341 425 00	Grooved nut		2	
17	901 341 425 01	Grooved nut		2	
18	901 341 426 00	Tab washer		2	
19	N 012 521 1	Cotter pin		2	
20	911 341 119 06	Threaded pin		2	
20	911 341 119 07	Threaded pin		2	
21	900 089 006 02	Washer 8		2	
21	900 089 006 01	Washer 8		2	
22	999 084 019 02	Lock nut		2	
23	999 701 084 50	O-ring OR 25,3 - 2,4		2	
24	901 341 623 00	Spacer ring		2	
25	911 341 065 06	Front wheel hub with Wheel bolt		2	
25	911 341 065 10	Front wheel hub with Wheel bolt		2	
26	904 341 671 00	Wheel bolt Front		10	
26	993 331 671 02	Wheel bolt Front		10	
(26)	901 341 671 05	Wheel bolt Oversize		X	
-	PCG 059 065 00	Bearing set Wheel hub Front axle Comprising:		1	
-	999 059 065 00	Taper roller bearing		2	
-	999 059 098 00	Taper roller bearing		2	
-	900 075 079 02	Hexagon-head bolt		10	
-	900 076 064 02	Hexagon nut		10	
-	901 341 623 00	Spacer ring		2	
-	477 405 641	Radial sealing ring		2	
-	999 701 084 50	O-ring		2	
-	N 012 241 8	Spring washer		10	
-	PCG 043 110 00	Grease Bearing 200 GR.		1	
27	999 059 098 00	Taper roller bearing Inner		2	
28	999 059 065 00	Taper roller bearing Outer		2	
29	477 405 641	Radial sealing ring		2	
30	911 341 663 00	Thrust washer		2	
31	911 341 673 00	Clamping nut		2	
32	999 119 001 01	Pan-head screw		2	
32	999 119 001 0B	Pan-head screw		2	
33	911 341 684 00	Cap		2	

Model: 911 74

Model life 1974>>1977



Model: 911 74 Model life 1974>>1977

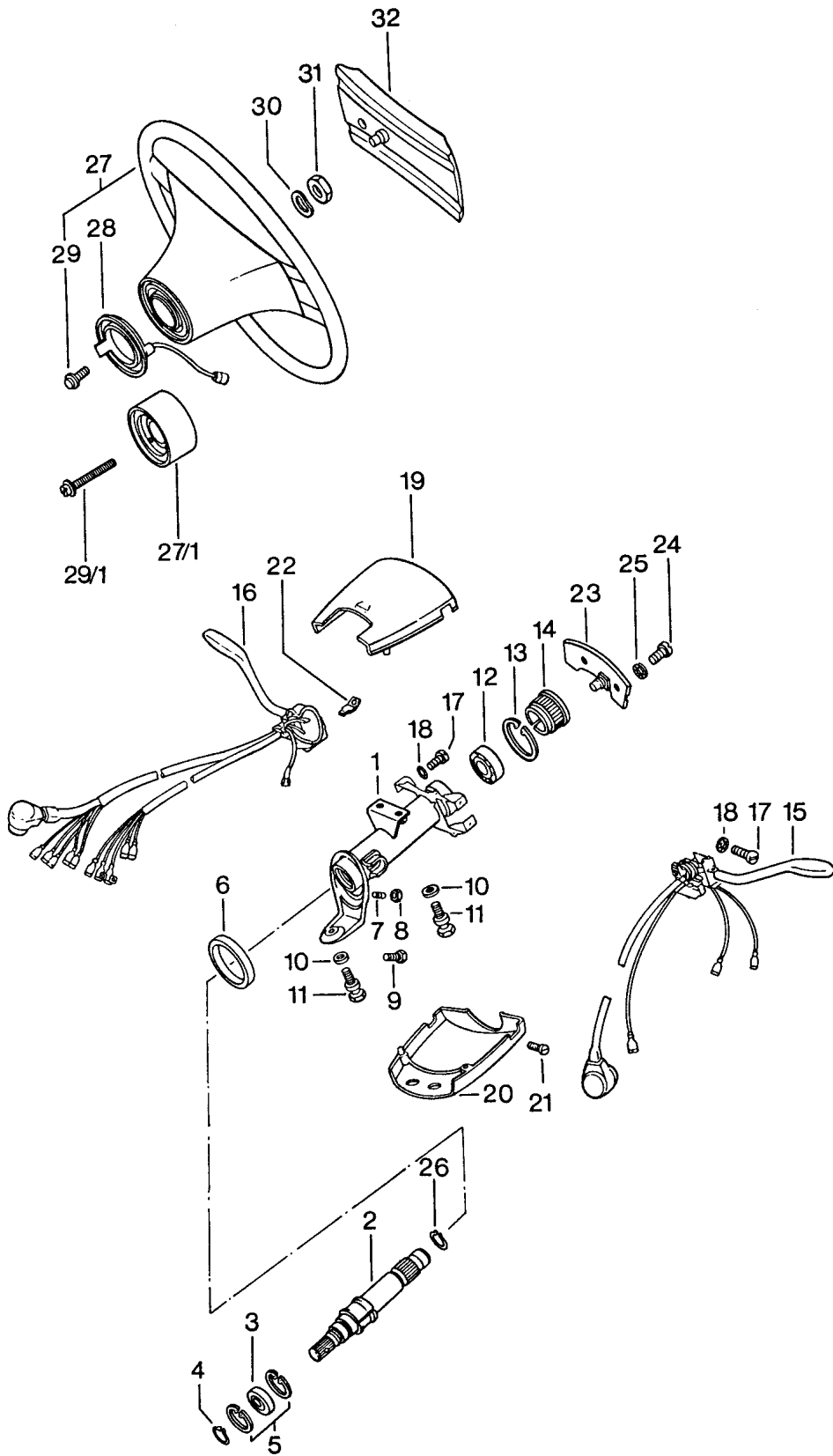
Pos	Part Number	Description	Remark	Qty	Model
		Steering gear			
		Steering linkage			
		Tie rod			
1	914 347 010 06	Steering gear		1	
2	901 347 056 02	Bellow support		2	
(2)	911 347 056 01	Bellow support	-76	2	
(2)		Bellow support	77-	2	911/911S
(2)	911 347 056 00	Bellow support	77-	2	CARRERA 3.0
(2)		Bellow support	(CH) -76	2	
3	914 347 057 00	Articulated bush		2	
4	901 347 191 02	Bellows		2	
5	901 347 308 00	Retainer spring		2	
6	901 347 309 00	Retainer spring		2	
7	900 027 016 02	Lock ring B 10		2	
7	900 027 016 03	Lock ring B 10		2	
8	N 010 253 7	Hexagon-head bolt M 10 X 22		X	
8	N 010 275 3	Hexagon-head bolt M 10 X 35		2	
8	900 075 460 01	Hexagon-head bolt M 10 X 35		2	
9	901 347 315 01	Joint fork		2	
9	901 347 315 03	Joint fork		2	
10	911 347 327 00	Hexagon-head bolt		2	
11	999 523 103 01	Schnorr retaining washer M 10		2	
12	900 021 008 00	Cotter pin 2 X 15		2	
12	900 021 008 0A	Cotter pin 2 X 15		2	
13	911 347 031 00	Tie rod		2	
13	911 347 031 01	Tie rod		2	
14	911 347 322 04	Ball joint		2	
15	N 011 210 1	Castle nut M 10 X 1		2	
16	900 021 013 00	Cotter pin 2 X 25		2	
17	901 347 210 03	Steering shaft		1	
17	901 347 210 04	Steering shaft		1	
18	901 347 201 02	Steering coupling		1	
19	901 347 215 00	Stop bush		4	
20	901 347 248 00	Tab washer		2	
21	900 074 129 02	Hexagon-head bolt M 8 X 42		4	
22	901 347 393 01	Sealing bellows		1	
22	901 347 393 02	Sealing bellows		1	
23	901 347 241 01	Steering shaft bearing	-76	1	
(23)	911 347 041 00	Steering shaft bearing	77-	1	
(23)	911 347 029 01	Steering shaft bearing Complete	77-	1	
-	911 347 029 00	Needle-roller bearing		1	
-	911 347 029 01	Steering shaft bearing		1	
24	901 347 223 03	Rubber mounting		1	
25	901 347 221 00	Housing		1	
25	901 347 221 01	Housing		1	
26	900 186 002 02	Pan-head screw M 8 X 15		2	
27	900 142 002 01	Lock ring 8		2	
28	911 347 211 01	Intermed. steering shaft	/LL	1	

Model: 911 74 Model life 1974>>1977

Pos	Part Number	Description	Remark	Qty	Model
28/1	911 347 024 02	Intermed. steering shaft for cars with Brake booster	/LL	1	
(28)	911 347 212 01	Intermed. steering shaft	/RL	1	
28/1	911 347 026 01	Intermed. steering shaft for cars with Brake booster	/RL	1	
29	930 347 025 00	Universal joint		2	
29	930 347 025 01	Universal joint		2	
29	930 347 025 02	Universal joint		2	
30	N 010 335 5	Hexagon-head bolt M 8 X 35		4	
30	900 075 032 03	Hexagon-head bolt M 8 X 35		4	
31	N 021 194 1	Lock nut M 8		4	
32	901 347 067 00	Cover	/LL	1	
(32)	901 347 068 00	Cover	/RL	1	
33	999 507 209 01	Speed nut		2	

Model: 911 74

Model life 1974>>1977



Model: 911 74 Model life 1974>>1977

Pos	Part Number	Description	Remark	Qty	Model
1	911 347 073 01	Steering wheel Steering shaft bearing Steering column switch Steering outer tube		1 1	911/911S CARRERA 2.7
(1)	911 347 072 02	F >>91141 11769 F >>91141 11378 F >>91143 00708 F >>91143 10566 F >>91144 00287 F >>91144 10146 F >>91146 00582 F >>91146 10213 Steering outer tube	/RL /RL	1 1	911/911S CARRERA 2.7
1	911 347 073 03	F >>91141 11769 F >>91141 11378 F >>91143 00708 F >>91143 10566 F >>91144 00287 F >>91144 10146 F >>91146 00582 F >>91146 10213 Steering outer tube	/LL	1	
(1)	911 347 072 04	F 91141 01770>> F 91141 11379>> F 91143 00709>> F 91143 10567>> F 91144 00288>> F 91144 10147>> F 91146 00583>> F 91146 10214>> Steering outer tube	/RL	1	
2	911 347 061 02	Steering shaft		1	
(2)	911 347 061 03	Steering shaft Only together with Hub extension		1	
3	900 052 031 00	Deep-groove ball bearing		1	
4	900 041 008 00	Circlip 17 X 1		1	
5	900 042 008 00	Circlip 35 X 1,5		2	
6	911 347 713 00	Gasket		1	911/911S CARRERA 2.7
6		Gasket		1	
7	900 228 002 02	Threaded pin M 8 X 16	/LL	1	
8	900 076 044 02	Hexagon nut M 8	/LL	1	
9	900 146 044 02	Oval-head screw AM 6 X 10	/RL	1	
10	N 012 241 8	Spring washer B 8		3	
11	901 347 753 00	Shear bolt		3	
12	911 347 771 02	Ball bearing		1	911/911S

Model: 911 74 Model life 1974>>1977

Pos	Part Number	Description	Remark	Qty	Model
12		Ball bearing		1	CARRERA 2.7
13	999 041 102 01	Circlip		1	
14	111 053 535 D	Guide bush		1	911/911S CARRERA 2.7
14	111 953 535 D	Guide bush		1	911/911S CARRERA 2.7
15		Direction indicator switch See group 9/03/10		1	
16		Wiper switch See group 9/03/10		X	
17	900 014 069 02	Pan-head screw AM 3 X 8		8	
18	900 115 007 01	Serrated lock washer A 3,2		8	
19	911 613 099 00	Switch housing Upper part		1	
20	911 613 312 00	Switch housing Lower part		1	
20	911 613 312 03	Switch housing Lower part		1	
-	911 613 328 00	Switch housing Set Comprising: Upper part/lower part POSITION 19 + 20		1	
21	900 014 079 02	Pan-head screw AM 3 X 10		2	
22	999 652 315 02	Flat plug		1	
23	911 613 521 00	Wiper contact		1	
24	900 014 046 02	Pan-head screw M 4 X 10		2	
25	N 012 116 1	Serrated lock washer A 4,3		2	
26	113 415 531	Circlip		1	
27	911 347 083 00	Safety steering wheel Please state the colour		1	911/911S
(27)	911 347 084 01	Steering wheel Please state the colour \$ 380		1	
(27)	911 347 083 70	Safety steering wheel Leather Black		1	911/911S
27/1	911 347 855 00	Spacer ring		1	M018
28	911 347 099 05	Slip ring		1	
28		Slip ring		1	
29	900 146 029 02	Oval-head screw AM 3,5 X 10		3	
29/1	900 146 036 02	Oval-head screw BM 3,5 X 40		3	
30	N 012 239 1	Spring washer B 18		1	
31	900 078 007 02	Hexagon nut M 18 X 1,5		1	
32	911 347 097 00	Padded cap Please state the colour		1	911/911S
(32)	911 347 859 00	Padded cap for Sports steering wheel Not for 912E		1	

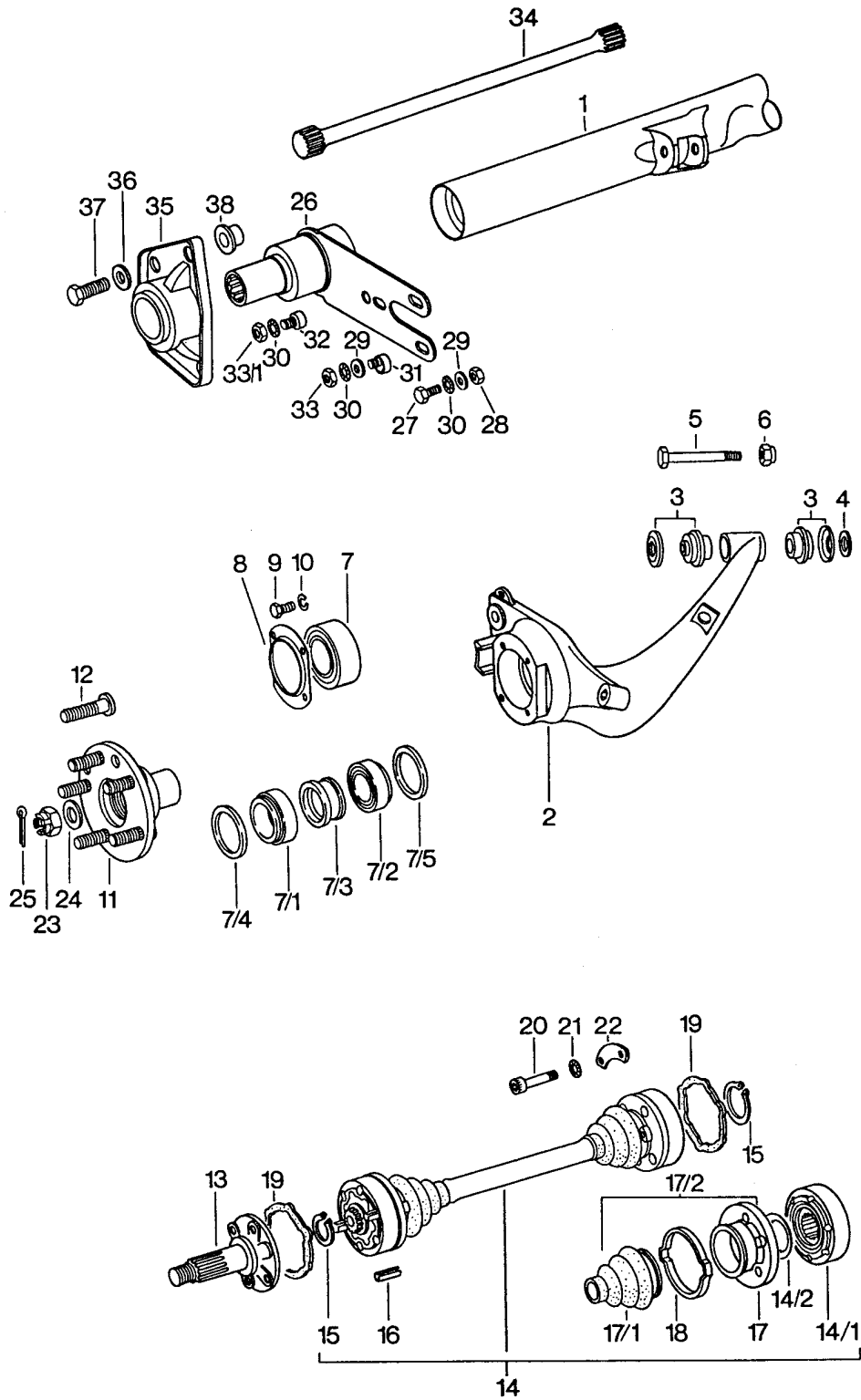
Model: 911 74

Model life 1974>>1977

Pos	Part Number	Description	Remark	Qty	Model
(32)	911 347 097 01	Please state the colour Padded cap with PORSCHE logo		1	911

Model: 911 74

Model life 1974>>1977



Model: 911 74 Model life 1974>>1977

Pos	Part Number	Description	Remark	Qty	Model
1	911 331 010 03	Rear axle		1	
2	911 331 513 00	Rear-axle cross-tube	/L	1	
(2)	911 331 514 00	Rear-axle trailing arm	/R	1	
3	901 331 059 00	Rear-axle trailing arm		4	
		Flange mounting			
		And			
		Washer			
4	N 011 534 4	Washer		2	
5	900 082 064 02	Hexagon-head bolt		2	
		M 14 X 1,5 X 75			
6	999 084 014 02	Hexagon nut		2	
		M 14 X 1,5			
6	900 910 094 02	Lock nut		2	
		M 14 X 1,5			
7	999 053 020 01	Angular-contact bearing		2	
8	911 331 561 30	Reinforcement cover		2	
9	900 075 079 02	Hexagon-head bolt		8	
		M 8 X 22			
10	900 027 015 02	Lock ring		8	
		B 8			
10	900 027 015 03	Lock ring		8	
		B 8			
11	911 331 065 33	Rear-wheel hub		2	
		with			
		Wheel bolt			
12	904 341 671 00	Wheel bolt		10	
12	993 331 671 02	Wheel bolt		10	
-	911 331 915 00	Ball pin		1	
		See technical information			
		NR.23 V. 19.03.79			
13	901 332 232 00	Drive shaft		2	911/911S CARRERA 2.7
		F >>91151 00727			
		F >>91151 10609			
		F >>91152 01529			
		F >>91152 10859			
		F >>91153 00272			
		F >>91153 10147			
		F >>91154 00173			
		F >>91154 10088			
		F >>91156 00320			
		F >>91156 10119			
13		Drive shaft		2	SPM
(13)	923 332 232 01	Drive shaft		2	
		F 91151 00278>>			
		F 91151 10610>>			
		F 91152 01530>>			
		F 91152 10860>>			
		F 91153 00273>>			
		F 91153 10148>>			
		F 91154 00174>>			
		F 91154 10089>>			
		F 91156 00321>>			
14	911 332 033 08	Drive shaft		2	911/911S
14	911 332 033 09	Drive shaft		2	911/911S CARRERA 2.7
		F >>91151 00727			
		F >>91151 10609			
		F >>91152 01529			
		F >>91152 10859			
		F >>91153 00272			
		F >>91153 10147			
		F >>91154 00173			
		F >>91154 10088			

Model: 911 74 Model life 1974>>1977

Pos	Part Number	Description	Remark	Qty	Model
14	911 332 033 08	F >>91156 00320 F >>91156 10119 Drive shaft		2	SPM
14	911 332 033 09	Drive shaft		2	SPM
(14)	923 332 033 02	Drive shaft F 91151 00728>> F 91151 10610>> F 91152 01530>> F 91152 10860>> F 91153 00273>> F 91153 10148>> F 91154 00174>> F 91154 10089>> F 91156 00321>> F 91156 10120>>		2	
14/1	911 332 032 02	Joint F >>91151 00727 F >>91151 10609 F >>91152 01529 F >>91152 10859 F >>91153 00272 F >>91153 10147 F >>91154 00173 F >>91154 10088 F >>91156 00320 F >>91156 10119		4	911/911S CARRERA 2.7
14/1		Joint		4	SPM
(14/1)	923 332 032 00	Joint F 91151 00728>> F 91151 00610>> F 91152 01530>> F 91152 10860>> F 91153 00273>> F 91153 10148>> F 91154 00174>> F 91154 10089>> F 91156 00321>> F 91156 10120>>		4	
14/2	901 332 312 00	Cup spring F >>91151 00727 F >>91151 10609 F >>91152 01529 F >>91152 10859 F >>91153 00272 F >>91153 10147 F >>91154 00173 F >>91154 10088 F >>91156 00320 F >>91156 10119		4	911/911S CARRERA 2.7
14/2		Cup spring		4	SPM
14/2	901 332 311 10	Cup spring F 91151 00728>> F 91151 10610>> F 91152 01530>> F 91152 10860>> F 91153 00273>> F 91153 10148>> F 91154 00174>> F 91154 10089>> F 91156 00321>> F 91156 10120>>		4	

Model: 911 74 Model life 1974>>1977

Pos	Part Number	Description	Remark	Qty	Model
15	999 041 012 01	Circlip F >>91151 00727 F >>91151 10609 F >>91152 01529 F >>91152 10859 F >>91153 00272 F >>91153 10147 F >>91154 00173 F >>91154 10088 F >>91156 00320 F >>91156 10119		4	911/911S CARRERA 2.7
15 (15)	999 041 016 01	Circlip Circlip F 91151 00728>> F 91151 10610>> F 91152 01530>> F 91152 10860>> F 91153 00273>> F 91153 10148>> F 91154 00174>> F 91154 10089>> F 91156 00321>> F 91156 10120>>		4 4	SPM
16	999 095 019 00	Clamping pin S 10 X 20 F >>91151 00727 F >>91151 10609 F >>91152 01529 F >>91152 10859 F >>91153 00272 F >>91153 10147 F >>91154 00173 F >>91154 10088 F >>91156 00320 F >>91156 10119		8	911/911S CARRERA 2.7
16		Clamping pin S 10 X 20		8	SPM
17	911 332 295 02	Protection cap		4	911/911S
17	911 332 295 03	Protection cap F >>91151 00727 F >>91151 10609 F >>91152 01529 F >>91152 10859 F >>91153 00272 F >>91153 10147 F >>91154 00173 F >>91154 10088 F >>91156 00320 F >>91156 10119		4	911/911S CARRERA 2.7
17/1	901 332 293 12	Dust bellows F >>91151 00727 F >>91151 10609 F >>91152 01529 F >>91152 10859 F >>91153 00272 F >>91153 10147 F >>91154 00173 F >>91154 10088 F >>91156 00320 F >>91156 10119		4	911/911S CARRERA 2.7

Model: 911 74 Model life 1974>>1977

Pos	Part Number	Description	Remark	Qty	Model
17/1		Dust bellows		4	SPM
17/2	923 332 037 00	Dust bellows with Flange F 91151 00728>> F 91151 10610>> F 91152 01530>> F 91152 10860>> F 91153 00273>> F 91153 10148>> F 91154 00174>> F 91154 10089>> F 91156 00321>> F 91156 10120>>		4	
18	911 332 257 00	Clip 73 \$ X 6 F >>91151 00727 F >>91151 10609 F >>91152 01529 F >>91152 10859 F >>91153 00272 F >>91153 10147 F >>91154 00173 F >>91154 10088 F >>91156 00320 F >>91156 10119		4	911/911S CARRERA 2.7
18		Clip 73 \$ X 6		4	SPM
19	901 332 297 00	Gasket F >>91151 00727 F >>91151 10609 F >>91152 01529 F >>91152 10859 F >>91153 00272 F >>91153 10147 F >>91154 00173 F >>91154 10088 F >>91156 00320 F >>91156 10119		4	911/911S CARRERA 2.7
19		Gasket		4	SPM
(19)	923 332 297 00	Gasket F 91151 00728>> F 91151 10610>> F 91152 01530>> F 91152 10860>> F 91153 00273>> F 91153 10148>> F 91154 00174>> F 91154 10089>> F 91156 00321>> F 91156 10120>>		8	
20	900 067 229 09	Pan-head screw M 10 X 48 F >>91151 00727 F >>91151 10609 F >>91152 01529 F >>91152 10859 F >>91153 00272 F >>91153 10147 F >>91154 00173 F >>91154 10088		16	911/911S CARRERA 2.7

Model: 911 74 Model life 1974>>1977

Pos	Part Number	Description	Remark	Qty	Model
20	(20) 900 067 211 01	F >>91156 00320		16	SPM
		F >>91156 10119			
		Pan-head screw			
		M 10 X 48			
		Pan-head screw		24	
		M 8 X 50			
		F 91151 00278>>			
		F 91151 10610>>			
		F 91152 01530>>			
		F 91152 10860>>			
		F 91153 00273>>			
		F 91153 10148>>			
		F 91154 00174>>			
		F 91154 10089>>			
	F 91156 00321>>				
	F 91156 10120>>				
21	999 523 103 01	Schnorr retainng washer		16	911/911S CARRERA 2.7
		M 10			
		F >>91151 00727			
		F >>91151 10609			
		F >>91152 01529			
		F >>91152 10859			
		F >>91153 00272			
		F >>91153 10147			
		F >>91154 00173			
		F >>91154 10088			
		F >>91156 00320			
		F >>91156 10119			
21		Schnorr retainng washer		16	SPM
		M 10			
22	911 332 191 00	Plate		8	911/911S CARRERA 2.7
		F >>91151 00727			
		F >>91151 10609			
		F >>91152 01529			
		F >>91152 10859			
		F >>91153 00272			
		F >>91153 10147			
		F >>91154 00173			
		F >>91154 10088			
		F >>91156 00320			
		F >>91156 10119			
23	901 332 806 00	Castle nut		2	
23	901 332 806 01	Castle nut		2	
24	999 025 046 01	Washer		2	
25	N 012 538 1	Cotter pin		2	
		4 X 40			
26	901 333 003 01	Rear axle strut		2	
		1976			
		F >>91162 01872			
		F >>91162 11898			
		F >>91163 01741			
		F >>91163 11425			
		F >>91166 01021			
		F >>91166 10439			
		F >>91260 01838			
		F >>93067 00641			
		F >>93068 00493			
26	901 333 003 09	Rear axle strut		2	
		1976			
		F >>91162 01872			
		F >>91162 11898			
		F >>91163 01741			

Model: 911 74 Model life 1974>>1977

Pos	Part Number	Description	Remark	Qty	Model
(26)	911 333 009 00	F >>91163 11425 F >>91166 01021 F >>91166 10439 F >>91260 01838 F >>93067 00641 F >>93068 00493 Rear axle strut F 91162 01873>> F 91162 11899>> F 91163 01742>> F 91163 11426>> F 91166 01022>> F 91166 10440>> F 91260 01839>> F 93067 00642>> F 93068 00494>>		2	
(26)	911 333 009 05	Rear axle strut F 91162 01873>> F 91162 11899>> F 91163 01742>> F 91163 11426>> F 91166 01022>> F 91166 10440>> F 91260 01839>> F 93067 00642>> F 93068 00494>>		2	
-	900 910 092 02	Lock nut F 91162 01873>> F 91162 11899>> F 91163 01742>> F 91163 11426>> F 91166 01022>> F 91166 10440>> F 91260 01839>> F 93067 00642>> F 93068 00494>>		4	
-	900 360 007 01	Lock nut F 91162 01873>> F 91162 11899>> F 91163 01742>> F 91163 11426>> F 91166 01022>> F 91166 10440>> F 91260 01839>> F 93067 00642>> F 93068 00494>>		4	
-	911 331 107 01	Spacer ring F 91162 01873>> F 91162 11899>> F 91163 01742>> F 91163 11426>> F 91166 01022>> F 91166 10440>> F 91260 01839>> F 93067 00642>> F 93068 00494>>		2	
-	911 333 303 00	Eccentric screw F 91162 01873>> F 91162 11899>> F 91163 01742>> F 91163 11426>> F 91166 01022>> F 91166 10440>>		2	

Model: 911 74

Model life 1974>>1977

Pos	Part Number	Description	Remark	Qty	Model
-	911 333 303 01	F 91260 01839>> F 93067 00642>> F 93068 00494>> Eccentric screw F 91162 01873>> F 91162 11899>> F 91163 01742>> F 91163 11426>> F 91166 01022>> F 91166 10440>> F 91260 01839>> F 93067 00642>> F 93068 00494>>		2	
-	911 333 305 00	Hexagon-head bolt F 91162 01873>> F 91162 11899>> F 91163 01742>> F 91163 11426>> F 91166 01022>> F 91166 10440>> F 91260 01839>> F 93067 00642>> F 93068 00494>>		2	
-	911 333 305 01	Hexagon-head bolt F 91162 01873>> F 91162 11899>> F 91163 01742>> F 91163 11426>> F 91166 01022>> F 91166 10440>> F 91260 01839>> F 93067 00642>> F 93068 00494>>		2	
-	911 333 307 00	Washer F 91162 01873>> F 91162 11899>> F 91163 01742>> F 91163 11426>> F 91166 01022>> F 91166 10440>> F 91260 01839>> F 93067 00642>> F 93068 00494>>		4	
-	911 333 307 02	Washer F 91162 01873>> F 91162 11899>> F 91163 01742>> F 91163 11426>> F 91166 01022>> F 91166 10440>> F 91260 01839>> F 93067 00642>> F 93068 00494>>		4	
-	900 075 043 02	Hexagon-head bolt M 10 X 35 F 91162 01873>> F 91162 11899>> F 91163 01742>> F 91163 11426>> F 91166 01022>> F 91166 10440>> F 91260 01839>> F 93067 00642>>		8	

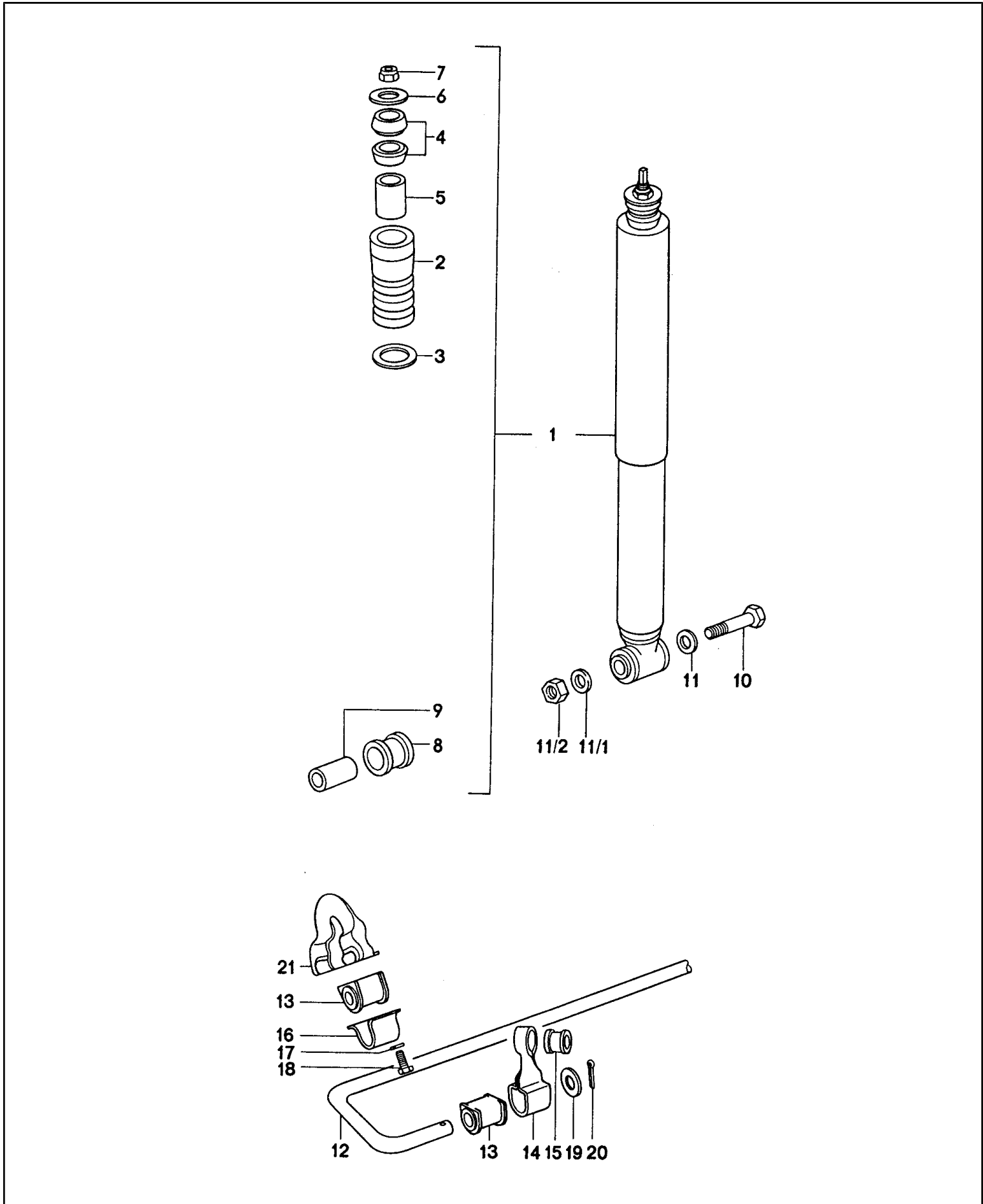
Model: 911 74

Model life 1974>>1977

Pos	Part Number	Description	Remark	Qty	Model
27	900 083 019 08	F 93068 00494>> Hexagon-head bolt M 12 X 1,5 X 35		4	
28	N 011 020 8	Hexagon nut M 12 X 1,5		4	
28	900 034 036 01	Hexagon nut M 12 X 1,5		4	
29	901 333 143 01	Washer		10	
30	999 523 109 02	Lock washer M 12		8	
31	901 333 133 04	Eccentric		2	
31	901 333 133 06	Eccentric		2	
32	901 333 133 05	Eccentric		2	
33	900 078 017 02	Hexagon nut M 12 X 1,5		2	
33/1	900 076 016 02	Hexagon-head bolt M 12 X 1,5		2	
34	901 333 101 05	Torsion bar 23 MM	/L	1	
34	901 333 101 15	Torsion bar 23 MM New design Only together with 90133310210	/L /R	1 1	
(34)	901 333 102 05	Torsion bar 23 MM	/R	1	
(34)	901 333 102 10	Torsion bar 23 MM New design Only together with 90133310115	/R /L	1 1	
35	901 333 153 00	Housing		2	
36	900 025 008 02	Washer 10,5		8	
36	N 011 527 4	Washer 10,5		8	
36	900 025 008 09	Washer 10,5		8	
36	900 025 008 04	Washer 10,5		8	
37	900 075 042 02	Hexagon-head bolt M 10 X 28		8	
38	901 331 107 00	Spacer ring		2	

Model: 911 74

Model life 1974>>1977



Model: 911 74 Model life 1974>>1977

Pos	Part Number	Description	Remark	Qty	Model
1	911 333 051 03	Vibration damper Stabiliser	-76	2	
1	911 333 051 05	Vibration damper - boge -	-76	2	
1	911 333 051 03	Vibration damper - boge -	77-	2	CARRERA 3.0
1	911 333 051 05	Vibration damper - boge -	77-	2	CARRERA 3.0
1	911 333 051 50	Vibration damper - woodhead -	76	2	911/911S CARRERA 3.0
1	911 333 051 52	Vibration damper - woodhead -	77-	2	911/911S
1	911 333 051 13	Vibration damper - koni -		2	
1	PCG 333 051 03	Vibration damper - koni -		2	
1	911 333 051 41	Vibration damper - bilstein -		2	
1	911 333 051 47	Vibration damper - bilstein -		2	
1	911 333 051 49	Vibration damper - bilstein -		2	
1	911 333 051 60	Vibration damper - bilstein -		2	
1	911 333 051 45	Vibration damper - bilstein -	77-	2	911/911S
2	911 333 301 04	Additional spring		2	
3	911 333 511 00	Washer - boge - - koni - - bilstein -		2	
4	911 333 521 00	Rubber mounting		4	
5	911 333 522 00	Articulated bush		2	
6	911 333 523 00	Washer - boge - - koni - - bilstein -		2	
7	900 084 013 02	Lock nut M 10 X 1		2	
8	911 333 795 00	Rubber mounting - boge -		2	
8	911 333 795 11	Rubber mounting - koni -		2	
9	911 333 513 00	Bush		2	
10	900 082 054 02	Hexagon-head bolt M 14 X 1,5 X 85		2	
11	999 025 062 02	Washer		2	
12	911 333 701 01	Stabiliser		1	911/911S
12		Stabiliser		1	CARRERA
13	911 333 793 02	Stabiliser mounting		4	911/911S
13	911 333 793 05	Stabiliser mounting		4	911/911S
13	911 333 793 02	Stabiliser mounting		4	CARRERA
13	911 333 793 05	Stabiliser mounting		4	CARRERA
14	901 333 731 01	Tab		1	911/911S
14		Tab		1	CARRERA
(14)	901 333 732 01	Tab		1	911/911S
(14)		Tab		1	CARRERA
15	901 343 782 00	Articulated bush		2	911/911S
15		Articulated bush		2	CARRERA
16	901 333 753 01	Supporting bow		2	911/911S
16		Supporting bow		2	CARRERA

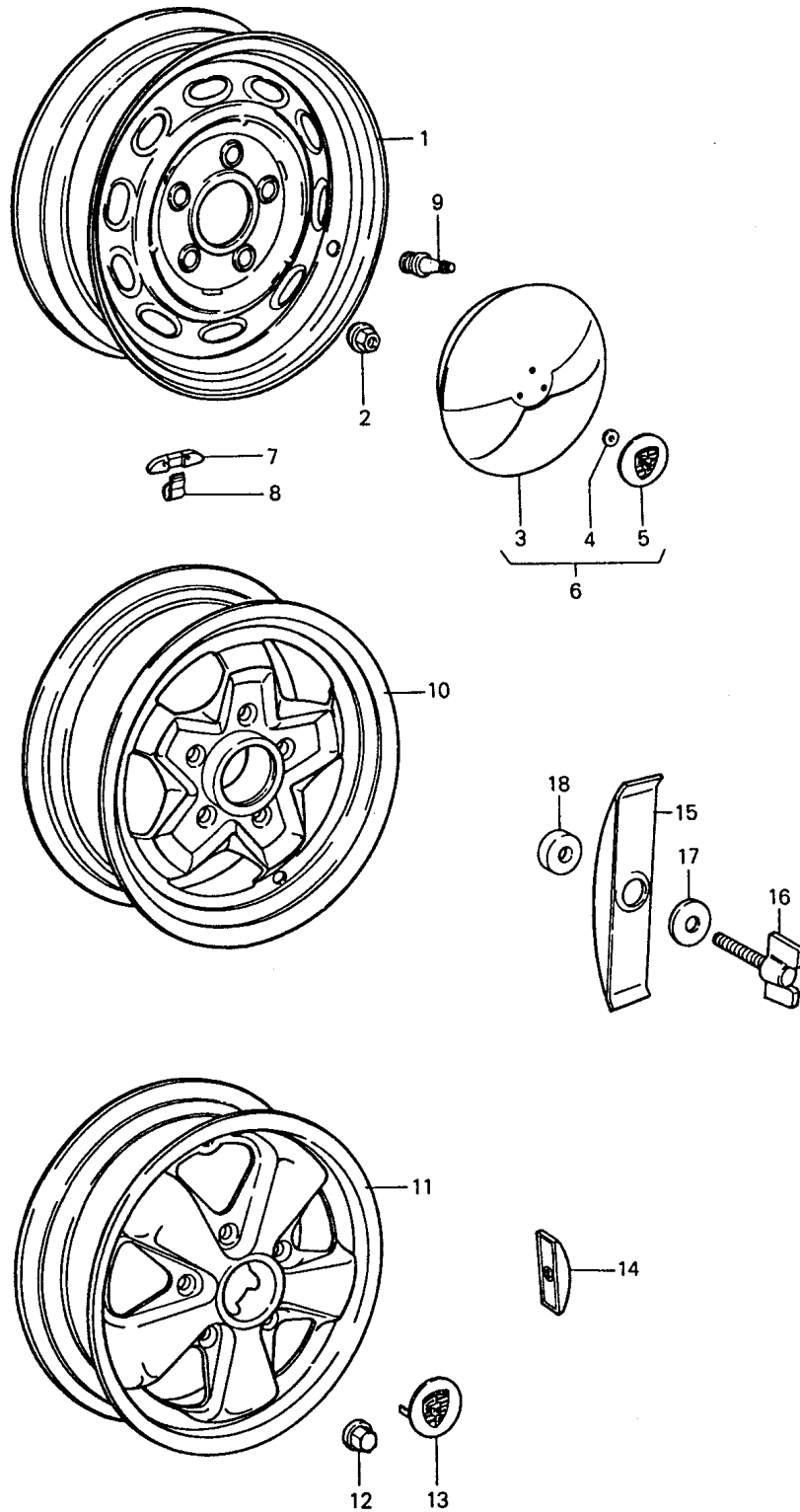
Model: 911 74

Model life 1974>>1977

Pos	Part Number	Description	Remark	Qty	Model
17	900 027 015 02	Lock ring		4	911/911S
17	900 027 015 03	Lock ring		4	911/911S
17	900 027 015 02	Lock ring		4	CARRERA
17	900 027 015 03	Lock ring		4	CARRERA
18	N 010 239 11	Hexagon-head bolt		4	911/911S
18	N 010 239 30	Hexagon-head bolt		4	911/911S
18	N 010 239 11	Hexagon-head bolt		4	CARRERA
18	N 010 239 30	Hexagon-head bolt		4	CARRERA
19	N 011 530 1	Washer		2	911/911S
19		Washer		2	CARRERA
20	N 012 536 1	Cotter pin		2	911/911S
20		Cotter pin		2	CARRERA
21	911 501 180 00	Bracket		2	911/911S
21		Bracket		2	911/911S
	911 501 180 00 GRV	Prime coated			
21	911 501 180 00	Bracket		2	CARRERA
21		Bracket		2	CARRERA
	911 501 180 00 GRV	Prime coated			

Model: 911 74

Model life 1974>>1977



Model: 911 74

Model life 1974>>1977

Pos	Part Number	Description	Remark	Qty	Model
1	911 361 022 00	Wheels Perforated disc wheel Steel Silver metallic Lacquered 5 1/2 J X 15		5	911
2	N 020 112 1	Ball seat nut		20	911
3	901 361 301 04	Hub cap		4	911
4	999 591 339 02	Tapping nut		12	911
5	901 559 801 01	Badge Matte Chrome		4	911
6	901 361 031 01	Hub cap with Badge		4	911
7		Balance weight for Steel Disc wheel		X	911
-	928 361 410 00	Balance weight 10 G		X	
-	928 361 411 00	Balance weight 20 G		X	
-	928 361 412 00	Balance weight 30 G		X	
-	928 361 413 00	Balance weight 40 G		X	
-	928 361 414 00	Balance weight 50 G		X	
-	928 361 415 00	Balance weight 60 G		X	
-	928 361 416 00	Balance weight 70 G		X	
-	928 361 417 00	Balance weight 80 G		X	
8	914 361 441 00	Retainer spring for Balance weight		X	911
9	900 265 001 50	Rubber valve		X	
9	900 265 001 51	Rubber valve		X	
-	965 361 561 00	Valve support		2	CARRERA
10	911 361 023 40	Alloy wheel 6 J X 15 Light alloy Die casting Silver Lacquered		X	911/911S
				X	CARRERA 3.0
(10)	911 361 023 93	Alloy wheel 6 J X 15 Light alloy Die casting Silver *		X	911/911S
				X	CARRERA 3.0
10	911 361 023 40	Alloy wheel 6 J X 15 Light alloy Die casting Silver Lacquered		4	CARRERA 2.7
(10)	911 361 023 93	Alloy wheel 6 J X 15		4	CARRERA 2.7

Model: 911 74 Model life 1974>>1977

Pos	Part Number	Description	Remark	Qty	Model
(10)	911 361 023 44	Light alloy Die casting Silver * Perforated disc wheel		4 4	911/911S CARRERA 2.7
(10)		6 J X 15 Light alloy Die casting Unvarnished Perforated disc wheel		2	CARRERA 3,0
(10)	911 361 023 54	6 J X 15 Light alloy Die casting Unvarnished Alloy wheel		2	CARRERA
(10)	911 361 023 50	7 J X 15 Light alloy Die casting Unvarnished Alloy wheel		2	CARRERA
(10)	911 361 023 94	7 J X 15 Light alloy Die casting Silver Lacquered Alloy wheel		2	CARRERA
(11)	911 361 016 90	7 J X 15 Light alloy Die casting Silver * Perforated disc wheel		4	911/911S
11	911 361 020 10	5 1/2 J X 14 Light alloy Forged Perforated disc wheel		2	CARRERA
11		6 J X 15 Light alloy Wheel spoke Black Perforated disc wheel		2	911/911S
11		6 J X 15 Light alloy Wheel spoke Black Perforated disc wheel		X	911/911S
(11)	911 361 020 90	6 J X 15 Light alloy Forged Unvarnished Alloy wheel		2	
(11)	911 361 020 11	6 J X 15 Light alloy Forged Unvarnished Perforated disc wheel		2	CARRERA
(11)		7 J X 15 Light alloy Wheel spoke Black Perforated disc wheel		2	911S
(11)		7 J X 15 Perforated disc wheel		2	

Model: 911 74 Model life 1974>>1977

Pos	Part Number	Description	Remark	Qty	Model
(11)	911 361 020 91	Light alloy Wheel spoke Black Perforated disc wheel 7 J X 15		2	CARRERA
(11)	911 361 020 93	Light alloy Forged Unvarnished Alloy wheel 7 J X 15		X	CARRERA
(11)	911 361 020 22	Light alloy Forged Bead of rim Polished Perforated disc wheel 8 J X 15		2	CARRERA 2.7
(11)	911 361 020 94	Light alloy Forged Black Lacquered Alloy wheel 8 J X 15		X	CARRERA
(11)	911 361 020 03	Light alloy Forged Bead of rim Polished Perforated disc wheel 9 J X 15 ET3	74	2	CARRERA RS 3,0
(11)	911 361 020 07	Forged Black star Bead of rim Anodised Only Carrera RS 3.0 F 91146 09001>> F >>91146 09121	74-	2	CARRERA RS 3,0
(11)	911 362 113 00	Perforated disc wheel 9 J X 15 ET3 Forged Black star Bead of rim Anodised Only Carrera RS 3.0 F 91146 09001>> F >>91146 09121		2	CARRERA 3.0
(11)	911 362 115 00	Alloy wheel 6 J X 16 Light alloy Forged Black star Bead of rim Polished		X	CARRERA 3.0
(11)	911 362 115 07	Alloy wheel 7 J X 16 Light alloy Forged Black star Bead of rim Polished		X	CARRERA 3.0
(11)	911 362 115 07	Alloy wheel 7 J X 16 Light alloy		X	CARRERA 3.0

Model: 911 74 Model life 1974>>1977

Pos	Part Number	Description	Remark	Qty	Model
12	999 182 003 36	Forged Black star Bead of rim Polished Wheel nut for Light alloy Wheels		20	
13	911 361 032 00	Hub cap Silver Lacquered for Internal diameter 71 MM		4	
13	911 361 032 01	Hub cap Silver Anodised for Internal diameter 71 MM		4	
(13)	901 361 032 00	Hub cap Silver Lacquered for Internal diameter 66 MM		4	
(13)	901 361 032 01	Hub cap Silver Anodised for Internal diameter 66 MM		4	
(13)	911 361 032 28	Hub cap Black for Internal diameter 71 mm		4	
(13)	SOW 911 038 11	Hub cap Black Crest Coloured		4	
14	-	Balance stick-on weight		X	
-	901 361 410 00	Balance stick-on weight 10 G		X	
-	901 361 411 00	Balance stick-on weight 20 G		X	
-	901 361 412 00	Balance stick-on weight 30 G		X	
-	901 361 413 00	Balance stick-on weight 40 G		X	
-	901 361 414 00	Balance stick-on weight 50 G		X	
-	901 361 415 00	Balance stick-on weight 60 G		X	
-	901 361 417 00	Balance stick-on weight 80 G		X	
-	911 361 028 11	Emergency wheel GOODRICH 165 - 15 / 4.75 / 10.00 - 15 SST		1	
-	911 361 510 01	Small compressor Electric		1	911S/CARRERA
-	-	Small compressor		1	911

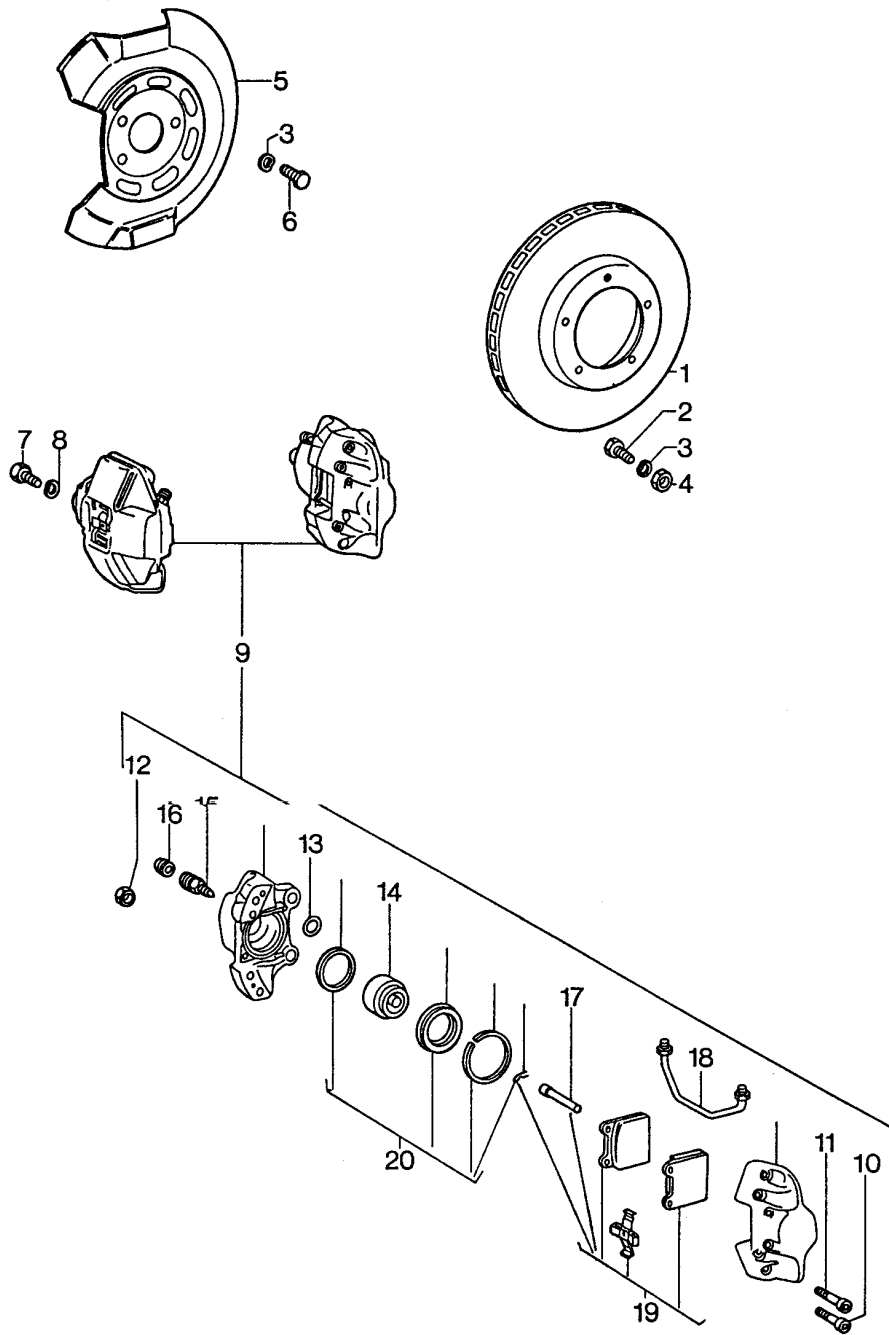
Model: 911 74

Model life 1974>>1977

Pos	Part Number	Description	Remark	Qty	Model
-	911 361 511 01	Electric Compressed air bottle		1	911
-	996 361 521 00	Boot for Impeller		1	
-	911 722 202 00	Tyre pressure gauge Porsche Classic mit Lederhülle		1	
15	911 361 633 01	Clamping bow		1	
(15)		Clamping bow		1	
16	999 074 106 02	Wing screw M 8 X 25		1	
17	900 151 008 02	Washer B 8,4		1	
18	803 813 583	Washer		1	

Model: 911 74

Model life 1974>>1977



Model: 911 74

Model life 1974>>1977

Pos	Part Number	Description	Remark	Qty	Model
		Disc brake VORNE			
1	477 405 083 A	Brake disc		2	
1	477 405 083 D	Brake disc		2	
2	900 075 079 02	Hexagon-head bolt M 8 X 22		10	
3	N 012 241 1	Spring washer B 8 X 15		16	
4	900 076 025 02	Hexagon nut M 8		10	
4	900 076 064 02	Hexagon nut M 8		10	
5	901 351 801 17	Protective plate for M calliper F >>91151 01182 F >>91151 10920 F >>91152 02045 F >>91152 11217 F >>91153 00373 F >>91153 10241 F >>91154 00341 F >>91154 10147		2	911/911S
(5)		Protective plate for S-calliper A-calliper		2	911/911S CARRERA 2,7
6	N 010 235 3	Hexagon-head bolt M 8 X 10		6	
7	900 083 023 02	Hexagon-head bolt M 12 X 1,5 X 30		4	
7	900 083 023 03	Hexagon-head bolt M 12 X 1,5 X 30		4	
8	900 028 014 01	Lock ring B 12		4	
9	911 351 907 00	Fixed calliper without pad F >>91151 01182 F >>91151 10920 F >>91152 02045 F >>91152 11217 F >>91153 00373 F >>91153 10241 F >>91154 00341 F >>91154 10147	/L	1	911/911S
(9)	911 351 908 00	Fixed calliper without pad F >>91151 01182 F >>91151 10920 F >>91152 02045 F >>91152 11217 F >>91153 00373 F >>91153 10241 F >>91154 00341 F >>91154 10147	/R	1	911/911S
9	911 351 425 02	Fixed calliper without pad F 91151 01183>> F 91151 10921>> F 91152 00246>> F 91152 11218>> F 91153 00374>> F 91153 10242>>	/L	1	

Model: 911 74 Model life 1974>>1977

Pos	Part Number	Description	Remark	Qty	Model
(9)	911 351 426 02	F 91154 00342>> F 91154 10148>> Fixed calliper without pad F 91151 01183>> F 91151 10921>> F 91152 02046>> F 91152 11218>> F 91153 00374>> F 91153 10242>> F 91154 00342>> F 91154 10148>>	/R	1	
9	911 351 935 00	Fixed calliper without pad	/L M	1	911/911S
9		Fixed calliper without pad	/L	1	CARRERA 2.7
(9)	911 351 936 00	Fixed calliper without pad	/R M	1	911/911S
(9)		Fixed calliper without pad	/R	1	CARRERA 2.7
10	901 351 945 10	Pan-head screw F >>91151 01182 F >>91151 10920 F >>91152 02045 F >>91152 11217 F >>91153 00373 F >>91153 10241 F >>91154 00341 F >>91154 10147		4	911/911S
11	901 351 946 10	Pan-head screw F >>91151 01182 F >>91151 10920 F >>91152 02045 F >>91152 11217 F >>91153 00373 F >>91153 10241 F >>91154 00341 F >>91154 10147		4	911/911S
12	N 011 008 8	Hexagon nut F >>91151 01182 F >>91151 10920 F >>91152 02045 F >>91152 11217 F >>91153 00373 F >>91153 10241 F >>91154 00341 F >>91154 10147		8	911/911S
13	901 351 928 10	Sealing ring F >>91151 01182 F >>91151 10920 F >>91152 02045 F >>91152 11217 F >>91153 00373 F >>91153 10241 F >>91154 00341 F >>91154 10147		8	911/911S
14	901 351 097 10	Piston for M calliper F >>91151 01182 F >>91151 00920 F >>91152 02045 F >>91152 11217		4	911/911S

Model: 911 74 Model life 1974>>1977

Pos	Part Number	Description	Remark	Qty	Model
(14)	911 351 918 00	F >>91153 00373 F >>91153 10241 F >>91154 00341 F >>91154 10147 Piston for S-calliper		4	911/911S
(14)		Piston for S-calliper		4	CARRERA 2.7
15	901 352 977 10	Bleeder valve for M calliper F >>91151 01182 F >>91151 10920 F >>91152 02045 F >>91152 11217 F >>91153 00373 F >>91153 10241 F >>91154 00341 F >>91154 10147		2	911/911S
(15)	911 351 919 00	Ventilation valve for S-calliper		4	911/911S
(15)		Ventilation valve for S-calliper		4	CARRERA 2.7
(15)	911 351 919 01	Ventilation valve for A-calliper F 91151 01183>> F 91151 10921>> F 91152 02046>> F 91152 11218>> F 91153 00374>> F 91153 10242>> F 91154 00342>> F 91154 10148>>		2	
16	901 351 927 10	Dust boot		X	
17	901 351 913 16	Retaining pin for M calliper F >>91151 01182 F >>91151 10920 F >>91152 02045 F >>91152 11217 F >>91153 00373 F >>91153 10241 F >>91154 00341 F >>91154 10147		4	911/911S
(17)	901 351 986 00	Retaining pin for S-calliper		4	911/911S
(17)		Retaining pin for S-calliper		4	CARRERA 2.7
(17)	911 351 951 00	Parts kit for A-calliper F 91151 01183>> F 91151 10921>> F 91152 02046>> F 91152 11218>>		4	

Model: 911 74 Model life 1974>>1977

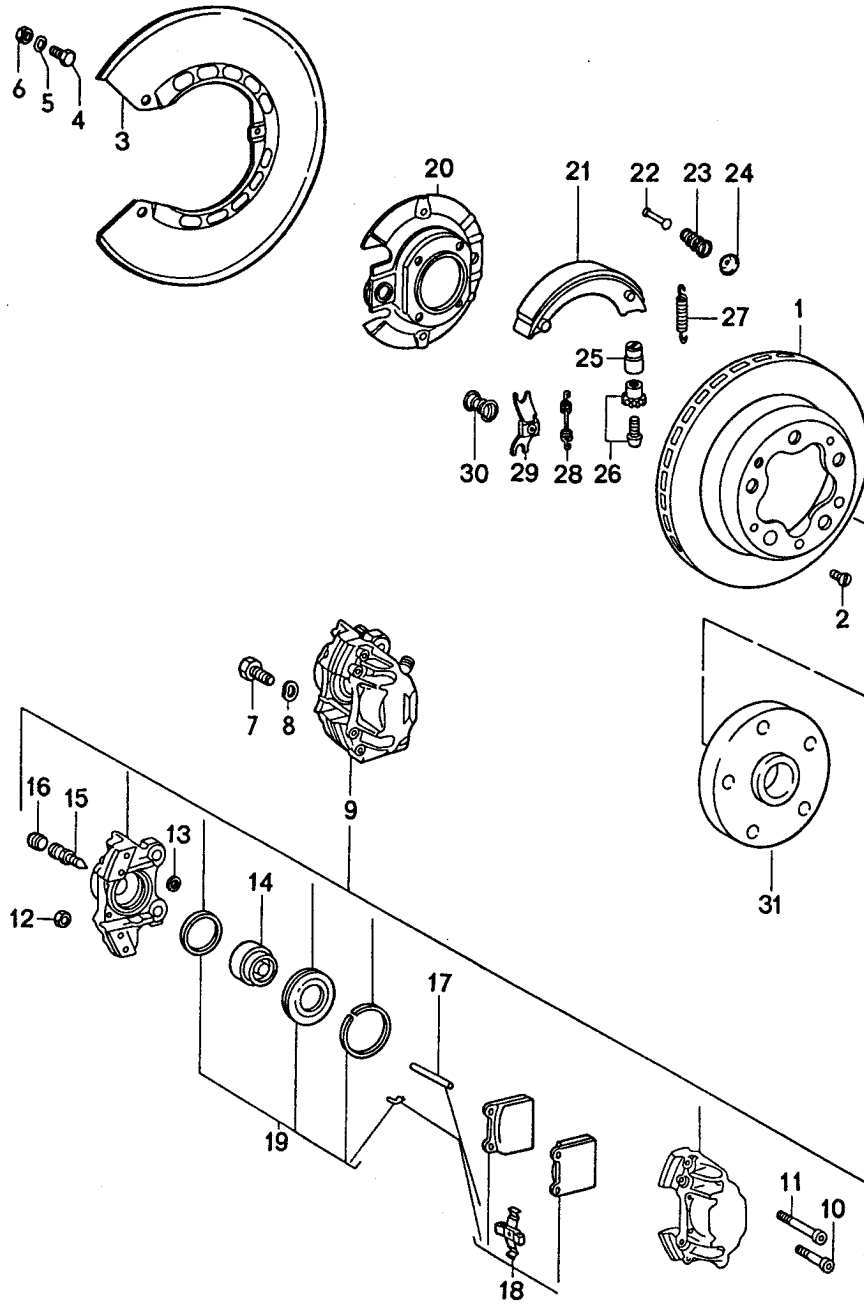
Pos	Part Number	Description	Remark	Qty	Model
18	901 351 991 00	F 91153 00374>> F 91153 10242>> F 91154 00342>> F 91154 10148>> Compensating line for S-calliper	/L M	1	911/911S
18		Compensating line for S-calliper	/L	1	CARRERA 2.7
(18)	901 351 992 00	Compensating line for S-calliper	/R M	1	911/911S
(18)		Compensating line for S-calliper	/R	1	CARRERA 2.7
19	911 351 938 00	Brake pad repair set - textar - for M calliper		1	911/911S CARRERA 2.7
19	911 352 950 04	Brake pad repair set - textar - for M calliper		1	911/911S CARRERA 2.7
19	911 352 950 06	Brake pad repair set - textar - for M calliper		1	911/911S CARRERA 2.7
-	911 351 951 02	Mounting parts 1 set		1	
(19)	911 351 950 07	Brake pad repair set - textar - for S-calliper		1	911/911S
(19)	911 351 950 09	Brake pad repair set - textar - for S-calliper		1	911/911S
(19)	911 351 950 07	Brake pad repair set - textar - for S-calliper		1	CARRERA 2.7
(19)	911 351 950 09	Brake pad repair set - textar - for S-calliper		1	CARRERA 2.7
-	911 351 951 03	Mounting parts 1 set		1	
(19)	911 351 944 01	Brake pad repair set - textar - for A-calliper F 91151 01183>> F 91151 10921>> F 91152 02046>> F 91152 11218>> F 91153 00374>> F 91153 10242>> F 91154 00342>> F 91154 10148>>		1	
(19)	911 351 950 06	Brake pad repair set - textar - for		1	

Model: 911 74 Model life 1974>>1977

Pos	Part Number	Description	Remark	Qty	Model
(19)	911 351 950 08	A-calliper F 91151 01183>> F 91151 10921>> F 91152 02046>> F 91152 11218>> F 91153 00374>> F 91153 10242>> F 91154 00342>> F 91154 10148>> Brake pad repair set - textar - for A-calliper F 91151 01183>> F 91151 10921>> F 91152 02046>> F 91152 11218>> F 91153 00374>> F 91153 10242>> F 91154 00342>> F 91154 10148>>		1	
-	911 351 951 00	Parts kit 1 set		1	
(20)	901 351 998 00	Gasket set for S-calliper Gasket set for S-calliper Gasket set for A-calliper F 91151 01183>> F 91151 10921>> F 91152 02046>> F 91152 11218>> F 91153 00374>> F 91153 10242>> F 91154 00342>> F 91154 10148>>		2	911/911S
(20)		S-calliper Gasket set for S-calliper Gasket set for A-calliper F 91151 01183>> F 91151 10921>> F 91152 02046>> F 91152 11218>> F 91153 00374>> F 91153 10242>> F 91154 00342>> F 91154 10148>>		2	CARRERA 2.7
(20)	911 351 946 00	Gasket set for A-calliper F 91151 01183>> F 91151 10921>> F 91152 02046>> F 91152 11218>> F 91153 00374>> F 91153 10242>> F 91154 00342>> F 91154 10148>>		2	

Model: 911 74

Model life 1974>>1977



Model: 911 74 Model life 1974>>1977

Pos	Part Number	Description	Remark	Qty	Model
		Disc brake Rear Handbrake			
1	901 352 041 14	Brake disc		2	
2	900 013 037 02	Countersunk-head screw AM 6 X 12		4	
3	911 352 801 20	Protective plate		2	
4	900 075 087 02	Hexagon-head bolt M 8 X 16		4	
4	900 075 087 03	Hexagon-head bolt M 8 X 16		4	
(4)	N 010 235 3	Hexagon-head bolt M 8 X 10		2	
5	N 012 241 8	Spring washer B 8 X 15		6	
6	900 076 025 02	Hexagon nut M 8		4	
6	900 076 064 02	Hexagon nut M 8		4	
7	N 010 137 2	Hexagon-head bolt M 12 X 1,5 X 35		4	
7	900 083 073 01	Hexagon-head bolt M 12 X 1,5 X 35		4	
8	900 027 017 02	Lock ring B 12		4	
9	911 352 907 00	Fixed calliper		1	
		without	/L		CARRERA 2.7
(9)	911 352 908 00	Brake pad repair set Fixed calliper		1	
		without	/R		CARRERA 2.7
10	901 352 978 13	Brake pad repair set Pan-head screw		4	
10		Pan-head screw		4	911/911S
				4	CARRERA 2.7
11	901 352 978 12	Pan-head screw		4	
11		Pan-head screw		4	911/911S
				4	CARRERA 2.7
12	901 352 979 10	Hexagon nut		8	
13	901 351 928 10	Sealing ring		8	
14	901 352 993 00	Piston for Fixed calliper		4	911/911S
		with		4	CARRERA 2.7
15	901 352 977 10	Disk balancing Bleeder valve Complete		2	
16	901 351 927 10	Dust boot		2	
17	901 352 991 01	Retaining pin		4	
18	911 352 903 00	Brake pad repair set - textar -	74	1	
18	911 352 950 04	Brake pad repair set - textar -	74	1	
18	911 352 950 06	Brake pad repair set - textar -	74-	1	
18	911 352 950 05	Brake pad repair set - textar -	75-	1	
-	911 352 951 00	Parts kit 1 set		1	
19	901 352 998 00	Gasket set for Fixed calliper		2	911/911S
				2	CARRERA 2.7

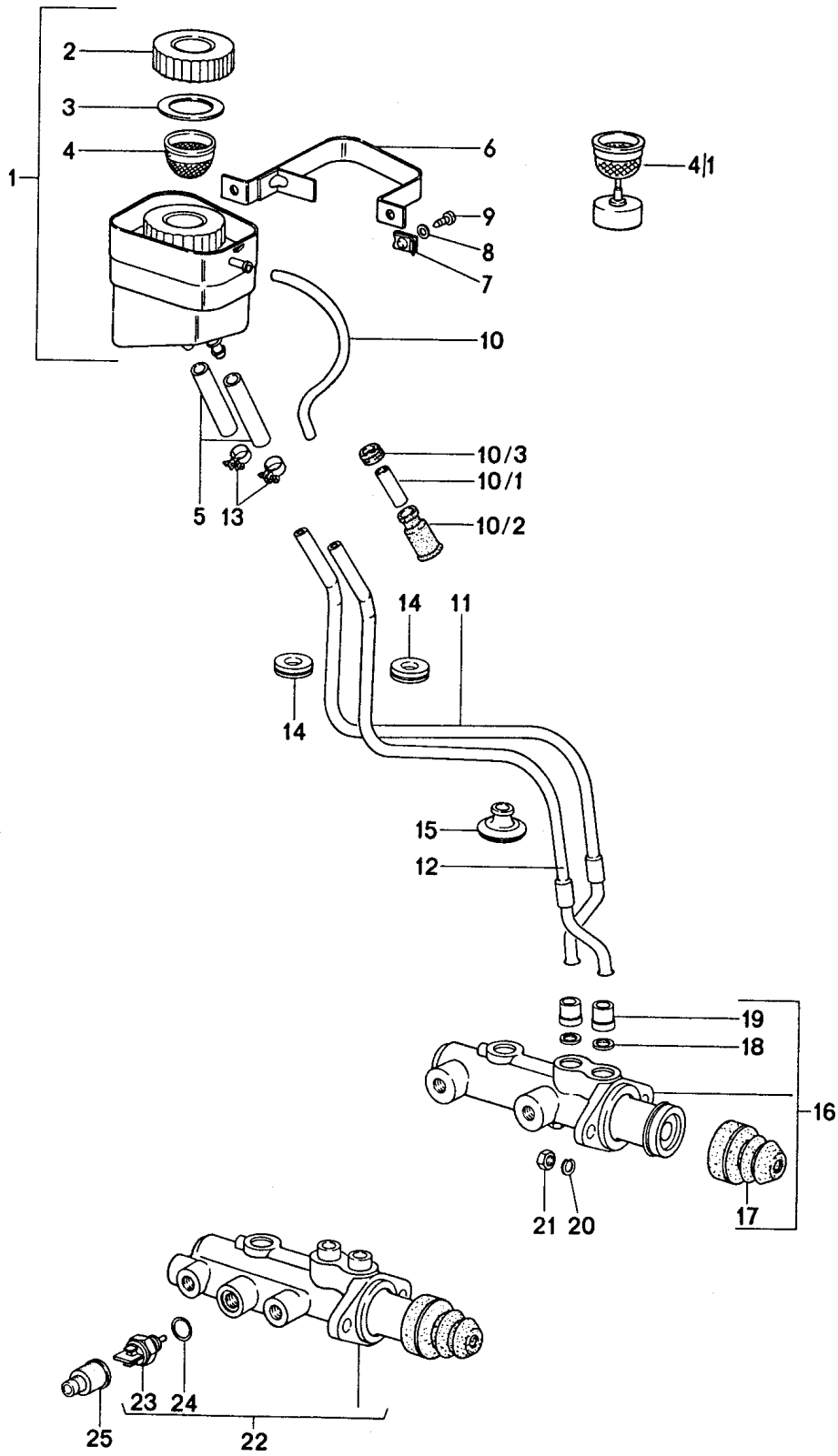
Model: 911 74

Model life 1974>>1977

Pos	Part Number	Description	Remark	Qty	Model
19	911 352 998 00	with Disk balancing Gasket set for Fixed calliper without Disk balancing		2	CARRERA 2.7
20	911 352 081 30	Brake mounting plate		2	
21	901 352 097 12	Brake shoe with pad		4	
21	911 352 097 00	Brake shoe with pad		4	
21	911 352 097 01	Brake shoe with pad		4	
21	911 352 097 10	Brake shoe with pad		4	
-	PCG 352 097 12	Set of fastening parts Handbrake Comprising:		1	
-	900 079 012 02	Castle nut		2	
-	911 352 090 01	Expanding bow		4	
-	911 352 098 01	Adjusting screw		2	
-	901 352 932 10	Return spring		2	
-	911 352 944 00	Support bush		2	
-	901 352 953 12	Compression spring		2	
-	901 352 954 10	Return spring		2	
-	901 352 955 10	Concave washer		4	
-	901 352 957 10	Compression spring		4	
-	901 352 959 11	Roll pin		4	
-	N 012 507 1	Cotter pin		2	
22	901 352 959 10	Roll pin		4	
22	901 352 959 11	Roll pin		4	
23	901 352 957 10	Compression spring		4	
24	901 352 955 10	Concave washer		4	
25	911 352 944 00	Support bush		2	
26	911 352 098 00	Adjusting screw Complete		2	
26	911 352 098 01	Adjusting screw Complete		2	
27	901 352 932 10	Return spring		2	
28	901 352 954 10	Return spring		2	
29	911 352 090 00	Expanding bow		4	
29	911 352 090 01	Expanding bow		4	
30	901 352 953 10	Compression spring		2	
30	901 352 953 11	Compression spring		2	
30	901 352 953 12	Compression spring		2	

Model: 911 74

Model life 1974>>1977



Model: 911 74 Model life 1974>>1977

Pos	Part Number	Description	Remark	Qty	Model
		Brake master cylinder for cars without Brake booster			
1	911 355 013 13	Brake fluid reservoir		1	
2	911 355 905 02	Lid		1	
3	901 355 908 00	Gasket		1	
4	211 611 381 B	Strainer		1	
4/1	911 355 420 01	Float		1	911/911S
				1	CARRERA 3.0
		with Strainer	(J) 77-		
5	901 355 927 02	Hose piece 50 MM	/LL	2	
(5)	901 355 927 01	Hose piece 150 MM	/RL	2	
6	901 355 015 00	Retaining strap		1	
7	N 015 429 2	Speed nut B 4,2		2	
7	N 015 429 6	Speed nut B 4,2		2	
8	900 151 028 02	Washer B 4,3		2	
8	900 151 028 01	Washer B 4,3		2	
9	900 143 007 02	Oval-head sheetmetal screw B 4,2 X 13		2	
9	900 073 507 01	Oval-head sheetmetal screw B 4,2 X 13		2	
10	N 020 361 2	Hose 4 X 1,5 1330 MM	-76	1	911/911S
				1	CARRERA 2,7
10		Hose	75-	*	CARRERA 3,0
				*	911/911S
				*	CARRERA 3.0
10/1	911 201 157 01	Sleeve 4 X 5 X 20	-76	1	
10/1	911 355 155 00	Pipe		1	911/911S
				1	CARRERA 3.0
10/2	999 659 015 40	Protection cap	-76	1	
10/3	111 971 911 A	Grommet		1	
11	PCG 355 061 00	Connecting line Brake circuit Front	/LL	1	
(11)	901 355 644 00	Line Brake circuit Front	/RL	1	
-	901 355 927 02	Hose piece 50 MM	/LL	1	
-	901 355 618 00	Connecting piece	/RL	1	
12	PCG 355 063 00	Connecting line Brake circuit Rear	/LL	1	
(12)	901 355 650 00	Line Brake circuit Rear	/RL	1	
-	901 355 927 02	Hose piece 50 MM	/RL	1	
-	901 355 618 00	Connecting piece	/RL	1	
13	999 512 055 02	Hose clamp		2	
13	PCG 512 055 02	Hose clamp		2	
14	999 702 076 50	Rubber sleeve		2	
15	999 702 065 50	Rubber sleeve	/LL	2	
(15)		Rubber sleeve	/RL	4	
16	901 355 012 00	Brake master cylinder		1	911/911S

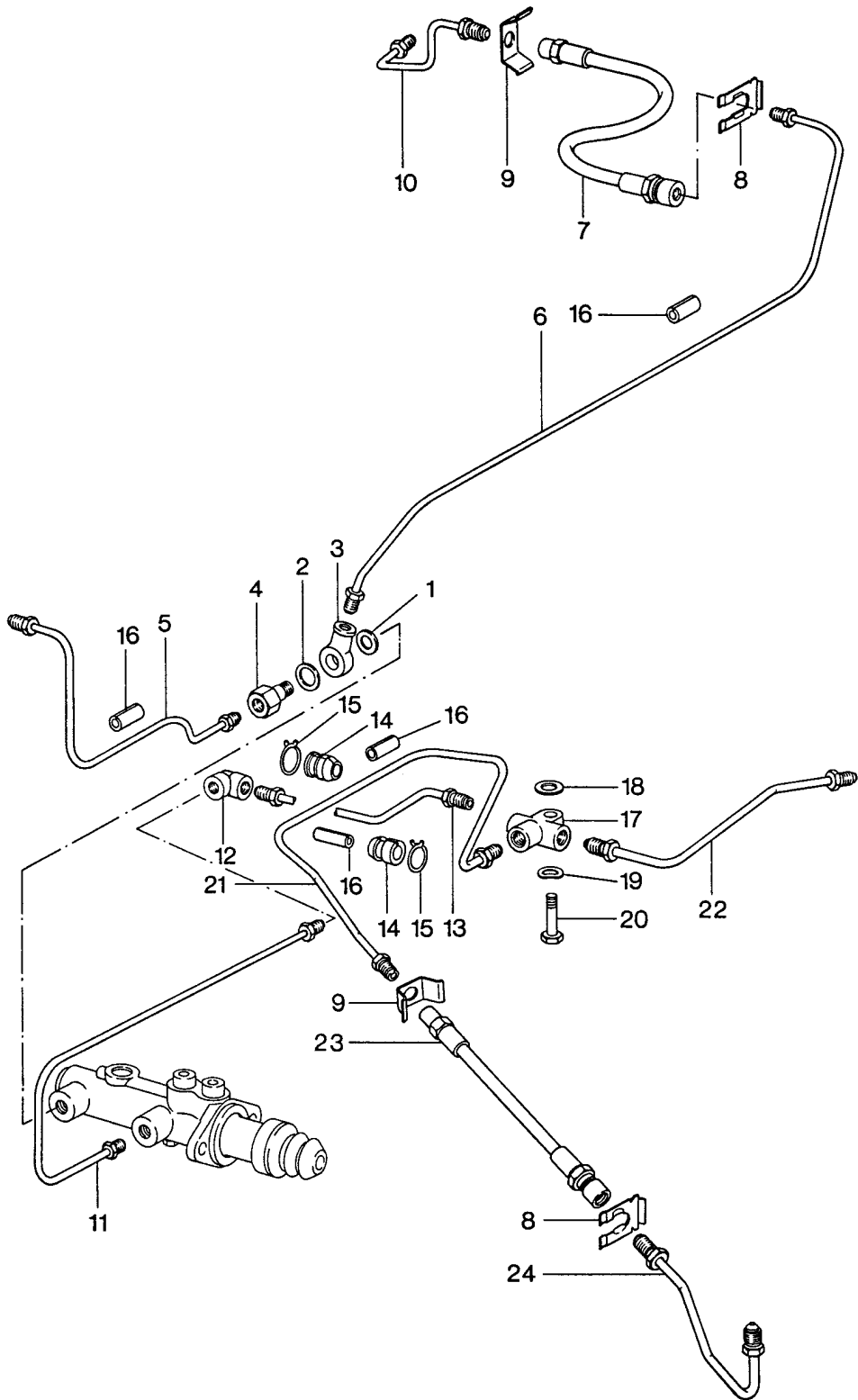
Model: 911 74

Model life 1974>>1977

Pos	Part Number	Description	Remark	Qty	Model
			-75	1	CARRERA 2.7
17	901 355 924 00	Protection cap		1	
18	901 355 936 00	Washer		2	
19	901 355 929 00	Stopper		2	
-	999 703 075 40	Stopper		1	
20	900 027 015 02	Lock ring		2	
20	900 027 015 03	Lock ring		2	
21	900 076 025 02	Hexagon nut M 8		2	
21	900 076 064 02	Hexagon nut M 8		2	
(22)	911 355 012 02	Brake master cylinder with Brake light switch		1	
23	901 613 115 00	Warning contact		1	911/911S
		2-pole	-74	1	CARRERA 2.7
(23)	914 613 116 00	Warning contact	-74	1	911/911S
		Single pole	-75	1	CARRERA 2.7
(23)	911 606 401 00	Tank gauge switch		1	911/911S
24	999 701 343 40	O-ring		1	CARRERA 3.0
25	914 613 491 00	Protection cap		1	
-	911 355 419 02	Threaded joint		1	911/911S
		Container		1	CARRERA 3.0

Model: 911 74

Model life 1974>>1977



Model: 911 74 Model life 1974>>1977

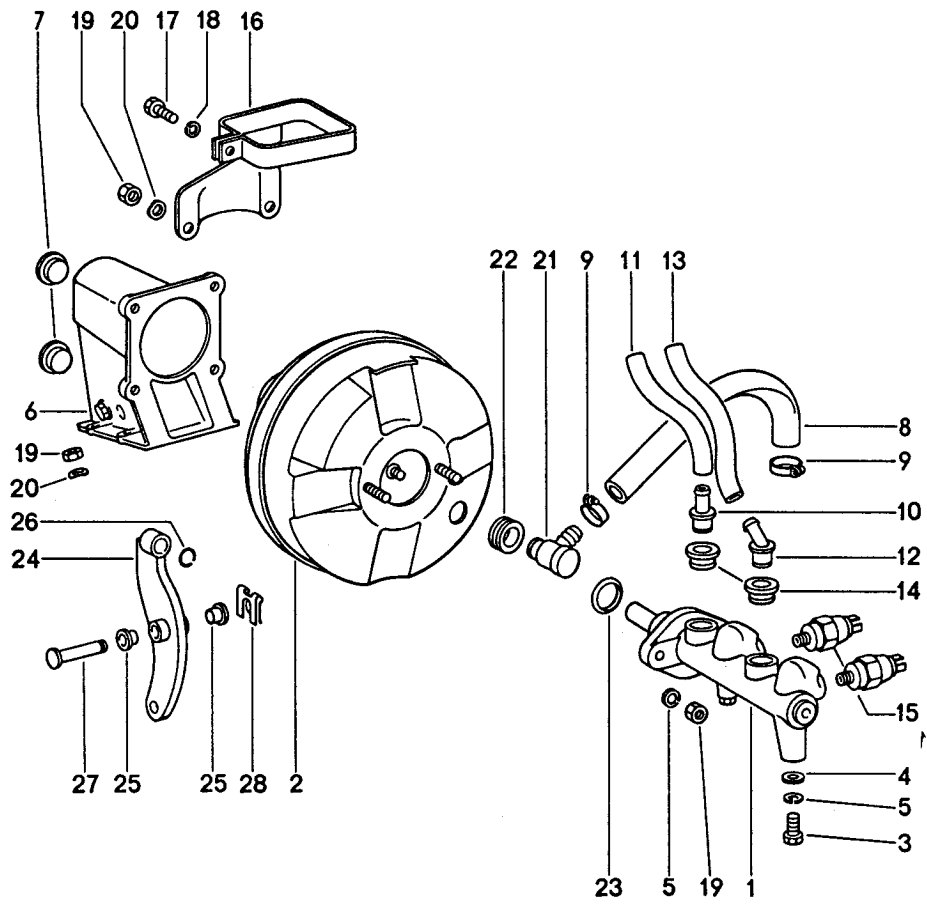
Pos	Part Number	Description	Remark	Qty	Model
1	904 355 904 00	Brake lines for cars without Brake booster Gasket		1	
2	904 355 902 00	10 MM \$ Gasket		1	
3	914 355 531 00	12 MM \$ Ring fitting		1	
4	914 355 534 00	Banjo bolt		1	
5	901 355 619 00	Brake line Front	/LL -76	1	
5	901 355 619 01	Left Brake line Front	/LL	1	
5	901 355 619 00	Left Brake line Front	/LL 77-	1	911/911S
5	901 355 619 01	Left Brake line Front	/LL 77-	1	911/911S
(5)	901 355 626 00	Left Brake line Front	/RL	1	
6	911 355 620 00	Left Brake line Front	/LL -76	1	
6	901 355 628 00	Right Brake line Front	/LL 77-	1	911/911S
(6)	901 355 628 00	Right Brake line Front	/RL	1	
7	901 355 632 01	Brake hose	/V	2	
7	901 355 632 02	Brake hose	/V	2	
8	113 611 715 A	Brake hose bracket		4	
9	803 611 715	Retainer spring		4	
(10)	911 355 685 00	Brake line Front Together with M calliper F >>91151 01182 F >>91151 10920 F >>91152 02045 F >>91152 11217 F >>91153 00373 F >>91153 10241 F >>91154 00341 F >>91154 10147	/L	1	911/911S
10	911 355 686 00	Brake line Front Together with M calliper F >>91151 01182 F >>91151 10920 F >>91152 02045 F >>91152 11217 F >>91153 00373 F >>91153 10241 F >>91154 00341 F >>91154 10147	/R	1	911/911S
(10)	911 355 605 01	Brake line Front		2	

Model: 911 74 Model life 1974>>1977

Pos	Part Number	Description	Remark	Qty	Model
		A-calliper F 91151 01183>> F 91151 10921>> F 91152 02046>> F 91152 11218>> F 91153 00374>> F 91153 10242>> F 91154 00342>> F 91154 10148>>			
(10)	911 355 683 01	Brake line Front	/L M	1	911/911S
(10)		S-calliper Brake line Front	/L	1	CARRERA 2.7
10	911 355 684 01	S-calliper Brake line Front	/R M	1	911/911S
10		S-calliper Brake line Front	/R	1	CARRERA 2.7
11	911 355 612 01	Brake line Front	/LL -75	1	911/911S
(11)	930 355 612 00	Brake line Front		1	CARRERA 2.7
(11)		Brake line Front	/LL 77-	1	911/911S
(11)	911 355 643 01	Brake line Front	/RL -75	1	911/911S
(11)		Brake line Front	/RL	1	CARRERA 2.7
12	901 355 615 00	Angled pipe		1	
12	901 355 615 01	Angled pipe		1	
13	911 355 611 00	Brake line		1	
14	914 355 651 00	Rubber sleeve		2	
15	914 355 652 00	Clamp		2	
16	914 355 691 00	Protective tube		6	
17	914 355 667 00	Distributor		1	
18	900 151 006 09	Washer B 6,4		1	
19	900 028 008 01	Lock ring B 6		1	
20	900 075 017 02	Hexagon-head bolt 6 X 25		1	
20	900 075 017 03	Hexagon-head bolt 6 X 25		1	
21	911 355 627 00	Connecting line Rear	/L	1	
22	911 355 653 00	Connecting line Rear	/R	1	
23	901 355 631 01	Brake hose	/H	2	
23	901 355 631 02	Brake hose	/H	2	
24	911 355 621 02	Brake line	/H	2	

Model: 911 74

Model life 1974>>1977



Model: 911 74 Model life 1974>>1977

Pos	Part Number	Description	Remark	Qty	Model
		Brake master cylinder for cars with Brake booster	77-		
1	911 355 011 10	Brake master cylinder		1	911/911S
1		Brake master cylinder		1	CARRERA 3.0
2	911 355 027 00	Vacuum booster		1	911/911S
2		Vacuum booster		1	CARRERA 3.0
3	N 010 237 6	Hexagon-head bolt		1	911/911S
3	N 010 237 14	Hexagon-head bolt		1	911/911S
4	900 025 007 02	Washer		1	911/911S
4	900 025 007 03	Washer		1	911/911S
5	900 027 015 02	Lock ring		3	911/911S
5	900 027 015 03	Lock ring		3	911/911S
5	900 027 015 02	Lock ring		3	CARRERA 3.0
5	900 027 015 03	Lock ring		3	CARRERA 3.0
6	911 355 381 01	Bearing bracket for Brake booster		1	911/911S
6		Bearing bracket for Brake booster		1	CARRERA 3.0
7	999 703 056 40	Stopper		2	911/911S
7		Stopper		2	CARRERA 3.0
8	911 355 609 00	Moulded hose for Vacuum line		1	911/911S
8		Moulded hose for Vacuum line		1	CARRERA 3.0
-	999 181 022 51	Hose		*	911/911S
-		320 MM		*	CARRERA 3.0
-		320 MM		1	911/911S
-		320 MM		1	CARRERA 3.0
-	999 181 022 51	Hose		*	911/911S
-		1430 MM		*	CARRERA 3.0
-		1430 MM		1	911/911S
-		1430 MM		1	CARRERA 3.0
9	999 512 063 02	Clip		6	911/911S
9	999 512 063 01	Clip		6	911/911S
9	999 512 063 02	Clip		6	CARRERA 3.0
9	999 512 063 01	Clip		6	CARRERA 3.0
10	911 355 322 00	Intake socket		1	911/911S
10		Intake socket		1	CARRERA 3.0
-	999 181 021 50	Hose		*	911/911S
-		65 MM		*	CARRERA 3.0
11		65 MM		1	911/911S
11		65 MM		1	CARRERA 3.0
12	911 355 323 00	Intake socket		1	911/911S
12		Intake socket		1	CARRERA 3.0
-	999 181 021 50	Hose		*	911/911S
-		120 MM		*	CARRERA 3.0
13		120 MM		*	911/911S
13		120 MM		*	CARRERA 3.0
14	911 355 922 00	Sealing plug		2	911/911S
14		Sealing plug		2	CARRERA 3.0
15	113 945 515 G	Brake light switch		2	911/911S
15		Brake light switch		2	CARRERA 3.0
16	911 355 038 01	Retaining strap		1	911/911S
16		Retaining strap		1	CARRERA 3.0
17	900 075 260 02	Hexagon-head bolt		1	911/911S
17		Hexagon-head bolt		1	CARRERA 3.0
18	N 012 007 2	Lock ring		1	911/911S
18	900 027 004 03	Lock ring		1	911/911S

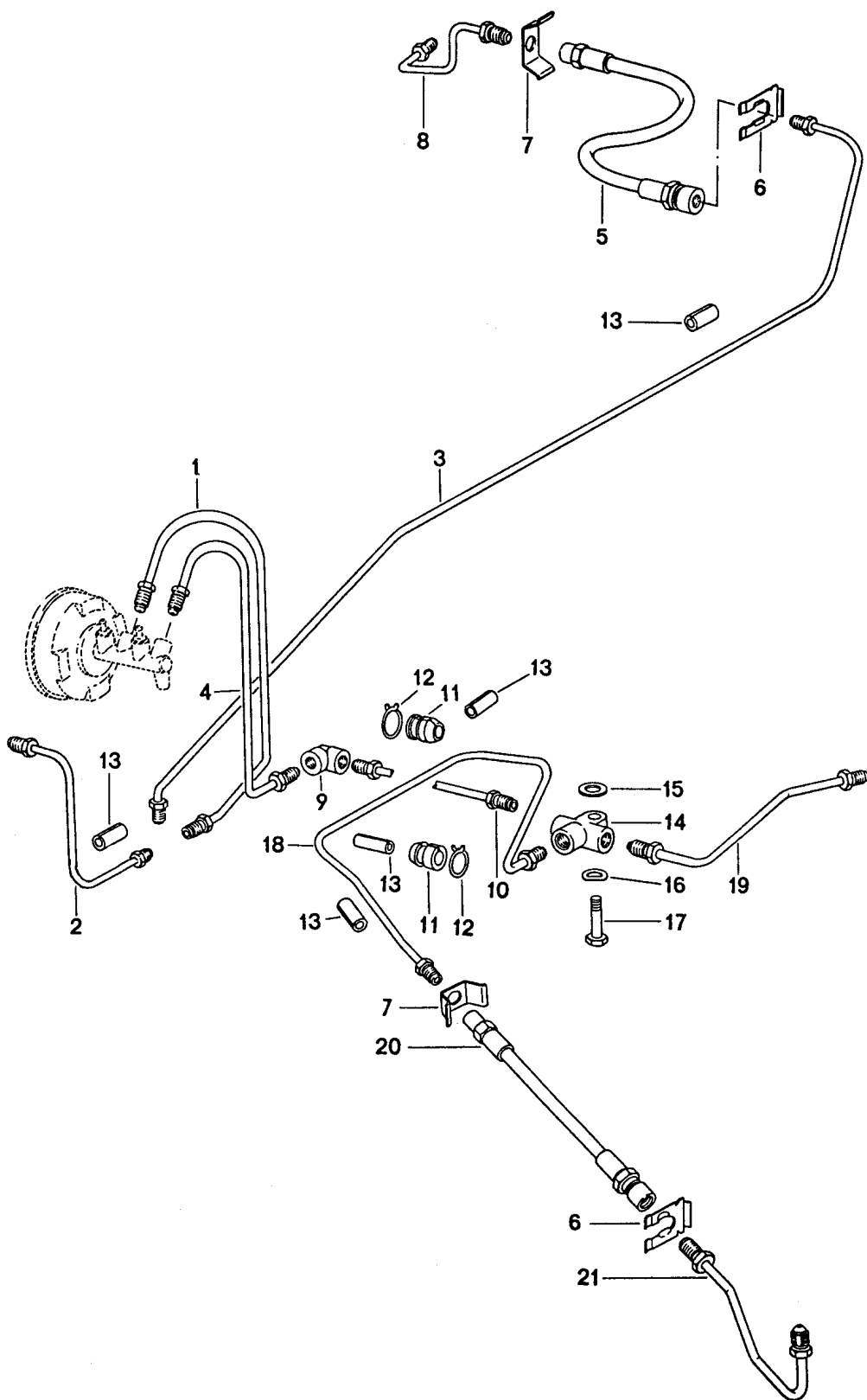
Model: 911 74

Model life 1974>>1977

Pos	Part Number	Description	Remark	Qty	Model
18	N 012 007 2	Lock ring		1	CARRERA 3.0
18	900 027 004 03	Lock ring		1	CARRERA 3.0
19	900 076 025 02	Hexagon nut		10	911/911S
19	900 076 064 02	Hexagon nut		10	911/911S
19	900 076 025 02	Hexagon nut		10	CARRERA 3.0
19	900 076 064 02	Hexagon nut		10	CARRERA 3.0
20	N 012 241 8	Spring washer		8	911/911S
20		Spring washer		8	CARRERA 3.0
21	928 355 660 00	Check valve		1	911/911S
21		Check valve		1	CARRERA 3.0
22	911 355 921 00	Rubber seal		1	911/911S
22	955 355 921 00	Rubber seal		1	911/911S
22	911 355 921 00	Rubber seal		1	CARRERA 3.0
22	955 355 921 00	Rubber seal		1	CARRERA 3.0
23	251 611 243	Sealing ring		1	911/911S
23		Sealing ring		1	CARRERA 3.0
24	911 355 083 02	Reverse lever	/LL M	1	911/911S
24		Reverse lever	/LL	1	CARRERA 3.0
25	928 423 542 00	Bearing sleeve		2	911/911S
25		Bearing sleeve		2	CARRERA 3.0
26	900 169 022 02	Circlip		1	911/911S
26		Circlip		1	CARRERA 3.0
27	911 355 511 01	Bearing pin		1	911/911S
27		Bearing pin		1	CARRERA 3.0
28	N 012 654 1	Lock washer		1	911/911S
28		Lock washer		1	CARRERA 3.0

Model: 911 74

Model life 1974>>1977



Model: 911 74

Model life 1974>>1977

Pos	Part Number	Description	Remark	Qty	Model
1	911 355 608 00	Brake lines for cars with Brake booster Connecting line	/V M /V	1 1	911/911S CARRERA 3.0
		F >>91173 01518 F >>91173 11104 F >>91172 01802 F >>91172 11425 F >>91176 00868 F >>91176 10386 F >>93077 00400 F >>93078 00391			
(1)	911 355 608 01	Connecting line	/V M	1 1	911/911S CARRERA 3.0
		F 91173 01519>> F 91173 11105>> F 91172 01803>> F 91172 11426>> F 91176 00869>> F 91176 10387>> F 93077 00401>> F 93078 00392>>			
2	911 355 618 01	Brake line Front	/L M	1	911/911S
2		Brake line Front	/L	1	CARRERA 3.0
3	911 355 617 00	Brake line Front	/R M	1	911/911S
3		Brake line Front	/R	1	CARRERA 3.0
4	911 355 607 00	Connecting line	/H M	1 1	911/911S CARRERA 3.0
		F >>91173 01518 F >>91173 11104 F >>91172 01802 F >>91172 11425 F >>91176 00868 F >>91176 10386 F >>93077 00400 F >>93078 00391			
(4)	911 355 607 01	Connecting line	/H M	1 1	911/911S CARRERA 3.0
		F 91173 01519>> F 91173 11105>> F 91172 01803>> F 91172 11426>> F 91176 00869>> F 91176 10387>> F 93077 00401>> F 93078 00392>>			
5	901 355 632 01	Brake hose		2	
5	901 355 632 02	Brake hose		2	
6	113 611 715 A	Brake hose bracket		4	
7	803 611 715	Retainer spring		4	
(8)	911 355 605 01	Brake line Front A-calliper		2 2	911/911S CARRERA 3.0
(8)	911 355 683 01	Brake line Front	/L M	1	911/911S
8	911 355 684 01	S-calliper Brake line Front	/R M	1	911/911S

Model: 911 74 Model life 1974>>1977

Pos	Part Number	Description	Remark	Qty	Model
9	901 355 615 00	S-calliper		1	911
9	901 355 615 01	Angled pipe		1	911
9	901 355 615 00	Angled pipe		1	911S
				1	CARRERA 3.0
9	901 355 615 01	Angled pipe		1	911S
				1	CARRERA 3.0
10	911 355 611 00	Brake line		1	911
10		Brake line		1	911S
				1	CARRERA 3.0
11	914 355 651 00	Rubber sleeve		2	911/911S
11		Rubber sleeve		2	CARRERA 3.0
12	914 355 652 00	Clamp		2	911/911S
12		Clamp		2	CARRERA 3.0
13	914 355 691 00	Protective tube		6	911/911S
13		Protective tube		6	CARRERA 3.0
14	914 355 667 00	Distributor		1	911/911S
14		Distributor		1	CARRERA 3.0
15	900 151 006 09	Washer		1	911/911S
15		Washer		1	CARRERA 3.0
16	900 028 008 01	Lock ring		1	911/911S
16		Lock ring		1	CARRERA 3.0
17	900 075 017 02	Hexagon-head bolt		1	911/911S
17	900 075 017 03	Hexagon-head bolt		1	911/911S
17	900 075 017 02	Hexagon-head bolt		1	CARRERA 3.0
17	900 075 017 03	Hexagon-head bolt		1	CARRERA 3.0
18	911 355 627 00	Connecting line	/L M	1	911/911S
		Rear			
18		Connecting line	/L	1	CARRERA 3.0
		Rear			
19	911 355 653 00	Connecting line	/R M	1	911/911S
		Rear			
19		Connecting line	/R	1	CARRERA 3.0
		Rear			
20	901 355 631 01	Brake hose	/H M	2	911/911S
20	901 355 631 02	Brake hose	/H M	2	911/911S
20	901 355 631 01	Brake hose	/H	2	CARRERA 3.0
20	901 355 631 02	Brake hose	/H	2	CARRERA 3.0
21	911 355 621 02	Brake line	/H M	2	911/911S
21		Brake line	/H	2	CARRERA 3.0

Model: 911 74

Model life 1974>>1977



Model: 911 74

Model life 1974>>1977

Pos	Part Number	Description	Remark	Qty	Model
>>-	911 351 950 07	Repair kits Front axle Brake pad repair set - textar - for S-calliper 911.351.935.00/936.00	/V	1	
>>-	911 351 950 09	Brake pad repair set - textar - for S-calliper 911.351.935.00/936.00	/V	1	
>>-	901 351 998 00	Gasket set for S-calliper 911.351.935.00/936.00	/V	2	
		Comprising: Gasket for Piston Protection cap Safety seal		2 2 2 2	
>>-	911 352 950 04	Brake pad repair set for M calliper 911.351.907.00/908.00	/V	1	
>>-	911 352 950 06	Brake pad repair set for M calliper 911.351.907.00/908.00	/V	1	
-	901 351 913 16	Retaining pin F >>91151 01182 F >>91151 10920 F >>91152 02045 F >>91152 11217 F >>91153 00373 F >>91153 10241 F >>91154 00341 F >>91154 10147		4	
>>-	901 351 964 11	Gasket set for M calliper 911.351.907.00/908.00	/V	2	
		Comprising: Gasket for Piston Protection cap Clamping ring Safety seal Safety seal F >>91151 01182 F >>91151 10920 F >>91152 02045 F >>91152 11217 F >>91153 00373 F >>91153 10241 F >>91154 00341 F >>91154 10147		2 2 2 1 1	
>>-	911 351 950 06	Brake pad repair set - jurid - for A-calliper	/V	1	

Model: 911 74 Model life 1974>>1977

Pos	Part Number	Description	Remark	Qty	Model
>>-	911 351 950 08	911.351.425.01/426.01 Brake pad repair set	/V	1	
-	911 351 951 00	- jurid - for A-calliper 911.351.425.01/426.01 Parts kit F 91151 01183>> F 91151 10921>> F 91152 02046>> F 91152 11218>> F 91153 00374>> F 91153 10242>> F 91154 00342>> F 91154 10148>>		4	
>>-	911 351 946 00	Gasket set for Fixed calliper 911.351.425.01/426.01 923.351.425.00/426.00 Comprising: Gasket Protection cap Retaining ring F 91151 01183>> F 91151 10921>> F 91152 02046>> F 91152 11218>> F 91153 00374>> F 91153 10242>> F 91154 00342>> F 91154 10148>>	/V 2.7	2 2 2 2	
>>-	911 352 950 04	Rear axle Brake pad repair set - textar - M calliper	74	1	
>>-	911 352 950 06	Brake pad repair set - textar - M calliper	74-	1	
-	901 352 991 01	Retaining pin		4	
>>-	901 352 998 00	Gasket set for M calliper with Disk balancing Set Comprising: Gasket Protection cap Retaining ring Safety seal Safety seal	/H	2 2 2 1 1	911/911S CARRERA 2.7
>>-	911 352 998 00	Gasket set for M calliper without Disk balancing Comprising: Gasket for Piston Protection cap	/H	2 2 2	

Model: 911 74

Model life 1974>>1977

Pos	Part Number	Description	Remark	Qty	Model
>>-	901 355 930 00	Retaining ring Safety seal Safety seal Repair kit for Brake master cylinder 19,05 MM Part number 911.355.012.01 And 911.355.012.02 Comprising: Support ring Piston Washer Boot Boot Piston Washer Boot Sealing ring Circlip		2 1 1 1	
-	901 355 924 00	Protection cap		1	
>>-	911 355 925 00	Repair kit Brake master cylinder Part number 911.355.011.10 Comprising: Support ring Boot Washer Piston Boot Sealing ring Support ring Boot Washer Piston Washer Boot Intermediate ring Circlip O-ring	20,64 MM 25 X 1,2	1 1 1 1 1 2 1 1 1 1 1 1 2 2 1 1 1	

Model: 911 74 Model life 1974>>1977

Pos	Part Number	Description	Remark	Qty	Model
1	911 424 019 06	Transmission control Gearshift bracket	-74	1	
2	911 424 017 05	Gearshift lever	-74	1	911/911S
			-74	1	CARRERA 2.7
2	911 424 017 07	Gearshift lever	75-	1	
(3)	911 424 124 03	Shift-lever bearing	-75	2	911/911S
			-75	2	CARRERA 2.7
3	911 424 124 02	Shift-lever bearing		1	
4	911 424 187 00	Shim 0,1 MM	-75	X	911/911S
			-75	X	CARRERA 2.7
4	900 025 007 02	Washer A 8,4		1	
4	900 025 007 03	Washer A 8,4		1	
4	911 424 187 01	Shim 0,2 MM		X	911/911S
				X	CARRERA 2.7
5	900 197 035 01	Tensioning sleeve 8 X 28		1	
5	900 197 035 0B	Tensioning sleeve 8 X 28		1	
5/1	911 424 335 00	Threaded pin		1	
5/2	N 011 113 3	Hexagon nut M 14		1	
6	911 424 144 00	Guide plate		1	
(7)	911 424 129 06	Bearing pin	-75	1	911/911S
			-75	1	CARRERA 2.7
7		Bearing pin		1	
8	999 166 027 02	Circlip		2	
9	911 424 131 01	Compression spring		2	
10	911 424 147 00	Buffer plate		1	
(11)	911 424 063 04	Pawl carrier plate 4-speed Transmission		1	
11		Pawl carrier plate 5-speed Transmission		1	
12	900 027 014 01	Lock ring		2	
12	900 027 014 02	Lock ring B 6		2	
12	N 012 006 4	Lock ring B 6		2	
13	900 076 010 02	Nut M 6		2	
13	900 076 010 0B	Nut M 6		2	
14	911 424 181 01	Sleeve		1	
15	999 532 001 00	Spacer	-75	1	911/911S
			-75	1	CARRERA 2.7
15	999 532 003 00	Retainer		1	
16	914 424 020 00	Gearshift knob 4-speed Shift pattern Transparent Silver	-74	1	911/911S
			-74	1	CARRERA 2.7
16	911 424 069 01	Gearshift knob 4-speed	-74	1	911/911S
			-74	1	CARRERA 2.7
16		Gearshift knob 4-speed	75-	1	911
				1	CARRERA 2.7
16	914 424 018 00	Gearshift knob 5-GANG Shift pattern Transparent Silver	-74	1	911/911S
				1	CARRERA 2.7

Model: 911 74

Model life 1974>>1977

Pos	Part Number	Description	Remark	Qty	Model
16	911 424 071 00	Gearshift knob 5-speed	75-	1	911/911S
16	911 424 071 01	Gearshift knob 5-speed	75-	1	CARRERA 2.7
17	N 012 241 1	Spring washer B 8		3	912E/911S CARRERA 2.7
18	900 067 057 02	Pan-head screw M 8 X 20		3	
18	900 067 057 03	Pan-head screw M 8 X 20		3	
19	900 028 008 01	Lock ring B 6		2	
20	900 067 011 02	Pan-head screw M 6 X 20		2	
20	900 067 011 03	Pan-head screw M 6 X 20		2	
21	901 424 015 02	Gearshift bracket	-75	1	SPM
22	905 424 024 02	Lower part	-75	1	SPM
23	905 424 111 02	Compression spring		1	SPM
24	900 108 012 00	Ball		1	SPM
25	905 613 039 00	Contacts	-75	1	SPM
25	905 613 039 01	Contacts		1	SPM
26	905 424 234 02	Stop ring		1	SPM
26	925 424 234 00	Stop ring		1	SPM
27	905 424 107 02	Straight pin		1	SPM
-	999 513 021 40	Tie-wrap		2	SPM
28	905 424 023 02	Gearshift lever	/LL -74	1	SPM
(28)	925 424 023 01	Gearshift lever	/LL 75	1	SPM
(28)	905 424 026 00	Gearshift lever	/RL -74	1	SPM
(28)	925 424 024 01	Gearshift lever	/RL 75	1	SPM
29	901 424 132 00	Guide	-75	1	SPM
30	914 424 131 00	Compression spring	-74	1	SPM
(30)	911 424 133 06	Compression spring	75	1	SPM
31	901 424 135 00	Guide ring	-75	1	SPM
32	901 424 017 00	Stop plate	-75	1	SPM
33	901 424 133 00	Compression spring	-75	2	SPM
34	901 424 115 00	Pin	-75	2	SPM
35	N 012 435 1	Lock washer	-75	4	SPM
36	914 424 901 00	Sleeve	-75	1	SPM
37	911 424 077 01	Gearshift knob	-74	1	SPM
(37)		Gearshift knob 4-speed	75-	1	SPM
(37)	911 424 073 01	Gearshift knob 3 speed	75-	1	SPM
38	N 010 210 13	Hexagon-head bolt M 6 X 10		2	SPM
39	900 028 008 01	Lock ring B 6	-75	2	SPM
40	900 075 078 02	Hexagon-head bolt M 8 X 15	-75	3	SPM
40	900 075 078 03	Hexagon-head bolt M 8 X 15		3	SPM
41	900 027 015 02	Lock ring B 8		3	SPM
41	900 027 015 03	Lock ring B 8		3	SPM
42	900 025 007 02	Washer 8,4		1	SPM
42	900 025 007 03	Washer 8,4		1	SPM
(42)	900 031 001 02	Washer 8,4	-75	1	SPM
(42)	900 031 105 01	Washer		1	SPM

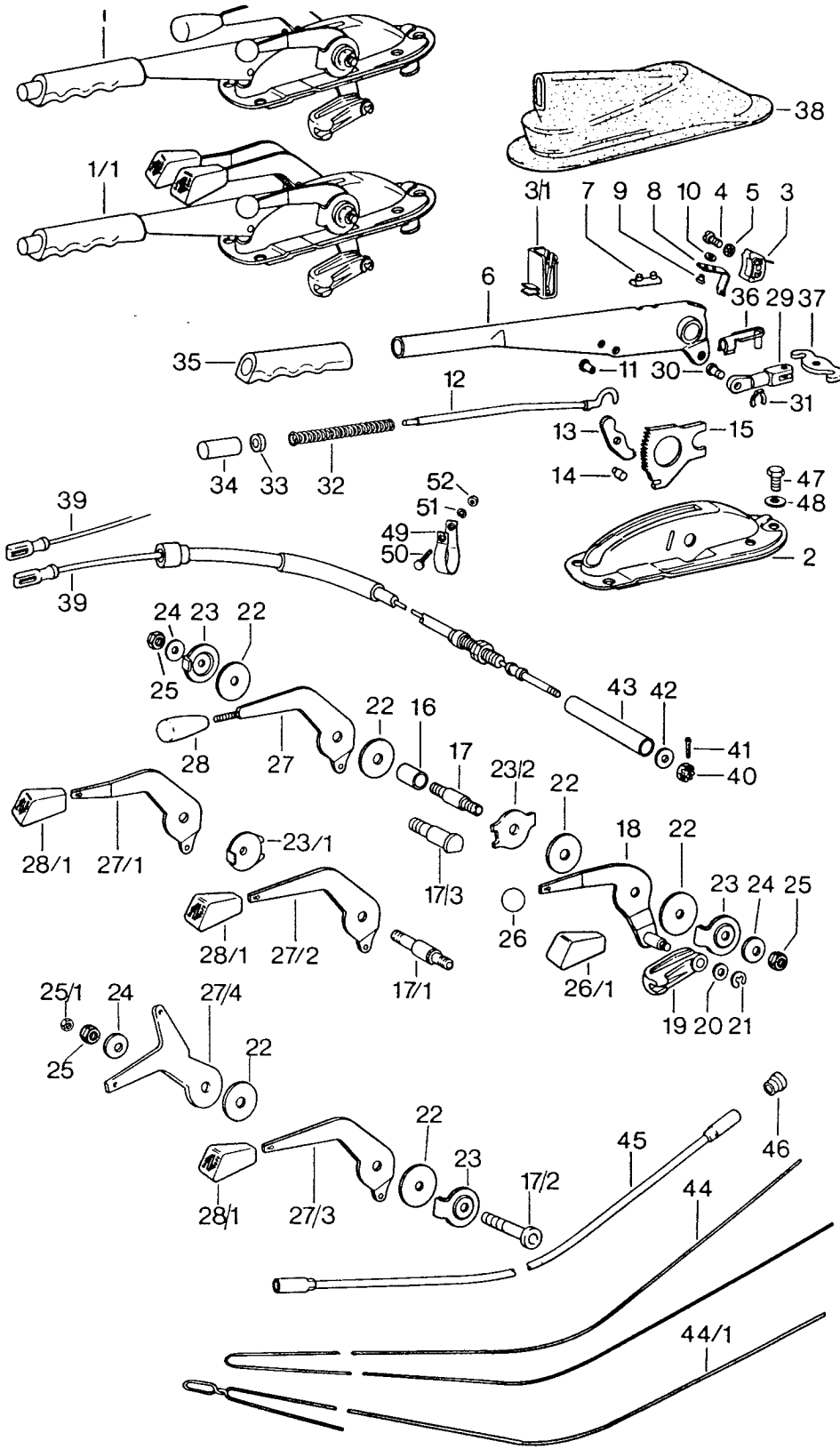
Model: 911 74

Model life 1974>>1977

Pos	Part Number	Description	Remark	Qty	Model
		8,4			
43	925 424 019 01	Gearshift bracket	76-	1	SPM
44	925 424 023 02	Gearshift lever	76-	1	SPM
45	925 424 024 02	Gearshift lever	76-	1	SPM
		Lower part			
46	905 613 039 00	Contacts	76-	1	SPM
46	905 613 039 01	Contacts	76-	1	SPM
47	930 424 029 00	Guide plate	76-	1	SPM
48	925 424 129 01	Bearing pin	76-	1	SPM
48		Bearing pin	76-	1	SPM
49	925 424 147 00	Buffer plate	76-	1	SPM
50	925 424 165 00	Stop plate	76-	1	SPM
51	900 171 008 02	Cable clip	76-	1	SPM
52	900 015 003 10	Pan-head screw	76-	1	SPM
		M 4 X 10			
53	900 114 014 01	Shake-proof washer	76-	1	SPM
54	900 076 002 10	Hexagon nut	76-	1	SPM
		M 4			
55	930 424 031 00	Bearing bracket		1	
55	930 424 031 01	Bearing bracket		1	
56	914 424 224 00	Friction ring		1	
57	911 424 139 00	Ball socket		1	
57	911 424 139 01	Ball socket		1	
58	930 424 241 00	Head shift rod		1	
59	911 424 020 00	Gear shift rod		1	
-	PCG 424 020 00	Repair kit		1	
		Gear shift rod			
		Comprising:			
-	911 424 024 04	Shift rod coupling		1	
-	911 424 139 01	Ball socket		1	
-	914 424 224 00	Friction ring		1	
-	901 424 229 00	Conical screw		2	
60		Conical screw		2	
61	911 424 024 04	Shift rod coupling		1	
-	964 424 223 00	Bush		2	
62	914 424 214 00	Clamp		1	
63	N 010 335 5	Hexagon-head bolt		1	
		M 8 X 35			
63	900 075 032 03	Hexagon-head bolt		1	
		M 8 X 35			
64	999 523 102 02	Washer		1	
64	999 523 102 0B	Washer		1	
65	900 076 025 02	Hexagon nut		1	
		M 8			
65	900 076 064 02	Hexagon nut		1	
		M 8			
66	911 424 292 00	Sealing sleeve		1	
		Inner			
67	911 424 294 00	Sealing sleeve		1	
		Outer			

Model: 911 74

Model life 1974>>1977



Model: 911 74 Model life 1974>>1977

Pos	Part Number	Description	Remark	Qty	Model
1	901 424 051 02	Actuating lever Handbrake Manual throttle Parking-brake lever	-74 -74	1 1	911/911S CARRERA 2.7
(1/1)	911 424 051 09	with bearing bracket Parking-brake lever	75-	1 1	911/911S CARRERA 2.7
(1/1)	911 424 051 06	with bearing bracket Contact switch Heating Parking-brake lever		1 1 1	911/911S CARRERA 2.7 CARRERA 3.0
(1/1)		Parking-brake lever with bearing bracket Heating Automatic		1 1 1	
2	901 424 058 02	Bearing bracket		1	
3	901 613 521 20	Contact switch		1	
3/1	911 613 525 00	Heating lever contact	76-	1	911/911S
4	900 015 025 02	Oval-head screw AM 4 X 15		1	
5	N 012 116 1	Serrated lock washer A 4,3		1	
6	911 424 059 00	Parking-brake lever		1	
7	901 424 509 01	Stop		1	
8	901 613 523 20	Contact bow		1	
9	900 055 001 20	Buttonhead rivet		2	
10	900 031 012 10	Washer 2,8		2	
11	900 206 003 00	Tubular rivet 5 X 0,5 X 10		1	
12	901 424 567 03	Push rod		1	
13	901 424 508 00	Pawl		1	
14	901 424 511 00	Bolt		1	
15	914 424 541 00	Locking segment		1	
16	901 424 513 00	Spacer sleeve	-74 -74	1 1	911/911S CARRERA 2.7
17	901 424 519 00	Bearing pin	-74 -74	1 1	911/911S CARRERA 2.7
17/1	911 424 519 00	Collar bolt	75- 75-	1 1	911/911S CARRERA 2.7
17/1	911 424 519 01	Bearing pin		1 1	911/911S CARRERA 2.7
17/1		Bearing pin Heating Automatic		1	CARRERA 3.0
17/2	911 424 717 00	Tensioning sleeve		1 1	911/911S CARRERA 2.7
17/2		Tensioning sleeve		1	CARRERA 3.0
18	901 424 037 00	Lever for Manual throttle		1	
19	901 424 317 00	Valve lever		1	
20	N 011 524 7	Washer		1	
20	N 011 524 27	Washer		1	
21	N 012 435 1	Lock washer		1	
22	911 424 737 00	Washer	-74 -74	4 4	911/911S CARRERA 2.7
22		Washer	75-	X	
23	911 424 735 04	Disc Manual throttle Heating		2	

Model: 911 74 Model life 1974>>1977

Pos	Part Number	Description	Remark	Qty	Model
23/1	911 424 735 00	Automatic Disc	75 75	1 1	911/911S CARRERA 2.7
23/1	911 424 735 03	Manual throttle Heating Automatic Disc	76- 76-	1	911/911S 912E
23/1	911 424 735 06	Manual throttle Heating Automatic Disc	76-	1	911/911S 912E
23/2	911 424 735 02	Manual throttle Heating Automatic Disc		1	
23/2	911 424 735 05	Manual throttle Heating Automatic Disc		1	
24	999 523 006 00	Cup spring		X	
25	999 084 019 02	Lock nut M 8		X	
25/1	999 084 043 02	Hexagon nut		1	911/911S
25/1		Hexagon nut		1	CARRERA 2.7
26	901 424 323 00	Knob for Manual throttle		1	CARRERA 3.0
26	901 424 323 01	Knob for Manual throttle		1	
27	901 424 711 03	Lever Heating	-74 -74	1 1	911/911S CARRERA 2.7
27/1	911 424 711 02	Actuating lever	/R 75- /R 75-	1 1	911/911S CARRERA 2.7
27/2	911 424 711 03	Actuating lever Heating	/L 75- /L 75-	1 1	911/911S CARRERA 2.7
27/3	911 424 711 04	Lever		1	911/911S
27/3		Lever		1	CARRERA 2.7
27/4	911 424 075 00	Connecting lever		1	CARRERA 3.0
27/4		Heating Automatic Connecting lever		1	911/911S CARRERA 2.7
-	900 075 276 02	Pan-head screw		1	CARRERA 3.0
-		Pan-head screw		1	911/911S
-	N 012 225 2	Spring washer		1	CARRERA 2.7
-		Spring washer		1	CARRERA 3.0
28	914 424 792 01	Handle	-74 -74	1 1	911/911S CARRERA 2.7
28/1	911 424 792 01	Handle	75-	X	
29	901 424 569 01	Fork		1	
30	999 166 010 02	Bolt		1	

Model: 911 74 Model life 1974>>1977

Pos	Part Number	Description	Remark	Qty	Model
		A 6 X 16 X 3			
31	999 166 008 02	Safety clip		1	
32	901 424 543 00	Compression spring		1	
33	901 424 593 01	Ring		1	
34	901 424 523 01	Push button		1	
35	901 424 521 01	Handle		1	
36	999 166 001 02	Bolt 6 X 24		1	
37	901 424 568 00	Turnbuckle		1	
38	923 424 591 00	Sleeve	-74	1	911/911S
		for		1	CARRERA 2.7
		Parking-brake lever			
(38)	911 424 591 03	Sleeve	75-	1	911/911S
		for		1	CARRERA 2.7
		Parking-brake lever			
(38)	911 424 591 02	Sleeve		1	911/911S
				1	CARRERA 2.7
		Heating			
		Automatic			
(38)		Sleeve		1	CARRERA 3.0
		Heating			
		Automatic			
39	901 424 551 13	Parking-brake cable		2	
40	900 079 012 02	Castle nut M 6		2	
41	N 012 507 1	Cotter pin 1,5 X 15		2	
42	900 151 006 09	Washer B 6,4		4	
43	901 424 557 01	Spacer tube		2	
44	901 424 701 05	Wire pull	-74	1	911/911S
		Heating		1	CARRERA 2.7
44	901 424 701 06	Wire pull		1	911/911S
		Heating		1	CARRERA 2.7
44/1	911 424 701 01	Wire pull	/R 75-	1	911/911S
		Heating	/R 75-	1	CARRERA 2.7
(44/1)		Wire pull	/L 75-	1	911/911S
		Heating	/L 75-	1	CARRERA 2.7
(44/1)	911 424 701 02	Wire pull		1	911/911S
				1	CARRERA 2.7
		Heating			
		Automatic			
(44/1)		Wire pull		1	CARRERA 3.0
		Heating			
		Automatic			
45	901 424 704 01	Guide		2	
46	914 504 319 00	Grommet		2	
47	900 075 087 02	Hexagon-head bolt M 8 X 16		3	
47	900 075 087 03	Hexagon-head bolt M 8 X 16		3	
48	900 027 015 02	Lock ring B 8		3	
48	900 027 015 03	Lock ring B 8		3	
49	999 706 009 80	Suspension strap		1	
49	911 424 341 01	Suspension strap		1	
49	911 424 341 03	Suspension strap		1	
50	900 075 057 02	Hexagon-head bolt M 6 X 16		1	
50	900 075 057 03	Hexagon-head bolt M 6 X 16		1	
51	900 028 008 01	Lock ring		1	

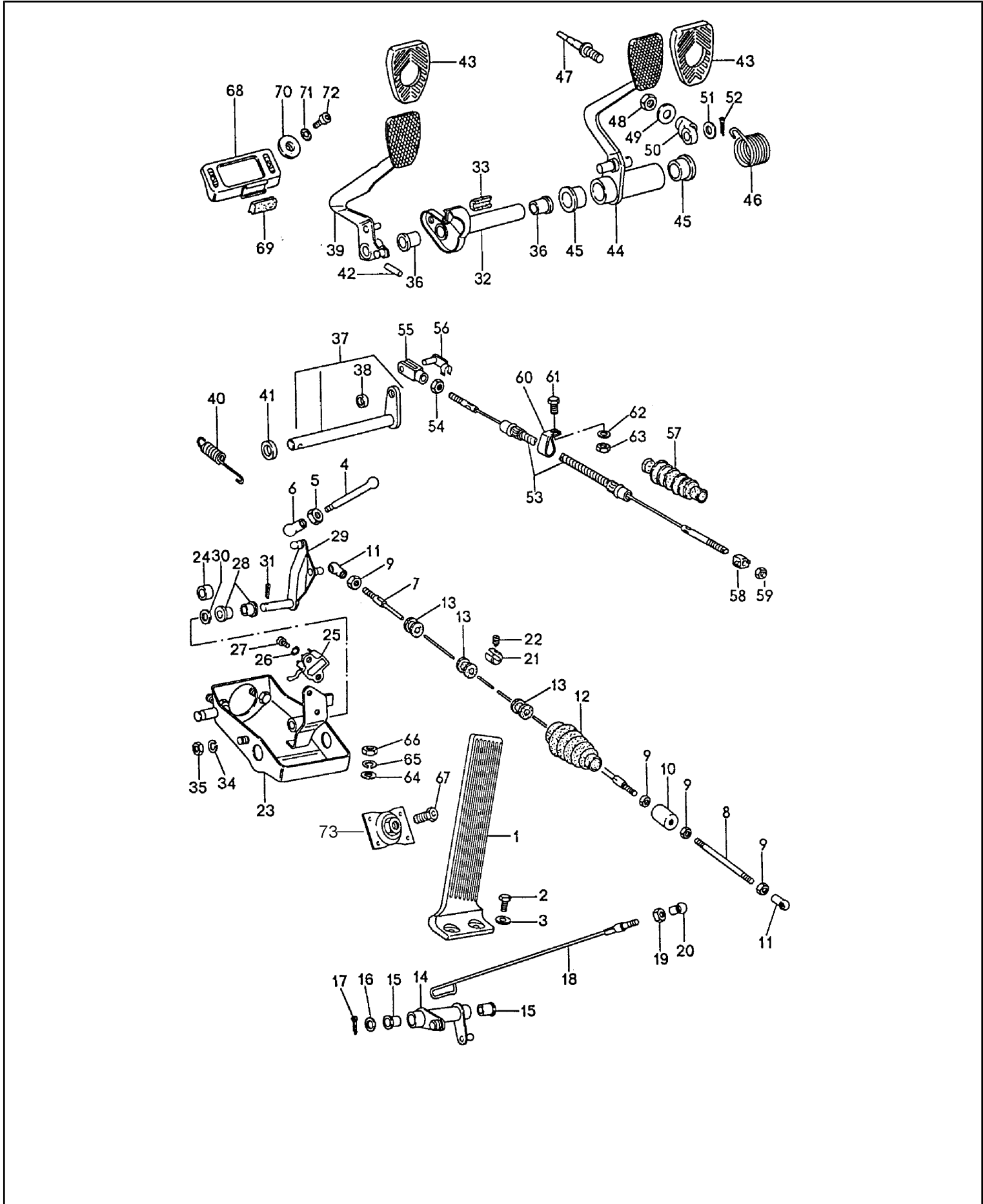
Model: 911 74

Model life 1974>>1977

Pos	Part Number	Description	Remark	Qty	Model
52	900 076 010 02	B 6 Nut		1	
52	900 076 010 0B	M 6 Nut M 6		1	

Model: 911 74

Model life 1974>>1977



Model: 911 74

Model life 1974>>1977

Pos	Part Number	Description	Remark	Qty	Model
		Pedals			
		Left-hand drive			
1	901 423 010 00	Accelerator pedal	-75	1	911/911S
				1	CARRERA 2.7
1	901 423 010 01	Accelerator pedal		1	911/911S
				1	CARRERA 2.7
(1)	911 423 111 02	Accelerator pedal		1	911/911S
				1	CARRERA 3.0
(1)	911 423 111 03	Accelerator pedal		1	911/911S
				1	CARRERA 3.0
2	N 010 215 13	Hexagon-head bolt		2	
		M 6 X 15			
3	900 151 006 09	Washer		2	
		B 6,4			
4	914 423 227 00	Push rod		1	
4	914 423 227 01	Push rod		1	
5	900 076 027 02	Nut		1	
		M 5			
6	N 015 521 3	Ball socket		1	911/911S
				1	CARRERA 2.7
6	911 423 147 00	Ball socket		1	
7	PCG 423 024 00	Throttle linkage		1	911/911S
				1	CARRERA
8	901 423 223 01	Extension rod		1	
9	900 076 027 02	Nut		4	
		M 5			
10	911 423 081 02	Housing		1	
11	N 015 521 3	Ball socket		2	
		A 8			
12	911 423 593 01	Sealing sleeve		1	
13	901 423 227 00	Bush		3	
14	911 423 017 01	Reverse lever		1	
		Use also:			
		911.423.227.00			
		900.910.096.02			
15	914 423 211 00	Bearing sleeve		2	
16	900 025 008 02	Washer		1	
		10,5			
16	N 011 527 4	Washer		1	
		10,5			
16	900 025 008 09	Washer		1	
		10,5			
16	900 025 008 04	Washer		1	
		10,5			
17	N 012 530 1	Cotter pin		1	
		3 X 15			
18	911 423 043 00	Throttle linkage		1	911/911S
				1	CARRERA 3.0
(18)	PCG 423 016 00	Throttle linkage		1	CARRERA 2.7
19	900 076 027 02	Nut		1	
		M 5			
20	911 423 147 00	Ball socket		1	
21	901 424 319 00	Screw nipple		1	
22	N 013 114 1	Threaded pin		1	
23	911 423 065 02	Bearing bracket		1	
-	PCG 911 423 00	Kit		1	
		Bush			
		Pedals			
		Comprising:			
-	900 021 008 00	Cotter pin		1	
-	900 021 008 0A	Cotter pin		1	
-	999 166 001 02	Bolt		1	
-	900 309 002 00	Roll pin		1	

Model: 911 74 Model life 1974>>1977

Pos	Part Number	Description	Remark	Qty	Model
-	901 423 193 00	Rubber stop		1	
-	914 423 210 00	Rubber pad		2	
-	901 423 253 00	Bearing sleeve		2	
-	911 423 341 01	Bush		2	
-	901 423 343 00	Bush		2	
-	901 423 391 00	Rubber stop		1	
-	911 423 542 00	Bush		2	
24	901 423 193 00	Rubber stop		1	
25	911 613 411 00	Brake light switch		1	
25	911 613 411 01	Brake light switch		1	
26	900 114 014 01	Shake-proof washer A 4,3		2	
27	900 146 011 02	Oval-head screw AM 4 X 10		2	
28	901 423 253 00	Bearing sleeve		2	
29	901 423 250 02	Reverse lever	/V	1	
30	900 031 001 02	Washer 8,4		1	
30	900 031 105 01	Washer 8,4		1	
31	900 021 008 00	Cotter pin 2 X 15		1	
31	900 021 008 0A	Cotter pin 2 X 15		1	
32	901 423 035 00	Bearing tube		1	
33	901 423 391 00	Rubber stop		1	
34	900 027 015 02	Lock ring B 8		1	
34	900 027 015 03	Lock ring B 8		1	
35	N 011 151 3	Hexagon nut M 8		1	
36	911 423 341 01	Bush		2	
37	911 423 027 01	Clutch pedal shaft for 915/06/16,930/30/32	-74	1	915/06/16
37		Clutch pedal shaft for 915/06/16,930/30/32	-74	1	915/06/16
37		Clutch pedal shaft for 915/06/16,930/30/32	75	1	
37	911 423 027 03	Clutch pedal shaft for 915/40/43/45/48	75	1	
37	911 423 027 04	Clutch pedal shaft for 915/44/49/60/65,923/02 930/30/32	76-	1 1	911/911S CARRERA 3.0
38	901 423 343 00	Bush		1	
39	911 423 077 00	Clutch pedal		1	
40	911 423 305 05	Tension spring	-76	1	911/911S
40		Tension spring	-76	1	CARRERA
40		Tension spring	77-	1	911/911S
(40)	911 423 305 06	Return spring		1	911/911S
(40)		Return spring		1	CARRERA 3.0
41	911 423 219 03	Spacer sleeve	-76	1	
41		Spacer sleeve	77-	1	911/911S
(41)		Spacer sleeve		1	911/911S
(41)		Spacer sleeve		1	CARRERA 3.0
42	900 309 002 00	Roll pin 6 X 28		1	
43	914 423 210 00	Rubber pad		2	

Model: 911 74 Model life 1974>>1977

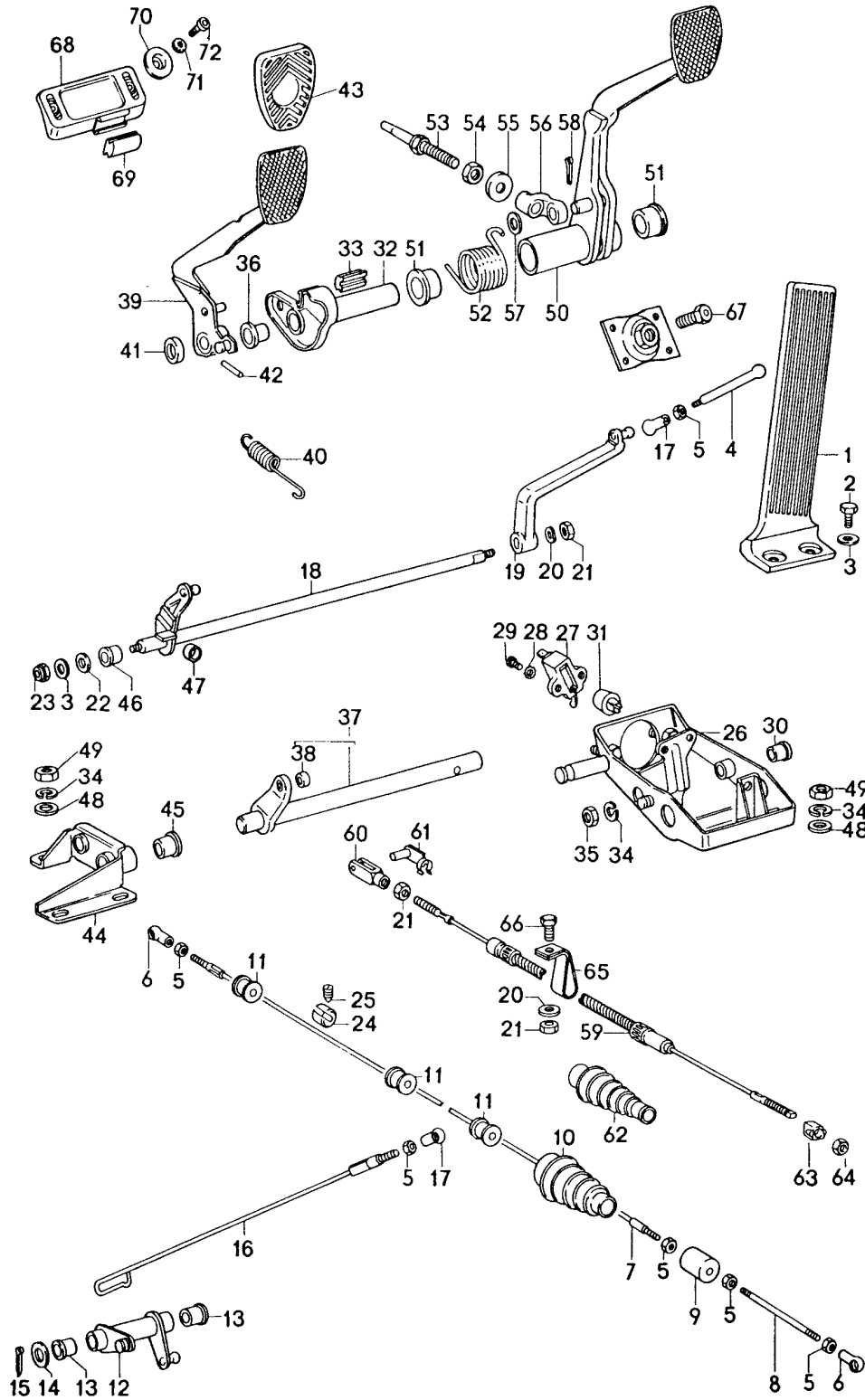
Pos	Part Number	Description	Remark	Qty	Model
44	911 423 053 02	Brake pedal		1	
44	911 423 053 00	Brake pedal		1	
45	911 423 542 00	Bush		2	
46	901 423 531 00	Return spring		1	
47	901 423 057 04	Piston rod		1	
48	900 158 003 02	Hexagon nut M 10		1	
49	901 423 157 00	Stop washer		1	
50	901 423 507 02	Intermediate piece		1	
51	N 011 564 2	Washer 13		1	
51	N 011 564 4	Washer 13		1	
52	900 021 015 00	Cotter pin 3 X 20		1	
53	911 423 401 00	Clutch cable		1	915/06/16
53	911 423 401 06	Clutch cable		1	915/06/16
(53)	911 423 401 03	Clutch cable		1	
(53)	911 423 401 08	Clutch cable for 915/40/43/45/48 See technical information 3/NR.2 F 91162 01201>> F 91162 11044>> F 91163 01154>> F 91163 10837>> F 91166 00596>> F 91166 10211>>		1	
(53)	911 423 401 05	Clutch cable		1	
(53)	911 423 401 07	Clutch cable for 915/44/49/60/65 See technical information 3/NR.2 F 91162 01201>> F 91162 11044>> F 91163 01154>> F 91163 10837>> F 91166 00596>> F 91166 10211>>		1	
54	900 076 010 02	Nut M 6		1	
54	900 076 010 0B	Nut M 6		1	
55	900 166 002 02	Clevis C 6 X 24		1	
55	900 166 002 01	Clevis C 6 X 24		1	
56	999 166 001 02	Bolt		1	
57	914 423 922 02	Sealing sleeve		1	
58	911 423 205 03	Lever		1	
59	N 011 007 3	Hexagon nut M 7		2	
59	900 076 092 01	Hexagon nut M 7		2	
59	900 076 010 02	Nut	75-	2	911/911S
59	900 076 010 0B	Nut	75-	2	911/911S
60	999 706 009 80	Suspension strap		1	
60	911 424 341 01	Suspension strap		1	
60	911 424 341 03	Suspension strap		1	
61	900 075 057 02	Hexagon-head bolt M 6 X 16		1	

Model: 911 74 Model life 1974>>1977

Pos	Part Number	Description	Remark	Qty	Model
61	900 075 057 03	Hexagon-head bolt M 6 X 16		1	
62	900 028 008 01	Lock ring B 6		1	
63	900 076 010 02	Nut M 6		1	
63	900 076 010 0B	Nut M 6		1	
64	900 025 007 02	Washer 8,4		2	
64	900 025 007 03	Washer 8,4		2	
65	900 027 015 02	Lock ring B 8		2	
65	900 027 015 03	Lock ring B 8		2	
66	900 076 025 02	Hexagon nut M 8		2	
66	900 076 064 02	Hexagon nut M 8		2	
67	901 551 671 20	Hexagon-head bolt		1	911/911S
68	901 423 360 00	Stop		1	CARRERA 2.7
69	901 423 391 00	Rubber stop		1	911/911S
70	901 423 368 00	30 MM Desk pad		1	CARRERA 2.7
71	N 012 130 2	Shake-proof washer A 5,3		2	911/911S
72	900 119 025 02	Pan-head screw M 5 X 15		2	911/911S
73	901 551 065 20	Stop for Accelerator pedal		2	CARRERA 2.7
				1	

Model: 911 74

Model life 1974>>1977



Model: 911 74

Model life 1974>>1977

Pos	Part Number	Description	Remark	Qty	Model
		Pedals			
1	901 423 010 00	Right-hand drive Accelerator pedal	-75	1	911/911S
				1	CARRERA 2.7
1	901 423 010 01	Accelerator pedal		1	911/911S
				1	CARRERA 2.7
(1)	911 423 111 02	Accelerator pedal	76-	1	911/911S
			76-	1	CARRERA
(1)	911 423 111 03	Accelerator pedal	76-	1	911/911S
				1	CARRERA
2	N 010 215 13	Hexagon-head bolt M 6 X 15		2	
3	900 151 006 09	Washer B 6,4		3	
4	914 423 227 00	Push rod		1	
4	914 423 227 01	Push rod		1	
5	900 076 027 02	Nut M 5		6	
6	N 015 521 3	Ball socket A 8		2	
7	PCG 423 024 00	Throttle linkage		1	
8	901 423 223 01	Extension rod		1	
9	911 423 081 02	Housing		1	
10	911 423 593 01	Sealing sleeve		1	
11	901 423 227 00	Bush		3	
12	911 423 017 01	Reverse lever Use also: 911.423.227.00 900.910.096.02		1	
13	914 423 211 00	Bearing sleeve for Reverse lever		2	
14	900 025 008 02	Washer 10,5		1	
14	N 011 527 4	Washer 10,5		1	
14	900 025 008 09	Washer 10,5		1	
14	900 025 008 04	Washer 10,5		1	
15	N 012 530 1	Cotter pin 3 X 15		1	
16	911 423 043 00	Throttle linkage		1	911/911S
				1	CARRERA 3.0
(16)	PCG 423 016 00	Throttle linkage		1	CARRERA 2.7
17	911 423 147 00	Ball socket		2	
18	901 423 556 00	Shaft for Accelerator control		1	
19	901 423 022 00	Lever for Accelerator control		1	
20	900 028 008 01	Lock ring		2	
21	900 076 010 02	B 6 Nut		3	
21	900 076 010 0B	M 6 Nut		3	
22	911 423 225 00	M 6 Washer		3	
23	900 084 010 02	Lock nut M 6		1	
24	901 424 319 00	Screw nipple		1	
25	N 013 114 1	Threaded pin		1	

Model: 911 74 Model life 1974>>1977

Pos	Part Number	Description	Remark	Qty	Model
		M 5 X 8			
26	911 423 066 00	Bearing bracket		1	
27	911 613 411 00	Brake light switch		1	
27	911 613 411 01	Brake light switch		1	
28	900 114 014 01	Shake-proof washer A 4,3		2	
29	900 146 011 02	Oval-head screw AM 4 X 10		2	
30	914 423 211 00	Bearing sleeve		1	
31	901 423 528 00	Rubber stop		1	
32	901 423 034 00	Bearing tube for Clutch pedal		1	
33	901 423 391 00	Rubber stop		1	
34	900 027 015 02	Lock ring B 8		6	
34	900 027 015 03	Lock ring B 8		6	
35	N 011 151 3	Hexagon nut M 8		1	
36	911 423 341 01	Bush		1	
37	911 423 028 04	Clutch pedal shaft for 915/06/16, 930/30/32	-74	1	915/06/16
37		Clutch pedal shaft for 915/06/16, 930/30/32	75	1	
(37)	911 423 028 02	Clutch pedal shaft for 915/40/43/45/48	75	1	
(37)	911 423 028 04	Clutch pedal shaft for 915/44/49 930/30/32	76	1	
(37)		Clutch pedal shaft	77-	1	915/44/49
(37)	911 423 028 06	Clutch pedal shaft for 915/61/66 930/52/54	77-	1	
38	901 423 343 00	Bush		1	
39	911 423 078 00	Clutch pedal	-76	1	
39		Clutch pedal	77-	1	911/911S
(39)	911 423 078 03	Clutch pedal	77-	1	CARRERA 3.0
40	911 423 306 01	Tension spring	-76	1	
40		Tension spring	77-	1	911/911S
(40)	911 423 306 02	Tension spring	77-	1	CARRERA 3.0
41	911 423 219 03	Spacer sleeve	-76	1	
41		Spacer sleeve	77-	1	911/911S
(41)		Spacer sleeve	77-	1	CARRERA 3.0
(41)		Spacer sleeve	77-	1	911/911S
42	900 309 002 00	Roll pin 6 X 28		1	
43	914 423 210 00	Rubber pad		2	
44	901 423 013 00	Bearing bracket		1	
-	PCG 911 423 00	Kit Bush Pedals Comprising:		1	
-	900 021 008 00	Cotter pin		1	
-	900 021 008 0A	Cotter pin		1	
-	999 166 001 02	Bolt		1	
-	900 309 002 00	Roll pin		1	

Model: 911 74 Model life 1974>>1977

Pos	Part Number	Description	Remark	Qty	Model
-	901 423 193 00	Rubber stop		1	
-	914 423 210 00	Rubber pad		2	
-	901 423 253 00	Bearing sleeve		2	
-	911 423 341 01	Bush		2	
-	901 423 343 00	Bush		2	
-	901 423 391 00	Rubber stop		1	
-	911 423 542 00	Bush		2	
45	911 423 341 01	Bush		1	
46	914 423 211 00	Bearing sleeve		1	
47	901 423 193 00	Rubber stop		1	
48	900 025 007 02	Washer 8,4		5	
48	900 025 007 03	Washer 8,4		5	
49	900 076 025 02	Hexagon nut M 8		5	
49	900 076 064 02	Hexagon nut M 8		5	
50	901 423 054 01	Brake pedal		1	
51	911 423 542 00	Bush		2	
52	901 423 532 00	Return spring for Brake pedal		1	
53	901 423 057 04	Piston rod		1	
54	900 158 003 02	Hexagon nut M 10		1	
55	901 423 157 00	Stop washer		1	
56	901 423 507 02	Intermediate piece		1	
57	N 011 564 2	Washer 13		1	
57	N 011 564 4	Washer 13		1	
58	900 021 015 00	Cotter pin 3 X 20		1	
59	911 423 401 00	Clutch cable	-74	1	915/06/16
59	911 423 401 06	Clutch cable	75	1	915/06/16
(59)	911 423 401 03	Clutch cable	75	1	
(59)	911 423 401 08	Clutch cable for 915/40/43/45/48	75	1	
(59)	911 423 401 05	Clutch cable		1	915/44/49
(59)	911 423 401 07	Clutch cable		1	915/44/49
60	900 166 002 02	Clevis G 6 X 24		1	
60	900 166 002 01	Clevis G 6 X 24		1	
61	999 166 001 02	Bolt		1	
62	914 423 922 02	Sealing sleeve		1	
63	911 423 205 03	Lever		1	
64	N 011 007 3	Hexagon nut M 7		2	
64	900 076 092 01	Hexagon nut M 7		2	
64	900 076 010 02	Nut M 6	75-	2	911/911S
64	900 076 010 0B	Nut M 6	75-	2	911/911S
65	999 706 009 80	Suspension strap		1	
65	911 424 341 01	Suspension strap		1	
65	911 424 341 03	Suspension strap		1	
66	900 075 057 02	Hexagon-head bolt M 6 X 16		1	
66	900 075 057 03	Hexagon-head bolt		1	

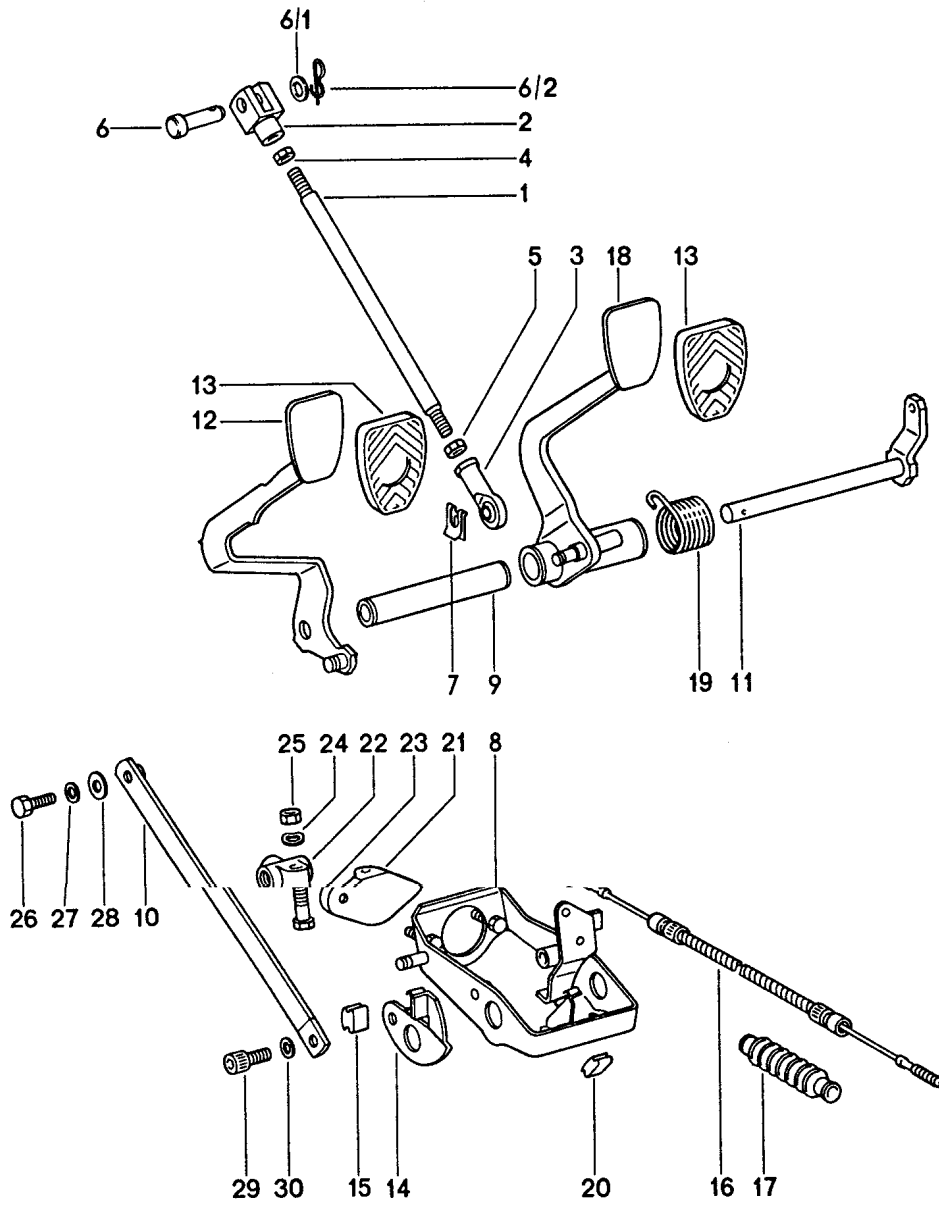
Model: 911 74

Model life 1974>>1977

Pos	Part Number	Description	Remark	Qty	Model
67	901 551 671 20	M 6 X 16 Hexagon-head bolt		1	911/911S
				1	CARRERA 2.7
68	901 423 360 00	Stop		1	911/911S
				1	CARRERA 2.7
69	901 423 391 00	Rubber stop		1	911/911S
				1	CARRERA 2.7
		30			
70	901 423 368 00	Desk pad		2	911/911S
				2	CARRERA 2.7
71	N 012 130 2	Shake-proof washer		2	911/911S
				2	CARRERA 2.7
		A 5,3			
72	900 119 025 02	Pan-head screw		2	911/911S
				2	CARRERA 2.7
		M 5 X 15			

Model: 911 74

Model life 1974>>1977



Model: 911 74 Model life 1974>>1977

Pos	Part Number	Description	Remark	Qty	Model
		Pedals			
		for cars with			
		Brake booster			
1	911 423 523 01	Push rod		1	911/911S
1		Push rod		1	CARRERA 3.0
2	999 166 039 02	Clevis		1	911/911S
2		Clevis		1	CARRERA 3.0
3	999 593 116 02	Swivel head		1	911/911S
3		Swivel head		1	CARRERA 3.0
4	900 157 002 02	Hexagon nut		1	911/911S
4	900 157 002 03	Hexagon nut		1	911/911S
4	900 157 002 02	Hexagon nut		1	CARRERA 3.0
4	900 157 002 03	Hexagon nut		1	CARRERA 3.0
5	900 157 003 02	Hexagon nut		1	911/911S
5		Hexagon nut		1	CARRERA 3.0
6	900 087 037 02	Bolt		1	911/911S
6		Bolt		1	CARRERA 3.0
6/1	900 031 005 02	Washer		1	911/911S
6/1	900 031 005 03	Washer		1	911/911S
6/1	900 031 005 02	Washer		1	CARRERA 3.0
6/1	900 031 005 03	Washer		1	CARRERA 3.0
6/2	999 021 001 07	Connector		1	911/911S
6/2		Connector		1	CARRERA 3.0
7	999 166 034 02	Sl-lock		1	911/911S
7		Sl-lock		1	CARRERA 3.0
8	911 423 065 03	Bearing bracket		1	911/911S
8		Bearing bracket		1	CARRERA 3.0
9	911 423 062 00	Bearing tube		1	911/911S
9		Bearing tube		1	CARRERA 3.0
-	925 423 035 00	Bearing tube		1	911/911S
					CARRERA 3.0
10	911 423 082 00	Tension strut		1	911/911S
10		Tension strut		1	CARRERA 3.0
11	930 423 027 01	Clutch pedal shaft		1	911/911S
11		Clutch pedal shaft		1	CARRERA 3.0
12	911 423 077 05	Clutch pedal		1	911/911S
12		Clutch pedal		1	CARRERA 3.0
13	914 423 210 00	Rubber pad		1	
14	911 423 391 02	Protective strip		1	911/911S
14		Protective strip		1	CARRERA 3.0
15	999 703 133 40	Rubber stop		1	911/911S
15		Rubber stop		1	CARRERA 3.0
16	930 423 401 05	Clutch cable		1	CARRERA 3.0
16	930 423 401 09	Clutch cable		1	CARRERA 3.0
-	999 512 291 02	Hose clamp		1	911/911S
-		Hose clamp		1	CARRERA 3.0
17	311 713 269 A	Bellows		1	911/911S
17		Bellows		1	CARRERA 3.0
18	911 423 053 04	Brake pedal		1	911/911S
18		Brake pedal		1	CARRERA 3.0
(18)	925 423 053 01	Brake pedal		1	911/911S
					CARRERA 3.0
19	911 423 531 03	Return spring		1	911/911S
19		Return spring		1	CARRERA 3.0
20	901 423 193 00	Rubber stop		1	911/911S
20		Rubber stop		1	CARRERA 3.0
21	911 423 153 00	Cover plate		1	911/911S
21		Cover plate		1	CARRERA 3.0
22	914 355 667 00	Distributor		1	911/911S
22		Distributor		1	CARRERA 3.0
23	900 075 017 02	Hexagon-head bolt		1	911/911S
23	900 075 017 03	Hexagon-head bolt		1	911/911S
23	900 075 017 02	Hexagon-head bolt		1	CARRERA 3.0

Model: 911 74

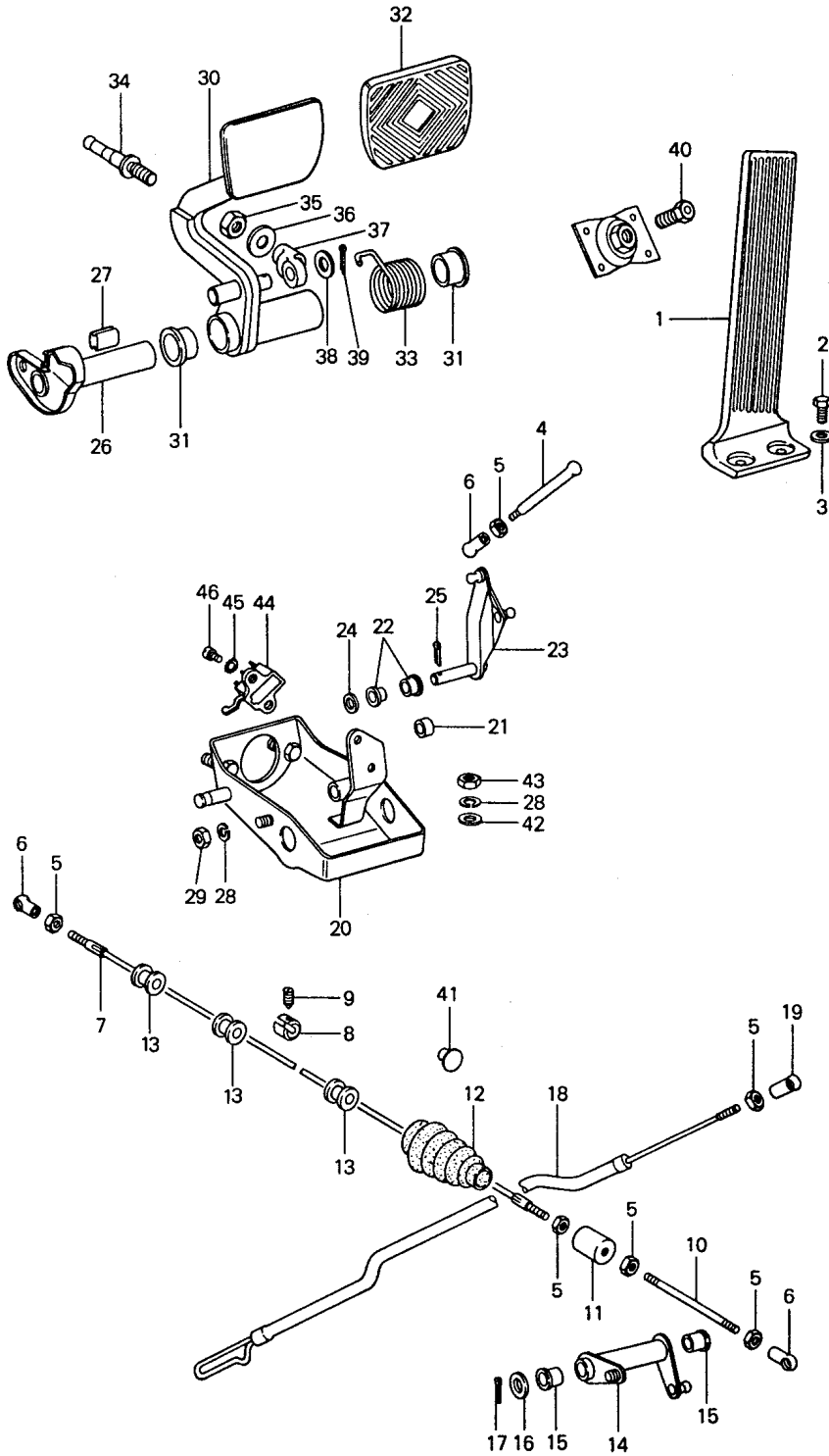
Model life 1974>>1977

Pos	Part Number	Description	Remark	Qty	Model
23	900 075 017 03	Hexagon-head bolt		1	CARRERA 3.0
24	900 028 008 01	Lock ring		1	911/911S
24		Lock ring		1	CARRERA 3.0
25	900 076 010 02	Nut		1	911/911S
25	900 076 010 0B	Nut		1	911/911S
25	900 076 010 02	Nut		1	CARRERA 3.0
25	900 076 010 0B	Nut		1	CARRERA 3.0
26	N 010 253 7	Hexagon-head bolt		1	911/911S
26		Hexagon-head bolt		1	CARRERA 3.0
27	900 027 016 02	Lock ring		1	911/911S
27	900 027 016 03	Lock ring		1	911/911S
27	900 027 016 02	Lock ring		1	CARRERA 3.0
27	900 027 016 03	Lock ring		1	CARRERA 3.0
28	900 025 008 02	Washer		1	911/911S
28	N 011 527 4	Washer		1	911/911S
28	900 025 008 09	Washer		1	911/911S
28	900 025 008 04	Washer		1	911/911S
28	900 025 008 02	Washer		1	CARRERA 3.0
28	N 011 527 4	Washer		1	CARRERA 3.0
28	900 025 008 09	Washer		1	CARRERA 3.0
28	900 025 008 04	Washer		1	CARRERA 3.0
29	900 067 063 02	Pan-head screw		1	911/911S
29		Pan-head screw		1	CARRERA 3.0
30	999 523 103 02	Lock washer		1	911/911S
30		Lock washer		1	CARRERA 3.0

Model: 911 74

Model life 1974>>1977

SPORTOMATIC



Model: 911 74 Model life 1974>>1977

Pos	Part Number	Description	Remark	Qty	Model
		Pedals			SPM
		Left-hand drive			
1	901 423 010 00	Accelerator pedal	-75	1	911/911S
1	901 423 010 01	Accelerator pedal		1	911/911S
(1)	911 423 111 02	Accelerator pedal	76-	1	
(1)	911 423 111 03	Accelerator pedal	76-	1	
2	N 010 215 13	Hexagon-head bolt M 6 X 15		2	
3	900 151 006 09	Washer B 6,4		2	
4	914 423 227 00	Push rod		1	
4	914 423 227 01	Push rod		1	
5	900 076 027 02	Nut M 5		6	
6	N 015 521 3	Ball socket A 8		3	
6	911 423 147 00	Ball socket		3	
7	PCG 423 024 00	Throttle linkage	/V	1	
8	901 424 319 00	Screw nipple		1	
9	N 013 114 1	Threaded pin M 5 X 8		1	
10	901 423 223 01	Extension rod		1	
11	911 423 081 02	Housing		1	
12	911 423 593 01	Sealing sleeve		1	
13	901 423 227 00	Bush		3	
14	911 423 017 01	Reverse lever mitverwenden 911.423.227.00 900.910.096.02		1	
15	914 423 211 00	Bearing sleeve		2	
16	900 025 008 02	Washer 10,5		1	
16	N 011 527 4	Washer 10,5		1	
16	900 025 008 09	Washer 10,5		1	
16	900 025 008 04	Washer 10,5		1	
17	N 012 530 1	Cotter pin 3 X 15		1	
18	905 423 026 30	Throttle linkage	/H -75	1	
(18)	925 423 026 01	Throttle linkage	/H 76-	1	
19	911 423 147 00	Ball socket		1	
20	911 423 065 02	Bearing bracket		1	
21	901 423 193 00	Rubber stop		1	
22	901 423 253 00	Bearing sleeve		2	
23	901 423 250 02	Reverse lever	/V	1	
24	900 031 001 02	Washer 8,4		1	
24	900 031 105 01	Washer 8,4		1	
25	900 021 008 00	Cotter pin 2 X 15		1	
25	900 021 008 0A	Cotter pin 2 X 15		1	
26	905 423 035 00	Bearing tube		1	
27	905 423 391 00	Protective strip		1	
28	900 027 015 02	Lock ring B 8		3	
28	900 027 015 03	Lock ring B 8		3	
29	N 011 151 3	Hexagon nut M 8		1	

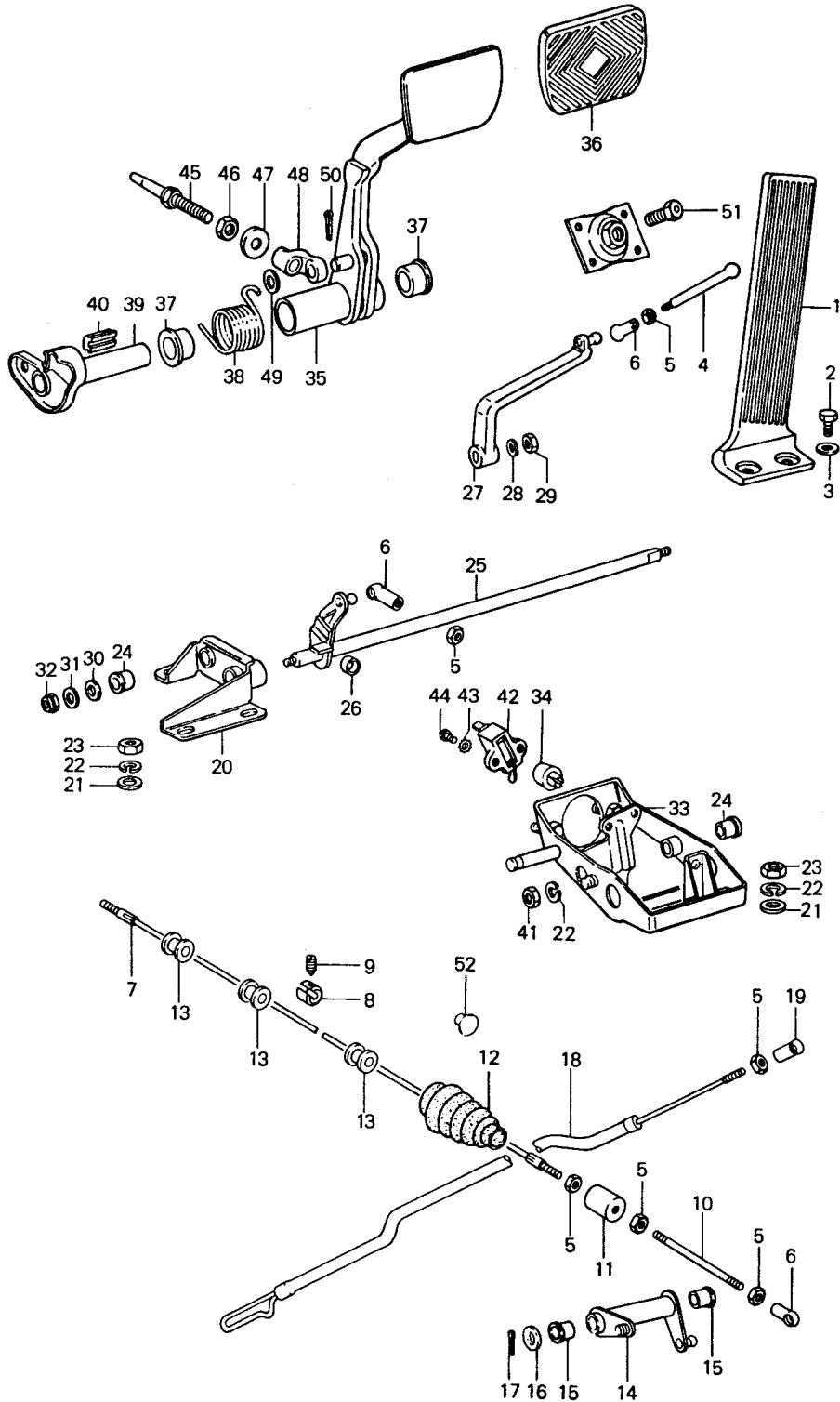
Model: 911 74 Model life 1974>>1977

Pos	Part Number	Description	Remark	Qty	Model
30	925 423 053 00	Brake pedal		1	
31	911 423 542 00	Bush		2	
32	905 423 511 00	Rubber pad		1	
33	905 423 531 00	Return spring		1	
34	901 423 057 04	Piston rod		1	
35	900 158 003 02	Hexagon nut M 10		1	
36	901 423 157 00	Stop washer		1	
37	901 423 507 02	Intermediate piece		1	
38	N 011 564 2	Washer 13		1	
38	N 011 564 4	Washer 13		1	
39	900 021 015 00	Cotter pin 3 X 20		1	
40	901 551 671 20	Hexagon-head bolt	-75	1	
41	999 703 005 40	Stopper for Clutch tube		1	
42	900 025 007 02	Washer		2	
42	900 025 007 03	Washer		2	
43	900 076 025 02	Hexagon nut M 8		2	
43	900 076 064 02	Hexagon nut M 8		2	
44	911 613 411 00	Brake light switch		1	
44	911 613 411 01	Brake light switch		1	
45	900 114 014 01	Shake-proof washer A 4,3		2	
46	900 146 011 02	Oval-head screw AM 4 X 10		2	

Model: 911 74

Model life 1974>>1977

SPORTOMATIC



Model: 911 74 Model life 1974>>1977

Pos	Part Number	Description	Remark	Qty	Model
		Pedals			SPM
		Right-hand drive			
1	901 423 010 00	Accelerator pedal	-75	1	911/911S
1	901 423 010 01	Accelerator pedal		1	911/911S
(1)	911 423 111 02	Accelerator pedal	76-	1	911/911S
(1)	911 423 111 03	Accelerator pedal	76-	1	911/911S
(1)	911 423 111 02	Accelerator pedal	76-	1	CARRERA 3.0
(1)	911 423 111 03	Accelerator pedal	76-	1	CARRERA 3.0
2	N 010 215 13	Hexagon-head bolt M 6 X 15		2	
3	900 151 006 09	Washer B 6,4		2	
4	914 423 227 00	Push rod		1	
4	914 423 227 01	Push rod		1	
5	900 076 027 02	Nut M 5		6	
6	N 015 521 3	Ball socket A 8		3	
6	911 423 147 00	Ball socket		3	
7	PCG 423 024 00	Throttle linkage	/V	1	
8	901 424 319 00	Screw nipple		1	
9	N 013 114 1	Threaded pin		1	
10	901 423 223 01	Extension rod		1	
11	911 423 081 02	Housing Intermediate piece		1	
12	911 423 593 01	Sealing sleeve		1	
13	901 423 227 00	Bush		3	
14	911 423 017 01	Reverse lever Use also: 911.423.227.00 900.910.096.02		1	
15	914 423 211 00	Bearing sleeve		2	
16	900 025 008 02	Washer 10,5		1	
16	N 011 527 4	Washer 10,5		1	
16	900 025 008 09	Washer 10,5		1	
16	900 025 008 04	Washer 10,5		1	
17	N 012 530 1	Cotter pin 3 X 15		1	
18	905 423 026 30	Throttle linkage	/H -75	1	
(18)	925 423 026 01	Throttle linkage	/H 76-	1	
19	911 423 147 00	Ball socket A 8		1	
20	901 423 013 00	Bearing bracket	/L	1	
21	900 025 007 02	Washer 8,4		5	
21	900 025 007 03	Washer 8,4		5	
22	900 027 015 02	Lock ring B 6		6	
22	900 027 015 03	Lock ring B 6		6	
23	900 076 025 02	Hexagon nut M 8		5	
23	900 076 064 02	Hexagon nut M 8		5	
24	914 423 211 00	Bearing sleeve		2	
25	901 423 556 00	Shaft for Accelerator control		1	

Model: 911 74

Model life 1974>>1977

Pos	Part Number	Description	Remark	Qty	Model
26	901 423 193 00	Rubber stop		1	
27	901 423 022 00	Lever		1	
28	900 028 008 01	Lock ring		1	
		B 6			
29	900 076 010 02	Nut		1	
		M 6			
29	900 076 010 0B	Nut		1	
		M 6			
30	911 423 225 00	Washer		3	
31	900 151 006 09	Washer		1	
		B 6,4			
32	900 084 010 02	Lock nut		1	
		M 6			
33	911 423 066 00	Bearing bracket		1	
34	901 423 528 00	Rubber stop		1	
35	905 423 054 00	Brake pedal		1	
36	905 423 511 00	Rubber pad		1	
37	911 423 542 00	Bush		2	
38	901 423 532 00	Return spring		1	
39	905 423 035 00	Bearing tube		1	
40	905 423 391 00	Protective strip		1	
41	N 011 151 3	Hexagon nut		1	
		M 8			
42	911 613 411 00	Brake light switch		1	
42	911 613 411 01	Brake light switch		1	
43	900 114 014 01	Shake-proof washer		2	
		A 4,3			
44	900 146 011 02	Oval-head screw		2	
		AM 4 X 10			
45	901 423 057 04	Piston rod		1	
46	900 158 003 02	Hexagon nut		1	
		M 10			
47	901 423 157 00	Stop washer		1	
48	901 423 507 02	Intermediate piece		1	
49	N 011 564 2	Washer		1	
		13			
49	N 011 564 4	Washer		1	
		13			
50	900 021 015 00	Cotter pin		1	
		3 X 20			
51	901 551 671 20	Hexagon-head bolt	-75	1	
52	999 703 005 40	Stopper		1	

Model: 911 74

Model life 1974>>1977

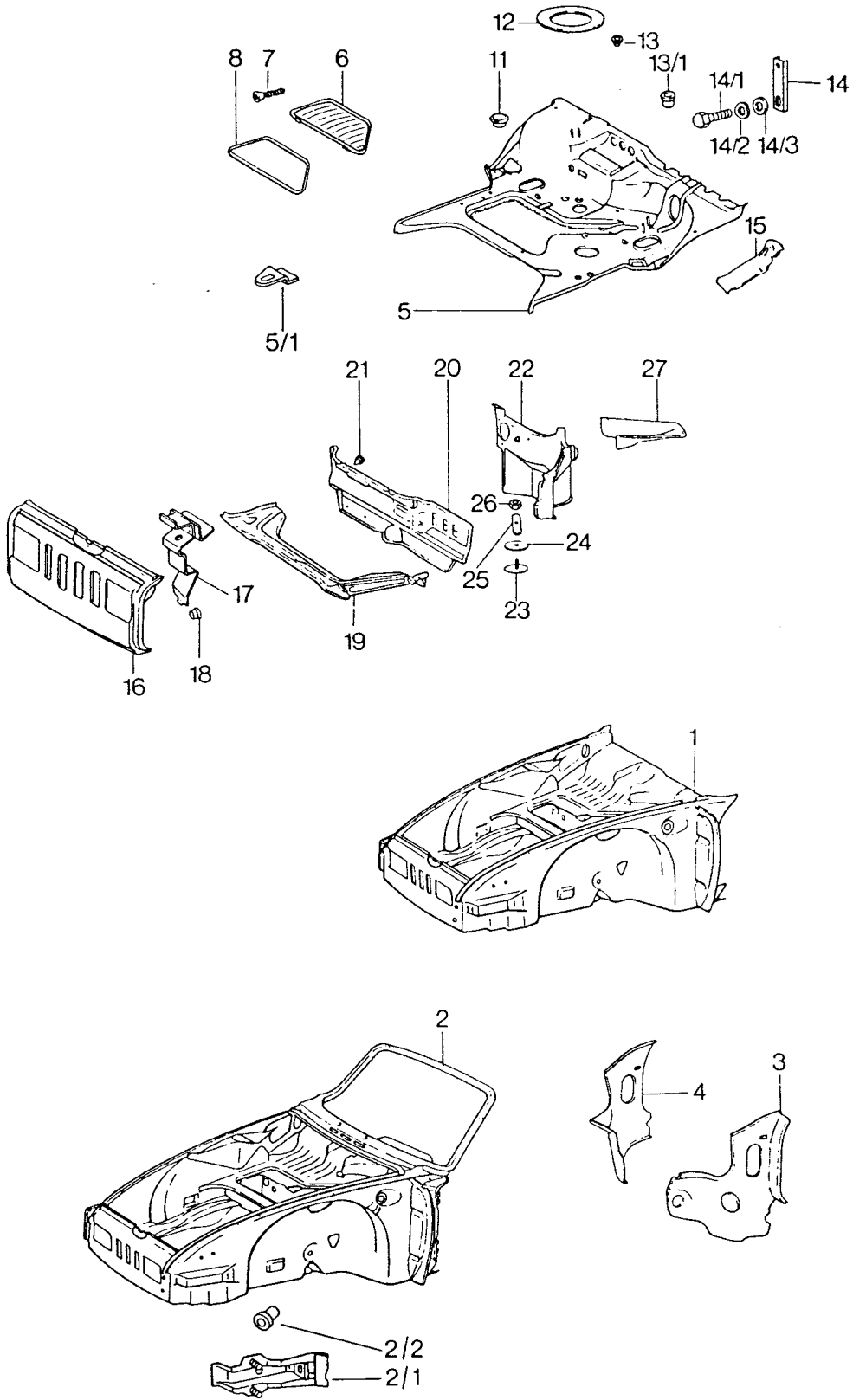


Model: 911 74 Model life 1974>>1977

Pos	Part Number	Description	Remark	Qty	Model
		Body in white Prime coated Sealed with Underbody protection Bodyshells can only only available from current Model year available Coupe			
-	911 500 921 09	Body in white	/LL -74	1	911/911S
-	911 500 921 14	Body in white	/LL 75	1	911/911S
-	911 500 921 19	Body in white	/LL 76	1	911/911S
-	911 500 921 23	Body in white	/LL 77-	1	911/911S
-	911 500 921 10	Body in white	/RL -74	1	911/911S
-	911 500 921 15	Body in white	/RL 75	1	911/911S
-	911 500 921 20	Body in white	/RL 76	1	911/911S
-	911 500 921 24	Body in white	/RL 77-	1	911/911S
-	911 500 921 11	Body in white	/LL -74	1	CARRERA 2.7
-	911 500 921 16	Body in white	/LL 75	1	CARRERA 2.7
-	911 500 921 21	Body in white	/LL 76	1	CARRERA 3.0
-	911 500 921 25	Body in white	/LL 77-	1	CARRERA 3.0
-	911 500 921 12	Body in white	/RL -74	1	CARRERA 2.7
-	911 500 921 17	Body in white	/RL 75	1	CARRERA 2.7
-	911 500 921 22	Body in white	/RL 76	1	CARRERA 3.0
-	911 500 921 26	Body in white	/RL 77-	1	CARRERA 3.0
		Targa			
-	911 500 921 47	Body in white	/LL -74	1	911/911S
-	911 500 921 51	Body in white	/LL 75	1	911/911S
-	911 500 921 56	Body in white	/LL 76	1	911/911S
-	911 500 921 60	Body in white	/LL 77-	1	911/911S
-	911 500 921 48	Body in white	/RL -74	1	911/911S
-	911 500 921 52	Body in white	/RL 75	1	911/911S
-	911 500 921 57	Body in white	/RL 76	1	911/911S
-	911 500 921 61	Body in white	/RL 77-	1	911/911S
-	911 500 921 49	Body in white	/LL -74	1	CARRERA 2.7
-	911 500 921 53	Body in white	/LL 75	1	CARRERA 2.7
-	911 500 921 58	Body in white	/LL 76	1	CARRERA 3.0
-	911 500 921 62	Body in white	/LL 77-	1	CARRERA 3.0
-	911 500 921 50	Body in white	/RL -74	1	CARRERA 2.7
-	911 500 921 54	Body in white	/RL 75	1	CARRERA 2.7
-	911 500 921 59	Body in white	/RL 76	1	CARRERA 3.0
-	911 500 921 63	Body in white	/RL 77-	1	CARRERA 3.0

Model: 911 74

Model life 1974>>1977



Model: 911 74 Model life 1974>>1977

Pos	Part Number	Description	Remark	Qty	Model
1	911 501 005 27	Frame Front Frame front part with cross panel Front Picture 15 + (15) Order also:	/LL -76	1	
1	911 501 005 29	Frame front part with cross panel Front Picture 15 + (15) Order also:	/LL 77-	1	
(1)	911 501 005 28	Frame front part with cross panel Front Picture 15 + (15) Order also:	/RL -76	1	
(1)	911 501 005 30	Frame front part with cross panel Front Picture 15 + (15) Order also:	/RL 77- 76- -75 76-	1	
2	911 501 005 50	Body front section with cross panel Front Picture 3, 4, 15 + (15) Order also:	/LL -76 76	1	
2		Body front section with cross panel Front Picture 3, 4, 15 + (15) Order also:	/LL 77-	1	
(2)	911 501 005 47	Frame front part with cross panel Front Picture (15), (15) + (4) Order also:	/RL -76 -76 -74	1	
(2)	911 501 005 49	Frame front part with cross panel Front Picture (15), (15) + (4) Order also:	/RL 77- -74 -76	1	
2/1	911 501 149 00	Support for Impact absorber	/L	1	
(2/1)	911 501 150 00	Support for Impact absorber	/R	1	
2/2	999 703 058 40	Stopper 15 \$		1	
3	901 501 917 43	Gusset plate	/LL /L	1	
4	901 501 918 41	Gusset plate	RERA 2.7	1	911/911S/CAR
4	901 501 918 43	Gusset plate		1	911/911S CARRERA3.0
(4)	911 501 130 41	Gusset plate		1	911/911S

Model: 911 74 Model life 1974>>1977

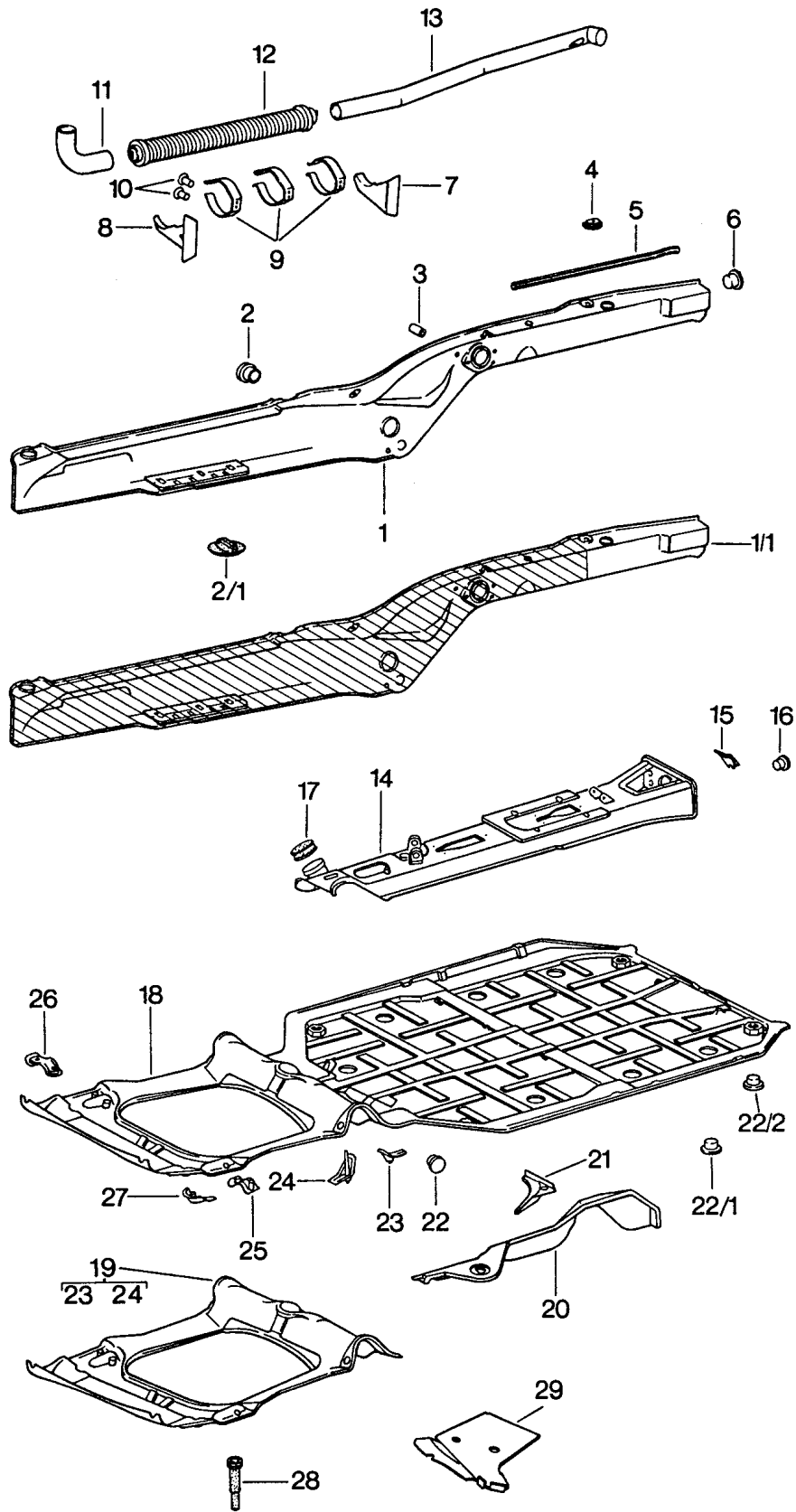
Pos	Part Number	Description	Remark	Qty	Model
(4)		Gusset plate	/RL /R -75	1	CARRERA 2.7 911/911S CARRERA 3.0
5	911 501 035 08	Boot floor plate	/RL /R 76-	1	911/911S CARRERA 2.7
5	911 501 035 11	Boot floor plate		1	911/911S CARRERA 3.0
5	911 501 035 13	Boot floor plate	/LL 77-	1	
5		Boot floor plate	/LL 77-	1	
	911 501 035 13 GRV	Prime coated			
(5)	911 501 036 06	Boot floor plate	/RL -76	1	
(5)		Boot floor plate	/RL 77-	1	
5/1	901 501 369 00	Support for Pump	77-	1	
6	901 504 043 02	Cover	/LL	1	
(6)	902 504 044 01	Cover	/RL	1	
7	900 144 034 07	Tapping screw B 4,2 X 16		4	
7	900 144 034 0G	Tapping screw B 4,2 X 16		4	
8	911 504 491 02	Gasket	/LL -76	1	
(8)		Gasket	/LL 77-	1	
(8)	901 504 491 30	Gasket	/RL	1	
(8)	901 504 491 31	Gasket	/LL M	1	
11	999 703 103 40	Stopper \$ 23,5		1	
12	901 504 747 00	Lid		1	
(12)	911 504 405 00	Covering		1	
13	999 703 058 40	Stopper		1	911/911S CARRERA 2.7
		\$ 16	-74		
13	411 837 111	Cap		1	911/911S CARRERA 2.7
		\$ 16	-74		
13/1	914 552 233 10	Filler piece \$ 10		1	
13/1		Filler piece		1	
	914 552 233 10 01C	Black \$ 10			
14	911 501 347 00	Cowl panel support	/LL	1	
(14)	911 501 297 00	Cowl panel support		1	911/911S CARRERA 3.0
(14)	911 501 409 00	Cowl panel support	77-	1	
14/1	900 075 260 02	Hexagon-head bolt M 6 X 16		2	
14/2	N 012 006 4	Lock ring B 6		2	
14/3	N 011 524 7	Washer 6,4		2	
14/3	N 011 524 27	Washer 6,4		2	
15	911 501 411 00	Connecting piece	/L	1	
(15)	901 501 411 41	Connecting piece		1	
(15)	901 501 412 21	Connecting piece	/R	1	
(15)	901 501 412 41	Connecting piece	/R	1	
16	911 501 099 04	Cross panel	/V	1	
17	911 501 383 40	Support		2	
17		Support		2	

Model: 911 74 Model life 1974>>1977

Pos	Part Number	Description	Remark	Qty	Model
-	911 501 383 40 GRV 911 501 275 00	Prime coated Support for Water pump		1	
-	911 501 275 00 GRV	Prime coated for Water pump		1	
18	999 703 033 40	Stopper 25 \$		4	
19	911 501 117 02	Fuel tank support holder	/V	1	
19	911 501 117 02 GRV	Fuel tank support holder Prime coated	/V	1	
20	911 501 213 01	Cross panel		1	911/911S CARRERA 3.0
20+22	901 501 030 39	Box wall And Cross panel	/RL /V	1	
21	999 703 033 40	Stopper \$ 25,5		2	
22	901 501 043 33	Box wall	/LL /V	1	
23	902 504 079 20	Lid		1	
24	999 704 203 40	Sealing washer		1	
25	901 504 755 20	Tensioning spring		1	
26	999 084 102 02	Lock nut		1	
27	901 501 354 32	Cup		1	911/911S CARRERA 2.7
27		Cup		1	911/911S CARRERA 3.0
(27)	901 501 356 20	Cup for Steering shaft	/RL	1	

Model: 911 74

Model life 1974>>1977



Model: 911 74 Model life 1974>>1977

Pos	Part Number	Description	Remark	Qty	Model
1	911 501 962 26	Frame Centre		1	COUPE
(1)	911 501 962 44	Side member Inner		1	911/911S
(1)	911 501 962 46	Side member	-75 /R	1	CARRERA 2.7 TARGA
(1)	911 501 961 24	Side member	76-	1	911/911S CARRERA 3.0
(1)	911 501 961 26	Side member	/L 76-	1	911/911S CARRERA 2.7 COUPE
(1)	911 501 961 44	Side member	-75	1	911/911S CARRERA 3.0
(1)	911 501 961 46	Side member	76- /L -75	1	911/911S CARRERA 2.7 TARGA
1/1	911 501 962 02	Side member		1	911/911S CARRERA 3.0
1/1	911 501 962 03	Side member	/R -75	1	911/911S CARRERA 2.7
(1/1)	911 501 961 02	Side member		1	911/911S CARRERA 3.0
(1/1)	911 501 961 03	Side member	/L -75	1	911/911S CARRERA 2.7 CARRERA 3.0
2	999 703 048 40	Stopper		4	
2/1	111 801 177	Rubber valve		4	
3	644 501 163 00	Threaded piece for Bearing		2	
4	901 501 117 20	Back seat Mounting plate		2	
5	901 501 796 20	Profile rail	/R	1	
5	901 501 796 20 GRV	Profile rail Prime coated	/R	1	
(5)	901 501 795 20	Profile rail	/L	1	
(5)	901 501 795 20 GRV	Profile rail Prime coated	/L	1	
6	999 703 098 40	Stopper		1	
7	901 501 263 20	Pipe bracket	/L	2	
8	901 501 264 20	Pipe bracket	/R	2	
9	901 501 128 20	Retainer spring		6	
9	901 501 128 20 GRV	Retainer spring Prime coated		6	
10	N 013 411 1	Rivet 3 X 6		12	
11	911 572 211 01	Hot air duct	/V	2	
12	911 572 025 02	Muffler Not Closed		2	
13	911 572 024 00	Hot air duct	/H /R	1	
(13)	911 572 221 02	Hot air duct	/H /L	1	
14	911 501 061 19	Tunnel with Pipeline for Carbon canister	/LL -74	1	911/911S CARRERA 2.7
14	911 501 061 35	Tunnel with Pipeline for	/LL	1	911/911S CARRERA 2.7

Model: 911 74 Model life 1974>>1977

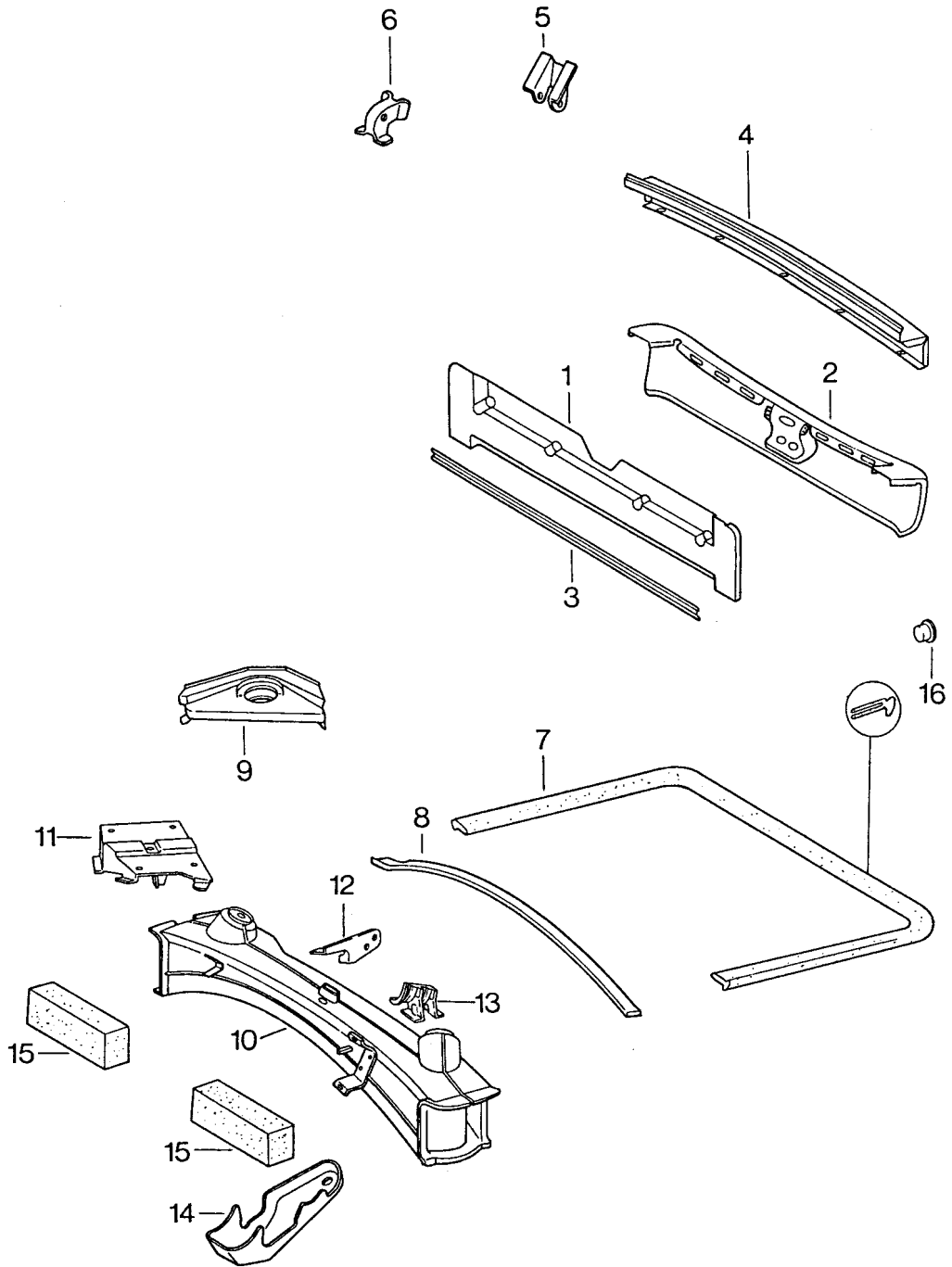
Pos	Part Number	Description	Remark	Qty	Model
(14)	911 501 061 47	Carbon canister Tunnel with Pipeline for	/LL 75-	1	
(14)		Carbon canister Tunnel with Pipeline for	/LL 75-	1	
(14)	911 501 061 44	Carbon canister Tunnel with Pipeline for	/RL -75 76-	1	911/911S CARRERA 2.7
(14)		Carbon canister Tunnel with Pipeline for	/RL 77- -75	1	
(14)	911 501 061 40	Carbon canister Tunnel with Pipeline for	/RL 75-	1	
(14)	911 501 061 45	Carbon canister Tunnel with Pipeline for	/RL 75-76	1	
15	911 501 661 00	Cross tube reinforcement	/L	1	
(15)	911 501 662 00	Cross tube reinforcement	/R	1	
16	914 552 233 10	Filler piece \$ 10		2	
16	914 552 233 10 01C	Filler piece Black \$ 10		2	
17	911 504 107 00	Cap		1	
18	911 501 051 10	Floorpan	/LL	1	
(18)	911 501 052 35	Floorpan	/RL -75	1	911/911S CARRERA 2.7
(18)	911 501 052 10	Floorpan	/RL 76- /LL	1	911/911S CARRERA 3.0
19	911 501 580 01	Floorpan Front part	/LL	1	
(19)	911 501 580 03	Floorpan Front part	/RL	1	
20	911 501 111 00	Fuel tank support holder	/L -75	1	911/911S CARRERA 2.7
20	911 501 111 02	Fuel tank support holder	/L 76-	1	911/911S CARRERA 3.0
20	911 501 111 02 GRV	Fuel tank support holder Prime coated	/L	1	911/911S CARRERA 3.0
(20)	911 501 114 00	Fuel tank support holder	/LL /R -75	1	911/911S CARRERA 2.7
(20)	911 501 114 04	Fuel tank support holder		1	911/911S CARRERA 3.0
(20)	911 501 114 04 GRV	Fuel tank support holder Prime coated		1	911/911S CARRERA 3.0
(20)	911 501 114 01	Fuel tank support holder	/RL /R	1	

Model: 911 74 Model life 1974>>1977

Pos	Part Number	Description	Remark	Qty	Model
21	901 501 457 20	Bracket Corner panel	-75 /L	1	
21	901 501 457 20 GRV	Bracket Prime coated	/L	1	
(21)	901 501 458 20	Bracket Corner panel	/R	1	
(21)	901 501 458 20 GRV	Bracket Prime coated	/R	1	
22	999 703 033 40	Stopper \$ 25		4	
22/1	999 703 121 40	Stopper \$ 8		16	
22/2	999 703 125 40	Stopper \$ 8.9		4	
23	901 501 063 23	Bracket		2	
24	901 501 359 20	Axle mounting	/V /L	1	
(24)	901 501 360 01	Axle mounting	/V /R	1	
(24)		Axle mounting Right	/V /R	1	
	901 501 360 01 GRV	Prime coated			
25	901 501 409 23	Reinforcement plate	/L	1	
25		Reinforcement plate	/L	1	
	901 501 409 23 GRV	Prime coated			
(25)	901 501 410 23	Reinforcement plate	/R	1	
(25)		Reinforcement plate	/R	1	
	901 501 410 23 GRV	Prime coated			
26	901 501 427 21	Reinforcement		2	911/911S
	901 501 427 21 GRV	Prime coated for Axle mounting			CARRERA 2.7
26	901 501 427 21	Reinforcement		2	911/911S
	901 501 427 21 GRV	Prime coated			CARRERA 3.0
27	901 501 407 22	Corner reinforcement	/L	1	
27		Corner reinforcement	/L	1	
	901 501 407 22 GRV	Prime coated			
(27)	901 501 408 22	Corner reinforcement	/R	1	
(27)		Corner reinforcement	/R	1	
	901 501 408 22 GRV	Prime coated			
28	911 025 612 00	Grommet		2	
29	911 501 285 00	Carrier plate for battery		1	
29		Carrier plate for battery		1	
	911 501 285 00 GRV	Prime coated			

Model: 911 74

Model life 1974>>1977

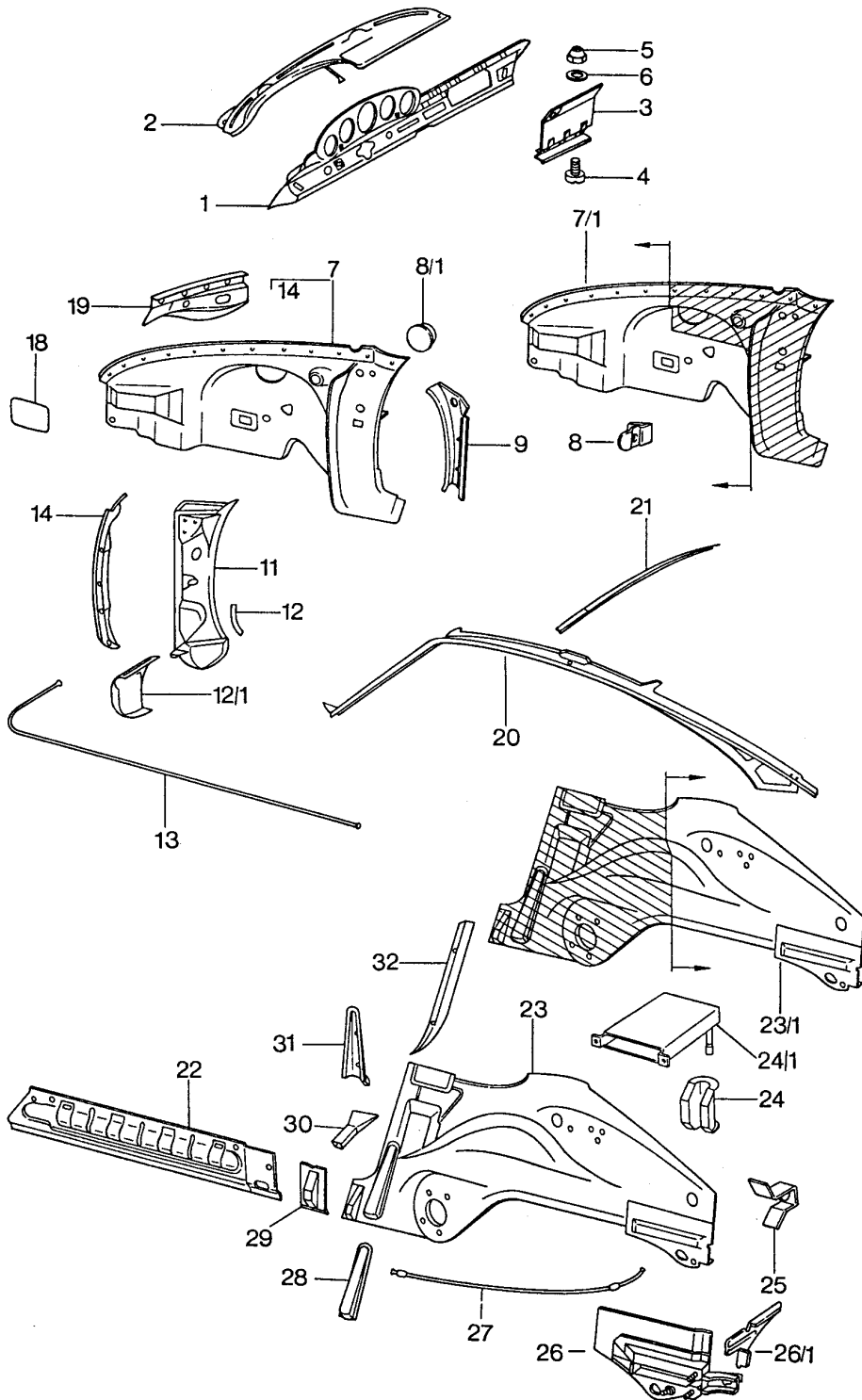


Model: 911 74 Model life 1974>>1977

Pos	Part Number	Description	Remark	Qty	Model
1	911 501 830 01	Frame Rear Cross member	/H	1	
2	901 501 087 22	Inner Cross member		1	
2	911 507 080 00	Outer Cross member		1	
2	911 507 080 01	Outer Cross member	/H	1	
		Outer It is necessary to rework bei			
2	911 507 080 01 GRV	Porsche 912 Cross member Prime coated Outer It is necessary to rework BEI	/H	1	
3	901 501 797 20	PORSCHE 912 Profile rail	/H	1	
4	911 503 151 00	End plate	/H	1	
4	911 503 151 00 GRV	End plate Prime coated	/H	1	
5	911 501 729 00	Bracket for Gas prop		1	
6	911 501 041 00	Bearing Back seat		1	
7	911 504 111 02	Engine compartment seal		1	
8	911 504 113 02	Engine compartment seal	/V	1	911/911S
(8)	911 504 115 00	Engine compartment seal	/V	1	CARRERA 2.7 CARRERA 3.0
9	901 501 083 21	Engine mounting		2	
9	901 501 083 21 GRV	Engine mounting Prime coated		2	
10	911 501 075 06	Cross member Catalytic converter MODELL 74 Support See group 2/01/25 Picture 32	/H	1	
14	911 501 023 01	Order also: Bracket for Fuel pump	-74	1	911/911S CARRERA 2.7
(14)	911 501 023 02	Bracket for Fuel pump	75-	1	911/911S CARRERA 2.7
(14)	911 501 023 02 GRV	Bracket Prime coated for Fuel pump	75-	1	911/911S CARRERA 2.7
15	911 504 930 00	Strap		2	
16	999 703 098 40	Stopper \$ 19		2	

Model: 911 74

Model life 1974>>1977



Model: 911 74 Model life 1974>>1977

Pos	Part Number	Description	Remark	Qty	Model
1	911 502 021 45	Interior panelling Dashboard	/LL -76	1	
1	911 502 021 02	Lower part Dashboard	/LL 77-	1	
(1)	911 502 022 44	Lower part Dashboard	/RL -75	1	911/911S
(1)		Lower part Dashboard	/RL 76	1	CARRERA 2.7
(1)	911 502 022 34	Lower part Dashboard	/RL 77-	1	911/911S
(1)		Lower part Dashboard	/RL 77-	1	CARRERA 3.0
	911 502 022 34 GRV	Prime coated Lower part			
2	901 502 023 44	Dashboard	/LL -76	1	
2	911 502 025 40	Upper part Dashboard	/LL 77-	1	
(2)	911 502 024 44	Upper part Dashboard	/RL -76	1	
(2)	911 502 026 40	Upper part Dashboard	/RL 77-	1	
3	911 552 010 02	Glove compartment cover		1	
4	900 146 003 02	Oval-head screw AM 5 X 10		2	
6	900 025 003 02	Washer 5,3		4	
7	911 501 033 77	Wheel housing	/V /L	1	
(7)	911 501 034 76	Wheel housing	/V /R -76	1	
(7)	911 501 034 91	Wheel housing	/V /R 77-	1	
7/1	911 501 995 02	Wheel housing	/V /L	1	
(7/1)	911 501 996 02	Wheel housing	/V /R	1	
8	901 501 419 00	Tab	/V /R	2	
8/1	999 703 031 40	Stopper		2	911/911S
8/1	999 703 031 4A	Stopper		2	911/911S
9	901 501 217 21	Post bracket	/V /L	1	COUPE
(9)	901 501 218 21	Post bracket	/V /R	1	COUPE
11	911 501 039 02	Hinge pillar	/L	1	
(11)	911 501 040 02	Hinge pillar	/R	1	
12	901 501 305 20	Angular bracket	/L	1	
12		Angular bracket	/L	1	
	901 501 305 20 GRV	Prime coated			
(12)	901 501 306 20	Angular bracket	/R	1	
(12)		Angular bracket	/R	1	
	901 501 306 20 GRV	Prime coated			
12/1	911 501 439 00	Filler plate	/L	1	
12/1		Filler plate	/L	1	
	911 501 439 00 GRV	Prime coated			
(12/1)	911 501 440 00	Filler plate	/R	1	
(12/1)		Filler plate	/R	1	
	911 501 440 00 GRV	Prime coated			
13	911 502 181 00	Guide tube	/V	1	COUPE
14	911 501 053 00	Wing joining plate	/L	1	
14		Wing joining plate	/L	1	
	911 501 053 00 GRV	Prime coated			
14	911 501 053 01	Wing joining plate	/L	1	
	911 501 053 01 GRV	Prime coated			
(14)	911 501 054 00	Wing joining plate	/R	1	
(14)		Wing joining plate	/R	1	
	911 501 054 00 GRV	Prime coated			
18	911 504 101 00	Cover plate		2	
19	911 501 223 01	Reinforcing support	/L	1	
(19)	911 501 226 01	Reinforcing support	/R	1	

Model: 911 74 Model life 1974>>1977

Pos	Part Number	Description	Remark	Qty	Model
(19)	911 501 226 00	Reinforcing support	/R	1	
(19)		Reinforcing support	/R	1	
	911 501 226 00 GRV	Prime coated			
20	901 502 025 10	Roof frame	/L	1	
(20)	901 502 026 10	Roof frame	/R	1	
21	901 502 220 02	Cross piece for windscreen		1	
22	911 501 123 03	Side member Outer	/L	1	
22	911 501 124 03	Side member Outer	/R	1	
22	911 501 124 04	Side member Outer	/R	1	
22	964 501 136 00	Side member Outer	/R	1	
22		Side member Floor Right Outer	/R	1	
	964 501 136 00 GRV	Prime coated			
23	911 501 017 11	Side member		1	911/911S CARRERA 2.7
23	911 501 017 19	Wheel housing Side member	/H /L -74 /H /L 75	1	COUPE
23	911 501 017 30	Wheel housing Side member		1	911/911S CARRERA 3.0
		F >>91162 01872 F >>91162 11898 F >>91163 01741 F >>91163 11425 F >>91166 01021 F >>91166 10439 F >>91260 01838 F >>93067 00641 F >>93068 00493			
23	911 501 017 20	Side member		1	911/911S CARRERA 3.0
		F 91162 01873>> F 91162 11899>> F 91163 01742>> F 91163 11426>> F 91166 01022>> F 91166 10440>> F 91260 01839>> F 93067 00642>> F 93068 00494>>			
23/1	911 501 997 00	Side member Wheel housing	/H /L -75	1	911/911S CARRERA 2.7
23/1	911 501 997 01	Side member		1	911/911S CARRERA 3.0
		F >>91162 01872 F >>91162 11898 F >>91163 01741 F >>91163 11425 F >>91166 01021 F >>91166 10439 F >>91260 01838 F >>93067 00641 F >>93068 00493			
23/1	911 501 997 02	Side member		1	911/911S CARRERA 3.0
		F 91162 01873>> F 91162 11899>>			

Model: 911 74 Model life 1974>>1977

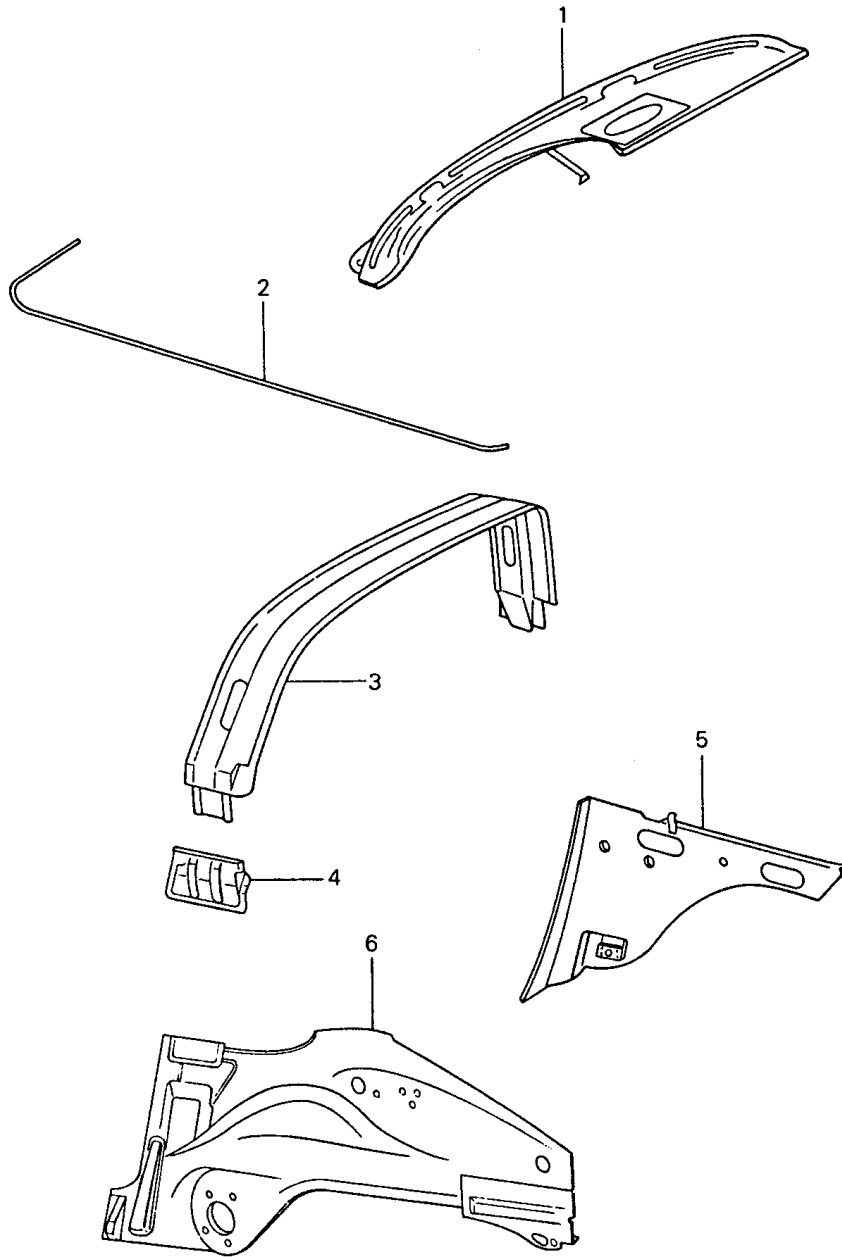
Pos	Part Number	Description	Remark	Qty	Model
(23)	911 501 018 10	F 91163 01742>> F 91163 11426>> F 91166 01022>> F 91166 10440>> F 91260 01839>> F 93067 00642>> F 93068 00494>> Side member	/H /R -75	1	911/911S CARRERA 2.7 COUPE
(23)	911 501 018 28	Wheel housing Side member		1	911/911S CARRERA 3.0
(23)	911 501 018 30	F >>91162 01872 F >>91162 11898 F >>91163 01741 F >>91163 11425 F >>91166 01021 F >>91166 10439 F >>91260 01838 F >>93067 00641 F >>93068 00493 Side member		1	911/911S CARRERA 3.0
(23/1)	911 501 998 00	F 91162 01873>> F 91162 11899>> F 91163 01742>> F 91163 11426>> F 91166 01022>> F 91166 10440>> F 91260 01839>> F 93067 00642>> F 93068 00494>> Side member	/H /R -75	1	911/911S CARRERA 2.7
(23/1)	911 501 998 01	Wheel housing Side member		1	911/911S CARRERA 3.0
(23/1)	911 501 998 02	F >>91162 01872 F >>91162 11898 F >>91163 01741 F >>91163 11425 F >>91166 01021 F >>91166 10439 F >>91260 01838 F >>93067 00641 F >>93068 00493 Side member		1	911/911S CARRERA 3.0
24	911 501 115 00	F 91162 01873>> F 91162 11899>> F 91163 01742>> F 91163 11426>> F 91166 01022>> F 91166 10440>> F 91260 01839>> F 93067 00642>> F 93068 00494>> Reinforcement Side section Bracket		2	
24	911 501 115 00 GRV	Reinforcement Prime coated Side section Bracket		2	

Model: 911 74 Model life 1974>>1977

Pos	Part Number	Description	Remark	Qty	Model
25	911 501 125 00	Threaded support		6	
25		Threaded support		6	
	911 501 125 00 GRV	Prime coated			
26	911 501 921 00	Mounting	/H /L	1	
(26)	911 501 922 00	Mounting	/H /R	1	
26/1	911 501 313 00	Corner reinforcement	/L	1	
(26/1)	911 501 314 00	Corner reinforcement	/R	1	
(26/1)		Corner reinforcement	/R	1	
	911 501 314 00 GRV	Prime coated			
27	911 502 483 00	Guide tube	/H	1	
28	901 501 145 23	Bracket		1	
28		Bracket		1	
	901 501 145 23 GRV	Prime coated			
(28)	901 501 146 23	Bracket	/R	1	
(28)		Bracket	/R	1	
	901 501 146 23 GRV	Prime coated			
29	901 501 151 22	Mounting		2	
29		Mounting		2	
	901 501 151 22 GRV	Prime coated			
30	911 501 195 00	Jacking point		2	
31	901 501 141 21	Bracket	/L	1	COUPE
(31)	901 501 142 21	Bracket	/R	1	COUPE
32	901 502 245 00	Profile	/L	1	COUPE
(32)	901 502 246 00	Profile	/R	1	COUPE

Model: 911 74

Model life 1974>>1977

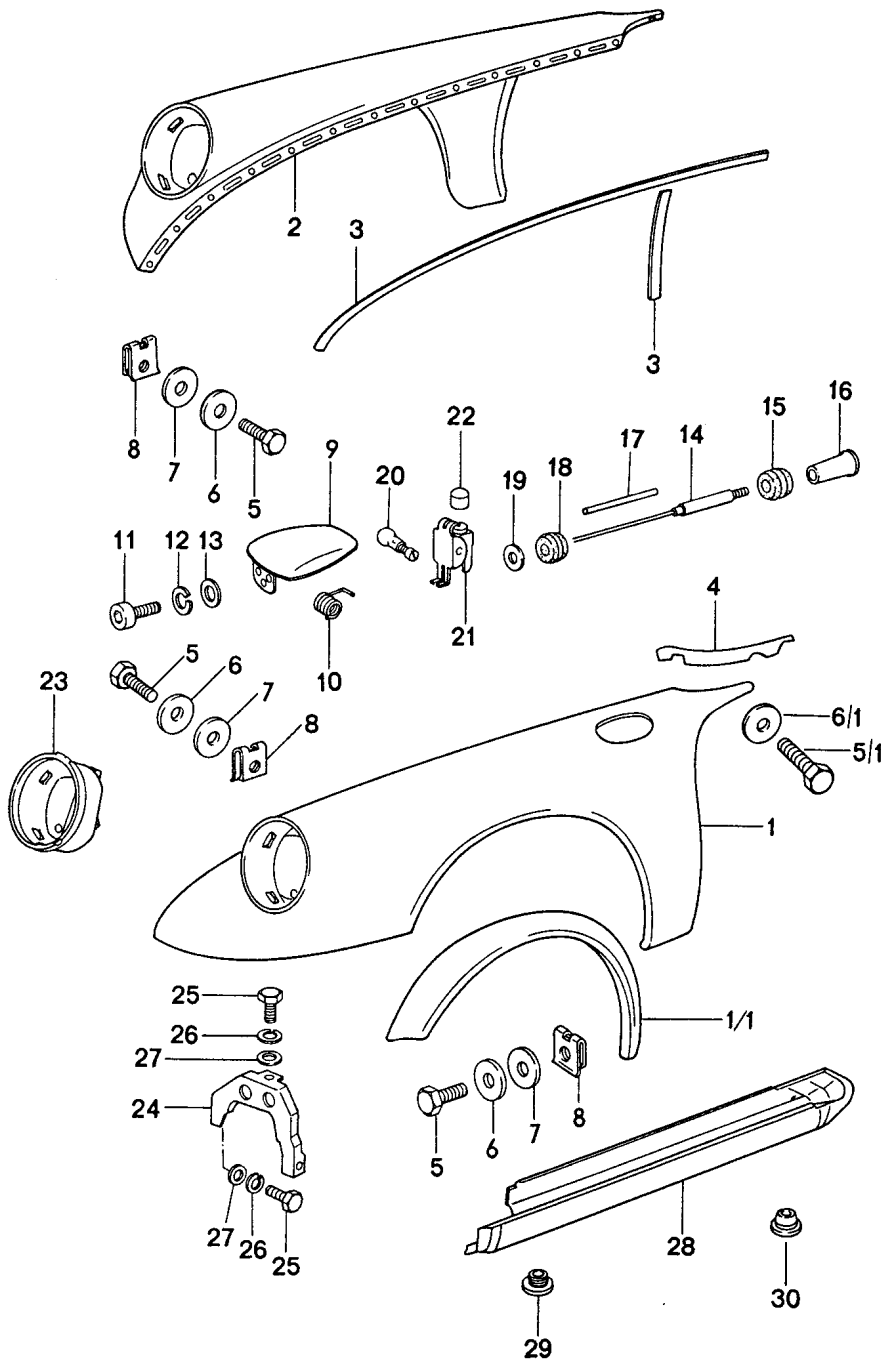


Model: 911 74 Model life 1974>>1977

Pos	Part Number	Description	Remark	Qty	Model
1	901 502 023 44	Interior panelling Dashboard	/LL	1	TARGA
(1)	911 502 026 40	Upper part Dashboard	/RL	1	
2	911 502 181 40	Upper part Guide tube	/V	1	
2	911 502 181 40 GRV	for Lid-release cable Guide tube Prime coated	/V	1	
3	911 565 001 40	for Lid-release cable Roll bar		1	
4	911 501 203 40	Filler plate	/L	1	
4	911 501 203 40 GRV	Filler plate Prime coated	/L	1	
(4)	911 501 204 40	Filler plate	/R	1	
(4)	911 501 204 40 GRV	Filler plate Prime coated	/R	1	
5	911 501 205 41	Rear bulkhead	/H /L	1	
5	911 501 205 41 GRV	Rear bulkhead Prime coated	/H /L	1	
(5)	911 501 206 41	Rear bulkhead	/H /R	1	
(5)	911 501 206 41 GRV	Rear bulkhead Prime coated	/H /R	1	
6	911 501 017 51	Side member	/H /L -74	1	
6	911 501 017 53	Side member	/H /L 75-	1	
6	911 501 017 55	Side member	/H /L 75	1	
6	911 501 017 70	Side member		1	911/911S CARRERA 3.0
(6)	911 501 017 56	Side member	/H /L 77-	1	
(6)	911 501 018 62	Side member	/H /R -76	1	
(6)	911 501 018 70	Side member	/H /R 77-	1	

Model: 911 74

Model life 1974>>1977



Model: 911 74

Model life 1974>>1977

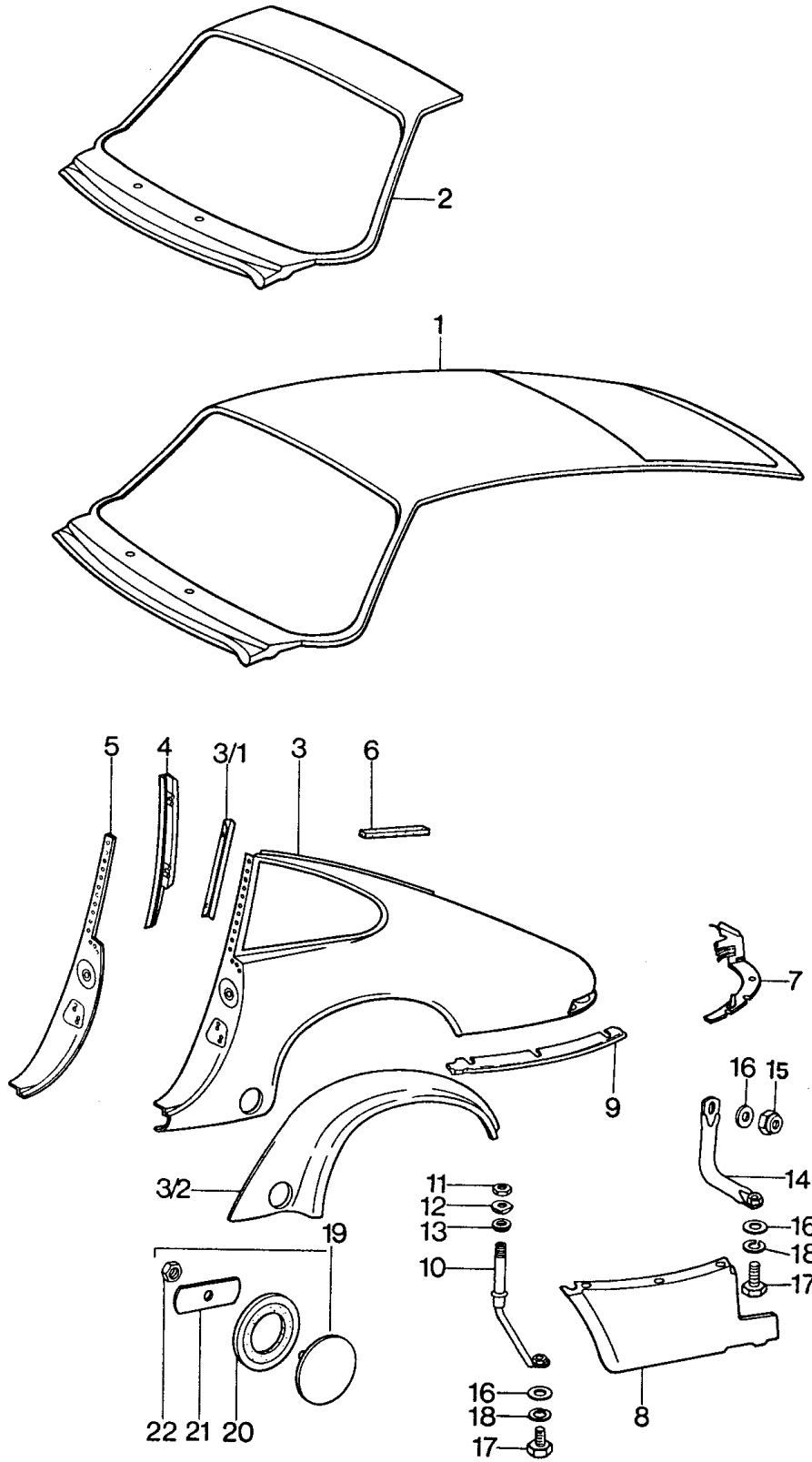
Pos	Part Number	Description	Remark	Qty	Model
		Exterior panelling			
		Front			
1	911 503 031 04	Front wing	/L	1	
2	911 503 032 00	Front wing	/R	1	
3	000 043 129 00	Sealing strap		*	
		25 X 2 MM			
4	901 503 394 22	Piping		2	
-	PCG 503 394 22	Set	74-75	1	911 S
		Piping			
		Body			
		Front and rear			
		Comprising:			
-	911 503 185 00	Intermediate layer		1	
-	911 503 186 00	Intermediate layer		1	
-	911 503 325 00	Intermediate layer		2	
-	911 503 326 00	Intermediate layer		2	
-	901 503 394 22	Piping		2	
5	900 187 010 02	Hexagon-head tapping screw		32	
		BZ 6,3 X 19			
5	900 187 010 03	Hexagon-head tapping screw		32	
		BZ 6,3 X 19			
5/1	900 378 030 09	Hexagon-head bolt		4	
		M 6 X 20			
6	900 151 006 09	Washer		32	
		B 6,4			
6/1	N 011 550 1	Washer		4	
		B 6,5			
7	999 704 157 40	Washer		32	
8	999 591 327 02	Speed nut		32	
		B 6,3			
8	999 501 327 01	Speed nut		32	
		B 6,3			
8	999 591 327 01	Speed nut		32	
		B 6,3			
9	911 504 031 00	Lid		1	
9		Lid		1	
		Tank filler neck			
	911 504 031 00 GRV	Prime coated			
10	911 504 331 00	Spring		1	
		for			
		Hinge			
11	900 067 051 02	Pan-head screw		3	
		M 5 X 10			
12	N 012 005 3	Lock ring		3	
		B 5			
13	900 025 003 02	Washer		3	
		5,3			
14	901 504 317 21	Lid-release cable		1	
		with			
		Threaded piece			
15	911 504 385 00	Rubber washer		1	
16	901 552 822 00	Knob		1	
17	901 504 385 20	Connecting tube		1	
-	999 181 184 40	Plastic tube		*	
		7,5 X 1,25			
18	999 702 020 50	Rubber sleeve		1	
19	914 504 319 00	Grommet		1	
20	999 230 002 02	Screw nipple		1	
21	901 504 034 20	Bearing		1	
		for			
		Lid			
21		Bearing		1	
	901 504 034 20 GRV	Prime coated			

Model: 911 74 Model life 1974>>1977

Pos	Part Number	Description	Remark	Qty	Model
		for			
		Lid			
22	911 025 679 00	Buffer		1	
23	911 503 015 00	Headlamp casing	/L	1	
(23)	911 503 016 00	Headlamp casing	/R	1	
24	911 503 079 00	Wing strut	/L	1	
(24)	911 503 080 00	Bracket	/R	1	
(24)	911 504 080 00	Bracket	/R	1	
	911 504 080 00 GRV	Prime coated			
		When required order also:			
-	N 042 121 3	Shake-proof washer		2	
-	900 076 010 0B	Nut		2	
-	N 011 525 13	Washer		1	
-	900 076 064 02	Hexagon nut		1	
25	900 075 087 02	Hexagon-head bolt		4	
		M 8 X 16			
25	900 075 087 03	Hexagon-head bolt		4	
		M 8 X 16			
26	900 027 015 02	Lock ring		4	
		B 8			
26	900 027 015 03	Lock ring		4	
		B 8			
27	900 025 007 02	Washer		4	
		8,4			
27	900 025 007 03	Washer		4	
		8,4			
28	911 503 401 04	Door sill	/L	1	
28	911 503 401 05	Door sill	/L	1	
	911 503 401 05 GRV	Prime coated			
		It is necessary to rework			
28	911 503 401 05	Door sill	/L	1	
	911 503 401 05 GRV	Prime coated			
		It is necessary to rework			
(28)	911 503 402 04	Door sill	/R	1	
29	999 703 033 40	Stopper		2	
30	411 837 111	Cap		4	

Model: 911 74

Model life 1974>>1977



Model: 911 74 Model life 1974>>1977

Pos	Part Number	Description	Remark	Qty	Model
		Exterior panelling			
		Rear			
1	911 503 087 02	It is necessary to rework		1	
(1)	911 503 087 03	Outer roof panel		1	
		Outer roof panel			
		with			
		Frame			
		Sunroof			
2	901 503 090 21	Windscreen frame part		1	
3	911 503 061 04	Side section	/H /L	1	911/911S
	911 503 061 04 GRV	with			
		Lock pillar			
		It is necessary to rework			
-	911 504 471 00	Cap	/L	1	
		Behind	/L		
		Lock pillar			
(3)	911 503 061 06	Wing		1	CARRERA 2.7
		with	/H /L		CARRERA 3.0
		Lock pillar			
-	911 504 471 00	Cap	/L	1	
		Behind	/L		
		Lock pillar			
(3)	911 503 062 04	Side section		1	911/911S
	911 503 062 04 GRV	with			
		Lock pillar			
		It is necessary to rework			
-	911 504 471 00	Cap	/L	1	
		Behind	/L		
		Lock pillar			
(3)	911 503 062 06	Wing		1	CARRERA 2.7
		with	/H /R		CARRERA 3.0
		Lock pillar			
3/1	911 503 193 00	Retaining strip	/L -74	1	911
		for			
		Sealing frame			
(3/1)	911 503 194 00	Retaining strip	/R -74	1	911
		for			
		Sealing frame			
4	911 502 043 01	Lock pillar	/L	1	
		Inner panel			
(4)	911 502 044 01	Lock pillar	/R	1	
		Inner panel			
5	911 502 041 02	Lock pillar	/L	1	
(5)	911 502 042 02	Lock pillar	/R	1	
6	911 504 933 00	Seal	/H /L	1	
		for			
		Wheel housing			
(6)	911 504 934 00	Seal	/H /R	1	
		for			
		Wheel housing			
7	911 503 073 00	Bar	/H /L	1	
		for			
		Lights			
7		Bar	/H /L	1	
	911 503 073 00 GRV	Prime coated			
		for			
		Lights			
(7)	911 503 074 00	Bar	/H /R	1	
		for			
		Lights			
(7)		Bar	/H /R	1	
	911 503 074 00 GRV	Prime coated			
8	911 503 067 02	Lower part		1	911/911S

Model: 911 74 Model life 1974>>1977

Pos	Part Number	Description	Remark	Qty	Model
(8)	911 503 067 03	Lower part	/L	1	CARRERA 2.7
(8)	911 503 067 03 GRV	Lower part Prime coated	/L	1	CARRERA 3.0 CARRERA 2.7
(8)	911 503 068 02	Lower part		1	CARRERA 3.0
(8)		Lower part for Side section Right		1	911/911S 911/911S
(8)	911 503 068 02 GRV	Prime coated			
(8)	911 503 068 03	Lower part	/R	1	CARRERA 2.7
(8)	911 503 068 03 GRV	Lower part Prime coated	/R	1	CARRERA 3.0 CARRERA 2.7
9	911 503 185 00	Intermediate layer	/L	1	CARRERA 2.7
(9)	911 503 185 01	Intermediate layer	/L	1	CARRERA 3.0
(9)		Intermediate layer	/L /R	2	CARRERA 2.7 CARRERA 3.0
(9)	911 503 186 00	Intermediate layer	/R	1	911/911S
-	PCG 503 394 22	Set Piping Body Front and rear Comprising:	74-75	1	911 S
-	911 503 185 00	Intermediate layer		1	
-	911 503 186 00	Intermediate layer		1	
-	911 503 325 00	Intermediate layer		2	
-	911 503 326 00	Intermediate layer		2	
-	901 503 394 22	Piping		2	
-	PCG 799 503 07	Set Piping Body Front and rear Comprising:		1	
-	911 503 185 01	Intermediate layer		1	
-	911 503 186 01	Intermediate layer		1	
-	911 503 325 00	Intermediate layer		2	
-	911 503 326 00	Intermediate layer		2	
-	911 799 503 07	Wing seal		2	
-	911 559 511 00	Gasket		2	
10	911 501 623 02	Support tube	/V	2	
11	900 078 009 02	Hexagon nut M 20 X 1,5		2	
12	900 025 021 02	Washer		2	
13	901 501 913 21	Sealing ring		2	
14	911 501 628 01	Support tube	/H	2	
15	900 084 003 02	Lock nut M 6		2	
16	900 151 006 09	Washer 6,4		6	
17	900 075 010 02	Hexagon nut M 6 X 12		4	
17	N 010 212 14	Hexagon-head bolt M 6 X 12		4	
17	999 072 005 09	Hexagon nut M 6 X 12		4	
17	999 072 005 01	Hexagon nut M 6 X 12		4	
18	N 012 007 2	Lock ring A 6		4	

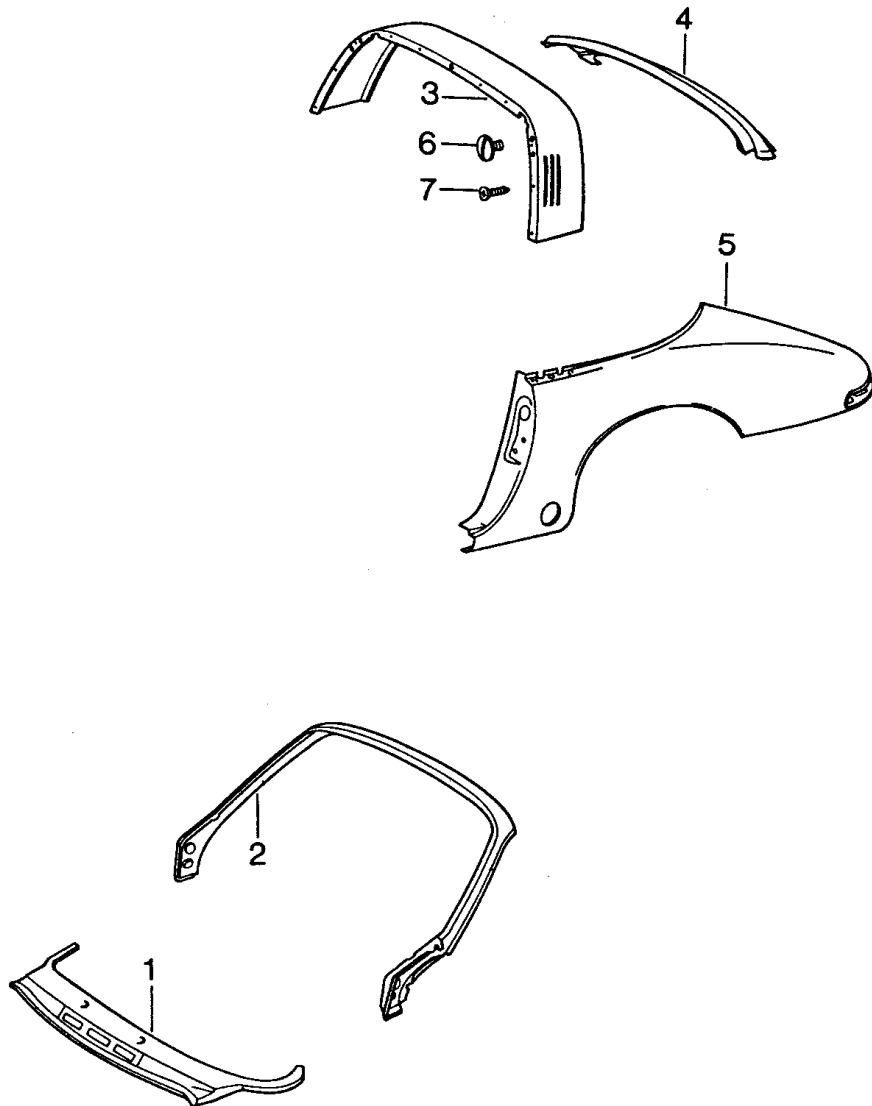
Model: 911 74

Model life 1974>>1977

Pos	Part Number	Description	Remark	Qty	Model
18	900 027 004 03	Lock ring A 6		4	
19	901 504 079 00	Spring cover		2	
20	901 504 759 01	Desk pad		2	
21	901 504 755 20	Tensioning spring		2	
22	900 076 027 02	Nut M 5		2	

Model: 911 74

Model life 1974>>1977

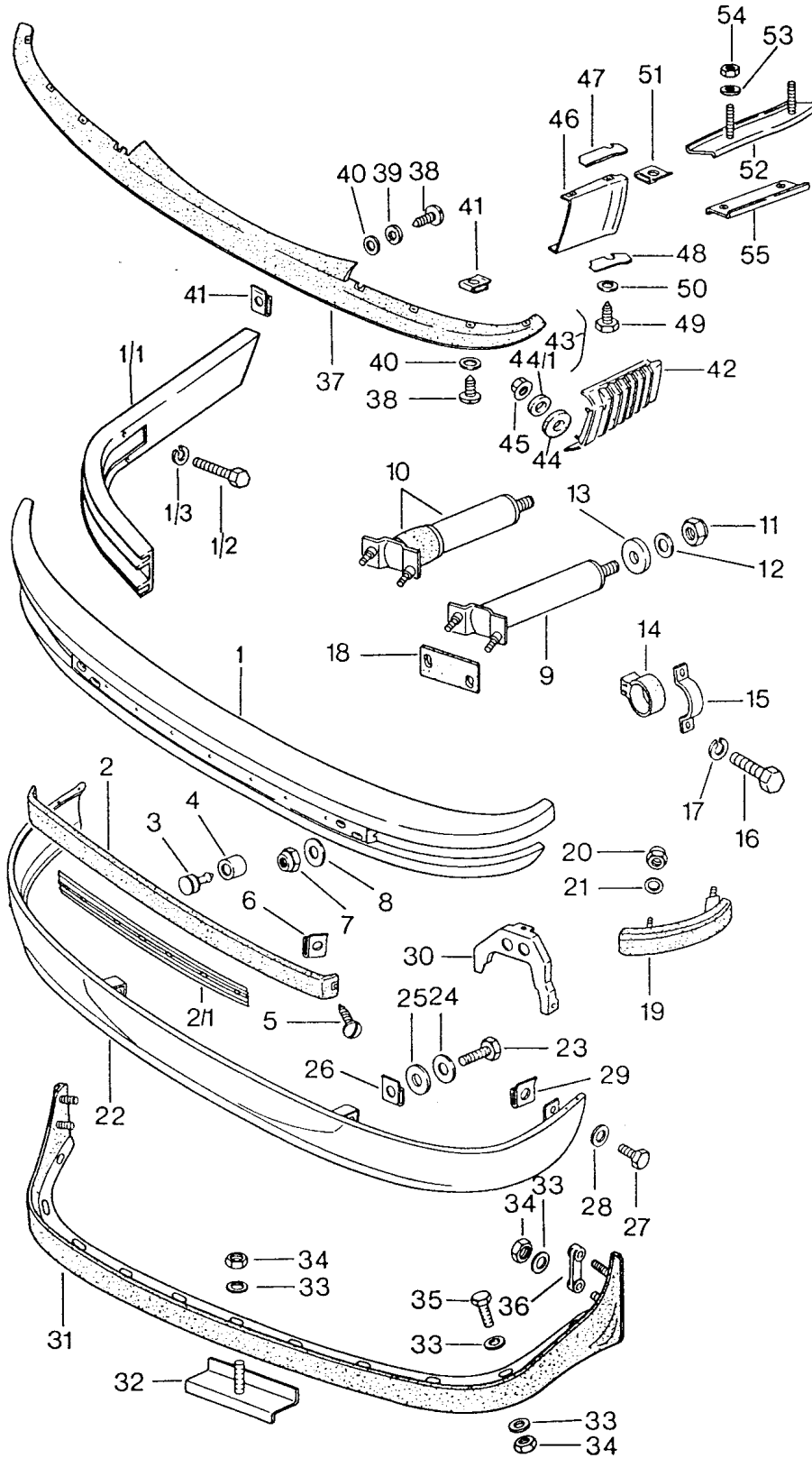


Model: 911 74 Model life 1974>>1977

Pos	Part Number	Description	Remark	Qty	Model
		Exterior panelling It is necessary to rework			TARGA
1	901 503 057 41	Scuttle	-76	1	
1	911 503 088 41	Scuttle	77-	1	
2	911 502 091 00	Windscreen frame		1	
3	901 565 011 45	Lining		1	911/911S
3		Lining		1	CARRERA 3.0
(3)	911 565 043 48	Lining		1	CARRERA 2.7
					CARRERA 3.0
(3)		Lining Black		1	911/911S
4	901 503 322 40	Rear end Rear end		1	
5	911 503 061 44	Wing with Lock pillar	/H /L	1	911/911S
5	911 503 061 44 GRV	Prime coated with Lock pillar	/H /L	1	911/911S
(5)	911 503 061 46	Wing with Lock pillar	/H /L	1	CARRERA 2.7
					CARRERA 3.0
(5)	911 503 062 44	Side section with Lock pillar	/H /R	1	911/911S
(5)	911 503 062 44 GRV	Side section Prime coated with Lock pillar	/H /R	1	911/911S
(5)	911 503 062 46	Wing with Lock pillar	/H /R	1	CARRERA 2.7
					CARRERA 3.0
6	901 801 153 40	Screw plug Ski rack		4	
6	999 064 037 40	Screw plug Ski rack		4	
7	N 013 957 5	Oval-head sheetmetal screw B 3,5 X 9,5		15	

Model: 911 74

Model life 1974>>1977



Model: 911 74

Model life 1974>>1977

Pos	Part Number	Description	Remark	Qty	Model
		Bumper Front			
1	911 505 011 10	Bumper	/V -76	1	
1		Bumper	/V 77-	1	
2	911 505 147 03	Protective moulding	/V	1	
2	911 505 147 04	Protective moulding	/V	1	
-	PCG 505 147 03	Set of fastening parts Protective moulding Comprising:		1	
-	900 143 085 07	Tapping screw		2	
-	911 505 417 00	Moulding plug		7	
-	911 505 418 00	Grommet		7	
-	999 507 018 01	Speed nut		2	
2/1	911 505 149 02	Insert		1	
3	911 505 417 00	Moulding plug		7	
4	911 505 418 00	Grommet		7	
5	900 143 113 07	Oval-head screw B 4,2 X 13		2	
5	900 143 113 0G	Oval-head screw B 4,2 X 13		2	
6	999 507 018 02	Speed nut		2	
6	999 507 018 01	Speed nut		2	
7	900 084 004 03	Hexagon nut M 8		4	
7	900 084 004 02	Hexagon nut M 8		4	
7	N 011 185 6	Hexagon nut M 10	77-	4	
8	900 151 008 02	Washer B 8,4	-76	4	
8	900 025 008 02	Washer 10,5	77-	4	
8	N 011 527 4	Washer 10,5	77-	4	
8	900 025 008 09	Washer 10,5	77-	4	
8	900 025 008 04	Washer 10,5	77-	4	
9	911 505 045 03	Impact pipe	/V -76	2	
9		Impact pipe	/V 77-	2	
10	911 505 279 03	Impact absorber	/V -76	2	
10		Impact absorber	/V M 77-	2	
11	900 084 004 03	Hexagon nut M 8	-76	2	
11	900 084 004 02	Hexagon nut M 8		2	
11	999 084 608 02	Hexagon nut M 12	77-	2	
12	900 151 008 02	Washer B 8,4	-76	2	
12	900 025 009 02	Washer 13	77-	2	
13	911 505 220 01	Desk pad	-76	2	
(13)		Desk pad	77-	2	
(13)	911 505 219 01	Desk pad	77-	2	
14	911 505 221 00	Stop		2	
15	911 505 223 00	Supporting bow		2	
16	999 093 010 02	Hexagon-head bolt M 8 X 20		4	
17	900 027 005 02	Lock ring A 8		4	
18	911 505 311 00	Desk pad		2	

Model: 911 74 Model life 1974>>1977

Pos	Part Number	Description	Remark	Qty	Model
19	911 505 307 00	Cover	/V /L	1	
(19)	911 505 308 00	Cover	/V /R	1	
20	N 021 196 1	Lock nut M 5		4	
20	N 021 196 3	Hexagon nut M 5		4	
21	900 025 003 30	Washer A 5,3		4	
22	911 503 049 00	Front apron	/V	1	
23	900 187 010 02	Hexagon-head tapping screw BZ 6,3 X 19		2	
23	900 187 010 03	Hexagon-head tapping screw BZ 6,3 X 19		2	
24	900 151 006 09	Washer B 6,4		2	
25	999 704 157 40	Washer		2	
26	999 591 327 02	Speed nut B 6,3		2	
26	999 501 327 01	Speed nut B 6,3		2	
26	999 591 327 01	Speed nut B 6,3		2	
27	900 187 010 02	Hexagon-head tapping screw BZ 6,3 X 19		2	
27	900 187 010 03	Hexagon-head tapping screw BZ 6,3 X 19		2	
28	900 151 006 09	Washer B 6,4		2	
29	999 591 327 02	Speed nut B 6,3		2	
29	999 501 327 01	Speed nut B 6,3		2	
29	999 591 327 01	Speed nut B 6,3		2	
30	911 503 079 00	Wing strut	/L	1	
(30)	911 503 080 00	Bracket	/R	1	
(30)	911 504 080 00	Bracket	/R	1	
	911 504 080 00 GRV	Prime coated When required order also:			
-	911 635 107 00	Support		1	
-	N 042 121 3	Shake-proof washer		2	
-	900 076 010 0B	Nut		2	
-	N 011 525 13	Washer		1	
-	900 076 064 02	Hexagon nut		1	
31	911 503 055 00	Front spoiler		1	CARRERA 2.7 CARRERA 3.0
32	911 503 023 00	Shim		7	CARRERA 2.7 CARRERA 3.0
33	900 151 006 09	Washer		4	CARRERA 2.7 CARRERA 3.0
34	900 084 010 02	Lock nut		4	CARRERA 2.7 CARRERA 3.0
35	900 378 030 09	Hexagon-head bolt		4	CARRERA 2.7 CARRERA 3.0
36	911 503 141 00	Desk pad		1	CARRERA 2.7 CARRERA 3.0
(36)	911 503 142 00	Desk pad		1	CARRERA 2.7 CARRERA 3.0
(36)	901 565 448 40	Spacer		4	CARRERA 2.7 CARRERA 3.0
37	911 505 187 01	Sealing strip	/V	1	
38	N 013 968 7	Tapping screw B 4,8 X 13		12	

Model: 911 74 Model life 1974>>1977

Pos	Part Number	Description	Remark	Qty	Model
38	900 143 097 01	Tapping screw B 4,8 X 13		12	
39	999 704 104 50	Rubber washer		4	
40	900 151 027 02	Washer B 5,3		12	
40	900 151 027 03	Washer B 5,3		12	
41	999 507 019 02	Speed nut B 4,8		12	
42	911 799 505 63	Bellows	/L	1	
42	911 799 505 13	Bellows	/L	1	
(42)	911 799 505 64	Bellows	/R	1	
(42)	911 799 505 14	Bellows	/R	1	
43	911 505 375 00	Clamp		2	
44	901 511 791 21	Rubber washer		2	
44/1	900 025 003 02	Washer A 5,3		8	
45	900 910 009 02	Lock nut NM 5		8	
45	900 084 026 01	Lock nut NM 5		8	
46	911 503 315 00	Front apron	/L	1	
46	911 503 315 00 GRV	Front apron Prime coated	/L	1	
(46)	911 503 316 00	Front apron	/R	1	
(46)	911 503 316 00 GRV	Front apron Prime coated	/R	1	
47	911 503 326 00	Intermediate layer Upper		1	
48	911 503 325 00	Intermediate layer Lower		1	
-	PCG 503 394 22	Set Piping Body Front and rear Comprising:	74-75	1	911 S
-	911 503 185 00	Intermediate layer		1	
-	911 503 186 00	Intermediate layer		1	
-	911 503 325 00	Intermediate layer		2	
-	911 503 326 00	Intermediate layer		2	
-	901 503 394 22	Piping		2	
-	PCG 799 503 07	Set Piping Body Front and rear Comprising:		1	
-	911 503 185 01	Intermediate layer		1	
-	911 503 186 01	Intermediate layer		1	
-	911 503 325 00	Intermediate layer		2	
-	911 503 326 00	Intermediate layer		2	
-	911 799 503 07	Wing seal		2	
-	911 559 511 00	Gasket		2	
-	PCG 503 394 00	Set Piping Body Front and rear Comprising:		1	TURBO
-	930 503 197 00	Piping		2	
-	911 503 325 00	Intermediate layer		2	
-	911 503 326 00	Intermediate layer		2	
-	901 503 394 22	Piping		2	
49	900 187 004 02	Hexagon-head tapping screw B 4,8 X 19		8	

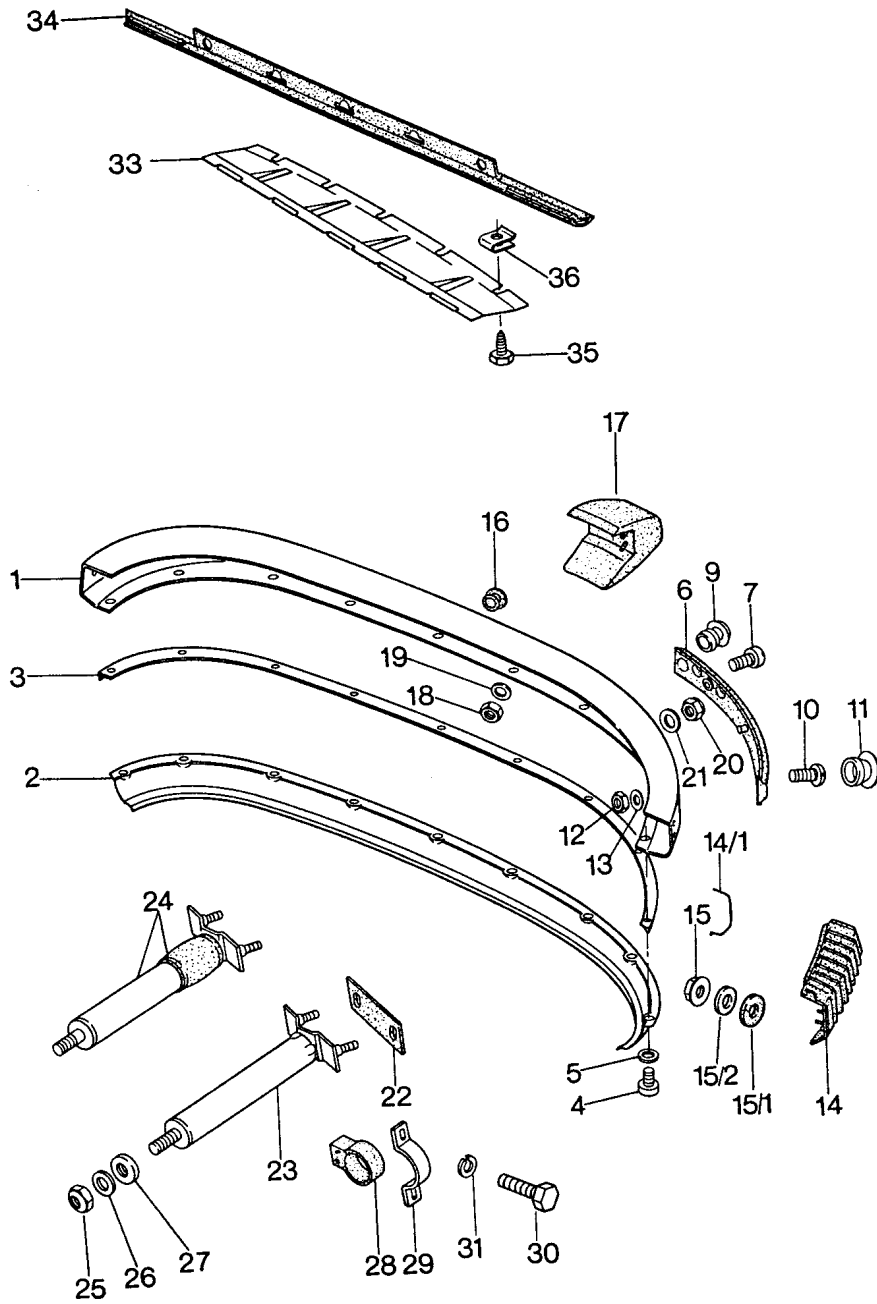
Model: 911 74

Model life 1974>>1977

Pos	Part Number	Description	Remark	Qty	Model
50	900 151 027 02	Washer B 5,3		8	
50	900 151 027 03	Washer B 5,3		8	
51	999 507 019 02	Speed nut B 4,8		8	

Model: 911 74

Model life 1974>>1977



Model: 911 74 Model life 1974>>1977

Pos	Part Number	Description	Remark	Qty	Model
		Bumper Rear			
1	911 505 167 10	Bumper	/H	1	
2	911 505 171 01	Rear apron	/H	1	
2	911 505 171 08	Rear apron	/H	1	
2		Rear apron	/H	1	
	911 505 171 08 GRV	Prime coated			
3	911 505 345 00	Piping		1	
4	999 141 002 02	Half-round screw M 6 X 12		8	
5	N 011 524 7	Washer A 6,4		8	
5	N 011 524 27	Washer A 6,4		8	
6	911 505 099 01	Protective moulding	/L	1	
6		Protective moulding	/L	1	
	911 505 099 01 70A	Black			
(6)	911 505 100 01	Protective moulding	/R	1	
7	999 141 001 02	Half-round screw M 5 X 12		2	
7	999 141 001 0B	Half-round screw M 5 X 12		2	
9	911 505 327 00	Stopper		1	
10	900 014 066 02	Pan-head screw M 5 X 18		2	
10	900 976 010 01	Pan-head screw M 5 X 18		2	
11	914 552 233 10	Filler piece		4	
11		Filler piece		4	
	914 552 233 10 01C	Black			
12	900 910 009 02	Lock nut M 5		2	
12	900 084 026 01	Lock nut M 5		2	
13	900 151 027 02	Washer B 5,3		2	
13	900 151 027 03	Washer B 5,3		2	
14	911 799 505 65	Bellows	/L	1	
14	911 799 505 15	Bellows	/L	1	
(14)	911 799 505 66	Bellows	/R	1	
(14)	911 799 505 16	Bellows	/R	1	
14/1	911 505 376 00	Clamp		2	
15	900 910 009 02	Lock nut NM 5		8	
15	900 084 026 01	Lock nut NM 5		8	
15/1	901 511 791 21	Rubber washer		8	
15/2	900 025 003 02	Washer A 5,3		8	
16	911 505 347 00	Rubber sleeve		2	
17	911 505 341 00	Buffer		1	911/911S CARRERA 2.7 911S
17		Buffer	/H /L (J) 75-	1	
(17)	911 505 342 00	Buffer		1	CARRERA 2.7 911/911S CARRERA 2.7 911S
(17)		Buffer	/H /R (J) 75-	1	
18	900 084 004 03	Hexagon nut M 8		X	CARRERA 2.7

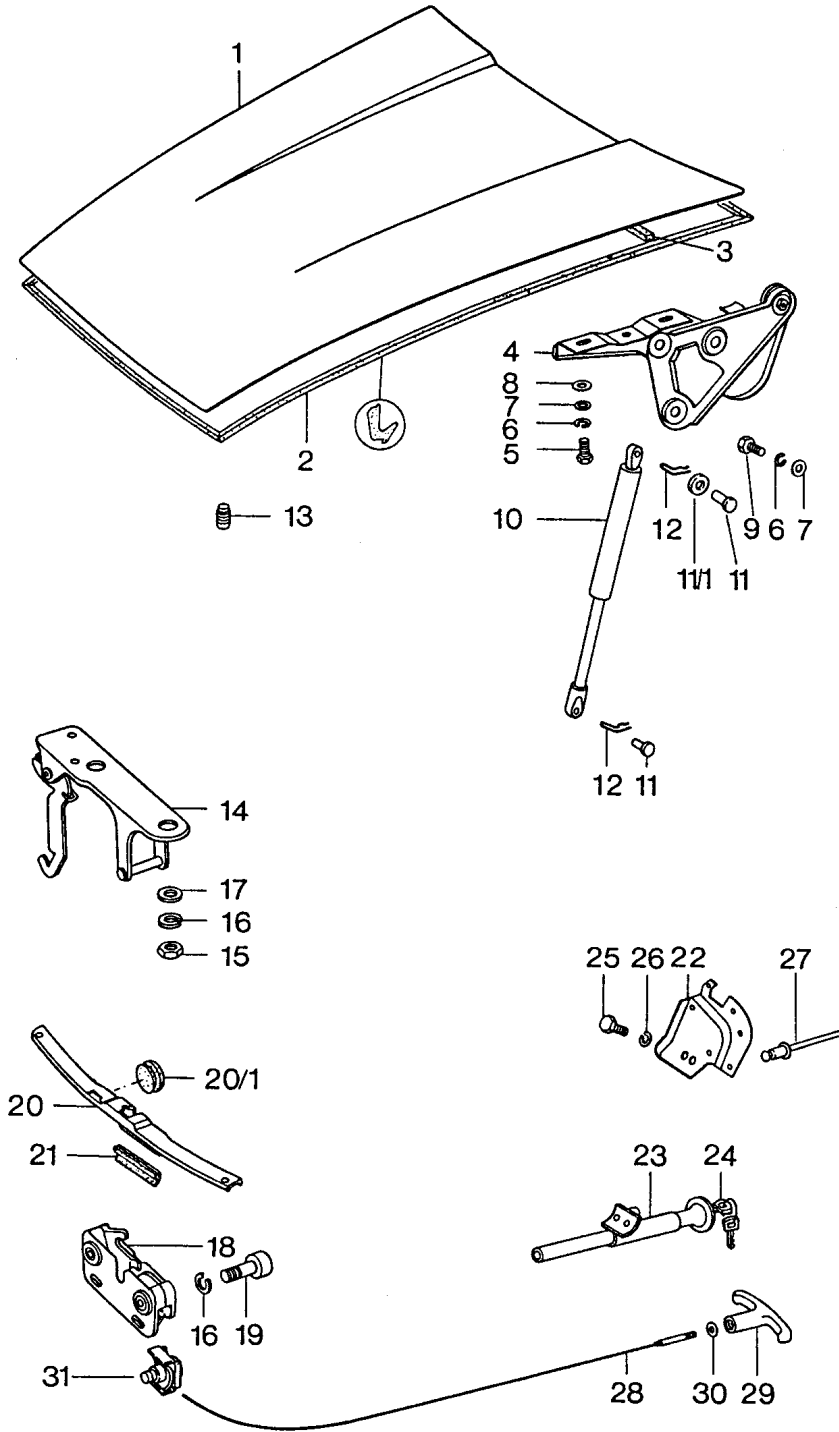
Model: 911 74

Model life 1974>>1977

Pos	Part Number	Description	Remark	Qty	Model
18	900 084 004 02	Hexagon nut M 8		X	
19	900 025 007 02	Washer 8,4		X	
19	900 025 007 03	Washer 8,4		X	
20	900 084 004 03	Hexagon nut M 8	-76	4	
20	900 084 004 02	Hexagon nut M 8		4	
20	N 011 185 6	Hexagon nut M 10	77-	4	
21	900 151 008 02	Washer B 8,4	-76	4	
21	900 025 008 02	Washer 10,5	77-	4	
21	N 011 527 4	Washer 10,5	77-	4	
21	900 025 008 09	Washer 10,5	77-	4	
21	900 025 008 04	Washer 10,5	77-	4	
22	911 505 311 00	Desk pad		2	
23	911 505 046 03	Impact pipe	/H -76	2	
23		Impact pipe	/H 77-	2	
24	911 505 280 03	Impact absorber	/H /H -74	2	911/911S CARRERA 2.7
24		Impact absorber	/H 75-76	2	
24		Impact absorber	/H 77-	2	
25	900 084 004 03	Hexagon nut M 8	-76	2	
25	900 084 004 02	Hexagon nut M 8		2	
25	999 084 608 02	Hexagon nut M 12	77-	2	
26	900 151 008 02	Washer B 8,4	-76	2	
26	900 025 009 02	Washer 13	77-	2	
27	911 505 220 01	Desk pad	-76	2	
(27)	911 505 219 01	Desk pad	77-	2	
28	911 505 221 00	Stop		2	
29	911 505 223 00	Supporting bow		2	
30	999 093 010 02	Hexagon-head bolt M 8 X 20		4	
31	900 027 005 02	Lock ring A 8		4	
33	911 503 157 01	Heat protection		1	
34	911 503 085 05	Seal		1	
35	N 013 970 5	Oval-head sheetmetal screw B 4,8 X 9,5		5	
35	N 106 568 02	Oval-head sheetmetal screw B 4,8 X 9,5		1	
36	999 507 019 02	Speed nut BM 4,8		5	

Model: 911 74

Model life 1974>>1977



Model: 911 74 Model life 1974>>1977

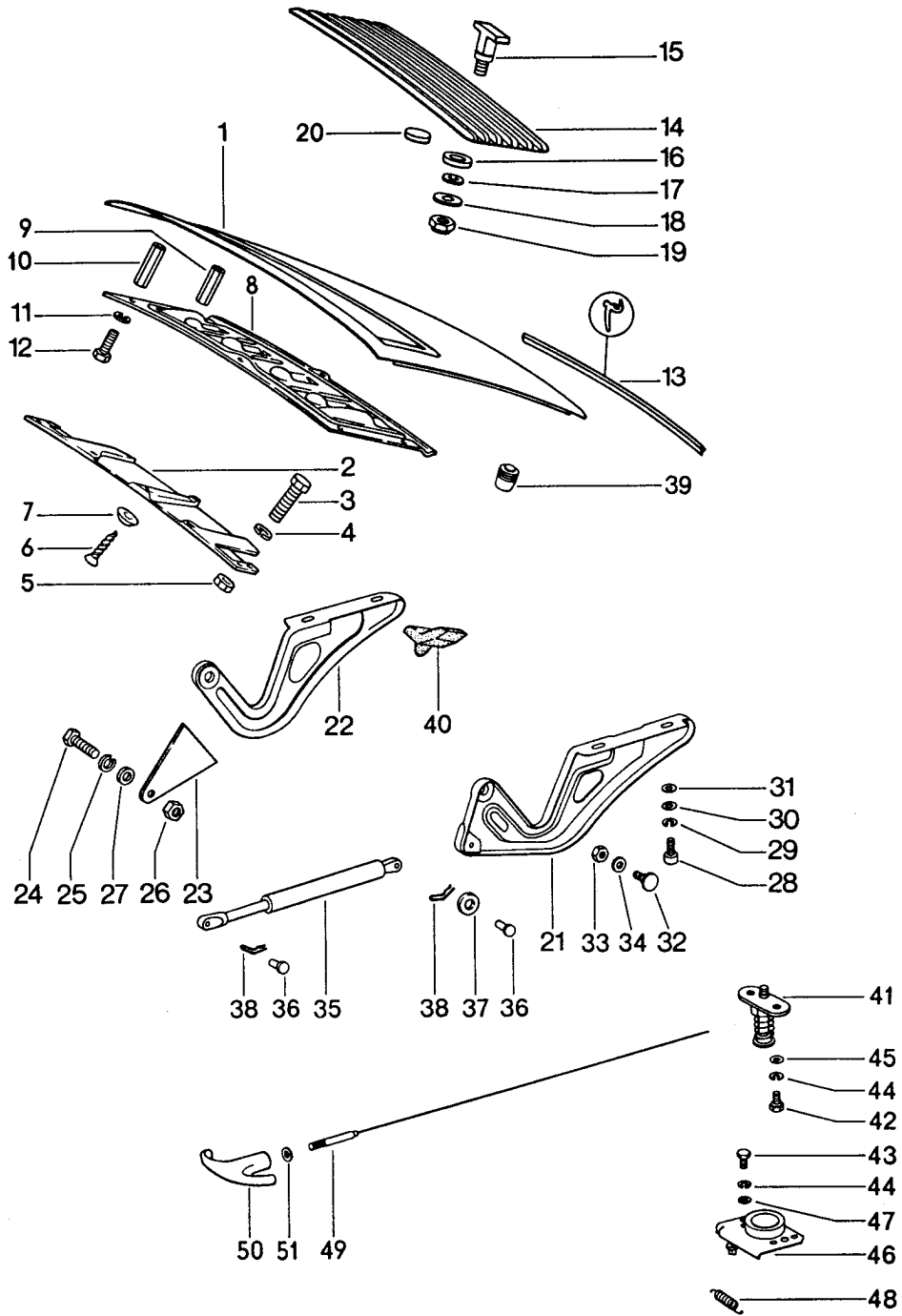
Pos	Part Number	Description	Remark	Qty	Model
1	911 511 010 01	Lid Front Lid without Lock And Hinge	/V	1	
1	911 511 010 03 911 511 010 03 GRV	Lid Prime coated Use also:		1	
-	997 632 201 00	Light		1	
2	911 511 923 02	Sealing frame		1	
3	911 511 127 00	Sealing frame Targa	-75	1	
4	901 511 031 20	Hinge	/L	1	
(4)	901 511 032 20	Hinge	/R	1	
5	900 067 057 02	Pan-head screw M 8 X 20		4	
5	900 067 057 03	Pan-head screw M 8 X 20		4	
6	900 027 015 02	Lock ring B 8		10	
6	900 027 015 03	Lock ring B 8		10	
7	900 025 007 02	Washer 8,4		10	
7	900 025 007 03	Washer 8,4		10	
8	900 151 008 02	Washer 8,4		*	
9	900 075 209 02	Hexagon-head bolt M 8 X 20		6	
10	911 511 331 01	Gas-pressure spring		2	
10	911 511 331 00	Gas-pressure spring		2	
11	999 087 003 02	Bolt	-74	4	
(11)	900 087 011 02	Bolt	75-76	4	
(11)	999 166 043 02	Bolt	77-	4	
11/1	911 511 332 00	Spacer	75-	2	
12	N 012 645 2	Lock washer		4	
13	999 703 036 50	Rubber stop		2	
14	911 511 051 02	Lock upper part		1	
15	900 076 010 02	Nut M 6		2	
15	900 076 010 0B	Nut M 6		2	
16	N 012 007 2	Lock ring A 6		4	
16	900 027 004 03	Lock ring A 6		4	
17	900 151 006 09	Washer B 6,4		2	
18	911 511 052 01	Lock lower part	/V	1	
19	N 014 743 2	Pan-head screw M 6 X 30		2	
19	900 067 012 03	Pan-head screw M 6 X 30		2	
20	911 555 085 00	Cover for Cross panel		1	
20/1	999 703 119 40	Stopper		2	
21	911 555 375 40	Edge protection		1	
22	911 511 725 43	Support for		1	

Model: 911 74 Model life 1974>>1977

Pos	Part Number	Description	Remark	Qty	Model
22-27		Lock Not for 912E		X	
23+24	911 511 903 00	Lock with 2 secondary keys W/o stipulated lock number		1	
23+24	911 511 904 00	Lock with 2 secondary keys State lock number		1	
24	914 531 903 11	Blank key Secondary key		2	
(24)	911 531 945 00	Blank key with Light without Battery	76-	2	911/911S CARRERA 3.0
(24)	911 531 946 00	Main key with Light without Battery State lock number	76-	2	911/911S CARRERA 3.0
24	914 531 637 10	Main key State lock number		2	
(24)	914 531 903 10	Blank key		2	
25	N 010 225 4	Hexagon-head bolt M 5 X 8		2	
25	900 075 001 03	Hexagon-head bolt M 5 X 8		2	
26	900 027 003 01	Lock ring A 5		2	
27	999 190 113 02	Blind rivet		4	
28	901 511 073 20	Lid-release cable		1	
28	901 511 073 21	Lid-release cable		1	
29	901 552 813 20	Handle		1	
30	901 511 791 21	Rubber washer		1	
31	911 511 067 00	Clamp		1	

Model: 911 74

Model life 1974>>1977



Model: 911 74 Model life 1974>>1977

Pos	Part Number	Description	Remark	Qty	Model
		Lid			
		Rear			
1	911 512 903 01	Lid	/H	1	
(1)	911 512 010 56	Lid	/H 74-	1	
2	911 512 109 01	Air guide	(D) 77-	1	911
					CARRERA 3.0
3	N 010 207 6	Hexagon-head bolt	(D) 77-	2	911
		M 5 X 12			CARRERA 3.0
3	N 010 207 17	Hexagon-head bolt	(D) 77-	2	911
		M 5 X 12			CARRERA 3.0
4	900 025 003 02	Washer	(D) 77-	5	911
		5,3			CARRERA 3.0
5	900 910 009 02	Lock nut	(D) 77-	2	911
		NM 5			CARRERA 3.0
5	900 084 026 01	Lock nut	(D) 77-	2	911
		NM 5			CARRERA 3.0
6	900 145 071 07	Tapping screw	(D) 77-	4	911
		3,5 X 13			CARRERA 3.0
7	999 591 102 17	Washer	(D) 77-	4	911
					CARRERA 3.0
7	999 591 102 1H	Washer	(D) 77-	4	911
					CARRERA 3.0
(2)	911 512 109 01	Air guide	(D)	1	911
		Air conditioner	77-		CARRERA 3.0
-	911 512 255 00	Intermediate layer	(D)	3	911
			77-		CARRERA 3.0
-	911 512 181 00	Mount	(D) 77-	2	911
		for			CARRERA 3.0
		Air guide			
-	999 190 126 30	Rivet	(D) 77-	4	911
		\$ 3,2			CARRERA 3.0
-	900 075 092 02	Hexagon-head bolt	(D) 77-	2	911
		4 X 10			CARRERA 3.0
-	900 027 011 01	Lock ring	3.0 M	2	911/CARRERA
		B 4	(D) 77-		
-	N 011 004 6	Hexagon nut	3.0 M	2	911/CARRERA
		M 4	(D) 77-		
-	N 011 004 G	Nut	3.0 M	2	911/CARRERA
		M 4	(D)		
13	911 512 129 00	Gasket		1	
14	911 559 411 00	Ventilation grille		1	
14	911 559 411 01	Ventilation grille		1	
15	911 559 433 00	T-headed screw		X	
(15)		T-headed screw	(D) 77-	3	911S
		Air conditioner			CARRERA 3.0
16	911 559 435 00	Spacer		6	
17	113 951 539	Washer		6	
18	900 151 027 02	Washer		6	
		B 5,3			
18	900 151 027 03	Washer		6	
		B 5,3			
19	900 910 009 02	Lock nut		6	911
19	900 084 026 01	Lock nut		6	911
20	911 559 151 01	Base		6	
21	911 512 035 00	Hinge	/L	1	
22	901 512 036 20	Hinge	/R	1	
22		Hinge	/R	1	
	901 512 036 20 GRV	Prime coated			
23	930 512 039 00	Fastening plate		1	CARRERA 2.7
					CARRERA 3.0
24	900 075 016 02	Hexagon-head bolt		1	CARRERA 2.7
					CARRERA 3.0
24	900 075 016 03	Hexagon-head bolt		1	CARRERA 2.7

Model: 911 74 Model life 1974>>1977

Pos	Part Number	Description	Remark	Qty	Model
25	N 012 226 5	Spring washer		1	CARRERA 3.0 CARRERA 2.7 CARRERA 3.0
26	900 076 010 02	Nut		1	CARRERA 2.7 CARRERA 3.0
26	900 076 010 0B	Nut		1	CARRERA 2.7 CARRERA 3.0
27	N 011 524 7	Washer		1	CARRERA 2.7 CARRERA 3.0
27	N 011 524 27	Washer		1	CARRERA 2.7 CARRERA 3.0
28	900 067 011 02	Pan-head screw M 6 X 20		4	
28	900 067 011 03	Pan-head screw M 6 X 20		4	
29	900 027 014 01	Lock ring B 6		4	
29	900 027 014 02	Lock ring B 6		4	
29	N 012 006 4	Lock ring B 6		4	
30	900 025 028 02	Washer B 6,4		4	
31	900 151 006 09	Washer B 6,4		X	
32	901 512 471 20	Collar bolt		2	
33	900 910 023 02	Lock nut M 8		2	
(33)	999 084 052 02	Lock nut M 8		2	
34	900 025 007 02	Washer 8,4		2	
34	900 025 007 03	Washer 8,4		2	
35	911 512 331 01	Gas-pressure spring		1	911/911S
35		Gas-pressure spring	-74	1	CARRERA 2.7
(35)	911 512 331 02	Gas-pressure spring		1	CARRERA 2.7 CARRERA 3.0
(35)		Gas-pressure spring		2	CARRERA 2.7 CARRERA 3.0
36	999 087 003 02	Bolt	-76	2	
36	900 087 011 02	Bolt		2	
36	999 166 043 02	Bolt		2	911/911S CARRERA 3.0
36	999 087 003 02	Bolt	-76	3	CARRERA 2.7 CARRERA 3.0
36	900 087 011 02	Bolt		3	CARRERA 2.7 CARRERA 3.0
36	999 166 043 02	Bolt		3	911/911S CARRERA 3.0
37	911 511 332 00	Spacer		1	
38	N 012 645 2	Lock washer		2	
38		Lock washer		3	CARRERA 2.7 CARRERA 3.0
39	999 703 140 40	Rubber buffer		2	
40	999 703 013 50	Stopper		2	CARRERA 2.7 CARRERA 3.0
41	930 512 052 00	Lock upper part		1	
(41)		Lock upper part		1	911/911S CARRERA 3.0
42	900 075 162 02	Hexagon-head bolt M 6 X 16		2	
42	N 010 287 1	Hexagon-head bolt		2	

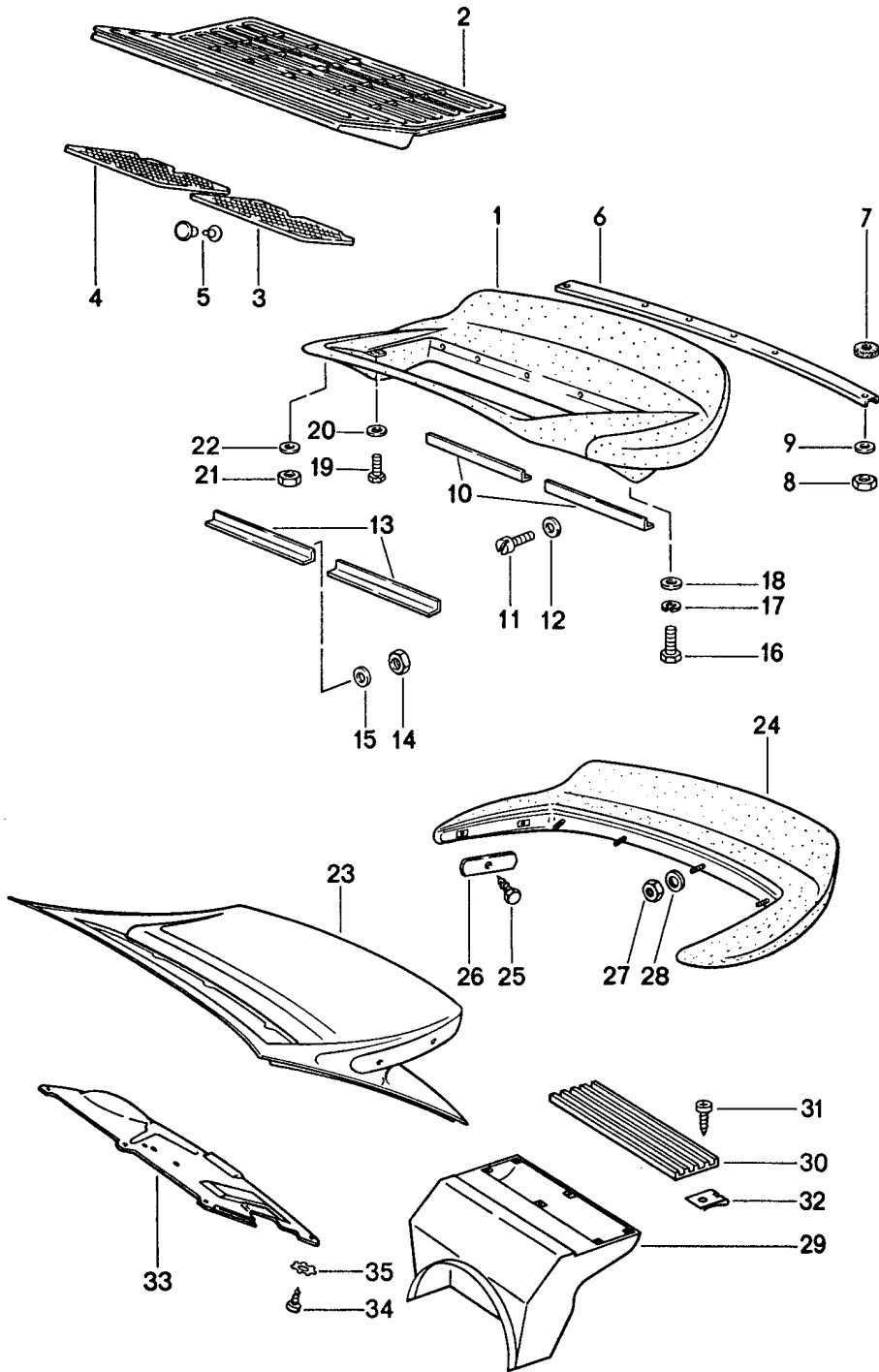
Model: 911 74

Model life 1974>>1977

Pos	Part Number	Description	Remark	Qty	Model
42	900 075 057 02	M 6 X 16 Hexagon-head bolt		2	
43	900 075 162 02	M 6 X 16 Hexagon-head bolt		2	
43	N 010 287 1	M 6 X 16 Hexagon-head bolt		2	
43	900 075 057 02	M 6 X 16 Hexagon-head bolt		2	
44	900 027 014 01	Lock ring B 6		4	
44	900 027 014 02	Lock ring B 6		4	
44	N 012 006 4	Lock ring B 6		4	
45	900 151 006 09	Washer B 6,4		2	
-	900 151 029 02	Washer B 6,4		X	CARRERA 2.7
-	900 076 010 02	Nut M 6		X	CARRERA 2.7
-	900 076 010 0B	Nut M 6		X	CARRERA 2.7
46	901 512 052 00	Lock lower part		1	
47	900 025 028 02	Washer B 6,4		2	
48	644 511 511 01	Return spring		1	
49	901 511 073 20	Lid-release cable		1	
49	901 511 073 21	Lid-release cable		1	
50	901 552 813 20	Handle		1	
51	901 511 791 21	Rubber washer	-75	1	911/911S CARRERA 2.7
(51)	911 512 531 00	Grommet for Lid-release cable	76-	1	911/911S CARRERA 3.0

Model: 911 74

Model life 1974>>1977



Model: 911 74 Model life 1974>>1977

Pos	Part Number	Description	Remark	Qty	Model
1	911 512 019 02	Rear spoiler Polyurethane rear spoiler		1	
2	911 512 051 00	Ventilation grille		1	
3	911 512 085 00	Grille	/L	1	
4	911 512 086 00	Grille	/R	1	
-	000 043 205 19	Tesa-moll		1	
5	999 190 010 03	Tubular rivet 3,7 X 9		4	
6	911 512 281 01	Reinforcement plate		1	
7	901 503 399 01	Sealing washer		6	
8	900 910 012 02	Lock nut NM 6		6	
8	900 910 047 09	Lock nut NM 6		6	
9	900 151 006 09	Washer B 6,4		6	
10	911 512 283 00	Reinforcement strip		2	
11	N 044 734 1	Pan-head screw M 5 X 15		6	
11	900 067 137 01	Pan-head screw M 5 X 15		6	
12	900 025 003 02	Washer A 5,3		6	
13	911 512 284 00	Reinforcement strip		2	
14	900 910 009 02	Lock nut NM 5		6	
14	900 084 026 01	Lock nut NM 5		6	
15	900 025 003 02	Washer A 5,3		6	
16	900 075 145 02	Hexagon-head bolt M 5 X 16		5	
17	N 012 005 3	Lock ring B 5		5	
18	900 151 027 02	Washer B 5,3		5	
18	900 151 027 03	Washer B 5,3		5	
19	N 010 207 6	Hexagon-head bolt M 5 X 12		2	
19	N 010 207 17	Hexagon-head bolt M 5 X 12		2	
20	900 151 027 02	Washer B 5,3		2	
20	900 151 027 03	Washer B 5,3		2	
21	900 910 012 02	Lock nut NM 6		5	
21	900 910 047 09	Lock nut NM 6		5	
22	900 151 006 09	Washer B 6,4		5	
23	911 512 010 07	Spoiler lid		1	CARRERA 2.7 CARRERA 3.0
(23)	930 512 010 01	Spoiler lid		1	CARRERA 2.7 CARRERA 3.0
(23)		Spoiler lid		1	CARRERA 2.7 CARRERA 3.0
24	911 512 019 00	Air conditioner Rear spoiler		1	CARRERA 2.7 CARRERA 3.0
25	900 187 023 02	Hexagon-head tapping screw	1LH	2	CARRERA 2.7 CARRERA 3.0
26	901 504 755 20	Tensioning spring		2	CARRERA 2.7

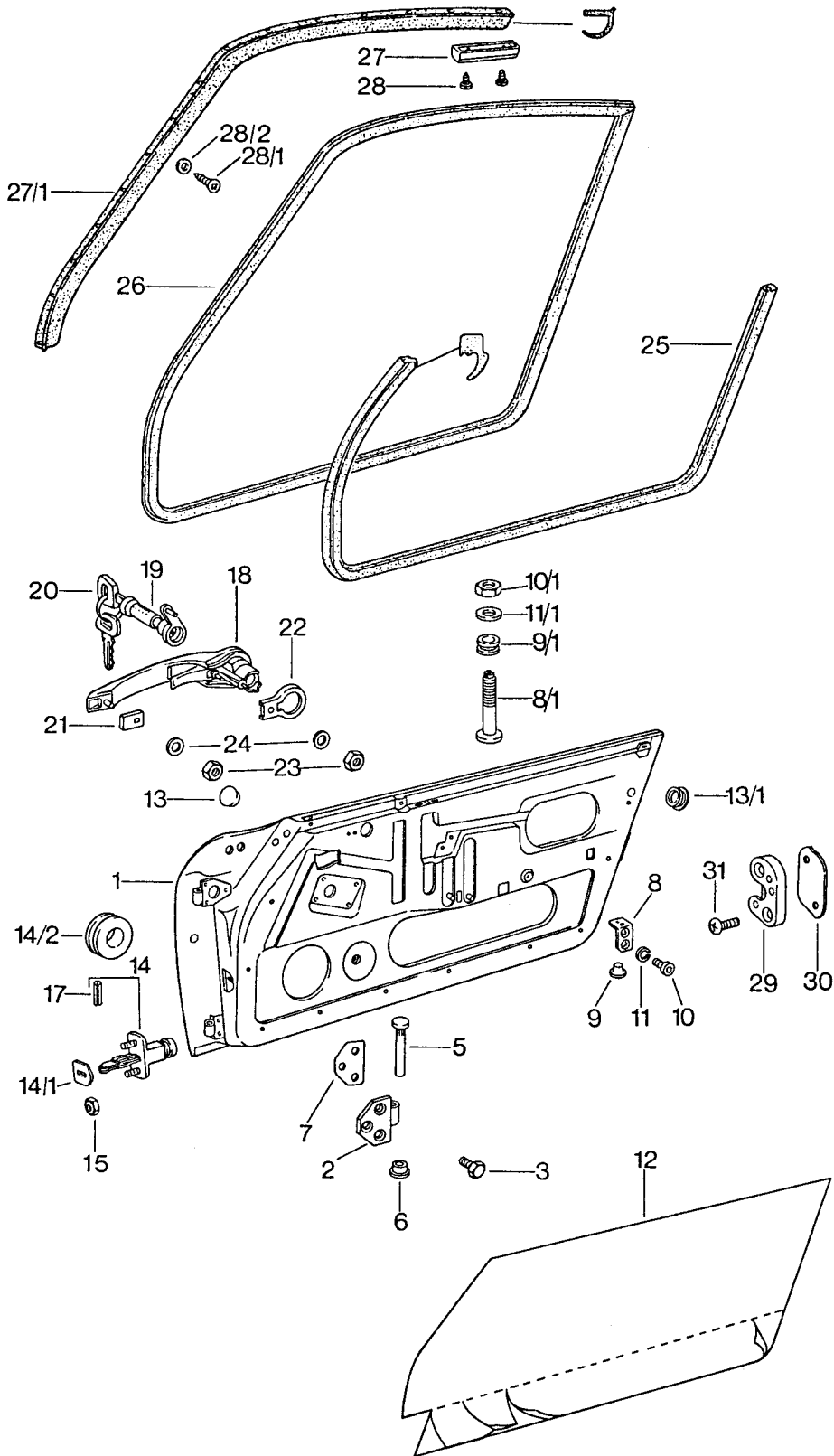
Model: 911 74

Model life 1974>>1977

Pos	Part Number	Description	Remark	Qty	Model
27	900 910 009 02	Lock nut		4	CARRERA 3.0 CARRERA 2.7
27	900 084 026 01	Lock nut		4	CARRERA 3.0 CARRERA 2.7
28	900 151 027 02	Washer		4	CARRERA 3.0 CARRERA 2.7
28	900 151 027 03	Washer		4	CARRERA 3.0 CARRERA 2.7
33	911 512 165 01	Heat shield	75	1	CARRERA 3.0 CARRERA 2.7
34	900 143 001 02	Tapping screw		9	CARRERA 3.0 CARRERA 2.7
35	900 114 013 02	Shake-proof washer		9	CARRERA 3.0 CARRERA 2.7

Model: 911 74

Model life 1974>>1977



Model: 911 74 Model life 1974>>1977

Pos	Part Number	Description	Remark	Qty	Model
(1)	911 531 005 06	Door with installation parts Bare door shell	/L -75 /L	1	911/911S CARRERA 2.7
-	964 531 201 00 964 531 201 00 GRV	Exterior panelling Prime coated It is necessary to rework	/L -75	1	911/911S CARRERA 2.7
(1)	911 531 005 09	Bare door shell	/L	1	911/911S CARRERA 3.0
-	964 531 201 00 964 531 201 00 GRV	Exterior panelling Prime coated It is necessary to rework	/L	1	911/911S CARRERA 2.7
1	911 531 006 06	Bare door shell	/R -75	1	911/911S CARRERA 2.7
-	964 531 202 00 964 531 202 00 GRV	Exterior panelling Prime coated It is necessary to rework	/R -75	1	911/911S CARRERA 2.7
1	911 531 006 09	Bare door shell	/R	1	911/911S CARRERA 3.0
1	911 531 006 23	Bare door shell	/R	1	911/911S CARRERA 3.0
-	911 531 006 23 GRV 964 531 202 00 964 531 202 00 GRV	Prime coated It is necessary to rework Exterior panelling Prime coated It is necessary to rework	/R	1	911/911S CARRERA 3.0
2	901 531 303 21	Hinge arm		4	
3	999 093 010 02	Hexagon-head bolt M 8 X 20		12	
5	901 531 305 20	Hinge bolt		4	
6	901 531 311 20	Bush		8	
7	901 531 391 20	Desk pad		4	
8	901 542 411 40	Stop bracket	-75	2	911/911S CARRERA 2.7
8/1	911 542 045 00	Adjusting screw		2	911/911S CARRERA 3.0
9	999 703 064 50	Buffer	-75	2	911/911S CARRERA 2.7
9/1	211 959 221	Grommet		2	911/911S CARRERA 3.0
10	N 014 761 2	Pan-head screw M 6 X 12	-75	4	911/911S CARRERA 2.7
10	900 119 129 01	Pan-head screw M 6 X 12	-75	4	
10/1	900 076 010 02	Nut		2	911/911S CARRERA 3.0
10/1	900 076 010 0B	Nut		2	911/911S CARRERA 3.0
11	900 028 008 01	Lock ring B 6	-75	4	911/911S CARRERA 2.7
11/1	N 011 524 7	Washer		2	911/911S CARRERA 3.0
11/1	N 011 524 27	Washer		2	911/911S CARRERA 3.0
(12)	911 531 889 00	Seal	/L	1	
12	911 531 890 00	Seal	/R	1	
13	999 703 119 40	Stopper		16	
14	911 531 057 01	Door support		2	
14/1	911 531 291 00	Seal		2	
14/2	999 702 026 50	Rubber sleeve	-74	2	911/911S CARRERA 2.7
15	900 084 010 02	Lock nut M 6		4	

Model: 911 74 Model life 1974>>1977

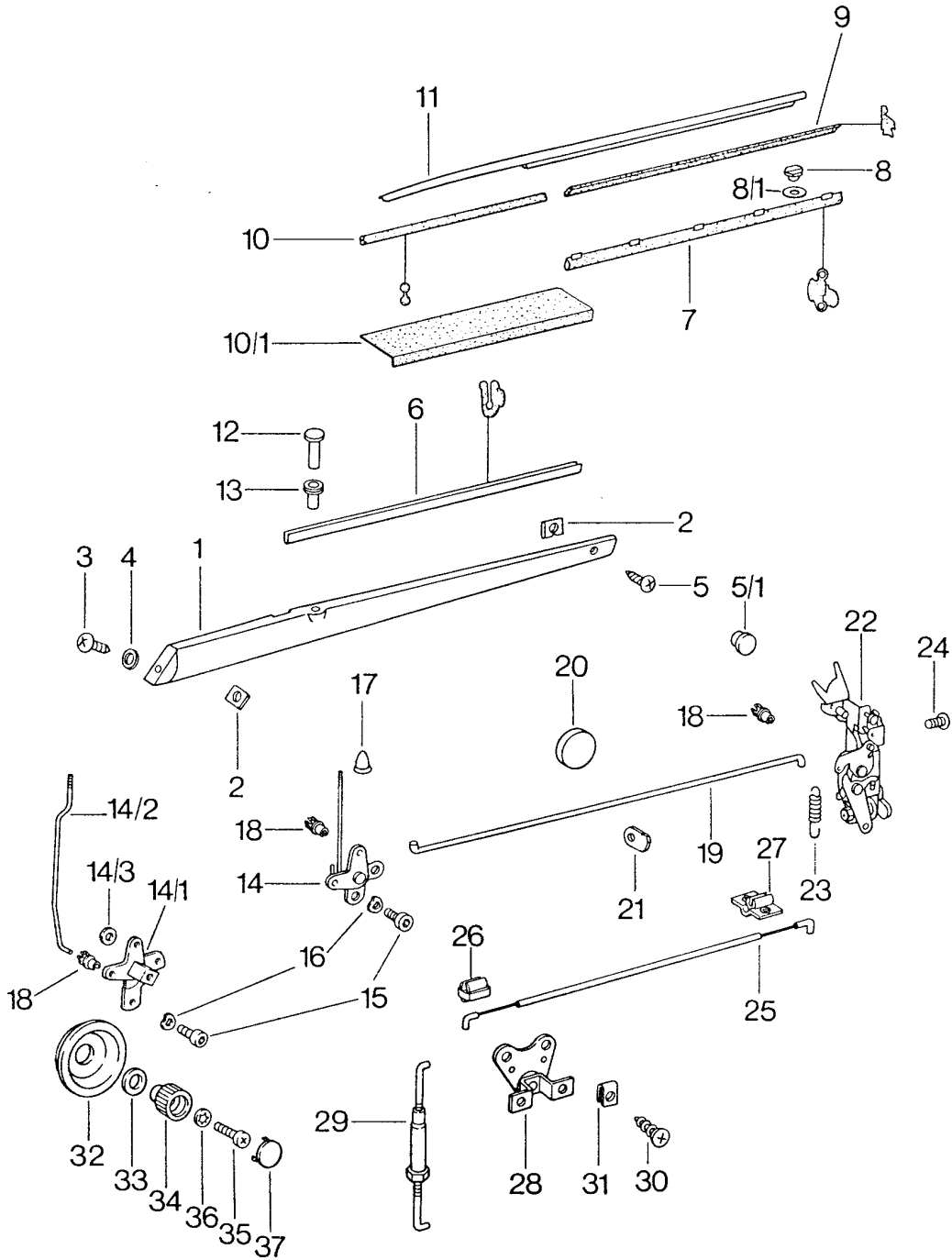
Pos	Part Number	Description	Remark	Qty	Model
17	911 531 615 01	Tensioning sleeve	-75	2	911/911S CARRERA 2.7
(17)	900 309 032 02	Spiral clamping pin		2	911/911S CARRERA 3.0
18	911 531 941 00	Outer door handle Chrome without Lock cylinder		2	
(18)	911 531 941 28	Outer door handle Black without Lock cylinder		2	
19+20	911 531 943 00	Lock cylinder with 2 secondary keys W/o stipulated lock number	/L	1	
19+20	911 531 947 00	Lock cylinder with 2 secondary keys State lock number	/L	1	
19+20	911 531 944 00	Lock cylinder with 2 secondary keys W/o stipulated lock number	/R	1	
19+20	911 531 944 29	Lock cylinder with 2 secondary keys W/o stipulated lock number	/R	1	
19+20	911 531 948 00	Lock cylinder with 2 secondary keys State lock number	/R	1	
(20)	911 531 945 00	Blank key		2	911/911S CARRERA 3.0
(20)	911 531 946 00	Main key		2	911/911S CARRERA 3.0
(20)	914 531 637 10	Main key State lock number		2	
20	914 531 903 11	Blank key for Secondary key		2	
(20)	914 531 903 10	Blank key for Main key		2	
(20)	914 531 903 11	Blank key for Secondary key		2	
21	911 531 631 00	Desk pad	/V	2	
22	911 531 632 00	Desk pad	/H	2	
23	999 084 102 02	Lock nut		4	
24	900 025 003 02	Washer 5,3		4	
25	911 531 093 45	Door seal	/L /R	2	911/911S CARRERA 2.7
25	911 531 093 46	Door seal	/L /R	2	911/911S CARRERA 2.7
25	911 531 095 40	Door seal	/L /R	2	911/911S CARRERA 2.7
(26)	911 531 095 00	Door seal	/L -75 /L	1	911/911S CARRERA 2.7
(26)	911 531 095 01	Door sealing	/L	1	911/911S CARRERA 2.7
(26)	911 531 095 02	Door sealing	/L	1	911/911S CARRERA 2.7
(26)	911 531 095 03	Door sealing	/L /L	1	911/911S CARRERA 2.7
26	911 531 096 00	Door seal	/R -75	1	911/911S CARRERA 2.7

Model: 911 74 Model life 1974>>1977

Pos	Part Number	Description	Remark	Qty	Model
(26)	911 531 095 02	Door sealing		1	911/911S CARRERA 3.0
(26)	911 531 095 03	Door sealing		1	911/911S CARRERA 3.0
27	901 531 753 00	Stop	-75	2	
(27)	911 531 753 02	Stop	76	2	
-	911 531 757 00	Desk pad for Stop	76	X	
27/1	911 542 403 01	Sealing rail	/L 77-	1	
(27/1	911 542 404 01	Sealing rail	/R 77-	1	
28	N 013 954 2	Hexagon-head bolt B 2,9 X 13	-76	4	
28	900 143 051 01	Oval-head sheetmetal screw B 2,9 X 13		4	
28/1	900 145 081 00	Tapping screw B 2,9 X 6,5	77-	30	
28/2	999 591 009 12	Protection washer 3,5 MS	77-	30	
29	911 531 701 02	Door lock striker Yellow Chrome	/L	1	
(29)	911 531 702 02	Door lock striker Yellow Chrome	/R	1	
30	901 531 703 23	Desk pad 1 MM		X	
(30)	901 531 703 24	Desk pad 2 MM		X	
31	999 219 008 00	Oval-head screw M 8 X 40		4	

Model: 911 74

Model life 1974>>1977



Model: 911 74 Model life 1974>>1977

Pos	Part Number	Description	Remark	Qty	Model
1		Installation parts for Door See group 8/07/10		X	
2	999 591 338 02	Speed nut		4	
2	999 591 460 01	Speed nut		4	
3	900 145 071 07	Tapping screw B 3,5 X 16		2	
4	999 591 116 07	Cone washer		2	
5	N 013 958 7	Oval-head sheetmetal screw B 3,5 X 13		2	
5/1	914 552 233 10	Filler piece		2	
5/1	914 552 233 10 01C	Filler piece Black		2	
(6)	911 531 951 01	Sealing for door slot	/L	1	
6	911 531 952 00	Sealing for door slot	/R	1	
(7)	901 531 935 20	Sealing for door slot	/L	1	
7	901 531 936 20	Sealing for door slot	/R	1	
8	999 591 326 02	Moulding clip		14	
8	999 591 326 01	Moulding clip		14	
8/1	911 531 309 00	Ring		14	
(9)	911 531 931 02	Sealing strip	/L	1	COUPE
9	911 531 932 02	Sealing strip	/R	1	COUPE
(9)	911 531 931 42	Sealing strip	/L -74	1	TARGA
(9)		Sealing strip	/L 75-	1	TARGA
9	911 531 932 42	Sealing strip	/R -74	1	TARGA
(9)		Sealing strip	/R 75-	1	TARGA
10	901 531 933 20	Sealing strip		2	
10/1	999 915 706 00	Adhesive tape 19 X300		2	
(11)	901 531 431 27	Moulding Aluminium Anodised	/L	1	COUPE
(11)	901 531 431 30	Moulding Black	/L	1	COUPE
11	901 531 432 27	Moulding Aluminium Anodised	/R	1	COUPE
11	901 531 432 28	Moulding Black	/R -76	1	COUPE
11	901 531 432 30	Moulding Black	/R 77-	1	COUPE
(11)	901 531 431 41	Moulding Aluminium Anodised	/L	1	TARGA
(11)	901 531 431 50	Moulding Black	/L	1	TARGA
11	901 531 432 41	Moulding Aluminium Anodised	/R	1	TARGA
11	901 531 432 50	Moulding Black	/R -76	1	TARGA
11		Moulding Black	/R 77-	1	TARGA
12	901 531 671 21	Push button	-76	2	
(12)	928 555 359 02	Locking knob	77-	2	
(12)		Locking knob	77-	2	
		Doors			
	928 555 359 02 70B	Black			
13	901 531 481 22	Guide sleeve	-76	2	
(13)	928 555 565 02	Guide sleeve	77-	2	
(14)	911 531 075 00	Mounting for push-button	/L -76	1	

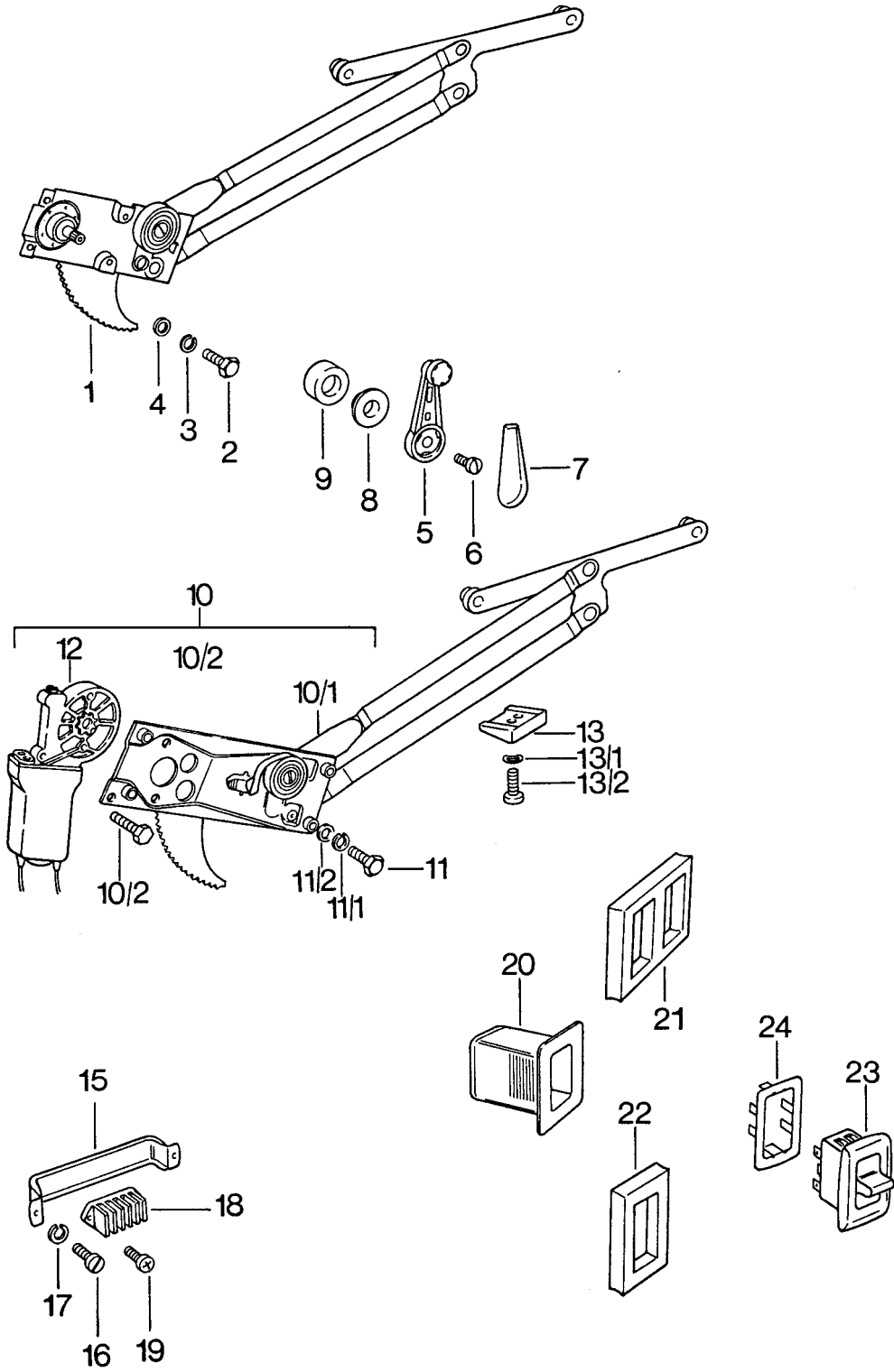
Model: 911 74

Model life 1974>>1977

Pos	Part Number	Description	Remark	Qty	Model
(14/1)	911 531 075 01	Mounting for push-button	/L 77-	1	
14	911 531 076 00	Mounting for push-button	/R -76	1	
14/1	911 531 076 01	Mounting for push-button	/R 77-	1	
(14/2)	911 531 707 00	Rod for push-button	/L 77-	1	
14/2	911 531 708 00	Rod for push-button	/R 77-	1	
14/3	N 011 524 7	Washer 6,4	77-	4	
14/3	N 011 524 27	Washer 6,4	77-	4	
15	900 067 134 02	Pan-head screw M 5 X 8	-75	4	
(15)	900 186 147 02	Pan-head screw M 6 X 10	76-	4	
(15)	900 976 008 01	Pan-head screw M 6 X 10	76-	4	
16	N 012 225 2	Spring washer B 5	-75	4	
(16)	900 028 008 01	Lock ring B 6	76-	4	
17	999 591 311 40	Bush		2	
18	993 531 563 00	Linkage clip		10	
19	911 531 562 00	Connecting rod		2	
20	911 531 599 00	Rubber mounting		4	
21	911 531 565 00	Rubber mounting		4	
(22)	911 531 053 06	Door lock with Release	/L	1	
22	911 531 054 05	Door lock without Release	/LL /R	1	
22	911 531 054 04	Door lock with Release	/RL /R	1	
23	993 531 165 00	Tension spring		2	
24	900 148 018 04	Rais. counters. h. tap. s. AM 6 X 12		6	
25	911 531 509 00	Bowden cable	/L	1	
(25)	911 531 510 00	Bowden cable	/R	1	
26	911 531 097 00	Support	/V	2	
27	911 531 099 00	Support	/H	2	
28	911 531 083 00	Relay lever		2	
29	911 531 091 00	Pull rod		2	
30	900 145 028 02	Rais. counters. h. tap. s. B 3,9 X 13		4	
31	999 507 009 02	Speed nut \$ 3,5		4	
32	911 531 692 00	Covering	77-	2	
33	911 531 705 00	Spacer ring	77-	X	
34	911 531 696 00	Rotary knob	77-	2	
35	N 014 133 8	Oval-head screw AM 5 X 12	77-	2	
36	900 115 002 01	Serrated lock washer J 5,3	77-	2	
37	911 531 703 00	Cap	77-	2	

Model: 911 74

Model life 1974>>1977



Model: 911 74 Model life 1974>>1977

Pos	Part Number	Description	Remark	Qty	Model
(1)	911 542 041 00	Power windows	/L	1	
1	911 542 042 00	Power windows	/R	1	
2	N 010 210 13	Hexagon-head bolt M 6 X 10		8	
3	N 012 006 4	Lock ring B 6		8	
4	N 011 524 7	Washer 6,4		8	
4	N 011 524 27	Washer 6,4		8	
5	911 542 471 00	Window crank Chrome		2	
(5)	911 542 471 01	Window crank Black		X	
6	911 542 475 00	Conical screw		2	
7	901 542 482 20	Cover		2	
7	901 542 482 20 700	Cover Black		2	
8	901 552 891 20	Rosette		2	
9	901 542 495 20	Sealing ring		2	
9	901 542 495 21	Sealing ring		2	
(10)	911 542 003 26	Power window	/L	1	COUPE
(10)	911 542 003 40	Power window	/L	1	TARGA
10	911 542 004 26	Power window	/R	1	COUPE
(10)	911 542 004 40	Power window	/R	1	TARGA
(10/1)	911 542 929 00	Power windows		1	COUPE
(10/1)	911 542 935 44	Cross-arm	/L	X	TARGA
10/1	911 542 930 00	Power windows	/R	1	COUPE
10/1	911 542 930 40	Power windows	/R	X	TARGA
10/2	999 093 004 02	Hexagon-head bolt M 6 X 16		6	
11	N 010 210 13	Hexagon-head bolt M 6 X 10		8	
11/1	N 012 006 4	Lock ring B 6		8	
11/2	N 011 524 7	Washer 6,4		8	
11/2	N 011 524 27	Washer 6,4		8	
(12)	911 624 015 01	Motor	/L	1	COUPE
(12)	911 624 015 41	Motor	/L	1	TARGA
12	911 624 014 01	Motor	/R	1	COUPE
(12)	911 624 014 41	Motor	/R	1	TARGA
13	901 542 063 00	Stop wedge		2	
13/1	N 012 222 4	Spring washer A 5		4	
13/2	900 119 011 02	Pan-head screw M 5 X 10		4	
15	901 531 083 00	Bracket		2	
16	900 014 013 02	Pan-head screw M 4 X 10		4	
17	900 027 011 01	Lock ring B 4		4	
18	901 612 898 00	Cable connection 5-pole		2	
19	900 143 007 02	Oval-head sheetmetal screw B 4,2 X 13		4	
19	900 073 507 01	Oval-head sheetmetal screw B 4,2 X 13		4	
20	911 613 623 01	Grommet		3	
21	911 613 637 00	Seal	/L	3	
22	911 613 638 00	Seal	/R	1	

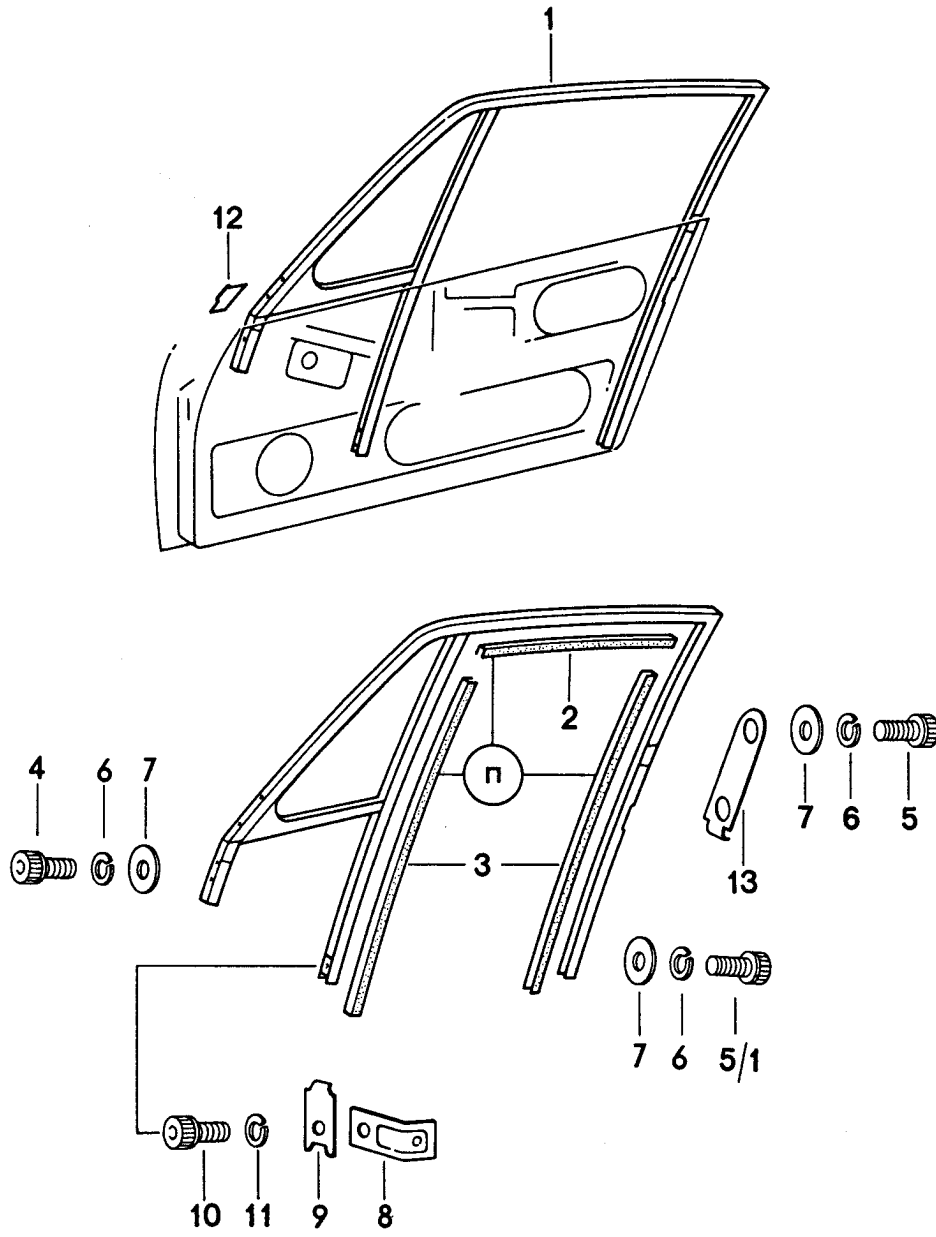
Model: 911 74

Model life 1974>>1977

Pos	Part Number	Description	Remark	Qty	Model
23	911 613 621 03	Switch		3	
24	911 613 635 20	Assembly frame		3	

Model: 911 74

Model life 1974>>1977



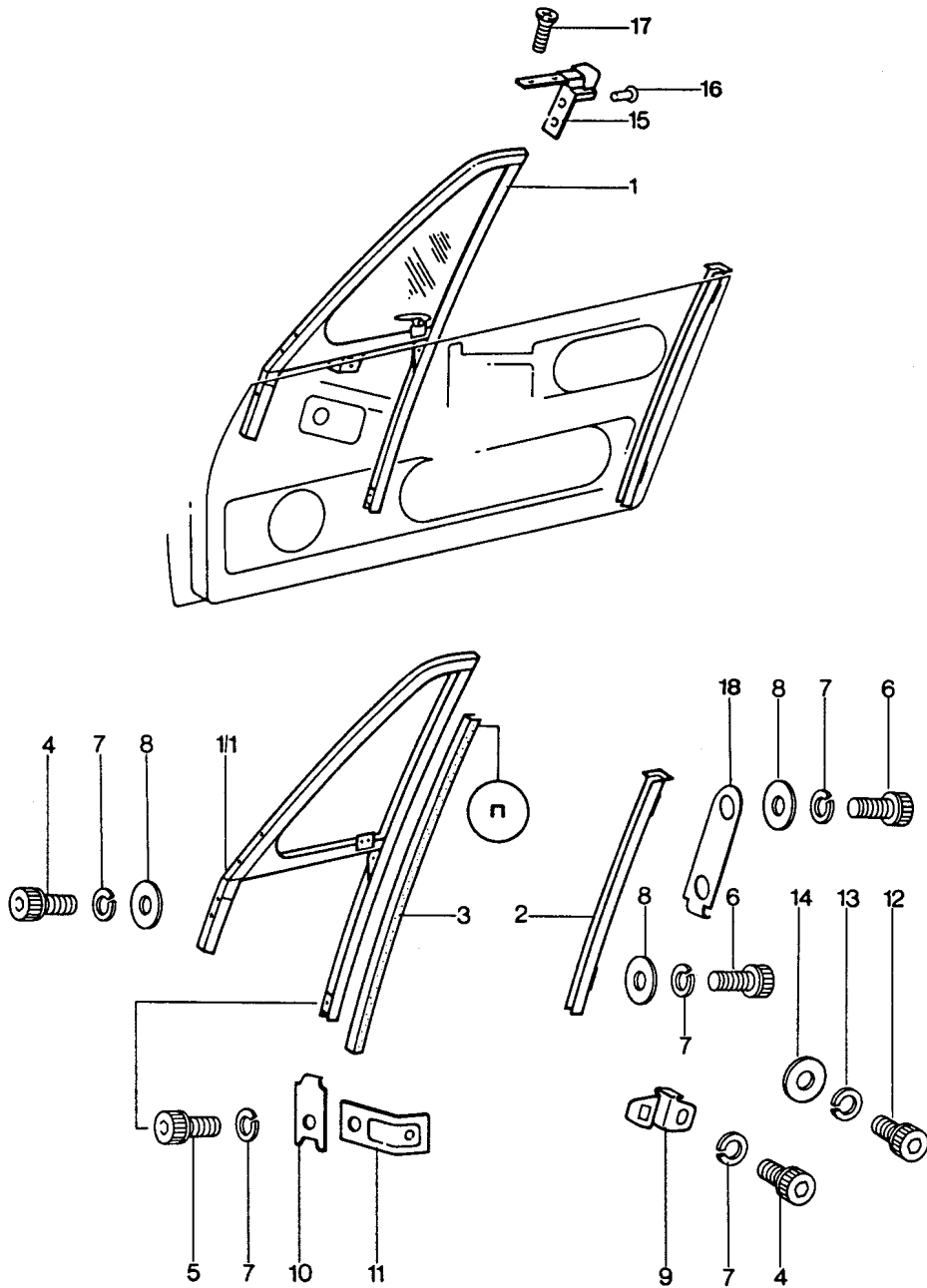
Model: 911 74

Model life 1974>>1977

Pos	Part Number	Description	Remark	Qty	Model
(1)	901 542 021 27	Door glass frame Door glass frame Chrome	/L	1	COUPE
(1)	901 542 021 28	Door glass frame Door glass frame Black	/L	1	
1	901 542 022 27	Door glass frame Door glass frame Chrome	/R	1	
1	901 542 022 28	Door glass frame Door glass frame Black	/R	1	
2	911 542 905 00	Window guide Window guide Comprising: Position 2+3	/L /R	2	
4	900 119 052 02	Pan-head screw Pan-head screw M 8 X 16		4	
5	999 218 008 02	Pan-head screw Pan-head screw M 8 X 12		2	
5	900 119 018 03	Pan-head screw Pan-head screw M 8 X 12		2	
5/1	900 119 052 02	Pan-head screw Pan-head screw M 8 X 16		2	
6	900 027 015 02	Lock ring Lock ring B 8		8	
6	900 027 015 03	Lock ring Lock ring B 8		8	
7	900 025 007 02	Washer Washer 8,4		8	
7	900 025 007 03	Washer Washer 8,4		8	
8	911 542 061 00	Retaining bracket		2	
9	901 542 252 25	Desk pad		2	
10	900 119 052 02	Pan-head screw Pan-head screw M 8 X 16		2	
11	900 027 015 02	Lock ring Lock ring B 8		2	
11	900 027 015 03	Lock ring Lock ring B 8		2	
(12)	911 531 711 01	Joint rubber	/V /L	1	
12	911 531 712 01	Joint rubber	/V /R	1	
-	999 591 429 40	Expansion rivet		2	
(12)	911 531 713 01	Joint rubber	/H /L	1	
(12)	911 531 714 01	Joint rubber	/H /R	1	
13	901 542 299 25	Cover plate		2	

Model: 911 74

Model life 1974>>1977



Model: 911 74

Model life 1974>>1977

Pos	Part Number	Description	Remark	Qty	Model
(1/1)	901 542 021 41	Door glass frame Door glass frame Chrome without Ventilator window	/L -76	1	TARGA
(1/1)	911 542 019 40	Door glass frame Door glass frame Chrome without Ventilator window	/L 77-	1	
(1/1)	901 542 021 48	Door glass frame Door glass frame Black without Ventilator window	/L -76	1	
(1/1)	911 542 019 41	Door glass frame Door glass frame Black without Ventilator window	/L 77-	1	
1/1	901 542 022 41	Door glass frame Door glass frame Chrome without Ventilator window	/R -76	1	
(1/1)	911 542 020 40	Door glass frame Door glass frame Chrome without Ventilator window	/R 77-	1	
1/1	901 542 022 48	Door glass frame Door glass frame Black without Ventilator window	/R -76	1	
(1/1)	911 542 020 41	Door glass frame Door glass frame Black without Ventilator window	/R 77-	1	
-	900 119 091 02	Pan-head screw M 6 X 15	77-	10	
-	900 027 014 01	Lock ring B 6	77-	10	
-	900 027 014 02	Lock ring B 6	77-	10	
-	N 012 006 4	Lock ring B 6	77-	10	
-	900 151 006 09	Washer 6,4	77-	8	
-	N 011 524 7	Washer 6,4	77-	2	
-	N 011 524 27	Washer 6,4	77-	2	
-	999 703 119 40	Stopper	77-	4	
(2)	901 542 023 40	Window guide rail Chrome	/L	1	
(2)	901 542 023 48	Window guide rail Black	/L	1	
2	901 542 024 40	Window guide rail Chrome	/R	1	
2	901 542 024 48	Window guide rail Black	/R	1	
3	911 542 905 00	Window guide		2	
4	N 014 765 2	Pan-head screw M 6 X 10		4	
5	N 014 761 2	Pan-head screw M 6 X 12		2	
5	900 119 129 01	Pan-head screw M 6 X 12		2	

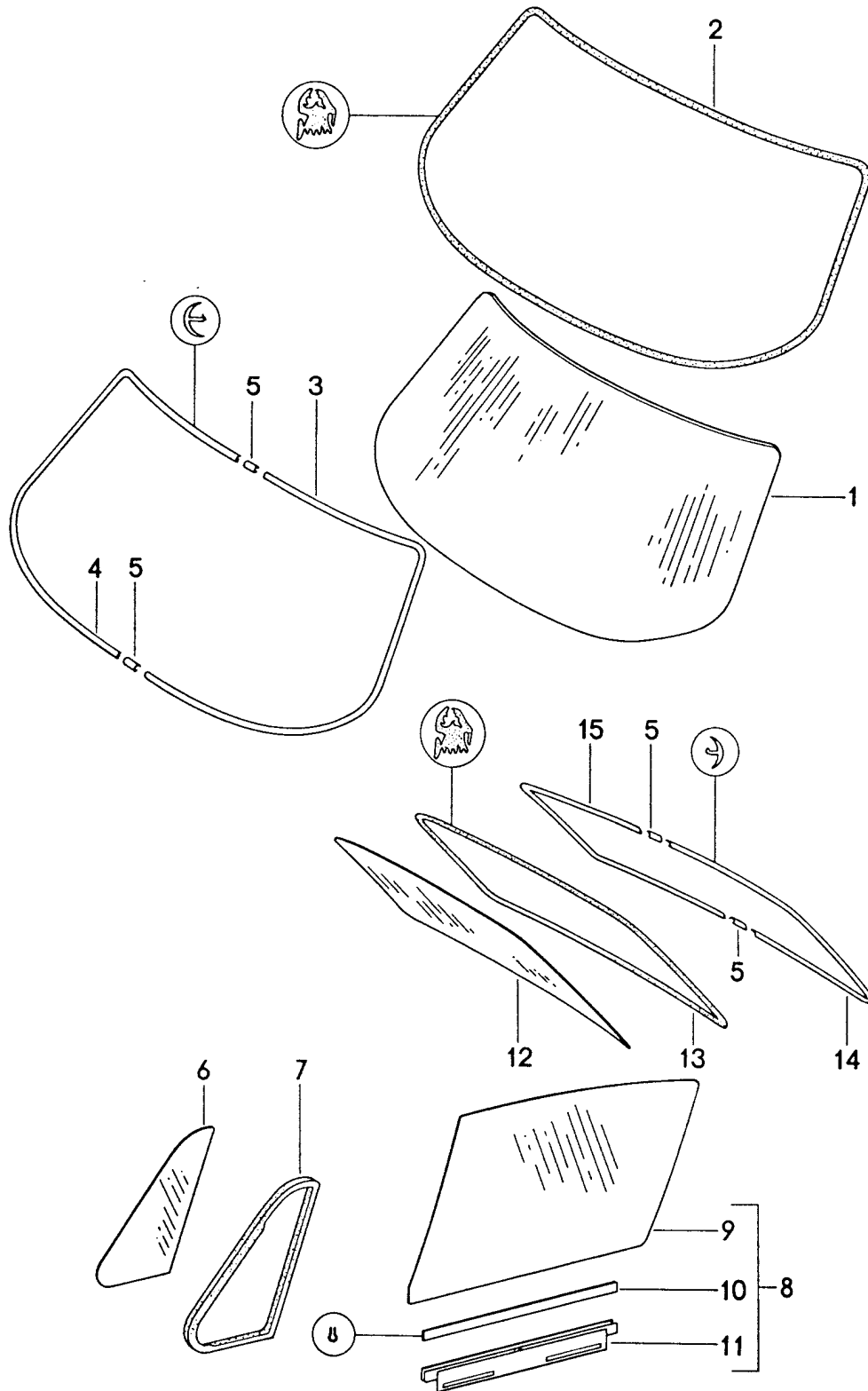
Model: 911 74

Model life 1974>>1977

Pos	Part Number	Description	Remark	Qty	Model
6	900 119 035 02	Pan-head screw M 6 X 8		6	
7	900 027 014 01	Lock ring B 6		14	
7	900 027 014 02	Lock ring B 6		14	
7	N 012 006 4	Lock ring B 6		14	
8	N 011 524 7	Washer 6,4		8	
8	N 011 524 27	Washer 6,4		8	
(9)	901 542 235 40	Clamping spring	/L -76	1	
9	901 542 236 40	Clamping spring	/R -76	1	
-	901 542 231 20	Bearing plate	/H /L -76	1	
-	901 542 232 20	Bearing plate	/H /R -76	1	
-	900 014 046 02	Pan-head screw AM 4 X 10	-76	4	
-	900 151 001 02	Washer 4,3	-76	4	
-	900 084 020 02	Lock nut M 4	-76	4	
10	901 542 252 20	Desk pad		2	
10	901 542 252 25	Desk pad		2	
11	911 542 061 00	Retaining bracket		2	
12	N 014 761 2	Pan-head screw M 6 X 12		2	
12	900 119 129 01	Pan-head screw M 6 X 12		2	
13	900 027 014 01	Lock ring B 6		2	
13	900 027 014 02	Lock ring B 6		2	
13	N 012 006 4	Lock ring B 6		2	
14	900 151 006 09	Washer 6,4		2	
(15)	911 542 065 41	Frame connection	/L	1	
15	911 542 066 41	Frame connection	/R	1	
16	900 056 003 20	Rivet		4	
17	900 270 051 00	Rais. counters. h. tap. s. AM 4 X 8		4	911/911S
17	900 270 051 0A	Rais. counters. h. tap. s. AM 4 X 8		4	911/911S
(17)	900 270 052 07	Rais. counters. h. tap. s. AM 4 X 8 Black		4	
18	901 542 299 20	Cover plate		2	

Model: 911 74

Model life 1974>>1977



Model: 911 74 Model life 1974>>1977

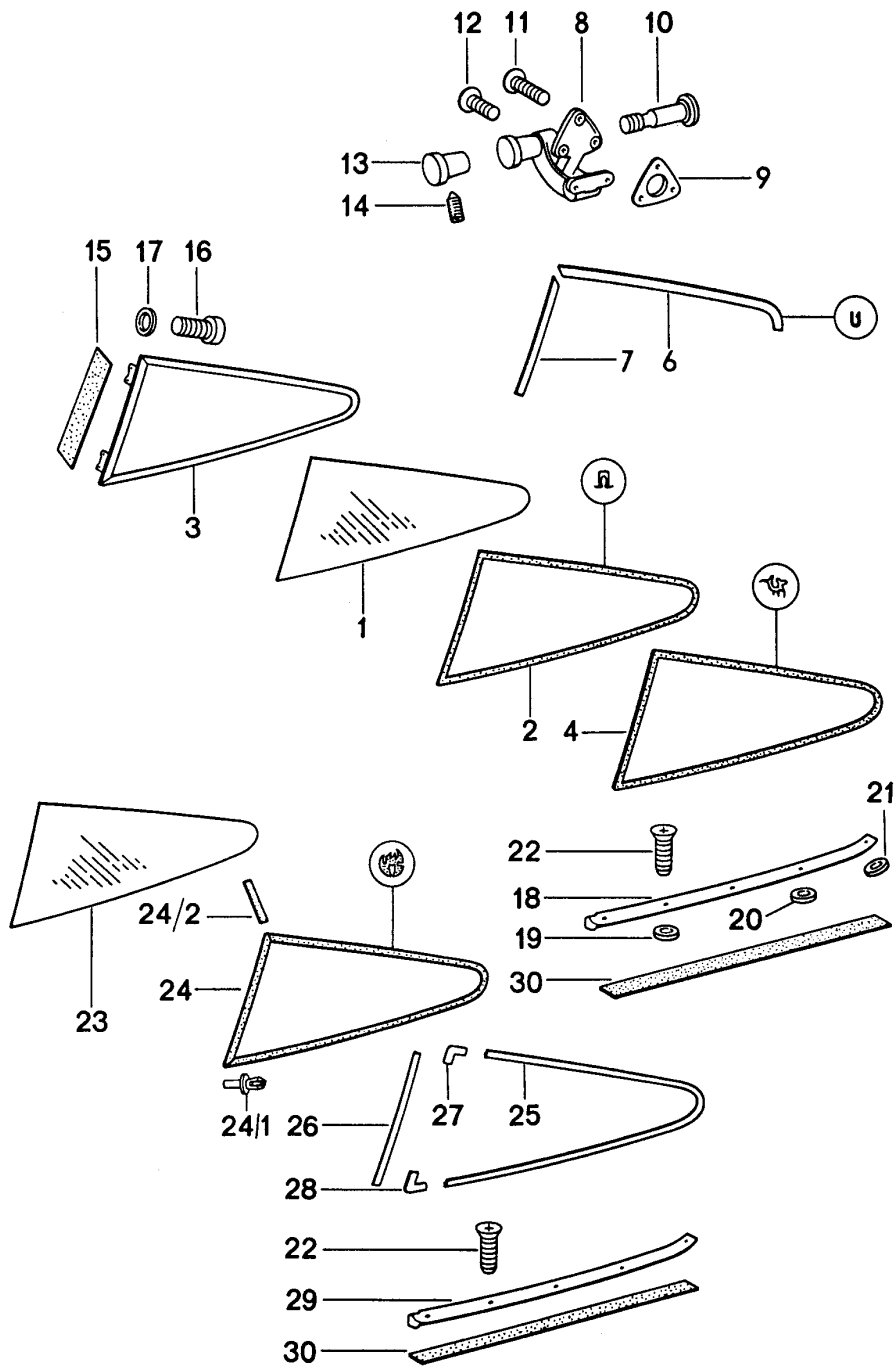
Pos	Part Number	Description	Remark	Qty	Model
		window glazing			COUPE
		Front			
		Rear			
1	901 541 101 24	Windscreen		1	
(1)	901 541 101 34	Windscreen		1	
		Tinted			
(1)	911 541 101 04	Windscreen		1	
		Tinted			
		Heated			
2	901 541 901 20	Windscreen sealing		1	
3	901 541 911 20	Trim frame-half	/L	1	
		Chrome			
3	901 541 911 28	Trim frame-half	/L	1	
		Black			
3	911 541 911 01	Trim frame	/L	1	
		Black			
3		Trim frame	/L	1	
		Left			
		for			
		Windscreen			
	911 541 911 01 70K	Black			
4	901 541 912 20	Trim frame-half	/R	1	
		Chrome			
4	901 541 912 28	Trim frame-half	/R	1	
		Black			
4	911 541 912 01	Trim frame-half	/R	1	
		Black			
4		Trim frame-half	/R	1	
		Right			
		for			
		Windscreen			
	911 541 912 01 70K	Black			
5	644 541 921 06	Covering plate		1	
		Chrome			
5	911 541 921 28	Covering plate		1	
		Black			
5	911 541 921 01	Covering plate		1	
		Black			
5		Covering plate		1	
		Windscreen			
		Rear window			
	911 541 921 01 70K	Black			
6	901 542 501 27	Side window	/V /L	1	
(6)	911 542 511 00	Side window	/V /L	1	
		Tinted			
(6)	901 542 502 27	Side window	/V /R	1	
(6)	911 542 512 00	Side window	/V /R	1	
		Tinted			
7	901 542 921 21	Sealing frame	/L /R -75	2	
7		Sealing frame	/L 76-	1	
(7)	901 542 922 21	Sealing frame	/R 76-	1	
8	901 542 011 27	Door window glass	/L	1	
(8)	901 542 011 37	Door window glass	/L	1	
		Tinted			
(8)	901 542 012 27	Door window glass	/R	1	
(8)	901 542 012 37	Door window glass	/R	1	
		Tinted			
9	901 542 101 25	Side window	/L	1	
(9)	901 542 101 35	Side window	/L	1	
		Tinted			
(9)	901 542 102 25	Side window	/R	1	
(9)	901 542 102 35	Side window	/R	1	
		Tinted			

Model: 911 74 Model life 1974>>1977

Pos	Part Number	Description	Remark	Qty	Model
10	911 542 491 40	Rubber ply		1	
11	901 542 045 23	Window lifter rail	/L	1	
(11)	901 542 046 23	Window lifter rail	/R	1	
12	911 545 105 00	Rear window 150 W Heatable		1	
12	911 545 105 02	Rear window 150 W Heatable		1	
(12)	911 545 107 00	Rear window Tinted 150/300 W		1	
(12)	911 545 107 07	Two-stage heatable Rear window Tinted 150/300 W Two-stage heatable		1	
13	901 545 901 21	Sealing frame		1	
13	911 545 901 00	Sealing frame		1	
13	911 545 225 00	Sealing frame		1	
14	901 545 911 20	Trim frame-half Chrome	/L	1	
(14)	901 545 911 28	Trim frame-half Black	/L	1	
(14)	911 545 911 00	Trim frame Black	/L	1	
(14)		Trim frame Trim frame-half Left	/L	1	
15	911 545 911 00 70K 901 545 912 20	Black Trim frame-half Chrome		1	
(15)	901 545 912 28	Trim frame-half Black	/R	1	
(15)	911 545 912 00	Trim frame-half Black	/R	1	
(15)		Trim frame-half Rear Right	/R	1	
	911 545 912 00 70K	Black			

Model: 911 74

Model life 1974>>1977



Model: 911 74

Model life 1974>>1977

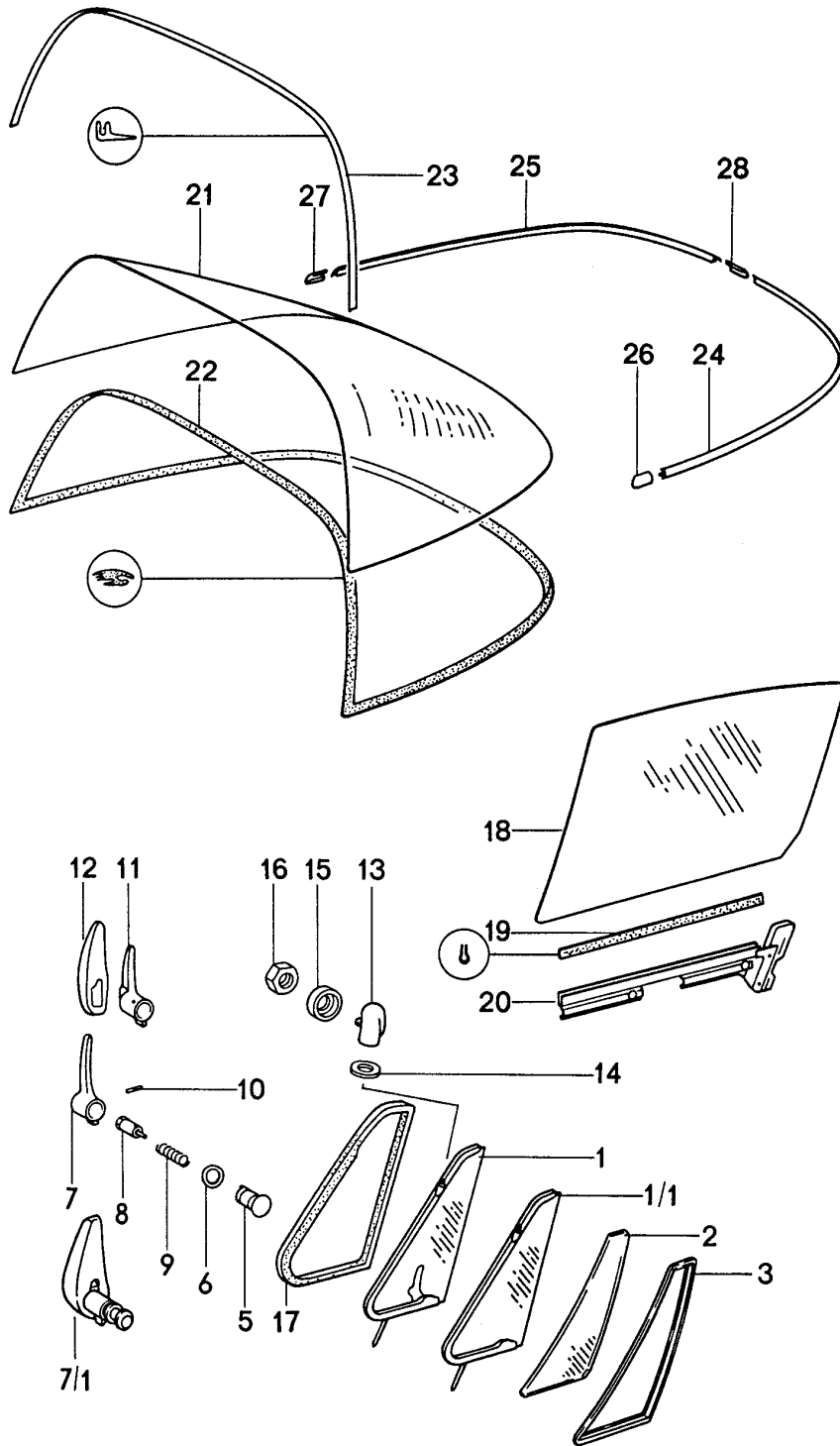
Pos	Part Number	Description	Remark	Qty	Model
		window glazing Lateral			COUPE
1	901 543 101 20	Side window glass	/L	1	
(1)	901 543 101 30	Side window glass Tinted	/L	1	
(1)	901 543 102 20	Side window glass	/R	1	
(1)	901 543 102 30	Side window glass Tinted	/R	1	
2	901 543 191 20	Sealing frame		2	
3	901 543 015 25	Support frame Chrome	/L	1	
(3)	901 543 015 28	Support frame Black	/L	1	
(3)	901 543 016 25	Support frame Chrome	/R	1	
(3)	901 543 016 28	Support frame Black	/R	1	
4	901 543 901 20	Sealing frame	/L	1	
(4)	901 543 902 20	Sealing frame	/R	1	
6	999 911 041 00	Edge protection	/L /R	*	
6	PCG 911 041 00	Edge protection White 560 MM	/L /R	1	
7	901 543 423 00	Edge protection		2	
7	PCG 543 423 00	Edge protection White 320 MM		2	
8	901 543 041 21	Hinge Chrome	/L	1	
(8)	901 543 041 28	Hinge Black	/L	1	
(8)	901 543 042 21	Hinge Chrome	/R	1	
(8)	901 543 042 28	Hinge Black	/R	1	
9	901 543 491 21	Desk pad		2	
10	644 543 416 00	Threaded bolt Chrome		2	
(10)	901 543 416 28	Threaded bolt Black		2	
11	900 148 023 02	Rais. counters. h. tap. s. AM 4 X 15 Chrome		6	
(11)	900 148 023 07	Lens-head screw AM 4 X 15 Black		6	
12	900 148 002 02	Rais. counters. h. tap. s. AM 4 X 6 Chrome		2	
(12)	900 148 002 07	Rais. counters. h. tap. s. AM 4 X 6 Black		2	
(12)	900 148 003 02	Rais. counters. h. tap. s. AM 4 X 8 Chrome		2	
(12)	900 148 003 07	Rais. counters. h. tap. s. AM 4 X 8 Black		2	
13	644 552 820 03	Knob		2	
	644 552 820 03 700	Black			
14	900 043 002 00	Threaded pin M 3 X 4		2	
15	901 543 493 20	Sealing strip		2	

Model: 911 74 Model life 1974>>1977

Pos	Part Number	Description	Remark	Qty	Model
16	900 186 143 07	Pan-head screw M 5 X 8 Black		8	
17	900 025 003 07	Washer Black	-75	8	
17	900 025 026 07	Washer	76-	8	
18	901 543 921 25	Moulding Chrome	/L	1	
18	901 543 921 28	Moulding Black	/L	1	
(18)	901 543 922 25	Moulding Chrome	/R	1	
(18)	901 543 922 28	Moulding Black	/R	1	
19	901 543 419 20	Spacer 4,0 MM		6	
20	901 543 422 20	Spacer 3,0 MM		2	
21	901 543 421 20	Spacer 1,5 MM		2	
22	900 144 009 00	Counters. head tapp. screw B 2,9 X 13		12	
(22)	900 144 017 07	Tapping screw B 2,9 X 13 Black		12	
23	911 543 101 01	Rear window	/L -74	1	911
(23)	911 543 101 02	Rear window	/L -74	X	911
(23)	911 543 102 01	Rear window	/R -74	1	911
(23)	911 543 102 02	Rear window	/R -74	X	911
(23)	911 543 102 07	Rear window	/R	X	911
24	911 543 035 00	Sealing frame	/L -74	1	911
24	911 543 035 04	Sealing frame	/L -74	1	911
(24)	911 543 036 00	Sealing frame	/R -74	1	911
(24)	911 543 036 04	Sealing frame	/R -74	1	911
25	911 543 419 00	Moulding	/L -74	1	911
(25)	911 543 420 00	Moulding	/R -74	1	911
26	911 543 197 00	Moulding	/V /L -74	1	911
(26)	911 543 198 00	Moulding	/V /R -74	1	911
27	911 543 187 00	Covering plate	-74	2	911
28	911 543 185 00	Covering plate	-74	2	911
29	911 543 195 00	Moulding	/L -74	1	911
(29)	911 543 196 00	Moulding	/R -74	1	911
30	999 911 207 50	Sealing strap		*	

Model: 911 74

Model life 1974>>1977



Model: 911 74 Model life 1974>>1977

Pos	Part Number	Description	Remark	Qty	Model
		window glazing Windscreen See group 8/05/00			TARGA
(1/1)	911 542 931 00	Frame with Frame Chrome	/L -76	1	
(1/1)	911 542 931 01	Frame with Frame Black	/L -76	1	
(1/1)	911 542 931 02	Frame Tinted with Frame Chrome	/L -76	1	
(1/1)	911 542 931 03	Frame Tinted with Frame Black	/L -76	1	
1/1	911 542 932 00	Frame with Frame Chrome	/R -76	1	
(1/1)	911 542 932 01	Frame with Frame Black	/R -76	1	
(1/1)	911 542 932 02	Frame Tinted with Frame Chrome	/R -76	1	
(1/1)	911 542 932 03	Frame Tinted with Frame Black	/R -76	1	
2	911 542 503 40	Side window	/L 77-	1	
(2)	911 542 503 41	Side window Tinted	/L 77-	1	
(2)	911 542 504 40	Side window	/R 77-	1	
(2)	911 542 504 41	Side window Tinted	/R 77-	1	
3	911 799 542 85	Sealing frame	77-	2	
5	901 542 558 21	Bearing Chrome	-75	2	
5	901 542 558 22	Bearing Chrome		2	
(5)	901 542 558 48	Bearing Black	-76	2	
(5)	901 542 558 49	Bearing Black		2	
6	911 542 556 48	Spring washer	-75	2	
6		Spring washer Black	-76	2	
7	901 542 553 21	Lever Chrome	/L -75	1	
(7)	901 542 554 21	Lever Chrome	/R -75	1	
(7)	901 542 554 48	Lever	/R -75	1	

Model: 911 74

Model life 1974>>1977

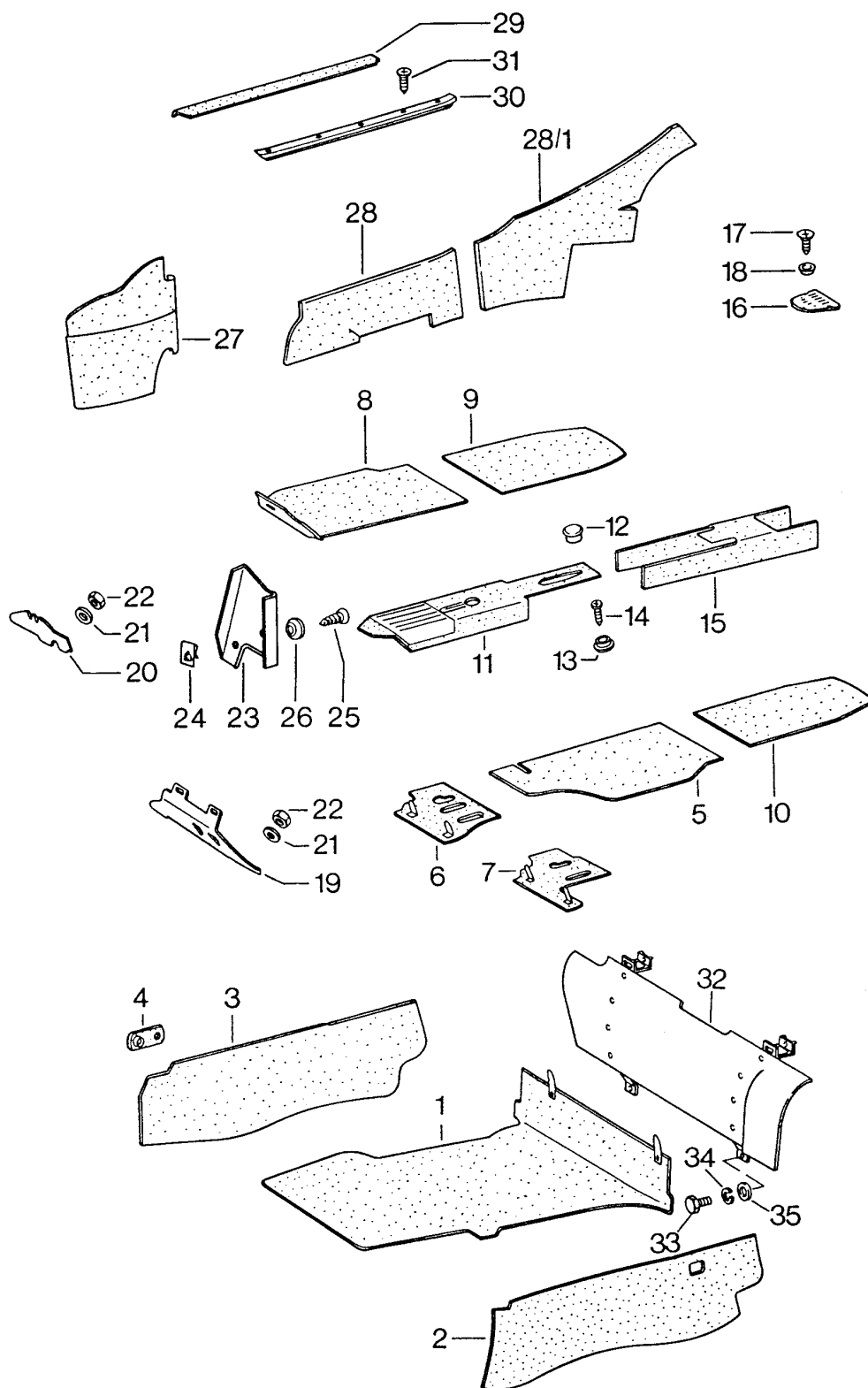
Pos	Part Number	Description	Remark	Qty	Model
7/1	911 542 037 00	Black Handle	/L -76	1	
(7/1)	911 542 038 00	with Cover Catch	/R 76	1	
8	901 542 559 20	with Cover Push button	-75	2	
(8)	901 542 559 48	Chrome Push button	-75	2	
9	644 542 555 00	Black Compression spring	-75	2	
9	911 542 555 00	Compression spring	76	2	
10	900 090 001 00	Dowel pin	-76	2	
10	900 090 001 07	2 X 12 Dowel pin		2	
13	901 542 621 22	2 X 12 Bearing	/L -76	1	
(13)	901 542 621 48	Upper Chrome Bearing	/L -76	1	
(13)	901 542 622 22	Upper Black Bearing	/R -76	1	
(13)	901 542 622 48	Upper Chrome Bearing	/R -76	1	
14	900 025 002 40	Upper Black Washer	-76	2	
15	644 542 625 06	4,3 Spacer	-76	2	
16	900 084 020 02	Lock nut	-76	2	
17	911 542 135 40	M 4 Sealing frame	/L -76	1	
(17)	911 542 136 40	Sealing frame	/R -76	1	
18	901 542 101 40	Door window glass	/L	1	
(18)	901 542 101 45	Door window glass	/L	1	
(18)	901 542 102 40	Tinted Door window glass	/R	1	
(18)	901 542 102 45	Door window glass	/R	1	
19	911 542 491 40	Tinted Rubber ply		2	
20	901 542 043 43	Window lifter rail	/L	1	
(20)	901 542 044 43	Window lifter rail	/R	1	
18-20	901 542 011 43	Door window glass	/L	1	
(18-2)	901 542 011 47	Door window glass	/L	1	
(18-2)	901 542 012 43	Tinted Door window glass	/R	1	
(18-2)	901 542 012 47	Door window glass	/R	1	
21	911 565 551 03	Rear window		1	
22	911 545 051 41	Tinted Two-stage heatable 150/300W Sealing frame		1	
23	901 565 930 41	Gasket		1	
24	901 565 555 40	Moulding	/L	1	
(24)	901 565 555 48	Chrome Moulding	/L	1	
25	901 565 556 40	Black Moulding	/R	1	
(25)	901 565 556 48	Chrome Moulding	/R	1	

Model: 911 74 Model life 1974>>1977

Pos	Part Number	Description	Remark	Qty	Model
26	901 565 561 40	Black Moulding end	/L	1	
(26)	901 565 561 48	Chrome Moulding end	/L	1	
27	901 565 562 40	Black Moulding end	/R	1	
(27)	901 565 562 48	Chrome Moulding end	/R	1	
28	644 541 921 06	Black Covering plate		1	
(28)	911 541 921 28	Chrome Covering plate		1	
(28)	911 541 921 01	Black Covering plate		1	
(28)		Black Covering plate		1	
		Windscreen			
		Rear window			
	911 541 921 01 70K	Black			

Model: 911 74

Model life 1974>>1977



Model: 911 74 Model life 1974>>1977

Pos	Part Number	Description	Remark	Qty	Model
		Lining			
		Inner front			
1	911 551 045 02	Front-compartment carpet	-76	1	
1	911 551 045 04	Front-compartment carpet		1	911/911S
(1)	911 551 045 03	Front-compartment carpet	77-	1	911/911S CARRERA 3.0
		Brake booster			
2	911 551 049 00	Front boot side wall	/L -76	1	
2	911 551 049 02	Front boot side wall	/L 77-	1	
3	911 551 050 00	Front boot side wall	/R -75	1	
3		Front boot side wall	/R 76-	1	
(3)	911 551 050 01	Front boot side wall	/R 77-	1	
4	911 503 075 00	Desk pad		6	
5	911 551 021 00	Carpet	/LL /L	1	COUPE
		Front			
		Velour pile			
		State colour of carpet			
(5)	911 551 021 01	Carpet	/LL /L 76-	1	SPM
		Front			
		Velour pile			
		State colour of carpet			
5	911 551 011 02	Carpet	/LL /L -75	1	COUPE
		Front			
		Nylon velour			
		Indicate colour			
(5)	905 551 011 27	Carpet	/LL /L -75	1	SPM
		Front			
		Nylon velour			
		Indicate colour			
5	911 551 011 00	Carpet	-76	1	911
		Front			
		Special velour			
		Indicate colour			
5		Carpet	76	1	911S
		Front			
		Special velour			
		Indicate colour			
5		Carpet	/LL /L -74	1	COUPE
		Front			
		Special velour			
		Indicate colour			
(5)	905 551 011 26	Carpet	/LL /L -75	1	SPM
		Front			
		Special velour			
		Indicate colour			
(5)	911 551 011 11	Carpet	/LL /L 76	1	SPM
		Front			
		Special velour			
		Indicate colour			
(5)	911 551 011 06	Carpet	/RL /L	1	COUPE
		Front			
		Velour pile			
		Indicate colour			
(5)	911 551 011 04	Carpet	/RL /L -76	1	COUPE
		Air conditioner			
		Front			
		Velour pile			
		Indicate colour			
(5)	911 551 011 08	Carpet	/RL /L 77-	1	COUPE
		Air conditioner			
		Front			
		Velour pile			
		Indicate colour			
(5)	911 551 011 03	Carpet	/RL /L -75	1	COUPE

Model: 911 74 Model life 1974>>1977

Pos	Part Number	Description	Remark	Qty	Model
(5)	911 551 011 07	Front Nylon velour Indicate colour Carpet	/RL /L -75	1	COUPE
(5)	911 551 011 01	Front Nylon velour Indicate colour Carpet	/RL /L -76	1	COUPE
(5)	911 551 011 05	Special velour Indicate colour Carpet	/RL /L -76	1	COUPE
6	911 551 015 02	Air conditioner Special velour Indicate colour Floorboard carpet	/LL /L	1	COUPE
(6)	911 551 016 08	Velour pile State colour of carpet Floorboard carpet	/RL /R	1	COUPE
6	911 551 015 01	Velour pile State colour of carpet Floorboard carpet	/LL /L -75	1	COUPE
(6)	911 551 016 01	Nylon velour Indicate colour Floorboard carpet	/RL /R -75	1	COUPE
(6)	911 551 017 02	Nylon velour Indicate colour Floorboard carpet	/RL /R -75	1	COUPE
6	911 551 015 00	Air conditioner Nylon velour Indicate colour Floorboard carpet	/LL /L -75	1	COUPE
6	911 551 015 04	Special velour Indicate colour Floorboard carpet	/LL /L 76	1	COUPE
(6)	911 551 016 00	Special velour Indicate colour Floorboard carpet	/RL /R -75	1	COUPE
(6)	911 551 016 10	Special velour Indicate colour Floorboard carpet	/RL /R 76	1	COUPE
(6)	911 551 017 01	Special velour Indicate colour Floorboard carpet	/RL /R -75	1	COUPE
7	905 551 015 03	Air conditioner Special velour Indicate colour Floorboard carpet	/LL /L -75	1	SPM
(7)	905 551 016 03	Nylon velour Indicate colour Floorboard carpet	/RL /R -75	1	SPM
(7)	905 551 016 05	Nylon velour Indicate colour Floorboard carpet	/RL /R -75	1	SPM
(7)	911 551 017 03	Air conditioner Nylon velour Indicate colour Floorboard carpet	/RL /R 76	1	SPM
(7)	911 551 017 04	Air conditioner Nylon velour Indicate colour Floorboard carpet	/RL /R 77-	1	SPM

Model: 911 74

Model life 1974>>1977

Pos	Part Number	Description	Remark	Qty	Model
7	905 551 015 02	Nylon velour Indicate colour Floorboard carpet	/LL /L -75	1	SPM
7	911 551 015 05	Special velour Indicate colour Floorboard carpet	/LL /L 76	1	SPM
(7)	905 551 016 02	Special velour Indicate colour Floorboard carpet	/RL /R -75	1	SPM
(7)	911 551 016 11	Special velour Indicate colour Floorboard carpet	/RL /R 76	1	SPM
(7)	905 551 016 04	Special velour Indicate colour Floorboard carpet	/RL /R -75	1	SPM
(7)	911 551 016 12	Air conditioner Special velour Indicate colour Floorboard carpet	/RL /R 76	1	SPM
(7)	911 551 015 03	Air conditioner Special velour Indicate colour Floorboard carpet	/LL /L 76	1	SPM
(7)	911 551 015 06	Velour pile State colour of carpet Floorboard carpet	/LL /L 77-	1	SPM
(7)	911 551 016 06	Velour pile State colour of carpet Floorboard carpet	/RL /R 76-	1	SPM
(7)	911 551 016 07	Velour pile State colour of carpet Floorboard carpet	/RL /R 76-	1	SPM
(8)	911 551 012 10	Air conditioner Velour pile State colour of carpet Carpet	/LL /R	1	COUPE
(8)	911 551 012 11	Velour pile State colour of carpet Carpet	/LL /R	1	COUPE
(8)	911 551 022 00	Air conditioner Velour pile State colour of carpet Carpet	/RL /R	1	COUPE
(8)	911 551 022 01	Velour pile State colour of carpet Carpet	/RL /R	1	COUPE
8	911 551 012 04	Air conditioner Velour pile State colour of carpet Carpet	/LL /R -75	1	COUPE
(8)	911 551 012 07	Nylon velour Indicate colour Carpet	/LL /R -75	1	COUPE
(8)	911 551 012 05	Air conditioner Nylon velour Indicate colour Carpet	/RL /R -75	1	COUPE
(8)	911 551 012 09	Nylon velour Indicate colour Carpet	/RL /R -75	1	COUPE
		Air conditioner Nylon velour Indicate colour			

Model: 911 74 Model life 1974>>1977

Pos	Part Number	Description	Remark	Qty	Model
8	911 551 012 02	Carpet Special velour Indicate colour	/LL /R -76	1	COUPE
(8)	911 551 012 06	Carpet Air conditioner Special velour Indicate colour	/LL /R -76	1	COUPE
(8)	911 551 012 03	Carpet Special velour Indicate colour	/RL /R -75	1	COUPE
(8)	911 551 012 12	Carpet Special velour Indicate colour	/RL /R 76	1	COUPE
(8)	911 551 012 08	Carpet Air conditioner Special velour Indicate colour	/RL /R -75	1	COUPE
(8)	911 551 012 13	Carpet Air conditioner Special velour Indicate colour	/RL /R 76	1	COUPE:SPM
(9)	911 551 014 04	Carpet Velour pile State colour of carpet	/H /R	1	
9	911 551 014 03	Carpet Nylon velour Indicate colour	/H /R -75	1	
9	911 551 014 02	Carpet Special velour Indicate colour	/H /R -76	1	
(10)	911 551 013 03	Carpet Velour pile State colour of carpet	/H /L	1	
10	911 551 013 02	Carpet Nylon velour Indicate colour	/H /L -75	1	
10	911 551 013 01	Carpet Special velour Indicate colour	/H /L -76	1	
(11)	911 551 411 35	Carpet for tunnel Velour pile State colour of carpet	/V 76	1	
(11)	911 551 411 38	Carpet for tunnel Velour pile State colour of carpet	/V -76	1	SPM
11	911 551 411 10	Carpet for tunnel Nylon velour Indicate colour	/V -75	1	
(11)	911 551 411 18	Carpet for tunnel Nylon velour Indicate colour	/V -75	1	SPM
(11)	911 551 411 09	Carpet for tunnel Special velour Indicate colour	/V -76	1	
(11)	911 551 411 11	Carpet for tunnel Heating regulator Automatic Special velour Indicate colour	/V -76	1	
(11)	911 551 411 23	Carpet for tunnel Heating regulator Automatic Special velour	/V -76	1	SPM

Model: 911 74 Model life 1974>>1977

Pos	Part Number	Description	Remark	Qty	Model
(11)	911 551 411 29	Indicate colour Carpet for tunnel with POS.15 Special velour	-76	1	
(11)	911 551 411 39	Indicate colour Carpet for tunnel with POS.15 Velour pile State colour of carpet	77-	1	
12	999 591 801 17	Push button for carpet	-76	2	
13	999 591 805 12	Push button	-76	2	
14	900 145 043 00	Rais. counters. h. tap. s. B 3,5 X 9,5	-76	2	
(15)	911 551 413 04	Carpet for tunnel Velour pile State colour of carpet	/H -76	1	
15	911 551 413 03	Carpet for tunnel Nylon velour	/H -75	1	
15		Indicate colour Carpet for tunnel Nylon velour	/H -75	1	
15	911 551 413 03 701	Black			
15	911 551 413 02	Carpet for tunnel Special velour Indicate colour	/H -76	1	
(16)	911 504 008 02	Lid Tunnel Velour pile State colour of carpet	/H	1	
(16)	911 504 008 01	Lid Nylon velour Indicate colour	/H -75	1	
16	911 504 008 00	Lid Tunnel Special velour Indicate colour	/H	1	
17	900 143 019 07	Oval-head sheetmetal screw B 4,8 X 22		4	
18	900 031 006 07	Washer 5,3		4	
19	911 551 063 00	Pedal floor board	/LL /L -75	1	COUPE
19	911 551 063 02	Pedal floor board	/LL /L	1	911/911S CARRERA 3.0
19	911 551 063 04	Pedal floor board	/LL /L 77-	1	COUPE
(19)	901 551 061 23	Pedal floor board	/LL /L	1	COUPE
(19)	911 551 063 01	Pedal floor board	/LL /L -76	1	SPM
(19)	911 551 063 03	Pedal floor board	/LL /L 77-	1	SPM
20	901 551 064 22	Pedal floor board	/LL /R	1	
(20)	901 551 062 24	Pedal floor board	/RL /R -75	1	COUPE
(20)	911 551 062 20	Pedal floor board	76 76	1	911/911S CARRERA 3.0
(20)	911 551 062 21	Pedal floor board	/RL /R 77-	1	COUPE
(20)	905 551 062 24	Pedal floor board	/RL /R -75	1	SPM
(20)	905 551 062 26	Pedal floor board	/RL /R 76-	1	SPM
(20)	911 551 061 44	Pedal floor board Air conditioner	/RL -76	1	COUPE
(20)	911 551 075 01	Floorboard Air conditioner	/RL 77-	1	COUPE
-	911 573 067 37	Bracket Pedal floor board Air conditioner	/RL	1	

Model: 911 74 Model life 1974>>1977

Pos	Part Number	Description	Remark	Qty	Model
-	900 119 025 02	Pan-head screw M 5 X 15	/RL	1	COUPE
-	901 423 368 00	Desk pad	/RL	1	COUPE
21	N 042 121 3	Shake-proof washer A 6,4		1	COUPE
22	900 076 010 02	Nut M 6		1	COUPE
22	900 076 010 0B	Nut M 6		1	COUPE
23	901 501 950 22	Foot support	/RL	1	COUPE
(23)	911 501 950 02	Foot support Air conditioner	/RL	1	COUPE
(23)	911 501 950 03	Foot support Air conditioner	/RL	1	SPM
24	N 015 429 2	Speed nut B 4,2	/RL	2	
24	N 015 429 6	Speed nut B 4,2	/RL	2	
25	900 145 044 00	Oval-head sheetmetal screw B 4,2 X 22	/RL	2	
26	901 501 958 22	Desk pad	/RL	2	
(27)	911 551 041 03	Carpet Wheel housing Velour pile State colour of carpet	/V /L	1	
27	911 551 042 05	Carpet Wheel housing Velour pile State colour of carpet	/LL /R	1	
(27)	911 551 042 06	Carpet Wheel housing Velour pile State colour of carpet	/RL /R	1	
(27)	911 551 041 02	Carpet Wheel housing Nylon velour Indicate colour	/V /L -75	1	
27	911 551 042 03	Carpet Wheel housing Nylon velour Indicate colour	/LL /R -75	1	
(27)	911 551 042 04	Carpet Wheel housing Nylon velour Indicate colour	/RL /R -75	1	
(27)	911 551 041 01	Carpet Wheel housing Special velour Indicate colour	/V /L -76	1	
27	911 551 042 01	Carpet Wheel housing Special velour Indicate colour	/LL /R -76	1	
(27)	911 551 042 02	Carpet Wheel housing Special velour Indicate colour	/RL /R -76	1	
(28)	911 551 031 02	Carpet Door sill Velour pile State colour of carpet	/L	1	
28	911 551 032 02	Carpet Door sill	/R	1	

Model: 911 74

Model life 1974>>1977

Pos	Part Number	Description	Remark	Qty	Model
(28)	911 551 031 01	Velour pile State colour of carpet Carpet Door sill Nylon velour Indicate colour	/L -75	1	
28	911 551 032 01	Carpet Door sill Nylon velour Indicate colour	/R -75	1	
(28)	911 551 031 00	Carpet Door sill Special velour Indicate colour	/L -76	1	
28/1	911 551 033 02	Carpet Door sill Velour pile State colour of carpet	/H /L	1	
28/1	911 551 034 02	Carpet Door sill Velour pile State colour of carpet	/H /R	1	
28/1	911 551 033 01	Carpet Door sill Nylon velour Indicate colour	/H /L -75	1	
28/1	911 551 034 01	Carpet Door sill Nylon velour Indicate colour	/H /R -75	1	
28/1	911 551 033 00	Carpet Door sill Special velour Indicate colour	/H /L -76	1	
28/1	911 551 034 00	Carpet Door sill Special velour Indicate colour	/H /R -76	1	
(29)	901 551 115 20	Scuff plate	/L	1	
29	901 551 116 20	Scuff plate	/R	1	
30	901 551 419 50	Cover strip		2	
31	900 145 041 00	Rais. counters. h. tap. s. B 3,5 X 16		10	
32	911 551 067 00	Luggage compartment trim	-76	1	
32	911 551 067 04	Luggage compartment trim		1	
(32)	911 551 067 03	Luggage compartment trim		1	CARRERA 3.0
(32)	911 551 067 05	Luggage compartment trim		1	CARRERA 3.0
(32)	911 551 067 03	Luggage compartment trim for cars with Brake booster	77-	1	
(32)	911 551 067 05	Luggage compartment trim for cars with Brake booster	77-	1	
(32)	911 551 067 02	Luggage compartment trim for cars without Brake booster	77-	1	
33	900 075 260 02	Hexagon-head bolt M 6 X 16		4	
34	N 012 007 2	Lock ring A 6		4	
34	900 027 004 03	Lock ring A 6		4	
35	900 151 003 02	Washer		4	

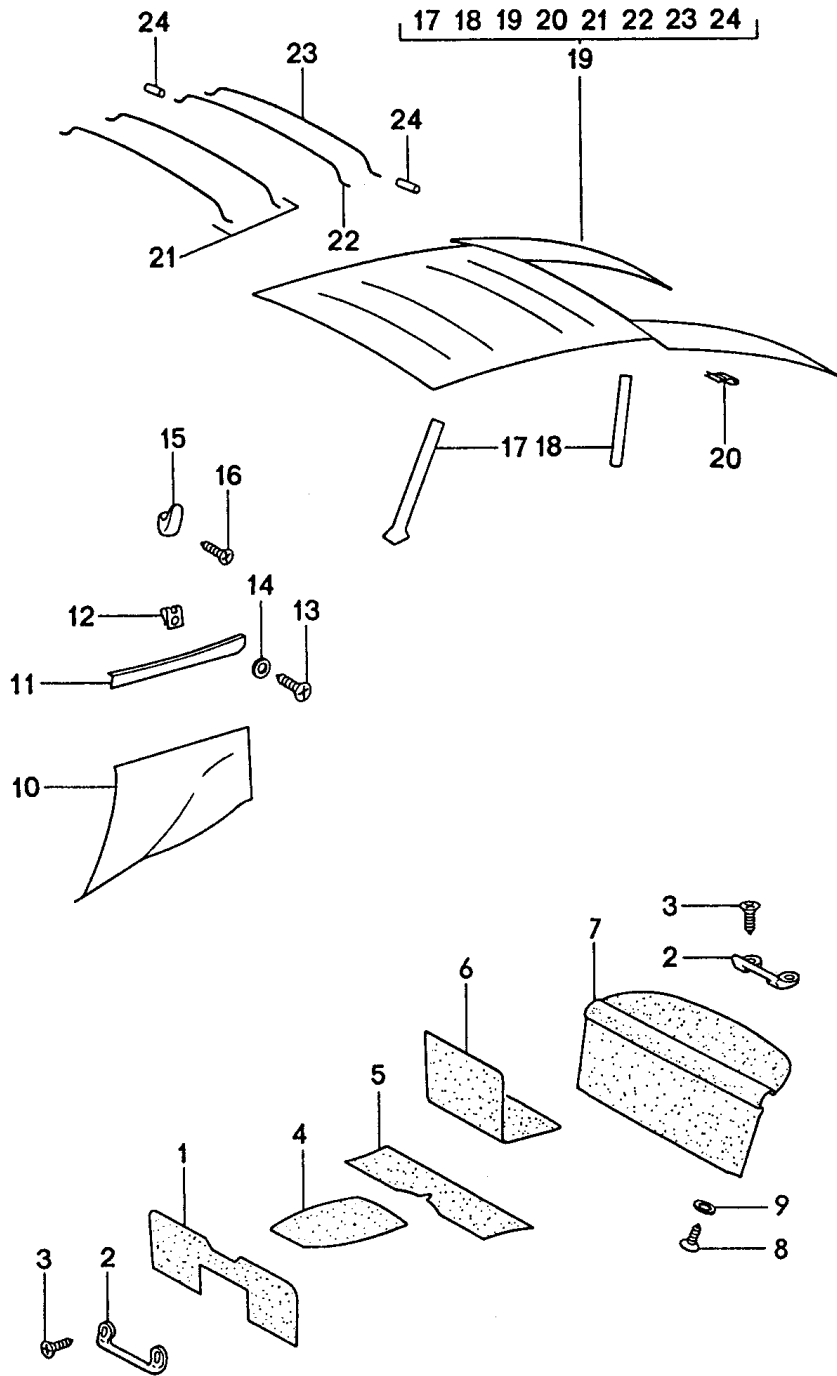
Model: 911 74

Model life 1974>>1977

Pos	Part Number	Description	Remark	Qty	Model
35	900 151 006 03	6,4 Washer 6,4		4	

Model: 911 74

Model life 1974>>1977



Model: 911 74

Model life 1974>>1977

Pos	Part Number	Description	Remark	Qty	Model
1	911 551 051 03	Lining Inner rear Carpet Heel plate Velour pile State colour of carpet	-76	1	
1	911 551 051 04	Carpet Heel plate Velour pile State colour of carpet	77-	1	
1	911 551 051 02	Carpet Heel plate Nylon velour Indicate colour	-75	1	
1	911 551 051 01	Carpet Heel plate Special velour Indicate colour	-76	1	
2	477 885 761	Retaining bar		4	
3	900 270 049 07	Countersunk-head screw AM 5 X 20	-75	8	
3		Countersunk-head screw AM 5 X 20	76-	8	
4	911 551 423 04	Carpet Seat well Centre Velour pile State colour of carpet		1	
4	911 551 423 03	Carpet Seat well Centre Nylon velour Indicate colour	-75	1	
4	911 551 423 02	Carpet Seat well Centre Special velour Indicate colour		1	
5	911 551 054 03	Carpet Seat well Velour pile State colour of carpet	/H	1	
5	911 551 054 02	Carpet Seat well Nylon velour Indicate colour	/H -75	1	
5	911 551 054 01	Carpet Seat well Special velour Indicate colour	/H -76	1	
(6)	911 522 061 02	Carpet Back seat backrest Velour pile State colour of carpet	/L	1	
6	911 522 062 02	Carpet Back seat backrest Velour pile State colour of carpet	/R	1	
(6)	911 522 061 01	Carpet Back seat backrest Nylon velour Indicate colour	/L -75	1	
6	911 522 062 01	Carpet	/R -75	1	

Model: 911 74 Model life 1974>>1977

Pos	Part Number	Description	Remark	Qty	Model
(6)	911 522 061 00	Back seat backrest Nylon velour Indicate colour Carpet	/L -76	1	
6	911 522 062 00	Back seat backrest Special velour Indicate colour Carpet	/R -76	1	
7	911 555 075 02	Back seat backrest Special velour Indicate colour Back wall lining Leatherette Not Quilted Indicate colour	-76	1	
(7)	911 645 007 09	Back wall lining Stereo rear loudspeaker Leatherette Not Quilted Indicate colour	76	1	911/911S
(7)	911 555 075 03	Back wall lining Cloth Leatherette Indicate colour	-75	1	JUBI
(7)		Back wall lining Cloth Leatherette Indicate colour		1	
(7)	911 555 075 72	Back wall lining Leather Indicate colour	-75	1	
(7)	911 645 007 07	Back wall lining Stereo rear loudspeaker Leatherette Indicate colour	-75	1	
(7)	911 645 007 71	Back wall lining Stereo rear loudspeaker Leather Indicate colour	-75	1	
(7)	911 555 075 09	Back wall lining Cloth Leather Indicate colour	76-	1	
(7)	911 555 075 06	Back wall lining Leatherette Quilted Indicate colour	76-	1	
(7)	911 645 007 12	Back wall lining Stereo rear loudspeaker Leatherette Quilted Indicate colour	76-	1	
(7)	911 645 007 80	Back wall lining Stereo rear loudspeaker Leather Quilted Indicate colour	76-	1	
(7)	911 555 075 80	Back wall lining Leather Quilted Indicate colour	76-	1	

Model: 911 74

Model life 1974>>1977

Pos	Part Number	Description	Remark	Qty	Model
(7)	911 555 075 04	Picture 7 Back wall lining Cloth Leatherette Indicate colour	(AUS) -76	1	
(7)	911 555 075 12	Back wall lining Cloth Leatherette Indicate colour	77-	1	
(7)	911 555 075 07	Back wall lining Leatherette Quilted Indicate colour	76	1	CARRERA 3.0
(7)	911 555 075 11	Back wall lining Leatherette Quilted Indicate colour	77-	1	
(7)	911 555 075 08	Back wall lining Leatherette Not Quilted Indicate colour	76	1	911/911S
(7)	911 555 075 10	Back wall lining Cloth Leather Indicate colour	76	1	
(7)	911 555 075 87	Back wall lining Cloth Leather Indicate colour	77-	1	
(7)	911 555 075 74	Back wall lining Leather Indicate colour	-75	1	
(7)	911 555 075 82	Back wall lining Leather Quilted Indicate colour	76	1	
(7)	911 555 075 86	Back wall lining Leather Quilted Indicate colour	77-	1	
(7)	911 645 007 14	Lining Stereo rear loudspeaker Cloth Leatherette Indicate colour	76	1	911/911S CARRERA 3.0
(7)	911 645 007 18	Back wall lining Stereo rear loudspeaker Cloth Leatherette Indicate colour	77-	1	
(7)	911 645 007 15	Lining Stereo rear loudspeaker Leatherette Not Quilted Indicate colour	76	1	911/911S
(7)	911 645 007 16	Lining Stereo rear loudspeaker Leatherette Quilted Indicate colour	76	1	911/911S CARRERA 3.0

Model: 911 74

Model life 1974>>1977

Pos	Part Number	Description	Remark	Qty	Model
(7)	911 645 007 17	Back wall lining Stereo rear loudspeaker Leatherette Quilted Indicate colour	77-	1	
(7)	930 645 007 80	Back wall lining Stereo rear loudspeaker Leather Quilted Indicate colour	77-	1	
(7)	930 645 007 81	Back wall lining Stereo rear loudspeaker Cloth Leather Indicate colour	77-	1	
(7)	911 645 007 82	Lining Stereo rear loudspeaker Leather Quilted Indicate colour	76	1	911/911S CARRERA 3.0
8	900 145 072 07	Tapping screw B 3,5 X 22		2	
(8)	900 145 082 07	Tapping screw B 3,5 X 38 for Stereo rear loudspeaker		2	
9	999 591 102 07	Protection washer		2	
(10)	911 555 071 05	Side trim panel Leatherette Indicate colour	/L	1	
10	911 555 072 05	Side trim panel Leatherette Indicate colour	/R	1	
(10)	911 555 071 07	Side trim panel Cloth Indicate colour	/L	1	
10	911 555 072 07	Side trim panel Cloth Indicate colour	/R	1	
(10)	911 555 071 74	Side trim panel Leather Indicate colour	/L	1	
10	911 555 072 74	Side trim panel Leather Indicate colour Picture (10)	/R	1	
(10)	911 555 071 08	Side trim panel Leatherette Indicate colour	(AUS) /L 77-	1	
(10)	911 555 072 08	Side trim panel Leatherette Indicate colour	/R 77-	1	
(10)	911 555 071 79	Side trim panel Cloth Indicate colour	/L 77-	1	
(10)	911 555 072 79	Side trim panel Cloth Indicate colour	/R 77-	1	
(10)	911 555 071 80	Side trim panel Leather Indicate colour	/L 77-	1	
(10)	911 555 072 80	Side trim panel	/R 77-	1	

Model: 911 74

Model life 1974>>1977

Pos	Part Number	Description	Remark	Qty	Model
-	911 555 757 00	Leather Indicate colour Cover Lock pillar Leatherette	/L	1	
-	911 555 758 00	Leatherette Indicate colour Cover Lock pillar Leatherette	/R	1	
-	911 555 757 70	Indicate colour Cover Lock pillar Leather	/L	1	
-	911 555 758 70	Indicate colour Cover Lock pillar Leather	/R	1	
(11)	911 555 091 00	Indicate colour Rear cover moulding Leatherette	/L	1	
11	911 555 092 00	Indicate colour Rear cover moulding Leatherette	/R	1	
(11)	911 555 091 70	Indicate colour Rear cover moulding Leather	/L M	1	
11	911 555 092 70	*FARBE ANGEBEN Rear cover moulding Leather *FARBE ANGEBEN		1	
12	999 591 338 02	Speed nut		4	
12	999 591 460 01	Speed nut		4	
13	900 145 071 07	Tapping screw B 3,5 X 13		6	
14	999 591 116 07	Cone washer		6	
15	901 552 870 40	Coat hook		2	
(15)	477 857 375 A	Support for seatbelt	(AUS)	2	
16	477 857 375 A 01C	Black			
16	900 250 007 02	Tapping screw AM 5 X 12		2	
17	901 555 507 20	Lining Windscreen frame part		2	
18	901 555 505 20	Lining Door pillar		2	
19	911 555 055 01	Roof lining Beige Not for Sunroof		1	
(19)	911 555 055 02	Roof lining Black Not for Sunroof		1	
(19)	911 555 055 11	Roof lining Beige with Picture 17 - 20 for Sunroof		1	
(19)	911 555 055 12	Roof lining Black		1	

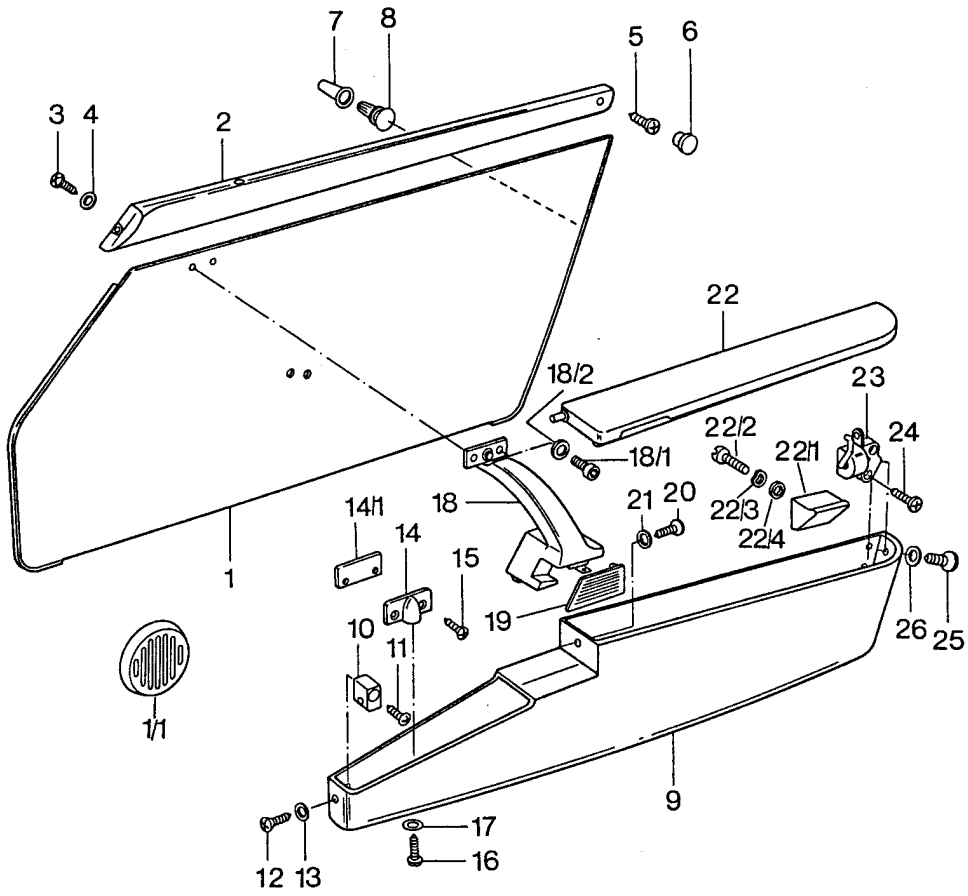
Model: 911 74

Model life 1974>>1977

Pos	Part Number	Description	Remark	Qty	Model
		with Picture 17 - 20 for Sunroof			
20	999 591 336 01	Fastening clamp	/H	5	
(20)	999 591 342 02	Clamp	/V	5	
(20)	999 591 342 03	Clamp	/V	5	
21	901 555 511 20	Transverse strut 1 + 2		2	
22	901 555 512 20	Transverse strut 3		1	
23	901 555 513 20	Transverse strut 4		1	
24	644 555 515 00	Rubber profile		8	

Model: 911 74

Model life 1974>>1977



Model: 911 74 Model life 1974>>1977

Pos	Part Number	Description	Remark	Qty	Model
(1)	911 555 031 06	Door trim panel Door trim panel Leatherette Indicate colour	/L -75	1	
(1)	911 555 032 06	Door trim panel Door trim panel Leatherette Indicate colour	/R -75	1	
(1)	911 555 031 09	Door trim panel with loudspeaker opening Leatherette Indicate colour	/L -75	1	
(1)	911 555 032 09	Door trim panel with loudspeaker opening Leatherette Indicate colour	/R -75	1	
(1)	911 555 031 75	Door panel Leather Indicate colour	/L -75	1	
(1)	911 555 032 75	Door panel Leather Indicate colour	/R -75	1	
(1)	911 555 031 15	Door panel Leatherette Indicate colour	/L	1	JUBI
(1)	911 555 032 15	Door panel Leatherette Indicate colour	/R	1	JUBI
(1)	911 555 031 16	Door panel Leather Indicate colour	/L	1	JUBI
(1)	911 555 032 16	Door panel Leather Indicate colour	/R	1	JUBI
(1)	911 555 031 07	Door trim panel Leatherette Power window Indicate colour	/LL /L -75	1	
(1)	911 555 032 07	Door panel Leatherette Power window Indicate colour	/LL /R -75	1	
(1)	911 555 031 08	Door panel Leatherette Power window Indicate colour	/RL /L -75	1	
(1)	911 555 032 08	Door trim panel Leatherette Power window Indicate colour	/RL /R -75	1	
(1)	911 555 031 76	Door trim panel Leather Power window with loudspeaker opening Indicate colour	/LL /L -76	1	
(1)	911 555 032 76	Door panel Leather Power window with loudspeaker opening Indicate colour	/LL /R -76	1	
(1)	911 555 031 77	Door panel Leather Power window with loudspeaker opening	/RL /L -76	1	

Model: 911 74

Model life 1974>>1977

Pos	Part Number	Description	Remark	Qty	Model
(1)	911 555 032 77	Indicate colour Door panel Leather Power window with loudspeaker opening	/RL /R -76	1	
(1)	911 555 031 18	Indicate colour Door panel Cloth Power window	/LL /L -76	1	
(1)	911 555 032 18	Indicate colour Door panel Cloth Power window	/LL /R -76	1	
(1)	911 555 031 19	Indicate colour Door panel Cloth Power window	/RL /L 76	1	
(1)	911 555 032 19	Indicate colour Door panel Cloth Power window	/RL /R 76	1	
(1)	911 555 031 32	Indicate colour Door trim panel Cloth Power window	/LL /L 77-	1	
(1)	911 555 032 32	Indicate colour Door trim panel Cloth Power window	/LL /R 77-	1	
(1)	911 555 031 33	Indicate colour Door panel Cloth Power window	/RL /L 77-	1	
(1)	911 555 032 33	Indicate colour Door trim panel Cloth Power window	/RL /R 77-	1	
(1)	911 555 031 28	Indicate colour Door panel Leatherette Quilted	/L 77-	1	
(1)	911 555 032 28	Indicate colour Door panel Leatherette Quilted	/R 77-	1	
(1)	911 555 031 22	Indicate colour Door trim panel Power window Leatherette Quilted	/LL /L 76	1	CARRERA 3.0
(1)	911 555 032 22	Indicate colour Door trim panel Power window Leatherette Quilted	/LL /R 76	1	CARRERA 3.0
(1)	911 555 031 29	Indicate colour Door panel Power window Leatherette Quilted	/LL /L 77-	1	
(1)	911 555 032 29	Indicate colour Door trim panel Power window	/LL /R 77-	1	

Model: 911 74

Model life 1974>>1977

Pos	Part Number	Description	Remark	Qty	Model
(1)	911 555 031 23	Leatherette Quilted Indicate colour Door trim panel Power window	/RL /L 76	1	CARRERA 3.0
(1)	911 555 032 23	Leatherette Quilted Indicate colour Door trim panel Power window	/RL /R 76	1	
(1)	911 555 031 30	Leatherette Quilted Indicate colour Door trim panel Power window	/RL /L 77-	1	
(1)	911 555 032 30	Leatherette Quilted Indicate colour Door panel Power window	/RL /R 77-	1	
(1)	930 555 031 70	Leatherette Quilted Indicate colour Door panel Power window	/LL /L 76	1	CARRERA 3.0
(1)	930 555 032 70	Leather Quilted Indicate colour Door trim panel Power window	/LL /R 76	1	CARRERA 3.0
(1)	930 555 031 72	Leather Quilted Indicate colour Door trim panel Power window	/LL /L 77-	1	
(1)	930 555 032 72	Leather Quilted Indicate colour Door trim panel Power window	/LL /R 77-	1	
(1)	930 555 031 71	Leather Quilted Indicate colour Door panel Power window	/RL /L 76	1	CARRERA 3.0
(1)	930 555 032 71	Leather Quilted Indicate colour Door panel Power window	/RL /R 76	1	CARRERA 3.0
(1)	930 555 031 73	Leather Quilted Indicate colour Door trim panel Power window	/RL /L 77-	1	
(1)	930 555 032 73	Leather Quilted Indicate colour Door trim panel Power window	/RL /R 77-	1	

Model: 911 74

Model life 1974>>1977

Pos	Part Number	Description	Remark	Qty	Model
(1)	911 555 031 81	Door panel Leather Quilted Indicate colour	/L 76	1	
(1)	911 555 032 81	Door panel Leather Quilted Indicate colour	/R 76	1	
(1)	911 555 031 87	Door trim panel Leather Quilted Indicate colour	/L 77-	1	
(1)	911 555 032 87	Door trim panel Leather Quilted Indicate colour	/R 77-	1	
(1)	911 555 031 24	Door trim panel Leatherette Not Quilted Indicate colour	/L 76	1	
(1)	911 555 032 24	Door trim panel Leatherette Not Quilted Indicate colour	/R 76	1	
(1)	911 555 031 17	Door trim panel Cloth Indicate colour	/L 76	1	
(1)	911 555 032 17	Door trim panel Cloth Indicate colour	/R 76	1	
(1)	911 555 031 31	Door panel Cloth Indicate colour	/L 77-	1	
(1)	911 555 032 31	Door trim panel Cloth Indicate colour	/R 77-	1	
(1)	911 555 031 25	Door panel Power window Leatherette Not Quilted Indicate colour	/LL /L 76	1	
(1)	911 555 032 25	Door panel Power window Leatherette Not Quilted Indicate colour	/LL /L 76	1	
(1)	911 555 031 26	Door panel Power window Leatherette Not Quilted Indicate colour	/RL /L 76	1	
(1)	911 555 032 26	Door trim panel Power window Leatherette Not Quilted Indicate colour	/RL /R 76	1	
1/1	911 555 013 00	Cover		2	

Model: 911 74 Model life 1974>>1977

Pos	Part Number	Description	Remark	Qty	Model
-	999 507 226 01	Door speaker		6	
(2)	911 555 083 47	Clamping washer		1	
		Cover strip	/LL /L		
		for			
		Electrically adjustable			
		Door mirror			
		Leatherette			
	911 555 083 47 7AE	Black			
	911 555 083 47 002	Russet			
	911 555 083 47 503	Brown-beige			
2	911 555 084 48	Cover strip	/LL /R	1	
		Leatherette			
	911 555 084 48 7AE	Black			
	911 555 084 48 002	Russet			
	911 555 084 48 503	Brown-beige			
(2)	911 555 083 48	Cover strip	/RL /L	1	
		Leatherette			
	911 555 083 48 7AE	Black			
	911 555 083 48 002	Red			
	911 555 083 48 503	Brown-beige			
(2)	911 555 084 47	Cover strip	/RL /R	1	
		for			
		Electrically adjustable			
		Door mirror			
		Leatherette			
	911 555 084 47 7AE	Black			
	911 555 084 47 002	Russet			
	911 555 084 47 503	Brown-beige			
(2)	911 555 083 72	Cover strip	/LL /L	1	
		Leather			
		Indicate colour			
2	911 555 084 73	Cover strip	/LL /R	1	
		Leather			
		Indicate colour			
(2)	911 555 083 73	Cover strip	/RL /L	1	
		Leather			
		Indicate colour			
(2)	911 555 084 72	Cover strip	/RL /R	1	
		Leather			
		Indicate colour			
3	900 145 071 07	Tapping screw		2	
		B 3,5 X 13			
4	999 591 116 07	Cone washer		2	
5	N 013 958 7	Oval-head sheetmetal screw		2	
		B 3,5 X 13			
6	914 552 233 10	Filler piece		2	
6		Filler piece		2	
	914 552 233 10 01C	Black			
7	999 591 311 40	Bush		6	
8	823 867 299	Clip		6	
(9)	911 555 037 00	Package box	/L	1	
		Leatherette			
		Indicate colour			
9	911 555 038 00	Package box	/R	1	
		Leatherette			
		Indicate colour			
(9)	911 555 037 02	Package box	/L 77-	1	
		Wrapping strap			
		Leatherette/			
		Carpet			
		Velour pile			
		State colour of carpet			
(9)	911 555 038 02	Package box	/R 77-	1	

Model: 911 74 Model life 1974>>1977

Pos	Part Number	Description	Remark	Qty	Model
(9)	930 555 037 01	Wrapping strap Leatherette/ Carpet Velour pile State colour of carpet Package box	/L	1	
(9)	930 555 038 01	Wrapping strap Leather/ Carpet Velour pile State colour of carpet Package box	/R	1	
-	911 555 029 01	Wrapping strap Leatherette/ Carpet Velour pile State colour of carpet Cover	/L 77-	1	
-	911 555 030 01	Wrapping strap Leather/ Carpet Velour pile State colour of carpet Cover	/R 77-	1	
-	930 555 039 00	Wrapping strap Leather/ Carpet Velour pile State colour of carpet Cover	/L	1	
-	930 555 040 00	Wrapping strap Leather/ Carpet Velour pile State colour of carpet Cover	/R	1	
10	911 555 391 00	Mounting		2	
11	900 143 046 07	Tapping screw B 4,8 X 16		2	
12	N 014 098 6	Rais. counters. h. tap. s. B 4,8 X 16		2	
13	999 704 605 07	Cone washer	-75	2	
13		Cone washer	76-	2	
14	911 555 323 00	Mounting	-76	6	
14	911 555 323 01	Mounting		6	
14/1	911 555 333 00	Desk pad	-76	6	
15	900 269 037 07	Countersunk-head screw M 4 X 20	-76	12	
(15)	900 269 058 07	Countersunk-head screw M 4 X 25	77-	6	
-	999 591 103 17	Protection washer	77-	6	
-	PCG 591 103 17	Protection washer	77-	6	
16	900 145 041 00	Rais. counters. h. tap. s. B 3,5 X 16		6	

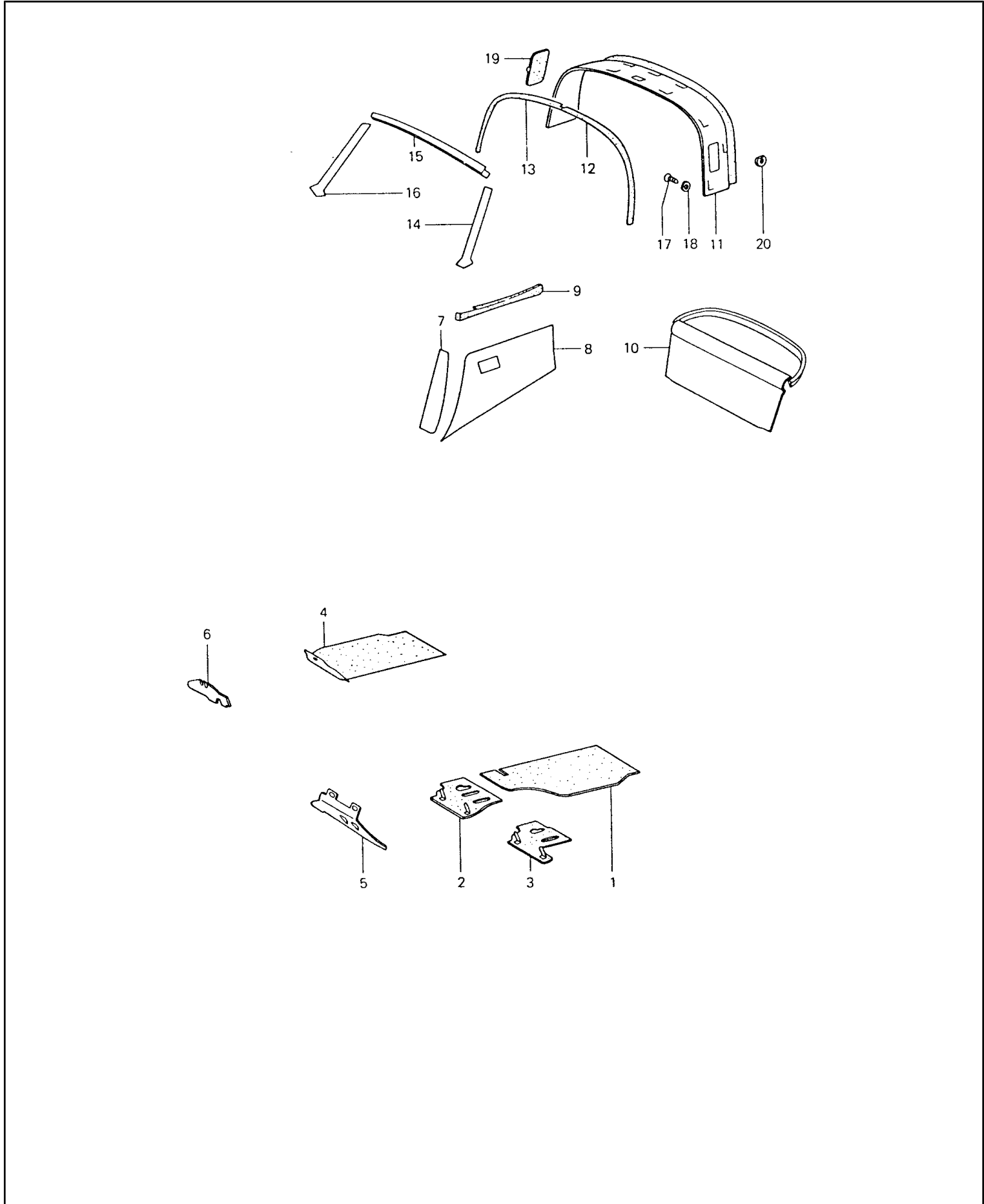
Model: 911 74

Model life 1974>>1977

Pos	Part Number	Description	Remark	Qty	Model
17	999 591 102 12	Washer		6	
(18)	911 555 097 00	Grab handle	/L	1	
18	911 555 098 00	Grab handle	/R	1	
18/1	N 014 761 2	Pan-head screw M 6 X 12		4	
18/1	900 119 129 01	Pan-head screw M 6 X 12		4	
18/2	900 028 008 01	Lock ring B 6		4	
(19)	911 531 205 00	Door opener	/L	1	
19	911 531 206 00	Door opener	/R	1	
20	900 145 075 07	Tapping screw B 4,2 X 16		2	
21	999 591 102 07	Protection washer		2	
(22)	911 555 039 00	Lid	/L	1	
22	911 555 040 00	Lid	/R	1	
22/1	914 555 059 10	Support		2	
22/2	900 146 011 02	Oval-head screw AM 4 X 10		2	
22/3	N 012 224 3	Spring washer B 4		2	
22/4	900 151 028 02	Washer B 4,3		2	
22/4	900 151 028 01	Washer B 4,3		2	
(23)	911 555 045 03	Bearing	/L	1	
23	911 555 046 03	Bearing	/R	1	
24	900 143 046 07	Tapping screw B 4,8 X 16		4	
25	N 014 098 6	Rais. counters. h. tap. s. B 4,8 X 16		2	
26	999 704 605 07	Cone washer		2	

Model: 911 74

Model life 1974>>1977



Model: 911 74

Model life 1974>>1977

Pos	Part Number	Description	Remark	Qty	Model
1	911 551 021 40	Interior equipment Carpet Velour pile State colour of carpet	/LL /L	1	TARGA
1	911 551 021 41	Carpet Velour pile State colour of carpet	/LL /L	1	SPM
(1)	911 551 011 46	Carpet Velour pile State colour of carpet	/RL /L	1	
(1)	911 551 011 44	Carpet Air conditioner Velour pile State colour of carpet	/RL /L -76	1	
(1)	911 551 011 48	Carpet Air conditioner Velour pile State colour of carpet	/RL /L 77-	1	
1	911 551 011 42	Carpet Nylon velour Indicate colour	/LL /L -75	1	
1	905 551 011 47	Carpet Nylon velour Indicate colour	/LL /L -75	1	SPM
(1)	911 551 011 43	Carpet Nylon velour Indicate colour	/RL /L -75	1	
(1)	911 551 011 47	Carpet Air conditioner Nylon velour Indicate colour	/RL /L -75	1	
1	911 551 011 40	Carpet Special velour Indicate colour	/LL /L -75	1	
1	911 551 011 51	Carpet Special velour Indicate colour	/LL /L 76	1	
1	905 551 011 46	Carpet Special velour Indicate colour	/LL /L -75	1	SPM
1	911 551 011 52	Carpet Special velour Indicate colour	/LL /L 76	1	SPM
(1)	911 551 011 41	Carpet Special velour Indicate colour	/RL /L -76	1	
(1)	911 551 011 45	Carpet Air conditioner Special velour Indicate colour	/RL /L	1	
2	911 551 015 41	Floorboard carpet Nylon velour Indicate colour	/LL /L -75	1	
2	911 551 015 43	Floorboard carpet Special velour Indicate colour	/LL /L -76	1	
2	911 551 015 42	Floorboard carpet Velour pile State colour of carpet	/LL /L	1	
3		See group 8/07/00		1	SPM
4	911 551 012 49	Carpet Velour pile	/LL /R	1	

Model: 911 74 Model life 1974>>1977

Pos	Part Number	Description	Remark	Qty	Model
(4)	911 551 012 50	State colour of carpet Carpet Air conditioner Velour pile	/LL /R	1	
(4)	911 551 022 40	State colour of carpet Carpet Velour pile	/RL /R	1	
(4)	911 551 022 41	State colour of carpet Carpet Air conditioner Velour pile	/RL /R	1	
4	911 551 012 43	State colour of carpet Carpet Nylon velour	/LL /R -75	1	
(4)	911 551 012 46	Indicate colour Carpet Air conditioner Nylon velour	/LL /R -75	1	
(4)	911 551 012 44	Indicate colour Carpet Nylon velour	/RL /R -75	1	
(4)	911 551 012 48	Indicate colour Carpet Air conditioner Nylon velour	/RL /R -75	1	
4	911 551 012 41	Indicate colour Carpet Special velour	/LL /R -76	1	
(4)	911 551 012 45	Indicate colour Carpet Air conditioner Special velour	/LL /R -76	1	
(4)	911 551 012 42	Indicate colour Carpet Special velour	/RL /R -75	1	
(4)	911 551 012 51	Indicate colour Carpet Special velour	/RL /R 76	1	
(4)	911 551 012 47	Indicate colour Carpet Special velour	/RL /R -75	1	SPM
(4)	911 551 012 52	Indicate colour Carpet Special velour	/RL /R 76	1	SPM
5	911 551 063 40	Indicate colour Pedal floor board	/LL /L -75	1	911/911S
5	911 551 063 43	Pedal floor board	/LL /L 76	1	CARRERA 2.7
5	911 551 063 44	Pedal floor board	/LL /L 77-	1	911/911S
(5)	911 551 063 41	Pedal floor board	/LL /L -76	1	CARRERA 3.0
(5)	911 551 063 42	Pedal floor board	/LL /L 77-	1	SPM
(5)	901 551 061 42	Pedal floor board	/RL /L	1	SPM
(5)	911 551 061 43	Pedal floor board	/RL /L -76	1	
(5)	911 551 075 41	Air conditioner Floorboard	/RL /L 77-	1	
-	900 119 025 02	Air conditioner Pan-head screw M 5 X 15	/RL	1	
-	901 423 368 00	Desk pad	/RL	1	
6	901 551 064 42	Pedal floor board	/LL /R	1	
(6)	901 551 062 42	Pedal floor board	/RL /R -75	1	
(6)	911 551 062 40	Pedal floor board	/RL /R 76	1	911/911S

Model: 911 74

Model life 1974>>1977

Pos	Part Number	Description	Remark	Qty	Model
(6)	911 551 062 42	Pedal floor board	/RL /R 77-	1	CARRERA 3.0
(6)	905 551 062 42	Pedal floor board	/RL /R -75	1	SPM
(6)	905 551 062 44	Pedal floor board	/RL /R 76-	1	SPM
7	901 555 023 01	Filler piece	/L	1	
(7)	901 555 024 01	Filler piece	/R	1	
-	911 555 757 40	Cover Lock pillar Leatherette Indicate colour	/L	1	
-	911 555 758 40	Cover Lock pillar Leatherette Indicate colour	/R	1	
-	911 555 757 75	Cover Lock pillar Leather Indicate colour	/L	1	
-	911 555 758 75	Cover Lock pillar Leather Indicate colour	/R	1	
(8)	911 555 071 45	Side trim panel Leatherette Indicate colour	/L -74	1	
8	911 555 072 45	Side trim panel Leatherette Indicate colour	/R -74	1	
(8)	911 555 071 47	Side trim panel Leatherette Indicate colour	/L 75-	1	
(8)		Side trim panel Leatherette Indicate colour	/R 75-	1	
(8)	911 555 071 48	Side trim panel Leatherette Indicate colour	/L	1	911/911S CARRERA 2.7
(8)	911 555 072 48	Side trim panel Leatherette Indicate colour Leather	/R	1	911/911S CARRERA 2.7
(8)	911 555 071 49	See catalogue Side trim panel Leatherette Indicate colour	78- /L (AUS) 77-	1	
(8)	911 555 072 49	Side trim panel Leatherette Indicate colour	/R (AUS) 77-	1	
(8)	911 555 071 81	Side trim panel Cloth Indicate colour	/L (AUS) 77-	1	
(8)	911 555 072 81	Side trim panel Cloth Indicate colour	/R (AUS) 77-	1	
(8)	911 555 071 82	Side trim panel Leather Indicate colour	/L (AUS) 77-	1	
(8)	911 555 072 82	Side trim panel Leather Indicate colour	/R (AUS) 77-	1	
(9)	911 555 091 40	Rear cover moulding	/L	1	

Model: 911 74 Model life 1974>>1977

Pos	Part Number	Description	Remark	Qty	Model
9	911 555 092 40	Leatherette Indicate colour Rear cover moulding	/R	1	
(9)	911 555 091 75	Leatherette Indicate colour Rear cover moulding	/L	1	
9	911 555 092 75	Leather Indicate colour Rear cover moulding	/R	1	
10	911 555 075 42	Leather Indicate colour Back wall lining	-76	1	
(10)	911 555 075 43	Leatherette Not Quilted Indicate colour Back wall lining		1	911/911S CARRERA 2.7 JUBI
(10)	911 645 007 47	Leatherette/ Cloth Indicate colour Back wall lining	-75	1	
(10)	911 645 007 76	Stereo rear loudspeaker Leatherette Indicate colour Rear wall	-75	1	
(10)	911 555 075 77	Stereo rear loudspeaker Leather Indicate colour Back wall lining	-75	1	
(10)	911 555 075 43	Leatherette/ Cloth Indicate colour Back wall lining	76-	1	911/911S CARRERA 3.0
(10)	911 555 075 49	Leatherette/ Cloth Indicate colour Back wall lining	76-	1	911/911S CARRERA 3.0
(10)	911 645 007 49	Leatherette/ Cloth Indicate colour Back wall lining	76-	1	911/911S CARRERA 3.0
(10)	911 555 075 46	Leatherette Not Quilted Stereo rear loudspeaker Indicate colour Back wall lining	76-	1	
(10)	911 555 075 81	Leatherette Quilted Indicate colour Back wall lining	76-	1	
(10)	911 645 007 42	Leather Quilted Indicate colour Back wall lining	76-	1	
(10)	911 645 007 81	Stereo rear loudspeaker Leatherette Quilted Indicate colour Back wall lining	76-	1	
		Stereo rear loudspeaker Leather Quilted Indicate colour			

Model: 911 74

Model life 1974>>1977

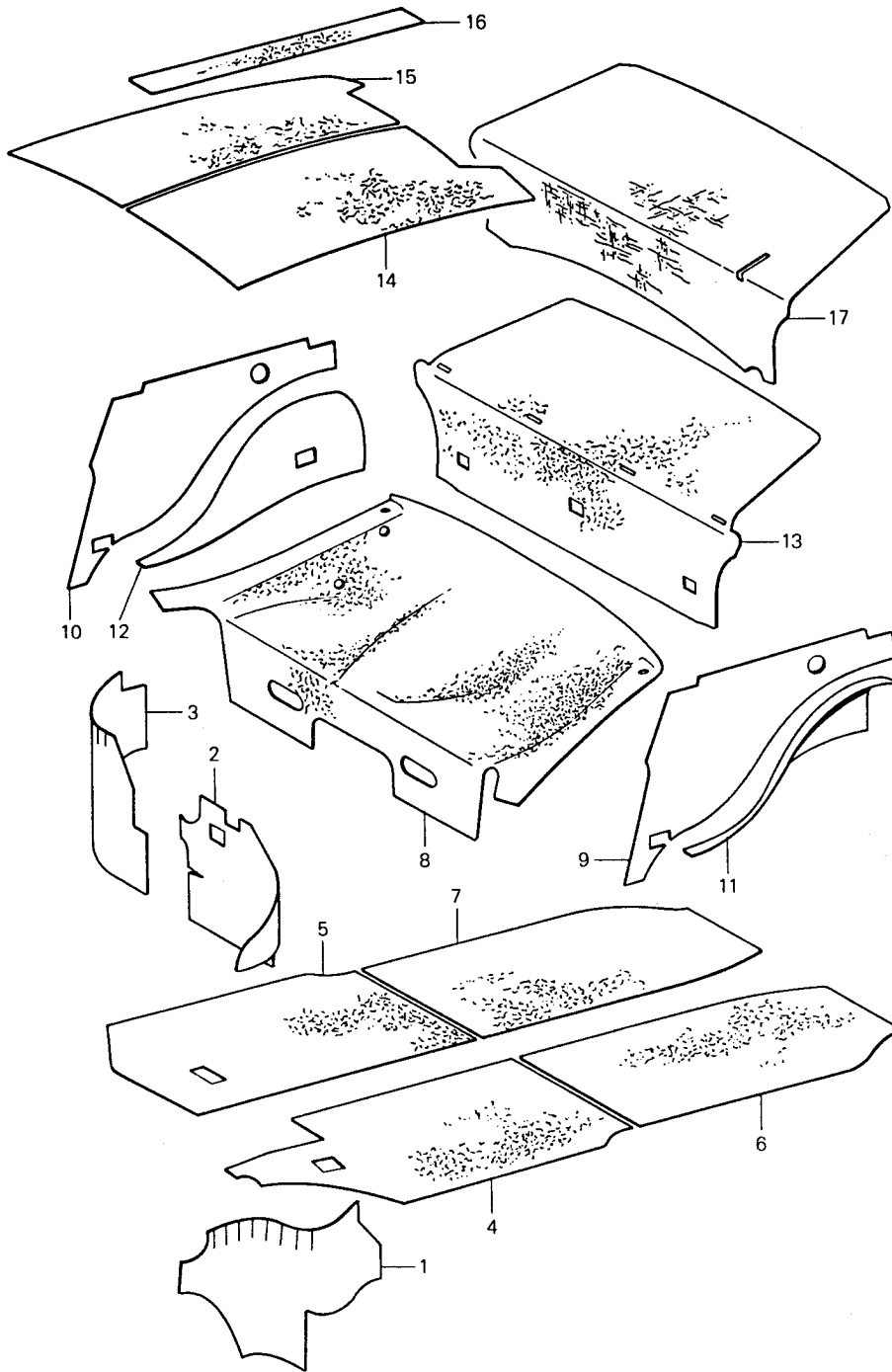
Pos	Part Number	Description	Remark	Qty	Model
(10)	911 555 075 44	Back wall lining Leatherette/ Cloth Indicate colour	(AUS) -76	1	
(10)	911 555 075 52	Back wall lining Leatherette/ Cloth Indicate colour	(AUS) 77-	1	
(10)	911 555 075 47	Back wall lining Leatherette Quilted Indicate colour	76	1	911/911S/AUS CARRERA 3.0
(10)	911 555 075 51	Back wall lining Leatherette Quilted Indicate colour	(AUS) 77-	1	
(10)	911 555 075 48	Back wall lining Leatherette Not Quilted Indicate colour	76- (AUS)	1	911/911S
(10)	911 555 075 50	Back wall lining Leather/ Cloth Indicate colour	76 (AUS)	1	911/911S CARRERA 3.0
(10)	911 555 075 85	Back wall lining Leather/ Cloth Indicate colour	(AUS) 77-	1	
(10)	911 555 075 75	Back wall lining Leather Indicate colour	(AUS) -75	1	
(10)	911 555 075 83	Back wall lining Leather Quilted Indicate colour	76 (AUS)	1	911/911S CARRERA 3.0
(10)	911 555 075 84	Back wall lining Leather Quilted Indicate colour	(AUS) 77-	1	
(10)	911 645 007 41	Back wall lining Leather/ Cloth Stereo rear loudspeaker Indicate colour	76 (AUS)	1	911/911S CARRERA 3.0
(10)	911 645 007 85	Back wall lining Leather/ Cloth Stereo rear loudspeaker Indicate colour	(AUS) 77-	1	
(10)	911 645 007 44	Back wall lining Leatherette/ Cloth Stereo rear loudspeaker Indicate colour	76 (AUS)	1	911/911S CARRERA 3.0
(10)	911 645 007 54	Back wall lining Leatherette/ Cloth Stereo rear loudspeaker Indicate colour	(AUS) 77-	1	
(10)	911 645 007 50	Lining Leatherette Not	(AUS) 76	1	

Model: 911 74 Model life 1974>>1977

Pos	Part Number	Description	Remark	Qty	Model
(10)	911 645 007 51	Quilted Stereo rear loudspeaker Indicate colour Lining Leatherette	76 (AUS)	1	911/911S CARRERA 3.0
(10)	911 645 007 53	Quilted Stereo rear loudspeaker Indicate colour Back wall lining Leatherette	 (AUS) 77-	1	
(10)	911 645 007 83	Quilted Stereo rear loudspeaker Indicate colour Lining Leather	 76 (AUS)	1	911/911S CARRERA 3.0
(10)	911 645 007 84	Quilted Stereo rear loudspeaker Indicate colour Back wall lining Leather	 (AUS) 77-	1	
11	911 565 019 40	Quilted Stereo rear loudspeaker Indicate colour Interior lining		1	
12	911 565 513 40	Padding	/L	1	
13	911 565 514 40	Padding	/R	1	
14-	901 555 901 40	Lining		1	
16		Lining		1	
17	N 013 968 7	Tapping screw B 4,8 X 13		4	
17	900 143 097 01	Tapping screw B 4,8 X 13		4	
17	900 145 032 02	Oval-head sheetmetal screw 3,5 X 13	75-	4	911/911S CARRERA 2.7
18	N 012 225 2	Spring washer B 5	-74	4	
18	999 591 010 12	Washer 3,5	75-	4	911/911S CARRERA 2.7
(19)	911 565 157 40	Bleeding	/L	1	
19	911 565 158 40	Bleeding	/R	1	
20	911 565 132 00	Filler piece		2	

Model: 911 74

Model life 1974>>1977

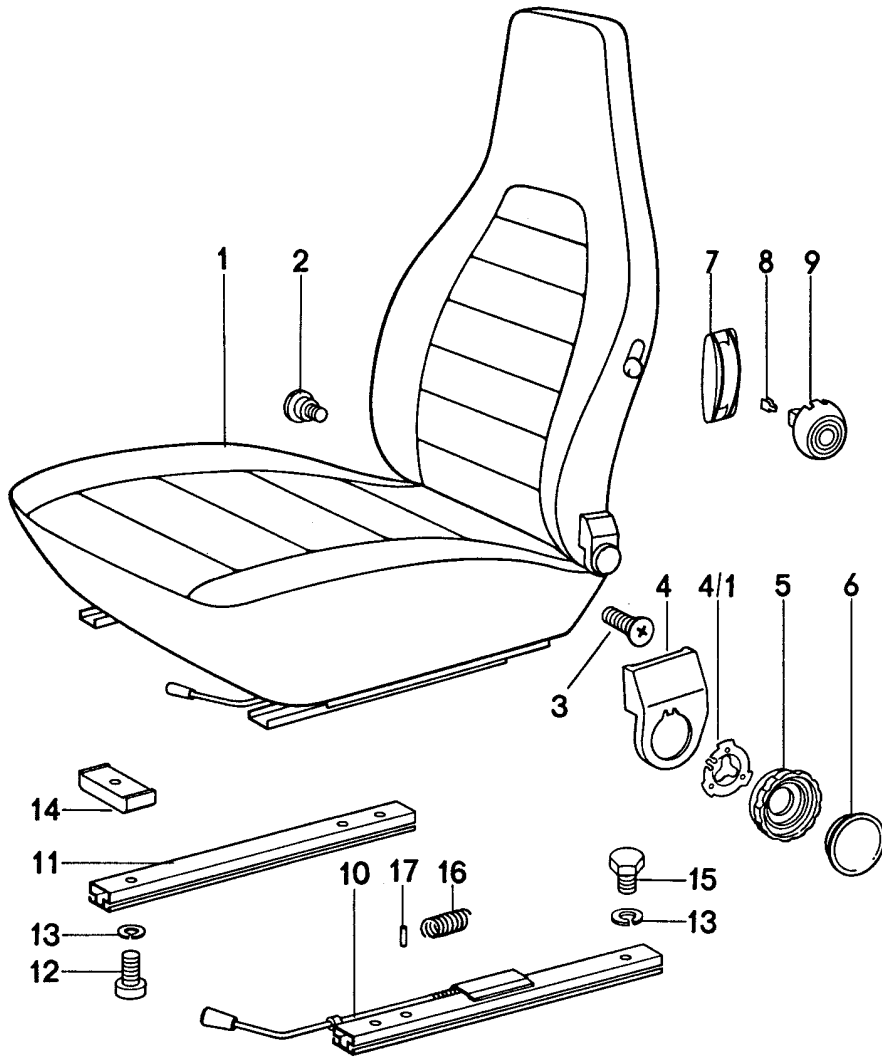


Model: 911 74 Model life 1974>>1977

Pos	Part Number	Description	Remark	Qty	Model
		Body			
		Sound proofing 1			
1	911 556 902 00	Damping mat	/V /L	1	COUPE
(1)		Damping mat	/V /R	1	COUPE
1		Damping mat	/V /L	1	TARGA
		Wheel housing			
2		Damping mat	/LL /R	1	COUPE
		Pedal floor board			
-		Damping mat	/RL /R	1	COUPE
		Pedal floor board			
		And			
		Wheel housing			
2		Damping mat	/LL /R	1	TARGA
		Pedal floor board			
3		Damping mat	/V /L	1	TARGA
		Wheel housing			
4		Damping mat	/LL /L	1	COUPE
4		Damping mat	/RL /L	1	COUPE
4		Damping mat	/LL /L	1	TARGA
		Floor			
5		Damping mat	/LL /R	1	COUPE
5		Damping mat	/RL /R	1	COUPE
5		Damping mat	/LL /R	1	TARGA
		Floor			
6		Damping mat	/H /L	1	
		Floor			
7		Damping mat	/H /R	1	
		Floor			
8	911 556 233 00	Insulation		1	
		Seat well			
9	999 913 006 00	Sound absorber	/L	*	COUPE
9		Sound absorber	/L	*	TARGA
10		Sound absorber	/R	*	COUPE
10		Sound absorber	/R	*	TARGA
		Wheel housing panel			
		Upper			
11		Sound absorber	/L	*	COUPE
11		Sound absorber	/L	*	TARGA
		Wheel housing panel			
		Lower			
12		Sound absorber	/R	*	COUPE
12		Sound absorber	/R	*	TARGA
		Wheel housing panel			
		Lower			
13	911 556 239 03	Insulation		1	
		for rear panel			
14	911 556 023 01	Damping mat	/L	1	COUPE
		Roof			
14	911 556 023 02	Damping mat	/L	1	COUPE
		Roof			
		100 X 90			
		It is necessary to rework			
15	911 556 023 01	Damping mat	/R	1	COUPE
		Roof			
15	911 556 023 02	Damping mat	/R	1	COUPE
		Roof			
		100 X 90			
		It is necessary to rework			
16	911 556 248 00	Damping strip		4	COUPE
17	911 556 891 01	Damping mat	/V	1	
		for engine compartment			
-	999 913 006 00	Sound absorber		*	

Model: 911 74

Model life 1974>>1977



Model: 911 74

Model life 1974>>1977

Pos	Part Number	Description	Remark	Qty	Model
1	911 521 001 57	Front seat Complete		1	
(1)	911 521 002 57	Front seat without Contact switch Leatherette Please state the colour	/L -76	1	
(1)	911 521 001 81	Front seat Leatherette Please state the colour	/R -76	1	
(1)	911 521 002 81	Front seat Leatherette Please state the colour	/L 77-	1	
(1)	911 521 001 58	Front seat without Contact switch Cloth Leatherette Please state the colour	/R 77-	1	
(1)	911 521 002 58	Front seat without Contact switch Cloth Leatherette Please state the colour	/L -76	1	
(1)	911 521 001 82	Front seat Cloth Leatherette Please state the colour	/R -76	1	
(1)	911 521 002 82	Front seat Cloth Leatherette Please state the colour	/L 77-	1	
(1)	911 521 001 60	Front seat without Contact switch Leather	/R 77-	1	
(1)	911 521 002 60	Front seat without Contact switch Leather Please state the colour	/L -76	1	
(1)	911 521 001 84	Front seat Leather Please state the colour	/R -76	1	
(1)	911 521 002 84	Front seat Leather Please state the colour	/L 77-	1	
(1)	930 521 001 61	Front seat without Contact switch Cloth Leather Please state the colour	/R 77-	1	
(1)	930 521 002 61	Front seat without Contact switch	/L -76	1	
(1)	930 521 002 61	Front seat without Contact switch	/R -76	1	

Model: 911 74

Model life 1974>>1977

Pos	Part Number	Description	Remark	Qty	Model
(1)	930 521 001 20	Cloth Leather Please state the colour Front seat	/L 77-	1	
(1)	930 521 002 20	Cloth Cloth Leather Please state the colour Front seat	/R 77-	1	
(1)	911 521 001 83	Cloth Cloth Leatherette Please state the colour Front seat	/L 77-	1	
(1)	911 521 002 83	Cloth Cloth Leatherette Please state the colour Front seat	/R 77-	1	
(1)	911 521 001 85	Cloth Leather Please state the colour Front seat	/L 77-	1	
(1)	911 521 002 85	Cloth Leather Please state the colour Front seat	/R 77-	1	
2	911 521 371 00	Screw		2	
3	911 521 543 00	Lens-head screw M 8 X 18		4	
4	911 521 359 02	Cover	/L	1	
(4)	911 521 360 02	Cover	/R	1	
(3)	911 521 547 00	Screw M 10 X 20		4	
(4)	911 521 359 02	Cover	/L	1	
(4)	911 521 360 02	Cover	/R	1	
4/1	911 521 571 00	Tensioning spring		2	
(5)	911 521 381 02	Cover for backrest adjustment Comprising: POS. 5 Shifting wheel POS. 6 Cover		2	
5	911 521 381 00	Shifting wheel		2	
6	911 521 383 00	Cover		2	
6	911 521 381 02	Cover		2	
7	311 881 607 A	Cover		2	
8	311 881 247	Clip		2	
9	113 881 633 E	Control button		2	
	113 881 633 E 01C	Satin black			
10	911 521 501 00	Seat rail	/L	1	
10	928 521 489 02	Seat rail	/L	1	
(10)	911 521 502 00	Seat rail	/R	1	
(10)	928 521 490 02	Seat rail	/R	1	
-	911 521 533 01	Handle for longitudinal adjustment		2	
	911 521 533 01 01C	Satin black			
11	944 521 491 00	Seat rail		2	

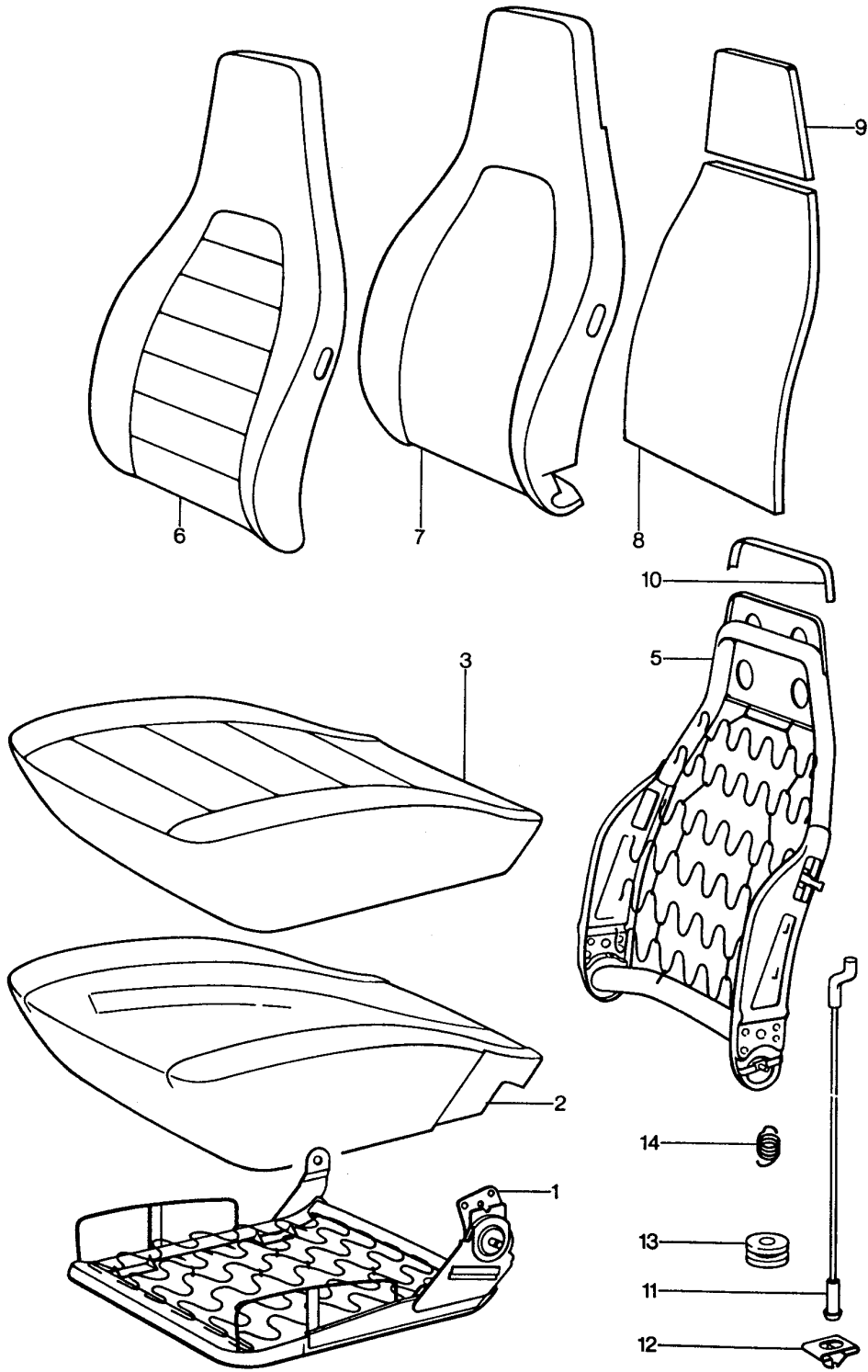
Model: 911 74

Model life 1974>>1977

Pos	Part Number	Description	Remark	Qty	Model
11		Seat rail See TPI GR.8 NR.34		2	
12	N 014 761 2	Pan-head screw M 6 X 12		8	
12	900 119 129 01	Pan-head screw M 6 X 12		8	
(12)	900 186 038 02	Pan-head screw M 6 X 40		8	
13	N 012 006 4	Lock ring B 6		16	
14	911 521 493 00	Spacer		8	
15	900 075 057 02	Hexagon-head bolt M 6 X 16		8	
15	900 075 057 03	Hexagon-head bolt M 6 X 16		8	
16	911 521 535 00	Return spring	/L	1	
(16)	911 521 536 00	Return spring	/R	1	
17	900 012 123 00	Pin A 2,5 X 12		2	

Model: 911 74

Model life 1974>>1977



Model: 911 74

Model life 1974>>1977

Pos	Part Number	Description	Remark	Qty	Model
		Front seat Single parts			
1	911 521 069 56	Seat frame	/L	1	
(1)	911 521 070 56	Seat frame	/R	1	
(2)	911 521 385 01	Foam part	/L -76	1	
		Seat cushion without Contact switch			
(2)	911 521 386 01	Foam part	/R -76	1	
		Seat cushion without Contact switch			
(2)	911 521 385 02	Foam part	/L 77-	1	
		Seat cushion			
(2)	911 521 386 02	Foam part	/R 77-	1	
		Seat cushion			
3	911 521 037 57	Seat cover	/L -76	1	
		Leatherette Please state the colour			
(3)	911 521 038 57	Seat cover	/R -76	1	
		Leatherette Please state the colour			
(3)	911 521 037 10	Seat cover	/L 77-	1	
		Leatherette Please state the colour			
(3)	911 521 038 10	Seat cover	/R 77-	1	
		Leatherette Please state the colour			
(3)	911 521 037 58	Seat cover	/L -76	1	
		Cloth Leatherette Please state the colour			
(3)	911 521 038 58	Seat cover	/R -76	1	
		Cloth Leatherette Please state the colour			
(3)	911 521 037 11	Cover for cushion	/L 77-	1	
		Cloth Leatherette Please state the colour			
(3)	911 521 038 11	Cover for cushion	/R 77-	1	
		Cloth Leatherette Please state the colour			
(3)	911 521 037 12	Cover for cushion	/L 77-	1	
		Cloth Cloth Leatherette Please state the colour			
(3)	911 521 038 12	Cover for cushion	/R 77-	1	
		Cloth Cloth Leatherette Please state the colour			
(3)	911 521 037 60	Seat cover	/L -76	1	
		Leather Please state the colour			
(3)	911 521 038 60	Seat cover	/R -76	1	
		Leather Please state the colour			
(3)	911 521 037 13	Cover for cushion	/L 77-	1	
		Leather Please state the colour			

Model: 911 74

Model life 1974>>1977

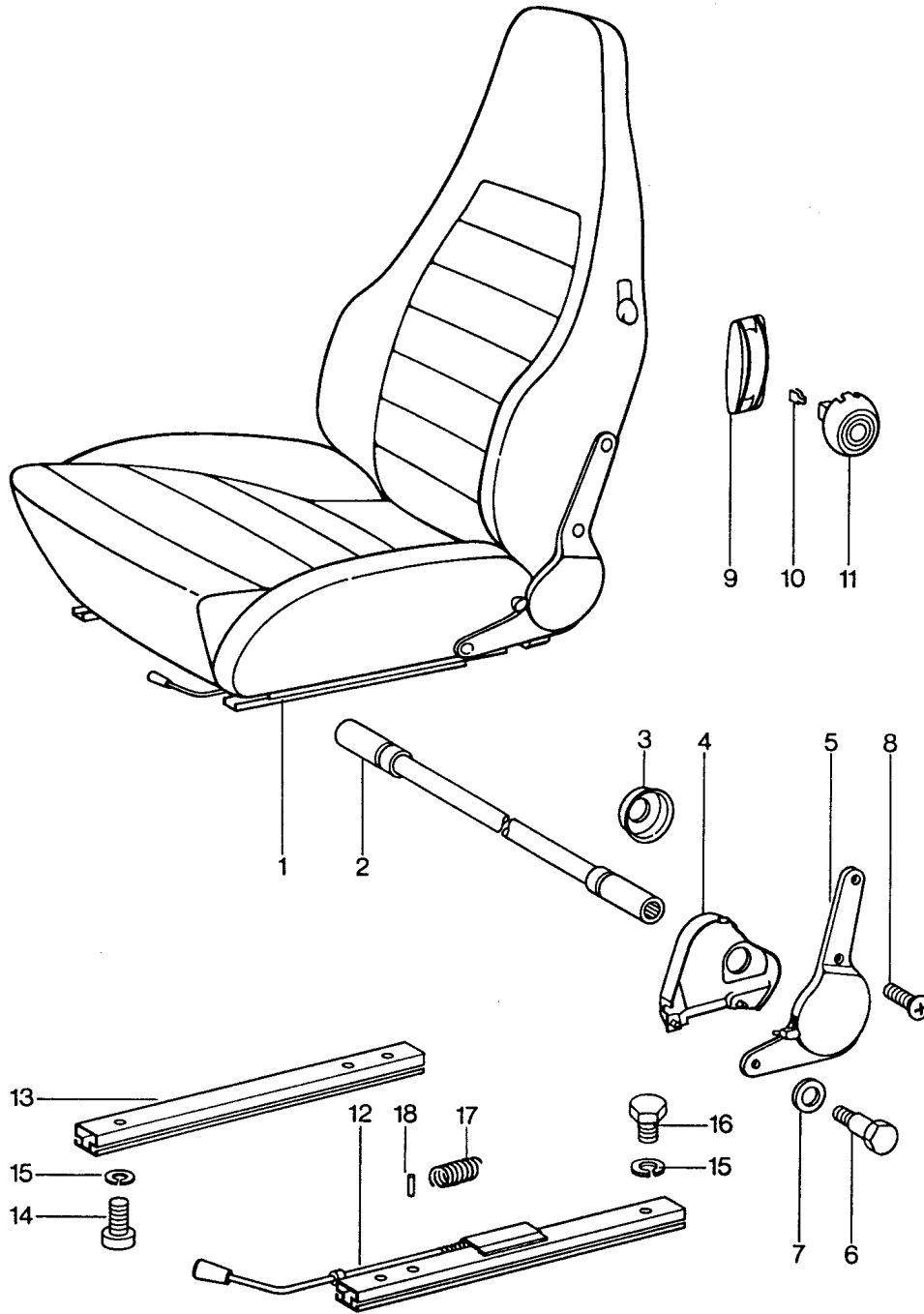
Pos	Part Number	Description	Remark	Qty	Model
(3)	911 521 038 13	Cover for cushion Leather Please state the colour	/R 77-	1	
(3)	930 521 037 61	Seat cover Cloth Leatherette Please state the colour	/L -76	1	
(3)	930 521 038 61	Seat cover Cloth Leatherette Please state the colour	/R -76	1	
(3)	930 521 037 10	Cover for cushion Cloth Cloth Leather Please state the colour	/L 77-	1	
(3)	930 521 038 10	Cover for cushion Cloth Cloth Leather Please state the colour	/R 77-	1	
(3)	911 521 037 14	Cover for cushion Cloth Leatherette Please state the colour	/L 77-	1	
(3)	911 521 038 14	Cover for cushion Cloth Leatherette Please state the colour	/R 77-	1	
5	911 521 027 57	Backrest frame	/L -75	1	
(5)	911 521 028 57	Backrest frame	/R -75	1	
5	911 521 027 58	Backrest frame	/L 76-	1	
(5)	911 521 028 58	Backrest frame	/R 76-	1	
6	911 521 072 57	Backrest cover Leatherette Please state the colour	-76	2	
6	911 521 072 20	Backrest cover Leatherette Please state the colour	77-	2	
(6)	911 521 072 59	Backrest cover Cloth Leatherette Please state the colour	-76	2	
(6)	911 521 072 21	Backrest cover Cloth Leatherette Please state the colour	77-	2	
(6)	911 521 072 22	Backrest cover Cloth Cloth Leatherette Please state the colour	77-	2	
(6)	911 521 072 60	Backrest cover Leather Please state the colour	-76	2	
(6)	911 521 072 23	Backrest cover Leather Please state the colour	77-	2	
(6)	930 521 072 61	Backrest cover Leather Cloth Please state the colour	-76	2	
(6)	911 521 072 24	Backrest cover	77-	2	

Model: 911 74 Model life 1974>>1977

Pos	Part Number	Description	Remark	Qty	Model
(6)	930 521 072 20	Leather Cloth Please state the colour Backrest cover Cloth Cloth Leather Please state the colour	77-	2	
7	911 521 393 00	Foam part Backrest	/L -76	1	
(7)		Foam part Backrest	/R -76	1	
7	911 521 393 02	Foam part Backrest	/L /R 77-	2	
8	911 521 575 00	Filler piece		2	
9	911 521 435 00	Filler piece Head rest		2	
-	911 521 437 00	Slide 350 X 300		2	
10	999 911 200 40	Edge protection profile 210 MM		2	
11	911 521 361 00	Wire pull		2	
11	911 521 361 02	Wire pull		2	
12	911 521 369 00	Terminal		2	
13	911 521 343 00	Guide bush		2	
14	311 881 287 A	Tension spring		2	

Model: 911 74

Model life 1974>>1977



Model: 911 74

Model life 1974>>1977

Pos	Part Number	Description	Remark	Qty	Model
1	911 521 007 55	Sports seat Complete	/L	1	
(1)	911 521 008 55	Sports seat Cloth Leatherette Please state the colour	/R	1	
(1)	911 521 007 56	Sports seat Leatherette Please state the colour	/L	1	
(1)	911 521 008 56	Sports seat Leatherette Please state the colour	/R	1	
(1)	911 521 007 57	Sports seat Leather Please state the colour	/L	1	
(1)	911 521 008 57	Sports seat Leather Please state the colour	/R	1	
2	911 521 045 03	Connecting rod		2	
3	911 521 147 01	Cap		2	
4	911 521 731 00	Inner part	/L	1	
(4)	911 521 732 00	Inner part	/R	1	
5	911 521 041 03	Reclining seat fitting with Lever	/L	1	
(5)	911 521 042 03	Left seat Reclining seat fitting with Lever	/R	1	
(5)	911 521 044 03	Right seat Reclining seat fitting without Lever	/R	1	
(5)	911 521 043 03	Left seat Reclining seat fitting without Lever	/L	1	
6	911 521 695 00	Hexagon-head bolt		4	
7	911 521 130 01	Washer		4	
8	911 521 715 00	Rais. counters. h. tap. s.		8	
8	900 270 033 02	Lens-head screw M 8 X 30		8	
9	311 881 607 A	Cover Actuating lever		2	
10	311 881 247	Clip		2	
11	113 881 633 D	Knob		2	
11	113 881 633 E	Control button		2	
12	113 881 633 E 01C	Satin black			
12	911 521 501 00	Seat rail with locking device	/L	1	
12	928 521 489 02	Seat rail with locking device	/L	1	
(12)	911 521 502 00	Seat rail with locking device	/R	2	
(12)	928 521 490 02	Seat rail with locking device	/R	2	
13	944 521 491 00	Seat rail without locking device		2	

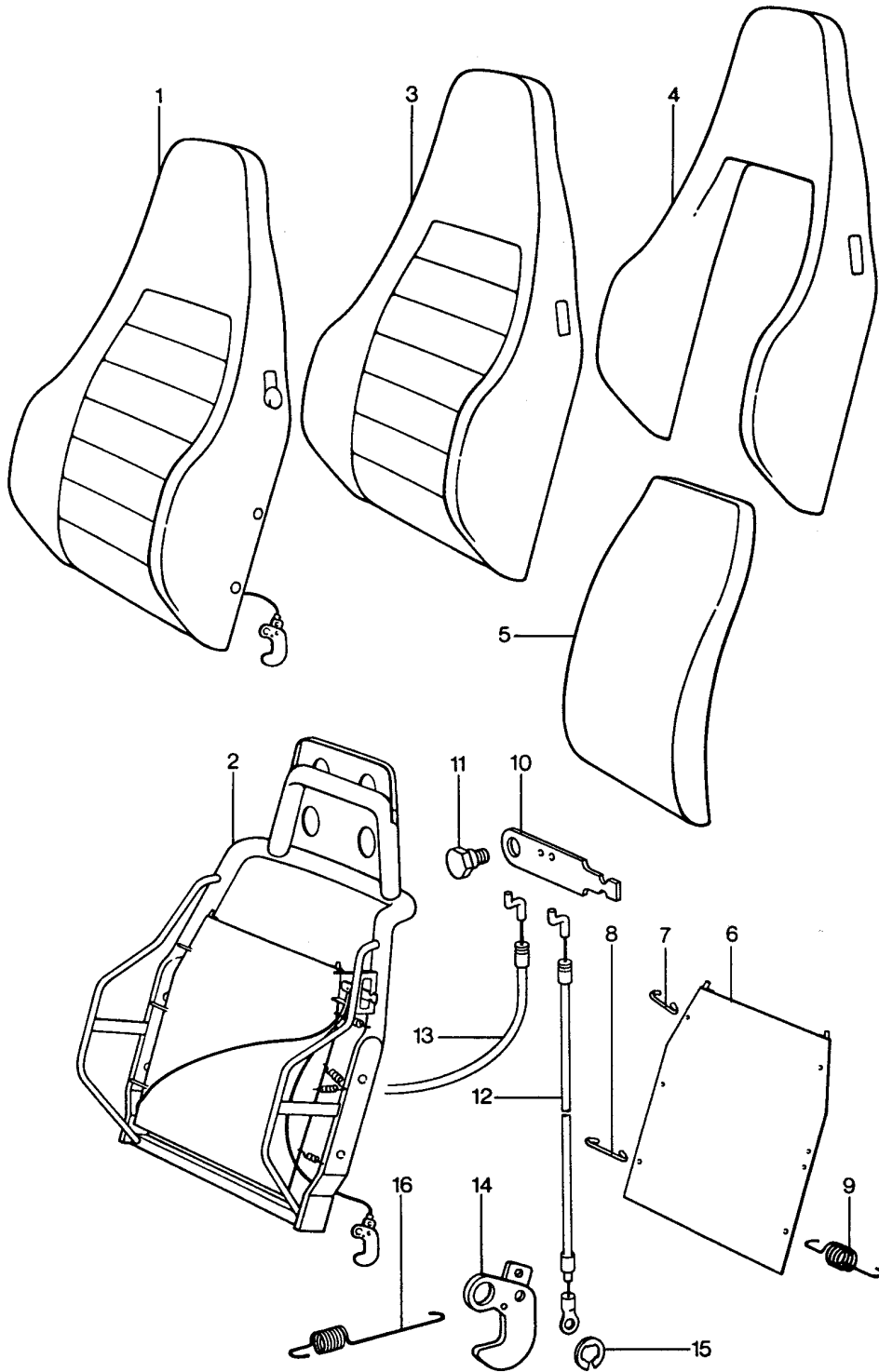
Model: 911 74

Model life 1974>>1977

Pos	Part Number	Description	Remark	Qty	Model
13		See TPI GR.8 NR.34 Seat rail without locking device See TPI GR.8 NR.34		2	
14	900 186 018 02	Pan-head screw M 6 X 20		8	
15	N 012 006 4	Lock ring B 6		16	
16	900 075 057 02	Hexagon-head bolt M 6 X 16		8	
16	900 075 057 03	Hexagon-head bolt M 6 X 16		8	
17	911 521 535 00	Return spring	/L	1	
(17)	911 521 536 00	Return spring	/R	1	
18	900 012 123 00	Pin A 2,5 X 12		2	

Model: 911 74

Model life 1974>>1977



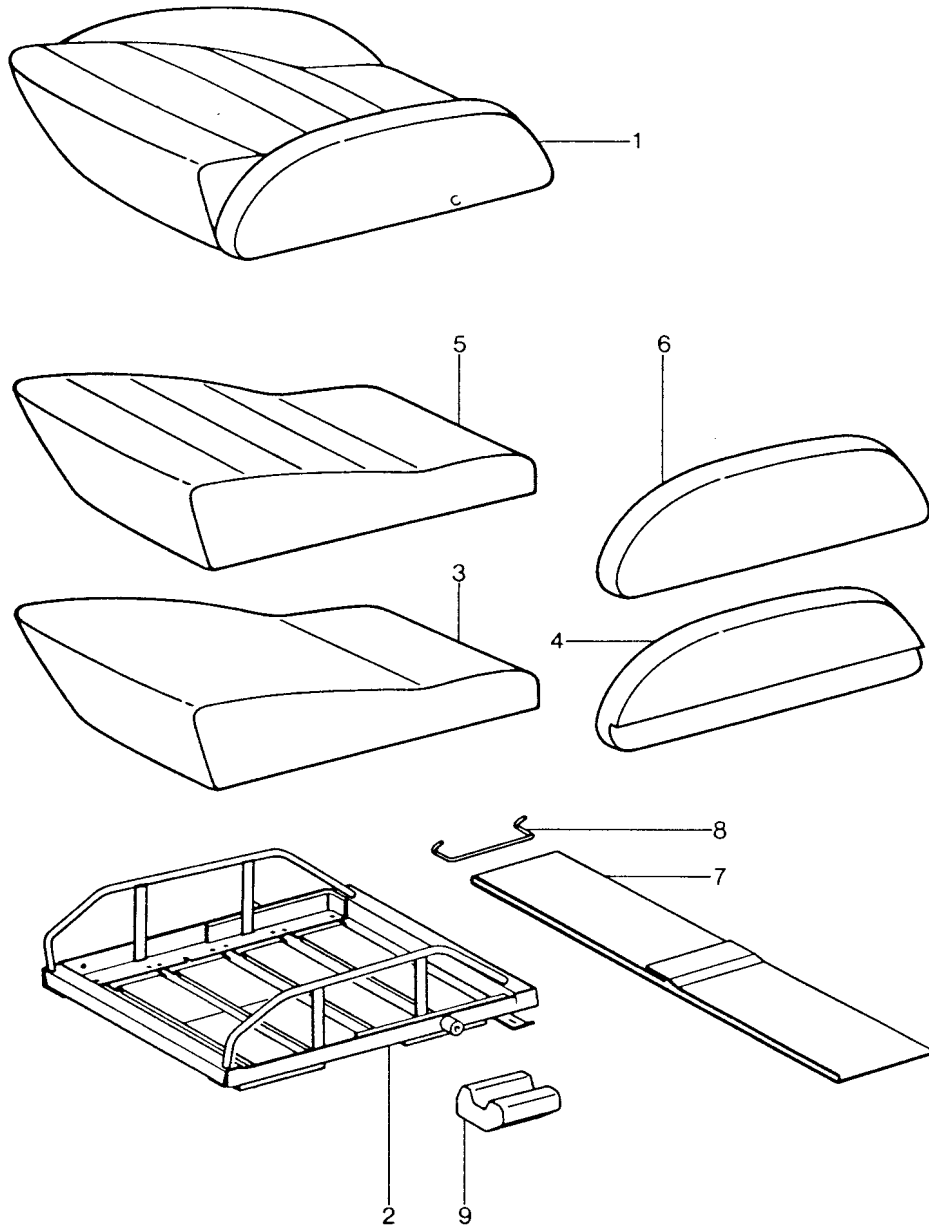
Model: 911 74

Model life 1974>>1977

Pos	Part Number	Description	Remark	Qty	Model
(1)	911 521 603 00	Sports seat Backrest Single parts Backrest Complete Cloth Leatherette Please state the colour	/L	1	
(1)	911 521 604 00	Backrest Complete Cloth Leatherette Please state the colour	/R	1	
1	911 521 603 01	Backrest Complete Leatherette Please state the colour	/L	1	
1	911 521 604 01	Backrest Complete Leatherette Please state the colour	/R	1	
(1)	911 521 603 02	Backrest Complete Leather Please state the colour	/L	1	
(1)	911 521 604 02	Backrest Complete Leather Please state the colour	/R	1	
2	911 521 613 00	Backrest frame	/L	1	
(2)	911 521 614 00	Backrest frame	/R	1	
(3)	911 521 072 01	Backrest cover Cloth Leatherette Please state the colour		2	
3	911 521 072 02	Backrest cover Leatherette Please state the colour		2	
(3)	911 521 072 03	Backrest cover Leather Please state the colour		2	
4	911 521 751 00	Foam part		2	
5	911 521 104 01	Backrest cushion		2	
5	911 521 104 02	Foam part Backrest cushion		2	
6	911 521 651 00	Seat belt		2	
7	911 521 693 00	Belt hook Upper		2	
8	911 521 713 00	Belt hook Lower		4	
9	911 521 689 00	Shift spring		8	
10	911 521 721 00	Backrest locking lever		2	
11	911 521 723 00	Shouldered bolt		2	
12	911 521 615 00	Bowden cable Short		2	
13	911 521 616 00	Bowden cable Long		2	
14	911 521 563 00	Locking hook	/L	2	
(14)	911 521 564 00	Locking hook	/R	2	
15	N 012 439 2	Lock washer 8		4	
16	911 521 733 00	Tension spring	/L	1	
(16)	911 521 734 00	Tension spring	/R	1	

Model: 911 74

Model life 1974>>1977



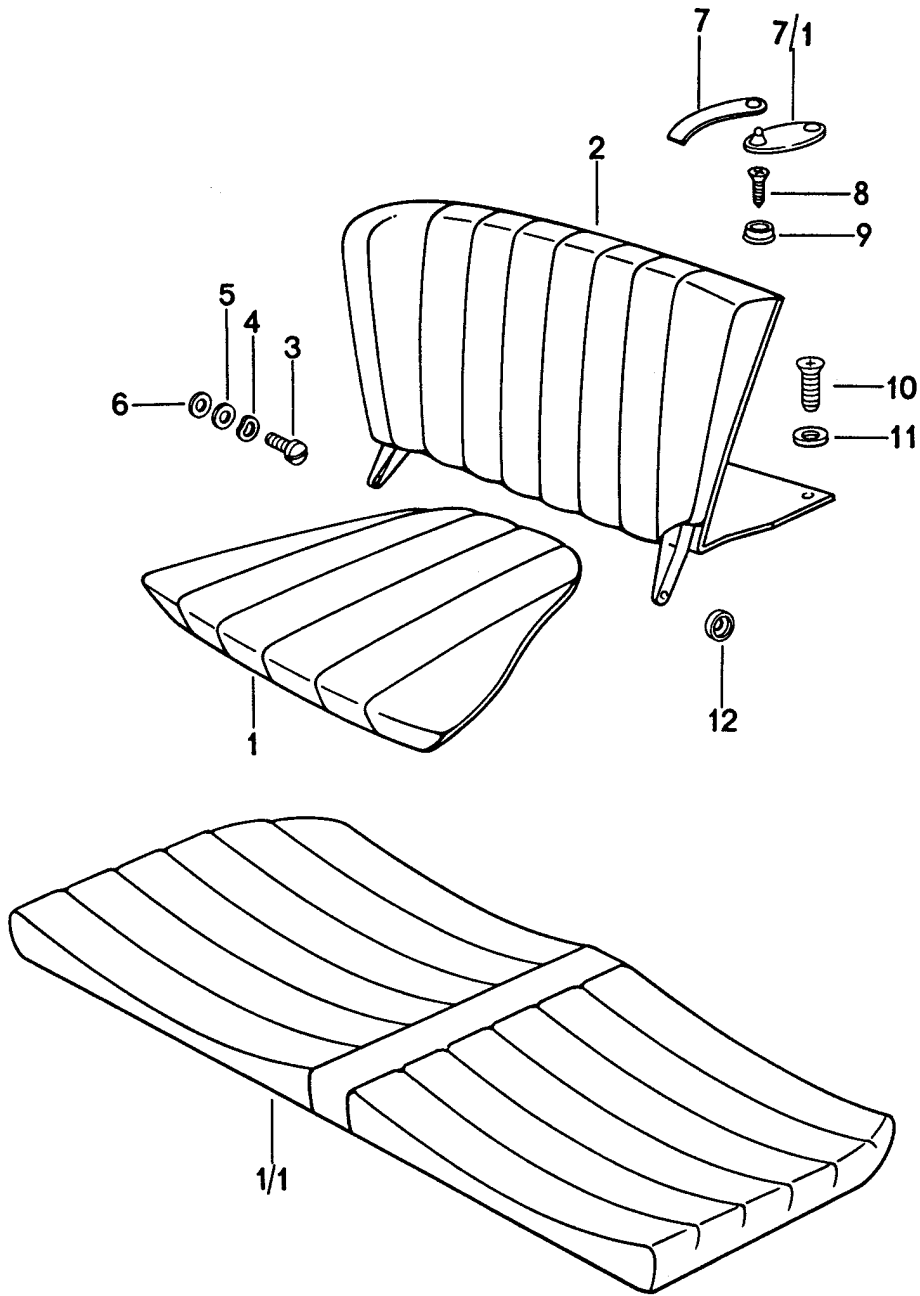
Model: 911 74

Model life 1974>>1977

Pos	Part Number	Description	Remark	Qty	Model
(1)	911 521 605 00	Sports seat Seat cushion Single parts Seat cushion Complete Cloth Leatherette Please state the colour		2	
1	911 521 605 01	Seat cushion Complete Leatherette Please state the colour		2	
(1)	911 521 605 02	Seat cushion Complete Leather Please state the colour		2	
2	911 521 621 00	Seat frame with suspension		2	
3	911 521 679 00	Foam part Seat cushion		2	
4	911 521 683 00	Foam part Seat side bolster	/L	2	
(4)	911 521 684 00	Foam part Seat side bolster	/R	2	
(5)	911 521 197 02	Cover for cushion Cloth Please state the colour		2	
5	911 521 197 03	Cover for cushion Leatherette Please state the colour		2	
(5)	911 521 197 04	Cover for cushion Leather Please state the colour		2	
(6)	911 521 073 01	Seat side bolster cover Cloth Please state the colour	/L	2	
(6)	911 521 074 01	Seat side bolster cover Cloth Please state the colour	/R	2	
6	911 521 073 02	Seat side bolster cover Leatherette Please state the colour	/L	2	
6	911 521 074 02	Seat side bolster cover Leatherette Please state the colour	/R	2	
(6)	911 521 073 03	Seat side bolster cover Leather Please state the colour	/L	2	
(6)	911 521 074 03	Seat side bolster cover Leather Please state the colour	/R	2	
7	911 521 685 00	Belt		8	
8	911 521 691 00	Belt hook		16	
9	901 521 191 00	Rubber support	/L	2	
(9)	901 521 192 00	Rubber support	/R	2	

Model: 911 74

Model life 1974>>1977



Model: 911 74 Model life 1974>>1977

Pos	Part Number	Description	Remark	Qty	Model
1	911 522 051 02	Back seat Back seat cushion Leatherette Please state the colour	/L -76	1	
(1)	911 522 052 02	Back seat cushion Leatherette Please state the colour	/R -76	1	
1	911 522 051 06	Back seat cushion Leatherette Please state the colour	/L 77-	1	
(1)	911 522 052 06	Back seat cushion Leatherette Please state the colour	/R 77-	1	
(1)	911 522 051 03	Back seat cushion Cloth Please state the colour	/L	1	CARRERA 2.7
(1)	911 522 052 03	Back seat cushion Cloth Please state the colour	/R	1	CARRERA 2.7
(1)	930 522 051 70	Back seat cushion Leather Please state the colour	/L -76	1	
(1)	930 522 052 70	Back seat cushion Leather Please state the colour	/R -76	1	
(1)	911 522 051 74	Back seat cushion Leather Please state the colour	/L 77-	1	
(1)	930 522 051 74	Back seat cushion Leather Please state the colour	/L 77-	1	
(1)	911 522 052 74	Back seat cushion Leather Please state the colour	/R 77-	1	
(1)	930 522 052 74	Back seat cushion Leather Please state the colour	/R 77-	1	
(1)	930 522 051 00	Back seat cushion Cloth Leather Please state the colour	/L -76	1	
(1)	930 522 052 00	Back seat cushion Cloth Leather Please state the colour	/R -76	1	
(1)	930 522 051 01	Back seat cushion Cloth Please state the colour	/L 77-	1	
(1)	930 522 052 01	Back seat cushion Cloth Please state the colour	/R 77-	1	
(1)	911 522 051 05	Back seat cushion Leatherette Please state the colour	/L (J) 77-	1	911 S
(1)	911 522 052 05	Back seat cushion Leatherette Please state the colour	/R (J) 77-	1	911 S
1/1	911 522 050 00	Back seat cushion Leatherette Please state the colour	(J) 77-	1	
1/1	911 522 050 70	Back seat cushion Leather Please state the colour	(J)	1	

Model: 911 74

Model life 1974>>1977

Pos	Part Number	Description	Remark	Qty	Model
2	911 522 007 04	Back seat backrest Special Velour Carpet Please state the colour	/L -76	1	
(2)	911 522 008 04	Back seat backrest Special Velour Carpet Please state the colour	/R -76	1	
(2)	911 522 007 05	Back seat backrest Special Velour Carpet Stereo rear loudspeaker Please state the colour	/L -76	1	
(2)	911 522 008 05	Back seat backrest Special Velour Carpet Stereo rear loudspeaker Please state the colour	/R -76	1	
(2)	911 522 005 07	Back seat backrest Nylon velour Carpet Please state the colour	/L -75	1	911S
(2)	911 522 006 07	Back seat backrest Nylon velour Carpet Please state the colour	/R -75	1	911S
(2)	911 522 005 08	Back seat backrest Nylon velour Carpet Stereo rear loudspeaker Please state the colour	/L -75	1	911S
(2)	911 522 006 08	Back seat backrest Nylon velour Carpet Stereo rear loudspeaker Please state the colour	/R -75	1	911S
(2)	911 522 005 13	Back seat backrest Carpet Velour pile Please state the colour	/L -76	1	CARRERA
(2)	911 522 006 13	Back seat backrest Carpet Velour pile Please state the colour	/R -76	1	CARRERA
(2)	911 522 005 19	Back seat backrest Carpet Velour pile Leatherette Please state the colour	/L 77-	1	
(2)	911 522 006 19	Back seat backrest Carpet Velour pile Leatherette Please state the colour	/R 77-	1	
(2)	911 522 005 14	Back seat backrest Carpet Velour pile Stereo rear loudspeaker Please state the colour	/L -76	1	CARRERA

Model: 911 74 Model life 1974>>1977

Pos	Part Number	Description	Remark	Qty	Model
(2)	911 522 006 14	Back seat backrest Carpet Velour pile Stereo rear loudspeaker Please state the colour	/R -76	1	CARRERA
(2)	911 522 005 20	Back seat backrest Carpet Velour pile Leatherette Stereo rear loudspeaker Please state the colour	/L 77-	1	
(2)	911 522 006 20	Back seat backrest Carpet Velour pile Leatherette Stereo rear loudspeaker Please state the colour	/R 77-	1	
(2)	911 522 005 23	Back seat backrest Carpet Velour pile Tartan cloth Leatherette Stereo rear loudspeaker Please state the colour	/L 77-	1	
(2)	911 522 006 23	Back seat backrest Carpet Velour pile Tartan cloth Leatherette Stereo rear loudspeaker Please state the colour	/R 77-	1	
(2)	911 522 005 76	Back seat backrest Carpet Velour pile Leather Please state the colour	/L -76	1	CARRERA 2.7
(2)	911 522 006 76	Back seat backrest Carpet Velour pile Leather Please state the colour	/R -76	1	CARRERA 2.7
(2)	911 522 005 78	Back seat backrest Carpet Velour pile Leather Please state the colour	/L 77-	1	
(2)	911 522 006 78	Back seat backrest Carpet Velour pile Leather Please state the colour	/R 77-	1	
(2)	911 522 005 25	Back seat backrest Carpet Velour pile Tartan cloth Leather Please state the colour	/L 77-	1	
(2)	911 522 006 25	Back seat backrest Carpet Velour pile Tartan cloth Leather Please state the colour	/R 77-	1	

Model: 911 74

Model life 1974>>1977

Pos	Part Number	Description	Remark	Qty	Model
(2)	930 522 005 04	Back seat backrest Carpet Velour pile Tartan cloth Leather Stereo rear loudspeaker Please state the colour	/L 77-	1	
(2)	930 522 006 04	Back seat backrest Carpet Velour pile Tartan cloth Leather Stereo rear loudspeaker Please state the colour	/R 77-	1	
(2)	911 522 005 79	Back seat backrest Carpet Velour pile Leather Stereo rear loudspeaker Please state the colour	/L 77-	1	
(2)	911 522 006 79	Back seat backrest Carpet Velour pile Leather Stereo rear loudspeaker Please state the colour	/R 77-	1	
(2)	911 522 007 08	Back seat backrest Carpet Velour pile State colour of carpet	/L	1	911 JUBI
(2)	911 522 008 08	Back seat backrest Carpet Velour pile State colour of carpet	/R	1	911 JUBI
(2)	911 522 005 11	Back seat backrest Carpet Velour pile Please state the colour	/L	1	911S JUBI
(2)	911 522 006 11	Back seat backrest Carpet Velour pile Please state the colour	/R	1	911S JUBI
(2)	911 522 005 12	Back seat backrest Carpet Velour pile State colour of carpet	/L	1	C 2.7 JUBI
(2)	911 522 006 12	Back seat backrest Carpet Velour pile State colour of carpet	/R	1	C 2.7 JUBI
(2)	911 522 005 22	Back seat backrest Carpet Velour pile Tartan cloth Leatherette Please state the colour	/L 77-	1	
(2)	911 522 006 22	Back seat backrest Carpet Velour pile Tartan cloth Leatherette Please state the colour	/R 77-	1	
(2)	911 522 007 06	Back seat backrest	/L (AUS) -76	1	911S

Model: 911 74 Model life 1974>>1977

Pos	Part Number	Description	Remark	Qty	Model
(2)	911 522 008 06	with Special Velour Carpet Please state the colour Back seat backrest	/R (AUS) -76	1	911S
(2)	911 522 005 09	with Special Velour Carpet Please state the colour Back seat backrest	/L (AUS) -76	1	C 2.7
(2)	911 522 006 09	with Nylon velour Carpet Please state the colour Back seat backrest	/R (AUS) -76	1	C 2.7
(2)	911 522 005 21	with Velour pile Carpet Leatherette Please state the colour Back seat backrest	/L (AUS) 77-	1	
(2)	911 522 006 21	with Velour pile Carpet Leatherette Please state the colour Back seat backrest	/R (AUS) 77-	1	
(2)	911 522 005 15	with Velour pile Carpet Please state the colour Back seat backrest	/L -76 (AUS)	1	CARRERA
(2)	911 522 006 15	with Velour pile Carpet Please state the colour Back seat backrest	/R -76 (AUS)	1	CARRERA
(2)	911 522 005 24	with Velour pile Carpet Tartan cloth Leatherette Please state the colour Back seat backrest	/L (AUS) 77-	1	
(2)	911 522 006 24	with Velour pile Carpet Tartan cloth Leatherette Please state the colour Back seat backrest	/R (AUS) 77-	1	
(2)	911 522 005 80	with Velour pile Carpet Please state the colour Back seat backrest	/L (AUS) 77-	1	

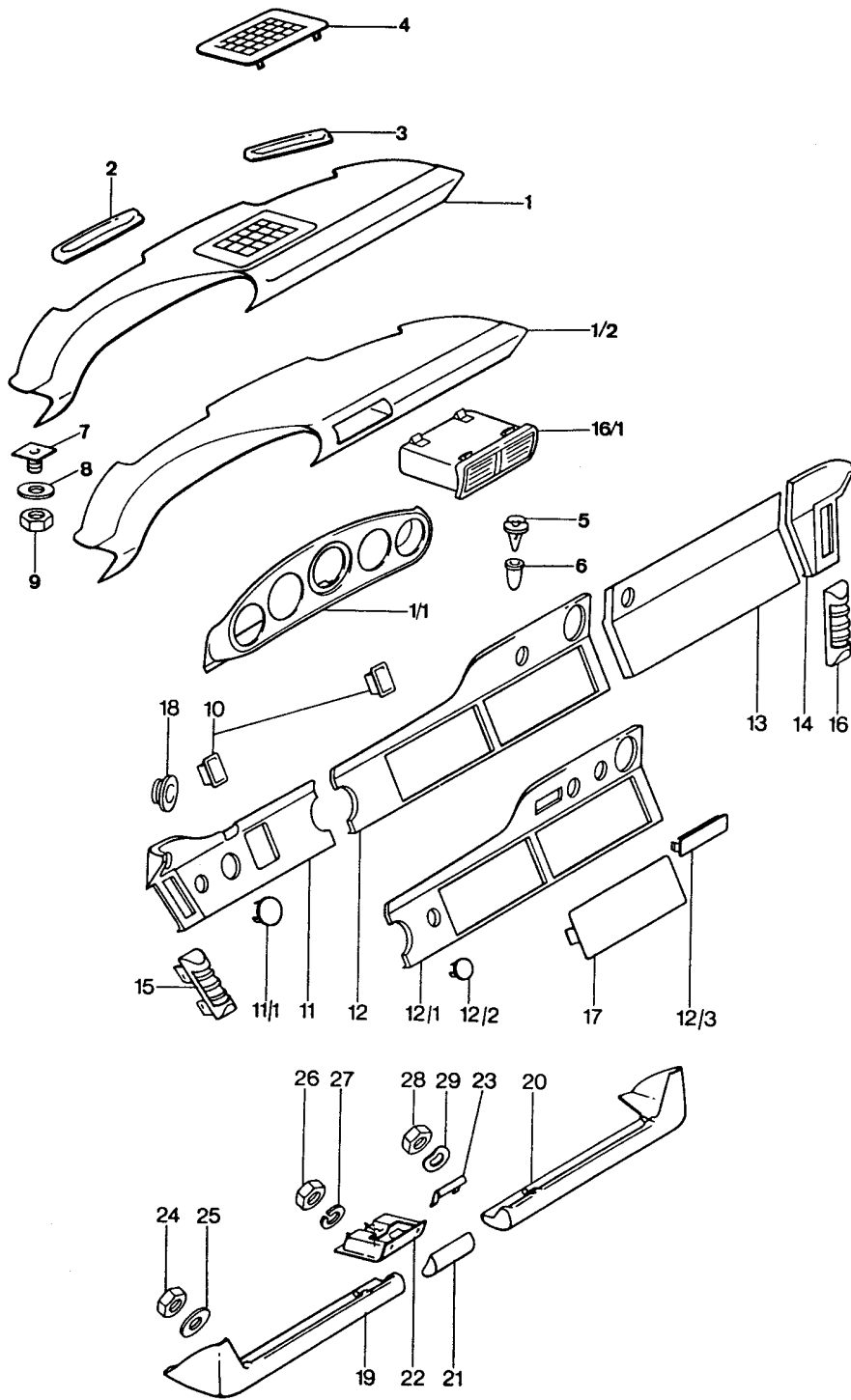
Model: 911 74

Model life 1974>>1977

Pos	Part Number	Description	Remark	Qty	Model
(2)	911 522 006 80	Leather Please state the colour Back seat backrest with Velour pile Carpet	/R (AUS) 77-	1	
(2)	911 522 005 73	Leather Please state the colour Back seat backrest with Velour pile Carpet	/L (AUS) -76	1	
(2)	911 522 006 73	Leather Please state the colour Back seat backrest with Velour pile Carpet	/R (AUS) -76	1	
(2)	930 522 005 05	Leather Please state the colour Back seat backrest with Velour pile Carpet Tartan cloth	/L (AUS) 77-	1	
(2)	930 522 006 05	Leather Please state the colour Back seat backrest with Velour pile Carpet Tartan cloth	/R (AUS) 77-	1	
3	900 236 001 07	Oval-head screw M 8 X 10		2	
3	900 236 001 03	Oval-head screw M 8 X 10		2	
4	N 012 230 1	Spring washer B 10		2	
5	901 522 509 20	Bearing sleeve		2	
6	999 591 111 50	Rubber washer		X	
7	911 522 063 00	Retaining belt		2	
7	901 522 063 40	Retaining belt		2	
(7)	911 645 039 00	Retaining belt Stereo rear loudspeaker		2	
7/1	911 645 037 00	Retaining belt Extension Stereo rear loudspeaker		X	
-	999 591 802 17	Cap for Push button		2	
8	900 143 004 02	Oval-head sheetmetal screw B 3,5 X 19		2	
9	999 591 805 12	Push button		2	
10	900 145 041 00	Rais. counters. h. tap. s. B 3,5 X 16		2	
11	999 591 009 17	Cone washer		4	
11	999 591 102 17	Washer A 3,5		4	
11	999 591 102 1H	Washer A 3,5		4	
12	901 522 365 20	Cap		2	

Model: 911 74

Model life 1974>>1977



Model: 911 74 Model life 1974>>1977

Pos	Part Number	Description	Remark	Qty	Model
1	911 552 031 00	Dashbord Dashbord trim with Grille without Centre nozzle Leatherette	/LL -75	1	
	911 552 031 00 709	Black			
	911 552 031 00 503	Brown-beige			
	911 552 031 00 002	Russet			
1	911 552 031 03	Dashbord trim with Grille without Centre nozzle Leatherette	/LL -75	1	
	911 552 031 03 709	Black			
1	911 552 031 04	Dashbord trim with Grille Leatherette	/LL -75	1	
	911 552 031 04 709	Black			
1	911 552 905 01	Dashbord trim with Grille without Centre nozzle Leatherette	/LL 76	1	
	911 552 905 01 709	Black			
	911 552 905 01 503	Brown-beige			
	911 552 905 01 002	Russet			
(1)	911 552 906 01	Dashbord trim with Grille without Centre nozzle Leatherette	/RL -76	1	
	911 552 906 01 709	Black			
	911 552 906 01 503	Brown-beige			
	911 552 906 01 002	Russet			
(1)	911 552 905 00	Dashbord trim without Grille without Centre nozzle Leatherette	/LL -76	1	
	911 552 905 00 709	Black			
	911 552 905 00 503	Brown-beige			
	911 552 905 00 002	Russet			
(1)	911 552 906 00	Dashbord trim without Grille without Centre nozzle Leatherette	/RL -76	1	
	911 552 906 00 709	Black			
	911 552 906 00 503	Brown-beige			
	911 552 906 00 002	Russet			
(1)	911 552 905 03	Dashbord trim with loudspeaker opening Perforated without Centre nozzle	/LL -76	1	

Model: 911 74

Model life 1974>>1977

Pos	Part Number	Description	Remark	Qty	Model
	911 552 905 03 709	Leatherette Black			
	911 552 905 03 503	Brown-beige			
	911 552 905 03 002	Russet			
(1)	911 552 906 03	Dashboard trim with loudspeaker opening Perforated without Centre nozzle Leatherette	/RL -76	1	
	911 552 906 03 709	Black			
	911 552 906 03 503	Brown-beige			
	911 552 906 03 002	Russet			
(1)	911 552 905 71	Dashboard trim with Grille without Centre nozzle Leather	/LL -75	1	
(1)	911 552 906 71	Indicate colour Dashboard trim with Grille without Centre nozzle Leather	/RL -75	1	
(1)	911 552 905 70	Indicate colour Dashboard trim without Grille without Centre nozzle Leather	/LL -76	1	
(1)	911 552 906 70	Indicate colour Dashboard trim without Grille without Centre nozzle Leather	/RL -76	1	
1/2	911 552 055 02	Indicate colour Dashboard trim with Centre nozzle Leatherette	/LL 77-	1	
(1/2)	911 552 056 02	Indicate colour Dashboard trim with Centre nozzle Leatherette	/RL 77-	1	
1/2	911 552 055 70	Indicate colour Dashboard trim with Centre nozzle Leather	/LL 77-	1	
(1/2)	911 552 056 70	Indicate colour Dashboard trim with Centre nozzle Leather	/RL 77-	1	
1/1	911 552 549 00	Indicate colour Cover Dashboard trim	/LL 76-	1	

Model: 911 74 Model life 1974>>1977

Pos	Part Number	Description	Remark	Qty	Model
1/1	911 552 550 00	Cover Dashboard trim	/RL 76-	1	
2	911 552 409 00	Cover	/L	1	
3	911 552 410 00	Cover	/R	1	
		Heating nozzle			
4	911 552 048 00	Lid	-75	1	
	911 552 048 00 709	Black Loudspeaker Leatherette			
(4)	911 552 048 70	Lid Loudspeaker Leather Indicate colour	-75	1	
5	999 591 310 40	Fixing clip		7	
6	999 591 311 40	Bush		7	
7	999 591 344 02	Latch		2	
8	N 011 524 7	Washer 6,5		7	
8	N 011 524 27	Washer 6,5		7	
9	999 090 003 02	Lock nut M 6		7	
10	911 552 469 00	Trim cover		2	
11	911 552 041 10	Cover	/LL -74	1	911/911S
(11)	911 552 041 04	Cover Comprising: POS.11-14	/LL -75	1	
(11)	911 552 041 10	Cover	/LL 76	1	911/911S CARRERA 3.0
(11)		Cover	/LL 77-	1	911/911S CARRERA 3.0
(11)	911 552 042 04	Cover	/RL -76	1	
(11)	911 552 942 01	Cover Comprising: POS:(11-14)	/RL 77-	1	
11/1	911 552 471 01	Trim cover Hazard warning light sw.		1	
12/2	911 552 467 00	Cap Switch	-74	2	
12/3	911 552 465 00	Trim cover Indicator light	-74	1	
15	911 552 071 00	Side vent	/L	1	
16	911 552 072 00	Side vent	/R	1	
16/1	911 571 067 02	Centre nozzle	77-	1	
(16/1)	911 571 067 03	Centre nozzle Air conditioner	77-	1	
17	911 552 463 00	Trim cover Radio		1	
18	911 552 217 00	Rosette Lid-release cable		1	
19	901 552 035 28	Knee protection strip Leatherette Indicate colour	/L -76	1	
19	901 552 035 27	Knee protection strip Leatherette Indicate colour	/L 77	1	
20	901 552 036 28	Knee protection strip Leatherette Indicate colour	/R -76	1	
20	901 552 036 27	Knee protection strip Leatherette Indicate colour	/R 77	1	
19	901 552 035 70	Knee protection strip	/L	1	

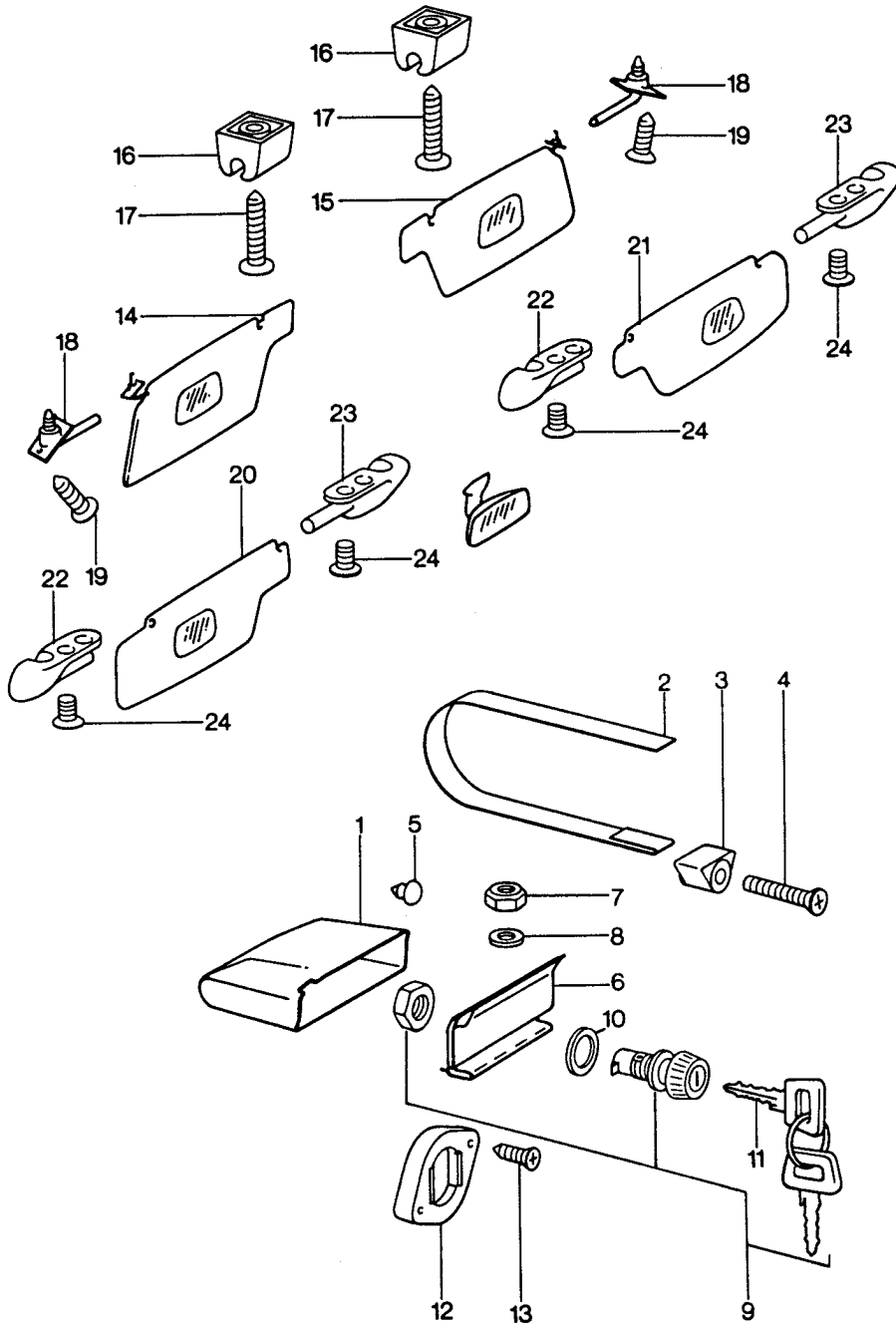
Model: 911 74

Model life 1974>>1977

Pos	Part Number	Description	Remark	Qty	Model
20	901 552 036 70	Leather Indicate colour Knee protection strip	/R	1	
21	901 552 050 25	Leather Indicate colour Ashtray handle		1	
(21)	911 552 050 70	Leatherette Indicate colour Ashtray handle		1	
22	901 552 061 25	Leather Indicate colour Ashtray		1	
23	901 552 607 00	Fireproof plate		1	
24	900 076 027 02	Nut M 5		4	
25	900 151 027 02	Washer 5,3		4	
25	900 151 027 03	Washer 5,3		4	
26	900 076 027 02	Nut M 5		2	
27	900 025 003 02	Washer 5,3		2	
28	900 070 001 02	Cap nut M 4		2	
29	900 028 018 01	Spring washer B 4		2	

Model: 911 74

Model life 1974>>1977



Model: 911 74 Model life 1974>>1977

Pos	Part Number	Description	Remark	Qty	Model
		Glove compartment			
		Sun visor			
1	911 552 501 00	Glove compartment		1	
2	901 552 531 20	Restraining strap		1	
3	914 552 061 00	Clamp		1	
4	900 146 010 02	Oval-head screw AM 5 X 30		1	
5	999 703 064 50	Buffer		1	
6	911 552 010 02	Glove compartment cover		1	
8	900 025 003 02	Washer 5,3		4	
9	911 552 902 03	Glove compartment lock Chrome with Main key W/o stipulated lock number		1	911/911S
				2	
9	911 552 902 07	Glove compartment lock Black with Main key W/o stipulated lock number		1	CARRERA 2.7 CARRERA 3.0
				2	
9	911 552 902 08	Glove compartment lock Black with Main key State lock number		1	
				2	
10	911 552 103 01	Washer		1	
11	914 531 903 10	Blank key Main key		2	
(11)	911 531 945 00	Blank key with Light without Battery	76-	2	
(11)	911 531 946 00	Main key with Light without Battery State lock number	76-	2	
11	914 531 637 10	Main key State lock number		2	
12	911 552 513 02	Door lock striker		1	
13	900 143 065 07	Tapping screw 2,9 X 9,5		2	
13	900 073 003 01	Tapping screw 2,9 X 9,5		2	
(14)	911 731 031 04	Sun visor without mirror	/L (AUS)	1	
	911 731 031 04 CC4	Beige/black			
	911 731 031 04 CA9	Black			
(14)	911 731 031 29	Sun visor without mirror Black	/L (AUS)	1	
14	911 731 031 07	Sun visor with mirror	/RL /L -76	1	
14	911 731 031 18	Sun visor with mirror	/RL /L 77-	1	
(14)	911 731 031 09	Sun visor with mirror Black	/LL /L -76	1	
(14)	911 731 031 14	Sun visor with mirror	/LL /L -76	1	

Model: 911 74 Model life 1974>>1977

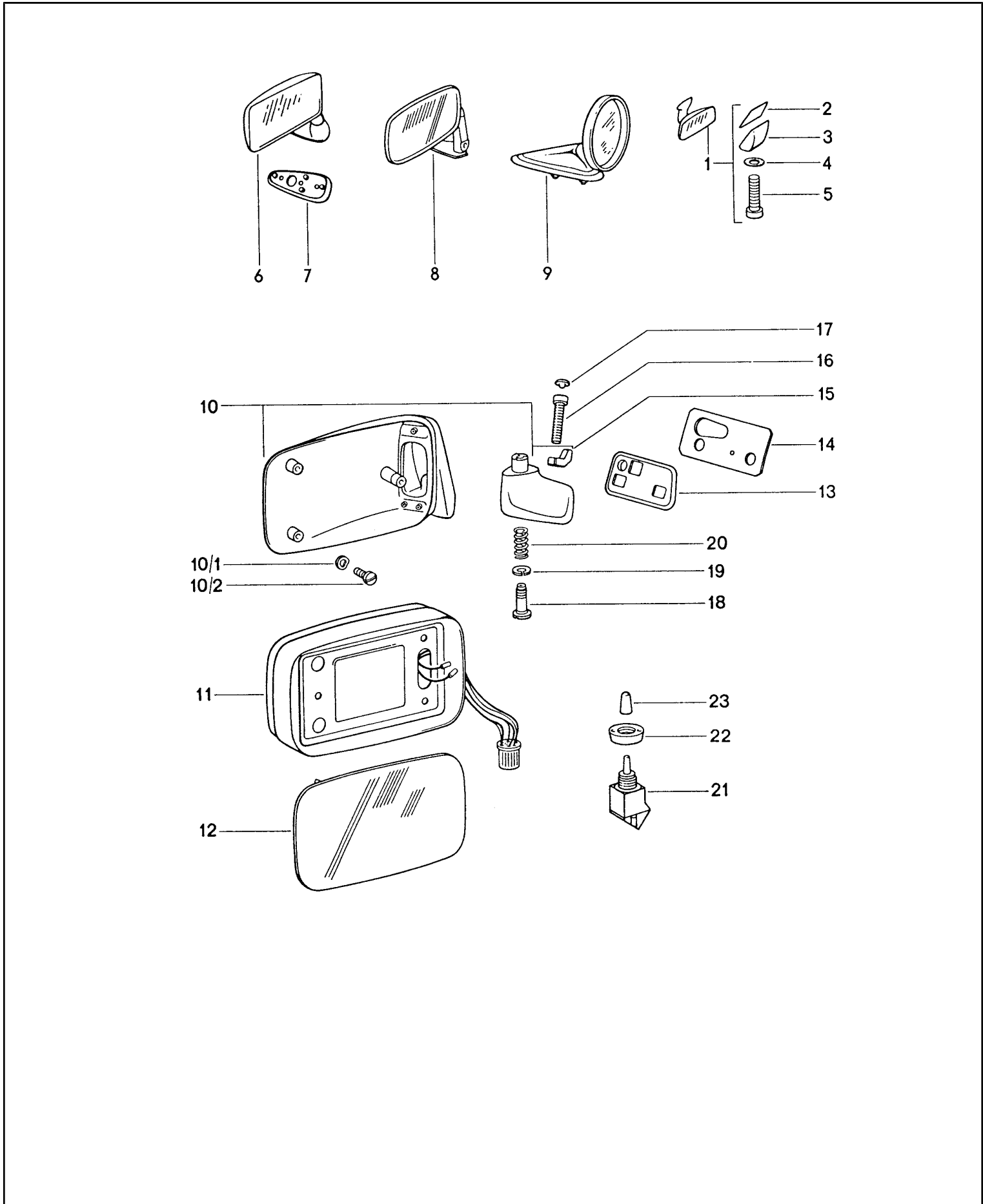
Pos	Part Number	Description	Remark	Qty	Model
(14)	911 731 031 20	Black Sun visor with mirror	/RL /L 77-	1	
(14)	911 731 031 17	Black Sun visor without mirror	/LL /L	1	
(14)	911 731 031 19	Beige Sun visor without mirror	/LL /L	1	
(15)	911 731 032 04	Black Sun visor without mirror	/R (AUS)	1	
	911 731 032 04 CC4	Beige/black			
	911 731 032 04 CA9	Black			
(15)	911 731 032 29	Black Sun visor without mirror	/R (AUS)	1	
15	911 731 032 17	Black Sun visor	/LL /R	1	
(15)	911 731 032 08	Sun visor with mirror	/LL /R	1	
(15)	911 731 032 19	Black Sun visor	/LL /R	1	
(15)	911 731 032 12	Sun visor without mirror	/R 77-	1	
(15)	911 731 032 18	Sun visor without mirror	/RL /R	1	
(15)	911 731 032 09	Beige Sun visor without mirror	/R -76	1	
(15)	911 731 032 14	Black Sun visor without mirror	/R -76	1	
(15)	911 731 032 20	Black Sun visor without mirror	/RL /R 77-	1	
16	911 731 331 00	Support	-76	2	
16		Support	(AUS) 77-	2	
(16)		Support	77-	2	
17	900 143 111 07	Oval-head sheetmetal screw B 3,9 X 13		2	
18	911 731 320 00	Bearing	-76	2	
(18)	964 731 319 00	Bearing	77-	2	
19	900 145 013 07	Rais. counters. h. tap. s. B 4,2 X 13	-76	4	
19	N 014 093 3	Oval-head sheetmetal screw B 4,2 X 13	77-	4	
20	911 731 031 46	Black Sun visor with mirror	/RL /L -76	1	
20	911 731 031 53	Black Sun visor with mirror	/RL /L	1	
(20)	911 731 031 45	Black Sun visor without mirror	/LL /L -76	1	
(20)	911 731 031 52	Black Sun visor without mirror	/LL /L	1	
(20)	964 731 031 41	Black Sun visor	/LL /L	1	
	964 731 031 41 CA9	without mirror			
(20)	964 731 031 43	Black Sun visor with mirror	/L	1	TARGA/CABRIO

Model: 911 74 Model life 1974>>1977

Pos	Part Number	Description	Remark	Qty	Model
(20)	964 731 031 43 CA9 911 731 031 47	Black Sun visor without mirror	/L (AUS)	1	
21	911 731 032 45	Sun visor without mirror	/LL /R -76	1	
21	911 731 032 50	Sun visor without mirror	/LL /R -76	1	
21	911 731 032 52	Sun visor with mirror	/LL /R 77-	1	
21	964 731 032 41 964 731 032 41 CA9	Black Sun visor with mirror	/LL /R 77-	1	
21	964 731 032 40 964 731 032 40 CA9	Black Sun visor with mirror	/LL /R 77-	1	
(21)	911 731 032 46	Black Sun visor without mirror	/R -76	1	
(21)	911 731 032 53	Black Sun visor without mirror	/RL /R	1	
(21)	911 731 032 47	Black Sun visor without mirror	/R (AUS)	1	
22	911 731 323 40	Bearing	/L -76	2	
(22)	911 731 323 41	Bearing bracket	/L 77-	2	
(22)	964 731 319 40	Bearing bracket	/L (AUS) 77-	1	
23	911 731 324 40	Bearing	/R -76	2	
(23)	911 731 324 41	Bearing bracket	/R 77-	2	
(23)	964 731 320 40	Bearing bracket	/R (AUS) 77-	1	
24	900 145 013 07	Rais. counters. h. tap. s. B 4,2 X 13		4	

Model: 911 74

Model life 1974>>1977



Model: 911 74 Model life 1974>>1977

Pos	Part Number	Description	Remark	Qty	Model
		Interior mirror			
		Door mirror			
1	914 731 014 11	Interior mirror		1	
1	914 731 014 12	Interior mirror		1	
2	901 731 133 20	Adhesive plate		1	
3	901 731 113 00	Plate		1	
4	900 114 020 01	Shake-proof washer A 2,8		1	
5	900 014 094 10	Pan-head screw AM 2,6 X 15		1	
6	911 731 013 01	Door mirror Chrome Large Left	/L -75	1	911/911S
6	911 731 013 07	Door mirror Chrome Large Left	/L -75	1	911/911S
6	911 731 013 10	Door mirror Chrome Large Left	/L	1	911/911S
6	911 731 014 07	Door mirror Chrome Large Right	/R -75	1	
6	911 731 014 10	Door mirror Chrome Large Right	/R	1	
6	911 731 013 08	Door mirror Small Left	/L	1	
6	911 731 014 08	Door mirror Small Right	/R	1	
(6)	911 731 013 28	Door mirror Black	/L -75	1	CARRERA 2.7
7	911 731 129 00	Desk pad	-75	1	911/911S CARRERA 2.7
8	911 731 017 00	Door mirror Plane	/L /R -74	1	911/911S
(8)	911 731 017 01	Door mirror Convex	/L /R -74	1	911/911S
(8)	911 731 017 06	Door mirror Plane Chrome	/LL /L -75	1	911/911S
(8)	911 731 017 07	Door mirror Convex Chrome	/LL /L -75	1	911/911S
-	911 731 181 01	Desk pad	-75	1	
-	900 067 008 03	Pan-head screw M6 X 12	-75	2	
(8)	911 731 017 20	Door mirror Plane Black	/LL /L -75	1	CARRERA 3.0
-	911 731 181 01	Desk pad	-75	1	
-	900 067 008 03	Pan-head screw M6 X 12	-75	2	
(8)	911 731 017 21	Door mirror Convex Black	/LL /R -75	1	CARRERA 3.0
-	911 731 181 01	Desk pad	-75	1	

Model: 911 74

Model life 1974>>1977

Pos	Part Number	Description	Remark	Qty	Model
-	900 067 008 03	Pan-head screw M6 X 12	-75	2	
(8)	911 731 018 06	Door mirror Plane Chrome	/RL /R -75	1	911/911S
-	911 731 181 01	Desk pad	-75	1	
-	900 067 008 03	Pan-head screw M6 X 12	-75	2	
(8)	911 731 018 21	Door mirror Convex Black with installation parts	/RL /L -75	1	911/911S
-	911 731 181 01	Desk pad	-75	1	
-	900 067 008 03	Pan-head screw M6 X 12	-75	2	
(8)	911 731 018 20	Door mirror Plane Black	/RL /R -75	1	CARRERA 3.0
-	911 731 181 01	Desk pad	-75	1	
-	900 067 008 03	Pan-head screw M6 X 12	-75	2	
(8)	911 731 018 21	Door mirror Convex Black with installation parts	/RL /L -75	1	CARRERA3.0
-	911 731 181 01	Desk pad	-75	1	
-	900 067 008 03	Pan-head screw M6 X 12	-75	2	
9	901 731 111 01	Door mirror Plane	/RL /R -75	1	911/911S CARRERA 2.7
9	901 731 111 02	Door mirror Round Plane	/L /R -75	1	911/911S CARRERA 2.7
10	911 731 023 00	Installation set Door mirror	/LL /L 76-	1	911/911S CARRERA 3.0
(10)	911 731 025 00	Installation set Door mirror	/RL /L 76-	1	911/911S CARRERA 3.0
(10)	911 731 026 00	Installation set Door mirror	/LL /R 76-	1	911/911S CARRERA 3.0
(10)	911 731 024 00	Installation set Door mirror	/RL /R 76-	1	911/911S CARRERA 3.0
10/1	N 012 225 2	Spring washer A 5	76-	3	
10/2	N 014 133 8	Oval-head screw AM 5 X 12	76-	3	
11	911 799 731 09	Covering frame with Transmission	76-	1	
12	911 731 035 00	Mirror glass Plane	76-	1	
(12)	911 731 035 01	Mirror glass Convex	(J) (N) (S) 76-	1	
-	999 703 128 40	Grommet Mirror glass	76-	3	
13	911 731 247 00	Desk pad	/L 76-	1	
(13)	911 731 248 00	Desk pad	/R 76-	1	
14	911 531 197 00	Reinforcement	/L 76-	1	
(14)	911 531 198 00	Reinforcement	/R 76-	1	
15		Mounting piece	76-	1	
16	999 218 021 02	Pan-head screw M 5 X 35	76-	1	
16	999 218 021 0C	Pan-head screw	76-	1	

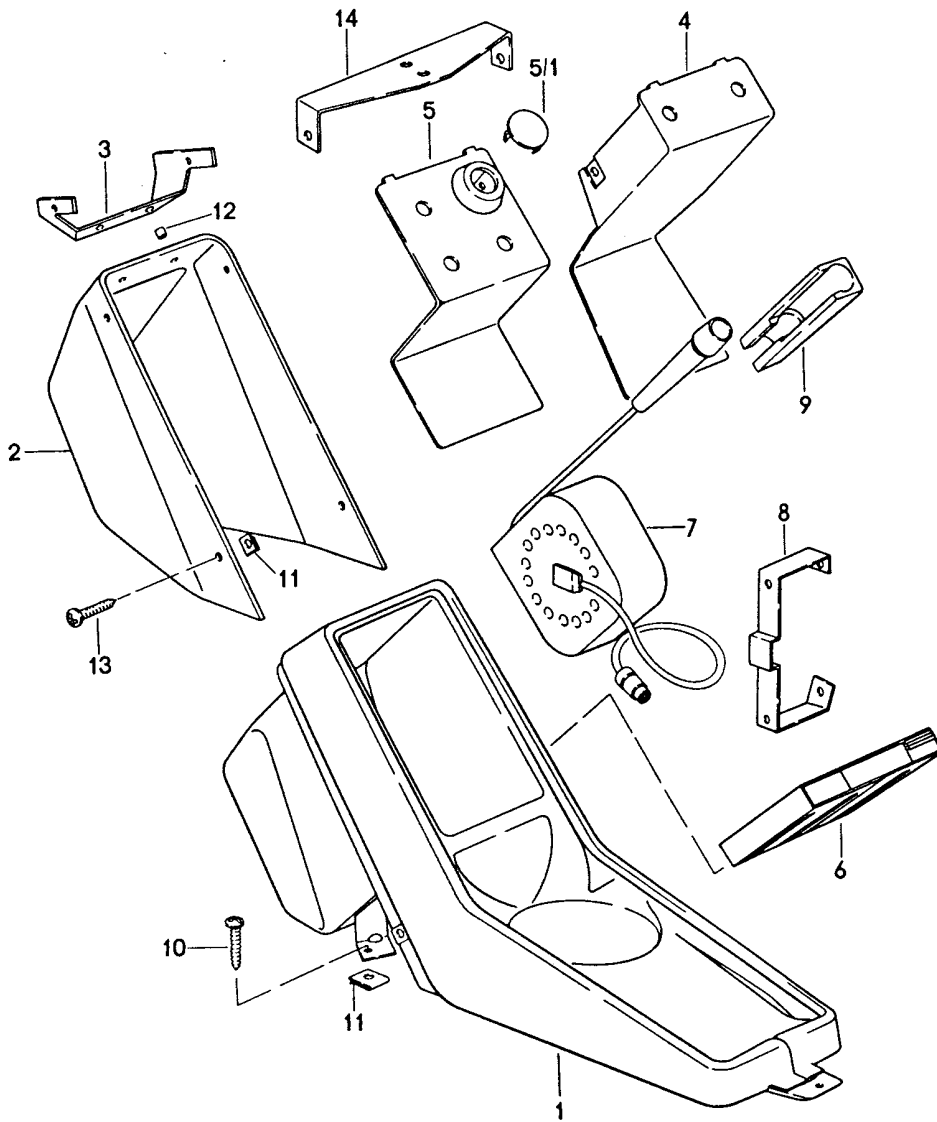
Model: 911 74

Model life 1974>>1977

Pos	Part Number	Description	Remark	Qty	Model
		M 5 X 35			
17	999 703 137 40	Cap	76-	1	
18	911 731 257 00	Guide tube	76-	1	
19	911 731 345 00	Centring washer	76-	1	
20	911 731 029 00	Spring	76-	1	
21	911 613 115 00	Switch	76-	1	
-	911 731 343 03	Gasket	76-	1	
22	911 731 251 00	Round nut	76-	1	
23	911 613 633 01	Protection cap	76-	1	
-	477 957 861	Rubber sleeve	76-	1	
-	111 971 911 A	Grommet	76-	1	
-	914 612 325 00	Plug socket 4-pole	76-	1	
-	911 612 881 00	Plug socket 6-pole	76-	1	
-	911 612 879 00	Pin connector socket 9-pole	76-	2	
-	911 612 163 00	Wiring harness Door	76-	1	
-	911 731 317 00	Seal Connector	76-	1	
-	911 612 162 01	Wiring harness Luggage compartment	/LL 76-	1	
-	911 612 162 00	Wiring harness Luggage compartment electrical components for	/RL 76-	1	
-	911 612 165 00	Door mirror Wiring harness Driver's side	76-	2 1	
-	911 612 166 00	Wiring harness Passenger's side	76-	1	
-	911 612 164 01	Wiring harness Luggage compartment	/LL 76-	1	
-	911 612 164 00	Wiring harness Luggage compartment	/RL 76-	1	
-	911 613 113 00	Changeover switch Passenger's side	76-	1	

Model: 911 74

Model life 1974>>1977



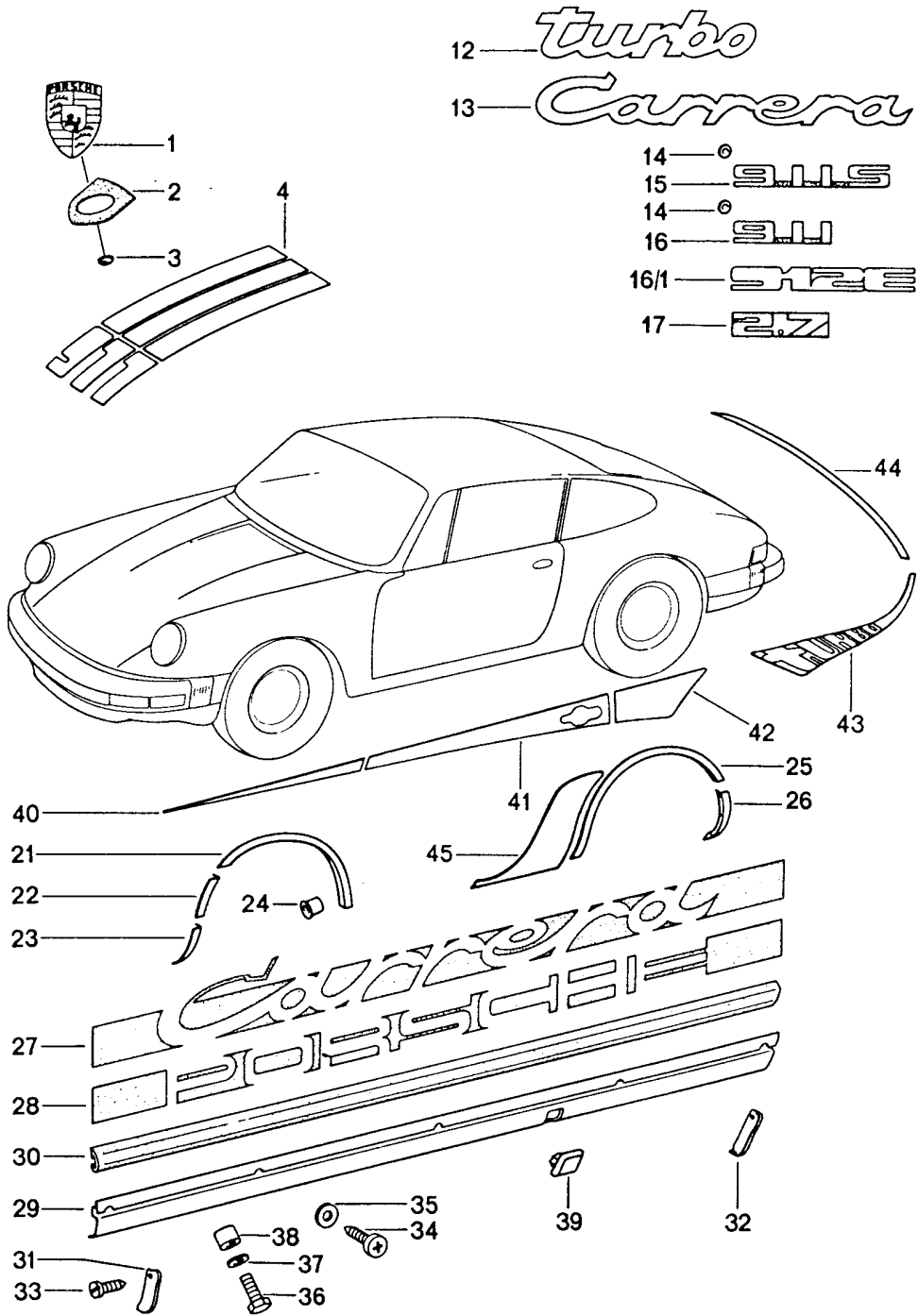
Model: 911 74

Model life 1974>>1977

Pos	Part Number	Description	Remark	Qty	Model
1	911 552 036 00	Centre console Centre console Leatherette Indicate colour		1	
(1)	930 552 036 00	Centre console Leather Indicate colour		1	
2	911 552 231 00	Cap		1	
3	911 552 255 00	Support		1	
4	911 552 253 00	Support Switch Air conditioner		1	
5	911 552 053 00	Cassette carrier Microphone		1	
(5)	911 552 053 01	Cassette carrier Microphone And Air conditioner		1	
5/1	911 552 471 01	Trim cover		1	
6	911 645 226 00	Cassette box		X	
7	911 645 221 00	Microphone		1	
8	911 552 261 00	Bracket		1	
9	911 645 167 00	Support		1	
10	900 143 047 07	Tapping screw 4,2 X 19		3	
10	900 073 007 01	Tapping screw 4,2 X 19		3	
11	999 507 240 00	Speed nut 4,2		7	
12	999 190 006 03	Tubular rivet 3,5 X 9		2	
13	900 143 121 07	Tapping screw 4,2 X 16		4	
13	900 143 121 0H	Tapping screw 4,2 X 16		4	
14	911 645 137 00	Support		1	
-	911 645 198 00	Rubber plate 200 X 180 X 4		1	
-	999 513 003 40	Tie-wrap 360 MM		2	

Model: 911 74

Model life 1974>>1977



Model: 911 74

Model life 1974>>1977

Pos	Part Number	Description	Remark	Qty	Model
		Decorative fittings			
1	901 559 210 20	Lid emblem		1	
1	901 559 210 26	Lid emblem		1	
2	901 559 215 20	Desk pad		1	
2	7L5 853 611 B	Desk pad		1	
3	999 591 423 03	Tapping nut		2	
4	911 559 171 00	Adhesive film Black	-76	1	
(4)	911 559 171 01	Adhesive film Orange	-76	1	
(4)	911 559 171 02	Adhesive film Gold-coloured	-76	1	
(4)	911 559 171 03	Adhesive film Green	-76	1	
13	911 559 317 01	Logo Carrera		1	CARRERA
(13)	911 559 317 02	Logo Carrera		1	CARRERA 3.0
(13)	911 559 036 04	Logo Adhesive film Black		1	CARRERA
(13)	911 559 036 05	Spoiler lid Logo Adhesive film Gold-coloured Spoiler lid		1	CARRERA
14	999 591 423 03	Tapping nut		X	
15	901 559 308 20	Logo Chrome	75	1	911 S
15	901 559 308 23	Logo Chrome	75-	1	911 S
15	901 559 308 21	Logo Black	-75	1	911 S
15	901 559 308 24	Logo Black		1	911 S
15	901 559 308 50	Logo Gold-coloured	75	1	911 S
15	901 559 308 51	Logo Gold-coloured	75-	1	911 S
(15)	911 559 308 03	Logo Black	76	1	911 S
16	911 559 329 00	Logo	-75	1	911
(16)	911 559 329 03	Logo Black	76-	1	911
17	911 559 015 01	Logo	-74	1	
17	911 559 015 03	Logo		1	
21	911 559 173 00	Moulding Wing	/L	1	911/911S 912 E
(21)	911 559 174 00	Moulding Wing It is necessary to rework	/R	1	911/911S 912 E
22	911 559 175 00	Moulding Front apron	/L	1	911/911S 911 E
(22)	911 559 176 00	Moulding Front apron	/R	1	911/911S 912 E
23	911 503 161 00	Plate Front apron	/L	1	911/911S 912 E
(23)	911 503 162 00	Plate Front apron	/R	1	911/911S 912 E
24	999 190 101 30	Blind rivet \$ 3,2		32	911/911S 912 E
25	911 559 177 00	Moulding Wing	/L	1	911/911S 912 E

Model: 911 74 Model life 1974>>1977

Pos	Part Number	Description	Remark	Qty	Model
(25)	911 559 178 00	Moulding Wing	/R	1	911/911S 912 E
26	911 559 181 00	Moulding Wing	/L	1	911/911S 912 E
(26)	911 559 182 00	Moulding Wing	/R	1	911/911S 912 E
-	999 911 084 40	Beading Moulding		*	911/911S 912 E
-	999 911 160 40	Adhesive tape 9 X 0,8		*	911/911S 912 E
27	911 559 034 03	Logo Black		2	CARRERA
(27)	911 559 034 04	Logo Gold-coloured	-76	2	CARRERA
28	911 559 319 01	Logo Black	-74	2	
(28)	911 559 319 02	Logo Orange	-75	2	
(28)	911 559 319 04	Logo Green	-75	2	
(28)	911 559 319 06	Logo Black Hatched	-76	2	
(28)	911 559 319 07	Logo White Hatched	-75	2	
29	911 559 113 01	Trim cover	/L	1	911/911S
29	911 559 113 01 GRV	Trim cover Prime coated	/L	1	911/911S
(29)	911 559 113 03	Trim cover Aluminium Polished	/L	1	911/911S 912 E
(29)	911 559 047 00	Trim cover	/L	1	CARRERA 2.7 CARRERA 3.0
(29)	911 559 114 01	Trim cover	/R	1	911/911S
(29)	911 559 114 01 GRV	Trim cover Prime coated	/R	1	911/911S
(29)	911 559 048 00	Trim cover	/R	1	CARRERA 2.7 CARRERA 3.0
30	930 559 103 01	Rubber moulding		2	
31	PCG 559 941 00	End piece	/L /R	1	
		End piece Comprising: POS 31 + 32 Black mat			
31	PCG 559 941 03	End piece	/L /R	1	
		End piece Comprising: POS 31 + 32 Anodised			
32	PCG 559 941 00	End piece	/L /R	1	
		End piece Comprising: POS 31 + 32 Black mat			
32	PCG 559 941 03	End piece	/L /R	1	
		End piece Comprising: POS 31 + 32 Anodised			
33	900 143 049 07	Tapping screw BZ 3,5 X 9,5 Black		8	

Model: 911 74

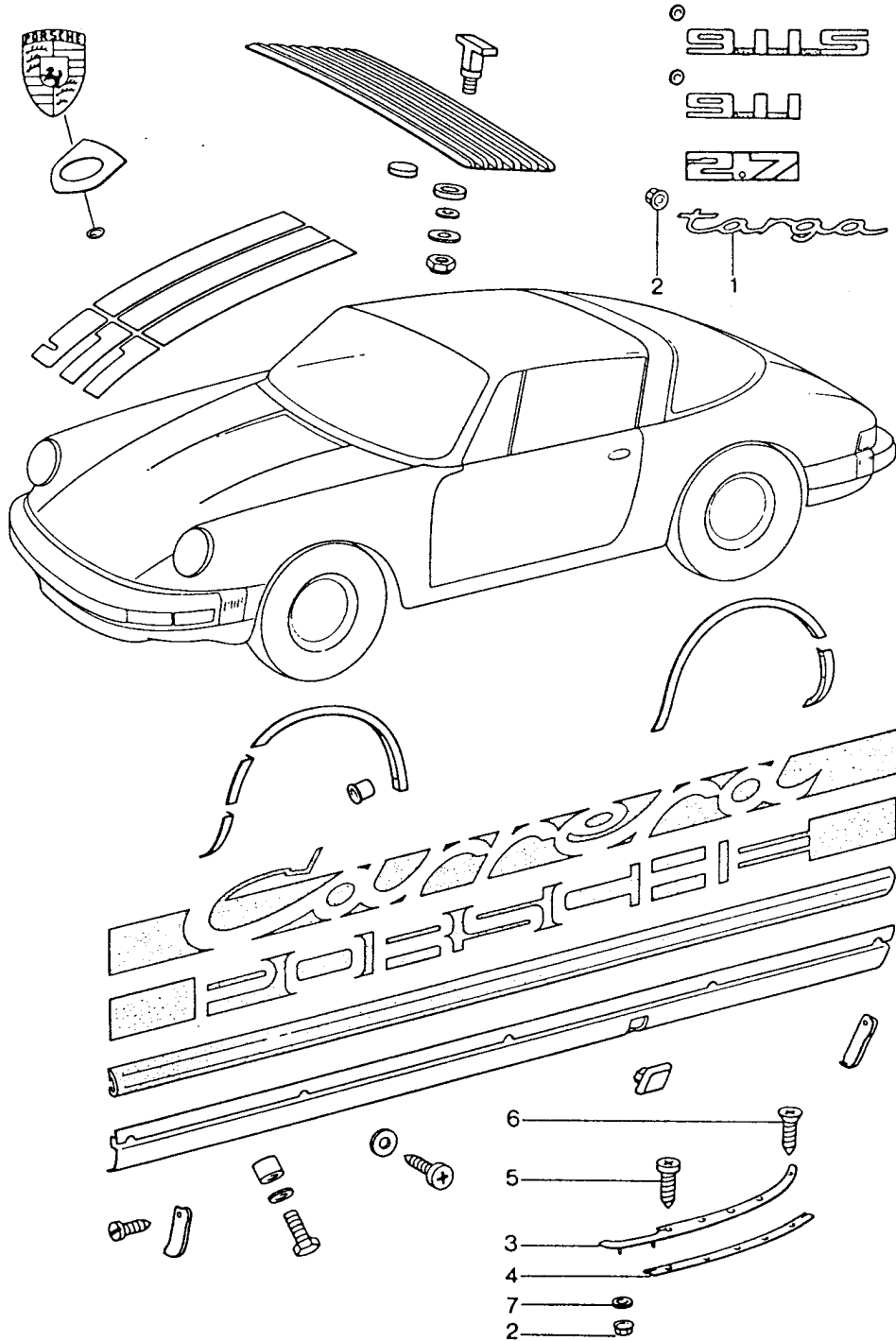
Model life 1974>>1977

Pos	Part Number	Description	Remark	Qty	Model
33	N 013 957 5	Oval-head sheetmetal screw BZ 3,5 X 9,5 Chrome		8	
34	N 013 961 2	Oval-head sheetmetal screw B 3,9 X 13		10	
34	N 013 961 11	Oval-head sheetmetal screw B 3,9 X 13		10	
35	900 025 002 02	Washer 4,3		10	
35	900 025 002 03	Washer 4,3		10	
36	900 187 032 02	Tapping screw B 6,3 X 25		6	
37	900 151 007 02	Washer 7,4		6	
37	900 151 007 03	Washer 7,4		6	
38	911 559 145 00	Spacer sleeve		X	
39	911 559 149 01	Stopper		2	

Model: 911 74

Model life 1974>>1977

Carrera



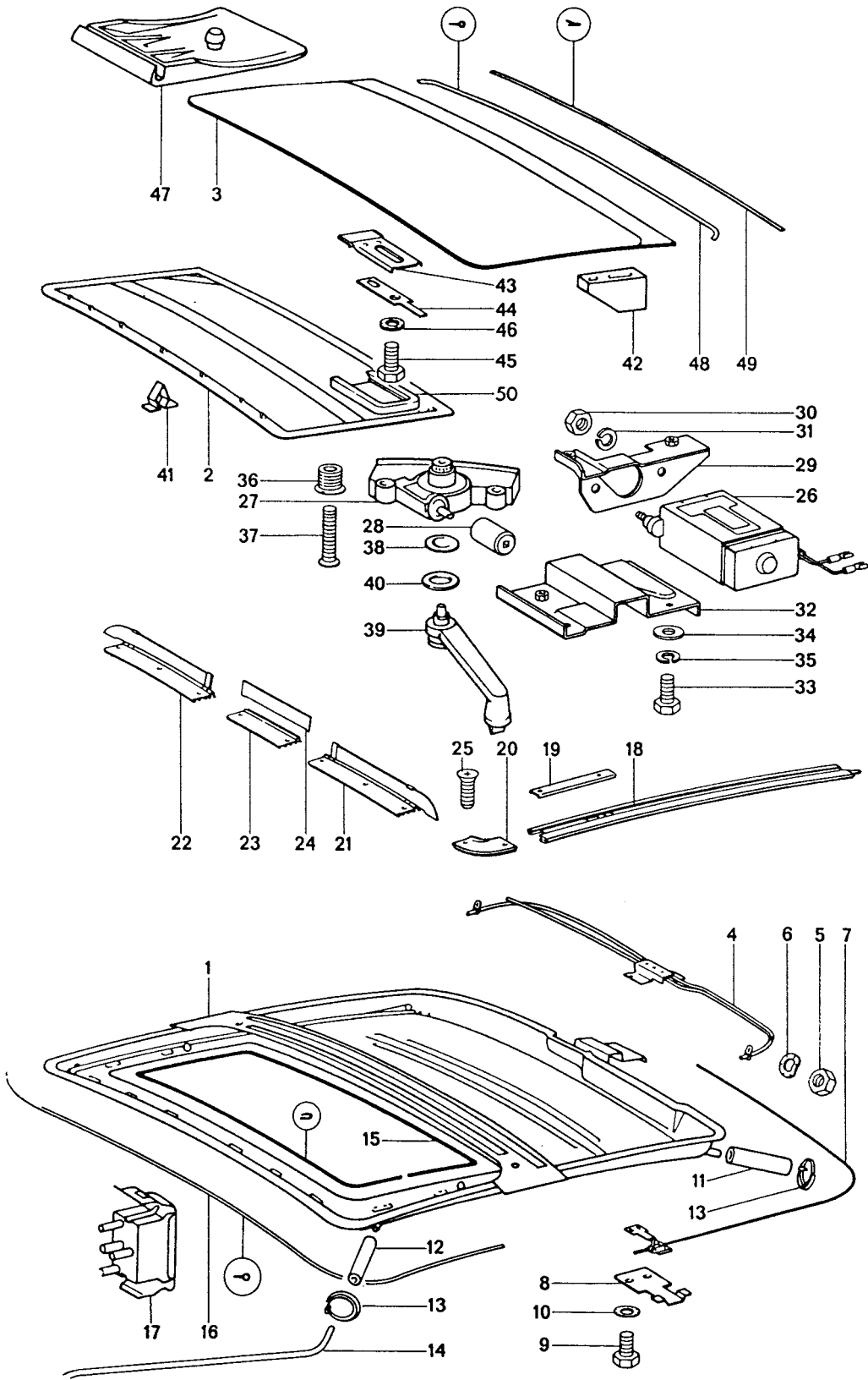
Model: 911 74

Model life 1974>>1977

Pos	Part Number	Description	Remark	Qty	Model
		Decorative fittings			TARGA
1	911 559 307 41	Logo		2	
1	911 559 307 42	Logo		2	
2	999 591 423 03	Tapping nut		6	
3	911 565 947 40	Moulding Chrome	/L	1	
(3)	901 565 047 48	Moulding Black	/L	1	
(3)	911 565 948 40	Moulding Chrome	/R	1	
(3)	901 565 048 48	Moulding Black	/R	1	
4	901 565 557 40	Piping		2	
5	N 013 957 5	Oval-head sheetmetal screw B 3,5 X 9,5		8	
6	900 144 009 00	Counters. head tapp. screw 2,9 X 13		2	
7	900 151 006 40	Washer B 6,4	-76	4	
7	901 565 448 40	Spacer	77-	4	

Model: 911 74

Model life 1974>>1977



Model: 911 74 Model life 1974>>1977

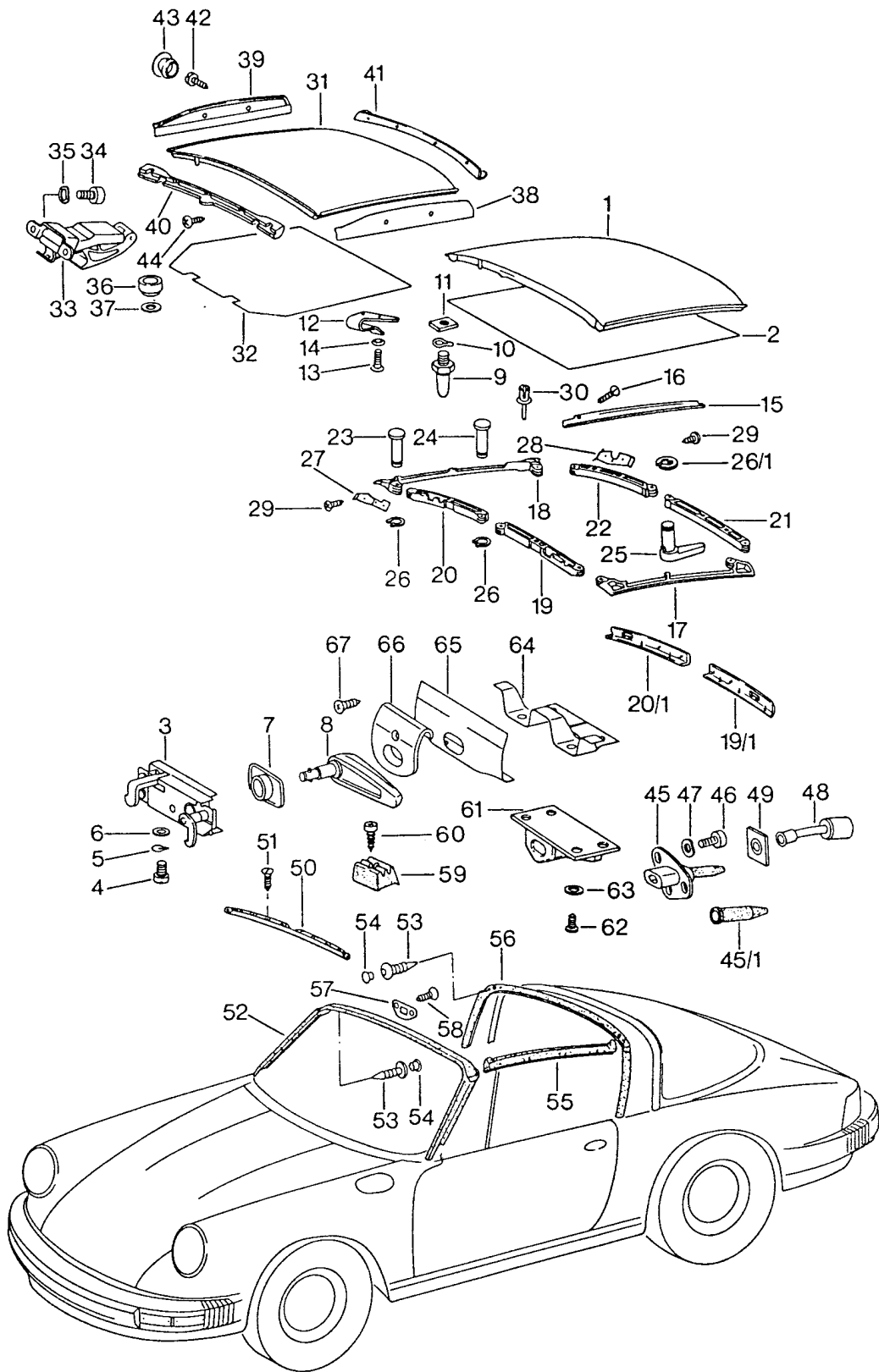
Pos	Part Number	Description	Remark	Qty	Model
-	911 564 003 00	Sunroof Electric	-74	1	
-	911 564 003 01	Sunroof Complete		1	911/911S CARRERA 3.0
-	911 564 003 02	Sunroof Complete	77-	1	
1	911 564 911 00	Roofliner frame		1	
2	901 564 020 07	Roofliner frame		1	
-	901 564 291 07	Roofliner frame Please state the colour		1	
3	930 564 051 00	Lid		1	
4	911 564 031 02	Pipeline		1	
4	911 564 031 03	Pipeline		1	
4	964 564 231 00	Pipeline		1	
5	900 076 027 02	Nut M 5		2	
6	900 115 001 01	Serrated lock washer M 5,3		2	
7	901 564 043 05	Guide	/H /L	1	
(7)	901 564 044 05	Guide	/H /R	1	
8	901 564 451 05	Reinforcement		2	
9	900 075 106 02	Hexagon-head bolt M 4 X 6		4	
10	N 012 116 1	Serrated lock washer A 4,3		4	
11	911 564 825 00	Water drain hose	/H	2	
12	911 564 821 01	Water drain hose	/V -76	2	
(12)		Water drain hose	/V 77-	2	
13	999 512 105 02	Hose clamp		8	
14	911 503 581 00	Water drain tube	/V /L	1	
(14)	911 503 582 00	Water drain tube	/V /R	1	
15	911 564 465 00	Beading		1	
16	901 564 901 05	Velvet strip Please state the colour		1	
(16)	911 564 191 00	Velvet strip		1	
17		Tip switch See group 9/03/05		X	
18	901 564 041 05	Guide rail	/L	1	
(18)	901 564 042 05	Guide rail	/R	1	
19	901 564 407 05	Intermediate piece		2	
20	901 564 405 05	Corner piece	/L	1	
(20)	901 564 406 05	Corner piece	/R	1	
21	901 564 073 05	Air deflector	/L	1	
22	901 564 074 05	Air deflector	/R	1	
23	901 564 409 05	Centre piece		1	
24	901 564 703 05	Air deflector Centre		1	
25	900 145 009 02	Tapping screw B 3,9 X 9,5		16	
26	911 624 016 01	Motor		1	
27	911 564 601 00	Transmission	-75	1	
(27)	911 564 601 01	Transmission	76-	1	
28	911 624 103 00	Clutch		1	
28	911 624 103 01	Clutch		1	
29	911 624 007 01	Engine support		1	
30	900 076 027 02	Nut M 5		2	
31	N 012 005 3	Lock ring B 5		2	
32	911 564 035 00	Gear support	-75	1	

Model: 911 74 Model life 1974>>1977

Pos	Part Number	Description	Remark	Qty	Model
(32)	964 564 035 00	Gear support	76-	1	
33	N 010 225 4	Hexagon-head bolt M 5 X 8		2	
33	900 075 001 03	Hexagon-head bolt M 5 X 8		2	
34	900 025 003 02	Washer 5,3		2	
35	N 012 005 3	Lock ring B 5		2	
36	901 564 661 05	Screw		2	
37	900 269 012 02	Countersunk-head screw M 4 X 25		2	
38	901 564 663 05	Cap		1	
39	901 564 085 05	Crank		1	
40	911 564 643 00	Washer		1	
41	901 564 299 05	Duct clamp		1	
41	901 564 299 0F	Duct clamp		1	
42	901 564 431 05	Guide shoe		2	
43	911 564 045 00	Guide	/V	2	
44	911 564 451 00	Tab washer		2	
45	911 564 459 00	Wedge screw AM 5 X 12		4	
46	900 115 001 01	Serrated lock washer A 5,3		4	
47	901 564 433 05	Edge protection		4	
48	901 564 903 05	Velvet strip		1	
(48)	911 564 193 00	Velvet strip		1	
49	901 564 905 05	Sealing rubber		1	
-	911 503 507 01	Plastic foam strip		1	
50	911 564 401 00	Cap/protective strip		1	
-	911 564 409 00	Sealing strip	/H	1	
-	911 564 409 01	Sealing strip		2	
-	911 564 899 02	Lateral Parts kit for Sunroof		1	

Model: 911 74

Model life 1974>>1977



Model: 911 74 Model life 1974>>1977

Pos	Part Number	Description	Remark	Qty	Model
		Soft top			TARGA
1	911 565 002 40	Soft top		1	
-	901 565 035 41	Outer lining		1	
		Soft top			
2	901 565 036 43	Roofliner		1	
3	911 565 031 41	Catch		2	
4	999 509 006 02	Pan-head screw		4	
		M 6 X 15			
5	900 028 008 01	Lock ring		4	
		B 6			
6	N 011 524 7	Washer		4	
		6,4			
6	N 011 524 27	Washer		4	
		6,4			
7	901 565 299 45	Rosette		4	
7	901 565 299 46	Rosette		4	
8	911 565 075 41	Handle		2	
9	911 565 074 40	Locating peg	/V	2	
10	N 012 241 1	Spring washer		2	
11	901 565 203 40	Threaded plate		2	
12	964 565 265 00	Latch		8	
12	964 565 265 01	Latch		8	
13	999 219 006 02	Countersunk-head screw		16	
		AM 4 X 8			
14	900 115 008 02	Serrated lock washer		16	
		V 4,3			
15	901 565 303 45	Rain channel	/L	1	
(15)	901 565 304 45	Rain channel	/R	1	
16	N 013 957 5	Oval-head sheetmetal screw		10	
		BZ 3,5 X 9,5			
17	901 565 201 45	Roof frame	/L	1	
		Lateral			
18	901 565 202 45	Roof frame	/R	1	
		Lateral			
19	911 565 207 40	Roof frame	/V /L	1	
19/1	901 565 093 46	Padded cover	/V /L	1	
20	911 565 208 40	Roof frame	/V /R	1	
20/1	901 565 094 46	Padded cover	/V /R	1	
21	901 565 211 45	Roof frame	/H /L	1	
21		Roof frame	/H /L	1	
		Rear			
		Left			
	901 565 211 45 70B	Black			
22	911 565 212 40	Roof frame	/H /R	1	
23	901 565 328 45	Bolt		4	
24	901 565 209 40	Bolt		1	
25	964 565 145 00	Locking bolt		1	
26	900 041 004 01	Circlip		5	
26/1	900 116 007 01	Lock washer		1	
26/1	N 012 439 1	Lock washer		1	
26/1	N 012 439 2	Lock washer		1	
(27)	901 565 097 46	Lining	/V /L	1	
27	901 565 098 46	Lining	/V /R	1	
(28)	901 565 273 45	Cover	/H /L	1	
28	901 565 274 45	Cover	/H /R	1	
29	N 013 953 2	Oval-head sheetmetal screw		12	
		B 2,9 X 9,5			
30	999 591 519 40	Expansion rivet		3	
		Roof			
		Picture			
		31 - 44	-75		
		Not for			
		CARRERA 3.0			

Model: 911 74 Model life 1974>>1977

Pos	Part Number	Description	Remark	Qty	Model
31	911 565 003 40	Roof		1	
(31)	911 565 004 40	Roof Lacquered		1	
32	911 565 231 40	Rooflining		1	
33	911 565 012 40	Catch		2	
34	N 014 765 2	Pan-head screw M 6 X 10		4	
35	900 028 008 01	Lock ring B 6		4	
36	911 565 223 40	Rubber stop		2	
37	911 565 165 40	Spacer		X	
38	911 565 053 40	Roof frame padding Lateral	/L	1	
39	911 565 054 40	Roof frame padding Lateral	/R	1	
40	911 565 023 40	Roof frame padding	/V	1	
41	911 565 025 40	Roof frame padding	/H	1	
42	N 013 958 7	Oval-head sheetmetal screw B 3,5 X 13		4	
43	914 552 233 10	Filler piece		4	
43	914 552 233 10 01C	Filler piece Black		4	
44	N 013 957 5	Oval-head sheetmetal screw B 3,5 X 9,5		4	
45	911 565 037 42	Silentbloc bearing	/L	1	
(45)	911 565 038 42	Silentbloc bearing	/R	1	
45/1	911 565 217 40	Covering		2	
46	N 014 765 2	Pan-head screw M 6 X 10		6	
47	900 028 008 01	Lock ring B 6		6	
48	911 565 220 41	Silentbloc bearing		2	
48	911 565 220 42	Silentbloc bearing		2	
49	901 565 361 40	Seal		2	
50	911 555 559 41	Border strip	/L	1	911/911S
(50)	911 555 559 48	Border strip	/L	1	CARRERA
(50)	911 555 560 41	Border strip	/R	1	911/911S
(50)	911 555 560 60	Border strip	/R	1	CARRERA
51	900 145 036 00	Rais. counters. h. tap. s. B 3,5 X 13		8	911/911S
(51)	900 145 071 07	Tapping screw B 3,5 X 13		8	CARRERA
52	911 565 090 47	Gasket It is necessary to rework		1	
53	999 703 186 40	Plastic plug		4	
54	999 591 384 40	Cap		4	
55	911 565 259 40	Roof frame seal	/L	1	
(55)	911 565 260 40	Roof frame seal	/R	1	
56	911 565 091 45	Gasket Roll bar		1	
57	911 565 221 40	Rosette		2	
58	900 145 071 07	Tapping screw B 3,5 X 13,5		4	
59	911 565 147 41	Rubber stop		2	
60	N 013 953 2	Oval-head sheetmetal screw B 2,9 X 9,5		2	
61	911 565 187 40	Mounting Locking bolt		1	
62	N 013 957 5	Oval-head sheetmetal screw B 3,5 X 9,5		4	
63	900 025 002 02	Washer 4,3		4	
63	900 025 002 03	Washer		4	

Model: 911 74

Model life 1974>>1977

Pos	Part Number	Description	Remark	Qty	Model
		4,3			
64	911 565 133 40	Supporting plate		1	
64		Supporting plate		1	
	911 565 133 40 GRV	Prime coated			
65	911 565 135 40	Cover plate		1	
66	911 565 189 41	Cover plate		1	
67	900 145 003 07	Tapping screw		1	
		B 3,5 X 9,5			

Model: 911 74

Model life 1974>>1977



Model: 911 74

Model life 1974>>1977

Pos	Part Number	Description	Remark	Qty	Model
-	911 803 061 02	Seat belt Three-point seat belt with Automatic And Seat belt buckle	/L (F) (GB) -75	1	
-	911 803 062 02	Three-point seat belt with Automatic And Seat belt buckle	/R (F) (GB) -75	1	
-	911 803 917 00	Three-point seat belt with Automatic And Seat belt buckle	/L /R 76-	1	
-	911 803 917 02	Three-point seat belt with Automatic And Seat belt buckle	/L /R (AUS) 76-	2	
-	911 803 917 03	Insulating piece with Automatic And Seat belt buckle	/L /R (GB) 76-	2	
-	928 803 126 09	Seat belt	/L /R	2	
-		Seat belt with Automatic without Seat belt buckle	/L /R (AUS) 76-	2	
-	911 803 183 00	Seat-belt buckle	/L /R	2	
-	928 803 183 05	Seat-belt buckle	/L /R (GB)	2	
-	911 803 907 00	Set of fastening parts		2	COUPE
-	911 803 907 40	Set of fastening parts		2	TARGA
-	911 555 102 00	Bellows Seat belt buckle		2	
-	911 555 615 01	Rosette Side section		2	COUPE
-	N 014 093 3	Oval-head sheetmetal screw BZ 4,2 X 13		4	COUPE
-	999 507 020 02	Speed nut 4,2		4	COUPE
-	999 507 020 01	Speed nut 4,2		4	
-	901 803 139 00	Rosette Side section		2	TARGA
-	911 555 619 40	Relay lever		2	TARGA
-	911 555 625 00	Support for seatbelt for GURTROLLER		2	COUPE
-	911 555 613 41	Support for seatbelt		2	TARGA
-	911 803 049 04	Seat belt 3-PUNKT	(AUS)	2	
-	911 803 285 04	Seat-belt buckle	(AUS)	2	

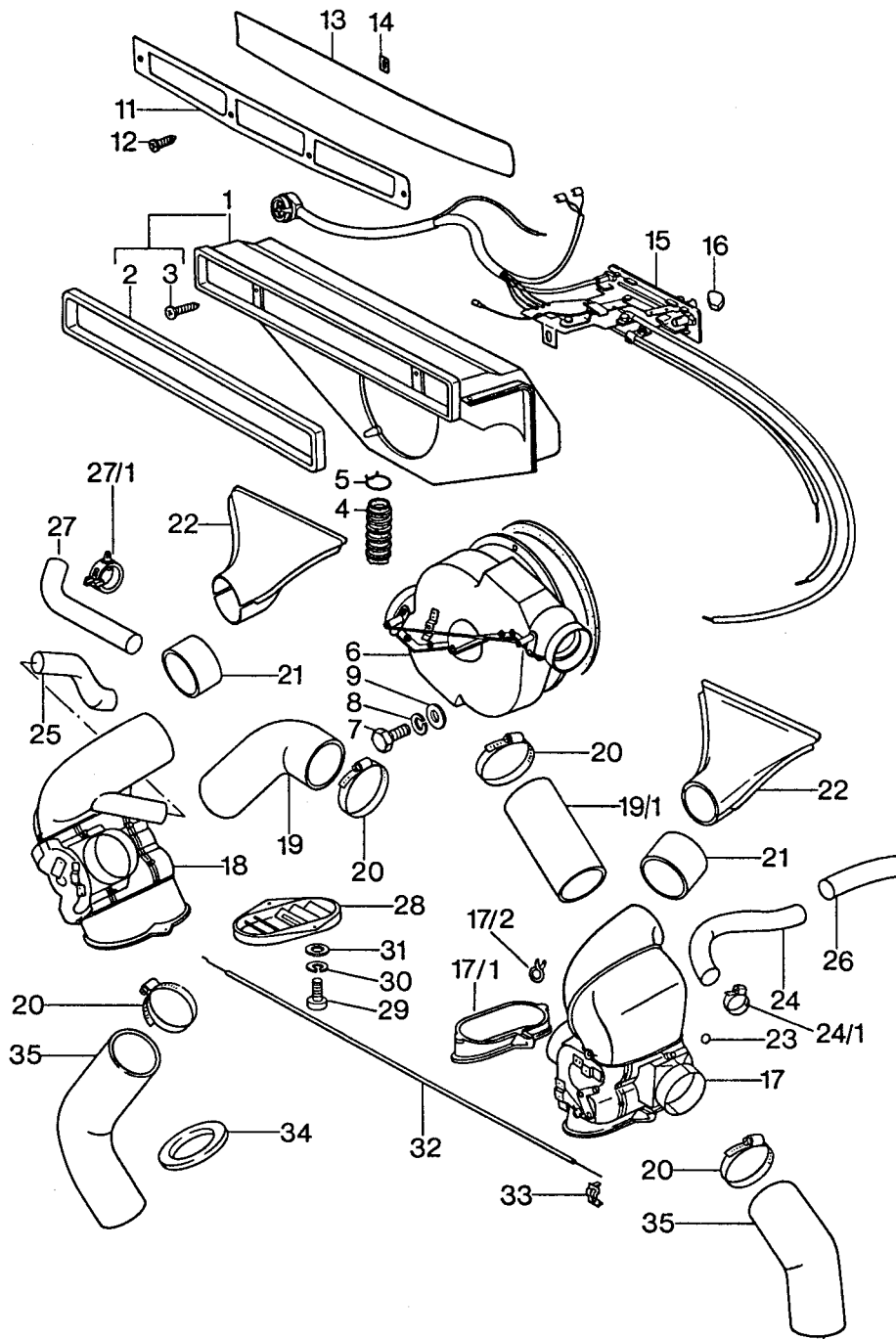
Model: 911 74

Model life 1974>>1977

Pos	Part Number	Description	Remark	Qty	Model
-	911 803 451 00	Fastening screw	(AUS)	2	
-	111 857 799	Hexagon-head bolt	(AUS)	4	
-	911 803 259 00	Cap	(AUS)	4	
-	N 012 112 2	Serrated lock washer	(AUS)	4	
-	211 857 771	Washer	(AUS)	4	
-	911 803 059 04	Relay lever	(AUS)	2	

Model: 911 74

Model life 1974>>1977



Model: 911 74 Model life 1974>>1977

Pos	Part Number	Description	Remark	Qty	Model
		Ventilation	-76		
		Heating system 1			
1	911 571 031 00	Fresh air inlet box	/LL	1	
1	911 571 032 00	Fresh air inlet box	/RL	1	
2	901 571 325 32	Sealing frame		1	
3	N 014 153 1	Oval-head screw		2	
		M 5 X 40			
4	911 571 223 00	Water drain hose	/LL /RL -75	1	
		520 MM			
4	911 571 224 00	Water drain hose	76-	X	
		Air conditioner			
		600 MM			
(4)	901 571 326 32	Water drain hose	/RL -75	1	
(4)	911 571 224 00	Water drain hose	/LL /RL 76-	1	
		600 MM			
5	999 512 145 02	Hose clamp	/RL	1	
6	911 571 018 00	Blower		1	
		with			
		Engine			
-	911 571 905 00	Housing		1	
		Front			
-	911 571 907 00	Housing		1	
		Rear			
-	911 571 320 32	Blower motor		1	
		with			
		Fan			
7	N 010 205 6	Hexagon-head bolt		2	
		M 5 X 10			
7	900 075 105 02	Screw		2	
		M 5 X 10			
8	900 027 003 01	Lock ring		2	
		B 5			
9	900 025 003 02	Washer		2	
		5,3			
10	901 571 922 00	Sealing ring		1	
10	901 571 922 01	Sealing ring		1	
11	901 559 401 20	Grille frame		1	
12	900 145 036 00	Rais. counters. h. tap. s.		4	
		B 3,5 X 13			
13	901 559 410 20	Grille	/V	1	
14	901 559 491 20	Spacer		2	
(15)	911 613 112 04	Control switch		1	911/911S CARRERA 2.7
			/RL -75		
(15)		Control switch	/RL -76	1	
15	911 613 111 02	Control switch	/LL -76	1	
-	900 631 129 90	Bulb		1	
		12 V, 2W			
-	999 632 006 00	Bulb socket		1	
-	914 571 903 10	Sealing ring		1	
-	900 378 030 09	Hexagon-head bolt		1	
		M 6 X 20			
-	N 011 524 7	Washer		1	
		6,4			
-	N 011 524 27	Washer		1	
		6,4			
-	914 571 151 10	Rubber sleeve		1	
		Bowden control			
16	901 571 917 00	Knob		2	
		Black			
16	901 571 918 00	Knob		1	
		Red			
17	911 571 049 01	Control box	/L -76	1	

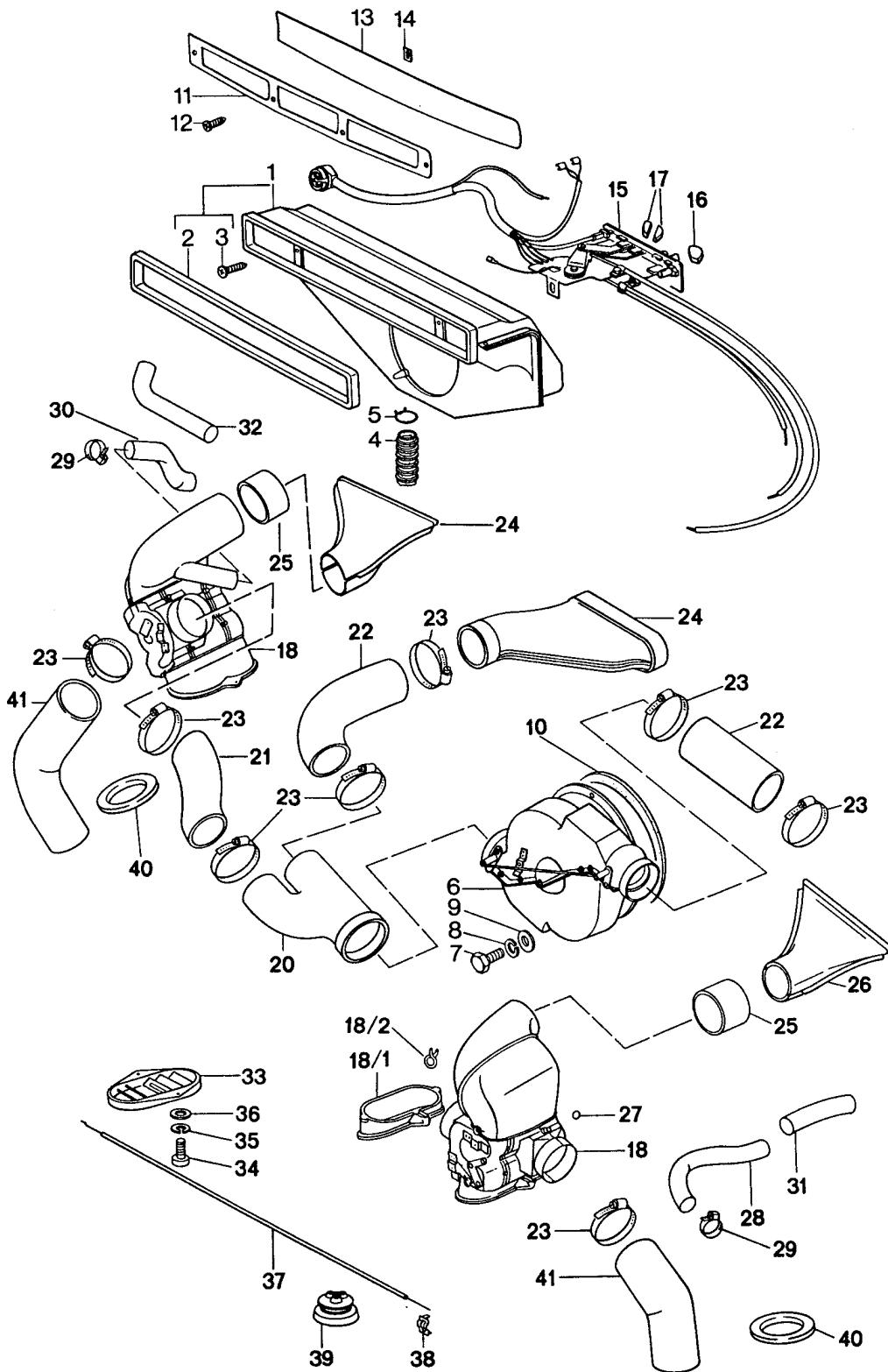
Model: 911 74

Model life 1974>>1977

Pos	Part Number	Description	Remark	Qty	Model
17/1	911 571 051 00	Connecting flange		2	
17/2	999 512 162 02	Clamping spring		4	
18	911 571 050 01	Control box	/R -76	1	
19/1	914 572 123 10	Air hose	/L -76	1	
19		Air hose	/R -76	1	
20	999 512 349 02	Hose clamp		8	
20	999 512 349 01	Hose clamp		8	
20	999 512 349 0B	Hose clamp		8	
21	901 571 345 32	Hose piece		2	
22	901 572 045 31	Heating nozzle		2	
23	901 571 921 00	Retainer		24	
24	911 571 228 00	Air hose	/L	1	
24/1	999 512 551 00	Hose clamp		1	
25	911 571 226 00	Air hose	/R -76	1	
26	911 571 227 00	Air hose	/L	1	
(26)	911 572 223 00	Air hose	/R	1	
27	911 571 228 00	Air hose	/R -76	1	
27/1	999 513 023 40	Tie-wrap	-76	1	
28	911 571 347 01	Air distributor	/L	1	
(28)	911 571 348 01	Air distributor	/R	1	
29	900 067 208 02	Pan-head screw M 5 X 15		4	
30	N 012 005 3	Lock ring B 5		4	
31	900 025 003 02	Washer 5,3		4	
32	911 572 114 00	Bowden control		2	
33	901 571 919 00	Terminal		7	
34	901 572 913 01	Sealing ring		2	
35	901 571 347 32	Heater hose		2	
36	911 551 067 00	Luggage compartment trim	-76	1	
36	911 551 067 04	Luggage compartment trim		1	
37	900 075 260 02	Hexagon-head bolt M 6 X 16		4	
38	N 012 007 2	Lock ring A 6		4	
38	900 027 004 03	Lock ring A 6		4	
39	900 151 003 02	Washer 6,4		4	
39	900 151 006 03	Washer 6,4		4	

Model: 911 74

Model life 1974>>1977



Model: 911 74 Model life 1974>>1977

Pos	Part Number	Description	Remark	Qty	Model
		Ventilation Heating system 2	77-		
1	911 571 031 00	Fresh air inlet box		1	911/911S CARRERA 3.0
(1)	911 571 032 00	Fresh air inlet box		1	911/911S CARRERA 3.0
2	901 571 325 32	Sealing frame	/RL	1	911/911S CARRERA 3.0
3	N 014 153 1	Oval-head screw		2	911/911S CARRERA 3.0
4	911 571 224 00	Water drain hose 600 MM	/LL/RL	1	911/911S/ CARRERA 3.0
5	999 512 145 02	Hose clamp		1	911/911S CARRERA 3.0
6	911 571 018 00	Blower	/RL	1	911/911S CARRERA 3.0
-	911 571 905 00	Housing		1	911/911S CARRERA 3.0
-	911 571 907 00	Housing		1	911/911S CARRERA 3.0
-	911 571 320 32	Blower motor		1	911/911S CARRERA 3.0
7	N 010 205 6	Hexagon-head bolt		2	911/911S CARRERA 3.0
7	900 075 105 02	Screw		2	911/911S CARRERA 3.0
8	900 027 003 01	Lock ring		2	911/911S CARRERA 3.0
9	900 025 003 02	Washer		2	911/911S CARRERA 3.0
10	901 571 922 00	Sealing ring		1	911/911S CARRERA 3.0
10	901 571 922 01	Sealing ring		1	911/911S CARRERA 3.0
11	901 559 401 20	Grille frame		1	911/911S CARRERA 3.0
12	900 145 036 00	Rais. counters. h. tap. s.		4	911/911S CARRERA 3.0
13	901 559 410 20	Grille		1	911/911S CARRERA 3.0
14	901 559 491 20	Spacer		2	911/911S CARRERA 3.0
15	911 613 111 10	Control switch		1	911/911S CARRERA 3.0
(15)	911 613 112 07	Control switch	/LL	1	911/911S CARRERA 3.0
-	911 612 172 01	Wiring harness	/RL	1	911/911S CARRERA 3.0
-	900 631 129 90	Bulb		1	911/911S CARRERA 3.0
-	999 632 006 00	Bulb socket		1	911/911S CARRERA 3.0
-	914 571 903 10	Sealing ring		1	911/911S CARRERA 3.0
-	900 378 030 09	Hexagon-head bolt		1	911/911S CARRERA 3.0
-	N 011 524 7	Washer		1	911/911S CARRERA 3.0
-	N 011 524 27	Washer		1	911/911S CARRERA 3.0

Model: 911 74 Model life 1974>>1977

Pos	Part Number	Description	Remark	Qty	Model
-	914 571 151 10	Rubber sleeve Bowden control		1	911/911S CARRERA 3.0
16	901 571 917 00	Knob		1	911/911S CARRERA 3.0
16	901 571 918 00	Knob		1	911/911S CARRERA 3.0
17	911 613 995 00	Knob		2	911/911S CARRERA 3.0
18	911 571 049 01	Control box		1	911/911S CARRERA 3.0
18/1	911 571 051 00	Connecting flange		2	911/911S CARRERA 3.0
18/2	999 512 162 02	Clamping spring		4	911/911S CARRERA 3.0
19	911 571 050 01	Control box		1	911/911S CARRERA 3.0
20	911 571 039 00	Distributing piece		1	911/911S CARRERA 3.0
(20)	911 571 040 00	Distributing piece		1	911/911S CARRERA 3.0
21	911 571 239 00	Air hose		1	911/911S CARRERA 3.0
22	473 261 233 A	Air hose		2	911/911S CARRERA 3.0
23	999 512 349 02	Hose clamp		8	911/911S CARRERA 3.0
23	999 512 349 01	Hose clamp		8	911/911S CARRERA 3.0
23	999 512 349 0B	Hose clamp		8	911/911S CARRERA 3.0
24	911 571 085 00	Air duct		1	911/911S CARRERA 3.0
(24)	911 571 086 01	Air duct		1	911/911S CARRERA 3.0
25	901 571 345 32	Hose piece		2	911/911S CARRERA 3.0
26	901 572 045 31	Heating nozzle		2	911/911S CARRERA 3.0
27	901 571 921 00	Retainer		24	911/911S CARRERA 3.0
28	911 571 228 00	Air hose		1	911/911S CARRERA 3.0
29	999 512 551 00	Hose clamp		1	911/911S CARRERA 3.0
30	911 571 228 00	Air hose		1	911/911S CARRERA 3.0
31	911 571 227 00	Air hose		1	911/911S CARRERA 3.0
(31)	911 572 223 00	Air hose		1	911/911S CARRERA 3.0
32	911 571 228 00	Air hose		1	911/911S CARRERA 3.0
33	911 571 347 01	Air distributor		1	911/911S CARRERA 3.0
(33)	911 571 348 01	Air distributor		1	911/911S CARRERA 3.0
34	900 067 208 02	Pan-head screw		4	911/911S CARRERA 3.0
35	N 012 005 3	Lock ring		4	911/911S CARRERA 3.0
36	900 025 003 02	Washer		4	911/911S CARRERA 3.0
37	911 572 114 00	Bowden control		2	911/911S

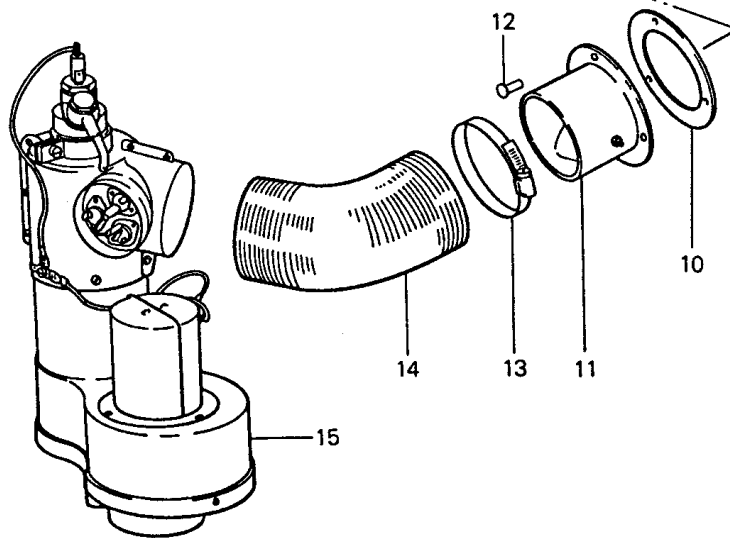
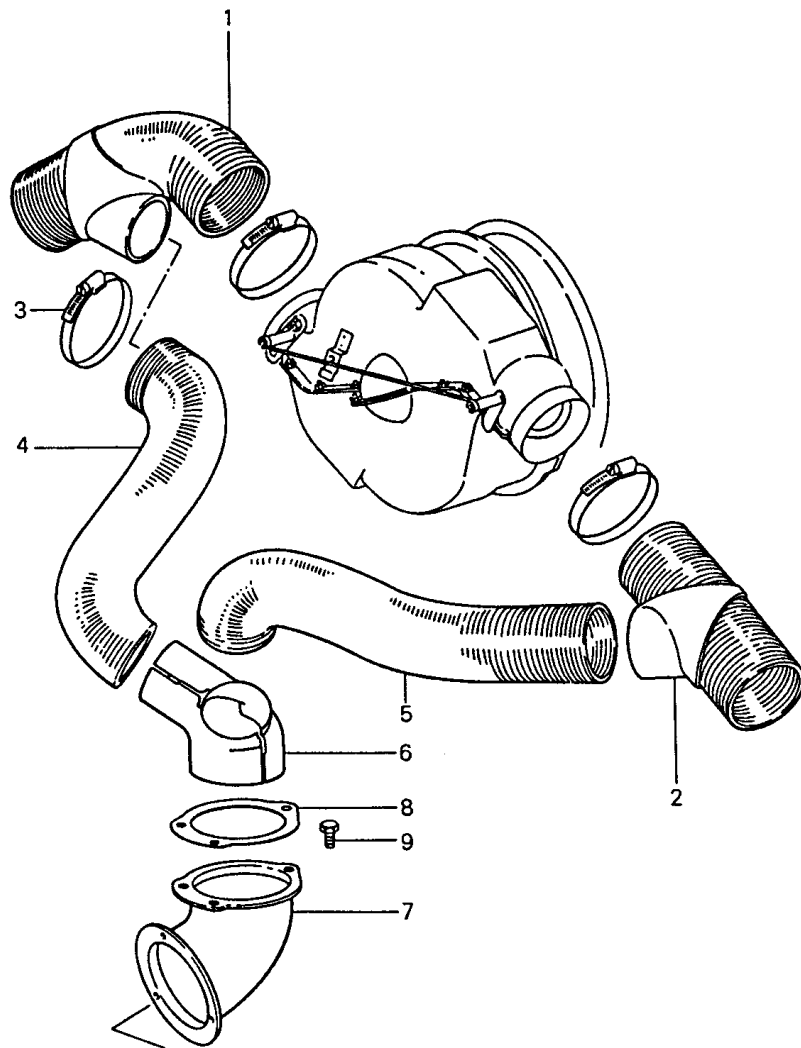
Model: 911 74

Model life 1974>>1977

Pos	Part Number	Description	Remark	Qty	Model
38	901 571 919 00	Terminal		7	CARRERA 3.0 911/911S
39	911 612 863 00	Grommet		1	CARRERA 3.0 911/911S
39	914 571 151 10	Rubber sleeve		1	CARRERA 3.0 911/911S
40	901 572 913 01	Sealing ring		2	CARRERA 3.0 911/911S
41	901 571 347 32	Heater hose		2	CARRERA 3.0 911/911S

Model: 911 74

Model life 1974>>1977



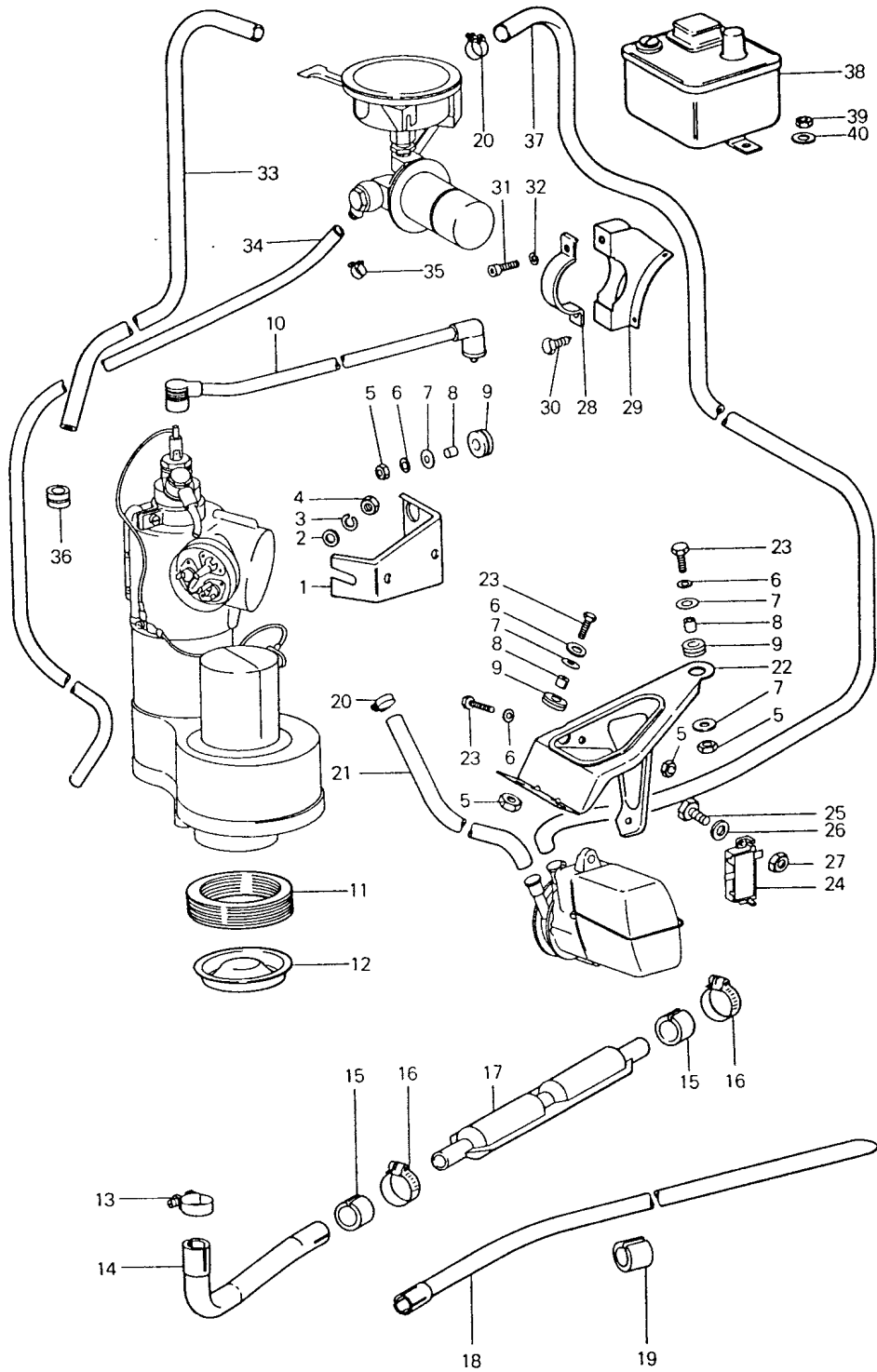
Model: 911 74

Model life 1974>>1977

Pos	Part Number	Description	Remark	Qty	Model
-	901 572 930 02	Heating Complete Heater Air guide Installation set WEBASTO See group 8/13/10 8/13/15 for subsequent installation	-76 /LL	X	WEBASTO
1	901 572 066 00	Air hose	(S) /R	1	
2	901 572 065 00	Air hose	/L	1	
3	999 512 348 02	Hose clamp		4	
4	901 572 648 00	Air hose	/R	1	
4	999 782 004 90	Air hose	/R	1	
5	901 572 647 00	Air hose	/L	1	
5	999 782 004 90	Air hose	/L	1	
6	901 572 054 00	Distributing piece		1	
7	901 572 058 00	Connecting piece		1	
8	901 572 527 00	Sealing washer		1	
9	900 075 219 02	Hexagon-head bolt M 5 X 10		3	
10	901 572 526 00	Gasket		1	
11	901 572 521 00	Flap		1	
12	900 055 019 20	Buttonhead rivet 3 X 6		3	
13	999 512 151 02	Clip		2	
14	901 572 649 00	Air hose 70 \$		1	
15	901 572 501 32	Heater		1	

Model: 911 74

Model life 1974>>1977



Model: 911 74

Model life 1974>>1977

Pos	Part Number	Description	Remark	Qty	Model
		Heating Lines Accessories	-76		WEBASTO
1	901 501 392 20	Support		1	
2	900 151 008 02	Washer B 8,4		1	
3	900 027 005 01	Lock ring A 8		1	
4	900 076 025 02	Hexagon nut M 8		1	
4	900 076 064 02	Hexagon nut M 8		1	
5	900 076 010 02	Nut M 6		5	
5	900 076 010 0B	Nut M 6		5	
6	900 115 006 01	Serrated lock washer A 6,4		5	
7	900 151 006 09	Washer A 6,4		5	
8	901 572 519 30	Spacer sleeve		5	
9	999 702 049 50	Rubber sleeve		5	
10	901 612 053 02	Ignition lead		1	
-	901 609 304 30	Spark plug connector for 901.612.053.02		1	
11	901 572 591 30	Sealing ring		1	
12	901 572 593 30	Strainer		1	
13	999 512 046 02	Clip		1	
14	901 572 627 31	Exhaust pipe		1	
15	901 572 619 30	Protective tube		2	
16	999 512 125 02	Clip		2	
17	901 572 061 30	Muffler		1	
18	901 572 602 32	Exhaust line		1	
19	901 572 609 30	Protective tube		4	
20	999 512 056 02	Hose clamp		4	
-	999 180 029 50	Fuel hose C 11 X 17,5 170 MM		*	
21		170 MM		1	
22	901 572 515 30	Bracket		1	
23	900 075 014 02	Hexagon-head bolt M 6 X 18		5	
23	900 075 014 03	Hexagon-head bolt M 6 X 18		5	
24	901 615 109 30	Relay		1	
25	900 014 079 02	Pan-head screw M 3 X10		2	
26	900 115 007 01	Serrated lock washer A 3,2		2	
27	900 076 001 02	Hexagon nut M 3		2	
28	901 501 489 00	Clamp		1	
29	901 501 483 00	Support		1	
30	N 043 890 1	Tapping screw B 4,2 X 4,9		4	
31	900 067 011 02	Pan-head screw M 6 X 20		1	
31	900 067 011 03	Pan-head screw M 6 X 20		1	
32	N 012 007 2	Lock ring A 6		1	
32	900 027 004 03	Lock ring A 6		1	

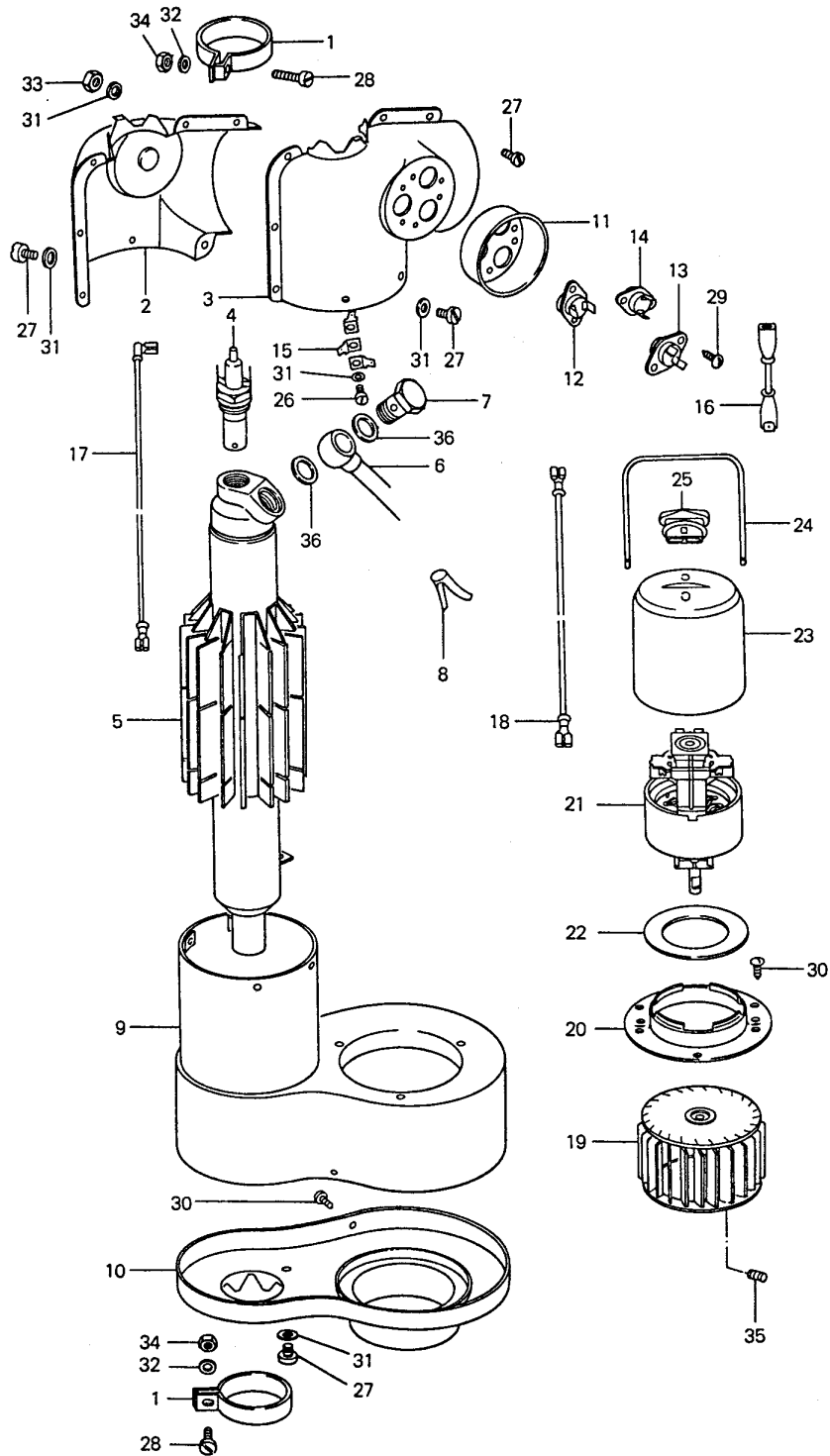
Model: 911 74

Model life 1974>>1977

Pos	Part Number	Description	Remark	Qty	Model
-	999 180 029 50	Fuel hose C 11 X 17,5		*	
33		600 MM		1	
-	999 180 030 50	Fuel hose C 7 X 12		*	
-	999 180 030 5A	Fuel hose C 7 X 12		*	
34		1150 MM		1	
35	999 512 055 02	Hose clamp		2	
35	PCG 512 055 02	Hose clamp		2	
36	999 702 027 50	Rubber sleeve		1	
-	999 180 029 50	Fuel hose C 11 X 17,5		*	
37		1070 MM		1	
38	901 617 010 30	Conversion set		1	
39	900 076 027 02	Nut M 5		2	
40	900 115 001 01	Serrated lock washer A 5,3		2	
-	901 504 431 30	Damping mat for Lid 901.504.043.02		1	

Model: 911 74

Model life 1974>>1977



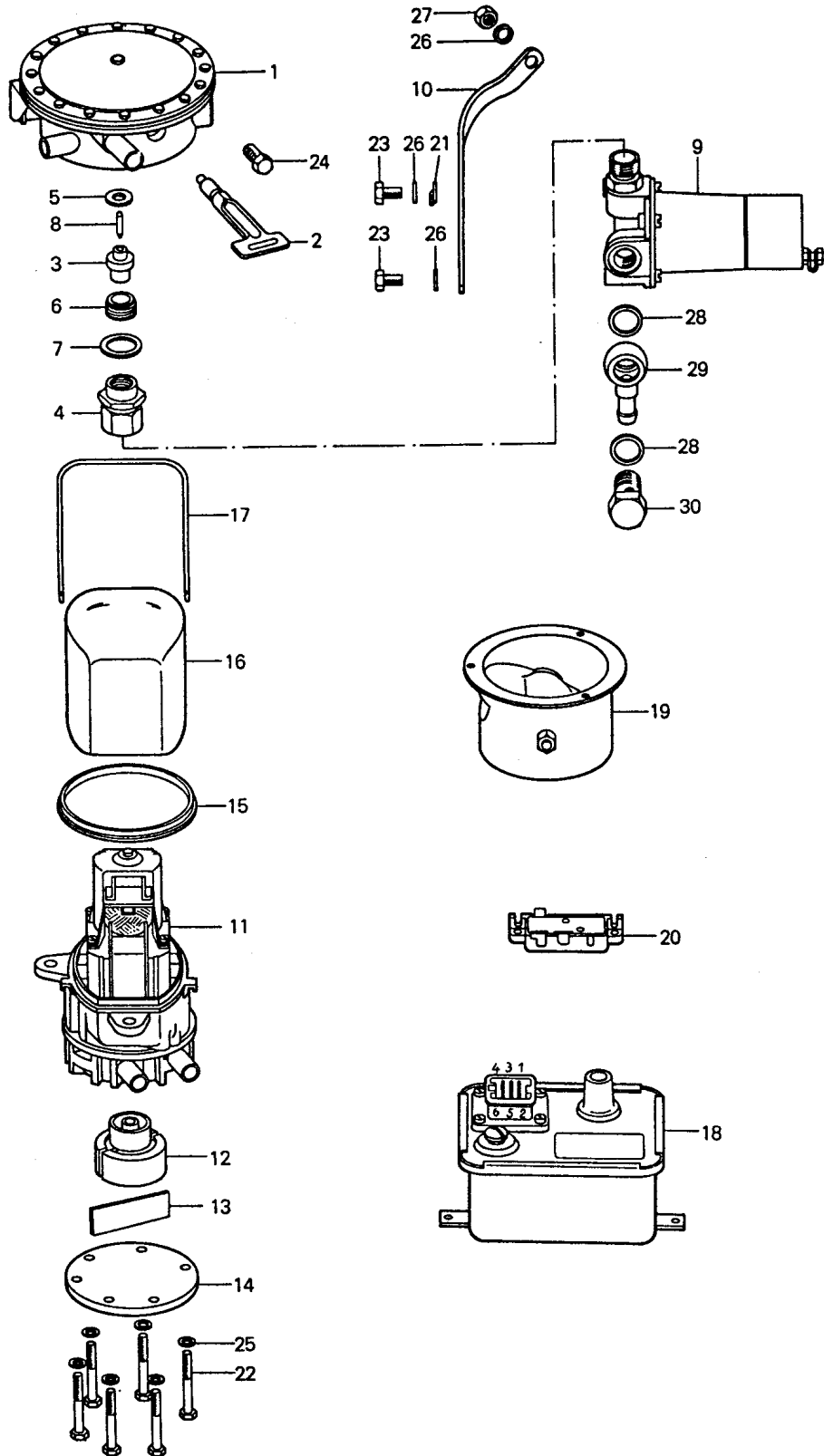
Model: 911 74

Model life 1974>>1977

Pos	Part Number	Description	Remark	Qty	Model
		Repair material	-76		WEBASTO
		Heater			
1	901 572 950 00	Pipe clamp		2	
2		Hot air socket	/L	1	
3		Hot air socket	/R	1	
4	901 572 931 01	Spark plug		1	
5	901 572 956 01	Heating tube		1	
6	901 572 934 01	Connecting piece		1	
7	901 572 933 00	Banjo bolt		1	
8	901 572 987 00	Backfire grid		1	
9	901 572 955 01	Housing		1	
10	901 572 953 01	Housing cover		1	
11	901 572 986 00	Housing		1	
12	901 572 983 00	Thermostat		1	
		Red			
13	901 572 984 00	Thermostat		1	
		White			
14	901 572 985 00	Thermostat		1	
		Blower			
		Blue			
15	901 572 938 00	Flat plug		3	
16	901 572 932 04	Line		1	
17	901 572 932 00	Ground strap		1	
18	901 572 932 03	Ground strap		1	
19	901 572 949 01	Fan		1	
20	901 572 948 01	Engine carrier		1	
21	901 572 946 02	Electric motor		1	
-	901 572 978 00	Carbon brush		2	
		for			
		901.572.946.02			
22	901 572 945 01	Gasket		1	
23	901 572 944 02	Protection cap		1	
24	901 572 942 00	Clamp		1	
25	901 572 976 00	Boot		1	
26	900 014 067 02	Pan-head screw		1	
		AM 4 X 8			
27	900 014 002 02	Pan-head screw		10	
		AM 4 X 8			
28	900 014 070 02	Pan-head screw		2	
		AM 5 X 18			
29	900 141 009 02	Half-round screw		6	
		B 2,9 X 6,5			
30	N 013 910 3	Hexagon-head bolt		6	
		B 3,5 X 6,5			
31	999 029 002 00	Hexagon-head bolt		9	
		4			
32	999 029 003 00	Lock ring		2	
		5			
33	N 011 004 6	Hexagon nut		5	
		M 4			
33	N 011 004 G	Nut		5	
		M 4			
34	900 076 027 02	Nut		2	
		M 5			
35	900 244 001 00	Threaded pin		1	
		M 4 X 0,5 X 8			
36	N 013 849 2	Sealing ring		2	
		A 14 X 18			

Model: 911 74

Model life 1974>>1977



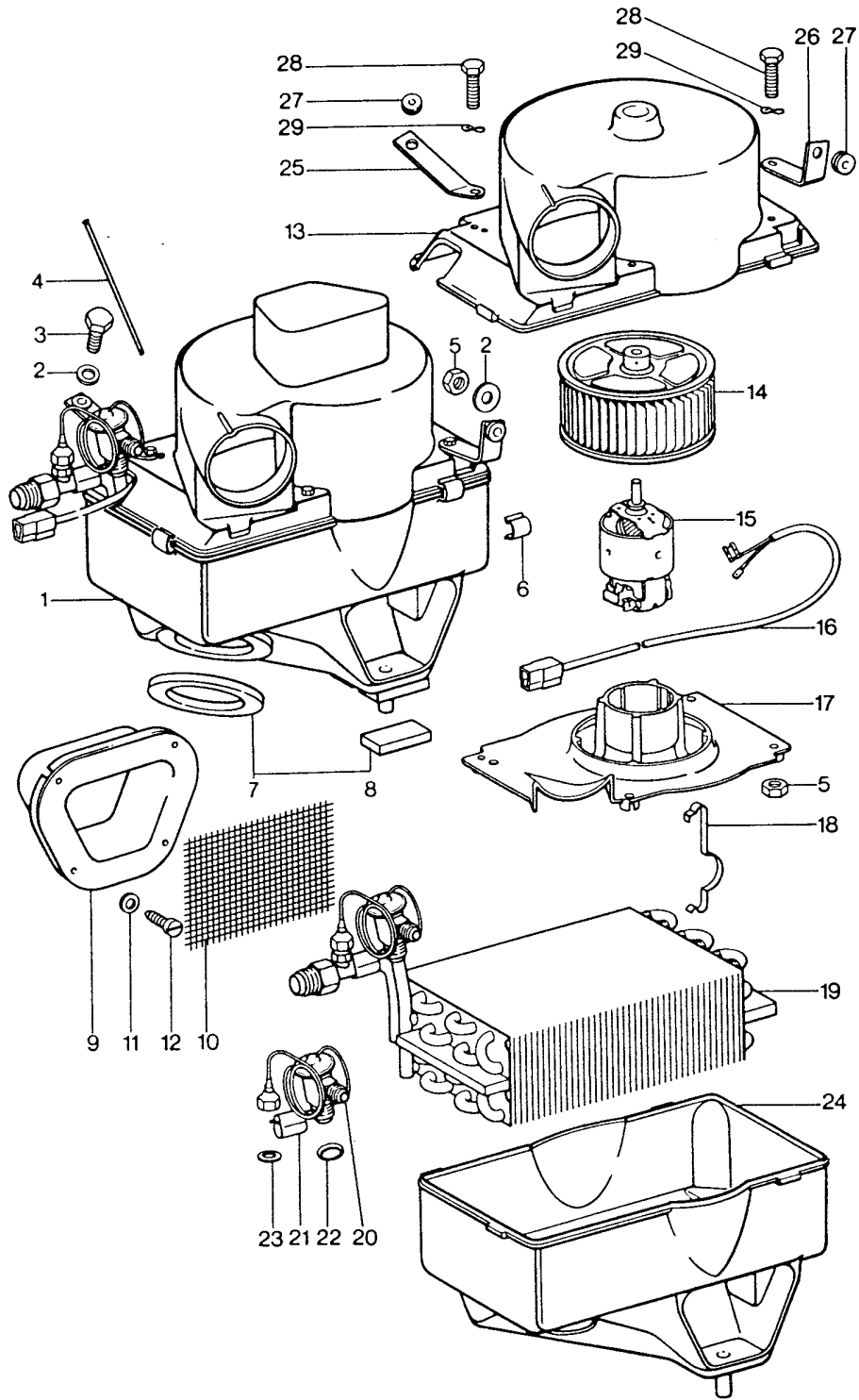
Model: 911 74

Model life 1974>>1977

Pos	Part Number	Description	Remark	Qty	Model
		Repair material	-76		WEBASTO
		Mixture control unit			
1-10	901 572 511 32	Pump			
		Distributor		1	
		with			
		Pump			
1	901 572 512 31	Distributor		1	
2	901 572 960 01	Nozzle		1	
		with			
		Key			
3+8	901 572 964 01	Valve		1	
4	901 572 961 00	Connection piece		1	
		with			
		Union nut			
5	901 572 966 00	Gasket		1	
6	901 572 963 00	Threaded ring		1	
7	901 572 962 00	Gasket		1	
9	901 572 511 30	Distributor		1	
10	901 572 958 01	Strut		1	
1-17	901 572 513 31	Pump		1	
12	901 572 980 01	Rotor set		1	
13	901 572 981 00	Slide		1	
14	901 572 982 00	Lid		1	
15	901 572 969 00	Sealing ring		1	
16	901 572 944 03	Protection cap		1	
17	901 572 943 01	Clamp		1	
18	901 617 010 30	Conversion set		1	
-	999 652 315 02	Flat plug		1	
-	999 702 119 50	Rubber sleeve		1	
19	901 572 521 00	Flap		1	
20	901 615 109 30	Relay		1	
21	901 572 938 01	Flat plug		1	
22	900 075 117 02	Hexagon-head bolt		6	
		M 4 X 35			
23	900 075 118 02	Hexagon-head bolt		2	
		M 6 X 10			
24	N 010 215 13	Hexagon-head bolt		1	
		M 6 X 15			
25	999 029 002 00	Hexagon-head bolt		6	
		4			
26	999 029 004 00	Lock ring		3	
		5			
27	900 076 010 02	Nut		1	
		M 6			
27	900 076 010 0B	Nut		1	
		M 6			
28	900 123 007 60	Sealing ring		2	
		A 14 X 18			
29	901 572 959 00	Connecting piece		1	
30	900 134 007 00	Banjo bolt		1	
		A 8			

Model: 911 74

Model life 1974>>1977



Model: 911 74

Model life 1974>>1977

Pos	Part Number	Description	Remark	Qty	Model
		Air conditioner			
		Evaporator			
		Evaporator housing			
		Accessories			
1	901 573 021 00	Evaporator	/LL	1	
		with housing			
(1)	911 573 022 00	Evaporator	/RL	1	
		with housing			
2	900 151 003 02	Washer		2	
		6,4			
2	900 151 006 03	Washer		2	
		6,4			
3	900 075 057 02	Hexagon-head bolt		1	
		M 6 X 16			
3	900 075 057 03	Hexagon-head bolt		1	
		M 6 X 16			
4	901 573 903 00	Guide tube		1	
		for			
		Temperature switch			
5	900 076 010 02	Nut		5	
		M 6			
5	900 076 010 0B	Nut		5	
		M 6			
6	901 573 904 00	Tensioning spring		4	
-	911 573 135 37	Protection cap	/RL	1	
-	911 573 131 37	Water drain sleeve	/RL	1	
-	911 573 143 00	Rubber sleeve	/RL	1	
-	911 573 068 37	Support	/RL	1	
		for			
		Evaporator			
		Large			
-	911 573 069 37	Support	/RL	1	
		for			
		Evaporator			
-	911 573 071 37	Support	/RL	1	
		for			
		Evaporator			
-	900 075 057 02	Pedal floor board			
		Hexagon-head bolt	/RL	1	
		M 6 X 16			
-	900 075 057 03	Hexagon-head bolt	/RL	1	
		M 6 X 16			
-	900 076 010 02	Nut	/RL	2	
		M 6			
-	900 076 010 0B	Nut	/RL	2	
		M 6			
-	N 011 524 7	Washer	/RL	2	
		6,4			
-	N 011 524 27	Washer	/RL	2	
		6,4			
>>7	901 573 901 00	Parts kit		1	
		Comprising:			
-		Sealing ring		1	
8		Shim		2	
9	911 573 073 01	Connection piece		1	
10	901 573 129 00	Grille		1	
11	900 151 001 02	Washer		4	
		4,3			
12	900 143 004 02	Oval-head sheetmetal screw		4	
		B 3,5 X 19			
13	911 573 023 00	Housing cover		1	
14	901 573 906 00	Fan		1	
14	901 573 906 01	Fan		1	

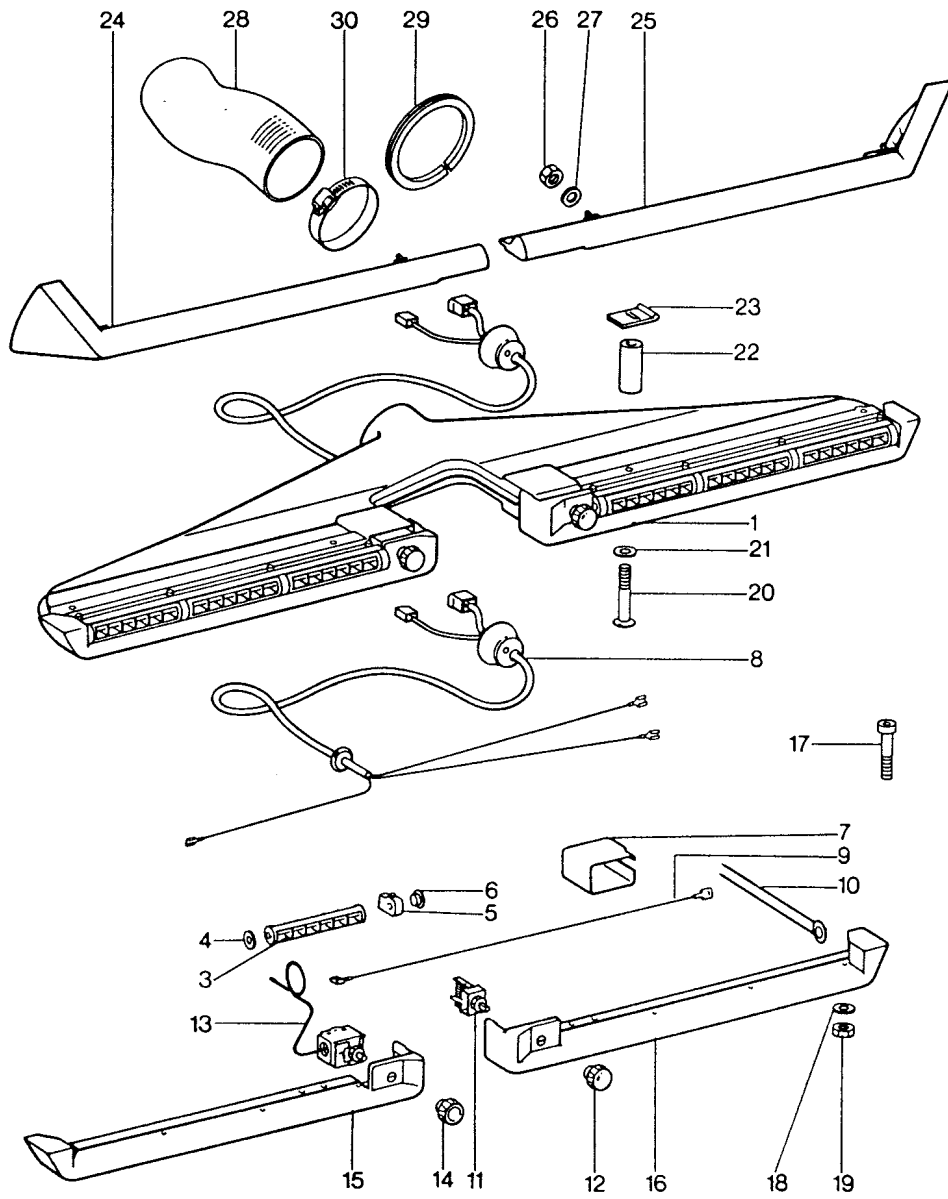
Model: 911 74

Model life 1974>>1977

Pos	Part Number	Description	Remark	Qty	Model
15	901 624 901 00	Electric motor		1	
16		See group 8/13/50 POS. 13		1	
17	911 573 323 00	Engine support		1	
18	901 624 903 00	Clamp		4	
19	901 573 907 00	Evaporator without Expansion valve		1	
20	901 573 915 00	Expansion valve		1	
21	901 573 914 00	Clip		1	
22	901 573 147 00	Gasket 3/4"		1	
23	901 573 916 00	Gasket 7/16"		1	
24	901 573 908 00	Housing Lower part		1	
25	911 572 473 00	Fastening angle		1	
26	911 572 471 00	Fastening angle		1	
27	901 573 133 00	Rubber sleeve		2	
28	900 378 030 09	Hexagon-head bolt M 6 X 20		4	
29	N 012 226 5	Spring washer B 6		4	

Model: 911 74

Model life 1974>>1977

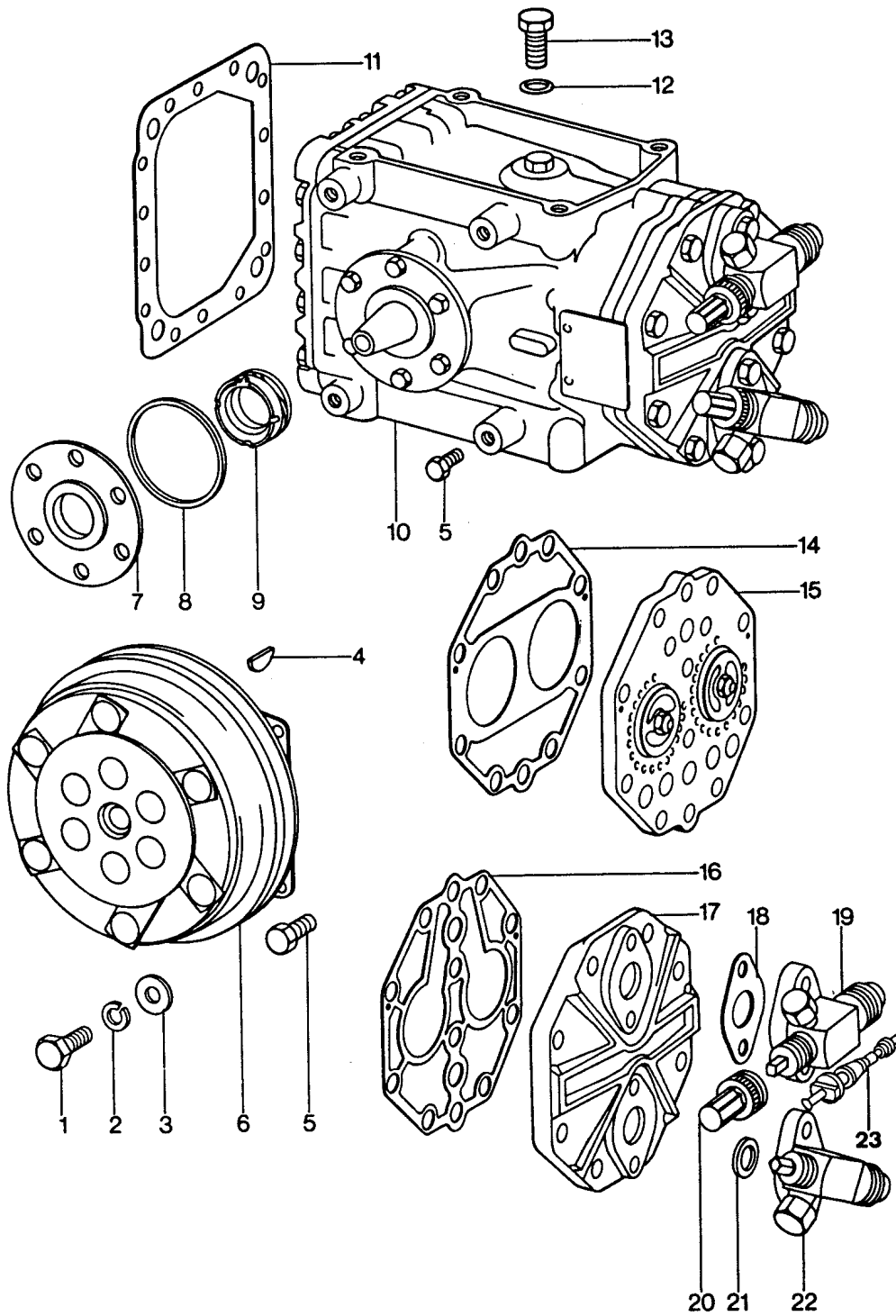


Model: 911 74 Model life 1974>>1977

Pos	Part Number	Description	Remark	Qty	Model
		Air conditioner Nozzle Accessories	-76		
1	901 573 065 00	Air vent		1	
3	901 573 067 00	Air vent		6	
4	901 573 169 00	Plastic washer		12	
5	901 573 165 00	Bearing		8	
6	914 552 233 10	Filler piece		2	
6		Filler piece		2	
	914 552 233 10 01C	Black			
7	901 573 912 00	Insert		1	
		2 X 55 X 165 ALU			
8		See group		1	
		8/13/50-POS.12			
9		See group		1	
		8/13/50-POS.12			
10	901 613 118 00	Thermostat		1	
11	901 613 117 00	Blower switch		1	
12	901 613 121 00	Knob		1	
13	911 613 919 00	Temperature switch		1	
14	901 613 122 00	Knob		1	
15	901 573 025 00	Padded cover	/L	1	
16	901 573 026 00	Padded cover	/R	1	
17	900 067 104 02	Pan-head screw		8	
		4 X 35			
18	900 025 002 02	Washer		8	
		4,3			
18	900 025 002 03	Washer		8	
		4,3			
19	999 090 001 02	Lock nut		8	
		M 4			
20	900 015 035 02	Oval-head screw		4	
		BM 5 X 55			
21	900 151 027 02	Washer		4	
		5,3			
21	900 151 027 03	Washer		4	
		5,3			
22	901 573 167 00	Spacer tube		4	
22	911 573 171 00	Spacer tube		4	
23	999 507 315 02	Captive nut		4	
24	901 552 035 28	Knee protection strip	/L	1	
25	901 552 036 28	Knee protection strip	/R	1	
26	900 076 027 02	Nut		4	
		M 5			
27	900 151 027 02	Washer		4	
		5,3			
27	900 151 027 03	Washer		4	
		5,3			
28	901 573 511 00	Air hose	/LL	1	
(28)	911 573 523 00	Air hose	/RL	1	
-	901 573 160 00	Hose clamp	/RL	1	
29	901 573 509 01	Sealing ring		1	
30	901 573 160 00	Hose clamp		1	

Model: 911 74

Model life 1974>>1977



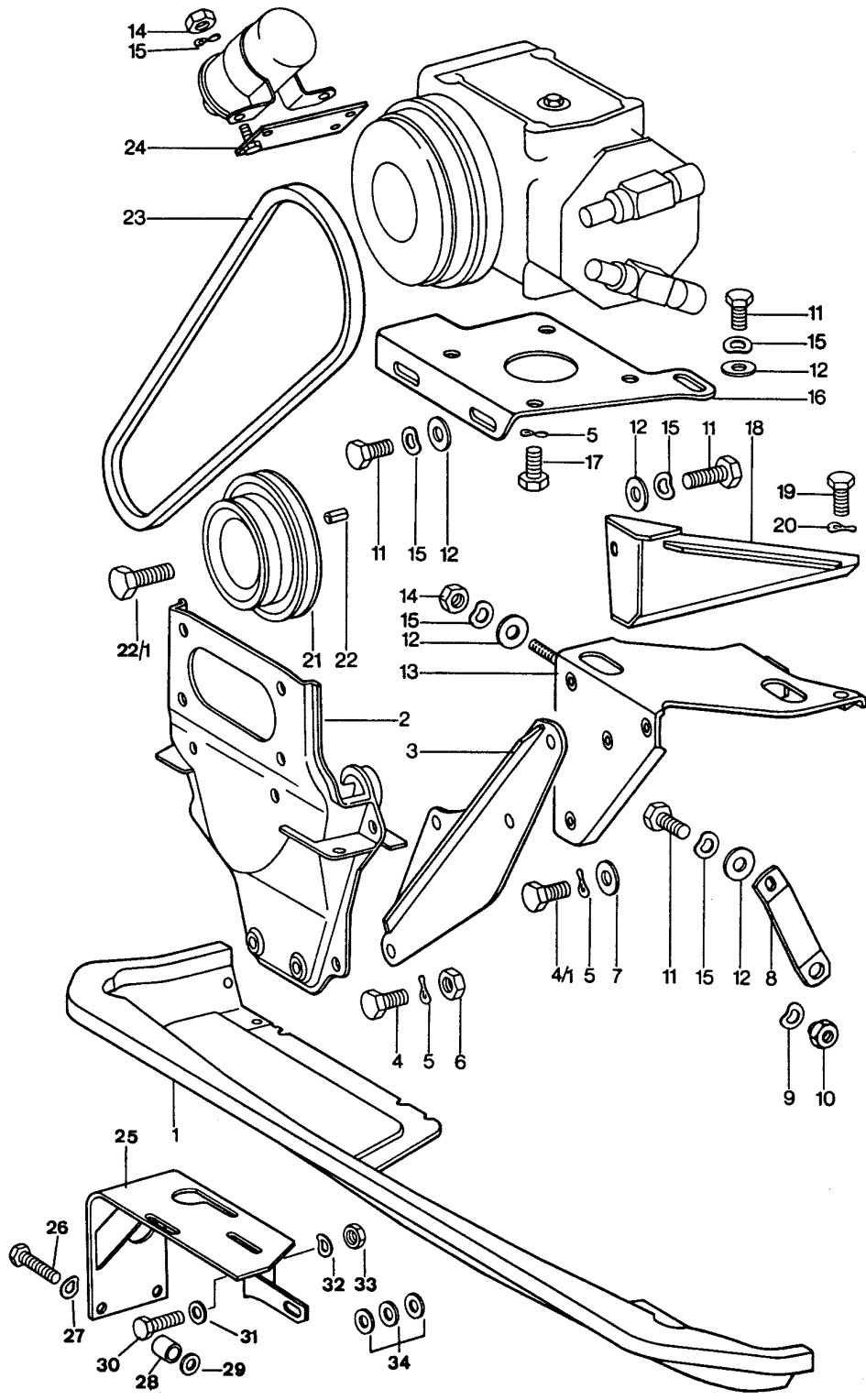
Model: 911 74

Model life 1974>>1977

Pos	Part Number	Description	Remark	Qty	Model
1-5	911 126 924 00	Air conditioner Compressor		1	
1		Compressor Comprising: Hexagon-head bolt 5/16" - 24 UNF - 1 1/2"		1	
2		Lock ring		1	
3		B 8 Washer 8 X 22 X 4		1	
4		Woodruff key 4 X 6,5		1	
5		Hexagon-head bolt 1/4" - 20 UNC - A X 1/2"		4	
6	911 126 933 01	Clutch		1	
7-9	911 126 931 00	Parts kit		1	
7		Flange		1	
8		Gasket		1	
9	-	Crankshaft		1	
		Gasket		1	
10	911 126 901 00	Compressor		1	
11	911 126 911 00	Gasket		1	
12	911 126 913 00	O-ring		2	
13	911 126 912 00	Hexagon-head bolt 3/8" X 15		1	
14-16	911 126 917 00	Parts kit		1	
14		Gasket		1	
15		Valve plate		1	
16		Gasket		1	
-	911 126 918 00	Parts kit		1	
14		Gasket		1	
16		Gasket		1	
17		Cylinder head cover		1	
-	911 126 916 00	Parts kit		1	
14		Gasket		1	
16		Gasket		1	
18	911 126 919 00	Sealing ring		1	
19	911 126 921 00	Flange valve		1	
20	911 126 923 00	Cap		2	
21	911 126 919 00	Sealing ring		2	
22	911 126 922 00	Flange valve		1	

Model: 911 74

Model life 1974>>1977



Model: 911 74 Model life 1974>>1977

Pos	Part Number	Description	Remark	Qty	Model
1		Air conditioner Compressor Driving mechanism Mounting See group 1/05/10 + 1/15/10		1	
2	911 115 014 03	Bracket	-75	1	911/911S CARRERA 2.7
(2)		Bracket	76-	1	911/911S CARRERA 2.7
3	911 126 115 00	Strut		1	
4	900 075 040 02	Hexagon-head bolt M 10 X 20		2	
4	900 075 517 01	Hexagon-head bolt M 10 X 20		2	
4/1	900 156 006 02	Hexagon-head bolt M 10 X 18		2	
5	N 012 242 3	Spring washer A 10		4	
6	N 011 010 6	Hexagon nut M 10		2	
6	N 101 552 10	Hexagon nut M 10		2	
7	900 025 008 02	Washer 10,5		4	
7	N 011 527 4	Washer 10,5		4	
7	900 025 008 09	Washer 10,5		4	
7	900 025 008 04	Washer 10,5		4	
8	911 126 124 01	Strut		1	
9	900 028 014 01	Lock ring B 12		1	
10	964 126 125 20	Nut		1	
11	900 075 085 02	Hexagon-head bolt M 8 X 20		5	
12	900 025 007 02	Washer 8,4		6	
12	900 025 007 03	Washer 8,4		6	
13	911 126 101 01	Bracket		1	
14	900 076 025 02	Hexagon nut M 8		3	
14	900 076 064 02	Hexagon nut M 8		3	
15	N 012 241 8	Spring washer B 8		3	
16	911 126 117 01	Compressor plate		1	
17	999 075 021 02	Hexagon-head bolt 3/8" - 16 UNC - 2 A X 3/4" Long		4	
18	930 126 116 00	Fastening angle		1	
19	900 075 014 02	Hexagon-head bolt M 6 X 18		2	
19	900 075 014 03	Hexagon-head bolt M 6 X 18		2	
20	N 012 226 5	Spring washer B 6		2	
21	911 102 015 50	Pulley		1	911/911S CARRERA 2.7
(21)	911 102 022 01	Pulley	-75	1	911/911S

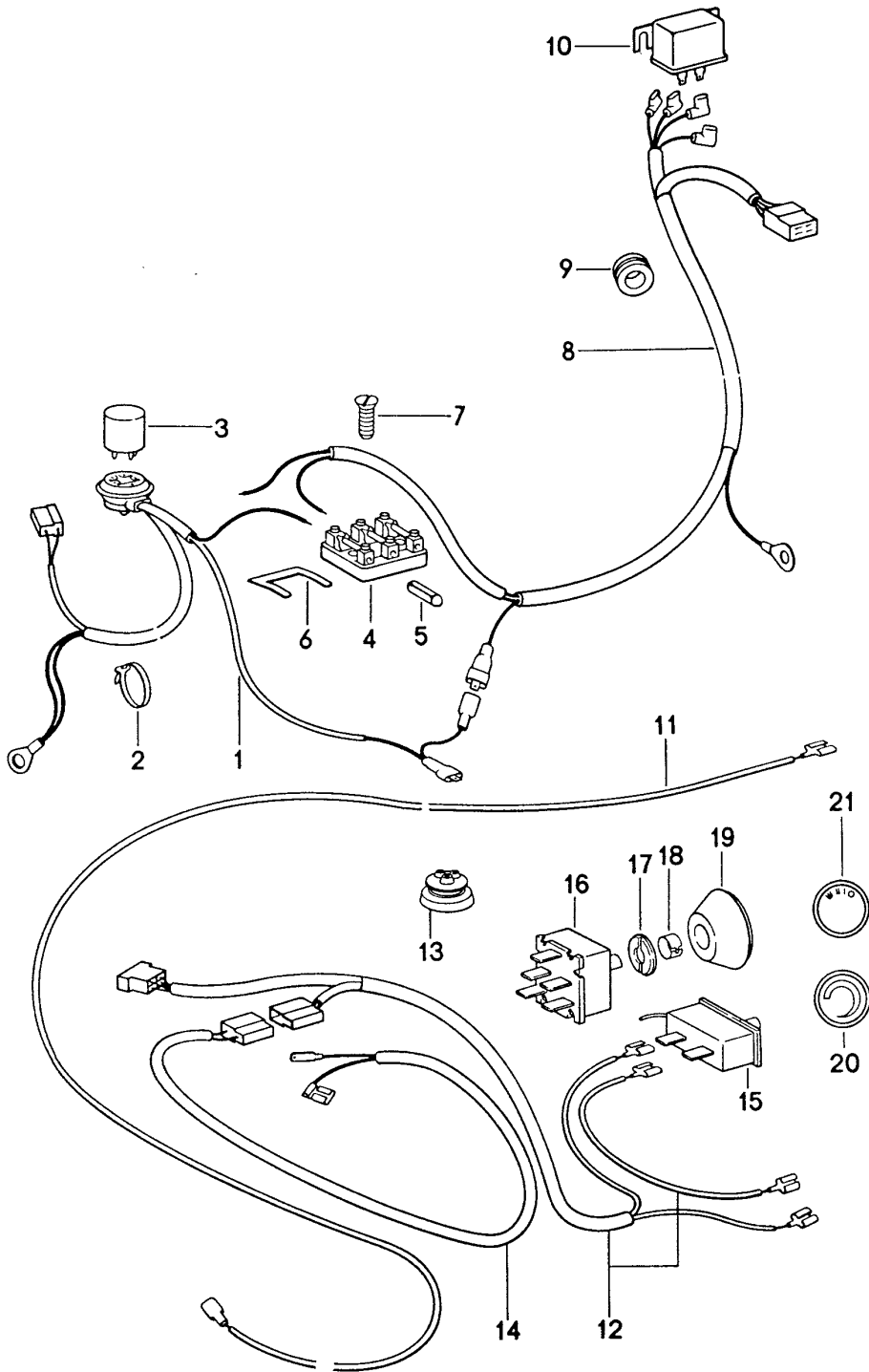
Model: 911 74

Model life 1974>>1977

Pos	Part Number	Description	Remark	Qty	Model
22	900 012 060 00	Straight pin 5 M 6 X 10		1	CARRERA 3.0
22/1	999 093 005 02	Hexagon-head bolt M 12 X 1,5 X 22		1	CARRERA 3.0
23	900 192 027 50	Narrow v-belt		1	
24	901 126 121 01	Mounting plate		1	

Model: 911 74

Model life 1974>>1977

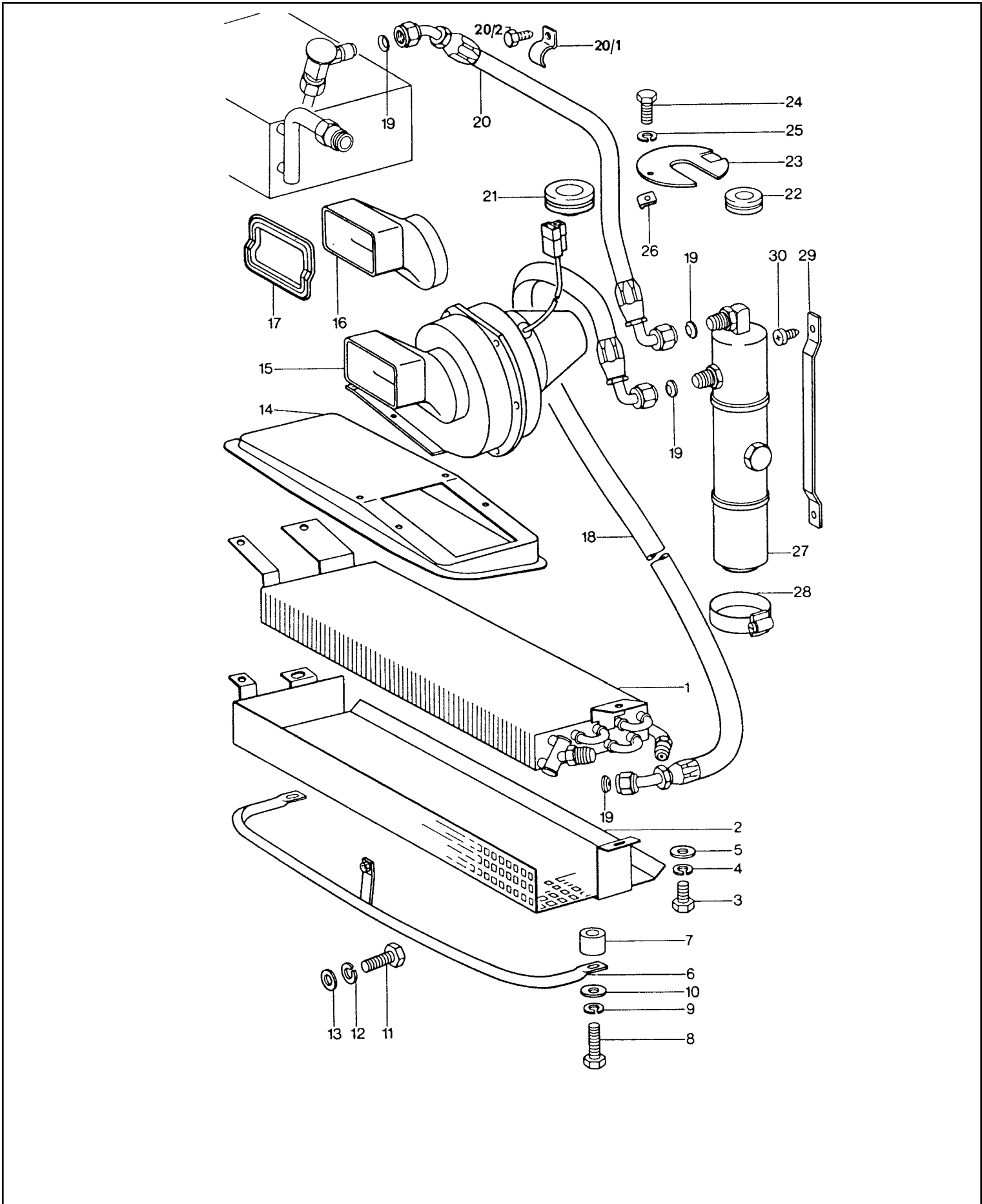


Model: 911 74 Model life 1974>>1977

Pos	Part Number	Description	Remark	Qty	Model
1	911 612 080 01	Air conditioner electrical components Wiring harness	-75	1	911/911S CARRERA 2.7
2	999 513 008 40	NR. 80 Tie-wrap	-75	1	911/911S CARRERA 2.7
3	911 615 109 01	Standard type relay	-75	1	911/911S CARRERA 2.7
4	911 612 093 05	Fuse box Triple		1	
5	N 017 121 5	Lock 25 A		1	
6	901 612 835 01	Connecting rail		1	
7	900 146 009 02	Oval-head screw AM 4 X 12		2	
8	911 612 078 01	Wiring harness NR. 78		1	
9	999 702 119 50	Rubber sleeve		1	
10	911 615 103 01	Relay		1	
11	911 612 079 00	Wiring harness NR. 79		1	
12	901 612 086 00	Wiring harness NR. 29	-76	1	
(12)	911 612 029 01	Wiring harness		1	911/911S CARRERA 3.0
13	911 612 863 00	Grommet	RERA 3.0	1	911/911S/CAR CARRERA 3.0
13	914 571 151 10	Rubber sleeve	RERA 3.0	1	911/911S/CAR CARRERA 3.0
14	901 612 084 00	Wiring harness NR. 28		1	
15	911 613 121 01	Temperature switch It is necessary to rework		1	911/911S CARRERA 3.0
16	911 613 116 00	Blower switch		1	911/911S CARRERA 3.0
17	911 613 119 01	Rosette		1	911/911S CARRERA 3.0
17	911 613 120 01	Rosette		1	911/911S CARRERA 3.0
18	999 591 557 01	Knob holder		2	911/911S CARRERA 3.0
19	911 613 141 00	Knob		2	911/911S CARRERA 3.0
20	911 613 238 00	Cap with symbol		1	911/911S CARRERA 3.0
21	911 613 237 00	Cap with symbol		1	911/911S CARRERA 3.0

Model: 911 74

Model life 1974>>1977



Model: 911 74 Model life 1974>>1977

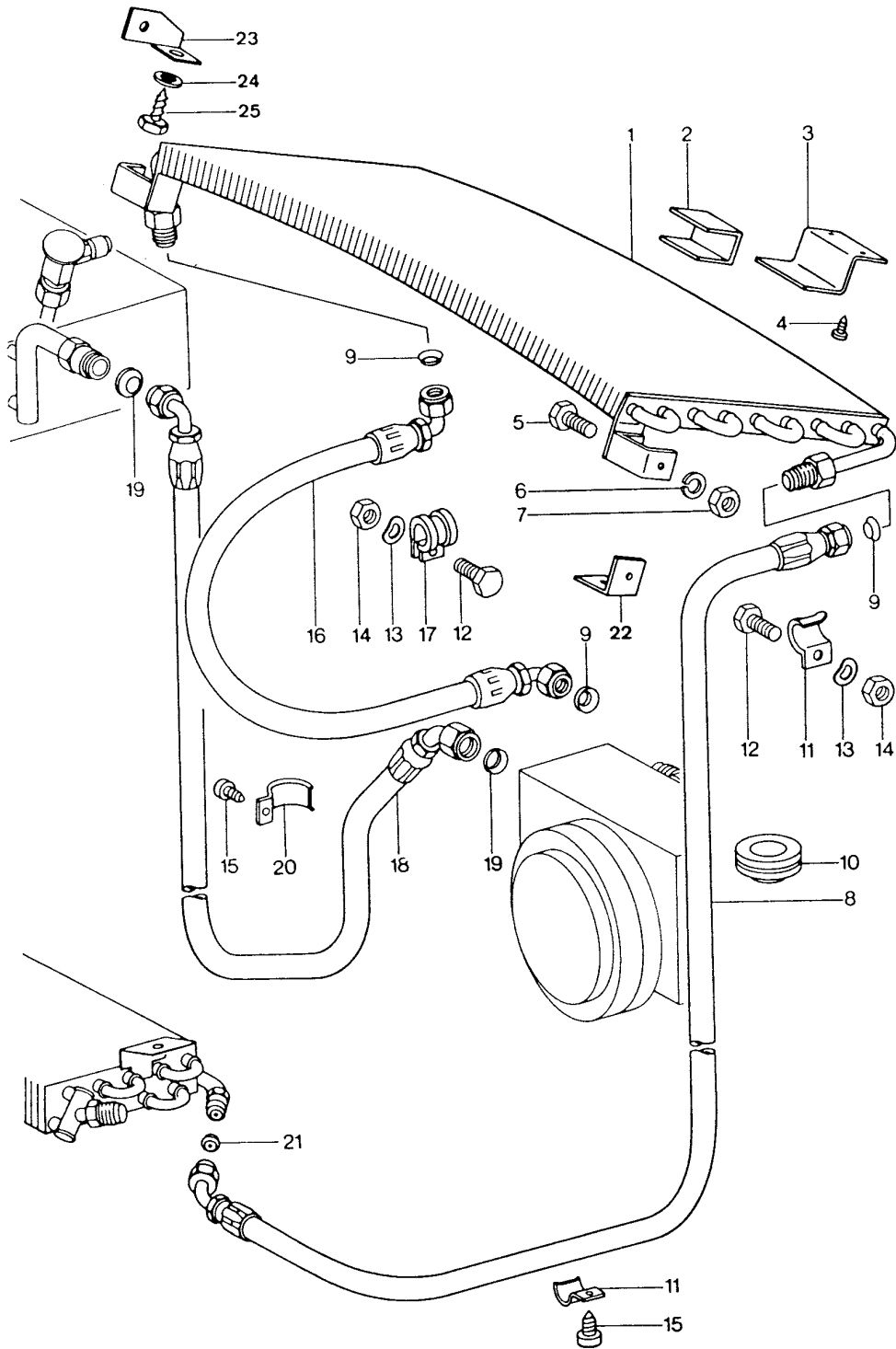
Pos	Part Number	Description	Remark	Qty	Model
1	911 573 056 00	Air conditioner Condenser Lines Front Condenser	-75 /V -75	1	911/911S CARRERA 2.7
2	911 573 058 01	Stone guard	-75	1	911/911S CARRERA 2.7
3	900 075 057 02	Hexagon-head bolt M 6 X 16		3	911/911S CARRERA 2.7
3	900 075 057 03	Hexagon-head bolt M 6 X 16		3	911/911S CARRERA 2.7
4	N 012 007 2	Lock ring B 6		3	911/911S CARRERA 2.7
4	900 027 004 03	Lock ring B 6		3	911/911S CARRERA 2.7
5	N 011 524 7	Washer 6,4		3	911/911S CARRERA 2.7
5	N 011 524 27	Washer 6,4		3	911/911S CARRERA 2.7
6	911 573 055 00	Impact protection	-75	1	911/911S CARRERA 2.7
7	911 573 513 01	Spacer	-75	2	911/911S CARRERA 2.7
8	N 040 281 1	Hexagon-head bolt M 10 X 45		2	911/911S CARRERA 2.7
8	900 075 516 01	Hexagon-head bolt M 10 X 45		2	911/911S CARRERA 2.7
9	900 027 016 02	Lock ring B 10		2	911/911S CARRERA 2.7
9	900 027 016 03	Lock ring B 10		2	911/911S CARRERA 2.7
10	900 151 026 02	Washer B10,5		2	911/911S CARRERA 2.7
10	900 151 050 01	Washer B10,5		2	911/911S CARRERA 2.7
11	900 075 085 02	Hexagon-head bolt M 8 X 20	-75	1	911/911S CARRERA 2.7
12	900 027 015 02	Lock ring B 8		1	911/911S CARRERA 2.7
12	900 027 015 03	Lock ring B 8		1	911/911S CARRERA 2.7
13	900 025 007 02	Washer B 8,4		1	911/911S CARRERA 2.7
13	900 025 007 03	Washer B 8,4		1	911/911S CARRERA 2.7
14	911 501 581 01	Air baffle plate		1	911/911S CARRERA 2.7
14	911 501 581 01 GRV	Air baffle plate Prime coated		1	911/911S CARRERA 2.7
15	911 624 013 01	Blower	-75	1	911/911S CARRERA 2.7
16	911 573 161 00	Intake manifold	-75	1	911/911S CARRERA 2.7
17	911 573 515 00	Gasket	-75	1	911/911S CARRERA 2.7
18	911 573 154 01	Refrigerant hose NW 8		1	911/911S CARRERA 2.7
19	901 573 148 00	Gasket 5/8 "	-75	4	
20	911 573 152 02	Refrigerant hose NW 10	/LL	1	

Model: 911 74 Model life 1974>>1977

Pos	Part Number	Description	Remark	Qty	Model
20	911 573 152 03	Refrigerant hose NW 10	/LL	1	
(20)	911 573 159 00	Refrigerant hose NW 10	/RL -76 77-	1	
(20)		Refrigerant hose NW 10	/RL 77-	1	911/911S CARRERA 3.0
20/1	999 511 061 02	Clamp		2	911/911S CARRERA 3.0
20/1	999 511 061 01	Clamp		2	911/911S CARRERA 3.0
20/2	900 187 025 02	Hexagon-head tapping screw		2	911/911S CARRERA3.0
21	901 573 143 00	Rubber sleeve		1	
22	901 573 142 00	Rubber sleeve		1	
23	901 573 155 00	Support	-76	1	
24	N 010 207 6	Hexagon-head bolt M 5 X 12	-76	1	
24	N 010 207 17	Hexagon-head bolt M 5 X 12		1	
25	N 012 005 3	Lock ring B 5	-76	1	
26	999 507 315 02	Captive nut	-76	1	
27	911 573 939 02	Desiccator		1	
-	911 615 152 00	Thermostat		1	911/911S CARRERA 3.0
28	901 573 141 00	Hose clamp		2	
29	901 573 140 00	Retaining bar		1	
30	900 143 007 02	Oval-head sheetmetal screw B 4,2 X 13		2	
30	900 073 507 01	Oval-head sheetmetal screw B 4,2 X 13		2	

Model: 911 74

Model life 1974>>1977



Model: 911 74 Model life 1974>>1977

Pos	Part Number	Description	Remark	Qty	Model
		Air conditioner Condenser Lines Rear			
1	901 573 057 00	Condenser		1	
2	901 573 138 00	Moltoprene shim 6 X 65 X 85		1	
3	911 573 147 00	Bracket		1	911/911S
(3)	911 573 059 00	Retaining bar		1	CARRERA 2.7 CARRERA 3.0
4	N 013 961 2	Oval-head sheetmetal screw		1	911/911S
4	N 013 961 11	Oval-head sheetmetal screw		1	911/911S
(4)	N 010 264 4	Hexagon-head bolt		1	CARRERA 2.7 CARRERA 3.0
5	900 075 092 02	Hexagon-head bolt M 4 X 10		2	
6	900 027 011 01	Lock ring B 4		2	
7	N 011 004 6	Hexagon nut M 4		2	
7	N 011 004 G	Nut M 4		2	
8	911 573 153 01	Refrigerant hose NW 10 , 5000 MM	-75	1	911/911S CARRERA 2.7
(8)	911 573 151 00	Refrigerant hose	76-	1	911/911S
9	901 573 147 00	Gasket 3/4"		3	
10	901 573 143 00	Rubber sleeve		1	
11	999 513 002 40	Tie-wrap		18	911/911S CARRERA 2.7
11	N 020 910 4	Tie-wrap		18	911/911S CARRERA 2.7
11	999 513 003 40	Tie-wrap		18	911/911S CARRERA 2.7
11	999 511 061 02	Clamp		10	911/911S CARRERA 3.0
11	999 511 061 01	Clamp		10	911/911S CARRERA 3.0
-	911 573 525 01	Refrigerant hose NW 10	/RL 77-	1	911/911S CARRERA 3.0
12	N 010 207 6	Hexagon-head bolt M 5 X 12		2	
12	N 010 207 17	Hexagon-head bolt M 5 X 12		2	
13	N 012 005 3	Lock ring B 5		2	
14	900 076 027 02	Nut M 5		2	
15	900 187 025 02	Hexagon-head tapping screw B 5,5 X 13		X	
16	911 573 150 00	Refrigerant hose		1	
17	930 573 150 00	Refrigerant hose NW 10		1	Turbo
17	999 511 066 02	Clamp		1	
(17)	999 511 080 02	Clamp		2	911/911S CARRERA 3.0
18	911 573 149 02	Refrigerant hose		1	
18	911 573 149 05	Refrigerant hose		1	
-	911 573 525 01	Refrigerant hose NW 13 Extension for	/RL	1	

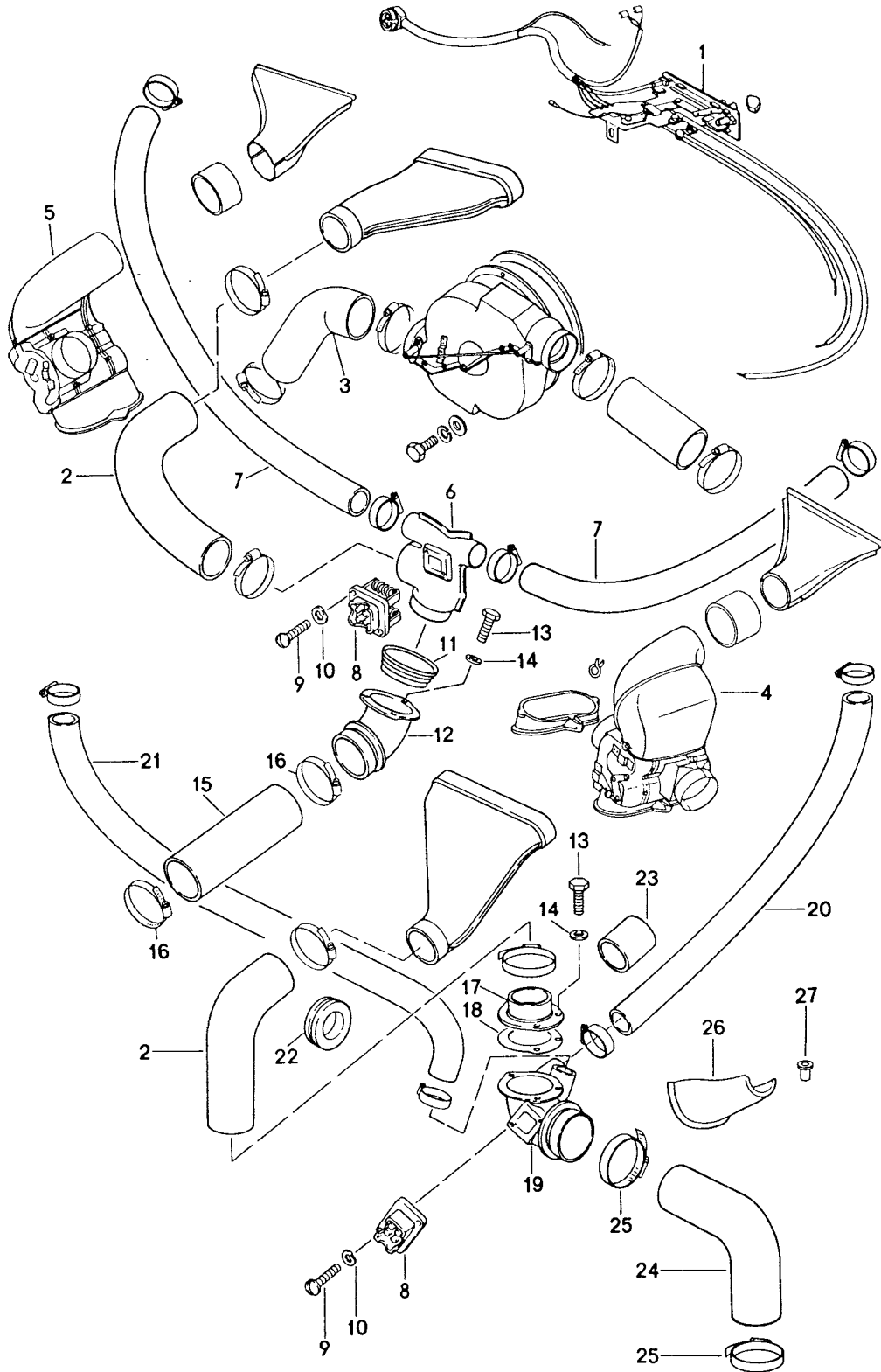
Model: 911 74

Model life 1974>>1977

Pos	Part Number	Description	Remark	Qty	Model
-	901 573 143 00	POS. 18 Rubber sleeve	/RL	1	
19	901 573 146 00	Gasket 7/8"		2	
20	911 573 145 00	Clamp		X	
20	911 573 145 01	Clamp		X	
(20)	N 020 690 1	Clip		2	911/911S CARRERA 3.0
21	901 573 148 00	Gasket		1	

Model: 911 74

Model life 1974>>1977



Model: 911 74 Model life 1974>>1977

Pos	Part Number	Description	Remark	Qty	Model
		Air conditioner Cooling air duct Installation parts without POS. See group 8/13/05			
1	911 613 111 07	Control switch	/LL	1	911/911S CARRERA 3.0
(1)	911 613 112 07	Control switch	/RL	1	911/911S CARRERA 3.0
2	911 571 243 00	Air hose		1	911/911S CARRERA 3.0
3	473 261 233 A	Air hose		1	911/911S CARRERA 3.0
4	911 571 049 02	Control box		1	911/911S CARRERA 3.0
5	911 571 050 02	Control box		1	911/911S CARRERA 3.0
6	911 573 031 00	Air distributor		1	911/911S CARRERA 3.0
7	911 573 204 00	Air hose		2	911/911S CARRERA 3.0
8	911 618 151 00	Thermo bi-metal switch		1	911/911S CARRERA 3.0
9	900 146 011 02	Oval-head screw		2	911/911S CARRERA 3.0
10	N 012 224 3	Spring washer		2	911/911S CARRERA 3.0
11	911 641 909 00	Rubber ring		1	911/911S CARRERA 3.0
12	911 573 087 00	Connecting piece		1	911/911S CARRERA 3.0
13	N 010 207 6	Hexagon-head bolt		3	911/911S CARRERA 3.0
13	N 010 207 17	Hexagon-head bolt		3	911/911S CARRERA 3.0
14	900 025 003 02	Washer		3	911/911S CARRERA 3.0
15	911 571 240 01	Air hose		1	911/911S CARRERA 3.0
15	911 571 240 02	Air hose		1	911/911S CARRERA 3.0
16	999 512 351 02	Hose clamp		2	911/911S CARRERA 3.0
17	911 573 191 00	Flange socket		1	911/911S CARRERA 3.0
18	901 572 527 00	Sealing washer	/RL	2	911/911S CARRERA 3.0
19	911 573 088 00	Connecting piece	/RL	1	911/911S CARRERA 3.0
20	911 573 203 00	Air hose	/RL	1	911/911S CARRERA 3.0
21	911 573 204 00	Air hose	/L /RL .0	1	911/911S CARRERA 3.0
22	901 573 143 00	Rubber sleeve	/R /RL	3	911/911S CARRERA 3.0
23	999 702 062 50	Grommet	/RL	1	911/911S CARRERA 3.0
24	911 573 523 02	Air hose	/RL	1	911/911S CARRERA 3.0
25	901 573 160 00	Hose clamp	/RL	2	911/911S

Model: 911 74

Model life 1974>>1977

Pos	Part Number	Description	Remark	Qty	Model
26	911 551 607 00	Covering	/RL 0	1	CARRERA 3.0 911/911S
27	900 121 015 02	Tubular rivet A 6 X 0,5 X 15	/RL /RL	4	CARRERA 3.0 911/911S CARRERA 3.0

Model: 911 74

Model life 1974>>1977



Model: 911 74 Model life 1974>>1977

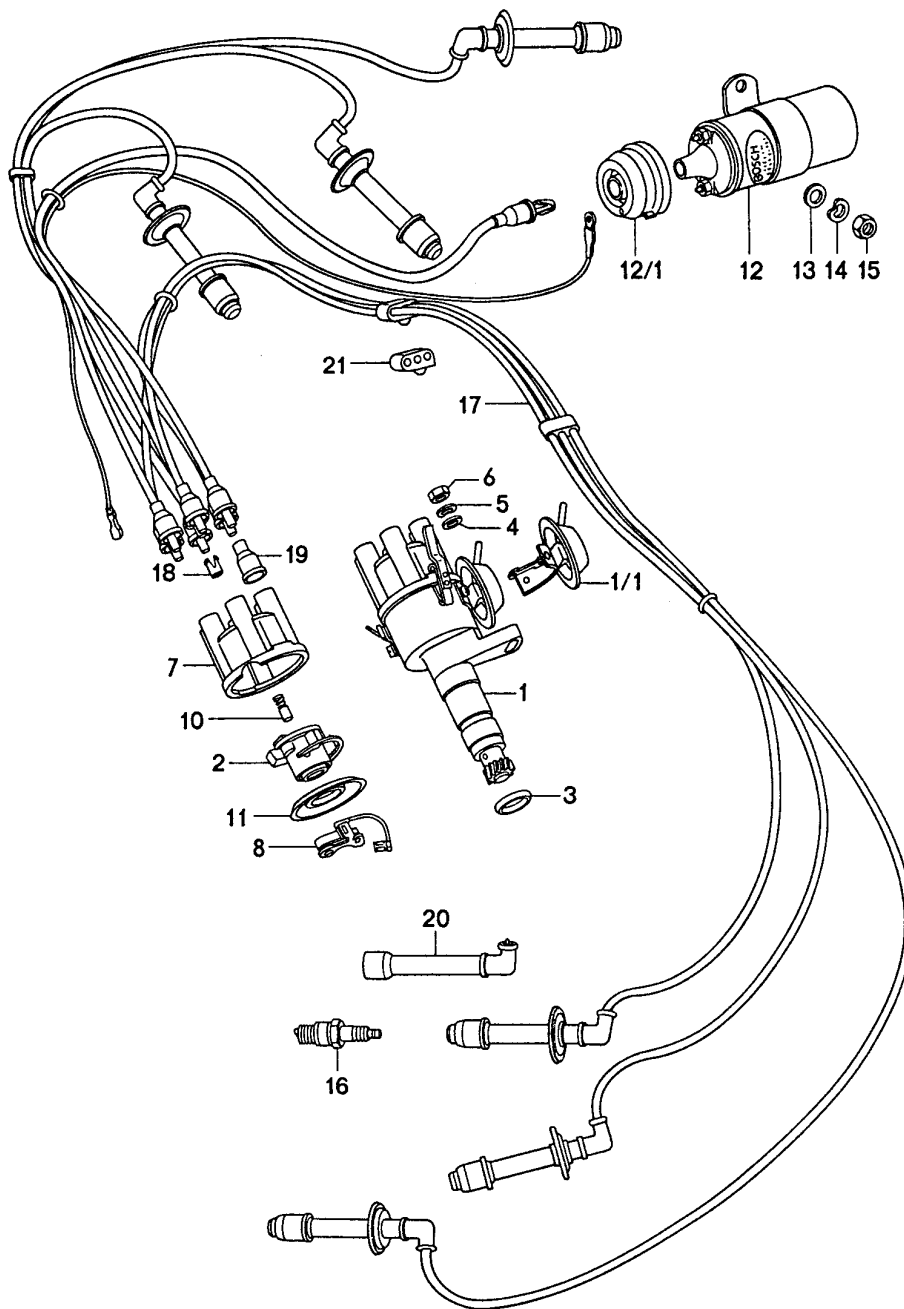
Pos	Part Number	Description	Remark	Qty	Model
-	964 347 917 01	Set of locks Repair kits Steering lock without Buzzer contact		1	
-		Steering lock without Buzzer contact		1	
-		Steering lock without Buzzer contact		1	
>>	911 531 914 00	Coupe Set of locks		1	911/911S
>>		Set of locks Chrome for subsequent installation Comprising:		1	CARRERA 3.0
-	911 531 061 00	Outer door handle	/L	1	
-	911 531 062 00	Outer door handle	/R	1	
-	911 531 946 00	Main key with Key lamp		1	
-	914 531 637 10	Main key		1	
-	914 531 903 11	Blank key		1	
-	911 613 901 01	Steering lock		1	
-	964 347 917 01	Steering lock without Buzzer contact		1	
-	911 552 902 03	Glove compartment lock		1	
>>	911 531 914 28	Set of locks Black for subsequent installation Comprising:		1	CARRERA 2.7 CARRERA 3.0
-	911 531 061 28	Outer door handle	/L	1	
-	911 531 062 28	Outer door handle	/R	1	
-	911 531 946 00	Main key with Key lamp		1	
-	914 531 637 10	Main key		1	
-	914 531 903 11	Blank key		1	
-	911 613 901 01	Steering lock		1	
-	964 347 917 01	Steering lock		1	
-	911 552 902 07	Glove compartment lock Targa		1	
>>	911 531 914 40	Set of locks	76-	1	911/911S
>>		Set of locks Chrome for subsequent installation Comprising:	76-	1	CARRERA 3.0
-	911 531 061 00	Outer door handle	/L	1	
-	911 531 062 00	Outer door handle	/R	1	
-	911 531 946 00	Main key with Key lamp		1	
-	914 531 637 10	Main key		1	
-	914 531 903 11	Blank key		1	
-	911 613 901 01	Steering lock		1	
-	964 347 917 01	Steering lock		1	
-	911 552 902 03	Glove compartment lock		1	
-	911 511 903 00	Lock		1	
>>	911 531 914 48	Set of locks Black for subsequent installation		1	CARRERA 3.0

Model: 911 74 Model life 1974>>1977

Pos	Part Number	Description	Remark	Qty	Model
-	911 531 061 28	Comprising: Outer door handle	/L	1	
-	911 531 062 28	Outer door handle	/R	1	
-	911 531 946 00	Main key with Key lamp		1	
-	914 531 637 10	Main key		1	
-	914 531 903 11	Blank key		1	
-	911 613 901 01	Steering lock		1	
-	964 347 917 01	Steering lock		1	
-	911 552 902 07	Glove compartment lock		1	
-	911 511 903 00	Lock		1	
-	964 347 917 01	Steering lock without Buzzer contact		1	
-		Steering lock without Buzzer contact Repair kits		1	
-	911 701 057 00	Set of fastening parts Number plate Front and rear	(D) (DK) (F) (GB) (NL) (S)	1	
-	911 701 057 01	Set of fastening parts Number plate Front and rear	(USA)	1	
-	911 701 057 02	Set of fastening parts Number plate Front and rear	(A) (B) (CH) (I)	1	
-	911 701 057 03	Installation set Number plate Front and rear	(AUS) -76	1	
-	911 701 057 04	Installation set Number plate Front and rear	(N) -76	1	

Model: 911 74

Model life 1974>>1977



Model: 911 74

Model life 1974>>1977

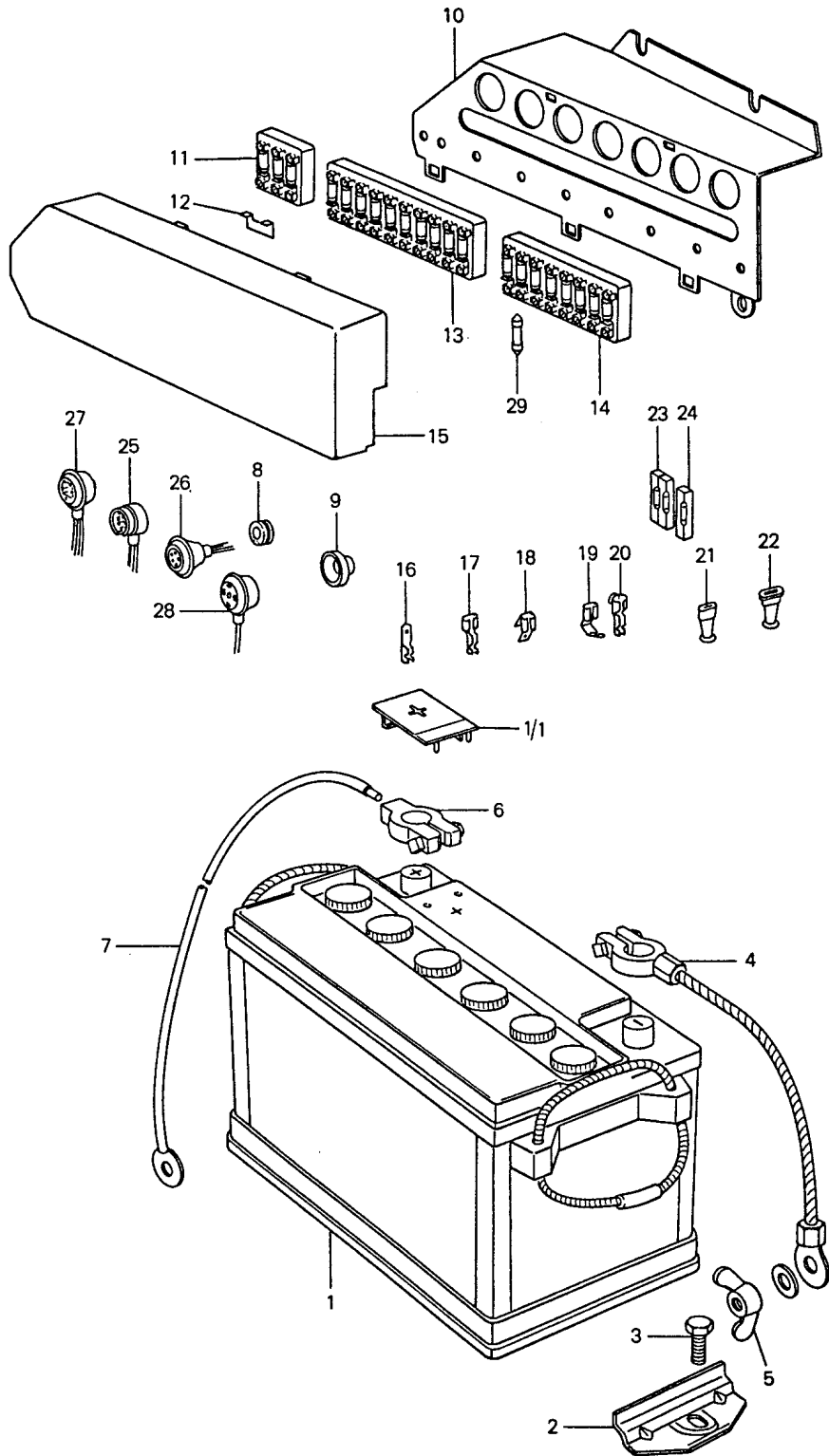
Pos	Part Number	Description	Remark	Qty	Model
1	911 602 021 01	Engine electrics Distributor - bosch - for 911/41/42/43/44/46/47 911/48/49/81/82/84/86 911/89/92/93/97/98		1	
1	911 602 021 03	Distributor - bosch - for 911/41/42/43/44/46/47 911/48/49/81/82/84/86 911/89/92/93/97/98		1	
1	911 602 021 CX	Distributor - bosch - for 911/41/42/43/44/46/47 911/48/49/81/82/84/86 911/89/92/93/97/98		1	
(1)	911 602 021 07	Distributor - bosch - for 911/85/90/94/99		1	
(1)	911 602 021 04	Distributor		1	930/02/12
(1)	911 602 021 DX	Distributor - bosch -		1	930/02/12
(1)	911 602 031 06	Distributor		1	911/83
(1)	911 602 031 FX	Distributor - bosch -		1	911/83
1/1	911 602 932 00	Vacuum unit		1	911/911S CARRERA 3.0
(1/1)	911 602 931 00	Vacuum unit - bosch -		1	CARRERA 2.7
2	911 602 928 00	Rotor - bosch - for Distributor 911.602.021.03 911.602.021.07		1	
(2)	911 602 930 00	Rotor - bosch -		1	CARRERA 3.0
(2)	911 602 929 00	Rotor - bosch -		1	CARRERA 2.7
3	911 602 102 01	Sealing ring		1	
4	900 025 007 02	Washer		1	
4	900 025 007 03	Washer		1	
5	N 012 241 8	Spring washer		1	
6	900 076 025 02	Hexagon nut		1	
6	900 076 064 02	Hexagon nut		1	
7	911 602 933 00	Distributor cap		1	
8	911 602 936 00	Contact breaker point - bosch - F.ignition distributor 91160202103 91160202703 91160203105 91160203106		1	
10	930 602 905 00	Wiper contact - bosch -		1	911/911S CARRERA 2.7
11	911 602 947 00	Dust cover		1	
12	901 602 502 00	Ignition transformer		1	
12/1	911 602 801 00	Protection cap		1	
13	900 025 007 02	Washer		2	

Model: 911 74 Model life 1974>>1977

Pos	Part Number	Description	Remark	Qty	Model
13	900 025 007 03	Washer		2	
14	N 012 241 8	Spring washer		2	
15	900 076 025 02	Hexagon nut		2	
15	900 076 064 02	Hexagon nut		2	
		Spark plug			
		Use also:			
		547 09222		X	
		for			
		Spark plug			
-	547 09 222	Nut		X	
		for			
		Spark plug			
16	999 170 162 90	Spark plug		6	CARRERA 2.7
		- bosch -			3.0
(16)	999 170 017 90	Spark plug	75-	6	
		- bosch -			
		for			
		911/82/84/85/89/90/94/99			
(16)	999 170 165 90	Spark plug		6	911/911S
		- bosch -			
17	911 609 061 00	Set of ignition cables	-74 -74	1	911/911S CARRERA 2.7
		without			
		Spark plug connector			
(17)	911 609 010 07	Set of ignition cables	/R	1	
		geschirmt			
(17)	911 609 011 07	Set of ignition cables	/L	1	
		geschirmt			
-	911 609 061 07	Ignition lead		1	911/911S
		Distributor	76-		CARRERA 3.0
		Ignition transformer			
-	900 612 001 00	Ignition lead	-75	X	
		5 Meter			
18	911 609 510 00	Cable plug		8	911/911S CARRERA 2.7
18	PCG 609 510 00	Cable plug		8	911/911S CARRERA 2.7
(18)	911 609 510 00	Cable plug	75-	1	
(18)	PCG 609 510 00	Cable plug	75-	1	
19	999 659 001 40	Water protection cap		8	
20	901 609 309 00	Screened connector	-76	6	
20	901 609 309 01	Screened connector		6	
(20)	911 602 315 00	Spark plug connector	77-	6	911/911S CARRERA 3.0
21	901 609 591 00	Cable holder		3	
-	122 035 281	Suppression connector	75-	7	

Model: 911 74

Model life 1974>>1977



Model: 911 74 Model life 1974>>1977

Pos	Part Number	Description	Remark	Qty	Model
		Battery			
		Mounting plate			
1	999 611 023 90	Battery		1	
(1)	999 611 024 90	Battery		1	
1/1	999 611 104 00	Pole covering		1	
2	911 611 209 00	Bracket		1	
3	999 075 032 02	Hexagon-head bolt		1	
		M 8 X 20			
4		Ground strap		1	
		See group			
		9/02/20			
5	999 044 001 02	Winged nut		1	
-	900 025 025 02	Washer		4	
		8,4			
-	900 076 030 02	Hexagon nut		3	
		M 8			
6	911 611 898 01	Terminal		1	
6	911 611 898 04	Terminal		1	
7		Battery-starter cable		1	
		See group			
		9/02/20			
8	999 702 051 50	Grommet		1	
9	911 611 921 00	Rubber boot		1	
10	911 612 197 00	Mounting plate		1	
-	911 612 401 00	Spacer		1	
-	900 025 002 02	Washer		2	
		4,3			
-	900 025 002 03	Washer		2	
		4,3			
-	900 143 076 02	Oval-head sheetmetal screw		1	
		4,2 X 25			
11	911 612 093 05	Fuse box		1	
-	900 146 009 02	Oval-head screw		2	
		4 X 12			
12	901 612 835 01	Connecting rail		1	
13	911 612 086 01	Fuse box		1	
14	911 612 087 01	Fuse box		1	
-	900 146 009 02	Oval-head screw		4	
		4 X 12			
-	999 507 401 40	Special nut		2	
15	911 612 161 01	Lid	-76	1	
(15)	911 612 161 02	Lid	77-	1	911/911S CARRERA 3.0
16	999 652 115 10	Flat plug		X	
17	111 971 959	Flat receptacle		X	
		with			
		Clip			
		6,3 X 0,8			
(17)	PCG 971 959	Flat receptacle		X	
		without			
		Clip			
		6,3 X 1,0 SN			
(17)	999 652 106 02	Flat receptacle		X	
(17)	N 017 491 8	Flat receptacle		X	
(17)	N 017 494 3	Flat receptacle		X	
18	999 652 122 10	Multiple plug connector		X	
19	999 652 116 10	Flat receptacle		X	
20	999 652 126 10	Distributor		X	
21	999 652 119 40	Connector housing		X	
22	999 652 120 40	Insulating sleeve		X	
23	999 652 142 40	Push-on connector		X	
		Engine-speed shutoff			
24		Push-on connector		X	

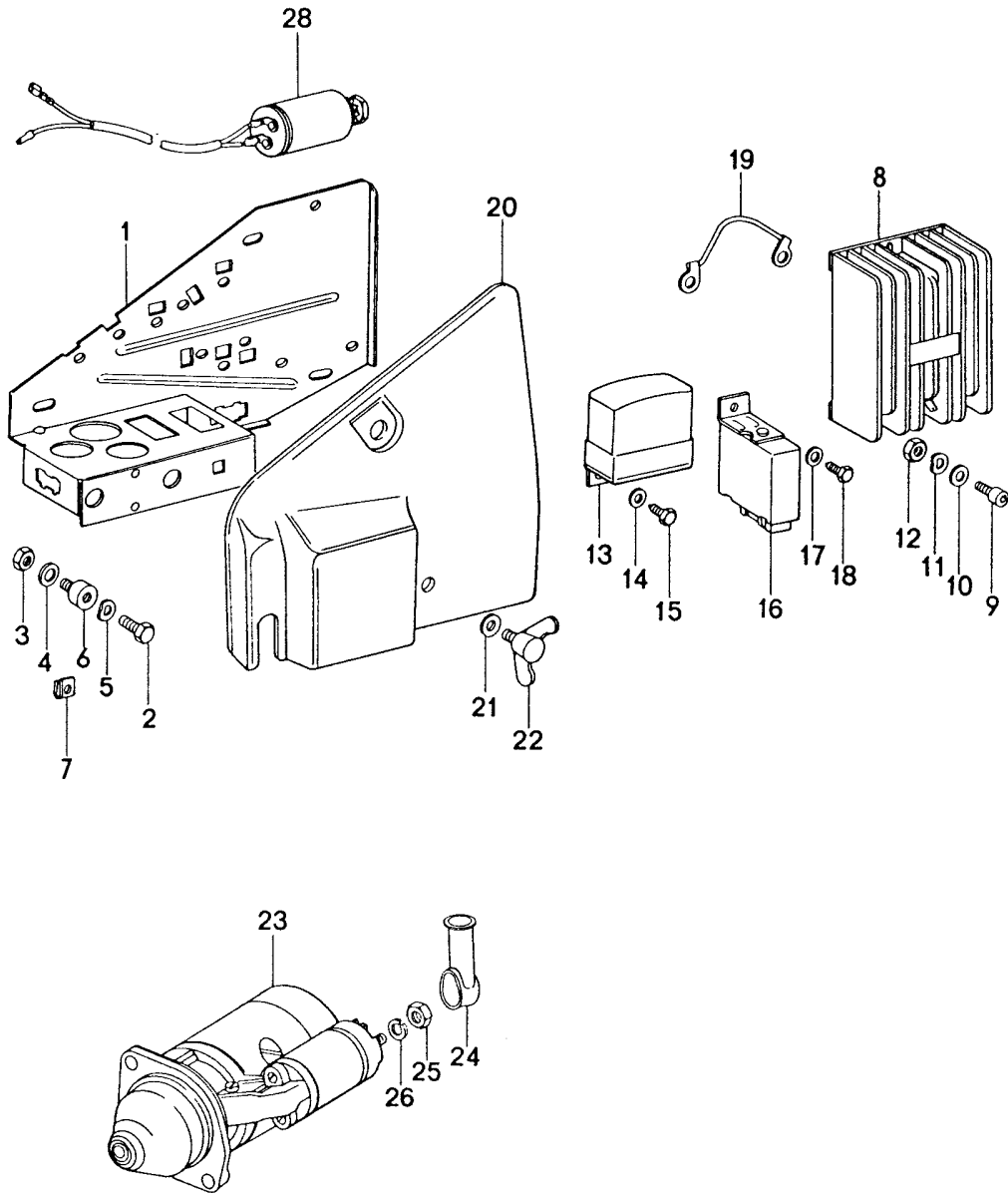
Model: 911 74

Model life 1974>>1977

Pos	Part Number	Description	Remark	Qty	Model
25+26	901 612 330 00	Single pole Multiple plug connection		X	
27	901 612 333 00	6-pole Plug socket		X	
28	901 612 334 00	for Standard type relay Plug socket		X	
29	N 017 121 1	for Flasher relay Safety fuse		X	
(29)	N 017 121 5	8 AMP. Lock		X	
(29)	N 017 121 4	25 AMP. Lock		X	
29	900 173 006 90	16 AMP. Safety fuse		X	
-	911 617 106 00	5 AMP. Diode		X	
-	999 652 106 02	Windscreen heating Rear window heating		X	
-	999 652 246 10	Flat receptacle Windscreen heating		X	
-	999 652 225 10	Cable shoe Windscreen heating		X	
-		Cable shoe Windscreen heating		X	

Model: 911 74

Model life 1974>>1977



Model: 911 74

Model life 1974>>1977

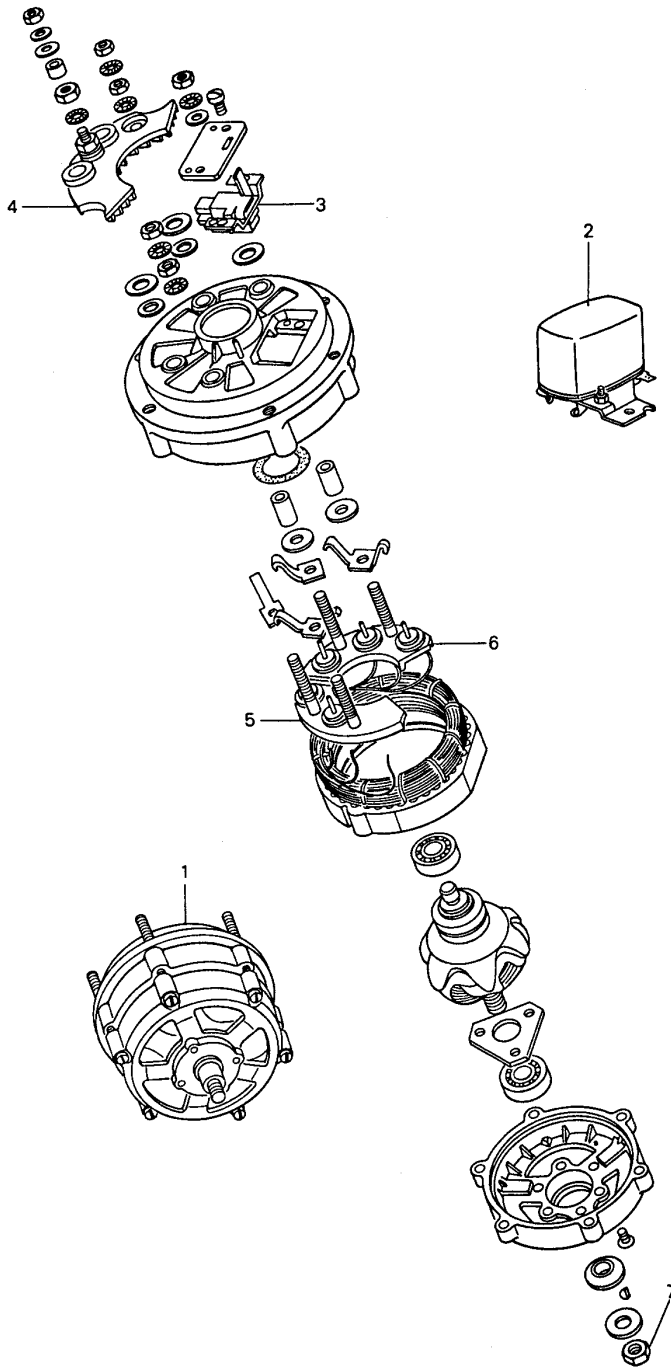
Pos	Part Number	Description	Remark	Qty	Model
1	911 610 103 00	Mounting plate Starter Switch unit Mounting plate	-74	1	911/911S CARRERA 2.7
1		Mounting plate	75-	1	911/83
(1)	911 610 103 03	Mounting plate	75-	1	911/911S CARRERA 3.0
-	999 507 321 02	Captive nut		4	
2	N 010 208 5	Hexagon-head bolt M 6 X 8		3	
3	900 910 096 02	Lock nut VM 6		3	
4	900 031 011 02	Washer 6,4		3	
5	N 012 226 5	Spring washer B 6		3	
6	999 703 302 00	Metallastik pivot bearing		3	
7	N 015 429 2	Speed nut B 4,2		4	
7	N 015 429 6	Speed nut B 4,2		4	
8	911 602 707 00	Switch unit		1	
8	901 602 702 00	Control unit		1	
8	901 602 702 01	Control unit		1	
8	901 602 702 AX	Control unit		1	
9	N 014 703 2	Pan-head screw M 6 X 18		3	
10	900 031 011 02	Washer 6,4		3	
11	N 012 226 5	Spring washer B 6		3	
12	900 076 010 02	Nut M 6		3	
12	900 076 010 0B	Nut M 6		3	
13	911 603 901 00	Vibration regulator (MOTOROLA,MARCHAL,SEV)	-74	1	911/911S CARRERA 2.7
13		Vibration regulator (MOTOROLA,MARCHAL,SEV)	75-	1	CARRERA 2.7
(13)	911 603 206 13	Vibration regulator	75-	1	911/911S CARRERA 3.0
14	900 151 001 02	Washer A 4,3		2	
15	900 187 013 02	Hexagon-head tapping screw BZ 4,2 X 13		2	
-	999 702 119 50	Rubber sleeve		2	
16	911 615 115 00	Relay		1	
(16)	901 615 113 00	Relay for Exhaust gas		1	CARRERA 2.7
17	900 151 001 02	Washer A 4,3		1	CARRERA 2.7
18	900 187 013 02	Hexagon-head tapping screw BZ 4,2 X 13		1	CARRERA 2.7
19	911 612 008 00	Ground strap		1	
20	911 610 101 01	Cover	-74	1	911/911S CARRERA 2.7
(20)	930 610 105 03	Cover	75-	1	911/911S CARRERA 3.0
21	900 151 003 02	Washer A 6,4		2	
21	900 151 006 03	Washer		2	

Model: 911 74 Model life 1974>>1977

Pos	Part Number	Description	Remark	Qty	Model
22	900 029 102 02	A 6,4 Wing screw		2	
(23)	916 604 101 00	M 6 X 12 Starter		1	
7	916 604 101 X	Starter		1	
		1,5 KW			
7	916 604 101 BX	Starter		1	
		1,5 KW			
24	999 659 006 50	Protection cap		1	
25	N 011 132 2	Hexagon nut		1	
		M 8			
26	N 012 008 2	Lock ring		1	
		B 8			
-	911 615 108 01	Standard type relay	75-	1	
-	999 652 315 02	Flat plug		1	
-	911 612 093 03	Fuse box	-74	1	911/911S CARRERA 2.7
		Triple			
-	911 612 093 05	Fuse box	75-	1	
-	900 014 074 02	Pan-head screw		2	
		AM 4 X 12			
-	900 028 018 01	Spring washer		2	
		B 4			
-	N 011 004 6	Hexagon nut		2	
		M 4			
-	N 011 004 G	Nut		2	
		M 4			
28	911 618 401 00	Condenser		1	911/911S CARRERA 3.0
-	901 423 369 00	Retaining bracket		1	911/911S CARRERA 3.0

Model: 911 74

Model life 1974>>1977

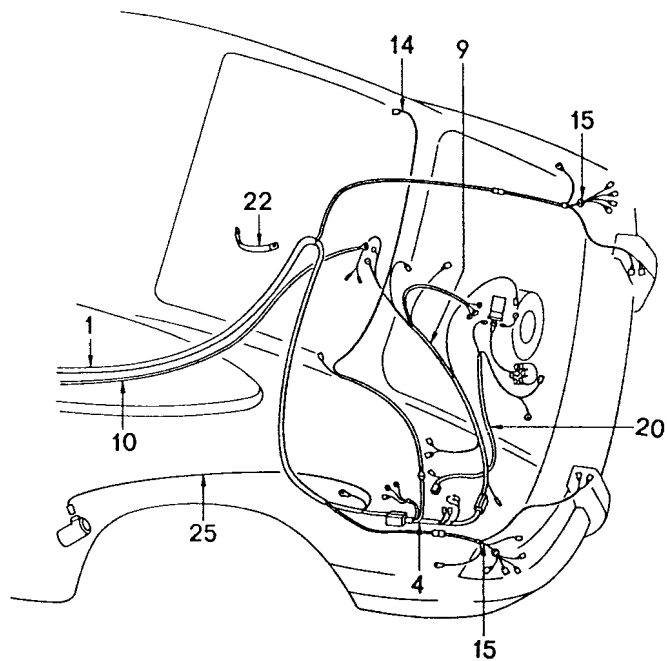
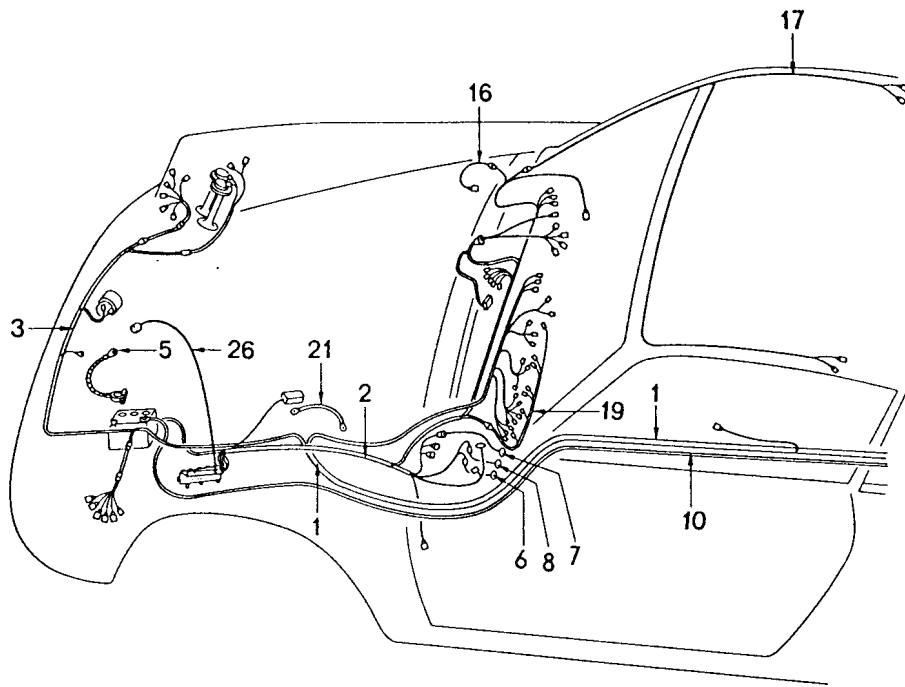


Model: 911 74 Model life 1974>>1977

Pos	Part Number	Description	Remark	Qty	Model
		Generator See technical information GR.2 , NR.28 See TPI GR.9 , NR13 , 09/94			
1	911 603 120 00	Generator 770 W (MOTOROLA,MARCHAL,SEV)	-74	1	911/911S CARRERA 2.7
1	911 603 120 X	Generator 770 W (MOTOROLA,MARCHAL,SEV)	-74	1	911/911S CARRERA 2.7
1	911 603 120 00	Generator 770 W (MOTOROLA,MARCHAL,SEV)	75-	1	CARRERA 2.7
1	911 603 120 X	Generator 770 W (MOTOROLA,MARCHAL,SEV)	75-	1	CARRERA 2.7
(1)	911 603 120 02	Generator 980 W	75-	1	911/911S CARRERA 3.0
2		Vibration regulator (MOTOROLA,MARCHAL,SEV) See group 9/02/05 Single parts for (MOTOROLA,MARCHAL,SEV) Generator	T	1	
3	901 603 907 00	Support		1	
4	901 603 908 00	Support	-74	1	911/911S CARRERA 2.7
5	901 603 909 00	Support	-74	1	911/911S CARRERA 2.7
6	901 603 910 00	Support	-74	1	911/911S CARRERA 2.7
7		Hexagon nut M 16 X 1 See group 1/05/00		1	

Model: 911 74

Model life 1974>>1977



Model: 911 74 Model life 1974>>1977

Pos	Part Number	Description	Remark	Qty	Model
1	911 612 001 22	Wiring harnesses Wiring harness Tunnel	/LL -74	1	911/911S CARRERA 2.7
(1)		Wiring harness Tunnel	/LL 75-	1	CARRERA 2.7
(1)	911 612 001 23	Wiring harness Tunnel	/LL 75-	1	911/911S
(1)	911 612 001 26	Wiring harness Tunnel	/LL -75	1	911/911S
(1)	911 612 001 27	Wiring harness Tunnel	/LL 76	1	911/911S CARRERA 3.0
(1)	911 612 001 28	Wiring harness Tunnel	/LL 77-	1	911/911S CARRERA 3.0
(1)	911 612 061 21	Wiring harness Tunnel	/RL -74	1	911/911S
(1)		Wiring harness Tunnel	/RL -75	1	CARRERA 2.7
(1)	911 612 061 22	Wiring harness Tunnel	/RL 75-	1	911/911S
(1)	911 612 061 24	M >> 615 1671 M >> 615 9236 M >> 635 0501 M >> 635 9099 Wiring harness Tunnel	/RL -75	1	911/911S
(1)	911 612 001 27	M 615 1672 >> M 615 9237 >> M 635 0502 >> M 635 9100 >> Wiring harness Tunnel	/LL 77-	1	911S
(1)	911 612 061 25	Wiring harness Tunnel	/RL 76-	1	911/911S CARRERA 2.7
-	999 513 002 40	Tie-wrap		1	
-	N 020 910 4	Tie-wrap		1	
-	999 513 003 40	Tie-wrap		1	
-	999 702 044 50	Rubber sleeve	-75	1	
-	999 702 132 50	Rubber sleeve	76-	1	
-	999 513 023 40	Tie-wrap		X	
2	911 612 002 12	Wiring harness Boot floor plate	/LL -76	1	
(2)	911 612 002 13	Wiring harness Boot floor plate	/LL 77-	1	911/911S CARRERA 3.0
2	911 612 060 02	Wiring harness Boot floor plate	/RL -76	1	
(2)	911 612 060 03	Wiring harness Boot floor plate	/RL 77-	1	911/911S CARRERA 2.7
3	911 612 003 01	Wiring harness FRONT luggage compartment		1	
-	113 941 189	Grommet Rubber		X	
4	911 612 005 21	Headlamp casing Wiring harness Mounting plate for cars with Mechanical injection		1	CARRERA 2.7
(4)	911 612 005 31	Wiring harness	-74	1	911/911S
-	911 612 009 00	Ground cable Enrichment		1	CARRERA 2.7
5	911 611 899 00	Ground strap		1	
6	911 612 010 00	Wiring harness Light switch	-75	1	911/911S CARRERA 2.7
(6)	911 612 010 01	Wiring harness	76-	1	911/911S

Model: 911 74 Model life 1974>>1977

Pos	Part Number	Description	Remark	Qty	Model
7	911 612 011 30	Light switch Wiring harness	-75	1	CARRERA 3.0 911/911S
(7)	911 612 011 32	Ignition starter switch Wiring harness	76-	1	CARRERA 2.7 911/911S
8	911 612 014 30	Ignition starter switch Wiring harness		1	CARRERA 3.0
-	911 612 015 00	Hazard warning light sw. Wiring harness		1	911/911S CARRERA 2.7
-	911 612 232 00	Bridge Warning light	(I)	1	911
-	911 612 225 00	Single line Back-up light	(I) 77-	1	911/911S CARRERA 3.0
9	911 612 017 31	Single line Indicator light Oil pressure indicator	-74	1	911/911S
(9)	911 612 017 21	Wiring harness Engine		1	CARRERA 2.7
(9)	911 612 013 32	Injection system Wiring harness	-74	1	SPM
(9)	911 612 012 33	Engine K-jetronic Wiring harness	75-	1	SPM
(9)	911 612 012 37	Engine M >> 645 9107 M >> 655 9067 Wiring harness	-75	1	SPM
(9)	911 612 012 34	Engine M 645 9108 >> M 655 9068 >> Wiring harness	75-	1	SPM
(9)	911 612 012 36	Engine M >> 615 9236 M >> 635 9099 Wiring harness	-75	1	SPM
(9)	911 612 012 35	Engine M 615 9237 >> M 635 9100 >> Wiring harness	76	1	SPM
(9)	911 612 012 01	Engine Wiring harness	77-	1	SPM
(9)	911 612 016 33	Engine Wiring harness	75-	1	911/911S
(9)	911 612 016 35	Engine M >> 615 1671 M >> 635 0501 Wiring harness	-75	1	911/911S
(9)	911 612 016 34	Engine M 615 1672 >> M 635 0502 >> Wiring harness	76	1	911/911S CARRERA 3.0
(9)	911 612 016 33	Engine Wiring harness	76	1	911/911S CARRERA 3.0
(9)	911 612 016 02	Switch unit PERMA TUNE Wiring harness	77-	1	911/911S CARRERA 3.0
-	901 612 893 01	Engine Flat connector socket for		1	
-	999 911 041 00	Regulator Edge protection		*	

Model: 911 74 Model life 1974>>1977

Pos	Part Number	Description	Remark	Qty	Model
-	PCG 911 041 00	150 MM Edge protection White		1	
10	911 612 022 22	560 MM Battery-starter cable		1	
-	911 612 821 00	Covering for Cable holder Seat well	76-	1	
-	911 612 025 01	Wiring harness Tunnel	/LL	1	
-	911 612 019 00	Rear window wiper Wiring harness Fuse box	/LL	1	
-	911 612 063 01	Rear window wiper Wiring harness Tunnel	/RL	1	
-	911 612 031 01	Rear window wiper Wiring harness Rear window wiper		1	
-	911 612 099 00	Engine Wiring harness Fuse box Rear window wiper	/RL	1	
-	911 612 223 00	Switch Single line Rear window wiper		1	
-	911 612 026 00	Switch Wiring harness Rear fog light		1	
-	901 612 066 02	Switch for rear fog light Wiring harness Switch		1	
-	911 612 027 03	Fog headlamp Rear fog light Additional cables		1	
-	901 612 064 00	Fog headlamp Ground cable Rear fog light		1	
-	911 612 154 00	Wiring harness Rear fog light		1	
-	911 612 155 01	Wiring harness Double Rear fog light		1	
-	911 612 027 01	Ground cable Fog headlamp	(CDN) (USA) (J)	1	
-	901 612 053 00	Wiring harness Heater		1	
-	911 612 034 00	- WEBASTO - Wiring harness Sunroof	/LL	1	COUPE
-	911 612 064 01	Wiring harness Sunroof	/RL	1	COUPE
-	911 612 032 01	Wiring harness		1	
-	911 612 035 00	Wiring harness		1	
14	911 612 036 00	Wiring harness Rear window heating		1	
(14)	911 612 037 01	Wiring harness		1	
(14)		Wiring harness		2	
15	911 612 039 01	Wiring harness		2	
-	901 612 035 41	Wiring harness Interior light	/LL	1	TARGA

Model: 911 74 Model life 1974>>1977

Pos	Part Number	Description	Remark	Qty	Model
-	911 612 226 00	Ground strap		1	TARGA
-	999 613 017 40	Interior light Covering		*	TARGA
-		Cable holder 8 X 0,7 50 MM		*	TARGA
-		Covering Cable holder 65 MM		*	TARGA
16	911 612 044 21	Wiring harness Luggage compartment lamp		1	
17	901 612 035 20	Wiring harness		1	TARGA
-	911 612 043 01	Interior light Wiring harness Indicator light Brake	-75	1	911/911S CARRERA 2.7
-		Wiring harness Indicator light Brake	/LL 76	1	911/911S CARRERA 3.0
-	911 612 043 03	Wiring harness Indicator light Brake	/RL 76	1	911/911S CARRERA 3.0
-	911 612 041 07	Wiring harness Indicator light Brake	/RL 77-	1	911/911S CARRERA 2.7
-	911 612 043 02	Wiring harness Indicator light Brake	77-	1	911/911S CARRERA 3.0
-	911 612 041 04	Wiring harness Indicator light Seat belt Brake	/LL 77-	1	911/911S
-	911 612 041 05	Wiring harness Indicator light Seat belt Brake	/LL 77-	1	CARRERA 3.0
-	911 612 170 01	Wiring harness Brake fluid	/LL 77-	1	911/911S CARRERA 3.0
-	911 618 102 01	Relay Seat belt	77-	1	911/911S CARRERA 3.0
19	911 612 047 00	Wiring harness Illumination Instruments		1	
-	901 612 071 02	Wiring harness Power windows	-75	1	CARRERA 2.7 911/911S
-	911 612 167 00	Wiring harness	76-	1	CARRERA 3.0 911/911S
-	911 612 104 00	Wiring harness Power windows Door	-74	2	CARRERA 2.7 911/911S
-	911 612 102 00	Wiring harness Power windows Control switch	-74	1	CARRERA 2.7 911/911S
-	911 612 104 01	Driver's door Wiring harness	75-	1	CARRERA 2.7 CARRERA 3.0 911/911S
-	911 612 103 00	Wiring harness Power windows Control switch Driver's door	-74	1	CARRERA 2.7 911/911S
-	911 612 104 02	Passenger's door Wiring harness	75-	1	CARRERA 2.7

Model: 911 74 Model life 1974>>1977

Pos	Part Number	Description	Remark	Qty	Model
		Power windows Control switch Passenger's door			CARRERA 3.0 911/911S
-	911 612 048 00	Wiring harness	76-	2	911/911S CARRERA 3.0
-	911 612 101 00	Wiring harness Power windows Control switch Passenger's door	-74	1	CARRERA 2.7 911/911S
-	911 612 147 00	Wiring harness Power windows Relay		1	CARRERA 2.7 CARRERA 3.0 911/911S
-	999 613 017 40	Covering 8 X 0,7 40 MM	-74	*	911/911S CARRERA 2.7
20	911 612 050 00	Wiring harness Ignition control unit	-74	1	911/911S CARRERA 2.7
-	911 612 049 00	Wiring harness Engine compartment lamp		1	
21	901 612 303 20	Ground strap Tank filler neck		1	
22	999 611 920 20	Ground strap Transmission Body		1	
-	911 612 054 00	Wiring harness		1	
-	901 612 030 07	Wiring harness		1	
-	911 612 075 00	Additional cable		2	
-	911 612 057 00	Wiring harness Windscreen heating	/LL	1	
-	911 612 057 01	Wiring harness Windscreen heating	/RL	1	911S CARRERA 3.0
-	911 612 148 00	Wiring harness Loudspeaker Front	-74	1	911/911S CARRERA 2.7
-	901 612 043 01	Positive cable		X	911/911S
(25)	911 612 072 13	Wiring harness Fuel pump	-76	1	911/911S CARRERA 2.7
(26)	911 612 072 12	Wiring harness Fuel pump		1	911/911S CARRERA 3.0
(26)	911 612 072 14	Wiring harness Fuel pump Mounting parts for Wiring harness Fuel pump	77-	1	911/911S CARRERA 3.0
-	N 012 005 3	Lock ring B 5		1	
-	900 076 027 02	Nut M 5		1	
-	900 027 011 01	Lock ring B 4		1	
-	N 011 004 6	Hexagon nut M4		1	
-	N 011 004 G	Nut M4		1	
-	914 612 125 10	Wiring harness for Standard type relay	(CH) -75	1	/M 448
-	911 612 083 00	Ground cable Ashtray light		1	
-	914 612 125 10	Wiring harness for	(B) (F) (I) -75 (L)	1	(P) /M 447

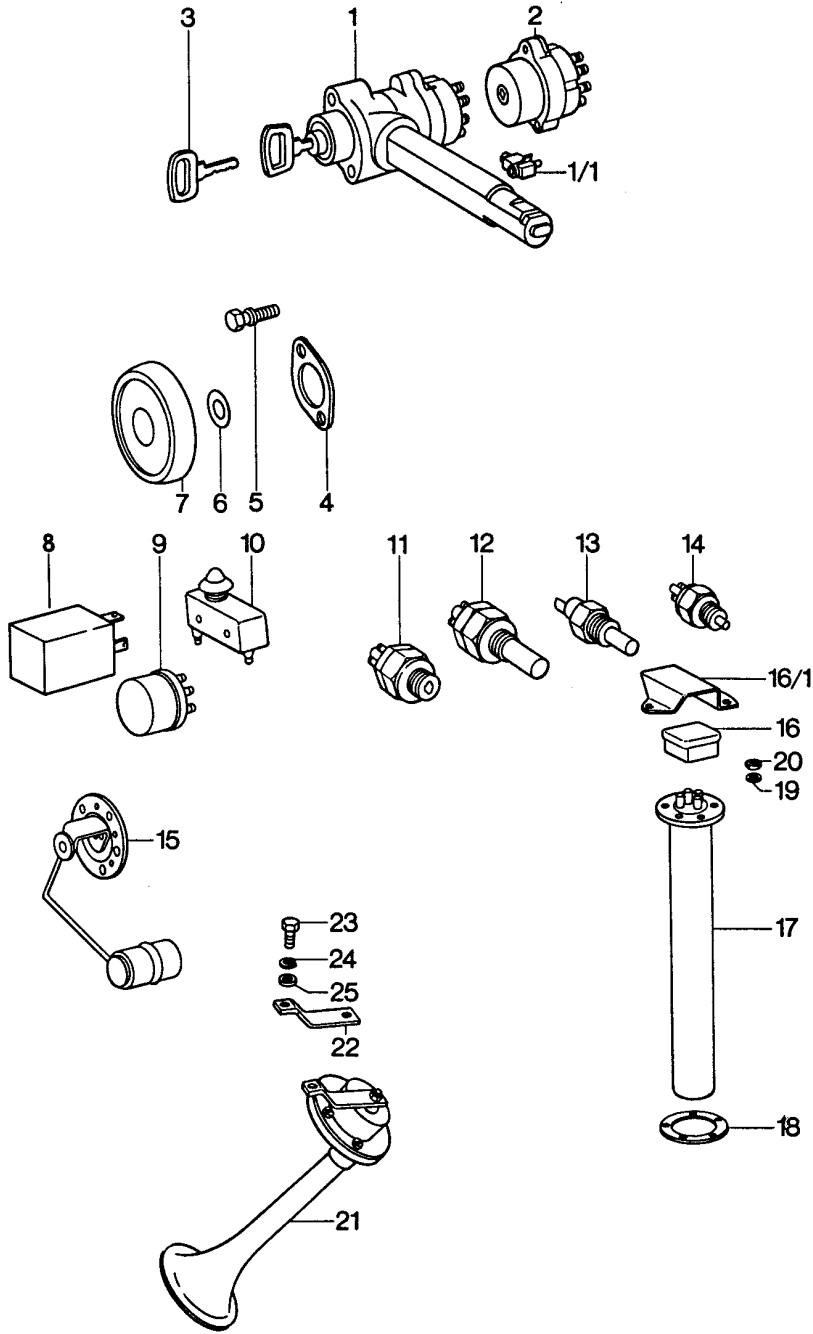
Model: 911 74

Model life 1974>>1977

Pos	Part Number	Description	Remark	Qty	Model
-	911 612 076 00	Standard type relay Wiring harness Headlight washer system Together with Air conditioner		1	
-	911 612 059 00	Wiring harness Wipe interval	-75	1	911/911S CARRERA 2.7
-	911 612 059 02	Wiring harness Wipe interval	76-	1	911/911S CARRERA 3.0
-	N 106 568 02	Oval-head sheetmetal screw B 4,8 X 9,5		2	
-		Oval-head sheetmetal screw B 4,8 X 9,5		2	912E CARRERA 2.7
-		Oval-head sheetmetal screw B 4,8 X 9,5	75-	1	911S

Model: 911 74

Model life 1974>>1977



Model: 911 74 Model life 1974>>1977

Pos	Part Number	Description	Remark	Qty	Model
(1)	911 613 901 01	Sender Relay Horn Steering lock without Buzzer contact W/o stipulated lock number		1	
(1)	911 613 903 00	Steering lock without Buzzer contact State lock number		1	
(1)	964 347 917 00	Steering lock without Buzzer contact State lock number		1	
2	911 613 017 01	Ignition starter switch		1	
3	914 531 637 10	Main key State lock number		2	
(3)	914 531 903 11	Blank key State lock number		2	
(3)	914 531 903 10	Blank key for Main key		1	
(3)	914 531 903 11	Blank key for Secondary key		1	
(3)	911 531 946 00	Main key	76-	1	911/911S CARRERA 3.0
(3)	911 531 945 00	Blank key	76-	1	911/911S CARRERA 3.0
-	911 531 638 00	Cap		1	
-	928 537 627 02	Pressure spring		1	
-	911 531 640 00	Bulb		1	
-	911 531 641 00	Bridge		1	
-	911 531 642 00	Lid		1	
5	999 219 017 02	Shear bolt		2	
6	911 613 169 00	Washer	76-	1	
6	911 613 169 01	Washer	76-	1	
7	911 613 160 00	Rosette		1	
-	999 190 113 02	Blind rivet		2	
8	914 618 303 11	Flasher relay		1	
(8)	911 618 103 00	Flasher relay Only together with Trailer coupling		1	
9	911 615 109 01	Standard type relay		X	
10		Microswitch See group 1/06/05 + 1/06/00			
11		Switch for Back-up light See group 3/08/00			
12		Bridging switch See group 3/07/05			
13		Temperature switch See group 3/07/05			
15		Oil-level sender See group 1/04/05			
-	999 652 315 02	Flat plug		1	

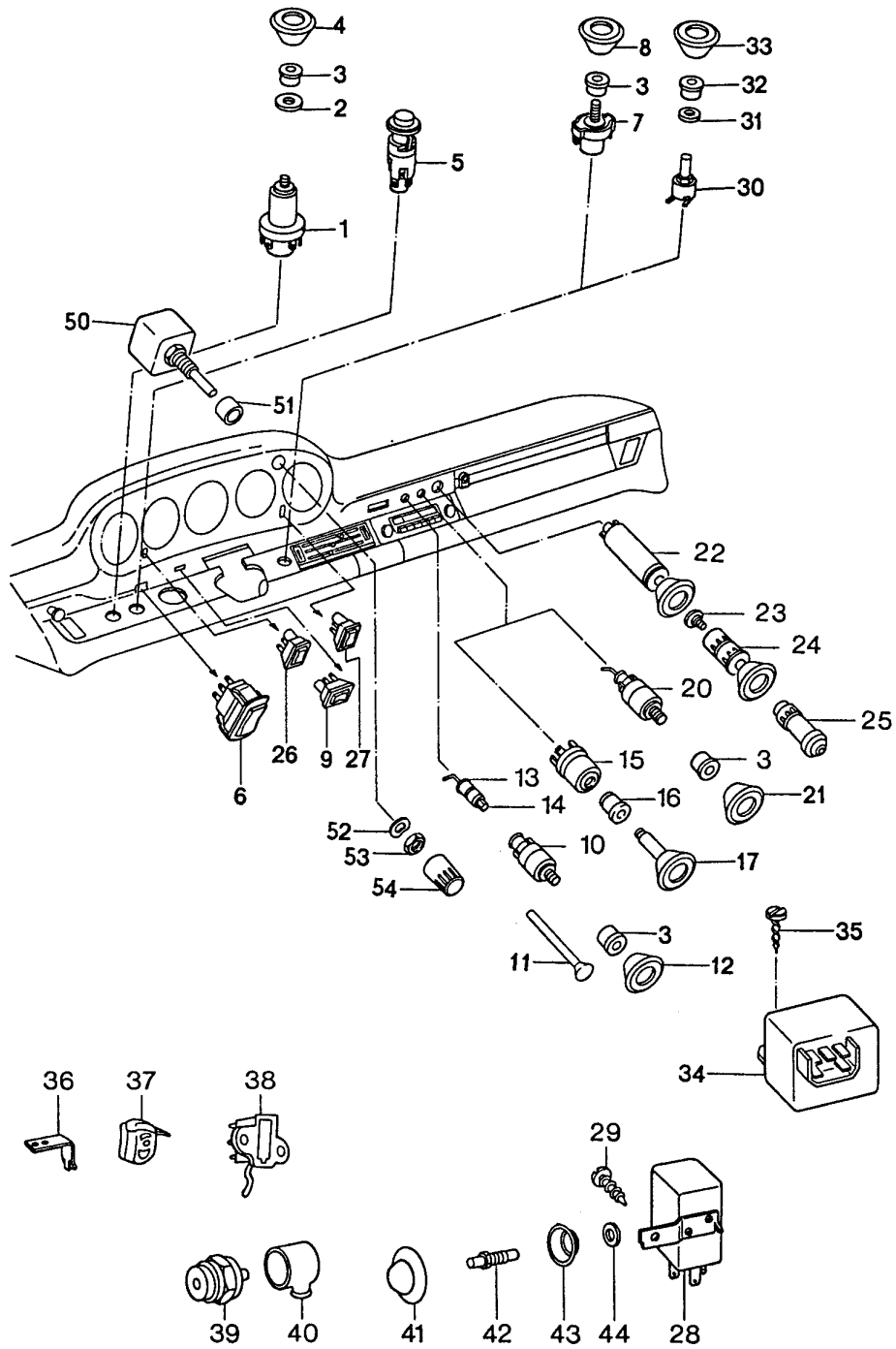
Model: 911 74

Model life 1974>>1977

Pos	Part Number	Description	Remark	Qty	Model
16	901 612 891 01	Connector housing for Sender		1	
16/1	901 201 275 30	Cap for Sender Yellow Anodised		1	
16/1	901 201 275 31	Cap for Sender Black		1	
(16)	901 741 801 00	Sender Fuel-level indicator for Fuel tank 62 - 85 L		1	
18	477 919 133	Sealing ring		1	
19	900 028 007 02	Spring washer B 5		5	
20	900 076 027 02	Nut M 5		5	
21	911 635 101 20	Fanfare High-pitched Short		1	
21	911 635 101 21	Fanfare Short High-pitched		1	
(21)	911 635 102 20	Fanfare Low-pitched Long		1	
(21)	911 635 102 21	Fanfare Long Low-pitched		1	
22	911 635 096 00	Support for Fanfare High-pitched		1	
(22)	911 635 097 01	Support for Fanfare Low-pitched		1	
23	900 075 087 02	Hexagon-head bolt M 8 X 16		2	
23	900 075 087 03	Hexagon-head bolt M 8 X 16		2	
24	900 027 005 02	Lock ring A 8		2	
25	900 151 008 02	Washer A 8,4		2	
-	911 615 115 00	Relay for Rear window heating Two-stage heatable		1	
-	N 015 429 2	Speed nut B 4,2		1	
-	N 015 429 6	Speed nut B 4,2		1	
-	900 151 001 02	Washer A 4,3		1	
-	900 187 013 02	Hexagon-head tapping screw BZ 4,2 X 13		1	
43	911 347 359 01	Tab washer		1	

Model: 911 74

Model life 1974>>1977



Model: 911 74 Model life 1974>>1977

Pos	Part Number	Description	Remark	Qty	Model
1	911 613 029 01	Switch Push-pull light switch		1	
2	900 151 026 02	Washer B 10,5		1	
2	900 151 050 01	Washer B 10,5		1	
3	911 613 213 02	Rosette		1	
4	911 613 215 00	Knob		1	
5	911 613 124 32	Hazard warning light sw.		1	
6	911 613 622 00	Tip switch for sliding roof		1	
6	911 613 622 01	Tip switch for sliding roof		1	
-	911 613 621 03	Switch for window opener		3	
-	911 613 635 20	Assembly frame for window opener		3	
7	901 613 631 00	Switch for -WEBASTO- Heating	/LL -76	1	911/911S CARRERA 2.7
-	900 151 026 02	Washer B 10,5	-76	1	911/911S CARRERA 2.7
-	900 151 050 01	Washer B 10,5		1	911/911S CARRERA 2.7
8	911 613 214 02	Knob	-76	1	911/911S CARRERA 2.7
9	911 613 113 00	Changeover switch	76-	1	911/911S CARRERA 3.0
10	902 613 623 90	Switch for Rear window heating		1	911/911S CARRERA 2.7
(10)	911 613 145 00	Switch for Rear window heating Two-stage heatable		1	
11	911 613 228 00	Luminous stick		1	
-	999 703 067 50	Stopper		1	
12	911 613 215 03	Knob		1	
13	999 632 007 00	Bulb socket		X	
14	900 631 102 90	Light 12 V 2 W		X	
15	914 613 451 10	Switch for Fog headlamp And Rear fog light		1	
16	911 613 213 03	Rosette		1	
17	911 613 028 01	Knob		1	
20	902 613 623 90	Switch for Fog headlamp Or Rear fog light		1	
-	911 612 251 00	Resistor for Fog headlamp Or Rear fog light		1	
21	911 613 215 02	Knob		1	
22	911 652 102 02	Cigarette lighter		1	
22	911 652 102 07	Cigarette lighter		1	
23	644 652 112 00	Glower		1	

Model: 911 74

Model life 1974>>1977

Pos	Part Number	Description	Remark	Qty	Model
24	911 652 122 02	Connector		1	
25	901 613 801 00	Connector		1	
26	911 613 321 01	Tip switch for Rear window wiper		1	
27	911 613 319 01	Tip switch for Headlight washer system		1	
28	928 618 111 00	Relay for Headlight washer system		1	
29	N 013 968 7	Tapping screw B 4,8 X 13		1	
29	900 143 097 01	Tapping screw B 4,8 X 13		1	
30	911 618 147 00	Potentiometer Wipe interval	-75	1	911/911S CARRERA 2.7
31	900 151 007 01	Washer	-75	1	911/911S CARRERA 2.7
32	911 618 213 00	Rosette	-75	1	911/911S CARRERA 2.7
33	911 618 214 00	Knob	-75	1	911/911S CARRERA 2.7
34	911 618 149 00	Pulse sender Wipe interval	-75	1	911/911S CARRERA 2.7
(34)	911 618 149 01	Pulse sender Wipe interval	76-	1	911/911S CARRERA 3.0
35	N 013 970 5	Oval-head sheetmetal screw B 4,8 X 9,5		1	
35	N 106 568 02	Oval-head sheetmetal screw B 4,8 X 9,5		1	
36		Contact bow for Handbrake contact piece See group 7/01/05			
37		Segment Handbrake contact piece See group 7/01/05			
38		Brake light switch See group 7/02/00; 7/02/1; 7/02/15; 7/02/20			
39		Back-up light switch See group 3/02/05			
40		Protection cap See group 3/02/05			
41	901 615 616 20	Rubber cap		2	
42	964 613 601 00	Door contact switch for Interior light Luggage compartment lamp		3	
(42)	901 615 601 02	Contact switch for Glove compartment light		1	
(42)	901 615 601 03	Contact switch for Glove compartment light		1	
43	901 615 615 20	Concave washer		2	
44	900 031 001 60	Washer		2	

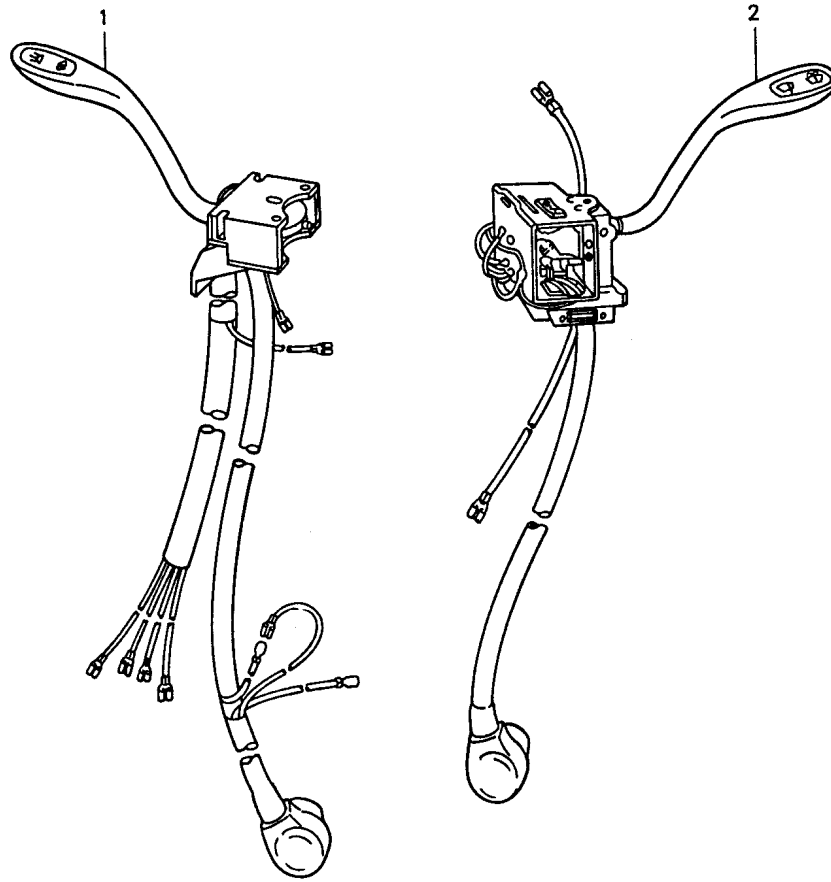
Model: 911 74

Model life 1974>>1977

Pos	Part Number	Description	Remark	Qty	Model
50	911 618 147 01	8,4 Potentiometer Wipe interval	76-	1	911/911S CARRERA 3.0
50	911 618 147 02	Potentiometer Wipe interval	76-	1	911/911S CARRERA 3.0
51	911 618 207 00	Spacer sleeve	76-	1	
52	900 028 019 01	Spring washer B 7	76-	1	
53	911 618 209 00	Hexagon nut M 7 X 0.75	76-	1	
54	911 618 011 00	Knob with Spring	76-	1	

Model: 911 74

Model life 1974>>1977



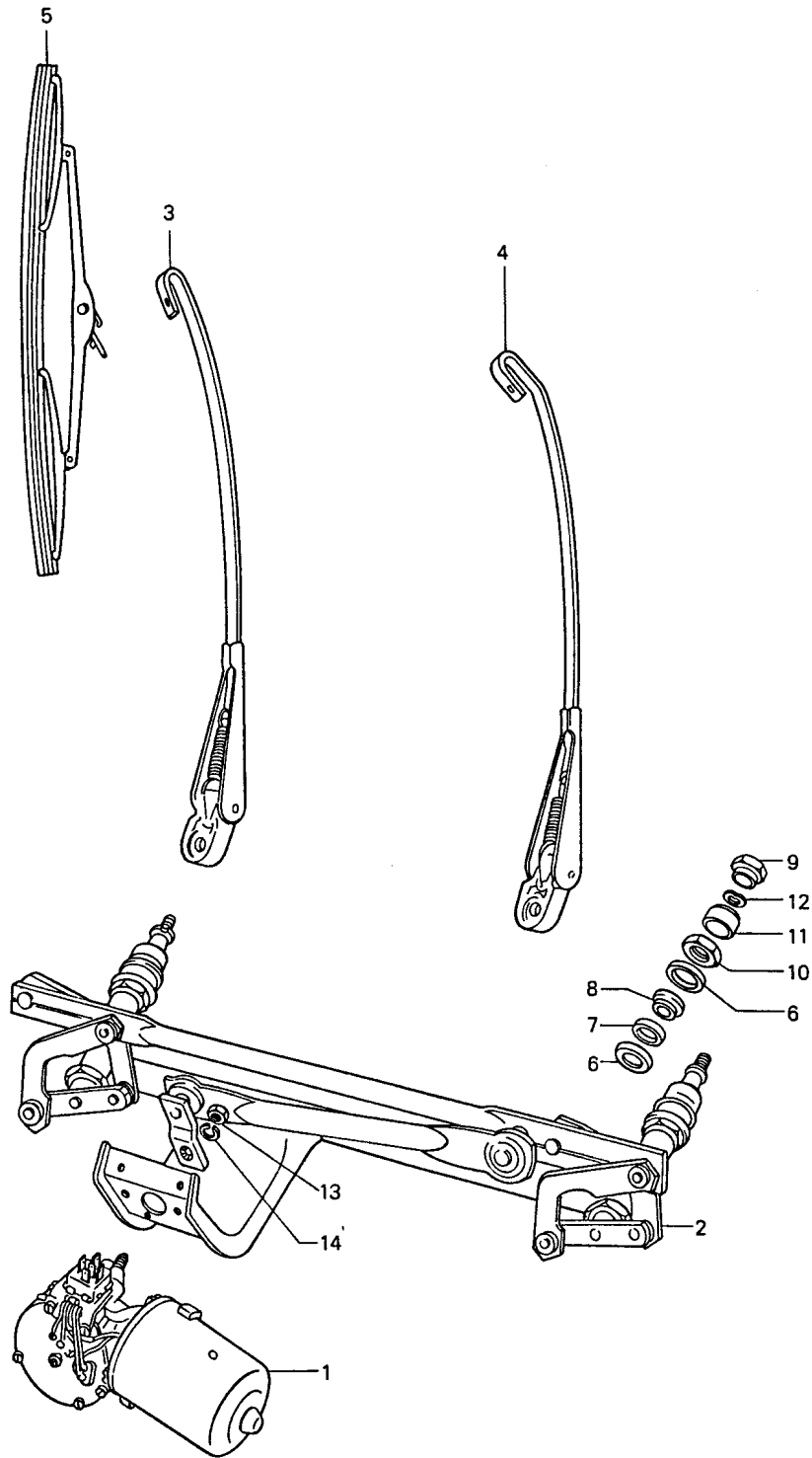
Model: 911 74

Model life 1974>>1977

Pos	Part Number	Description	Remark	Qty	Model
1	911 613 305 00	Steering column switch Combined switch	-75	1	
(1)	911 613 305 01	Steering column switch	76-	1	
(1)	911 613 307 00	Combined switch	(B) (F) (I) (L) -75	1	
(1)	911 613 307 01	Combined switch	(B) (F) (I) (L) 76-	1	
2	911 613 306 02	Steering column switch	-75	1	
(2)		Steering column switch	76-	1	

Model: 911 74

Model life 1974>>1977



Model: 911 74 Model life 1974>>1977

Pos	Part Number	Description	Remark	Qty	Model
-	911 628 013 01	Windscreen wiper system without Wiper arm Wiper blade Switch	/LL	1	
-	911 628 012 01	Windscreen wiper system without Wiper arm Wiper blade Switch	/RL	1	
1	911 628 115 01	Wiper motor	/LL	1	
(1)	911 628 114 00	Wiper motor	/RL	1	
2	911 628 961 00	Crank drive with installation parts POS. 6 - 12	/LL	1	
(2)	911 628 961 01	Crank drive with installation parts POS. 6 - 12	/RL	1	
3	914 628 313 10	Wiper arm Installation instructions Attention	-75	1	
3	964 628 028 01	Wiper arm Together with 96462802802 Use Attention Modification Version	/L -75	1	
(3)	911 628 313 00	Wiper arm	76-	1	
4	914 628 314 10	Wiper arm Installation instructions Attention	/LL -75	1	
(4)	964 628 028 02	Wiper arm Together with 96462802801 Use Attention Modification Version	/LL -75	1	
(4)	911 628 314 00	Wiper arm Right	/LL 76-	1	
(4)	911 628 014 00	Wiper arm Installation instructions Attention	/RL -75	1	
(4)	911 628 312 00	Wiper arm Left	/RL 76-	1	
5	914 628 311 10	Wiper blade		2	
6	911 628 963 00	Flange washer Black		4	
7	901 628 923 01	Rubber bush		2	
8	901 628 924 00	Rubber bush		2	
9	901 628 341 00	Cap nut	-75	2	
(9)	N 011 118 11	Hexagon nut BM 8	76-	2	
(9)	900 034 001 05	Hexagon nut BM 8	76-	2	
10	901 628 925 00	Hexagon nut		2	
11	901 628 926 00	Cap		2	
12	901 628 927 00	Spring washer		2	
12	481 955 349	Spring washer		2	
12	803 955 437	Spring washer		2	
13	900 076 010 02	Nut		1	

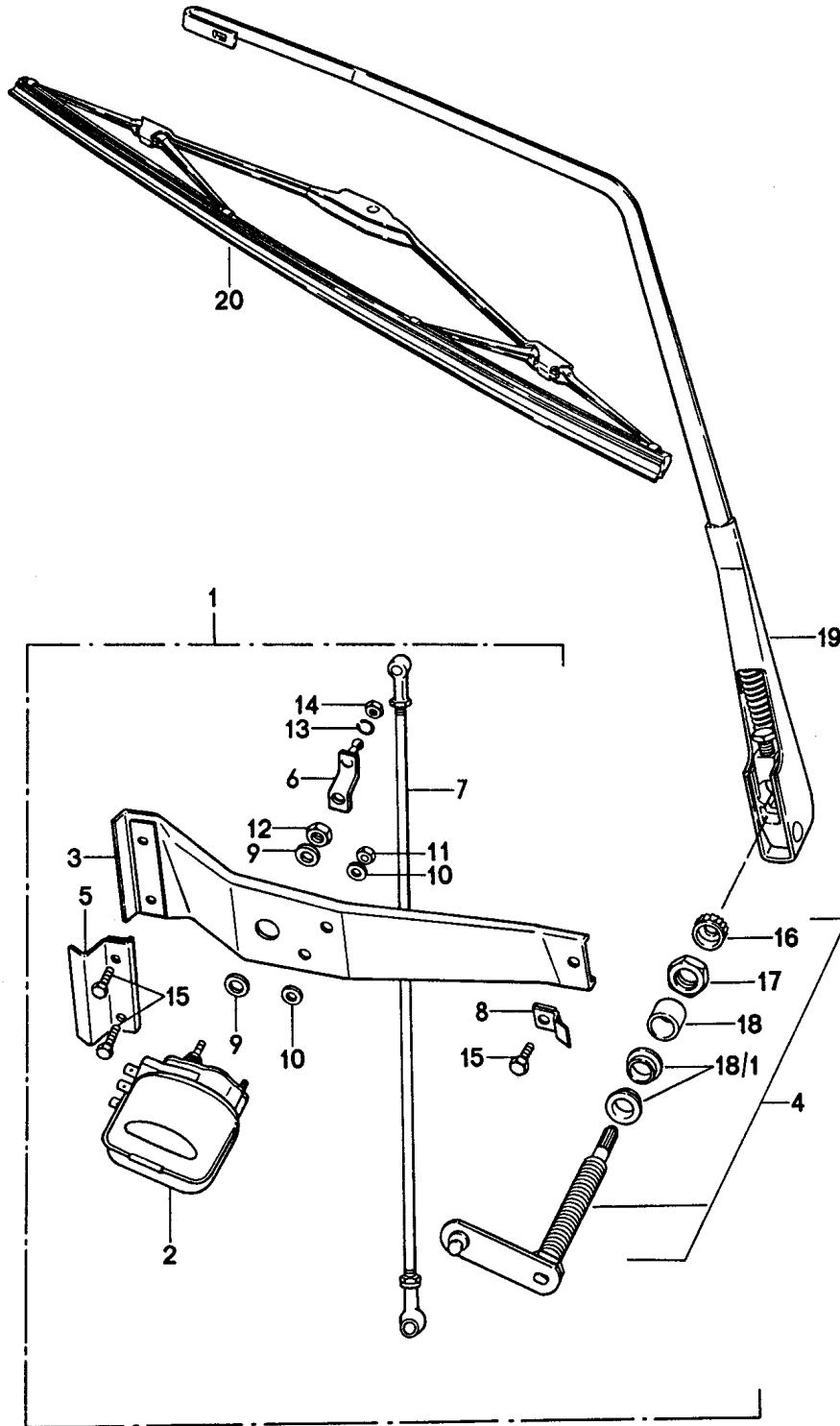
Model: 911 74

Model life 1974>>1977

Pos	Part Number	Description	Remark	Qty	Model
13	900 076 010 0B	M 6 Nut		1	
14	N 042 121 1	M 6 Shake-proof washer 6,4		1	

Model: 911 74

Model life 1974>>1977



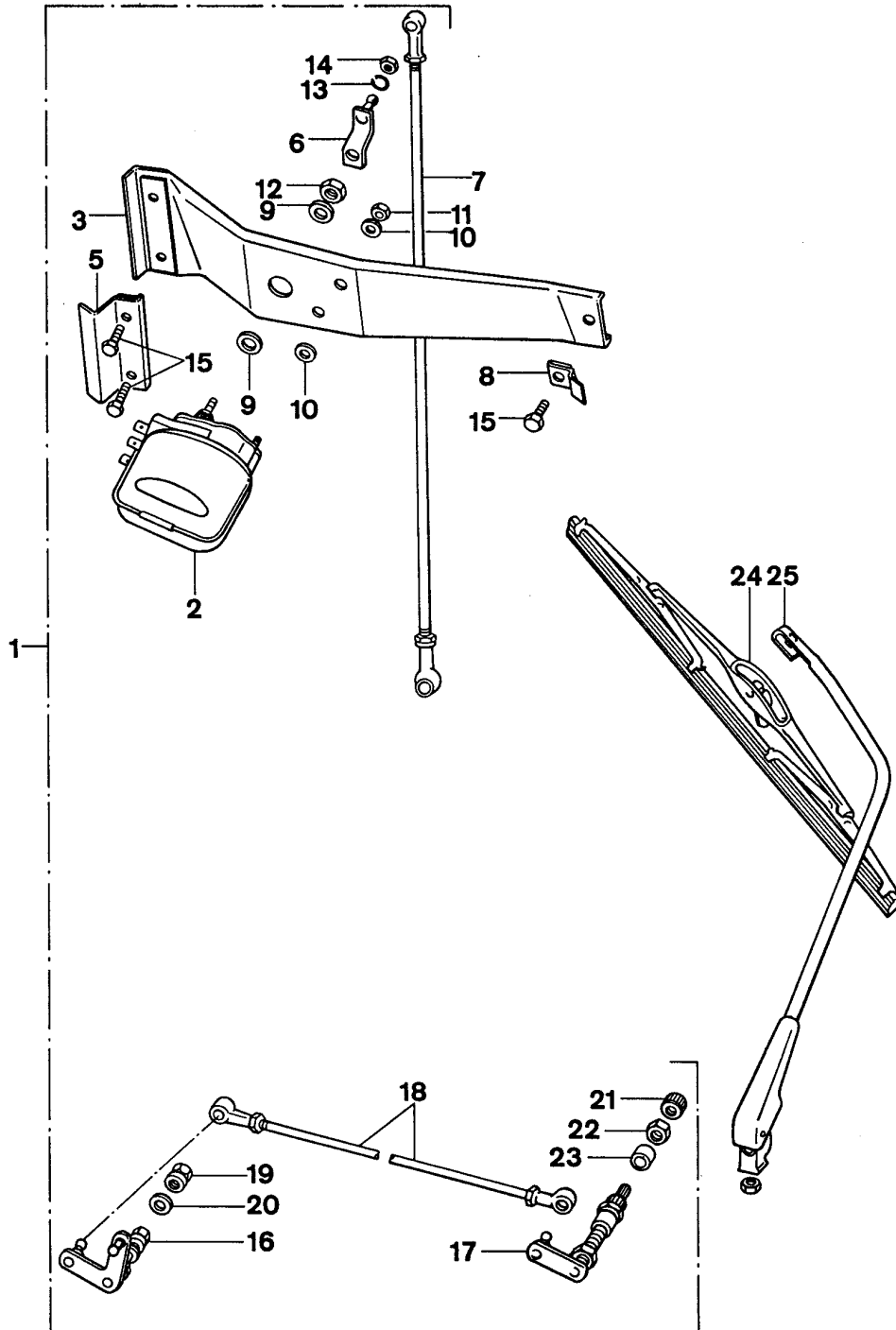
Model: 911 74

Model life 1974>>1977

Pos	Part Number	Description	Remark	Qty	Model
		Rear window wiper Left-hand drive	-75		
1	901 628 061 01	Rear window wiper without Wiper arm Wiper blade		1	
2	911 628 063 00	Wiper motor		1	
3	901 628 065 00	Assembly frame		1	
(4)	901 628 319 02	Wiper bearing		1	
5	901 628 320 00	Bracket		1	
6	901 628 318 00	Lever		1	
7	901 628 615 00	Joint rod		1	
8	901 628 337 00	Support		1	
9	901 628 338 00	Lock ring		2	
10	901 628 339 00	Washer		4	
11	900 076 027 02	Nut M 5		2	
12	999 078 014 02	Hexagon nut		1	
13	900 027 014 01	Lock ring B 6		1	
13	900 027 014 02	Lock ring B 6		1	
13	N 012 006 4	Lock ring B 6		1	
14	900 076 010 02	Nut M 6		1	
14	900 076 010 0B	Nut M 6		1	
15	N 010 215 13	Hexagon-head bolt M 6 X 15		3	
16	911 628 911 00	Cap		1	
17	901 628 912 00	Hexagon nut		1	
18	901 628 913 00	Spacer bush		1	
-	911 613 321 01	Tip switch for Rear window wiper		1	
-	911 612 019 00	Wiring harness Fuse box Rear window wiper Switch		1	
-	911 612 223 00	Single line for Rear window wiper Switch		1	
19	901 628 611 00	Wiper arm		1	
20	901 628 613 00	Wiper blade		1	
20	PCG 628 613 00	Wiper blade		1	
-	911 612 025 01	Wiring harness Switch Rear window wiper		1	
-	911 612 031 01	Wiring harness Fuse box Wiper motor		1	
-	911 617 106 01	Diode		1	
-	911 617 106 02	Diode		1	
-	999 652 142 40	Push-on connector		1	
-	999 702 119 50	Rubber sleeve		1	

Model: 911 74

Model life 1974>>1977



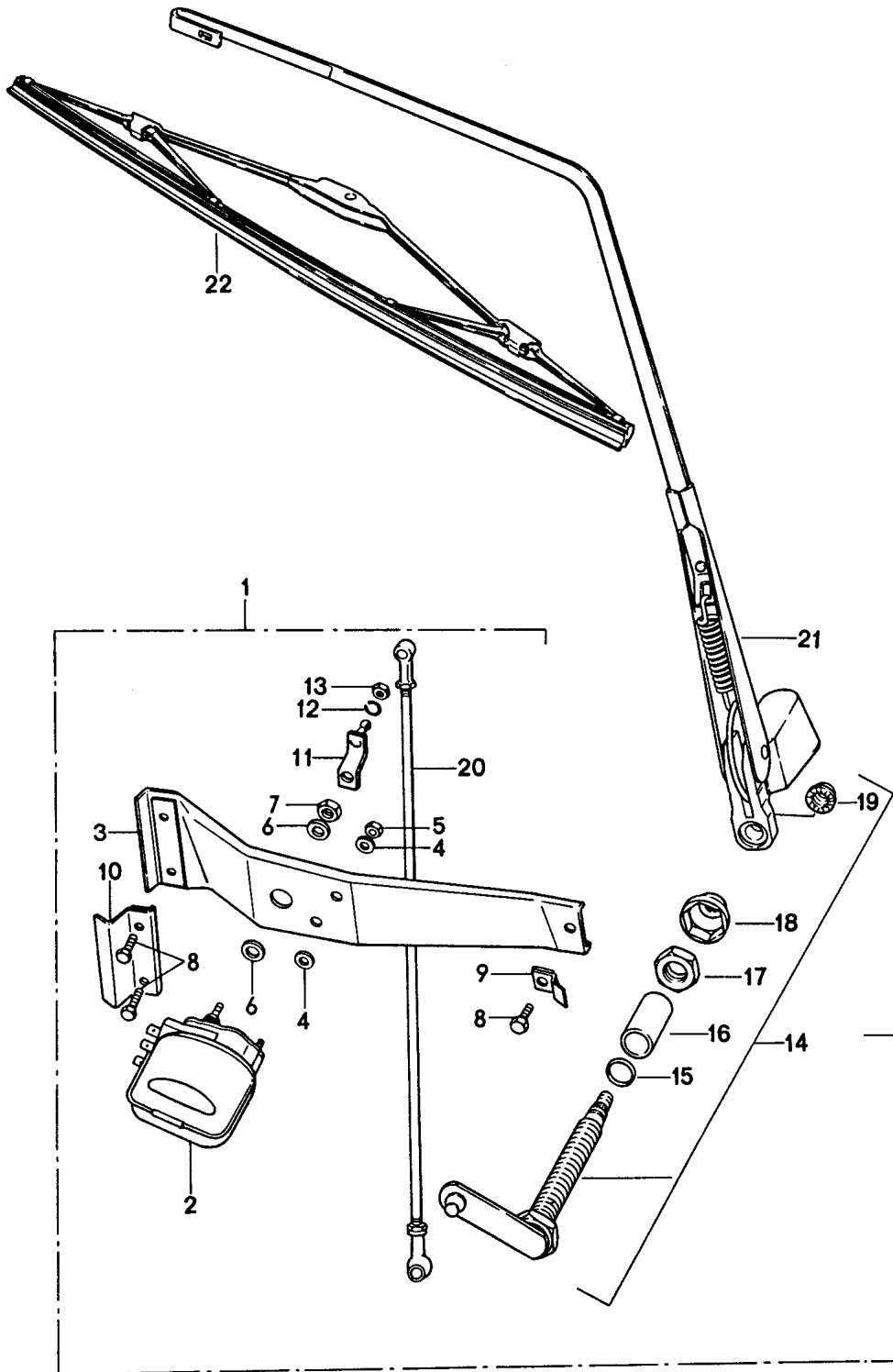
Model: 911 74

Model life 1974>>1977

Pos	Part Number	Description	Remark	Qty	Model
		Rear window wiper Right-hand drive	-75		
1	901 628 062 00	Rear window wiper without Wiper arm Wiper blade		1	
2	911 628 063 00	Wiper motor		1	
3	901 628 065 00	Assembly frame		1	
5	901 628 320 00	Bracket		1	
6	901 628 318 00	Lever		1	
7	901 628 615 00	Joint rod		1	
8	901 628 337 00	Support		1	
9	901 628 338 00	Lock ring		2	
10	901 628 339 00	Washer		4	
11	900 076 027 02	Nut M 5		2	
12	999 078 014 02	Hexagon nut		1	
13	900 027 014 01	Lock ring		1	
13	900 027 014 02	Lock ring		1	
13	N 012 006 4	Lock ring		1	
14	900 076 010 02	Nut M 6		1	
14	900 076 010 0B	Nut M 6		1	
15	N 010 215 13	Hexagon-head bolt M 6 X 15		3	
16	901 628 617 00	Wiper bearing And POS. 19 + 20		1	
17	901 628 619 00	Wiper bearing And POS. 21 - 23		1	
18		Wiper bearing		1	
19	901 628 621 00	Cap nut for 901.628.617.00		1	
20	901 628 914 00	Spring washer		1	
21	911 628 911 00	Cap		1	
22	901 628 912 00	Hexagon nut		1	
23	901 628 913 00	Spacer bush		1	
-	911 613 321 01	Tip switch		1	
-	911 612 099 00	Rear window wiper Wiring harness Switch		1	
-	911 612 223 00	Single line		1	
24	901 628 613 00	Wiper blade		1	
24	PCG 628 613 00	Wiper blade		1	
25	901 628 612 00	Wiper arm		1	
-	911 612 031 01	Wiring harness Fuse box Wiper motor		1	
-	911 612 063 01	Wiring harness Wiper switch Wiper motor		1	
-	911 617 106 01	Diode		1	
-	911 617 106 02	Diode		1	
-	999 652 142 40	Push-on connector		1	
-	999 702 119 50	Rubber sleeve		1	

Model: 911 74

Model life 1974>>1977



Model: 911 74 Model life 1974>>1977

Pos	Part Number	Description	Remark	Qty	Model
1	911 628 061 01	Rear window wiper Left-hand drive	76-	1	
(1)	911 628 061 02	Rear window wiper without Wiper arm Wiper blade		1	
2	911 628 063 00	Rear window wiper without Wiper arm Wiper blade for cars with Rear spoiler 911.512.019.02		1	
3	901 628 065 00	Wiper motor		1	
4	901 628 339 00	Assembly frame		1	
5	999 076 023 02	Washer 5,2		4	
6	901 628 338 00	Hexagon nut M 5		2	
7	999 078 014 02	Lock ring 14,2		2	
8	999 046 003 02	Hexagon nut M 14 X 1		1	
9	999 046 003 02	Hexagon-head bolt M 6 X 15		3	
10	901 628 337 00	Support		1	
11	901 628 320 00	Bracket		1	
12	901 628 318 00	Lever		1	
13	N 012 006 4	Lock ring B 6		1	
14	999 076 024 02	Hexagon nut M 6		1	
(14)	911 628 047 00	Wiper bearing		1	
	930 628 047 00	Wiper bearing for cars with Rear spoiler 911.512.019.02		1	
15	999 040 002 00	Round seal B 10		1	
16	911 628 251 00	Bush		1	
16	911 628 251 05	Bush		1	
(16)	911 628 251 01	Bush for cars with Rear spoiler 911.512.019.02		1	
17	999 183 004 02	Hexagon nut M 12 X 1		1	
18	911 628 193 00	Cap		1	
19	999 084 045 02	Lock nut M 6		1	
20	901 628 615 00	Joint rod		1	
21	911 628 611 01	Wiper arm		1	
22	911 628 613 01	Wiper blade		1	
-	911 613 321 01	Tip switch for Rear window wiper		1	
-	911 612 019 00	Wiring harness Fuse box 10-pole Rear window wiper Switch		1	
-	911 612 223 00	Single line Rear window wiper		1	

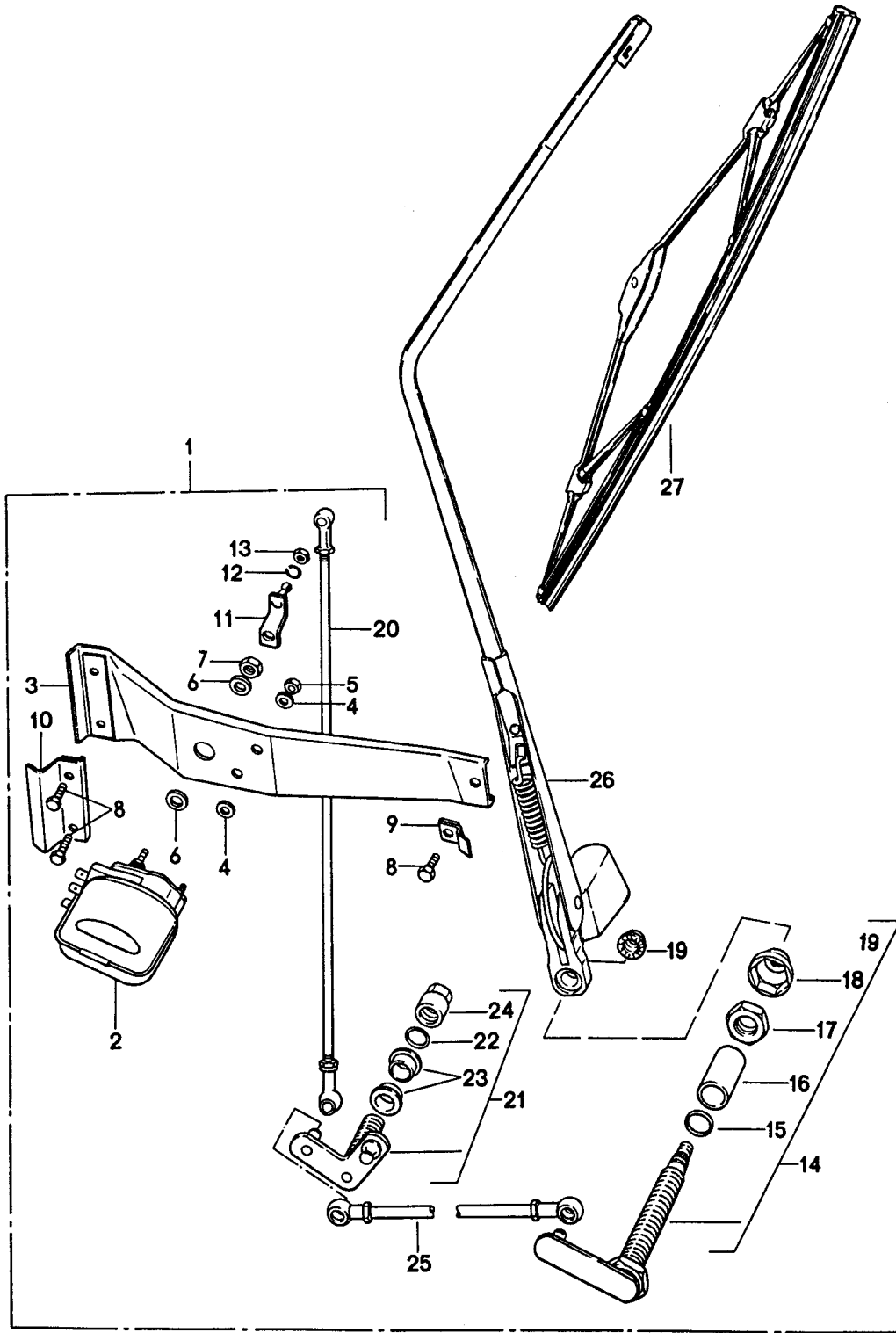
Model: 911 74

Model life 1974>>1977

Pos	Part Number	Description	Remark	Qty	Model
-	911 612 025 01	Switch Wiring harness Rear window wiper Switch Rear window wiper		1	
-	911 612 031 01	Wiring harness Fuse box 3-pole Rear end Wiper motor		1	
-	911 617 106 01	Diode		1	
-	911 617 106 02	Diode		1	
-	901 628 343 20	Piping 80 MM		*	

Model: 911 74

Model life 1974>>1977



Model: 911 74 Model life 1974>>1977

Pos	Part Number	Description	Remark	Qty	Model
1	911 628 062 01	Rear window wiper Right-hand drive Rear window wiper without Wiper arm And Wiper blade	76-	1	
2	911 628 063 00	Wiper motor		1	
3	901 628 065 00	Assembly frame		1	
4	901 628 339 00	Washer 5,2		4	
5	999 076 023 02	Hexagon nut M 5		2	
6	901 628 338 00	Lock ring 14,2		2	
7	999 078 014 02	Hexagon nut M 14 X 1		1	
8	999 046 003 02	Hexagon-head bolt M 6 X 15		3	
9	901 628 337 00	Support		1	
10	901 628 320 00	Bracket		1	
11	901 628 318 00	Lever		1	
12	N 012 006 4	Lock ring		1	
13	999 076 024 02	Hexagon nut M 6		1	
14	911 628 048 00	Wiper bearing		1	
14	911 628 913 00	Wiper bearing		1	
15	999 040 002 00	Round seal B 10		1	
16	911 628 251 00	Bush		1	
16	911 628 251 05	Bush		1	
17	999 183 004 02	Hexagon nut M 12 X 1		1	
18	911 628 193 00	Cap		1	
19	999 084 045 02	Lock nut M 6		1	
20	901 628 615 00	Joint rod		1	
21	911 628 051 00	Bearing		1	
22	999 040 002 00	Round seal B 10		1	
23	911 628 753 00	Bush		2	
24	901 628 621 00	Cap nut M 10		1	
25	901 628 616 00	Joint rod		1	
26	911 628 612 00	Wiper arm		1	
27	911 628 613 01	Wiper blade		1	
-	911 613 321 01	Tip switch for Rear window wiper		1	
-	911 612 099 00	Wiring harness for Wiper switch		1	
-	911 612 223 00	Single line for Wiper switch		1	
-	911 612 031 01	Wiring harness for Fuse box 3-pole		1	
-	911 612 063 01	Wiper motor Wiring harness Wiper switch Rear window wiper		1	

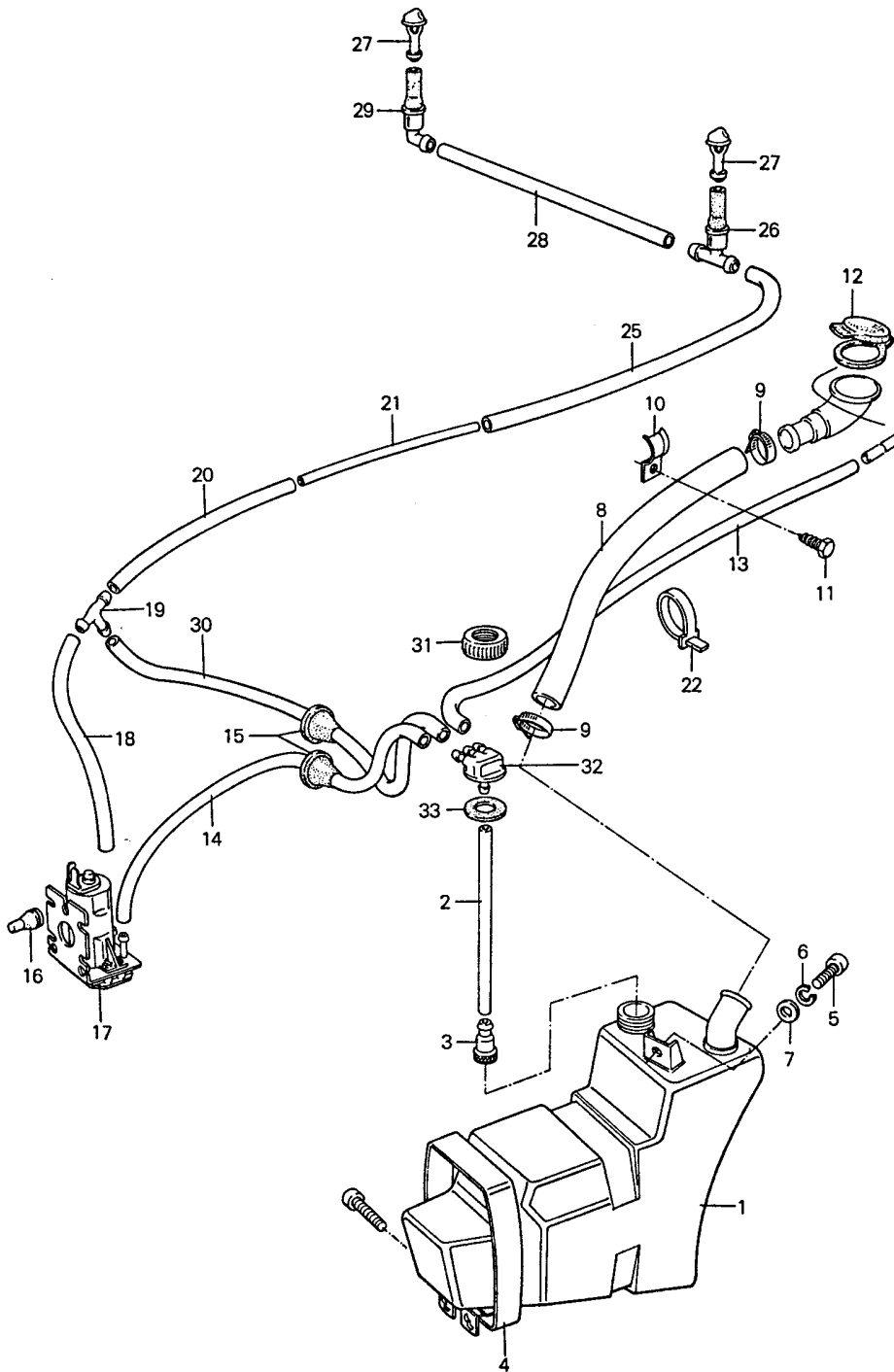
Model: 911 74

Model life 1974>>1977

Pos	Part Number	Description	Remark	Qty	Model
-	911 617 106 01	Diode		1	
-	911 617 106 02	Diode		1	
-	901 628 343 20	Piping 80 MM		1	

Model: 911 74

Model life 1974>>1977



Model: 911 74

Model life 1974>>1977

Pos	Part Number	Description	Remark	Qty	Model
1	911 628 075 08	Windscreen washer system		1	
-	N 020 301 1	Water reservoir		*	
-	PCG 020 301 10	Hose		1	
		Hose			
		4 X 1			
		3000 MM			
3	911 628 749 00	Valve		1	
4	911 628 081 00	Restraining strap		1	
4	911 628 081 02	Restraining strap		1	
5	900 378 030 09	Hexagon-head bolt		1	
		M 6 X 20			
6	N 012 007 2	Lock ring		1	
		A 6			
6	900 027 004 03	Lock ring		1	
		A 6			
7	900 151 003 02	Washer		1	
		A 6,4			
7	900 151 006 03	Washer		1	
		A 6,4			
8	911 628 236 00	Filling hose		1	
		25 X 32 X 710			
8	911 628 236 01	Filling hose		1	
		25 X 32 X 710			
9	999 512 356 02	Hose clamp		2	
10	911 573 145 00	Clamp		1	
10	911 573 145 01	Clamp		1	
11	900 187 025 02	Hexagon-head tapping screw		1	
		B 5,5 X 13			
12	964 201 507 00	Lid		1	
-	N 020 301 1	Hose		*	
		PVC 4 X 6			
-	PCG 020 301 10	Hose		X	
		PVC 4 X 1			
		3000 MM			
13		800 MM		1	
-	N 020 301 1	Hose		*	
		PVC 4 X 6			
-	PCG 020 301 10	Hose		X	
		PVC 4 X 1			
		3000 MM			
14		650 MM		1	
15	911 612 132 00	Grommet		2	
16	914 628 741 00	Stopper		3	
17	928 628 074 01	Pump		1	
-	N 020 301 1	Hose		*	
		PVC 4 X 6			
-	PCG 020 301 10	Hose		X	
		PVC 4 X 1			
		3000 MM			
18		150 MM		1	
19	901 628 749 20	T-piece		1	
-	N 020 301 1	Hose		*	
		PVC 4 X 6			
-	PCG 020 301 10	Hose		X	
		PVC 4 X 1			
		3000 MM			
20		360 MM		1	
-	999 181 183 40	Pipe		*	
		4 X 5			
21		1100 MM		1	
22	999 513 023 40	Tie-wrap		2	
-	N 020 301 1	Hose		*	
		PVC 4 X 6			

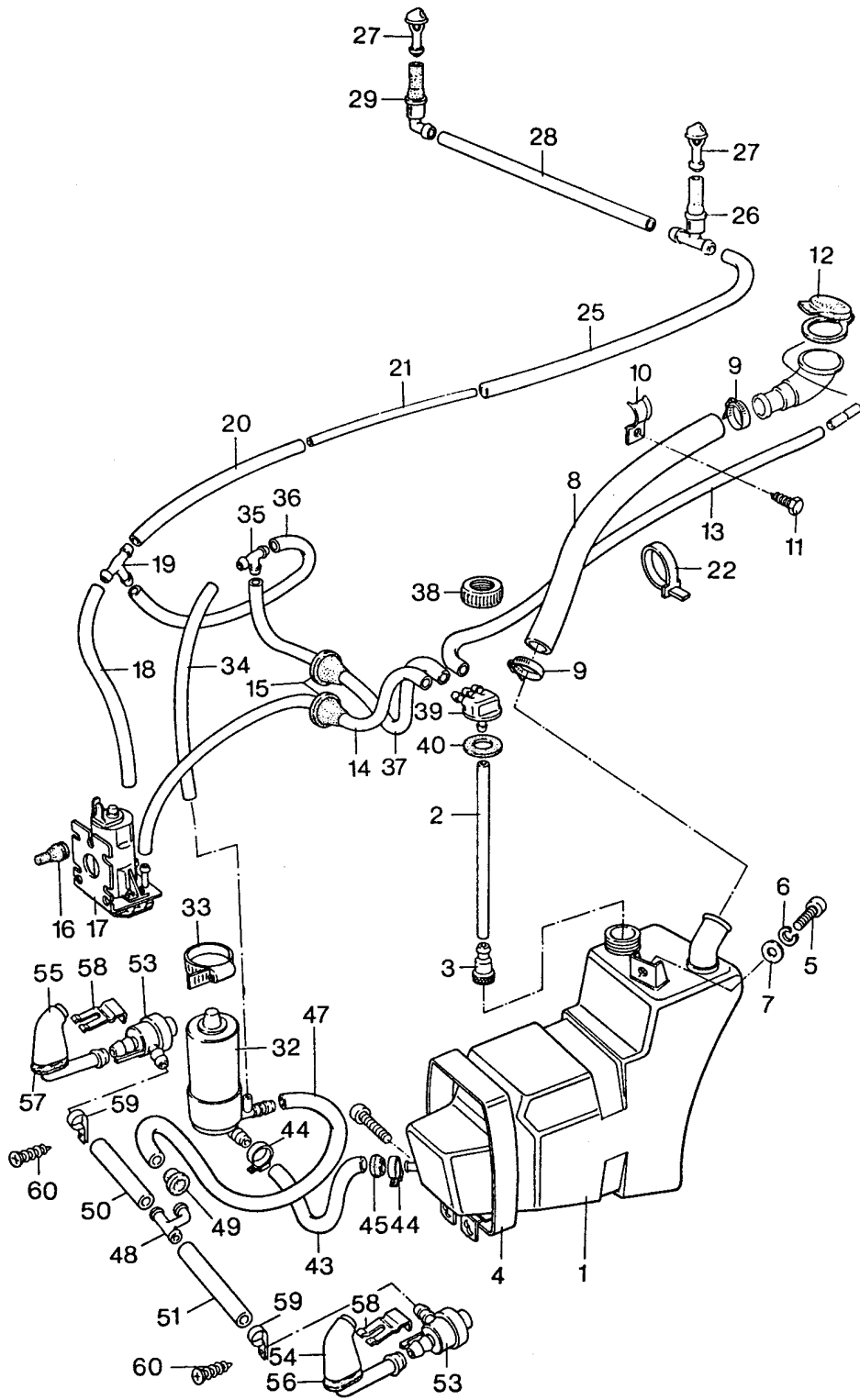
Model: 911 74

Model life 1974>>1977

Pos	Part Number	Description	Remark	Qty	Model
-	PCG 020 301 10	Hose PVC 4 X 1 3000 MM		X	
25		560 MM		1	
26	914 628 433 00	Valve		1	
27	914 628 203 11	Nozzle		2	
-	N 020 301 1	Hose PVC 4 X 6		*	
-	PCG 020 301 10	Hose PVC 4 X 1 3000 MM		X	
28		900 MM		1	
29	911 628 999 00	Valve		1	
-	N 020 301 1	Hose PVC 4 X 6		*	
-	PCG 020 301 10	Hose PVC 4 X 1 3000 MM		X	
30		500 MM		1	
31	911 628 735 00	Threaded cover		1	
31	911 628 735 01	Threaded cover		1	
32	911 628 737 00	Connecting piece		1	
33	911 628 743 00	Closing gasket		1	
-	111 971 521 A	Hose		8	

Model: 911 74

Model life 1974>>1977



Model: 911 74

Model life 1974>>1977

Pos	Part Number	Description	Remark	Qty	Model
		Windscreen washer system			
		Together with			
		Headlight washer system			
1	911 628 075 01	Water reservoir		1	
-	N 020 301 1	Hose		*	
		PVC 4 X 6			
-	PCG 020 301 10	Hose		*	
		PVC 4 X 6			
		300 MM		1	
2		Valve		1	
3	911 628 749 00	Valve		1	
4	911 628 081 00	Restraining strap		1	
4	911 628 081 02	Restraining strap		1	
5	900 378 030 09	Hexagon-head bolt		1	
		M 6 X 20			
6	N 012 007 2	Lock ring		1	
		A 6			
6	900 027 004 03	Lock ring		1	
		A 6			
7	900 151 003 02	Washer		1	
		A 6,4			
7	900 151 006 03	Washer		1	
		A 6,4			
8	911 628 236 00	Filling hose		1	
		25 X 32 X 710			
8	911 628 236 01	Filling hose		1	
		25 X 32 X 710			
9	999 512 356 02	Hose clamp		2	
10	911 573 145 00	Clamp		1	
10	911 573 145 01	Clamp		1	
11	900 187 025 02	Hexagon-head tapping screw		1	
		B 5,5 X 13			
12	964 201 507 00	Lid		1	
-	N 020 301 1	Hose		*	
		PVC 4 X 6			
-	PCG 020 301 10	Hose		*	
		PVC 4 X 6			
13		800 MM		1	
-	N 020 301 1	Hose		*	
		PVC 4 X 6			
-	PCG 020 301 10	Hose		*	
		PVC 4 X 6			
14		650 MM		1	
15	911 612 132 00	Grommet		2	
16	914 628 741 00	Stopper		3	
17	928 628 074 01	Pump		1	
		Electric			
-	N 020 301 1	Hose		*	
		PVC 4 X 6			
-	PCG 020 301 10	Hose		*	
		PVC 4 X 6			
18		150 MM		1	
19	901 628 749 20	T-piece		1	
-	N 020 301 1	Hose		*	
		PVC 4 X 6			
-	PCG 020 301 10	Hose		*	
		PVC 4 X 6			
20		360 MM		2	
-	999 181 183 40	Pipe		*	
		4 X 5			
21		1100 MM		1	
22	999 513 023 40	Tie-wrap		2	
-	N 020 301 1	Hose		*	
		PVC 4 X 6			

Model: 911 74 Model life 1974>>1977

Pos	Part Number	Description	Remark	Qty	Model
-	PCG 020 301 10	Hose PVC 4 X 6		*	
25		560 MM		1	
26	914 628 433 00	Valve		1	
27	914 628 203 11	Nozzle		2	
-	N 020 301 1	Hose PVC 4 X 6		*	
-	PCG 020 301 10	Hose PVC 4 X 6		*	
28		900 MM		1	
29	911 628 999 00	Valve		1	
32	477 955 679 A	Pump		1	
33	999 512 164 02	Hose clamp		1	
35	911 628 748 00	Valve		1	
-	N 020 301 1	Hose PVC 4 X 6		X	
-	PCG 020 301 10	Hose PVC 4 X 6		X	
34		510 MM		1	
-	N 020 301 1	Hose PVC 4 X 6		*	
-	PCG 020 301 10	Hose PVC 4 X 6		*	
(34)		320 MM with air conditioner		1	
-	N 020 301 1	Hose PVC 4 X 6		*	
-	PCG 020 301 10	Hose PVC 4 X 6		*	
36		100 MM		1	
-	N 020 301 1	Hose PVC 4 X 6		*	
-	PCG 020 301 10	Hose PVC 4 X 6		*	
37		530 MM		1	
38	911 628 735 00	Threaded cover		1	
38	911 628 735 01	Threaded cover		1	
39	911 628 737 00	Connecting piece		1	
40	911 628 743 00	Closing gasket		1	
-	999 181 182 40	Hose PVC 10 X 14		*	
43		330 MM		1	
(43)	999 181 182 40	Hose PVC 10 X 14 X 140 for cars with Air conditioner		*	
44	999 512 134 02	Hose clamp		2	
45	021 119 569 A	Rubber sleeve		1	
47	900 918 031 40	Pressure hose 10 X 12,5		*	
47	900 918 031 4B	Pressure hose 10 X 12		1	
(47)	900 918 031 40	Pressure hose PA 11 for cars with Air conditioner		*	
(47)	900 918 031 4B	Pressure hose 10 X12 for cars with Air conditioner		1	
48	914 628 413 10	Distributing piece		1	
-	999 512 160 02	Hose clamp		6	
-	PCG 512 160 02	Hose clamp		6	

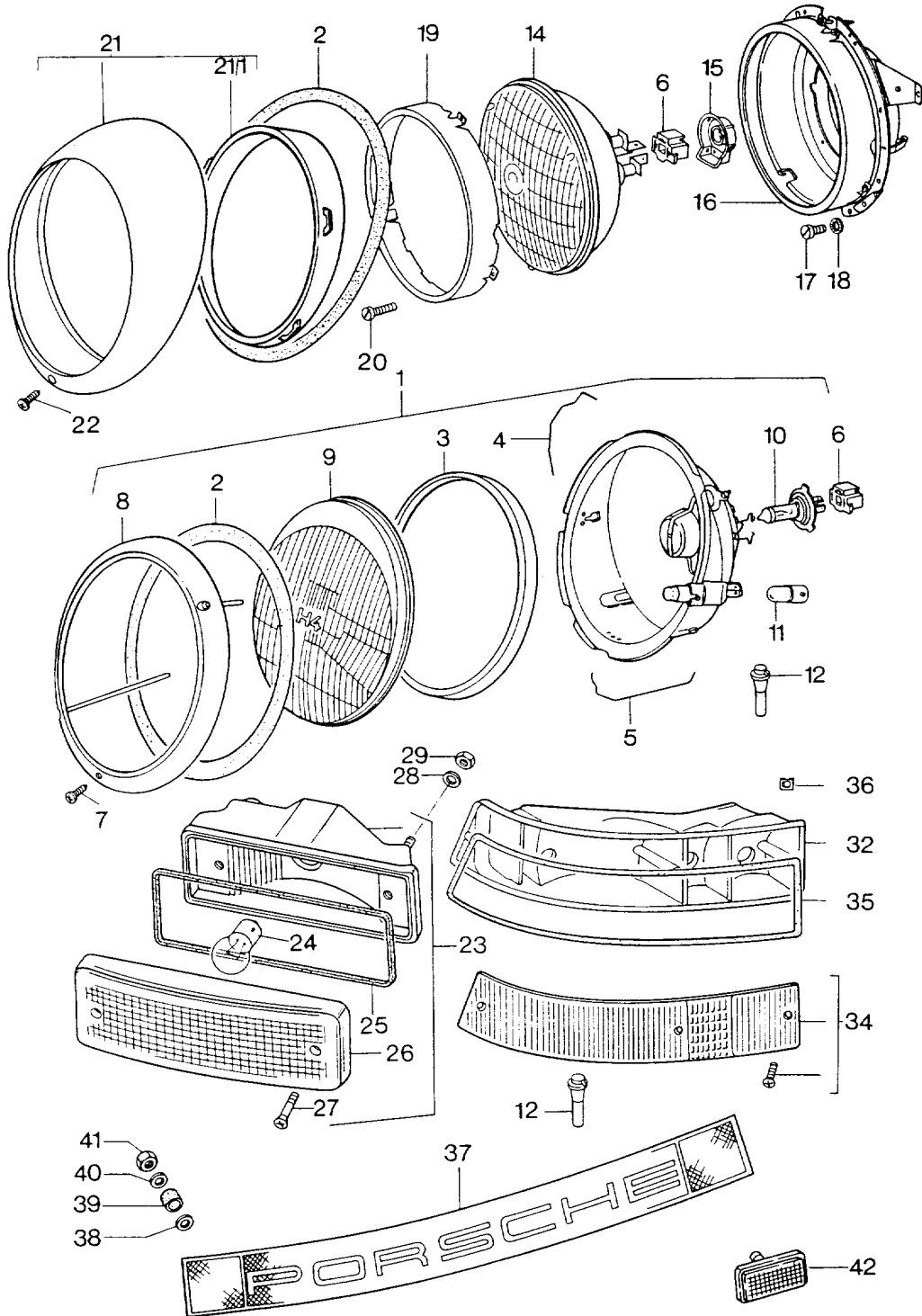
Model: 911 74

Model life 1974>>1977

Pos	Part Number	Description	Remark	Qty	Model
49	311 941 189 A	Grommet		1	
50	900 918 031 40	Pressure hose 10 X 12,5		*	
50	900 918 031 4B	Pressure hose 10 X 12 780MM		1	
51	900 918 031 40	Pressure hose 10 X 12,5		*	
51	900 918 031 4B	Pressure hose 10 X 12 480MM		1	
53	113 955 187	Pressure control valve		2	
54	911 628 085 00	Nozzle	/L	1	
54	911 628 085 02	Nozzle	/L	1	
55	911 628 086 00	Nozzle	/R	1	
55	911 628 086 01	Nozzle	/R	1	
56	911 628 807 00	Desk pad	/L	1	
57	911 628 808 00	Desk pad	/R	1	
58	113 955 199	Retainer spring		2	
59	999 511 052 02	Clamp		2	
60	N 013 968 7	Tapping screw B 4,8 X 13		2	
60	900 143 097 01	Tapping screw B 4,8 X 13		2	
-	111 971 521 A	Hose		12	

Model: 911 74

Model life 1974>>1977



Model: 911 74 Model life 1974>>1977

Pos	Part Number	Description	Remark	Qty	Model
1	911 631 112 00	Headlamp Lights Headlamp without POS. 2,6,10,11,12	(AUS) (GB) (ZA)	2	
(1)	911 631 113 00	Headlamp without POS. 2,6,10,11,12		2	
2	911 631 115 02	Gasket		2	
3	911 631 967 00	Gasket		2	
4	901 631 116 02	Locking spring Upper		6	
5	644 631 122 00	Locking spring Lower		5	
6	911 631 108 00	Terminal sleeve housing 3-pole		2	
-	N 017 498 A	Flat plug 7,7 X 1 CuZn		X	
7	900 270 063 07	Countersunk-head screw		2	
8	911 631 933 00	Headlamp ring Chrome		2	
(8)	911 631 141 00	Headlamp ring Prime coated	75-	2	
-	911 631 033 00	Ball screw for Retaining ring	75-	2	
-	911 631 132 00	Oval-head screw M 4 X 9 for Retaining ring	75-	2	
-	113 951 539	Washer	75-	2	
9	911 631 927 01	Lens for 911.631.112.00		2	
-	PCG 911 631 01	Kit Lens Comprising:	/RL	1	
-	911 631 927 01	Lens		2	
-	911 631 115 02	Gasket		2	
-	911 631 967 00	Gasket		2	
-	113 951 539	Washer		2	
(9)	911 631 927 00	Lens for 911.631.113.00		2	
-	PCG 911 631 00	Kit Lens Comprising:	/LL	1	
-	911 631 927 00	Lens		2	
-	911 631 115 02	Gasket		2	
-	911 631 967 00	Gasket		2	
-	113 951 539	Washer		2	
10	999 631 202 90	Bulb H4 12V - 60/55W White		2	
(10)	999 631 202 91	Halogen bulb H4 12V - 60/55W Yellow	(F)	2	
11	900 631 103 90	Bulb 12V - 4 W		2	
12	911 631 259 02	Rubber sleeve		4	
(14)	911 631 114 00	Headlamp	(J)	2	
-	900 631 109 90	Bulb 12V - 45/40 W	(J)	2	

Model: 911 74 Model life 1974>>1977

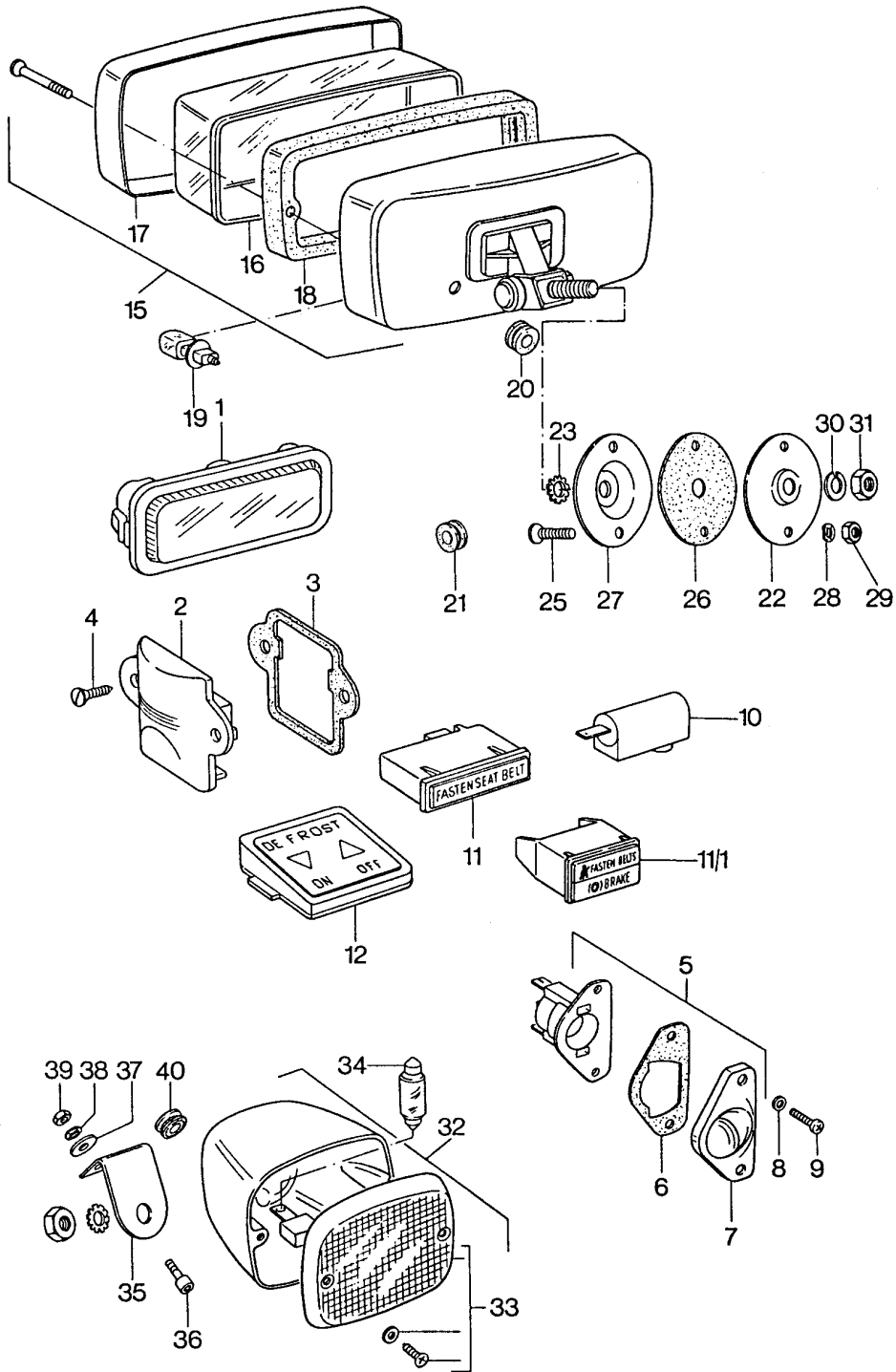
Pos	Part Number	Description	Remark	Qty	Model
15	911 631 116 00	for 911.631.114.00 Cap	(J)	2	
16	901 631 103 02	for 911.631.114.00 Mounting piece	(J)	2	
17	999 014 008 02	Cheese-head screw	(J)	8	
18	900 114 014 01	Shake-proof washer	(J)	8	
19	901 631 102 03	Window retaining bracket	(J)	2	
19	901 631 102 06	Window retaining bracket	(J)	2	
20	900 016 014 02	Half-round screw	(J)	6	
21	901 631 102 05	Retaining ring	(J)	2	
(21)	911 631 135 00	Retaining ring	(J) 75-	2	
21/1	911 631 133 01	Intermediate ring	(J) 75-	2	
22	911 631 146 01	Lens-head screw	(J) 75-	2	
(22)		Lens-head screw	(J) 75-	2	
-	911 631 148 00	Bush	(J) 75-	2	
-	113 951 539	Washer	(J) 75-	2	
23	911 631 405 00	Direction indicator light	/V	2	
(23)	911 631 407 00	Direction indicator light White	/V (I) -76	2	
(23)	911 631 417 00	Direction indicator light	/V (DK) (I) (N) (J)	2	
(23)	911 631 413 00	Side direction indicator	(DK) (I) (N) (J)	2	
24		Bulb See group 9/05/10			
25	911 631 961 00	Rubber seal	/V	2	
(25)	911 631 920 00	Direction indicator light Lens	(DK) (I) (N)	2	
26	911 631 914 00	Side direction indicator Lens	(J) /V	2	
(26)	911 631 915 00	Direction indicator light Orange Lens	/V (I) -76	2	
(26)	911 631 957 00	Direction indicator light White Lens	/V (DK) (I) (N) (J)	2	
27	911 631 918 00	Side direction indicator Oval-head sheetmetal screw	/V	4	
28	900 025 003 02	Washer 5,3		4	
29	N 021 196 1	Lock nut M 5		4	
29	N 021 196 3	Hexagon nut M 5		4	
-	999 591 379 01	Cable clamp		4	
32	911 631 939 00	Tail light housing	/L	1	
(32)	911 631 940 00	Tail light housing	/R	1	
-	N 100 818 01	Oval-head screw for Tail light housing M5 X 16		X	
34	911 631 949 00	Lens	/L	1	
-	PCG 631 911 00	Screw Fastening screw Silver Comprising: 6 Schrauben 6 Dichtungen		1	

Model: 911 74 Model life 1974>>1977

Pos	Part Number	Description	Remark	Qty	Model
-	PCG 631 911 01	Screw Fastening screw Black Comprising: 6 Schrauben 6 Dichtungen		1	
(34)	911 631 950 00	Lens	/R	1	
-	PCG 631 911 00	Screw Fastening screw Silver Comprising: 6 Schrauben 6 Dichtungen		1	
-	PCG 631 911 01	Screw Fastening screw Black Comprising: 6 Schrauben 6 Dichtungen		1	
35	911 631 971 01	Gasket	/L	1	
(35)	911 631 971 00	Gasket	/R	1	
36	999 507 312 12	Nut lock		4	
36	999 507 330 02	Cable holder		4	
36	999 507 312 12	Nut lock		4	
37	911 631 432 03	Covering		1	
38	911 631 602 00	Washer		10	
39	911 631 605 00	Hose piece		10	
40	911 631 603 00	Washer		10	
-	N 012 224 3	Spring washer		10	
41	N 011 004 6	Hexagon nut M 4		10	
41	N 011 004 G	Nut M 4		10	

Model: 911 74

Model life 1974>>1977



Model: 911 74 Model life 1974>>1977

Pos	Part Number	Description	Remark	Qty	Model
1	901 632 101 28	Fog headlamp		2	911/911S
(1)	901 632 101 00	Rear fog light		2	
(1)		Interior light		2	CARRERA 2.7 CARRERA 3.0
(1)		Interior light		2	
(1)	901 632 101 28	Chrome		2	CARRERA 2.7 CARRERA 3.0
(1)	901 632 101 28	Interior light		2	
(1)	901 632 101 00	Interior light		2	CARRERA 2.7 CARRERA 3.0
(1)	901 632 101 00	Chrome		2	
(1)	911 632 102 00	Interior light		2	TARGA
(1)	911 632 103 00	Chrome		2	
-	964 555 153 00	Light		1	TARGA
-	964 555 153 00	Interior light		1	
-	964 555 153 00	Glove compartment		2	
-	964 555 153 00	Desk pad		2	
-	964 555 153 00	for			
-	964 555 153 00	Interior light			
-	964 555 153 00	901.632.101.00			
2	901 632 201 01	Luggage compartment lamp		1	
3	901 632 291 00	Desk pad		1	
4	N 013 961 2	Oval-head sheetmetal screw		2	
		B 3,9 X 13			
4	N 013 961 11	Oval-head sheetmetal screw		2	
		B 3,9 X 13			
5	911 631 620 04	License plate light		2	
6	911 631 608 00	Gasket		2	
6	911 631 608 01	Gasket		2	
7	911 631 606 00	Lens		2	
8	911 631 604 00	Sealing washer		4	
9	900 146 041 07	Oval-head screw	-74	4	
		BM 3 X 15			
(9)		Oval-head screw	75-	4	
		BM 3 X 15			
(9)	900 143 116 07	Oval-head sheetmetal screw	(J) 75-	4	911S
(9)	900 143 116 0H	Oval-head sheetmetal screw	(J) 75-	4	911S
-	911 505 339 00	Speed nut	(J) 75-	4	911S
-	999 591 381 02	Cable clamp		2	
-	999 591 381 01	Cable clamp		2	
10	911 632 904 00	Ashtray light		1	
		for			
		Ashtray			
11/1	911 632 013 01	Double indicator light	/LL 77-	1	911/911S
11/1	911 632 013 02	Double indicator light	/RL 77-	1	911/911S
		("PARK-BRAKE"/"BRAKE")			CARRERA 3.0
11/1	911 632 013 03	Indicator light	/LL 77-	1	CARRERA 3.0
		for cars with			
		Brake booster			
-	911 632 116 01	Grommet	77-	1	911/911S
		for			CARRERA 3.0
		Double indicator light			
15	911 631 206 03	Fog headlamp		2	
		Housing			
		Black			
(15)	911 631 206 04	Fog headlamp		2	
		Housing			
		Black			
		Light-diffusing lens			
		Yellow			
16	911 631 964 00	Light-diffusing lens		2	
		for			
		911.631.206.01			

Model: 911 74

Model life 1974>>1977

Pos	Part Number	Description	Remark	Qty	Model
(16)	911 631 963 00	And 911.631.206.03 Light-diffusing lens for 911.631.206.02		2	
17	911 631 959 28	And 911.631.206.04 Ring for fog headlamp Black		2	
18	911 631 956 00	Gasket		2	
19	900 631 126 90	Halogen bulb H 3		2	
20	999 702 084 50	Rubber sleeve		2	
21	911 612 132 00	Grommet		2	
22	911 631 060 01	Tensioning plate Outer		2	
23	900 114 011 01	Shake-proof washer A 10,5		2	
25	900 067 009 02	Pan-head screw M 6 X 16		4	
25	900 067 429 01	Pan-head screw M 6 X 16		4	
26	911 631 151 01	Rubber base		2	
27	911 631 150 01	Tensioning plate Inner		2	
28	N 012 226 5	Spring washer A 6		4	
29	900 076 010 02	Nut M 6		4	
29	900 076 010 0B	Nut M 6		4	
30	900 027 016 02	Lock ring B 10		2	
30	900 027 016 03	Lock ring B 10		2	
31	N 011 010 6	Hexagon nut M 10		2	
31	N 101 552 10	Hexagon nut M 10		2	
32	911 631 251 29	Rear fog light		2	
33	911 631 975 00	Lens		2	
34	900 631 123 90	Washer Linolite lamp 12 V - 18 W		2	
34	900 631 123 92	Linolite lamp 12 V - 18 W		2	
35	911 631 125 02	Fastening angle		2	
36	N 014 740 2	Pan-head screw M 6 X 16		4	
36	N 014 740 11	Pan-head screw M 6 X 16		4	
37	900 151 006 09	Washer B 6,4		4	
38	N 012 006 4	Lock ring B 6		4	
39	900 076 010 02	Nut		4	
39	900 076 010 0B	Nut		4	
40	999 702 020 50	Rubber sleeve 8 X 12 X 9		2	
-	999 652 208 10	Cable shoe for Rear fog light		2	
-	999 591 381 02	Cable clamp		6	

Model: 911 74 Model life 1974>>1977

Pos	Part Number	Description	Remark	Qty	Model
-	999 591 381 01	Cable clamp		6	
-	999 703 067 50	Stopper		1	
		Switch			
		Boot floor plate			
-	911 631 315 01	Engine compartment lamp		1	
-	999 631 202 90	Bulb		2	
		H 4 12 V - 60 / 55 W			
-	999 631 202 91	Halogen bulb	(F)	2	
		H 4 12 V - 60 / 55 W			
		Yellow			
-	900 631 109 90	Bulb	(J)	2	
		Headlamp		2	
		12 V - 45 / 40 W			
-	900 631 126 90	Halogen bulb		2	
		H 3			
		for			
		Fog headlamp			
-	900 631 127 90	Bulb		6	
		for			
		Direction indicator light			
		And			
		Back-up light			
		12 V - 21 W			
-	900 631 128 90	Bulb		2	
		for			
		Brake light			
		And			
		Rear light			
		12 V - 21 / 5 W			
-	900 631 103 90	Bulb	(DK) (I) (J)	2	
		for	(N)		
		Side direction indicator			
		12 V - 4 W			
-	900 631 115 90	Bulb		1	
		for			
		Luggage compartment lamp			
		12 V - 10 W			
-	900 631 106 90	Linolite lamp		3	
		for			
		Interior light			
		And			
		Engine compartment lamp			
		12 V - 10 W			
-	900 631 102 90	Light		X	
		for			
		Instruments			
		And			
		Indicator light			
		12 V - 2 W			
-	900 631 129 90	Bulb		X	
		for			
		Switch			
		Fog headlamp			
		Additional headlamp			
		-WEBASTO-			
		Heating			
		Windscreen heating			
		Rear window heating			
-	900 631 123 90	Linolite lamp		2	
		for			
		Rear fog light			
		12 V - 18 W			
-	900 631 123 92	Linolite lamp		2	

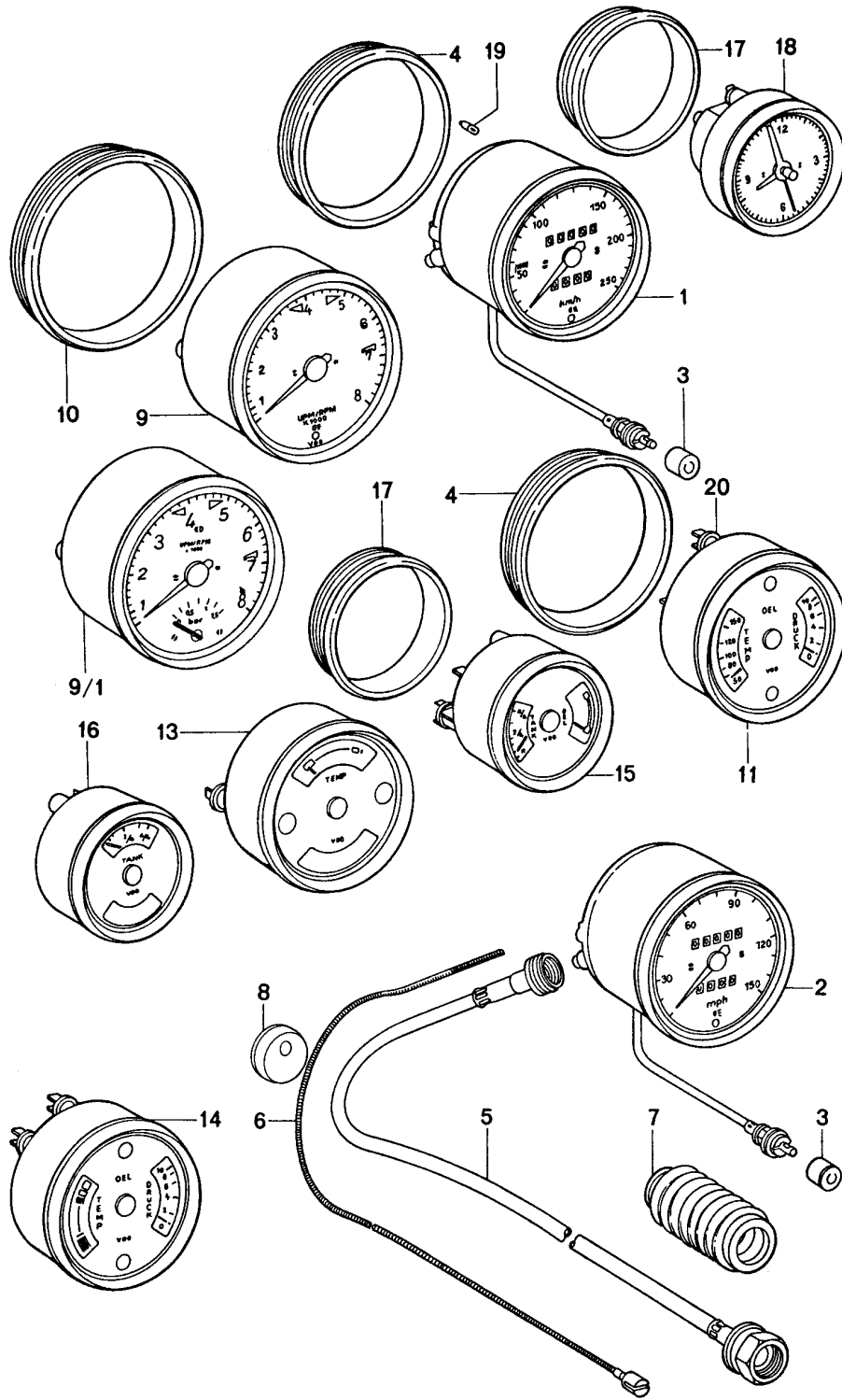
Model: 911 74

Model life 1974>>1977

Pos	Part Number	Description	Remark	Qty	Model
-	900 631 104 90	for Rear fog light 12 V - 18 W Bulb for License plate light 12 V - 5 W		2	

Model: 911 74

Model life 1974>>1977



Model: 911 74 Model life 1974>>1977

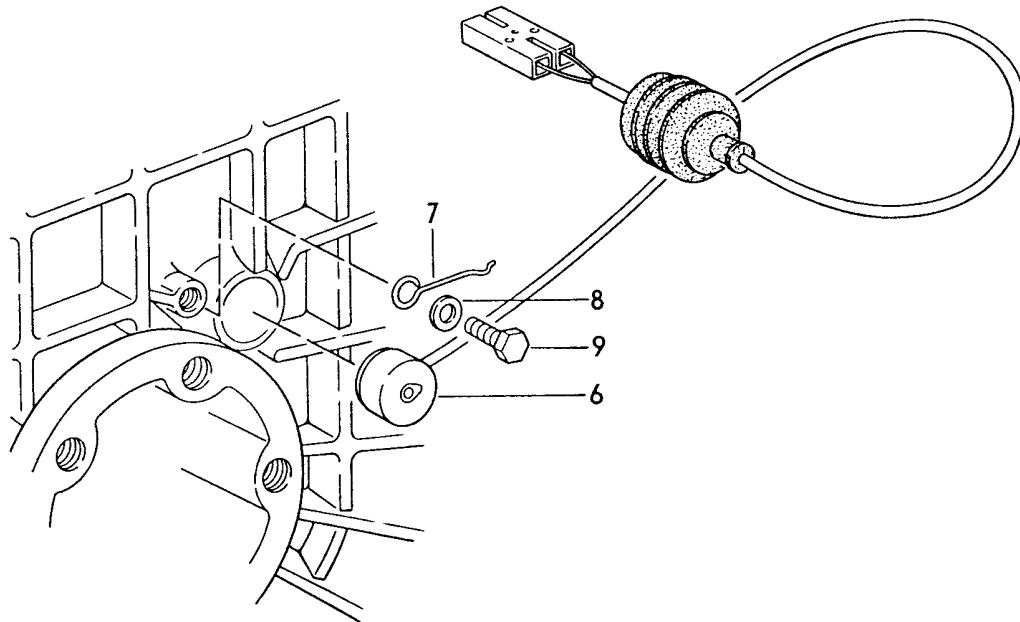
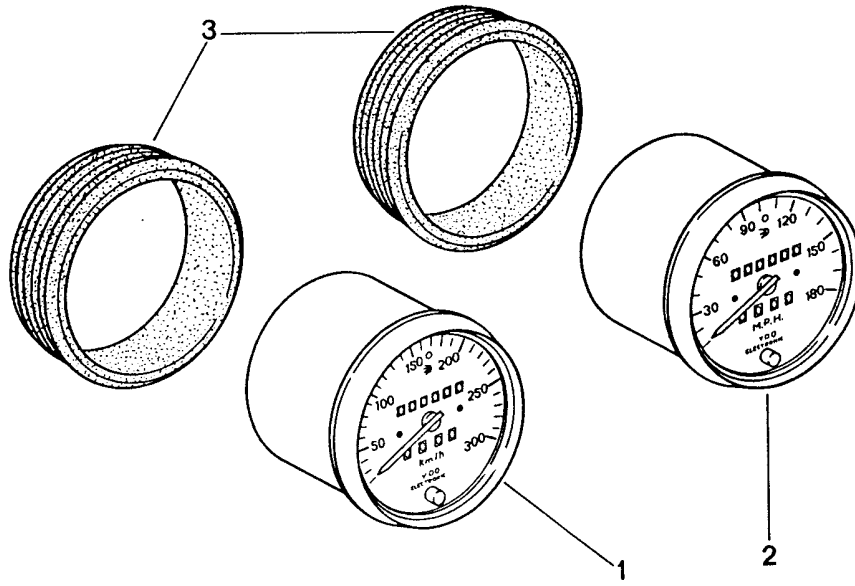
Pos	Part Number	Description	Remark	Qty	Model
		Instruments			
		Speedometer			
		Mechanical			
1	911 641 501 29	Speedometer 250 KM/H		1	911/911S
(1)	911 641 505 01	Speedometer 250 KM/H	(J) 75-	1	911/911S
(1)	911 641 505 AX	Speedometer 250 KM/H	(J) 75-	1	911/911S
(1)	911 641 503 29	Speedometer 300 KM/H		1	CARRERA 2.7
(1)	911 641 507 00	Speedometer 300 KM/H	75- (J)	1	CARRERA 2.7
2	911 641 502 29	Speedometer		1	911/911S
(2)	911 641 506 00	Speedometer		1	CARRERA 2.7
3	901 741 191 22	Knob		1	
(3)	914 641 121 00	Knob		1	
		Plastic material			
4	911 641 902 00	Rubber ring 100 \$		2	
5	911 641 510 00	Drive shaft		1	911/911S CARRERA 2.7
6	901 741 112 01	Drive shaft 2442 MM		1	911/911S CARRERA 2.7
6	911 641 913 00	Shaft 2480 MM		1	
7	911 641 520 00	Sealing sleeve		1	911/911S CARRERA 2.7
8	901 741 293 00	Seal		1	911/911S CARRERA 2.7
9	911 641 301 29	Tachometer		1	911/911S
(9)	911 641 303 29	Tachometer		1	CARRERA 2.7
(9)	911 641 303 AX	Tachometer		1	CARRERA 2.7
(9)	911 641 303 03	Tachometer		1	CARRERA 3.0
(9)	911 641 303 CX	Tachometer		1	CARRERA 3.0
10	911 641 903 00	Rubber ring 115 \$		1	
11	911 641 103 29	Instrument cluster 100 \$	-76	1	911S CARRERA 2.7 CARRERA 3.0
(11)	911 641 103 02	Instrument cluster 100 \$	3.0 77-	1	911/CARRERA
(11)	911 641 103 BX	Instrument cluster 100 \$	3.0 77-	1	911/CARRERA
(11)	911 641 104 29	Instrument cluster	-76	1	911/911S
(11)	911 641 107 29	Instrument cluster English 100 \$		1	SPM
11	911 641 107 31	Instrument cluster English	77-	1	911/911S CARRERA 3.0
11	911 641 107 AX	Instrument cluster English	77-	1	911/911S CARRERA 3.0
13	911 641 102 29	Instrument cluster 100 \$	-76	1	911
13	911 641 102 AX	Instrument cluster 100 \$		1	911
14	911 641 105 29	Instrument cluster 100 \$	-76	1	SPM
14	911 641 105 AX	Instrument cluster 100 \$		1	SPM
(14)	911 641 105 02	Instrument cluster 100 \$	77-	1	SPM
15	911 641 202 03	Instrument cluster		1	911

Model: 911 74 Model life 1974>>1977

Pos	Part Number	Description	Remark	Qty	Model
15	911 641 202 DX	Instrument cluster		1	911
15	911 641 202 03	Instrument cluster		1	911S
15	911 641 202 DX	Instrument cluster		1	CARRERA 2.7 911S
15	911 641 202 03	Instrument cluster		1	CARRERA 2.7 CARRERA 3.0
15	911 641 202 DX	Instrument cluster 80 \$		1	CARRERA 3.0
16	911 641 201 29	Instrument cluster	-76	1	911
16	911 641 201 AX	Instrument cluster		1	911
17	911 641 901 00	Rubber ring		2	
18	911 641 701 29	Clock 80 \$		1	
19	900 631 102 90	Light for Illumination Instruments 12 V 2 W		X	
20	999 632 007 00	Bulb socket Single pole		X	
(20)	999 632 009 10	Bulb socket 2-pole		X	
-	911 612 047 00	Wiring harness for Illumination Instruments with Bulb socket		1	

Model: 911 74

Model life 1974>>1977



Model: 911 74

Model life 1974>>1977

Pos	Part Number	Description	Remark	Qty	Model
1	911 641 532 00	Speedometer Electric Pulse sender Speedometer KM/H 300 for Tyre /60	-76	1	CARRERA 3.0
(1)	911 641 539 00	Speedometer KM/H 300 with Warning function	-76 (J)	1	CARRERA 3.0
(1)	911 641 539 X	Speedometer KM/H 300 with Warning function	(J)	1	CARRERA 3.0
(1)	930 641 501 00	Speedometer KM/H 300 for Tyre /50	-76	1	CARRERA 3.0
(1)	911 641 516 01	Speedometer	77-	1	911/911S
(1)	911 641 516 AX	Speedometer KM/H 250	77-	1	911/911S CARRERA 3.0
(1)	911 641 531 00	Speedometer KM/H 250	-76	1	911/911S
(1)	911 641 537 04	Speedometer KM/H 250 with Warning function	(J) -76	1	911S
(1)	911 641 537 DX	Speedometer KM/H 250 with Warning function	(J)	1	911S
(1)	911 641 537 04	Speedometer KM/H 250 with Warning function	(J) 77-	1	911S
(1)	911 641 537 DX	Speedometer KM/H 250 with Warning function	(J) 77-	1	911S
2	911 641 534 00	Speedometer MPH 180	-76	1	CARRERA 3.0
(2)	930 641 506 00	Speedometer MPH 180 for Tyre /50	-76	1	CARRERA 3.0
(2)	930 641 506 X	Speedometer MPH 180 for Tyre /50		1	CARRERA 3.0
(2)	911 641 533 00	Speedometer	-76	1	911/911S
(2)	911 641 533 X	Speedometer		1	911/911S
(2)	930 641 508 00	Speedometer		1	911/911S
3	911 641 902 00	Rubber ring 100\$		1	
6	911 606 209 00	Pulse sender		1	
7	915 660 509 00	Tensioning spring		1	
8	N 011 524 7	Washer A 6,4		1	

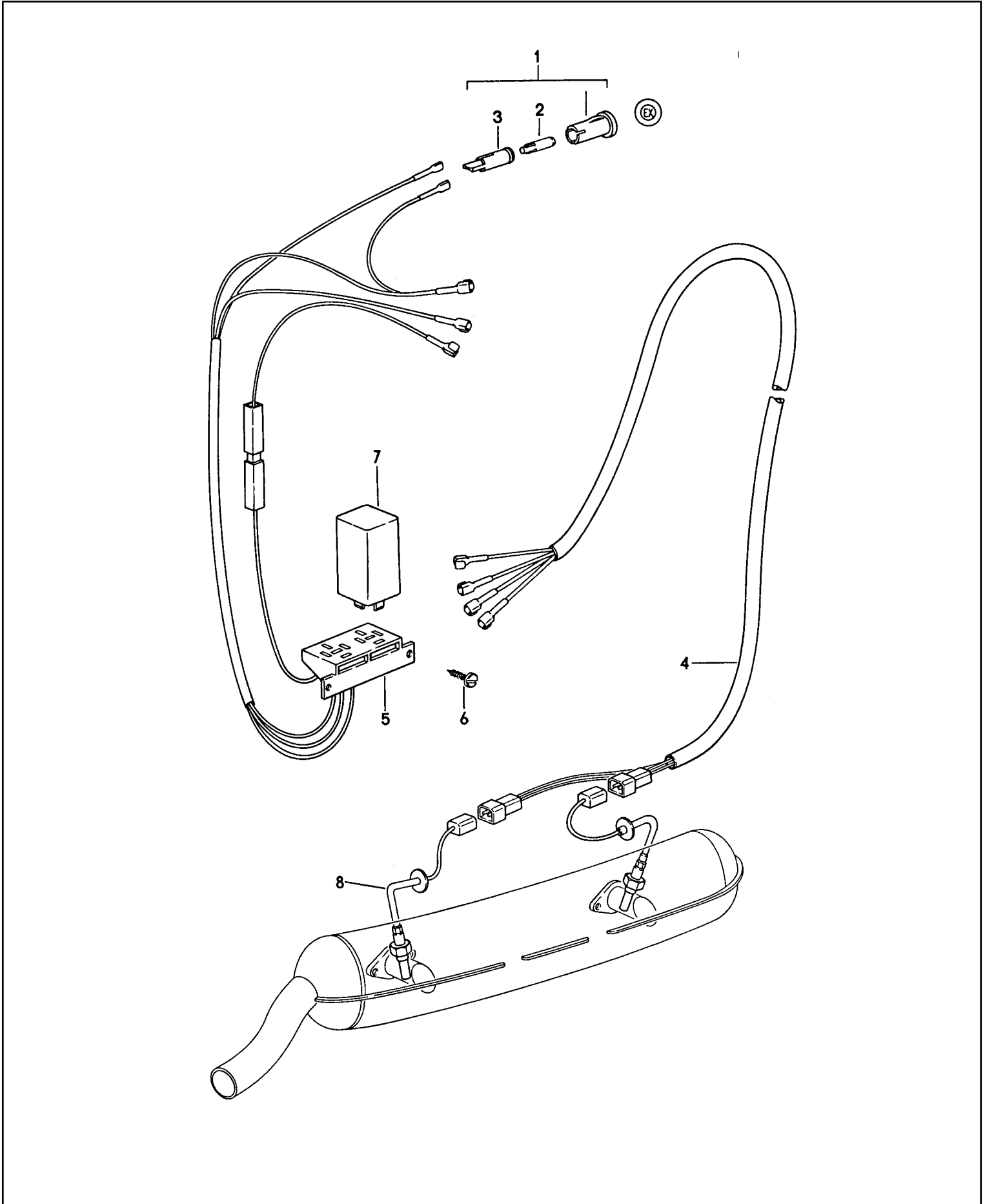
Model: 911 74

Model life 1974>>1977

Pos	Part Number	Description	Remark	Qty	Model
8	N 011 524 27	Washer A 6,4		1	
9	900 075 010 02	Hexagon nut M 6 X 12		1	
9	N 010 212 14	Hexagon-head bolt M 6 X 12		1	
9	999 072 005 09	Hexagon nut M 6 X 12		1	
9	999 072 005 01	Hexagon nut M 6 X 12		1	
-	911 612 406 01	Cable holder		1	
-	900 093 010 02	Grooved nail 3 X 6	-76	1	
-		Grooved nail 3 X 8	77-	1	

Model: 911 74

Model life 1974>>1977



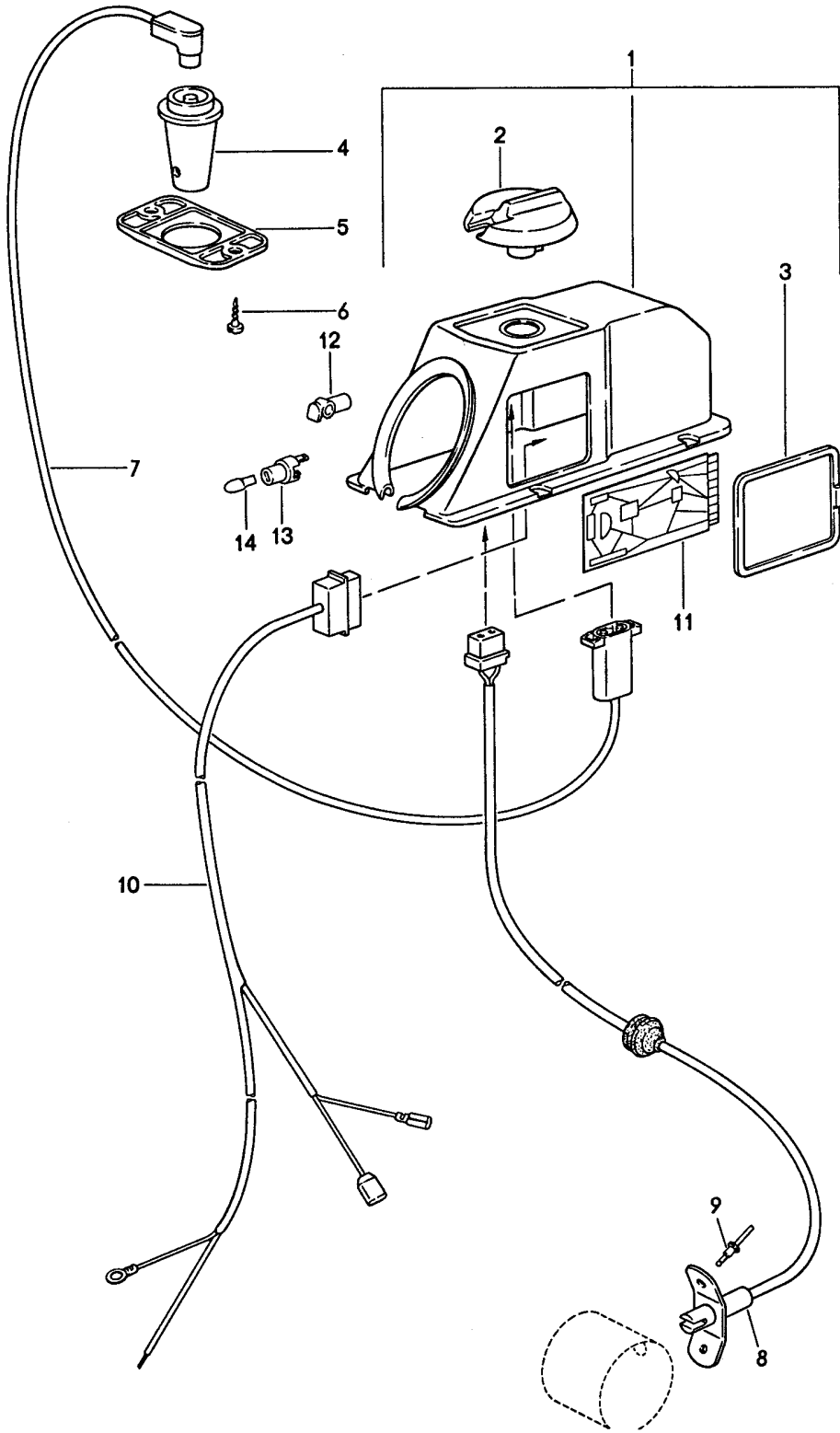
Model: 911 74

Model life 1974>>1977

Pos	Part Number	Description	Remark	Qty	Model
		Exhaust gas Temperature monitoring	(J)		
1	911 632 015 01	Indicator light " EX "		1	911S
2	900 631 129 90	Bulb		1	911S
3	111 919 243	Bulb socket		1	911S
4	911 612 171 00	Wiring harness for Temperature sensor		1	911S
5	911 612 169 00	Wiring harness for Indicator light "EX"		1	911S
6	N 013 968 7	Tapping screw B 4,8 X 13		1	911S
6	900 143 097 01	Tapping screw B 4,8 X 13		1	911S
7	911 617 119 00	Switch unit for Temperature monitoring		2	911S
8	911 606 115 00	Temperature sensor		2	911S

Model: 911 74

Model life 1974>>1977



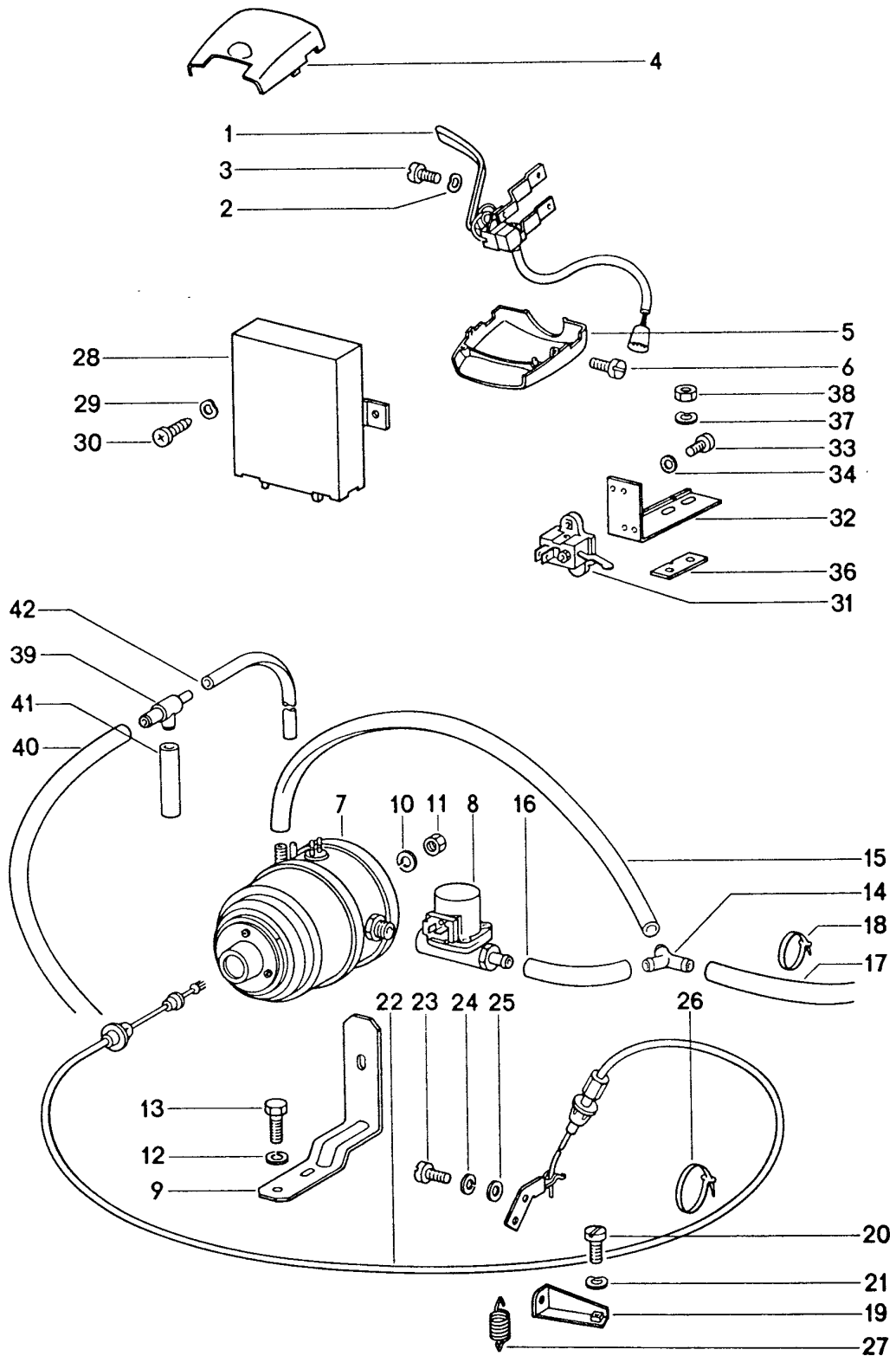
Model: 911 74

Model life 1974>>1977

Pos	Part Number	Description	Remark	Qty	Model
		Control mechanism for Heating			
1	911 659 049 01	Control mechanism		1	
2	911 659 110 00	Knob		1	
3	911 659 108 00	Lid		2	
4	911 659 105 01	Interior sensor		1	
5	911 571 235 01	Rosette		1	
6	900 143 065 07	Tapping screw B 2,9 X 9,5		2	
6	900 073 003 01	Tapping screw B 2,9 X 9,5		2	
7	911 612 150 00	Wiring harness		1	
8	911 659 101 00	Caloric feeler		1	
(8)	911 659 101 01	Caloric feeler		1	
9	999 190 129 02	Blind rivet		2	
10	911 612 152 00	Wiring harness	/LL	1	
(10)	911 612 152 01	Wiring harness	/RL	1	
-	N 012 225 2	Spring washer B 5		4	
-	900 075 154 07	Hexagon-head bolt M 5 X 18		4	
11	911 659 907 00	Printed circuit board		1	
12	999 168 021 40	Ball socket		2	
13	914 631 179 10	Bulb socket		1	
14	900 631 129 90	Bulb 12 V - 1,2 W		1	

Model: 911 74

Model life 1974>>1977



Model: 911 74

Model life 1974>>1977

Pos	Part Number	Description	Remark	Qty	Model
1	911 613 102 01	Cruise control Switch		1	
2	900 115 007 01	Serrated lock washer 3,2		2	
3	900 014 079 02	Pan-head screw M 3 X 10		2	
4	911 613 311 02	Switch housing Upper part		1	
5	911 613 312 02	Switch housing Lower part		1	
6	900 014 079 02	Pan-head screw M 3 X 16		2	
7	911 617 123 01	Drive link Cruise control		1	
8	911 617 125 00	Solenoid valve		1	
9	911 617 127 00	Support		1	
10	900 027 015 02	Lock ring B 8		1	
10	900 027 015 03	Lock ring B 8		1	
11	900 076 025 02	Hexagon nut M 8		1	
11	900 076 064 02	Hexagon nut M 8		1	
12	N 012 006 4	Lock ring B 6		2	
13	900 075 010 02	Hexagon nut M 6 X 12		2	
13	N 010 212 14	Hexagon-head bolt M 6 X 12		2	
13	999 072 005 09	Hexagon nut M 6 X 12		2	
13	999 072 005 01	Hexagon nut M 6 X 12		2	
14	999 137 007 40	Hose connection		1	
-	N 020 359 1	Hose 9 X 15 350 MM		*	
15		100 MM		1	
16		310 MM		1	
17		Tie-wrap 140 MM		1	
18	999 513 010 40	Tie-wrap 140 MM		1	
19	911 110 226 00	Retaining bracket		1	
20	900 071 005 02	Oval-head screw M 5 X 10		1	
21	900 028 007 02	Spring washer B 5		1	
22	911 617 124 01	Bowden cable		1	
23	900 146 005 02	Oval-head screw M 5 X 8		2	
24	900 027 003 02	Lock ring A 5		2	
25	900 025 003 02	Washer A 5,3		2	
26	999 513 010 40	Tie-wrap 250 MM		1	
27	911 110 227 00	Gas prop for Cruise control		1	
28	911 617 121 03	Regulator Cruise control		1	
29	900 028 007 02	Spring washer B 5		2	

Model: 911 74

Model life 1974>>1977

Pos	Part Number	Description	Remark	Qty	Model
30	900 146 003 02	Oval-head screw M 5 X 10		2	
31	911 613 411 00	Brake light switch		1	
31	911 613 411 01	Brake light switch		1	
32	911 613 131 00	Support		1	
33	900 146 011 02	Oval-head screw M 4 X 10		2	
34	900 114 014 01	Shake-proof washer A 4,3		2	
36	911 613 132 00	Plate		1	
37	N 012 226 5	Spring washer B 6		2	
38	900 076 010 02	Nut M 6		2	
38	900 076 010 0B	Nut M 6		2	
39	911 110 228 00	T-reducer		1	
-	N 020 359 1	Hose C 9 X 15		*	
40		130 MM		1	
41		45 MM		1	
-	999 181 167 50	Hose C 4,5 X 10,5		*	
42		500 MM		1	
-	911 612 157 02	Wiring harness Cruise control regulator Tunnel	/LL -76	1	
-		Wiring harness Cruise control regulator Tunnel for cars without Brake booster	/LL 77-	1	911
-	911 612 157 05	Wiring harness Cruise control regulator Tunnel for cars with Brake booster	/LL 77-	1	
-	911 612 157 04	Wiring harness Cruise control regulator Tunnel	/RL	1	
-	911 612 158 00	Wiring harness Tunnel		1	
-	911 612 156 02	Drive link Wiring harness		1	SPM

Model: 911 74

Model life 1974>>1977



Model: 911 74 Model life 1974>>1977

Pos	Part Number	Description	Remark	Qty	Model
>>	911 628 997 00	Installation set Headlight washer system Fog headlamp Radio Headlight washer system Set for subsequent installation		1	
>>	911 631 993 00	Fog headlamp White Set for subsequent installation Comprising:		2	
-	911 631 206 03	Fog headlamp		2	
-	999 702 084 50	Rubber sleeve		2	
-	911 612 132 00	Grommet		2	
-	900 114 011 01	Shake-proof washer A 10,5		2	
-	911 631 060 01	Tensioning plate Outer		2	
-	911 631 151 01	Rubber base		2	
-	911 631 150 01	Tensioning plate Inner		4	
-	N 012 226 5	Spring washer A 6		4	
-	900 076 010 02	Nut M 6		2	
-	900 076 010 0B	Nut M 6		2	
-	900 027 016 02	Lock ring B 10		2	
-	900 027 016 03	Lock ring B 10		2	
-	N 011 010 6	Hexagon nut M 10		1	
-	N 101 552 10	Hexagon nut M 10		1	
-	911 612 027 03	Additional cables		1	
-	901 612 064 00	Ground cable		1	
-	901 612 066 02	Wiring harness for Switch		1	
-	911 615 109 01	Standard type relay		1	
-	902 613 623 90	Switch		1	
-	999 703 067 50	Stopper		1	
-	911 613 213 02	Rosette		1	
-	900 631 102 90	Light 12 V - 2 W		1	
-	911 613 215 02	Knob		1	
>>	911 631 993 01	Fog headlamp Yellow Set for subsequent installation Comprising:		1	
-	911 631 206 04	Fog headlamp		2	
-	999 702 084 50	Rubber sleeve		2	
-	911 612 132 00	Grommet		2	
-	900 114 011 01	Shake-proof washer A 10,5		2	
-	911 631 060 01	Tensioning plate Outer		2	
-	911 631 151 01	Rubber base		2	
-	911 631 150 01	Tensioning plate Inner		2	

Model: 911 74 Model life 1974>>1977

Pos	Part Number	Description	Remark	Qty	Model
-	N 012 226 5	Spring washer A 6		4	
-	900 076 010 02	Nut M 6		4	
-	900 076 010 0B	Nut M 6		4	
-	900 027 016 02	Lock ring B 10		2	
-	900 027 016 03	Lock ring B 10		2	
-	N 011 010 6	Hexagon nut M 10		2	
-	N 101 552 10	Hexagon nut M 10		2	
-	911 612 027 03	Additional cables		1	
-	901 612 064 00	Ground cable		1	
-	901 612 066 02	Wiring harness		1	
-	911 615 109 01	Standard type relay		1	
-	902 613 623 90	Switch		1	
-	999 703 067 50	Stopper		1	
-	911 613 213 02	Rosette		1	
-	900 631 102 90	Light 12 V - 2 W		1	
-	911 613 215 02	Knob		1	
>>	911 619 901 00	Suppression set for cars with - bosch - Generator And Regulator Comprising:	-75	1	911/911S CARRERA 2.7
-	901 609 309 00	Screened connector Ignition lead		6	
-	901 609 309 01	Screened connector Ignition lead		6	
-	111 905 449 A	Protection cap		6	
-	111 905 449	Protection cap		6	
-	PCG 905 449 A	Cap		6	
-	111 905 449	Protection cap		6	
-	999 659 034 40	Rubber cap		6	
-	122 035 281	Suppression connector		7	
-	901 612 107 00	Ground strap Bonnet		2	
-	911 619 001 00	Suppression set		1	
-	999 619 126 01	Condenser for Windscreen wiper motor		3	
-	999 507 001 02	Speed nut B 4,2		1	
-	900 143 007 02	Oval-head sheetmetal screw B 4,2 X 13		1	
-	900 073 507 01	Oval-head sheetmetal screw B 4,2 X 13		1	
-	900 114 014 01	Shake-proof washer A 4,3		1	
>>	911 619 901 01	Suppression set for cars with MOTOROLA, MARCHAL, SEV Generator And Regulator Comprising:	-75	1	911/911S CARRERA 2.7
-	901 609 309 00	Screened connector		6	

Model: 911 74 Model life 1974>>1977

Pos	Part Number	Description	Remark	Qty	Model
-	901 609 309 01	Ignition lead Screened connector		6	
-	111 905 449 A	Ignition lead Protection cap		6	
-	111 905 449	Protection cap		6	
-	PCG 905 449 A	Cap		6	
-	111 905 449	Protection cap		6	
-	999 659 034 40	Rubber cap		6	
-	122 035 281	Suppression connector		7	
>>	911 619 901 02	Suppression set for Radio Comprising:	76-	1	
-	911 619 001 00	Suppression set Regulator		1	
-	999 619 126 01	Condenser Wiper motor		1	
-	901 612 107 00	Ground strap Bonnet		2	
-	999 619 126 01	Condenser Windscreen wiper motor		3	911/911S CARRERA 2.7
-	901 612 107 00	Ground strap Bonnet		2	911/911S CARRERA 2.7
-	901 619 007 00	Condenser Regulator Terminal -DF-		1	911/911S CARRERA 2.7
-	999 511 036 02	Clip		1	911/911S CARRERA 2.7
-	PCG 511 036 02	Clip		1	911/911S CARRERA 2.7
-	901 619 004 00	Connecting cable		1	911/911S CARRERA 2.7
-	901 619 003 00	Filter Regulator Terminal -DF-		1	911/911S CARRERA 2.7
-	900 151 028 02	Washer 4,3		2	911/911S CARRERA 2.7
-	900 151 028 01	Washer 4,3		2	911/911S CARRERA 2.7
-	N 015 429 2	Speed nut B 4,2		1	911/911S CARRERA 2.7
-	N 015 429 6	Speed nut B 4,2		1	911/911S CARRERA 2.7
-	900 025 002 02	Washer 4,3		1	911/911S CARRERA 2.7
-	900 025 002 03	Washer 4,3		1	911/911S CARRERA 2.7
-	900 187 013 02	Hexagon-head tapping screw BZ 4,2 X 13		1	911/911S CARRERA 2.7
-	999 507 001 02	Speed nut B 4,2		1	911/911S CARRERA 2.7
-	900 143 007 02	Oval-head sheetmetal screw		1	911/911S CARRERA 2.7
-	900 073 507 01	Oval-head sheetmetal screw		1	911/911S CARRERA 2.7
-	900 114 014 01	Shake-proof washer A 4,3		1	911/911S CARRERA 2.7
-	122 035 281	Suppression connector	(F) (GB) -75	7	
-	901 612 107 00	Ground strap Bonnet Antenna	(F) (GB) -75	2	

Model: 911 74

Model life 1974>>1977

Pos	Part Number	Description	Remark	Qty	Model
-	911 645 301 04	Telescopic antenna		1	
-	911 645 033 06	Antenna Chrome Rosette Black		1	
-	911 645 401 01	Loudspeaker Loudspeaker with Assembly kit for	-75	1	
>>	911 645 902 00	Dashboard trim Loudspeaker for Loudspeaker Dashboard Upper part Comprising:	-74	1	911/911S CARRERA 2.7
-	901 645 501 00	Loudspeaker		1	
-	900 144 034 07	Tapping screw B 4,2 X 16		4	
-	900 144 034 0G	Tapping screw B 4,2 X 16		4	
-	999 591 334 02	Prestole cage		4	
-	999 591 108 12	Washer		4	
-	901 612 101 00	Wiring harness Loudspeaker Radio		1	
>>	911 645 902 01	Installation set	75	1	911/911S CARRERA 2.7
-	911 645 401 00	Loudspeaker		1	
-	911 645 401 01	Loudspeaker		1	
-	N 013 964 4	Oval-head sheetmetal screw B 4,2 X 16		4	
-	999 591 334 02	Prestole cage		4	
-	900 025 003 02	Washer		1	
-	911 612 148 00	Wiring harness		1	
>>	911 645 905 00	Installation set	75-	1	911/911S CARRERA 3.0
-	911 645 403 03	Door speaker 4 OHM		2	
-	911 612 148 07	Wiring harness Door		2	
-	999 651 152 02	Cable clamp		2	
-	999 651 152 01	Cable clamp		2	
-	911 612 148 10	Wiring harness Door Body Right		1	
-	911 612 148 11	Wiring harness Door Body Left		1	
-	911 645 217 00	Housing Loudspeaker		2	
-	900 146 009 02	Oval-head screw AM 4 X12		4	
-	900 025 002 02	Washer 4,3		16	
-	900 025 002 03	Washer 4,3		16	
-	900 027 002 02	Lock ring A 4		4	
-	N 011 004 6	Hexagon nut		4	

Model: 911 74

Model life 1974>>1977

Pos	Part Number	Description	Remark	Qty	Model
-	N 011 004 G	M 4 Nut		4	
-	900 143 007 02	M 4 Oval-head sheetmetal screw B 4,2 X13		8	
-	900 073 507 01	Oval-head sheetmetal screw B 4,2 X13		8	
>>	911 645 906 00	Installation set	75-	1	911/911S CARRERA 3.0
-	911 645 403 00	Door speaker 8 OHM		2	
-	911 612 148 07	Wiring harness Door		2	
-	911 612 148 10	Wiring harness Door Body Right		1	
-	911 612 148 11	Wiring harness Door Body Left		1	
-	911 612 148 05	Wiring harness Connecting line		1	
-	911 612 148 06	Wiring harness Loudspeaker Radio		1	
-	999 651 152 02	Cable clamp		2	
-	999 651 152 01	Cable clamp		2	
-	911 645 217 00	Housing Loudspeaker		2	
-	900 146 009 02	Oval-head screw AM 4 X 12		4	
-	900 025 002 02	Washer 4,3		16	
-	900 025 002 03	Washer 4,3		16	
-	900 027 002 02	Lock ring A 4		4	
-	N 011 004 6	Hexagon nut M 4		4	
-	N 011 004 G	Nut M 4		4	
-	900 143 007 02	Oval-head sheetmetal screw B 4,2 X 13		8	
-	900 073 507 01	Oval-head sheetmetal screw B 4,2 X 13		8	
>>	911 645 405 02	Installation set	76-	1	911/911S CARRERA 3.0
-	911 645 403 01	Rear loudspeaker 8 OHM		2	
-	900 025 002 02	Washer 4,3		8	
-	900 025 002 03	Washer 4,3		8	
-	N 011 004 6	Hexagon nut M 4		8	
-	N 011 004 G	Nut M 4		8	
-	N 012 224 3	Spring washer A 4		8	
-	911 612 067 01	Wiring harness Rear loudspeaker		1	
-	911 612 095 02	Wiring harness		1	

Model: 911 74

Model life 1974>>1977

Pos	Part Number	Description	Remark	Qty	Model
>>	911 645 111 13	Rear loudspeaker Radio Installation set for Radio BAMBERG-STEREO LUEBECK CR M 2	-76	1	
>>	911 645 111 14	Installation set for Radio KOELN-AUTOMATIC FRANKFURT L-M-K-U FRANKFURT M-U US-BAND COBURG LM 1 M 2 ELECTRONIC FRANKFURT-STEREO-US FRANKFURT-STEREO KOELN-STEREO-L-M-U BAMBERG-ELECTRONIC STEREO-L-M-U		1	

Model: 911 74

Model life 1974>>1977



Model: 911 74

Model life 1974>>1977

Pos	Part Number	Description	Remark	Qty	Model
-	911 645 190 00	Radio Navigation system Installation parts		1	
-	911 645 191 00	Radio Navigation system with PORSCHE logo		1	
-	911 645 192 00	Radio Navigation system with TMC with PORSCHE logo		1	
-	911 645 195 00	Cover for Radio Navigation system with PORSCHE logo		1	
-	911 645 197 00	Cover for Radio Navigation system without PORSCHE logo		1	
-	911 645 196 00	Adapter		1	
-	911 642 105 00	Adapter		1	
-	911 642 105 00	Antenna		1	
-	911 642 100 00	Antenna		1	
-	911 642 100 00	Software Update 1-2011		1	
-	911 642 100 01	Software Update 1-2013		1	
-	911 642 100 02	Software Update 1-2014		1	
-	911 642 107 00	Microphone		1	
-	911 645 199 00	Handheld transmitter		1	
-	911 645 190 01	Navigation system Knob Control part Navigation system		2	