

**Model: 911 84****Model life 1984>>1986**

## ORDER-INFO

THIS PARTS CATALOGUE CONTAINS ALL ORDER INFORMATION OF  
TYPE 911 FROM MODEL YEAR 1984 TO MODEL YEAR 1986

IT IS AVAILABLE IN TWO EDITIONS IN THE FOLLOWING LANGUAGES:

EDITION

USA, CANADA

- \*

EDITION

ALL OTHER COUNTRIES

- GERMAN

\* - ENGLISH

- FRENCH

- ITALIAN

- SPANISH

UPDATING IS BEING PERFORMED BY CHANGING OF UPDATE.

THE EDITION CAN BE RECOGNIZED BY THE CURRENT NO.  
YEAR IN THE BOTTOM LINE OF SUBJECT UPDATE.

THE PREVIOUS UPDATE SHOULD NO LONGER BE USED.

ALL ILLUSTRATIONS ARE SUBJECT TO CHANGE WITHOUT OBLIGATION.

**Model: 911 84****Model life 1984>>1986**

ALL ILLUSTRATIONS ARE SUBJECT TO  
CHANGE WITHOUT OBLIGATION.

Model: 911 84

Model life 1984>>1986

EXPLANAT.- VIN

EXPLANATION OF THE ABRIDGED VERSION OF THE VEHICLE IDENT. NUMBERS (VIN)  
 =====  
 USED IN THE CATALOGUE  
 =====

DIGIT:		1	2	3	4	5	6	7	8	9	10	11	12	13	14	15	16	17
--------	--	---	---	---	---	---	---	---	---	---	----	----	----	----	----	----	----	----

EXAMPLE:		W	P	O	Z	Z	Z	9	1	Z	G	S	1	0	0	1	2	5
----------	--	---	---	---	---	---	---	---	---	---	---	---	---	---	---	---	---	---

								===		=	=	=						
--	--	--	--	--	--	--	--	-----	--	---	---	---	--	--	--	--	--	--

								!		!	!	!						!
--	--	--	--	--	--	--	--	---	--	---	---	---	--	--	--	--	--	---

VEHICLE TYPE 1ST+2ND DIGIT-----+										!	!	!						!
----------------------------------	--	--	--	--	--	--	--	--	--	---	---	---	--	--	--	--	--	---

										!	!	!						!
--	--	--	--	--	--	--	--	--	--	---	---	---	--	--	--	--	--	---

MODEL YEAR-----+											!	!						!
------------------	--	--	--	--	--	--	--	--	--	--	---	---	--	--	--	--	--	---

											!	!						!
--	--	--	--	--	--	--	--	--	--	--	---	---	--	--	--	--	--	---

MANUFACTURING LOCATION-----+												!						!
------------------------------	--	--	--	--	--	--	--	--	--	--	--	---	--	--	--	--	--	---

												!						!
--	--	--	--	--	--	--	--	--	--	--	--	---	--	--	--	--	--	---

VEHICLE TYPE 3RD DIGIT-----+																		!
------------------------------	--	--	--	--	--	--	--	--	--	--	--	--	--	--	--	--	--	---

																		!
--	--	--	--	--	--	--	--	--	--	--	--	--	--	--	--	--	--	---

SERIAL NUMBER-----+																		!
---------------------	--	--	--	--	--	--	--	--	--	--	--	--	--	--	--	--	--	---

Model: 911 84

Model life 1984&gt;&gt;1986

## SUMMARY TYPES

VEHICLE TYPE	MY	VEHICLE IDENT.NR.	ENGINE	TYPE
911 CARRERA COUPE/TURBO-LOOK	84 E	91ES1 00001>05000	930.20	170 KW
911 CARRERA TARGA	84 E	91ES1 40001>45000	930.20	170 KW
911 CARRERA CABRIO	84 E	91ES1 50001>55000	930.20	170 KW
911 CARRERA COUPE/TURBO-LOOK (J)	84 E	91ES1 09501>09999	930.21	152 KW
911 CARRERA TARGA (J)	84 E	91ES1 49501>49999	930.21	152 KW
911 CARRERA CABRIO (J)	84 E	91ES1 59501>59999	930.21	152 KW
911 CARRERA COUPE/TURBO-LOOK (USA)(CDN)	84 E	91ES1 20001>25000	930.21	152 KW
911 CARRERA TARGA (USA)(CDN)	84 E	91ES1 60001>65000	930.21	152 KW
911 CARRERA CABRIO (USA)(CDN)	84 E	91ES1 70001>75000	930.21	152 KW
911 TURBO COUPE	84 E	93ES0 00001>01000	930.66	221 KW
911 TURBO COUPE (CDN)	84 E	93ES0 50001>52000	930.66	221 KW
911 CARRERA COUPE	85 F	91FS1 00001>05000	930.20	170 KW
911 CARRERA TARGA	85 F	91FS1 40001>45000	930.20	170 KW
911 CARRERA CABRIO	85 F	91FS1 50001>55000	930.20	170 KW
911 CARRERA COUPE M298	85 F	91FS1 00001>05000	930.21	152 KW
911 CARRERA TARGA M298	85 F	91FS1 40001>45000	930.21	152 KW
911 CARRERA CABRIO M298	85 F	91FS1 50001>55000	930.21	152 KW
911 CARRERA COUPE (AUS)(S)(CH)	85 F	91FS1 00001>05000	930.26	170 KW
911 CARRERA TARGA (AUS)(S)(CH)	85 F	91FS1 40001>45000	930.26	170 KW
911 CARRERA CABRIO (AUS)(S) (CH)	85 F	91FS1 50001>55000	930.26	170 KW
911 CARRERA COUPE (J)	85 F	91FS1 09501>09999	930.21	152 KW
911 CARRERA TARGA (J)	85 F	91FS1 49501>49999	930.21	152 KW
911 CARRERA CABRIO (J)	85 F	91FS1 59501>59999	930.21	152 KW
911 CARRERA COUPE (USA)(CDN)	85 F	91FS1 20001>25000	930.21	152 KW
911 CARRERA TARGA (USA)(CDN)	85 F	91FS1 60001>65000	930.21	152 KW
911 CARRERA CABRIO (USA)(CDN)	85 F	91FS1 70001>75000	930.21	152 KW
911 TURBO COUPE	85 F	93FS0 00001>02000	930.66	221 KW
911 TURBO COUPE (CDN)	85 F	93FS0 50001>52000	930.66	221 KW
911 CARRERA COUPE	86 G	91GS1 00001>05000	930.20	170 KW
911 CARRERA TARGA	86 G	91GS1 40001>45000	930.20	170 KW
911 CARRERA CABRIO	86 G	91GS1 50001>55000	930.20	170 KW
911 CARRERA COUPE M298	86 G	91GS1 00001>05000	930.21	152 KW
911 CARRERA TARGA M298	86 G	91GS1 40001>45000	930.21	152 KW
911 CARRERA CABRIO M298	86 G	91GS1 50001>55000	930.21	152 KW
911 CARRERA COUPE (S)(CH)	86 G	91GS1 00001>05000	930.26	170 KW
911 CARRERA TARGA (S)(CH)	86 G	91GS1 40001>45000	930.26	170 KW
911 CARRERA CABRIO (S)(CH)	86 G	91GS1 50001>55000	930.26	170 KW
911 CARRERA COUPE (J)	86 G	91GS1 09501>09999	930.21	152 KW
911 CARRERA TARGA (J)	86 G	91GS1 49501>49999	930.21	152 KW
911 CARRERA CABRIO (J)	86 G	91GS1 59501>59999	930.21	152 KW
911 CARRERA COUPE (USA)(CDN)	86 G	91GS1 20001>25000	930.21	152 KW
911 CARRERA TARGA (USA)(CDN)	86 G	91GS1 60001>65000	930.21	152 KW
911 CARRERA CABRIO (USA)(CDN)	86 G	91GS1 70001>75000	930.21	152 KW
911 TURBO COUPE	86 G	93GS0 00001>02000	930.66	221 KW

**Model: 911 84****Model life 1984>>1986**

911 TURBO COUPE (CDN)	86 G 93GS0 55001>57000 930.66 221 KW
911 TURBO COUPE (USA)	86 G 93GS0 50001>52000 930.68 209 KW

Model: 911 84

Model life 1984>>1986

EXPL. ENGINE-NO.

EXPLANATION OF THE MOTOR-NUMBERS USED IN THE CATALOGUE

=====

DIGIT:		1	2	3		4	5	6	7	8
EXAMPLE:		6	4	G		0	0	1	3	6
		=	=	=		=	=	=	=	=
		!	!	!		!				
ENGINE TYPE (6 = 6-CYL.-ENGINE)	-----+	!	!			!				
		!	!			!				
ENGINE VERSION	-----+	!				!				
		!				!				
MODEL YEAR	-----+					!				
						!				
SERIAL NUMBER	-----+									!

Model: 911 84

Model life 1984>>1986

Model: 911 84

Model life 1984&gt;&gt;1986

## SUMMARY ENGINE

VEHICLE TYPE	ENGINE		ENGINE NO.	TECHNICAL DATA
	TYPE	MY		
911 CARRERA	930.20	84 E	63E 00001>10000	6ZYL/3,2L/170 KW
911 CARRERA (USA)(CDN)(J)	930.21	84 E	64E 00001>10000	6ZYL/3,2L/152 KW
911 TURBO	930.66	84 E	67E 00001>01000	6ZYL/3,3L/221 KW^
911 CARRERA	930.20	85 F	63F 00001>10000	6ZYL/3,2L/170 KW
911 CARRERA (USA)(CDN)(J)/M298	930.21	85 F	64F 00001>10000	6ZYL/3,2L/152 KW
911 CARRERA (AUS)(S)(CH)	930.26	85 F	63F 10001>11000	6ZYL/3,2L/170 KW
911 TURBO	930.66	85 F	67F 00001>01000	6ZYL/3,3L/221 KW
911 CARRERA	930.20	86 G	63G 00001>10000	6ZYL/3,2L/170 KW
911 CARRERA(USA)(CDN)(J)(AUS) /M298	930.21	86 G	64G 00001>10000	6ZYL/3,2L/152 KW
911 CARRERA (S)(CH)	930.26	86 G	63G 10001>11000	6ZYL/3,2L/170 KW
911 TURBO	930.66	86 G	67G 00001>02000	6ZYL/3,3L/221 KW
911 TURBO (USA)	930.68	86 G	68G 00001>02000	6ZYL/3,3L/209 KW



Model: 911 84

Model life 1984>>1986

EXPL. TRANSM. NO.

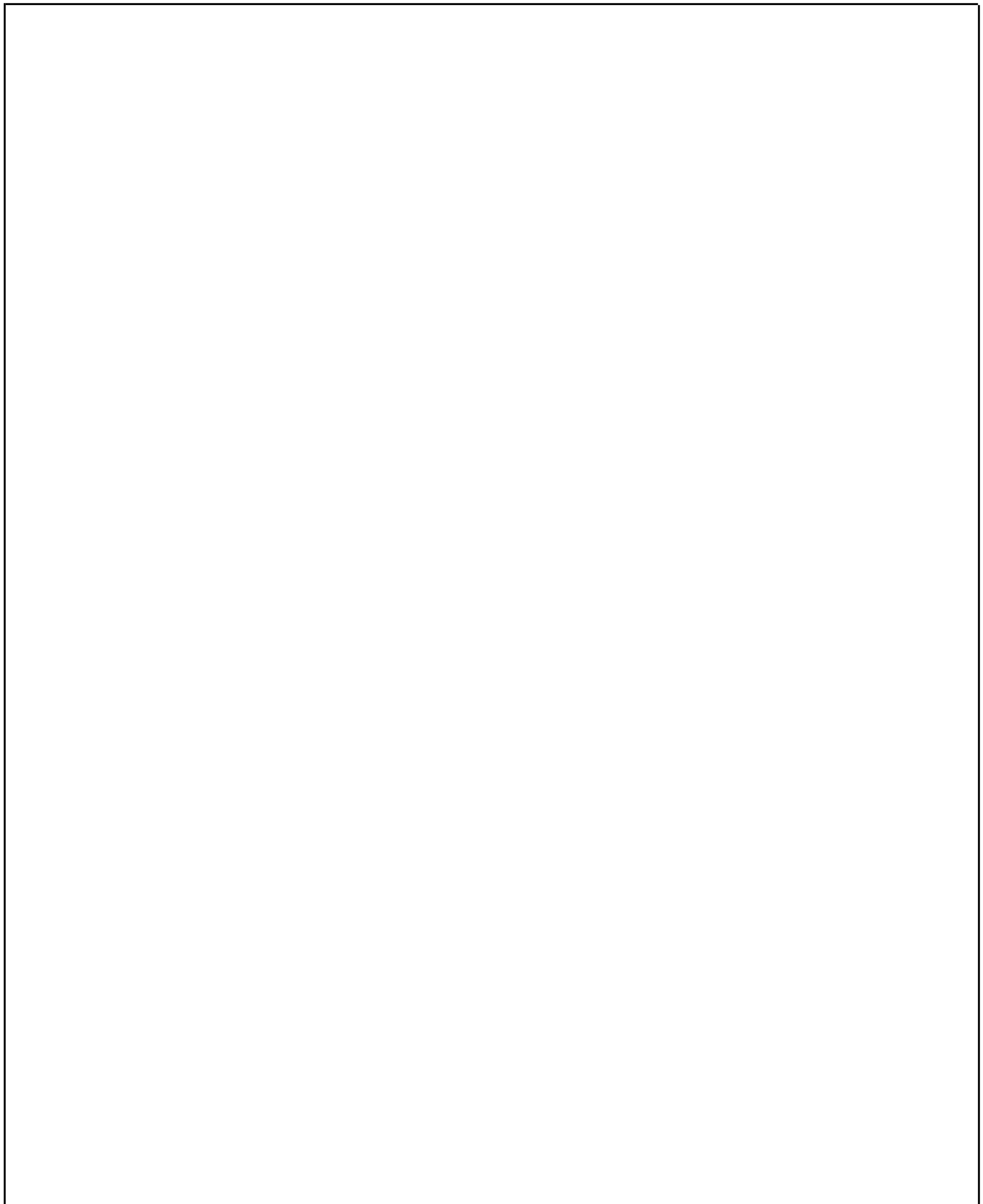
EXPLANATION OF THE TRANSMISSION-NUMBERS USED IN THE CATALOGUE

```

=====
DIGIT::                                1 2 3   4 5 6 7 8
EXAMPLE:                               7 4 G   0 0 1 4 3
                                         = = =   =====
                                         ! ! !   !
TRANSMISSION TYPE-----+ ! !         !
                                         ! !         !
TRANSMISSION VERSION-----+ !         !
                                         !         !
MODEL YEAR-----+                       !
                                         !
SERIAL NUMBER-----+
    
```

Model: 911 84

Model life 1984>>1986



Model: 911 84

Model life 1984&gt;&gt;1986

## SUMM. TRANSMISS

VEHICLE TYPE	TRANSM.			TECHNICAL DATA
	TYPE	MY	TRANSMISSION NO.	
911 CARRERA	915.67	84 E	73E 00001>10000	5-SPEED
911 CARRERA TURBO-LOOK	915.69	84 E	73E 10001>11000	5-SPEED
911 CARRERA (USA)(CDN)(J)	915.68	84 E	74E 00001>10000	5-SPEED
911 CARRERA TURBO-LOOK (USA)(CDN)(J)	915.70	84 E	74E 10001>11000	5-SPEED
911 TURBO	930.34	84 E	77E 00001>02000	4-SPEED
911 CARRERA	915.72	85 F	73F 00001>10000	5-SPEED
911 CARRERA (USA)(CDN)(J)	915.68	85 F	74F 00001>10000	5-SPEED
911 CARRERA (USA)(CDN)(J) /M298	915.73	85 F	74F 00001>10000	5-SPEED
911 TURBO	930.36	85 F	77F 00001>02000	4-SPEED
911 TURBO (CH)	930.67	85 F	77F 00001>02000	4-SPEED
911 CARRERA	915.72	86 G	73G 00001>10000	5-SPEED
911 CARRERA (USA)(CDN)(J) (AUS)/M298	915.73	86 G	74G 00001>10000	5-SPEED
911 TURBO	930.36	86 G	77G 00001>02000	4-SPEED
911 TURBO (CH)	930.37	86 G	77G 00001>02000	4-SPEED

Model: 911 84

Model life 1984>>1986

LEGENDS/NOTICES

LEGENDS AND NOTICES

=====

IN COLUMN -S- STATUS

-----

- N NEW ADDITION
- P PART ALREADY IN PROGRAMME, BUT NEW AT THIS APPLICATION
- W DELETED AT THIS APPLICATION, BUT CONTINUED TO BE CARRIED
- A STOCK TO BE USED UP
- U DELETED WITHOUT REPLACEMENT
- \* PART ALSO OR ONLY AVAILABLE IN REPAIR KIT
- > ALSO AVAILABLE IN EXCHANGE

IN COLUMN - ILL. -

-----

- 1 IDENTIFICATION NO. IN ILLUSTRATION
- (1) PART ONLY SIMILAR AS ILLUSTRATED
- PART IS NOT ILLUSTRATED

FIG.-NUMBERS FOR WHICH THERE IS SHOWN NO TEXT ARE NOT VALID FOR THIS EDITION OF CATALOGUE

IN COLUMN -PART NUMBER/CODE-

-----

000 000 000 00 PART NUMBER EQUALS ORDERING NO., IF A CODE IS SHOWN, IT WILL HAVE TO BE PART OF ORDERING NUMBER

AC3 COLOUR CODE

IN COLUMN -TEXT

-----

INSTALLATION WIRH ENGINE OR CHASSIS NUMBER-RANGE

EXAMPLE:

M 65H 00134 >> FROM ENGINE NO.

**Model: 911 84****Model life 1984>>1986**

F &gt;&gt; 95 HS90 00143 UP TO VIN

Model: 911 84

Model life 1984>>1986

LEGENDS/NOTICES

IN COLUMN - A -  
-----

IDENTIFICATION LETTER FOR PERIOD OF INSTALLATION  
THAT IS REPEATED SEVERAL TIMES IN THE CATALOG GROUP.

EXPLANATION PLEASE FIND IN TEXT COLUMN OF THE CATALOG GROUP

IN COLUMN - QU - = NO. OF PIECES  
-----

1 NUMBER PER APPLICATION

X NUMBER AS NEEDED

\* AVAILABLE ONLY IN RUNNING LENGTHS 1 = 1 METRE

IN COLUMN - MODEL/SYMBOL -  
-----

M650 OPTIONAL EQUIPMENT - SEE M-NO. LIST

-88 LIMITATION OF MODEL YEAR FOR INSTANCE: VALID UP TO  
END OF MODEL YEAR 1988

/LL LHD

/RL RHD

/V FRONT I  
I

/H REAR I

/L LEFT I I----> APPLIES TO  
DIRECTION OF TRAVEL

/R RIGHT I

-----+

AUT. AUTOMATIC

WW THE PART CAN BE USED INSTEAD OF THE  
PRECEDING ONE

Model: 911 84

Model life 1984&gt;&gt;1986

COUNTRY-EQIPM.

## EQUIPMENT BY COUNTRY REGULATIONS

=====

(A)	AUSTRIA
(AG)	THE GULF STATES
(AUS)	AUSTRALIA
(B)	BELGIUM
(CDN)	CANADA
(CH)	SWITZERLAND
(D)	FEDERAL REPUBLIC OF GERMANY
(DK)	DENMARK
(E)	SPAIN
(F)	FRANCE
(GB)	GREAT BRITAIN
(GR)	GREECE
(HK)	HONGKONG
(I)	ITALY
(J)	JAPAN
(L)	LUXEMBURG
(N)	NORWAY
(NL)	NETHERLANDS
(NS)	NEW ZEALAND
(P)	PORTUGAL
(RC)	TAIWAN
(S)	SWEDEN
(SA)	SAUDI ARABIA
(SF)	FINLAND
(USA)	UNITED STATES OF AMERICA

Model: 911 84 Model life 1984>>1986

NR	Description
M000	+-----+ ! Summary of optional extras "M"! +-----+
M018	Sports steering wheel with elevated hub 30 mm
M020	Speedometer with two scales mph-km/h
M026	With activated charcoal canister
M027	Version for California
M058	Impact absorbers, front and rear
M062	Version for Sweden
M070	Tarpaulin
M113	Version for Canada
M124	Version for France
M139	Seat heating system, left seat
M154	Engine control unit for improved emission results
M157	Three-way catalytic converter, oxygen sensor and digital engine electronics (DME)
M185	Three-point belt, belt-lock with cables, for driver's seat only and two-point belt, rear
M186	2-point seat belts, rear manual
M187	Headlamps with sealed-beam insert "asymmetric"
M190	Increased side door strength
M193	Version for Japan
M197	Stronger battery
M215	Version for Saudi Arabia
M220	Locking differential 40 %
M240	Version for countries having inferior fuel qualities
M241	Short shifter
M261	Door mirror - flat - passenger's side, electrically adjustable and heatable
M277	Version for Switzerland
M298	Preparation for unleaded fuel manual transmission
M335	Automatic seat belt, 3-point, rear
M340	Seat heating system, right seat
M341	Central locking system
M348	Forged wheels, lacquered - Grand Prix White -
M383	Sports seat, left, electrically vertically adjustable
M387	Sports seat, right, electrically

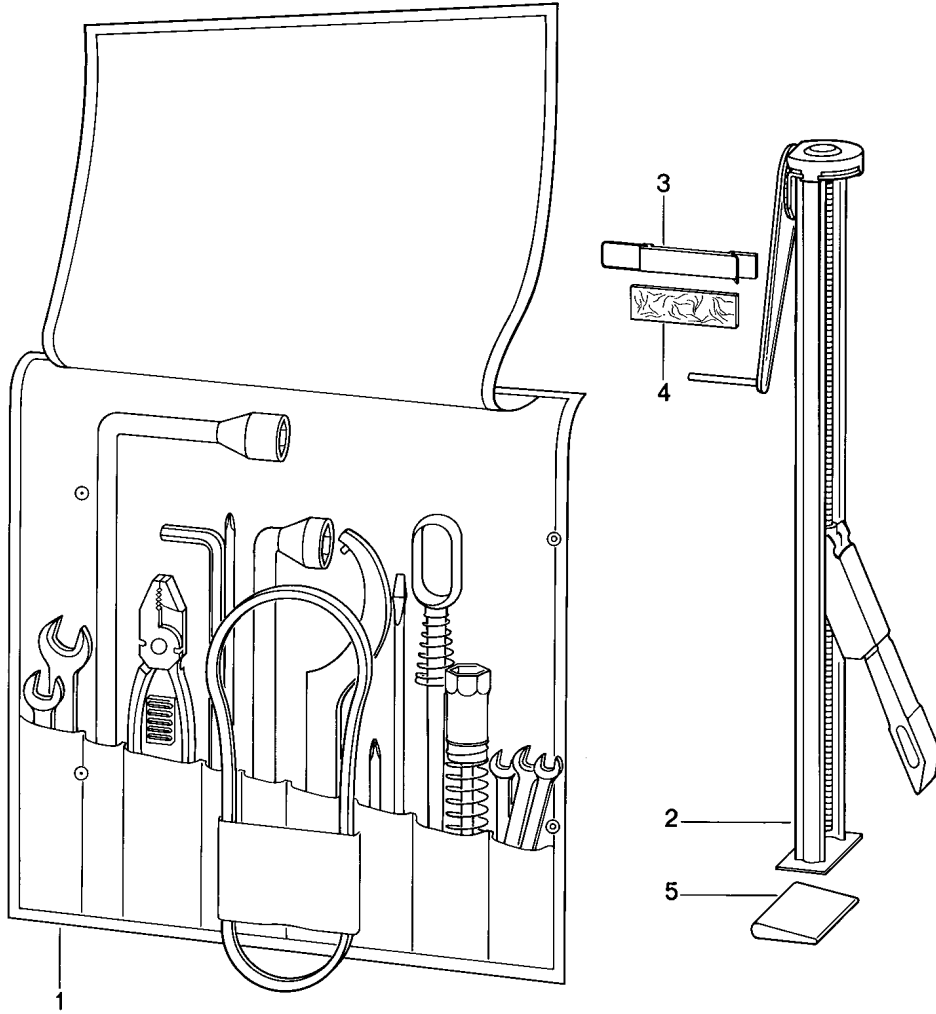


Model: 911 84 Model life 1984>>1986

NR	Description
	vertically adjustable
M395	Light-alloy rims, forged, 16-inch
M401	Light-alloy rims, forged 15-inch
M409	Sports seats
M419	Rear luggage dump
M424	Automatic heating control
M425	Rear window wiper
M437	Comfort seat, left, electrically adjustable
M438	Comfort seat, right, electrically adjustable
M439	Electrical hood operation
M441	Radio preparation
M443	Tinted windscreen glass and tinted side-window glass with electrically heatable windscreen, 1-stage
M444	Cabrio
M454	Automatic speed control
M462	"Securiflex" windscreen
M463	Clear windscreen
M467	Door mirror for driver's side, convex, electrically heatable and adjustable
M468	Side windows green and windscreen green - upper part darker colored
M470	Without front spoiler and rear spoiler
M473	With front spoiler and rear spoiler
M474	Shock absorber (sporting), front and rear
M479	Version for Australia
M484	Version for USA
M491	Turbo Look
M492	Headlamps for left-hand traffic
M525	Anti-theft device with continuous sound
M526	Door panels (cloth)
M528	Door mirror for passenger's side - convex - electrically heatable and adjustable
M533	Anti-theft device
M553	Version for USA, Canada
M559	Air conditioner
M573	Air conditioner with heavy duty blower
M650	Electrical sliding roof
M981	Leather equipment
M986	Partial leather equipment

Model: 911 84

Model life 1984>>1986



Model: 911 84

Model life 1984&gt;&gt;1986

Pos	Part Number	Description	Remark	Qty	Model
1	911 721 002 12	Tool Jack Stickers Tool bag with contents Comprising:		1	
1	911 721 002 14	Tool bag Tool with contents Comprising: Tool bag without Towing lug 99672115100		1	
-	477 012 203 A	Spark plug wrench		1	
-	477 012 227	Angular screw driver		1	
-	999 571 045 02	Rim wrench SW 19		1	
-	999 195 011 02	Double-end spanner 8 X 9		1	
-	999 195 012 02	Double-end spanner 10 X 11		1	
-	999 195 013 02	Double-end spanner 12 X 13		1	
-	999 195 015 02	Double-end spanner 17 X 19		1	
-	999 195 014 02	Double-end spanner 14 X 15		1	
-	999 571 046 02	Tool SW 24		1	
-	911 721 107 02	Screwdriver Set		1	
-	999 107 005 02	Tool		1	
-	999 192 176 50	Narrow v-belt 9,5 X 710		1	
-	999 192 176 5A	Narrow v-belt 9,5 X 710		1	
-	999 192 313 5A	Narrow v-belt 9,5 X 695		1	
-	911 721 013 00	Bag with Safety fuse		1	
-	911 721 231 00	Angular screw driver		5	
-	911 721 235 00	Extension rod		1	
-	999 571 047 02	Tool Pulley		1	
-	996 721 151 00	Towing lug		1	
-	999 571 043 02	Double socket wrench 10 X 13		1	
-	928 521 907 02	Crank for emergency control		1	
-	911 721 237 00	Front seat Intermediate piece for emergency control Power windows		1	
2	911 721 011 04	Jack		1	
3	911 722 021 01	Bracket for jack		1	
4	911 556 208 02	Felt strip 50 X 30 X 3		1	
5	911 721 131 00	Clamping piece		1	
5	911 721 131 01	Clamping piece without		1	

Model: 911 84 Model life 1984>>1986

Pos	Part Number	Description	Remark	Qty	Model
-	911 701 171 00	Adhesive film Stickers Sticker Control part Heating Ventilation		1	
-	930 006 501 02	Sticker Ignition point		1	TURBO
-	930 006 509 01	Sticker Firing order		1	
-	901 006 503 00	Sticker Valve clearance		1	
-	930 006 504 02	Sticker Engine oil level		1	
-	937 701 127 00	Sticker Tyre pressure		1	CARRERA
-	930 006 505 01	Sticker  Tyre pressure		1	TURBO M491
-	911 701 137 01	Sticker Emergency wheel		1	CARRERA
-	928 701 157 03	Sticker  Emergency wheel		1	TURBO M491
-	911 006 512 13	Sticker Tyre pressure 6 J X 16 7 J X 16		1	CARRERA
-	911 006 521 03	Sticker Tyre pressure		1	CARRERA (AUS)
-	911 006 522 10	Sticker  Tyre pressure	(AUS)	1	TURBO M491
-	930 006 513 27	Sticker Catalytic converter Adjustment	(AUS) -84	1	CARRERA
-	930 006 513 28	Sticker Catalytic converter Adjustment	(AUS) 85-	1	CARRERA
-	930 006 535 10	Sticker Catalytic converter Adjustment	-84	1	CARRERA
-	930 006 535 11	Sticker Catalytic converter Adjustment	85-	1	CARRERA
-	930 006 119 03	Sticker Catalytic converter Adjustment	(S) -84	1	TURBO
-	930 006 119 05	Sticker Catalytic converter Adjustment	(S) 85-	1	TURBO
-	930 006 535 07	Sticker Catalytic converter Adjustment	(S)	1	TURBO M559
-	930 006 119 02	Sticker Catalytic converter Adjustment	(CH) -84	1	TURBO
-	930 006 119 04	Sticker Catalytic converter Adjustment	(CH) 85-	1	TURBO
-	930 006 537 14	Sticker Catalytic converter Adjustment	(AUS) -84	1	TURBO

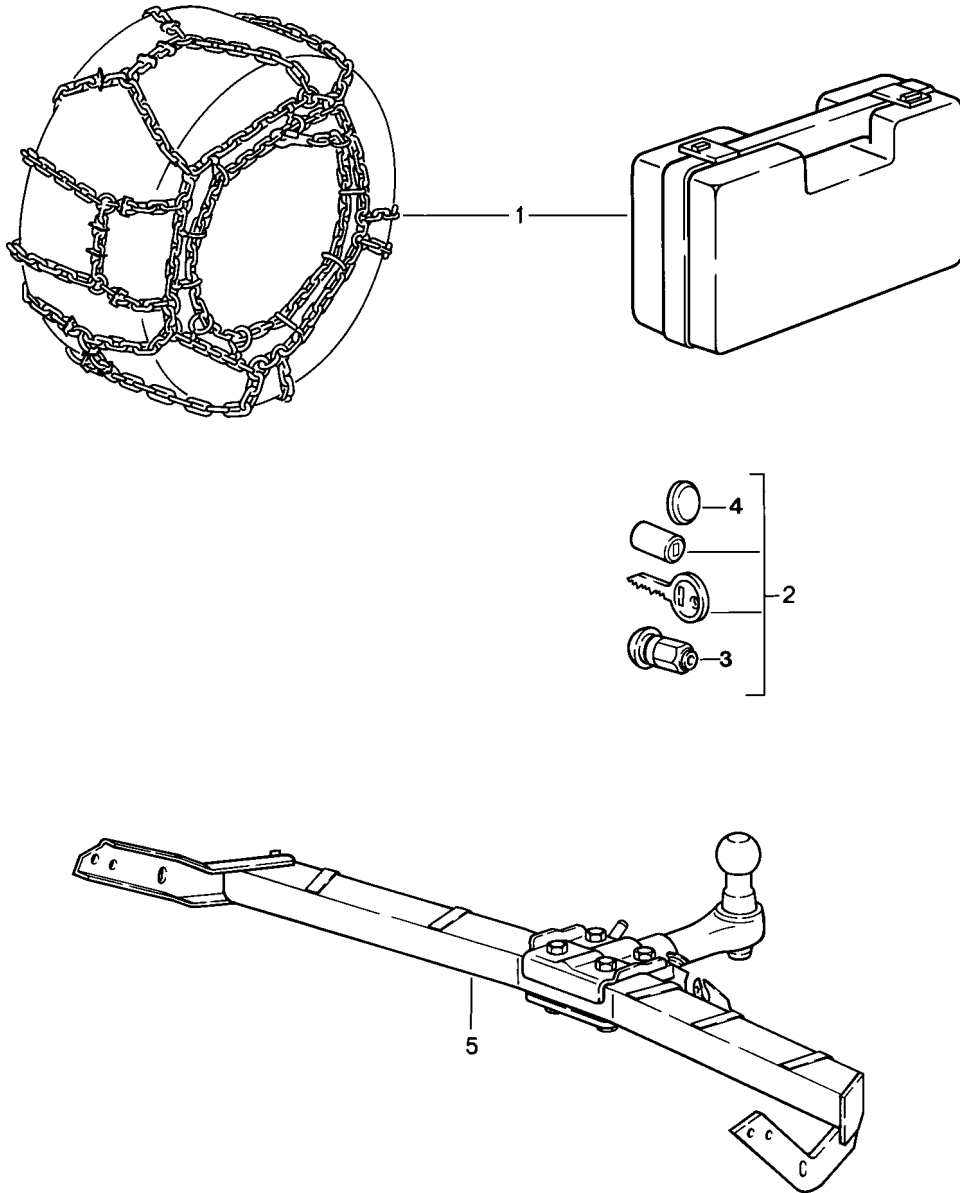
Model: 911 84

Model life 1984>>1986

Pos	Part Number	Description	Remark	Qty	Model
-	930 006 537 15	Sticker Catalytic converter Adjustment	(AUS) 85-	1	TURBO
-	928 006 901 00	Sticker Trailer coupling Drawbar load		1	
-	944 701 201 01	Sticker Unleaded regular fuel		1	M298

Model: 911 84

Model life 1984>>1986



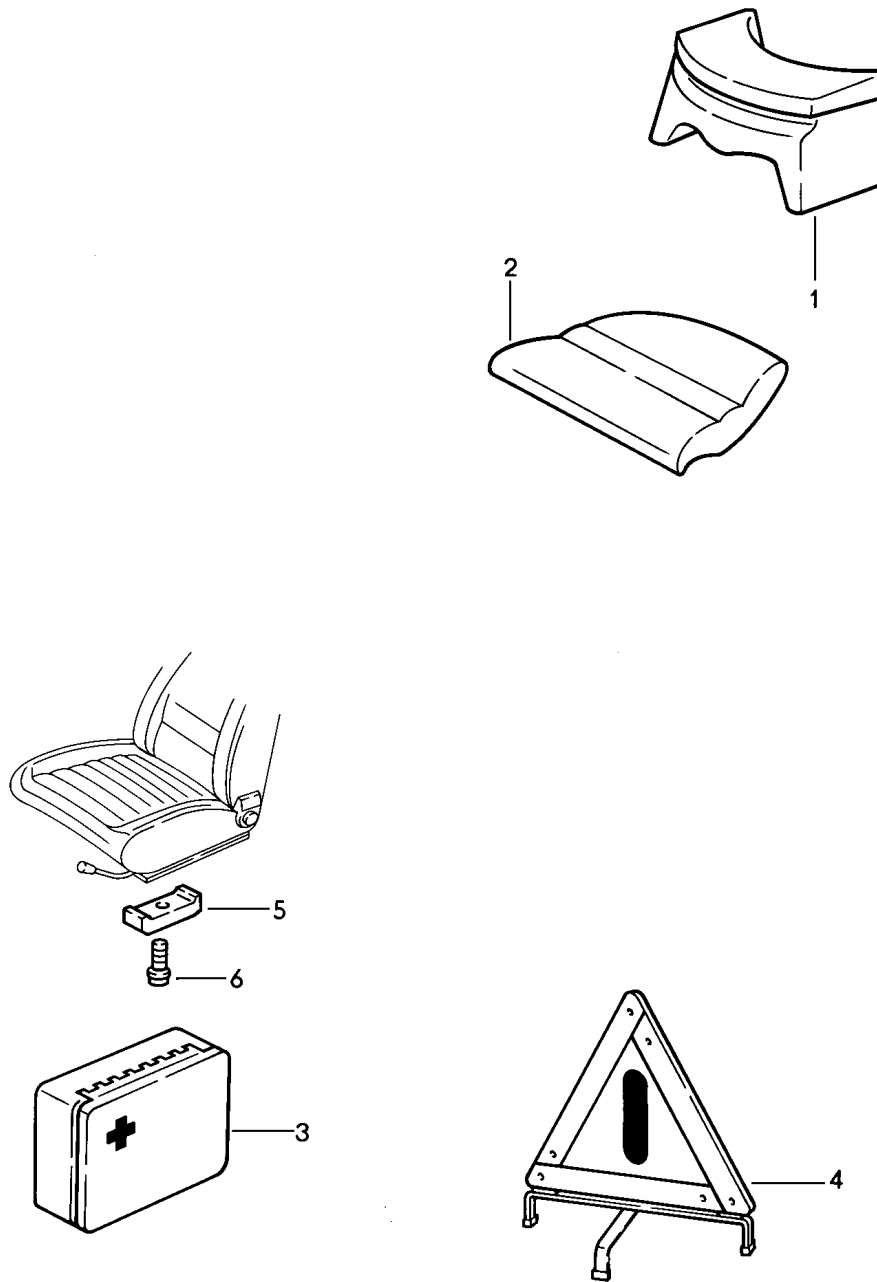
Model: 911 84

Model life 1984>>1986

Pos	Part Number	Description	Remark	Qty	Model
(1)	911 361 909 00	Accessories Snow chains Wheel nut Trailer coupling		1	
(1)		Snow chains RINGMATIC 1 set for Tyre 185/70 R 15 205/55 R 16		1	
2	928 361 047 03	Snow chains RINGMATIC 1 set for Tyre 225/50 R 16		1	
2	965 361 955 00	Wheel nut 1 set		1	
2	968 361 955 00	Wheel nut 1 set		1	
2	993 361 057 00	Wheel nut 1 set		1	
3	928 361 306 03	Wheel nut Lockable without lock Set		1	
4	965 361 167 00	Cap Trailer coupling		4	
5	911 722 031 02	Trailer coupling Complete	84-	1	CARRERA TARGA, CABRIO

Model: 911 84

Model life 1984>>1986





Model: 911 84 Model life 1984>>1986

Pos	Part Number	Description	Remark	Qty	Model
1	928 522 050 00	Accessories Child car seat Vehicle cover		1	
(2)	911 522 072 00 911 522 072 00 4CR	Child car seat for children Older than 4 years Only together with Child car seat cushion Black with Porsche lettering cloth	/R	1	
3	928 722 041 02	Accessories First-aid kit		1	
3	PCG 800 702 00	First-aid kit		1	
4	911 721 104 01	Warning triangle	(D)	1	
4	PCG 860 251 00	Warning triangle	(D)	1	
(4)	928 722 105 03	Warning triangle		1	
(4)	PCG 860 251 00	Warning triangle		1	
5	911 521 493 00	Vertical seat adjustment Spacer 13 MM	-84	X	
6	900 067 089 02	Pan-head screw M 6 X 25 for Spacer 13 MM		X	
6	900 067 089 01	Pan-head screw M 6 X 25 for Spacer 13 MM		X	
(6)	N 014 749 2	Pan-head screw M 6 X 40 for Spacer 26 MM		X	
-	PCG 043 203 01	Cover Porsche crest Ohne Spoiler Aussenspiegel Left		1	911
-	PCG 043 202 01	Cover Porsche crest Ohne Spoiler Aussenspiegel Left		1	911
-	000 043 202 01	Right Cover Porsche crest Ohne Spoiler Aussenspiegel Left		1	911
-	PCG 043 202 02	Right Cover Porsche crest with spoiler Aussenspiegel Left		1	911
-	000 043 202 02	Right Cover Porsche crest with spoiler		1	911

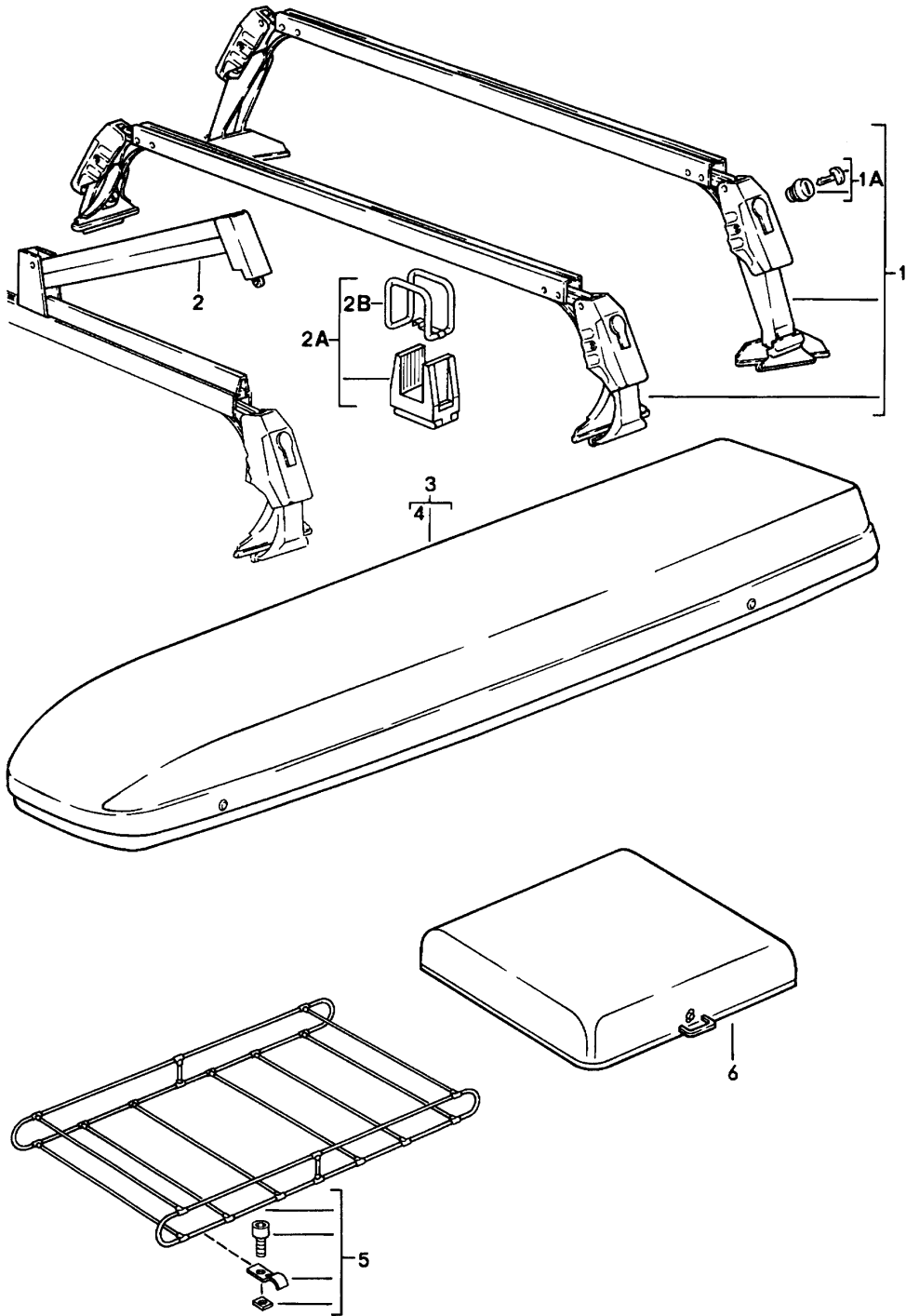
Model: 911 84

Model life 1984>>1986

Pos	Part Number	Description	Remark	Qty	Model
		Aussenspiegel Left Right			

Model: 911 84

Model life 1984>>1986

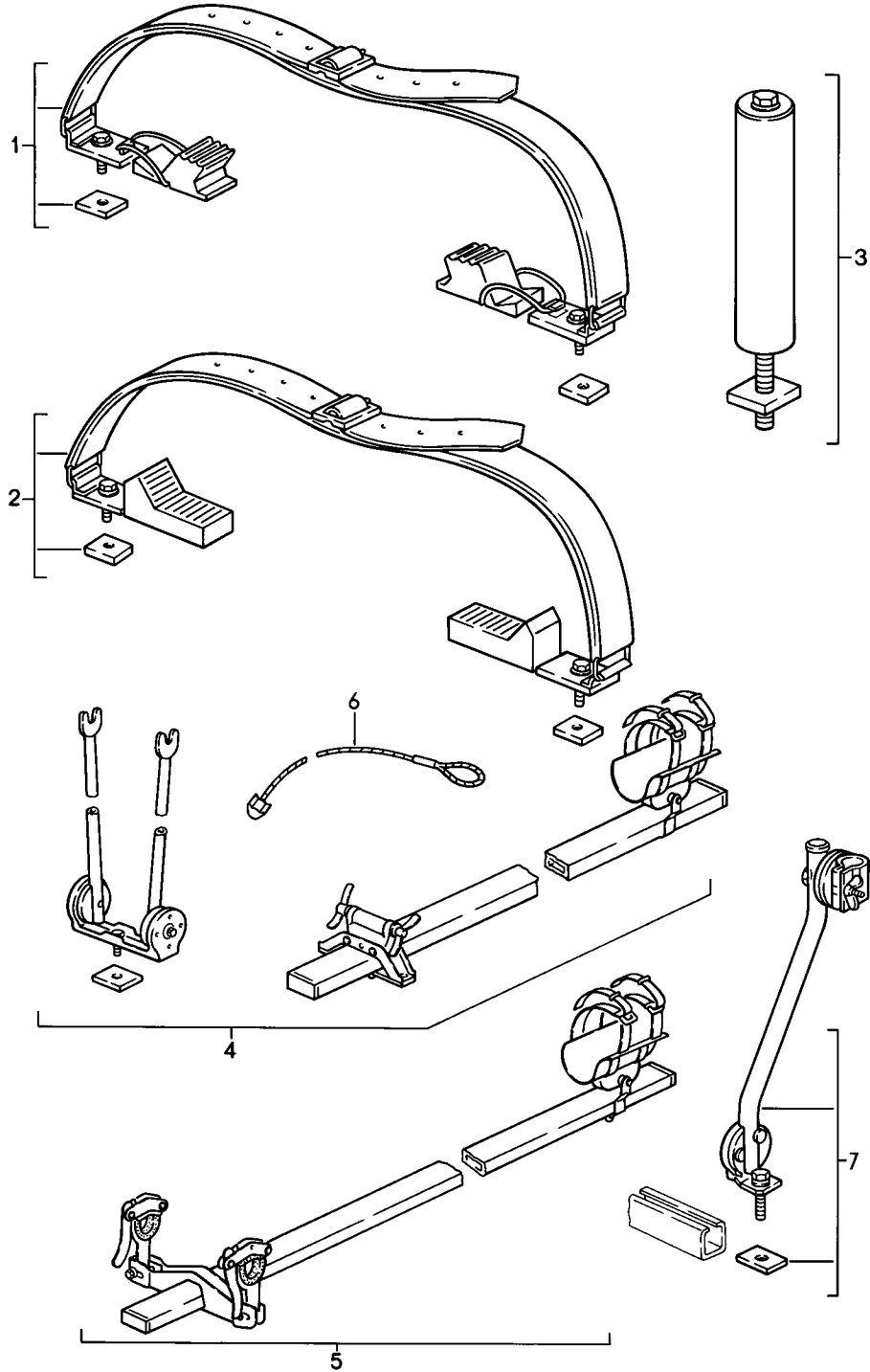


Model: 911 84 Model life 1984>>1986

Pos	Part Number	Description	Remark	Qty	Model
1	911 801 055 00	Roof transport system		1	COUPE
(1)	911 801 055 60	Set of main supports		1	TARGA/CABRIO
		MAX. 35KG			
1A	928 801 011 02	Cylinder lock		1	
		with keys			
		State lock number			
2	928 801 061 02	Clamping bow		1	
		1 set			
		4			
		Pieces			
2A	928 801 903 02	Rubber support for skis		2	
2B	928 801 193 02	Retaining strap		2	
3	928 801 063 02	Ski box	/L	1	COUPE
(3)	928 801 064 02	Ski box	/R	1	COUPE
5	928 801 081 02	Roof luggage rack set		1	
		Set			
6	928 801 073 02	Box for suitcase		1	COUPE

Model: 911 84

Model life 1984>>1986



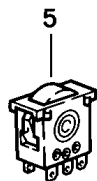
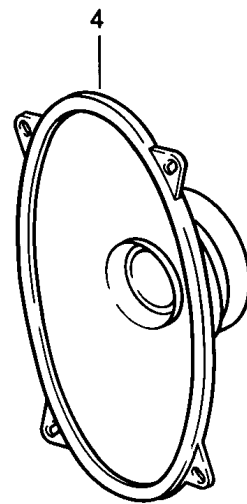
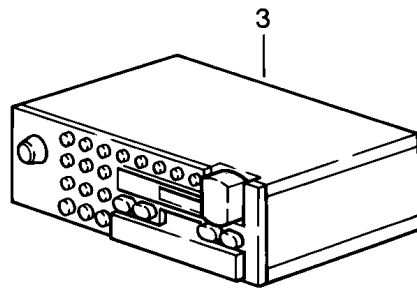
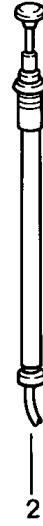
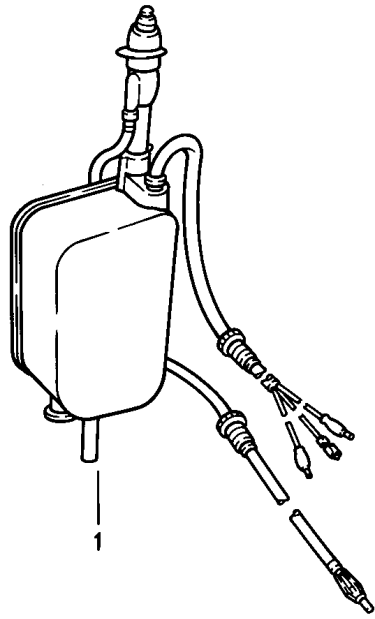
Model: 911 84

Model life 1984&gt;&gt;1986

Pos	Part Number	Description	Remark	Qty	Model
1	928 801 019 02	Roof transport system		1	
2	928 801 017 02	Set of surf board supports		1	COUPE
3	928 801 085 02	Set - canoe carrier		1	
		Ladder support mandrel		X	
		Set			
4	928 801 093 02	Set - bike carrier		1	
		for			
		Racing bike			
5	928 801 095 02	Set - bike carrier		1	
		for			
		Standard bike			
6	928 801 079 02	Safety rope		1	
7	928 801 097 02	Support for bicycle		1	

Model: 911 84

Model life 1984>>1986



Model: 911 84 Model life 1984>>1986

Pos	Part Number	Description	Remark	Qty	Model
1	911 645 033 04	Radio Installation parts Automatic antenna		1	
2	477 035 513	Antenna rod for Automatic antenna 911.645.033.04		1	
(1)	911 645 033 05	Automatic antenna		1	
(2)	944 645 913 00	Antenna rod for Automatic antenna 911.645.033.05		1	
3	911 645 106 01	Radio KOELN SQR "ARI"	(A) (CH) (D)	1	
(3)	911 645 147 01	Radio ATLANTA SQR		1	
(3)	911 645 157 00	Radio HAMBURG SQM 24	85-	1	
(3)	911 645 158 00	Radio BOSTON SQR 23	85-	1	
(3)	911 645 159 00	Radio BREMEN SQR 45	(A) (CH) (D)	1	
(3)	911 645 139 00	Radio TORONTO SQR 45 W/o motorist radio information		1	
-	928 645 173 02	Antenna booster		1	
-	964 645 173 01	Antenna booster		1	
-	911 645 145 02	Installation set Accessories for Radio		1	
4	911 645 409 00	Door speaker		2	
(4)	911 645 435 00	Rear loudspeaker		2	
(4)	928 645 413 00	Mid-range loudspeaker for Side trim panel		2	CABRIO
5	911 645 605 00	Fader	-85	1	
(5)	911 645 605 01	Fader		1	



Model: 911 84

Model life 1984>>1986



Model: 911 84

Model life 1984&gt;&gt;1986

Pos	Part Number	Description	Remark	Qty	Model
-	911 645 190 00	Radio Navigation system Installation parts		1	
-	911 645 191 00	Radio Navigation system with PORSCHE logo		1	
-	911 645 192 00	Radio Navigation system with TMC with PORSCHE logo		1	
-	911 645 195 00	Radio Navigation system with PORSCHE logo Cover for		1	
-	911 645 197 00	Radio Navigation system without PORSCHE logo Cover for		1	
-	911 645 196 00	Adapter		1	
-	911 642 105 00	Adapter		1	
-	911 642 100 00	Antenna		1	
-	911 642 100 00	Software Update 1-2011		1	
-	911 642 100 01	Software Update 1-2013		1	
-	911 642 100 02	Software Update 1-2014		1	
-	911 642 107 00	Microphone		1	
-	911 645 199 00	Handheld transmitter		1	
-	911 645 190 01	Navigation system Knob Control part Navigation system		2	

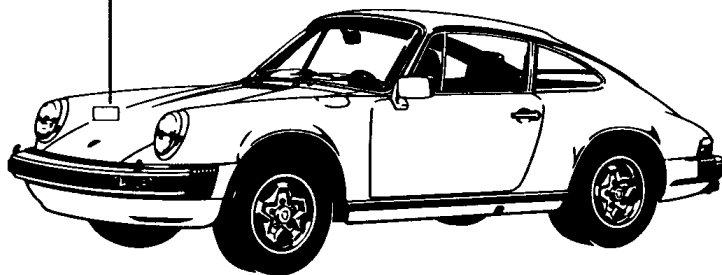
Model: 911 84

Model life 1984>>1986

FARBNUMMER  
COLOUR NUMBER  
NUMERO DE COULEUR  
NUMERO COLORE  
NUMERO DE COLOR

80K19 2  
GUARDS RED  
INDISCHROT  
G1

FARB BENENNUNG  
COLOUR  
COULEUR  
COLORE  
COLOR



Model: 911 84

Model life 1984&gt;&gt;1986

Pos	Part Number	Description	Remark	Qty	Model
-	911 096 050 00	Lacquers Basic materials Polyester filler 1 KG GLASSIT-NON-FERRO 839-10		X	
-	911 096 051 00	Hardener 30 GR GLASSIT 948-36 Red		X	
-	911 096 052 00	Primer filler 1 LTR GLASSOFIX 238-150		X	
-	911 096 053 00	Hardener 500 ML GLASSOFIX 352-228		X	
-	911 096 054 00	Primer filler 1 LTR GLASSODUR 285-100 White		X	
-	911 096 055 00	Hardener 500 ML GLASSODUR 929-28/1		X	
-	911 096 056 00	Wash primer 2 LTR GLASSOFIX 2K 934-200		X	
-	911 096 057 00	Hardener 1LTR GLASSOFIX 934-100		X	
-	911 096 058 00	Polyurethane plastic putty 1 KG GLASSODUR 995-20		X	
-	911 096 059 00	Hardener 1KG GLASSODUR 929-13		X	
-	911 096 060 00	Thinner 1 LTR GLASSODUR 352-91		X	
-	911 096 061 00	Hardener 500 ML GLASSODUR 929-73		X	
-	911 096 062 00	Additional lacquer 1 LTR GLASSODUR 521-111		X	
-	911 096 063 00	Underbody protection 1 KG GLASSOHD 1109-		X	
-	000 043 001 00	Tin SN 90% 200 GR		X	
-	911 095 903 80	Synthetic resin prime coat Metallic 1 LTR		X	
	911 095 903 80 966	Light bronze metallic			966
	911 095 903 80 956	Zinc metallic			956
	911 095 903 80 655	Platinum-metallic			655
	911 095 903 80 661	Slate grey metallic			661
	911 095 903 80 662	Smoked quartz			662
	911 095 903 80 810	Ruby red metallic			810
	911 095 903 80 811	Brick red			811
	911 095 903 80 33P	Iris blue metallic			33P
	911 095 903 80 20C	Moss green metallic			20C
	911 095 903 80 492	Nutmeg brown metallic			492
	911 095 903 80 822	Garnet red metallic			822

Model: 911 84 Model life 1984>>1986

Pos	Part Number	Description	Remark	Qty	Model
	911 095 903 80 33N	Crystal green metallic			33N
	911 095 903 80 33X	Prussian blue metallic			33X
	911 095 903 80 539	White gold metallic			539
	911 095 903 80 936	Silver metallic			936
	911 095 903 80 961	Meteor metallic			961
-	911 096 064 00	Clear lacquer 1 LTR GLASSODUR-MS 923-85		X	
-	911 095 902 60	Top-coat paint 2 K 1 LTR		X	
	911 095 902 60 027	Guards red			027
	911 095 902 60 700	Black			700
	911 095 902 60 908	Grand prix white			908
	911 095 902 60 182	White			182
	911 095 902 60 347	Dark blue			347
	911 095 902 60 673	Marble grey			673
	911 095 902 60 536	Pastel beige			536
	911 095 902 60 32Z	Glacier blue metallic			32Z
-	911 095 932 20	Paint touch-up applicator		X	
	911 095 932 20 027	Guards red			027
	911 095 932 20 700	Black			700
	911 095 932 20 908	Grand prix white			908
	911 095 932 20 182	White			182
	911 095 932 20 536	Pastel beige			536
	911 095 932 20 673	Marble grey			673
	911 095 932 20 347	Dark blue			347
-	911 095 933 20	Paint touch-up applicator Set Comprising: Primer Clear lacquer		X	
	911 095 933 20 20C	Moss green metallic			20C
	911 095 933 20 966	Light bronze metallic			966
	911 095 933 20 655	Platinum-metallic			655
	911 095 933 20 956	Zinc metallic			956
	911 095 933 20 661	Slate grey metallic			661
	911 095 933 20 662	Smoked quartz			662
	911 095 933 20 810	Ruby red metallic			810
	911 095 933 20 811	Brick red			811
	911 095 933 20 936	Silver metallic			936
	911 095 933 20 539	White gold metallic			539
	911 095 933 20 492	Nutmeg brown metallic			492
	911 095 933 20 822	Garnet red metallic			822
	911 095 933 20 33P	Iris blue metallic			33P
	911 095 933 20 33X	Prussian blue metallic			33X
	911 095 933 20 33N	Crystal green metallic			33N
	911 095 933 20 961	Meteor metallic			961

Model: 911 84

Model life 1984>>1986



Model: 911 84

Model life 1984&gt;&gt;1986

Pos	Part Number	Description	Remark	Qty	Model
-	928 101 921 00	Securing liquid Sealing compound Preservative agent Securing liquid Loctite -270- 10 CCM High strength		X	
-	000 043 012 00	Loctite -221- 10 CCM Low strength		X	
-	000 043 306 48	Loctite -221- 10 CCM Low strength Sealing compound		X	
-	000 043 010 00	Loctite -574- 50 CCM		X	
-	000 043 011 00	Loctite -638- 10 CCM for Balance shaft		X	
-	000 043 013 00	Loctite Adhesive remover -80646- Spraying can		X	
-	AMV 176 000 05	Adhesive sealing compound 310 CCM Loctite for pasting Metal Glass Ceramics Thermoset plastic Adhesive set Comprising:		1	
-	000 043 051 00	Loctite Loctite -317- 50 CCM		X	
-	000 043 202 65	Loctite AKTIVATOR NF 736 180 CCM		X	
-	000 043 019 01	Sealing compound SILASTIK 730 RTV 90 CCM		X	
-	PCG 043 019 01	Sealing compound SILASTIK 730 RTV 90 CCM		X	
-	000 043 004 00	Mounting paste Optimoly ht 1 90-gramme tube		X	
-	000 043 020 00	Optimoly Mounting paste OPTIMOLY - TA 1 100-gramme tube Silver		X	
-	000 043 110 01	Grease OPTITEMP PU35 1 100-gramme tube		X	

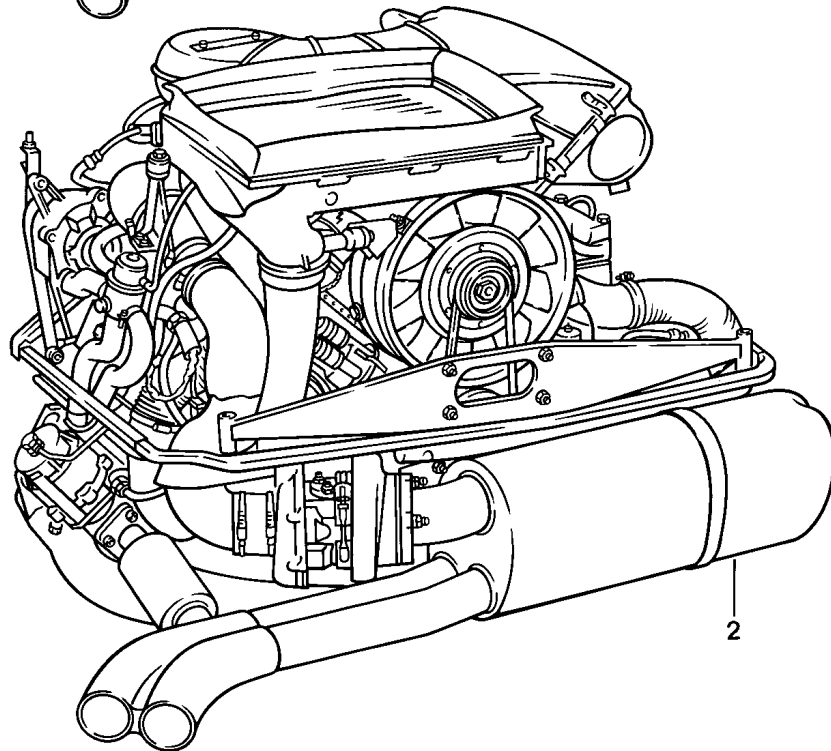
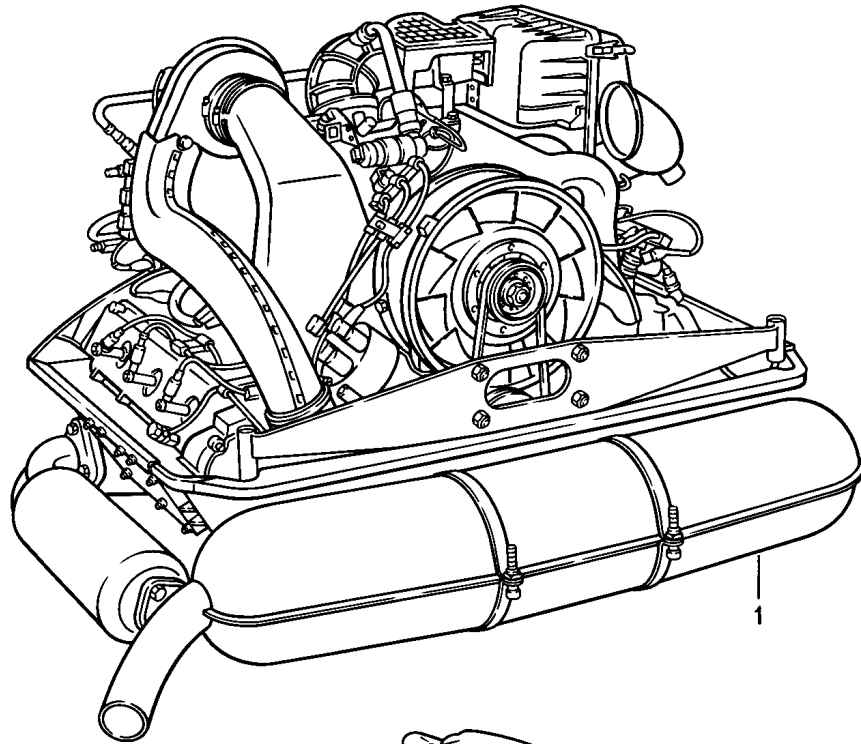
Model: 911 84 Model life 1984>>1986

Pos	Part Number	Description	Remark	Qty	Model
-	000 043 204 21	Grease for lock cylinder Spraying can		X	
-	G 052 778 A2	Grease for lock cylinder Spraying can Preservative agent		X	
-	999 571 062 00	Care kit Comprising: Suitcase		1	
-	999 901 013 40	Liquid preservative		1	
-	999 901 014 41	Car shampoo		1	
-	999 901 015 40	Polisher		1	
-	999 901 016 40	Tar remover		1	
-	999 901 017 40	Dashboard cleaner		1	
-	999 901 018 40	Paint polish		1	
-	999 901 019 41	Insect remover		1	
-	999 901 020 40	Spot remover		1	
-	999 901 021 40	Polishing cotton		1	
-	999 901 022 40	Polishing cloth		1	
-	000 044 000 02	Leather care 250 ML		X	
-	999 901 017 41	Window cleaner Summer 250 ML		X	
-	999 901 017 42	Window cleaner Summer 250 ML		X	
-	000 044 000 87	Window cleaner Summer 250 ML		X	
-	999 901 033 40	Window cleaner Winter 1000 ML		X	
-	999 901 036 40	Car shampoo Refilling bottle 1000 ML		X	
-	999 917 803 00	Window cleaner Spray bottle 250 ML		X	
-	928 628 931 00	Silicone remover 1000 ML		X	
-	000 044 000 93	Silicone remover 1000 ML		X	
-	999 901 030 40	Rim cleaner Spray bottle 500 ML		X	
-	999 901 031 40	Rim cleaner Refilling bottle 1000 ML		X	



Model: 911 84

Model life 1984>>1986

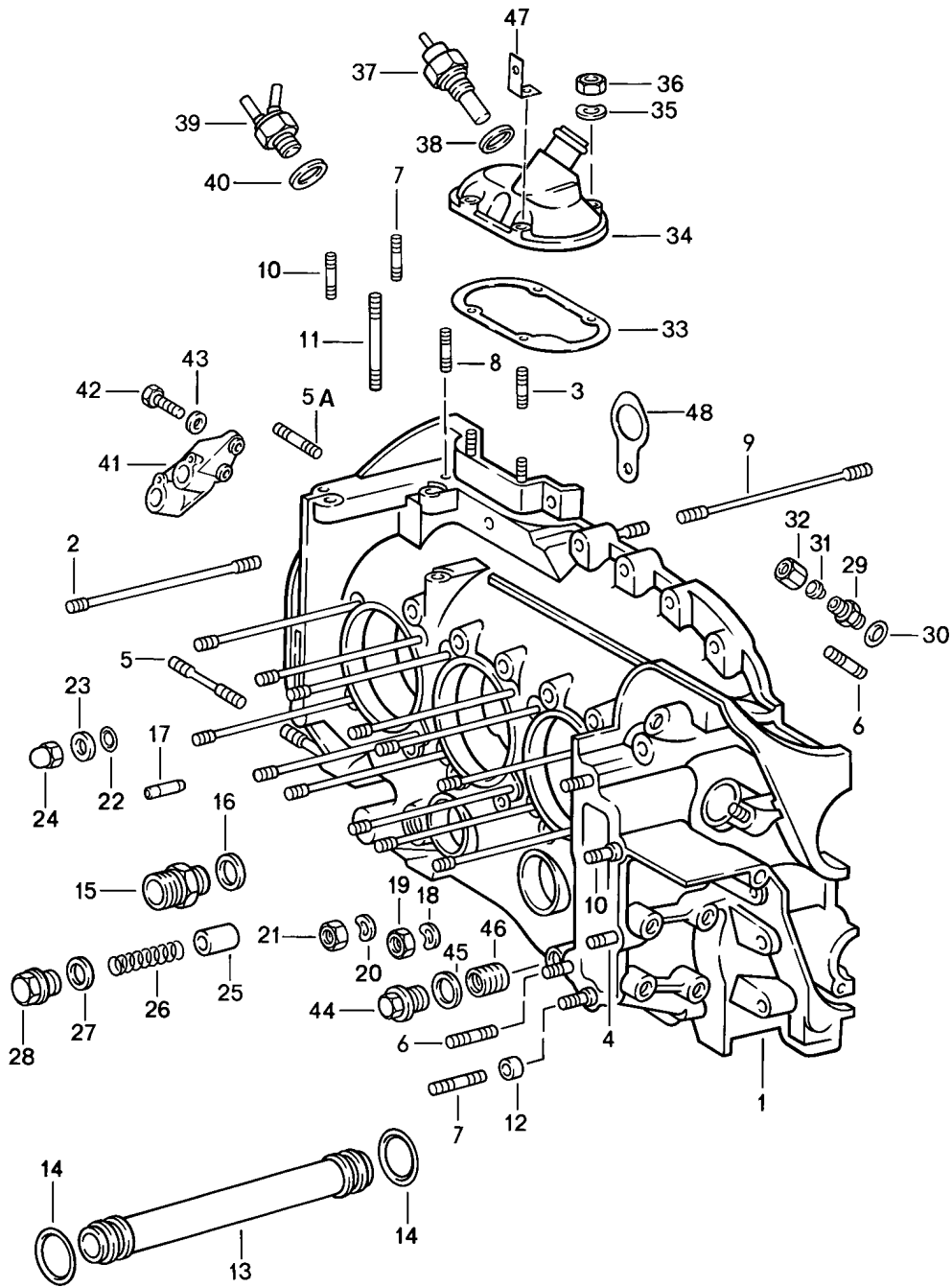


Model: 911 84 Model life 1984>>1986

Pos	Part Number	Description	Remark	Qty	Model
1	930 100 220 00	Replacement engine Ready for installation Engine		1	930.20 COUPE/TARGA
1	930 100 220 01	Engine		1	930.20 CABRIO
1	930 100 221 02	Engine	(J)	1	930.21 COUPE/TARGA
1	930 100 221 03	Engine	(J)	1	930.21 CABRIO
1	930 100 221 00	Engine		1	930.21 COUPE/TARGA
1	930 100 221 01	Engine		1	930.21 CABRIO
1	930 100 226 00	Engine	(CH) (AUS) (S)	1	930.26 COUPE/TARGA
1	930 100 226 01	Engine	(CH) (AUS) (S)	1	930.26 CABRIO
2	930 100 266 04	Engine		1	930.66

Model: 911 84

Model life 1984>>1986



Model: 911 84 Model life 1984>>1986

Pos	Part Number	Description	Remark	Qty	Model
1	930 101 917 00	Crankcase Left		1	930.20/21/26
-	911 101 183 00	Crankcase with studs Stopper 16 x 11		X	
1	930 101 918 00	Crankcase with studs		1	930.66
2	911 101 172 00	Stud Upper		12	930.20/21/26
2	993 101 170 51	Stud		12	930.20/21/26
2		Stud		24	930.66/68
3	999 062 085 02	Stud M 6 X 20		4	
4	999 062 006 02	Stud M 8 X 20		2	
5	999 061 034 02	Stud M 10 X 69		1	930.20/21/26
5	999 062 192 02	Stud M 10 X 102		1	930.66/68
5A	999 061 034 02	Stud M 10 X 69		1	930.20/21/26
5A	999 062 099 02	Stud M 10 X 105		1	930.66/68
5A	900 060 096 01	Stud M 10 X 105		1	930.66/68
6	999 062 007 02	Stud M 8 X 22		5	
6	900 060 106 01	Stud M 8 X 22		5	
7	999 062 009 02	Stud M 8 X 28		3	
7	900 060 105 01	Stud M 8 X 28		3	
8	999 062 055 02	Stud M 6 X 12		1	
9	930 101 174 01	Stud		2	
10	999 062 008 02	Stud M 8 X 25		3	
11	999 062 147 02	Stud M 8 X 62		1	
12	901 101 145 00	Dowel sleeve		2	
13	901 107 351 01	Oil tube		4	
(13)	930 107 040 00	Oil tube Set Divided Comprising: Oil tube I Oil tube II		X	
(13)	930 107 040 01	Set Set Divided Comprising: Oil tube I Oil tube II		X	
-	900 041 013 01	Circlip		1	
-	999 707 113 40	Round seal		2	
-	999 707 113 41	O-ring		2	
-	999 707 112 40	Round seal		2	

Model: 911 84 Model life 1984>>1986

Pos	Part Number	Description	Remark	Qty	Model
-	999 707 112 4A	Round seal		2	
14	999 707 112 40	Round seal		8	
14	999 707 112 4A	Round seal		8	
15	999 136 008 09	Connection piece		1	
15	999 136 008 01	Connection piece		1	
16	900 123 011 30	Sealing ring A 22 X 27		1	
17	911 101 011 01	Spray jet		3	930.20/21/26
17	930 101 015 00	Spray jet		3	930.66
18	900 031 014 30	Washer 8,4		24	
19	900 910 022 02	Lock nut M 8		24	
20	N 012 242 3	Spring washer B 10 X 18		1	
21	900 076 052 02	Hexagon nut M 10 X 1		1	
22	999 701 006 40	O-ring		12	
23	901 101 161 01	Washer		12	
(23)	901 101 161 02	Washer		12	
24	930 101 172 01	Cap nut M10 X 1		13	
25	911 107 512 00	Piston		1	
26	901 107 531 00	Compression spring		1	
27	900 123 106 30	Sealing ring A 18 X 24		1	
28	999 064 026 02	Screw plug		1	
28	999 064 026 01	Screw plug		1	
29	901 107 375 00	Screw socket		1	
30	900 123 101 30	Sealing ring A 12 X 18		1	
31	N 020 825 1	Cutting ring LL 8		1	
32	900 104 003 02	Union nut A LL 8		1	
32	900 104 003 03	Union nut A LL 8		1	
33	930 107 791 00	Gasket		1	
34	930 107 073 00	Lid		1	
35	N 012 226 5	Spring washer B 6		4	
36	900 076 010 02	Nut M 6		4	
36	900 076 010 0B	Nut M 6		4	
37	930 606 118 00	Temperature switch		1	930.20/21/26
38	900 123 007 30	Sealing ring A 14 X 18		1	930.20/21/26
39	930 110 401 01	Thermo valve		1	930.66/68
40	900 123 007 30	Sealing ring A 14 X 18		1	930.66/68
41	930 101 089 01	Support		1	930.20/21/26
42	N 010 217 9	Hexagon-head bolt M 6 X 20		2	930.20/21/26
43	N 011 524 7	Washer A 6,4		2	930.20/21/26
43	N 011 524 27	Washer A 6,4		2	930.20/21/26
44	944 107 197 01	Screw plug		1	
45	900 123 118 30	Sealing ring A 22 X 27		1	
46	999 504 127 00	Threaded insert M 20 X 1,5		1	

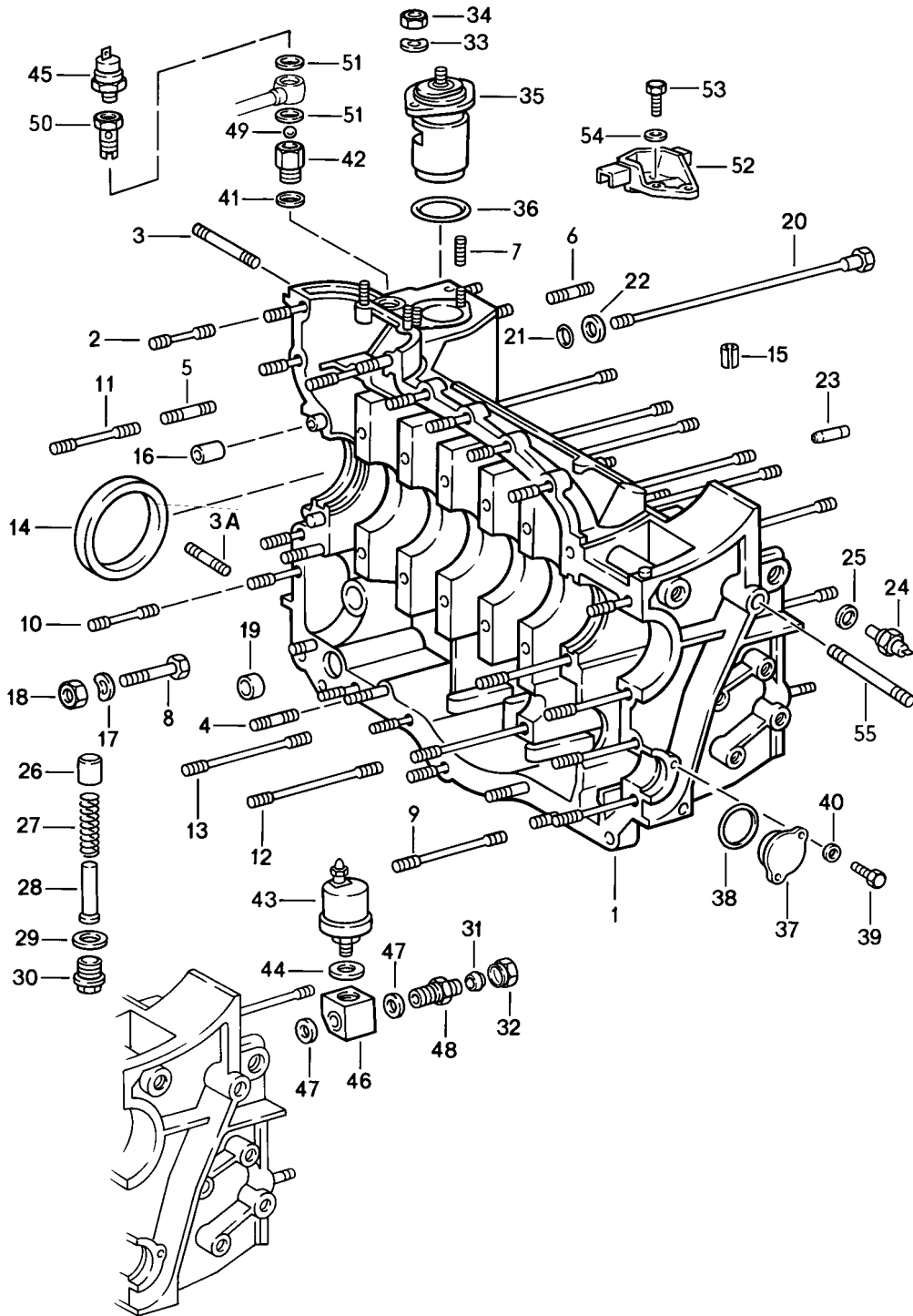
Model: 911 84

Model life 1984>>1986

Pos	Part Number	Description	Remark	Qty	Model
48	901 101 151 00	Clip		1	

Model: 911 84

Model life 1984>>1986



Model: 911 84

Model life 1984&gt;&gt;1986

Pos	Part Number	Description	Remark	Qty	Model
1	930 101 917 00	Crankcase Right		1	930.20/21/26
-	911 101 183 00	Crankcase with studs Stopper 16 x 11		X	
1	930 101 918 00	Crankcase with studs		1	930.66/68
2	999 062 115 02	Stud M 8 X 32		15	
3	999 062 192 02	Stud M 10 X 102		1	930.20/21/26
3	999 062 225 02	Stud M 10 X 140		1	930.66/68
3	900 060 095 01	Stud M 10 X 140		1	930.66/68
3A	999 061 034 02	Stud M 10 X 69		1	930.20/21/26
3A	999 062 099 02	Stud M 10 X 105		1	930.66/68
3A	900 060 096 01	Stud M 10 X 105		1	930.66/68
4	999 062 006 02	Stud M 8 X 20		3	
5	999 062 009 02	Stud M 8 X 28		1	
5	900 060 105 01	Stud M 8 X 28		1	
6	999 062 073 02	Stud M 8 X 15		4	
7	999 062 055 02	Stud M 6 X 12		3	
8	900 074 139 02	Hexagon-head bolt M 8 X 55		1	
8	900 074 139 03	Hexagon-head bolt M 8 X 55		1	
9	900 060 101 01	Stud M 8 X 78		3	
10	999 062 075 02	Stud M 8 X 48		2	
11	999 062 138 02	Stud M 8 X 52		1	
11	900 060 102 01	Stud M 8 X 52		1	
12	999 062 051 02	Stud M 8 X 108		1	
13	930 101 175 00	Stud		1	
14	999 113 264 40	Radial sealing ring 90 X 110 X 12		1	
14	999 113 461 40	Radial sealing ring 90 X 110 X 12		1	
14	999 113 426 40	Radial sealing ring 90 X 110 X 12		1	
14	999 113 426 41	Radial sealing ring 90 X 110 X 12		1	
15	900 095 025 01	Roll pin 8 X 16		1	
16	901 101 195 00	Dowel sleeve		2	
17	900 031 014 30	Washer 8,4		1	
18	900 910 022 02	Lock nut M 8		1	
19	999 704 172 50	Sealing ring		1	



Model: 911 84

Model life 1984>>1986

Pos	Part Number	Description	Remark	Qty	Model
20	930 101 173 02	Screw		11	
21	999 701 006 40	O-ring		12	
22	901 101 161 01	Washer		12	
(22)	901 101 161 02	Washer		12	
23	911 101 011 01	Spray jet		3	930.20/21/26
23	930 101 015 00	Spray jet		3	930.66/68
24	911 606 112 00	Remote temperature sensor		1	
25	900 123 007 30	Sealing ring A 14 X 18		1	
26	911 107 512 00	Piston		1	
27	930 107 531 01	Compression spring		1	
28	930 107 533 00	Guide sleeve		1	
28	930 107 533 01	Guide sleeve		1	
29	900 123 106 30	Sealing ring A 18 X 24		1	
30	999 064 026 02	Screw plug		1	
30	999 064 026 01	Screw plug		1	
31	N 020 825 1	Cutting ring LL 8		1	
32	900 104 003 02	Union nut A LL 8		1	
32	900 104 003 03	Union nut A LL 8		1	
33	N 012 226 5	Spring washer B 6		2	
34	900 076 010 02	Nut M 6		2	
34	900 076 010 0B	Nut M 6		2	
35	930 107 765 00	Oil thermostat		1	
36	999 701 053 40	O-ring 39,2 X 3		1	
37	930 105 165 00	Cover		1	
38	999 701 658 40	Round seal 33,3 X 2,4		1	
39	900 075 057 02	Hexagon-head bolt M 6 X 16		2	
39	900 075 057 03	Hexagon-head bolt M 6 X 16		2	
40	N 011 524 7	Washer 6,4		2	
40	N 011 524 27	Washer 6,4		2	
41	900 123 140 30	Sealing ring A 18 X 22		1	
42	901 101 175 01	Reducing socket		1	930.20/21/26
42	930 107 705 00	Reducing socket		1	930.66/68
43	911 606 135 00	Pressure transmitter		1	
44	900 123 009 20	Sealing ring		1	
45	911 606 230 00	Oil pressure switch	-85	1	
45		Oil pressure switch	86-	1	
46	911 107 704 00	Connection piece		1	
47	900 123 101 30	Sealing ring A 12 X 18		2	
48	911 107 709 01	Screw socket		1	
49	900 108 022 00	Ball \$ 9 MM		1	930.66/68
50	930 107 706 00	Banjo bolt		1	930.66/68
51	900 123 007 30	Sealing ring A 14 X 18		2	930.66/68
52	930 101 191 02	Support for Pulse sender		1	

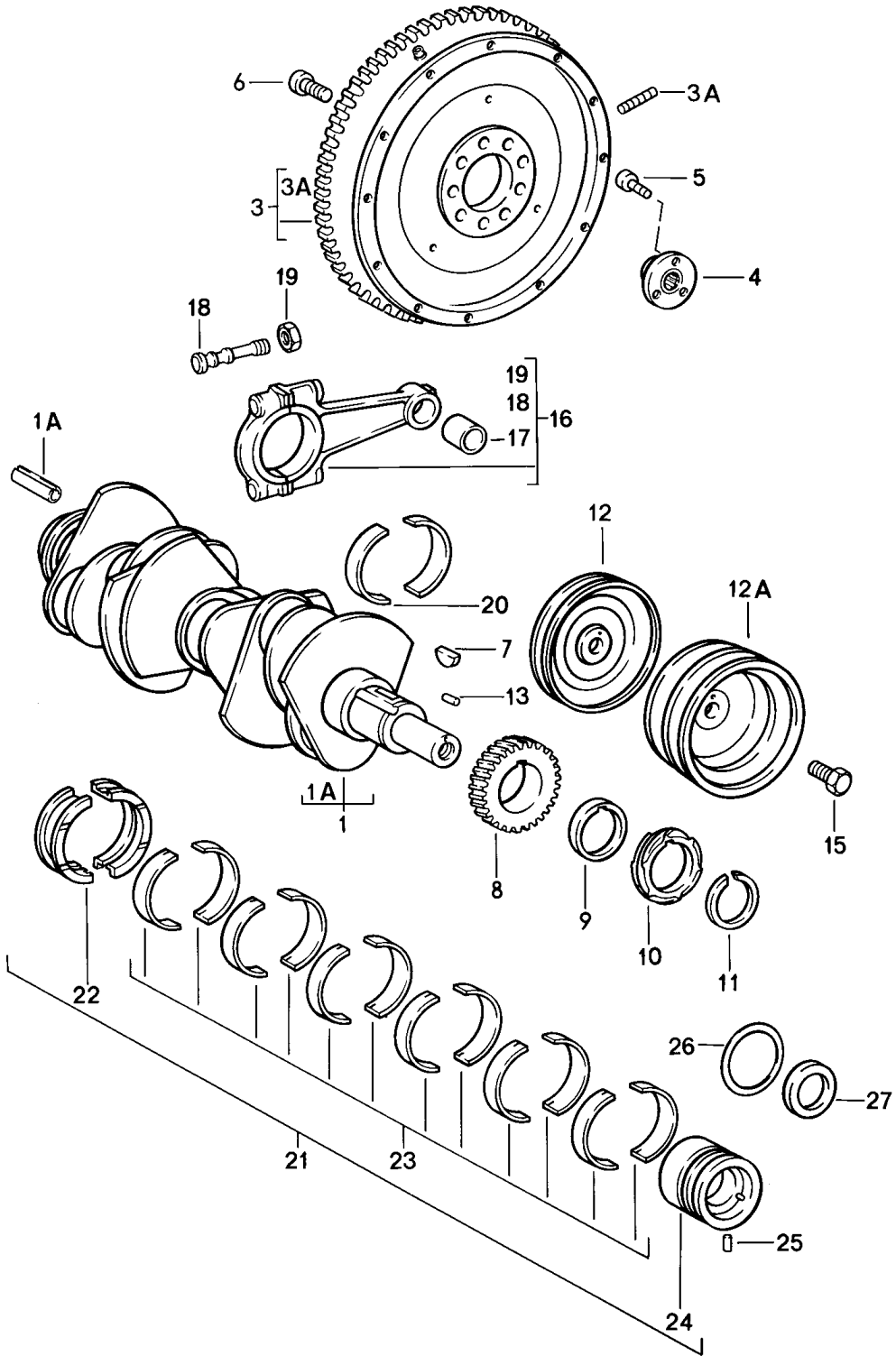
Model: 911 84

Model life 1984&gt;&gt;1986

Pos	Part Number	Description	Remark	Qty	Model
53	N 010 217 9	Hexagon-head bolt M 6 X 20		2	M30.20/21/26
54	N 011 524 7	Washer A 6,4		2	M30.20/21/26
54	N 011 524 27	Washer A 6,4		2	M30.20/21/26
55	999 061 056 02	Stud M 10 X 15		1	

Model: 911 84

Model life 1984>>1986



Model: 911 84 Model life 1984>>1986

Pos	Part Number	Description	Remark	Qty	Model
1	930 102 014 09	Crankshaft		1	930.20/21/26
1	930 102 014 10	Crankshaft		1	930.66/68
1	930 102 014 11	Crankshaft		1	930.66/68
1A	900 095 031 00	Tensioning sleeve 6 X 16		1	930.20/21/26
3	930 102 033 01	Flywheel		1	930.20/21/26
(3)	930 102 213 00	Flywheel		1	930.66/68
3A	930 102 221 00	Threaded pin		1	930.20/21/26
4	930 102 042 00	Bush		1	
5	900 067 008 02	Pan-head screw M 6 X 12		3	
5	900 067 008 03	Pan-head screw M 6 X 12		3	
6	930 102 206 00	Pan-head screw		9	
7	901 102 147 00	Woodruff key		1	
8	901 102 111 00	Timing gear Number 0		1	
8	901 102 111 10	Timing gear Number 1		1	
8	901 102 111 20	Timing gear Number 1		1	
9	901 102 145 00	Intermediate ring		1	
10	930 102 112 00	Drive wheel		1	930.20/21/26
10	930 102 112 01	Drive wheel		1	930.20/21/26
10	930 102 115 01	Drive wheel		1	930.66/68
10	930 102 115 02	Drive wheel		1	930.66/68
11	901 102 148 00	Circlip Number 0		1	
11	901 102 148 01	Circlip Number 1		1	
11	901 102 148 02	Circlip Number 2		1	
11	901 102 148 03	Circlip Number 3		1	
12	930 102 028 08	Pulley		1	930.20/21/26
12	930 102 126 02	Pulley		1	930.66
12A	930 102 024 03	Pulley		1	930.20/21/26 M559
12A	930 102 024 02	Pulley		1	930.66 M559/573
13	N 101 090 01	Straight pin 5 M 6 X 14		1	
13	N 101 090 0A	Straight pin 5 M 6 X 14		1	
15	999 093 005 02	Hexagon-head bolt M12 X 1,5 X 22		1	
16	930 103 020 73	Connecting rod Weight group: 3 = 615 - 624 G		6	
16	930 103 975 00	Connecting rod Weight group: 3 = 615 - 624 G		6	
16	930 103 020 74	Connecting rod Weight group: 4 = 624 - 633 G		6	
16	930 103 020 75	Connecting rod Weight group: 5 = 633 - 642 G		6	
16	930 103 020 76	Connecting rod Weight group: 6 = 642 - 651 G		6	
16	930 103 020 77	Connecting rod		6	

Model: 911 84

Model life 1984&gt;&gt;1986

Pos	Part Number	Description	Remark	Qty	Model
16	930 103 020 78	Weight group: 7 = 651 - 660 G Connecting rod		6	
16	930 103 020 79	Weight group: 8 = 660 - 669 G Connecting rod		6	
16	930 103 020 80	Weight group: 9 = 669 - 678 G Connecting rod		6	
16	930 103 020 81	Weight group: 10 = 678 - 687 G Connecting rod		6	
-	930 103 975 00	Weight group: 11 = 687 - 696 G Connecting rod 1 set		1	
17	930 103 134 01	Comprising: Connecting rods		6	
18	964 103 176 00	Connecting rod bush		6	
19	930 103 174 00	Connecting rod bolt		12	
20	930 103 147 15	Connecting rod nut		12	
20	930 103 147 15	Connecting-rod bearing Set		6	
20	930 103 147 50	Connecting-rod bearing Oversize 0,25 MM		12	
20	930 103 147 81	Connecting-rod bearing Oversize 0,25 MM		12	
20	930 103 147 60	Connecting-rod bearing Oversize 0,25 MM		12	
20	930 103 147 70	Connecting-rod bearing Oversize 0,50 MM		12	
20	930 103 147 80	Connecting-rod bearing Oversize 0,75 MM		12	
21	930 101 901 00	Connecting-rod bearing Oversize 1,00 MM		12	
21	930 101 901 51	Set of crankshaft bearings		1	
22	930 101 131 15	Comprising: Bearing shell		1	
23	930 101 132 15	Set I Bearing shell		12	
24	964 101 138 01	II - VII Bearing sleeve		1	
21	930 101 901 51	VIII Set of crankshaft bearings Oversize Inner 0,25 MM		1	
22	930 101 131 51	Comprising: Bearing shell		2	
23	930 101 132 51	I Bearing shell		12	
23	930 101 132 92	II - VII Bearing shell		12	
23	930 101 132 92	II - VII Bearing shell		12	

Model: 911 84 Model life 1984>>1986

Pos	Part Number	Description	Remark	Qty	Model
24	964 101 138 54	Bearing shell II-VII Bearing sleeve		1	
21	930 101 901 56	VIII Set of crankshaft bearings Oversize Inner 0,50 MM Comprising:		1	
22	930 101 131 56	Bearing shell I		2	
23	930 101 132 56	Bearing shell II-VII		12	
24	964 101 138 55	Bearing sleeve VIII		1	
21	930 101 901 66	Set of crankshaft bearings Oversize Inner 0,75 MM Comprising:		1	
22	930 101 131 66	Bearing shell I		2	
23	930 101 132 66	Bearing shell II - VII		12	
24	930 101 138 68	Bearing sleeve VIII		1	
21	930 101 901 70	Set of crankshaft bearings Oversize Inner 1,00 MM Comprising:		1	
22	930 101 131 70	Bearing shell I		2	
23	930 101 132 70	Bearing shell II - VII		12	
24	930 101 138 69	Bearing sleeve VIII		1	
21	930 101 901 61	Set of crankshaft bearings Oversize Outer 0,25 MM Comprising:		1	
22	930 101 131 61	Bearing shell I		2	
23	930 101 132 61	Bearing shell II - VII		12	
24	964 101 138 65	Bearing sleeve VIII		1	
21	930 101 901 71	Set of crankshaft bearings Oversize Inner 0,25 MM Outer 0,25 MM Comprising:		1	
22	930 101 131 71	Bearing shell I		2	
23	930 101 132 71	Bearing shell II - VII		12	
23	930 101 132 72	Bearing shell II - VII		12	
23		Bearing shell Bearing shell		12	

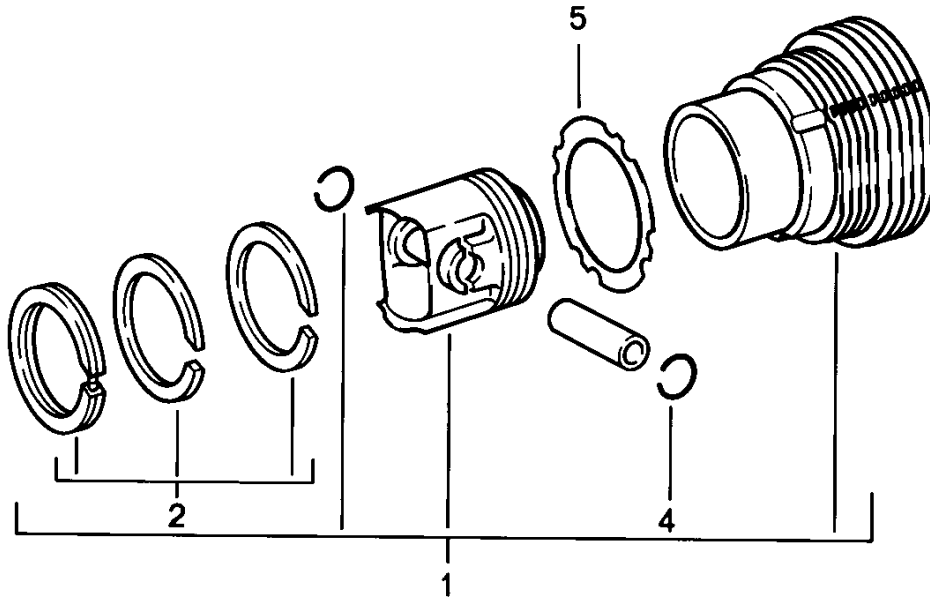
Model: 911 84

Model life 1984&gt;&gt;1986

Pos	Part Number	Description	Remark	Qty	Model
24	964 101 138 66	II - VII Bearing sleeve		1	
21	930 101 901 76	VIII Set of crankshaft bearings Oversize Inner 0,50 MM Outer 0,25 MM Comprising:		1	
22	930 101 131 76	Bearing shell I		2	
23	930 101 132 76	Bearing shell II - VII		12	
24	964 101 138 67	Bearing sleeve VIII		1	
21	930 101 901 86	Set of crankshaft bearings Oversize Inner 0,75 MM Outer 0,25 MM Comprising:		1	
22	930 101 131 86	Bearing shell I		2	
23	930 101 132 86	Bearing shell II - VII		12	
24	930 101 138 88	Bearing sleeve VIII		1	
21	930 101 901 90	Set of crankshaft bearings Oversize Inner 1,00 MM Outer 0,25 MM Comprising:		1	
22	930 101 131 90	Bearing shell I		2	
23	930 101 132 90	Bearing shell II - VII		12	
24	930 101 138 89	Bearing sleeve VIII		1	
25	900 012 061 00	Straight pin 5 H 8 X 10		1	
26	999 707 285 40	O-ring 51 X 4,5		1	
27	999 113 290 41	Radial sealing ring 30 X 50 X 10		1	

Model: 911 84

Model life 1984>>1986





Model: 911 84 Model life 1984>>1986

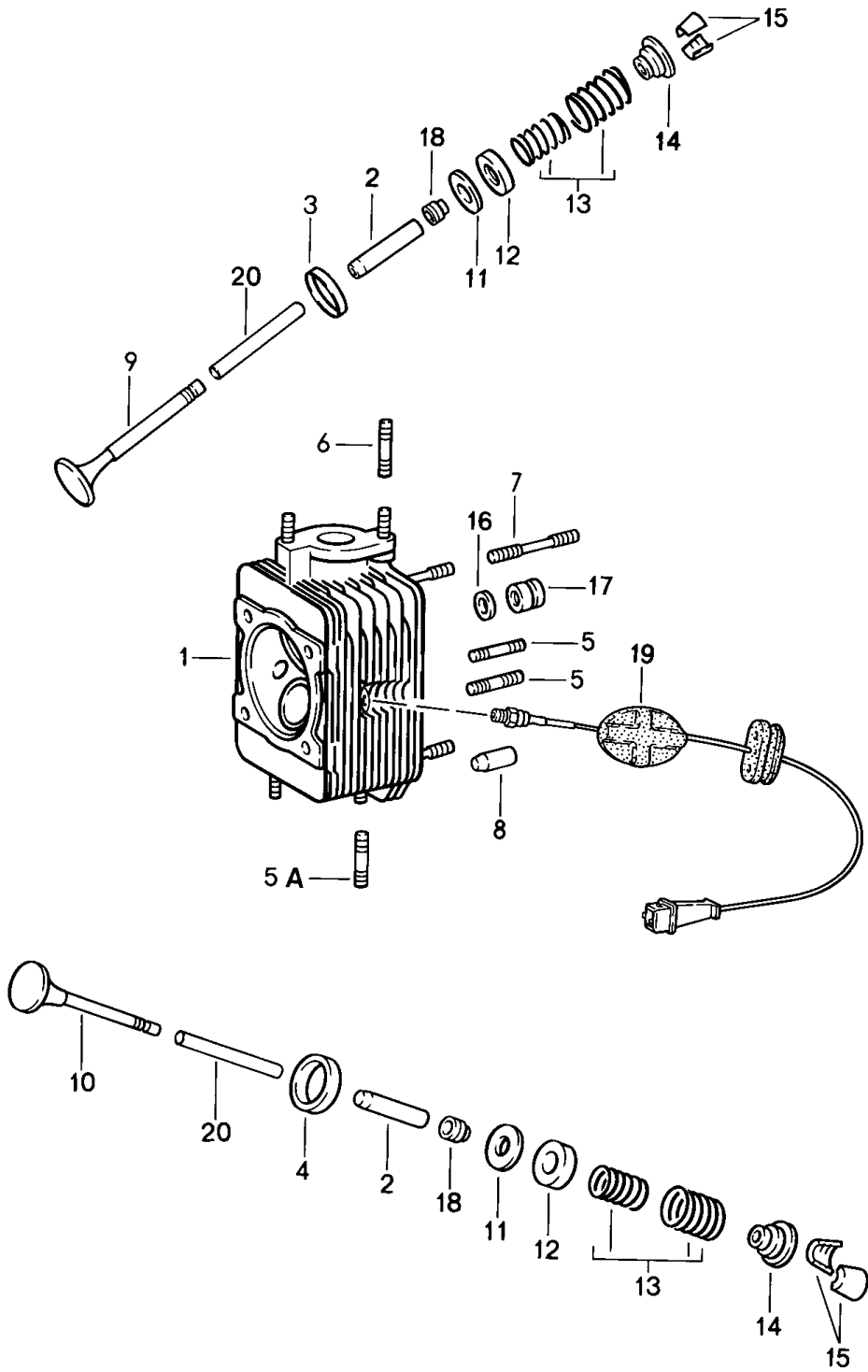
Pos	Part Number	Description	Remark	Qty	Model
1	930 103 989 01	Cylinder with piston Group 5 - mahle - Cylinder with piston Identification -- / - 618-626 G	-85	6	930.20/21/26
1	PCG 503 569 2	Cylinder with piston Complete FA. MAHLE	84	6	930.20/21/26
(1)	930 103 981 03	Only by sets Cylinder with piston Identification -- / - 613-621 G	(J) -85	6	930.21
1	930 103 990 01	Cylinder with piston Identification -- / - 613-621 G	(J) 86-	6	930.21
1	930 103 989 02	Cylinder with piston Identification + / ++ 626-634 G	-85	6	930.20/21/26
1		Cylinder with piston Identification + / ++ 626-634 G		6	930.20/21/26
1	930 103 981 04	Cylinder with piston Identification + / ++ 621-629 G	(J) -85	6	930.21
1	930 103 990 02	Cylinder with piston Identification + / ++ 621-629 G	(J) 86-	6	930.21
1	930 103 990 91	Cylinder with piston Identification + / ++ 621-629 G	(J) 86-	6	930.21
1	PCG 503 989 0	Cylinder with piston Complete Fa. Mahle		6	930.66/68
1	930 103 969 03	Only by sets Cylinder with piston Identification -- / - 616-624G		6	930.66/68
1	930 103 969 04	Cylinder with piston Identification + / ++ 624-632 G Group 6 - mahle -		6	930.66/68
1	930 103 989 03	Cylinder with piston Identification -- / - 618-626 G	-85	6	930.20/21/26
1		Cylinder with piston Identification -- / - 618-626 G	86-	6	930.20/21/26
1	930 103 981 05	Cylinder with piston Identification	(J) -85	6	930.21

Model: 911 84 Model life 1984>>1986

Pos	Part Number	Description	Remark	Qty	Model
1	930 103 990 03	-- / - 613-621 G Cylinder with piston Identification	(J) 86-	6	930.21
1	930 103 989 04	-- / - 613-621 G Cylinder with piston Identification	-85	6	930.20/21/26
1		+ / ++ 626-634 G Cylinder with piston Identification	86-	6	930.20/21/26
1	930 103 981 06	+ / ++ 626-634 G Cylinder with piston Identification	(J) -85	6	930.21
1	930 103 990 04	+ / ++ 621-629 G Cylinder with piston Identification	(J) 86-	6	930.21
1	930 103 969 05	+ / ++ 621-629 G Cylinder with piston Identification		6	930.66/68
1	930 103 969 04	-- / - 616-624 G Cylinder with piston Identification		6	930.66/68
1	930 103 969 06	-- / - 616-624 G Cylinder with piston Identification		6	930.66/68
2	930 103 986 00	+ / ++ 624-632 G Piston rings - mahle -		6	M30.20/21/26
2	930 103 968 00			6	M30.66/68
4	N 012 278 1	Circlip C 22		12	M30.20/21/26
4	900 908 019 00	Ring C 23		12	M30.66/68
5	930 104 194 02	Cylinder base gasket 0,25 MM		6	
5	930 104 194 01	Cylinder base gasket Oversize 0.50 mm See technical information GR.1 NR.18		6	

Model: 911 84

Model life 1984>>1986

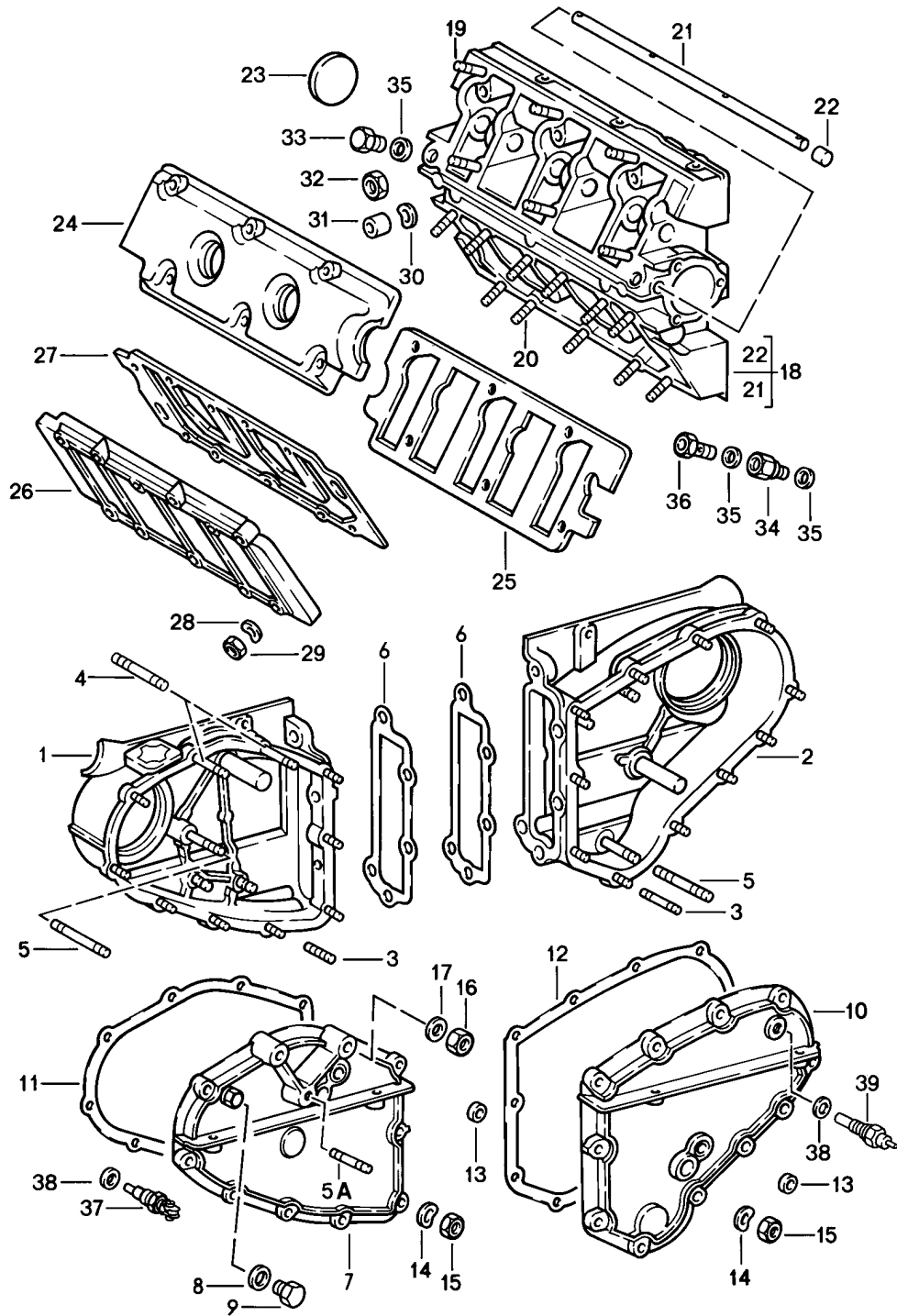


Model: 911 84 Model life 1984>>1986

Pos	Part Number	Description	Remark	Qty	Model
1	930 104 033 06	Cylinder head Cylinder head without valves		6	930.20/21
1	930 104 033 07	Cylinder head without valves		6	930.26
1	930 104 043 09	Cylinder head without valves		6	930.66/68
(1)	930 104 011 02	Cylinder head with valves Ready for installation		6	930.20/21
(1)	930 104 011 04	Cylinder head with valves Ready for installation		6	930.26
(1)	930 104 023 09	Cylinder head with valves Ready for installation		6	930.66/68
(1)	930 104 023 GX	Cylinder head with valves Ready for installation		6	930.66/68
2	930 104 321 50	Valve guide 1st oversize		12	
3	930 104 331 50	Valve seat ring Intake Oversize		6	
4	930 104 335 56	Valve seat ring Exhaust Oversize		6	
5	999 062 006 02	Stud BM 8 X 20		12	
5A	999 062 239 02	Stud BM 8 X 30		12	
6	999 062 010 02	Stud BM 8 X 35		12	930.20/21/26
6	999 062 178 02	Stud BM 8 X 120		12	930.66/68
7	999 062 041 02	Stud BM 8 X 50		24	
8	999 012 006 00	Straight pin		12	
9	930 105 409 13	Intake valve		6	930.20/21/26
9	930 105 409 01	Intake valve		6	930.20/21/26
9	964 105 409 06	Intake valve		6	930.66/68
9	964 105 409 08	Intake valve		6	930.66/68
10	930 105 419 51	Exhaust valve		6	930.20/21/26
10	930 105 419 50	Exhaust valve		6	930.66/68
11	930 105 461 00	Washer		X	
12	901 105 463 00	Ring		12	
13	901 105 901 50	Set of valve springs		12	
13	901 105 901 51	Set of valve springs		12	
14	901 105 421 03	Concave washer		12	
15	901 105 417 00	Collet		24	
16	999 031 091 01	Washer		24	
17	901 104 382 02	Nut		24	
17	901 104 382 03	Nut		24	
18	928 104 193 12	Valve stem seal		12	
(18)	928 104 193 13	Valve stem seal		12	
(18)	964 104 111 07	Valve stem seal		12	
19	930 606 915 00	Temperature sensor		1	930.20/21/26
20	000 043 204 48	Sleeve for Valve stem seal		X	

Model: 911 84

Model life 1984>>1986



Model: 911 84 Model life 1984>>1986

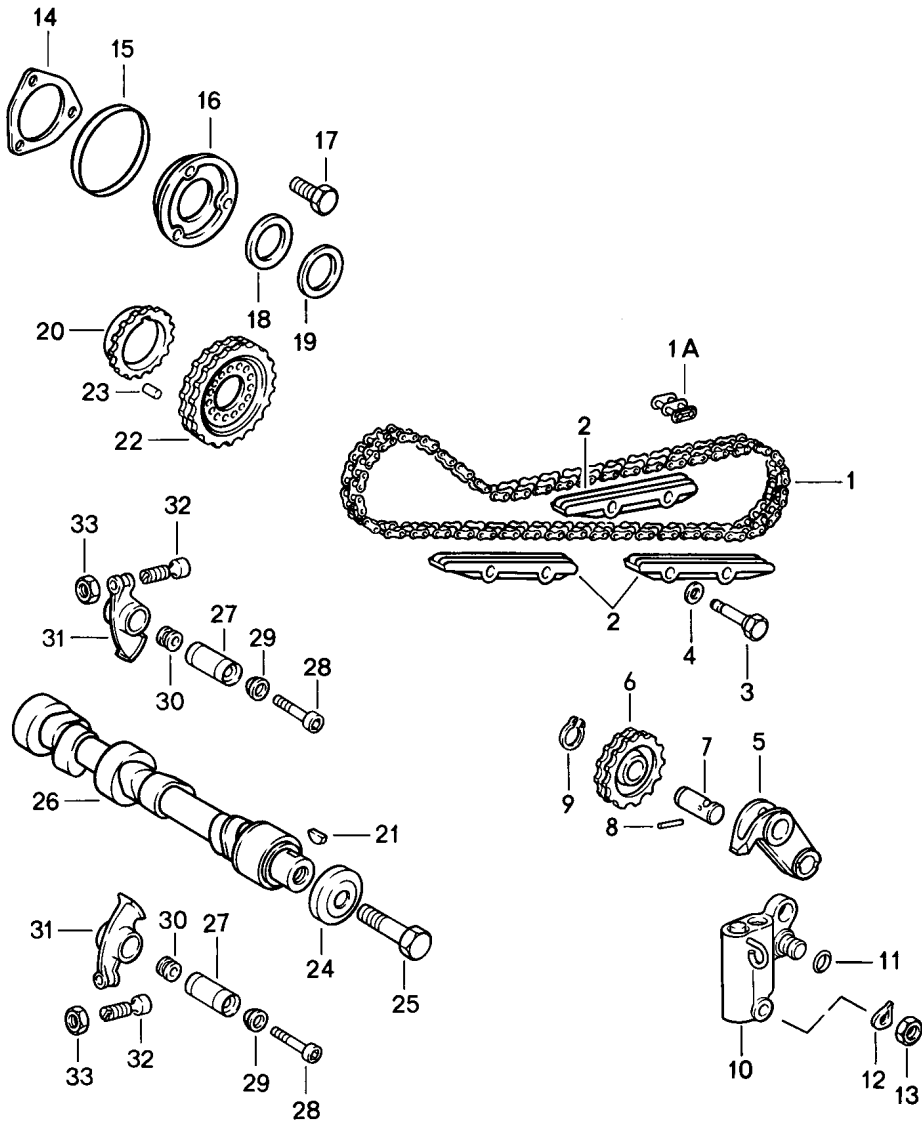
Pos	Part Number	Description	Remark	Qty	Model
1	930 105 061 02	Camshaft housing Chain case Chain case for 930.26 Use also: 999 062 046 02	/L	1	
2	930 105 062 01	Chain case	/R	1	
3	999 062 102 02	Stud BM 6 X 22		19	
4	999 062 046 02	Stud BM 8 X 65		2	930.26
4	999 062 052 02	Stud BM 8 X 42		2	
5	999 062 255 02	Stud M 8 X 60	/L	1	
5	999 062 041 02	Stud M 8 X 50	/R	1	
5A	999 062 010 02	Stud BM 8 X 35		1	930.26
6	930 105 193 00	Gasket		2	
6	930 105 193 05	Gasket		2	
7	930 105 063 08	Lid for 930.26 Use also: 999 062 010 02	/L	1	
8	900 123 007 30	Sealing ring A 14 X 18		1	
9	N 016 155 3	Screw plug M 14 X 1,5		1	930.20/21/26
9	N 016 155 4	Screw plug M 14 X 1,5		1	930.20/21/26
10	930 105 064 10	Lid	/R	1	
10		Lid	/R	1	
11	930 105 191 03	Gasket	/L	1	
12	930 105 192 01	Gasket	/R	1	
12	930 105 192 03	Gasket	/R	1	
12	930 105 192 04	Gasket	/R	1	
13	900 036 008 02	Lid		2	
14	900 031 011 30	Washer 6,4		19	
15	900 910 012 02	Lock nut M 6		19	
15	900 910 047 09	Lock nut M 6		19	
16	900 076 025 02	Hexagon nut M 8		4	
16	900 076 064 02	Hexagon nut M 8		4	
17	N 012 241 8	Spring washer B 8		4	
18	930 105 021 00	Camshaft housing		2	
19	999 062 009 02	Stud BM 8 X 28		12	
19	900 060 105 01	Stud BM 8 X 28		12	
20	999 062 010 02	Stud BM 8 X 35		22	
21	930 105 362 00	Oil splash tube		2	
22	901 105 379 00	Stopper		4	
23	930 105 161 00	Lid		2	
24	901 105 115 03	Lid		2	

Model: 911 84 Model life 1984>>1986

Pos	Part Number	Description	Remark	Qty	Model
25	930 105 194 00	Gasket		2	
25	930 105 194 02	Gasket		2	
25	930 105 194 04	Gasket		2	
26	930 105 116 00	Lid		2	/25 930.20/21
26	930 105 116 05	Lid		2	/25 930.20/21
26	930 105 116 00	Lid	/R	1	930.66/68
26	930 105 116 05	Lid	/R	1	930.66/68
26	930 105 116 01	Lid	/L	1	930.66/68
27	930 105 195 02	Gasket	-84	2	
27	930 105 195 05	Gasket	85-	2	
27	930 105 195 06	Gasket	85-	2	
27	930 105 195 07	Gasket	85-	2	
28	900 031 014 30	Washer 8,4		40	
29	900 084 004 03	Hexagon nut M 8		40	
29	900 084 004 02	Hexagon nut M 8		40	
30	N 012 241 8	Spring washer B 8 X 15		40	
31	901 111 271 00	Nut		6	
32	900 076 025 02	Hexagon nut M 8		34	
32	900 076 064 02	Hexagon nut M 8		34	
33	901 105 374 00	Screw plug		2	
34	901 105 361 01	Intermediate piece		2	
34	901 105 361 02	Intermediate piece		2	
35	900 123 005 00	Sealing ring A 12 X 16		4	
36	999 134 018 02	Banjo bolt A 6		2	
37	911 617 117 00	Temperature switch		1	930.66
38	900 123 007 70	Sealing ring A 14 X 18		1	930.66/68
-	930 105 902 00	Gasket set for Valve cover		1	
-	930 105 902 01	Gasket set for Valve cover		1	
-	930 105 194 01	Gasket		2	
-	930 105 195 05	Gasket		2	
-	930 105 195 06	Gasket		2	
-	930 105 195 07	Gasket		2	
-	900 031 014 30	Washer		34	
-	900 084 004 03	Hexagon nut		34	
-	900 084 004 02	Hexagon nut		34	

Model: 911 84

Model life 1984>>1986





Model: 911 84 Model life 1984>>1986

Pos	Part Number	Description	Remark	Qty	Model
1	993 105 529 00	Valve control Left Timing chain Closed		1	
1	911 105 529 50	Timing chain Divided with Lock		1	
1	911 105 529 51	Timing chain Divided with Lock		1	
1A	901 105 530 00	Connecting link Only together with 911.105.529.50		1	
2	911 105 222 06	Guide rail		3	
3	901 105 226 03	Bolt		4	
4	900 123 066 30	Sealing ring A 10 X 16		4	
5	930 105 509 00	Chain wheel support		1	
6	901 105 055 00	Sprocket		1	
7	901 105 056 01	Bolt		1	
7	901 105 056 02	Bolt		1	
8	900 197 010 00	Tensioning sleeve 3 X 22		1	
9	N 012 415 1	Circlip 15 X 1		1	
10	930 105 058 03	Chain adjuster		1	
11	999 701 690 40	Round seal 12 X 1,78		1	
12	N 012 241 8	Spring washer B 8 X 15		1	
13	900 076 025 02	Hexagon nut M 8		1	
13	900 076 064 02	Hexagon nut M 8		1	
14	930 105 197 03	Gasket		1	
15	999 701 468 40	Round seal 67,5 X 75,4 X 4		1	
16	930 105 196 00	Cover		1	
17	900 075 341 02	Combination screw M 6 X 25		3	
17	900 075 341 01	Combination screw M 6 X 25		3	
18	901 105 562 00	Thrust washer		1	
18	901 105 562 02	Thrust washer		1	
19	901 105 561 00	Shim		X	
20	901 105 583 01	Flange		1	
21	900 118 005 00	Woodruff key		1	
21	N 012 708 2	Woodruff key 4 X 5		1	
22	901 105 546 02	Sprocket II		1	
22	901 105 546 04	Sprocket II		1	
23	900 243 001 00	Straight pin 6 H 8 X 14		1	
24	993 105 163 50	Washer		1	
25	900 082 072 01	Hexagon-head bolt M 12 X 1,5 X 50		1	
26	930 105 147 10	Camshaft		1	930.20/21/26
26	930 105 147 16	Camshaft		1	930.20/21/26
26	930 105 147 17	Camshaft		1	930.20/21/26

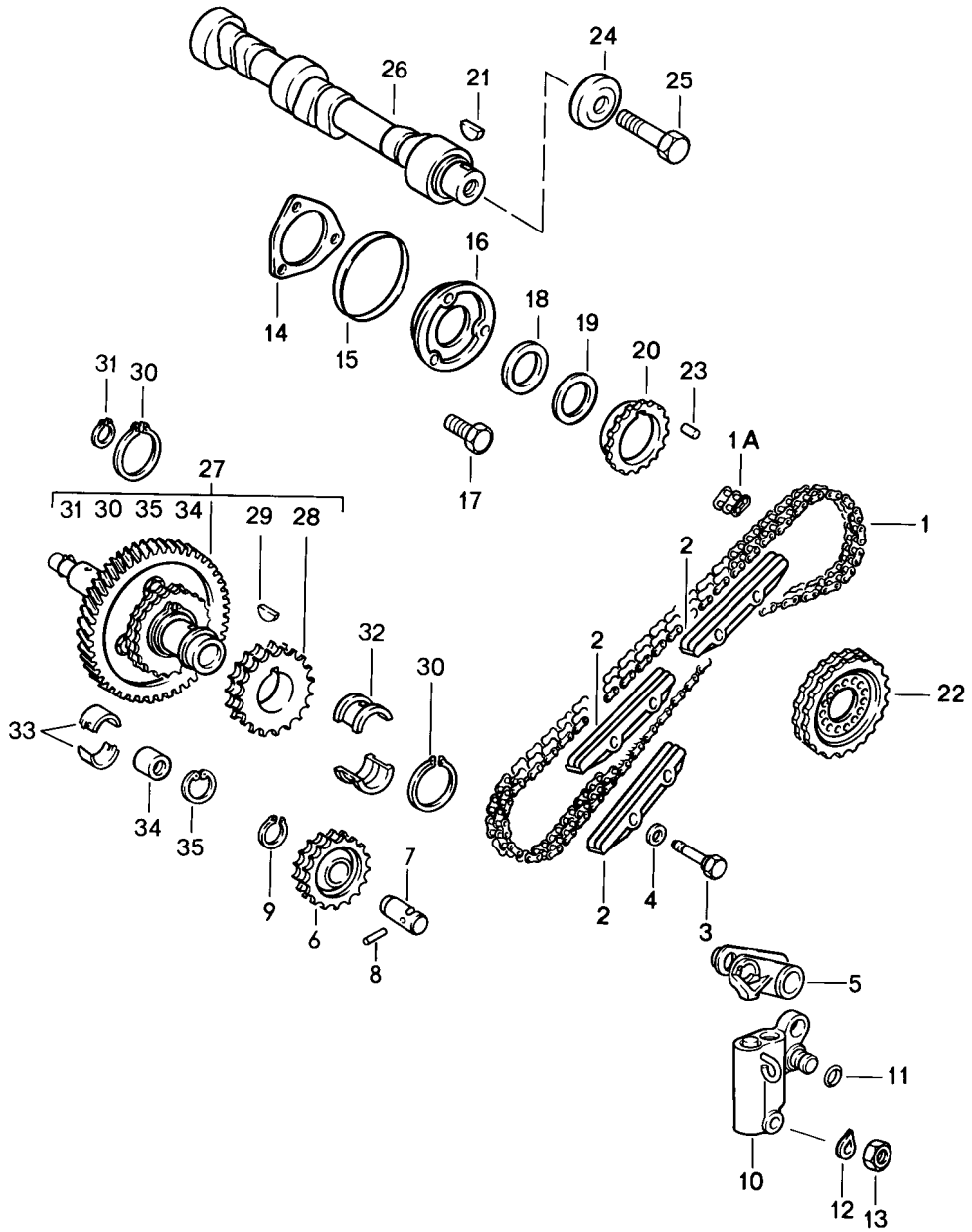
Model: 911 84

Model life 1984>>1986

Pos	Part Number	Description	Remark	Qty	Model
26	930 105 143 03	Camshaft		1	930.66/68
27	901 105 342 04	Rocker shaft		12	
28	999 067 008 00	Pan-head screw		12	
29	901 105 344 02	Bush		12	
29	901 105 344 03	Bush		12	
30	901 105 376 02	Nut		12	
31	930 105 043 00	Rocker arm		12	
31	930 105 043 02	Rocker arm		12	
32	901 105 370 02	Adjusting screw		12	
33	999 034 005 00	Nut		12	

Model: 911 84

Model life 1984>>1986



Model: 911 84

Model life 1984&gt;&gt;1986

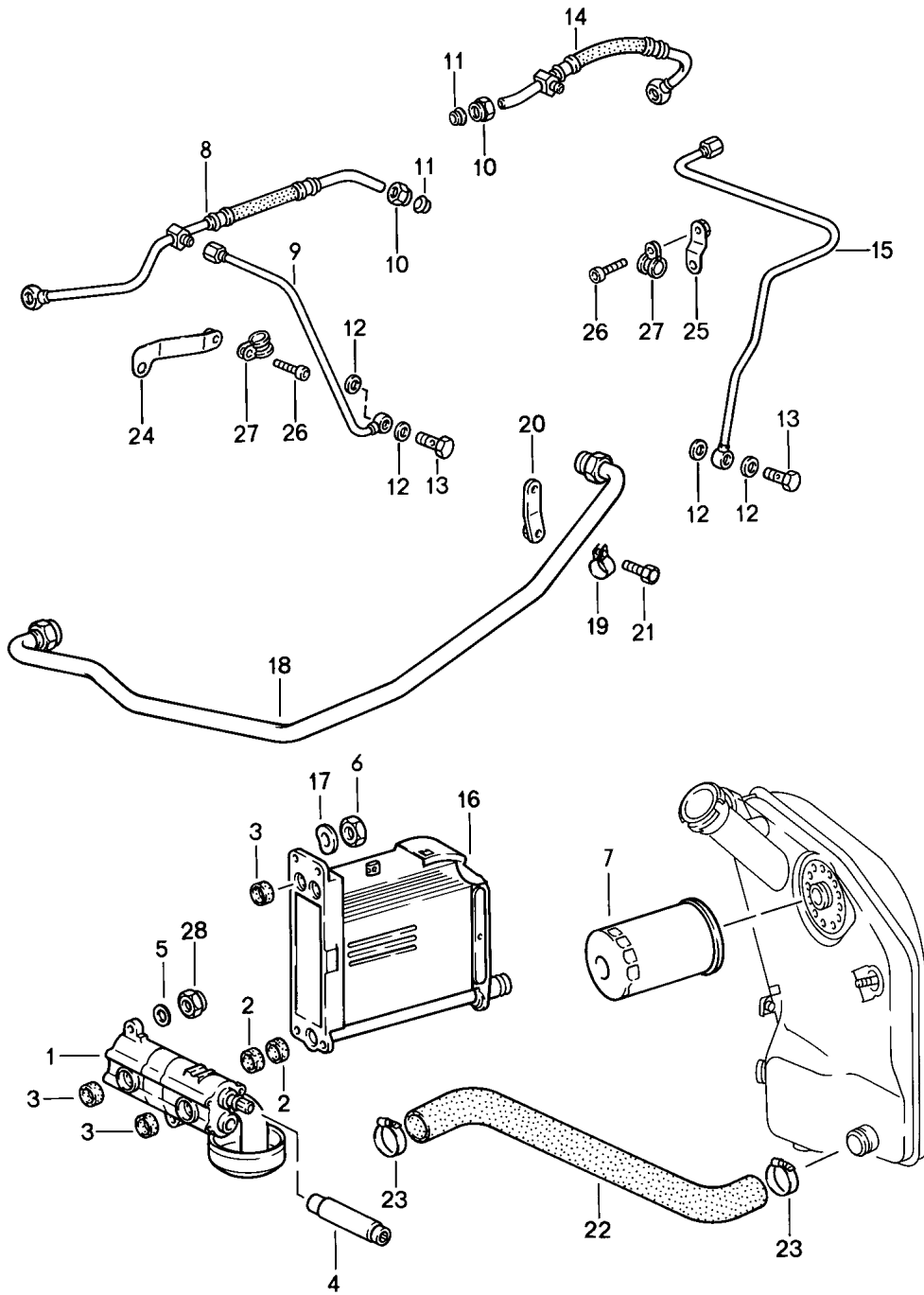
Pos	Part Number	Description	Remark	Qty	Model
1	993 105 529 00	Valve control Right Timing chain Closed		1	
1	911 105 529 50	Timing chain Divided with Lock		1	
1	911 105 529 51	Timing chain Divided with Lock		1	
1A	901 105 530 00	Connecting link Only together with 911.105.529.50		1	
2	911 105 222 05	Guide rail		1	
2	911 105 222 06	Guide rail		2	
3	901 105 226 03	Bolt		4	
4	900 123 066 30	Sealing ring A 10 X 16		4	
5	930 105 510 00	Chain wheel support		1	
6	901 105 055 00	Sprocket		1	
7	901 105 056 01	Bolt		1	
7	901 105 056 02	Bolt		1	
8	900 197 010 00	Tensioning sleeve 3 X 22		1	
9	N 012 415 1	Circlip 15 X 1		1	
10	930 105 058 03	Chain adjuster		1	
11	999 701 690 40	Round seal 12 X 1,78		1	
12	N 012 241 8	Spring washer B 8 X 15		1	
13	900 076 025 02	Hexagon nut M 8		1	
13	900 076 064 02	Hexagon nut M 8		1	
14	930 105 197 03	Gasket		1	
15	999 701 468 40	Round seal 67,5 X 75,4 X 4		1	
16	930 105 196 00	Cover		1	
17	900 075 341 02	Combination screw M 6 X 25		3	
17	900 075 341 01	Combination screw M 6 X 25		3	
18	901 105 562 00	Thrust washer		1	
18	901 105 562 02	Thrust washer		1	
19	901 105 561 00	Shim		X	
20	901 105 583 01	Flange		1	
21	N 012 708 2	Woodruff key 4 X 5		1	
22	901 105 546 02	Sprocket II		1	
22	901 105 546 04	Sprocket II		1	
23	900 243 001 00	Straight pin 6 H 8 X 14		1	
24	993 105 163 50	Washer		1	
25	900 082 072 01	Hexagon-head bolt M 12 X 1,5 X 50		1	
26	930 105 148 10	Camshaft		1	930.20/21/26
26	930 105 148 16	Camshaft		1	930.20/21/26
26	930 105 148 17	Camshaft		1	930.20/21/26

Model: 911 84 Model life 1984>>1986

Pos	Part Number	Description	Remark	Qty	Model
26	930 105 142 03	Camshaft		1	930.66/68
26	930 105 142 04	Camshaft		1	930.66/68
26	930 105 142 05	Camshaft		1	930.66/68
27	930 105 013 01	Intermediate shaft Size 0		1	
27	930 105 013 04	Intermediate shaft Size 0		1	
27	930 105 013 11	Intermediate shaft Size 1		1	
28	901 105 125 04	Sprocket		2	
29	900 118 010 00	Woodruff key		2	
30	900 041 025 01	Circlip 36 X 1,75		2	
31	900 041 026 01	Circlip 13 X 1		1	
32	916 101 137 00	Thrust bearing		2	
32	993 101 137 00	Thrust bearing		2	
32	993 101 137 01	Thrust bearing		2	
33	901 101 135 00	Bearing		2	
34	901 105 275 00	Stopper		1	
35	N 012 296 1	Circlip 16 X 1		1	

Model: 911 84

Model life 1984>>1986



Model: 911 84

Model life 1984>>1986

Pos	Part Number	Description	Remark	Qty	Model
		Engine lubrication			
		Oil pump			
		Lines			
		See technical information			
		GR.1 NR.1/1A-85			
1	911 107 008 05	Oil pump		1	930.20/21/26
1		Oil pump		1	930.20/21/26
1	996 107 008 70	Oil pump		1	930.66/68
2	999 704 173 50	Sealing ring		2	
3	999 704 172 50	Sealing ring		4	
4	901 107 121 00	Connecting shaft		1	930.20/21/26
4	930 107 143 00	Connecting shaft		1	930.66/68
5	999 039 001 00	Tab washer		3	
5	900 025 007 02	Washer		3	
		A 8,4			
5	900 025 007 03	Washer		3	
		A 8,4			
6	900 076 025 02	Hexagon nut		4	
		M 8			
6	900 076 064 02	Hexagon nut		4	
		M 8			
7	930 107 764 01	Oil filter		1	
7	930 107 764 03	Oil filter	-(IND)	1	
		Red			
8	930 107 347 03	Oil hose		1	
8	930 107 347 04	Oil hose		1	
9	930 107 347 02	Oil pipe		1	
10	900 104 003 02	Union nut		2	
		ALL 8			
10	900 104 003 03	Union nut		2	
		ALL 8			
11	N 020 825 1	Cutting ring		2	
		LL 8			
12	900 123 115 30	Sealing ring		4	
		A 8 X 11,5			
13	N 021 073 1	Banjo bolt		2	
		LL 3-5			
14	930 107 348 11	Oil hose		1	
14	930 107 348 12	Oil hose		1	
15	930 107 348 08	Oil pipe		1	
15	930 107 348 09	Oil pipe		1	
15	930 107 348 14	Oil pipe		1	
15	930 107 348 09	Oil pipe		1	
16	911 107 041 00	Oil cooler		1	
16	911 107 041 02	Oil cooler		1	
17	N 012 241 8	Spring washer		4	
		B 8			
18	911 107 741 14	Oil pipe	-84	1	CARRERA
18	911 107 741 15	Oil pipe	85-	1	CARRERA
18	930 107 741 11	Oil pipe		1	TURBO
19	930 107 407 03	Pipe clamp		1	
20	930 107 417 01	Retaining bracket		1	CARRERA
21	999 072 005 09	Hexagon nut		1	CARRERA
		M 6 X 12			
21	999 072 005 01	Hexagon nut		1	CARRERA
		M 6 X 12			
22	911 107 233 00	Suction hose		1	CARRERA
22	930 107 233 02	Suction hose		1	TURBO
22		Suction hose		1	TURBO
23	999 512 091 00	Hose clamp		2	
		S 40/15			
24	930 107 341 00	Support	/L	1	
25	930 107 342 01	Support	/R	1	

Model: 911 84

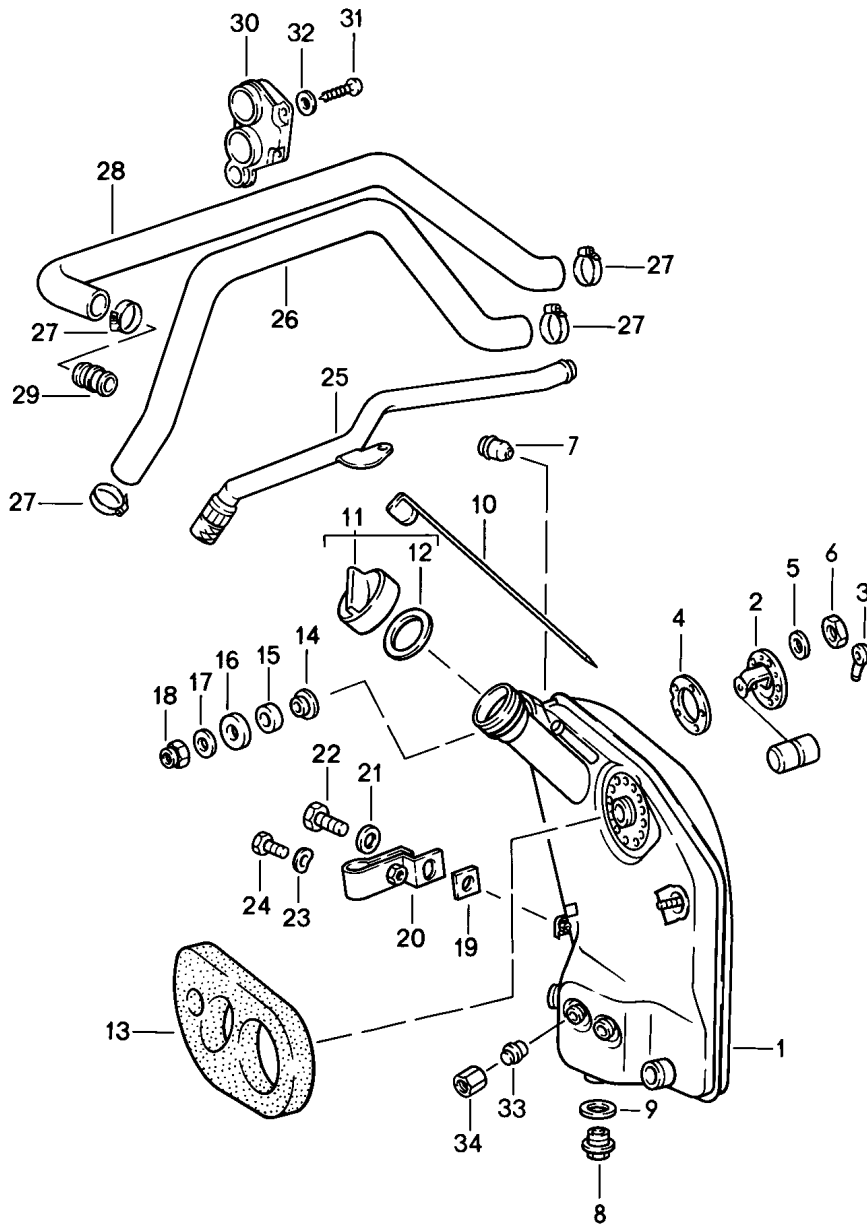
Model life 1984&gt;&gt;1986

Pos	Part Number	Description	Remark	Qty	Model
26	900 119 059 02	Pan-head screw M 4 X 10		2	
26	900 119 088 01	Pan-head screw M 4 X 10		2	
27	999 511 174 02	Pipe clamp 4/9		2	
27	PCG 511 174 02	Pipe clamp 4/9		2	
28	999 084 095 02	Lock nut M 8		3	



Model: 911 84

Model life 1984>>1986



Model: 911 84

Model life 1984&gt;&gt;1986

Pos	Part Number	Description	Remark	Qty	Model
(1)	911 107 006 22	Engine lubrication Oil tank Lines Oil tank with Screw plug		1	930.20/21/26
(1)	911 107 006 24	Oil tank Use also:		1	930.20/21/26
(1)	911 107 006 26	Oil tank Use also:		1	930.20/21/26
(1)	911 107 006 31	Oil tank Use also:		1	930.20/21/26
1	930 107 006 00	Oil tank		1	930.66/68
1	930 107 006 03	Oil tank Use also:		1	930.66/68
1	930 107 006 04	Oil tank Use also:		1	930.66/68
1	930 107 006 07	Oil tank Use also:		1	930.66/68
-	944 107 091 01	Oil filler cover		1	
-	930 107 601 02	Adapter		1	
-	900 104 013 02	Union nut		1	
2	911 641 541 02	Tank gauge for Oil level		1	
3	999 659 011 50	Water protection cap		1	
4	914 201 891 00	Gasket		1	
5	900 025 003 30	Washer 5,3		5	
6	N 011 005 14	Hexagon nut M 5		5	
6	900 076 091 01	Hexagon nut M 5		5	
7	930 107 289 00	Restrictor		1	
8	911 107 176 03	Screw plug		1	
9	900 123 011 20	Sealing ring A22X27		1	
10	930 107 731 01	Oil level dipstick		1	
(11)	911 107 072 02	Fuel tank cap with Bayonet lock		1	
11	944 107 091 01	Oil filler cover with Screw cap		1	
12	930 107 272 01	Sealing ring for Bayonet lock		1	
12	999 701 846 40	O-ring for Screw cap		1	
13	911 107 192 03	Gasket		1	
14	901 107 692 00	Washer		2	
15	901 107 693 01	Washer		2	
16	901 107 661 00	Washer		2	
17	900 151 008 02	Washer B8,4		2	
18	999 090 004 02	Hexagon nut M8		2	
18	900 084 004 02	Hexagon nut M8		2	
19	901 501 909 20	Intermediate layer		1	
20	901 501 930 22	Support		1	
21	N 011 524 7	Washer		1	

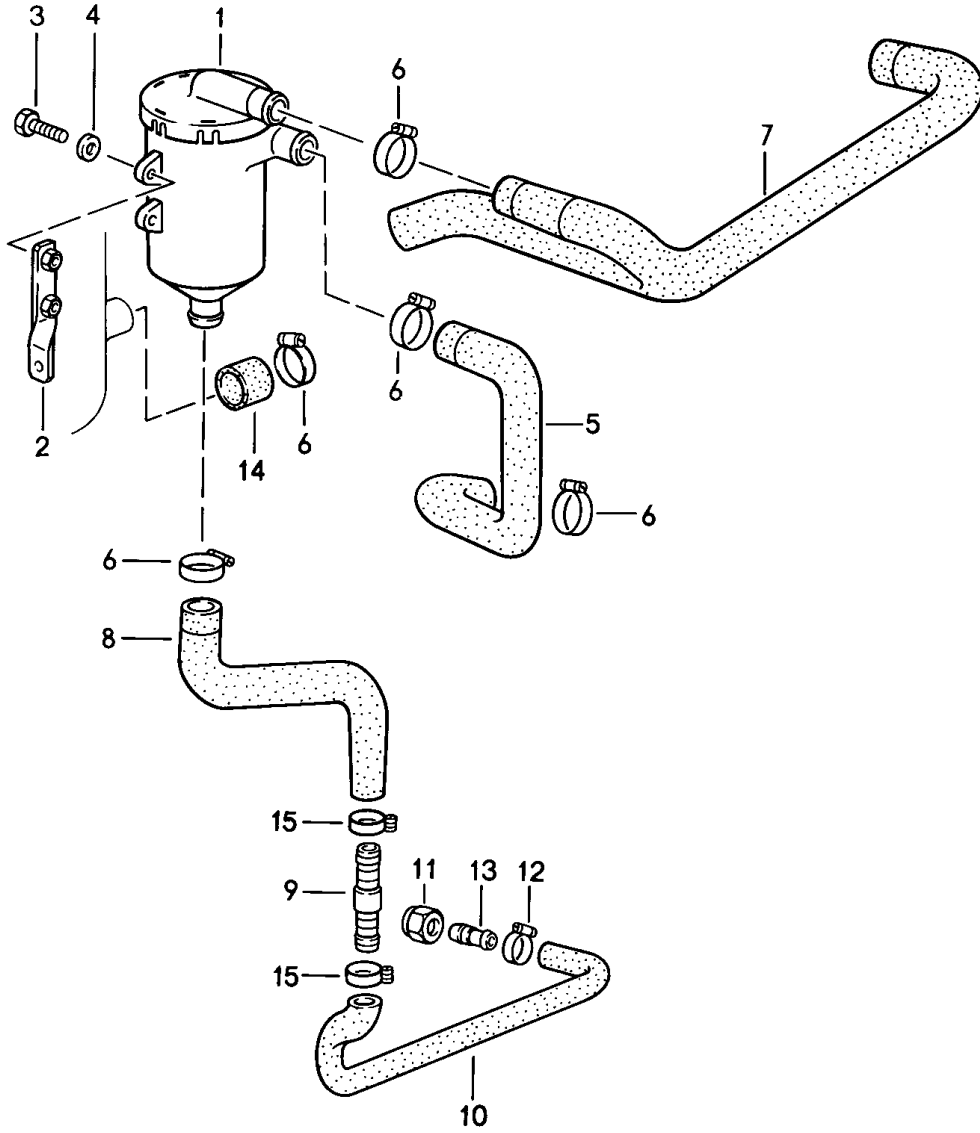
Model: 911 84

Model life 1984&gt;&gt;1986

Pos	Part Number	Description	Remark	Qty	Model
21	N 011 524 27	A6,4 Washer		1	
22	N 010 217 9	A6,4 Hexagon-head bolt M6X20		1	
23	900 028 003 01	Lock ring A6		1	
24	N 012 226 5	Spring washer M6X16		1	
25	930 107 397 01	Line Crankcase Bleeding		1	930.66/68
26	930 207 386 01	Connecting hose		1	930.20/21/26
27	999 512 252 02	Hose clamp LA 23-35		5	
28	930 207 385 01	Connecting hose		1	930.20/21/26
29	930 110 267 04	Connecting piece		1	930.20/21/26
30	930 207 356 05	Retaining bracket		1	930.20/21/26
31	N 013 969 8	Oval-head sheetmetal screw BZ 4,8X16		2	
32	900 025 003 02	Washer A5,3		2	930.20/21/26
33	930 107 601 00	Round socket		1	930.66
34	900 104 015 02	Union nut M 16 X 1,5		1	930.66

Model: 911 84

Model life 1984>>1986



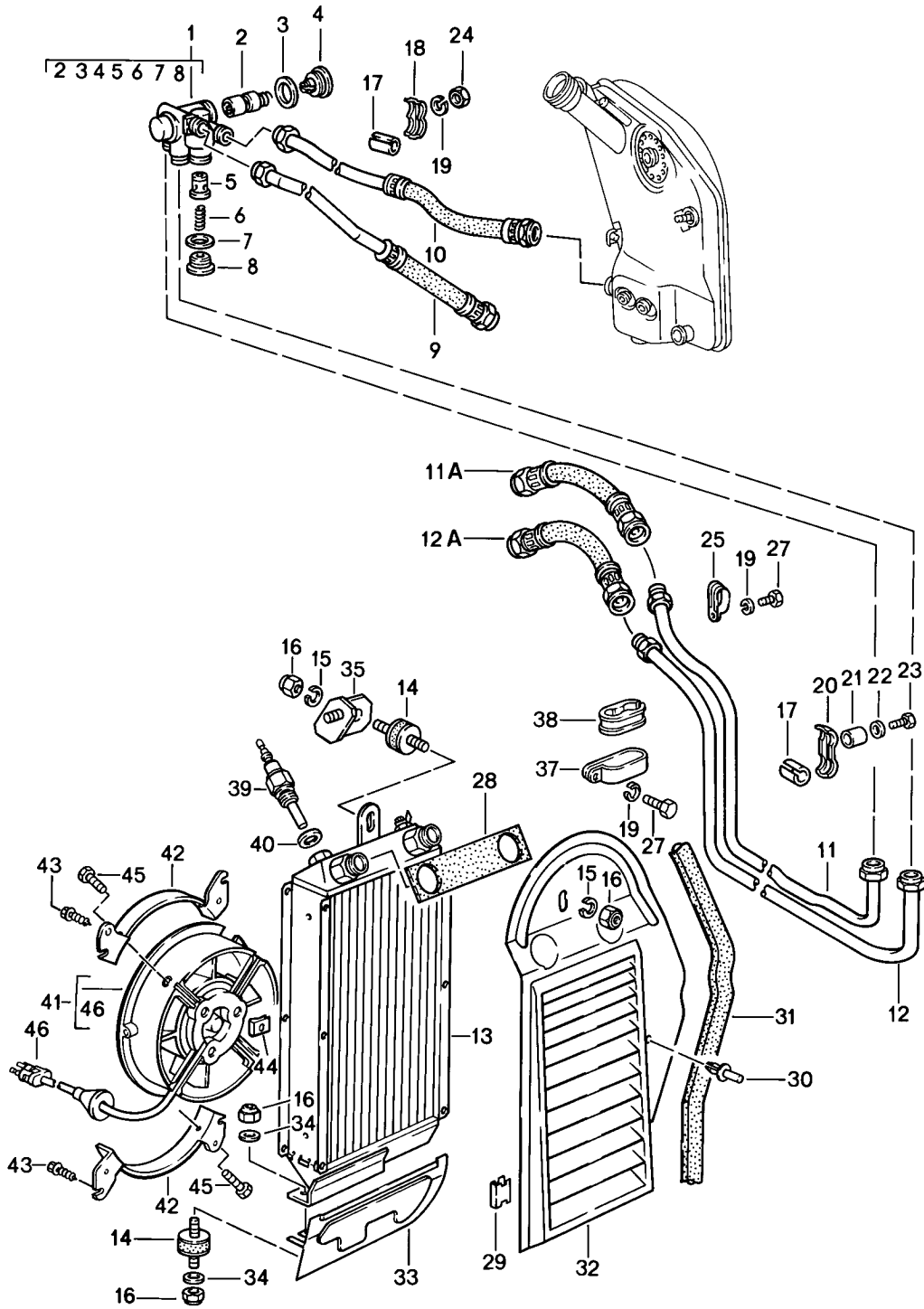
Model: 911 84

Model life 1984&gt;&gt;1986

Pos	Part Number	Description	Remark	Qty	Model
		Oil separator			930.66/68
1	930 107 321 01	Oil separator		1	
2	930 107 323 00	Support		1	
3	N 010 217 9	Hexagon-head bolt M 6X20		2	
4	900 223 003 02	Washer 6,4		2	
5	930 107 391 00	Hose		1	
6	999 512 252 02	Hose clamp		6	
7	930 107 395 04	Hose		1	
7	930 107 995 00	Hose		1	
8	930 107 389 02	Hose		1	
9	930 110 267 00	Hose connection		1	
10	930 107 389 03	Hose		1	
11	900 104 015 02	Union nut M 16 X 1,5		1	
12	900 272 003 02	Hose clamp		1	
12	999 512 554 00	Hose clamp		1	
13	999 230 068 02	Hose connection		1	
14	930 107 711 00	Cap		1	
15	999 512 346 00	Hose clamp		2	

Model: 911 84

Model life 1984>>1986



Model: 911 84 Model life 1984>>1986

Pos	Part Number	Description	Remark	Qty	Model
		Engine lubrication			
		Oil cooler			
1	930 107 017 00	Regulator housing		1	
2	930 107 155 00	Regulator insert		1	
3	900 123 136 30	Sealing ring		1	
		A 42X49			
4	911 107 155 00	Screw plug		1	
5	930 107 076 00	Piston		1	
6	900 280 008 00	Compression spring		1	
7	900 123 075 30	Sealing ring		1	
		A 32X38			
8	916 107 276 00	Screw plug		1	
9	930 107 743 12	Oil pipe		1	930.20/21/26
9	930 107 743 15	Oil pipe		1	930.20/21/26
9	930 107 743 10	Oil pipe		1	930.66/68
10	911 107 730 11	Oil pipe		1	
11	930 207 046 01	Return pipe	-85	1	
11	930 207 046 02	Return pipe		1	
(11)	930 207 046 01	Return pipe	86-	1	
(11)	930 207 046 02	Return pipe	86-	1	
11A	930 207 113 00	Oil pipe		1	
11A	930 207 113 04	Oil pipe		1	
11A	930 207 113 05	Oil pipe		1	
12	930 207 045 01	Intake tube	-85	1	
12	930 207 045 03	Intake tube	-86	1	
12A	930 207 111 00	Oil pipe		1	
(12A)	930 207 111 05	Oil pipe		1	
(12A)	930 207 111 06	Oil pipe		1	
13	930 207 053 00	Oil cooler		1	
14	930 110 194 00	Bonded rubber buffer		3	
14A	930 207 239 01	Bonded rubber buffer		3	
14A	930 207 239 02	Bonded rubber buffer		3	
15	900 151 008 02	Washer		6	
		B 8,4			
16	900 910 022 02	Lock nut		6	
		M8			
17	911 207 302 00	Hose		6	
18	911 207 237 00	Support		1	
19	N 012 006 4	Lock ring		4	
		B6			
20	911 207 303 00	Support		3	
21	911 559 145 00	Spacer sleeve		3	
		11,8 MM			
21	911 559 145 01	Spacer sleeve		3	
		5 MM			
22	900 151 007 02	Washer		3	
		B7,4			
22	900 151 007 03	Washer		3	
		B7,4			
23	900 187 032 02	Tapping screw		3	
		BZ 6,3 X 32			
24	900 076 010 02	Nut		1	
		M 6			
24	900 076 010 0B	Nut		1	
		M 6			
25	999 511 084 02	Pipe clamp		1	
		1100 2 X 22/15			
27	N 010 217 9	Hexagon-head bolt		3	
		M 6 X 20			
28	930 207 361 00	Gasket		1	
29	999 920 005 02	U-clamp		5	
29	999 920 005 01	U-clamp		5	
30	999 591 429 40	Expansion rivet		2	

Model: 911 84

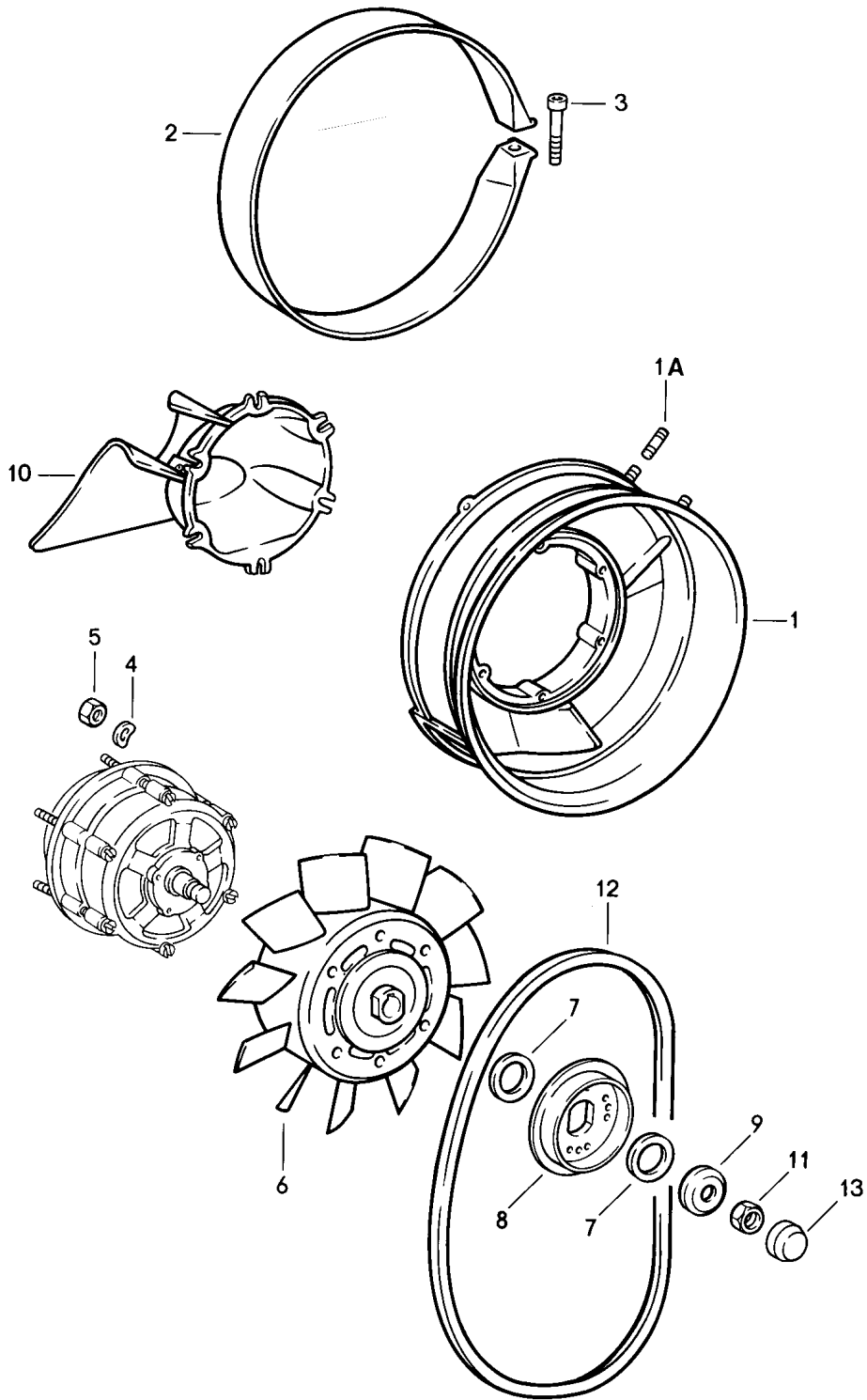
Model life 1984>>1986

Pos	Part Number	Description	Remark	Qty	Model
31	930 207 353 00	Gasket		1	
32	930 207 319 12	Cover plate		1	930.66
32		Cover plate		1	930.66
32	930 207 319 13	Cover plate		1	930.66/68
			(CDN)		(SA)
32	930 207 319 14	Cover plate		1	930.20/21
			(USA)		(SA)
32	930 207 319 15	Cover plate		1	930.20/21/26
33	930 207 121 00	Cover plate		1	
34	900 025 007 02	Washer A 8,4		4	
34	900 025 007 03	Washer A 8,4		4	
35	930 207 927 00	Support		1	
36	930 207 921 00	Support		1	
37	999 511 162 02	Pipe clamp		1	
38	930 207 265 00	Rubber mounting		1	
38	930 207 265 01	Rubber mounting		1	
39	930 606 118 00	Temperature switch		1	
40	900 123 007 30	Sealing ring a 14 x 18		1	
41	911 624 121 00	Blower		1	
(41)	911 624 121 01	Blower Only together with Position (42) PCG.624.104.00		1	
42	911 624 104 00	Retaining bracket		2	
(42)	PCG 624 104 00	Retaining bracket Only together with Position (41) 911.624.121.01		2	
43	999 450 006 02	Tapping screw b 4,2 x 13		4	
44	999 507 229 02	Speed nut		4	
45	900 075 363 02	Combination screw m 6 x 10		4	
46	999 652 381 00	Connector housing		1	



Model: 911 84

Model life 1984>>1986

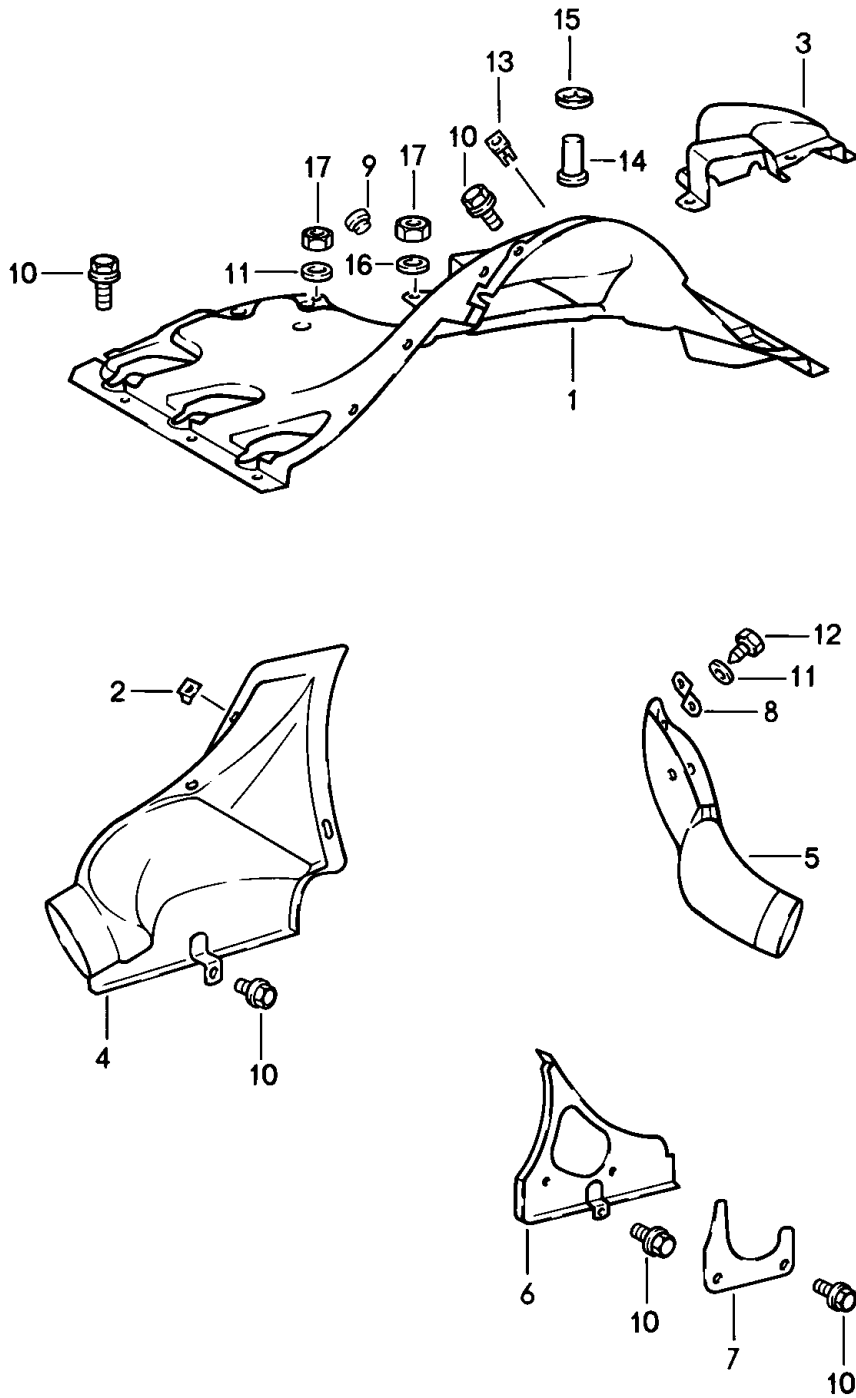


Model: 911 84 Model life 1984&gt;&gt;1986

Pos	Part Number	Description	Remark	Qty	Model
1	930 106 006 07	Air cooling Fan housing		1	930.20/21
1		Fan housing		1	930.26
1	930 106 006 06	Fan housing		1	930.66/68
1A	999 062 006 02	Stud BM 8 X 20		1	
1A	999 062 073 02	Stud BM 8 X 16		1	
2	964 106 251 20	Clip		1	
3	N 014 715 3	Pan-head screw M 8 X 45		1	
3	900 067 103 01	Pan-head screw M 8 X 45		1	
3	900 067 020 02	Pan-head screw M 8 X 50		1	
3	900 067 362 01	Pan-head screw M 8 X 50		1	
4	N 011 523 9	Washer		6	
4	900 025 003 02	Washer A 5,3		6	
5	900 910 008 02	Lock nut M 5		6	
6	930 106 012 00	Impeller		1	
6	930 106 012 01	Impeller		1	
-	999 118 008 00	Woodruff key		1	
7	930 106 564 00	Shim		X	
8	930 106 209 02	Pulley half		1	
9	911 603 428 01	Tensioning cap		1	
10	911 106 055 01	Hub extension		1	
11	928 603 904 00	Set of fastening parts		1	
-		Set of fastening parts M 17 X 1,5		1	
12	999 192 176 50	Narrow v-belt 9,5 X 710		1	
12	999 192 176 5A	Narrow v-belt 9,5 X 710		1	
12	999 192 313 5A	Narrow v-belt 9,5 X 695		1	
13	911 603 127 00	Protection cap		1	
13	911 603 127 01	Protection cap		1	

Model: 911 84

Model life 1984>>1986



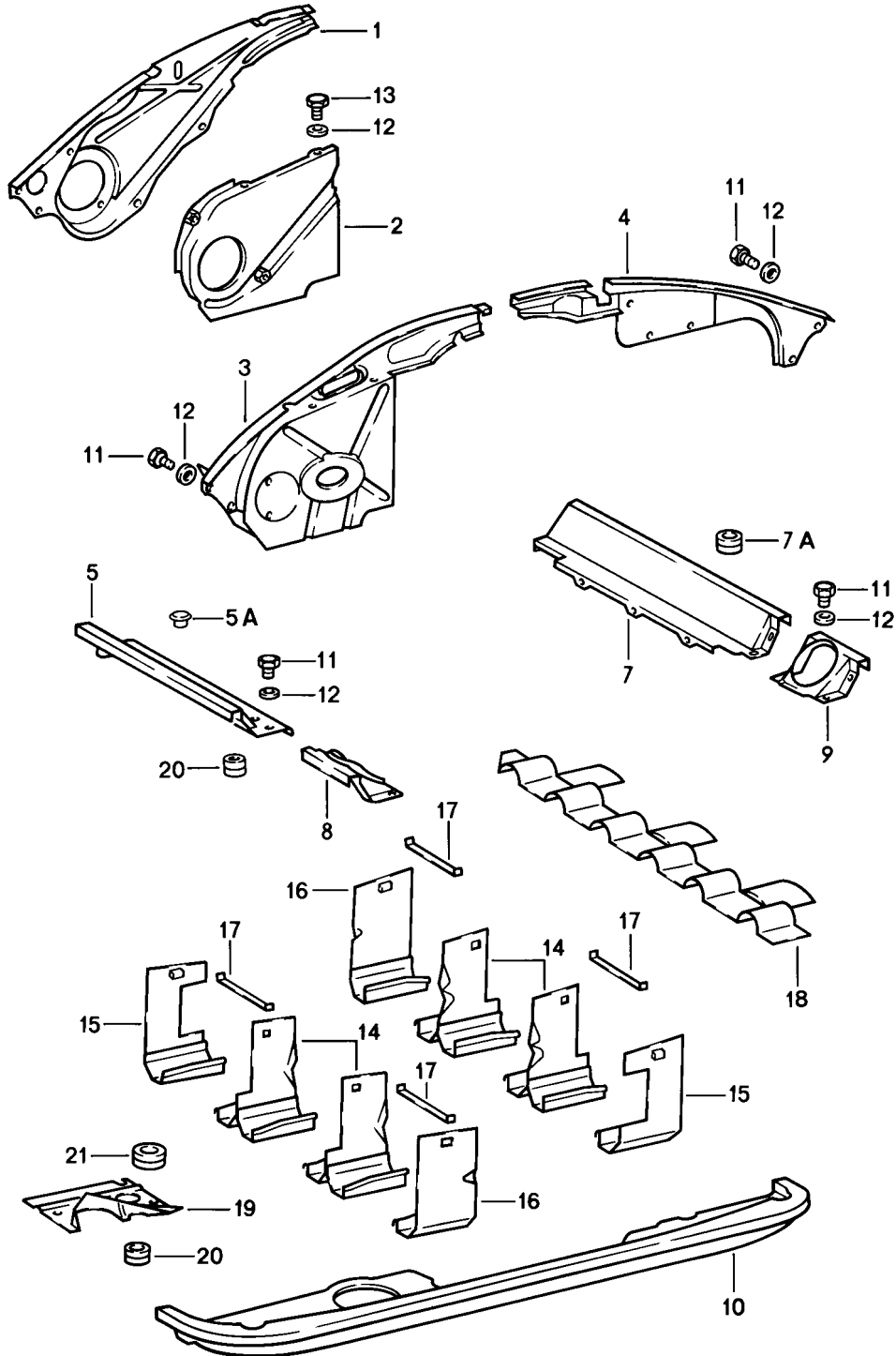
Model: 911 84

Model life 1984&gt;&gt;1986

Pos	Part Number	Description	Remark	Qty	Model
1	930 106 041 08	Air guide Air guide Black	-84	1	930.20/21/26
1	930 106 041 09	Air guide Black	85-	1	930.20/21/26
1	930 106 041 13	Air guide Black		1	930.66/68
2	999 507 003 02	Speed nut B 6,3		4	
2	999 507 003 01	Speed nut B 6,3		4	
3	911 106 406 00	Air guide		1	
4	930 106 321 01	Hot air socket		1	930.66/68
4	930 106 021 50	Hot air socket		1	930.66/68
5	911 106 327 00	Hot air socket		1	930.66/68
6	911 106 036 01	Cover plate		1	930.20/21/26
(6)	911 106 036 00	Cover plate		1	930.66/68
7	911 106 827 00	Closing plate		1	930.66/68
8	911 106 331 00	Support		1	930.66/68
9	999 703 092 40	Stopper 9 X 18,5/14		1	930.66/68
10	999 075 039 02	Combination screw M 6 X 12		3	
10	999 075 039 0C	Combination screw M 6 X 12		3	
10	999 143 004 08	Combination screw		8	
10	999 143 004 01	Combination screw		8	
10	999 075 039 0C	Combination screw		8	
10	999 143 004 08	Combination screw M 6 X 12		8	
10	999 143 004 01	Combination screw M 6 X 12		8	
10	999 075 039 0C	Combination screw M 6 X 12		8	
10	900 075 057 02	Hexagon-head bolt M 6 X 16		2	
10	900 075 057 03	Hexagon-head bolt M 6 X 16		2	
10	900 075 014 02	Hexagon-head bolt M 6 X 18		2	
10	900 075 014 03	Hexagon-head bolt M 6 X 18		2	
11	N 011 524 7	Washer A 6,4		5	
11	N 011 524 27	Washer A 6,4		5	
11	999 025 108 02	Washer 6,4 X 14		4	
12	900 187 015 02	Hexagon-head tapping screw B 6,3 X 16		2	
12	900 187 027 02	Hexagon-head tapping screw BZ 6,3 X 23		1	930.66/68
13	999 591 592 40	Special nut		4	/25 930.20/21
16	N 011 524 7	Washer A 6,4		2	
16	N 011 524 27	Washer A 6,4		2	
17	900 076 010 02	Nut M 6		2	
17	900 076 010 0B	Nut M 6		2	

Model: 911 84

Model life 1984>>1986



Model: 911 84 Model life 1984>>1986

Pos	Part Number	Description	Remark	Qty	Model
		Air guide			
		Engine cover			
1	930 106 705 01	Engine cover		1	930.66/68
2	930 106 707 01	Engine cover		1	930.66/68
3	930 106 089 01	Engine cover		1	930.20/21/26
4	911 106 802 03	Engine cover		1	930.20/21/26
4	911 106 802 05	Engine cover		1	930.20/21/26
4	930 106 805 00	Engine cover		1	930.66/68
5	930 106 861 00	Engine cover		1	930.20
5	930 106 861 03	Engine cover		1	930.20
		Use also:			
-	999 703 224 40	Cap		1	
-	999 143 004 08	Combination screw		2	
-	999 143 004 01	Combination screw		2	
-	999 075 039 0C	Combination screw		2	
5	930 106 861 02	Engine cover	(J)	1	930.21
5	911 106 083 01	Engine cover		1	930.26
(5)	930 106 703 01	Engine cover		1	930.66
5A	999 703 224 40	Cap		1	930.20/21/26
		20,5 MM \$			
7	930 106 862 00	Engine cover		1	930.20/21/26
7	930 106 862 01	Engine cover		1	930.20/21/26
		Use also:			
-	999 143 004 08	Combination screw		2	
-	999 143 004 01	Combination screw		2	
-	999 075 039 0C	Combination screw		2	
7	930 106 084 03	Engine cover		1	930.66
7		Engine cover		1	930.66
7A	999 702 114 50	Grommet		1	930.66/68
		18 MM \$			
7A	999 702 042 50	Grommet		1	930.66/68
		25 MM \$			
8	901 106 825 00	Cover		1	930.66/68
9	930 106 826 01	Cover		1	930.66/68
10	930 106 085 11	Engine cover		1	930.20/21
10	930 106 085 14	Engine cover		1	930.26
10	930 106 085 12	Engine cover		1	930.20/21
					M559
10	930 106 085 17	Engine cover		1	930.20/21/26
		Use also:			M559
-	999 143 004 08	Combination screw		2	
-	999 143 004 01	Combination screw		2	
-	999 075 039 0C	Combination screw		2	
10	930 106 085 15	Engine cover		1	930.26
					M559
10	930 106 081 11	Engine cover		1	930.66/68
10	930 106 081 12	Engine cover		1	930.66/68
					M559/573
10	930 106 081 17	Engine cover		1	930.66/68
					M559/573
11	999 075 039 02	Combination screw		16	
		M 6 X 12			
11	999 075 039 0C	Combination screw		16	
		M 6 X 12			
(11)	999 143 004 08	Combination screw		13	
(11)	999 143 004 01	Combination screw		13	
(11)	999 075 039 0C	Combination screw		13	
(11)	999 143 004 08	Combination screw		13	
		M 6 X 12			
(11)	999 143 004 01	Combination screw		13	
		M 6 X 12			
(11)	999 075 039 0C	Combination screw		13	
		M 6 X 12			

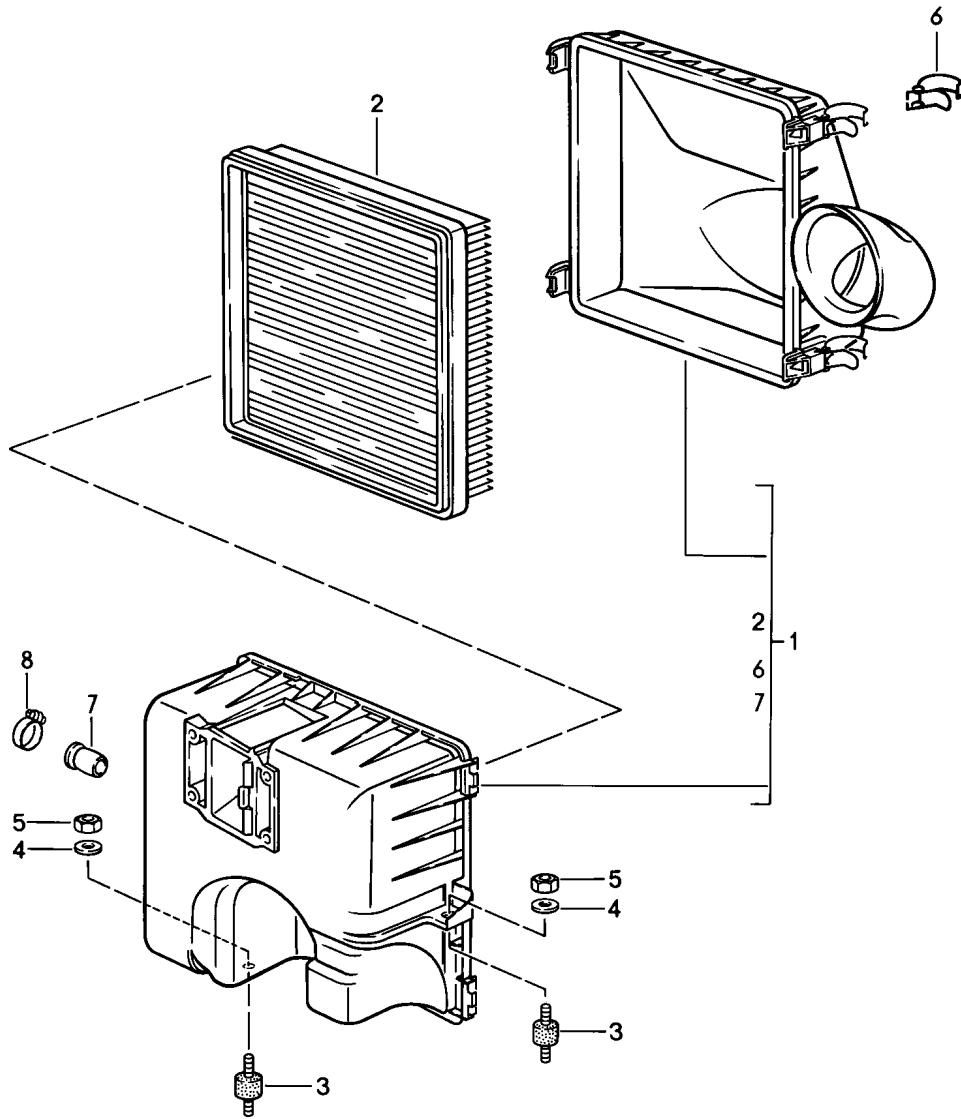
Model: 911 84

Model life 1984&gt;&gt;1986

Pos	Part Number	Description	Remark	Qty	Model
12	N 011 524 7	Washer 6,4		8	
12	N 011 524 27	Washer 6,4		8	
13	N 010 208 5	Hexagon-head bolt M 6 X 8		2	930.66/68
14	930 106 023 00	Baffle plate		4	930.20/21/26
14	930 106 023 01	Baffle plate		4	930.66/68
15	930 106 221 00	Baffle plate		2	930.20/21/26
15	930 106 221 01	Baffle plate		2	930.66/68
16	930 106 222 00	Baffle plate		2	930.20/21/26
16	930 106 222 01	Baffle plate		2	930.66/68
17	930 106 228 00	Leaf spring		6	
18	930 106 301 00	Cover plate		2	930.20/21/26
19	930 106 852 01	Cover		1	930.66/68
20	930 106 175 00	Rubber sleeve 21,5 \$		3	930.66/68
21	930 106 176 00	Rubber sleeve 34 \$		1	930.66/68

Model: 911 84

Model life 1984>>1986





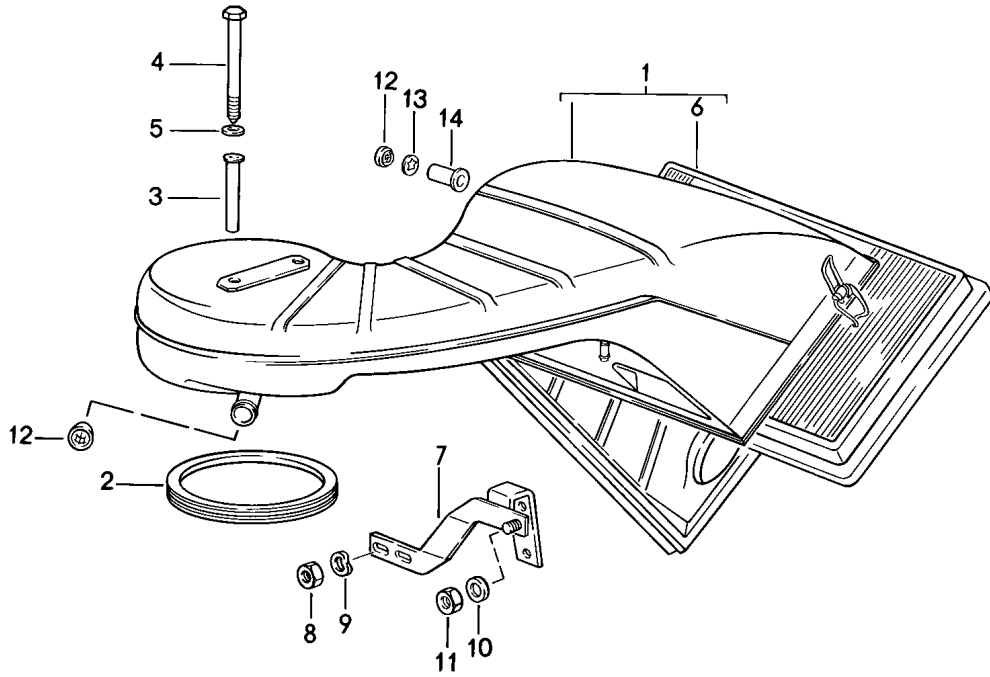
Model: 911 84

Model life 1984>>1986

Pos	Part Number	Description	Remark	Qty	Model
1	930 110 343 00	Air cleaner		1	930.20/21/26
1	930 110 343 01	Air cleaner		1	930.20
		Air cleaner		1	930.20
		Use also:			
		Information available			
-	930 110 256 00	Stopper		1	
-	999 512 554 00	Hose clamp		1	
1	930 110 343 01	Air cleaner		1	930.21
		Information available			930.21
1		Air cleaner	(AUS)	1	
		Information available	(AUS)		
2	930 110 393 00	Filter element		1	
3	930 110 579 01	Bonded rubber buffer		2	
3	999 703 265 00	Bonded rubber buffer		2	
4	N 011 666 7	Washer		2	
		B6,4			
5	900 910 012 02	Lock nut		2	
5	900 910 047 09	Lock nut		2	
5	999 084 074 02	Lock nut		2	
		M6			
6	930 110 902 00	Clamp		4	
7	930 110 256 00	Stopper		1	
8	999 512 554 00	Hose clamp		1	
		9 X 18			

Model: 911 84

Model life 1984>>1986



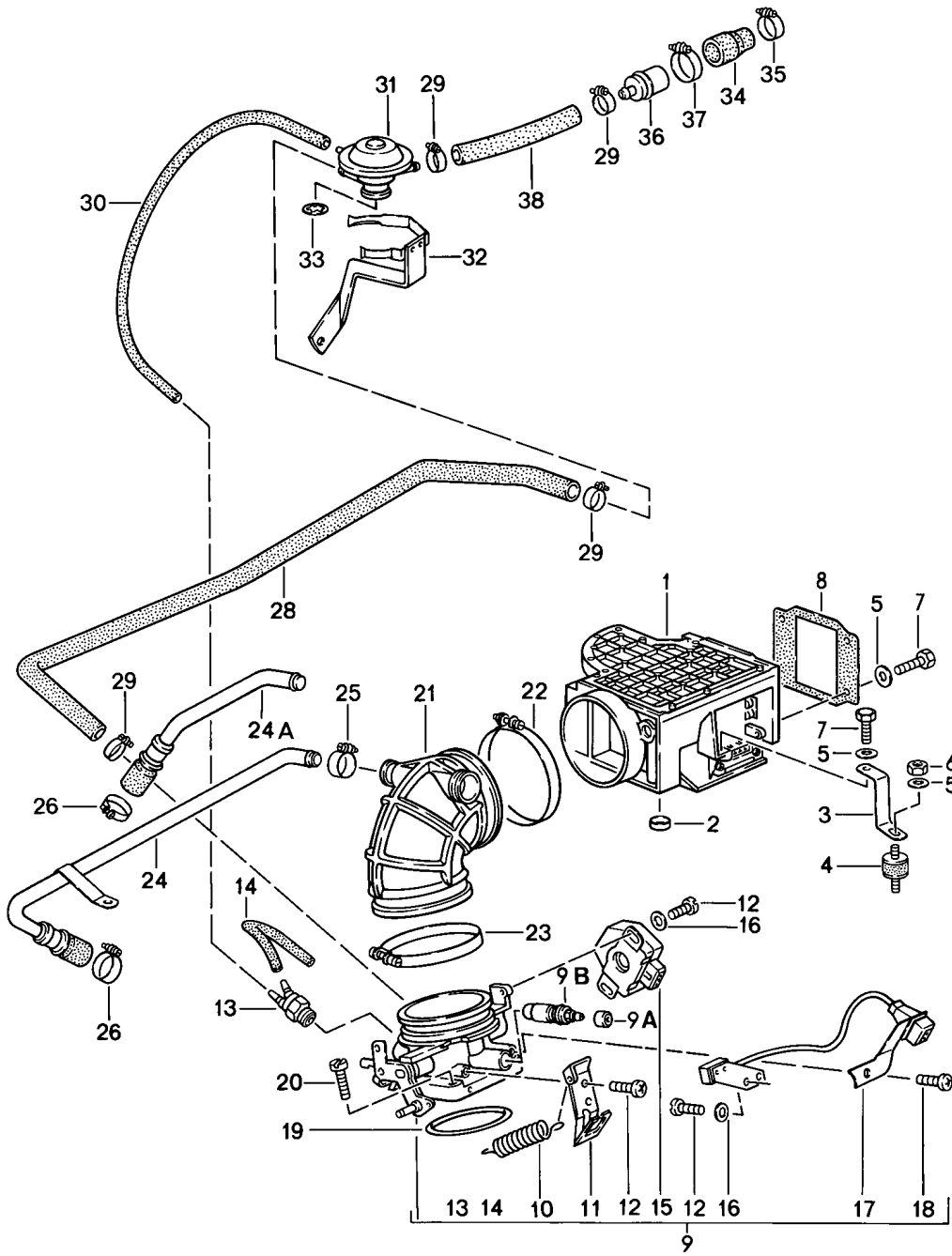
Model: 911 84

Model life 1984>>1986

Pos	Part Number	Description	Remark	Qty	Model
		Air cleaner			930.66/68
1	930 110 020 01	Air cleaner		1	
2	930 110 122 00	Sealing ring		1	
-	930 110 121 02	Support ring		1	
3	930 110 436 01	Spacer sleeve		2	
4	900 074 023 02	Hexagon-head bolt		2	
5	N 011 524 7	Washer		2	
5	N 011 524 27	Washer		2	
5	N 011 524 7	Washer		2	
		6,4			
5	N 011 524 27	Washer		2	
		6,4			
6	930 110 185 02	Air cleaner cartridge		1	
7	930 110 331 03	Support		1	
8	999 084 423 02	Lock nut		1	
9	900 025 007 02	Washer		2	
		8,4			
9	900 025 007 03	Washer		2	
		8,4			
10	N 012 241 8	Spring washer		2	
10		Spring washer		2	
		B 8			
11	900 076 025 02	Hexagon nut		2	
		M 8			
11	900 076 064 02	Hexagon nut		2	
		M 8			
12	930 110 422 01	Strainer		1	
		see			
		POS 14			
13	999 591 369 02	Locking washer		1	
13	999 591 369 0B	Locking washer		1	
14	911 106 415 01	Pipe		1	
		with			
		Strainer			
		POS 12			

Model: 911 84

Model life 1984>>1986



Model: 911 84 Model life 1984>>1986

Pos	Part Number	Description	Remark	Qty	Model
		for			930.20/21/26
		L-JETRONIC I			930.20/21/26
1	930 606 123 00	Mass air flow meter		1	
2	944 606 935 01	Stopper		1	
		Blue			
3	930 110 524 00	Support		1	
4	930 110 579 01	Bonded rubber buffer		1	
4	999 703 265 00	Bonded rubber buffer		1	
5	N 011 524 7	Washer		10	
		A6,4			
5	N 011 524 27	Washer		10	
		A6,4			
6	900 910 012 02	Lock nut		1	
6	900 910 047 09	Lock nut		1	
6	999 084 074 02	Lock nut		1	
		M6			
7	900 075 355 02	Combination screw		5	
		M 6 X 16			
7	900 075 355 01	Hexagon-head bolt		5	
		M 6 X 16			
8	928 110 201 01	Sealing frame		1	
9	930 110 519 03	Flap-Nozzle		1	
9A	930 110 520 00	Cap		1	
9B	930 110 919 00	Throttle screw		1	
10	930 110 497 00	Tension spring		1	
11	911 110 918 04	Support		1	
12	900 146 011 02	Oval-head screw		6	
		M4X10			
13	930 207 231 00	Thermo valve		1	
14	911 110 953 00	Hose		1	
15	944 606 113 01	Throttle-valve switch	-85	1	
15		Throttle-valve switch	86-	1	
16	N 012 224 3	Spring washer		4	
		B4			
17	911 606 013 00	Microswitch		1	
17	911 606 013 03	Microswitch		1	
18	N 014 138 7	Oval-head screw		1	
		M6X10			
19	999 701 124 40	O-ring		1	
		67,5X4			
20	900 067 089 02	Pan-head screw		4	
		M6X25			
20	900 067 089 01	Pan-head screw		4	
		M6X25			
21	930 110 356 02	Air guide		1	
22	999 512 302 02	Hose clamp		1	
		S85/9			
22	PCG 512 302 02	Hose clamp		1	
		S85/9			
23	999 512 359 02	Hose clamp		1	
		S89/12ZY			
23	PCG 512 359 02	Hose clamp		1	
		S89/12ZY			
24	930 110 328 03	Pipeline	-85	1	
24A	930 110 328 05	Pipeline	-85	1	M491
24A		Pipeline	86-	1	
25	999 512 554 00	Hose clamp		1	
		A9X18ZY			
26	N 023 565 3	Hose clamp		1	
		A9X21ZY			
28	930 207 236 00	Hose		1	
29	N 023 569 2	Hose clamp		4	
		S16/9ZY			

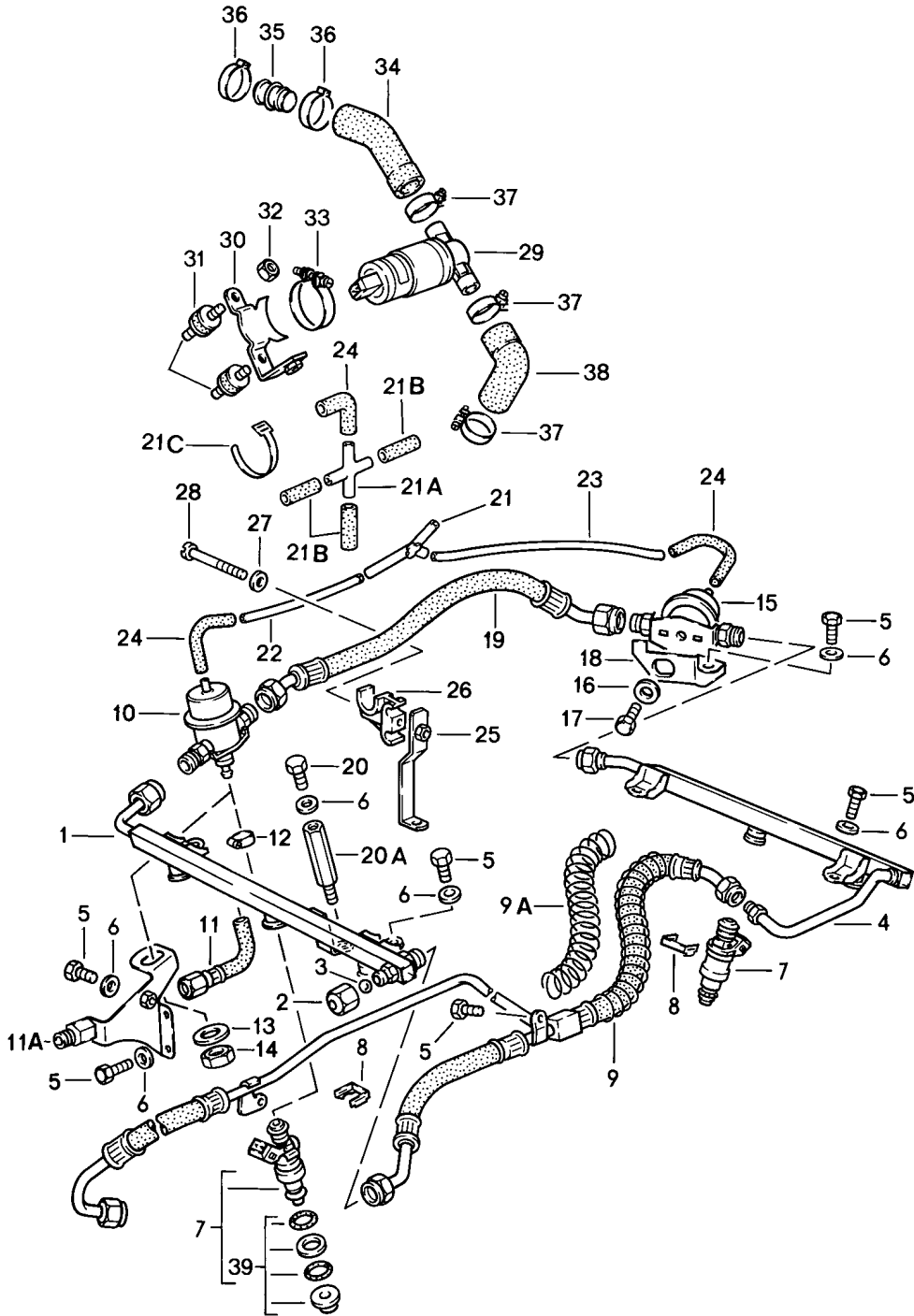
Model: 911 84

Model life 1984&gt;&gt;1986

Pos	Part Number	Description	Remark	Qty	Model
29	PCG 023 569 2	Hose clamp S16/9ZY		4	
	N 023 569 2	Hose clamp		4	
-	PCG 023 569 2	Hose clamp		4	
-	999 239 010 40	Hose 4 X 9		*	
30		830MM		1	
(31)	930 207 227 00	Recirculating air valve		1	
-	930 207 235 02	Hose		1	
(32)	930 207 237 00	Support		1	
33	999 507 337 08	Clamping washer 12 X 25 X 2,3		1	
34	930 207 243 01	Rubber sleeve		1	
34		Rubber sleeve		1	
35	999 512 554 00	Hose clamp A9X18		1	
36	930 207 229 00	Valve		1	
37	999 512 552 00	Hose clamp S25/9ZY		1	
37	999 512 552 01	Hose clamp S25/9ZY		1	
38	930 207 235 00	Hose		1	
38	930 207 235 02	Hose		1	

Model: 911 84

Model life 1984>>1986



Model: 911 84 Model life 1984>>1986

Pos	Part Number	Description	Remark	Qty	Model
		for L-JETRONIC II			930.20/21/26 930.20/21/26
1	930 110 307 04	Fuel collection pipe		1	
2	928 110 475 01	Cap nut		1	
2	928 110 475 03	Cap nut		1	
2	928 110 475 04	Cap nut		1	
3	900 108 022 00	Ball 9MM		1	
4	930 110 308 04	Fuel collection pipe		1	
5	900 075 355 02	Combination screw M6X16		10	
5	900 075 355 01	Hexagon-head bolt M6X16		10	
6	N 011 524 7	Washer 6,4		13	
6	N 011 524 27	Washer 6,4		13	
7	930 606 120 00	Injector valve		6	
8	930 110 388 00	Retaining clip		6	
8	930 110 388 01	Retaining clip		6	
9	930 110 595 03	Fuel line		1	
9	930 110 595 05	Fuel line		1	
-	999 521 039 40	Spiral 18 X 3 345 MM		X	
9A				1	
10	928 110 198 01	Pressure regulator		1	
11	930 110 509 01	Fuel line		1	
11A	930 110 569 00	Retaining bracket		1	
12	999 512 160 02	Hose clamp S13/9ZY		1	
12	PCG 512 160 02	Hose clamp S13/9ZY		1	
13	900 031 013 02	Washer 17		1	
14	900 034 013 02	Hexagon nut BM16X1,5		1	
14	900 034 013 01	Hexagon nut BM16X1,5		1	
15	930 110 602 00	Diaphragm damper		1	
16	944 110 312 00	Washer		1	
17	N 010 235 3	Hexagon-head bolt 8 X 10		1	
18	930 110 594 00	Retaining bracket		1	
19	930 110 411 00	Connecting hose		1	
19	930 110 411 03	Connecting hose		1	
20	999 072 005 09	Hexagon nut M6X12		1	
20	999 072 005 01	Hexagon nut M6X12		1	
20A	911 607 301 00	Spacer		1	930.26
21	928 573 727 02	Distributing piece		1	
21A	999 137 017 40	Distributing piece KS 4		1	930.26
-	999 239 003 40	Hose 3,2 X 7		*	930.26
21B		40 MM		3	
21C	999 513 021 40	Tie-wrap 1,6 - 16		1	930.26
-	N 020 139 11	Pipe 4 X 1		*	
22		210MM		1	
23		380 MM		1	
24	928 574 717 02	Moulded hose		3	



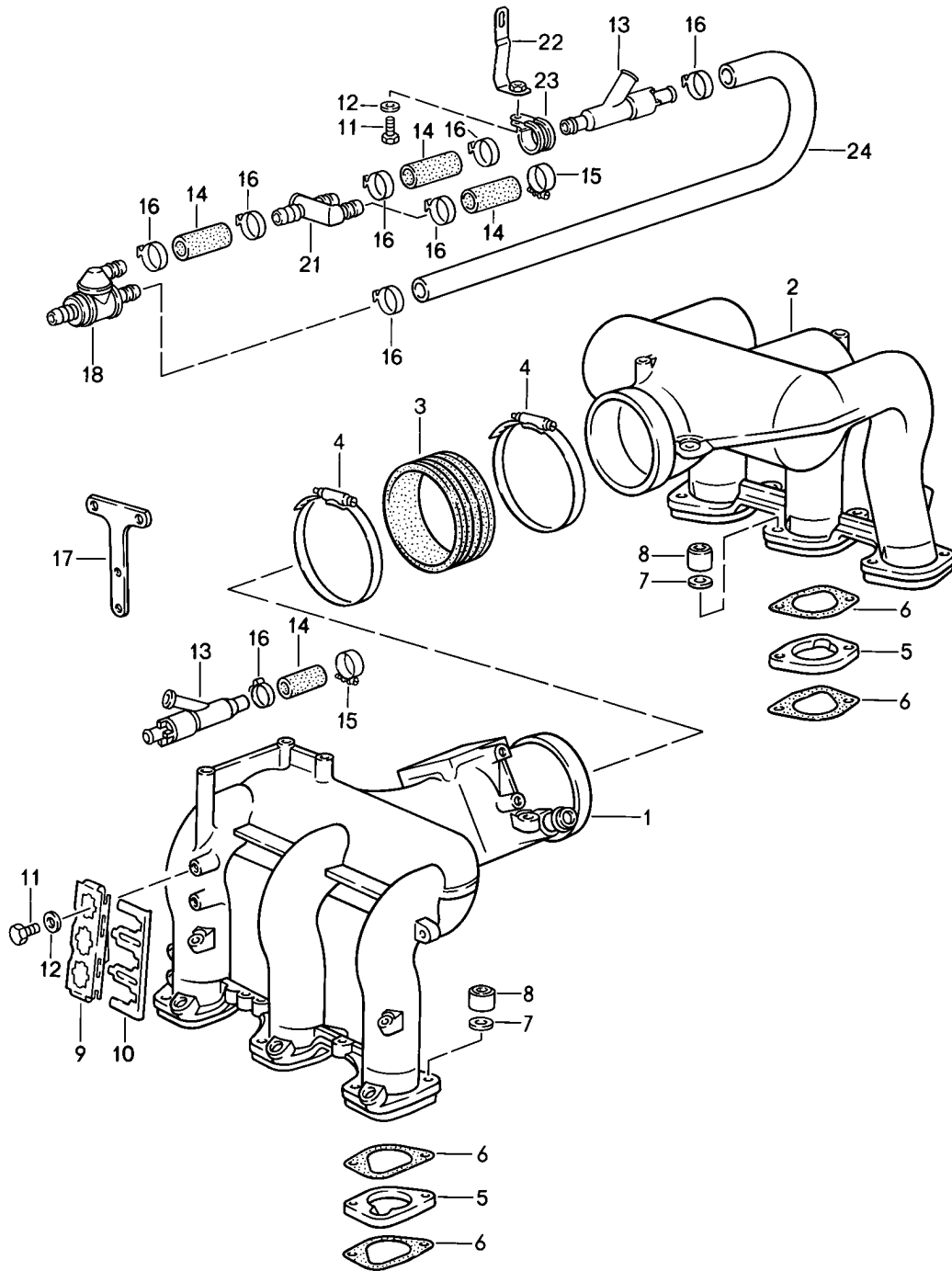
Model: 911 84

Model life 1984&gt;&gt;1986

Pos	Part Number	Description	Remark	Qty	Model
25	930 110 673 00	Strut		1	
26	930 110 671 00	Support		1	
27	900 025 003 02	Washer 5,3		1	
28	N 100 467 01	Pan-head screw M5X55		1	
29	930 606 161 00	Idle-speed adjuster		1	
30	930 110 597 02	Retaining bracket		1	
31	930 110 579 01	Bonded rubber buffer		2	
31	999 703 265 00	Bonded rubber buffer		2	
32	999 084 074 02	Lock nut M6		2	
33	999 512 369 02	Clamp SP43/9ZY		1	
33	999 512 369 0B	Clamp SP43/9ZY		1	
34	930 110 665 00	Pipeline		1	
35	930 110 267 01	Hose connection		1	
36	999 512 380 02	Hose clamp		2	
36	999 512 380 0B	Hose clamp		2	
37	PCG 512 237 02	Hose clamp S26/9ZY		3	
38	930 110 589 02	Hose		1	
39	944 110 901 00	Gasket for Injector valve		1	

Model: 911 84

Model life 1984>>1986



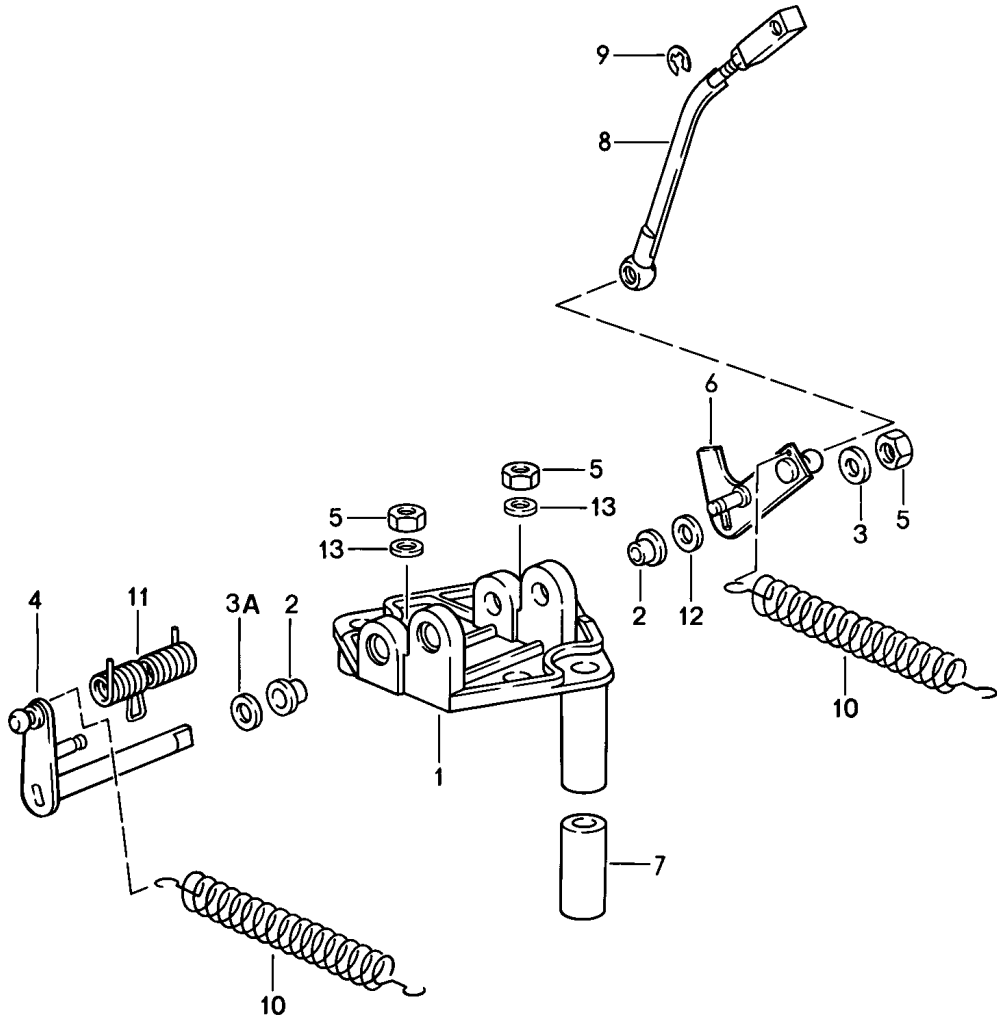
Model: 911 84

Model life 1984>>1986

Pos	Part Number	Description	Remark	Qty	Model
		for			930.20/21/26
		L-JETRONIC III			930.20/21/26
1	930 110 036 01	Intake distributor	-84	1	
1	930 110 036 03	Intake distributor	85-	1	
1		Intake distributor		1	
2	930 110 338 03	Intake distributor		1	
3	930 110 573 01	Rubber sleeve		1	
4	999 512 367 02	Hose clamp		2	
		S99/9ZY			
5	930 110 459 00	Intermediate flange		6	
6	930 110 197 07	Gasket	-84	12	
6	930 110 197 08	Gasket	85-	12	
6	930 110 197 11	Gasket	85-	12	
6	930 110 197 14	Gasket	85-	12	
7	999 025 152 02	Washer		12	
		8,1X15X3			
7	999 025 152 0C	Washer		12	
		8,1X15X3			
8	901 111 271 00	Nut		12	
9	911 606 125 00	Support		1	
9	911 606 125 01	Support		1	
		Use also:			
-	911 606 127 01	Support		1	
-	N 013 953 2	Oval-head sheetmetal screw		1	
10	911 606 127 00	Support		1	
10	911 606 127 01	Support		1	
		Use also:			
-	911 606 125 01	Support		1	
-	N 013 953 2	Oval-head sheetmetal screw		1	
11	999 072 005 09	Hexagon nut		3	
		M 6 X 12			
11	999 072 005 01	Hexagon nut		3	
		M 6 X 12			
12	N 011 524 7	Washer		3	
		A 6,4			
12	N 011 524 27	Washer		3	
		A 6,4			
13	067 133 753 A	Venturi tube		1	
13	067 133 753 B	Venturi tube		1	
-	999 181 022 51	Hose		*	
		11,8 X 19			
14		45 MM		4	
15	999 512 554 00	Hose clamp		3	
		A 9 X 18			
16	999 512 381 02	Clamp		9	
16	999 512 497 02	Clamp		9	
		18,8 - 21,1			
17	911 606 083 00	Support		1	930.26
18	930 110 667 01	Check valve		1	
21	930 110 691 01	Connection piece		1	
22	930 110 689 00	Retaining bracket		1	
23	999 512 428 02	Clamp		1	
24	999 181 068 41	Hose		1	

Model: 911 84

Model life 1984>>1986

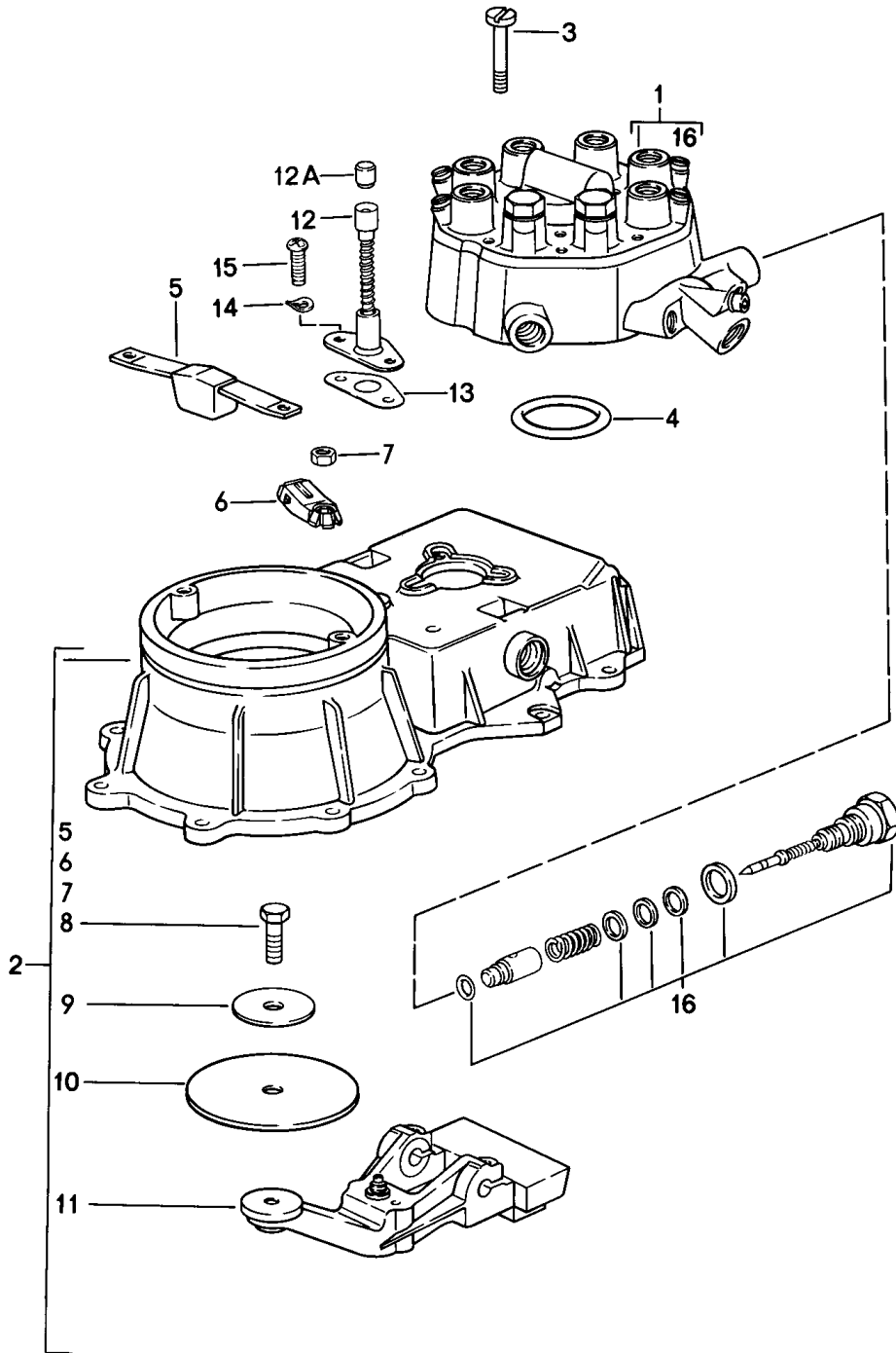


Model: 911 84 Model life 1984>>1986

Pos	Part Number	Description	Remark	Qty	Model
		Throttle linkage			
		Bracket			
(1)	911 110 091 07	Bracket		1	930.20/21/26
(1)		Bracket		1	930.66/68
1		Bracket		1	
2	999 924 069 00	Bearing sleeve		2	
3	900 025 007 02	Washer		2	
		A 8,4			
3	900 025 007 03	Washer		2	
		A 8,4			
3A	930 110 572 00	Washer		2	
(4)	911 110 060 03	Lever		1	930.20/21/26
(4)	930 110 060 03	Lever	-85	1	930.66/68
4	930 110 060 06	Lever	86-	1	930.66/68
4		Lever	86-	1	930.66/68
5	900 076 025 02	Hexagon nut		4	
		M 8			
5	900 076 064 02	Hexagon nut		4	
		M 8			
6	911 110 110 06	Lever	-85	1	930.20/21/26
(6)		Lever	86-	1	930.20/21/26
(6)	930 110 110 03	Lever	-85	1	930.66/68
6	930 110 110 06	Lever	86-	1	930.66/68
6		Lever	86-	1	930.66/68
7	901 110 236 00	Spacer tube		1	
8	930 110 098 03	Pull rod		1	930.20/21/26
8	930 110 098 04	Pull rod		1	930.20/21/26
(8)	930 110 079 04	Pull rod	-84	1	930.66/68
(8)	930 110 079 05	Pull rod	85-	1	930.66/68
9	N 012 325 1	Lock washer		1	
9		Lock washer		1	
10	911 110 165 08	Tension spring	-85	1	930.20/21/26
10		Tension spring	86-	2	930.20/21/26
(11)	930 110 148 01	Steering knuckle spring	-85	1	930.66/68
11	930 110 148 05	Steering knuckle spring	86-	1	930.66/68
12	930 110 571 00	Washer		1	930.20/21/26
12	930 110 571 02	Washer		1	930.20/21/26
12	930 110 571 01	Washer		1	930.66/68
13	900 031 001 02	Washer		1	930.66/68
13	900 031 105 01	Washer		1	930.66/68
13	900 025 007 02	Washer		1	930.66/68
		8,4			
13	900 025 007 03	Washer		1	930.66/68
		8,4			

Model: 911 84

Model life 1984>>1986



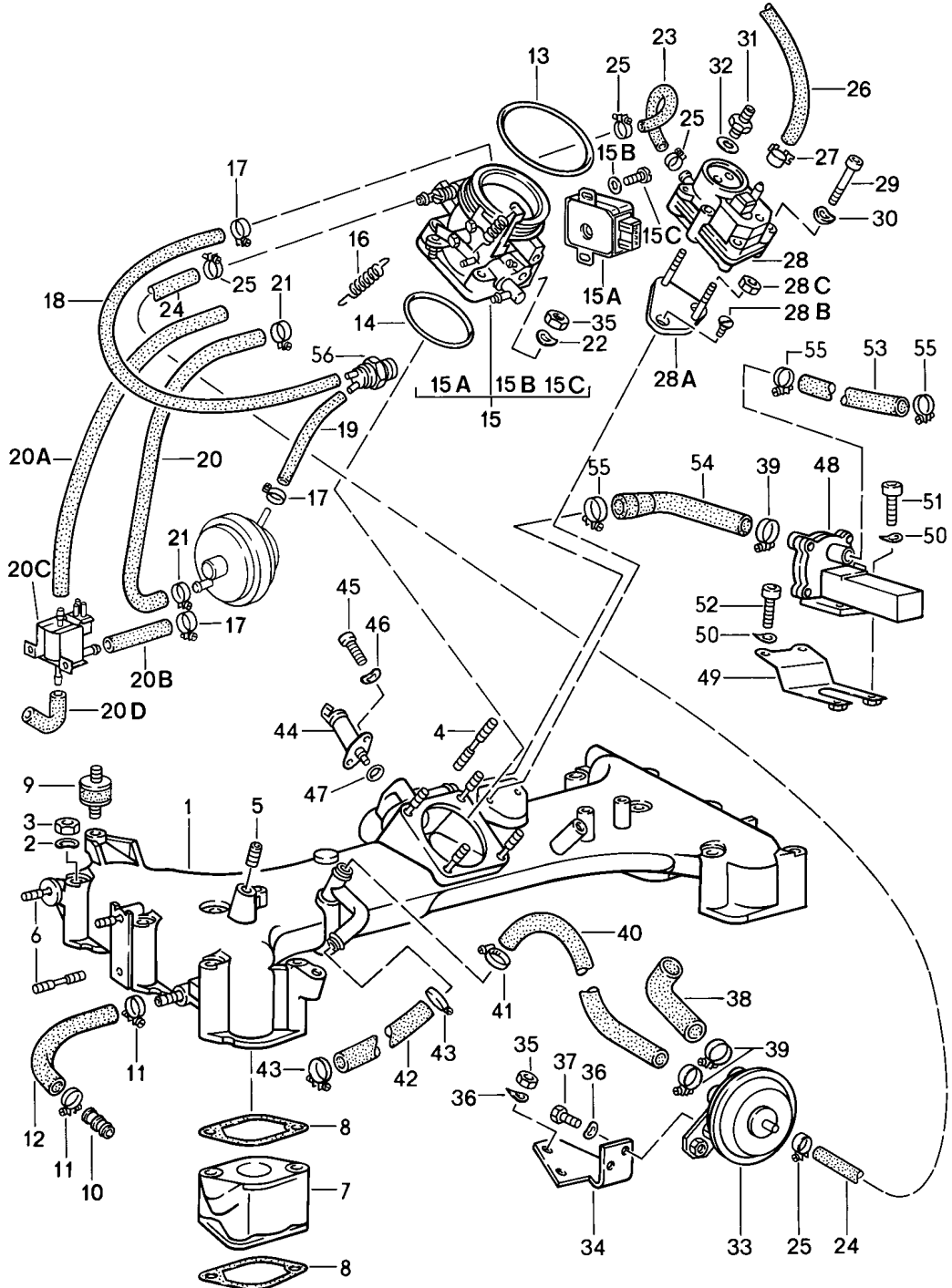
Model: 911 84

Model life 1984>>1986

Pos	Part Number	Description	Remark	Qty	Model
1	930 110 909 00	Mixture control unit		1	930.66/68
2	930 110 907 00	Fuel distributor		1	930.66
3	900 146 045 02	Mass air flow meter		1	930.66
		Oval-head screw		3	
		AM 5 X 45			
4	911 110 936 01	Gasket		1	
5	911 110 961 00	Stop		1	
6	911 110 929 00	Safety contact		1	
7	911 110 945 00	Lock nut		1	
8	911 110 944 01	Hexagon-head bolt		1	
9	911 110 960 00	Support washer		1	
10	911 110 943 01	Air flow sensor plate		1	
10	911 110 943 03	Air flow sensor plate		1	
11	911 110 959 00	Control lever		1	
12	930 110 910 00	Adjusting key		1	930.66
13	930 110 911 00	Gasket		1	
14	N 012 005 3	Lock ring		2	
		B 5			
15	N 014 128 13	Oval-head screw		2	
		AM 5 X 8			
16	928 110 920 01	Parts kit		1	
		Pressure regulator			
		See workshop manual			
		KD-NR. 256155			

Model: 911 84

Model life 1984>>1986





Model: 911 84

Model life 1984&gt;&gt;1986

Pos	Part Number	Description	Remark	Qty	Model
		for			930.66/68
		K-JETRONIC I			930.66/68
1	930 110 034 00	Intake manifold		1	930.66
2	N 012 241 8	Spring washer		12	
		B 8			
3	900 076 025 02	Hexagon nut		12	
		M 8			
3	900 076 064 02	Hexagon nut		12	
		M 8			
4	999 062 093 02	Stud		4	
		BM 6 X 35			
5	999 504 004 00	Threaded insert		3	
		M 8			
6	999 062 009 02	Stud		3	
		BM 8 X 28			
6	900 060 105 01	Stud		3	
		BM 8 X 28			
7	930 110 141 03	Flange		6	
8	930 110 197 10	Gasket		12	
9	930 110 194 00	Bonded rubber buffer		3	
10	930 110 267 00	Hose connection		1	
11	999 512 554 00	Hose clamp		2	
-	999 239 011 40	Hose		*	
		12 X 19			
12		270 MM		1	
13	999 701 477 40	Round seal		1	
14	999 701 468 40	Round seal		1	
		67,5 X 75,4 X 4			
15	930 110 250 08	Flap-Nozzle		1	930.66
16	930 110 497 00	Tension spring		1	
17	999 512 361 02	Hose clamp		6	
		S6/7ZY			
-	999 239 020 40	Hose		*	
		Red			
		3,2 X 7			
18		390 MM		1	
19		1000 MM		1	
-	999 239 022 40	Hose		*	
		Blue			
		4 X 10			
20		575 MM		1	930.66
21	999 512 159 02	Hose clamp		2	930.66
		S9/9ZY			
-	999 512 082 02	Hose clamp		2	930.66
-	999 512 082 01	Hose clamp		2	930.66
22	N 012 226 5	Spring washer		4	
-	999 239 013 40	Hose		*	
		Black			
		5 X 11			
-	999 239 013 4A	Hose		*	
		Black			
		5 X 11			
23		150 MM		1	930.66
24		405 MM		1	
25	999 512 082 02	Hose clamp		4	
25	999 512 082 01	Hose clamp		4	
-	999 239 006 40	Hose		*	
		Black			
		8 X 14			
-	999 239 034 40	Hose		*	
		Black			
		7,3 X 3			
26		120 MM		1	

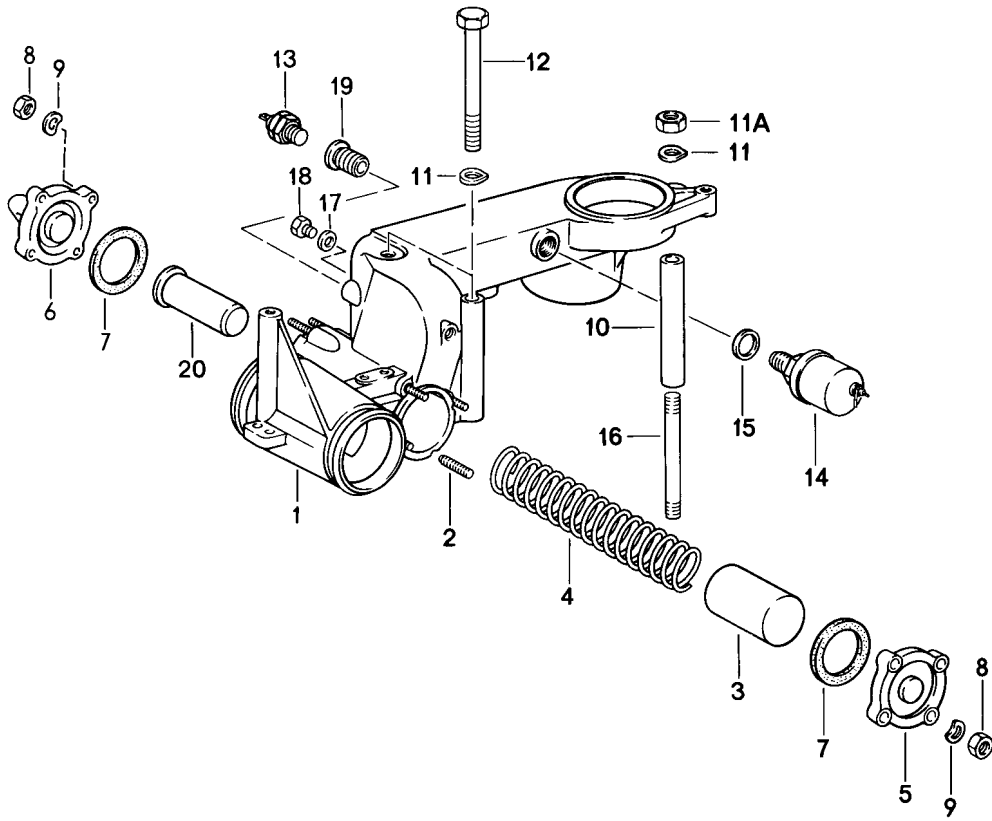
Model: 911 84

Model life 1984&gt;&gt;1986

Pos	Part Number	Description	Remark	Qty	Model
27	999 512 160 02	Hose clamp		4	
27	PCG 512 160 02	Hose clamp		4	
28	930 606 105 05	Warm-up valve		1	930.66
28	930 606 105 EX	Warm-up valve		1	930.66
29	N 044 703 3	Pan-head screw		2	
29		Pan-head screw M 6 X 45		2	
29	900 119 055 02	Pan-head screw M 6 X 60		2	
30	N 012 226 5	Spring washer A 6		2	
31	900 915 004 02	Connection piece		1	
32	900 123 144 30	Sealing ring A 10 X 13,5		1	
33	930 110 173 00	Vacuum limiter		1	
34	930 110 167 00	Retaining bracket		1	
35	900 076 010 02	Nut M 6		6	
35	900 076 010 0B	Nut M 6		6	
36	N 012 226 5	Spring washer B 6		4	
37	999 072 005 09	Hexagon nut M 6 X 12		2	
37	999 072 005 01	Hexagon nut M 6 X 12		2	
38	930 110 171 01	Hose		1	
39	PCG 512 237 02	Hose clamp		2	
-	999 239 007 40	Hose 15 X 24		*	
40		90 MM		1	
41	N 024 115 1	Hose clamp		2	
-	999 181 284 50	Hose 15 X 3,5		*	
42		300 MM		1	
43	999 512 045 02	Hose clamp		2	
44	930 606 107 01	Electric starting valve		1	
45	N 014 740 2	Pan-head screw M 6 X 16		2	
45	N 014 740 11	Pan-head screw M 6 X 16		2	
46	N 012 226 5	Spring washer A 6		2	
47	999 701 395 50	O-ring		1	
48	930 606 102 00	Auxiliary air regulator		1	
48	930 606 102 X	Auxiliary air regulator		1	
49	930 110 229 01	Support		1	930.66
50	N 012 226 5	Spring washer B 6		4	
51	900 067 009 02	Pan-head screw M 6 X 15		2	
51	900 067 429 01	Pan-head screw M 6 X 15		2	
52	900 067 008 02	Pan-head screw M 6 X 12		2	
52	900 067 008 03	Pan-head screw M 6 X 12		2	
53	999 239 009 40	Hose		*	930.66
54	930 110 335 00	Air hose		1	930.66
54	930 110 335 08	Air hose		1	930.66
55	N 024 141 2	Hose clamp 9 X 31 ZY		2	

Model: 911 84

Model life 1984>>1986



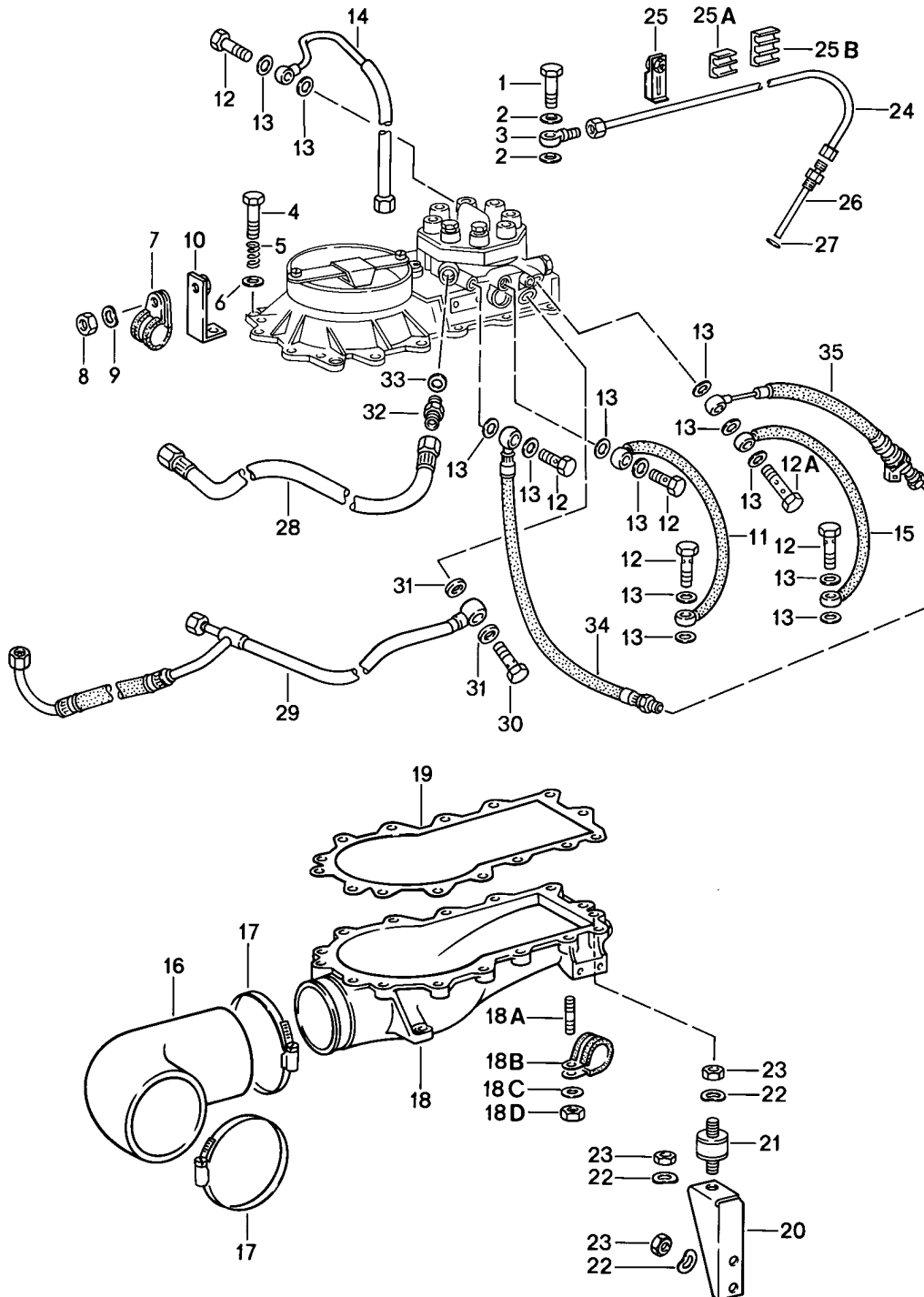
Model: 911 84

Model life 1984&gt;&gt;1986

Pos	Part Number	Description	Remark	Qty	Model
		for			930.66/68
		K-JETRONIC II			930.66/68
1	930 110 018 03	Valve housing		1	930.66
2	999 062 127 02	Stud		8	
		M 6 X 25			
-	999 072 005 01	Hexagon nut		2	
		AM 6 X 12			
-	999 504 004 00	Threaded insert		2	
		M 8 X 2 D			
-	999 504 116 00	Threaded insert		1	
		M 10 X 1 X 1 D			
-	999 504 117 00	Threaded insert		1	
		M 18 X 1,5 X 0,50			
3	930 110 151 00	Piston		1	
4	930 110 157 00	Compression spring		1	
5	930 110 156 06	Lid		1	
5	930 110 156 09	Lid		1	
6	930 110 056 02	Lid		1	
7	930 110 149 00	Gasket		2	
8	900 076 010 02	Nut		8	
		M 6			
8	900 076 010 0B	Nut		8	
		M 6			
9	N 012 226 5	Spring washer		8	
		B 6			
9	N 011 524 7	Washer		1	
		A 6,4			
9	N 011 524 27	Washer		1	
		A 6,4			
10	930 110 332 00	Spacer tube		1	
11	N 012 241 8	Spring washer		3	
		B 8			
11A	900 076 025 02	Hexagon nut		1	
		M 8			
11A	900 076 064 02	Hexagon nut		1	
		M 8			
12	900 074 264 02	Hexagon-head bolt		2	
		M 8 X 135			
13	930 606 101 00	Switch		1	
		Boost pressure			
14	993 606 103 00	Pressure transmitter		1	
		Boost pressure			
14	993 606 103 01	Pressure transmitter		1	
		Boost pressure			
15	900 123 009 30	Sealing ring		1	
15	900 123 106 30	Sealing ring		1	
		A 18 X 24			
16	999 062 234 02	Stud		1	
		BM 8 X 135			
19	930 110 367 01	Threaded insert		1	
		M 10 X 1 X 1D			
20	930 110 160 00	Spring guide		1	

Model: 911 84

Model life 1984>>1986



Model: 911 84

Model life 1984&gt;&gt;1986

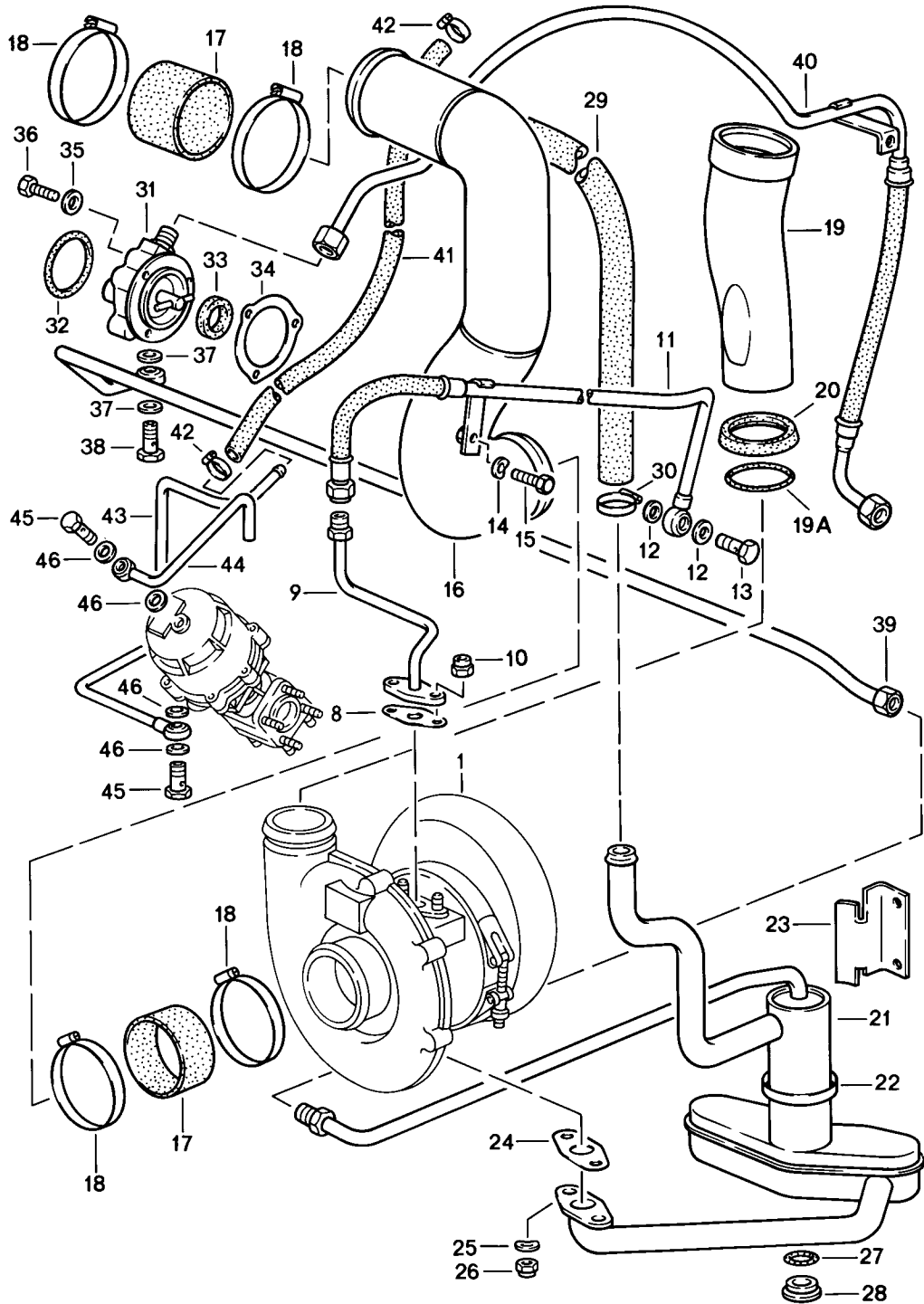
Pos	Part Number	Description	Remark	Qty	Model
		for			930.66/68
		K-JETRONIC III			930.66/68
1	930 110 547 00	Banjo bolt		6	
1	930 110 547 01	Banjo bolt		6	
2	900 123 144 30	Sealing ring		12	
		A 10 X 13,5			
3	999 215 002 02	Ring piece		6	
4	900 067 011 02	Pan-head screw		4	
		M 6 X 20			
4	900 067 011 03	Pan-head screw		4	
		M 6 X 20			
4	900 067 089 02	Pan-head screw		10	
		M 6 X 25			
4	900 067 089 01	Pan-head screw		10	
		M 6 X 25			
4	900 075 017 02	Hexagon-head bolt		1	
4	900 075 017 03	Hexagon-head bolt		1	
4	900 075 341 02	Combination screw		1	
		M 6 X 25			
4	900 075 341 01	Combination screw		1	
		M 6 X 25			
5	911 110 364 00	Compression spring		11	
6	N 012 226 5	Spring washer		15	
		B 6			
7	999 511 085 02	Clamp		1	
8	900 075 057 02	Hexagon-head bolt		1	
		M 6 X 16			
8	900 075 057 03	Hexagon-head bolt		1	
		M 6 X 16			
9	N 012 226 5	Spring washer		1	
		B 6			
10	930 110 434 01	Clip		1	
11	930 110 303 01	Fuel line		1	
		Intake			
		Start valve			
11	930 110 303 02	Fuel line		1	
		Intake			
		Start valve			
12	911 110 899 00	Banjo bolt		6	
		A 2/3			
13	900 123 115 30	Sealing ring		13	
		A 8 X 11,5			
14	930 110 302 01	Fuel line		1	
		Intake			
		Warm-up valve			
15	930 110 305 02	Fuel line		1	
		Return line			
		Warm-up valve			
15	930 110 305 03	Fuel line		1	
		Return line			
		Warm-up valve			
16	930 110 137 02	Hose elbow		1	
17	999 512 350 02	Hose clamp		2	
18	930 110 035 04	Lower part		1	930.66
-	999 062 022 02	Stud		2	
		M 8 X 12			
19	930 110 394 00	Gasket		1	
20	930 110 133 00	Retaining bracket		1	
21	930 110 194 00	Bonded rubber buffer		3	
22	N 012 241 8	Spring washer		7	
		B 8			
23	900 076 025 02	Hexagon nut		7	
		M 8			

Model: 911 84 Model life 1984>>1986

Pos	Part Number	Description	Remark	Qty	Model
23	900 076 064 02	Hexagon nut M 8		7	
24	930 110 041 02	Injection line Cylinder 1		1	930.66
24	930 110 042 02	Injection line Cylinder 2		1	930.66
24	930 110 043 02	Injection line Cylinder 3		1	930.66
24	930 110 044 01	Injection line Cylinder 4		1	930.66
24	930 110 045 02	Injection line Cylinder 5		1	930.66
24	930 110 046 02	Injection line Cylinder 6		1	930.66
25	930 110 432 02	Pipe clamp for 2 Lines		1	930.66
25	930 110 606 00	Pipe clamp for 2 Lines		1	930.66
25	930 110 606 01	Pipe clamp for 2 Lines		1	930.66
(25)	PCG 110 606 01	Rubber ply for Pipe clamp Lines It is necessary to rework		1	930.66/68
25	930 110 432 03	Pipe clamp for 3 Lines		3	930.68
25	930 110 607 00	Pipe clamp for 3 Lines		3	930.68
25	930 110 607 01	Pipe clamp for 3 Lines		3	930.68
(25)	PCG 110 606 01	Rubber ply for Pipe clamp Lines It is necessary to rework		3	930.66/68
26	930 110 225 02	Injector valve		6	930.66
27	900 123 144 30	Sealing ring A 10 X 13,5		6	
28	930 110 301 05	Fuel line Intake		1	
29	930 110 304 03	Fuel line Return line		1	
30	N 021 071 2	Banjo bolt		1	
31	900 123 101 30	Sealing ring A 12 X 18		2	
32	N 020 704 2	Connection piece		1	
33	900 123 116 30	Sealing ring A 12 X 15,5		1	

Model: 911 84

Model life 1984>>1986





Model: 911 84

Model life 1984&gt;&gt;1986

Pos	Part Number	Description	Remark	Qty	Model
1		Turbocharging Turbocharger See group 2/02/16			
8	930 107 123 01	Gasket		1	
9	930 107 124 01	Oil pipe		1	
9	930 107 124 03	Oil pipe		1	
10	999 084 052 02	Lock nut M 8		2	
11	930 107 125 03	Oil pipe		1	
11	930 107 125 07	Oil pipe		1	
12	900 123 007 30	It is necessary to rework Sealing ring A 14 X 18		2	
13	930 107 706 00	Banjo bolt		1	
14	N 012 226 5	Spring washer B 6		1	
15	999 072 005 09	Hexagon nut M 6 X 12		1	
15	999 072 005 01	Hexagon nut M 6 X 12		1	
16	930 110 165 02	Intake pipe		1	
17	930 110 158 01	Rubber sleeve 70x5x54		2	
18	999 512 351 02	Hose clamp		4	
19	930 110 192 01	Pressure line		1	
19A	999 701 473 40	Round seal		1	
20	930 110 230 00	Sealing ring		1	
21	930 107 001 07	Oil collection container		1	
22	999 512 341 02	Clamp		2	
22		Clamp		2	
23	930 107 113 01	Retaining bracket		1	
24	930 107 116 01	Gasket		1	
25	N 012 241 8	Spring washer B 8		2	
26	999 084 052 02	Lock nut M 8		2	
27	900 123 055 30	Sealing ring A 12 X 17		1	
28	900 219 006 02	Screw plug M 12 X 1,5		1	
28	900 219 006 01	Screw plug M 12 X 1,5		1	
29	930 107 394 02	Connecting hose		1	
30	999 512 252 02	Hose clamp		2	
31	964 107 005 21	Oil pump		1	
32	999 707 289 40	Round seal 47 X 2		1	
33	999 113 246 40	Radial sealing ring		1	
34	930 105 197 05	Gasket		1	
35	N 012 226 5	Spring washer B 6		3	
36	900 074 111 02	Hexagon-head bolt M 6 X 50		3	
37	900 123 018 30	Sealing ring A 16 X 20		2	
38	900 175 005 02	Banjo bolt		1	
39	930 107 338 00	Oil pipe		1	
40	930 107 336 03	Oil pipe		1	
-	999 239 006 40	Hose 8 X 14		*	
-	999 239 034 40	Hose 7,3 X 3		*	

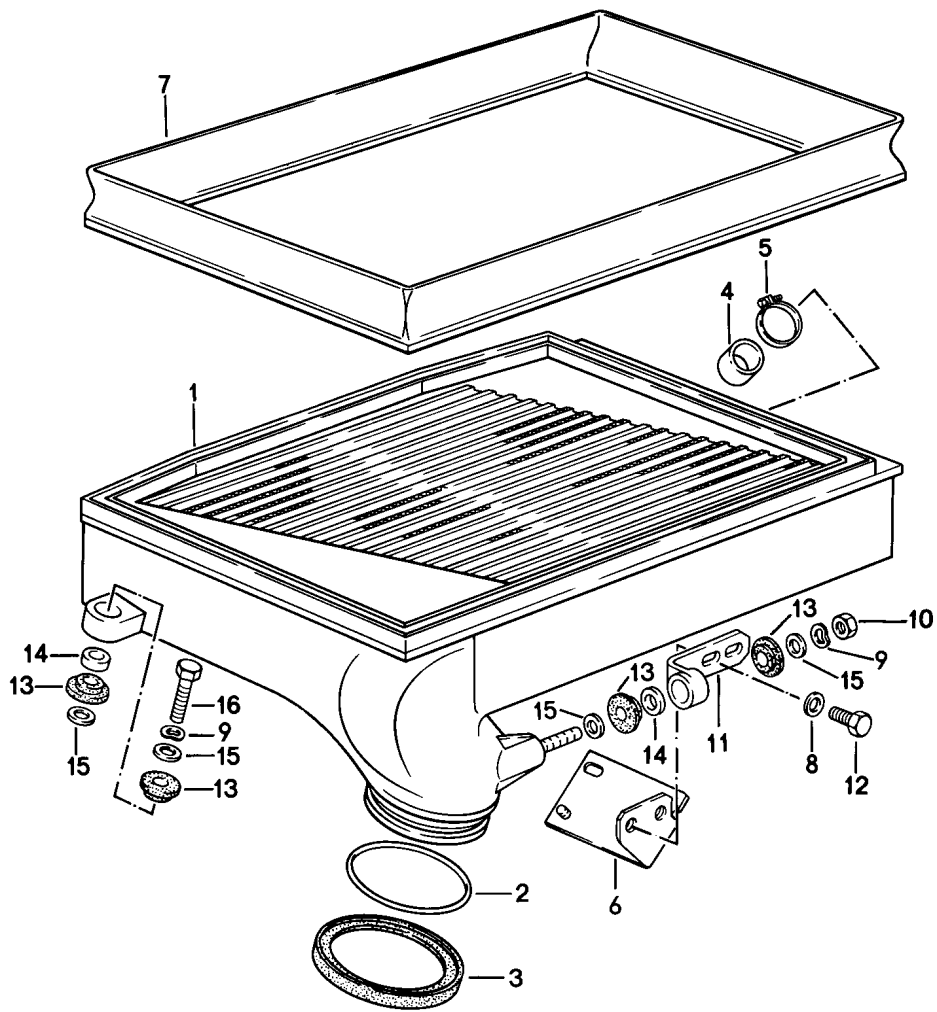
Model: 911 84

Model life 1984&gt;&gt;1986

Pos	Part Number	Description	Remark	Qty	Model
41		380 MM		1	
42	999 512 160 02	Hose clamp		2	
42	PCG 512 160 02	Hose clamp		2	
43	930 123 053 01	Control line		1	
44	930 123 043 04	Vent line		1	
45	900 175 020 02	Banjo bolt		2	
45	900 175 020 01	Banjo bolt		2	
46	900 123 043 30	Sealing ring A 12 X 15,5		4	

Model: 911 84

Model life 1984>>1986



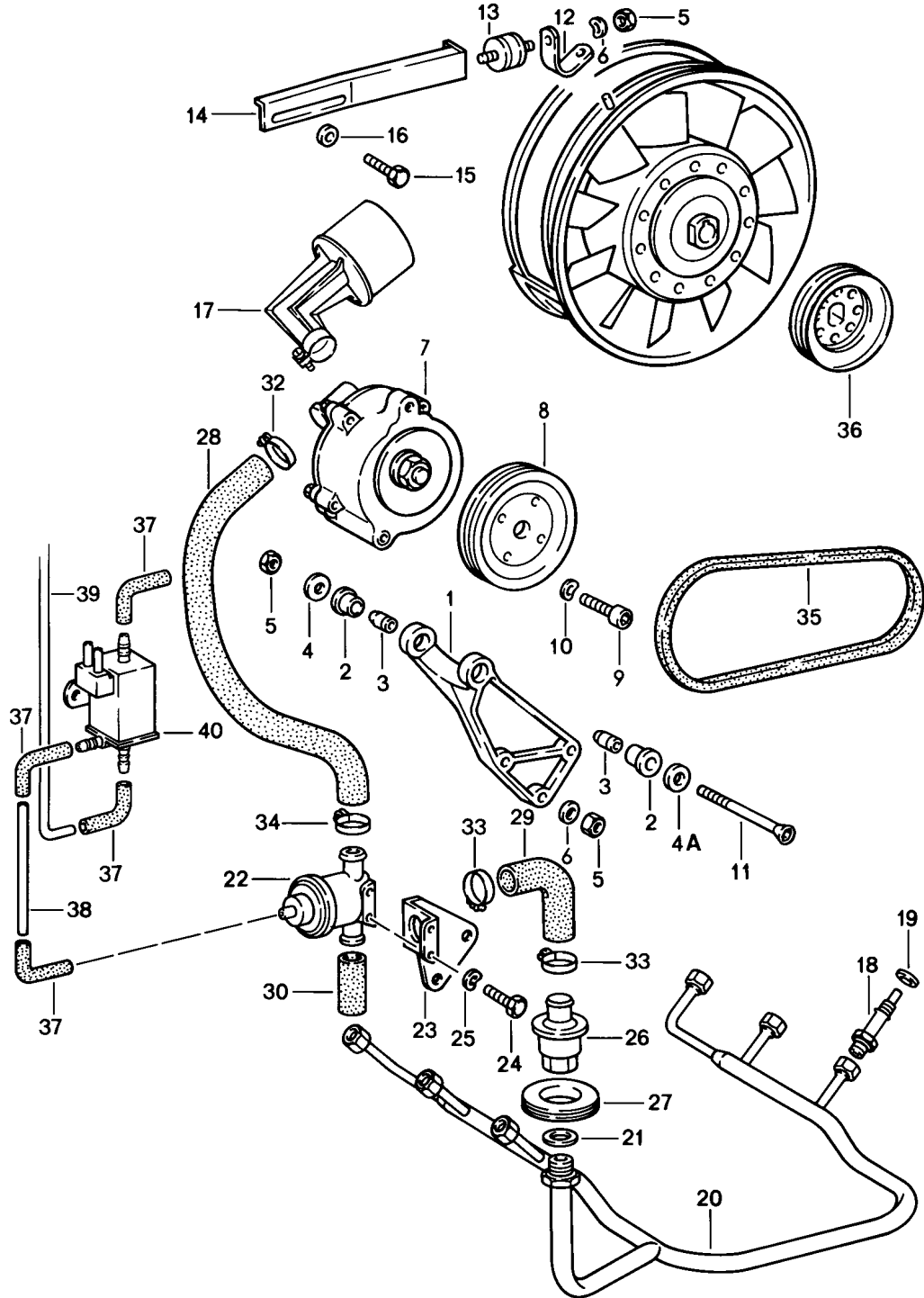
Model: 911 84

Model life 1984>>1986

Pos	Part Number	Description	Remark	Qty	Model
1	930 110 233 07	Charge air cooler		1	
2	999 701 469 40	Round seal		3	
3	930 110 379 00	Sealing ring		1	
4	930 110 256 01	Cap		1	
5	999 512 045 02	Hose clamp		1	
6	930 110 224 01	Mounting plate		1	
7	930 110 285 01	Gasket		1	
7	930 110 285 03	Gasket		1	
8	900 025 007 02	Washer B 8,4		4	
8	900 025 007 03	Washer B 8,4		4	
9	N 012 241 8	Spring washer B 8		7	
10	900 076 025 02	Hexagon nut M 8		3	
10	900 076 064 02	Hexagon nut M 8		3	
11	930 110 223 02	Support		1	
12	900 075 087 02	Hexagon-head bolt M 8 X 16		2	
12	900 075 087 03	Hexagon-head bolt M 8 X 16		2	
13	930 113 430 00	Rubber mounting		6	
14	930 110 232 00	Spacer sleeve		3	
15	900 151 008 02	Washer 8,4		6	
16	900 074 134 02	Hexagon-head bolt M 8 X 45		2	
-	930 110 234 02	Air guide	/L (D)	1	
-	930 110 234 03	Air guide	(D)	1	

Model: 911 84

Model life 1984>>1986



Model: 911 84 Model life 1984>>1986

Pos	Part Number	Description	Remark	Qty	Model
		Air injection	(AUS) (CH) (S)		930.26
1	911 113 113 02	Bracket		1	
2	911 113 121 00	Rubber mounting		2	
3	911 113 122 00	Spacer sleeve		2	
4	900 151 008 02	Washer B 8,4		1	
4A	911 113 162 00	Washer		1	
5	900 076 025 02	Hexagon nut M 8		7	
5	900 076 064 02	Hexagon nut M 8		7	
6	900 025 007 02	Washer A 8,4		4	
6	900 025 007 03	Washer A 8,4		4	
7	930 113 122 00	Air pump		1	
8	930 113 158 00	Pulley		1	
9	900 067 008 02	Pan-head screw M 6 X 12		4	
9	900 067 008 03	Pan-head screw M 6 X 12		4	
10	N 012 226 5	Spring washer A 6		4	
11	900 249 006 02	Countersunk-head screw M 8 X 120		1	
12	911 113 126 02	Retaining bracket		1	
13	930 110 194 00	Bonded rubber buffer		2	
13	999 703 263 00	Bonded rubber buffer		2	
14	911 113 125 02	Support		1	
15	900 075 085 02	Hexagon-head bolt M 8 X 20		1	
16	900 223 001 02	Washer 8,4		1	
17	911 113 117 02	Air cleaner		1	
18	911 113 145 02	Union		6	
18	911 113 145 04	Union		6	
19	900 123 033 20	Sealing ring A 10 X 13,5 CU		6	
20	911 113 043 02	Air tube		1	
21	900 123 060 30	Sealing ring A 24 X 29		1	
22	930 113 147 01	Diverter valve		1	
23	930 113 146 01	Support		1	
24	999 072 005 09	Hexagon nut M 6 X 12		2	
24	999 072 005 01	Hexagon nut M 6 X 12		2	
25	N 011 524 7	Washer 6,4		2	
25	N 011 524 27	Washer 6,4		2	
26	911 113 115 01	Check valve		1	
27	911 113 146 00	Gasket		1	
28	930 113 138 03	Hose		1	
29	930 113 137 01	Hose		1	
30	930 113 139 02	Hose		1	
32	999 512 038 02	Hose clamp S27/9		1	
32	PCG 512 038 02	Hose clamp S27/9		1	
33	PCG 512 237 02	Hose clamp		1	

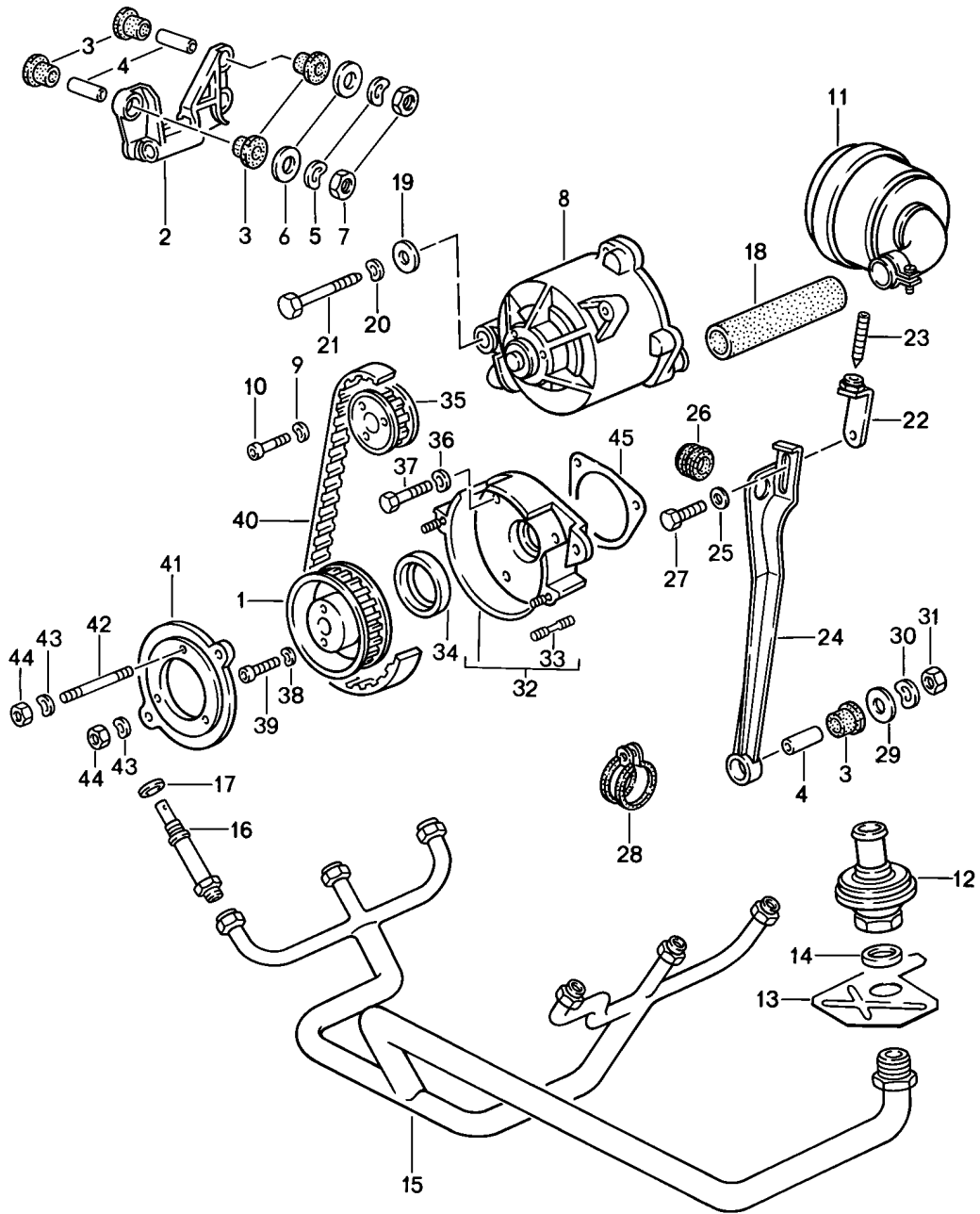
Model: 911 84

Model life 1984&gt;&gt;1986

Pos	Part Number	Description	Remark	Qty	Model
34	999 512 296 02	S26/9 Hose clamp		2	
35	900 192 005 50	S25/7 Narrow v-belt 9,5 X 975		1	
36	911 106 208 00	Pulley		1	
37	928 574 717 02	Moulded hose		4	
-	N 020 139 11	Pipe 4 X 1		*	
38		500 MM		1	
39		400 MM		1	
40	911 618 123 00	Change-over valve Electric		1	

Model: 911 84

Model life 1984>>1986





Model: 911 84

Model life 1984&gt;&gt;1986

Pos	Part Number	Description	Remark	Qty	Model
		Air injection			930.66/68
1	930 113 025 02	Pulley		1	
2	930 113 159 02	Bracket		1	
2	930 113 159 03	Bracket		1	
3	930 113 161 00	Rubber mounting		8	
4	930 113 163 00	Spacer sleeve		4	
5	900 025 007 02	Washer B 8		3	
5	900 025 007 03	Washer B 8		3	
6	900 151 008 02	Washer B 8,4		3	
7	900 076 025 02	Hexagon nut M 8		3	
7	900 076 064 02	Hexagon nut M 8		3	
8	930 113 114 01	Air pump		1	
9	N 011 524 7	Washer A 6,4		3	
9	N 011 524 27	Washer A 6,4		3	
10	900 067 089 02	Pan-head screw M 6 X 25		3	
10	900 067 089 01	Pan-head screw M 6 X 25		3	
11	930 113 120 01	Air cleaner		1	
-	930 113 401 00	Filter cartridge		1	
12	911 113 115 01	Check valve		1	
13	930 113 135 01	Heat shield		1	
14	900 123 060 30	Sealing ring A 24 X 29		2	
15	930 113 043 02	Air tube		1	
16	911 113 145 02	Union		6	
16	911 113 145 04	Union		6	
17	900 123 033 20	Sealing ring A 10 X 13,5 C 4		6	
18	999 239 004 40	Breather hose		1	
19	900 025 007 02	Washer B 8,4		2	
19	900 025 007 03	Washer B 8,4		2	
20	N 012 241 8	Spring washer B 8		1	
21	N 010 391 4	Hexagon-head bolt M 8 X 100		1	
22	930 113 187 01	Clamping bracket		1	
23	900 068 004 02	Threaded pin M 8 X 45		1	
24	930 113 171 00	Support		1	
25	900 025 007 02	Washer B 8,4		1	
25	900 025 007 03	Washer B 8,4		1	
26	N 012 241 8	Spring washer		1	
27	N 010 247 7	Hexagon-head bolt M 8 X 35		1	
27	N 010 247 18	Hexagon-head bolt M 8 X 35		1	
28	N 020 607 1	Clamp 20/20		1	
29	900 151 008 02	Washer B 8,4		1	
30	N 012 241 8	Spring washer		1	

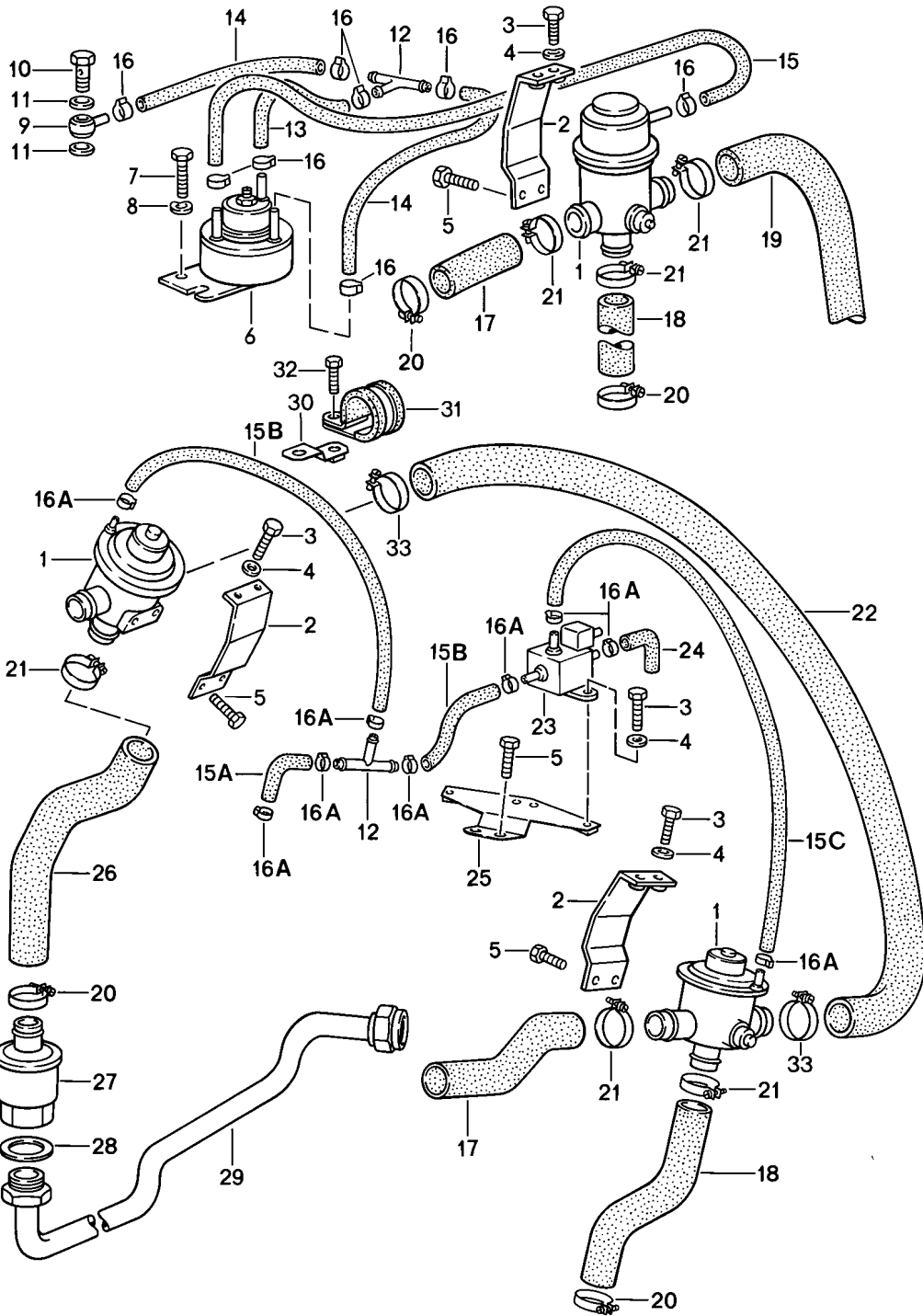
Model: 911 84

Model life 1984>>1986

Pos	Part Number	Description	Remark	Qty	Model
31	900 076 025 02	B 8 Hexagon nut		1	
31	900 076 064 02	M 8 Hexagon nut		1	
32	930 113 031 04	M 8 Intermediate flange		1	
33	999 062 055 02	Stud		2	
33	999 062 009 02	BM 6 X 12 Stud		1	
33	900 060 105 01	BM 8 X 28 Stud		1	
34	999 113 464 40	BM 8 X 28 Sealing ring		1	
35	930 113 017 06	Gear wheel		1	
36	N 012 226 5	Spring washer		3	
37	900 075 057 02	B 6 Hexagon-head bolt		3	
37	900 075 057 03	M 6 X 16 Hexagon-head bolt		3	
38	N 012 226 5	M 6 X 16 Spring washer		2	
39	900 067 013 02	A 6,4 Pan-head screw		2	
40	999 192 131 50	M 6 X 35 Toothed belt		1	
41	930 113 033 02	Lid		1	
42	999 062 123 02	Stud		3	
43	N 012 226 5	BM 6 X 45 Spring washer		5	
44	900 076 010 02	B 6 Nut		5	
44	900 076 010 0B	M 6 Nut		5	
45	930 105 197 03	M 6 Gasket		1	

Model: 911 84

Model life 1984>>1986



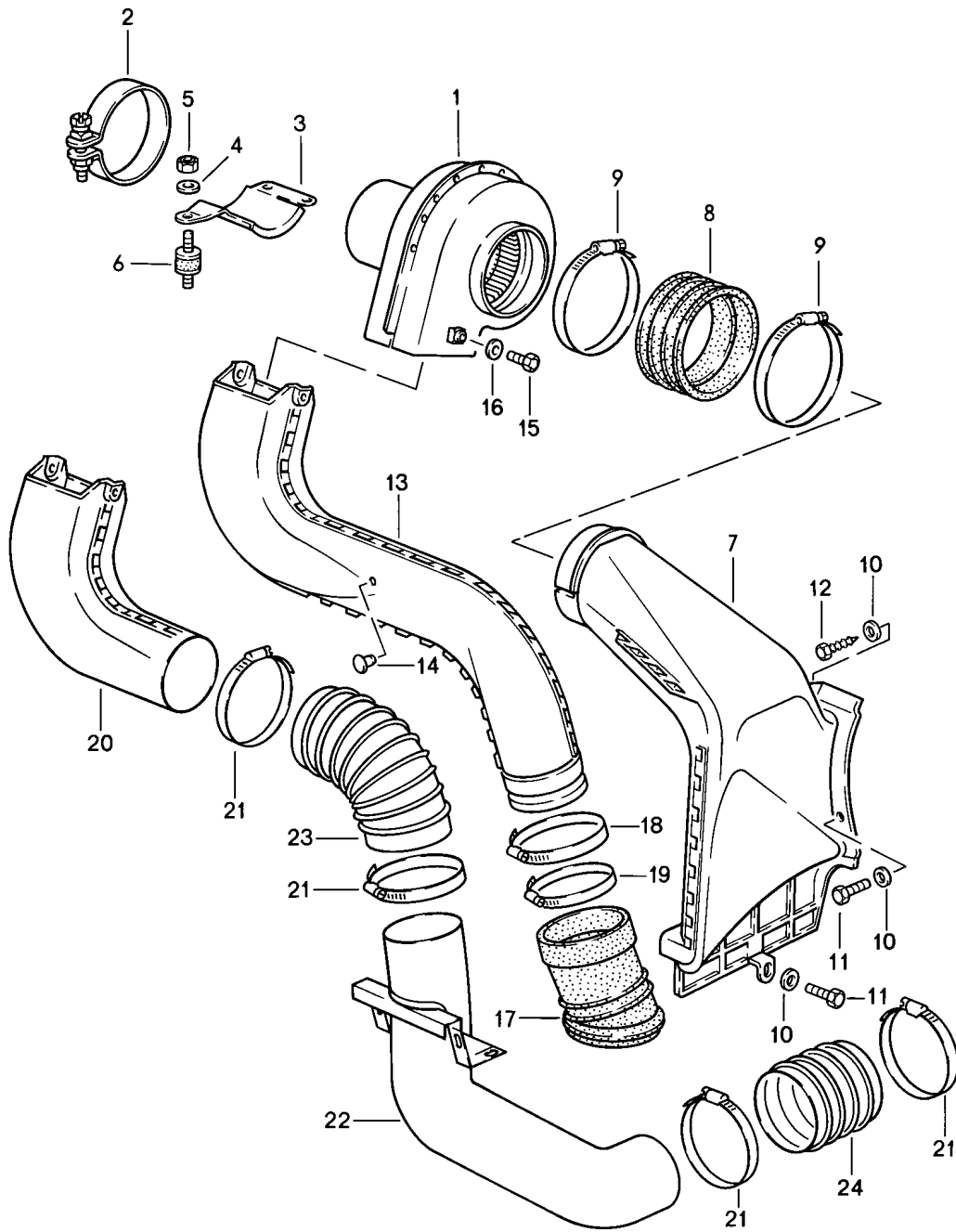
Model: 911 84

Model life 1984&gt;&gt;1986

Pos	Part Number	Description	Remark	Qty	Model
1	930 113 127 00	Air injection Diverter valve		1	930.66/68 930.66
2	930 113 112 00	Retaining bracket		2	
3	N 010 217 9	Hexagon-head bolt M 6 X 20		6	
4	N 011 524 7	Washer A 6,4		6	
4	N 011 524 27	Washer A 6,4		6	
5	999 075 039 02	Combination screw M 6 X 12		6	
5	999 075 039 0C	Combination screw M 6 X 12		6	
6	930 113 126 02	Control valve		1	930.66
7	999 072 005 09	Hexagon nut M 6 X 12		2	930.66
7	999 072 005 01	Hexagon nut M 6 X 12		2	930.66
8	N 012 226 5	Spring washer B 6		2	930.66
9	911 110 382 00	Ring piece		1	930.66
10	N 021 053 2	Banjo bolt		1	930.66
11	900 123 144 30	Sealing ring A 10 X 35		2	930.66
12	999 137 004 40	T-piece		1	
13	999 239 014 40	Hose 3,5 X 8,5		*	
13		60 MM		1	930.66
14		75 MM		2	
15		270 MM		2	
16	311 133 343 A	Hose clamp		8	
17	930 113 118 01	Hose		1	
18	930 113 181 00	Hose		1	
19	930 113 182 00	Air hose		1	930.66
20	999 512 038 02	Hose clamp S 28/9 ZY		2	
20	PCG 512 038 02	Hose clamp S 28/9 ZY		2	
21	PCG 512 237 02	Hose clamp S 26/9		5	

Model: 911 84

Model life 1984>>1986



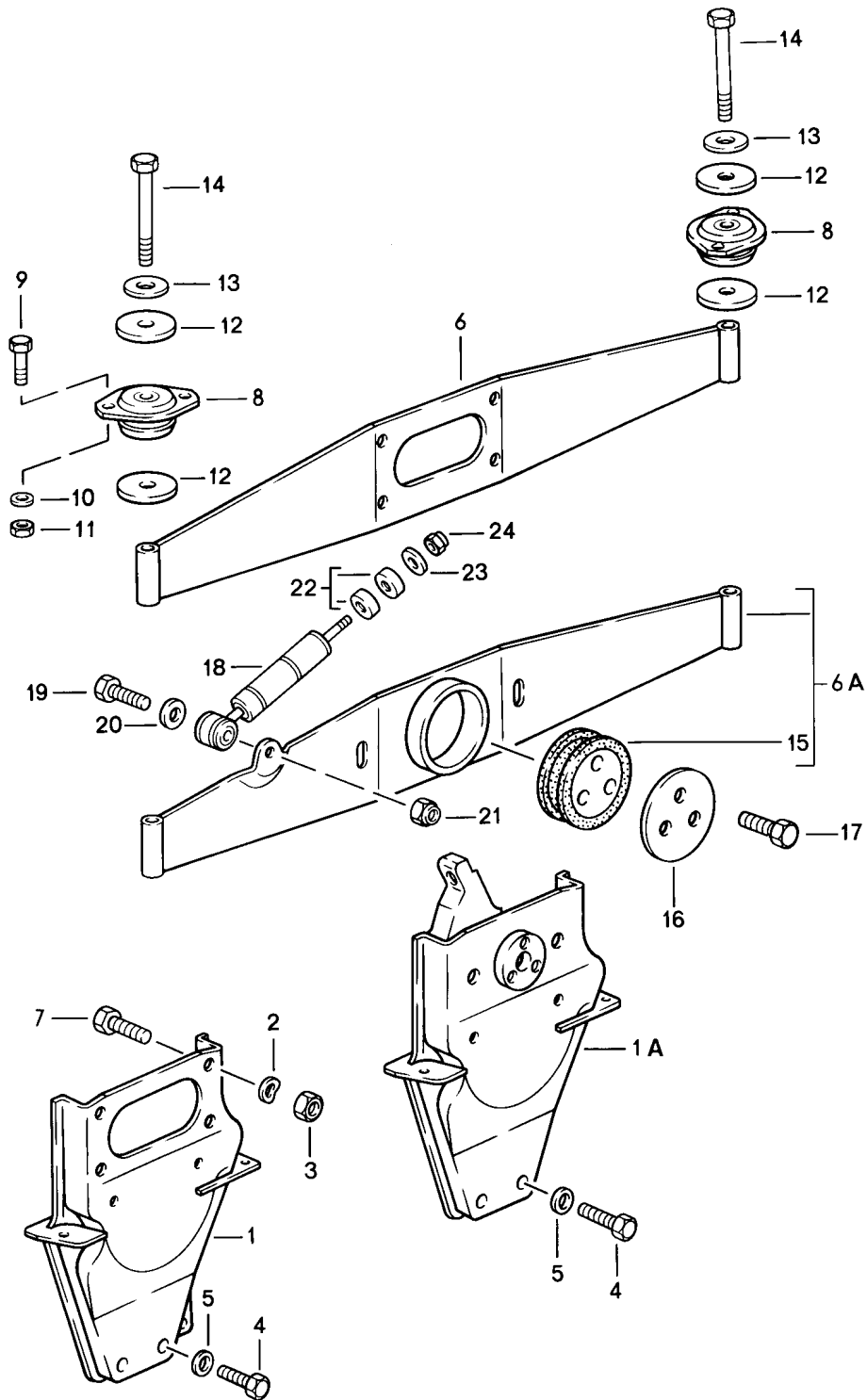
Model: 911 84

Model life 1984>>1986

Pos	Part Number	Description	Remark	Qty	Model
		Additional blower			930.20/21/26
1	965 624 151 00	Blower		1	
2	999 512 244 02	Clamp SP 77/20		1	
3	930 211 139 00	Support		1	
4	N 011 524 7	Washer 6,4		3	
4	N 011 524 27	Washer 6,4		3	
5	900 910 096 02	Lock nut M 6		3	
6	930 110 579 01	Bonded rubber buffer		3	
6	999 703 265 00	Bonded rubber buffer		3	
7	930 211 323 01	Hot air socket		1	930.20/21
(7)	930 211 323 02	Hot air socket		1	930.26
8	930 211 581 00	Rubber sleeve		1	
9	999 512 087 02	Hose clamp S94/9ZY		2	
9	PCG 512 087 02	Hose clamp S94/9ZY		2	
10	999 025 108 02	Washer		4	
11	999 072 005 09	Hexagon nut M6 X 12		2	
11	999 072 005 01	Hexagon nut M6 X 12		2	
12	900 187 015 02	Hexagon-head tapping screw B 6,3 X 16		2	
13	930 211 341 03	Hot-air manifold		1	
14	999 703 077 40	Cap 10,5 X 6,3		1	
15	N 010 205 6	Hexagon-head bolt M 5 X 10		2	
15	900 075 105 02	Screw M 5 X 10		2	
16	900 025 003 02	Washer 5,3		2	
17	930 211 337 00	Boot		1	
17	930 211 337 01	Boot		1	
18	999 512 200 02	Hose clamp S81/9ZY		1	
19	999 512 235 02	Hose clamp S77/9ZY		1	
20	930 211 341 01	Hot-air manifold		1	930.26
21	999 512 349 02	Hose clamp SGT 50-70/9		4	930.26
21	999 512 349 01	Hose clamp SGT 50-70/9		4	930.26
21	999 512 349 0B	Hose clamp SGT 50-70/9		4	
22	930 211 341 02	Hot-air manifold		1	930.26
23	911 211 553 01	Flexible pipe		1	930.26
24	911 211 553 02	Flexible pipe		1	930.26

Model: 911 84

Model life 1984>>1986



Model: 911 84

Model life 1984&gt;&gt;1986

Pos	Part Number	Description	Remark	Qty	Model
1	930 115 017 02	Engine suspension		1	
1A	930 115 017 09	Engine bracket		1	CABRIO
2	N 012 242 3	Spring washer		4	
3	900 157 002 02	Hexagon nut M 10		4	
3	900 157 002 03	Hexagon nut M 10		4	
4	N 010 450 5	Hexagon-head bolt M10X50		2	
4	900 074 373 02	Hexagon-head bolt M10X50		2	
4	N 010 253 7	Hexagon-head bolt M10X22		1	
4	900 074 064 02	Hexagon-head bolt M10X60		1	930.20/21/26
4	900 074 377 01	Hexagon-head bolt M10X60		1	930.20/21/26
4	N 010 472 4	Hexagon-head bolt		1	930.66/68
4	900 074 375 01	Hexagon-head bolt		1	930.66/68
4	N 010 472 4	Hexagon-head bolt M10X85		1	930.66/68
4	900 074 375 01	Hexagon-head bolt M10X85		1	930.66/68
5	900 025 008 09	Washer A10,5		4	
5	900 025 008 04	Washer A10,5		4	
6	930 375 011 01	Bracket		1	
6A	911 375 011 06	Bracket		1	CABRIO
7	900 156 006 02	Hexagon-head bolt M 10 X 18		4	
8	911 375 043 00	Bearing		2	
8	911 375 043 07	Bearing		2	CABRIO
9	N 010 335 5	Hexagon-head bolt M 8 X 35		4	
9	900 075 032 03	Hexagon-head bolt M 8 X 35		4	
10	900 027 015 02	Lock ring B 8		4	
10	900 027 015 03	Lock ring B 8		4	
11	900 076 025 02	Hexagon nut M 8		4	
11	900 076 064 02	Hexagon nut M 8		4	
12	901 305 311 00	Seat		4	
13	803 199 347	Spring washer		2	
13	803 199 34H	Washer		2	
14	N 010 191 2	Hexagon-head bolt M 12 X 1,5 X 95		2	
14	900 082 142 01	Hexagon-head bolt M 12 X 1,5 X 95		2	
15	911 375 043 05	Torsion bearing		1	CABRIO
16	911 375 313 00	End plate		1	CABRIO
17	N 010 275 3	Hexagon-head bolt M 10X35		3	CABRIO
17	900 075 460 01	Hexagon-head bolt M 10X35		3	CABRIO
18	911 375 175 00	Vibration damper		1	CABRIO
18	911 375 175 01	Vibration damper		1	CABRIO
19	N 010 445 2	Hexagon-head bolt M 10X45		1	CABRIO



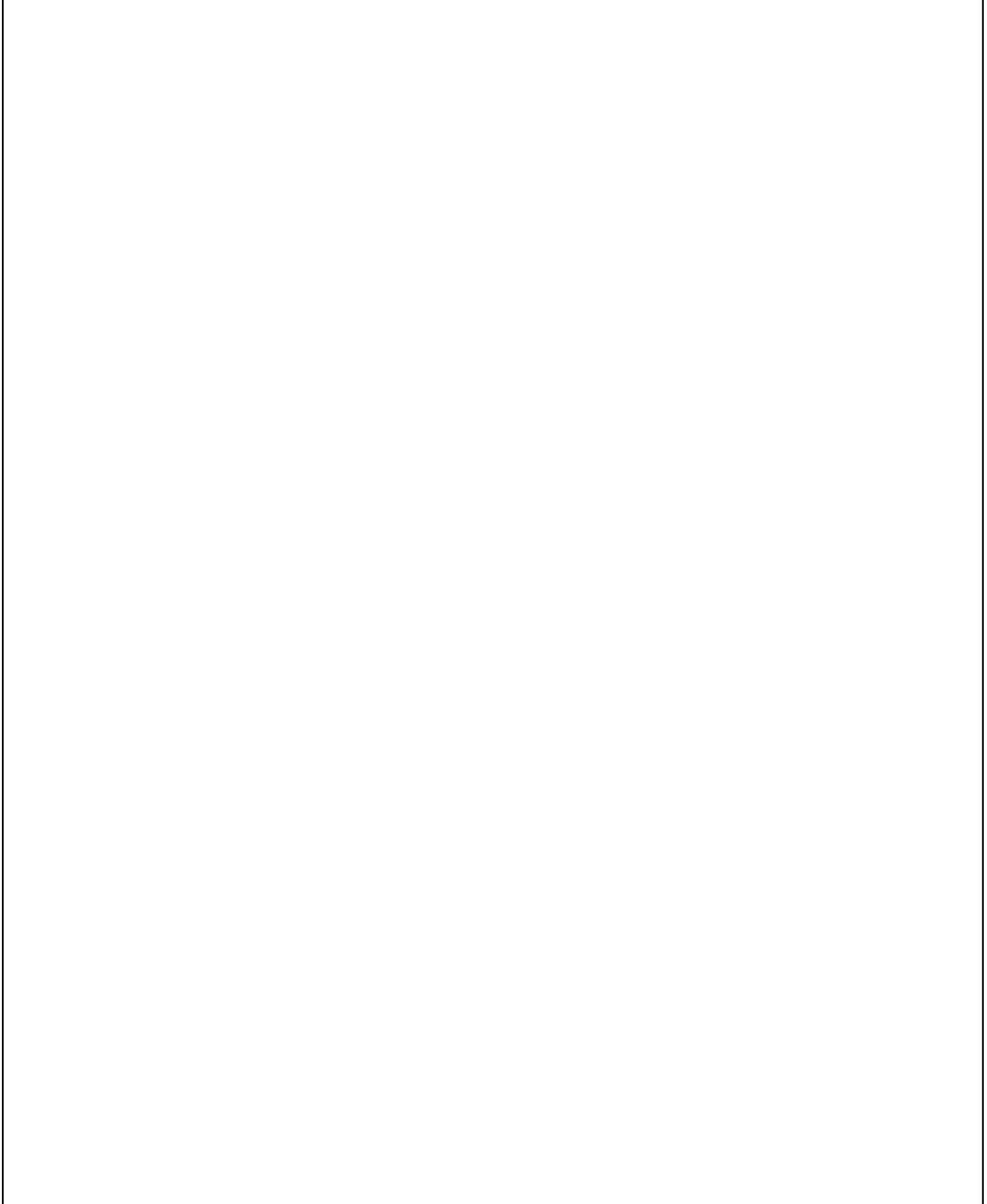
Model: 911 84

Model life 1984&gt;&gt;1986

Pos	Part Number	Description	Remark	Qty	Model
19	900 074 372 01	Hexagon-head bolt M 10X45		1	CABRIO
20	900 025 008 09	Washer A 10,5		1	CABRIO
20	900 025 008 04	Washer A 10,5		1	CABRIO
21	N 900 876 01	Lock nut		1	CABRIO
21		Lock nut VM 10		1	CABRIO
22	911 375 181 00	Spacer ring		2	CABRIO
23	N 900 662 01	Washer 6,4 X 21,5		1	CABRIO
24	900 910 010 09	Lock nut VM 6		1	CABRIO

Model: 911 84

Model life 1984>>1986



Model: 911 84 Model life 1984>>1986

Pos	Part Number	Description	Remark	Qty	Model
>>	930 100 907 04	Gasket set Repair kit Maintenance set Gasket set Engine Cylinder Cylinder head Comprising:		1	930.20/21/26
-	999 704 172 50	Sealing ring		2	
-	930 104 194 02	Cylinder base gasket		6	
-	928 104 193 12	Valve stem seal		12	
-	928 104 193 13	Valve stem seal		12	
-	964 104 111 07	Valve stem seal		12	
-	930 105 193 00	Gasket		2	
-	930 105 193 05	Gasket		2	
-	900 031 014 30	Washer 8,4		40	
-	999 701 596 40	O-ring 8,3-2,4		2	
-	999 701 598 40	O-ring 20,3-2,4		2	
-	999 701 298 40	O-ring 10-1,3		2	
-	N 013 804 2	Sealing ring A 6 X 10		2	
-	930 105 197 03	Gasket		2	
-	999 701 124 40	O-ring 67,5 X 4		1	
-	930 105 191 03	Gasket		1	
-	930 105 192 01	Gasket		1	
-	930 105 192 03	Gasket		1	
-	930 105 192 04	Gasket		1	
-	900 031 011 30	Washer 6,4		19	
-	930 105 194 00	Gasket		2	
-	930 105 194 02	Gasket		2	
-	930 105 194 04	Gasket		2	
-	930 105 195 05	Gasket		2	
-	930 105 195 06	Gasket		2	
-	930 105 195 07	Gasket		2	
-	999 704 173 50	Sealing ring		1	
-	900 123 005 30	Sealing ring A 12 X 16		7	
-	999 707 112 40	Round seal		8	
-	999 707 112 4A	Round seal		8	
-	930 110 197 08	Gasket		12	
-	930 110 197 11	Gasket		12	
-	930 110 197 14	Gasket		12	
-	999 701 423 40	O-ring 6 X 5		6	
-	900 123 050 30	Sealing ring A 8 X 11,5		17	
-	900 123 144 30	Sealing ring 10 X 13,5		1	
-	999 701 395 50	O-ring 7-2B		1	
-	999 701 210 40	O-ring 20-2,5		1	
-	999 701 210 4A	O-ring 20-2,5		1	
-	911 111 191 01	Gasket		1	
-	911 111 191 02	Gasket		1	
-	930 111 192 01	Gasket		2	

Model: 911 84

Model life 1984&gt;&gt;1986

Pos	Part Number	Description	Remark	Qty	Model
-	930 111 193 01	Gasket		1	
-	930 111 193 04	Gasket		1	
-	930 111 193 05	Gasket		1	
-	930 111 193 07	Gasket		1	
-	911 111 188 02	Support washer		1	
-	911 111 189 03	Gasket		6	
-	900 123 033 20	Sealing ring A 10 X 13,5		6	
-	900 123 060 30	Sealing ring A 24 X 29		1	
-	900 123 008 30	Sealing ring A 14 X 20		1	
-	900 123 116 30	Sealing ring A 12 X 15,5		3	
-	999 701 135 50	O-ring 15 X 2,5		1	
-	900 123 006 30	Sealing ring A 14 X 18		2	
-	930 111 191 06	Gasket		6	
-	930 111 191 11	Gasket		6	
-	930 111 191 12	Gasket		6	
-	900 123 007 70	Sealing ring A 14 X 18		2	
-	999 701 468 40	Round seal		2	
-	911 113 146 00	Gasket		1	
-	999 701 446 40	O-ring		6	
-	900 123 007 30	Sealing ring		1	
-	900 123 005 00	Sealing ring A 12 X 16		8	
-	900 123 115 30	Sealing ring A 8 X 11,5		4	
-	999 701 690 40	Round seal 12 X 1,78		2	
>>	930 100 908 02	Gasket set Engine Cylinder Cylinder head Comprising:		1	930.66/68
-	999 704 172 50	Sealing ring		6	
-	930 104 194 02	Cylinder base gasket		6	
-	928 104 193 12	Valve stem seal		12	
-	928 104 193 13	Valve stem seal		12	
-	964 104 111 07	Valve stem seal		12	
-	930 105 193 00	Gasket		2	
-	930 105 193 05	Gasket		2	
-	999 701 596 40	O-ring 8,3 - 2,4		2	
-	999 701 598 40	O-ring 20,3 - 2,4		2	
-	999 701 298 40	O-ring 10 - 1,3		2	
-	N 013 804 2	Sealing ring A 6 X 10		2	
-	930 105 197 03	Gasket		2	
-	930 105 197 05	Gasket		1	
-	930 105 191 03	Gasket		1	
-	930 105 192 01	Gasket		1	
-	930 105 192 03	Gasket		1	
-	930 105 192 04	Gasket		1	
-	900 031 011 30	Washer 6,4		19	
-	930 105 194 00	Gasket		2	
-	930 105 194 02	Gasket		2	

Model: 911 84 Model life 1984>>1986

Pos	Part Number	Description	Remark	Qty	Model
-	930 105 194 04	Gasket		2	
-	930 105 195 05	Gasket		2	
-	930 105 195 06	Gasket		2	
-	930 105 195 07	Gasket		2	
-	900 031 014 30	Washer 8,4		42	
-	999 704 173 50	Sealing ring		1	
-	900 123 005 30	Sealing ring A 12 X 16		7	
-	999 707 112 40	Round seal		8	
-	999 707 112 4A	Round seal		8	
-	999 707 289 40	Round seal 47 X 2		1	
-	900 123 007 30	Sealing ring A 14 X 18		2	
-	999 113 246 40	Radial sealing ring		1	
-	900 123 055 30	Sealing ring A 12 X 17		1	
-	930 107 116 01	Gasket		1	
-	900 123 018 30	Sealing ring A 16 X 20		2	
-	930 107 123 01	Gasket		1	
-	900 123 033 20	Sealing ring A 10 X 13,5		26	
-	930 110 197 10	Gasket		12	
-	930 110 149 00	Gasket		2	
-	930 110 122 00	Sealing ring		1	
-	900 123 101 30	Sealing ring A 12 X 18		1	
-	900 123 144 30	Sealing ring A 10 X 13,5		1	
-	930 110 394 00	Gasket		1	
-	900 123 050 30	Sealing ring A 8 X 11,5		10	
-	999 701 395 50	O-ring 7-2		1	
-	930 111 192 03	Gasket		2	
-	930 111 192 04	Gasket		2	
-	930 111 192 06	Gasket		2	
-	999 701 468 40	Round seal		3	
-	930 110 230 00	Sealing ring		1	
-	930 110 379 00	Sealing ring		1	
-	930 111 160 01	Gasket		2	
-	930 111 162 01	Gasket		2	
-	911 111 189 03	Gasket		1	
-	930 111 191 01	Gasket		6	
-	930 111 193 01	Gasket		1	
-	930 111 193 04	Gasket		1	
-	930 111 193 05	Gasket		1	
-	930 111 193 07	Gasket		1	
-	930 123 191 01	Gasket		2	
-	999 701 473 40	Round seal		1	
-	930 123 192 01	Gasket		1	
-	930 123 194 01	Gasket		2	
-	999 701 469 40	Round seal		3	
-	999 701 477 40	Round seal		1	
-	911 113 179 02	Gasket		1	
-	911 113 190 01	Gasket		6	
-	900 123 009 30	Sealing ring		1	
-	900 123 116 30	Sealing ring		4	
-	900 123 060 30	Sealing ring		2	
-	930 123 134 04	Gasket		1	
-	999 113 464 40	Sealing ring		1	

Model: 911 84 Model life 1984>>1986

Pos	Part Number	Description	Remark	Qty	Model
-	900 123 005 00	Sealing ring A 12 X 16		8	
-	930 111 156 01	Support washer		1	
-	930 123 132 02	Support washer		1	
>>	930 100 901 04	Gasket set Engine Crankcase Comprising:		1	
-	999 704 172 50	Sealing ring		3	
-	999 701 006 40	O-ring		26	
-	999 113 215 40	Sealing ring 90 X 110 X 12		1	
-	930 101 391 01	Gasket		2	
-	900 123 118 30	Sealing ring A 22 X 27		1	
-	999 113 049 50	Oil scraper ring 30 X 50 X 10		1	
-	999 707 285 40	O-ring 51 X 4,5		1	
-	900 123 044 30	Sealing ring A 18 X 22		1	
-	900 123 066 30	Sealing ring A 10 X 16		8	
-	900 031 011 30	Washer 6,4		3	
-	900 123 005 00	Sealing ring A 12 X 16		4	
-	900 031 014 30	Washer 8,4		24	
-	930 105 198 01	Gasket		1	
-	999 704 173 50	Sealing ring		1	
-	900 123 011 30	Sealing ring A 22 X 27		1	
-	999 701 053 50	Sealing ring 39,2 X 3		1	
-	900 123 106 30	Sealing ring A 18 X 24		2	
-	930 107 791 00	Gasket		1	
-	911 602 102 01	Sealing ring		1	
-	900 123 009 20	Sealing ring A 18 X 24		1	
-	900 123 007 30	Sealing ring A 14 X 18		2	
-	901 102 191 00	Sealing ring		1	
-	999 701 658 40	Round seal 33,3 X 2,4 Piston rings MAHLE		1	
>>	930 103 986 00	Set of piston rings		1	930.20/21/26
>>	930 103 968 00	Set of piston rings		1	930.66/68
>>	911 100 956 02	Maintenance set for Periodic maintenance 1 set Comprising:		1	930.20/21/26
-	930 107 764 01	Oil filter		1	
-	930 107 764 03	Oil filter Red	-(IND)	1	
-	928 110 253 06	Fuel filter		1	
-	930 105 194 00	Gasket		2	
-	930 105 194 02	Gasket		2	
-	930 105 194 04	Gasket		2	
-	930 105 195 05	Gasket		2	

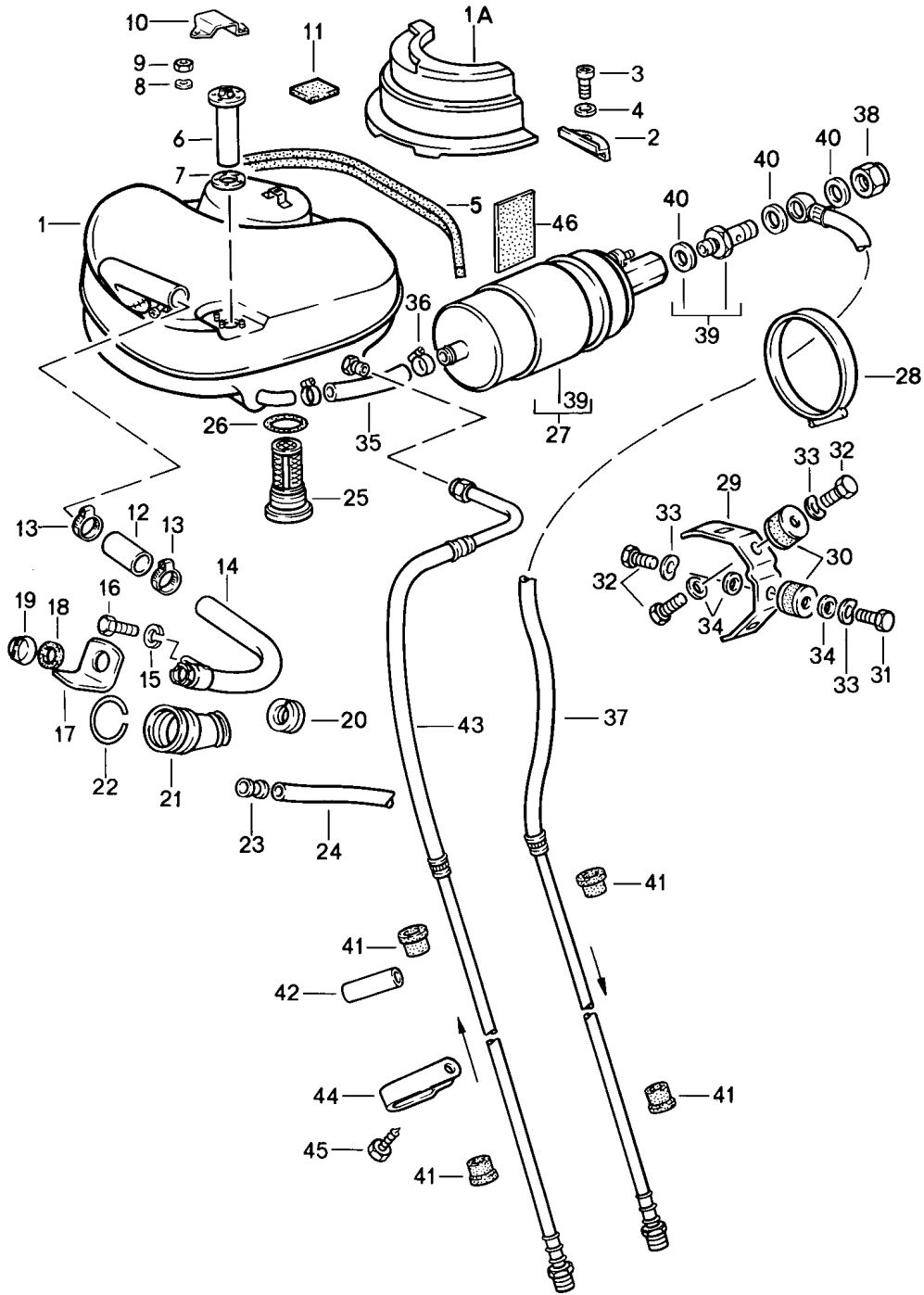
Model: 911 84

Model life 1984>>1986

Pos	Part Number	Description	Remark	Qty	Model
-	930 105 195 06	Gasket		2	
-	930 105 195 07	Gasket		2	
-	900 084 004 03	Hexagon nut		34	
-	900 084 004 02	Hexagon nut		34	
-	900 031 014 30	Washer		34	
-	930 110 393 00	Filter element		1	
-	900 123 118 30	Sealing ring		2	
-	999 170 157 90	Spark plug		6	
-	911 100 988 01	Maintenance set for Periodic maintenance 1 set Comprising:		1	930.66
-	930 107 764 01	Oil filter		1	
-	930 107 764 03	Oil filter Red	-(IND)	1	
-	928 110 147 05	Fuel filter		1	
-	930 105 194 00	Gasket		2	
-	930 105 194 02	Gasket		2	
-	930 105 194 04	Gasket		2	
-	930 105 195 05	Gasket		2	
-	930 105 195 06	Gasket		2	
-	930 105 195 07	Gasket		2	
-	900 084 004 03	Hexagon nut		34	
-	900 084 004 02	Hexagon nut		34	
-	900 031 014 30	Washer		34	
-	930 110 185 02	Air cleaner cartridge		1	
-	930 113 401 00	Filter cartridge		1	
-	900 123 118 30	Sealing ring		2	
-	900 123 055 30	Sealing ring		1	
-	999 170 128 90	Spark plug		6	
>>	930 105 902 00	Gasket set for Valve cover Comprising:		1	
>>	930 105 902 01	Gasket set for Valve cover Comprising:		1	
-	930 105 194 01	Gasket		2	
-	930 105 195 05	Gasket		2	
-	930 105 195 06	Gasket		2	
-	930 105 195 07	Gasket		2	
-	900 031 014 30	Washer		34	
-	900 084 004 03	Hexagon nut		34	
-	900 084 004 02	Hexagon nut		34	

Model: 911 84

Model life 1984>>1986





Model: 911 84

Model life 1984&gt;&gt;1986

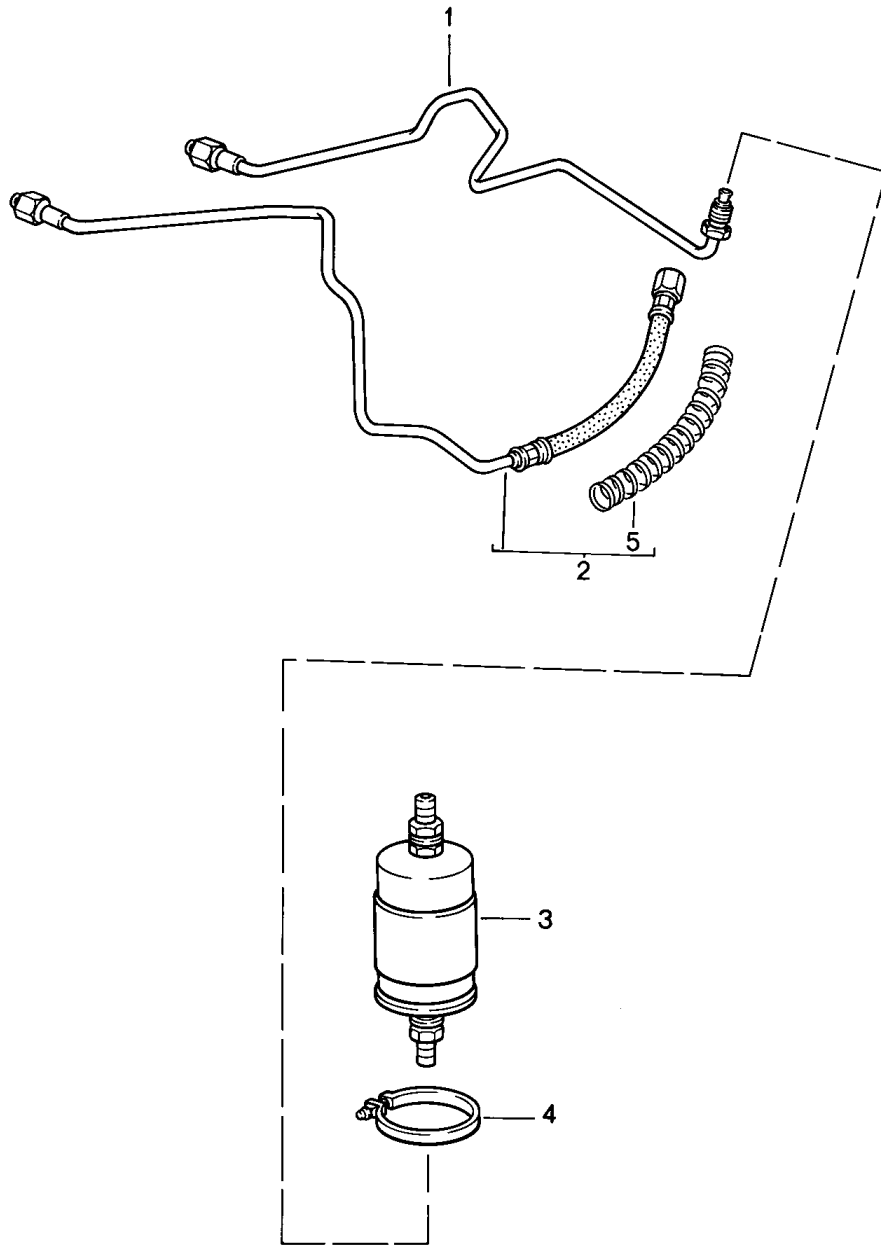
Pos	Part Number	Description	Remark	Qty	Model
		Fuel system			
		Front			
1	930 201 010 03	Fuel tank		1	
1	930 201 010 02	Fuel tank		1	
		80 Liter			
1	930 201 010 04	Fuel tank		1	
		80 Liter			
1	930 201 010 05	Fuel tank		1	
		80 Liter			
2	901 201 311 00	Bracket		3	
3	900 067 151 02	Pan-head screw		3	
		M 8 X 25			
3	900 067 151 0C	Pan-head screw		3	
		M 8 X 25			
4	900 031 001 02	Washer		3	
		8,4			
4	900 031 105 01	Washer		3	
		8,4			
5	901 504 932 20	Sealing strap		1	
6	901 741 801 00	Sender		1	
7	477 919 133	Sealing ring		1	
8	N 012 222 4	Spring washer		5	
		B 5			
9	N 011 005 14	Hexagon nut		5	
		M 5			
9	900 076 091 01	Hexagon nut		5	
		M 5			
10	901 201 275 30	Cap		1	
		for			
		Sender			
		Yellow			
		Anodised			
(10)	901 201 275 31	Cap		1	
		for			
		Sender			
		Black			
11	911 201 259 00	Desk pad	-84	2	
		6 MM			
11	911 201 259 02	Desk pad	85-	2	
		10 MM			
11	911 201 259 01	Desk pad	-84	1	
		15 MM			
11	911 201 259 03	Desk pad	85-	1	
		19 MM			
12	911 201 515 00	Hose		1	
13	999 512 348 02	Hose clamp		2	
		40-60/9			
14	911 201 049 04	Filler neck		1	
14	911 201 049 05	Filler neck		1	CARRERA M298
15	N 012 006 4	Lock ring		2	
		B 6			
16	900 075 310 02	Hexagon-head bolt		2	
		M 6 X 12			
17	911 201 279 01	Protective flap		1	
18	944 201 553 00	Gasket		1	
19	911 201 272 02	Fuel tank cap		1	
19	911 201 272 00	Fuel tank cap		1	
19	993 201 271 00	Fuel tank cap		1	
20	911 201 095 00	Gasket		1	
21	901 201 591 20	Sleeve		1	
21	901 201 591 21	Sleeve		1	

Model: 911 84 Model life 1984>>1986

Pos	Part Number	Description	Remark	Qty	Model
22	999 152 004 00	Circlip		1	
23	911 201 593 00	Overflow socket		1	
24	911 201 731 00	Overflow hose		1	
25	911 201 141 00	Fuel filter		1	
26	911 201 143 00	Sealing ring		1	
27	911 608 102 02	Fuel pump		1	TURBO
27	944 608 102 04	Fuel pump		1	CARRERA
28	999 512 394 00	Hose clamp 40-60/13	-84	1	
28		Hose clamp 40-60/13	85-	1	
29	911 608 105 01	Support		1	
30	911 608 206 00	Bonded rubber buffer		2	
31	999 072 005 09	Hexagon nut M 6 X 12		1	
31	999 072 005 01	Hexagon nut M 6 X 12		1	
32	N 010 208 5	Hexagon-head bolt M 6 X 8		3	
33	N 012 226 5	Spring washer B 6		4	
34	N 011 524 7	Washer A 6,4		4	
34	N 011 524 27	Washer A 6,4		4	
-	999 181 168 50	Hose 12 X 18,5		*	
35		90 MM		1	
36	999 512 554 00	Hose clamp		2	
37	911 356 066 07	Pressure line		1	TURBO
37	911 356 066 08	Pressure line		1	CARRERA
38	928 110 475 01	Cap nut M 12 X 15,5		1	
38	928 110 475 03	Cap nut M 12 X 15,5		1	
38	928 110 475 04	Cap nut M 12 X 15,5		1	
(39)	893 906 093	Check valve		1	TURBO
39	944 608 951 01	Check valve		1	CARRERA
40	N 013 812 2	Sealing ring A 12 X 15,5		2	CARRERA
40	900 123 005 20	Sealing ring A 12 X 16		2	TURBO
41	911 356 202 03	Rubber sleeve		4	
42	999 613 017 40	Covering		*	
43	911 356 062 07	Return line		1	TURBO
43	911 356 062 08	Return line		1	CARRERA
44	999 511 093 02	Pipe clamp		1	
45	900 187 104 02	Tapping screw B 4,8 X 13		1	
46	928 612 494 00	Foam part		1	

Model: 911 84

Model life 1984>>1986



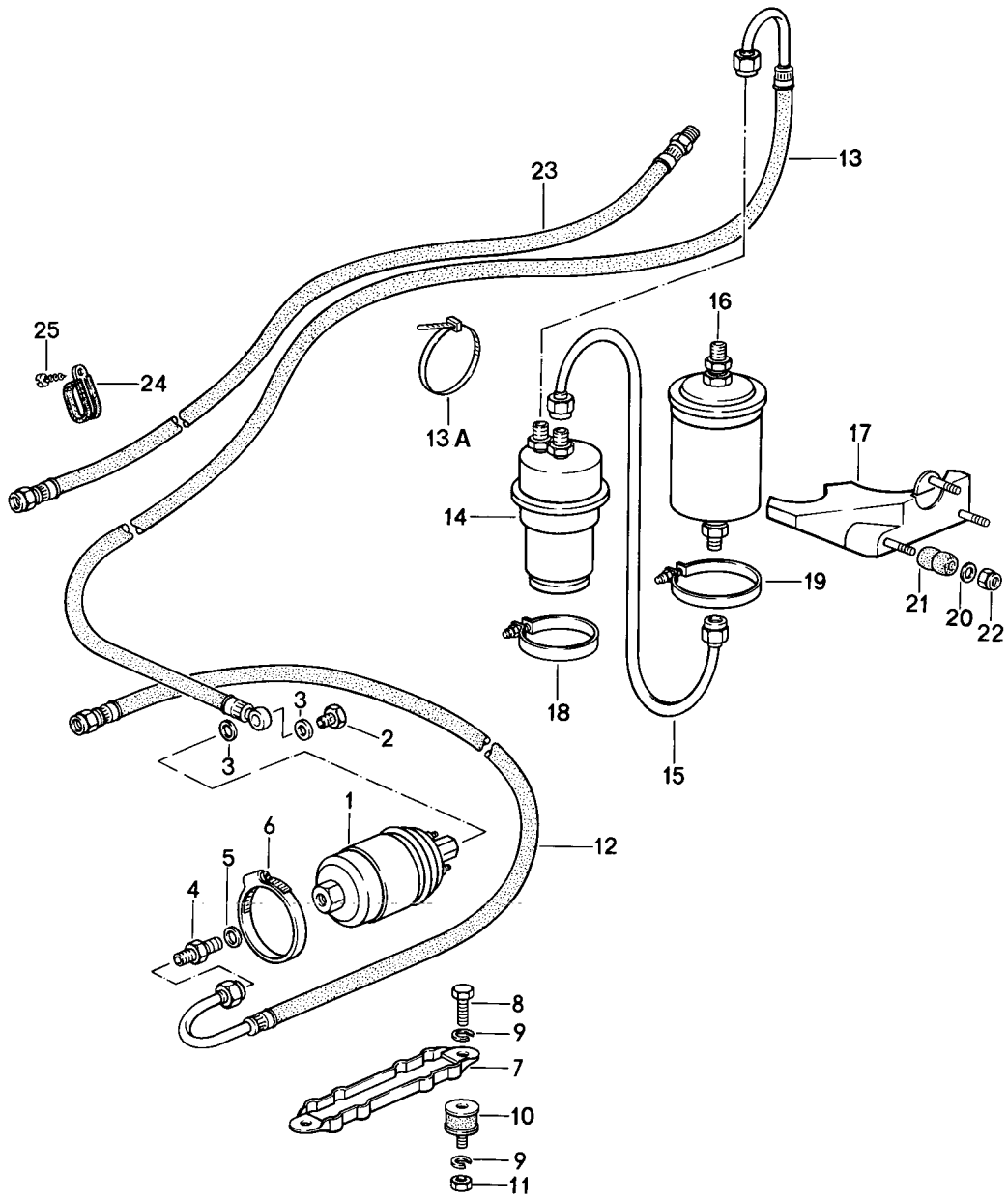
Model: 911 84

Model life 1984>>1986

Pos	Part Number	Description	Remark	Qty	Model
		Fuel system Rear			CARRERA
1	911 356 083 01	Pressure line		1	
2	911 356 085 05	Return line		1	
3	928 110 253 04	Fuel filter		1	(AG)(SA)
3	928 110 253 06	Fuel filter		1	
4	999 512 235 02	Hose clamp		1	
5	928 355 517 01	Spiral		1	

Model: 911 84

Model life 1984>>1986

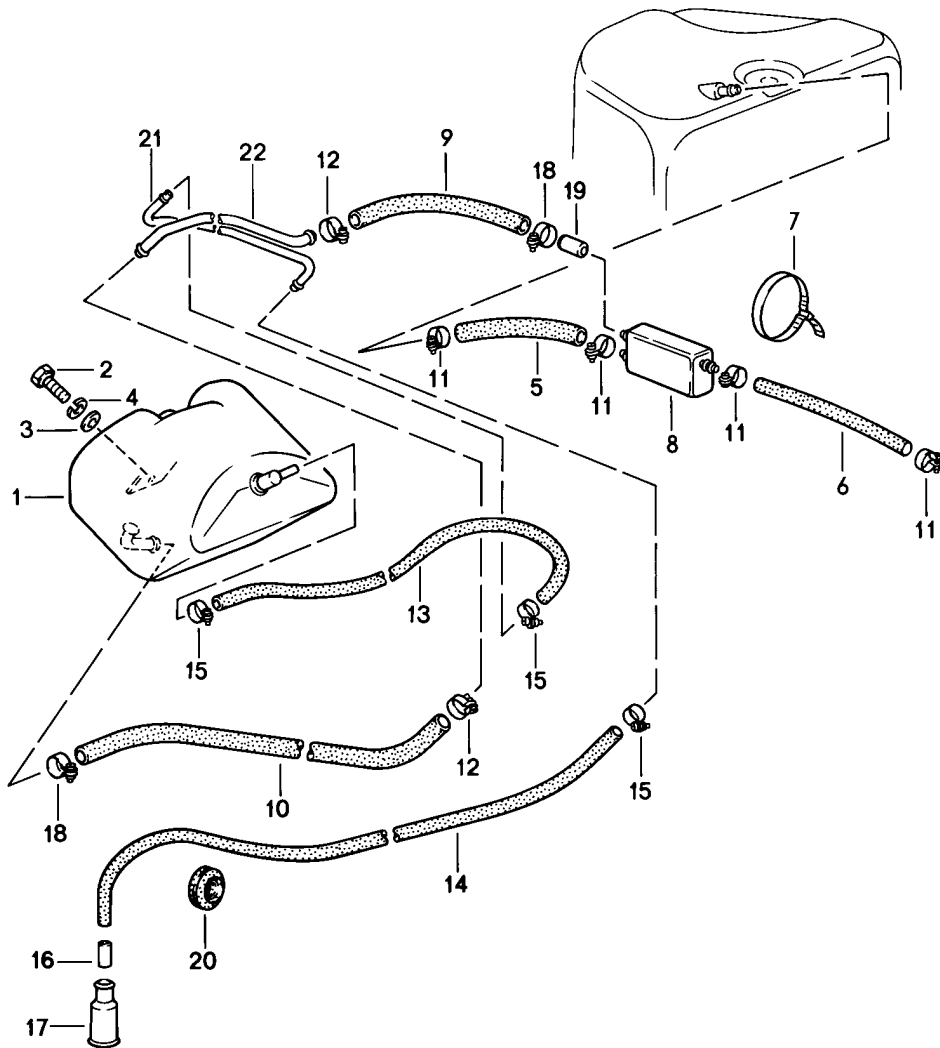


Model: 911 84 Model life 1984>>1986

Pos	Part Number	Description	Remark	Qty	Model
		Fuel system Rear			TURBO
1	930 608 113 00	Fuel pump		1	
2	999 134 018 02	Banjo bolt M 12 X 1,5		1	
3	900 123 005 20	Sealing ring A 12 X 16		2	
4	N 020 702 1	Screw socket		1	
5	N 013 849 2	Sealing ring A 14 X 20		1	
6	999 512 394 00	Hose clamp 40-60/13	-84	1	
6		Hose clamp 40-60/13	85-	1	
7	911 608 105 00	Support		1	
8	N 010 208 5	Hexagon-head bolt M 6 X 8		2	
9	N 012 007 2	Lock ring A 6		4	
9	900 027 004 03	Lock ring A 6		4	
10	999 703 384 00	Megulastik pivot bearing		2	
10	999 703 384 01	Megulastik pivot bearing		2	
11	900 076 010 02	Nut M 6		2	
11	900 076 010 0B	Nut M 6		2	
12	930 356 068 02	Fuel line		1	
13	930 356 081 04	Fuel line		1	
13	930 356 081 06	Fuel line		1	
13A	999 513 010 40	Tie-wrap 140 MM		1	
14	911 110 197 02	Fuel accumulator		1	
15	911 356 091 02	Fuel line	-85	1	
15		Fuel line	86-	1	
16	928 110 147 05	Fuel filter		1	
17	930 356 041 01	Bracket		1	
18	999 512 199 02	Clamp		1	
19	999 512 235 02	Hose clamp		1	
20	999 025 108 02	Washer 6,4		3	
21	901 504 859 20	Hose piece		3	
22	900 910 012 02	Lock nut M 6		3	
22	900 910 047 09	Lock nut M 6		3	
23	930 356 062 01	Return line		1	
24	999 511 093 02	Pipe clamp		1	
25	900 187 104 02	Tapping screw B 4,8 X 13		1	

Model: 911 84

Model life 1984>>1986



Model: 911 84

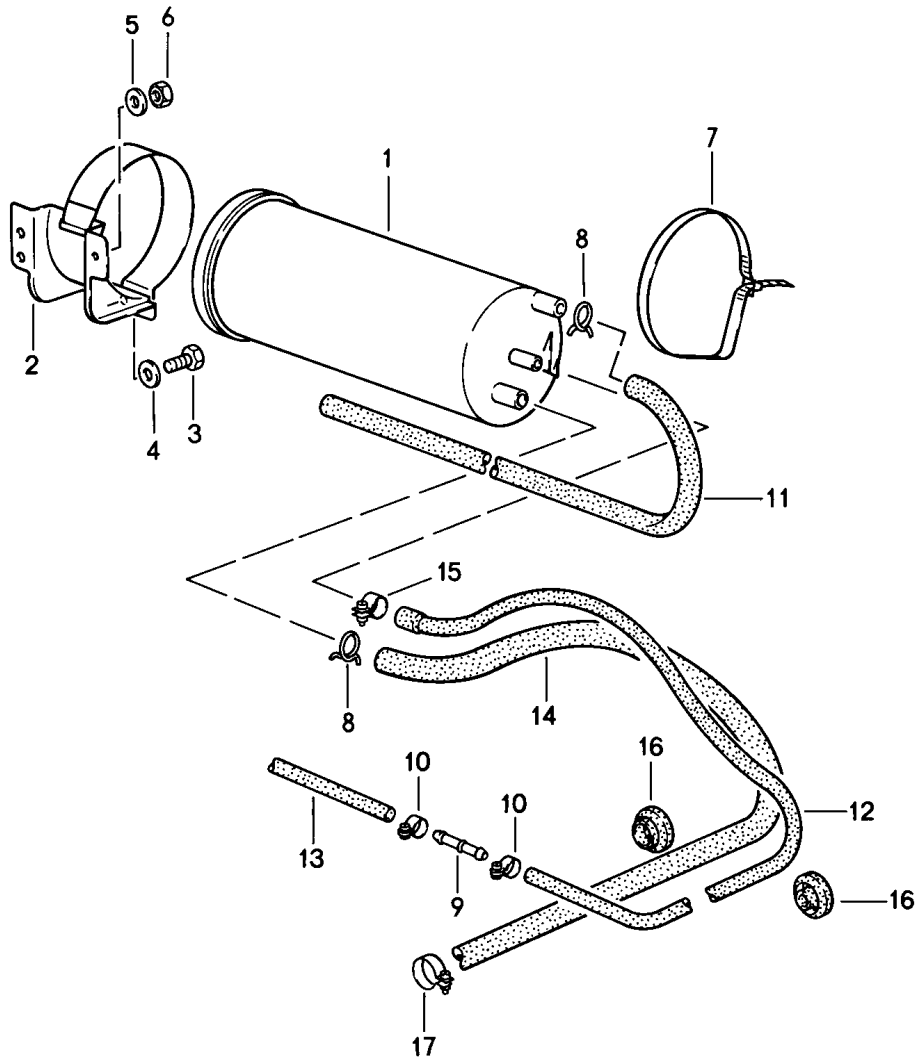
Model life 1984&gt;&gt;1986

Pos	Part Number	Description	Remark	Qty	Model
1	911 201 077 02	Tank ventilation Expansion tank		1	
1		Expansion tank		1	
2	900 075 057 02	Hexagon-head bolt M 6 X 16		1	
2	900 075 057 03	Hexagon-head bolt M 6 X 16		1	
3	N 011 524 7	Washer A 6,4		1	
3	N 011 524 27	Washer A 6,4		1	
4	N 012 007 02	Lock ring A 6		1	
-	999 181 189 50	Hose 14 X 2,5		*	
-	999 181 189 5A	Hose 14 X 4 X 22		*	
5		140 MM	-84	1	
5		180 MM	85-	1	
6	911 201 287 01	Hose		1	
7	999 513 003 40	Tie-wrap		1	
8	911 201 381 00	Expansion tank		1	
-	N 020 359 1	Hose 9 X 2,5		*	
9		250 MM	-84	1	
9		350 MM	85-		
10		390 MM		1	
11	999 512 346 00	Hose clamp S 20/9 ZY		4	
12	999 512 160 02	Hose clamp S13/9ZY		2	
12	PCG 512 160 02	Hose clamp S13/9ZY		2	
-	N 020 361 2	Hose 4 X 1,5		X	
13		370 MM		1	
14		1020 MM	/LL	1	
14		1170 MM	/RL	1	
15	999 512 069 02	Hose clamp S8/7ZY		3	
15	PCG 512 069 02	Hose clamp S8/7ZY		3	
16	911 201 157 01	Sleeve		1	
17	999 659 015 40	Protection cap		1	
18	N 023 570 2	Hose clamp S15/9ZY		2	
19	911 201 263 02	Restrictor	-84	1	
19		Restrictor		1	
20	111 971 911 A	Grommet		1	
21	911 501 657 02	Breather pipe D=5	-85	1	
22	911 501 659 01	Breather pipe D=10	-85	1	
22	911 501 659 01 GRV	Breather pipe Prime coated D=10		1	



Model: 911 84

Model life 1984>>1986



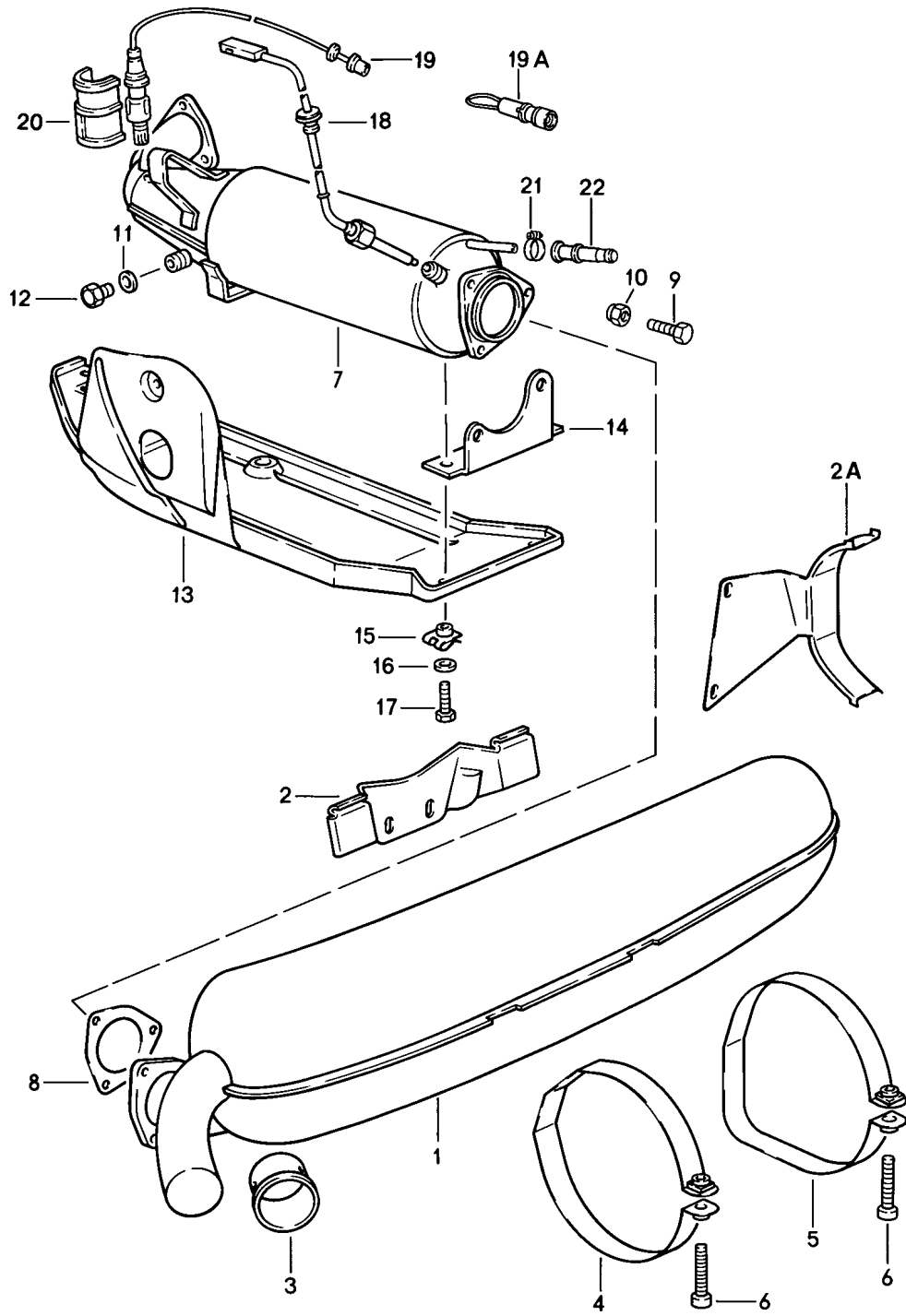
Model: 911 84

Model life 1984>>1986

Pos	Part Number	Description	Remark	Qty	Model
1	993 201 221 01	Carbon canister		1	
1	993 201 221 03	Carbon canister		1	
2	928 201 015 02	Bracket		1	
3	900 075 014 02	Hexagon-head bolt M 6 X 25		1	
3	900 075 014 03	Hexagon-head bolt M 6 X 25		1	
4	803 817 121	Washer		1	
5	N 011 524 7	Washer A 6,4		2	
5	N 011 524 27	Washer A 6,4		2	
6	900 910 010 09	Lock nut VM 6		2	
7	N 020 906 3	Tie-wrap		1	
8	999 512 265 02	Hose clamp 17		1	
9	911 201 415 00	Connecting piece		1	
10	900 272 001 02	Hose clamp LA8-12		2	
11	477 201 747 B	Hose 15 x 12		1	
-	N 020 361 2	Hose 4 X 1,5		X	
12		1080 MM		1	
13		1980 MM		1	
-	N 020 362 1	Hose 12 X 2,5		*	
14		1750 MM		1	CARRERA
14		750 MM		1	TURBO
15	N 023 577 2	Hose clamp A 9 X 14ZY		1	
15	PCG 023 577 2	Hose clamp A9 x 14		1	
16	999 702 126 50	Grommet		2	
17	999 512 069 02	Hose clamp S8/7ZY		1	
17	PCG 512 069 02	Hose clamp S8/7ZY		1	

Model: 911 84

Model life 1984>>1986



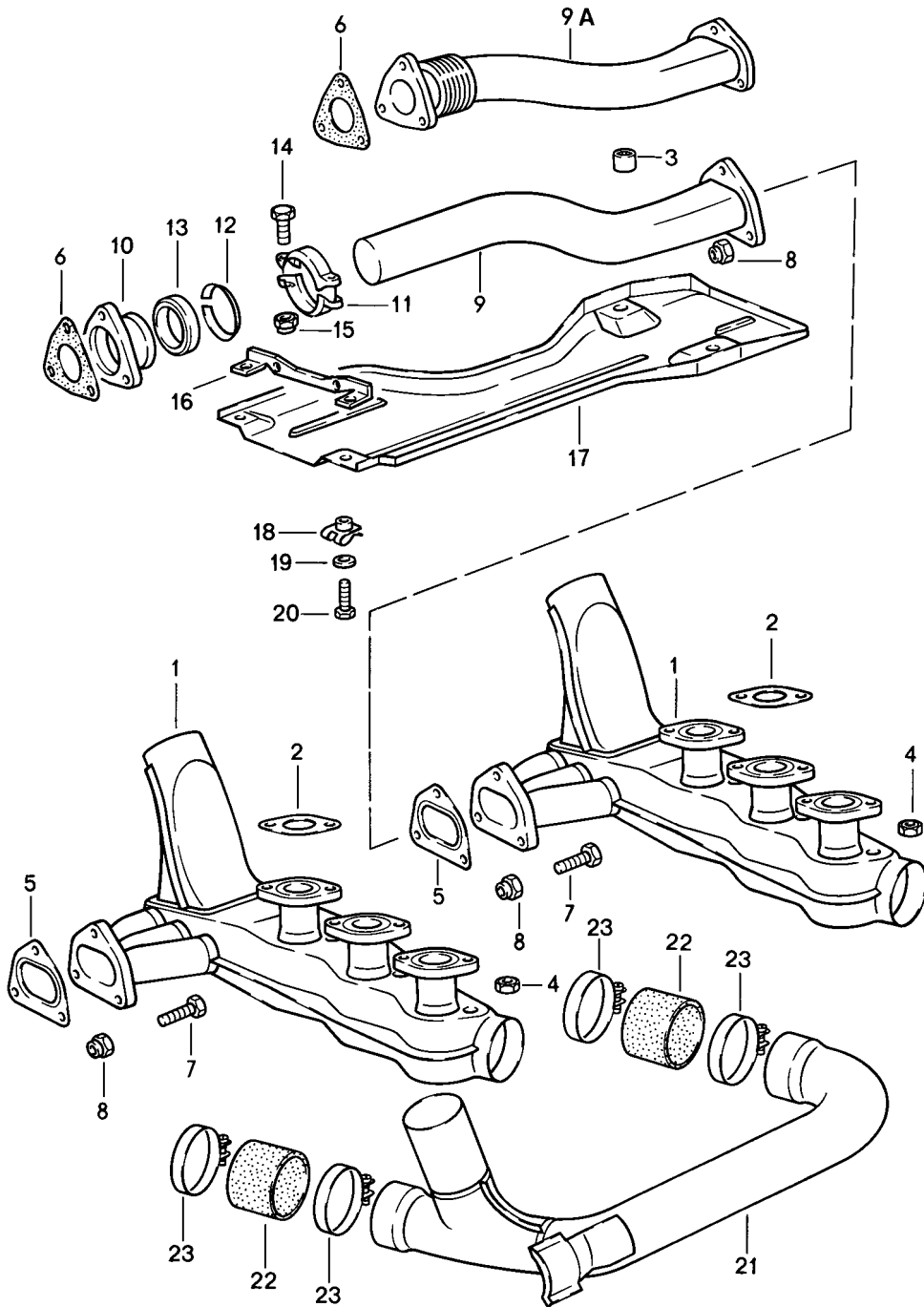
Model: 911 84

Model life 1984&gt;&gt;1986

Pos	Part Number	Description	Remark	Qty	Model
		Exhaust system Conversion set for subsequent installation Catalytic converter See group 2/98/00			CARRERA
1	930 111 043 00	Exhaust silencer		1	
1	930 111 043 01	Exhaust silencer	(J)	1	
1	930 111 043 03	Exhaust silencer	(AUS) (CH) (S) 85-	1	
2	930 111 151 01	Bracket		1	
2A	930 111 154 06	Bracket		1	M559/573
3	911 111 245 00	Ornamental exhaust pipe		1	
3	911 111 245 02	Ornamental exhaust pipe Black		1	
3	911 111 245 03	Ornamental exhaust pipe Chrome		1	
3	911 111 245 01	Ornamental exhaust pipe Black	(J)	1	
3	911 111 245 02	Ornamental exhaust pipe Black	(J)	1	
3	911 111 245 03	It is necessary to rework Ornamental exhaust pipe Chrome	(J)	1	
4	930 111 159 00	Clamp		1	
5	930 111 175 00	Clamp		1	
6	900 067 161 02	Pan-head screw AM10X50		2	
7	930 111 183 03	Front muffler		1	
7	930 113 230 09	Catalytic converter	-84	1	
7	930 113 230 15	Catalytic converter		1	
7	930 113 230 25	Catalytic converter		1	
7	930 113 230 28	Catalytic converter		1	
7	930 113 230 18	Catalytic converter	(J) -84	1	
7	930 113 230 19	Catalytic converter	(J)	1	
7	930 113 230 26	Catalytic converter	(J)	1	
7	930 113 230 28	Catalytic converter		1	
8	911 111 191 01	Gasket		1	
8	911 111 191 02	Gasket		1	
9	900 074 282 02	Screw M8X40		3	
10	900 910 097 02	Lock nut		3	
11	900 123 050 20	Sealing ring A8X11,5		1	
12	900 083 080 00	Hexagon-head bolt		1	
13	930 113 208 07	Catalytic converter cover		1	
14	930 113 196 00	Retaining bracket		1	
15	999 507 326 02	Captive nut		4	
16	N 011 666 7	Washer		4	
17	900 075 057 02	Hexagon-head bolt M6X16		4	
17	900 075 057 03	Hexagon-head bolt M6X16		4	
18	911 606 115 00	Temperature sensor	(J)	1	
19	928 606 124 00	Oxygen sensor	-85	1	
(19)	930 606 124 00	Oxygen sensor	86-	1	
20	911 606 133 00	Protection plate		1	

Model: 911 84

Model life 1984>>1986

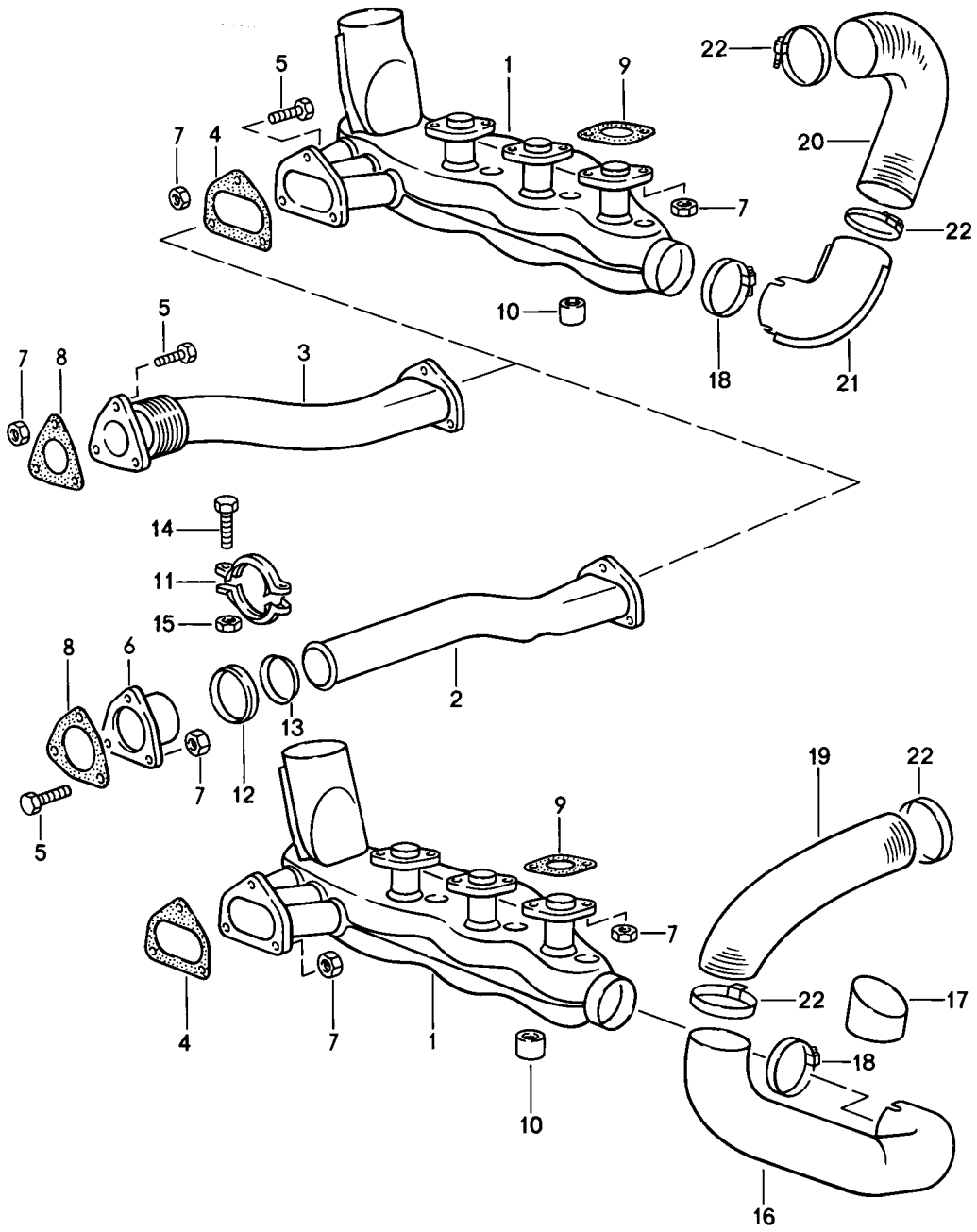


Model: 911 84 Model life 1984>>1986

Pos	Part Number	Description	Remark	Qty	Model
		Exhaust system			CARRERA
1	930 211 029 01	Heat exchanger		2	
2	930 111 191 06	Gasket		6	
(2)	930 111 191 11	Gasket		6	
(2)	930 111 191 12	Gasket		6	
3	999 085 001 02	Socket head nut M 8		6	
4	900 076 025 02	Hexagon nut M 8		6	
4	900 076 064 02	Hexagon nut M 8		6	
5	930 111 192 03	Gasket		2	
5	930 111 192 04	Gasket		2	
5	930 111 192 06	Gasket		2	
6	930 111 193 01	Gasket		1	
6	930 111 193 04	Gasket		1	
6	930 111 193 05	Gasket		1	
6	930 111 193 07	Gasket		1	
7	900 074 282 02	Screw M 8 X 40		6	
8	900 910 097 02	Lock nut		6	
9	930 111 169 05	Exhaust line	-84	1	
9A		Exhaust line		1	
9A		Exhaust line	(J)	1	
10	930 111 157 01	Compensating socket	-84	1	
11	911 111 187 00	Clamp	-84	2	
12	911 111 188 02	Support washer	-84	1	
13	911 111 189 03	Gasket	-84	1	
14	900 074 267 02	Hexagon-head bolt M 6 X 40		2	
15	900 910 096 02	Lock nut	-84	2	
16	930 111 197 03	Retaining bracket	(J) (USA)	1	
17	930 111 182 02	Cross tube covering	(J) (USA)	1	
18	999 507 326 02	Captive nut	(J) (USA)	4	
19	N 011 666 7	Washer	(J) (USA)	4	
20	900 075 057 02	Hexagon-head bolt M 6 X 16	(J) (USA)	4	
20	900 075 057 03	Hexagon-head bolt M 6 X 16	(J) (USA)	4	
21	930 211 335 00	Air distributor tube		1	930.20/21
21	930 211 335 01	Air distributor tube		1	930.26
22	930 211 339 01	Rubber sleeve		2	
23	N 100 478 01	Hose clamp A 9 X 71		4	

Model: 911 84

Model life 1984>>1986



Model: 911 84

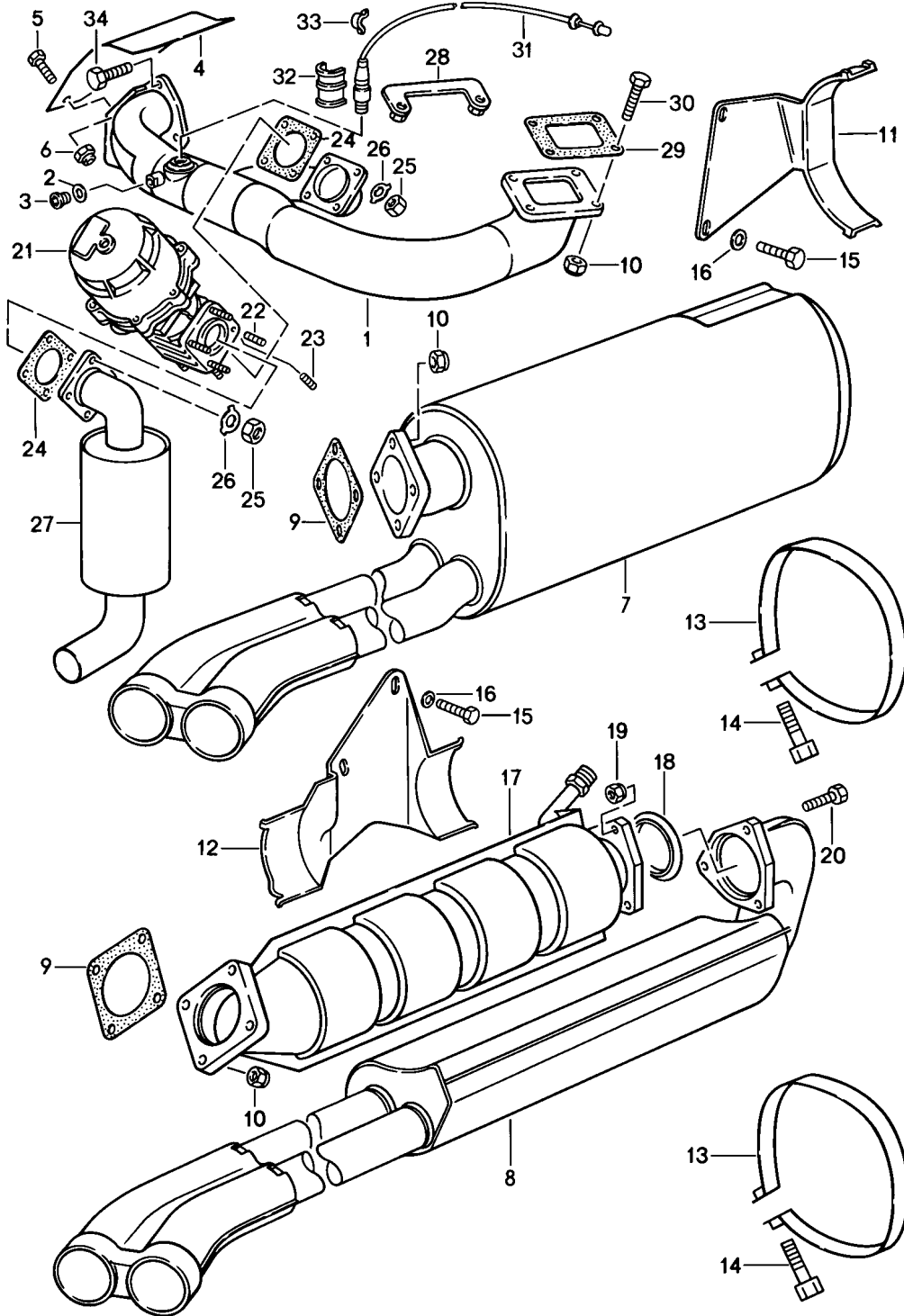
Model life 1984>>1986

Pos	Part Number	Description	Remark	Qty	Model
		Exhaust system			TURBO
1	930 211 033 01	Heat exchanger		2	
2	930 111 163 04	Exhaust line		1	930.66
4	930 111 192 01	Gasket	-84	2	
4	930 111 192 03	Gasket	85-	2	
4	930 111 192 04	Gasket	85-	2	
4	930 111 192 06	Gasket	85-	2	
5	900 074 282 02	Screw M 8 X 37		9	
6	930 111 157 00	Compensating socket		1	930.66
7	900 910 097 02	Lock nut M 8		21	
8	930 111 193 01	Gasket		1	
8	930 111 193 04	Gasket		1	
8	930 111 193 05	Gasket		1	
8	930 111 193 07	Gasket		1	
9	930 111 191 01	Gasket		6	
10	999 085 001 02	Socket head nut M 8		6	
11	930 111 187 00	Clamp		2	930.66
12	911 111 189 03	Gasket		1	930.66
13	930 111 156 01	Support washer		1	930.66
14	900 074 283 02	Screw M 8 X 45		2	930.66
15	900 910 097 02	Lock nut M 8		2	930.66
16	930 211 123 00	Hot air line		1	
17	930 211 197 00	Hose		1	
18	999 512 246 02	Clamp		2	
18	999 512 246 0C	Clamp		2	
19	930 211 196 00	Heater hose	/L	1	
19	930 211 196 01	Heater hose	/L	1	
20	901 211 194 00	Heater hose	/R	1	
20	901 211 194 01	Heater hose	/R	1	
21	911 211 131 00	Adapter		1	
22	999 512 349 02	Hose clamp		4	
22	999 512 349 01	Hose clamp		4	
22	999 512 349 0B	Hose clamp		4	



Model: 911 84

Model life 1984>>1986

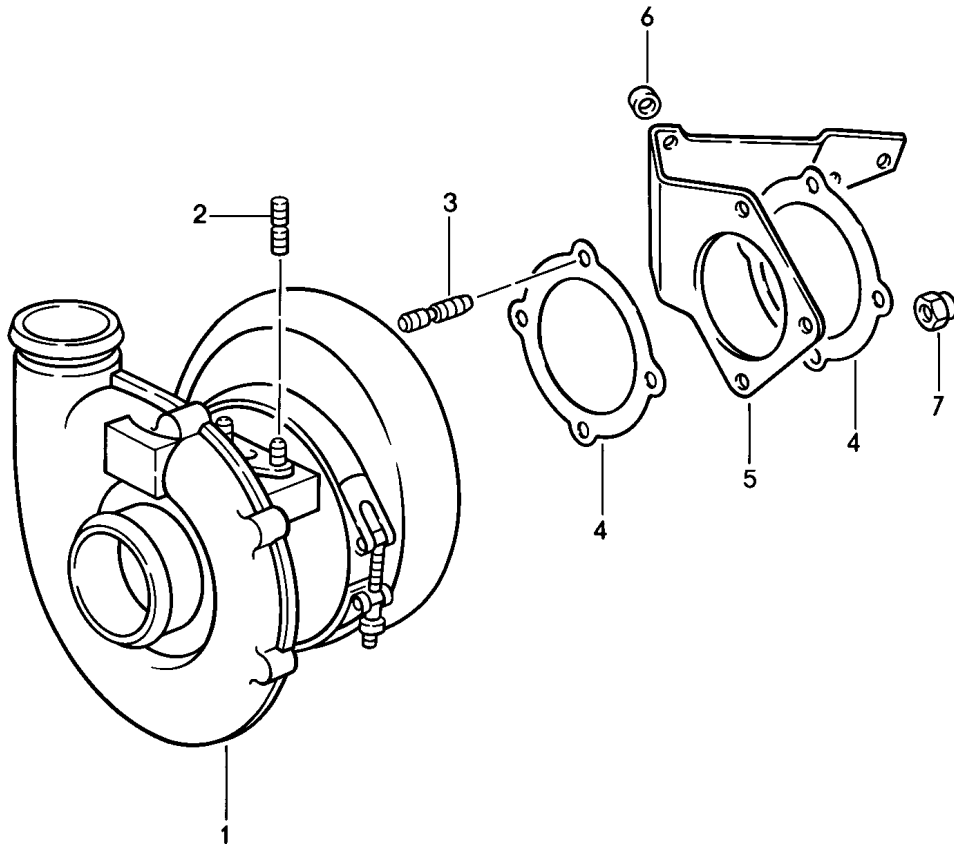


Model: 911 84 Model life 1984>>1986

Pos	Part Number	Description	Remark	Qty	Model
1	930 111 003 04	Exhaust system		1	TURBO
4	930 111 128 03	Exhaust line		1	930.66
5	900 075 312 02	Heat shield		1	
		Hexagon-head bolt		2	
		M 6 X 16			
6	900 910 096 02	Lock nut		2	
		M 6			
7	930 111 038 06	Exhaust silencer		1	930.66
9	930 123 191 01	Gasket		1	
10	900 910 099 02	Lock nut		6	
		M 10			
11	930 111 154 05	Bracket	-84	1	930.66
11	930 111 154 06	Bracket	-84	1	930.66
					M559/573
11		Bracket	85-	1	930.66
13	930 111 155 00	Clamp		1	930.66
14	900 067 161 02	Pan-head screw		2	
		AM 10 X 50			
15	900 075 085 02	Hexagon-head bolt		2	
		M 8 X 20			
16	900 151 008 02	Washer		2	
		A 8,4			
(17)	930 111 235 01	Front muffler		1	930.68
					M900
21	930 123 060 12	Wastegate		1	
22	900 081 048 02	Stud		4	
		M 8 X 25			
23	900 081 049 02	Stud		4	
		M 8 X 32			
24	930 123 194 01	Gasket		1	
25	900 910 097 02	Lock nut		8	
		M 8			
26	999 039 001 00	Tab washer		8	
27	930 123 063 01	Muffler		1	
28	930 123 114 02	Supporting plate		1	
29	930 123 192 01	Gasket		1	
30	900 074 284 02	Screw		4	
		M 10 X 40			

Model: 911 84

Model life 1984>>1986



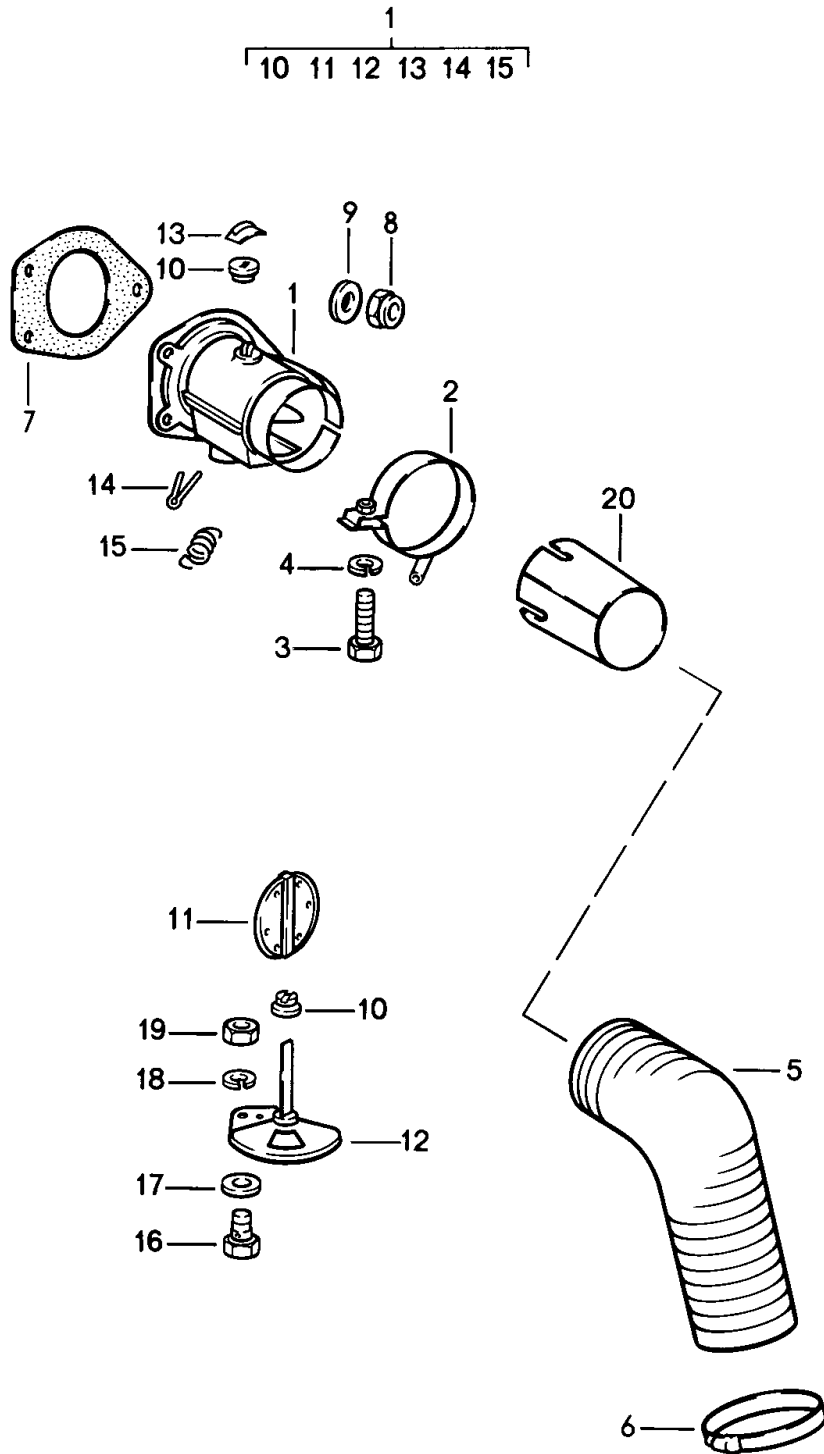
Model: 911 84

Model life 1984>>1986

Pos	Part Number	Description	Remark	Qty	Model
1	930 123 003 01	Turbocharger		1	TURBO
2	900 081 004 02	Turbocharger		4	
		Stud			
		M 8 X 20			
3	900 081 051 02	Stud		4	
		M 10 X 35			
4	930 123 191 01	Gasket		2	
5	930 123 121 05	Bracket		1	
5		Bracket		1	
6	930 123 123 00	Spacer tube		1	
7	900 910 099 02	Lock nut		4	
		M 10			

Model: 911 84

Model life 1984>>1986



Model: 911 84

Model life 1984&gt;&gt;1986

Pos	Part Number	Description	Remark	Qty	Model
1	901 211 007 22	Heating air supply Heat control box Black	/L	1	
1	901 211 007 23	Heat control box Red	/L	1	
(1)	901 211 008 22	Heat control box Black	/R	1	
(1)	901 211 008 23	Heat control box Red	/R	1	
2	901 211 051 21	Pipe clamp	/L	1	
2	901 211 051 22	Pipe clamp	/L	1	
(2)	901 211 052 21	Pipe clamp	/R	1	
(2)	901 211 052 22	Pipe clamp	/R	1	
3	N 010 217 9	Hexagon-head bolt M 6 X 20		2	
4	N 012 006 4	Lock ring B 6		2	
5	930 211 622 01	Connecting hose 300 MM		2	
5		Connecting hose 330 MM		1	
6	999 512 349 02	Hose clamp		2	
6	999 512 349 01	Hose clamp		2	
6	999 512 349 0B	Hose clamp		2	
7	911 211 297 00	Gasket		2	
8	900 076 010 02	Nut M 6		6	
8	900 076 010 0B	Nut M 6		6	
9	N 012 226 5	Spring washer B 6		6	
10	901 211 255 21	Bearing		4	
11	901 211 028 22	Air flap		2	
12	901 211 035 21	Rotary slide	/L	1	
(12)	901 211 036 21	Rotary slide	/R	1	
13	999 507 222 02	Mecano-speed-fix		2	
14	N 012 530 1	Cotter pin 3 X 15		2	
15	999 522 013 01	Spring		2	
16	901 211 683 00	Clamping screw		2	
17	N 011 522 14	Washer		4	
18	900 027 011 01	Lock ring B 4		2	
19	N 011 004 6	Hexagon nut M 4		2	
19	N 011 004 G	Nut M 4		2	
20	911 659 119 00	Connecting piece for Caloric feeler		1	M424

Model: 911 84

Model life 1984>>1986



Model: 911 84 Model life 1984>>1986

Pos	Part Number	Description	Remark	Qty	Model
>>	930 113 911 00	Assembly Repair kit Maintenance set Conversion set for subsequent installation Catalytic converter M >> 63F 02431 M >> 63F 10325 Comprising:	-85	1	CARRERA
-	930 113 230 25	Catalytic converter		1	
-	930 113 230 28	Catalytic converter		1	
-	911 111 191 01	Gasket		1	
-	911 111 191 02	Gasket		1	
-	900 074 282 02	Screw M 8 X 40		12	
-	900 910 097 02	Lock nut		12	
-	930 111 193 01	Gasket		1	
-	930 111 193 04	Gasket		1	
-	930 111 193 05	Gasket		1	
-	930 111 193 07	Gasket		1	
-	930 111 192 01	Gasket		2	
-	930 111 191 06	Gasket		3	
-	930 111 191 11	Gasket		3	
-	930 111 191 12	Gasket		3	
-	930 111 169 05	Exhaust line		1	
-	999 085 001 02	Socket head nut		3	
-	900 076 025 02	Hexagon nut		3	
-	900 076 064 02	Hexagon nut		3	
-	930 113 208 07	Catalytic converter cover		1	
-	930 113 196 00	Retaining bracket		1	
-	930 111 197 03	Retaining bracket		1	
-	999 507 326 02	Captive nut		7	
-	900 075 057 02	Hexagon-head bolt M 6 X 16		7	
-	900 075 057 03	Hexagon-head bolt M 6 X 16		7	
-	N 011 666 7	Washer		7	
-	930 106 861 01	Engine cover		1	
-	911 612 173 06	Wiring harness		1	
-	999 513 002 40	Tie-wrap		10	
-	N 020 910 4	Tie-wrap		10	
-	999 513 003 40	Tie-wrap		10	
-	911 618 111 18	Control unit		1	
-	911 618 111 LX	Control unit		1	
-	911 201 049 05	Filler neck		1	
-	928 606 124 00	Oxygen sensor		1	
-	911 606 133 00	Protection plate		1	
-	944 701 201 02	Sticker		1	
-	911 701 241 00	Sticker		1	
-	000 043 055 00	Installation instructions		1	
-	900 083 080 00	Hexagon-head bolt		1	
-	900 123 050 20	Sealing ring		1	
-	000 043 064 00	Installation instructions		1	
>>	930 113 911 01	Conversion set for subsequent installation Catalytic converter M 63F 02432 >> M 63F 10326 >> Comprising:	85	1	CARRERA
-	930 113 230 25	Catalytic converter		1	
-	930 113 230 28	Catalytic converter		1	
-	911 111 191 01	Gasket		1	
-	911 111 191 02	Gasket		1	



Model: 911 84 Model life 1984>>1986

Pos	Part Number	Description	Remark	Qty	Model
-	930 111 193 01	Gasket		1	
-	930 111 193 04	Gasket		1	
-	930 111 193 05	Gasket		1	
-	930 111 193 07	Gasket		1	
-	930 111 192 01	Gasket		1	
-	900 074 282 02	Screw M 8 X 40		9	
-	900 910 097 02	Lock nut		9	
-	930 113 208 07	Catalytic converter cover		1	
-	930 113 196 00	Retaining bracket		1	
-	930 111 197 03	Retaining bracket		1	
-	999 507 326 02	Captive nut		7	
-	900 075 057 02	Hexagon-head bolt M 6 X 16		7	
-	900 075 057 03	Hexagon-head bolt M 6 X 16		7	
-	N 011 666 7	Washer		7	
-	911 201 049 05	Filler neck		1	
-	911 618 111 18	Control unit		1	
-	911 618 111 LX	Control unit		1	
-	928 606 124 00	Oxygen sensor		1	
-	911 606 133 00	Protection plate		1	
-	944 701 201 02	Sticker		1	
-	911 701 241 00	Sticker		1	
-	000 043 056 00	Installation instructions		1	
-	900 083 080 00	Hexagon-head bolt		1	
-	900 123 050 20	Sealing ring		1	
>>	930 113 911 02	Conversion set for subsequent installation Catalytic converter Comprising:	86-	1	CARRERA
-	930 113 230 25	Catalytic converter		1	
-	930 113 230 28	Catalytic converter		1	
-	911 111 191 01	Gasket		1	
-	911 111 191 02	Gasket		1	
-	930 111 193 01	Gasket		1	
-	930 111 193 04	Gasket		1	
-	930 111 193 05	Gasket		1	
-	930 111 193 07	Gasket		1	
-	930 111 192 01	Gasket		1	
-	900 074 282 02	Screw M 8 X 40		9	
-	900 910 097 02	Lock nut		9	
-	930 113 208 07	Catalytic converter cover		1	
-	930 113 196 00	Retaining bracket		1	
-	930 111 197 03	Retaining bracket		1	
-	999 507 326 02	Captive nut		7	
-	900 075 057 02	Hexagon-head bolt M 6 X 16		7	
-	900 075 057 03	Hexagon-head bolt M 6 X 16		7	
-	N 011 666 7	Washer		7	
-	911 201 049 05	Filler neck		1	
-	930 606 124 00	Oxygen sensor		1	
-	911 606 133 00	Protection plate		1	
-	944 701 201 02	Sticker		1	
-	911 701 241 00	Sticker		1	
-	000 043 057 00	Installation instructions		1	
-	900 083 080 00	Hexagon-head bolt		1	
1	PCG 911 211 00	Assembly kit Heat exchanger Comprising:		1	CARRERA
-	930 111 191 13	Gasket	74-86	6	

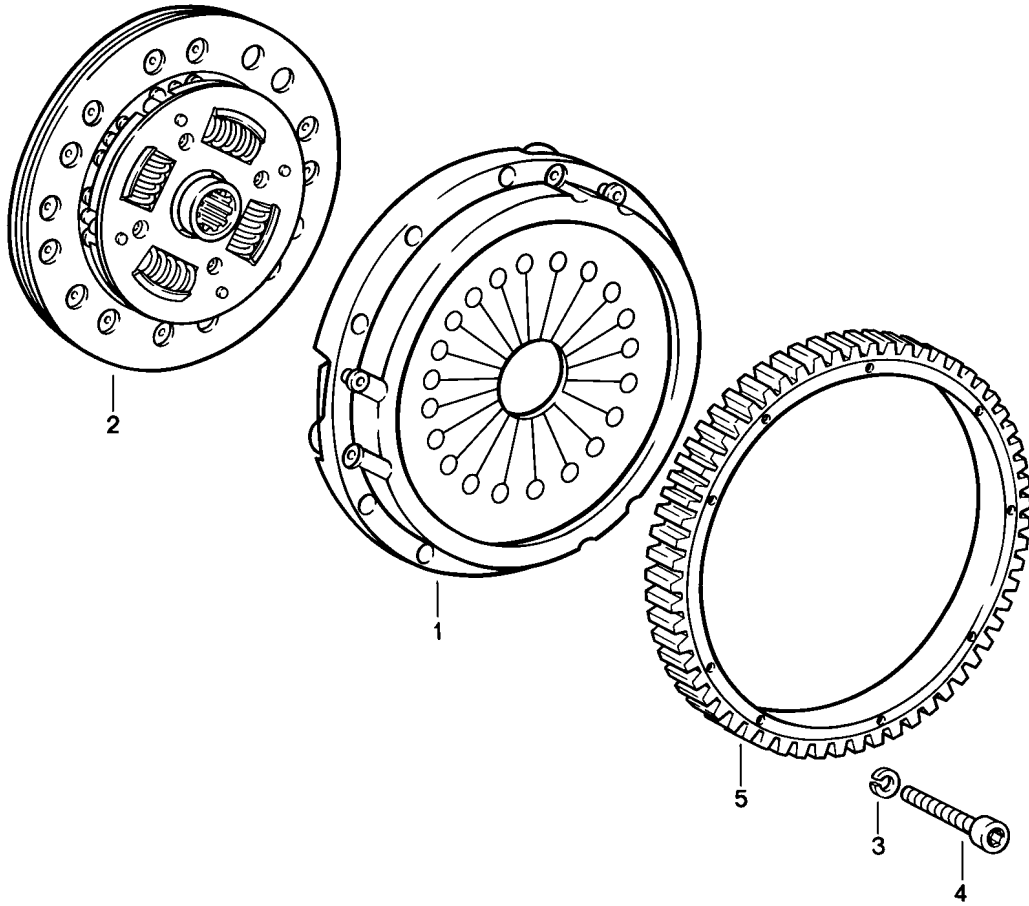
Model: 911 84

Model life 1984>>1986

Pos	Part Number	Description	Remark	Qty	Model
-	900 076 064 02	Hexagon nut		6	
-	999 085 001 02	Socket head nut		6	
-	900 074 282 02	Screw		9	
-	900 910 097 0C	Lock nut		9	
-	930 111 192 06	Gasket		2	
-	911 111 189 03	Gasket		1	
-	911 111 188 02	Support washer		1	
-	911 111 187 00	Clamp		2	
-	900 074 378 01	Screw		2	
-	900 074 233 02	Screw		2	
-	900 910 096 02	Lock nut		2	
-	930 111 193 07	Gasket		1	
2	PCG 930 211 00	Assembly kit Heat exchanger Comprising:	78-89	1	Turbo
-	900 067 161 02	Pan-head screw		1	
-	900 074 282 02	Screw		9	
-	999 085 001 02	Socket head nut		6	
-	930 111 155 00	Clamp		1	
-	911 113 190 01	Gasket		6	
-	930 123 114 02	Supporting plate		1	
-	930 123 192 05	Gasket		1	
-	930 123 191 05	Sealing ring		2	
-	930 123 194 06	Gasket		2	
-	900 910 097 0C	Lock nut		25	
-	900 910 099 02	Lock nut		6	
-	930 107 123 01	Gasket		1	
-	999 084 052 02	Lock nut		4	
-	930 107 116 01	Gasket		1	
-	N 012 241 8	Spring washer		2	
-	999 701 473 40	Round seal		1	
-	930 111 193 07	Gasket		1	
-	930 111 192 06	Gasket		2	
-	930 111 187 00	Clamp		2	
-	911 111 189 03	Gasket		1	
-	930 111 156 01	Support washer		1	
-	900 074 283 02	Screw		2	
-	900 910 097 0C	Lock nut		2	
-	900 074 284 02	Screw		4	
-	930 111 187 00	Clamp		2	
-	900 910 096 02	Lock nut		2	
-	999 039 001 00	Tab washer		8	
-	900 123 043 30	Sealing ring		4	

Model: 911 84

Model life 1984>>1986



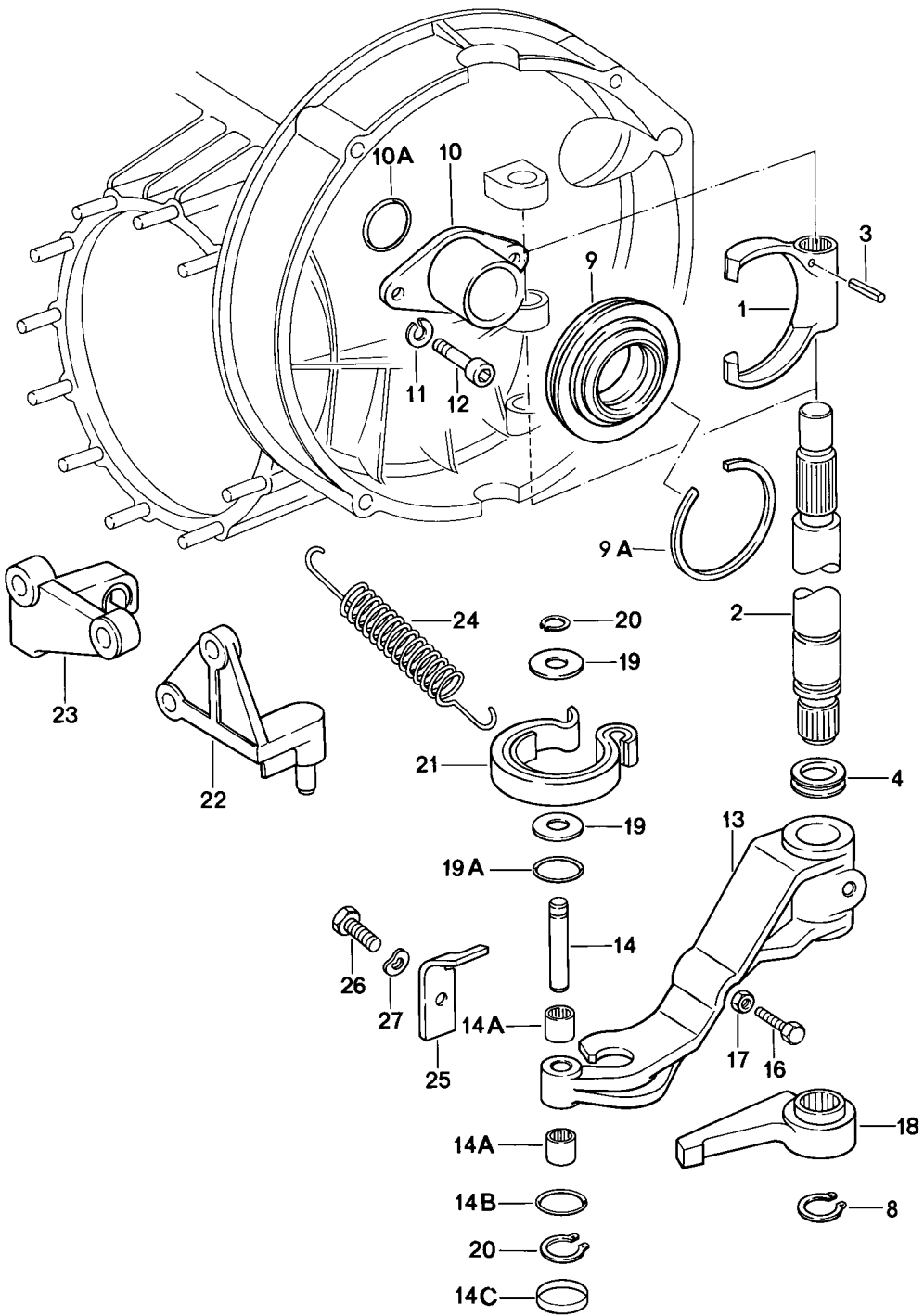
Model: 911 84

Model life 1984>>1986

Pos	Part Number	Description	Remark	Qty	Model
1	915 116 001 27	Clutch Pressure plate		1	CARRERA
1	930 116 021 03	Pressure plate		1	TURBO
2	915 116 011 22	Clutch plate		1	CARRERA
2	930 116 049 14	Clutch plate		1	TURBO
2	950 116 012 51	Clutch plate		1	TURBO
2	950 116 012 53	Drive plate		1	TURBO
2	950 116 012 54	Drive plate		1	TURBO
3	900 027 015 02	Lock ring B 8		9	CARRERA
3	900 027 015 03	Lock ring B 8		9	CARRERA
3	N 012 241 8	Spring washer B 8		9	TURBO
4	900 067 090 02	Pan-head screw M 8 X 42		9	CARRERA
4	900 074 136 02	Hexagon-head bolt M 8 X 80		9	TURBO
4	900 074 136 03	Hexagon-head bolt M 8 X 80		9	TURBO
5	911 116 239 00	Starter ring		1	CARRERA
5	911 116 239 04	Starter ring		1	CARRERA
5	930 116 230 02	Starter ring		1	TURBO
5	930 116 230 03	Starter ring		1	TURBO
-	915 116 911 00	Repair kit for Clutch Comprising: Pressure plate Clutch plate Clutch release bearing		1	CARRERA
-	930 116 911 00	Repair kit for Clutch Comprising: Pressure plate Clutch plate Clutch release bearing		1	TURBO
-	930 116 911 01	Repair kit for Clutch Comprising: Pressure plate Clutch plate Clutch release bearing		1	TURBO

Model: 911 84

Model life 1984>>1986



Model: 911 84 Model life 1984>>1986

Pos	Part Number	Description	Remark	Qty	Model
1	915 116 712 01	Clutch release Release fork		1	CARRERA
1	915 116 712 03	Release fork		1	CARRERA
1	930 116 712 02	Release fork		1	TURBO
2	915 116 133 05	Bellcrank		1	CARRERA
2	930 116 133 04	Bellcrank		1	TURBO
3	900 095 050 00	Roll pin		1	
4	915 301 139 00	Sealing ring		3	CARRERA
4	930 301 139 00	Sealing ring		2	TURBO
4	930 301 140 00	Sealing ring		2	TURBO
8	N 012 418 1	Circlip 18 X 1,2		1	
9	915 116 082 80	Clutch release bearing		1	CARRERA
9	930 116 081 11	Clutch release bearing		1	TURBO
9A	999 152 073 01	Circlip SW 50		1	CARRERA
10	930 116 813 00	Guide tube		1	TURBO
10	915 116 087 04	Guide tube		1	CARRERA
10	915 116 087 05	Guide tube		1	CARRERA
10A	999 701 359 40	O-ring 40 X 1,5		1	CARRERA
11	N 012 006 4	Lock ring B 6		2	TURBO
12	900 119 091 02	Pan-head screw M 6 X 15		2	TURBO
12	900 270 055 02	Rais. counters. h. tap. s. M 6 X 14		2	CARRERA
12	999 270 070 01	Oval-head screw M 6 X 14		2	CARRERA
13	930 116 713 06	Clutch release lever		1	TURBO
13	915 116 713 06	Clutch release lever		1	CARRERA
13	915 116 713 08	Clutch release lever		1	CARRERA
14	915 116 624 00	Bolt		1	CARRERA
14A	999 201 212 00	Needle sleeve		2	CARRERA
14B	900 234 502 01	Support washer		1	CARRERA
14C	900 036 016 02	Lid		1	CARRERA
16	930 116 701 00	Adjusting screw		1	CARRERA
16	900 075 033 02	Stud M 8 X 40		1	TURBO
16	900 075 033 03	Stud M 8 X 40		1	TURBO
17	N 011 118 11	Hexagon nut M 8		1	
17	900 034 001 05	Hexagon nut M 8		1	
18	915 116 717 00	Change lever		1	CARRERA
18	930 116 717 02	Change lever		1	TURBO
19	930 116 617 00	Washer		1	CARRERA
19A	999 701 209 40	O-ring		1	CARRERA
20	N 012 408 2	Circlip 8 X 0,8		2	CARRERA
21	915 116 064 01	Spring		1	CARRERA
21	930 116 064 09	Spring		1	TURBO
21	930 116 064 11	Spring		1	TURBO
22	915 116 070 00	Bearing bracket		1	CARRERA
22	915 116 070 02	Bearing bracket		1	CARRERA
22	930 116 611 06	Bearing bracket		1	TURBO
23	915 116 613 01	Support		1	CARRERA
24	915 116 614 02	Tension spring		1	
25	930 116 714 06	Spring hanger		1	TURBO
26	900 075 087 02	Hexagon-head bolt M 8 X 16		1	TURBO
26	900 075 087 03	Hexagon-head bolt		1	TURBO

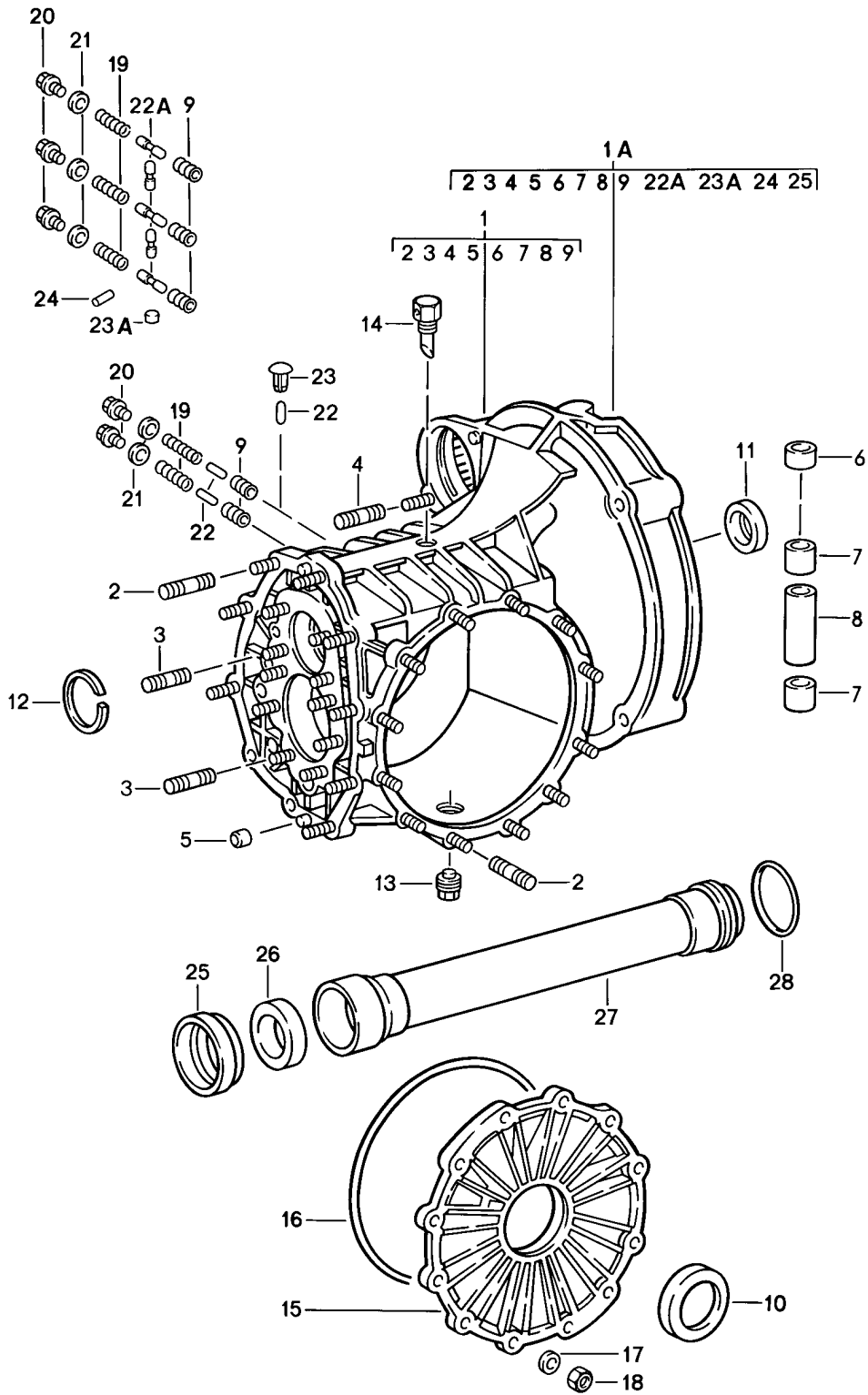
Model: 911 84

Model life 1984&gt;&gt;1986

Pos	Part Number	Description	Remark	Qty	Model
27	N 012 241 8	M 8 X 16 Spring washer		1	TURBO
-	999 701 482 40	B 8 O-ring		2	TURBO

Model: 911 84

Model life 1984>>1986





Model: 911 84

Model life 1984&gt;&gt;1986

Pos	Part Number	Description	Remark	Qty	Model
-	930 300 010 34	Replacement transmission Transmission case Manual transmission 4-speed Ready for installation		1	930/34
-	930 300 911 34	Manual transmission 4-speed Ready for installation Limited-slip differential		1	930/34.12
-	930 300 010 35	Manual transmission 4-speed Ready for installation	(CH)	1	930/35
-	930 300 911 35	Manual transmission 4-speed Ready for installation Limited-slip differential	(CH)	1	930/35.12
-	930 300 010 36	Manual transmission 4-speed Ready for installation		1	930/36
-	930 300 020 36	Manual transmission 4-speed Ready for installation Limited-slip differential		1	930/36.12
-	930 300 010 37	Manual transmission 4-speed Ready for installation	(CH)	1	930/37
-	930 300 020 37	Manual transmission 4-speed Ready for installation Limited-slip differential	(CH)	1	930/37.12
-	915 300 010 67	Replacement transmission 5-speed Ready for installation		1	915/67
-	915 300 020 67	Manual transmission 5-speed Ready for installation Limited-slip differential		1	915/67.12
-	915 300 010 68	Manual transmission 5-speed Ready for installation	(J)	1	915/68
-	915 300 020 68	Manual transmission 5-speed Ready for installation Limited-slip differential	(J)	1	915/68.12
-	915 300 010 69	Manual transmission 5-speed Ready for installation		1	915/69
-	915 300 020 69	Manual transmission 5-speed Ready for installation Limited-slip differential		1	915/69.12
-	915 300 010 70	Manual transmission 5-speed Ready for installation		1	915/70
-	915 300 020 70	Manual transmission 5-speed Ready for installation Limited-slip differential		1	915/70.12
-	915 300 010 72	Manual transmission 5-speed Ready for installation		1	915/72
-	915 300 001 X	Manual transmission 5-speed		1	915/72

Model: 911 84

Model life 1984&gt;&gt;1986

Pos	Part Number	Description	Remark	Qty	Model
-	915 300 020 72	Ready for installation Manual transmission 5-speed		1	915/72.12
-	915 300 010 73	Ready for installation Limited-slip differential Manual transmission 5-speed		1	915/73
-	915 300 020 73	Ready for installation Manual transmission 5-speed		1	915/73.12
1	915 301 901 06	Ready for installation Limited-slip differential Transmission case		1	CARRERA
1A	930 301 901 02	Transmission case		1	TURBO
2	999 062 139 02	Stud M 8 X 26		16	
2	999 062 009 02	Stud M 8 X 28		8	TURBO
2	900 060 105 01	Stud M 8 X 28		8	TURBO
2	999 062 098 02	Stud M 8 X 38		4	CARRERA
3	999 062 006 02	Stud M 8 X 20		6	TURBO
3	999 062 008 02	Stud M 8 X 25		4	TURBO
3	999 062 073 02	Stud BM 8 X 15		10	CARRERA
-	930 301 141 00	Bolt		1	TURBO
-	900 061 057 02	Stud BM 8 X 15		1	TURBO
-	999 062 057 02	Stud BM 8 X 15		1	TURBO
-	999 062 073 02	Stud BM 8 X 15		1	TURBO
4	999 062 182 02	Stud M 10 X 25		1	
5	900 012 110 00	Straight pin 10 M 6 X 14		2	
6	915 301 119 00	Bearing sleeve with Bearing		1	
7	915 301 129 00	Bush		2	CARRERA
7	915 301 129 01	Bush		2	CARRERA
7	999 531 010 00	Bush		2	TURBO
8	915 301 133 00	Pipe		1	CARRERA
9	999 504 047 00	Threaded insert		3	
10	999 113 183 40	Radial shaft seal		2	
11	999 113 327 40	Shaft sealing ring		1	CARRERA
12	999 152 055 01	Circlip SB 55		1	CARRERA
13	999 064 020 02	Screw plug with magnet M 24 X 1,5		1	
14	904 301 071 00	Bleeder		1	
15	915 301 311 06	Transmission cover Lateral		1	915/68/70/73
15	930 301 311 02	Transmission cover Lateral		1	930/34/35 36/37
(15)	915 301 311 11	Transmission cover Lateral		1	915/67/69/72
16	999 701 392 40	O-ring		1	CARRERA
16	999 701 437 40	O-ring		1	TURBO

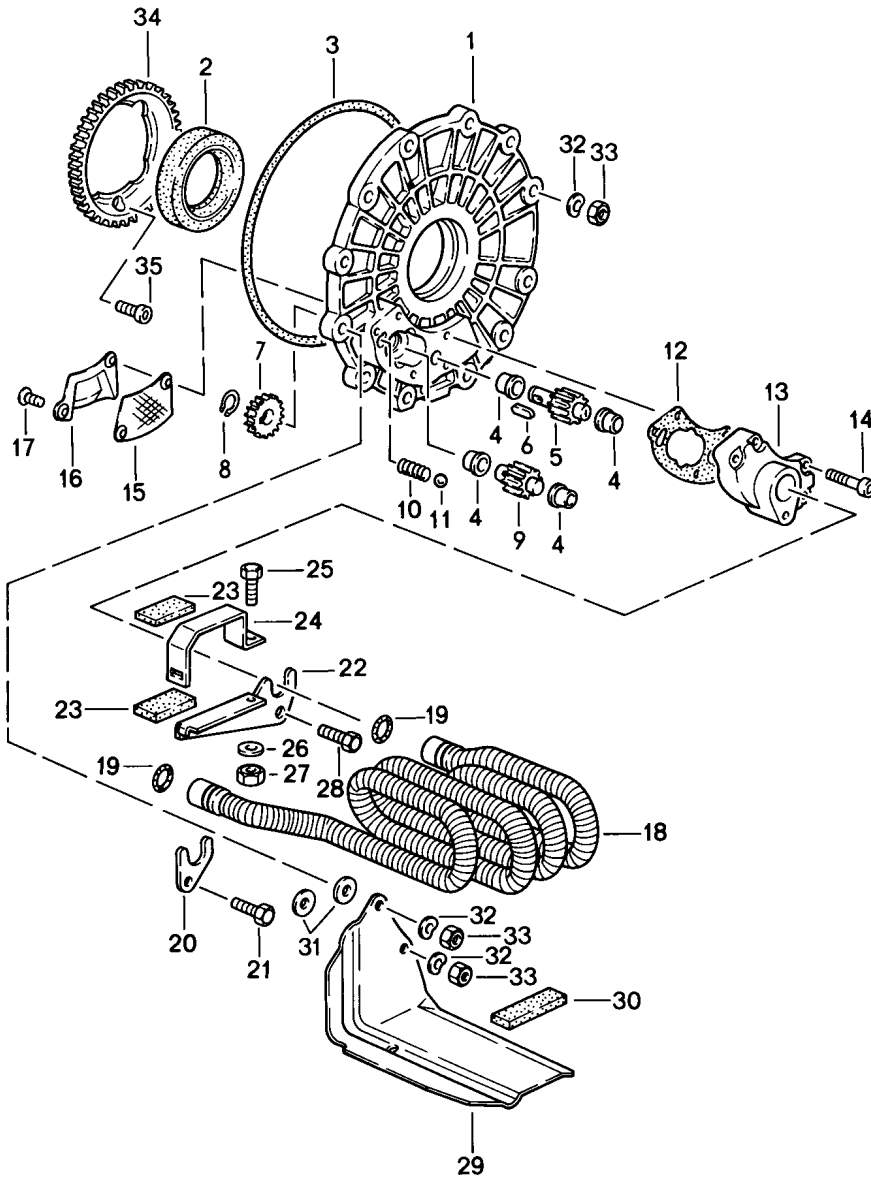
Model: 911 84

Model life 1984&gt;&gt;1986

Pos	Part Number	Description	Remark	Qty	Model
17	N 012 241 8	Spring washer B 8		12	
18	900 076 025 02	Hexagon nut M 8		12	
18	900 076 064 02	Hexagon nut M 8		12	
19	915 303 232 00	Spring		2	
20	900 075 352 02	Hexagon-head bolt M 10 X 8		2	
21	900 123 066 30	Sealing ring A 10 X 16		2	CARRERA
22	915 303 131 00	Detent		4	
22A	930 303 131 00	Detent		2	
23	915 301 126 00	Locking bolt		1	CARRERA
23A	999 501 028 30	Stopper		1	TURBO
24	900 308 026 00	Roll pin 3,5 X 22		2	TURBO
25	930 301 133 00	Guide ring		1	TURBO
26	930 302 332 00	Shaft sealing ring		1	TURBO
27	930 302 053 00	Pipe		1	TURBO
28	999 701 440 40	O-ring		1	TURBO

Model: 911 84

Model life 1984>>1986



Model: 911 84

Model life 1984&gt;&gt;1986

Pos	Part Number	Description	Remark	Qty	Model
		Oil pump And Oil cooling for Transmission			CARRERA
1	915 301 311 11	Transmission cover Lateral		1	
2	999 113 183 40	Radial shaft seal		1	
3	999 701 392 40	O-ring		1	
4	930 307 243 00	Bearing sleeve		4	
4	930 307 243 01	Bearing sleeve		4	
5	930 307 240 00	Oil pump gear		1	
6	900 117 069 00	Woodruff key A4X4X8		1	
7	937 307 246 00	Drive wheel		1	
8	900 041 005 01	Circlip 12X1		1	
9	930 307 241 00	Oil pump gear		1	
9	930 307 241 02	Oil pump gear		1	
10	930 307 321 00	Compression spring		1	
11	N 025 667 2	Ball 01-9 MM		1	
12	915 307 311 11	Gasket		1	
13	915 307 053 01	Lid		1	
14	900 067 089 02	Pan-head screw M6X25		5	
14	900 067 089 01	Pan-head screw M6X25		5	
15	915 307 323 10	Strainer		1	
16	915 307 325 10	Heat shield		1	
17	900 249 008 02	Countersunk-head screw M6X12		2	
18	915 307 029 11	Radiator coil		1	
19	900 174 033 40	Round seal 18X2,5		2	
20	915 307 387 00	Connecting flange		1	
21	900 075 057 02	Hexagon-head bolt M6X16		1	
21	900 075 057 03	Hexagon-head bolt M6X16		1	
22	915 307 389 01	Retaining bracket		1	
23	915 307 381 00	Clamping piece		2	
24	915 307 383 00	Retaining bar		1	
25	999 072 005 09	Hexagon nut M6X12		1	
25	999 072 005 01	Hexagon nut M6X12		1	
26	N 011 524 7	Washer A6,4		1	
26	N 011 524 27	Washer A6,4		1	
27	900 076 010 02	Nut M6		1	
27	900 076 010 0B	Nut M6		1	
28	900 075 087 02	Hexagon-head bolt M8X16		1	
28	900 075 087 03	Hexagon-head bolt M8X16		1	
29	915 307 391 11	Protective plate		1	
30	915 307 393 10	Clamping piece		1	
31	N 900 333 02	Washer 8,4X20X2,5		4	

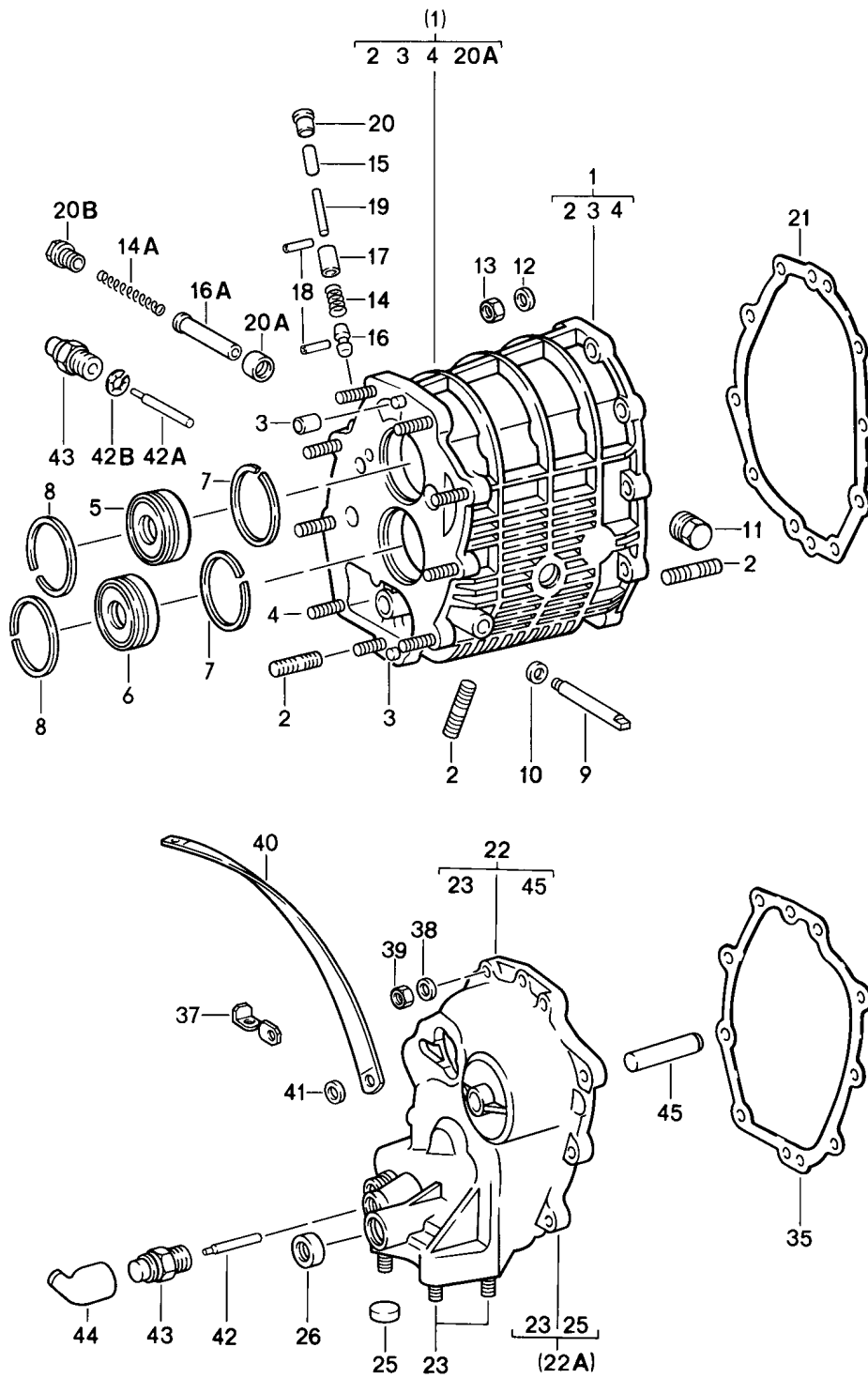
Model: 911 84

Model life 1984&gt;&gt;1986

Pos	Part Number	Description	Remark	Qty	Model
32	N 012 241 8	Spring washer B8		12	
33	900 076 025 02	Hexagon nut M8		12	
33	900 076 064 02	Hexagon nut M8		12	
34	915 307 327 11	Drive wheel		1	
35	900 119 011 02	Pan-head screw M5X10		2	

Model: 911 84

Model life 1984>>1986



Model: 911 84

Model life 1984&gt;&gt;1986

Pos	Part Number	Description	Remark	Qty	Model
1	915 301 902 00	Gear housing Transmission cover Gear housing		1	CARRERA 915/68/70/73
1	915 301 902 01	Gear housing		1	CARRERA 915/67/69/72
1	930 301 911 00	Gear housing		1	TURBO
2	999 062 139 02	Stud M 8 X 26		14	
2	999 062 007 02	Stud M 8 X 22		1	TURBO
2	900 060 106 01	Stud M 8 X 22		1	TURBO
2	999 062 052 02	Stud M 8 X 42		1	TURBO
2	999 062 010 02	Stud M 8 X 35		3	TURBO
3	900 012 110 00	Straight pin 10M 6 X 14		2	
4	999 062 044 02	Stud M 8 X 30		1	CARRERA
4	999 062 009 02	Stud M 8 X 28		1	TURBO
4	900 060 105 01	Stud M 8 X 28		1	TURBO
5	999 110 025 00	Cylindrical-roller bearing		1	
6	915 302 399 05	Cylindrical-roller bearing		1	CARRERA
6	915 302 399 06	Cylindrical-roller bearing		1	CARRERA
6	999 110 076 00	Cylindrical-roller bearing		1	TURBO
6	999 110 181 02	Cylindrical-roller bearing		1	TURBO
7	900 111 001 00	Circlip SP 62		2	
8	999 152 031 01	Circlip SB 68		2	
9	914 301 307 00	Bolt for Reverse lever		1	
10	900 025 007 02	Washer 8,4		1	
10	900 025 007 03	Washer 8,4		1	
11	999 064 019 02	Screw plug		1	CARRERA
11	999 064 019 0C	Screw plug		1	CARRERA
11	900 064 009 02	Screw plug		1	TURBO
12	N 012 241 8	Spring washer B 8		10	CARRERA
13	900 076 025 02	Hexagon nut M 8		10	CARRERA
13	900 076 064 02	Hexagon nut M 8		10	CARRERA
14	915 303 232 00	Spring		1	CARRERA
14A	930 303 230 08	Spring		1	TURBO
15	915 303 131 00	Detent		1	CARRERA
16	915 303 130 00	Detent		1	CARRERA
16A	930 303 135 01	Detent		1	TURBO
17	915 303 135 00	Sleeve		1	CARRERA
18	900 308 009 00	Spiral clamping pin 3,5 X 18		2	CARRERA
19	915 303 271 00	Pin		1	CARRERA
20	915 301 126 00	Locking bolt		1	CARRERA
20A	999 504 107 00	Threaded insert		1	TURBO
20B	930 303 253 01	Screw plug		1	TURBO
21	915 301 191 00	Gasket		1	CARRERA



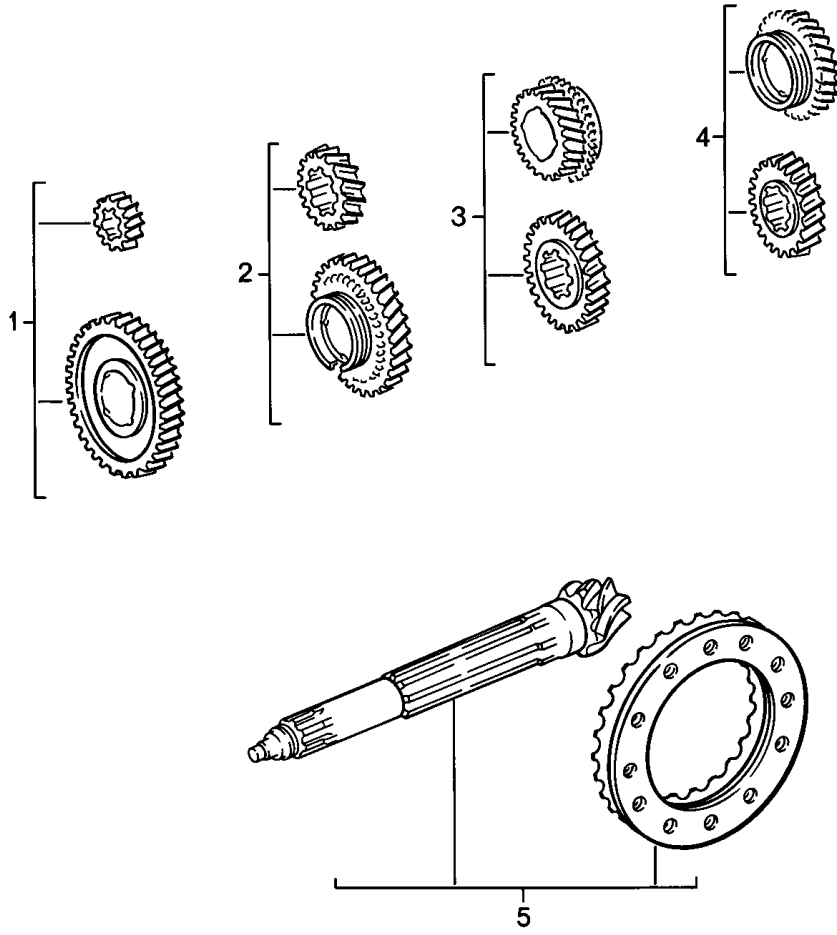
Model: 911 84

Model life 1984&gt;&gt;1986

Pos	Part Number	Description	Remark	Qty	Model
21	930 301 191 00	Gasket		1	TURBO
22	930 301 903 00	Transmission cover		1	TURBO
22A	915 301 903 03	Transmission cover		1	CARRERA
23	999 062 005 02	Stud M 8 X 20		4	CARRERA
23	999 062 007 02	Stud M 8 X 22		4	TURBO
23	900 060 106 01	Stud M 8 X 22		4	TURBO
25	999 703 385 40	Stopper		1	CARRERA
26	999 113 185 40	Shaft sealing ring		1	
35	915 301 351 00	Gasket		1	CARRERA
35	930 301 351 00	Gasket		1	TURBO
37	915 301 369 00	Clip		1	
38	N 012 241 8	Spring washer B 8		10	
39	900 076 025 02	Hexagon nut M 8		10	
39	900 076 064 02	Hexagon nut M 8		10	
40	999 611 920 20	Ground strap		1	
41	999 151 022 02	Washer 20 X 8,4 X 2		2	
42	915 303 145 00	Cam follower		1	CARRERA
42	915 303 145 01	Cam follower		1	CARRERA
42A	930 303 175 01	Pin		1	TURBO
42B	999 041 503 01	Locking ring		1	TURBO
43	914 613 541 02	Back-up light switch		1	
44	914 613 491 00	Protection cap		1	CARRERA
45	930 302 228 00	Bolt		1	TURBO

Model: 911 84

Model life 1984>>1986



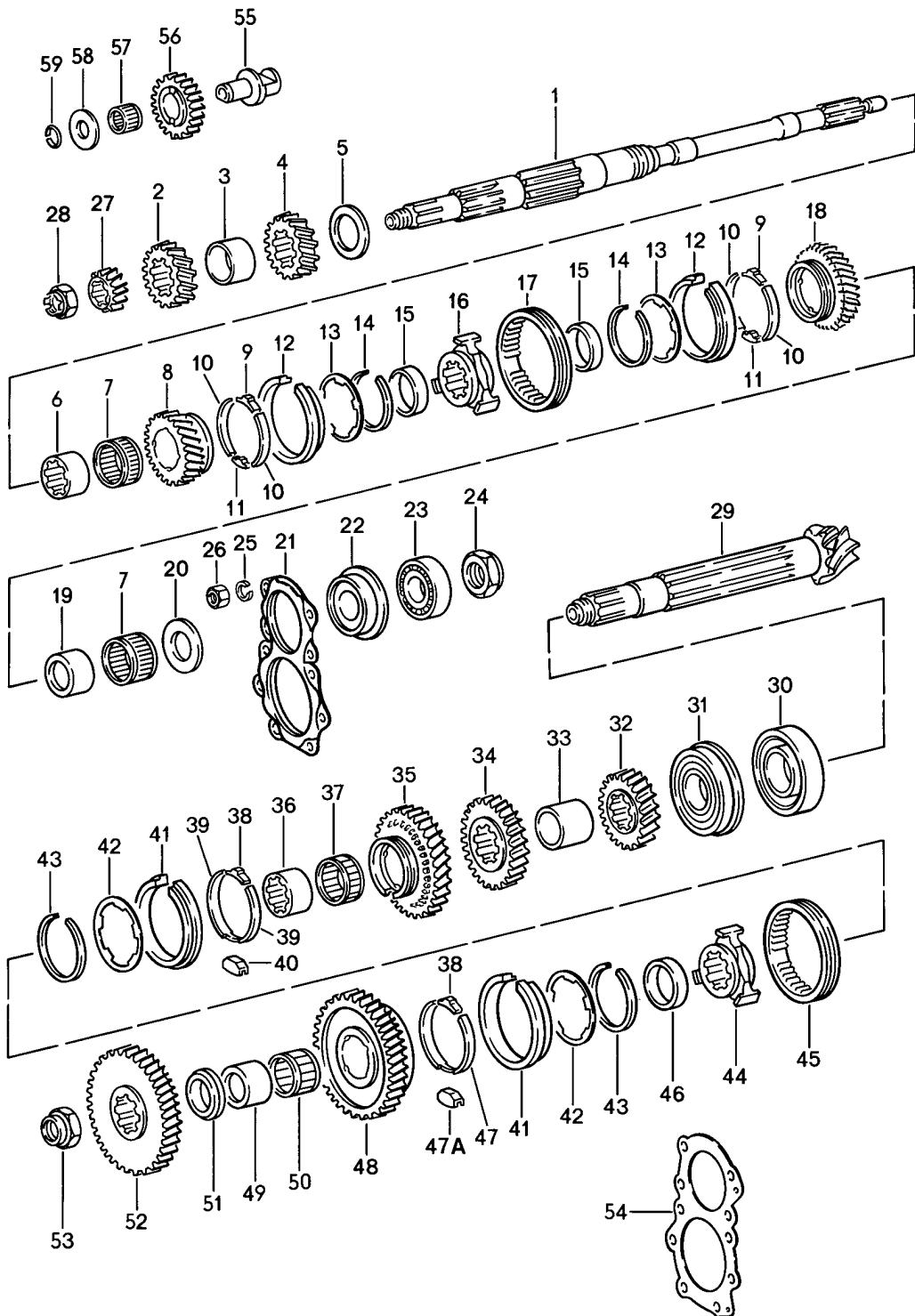
Model: 911 84

Model life 1984&gt;&gt;1986

Pos	Part Number	Description	Remark	Qty	Model
1	930 302 901 06	Gear wheel sets 4-speed Gear set 1st gear Z = 16:36 (FA)		1	
2	930 302 902 04	Gear set 2nd gear Z = 23:30 (NU)		1	930/34/36
2	930 302 902 06	Gear set 2nd gear Z = 23:30 (NU)		1	930/34/36
2	930 302 902 05	Gear wheel pair 2nd gear Z=24:30	(CH)	1	930/35/37
3	930 302 903 02	Gear set 3rd gear Z = 28:25 (SP)		1	
3	930 302 903 04	Gear set 3rd gear Z = 28:25 (SP)		1	
4	930 302 904 03	Gear set 4th speed Z = 32:20 (WK)		1	
5	930 302 911 01	Ring gear and pinion shaft 9:38		1	
5	930 302 911 03	Ring gear and pinion shaft 9:38		1	

Model: 911 84

Model life 1984>>1986



Model: 911 84

Model life 1984&gt;&gt;1986

Pos	Part Number	Description	Remark	Qty	Model
		Gears and shafts 4-speed Gear wheel sets See group 3/03/00			
1	930 302 101 01	Drive shaft		1	
2		Fixed gear wheel 1st gear		1	
3	930 302 265 00	Spacer sleeve		1	
4		Fixed gear wheel 2nd gear		1	
5	930 302 293 00	Thrust washer		1	
6	930 302 263 00	Bush		1	
7	999 201 470 00	3rd gear Needle cage		2	
8		Loose gear wheel 3rd gear		1	
9	930 302 325 00	Stone 3rd/4th gear		2	
9	930 302 325 11	Stone 3rd/4th gear		2	
10	911 302 316 00	Spring		4	
10	911 302 316 08	Brake band 3rd/4th gear		4	
11	911 302 317 01	Stop 3rd/4th gear		2	
12	930 302 303 00	Synchroniser ring 3rd/4th gear		2	
13	930 302 311 00	Lock washer		2	
14	930 302 313 01	Circlip		2	
15	930 302 274 00	Spacer ring		2	
16	930 302 402 00	Guide sleeve		1	
16	930 302 402 61	Guide sleeve		1	
17	911 302 411 20	Shift sleeve		1	
17	911 302 411 26	Shift sleeve		1	
17	911 302 411 27	Shift sleeve		1	
18		Loose gear wheel 4th speed		1	
19	930 302 264 00	Bush 4th speed		1	
20	930 302 291 00	Thrust washer		1	
21	930 302 121 00	Tensioning plate		1	
22	999 052 030 00	Four-point bearing		1	
23	930 302 391 00	Cylindrical-roller bearing		1	
23	930 302 391 01	Cylindrical-roller bearing		1	
24	930 302 281 00	Collar nut		1	
25	900 027 015 02	Lock ring		10	
25	900 027 015 03	Lock ring		10	
26	900 076 025 02	Hexagon nut M 8		10	
26	900 076 064 02	Hexagon nut M 8		10	
27	930 302 221 00	Reverse gear wheel		1	
27	930 302 221 01	Reverse gear wheel		1	
28	930 302 451 00	Collar nut		1	
29		Drive shaft		1	
30	999 110 146 00	Cylindrical-roller bearing		1	
30	999 110 146 01	Cylindrical-roller bearing		1	
31	917 301 391 00	Four-point bearing		1	
32		Fixed gear wheel 4th speed		1	
33	930 302 266 02	Spacer ring		1	
34		Fixed gear wheel		1	

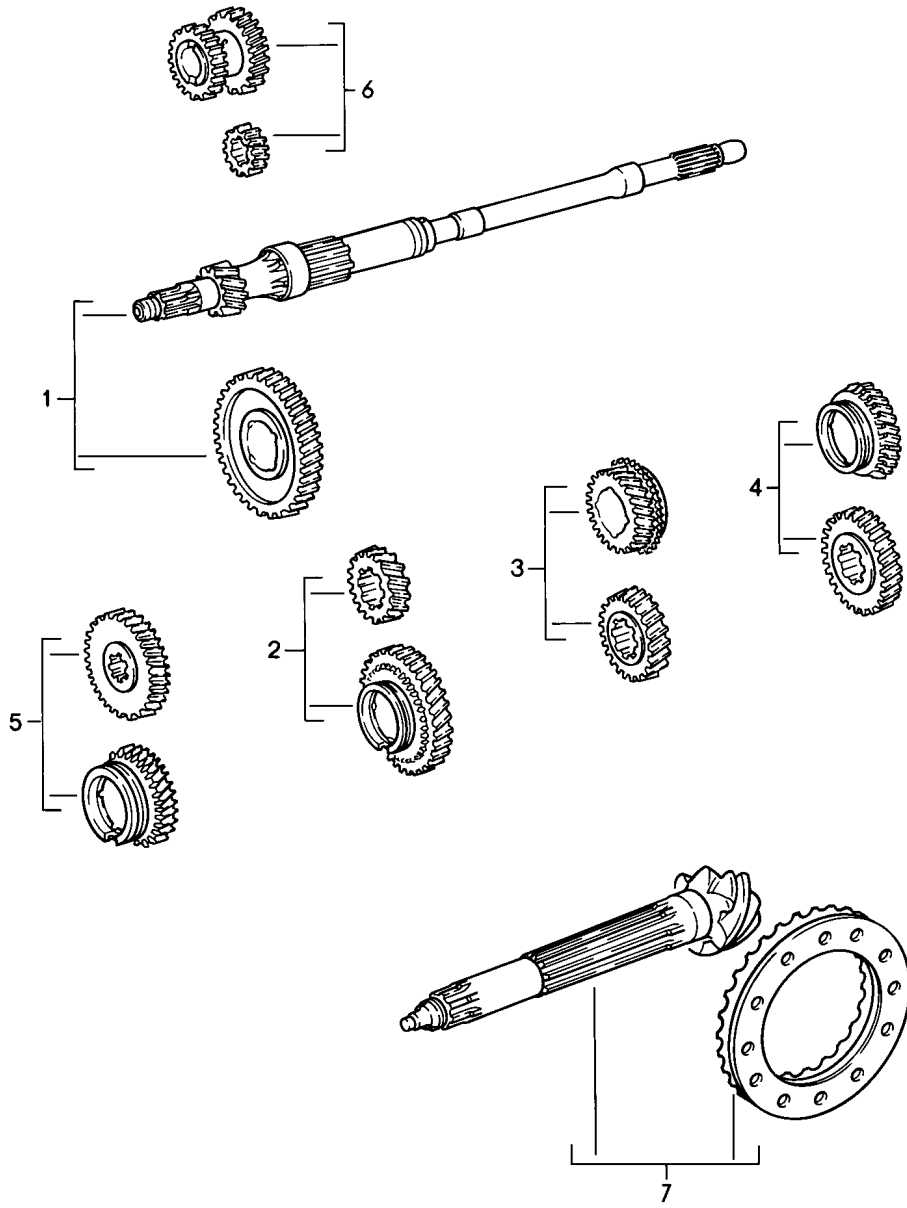
Model: 911 84

Model life 1984>>1986

Pos	Part Number	Description	Remark	Qty	Model
35		3rd gear Loose gear wheel		1	
36	930 302 262 00	2nd gear Bush		1	
37	999 201 047 00	2nd gear Needle cage		2	
38	930 302 315 00	Stone		1	
38	930 302 316 00	2nd gear Stone		1	
39	928 302 318 02	1st gear Double barricade tape		2	
40	928 302 322 00	2nd gear Stop		1	
41	930 302 301 00	2nd gear Synchroniser ring		2	
42	930 302 331 00	1st / 2nd gear Lock washer		2	
43	930 302 333 01	Lock washer Circlip		2	
44	930 302 401 00	Circlip Guide sleeve		1	
45	930 302 411 01	Guide sleeve Shift sleeve		1	
45	930 302 411 02	Shift sleeve Shift sleeve		1	
45	930 302 411 03	Shift sleeve Shift sleeve		1	
46	930 302 271 00	Shift sleeve Spacer ring		1	
47	928 302 319 08	Spacer ring Double barricade tape		1	
47A	928 302 320 01	1st gear Stop		1	
48		1st gear Loose gear wheel		1	
49	930 302 261 00	1st gear Inner ring		1	
50	999 201 156 00	Inner ring Needle cage		1	
51	930 302 292 00	Needle cage Thrust washer		1	
52	930 302 223 00	Thrust washer Reverse gear wheel		1	
53	930 302 453 00	Reverse gear wheel Collar nut		1	
54	915 302 268 03	Collar nut Adjusting shim		X	
54	915 302 268 04	Adjusting shim 0,10 MM		X	
54	915 302 268 05	Adjusting shim 0,15 MM		X	
55	930 302 269 01	Adjusting shim 0,20 MM		X	
56	930 302 222 00	Sleeve		1	
56	930 302 222 02	Reverse gear wheel		1	
57	999 201 115 00	Reverse gear wheel		1	
58	930 302 229 00	Needle cage		1	
59	999 152 053 01	Washer Circlip		1	

Model: 911 84

Model life 1984>>1986



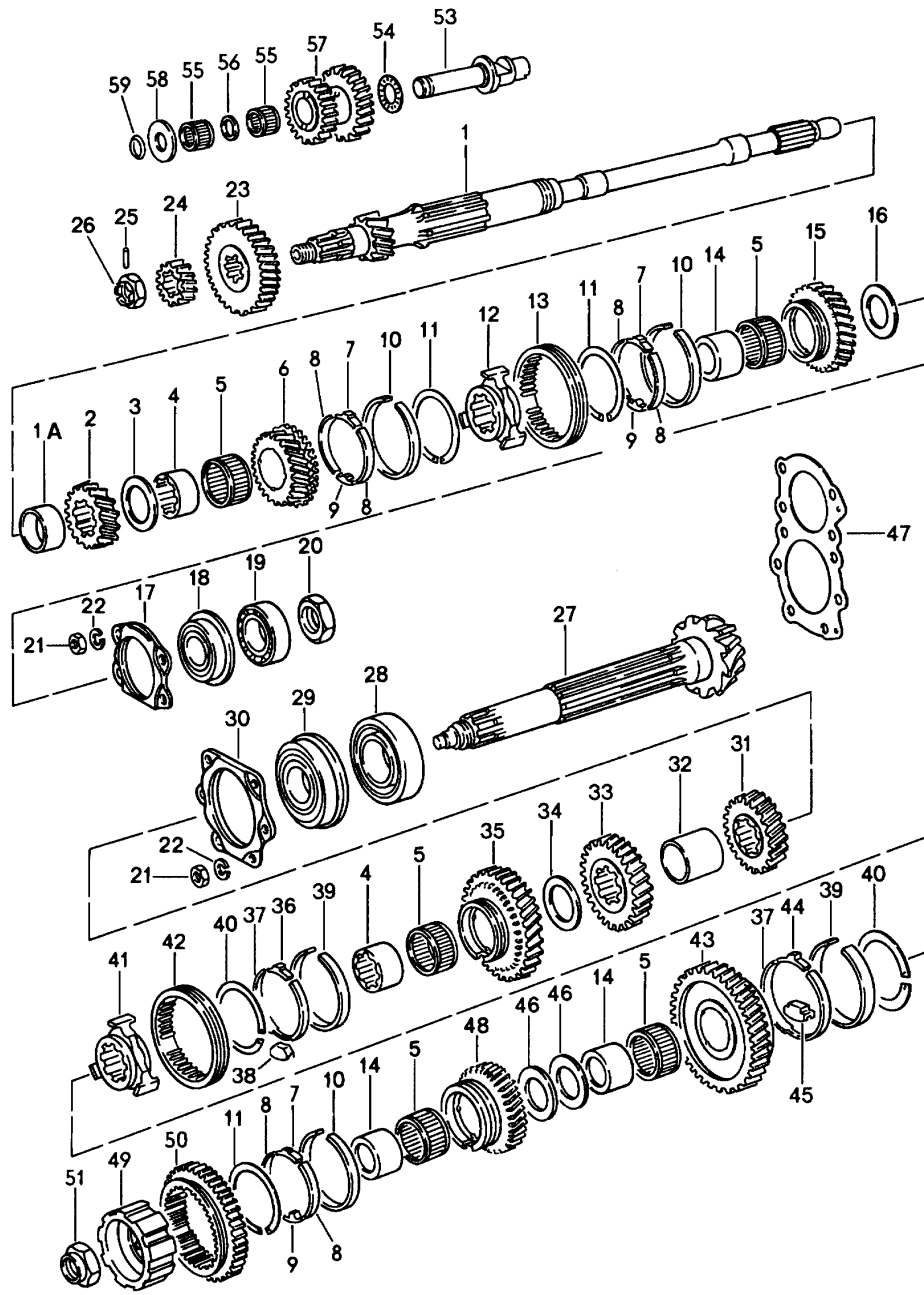
Model: 911 84 Model life 1984>>1986

Pos	Part Number	Description	Remark	Qty	Model
1	915 302 921 14	Gear wheel sets 5-speed Transmission 915.67/69/72 Gear set 1st gear Z = 11:35 (AZ)		1	
1	915 302 921 15	Gear set 1st gear Z = 11:35 (AZ)		1	
1	915 302 921 16	Gear set 1st gear Z = 11:35 (AZ)		1	
2	915 302 902 39	Gear wheel pair 2nd gear Z = 18:33 (HX)		1	
3	923 302 903 23	Gear wheel pair 3rd gear Z = 23:29 (NT)		1	
4	915 302 904 74	Gear wheel pair 4th speed Z = 29:28		1	
5	915 302 905 82	Gear wheel pair 5th gear Z = 38:29		1	
6	915 302 912 04	Gear wheel pair Reverse gear wheel		1	
6	915 302 912 05	Gear wheel pair Reverse gear wheel		1	
7	915 302 911 17	Ring gear and pinion shaft 8:31 Transmission 915.68/70 (J)		1	
1	915 302 921 14	Gear set 1st gear Z = 11:35 (AZ)		1	
1	915 302 921 15	Gear set 1st gear Z = 11:35 (AZ)		1	
1	915 302 921 16	Gear set 1st gear Z = 11:35 (AZ)		1	
2	915 302 902 24	Gear wheel pair 2nd gear Z = 18:32 (HX)		1	
3	923 302 903 23	Gear wheel pair 3rd gear Z = 23:29 (NT)		1	
4	923 302 904 28	Gear wheel pair 4th speed Z = 26:26 (QQ)		1	
5	915 302 905 79	Gear wheel pair 5th gear Z = 38:30		1	
6	915 302 912 04	Gear wheel pair Reverse gear		1	
6	915 302 912 05	Gear wheel pair Reverse gear		1	
7	915 302 911 17	Ring gear and pinion shaft 8:31		1	



Model: 911 84

Model life 1984>>1986



Model: 911 84

Model life 1984&gt;&gt;1986

Pos	Part Number	Description	Remark	Qty	Model
		Gears and shafts 5-speed Gear wheel sets See group 3/03/10			
1		Drive shaft		1	
1A	915 302 267 00	Spacer sleeve		1	
2		Fixed gear wheel 2nd gear		1	
3	915 302 292 00	Thrust washer		1	
4	915 302 262 00	Bush		5	
5	999 201 470 00	Needle cage		1	
6		Loose gear wheel 3rd gear		1	
7	911 302 315 00	Detent 3rd/5th gear		3	
8	911 302 316 08	Brake band 3rd/5th gear		6	
9	911 302 317 01	Stop 3rd/5th gear		3	
10	911 302 301 06	Synchroniser ring 3rd/5th gear		3	
10	911 302 301 13	Synchroniser ring 3rd/5th gear		3	
11	911 302 311 01	Circlip		3	
12	911 302 402 20	Guide sleeve		1	
13	911 302 411 20	Shift sleeve		1	
13	911 302 411 26	Shift sleeve		1	
13	911 302 411 27	Shift sleeve		1	
14	915 302 261 00	Bush		3	
14	915 302 261 03	Bush		3	
15		Loose gear wheel 4th speed		1	
16	915 302 294 01	Thrust washer		1	
17	915 302 121 03	Tensioning plate		1	
17	915 302 121 04	Tensioning plate		1	
18	999 052 030 00	Four-point bearing		1	
19	930 302 391 00	Cylindrical-roller bearing \$ 55		1	
19	930 302 391 01	Cylindrical-roller bearing \$ 55		1	
19	999 110 032 00	Cylindrical-roller bearing \$ 62		1	
20	999 034 033 00	Hexagon nut		1	
21	900 076 025 02	Hexagon nut M 8		10	
21	900 076 064 02	Hexagon nut M 8		10	
22	900 027 015 02	Lock ring B 8		10	
22	900 027 015 03	Lock ring B 8		10	
23		Fixed gear wheel 5th gear		1	
24		Reverse gear wheel		1	
25	900 309 005 00	Roll pin 4 X 26		1	
26	900 079 009 00	Castle nut M 18 X 1,5		1	
27		Drive shaft		1	
28	999 110 146 00	Cylindrical-roller bearing		1	
28	999 110 146 01	Cylindrical-roller bearing		1	
29	999 052 043 00	Four-point bearing		1	

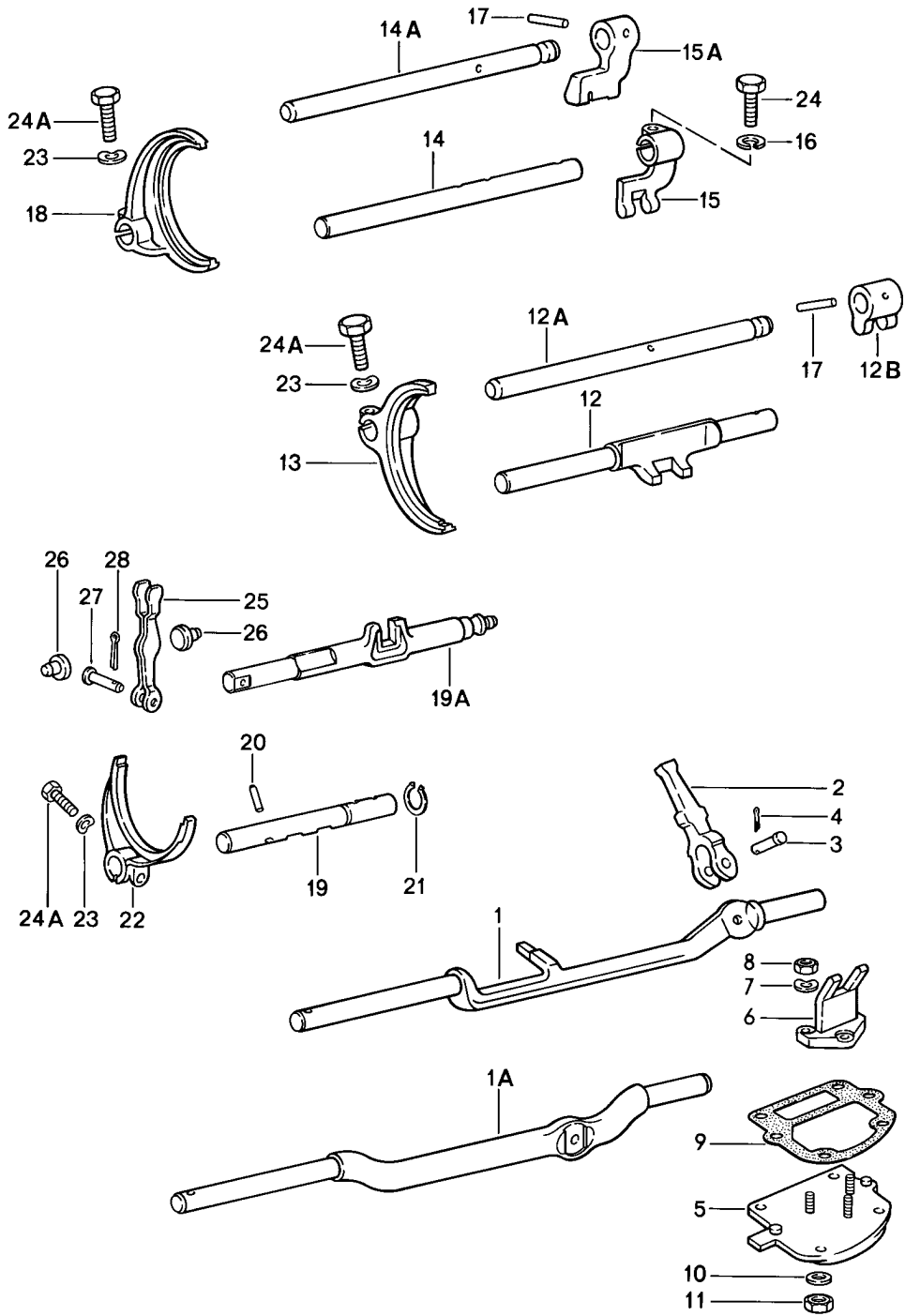
Model: 911 84

Model life 1984&gt;&gt;1986

Pos	Part Number	Description	Remark	Qty	Model
30	915 302 123 03	Tensioning plate		1	
30	915 302 123 04	Tensioning plate		1	
31		Fixed gear wheel 4th speed		1	
32	915 302 265 01	Spacer sleeve		1	
33		Fixed gear wheel 3rd gear		1	
34	915 302 293 00	Thrust washer		1	
35		Loose gear wheel 2nd gear		1	
36	915 302 315 01	Stone 2nd gear		1	
37	928 302 318 02	Double barricade tape 2nd gear		1	
37	928 302 319 08	Double barricade tape 1st gear		1	
38	928 302 322 00	Stop 2nd gear		1	
39	915 302 301 04	Synchroniser ring 2nd gear		1	
39	915 302 301 06	Synchroniser ring 1st gear		1	
40	915 302 311 01	Circlip		2	
41	915 302 401 02	Guide sleeve		1	
42	930 302 411 02	Shift sleeve		1	
42	930 302 411 03	Shift sleeve		1	
43		Loose gear wheel 1st gear		1	
44	915 302 315 01	Stone 1st gear		1	
45	928 302 321 00	Stop		1	
46	915 302 291 00	Thrust washer		2	
47	915 302 268 03	Adjusting shim 0,10 MM		1	
47	915 302 268 04	Adjusting shim 0,15 MM		X	
47	915 302 268 05	Adjusting shim 0,20 MM		X	
48		Loose gear wheel 5th gear		1	
49	915 302 405 01	Guide sleeve		1	
50	915 302 227 09	Shifting gear		1	
51	915 302 282 00	Collar nut		1	
53	915 302 228 03	Bolt		1	
54	999 202 001 00	Needle cage		1	
55	999 201 107 00	Needle cage		2	
56	915 302 231 00	Intermediate ring		1	
57		Reverse idler gear		1	
58	915 302 229 01	Thrust washer		1	
59	999 701 169 40	O-ring		1	
59		O-ring		1	

Model: 911 84

Model life 1984>>1986



Model: 911 84

Model life 1984&gt;&gt;1986

Pos	Part Number	Description	Remark	Qty	Model
		Shift rods shift forks for 4-speed And 5-speed			
1	915 303 132 00	Gear shift rod		1	CARRERA
1A	930 303 132 00	Gear shift rod		1	TURBO
2	915 303 133 00	Shift lever		1	CARRERA
2	930 303 133 00	Shift lever		1	TURBO
3	901 303 171 01	Bolt		1	
4	N 012 512 1	Cotter pin 2 X 12		1	
5	915 303 023 02	Shift cover		1	
6	915 303 129 09	Fork		1	CARRERA
6	930 303 129 02	Fork		1	TURBO
7	N 012 006 4	Lock ring B 6		3	
8	900 076 010 02	Nut M 6		3	
8	900 076 010 0B	Nut M 6		3	
9	915 303 225 00	Gasket		1	
10	N 012 241 8	Spring washer B 8		4	
11	900 076 025 02	Hexagon nut M 8		4	
11	900 076 064 02	Hexagon nut M 8		4	
12	915 303 101 00	Gear shift rod 1st / 2nd gear		1	CARRERA
12A	930 303 101 01	Gear shift rod 1st / 2nd gear		1	TURBO
12B	930 303 111 03	Shift fork		1	TURBO
13	915 303 111 00	Shift fork 1st / 2nd gear		1	CARRERA
13	930 303 110 02	Shift fork 1st / 2nd gear		1	TURBO
14	915 303 103 50	Gear shift rod 3rd/4th gear		1	CARRERA
14A	930 303 103 01	Gear shift rod 3rd/4th gear		1	TURBO
15	915 303 115 09	Shift fork		1	CARRERA
15	915 303 115 10	Shift fork		1	CARRERA
15A	930 303 115 03	Shift fork		1	TURBO
16	900 027 015 02	Lock ring B 8		1	
16	900 027 015 03	Lock ring B 8		1	
17	900 309 003 00	Roll pin 5 X 24		2	TURBO
18	915 303 112 00	Shift fork 3rd/4th gear		1	CARRERA
(18)	930 303 112 02	Shift fork 3rd/4th gear		1	TURBO
(18)	930 303 112 03	Shift fork 3rd/4th gear		1	TURBO
19	915 303 105 09	Gear shift rod Reverse gear 5th gear		1	CARRERA
19A	930 303 105 03	Gear shift rod Reverse gear		1	TURBO
20	900 309 005 00	Roll pin		1	CARRERA

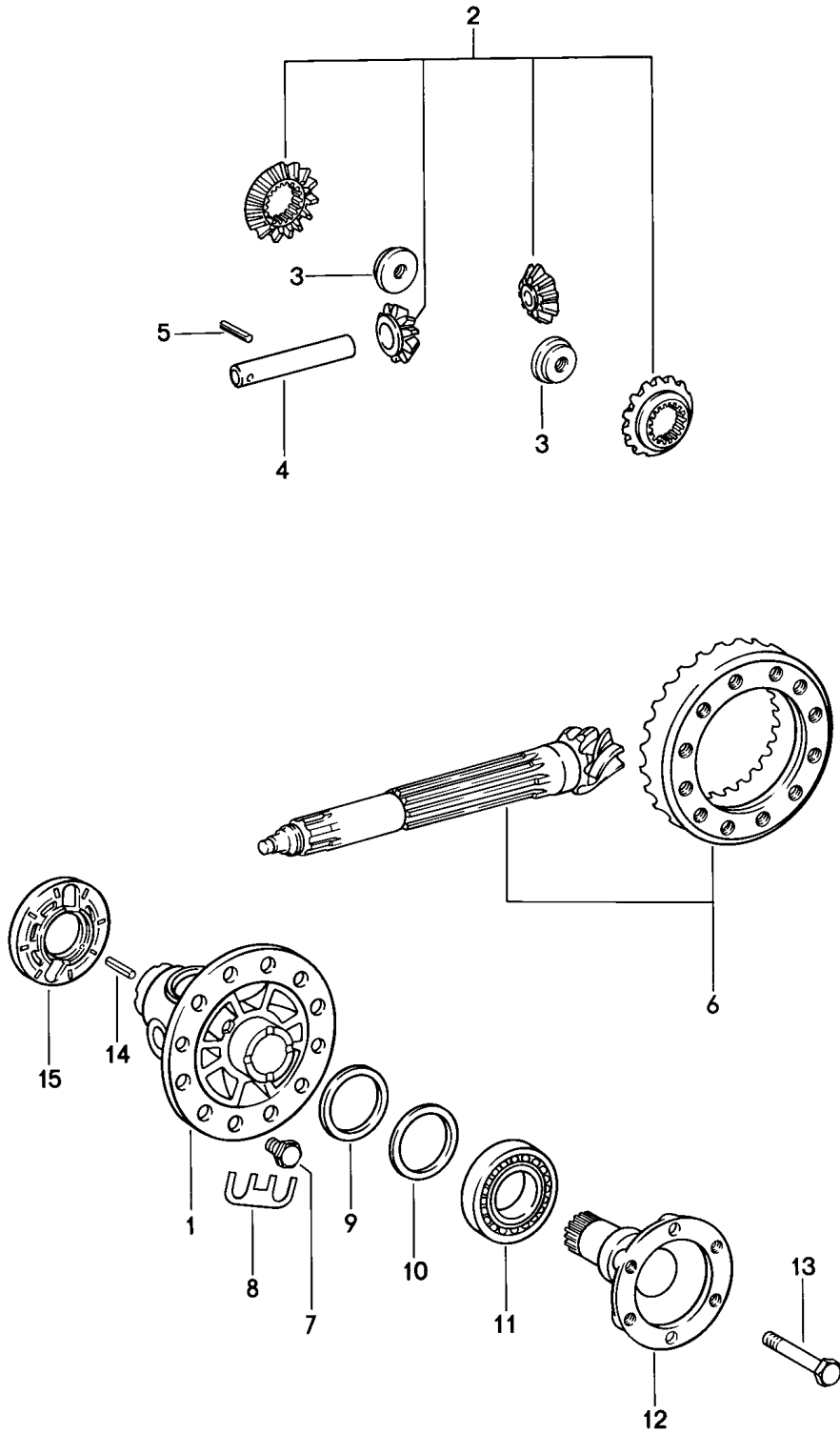
Model: 911 84

Model life 1984&gt;&gt;1986

Pos	Part Number	Description	Remark	Qty	Model
22	915 303 113 01	4 X 26 Shift fork		1	CARRERA
		Reverse gear			
		5th gear			
23	N 012 228 3	Spring washer		3	
		B 8			
24A	900 075 099 02	Hexagon-head bolt		4	
		M 8 X 30			
24A	900 075 099 03	Hexagon-head bolt		4	
		M 8 X 30			
25	930 303 019 00	Reverse lever		1	TURBO
25	930 303 019 01	Reverse lever		1	TURBO
		Use also:			
27	930 303 123 01	Bolt		1	
26	930 303 121 00	Spacer bolt		2	TURBO
27	930 303 123 00	Bolt		1	TURBO
27	930 303 123 01	Bolt		1	TURBO
		Use also:			
25	930 303 019 01	Reverse lever		1	
28	N 012 502 1	Cotter pin		1	TURBO
		1,6 X 10			

Model: 911 84

Model life 1984>>1986



Model: 911 84

Model life 1984&gt;&gt;1986

Pos	Part Number	Description	Remark	Qty	Model
1	930 332 212 01	Differential Differential housing		1	915.68/70/73
1	915 332 212 00	Housing Differential		1	930.34/36/37
2	928 332 902 01	Housing Differential pinions		1	915.67/69/72
2	928 332 902 90	Set Differential pinions		1	
2	950 332 902 90	Set Differential pinions		1	
3	928 332 279 02	Set Nut		2	
4	928 332 207 05	Differential bolt		1	
5	900 309 035 00	Roll pin		1	
6	915 302 911 17	Ring gear and pinion shaft 8 : 31		1	CARRERA
6	930 302 911 01	Ring gear and pinion shaft 9 : 38		1	TURBO
6	930 302 911 03	Ring gear and pinion shaft 9 : 38		1	TURBO
7	928 332 276 03	Hexagon-head bolt		12	
8	901 332 285 01	Tab washer		6	
9	915 332 265 00	Adjusting ring 2,4 MM		X	
9	915 332 265 01	Adjusting ring 2,5 MM		X	
9	915 332 265 02	Adjusting ring 2,6 MM		X	
9	915 332 265 03	Adjusting ring 2,7 MM		X	
9	915 332 265 04	Adjusting ring 2,8 MM		X	
9	915 332 265 05	Adjusting ring 2,9 MM		X	
9	915 332 265 06	Adjusting ring 3,0 MM		X	
9	915 332 265 07	Adjusting ring 3,1 MM		X	
9	915 332 265 08	Adjusting ring 3,2 MM		X	
9	915 332 265 09	Adjusting ring 3,3 MM		X	
9	915 332 265 10	Adjusting ring 3,4 MM		X	
9	915 332 265 11	Adjusting ring 3,5 MM		X	
9	915 332 265 12	Adjusting ring 3,6 MM		X	
9	915 332 265 13	Adjusting ring 3,7 MM		X	
10	915 332 263 00	Adjusting ring 0,25 MM		X	
11	999 059 027 00	Taper roller bearing		2	CARRERA
11	999 059 027 02	Taper roller bearing		2	CARRERA
11	999 059 064 00	Taper roller bearing		2	TURBO
12	930 332 209 03	Joint flange		2	930.34
12	915 332 209 12	Joint flange		2	915.69/70
12	930 332 209 05	Joint flange		2	915.67/68
12	930 332 209 12	Joint flange		2	930.36/37
12	930 332 209 12	Joint flange		2	915.72/73
12	930 332 209 12	Joint flange		2	930.36/37
12	930 332 209 12	Joint flange		2	915.72/73
13	900 074 291 02	Hexagon-head bolt		2	



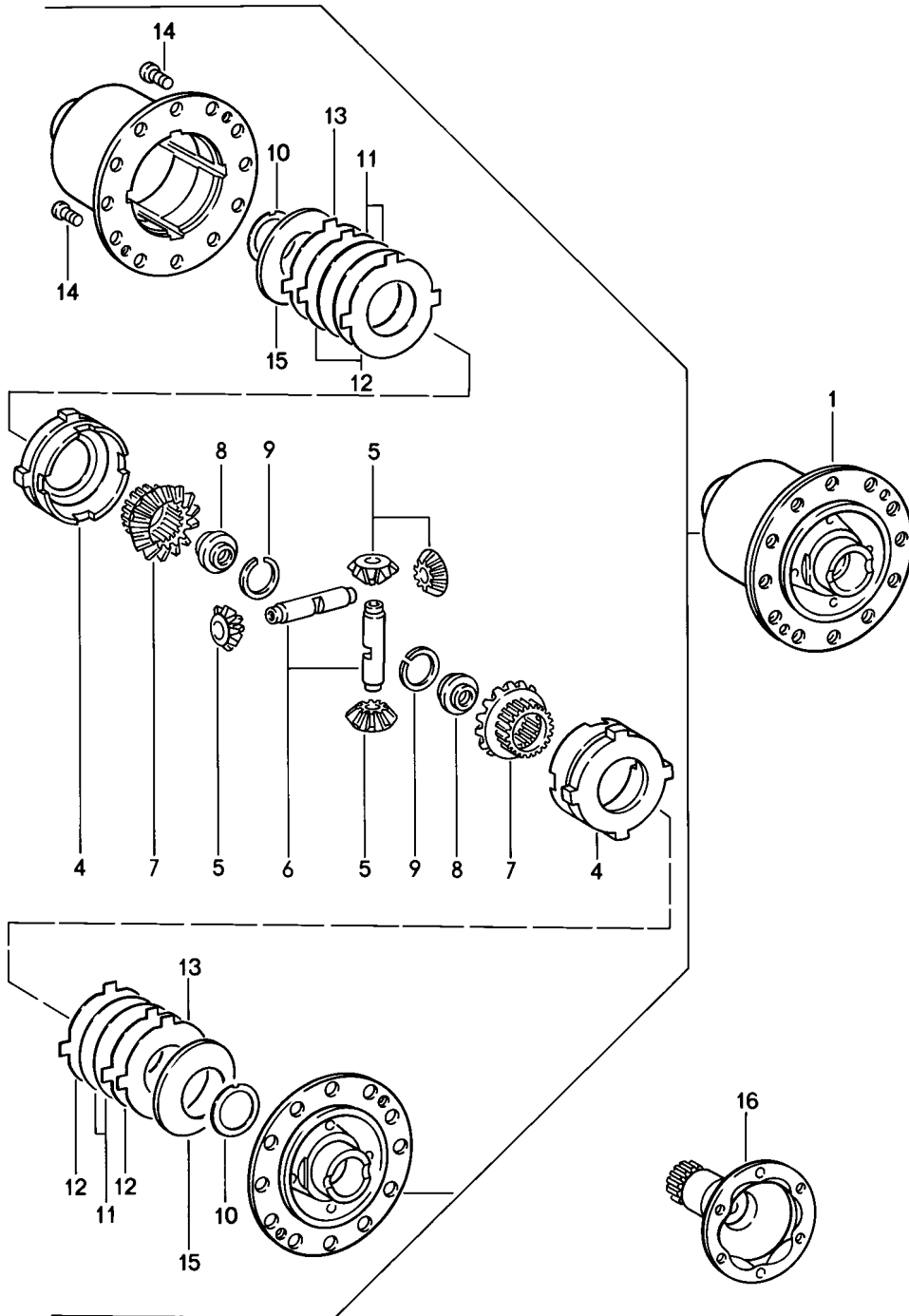
Model: 911 84

Model life 1984&gt;&gt;1986

Pos	Part Number	Description	Remark	Qty	Model
14	900 095 078 00	M 10 X 78 Tensioning sleeve		1	
15	915 318 045 03	4 X 14 Magnet carrier disc		1	

Model: 911 84

Model life 1984>>1986



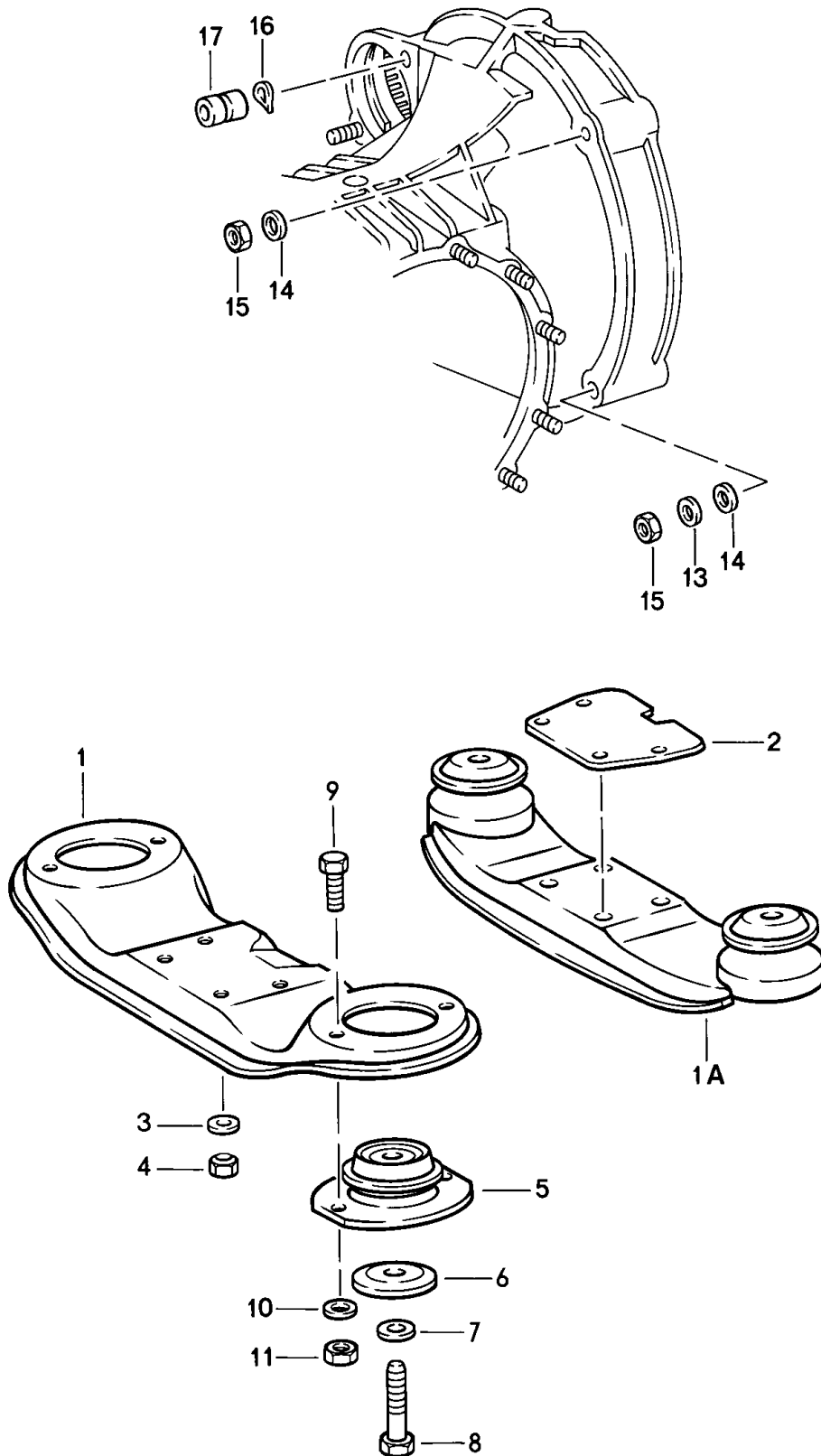
Model: 911 84

Model life 1984&gt;&gt;1986

Pos	Part Number	Description	Remark	Qty	Model
1	930 332 053 03	Limited-slip differential Limited-slip differential 40 %		1	TURBO
1	915 332 053 21	Limited-slip differential 40 %		1	CARRERA
4	901 332 511 11	Thrust ring		2	TURBO
4		Thrust ring		2	TURBO
4	928 332 511 00	Thrust ring		2	CARRERA
5	915 332 531 02	Bevel pinion		4	TURBO
5	928 332 531 00	Bevel pinion		4	CARRERA
6	915 332 541 02	Differential shaft		2	TURBO
6	928 332 541 00	Differential shaft		2	CARRERA
7	930 332 535 01	Shaft bevel gear		2	TURBO
7	928 332 535 00	Shaft bevel gear		2	CARRERA
8	928 332 279 01	Threaded disc		2	
10	901 332 561 11	Thrust washer		2	
11	928 332 551 00	Inner disc 2,0 MM		4	
12	917 332 552 10	Disc with external splines 1,9 MM		4	
12	917 332 552 11	Disc with external splines 2,0 MM		4	
12	917 332 552 12	Disc with external splines 2,1 MM		4	
14	N 014 765 2	Pan-head screw M 6 X 10		2	
-	900 095 078 00	Tensioning sleeve 4 X 14		1	TURBO
-	900 309 035 00	Roll pin 5X40		1	CARRERA
15	928 332 555 00	Cup spring		2	TURBO
15	928 332 555 20	Cup spring		2	CARRERA
16	915 332 209 12	Joint flange		2	915/67/68
16	930 332 209 03	Joint flange		2	930/34/35
16					915/69/70
16	930 332 209 05	Joint flange		2	930/36/37
16					915/72/73
16	930 332 209 12	Joint flange		2	930/36/37
					915/72/73

Model: 911 84

Model life 1984>>1986



Model: 911 84 Model life 1984>>1986

Pos	Part Number	Description	Remark	Qty	Model
1	911 375 033 01	Transmission suspension		1	CARRERA
1A	930 375 031 00	Transmission carrier		1	TURBO
3	900 025 007 02	Washer 8,4		4	
3	900 025 007 03	Washer 8,4		4	
4	900 910 022 02	Lock nut		4	
5	911 375 043 00	Bearing		2	CARRERA
6	901 305 311 00	Seat		4	
7	900 027 017 02	Lock ring B 12		2	
8	901 305 317 00	Hexagon-head bolt		2	CARRERA
9	900 075 087 02	Hexagon-head bolt M 8 X 16		4	CARRERA
9	900 075 087 03	Hexagon-head bolt M 8 X 16		4	CARRERA
10	900 027 015 02	Lock ring B 8		4	CARRERA
10	900 027 015 03	Lock ring B 8		4	CARRERA
11	900 076 025 02	Hexagon nut M 8		4	CARRERA
11	900 076 064 02	Hexagon nut M 8		4	CARRERA
13	999 523 103 01	Schnorr retainng washer M 10		2	CARRERA
14	900 031 005 02	Washer 10,5		5	CARRERA
14	900 031 005 03	Washer 10,5		5	CARRERA
15	900 157 002 02	Hexagon nut M 10		3	
15	900 157 002 03	Hexagon nut M 10		3	
16	N 012 242 3	Spring washer B 10 X 18		5	
17	901 104 382 02	Nut	-85	2	
17	901 104 382 03	Nut		2	
17	901 104 382 02	Nut		2	
17	901 104 382 03	Nut		2	

Model: 911 84

Model life 1984>>1986

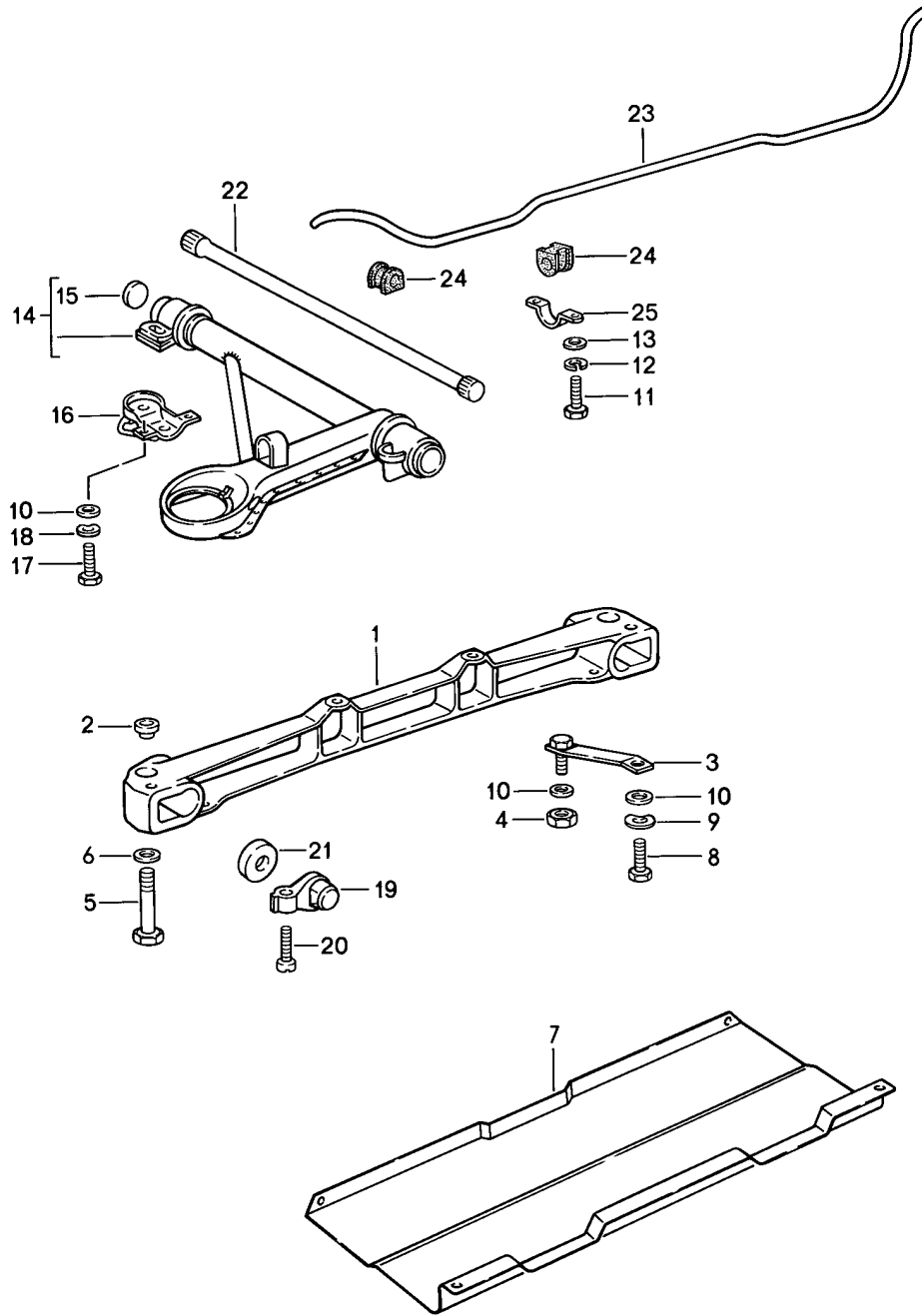


Model: 911 84 Model life 1984>>1986

Pos	Part Number	Description	Remark	Qty	Model
>>	915 300 911 01	Gasket set Gasket set Transmission Comprising:		1	915
-	915 301 139 00	Sealing ring		1	
-	999 113 183 40	Radial shaft seal 45 X 68 X 10		2	
-	999 113 182 40	Shaft sealing ring 23 X 40 X 10		1	
-	999 113 327 40	Shaft sealing ring 23 X 35 X 8/11		1	
-	999 701 392 40	O-ring OR 195 X 3,5		1	
-	915 301 191 00	Gasket		1	
-	900 123 066 30	Sealing ring A 10 X 16		2	
-	999 113 185 40	Shaft sealing ring 15 X 24 X 7		1	
-	999 701 349 40	O-ring 17,5 X 2,4		1	
-	999 113 175 40	Shaft sealing ring 6 X 15 X 6		1	
-	915 301 351 00	Gasket		1	
-	999 701 169 40	O-ring 14,3 X 2,4		1	
-	915 303 225 00	Gasket		1	
-	915 307 311 11	Gasket		1	
-	900 174 033 40	Round seal 18 X 2,5		2	
>>	930 300 911 00	Gasket set Transmission Comprising:		1	930
-	915 301 139 00	Sealing ring		1	
-	999 113 183 40	Radial shaft seal		2	
-	999 701 437 40	O-ring		1	
-	930 302 332 00	Shaft sealing ring		1	
-	999 701 440 40	O-ring		1	
-	930 301 191 00	Gasket		1	
-	999 113 185 40	Shaft sealing ring		1	
-	930 301 351 00	Gasket		1	
-	915 303 225 00	Gasket		1	

Model: 911 84

Model life 1984>>1986





Model: 911 84

Model life 1984&gt;&gt;1986

Pos	Part Number	Description	Remark	Qty	Model
		Front axle			
		Stabiliser			
1	911 341 013 10	Auxiliary support		1	
2	930 341 135 00	Adapter		2	TURBO
3	930 341 031 02	Strut		2	TURBO
3	911 341 031 01	Strut		2	CARRERA
4	900 910 031 09	Lock nut		2	
4	900 910 031 01	Lock nut		2	
5	900 082 110 02	Hexagon-head bolt		2	
		M 12 X 1,5 X 85			
5		Hexagon-head bolt		2	
		M 12 X 1,5 X 85			
6	900 028 014 02	Washer		2	
		B 12			
6	900 028 014 03	Washer		2	
		B 12			
7	930 341 021 02	Protective plate		1	TURBO
7	911 341 161 04	Protective plate		1	CARRERA
7	911 341 161 05	Protective plate		1	CARRERA
8	N 014 721 2	Pan-head screw		2	
		M 10 X 25			
9	900 027 016 02	Lock ring		2	
		B 10			
9	900 027 016 03	Lock ring		2	
		B 10			
10	900 025 008 09	Washer		8	
		10,5			
10	900 025 008 04	Washer		8	
		10,5			
11	900 075 087 02	Hexagon-head bolt		2	
		M 8 X 16			
11	900 075 087 03	Hexagon-head bolt		2	
		M 8 X 16			
12	900 027 015 02	Lock ring		2	
		B 8			
12	900 027 015 03	Lock ring		2	
		B 8			
12	900 027 015 02	Lock ring		2	
		B 8			
12	900 027 015 03	Lock ring		2	
		B 8			
13	900 025 007 02	Washer		2	
		8,4			
13	900 025 007 03	Washer		2	
		8,4			
14	911 341 901 01	Wishbone	/L	1	CARRERA
14	911 341 902 01	Wishbone	/R	1	CARRERA
14	930 341 901 01	Wishbone	/L	1	TURBO
14	930 341 902 01	Wishbone	/R	1	TURBO
15	900 040 008 01	Lid		2	
16	911 341 037 02	Protective bracket	/L	1	
16	901 341 159 00	Protective bracket	/R	1	
17	N 010 275 3	Hexagon-head bolt		6	CARRERA
		M 10 X 35			
17	900 075 460 01	Hexagon-head bolt		6	CARRERA
		M 10 X 35			
17	N 040 281 1	Hexagon-head bolt		6	TURBO
		M 10 X 45			
17	900 075 516 01	Hexagon-head bolt		6	TURBO
		M 10 X 45			
18	900 027 016 02	Lock ring		6	
		B 10			
18	900 027 016 03	Lock ring		6	

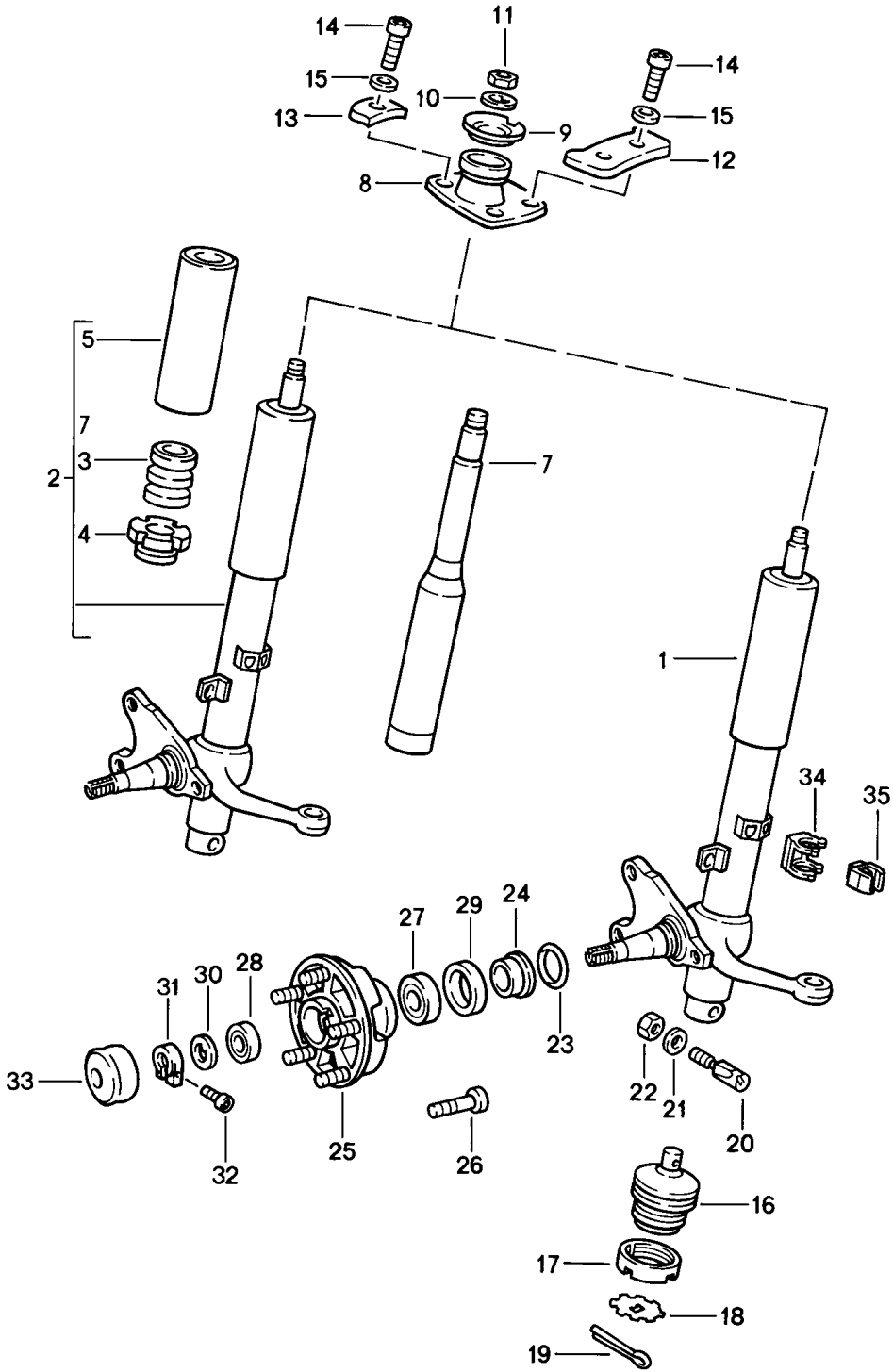
Model: 911 84

Model life 1984>>1986

Pos	Part Number	Description	Remark	Qty	Model
		B 10			
19	901 341 033 00	Reverse lever		2	
20	911 341 115 00	Adjusting screw		2	
21	901 341 475 00	Gasket		2	
22	901 343 101 12	Torsion bar	/L	1	
22	901 343 101 14	Torsion bar	/L	1	
22	901 343 102 12	Torsion bar	/R	1	
22	901 343 102 14	Torsion bar	/R	1	
23	911 343 703 10	Stabiliser 20 MM	-85	1	CARRERA
(23)	911 343 703 13	Stabiliser 22 MM	86-	1	CARRERA
(23)	911 343 703 10	Stabiliser 20 MM	84	1	TURBO
(23)	911 343 703 13	Stabiliser 22 MM	85-	1	TURBO
24	911 343 792 03	Stabiliser mounting 20 MM		4	
24	911 343 881 00	Stabiliser mounting 22 MM		4	
25	911 343 775 00	Clip		2	

Model: 911 84

Model life 1984>>1986



Model: 911 84 Model life 1984>>1986

Pos	Part Number	Description	Remark	Qty	Model
-	PCG 043 110 00	Shock absorber strut Lubricants Grease Bearing 200 GR.		1	
1	911 341 041 33	Shock absorber strut - bilstein -	/L	1	TURBO
1	911 341 042 33	Shock absorber strut - bilstein -	/R	1	TURBO
1	911 341 041 33	Shock absorber strut - bilstein - F >>91FS1 00489 F >>91FS1 09584 F >>91FS1 40214 F >>91FS1 49560 F >>91FS1 50204 F >>91FS1 59562	/L	1	CARRERA M474/491
1	911 341 042 33	Shock absorber strut - bilstein - F >>91FS1 00489 F >>91FS1 09584 F >>91FS1 40214 F >>91FS1 49560 F >>91FS1 50204 F >>91FS1 59562	/R	1	CARRERA M474/491
2	911 341 041 03	Shock absorber strut - boge -	/L -85	1	CARRERA
2	911 341 042 03	Shock absorber strut - boge -	/R -85	1	CARRERA
2	911 341 041 04	Shock absorber strut - boge -	/L 86	1	CARRERA
2	911 341 042 04	Shock absorber strut - boge -	/R 86	1	CARRERA
2	911 341 041 05	Shock absorber strut - boge - F 91FS1 00490>> F 91FS1 09585>> F 91FS1 40215>> F 91FS1 49561>> F 91FS1 50205>> F 91FS1 59563>>	/L	1	CARRERA M474/491
2	911 341 042 05	Shock absorber strut - boge - F 91FS1 00490>> F 91FS1 09585>> F 91FS1 40215>> F 91FS1 49561>> F 91FS1 50205>> F 91FS1 59563>>	/R	1	CARRERA M474/491
-	911 341 043 02	Shock absorber strut Outer part - boge -	/L -85	1	CARRERA
-	911 341 043 04	Shock absorber strut Outer part	/L -85	1	CARRERA
-	911 341 044 02	Shock absorber strut Outer part - boge -	/R -85	1	CARRERA
-	911 341 043 03	Shock absorber strut Outer part - boge - for 911.341.041.04/05	/L 86-	1	CARRERA
-	911 341 044 03	Shock absorber strut	/R 86-	1	CARRERA

Model: 911 84 Model life 1984>>1986

Pos	Part Number	Description	Remark	Qty	Model
-	911 341 044 11	Outer part - boge - for 911.341.042.04/05 Shock absorber strut	/R 86-	1	CARRERA
3	901 343 301 00	Outer part - boge - for 911.341.042.04/05 Rubber stop - boge - F 91FS1 00490>> F 91FS1 09585>> F 91FS1 40215>> F 91FS1 49561>> F 91FS1 50205>> F 91FS1 59563>>		2	CARRERA M474/491
4	911 341 804 00	Screw plug Inner Threaded ring	-85	2	CARRERA
4	911 341 804 01	- boge - Screw plug Inner Threaded ring		2	CARRERA
(4)	911 341 806 00	- boge - Locking ring Outer Threaded ring	86-	1	CARRERA
(4)		- boge - Locking ring		1	CARRERA M474/491
-	911 341 808 00	Outer Threaded ring - boge - Washer for Shock absorber strut 911.341.041/042.04/05	86-	1	CARRERA
5	911 341 805 01	Protective tube - boge - F 91FS1 00490>> F 91FS1 09585>> F 91FS1 40215>> F 91FS1 49561>> F 91FS1 50205>> F 91FS1 59563>>		2	CARRERA M474/491
7	911 341 913 03	Repair set - boge -	-85	2	CARRERA
7	911 341 913 09	Repair set for Shock absorber strut in pairs Use Attention Deleted 90134330100 POSITION 3	-85	2	CARRERA
7	911 341 913 05	Repair set - boge - F 91FS1 00490>> F 91FS1 09585>> F 91FS1 40215>> F 91FS1 49561>>		2	CARRERA M474/491

Model: 911 84 Model life 1984>>1986

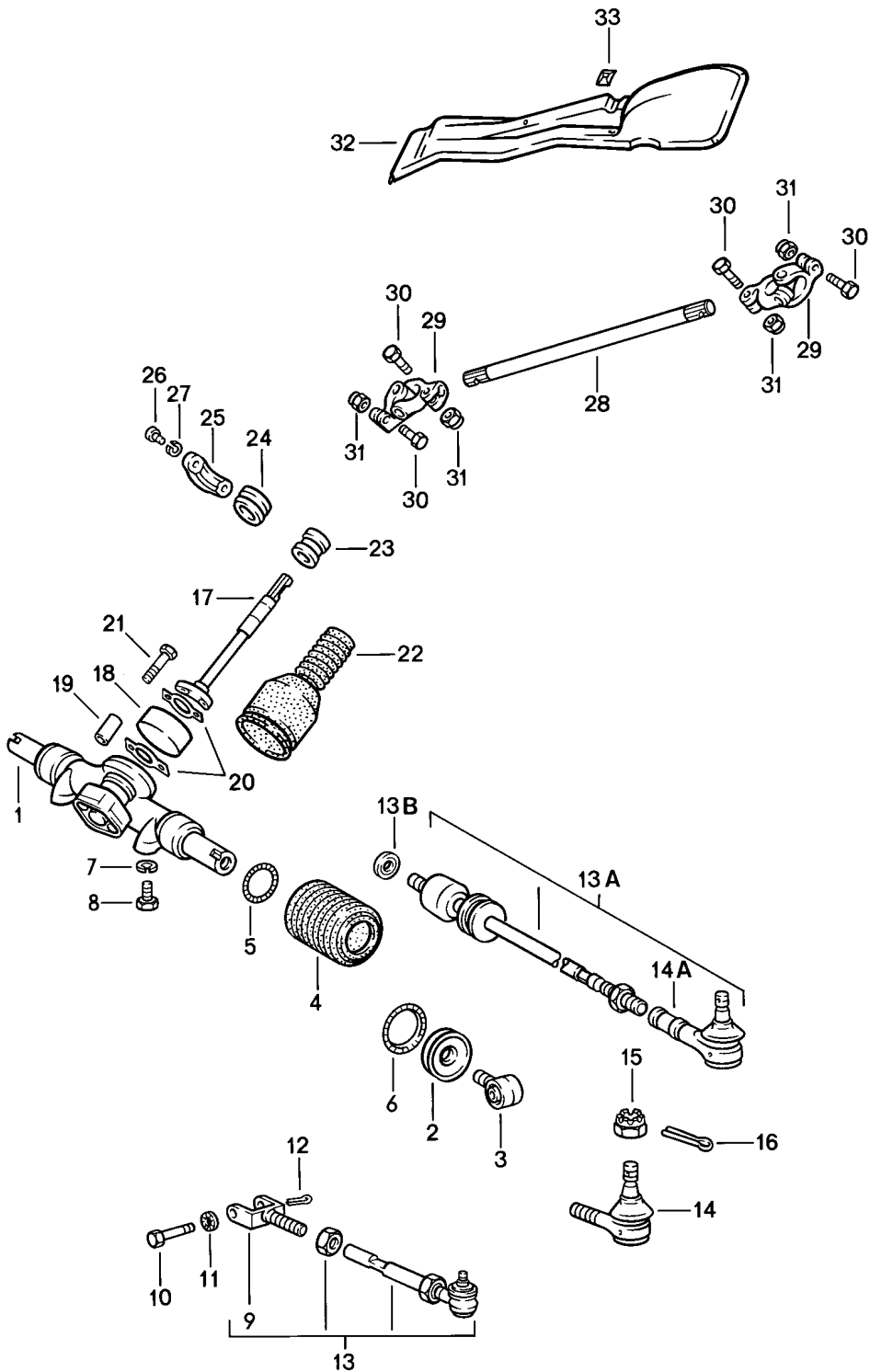
Pos	Part Number	Description	Remark	Qty	Model
7	911 341 913 10	F 91FS1 50205>> F 91FS1 59563>> Repair set  F 91FS1 00490>> F 91FS1 09585>> F 91FS1 40215>> F 91FS1 49561>> F 91FS1 50205>> F 91FS1 59563>> in pairs Use Attention Deleted 90134330100 POSITION 3		2	CARRERA M474/491
7	911 341 913 06	Repair set - boge -	86-	2	CARRERA
7	911 341 913 13	Repair set in pairs Use Attention Deleted 90134330100 POSITION 3	86-	2	CARRERA
8	911 341 018 00	Supporting mount		2	
9	901 341 629 00	Support washer		2	
10	900 038 002 01	Tab washer 14		2	
11	N 011 021 3	Hexagon nut M 14 X 1,5		2	
12	911 501 933 00	Double-bore pressure plate		2	
13	911 501 934 00	One-bore pressure plate		2	
14	900 067 063 02	Pan-head screw M 10 X 20		6	
15	999 523 103 01	Schnorr retainng washer		6	
16	911 341 049 01	Ball joint		2	
16	911 341 049 05	Ball joint		2	
17	901 341 425 00	Grooved nut		2	
17	901 341 425 01	Grooved nut		2	
18	901 341 426 00	Tab washer		2	
19	N 012 521 1	Cotter pin		2	
19		Cotter pin		2	
20	911 341 119 06	Threaded pin		2	
20	911 341 119 07	Threaded pin		2	
21	900 089 006 02	Washer 8		2	
21	900 089 006 01	Washer 8		2	
22	999 084 019 02	Lock nut		2	
23	999 701 084 50	O-ring OR 25,3 - 2,4		2	
24	901 341 623 00	Spacer ring		2	
25	911 341 065 06	Front wheel hub		2	CARRERA
25	911 341 065 10	Front wheel hub		2	CARRERA
25	930 341 065 01	Front wheel hub		2	TURBO CARRERA M491
26	911 331 671 00	Wheel bolt		10	TURBO
26	904 341 671 00	Wheel bolt		10	CARRERA
26	993 331 671 02	Wheel bolt		10	CARRERA
26	901 341 671 05	Wheel bolt Oversize		X	

Model: 911 84 Model life 1984>>1986

Pos	Part Number	Description	Remark	Qty	Model
-	PCG 059 065 00	Bearing set Wheel hub Front axle Comprising:		1	
-	999 059 065 00	Taper roller bearing		2	
-	999 059 098 00	Taper roller bearing		2	
-	900 075 079 02	Hexagon-head bolt		10	
-	900 076 064 02	Hexagon nut		10	
-	901 341 623 00	Spacer ring		2	
-	477 405 641	Radial sealing ring		2	
-	999 701 084 50	O-ring		2	
-	N 012 241 8	Spring washer		10	
-	PCG 043 110 00	Grease Bearing 200 GR.		1	
27	999 059 098 00	Taper roller bearing		2	
28	999 059 065 00	Taper roller bearing		2	
29	477 405 641	Radial sealing ring		2	
30	911 341 663 00	Thrust washer		2	
31	911 341 673 00	Clamping nut		2	
32	999 119 001 01	Pan-head screw		2	
32	999 119 001 0B	Pan-head screw		2	
33	911 341 684 00	Cap		2	CARRERA
33	930 341 066 01	Cap		2	TURBO
				2	CARRERA
					M491
33	930 341 066 02	Cap		2	TURBO
				2	CARRERA
					M491
34	999 651 203 40	Cable holder		2	
35	999 651 202 40	Clip		2	
-	911 341 913 07	Repair set - boge - Only together with 911.333.051.07	-85	2	CARRERA

Model: 911 84

Model life 1984>>1986





Model: 911 84 Model life 1984>>1986

Pos	Part Number	Description	Remark	Qty	Model
		Steering parts			
		Lower			
1	914 347 010 06	Steering gear		1	CARRERA
(1)	930 347 010 00	Steering gear		1	TURBO
(1)	930 347 010 X	Steering gear		1	TURBO
(2)	911 347 056 00	Bellow support		2	CARRERA
3	914 347 057 00	Articulated bush		2	CARRERA
4	901 347 191 02	Bellows		2	CARRERA
(4)	930 347 191 02	Bellows		2	TURBO
5	901 347 308 00	Retainer spring		2	CARRERA
6	901 347 309 00	Retainer spring		2	CARRERA
7	900 027 016 02	Lock ring		2	CARRERA
		B 10			
7	900 027 016 03	Lock ring		2	CARRERA
		B 10			
(7)	900 028 032 02	Spring washer		2	TURBO
		B 10			
(7)	900 025 008 09	Washer		2	TURBO
		B 10			
(7)	900 025 008 04	Washer		2	TURBO
		B 10			
8	900 075 071 07	Hexagon-head bolt		2	CARRERA
		M 10 X 45			
8	N 010 275 3	Hexagon-head bolt		2	TURBO
		M 10 X 35			
8	900 075 460 01	Hexagon-head bolt		2	TURBO
		M 10 X 35			
9	901 347 315 01	Joint fork		2	CARRERA
9	901 347 315 03	Joint fork		2	SC
10	911 347 327 00	Hexagon-head bolt		2	CARRERA
11	999 523 103 01	Schnorr retainng washer		2	CARRERA
		M 10			
12	900 021 008 00	Cotter pin		2	CARRERA
		2 X 15			
12	900 021 008 0A	Cotter pin		2	CARRERA
		2 X 15			
13	911 347 031 00	Tie rod		2	CARRERA
13	911 347 031 01	Tie rod		2	CARRERA
13A	930 347 031 01	Tie rod		2	TURBO
13B	930 347 313 01	Washer		2	TURBO
13B	930 347 313 02	Washer		2	TURBO
14	911 347 322 04	Ball joint		2	CARRERA
14A	930 347 322 00	Ball joint		2	TURBO
15	N 011 210 1	Castle nut		2	
		M 10 X 1			
16	900 021 013 00	Cotter pin		2	
		2 X 25			
17	901 347 210 03	Steering shaft		1	
17	901 347 210 04	Steering shaft		1	
18	901 347 201 02	Steering coupling		1	
19	901 347 215 00	Stop bush		2	
20	901 347 248 00	Tab washer		1	
21	N 010 353 3	Hexagon-head bolt		2	
		M 8 X 42			
22	901 347 393 01	Sealing bellows		1	
22	901 347 393 02	Sealing bellows		1	
23	911 347 041 00	Steering shaft bearing		1	
23	911 347 029 01	Steering shaft bearing		1	
		Complete			
-	911 347 029 00	Needle-roller bearing		1	
-	911 347 029 01	Steering shaft bearing		1	
24	901 347 223 03	Rubber mounting		1	
25	901 347 221 00	Housing		1	

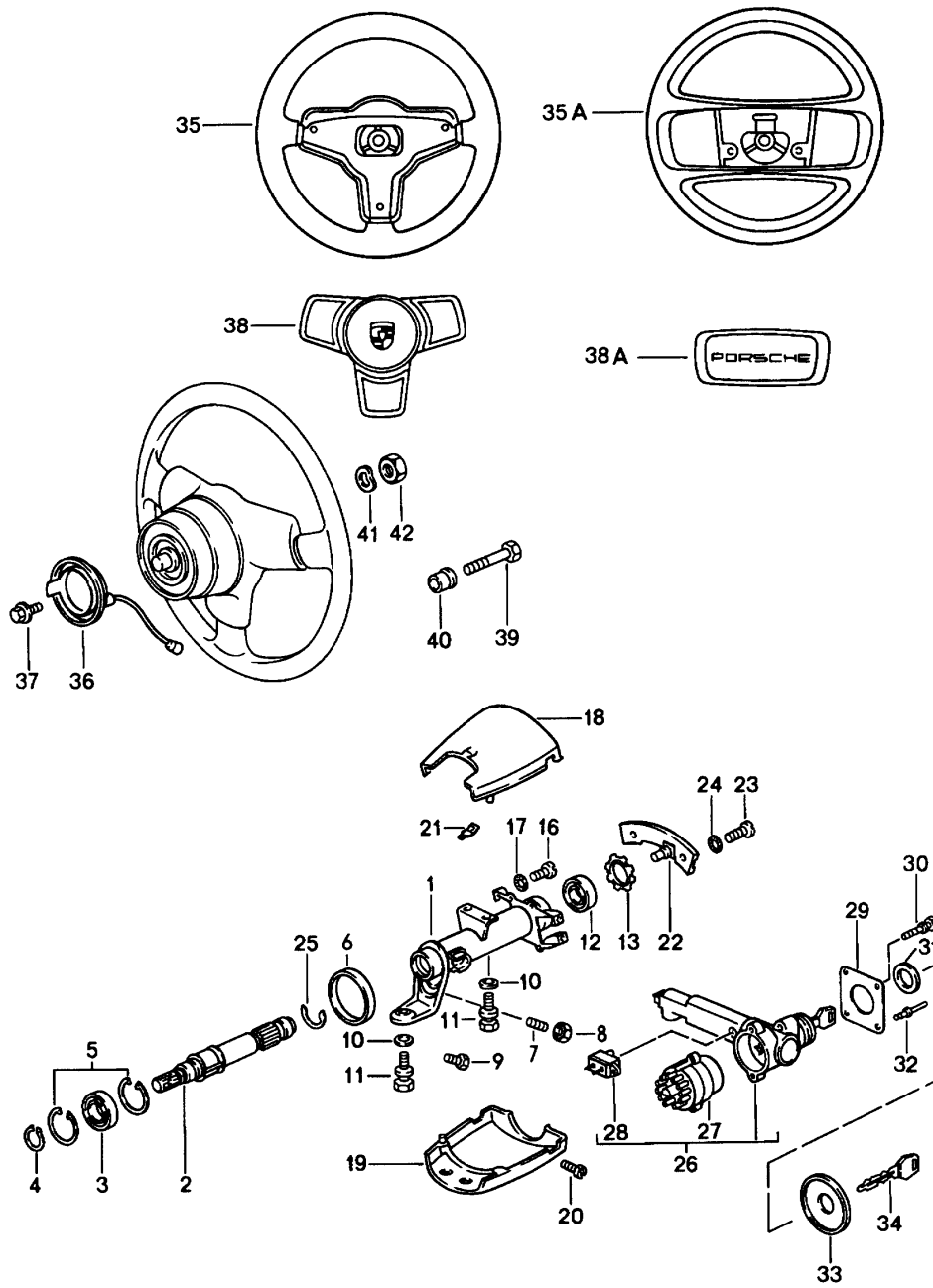
Model: 911 84

Model life 1984&gt;&gt;1986

Pos	Part Number	Description	Remark	Qty	Model
25	901 347 221 01	Housing		1	
26	900 186 002 02	Pan-head screw M 8 X 15		2	
27	900 142 002 01	Lock ring 8		2	
28	911 347 211 01	Intermed. steering shaft	/LL	1	
(28)	911 347 212 01	Intermed. steering shaft	/RL	1	
29	930 347 025 00	Universal joint		2	
29	930 347 025 01	Universal joint		2	
29	930 347 025 02	Universal joint		2	
30	N 010 335 5	Hexagon-head bolt M 8 X 35		4	
30	900 075 032 03	Hexagon-head bolt M 8 X 35		4	
31	N 021 194 1	Lock nut M 8		4	
32	901 347 067 00	Cover	/LL	1	
(32)	901 347 068 00	Cover	/RL	1	
33	999 507 209 01	Speed nut		2	

Model: 911 84

Model life 1984>>1986



Model: 911 84

Model life 1984&gt;&gt;1986

Pos	Part Number	Description	Remark	Qty	Model
		Steering parts			
		Upper			
1	911 347 073 03	Steering outer tube	/LL	1	
(1)	911 347 072 04	Steering outer tube	/RL -85	1	
(1)		Steering outer tube	/RL	1	
2	911 347 061 02	Steering shaft		1	
3	900 052 031 00	Deep-groove ball bearing		1	
4	900 041 008 00	Circlip		1	
		17 X 1			
5	900 042 008 00	Circlip		2	
		35 X 1,5			
6	911 347 713 00	Gasket		1	
7	900 228 002 02	Threaded pin	/LL	1	
		M 8 X 16			
8	900 076 025 02	Hexagon nut	/LL	1	
		M 8			
8	900 076 064 02	Hexagon nut	/LL	1	
		M 8			
9	900 146 044 02	Oval-head screw	/RL	1	
		AM 6 X 10			
10	N 012 241 8	Spring washer		3	
		B 8			
10		Spring washer		3	
		B 8			
11	901 347 753 00	Shear bolt		3	
12	911 347 771 02	Ball bearing		1	
13	999 041 102 01	Circlip		1	
16	900 014 069 02	Pan-head screw		8	
		AM 3 X 8			
17	900 115 007 01	Serrated lock washer		8	
		A 3,2			
18	911 613 099 00	Switch housing		1	
		Upper part			
19	911 613 312 00	Switch housing		1	
		Lower part			
19	911 613 312 03	Switch housing		1	
		Lower part			
-	911 613 328 00	Switch housing		1	
		Set			
		Comprising:			
		Upper part/lower part			
		POSITION 18 + 19			
20	900 014 079 02	Pan-head screw		2	
		AM 3 X 10			
20		Pan-head screw		2	
		AM 3 X 10			
21	999 652 315 02	Flat plug		1	
22	911 613 521 00	Wiper contact		1	
23	900 014 046 02	Pan-head screw		2	
		M 4 X 10			
24	N 012 116 1	Serrated lock washer		2	
		A 4,3			
24		Serrated lock washer		2	
		A 4,3			
25	113 415 531	Circlip		1	
26	911 613 902 01	Steering lock	-84	1	
		with			
		Buzzer contact			
		W/o stipulated lock number			
26	964 347 917 01	Steering lock		1	
		with			
		Buzzer contact			
		W/o stipulated lock number			

Model: 911 84 Model life 1984>>1986

Pos	Part Number	Description	Remark	Qty	Model
26	911 613 904 00	Steering lock with Buzzer contact State lock number	-84	1	
26	964 347 917 00	Steering lock with Buzzer contact State lock number	-84	1	
26	911 613 904 02	Steering lock with Buzzer contact State lock number		1	
26	964 347 917 00	Steering lock with Buzzer contact State lock number		1	
27	911 613 017 01	Ignition starter switch	84	1	
27	964 613 012 00	Ignition starter switch	85-	1	
28	911 613 125 00	Buzzer contact		1	
29	911 347 359 01	Tab washer	-85	1	
29		Tab washer	85-	1	
30	999 219 017 02	Shear bolt	-85	1	
30		Shear bolt	86	1	
31	911 613 169 00	Washer		1	
31	911 613 169 01	Washer		1	
32	999 190 113 02	Blind rivet		1	
32	999 190 123 02	Blind rivet 3,2 X 6,1		1	
33	911 613 160 00	Rosette	-85	1	
(33)	911 613 160 01	Rosette	86-	1	
	911 613 160 01 70B	Black for Ignition starter lock			
35	911 347 084 02	Sports steering wheel Leather	84	1	
	911 347 084 02 1AJ	Black \$ 380			
35	911 347 084 07	Steering wheel Leather	84	1	
	911 347 084 07 1AJ	Black \$ 380 with elevated hub (30 MM)			
35A	911 347 084 08	Sports steering wheel Leather \$ 380	85-	1	
	911 347 084 08 1AJ	Black			
	911 347 084 08 4RB	Cadbury brown			
	911 347 084 08 30B	Blue			
	911 347 084 08 7LD	Burgundy			
	911 347 084 08 5JX	Greyish green			
(35A)	911 347 084 09	Sports steering wheel Leather \$ 380 with elevated hub	85-	1	
	911 347 084 09 1AJ	Black			
	911 347 084 09 4RB	Cadbury brown			
	911 347 084 09 30B	Blue			
	911 347 084 09 7LD	Burgundy			
	911 347 084 09 5JX	Greyish green			
36	911 347 099 05	Slip ring		1	
37	113 415 869	Oval-head screw AM 3,5 X 10		7	

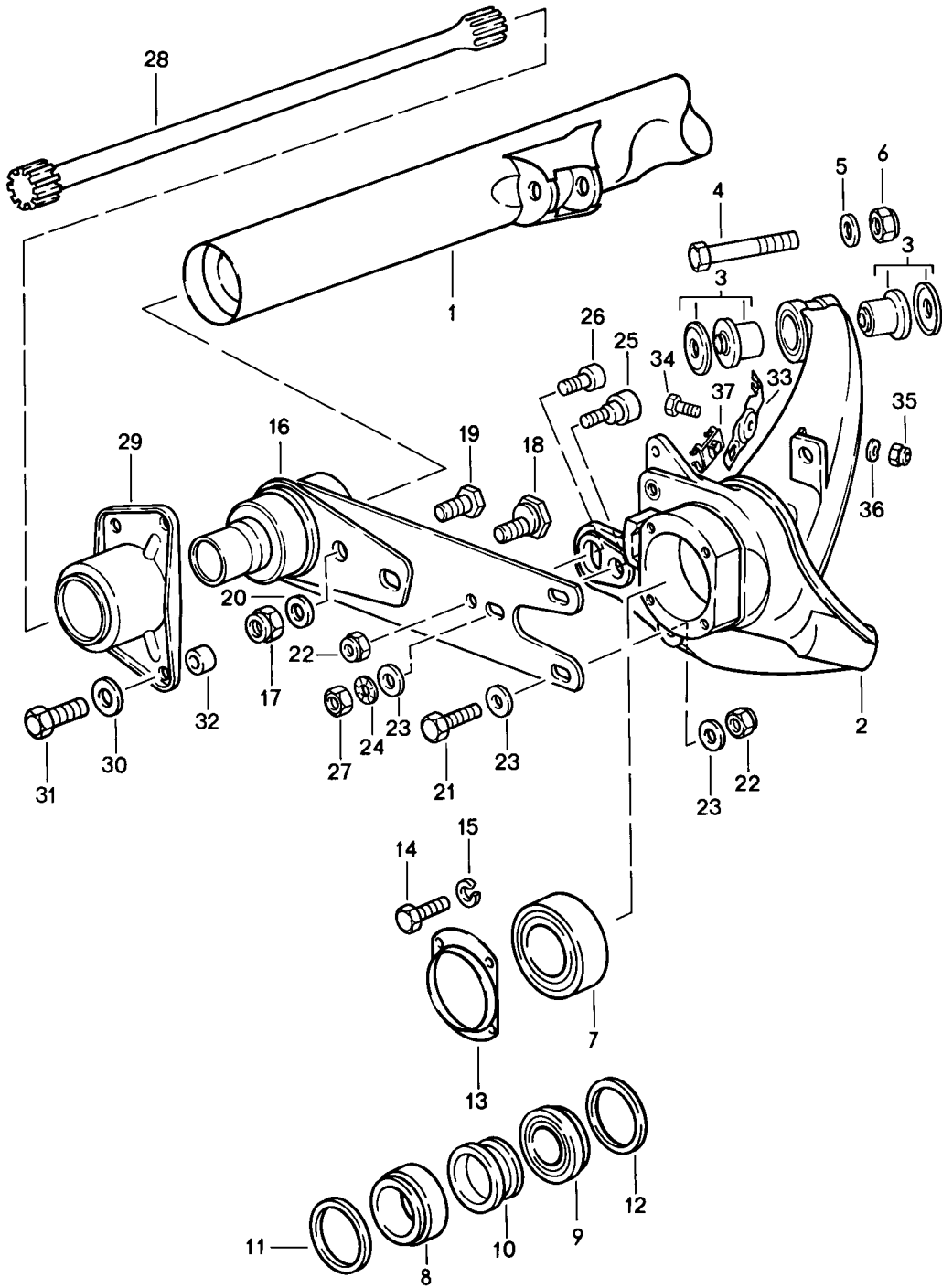
Model: 911 84

Model life 1984&gt;&gt;1986

Pos	Part Number	Description	Remark	Qty	Model
38	911 347 859 00	Padded cap	84	1	
	911 347 859 00 70B	Black			
38A	911 347 859 01	Padded cap	85-	1	
	911 347 859 01 1AJ	Black			
	911 347 859 01 4RB	Cadbury brown			
	911 347 859 01 30B	Blue			
	911 347 859 01 7LD	Burgundy			
	911 347 859 01 5JX	Greyish green			
39	N 010 261 3	Hexagon-head bolt		X	
		M 4 X 16			
39		Hexagon-head bolt		X	
		M 4 X 16			
40	321 419 779	Insulating bush	84	X	
(40)	321 419 779 A	Insulating bush	85-	X	
41	N 012 239 1	Spring washer		1	
		B 18			
41		Spring washer		1	
		B 18			
42	900 078 007 02	Hexagon nut		1	
		M 18 X 1,5			

Model: 911 84

Model life 1984>>1986



Model: 911 84 Model life 1984>>1986

Pos	Part Number	Description	Remark	Qty	Model
1	911 331 010 02	Rear axle		1	CARRERA
(1)	930 331 010 02	Rear-axle cross-tube		1	TURBO
		Rear-axle cross-tube		1	CARRERA
(1)		Rear-axle cross-tube		1	M491
	930 331 010 02 GRV	Prime coated		1	TURBO
				1	CARRERA
				1	M491
2	911 331 513 06	Rear-axle trailing arm	/L	1	CARRERA
(2)	911 331 514 06	Rear-axle trailing arm	/R	1	CARRERA
(2)	930 331 511 05	Rear-axle trailing arm	/L	1	TURBO
				1	CARRERA
				1	M491
(2)	930 331 511 06	Rear-axle trailing arm	/L	1	TURBO
				1	CARRERA
				1	M491
(2)	930 331 512 05	Rear-axle trailing arm	/R	1	TURBO
				1	CARRERA
				1	M491
(2)	930 331 512 06	Rear-axle trailing arm	/R	1	TURBO
				1	CARRERA
				1	M491
3	901 331 059 00	Flange mounting		4	
4	900 082 092 02	Hexagon-head bolt		2	
		M 14 X 1,5 X 80			
5	N 011 534 4	Washer		2	
		A 15			
6	900 910 094 02	Lock nut		2	
		M 14 X 1,5			
6		Lock nut		2	
		M 14 X 1,5			
7	999 053 020 01	Angular-contact bearing		2	CARRERA
		Bearing			
-	PCG 930 059 00	Set of bearings		1	TURBO
		Rear axle			CARRERA
					M491
		Comprising:			
		POS. 8-12			
-	901 332 806 01	Castle nut		1	
-	N 012 538 1	Cotter pin		1	
8	999 059 056 00	Taper roller bearing		2	TURBO
				2	CARRERA
				2	M491
9	999 059 047 00	Taper roller bearing		2	TURBO
				2	CARRERA
				2	M491
10	930 331 609 00	Spacer sleeve		2	TURBO
				2	CARRERA
				2	M491
11	999 113 235 40	Shaft sealing ring		2	TURBO
		65 X 85 X 8		2	CARRERA
				2	M491
12	999 113 218 40	Shaft sealing ring		2	TURBO
		58 X 81,2 X 5		2	CARRERA
				2	M491
13	911 331 561 30	Reinforcement cover		2	CARRERA
14	900 075 079 02	Hexagon-head bolt		8	CARRERA
		M 8 X 22			
15	900 027 015 02	Lock ring		8	CARRERA
		B 8			
15	900 027 015 03	Lock ring		8	CARRERA
		B 8			



Model: 911 84 Model life 1984>>1986

Pos	Part Number	Description	Remark	Qty	Model
15	900 027 015 02	Lock ring B 8		8	CARRERA
15	900 027 015 03	Lock ring B 8		8	CARRERA
16	911 333 009 00	Rear axle strut		2	
16	911 333 009 05	Rear axle strut		2	
17	900 910 092 02	Lock nut		4	
17	900 360 007 01	Lock nut		4	
18	911 333 303 00	Eccentric screw		2	
18	911 333 303 01	Eccentric screw		2	
19	911 333 305 00	Hexagon-head bolt		2	
19	911 333 305 01	Hexagon-head bolt		2	
20	911 333 307 00	Washer M 10 X 30		4	
20	911 333 307 02	Washer M 10 X 30		4	
21	900 083 066 08	Hexagon-head bolt M 12 X 1,5 X 40		4	
22	N 022 141 4	Lock nut VFM 12 X 1,5		6	
22		Lock nut M 12 X 1,5		6	
23	901 333 143 01	Washer		10	
24	999 523 109 02	Lock washer M 12		10	
25	901 333 133 04	Eccentric		2	
25	901 333 133 06	Eccentric		2	
26	901 333 133 05	Eccentric		2	
27	900 078 017 02	Hexagon nut M 12 X 1,5		2	
28	911 333 101 09	Torsion bar 24,1 MM	/L -85	1	CARRERA
28	911 333 101 16	Torsion bar 24,1 MM New design Only together with 91133310216	/L -85    /R	1	CARRERA
(28)	911 333 102 09	Torsion bar 24,1 MM	/R -85	1	CARRERA
(28)	911 333 102 16	Torsion bar 24,1 MM New design Only together with 91133310116	/R -85    /L	1	CARRERA
(28)	911 333 101 11	Torsion bar 29 MM	/L -86	1	CARRERA
(28)	911 333 101 14	Torsion bar 29 MM New design Only together with 91133310214	/L -86    /R	1	CARRERA
(28)	911 333 102 11	Torsion bar 29 MM	/R -86	1	CARRERA
(28)	911 333 102 14	Torsion bar 29 MM New design Only together with 91133310114	/R -86    /L	1	CARRERA
(28)	911 333 101 12	Torsion bar	/L 86-	1	CARRERA

Model: 911 84

Model life 1984&gt;&gt;1986

Pos	Part Number	Description	Remark	Qty	Model
(28)	911 333 101 15	25 MM Torsion bar 25 MM New design Only together with 91133310215 Use	/L 86-     /R	1     1	CARRERA
(28)	911 333 102 12	Torsion bar 25 MM	/R 86-	1	CARRERA
(28)	911 333 102 15	Torsion bar 25 MM New design Only together with 91133310115 Use	/R 86-     /L	1     1	CARRERA
(28)	911 333 101 03	Torsion bar 26 MM	/L	1	TURBO
(28)	911 333 101 13	Torsion bar 26 MM New design Only together with 91133310213 Use	/L     /R	1     1	TURBO
(28)	911 333 102 03	Torsion bar 26 MM	/R	1	TURBO
(28)	911 333 102 13	Torsion bar 26 MM New design Only together with 91133310113 Use	/R     /L	1     1	TURBO
(28)	911 333 101 11	Torsion bar 29 MM	/L	1	TURBO
(28)	911 333 101 14	Torsion bar 29 MM New design Only together with 91133310214 Use	/L     /R	1     1	TURBO
(28)	911 333 102 11	Torsion bar 29 MM	/R	1	TURBO
(28)	911 333 102 14	Torsion bar 29 MM New design Only together with 91133310114 Use	/R     /L	1     1	TURBO
29	901 333 153 00	Housing		2	
30	900 025 008 09	Washer A 10,5		8	
30	900 025 008 04	Washer A 10,5		8	
31	N 010 275 3	Hexagon-head bolt M 10 X 35		8	
31	900 075 460 01	Hexagon-head bolt M 10 X 35		8	
32	911 331 107 01	Spacer ring		2	
33	911 331 705 00	Cable holder		2	
34	900 075 057 02	Hexagon-head bolt M 6 X 16		2	
34	900 075 057 03	Hexagon-head bolt M 6 X 16		2	
35	900 910 012 02	Lock nut		2	

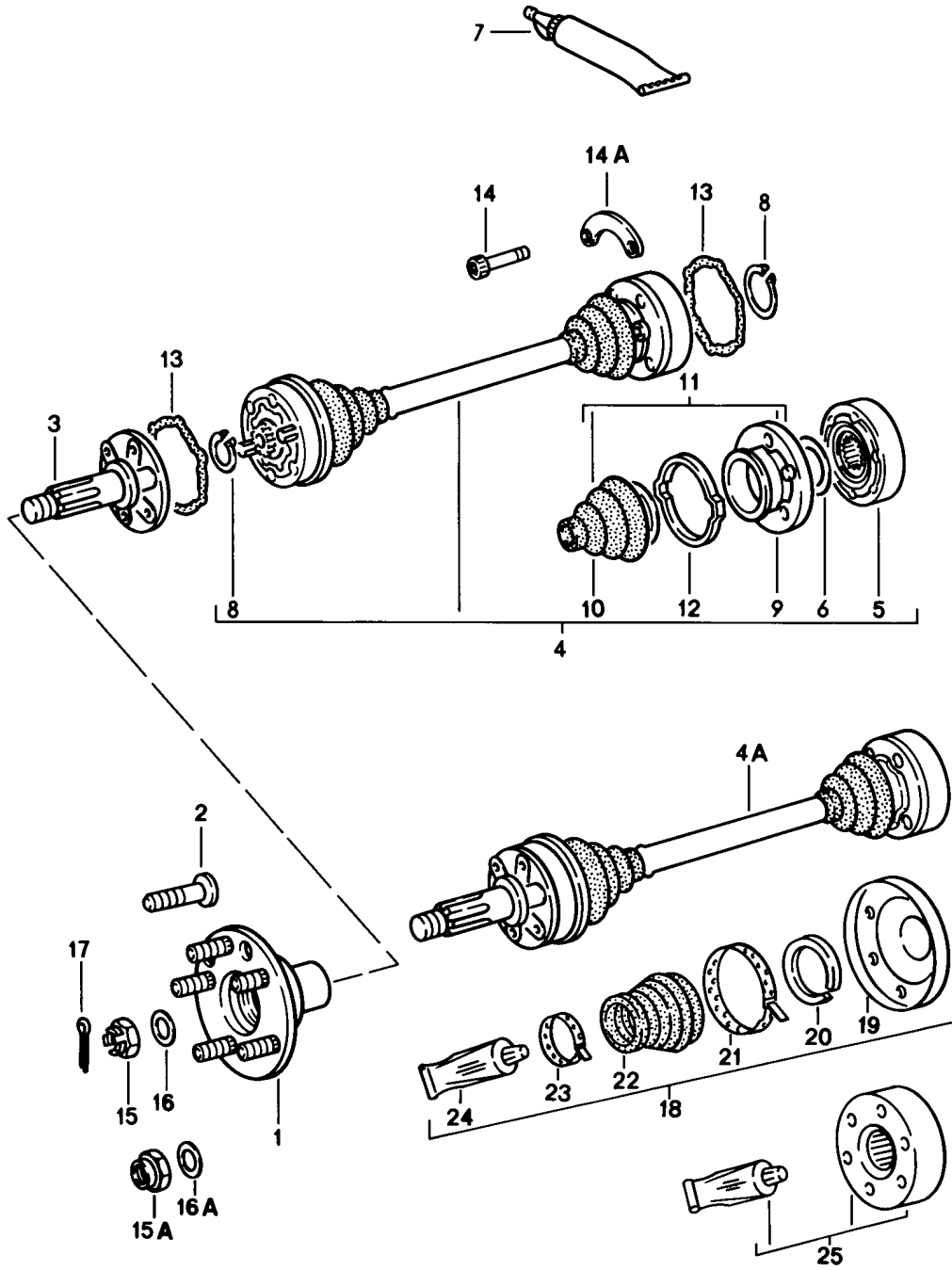
Model: 911 84

Model life 1984&gt;&gt;1986

Pos	Part Number	Description	Remark	Qty	Model
35	900 910 047 09	M 6 Lock nut		2	
36	N 012 226 5	M 6 Spring washer		2	
37	999 651 203 40	B 6 Cable holder		2	

Model: 911 84

Model life 1984>>1986



Model: 911 84 Model life 1984>>1986

Pos	Part Number	Description	Remark	Qty	Model
1	911 331 065 33	Drive shaft		2	CARRERA
1	930 331 065 03	Rear-wheel hub		2	TURBO
		Rear-wheel hub		2	CARRERA
					M491
2	904 341 671 00	Wheel bolt		10	CARRERA
2	993 331 671 02	Wheel bolt		10	CARRERA
2	901 331 671 01	Wheel bolt		10	TURBO
				2	CARRERA
					M491
3	923 332 232 01	Drive shaft		2	CARRERA
3	930 332 232 00	Drive shaft	930.35	2	915.67/68
				2	TURBO
					930.34
				2	CARRERA
					M491
					915.69/70
3	930 332 232 05	Drive shaft		2	TURBO
				2	930.36/37
				2	CARRERA
					M491
					915.72/73
4	923 332 033 02	Drive shaft		2	CARRERA
(4)	930 332 037 00	Drive shaft		2	915.67/68
				2	TURBO
					930.34
				2	CARRERA
					M491
					915.69/70
(4)	930 332 037 04	Drive shaft		2	TURBO
				2	930.36/37
				2	CARRERA
					M491
					915.72/73
(4)	930 332 037 08	Drive shaft		2	TURBO
				2	930.36/37
				2	CARRERA
					M491
					915.72/73
(4)	930 332 037 04	Drive shaft		2	TURBO
				2	930.36/37
				2	CARRERA
					M491
					915.72/73
4A	911 332 024 14	Drive shaft		2	TURBO
4A	911 332 024 15	Drive shaft		2	CARRERA
					915.72/73
5	923 332 032 00	Joint		4	CARRERA
					915.67/68
5	930 332 034 00	Joint		4	TURBO
				4	930.34/36
				4	CARRERA
					M491
					915.69/70
6	901 332 311 10	Cup spring		4	CARRERA
					915.67/68
6	901 332 312 00	Cup spring		4	TURBO
					930.34/36

Model: 911 84 Model life 1984>>1986

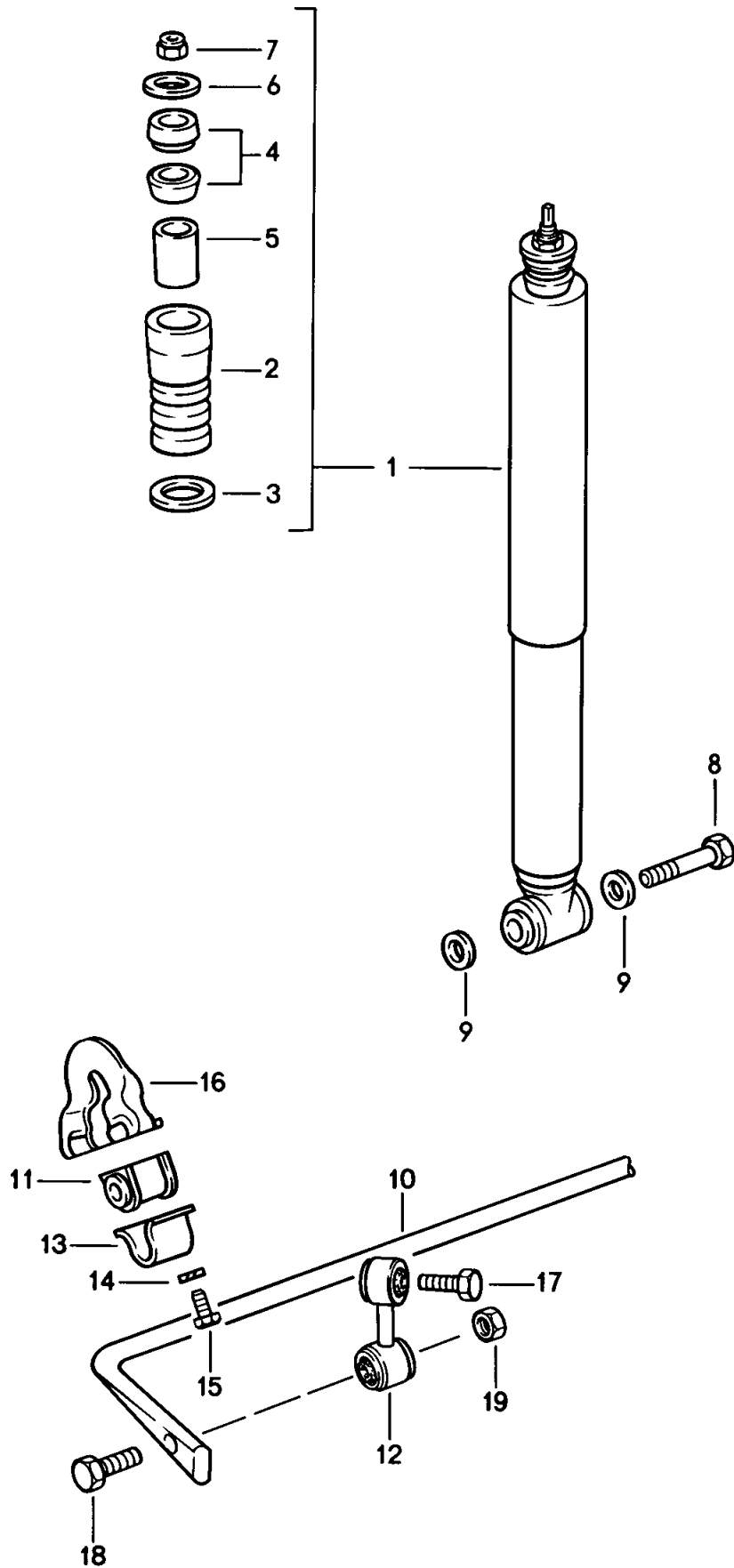
Pos	Part Number	Description	Remark	Qty	Model
				4	CARRERA M491 915.69/70
7	000 043 005 00	Grease 1 90-gramme tube		X	
8	999 041 016 01	Circlip		4	CARRERA 915.67/68
8	999 152 084 01	Circlip		4	TURBO 930.34/36
				4	CARRERA M491 915.69/70
9	928 332 097 00	Joint flange		4	TURBO 930.34
				4	CARRERA M491 915.69/70
9	928 332 097 03	Joint flange		4	TURBO 930.34
				4	CARRERA M491 915.69/70
10	901 332 293 12	Dust bellows		4	TURBO 930.34/36
				4	CARRERA M491 915.69/70
11	923 332 037 00	Dust bellows with Flange		4	CARRERA 915.67/68
12	999 512 315 02	Clamp		4	
12	999 512 486 00	Clamp		4	
13	923 332 297 00	Gasket		6	CARRERA 915.67/68
13	930 332 297 00	Gasket		4	TURBO 930.34/36
				4	CARRERA M491 915.69/70
14	900 067 211 09	Pan-head screw M 8 X 50		24	CARRERA 915.67/68
14	900 067 118 01	Pan-head screw M 10 X 60		24	TURBO 930.34/36
				24	CARRERA M491 915.69/70
(14)	900 067 123 01	Pan-head screw M 10 X 50		24	TURBO 930.36/37
				24	CARRERA M491 915.72/73
(14)		Pan-head screw M 10 X 50		12	CARRERA 915.72/73
14A	911 332 191 00	Plate		4	
15	901 332 806 00	Castle nut		2	
15	901 332 806 01	Castle nut		2	
15A	900 910 093 02	Lock nut Self-locking		2	
16	999 025 046 01	Washer		2	CARRERA 915.67/68
				2	TURBO 930.34/36 930.37

Model: 911 84 Model life 1984>>1986

Pos	Part Number	Description	Remark	Qty	Model
				2	CARRERA M491 915.69/70/72 915.73
16A	928 331 591 02	Washer		2	CARRERA 915.72/73
17	N 012 538 1	Cotter pin 4 X 40		2	
18	928 332 924 02	Repair kit Dust bellows		X	CARRERA 915.72/73 TURBO 930.36/37
18	000 043 301 08	Repair kit		X	
19	997 332 267 00	Lid		1	
20	999 152 084 01	Circlip		1	
21	911 332 257 00	Clip		1	
22		Dust bellows		1	
23	928 332 257 01	Clip		1	
24	000 043 005 00	Grease Optimoly		1	
25	911 332 923 00	Repair kit Constant-velocity joint		1	CARRERA 915.72/73 TURBO 930.36/37
		Comprising: Joint		1	
-	000 043 005 00	Grease Optimoly 90 GR.		1	

Model: 911 84

Model life 1984>>1986





Model: 911 84 Model life 1984>>1986

Pos	Part Number	Description	Remark	Qty	Model
1	911 333 051 05	Vibration damper Stabiliser Vibration damper	-85	2	CARRERA
1	911 333 051 16	Vibration damper		2	CARRERA
(1)	911 333 051 06	Vibration damper - boge -	86-	2	CARRERA
(1)	911 333 051 17	Vibration damper	86-	2	CARRERA
(1)	911 333 051 07	Vibration damper		2	CARRERA M491 M474
1	911 333 051 49	Vibration damper		2	TURBO
1	911 333 051 60	Vibration damper - bilstein -		2	TURBO
2	911 333 301 04	Additional spring		2	
3	911 333 511 00	Washer		2	TURBO
4	911 333 521 00	Rubber mounting		4	
5	911 333 522 00	Articulated bush		2	
6	911 333 523 00	Washer		2	TURBO
7	900 084 013 02	Lock nut M 10 X 1		2	
8	900 082 054 02	Hexagon-head bolt M 14 X 1,5 X 85		2	CARRERA
(8)	900 082 051 01	Hexagon-head bolt M 14 X 1,5 X 90		2	TURBO
				2	CARRERA M491
9	999 025 062 02	Washer		2	CARRERA
9		Washer		4	TURBO
				4	CARRERA M491
10	911 333 701 07	Stabiliser 18 MM	85	1	CARRERA
(10)	911 333 701 10	Stabiliser 21 MM	86-	1	CARRERA
10	930 333 701 23	Stabiliser 18 MM	84	1	TURBO
(10)	930 333 701 25	Stabiliser 20 MM	85-	1	TURBO
(10)	930 333 701 29	Stabiliser 20 MM	85-	1	TURBO
11	477 411 313 B	Stabiliser mounting 18 MM	-85	2	CARRERA
11	477 411 313 N	Stabiliser mounting 18 MM		2	CARRERA
(11)	477 411 313 D	Stabiliser mounting 21 MM	86-	2	CARRERA
(11)	477 411 313 M	Stabiliser mounting 21 MM	86-	2	CARRERA
(11)	477 411 313 B	Stabiliser mounting 18 MM	84	2	TURBO
(11)	477 411 313 N	Stabiliser mounting 18 MM	84-	2	TURBO
(11)	477 411 313 C	Stabiliser mounting 20 MM	85-	2	TURBO
12	930 333 071 00	Stabiliser mounting	/L	1	
12	930 333 071 01	Stabiliser mounting	/L	1	
(12)	930 333 072 00	Stabiliser mounting	/R	1	
(12)	930 333 072 01	Stabiliser mounting	/R	1	
13	113 411 333	Retaining bar		2	
14	900 027 015 02	Lock ring B 8		4	
14	900 027 015 03	Lock ring B 8		4	

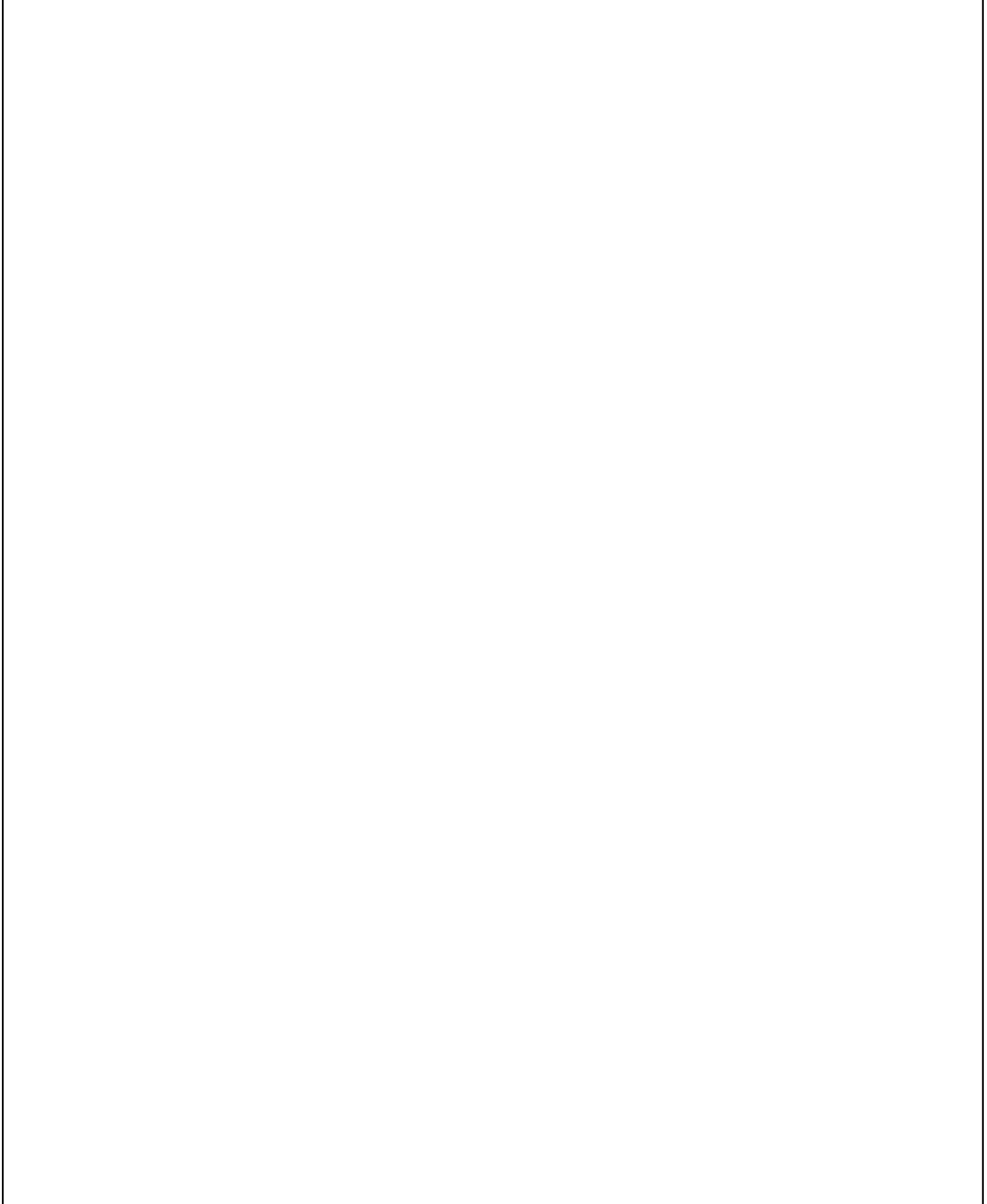
Model: 911 84

Model life 1984&gt;&gt;1986

Pos	Part Number	Description	Remark	Qty	Model
14	900 027 015 02	Lock ring B 8		4	
14	900 027 015 03	Lock ring B 8		4	
15	N 010 239 11	Hexagon-head bolt M 8 X 18		4	
15	N 010 239 30	Hexagon-head bolt M 8 X 18		4	
15	N 010 239 11	Hexagon-head bolt M 8 X 18		4	
15	N 010 239 30	Hexagon-head bolt M 8 X 18		4	
16	911 501 180 02	Bracket		2	
16	911 501 983 00	Bracket		2	
16	911 501 983 00 GRV	Bracket Prime coated		2	
17	N 010 156 3	Hexagon-head bolt M 12 X 1,5 X 70		2	
18	900 082 035 02	Hexagon-head bolt M 12 X 1,5 X 60		2	
19	900 910 046 02	Lock nut VM 12 X 1,5		2	
19	999 084 439 09	Lock nut VM 12 X 1,5		2	
19	999 084 445 09	Lock nut VM 12 X 1,5		2	
19	999 084 445 01	Lock nut VM 12 X 1,5		2	

Model: 911 84

Model life 1984>>1986

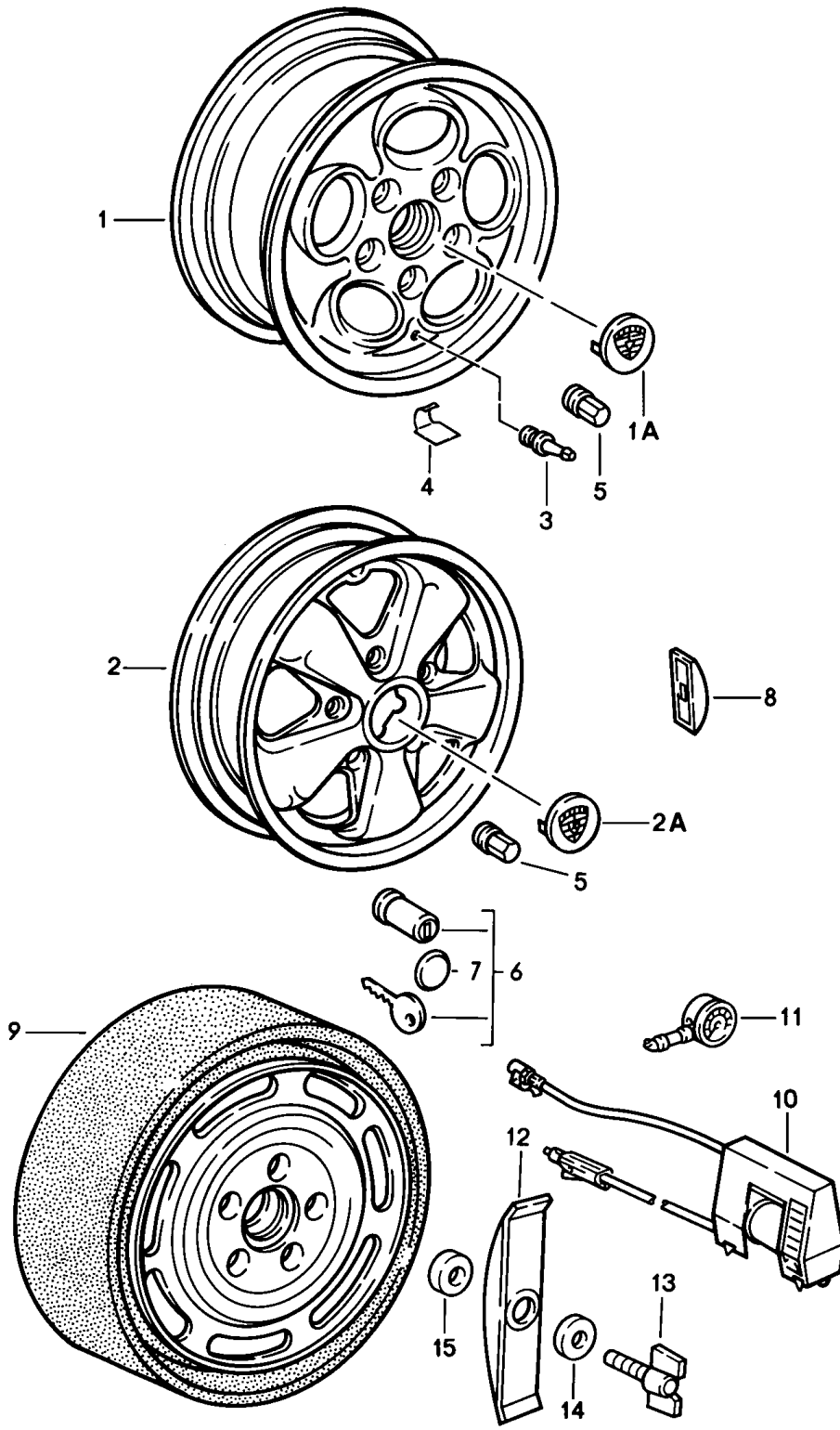


Model: 911 84 Model life 1984>>1986

Pos	Part Number	Description	Remark	Qty	Model
>>	928 332 924 02	Repair kits Repair kit Dust bellows Comprising:		4	CARRERA 915.72/73 930.36/37
>>	000 043 301 08	Repair kit Dust bellows Comprising:		4	Carrera 915.72/73 930.36/37
-	997 332 267 00	Lid		1	
-	999 152 084 01	Circlip		1	
-	911 332 257 00	Clip \$ 73 MM		1	
-	928 332 257 01	Dust bellows Clip \$ 34 MM		1	
-	000 043 005 00	Grease Optimoly 90 GR.		1	
-	911 332 923 00	Repair kit Constant-velocity joint		2	CARRERA G15.72/73
>>		Repair kit Constant-velocity joint Comprising:		4	TURBO G30.36/37 G15.72/73
-	000 043 005 00	Constant-velocity joint Grease Optimoly 90 GR.		1	
>>	911 332 923 01	Repair kit Constant-velocity joint		2	CARRERA G15.72/73
>>		Repair kit Constant-velocity joint Comprising:		4	TURBO G30.36/37 G15.72/73
-	997 332 267 00	Constant-velocity joint Lid		1	
-	999 152 084 01	Circlip		1	
-	911 332 257 00	Dust bellows Clip \$ 73 MM		1	
-	928 332 257 01	Clip \$ 34 MM		1	
-	000 043 005 00	Grease Optimoly 90 GR.		1	

Model: 911 84

Model life 1984>>1986



Model: 911 84 Model life 1984>>1986

Pos	Part Number	Description	Remark	Qty	Model
1	911 361 023 46	Wheels Alloy wheel 6 J X 15 ET = 36,0 Cast Silver metallic		2	CARRERA
1	951 362 104 00	Alloy wheel 7 J X 15 ET = 23,3 Cast Silver metallic		2	CARRERA
1A	928 361 032 01	Hub cap Silver metallic		4	CARRERA
(1A)	PCG 361 032 01	Hub cap Silver metallic Porsche crest Black		4	CARRERA
(1A)	PCG 361 032 02	Hub cap Silver metallic Porsche crest Black		4	CARRERA
2	911 361 020 41	Alloy wheel 7 J X 15 ET = 23,3 Forged aluminium alloy Black star Rim flange polished		2	
2	911 361 020 50	Alloy wheel 7 J X 15 ET = 23,3 Forged aluminium alloy Black star Rim flange polished		2	
2	911 361 020 93	Alloy wheel 7 J X 15 ET = 23,3 Forged aluminium alloy Unvarnished Rim flange polished		2	
2	911 361 020 42	Alloy wheel 8 J X 15 ET = 10,6 Forged aluminium alloy Black star Rim flange polished		2	
2	911 361 020 94	Alloy wheel 8 J X 15 ET = 10,6 Forged aluminium alloy Unvarnished Rim flange polished		2	
2	911 362 113 00	Alloy wheel 6 J X 16 Forged aluminium alloy Black star Rim flange polished	-84	2	CARRERA
(2)		Alloy wheel 6 J X 16 ET = 36,0 Forged aluminium alloy Black star Rim flange polished	85-	2	CARRERA

Model: 911 84 Model life 1984>>1986

Pos	Part Number	Description	Remark	Qty	Model
2	911 361 020 97	Perforated disc wheel 6 J X 16 Forged aluminium alloy Unvarnished Rim flange polished	-84	2	CARRERA
(2)	911 362 113 90	Alloy wheel 6 J X 16 ET = 36,0 Forged aluminium alloy Unvarnished Rim flange polished	85-	2	CARRERA
(2)	911 362 113 00	Alloy wheel 6 J X 16 ET = 36,0 Forged aluminium alloy Unvarnished Rim flange polished	85-	2	CARRERA
2	911 362 115 00	Alloy wheel 7 J X 16 Forged aluminium alloy Black star Rim flange polished	-84	2	
2	911 362 115 07	Alloy wheel 7 J X 16 Forged aluminium alloy Black star Rim flange polished		2	
(2)	911 362 115 00	Alloy wheel 7 J X 16 ET = 23,3 Forged aluminium alloy Black star Rim flange polished	85-	2	
(2)	911 362 115 07	Alloy wheel 7 J X 16 ET = 23,3 Forged aluminium alloy Black star Rim flange polished	85-	2	
2	911 362 115 90	Alloy wheel 7 J X 16 ET = 23,3 Forged aluminium alloy Unvarnished Rim flange polished	-84	2	
(2)		Alloy wheel 7 J X 16 ET = 23,3 Forged aluminium alloy Unvarnished Rim flange polished	85-	2	
2	911 362 117 00	Alloy wheel 8 J X 16  ET = 10,6 Forged aluminium alloy Black star Rim flange polished	-84	2 2	TURBO CARRERA M491
2	911 362 117 03	Alloy wheel 8 J X 16  ET = 10,6 Forged aluminium alloy		2 2	TURBO CARRERA M491

Model: 911 84 Model life 1984>>1986

Pos	Part Number	Description	Remark	Qty	Model
(2)	911 362 117 00	Black star Rim flange polished Alloy wheel 8 J X 16 ET = 10,6 Forged aluminium alloy	85-	2 2	TURBO CARRERA M491
(2)	911 362 117 03	Black star Rim flange polished Alloy wheel 8 J X 16 ET = 10,6 Forged aluminium alloy	85-	2 2	TURBO CARRERA M491
2	911 361 020 99	Black star Rim flange polished Perforated disc wheel 8 J X 16 Forged aluminium alloy Unvarnished	-84	2 2	TURBO CARRERA M491
(2)	911 362 117 90	Rim flange polished Alloy wheel 8 J X 16 Forged aluminium alloy Unvarnished	85	2 2	TURBO CARRERA M491
(2)	911 362 117 00	Rim flange polished Alloy wheel 8 J X 16 Forged aluminium alloy Unvarnished	85-	2 2	TURBO CARRERA M491
(2)	911 362 117 03	Rim flange polished Alloy wheel 8 J X 16 Forged aluminium alloy Unvarnished	85-	2 2	TURBO CARRERA M491
(2)	911 362 119 90	Rim flange polished Perforated disc wheel 9 J X 16 ET = 15,0 Forged aluminium alloy Unvarnished	86-	2 2	TURBO CARRERA M491
(2)	911 362 119 00	Rim flange polished Alloy wheel 9 J X 16 Forged aluminium alloy	86-	2 2	TURBO CARRERA M491
(2)	911 362 119 03	Black star Rim flange polished ET = 15,0 Alloy wheel 9 J X 16 Forged aluminium alloy	86-	2 2	TURBO CARRERA M491
-	951 362 114 00	Black star Rim flange polished ET = 15,0 Alloy wheel 7 J X 16 for winter use	/V	2 2	TURBO CARRERA M491
-	951 362 116 00	Alloy wheel 8 J X 16 for winter use	/H	2 2	TURBO CARRERA M491
2A	911 361 032 28	Hub cap Black		4	
2A	SOW 911 038 11	Hub cap Black Crest		4	



Model: 911 84

Model life 1984&gt;&gt;1986

Pos	Part Number	Description	Remark	Qty	Model
2A	911 361 032 29	Coloured Hub cap		4	
2A	911 361 032 32	Grand prix white Hub cap		4	
2A	911 361 032 30	Grand prix white Hub cap		4	
(2A)	911 361 032 31	Platinum-metallic Hub cap		4	
(2A)	911 361 032 33	White gold metallic Hub cap		4	
3	900 265 001 50	White gold metallic Rubber valve		4	
3	900 265 001 51	Rubber valve		4	
4	965 361 561 00	Valve support		4	
5	999 182 003 36	Wheel nut		20	
(5)	928 361 306 01	Wheel nut	-85	4	
(5)	928 361 306 03	Lockable without lock Wheel nut	86	4	
(6)	928 361 047 03	Lockable without lock Wheel nut		1	
(6)	965 361 955 00	Set Lockable Wheel nut		1	
(6)	968 361 955 00	Set Lockable Wheel nut		1	
(6)	993 361 057 00	Set Lockable Wheel nut		1	
7	928 361 310 00	Set Lockable Cap	85	4	
7	965 361 167 00	Cap		4	
8	901 361 410 50	Balance stick-on weight 5 GR.		X	
8	901 361 410 00	Balance stick-on weight 10 GR.		X	
8	901 361 411 50	Balance stick-on weight 15 GR.		X	
8	901 361 411 00	Balance stick-on weight 20 GR.		X	
8	901 361 412 50	Balance stick-on weight 25 GR.		X	
8	901 361 412 00	Balance stick-on weight 30 GR.		X	
8	901 361 413 50	Balance stick-on weight 35 GR.		X	
8	901 361 413 00	Balance stick-on weight 40 GR.		X	
8	901 361 414 50	Balance stick-on weight 45 GR.		X	
8	901 361 414 00	Balance stick-on weight 50 GR.		X	
8	901 361 415 50	Balance stick-on weight 55 GR.		X	
8	901 361 415 00	Balance stick-on weight 60 GR.		X	
8	901 361 416 50	Balance stick-on weight 65 GR.		X	
8	901 361 416 00	Balance stick-on weight 70 GR.		X	
8	901 361 417 50	Balance stick-on weight 75 GR.		X	

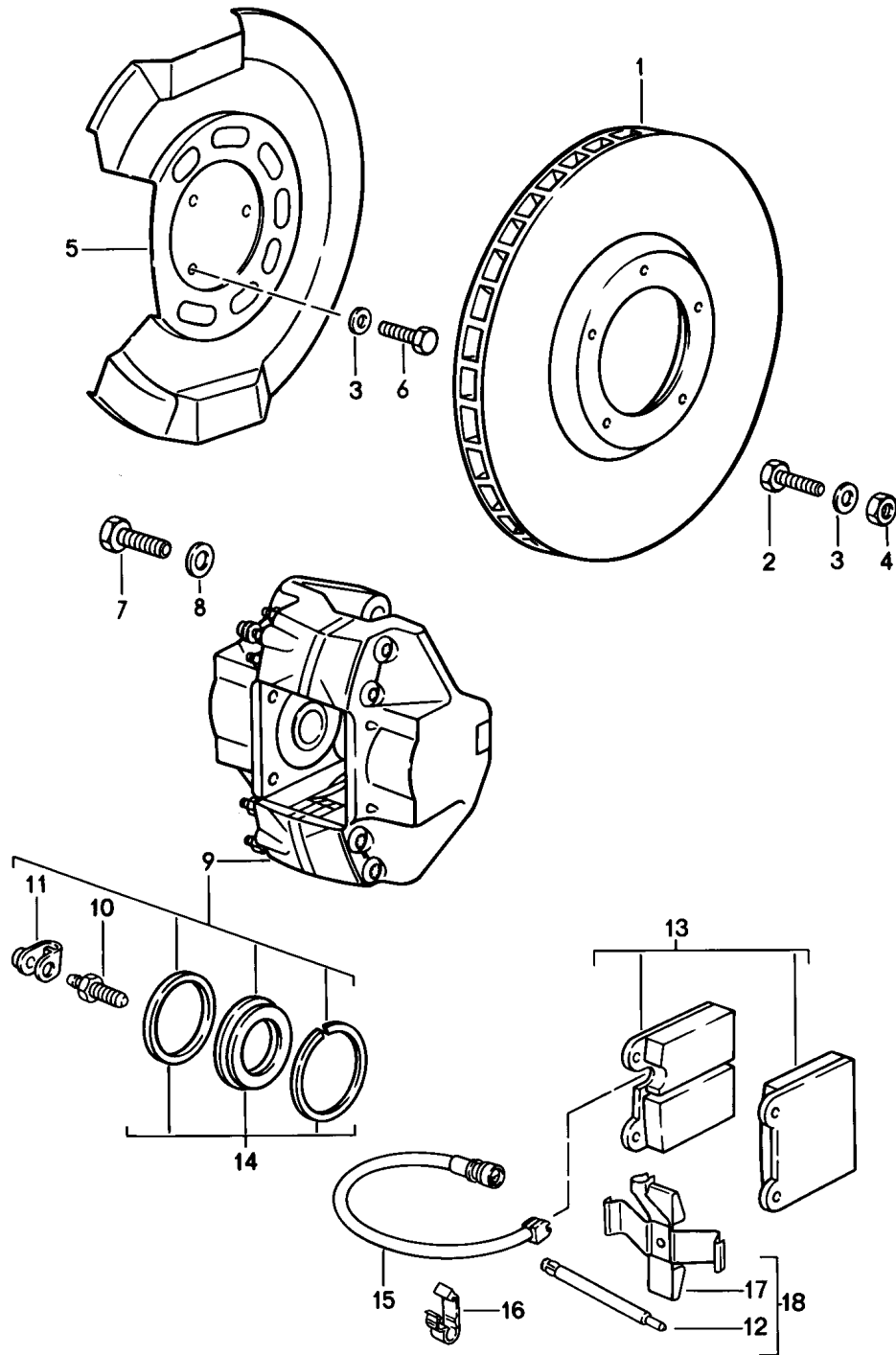
Model: 911 84

Model life 1984&gt;&gt;1986

Pos	Part Number	Description	Remark	Qty	Model
8	901 361 417 00	Balance stick-on weight 80 GR.		X	
9	911 361 028 12	Emergency wheel with collapsible tire	84	1	
9	928 362 030 02	Emergency wheel with collapsible tire		1	
(10)	911 652 052 00	Small electric compressor		1	
(10)	964 652 052 00	Small electric compressor		1	
(10)	964 652 053 00	Compressor		1	
(10)	993 652 053 00	Compressor		1	
(10)	996 652 053 00	Compressor		1	
(10)	997 652 051 00	Compressor		1	
(10)	997 652 055 00	Compressor		1	
-	996 361 521 00	Boot for Impeller		1	
11	911 722 202 00	Tyre pressure gauge Porsche Classic mit Lederhülle		1	
12	911 361 633 01	Clamping bow		1	
13	999 074 106 02	Wing screw M 8 X 25		1	
14	900 151 008 02	Washer B 8,4		1	
15	803 813 583	Washer		1	

Model: 911 84

Model life 1984>>1986



Model: 911 84 Model life 1984>>1986

Pos	Part Number	Description	Remark	Qty	Model
		Brake Front axle See technical information GR.4, NR. 4/99			CARRERA
1	911 351 041 22	Brake disc		2	
2	900 075 079 02	Hexagon-head bolt M 8 X 22		10	
3	N 012 241 8	Spring washer B 8		10	
4	900 076 025 02	Hexagon nut M 8		10	
4	900 076 064 02	Hexagon nut M 8		10	
5	901 351 801 17	Protective plate		2	
6	N 010 235 3	Hexagon-head bolt M 8 X 10		6	
7	900 083 023 02	Hexagon-head bolt M 12 X 1,5 X 35		4	
7	900 083 023 03	Hexagon-head bolt M 12 X 1,5 X 35		4	
8	N 012 232 1	Spring washer B 12		4	
8	900 028 014 02	Washer B 12		4	
8	900 028 014 03	Washer B 12		4	
9	911 351 425 03	Fixed calliper without pad	/L	1	
9	911 351 426 03	Fixed calliper without pad	/R	1	
10	911 351 919 02	Ventilation valve		2	
11	944 351 959 00	Dust boot		2	
12	911 351 923 00	Retaining pin		4	
(13)	911 351 950 00	Brake pad repair set		1	
13	911 351 950 01	Brake pad repair set		1	
13	911 351 950 06	Brake pad repair set - textar - Use also: 993.612.965.00		2	
13	911 351 950 08	Brake pad repair set - textar - Use also: 993.612.965.02		1	
14	911 351 946 00	Gasket set		2	
15	944 612 211 00	Warning contact		1	
15	944 612 211 05	Warning contact		2	
(15)	993 612 965 00	Brake pad wear indicator for Brake pad repair set 911.351.950.06		2	
(15)	993 612 965 01	Brake pad wear indicator for Brake pad repair set 911.351.950.06		2	
(15)	993 612 965 02	Brake pad wear indicator for Brake pad repair set 911.351.950.08		2	
-	000 043 205 13	Sealing compound SILASTIC 732 RTV 90 ML		1	
16	944 612 627 00	Line bracket		2	

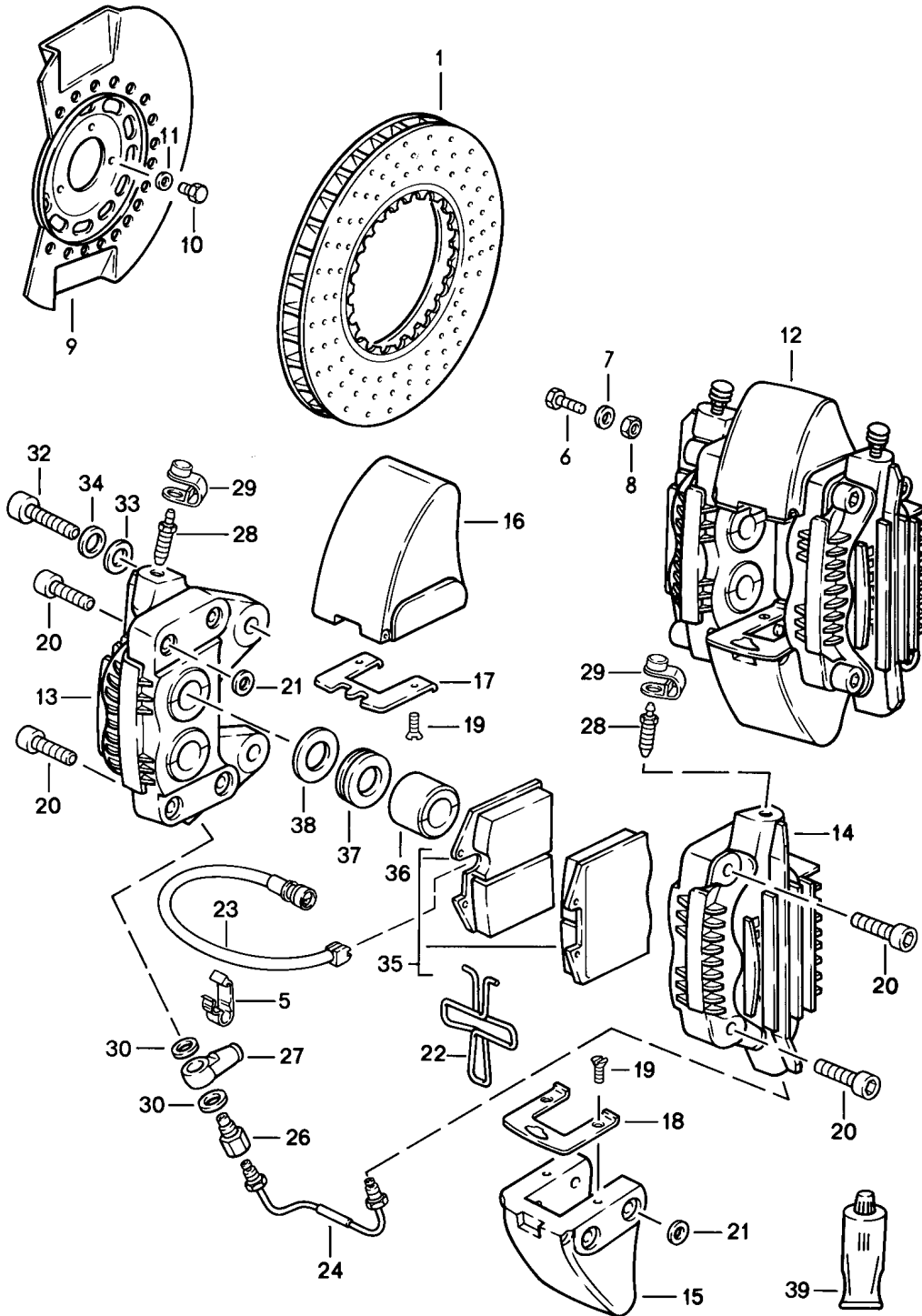
Model: 911 84

Model life 1984>>1986

Pos	Part Number	Description	Remark	Qty	Model
17	911 351 951 01	Parts kit		2	
18		Parts kit		1	

Model: 911 84

Model life 1984>>1986



Model: 911 84

Model life 1984>>1986

Pos	Part Number	Description	Remark	Qty	Model
		Brake Front axle			TURBO CARRERA M491
1	930 351 047 01	Brake disc	/L	1	
(1)	930 351 048 01	Brake disc	/R	1	
5	944 612 627 00	Line bracket		2	
6	900 075 079 02	Hexagon-head bolt M 8 X 22		10	
7	N 012 241 8	Spring washer B 8		10	
8	900 076 025 02	Hexagon nut M 8		10	
8	900 076 064 02	Hexagon nut M 8		10	
9	930 351 803 01	Protective plate		2	
10	N 010 235 3	Hexagon-head bolt M 8 X 10		6	
11	N 012 241 8	Spring washer B 8		6	
12	930 351 091 03	Brake calliper without pad	/L	1	
(12)	930 351 092 03	Brake calliper without pad	/R	1	
13	930 351 951 01	Fixed calliper Inner part Comprising: Housing	/L 84	2	
		Inner part		1	
		Sealing ring \$ 38 MM		2	
		Scraper ring \$ 38 MM		2	
		Piston \$ 38 MM		2	
13	930 351 952 02	Brake calliper Inner part Comprising: Housing	/L 84-	2	
		Inner part		1	
		Sealing ring \$ 38 MM		2	
		Scraper ring \$ 38 MM		2	
		Piston \$ 38 MM		2	
13	930 351 951 02	Fixed calliper Inner part Comprising: Housing	/L 84	2	
		Inner part		1	
		Sealing ring \$ 38 MM		2	
		Scraper ring \$ 38 MM		2	
		Piston \$ 38 MM		2	
14	930 351 953 01	Brake calliper Outer part Comprising: Housing	/R	2	
		Outer part		1	
		Sealing ring \$ 38 MM		2	

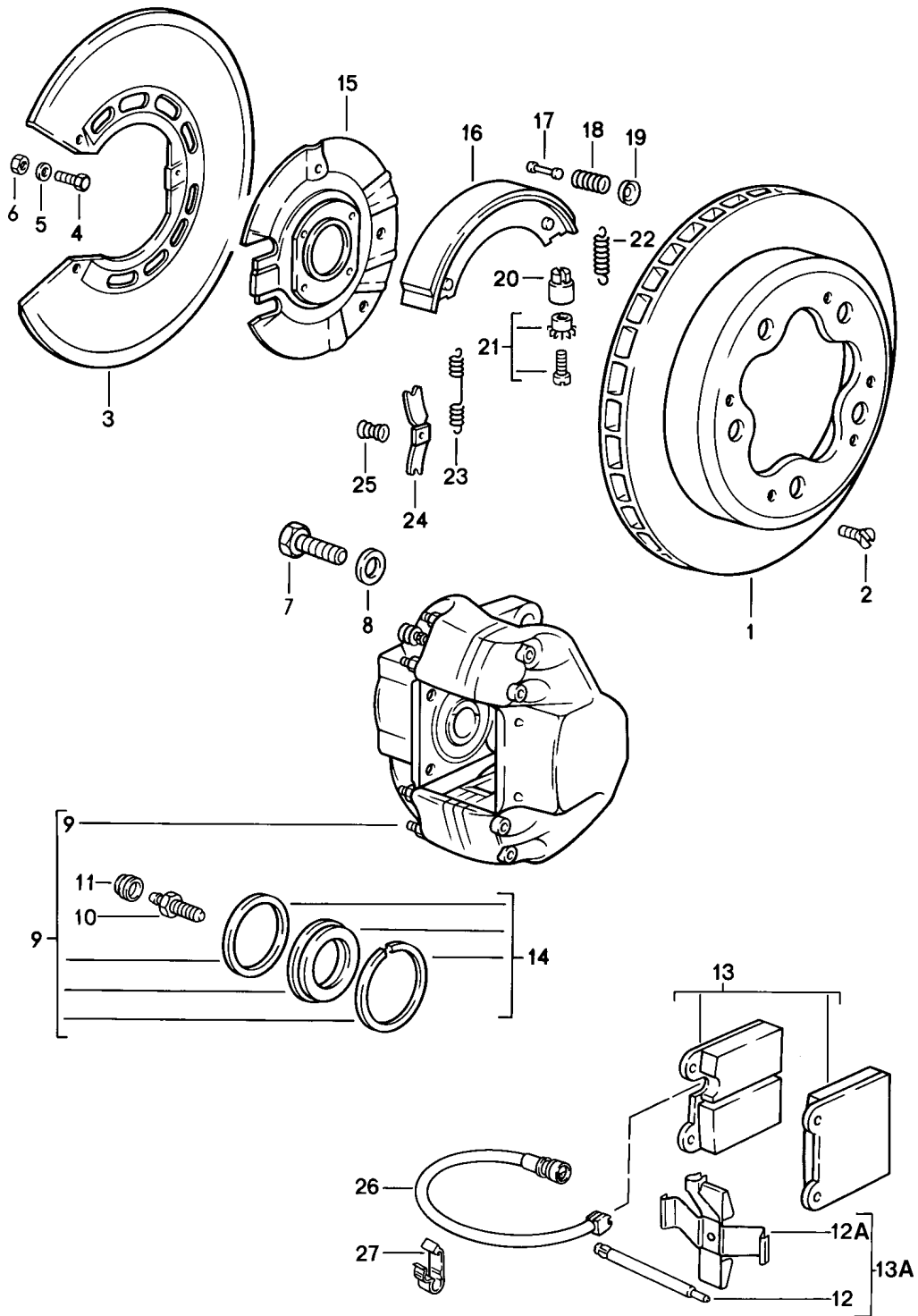
Model: 911 84 Model life 1984>>1986

Pos	Part Number	Description	Remark	Qty	Model
		Scraper ring		2	
		\$ 38 MM			
		Piston		2	
		\$ 38 MM			
15	930 351 563 04	Bridge		2	
16	930 351 564 03	Bridge		2	
17	930 351 541 03	Spring plate		2	
18	930 351 542 03	Spring plate		2	
19	900 269 017 02	Countersunk-head screw		8	
		M 5 X 12			
20	900 067 170 02	Pan-head screw		16	
		M 12 X 1,5 X 40			
21	930 351 580 01	Spacer sleeve		16	
22	951 352 950 00	Expanding spring	84	2	
(22)		Expanding spring	85-	2	
23	944 612 211 00	Warning contact		2	
23	944 612 211 05	Warning contact		2	
24	930 355 061 01	Connecting line	/L	1	
24	930 355 061 04	Connecting line	/L	1	
(24)	930 355 062 01	Connecting line	/R	1	
(24)	930 355 062 04	Connecting line	/R	1	
26	999 135 002 02	Screw socket	84	2	
27	999 215 027 02	Ring fitting	84	2	
27	999 215 027 03	Ring fitting	84-	2	
28	930 351 919 00	Ventilation valve		4	
29	930 351 927 00	Dust boot		4	
29	930 351 927 01	Dust boot		4	
30	N 013 806 2	Sealing ring	84	4	
		A 10 X 14			
32	900 067 170 02	Pan-head screw		4	
		M 12 X 1,5 X 40			
33	930 351 553 01	Spacer		4	
34	900 028 014 02	Washer		4	
		B 12			
34	900 028 014 03	Washer		4	
		B 12			
35	930 351 938 05	Brake pad repair set		1	
35	951 351 939 04	Brake pad repair set		1	
35	964 351 939 02	Brake pad repair set		1	
35	964 351 939 03	Brake pad repair set		1	
36	930 351 551 04	Piston		8	
		\$ 38 MM			
36		Piston		8	
		\$ 38 MM			
37	930 351 547 00	Scraper ring		8	
38	930 351 555 01	Sealing ring		8	
38		Sealing ring		8	
39	000 043 020 00	Optimoly		1	
		1 100-gramme tube			



Model: 911 84

Model life 1984>>1986



Model: 911 84 Model life 1984>>1986

Pos	Part Number	Description	Remark	Qty	Model
		Disc brake			CARRERA
		Rear axle			
1	911 352 041 08	Brake disc		2	
2	N 033 167 1	Countersunk-head screw		4	
		AM 6 X 12			
2	900 269 047 01	Countersunk-head screw		4	
		AM 6 X 12			
3	911 352 801 20	Protective plate		2	
4	900 075 087 02	Hexagon-head bolt		4	
		M 8 X 16			
4	900 075 087 03	Hexagon-head bolt		4	
		M 8 X 16			
(4)	N 010 235 3	Hexagon-head bolt		2	
		M 8 X 10			
5	N 012 241 8	Spring washer		6	
		B 8			
6	900 076 025 02	Hexagon nut		4	
		M 8			
6	900 076 064 02	Hexagon nut		4	
		M 8			
7	N 010 137 2	Hexagon-head bolt		4	
		M 12 X 1,5 X 35			
7	900 083 073 01	Hexagon-head bolt		4	
		M 12 X 1,5 X 35			
8	900 027 017 02	Lock ring		4	
		B 12			
8		Lock ring		4	
		B 12			
9	911 352 425 00	Fixed calliper	/L	1	
		without pad			
(9)	911 352 426 00	Fixed calliper	/R	1	
		without pad			
10	901 352 977 10	Bleeder valve		2	
11	901 351 927 10	Dust boot		2	
12	911 352 923 00	Retaining pin		4	
12A	911 352 951 01	Parts kit		1	
13	911 352 950 01	Brake pad repair set		1	
13	911 352 950 04	Brake pad repair set		1	
		- textar -			
13	911 352 950 06	Brake pad repair set		1	
		- textar -			
13A	911 352 951 01	Parts kit		1	
		for			
		Brake pad repair set			
14	911 352 905 00	Gasket set		2	
		Handbrake			
-	PCG 352 097 12	Set of fastening parts		1	
		Handbrake			
		Comprising:			
-	900 079 012 02	Castle nut		2	
-	911 352 090 01	Expanding bow		4	
-	911 352 098 01	Adjusting screw		2	
-	901 352 932 10	Return spring		2	
-	911 352 944 00	Support bush		2	
-	901 352 953 12	Compression spring		2	
-	901 352 954 10	Return spring		2	
-	901 352 955 10	Concave washer		4	
-	901 352 957 10	Compression spring		4	
-	901 352 959 11	Roll pin		4	
-	N 012 507 1	Cotter pin		2	
15	911 352 081 30	Brake mounting plate		2	
16	911 352 097 10	Brake shoe		4	
17	901 352 959 10	Roll pin		4	

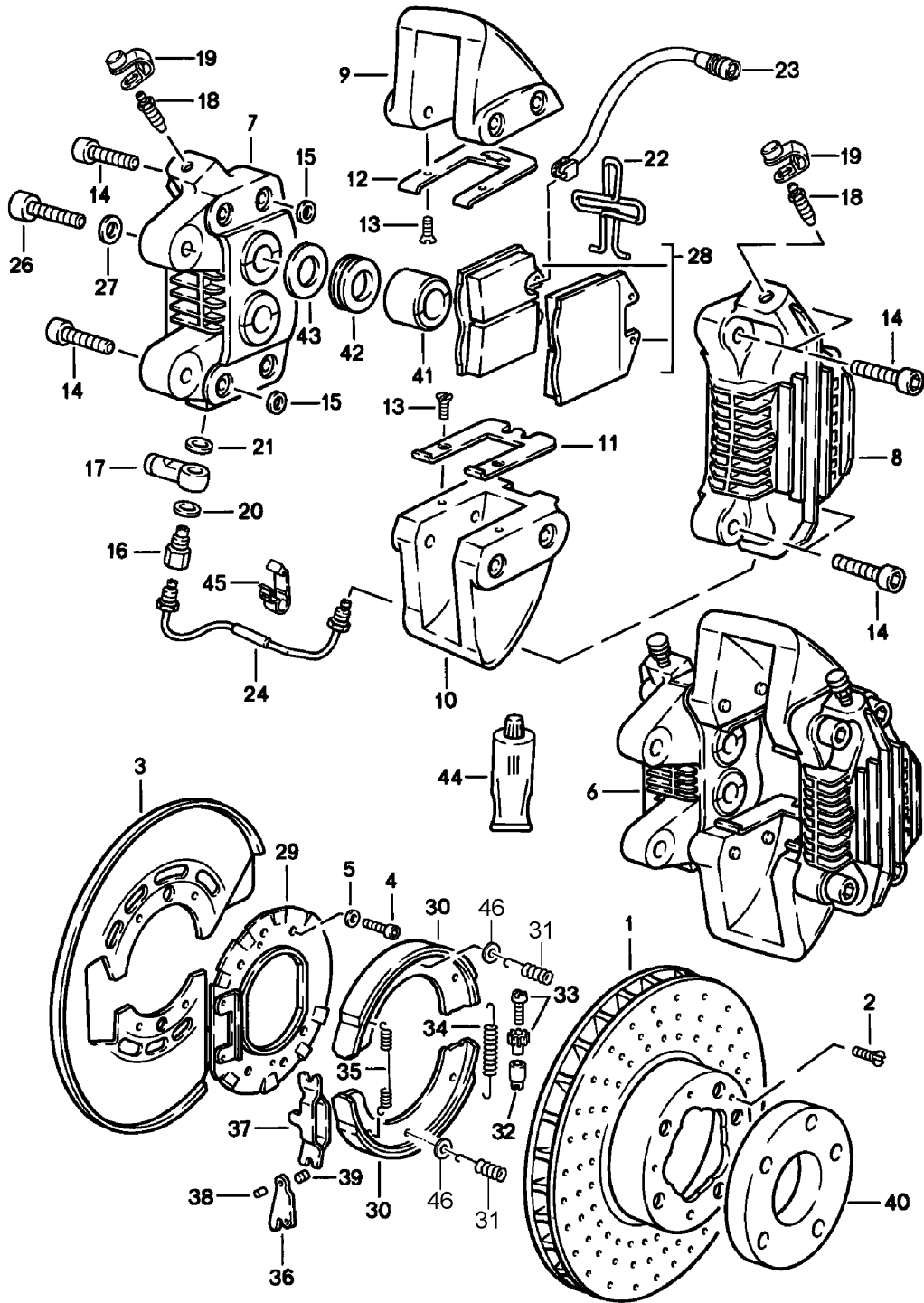
Model: 911 84

Model life 1984&gt;&gt;1986

Pos	Part Number	Description	Remark	Qty	Model
17	901 352 959 11	Roll pin		4	
18	901 352 957 10	Compression spring		4	
19	901 352 955 10	Concave washer		4	
20	911 352 944 00	Support bush		2	
21	911 352 098 00	Adjusting screw		2	
21	911 352 098 01	Adjusting screw		2	
22	901 352 932 10	Return spring		2	
23	901 352 954 10	Return spring		2	
24	911 352 090 00	Expanding bow		4	
24	911 352 090 01	Expanding bow		4	
25	901 352 953 10	Compression spring		2	
25	901 352 953 11	Compression spring		2	
25	901 352 953 12	Compression spring		2	
26	944 612 211 02	Warning contact		2	
26	944 612 211 03	Warning contact		2	
27	944 612 627 00	Line bracket		2	

Model: 911 84

Model life 1984>>1986



Model: 911 84 Model life 1984>>1986

Pos	Part Number	Description	Remark	Qty	Model
		Disc brake Rear axle			TURBO CARRERA M491
1	930 352 045 00	Brake disc	/L	1	
1	930 352 045 01	Brake disc	/L	1	
(1)	930 352 046 00	Brake disc	/R	1	
(1)	930 352 046 01	Brake disc	/R	1	
2	900 269 047 01	Countersunk-head screw M 6 X 12		4	
3	930 352 801 04	Protective plate		2	
4	900 067 057 02	Pan-head screw M 8 X 20		8	
4	900 067 057 03	Pan-head screw M 8 X 20		8	
5	N 012 241 8	Spring washer B 8		8	
6	930 352 091 03	Brake calliper without pad	/L	1	
(6)	930 352 092 03	Brake calliper without pad	/R	1	
7	930 352 951 01	Brake calliper Inner part Comprising: Housing	84	2	
		Inner part		1	
		Sealing ring \$ 30 MM		2	
		Scraper ring \$ 30 MM		2	
		Piston \$ 30 MM		2	
(7)	930 352 092 03	Brake calliper Comprising: Housing	/R	1	
		Inner part		1	
		Sealing ring \$ 30 MM		2	
		Scraper ring \$ 30 MM		2	
		Piston \$ 30 MM		2	
(7)	930 352 091 03	Brake calliper Inner part Comprising: Housing	/L	1	
		Inner part		1	
		Sealing ring \$ 30 MM		2	
		Scraper ring \$ 30 MM		2	
		Piston \$ 30 MM		2	
8	930 352 953 01	Brake calliper Outer part Comprising: Housing		2	
		Outer		1	
		Sealing ring \$ 30 MM		2	
		Scraper ring \$ 30 MM		2	
		Piston \$ 30 MM		2	

Model: 911 84

Model life 1984&gt;&gt;1986

Pos	Part Number	Description	Remark	Qty	Model
9	930 352 563 03	Bridge		2	
10	930 352 564 04	Bridge		2	
11	930 351 539 03	Spring plate		2	
12	930 351 540 03	Spring plate		2	
13	900 269 017 02	Countersunk-head screw M 5 X 12		8	
14	900 067 170 02	Pan-head screw M 12 X 1,5 X 40		16	
15	930 351 580 01	Spacer sleeve		16	
16	999 135 002 02	Screw socket	84	2	
17	999 215 027 02	Ring fitting	84	2	
17	999 215 027 03	Ring fitting	84-	2	
18	930 351 919 00	Ventilation valve		4	
19	930 351 927 00	Dust boot		4	
19	930 351 927 01	Dust boot		4	
20	N 013 806 2	Sealing ring A 10 X 14	84	2	
21		Sealing ring A 10 X 14	84	2	
22	951 352 950 00	Expanding spring	84	2	
(22)		Expanding spring	85-	2	
23	930 612 211 00	Warning contact		2	
23	930 612 211 02	Warning contact		2	
24	930 355 061 01	Connecting line	/L	1	
24	930 355 061 04	Connecting line	/L	1	
(24)	930 355 062 01	Connecting line	/R	1	
(24)	930 355 062 04	Connecting line	/R	1	
26	900 067 170 02	Pan-head screw M 12 X 1,5 X 40		4	
27	900 028 014 02	Washer B 12		4	
27	900 028 014 03	Washer B 12		4	
28	930 351 938 05	Brake pad repair set		1	
28	951 351 939 04	Brake pad repair set		1	
28	964 351 939 02	Brake pad repair set		1	
28	964 351 939 03	Brake pad repair set		1	
		Handbrake			
29	930 352 081 03	Brake mounting plate		2	
30	928 352 097 00	Brake shoe		4	
30	997 352 993 02	Brake shoe 1 set Only together with Washer 928.352.963.00 Adjusting screw 993.352.071.00		1	
31	930 352 957 00	Compression spring		4	
32	911 352 944 00	Support bush		2	
33	911 352 098 00	Adjusting screw		2	
33	911 352 098 01	Adjusting screw		2	
34	901 352 932 10	Return spring		2	
35	901 352 954 10	Return spring		2	
36	993 352 073 00	Push-button lock		2	
37		Push-button lock		2	
38	993 352 737 00	Bolt		2	
39	928 352 447 00	Articulated bolt		2	
40	930 331 611 04	Spacer ring		2	
40	930 331 611 06	Spacer ring		2	
41	930 352 555 01	Piston \$ 30 MM		8	
41		Piston \$ 30 MM		8	

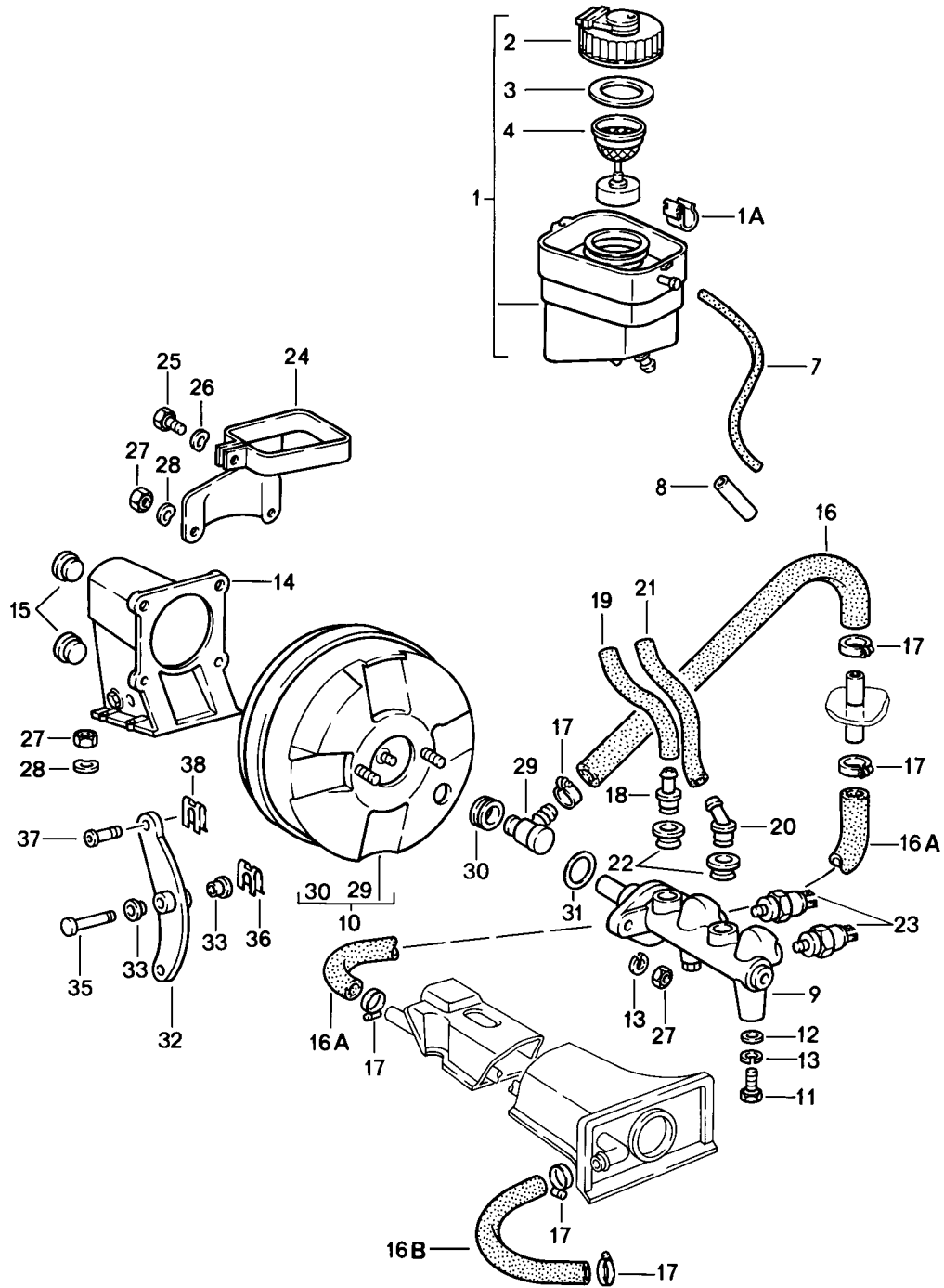
Model: 911 84

Model life 1984>>1986

Pos	Part Number	Description	Remark	Qty	Model
42	930 352 554 00	Scrapper ring		8	
43	930 352 553 02	Sealing ring		8	
43		Sealing ring		8	
44	000 043 020 00	Optimoly		1	
		1 100-gramme tube			
45	944 612 627 00	Line bracket		6	
46	928 352 963 00	Washer		4	
		Only together with			
		Brake shoe			
		997.352.993.02			

Model: 911 84

Model life 1984>>1986





Model: 911 84 Model life 1984>>1986

Pos	Part Number	Description	Remark	Qty	Model
		Brake fluid reservoir			
		Brake master cylinder			
1	911 355 013 13	Brake fluid reservoir		1	
1A	477 971 939	Cable terminal		1	
1A	PCG 971 939	Cable terminal		1	
2	911 355 419 02	Threaded joint		1	
3	901 355 908 00	Gasket		1	
4	911 355 420 01	Float with Strainer		1	
-	N 020 361 2	Hose		X	
-		Hose 4 X 1,5 900 MM	/LL	1	
7		1500 MM	/RL	1	
8	911 355 155 00	Pipe 5 X 3 X 1280		1	
9	911 355 011 12	Brake master cylinder		1	CARRERA
(9)	930 355 011 03	Brake master cylinder		1	TURBO
				1	CARRERA M491
10	930 355 027 00	Vacuum booster		1	CARRERA
10		Vacuum booster	84	1	TURBO
				1	CARRERA M491
(10)	930 355 027 02	Vacuum booster	85-	1	TURBO
				1	CARRERA M491
11	N 010 237 6	Hexagon-head bolt M 8 X 12		1	
11	N 010 237 14	Hexagon-head bolt M 8 X 12		1	
12	900 151 008 02	Washer A 8,4		1	
13	900 027 015 02	Lock ring B 8		3	
13	900 027 015 03	Lock ring B 8		3	
13	900 027 015 02	Lock ring B 8		3	
13	900 027 015 03	Lock ring B 8		3	
14	911 355 381 01	Bearing bracket	/LL	1	
(14)	911 355 382 00	Bearing bracket	/RL	1	
15	999 703 056 40	Stopper		2	
16	911 355 609 00	Moulded hose	/LL	1	
-	999 181 022 51	Hose 11,8 X 4 320 MM	/LL	*	
16A		Tunnel Boot floor plate 790 MM	/RL	1	
		Tunnel Brake booster 1430 MM		1	CARRERA
16B		Engine Tunnel 1700 MM		1	TURBO
16B		Engine Tunnel		1	
17	900 272 003 02	Hose clamp		6	
17	999 512 554 00	Hose clamp		6	
18	911 355 322 00	Intake socket		1	

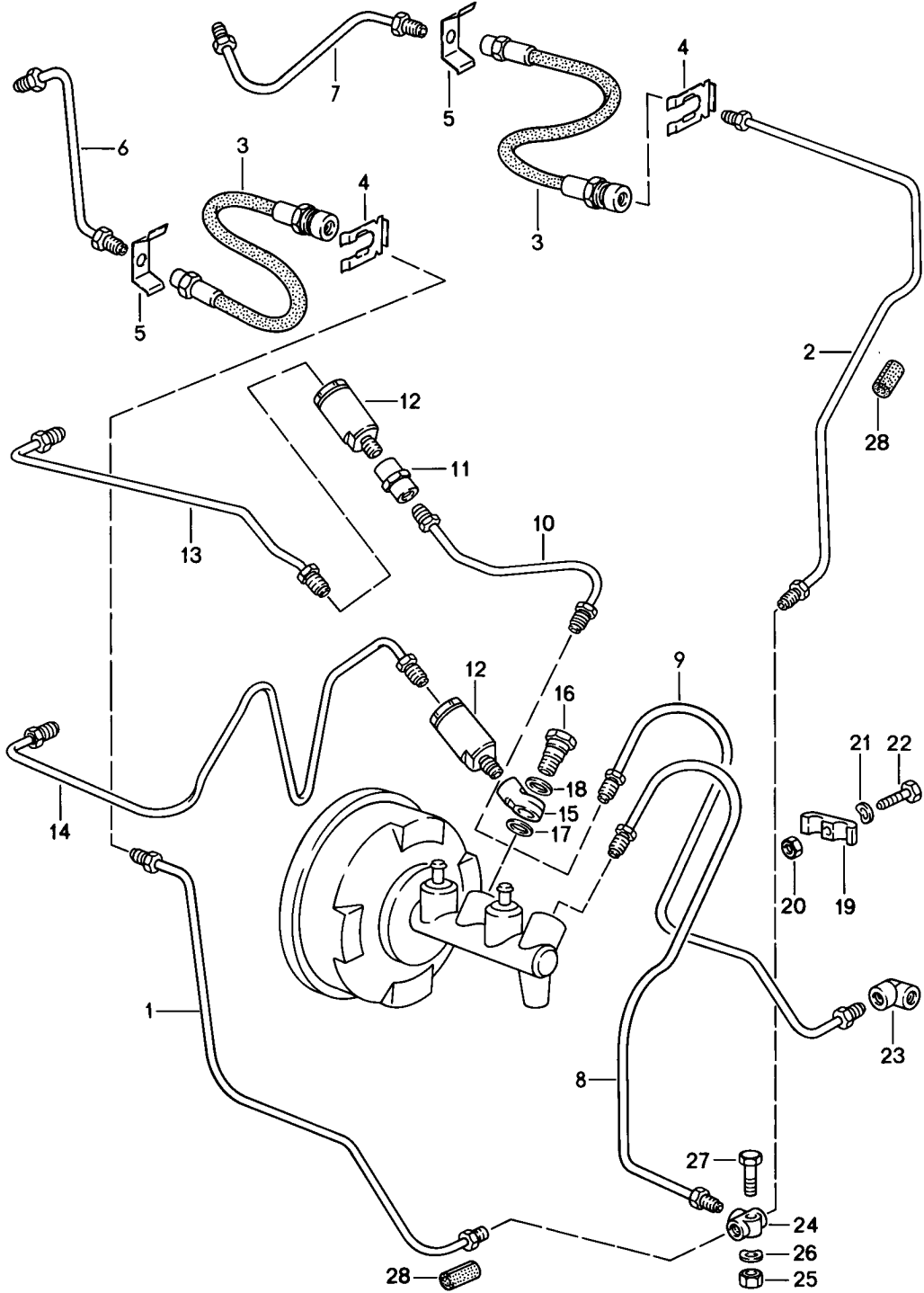
Model: 911 84

Model life 1984&gt;&gt;1986

Pos	Part Number	Description	Remark	Qty	Model
-	999 181 021 50	Hose 7,5 X 12,5		*	
19		65 MM		1	
20	911 355 323 00	Intake socket		1	
-	999 181 021 50	Hose 7,5 X 12,5		*	
21		120 MM		1	
22	911 355 922 00	Sealing plug		2	
23	113 945 515 H	Brake light switch 2-pole		2	
(23)	113 945 515 G	Brake light switch 3-pole		2	
24	911 355 038 01	Retaining strap		1	
25	900 075 057 02	Hexagon-head bolt M 6 X 16		1	
25	900 075 057 03	Hexagon-head bolt M 6 X 16		1	
26	N 012 226 5	Spring washer B 6		1	
27	N 022 146 1	Lock nut M 8		10	
27	900 910 022 09	Lock nut M 8		10	
27	900 910 022 03	Lock nut M 8		10	
28	N 012 241 8	Spring washer B 8		8	
29	191 611 933 F	Check valve		1	
30	911 355 921 00	Rubber seal		1	
30	955 355 921 00	Rubber seal		1	
31	251 611 243	Sealing ring		1	
32	911 355 084 00	Reverse lever	/RL	1	
(32)	911 355 083 03	Reverse lever	/LL	1	
33	928 423 542 00	Bearing sleeve		2	
35	911 355 511 01	Bearing pin		1	
36	N 012 654 1	Lock washer		1	
37	999 166 049 02	Bolt		1	
38	999 166 034 02	Sl-lock		1	

Model: 911 84

Model life 1984>>1986



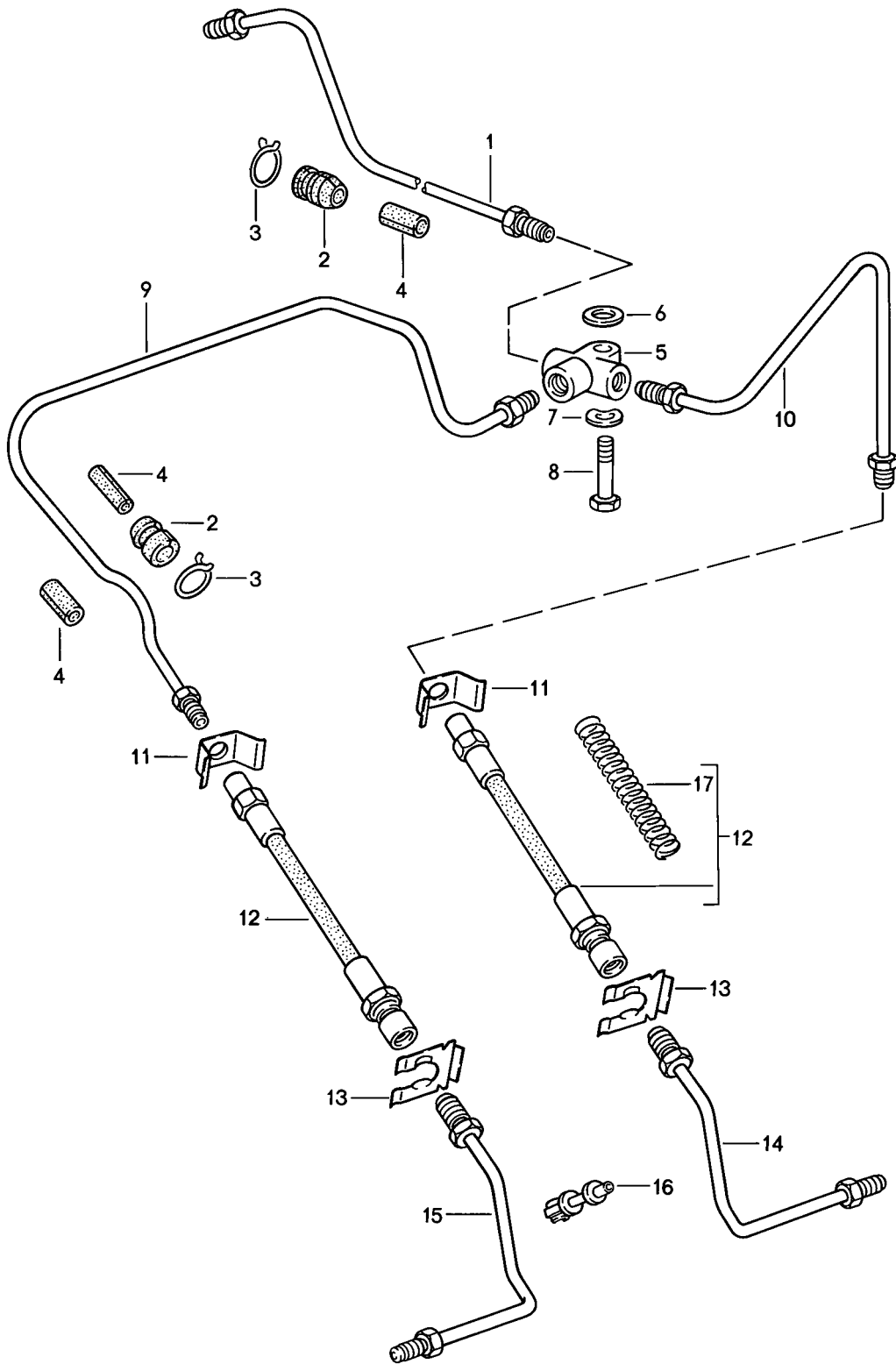
Model: 911 84

Model life 1984>>1986

Pos	Part Number	Description	Remark	Qty	Model
		Brake line Front			
1	911 355 618 01	Brake line	/L	1	
2	911 355 617 02	Brake line	/R	1	
3	901 355 632 01	Brake hose		2	
3	901 355 632 02	Brake hose		2	
4	113 611 715 A	Brake hose bracket		2	
5	803 611 715	Retainer spring		2	
5		Retainer spring		2	
6	911 355 605 01	Brake line		2	CARRERA
6	930 355 063 00	Brake line	/L	1	TURBO
7	930 355 064 00	Brake line	/R	1	TURBO
8	911 355 608 03	Connecting line	/LL	1	
8		Connecting line	/LL	1	
8	911 355 065 00	Connecting line	/RL	1	
9	911 355 607 03	Connecting line	/LL	1	TURBO
9	911 355 066 00	Connecting line	/RL	1	TURBO
10	911 355 077 03	Brake line	/LL	1	CARRERA
11	914 355 661 00	Intermediate piece M 10 X 1	/LL	1	CARRERA
12	930 355 305 00	Regulator		1	CARRERA M491
12	928 355 305 00	Regulator	84	1	CARRERA
12	928 355 305 02	Regulator		1	CARRERA
12		Regulator		1	CARRERA
13	911 355 079 00	Brake line	/LL	1	CARRERA
14	911 355 069 00	Brake line	/RL	1	CARRERA
15	999 230 175 10	Ring fitting M 10 X 1	/RL	1	CARRERA
16	901 355 531 00	Banjo bolt	/RL	1	CARRERA
17	N 013 808 3	Sealing ring A 10 X 16	/RL	1	CARRERA
18	N 013 812 2	Sealing ring A 12 X 15,5	/RL	1	CARRERA
19	999 511 112 40	Dual clip		1	
20	999 084 018 02	Lock nut M 6		1	
21	N 012 226 5	Spring washer A 6		1	
21		Spring washer A 6		1	
22	900 075 016 02	Hexagon-head bolt M 6 X 22		1	
22	900 075 016 03	Hexagon-head bolt M 6 X 22		1	
23	901 355 615 00	Angled pipe		1	
23	901 355 615 01	Angled pipe		1	
24	914 355 667 00	Distributor		1	
25	900 076 010 02	Nut M 6		1	
25	900 076 010 0B	Nut M 6		1	
26	N 011 524 7	Washer		1	
26	N 011 524 27	Washer		1	
27	900 075 017 02	Hexagon-head bolt M 6 X 25		1	
27	900 075 017 03	Hexagon-head bolt M 6 X 25		1	
28	914 355 691 00	Protective tube		3	

Model: 911 84

Model life 1984>>1986



Model: 911 84 Model life 1984>>1986

Pos	Part Number	Description	Remark	Qty	Model
		Brake line Rear			
1	911 355 611 01	Brake line	-85	1	
(1)	911 355 611 03	Brake line	86-	1	
2	914 355 651 00	Rubber sleeve		2	
3	914 355 652 00	Clamp		2	
4	914 355 691 00	Protective tube		3	
5	914 355 667 00	Distributor		1	
6	N 011 666 7	Washer B 6,4		1	
7	N 012 226 5	Spring washer B 6		1	
8	900 075 017 02	Hexagon-head bolt M 6 X 25		1	
8	900 075 017 03	Hexagon-head bolt M 6 X 25		1	
9	911 355 627 04	Connecting line	/L	1	CARRERA
9	930 355 627 04	Connecting line	/L 84	1	TURBO
				1	CARRERA
9		Connecting line	/L	1	M491
				1	TURBO
				1	CARRERA
10	911 355 653 05	Connecting line	/R	1	M491
10	930 355 653 03	Connecting line	/R 84	1	CARRERA
				1	TURBO
10	930 355 653 05	Connecting line	85-	1	M491
				1	TURBO
				1	CARRERA
10		Connecting line	/R	1	M491
				1	TURBO
				1	CARRERA
11	803 611 715	Retainer spring		2	
11		Retainer spring		2	
12	911 355 087 00	Brake hose		2	
12	911 355 087 01	Brake hose		2	
13	113 611 715 A	Brake hose bracket		2	
14	911 355 622 03	Brake line	/R	1	CARRERA
14	930 355 066 00	Brake line	/R	1	TURBO
				1	CARRERA
				1	M491
15	911 355 621 03	Brake line	/L	1	CARRERA
15	930 355 065 00	Brake line	/L	1	TURBO
				1	CARRERA
				1	M491
16	999 507 235 40	Pipe clip		2	TURBO
				2	CARRERA
				2	M491

Model: 911 84

Model life 1984>>1986



Model: 911 84

Model life 1984>>1986

Pos	Part Number	Description	Remark	Qty	Model
>>	911 351 950 06	Repair kits Front axle See technical information GR.4, NR. 4/99 Brake pad repair set Comprising: Brake pad Use also: 993.612.965.00		1 4 2	CARRERA
>>	911 351 950 08	Brake pad repair set Comprising: Brake pad Use also: 993.612.965.00		1 4 2	CARRERA
>>	911 351 951 01	Parts kit Set for Brake pad repair set Comprising: Retaining pin Expanding spring		1 4 2	CARRERA
>>	911 351 946 00	Gasket set for Fixed calliper Comprising: Gasket Protection cap Circlip		2 2 2	CARRERA
>>	911 352 950 01	Rear axle Brake pad repair set Comprising: Brake pad		1 4	CARRERA
>>		Brake pad repair set Comprising: Brake pad		1 4	CARRERA
>>	911 352 950 04	Brake pad repair set Comprising: Brake pad		1 4	
>>	911 352 950 06	Brake pad repair set Comprising: Brake pad		1 4	
>>	911 352 951 01	Parts kit Comprising: Retaining pin Expanding spring		1 4 2	CARRERA
>>	911 352 905 00	Gasket set for Fixed calliper Comprising: Gasket for Piston Protection cap Front axle And		2 2 2	CARRERA
>>	930 351 938 05	Rear axle Brake pad repair set  Comprising: Brake pad TEXTAR T 252 See q-information		2 2 4	TURBO CARRERA M491



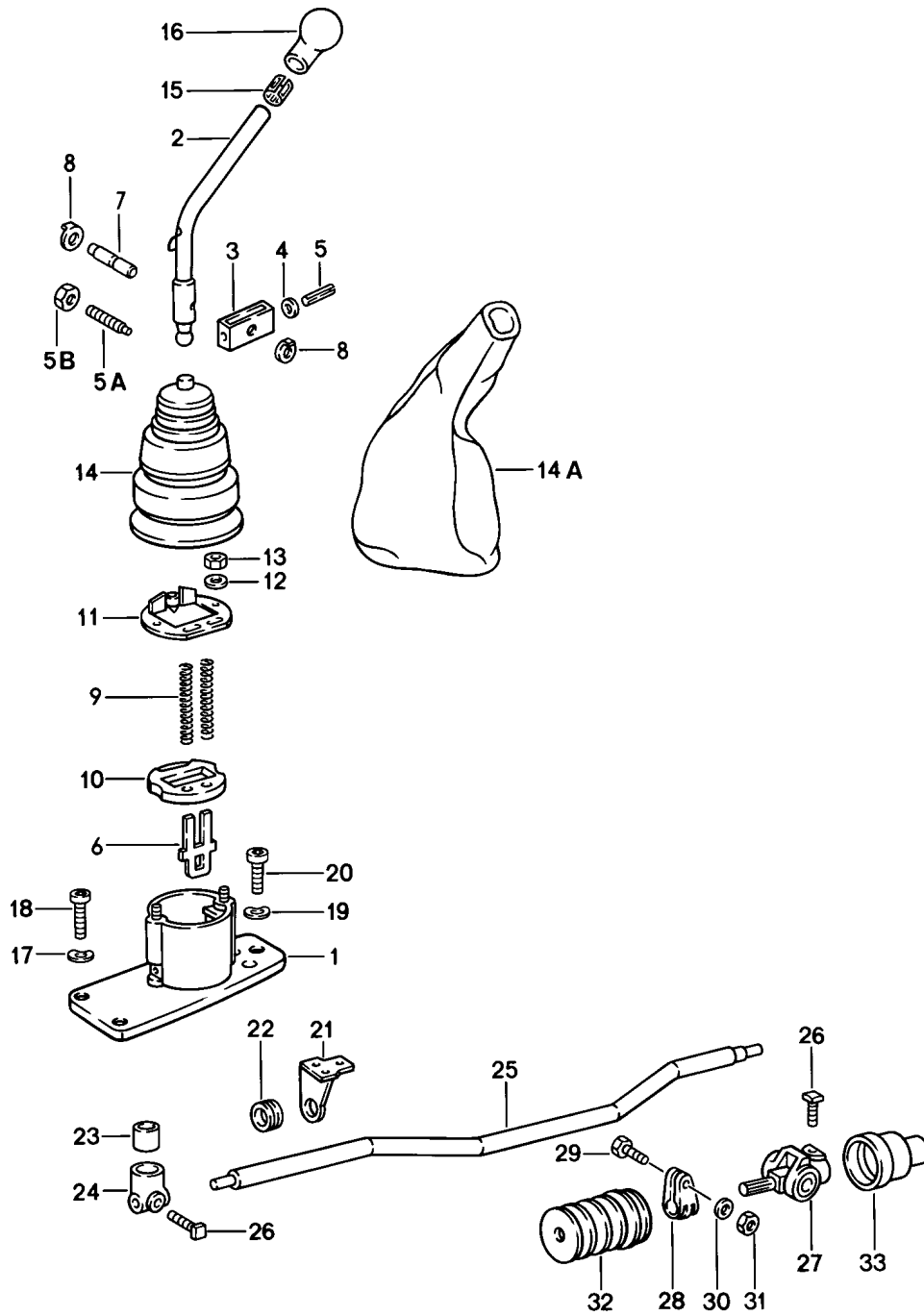
Model: 911 84

Model life 1984>>1986

Pos	Part Number	Description	Remark	Qty	Model
>>	951 351 939 04	10.4.85 Brake pad repair set  Comprising: Brake pad TEXTAR T 252 See q-information 10.4.85		2 2  4	TURBO CARRERA M491
>>	964 351 939 02	Brake pad repair set  Comprising: Brake pad TEXTAR T 252 See q-information 10.4.85		2 2  4	TURBO CARRERA M491
>>	964 351 939 03	Brake pad repair set  Comprising: Brake pad TEXTAR T 252 See q-information 10.4.85		2 2  4	TURBO CARRERA M491

Model: 911 84

Model life 1984>>1986



Model: 911 84 Model life 1984>>1986

Pos	Part Number	Description	Remark	Qty	Model
		Transmission control			
1	911 424 019 06	Gearshift bracket		1	
2	911 424 017 07	Gearshift lever	84	1	CARRERA
(2)	911 424 017 13	Gearshift lever	85-	1	CARRERA
(2)	911 424 017 14	Gearshift lever	85-	1	CARRERA
(2)	911 424 017 11	Gearshift lever		1	CARRERA M241
(2)	911 424 017 21	Gearshift lever		1	CARRERA M241
(2)	930 424 017 00	Gearshift lever	84	1	TURBO
(2)	930 424 017 03	Gearshift lever	85-	1	TURBO
3	911 424 124 02	Shift-lever bearing	84	1	CARRERA
(3)	911 424 124 03	Shift-lever bearing	85-	1	CARRERA
(3)	954 424 124 00	Shift-lever bearing		1	CARRERA M241
(3)	930 424 071 00	Fork		1	TURBO
-	930 424 125 00	Leaf spring		1	TURBO
-	900 234 041 01	Shim 10 X 16 X 1,3		1	TURBO
-	900 116 007 01	Lock washer		1	TURBO
-	N 012 439 1	Lock washer		1	TURBO
-	N 012 439 2	Lock washer		1	TURBO
4	900 025 007 02	Washer A 8,4		1	CARRERA
4	900 025 007 03	Washer A 8,4		1	CARRERA
4	911 424 187 01	Shim 0,2 MM		1	TURBO
5	900 197 035 01	Tensioning sleeve 8 X 28		1	
5	900 197 035 0B	Tensioning sleeve 8 X 28		1	
5A	911 424 335 00	Threaded pin		1	
5B	N 011 113 3	Hexagon nut M 14		1	
6	911 424 144 00	Guide plate	84	1	CARRERA
(6)	911 424 144 01	Guide plate	85-	1	CARRERA
(6)	954 424 144 00	Guide plate		1	CARRERA M241
7	911 424 129 06	Bearing pin		1	CARRERA
(7)	954 424 129 00	Bearing pin		1	CARRERA M241
8	999 166 027 02	Circlip		2	CARRERA
9	911 424 131 01	Compression spring	84	2	CARRERA
(9)	911 424 131 07	Compression spring	85-	2	CARRERA
(9)	954 424 131 00	Compression spring		2	CARRERA M241
10	911 424 147 00	Buffer plate		1	CARRERA
(10)	930 424 147 00	Buffer plate		1	TURBO
(10)	911 424 147 00	Buffer plate		1	CARRERA M241
-	930 424 165 01	Retainer plate		1	TURBO
(11)	911 424 063 04	Pawl carrier plate		1	CARRERA
(11)		Pawl carrier plate		1	CARRERA
12	900 027 014 01	Lock ring B 6		2	
12	N 012 006 4	Lock ring B 6		2	
13	900 076 010 02	Nut M 6		2	
13	900 076 010 0B	Nut M 6		2	
14	911 424 181 01	Sleeve		1	

Model: 911 84 Model life 1984>>1986

Pos	Part Number	Description	Remark	Qty	Model
14A	911 424 047 00	Leather sleeve for Gearshift lever		1	
	911 424 047 00 1AJ	Black			
	911 424 047 00 4RB	Brown			
	911 424 047 00 30B	Blue			
	911 424 047 00 7LD	Burgundy			
	911 424 047 00 5JX	Greyish green			
15	999 532 003 00	Retainer		1	
16	930 424 069 01	Gearshift knob 4-speed		1	TURBO
(16)	911 424 071 01	Gearshift knob 5-speed		1	CARRERA
17	N 012 228 3	Spring washer B 8		3	
18	900 067 057 02	Pan-head screw M 8 X 20		3	
18	900 067 057 03	Pan-head screw M 8 X 20		3	
19	N 012 226 5	Spring washer B 6		2	
20	900 067 011 02	Pan-head screw M 6 X 20		2	
20	900 067 011 03	Pan-head screw M 6 X 20		2	
21	930 424 031 00	Bearing bracket		1	
21	930 424 031 01	Bearing bracket		1	
22	914 424 224 00	Friction ring		1	
23	911 424 139 00	Ball socket		1	
23	911 424 139 01	Ball socket		1	
(24)	930 424 241 00	Head shift rod		1	
25	911 424 020 00	Gear shift rod		1	
-	PCG 424 020 00	Repair kit Gear shift rod Comprising:		1	
-	911 424 024 04	Shift rod coupling		1	
-	911 424 139 01	Ball socket		1	
-	914 424 224 00	Friction ring		1	
-	901 424 229 00	Conical screw		2	
26		Conical screw		2	
27	911 424 024 04	Shift rod coupling		1	
-	964 424 223 00	Bush		2	
28	914 424 214 00	Clamp		1	
29	N 010 335 5	Hexagon-head bolt M 8 X 35		1	
29	900 075 032 03	Hexagon-head bolt M 8 X 35		1	
30	999 523 102 02	Washer		1	
30	999 523 102 0B	Washer		1	
30	999 523 102 02	Washer		1	
30	999 523 102 0B	Washer		1	
31	900 076 025 02	Hexagon nut M 8		1	
31	900 076 064 02	Hexagon nut M 8		1	
32	911 424 292 00	Sealing sleeve		1	
33	911 424 294 00	Sealing sleeve		1	
-	911 424 931 00	Installation set  for Shift travel Shortening Comprising:		1	CARRERA M241

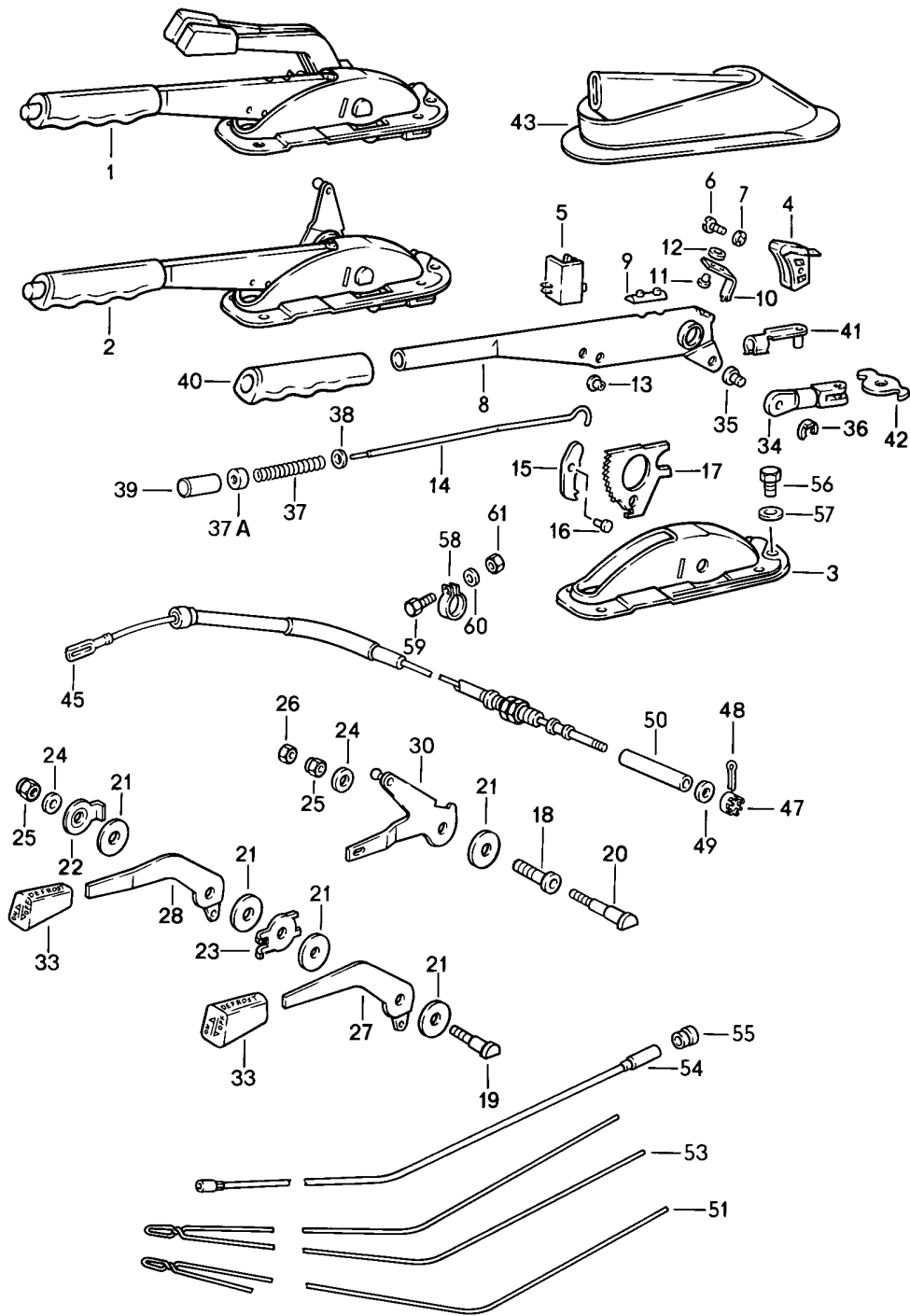
Model: 911 84

Model life 1984&gt;&gt;1986

Pos	Part Number	Description	Remark	Qty	Model
-	911 424 017 11	Gearshift lever		1	
-	911 424 017 21	Gearshift lever		1	
-	954 424 124 00	Shift-lever bearing		1	
-	954 424 144 00	Guide plate		1	
-	954 424 129 00	Bearing pin		1	
-	954 424 131 00	Compression spring		2	
-	911 424 147 00	Buffer plate		1	
-	911 424 063 04	Pawl carrier plate		1	

Model: 911 84

Model life 1984>>1986



Model: 911 84 Model life 1984>>1986

Pos	Part Number	Description	Remark	Qty	Model
1	911 424 051 15	Parking-brake lever Actuating lever for Heating Parking-brake lever with bearing bracket		1	CARRERA M553 M444
2	911 424 051 16	Parking-brake lever with bearing bracket		1	
3	901 424 058 02	Bearing bracket		1	
4	901 613 521 20	Contact switch		1	
5	911 613 525 00	Heating lever contact		1	CARRERA M553 M444
6	900 015 025 02	Oval-head screw AM 4 X 15		1	
7	900 115 005 02	Washer A 4,3		1	
8	911 424 059 00	Parking-brake lever		1	
9	901 424 509 01	Stop		1	
10	901 613 523 20	Contact bow		1	
11	900 055 001 20	Buttonhead rivet		2	
12	900 031 012 10	Washer 2,8		2	
13	900 206 003 00	Tubular rivet 5 X 0,5 X 10		1	
14	901 424 567 03	Push rod		1	
15	901 424 508 00	Pawl		1	
16	901 424 511 00	Bolt		1	
17	914 424 541 00	Locking segment		1	
18	911 424 717 01	Tensioning sleeve		1	
19	911 424 515 00	Collar bolt		1	CARRERA M553 M444
20	911 424 519 02	Collar bolt		1	
21	911 424 737 00	Washer	85	4	
22	911 424 735 04	Disc		1	CARRERA M553 M444
23	911 424 735 03	Disc		1	CARRERA M553 M444
23	911 424 735 06	Disc		1	CARRERA M553 M444
24	999 523 006 00	Cup spring		2	
25	999 084 019 02	Lock nut Uni-stop nut M 8		1	
26	999 084 043 02	Hexagon nut M 5		1	
27	911 424 723 00	Actuating lever	/L	1	CARRERA M553 M444
28	911 424 724 00	Actuating lever	/R	1	CARRERA M553 M444
30	911 424 075 02	Connecting lever	84	1	
(30)	911 424 075 03	Connecting lever	85-	1	
33	911 424 792 03	Control button		2	
34	901 424 569 01	Fork		1	
35	999 166 010 02	Bolt A 6 X 16 X 3		1	

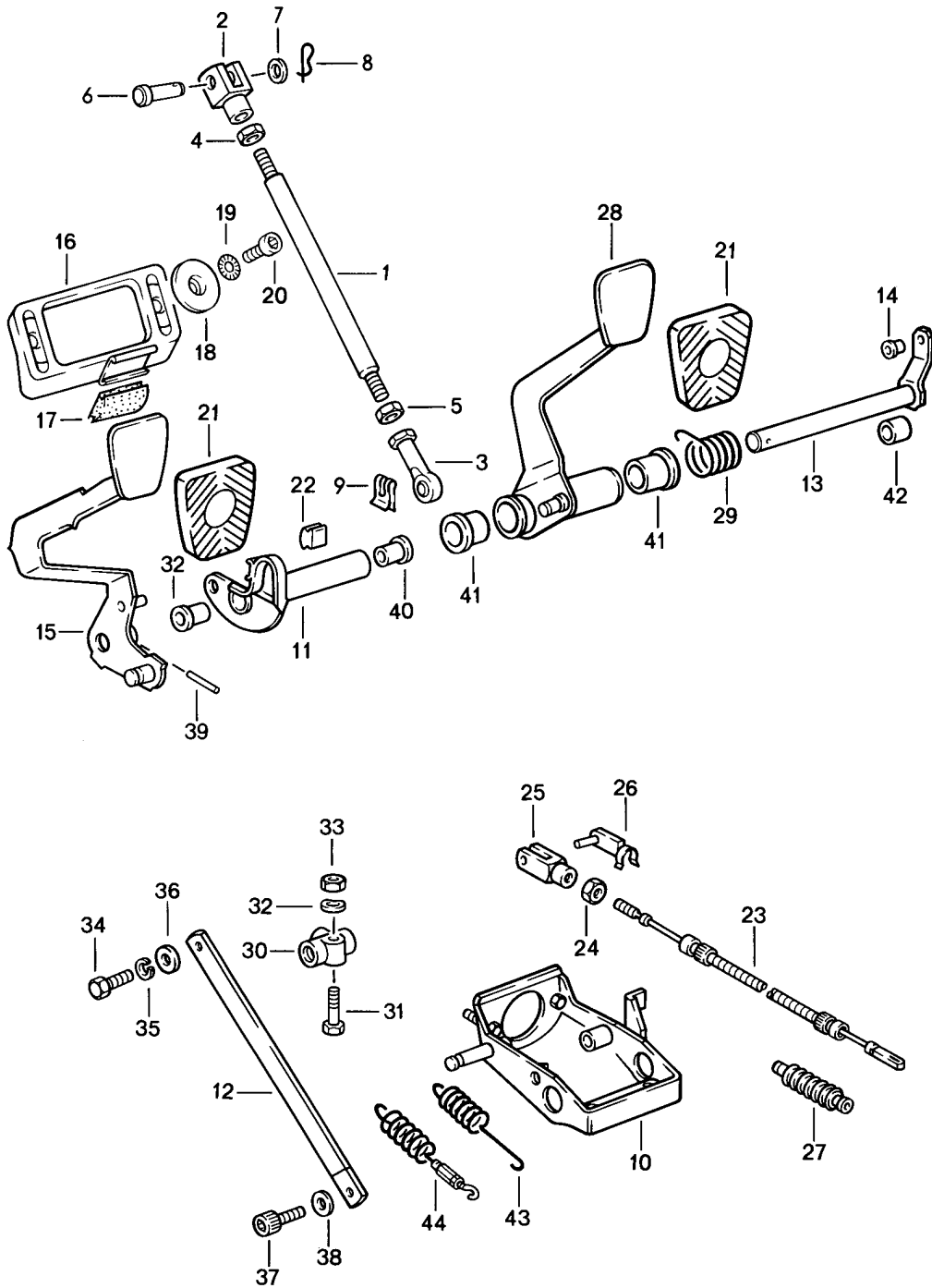
Model: 911 84 Model life 1984>>1986

Pos	Part Number	Description	Remark	Qty	Model
36	999 166 008 02	Safety clip		1	
37	901 424 543 00	Compression spring		1	
37A	914 424 258 00	Guide sleeve		1	
38	901 424 593 01	Ring		1	
39	901 424 523 01	Push button		1	
40	901 424 521 01	Handle		1	
41	999 166 001 02	Bolt 6 X 24		1	
42	901 424 568 00	Turnbuckle		1	
43	911 424 591 03	Sleeve	84	1	CARRERA
45	911 424 551 02	Parking-brake cable		2	CARRERA
45	911 424 551 03	Parking-brake cable		2	CARRERA
45	911 424 551 04	Parking-brake cable		2	CARRERA
45	930 424 051 02	Parking-brake cable		2	TURBO
45	930 424 051 03	Parking-brake cable		2	TURBO
47	900 079 012 02	Castle nut M 6		2	
48	N 012 507 1	Cotter pin 1,6 X 15		2	
49	N 011 666 7	Washer B 6,4		4	
50	901 424 557 01	Spacer tube		2	CARRERA
51	911 424 701 01	Wire pull	/R	1	CARRERA M553 M444
51		for Heat control box Wire pull		2	CARRERA M553 M444
53	911 424 701 02	for Heat control box Wire pull Automatic Heat control box		1	
54	901 424 704 01	Guide		2	
55	914 504 319 00	Grommet		2	
56	900 075 087 02	Hexagon-head bolt M 8 X 16		3	
56	900 075 087 03	Hexagon-head bolt M 8 X 16		3	
57	900 027 015 02	Lock ring B 8		3	
57	900 027 015 03	Lock ring B 8		3	
58	999 706 009 80	Suspension strap		1	
58	911 424 341 01	Suspension strap		1	
58	911 424 341 03	Suspension strap		1	
59	900 075 057 02	Hexagon-head bolt M 6 X 16		1	
59	900 075 057 03	Hexagon-head bolt M 6 X 16		1	
60	N 012 226 5	Spring washer B 6		1	
61	900 076 010 02	Nut M 6		1	
61	900 076 010 0B	Nut M 6		1	



Model: 911 84

Model life 1984>>1986



Model: 911 84

Model life 1984&gt;&gt;1986

Pos	Part Number	Description	Remark	Qty	Model
		Pedals	/LL		
1	911 423 523 01	Push rod		1	
2	999 166 039 02	Clevis		1	
3	999 593 116 02	Swivel head		1	
4	900 157 002 02	Hexagon nut M 10		1	
4	900 157 002 03	Hexagon nut M 10		1	
5	900 157 003 02	Hexagon nut Left thread M 10		1	
6	900 087 037 02	Bolt 10 H 11 X 28 X 23,5		1	
7	900 031 005 02	Washer 10,5		1	
7	900 031 005 03	Washer 10,5		1	
8	999 021 001 07	Connector		1	
9	999 166 034 02	Sl-lock		1	
10	911 423 065 04	Bearing bracket		1	
-	PCG 911 423 00	Kit		1	
		Bush			
		Pedals			
		Comprising:			
-	900 021 008 00	Cotter pin		1	
-	900 021 008 0A	Cotter pin		1	
-	999 166 001 02	Bolt		1	
-	900 309 002 00	Roll pin		1	
-	901 423 193 00	Rubber stop		1	
-	914 423 210 00	Rubber pad		2	
-	901 423 253 00	Bearing sleeve		2	
-	911 423 341 01	Bush		2	
-	901 423 343 00	Bush		2	
-	901 423 391 00	Rubber stop		1	
-	911 423 542 00	Bush		2	
11	911 423 062 00	Bearing tube		1	
12	911 423 082 00	Tension strut		1	
13	930 423 027 01	Clutch pedal shaft		1	CARRERA
(13)	930 423 027 04	Clutch pedal shaft		1	TURBO
14	901 423 343 00	Bush		1	
15	911 423 077 05	Clutch pedal		1	
16	901 423 036 00	Stop with POS. 17		1	
17	901 423 391 00	Rubber stop		1	
18	901 423 368 00	Desk pad		2	
19	N 012 130 2	Shake-proof washer		2	
20	900 119 025 02	Pan-head screw M 5 X 15		2	
21	914 423 210 00	Rubber pad		2	
22	911 423 391 02	Protective strip		1	
23	930 423 401 05	Clutch cable		1	
23	930 423 401 09	Clutch cable		1	
24	900 076 010 02	Nut M 6		2	
24	900 076 010 0B	Nut M 6		2	
25	900 166 002 02	Clevis G 6 X 24		1	
25	900 166 002 01	Clevis G 6 X 24		1	
26	999 166 001 02	Bolt 6 X 24		1	

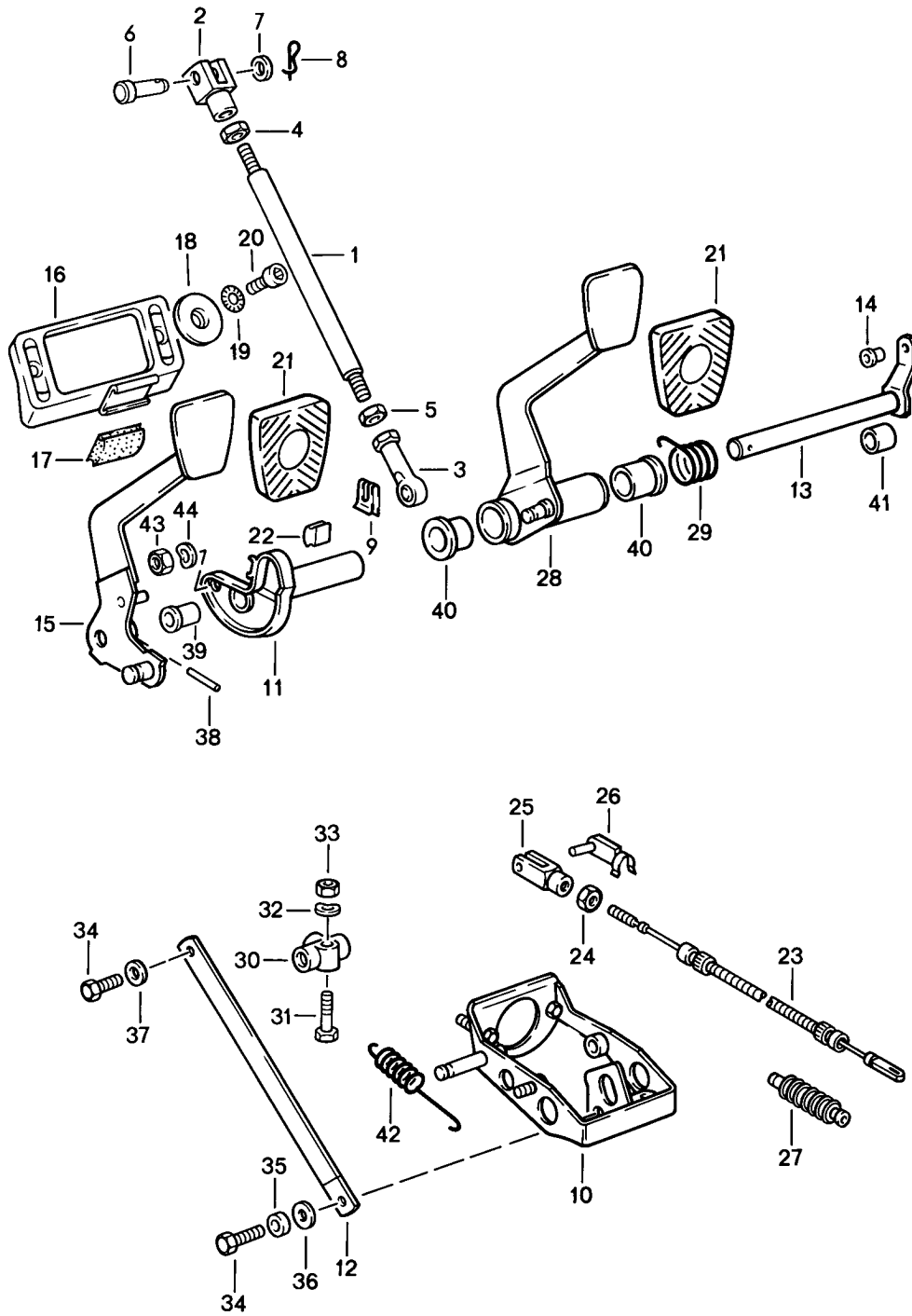
Model: 911 84

Model life 1984&gt;&gt;1986

Pos	Part Number	Description	Remark	Qty	Model
-	999 512 291 02	Hose clamp		1	
27	311 713 269 A	Bellows		1	
28	911 423 053 05	Brake pedal		1	
29	911 423 531 03	Return spring		1	
30	914 355 667 00	Distributor		1	
31	900 075 017 02	Hexagon-head bolt M 6 X 25		1	
31	900 075 017 03	Hexagon-head bolt M 6 X 25		1	
31	900 075 341 02	Combination screw M 6 X 25		1	
31	900 075 341 01	Combination screw M 6 X 25		1	
32	N 011 524 7	Washer		1	
32	N 011 524 27	Washer		1	
33	900 076 010 02	Nut M 6		1	
33	900 076 010 0B	Nut M 6		1	
34	N 010 253 7	Hexagon-head bolt M 10 X 22		1	
35	900 027 016 02	Lock ring B 10		1	
35	900 027 016 03	Lock ring B 10		1	
36	900 025 008 02	Washer A 10,5		1	
36	900 025 008 09	Washer A 10,5		1	
36	900 025 008 04	Washer A 10,5		1	
37	900 067 063 02	Pan-head screw M 10 X 20		1	
38	999 523 103 02	Lock washer 10		1	
39	900 309 002 00	Roll pin 6 X 28		1	
40	911 423 341 01	Bush		2	
41	911 423 542 00	Bush		2	
42	911 423 219 03	Spacer sleeve		1	
43	911 423 305 06	Return spring		1	CARRERA
44	930 423 005 00	Clutch spring		1	TURBO

Model: 911 84

Model life 1984>>1986



Model: 911 84

Model life 1984&gt;&gt;1986

Pos	Part Number	Description	Remark	Qty	Model
		Pedals	/RL		
1	911 423 523 01	Push rod		1	
2	999 166 039 02	Clevis		1	
3	999 593 116 02	Swivel head		1	
4	900 157 002 02	Hexagon nut M 10		1	
4	900 157 002 03	Hexagon nut M 10		1	
5	900 157 003 02	Hexagon nut M 10 LINKS		1	
6	900 087 037 02	Bolt 10 H 11 X 28 X 23,5		1	
7	900 031 005 02	Washer 10,5		1	
7	900 031 005 03	Washer 10,5		1	
8	999 021 001 07	Connector		1	
9	999 166 034 02	Sl-lock		1	
10	911 423 066 01	Bearing bracket		1	
-	PCG 911 423 00	Kit Bush Pedals Comprising:		1	
-	900 021 008 00	Cotter pin		1	
-	900 021 008 0A	Cotter pin		1	
-	999 166 001 02	Bolt		1	
-	900 309 002 00	Roll pin		1	
-	901 423 193 00	Rubber stop		1	
-	914 423 210 00	Rubber pad		2	
-	901 423 253 00	Bearing sleeve		2	
-	911 423 341 01	Bush		2	
-	901 423 343 00	Bush		2	
-	901 423 391 00	Rubber stop		1	
-	911 423 542 00	Bush		2	
11	901 423 034 00	Bearing tube		1	
12	911 423 086 00	Tension strut		1	
13	911 423 028 06	Clutch pedal shaft		1	
14	901 423 343 00	Bush		1	
15	911 423 078 03	Clutch pedal		1	
16	901 423 036 00	Stop with POS. 17		1	
17	901 423 391 00	Rubber stop		1	
18	901 423 368 00	Desk pad		2	
19	N 012 130 2	Shake-proof washer		2	
20	900 119 001 02	Pan-head screw M 5 X 12		2	
20	900 976 003 01	Pan-head screw M 5 X 12		2	
21	914 423 210 00	Rubber pad		2	
22	901 423 391 00	Rubber stop		1	
23	930 423 401 05	Clutch cable		1	CARRERA
23	930 423 401 09	Clutch cable		1	CARRERA
23	930 423 401 06	Clutch cable		1	TURBO
23	930 423 401 10	Clutch cable		1	TURBO
24	900 076 010 02	Nut M 6		2	
24	900 076 010 0B	Nut M 6		2	
25	900 166 002 02	Clevis G 6 X 24		1	
25	900 166 002 01	Clevis G 6 X 24		1	

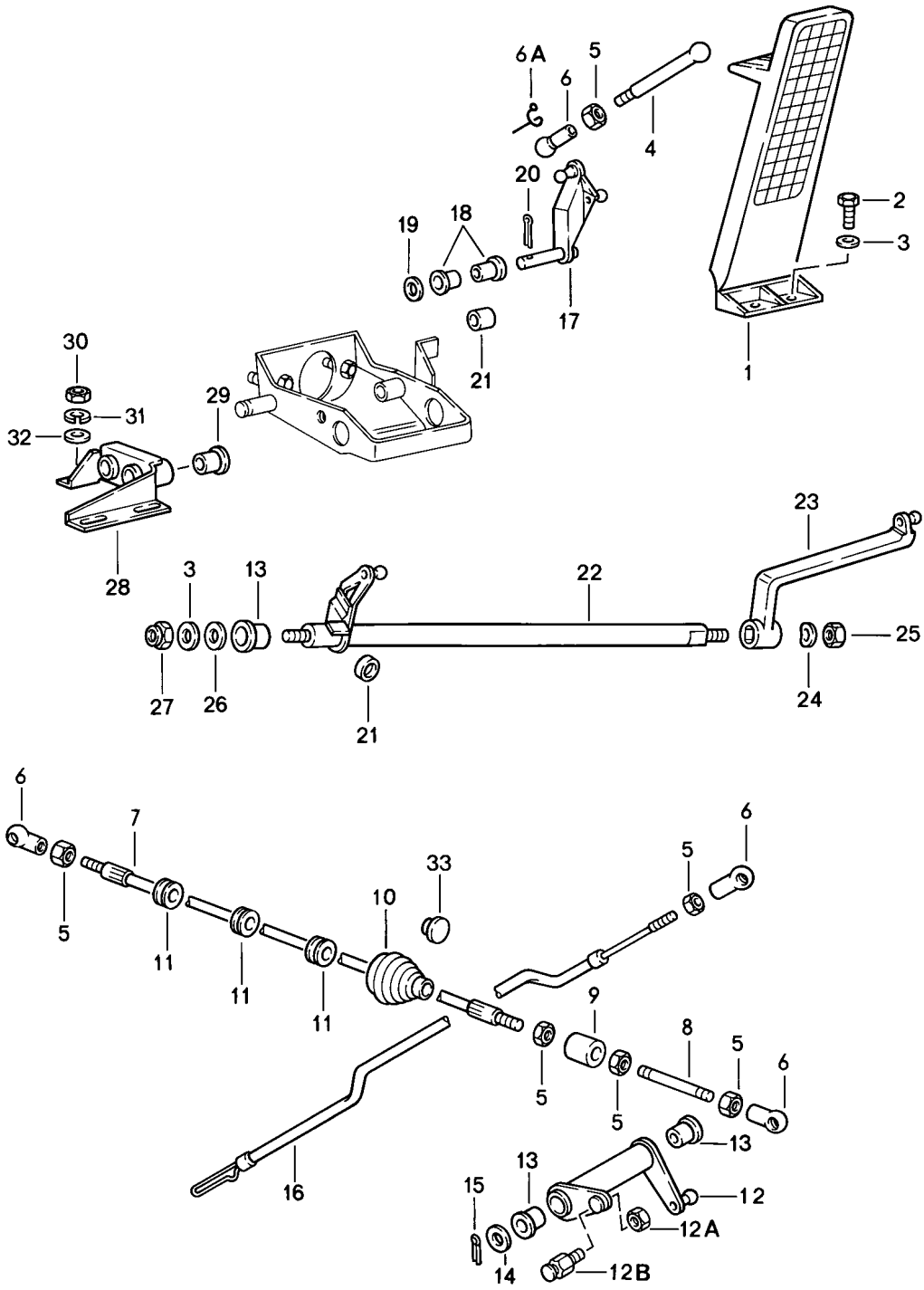
Model: 911 84

Model life 1984&gt;&gt;1986

Pos	Part Number	Description	Remark	Qty	Model
26	999 166 001 02	Bolt 6 X 24		1	
-	999 512 291 02	Hose clamp		1	
27	311 713 269 A	Bellows		1	
28	911 423 054 01	Brake pedal		1	
29	911 423 532 01	Return spring		1	
29	911 423 532 02	Return spring		1	
30	914 355 667 00	Distributor		1	
31	900 075 017 02	Hexagon-head bolt M 6 X 25		1	
31	900 075 017 03	Hexagon-head bolt M 6 X 25		1	
31	900 075 341 02	Combination screw M 6 X 25		1	
31	900 075 341 01	Combination screw M 6 X 25		1	
32	N 011 524 7	Washer		1	
32	N 011 524 27	Washer		1	
33	900 076 010 02	Nut M 6		1	
33	900 076 010 0B	Nut M 6		1	
34	900 075 072 02	Hexagon-head bolt M 10 X 18		2	
35	900 027 016 02	Lock ring B 10		1	
35	900 027 016 03	Lock ring B 10		1	
36	900 025 008 02	Washer 10,5		1	
36	900 025 008 09	Washer A 10,5		1	
36	900 025 008 04	Washer A 10,5		1	
37	900 028 032 02	Spring washer B 10		1	
38	900 309 002 00	Roll pin 6 X 28		1	
39	911 423 341 01	Bush		1	
40	911 423 542 00	Bush		2	
41	911 423 219 03	Spacer sleeve		1	
42	911 423 306 01	Tension spring		1	
42	911 423 306 02	Tension spring		1	TURBO CARRERA
43	N 011 118 11	Hexagon nut M 8		1	
43	900 034 001 05	Hexagon nut M 8		1	
44	900 027 015 02	Lock ring B 8		1	
44	900 027 015 03	Lock ring B 8		1	
44	900 027 015 02	Lock ring B 8		1	

Model: 911 84

Model life 1984>>1986



Model: 911 84 Model life 1984>>1986

Pos	Part Number	Description	Remark	Qty	Model
		Pedals			
		Accelerator control			
1	911 423 111 02	Accelerator pedal		1	
1	911 423 111 03	Accelerator pedal		1	
2	900 075 260 02	Hexagon-head bolt		2	
		M 6 X 16			
2	N 010 215 13	Hexagon-head bolt		2	
		M 6 X 15			
3	N 011 666 7	Washer		2	
		B 6,4			
4	914 423 227 00	Push rod		1	
4	914 423 227 01	Push rod		1	
5	N 011 005 14	Hexagon nut		6	
		M 5			
5	900 076 091 01	Hexagon nut		6	
		M 5			
6	911 423 147 00	Ball socket		4	
6A	900 169 014 02	Securing clip		1	
6A	900 169 014 01	Securing clip		1	
7	PCG 423 024 00	Throttle linkage		1	
8	901 423 223 01	Extension rod		1	
9	911 423 081 02	Housing		1	
10	911 423 593 01	Sealing sleeve	-85	1	
10		Sealing sleeve		1	
11	901 423 227 00	Bush		3	
12	911 423 017 01	Reverse lever		1	CARRERA
		Order also:			
		911.423.227.00			
		900.910.096.02			
(12)	930 423 017 01	Reverse lever		1	TURBO
12A	900 910 010 02	Lock nut		1	
12A	900 910 096 02	Lock nut		1	
12B	911 423 227 00	Screw bolt		1	
13	914 423 211 00	Bearing sleeve		2	
14	900 025 008 09	Washer		1	
		10,5			
14	900 025 008 04	Washer		1	
		10,5			
15	N 012 530 1	Cotter pin		1	
		3,2 X 15			
16	911 423 043 01	Throttle linkage		1	CARRERA
16	930 423 019 02	Throttle linkage		1	TURBO
17	901 423 250 02	Reverse lever		1	
18	901 423 253 00	Bearing sleeve		2	
19	900 031 001 02	Washer		1	
		8,4			
19	900 031 105 01	Washer		1	
		8,4			
19	900 025 007 02	Washer		1	
		A 8,4			
19	900 025 007 03	Washer		1	
		A 8,4			
20	900 021 008 00	Cotter pin		1	
20	900 021 008 0A	Cotter pin		1	
21	901 423 193 00	Rubber stop		1	
22	901 423 556 00	Shaft	/RL	1	
23	901 423 022 00	Lever	/RL	1	
24	N 012 226 5	Spring washer	/RL	1	
		B 6			
25	900 076 010 02	Nut	/RL	1	
		M 6			
25	900 076 010 0B	Nut	/RL	1	
		M 6			



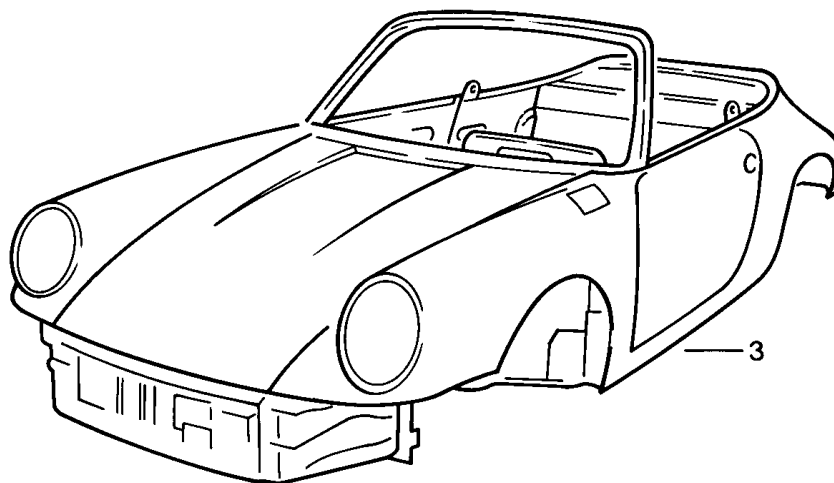
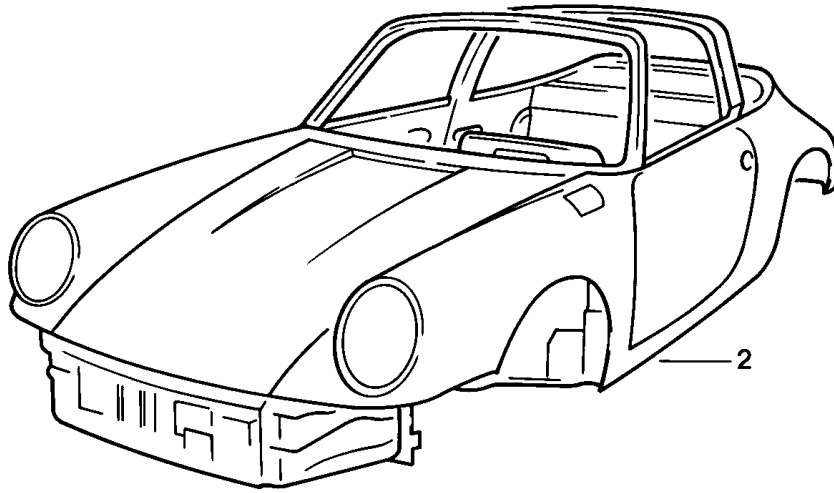
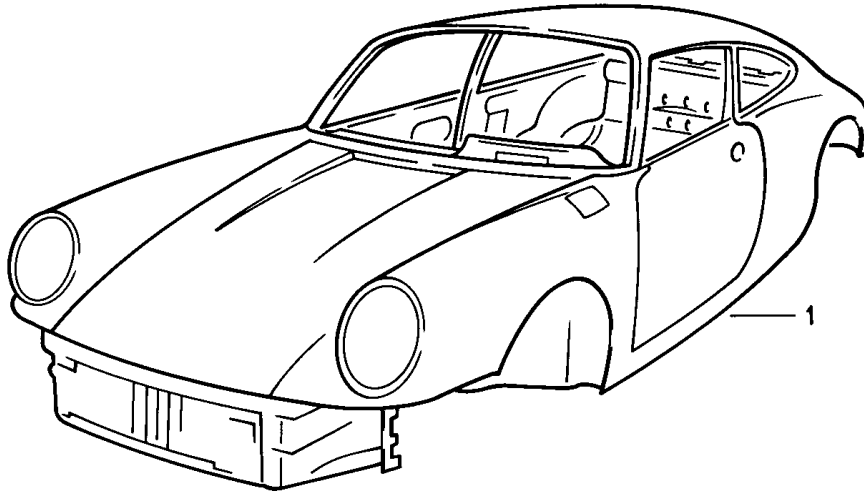
Model: 911 84

Model life 1984>>1986

Pos	Part Number	Description	Remark	Qty	Model
26	911 423 225 00	Washer	/RL	3	
27	900 910 012 02	Lock nut M 6	/RL	1	
27	900 910 047 09	Lock nut M 6	/RL	1	
28	901 423 013 00	Bearing bracket	/RL	1	
29	911 423 341 01	Bush	/RL	1	
30	900 076 025 02	Hexagon nut M 8	/RL	5	
30	900 076 064 02	Hexagon nut M 8	/RL	5	
31	900 027 015 02	Lock ring B 8	/RL	5	
31	900 027 015 03	Lock ring B 8	/RL	5	
31	900 027 015 02	Lock ring B 8	/RL	5	
31	900 027 015 03	Lock ring B 8	/RL	5	
32	900 025 007 02	Washer 8,4	/RL	6	
32	900 025 007 03	Washer 8,4	/RL	6	

Model: 911 84

Model life 1984>>1986

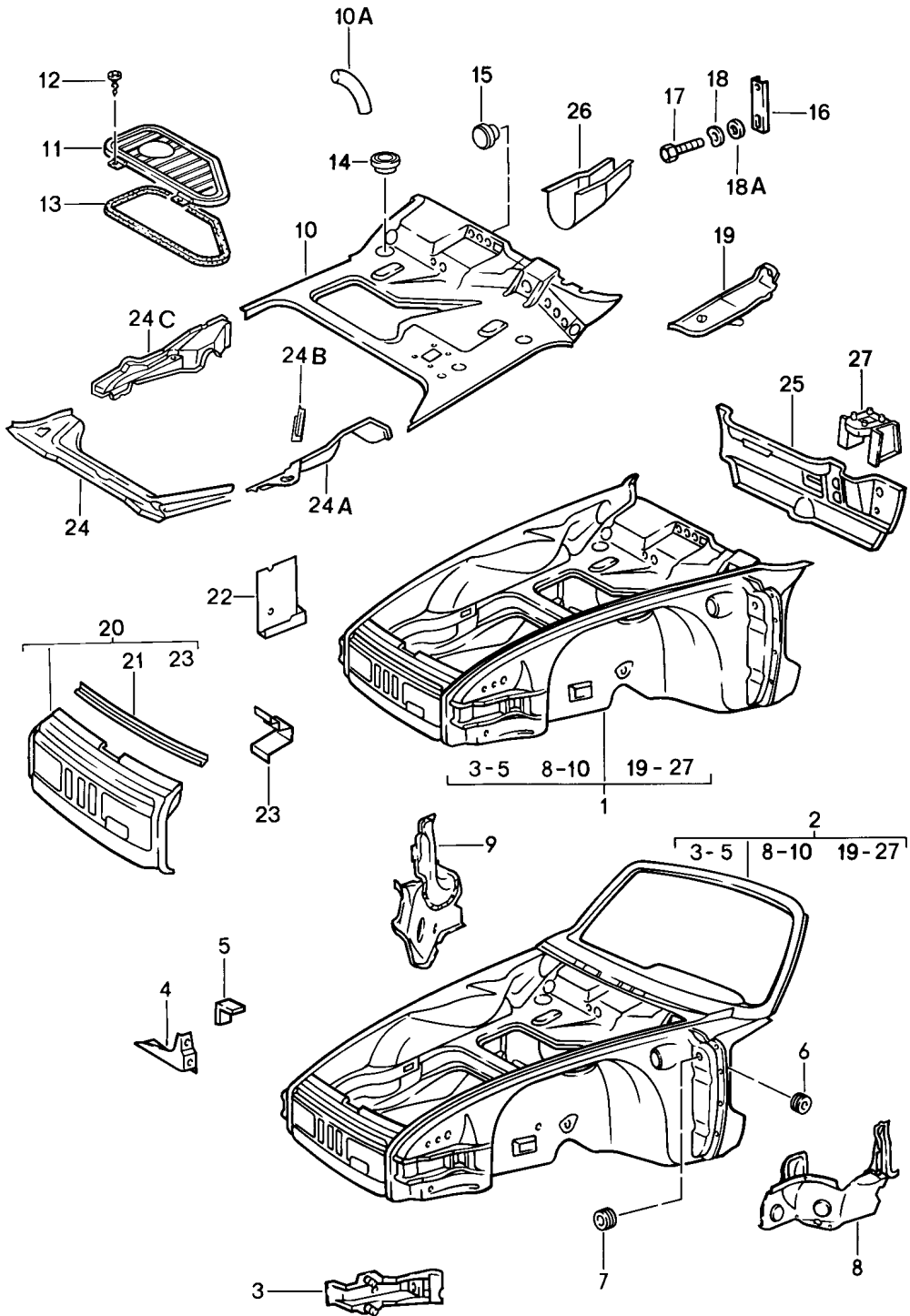


Model: 911 84 Model life 1984>>1986

Pos	Part Number	Description	Remark	Qty	Model
		Body in white Prime coated Sealed Sprayed with filler with Underbody protection BodysHELLs can only only available from current Model year available			
1	911 500 921 27	Body in white	/LL 85	1	CARRERA COUPE
1	911 500 921 29	Body in white	/LL 86	1	CARRERA COUPE
(1)	911 500 921 28	Body in white	/RL 85	1	CARRERA COUPE
(1)	911 500 921 30	Body in white	/RL 86	1	CARRERA COUPE
(1)	930 500 921 06	Body in white	/LL 85	1	TURBO
(1)	930 500 921 08	Body in white	/LL 86-	1	TURBO
(1)	930 500 921 07	Body in white	/RL 85	1	TURBO
(1)	930 500 921 09	Body in white	/RL 86-	1	TURBO
2	911 500 921 64	Body in white	/LL 85	1	TARGA
2	911 500 921 69	Body in white	/LL 86	1	TARGA
(2)	911 500 921 65	Body in white	/RL 85	1	TARGA
(2)	911 500 921 70	Body in white	/RL 86	1	TARGA
3	911 500 921 67	Body in white	/LL 85	1	CABRIO
3	911 500 921 71	Body in white	/LL 86	1	CABRIO
(3)	911 500 921 68	Body in white	/RL 85	1	CABRIO
(3)	911 500 921 72	Body in white	/RL 86	1	CABRIO

Model: 911 84

Model life 1984>>1986



Model: 911 84 Model life 1984>>1986

Pos	Part Number	Description	Remark	Qty	Model
1	911 500 913 00	Frame Front Body front section -MOD.85 Order also: See TPI NR.19 03/86	/LL	1	COUPE
(1)	930 500 913 00	Body front section -MOD.85 Order also: See TPI NR.19 03/86	/LL	1	TURBO
(1)	911 501 005 32	Body front section	/RL -85	1	COUPE
(1)	930 501 005 07	Body front section	/RL -85	1	TURBO
(1)	911 500 914 00	Body front section	/RL 86-	1	COUPE
(1)	911 500 914 00 GRV	Body front section Prime coated	/RL 86-	1	COUPE
(1)	930 500 914 00	Body front section	/RL 86-	1	TURBO
(1)	930 500 914 00 GRV	Body front section Prime coated	/RL 86-	1	TURBO
(2)	911 501 005 50	Body front section Order also: POS. 10 A	/LL -85	1	TARGA CABRIO
(2)	911 501 005 51	Body front section Order also: POS. 10 A	/RL -85	1	TARGA CABRIO
2	911 500 913 60	Body front section	/LL 86-	1	TARGA CABRIO
(2)	911 500 914 60	Body front section	/RL 86-	1	TARGA CABRIO
(2)	911 500 914 60 GRV	Body front section Prime coated	/RL 86-	1	TARGA CABRIO
3	911 501 149 02	Support for Impact absorber	/L	1	
3	911 501 149 02 GRV	Support Prime coated for Impact absorber	/L	1	
(3)	911 501 150 02	Support for Impact absorber	/R	1	
(3)	911 501 150 02 GRV	Support Prime coated for Impact absorber	/R	1	
4	911 501 490 01	Bracket Lower for Oil cooler		1	
4	911 501 490 01 GRV	Bracket Prime coated Lower for Oil cooler		1	
5	911 503 492 01	Bracket Upper for Oil cooler		1	
5	911 503 292 00 911 503 292 00 GRV	Bracket Prime coated Upper		1	

Model: 911 84 Model life 1984>>1986

Pos	Part Number	Description	Remark	Qty	Model
6	111 971 911 A	for Oil cooler Grommet		2	
8	911 501 513 40	15 \$ Corner reinforcement with Post bracket	/LL /L	1	TARGA
8		Corner reinforcement with Post bracket	/LL /L	1	CABRIO TARGA
	911 501 513 40 GRV	Prime coated			CABRIO
(8)	911 501 527 40	Corner reinforcement	/RL /L	1	TARGA CABRIO
(8)		Corner reinforcement	/RL /L	1	TARGA CABRIO
	911 501 527 40 GRV	Prime coated			
9	911 501 514 40	Corner reinforcement with Post bracket	/LL /R	1	TARGA
9		Corner reinforcement with Post bracket	/LL /R	1	CABRIO TARGA
	911 501 514 40 GRV	Prime coated			CABRIO
(9)	911 501 528 40	Corner reinforcement with Post bracket	/RL /R	1	TARGA
(9)		Corner reinforcement with Post bracket	/RL /R	1	CABRIO TARGA
	911 501 528 40 GRV	Prime coated			CABRIO
(10)	911 501 035 13	Boot floor plate	/LL -85	1	
(10)		Boot floor plate	/LL	1	
	911 501 035 13 GRV	Prime coated			
(10)	911 501 036 06	Boot floor plate	/RL -85	1	
10	911 501 035 20	Boot floor plate	/LL 86	1	
(10)	911 501 036 11	Boot floor plate	/RL 86	1	
10A	911 501 551 01	Pipe	-85	2	
10A		Pipe		2	
	911 501 551 01 GRV	Prime coated			
(11)	901 504 043 02	Cover	/LL -85	1	
11	911 504 043 01	Lid	/LL	1	
11		Lid	/LL	1	
	911 504 043 01 GRV	Prime coated			
(11)	911 504 044 00	Lid	/RL	1	
(11)		Lid	/RL	1	
	911 504 044 00 GRV	Prime coated			
12	900 144 034 07	Tapping screw		4	
12	900 144 034 0G	Tapping screw		4	
12	900 144 034 07	Tapping screw		4	
12	900 144 034 0G	B 4,2 X 16 Tapping screw		4	
13	911 504 491 02	Gasket	/LL	1	
(13)	901 504 491 32	Gasket	/RL	1	
14	999 703 103 40	Stopper		1	
15	911 504 405 00	23,5 \$ Covering		1	
16	911 501 347 00	Cowl panel support	/LL -85	1	
(16)	911 501 409 00	Cowl panel support	/RL -85	1	
17	900 075 260 02	Hexagon-head bolt	-85	2	
18	N 012 006 4	M 6 X 16 Lock ring	-85	2	
		B 6			

Model: 911 84 Model life 1984>>1986

Pos	Part Number	Description	Remark	Qty	Model
18A	N 011 524 7	Washer 6,4	-85	2	
18A	N 011 524 27	Washer 6,4		2	
(19)	901 501 411 21	Connecting piece	/L -85	1	COUPE
19	911 501 815 00	Connecting piece	/L 86-	1	COUPE
		Boot floor plate			
		Wheel housing			
19		Connecting piece	/L 86-	1	COUPE
		Boot floor plate			
		Wheel housing			
	911 501 815 00 GRV	Prime coated			
(19)	901 501 412 21	Connecting piece	/R	1	COUPE
		Boot floor plate			
		Wheel housing			
(19)	911 501 815 40	Connecting piece	/L	1	CABRIO
		Boot floor plate			
		Wheel housing			
(19)		Connecting piece	/L	1	CABRIO
		Boot floor plate			
		Wheel housing			
	911 501 815 40 GRV	Prime coated			
(19)	901 501 412 41	Connecting piece	/R	1	TARGA
(19)	911 501 412 40	Connecting piece	/R	1	TARGA CABRIO
		Boot floor plate			
		Wheel housing			
(19)		Connecting piece	/R	1	TARGA CABRIO
		Boot floor plate			
		Wheel housing			
	911 501 412 40 GRV	Prime coated			
(20)	911 501 099 06	Cross panel		1	CARRERA
(20)		Cross panel		1	CARRERA
	911 501 099 06 GRV	Prime coated			
20	911 501 099 07	Cross panel		1	TURBO CARRERA M559
20		Cross panel		1	TURBO
	911 501 099 07 GRV	Prime coated			
					CARRERA M559
21	911 501 395 00	Sealing rail		1	
21		Sealing rail		1	
	911 501 395 00 GRV	Prime coated			
22	911 501 397 00	Support for jack Right		1	
22		Support		1	
	911 501 397 00 GRV	Prime coated for jack Right			
23	911 501 387 01	Support for jack Centre		1	
23		Support		1	
	911 501 387 01 GRV	Prime coated for jack Centre			
24	911 501 117 02	Fuel tank support holder	/V	1	
24		Fuel tank support holder	/V	1	
	911 501 117 02 GRV	Prime coated			
24A	911 501 111 02	Fuel tank support holder	/L	1	
		Order also:			
24A		Fuel tank support holder	/L	1	

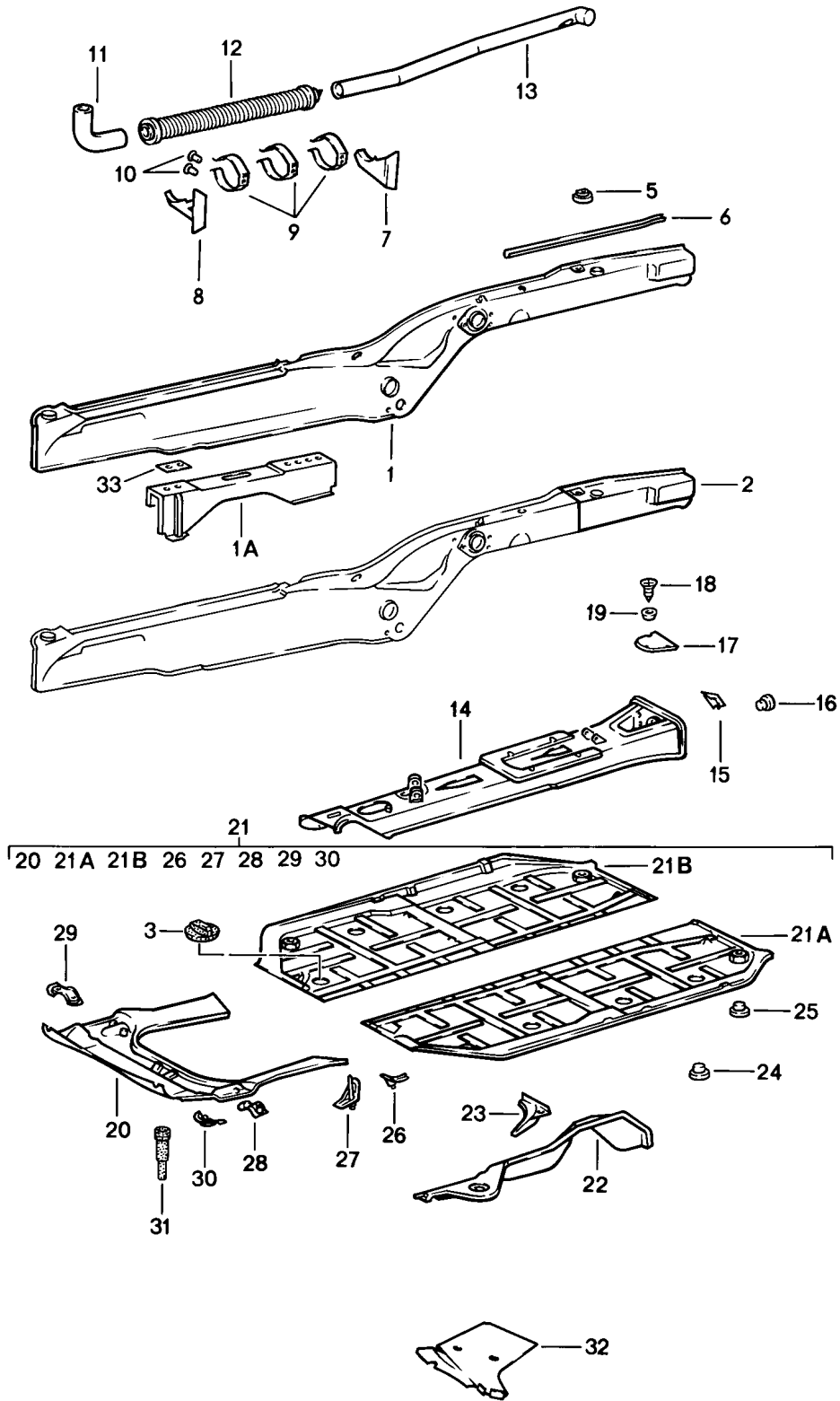
Model: 911 84 Model life 1984>>1986

Pos	Part Number	Description	Remark	Qty	Model
	911 501 111 02 GRV	Prime coated			
24B	911 501 143 00	Order also: Retaining strip for Battery		1	
24B	911 501 143 00 GRV	Retaining strip Prime coated for Battery		1	
24C	911 501 114 04	Fuel tank support holder	/R	1	
24C	911 501 114 04 GRV	Fuel tank support holder Prime coated	/R	1	
25	911 501 213 01	Cross panel	/LL	1	
25	901 501 041 35	Cross panel	/LL	1	
(25)	911 501 132 00	Cross panel	/RL	1	
(25)	911 501 132 00 GRV	Cross panel Prime coated	/RL	1	
26	901 501 354 32	Cup	/LL	1	
(26)	911 501 356 00	Cup	/RL	1	
(26)	911 501 356 00 GRV	Cup Prime coated	/RL	1	
27	911 501 144 00	Reinforcement	/LL	1	
27	911 501 144 00 GRV	Reinforcement Prime coated	/LL	1	
(27)	911 501 142 00	Reinforcement	/RL	1	
(27)	911 501 142 00 GRV	for Brake booster Reinforcement	/RL	1	
-	927 631 224 01	Prime coated for Brake booster Grommet		1	TURBO



Model: 911 84

Model life 1984>>1986



Model: 911 84 Model life 1984>>1986

Pos	Part Number	Description	Remark	Qty	Model
1	911 501 962 26	Frame Centre Side member	/R -85	1	COUPE
(1)	911 501 962 46	Inner Side member	/R -85	1	TARGA CABRIO
(1)	911 501 961 25	Inner Side member	/L -85	1	COUPE
(1)	911 501 961 45	Inner Side member	/L -85	1	TARGA CABRIO
(1)	901 501 961 43	Inner Side member	/L	1	
1	901 501 962 43	Inner Side member	/R	1	
(1A)	911 501 268 01	Seat rail support Outer F >>91FS1 03130 F >>91FS1 09697 F >>91FS1 41255 F >>91FS1 49564 F >>91FS1 51377 F >>91FS1 59573 F >>93FS0 01011	/R  (J)  (J)  (J)	1	COUPE COUPE TARGA TARGA CABRIO CABRIO TURBO
(1A)	911 501 268 02	Seat rail support Outer	/R	1	
(1A)	911 501 264 01	Seat rail support Inner F >>91FS1 03130 F >>91FS1 09697 F >>91FS1 41255 F >>91FS1 49564 F >>91FS1 51377 F >>91FS1 59573 F >>93FS0 01011	/R  (J)  (J)  (J)	1	COUPE COUPE TARGA TARGA CABRIO CABRIO TURBO
(1A)	911 501 264 02	Seat rail support Inner F 91FS1 03131>> F 91FS1 09698>> F 91FS1 41256>> F 91FS1 49565>> F 91FS1 51378>> F 91FS1 59574>> F 93FS0 01012>>	/R  (J)  (J)  (J)	1	COUPE COUPE TARGA TARGA CABRIO CABRIO TURBO
(1A)	911 501 264 02 GRV 911 501 264 04	Prime coated Seat rail support Inner F 91FS1 03131>> F 91FS1 09698>> F 91FS1 41256>> F 91FS1 49565>> F 91FS1 51378>> F 91FS1 59574>> F 93FS0 01012>>	/R	1	
(1A)	911 501 264 04 GRV 911 501 267 01	Prime coated Seat rail support Outer F >>91FS1 03130 F >>91FS1 09697 F >>91FS1 41255 F >>91FS1 49564 F >>91FS1 51377 F >>91FS1 59573 F >>93FS0 01011	/L  (J)  (J)  (J)	1	COUPE COUPE TARGA TARGA CABRIO CABRIO TURBO

Model: 911 84 Model life 1984>>1986

Pos	Part Number	Description	Remark	Qty	Model
(1A)	911 501 267 02	Seat rail support	/L -85	1	
(1A)	911 501 189 00	Seat rail support	/L 86-	1	
(1A)		Outer			
(1A)		Seat rail support	/L 86-	1	
(1A)		Outer			
(1A)	911 501 189 00 GRV	Prime coated			
(1A)	911 501 263 01	Seat rail support	/L	1	
		Inner			
		F >>91FS1 03130			COUPE
		F >>91FS1 09697	(J)		COUPE
		F >>91FS1 41255			TARGA
		F >>91FS1 49564	(J)		TARGA
		F >>91FS1 51377			CABRIO
		F >>91FS1 59573	(J)		CABRIO
		F >>93FS0 01011			TURBO
1A	911 501 263 02	Seat rail support	/L	1	
		Inner			
		F 91FS1 03131>>			COUPE
		F 91FS1 09698>>	(J)		COUPE
		F 91FS1 41256>>			TARGA
		F 91FS1 49565>>	(J)		TARGA
		F 91FS1 51378>>			CABRIO
		F 91FS1 59574>>	(J)		CABRIO
		F 93FS0 01012>>			TURBO
	911 501 263 02 GRV	Prime coated			
2	911 501 962 03	Side member	/R	1	
		Inner			
		Sub-part			
(2)	911 501 961 03	Side member	/L -85	1	
		Inner			
		Sub-part			
(2)	911 501 961 05	Side member	/L	1	
		Inner			
		Sub-part			
(2)	911 501 961 05 GRV	Side member	/L	1	
		Prime coated			
		Inner			
		Sub-part			
3	111 801 177	Rubber valve		8	
5	901 501 117 20	Mounting plate		2	
6	901 501 796 20	Profile rail	/R	1	CARRERA
6		Profile rail	/R	1	CARRERA
	901 501 796 20 GRV	Prime coated			
(6)	930 501 792 00	Profile rail	/R	1	TURBO
(6)		Profile rail	/R	1	TURBO
	930 501 792 00 GRV	Prime coated			
(6)	901 501 795 20	Profile rail	/L	1	CARRERA
(6)		Profile rail	/L	1	CARRERA
	901 501 795 20 GRV	Prime coated			
(6)	930 501 791 00	Profile rail	/L	1	TURBO
(6)		Profile rail	/L	1	TURBO
	930 501 791 00 GRV	Prime coated			
7	901 501 263 20	Pipe bracket		2	
8	901 501 264 20	Pipe bracket		2	
9	901 501 128 20	Retainer spring		6	
9		Retainer spring		6	
	901 501 128 20 GRV	Prime coated			
10	N 013 411 1	Rivet		12	
		3 X 6			
11	911 572 211 01	Hot air duct	-85	2	
		Front			
(11)		Hot air duct		2	
		Front			

Model: 911 84 Model life 1984>>1986

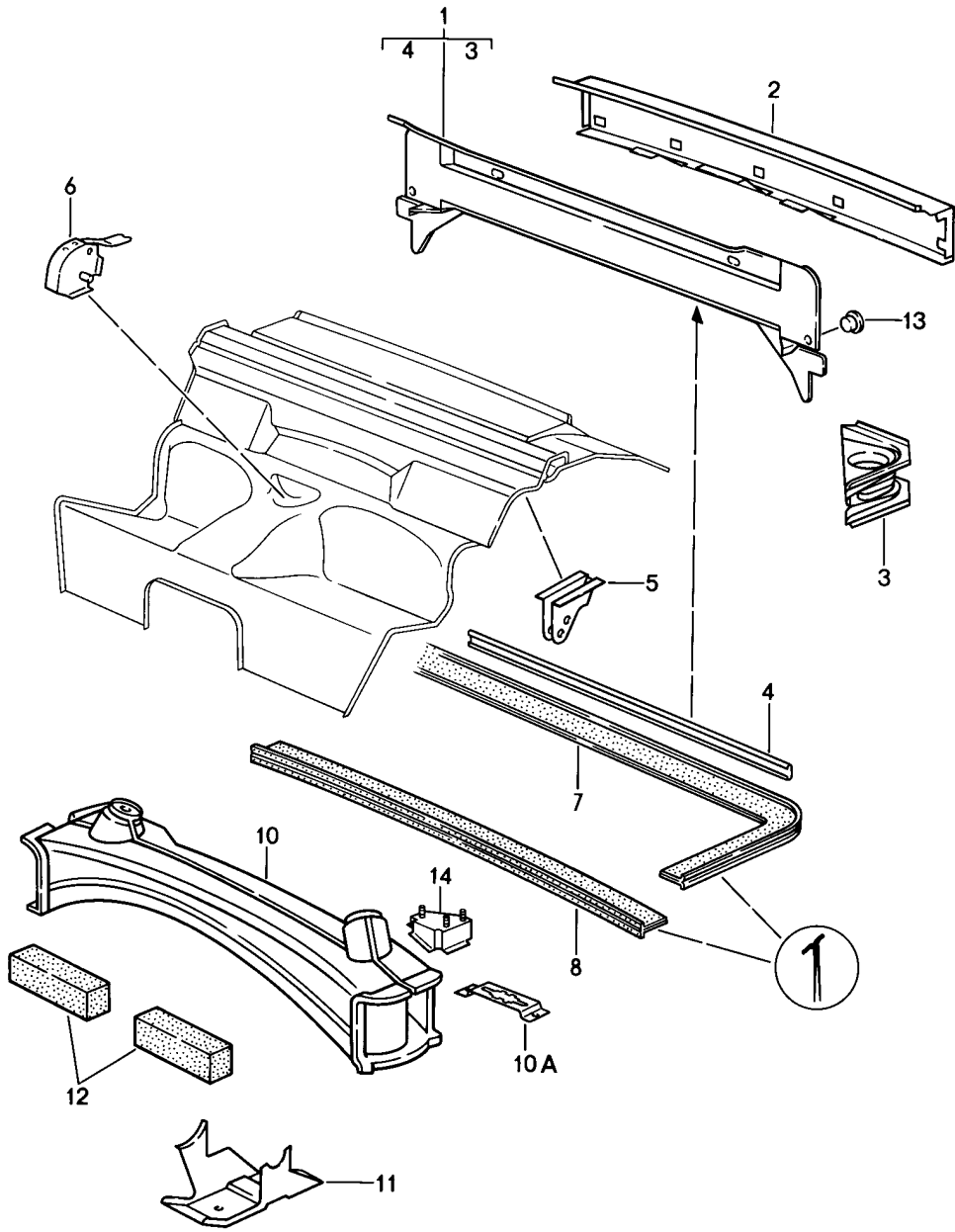
Pos	Part Number	Description	Remark	Qty	Model
(12)	911 572 025 02	Muffler Not Closed		2	
(13)	911 572 222 02	Hot air duct Rear	/R	1	
(13)	911 572 221 02	Hot air duct Rear	/L	1	
14	911 501 061 48	Tunnel with tubes	/LL -84	1	
(14)	911 501 061 08	Tunnel with tubes	/RL -84	1	
15	911 501 661 00	Cross tube reinforcement	/L	1	
(15)	911 501 662 00	Cross tube reinforcement	/R	1	
16	914 552 233 10	Filler piece		1	
	914 552 233 10 01C	Black \$ 10			
16	914 552 233 10	Filler piece		1	
	914 552 233 10 01C	Black \$ 10			
17	901 504 731 30	Lid		1	
18	900 143 019 07	Oval-head sheetmetal screw B 4,8 X 22		4	
19	900 031 006 07	Washer 5,3		4	
-	999 591 329 02	Prestole cage B 4,8		4	
(20)	911 501 955 00	Tank compartment floor		1	
(20)	911 501 955 00 GRV	Prime coated Tank compartment floor		1	
20	911 501 955 01	Tank compartment floor		1	
21	911 501 051 16	Floorpan	/LL	1	CARRERA
21	911 501 051 21	Floorpan	/LL	1	CARRERA
21	911 501 051 21 GRV	Prime coated Floorpan	/LL	1	CARRERA
21	911 501 051 18	Floorpan	/LL	1	CARRERA
21	911 501 052 21	Floorpan	/RL	1	CARRERA
-	911 501 052 24	Floorpan	/RL	1	CARRERA
21	901 501 560 20	Bracket	/RL	1	CARRERA
	901 501 560 20 GRV	Pedals Floorpan			
21	930 501 051 11	Floorpan	/LL	1	TURBO
21	930 501 051 12	Floorpan	/LL	1	TURBO
21	930 501 052 10	Floorpan	/RL	1	TURBO
21	930 501 052 14	Floorpan	/RL	1	TURBO
-	901 501 560 20	Bracket	/RL	1	CARRERA
	901 501 560 20 GRV	Pedals Floorpan			
21	930 501 052 14	Floorpan	/RL	1	TURBO
	930 501 052 14 GRV	Prime coated Floorpan			
21A	911 501 935 00	Floorpan	/LL /L	1	
21A	911 501 935 00 GRV	Prime coated Floorpan	/LL /L	1	
21B	911 501 936 00	Floorpan	/LL /R	1	
21B	911 501 936 00 GRV	Prime coated Floorpan	/LL /R	1	
22	911 501 111 02	Fuel tank support holder	/L	1	
	911 501 111 02 GRV	Order also: Prime coated Fuel tank support holder	/L	1	
-	911 501 143 00	Retaining strip for Battery		1	
-	911 501 143 00 GRV	Retaining strip Prime coated		1	

Model: 911 84 Model life 1984>>1986

Pos	Part Number	Description	Remark	Qty	Model
		for Battery			
(22)	911 501 114 04	Fuel tank support holder	/R	1	
(22)		Fuel tank support holder	/R	1	
	911 501 114 04 GRV	Prime coated			
23	901 501 457 20	Bracket	/L	1	
23		Bracket	/L	1	
	901 501 457 20 GRV	Prime coated			
(23)	901 501 458 20	Bracket	/R	1	
(23)		Bracket	/R	1	
	901 501 458 20 GRV	Prime coated			
24	999 703 121 40	Stopper		20	
		8 \$			
25	999 703 125 40	Stopper		4	
		8,9 \$			
26	901 501 063 23	Bracket		2	
27	901 501 359 01	Axle mounting	/V /L	1	CARRERA
27		Axle mounting	/V /L	1	CARRERA
	901 501 359 01 GRV	Prime coated			
(27)	930 501 359 01	Axle mounting	/V /L	1	TURBO
(27)	901 501 360 01	Axle mounting	/V /R	1	CARRERA
(27)		Axle mounting	/V /R	1	CARRERA
	901 501 360 01 GRV	Prime coated			
(27)	930 501 360 01	Axle mounting	/V /R	1	TURBO
28	901 501 409 23	Reinforcement plate	/L	1	
28		Reinforcement plate	/L	1	
	901 501 409 23 GRV	Prime coated			
(28)	901 501 410 23	Reinforcement plate	/R	1	
(28)		Reinforcement plate	/R	1	
	901 501 410 23 GRV	Prime coated			
29	901 501 427 21	Reinforcement		2	
	901 501 427 21 GRV	Prime coated			
		for			
		Axle mounting			
30	901 501 407 22	Corner reinforcement	/L	1	
30		Corner reinforcement	/L	1	
	901 501 407 22 GRV	Prime coated			
(30)	901 501 408 22	Corner reinforcement	/R	1	
(30)		Corner reinforcement	/R	1	
	901 501 408 22 GRV	Prime coated			
31	911 025 612 00	Grommet		2	
32	911 501 285 00	Carrier plate for battery		1	
32		Carrier plate for battery		1	
	911 501 285 00 GRV	Prime coated			
33	911 501 642 01	Compensating plate	86-	X	

Model: 911 84

Model life 1984>>1986

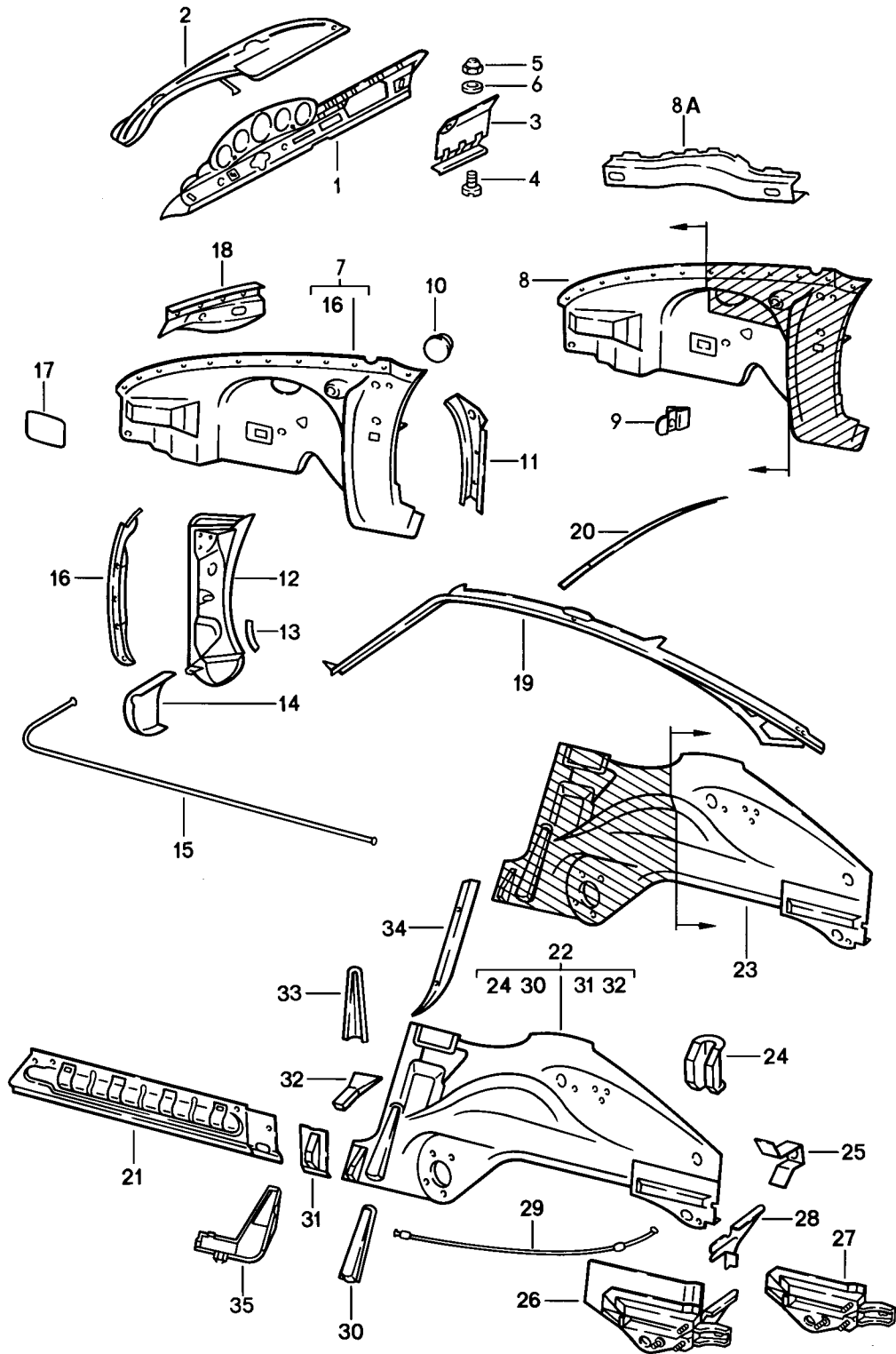


Model: 911 84 Model life 1984>>1986

Pos	Part Number	Description	Remark	Qty	Model
		Frame			
		Rear			
1	911 507 080 00	Cross member		1	CARRERA
1	911 507 080 01	Cross member		1	CARRERA
1		Cross member		1	CARRERA
	911 507 080 01 GRV	Prime coated			
1	930 501 080 00	Cross member		1	TURBO
2	911 503 151 00	End plate	-86	1	
2		End plate		1	
	911 503 151 00 GRV	Prime coated			
3	901 501 083 21	Engine mounting		2	
3		Engine mounting		2	
	901 501 083 21 GRV	Prime coated			
4	901 501 797 20	Profile rail		1	
		It is necessary to rework			TURBO
5	911 501 729 01	Pneumatic spring mount		2	
		Gas-pressure spring			
5		Pneumatic spring mount		2	
	911 501 729 01 GRV	Prime coated			
(6)	911 501 041 00	Bearing	-85	1	COUPE/TARGA
6	911 501 041 01	Bearing	86-	1	COUPE/TARGA
(6)	911 501 041 60	Bearing		1	CABRIO
7	911 504 111 02	Engine compartment seal		1	CARRERA
(7)	930 504 170 01	Engine compartment seal		1	TURBO
8	911 504 113 02	Engine compartment seal		1	CARRERA
(8)	911 504 115 02	Engine compartment seal		1	TURBO
10	911 501 075 06	Cross member	-85	1	
10	911 501 075 07	Cross member		1	
10		Cross member		1	
		Rear			
		for			
		Suspension strut mounting			
	911 501 075 07 GRV	Prime coated			
10A	911 501 485 01	Support		1	
10A		Support		1	
	911 501 485 01 GRV				
10A	911 501 485 02	Support		1	
	911 501 485 02 GRV				
11	911 501 023 02	Bracket		1	TURBO
		for			
		Fuel pump			
11		Bracket		1	TURBO
	911 501 023 02 GRV	Prime coated			
		for			
		Fuel pump			
12	911 504 930 00	Strap		2	
13	999 703 098 40	Stopper		2	
		19 \$			

Model: 911 84

Model life 1984>>1986





Model: 911 84 Model life 1984>>1986

Pos	Part Number	Description	Remark	Qty	Model
1	911 502 021 02	Interior panelling Dashboard	/LL -85	1	
(1)	911 502 021 15	Lower part Dashboard	/LL 86	1	
(1)	911 502 021 17	Lower part Dashboard	/LL 86-	1	
(1)		Lower part Dashboard	/LL 86-	1	
(1)	911 502 021 17 GRV	Lower part Prime coated			
(1)	911 502 022 34	Dashboard	/RL -85	1	
(1)		Lower part Dashboard	/RL	1	
(1)	911 502 022 34 GRV	Prime coated Lower part			
(1)	911 502 022 36	Dashboard	/RL 86	1	
(1)		Lower part Dashboard	/RL 86-	1	
(1)	911 502 022 39	Lower part Dashboard	/RL 86-	1	
2	901 502 023 44	Dashboard	/LL -85	1	
(2)	911 502 025 42	Upper part Dashboard	/LL 86-	1	
(2)		Upper part Dashboard	/LL 86-	1	
(2)	911 502 025 42 GRV	Upper part Prime coated			
(2)	901 502 024 26	Dashboard	/RL -85	1	
(2)		Upper part Dashboard	/RL 86-	1	
(2)	911 502 026 42	Upper part			
3	911 552 010 02	Glove compartment cover	-85	1	
(3)	911 552 010 04	Glove compartment cover	-85	1	
(3)	911 552 010 05	Glove compartment cover	86-	1	
(3)		Glove compartment cover	86-	1	
	911 552 010 05 GRV	Prime coated			
4	900 146 003 02	Oval-head screw	-85	2	
		AM 5 X 10			
4	999 217 008 02	Hexagon-head bolt		2	
		M 5 X 10			
5	N 021 196 1	Lock nut		4	
		M 5			
5	N 021 196 3	Hexagon nut		4	
		M 5			
6	900 025 003 02	Washer		4	
		5,3			
(7)	911 501 967 02	Wheel housing	/L -85	1	
(7)		Wheel housing	/L	1	
(7)	911 501 967 02 GRV	Prime coated			
(7)	911 501 968 02	Wheel housing	/R -85	1	
		-MOD.85 without 7A,12,16,18 See group 8/01/05 POS.19			
(7)		Wheel housing	/R	1	
	911 501 968 02 GRV	Prime coated -MOD.85 without 7A,12,16,18 See group 8/01/05 POS.19			
7	911 501 967 00	Wheel housing	/L 86-	1	
(7)	911 501 968 00	Wheel housing	/R 86-	1	

Model: 911 84 Model life 1984>>1986

Pos	Part Number	Description	Remark	Qty	Model
-	911 507 535 00	Bracket for Jacking point	/L 86-	1	
-	911 507 535 01	Bracket for Jacking point	/L 86-	1	
-	911 501 836 00	Bracket for Jacking point	/R 86-	1	
-		Bracket Right for Jacking point	/R 86-	1	
	911 501 836 00 GRV	Prime coated			
8	911 501 995 02	Wheel housing	/L -85	1	
(8)	911 501 996 02	Wheel housing	/R -85	1	
9	901 501 419 00	Tab for Brake hose		2	
10	999 703 031 40	Stopper 30 \$		2	
10	999 703 031 4A	Stopper 30 \$		2	
(10)	999 703 224 40	Cap 20 X 25 X 6 for POS.22,23	85-	2	
11	901 501 217 21	Post bracket	/L	1	COUPE
(11)	901 501 218 21	Post bracket	/R	1	COUPE
12	911 501 039 02	Hinge pillar	/L	1	
(12)	911 501 040 02	Hinge pillar	/R	1	
13	901 501 305 20	Angular bracket	/L	1	
13		Angular bracket	/L	1	
	901 501 305 20 GRV	Prime coated			
(13)	901 501 306 20	Angular bracket	/R	1	
(13)		Angular bracket	/R	1	
	901 501 306 20 GRV	Prime coated			
14	911 501 439 00	Filler plate	/L	1	
14		Filler plate	/L	1	
	911 501 439 00 GRV	Prime coated			
(14)	911 501 440 00	Filler plate	/R	1	
(14)		Filler plate	/R	1	
	911 501 440 00 GRV	Prime coated			
15	911 502 181 40	Guide tube	-85	1	
15		Lid-release cable			
15		Guide tube		1	
	911 502 181 40 GRV	Prime coated			
		Lid-release cable			
16	911 501 053 00	Wing joining plate	/L	1	
16		Wing joining plate	/L	1	
	911 501 053 00 GRV	Prime coated			
16	911 501 053 01	Wing joining plate	/L	1	
	911 501 053 01 GRV	Prime coated			
(16)	911 501 054 00	Wing joining plate	/R	1	
(16)		Wing joining plate	/R	1	
	911 501 054 00 GRV	Prime coated			
17	911 504 101 00	Cover plate		2	
18	911 501 223 02	Reinforcement bracket	/L	1	
18		Reinforcement bracket	/L	1	
	911 501 223 02 GRV	Prime coated			
(18)	911 501 226 01	Reinforcing support	/R	1	
(18)	911 501 226 00	Reinforcing support	/R	1	
(18)		Reinforcing support	/R	1	

Model: 911 84 Model life 1984>>1986

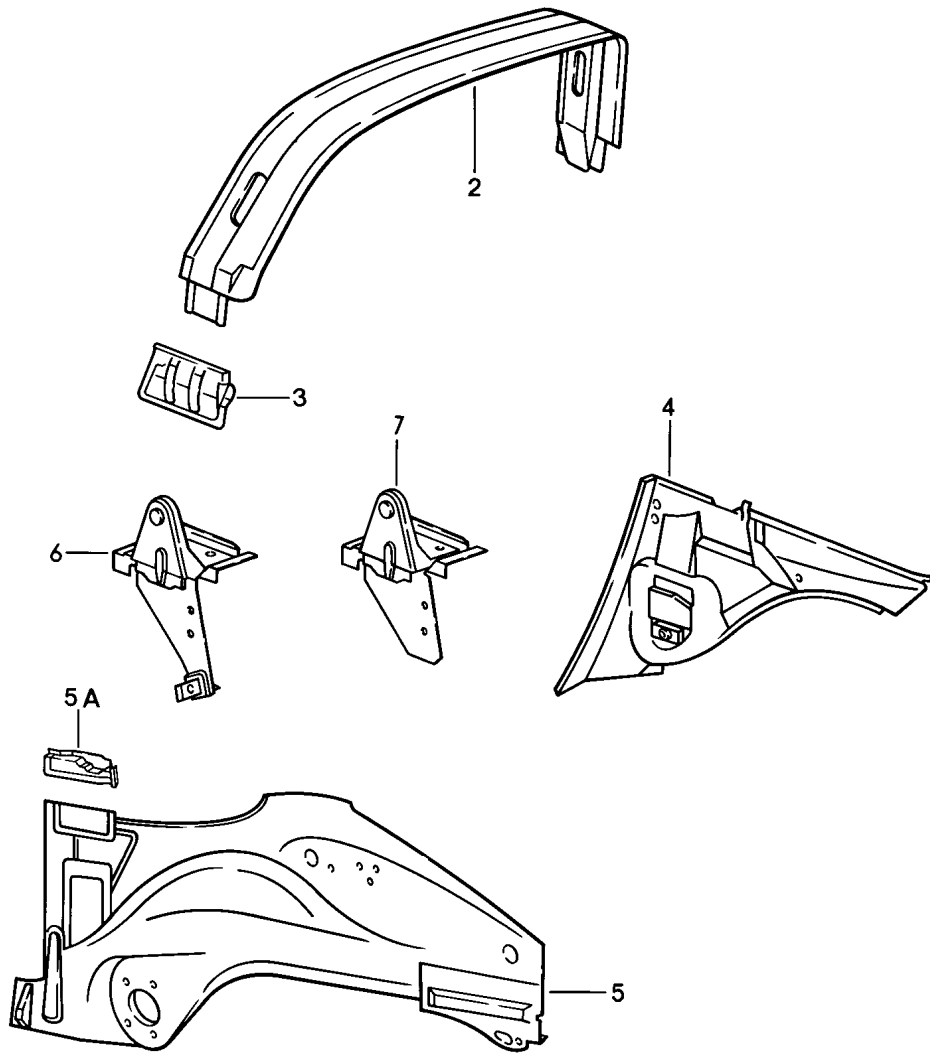
Pos	Part Number	Description	Remark	Qty	Model
19	911 501 226 00 GRV 911 502 029 00	Prime coated Roof frame with Windscreen frame part	/L	1	COUPE
(19)	911 502 030 00	Roof frame with Windscreen frame part	/R	1	COUPE
20	911 502 220 00	Cross piece for windscreen		1	
20	911 502 220 00 GRV	Cross piece for windscreen		1	
21	911 501 123 03	Prime coated Side member	/L	1	
(21)	911 501 124 03	Side member	/R	1	
(21)	911 501 124 04	Side member	/R	1	
(21)	964 501 136 00	Side member	/R	1	
(21)	964 501 136 00 GRV	Side member	/R	1	
22	911 501 017 21	Prime coated Side member	/L -84	1	COUPE
(22)	911 501 017 81	Wheel housing Side member	/L 85-	1	COUPE
(22)	911 501 017 81 GRV	Wheel housing Side member	/L 85-	1	COUPE
23	911 501 997 03	Prime coated Side member	/L	1	COUPE
(22)	911 501 018 30	Wheel housing Side member	/R -84	1	COUPE
(22)	911 501 018 33	Wheel housing Side member	/R 85-	1	COUPE
(22)	911 501 018 33 GRV	Side member	/R 85-	1	COUPE
(23)	911 501 998 02	Prime coated Wheel housing Side member	/R	1	COUPE
24	911 501 115 00	Wheel housing Reinforcement Side section Bracket		2	
24	911 501 115 00 GRV	Reinforcement Side section Bracket		2	
25	911 501 125 00	Prime coated Threaded support		6	
25	911 501 125 00 GRV	Threaded support		6	
26	911 501 921 01	Prime coated Mounting	/L -85	1	
(26)	911 501 922 00	Mounting	/R -85	1	
27	911 501 167 03	Mounting	/L	1	
27	911 501 167 03 GRV	Mounting	/L	1	
(27)	911 501 168 00	Prime coated Mounting	/R	1	
(27)	911 501 168 00 GRV	Mounting	/R	1	
28	911 501 313 00	Prime coated Corner reinforcement	/L	1	
(28)	911 501 314 00	Corner reinforcement	/R	1	
(28)	911 501 314 00 GRV	Corner reinforcement	/R	1	
29	911 502 483 00	Prime coated Guide tube Lid-release cable		1	
30	901 501 145 23	Bracket	/L -84	1	
30	901 501 145 23 GRV	Bracket	/L	1	
(30)	901 501 146 23	Prime coated Bracket	/R -84	1	
(30)	901 501 146 23	Bracket	/R	1	

Model: 911 84 Model life 1984>>1986

Pos	Part Number	Description	Remark	Qty	Model
	901 501 146 23 GRV	Prime coated			
31	901 501 151 22	Mounting	-84	1	
31		Mounting		1	
	901 501 151 22 GRV	Prime coated			
32	911 501 195 00	Jacking point		1	
33	911 501 823 00	Bracket	/L	1	COUPE
33		Bracket	/L	1	COUPE
	911 501 823 00 GRV	Prime coated			
(33)	901 501 142 21	Bracket	/R -85	1	COUPE
(33)	911 501 824 00	Bracket	/R	1	COUPE
(33)		Bracket	/R	1	COUPE
	911 501 824 00 GRV	Prime coated			
34	901 502 245 00	Profile	/L	1	COUPE
(34)	901 502 246 00	Profile	/R	1	COUPE
35	911 501 577 00	Gusset plate	/L 85-	1	COUPE
35	911 501 577 40	Gusset plate	/L 85-	1	TARGA CABRIO
(35)	911 501 578 00	Gusset plate	/R 85-	1	COUPE
(35)	911 501 578 40	Gusset plate	/R 85-	1	TARGA CABRIO

Model: 911 84

Model life 1984>>1986



Model: 911 84 Model life 1984>>1986

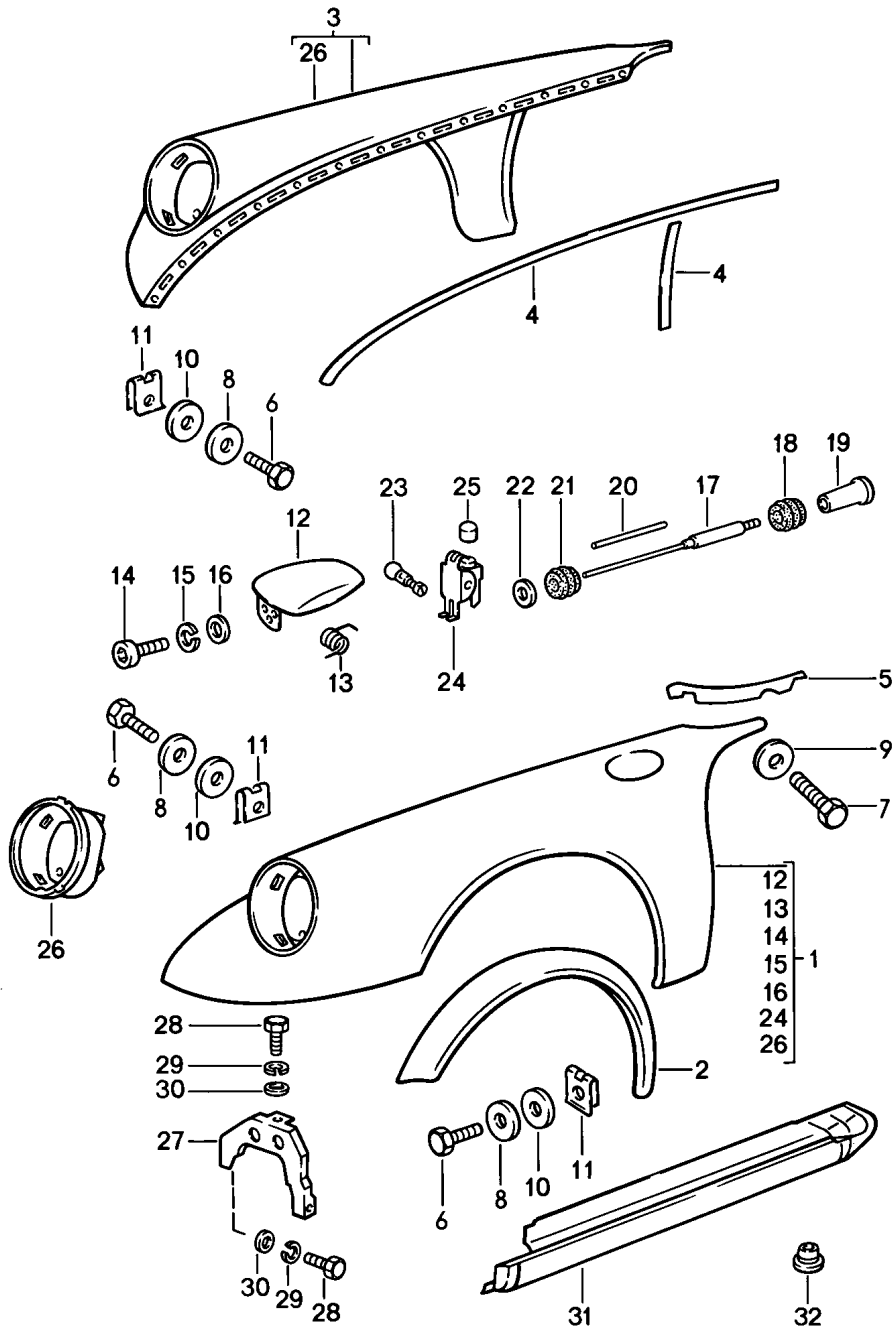
Pos	Part Number	Description	Remark	Qty	Model
		Interior panelling			TARGA/CABRIO
2	911 565 001 40	Roll bar		1	TARGA
3	911 501 203 40	Filler plate	/L	1	TARGA
3		Filler plate	/L	1	TARGA
	911 501 203 40 GRV	Prime coated			
(3)	911 501 204 40	Filler plate	/R	1	TARGA
(3)		Filler plate	/R	1	TARGA
	911 501 204 40 GRV	Prime coated			
4	911 501 205 41	Rear bulkhead	/L -85	1	TARGA
4		Rear bulkhead	/L	1	TARGA
	911 501 205 41 GRV	Prime coated			
(4)	911 501 205 43	Rear bulkhead	/L 86-	1	TARGA
(4)		Rear bulkhead	/L 86-	1	TARGA
	911 501 205 43 GRV	Prime coated			
(4)	911 501 205 60	Rear bulkhead	/L -85	1	CABRIO
(4)		Rear bulkhead	/L	1	CABRIO
	911 501 205 60 GRV	Prime coated			
(4)	911 501 205 61	Rear bulkhead	/L 86-	1	CABRIO
(4)	911 501 205 65	Rear bulkhead	/L 86-	1	CABRIO
(4)		Rear bulkhead	/L 86-	1	M439 CABRIO M439
		Left			
	911 501 205 65 GRV	Prime coated			
(4)	911 501 206 41	Rear bulkhead	/R -85	1	TARGA
(4)		Rear bulkhead	/R	1	TARGA
	911 501 206 41 GRV	Prime coated			
(4)	911 501 206 43	Rear bulkhead	/R 86-	1	TARGA
(4)		Rear bulkhead	/R 86-	1	TARGA
	911 501 206 43 GRV	Prime coated			
(4)	911 501 206 60	Rear bulkhead	/R -85	1	CABRIO
(4)		Rear bulkhead	/R	1	CABRIO
	911 501 206 60 GRV	Prime coated			
(4)	911 501 206 61	Rear bulkhead	/R 86-	1	CABRIO
(4)	911 501 206 65	Rear bulkhead	/R 86-	1	CABRIO
(4)		Rear bulkhead	/R 86-	1	CABRIO
		Right			
	911 501 206 65 GRV	Prime coated			
5	911 501 017 57	Side member	/L -84	1	TARGA
		Wheel housing			
(5)	911 501 017 73	Side member	/L 85-	1	TARGA
		Wheel housing			
(5)	911 501 997 40	Side member	/L 85-	1	TARGA
		Wheel housing			
(5)	911 501 017 61	Side member	/L -84	1	CABRIO
		Wheel housing			
(5)	911 501 017 68	Side member	/L 85-	1	CABRIO
		Wheel housing			
(5)		Side member	/L 85-	1	CABRIO
		Wheel housing			
		Rear			
	911 501 017 68 GRV	Prime coated			
5A	911 501 465 60	Insert	/L	1	CABRIO
5A		Insert	/L	1	CABRIO
	911 501 465 60 GRV	Prime coated			
(5)	911 501 018 70	Side member	/R -84	1	TARGA
		Wheel housing			
(5)	911 501 018 73	Side member	/R 85-	1	TARGA
		Wheel housing			
(5)		Side member	/R 85-	1	TARGA
		Wheel housing			
		Rear			
	911 501 018 73 GRV	Prime coated			

Model: 911 84 Model life 1984>>1986

Pos	Part Number	Description	Remark	Qty	Model
(5)	911 501 998 40	Side member Wheel housing	/R 85-	1	TARGA
(5)	911 501 018 60	Side member Wheel housing	/R -84	1	CABRIO
(5)	911 501 018 68	Side member Wheel housing	/R 85-	1	CABRIO
(5)		Side member Wheel housing Rear	/R 85-	1	CABRIO
	911 501 018 68 GRV	Prime coated			
5A	911 501 466 60	Insert	/R	1	CABRIO
5A		Insert	/R	1	CABRIO
	911 501 466 60 GRV	Prime coated			
6	911 501 431 60	Convertible top support	/L -85	1	CABRIO
6		Convertible top support	/L	1	CABRIO
	911 501 431 60 GRV	Prime coated			
(6)	911 501 432 60	Convertible top support	/R -85	1	CABRIO
7	911 501 431 61	Convertible top support	/L 86-	1	CABRIO
7		Convertible top support	/L 86-	1	CABRIO
	911 501 431 61 GRV	Prime coated			
(7)	911 501 432 61	Convertible top support	/R 86-	1	CABRIO
(7)		Convertible top support	/R 86-	1	CABRIO
	911 501 432 61 GRV	Prime coated			

Model: 911 84

Model life 1984>>1986





Model: 911 84

Model life 1984&gt;&gt;1986

Pos	Part Number	Description	Remark	Qty	Model
		Exterior panelling			
		Front			
1	911 503 031 08	Wing	/L	1	CARRERA
1	911 503 031 09	Wing	/L	1	CARRERA
		Order also:			
-	911 201 077 02	Expansion tank		1	
(1)	930 503 031 08	Wing with	/L -85	1	TURBO CARRERA M491
		POS. 2			
(1)	930 503 031 10	Wing with	/L 86	1	TURBO CARRERA M491
		POS. 2			
2	930 503 307 00	Wing joining plate	/L	1	TURBO CARRERA M491
(2)	930 503 308 00	Wing joining plate	/R	1	TURBO CARRERA M491
3	911 503 032 03	Wing	/R	1	CARRERA
(3)	911 503 032 04	Wing	/R	1	CARRERA
(3)	930 503 032 08	Wing with	/R -85	1	TURBO CARRERA M491
		POS. 2			
(3)	930 503 032 10	Wing with	/R 86	1	TURBO CARRERA M491
		POS. 2			
4	000 043 129 00	Sealing strap 25 X 2 MM		*	
5	901 503 394 22	Piping 4,3 MM		2	
-	PCG 503 394 00	Set Piping Body Front and rear Comprising:	77-89	1	TURBO
-	930 503 197 00	Piping		2	
-	911 503 325 00	Intermediate layer		2	
-	911 503 326 00	Intermediate layer		2	
-	901 503 394 22	Piping		2	
(5)	911 799 503 07	Wing seal 6,5 MM		X	
-	PCG 799 503 07	Set Piping Body Front and rear Comprising:	76-89	1	
-	911 503 185 01	Intermediate layer		1	
-	911 503 186 01	Intermediate layer		1	
-	911 503 325 00	Intermediate layer		2	
-	911 503 326 00	Intermediate layer		2	
-	911 799 503 07	Wing seal		2	
-	911 559 511 00	Gasket		2	
6	900 187 010 02	Hexagon-head tapping screw BZ 6,3 X 19		32	
6	900 187 010 03	Hexagon-head tapping screw BZ 6,3 X 19		32	
7	900 067 011 02	Pan-head screw		4	
7	900 067 011 03	Pan-head screw		4	
7	900 067 011 02	Pan-head screw		4	

Model: 911 84 Model life 1984>>1986

Pos	Part Number	Description	Remark	Qty	Model
7	900 067 011 03	M 6 X 20 Pan-head screw		4	
8	N 011 666 7	M 6 X 20 Washer		32	
9	N 011 550 1	B 6,4 Washer		4	
10	999 704 157 40	B 6,5 Washer		32	
11	999 591 327 02	Speed nut		32	
11	999 501 327 01	B 6,3 Speed nut		32	
11	999 591 327 01	B 6,3 Speed nut		32	
12	911 504 031 00	Lid		1	
12		Lid		1	
		Tank filler neck			
	911 504 031 00 GRV	Prime coated			
13	911 504 331 00	Spring		1	
14	900 067 051 02	Pan-head screw		3	
15	N 012 005 3	M 5 X 10 Lock ring		3	
16	900 025 003 02	B 5 Washer		3	
17	901 504 317 21	A 5,3 Lid-release cable		1	
18	911 504 385 00	Rubber washer		1	
19	901 552 822 00	Knob		1	
20	901 504 385 20	Connecting tube		1	
21	999 702 020 50	Rubber sleeve		1	
22	914 504 319 00	Grommet		1	
23	999 230 002 02	Screw nipple		1	
24	901 504 034 20	Bearing		1	
24		Bearing		1	
	901 504 034 20 GRV	Prime coated			
25	911 025 679 00	Buffer		1	
26	911 503 015 00	Headlamp casing	/L -86	1	
(26)	911 503 016 00	Headlamp casing	/R -84	1	
(26)	911 503 016 02	Headlamp casing	/R	1	
(26)	911 503 016 03	Headlamp casing	/R	1	
(26)		Headlamp casing	/R	1	
	911 503 016 03 GRV	Prime coated			
(27)	911 503 079 01	Wing strut	/L	1	
(27)		Wing strut	/L	1	
	911 503 079 01 GRV	Prime coated			
(27)	911 503 080 00	Bracket	/R -86	1	
-	911 635 107 00	Support		1	
-	N 042 121 3	Shake-proof washer		2	
-	900 076 010 0B	Nut		2	
-	N 011 525 13	Washer		1	
-	900 076 064 02	Hexagon nut		1	
28	900 075 087 02	Hexagon-head bolt		4	
28	900 075 087 03	M 8 X 16 Hexagon-head bolt		4	
29	900 027 015 02	M 8 X 16 Lock ring		4	
29	900 027 015 03	B 8 Lock ring		4	
30	900 025 007 02	B 8 Washer		4	
30	900 025 007 03	A 8,4 Washer		4	
		A 8,4			

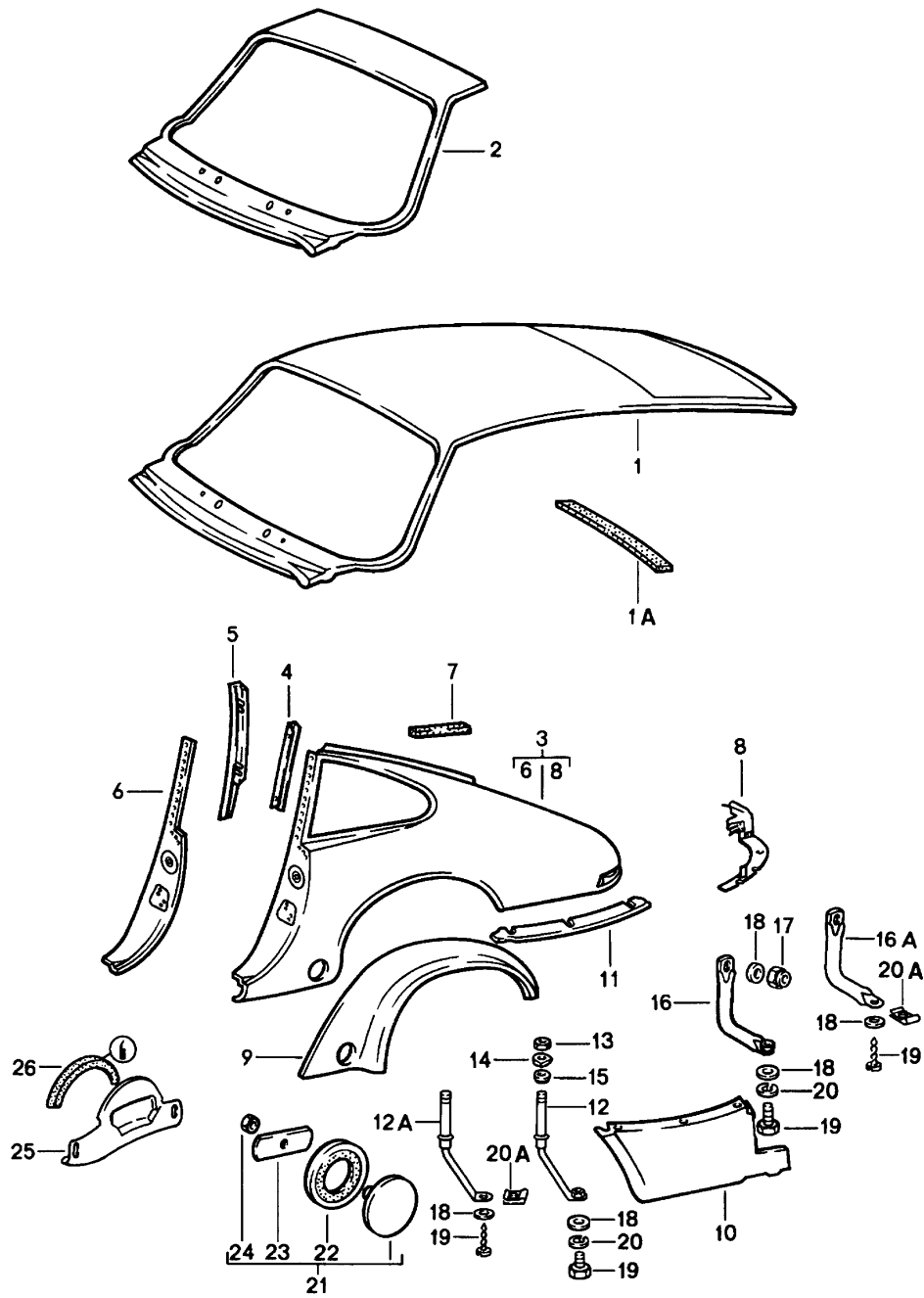
Model: 911 84

Model life 1984>>1986

Pos	Part Number	Description	Remark	Qty	Model
31	911 503 401 04	Door sill	/L -84	1	
31	911 503 401 05	Door sill	/L 85-	1	
	911 503 401 05 GRV	Prime coated			
31	911 503 401 06	Door sill	/L 85-	1	
	911 503 401 06 GRV	Prime coated			
(31)	911 503 402 04	Door sill	/R -84	1	
(31)	911 503 402 05	Door sill	/R 85-	1	
	911 503 402 05 GRV	Prime coated			
(31)	911 503 402 06	Door sill	/R 85-	1	
	911 503 402 06 GRV	Prime coated			
32	411 837 111	Cap		4	

Model: 911 84

Model life 1984>>1986



Model: 911 84 Model life 1984>>1986

Pos	Part Number	Description	Remark	Qty	Model
		Exterior panelling Rear It is necessary to rework Order also:			COUPE
-	928 628 077 00	Nozzle Heatable	85	2	
(1)	911 503 087 08	Outer roof panel		1	COUPE
(1)	911 503 087 09	Outer roof panel		1	COUPE M650
1A	911 503 507 01	Plastic foam strip Bleeding		1	COUPE
2	901 503 090 21	Windscreen frame part Order also:	-84	1	COUPE
-	928 628 077 00	Nozzle	85	2	
2	911 503 987 00	Windscreen frame part	85	1	COUPE
2	911 503 987 01	Windscreen frame part		1	COUPE
2		Windscreen frame part		1	COUPE
	911 503 987 01 GRV	Prime coated			
3	911 503 061 10	Side section	/L	1	COUPE
		F >>91GS1 03135			COUPE
		F >>91GS1 09692	(J)		COUPE
3		Side section	/L	1	COUPE
		F >>91GS1 03135			COUPE
		F >>91GS1 09692	(J)		COUPE
	911 503 061 10 GRV	Prime coated			
-	911 504 471 00	Cap Behind	/L /L	1	
(3)	911 503 061 11	Lock pillar Side section	/L	1	COUPE
		F 91GS1 03136>>			COUPE
		F 91GS1 09693>>	(J)		COUPE
-	911 504 471 00	Cap Behind	/L /L	1	
(3)	930 503 061 01	Lock pillar Side section	/L	1	TURBO COUPE
		F >>91GS1 01337			M491
		F >>91GS1 09622	(J)		COUPE M491
(3)		F >>93GS0 00371 Side section	/L	1	TURBO TURBO
		F >>91GS1 01337			COUPE M491
		F >>91GS1 09622	(J)		COUPE M491
		F >>93GS0 00371			TURBO
-	930 503 061 01 GRV	Prime coated			
	911 504 471 00	Cap Behind	/L /L	1	
(3)	930 503 061 02	Lock pillar with POS. 9 Side section	/L	1	COUPE TURBO COUPE
		F 91GS1 01338>>			M491
		F 91GS1 09623>>	(J)		COUPE M491
		F 93GS0 00372>> with POS. (9)			TURBO COUPE
(3)	911 503 062 10	Side section	/R	1	COUPE COUPE
		F >>91GS1 03135			COUPE
		F >>91GS1 09692	(J)		COUPE

Model: 911 84 Model life 1984>>1986

Pos	Part Number	Description	Remark	Qty	Model
(3)		Side section F >>91GS1 03135 F >>91GS1 09692	/R (J)	1	COUPE COUPE COUPE
(3)	911 503 062 10 GRV 911 503 062 11	Prime coated Side section	/R	1	COUPE COUPE COUPE
(3)	930 503 062 01	F 91GS1 03136>> F 91GS1 09693>> Side section F >>91GS1 01337	(J) /R	1	TURBO COUPE M491 COUPE M491
(3)		F >>91GS1 09622 F >>93GS0 00371 Side section F >>91GS1 01337	(J) /R	1	TURBO TURBO COUPE M491 TURBO
(3)	930 503 062 01 GRV	F >>91GS1 09622 F >>93GS0 00371 Prime coated with	(J)		COUPE M491 COUPE M491
(3)	930 503 062 02	POS. 9 Side section F 91GS1 01338>> F 91GS1 09623>> F 93GS0 00372>> with	/R (J)	1	TURBO COUPE M491 COUPE M491 TURBO COUPE M491
4	911 503 193 00	POS. (9) Retaining strip		2	
5	911 502 043 02	Sealing frame Lock pillar	/L	1	
(5)	911 502 044 02	Inner panel Lock pillar	/R	1	
6	911 502 041 03	Inner panel Lock pillar	/L -86	1	
(6)	964 502 041 00	Lock pillar F 91GS1 03136>> F 91GS1 09693>>	/L (J)	1	COUPE COUPE
(6)	964 502 041 00 GRV	Lock pillar Prime coated F 91GS1 03136>> F 91GS1 09693>>	/L (J)	1	COUPE COUPE
-	911 504 471 00	Cap Behind Lock pillar		1	
(6)	911 502 042 03	Lock pillar	/R -86	1	
7	911 504 933 00	Seal Wheel housing	/L	1	
(7)	911 504 934 00	Seal Wheel housing	/R	1	
8	911 503 073 00	Bar Tail light housing	/L	1	
8	911 503 073 00 GRV	Bar Prime coated Tail light housing	/L	1	
(8)	911 503 074 00	Bar Tail light housing	/R	1	
(8)		Bar Tail light housing	/R	1	

Model: 911 84 Model life 1984>>1986

Pos	Part Number	Description	Remark	Qty	Model
9	911 503 074 00 GRV 930 503 607 00	Prime coated Wing joining plate F >>91GS1 01337  F >>91GS1 09622	/L  (J)	1	TURBO COUPE M491 COUPE M491
9	911 503 074 00 GRV 930 503 607 00 GRV	Prime coated Wing joining plate F >>91GS1 01337  F >>91GS1 09622  F >>93GS0 00371	/L  (J)	1	TURBO TURBO COUPE M491 COUPE M491 TURBO
(9)	930 503 607 00 GRV 930 503 608 00	Prime coated for Coupe Wing joining plate F >>91GS1 01337  F >>91GS1 09622	/R  (J)	1	M491 TURBO COUPE M491 COUPE M491
(9)	930 503 608 00 930 503 608 00 GRV	Wing joining plate F >>91GS1 01337  F >>93GS0 00371 Wing joining plate F >>91GS1 01337  F >>91GS1 09622  F >>93GS0 00371 Prime coated for Coupe	/R  (J)	1	TURBO TURBO COUPE M491 COUPE M491 TURBO COUPE M491
9	930 503 607 00	Wing joining plate	/L	1	TARGA CABRIO M491
(9)	930 503 607 00 GRV 930 503 608 00	Prime coated Wing joining plate  C=GUELTIG BIS: F >>91GS1 40695 F >>91GS1 50881 F >>91GS1 49564 F >>91GS1 59569	/R  (J) (J)	1	TARGA CABRIO M491 TARGA CABRIO M491
(9)	930 503 608 00 GRV 930 503 907 00	Prime coated Wing joining plate  F 91GS1 01338>>  F 91GS1 09623>>  F 93GS0 00372>> Wing joining plate  F 91GS1 01338>>  F 91GS1 09623>>	/L  (J)	1	TURBO COUPE M491 COUPE M491 COUPE M491 TURBO COUPE M491 COUPE M491
(9)	930 503 907 00 GRV 930 503 908 00	Prime coated Wing joining plate	/R	1	TURBO TURBO

Model: 911 84 Model life 1984>>1986

Pos	Part Number	Description	Remark	Qty	Model
		F 91GS1 01338>>			COUPE M491
		F 91GS1 09623>>	(J)		COUPE M491
(9)		F 93GS0 00372>> Wing joining plate	/R	1	COUPE M491 TURBO TURBO COUPE M491
		F 91GS1 01338>>			COUPE M491
		F 91GS1 09623>>	(J)		COUPE M491
		F 93GS0 00372>>			TURBO
(9)	930 503 908 00 GRV	Prime coated			
(9)	930 503 907 00	Wing joining plate	/L	1	TARGA CABRIO M491
(9)		Wing joining plate	/L	1	TARGA CABRIO M491
	930 503 907 00 GRV	Prime coated			
(9)	930 503 908 00	Wing joining plate	/R	1	TARGA CABRIO M491
(9)		Wing joining plate	/R	1	TARGA CABRIO M491
	930 503 908 00 GRV	Prime coated			
10	911 503 067 03	Lower part	/L	1	CARRERA
10		Lower part	/L	1	CARRERA
	911 503 067 03 GRV	Prime coated			
(10)	930 503 067 00	Side section Lower part	/L	1	TURBO CARRERA M491
	930 503 067 00 GRV	Prime coated			
(10)	911 503 068 03	Lower part	/R	1	CARRERA
(10)		Lower part	/R	1	CARRERA
	911 503 068 03 GRV	Prime coated			
(10)	930 503 068 00	Side section Lower part	/R	1	TURBO CARRERA M491
	930 503 068 00 GRV	Prime coated			
(10)	930 503 068 01	Side section	/R	1	TURBO
	930 503 068 01 GRV	Prime coated Lower part			
11	911 503 185 01	Intermediate layer	/L	1	CARRERA M491
(11)	911 503 186 01	Intermediate layer	/R	1	CARRERA
-	PCG 799 503 07	Set Piping Body Front and rear Comprising:	76-89	1	
-	911 503 185 01	Intermediate layer		1	
-	911 503 186 01	Intermediate layer		1	
-	911 503 325 00	Intermediate layer		2	
-	911 503 326 00	Intermediate layer		2	
-	911 799 503 07	Wing seal		2	



Model: 911 84 Model life 1984>>1986

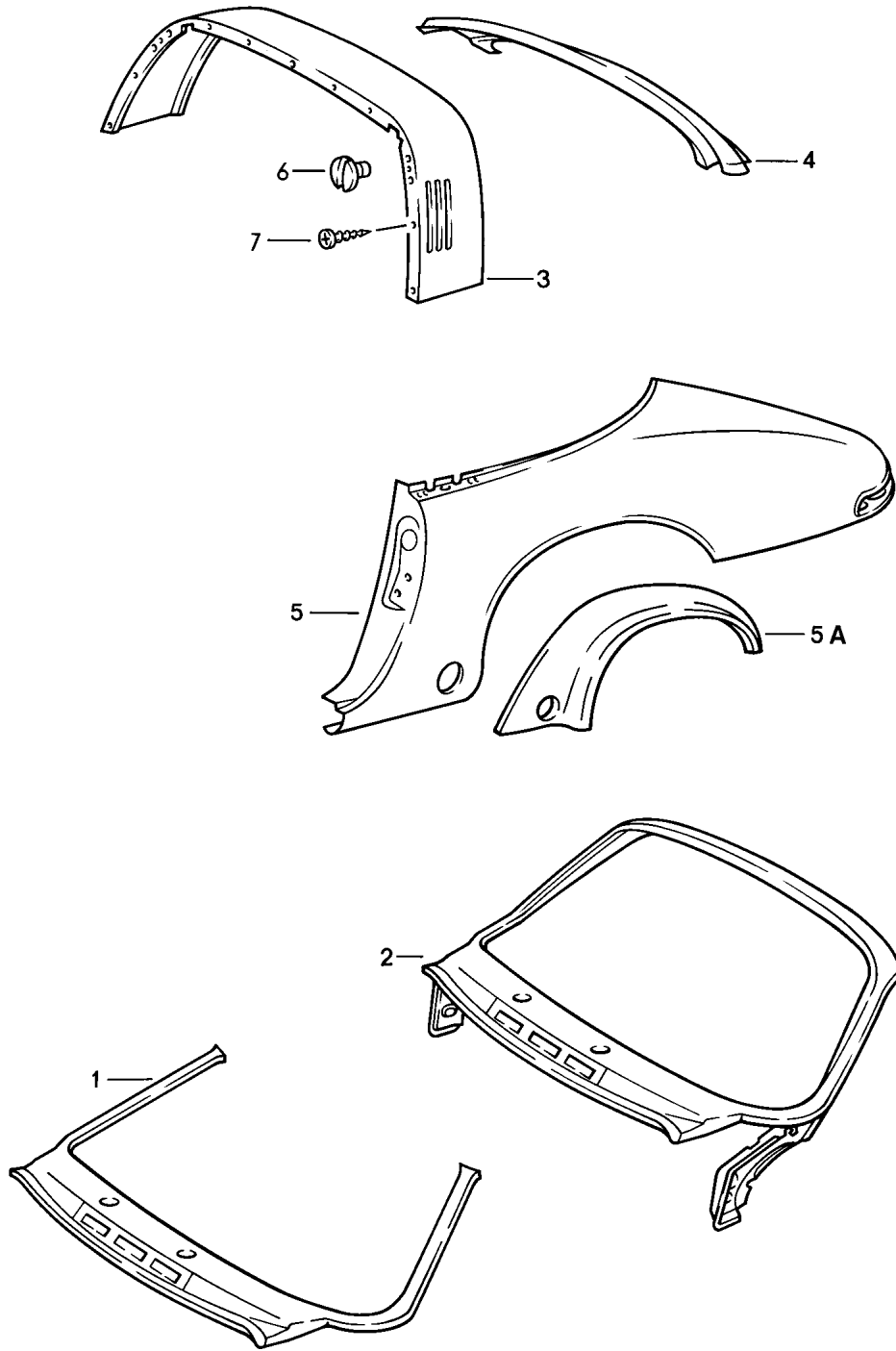
Pos	Part Number	Description	Remark	Qty	Model
-	911 559 511 00	Gasket		2	
(11)	930 503 197 00	Piping		2	TURBO M491
-	PCG 503 394 00	Set Piping Body Front and rear Comprising:	77-89	1	TURBO
-	930 503 197 00	Piping		2	
-	911 503 325 00	Intermediate layer		2	
-	911 503 326 00	Intermediate layer		2	
-	901 503 394 22	Piping		2	
(11)	000 043 204 81	Intermediate layer		X	TURBO CARRERA M491
12A	911 501 623 02	Support tube	/V	2	
13	900 078 009 02	Hexagon nut M 20 X 1,5		2	
14	900 025 021 02	Washer		2	
15	901 501 913 21	Sealing ring		2	
16	930 501 628 01	Support tube	/H /L -85	1	
16	911 501 628 01	Support tube	/H /R -85	1	
16A	930 501 628 01	Support tube	/H /L 86-	1	
16A	911 501 628 01	Support tube	/H /R	1	
17	900 084 003 02	Lock nut M 6 Self-locking		2	
18	900 151 006 09	Washer 6,4		6	
19	900 074 221 02	Hexagon-head bolt M 6 X 12	-85	4	
(19)	900 187 108 02	Tapping screw BZ 6,3 X 16	86-	4	
(19)	900 187 108 01	Tapping screw BZ 6,3 X 16	86-	4	
20	N 012 007 2	Lock ring A 6		4	
20	900 027 004 03	Lock ring A 6		4	
20A	999 507 048 03	Speed nut B 6,3	86-	4	
21	901 504 079 00	Spring cover	M 491	2	TURBO/COUPE
21		Spring cover F >>91GS1 03135	M 491	2	TARGA/CABRIO
21		Spring cover F >>91GS1 09692	(J)	2	CARRERA COUPE COUPE
22	901 504 759 01	Desk pad	M 491	2	TURBO/COUPE
22		Desk pad F >>91GS1 03135	M 491	2	TARGA/CABRIO
22		Desk pad F >>91GS1 09692	(J)	2	CARRERA COUPE COUPE
23	901 504 755 20	Tensioning spring	M 491	2	TURBO/COUPE
23		Tensioning spring F >>91GS1 03135	M 491	2	TARGA/CABRIO
23		Tensioning spring F >>91GS1 09692	(J)	2	CARRERA COUPE COUPE
24	N 011 005 14	Hexagon nut M 5	M 491	2	TURBO/COUPE
24	900 076 091 01	Hexagon nut M 5	M 491	2	TARGA/CABRIO
24		Hexagon nut M 5	M 491	2	TURBO/COUPE
24	N 011 005 14	Hexagon nut M 5 F >>91GS1 03135	M 491	2	TARGA/CABRIO CARRERA COUPE

Model: 911 84 Model life 1984>>1986

Pos	Part Number	Description	Remark	Qty	Model
24	900 076 091 01	F >>91GS1 09692 Hexagon nut M 5	(J)	2	COUPE CARRERA
25	930 504 753 00	F >>91GS1 03135 F >>91GS1 09692 Spring cover	(J) /L	1	COUPE COUPE TURBO/COUPE M491
25		Spring cover	/L	1	TARGA/CABRIO M491
	930 504 753 00 GRV	Prime coated	/L	1	TURBO/COUPE M491
(25)	911 504 753 01	Spring cover	/L	1	TARGA/CABRIO M491
		F 91GS1 03136>> F 91GS1 09693>>	(J)	1	CARRERA COUPE
(25)	930 504 754 00	Spring cover	/R	1	COUPE TURBO/COUPE M491
		Spring cover	/R	1	TARGA/CABRIO M491
(25)	930 504 754 00 GRV	Prime coated	/R	1	TURBO/COUPE M491
		Spring cover	/R	1	TARGA/CABRIO M491
(25)	911 504 754 01	Spring cover	/R	1	CARRERA COUPE
		F 91GS1 03136>> F 91GS1 09693>>	(J)	1	COUPE
26	911 559 511 00	Gasket	M 491	2	TURBO/COUPE
		Spring cover	M 491	2	TARGA/CABRIO CARRERA
		F 91GS1 03136>> F 91GS1 09693>>	(J)	1	COUPE COUPE
-	PCG 799 503 07	Set Piping Body Front and rear Comprising:	76-89	1	
-	911 503 185 01	Intermediate layer		1	
-	911 503 186 01	Intermediate layer		1	
-	911 503 325 00	Intermediate layer		2	
-	911 503 326 00	Intermediate layer		2	
-	911 799 503 07	Wing seal		2	
-	911 559 511 00	Gasket		2	

Model: 911 84

Model life 1984>>1986



Model: 911 84 Model life 1984>>1986

Pos	Part Number	Description	Remark	Qty	Model
		Exterior panelling It is necessary to rework			TARGA/CABRIO
1	911 503 087 40	Scuttle	-85	1	
(1)	911 503 087 42	Scuttle	86-	1	
(1)		Scuttle	86-	1	
	911 503 087 42 GRV	Prime coated			
2	911 599 503 32	Windscreen frame	-85	1	
2	911 599 503 33	Windscreen frame	86-	1	
3	911 565 043 48	Lining		1	TARGA
4	901 503 322 40	Rear end		1	
5	911 503 061 50	Side section	/L	1	TARGA
		F >>91GS1 41300			TARGA
		F >>91GS1 49999	(J)		TARGA
5		Side section	/L	1	TARGA
		F >>91GS1 41300			TARGA
		F >>91GS1 49999	(J)		TARGA
	911 503 061 50 GRV	Prime coated			
(5)	911 503 061 51	Side section	/L	1	TARGA
		F 91GS1 41301>>			TARGA
(5)		Side section	/L	1	TARGA
		F 91GS1 41301>>			TARGA
	911 503 061 51 GRV	Prime coated			
(5)	930 503 061 41	Side section	/L	1	TARGA M491
		with POS. 5A F >>91GS1 40695			TARGA M491
		F >>91GS1 49564	(J)		TARGA M491
(5)	930 503 061 42	Side section	/L	1	TARGA M491
		with POS. (5A) F 91GS1 40696>>			TARGA M491
		F 91GS1 49565>>	(J)		TARGA M491
(5)		Side section	/L	1	TARGA M491
		with POS. (5A) F 91GS1 40696>>			TARGA M491
		F 91GS1 49565>>	(J)		TARGA M491
	930 503 061 42 GRV	Prime coated			
(5)	911 503 061 61	Side section	/L	1	CABRIO
		F >>91GS1 51676			CABRIO
(5)		F >>91GS1 59578	(J)		CABRIO
		Side section	/L	1	CABRIO
		F >>91GS1 51676			CABRIO
		F >>91GS1 59578	(J)		CABRIO
	911 503 061 61 GRV	Prime coated			
(5)	911 503 061 62	Side section	/L	1	CABRIO
		F 91GS1 51677>>			CABRIO
(5)		F 91GS1 59579>>	(J)		CABRIO
		Side section	/L	1	CABRIO
		F 91GS1 51677>>			CABRIO
		F 91GS1 59579>>	(J)		CABRIO
	911 503 061 62 GRV	Prime coated			
(5)	930 503 061 60	Side section	/L	1	CABRIO M491

Model: 911 84 Model life 1984>>1986

Pos	Part Number	Description	Remark	Qty	Model
(5)		with POS. 5A F >>91GS1 50881  F >>91GS1 59569  Side section	(J)  /L	1	CABRIO M491 CABRIO M491 CABRIO M491
(5)	930 503 061 60 GRV 930 503 061 61	with POS. 5A F >>91GS1 50881  F >>91GS1 59569  Prime coated Side section	(J)  /L	1	CABRIO M491 CABRIO M491 CABRIO M491
(5)		with POS. (5A) F 91GS1 50882>>  F 91GS1 59570>>  Side section	(J)  /L	1	CABRIO M491 CABRIO M491 CABRIO M491
(5)	930 503 061 61 GRV 911 503 062 50	with POS. (5A) F 91GS1 50882>>  F 91GS1 59570>>  Prime coated Side section	(J)  /R	1	CABRIO M491 CABRIO M491 TARGA TARGA
(5)		F >>91GS1 41300 F >>91GS1 49999 Side section	(J)  /R	1	TARGA TARGA TARGA
(5)	911 503 062 50 GRV 911 503 062 51	F >>91GS1 41300 F >>91GS1 49999 Prime coated Side section	(J)  /R	1	TARGA TARGA TARGA
(5)		F 91GS1 41301>> Side section	/R	1	TARGA TARGA
(5)	911 503 062 51 GRV 930 503 062 41	F 91GS1 41301>> Prime coated Side section	/R	1	TARGA TARGA M491
(5)		with POS. (5A) F >>91GS1 40695  F >>91GS1 49564  Side section	(J)  /R	1	TARGA M491 TARGA M491 TARGA M491
(5)		with POS. (5A) F >>91GS1 40695  F >>91GS1 49564	(J)		TARGA M491 TARGA M491
(5)	930 503 062 41 GRV 930 503 062 42	Prime coated Side section	/R	1	TARGA M491

Model: 911 84 Model life 1984>>1986

Pos	Part Number	Description	Remark	Qty	Model
		with POS. (5A) F 91GS1 40696>>			TARGA M491
		F 91GS1 49565>>	(J)		TARGA M491
(5)	911 503 062 61	Side section F >>91GS1 51676	/R	1	CABRIO CABRIO
(5)		F >>91GS1 59578	(J)		CABRIO
	911 503 062 61 GRV	Side section Prime coated	/R	1	CABRIO
		F >>91GS1 51676			CABRIO
(5)	911 503 062 62	F >>91GS1 59578 Side section	(J) /R	1	CABRIO CABRIO
(5)		F 91GS1 51677>>			CABRIO
		F 91GS1 59579>>	(J)		CABRIO
(5)		Side section	/R	1	CABRIO
		F 91GS1 51677>>			CABRIO
	911 503 062 62 GRV	F 91GS1 59579>> Prime coated	(J)		CABRIO
(5)	930 503 062 60	Side section	/R	1	CABRIO M491
		with POS. (5A) F >>91GS1 50881			CABRIO M491
		F >>91GS1 59569	(J)		CABRIO M491
(5)		Side section	/R	1	CABRIO M491
		with POS. (5A) F >>91GS1 50881			CABRIO M491
		F >>91GS1 59569	(J)		CABRIO M491
(5)	930 503 062 60 GRV	Prime coated		1	CABRIO
	930 503 062 61	Side section	/R	1	CABRIO M491
		with POS.(5A) F 91GS1 50882>>			CABRIO M491
		F 91GS1 59570>>	(J)		CABRIO M491
(5)		Side section	/R	1	CABRIO M491
		with POS.(5A) F 91GS1 50882>>			CABRIO M491
		F 91GS1 59570>>	(J)		CABRIO M491
5A	930 503 062 61 GRV	Prime coated		1	M491
	930 503 607 00	Wing joining plate F >>91GS1 40695	/L	1	TARGA M491
		F >>91GS1 49564	(J)		TARGA M491
5A		Wing joining plate F >>91GS1 40695	/L	1	M491 TARGA M491
		F >>91GS1 49564	(J)		TARGA

Model: 911 84 Model life 1984>>1986

Pos	Part Number	Description	Remark	Qty	Model
					M491
5A	930 503 607 00 GRV 930 503 607 00	Prime coated Wing joining plate F >>91GS1 50881	/L	1	M491 CABRIO M491
		F >>91GS1 59569	(J)		CABRIO M491
5A		Wing joining plate F >>91GS1 50881	/L	1	M491 CABRIO M491
		F >>91GS1 59569	(J)		CABRIO M491
(5A)	930 503 607 00 GRV 930 503 907 00	Prime coated Wing joining plate F 91GS1 40696>>	/L	1	M491 TARGA M491
		F 91GS1 49565>>	(J)		TARGA M491
(5A)		Wing joining plate F 91GS1 40696>>	/L	1	M491 TARGA M491
		F 91GS1 49565>>	(J)		TARGA M491
(5A)	930 503 907 00 GRV 930 503 907 00	Prime coated Wing joining plate F 91GS1 50882>>	/L	1	M491 CABRIO M491
		F 91GS1 59570>>	(J)		CABRIO M491
(5A)		Wing joining plate F 91GS1 50882>>	/L	1	M491 CABRIO M491
		F 91GS1 59570>>	(J)		CABRIO M491
(5A)	930 503 907 00 GRV 930 503 608 00	Prime coated Wing joining plate F >>91GS1 40695	/R	1	M491 TARGA M491
		F >>91GS1 49564	(J)		TARGA M491
(5A)		Wing joining plate F >>91GS1 40695	/R	1	M491 TARGA M491
		F >>91GS1 49564	(J)		TARGA M491
(5A)	930 503 608 00 GRV 930 503 608 00	Prime coated Wing joining plate F >>91GS1 50881	/R	1	M491 CABRIO M491
		F >>91GS1 59569	(J)		CABRIO M491
(5A)		Wing joining plate F >>91GS1 50881	/R	1	M491 CABRIO M491
		F >>91GS1 59569	(J)		CABRIO M491
(5A)	930 503 608 00 GRV 930 503 908 00	Prime coated Wing joining plate F 91GS1 40696>>	/R	1	M491 TARGA M491
		F 91GS1 49565>>	(J)		TARGA M491
(5A)		Wing joining plate	/R	1	M491

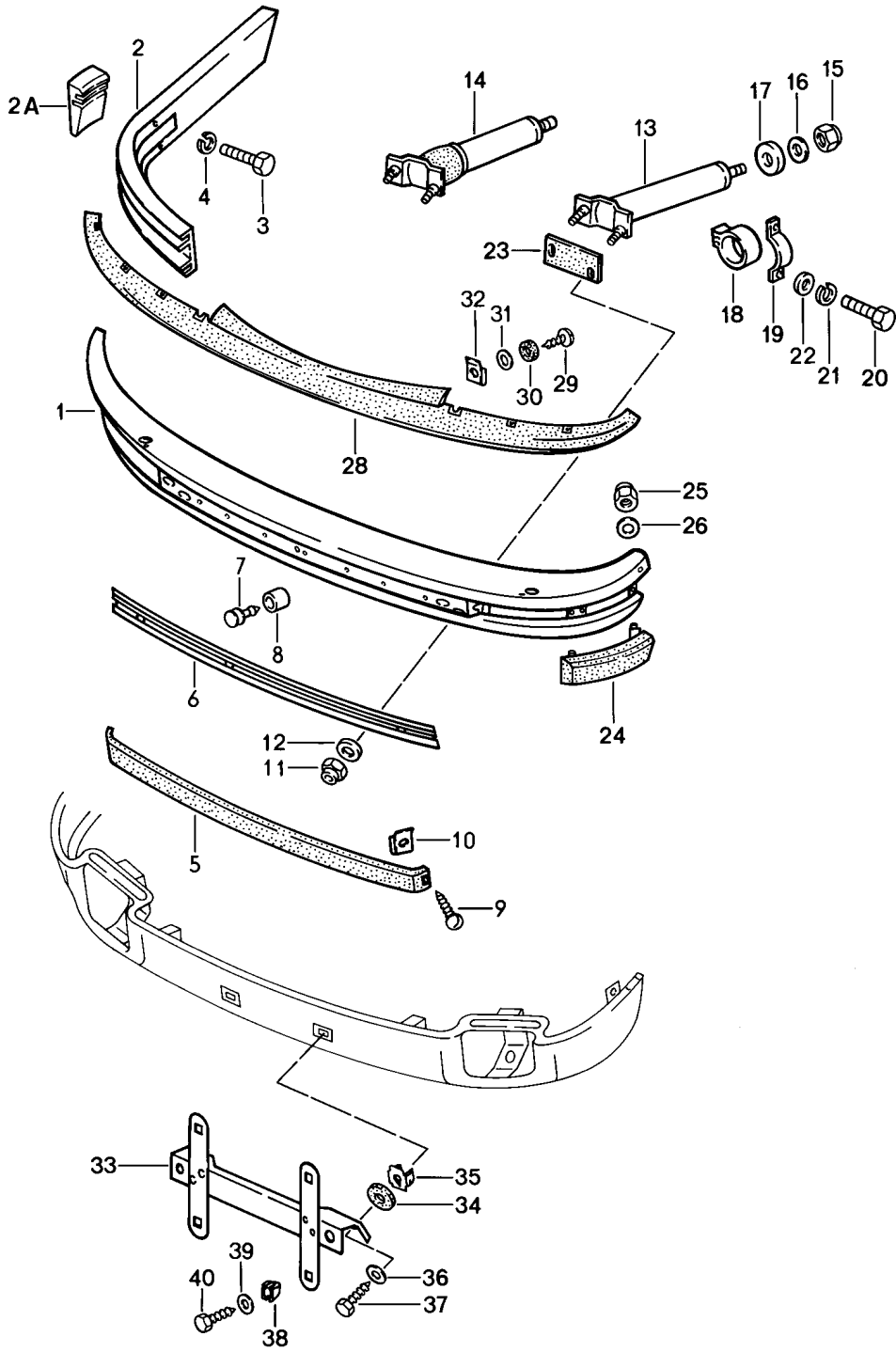
Model: 911 84 Model life 1984>>1986

Pos	Part Number	Description	Remark	Qty	Model
		F 91GS1 40696>>			TARGA
		F 91GS1 49565>>	(J)		M491
	930 503 908 00 GRV	Prime coated			TARGA
(5A)	930 503 908 00	Wing joining plate	/R	1	M491
		F 91GS1 50882>>			CABRIO
		F 91GS1 59570>>	(J)		M491
(5A)		Wing joining plate	/R	1	CABRIO
		F 91GS1 50882>>			M491
		F 91GS1 59570>>	(J)		CABRIO
	930 503 908 00 GRV	Prime coated			M491
6	901 801 153 40	Screw plug		4	TARGA
		Ski rack			
6	999 064 037 40	Screw plug		4	TARGA
		Ski rack			
7	N 013 957 5	Oval-head sheetmetal screw		15	TARGA
		B 3,5 X 9,5			



Model: 911 84

Model life 1984>>1986



Model: 911 84 Model life 1984>>1986

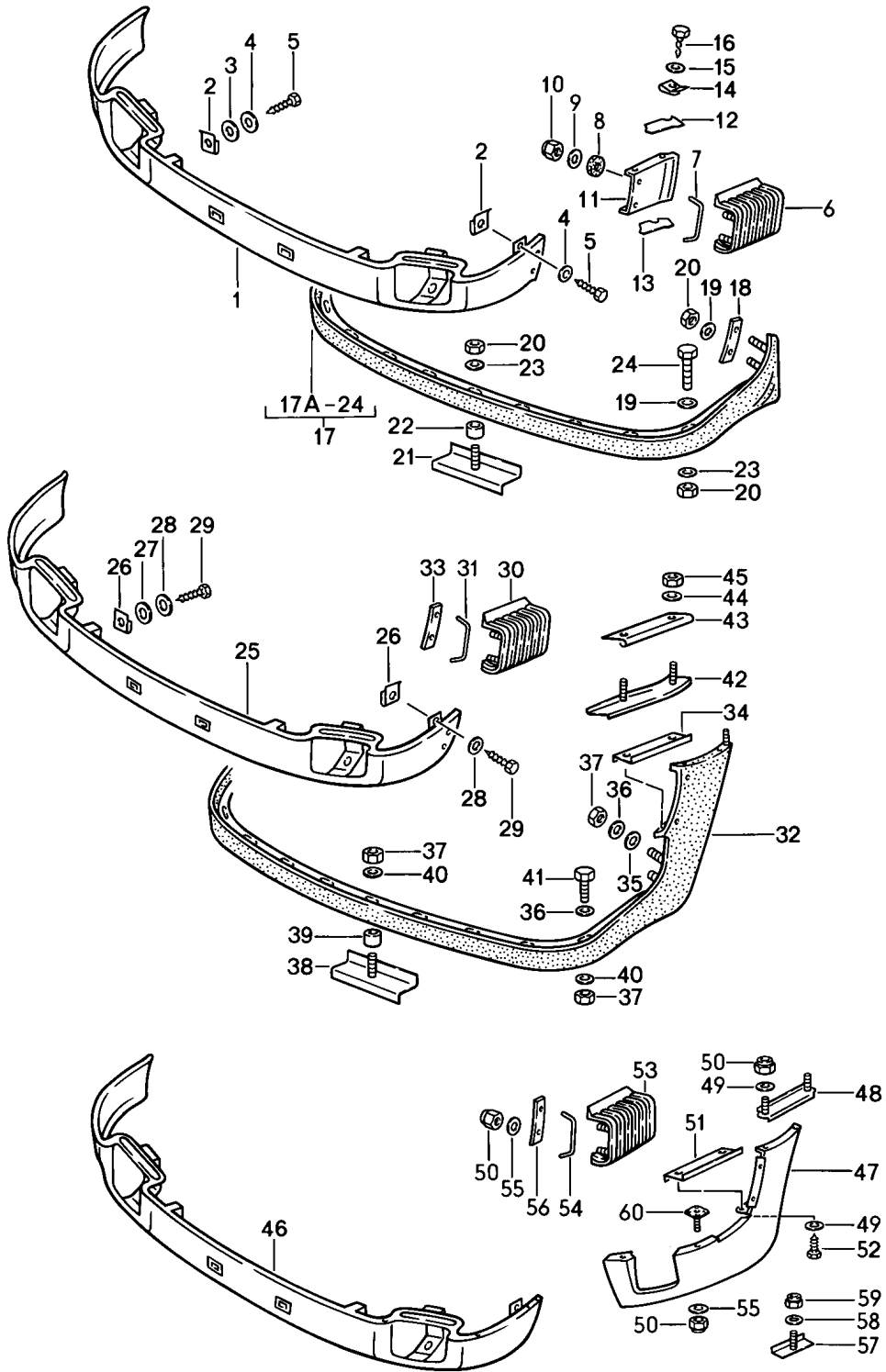
Pos	Part Number	Description	Remark	Qty	Model
		Bumper Front			
1	930 505 011 02	Bumper	-84	1	
(1)		Bumper		1	
5	911 505 147 03	Protective moulding		1	
5	911 505 147 04	Protective moulding		1	
-	PCG 505 147 03	Set of fastening parts		1	
		Protective moulding Comprising:			
-	900 143 085 07	Tapping screw		2	
-	911 505 417 00	Moulding plug		7	
-	911 505 418 00	Grommet		7	
-	999 507 018 01	Speed nut		2	
6	911 505 149 02	Insert		1	
7	911 505 417 00	Moulding plug		7	
8	911 505 418 00	Grommet		7	
9	900 143 085 07	Tapping screw B 4,2 X 16		2	
10	999 507 018 02	Speed nut B 4,2		2	
10	999 507 018 01	Speed nut B 4,2		2	
11	N 011 185 6	Hexagon nut M 10		4	
12	900 025 008 09	Washer A 10,5		4	
12	900 025 008 04	Washer A 10,5		4	
13	911 505 045 03	Impact pipe		2	
14	911 505 279 03	Impact absorber M 8		2	M058/113
15	900 084 004 03	Hexagon nut M 8		2	
15	900 084 004 02	Hexagon nut M 8		2	
(15)	999 084 608 02	Hexagon nut M 12		2	M058
16	900 151 008 02	Washer A 8,4		2	
(16)	900 025 009 02	Washer A 13		2	M058
17	911 505 220 01	Desk pad		2	
(17)	911 505 219 01	Desk pad		2	M058
18	911 505 221 00	Stop		2	
19	911 505 223 00	Supporting bow		2	
20	900 075 085 02	Hexagon-head bolt M 8 X 20		4	
21	900 027 015 02	Lock ring A 8		4	
21	900 027 015 03	Lock ring A 8		4	
22	900 025 007 02	Washer A 8,4		4	
22	900 025 007 03	Washer A 8,4		4	
23	911 505 311 00	Desk pad		2	
24	911 505 307 00	Cover	/L	1	
(24)	911 505 308 00	Cover	/R	1	
25	N 021 196 1	Lock nut M 5		4	
25	N 021 196 3	Hexagon nut M 5		4	
26	N 011 665 3	Washer		4	

Model: 911 84 Model life 1984>>1986

Pos	Part Number	Description	Remark	Qty	Model
26	N 011 665 16	A 5,3 Washer		4	
28	911 505 187 01	A 5,3 Sealing strip		1	
29	N 013 968 7	Tapping screw B 4,8 X 13		10	
29	900 143 097 01	Tapping screw B 4,8 X 13		10	
30	901 503 399 02	Rubber washer		4	
31	N 011 665 3	Washer A 5,3		10	
31	N 011 665 16	Washer A 5,3		10	
32	999 507 041 09	Speed nut B 4,8 Number plate Mount		10	
-	911 701 057 00	Set of fastening parts Front and rear	-85	1	
-	911 701 057 01	Set of fastening parts	(CDN) (USA) -85 (A)	1	(J
-	911 701 057 02	Set of fastening parts Front and rear Number plate Mount Front	(AUS) (B) (I) -85 (L)	1	(CAL) (D
(33)	911 701 201 00	Support		1	
33	911 701 053 00	Support		1	M218
(33)	911 701 201 02	Support		1	M411
34	803 955 637	Sealing washer		2	
35	999 591 354 02	Prestole cage		2	
36	N 011 524 7	Washer A 6,4		2	
36	N 011 524 27	Washer A 6,4		2	
37	900 187 115 02	Combination screw B 5,5 X 16		2	
37	900 187 115 01	Combination screw B 5,5 X 16		2	
38	999 591 498 40	Special nut		2	
39	N 011 522 8	Washer A 4,3		2	
40	900 143 134 00	Tapping screw BZ 4,2 X 9,5		2	

Model: 911 84

Model life 1984>>1986



Model: 911 84 Model life 1984>>1986

Pos	Part Number	Description	Remark	Qty	Model
		Front apron			
		Front spoiler			
		Carrera			
1	911 503 049 04	Front apron		1	
1	911 503 971 00	Front apron		1	
1		Front apron		1	
	911 503 971 00 GRV	Prime coated			
(1)	911 503 049 05	Front apron		1	M473
2	999 591 327 02	Speed nut		4	
		B 6,3			
2	999 501 327 01	Speed nut		4	
		B 6,3			
2	999 591 327 01	Speed nut		4	
		B 6,3			
3	999 704 157 40	Washer		2	
4	N 011 666 7	Washer		4	
		B 6,4			
5	900 187 010 02	Hexagon-head tapping screw		4	
		BZ 6,3 X 19			
5	900 187 010 03	Hexagon-head tapping screw		4	
		BZ 6,3 X 19			
6	911 799 505 63	Bellows	/L	1	
6	911 799 505 13	Bellows	/L	1	
(6)	911 799 505 64	Bellows	/R	1	
(6)	911 799 505 14	Bellows	/R	1	
7	911 505 375 00	Clamp		2	
8	901 511 791 21	Rubber washer		4	
9	900 025 003 02	Washer		4	
		A 5,3			
10	900 910 009 02	Lock nut		4	
		NM 5			
10	900 084 026 01	Lock nut		4	
		NM 5			
11	911 503 315 00	Front apron	/L	1	
11		Front apron	/L	1	
	911 503 315 00 GRV	Prime coated			
(11)	911 503 316 00	Front apron	/R	1	
(11)		Front apron	/R	1	
	911 503 316 00 GRV	Prime coated			
12	911 503 326 00	Intermediate layer		1	
13	911 503 325 00	Intermediate layer		1	
-	PCG 799 503 07	Set	76-89	1	
		Piping			
		Body			
		Front and rear			
		Comprising:			
-	911 503 185 01	Intermediate layer		1	
-	911 503 186 01	Intermediate layer		1	
-	911 503 325 00	Intermediate layer		2	
-	911 503 326 00	Intermediate layer		2	
-	911 799 503 07	Wing seal		2	
-	911 559 511 00	Gasket		2	
-	PCG 503 394 00	Set	77-89	1	TURBO
		Piping			
		Body			
		Front and rear			
		Comprising:			
-	930 503 197 00	Piping		2	
-	911 503 325 00	Intermediate layer		2	
-	911 503 326 00	Intermediate layer		2	
-	901 503 394 22	Piping		2	
14	999 507 041 09	Speed nut		8	
		B 4,8			

Model: 911 84 Model life 1984>>1986

Pos	Part Number	Description	Remark	Qty	Model
15	N 011 665 3	Washer A 5,3		8	
15	N 011 665 16	Washer A 5,3		8	
16	900 187 018 02	Hexagon-head tapping screw B 4,8 X 16		8	
17	911 503 995 00	Installation set Front spoiler Comprising: POS. 17A-24 for subsequent installation Only together with		1	
-	911 512 909 00	Installation set Or		1	
-	930 512 901 00	Installation set Rear spoiler See group 8/98/00		1	
17A	911 503 055 00	Front spoiler		1	
18	911 503 141 00	Desk pad	/L	1	
(18)	911 503 142 00	Desk pad	/R	1	
19	N 011 666 7	Washer B 6,4		8	
20	900 910 012 02	Lock nut M 6		15	
20	900 910 047 09	Lock nut M 6		15	
21	911 503 023 00	Shim		7	
22	911 503 349 00	Spacer sleeve		11	
23	N 011 524 7	Washer A 6,4		11	
23	N 011 524 27	Washer A 6,4		11	
24	N 010 217 9	Hexagon-head bolt M 6 X 20 for Turbo Turbo-look		4	
25	930 503 049 01	Front apron		1	
25	930 503 971 00	Front apron		1	
25	930 503 971 00 GRV	Front apron Prime coated		1	
26	999 591 327 02	Speed nut B 6,3		4	
26	999 501 327 01	Speed nut B 6,3		4	
26	999 591 327 01	Speed nut B 6,3		4	
27	999 704 157 40	Washer		2	
28	N 011 666 7	Washer B 6,4		4	
29	900 187 010 02	Hexagon-head tapping screw BZ 6,3 X 19		4	
29	900 187 010 03	Hexagon-head tapping screw BZ 6,3 X 19		4	
30	911 799 505 63	Bellows	/L	1	
30	911 799 505 13	Bellows	/L	1	
(30)	911 799 505 64	Bellows	/R	1	
(30)	911 799 505 14	Bellows	/R	1	
31	911 505 375 00	Clamp		2	
32	930 503 055 01	Front spoiler		1	
33	930 503 329 00	Desk pad	/L	1	
(33)	930 503 330 00	Desk pad	/R	1	

Model: 911 84

Model life 1984&gt;&gt;1986

Pos	Part Number	Description	Remark	Qty	Model
34	930 503 327 01	Plate with pressed-in hole		2	
35	901 565 448 40	Spacer		4	
36	N 011 666 7	Washer B 6,4		8	
37	900 910 012 02	Lock nut M 6		15	
37	900 910 047 09	Lock nut M 6		15	
38	911 503 023 00	Shim		7	
39	911 503 349 00	Spacer sleeve		11	
40	N 011 524 7	Washer A 6,4		11	
40	N 011 524 27	Washer A 6,4		11	
41	N 010 217 9	Hexagon-head bolt M 6 X 20		4	
42	930 503 131 00	Plate with screw bolt	/L	1	
(42)	930 503 132 00	Plate with screw bolt	/R	1	
43	930 503 197 00	Piping		2	
-	PCG 503 394 00	Set Piping Body Front and rear Comprising:	77-89	1	TURBO
-	930 503 197 00	Piping		2	
-	911 503 325 00	Intermediate layer		2	
-	911 503 326 00	Intermediate layer		2	
-	901 503 394 22	Piping		2	
44	N 011 665 3	Washer B 5,3		4	
44	N 011 665 16	Washer B 5,3		4	
45	N 011 005 14	Hexagon nut M 5		4	
45	900 076 091 01	Hexagon nut M 5 Turbo-lock Front spoiler		4	
46	930 503 049 01	Front apron		1	
46	930 503 971 00	Front apron		1	
46	930 503 971 00 GRV	Front apron Prime coated		1	
47	930 503 391 00	Front apron	/L	1	
(47)	930 503 392 00	Front apron	/R	1	
(47)	930 503 392 01	Front apron	/R	1	
48	930 503 137 00	Plate with screw bolt		2	
49	N 011 665 3	Washer B 5,3		8	
49	N 011 665 16	Washer B 5,3		8	
50	900 910 009 02	Lock nut M 5		16	
50	900 084 026 01	Lock nut M 5		16	
51	930 503 327 01	Plate with pressed-in hole		2	
52	900 187 004 02	Hexagon-head tapping screw B 4,8 X 19		4	
53	911 799 505 63	Bellows	/L	1	
53	911 799 505 13	Bellows	/L	1	
(53)	911 799 505 64	Bellows	/R	1	
(53)	911 799 505 14	Bellows	/R	1	
54	911 505 375 00	Clamp		2	
55	900 025 003 02	Washer		12	

Model: 911 84

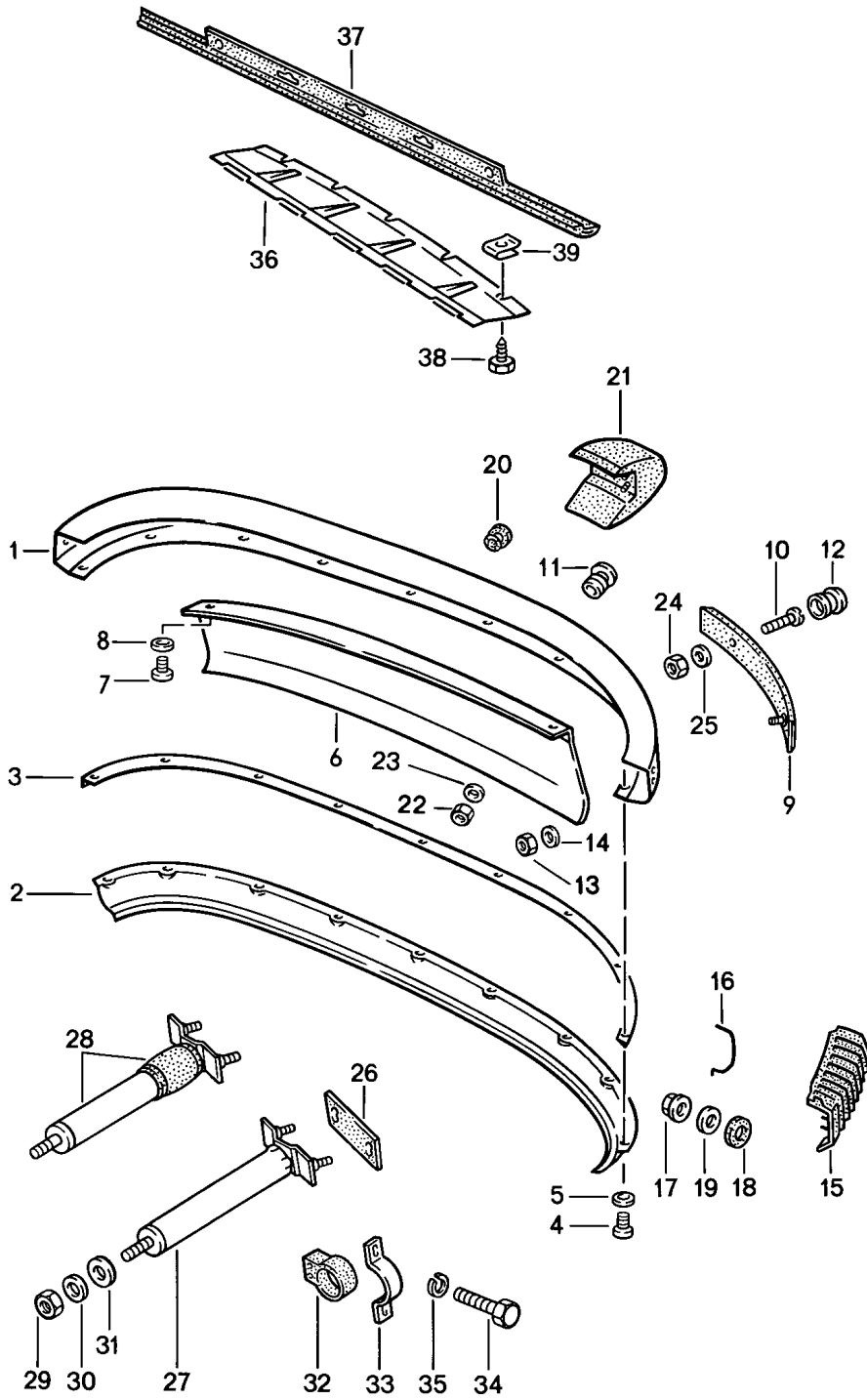
Model life 1984>>1986

Pos	Part Number	Description	Remark	Qty	Model
56	930 503 329 00	A 5,3 Desk pad	/L	1	
(56)	930 503 330 00	Desk pad	/R	1	
57	911 503 173 00	Shim		6	
58	N 011 524 7	Washer A 6,4		6	
58	N 011 524 27	Washer A 6,4		6	
59	900 910 012 02	Lock nut M 6		6	
59	900 910 047 09	Lock nut M 6		6	
60	999 503 068 02	Square screw M 5		4	



Model: 911 84

Model life 1984>>1986



Model: 911 84 Model life 1984>>1986

Pos	Part Number	Description	Remark	Qty	Model
(1)	930 505 012 05	Bumper Rear		1	
(1)	930 505 112 01	Bumper	86-	1	M215
2	911 505 171 08	Rear apron		1	CARRERA
2	911 505 171 08 GRV	Rear apron		1	CARRERA
(2)	930 505 077 04	Prime coated Rear apron		1	TURBO CARRERA M491
(2)	930 505 077 04 GRV	Rear apron		1	TURBO CARRERA M491
3	911 505 345 03	Piping		1	
4	900 278 024 09	Screw M 6 X 10		8	
5	N 011 524 7	Washer A 6,4		8	
5	N 011 524 27	Washer A 6,4		8	
6	930 505 511 00	Heat protection		1	TURBO
6	930 505 511 00 GRV	Heat protection		1	TURBO
(6)	930 505 511 02	Heat protection		1	TURBO
7	900 278 024 09	Screw M 6 X 10		3	TURBO
8	N 011 524 7	Washer A 6,4		6	TURBO
8	N 011 524 27	Washer A 6,4		6	TURBO
(9)	930 505 100 00	Protective moulding	/R -84	1	TURBO CARRERA M491
(9)	930 505 099 01	Protective moulding	/L -84	1	TURBO CARRERA M491
(9)	930 505 089 01 930 505 089 01 70A	Protective moulding Black	/L	1	TURBO CARRERA M491
(9)	930 505 090 00 930 505 090 00 70A	Protective moulding Black	/R	1	TURBO CARRERA M491
(9)	911 505 099 04	Protective moulding	/L	1	CARRERA
(9)	911 505 100 01	Protective moulding	/R	1	CARRERA
10	999 141 001 02	Half-round screw M 5 X 12		2	
10	999 141 001 0B	Half-round screw M 5 X 12		2	
11	999 703 181 40	Stopper 25,7 X 32 X 12		1	
12	914 552 233 10	Filler piece		2	CARRERA M058
12	914 552 233 10 01C	Filler piece 9 MM		2	CARRERA M058
(12)	911 505 327 00	Filler piece 22 MM		2	CARRERA M058 TURBO
13	900 910 009 02	Lock nut M 5		2	
13	900 084 026 01	Lock nut M 5		2	
13	900 910 011 02	Lock nut		3	TURBO

Model: 911 84

Model life 1984&gt;&gt;1986

Pos	Part Number	Description	Remark	Qty	Model
14	N 011 665 3	M 6 Washer		2	
14	N 011 665 16	A 5,3 Washer		2	
14	900 151 003 02	A 5,3 Washer		3	TURBO
14	900 151 006 03	A 6,4 Washer		3	TURBO
14	999 704 135 70	A 6,4 Washer		3	TURBO
15	911 799 505 65	7 X 17 X 1,5 Bellows	/L	1	
15	911 799 505 15	Bellows	/L	1	
(15)	911 799 505 66	Bellows	/R	1	
(15)	911 799 505 16	Bellows	/R	1	
16	911 505 376 00	Clamp		2	
17	900 910 009 02	Lock nut		8	
17	900 084 026 01	NM 5 Lock nut		8	
18	901 511 791 21	NM 5 Rubber washer		8	
19	900 025 003 02	Washer		8	
20	911 505 347 00	A 5,3 Rubber sleeve		2	
21	930 505 031 00	Buffer	/L	1	
(21)	930 505 031 01	Buffer	/L 86-	1	M215
(21)	930 505 032 00	Buffer	/R	1	
(21)	930 505 032 01	Buffer	/R 86-	1	M215
22	900 084 004 03	Hexagon nut		4	
22	900 084 004 02	M 8 Hexagon nut		4	
23	900 025 007 02	M 8 Washer		4	
23	900 025 007 03	8,4 Washer		4	
24	N 011 185 6	8,4 Hexagon nut		4	
25	900 025 008 09	M 10 Washer		4	
25	900 025 008 04	10,5 Washer		4	
26	911 505 311 00	10,5 Desk pad		2	
27	911 505 046 03	Impact pipe		2	
28	911 505 280 03	Impact absorber		2	M058/113
29	999 084 608 02	Hexagon nut		2	
30	900 025 009 02	M 12 Washer		2	
31	911 505 220 01	13 Desk pad		2	
(31)	911 505 219 01	Desk pad		2	M058
32	911 505 221 00	Stop		2	
33	911 505 223 00	Supporting bow		2	
34	900 075 085 02	Hexagon-head bolt		4	
35	900 027 015 02	M 8 X 20 Lock ring		4	
35	900 027 015 03	A 8 Lock ring		4	
36	911 503 157 01	A 8 Heat protection	-85	1	CARRERA
36		Heat protection		1	CARRERA
(36)	930 503 157 01	Heat protection		1	TURBO
37	911 503 085 05	Seal	-85	1	

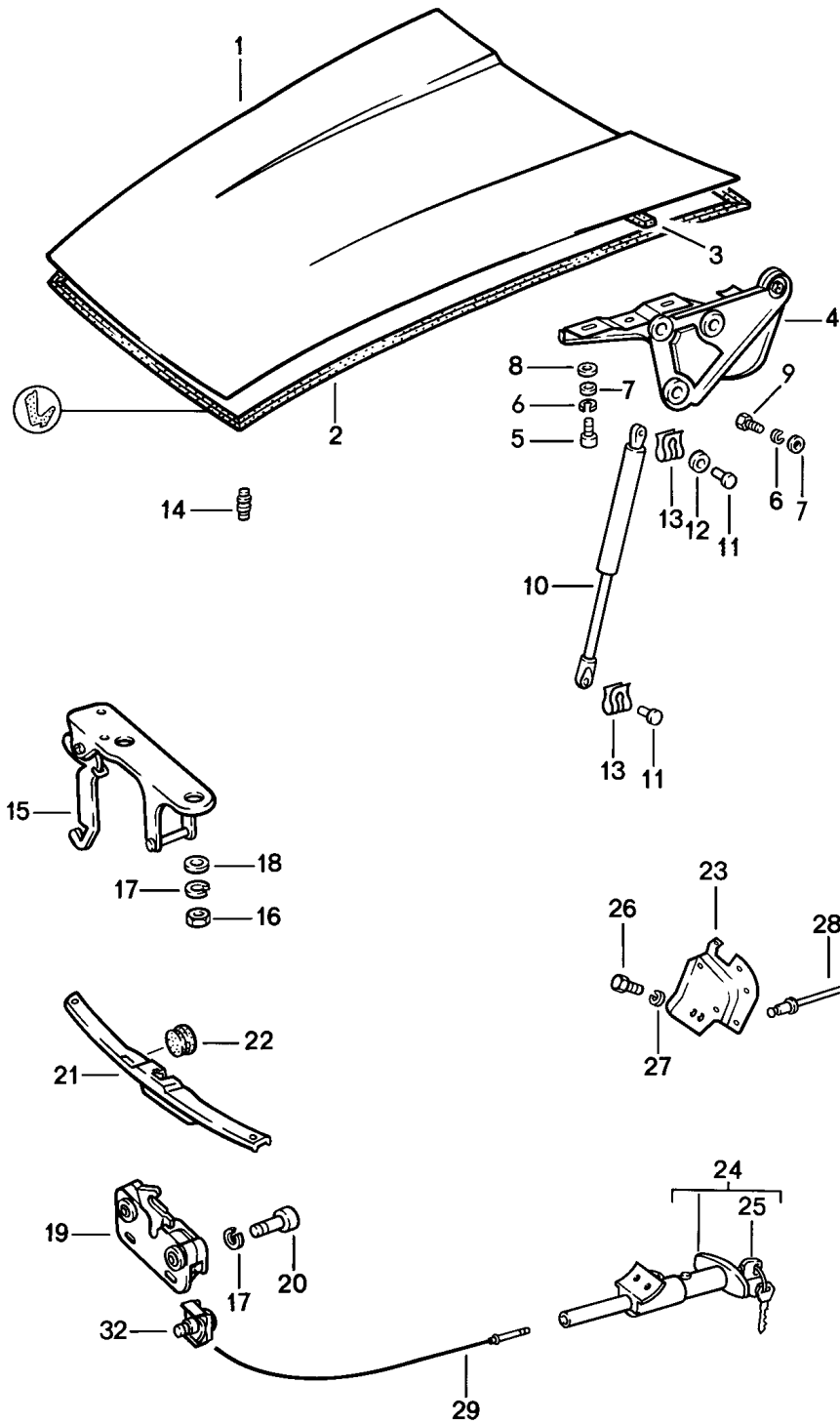
Model: 911 84

Model life 1984>>1986

Pos	Part Number	Description	Remark	Qty	Model
37		Seal		1	
38	N 013 970 5	Oval-head sheetmetal screw B 4,8 X 9,5		5	
38	N 106 568 02	Oval-head sheetmetal screw B 4,8 X 9,5		5	
38	900 187 104 02	Tapping screw B 4,8 X 13		5	
39	999 507 041 09	Speed nut B 4,8 Number plate Mount Rear		5	
-	928 701 050 03	Support		1	M218
-	914 571 903 10	Sealing ring		2	
-	900 025 003 02	Washer A 5,3		2	
-	N 100 818 01	Oval-head screw CM 5 X 16		2	
-	999 919 045 02	Countersunk-head screw M 5 X 15		2	M218
-	999 591 498 40	Special nut		2	M218
-	N 011 522 8	Washer A 4,3		2	M218
-	900 143 134 00	Tapping screw BZ 4,2 X 9,5		2	M218

Model: 911 84

Model life 1984>>1986



Model: 911 84 Model life 1984>>1986

Pos	Part Number	Description	Remark	Qty	Model
		Lid Front			
1	911 511 010 01	Lid		1	
(1)	911 511 010 03	Lid		1	
	911 511 010 03 GRV	Prime coated			
		Use also:			
-	997 632 201 00	Light		1	
2	911 511 923 02	Sealing frame		1	
3	911 511 127 00	Sealing frame		1	TARGA
(4)	911 511 031 00	Hinge	/L	1	
(4)	911 511 032 00	Hinge	/R	1	
5	900 067 057 02	Pan-head screw M 8 X 20		4	
5	900 067 057 03	Pan-head screw M 8 X 20		4	
6	900 027 015 02	Lock ring B 8		10	
6	900 027 015 03	Lock ring B 8		10	
7	900 025 007 02	Washer 8,4		10	
7	900 025 007 03	Washer 8,4		10	
8	900 151 008 02	Washer 8,4		X	
9	900 075 085 02	Hexagon-head bolt M 8 X 20		6	
10	911 511 331 01	Gas-pressure spring		2	
10	911 511 331 00	Gas-pressure spring		2	
11	999 166 043 02	Bolt		4	
12	911 511 332 00	Spacer		2	
13	N 012 645 2	Lock washer		4	
14	999 703 036 50	Rubber stop		2	
15	911 511 051 02	Lock upper part		1	
16	900 076 010 02	Nut M 6		2	
16	900 076 010 0B	Nut M 6		2	
17	N 012 007 2	Lock ring A 6		4	
17	900 027 004 03	Lock ring A 6		4	
18	N 011 666 7	Washer B 6,4		2	
19	911 511 052 01	Lock lower part		1	
20	N 014 743 2	Pan-head screw M 6 X 30		2	
20	900 067 012 03	Pan-head screw M 6 X 30		2	
21	911 555 085 00	Cover Cross panel		1	
22	999 703 119 40	Stopper		2	
23	911 511 725 43	Support for Lock	-85	1	
23	911 502 725 00	Support for Lock	86-	1	
23	911 502 725 00 GRV	Support Prime coated for Lock	86-	1	
24	911 511 903 00	Lock	-84	1	

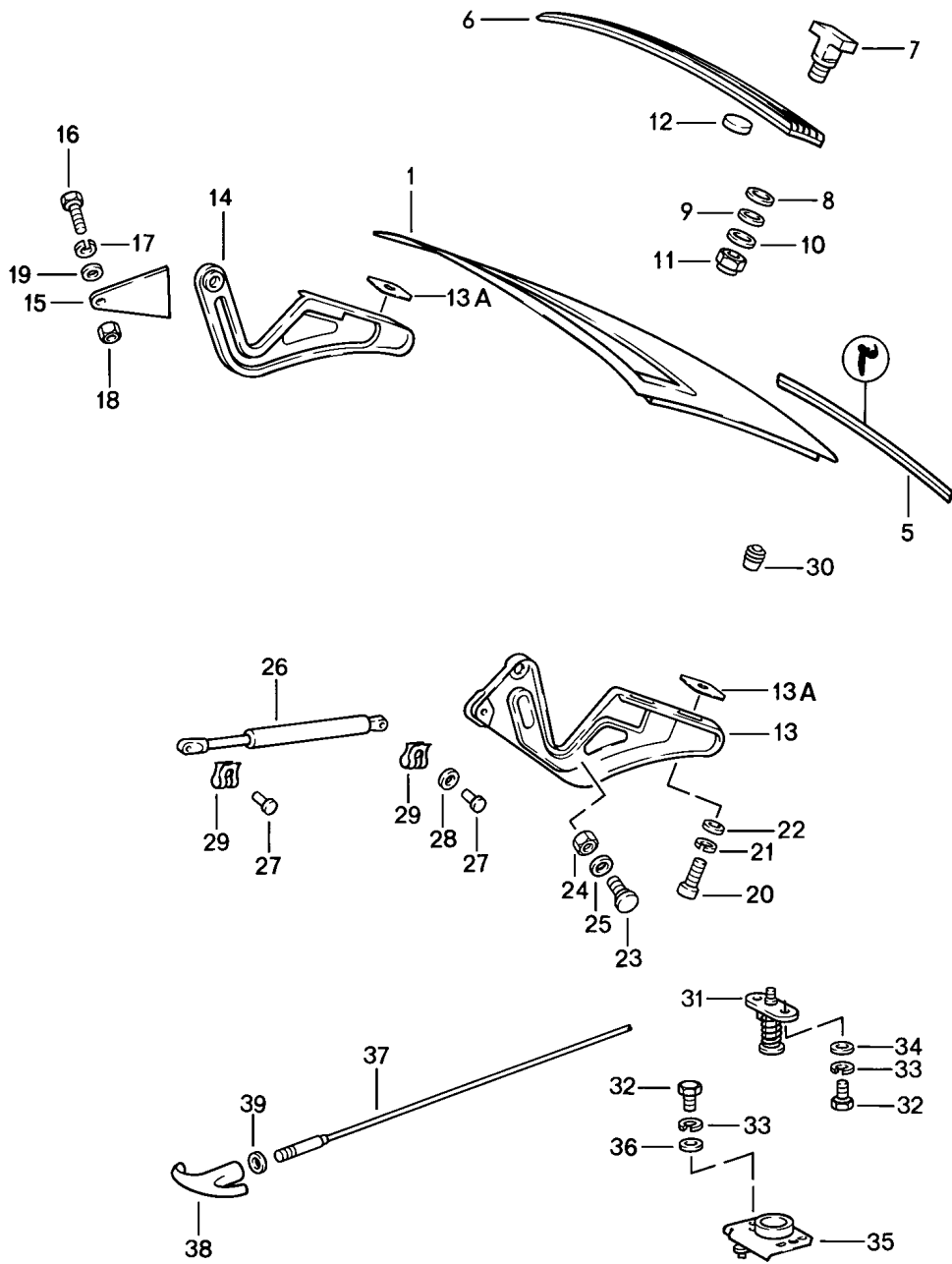
Model: 911 84

Model life 1984>>1986

Pos	Part Number	Description	Remark	Qty	Model
24	911 511 904 00	with 2 secondary keys W/o stipulated lock number Lock	-84	1	
24	911 511 903 00	with 2 secondary keys State lock number Lock	85-	1	
24	911 511 904 00	with 2 secondary keys W/o stipulated lock number Lock		1	
25		with 2 secondary keys State lock number See group			
26	N 010 225 4	8/04/00 Hexagon-head bolt		2	
26	900 075 001 03	M 5 X 8 Hexagon-head bolt		2	
27	900 027 011 01	M 5 X 8 Lock ring	-85	2	
28	999 190 113 02	A 5 Blind rivet	-85	4	
28	999 190 123 02	Blind rivet	-85	2	
29	911 511 071 01	3,2 X 7,37 Lid-release cable	-85	1	
(29)	911 511 037 00	Bowden cable	86-	1	
32	911 511 067 00	Clamp		1	

Model: 911 84

Model life 1984>>1986





Model: 911 84 Model life 1984>>1986

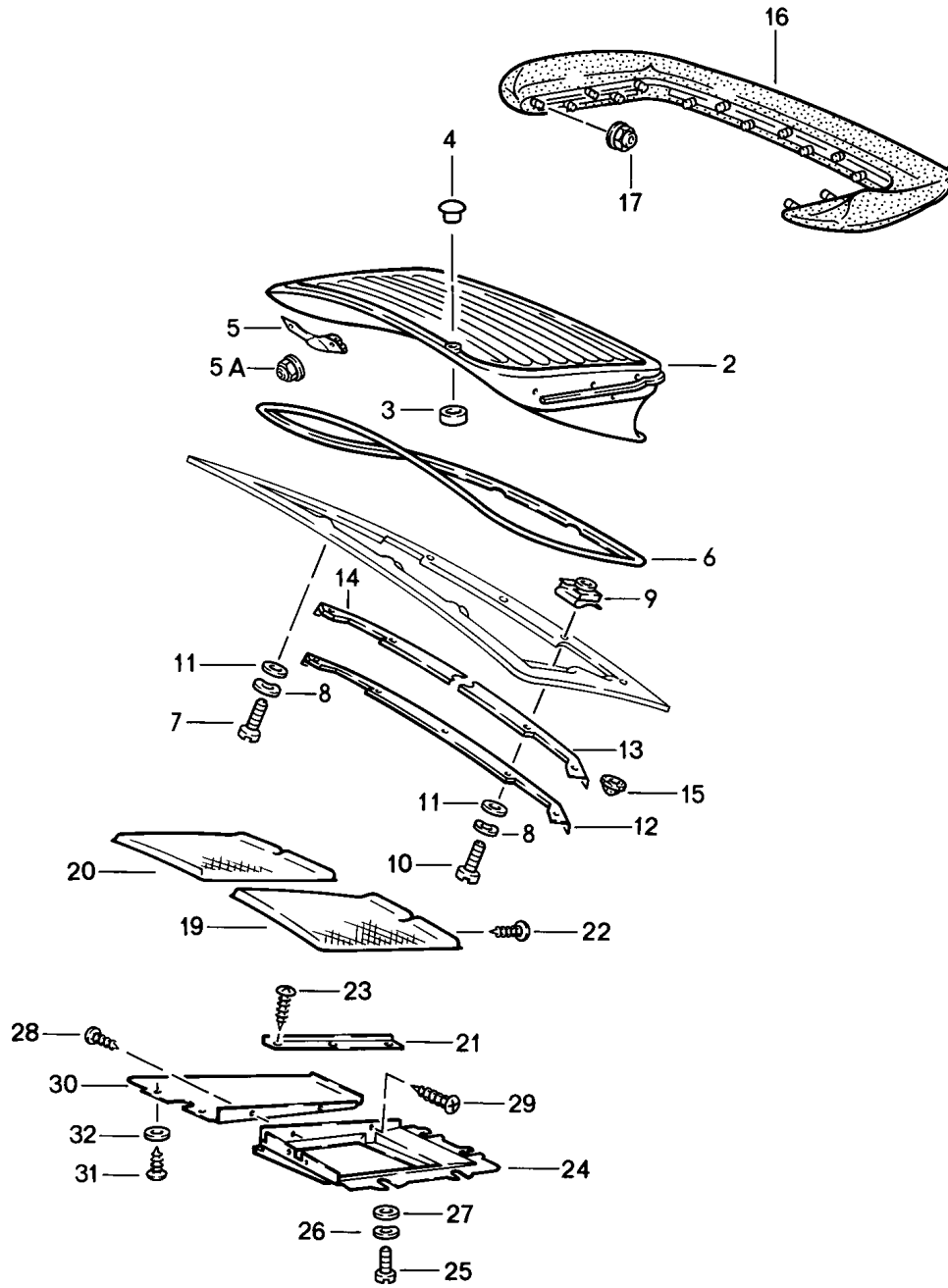
Pos	Part Number	Description	Remark	Qty	Model
		Lid Rear			
1	911 512 010 56	Lid	-85	1	CARRERA
1	911 512 010 65	Lid	86-	1	CARRERA
1		Lid	86-	1	CARRERA
	911 512 010 65 GRV	Prime coated			
(1)	930 512 010 09	Lid		1	TURBO
5	911 512 129 00	Gasket	-86	1	
6	911 559 411 00	Ventilation grille		1	CARRERA
6	911 559 411 01	Ventilation grille		1	CARRERA
7	911 559 433 00	T-headed screw		6	CARRERA
(7)	911 559 433 01	T-headed screw		2	M559
8	911 559 435 00	Spacer		6	CARRERA
9	113 951 539	Washer		6	CARRERA
10	N 011 665 3	Washer A 5,3		6	CARRERA
10	N 011 665 16	Washer A 5,3		6	CARRERA
11	900 910 009 02	Lock nut NM 5		6	CARRERA
11	900 084 026 01	Lock nut NM 5		6	CARRERA
(11)	900 034 006 02	Hexagon nut B M 5		2	M559
12	911 559 151 01	Base		6	CARRERA
13	911 512 035 00	Hinge	/L	1	
13A	999 025 098 02	Washer D=9		X	
14	901 512 036 20	Hinge	/R	1	CARRERA
14		Hinge	/R	1	CARRERA
	901 512 036 20 GRV	Prime coated			
(14)	930 512 036 00	Lid hinge	/R	1	TURBO M473 CARRERA M491
(14)		Lid hinge	/R	1	TURBO M473 CARRERA M491
	930 512 036 00 GRV				
15	930 512 039 00	Fastening plate		1	TURBO M473 CARRERA M491
16	900 075 016 02	Hexagon-head bolt M 6 X 22		1	CARRERA M491
16	900 075 016 03	Hexagon-head bolt M 6 X 22		1	Turbo M473 CARRERA M491
17	N 012 226 5	Spring washer B 6		1	Turbo M473 CARRERA M491
18	900 076 010 02	Nut M 6		1	Turbo M473 CARRERA M491
18	900 076 010 0B	Nut M 6		1	Turbo CARRERA M491
19	N 011 524 7	Washer		1	Turbo M473

Model: 911 84 Model life 1984>>1986

Pos	Part Number	Description	Remark	Qty	Model
		6,4			CARRERA
19	N 011 524 27	Washer		1	M491 Turbo M473
		6,4			CARRERA M491
20	900 067 011 02	Pan-head screw M 6 X 20		4	
20	900 067 011 03	Pan-head screw M 6 X 20		4	
21	N 012 006 4	Lock ring B 6		4	
22	N 011 666 7	Washer B 6,4		4	
23	901 512 471 20	Collar bolt		2	
24	900 910 023 02	Lock nut M 8		2	
(24)	999 084 052 02	Lock nut M 8		2	
25	900 025 007 02	Washer A 8,4		2	
25	900 025 007 03	Washer A 8,4		2	
26	911 512 331 01	Gas-pressure spring		1	CARRERA
26		Gas-pressure spring		1	CARRERA
(26)	911 512 331 02	Gas-pressure spring		2	/TU M473/559 CARRERA M491
(26)		Gas-pressure spring		2	TURBO CARRERA M473
27	999 166 043 02	Bolt		2	
28	911 511 332 00	Spacer		1	
29	N 012 645 2	Lock washer		2	
29		Lock washer		3	M473
30	999 703 140 40	Rubber buffer		2	
31	930 512 052 00	Lock upper part		1	CARRERA
(31)		Lock upper part		1	TURBO M473 CARRERA M491
32	900 075 162 02	Hexagon-head bolt M 6 X 16		2	CARRERA
32	N 010 287 1	Hexagon-head bolt M 6 X 16		2	CARRERA
32	900 075 057 02	Hexagon-head bolt M 6 X 16		2	CARRERA
(32)	N 010 217 9	Hexagon-head bolt M 6 X 20		2	TURBO
33	N 012 006 4	Lock ring B 6		4	
34	N 011 666 7	Washer B 6,4		2	
35	901 512 052 00	Lock lower part		1	
36	900 025 028 02	Washer		2	
36	N 011 666 7	Washer B 6,4		2	
37	901 511 073 20	Lid-release cable		1	
37	901 511 073 21	Lid-release cable		1	
38	901 552 813 20	Handle		1	
39	911 512 531 00	Grommet Lid-release cable		1	

Model: 911 84

Model life 1984>>1986



Model: 911 84 Model life 1984&gt;&gt;1986

Pos	Part Number	Description	Remark	Qty	Model
-	911 512 909 00	Rear spoiler Installation set		1	CARRERA
-	911 503 995 00	Rear spoiler for subsequent installation Only together with		1	CARRERA
-	930 512 901 00	Installation set Front spoiler		1	CARRERA
-	911 503 995 00	Or Installation set Rear spoiler for subsequent installation Only together with		1	CARRERA
2	930 512 023 00	Installation set Front spoiler		1	TURBO M491 M473
(2)	911 512 043 00	Rear spoiler		1	
3	930 512 267 00	Spacer		2	
4	999 703 169 40	Cap		1	
5	930 512 253 01	Fastening angle	-85	3	
5		Fastening angle	86-	3	TURBO CARRERA M473/491
(5)	930 512 257 00	Fastening angle	/L	1	
(5)	930 512 258 00	Fastening angle	/R	1	
5A	999 084 076 02	Lock nut M 4		10	M473
5B	N 040 226 2	Hexagon-head bolt M 4 X 15		10	M473
6	930 512 215 00	Piping		1	TURBO M491 M473
6	911 512 215 00	Piping		1	
7	N 014 765 2	Pan-head screw M 6 X 10		3	
8	N 012 226 5	Spring washer A 6		5	
9	999 507 328 02	Captive nut M 6		5	
9	999 507 328 0B	Captive nut M 6		5	
10	900 119 091 02	Pan-head screw M 6 X 15		7	
11	N 011 666 7	Washer 6,4		10	
12	930 512 281 00	Base rail		1	TURBO M491 M473 M473
13	911 512 289 00	Base rail	/L	1	
14	911 512 290 00	Base rail	/R	1	
15	999 703 013 50	Stopper		2	
16	930 512 021 00	Polyuret. rim for spoiler		1	TURBO M491 M473 M473 M491
(16)	911 512 091 00	Polyuret. rim for spoiler		1	
(17)	999 084 074 02	Lock nut		9	
(17)	999 084 075 02	Lock nut		10	
(17)		Lock nut M 6		17	
19	930 512 031 00	Grille	/L	1	TURBO M473/491
(19)	911 512 231 00	Perforated plate	/L	1	
20	930 512 032 00	Grille	/R	1	TURBO M473/491
(20)	911 512 232 00	Perforated plate	/R	1	
21	930 512 175 00	Angular plate		2	
22	900 143 124 07	Tapping screw 3,5 X 13		2	

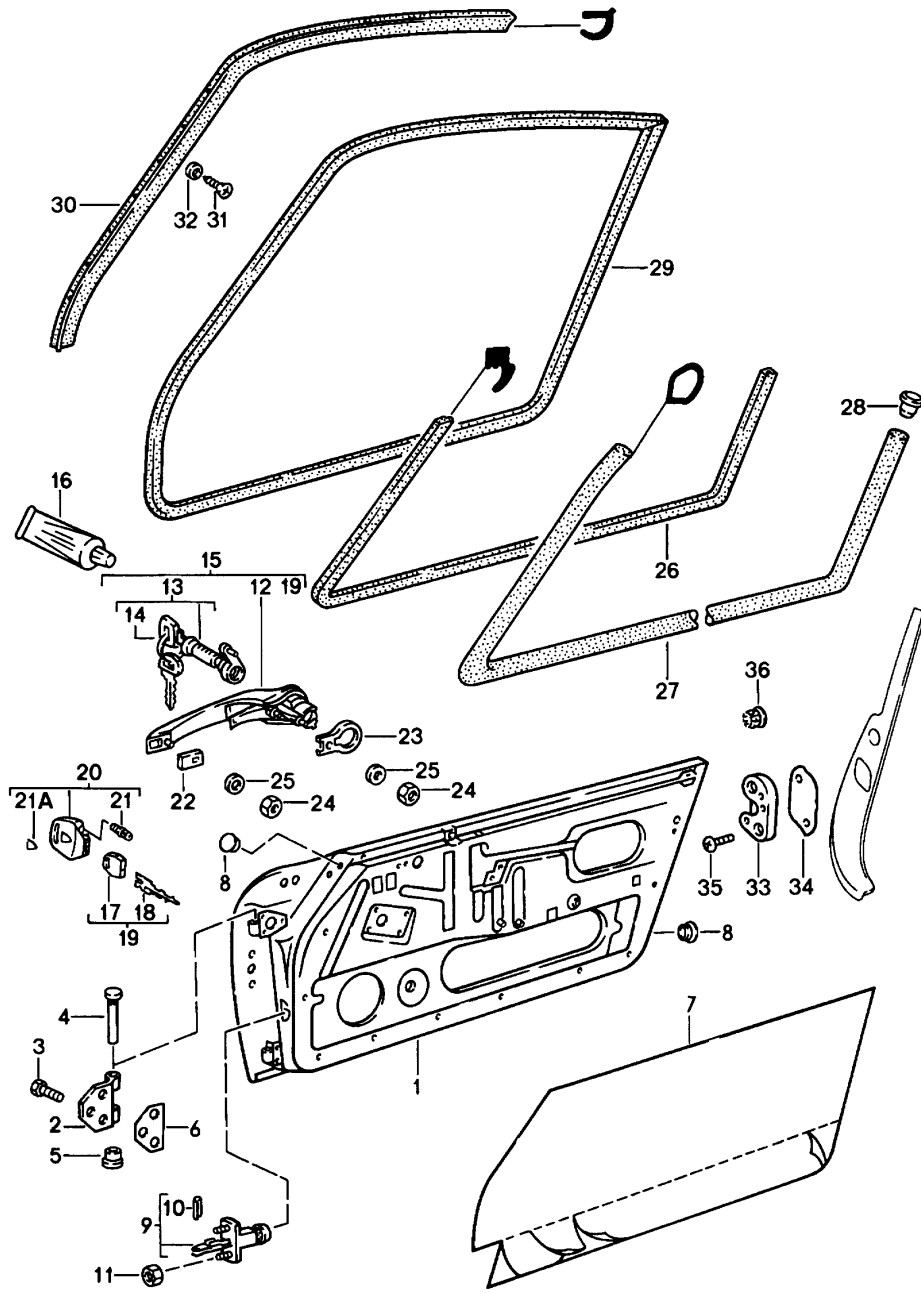
Model: 911 84

Model life 1984&gt;&gt;1986

Pos	Part Number	Description	Remark	Qty	Model
23	900 143 114 07	Oval-head sheetmetal screw 3,5 X 9,5		6	
24	930 512 241 00	Air guide		1	TURBO
(24)	911 512 037 00	Air baffle plate	/L	1	M473/491
(24)	911 512 038 00	Air baffle plate	/R	1	M473/491
25	N 014 765 2	Pan-head screw M 6 X 10		4	
25		Pan-head screw M 6 X 10		4	
26	N 012 226 5	Spring washer A 6		4	
27	N 011 666 7	Washer B 6,4		4	
28	900 143 124 07	Tapping screw 3,5 X 13		2	
29	900 146 053 07	Oval-head screw M 4 X 18		2	
30	930 512 044 00	Reinforcement plate	-84	1	TURBO
31	N 014 086 4	Rais. counters. h. tap. s. 3,5 X 13	-84	4	TURBO
32	900 025 002 02	Washer 4,3		5	TURBO
32	900 025 002 03	Washer 4,3		5	TURBO

Model: 911 84

Model life 1984>>1986



Model: 911 84 Model life 1984>>1986

Pos	Part Number	Description	Remark	Qty	Model
		Accessories			
		Doors			
		Order also:			
		See illustrations			
		8/04/05			
		POS.4-5B			
(1)	911 531 005 21	Bare door shell		1	
-	964 531 201 00	Exterior panelling	/L	1	
	964 531 201 00 GRV	Prime coated			
		It is necessary to rework			
(1)	911 531 006 21	Bare door shell		1	
-	964 531 202 00	Exterior panelling	/R	1	
	964 531 202 00 GRV	Prime coated			
		It is necessary to rework			
2	901 531 303 21	Hinge arm		4	
3	999 093 010 02	Hexagon-head bolt		12	
		M 8 X 20			
4	901 531 305 20	Hinge bolt		4	
5	901 531 311 20	Bush		8	
6	901 531 391 20	Desk pad		4	
7	911 531 889 00	Seal	/L	1	
7	911 531 890 00	Seal	/R	1	
8	999 703 119 40	Stopper		10	
9	911 531 057 02	Door arrester		2	
(9)	911 531 957 00	Door arrester		2	
		with			
		Set of fastening parts			
10	900 309 032 02	Spiral clamping pin		2	
11	900 910 012 02	Lock nut		4	
		M 6			
11	900 910 047 09	Lock nut		4	
		M 6			
12	911 531 941 28	Outer door handle	-84	2	
		Black			
		without lock cylinder			
		Replacement			
		POS.15			
(13)	911 531 943 00	Lock cylinder	/L -84	1	
		with 2 secondary keys			
		W/o stipulated lock number			
(13)	911 531 947 00	Lock cylinder	/L -84	1	
		MIT 1 NEBENSCHLUESSEL			
		State lock number			
13	911 531 944 00	Lock cylinder	/R -84	1	
		with 2 secondary keys			
		W/o stipulated lock number			
13	911 531 944 29	Lock cylinder	/R	1	
		with 2 secondary keys			
		W/o stipulated lock number			
13	911 531 948 00	Lock cylinder	/R -84	1	
		MIT 1 NEBENSCHLUESSEL			
		State lock number			
14	911 531 945 00	Blank key	-84	2	
		Replacement			
		POS.18,20			
14	911 531 946 00	Main key	-84	2	
		Replacement			
		POS.19,20			
(14)	914 531 903 11	Blank key	-84	2	
		Secondary key			
		Single parts			
		for			
		Key	-84		

Model: 911 84

Model life 1984>>1986

Pos	Part Number	Description	Remark	Qty	Model
-	911 531 638 00	with Light Cap	-84	1	
-	928 537 627 02	Pressure spring	-84	1	
-	911 531 640 00	Bulb	-84	1	
		with Contact plate		1	
-	911 531 641 00	Bridge	-84	1	
-	911 531 642 00	Lid	-84	1	
(15)	911 538 941 01	Outer door handle	/L	1	
(15)	911 538 941 07	Outer door handle	/L	1	
		Black with lock cylinder And two spare keys W/o stipulated lock number			
(15)	911 538 941 05	Outer door handle	/L	1	
		Chrome with lock cylinder And two spare keys W/o stipulated lock number			
(15)	911 538 941 00	Outer door handle	/L	1	
(15)	911 538 941 06	Outer door handle	/L	1	
		Black with lock cylinder And two spare keys State lock number			
(15)	911 538 941 04	Outer door handle	/L	1	
		Chrome with lock cylinder And two spare keys State lock number			
15	911 538 942 01	Outer door handle	/R	1	
15	911 538 942 07	Outer door handle	/R	1	
		Black with lock cylinder And two spare keys W/o stipulated lock number			
15	911 538 942 05	Outer door handle	/R	1	
		Chrome with lock cylinder And two spare keys W/o stipulated lock number			
15	911 538 942 00	Outer door handle	/R	1	
15	911 538 942 06	Outer door handle	/R	1	
		Black with lock cylinder And two spare keys State lock number			
15	911 538 942 04	Outer door handle	/R	1	
		Chrome with lock cylinder And two spare keys State lock number			
16	000 043 204 21	Grease for lock cylinder		X	
16	G 052 778 A2	Grease for lock cylinder		X	
17	944 538 431 00	Key cap		1	
18	911 538 903 00	Blank key	-85	1	
18		Blank key	86-	1	
19	911 538 902 00	Replacement key with Key cap		1	

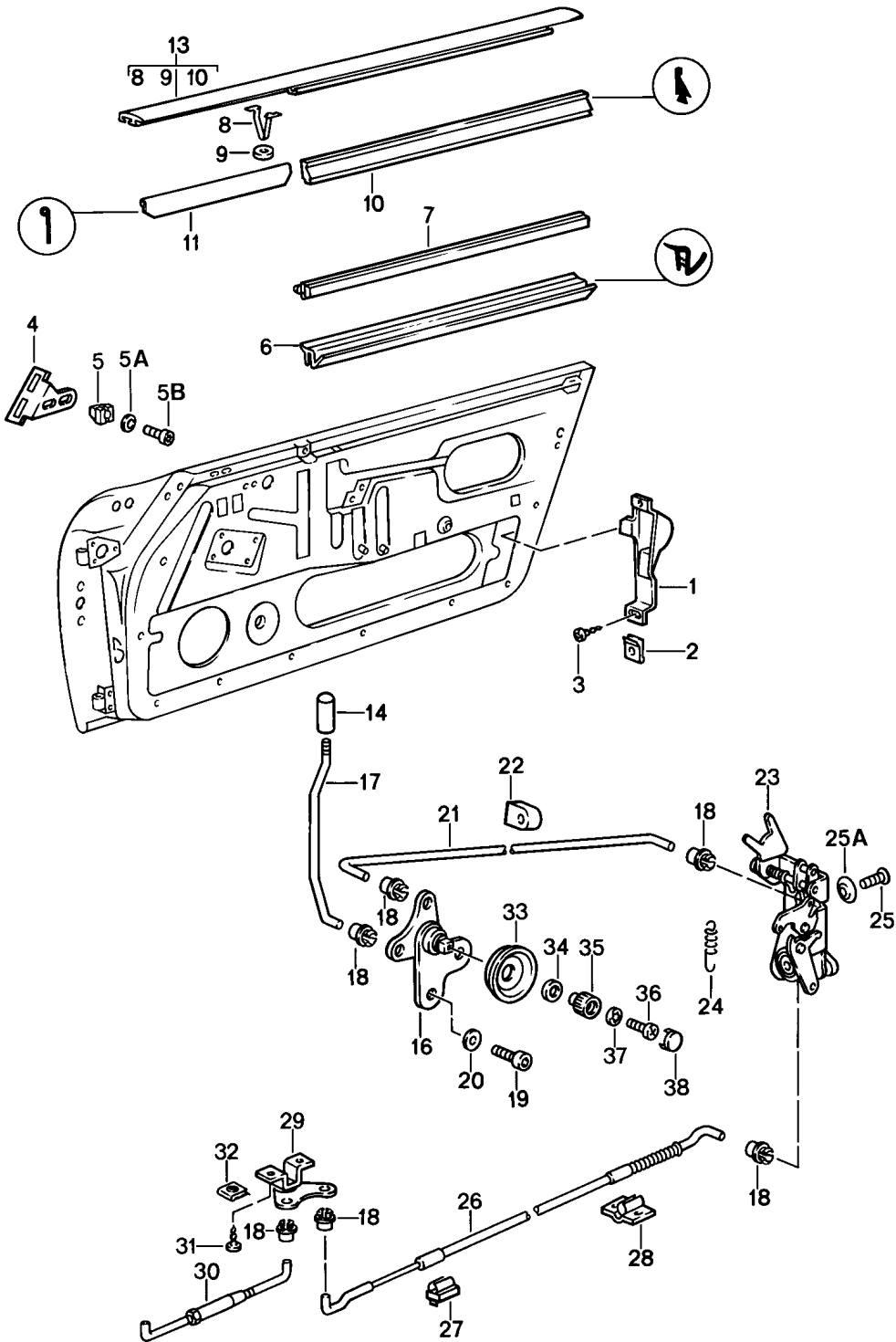


Model: 911 84 Model life 1984>>1986

Pos	Part Number	Description	Remark	Qty	Model
		State lock number Information available			
20	944 538 041 00	Key lamp Complete		1	
20	944 538 041 01	Key lamp Complete		1	
21	928 537 630 02	Bulb E 5,5		1	
21A	944 538 443 00	Crest		2	
22	911 531 631 00	Desk pad		2	
23	911 531 632 00	Desk pad		2	
24	900 910 008 02	Lock nut M 5		4	
25	900 025 003 02	Washer A 5,3		4	
(26)	911 531 095 40	Door sealing	/L	1	TARGA CABRIO
(26)	911 531 096 40	Door seal	/R	1	TARGA CABRIO
(28)	911 531 523 65	ENTFALLEN Cap		2	CABRIO
29	911 531 095 02	Door sealing		2	COUPE
29	911 531 095 03	Door sealing		2	COUPE
(30)	911 542 403 01	Sealing rail	/L -85	1	COUPE
30	911 542 404 01	Sealing rail	/R -85	1	COUPE
(30)	911 542 403 03	Sealing rail	/L 86-	1	COUPE
30	911 542 404 03	Sealing rail	/R 86-	1	COUPE
31	900 145 081 00	Tapping screw B 2,9 X 6,5		30	COUPE
32	999 591 009 12	Protection washer 3,5 MS		30	COUPE
33	911 531 701 02	Door lock striker Yellow Chrome	/L	1	
(33)	911 531 702 02	Door lock striker Yellow Chrome	/R	1	
34	901 531 703 23	Desk pad 1 MM		X	
(34)	901 531 703 24	Desk pad 2 MM		X	
35	999 219 008 00	Oval-head screw M 8 X 40		4	
36	911 531 243 00	Stopper for cars without Alarm system	/L	1	

Model: 911 84

Model life 1984>>1986



Model: 911 84 Model life 1984>>1986

Pos	Part Number	Description	Remark	Qty	Model
		Installation parts			
		Doors			
(1)	911 537 335 00	Cover	/L	1	CARRERA
(1)	911 537 355 00	Cover	/L	1	M341
1	911 537 336 00	Cover	/R	1	CARRERA
(1)	911 537 356 00	Cover	/R	1	M341
		for			
		Door lock			
2	N 015 438 1	Speed nut		5	
		B 3,5			
3	900 144 028 07	Tapping screw		5	
		B 3,5 X 13			
(4)	911 531 955 00	Bracket	/L	1	
(4)	911 531 956 00	Bracket	/R	1	
		for			
		Cover strip	-86		
5A	N 011 524 7	Washer		4	
		A 6,4			
5A	N 011 524 27	Washer		4	
		A 6,4			
(5B)	999 072 005 09	Hexagon nut		4	
		M 6 X 12			
(5B)	999 072 005 01	Hexagon nut		4	
		M 6 X 12			
6	911 531 951 01	Sealing for door slot		2	
(7)	901 531 935 20	Sealing for door slot	/L	1	COUPE
(7)	911 531 295 40	Sealing for door slot	/L	1	TARGA CABRIO
7	901 531 936 20	Sealing for door slot	/R	1	COUPE
(7)	911 531 296 40	Sealing for door slot	/R	1	TARGA CABRIO
8	999 591 326 02	Moulding clip		14	
8	999 591 326 01	Moulding clip		14	
9	911 531 309 00	Ring		14	
(10)	911 531 931 02	Sealing strip	/L	1	COUPE
(10)	911 531 931 42	Sealing strip	/L	1	TARGA CABRIO
10	911 531 932 02	Sealing strip	/R	1	COUPE
(10)	911 531 932 42	Sealing strip	/R	1	TARGA CABRIO
(11)	901 531 933 20	Sealing strip		2	
(11)	911 531 297 00	Piping		2	COUPE
	911 531 297 00 01C	Black			
11	911 531 297 40	Piping		2	TARGA/CABRIO
	911 531 297 40 01C	Black			
11	911 531 297 41	Piping		2	TARGA/CABRIO
	911 531 297 41 01C	Black			
13	911 531 041 30	Moulding	/L	1	COUPE
	911 531 041 30 70K	Black			
-	911 531 431 00	Moulding	/L	1	COUPE
	911 531 431 00 70K	Black			
13	911 531 042 30	Moulding	/R	1	COUPE
	911 531 042 30 70K	Black			
-	911 531 432 00	Moulding	/R	1	COUPE
	911 531 432 00 70K	Black			
(13)	911 531 431 40	Moulding	/L -85	1	TARGA CABRIO
	911 531 431 40 70K	Black			
(13)	911 531 041 50	Moulding	/L 86-	1	TARGA
	911 531 041 50 70K	Black			
(13)	911 531 432 40	Moulding	/R -85	1	CABRIO TARGA
	911 531 432 40 70K	Black			CABRIO
13	911 531 042 50	Moulding	/R 86-	1	TARGA

Model: 911 84 Model life 1984&gt;&gt;1986

Pos	Part Number	Description	Remark	Qty	Model
	911 531 042 50 70K	Black			
(13)	911 531 431 60	Moulding	/L -85	1	CABRIO CABRIO M070
	911 531 431 60 70K	Black			
(13)	911 531 041 60	Moulding	/L	1	CABRIO M070
	911 531 041 60 70K	Black			
(13)	911 531 432 60	Moulding	/R -85	1	CABRIO M070
	911 531 432 60 70K	Black			
13	911 531 042 60	Moulding	/R 86-	1	CABRIO M070
	911 531 042 60 70K	Black			
14	928 555 359 02	Locking knob		2	
14		Locking knob		2	
		Doors			
	928 555 359 02 70B	Black			
(14)	928 555 565 02	Guide sleeve	-84	2	
(14)	928 555 569 02	Guide bush	85-	2	
(16)	911 531 075 01	Mounting for push-button	/L -84	1	
(16)	911 531 075 02	Mounting for push-button	/L 85-	1	
(16)	911 531 075 03	Mounting for push-button	/L 85-	1	
(16)	911 531 076 01	Mounting for push-button	/R -84	1	
16	911 531 076 02	Mounting for push-button	/R 85-	1	
16	911 531 076 03	Mounting for push-button	/R 85-	1	
(17)	911 531 707 00	Rod for push-button	/L -84	1	
(17)	911 531 707 01	Rod for push-button	/L 85-	1	
(17)	911 531 708 00	Rod for push-button	/R -84	1	
17	911 531 708 01	Rod for push-button	/R 85-	1	
18	993 531 563 00	Linkage clip		10	
19	900 186 147 02	Pan-head screw M 6 X 10		4	
19	900 976 008 01	Pan-head screw M 6 X 10		4	
20	N 012 226 5	Spring washer B 6		4	
21	911 531 562 00	Connecting rod	-84	2	
21	911 531 562 01	Connecting rod	85-	2	
22	911 531 565 00	Rubber mounting		4	
(22)	911 531 599 00	Rubber mounting		4	
(23)	911 531 053 06	Door lock with antishutout mechanism	/L -84	1	
(23)		Door lock with antishutout mechanism	/LL /L	1	
(23)	964 531 053 01	Door lock with antishutout mechanism	/LL /L	1	CARRERA
(23)	911 531 053 05	Door lock without antishutout mechanism	/RL /L	1	
(23)	911 531 053 09	Door lock without antishutout mechanism	/RL /L	1	
23	911 531 054 05	Door lock without antishutout mechanism	/LL /R	1	
(23)	964 531 054 00	Door lock without antishutout mechanism	/LL /R	1	CARRERA
23	911 531 054 06	Door lock with antishutout mechanism	/RL /R	1	
(23)	964 531 054 01	Door lock with antishutout mechanism	/RL /R	1	CARRERA
24	993 531 165 00	Tension spring		2	
25	999 219 009 00	Oval-head screw Micro-self-locking AM 6 X 16		6	

Model: 911 84 Model life 1984>>1986

Pos	Part Number	Description	Remark	Qty	Model
25A	999 591 118 02	Washer 6,5 X 90 DEG		6	
(26)	911 531 509 00	Bowden cable F >>91FS1 02173 F >>91FS1 09636 F >>91FS1 40830 F >>91FS1 49563 F >>91FS1 50821 F >>91FS1 59568 F >>93FS0 00693	/L (J) (J) (J) (J)	1	CARRERA CARRERA TARGA TARGA CABRIO CABRIO TURBO
26	911 531 510 00	Bowden cable F >>91FS1 02173 F >>91FS1 09636 F >>91FS1 40830 F >>91FS1 49563 F >>91FS1 50821 F >>91FS1 59568 F >>93FS0 00693	/R (J) (J) (J) (J)	1	CARRERA CARRERA TARGA TARGA CABRIO CABRIO TURBO
26	911 531 509 01	Bowden cable F 91FS1 02174>> F 91FS1 09637>> F 91FS1 40831>> F 91FS1 49564>> F 91FS1 50822>> F 91FS1 59569>> F 93FS0 00694>>	(J) (J) (J) (J)	2	CARRERA CARRERA TARGA TARGA CABRIO CABRIO TURBO
27	911 531 097 00	Support	/V	2	
28	911 531 099 00	Support	/H	2	
29	911 531 083 00	Relay lever F >>91FS1 02173 F >>91FS1 09636 F >>91FS1 40830 F >>91FS1 49563 F >>91FS1 50821 F >>91FS1 59568 F >>93FS0 00693	(J) (J) (J) (J)	2	CARRERA CARRERA TARGA TARGA CABRIO CABRIO TURBO
29	993 531 083 00	Relay lever F 91FS1 02174>> F 91FS1 09637>> F 91FS1 40831>> F 91FS1 49564>> F 91FS1 50822>> F 91FS1 59569>> F 93FS0 00694>>	/L (J) (J) (J) (J)	1	CARRERA CARRERA TARGA TARGA CABRIO CABRIO TURBO
29	993 531 084 00	Relay lever F 91FS1 02174>> F 91FS1 09637>> F 91FS1 40831>> F 91FS1 49564>> F 91FS1 50822>> F 91FS1 59569>> F 93FS0 00694>>	/R (J) (J) (J) (J)	1	CARRERA CARRERA TARGA TARGA CABRIO CABRIO TURBO
30	911 531 091 00	Pull rod F >>91FS1 02173 F >>91FS1 09636 F >>91FS1 40830 F >>91FS1 49563 F >>91FS1 50821 F >>91FS1 59568 F >>93FS0 00693	(J) (J) (J) (J)	2	CARRERA CARRERA TARGA TARGA CABRIO CABRIO TURBO
30	911 531 091 01	Pull rod F 91FS1 02174>> F 91FS1 09637>>	(J)	2	CARRERA CARRERA

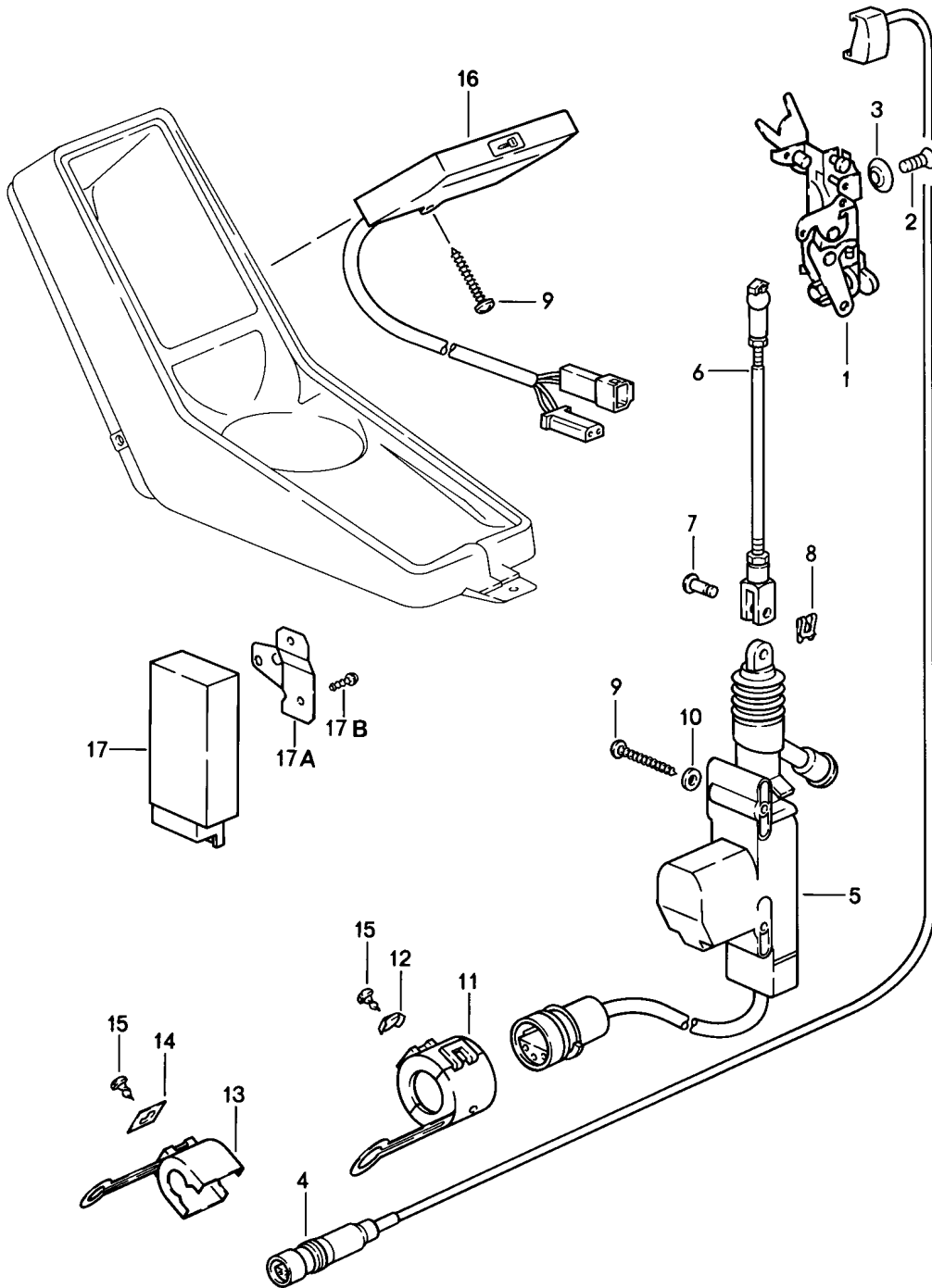
Model: 911 84

Model life 1984>>1986

Pos	Part Number	Description	Remark	Qty	Model
		F 91FS1 40831>> F 91FS1 49564>> F 91FS1 50822>> F 91FS1 59569>> F 93FS0 00694>>	(J)  (J)		TARGA TARGA CABRIO CABRIO TURBO
31	N 014 086 4	Rais. counters. h. tap. s. B 3,5 X 13		4	
32	999 507 009 02	Speed nut 3,5 \$		4	
33	911 531 692 00	Covering	-84	2	
33	928 537 585 02	Covering	85-	2	
34	911 531 705 00	Spacer ring		2	TURBO
35	911 531 696 00	Rotary knob	84	2	
35	928 537 581 03	Rotary knob	85-	2	
36	N 014 133 8	Oval-head screw AM 5 X 12	84	2	
36	N 014 133 I	Oval-head screw AM 5 X 12	84-	2	
36	999 218 010 02	Oval-head screw Micro-self-locking M 5 X 12	85-	2	
37	900 115 002 01	Serrated lock washer	84	2	
37	N 012 130 2	Shake-proof washer A 5,3	84	2	
37	900 116 005 02	Lock washer 7	85-	2	
38	911 531 703 00	Cap		2	

Model: 911 84

Model life 1984>>1986



Model: 911 84

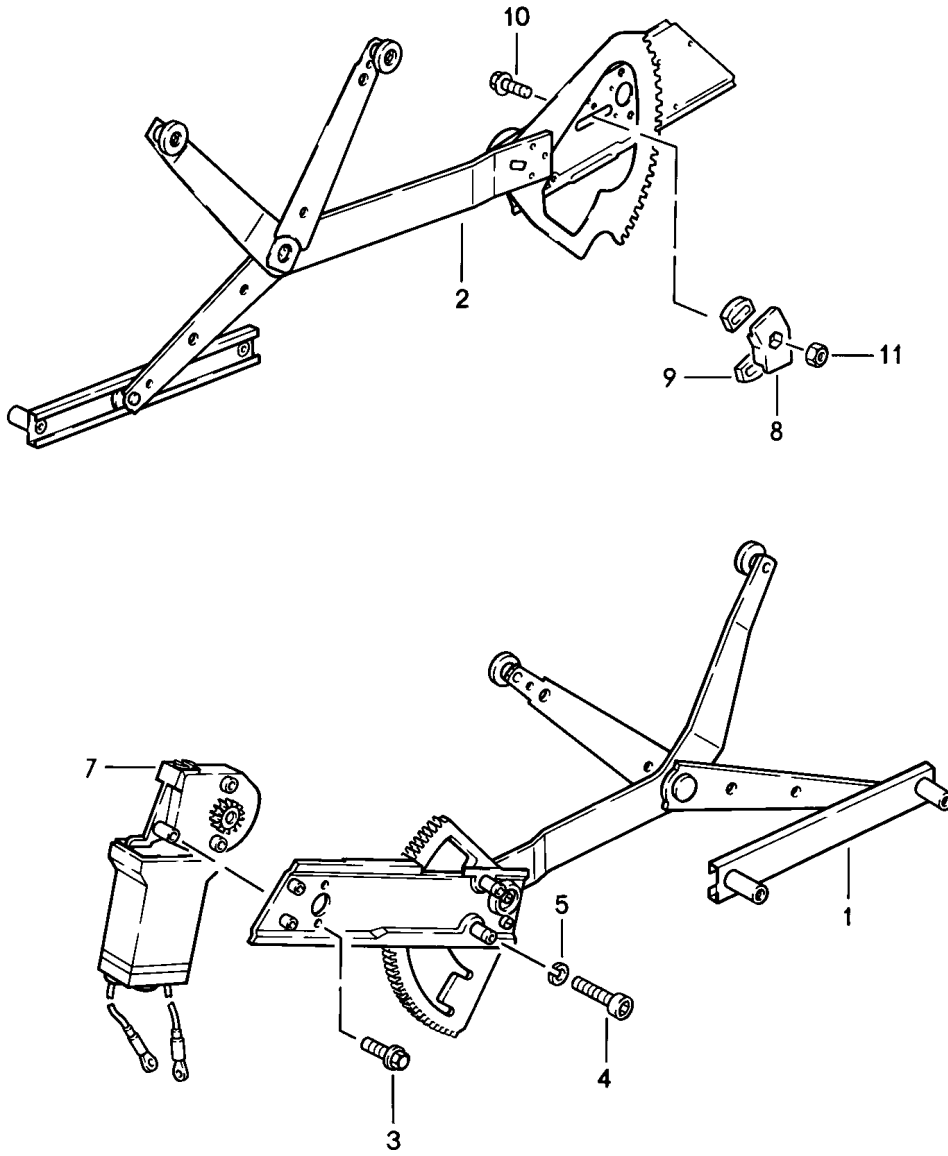
Model life 1984&gt;&gt;1986

Pos	Part Number	Description	Remark	Qty	Model
1	930 531 053 00	Central locking system			
		Door lock	/LL /L	1	
(1)	964 531 053 03	Door lock	/LL /L	1	
		with antishutout mechanism			
1	930 531 053 10	Door lock	/RL /L	1	
		without antishutout mechanism			
1	930 531 054 10	Door lock	/LL /R	1	
		without antishutout mechanism			
(1)	964 531 054 02	Door lock	/LL /R	1	
		without antishutout mechanism			
1	930 531 054 00	Door lock	/RL /R	1	
		with antishutout mechanism			
2	999 219 009 00	Oval-head screw		6	
		Micro-self-locking			
		AM 6 X 16			
3	999 591 118 02	Washer		6	
		6,5 90 DEG			
4	964 613 134 00	Microswitch		2	
-	911 531 621 00	Cable holder		2	
-	900 278 001 00	Countersunk-head screw		2	
		M 2,5 X 6			
(5)	911 624 211 01	Transmission element		2	
6	964 537 571 00	Operating rod		2	
7	N 100 438 01	Bolt		2	
8	N 012 644 1	Lock		2	
9	999 141 018 02	Half-round screw		5	
10	900 151 001 02	Washer		4	
11	944 612 450 01	Support		2	
12	999 591 711 02	Speed nut		2	
13	944 612 420 00	Locking device		2	
14	999 591 351 02	Speed nut		2	
15	N 013 956 7	Oval-head sheetmetal screw		4	
		BZ 3,5 X 6,5			
16	911 613 609 00	Keypad		1	
16	911 613 609 01	Keypad		1	
	911 613 609 01 01C	Black			
17	911 618 029 00	Control unit		1	
17	911 618 113 00	Control unit		1	



Model: 911 84

Model life 1984>>1986



Model: 911 84 Model life 1984>>1986

Pos	Part Number	Description	Remark	Qty	Model
(1)	911 542 935 28	Power windows			
1	911 542 936 28	Cross-arm	/L	1	COUPE
		Cross-arm	/R	1	COUPE
		Valid up to:			
		F >>91FS1 02003			COUPE
		F >>91FS1 09634	(J)		COUPE
		F >>93FS0 00636			TURBO
(1)	911 542 935 28	Cross-arm	/L	1	COUPE
(1)	911 542 936 28	Cross-arm	/R	1	COUPE
		Valid up to:			
		F >>91GS1 00650			COUPE
		F >>91GS1 09580	(J)		COUPE
		F >>93GS0 00194			TURBO
2	911 542 935 44	Cross-arm	/L	1	TARGA
					CABRIO
(2)	911 542 936 44	Cross-arm	/R	1	TARGA
		Valid up to:			CABRIO
		F >>91GS1 50303			CABRIO
		F >>91GS1 59562	(J)		CABRIO
		F >>91GS1 40257			TARGA
		F >>91GS1 49560	(J)		TARGA
(2)	911 542 935 44	Cross-arm	/L	1	
(2)	911 542 936 44	Cross-arm	/R	1	
		Valid from:			
		F 91GS1 00651>>			COUPE
		F 91GS1 09581>>	(J)		COUPE
		F 91GS1 40258>>			TARGA
		F 91GS1 49561>>	(J)		TARGA
		F 91GS1 50304>>			CABRIO
		F 91GS1 59563>>	(J)		CABRIO
		F 93GS0 00195>>			TURBO
3	999 217 028 02	Hexagon-head bolt		6	
		M 6 X 16			
4	999 218 016 02	Combination screw		12	
		Micro-self-locking			
		M 6 X 16			
4	999 218 016 01	Combination screw		12	
		Micro-self-locking			
		M 6 X 16			
(4)	N 010 210 13	Hexagon-head bolt		4	
		M 6 X 10			
		F >>91GS1 00800			COUPE
		F >>91GS1 09599	(J)		COUPE
		F >>91GS1 40332			TARGA
		F >>91GS1 49560	(J)		TARGA
		F >>91GS1 50383			CABRIO
		F >>91GS1 59563	(J)		CABRIO
		F >>93GS0 00236			TURBO
5	N 012 006 4	Lock ring		4	TARGA
		B 6			CABRIO
		F >>91GS1 00800			COUPE
		F >>91GS1 09599	(J)		COUPE
		F >>91GS1 40332			TARGA
		F >>91GS1 49560	(J)		TARGA
		F >>91GS1 50383			CABRIO
		F >>91GS1 59563	(J)		CABRIO
		F >>93GS0 00236			TURBO
(7)	911 624 015 01	Motor	/L	1	COUPE
		F >>91GS1 00800			COUPE
		F >>91GS1 09599	(J)		COUPE
		F >>91GS1 40332			TARGA
		F >>91GS1 49560	(J)		TARGA
		F >>91GS1 50383			CABRIO

Model: 911 84 Model life 1984>>1986

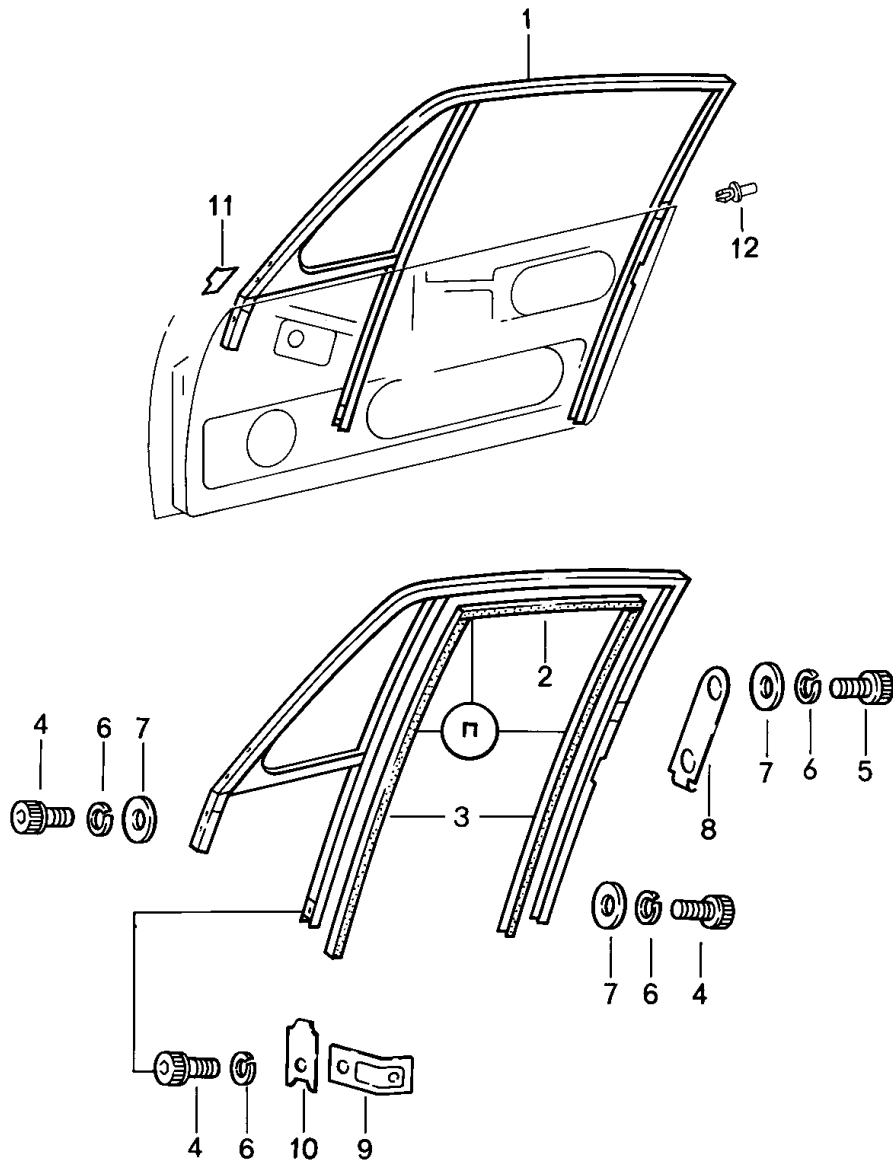
Pos	Part Number	Description	Remark	Qty	Model
(7)	911 624 015 41	F >>91GS1 59563 F >>93GS0 00236 Motor	(J) /L	1	CABRIO TURBO TARGA
7	911 624 014 01	Motor F >>91GS1 00800 F >>91GS1 09599 F >>91GS1 40332 F >>91GS1 49560 F >>91GS1 50383 F >>91GS1 59563 F >>93GS0 00236	/R (J) (J) (J) (J) (J)	1	CABRIO COUPE COUPE TARGA TARGA CABRIO CABRIO TURBO
(7)	911 624 014 41	Motor	/R	1	TARGA CABRIO
(7)		Motor F 91GS1 00801>> F 91GS1 09600>> F 91GS1 40333>> F 91GS1 49561>> F 91GS1 50384>> F 91GS1 59564>> F 93GS0 00237>>	/R (J) (J) (J) (J) (J)	1	COUPE COUPE TARGA TARGA CABRIO CABRIO TURBO
(8)	911 542 231 40	Stop F >>91GS1 00800 F >>91GS1 09599 F >>91GS1 40332 F >>91GS1 49560 F >>91GS1 50383 F >>91GS1 59563 F >>93GS0 00236	/L (J) (J) (J) (J) (J)	1	TARGA CABRIO COUPE COUPE TARGA TARGA CABRIO CABRIO TURBO
8	911 542 232 40	Stop F >>91GS1 00800 F >>91GS1 09599 F >>91GS1 40332 F >>91GS1 49560 F >>91GS1 50383 F >>91GS1 59563 F >>93GS0 00236	/R (J) (J) (J) (J) (J)	1	TARGA CABRIO COUPE COUPE TARGA TARGA CABRIO CABRIO TURBO
(8)	911 542 231 40	Stop Valid from: F 91GS1 00651>> F 91GS1 09581>> F 93GS0 00195>> Valid up to: F >>91GS1 00800 F >>91GS1 09599 F >>93GS0 00236	/R /L (J)	1 1	COUPE COUPE TURBO
(8)	911 542 231 41	Stop bracket M 8 F 91GS1 00801>> F 91GS1 09600>> F 91GS1 40333>> F 91GS1 49561>> F 91GS1 50384>> F 91GS1 59564>> F 93GS0 00237>>	/L (J) (J) (J) (J) (J)	1	COUPE COUPE TARGA TARGA CABRIO CABRIO TURBO
(8)	911 542 232 41	Stop bracket M 8 F 91GS1 00801>> F 91GS1 09600>>	/R (J)	1	COUPE COUPE

Model: 911 84 Model life 1984>>1986

Pos	Part Number	Description	Remark	Qty	Model
9	911 542 235 40	F 91GS1 40333>> F 91GS1 49561>> F 91GS1 50384>> F 91GS1 59564>> F 93GS0 00237>> Stop F >>91GS1 00800 F >>91GS1 09599 F >>91GS1 40332 F >>91GS1 49560 F >>91GS1 50383 F >>91GS1 59563 F >>93GS0 00236	(J) (J) (J) (J)	2	TARGA TARGA CABRIO CABRIO TURBO COUPE COUPE TARGA TARGA CABRIO CABRIO TURBO
10	999 217 004 02	Combination screw M 6 X 12 F >>91GS1 00800 F >>91GS1 09599 F >>91GS1 40332 F >>91GS1 49560 F >>91GS1 50383 F >>91GS1 59563 F >>93GS0 00236	(J) (J) (J) (J)	2	COUPE COUPE TARGA TARGA CABRIO CABRIO TURBO
(10)	999 217 043 08	Hexagon-head bolt M 8 X 16 F 91GS1 00801>> F 91GS1 09600>> F 91GS1 40333>> F 91GS1 49561>> F 91GS1 50384>> F 91GS1 59564>> F 93GS0 00237>>	(J) (J) (J) (J) (J)	2	COUPE COUPE TARGA TARGA CABRIO CABRIO TURBO
11	900 076 010 02	Nut M 6 F >>91GS1 00800 F >>91GS1 09599 F >>91GS1 40332 F >>91GS1 49560 F >>91GS1 50383 F >>91GS1 59563 F >>93GS0 00236	(J) (J) (J) (J) (J)	2	COUPE COUPE TARGA TARGA CABRIO CABRIO TURBO
11	900 076 010 0B	Nut M 6 F >>91GS1 00800 F >>91GS1 09599 F >>91GS1 40332 F >>91GS1 49560 F >>91GS1 50383 F >>91GS1 59563 F >>93GS0 00236	(J) (J) (J) (J) (J)	2	COUPE COUPE TARGA TARGA CABRIO CABRIO TURBO
(11)	N 011 008 20	Hexagon nut M 8 F 91GS1 00801>> F 91GS1 09600>> F 91GS1 40333>> F 91GS1 49561>> F 91GS1 50384>> F 91GS1 59564>> F 93GS0 00237>>	(J) (J) (J) (J) (J)	2	COUPE COUPE TARGA TARGA CABRIO CABRIO TURBO

Model: 911 84

Model life 1984>>1986



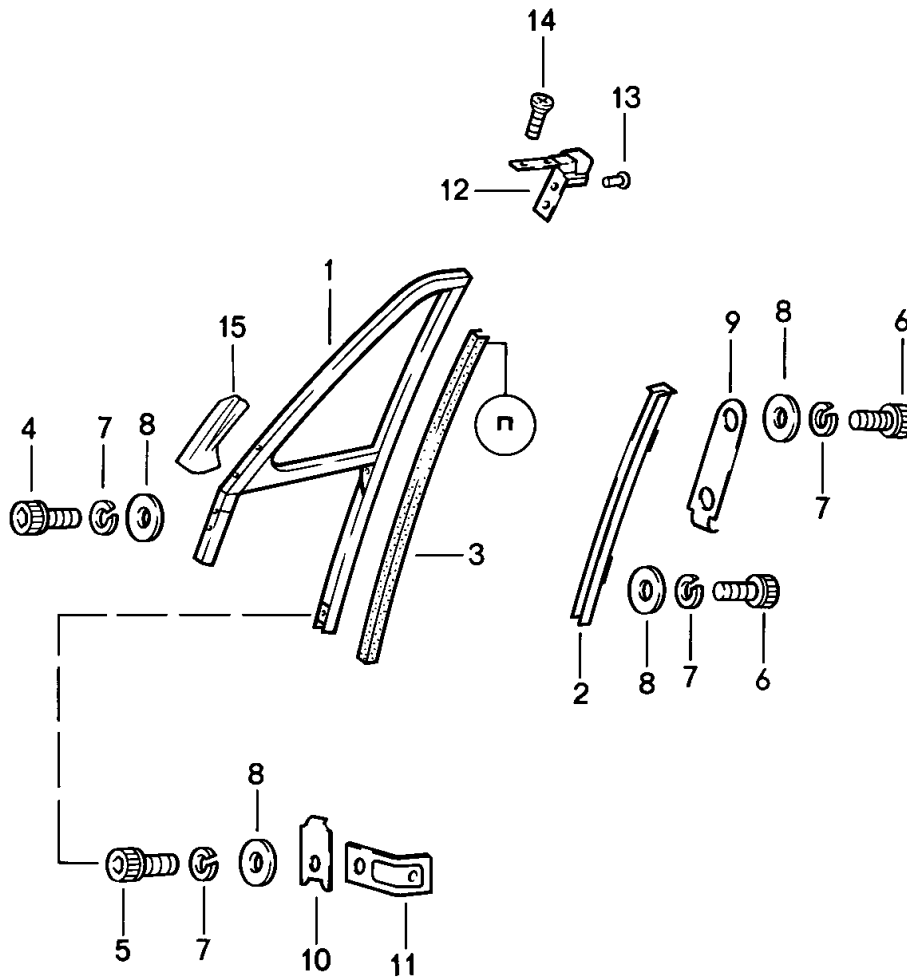
Model: 911 84

Model life 1984>>1986

Pos	Part Number	Description	Remark	Qty	Model
1	911 542 029 01	Door glass frame		1	COUPE
	911 542 029 01 70K	Door glass frame Black	/L	1	
1	911 542 030 01	Door glass frame		1	
	911 542 030 01 70K	Door glass frame Black	/R	1	
2	911 542 905 00	Window guide Comprising: Position 2+3		2	
4	900 119 052 02	Pan-head screw M 8 X 16		8	
5	999 218 008 02	Pan-head screw M 8 X 12		2	
5	900 119 018 03	Pan-head screw M 8 X 12		2	
6	900 027 015 02	Lock ring B 8		10	
6	900 027 015 03	Lock ring B 8		10	
7	900 025 007 02	Washer 8,4		8	
7	900 025 007 03	Washer 8,4		8	
8	901 542 299 25	Cover plate		2	
9	911 542 061 00	Retaining bracket		2	
10	901 542 252 25	Desk pad		2	
(11)	911 531 711 01	Joint rubber	/V /L	1	
11	911 531 712 01	Joint rubber	/V /R	1	
(11)	911 531 713 01	Joint rubber	/H /L	1	
(11)	911 531 714 01	Joint rubber	/H /R	1	
12	999 591 429 40	Expansion rivet		2	

Model: 911 84

Model life 1984>>1986



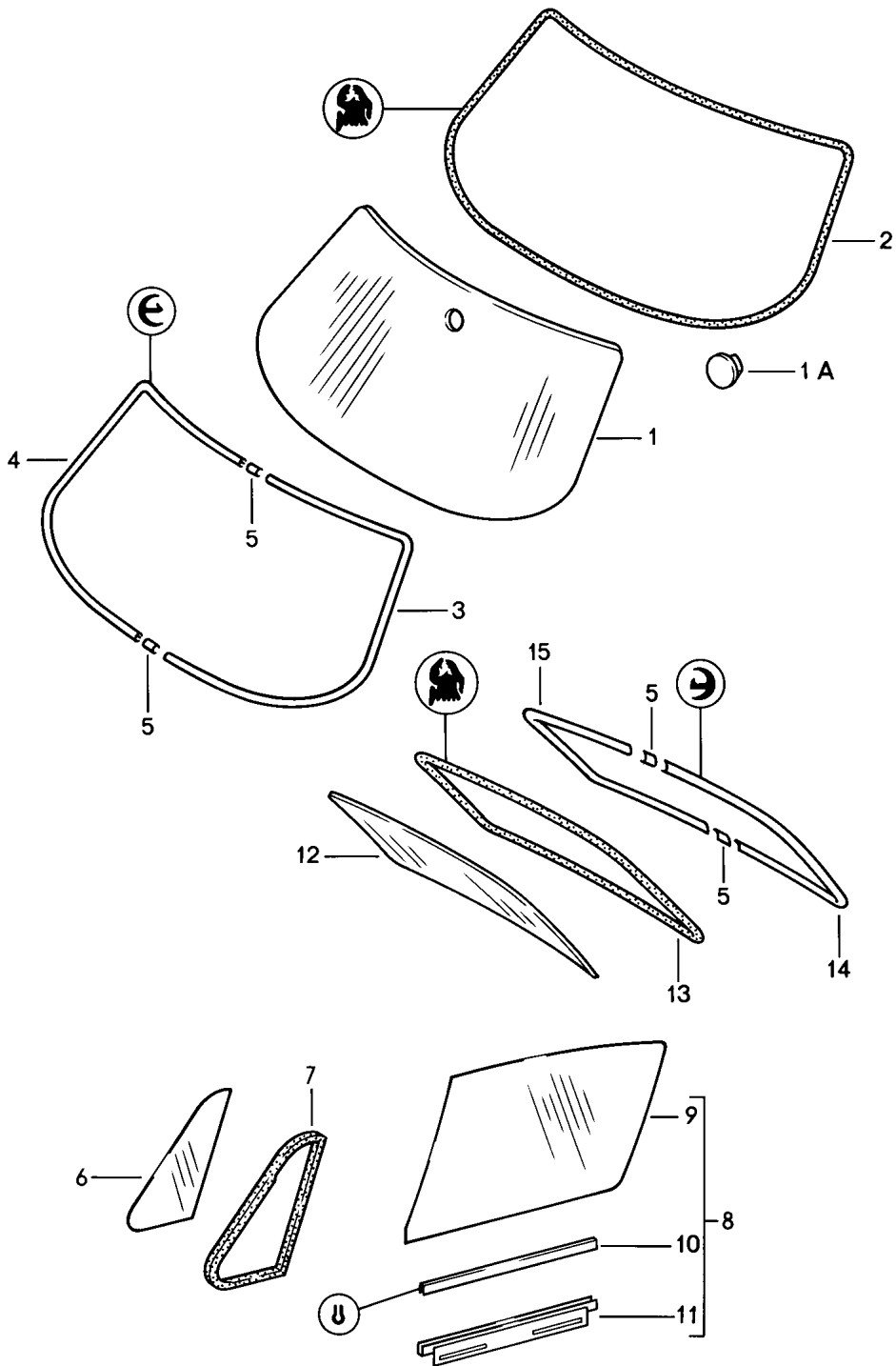
Model: 911 84 Model life 1984>>1986

Pos	Part Number	Description	Remark	Qty	Model
(1)	911 542 019 43	Door glass frame		1	TARGA/CABRIO
	911 542 019 43 70K	Black	/L	1	
1	911 542 020 43	Door glass frame	/R	1	
	911 542 020 43 70K	Black			
(2)	901 542 023 40	Window guide rail	/L	1	
	901 542 023 40 70K	Black			
(2)	911 542 036 40	Window guide rail	/R	1	
	911 542 036 40 70K	Black			
3	911 542 505 40	Window guide		2	
4	900 119 091 02	Pan-head screw		4	
		M 6 X 15			
5		Pan-head screw		6	
		M 6 X 15			
6	900 119 035 02	Pan-head screw		6	
		M 6 X 8			
7	N 012 006 4	Lock ring		14	
		B 6			
8	N 011 524 7	Washer		14	
		6,4			
8	N 011 524 27	Washer		14	
		6,4			
9	901 542 299 20	Cover plate		2	
10	901 542 252 20	Desk pad		2	
10	901 542 252 25	Desk pad		2	
11	911 542 061 00	Retaining bracket		2	
(12)	911 542 065 41	Frame connection	/L -85	1	
(12)		Frame connection	/L	1	
12	911 542 066 41	Frame connection	/R -85	1	
12		Frame connection	/R	1	
13	900 056 003 20	Rivet		4	
14	900 270 050 07	Countersunk-head screw		4	
		M 5 X 8			
(15)	911 531 711 40	Joint rubber	/L	1	TARGA CABRIO
15	911 531 712 40	Joint rubber	/R	1	TARGA CABRIO



Model: 911 84

Model life 1984>>1986



Model: 911 84 Model life 1984>>1986

Pos	Part Number	Description	Remark	Qty	Model
1	911 541 011 00	wind glazing Windscreen Clear	-84	1	
1	911 541 011 04	Windscreen Tinted	-84	1	
1	911 541 011 26	Windscreen Tinted	-84	1	
1	911 541 011 21	Windscreen Tinted Heated	-84	1	
1	911 541 011 05	Windscreen Tinted Green top tint	-84	1	
1	911 541 011 27	Windscreen Tinted Green top tint	-84	1	
1	930 541 011 02	Windscreen Tinted Green top tint Heated	-84	1	
1	911 541 011 26	Windscreen Tinted with Antenna	85-	1	
1	911 541 011 05	Windscreen Tinted Green top tint with Antenna	85-	1	
1	911 541 011 27	Windscreen Tinted Green top tint with Antenna	85-	1	
1	911 541 011 06	Windscreen Clear with Antenna	85-	1	
1	911 541 011 28	Windscreen Clear with Antenna	85-	1	
1	911 541 011 04	Windscreen Tinted with Antenna	85-	1	
1	911 541 011 26	Windscreen Tinted with Antenna	85-	1	
1	911 541 011 05	Windscreen Tinted Green top tint with Antenna	85-	1	
1	911 541 011 27	Windscreen Tinted Green top tint with Antenna	85-	1	
1	911 541 011 06	Windscreen Clear with	85-	1	

Model: 911 84 Model life 1984>>1986

Pos	Part Number	Description	Remark	Qty	Model
1	911 541 011 28	Antenna Windscreen Clear with Antenna	85-	1	
-	911 541 112 02	Film for stickers Self-destroying	-84	X	
-		Film for stickers Self-destroying	85	X	
-		Film for stickers Self-destroying	86-	X	
1A	477 845 043	Retainer plate		1	
2	911 799 541 18	Windscreen sealing	-84	1	
2	911 541 225 00	Windscreen sealing		1	
2	911 541 225 02	Sealing frame		1	
2	911 541 225 03	Sealing frame		1	
2	911 541 225 04	Sealing frame		1	
(3)	911 541 911 01	Trim frame	/L	1	
	911 541 911 01 70K	Black			
(3)	911 541 911 01	Trim frame	/L	1	
	911 541 911 01 70K	Black			
(4)	911 541 912 01	Trim frame-half	/R	1	
	911 541 912 01 70K	Black			
(4)	911 541 912 01	Trim frame-half	/R	1	
	911 541 912 01 70K	Black			
(5)	911 541 921 01	Covering plate		4	
	911 541 921 01 70K	Black			
(5)	911 541 921 01	Covering plate		4	
	911 541 921 01 70K	Black			
6	901 542 501 27	Side window Clear	/L -84	1	COUPE
(6)	911 542 511 00	Side window Tinted	/L	1	COUPE
(6)	901 542 502 27	Side window Clear	/R -84	1	COUPE
(6)	911 542 512 00	Side window Tinted	/R	1	COUPE
7	901 542 921 21	Sealing frame	/L	1	COUPE
(7)	901 542 922 21	Sealing frame	/R	1	COUPE
8	911 542 011 01	Door window glass Clear	/L -84	1	COUPE
(8)	911 542 012 01	Door window glass Clear	/R -84	1	COUPE
9	901 542 101 25	Side window Clear	/L -84	1	COUPE
(9)	901 542 101 35	Side window Tinted	/L	1	COUPE
(9)	901 542 102 25	Side window Clear	/R -84	1	COUPE
(9)	901 542 102 35	Side window Tinted	/R	1	COUPE
10	911 542 491 40	Rubber ply		2	
(11)	911 542 057 00	Window lifter rail	/L	1	COUPE
(11)	911 542 058 00	Window lifter rail	/R	1	COUPE
12	911 545 105 00	Rear window Clear Single-stage heating	-84	1	COUPE
12	911 545 105 02	Rear window Clear Single-stage heating		1	COUPE
(12)	911 545 107 00	Rear window Tinted Two-stage heatable		1	COUPE

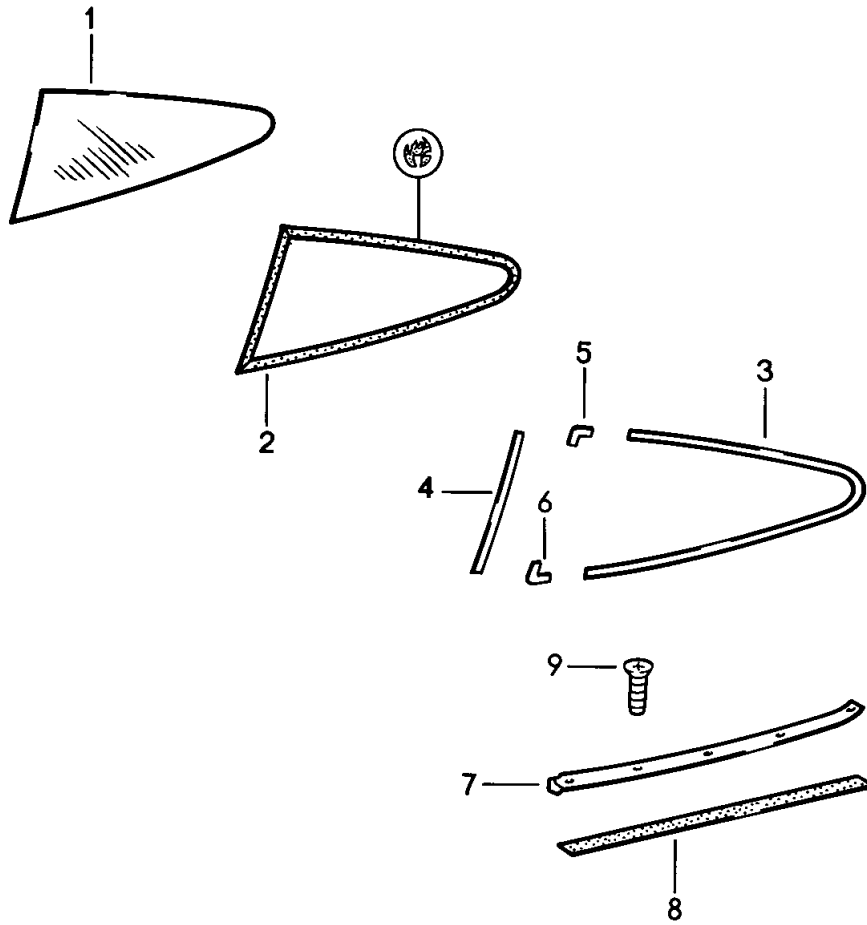
Model: 911 84

Model life 1984&gt;&gt;1986

Pos	Part Number	Description	Remark	Qty	Model
(12)	911 545 107 07	Rear window Tinted Two-stage heatable		1	COUPE
(13)	911 545 225 00	Sealing frame It is necessary to rework		1	COUPE
(14)	911 545 911 00	Trim frame	/L	1	COUPE
	911 545 911 00 70K	Black			
(14)	911 545 911 00	Trim frame	/L	1	COUPE
	911 545 911 00 70K	Black			
(15)	911 545 912 00	Trim frame-half	/R	1	COUPE
	911 545 912 00 70K	Black			
(15)	911 545 912 00	Trim frame-half	/R	1	COUPE
	911 545 912 00 70K	Black			

Model: 911 84

Model life 1984>>1986

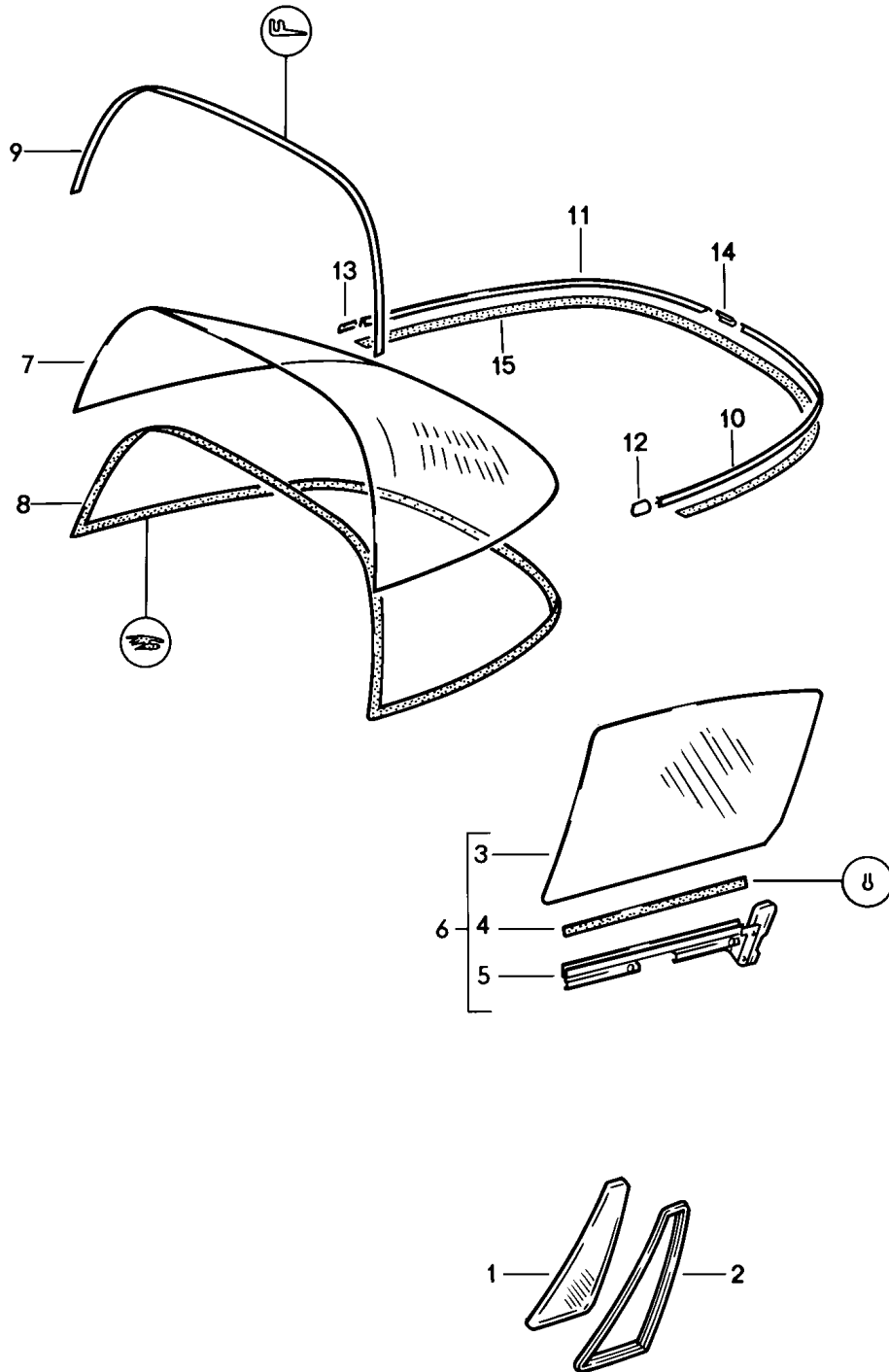


Model: 911 84 Model life 1984>>1986

Pos	Part Number	Description	Remark	Qty	Model
		window glazing			COUPE
1	911 543 101 01	Rear window Clear	/L -84	1	
(1)	911 543 101 02	Rear window Tinted	/L	1	
(1)	911 543 102 01	Rear window Clear	/R -84	1	
(1)	911 543 102 02	Rear window Tinted	/R	1	
(1)	911 543 102 07	Rear window Tinted	/R	1	
2	911 543 035 01	Sealing frame	/L	1	
2	911 543 036 01	Sealing frame	/R	1	
3	911 543 419 01	Moulding Black Rear	/L	1	
	911 543 419 01 70K	Black Front			
3	911 543 419 02	Moulding Black Rear	/L	1	
	911 543 419 02 70K	Black Front			
(3)	911 543 420 01	Moulding Black Rear	/R	1	
	911 543 420 01 70K	Black Front			
4	911 543 197 02	Moulding	/L	1	
	911 543 197 02 70K	Black Front			
(4)	911 543 198 02	Moulding	/R	1	
	911 543 198 02 70K	Black Front			
5	911 543 187 02	Covering plate		2	
	911 543 187 02 70K	Black Upper			
6	911 543 185 02	Covering plate		2	
	911 543 185 02 70K	Black Lower			
6	911 543 185 02	Covering plate		2	
	911 543 185 02 70K	Black Lower			
(7)	911 543 195 02	Moulding	/L	1	
	911 543 195 02 70K	Black			
(7)	911 543 196 02	Moulding	/R	1	
	911 543 196 02 70K	Black			
8	000 043 129 00	Sealing strap		X	
(9)	900 144 017 07	Tapping screw B 2,9 X 13 Black		12	

Model: 911 84

Model life 1984>>1986



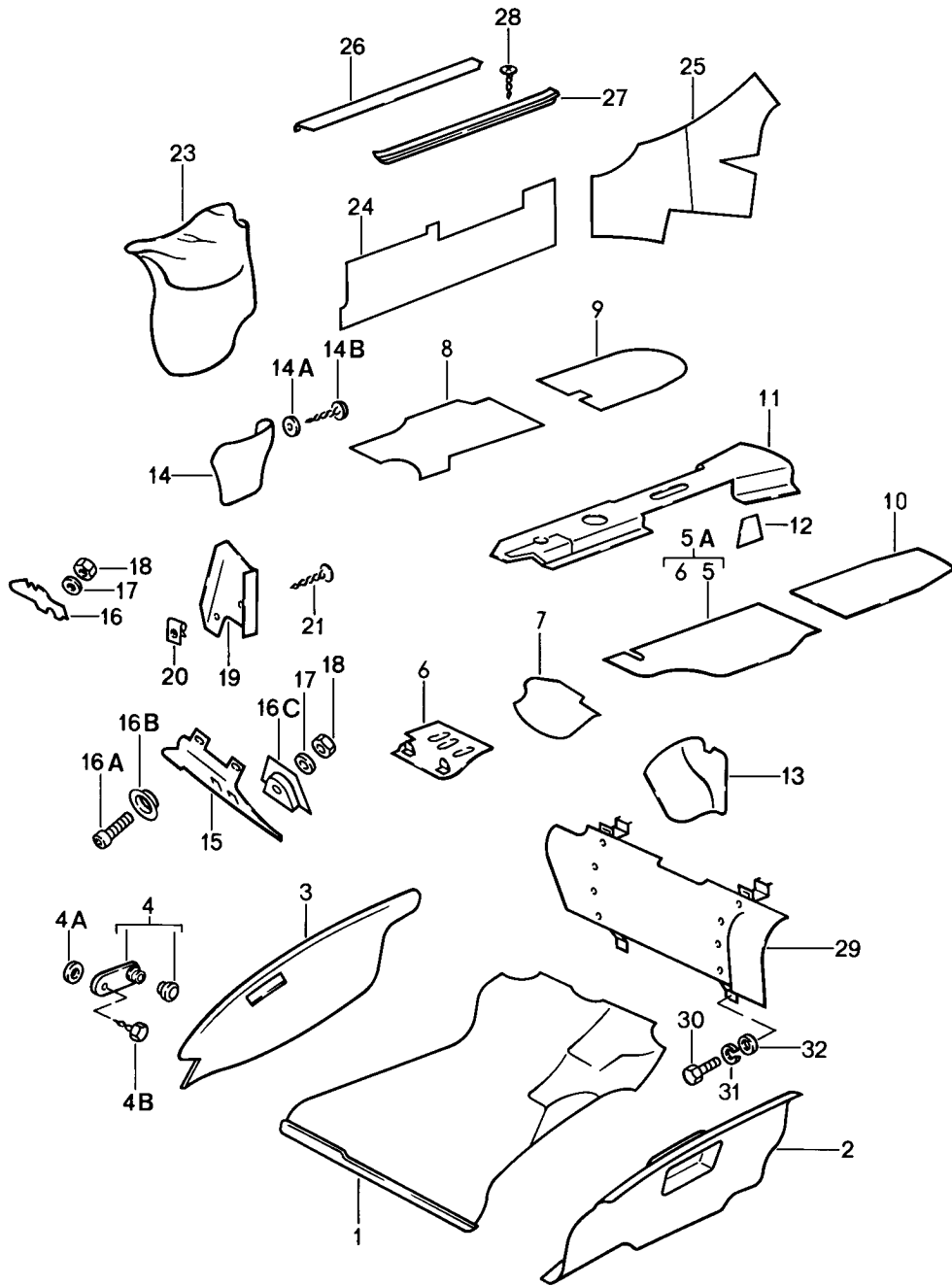
Model: 911 84 Model life 1984>>1986

Pos	Part Number	Description	Remark	Qty	Model
		window glazing Windscreen See group 8/05/00			TARGA/CABRIO
1	911 542 503 40	Side window Clear	/L -84	1	
(1)	911 542 503 41	Side window Tinted	/L	1	
(1)	911 542 504 40	Side window Clear	/R -84	1	
(1)	911 542 504 41	Side window Tinted	/R	1	
2	911 799 542 85	Sealing frame		2	
3	911 542 101 40	Door window glass Clear	/L -84	1	
(3)	911 542 101 45	Door window glass Tinted	/L	1	
(3)	911 542 102 40	Door window glass Clear	/R -84	1	
(3)	911 542 102 45	Door window glass Tinted	/R	1	
4	911 542 491 40	Rubber ply		2	
(5)	911 542 057 42	Window lifter rail	/L	1	
(5)	911 542 058 42	Window lifter rail	/R	1	
(6)	911 542 011 42	Door window glass	/L -84	1	
(6)	911 542 011 43	Door window glass	/L	1	
(6)	911 542 011 44	Door window glass Tinted	/L	1	
(6)	911 542 012 42	Door window glass	/R -84	1	
(6)	911 542 012 43	Door window glass	/R	1	
(6)	911 542 012 44	Door window glass Tinted	/R	1	
7	911 565 551 03	Rear window Tinted Two-stage heatable		1	TARGA
8	911 545 051 41	Sealing frame		1	TARGA
9	901 565 930 41	Gasket		1	TARGA
(10)	911 565 555 41	Moulding	/L	1	TARGA
	911 565 555 41 70K	Black			
(11)	911 565 556 41	Moulding	/R	1	TARGA
	911 565 556 41 70K	Black			
(12)	911 565 569 40	Moulding	/L	1	TARGA
	911 565 569 40 70K	Black			
(13)	911 565 570 40	Moulding	/R	1	TARGA
	911 565 570 40 70K	Black			
14	911 541 921 01	Covering plate		1	
	911 541 921 01 70K	Black			
14	911 541 921 01	Covering plate		1	
	911 541 921 01 70K	Black			
15	000 043 129 00	Sealing strap		X	



Model: 911 84

Model life 1984>>1986



Model: 911 84 Model life 1984>>1986

Pos	Part Number	Description	Remark	Qty	Model
		Interior equipment			
		Front			
1	911 551 045 03	Front-compartment carpet	/LL -85	1	
(1)	911 551 045 05	Front-compartment carpet	/RL -85	1	
(1)	911 551 045 06	Front-compartment carpet	/LL 86	1	
		Carpet			
	911 551 045 06 70E	Black			
	911 551 045 06 30B	Blue			
	911 551 045 06 40E	Brown			
	911 551 045 06 80E	Burgundy			
	911 551 045 06 60A	Grey			
	911 551 045 06 8JK	Greyish green			
	911 551 045 06 2FL	Grey-beige			
(1)	911 551 045 07	Front-compartment carpet	/RL 86	1	
		Carpet			
	911 551 045 07 70E	Black			
	911 551 045 07 30B	Blue			
	911 551 045 07 40E	Brown			
	911 551 045 07 80E	Burgundy			
	911 551 045 07 60A	Grey			
	911 551 045 07 8JK	Greyish green			
	911 551 045 07 2FL	Grey-beige			
2	911 551 049 02	Front boot side wall	/L -85	1	
(2)	911 551 049 03	Front boot side wall	/L 86	1	
		Carpet			
	911 551 049 03 70E	Black			
	911 551 049 03 30B	Blue			
	911 551 049 03 40E	Brown			
	911 551 049 03 80E	Burgundy			
	911 551 049 03 60A	Grey			
	911 551 049 03 8JK	Greyish green			
	911 551 049 03 2FL	Grey-beige			
3	911 551 050 01	Front boot side wall	/R -85	1	M479/553
					M193
3		Front boot side wall	/R -85	1	
(3)	911 551 050 04	Front boot side wall	/R 86	1	
		Carpet			
	911 551 050 04 70E	Black			
	911 551 050 04 30B	Blue			
	911 551 050 04 40E	Brown			
	911 551 050 04 80E	Burgundy			
	911 551 050 04 60A	Grey			
	911 551 050 04 8JK	Greyish green			
	911 551 050 04 2FL	Grey-beige			
4	911 503 075 00	Desk pad		6	
4A	999 704 157 40	Washer		6	
4B	900 187 010 02	Hexagon-head tapping screw		6	
		BZ 6,3 X 19			
4B	900 187 010 03	Hexagon-head tapping screw		6	
		BZ 6,3 X 19			
5	911 551 021 03	Carpet	/LL /L	1	COUPE
		Cut pile			
	911 551 021 03 70E	Black			
	911 551 021 03 40E	Brown			
	911 551 021 03 30B	Blue			
	911 551 021 03 80E	Burgundy			
	911 551 021 03 60A	Grey			
	911 551 021 03 2FL	Grey-beige	84, 86		
	911 551 021 03 6JD	Dark green			
	911 551 021 03 80S	Can-can-red			
	911 551 021 03 1VD	Champagne			
	911 551 021 03 8JK	Greyish green	85-		
	911 551 021 03 2YN	White	85-		

Model: 911 84 Model life 1984>>1986

Pos	Part Number	Description	Remark	Qty	Model
(5)	911 551 021 42	Carpet Cut pile	/LL /L	1	TARGA/CABRIO
	911 551 021 42 70E	Black			
	911 551 021 42 40E	Brown			
	911 551 021 42 30B	Blue			
	911 551 021 42 80E	Burgundy			
	911 551 021 42 60A	Grey			
	911 551 021 42 2FL	Grey-beige	84, 86		
	911 551 021 42 6JD	Dark green			
	911 551 021 42 80S	Can-can-red			
	911 551 021 42 1VD	Champagne			
	911 551 021 42 8JK	Greyish green	85-		
	911 551 021 42 2YN	White	85-		
(5)	911 551 911 00	Floor mat with Logo 911	/LL /L	1	
	911 551 911 00 4KD	Brown			
	911 551 911 00 7KD	Black			
	911 551 911 00 3KD	Blue			
(5A)	911 551 011 12	Carpet Cut pile	/RL /L	1	COUPE
	911 551 011 12 70E	Black			
	911 551 011 12 40E	Brown			
	911 551 011 12 30B	Blue			
	911 551 011 12 80E	Burgundy			
	911 551 011 12 60A	Grey			
	911 551 011 12 2FL	Grey-beige	84, 86		
	911 551 011 12 6JD	Dark green			
	911 551 011 12 80S	Can-can-red			
	911 551 011 12 1VD	Champagne			
	911 551 011 12 8JK	Greyish green	85-		
	911 551 011 12 2YN	White	85-		
(5A)	911 551 011 13	Carpet Cut pile	/RL /L	1	COUPE M559 M479/573
	911 551 011 13 70E	Black			
	911 551 011 13 40E	Brown			
	911 551 011 13 30B	Blue			
	911 551 011 13 80E	Burgundy			
	911 551 011 13 60A	Grey			
	911 551 011 13 2FL	Grey-beige	84, 86		
	911 551 011 13 6JD	Dark green			
	911 551 011 13 80S	Can-can-red			
	911 551 011 13 1VD	Champagne			
	911 551 011 13 8JK	Greyish green	85-		
	911 551 011 13 2YN	White	85-		
(5A)	911 551 011 49	Carpet Cut pile	/RL /L	1	TARGA/CABRIO
	911 551 011 49 70E	Black			
	911 551 011 49 40E	Brown			
	911 551 011 49 30B	Blue			
	911 551 011 49 80E	Burgundy			
	911 551 011 49 60A	Grey			
	911 551 011 49 2FL	Grey-beige	84, 86		
	911 551 011 49 6JD	Dark green			
	911 551 011 49 80S	Can-can-red			
	911 551 011 49 1VD	Champagne			
	911 551 011 49 8JK	Greyish green	85-		
	911 551 011 49 2YN	White	85-		
(5A)	911 551 011 50	Carpet	/RL /L	1	TARGA/CABRIO M479/559

Model: 911 84 Model life 1984>>1986

Pos	Part Number	Description	Remark	Qty	Model
		Cut pile			
	911 551 011 50 70E	Black			
	911 551 011 50 40E	Brown			
	911 551 011 50 30B	Blue			
	911 551 011 50 80E	Burgundy			
	911 551 011 50 60A	Grey			
	911 551 011 50 2FL	Grey-beige	84, 86		
	911 551 011 50 6JD	Dark green			
	911 551 011 50 80S	Can-can-red			
	911 551 011 50 1VD	Champagne			
	911 551 011 50 8JK	Greyish green	85-		
	911 551 011 50 2YN	White	85-		
6	911 551 015 02	Floorboard carpet	/LL /L	1	COUPE
		Cut pile			
	911 551 015 02 70E	Black			
	911 551 015 02 40E	Brown			
	911 551 015 02 30B	Blue			
	911 551 015 02 80E	Burgundy			
	911 551 015 02 60A	Grey			
	911 551 015 02 2FL	Grey-beige	84, 86		
	911 551 015 02 6JD	Dark green			
	911 551 015 02 80S	Can-can-red			
	911 551 015 02 1VD	Champagne			
	911 551 015 02 8JK	Greyish green	85-		
	911 551 015 02 2YN	White	85-		
(6)	911 551 015 42	Floorboard carpet	/LL /L	1	TARGA/CABRIO
		Cut pile			
	911 551 015 42 70E	Black			
	911 551 015 42 40E	Brown			
	911 551 015 42 30B	Blue			
	911 551 015 42 80E	Burgundy			
	911 551 015 42 60A	Grey			
	911 551 015 42 2FL	Grey-beige	84, 86		
	911 551 015 42 6JD	Dark green			
	911 551 015 42 80S	Can-can-red			
	911 551 015 42 1VD	Champagne			
	911 551 015 42 8JK	Greyish green	85-		
	911 551 015 42 2YN	White	85-		
(7)	911 551 016 08	Floorboard carpet	/RL /R	1	
		Cut pile			
	911 551 016 08 70E	Black			
	911 551 016 08 6JD	Dark green			
	911 551 016 08 40E	Brown			
	911 551 016 08 30B	Blue			
	911 551 016 08 80E	Burgundy			
	911 551 016 08 60A	Grey			
	911 551 016 08 80S	Can-can-red			
	911 551 016 08 1VD	Champagne			
	911 551 016 08 2FL	Grey-beige	84, 86		
	911 551 016 08 2YN	White	85-		
	911 551 016 08 8JK	Greyish green	85-		
7	911 551 017 04	Floorboard carpet	/RL /L	1	TURBO CARRERA M559/573
		Cut pile			
	911 551 017 04 70E	Black			
	911 551 017 04 6JD	Dark green			
	911 551 017 04 40E	Brown			
	911 551 017 04 30B	Dark blue			
	911 551 017 04 80E	Burgundy			
	911 551 017 04 60A	Grey			
	911 551 017 04 80S	Can-can-red			
	911 551 017 04 1VD	Champagne			
	911 551 017 04 2FL	Grey-beige	84, 86		

Model: 911 84 Model life 1984>>1986

Pos	Part Number	Description	Remark	Qty	Model
8	911 551 017 04 2YN	White	85-	1	COUPE
	911 551 017 04 8JK	Greyish green	85-		
	911 551 012 17	Carpet	/LL /R		
		Cut pile			
	911 551 012 17 70E	Black			
	911 551 012 17 40E	Brown			
	911 551 012 17 30B	Blue			
	911 551 012 17 80E	Burgundy			
	911 551 012 17 60A	Grey			
	911 551 012 17 2FL	Grey-beige	84,		
911 551 012 17 6JD	Dark green				
911 551 012 17 80S	Can-can-red				
911 551 012 17 1VD	Champagne				
911 551 012 17 8JK	Greyish green	85-			
911 551 012 17 2YN	White	85-			
(8)	911 551 012 18	Carpet	/LL /R	1	COUPE
		Cut pile			
	911 551 012 18 70E	Black			
	911 551 012 18 40E	Brown			
	911 551 012 18 30B	Blue			
	911 551 012 18 80E	Burgundy			
	911 551 012 18 60A	Grey			
	911 551 012 18 2FL	Grey-beige	84, 86		
	911 551 012 18 6JD	Dark green			
	911 551 012 18 80S	Can-can-red			
	911 551 012 18 1VD	Champagne			
	911 551 012 18 8JK	Greyish green			
	911 551 012 18 2YN	White			
(8)	911 551 022 02	Carpet	/RL /R	1	COUPE
		Cut pile			
	911 551 022 02 70E	Black			
	911 551 022 02 40E	Brown			
	911 551 022 02 30B	Blue			
	911 551 022 02 80E	Burgundy			
	911 551 022 02 60A	Grey			
	911 551 022 02 2FL	Grey-beige	84, 86		
	911 551 022 02 6JD	Dark green			
	911 551 022 02 80S	Can-can-red			
	911 551 022 02 1VD	Champagne			
	911 551 022 02 8JK	Greyish green	85-		
	911 551 022 02 2YN	White	85-		
(8)	911 551 022 42	Carpet	/RL /R	1	TARGA/CABRIO
		Cut pile			
	911 551 022 42 70E	Black			
	911 551 022 42 40E	Brown			
	911 551 022 42 30B	Blue			
	911 551 022 42 80E	Burgundy			
	911 551 022 42 60A	Grey			
	911 551 022 42 2FL	Grey-beige	84, 86		
	911 551 022 42 6JD	Dark green			
	911 551 022 42 80S	Can-can-red			
	911 551 022 42 1VD	Champagne			
	911 551 022 42 8JK	Greyish green	85-		
	911 551 022 42 2YN	White	85-		
(8)	911 551 012 55	Carpet	/LL /R	1	TARGA/CABRIO
		Cut pile			
	911 551 012 55 70E	Black			
	911 551 012 55 40E	Brown			
	911 551 012 55 30B	Blue			
	911 551 012 55 80E	Burgundy			
	911 551 012 55 60A	Grey			
	911 551 012 55 2FL	Grey-beige	84,		
	911 551 012 55 6JD	Dark green			

Model: 911 84 Model life 1984>>1986

Pos	Part Number	Description	Remark	Qty	Model			
(8)	911 551 012 55 80S	Can-can-red		1	TARGA/CABRIO			
	911 551 012 55 1VD	Champagne						
	911 551 012 55 8JK	Greyish green	85-					
	911 551 012 55 2YN	White	85-					
	911 551 012 56	Carpet	/LL /R					
		Cut pile						
	911 551 012 56 70E	Black						
	911 551 012 56 40E	Brown						
	911 551 012 56 30B	Blue						
	911 551 012 56 80E	Burgundy						
	911 551 012 56 60A	Grey						
	911 551 012 56 2FL	Grey-beige	84, 86					
	911 551 012 56 6JD	Dark green						
(8)	911 551 012 56 80S	Can-can-red		1	TARGA/CABRIO			
	911 551 012 56 1VD	Champagne						
	911 551 012 56 8JK	Greyish green						
	911 551 012 56 2YN	White						
	911 551 912 00	Floor mat	/LL /R					
		with						
		Logo						
		911						
	911 551 912 00 4KD	Brown						
	911 551 912 00 7KD	Black						
	911 551 912 00 3KD	Blue						
	9	911 551 014 06	Carpet			/H /R	1	TARGA/CABRIO
		Cut pile						
911 551 014 06 70E	Black							
911 551 014 06 40E	Brown							
911 551 014 06 30B	Blue							
911 551 014 06 80E	Burgundy							
911 551 014 06 60A	Grey							
911 551 014 06 2FL	Grey-beige	84,						
911 551 014 06 6JD	Dark green							
911 551 014 06 80S	Can-can-red							
911 551 014 06 1VD	Champagne							
911 551 014 06 8JK	Greyish green	85-						
(9)	911 551 014 06 2YN	White	85-	1	TARGA/CABRIO			
	911 551 014 07	Carpet	/H /R					
		Cut pile						
	911 551 014 07 70E	Black						
	911 551 014 07 40E	Brown						
	911 551 014 07 30B	Blue						
	911 551 014 07 80E	Burgundy						
	911 551 014 07 60A	Grey						
	911 551 014 07 2FL	Grey-beige	84, 86					
	911 551 014 07 6JD	Dark green						
	911 551 014 07 80S	Can-can-red						
	911 551 014 07 1VD	Champagne						
	911 551 014 07 8JK	Greyish green						
10	911 551 014 07 2YN	White		1	TARGA/CABRIO			
	911 551 013 04	Carpet	/H /L					
		Cut pile						
	911 551 013 04 70E	Black						
	911 551 013 04 40E	Brown						
	911 551 013 04 30B	Blue						
	911 551 013 04 80E	Burgundy						
	911 551 013 04 60A	Grey						
	911 551 013 04 2FL	Grey-beige	84,					
	911 551 013 04 6JD	Dark green						
	911 551 013 04 80S	Can-can-red						
	911 551 013 04 1VD	Champagne						
	911 551 013 04 8JK	Greyish green	85-					
911 551 013 04 2YN	White	85-						

Model: 911 84 Model life 1984>>1986

Pos	Part Number	Description	Remark	Qty	Model
(10)	911 551 013 05	Carpet Cut pile	/H /L	1	
	911 551 013 05 70E	Black			
	911 551 013 05 40E	Brown			
	911 551 013 05 30B	Blue			
	911 551 013 05 80E	Burgundy			
	911 551 013 05 60A	Grey			
	911 551 013 05 2FL	Grey-beige	84, 86		
	911 551 013 05 6JD	Dark green			
	911 551 013 05 80S	Can-can-red			
	911 551 013 05 1VD	Champagne			
	911 551 013 05 8JK	Greyish green			
	911 551 013 05 2YN	White			
(11)	911 551 411 41	Carpet for tunnel Cut pile		1	
	911 551 411 41 70E	Black			
	911 551 411 41 40E	Brown			
	911 551 411 41 30B	Blue			
	911 551 411 41 80E	Burgundy			
	911 551 411 41 60A	Grey			
	911 551 411 41 2FL	Grey-beige	84,		
	911 551 411 41 6JD	Dark green			
	911 551 411 41 80S	Can-can-red			
	911 551 411 41 1VD	Champagne			
	911 551 411 41 2YN	White	85-		
	911 551 411 41 8JK	Greyish green	85-		
11	911 551 411 42	Carpet for tunnel Cut pile	/LL	1	
	911 551 411 42 70E	Black			
	911 551 411 42 40E	Brown			
	911 551 411 42 30B	Blue			
	911 551 411 42 80E	Burgundy			
	911 551 411 42 60A	Grey			
	911 551 411 42 2FL	Grey-beige	84,		
	911 551 411 42 6JD	Dark green			
	911 551 411 42 80S	Can-can-red			
	911 551 411 42 1VD	Champagne			
	911 551 411 42 2YN	White	85-		
	911 551 411 42 8JK	Greyish green	85-		
(11)	911 551 411 43	Carpet for tunnel Cut pile	/RL	1	
	911 551 411 43 70E	Black			
	911 551 411 43 40E	Brown			
	911 551 411 43 30B	Blue			
	911 551 411 43 80E	Burgundy			
	911 551 411 43 60A	Grey			
	911 551 411 43 2FL	Grey-beige	84,		
	911 551 411 43 6JD	Dark green			
	911 551 411 43 80S	Can-can-red			
	911 551 411 43 1VD	Champagne			
	911 551 411 43 2YN	White	85-		
	911 551 411 43 8JK	Greyish green	85-		
(11)	911 551 411 44	Carpet for tunnel Cut pile	/LL	1	
	911 551 411 44 70E	Black			
	911 551 411 44 40E	Brown			
	911 551 411 44 30B	Blue			
	911 551 411 44 80E	Burgundy			
	911 551 411 44 60A	Grey			
	911 551 411 44 2FL	Grey-beige	84, 86		
	911 551 411 44 6JD	Dark green			
	911 551 411 44 80S	Can-can-red			
	911 551 411 44 1VD	Champagne			

Model: 911 84 Model life 1984>>1986

Pos	Part Number	Description	Remark	Qty	Model
(11)	911 551 411 44 2YN	White			
	911 551 411 44 8JK	Greyish green			
	911 551 411 45	Carpet for tunnel	/RL	1	
		Cut pile			
	911 551 411 45 70E	Black			
	911 551 411 45 40E	Brown			
	911 551 411 45 30B	Blue			
	911 551 411 45 80E	Burgundy			
	911 551 411 45 60A	Grey			
	911 551 411 45 2FL	Grey-beige	84, 86		
911 551 411 45 6JD	Dark green				
911 551 411 45 80S	Can-can-red				
911 551 411 45 1VD	Champagne				
911 551 411 45 2YN	White				
911 551 411 45 8JK	Greyish green				
12	911 551 451 00	Adhesive carpet	85	2	
		Cut pile			
	911 551 451 00 70E	Black			
	911 551 451 00 30B	Blue			
	911 551 451 00 40E	Brown			
	911 551 451 00 80E	Burgundy			
	911 551 451 00 60A	Grey			
	911 551 451 00 8JK	Greyish green			
	911 551 451 00 6JD	Dark green			
	911 551 451 00 80S	Can-can-red			
	911 551 451 00 1VD	Champagne			
13	911 551 451 00 2YN	White			
	911 555 179 00	Lining	/L	1	COUPE
		for			
		Additional blower			
		Cut pile			
	911 555 179 00 70E	Black			
	911 555 179 00 40E	Brown			
	911 555 179 00 30B	Blue			
	911 555 179 00 80E	Burgundy			
	911 555 179 00 60A	Grey			
	911 555 179 00 2FL	Grey-beige	84,		
	911 555 179 00 6JD	Dark green			
	911 555 179 00 80S	Can-can-red			
	911 555 179 00 1VD	Champagne			
	911 555 179 00 8JK	Greyish green	85-		
	911 555 179 00 2YN	White	85-		
(13)	911 555 179 01	Lining	/L	1	COUPE
		for			
		Additional blower			
		Cut pile			
	911 555 179 01 70E	Black			
	911 555 179 01 40E	Brown			
	911 555 179 01 30B	Blue			
	911 555 179 01 80E	Burgundy			
	911 555 179 01 60A	Grey			
	911 555 179 01 2FL	Grey-beige	84, 86		
	911 555 179 01 6JD	Dark green			
	911 555 179 01 80S	Can-can-red			
	911 555 179 01 1VD	Champagne			
	911 555 179 01 8JK	Greyish green			
	911 555 179 01 2YN	White			
(13)	911 555 179 40	Lining	/L	1	TARGA/CABRIO
		for			
		Additional blower			
		Cut pile			
	911 555 179 40 70E	Black			



Model: 911 84 Model life 1984>>1986

Pos	Part Number	Description	Remark	Qty	Model
(13)	911 555 179 40 40E	Brown	84,	1	TARGA/CABRIO
	911 555 179 40 30B	Blue			
	911 555 179 40 80E	Burgundy			
	911 555 179 40 60A	Grey			
	911 555 179 40 2FL	Grey-beige			
	911 555 179 40 6JD	Dark green			
	911 555 179 40 80S	Can-can-red			
	911 555 179 40 1VD	Champagne			
	911 555 179 40 8JK	Greyish green			
	911 555 179 40 2YN	White			
	911 555 179 41	Lining for Additional blower Cut pile			
	911 555 179 41 70E	Black			
	14	911 555 179 41 40E			
911 555 179 41 30B		Blue			
911 555 179 41 80E		Burgundy			
911 555 179 41 60A		Grey			
911 555 179 41 2FL		Grey-beige			
911 555 179 41 6JD		Dark green			
911 555 179 41 80S		Can-can-red			
911 555 179 41 1VD		Champagne			
911 555 179 41 8JK		Greyish green			
911 555 179 41 2YN		White			
911 555 180 00		Lining for Additional blower Cut pile			
911 555 180 00 70E		Black			
(14)		911 555 180 00 40E	Brown	84,	1
	911 555 180 00 30B	Blue			
	911 555 180 00 80E	Burgundy			
	911 555 180 00 60A	Grey			
	911 555 180 00 2FL	Grey-beige			
	911 555 180 00 6JD	Dark green			
	911 555 180 00 80S	Can-can-red			
	911 555 180 00 1VD	Champagne			
	911 555 180 00 8JK	Greyish green			
	911 555 180 00 2YN	White			
	911 555 180 01	Lining for Additional blower Cut pile			
	911 555 180 01 70E	Black			
	(14)	911 555 180 01 40E	Brown		
911 555 180 01 30B		Blue			
911 555 180 01 80E		Burgundy			
911 555 180 01 60A		Grey			
911 555 180 01 2FL		Grey-beige			
911 555 180 01 6JD		Dark green			
911 555 180 01 80S		Can-can-red			
911 555 180 01 1VD		Champagne			
911 555 180 01 8JK		Greyish green			
911 555 180 01 2YN		White			
911 555 180 40		Lining for Additional blower Cut pile			
911 555 180 40 70E		Black			
911 555 180 40 40E		Brown			
911 555 180 40 30B	Blue				
911 555 180 40 80E	Burgundy				

Model: 911 84

Model life 1984&gt;&gt;1986

Pos	Part Number	Description	Remark	Qty	Model
	911 555 180 40 60A	Grey			
	911 555 180 40 2FL	Grey-beige	84,		
	911 555 180 40 6JD	Dark green			
	911 555 180 40 80S	Can-can-red			
	911 555 180 40 1VD	Champagne			
	911 555 180 40 8JK	Greyish green	85-		
	911 555 180 40 2YN	White	85-		
(14)	911 555 180 41	Lining for Additional blower Cut pile	/R	1	TARGA/CABRIO
	911 555 180 41 70E	Black			
	911 555 180 41 40E	Brown			
	911 555 180 41 30B	Blue			
	911 555 180 41 80E	Burgundy			
	911 555 180 41 60A	Grey			
	911 555 180 41 2FL	Grey-beige	84, 86		
	911 555 180 41 6JD	Dark green			
	911 555 180 41 80S	Can-can-red			
	911 555 180 41 1VD	Champagne			
	911 555 180 41 8JK	Greyish green			
	911 555 180 41 2YN	White			
14A	999 591 102 17	Washer 3,5 DEG		6	
14A	999 591 102 1H	Washer 3,5 DEG		6	
14B	900 145 082 07	Tapping screw 3,5 X 38		6	
15	911 551 063 04	Pedal floor board	/LL /L	1	COUPE
(15)	901 551 061 23	Pedal floor board	/RL /L	1	COUPE
(15)	911 551 063 44	Pedal floor board	/LL /L	1	TARGA/CABRIO
(15)	901 551 061 42	Pedal floor board	/RL /L	1	TARGA/CABRIO
(15)	911 551 075 41	Floorboard	/RL /L	1	TARGA/CABRIO
(15)		Floorboard	/RL /L	1	TARGA/CABRIO M559
16	911 551 064 01	Floorboard	/LL /R	1	COUPE
(16)	911 551 062 22	Pedal floor board	/RL /R	1	COUPE
(16)	911 551 075 01	Floorboard	/RL /L	1	COUPE
(16)		Floorboard	/RL /L	1	COUPE M559/573
(16)	901 551 064 42	Pedal floor board	/LL /R	1	TARGA/CABRIO
(16)	911 551 062 42	Pedal floor board	/RL /R	1	TARGA/CABRIO
16A	900 119 025 02	Pan-head screw M 5 X 15		2	
16B	901 423 368 00	Desk pad		2	
16C	901 501 390 00	Tab		1	
17	N 042 121 3	Shake-proof washer A 6,4		1	
18	900 076 010 02	Nut M 6		1	
18	900 076 010 0B	Nut M 6		1	
19	901 501 950 22	Foot support	/RL	1	
(19)	911 501 950 02	Foot support	/RL	1	M559
20	N 015 429 2	Speed nut B 4,2	/RL	2	
20	N 015 429 6	Speed nut B 4,2	/RL	2	
21	900 145 035 02	Rais. counters. h. tap. s. B 4,2 X 16	/RL	2	
(23)	911 551 401 09	Adhesive carpet Wheel housing Cut pile	/L	1	

Model: 911 84 Model life 1984>>1986

Pos	Part Number	Description	Remark	Qty	Model
	911 551 401 09 70E	Black			
	911 551 401 09 30B	Blue			
	911 551 401 09 40E	Brown			
	911 551 401 09 80E	Burgundy			
	911 551 401 09 60A	Grey			
	911 551 401 09 6JD	Dark green			
	911 551 401 09 80S	Can-can-red			
	911 551 401 09 1VD	Champagne			
	911 551 401 09 2FL	Grey-beige	84, 86		
	911 551 401 09 8JK	Greyish green	85-		
	911 551 401 09 2YN	White	85-		
(23)	911 551 402 09	Adhesive carpet	/LL /R	1	
		Wheel housing			
		Cut pile			
	911 551 402 09 70E	Black			
	911 551 402 09 30B	Blue			
	911 551 402 09 40E	Brown			
	911 551 402 09 80E	Burgundy			
	911 551 402 09 60A	Grey			
	911 551 402 09 6JD	Dark green			
	911 551 402 09 80S	Can-can-red			
	911 551 402 09 1VD	Champagne			
	911 551 402 09 2FL	Grey-beige	84, 86		
	911 551 402 09 8JK	Greyish green	85-		
	911 551 402 09 2YN	White	85-		
(23)	911 551 042 11	Carpet	/RL /R	1	
		Wheel housing			
		Cut pile			
	911 551 042 11 70E	Black			
	911 551 042 11 30B	Blue			
	911 551 042 11 40E	Brown			
	911 551 042 11 80E	Burgundy			
	911 551 042 11 60A	Grey			
	911 551 042 11 6JD	Dark green			
	911 551 042 11 80S	Can-can-red			
	911 551 042 11 1VD	Champagne			
	911 551 042 11 2FL	Grey-beige	84, 86		
	911 551 042 11 8JK	Greyish green	85-		
	911 551 042 11 2YN	White	85-		
24	911 551 032 50	Carpet	/R	1	
		Cut pile			
	911 551 032 50 70E	Black			
	911 551 032 50 40E	Brown			
	911 551 032 50 30B	Dark blue			
	911 551 032 50 80E	Burgundy			
	911 551 032 50 60A	Grey			
	911 551 032 50 2FL	Grey-beige	84,		
	911 551 032 50 6JD	Dark green			
	911 551 032 50 80S	Can-can-red			
	911 551 032 50 1VD	Champagne			
	911 551 032 50 8JK	Greyish green	85-		
	911 551 032 50 2YN	White	85-		
(24)	911 551 031 50	Carpet	/L	1	
		Cut pile			
	911 551 031 50 70E	Black			
	911 551 031 50 40E	Brown			
	911 551 031 50 30B	Dark blue			
	911 551 031 50 80E	Burgundy			
	911 551 031 50 60A	Grey			
	911 551 031 50 2FL	Grey-beige	84,		
	911 551 031 50 6JD	Dark green			
	911 551 031 50 80S	Can-can-red			
	911 551 031 50 1VD	Champagne			

Model: 911 84 Model life 1984>>1986

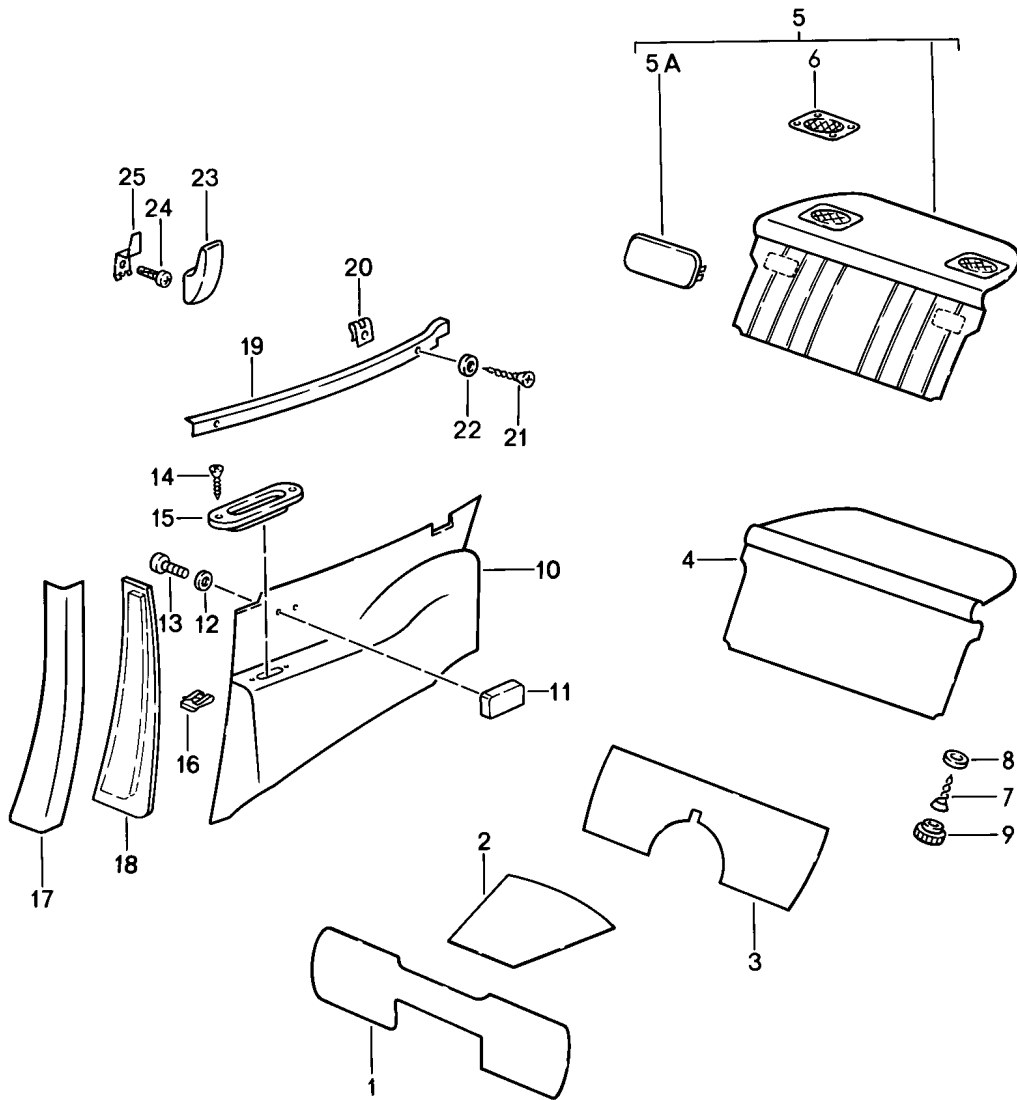
Pos	Part Number	Description	Remark	Qty	Model
(24)	911 551 031 50 8JK	Greyish green	85-	1	
	911 551 031 50 2YN	White	85-		
	911 551 031 51	Carpet	/L		
		Cut pile			
	911 551 031 51 70E	Black			
	911 551 031 51 40E	Brown			
	911 551 031 51 30B	Dark blue			
	911 551 031 51 80E	Burgundy			
	911 551 031 51 60A	Grey			
	911 551 031 51 2FL	Grey-beige	84, 86		
	911 551 031 51 6JD	Dark green			
	911 551 031 51 80S	Can-can-red			
	911 551 031 51 1VD	Champagne			
24	911 551 031 51 8JK	Greyish green		1	
	911 551 031 51 2YN	White			
	911 551 032 51	Carpet	/R		
		Cut pile			
	911 551 032 51 70E	Black			
	911 551 032 51 40E	Brown			
	911 551 032 51 30B	Dark blue			
	911 551 032 51 80E	Burgundy			
	911 551 032 51 60A	Grey			
	911 551 032 51 2FL	Grey-beige	84, 86		
	911 551 032 51 6JD	Dark green			
	911 551 032 51 80S	Can-can-red			
	911 551 032 51 1VD	Champagne			
25	911 551 032 51 8JK	Greyish green		1	
	911 551 032 51 2YN	White			
	911 551 034 02	Carpet	/R		
		Cut pile			
	911 551 034 02 70E	Black			
	911 551 034 02 40E	Brown			
	911 551 034 02 30B	Dark blue			
	911 551 034 02 80E	Burgundy			
	911 551 034 02 60A	Grey			
	911 551 034 02 2FL	Grey-beige	84, 86		
	911 551 034 02 6JD	Dark green			
	911 551 034 02 80S	Can-can-red			
	911 551 034 02 1VD	Champagne			
25	911 551 034 02 8JK	Greyish green	85-	1	
	911 551 034 02 2YN	White	85-		
	911 551 034 03	Carpet	/R (J)		
		Cut pile			
	911 551 034 03 70E	Black			
	911 551 034 03 40E	Brown			
	911 551 034 03 30B	Dark blue			
	911 551 034 03 80E	Burgundy			
	911 551 034 03 60A	Grey			
	911 551 034 03 2FL	Grey-beige	84, 86		
	911 551 034 03 6JD	Dark green			
	911 551 034 03 80S	Can-can-red			
	911 551 034 03 1VD	Champagne			
(25)	911 551 034 03 8JK	Greyish green		1	
	911 551 034 03 2YN	White			
	911 551 033 02	Carpet	/L		
		Cut pile			
	911 551 033 02 70E	Black			
	911 551 033 02 40E	Brown			
	911 551 033 02 30B	Dark blue			
	911 551 033 02 80E	Burgundy			
	911 551 033 02 60A	Grey			
	911 551 033 02 2FL	Grey-beige	84, 86		
	911 551 033 02 6JD	Dark green			

Model: 911 84 Model life 1984>>1986

Pos	Part Number	Description	Remark	Qty	Model
	911 551 033 02 80S	Can-can-red			
	911 551 033 02 1VD	Champagne			
	911 551 033 02 8JK	Greyish green	85-		
	911 551 033 02 2YN	White	85-		
(25)	911 551 033 03	Carpet	/L (J)	1	
		Cut pile			
	911 551 033 03 70E	Black			
	911 551 033 03 40E	Brown			
	911 551 033 03 30B	Dark blue			
	911 551 033 03 80E	Burgundy			
	911 551 033 03 60A	Grey			
	911 551 033 03 2FL	Grey-beige	84, 86		
	911 551 033 03 6JD	Dark green			
	911 551 033 03 80S	Can-can-red			
	911 551 033 03 1VD	Champagne			
	911 551 033 03 8JK	Greyish green			
	911 551 033 03 2YN	White			
(26)	901 551 115 20	Scuff plate	/L -85	1	
(26)	911 551 619 00	Rubber pad	/L	1	
(26)		Rubber pad	/L	1	
26	911 551 620 00	Rubber pad	/R	1	
26		Rubber pad	/R	1	
27	901 551 419 50	Cover strip		2	
		Aluminium			
27	901 551 419 28	Cover strip		2	
		Black			
27		Cover strip		2	
		for			
		Door sill			
		Inner			
	901 551 419 28 70K	Black			
28	900 145 041 00	Rais. counters. h. tap. s.		10	
		B 3,5 X 16			
28	900 145 041 07	Tapping screw		10	
		Black			
		B 3,5 X 16			
(29)	911 551 067 03	Luggage compartment trim	/LL	1	
(29)	911 551 067 05	Luggage compartment trim	/LL	1	
(29)	911 551 068 01	Luggage compartment trim	/RL -85	1	
(29)	911 551 068 02	Luggage compartment trim	/RL	1	
(29)	911 551 068 01	Luggage compartment trim	/RL	1	
(29)	911 551 068 02	Luggage compartment trim	/RL	1	
30	900 075 260 02	Hexagon-head bolt		4	
		M 6 X 16			
31	N 012 007 2	Lock ring		4	
		A 6			
31	900 027 004 03	Lock ring		4	
		A 6			
32	900 151 003 02	Washer		4	
		6,4			
32	900 151 006 03	Washer		4	
		6,4			

Model: 911 84

Model life 1984>>1986



Model: 911 84 Model life 1984>>1986

Pos	Part Number	Description	Remark	Qty	Model
1	911 551 051 04	Interior equipment Rear Carpet Heel plate Cut pile		1	COUPE/TARGA
	911 551 051 04 70E	Black			
	911 551 051 04 40E	Brown			
	911 551 051 04 30B	Dark blue			
	911 551 051 04 80E	Burgundy			
	911 551 051 04 60A	Grey			
	911 551 051 04 2FL	Grey-beige	84, 86		
	911 551 051 04 6JD	Dark green			
	911 551 051 04 80S	Can-can-red			
	911 551 051 04 1VD	Champagne			
	911 551 051 04 8JK	Greyish green	85-		
	911 551 051 04 2YN	White	85-		
2	911 551 023 00	Adhesive carpet Seat well Centre Cut pile		1	
	911 551 023 00 70E	Black			
	911 551 023 00 40E	Brown			
	911 551 023 00 30B	Dark blue			
	911 551 023 00 80E	Burgundy			
	911 551 023 00 60A	Grey			
	911 551 023 00 2FL	Grey-beige	84, 86		
	911 551 023 00 6JD	Dark green			
	911 551 023 00 80S	Can-can-red			
	911 551 023 00 1VD	Champagne			
	911 551 023 00 8JK	Greyish green	85-		
	911 551 023 00 2YN	White	85-		
3	911 551 054 03	Carpet Seat well Cut pile		1	
	911 551 054 03 70E	Black			
	911 551 054 03 40E	Brown			
	911 551 054 03 30B	Dark blue			
	911 551 054 03 80E	Burgundy			
	911 551 054 03 60A	Grey			
	911 551 054 03 2FL	Grey-beige	84, 86		
	911 551 054 03 6JD	Dark green			
	911 551 054 03 80S	Can-can-red			
	911 551 054 03 1VD	Champagne			
	911 551 054 03 8JK	Greyish green	85-		
	911 551 054 03 2YN	White	85-		
(4)	911 555 075 06	Back wall lining Leatherette Upper part/lower part	-84	1	COUPE
	911 555 075 06 3MK	Burgundy/burgundy			
	911 555 075 06 05T	Black/black			
	911 555 075 06 1HH	Blue/blue			
	911 555 075 06 4RB	Brown/brown			
	911 555 075 06 4FK	Black/grey-beige			
(4)	911 555 075 46	Back wall lining Leatherette Upper part/lower part	-84	1	TARGA
	911 555 075 46 3MK	Burgundy			
	911 555 075 46 05T	Black			
	911 555 075 46 1HH	Blue			
	911 555 075 46 4RB	Brown			
	911 555 075 46 4FK	Black/grey-beige			
4	911 555 075 80	Back wall lining	-84	1	COUPE M981

Model: 911 84 Model life 1984>>1986

Pos	Part Number	Description	Remark	Qty	Model
		Whole-leather Upper part/lower part			
	911 555 075 80 KZ2	Black/black			
	911 555 075 80 KZ3	Blue			
	911 555 075 80 KZ5	Brown			
	911 555 075 80 LG7	Burgundy			
	911 555 075 80 LG6	Dark green			
	911 555 075 80 KZ4	Black/grey-beige			
	911 555 075 80 LG8	Black/can-can-red			
	911 555 075 80 LJ7	Black/pearl white			
	911 555 075 80 LL9	Black/champagne			
	911 555 075 80 LL8	Burgundy/pearl white			
	911 555 075 80 LM1	Brown/champagne			
	911 555 075 80 LL7	Pearl white			
	911 555 075 80 LM2	Blue/champagne			
(4)	911 555 075 81	Back wall lining	-84	1	TARGA M981
		Whole-leather Upper part/lower part			
	911 555 075 81 KZ2	Black			
	911 555 075 81 KZ3	Blue			
	911 555 075 81 KZ5	Brown			
	911 555 075 81 LG7	Burgundy			
	911 555 075 81 LG6	Dark green			
	911 555 075 81 KZ4	Black/grey-beige			
	911 555 075 81 LG8	Black/can-can-red			
	911 555 075 81 LJ7	Black/pearl white			
	911 555 075 81 LL9	Black/champagne			
	911 555 075 81 LL8	Burgundy/pearl white			
	911 555 075 81 LM1	Brown/champagne			
	911 555 075 81 LL7	Blue/pearl white			
	911 555 075 81 LM2	Blue/champagne			
5	911 555 111 00	Back wall lining		1	COUPE
		Leatherette Upper part/lower part			
	911 555 111 00 05T	Black/black			
	911 555 111 00 1HH	Blue/blue			
	911 555 111 00 4RB	Brown/brown			
	911 555 111 00 3MK	Burgundy/burgundy			
	911 555 111 00 4FK	Black/grey-beige	84, 86		
	911 555 111 00 4JX	Greyish green/grey-green	85-		
5	911 555 111 02	Back wall lining		1	COUPE M335
		Leatherette Upper part/lower part			
	911 555 111 02 05T	Black			
	911 555 111 02 1HH	Blue/blue			
	911 555 111 02 4RB	Brown/brown			
	911 555 111 02 3MK	Burgundy			
	911 555 111 02 4FK	Black/grey-beige	84, 86		
	911 555 111 02 4JX	Greyish green	85-		
5	911 555 111 40	Back wall lining		1	TARGA
		Leatherette Upper part/lower part			
	911 555 111 40 05T	Black			
	911 555 111 40 1HH	Blue			
	911 555 111 40 4RB	Brown			
	911 555 111 40 3MK	Burgundy			
	911 555 111 40 4FK	Black/grey-beige	84, 86		
	911 555 111 40 4JX	Greyish green	85-		
5	911 555 111 41	Back wall lining		1	TARGA M335
		Leatherette			



Model: 911 84 Model life 1984>>1986

Pos	Part Number	Description	Remark	Qty	Model			
5	911 555 111 41 05T	Upper part/lower part Black		1	COUPE			
	911 555 111 41 1HH	Blue						
	911 555 111 41 4RB	Brown						
	911 555 111 41 3MK	Burgundy						
	911 555 111 41 4FK	Black/grey-beige	84, 86					
	911 555 111 41 4JX	Greyish green	85-					
	911 555 111 01	Back wall lining Whole-leather Upper part/lower part						
	911 555 111 01 KZ2	Black						
	911 555 111 01 KZ3	Blue						
	911 555 111 01 KZ5	Brown						
	911 555 111 01 LG7	Burgundy						
	911 555 111 01 LG6	Dark green						
	911 555 111 01 QC2	Greyish green	85-					
	911 555 111 01 PY9	Ocean blue	85-					
	911 555 111 01 PZ1	Wild buffalo	85-					
	911 555 111 01 KZ4	Black/grey-beige	84, 86					
	911 555 111 01 LG8	Black/can-can-red						
	911 555 111 01 LJ7	Black/pearl white						
	911 555 111 01 LL9	Black/champagne						
911 555 111 01 LL8	Burgundy/pearl white							
911 555 111 01 LM1	Brown/champagne							
911 555 111 01 LL7	Blue/pearl white							
911 555 111 01 LM2	Blue/champagne							
911 555 111 01 QC3	Greyish green/pearl white	85-						
5	911 555 111 03	Back wall lining Whole-leather Upper part/lower part		1	COUPE M335			
5	911 555 111 03 KZ2	Black		1	TARGA			
	911 555 111 03 KZ3	Blue						
	911 555 111 03 KZ5	Brown						
	911 555 111 03 LG7	Burgundy						
	911 555 111 03 LG6	Dark green						
	911 555 111 03 QC2	Greyish green	85-					
	911 555 111 03 PY9	Ocean blue	85-					
	911 555 111 03 PZ1	Wild buffalo	85-					
	911 555 111 03 KZ4	Black/grey-beige	84, 86					
	911 555 111 03 LG8	Black/can-can-red						
	911 555 111 03 LJ7	Black/pearl white						
	911 555 111 03 LL9	Black/champagne						
	911 555 111 03 LL8	Burgundy/pearl white						
	911 555 111 03 LM1	Brown/champagne						
	911 555 111 03 LL7	Blue/pearl white						
	911 555 111 03 LM2	Blue/champagne						
	911 555 111 03 QC3	Greyish green/pearl white	85-					
	5	911 555 111 42	Back wall lining Whole-leather Upper part/lower part				1	TARGA
	5	911 555 111 42 KZ2	Black				1	TARGA
911 555 111 42 KZ3		Blue/blue						
911 555 111 42 KZ5		Brown/brown						
911 555 111 42 LG7		Burgundy/burgundy						
911 555 111 42 LG6		Dark green						
911 555 111 42 QC2		Greyish green/grey-green	85-					
911 555 111 42 PY9		Ocean blue	85-					
911 555 111 42 PZ1		Wild buffalo	85-					
911 555 111 42 KZ4		Black/grey-beige	84, 86					
911 555 111 42 LG8		Black/can-can-red						
911 555 111 42 LJ7		Black/pearl white						
911 555 111 42 LL9		Black/champagne						

Model: 911 84 Model life 1984>>1986

Pos	Part Number	Description	Remark	Qty	Model
5	911 555 111 42 LL8	Burgundy/pearl white		1	TARGA M335
	911 555 111 42 LM1	Brown/champagne			
	911 555 111 42 LL7	Blue/pearl white			
	911 555 111 42 LM2	Blue/champagne			
	911 555 111 42 QC3	Greyish green/pearl white	85-		
	911 555 111 43	Back wall lining			
		Whole-leather			
		Upper part/lower part			
	911 555 111 43 KZ2	Black			
	911 555 111 43 KZ3	Blue/blue			
	911 555 111 43 KZ5	Brown/brown			
	911 555 111 43 LG7	Burgundy/burgundy			
	911 555 111 43 LG6	Dark green			
	911 555 111 43 QC2	Greyish green/grey-green	85-		
	911 555 111 43 PY9	Ocean blue	85-		
	911 555 111 43 PZ1	Wild buffalo	85-		
	911 555 111 43 KZ4	Black/grey-beige	84, 86		
911 555 111 43 LG8	Black/can-can-red				
911 555 111 43 LJ7	Black/pearl white				
911 555 111 43 LL9	Black/champagne				
911 555 111 43 LL8	Burgundy/pearl white				
911 555 111 43 LM1	Brown/champagne				
911 555 111 43 LL7	Blue/pearl white				
911 555 111 43 LM2	Blue/champagne				
911 555 111 43 QC3	Greyish green/pearl white	85-			
5	911 555 111 08	Back wall lining	85-	1	COUPE
		Leatherette/leather			
		Upper part/lower part			
	911 555 111 08 QX4	Black/black			
	911 555 111 08 QX5	Blue/blue			
	911 555 111 08 QX6	Brown/brown			
	911 555 111 08 QX7	Burgundy/burgundy			
	911 555 111 08 QX8	Greyish green/grey-green			
	911 555 111 08 QX9	Black/can-can-red			
	911 555 111 08 QY1	Black/pearl white			
	911 555 111 08 QY2	Black/champagne			
	911 555 111 08 QY3	Burgundy/pearl white			
	911 555 111 08 QY4	Brown/champagne			
	911 555 111 08 QY5	Blue/pearl white			
	911 555 111 08 QY6	Blue/champagne			
	911 555 111 08 QY7	Greyish green/pearl white			
	911 555 111 08 QY8	Blue/ Ocean blue			
	911 555 111 08 QY9	Brown/ Wild buffalo			
	911 555 111 08 RU5	Black/grey-beige	86-		
	5	911 555 111 09	Back wall lining		
		Leatherette/leather			
		Upper part/lower part			
911 555 111 09 QX4		Black/black			
911 555 111 09 QX5		Blue/blue			
911 555 111 09 QX6		Brown/brown			
911 555 111 09 QX7		Burgundy/burgundy			
911 555 111 09 QX8		Greyish green/grey-green			
911 555 111 09 QX9		Black/can-can-red			
911 555 111 09 QY1		Black/pearl white			
911 555 111 09 QY2		Black/champagne			
911 555 111 09 QY3		Burgundy/pearl white			
911 555 111 09 QY4		Brown/champagne			
911 555 111 09 QY5		Blue/pearl white			
911 555 111 09 QY6		Blue/champagne			

Model: 911 84 Model life 1984>>1986

Pos	Part Number	Description	Remark	Qty	Model			
5	911 555 111 09 QY7	Greyish green/pearl white		1	TARGA			
	911 555 111 09 QY8	Blue/ Ocean blue						
	911 555 111 09 QY9	Brown/ Wild buffalo						
	911 555 111 09 RU5	Black/grey-beige	86-					
	911 555 111 48	Back wall lining Leatherette/leather Upper part/lower part	85-					
	911 555 111 48 QX4	Black/black						
	911 555 111 48 QX5	Blue/blue						
	911 555 111 48 QX6	Brown/brown						
	911 555 111 48 QX7	Burgundy/burgundy						
	911 555 111 48 QX8	Greyish green/grey-green						
	911 555 111 48 QX9	Black/can-can-red						
	911 555 111 48 QY1	Black/pearl white						
	911 555 111 48 QY2	Black/champagne						
	911 555 111 48 QY3	Burgundy/pearl white						
	911 555 111 48 QY4	Brown/champagne						
	911 555 111 48 QY5	Blue/pearl white						
	911 555 111 48 QY6	Blue/champagne						
	911 555 111 48 QY7	Greyish green/pearl white						
	911 555 111 48 QY8	Blue/ Ocean blue						
	911 555 111 48 QY9	Brown/ Wild buffalo						
5	911 555 111 48 RU5	Black/grey-beige	86-	1	TARGA M335			
	911 555 111 49	Back wall lining Leatherette/leather Upper part/lower part	85-					
	911 555 111 49 QX4	Black/black						
	911 555 111 49 QX5	Blue/blue						
	911 555 111 49 QX6	Brown/brown						
	911 555 111 49 QX7	Burgundy/burgundy						
	911 555 111 49 QX8	Greyish green/grey-green						
	911 555 111 49 QX9	Black/can-can-red						
	911 555 111 49 QY1	Black/pearl white						
	911 555 111 49 QY2	Black/champagne						
	911 555 111 49 QY3	Burgundy/pearl white						
	911 555 111 49 QY4	Brown/champagne						
	911 555 111 49 QY5	Blue/pearl white						
	911 555 111 49 QY6	Blue/champagne						
	911 555 111 49 QY7	Greyish green/pearl white						
	911 555 111 49 QY8	Blue/ Ocean blue						
	911 555 111 49 QY9	Brown/ Wild buffalo						
	(5)	911 555 111 49 RU5	Black/grey-beige			86-	1	COUPE M526
		911 555 111 04	Back wall lining Upper part/lower part Leatherette/ Cloth Pin stripe velour			85-		
		911 555 111 04 7BN	Black/ Black-white					
911 555 111 04 3NN		Brown/ Brown-beige						
911 555 111 04 8GJ		Blue/ Blue-white						
911 555 111 04 1MJ		Burgundy/ Burgundy-white						

Model: 911 84 Model life 1984>>1986

Pos	Part Number	Description	Remark	Qty	Model			
(5)	911 555 111 04 3JV	Greyish green/ Greyish green-white		1	COUPE M335/526			
	911 555 111 04 9FN	Black/ Grey-beige-white	86- 86-					
	911 555 111 05	Back wall lining	85-					
		Upper part/lower part Leatherette/ Cloth Pin stripe velour						
	911 555 111 05 7BN	Black/ Black-white						
	911 555 111 05 3NN	Brown/ Brown-beige						
	911 555 111 05 8GJ	Blue/ Blue-white						
	911 555 111 05 1MJ	Burgundy/ Burgundy-white						
	911 555 111 05 3JV	Greyish green/ Greyish green-white						
	911 555 111 05 9FN	Black/ Grey-beige-white	86- 86-					
(5)	911 555 111 44	Back wall lining	85-	1	TARGA M526			
		Upper part/lower part Leatherette/ Cloth Pin stripe velour						
	911 555 111 44 7BN	Black/ Black-white						
	911 555 111 44 3NN	Brown/ Brown-beige						
	911 555 111 44 8GJ	Blue/ Blue-white						
	911 555 111 44 1MJ	Burgundy/ Burgundy-white						
	911 555 111 44 3JV	Greyish green/ Greyish green-white						
	911 555 111 44 9FN	Black/ Grey-beige-white	86- 86-					
	(5)	911 555 111 45	Back wall lining			85-	1	TARGA M335/526
			Upper part/lower part Leatherette/ Cloth Pin stripe velour					
911 555 111 45 7BN		Black/ Black-white						
911 555 111 45 3NN		Brown/ Brown-beige						
911 555 111 45 8GJ		Blue/ Blue-white						
911 555 111 45 1MJ		Burgundy/ Burgundy-white						
911 555 111 45 3JV		Greyish green/ Greyish green-white						
911 555 111 45 9FN		Black/ Grey-beige-white	86- 86-					
(5)		911 555 111 04	Back wall lining	85-	1	COUPE M526		
			Upper part/lower part Leatherette/ Cloth					

Model: 911 84 Model life 1984>>1986

Pos	Part Number	Description	Remark	Qty	Model
(5)	911 555 111 04 8BF	Pin stripe flannel Black/anthracite	85-	1	COUPE M335/526
	911 555 111 04 2TF	Brown/brown			
	911 555 111 04 6GF	Blue/blue			
	911 555 111 04 1MF	Burgundy/burgundy			
	911 555 111 04 9JF	Greyish green/grey-green			
(5)	911 555 111 05	Back wall lining	85-	1	TARGA M526
	911 555 111 05 8BF	Upper part/lower part Leatherette/ Cloth Pin stripe flannel Black/anthracite			
	911 555 111 05 2TF	Brown/brown			
	911 555 111 05 6GF	Blue/blue			
	911 555 111 05 1MF	Burgundy/burgundy			
(5)	911 555 111 05 9JF	Greyish green/grey-green	85-	1	TARGA M526
	911 555 111 44	Back wall lining			
	911 555 111 44 8BF	Upper part/lower part Leatherette/ Cloth Pin stripe flannel Black/anthracite			
	911 555 111 44 2TF	Brown/brown			
	911 555 111 44 6GF	Blue/blue			
(5)	911 555 111 44 1MF	Burgundy/burgundy	85-	1	TARGA M335/526
	911 555 111 44 9JF	Greyish green/grey-green			
	911 555 111 45	Back wall lining			
	911 555 111 45 8BF	Upper part/lower part Leatherette/ Cloth Pin stripe flannel Black/anthracite			
	911 555 111 45 2TF	Brown/brown			
(5)	911 555 111 45 6GF	Blue/blue	86- 85-	1	COUPE M526
	911 555 111 45 1MF	Burgundy/burgundy			
	911 555 111 45 9JF	Greyish green/grey-green			
	911 555 111 04	Back wall lining			
	911 555 111 04 2CZ	Upper part/lower part Leatherette/ Porsche lettering cloth Black/black			
(5)	911 555 111 04 7NZ	Brown/brown	86- 85-	1	COUPE M335/526
	911 555 111 04 6HZ	Blue/blue			
	911 555 111 04 5LZ	Burgundy/burgundy			
	911 555 111 04 1JK	Greyish green/grey-green			
	911 555 111 04 5UY	Black/grey-beige			
(5)	911 555 111 05	Back wall lining	86- 85-	1	TARGA M526
	911 555 111 05 2CZ	Upper part/lower part Leatherette/ Porsche lettering cloth Black/black			
	911 555 111 05 7NZ	Brown/brown			
	911 555 111 05 6HZ	Blue/blue			
	911 555 111 05 5LZ	Burgundy/burgundy			
(5)	911 555 111 05 1JK	Greyish green/grey-green	86- 85-	1	TARGA M526
	911 555 111 05 5UY	Black/grey-beige			
	911 555 111 44	Back wall lining			

Model: 911 84 Model life 1984>>1986

Pos	Part Number	Description	Remark	Qty	Model	
(5)		Upper part/lower part Leatherette/ Porsche lettering cloth				
	911 555 111 44 2CZ	Black/black				
	911 555 111 44 7NZ	Brown/brown				
	911 555 111 44 6HZ	Blue/blue				
	911 555 111 44 5LZ	Burgundy/burgundy				
	911 555 111 44 1JK	Greyish green/grey-green				
(5)	911 555 111 44 5UY	Black/grey-beige	86-	1	TARGA M335/526	
	911 555 111 45	Back wall lining	85-			
(5)		Upper part/lower part Leatherette/ Porsche lettering cloth				
	911 555 111 45 2CZ	Black/black				
	911 555 111 45 7NZ	Brown/brown				
	911 555 111 45 6HZ	Blue/blue				
	911 555 111 45 5LZ	Burgundy/burgundy				
	911 555 111 45 1JK	Greyish green/grey-green				
(5)	911 555 111 45 5UY	Black/grey-beige	86-	1	COUPE	
	911 555 111 06	Back wall lining	85-			
(5)		Upper part/lower part Leather/ Cloth Pin stripe velour				
	911 555 111 06 7BN	Black/ Black-white				
	911 555 111 06 3NN	Brown/ Brown-beige				
	911 555 111 06 8GJ	Blue/ Blue-white				
	911 555 111 06 1MJ	Burgundy/ Burgundy-white				
	911 555 111 06 3JV	Greyish green/ Greyish green-white				
	911 555 111 06 9FN	Black/ Grey-beige-white	86- 86-			
	911 555 111 07	Back wall lining	85-	1	COUPE M335	
	(5)		Upper part/lower part Leather/ Cloth Pin stripe velour			
		911 555 111 07 7BN	Black/ Black-white			
911 555 111 07 3NN		Brown/ Brown-beige				
911 555 111 07 8GJ		Blue/ Blue-white				
911 555 111 07 1MJ		Burgundy/ Burgundy-white				
911 555 111 07 3JV		Greyish green/ Greyish green-white				
911 555 111 07 9FN		Black/ Grey-beige-white	86- 86-			
911 555 111 46		Back wall lining	85-	1	TARGA	
(5)			Upper part/lower part Leather/ Cloth Pin stripe velour			
		911 555 111 46 7BN	Black/ Black-white			
	911 555 111 46 3NN	Brown/				

Model: 911 84 Model life 1984>>1986

Pos	Part Number	Description	Remark	Qty	Model
(5)	911 555 111 46 8GJ	Brown-beige Blue/ Blue-white			
	911 555 111 46 1MJ	Burgundy/ Burgundy-white			
	911 555 111 46 3JV	Greyish green/ Greyish green-white			
	911 555 111 46 9FN	Black/ Grey-beige-white	86- 86-		
	911 555 111 47	Back wall lining	85-	1	TARGA M335
		Upper part/lower part Leather/ Cloth Pin stripe velour			
	911 555 111 47 7BN	Black/ Black-white			
	911 555 111 47 3NN	Brown/ Brown-beige			
	911 555 111 47 8GJ	Blue/ Blue-white			
	911 555 111 47 1MJ	Burgundy/ Burgundy-white			
(5)	911 555 111 47 3JV	Greyish green/ Greyish green-white			
	911 555 111 47 9FN	Black/ Grey-beige-white	86- 86-		
	911 555 111 06	Back wall lining	85-	1	COUPE
		Upper part/lower part Leather/ Cloth Pin stripe flannel			
	911 555 111 06 8BF	Black/anthracite			
	911 555 111 06 2TF	Brown/brown			
	911 555 111 06 6GF	Blue/blue			
	911 555 111 06 1MF	Burgundy/burgundy			
	911 555 111 06 9JF	Greyish green/grey-green			
	911 555 111 07	Back wall lining	85-	1	COUPE M335
(5)		Upper part/lower part Leather/ Cloth Pin stripe flannel			
	911 555 111 07 8BF	Black/anthracite			
	911 555 111 07 2TF	Brown/brown			
	911 555 111 07 6GF	Blue/blue			
	911 555 111 07 1MF	Burgundy/burgundy			
	911 555 111 07 9JF	Greyish green/grey-green			
	911 555 111 46	Back wall lining	85-	1	TARGA
		Upper part/lower part Leather/ Cloth Pin stripe flannel			
	911 555 111 46 8BF	Black/anthracite			
	911 555 111 46 2TF	Brown/brown			
911 555 111 46 6GF	Blue/blue				
911 555 111 46 1MF	Burgundy/burgundy				
911 555 111 46 9JF	Greyish green/grey-green				
911 555 111 47	Back wall lining	85-	1	TARGA M335	
	Upper part/lower part Leather/ Cloth				

Model: 911 84 Model life 1984>>1986

Pos	Part Number	Description	Remark	Qty	Model
	911 555 111 47 8BF	Pin stripe flannel Black/anthracite			
	911 555 111 47 2TF	Brown/brown			
	911 555 111 47 6GF	Blue/blue			
	911 555 111 47 1MF	Burgundy/burgundy			
	911 555 111 47 9JF	Greyish green/grey-green			
(5)	911 555 111 06	Back wall lining Upper part/lower part Leather/ Porsche lettering cloth	85-	1	COUPE
	911 555 111 06 2CZ	Black/black			
	911 555 111 06 7NZ	Brown/brown			
	911 555 111 06 6HZ	Blue/blue			
	911 555 111 06 5LZ	Burgundy/burgundy			
	911 555 111 06 1JK	Greyish green/grey-green			
	911 555 111 06 5UY	Black/grey-beige	86-		
(5)	911 555 111 07	Back wall lining Upper part/lower part Leather/ Porsche lettering cloth	85-	1	COUPE M335
	911 555 111 07 2CZ	Black/black			
	911 555 111 07 7NZ	Brown/brown			
	911 555 111 07 6HZ	Blue/blue			
	911 555 111 07 5LZ	Burgundy/burgundy			
	911 555 111 07 1JK	Greyish green/grey-green			
	911 555 111 07 5UY	Black/grey-beige	86-		
(5)	911 555 111 46	Back wall lining Upper part/lower part Leather/ Porsche lettering cloth	85-	1	TARGA
	911 555 111 46 2CZ	Black/black			
	911 555 111 46 7NZ	Brown/brown			
	911 555 111 46 6HZ	Blue/blue			
	911 555 111 46 5LZ	Burgundy/burgundy			
	911 555 111 46 1JK	Greyish green/grey-green			
	911 555 111 46 5UY	Black/grey-beige	86-		
(5)	911 555 111 47	Back wall lining Upper part/lower part Leather/ Porsche lettering cloth	85-	1	TARGA M335
	911 555 111 47 2CZ	Black/black			
	911 555 111 47 7NZ	Brown/brown			
	911 555 111 47 6HZ	Blue/blue			
	911 555 111 47 5LZ	Burgundy/burgundy			
	911 555 111 47 1JK	Greyish green/grey-green			
	911 555 111 47 5UY	Black/grey-beige	86-		
5A	911 555 627 00	Trim cover	85-	2	M335
	911 555 627 00 01C	Black			
6	911 555 019 00	Loudspeaker grille		2	
7	900 145 072 07	Tapping screw B 3,5 X 22		2	
(7)	900 145 008 07	Tapping screw B 3,5 X 32		2	M335
8	999 591 102 17	Washer		2	
8	999 591 102 1H	Washer		2	
8	900 151 024 40	Washer A 4,3		4	M335
9	911 803 521 00	Knurled head		4	M335
(10)	911 555 071 05	Side trim panel Leatherette	/L	1	COUPE
	911 555 071 05 3MK	Burgundy			



Model: 911 84 Model life 1984>>1986

Pos	Part Number	Description	Remark	Qty	Model
	911 555 071 05 4FK	Grey-beige	84, 86		
	911 555 071 05 05T	Black			
	911 555 071 05 1HH	Blue			
	911 555 071 05 4RB	Brown			
	911 555 071 05 4JX	Greyish green	85-		
(10)	911 555 071 47	Side trim panel	/L	1	TARGA
		Leatherette			
	911 555 071 47 3MK	Burgundy			
	911 555 071 47 4FK	Grey-beige	84, 86		
	911 555 071 47 05T	Black			
	911 555 071 47 1HH	Blue			
	911 555 071 47 4RB	Brown			
	911 555 071 47 4JX	Greyish green	85-		
10	911 555 072 05	Side trim panel	/R	1	COUPE
		Leatherette			
	911 555 072 05 3MK	Burgundy			
	911 555 072 05 4FK	Grey-beige	84, 86		
	911 555 072 05 05T	Black			
	911 555 072 05 1HH	Blue			
	911 555 072 05 4RB	Brown			
	911 555 072 05 4JX	Greyish green	85-		
(10)	911 555 072 47	Side trim panel	/R	1	TARGA
		Leatherette			
	911 555 072 47 3MK	Burgundy			
	911 555 072 47 4FK	Grey-beige	84, 86		
	911 555 072 47 05T	Black			
	911 555 072 47 1HH	Blue			
	911 555 072 47 4RB	Brown			
	911 555 072 47 4JX	Greyish green	85-		
(10)	911 555 071 74	Side trim panel	/L	1	COUPE
		Leather			
	911 555 071 74 LG7	Burgundy			
	911 555 071 74 LG4	Pearl white			
	911 555 071 74 LG5	Champagne			
	911 555 071 74 LG6	Dark green			
	911 555 071 74 KZ2	Black			
	911 555 071 74 KZ3	Blue			
	911 555 071 74 KZ5	Brown			
	911 555 071 74 KZ4	Grey-beige	84, 86		
	911 555 071 74 KZ6	Can-can-red			
	911 555 071 74 QC2	Greyish green	85-		
	911 555 071 74 PY9	Ocean blue	85-		
	911 555 071 74 PZ1	Wild buffalo	85-		
10	911 555 072 74	Side trim panel	/R	1	COUPE
		Leather			
	911 555 072 74 LG7	Burgundy			
	911 555 072 74 LG4	Pearl white			
	911 555 072 74 LG5	Champagne			
	911 555 072 74 LG6	Dark green			
	911 555 072 74 KZ2	Black			
	911 555 072 74 KZ3	Blue			
	911 555 072 74 KZ5	Brown			
	911 555 072 74 KZ4	Grey-beige	84, 86		
	911 555 072 74 KZ6	Can-can-red			
	911 555 072 74 QC2	Greyish green	85-		
	911 555 072 74 PY9	Ocean blue	85-		
	911 555 072 74 PZ1	Wild buffalo	85-		
(10)	911 555 071 78	Side trim panel	/L	1	TARGA
		Leather			
	911 555 071 78 LG7	Burgundy			
	911 555 071 78 LG4	Pearl white			
	911 555 071 78 LG5	Champagne			
	911 555 071 78 LG6	Dark green			

Model: 911 84 Model life 1984>>1986

Pos	Part Number	Description	Remark	Qty	Model
	911 555 071 78 KZ2	Black			
	911 555 071 78 KZ3	Blue			
	911 555 071 78 KZ5	Brown			
	911 555 071 78 KZ4	Grey-beige	84, 86		
	911 555 071 78 KZ6	Can-can-red			
	911 555 071 78 QC2	Greyish green	85-		
	911 555 071 78 PY9	Ocean blue	85-		
	911 555 071 78 PZ1	Wild buffalo	85-		
(10)	911 555 072 78	Side trim panel Leather	/R	1	TARGA
	911 555 072 78 LG7	Burgundy			
	911 555 072 78 LG4	Pearl white			
	911 555 072 78 LG5	Champagne			
	911 555 072 78 LG6	Dark green			
	911 555 072 78 KZ2	Black			
	911 555 072 78 KZ3	Blue			
	911 555 072 78 KZ5	Brown			
	911 555 072 78 KZ4	Grey-beige	84, 86		
	911 555 072 78 KZ6	Can-can-red			
	911 555 072 78 QC2	Greyish green	85-		
	911 555 072 78 PY9	Ocean blue	85-		
	911 555 072 78 PZ1	Wild buffalo	85-		
(10)	911 555 071 09	Side trim panel	/L 85-	1	COUPE M526
		All-cloth Pin stripe velour			
	911 555 071 09 7BN	Black-white			
	911 555 071 09 3NN	Brown-beige			
	911 555 071 09 8GJ	Blue-white			
	911 555 071 09 1MJ	Burgundy-white			
	911 555 071 09 3JV	Greyish green-white			
	911 555 071 09 9FN	Grey-beige-white	86-		
(10)	911 555 071 50	Side trim panel	/L 85-	1	TARGA M526
		All-cloth Pin stripe velour			
	911 555 071 50 7BN	Black-white			
	911 555 071 50 3NN	Brown-beige			
	911 555 071 50 8GJ	Blue-white			
	911 555 071 50 1MJ	Burgundy-white			
	911 555 071 50 3JV	Greyish green-white			
	911 555 071 50 9FN	Grey-beige-white	86-		
10	911 555 072 09	Side trim panel	/R 85-	1	COUPE M526
		All-cloth Pin stripe velour			
	911 555 072 09 7BN	Black-white			
	911 555 072 09 3NN	Brown-beige			
	911 555 072 09 8GJ	Blue-white			
	911 555 072 09 1MJ	Burgundy-white			
	911 555 072 09 3JV	Greyish green-white			
	911 555 072 09 9FN	Grey-beige-white	86-		
(10)	911 555 072 50	Side trim panel	/R 85-	1	TARGA M526
		All-cloth Pin stripe velour			
	911 555 072 50 7BN	Black-white			
	911 555 072 50 3NN	Brown-beige			
	911 555 072 50 8GJ	Blue-white			
	911 555 072 50 1MJ	Burgundy-white			
	911 555 072 50 3JV	Greyish green-white			
	911 555 072 50 9FN	Grey-beige-white	86-		
(10)	911 555 071 09	Side trim panel	/L 85-	1	COUPE

Model: 911 84 Model life 1984>>1986

Pos	Part Number	Description	Remark	Qty	Model
		Pin stripe flannel			M526
	911 555 071 09 8BF	Anthracite			
	911 555 071 09 2TF	Brown			
	911 555 071 09 6GF	Blue			
	911 555 071 09 1MF	Burgundy			
	911 555 071 09 9JF	Greyish green			
(10)	911 555 071 50	Side trim panel	/L 85-	1	TARGA M526
		Pin stripe flannel			
	911 555 071 50 8BF	Anthracite			
	911 555 071 50 2TF	Brown			
	911 555 071 50 6GF	Blue			
	911 555 071 50 1MF	Burgundy			
	911 555 071 50 9JF	Greyish green			
10	911 555 072 09	Side trim panel	/R 85-	1	COUPE M526
		Pin stripe flannel			
	911 555 072 09 8BF	Anthracite			
	911 555 072 09 2TF	Brown			
	911 555 072 09 6GF	Blue			
	911 555 072 09 1MF	Burgundy			
	911 555 072 09 9JF	Greyish green			
(10)	911 555 072 50	Side trim panel	/R 85-	1	TARGA M526
		Pin stripe flannel			
	911 555 072 50 8BF	Anthracite			
	911 555 072 50 2TF	Brown			
	911 555 072 50 6GF	Blue			
	911 555 072 50 1MF	Burgundy			
	911 555 072 50 9JF	Greyish green			
(10)	911 555 071 09	Side trim panel	/L 85-	1	COUPE M526
		Porsche lettering cloth			
	911 555 071 09 2CZ	Black			
	911 555 071 09 7NZ	Brown			
	911 555 071 09 6HZ	Blue			
	911 555 071 09 5LZ	Burgundy			
	911 555 071 09 1JK	Greyish green			
	911 555 071 09 5UY	Grey-beige	86-		
(10)	911 555 071 50	Side trim panel	/L 85-	1	TARGA M526
		Porsche lettering cloth			
	911 555 071 50 2CZ	Black			
	911 555 071 50 7NZ	Brown			
	911 555 071 50 6HZ	Blue			
	911 555 071 50 5LZ	Burgundy			
	911 555 071 50 1JK	Greyish green			
	911 555 071 50 5UY	Grey-beige	86-		
10	911 555 072 09	Side trim panel	/R 85-	1	COUPE M526
		Porsche lettering cloth			
	911 555 072 09 2CZ	Black			
	911 555 072 09 7NZ	Brown			
	911 555 072 09 6HZ	Blue			
	911 555 072 09 5LZ	Burgundy			
	911 555 072 09 1JK	Greyish green			
	911 555 072 09 5UY	Grey-beige	86-		
(10)	911 555 072 50	Side trim panel	/R 85-	1	TARGA M526
		Porsche lettering cloth			
	911 555 072 50 2CZ	Black			
	911 555 072 50 7NZ	Brown			

Model: 911 84 Model life 1984>>1986

Pos	Part Number	Description	Remark	Qty	Model
	911 555 072 50 6HZ	Blue			
	911 555 072 50 5LZ	Burgundy			
	911 555 072 50 1JK	Greyish green			
	911 555 072 50 5UY	Grey-beige	86-		
11	477 857 375 A	Support for seatbelt		2	M186
	477 857 375 A 01C	Black			
12	N 011 665 3	Washer		4	M186
		B 5,3			
12	N 011 665 16	Washer		4	M186
		B 5,3			
13	N 014 129 6	Oval-head screw		4	M186
		M 5 X 10			
14	N 014 093 3	Oval-head sheetmetal screw		4	COUPE
		BZ 4,2 X 13			
15	911 555 615 01	Rosette		2	COUPE
16	999 507 020 02	Speed nut		4	COUPE
		4,2			
16	999 507 020 01	Speed nut		4	Coupe
		4,2			
(17)	911 555 757 00	Cover	/L	1	COUPE
		Lock pillar			
		Leatherette			
	911 555 757 00 3MK	Burgundy			
	911 555 757 00 4FK	Grey-beige	84, 86		
	911 555 757 00 05T	Black			
	911 555 757 00 1HH	Blue			
	911 555 757 00 4RB	Brown			
	911 555 757 00 4JX	Greyish green	85-		
17	911 555 758 00	Cover	/R	1	COUPE
		Lock pillar			
		Leatherette			
	911 555 758 00 3MK	Burgundy			
	911 555 758 00 4FK	Grey-beige	84, 86		
	911 555 758 00 05T	Black			
	911 555 758 00 1HH	Blue			
	911 555 758 00 4RB	Brown			
	911 555 758 00 4JX	Greyish green	85-		
(17)	911 555 757 40	Cover	/L	1	TARGA
		Lock pillar			
		Leatherette			
	911 555 757 40 3MK	Burgundy			
	911 555 757 40 4FK	Grey-beige	84, 86		
	911 555 757 40 05T	Black			
	911 555 757 40 1HH	Blue			
	911 555 757 40 4RB	Brown			
	911 555 757 40 4JX	Greyish green	85-		
(17)	911 555 758 40	Cover	/R	1	TARGA
		Lock pillar			
		Leatherette			
	911 555 758 40 3MK	Burgundy			
	911 555 758 40 4FK	Grey-beige	84, 86		
	911 555 758 40 05T	Black			
	911 555 758 40 1HH	Blue			
	911 555 758 40 4RB	Brown			
	911 555 758 40 4JX	Greyish green	85-		
(17)	911 555 757 70	Cover	/L	1	COUPE
		Lock pillar			
		Leather			
	911 555 757 70 80S	Can-can-red			
	911 555 757 70 LG7	Burgundy			
	911 555 757 70 KZ4	Grey-beige	84, 86		
	911 555 757 70 8YD	Pearl white			
	911 555 757 70 1VD	Champagne			

Model: 911 84 Model life 1984>>1986

Pos	Part Number	Description	Remark	Qty	Model
	911 555 757 70 LG6	Dark green			
	911 555 757 70 KZ2	Black			
	911 555 757 70 KZ3	Blue			
	911 555 757 70 KZ5	Brown			
	911 555 757 70 5JX	Greyish green	85-		
	911 555 757 70 6GX	Ocean blue	85-		
	911 555 757 70 5NW	Wild buffalo	85-		
17	911 555 758 70	Cover	/R	1	COUPE
		Lock pillar			
		Leather			
	911 555 758 70 80S	Can-can-red			
	911 555 758 70 LG7	Burgundy			
	911 555 758 70 KZ4	Grey-beige	84, 86		
	911 555 758 70 8YD	Pearl white			
	911 555 758 70 1VD	Champagne			
	911 555 758 70 LG6	Dark green			
	911 555 758 70 KZ2	Black			
	911 555 758 70 KZ3	Blue			
	911 555 758 70 KZ5	Brown			
	911 555 758 70 5JX	Greyish green	85-		
	911 555 758 70 6GX	Ocean blue	85-		
	911 555 758 70 5NW	Wild buffalo	85-		
(17)	911 555 757 75	Cover	/L	1	TARGA
		Lock pillar			
		Leather			
	911 555 757 75 80S	Can-can-red			
	911 555 757 75 LG7	Burgundy			
	911 555 757 75 KZ4	Grey-beige	84, 86		
	911 555 757 75 8YD	Pearl white			
	911 555 757 75 1VD	Champagne			
	911 555 757 75 LG6	Dark green			
	911 555 757 75 KZ2	Black			
	911 555 757 75 KZ3	Blue			
	911 555 757 75 KZ5	Brown			
	911 555 757 75 5JX	Greyish green	85-		
	911 555 757 75 6GX	Ocean blue	85-		
	911 555 757 75 5NW	Wild buffalo	85-		
(17)	911 555 758 75	Cover	/R	1	TARGA
		Lock pillar			
		Leather			
	911 555 758 75 80S	Can-can-red			
	911 555 758 75 LG7	Burgundy			
	911 555 758 75 KZ4	Grey-beige	84, 86		
	911 555 758 75 8YD	Pearl white			
	911 555 758 75 1VD	Champagne			
	911 555 758 75 LG6	Dark green			
	911 555 758 75 KZ2	Black			
	911 555 758 75 KZ3	Blue			
	911 555 758 75 KZ5	Brown			
	911 555 758 75 5JX	Greyish green	85-		
	911 555 758 75 6GX	Ocean blue	85-		
	911 555 758 75 5NW	Wild buffalo	85-		
(18)	901 555 023 01	Filler piece	/L	1	TARGA
18	901 555 024 01	Filler piece	/R	1	TARGA
(19)	911 555 091 00	Rear cover moulding	/L	1	COUPE
		Leatherette			
	911 555 091 00 3MK	Burgundy			
	911 555 091 00 05T	Black			
	911 555 091 00 1HH	Blue			
	911 555 091 00 4RB	Brown			
	911 555 091 00 4JX	Greyish green	85-		
19	911 555 092 00	Rear cover moulding	/R	1	COUPE
		Leatherette			

Model: 911 84 Model life 1984>>1986

Pos	Part Number	Description	Remark	Qty	Model
	911 555 092 00 3MK	Burgundy			
	911 555 092 00 05T	Black			
	911 555 092 00 1HH	Blue			
	911 555 092 00 4RB	Brown			
	911 555 092 00 4JX	Greyish green	85-		
(19)	911 555 091 40	Rear cover moulding	/L	1	TARGA
		Leatherette			
	911 555 091 40 3MK	Burgundy			
	911 555 091 40 05T	Black			
	911 555 091 40 1HH	Blue			
	911 555 091 40 4RB	Brown			
	911 555 091 40 4JX	Greyish green	85-		
(19)	911 555 092 40	Rear cover moulding	/R	1	TARGA
		Leatherette			
	911 555 092 40 3MK	Burgundy			
	911 555 092 40 05T	Black			
	911 555 092 40 1HH	Blue			
	911 555 092 40 4RB	Brown			
	911 555 092 40 4JX	Greyish green	85-		
(19)	911 555 091 70	Rear cover moulding	/L	1	COUPE
		Leather			
	911 555 091 70 LG7	Burgundy			
	911 555 091 70 LG6	Dark green			
	911 555 091 70 KZ2	Black			
	911 555 091 70 KZ3	Blue			
	911 555 091 70 KZ5	Brown			
	911 555 091 70 QC2	Greyish green	85-		
	911 555 091 70 PY9	Ocean blue	85-		
	911 555 091 70 PZ1	Wild buffalo	85-		
19	911 555 092 70	Rear cover moulding	/R	1	COUPE
		Leather			
	911 555 092 70 LG7	Burgundy			
	911 555 092 70 LG6	Dark green			
	911 555 092 70 KZ2	Black			
	911 555 092 70 KZ3	Blue			
	911 555 092 70 KZ5	Brown			
	911 555 092 70 QC2	Greyish green	85-		
	911 555 092 70 PY9	Ocean blue	85-		
	911 555 092 70 PZ1	Wild buffalo	85-		
(19)	911 555 091 75	Rear cover moulding	/L	1	TARGA
		Leather			
	911 555 091 75 LG7	Burgundy			
	911 555 091 75 LG6	Dark green			
	911 555 091 75 KZ2	Black			
	911 555 091 75 KZ3	Blue			
	911 555 091 75 KZ5	Brown			
	911 555 091 75 QC2	Greyish green	85-		
	911 555 091 75 PY9	Ocean blue	85-		
	911 555 091 75 PZ1	Wild buffalo	85-		
(19)	911 555 092 75	Rear cover moulding	/R	1	TARGA
		Leather			
	911 555 092 75 LG7	Burgundy			
	911 555 092 75 LG6	Dark green			
	911 555 092 75 KZ2	Black			
	911 555 092 75 KZ3	Blue			
	911 555 092 75 KZ5	Brown			
	911 555 092 75 QC2	Greyish green	85-		
	911 555 092 75 PY9	Ocean blue	85-		
	911 555 092 75 PZ1	Wild buffalo	85-		
20	999 591 338 02	Speed nut		4	
		B 3,5			
20	999 591 460 01	Speed nut		4	
		B 3,5			

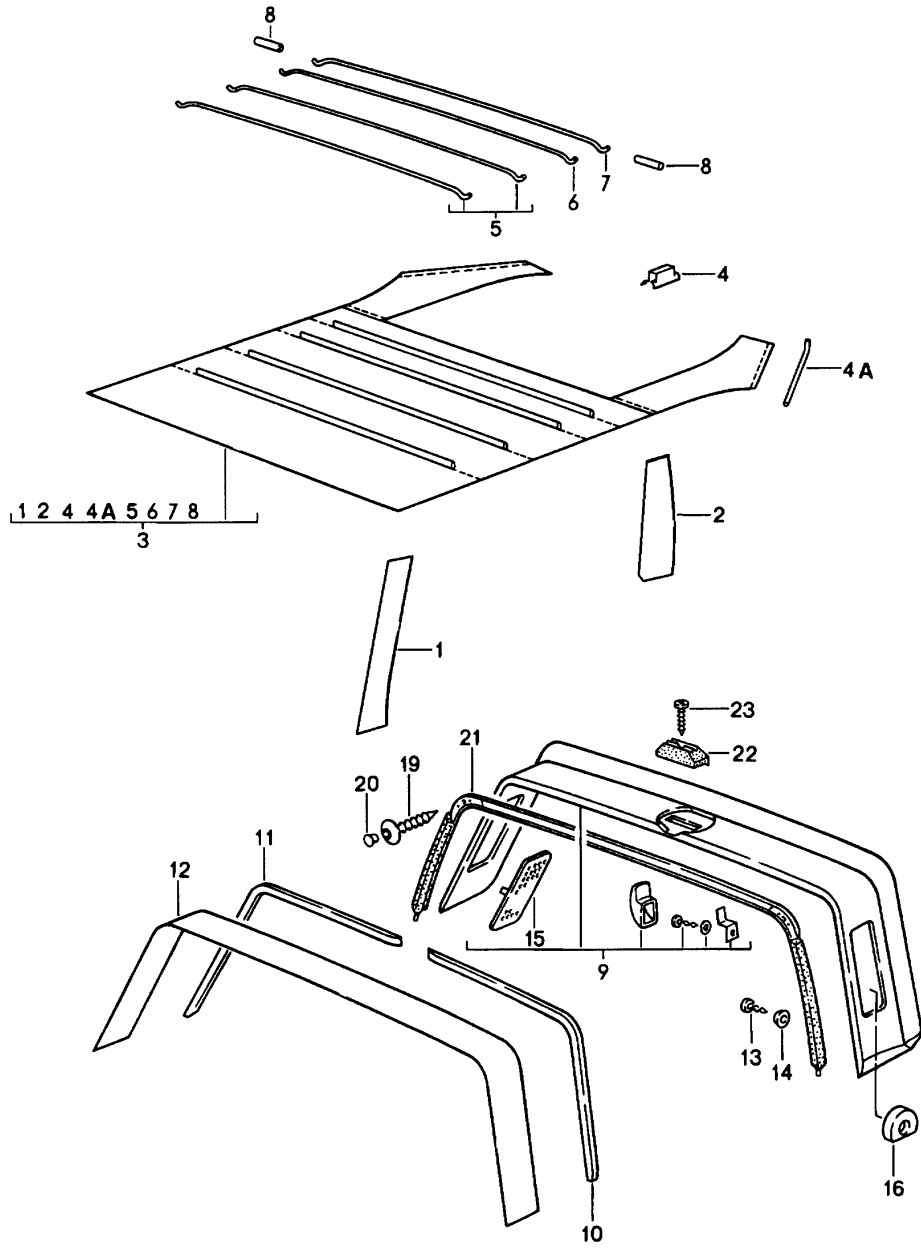
Model: 911 84

Model life 1984&gt;&gt;1986

Pos	Part Number	Description	Remark	Qty	Model
21	900 145 071 07	Tapping screw B 3,5 X 13		6	COUPE
21		Tapping screw B 3,5 X 13		4	TARGA
22	999 591 102 17	Washer 3,5		6	COUPE
22	999 591 102 1H	Washer 3,5		6	COUPE
22	999 591 102 17	Washer 3,5		4	TARGA
22	999 591 102 1H	Washer 3,5		4	TARGA
23	901 552 871 40	Cover		2	
24	900 250 007 02	Tapping screw AM 5 X 12	-85	2	COUPE
(24)	900 025 003 02	Washer A 5,3		2	COUPE
(24)	N 011 005 14	Hexagon nut M 5		2	COUPE
(24)	900 076 091 01	Hexagon nut M 5		2	COUPE
25	901 552 872 20	Coat hook		2	

Model: 911 84

Model life 1984>>1986





Model: 911 84 Model life 1984>>1986

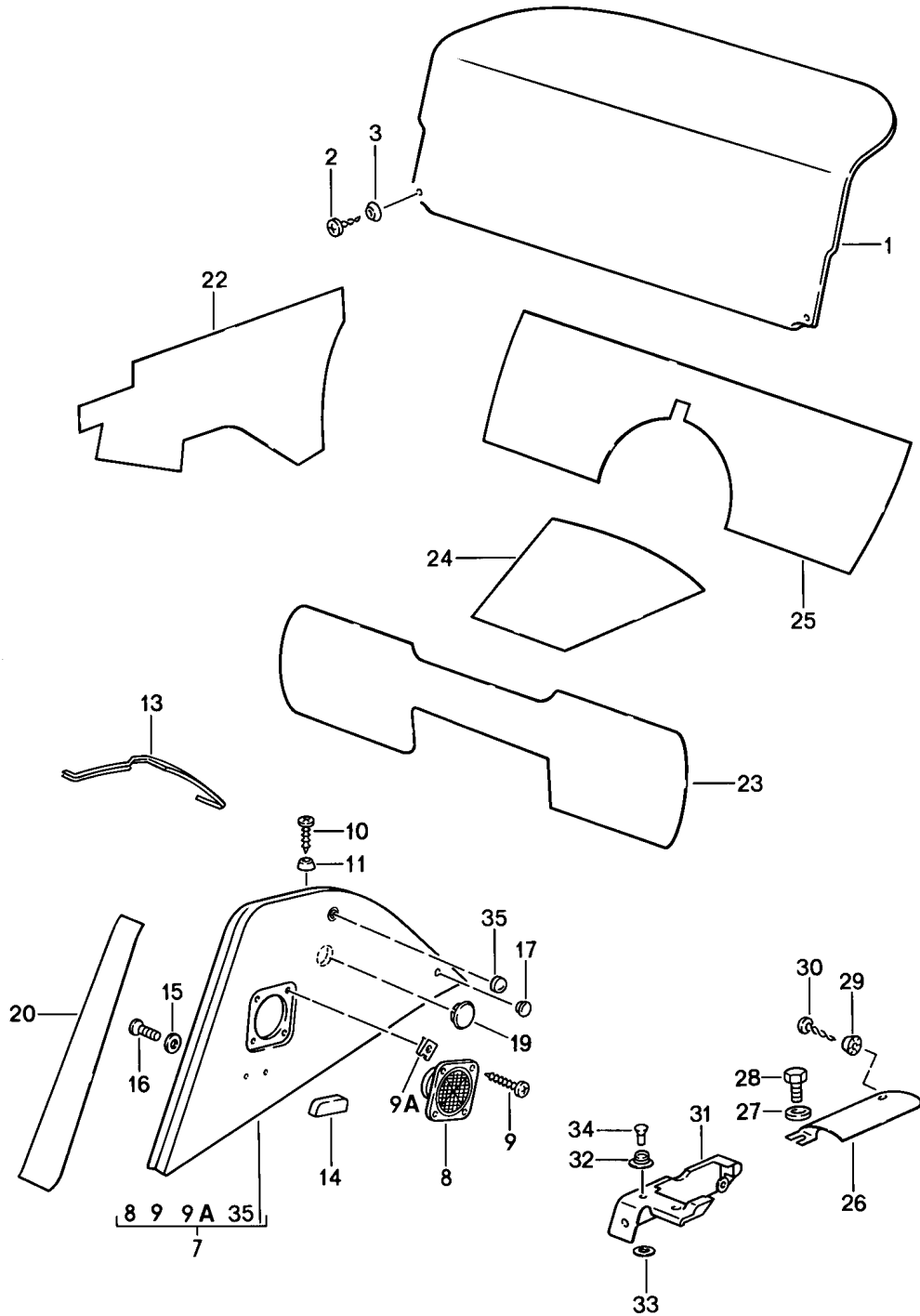
Pos	Part Number	Description	Remark	Qty	Model				
1	901 555 507 20	Interior equipment		2	COUPE TARGA COUPE				
		Roof							
		Roll bar							
		Lining							
		for							
		Windscreen frame part							
		901 555 507 20 702	Black						
		901 555 507 20 1HH	Blue						
		901 555 507 20 3MX	Burgundy						
		901 555 507 20 5FX	Grey-beige			-84			
901 555 507 20 4RB	Brown								
901 555 507 20 4JX	Greyish green	85-							
1	911 555 507 00	Lining	/L	1	COUPE				
		for							
		Windscreen frame part							
		911 555 507 00 702	Black						
		911 555 507 00 1HH	Blue						
		911 555 507 00 3MX	Burgundy						
		911 555 507 00 5FX	Grey-beige			-84			
		911 555 507 00 4RB	Brown						
		911 555 507 00 4JX	Greyish green			85-			
		(1)	911 555 508 00			Lining	/R	1	COUPE
for									
Windscreen frame part									
911 555 508 00 702	Black								
911 555 508 00 1HH	Blue								
911 555 508 00 3MX	Burgundy								
911 555 508 00 5FX	Grey-beige			-84					
911 555 508 00 4RB	Brown								
911 555 508 00 4JX	Greyish green			85-					
2	901 555 505 20			Lining		2	COUPE		
		Door pillar							
		901 555 505 20 702	Black						
		901 555 505 20 1HH	Blue						
		901 555 505 20 3MX	Burgundy						
		901 555 505 20 5FX	Grey-beige	-84					
		901 555 505 20 4RB	Brown						
		901 555 505 20 4JX	Greyish green	85-					
		2	911 555 505 01	Lining	/L			1	COUPE
				Door pillar					
911 555 505 01 702	Black								
911 555 505 01 1HH	Blue								
911 555 505 01 3MX	Burgundy								
911 555 505 01 5FX	Grey-beige			-84					
911 555 505 01 4RB	Brown								
911 555 505 01 4JX	Greyish green			85-					
(2)	911 555 506 01			Lining	/R	1	COUPE		
				Door pillar					
		911 555 506 01 702	Black						
		911 555 506 01 1HH	Blue						
		911 555 506 01 3MX	Burgundy						
		911 555 506 01 5FX	Grey-beige	-84					
		911 555 506 01 4RB	Brown						
		911 555 506 01 4JX	Greyish green	85-					
		3	911 555 055 05	Roof lining				1	COUPE
				for cars without					
Sunroof									
911 555 055 05 700	Black								
911 555 055 05 500	Beige			-84					
911 555 055 05 8LC	Burgundy								
911 555 055 05 7FC	Grey-beige			-84					
911 555 055 05 1HH	Blue								
911 555 055 05 4RB	Brown								

Model: 911 84 Model life 1984>>1986

Pos	Part Number	Description	Remark	Qty	Model
(3)	911 555 055 05 4JX 911 555 055 15	Greyish green Roof lining	85-	1	COUPE M650
		for cars with Sunroof			
	911 555 055 15 700	Black			
	911 555 055 15 500	Beige	-84		
	911 555 055 15 8LC	Burgundy			
	911 555 055 15 7FC	Grey-beige	-84		
	911 555 055 15 1HH	Blue			
	911 555 055 15 4RB	Brown			
	911 555 055 15 4JX	Greyish green	85-		
4	999 591 336 01	Fastening clamp	/H	5	COUPE
(4)	999 591 342 02	Clamp	/V	5	COUPE
(4)	999 591 342 03	Clamp	/V	5	COUPE
4A	911 555 561 00	Tension wire		2	COUPE
5	901 555 511 20	Transverse strut 1 + 2		2	COUPE
6	901 555 512 20	Transverse strut 3		1	COUPE
7	901 555 513 20	Transverse strut 4		1	COUPE
8	644 555 515 00	Rubber profile		8	COUPE
9	911 565 019 40	Interior lining		1	TARGA
	911 565 019 40 702	Black			
10	911 565 513 40	Padding	/L	1	TARGA
11	911 565 514 40	Padding	/R	1	TARGA
12	901 565 511 40	Cover Padding		1	TARGA
13	900 145 038 07	Oval-head sheetmetal screw B 3,5 X 16		4	TARGA
14	999 591 102 17	Washer 3,5 90 DEG		4	TARGA
14	999 591 102 1H	Washer 3,5 90 DEG		4	TARGA
(15)	911 565 157 40	Bleeding	/L	1	TARGA
15	911 565 158 40	Bleeding	/R	1	TARGA
16	911 565 132 00	Filler piece		2	TARGA
19	999 703 186 40	Plastic plug		4	
20	999 591 384 40	Cap		4	
(21)	911 565 091 45	Gasket	-85	1	
		Roll bar			
21	911 565 091 46	Seal	86-	1	
		Roll bar			
21	911 565 091 47	Seal	86-	1	
	911 565 091 47 8VB	Black			
		Roll bar			
22	911 565 147 41	Rubber stop	-85	2	
23	N 013 953 2	Oval-head sheetmetal screw B 2,9 X 13	-85	2	

Model: 911 84

Model life 1984>>1986



Model: 911 84 Model life 1984>>1986

Pos	Part Number	Description	Remark	Qty	Model
		Interior equipment			CABRIO
		Rear			
1	911 555 075 60	Back wall lining	-85	1	
		Carpet			
	911 555 075 60 70E	Black			
	911 555 075 60 30B	Blue			
	911 555 075 60 40E	Brown			
	911 555 075 60 80E	Burgundy			
	911 555 075 60 60A	Grey			
	911 555 075 60 2FL	Grey-beige	-84		
	911 555 075 60 80S	Can-can-red			
	911 555 075 60 6JD	Dark green			
	911 555 075 60 1VD	Champagne	85		
	911 555 075 60 8JK	Greyish green	85		
	911 555 075 60 2YN	White	85		
1	911 555 075 61	Back wall lining	86-	1	
		for manual folding top			
		Carpet			
	911 555 075 61 70E	Black			
	911 555 075 61 30B	Blue			
	911 555 075 61 40E	Brown			
	911 555 075 61 80E	Burgundy			
	911 555 075 61 60A	Grey			
	911 555 075 61 8JK	Greyish green			
	911 555 075 61 2FL	Grey-beige			
(1)	911 555 075 66	Back wall lining	86-	1	M439
		Carpet			
	911 555 075 66 70E	Black			
	911 555 075 66 30B	Blue			
	911 555 075 66 40E	Brown			
	911 555 075 66 80E	Burgundy			
	911 555 075 66 60A	Grey			
	911 555 075 66 8JK	Greyish green			
	911 555 075 66 2FL	Grey-beige			
2	900 145 072 07	Tapping screw		2	
		B 3,5 X 22			
3	999 591 102 17	Washer		2	
		3,5 90 DEG			
3	999 591 102 1H	Washer		2	
		3,5 90 DEG			
(7)	911 555 071 60	Side trim panel	/L -84	1	
		without			
		Loudspeaker			
		Carpet			
	911 555 071 60 70E	Black			
	911 555 071 60 30B	Blue			
	911 555 071 60 40E	Brown			
	911 555 071 60 80E	Burgundy			
	911 555 071 60 2FL	Grey-beige	-84		
	911 555 071 60 6JD	Dark green			
	911 555 071 60 1VD	Champagne			
	911 555 071 60 80S	Can-can-red			
	911 555 071 60 60A	Grey			
(7)	911 555 072 60	Side trim panel	/R -84	1	
		without			
		Loudspeaker			
		Carpet			
	911 555 072 60 70E	Black			
	911 555 072 60 30B	Blue			
	911 555 072 60 40E	Brown			
	911 555 072 60 80E	Burgundy			
	911 555 072 60 2FL	Grey-beige	-84		
	911 555 072 60 6JD	Dark green			

Model: 911 84 Model life 1984>>1986

Pos	Part Number	Description	Remark	Qty	Model
	911 555 072 60 1VD	Champagne			
	911 555 072 60 80S	Can-can-red			
	911 555 072 60 60A	Grey			
(7)	911 555 071 61	Side trim panel with loudspeaker opening Carpet	/L	1	
	911 555 071 61 70E	Black			
	911 555 071 61 30B	Blue			
	911 555 071 61 40E	Brown			
	911 555 071 61 80E	Burgundy			
	911 555 071 61 2FL	Grey-beige	84,		
	911 555 071 61 6JD	Dark green			
	911 555 071 61 1VD	Champagne			
	911 555 071 61 80S	Can-can-red			
	911 555 071 61 60A	Grey			
	911 555 071 61 8JK	Greyish green	85		
	911 555 071 61 2YN	White	85		
(7)	911 555 072 61	Side trim panel with loudspeaker opening Carpet	/R	1	
	911 555 072 61 70E	Black			
	911 555 072 61 30B	Blue			
	911 555 072 61 40E	Brown			
	911 555 072 61 80E	Burgundy			
	911 555 072 61 2FL	Grey-beige	84,		
	911 555 072 61 6JD	Dark green			
	911 555 072 61 1VD	Champagne			
	911 555 072 61 80S	Can-can-red			
	911 555 072 61 60A	Grey			
	911 555 072 61 8JK	Greyish green	85		
	911 555 072 61 2YN	White	85		
(7)	911 555 071 93	Side trim panel with loudspeaker opening Carpet	/L	1	
	911 555 071 93 70E	Black			
	911 555 071 93 30B	Blue			
	911 555 071 93 40E	Brown			
	911 555 071 93 80E	Burgundy			
	911 555 071 93 2FL	Grey-beige	84, 86		
	911 555 071 93 6JD	Dark green			
	911 555 071 93 1VD	Champagne			
	911 555 071 93 80S	Can-can-red			
	911 555 071 93 60A	Grey			
	911 555 071 93 8JK	Greyish green			
	911 555 071 93 2YN	White			
7	911 555 072 93	Side trim panel with loudspeaker opening Carpet	/R	1	
	911 555 072 93 70E	Black			
	911 555 072 93 30B	Blue			
	911 555 072 93 40E	Brown			
	911 555 072 93 80E	Burgundy			
	911 555 072 93 2FL	Grey-beige	84, 86		
	911 555 072 93 6JD	Dark green			
	911 555 072 93 1VD	Champagne			
	911 555 072 93 80S	Can-can-red			
	911 555 072 93 60A	Grey			
	911 555 072 93 8JK	Greyish green			
	911 555 072 93 2YN	White			
(7)	911 555 071 91	Side trim panel with loudspeaker opening Carpet	/L	1	M439
	911 555 071 91 70E	Black			

Model: 911 84 Model life 1984>>1986

Pos	Part Number	Description	Remark	Qty	Model
	911 555 071 91 30B	Blue			
	911 555 071 91 40E	Brown			
	911 555 071 91 80E	Burgundy			
	911 555 071 91 2FL	Grey-beige	84, 86		
	911 555 071 91 6JD	Dark green			
	911 555 071 91 1VD	Champagne			
	911 555 071 91 80S	Can-can-red			
	911 555 071 91 60A	Grey			
	911 555 071 91 8JK	Greyish green			
	911 555 071 91 2YN	White			
(7)	911 555 072 91	Side trim panel with loudspeaker opening Carpet	/R	1	M439
	911 555 072 91 70E	Black			
	911 555 072 91 30B	Blue			
	911 555 072 91 40E	Brown			
	911 555 072 91 80E	Burgundy			
	911 555 072 91 2FL	Grey-beige	84, 86		
	911 555 072 91 6JD	Dark green			
	911 555 072 91 1VD	Champagne			
	911 555 072 91 80S	Can-can-red			
	911 555 072 91 60A	Grey			
	911 555 072 91 8JK	Greyish green			
	911 555 072 91 2YN	White			
8	928 645 423 00	Loudspeaker grille		2	
9	900 143 132 07	Tapping screw B 3,9 X 16		8	
9A	999 507 071 00	Speed nut B 3,9		8	
10	N 014 093 3	Oval-head sheetmetal screw 4,2 X 13		4	
11	999 591 116 07	Cone washer		4	
(13)	911 555 417 60	Rosette	/L -85	1	
(13)	911 555 417 00	Rosette	/L 86-	1	
	911 555 417 00 70B	Black			
(13)	911 555 417 66	Rosette	/L 86-	1	M439
	911 555 417 66 70B	Black			
(13)	911 555 418 60	Rosette	/R -85	1	
13	911 555 418 00	Rosette	/R 86-	1	
	911 555 418 00 70B	Black			
(13)	911 555 418 66	Rosette	/R 86-	1	M439
	911 555 418 66 70B	Black			
14	477 857 375 A	Support for seatbelt		2	
	477 857 375 A 01C	Black			
15	N 011 665 3	Washer B 5,3		4	
15	N 011 665 16	Washer B 5,3		4	
16	900 146 003 02	Oval-head screw M 5 X 10		4	
17	N 900 685 01	Push button		2	
19	911 555 523 66	Cap	86-	2	M439
	911 555 523 66 70B	Black for emergency control			
(20)	911 555 757 40	Cover Lock pillar Leatherette	/L	1	
	911 555 757 40 05T	Black			
	911 555 757 40 1HH	Blue			
	911 555 757 40 4RB	Brown			
	911 555 757 40 3MK	Burgundy			
	911 555 757 40 4FK	Grey-beige	84, 86		
	911 555 757 40 4JX	Greyish green			

Model: 911 84 Model life 1984>>1986

Pos	Part Number	Description	Remark	Qty	Model
20	911 555 758 40	Cover	/R	1	
		Lock pillar			
		Leatherette			
	911 555 758 40 05T	Black			
	911 555 758 40 1HH	Blue			
	911 555 758 40 4RB	Brown			
	911 555 758 40 3MK	Burgundy			
	911 555 758 40 4FK	Grey-beige	84, 86		
	911 555 758 40 4JX	Greyish green			
(20)	911 555 757 75	Cover	/L	1	
		Lock pillar			
		Leather			
	911 555 757 75 KZ2	Black			
	911 555 757 75 KZ3	Blue			
	911 555 757 75 KZ4	Grey-beige	84, 86		
	911 555 757 75 KZ5	Brown			
	911 555 757 75 LG6	Dark green			
	911 555 757 75 LG7	Burgundy			
	911 555 757 75 80S	Can-can-red			
	911 555 757 75 8YD	Pearl white			
	911 555 757 75 1VD	Champagne			
	911 555 757 75 5JX	Greyish green	85-		
	911 555 757 75 6GX	Ocean blue	85-		
	911 555 757 75 5NW	Wild buffalo	85-		
20	911 555 758 75	Cover	/R	1	
		Lock pillar			
		Leather			
	911 555 758 75 KZ2	Black			
	911 555 758 75 KZ3	Blue			
	911 555 758 75 KZ4	Grey-beige	84, 86		
	911 555 758 75 KZ5	Brown			
	911 555 758 75 LG6	Dark green			
	911 555 758 75 LG7	Burgundy			
	911 555 758 75 80S	Can-can-red			
	911 555 758 75 8YD	Pearl white			
	911 555 758 75 1VD	Champagne			
	911 555 758 75 5JX	Greyish green	85-		
	911 555 758 75 6GX	Ocean blue	85-		
	911 555 758 75 5NW	Wild buffalo	85-		
(22)	911 555 171 60	Carpet cover	/L	1	
		Rear bulkhead			
		Carpet			
	911 555 171 60 70E	Black			
	911 555 171 60 30B	Blue			
	911 555 171 60 40E	Brown			
	911 555 171 60 80E	Burgundy			
	911 555 171 60 60A	Grey			
	911 555 171 60 2FL	Grey-beige	84,		
	911 555 171 60 6JD	Dark green			
	911 555 171 60 1VD	Champagne			
	911 555 171 60 80S	Can-can-red			
	911 555 171 60 8JK	Greyish green	85-		
	911 555 171 60 2YN	White	85-		
22	911 555 172 60	Carpet cover	/R	1	
		Rear bulkhead			
		Carpet			
	911 555 172 60 70E	Black			
	911 555 172 60 30B	Blue			
	911 555 172 60 40E	Brown			
	911 555 172 60 80E	Burgundy			
	911 555 172 60 60A	Grey			
	911 555 172 60 2FL	Grey-beige	84,		
	911 555 172 60 6JD	Dark green			

Model: 911 84 Model life 1984>>1986

Pos	Part Number	Description	Remark	Qty	Model
(22)	911 555 172 60 1VD	Champagne		1	
	911 555 172 60 80S	Can-can-red			
	911 555 172 60 8JK	Greyish green	85-		
	911 555 172 60 2YN	White	85-		
	911 555 771 61	Carpet cover	/L		
		Rear bulkhead			
		Carpet			
	911 555 771 61 70E	Black			
	911 555 771 61 30B	Blue			
	911 555 771 61 40E	Brown			
911 555 771 61 80E	Burgundy				
911 555 771 61 60A	Grey				
911 555 771 61 2FL	Grey-beige	84, 86			
911 555 771 61 6JD	Dark green				
911 555 771 61 1VD	Champagne				
911 555 771 61 80S	Can-can-red				
911 555 771 61 8JK	Greyish green				
911 555 771 61 2YN	White				
(22)	911 555 772 61	Carpet cover	/R	1	
		Rear bulkhead			
		Carpet			
	911 555 772 61 70E	Black			
	911 555 772 61 30B	Blue			
	911 555 772 61 40E	Brown			
	911 555 772 61 80E	Burgundy			
	911 555 772 61 60A	Grey			
	911 555 772 61 2FL	Grey-beige	84, 86		
	911 555 772 61 6JD	Dark green			
	911 555 772 61 1VD	Champagne			
	911 555 772 61 80S	Can-can-red			
	911 555 772 61 8JK	Greyish green			
	911 555 772 61 2YN	White			
(22)	911 555 771 65	Carpet cover	/L	1	M439
		Rear bulkhead			
		Carpet			
	911 555 771 65 70E	Black			
	911 555 771 65 30B	Blue			
	911 555 771 65 40E	Brown			
	911 555 771 65 80E	Burgundy			
	911 555 771 65 60A	Grey			
	911 555 771 65 2FL	Grey-beige	84, 86		
	911 555 771 65 6JD	Dark green			
	911 555 771 65 1VD	Champagne			
	911 555 771 65 80S	Can-can-red			
	911 555 771 65 8JK	Greyish green			
	911 555 771 65 2YN	White			
(22)	911 555 772 65	Carpet cover	/R	1	M439
		Rear bulkhead			
		Carpet			
	911 555 772 65 70E	Black			
	911 555 772 65 30B	Blue			
	911 555 772 65 40E	Brown			
	911 555 772 65 80E	Burgundy			
	911 555 772 65 60A	Grey			
	911 555 772 65 2FL	Grey-beige	84, 86		
	911 555 772 65 6JD	Dark green			
	911 555 772 65 1VD	Champagne			
	911 555 772 65 80S	Can-can-red			
	911 555 772 65 8JK	Greyish green			
	911 555 772 65 2YN	White			
23	911 551 051 04	Carpet		1	
		Heel plate			
		Cut pile			



Model: 911 84 Model life 1984>>1986

Pos	Part Number	Description	Remark	Qty	Model
	911 551 051 04 70E	Black			
	911 551 051 04 40E	Brown			
	911 551 051 04 30B	Dark blue			
	911 551 051 04 80E	Burgundy			
	911 551 051 04 60A	Grey			
	911 551 051 04 2FL	Grey-beige	84, 86		
	911 551 051 04 6JD	Dark green			
	911 551 051 04 80S	Can-can-red			
	911 551 051 04 1VD	Champagne			
	911 551 051 04 8JK	Greyish green	85-		
	911 551 051 04 2YN	White	85-		
24	911 551 023 00	Adhesive carpet Seat well Centre Cut pile		1	
	911 551 023 00 70E	Black			
	911 551 023 00 40E	Brown			
	911 551 023 00 30B	Dark blue			
	911 551 023 00 80E	Burgundy			
	911 551 023 00 60A	Grey			
	911 551 023 00 2FL	Grey-beige	84, 86		
	911 551 023 00 6JD	Dark green			
	911 551 023 00 80S	Can-can-red			
	911 551 023 00 1VD	Champagne			
	911 551 023 00 8JK	Greyish green	85-		
	911 551 023 00 2YN	White	85-		
25	911 551 054 03	Carpet Seat well Cut pile	/H	1	
	911 551 054 03 70E	Black			
	911 551 054 03 40E	Brown			
	911 551 054 03 30B	Dark blue			
	911 551 054 03 80E	Burgundy			
	911 551 054 03 60A	Grey			
	911 551 054 03 2FL	Grey-beige	84,86		
	911 551 054 03 6JD	Dark green			
	911 551 054 03 80S	Can-can-red			
	911 551 054 03 1VD	Champagne			
	911 551 054 03 8JK	Greyish green	85-		
	911 551 054 03 2YN	White	85-		
26	911 555 077 60	Rear cover moulding Leatherette	/L	1	
(26)	911 555 077 60 700	Black			
	911 555 078 60	Rear cover moulding Leatherette	/R	1	
	911 555 078 60 700	Black			
27	900 025 007 02	Washer 8,4		6	
27	900 025 007 03	Washer 8,4		6	
28	900 075 085 02	Hexagon-head bolt M 8 X 20	-85	6	
(28)	900 067 057 02	Pan-head screw M 8 X 20	86-	6	
28	900 067 057 03	Pan-head screw M 8 X 20		6	
29	999 591 116 07	Cone washer		2	
30	N 014 093 3	Oval-head sheetmetal screw 4,2 X 13		2	
(31)	911 555 763 63	Cover	/L -85	1	
(31)	911 555 764 63	Cover	/R -85	1	
31	911 555 763 61	Cover	/L 86-	1	
	911 555 763 61 70B	Black			

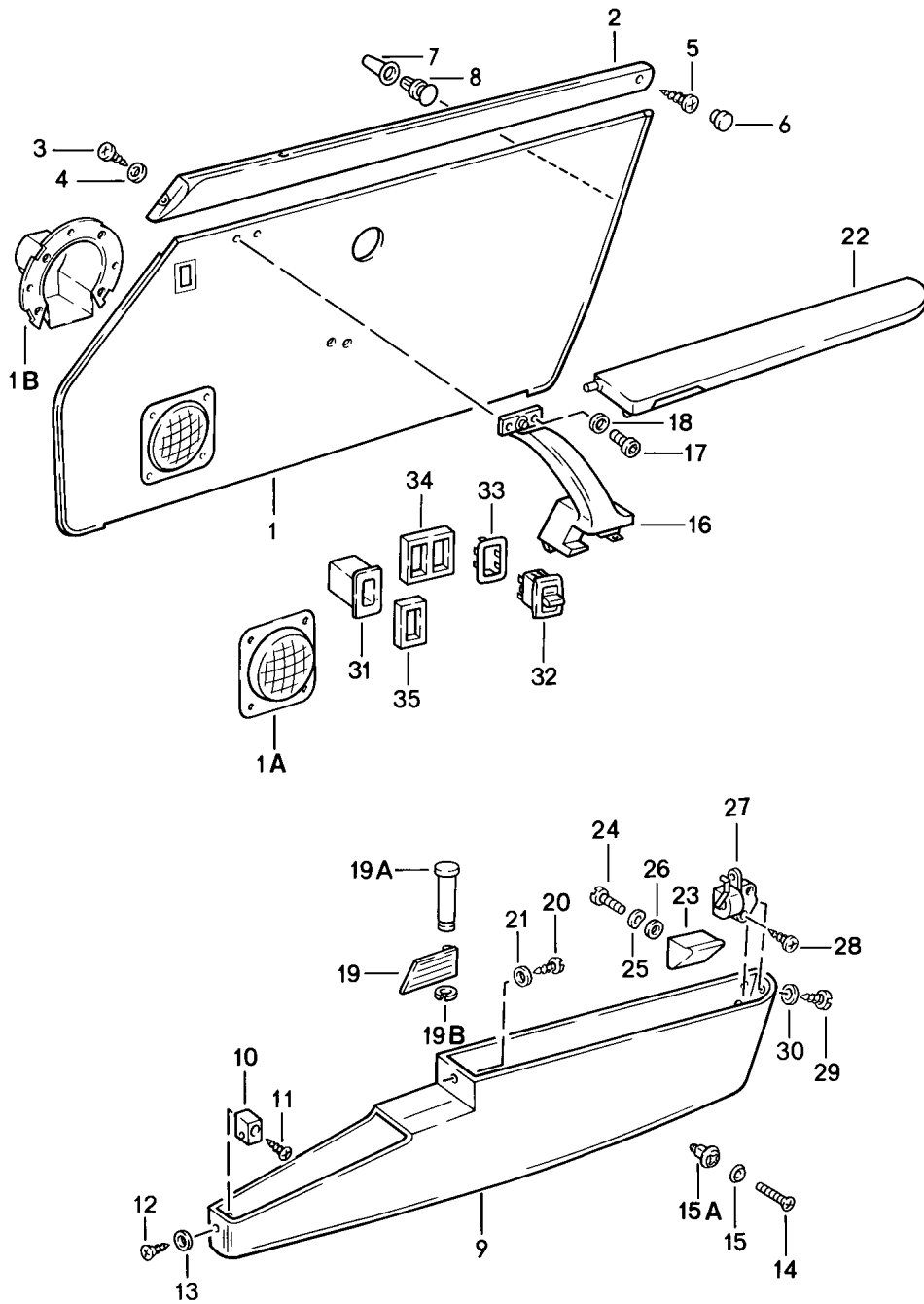
Model: 911 84

Model life 1984>>1986

Pos	Part Number	Description	Remark	Qty	Model
(31)	911 555 764 61	Cover	/R 86-	1	
	911 555 764 61 70B	Black			
31	911 555 763 62	Cover	/L 86-	1	
	911 555 763 62 70B	Black			
(31)	911 555 764 62	Cover	/R 86-	1	
	911 555 764 62 70B	Black			
32	999 591 835 17	Snap fastener lower part		2	
33	900 025 001 02	Washer		2	
		A 3,2			
34	999 190 162 37	Blind rivet		2	
34	PCG 190 162 37	Blind rivet		2	
35	911 561 434 00	Cap	86-	2	
	911 561 434 00 70B	Black			

Model: 911 84

Model life 1984>>1986



Model: 911 84 Model life 1984>>1986

Pos	Part Number	Description	Remark	Qty	Model
(1)	911 555 931 40	Interior equipment Doors Door trim panel	/L	1	CARRERA
	911 555 931 40 3MK	Leatherette Burgundy			
	911 555 931 40 4FK	Grey-beige	84, 86		
	911 555 931 40 05T	Black			
	911 555 931 40 1HH	Blue			
	911 555 931 40 4RB	Brown			
	911 555 931 40 4JX	Greyish green	85-		
1	911 555 932 40	Door trim panel	/R	1	CARRERA
	911 555 932 40 3MK	Leatherette Burgundy			
	911 555 932 40 4FK	Grey-beige	84, 86		
	911 555 932 40 05T	Black			
	911 555 932 40 1HH	Blue			
	911 555 932 40 4RB	Brown			
	911 555 932 40 4JX	Greyish green	85-		
(1)	911 555 931 50	Door trim panel	/L	1	
	911 555 931 50 LG7	Leather Burgundy			
	911 555 931 50 KZ4	Grey-beige	84, 86		
	911 555 931 50 LG6	Dark green			
	911 555 931 50 KZ2	Black			
	911 555 931 50 KZ3	Blue			
	911 555 931 50 KZ5	Brown			
	911 555 931 50 KZ6	Can-can-red			
	911 555 931 50 LG4	Pearl white			
	911 555 931 50 LG5	Champagne			
	911 555 931 50 QC2	Greyish green	85-		
	911 555 931 50 PY9	Ocean blue	85-		
	911 555 931 50 PZ1	Wild buffalo	85-		
(1)	911 555 932 50	Door trim panel	/R	1	
	911 555 932 50 LG7	Leather Burgundy			
	911 555 932 50 KZ4	Grey-beige	84, 86		
	911 555 932 50 LG6	Dark green			
	911 555 932 50 KZ2	Black			
	911 555 932 50 KZ3	Blue			
	911 555 932 50 KZ5	Brown			
	911 555 932 50 KZ6	Can-can-red			
	911 555 932 50 LG4	Pearl white			
	911 555 932 50 LG5	Champagne			
	911 555 932 50 QC2	Greyish green	85-		
	911 555 932 50 PY9	Ocean blue	85-		
	911 555 932 50 PZ1	Wild buffalo	85-		
(1)	911 555 931 42	Door trim panel	/L	1	M526
	911 555 931 42 7BN	All-cloth Pin stripe velour Black-white			
	911 555 931 42 3NN	Brown-beige			
	911 555 931 42 8GJ	Blue-white			
	911 555 931 42 1MJ	Burgundy-white			
	911 555 931 42 3JV	Greyish green-white			
	911 555 931 42 9FN	Grey-beige-white	86-		
(1)	911 555 932 42	Door trim panel	/R	1	M526
	911 555 932 42 7BN	All-cloth Pin stripe velour Black-white			
	911 555 932 42 3NN	Brown-beige			
	911 555 932 42 8GJ	Blue-white			
	911 555 932 42 1MJ	Burgundy-white			
	911 555 932 42 3JV	Greyish green-white			

Model: 911 84 Model life 1984>>1986

Pos	Part Number	Description	Remark	Qty	Model
(1)	911 555 932 42 9FN	Grey-beige-white	86-		
	911 555 931 42	Door trim panel	/L	1	M526
		All-cloth			
		Pin stripe flannel			
	911 555 931 42 8BF	Anthracite			
	911 555 931 42 2TF	Brown			
	911 555 931 42 6GF	Blue			
	911 555 931 42 1MF	Burgundy			
	911 555 931 42 9JF	Greyish green			
(1)	911 555 932 42	Door trim panel	/R	1	M526
		All-cloth			
		Pin stripe flannel			
	911 555 932 42 8BF	Anthracite			
	911 555 932 42 2TF	Brown			
	911 555 932 42 6GF	Blue			
	911 555 932 42 1MF	Burgundy			
	911 555 932 42 9JF	Greyish green			
(1)	911 555 931 42	Door trim panel	/L	1	M526
		All-cloth			
		Porsche lettering cloth			
	911 555 931 42 2CZ	Black			
	911 555 931 42 7NZ	Brown			
	911 555 931 42 6HZ	Blue			
	911 555 931 42 5LZ	Burgundy			
	911 555 931 42 1JK	Greyish green			
	911 555 931 42 5UY	Grey-beige	86-		
(1)	911 555 932 42	Door trim panel	/R	1	M526
		All-cloth			
		Porsche lettering cloth			
	911 555 932 42 2CZ	Black			
	911 555 932 42 7NZ	Brown			
	911 555 932 42 6HZ	Blue			
	911 555 932 42 5LZ	Burgundy			
	911 555 932 42 1JK	Greyish green			
	911 555 932 42 5UY	Grey-beige	86-		
1A	911 555 013 01	Loudspeaker grille		2	
1B	911 555 217 00	Housing		2	
1C	999 507 226 01	Clamping washer		6	
(2)	911 555 083 45	Cover strip	/LL /L 84	1	CARRERA
		Leatherette			
	911 555 083 45 7AE	Black			
	911 555 083 45 30B	Blue			
	911 555 083 45 3MX	Burgundy			
	911 555 083 45 4RB	Brown			
2	911 555 084 46	Cover strip	/LL /R 84	1	CARRERA
		Leatherette			
	911 555 084 46 7AE	Black			
	911 555 084 46 30B	Blue			
	911 555 084 46 3MX	Burgundy			
	911 555 084 46 4RB	Brown			
(2)	911 555 083 47	Cover strip	/LL /L	1	
		Leatherette			
	911 555 083 47 7AE	Black			
	911 555 083 47 30B	Dark blue			
	911 555 083 47 3MX	Burgundy			
	911 555 083 47 4RB	Brown			
	911 555 083 47 4JX	Greyish green	85-		
2	911 555 084 48	Cover strip	/LL /R	1	
		Leatherette			
	911 555 084 48 7AE	Black			
	911 555 084 48 30B	Dark blue			
	911 555 084 48 3MX	Burgundy			
	911 555 084 48 4RB	Brown			

Model: 911 84 Model life 1984>>1986

Pos	Part Number	Description	Remark	Qty	Model
(2)	911 555 084 48 4JX	Greyish green	85-		
	911 555 083 46	Cover strip	/RL /L 84	1	CARRERA
		Leatherette			
	911 555 083 46 7AE	Black			
	911 555 083 46 30B	Blue			
	911 555 083 46 3MX	Burgundy			
	911 555 083 46 4RB	Brown			
(2)	911 555 084 45	Cover strip	/RL /R 84	1	CARRERA
		Leatherette			
	911 555 084 45 7AE	Black			
	911 555 084 45 30B	Dark blue			
	911 555 084 45 3MX	Burgundy			
	911 555 084 45 4RB	Brown			
(2)	911 555 083 48	Cover strip	/RL /L	1	
		Leatherette			
	911 555 083 48 7AE	Black			
	911 555 083 48 30B	Dark blue			
	911 555 083 48 3MX	Burgundy			
	911 555 083 48 4RB	Brown			
2	911 555 083 48 4JX	Greyish green	85-		
	911 555 084 47	Cover strip	/RL /R	1	
		Leatherette			
	911 555 084 47 7AE	Black			
	911 555 084 47 30B	Dark blue			
	911 555 084 47 3MX	Burgundy			
	911 555 084 47 4RB	Brown			
(2)	911 555 084 47 4JX	Greyish green	85-		
	911 555 083 81	Cover strip	/LL /L	1	
		Leather			
	911 555 083 81 KZ2	Black/			
	911 555 083 81 KZ3	Blue			
	911 555 083 81 KZ5	Brown			
	911 555 083 81 LG7	Burgundy			
	911 555 083 81 QC2	Greyish green	85-		
	911 555 083 81 LG6	Dark green			
	911 555 083 81 PY9	Ocean blue	85-		
	911 555 083 81 PZ1	Wild buffalo	85-		
2	911 555 084 82	Cover strip	/LL /R	1	
		Leather			
	911 555 084 82 KZ2	Black			
	911 555 084 82 KZ3	Blue			
	911 555 084 82 KZ5	Brown			
	911 555 084 82 LG7	Burgundy			
	911 555 084 82 QC2	Greyish green	85-		
	911 555 084 82 LG6	Dark green			
	911 555 084 82 PY9	Ocean blue	85-		
	911 555 084 82 PZ1	Wild buffalo	85-		
(2)	911 555 083 79	Cover strip	/LL /L	1	
		Leather			
	911 555 083 79 KZ2	Black			
	911 555 083 79 KZ3	Blue			
	911 555 083 79 KZ5	Brown			
	911 555 083 79 LG7	Burgundy			
	911 555 083 79 QC2	Greyish green	85-		
	911 555 083 79 LG6	Dark green			
	911 555 083 79 PY9	Ocean blue	85-		
	911 555 083 79 PZ1	Wild buffalo	85-		
2	911 555 084 80	Cover strip	/LL /R	1	
		Leather			
	911 555 084 80 KZ2	Black			
	911 555 084 80 KZ3	Blue			
	911 555 084 80 KZ5	Brown			
	911 555 084 80 LG7	Burgundy			

Model: 911 84 Model life 1984>>1986

Pos	Part Number	Description	Remark	Qty	Model
(2)	911 555 084 80 QC2	Greyish green	85-	1	
	911 555 084 80 LG6	Dark green			
	911 555 084 80 PY9	Ocean blue	85-		
	911 555 084 80 PZ1	Wild buffalo	85-		
	911 555 083 80	Cover strip	/RL /L		
		Leather			
	911 555 083 80 KZ2	Black			
	911 555 083 80 KZ3	Blue			
	911 555 083 80 KZ5	Brown			
	911 555 083 80 LG7	Burgundy			
	911 555 083 80 QC2	Greyish green	85-		
	911 555 083 80 LG6	Dark green			
	911 555 083 80 PY9	Ocean blue	85-		
	911 555 083 80 PZ1	Wild buffalo	85-		
	2	911 555 084 79	Cover strip		
		Leather			
	911 555 084 79 KZ2	Black			
	911 555 084 79 KZ3	Blue			
	911 555 084 79 KZ5	Brown			
	911 555 084 79 LG7	Burgundy			
	911 555 084 79 QC2	Greyish green	85-		
	911 555 084 79 LG6	Dark green			
	911 555 084 79 PY9	Ocean blue	85-		
	911 555 084 79 PZ1	Wild buffalo	85-		
3	900 145 071 07	Tapping screw		2	
		B 3,5 X 13			
4	999 591 116 07	Cone washer		2	
		4,5 90 DEG			
5	N 013 958 7	Oval-head sheetmetal screw		2	
		B 3,5 X 13			
6	999 703 077 40	Cap		2	
7	999 591 311 40	Bush		6	
8	823 867 299	Clip		6	
(9)	911 555 037 04	Package box	/L	1	CARRERA
		Cut pile			
		Carpet/			
		Wrapping strap			
		Leatherette			
	911 555 037 04 70E	Black/black			
	911 555 037 04 40E	Brown/brown			
	911 555 037 04 30B	Blue/blue			
	911 555 037 04 80E	Burgundy/burgundy			
	911 555 037 04 2FL	Grey-beige/grey-beige	84, 86		
	911 555 037 04 60A	Light grey/black			
	911 555 037 04 4JX	Greyish green/grey-green	85-		
9	911 555 038 04	Package box	/R	1	CARRERA
		Cut pile			
		Carpet/			
		Wrapping strap			
		Leatherette			
	911 555 038 04 70E	Black/black			
	911 555 038 04 40E	Brown/brown			
	911 555 038 04 30B	Blue/blue			
	911 555 038 04 80E	Burgundy/burgundy			
	911 555 038 04 2FL	Grey-beige/grey-beige	84, 86		
	911 555 038 04 60A	Light grey/black			
	911 555 038 04 4JX	Greyish green/grey-green	85-		
(9)	930 555 037 03	Package box	/L	1	
		Cut pile			
		Carpet/			
		Wrapping strap			
		Leather			
	930 555 037 03 70E	Black/black			

Model: 911 84 Model life 1984>>1986

Pos	Part Number	Description	Remark	Qty	Model
	930 555 037 03 30B	Blue/blue			
	930 555 037 03 40E	Brown/brown			
	930 555 037 03 80E	Burgundy/burgundy			
	930 555 037 03 60A	Light grey/black			
	930 555 037 03 1VD	Champagne/champagne			
	930 555 037 03 80S	Can-can-red/can-can-red			
	930 555 037 03 6JD	Dark green/dark green			
	930 555 037 03 2FL	Grey-beige/grey-beige	84, 86		
	930 555 037 03 5JX	Greyish green/grey-green	85-		
	930 555 037 03 2YN	White/pearl white	85-		
	930 555 037 03 6GX	Blue/ocean blue	85-		
	930 555 037 03 5NW	Brown/wild buffalo	85-		
9	930 555 038 03	Package box Cut pile Carpet/ Wrapping strap Leather	/R	1	
	930 555 038 03 70E	Black/black			
	930 555 038 03 30B	Blue/blue			
	930 555 038 03 40E	Brown/brown			
	930 555 038 03 80E	Burgundy/burgundy			
	930 555 038 03 60A	Light grey/black			
	930 555 038 03 1VD	Champagne/champagne			
	930 555 038 03 80S	Can-can-red/can-can-red			
	930 555 038 03 6JD	Dark green/dark green			
	930 555 038 03 2FL	Grey-beige/grey-beige	84, 86		
	930 555 038 03 5JX	Greyish green/grey-green	85-		
	930 555 038 03 2YN	White/pearl white	85-		
	930 555 038 03 6GX	Blue/ocean blue	85-		
	930 555 038 03 5NW	Brown/wild buffalo	85-		
10	911 555 391 00	Mounting		2	
11	900 143 046 07	Tapping screw B 4,8 X 16		2	
12	900 145 079 07	Oval-head sheetmetal screw B 4,8 X 19		2	
13	999 704 605 07	Cone washer		2	
14	900 269 058 07	Countersunk-head screw M 4 X 25	-84	6	
(14)	900 145 026 07	Tapping screw B 4,2 X 22	85-	8	
15	999 591 103 17	Protection washer	-84	6	
15	PCG 591 103 17	Protection washer	-84	6	
15	999 591 103 17	Protection washer	85-	8	
15	PCG 591 103 17	Protection washer	85-	8	
15A	999 591 717 40	Expander nut B 4,2	85-	8	
(16)	911 555 097 00	Grab handle Leatherette	/L	1	
	911 555 097 00 041	Black			
	911 555 097 00 1HH	Blue			
	911 555 097 00 4RB	Brown			
	911 555 097 00 3MK	Burgundy			
	911 555 097 00 5FX	Grey-beige	84, 86		
	911 555 097 00 9JN	Greyish green	85-		
16	911 555 098 00	Grab handle Leatherette	/R	1	
	911 555 098 00 041	Black			
	911 555 098 00 1HH	Blue			
	911 555 098 00 4RB	Brown			
	911 555 098 00 3MK	Burgundy			
	911 555 098 00 5FX	Grey-beige	84, 86		
	911 555 098 00 9JN	Greyish green	85-		
(16)	911 555 097 51	Grab handle	/L 85-	1	



Model: 911 84 Model life 1984>>1986

Pos	Part Number	Description	Remark	Qty	Model
		Leather			
	911 555 097 51 1AJ	Black			
	911 555 097 51 30B	Blue			
	911 555 097 51 4RB	Brown			
	911 555 097 51 7LD	Burgundy			
	911 555 097 51 5JX	Greyish green			
	911 555 097 51 1VD	Champagne			
	911 555 097 51 80S	Can-can-red			
	911 555 097 51 6JD	Dark green			
	911 555 097 51 8YD	Pearl white			
	911 555 097 51 6GX	Ocean blue			
	911 555 097 51 5NW	Wild buffalo			
	911 555 097 51 6FL	Grey-beige	86-		
16	911 555 098 51	Grab handle	/R	1	
		Leather			
	911 555 098 51 1AJ	Black			
	911 555 098 51 30B	Blue			
	911 555 098 51 4RB	Brown			
	911 555 098 51 7LD	Burgundy			
	911 555 098 51 5JX	Greyish green			
	911 555 098 51 1VD	Champagne			
	911 555 098 51 80S	Can-can-red			
	911 555 098 51 6JD	Dark green			
	911 555 098 51 8YD	Pearl white			
	911 555 098 51 6GX	Ocean blue			
	911 555 098 51 5NW	Wild buffalo			
	911 555 098 51 6FL	Grey-beige	86-		
16	911 555 098 50	Grab handle	/R	1	
		Leather			
	911 555 098 50 1AJ	Black			
	911 555 098 50 30B	Blue			
	911 555 098 50 4RB	Brown			
	911 555 098 50 7LD	Burgundy			
	911 555 098 50 5JX	Greyish green			
	911 555 098 50 1VD	Champagne			
	911 555 098 50 80S	Can-can-red			
	911 555 098 50 6JD	Dark green			
	911 555 098 50 8YD	Pearl white			
	911 555 098 50 6GX	Ocean blue			
	911 555 098 50 5NW	Wild buffalo			
	911 555 098 50 6FL	Grey-beige	86-		
17	N 014 761 2	Pan-head screw		4	
		M 6 X 12			
17	900 119 129 01	Pan-head screw		4	
		M 6 X 12			
18	N 012 226 5	Spring washer		4	
		B 6			
(19)	911 531 251 00	Door opener	/L	1	
	911 531 251 00 70B	Black			
19	911 531 252 00	Door opener	/R	1	
	911 531 252 00 70B	Black			
19A	911 555 583 00	Bolt		2	
19A	911 555 583 01	Bolt		2	
19B	900 116 002 01	Lock washer		2	
20	900 145 075 07	Tapping screw		2	
		B 4,2 X 16			
(22)	911 555 039 00	Lid	/L	1	
		Lacquered			
	911 555 039 00 041	Black			
(22)	911 555 039 03	Lid	/L	1	
		Lacquered			
	911 555 039 03 041	Black			
(22)	911 555 040 00	Lid	/R	1	

Model: 911 84 Model life 1984>>1986

Pos	Part Number	Description	Remark	Qty	Model
		Lacquered			
	911 555 040 00 041	Black			
(22)	911 555 040 03	Lid	/R	1	
		Lacquered			
	911 555 040 03 041	Black			
(22)	911 555 039 01	Lid	/L	1	
		Lacquered			
	911 555 039 01 1HH	Blue			
	911 555 039 01 4RB	Brown			
	911 555 039 01 3MK	Burgundy			
	911 555 039 01 5FX	Grey-beige	84, 86		
	911 555 039 01 9JN	Greyish green	85-		
(22)	911 555 039 03	Lid	/L	1	
		Lacquered			
	911 555 039 03 1HH	Blue			
	911 555 039 03 4RB	Brown			
	911 555 039 03 3MK	Burgundy			
	911 555 039 03 5FX	Grey-beige	84, 86		
	911 555 039 03 9JN	Greyish green	85-		
22	911 555 040 01	Lid	/R	1	
		Lacquered			
	911 555 040 01 1HH	Blue			
	911 555 040 01 4RB	Brown			
	911 555 040 01 3MK	Burgundy			
	911 555 040 01 5FX	Grey-beige	84, 86		
	911 555 040 01 9JN	Greyish green	85-		
22	911 555 040 03	Lid	/R	1	
		Lacquered			
	911 555 040 03 1HH	Blue			
	911 555 040 03 4RB	Brown			
	911 555 040 03 3MK	Burgundy			
	911 555 040 03 5FX	Grey-beige	84, 86		
	911 555 040 03 9JN	Greyish green	85-		
(22)	911 555 039 52	Lid	/L 85-	1	
		Leather			
	911 555 039 52 1AJ	Black			
	911 555 039 52 30B	Blue			
	911 555 039 52 4RB	Brown			
	911 555 039 52 7LD	Burgundy			
	911 555 039 52 5JX	Greyish green			
	911 555 039 52 1VD	Champagne			
	911 555 039 52 80S	Can-can-red			
	911 555 039 52 6JD	Dark green			
	911 555 039 52 8YD	Pearl white			
	911 555 039 52 6GX	Ocean blue			
	911 555 039 52 5NW	Wild buffalo			
	911 555 039 52 6FL	Grey-beige	86-		
22	911 555 040 52	Lid	/R 85-	1	
		Leather			
	911 555 040 52 1AJ	Black			
	911 555 040 52 30B	Blue			
	911 555 040 52 4RB	Brown			
	911 555 040 52 7LD	Burgundy			
	911 555 040 52 5JX	Greyish green			
	911 555 040 52 1VD	Champagne			
	911 555 040 52 80S	Can-can-red			
	911 555 040 52 6JD	Dark green			
	911 555 040 52 8YD	Pearl white			
	911 555 040 52 6GX	Ocean blue			
	911 555 040 52 5NW	Wild buffalo			
	911 555 040 52 6FL	Grey-beige	86-		
23	914 555 059 10	Support		2	
24	900 146 011 02	Oval-head screw		2	

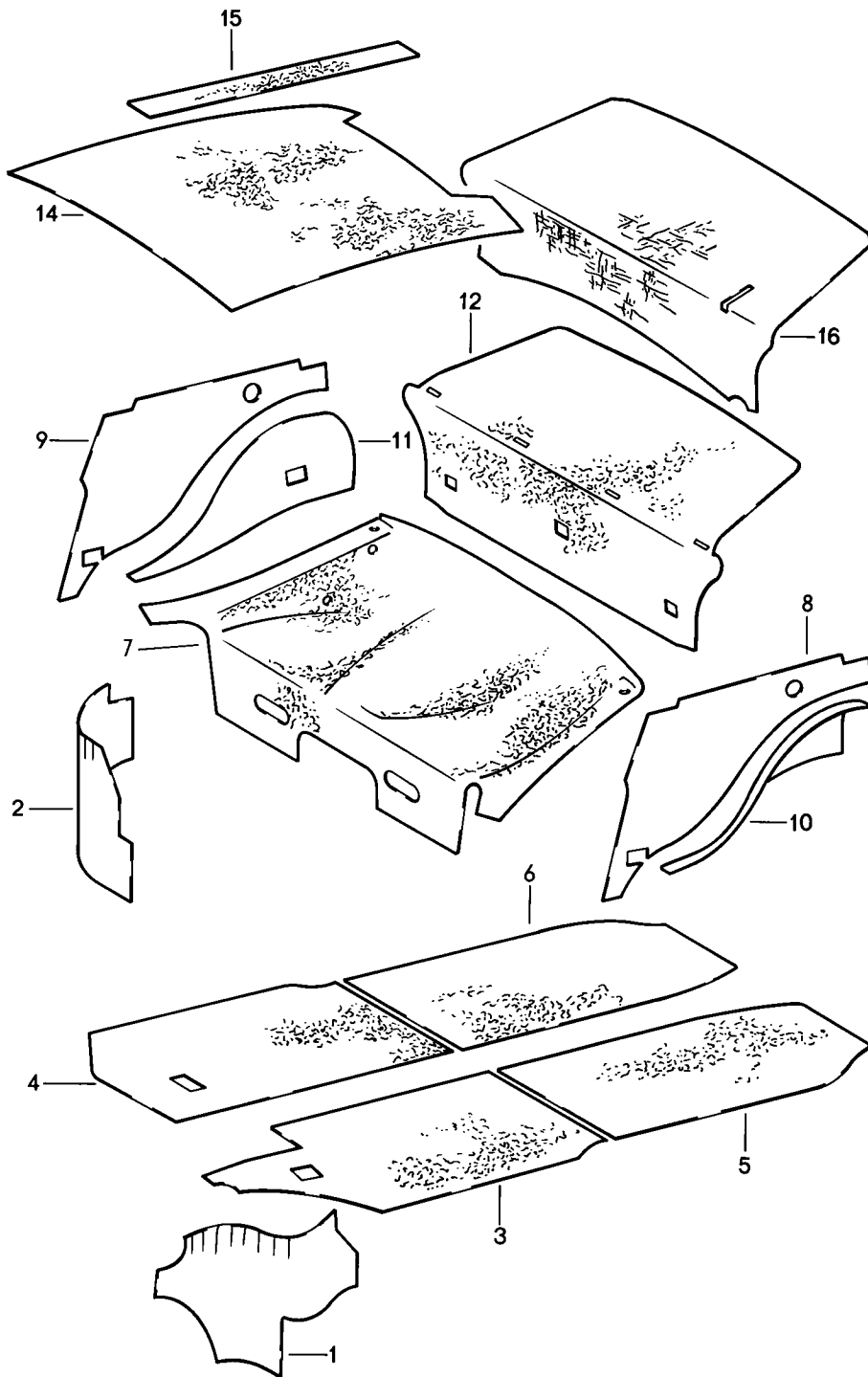
Model: 911 84

Model life 1984>>1986

Pos	Part Number	Description	Remark	Qty	Model
25	N 012 224 3	AM 4 X 10 Spring washer B 4		2	
26	900 151 028 02	Washer B 4,3		2	
26	900 151 028 01	Washer B 4,3		2	
(27)	911 555 045 03	Bearing	/L -85	1	
(27)		Bearing	/L	1	
(27)	911 555 046 03	Bearing	/R -85	1	
(27)		Bearing	/R	1	
28	900 143 046 07	Tapping screw B 4,8 X 16		4	
29	900 145 079 07	Oval-head sheetmetal screw B 4,8 X 19		2	
30	999 704 605 07	Cone washer		2	
31	911 613 623 01	Grommet		3	
32	911 613 621 03	Switch		3	
33	911 613 635 20	Assembly frame		3	

Model: 911 84

Model life 1984>>1986

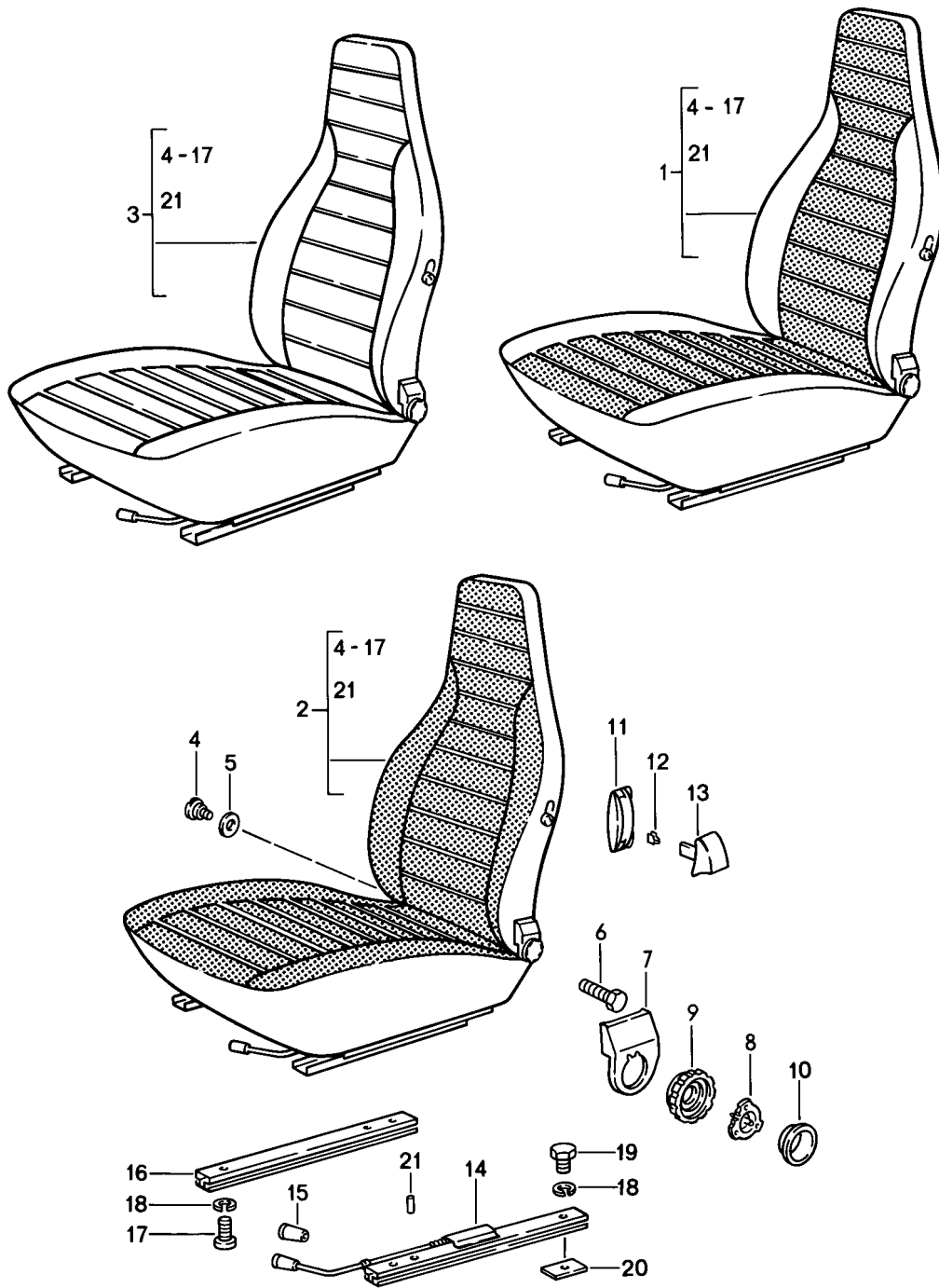


Model: 911 84 Model life 1984>>1986

Pos	Part Number	Description	Remark	Qty	Model
		Body			
		Sound proofing 1			
(1)	911 556 902 00	Damping mat	/L	1	TARGA/CABRIO
1		Damping mat	/L	1	COUPE
		Wheel housing			
(2)		Damping mat	/R	1	COUPE
2		Damping mat	/R	1	TARGA/CABRIO
		Wheel housing			
(1-6)		Damping mat		*	
		1000 X 500			
3		Damping mat	/LL /L	1	COUPE
(3)		Damping mat	/LL /L	1	TARGA/CABRIO
(3)		Damping mat	/RL /L	1	
		Floor			
4		Damping mat	/LL /R	1	COUPE
(4)		Damping mat	/LL /R	1	TARGA/CABRIO
(4)		Damping mat	/RL /R	1	
		Floor			
5		Damping mat	/L	1	
		Floor			
6		Damping mat	/R	1	
		Floor			
(7)	930 556 233 02	Damping mat		1	
		Seat well			
8-11	999 913 006 00	Sound absorber		*	
8		Sound absorber	/L	*	COUPE
(8)		Sound absorber	/L	*	TARGA/CABRIO
		Wheel housing panel			
		Upper			
9		Sound absorber	/R	*	COUPE
(9)		Sound absorber	/R	*	TARGA/CABRIO
		Wheel housing panel			
		Upper			
10		Sound absorber	/L	*	COUPE
(10)		Sound absorber	/L	*	TARGA/CABRIO
		Wheel housing panel			
		Lower			
11		Sound absorber	/R	*	COUPE
(11)		Sound absorber	/R	*	TARGA/CABRIO
		Wheel housing panel			
		Lower			
12	911 556 239 06	Damping mat		1	COUPE/TARGA
12	911 556 239 61	Damping mat		1	CABRIO
		for rear panel			
14	911 556 023 01	Damping mat		1	
		Roof			
14	911 556 023 02	Damping mat		1	
		Roof			
		100 X 90			
		It is necessary to rework			
15	911 556 248 00	Damping strip		4	
(16)	911 556 891 01	Damping mat		1	CARRERA
(16)	930 556 891 02	Damping mat	-85	1	TURBO
(16)		Damping mat		1	TURBO
		for engine compartment			

Model: 911 84

Model life 1984>>1986



Model: 911 84 Model life 1984>>1986

Pos	Part Number	Description	Remark	Qty	Model
		Front seat Complete	-84		
1	911 521 001 82	Front seat Leatherette/ Centre part Checker board velour	/L	1	CARRERA
	911 521 001 82 LD5	Black/ Light grey/black			
	911 521 001 82 LJ8	Blue/ Blue-grey			
	911 521 001 82 LD6	Brown/ Brown-grey			
	911 521 001 82 LJ9	Burgundy/ Burgundy-grey			
	911 521 001 82 LK1	Grey-beige/ Light grey/black			
(1)	911 521 002 82	Front seat Leatherette/ Centre part Checker board velour	/R	1	CARRERA
	911 521 002 82 LD5	Black/ Light grey/black			
	911 521 002 82 LJ8	Blue/ Blue-grey			
	911 521 002 82 LD6	Brown/ Brown-grey			
	911 521 002 82 LJ9	Burgundy/ Burgundy-grey			
	911 521 002 82 LK1	Grey-beige/ Light grey/black			
1	911 521 001 82	Front seat Leatherette/ Centre part Uni-coloured cloth	/L	1	CARRERA
	911 521 001 82 LK3	Brown-brown			
	911 521 001 82 LK5	Burgundy-burgundy			
	911 521 001 82 LK6	Grey-beige/grey-beige			
	911 521 001 82 JM2	Black-black			
	911 521 001 82 JM5	Blue/blue			
(1)	911 521 002 82	Front seat Leatherette/ Centre part Uni-coloured cloth	/R	1	CARRERA
	911 521 002 82 LK3	Brown-brown			
	911 521 002 82 LK5	Burgundy-burgundy			
	911 521 002 82 LK6	Grey-beige/grey-beige			
	911 521 002 82 JM2	Black-black			
	911 521 002 82 JM5	Blue/blue			
1	911 521 001 82	Front seat Leatherette/ Centre part Pin stripe velour	/L	1	CARRERA
	911 521 001 82 JN1	Black/ Black-white			
	911 521 001 82 LT1	Blue/ Blue-white			
	911 521 001 82 JN2	Brown/ Brown-beige			
	911 521 001 82 LT2	Burgundy/ Burgundy-white			
	911 521 001 82 LD4	Grey-beige/ Grey-beige-white			
(1)	911 521 002 82	Front seat	/R	1	CARRERA

Model: 911 84 Model life 1984>>1986

Pos	Part Number	Description	Remark	Qty	Model
	911 521 002 82 JN1	Leatherette/ Centre part Pin stripe velour Black/ Black-white			
	911 521 002 82 LT1	Blue/ Blue-white			
	911 521 002 82 JN2	Brown/ Brown-beige			
	911 521 002 82 LT2	Burgundy/ Burgundy-white			
	911 521 002 82 LD4	Grey-beige/ Grey-beige-white			
1	911 521 001 82	Front seat Leatherette/ Centre part Porsche lettering cloth	/L	1	CARRERA
	911 521 001 82 LR6	Black/black			
	911 521 001 82 LR7	Brown/brown			
	911 521 001 82 MN1	Blue/blue			
	911 521 001 82 MN2	Burgundy/burgundy			
	911 521 001 82 LR8	Grey-beige/grey-beige			
-	PCG 043 204 90	Cloth		1	
	PCG 043 204 90 2CZ	PORSCHE logo Black Pieces 2000 MM X 1590 MM			
(1)	911 521 002 82	Front seat Leatherette/ Centre part Porsche lettering cloth	/R	1	CARRERA
	911 521 002 82 LR6	Black/black			
	911 521 002 82 LR7	Brown/brown			
	911 521 002 82 MN1	Blue/blue			
	911 521 002 82 MN2	Burgundy/burgundy			
	911 521 002 82 LR8	Grey-beige/grey-beige			
-	PCG 043 204 90	Cloth		1	
	PCG 043 204 90 2CZ	PORSCHE logo Black Pieces 2000 MM X 1590 MM			
1	911 521 001 85	Front seat Leather/ Centre part Checker board velour	/L	1	
	911 521 001 85 LH1	Black/ Light grey/black			
	911 521 001 85 LH3	Blue/ Blue-grey			
	911 521 001 85 LH2	Brown/ Brown-grey			
	911 521 001 85 LH4	Burgundy/ Burgundy-grey			
	911 521 001 85 LH6	Grey-beige/ Light grey/black			
(1)	911 521 002 85	Front seat Leather/ Centre part Checker board velour	/R	1	
	911 521 002 85 LH1	Black/ Light grey/black			
	911 521 002 85 LH3	Blue/ Blue-grey			



Model: 911 84 Model life 1984>>1986

Pos	Part Number	Description	Remark	Qty	Model
	911 521 002 85 LH2	Brown/ Brown-grey			
	911 521 002 85 LH4	Burgundy/ Burgundy-grey			
	911 521 002 85 LH6	Grey-beige/ Light grey/black			
1	911 521 001 85	Front seat Leather/ Centre part Uni-coloured cloth	/L	1	
	911 521 001 85 LJ1	Brown-brown			
	911 521 001 85 LJ2	Burgundy-burgundy			
	911 521 001 85 LJ3	Grey-beige/grey-beige			
	911 521 001 85 JN6	Black-black			
	911 521 001 85 JT4	Blue/blue			
(1)	911 521 002 85	Front seat Leather/ Centre part Uni-coloured cloth	/R	1	
	911 521 002 85 LJ1	Brown-brown			
	911 521 002 85 LJ2	Burgundy-burgundy			
	911 521 002 85 LJ3	Grey-beige/grey-beige			
	911 521 002 85 JN6	Black-black			
	911 521 002 85 JT4	Blue/blue			
1	911 521 001 85	Front seat Leather/ Centre part Pin stripe velour	/L	1	
	911 521 001 85 LS5	Black/ Black-white			
	911 521 001 85 LS8	Blue/ Blue-white			
	911 521 001 85 LS6	Brown/ Brown-beige			
	911 521 001 85 LS9	Burgundy/ Burgundy-white			
	911 521 001 85 LS7	Grey-beige/ Grey-beige-white			
(1)	911 521 002 85	Front seat Leather/ Centre part Pin stripe velour	/R	1	
	911 521 002 85 LS5	Black/ Black-white			
	911 521 002 85 LS8	Blue/ Blue-white			
	911 521 002 85 LS6	Brown/ Brown-beige			
	911 521 002 85 LS9	Burgundy/ Burgundy-white			
	911 521 002 85 LS7	Grey-beige/ Grey-beige-white			
1	911 521 001 85	Front seat Leather/ Centre part Porsche lettering cloth	/L	1	
	911 521 001 85 MN3	Black/black			
	911 521 001 85 MN4	Brown/brown			
	911 521 001 85 MN6	Blue/blue			
	911 521 001 85 MN7	Burgundy/burgundy			
	911 521 001 85 MN5	Grey-beige/grey-beige			
(1)	911 521 002 85	Front seat Leather/	/R	1	

Model: 911 84 Model life 1984>>1986

Pos	Part Number	Description	Remark	Qty	Model
		Centre part Porsche lettering cloth			
	911 521 002 85 MN3	Black/black			
	911 521 002 85 MN4	Brown/brown			
	911 521 002 85 MN6	Blue/blue			
	911 521 002 85 MN7	Burgundy/burgundy			
	911 521 002 85 MN5	Grey-beige/grey-beige			
2	911 521 001 83	Front seat Leatherette/ Seat and backrest surface Porsche lettering cloth	/L	1	
	911 521 001 83 LR1	Black/black			
	911 521 001 83 LR4	Blue/blue			
	911 521 001 83 LR2	Brown/brown			
	911 521 001 83 LR5	Burgundy/burgundy			
	911 521 001 83 LR3	Grey-beige/grey-beige			
(2)	911 521 002 83	Front seat Leatherette/ Seat and backrest surface Porsche lettering cloth	/R	1	
	911 521 002 83 LR1	Black/black			
	911 521 002 83 LR4	Blue/blue			
	911 521 002 83 LR2	Brown/brown			
	911 521 002 83 LR5	Burgundy/burgundy			
	911 521 002 83 LR3	Grey-beige/grey-beige			
2	930 521 001 20	Front seat Leather/ Seat and backrest surface Porsche lettering cloth	/L	1	
	930 521 001 20 LR9	Black/black			
	930 521 001 20 LS3	Blue/blue			
	930 521 001 20 LS1	Brown/brown			
	930 521 001 20 LS4	Burgundy/burgundy			
	930 521 001 20 LS2	Grey-beige/grey-beige			
(2)	930 521 002 20	Front seat Leather/ Seat and backrest surface Porsche lettering cloth	/R	1	
	930 521 002 20 LR9	Black/black			
	930 521 002 20 LS3	Blue/blue			
	930 521 002 20 LS1	Brown/brown			
	930 521 002 20 LS4	Burgundy/burgundy			
	930 521 002 20 LS2	Grey-beige/grey-beige			
3	911 521 001 84	Front seat Whole-leather	/L	1	
	911 521 001 84 LG7	Burgundy			
	911 521 001 84 LG4	Pearl white			
	911 521 001 84 LG5	Champagne			
	911 521 001 84 LG6	Dark green			
	911 521 001 84 KZ2	Black			
	911 521 001 84 KZ3	Blue			
	911 521 001 84 KZ4	Grey-beige			
	911 521 001 84 KZ5	Brown			
	911 521 001 84 KZ6	Can-can-red			
(3)	911 521 002 84	Front seat Whole-leather	/R	1	
	911 521 002 84 LG7	Burgundy			
	911 521 002 84 LG4	Pearl white			
	911 521 002 84 LG5	Champagne			
	911 521 002 84 LG6	Dark green			
	911 521 002 84 KZ2	Black			
	911 521 002 84 KZ3	Blue			
	911 521 002 84 KZ4	Grey-beige			

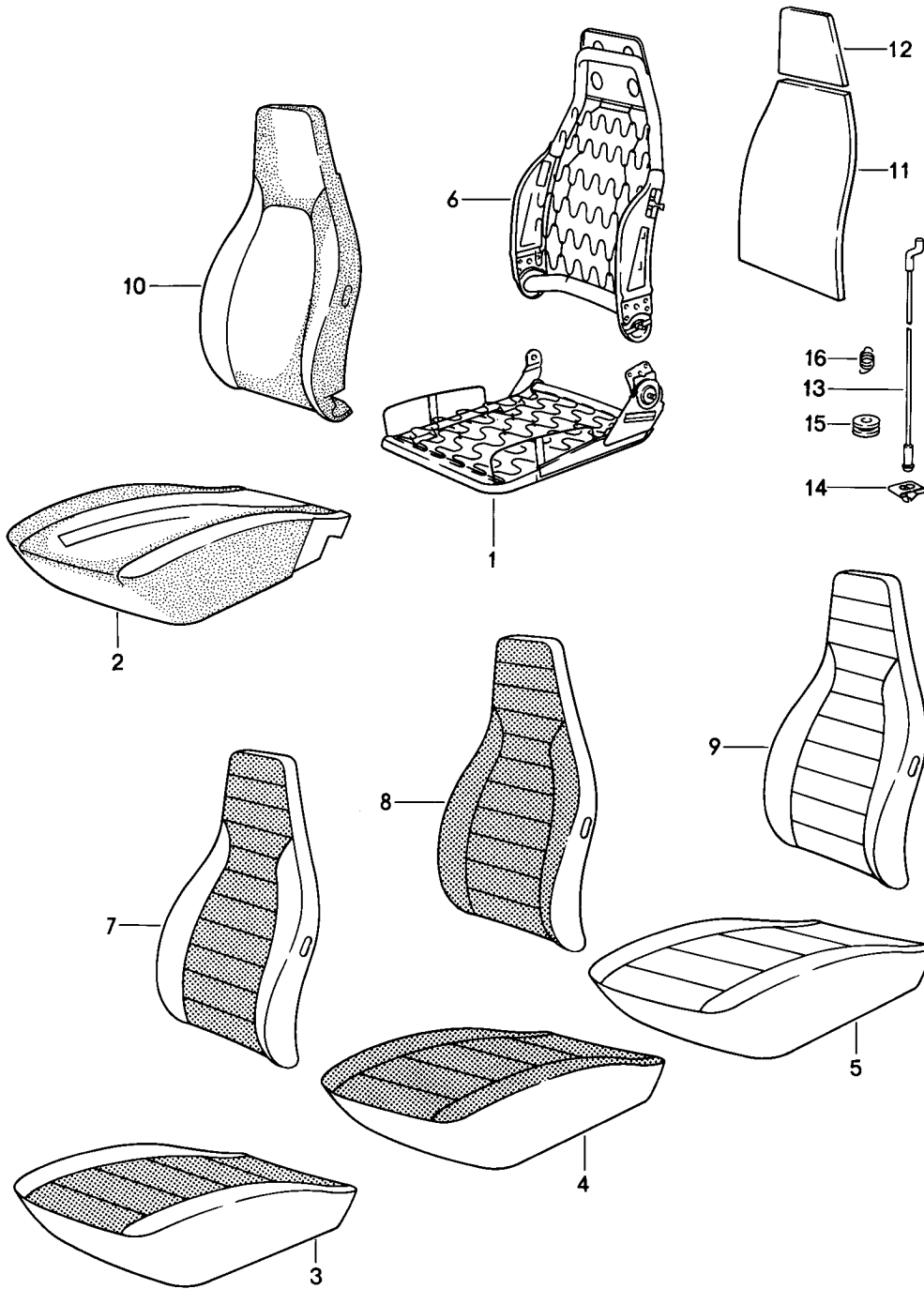
Model: 911 84

Model life 1984&gt;&gt;1986

Pos	Part Number	Description	Remark	Qty	Model
	911 521 002 84 KZ5	Brown			
	911 521 002 84 KZ6	Can-can-red			
4	911 521 371 00	Screw		2	
5	999 025 117 40	Washer		X	
		12,5 X 32 X 1			
6	911 521 547 00	Screw		4	
		M 10 X 20			
7	911 521 359 02	Cover	/L	1	
(7)	911 521 360 02	Cover	/R	1	
8	911 521 571 00	Tensioning spring		2	
(9)	911 521 381 02	Cover		2	
		for backrest adjustment			
		Comprising:			
		POS. 9			
		Shifting wheel			
		POS. 10			
		Cover			
9	911 521 381 00	Shifting wheel		2	
10	911 521 383 00	Cover		2	
10	911 521 381 02	Cover		2	
11	311 881 607 A	Cover		2	
		Actuating lever			
12	311 881 247	Clip		2	
13	911 521 817 00	Control button		2	
	911 521 817 00 01C	Satin black			
14	911 521 501 00	Seat rail	/L	1	
14	928 521 489 02	Seat rail	/L	1	
		with locking device			
(14)	911 521 502 00	Seat rail	/R	1	
(14)	928 521 490 02	Seat rail	/R	1	
		with locking device			
(15)	911 521 533 01	Handle		2	
		for longitudinal adjustment			
	911 521 533 01 01C	Satin black			
16	944 521 491 00	Seat rail		2	
16		Seat rail		2	
		without locking device			
		See TPI			
		GR.8 NR.34			
17	N 014 761 2	Pan-head screw		8	
		M 6 X 12			
17	900 119 129 01	Pan-head screw		8	
		M 6 X 12			
18	N 012 006 4	Lock ring		16	
		B 6			
19	900 075 057 02	Hexagon-head bolt		8	
		M 6 X 16			
19	900 075 057 03	Hexagon-head bolt		8	
		M 6 X 16			
20	928 521 101 04	Threaded plate		8	
		M 6			
21	900 012 123 00	Pin		2	
		A 2,5 X 12			

Model: 911 84

Model life 1984>>1986



Model: 911 84 Model life 1984>>1986

Pos	Part Number	Description	Remark	Qty	Model
		Front seat Single parts Cloth	-84		
1	911 521 069 56	Seat frame	/L	1	
(1)	911 521 070 56	Seat frame	/R	1	
2	911 521 385 02	Foam part Seat cushion	/L	1	
(2)	911 521 386 02	Foam part Seat cushion	/R	1	
3	911 521 037 11	Cover for cushion Leatherette/ Centre part Checker board velour	/L	1	CARRERA
	911 521 037 11 LD5	Black/ Light grey/black			
	911 521 037 11 LJ8	Blue/ Blue-grey			
	911 521 037 11 LD6	Brown/ Brown-grey			
	911 521 037 11 LJ9	Burgundy/ Burgundy-grey			
	911 521 037 11 LK1	Grey-beige/ Light grey/black			
(3)	911 521 038 11	Cover for cushion Leatherette/ Centre part Checker board velour	/R	1	CARRERA
	911 521 038 11 LD5	Black/ Light grey/black			
	911 521 038 11 LJ8	Blue/ Blue-grey			
	911 521 038 11 LD6	Brown/ Brown-grey			
	911 521 038 11 LJ9	Burgundy/ Burgundy-grey			
	911 521 038 11 LK1	Grey-beige/ Light grey/black			
3	911 521 037 11	Cover for cushion Leatherette/ Centre part Uni-coloured cloth	/L	1	CARRERA
	911 521 037 11 LK3	Brown-brown			
	911 521 037 11 LK5	Burgundy-burgundy			
	911 521 037 11 LK6	Grey-beige/grey-beige			
	911 521 037 11 JM2	Black-black			
	911 521 037 11 JM5	Blue/blue			
(3)	911 521 038 11	Cover for cushion Leatherette/ Centre part Uni-coloured cloth	/R	1	CARRERA
	911 521 038 11 LK3	Brown-brown			
	911 521 038 11 LK5	Burgundy-burgundy			
	911 521 038 11 LK6	Grey-beige/grey-beige			
	911 521 038 11 JM2	Black-black			
	911 521 038 11 JM5	Blue/blue			
3	911 521 037 11	Cover for cushion Leatherette/ Centre part Pin stripe velour	/L	1	CARRERA
	911 521 037 11 JN1	Black/ Black-white			
	911 521 037 11 LT1	Blue/ Blue-white			

Model: 911 84

Model life 1984&gt;&gt;1986

Pos	Part Number	Description	Remark	Qty	Model
	911 521 037 11 JN2	Brown/ Brown-beige			
	911 521 037 11 LT2	Burgundy/ Burgundy-white			
	911 521 037 11 LD4	Grey-beige/ Grey-beige-white			
(3)	911 521 038 11	Cover for cushion Leatherette/ Centre part Pin stripe velour	/R	1	CARRERA
	911 521 038 11 JN1	Black/ Black-white			
	911 521 038 11 LT1	Blue/ Blue-white			
	911 521 038 11 JN2	Brown/ Brown-beige			
	911 521 038 11 LT2	Burgundy/ Burgundy-white			
	911 521 038 11 LD4	Grey-beige/ Grey-beige-white			
3	911 521 037 11	Cover for cushion Leatherette/ Centre part Porsche lettering cloth	/L	1	CARRERA
	911 521 037 11 LR6	Black/black			
	911 521 037 11 LR7	Brown/brown			
	911 521 037 11 MN1	Blue/blue			
	911 521 037 11 MN2	Burgundy/burgundy			
-	911 521 037 11 LR8	Grey-beige/grey-beige			
	PCG 043 204 90	Cloth		1	
	PCG 043 204 90 2CZ	PORSCHE logo Black Pieces 2000 MM X 1590 MM			
(3)	911 521 038 11	Cover for cushion Leatherette/ Centre part Porsche lettering cloth	/R	1	CARRERA
	911 521 038 11 LR6	Black/black			
	911 521 038 11 LR7	Brown/brown			
	911 521 038 11 MN1	Blue/blue			
	911 521 038 11 MN2	Burgundy/burgundy			
	911 521 038 11 LR8	Grey-beige/grey-beige			
-	PCG 043 204 90	Cloth		1	
	PCG 043 204 90 2CZ	PORSCHE logo Black Pieces 2000 MM X 1590 MM			
3	911 521 037 14	Cover for cushion Leather/ Centre part Checker board velour	/L	1	
	911 521 037 14 LH1	Black/ Light grey/black			
	911 521 037 14 LH3	Blue/ Blue-grey			
	911 521 037 14 LH2	Brown/ Brown-grey			
	911 521 037 14 LH4	Burgundy/ Burgundy-grey			
	911 521 037 14 LH6	Grey-beige/ Light grey/black			
(3)	911 521 038 14	Cover for cushion	/R	1	

Model: 911 84 Model life 1984>>1986

Pos	Part Number	Description	Remark	Qty	Model
	911 521 038 14 LH1	Leather/ Centre part Checker board velour Black/ Light grey/black			
	911 521 038 14 LH3	Blue/ Blue-grey			
	911 521 038 14 LH2	Brown/ Brown-grey			
	911 521 038 14 LH4	Burgundy/ Burgundy-grey			
	911 521 038 14 LH6	Grey-beige/ Light grey/black			
3	911 521 037 14	Cover for cushion Leather/ Centre part Uni-coloured cloth	/L	1	
	911 521 037 14 LJ1	Brown-brown			
	911 521 037 14 LJ2	Burgundy-burgundy			
	911 521 037 14 LJ3	Grey-beige/grey-beige			
	911 521 037 14 JN6	Black-black			
	911 521 037 14 JT4	Blue/blue			
(3)	911 521 038 14	Cover for cushion Leather/ Centre part Uni-coloured cloth	/R	1	
	911 521 038 14 LJ1	Brown-brown			
	911 521 038 14 LJ2	Burgundy-burgundy			
	911 521 038 14 LJ3	Grey-beige/grey-beige			
	911 521 038 14 JN6	Black-black			
	911 521 038 14 JT4	Blue/blue			
3	911 521 037 14	Cover for cushion Leather/ Centre part Pin stripe velour	/L	1	
	911 521 037 14 LS5	Black/ Black-white			
	911 521 037 14 LS8	Blue/ Blue-white			
	911 521 037 14 LS6	Brown/ Brown-beige			
	911 521 037 14 LS9	Burgundy/ Burgundy-white			
	911 521 037 14 LS7	Grey-beige/ Grey-beige-white			
(3)	911 521 038 14	Cover for cushion Leather/ Centre part Pin stripe velour	/R	1	
	911 521 038 14 LS5	Black/ Black-white			
	911 521 038 14 LS8	Blue/ Blue-white			
	911 521 038 14 LS6	Brown/ Brown-beige			
	911 521 038 14 LS9	Burgundy/ Burgundy-white			
	911 521 038 14 LS7	Grey-beige/ Grey-beige-white			
3	911 521 037 14	Cover for cushion Leather/ Centre part Porsche lettering cloth	/L	1	

Model: 911 84 Model life 1984>>1986

Pos	Part Number	Description	Remark	Qty	Model
	911 521 037 14 MN3	Black/black			
	911 521 037 14 MN4	Brown/brown			
	911 521 037 14 MN6	Blue/blue			
	911 521 037 14 MN7	Burgundy/burgundy			
	911 521 037 14 MN5	Grey-beige/grey-beige			
-	PCG 043 204 90	Cloth		1	
	PCG 043 204 90 2CZ	PORSCHE logo			
		Black Pieces			
		2000 MM X 1590 MM			
(3)	911 521 038 14	Cover for cushion	/R	1	
		Leather/			
		Centre part			
		Porsche lettering cloth			
	911 521 038 14 MN3	Black/black			
	911 521 038 14 MN4	Brown/brown			
	911 521 038 14 MN6	Blue/blue			
	911 521 038 14 MN7	Burgundy/burgundy			
	911 521 038 14 MN5	Grey-beige/grey-beige			
-	PCG 043 204 90	Cloth		1	
	PCG 043 204 90 2CZ	PORSCHE logo			
		Black Pieces			
		2000 MM X 1590 MM			
4	911 521 037 12	Cover for cushion	/L	1	CARRERA
		Leatherette/			
		Seat surface			
		Porsche lettering cloth			
	911 521 037 12 LR1	Black/black			
	911 521 037 12 LR4	Blue/blue			
	911 521 037 12 LR2	Brown/brown			
	911 521 037 12 LR5	Burgundy/burgundy			
	911 521 037 12 LR3	Grey-beige/grey-beige			
-	PCG 043 204 90	Cloth		1	
	PCG 043 204 90 2CZ	PORSCHE logo			
		Black Pieces			
		2000 MM X 1590 MM			
(4)	911 521 038 12	Cover for cushion	/R	1	CARRERA
		Leatherette/			
		Seat surface			
		Porsche lettering cloth			
	911 521 038 12 LR1	Black/black			
	911 521 038 12 LR4	Blue/blue			
	911 521 038 12 LR2	Brown/brown			
	911 521 038 12 LR5	Burgundy/burgundy			
	911 521 038 12 LR3	Grey-beige/grey-beige			
-	PCG 043 204 90	Cloth		1	
	PCG 043 204 90 2CZ	PORSCHE logo			
		Black Pieces			
		2000 MM X 1590 MM			
4	930 521 037 10	Cover for cushion	/L	1	
		Leather/			
		Seat surface			
		Porsche lettering cloth			
	930 521 037 10 LR9	Black/black			
	930 521 037 10 LS3	Blue/blue			
	930 521 037 10 LS1	Brown/brown			
	930 521 037 10 LS4	Burgundy/burgundy			
	930 521 037 10 LS2	Grey-beige/grey-beige			
-	PCG 043 204 90	Cloth		1	
	PCG 043 204 90 2CZ	PORSCHE logo			



Model: 911 84 Model life 1984>>1986

Pos	Part Number	Description	Remark	Qty	Model
(4)	930 521 038 10	Black Pieces 2000 MM X 1590 MM Cover for cushion Leather/ Seat surface Porsche lettering cloth	/R	1	
	930 521 038 10 LR9	Black/black			
	930 521 038 10 LS3	Blue/blue			
	930 521 038 10 LS1	Brown/brown			
	930 521 038 10 LS4	Burgundy/burgundy			
	930 521 038 10 LS2	Grey-beige/grey-beige			
-	PCG 043 204 90	Cloth		1	
	PCG 043 204 90 2CZ	PORSCHE logo			
5	911 521 037 13	Black Pieces 2000 MM X 1590 MM Cover for cushion Whole-leather	/L	1	
	911 521 037 13 LG7	Burgundy			
	911 521 037 13 LG4	Pearl white			
	911 521 037 13 LG5	Champagne			
	911 521 037 13 LG6	Dark green			
	911 521 037 13 KZ2	Black			
	911 521 037 13 KZ3	Blue			
	911 521 037 13 KZ4	Grey-beige			
	911 521 037 13 KZ5	Brown			
	911 521 037 13 KZ6	Can-can-red			
(5)	911 521 038 13	Cover for cushion Whole-leather	/R	1	
	911 521 038 13 LG7	Burgundy			
	911 521 038 13 LG4	Pearl white			
	911 521 038 13 LG5	Champagne			
	911 521 038 13 LG6	Dark green			
	911 521 038 13 KZ2	Black			
	911 521 038 13 KZ3	Blue			
	911 521 038 13 KZ4	Grey-beige			
	911 521 038 13 KZ5	Brown			
	911 521 038 13 KZ6	Can-can-red			
6	911 521 027 58	Backrest frame	/L	1	
(6)	911 521 028 58	Backrest frame	/R	1	
7	911 521 072 21	Backrest cover Leatherette/ Centre part Checker board velour		2	CARRERA
	911 521 072 21 LD5	Black/ Light grey/black			
	911 521 072 21 LJ8	Blue/ Blue-grey			
	911 521 072 21 LD6	Brown/ Brown-grey			
	911 521 072 21 LJ9	Burgundy/ Burgundy-grey			
	911 521 072 21 LK1	Grey-beige/ Light grey/black			
7	911 521 072 21	Backrest cover Leatherette/ Centre part Uni-coloured cloth		2	CARRERA
	911 521 072 21 LK3	Brown-brown			
	911 521 072 21 LK5	Burgundy-burgundy			
	911 521 072 21 LK6	Grey-beige/grey-beige			
	911 521 072 21 JM2	Black-black			

Model: 911 84

Model life 1984&gt;&gt;1986

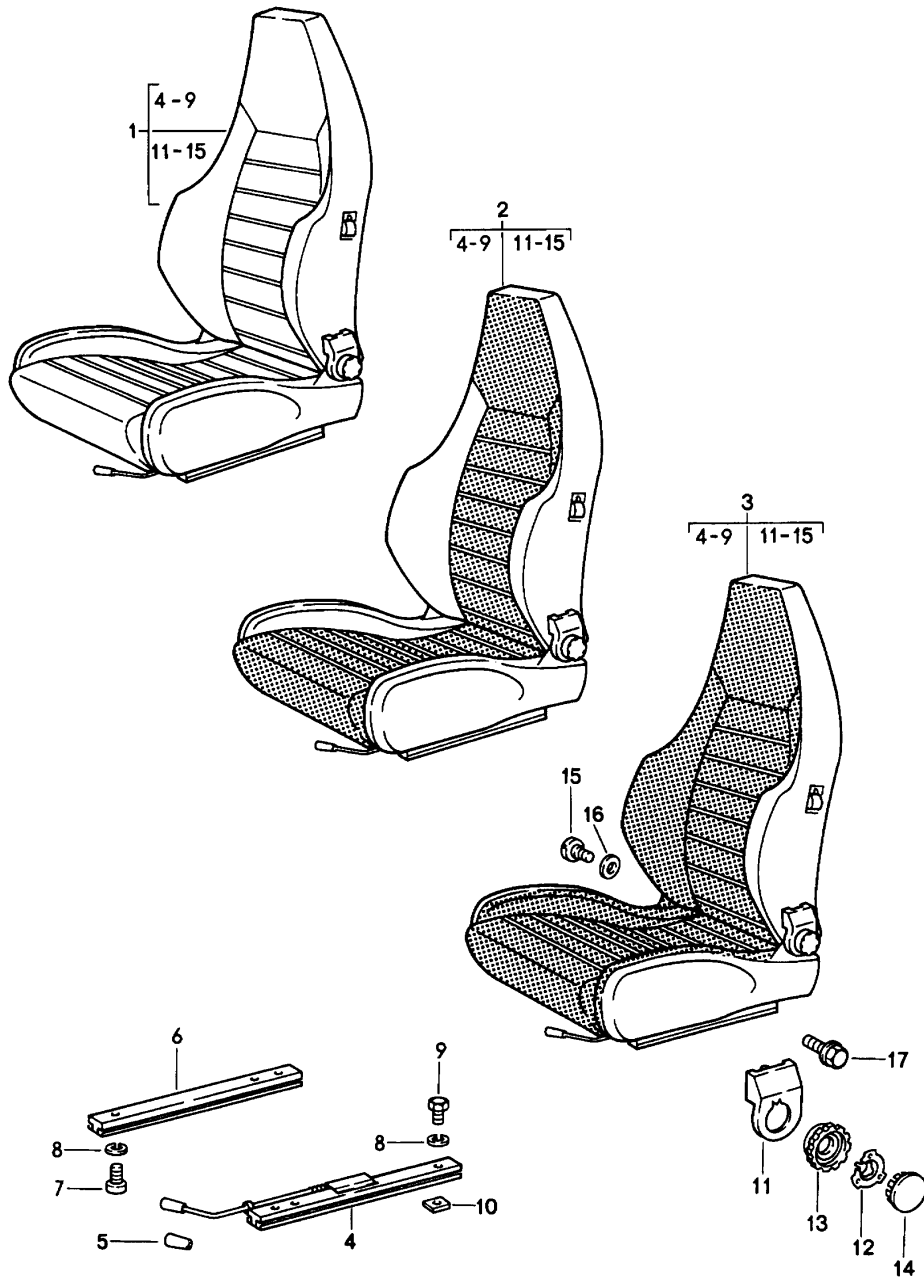
Pos	Part Number	Description	Remark	Qty	Model
7	911 521 072 21 JM5 911 521 072 21	Blue/blue Backrest cover Leatherette/ Centre part Pin stripe velour		2	CARRERA
	911 521 072 21 JN1	Black/ Black-white			
	911 521 072 21 LT1	Blue/ Blue-white			
	911 521 072 21 JN2	Brown/ Brown-beige			
	911 521 072 21 LT2	Burgundy/ Burgundy-white			
	911 521 072 21 LD4	Grey-beige/ Grey-beige-white			
7	911 521 072 21	Backrest cover Leatherette/ Centre part Porsche lettering cloth		2	CARRERA
	911 521 072 21 LR6	Black/black			
	911 521 072 21 LR7	Brown/brown			
	911 521 072 21 MN1	Blue/blue			
	911 521 072 21 MN2	Burgundy/burgundy			
	911 521 072 21 LR8	Grey-beige/grey-beige			
7	911 521 072 24	Backrest cover Leather/ Centre part Checker board velour		2	
	911 521 072 24 LH1	Black/ Light grey/black			
	911 521 072 24 LH3	Blue/ Blue-grey			
	911 521 072 24 LH2	Brown/ Brown-grey			
	911 521 072 24 LH4	Burgundy/ Burgundy-grey			
	911 521 072 24 LH6	Grey-beige/ Light grey/black			
7	911 521 072 24	Backrest cover Leather/ Centre part Uni-coloured cloth		2	
	911 521 072 24 LJ1	Brown-brown			
	911 521 072 24 LJ2	Burgundy-burgundy			
	911 521 072 24 LJ3	Grey-beige/grey-beige			
	911 521 072 24 JN6	Black-black			
	911 521 072 24 JT4	Blue/blue			
7	911 521 072 24	Backrest cover Leather/ Centre part Pin stripe velour		2	
	911 521 072 24 LS5	Black/ Black-white			
	911 521 072 24 LS8	Blue/ Blue-white			
	911 521 072 24 LS6	Brown/ Brown-beige			
	911 521 072 24 LS9	Burgundy/ Burgundy-white			
	911 521 072 24 LS7	Grey-beige/ Grey-beige-white			
7	911 521 072 24	Backrest cover Leather/		2	

Model: 911 84 Model life 1984>>1986

Pos	Part Number	Description	Remark	Qty	Model
		Centre part			
		Porsche lettering cloth			
	911 521 072 24 MN3	Black/black			
	911 521 072 24 MN4	Brown/brown			
	911 521 072 24 MN6	Blue/blue			
	911 521 072 24 MN7	Burgundy/burgundy			
	911 521 072 24 MN5	Grey-beige/grey-beige			
8	911 521 072 22	Backrest cover		2	CARRERA
		Leatherette/			
		Backrest surface in cloth			
		Porsche lettering cloth			
	911 521 072 22 LR1	Black/black			
	911 521 072 22 LR4	Blue/blue			
	911 521 072 22 LR2	Brown/brown			
	911 521 072 22 LR5	Burgundy/burgundy			
	911 521 072 22 LR3	Grey-beige/grey-beige			
8	930 521 072 20	Backrest cover		2	
		Leather/			
		Backrest surface			
		Porsche lettering cloth			
	930 521 072 20 LR9	Black/black			
	930 521 072 20 LS3	Blue/blue			
	930 521 072 20 LS1	Brown/brown			
	930 521 072 20 LS4	Burgundy/burgundy			
	930 521 072 20 LS2	Grey-beige/grey-beige			
9	911 521 072 23	Backrest cover		2	
		Whole-leather			
	911 521 072 23 LG7	Burgundy			
	911 521 072 23 LG4	Pearl white			
	911 521 072 23 LG5	Champagne			
	911 521 072 23 LG6	Dark green			
	911 521 072 23 KZ2	Black			
	911 521 072 23 KZ3	Blue			
	911 521 072 23 KZ4	Grey-beige			
	911 521 072 23 KZ5	Brown			
	911 521 072 23 KZ6	Can-can-red			
10	911 521 393 02	Foam part		2	
		Backrest			
11	911 521 575 00	Filler piece		2	
		Backrest frame			
12	911 521 435 00	Filler piece		2	
13	911 521 361 00	Wire pull		2	
13	911 521 361 02	Wire pull		2	
14	911 521 369 00	Terminal		2	
15	911 521 343 00	Guide bush		2	
16	311 881 287 A	Tension spring		2	
		for			
		Actuating lever			

Model: 911 84

Model life 1984>>1986



Model: 911 84 Model life 1984>>1986

Pos	Part Number	Description	Remark	Qty	Model
		Sports seat Complete	-84		
1	911 521 007 61	Sports seat Whole-leather	/L	1	
	911 521 007 61 KZ6	Can-can-red			
	911 521 007 61 LG7	Burgundy			
	911 521 007 61 KZ4	Grey-beige			
	911 521 007 61 KZ2	Black			
	911 521 007 61 KZ3	Blue			
	911 521 007 61 KZ5	Brown			
	911 521 007 61 LG4	Pearl white			
	911 521 007 61 LG5	Champagne			
	911 521 007 61 LG6	Dark green			
(1)	911 521 008 61	Sports seat Whole-leather	/R	1	
	911 521 008 61 KZ6	Can-can-red			
	911 521 008 61 LG7	Burgundy			
	911 521 008 61 KZ4	Grey-beige			
	911 521 008 61 KZ2	Black			
	911 521 008 61 KZ3	Blue			
	911 521 008 61 KZ5	Brown			
	911 521 008 61 LG4	Pearl white			
	911 521 008 61 LG5	Champagne			
	911 521 008 61 LG6	Dark green			
2	911 521 007 62	Sports seat Leather Centre part Checker board velour	/L	1	
	911 521 007 62 LH1	Black/ Light grey/black			
	911 521 007 62 LH2	Brown/ Brown-grey			
	911 521 007 62 LH3	Blue/ Blue-grey			
	911 521 007 62 LH4	Burgundy/ Burgundy-grey			
	911 521 007 62 LH6	Grey-beige/ Light grey/black			
(2)	911 521 008 62	Sports seat Leather Centre part Checker board velour	/R	1	
	911 521 008 62 LH1	Black/ Light grey/black			
	911 521 008 62 LH2	Brown/ Brown-grey			
	911 521 008 62 LH3	Blue/ Blue-grey			
	911 521 008 62 LH4	Burgundy/ Burgundy-grey			
	911 521 008 62 LH6	Grey-beige/ Light grey/black			
2	911 521 007 62	Sports seat Leather/ Centre part Uni-coloured cloth	/L	1	
	911 521 007 62 JN6	Black/black			
	911 521 007 62 LJ1	Brown/brown			
	911 521 007 62 JT4	Blue/blue			
	911 521 007 62 LJ2	Burgundy/burgundy			
	911 521 007 62 LJ3	Grey-beige/grey-beige			
(2)	911 521 008 62	Sports seat Leather/	/R	1	

Model: 911 84

Model life 1984&gt;&gt;1986

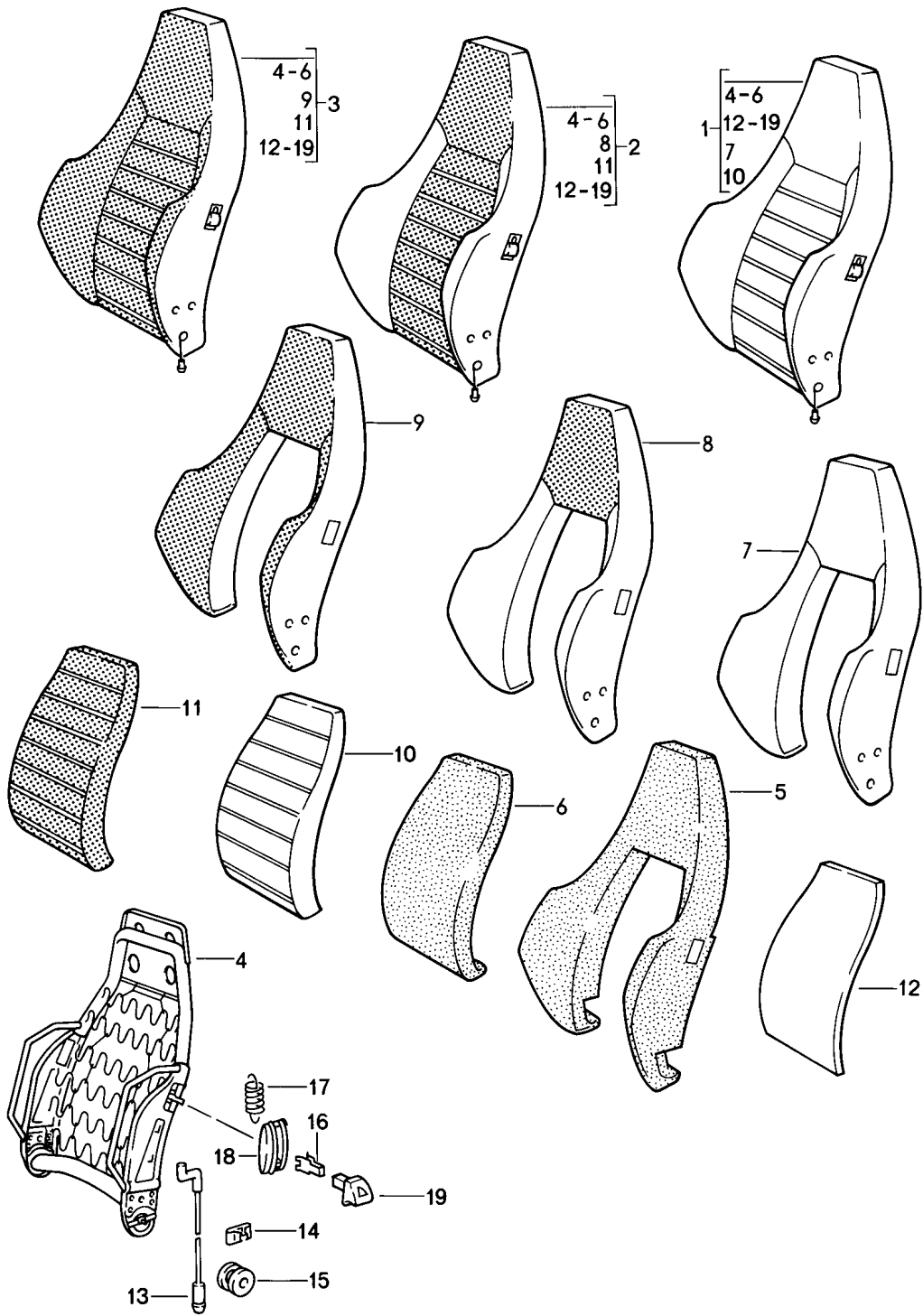
Pos	Part Number	Description	Remark	Qty	Model
		Centre part			
		Uni-coloured cloth			
	911 521 008 62 JN6	Black/black			
	911 521 008 62 LJ1	Brown/brown			
	911 521 008 62 JT4	Blue/blue			
	911 521 008 62 LJ2	Burgundy/burgundy			
	911 521 008 62 LJ3	Grey-beige/grey-beige			
2	911 521 007 62	Sports seat	/L	1	
		Leather/			
		Centre part			
		Pin stripe velour			
	911 521 007 62 LS5	Black/			
		Black-white			
	911 521 007 62 LS6	Brown/			
		Brown-beige			
	911 521 007 62 LS8	Blue/			
		Blue-white			
	911 521 007 62 LS9	Burgundy/			
		Burgundy-white			
	911 521 007 62 LS7	Grey-beige/			
		Grey-beige-white			
(2)	911 521 008 62	Sports seat	/R	1	
		Leather/			
		Centre part			
		Pin stripe velour			
	911 521 008 62 LS5	Black/			
		Black-white			
	911 521 008 62 LS6	Brown/			
		Brown-beige			
	911 521 008 62 LS8	Blue/			
		Blue-white			
	911 521 008 62 LS9	Burgundy/			
		Burgundy-white			
	911 521 008 62 LS7	Grey-beige/			
		Grey-beige-white			
2	911 521 007 62	Sports seat	/L	1	
		Leather/			
		Centre part			
		Porsche lettering cloth			
	911 521 007 62 MN3	Black/black			
	911 521 007 62 MN4	Brown/brown			
	911 521 007 62 MN6	Blue/blue			
	911 521 007 62 MN7	Burgundy/burgundy			
	911 521 007 62 MN5	Grey-beige/grey-beige			
(2)	911 521 008 62	Sports seat	/R	1	
		Leather/			
		Centre part			
		Porsche lettering cloth			
	911 521 008 62 MN3	Black/black			
	911 521 008 62 MN4	Brown/brown			
	911 521 008 62 MN6	Blue/blue			
	911 521 008 62 MN7	Burgundy/burgundy			
	911 521 008 62 MN5	Grey-beige/grey-beige			
3	911 521 007 63	Sports seat	/L	1	
		Leather			
		Seat and backrest surface			
		Porsche lettering cloth			
	911 521 007 63 LR9	Black/black			
	911 521 007 63 LS1	Brown/brown			
	911 521 007 63 LS3	Blue/blue			
	911 521 007 63 LS4	Burgundy/burgundy			
	911 521 007 63 LS2	Grey-beige/grey-beige			
(3)	911 521 008 63	Sports seat	/R	1	

Model: 911 84 Model life 1984>>1986

Pos	Part Number	Description	Remark	Qty	Model
		Leather Seat and backrest surface Porsche lettering cloth			
	911 521 008 63 LR9	Black/black			
	911 521 008 63 LS1	Brown/brown			
	911 521 008 63 LS3	Blue/blue			
	911 521 008 63 LS4	Burgundy/burgundy			
	911 521 008 63 LS2	Grey-beige/grey-beige			
4	928 521 489 02	Seat rail with locking device	/L	1	
(4)	928 521 490 02	Seat rail with locking device	/R	1	
5	911 521 533 00	Handle knob		2	
(5)	911 521 533 01	Handle for longitudinal adjustment		2	
	911 521 533 01 01C	Satin black			
6	944 521 491 00	Seat rail		2	
6		Seat rail without locking device See TPI GR.8 NR.34		2	
7	N 014 761 2	Pan-head screw M 6 X 12		8	
7	900 119 129 01	Pan-head screw M 6 X 12		8	
8	N 012 006 4	Lock ring B 6		16	
9	900 075 057 02	Hexagon-head bolt		8	
9	900 075 057 03	Hexagon-head bolt		8	
10	928 521 101 04	Threaded plate M 6		8	
11	911 521 359 02	Cover	/L	1	
(11)	911 521 360 02	Cover	/R	1	
12	911 521 571 00	Tensioning spring		2	
(13)	911 521 381 02	Cover for backrest adjustment Comprising: POS. 13 Shifting wheel POS. 14 Cover		2	
13	911 521 381 00	Shifting wheel		2	
14	911 521 383 00	Cover		2	
14	911 521 381 02	Cover		2	
15	911 521 371 00	Screw		2	
16	999 025 117 40	Washer 12,5 X 32 X 1		X	
17	911 521 547 00	Screw M 10 X 20		4	

Model: 911 84

Model life 1984>>1986





Model: 911 84 Model life 1984>>1986

Pos	Part Number	Description	Remark	Qty	Model
		Sports seat	-84		
		Backrest			
		Single parts			
1	911 521 603 50	Backrest	/L	1	
		Leather			
	911 521 603 50 KZ6	Can-can-red			
	911 521 603 50 LG7	Burgundy			
	911 521 603 50 KZ4	Grey-beige			
	911 521 603 50 KZ2	Black			
	911 521 603 50 KZ3	Blue			
	911 521 603 50 KZ5	Brown			
	911 521 603 50 LG4	Pearl white			
	911 521 603 50 LG5	Champagne			
	911 521 603 50 LG6	Dark green			
(1)	911 521 604 50	Backrest	/R	1	
		Leather			
	911 521 604 50 KZ6	Can-can-red			
	911 521 604 50 LG7	Burgundy			
	911 521 604 50 KZ4	Grey-beige			
	911 521 604 50 KZ2	Black			
	911 521 604 50 KZ3	Blue			
	911 521 604 50 KZ5	Brown			
	911 521 604 50 LG4	Pearl white			
	911 521 604 50 LG5	Champagne			
	911 521 604 50 LG6	Dark green			
2	911 521 603 51	Backrest	/L	1	
		Leather/			
		Centre part			
		Checker board velour			
	911 521 603 51 LH1	Black/			
		Light grey/black			
	911 521 603 51 LH2	Brown/			
		Brown-grey			
	911 521 603 51 LH3	Blue/			
		Blue-grey			
	911 521 603 51 LH4	Burgundy/			
		Burgundy-grey			
	911 521 603 51 LH6	Grey-beige/			
		Black/grey-beige			
(2)	911 521 604 51	Backrest	/R	1	
		Leather/			
		Centre part			
		Checker board velour			
	911 521 604 51 LH1	Black/			
		Light grey/black			
	911 521 604 51 LH2	Brown/			
		Brown-grey			
	911 521 604 51 LH3	Blue/			
		Blue-grey			
	911 521 604 51 LH4	Burgundy/			
		Burgundy-grey			
	911 521 604 51 LH6	Grey-beige/			
		Black/grey-beige			
2	911 521 603 51	Backrest	/L	1	
		Leather/			
		Centre part			
		Uni-coloured cloth			
	911 521 603 51 JN6	Black/black			
	911 521 603 51 LJ1	Brown/brown			
	911 521 603 51 JT4	Blue/blue			
	911 521 603 51 LJ2	Burgundy/burgundy			
	911 521 603 51 LJ3	Grey-beige/grey-beige			
(2)	911 521 604 51	Backrest	/R	1	

Model: 911 84 Model life 1984>>1986

Pos	Part Number	Description	Remark	Qty	Model
		Leather/ Centre part Uni-coloured cloth			
	911 521 604 51 JN6	Black/black			
	911 521 604 51 LJ1	Brown/brown			
	911 521 604 51 JT4	Blue/blue			
	911 521 604 51 LJ2	Burgundy/burgundy			
	911 521 604 51 LJ3	Grey-beige/grey-beige			
2	911 521 603 51	Backrest Leather/ Centre part Pin stripe velour	/L	1	
	911 521 603 51 LS5	Black/ Black-white			
	911 521 603 51 LS6	Brown/ Brown-beige			
	911 521 603 51 LS8	Blue/ Blue-white			
	911 521 603 51 LS9	Burgundy/ Burgundy-white			
	911 521 603 51 LS7	Grey-beige/ Grey-beige-white			
(2)	911 521 604 51	Backrest Leather/ Centre part Pin stripe velour	/R	1	
	911 521 604 51 LS5	Black/ Black-white			
	911 521 604 51 LS6	Brown/ Brown-beige			
	911 521 604 51 LS8	Blue/ Blue-white			
	911 521 604 51 LS9	Burgundy/ Burgundy-white			
	911 521 604 51 LS7	Grey-beige/ Grey-beige-white			
2	911 521 603 51	Backrest Leather/ Centre part Porsche lettering cloth	/L	1	
	911 521 603 51 MN3	Black/black			
	911 521 603 51 MN4	Brown/brown			
	911 521 603 51 MN6	Blue/blue			
	911 521 603 51 MN7	Burgundy/burgundy			
	911 521 603 51 MN5	Grey-beige/grey-beige			
(2)	911 521 604 51	Backrest Leather/ Centre part Porsche lettering cloth	/R	1	
	911 521 604 51 MN3	Black/black			
	911 521 604 51 MN4	Brown/brown			
	911 521 604 51 MN6	Blue/blue			
	911 521 604 51 MN7	Burgundy/burgundy			
	911 521 604 51 MN5	Grey-beige/grey-beige			
3	911 521 603 52	Backrest Leather Backrest surface Porsche lettering cloth	/L	1	
	911 521 603 52 LR9	Black/black			
	911 521 603 52 LS1	Brown/brown			
	911 521 603 52 LS3	Blue/blue			
	911 521 603 52 LS4	Burgundy/burgundy			
	911 521 603 52 LS2	Grey-beige/grey-beige			

Model: 911 84 Model life 1984>>1986

Pos	Part Number	Description	Remark	Qty	Model
(3)	911 521 604 52	Backrest Leather Backrest surface Porsche lettering cloth	/R	1	
	911 521 604 52 LR9	Black/black			
	911 521 604 52 LS1	Brown/brown			
	911 521 604 52 LS3	Blue/blue			
	911 521 604 52 LS4	Burgundy/burgundy			
	911 521 604 52 LS2	Grey-beige/grey-beige			
4	911 521 613 02	Backrest frame	/L	1	
4		Backrest frame	/L	1	
(4)	911 521 614 02	Backrest frame	/R	1	
(4)		Backrest frame	/R	1	
5	911 521 751 02	Foam part Backrest cushion		2	
6	911 521 104 02	Foam part Backrest side bolster cover		2	
7	911 521 072 70	Backrest side bolster cover Leather		2	
	911 521 072 70 LG7	Burgundy			
	911 521 072 70 KZ4	Grey-beige			
	911 521 072 70 KZ2	Black			
	911 521 072 70 KZ3	Blue			
	911 521 072 70 KZ5	Brown			
	911 521 072 70 LG4	Pearl white			
	911 521 072 70 LG5	Champagne			
	911 521 072 70 LG6	Dark green			
8	911 521 072 71	Backrest side bolster cover Leather Centre part Checker board velour		2	
	911 521 072 71 LH1	Black/ Light grey/black			
	911 521 072 71 LH2	Brown/ Brown-grey			
	911 521 072 71 LH3	Blue/ Blue-grey			
	911 521 072 71 LH4	Burgundy/ Burgundy-grey			
	911 521 072 71 LH6	Grey-beige/ Black/grey-beige			
8	911 521 072 71	Backrest side bolster cover Leather/ Centre part Uni-coloured cloth		2	
	911 521 072 71 JN6	Black/black			
	911 521 072 71 LJ1	Brown/brown			
	911 521 072 71 JT4	Blue/blue			
	911 521 072 71 LJ2	Burgundy/burgundy			
	911 521 072 71 LJ3	Grey-beige/grey-beige			
8	911 521 072 71	Backrest side bolster cover Leather/ Centre part Pin stripe velour		2	
	911 521 072 71 LS5	Black/ Black-white			
	911 521 072 71 LS6	Brown/ Brown-beige			
	911 521 072 71 LS8	Blue/ Blue-white			
	911 521 072 71 LS9	Burgundy/ Burgundy-white			
	911 521 072 71 LS7	Grey-beige/			

Model: 911 84 Model life 1984>>1986

Pos	Part Number	Description	Remark	Qty	Model
8	911 521 072 71	Grey-beige-white Backrest side bolster cover Leather/ Centre part Porsche lettering cloth		2	
	911 521 072 71 MN3	Black/black			
	911 521 072 71 MN4	Brown/brown			
	911 521 072 71 MN6	Blue/blue			
	911 521 072 71 MN7	Burgundy/burgundy			
	911 521 072 71 MN5	Grey-beige/grey-beige			
9	911 521 072 72	Backrest side bolster cover Leather/ Backrest surface Porsche lettering cloth		2	
	911 521 072 72 LR9	Black/black			
	911 521 072 72 LS1	Brown/brown			
	911 521 072 72 LS3	Blue/blue			
	911 521 072 72 LS4	Burgundy/burgundy			
	911 521 072 72 LS2	Grey-beige/grey-beige			
10	911 521 403 50	Backrest cushion cover Leather		2	
	911 521 403 50 KZ6	Can-can-red			
	911 521 403 50 LG7	Burgundy			
	911 521 403 50 KZ4	Grey-beige			
	911 521 403 50 KZ2	Black			
	911 521 403 50 KZ3	Blue			
	911 521 403 50 KZ5	Brown			
	911 521 403 50 LG4	Pearl white			
	911 521 403 50 LG5	Champagne			
	911 521 403 50 LG6	Dark green			
11	911 521 403 06	Backrest cushion cover Checker board velour		2	
	911 521 403 06 4FH	Light grey/black			
	911 521 403 06 5RH	Brown-grey			
	911 521 403 06 7GH	Blue-grey			
	911 521 403 06 9LH	Burgundy-grey			
11	911 521 403 06	Backrest cushion cover Uni-coloured cloth		2	
	911 521 403 06 70F	Black			
	911 521 403 06 7NU	Brown			
	911 521 403 06 30C	Blue			
	911 521 403 06 5MU	Burgundy			
	911 521 403 06 8FU	Grey-beige			
11	911 521 403 06	Backrest cushion cover Pin stripe velour		2	
	911 521 403 06 7BN	Black-white			
	911 521 403 06 3NN	Beige/brown			
	911 521 403 06 8GJ	Blue-white			
	911 521 403 06 1MJ	Burgundy-white			
	911 521 403 06 9FN	Grey-beige-white			
11	911 521 403 06	Backrest cushion cover Porsche lettering cloth		2	
	911 521 403 06 4CR	Black			
	911 521 403 06 6TR	Brown			
	911 521 403 06 5HR	Blue			
	911 521 403 06 2LR	Burgundy			
	911 521 403 06 8RR	Grey-beige			
12	911 521 575 00	Filler piece		2	
13	911 521 361 00	Wire pull		2	
13	911 521 361 02	Wire pull		2	
14	911 521 369 00	Terminal		2	
15	911 521 343 00	Guide bush		2	
16	311 881 247	Clip		1	

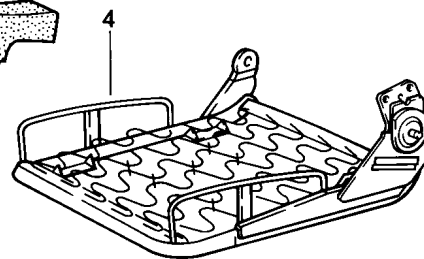
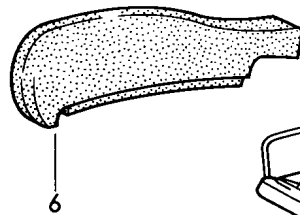
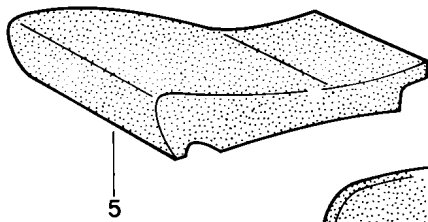
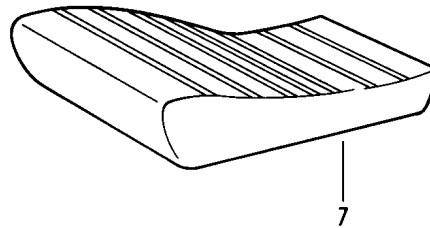
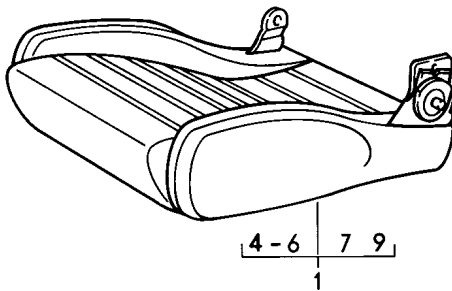
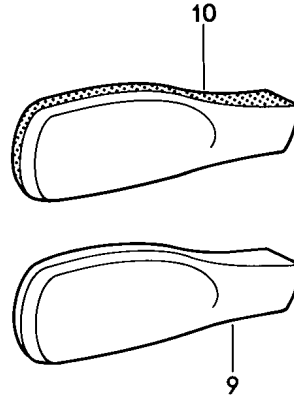
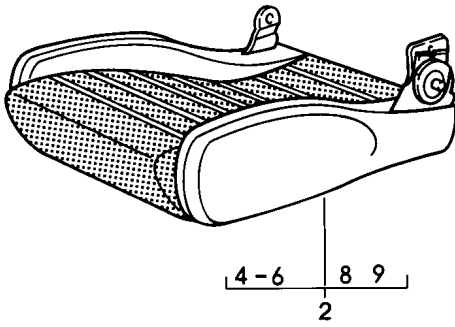
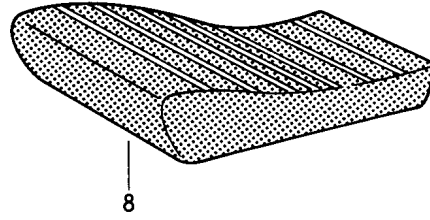
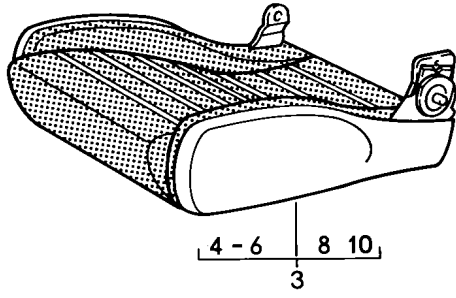
Model: 911 84

Model life 1984&gt;&gt;1986

Pos	Part Number	Description	Remark	Qty	Model
17	311 881 287 A	Tension spring		2	
18	911 521 815 00	Rosette		2	
	911 521 815 00 01C	Satin black			
19	911 521 817 00	Control button		2	
	911 521 817 00 01C	Satin black			

Model: 911 84

Model life 1984>>1986



Model: 911 84 Model life 1984>>1986

Pos	Part Number	Description	Remark	Qty	Model
		Sports seat	-84		
		Cushion			
		Single parts			
1	911 521 605 50	Seat cushion	/L	1	
		Leather			
	911 521 605 50 KZ6	Can-can-red			
	911 521 605 50 LG7	Burgundy			
	911 521 605 50 KZ4	Grey-beige			
	911 521 605 50 KZ2	Black			
	911 521 605 50 KZ3	Blue			
	911 521 605 50 KZ5	Brown			
	911 521 605 50 LG4	Pearl white			
	911 521 605 50 LG5	Champagne			
	911 521 605 50 LG6	Dark green			
(1)	911 521 606 50	Seat cushion	/R	1	
		Leather			
	911 521 606 50 KZ6	Can-can-red			
	911 521 606 50 LG7	Burgundy			
	911 521 606 50 KZ4	Grey-beige			
	911 521 606 50 KZ2	Black			
	911 521 606 50 KZ3	Blue			
	911 521 606 50 KZ5	Brown			
	911 521 606 50 LG4	Pearl white			
	911 521 606 50 LG5	Champagne			
	911 521 606 50 LG6	Dark green			
2	911 521 605 51	Seat cushion	/L	1	
		Leather/			
		Centre part			
		Checker board velour			
	911 521 605 51 LH1	Black/			
		Light grey/black			
	911 521 605 51 LH2	Brown/			
		Brown-grey			
	911 521 605 51 LH3	Blue/			
		Blue-grey			
	911 521 605 51 LH4	Burgundy/			
		Burgundy-grey			
	911 521 605 51 LH6	Grey-beige/			
		Black/grey-beige			
(2)	911 521 606 51	Seat cushion	/R	1	
		Leather/			
		Centre part			
		Checker board velour			
	911 521 606 51 LH1	Black/			
		Light grey/black			
	911 521 606 51 LH2	Brown/			
		Brown-grey			
	911 521 606 51 LH3	Blue/			
		Blue-grey			
	911 521 606 51 LH4	Burgundy/			
		Burgundy-grey			
	911 521 606 51 LH6	Grey-beige/			
		Black/grey-beige			
2	911 521 605 51	Seat cushion	/L	1	
		Leather/			
		Centre part			
		Uni-coloured cloth			
	911 521 605 51 JN6	Black/black			
	911 521 605 51 LJ1	Brown/brown			
	911 521 605 51 JT4	Blue/blue			
	911 521 605 51 LJ2	Burgundy/burgundy			
	911 521 605 51 LJ3	Grey-beige/grey-beige			
(2)	911 521 606 51	Seat cushion	/R	1	

Model: 911 84 Model life 1984>>1986

Pos	Part Number	Description	Remark	Qty	Model
		Leather/ Centre part Uni-coloured cloth			
	911 521 606 51 JN6	Black/black			
	911 521 606 51 LJ1	Brown/brown			
	911 521 606 51 JT4	Blue/blue			
	911 521 606 51 LJ2	Burgundy/burgundy			
	911 521 606 51 LJ3	Grey-beige/grey-beige			
2	911 521 605 51	Seat cushion Leather/ Centre part Pin stripe velour	/L	1	
	911 521 605 51 LS5	Black/ Black-white			
	911 521 605 51 LS6	Brown/ Brown-beige			
	911 521 605 51 LS8	Blue/ Blue-white			
	911 521 605 51 LS9	Burgundy/ Burgundy-white			
	911 521 605 51 LS7	Grey-beige/ Grey-beige-white			
(2)	911 521 606 51	Seat cushion Leather/ Centre part Pin stripe velour	/R	1	
	911 521 606 51 LS5	Black/ Black-white			
	911 521 606 51 LS6	Brown/ Brown-beige			
	911 521 606 51 LS8	Blue/ Blue-white			
	911 521 606 51 LS9	Burgundy/ Burgundy-white			
	911 521 606 51 LS7	Grey-beige/ Grey-beige-white			
2	911 521 605 51	Seat cushion Leather/ Centre part Porsche lettering cloth	/L	1	
	911 521 605 51 MN3	Black/black			
	911 521 605 51 MN4	Brown/brown			
	911 521 605 51 MN6	Blue/blue			
	911 521 605 51 MN7	Burgundy/burgundy			
	911 521 605 51 MN5	Grey-beige/grey-beige			
(2)	911 521 606 51	Seat cushion Leather/ Centre part Porsche lettering cloth	/R	1	
	911 521 606 51 MN3	Black/black			
	911 521 606 51 MN4	Brown/brown			
	911 521 606 51 MN6	Blue/blue			
	911 521 606 51 MN7	Burgundy/burgundy			
	911 521 606 51 MN5	Grey-beige/grey-beige			
3	911 521 605 52	Seat cushion Leather/ Seat surface Porsche lettering cloth	/L	1	
	911 521 605 52 LR9	Black/black			
	911 521 605 52 LS1	Brown/brown			
	911 521 605 52 LS3	Blue/blue			
	911 521 605 52 LS4	Burgundy/burgundy			
	911 521 605 52 LS2	Grey-beige/grey-beige			



Model: 911 84 Model life 1984>>1986

Pos	Part Number	Description	Remark	Qty	Model
(3)	911 521 606 52	Seat cushion Leather/ Seat surface Porsche lettering cloth	/R	1	
	911 521 606 52 LR9	Black/black			
	911 521 606 52 LS1	Brown/brown			
	911 521 606 52 LS3	Blue/blue			
	911 521 606 52 LS4	Burgundy/burgundy			
	911 521 606 52 LS2	Grey-beige/grey-beige			
4	911 521 621 01	Seat frame	/L	1	
(4)	911 521 622 01	Seat frame	/R	1	
5	911 521 697 02	Foam part Seat cushion		2	
6	911 521 683 02	Foam part Seat side bolster Left seat	/L	1	
(6)	911 521 654 02	Foam part Seat side bolster Left seat	/R	1	
(6)	911 521 653 02	Foam part Seat side bolster Right seat	/L	1	
(6)	911 521 684 02	Foam part Seat side bolster Right seat	/R	1	
7	911 521 439 50	Cover for cushion Leather		2	
	911 521 439 50 KZ6	Can-can-red			
	911 521 439 50 LG7	Burgundy			
	911 521 439 50 KZ4	Grey-beige			
	911 521 439 50 KZ2	Black			
	911 521 439 50 KZ3	Blue			
	911 521 439 50 KZ5	Brown			
	911 521 439 50 LG4	Pearl white			
	911 521 439 50 LG5	Champagne			
	911 521 439 50 LG6	Dark green			
8	911 521 439 06	Cover for cushion Checker board velour		2	
	911 521 439 06 4FH	Light grey/black			
	911 521 439 06 5RH	Brown-grey			
	911 521 439 06 7GH	Blue-grey			
	911 521 439 06 9LH	Burgundy-grey			
8	911 521 439 06	Cover for cushion Uni-coloured cloth		2	
	911 521 439 06 70F	Black			
	911 521 439 06 7NU	Brown			
	911 521 439 06 30C	Blue			
	911 521 439 06 5MU	Burgundy			
	911 521 439 06 8FU	Grey-beige			
8	911 521 439 06	Cover for cushion Pin stripe velour		2	
	911 521 439 06 7BN	Black-white			
	911 521 439 06 3NN	Brown-beige			
	911 521 439 06 8GJ	Blue-white			
	911 521 439 06 1MJ	Burgundy-white			
	911 521 439 06 9FN	Grey-beige-white			
8	911 521 439 06	Cover for cushion Porsche lettering cloth		2	
	911 521 439 06 4CR	Black			
	911 521 439 06 6TR	Brown			
	911 521 439 06 5HR	Blue			
	911 521 439 06 2LR	Burgundy			
	911 521 439 06 8RR	Grey-beige			

Model: 911 84 Model life 1984>>1986

Pos	Part Number	Description	Remark	Qty	Model
9	911 521 631 50	Seat side bolster cover Left seat Leather	/L	1	
	911 521 631 50 KZ6	Can-can-red			
	911 521 631 50 LG7	Burgundy			
	911 521 631 50 KZ4	Grey-beige			
	911 521 631 50 KZ2	Black			
	911 521 631 50 KZ3	Blue			
	911 521 631 50 KZ5	Brown			
	911 521 631 50 LG4	Pearl white			
	911 521 631 50 LG5	Champagne			
	911 521 631 50 LG6	Dark green			
(9)	911 521 632 50	Seat side bolster cover Left seat Leather	/R	1	
	911 521 632 50 KZ6	Can-can-red			
	911 521 632 50 LG7	Burgundy			
	911 521 632 50 KZ4	Grey-beige			
	911 521 632 50 KZ2	Black			
	911 521 632 50 KZ3	Blue			
	911 521 632 50 KZ5	Brown			
	911 521 632 50 LG4	Pearl white			
	911 521 632 50 LG5	Champagne			
	911 521 632 50 LG6	Dark green			
(9)	911 521 633 50	Seat side bolster cover Right seat Leather	/L	1	
	911 521 633 50 KZ6	Can-can-red			
	911 521 633 50 LG7	Burgundy			
	911 521 633 50 KZ4	Grey-beige			
	911 521 633 50 KZ2	Black			
	911 521 633 50 KZ3	Blue			
	911 521 633 50 KZ5	Brown			
	911 521 633 50 LG4	Pearl white			
	911 521 633 50 LG5	Champagne			
	911 521 633 50 LG6	Dark green			
(9)	911 521 634 50	Seat side bolster cover Right seat Leather	/R	1	
	911 521 634 50 KZ6	Can-can-red			
	911 521 634 50 LG7	Burgundy			
	911 521 634 50 KZ4	Grey-beige			
	911 521 634 50 KZ2	Black			
	911 521 634 50 KZ3	Blue			
	911 521 634 50 KZ5	Brown			
	911 521 634 50 LG4	Pearl white			
	911 521 634 50 LG5	Champagne			
	911 521 634 50 LG6	Dark green			
10	911 521 631 51	Seat side bolster cover Left seat Leather/ Seat surface Porsche lettering cloth	/L	1	
	911 521 631 51 LR9	Black/black			
	911 521 631 51 LS1	Brown/brown			
	911 521 631 51 LS3	Blue/blue			
	911 521 631 51 LS4	Burgundy/burgundy			
	911 521 631 51 LS2	Grey-beige/grey-beige			
(10)	911 521 632 51	Seat side bolster cover Left seat Leather/ Seat surface Porsche lettering cloth	/R	1	

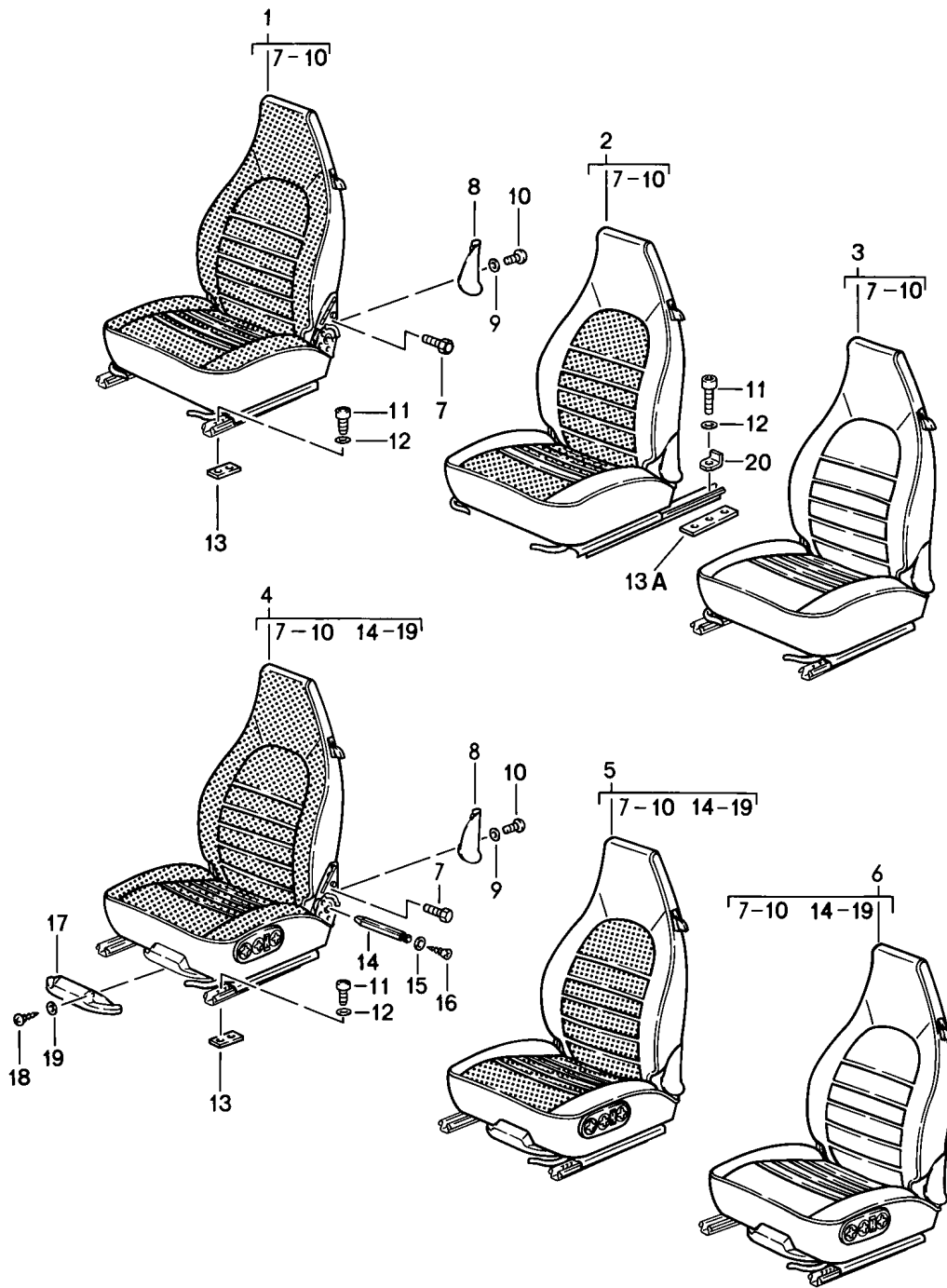
Model: 911 84

Model life 1984>>1986

Pos	Part Number	Description	Remark	Qty	Model
(10)	911 521 632 51 LR9	Black/black			
	911 521 632 51 LS1	Brown/brown			
	911 521 632 51 LS3	Blue/blue			
	911 521 632 51 LS4	Burgundy/burgundy			
	911 521 632 51 LS2	Grey-beige/grey-beige			
	911 521 633 51	Seat side bolster cover	/L	1	
		Right seat			
		Leather/			
		Seat surface			
		Porsche lettering cloth			
(10)	911 521 633 51 LR9	Black/black			
	911 521 633 51 LS1	Brown/brown			
	911 521 633 51 LS3	Blue/blue			
	911 521 633 51 LS4	Burgundy/burgundy			
	911 521 633 51 LS2	Grey-beige/grey-beige			
	911 521 634 51	Seat side bolster cover	/R	1	
		Right seat			
		Leather/			
		Seat surface			
		Porsche lettering cloth			
	911 521 634 51 LR9	Black/black			
	911 521 634 51 LS1	Brown/brown			
	911 521 634 51 LS3	Blue/blue			
	911 521 634 51 LS4	Burgundy/burgundy			
	911 521 634 51 LS2	Grey-beige/grey-beige			

Model: 911 84

Model life 1984>>1986



Model: 911 84 Model life 1984>>1986

Pos	Part Number	Description	Remark	Qty	Model
1	928 521 001 11	Front seat Front seat Manually adjustable Leatherette/ Seat and backrest surface Pin stripe velour	85- /RL /L	1	CARRERA
	928 521 001 11 NY5	Black/ Black-white			
	928 521 001 11 NY7	Brown/ Brown-beige			
	928 521 001 11 QA3	Blue/ Blue-white			
	928 521 001 11 NY8	Burgundy/ Burgundy-white			
	928 521 001 11 QA4	Greyish green/ Greyish green-white			
	928 521 001 11 RU3	Grey-beige/ Grey-beige-white	86- 86-		
(1)	928 521 002 11	Front seat Manually adjustable Leatherette/ Seat and backrest surface Pin stripe velour	/LL /R	1	CARRERA
	928 521 002 11 NY5	Black/ Black-white			
	928 521 002 11 NY7	Brown/ Brown-beige			
	928 521 002 11 QA3	Blue/ Blue-white			
	928 521 002 11 NY8	Burgundy/ Burgundy-white			
	928 521 002 11 QA4	Greyish green/ Greyish green-white			
	928 521 002 11 RU3	Grey-beige/ Grey-beige-white	86- 86-		
1	928 521 001 11	Front seat Manually adjustable Leatherette/ Seat and backrest surface Pin stripe flannel	/RL /L	1	CARRERA
	928 521 001 11 NY9	Black/anthracite			
	928 521 001 11 NZ6	Brown/brown			
	928 521 001 11 QA6	Blue/blue			
	928 521 001 11 NZ5	Burgundy/burgundy			
	928 521 001 11 QA5	Greyish green/grey-green			
(1)	928 521 002 11	Front seat Manually adjustable Leatherette/ Seat and backrest surface Pin stripe flannel	/LL /R	1	CARRERA
	928 521 002 11 NY9	Black/anthracite			
	928 521 002 11 NZ6	Brown/brown			
	928 521 002 11 QA6	Blue/blue			
	928 521 002 11 NZ5	Burgundy/burgundy			
	928 521 002 11 QA5	Greyish green/grey-green			
1	928 521 001 11	Front seat Manually adjustable Leatherette/ Seat and backrest surface Porsche lettering cloth	/RL /L	1	CARRERA
	928 521 001 11 PX2	Black/black			
	928 521 001 11 PX4	Brown/brown			
	928 521 001 11 PX7	Blue/blue			

Model: 911 84 Model life 1984>>1986

Pos	Part Number	Description	Remark	Qty	Model
(1)	928 521 001 11 PX6	Burgundy/burgundy		1	CARRERA
	928 521 001 11 PX8	Greyish green/grey-green			
	928 521 001 11 QD9	Grey-beige/grey-beige	86-		
	928 521 002 11	Front seat	/LL /R		
		Manually adjustable			
		Leatherette/			
		Seat and backrest surface			
		Porsche lettering cloth			
	928 521 002 11 PX2	Black/black			
	928 521 002 11 PX4	Brown/brown			
928 521 002 11 PX7	Blue/blue				
928 521 002 11 PX6	Burgundy/burgundy				
928 521 002 11 PX8	Greyish green/grey-green				
928 521 002 11 QD9	Grey-beige/grey-beige	86-			
2	928 521 001 62	Front seat	/RL /L	1	CARRERA
		Manually adjustable			
		Leatherette/leather			
		Centre part			
		Pin stripe velour			
	928 521 001 62 PY1	Black/			
		Black-white			
	928 521 001 62 PY2	Brown/			
		Brown-beige			
	928 521 001 62 PY3	Blue/			
		Blue-white			
	928 521 001 62 PY4	Burgundy/			
		Burgundy-white			
	928 521 001 62 PY5	Greyish green/			
		Greyish green-white			
	928 521 001 62 RU4	Grey-beige/	86-		
		Grey-beige-white	86-		
(2)	928 521 002 62	Front seat	/LL /R	1	CARRERA
		Manually adjustable			
		Leatherette/leather			
		Centre part			
		Pin stripe velour			
	928 521 002 62 PY1	Black/			
		Black-white			
	928 521 002 62 PY2	Brown/			
		Brown-beige			
	928 521 002 62 PY3	Blue/			
		Blue-white			
	928 521 002 62 PY4	Burgundy/			
		Burgundy-white			
	928 521 002 62 PY5	Greyish green/			
		Greyish green-white			
	928 521 002 62 RU4	Grey-beige/	86-		
		Grey-beige-white	86-		
2	928 521 001 62	Front seat	/RL /L	1	CARRERA
		Manually adjustable			
		Leatherette/leather			
		Centre part			
		Pin stripe flannel			
	928 521 001 62 PZ2	Black/antracite			
	928 521 001 62 PZ3	Brown/brown			
	928 521 001 62 PZ4	Blue/blue			
	928 521 001 62 PZ5	Burgundy/burgundy			
	928 521 001 62 PZ6	Greyish green/grey-green			
(2)	928 521 002 62	Front seat	/LL /R	1	CARRERA
		Manually adjustable			
		Leatherette/leather			
		Centre part			
		Pin stripe flannel			

Model: 911 84 Model life 1984>>1986

Pos	Part Number	Description	Remark	Qty	Model
	928 521 002 62 PZ2	Black/anthracite			
	928 521 002 62 PZ3	Brown/brown			
	928 521 002 62 PZ4	Blue/blue			
	928 521 002 62 PZ5	Burgundy/burgundy			
	928 521 002 62 PZ6	Greyish green/grey-green			
2	928 521 001 62	Front seat Manually adjustable Leatherette/leather Centre part Porsche lettering cloth	/RL /L	1	CARRERA
	928 521 001 62 PZ7	Black/black			
	928 521 001 62 PZ8	Brown/brown			
	928 521 001 62 PZ9	Blue/blue			
	928 521 001 62 QA1	Burgundy/burgundy			
	928 521 001 62 QA2	Greyish green/grey-green			
	928 521 001 62 RU2	Grey-beige/grey-beige	86-		
(2)	928 521 002 62	Front seat Manually adjustable Leatherette/leather Centre part Porsche lettering cloth	/LL /R	1	CARRERA
	928 521 002 62 PZ7	Black/black			
	928 521 002 62 PZ8	Brown/brown			
	928 521 002 62 PZ9	Blue/blue			
	928 521 002 62 QA1	Burgundy/burgundy			
	928 521 002 62 QA2	Greyish green/grey-green			
	928 521 002 62 RU2	Grey-beige/grey-beige	86-		
2	928 521 001 66	Front seat Manually adjustable Leather/ Centre part Pin stripe velour	/RL /L	1	CARRERA
	928 521 001 66 LS5	Black/ Black-white			
	928 521 001 66 LS6	Brown/ Brown-beige			
	928 521 001 66 LS8	Blue/ Blue-white			
	928 521 001 66 LS9	Burgundy/ Burgundy-white			
	928 521 001 66 QA7	Greyish green/ Greyish green-white			
	928 521 001 66 LS7	Grey-beige/ Grey-beige-white	86- 86-		
(2)	928 521 002 66	Front seat Manually adjustable Leather/ Centre part Pin stripe velour	/LL /R	1	CARRERA
	928 521 002 66 LS5	Black/ Black-white			
	928 521 002 66 LS6	Brown/ Brown-beige			
	928 521 002 66 LS8	Blue/ Blue-white			
	928 521 002 66 LS9	Burgundy/ Burgundy-white			
	928 521 002 66 QA7	Greyish green/ Greyish green-white			
	928 521 002 66 LS7	Grey-beige/ Grey-beige-white	86- 86-		
2	928 521 001 66	Front seat Manually adjustable	/RL /L	1	CARRERA

Model: 911 84 Model life 1984>>1986

Pos	Part Number	Description	Remark	Qty	Model				
(2)	928 521 001 66 QB1	Leather/ Centre part Pin stripe flannel Black/anthracite	/LL /R	1	CARRERA				
	928 521 001 66 QB3	Brown/brown							
	928 521 001 66 QB5	Blue/blue							
	928 521 001 66 QB7	Burgundy/burgundy							
	928 521 001 66 QA8	Greyish green/grey-green							
	928 521 002 66	Front seat Manually adjustable Leather/ Centre part Pin stripe flannel							
	928 521 002 66 QB1	Black/anthracite							
	928 521 002 66 QB3	Brown/brown							
	928 521 002 66 QB5	Blue/blue							
	928 521 002 66 QB7	Burgundy/burgundy							
2	928 521 002 66 QA8	Greyish green/grey-green	/RL /L	1	CARRERA				
	928 521 001 66	Front seat Manually adjustable Leather/ Centre part Porsche lettering cloth							
	928 521 001 66 QB2	Black/black							
	928 521 001 66 QB4	Brown/brown							
	928 521 001 66 QB6	Blue/blue							
	928 521 001 66 QB8	Burgundy/burgundy							
	928 521 001 66 QA9	Greyish green/grey-green							
	928 521 001 66 RU1	Grey-beige/grey-beige							
	(2)	928 521 002 66				Front seat Manually adjustable Leather/ Centre part Porsche lettering cloth	86- /LL /R	1	CARRERA
		928 521 002 66 QB2				Black/black			
928 521 002 66 QB4		Brown/brown							
928 521 002 66 QB6		Blue/blue							
928 521 002 66 QB8		Burgundy/burgundy							
928 521 002 66 QA9		Greyish green/grey-green							
928 521 002 66 RU1		Grey-beige/grey-beige							
3		928 521 001 63	Front seat Manually adjustable Leatherette/ Seat and backrest surface Leather	86- /RL /L	1	CARRERA			
		928 521 001 63 JN3	Black						
		928 521 001 63 JN4	Cadbury brown						
	928 521 001 63 QC1	Blue							
	928 521 001 63 NZ8	Burgundy							
	928 521 001 63 PX9	Greyish green							
	928 521 001 63 JN5	Grey-beige							
	(3)	928 521 002 63	Front seat Manually adjustable Leatherette/ Seat and backrest surface Leather				86- /LL /R	1	CARRERA
		928 521 002 63 JN3	Black/black						
		928 521 002 63 JN4	Cadbury brown						
928 521 002 63 QC1		Blue							
928 521 002 63 NZ8		Burgundy							
928 521 002 63 PX9		Greyish green							
928 521 002 63 JN5		Grey-beige							
3		928 521 001 64	Front seat	86- /RL /L	1	CARRERA			



Model: 911 84 Model life 1984>>1986

Pos	Part Number	Description	Remark	Qty	Model
		Manually adjustable Whole-leather			
	928 521 001 64 KZ2	Black			
	928 521 001 64 KZ5	Cadbury brown			
	928 521 001 64 KZ3	Blue			
	928 521 001 64 LG7	Burgundy			
	928 521 001 64 QC2	Greyish green			
	928 521 001 64 KZ6	Can-can-red			
	928 521 001 64 LG4	Pearl white			
	928 521 001 64 LG5	Champagne			
	928 521 001 64 LG6	Dark green			
	928 521 001 64 PY9	Ocean blue			
	928 521 001 64 PZ1	Wild buffalo			
	928 521 001 64 KZ4	Grey-beige	86-		
(3)	928 521 002 64	Front seat Manually adjustable Whole-leather	/LL /R	1	CARRERA
	928 521 002 64 KZ2	Black			
	928 521 002 64 KZ5	Cadbury brown			
	928 521 002 64 KZ3	Blue			
	928 521 002 64 LG7	Burgundy			
	928 521 002 64 QC2	Greyish green			
	928 521 002 64 KZ6	Can-can-red			
	928 521 002 64 LG4	Pearl white			
	928 521 002 64 LG5	Champagne			
	928 521 002 64 LG6	Dark green			
	928 521 002 64 PY9	Ocean blue			
	928 521 002 64 PZ1	Wild buffalo			
	928 521 002 64 KZ4	Grey-beige	86-		
(4)	928 521 003 20	Front seat without heating Manual longitudinal adjustment Elect. vertical adjustment Elect. backrest adjustment Leatherette/ Seat and backrest surface Pin stripe velour	/L	1	
	928 521 003 20 NY5	Black/ Black-white			
	928 521 003 20 NY7	Brown/ Brown-beige			
	928 521 003 20 QA3	Blue/ Blue-white			
	928 521 003 20 NY8	Burgundy/ Burgundy-white			
	928 521 003 20 QA4	Greyish green/ Greyish green-white			
	928 521 003 20 RU3	Grey-beige/ Grey-beige-white	86- 86-		
(4)	928 521 004 20	Front seat without heating Manual longitudinal adjustment Elect. vertical adjustment Elect. backrest adjustment Leatherette/ Seat and backrest surface Pin stripe velour	/R	1	
	928 521 004 20 NY5	Black/ Black-white			
	928 521 004 20 NY7	Brown/ Brown-beige			
	928 521 004 20 QA3	Blue/ Blue-white			

Model: 911 84 Model life 1984>>1986

Pos	Part Number	Description	Remark	Qty	Model
	928 521 004 20 NY8	Burgundy/ Burgundy-white			
	928 521 004 20 QA4	Greyish green/ Greyish green-white			
	928 521 004 20 RU3	Grey-beige/ Grey-beige-white	86- 86-		
4	928 521 003 01	Comfort seat All-electric Leatherette/ Seat and backrest surface Pin stripe velour	/L	1	
	928 521 003 01 NY5	Black/ Black-white			
	928 521 003 01 NY7	Brown/ Brown-beige			
	928 521 003 01 QA3	Blue/ Blue-white			
	928 521 003 01 NY8	Burgundy/ Burgundy-white			
	928 521 003 01 QA4	Greyish green/ Greyish green-white			
	928 521 003 01 RU3	Grey-beige/ Grey-beige-white	86- 86-		
(4)	928 521 004 01	Comfort seat All-electric Leatherette/ Seat and backrest surface Pin stripe velour	/R	1	
	928 521 004 01 NY5	Black/ Black-white			
	928 521 004 01 NY7	Brown/ Brown-beige			
	928 521 004 01 QA3	Blue/ Blue-white			
	928 521 004 01 NY8	Burgundy/ Burgundy-white			
	928 521 004 01 QA4	Greyish green/ Greyish green-white			
	928 521 004 01 RU3	Grey-beige/grey-beige Grey-beige-white	86- 86-		
(4)	928 521 003 25	Front seat with heating Manual longitudinal adjustment Elect. vertical adjustment Elect. backrest adjustment Leatherette/ Seat and backrest surface Pin stripe velour	/L	1	
	928 521 003 25 NY5	Black/ Black-white			
	928 521 003 25 NY7	Brown/ Brown-beige			
	928 521 003 25 QA3	Blue/ Blue-white			
	928 521 003 25 NY8	Burgundy/ Burgundy-white			
	928 521 003 25 QA4	Greyish green/ Greyish green-white			
	928 521 003 25 RU3	Grey-beige/ Grey-beige-white	86- 86-		
(4)	928 521 004 25	Front seat with heating Manual longitudinal adjustment	/R	1	

Model: 911 84 Model life 1984>>1986

Pos	Part Number	Description	Remark	Qty	Model
		Elect. vertical adjustment Elect. backrest adjustment Leatherette/ Seat and backrest surface Pin stripe velour			
	928 521 004 25 NY5	Black/ Black-white			
	928 521 004 25 NY7	Brown/ Brown-beige			
	928 521 004 25 QA3	Blue/ Blue-white			
	928 521 004 25 NY8	Burgundy/ Burgundy-white			
	928 521 004 25 QA4	Greyish green/ Greyish green-white			
	928 521 004 25 RU3	Grey-beige/ Grey-beige-white	86- 86-		
4	928 521 003 03	Comfort seat All-electric with seat heating Leatherette/ Seat and backrest surface Pin stripe velour	/L	1	
	928 521 003 03 NY5	Black/ Black-white			
	928 521 003 03 NY7	Brown/ Brown-beige			
	928 521 003 03 QA3	Blue/ Blue-white			
	928 521 003 03 NY8	Burgundy/ Burgundy-white			
	928 521 003 03 QA4	Greyish green/ Greyish green-white			
	928 521 003 03 RU3	Grey-beige/grey-beige Grey-beige-white	86- 86-		
(4)	928 521 004 03	Comfort seat All-electric with seat heating Leatherette/ Seat and backrest surface Pin stripe velour	/R	1	
	928 521 004 03 NY5	Black/ Black-white			
	928 521 004 03 NY7	Brown/ Brown-beige			
	928 521 004 03 QA3	Blue/ Blue-white			
	928 521 004 03 NY8	Burgundy/ Burgundy-white			
	928 521 004 03 QA4	Greyish green/ Greyish green-white			
	928 521 004 03 RU3	Grey-beige/grey-beige Grey-beige-white	86- 86-		
(4)	928 521 003 20	Front seat without heating Manual longitudinal adjustment Elect. vertical adjustment Elect. backrest adjustment Leatherette/ Seat and backrest surface Pin stripe flannel	/L	1	
	928 521 003 20 NY9	Black/antracite			
	928 521 003 20 NZ6	Brown/brown			

Model: 911 84 Model life 1984>>1986

Pos	Part Number	Description	Remark	Qty	Model				
(4)	928 521 003 20 QA6	Blue/blue	/R	1					
	928 521 003 20 NZ5	Burgundy/burgundy							
	928 521 003 20 QA5	Greyish green/grey-green							
	928 521 004 20	Front seat without heating Manual longitudinal adjustment Elect. vertical adjustment Elect. backrest adjustment Leatherette/ Seat and backrest surface Pin stripe flannel							
	928 521 004 20 NY9	Black/anthracite							
	928 521 004 20 NZ6	Brown/brown							
	928 521 004 20 QA6	Blue/blue							
	928 521 004 20 NZ5	Burgundy/burgundy							
	928 521 004 20 QA5	Greyish green/grey-green							
	4	928 521 003 01				Comfort seat All-electric Leatherette/ Seat and backrest surface Pin stripe flannel	/L	1	
(4)	928 521 003 01 NY9	Black/anthracite	/R	1					
	928 521 003 01 NZ6	Brown/brown							
	928 521 003 01 QA6	Blue/blue							
	928 521 003 01 NZ5	Burgundy/burgundy							
	928 521 003 01 QA5	Greyish green/grey-green							
	928 521 004 01	Comfort seat All-electric Leatherette/ Seat and backrest surface Pin stripe flannel							
	928 521 004 01 NY9	Black/anthracite							
	928 521 004 01 NZ6	Brown/brown							
	928 521 004 01 QA6	Blue/blue							
	928 521 004 01 NZ5	Burgundy/burgundy							
(4)	928 521 004 01 QA5	Greyish green/grey-green	/L	1					
	928 521 003 25	Front seat with heating Manual longitudinal adjustment Elect. vertical adjustment Elect. backrest adjustment Leatherette/ Seat and backrest surface Pin stripe flannel							
	928 521 003 25 NY9	Black/anthracite							
	928 521 003 25 NZ6	Brown/brown							
	928 521 003 25 QA6	Blue/blue							
	928 521 003 25 NZ5	Burgundy/burgundy							
	928 521 003 25 QA5	Greyish green/grey-green							
	4	928 521 004 25				Front seat with heating Manual longitudinal adjustment Elect. vertical adjustment Elect. backrest adjustment Leatherette/ Seat and backrest surface Pin stripe flannel	/R	1	
	(4)	928 521 004 25 NY9				Black/anthracite	/L	1	
		928 521 004 25 NZ6				Brown/brown			
928 521 004 25 QA6		Blue/blue							
928 521 004 25 NZ5		Burgundy/burgundy							
928 521 004 25 QA5		Greyish green/grey-green							
928 521 003 03		Comfort seat							

Model: 911 84 Model life 1984>>1986

Pos	Part Number	Description	Remark	Qty	Model
		All-electric with seat heating Leatherette/ Seat and backrest surface Pin stripe flannel			
	928 521 003 03 NY9	Black/anthracite			
	928 521 003 03 NZ6	Brown/brown			
	928 521 003 03 QA6	Blue/blue			
	928 521 003 03 NZ5	Burgundy/burgundy			
	928 521 003 03 QA5	Greyish green/grey-green			
(4)	928 521 004 03	Comfort seat All-electric with seat heating Leatherette/ Seat and backrest surface Pin stripe flannel	/R	1	
	928 521 004 03 NY9	Black/anthracite			
	928 521 004 03 NZ6	Brown/brown			
	928 521 004 03 QA6	Blue/blue			
	928 521 004 03 NZ5	Burgundy/burgundy			
	928 521 004 03 QA5	Greyish green/grey-green			
(4)	928 521 003 20	Front seat without heating Manual longitudinal adjustment Elect. vertical adjustment Elect. backrest adjustment Leatherette/ Seat and backrest surface Porsche lettering cloth	/L	1	
	928 521 003 20 PX2	Black/black			
	928 521 003 20 PX4	Brown/brown			
	928 521 003 20 PX7	Blue/blue			
	928 521 003 20 PX6	Burgundy/burgundy			
	928 521 003 20 PX8	Greyish green/grey-green			
	928 521 003 20 QD9	Grey-beige/grey-beige	86-		
(4)	928 521 004 20	Front seat without heating Manual longitudinal adjustment Elect. vertical adjustment Elect. backrest adjustment Leatherette/ Seat and backrest surface Porsche lettering cloth	/R	1	
	928 521 004 20 PX2	Black/black			
	928 521 004 20 PX4	Brown/brown			
	928 521 004 20 PX7	Blue/blue			
	928 521 004 20 PX6	Burgundy/burgundy			
	928 521 004 20 PX8	Greyish green/grey-green			
	928 521 004 20 QD9	Grey-beige/grey-beige	86-		
4	928 521 003 01	Comfort seat All-electric Leatherette/ Seat and backrest surface Porsche lettering cloth	/L	1	
	928 521 003 01 PX2	Black/black			
	928 521 003 01 PX4	Brown/brown			
	928 521 003 01 PX7	Blue/blue			
	928 521 003 01 PX6	Burgundy/burgundy			
	928 521 003 01 PX8	Greyish green/grey-green			
	928 521 003 01 QD9	Grey-beige/grey-beige	86-		
(4)	928 521 004 01	Comfort seat All-electric Leatherette/	/R	1	

Model: 911 84 Model life 1984>>1986

Pos	Part Number	Description	Remark	Qty	Model
		Seat and backrest surface Porsche lettering cloth			
	928 521 004 01 PX2	Black/black			
	928 521 004 01 PX4	Brown/brown			
	928 521 004 01 PX7	Blue/blue			
	928 521 004 01 PX6	Burgundy/burgundy			
	928 521 004 01 PX8	Greyish green/grey-green			
	928 521 004 01 QD9	Grey-beige/grey-beige	86-		
(4)	928 521 003 25	Front seat with heating Manual longitudinal adjustment Elect. vertical adjustment Elect. backrest adjustment Leatherette/ Seat and backrest surface Porsche lettering cloth	/L	1	
	928 521 003 25 PX2	Black/black			
	928 521 003 25 PX4	Brown/brown			
	928 521 003 25 PX7	Blue/blue			
	928 521 003 25 PX6	Burgundy/burgundy			
	928 521 003 25 PX8	Greyish green/grey-green			
	928 521 003 25 QD9	Grey-beige/grey-beige	86-		
(4)	928 521 004 25	Front seat with heating Manual longitudinal adjustment Elect. vertical adjustment Elect. backrest adjustment Leatherette/ Seat and backrest surface Porsche lettering cloth	/R	1	
	928 521 004 25 PX2	Black/black			
	928 521 004 25 PX4	Brown/brown			
	928 521 004 25 PX7	Blue/blue			
	928 521 004 25 PX6	Burgundy/burgundy			
	928 521 004 25 PX8	Greyish green/grey-green			
	928 521 004 25 QD9	Grey-beige/grey-beige	86-		
4	928 521 003 03	Comfort seat All-electric with seat heating Leatherette/ Seat and backrest surface Porsche lettering cloth	/L	1	
	928 521 003 03 PX2	Black/black			
	928 521 003 03 PX4	Brown/brown			
	928 521 003 03 PX7	Blue/blue			
	928 521 003 03 PX6	Burgundy/burgundy			
	928 521 003 03 PX8	Greyish green/grey-green			
	928 521 003 03 QD9	Grey-beige/grey-beige	86-		
(4)	928 521 004 03	Comfort seat All-electric with seat heating Leatherette/ Seat and backrest surface Porsche lettering cloth	/R	1	
	928 521 004 03 PX2	Black/black			
	928 521 004 03 PX4	Brown/brown			
	928 521 004 03 PX7	Blue/blue			
	928 521 004 03 PX6	Burgundy/burgundy			
	928 521 004 03 PX8	Greyish green/grey-green			
	928 521 004 03 QD9	Grey-beige/grey-beige	86-		
(5)	928 521 003 21	Front seat without heating Manual longitudinal adjustment	/L	1	

Model: 911 84 Model life 1984>>1986

Pos	Part Number	Description	Remark	Qty	Model
		Elect. vertical adjustment Elect. backrest adjustment Leatherette/leather Centre part Pin stripe velour			
	928 521 003 21 PY1	Black/ Black-white			
	928 521 003 21 PY2	Brown/ Brown-beige			
	928 521 003 21 PY3	Blue/ Blue-white			
	928 521 003 21 PY4	Burgundy/ Burgundy-white			
	928 521 003 21 PY5	Greyish green/ Greyish green-white			
	928 521 003 21 RU4	Grey-beige/ Grey-beige-white	86- 86-		
(5)	928 521 004 21	Front seat without heating Manual longitudinal adjustment Elect. vertical adjustment Elect. backrest adjustment Leatherette/leather Centre part Pin stripe velour	/R	1	
	928 521 004 21 PY1	Black/ Black-white			
	928 521 004 21 PY2	Brown/ Brown-beige			
	928 521 004 21 PY3	Blue/ Blue-white			
	928 521 004 21 PY4	Burgundy/ Burgundy-white			
	928 521 004 21 PY5	Greyish green/ Greyish green-white			
	928 521 004 21 RU4	Grey-beige/ Grey-beige-white	86- 86-		
5	928 521 003 50	Comfort seat All-electric Leatherette/leather Centre part Pin stripe velour	/L	1	
	928 521 003 50 PY1	Black/ Black-white			
	928 521 003 50 PY2	Brown/ Brown-beige			
	928 521 003 50 PY3	Blue/ Blue-white			
	928 521 003 50 PY4	Burgundy/ Burgundy-white			
	928 521 003 50 PY5	Greyish green/ Greyish green-white			
	928 521 003 50 RU4	Grey-beige/ Grey-beige-white	86- 86-		
(5)	928 521 004 50	Comfort seat All-electric Leatherette/leather Centre part Pin stripe velour	/R	1	
	928 521 004 50 PY1	Black/ Black-white			
	928 521 004 50 PY2	Brown/ Brown-beige			

Model: 911 84 Model life 1984>>1986

Pos	Part Number	Description	Remark	Qty	Model
	928 521 004 50 PY3	Blue/ Blue-white			
	928 521 004 50 PY4	Burgundy/ Burgundy-white			
	928 521 004 50 PY5	Greyish green/ Greyish green-white			
	928 521 004 50 RU4	Grey-beige/ Grey-beige-white	86- 86-		
(5)	928 521 003 26	Front seat with heating Manual longitudinal adjustment Elect. vertical adjustment Elect. backrest adjustment Leatherette/leather Centre part Pin stripe velour	/L	1	
	928 521 003 26 PY1	Black/ Black-white			
	928 521 003 26 PY2	Brown/ Brown-beige			
	928 521 003 26 PY3	Blue/ Blue-white			
	928 521 003 26 PY4	Burgundy/ Burgundy-white			
	928 521 003 26 PY5	Greyish green/ Greyish green-white			
	928 521 003 26 RU4	Grey-beige/ Grey-beige-white	86- 86-		
(5)	928 521 004 26	Front seat with heating Manual longitudinal adjustment Elect. vertical adjustment Elect. backrest adjustment Leatherette/leather Centre part Pin stripe velour	/R	1	
	928 521 004 26 PY1	Black/ Black-white			
	928 521 004 26 PY2	Brown/ Brown-beige			
	928 521 004 26 PY3	Blue/ Blue-white			
	928 521 004 26 PY4	Burgundy/ Burgundy-white			
	928 521 004 26 PY5	Greyish green/ Greyish green-white			
	928 521 004 26 RU4	Grey-beige/ Grey-beige-white	86- 86-		
5	928 521 003 55	Comfort seat All-electric Leatherette/leather Centre part Pin stripe velour	/L	1	M139
	928 521 003 55 PY1	Black/ Black-white			
	928 521 003 55 PY2	Brown/ Brown-beige			
	928 521 003 55 PY3	Blue/ Blue-white			
	928 521 003 55 PY4	Burgundy/ Burgundy-white			
	928 521 003 55 PY5	Greyish green/ Greyish green-white			



Model: 911 84 Model life 1984>>1986

Pos	Part Number	Description	Remark	Qty	Model
(5)	928 521 003 55 RU4	Grey-beige/ Grey-beige-white	86- 86-	1	M340
	928 521 004 55	Comfort seat All-electric Leatherette/leather Centre part Pin stripe velour	/R		
	928 521 004 55 PY1	Black/ Black-white			
	928 521 004 55 PY2	Brown/ Brown-beige			
	928 521 004 55 PY3	Blue/ Blue-white			
	928 521 004 55 PY4	Burgundy/ Burgundy-white			
	928 521 004 55 PY5	Greyish green/ Greyish green-white			
	928 521 004 55 RU4	Grey-beige/ Grey-beige-white	86- 86-		
(5)	928 521 003 21	Front seat without heating Manual longitudinal adjustment Elect. vertical adjustment Elect. backrest adjustment Leatherette/leather Centre part Pin stripe flannel	/L	1	
	928 521 003 21 PZ2	Black/anthracite			
	928 521 003 21 PZ3	Brown/brown			
	928 521 003 21 PZ4	Blue/blue			
	928 521 003 21 PZ5	Burgundy/burgundy			
	928 521 003 21 PZ6	Greyish green/grey-green			
(5)	928 521 004 21	Front seat without heating Manual longitudinal adjustment Elect. vertical adjustment Elect. backrest adjustment Leatherette/leather Centre part Pin stripe flannel	/R	1	
	928 521 004 21 PZ2	Black/anthracite			
	928 521 004 21 PZ3	Brown/brown			
	928 521 004 21 PZ4	Blue/blue			
	928 521 004 21 PZ5	Burgundy/burgundy			
	928 521 004 21 PZ6	Greyish green/grey-green			
5	928 521 003 50	Comfort seat All-electric Leatherette/leather Centre part Pin stripe flannel	/L	1	
	928 521 003 50 PZ2	Black/anthracite			
	928 521 003 50 PZ3	Brown/brown			
	928 521 003 50 PZ4	Blue/blue			
	928 521 003 50 PZ5	Burgundy/burgundy			
	928 521 003 50 PZ6	Greyish green/grey-green			
(5)	928 521 004 50	Comfort seat All-electric Leatherette/leather Centre part Pin stripe flannel	/R	1	
	928 521 004 50 PZ2	Black/anthracite			
	928 521 004 50 PZ3	Brown/brown			
	928 521 004 50 PZ4	Blue/blue			

Model: 911 84 Model life 1984>>1986

Pos	Part Number	Description	Remark	Qty	Model
(5)	928 521 004 50 PZ5	Burgundy/burgundy			
	928 521 004 50 PZ6	Greyish green/grey-green			
	928 521 003 26	Front seat with heating Manual longitudinal adjustment Elect. vertical adjustment Elect. backrest adjustment Leatherette/leather Centre part Pin stripe flannel	/L	1	
	928 521 003 26 PZ2	Black/anthracite			
	928 521 003 26 PZ3	Brown/brown			
	928 521 003 26 PZ4	Blue/blue			
(5)	928 521 003 26 PZ5	Burgundy/burgundy			
	928 521 003 26 PZ6	Greyish green/grey-green			
	928 521 004 26	Front seat with heating Manual longitudinal adjustment Elect. vertical adjustment Elect. backrest adjustment Leatherette/leather Centre part Pin stripe flannel	/R	1	
	928 521 004 26 PZ2	Black/anthracite			
	928 521 004 26 PZ3	Brown/brown			
	928 521 004 26 PZ4	Blue/blue			
5	928 521 004 26 PZ5	Burgundy/burgundy			
	928 521 004 26 PZ6	Greyish green/grey-green			
	928 521 003 55	Comfort seat All-electric Leatherette/leather Centre part Pin stripe flannel	/L	1	M139
	928 521 003 55 PZ2	Black/anthracite			
	928 521 003 55 PZ3	Brown/brown			
	928 521 003 55 PZ4	Blue/blue			
(5)	928 521 003 55 PZ5	Burgundy/burgundy			
	928 521 003 55 PZ6	Greyish green/grey-green			
	928 521 004 55	Comfort seat All-electric Leatherette/leather Centre part Pin stripe flannel	/R	1	M340
	928 521 004 55 PZ2	Black/anthracite			
	928 521 004 55 PZ3	Brown/brown			
	928 521 004 55 PZ4	Blue/blue			
(5)	928 521 004 55 PZ5	Burgundy/burgundy			
	928 521 004 55 PZ6	Greyish green/grey-green			
	928 521 003 21	Front seat without heating Manual longitudinal adjustment Elect. vertical adjustment Elect. backrest adjustment Leatherette/leather Centre part Porsche lettering cloth	/L	1	
	928 521 003 21 PZ7	Black/black			
	928 521 003 21 PZ8	Brown/brown			
	928 521 003 21 PZ9	Blue/blue			
(5)	928 521 003 21 QA1	Burgundy/burgundy			
	928 521 003 21 QA2	Greyish green/grey-green			
	928 521 003 21 RU2	Grey-beige/grey-beige	86-		
	928 521 004 21	Front seat	/R	1	

Model: 911 84 Model life 1984>>1986

Pos	Part Number	Description	Remark	Qty	Model
		without heating Manual longitudinal adjustment Elect. vertical adjustment Elect. backrest adjustment Leatherette/leather Centre part Porsche lettering cloth			
	928 521 004 21 PZ7	Black/black			
	928 521 004 21 PZ8	Brown/brown			
	928 521 004 21 PZ9	Blue/blue			
	928 521 004 21 QA1	Burgundy/burgundy			
	928 521 004 21 QA2	Greyish green/grey-green			
	928 521 004 21 RU2	Grey-beige/grey-beige	86-		
5	928 521 003 50	Comfort seat All-electric Leatherette/leather Centre part Porsche lettering cloth	/L	1	
	928 521 003 50 PZ7	Black/black			
	928 521 003 50 PZ8	Brown/brown			
	928 521 003 50 PZ9	Blue/blue			
	928 521 003 50 QA1	Burgundy/burgundy			
	928 521 003 50 QA2	Greyish green/grey-green			
	928 521 003 50 RU2	Grey-beige/grey-beige	86-		
(5)	928 521 004 50	Comfort seat All-electric Leatherette/leather Centre part Porsche lettering cloth	/R	1	
	928 521 004 50 PZ7	Black/black			
	928 521 004 50 PZ8	Brown/brown			
	928 521 004 50 PZ9	Blue/blue			
	928 521 004 50 QA1	Burgundy/burgundy			
	928 521 004 50 QA2	Greyish green/grey-green			
	928 521 004 50 RU2	Grey-beige/grey-beige	86-		
(5)	928 521 003 26	Front seat with heating Manual longitudinal adjustment Elect. vertical adjustment Elect. backrest adjustment Leatherette/leather Centre part Porsche lettering cloth	/L	1	
	928 521 003 26 PZ7	Black/black			
	928 521 003 26 PZ8	Brown/brown			
	928 521 003 26 PZ9	Blue/blue			
	928 521 003 26 QA1	Burgundy/burgundy			
	928 521 003 26 QA2	Greyish green/grey-green			
	928 521 003 26 RU2	Grey-beige/grey-beige	86-		
(5)	928 521 004 26	Front seat with heating Manual longitudinal adjustment Elect. vertical adjustment Elect. backrest adjustment Leatherette/leather Centre part Porsche lettering cloth	/R	1	
	928 521 004 26 PZ7	Black/black			
	928 521 004 26 PZ8	Brown/brown			
	928 521 004 26 PZ9	Blue/blue			
	928 521 004 26 QA1	Burgundy/burgundy			
	928 521 004 26 QA2	Greyish green/grey-green			
	928 521 004 26 RU2	Grey-beige/grey-beige	86-		

Model: 911 84

Model life 1984&gt;&gt;1986

Pos	Part Number	Description	Remark	Qty	Model
5	928 521 003 55	Comfort seat All-electric Leatherette/leather Centre part Porsche lettering cloth	/L	1	M139
	928 521 003 55 PZ7	Black/black			
	928 521 003 55 PZ8	Brown/brown			
	928 521 003 55 PZ9	Blue/blue			
	928 521 003 55 QA1	Burgundy/burgundy			
	928 521 003 55 QA2	Greyish green/grey-green			
	928 521 003 55 RU2	Grey-beige/grey-beige	86-		
(5)	928 521 004 55	Comfort seat All-electric Leatherette/leather Centre part Porsche lettering cloth	/R	1	M340
	928 521 004 55 PZ7	Black/black			
	928 521 004 55 PZ8	Brown/brown			
	928 521 004 55 PZ9	Blue/blue			
	928 521 004 55 QA1	Burgundy/burgundy			
	928 521 004 55 QA2	Greyish green/grey-green			
	928 521 004 55 RU2	Grey-beige/grey-beige	86-		
(5)	928 521 003 24	Front seat without heating Manual longitudinal adjustment Elect. vertical adjustment Elect. backrest adjustment Leather/ Centre part Pin stripe velour	/L	1	
	928 521 003 24 LS5	Black/ Black-white			
	928 521 003 24 LS6	Brown/ Brown-beige			
	928 521 003 24 LS8	Blue/ Blue-white			
	928 521 003 24 LS9	Burgundy/ Burgundy-white			
	928 521 003 24 QA7	Greyish green/ Greyish green-white			
	928 521 003 24 LS7	Grey-beige/ Grey-beige-white	86- 86-		
(5)	928 521 004 24	Front seat without heating Manual longitudinal adjustment Elect. vertical adjustment Elect. backrest adjustment Leather/ Centre part Pin stripe velour	/R	1	
	928 521 004 24 LS5	Black/ Black-white			
	928 521 004 24 LS6	Brown/ Brown-beige			
	928 521 004 24 LS8	Blue/ Blue-white			
	928 521 004 24 LS9	Burgundy/ Burgundy-white			
	928 521 004 24 QA7	Greyish green/ Greyish green-white			
	928 521 004 24 LS7	Grey-beige/ Grey-beige-white	86- 86-		
5	928 521 003 54	Comfort seat	/L	1	

Model: 911 84 Model life 1984>>1986

Pos	Part Number	Description	Remark	Qty	Model
		All-electric Leather/ Centre part Pin stripe velour			
	928 521 003 54 LS5	Black/ Black-white			
	928 521 003 54 LS6	Brown/ Brown-beige			
	928 521 003 54 LS8	Blue/ Blue-white			
	928 521 003 54 LS9	Burgundy/ Burgundy-white			
	928 521 003 54 QA7	Greyish green/ Greyish green-white			
	928 521 003 54 LS7	Grey-beige/ Grey-beige-white	86- 86-		
(5)	928 521 004 54	Comfort seat All-electric Leather/ Centre part Pin stripe velour	/R	1	
	928 521 004 54 LS5	Black/ Black-white			
	928 521 004 54 LS6	Brown/ Brown-beige			
	928 521 004 54 LS8	Blue/ Blue-white			
	928 521 004 54 LS9	Burgundy/ Burgundy-white			
	928 521 004 54 QA7	Greyish green/ Greyish green-white			
	928 521 004 54 LS7	Grey-beige/ Grey-beige-white	86- 86-		
(5)	928 521 003 29	Front seat with heating Manual longitudinal adjustment Elect. vertical adjustment Elect. backrest adjustment Leather/ Centre part Pin stripe velour	/L	1	
	928 521 003 29 LS5	Black/ Black-white			
	928 521 003 29 LS6	Brown/ Brown-beige			
	928 521 003 29 LS8	Blue/ Blue-white			
	928 521 003 29 LS9	Burgundy/ Burgundy-white			
	928 521 003 29 QA7	Greyish green/ Greyish green-white			
	928 521 003 29 LS7	Grey-beige/ Grey-beige-white	86- 86-		
(5)	928 521 004 29	Front seat with heating Manual longitudinal adjustment Elect. vertical adjustment Elect. backrest adjustment Leather/ Centre part Pin stripe velour	/R	1	
	928 521 004 29 LS5	Black/ Black-white			

Model: 911 84 Model life 1984>>1986

Pos	Part Number	Description	Remark	Qty	Model
	928 521 004 29 LS6	Brown/ Brown-beige			
	928 521 004 29 LS8	Blue/ Blue-white			
	928 521 004 29 LS9	Burgundy/ Burgundy-white			
	928 521 004 29 QA7	Greyish green/ Greyish green-white			
	928 521 004 29 LS7	Grey-beige/ Grey-beige-white	86- 86-		
5	928 521 003 59	Comfort seat All-electric Leather/ Centre part Pin stripe velour	/L	1	M139
	928 521 003 59 LS5	Black/ Black-white			
	928 521 003 59 LS6	Brown/ Brown-beige			
	928 521 003 59 LS8	Blue/ Blue-white			
	928 521 003 59 LS9	Burgundy/ Burgundy-white			
	928 521 003 59 QA7	Greyish green/ Greyish green-white			
	928 521 003 59 LS7	Grey-beige/ Grey-beige-white	86- 86-		
(5)	928 521 004 59	Comfort seat All-electric Leather/ Centre part Pin stripe velour	/R	1	M340
	928 521 004 59 LS5	Black/ Black-white			
	928 521 004 59 LS6	Brown/ Brown-beige			
	928 521 004 59 LS8	Blue/ Blue-white			
	928 521 004 59 LS9	Burgundy/ Burgundy-white			
	928 521 004 59 QA7	Greyish green/ Greyish green-white			
	928 521 004 59 LS7	Grey-beige/ Grey-beige-white	86- 86-		
(5)	928 521 003 24	Front seat without heating Manual longitudinal adjustment Elect. vertical adjustment Elect. backrest adjustment Leather/ Centre part Pin stripe flannel	/L	1	
	928 521 003 24 QB1	Black/anthracite			
	928 521 003 24 QB3	Brown/brown			
	928 521 003 24 QB5	Blue/blue			
	928 521 003 24 QB7	Burgundy/burgundy			
	928 521 003 24 QA8	Greyish green/grey-green			
(5)	928 521 004 24	Front seat without heating Manual longitudinal adjustment Elect. vertical adjustment Elect. backrest adjustment Leather/	/R	1	

Model: 911 84 Model life 1984>>1986

Pos	Part Number	Description	Remark	Qty	Model
		Centre part Pin stripe flannel			
	928 521 004 24 QB1	Black/anthracite			
	928 521 004 24 QB3	Brown/brown			
	928 521 004 24 QB5	Blue/blue			
	928 521 004 24 QB7	Burgundy/burgundy			
	928 521 004 24 QA8	Greyish green/grey-green			
5	928 521 003 54	Comfort seat All-electric Leather/ Centre part Pin stripe flannel	/L	1	
	928 521 003 54 QB1	Black/anthracite			
	928 521 003 54 QB3	Brown/brown			
	928 521 003 54 QB5	Blue/blue			
	928 521 003 54 QB7	Burgundy/burgundy			
	928 521 003 54 QA8	Greyish green/grey-green			
(5)	928 521 004 54	Comfort seat All-electric Leather/ Centre part Pin stripe flannel	/R	1	
	928 521 004 54 QB1	Black/anthracite			
	928 521 004 54 QB3	Brown/brown			
	928 521 004 54 QB5	Blue/blue			
	928 521 004 54 QB7	Burgundy/burgundy			
	928 521 004 54 QA8	Greyish green/grey-green			
(5)	928 521 003 29	Front seat with heating Manual longitudinal adjustment Elect. vertical adjustment Elect. backrest adjustment Leather/ Centre part Pin stripe flannel	/L	1	
	928 521 003 29 QB1	Black/anthracite			
	928 521 003 29 QB3	Brown/brown			
	928 521 003 29 QB5	Blue/blue			
	928 521 003 29 QB7	Burgundy/burgundy			
	928 521 003 29 QA8	Greyish green/grey-green			
(5)	928 521 004 29	Front seat with heating Manual longitudinal adjustment Elect. vertical adjustment Elect. backrest adjustment Leather/ Centre part Pin stripe flannel	/R	1	
	928 521 004 29 QB1	Black/anthracite			
	928 521 004 29 QB3	Brown/brown			
	928 521 004 29 QB5	Blue/blue			
	928 521 004 29 QB7	Burgundy/burgundy			
	928 521 004 29 QA8	Greyish green/grey-green			
5	928 521 003 59	Comfort seat All-electric Leather/ Centre part Pin stripe flannel	/L	1	M139
	928 521 003 59 QB1	Black/anthracite			
	928 521 003 59 QB3	Brown/brown			
	928 521 003 59 QB5	Blue/blue			
	928 521 003 59 QB7	Burgundy/burgundy			
	928 521 003 59 QA8	Greyish green/grey-green			

Model: 911 84 Model life 1984>>1986

Pos	Part Number	Description	Remark	Qty	Model
(5)	928 521 004 59	Comfort seat All-electric Leather/ Centre part Pin stripe flannel	/R	1	M340
	928 521 004 59 QB1	Black/anthracite			
	928 521 004 59 QB3	Brown/brown			
	928 521 004 59 QB5	Blue/blue			
	928 521 004 59 QB7	Burgundy/burgundy			
	928 521 004 59 QA8	Greyish green/grey-green			
(5)	928 521 003 24	Front seat without heating Manual longitudinal adjustment Elect. vertical adjustment Elect. backrest adjustment Leather/ Centre part Porsche lettering cloth	/L	1	
	928 521 003 24 QB2	Black/black			
	928 521 003 24 QB4	Brown/brown			
	928 521 003 24 QB6	Blue/blue			
	928 521 003 24 QB8	Burgundy/burgundy			
	928 521 003 24 QA9	Greyish green/grey-green			
	928 521 003 24 RU1	Grey-beige/grey-beige	86-		
(5)	928 521 004 24	Front seat without heating Manual longitudinal adjustment Elect. vertical adjustment Elect. backrest adjustment Leather/ Centre part Porsche lettering cloth	/R	1	
	928 521 004 24 QB2	Black/black			
	928 521 004 24 QB4	Brown/brown			
	928 521 004 24 QB6	Blue/blue			
	928 521 004 24 QB8	Burgundy/burgundy			
	928 521 004 24 QA9	Greyish green/grey-green			
	928 521 004 24 RU1	Grey-beige/grey-beige	86-		
5	928 521 003 54	Comfort seat All-electric Leather/ Centre part Porsche lettering cloth	/L	1	
	928 521 003 54 QB2	Black/black			
	928 521 003 54 QB4	Brown/brown			
	928 521 003 54 QB6	Blue/blue			
	928 521 003 54 QB8	Burgundy/burgundy			
	928 521 003 54 QA9	Greyish green/grey-green			
	928 521 003 54 RU1	Grey-beige/grey-beige	86-		
(5)	928 521 004 54	Comfort seat All-electric Leather/ Centre part Porsche lettering cloth	/R	1	
	928 521 004 54 QB2	Black/black			
	928 521 004 54 QB4	Brown/brown			
	928 521 004 54 QB6	Blue/blue			
	928 521 004 54 QB8	Burgundy/burgundy			
	928 521 004 54 QA9	Greyish green/grey-green			
	928 521 004 54 RU1	Grey-beige/grey-beige	86-		
(5)	928 521 003 29	Front seat with heating Manual longitudinal adjustment	/L	1	



Model: 911 84 Model life 1984>>1986

Pos	Part Number	Description	Remark	Qty	Model
		Elect. vertical adjustment Elect. backrest adjustment Leather/ Centre part Porsche lettering cloth			
	928 521 003 29 QB2	Black/black			
	928 521 003 29 QB4	Brown/brown			
	928 521 003 29 QB6	Blue/blue			
	928 521 003 29 QB8	Burgundy/burgundy			
	928 521 003 29 QA9	Greyish green/grey-green			
	928 521 003 29 RU1	Grey-beige/grey-beige	86-		
(5)	928 521 004 29	Front seat with heating Manual longitudinal adjustment Elect. vertical adjustment Elect. backrest adjustment Leather/ Centre part Porsche lettering cloth	/R	1	
	928 521 004 29 QB2	Black/black			
	928 521 004 29 QB4	Brown/brown			
	928 521 004 29 QB6	Blue/blue			
	928 521 004 29 QB8	Burgundy/burgundy			
	928 521 004 29 QA9	Greyish green/grey-green			
	928 521 004 29 RU1	Grey-beige/grey-beige	86-		
5	928 521 003 59	Comfort seat All-electric Leather/ Centre part Porsche lettering cloth	/L	1	M139
	928 521 003 59 QB2	Black/black			
	928 521 003 59 QB4	Brown/brown			
	928 521 003 59 QB6	Blue/blue			
	928 521 003 59 QB8	Burgundy/burgundy			
	928 521 003 59 QA9	Greyish green/grey-green			
	928 521 003 59 RU1	Grey-beige/grey-beige	86-		
(5)	928 521 004 59	Comfort seat All-electric Leather/ Centre part Porsche lettering cloth	/R	1	M340
	928 521 004 59 QB2	Black/black			
	928 521 004 59 QB4	Brown/brown			
	928 521 004 59 QB6	Blue/blue			
	928 521 004 59 QB8	Burgundy/burgundy			
	928 521 004 59 QA9	Greyish green/grey-green			
	928 521 004 59 RU1	Grey-beige/grey-beige	86-		
(6)	928 521 003 22	Front seat without heating Manual longitudinal adjustment Elect. vertical adjustment Elect. backrest adjustment Leatherette/ Seat and backrest surface Leather	/L	1	
	928 521 003 22 JN3	Black/black			
	928 521 003 22 JN4	Brown/brown			
	928 521 003 22 QC1	Blue/blue			
	928 521 003 22 NZ8	Burgundy/burgundy			
	928 521 003 22 PX9	Greyish green/grey-green			
	928 521 003 22 JN5	Grey-beige/grey-beige	86-		
(6)	928 521 004 22	Front seat without heating	/R	1	

Model: 911 84 Model life 1984>>1986

Pos	Part Number	Description	Remark	Qty	Model
		Manual longitudinal adjustment Elect. vertical adjustment Elect. backrest adjustment Leatherette/ Seat and backrest surface Leather			
	928 521 004 22 JN3	Black/black			
	928 521 004 22 JN4	Brown/brown			
	928 521 004 22 QC1	Blue/blue			
	928 521 004 22 NZ8	Burgundy/burgundy			
	928 521 004 22 PX9	Greyish green/grey-green			
	928 521 004 22 JN5	Grey-beige/grey-beige	86-		
6	928 521 003 51	Comfort seat All-electric Leatherette/ Seat and backrest surface Leather	/L	1	
	928 521 003 51 JN3	Black/black			
	928 521 003 51 JN4	Cadbury brown			
	928 521 003 51 QC1	Blue			
	928 521 003 51 NZ8	Burgundy/burgundy			
	928 521 003 51 PX9	Greyish green/grey-green			
	928 521 003 51 JN5	Grey-beige/grey-beige	86-		
(6)	928 521 004 51	Comfort seat All-electric Leatherette/ Seat and backrest surface Leather	/R	1	
	928 521 004 51 JN3	Black/black			
	928 521 004 51 JN4	Cadbury brown			
	928 521 004 51 QC1	Blue			
	928 521 004 51 NZ8	Burgundy/burgundy			
	928 521 004 51 PX9	Greyish green/grey-green			
	928 521 004 51 JN5	Grey-beige/grey-beige	86-		
(6)	928 521 003 27	Front seat with heating Manual longitudinal adjustment Elect. vertical adjustment Elect. backrest adjustment Leatherette/ Seat and backrest surface Leather	/L	1	
	928 521 003 27 JN3	Black/black			
	928 521 003 27 JN4	Brown/brown			
	928 521 003 27 QC1	Blue/blue			
	928 521 003 27 NZ8	Burgundy/burgundy			
	928 521 003 27 PX9	Greyish green/grey-green			
	928 521 003 27 JN5	Grey-beige/grey-beige	86-		
(6)	928 521 004 27	Front seat with heating Manual longitudinal adjustment Elect. vertical adjustment Elect. backrest adjustment Leatherette/ Seat and backrest surface Leather	/R	1	
	928 521 004 27 JN3	Black/black			
	928 521 004 27 JN4	Brown/brown			
	928 521 004 27 QC1	Blue/blue			
	928 521 004 27 NZ8	Burgundy/burgundy			
	928 521 004 27 PX9	Greyish green/grey-green			
	928 521 004 27 JN5	Grey-beige/grey-beige	86-		
6	928 521 003 56	Comfort seat	/L	1	M139

Model: 911 84 Model life 1984>>1986

Pos	Part Number	Description	Remark	Qty	Model
		All-electric Leatherette/ Seat and backrest surface Leather			
	928 521 003 56 JN3	Black/black			
	928 521 003 56 JN4	Brown/brown			
	928 521 003 56 QC1	Blue/blue			
	928 521 003 56 NZ8	Burgundy/burgundy			
	928 521 003 56 PX9	Greyish green/grey-green			
	928 521 003 56 JN5	Grey-beige/grey-beige	86-		
(6)	928 521 004 56	Comfort seat All-electric Leatherette/ Seat and backrest surface Leather	/R	1	M340
	928 521 004 56 JN3	Black/black			
	928 521 004 56 JN4	Brown/brown			
	928 521 004 56 QC1	Blue/blue			
	928 521 004 56 NZ8	Burgundy/burgundy			
	928 521 004 56 PX9	Greyish green/grey-green			
	928 521 004 56 JN5	Grey-beige/grey-beige	86-		
(6)	928 521 003 23	Front seat without heating Manual longitudinal adjustment Elect. vertical adjustment Elect. backrest adjustment Whole-leather	/L	1	
	928 521 003 23 KZ2	Black			
	928 521 003 23 KZ5	Brown			
	928 521 003 23 KZ3	Blue			
	928 521 003 23 LG7	Burgundy			
	928 521 003 23 QC2	Greyish green			
	928 521 003 23 KZ6	Can-can-red			
	928 521 003 23 LG4	Pearl white			
	928 521 003 23 LG5	Champagne			
	928 521 003 23 LG6	Dark green			
	928 521 003 23 PY9	Ocean blue			
	928 521 003 23 PZ1	Wild buffalo			
	928 521 003 23 KZ4	Grey-beige	86-		
(6)	928 521 004 23	Front seat without heating Manual longitudinal adjustment Elect. vertical adjustment Elect. backrest adjustment Whole-leather	/R	1	
	928 521 004 23 KZ2	Black			
	928 521 004 23 KZ5	Brown			
	928 521 004 23 KZ3	Blue			
	928 521 004 23 LG7	Burgundy			
	928 521 004 23 QC2	Greyish green			
	928 521 004 23 KZ6	Can-can-red			
	928 521 004 23 LG4	Pearl white			
	928 521 004 23 LG5	Champagne			
	928 521 004 23 LG6	Dark green			
	928 521 004 23 PY9	Ocean blue			
	928 521 004 23 PZ1	Wild buffalo			
	928 521 004 23 KZ4	Grey-beige	86-		
6	928 521 003 52	Comfort seat All-electric Whole-leather	/L	1	
	928 521 003 52 KZ2	Black			
	928 521 003 52 KZ5	Cadbury brown			
	928 521 003 52 KZ3	Blue			

Model: 911 84 Model life 1984>>1986

Pos	Part Number	Description	Remark	Qty	Model
	928 521 003 52 LG7	Burgundy			
	928 521 003 52 QC2	Greyish green			
	928 521 003 52 KZ6	Can-can-red			
	928 521 003 52 LG4	Pearl white			
	928 521 003 52 LG5	Champagne			
	928 521 003 52 LG6	Dark green			
	928 521 003 52 PY9	Ocean blue			
	928 521 003 52 PZ1	Wild buffalo			
	928 521 003 52 KZ4	Grey-beige	86-		
(6)	928 521 004 52	Comfort seat All-electric Whole-leather	/R	1	
	928 521 004 52 KZ2	Black			
	928 521 004 52 KZ5	Cadbury brown			
	928 521 004 52 KZ3	Blue			
	928 521 004 52 LG7	Burgundy			
	928 521 004 52 QC2	Greyish green			
	928 521 004 52 KZ6	Can-can-red			
	928 521 004 52 LG4	Pearl white			
	928 521 004 52 LG5	Champagne			
	928 521 004 52 LG6	Dark green			
	928 521 004 52 PY9	Ocean blue			
	928 521 004 52 PZ1	Wild buffalo			
	928 521 004 52 KZ4	Grey-beige	86-		
(6)	928 521 003 28	Front seat with heating Manual longitudinal adjustment Elect. vertical adjustment Elect. backrest adjustment Whole-leather	/L	1	
	928 521 003 28 KZ2	Black			
	928 521 003 28 KZ5	Brown			
	928 521 003 28 KZ3	Blue			
	928 521 003 28 LG7	Burgundy			
	928 521 003 28 QC2	Greyish green			
	928 521 003 28 KZ6	Can-can-red			
	928 521 003 28 LG4	Pearl white			
	928 521 003 28 LG5	Champagne			
	928 521 003 28 LG6	Dark green			
	928 521 003 28 PY9	Ocean blue			
	928 521 003 28 PZ1	Wild buffalo			
	928 521 003 28 KZ4	Grey-beige	86-		
(6)	928 521 004 28	Front seat with heating Manual longitudinal adjustment Elect. vertical adjustment Elect. backrest adjustment Whole-leather	/R	1	
	928 521 004 28 KZ2	Black			
	928 521 004 28 KZ5	Brown			
	928 521 004 28 KZ3	Blue			
	928 521 004 28 LG7	Burgundy			
	928 521 004 28 QC2	Greyish green			
	928 521 004 28 KZ6	Can-can-red			
	928 521 004 28 LG4	Pearl white			
	928 521 004 28 LG5	Champagne			
	928 521 004 28 LG6	Dark green			
	928 521 004 28 PY9	Ocean blue			
	928 521 004 28 PZ1	Wild buffalo			
	928 521 004 28 KZ4	Grey-beige	86-		
6	928 521 003 57	Comfort seat All-electric Whole-leather	/L	1	M139

Model: 911 84 Model life 1984>>1986

Pos	Part Number	Description	Remark	Qty	Model
	928 521 003 57 KZ2	Black			
	928 521 003 57 KZ5	Brown			
	928 521 003 57 KZ3	Blue			
	928 521 003 57 LG7	Burgundy			
	928 521 003 57 QC2	Greyish green			
	928 521 003 57 KZ6	Can-can-red			
	928 521 003 57 LG4	Pearl white			
	928 521 003 57 LG5	Champagne			
	928 521 003 57 LG6	Dark green			
	928 521 003 57 PY9	Ocean blue			
	928 521 003 57 PZ1	Wild buffalo			
	928 521 003 57 KZ4	Grey-beige	86-		
(6)	928 521 004 57	Comfort seat All-electric Whole-leather	/R	1	M340
	928 521 004 57 KZ2	Black			
	928 521 004 57 KZ5	Brown			
	928 521 004 57 KZ3	Blue			
	928 521 004 57 LG7	Burgundy			
	928 521 004 57 QC2	Greyish green			
	928 521 004 57 KZ6	Can-can-red			
	928 521 004 57 LG4	Pearl white			
	928 521 004 57 LG5	Champagne			
	928 521 004 57 LG6	Dark green			
	928 521 004 57 PY9	Ocean blue			
	928 521 004 57 PZ1	Wild buffalo			
	928 521 004 57 KZ4	Grey-beige	86-		
7	911 521 547 00	Screw M 10 X 20		8	
8	928 521 147 02	Cover	/L	2	
	928 521 147 02 01C	Black			
	928 521 147 02 4RB	Brown			
	928 521 147 02 5HJ	Blue			
	928 521 147 02 9MM	Burgundy			
	928 521 147 02 1DJ	Greyish green			
	928 521 147 02 3UC	Grey-beige	86-		
(8)	928 521 148 02	Cover	/R	2	
	928 521 148 02 01C	Black			
	928 521 148 02 4RB	Brown			
	928 521 148 02 5HJ	Blue			
	928 521 148 02 9MM	Burgundy			
	928 521 148 02 1DJ	Greyish green			
	928 521 148 02 3UC	Grey-beige	86-		
9	900 025 044 07	Washer A 4,3		8	
10	900 143 113 07	Oval-head screw B 4,2 X 13		8	
10	900 143 113 0G	Oval-head screw B 4,2 X 13		8	
11	900 119 030 02	Pan-head screw M 8 X 20	85-	12	
12	900 089 006 02	Washer 8	85-	12	
12	900 089 006 01	Washer 8	85-	12	
13	928 521 101 05	Threaded plate		X	
13A	928 521 101 08	Threaded plate		X	
14	928 521 717 02	Square rod for backrest adjustment		4	
15	928 521 716 02	Lock washer for backrest adjustment		4	
15	928 521 716 03	Lock washer for backrest adjustment		4	

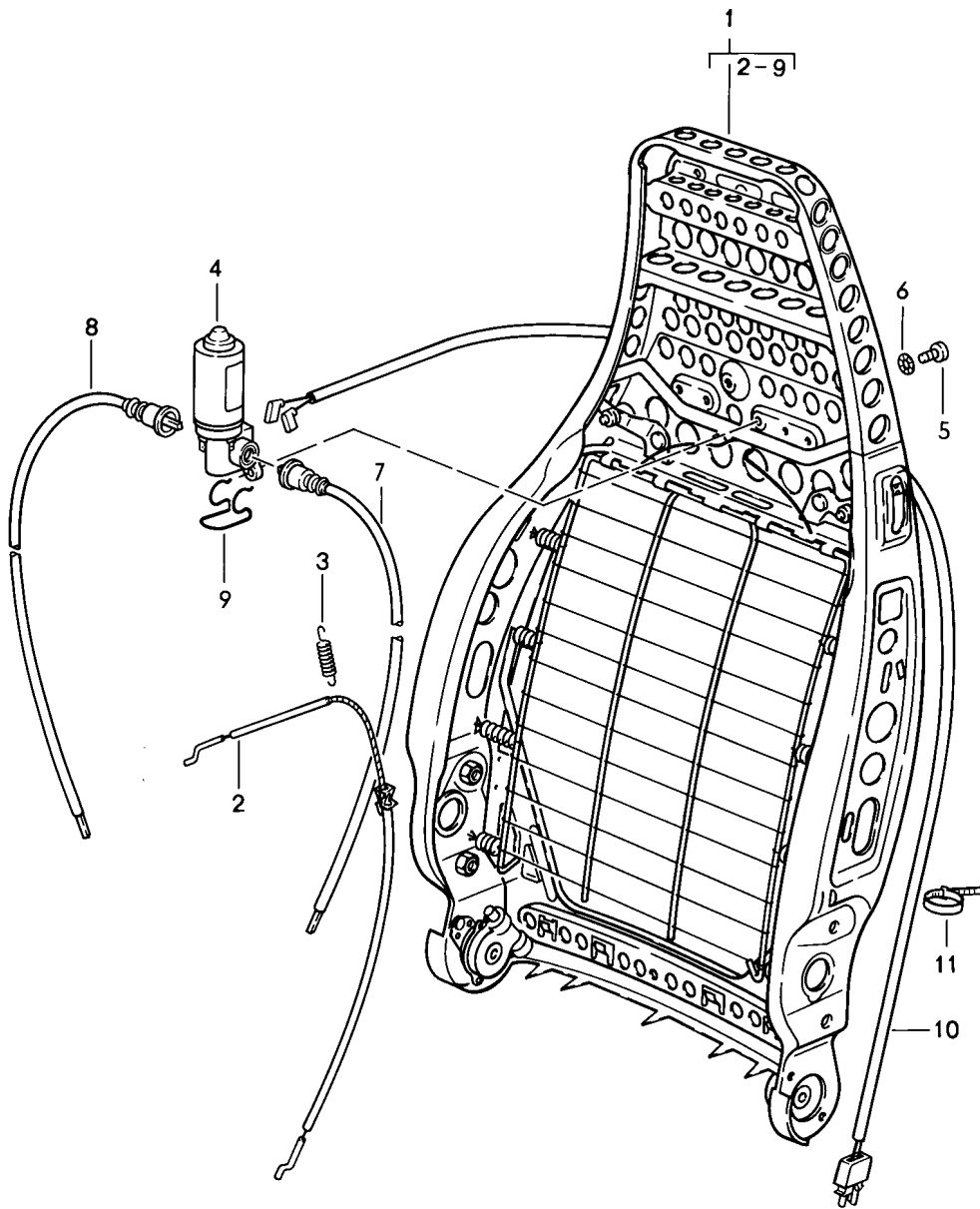
Model: 911 84

Model life 1984&gt;&gt;1986

Pos	Part Number	Description	Remark	Qty	Model
16	900 249 004 02	Countersunk-head screw M 4 X 8 for backrest adjustment		4	
(17)	928 521 760 03	Cover for partially electrical seat	85-	2	
18	N 013 959 3	Oval-head sheetmetal screw B 3,5 X 16		4	
18	900 143 016 01	Oval-head sheetmetal screw B 3,5 X 16		4	
19	900 025 013 07	Washer A 3,7		4	
20	911 521 347 00	Stop		2	

Model: 911 84

Model life 1984>>1986



Model: 911 84

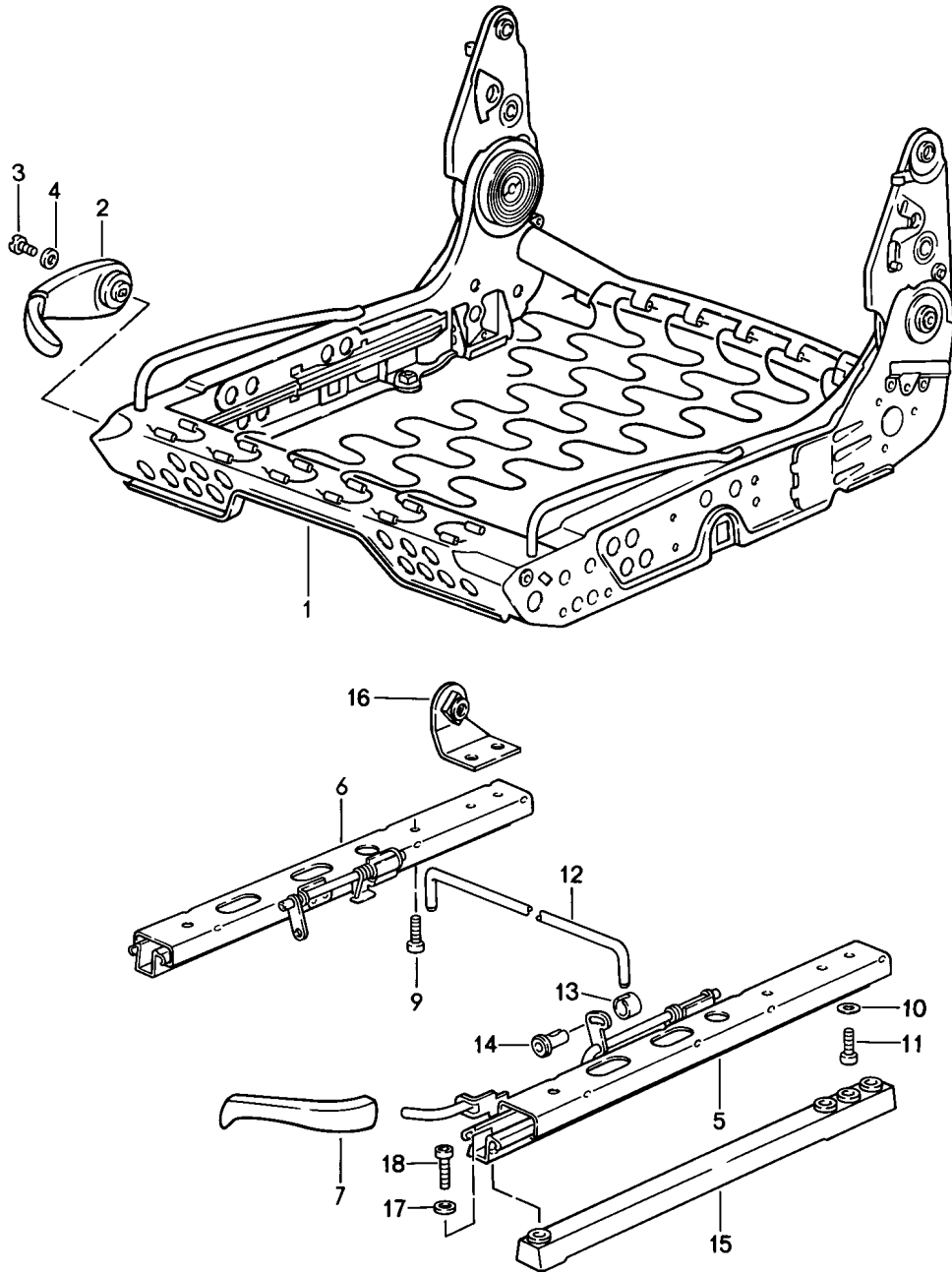
Model life 1984&gt;&gt;1986

Pos	Part Number	Description	Remark	Qty	Model
(1)	928 521 027 08	Backrest frame			
		Backrest frame	/LL /R	1	CARRERA
		Manually adjustable	/RL /L		CARRERA
1	928 521 027 10	Backrest frame		2	TURBO
		Electrically adjustable	/LL /L		CARRERA
1		Backrest frame		2	TURBO
		Electrically adjustable	/LL /L		CARRERA
			/LL /R		M438
			/RL /R		CARRERA
			/RL /L		M437
2	928 521 093 02	Bowden cable		4	
3	311 881 287 A	Tension spring		4	
		Actuating lever			
4	928 624 126 01	Geared motor		2	
4		Geared motor		2	
		Elect. backrest adjustment			
5	N 014 128 4	Oval-head screw		4	
		M 5 X 8			
6	N 012 130 2	Shake-proof washer		4	
		A 5,3			
7	928 521 617 02	Shaft	/L	2	
		Elect. backrest adjustment			
8	928 521 618 02	Shaft	/R	2	
		Elect. backrest adjustment			
9	928 521 675 02	Moulded spring		2	
10	928 612 343 00	Connecting line		2	
		for backrest adjustment			
11	N 020 904 4	Tie-wrap		10	TURBO
11		Tie-wrap		5	CARRERA
		6,5 X 120			



Model: 911 84

Model life 1984>>1986



Model: 911 84

Model life 1984&gt;&gt;1986

Pos	Part Number	Description	Remark	Qty	Model
		Seat frame	85-		CARRERA
1	928 521 069 04	Manually adjustable Seat frame	/RL /L	1	
1	928 521 069 16	Manually adjustable Seat frame	/RL /L	1	
1	993 521 069 00	Manually adjustable Seat frame	/L	1	
(1)	928 521 070 04	Manually adjustable Seat frame	/LL /R	1	
(1)	928 521 070 16	Manually adjustable Seat frame	/LL /R	1	
(1)	993 521 070 00	Manually adjustable Seat frame	/R	1	
2	928 521 073 04	Lever		2	
2	964 521 073 00	Lever		2	
		for backrest adjustment			
2	964 521 073 00 01C	Satin black			
2	964 521 073 01	Lever		2	
		for backrest adjustment			
		Black			
3	900 119 011 07	Pan-head screw		1	
		M 5 X 10			
4	900 031 006 07	Washer		1	
		5,3 X 9,5 X 1			
5	928 521 489 10	Seat rail	/RL /L	1	
		Left seat			
		Right seat			
(6)	928 521 491 08	Seat rail	/LL	1	
		Inner			
		Left seat			
6	928 521 492 08	Seat rail	/RL /R	1	
		Left seat			
		Right seat			
(5)	928 521 490 10	Seat rail	/LL /R	1	
		Right seat			
7	911 521 533 00	Handle knob	/L	1	
		for longitudinal adjustment			
(7)		Handle knob	/R	1	
		for longitudinal adjustment			
(7)	911 521 533 01	Handle		2	
		for longitudinal adjustment			
		Satin black			
9	900 119 091 02	Pan-head screw		1	
		M 6 X 16			
10	900 025 007 02	Washer		6	
		A 8,4			
10	900 025 007 03	Washer		6	
		A 8,4			
11	900 119 052 02	Pan-head screw		6	
		M 8 X 16			
12	928 521 525 03	Connecting rod		1	
		for longitudinal adjustment			
13	N 902 514 01	Clamping sleeve		2	
		for longitudinal adjustment			
14	N 902 515 01	Guide bush		2	
		for longitudinal adjustment			
15	911 521 493 02	Spacer	/LL /R	2	
			/RL /L		
15	911 521 493 04	Spacer	/LL /R	2	
			/RL /L		
(16)	928 521 065 02	Support	/LL /R	1	
16	928 521 066 02	Support	/RL /L	1	

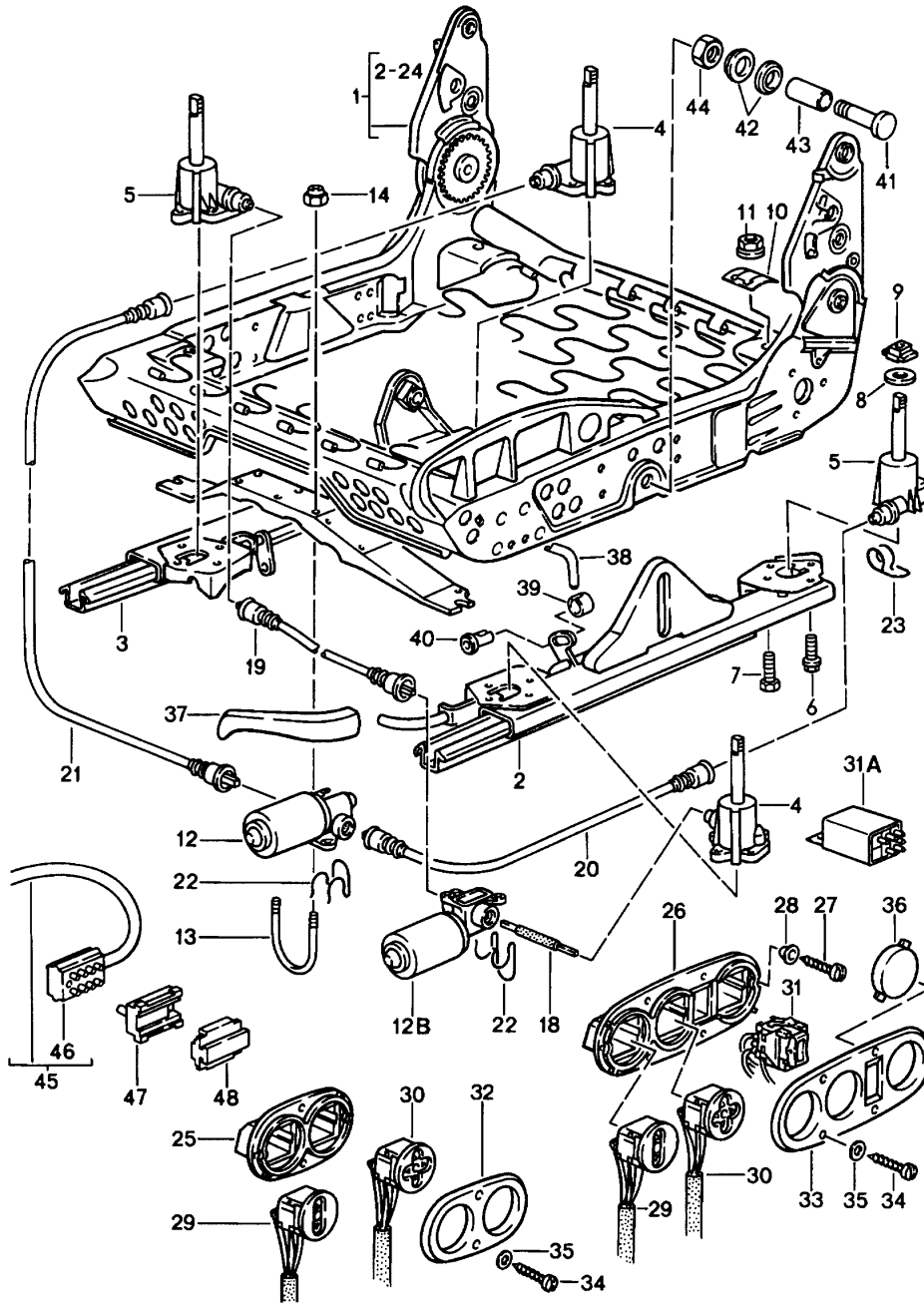
Model: 911 84

Model life 1984&gt;&gt;1986

Pos	Part Number	Description	Remark	Qty	Model
17	900 089 006 02	Washer A 8,4		6	
17	900 089 006 01	Washer A 8,4		6	
18	900 119 081 02	Pan-head screw M 8 X 35		6	

Model: 911 84

Model life 1984>>1986



Model: 911 84 Model life 1984>>1986

Pos	Part Number	Description	Remark	Qty	Model
1	928 521 069 12	Seat frame Electric Seat frame Elect. vertical adjustment Elect. backrest adjustment Manual longitudinal adjustment	/L	1	
(1)	993 521 069 03	Seat frame All-electric	/L	1	
(1)	928 521 070 12	Seat frame Elect. vertical adjustment Elect. backrest adjustment Manual longitudinal adjustment	/R	1	
(1)	993 521 070 03	Seat frame All-electric	/R	1	
2	928 521 489 11	Seat rail		1	
2		Seat rail Left seat Outer Elect. vertical adjustment Manual longitudinal adjustment		1	
(2)	928 521 490 11	Seat rail		1	
(2)		Seat rail Right seat Outer Elect. vertical adjustment Manual longitudinal adjustment		1	
3	964 521 492 00	Seat rail		1	
3		Seat rail Left seat Inner Elect. vertical adjustment Manual longitudinal adjustment		1	
(3)	964 521 491 00	Seat rail		1	
(3)		Seat rail Right seat Inner Elect. vertical adjustment Manual longitudinal adjustment		1	
(2)	928 521 489 08	Seat rail		1	
(2)		Seat rail Left seat Outer All-electric		1	
(2)	928 521 490 08	Seat rail		1	
(2)		Seat rail Right seat Outer All-electric		1	
(3)	928 521 492 11	Seat rail		1	
(3)		Seat rail Left seat Inner All-electric		1	
(3)	928 521 491 11	Seat rail		1	
(3)		Seat rail Right seat Inner All-electric		1	
4	928 521 721 03	Lifting gear		2	
4		Lifting gear Left front, right rear		2	
5	928 521 722 03	Lifting gear		2	
5		Lifting gear		2	

Model: 911 84

Model life 1984&gt;&gt;1986

Pos	Part Number	Description	Remark	Qty	Model
6	999 217 033 01	Right front, left rear Locking screw M 6 X 16		20	
7	900 186 032 02	Pan-head screw M 6 X 16		8	
8	999 025 129 40	Washer 10,2 X 30 X 1,5		8	
9	928 521 727 02	Slide		8	
10	928 521 723 02	Guide spring		8	
11	928 521 730 02	Nut		8	
12	928 624 126 01	Geared motor		2	
12		Geared motor		2	
12B		Rear vertical adjustment			
12B		Geared motor		2	
12B		Geared motor		2	
12B		Front vertical adjustment			
13	999 222 001 02	Stirrup bolt M 4		6	
14	900 910 006 02	Lock nut M 4		12	
14	900 084 020 01	Lock nut M 4		4	
18	928 521 671 03	Shaft	/L	2	
18		Shaft	/L	2	
18		Front vertical adjustment			
19	928 521 672 02	Pliable shaft	/R	2	
19		Front vertical adjustment			
20	928 521 673 05	Flexible shaft	/L	2	
20		Flexible shaft	/L	2	
20		Rear vertical adjustment			
21	928 521 674 02	Pliable shaft	/R	2	
21		Rear vertical adjustment			
22	928 521 675 02	Moulded spring for engine		6	
23	928 521 699 00	Moulded spring		6	
25	928 521 559 04	Switch insert		2	
26	928 521 559 02	Switch insert	/L	1	M139
(26)	928 521 560 02	Switch insert	/R	1	M340
27	N 013 988 1	Counters. head tapp. screw B 3,5 X 16		2	
28	999 591 849 07	Washer B 3,5		2	
29	928 613 181 00	Switch Front vertical adjustment		1	
30	928 613 183 00	Switch for backrest adjustment Rear vertical adjustment		2	
31	928 613 187 01	Switch	/L	1	M139
31	928 613 188 01	Switch	/R	1	M340
31A	928 618 521 00	Seat heater Relay		1	M139/340
31A		Seat heater			
32	928 521 561 04	Trim for switch		2	
32	928 521 561 04 01C	Satin black			
33	928 521 561 03	Trim for switch		1	M139/340
33	928 521 561 03 01C	Satin black			
34	N 013 959 3	Oval-head sheetmetal screw B 3,5 X 16		4	
34	900 143 016 01	Oval-head sheetmetal screw B 3,5 X 16		4	
35	900 025 013 07	Washer A 3,7		4	
36	928 613 425 00	Cover		1	M139/340

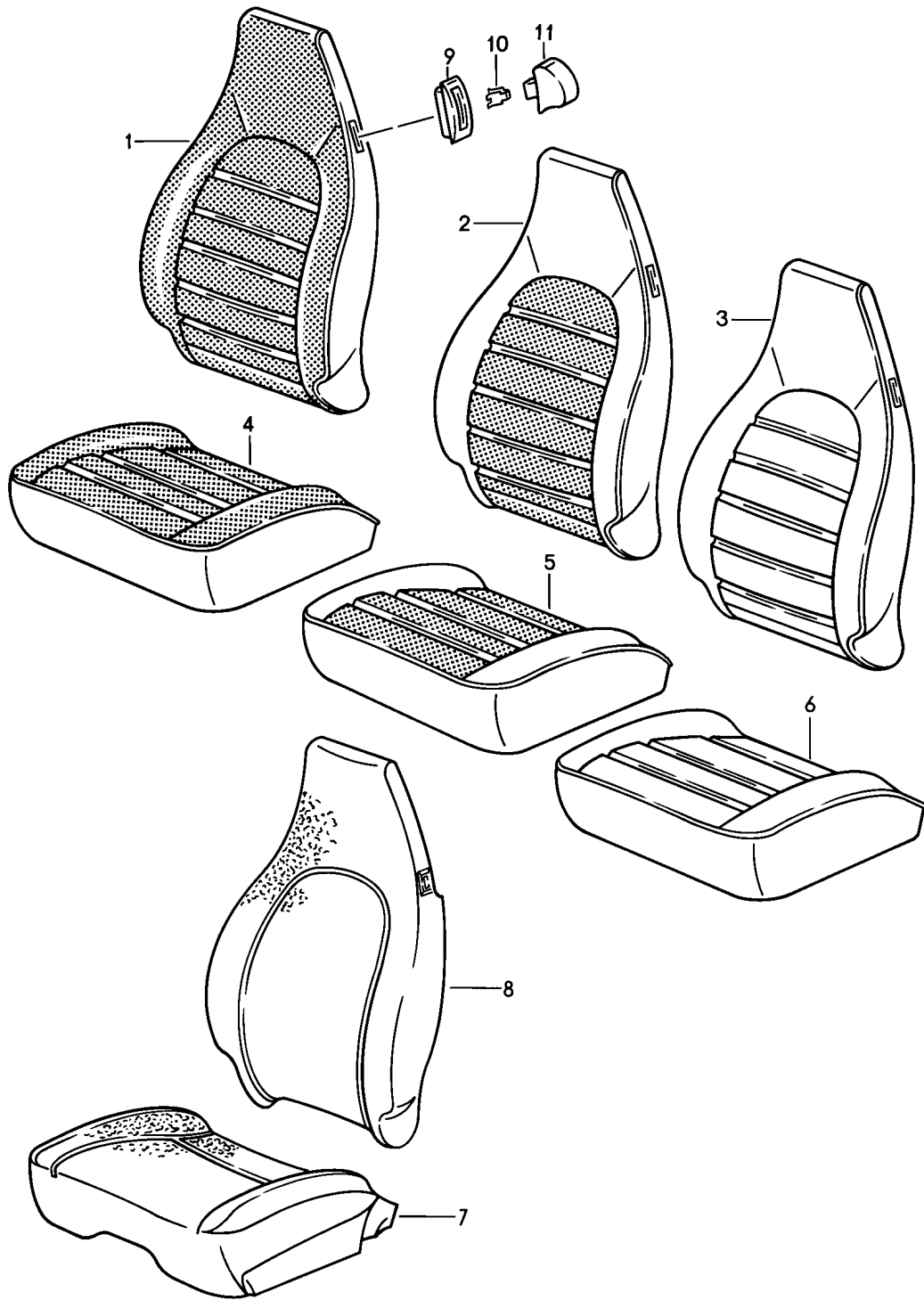
Model: 911 84

Model life 1984>>1986

Pos	Part Number	Description	Remark	Qty	Model
37	911 521 533 00	Handle knob	/L	1	
(37)		Handle knob	/R	1	
(37)	911 521 533 01	for longitudinal adjustment Handle		2	
	911 521 533 01 01C	for longitudinal adjustment Satin black			
38	928 521 525 03	Connecting rod		2	
		for longitudinal adjustment			
39	N 902 514 01	Clamping sleeve		4	
		for longitudinal adjustment			
40	N 902 515 01	Guide bush		4	
		for longitudinal adjustment			
41	928 521 681 02	Bolt		4	
42	928 521 683 02	Washer		8	
		1,5 PA 6			
43	928 521 685 02	Bush		4	
44	900 034 003 02	Hexagon nut		4	
		M 10			
		Wiring harness			
		Single parts			
45	911 612 521 01	Wiring harness		1	
		for electric seat equipment			
46	944 612 117 00	Connector housing		2	
		8-pole			
47	999 652 395 40	Connector housing		2	
		8-pole			
48	999 652 396 40	Clip		2	
		8-pole			
-	N 020 904 4	Tie-wrap		5	
		6,5 X 120			

Model: 911 84

Model life 1984>>1986





Model: 911 84 Model life 1984>>1986

Pos	Part Number	Description	Remark	Qty	Model
1	928 521 071 22	Front seat Cover	85-	2	
		Backrest cover without heating			
		Leatherette/ Backrest surface			
		Pin stripe velour			
	928 521 071 22 NY5	Black/ Black-white			
	928 521 071 22 NY7	Brown Brown-beige			
	928 521 071 22 QA3	Blue/ Blue-white			
	928 521 071 22 NY8	Burgundy/ Burgundy-white			
	928 521 071 22 QA4	Greyish green Greyish green-white			
	928 521 071 22 RU3	Grey-beige/ Grey-beige-white	86- 86-		
(1)	928 521 071 63	Backrest cover with heating		2	M139/340
		Leatherette/ Backrest surface			
		Pin stripe velour			
	928 521 071 63 NY5	Black/ Black-white			
	928 521 071 63 NY7	Brown Brown-beige			
	928 521 071 63 QA3	Blue/ Blue-white			
	928 521 071 63 NY8	Burgundy/ Burgundy-white			
	928 521 071 63 QA4	Greyish green Greyish green-white			
	928 521 071 63 RU3	Grey-beige/ Grey-beige-white	86- 86-		
1	928 521 071 22	Backrest cover without heating		2	
		Leatherette/ Backrest surface			
		Pin stripe flannel			
	928 521 071 22 NY9	Black/anthracite			
	928 521 071 22 NZ6	Brown/brown			
	928 521 071 22 QA6	Blue/blue			
	928 521 071 22 NZ5	Burgundy/burgundy			
	928 521 071 22 QA5	Greyish green/grey-green			
(1)	928 521 071 63	Backrest cover with heating		2	M139/340
		Leatherette/ Backrest surface			
		Pin stripe flannel			
	928 521 071 63 NY9	Black/anthracite			
	928 521 071 63 NZ6	Brown/brown			
	928 521 071 63 QA6	Blue/blue			
	928 521 071 63 NZ5	Burgundy/burgundy			
	928 521 071 63 QA5	Greyish green/grey-green			
1	928 521 071 22	Backrest cover without heating		2	
		Leatherette/ Backrest surface			
		Porsche lettering cloth			
	928 521 071 22 PX2	Black/black			
	928 521 071 22 PX4	Brown/brown			

Model: 911 84 Model life 1984>>1986

Pos	Part Number	Description	Remark	Qty	Model				
(1)	928 521 071 22 PX7	Blue/blue	86-	2	M139/340				
	928 521 071 22 PX6	Burgundy/burgundy							
	928 521 071 22 PX8	Greyish green/grey-green							
	928 521 071 22 QD9	Grey-beige/grey-beige							
	928 521 071 63	Backrest cover with heating Leatherette/ Backrest surface Porsche lettering cloth							
	928 521 071 63 PX2	Black/black							
	928 521 071 63 PX4	Brown/brown							
	928 521 071 63 PX7	Blue/blue							
	928 521 071 63 PX6	Burgundy/burgundy							
	928 521 071 63 PX8	Greyish green/grey-green							
2	928 521 071 63 QD9	Grey-beige/grey-beige	86-	2	M139/340				
	928 521 071 50	Backrest cover without heating Leatherette/ Centre part Pin stripe velour							
	928 521 071 50 PY1	Black/black Black-white							
	928 521 071 50 PY2	Brown Brown-beige							
	928 521 071 50 PY3	Blue/ Blue-white							
	928 521 071 50 PY4	Burgundy/burgundy Burgundy-white							
	928 521 071 50 PY5	Greyish green Greyish green-white							
	928 521 071 50 RU4	Grey-beige/ Grey-beige-white							
	(2)	928 521 071 52				Backrest cover with heating Leatherette/ Centre part Pin stripe velour	86- 86-	2	M139/340
		928 521 071 52 PY1				Black/ Black-white			
928 521 071 52 PY2		Brown Brown-beige							
928 521 071 52 PY3		Blue/ Blue-white							
928 521 071 52 PY4		Burgundy/ Burgundy-white							
928 521 071 52 PY5		Greyish green Greyish green-white							
928 521 071 52 RU4		Grey-beige/ Grey-beige-white							
2		928 521 071 50	Backrest cover without heating Leatherette/leather Centre part Pin stripe flannel	86- 86-	2	M139/340			
		928 521 071 50 PZ2	Black/anthracite						
		928 521 071 50 PZ3	Brown/brown						
	928 521 071 50 PZ4	Blue/blue							
	928 521 071 50 PZ5	Burgundy/burgundy							
	928 521 071 50 PZ6	Greyish green/grey-green							
	(2)	928 521 071 52	Backrest cover with heating Leatherette/leather Centre part				86- 86-	2	M139/340

Model: 911 84 Model life 1984>>1986

Pos	Part Number	Description	Remark	Qty	Model
	928 521 071 52 PZ2	Pin stripe flannel Black/anthracite			
	928 521 071 52 PZ3	Brown/brown			
	928 521 071 52 PZ4	Blue/blue			
	928 521 071 52 PZ5	Burgundy/burgundy			
	928 521 071 52 PZ6	Greyish green/grey-green			
2	928 521 071 50	Backrest cover without heating Leatherette/leather Centre part Porsche lettering cloth		2	
	928 521 071 50 PZ7	Black/black			
	928 521 071 50 PZ8	Brown/brown			
	928 521 071 50 PZ9	Blue/blue			
	928 521 071 50 QA1	Burgundy/burgundy			
	928 521 071 50 QA2	Greyish green/grey-green			
(2)	928 521 071 50 RU2	Grey-beige/grey-beige	86-	2	M139/340
	928 521 071 52	Backrest cover with heating Leatherette/leather Centre part Porsche lettering cloth			
	928 521 071 52 PZ7	Black/black			
	928 521 071 52 PZ8	Brown/brown			
	928 521 071 52 PZ9	Blue/blue			
	928 521 071 52 QA1	Burgundy/burgundy			
	928 521 071 52 QA2	Greyish green/grey-green			
	928 521 071 52 RU2	Grey-beige/grey-beige	86-		
2	928 521 071 66	Backrest cover without heating Leather/ Centre part Pin stripe velour		2	
	928 521 071 66 LS5	Black/ Black-white			
	928 521 071 66 LS6	Brown Brown-beige			
	928 521 071 66 LS8	Blue/ Blue-white			
	928 521 071 66 LS9	Burgundy/ Burgundy-white			
	928 521 071 66 QA7	Greyish green Greyish green-white			
	928 521 071 66 LS7	Grey-beige/ Grey-beige-white	86- 86-		
2	928 521 071 67	Backrest cover with heating Leather/ Centre part Pin stripe velour		2	M139/340
	928 521 071 67 LS5	Black/ Black-white			
	928 521 071 67 LS6	Brown Brown-beige			
	928 521 071 67 LS8	Blue/ Blue-white			
	928 521 071 67 LS9	Burgundy/ Burgundy-white			
	928 521 071 67 QA7	Greyish green Greyish green-white			
	928 521 071 67 LS7	Grey-beige/ Grey-beige-white	86- 86-		
2	928 521 071 66	Backrest cover		2	

Model: 911 84 Model life 1984>>1986

Pos	Part Number	Description	Remark	Qty	Model
2		without heating Leather/ Centre part Pin stripe flannel			
	928 521 071 66 QB1	Black/anthracite			
	928 521 071 66 QB3	Brown/brown			
	928 521 071 66 QB5	Blue/blue			
	928 521 071 66 QB7	Burgundy/burgundy			
	928 521 071 66 QA8	Greyish green/grey-green			
	928 521 071 67	Backrest cover with heating Leather/ Centre part Pin stripe flannel		2	M139/340
	928 521 071 67 QB1	Black/anthracite			
	928 521 071 67 QB3	Brown/brown			
	928 521 071 67 QB5	Blue/blue			
2	928 521 071 67 QB7	Burgundy/burgundy			
	928 521 071 67 QA8	Greyish green/grey-green			
	928 521 071 66	Backrest cover without heating Leather/ Centre part Porsche lettering cloth		2	
	928 521 071 66 QB2	Black/black			
	928 521 071 66 QB4	Brown/brown			
	928 521 071 66 QB6	Blue/blue			
	928 521 071 66 QB8	Burgundy/burgundy			
	928 521 071 66 QA9	Greyish green/grey-green			
	928 521 071 66 RU1	Grey-beige/grey-beige	86-		
	928 521 071 67	Backrest cover with heating Leather/ Centre part Porsche lettering cloth		2	M139/340
3	928 521 071 67 QB2	Black/black			
	928 521 071 67 QB4	Brown/brown			
	928 521 071 67 QB6	Blue/blue			
	928 521 071 67 QB8	Burgundy/burgundy			
	928 521 071 67 QA9	Greyish green/grey-green			
	928 521 071 67 RU1	Grey-beige/grey-beige	86-		
	928 521 071 51	Backrest cover without heating Leatherette/ Backrest surface Leather		2	
	928 521 071 51 JN3	Black			
	928 521 071 51 JN4	Brown			
	928 521 071 51 QC1	Blue			
(3)	928 521 071 51 NZ8	Burgundy			
	928 521 071 51 PX9	Greyish green			
	928 521 071 51 JN5	Grey-beige	86-		
	928 521 071 62	Backrest cover with heating Leatherette/ Backrest surface Leather		2	M139/340
	928 521 071 62 JN3	Black			
928 521 071 62 JN4	Brown				
928 521 071 62 QC1	Blue				
928 521 071 62 NZ8	Burgundy				
928 521 071 62 PX9	Greyish green				
928 521 071 62 JN5	Grey-beige	86-			

Model: 911 84 Model life 1984>>1986

Pos	Part Number	Description	Remark	Qty	Model
3	928 521 071 65	Backrest cover without heating Leather		2	
	928 521 071 65 KZ2	Black			
	928 521 071 65 KZ5	Brown			
	928 521 071 65 KZ3	Blue			
	928 521 071 65 LG7	Burgundy			
	928 521 071 65 QC2	Greyish green			
	928 521 071 65 KZ6	Can-can-red			
	928 521 071 65 LG4	Pearl white			
	928 521 071 65 LG5	Champagne			
	928 521 071 65 LG6	Dark grey			
	928 521 071 65 PY9	Ocean blue			
	928 521 071 65 PZ1	Wild buffalo			
	928 521 071 65 KZ4	Grey-beige	86-		
(3)	928 521 071 64	Backrest cover with heating Leather		2	M139/340
	928 521 071 64 KZ2	Black			
	928 521 071 64 KZ5	Brown			
	928 521 071 64 KZ3	Blue			
	928 521 071 64 LG7	Burgundy			
	928 521 071 64 QC2	Greyish green			
	928 521 071 64 KZ6	Can-can-red			
	928 521 071 64 LG4	Pearl white			
	928 521 071 64 LG5	Champagne			
	928 521 071 64 LG6	Dark grey			
	928 521 071 64 PY9	Ocean blue			
	928 521 071 64 PZ1	Wild buffalo			
	928 521 071 64 KZ4	Grey-beige	86-		
4	944 521 037 11	Cover for cushion for manual adjustment Leatherette/ Seat surface Pin stripe velour	/LL /R /RL /L	1	CARRERA
	944 521 037 11 NY5	Black/ Black-white			
	944 521 037 11 NY7	Brown Brown-beige			
	944 521 037 11 QA3	Blue/ Blue-white			
	944 521 037 11 NY8	Burgundy/ Burgundy-white			
	944 521 037 11 QA4	Greyish green Greyish green-white			
	944 521 037 11 RU3	Grey-beige/ Grey-beige-white	86- 86-		
(4)	944 521 037 14	Cover for cushion Seat Electrically adjustable without heating Leatherette/ Seat surface Pin stripe velour		2	
	944 521 037 14 NY5	Black/ Black-white			
	944 521 037 14 NY7	Brown Brown-beige			
	944 521 037 14 QA3	Blue/ Blue-white			
	944 521 037 14 NY8	Burgundy/ Burgundy-white			
	944 521 037 14 QA4	Greyish green			

Model: 911 84 Model life 1984>>1986

Pos	Part Number	Description	Remark	Qty	Model			
(4)	944 521 037 14 RU3	Greyish green-white Grey-beige/ Grey-beige-white	86- 86-	2	M139/340			
	944 521 037 89	Cover for cushion Seat Electrically adjustable with heating Leatherette/ Seat surface Pin stripe velour						
	944 521 037 89 NY5	Black/ Black-white						
	944 521 037 89 NY7	Brown/ Brown-beige						
	944 521 037 89 QA3	Blue/ Blue-white						
	944 521 037 89 NY8	Burgundy/ Burgundy-white						
	944 521 037 89 QA4	Greyish green/ Greyish green-white						
	944 521 037 89 RU3	Grey-beige/ Grey-beige-white	86- 86-					
	4	944 521 037 11	Cover for cushion for manual adjustment Leatherette/ Seat surface Pin stripe flannel			/LL /R /RL /L	1	CARRERA
	(4)	944 521 037 11 NY9	Black/anthracite				2	M139/340
944 521 037 11 NZ6		Brown/brown						
944 521 037 11 QA6		Blue/blue						
944 521 037 11 NZ5		Burgundy/burgundy						
944 521 037 11 QA5		Greyish green/grey-green						
944 521 037 14		Cover for cushion Seat Electrically adjustable without heating Leatherette/ Seat surface Pin stripe flannel						
944 521 037 14 NY9		Black/anthracite						
944 521 037 14 NZ6		Brown/brown						
944 521 037 14 QA6		Blue/blue						
944 521 037 14 NZ5		Burgundy/burgundy						
944 521 037 14 QA5	Greyish green/grey-green							
(4)	944 521 037 89	Cover for cushion Seat Electrically adjustable with heating Leatherette/ Seat surface Pin stripe flannel		2	M139/340			
4	944 521 037 89 NY9	Black/anthracite		1	CARRERA			
	944 521 037 89 NZ6	Brown/brown						
	944 521 037 89 QA6	Blue/blue						
	944 521 037 89 NZ5	Burgundy/burgundy						
	944 521 037 89 QA5	Greyish green/grey-green						
	944 521 037 11	Cover for cushion for manual adjustment Leatherette/ Seat surface Porsche lettering cloth	/LL /R /RL /L					
	944 521 037 11 PX2	Black/black						
	944 521 037 11 PX4	Brown/brown						

Model: 911 84 Model life 1984>>1986

Pos	Part Number	Description	Remark	Qty	Model				
(4)	944 521 037 11 PX7	Blue/blue	86-	2					
	944 521 037 11 PX6	Burgundy/burgundy							
	944 521 037 11 PX8	Greyish green/grey-green							
	944 521 037 11 QD9	Grey-beige/grey-beige							
	944 521 037 14	Cover for cushion Seat Electrically adjustable without heating Leatherette/ Seat surface Porsche lettering cloth							
	944 521 037 14 PX2	Black/black							
	944 521 037 14 PX4	Brown/brown							
	944 521 037 14 PX7	Blue/blue							
	944 521 037 14 PX6	Burgundy/burgundy							
	944 521 037 14 PX8	Greyish green/grey-green							
(4)	944 521 037 14 QD9	Grey-beige/grey-beige	86-	2	M139/340				
	944 521 037 89	Cover for cushion Seat Electrically adjustable with heating Leatherette/ Seat surface Porsche lettering cloth							
	944 521 037 89 PX2	Black/black							
	944 521 037 89 PX4	Brown/brown							
	944 521 037 89 PX7	Blue/blue							
	944 521 037 89 PX6	Burgundy/burgundy							
	944 521 037 89 PX8	Greyish green/grey-green							
	944 521 037 89 QD9	Grey-beige/grey-beige							
	5	944 521 037 75				Cover for cushion for manual adjustment Leatherette/leather Centre part Pin stripe velour	86- /LL /R /RL /L	2	CARRERA
		944 521 037 75 PY1				Black/black Black-white			
944 521 037 75 PY2		Brown Brown-beige							
944 521 037 75 PY3		Blue/ Blue-white							
944 521 037 75 PY4		Burgundy/burgundy Burgundy-white							
944 521 037 75 PY5		Greyish green Greyish green-white							
944 521 037 75 RU4		Grey-beige/ Grey-beige-white							
(5)		944 521 037 79	Cover for cushion Seat Electrically adjustable without heating Leatherette/leather Centre part Pin stripe velour	86- 86-	2				
		944 521 037 79 PY1	Black/black Black-white						
		944 521 037 79 PY2	Brown Brown-beige						
	944 521 037 79 PY3	Blue/ Blue-white							
	944 521 037 79 PY4	Burgundy/burgundy Burgundy-white							
	944 521 037 79 PY5	Greyish green							

Model: 911 84

Model life 1984>>1986

Pos	Part Number	Description	Remark	Qty	Model
	944 521 037 79 RU4	Greyish green-white			
(5)	944 521 037 87	Grey-beige/ Grey-beige-white Cover for cushion Seat Electrically adjustable with heating Leatherette/leather Centre part Pin stripe velour	86- 86-	2	M139/340
	944 521 037 87 PY1	Black/ Black-white			
	944 521 037 87 PY2	Brown/ Brown-beige			
	944 521 037 87 PY3	Blue/ Blue-white			
	944 521 037 87 PY4	Burgundy/ Burgundy-white			
	944 521 037 87 PY5	Greyish green/ Greyish green-white			
5	944 521 037 75	944 521 037 87 RU4 Grey-beige/ Grey-beige-white Cover for cushion for manual adjustment Leatherette/leather Centre part Pin stripe flannel	86- 86- /LL /R /RL /L	2	CARRERA
	944 521 037 75 PZ2	Black/anthracite			
	944 521 037 75 PZ3	Brown/brown			
	944 521 037 75 PZ4	Blue/blue			
	944 521 037 75 PZ5	Burgundy/burgundy			
	944 521 037 75 PZ6	Greyish green/grey-green			
(5)	944 521 037 79	Cover for cushion Seat Electrically adjustable without heating Leatherette/leather Centre part Pin stripe flannel		2	
	944 521 037 79 PZ2	Black/anthracite			
	944 521 037 79 PZ3	Brown/brown			
	944 521 037 79 PZ4	Blue/blue			
	944 521 037 79 PZ5	Burgundy/burgundy			
	944 521 037 79 PZ6	Greyish green/grey-green			
(5)	944 521 037 87	Cover for cushion Seat Electrically adjustable with heating Leatherette/leather Centre part Pin stripe flannel		2	M139/340
	944 521 037 87 PZ2	Black/anthracite			
	944 521 037 87 PZ3	Brown/brown			
	944 521 037 87 PZ4	Blue/blue			
	944 521 037 87 PZ5	Burgundy/burgundy			
	944 521 037 87 PZ6	Greyish green/grey-green			
5	944 521 037 75	Cover for cushion for manual adjustment Leatherette/leather Centre part Porsche lettering cloth	/LL /R /RL /L	2	CARRERA
	944 521 037 75 PZ7	Black/black			
	944 521 037 75 PZ8	Brown/brown			



Model: 911 84 Model life 1984>>1986

Pos	Part Number	Description	Remark	Qty	Model				
(5)	944 521 037 75 PZ9	Blue/blue	86-	2					
	944 521 037 75 QA1	Burgundy/burgundy							
	944 521 037 75 QA2	Greyish green/grey-green							
	944 521 037 75 RU2	Grey-beige/grey-beige							
	944 521 037 79	Cover for cushion Seat Electrically adjustable without heating Leatherette/leather Centre part Porsche lettering cloth							
	944 521 037 79 PZ7	Black/black							
	944 521 037 79 PZ8	Brown/brown							
	944 521 037 79 PZ9	Blue/blue							
	944 521 037 79 QA1	Burgundy/burgundy							
	944 521 037 79 QA2	Greyish green/grey-green							
(5)	944 521 037 79 RU2	Grey-beige/grey-beige	86-	2	M139/340				
	944 521 037 87	Cover for cushion Seat Electrically adjustable with heating Leatherette/leather Centre part Porsche lettering cloth							
	944 521 037 87 PZ7	Black/black							
	944 521 037 87 PZ8	Brown/brown							
	944 521 037 87 PZ9	Blue/blue							
	944 521 037 87 QA1	Burgundy/burgundy							
	944 521 037 87 QA2	Greyish green/grey-green							
	944 521 037 87 RU2	Grey-beige/grey-beige							
	5	944 521 037 78				Cover for cushion for manual adjustment Leather/ Centre part Pin stripe velour	86- /LL /R /RL /L	1	CARRERA
		944 521 037 78 LS5				Black/ Black-white			
944 521 037 78 LS6		Brown Brown-beige							
944 521 037 78 LS8		Blue/ Blue-white							
944 521 037 78 LS9		Burgundy/ Burgundy-white							
944 521 037 78 QA7		Greyish green Greyish green-white							
944 521 037 78 LS7		Grey-beige/ Grey-beige-white							
(5)		944 521 037 82	Cover for cushion Seat Electrically adjustable without heating Leather/ Centre part Pin stripe velour	86- 86-	2				
		944 521 037 82 LS5	Black/ Black-white						
		944 521 037 82 LS6	Brown Brown-beige						
	944 521 037 82 LS8	Blue/ Blue-white							
	944 521 037 82 LS9	Burgundy/ Burgundy-white							
	944 521 037 82 QA7	Greyish green							

Model: 911 84 Model life 1984>>1986

Pos	Part Number	Description	Remark	Qty	Model
	944 521 037 82 LS7	Greyish green-white			
(5)	944 521 037 91	Grey-beige/ Grey-beige-white Cover for cushion Seat Electrically adjustable with heating Leather/ Centre part Pin stripe velour	86- 86-	2	M139/340
	944 521 037 91 LS5	Black/ Black-white			
	944 521 037 91 LS6	Brown/ Brown-beige			
	944 521 037 91 LS8	Blue/ Blue-white			
	944 521 037 91 LS9	Burgundy/ Burgundy-white			
	944 521 037 91 QA7	Greyish green/ Greyish green-white			
5	944 521 037 78	944 521 037 91 LS7 Grey-beige/ Grey-beige-white Cover for cushion for manual adjustment Leather/ Centre part Pin stripe flannel	86- 86- /LL /R /RL /L	1	CARRERA
	944 521 037 78 QB1	Black/anthracite			
	944 521 037 78 QB3	Brown/brown			
	944 521 037 78 QB5	Blue/blue			
	944 521 037 78 QB7	Burgundy/burgundy			
(5)	944 521 037 78 QA8	Greyish green/grey-green		2	
	944 521 037 82	Cover for cushion Seat Electrically adjustable without heating Leather/ Centre part Pin stripe flannel			
	944 521 037 82 QB1	Black/anthracite			
	944 521 037 82 QB3	Brown/brown			
	944 521 037 82 QB5	Blue/blue			
	944 521 037 82 QB7	Burgundy/burgundy			
	944 521 037 82 QA8	Greyish green/grey-green			
(5)	944 521 037 91	Cover for cushion Seat Electrically adjustable with heating Leather/ Centre part Pin stripe flannel		2	M139/340
	944 521 037 91 QB1	Black/anthracite			
	944 521 037 91 QB3	Brown/brown			
	944 521 037 91 QB5	Blue/blue			
	944 521 037 91 QB7	Burgundy/burgundy			
	944 521 037 91 QA8	Greyish green/grey-green			
5	944 521 037 78	Cover for cushion for manual adjustment Leather/ Centre part Porsche lettering cloth	/LL /R /RL /L	1	CARRERA
	944 521 037 78 QB2	Black/black			
	944 521 037 78 QB4	Brown/brown			

Model: 911 84 Model life 1984>>1986

Pos	Part Number	Description	Remark	Qty	Model				
(5)	944 521 037 78 QB6	Blue/blue	86-	2					
	944 521 037 78 QB8	Burgundy/burgundy							
	944 521 037 78 QA9	Greyish green/grey-green							
	944 521 037 78 RU1	Grey-beige/grey-beige							
	944 521 037 82	Cover for cushion Seat Electrically adjustable without heating Leather/ Centre part Porsche lettering cloth							
	944 521 037 82 QB2	Black/black							
	944 521 037 82 QB4	Brown/brown							
	944 521 037 82 QB6	Blue/blue							
	944 521 037 82 QB8	Burgundy/burgundy							
	944 521 037 82 QA9	Greyish green/grey-green							
(5)	944 521 037 82 RU1	Grey-beige/grey-beige	86-	2	M139/340				
	944 521 037 91	Cover for cushion Seat Electrically adjustable with heating Leather/ Centre part Porsche lettering cloth							
	944 521 037 91 QB2	Black/black							
	944 521 037 91 QB4	Brown/brown							
	944 521 037 91 QB6	Blue/blue							
	944 521 037 91 QB8	Burgundy/burgundy							
	944 521 037 91 QA9	Greyish green/grey-green							
	944 521 037 91 RU1	Grey-beige/grey-beige							
	6	944 521 037 76				Cover for cushion for manual adjustment Leatherette/ Seat surface Leather	86- /LL /R /RL /L	2	CARRERA
		944 521 037 76 JN3				Black/black			
944 521 037 76 JN4		Brown/brown							
944 521 037 76 QC1		Blue/blue							
944 521 037 76 NZ8		Burgundy/burgundy							
944 521 037 76 PX9		Greyish green/grey-green							
944 521 037 76 JN5		Grey-beige							
(6)		944 521 037 80	Cover for cushion Seat Electrically adjustable without heating Leatherette/ Seat surface Leather	86-	2	M139/340			
		944 521 037 80 JN3	Black/black						
		944 521 037 80 JN4	Brown/brown						
	944 521 037 80 QC1	Blue/blue							
	944 521 037 80 NZ8	Burgundy/burgundy							
	944 521 037 80 PX9	Greyish green/grey-green							
	944 521 037 80 JN5	Grey-beige							
	(6)	944 521 037 88	Cover for cushion Seat Electrically adjustable with heating Leatherette/ Seat surface Leather				86-	2	M139/340
		944 521 037 88 JN3	Black/black						
		944 521 037 88 JN4	Brown/brown						

Model: 911 84 Model life 1984>>1986

Pos	Part Number	Description	Remark	Qty	Model
6	944 521 037 88 QC1	Blue/blue		1	CARRERA
	944 521 037 88 NZ8	Burgundy/burgundy			
	944 521 037 88 PX9	Greyish green/grey-green			
	944 521 037 88 JN5	Grey-beige	86-		
	944 521 037 77	Cover for cushion for manual adjustment Leather	/LL /R /RL /L		
	944 521 037 77 KZ2	Black			
	944 521 037 77 KZ5	Brown			
	944 521 037 77 KZ3	Blue			
	944 521 037 77 LG7	Burgundy			
	944 521 037 77 QC2	Greyish green			
	944 521 037 77 KZ6	Can-can-red			
	944 521 037 77 LG4	Pearl white			
	944 521 037 77 LG5	Champagne			
	944 521 037 77 LG6	Dark green			
	944 521 037 77 PY9	Ocean blue			
(6)	944 521 037 77 PZ1	Wild buffalo		2	
	944 521 037 77 KZ4	Grey-beige	86-		
	944 521 037 81	Cover for cushion Seat Electrically adjustable without heating Leather			
	944 521 037 81 KZ2	Black			
	944 521 037 81 KZ5	Brown			
	944 521 037 81 KZ3	Blue			
	944 521 037 81 LG7	Burgundy			
	944 521 037 81 QC2	Greyish green			
	944 521 037 81 KZ6	Can-can-red			
	944 521 037 81 LG4	Pearl white			
	944 521 037 81 LG5	Champagne			
	944 521 037 81 LG6	Dark green			
	944 521 037 81 PY9	Ocean blue			
	944 521 037 81 PZ1	Wild buffalo			
	(6)	944 521 037 81 KZ4	Grey-beige		
944 521 037 90		Cover for cushion Seat Electrically adjustable with heating Leather			
944 521 037 90 KZ2		Black			
944 521 037 90 KZ5		Brown			
944 521 037 90 KZ3		Blue			
944 521 037 90 LG7		Burgundy			
944 521 037 90 QC2		Greyish green			
944 521 037 90 KZ6		Can-can-red			
944 521 037 90 LG4		Pearl white			
944 521 037 90 LG5		Champagne			
944 521 037 90 LG6		Dark green			
944 521 037 90 PY9		Ocean blue			
944 521 037 90 PZ1		Wild buffalo			
944 521 037 90 KZ4		Grey-beige	86-		
7		928 521 385 22	Foam part for manual adjustment	/LL /R /RL /L	1
(7)	928 521 385 23	Foam part for electric adjustment	/L	1	
(7)	928 521 386 23	Foam part for electric adjustment	/R	1	
(7)	928 521 385 24	Foam part for electric adjustment	/L	1	M139
(7)	928 521 386 24	Foam part for electric adjustment	/R	1	M340

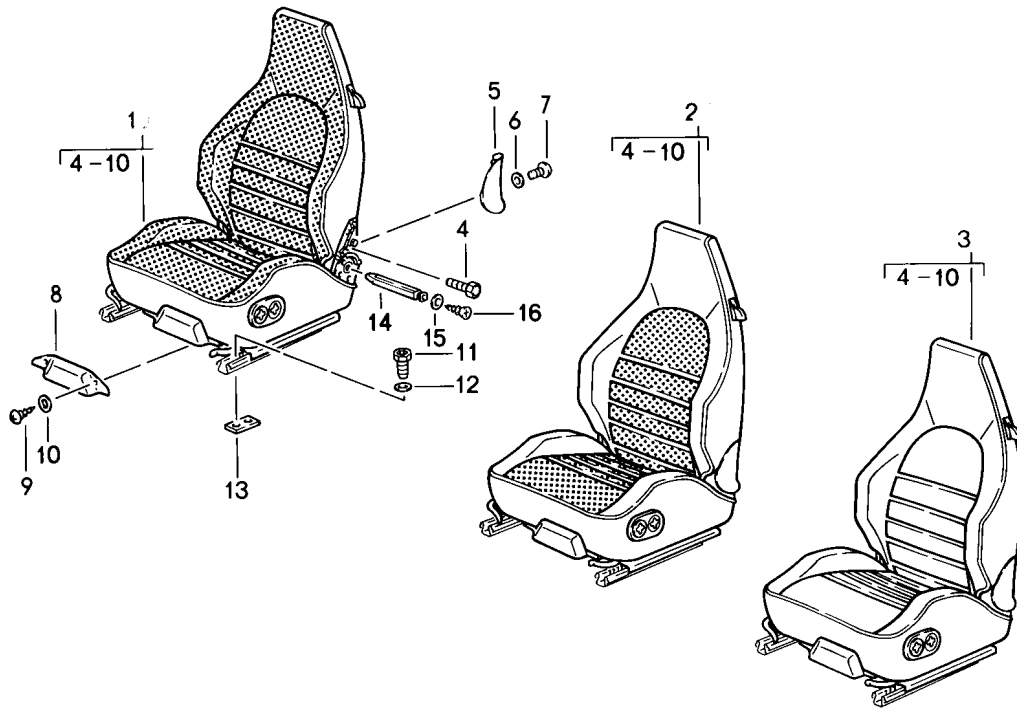
Model: 911 84

Model life 1984>>1986

Pos	Part Number	Description	Remark	Qty	Model
8	928 521 393 13	Foam part for manual adjustment	/LL /R /RL /L	2	CARRERA
(8)	993 521 393 06	Foam part for electric adjustment See technical information 6 ZYL. GR.7D NR.1/94		2	
(8)		Foam part for electric adjustment See technical information 6 ZYL. GR.7D NR.1/94		2	
9	911 521 815 00	Rosette		4	
	911 521 815 00 01C	Satin black			
10	311 881 247	Clip		4	
11	911 521 817 00	Control button		4	
	911 521 817 00 01C	Satin black			

Model: 911 84

Model life 1984>>1986



Model: 911 84 Model life 1984>>1986

Pos	Part Number	Description	Remark	Qty	Model
1	944 521 001 01	Sports seat Complete	85-	1	
	944 521 001 01 NY5	Black/ Black-white			
	944 521 001 01 NY7	Brown/ Brown-beige			
	944 521 001 01 QA3	Blue/ Blue-white			
	944 521 001 01 NY8	Burgundy/ Burgundy-white			
	944 521 001 01 QA4	Greyish green/ Greyish green-white			
	944 521 001 01 RU3	Grey-beige/ Grey-beige-white	86- 86-		
(1)	944 521 002 01	Sports seat without heating Leatherette/ Seat and backrest surface Pin stripe velour	/R	1	
	944 521 002 01 NY5	Black/ Black-white			
	944 521 002 01 NY7	Brown/ Brown-beige			
	944 521 002 01 QA3	Blue/ Blue-white			
	944 521 002 01 NY8	Burgundy/ Burgundy-white			
	944 521 002 01 QA4	Greyish green/ Greyish green-white			
	944 521 002 01 RU3	Grey-beige/ Grey-beige-white	86- 86-		
(1)	944 521 001 03	Sports seat with heating Leatherette/ Seat and backrest surface Pin stripe velour	/L	1	
	944 521 001 03 NY5	Black/ Black-white			
	944 521 001 03 NY7	Brown/ Brown-beige			
	944 521 001 03 QA3	Blue/ Blue-white			
	944 521 001 03 NY8	Burgundy/ Burgundy-white			
	944 521 001 03 QA4	Greyish green/ Greyish green-white			
	944 521 001 03 RU3	Grey-beige/ Grey-beige-white	86- 86-		
(1)	944 521 002 03	Sports seat with heating Leatherette/ Seat and backrest surface Pin stripe velour	/R	1	
	944 521 002 03 NY5	Black/ Black-white			
	944 521 002 03 NY7	Brown/ Brown-beige			
	944 521 002 03 QA3	Blue/			

Model: 911 84 Model life 1984>>1986

Pos	Part Number	Description	Remark	Qty	Model
	944 521 002 03 NY8	Blue-white			
	944 521 002 03 QA4	Burgundy/ Burgundy-white			
	944 521 002 03 RU3	Greyish green/ Greyish green-white			
1	944 521 001 01	Grey-beige/ Grey-beige-white	86- 86-	1	
		Sports seat without heating Leatherette/ Seat and backrest surface Pin stripe flannel	/L		
	944 521 001 01 NY9	Black/anthracite			
	944 521 001 01 NZ6	Brown/brown			
	944 521 001 01 QA6	Blue/blue			
	944 521 001 01 NZ5	Burgundy/burgundy			
(1)	944 521 001 01 QA5	Greyish green/grey-green		1	
	944 521 002 01	Sports seat without heating Leatherette/ Seat and backrest surface Pin stripe flannel	/R		
	944 521 002 01 NY9	Black/anthracite			
	944 521 002 01 NZ6	Brown/brown			
	944 521 002 01 QA6	Blue/blue			
	944 521 002 01 NZ5	Burgundy/burgundy			
(1)	944 521 002 01 QA5	Greyish green/grey-green		1	
	944 521 001 03	Sports seat with heating Leatherette/ Seat and backrest surface Pin stripe flannel	/L		
	944 521 001 03 NY9	Black/anthracite			
	944 521 001 03 NZ6	Brown/brown			
	944 521 001 03 QA6	Blue/blue			
	944 521 001 03 NZ5	Burgundy/burgundy			
(1)	944 521 001 03 QA5	Greyish green/grey-green		1	
	944 521 002 03	Sports seat with heating Leatherette/ Seat and backrest surface Pin stripe flannel	/R		
	944 521 002 03 NY9	Black/anthracite			
	944 521 002 03 NZ6	Brown/brown			
	944 521 002 03 QA6	Blue/blue			
	944 521 002 03 NZ5	Burgundy/burgundy			
(1)	944 521 002 03 QA5	Greyish green/grey-green		1	
	944 521 001 01	Sports seat without heating Leatherette/ Seat and backrest surface Porsche lettering cloth	/L		
	944 521 001 01 PX2	Black/black			
	944 521 001 01 PX4	Brown/brown			
	944 521 001 01 PX7	Blue/blue			
	944 521 001 01 PX6	Burgundy/burgundy			
	944 521 001 01 PX8	Greyish green/grey-green			
(1)	944 521 001 01 QD9	Grey-beige/grey-beige	86- /R	1	
	944 521 002 01	Sports seat without heating Leatherette/ Seat and backrest surface Porsche lettering cloth			



Model: 911 84 Model life 1984>>1986

Pos	Part Number	Description	Remark	Qty	Model
(1)	944 521 002 01 PX2	Black/black			
	944 521 002 01 PX4	Brown/brown			
	944 521 002 01 PX7	Blue/blue			
	944 521 002 01 PX6	Burgundy/burgundy			
	944 521 002 01 PX8	Greyish green/grey-green			
	944 521 002 01 QD9	Grey-beige/grey-beige	86-		
	944 521 001 03	Sports seat with heating Leatherette/ Seat and backrest surface Porsche lettering cloth	/L	1	
	944 521 001 03 PX2	Black/black			
	944 521 001 03 PX4	Brown/brown			
(1)	944 521 001 03 PX7	Blue/blue			
	944 521 001 03 PX6	Burgundy/burgundy			
	944 521 001 03 PX8	Greyish green/grey-green			
	944 521 001 03 QD9	Grey-beige/grey-beige	86-		
	944 521 002 03	Sports seat with heating Leatherette/ Seat and backrest surface Porsche lettering cloth	/R	1	
	944 521 002 03 PX2	Black/black			
	944 521 002 03 PX4	Brown/brown			
	944 521 002 03 PX7	Blue/blue			
	944 521 002 03 PX6	Burgundy/burgundy			
2	944 521 002 03 PX8	Greyish green/grey-green			
	944 521 002 03 QD9	Grey-beige/grey-beige	86-		
	944 521 001 50	Sports seat without heating Leatherette/leather Centre part Pin stripe velour	/L	1	
	944 521 001 50 PY1	Black/ Black-white			
	944 521 001 50 PY2	Brown/ Brown-beige			
	944 521 001 50 PY3	Blue/ Blue-white			
	944 521 001 50 PY4	Burgundy/ Burgundy-white			
	944 521 001 50 PY5	Greyish green/ Greyish green-white			
	944 521 001 50 RU4	Grey-beige/ Grey-beige-white	86- 86-		
	(2) 944 521 002 50	Sports seat without heating Leatherette/leather Centre part Pin stripe velour	/R	1	
	944 521 002 50 PY1	Black/ Black-white			
	944 521 002 50 PY2	Brown/ Brown-beige			
	944 521 002 50 PY3	Blue/ Blue-white			
	944 521 002 50 PY4	Burgundy/ Burgundy-white			
	944 521 002 50 PY5	Greyish green/ Greyish green-white			
(2)	944 521 002 50 RU4	Grey-beige/ Grey-beige-white	86- 86-		
	944 521 001 55	Sports seat	/L	1	

Model: 911 84 Model life 1984>>1986

Pos	Part Number	Description	Remark	Qty	Model
		with heating Leatherette/leather Centre part Pin stripe velour			
	944 521 001 55 PY1	Black/ Black-white			
	944 521 001 55 PY2	Brown/ Brown-beige			
	944 521 001 55 PY3	Blue/ Blue-white			
	944 521 001 55 PY4	Burgundy/ Burgundy-white			
	944 521 001 55 PY5	Greyish green/ Greyish green-white			
	944 521 001 55 RU4	Grey-beige/ Grey-beige-white	86- 86-		
(2)	944 521 002 55	Sports seat with heating Leatherette/leather Centre part Pin stripe velour	/R	1	
	944 521 002 55 PY1	Black/ Black-white			
	944 521 002 55 PY2	Brown/ Brown-beige			
	944 521 002 55 PY3	Blue/ Blue-white			
	944 521 002 55 PY4	Burgundy/ Burgundy-white			
	944 521 002 55 PY5	Greyish green/ Greyish green-white			
	944 521 002 55 RU4	Grey-beige/ Grey-beige-white	86- 86-		
2	944 521 001 50	Sports seat without heating Leatherette/leather Centre part Pin stripe flannel	/L	1	
	944 521 001 50 PZ2	Black/anthracite			
	944 521 001 50 PZ3	Brown/brown			
	944 521 001 50 PZ4	Blue/blue			
	944 521 001 50 PZ5	Burgundy/burgundy			
	944 521 001 50 PZ6	Greyish green/grey-green			
(2)	944 521 002 50	Sports seat without heating Leatherette/leather Centre part Pin stripe flannel	/R	1	
	944 521 002 50 PZ2	Black/anthracite			
	944 521 002 50 PZ3	Brown/brown			
	944 521 002 50 PZ4	Blue/blue			
	944 521 002 50 PZ5	Burgundy/burgundy			
	944 521 002 50 PZ6	Greyish green/grey-green			
(2)	944 521 001 55	Sports seat with heating Leatherette/leather Centre part Pin stripe flannel	/L	1	
	944 521 001 55 PZ2	Black/anthracite			
	944 521 001 55 PZ3	Brown/brown			
	944 521 001 55 PZ4	Blue/blue			
	944 521 001 55 PZ5	Burgundy/burgundy			
	944 521 001 55 PZ6	Greyish green/grey-green			

Model: 911 84 Model life 1984>>1986

Pos	Part Number	Description	Remark	Qty	Model
(2)	944 521 002 55	Sports seat with heating Leatherette/leather Centre part Pin stripe flannel	/R	1	
	944 521 002 55 PZ2	Black/anthracite			
	944 521 002 55 PZ3	Brown/brown			
	944 521 002 55 PZ4	Blue/blue			
	944 521 002 55 PZ5	Burgundy/burgundy			
	944 521 002 55 PZ6	Greyish green/grey-green			
2	944 521 001 50	Sports seat without heating Leatherette/leather Centre part Porsche lettering cloth	/L	1	
	944 521 001 50 PZ7	Black/black			
	944 521 001 50 PZ8	Brown/brown			
	944 521 001 50 PZ9	Blue/blue			
	944 521 001 50 QA1	Burgundy/burgundy			
	944 521 001 50 QA2	Greyish green/grey-green			
	944 521 001 50 RU2	Grey-beige/grey-beige	86-		
(2)	944 521 002 50	Sports seat without heating Leatherette/leather Centre part Porsche lettering cloth	/R	1	
	944 521 002 50 PZ7	Black/black			
	944 521 002 50 PZ8	Brown/brown			
	944 521 002 50 PZ9	Blue/blue			
	944 521 002 50 QA1	Burgundy/burgundy			
	944 521 002 50 QA2	Greyish green/grey-green			
	944 521 002 50 RU2	Grey-beige/grey-beige	86-		
(2)	944 521 001 55	Sports seat with heating Leatherette/leather Centre part Porsche lettering cloth	/L	1	
	944 521 001 55 PZ7	Black/black			
	944 521 001 55 PZ8	Brown/brown			
	944 521 001 55 PZ9	Blue/blue			
	944 521 001 55 QA1	Burgundy/burgundy			
	944 521 001 55 QA2	Greyish green/grey-green			
	944 521 001 55 RU2	Grey-beige/grey-beige	86-		
(2)	944 521 002 55	Sports seat with heating Leatherette/leather Centre part Porsche lettering cloth	/R	1	
	944 521 002 55 PZ7	Black/black			
	944 521 002 55 PZ8	Brown/brown			
	944 521 002 55 PZ9	Blue/blue			
	944 521 002 55 QA1	Burgundy/burgundy			
	944 521 002 55 QA2	Greyish green/grey-green			
	944 521 002 55 RU2	Grey-beige/grey-beige	86-		
2	944 521 001 54	Sports seat without heating Leather/ Centre part Pin stripe velour	/L	1	
	944 521 001 54 LS5	Black/ Black-white			
	944 521 001 54 LS6	Brown/ Brown-beige			

Model: 911 84 Model life 1984>>1986

Pos	Part Number	Description	Remark	Qty	Model
	944 521 001 54 LS8	Blue/ Blue-white			
	944 521 001 54 LS9	Burgundy/ Burgundy-white			
	944 521 001 54 QA7	Greyish green/ Greyish green-white			
	944 521 001 54 LS7	Grey-beige/ Grey-beige-white	86- 86-		
(2)	944 521 002 54	Sports seat without heating Leather/ Centre part Pin stripe velour	/R	1	
	944 521 002 54 LS5	Black/ Black-white			
	944 521 002 54 LS6	Brown/ Brown-beige			
	944 521 002 54 LS8	Blue/ Blue-white			
	944 521 002 54 LS9	Burgundy/ Burgundy-white			
	944 521 002 54 QA7	Greyish green/ Greyish green-white			
	944 521 002 54 LS7	Grey-beige/ Grey-beige-white	86- 86-		
(2)	944 521 001 59	Sports seat with heating Leather/ Centre part Pin stripe velour	/L	1	
	944 521 001 59 LS5	Black/ Black-white			
	944 521 001 59 LS6	Brown/ Brown-beige			
	944 521 001 59 LS8	Blue/ Blue-white			
	944 521 001 59 LS9	Burgundy/ Burgundy-white			
	944 521 001 59 QA7	Greyish green/ Greyish green-white			
	944 521 001 59 LS7	Grey-beige/ Grey-beige-white	86- 86-		
(2)	944 521 002 59	Sports seat with heating Leather/ Centre part Pin stripe velour	/R	1	
	944 521 002 59 LS5	Black/ Black-white			
	944 521 002 59 LS6	Brown/ Brown-beige			
	944 521 002 59 LS8	Blue/ Blue-white			
	944 521 002 59 LS9	Burgundy/ Burgundy-white			
	944 521 002 59 QA7	Greyish green/ Greyish green-white			
	944 521 002 59 LS7	Grey-beige/ Grey-beige-white	86- 86-		
2	944 521 001 54	Sports seat without heating Leather/ Centre part	/L	1	

Model: 911 84 Model life 1984>>1986

Pos	Part Number	Description	Remark	Qty	Model
		Pin stripe flannel			
	944 521 001 54 QB1	Black/anthracite			
	944 521 001 54 QB3	Brown/brown			
	944 521 001 54 QB5	Blue/blue			
	944 521 001 54 QB7	Burgundy/burgundy			
	944 521 001 54 QA8	Greyish green/grey-green			
(2)	944 521 002 54	Sports seat without heating Leather/ Centre part Pin stripe flannel	/R	1	
	944 521 002 54 QB1	Black/anthracite			
	944 521 002 54 QB3	Brown/brown			
	944 521 002 54 QB5	Blue/blue			
	944 521 002 54 QB7	Burgundy/burgundy			
	944 521 002 54 QA8	Greyish green/grey-green			
(2)	944 521 001 59	Sports seat with heating Leather/ Centre part Pin stripe flannel	/L	1	
	944 521 001 59 QB1	Black/anthracite			
	944 521 001 59 QB3	Brown/brown			
	944 521 001 59 QB5	Blue/blue			
	944 521 001 59 QB7	Burgundy/burgundy			
	944 521 001 59 QA8	Greyish green/grey-green			
(2)	944 521 002 59	Sports seat with heating Leather/ Centre part Pin stripe flannel	/R	1	
	944 521 002 59 QB1	Black/anthracite			
	944 521 002 59 QB3	Brown/brown			
	944 521 002 59 QB5	Blue/blue			
	944 521 002 59 QB7	Burgundy/burgundy			
	944 521 002 59 QA8	Greyish green/grey-green			
2	944 521 001 54	Sports seat without heating Leather/ Centre part Porsche lettering cloth	/L	1	
	944 521 001 54 QB2	Black/black			
	944 521 001 54 QB4	Brown/brown			
	944 521 001 54 QB6	Blue/blue			
	944 521 001 54 QB8	Burgundy/burgundy			
	944 521 001 54 QA9	Greyish green/grey-green			
	944 521 001 54 RU1	Grey-beige/grey-beige	86-		
(2)	944 521 002 54	Sports seat without heating Leather/ Centre part Porsche lettering cloth	/R	1	
	944 521 002 54 QB2	Black/black			
	944 521 002 54 QB4	Brown/brown			
	944 521 002 54 QB6	Blue/blue			
	944 521 002 54 QB8	Burgundy/burgundy			
	944 521 002 54 QA9	Greyish green/grey-green			
	944 521 002 54 RU1	Grey-beige/grey-beige	86-		
(2)	944 521 001 59	Sports seat with heating Leather/ Centre part Porsche lettering cloth	/L	1	

Model: 911 84 Model life 1984>>1986

Pos	Part Number	Description	Remark	Qty	Model
(2)	944 521 001 59 QB2	Black/black			
	944 521 001 59 QB4	Brown/brown			
	944 521 001 59 QB6	Blue/blue			
	944 521 001 59 QB8	Burgundy/burgundy			
	944 521 001 59 QA9	Greyish green/grey-green			
	944 521 001 59 RU1	Grey-beige/grey-beige	86-		
	944 521 002 59	Sports seat with heating Leather/ Centre part Porsche lettering cloth	/R	1	
	944 521 002 59 QB2	Black/black			
	944 521 002 59 QB4	Brown/brown			
	944 521 002 59 QB6	Blue/blue			
3	944 521 002 59 QB8	Burgundy/burgundy			
	944 521 002 59 QA9	Greyish green/grey-green			
	944 521 002 59 RU1	Grey-beige/grey-beige	86-		
	944 521 001 51	Sports seat without heating Leatherette/ Seat and backrest surface Leather	/L	1	
	944 521 001 51 JN3	Black/black			
	944 521 001 51 JN4	Brown/brown			
	944 521 001 51 QC1	Blue/blue			
	944 521 001 51 NZ8	Burgundy/burgundy			
	944 521 001 51 PX9	Greyish green/grey-green			
	944 521 001 51 JN5	Grey-beige/grey-beige	86-		
(3)	944 521 002 51	Sports seat without heating Leatherette/ Seat and backrest surface Leather	/R	1	
	944 521 002 51 JN3	Black/black			
	944 521 002 51 JN4	Brown/brown			
	944 521 002 51 QC1	Blue/blue			
	944 521 002 51 NZ8	Burgundy/burgundy			
	944 521 002 51 PX9	Greyish green/grey-green			
	944 521 002 51 JN5	Grey-beige/grey-beige	86-		
	944 521 001 56	Sports seat with heating Leatherette/ Seat and backrest surface Leather	/L	1	
	944 521 001 56 JN3	Black/black			
	944 521 001 56 JN4	Brown/brown			
(3)	944 521 001 56 QC1	Blue/blue			
	944 521 001 56 NZ8	Burgundy/burgundy			
	944 521 001 56 PX9	Greyish green/grey-green			
	944 521 001 56 JN5	Grey-beige/grey-beige	86-		
	944 521 002 56	Sports seat with heating Leatherette/ Seat and backrest surface Leather	/R	1	
	944 521 002 56 JN3	Black/black			
	944 521 002 56 JN4	Brown/brown			
	944 521 002 56 QC1	Blue/blue			
	944 521 002 56 NZ8	Burgundy/burgundy			
	944 521 002 56 PX9	Greyish green/grey-green			
3	944 521 002 56 JN5	Grey-beige/grey-beige	86-		
	944 521 001 52	Sports seat without heating	/L	1	

Model: 911 84 Model life 1984>>1986

Pos	Part Number	Description	Remark	Qty	Model
		Leather			
	944 521 001 52 KZ2	Black			
	944 521 001 52 KZ5	Brown			
	944 521 001 52 KZ3	Blue			
	944 521 001 52 LG7	Burgundy			
	944 521 001 52 QC2	Greyish green			
	944 521 001 52 KZ6	Can-can-red			
	944 521 001 52 LG4	Pearl white			
	944 521 001 52 LG5	Champagne			
	944 521 001 52 LG6	Dark green			
	944 521 001 52 PY9	Ocean blue			
	944 521 001 52 PZ1	Wild buffalo			
	944 521 001 52 KZ4	Grey-beige	86-		
(3)	944 521 002 52	Sports seat without heating Leather	/R	1	
	944 521 002 52 KZ2	Black			
	944 521 002 52 KZ5	Brown			
	944 521 002 52 KZ3	Blue			
	944 521 002 52 LG7	Burgundy			
	944 521 002 52 QC2	Greyish green			
	944 521 002 52 KZ6	Can-can-red			
	944 521 002 52 LG4	Pearl white			
	944 521 002 52 LG5	Champagne			
	944 521 002 52 LG6	Dark green			
	944 521 002 52 PY9	Ocean blue			
	944 521 002 52 PZ1	Wild buffalo			
	944 521 002 52 KZ4	Grey-beige	86-		
(3)	944 521 001 57	Sports seat with heating Leather	/L	1	
	944 521 001 57 KZ2	Black			
	944 521 001 57 KZ5	Brown			
	944 521 001 57 KZ3	Blue			
	944 521 001 57 LG7	Burgundy			
	944 521 001 57 QC2	Greyish green			
	944 521 001 57 KZ6	Can-can-red			
	944 521 001 57 LG4	Pearl white			
	944 521 001 57 LG5	Champagne			
	944 521 001 57 LG6	Dark green			
	944 521 001 57 PY9	Ocean blue			
	944 521 001 57 PZ1	Wild buffalo			
	944 521 001 57 KZ4	Grey-beige	86-		
(3)	944 521 002 57	Sports seat with heating Leather	/R	1	
	944 521 002 57 KZ2	Black			
	944 521 002 57 KZ5	Brown			
	944 521 002 57 KZ3	Blue			
	944 521 002 57 LG7	Burgundy			
	944 521 002 57 QC2	Greyish green			
	944 521 002 57 KZ6	Can-can-red			
	944 521 002 57 LG4	Pearl white			
	944 521 002 57 LG5	Champagne			
	944 521 002 57 LG6	Dark green			
	944 521 002 57 PY9	Ocean blue			
	944 521 002 57 PZ1	Wild buffalo			
	944 521 002 57 KZ4	Grey-beige	86-		
4	911 521 547 00	Screw M 10 X 20		8	
5	928 521 147 02	Cover	/L	2	
	928 521 147 02 01C	Black			
	928 521 147 02 4RB	Brown			

Model: 911 84

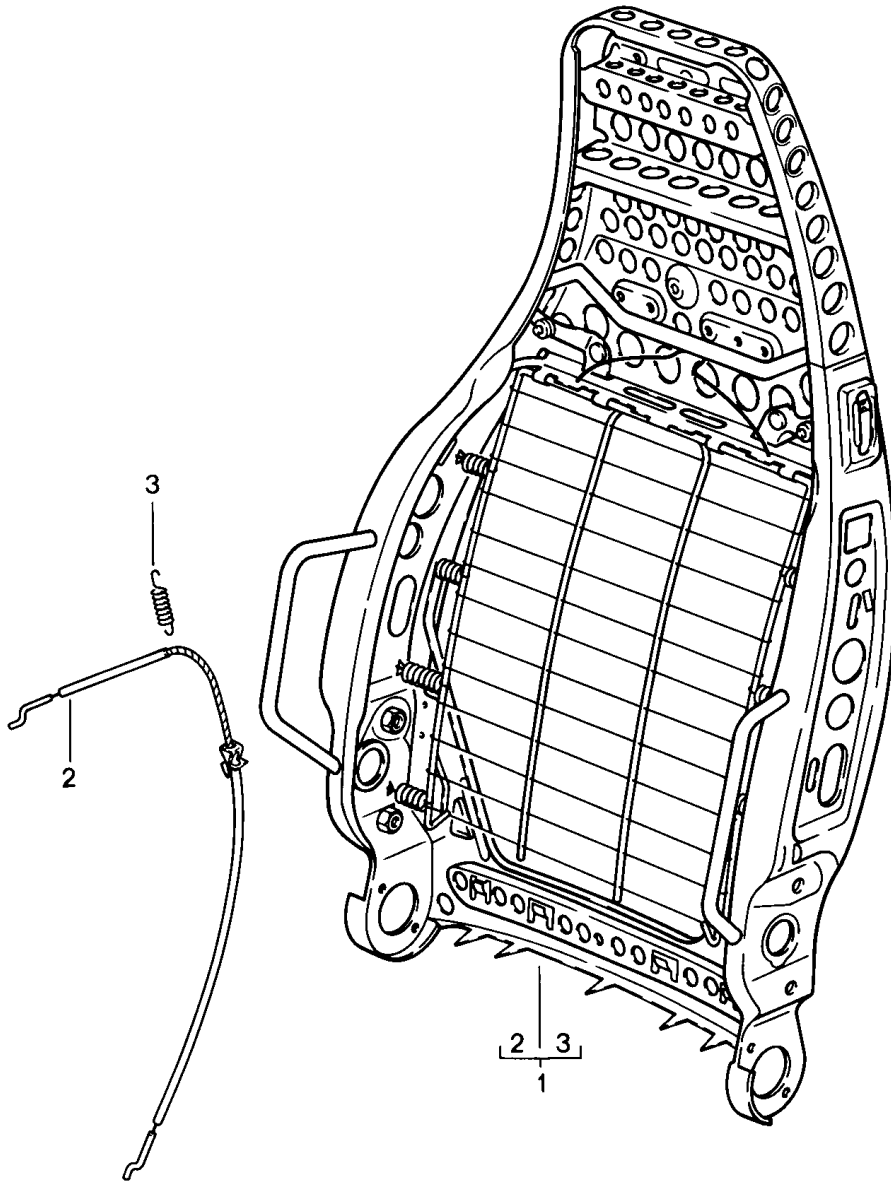
Model life 1984>>1986

Pos	Part Number	Description	Remark	Qty	Model
	928 521 147 02 5HJ	Blue			
	928 521 147 02 9MM	Burgundy			
	928 521 147 02 1DJ	Greyish green			
	928 521 147 02 3UC	Grey-beige	86-		
(5)	928 521 148 02	Cover	/R	2	
	928 521 148 02 01C	Black			
	928 521 148 02 4RB	Brown			
	928 521 148 02 5HJ	Blue			
	928 521 148 02 9MM	Burgundy			
	928 521 148 02 1DJ	Greyish green			
	928 521 148 02 3UC	Grey-beige	86-		
6	900 025 044 07	Washer A 4,3		8	
7	900 143 113 07	Oval-head screw B 4,2 X 13		8	
7	900 143 113 0G	Oval-head screw B 4,2 X 13		8	
8	928 521 760 03	Cover		2	
9	N 013 959 3	Oval-head sheetmetal screw B 3,5 X 16		4	
9	900 143 016 01	Oval-head sheetmetal screw B 3,5 X 16		4	
10	900 025 013 07	Washer A 3,7		4	
11	900 119 030 02	Pan-head screw M 8 X 20		12	
12	900 089 006 02	Washer 8		12	
12	900 089 006 01	Washer 8		12	
13	928 521 101 05	Threaded plate Front		X	
(13)	928 521 101 08	Threaded plate Rear		X	



Model: 911 84

Model life 1984>>1986



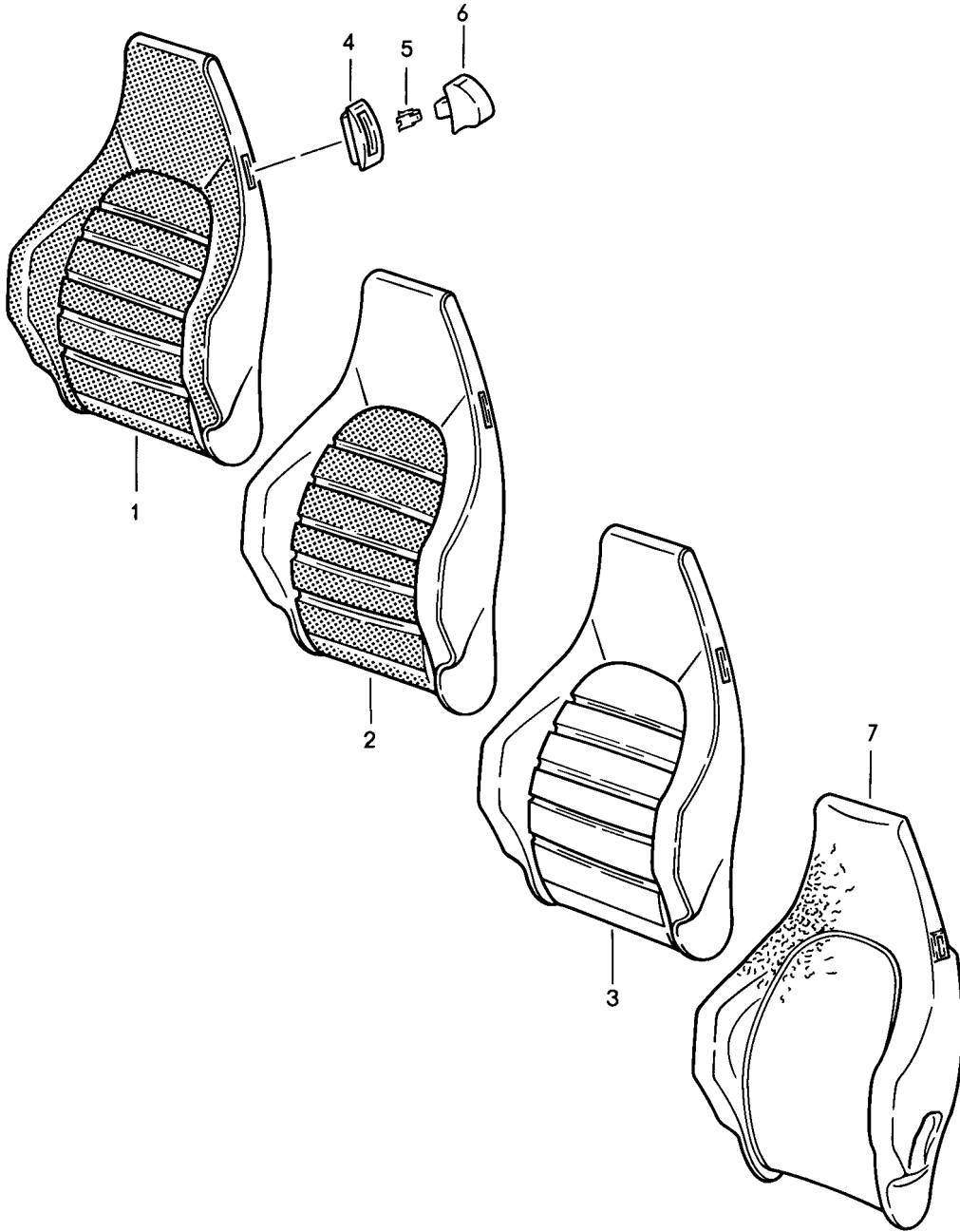
Model: 911 84

Model life 1984>>1986

Pos	Part Number	Description	Remark	Qty	Model
		Sports seat			
		Backrest frame			
1	944 521 027 01	Backrest frame		2	
1		Backrest frame		2	
2	928 521 093 02	Bowden cable		2	
3	311 881 287 A	Tension spring		2	
		Actuating lever			

Model: 911 84

Model life 1984>>1986



Model: 911 84 Model life 1984>>1986

Pos	Part Number	Description	Remark	Qty	Model
1	944 521 071 05	Sports seat Backrest cover Backrest cover without heating Leatherette/ Backrest surface Pin stripe velour	85-	2	
	944 521 071 05 NY5	Black/ Black-white			
	944 521 071 05 NY7	Brown/ Brown-beige			
	944 521 071 05 QA3	Blue/ Blue-white			
	944 521 071 05 NY8	Burgundy Burgundy-white			
	944 521 071 05 QA4	Greyish green Greyish green-white			
	944 521 071 05 RU3	Grey-beige/ Grey-beige-white	86-		
(1)	944 521 071 72	Backrest cover with heating Leatherette/ Backrest surface Pin stripe velour		2	
	944 521 071 72 NY5	Black/ Black-white			
	944 521 071 72 NY7	Brown/ Brown-beige			
	944 521 071 72 QA3	Blue/ Blue-white			
	944 521 071 72 NY8	Burgundy Burgundy-white			
	944 521 071 72 QA4	Greyish green Greyish green-white			
	944 521 071 72 RU3	Grey-beige/ Grey-beige-white	86-		
1	944 521 071 05	Backrest cover without heating Leatherette/ Backrest surface Pin stripe flannel		2	
	944 521 071 05 NY9	Black/anthracite			
	944 521 071 05 NZ6	Brown/brown			
	944 521 071 05 QA6	Blue/blue			
	944 521 071 05 NZ5	Burgundy/burgundy			
	944 521 071 05 QA5	Greyish green/grey-green			
(1)	944 521 071 72	Backrest cover with heating Leatherette/ Backrest surface Pin stripe flannel		2	
	944 521 071 72 NY9	Black/anthracite			
	944 521 071 72 NZ6	Brown/brown			
	944 521 071 72 QA6	Blue/blue			
	944 521 071 72 NZ5	Burgundy/burgundy			
	944 521 071 72 QA5	Greyish green/grey-green			
1	944 521 071 05	Backrest cover without heating Leatherette/ Backrest surface Porsche lettering cloth		2	
	944 521 071 05 PX2	Black/black			
	944 521 071 05 PX4	Brown/brown			

Model: 911 84 Model life 1984>>1986

Pos	Part Number	Description	Remark	Qty	Model				
(1)	944 521 071 05 PX7	Blue/blue	86-	2					
	944 521 071 05 PX6	Burgundy/burgundy							
	944 521 071 05 PX8	Greyish green/grey-green							
	944 521 071 05 QD9	Grey-beige/grey-beige							
	944 521 071 72	Backrest cover with heating Leatherette/ Backrest surface Porsche lettering cloth							
	944 521 071 72 PX2	Black/black							
	944 521 071 72 PX4	Brown/brown							
	944 521 071 72 PX7	Blue/blue							
	944 521 071 72 PX6	Burgundy/burgundy							
	944 521 071 72 PX8	Greyish green/grey-green							
2	944 521 071 72 QD9	Grey-beige/grey-beige	86-	2					
	944 521 071 60	Backrest cover without heating Leatherette/leather Centre part Pin stripe velour							
	944 521 071 60 PY1	Black/black Black-white							
	944 521 071 60 PY2	Brown/ Brown-beige							
	944 521 071 60 PY3	Blue/ Blue-white							
	944 521 071 60 PY4	Burgundy/burgundy Burgundy-white							
	944 521 071 60 PY5	Greyish green Greyish green-white							
	944 521 071 60 RU4	Grey-beige/ Grey-beige-white							
	(2)	944 521 071 70				Backrest cover with heating Leatherette/leather Centre part Pin stripe velour	86-	2	
		944 521 071 70 PY1				Black/ Black-white			
944 521 071 70 PY2		Brown/ Brown-beige							
944 521 071 70 PY3		Blue/ Blue-white							
944 521 071 70 PY4		Burgundy Burgundy-white							
944 521 071 70 PY5		Greyish green Greyish green-white							
944 521 071 70 RU4		Grey-beige/ Grey-beige-white							
2		944 521 071 60	Backrest cover without heating Leatherette/leather Centre part Pin stripe flannel	86-	2				
		944 521 071 60 PZ2	Black/anthracite						
		944 521 071 60 PZ3	Brown/brown						
	944 521 071 60 PZ4	Blue/blue							
	944 521 071 60 PZ5	Burgundy/burgundy							
	944 521 071 60 PZ6	Grey-beige/grey-beige							
	(2)	944 521 071 70	Backrest cover with heating Leatherette/leather Centre part				86-	2	

Model: 911 84 Model life 1984>>1986

Pos	Part Number	Description	Remark	Qty	Model
	944 521 071 70 PZ2	Pin stripe flannel Black/anthracite			
	944 521 071 70 PZ3	Brown/brown			
	944 521 071 70 PZ4	Blue/blue			
	944 521 071 70 PZ5	Burgundy/burgundy			
	944 521 071 70 PZ6	Grey-beige/grey-beige			
2	944 521 071 60	Backrest cover without heating Leatherette/leather Centre part Porsche lettering cloth		2	
	944 521 071 60 PZ7	Black/black			
	944 521 071 60 PZ8	Brown/brown			
	944 521 071 60 PZ9	Blue/blue			
	944 521 071 60 QA1	Burgundy/burgundy			
	944 521 071 60 QA2	Greyish green/grey-green			
(2)	944 521 071 60 RU2	Grey-beige/grey-beige	86-	2	
	944 521 071 70	Backrest cover with heating Leatherette/leather Centre part Porsche lettering cloth			
	944 521 071 70 PZ7	Black/black			
	944 521 071 70 PZ8	Brown/brown			
	944 521 071 70 PZ9	Blue/blue			
	944 521 071 70 QA1	Burgundy/burgundy			
	944 521 071 70 QA2	Greyish green/grey-green			
2	944 521 071 70 RU2	Grey-beige/grey-beige	86-	2	
	944 521 071 63	Backrest cover without heating Leather/ Centre part Pin stripe velour			
	944 521 071 63 LS5	Black/ Black-white			
	944 521 071 63 LS6	Brown/ Brown-beige			
	944 521 071 63 LS8	Blue/ Blue-white			
	944 521 071 63 LS9	Burgundy/ Burgundy-white			
	944 521 071 63 QA7	Greyish green/ Greyish green-white			
(2)	944 521 071 63 LS7	Grey-beige/ Grey-beige-white	86-	2	
	944 521 071 74	Backrest cover with heating Leather/ Centre part Pin stripe velour			
	944 521 071 74 LS5	Black/ Black-white			
	944 521 071 74 LS6	Brown/ Brown-beige			
	944 521 071 74 LS8	Blue/ Blue-white			
	944 521 071 74 LS9	Burgundy/ Burgundy-white			
	944 521 071 74 QA7	Greyish green/ Greyish green-white			
	944 521 071 74 LS7	Grey-beige/ Grey-beige-white	86-		
2	944 521 071 63	Backrest cover		2	

Model: 911 84 Model life 1984>>1986

Pos	Part Number	Description	Remark	Qty	Model
		without heating Leather/ Centre part Pin stripe flannel			
	944 521 071 63 QB1	Black/anthracite			
	944 521 071 63 QB3	Brown/brown			
	944 521 071 63 QB5	Blue/blue			
	944 521 071 63 QB7	Burgundy/burgundy			
	944 521 071 63 QA8	Greyish green/grey-green			
(2)	944 521 071 74	Backrest cover with heating Leather/ Centre part Pin stripe flannel		2	
	944 521 071 74 QB1	Black/anthracite			
	944 521 071 74 QB3	Brown/brown			
	944 521 071 74 QB5	Blue/blue			
	944 521 071 74 QB7	Burgundy/burgundy			
	944 521 071 74 QA8	Greyish green/grey-green			
2	944 521 071 63	Backrest cover without heating Leather/ Centre part Porsche lettering cloth		2	
	944 521 071 63 QB2	Black/black			
	944 521 071 63 QB4	Brown/brown			
	944 521 071 63 QB6	Blue/blue			
	944 521 071 63 QB8	Burgundy/burgundy			
	944 521 071 63 QA9	Greyish green/grey-green			
(2)	944 521 071 63 RU1	Grey-beige/grey-beige	86-	2	
	944 521 071 74	Backrest cover with heating Leather/ Centre part Porsche lettering cloth			
	944 521 071 74 QB2	Black/anthracite			
	944 521 071 74 QB4	Brown/brown			
	944 521 071 74 QB6	Blue/blue			
	944 521 071 74 QB8	Burgundy/burgundy			
	944 521 071 74 QA9	Greyish green/grey-green			
	944 521 071 74 RU1	Grey-beige/grey-beige	86-		
3	944 521 071 61	Backrest cover without heating Leatherette/ Backrest surface Leather		2	
	944 521 071 61 JN3	Black			
	944 521 071 61 JN4	Brown			
	944 521 071 61 QC1	Blue			
	944 521 071 61 NZ8	Burgundy			
	944 521 071 61 PX9	Greyish green			
	944 521 071 61 JN5	Grey-beige	86-		
(3)	944 521 071 71	Backrest cover with heating Leatherette/ Backrest surface Leather		2	
	944 521 071 71 JN3	Black			
	944 521 071 71 JN4	Brown			
	944 521 071 71 QC1	Blue			
	944 521 071 71 NZ8	Burgundy			
	944 521 071 71 PX9	Greyish green			
	944 521 071 71 JN5	Grey-beige	86-		

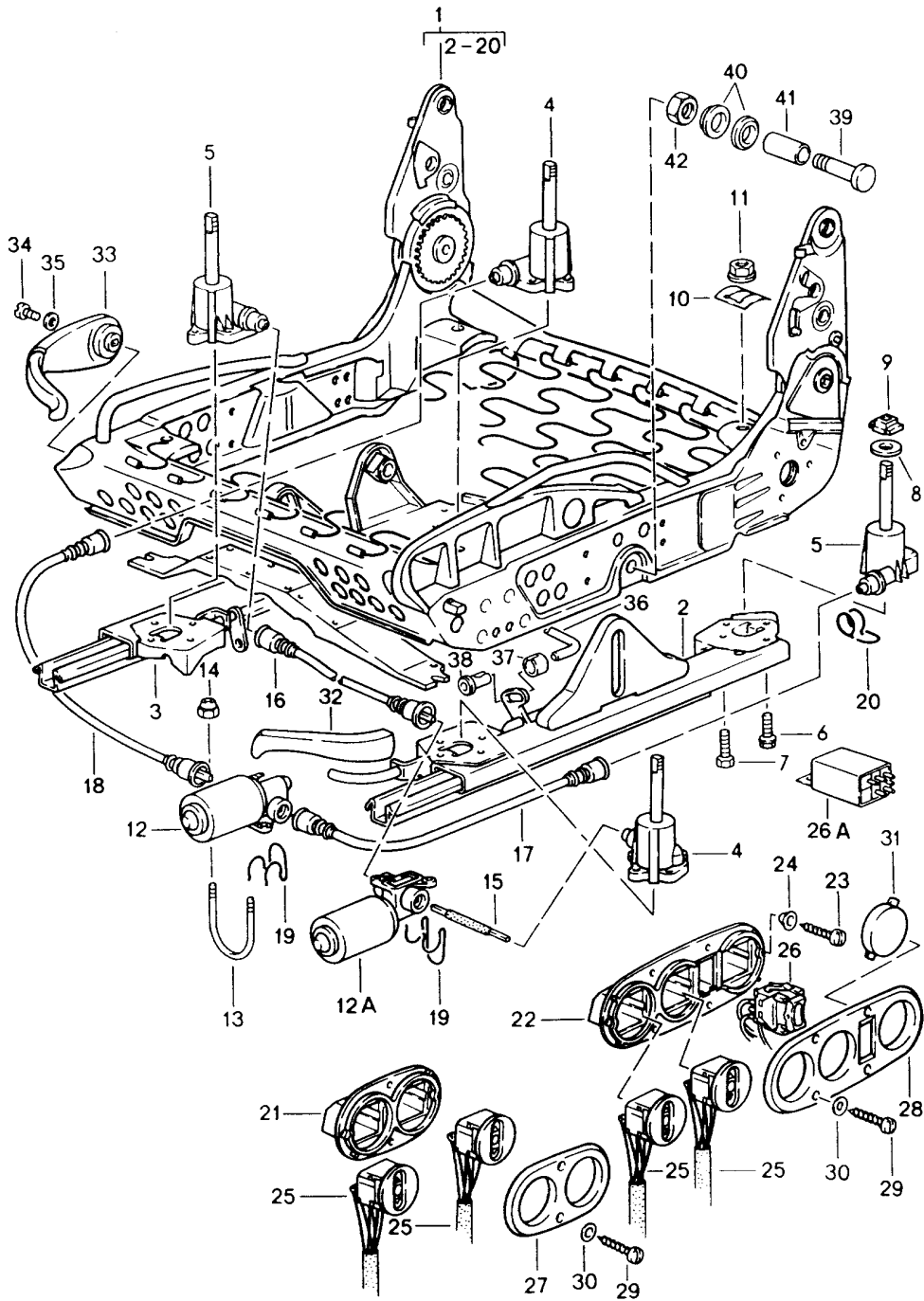
Model: 911 84 Model life 1984>>1986

Pos	Part Number	Description	Remark	Qty	Model
3	944 521 071 62	Backrest cover without heating Leather		2	
	944 521 071 62 KZ2	Black			
	944 521 071 62 KZ5	Brown			
	944 521 071 62 KZ3	Blue			
	944 521 071 62 LG7	Burgundy			
	944 521 071 62 QC2	Greyish green			
	944 521 071 62 KZ6	Can-can-red			
	944 521 071 62 LG4	Pearl white			
	944 521 071 62 LG5	Champagne			
	944 521 071 62 LG6	Dark green			
	944 521 071 62 PY9	Ocean blue			
	944 521 071 62 PZ1	Wild buffalo			
	944 521 071 62 KZ4	Grey-beige	86-		
(3)	944 521 071 73	Backrest cover with heating Leather		2	
	944 521 071 73 KZ2	Black			
	944 521 071 73 KZ5	Brown			
	944 521 071 73 KZ3	Blue			
	944 521 071 73 LG7	Burgundy			
	944 521 071 73 QC2	Greyish green			
	944 521 071 73 KZ6	Can-can-red			
	944 521 071 73 LG4	Pearl white			
	944 521 071 73 LG5	Champagne			
	944 521 071 73 LG6	Dark green			
	944 521 071 73 PY9	Ocean blue			
	944 521 071 73 PZ1	Wild buffalo			
	944 521 071 73 KZ4	Grey-beige	86-		
4	911 521 815 00	Rosette		4	
	911 521 815 00 01C	Satin black			
5	311 881 247	Clip		4	
6	911 521 817 00	Control button		4	
	911 521 817 00 01C	Satin black			
7	928 521 393 15	Foam part		2	



Model: 911 84

Model life 1984>>1986



Model: 911 84

Model life 1984&gt;&gt;1986

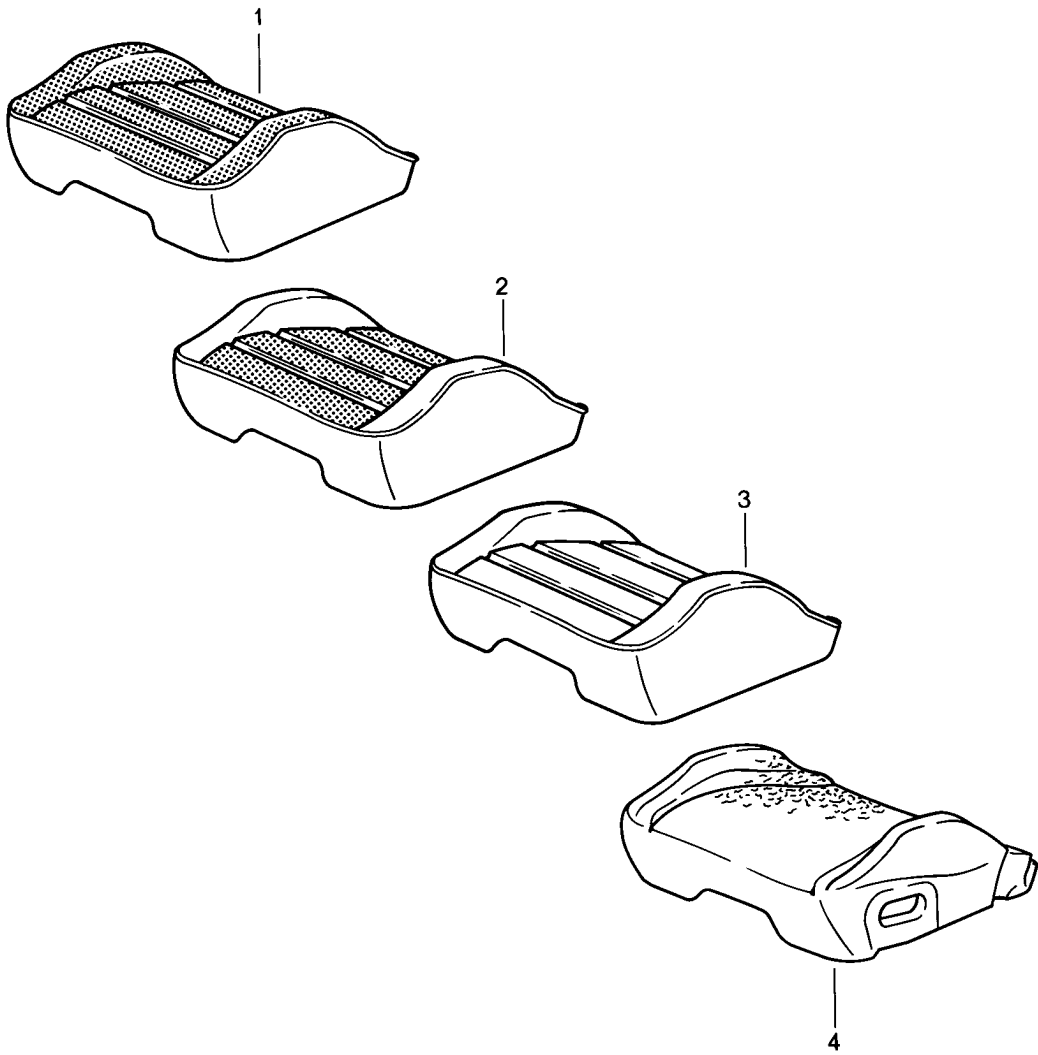
Pos	Part Number	Description	Remark	Qty	Model
		Sports seat			
		Seat frame			
1	944 521 069 05	Seat frame	/L	1	
1	993 521 069 02	Seat frame	/L	1	
(1)	944 521 070 05	Seat frame	/R	1	
(1)	993 521 070 02	Seat frame	/R	1	
2	928 521 489 11	Seat rail	/L	1	M383
2		Seat rail	/L	1	
(2)	928 521 491 04	Seat rail	/L	1	M387
(2)	964 521 491 00	Seat rail	/L	1	
3	928 521 492 04	Seat rail	/R	1	M383
3	964 521 492 00	Seat rail	/R	1	
(3)	928 521 490 11	Seat rail	/R	1	M387
(3)		Seat rail	/R	1	
4	928 521 721 03	Lifting gear		2	
		Left front, right rear			
4		Lifting gear		2	
		Left front, right rear			
5	928 521 722 03	Lifting gear		2	
		Right front, left rear			
5		Lifting gear		2	
		Right front, left rear			
6	999 217 033 01	Locking screw		10	
		M 6 X 16			
7	900 186 032 02	Pan-head screw		4	
		M 6 X 16			
8	999 025 129 40	Washer		4	
		10,2 X 30 X 1,5			
9	928 521 727 02	Slide		4	
10	928 521 723 02	Guide spring		4	
11	928 521 730 02	Nut		4	
12	928 624 126 01	Geared motor		1	
		Rear vertical adjustment			
12		Geared motor		1	
		Rear vertical adjustment			
12A		Geared motor		1	
		Front vertical adjustment			
12A		Geared motor		1	
		Front vertical adjustment			
13	999 222 001 02	Stirrup bolt		2	
		M 4			
14	900 910 006 02	Lock nut		4	
		M 4			
14	900 084 020 01	Lock nut		4	
		M 4			
15	928 521 671 03	Shaft	/L	1	
		Front vertical adjustment			
15		Shaft	/L	1	
		Front vertical adjustment			
16	928 521 672 02	Pliable shaft	/R	1	
		Front vertical adjustment			
17	928 521 673 05	Flexible shaft	/L	1	
		Rear vertical adjustment			
17		Flexible shaft	/L	1	
		Rear vertical adjustment			
18	928 521 674 02	Pliable shaft	/R	1	
		Rear vertical adjustment			
19	928 521 675 02	Moulded spring		2	
		for engine			
20	928 521 699 00	Moulded spring		3	
		Transmission			
21	928 521 559 04	Switch insert		1	
22	928 521 559 02	Switch insert	/L	1	M139

Model: 911 84 Model life 1984>>1986

Pos	Part Number	Description	Remark	Qty	Model
(22)	928 521 560 02	Switch insert	/R	1	M340
23	N 013 988 1	Counters. head tapp. screw B 3,5 X 16		1	
24	999 591 849 07	Washer B 3,5		1	
25	928 613 181 00	Switch Height adjustment		2	
26	928 613 187 01	Switch	/L	1	M139
(26)	928 613 188 01	Switch	/R	1	M340
		Seat heater			
26A	928 618 521 00	Relay		1	
		Seat heater			
27	928 521 561 04	Trim for switch		1	
	928 521 561 04 01C	Satin black			
28	928 521 561 03	Trim for switch		1	M139/340
	928 521 561 03 01C	Satin black			
29	N 013 959 3	Oval-head sheetmetal screw B 3,5 X 16		2	
29	900 143 016 01	Oval-head sheetmetal screw B 3,5 X 16		2	
30	900 025 013 07	Washer A 3,7		2	
31	928 613 425 00	Cover		1	M139/340
32	911 521 533 00	Handle knob		1	M383
(32)		Handle knob		1	M387
(32)	911 521 533 01	Handle		2	
		for longitudinal adjustment			
	911 521 533 01 01C	Satin black			
(33)	928 521 073 04	Lever		1	M383/387
		for backrest adjustment			
(33)	964 521 073 00	Lever		2	
		for backrest adjustment			
	964 521 073 00 01C	Satin black			
33	964 521 073 01	Lever		2	
		for backrest adjustment			
	964 521 073 01 01C	Black			
34	900 119 011 07	Pan-head screw M 5 X 10		1	
35	900 031 006 07	Washer		1	
		5,3 X 9,5 X 1			
36	928 521 525 03	Connecting rod		2	
		for backrest adjustment			
37	N 902 514 01	Clamping sleeve		4	
		for backrest adjustment			
38	N 902 515 01	Guide bush		4	
		for backrest adjustment			
39	928 521 681 02	Bolt		4	
40	928 521 683 02	Washer		8	
		1,5 PA 6			
41	928 521 685 02	Bush		4	
42	900 034 003 02	Hexagon nut		4	
		M 10			

Model: 911 84

Model life 1984>>1986



Model: 911 84 Model life 1984>>1986

Pos	Part Number	Description	Remark	Qty	Model
1	944 521 037 16	Sports seat Cover Cover for cushion without heating Leatherette/ Seat surface Pin stripe velour	85-	2	
	944 521 037 16 NY5	Black/ Black-white			
	944 521 037 16 NY7	Brown/ Brown-beige			
	944 521 037 16 QA3	Blue/ Blue-white			
	944 521 037 16 NY8	Burgundy Burgundy-white			
	944 521 037 16 QA4	Greyish green Greyish green-white			
	944 521 037 16 RU3	Grey-beige/ Grey-beige-white	86-		
(1)	944 521 037 94	Cover for cushion with heating Leatherette/ Seat surface Pin stripe velour		2	
	944 521 037 94 NY5	Black/ Black-white			
	944 521 037 94 NY7	Brown/ Brown-beige			
	944 521 037 94 QA3	Blue/ Blue-white			
	944 521 037 94 NY8	Burgundy/ Burgundy-white			
	944 521 037 94 QA4	Greyish green/ Greyish green-white			
	944 521 037 94 RU3	Grey-beige/ Grey-beige-white	86-		
1	944 521 037 16	Cover for cushion without heating Leatherette/ Seat surface Pin stripe flannel		2	
	944 521 037 16 NY9	Black/anthracite			
	944 521 037 16 NZ6	Brown/brown			
	944 521 037 16 QA6	Blue/blue			
	944 521 037 16 NZ5	Burgundy/burgundy			
	944 521 037 16 QA5	Greyish green/grey-green			
(1)	944 521 037 94	Cover for cushion with heating Leatherette/ Seat surface Pin stripe flannel		2	
	944 521 037 94 NY9	Black/anthracite			
	944 521 037 94 NZ6	Brown/brown			
	944 521 037 94 QA6	Blue/blue			
	944 521 037 94 NZ5	Burgundy/burgundy			
	944 521 037 94 QA5	Greyish green/grey-green			
1	944 521 037 16	Cover for cushion without heating Leatherette/ Seat surface Porsche lettering cloth		2	
	944 521 037 16 PX2	Black/black			
	944 521 037 16 PX4	Brown/brown			

Model: 911 84 Model life 1984>>1986

Pos	Part Number	Description	Remark	Qty	Model				
(1)	944 521 037 16 PX7	Blue/blue	86-	2					
	944 521 037 16 PX6	Burgundy/burgundy							
	944 521 037 16 PX8	Greyish green/grey-green							
	944 521 037 16 QD9	Grey-beige/grey-beige							
	944 521 037 94	Cover for cushion with heating Leatherette/ Seat surface Porsche lettering cloth							
	944 521 037 94 PX2	Black/black							
	944 521 037 94 PX4	Brown/brown							
	944 521 037 94 PX7	Blue/blue							
	944 521 037 94 PX6	Burgundy/burgundy							
	944 521 037 94 PX8	Greyish green/grey-green							
2	944 521 037 94 QD9	Grey-beige/grey-beige	86-	2					
	944 521 037 83	Cover for cushion without heating Leatherette/leather Centre part Pin stripe velour							
	944 521 037 83 PY1	Black/black Black-white							
	944 521 037 83 PY2	Brown/ Brown-beige							
	944 521 037 83 PY3	Blue/ Blue-white							
	944 521 037 83 PY4	Burgundy/burgundy Burgundy-white							
	944 521 037 83 PY5	Greyish green/ Greyish green-white							
	944 521 037 83 RU4	Grey-beige/ Grey-beige-white							
	(2)	944 521 037 92				Cover for cushion with heating Leatherette/leather Centre part Pin stripe velour	86-	2	
		944 521 037 92 PY1				Black/ Black-white			
944 521 037 92 PY2		Brown/ Brown-beige							
944 521 037 92 PY3		Blue/ Blue-white							
944 521 037 92 PY4		Burgundy/burgundy Burgundy-white							
944 521 037 92 PY5		Greyish green/ Greyish green-white							
944 521 037 92 RU4		Grey-beige/ Grey-beige-white							
2		944 521 037 83	Cover for cushion without heating Leatherette/leather Centre part Pin stripe flannel	86-	2				
		944 521 037 83 PZ2	Black/antracite						
		944 521 037 83 PZ3	Brown/brown						
	944 521 037 83 PZ4	Blue/blue							
	944 521 037 83 PZ5	Burgundy/burgundy							
	944 521 037 83 PZ6	Greyish green/grey-green							
	(2)	944 521 037 92	Cover for cushion with heating Leatherette/leather Centre part				86-	2	

Model: 911 84 Model life 1984>>1986

Pos	Part Number	Description	Remark	Qty	Model
	944 521 037 92 PZ2	Pin stripe flannel Black/anthracite			
	944 521 037 92 PZ3	Brown/brown			
	944 521 037 92 PZ4	Blue/blue			
	944 521 037 92 PZ5	Burgundy/burgundy			
	944 521 037 92 PZ6	Greyish green/grey-green			
2	944 521 037 83	Cover for cushion without heating Leatherette/leather Centre part Porsche lettering cloth		2	
	944 521 037 83 PZ7	Black/black			
	944 521 037 83 PZ8	Brown/brown			
	944 521 037 83 PZ9	Blue/blue			
	944 521 037 83 QA1	Burgundy/burgundy			
	944 521 037 83 QA2	Greyish green/grey-green			
	944 521 037 83 RU2	Grey-beige/grey-beige	86-		
(2)	944 521 037 92	Cover for cushion with heating Leatherette/leather Centre part Porsche lettering cloth		2	
	944 521 037 92 PZ7	Black/black			
	944 521 037 92 PZ8	Brown/brown			
	944 521 037 92 PZ9	Blue/blue			
	944 521 037 92 QA1	Burgundy/burgundy			
	944 521 037 92 QA2	Greyish green/grey-green			
	944 521 037 92 RU2	Grey-beige/grey-beige	86-		
2	944 521 037 86	Cover for cushion without heating Leather/ Centre part Pin stripe velour		2	
	944 521 037 86 LS5	Black/ Black-white			
	944 521 037 86 LS6	Brown/ Brown-beige			
	944 521 037 86 LS8	Blue/ Blue-white			
	944 521 037 86 LS9	Burgundy/ Burgundy-white			
	944 521 037 86 QA7	Greyish green/ Greyish green-white			
	944 521 037 86 LS7	Grey-beige/ Grey-beige-white	86-		
(2)	944 521 037 96	Cover for cushion with heating Leather/ Centre part Pin stripe velour		2	
	944 521 037 96 LS5	Black/ Black-white			
	944 521 037 96 LS6	Brown/ Brown-beige			
	944 521 037 96 LS8	Blue/ Blue-white			
	944 521 037 96 LS9	Burgundy/ Burgundy-white			
	944 521 037 96 QA7	Greyish green/ Greyish green-white			
	944 521 037 96 LS7	Grey-beige/ Grey-beige-white	86-		
2	944 521 037 86	Cover for cushion		2	

Model: 911 84 Model life 1984>>1986

Pos	Part Number	Description	Remark	Qty	Model
		without heating Leather/ Centre part Pin stripe flannel			
	944 521 037 86 QB1	Black/anthracite			
	944 521 037 86 QB3	Brown/brown			
	944 521 037 86 QB5	Blue/blue			
	944 521 037 86 QB7	Burgundy/burgundy			
	944 521 037 86 QA8	Greyish green/grey-green			
(2)	944 521 037 96	Cover for cushion with heating Leather/ Centre part Pin stripe flannel		2	
	944 521 037 96 QB1	Black/anthracite			
	944 521 037 96 QB3	Brown/brown			
	944 521 037 96 QB5	Blue/blue			
	944 521 037 96 QB7	Burgundy/burgundy			
	944 521 037 96 QA8	Greyish green/grey-green			
2	944 521 037 86	Cover for cushion without heating Leather/ Centre part Porsche lettering cloth		2	
	944 521 037 86 QB2	Black/black			
	944 521 037 86 QB4	Brown/brown			
	944 521 037 86 QB6	Blue/blue			
	944 521 037 86 QB8	Burgundy/burgundy			
	944 521 037 86 QA9	Greyish green/grey-green			
(2)	944 521 037 86 RU1	Grey-beige/grey-beige Cover for cushion with heating Leather/ Centre part Porsche lettering cloth	86-	2	
	944 521 037 96 QB2	Black/black			
	944 521 037 96 QB4	Brown/brown			
	944 521 037 96 QB6	Blue/blue			
	944 521 037 96 QB8	Burgundy/burgundy			
	944 521 037 96 QA9	Greyish green/grey-green			
	944 521 037 96 RU1	Grey-beige/grey-beige			
3	944 521 037 84	Cover for cushion without heating Leatherette/ Seat surface Leather		2	
	944 521 037 84 JN3	Black/black			
	944 521 037 84 JN4	Brown/brown			
	944 521 037 84 QC1	Blue/blue			
	944 521 037 84 NZ8	Burgundy/burgundy			
	944 521 037 84 PX9	Greyish green/grey-green			
	944 521 037 84 JN5	Grey-beige/grey-beige			
(3)	944 521 037 93	Cover for cushion with heating Leatherette/ Seat surface Leather	86-	2	
	944 521 037 93 JN3	Black/black			
	944 521 037 93 JN4	Brown/brown			
	944 521 037 93 QC1	Blue/blue			
	944 521 037 93 NZ8	Burgundy/burgundy			
	944 521 037 93 PX9	Greyish green/grey-green			
	944 521 037 93 JN5	Grey-beige/grey-beige	86-		

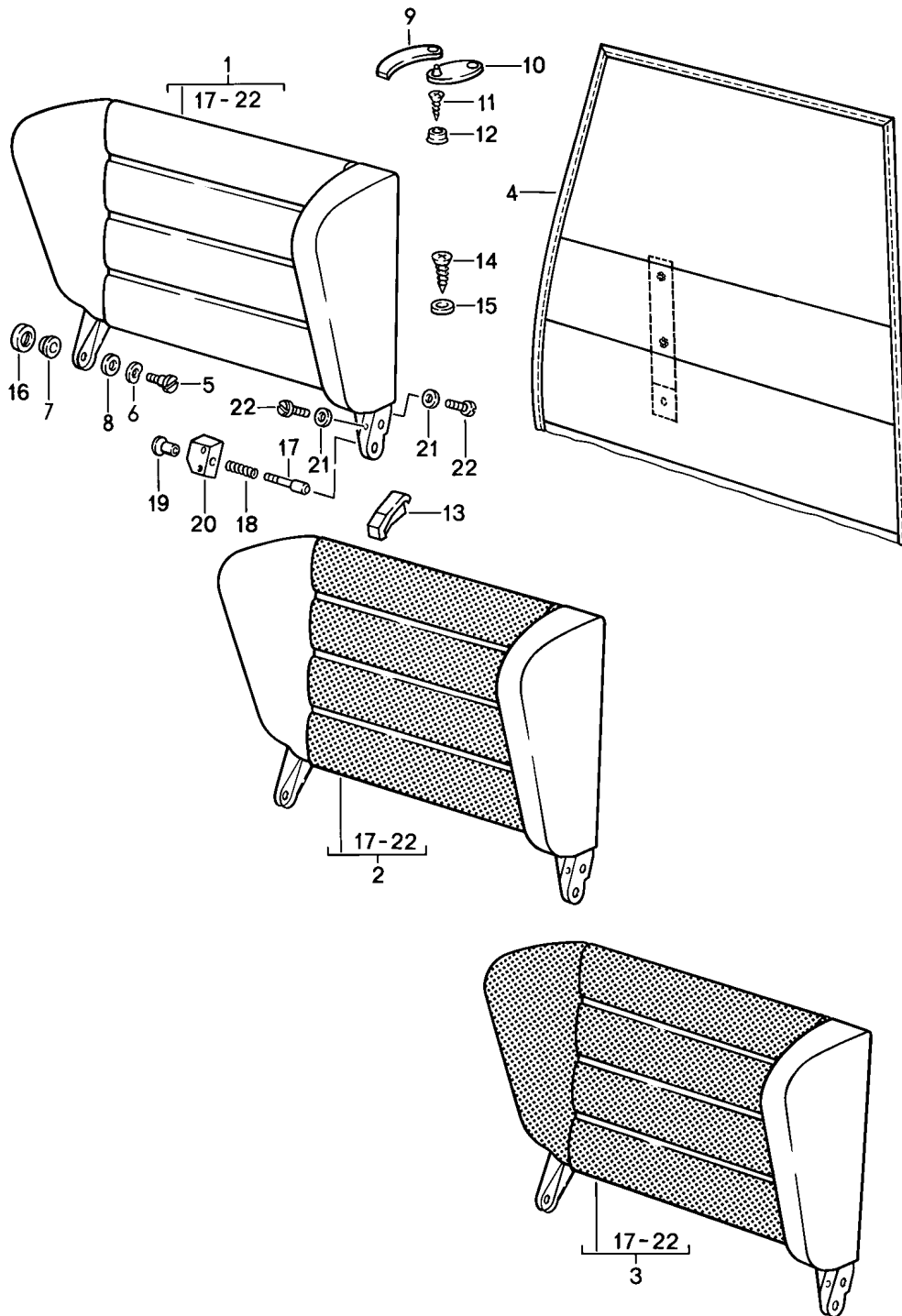


Model: 911 84 Model life 1984>>1986

Pos	Part Number	Description	Remark	Qty	Model
3	944 521 037 85	Cover for cushion without heating Leather		2	
	944 521 037 85 KZ2	Black			
	944 521 037 85 KZ5	Brown			
	944 521 037 85 KZ3	Blue			
	944 521 037 85 LG7	Burgundy			
	944 521 037 85 QC2	Greyish green			
	944 521 037 85 KZ6	Can-can-red			
	944 521 037 85 LG4	Pearl white			
	944 521 037 85 LG5	Champagne			
	944 521 037 85 LG6	Dark green			
	944 521 037 85 PY9	Ocean blue			
	944 521 037 85 PZ1	Wild buffalo			
	944 521 037 85 KZ4	Grey-beige	86-		
(3)	944 521 037 95	Cover for cushion with heating Leather		2	
	944 521 037 95 KZ2	Black			
	944 521 037 95 KZ5	Brown			
	944 521 037 95 KZ3	Blue			
	944 521 037 95 LG7	Burgundy			
	944 521 037 95 QC2	Greyish green			
	944 521 037 95 KZ6	Can-can-red			
	944 521 037 95 LG4	Pearl white			
	944 521 037 95 LG5	Champagne			
	944 521 037 95 LG6	Dark green			
	944 521 037 95 PY9	Ocean blue			
	944 521 037 95 PZ1	Wild buffalo			
	944 521 037 95 KZ4	Grey-beige	86-		
4	928 521 385 27	Foam part	/L	1	
(4)	928 521 385 28	Foam part	/L	1	M139
(4)	928 521 386 27	Foam part	/R	1	
(4)	928 521 386 28	Foam part	/R	1	M340

Model: 911 84

Model life 1984>>1986



Model: 911 84 Model life 1984>>1986

Pos	Part Number	Description	Remark	Qty	Model
		Back seat Backrest for cars with POS. 9 - 13 It is necessary to rework			COUPE/TARGA
(1)	911 522 017 00	Back seat backrest Leatherette	/L	1	
	911 522 017 00 3MK	Burgundy			
	911 522 017 00 4FK	Grey-beige	-84, -86		
	911 522 017 00 43S	Black			
	911 522 017 00 1HH	Blue			
	911 522 017 00 4RB	Brown			
	911 522 017 00 4JX	Greyish green	85-		
(1)	911 522 018 00	Back seat backrest Leatherette	/R	1	
	911 522 018 00 3MK	Burgundy			
	911 522 018 00 4FK	Grey-beige	-84, -86		
	911 522 018 00 43S	Black			
	911 522 018 00 1HH	Blue			
	911 522 018 00 4RB	Brown			
	911 522 018 00 4JX	Greyish green	85-		
(1)	911 522 017 03	Back seat backrest Whole-leather	/L	1	
	911 522 017 03 KZ2	Black			
	911 522 017 03 KZ3	Blue			
	911 522 017 03 KZ4	Grey-beige	-84, -86		
	911 522 017 03 KZ5	Brown			
	911 522 017 03 KZ6	Can-can-red			
	911 522 017 03 LG4	Pearl white			
	911 522 017 03 LG5	Champagne			
	911 522 017 03 LG6	Dark green			
	911 522 017 03 LG7	Burgundy			
	911 522 017 03 QC2	Greyish green	85-86		
	911 522 017 03 PY9	Ocean blue	85-86		
	911 522 017 03 PZ1	Wild buffalo	85-86		
1	911 522 018 03	Back seat backrest Whole-leather	/R	1	
	911 522 018 03 KZ2	Black			
	911 522 018 03 KZ3	Blue			
	911 522 018 03 KZ4	Grey-beige	-84, -86		
	911 522 018 03 KZ5	Brown			
	911 522 018 03 KZ6	Can-can-red			
	911 522 018 03 LG4	Pearl white			
	911 522 018 03 LG5	Champagne			
	911 522 018 03 LG6	Dark green			
	911 522 018 03 LG7	Burgundy			
	911 522 018 03 QC2	Greyish green	85-86		
	911 522 018 03 PY9	Ocean blue	85-86		
	911 522 018 03 PZ1	Wild buffalo	85-86		
(2)	911 522 017 01	Back seat backrest Leatherette/ Centre part in cloth Checker board velour	/L	1	
	911 522 017 01 LD5	Black			
	911 522 017 01 LJ8	Light grey/black			
	911 522 017 01 LJ8	Blue			
	911 522 017 01 LD6	Blue-grey			
	911 522 017 01 LD6	Brown			
	911 522 017 01 LD6	Brown-grey			
	911 522 017 01 LJ9	Burgundy			
	911 522 017 01 LJ9	Burgundy-grey			
	911 522 017 01 LK1	Grey-beige			
	911 522 017 01 LK1	Light grey/black			

Model: 911 84 Model life 1984>>1986

Pos	Part Number	Description	Remark	Qty	Model
2	911 522 018 01	Back seat backrest Leatherette/ Centre part in cloth Checker board velour	/R  -84	1	
	911 522 018 01 LD5	Black Light grey/black			
	911 522 018 01 LJ8	Blue Blue-grey			
	911 522 018 01 LD6	Brown Brown-grey			
	911 522 018 01 LJ9	Burgundy Burgundy-grey			
	911 522 018 01 LK1	Grey-beige Light grey/black			
(2)	911 522 017 01	Back seat backrest Leatherette/ Centre part Uni-coloured cloth	/L  -84	1	
	911 522 017 01 LK3	Brown			
	911 522 017 01 LK5	Burgundy			
	911 522 017 01 LK6	Grey-beige			
	911 522 017 01 JM2	Black			
	911 522 017 01 JM5	Blue			
2	911 522 018 01	Back seat backrest Leatherette/ Centre part Uni-coloured cloth	/R  -84	1	
	911 522 018 01 LK3	Brown			
	911 522 018 01 LK5	Burgundy			
	911 522 018 01 LK6	Grey-beige			
	911 522 018 01 JM2	Black			
	911 522 018 01 JM5	Blue			
(2)	911 522 017 01	Back seat backrest Leatherette/ Centre part Pin stripe velour	/L	1	
	911 522 017 01 JN1	Black/ Black-white			
	911 522 017 01 LT1	Blue Blue-white			
	911 522 017 01 JN2	Brown Brown-beige			
	911 522 017 01 LT2	Burgundy/ Burgundy-white			
	911 522 017 01 LD4	Grey-beige Grey-beige-white	-84, -86 -86		
	911 522 017 01 PY5	Greyish green/ Greyish green-white	85- 85-		
2	911 522 018 01	Back seat backrest Leatherette/ Centre part Pin stripe velour	/R	1	
	911 522 018 01 JN1	Black/ Black-white			
	911 522 018 01 LT1	Blue Blue-white			
	911 522 018 01 JN2	Brown Brown-beige			
	911 522 018 01 LT2	Burgundy/ Burgundy-white			
	911 522 018 01 LD4	Grey-beige Grey-beige-white	-84, -86 -86		
	911 522 018 01 PY5	Greyish green/	85-		

Model: 911 84 Model life 1984&gt;&gt;1986

Pos	Part Number	Description	Remark	Qty	Model
(2)	911 522 017 01	Greyish green-white Back seat backrest Leatherette/ Centre part Porsche lettering cloth	85- /L  -84	1	
	911 522 017 01 LR6	Black			
	911 522 017 01 MN1	Blue			
	911 522 017 01 LR7	Brown			
	911 522 017 01 MN2	Burgundy			
	911 522 017 01 LR8	Grey-beige			
2	911 522 018 01	Back seat backrest Leatherette/ Centre part Porsche lettering cloth	/R  -84	1	
	911 522 018 01 LR6	Black			
	911 522 018 01 MN1	Blue			
	911 522 018 01 LR7	Brown			
	911 522 018 01 MN2	Burgundy			
	911 522 018 01 LR8	Grey-beige			
(2)	911 522 017 01	Back seat backrest Leatherette/ Centre part Porsche lettering cloth	/L  85-	1	
	911 522 017 01 PZ7	Black/black			
	911 522 017 01 PZ9	Blue			
	911 522 017 01 PZ8	Brown			
	911 522 017 01 QA1	Burgundy/burgundy			
	911 522 017 01 QA2	Greyish green/grey-green			
	911 522 017 01 QD8	Grey-beige	86-		
2	911 522 018 01	Back seat backrest Leatherette/ Centre part Porsche lettering cloth	/R  85-	1	
	911 522 018 01 PZ7	Black/black			
	911 522 018 01 PZ9	Blue			
	911 522 018 01 PZ8	Brown			
	911 522 018 01 QA1	Burgundy/burgundy			
	911 522 018 01 QA2	Greyish green/grey-green			
	911 522 018 01 QD8	Grey-beige	86-		
(2)	911 522 017 01	Back seat backrest Leatherette/ Centre part Pin stripe flannel	/L  85-	1	
	911 522 017 01 PZ2	Black/antracite			
	911 522 017 01 PZ4	Brown			
	911 522 017 01 PZ3	Brown			
	911 522 017 01 PZ5	Burgundy/burgundy			
	911 522 017 01 PZ6	Greyish green/grey-green			
2	911 522 018 01	Back seat backrest Leatherette/ Centre part Pin stripe flannel	/R  85-	1	
	911 522 018 01 PZ2	Black/antracite			
	911 522 018 01 PZ4	Blue			
	911 522 018 01 PZ3	Brown			
	911 522 018 01 PZ5	Burgundy/burgundy			
	911 522 018 01 PZ6	Greyish green/grey-green			
(2)	911 522 017 04	Back seat backrest Leather/ Centre part Checker board velour	/L  -84	1	
	911 522 017 04 LH1	Black Light grey/black			

Model: 911 84 Model life 1984>>1986

Pos	Part Number	Description	Remark	Qty	Model
	911 522 017 04 LH3	Blue			
		Blue-grey			
	911 522 017 04 LH2	Brown			
		Brown-grey			
	911 522 017 04 LH4	Burgundy			
		Burgundy-grey			
	911 522 017 04 LH6	Grey-beige			
		Light grey/black			
2	911 522 018 04	Back seat backrest	/R	1	
		Leather/			
		Centre part			
		Checker board velour	-84		
	911 522 018 04 LH1	Black/			
		Light grey/black			
	911 522 018 04 LH3	Blue/			
		Blue-grey			
	911 522 018 04 LH2	Brown/			
		Brown-grey			
	911 522 018 04 LH4	Burgundy/			
		Burgundy-grey			
	911 522 018 04 LH6	Grey-beige/			
		Light grey/black			
(2)	911 522 017 04	Back seat backrest	/L	1	
		Leather/			
		Centre part			
		Uni-coloured cloth	-84		
	911 522 017 04 LJ1	Brown/brown			
	911 522 017 04 LJ2	Burgundy			
	911 522 017 04 LJ3	Grey-beige/grey-beige			
	911 522 017 04 JN6	Black/black			
	911 522 017 04 JT4	Blue/blue			
2	911 522 018 04	Back seat backrest	/R	1	
		Leather/			
		Centre part			
		Uni-coloured cloth	-84		
	911 522 018 04 LJ1	Brown/brown			
	911 522 018 04 LJ2	Burgundy/burgundy			
	911 522 018 04 LJ3	Grey-beige/grey-beige			
	911 522 018 04 JN6	Black/black			
	911 522 018 04 JT4	Blue/blue			
(2)	911 522 017 04	Back seat backrest	/L	1	
		Leather/			
		Centre part			
		Pin stripe velour			
	911 522 017 04 LS5	Black/			
		Black-white			
	911 522 017 04 LS8	Blue/			
		Blue-white			
	911 522 017 04 LS6	Brown/			
		Brown-beige			
	911 522 017 04 LS9	Burgundy/			
		Burgundy-white			
	911 522 017 04 LS7	Grey-beige/	-84, -86		
		Grey-beige-white	-86		
	911 522 017 04 QA7	Greyish green/	85-		
		Greyish green-white	85-		
2	911 522 018 04	Back seat backrest	/R	1	
		Leather/			
		Centre part			
		Pin stripe velour			
	911 522 018 04 LS5	Black/			
		Black-white			
	911 522 018 04 LS8	Blue/			

Model: 911 84 Model life 1984>>1986

Pos	Part Number	Description	Remark	Qty	Model
	911 522 018 04 LS6	Blue-white Brown/ Brown-beige			
	911 522 018 04 LS9	Burgundy/ Burgundy-white			
	911 522 018 04 LS7	Grey-beige/ Grey-beige-white	-84, -86 -86		
	911 522 018 04 QA7	Greyish green/ Greyish green-white	85- 85-		
(2)	911 522 017 04	Back seat backrest Leather/ Centre part Porsche lettering cloth	/L	1	
	911 522 017 04 QB2	Black/black			
	911 522 017 04 QB6	Blue/blue			
	911 522 017 04 QB4	Brown/brown			
	911 522 017 04 QB8	Burgundy/burgundy			
	911 522 017 04 QA9	Greyish green/grey-green			
	911 522 017 04 RU1	Grey-beige/grey-beige	86-		
2	911 522 018 04	Back seat backrest Leather/ Centre part Porsche lettering cloth	/R	1	
	911 522 018 04 QB2	Black/black			
	911 522 018 04 QB6	Blue/blue			
	911 522 018 04 QB4	Brown/brown			
	911 522 018 04 QB8	Burgundy/burgundy			
	911 522 018 04 QA9	Greyish green/grey-green			
	911 522 018 04 RU1	Grey-beige/grey-beige	86-		
(2)	911 522 017 04	Back seat backrest Leather/ Centre part Pin stripe flannel	/L	1	
	911 522 017 04 QB1	Black/anthracite	85-		
	911 522 017 04 QB5	Blue/blue			
	911 522 017 04 QB3	Brown/brown			
	911 522 017 04 QB7	Burgundy/burgundy			
	911 522 017 04 QA8	Greyish green/grey-green			
2	911 522 018 04	Back seat backrest Leather/ Centre part Pin stripe flannel	/R	1	
	911 522 018 04 QB1	Black/anthracite	85-		
	911 522 018 04 QB5	Blue/blue			
	911 522 018 04 QB3	Brown/brown			
	911 522 018 04 QB7	Burgundy/burgundy			
	911 522 018 04 QA8	Greyish green/grey-green			
(3)	911 522 017 02	Back seat backrest Leatherette/ Backrest surface Porsche lettering cloth	/L	1	
	911 522 017 02 LR1	Black/black	-84		
	911 522 017 02 LR4	Blue/blue			
	911 522 017 02 LR2	Brown/brown			
	911 522 017 02 LR5	Burgundy/burgundy			
	911 522 017 02 LR3	Grey-beige/grey-beige			
3	911 522 018 02	Back seat backrest Leatherette/ Backrest surface Porsche lettering cloth	/R	1	
	911 522 018 02 LR1	Black/black	-84		
	911 522 018 02 LR4	Blue/blue			
	911 522 018 02 LR2	Brown/brown			

Model: 911 84 Model life 1984>>1986

Pos	Part Number	Description	Remark	Qty	Model
(3)	911 522 018 02 LR5	Burgundy/burgundy		1	
	911 522 018 02 LR3	Grey-beige/grey-beige			
	911 522 017 02	Back seat backrest	/L		
		Leatherette/ Backrest surface			
		Porsche lettering cloth	85-		
	911 522 017 02 PX2	Black/black			
	911 522 017 02 PX7	Blue/blue			
	911 522 017 02 PX4	Brown/brown			
	911 522 017 02 PX6	Burgundy/burgundy			
	911 522 017 02 PX8	Greyish green/grey-green			
3	911 522 017 02 QD9	Grey-beige/grey-beige	86-	1	
	911 522 018 02	Back seat backrest	/R		
		Leatherette/ Backrest surface			
		Porsche lettering cloth	85-		
	911 522 018 02 PX2	Black/black			
	911 522 018 02 PX7	Blue/blue			
	911 522 018 02 PX4	Brown/brown			
	911 522 018 02 PX6	Burgundy/burgundy			
	911 522 018 02 PX8	Greyish green/grey-green			
	911 522 018 02 QD9	Grey-beige/grey-beige	86-		
(3)	911 522 017 02	Back seat backrest	/L	1	
		Leatherette/ Backrest surface			
		Pin stripe velour	85-		
	911 522 017 02 NY5	Black/ Black-white			
	911 522 017 02 QA3	Blue/blue Blue-white			
	911 522 017 02 NY7	Brown/brown Brown-beige			
	911 522 017 02 NY8	Burgundy/ Burgundy-white			
	911 522 017 02 QA4	Greyish green/ Greyish green-white			
	911 522 017 02 RU3	Grey-beige/grey-beige Grey-beige-white	86- 86-		
	3	911 522 018 02	Back seat backrest		
		Leatherette/ Backrest surface			
		Pin stripe velour	85-		
911 522 018 02 NY5		Black/ Black-white			
911 522 018 02 QA3		Blue/blue Blue-white			
911 522 018 02 NY7		Brown/brown Brown-beige			
911 522 018 02 NY8		Burgundy/ Burgundy-white			
911 522 018 02 QA4		Greyish green/ Greyish green-white			
911 522 018 02 RU3		Grey-beige/grey-beige Grey-beige-white	86- 86-		
(3)		911 522 017 02	Back seat backrest	/L	1
		Leatherette/ Backrest surface			
		Pin stripe flannel	85-		
	911 522 017 02 NY9	Black/anthracite			
	911 522 017 02 QA6	Blue/blue			
	911 522 017 02 NZ6	Brown/brown			
	911 522 017 02 NZ5	Burgundy/burgundy			
	911 522 017 02 QA5	Greyish green/grey-green			



Model: 911 84 Model life 1984>>1986

Pos	Part Number	Description	Remark	Qty	Model
3	911 522 018 02	Back seat backrest Leatherette/ Backrest surface Pin stripe flannel	/R 85-	1	
	911 522 018 02 NY9	Black/anthracite			
	911 522 018 02 QA6	Blue/blue			
	911 522 018 02 NZ6	Brown/brown			
	911 522 018 02 NZ5	Burgundy/burgundy			
	911 522 018 02 QA5	Greyish green/grey-green			
(3)	911 522 005 85	Back seat backrest Leather/ Backrest surface Porsche lettering cloth	/L -84 84	1	
	911 522 005 85 LR9	Black/black			
	911 522 005 85 LS3	Blue/blue			
	911 522 005 85 LS1	Brown/brown			
	911 522 005 85 LS4	Burgundy/burgundy			
	911 522 005 85 LS2	Grey-beige/grey-beige			
(3)	911 522 006 85	Back seat backrest Leather/ Backrest surface Porsche lettering cloth	/R -84 84	1	
	911 522 006 85 LR9	Black/black			
	911 522 006 85 LS3	Blue/blue			
	911 522 006 85 LS1	Brown/brown			
	911 522 006 85 LS4	Burgundy/burgundy			
	911 522 006 85 LS2	Grey-beige/grey-beige			
(3)	911 522 005 86	Back seat backrest Leather/ Backrest surface Porsche lettering cloth	/L (AUS) (F) 84 84	1	
	911 522 005 86 LR9	Black/black			
	911 522 005 86 LS3	Blue/blue			
	911 522 005 86 LS1	Brown/brown			
	911 522 005 86 LS4	Burgundy/burgundy			
	911 522 005 86 LS2	Grey-beige/grey-beige			
(3)	911 522 006 86	Back seat backrest Leather/ Backrest surface Porsche lettering cloth	/R (AUS) (F) 84 84	1	
	911 522 006 86 LR9	Black/black			
	911 522 006 86 LS3	Blue/blue			
	911 522 006 86 LS1	Brown/brown			
	911 522 006 86 LS4	Burgundy/burgundy			
	911 522 006 86 LS2	Grey-beige/grey-beige			
4	911 522 062 03	Carpet Cut pile	/R	1	
	911 522 062 03 70E	Black			
	911 522 062 03 30B	Blue			
	911 522 062 03 40E	Brown			
	911 522 062 03 80E	Burgundy			
	911 522 062 03 6JD	Dark green			
	911 522 062 03 1VD	Champagne			
	911 522 062 03 80S	Can-can-red			
	911 522 062 03 60A	Grey			
	911 522 062 03 2FL	Grey-beige	-84, -86		
	911 522 062 03 8JK	Greyish green	85-		
	911 522 062 03 2YN	White	85-		
(4)	911 522 061 03	Carpet Cut pile	/L	1	COUPE/TARGA
	911 522 061 03 70E	Black			

Model: 911 84 Model life 1984>>1986

Pos	Part Number	Description	Remark	Qty	Model
	911 522 061 03 30B	Blue			
	911 522 061 03 40E	Brown			
	911 522 061 03 80E	Burgundy			
	911 522 061 03 6JD	Dark green			
	911 522 061 03 1VD	Champagne			
	911 522 061 03 80S	Can-can-red			
	911 522 061 03 60A	Grey			
	911 522 061 03 2FL	Grey-beige	-84, -86		
	911 522 061 03 8JK	Greyish green	85-		
	911 522 061 03 2YN	White	85-		
(4)	930 522 061 01	Carpet with Logo Cut pile	/L	1	TURBO
	930 522 061 01 70E	Black			
	930 522 061 01 30B	Blue			
	930 522 061 01 40E	Brown			
	930 522 061 01 80E	Burgundy			
	930 522 061 01 6JD	Dark green			
	930 522 061 01 1VD	Champagne			
	930 522 061 01 80S	Can-can-red			
	930 522 061 01 60A	Grey			
	930 522 061 01 2FL	Grey-beige	-84, -86		
	930 522 061 01 8JK	Greyish green	85-		
	930 522 061 01 2YN	White	85-		
5	900 236 001 07	Oval-head screw M 8 X 10		2	
5	900 236 001 03	Oval-head screw M 8 X 10		2	
6	N 012 230 1	Spring washer B 10		2	
7	901 522 509 20	Bearing sleeve		2	
8	911 559 435 00	Spacer		4	
9	911 645 039 00	Retaining belt		2	
10	911 645 037 00	Stereo rear loudspeaker Retaining belt Extension		2	
-	999 591 802 17	Stereo rear loudspeaker Cap		2	
11	900 143 004 00	Push button Cross-recess screw B 3,5 X 19		2	
12	999 591 805 12	Push button		2	
13	911 522 561 60	Intermediate piece		1	
14	900 145 041 07	Tapping screw 3,5 X 16		4	
15	999 591 102 17	Washer 3,5		4	
15	999 591 102 1H	Washer 3,5		4	
16	901 522 365 20	Cap		2	
17	911 522 229 00	Bolt for Locking device		1	
18	911 522 233 00	Spring Release		1	
19	911 522 231 00	Knob Release		1	
(20)	911 522 227 01	Bearing	/L	1	
(20)	911 522 228 01	Bearing	/L	1	
20	911 522 228 01	Bearing	/R	1	
20	911 522 228 01	Bearing	/R	1	
21	999 523 106 02	Lock washer		4	

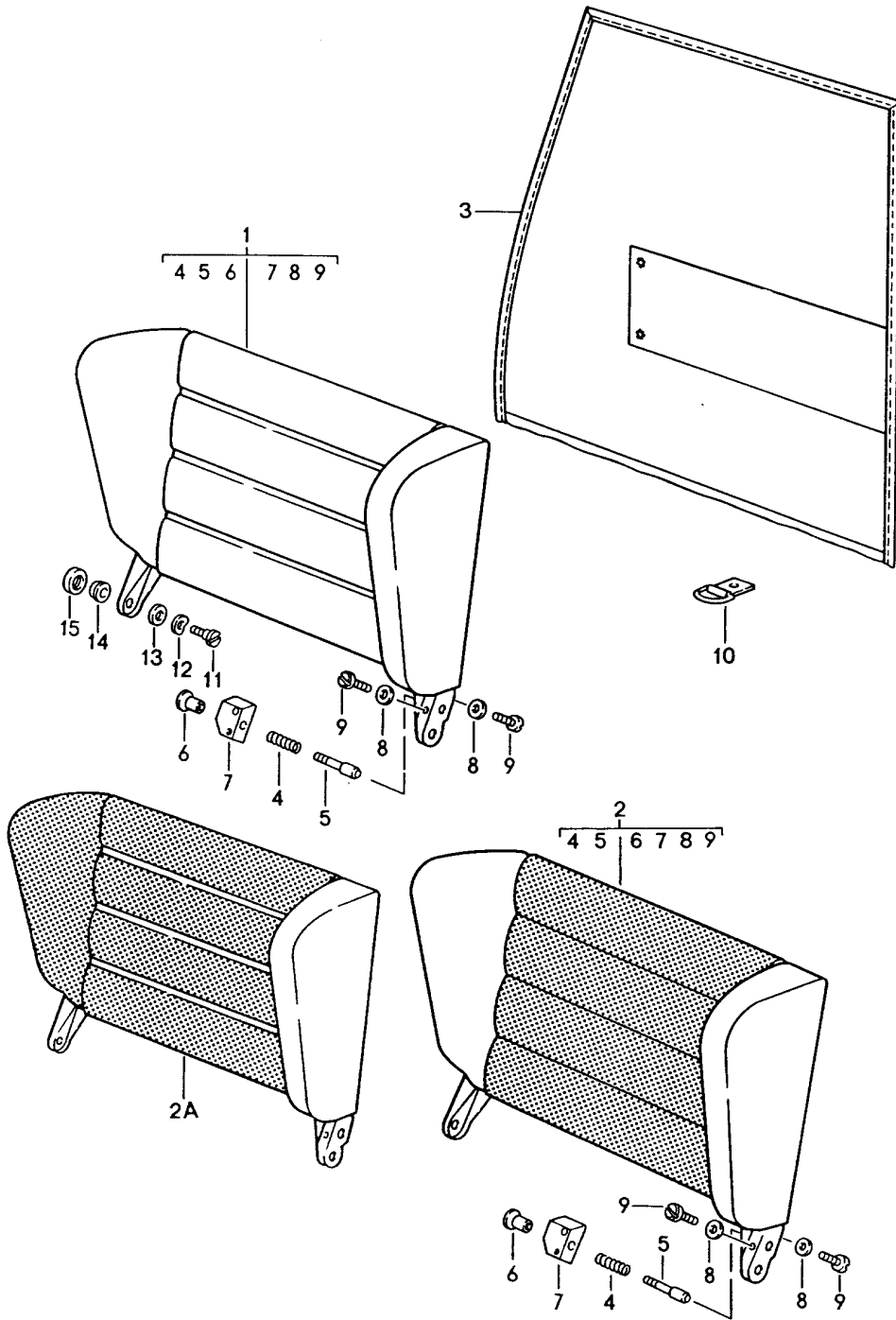
Model: 911 84

Model life 1984&gt;&gt;1986

Pos	Part Number	Description	Remark	Qty	Model
22	N 014 133 I	B 5 Oval-head screw		4	
22	N 014 133 8	Oval-head screw M 5 X 12		4	
22	N 014 133 I	Oval-head screw M 5 X 12		4	

Model: 911 84

Model life 1984>>1986



Model: 911 84 Model life 1984>>1986

Pos	Part Number	Description	Remark	Qty	Model
		Back seat Backrest			CABRIO
(1)	911 522 017 60	Back seat backrest Leatherette	/L	1	
	911 522 017 60 43S	Black			
	911 522 017 60 1HH	Blue			
	911 522 017 60 4RB	Brown			
	911 522 017 60 3MK	Burgundy			
	911 522 017 60 4FK	Grey-beige	-84, -86		
	911 522 017 60 4JX	Greyish green	85-		
1	911 522 018 60	Back seat backrest Leatherette	/R	1	
	911 522 018 60 43S	Black			
	911 522 018 60 1HH	Blue			
	911 522 018 60 4RB	Brown			
	911 522 018 60 3MK	Burgundy			
	911 522 018 60 4FK	Grey-beige	-84, -86		
	911 522 018 60 4JX	Greyish green	85-		
(1)	911 522 017 62	Back seat backrest Leather	/L	1	
	911 522 017 62 KZ2	Black			
	911 522 017 62 KZ3	Blue			
	911 522 017 62 KZ5	Brown			
	911 522 017 62 KZ4	Grey-beige	-84, -86		
	911 522 017 62 KZ6	Can-can-red			
	911 522 017 62 LG4	Pearl white			
	911 522 017 62 LG5	Champagne			
	911 522 017 62 LG6	Dark green			
	911 522 017 62 LG7	Burgundy			
	911 522 017 62 QC2	Greyish green	85-		
	911 522 017 62 PY9	Ocean blue	85-		
	911 522 017 62 PZ1	Wild buffalo	85-		
1	911 522 018 62	Back seat backrest Leather	/R	1	
	911 522 018 62 KZ2	Black			
	911 522 018 62 KZ3	Blue			
	911 522 018 62 KZ5	Brown			
	911 522 018 62 KZ4	Grey-beige	-84, -86		
	911 522 018 62 KZ6	Can-can-red			
	911 522 018 62 LG4	Pearl white			
	911 522 018 62 LG5	Champagne			
	911 522 018 62 LG6	Dark green			
	911 522 018 62 LG7	Burgundy			
	911 522 018 62 QC2	Greyish green	85-		
	911 522 018 62 PY9	Ocean blue	85-		
	911 522 018 62 PZ1	Wild buffalo	85-		
(2)	911 522 017 61	Back seat backrest Leatherette/ Centre part Porsche lettering cloth	/L 85-	1	
	911 522 017 61 PZ7	Black/black			
	911 522 017 61 PZ9	Blue/blue			
	911 522 017 61 PZ8	Brown/brown			
	911 522 017 61 QA1	Burgundy/burgundy			
	911 522 017 61 QA2	Greyish green/grey-green			
	911 522 017 61 QD8	Grey-beige/grey-beige	86-		
2	911 522 018 61	Back seat backrest Leatherette/ Centre part Porsche lettering cloth	/R 85-	1	
	911 522 018 61 PZ7	Black/black			
	911 522 018 61 PZ9	Blue/blue			
	911 522 018 61 PZ8	Brown/brown			

Model: 911 84 Model life 1984&gt;&gt;1986

Pos	Part Number	Description	Remark	Qty	Model
(2)	911 522 018 61 QA1	Burgundy/burgundy			
	911 522 018 61 QA2	Greyish green/grey-green			
	911 522 018 61 QD8	Grey-beige/grey-beige	86-		
	911 522 017 61	Back seat backrest Leatherette/ Centre part Pin stripe velour	/L 85-	1	
	911 522 017 61 JN1	Black/ Black-white			
	911 522 017 61 JN2	Brown/ Brown-beige			
	911 522 017 61 LT1	Blue/ Blue-white			
	911 522 017 61 LT2	Burgundy/ Burgundy-white			
	911 522 017 61 PY5	Greyish green/ Greyish green-white			
	911 522 017 61 LD4	Grey-beige/ Grey-beige-white	86- 86-		
2	911 522 018 61	Back seat backrest Leatherette/ Centre part Pin stripe velour	/R 85-	1	
(2)	911 522 018 61 JN1	Black/ Black-white			
	911 522 018 61 JN2	Brown/ Brown-beige			
	911 522 018 61 LT1	Blue/ Blue-white			
	911 522 018 61 LT2	Burgundy/ Burgundy-white			
	911 522 018 61 PY5	Greyish green/ Greyish green-white			
	911 522 018 61 LD4	Grey-beige/ Grey-beige-white	86- 86-		
	911 522 017 61	Back seat backrest Leatherette/ Centre part Pin stripe flannel	/L 85-	1	
	911 522 017 61 PZ2	Black/anthracite			
	911 522 017 61 PZ3	Brown/brown			
	911 522 017 61 PZ4	Blue/blue			
911 522 017 61 PZ5	Burgundy/burgundy				
911 522 017 61 PZ6	Greyish green/grey-green				
2	911 522 018 61	Back seat backrest Leatherette/ Centre part Pin stripe flannel	/R 85-	1	
(2)	911 522 018 61 PZ2	Black/anthracite			
	911 522 018 61 PZ3	Brown/brown			
	911 522 018 61 PZ4	Blue/blue			
	911 522 018 61 PZ5	Burgundy/burgundy			
	911 522 018 61 PZ6	Greyish green/grey-green			
	911 522 017 63	Back seat backrest Leather/ Centre part Pin stripe velour	/L 85-	1	M983
	911 522 017 63 LS5	Black/ Black-white			
	911 522 017 63 LS6	Brown/ Brown-beige			

Model: 911 84 Model life 1984>>1986

Pos	Part Number	Description	Remark	Qty	Model
	911 522 017 63 LS8	Blue/ Blue-white			
	911 522 017 63 LS9	Burgundy/ Burgundy-white			
	911 522 017 63 QA7	Greyish green/ Greyish green-white			
	911 522 017 63 LS7	Grey-beige/ Grey-beige-white	86- 86-		
2	911 522 018 63	Back seat backrest Leather/ Centre part Pin stripe velour	/R 85-	1	M983
	911 522 018 63 LS5	Black/ Black-white			
	911 522 018 63 LS6	Brown/ Brown-beige			
	911 522 018 63 LS8	Blue/ Blue-white			
	911 522 018 63 LS9	Burgundy/ Burgundy-white			
	911 522 018 63 QA7	Greyish green/ Greyish green-white			
	911 522 018 63 LS7	Grey-beige/ Grey-beige-white	86- 86-		
(2)	911 522 017 63	Back seat backrest Leather/ Centre part Pin stripe flannel	/L 85-	1	M983
	911 522 017 63 QB1	Black/anthracite			
	911 522 017 63 QB3	Brown-brown			
	911 522 017 63 QB5	Blue/blue			
	911 522 017 63 QB7	Burgundy/burgundy			
	911 522 017 63 QA8	Greyish green/grey-green			
2	911 522 018 63	Back seat backrest Leather/ Centre part Pin stripe flannel	/R 85-	1	M983
	911 522 018 63 QB1	Black/anthracite			
	911 522 018 63 QB3	Brown/brown			
	911 522 018 63 QB5	Blue/blue			
	911 522 018 63 QB7	Burgundy/burgundy			
	911 522 018 63 QA8	Greyish green/grey-green			
(2)	911 522 017 63	Back seat backrest Leather/ Centre part Porsche lettering cloth	/L 85-	1	M983
	911 522 017 63 QB2	Black/black			
	911 522 017 63 QB4	Brown/brown			
	911 522 017 63 QB6	Blue/blue			
	911 522 017 63 QB8	Burgundy/burgundy			
	911 522 017 63 QA9	Greyish green/grey-green			
	911 522 017 63 RU1	Grey-beige/grey-beige	86-		
2	911 522 018 63	Back seat backrest Leather/ Centre part Porsche lettering cloth	/R 85-	1	M983
	911 522 018 63 QB2	Black/black			
	911 522 018 63 QB4	Brown/brown			
	911 522 018 63 QB6	Blue/blue			
	911 522 018 63 QB8	Burgundy/burgundy			
	911 522 018 63 QA9	Greyish green/grey-green			
	911 522 018 63 RU1	Grey-beige/grey-beige	86-		
(3)	911 522 061 60	Carpet	/L	1	

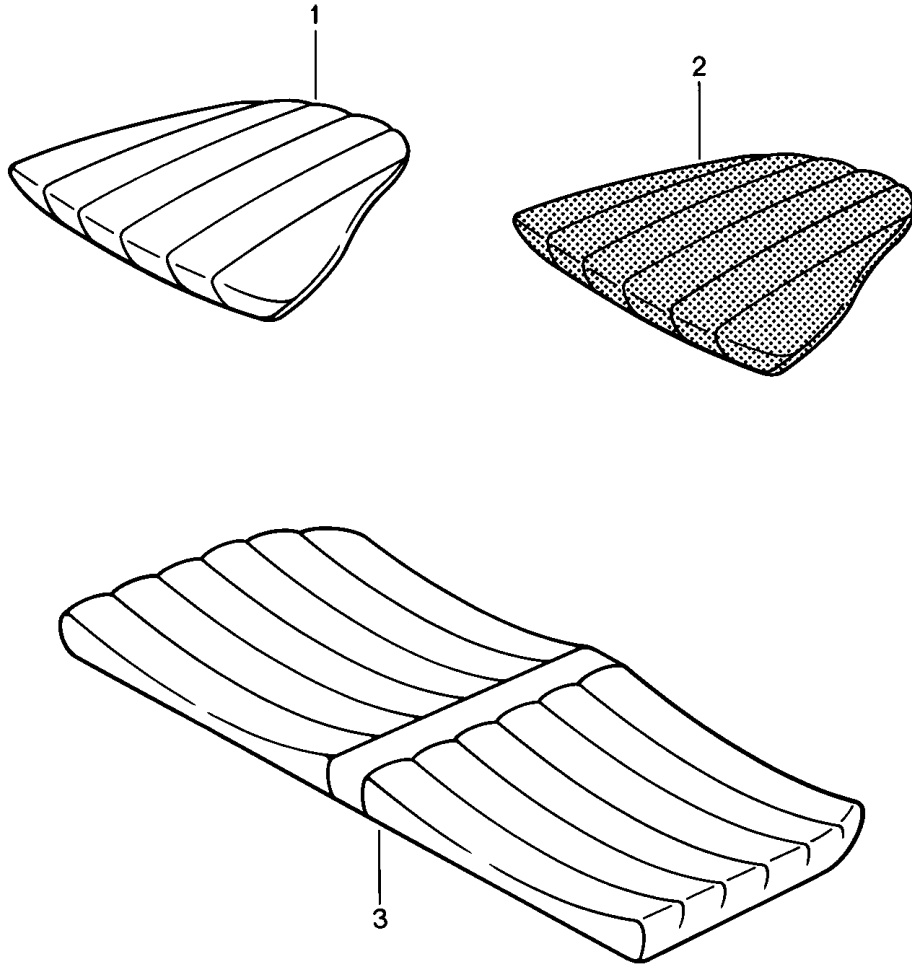
Model: 911 84 Model life 1984>>1986

Pos	Part Number	Description	Remark	Qty	Model
	911 522 061 60 70E	Black			
	911 522 061 60 30B	Blue			
	911 522 061 60 40E	Brown			
	911 522 061 60 80E	Burgundy			
	911 522 061 60 60A	Grey			
	911 522 061 60 8JK	Greyish green	85-		
	911 522 061 60 2FL	Grey-beige	-84, -86		
	911 522 061 60 2YN	White	85-		
	911 522 061 60 1VD	Champagne			
	911 522 061 60 6JD	Dark green			
	911 522 061 60 80S	Can-can-red			
3	911 522 062 60	Carpet	/R	1	
	911 522 062 60 70E	Black			
	911 522 062 60 30B	Blue			
	911 522 062 60 40E	Brown			
	911 522 062 60 80E	Burgundy			
	911 522 062 60 60A	Grey			
	911 522 062 60 8JK	Greyish green	85-		
	911 522 062 60 2FL	Grey-beige	-84, -86		
	911 522 062 60 2YN	White	85-		
	911 522 062 60 1VD	Champagne			
	911 522 062 60 6JD	Dark green			
	911 522 062 60 80S	Can-can-red			
4	911 522 233 00	Spring		2	
5	911 522 229 00	Bolt		2	
6	911 522 231 00	Knob		2	
(7)	911 522 227 01	Bearing	/L	1	
(7)		Bearing	/L	1	
7	911 522 228 01	Bearing	/R	1	
7		Bearing	/R	1	
8	999 523 106 02	Lock washer B 5		4	
9	N 014 133 I	Oval-head screw		4	
9	N 014 133 8	Oval-head screw M 5 X 12		4	
9	N 014 133 I	Oval-head screw M 5 X 12		4	
10	911 561 493 00	Leather loop		2	
11	900 236 001 07	Oval-head screw M 8 X 10		2	
11	900 236 001 03	Oval-head screw M 8 X 10		2	
12	N 012 230 1	Spring washer		2	
13	911 559 435 00	Spacer		4	
14	901 522 509 20	Bearing sleeve		2	
15	901 522 365 20	Cap		2	



Model: 911 84

Model life 1984>>1986



Model: 911 84 Model life 1984>>1986

Pos	Part Number	Description	Remark	Qty	Model
1	911 522 051 06	Back seat cushion Back seat cushion Leatherette	/L	1	
	911 522 051 06 3MK	Burgundy			
	911 522 051 06 4FK	Grey-beige	-84, -86		
	911 522 051 06 43S	Black			
	911 522 051 06 1HH	Blue			
	911 522 051 06 4RB	Brown			
	911 522 051 06 4JX	Greyish green	85-		
(1)	911 522 052 06	Back seat cushion Leatherette	/R	1	
	911 522 052 06 3MK	Burgundy			
	911 522 052 06 4FK	Grey-beige	-84, -86		
	911 522 052 06 43S	Black			
	911 522 052 06 1HH	Blue			
	911 522 052 06 4RB	Brown			
	911 522 052 06 4JX	Greyish green	85-		
1	930 522 051 74	Back seat cushion Leather	/L	1	
	930 522 051 74 KZ2	Black			
	930 522 051 74 KZ3	Blue			
	930 522 051 74 KZ5	Cadbury brown			
	930 522 051 74 LG7	Burgundy			
	930 522 051 74 KZ4	Grey-beige	-84, -86		
	930 522 051 74 KZ6	Can-can-red			
	930 522 051 74 LG4	Pearl white			
	930 522 051 74 LG5	Champagne			
	930 522 051 74 LG6	Dark green			
	930 522 051 74 QC2	Greyish green	85-		
	930 522 051 74 PY9	Ocean blue	85-		
	930 522 051 74 PZ1	Wild buffalo	85-		
(1)	930 522 052 74	Back seat cushion Leather	/R	1	
	930 522 052 74 KZ2	Black			
	930 522 052 74 KZ3	Blue			
	930 522 052 74 KZ5	Cadbury brown			
	930 522 052 74 LG7	Burgundy			
	930 522 052 74 KZ4	Grey-beige	-84, -86		
	930 522 052 74 KZ6	Can-can-red			
	930 522 052 74 LG4	Pearl white			
	930 522 052 74 LG5	Champagne			
	930 522 052 74 LG6	Dark green			
	930 522 052 74 QC2	Greyish green	85-		
	930 522 052 74 PY9	Ocean blue	85-		
	930 522 052 74 PZ1	Wild buffalo	85-		
2	930 522 051 01	Back seat cushion Cloth	/L	1	
		Checker board velour	-84		
	930 522 051 01 LD5	Light grey/black			
	930 522 051 01 LJ8	Blue-grey			
	930 522 051 01 LD6	Brown-grey			
	930 522 051 01 LJ9	Burgundy-grey			
(2)	930 522 052 01	Back seat cushion Cloth	/R	1	
		Checker board velour	-84		
	930 522 052 01 LD5	Light grey/black			
	930 522 052 01 LJ8	Blue-grey			
	930 522 052 01 LD6	Brown-grey			
	930 522 052 01 LJ9	Burgundy-grey			
2	930 522 051 01	Back seat cushion Uni-coloured cloth	/L	1	
			-84		
	930 522 051 01 LK3	Brown			
	930 522 051 01 LK5	Burgundy			

Model: 911 84 Model life 1984>>1986

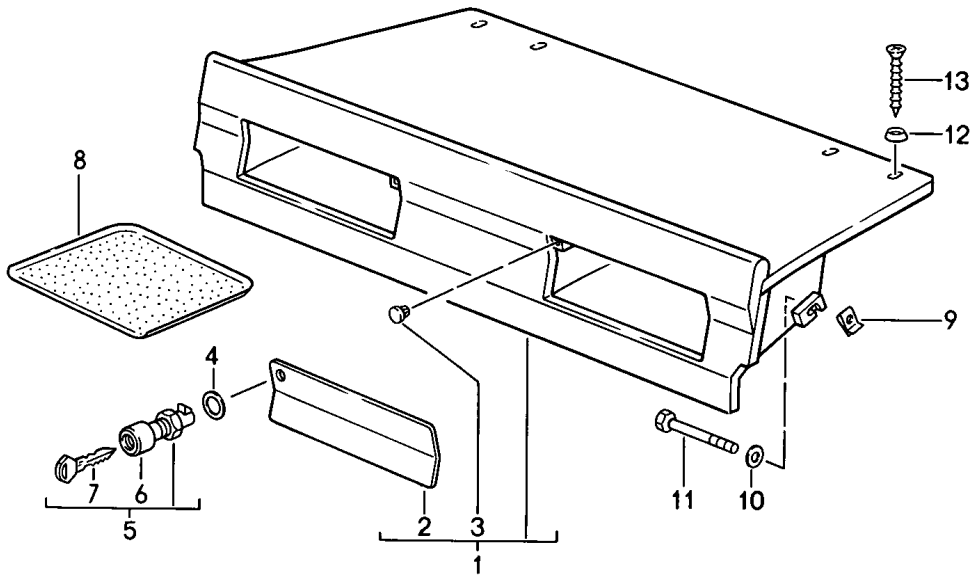
Pos	Part Number	Description	Remark	Qty	Model
	930 522 051 01 LK6	Grey-beige			
	930 522 051 01 JM2	Black			
	930 522 051 01 JM5	Blue			
(2)	930 522 052 01	Back seat cushion Uni-coloured cloth	/R -84	1	
	930 522 052 01 LK3	Brown			
	930 522 052 01 LK5	Burgundy			
	930 522 052 01 LK6	Grey-beige			
	930 522 052 01 JM2	Black			
	930 522 052 01 JM5	Blue			
2	930 522 051 01	Back seat cushion Cloth Pin stripe velour	/L	1	
	930 522 051 01 JN1	Black-white			
	930 522 051 01 LT1	Blue-white			
	930 522 051 01 JN2	Brown-beige			
	930 522 051 01 LT2	Burgundy-white			
	930 522 051 01 LD4	Grey-beige-white	-84, -86		
	930 522 051 01 PY5	Greyish green-white	85-		
(2)	930 522 052 01	Back seat cushion Cloth Pin stripe velour	/R	1	
	930 522 052 01 JN1	Black-white			
	930 522 052 01 LT1	Blue-white			
	930 522 052 01 JN2	Brown-beige			
	930 522 052 01 LT2	Burgundy-white			
	930 522 052 01 LD4	Grey-beige-white	-84, -86		
	930 522 052 01 PY5	Greyish green-white	85-		
2	930 522 051 01	Back seat cushion Cloth Pin stripe flannel	/L 85-	1	
	930 522 051 01 PZ2	Anthracite			
	930 522 051 01 PZ3	Brown			
	930 522 051 01 PZ4	Blue			
	930 522 051 01 PZ5	Burgundy			
	930 522 051 01 PZ6	Greyish green			
(2)	930 522 052 01	Back seat cushion Cloth Pin stripe flannel	/R 85-	1	
	930 522 052 01 PZ2	Anthracite			
	930 522 052 01 PZ3	Brown			
	930 522 052 01 PZ4	Blue			
	930 522 052 01 PZ5	Burgundy			
	930 522 052 01 PZ6	Greyish green			
2	930 522 051 01	Back seat cushion Porsche lettering cloth	/L -84	1	
	930 522 051 01 LR1	Black			
	930 522 051 01 LR4	Blue			
	930 522 051 01 LR2	Brown			
	930 522 051 01 LR5	Burgundy			
	930 522 051 01 LR3	Grey-beige			
(2)	930 522 052 01	Back seat cushion Porsche lettering cloth	/R -84	1	
	930 522 052 01 LR1	Black			
	930 522 052 01 LR4	Blue			
	930 522 052 01 LR2	Brown			
	930 522 052 01 LR5	Burgundy			
	930 522 052 01 LR3	Grey-beige			
2	930 522 051 01	Back seat cushion Porsche lettering cloth	/L 85-	1	
	930 522 051 01 PZ7	Black			
	930 522 051 01 PZ8	Brown			
	930 522 051 01 PZ9	Blue			

Model: 911 84 Model life 1984>>1986

Pos	Part Number	Description	Remark	Qty	Model
	930 522 051 01 QA1	Burgundy			
	930 522 051 01 QA2	Greyish green			
	930 522 051 01 QD8	Grey-beige	86-		
(2)	930 522 052 01	Back seat cushion	/R	1	
		Porsche lettering cloth	85-		
	930 522 052 01 PZ7	Black			
	930 522 052 01 PZ8	Brown			
	930 522 052 01 PZ9	Blue			
	930 522 052 01 QA1	Burgundy			
	930 522 052 01 QA2	Greyish green			
	930 522 052 01 QD8	Grey-beige	86-		
3	911 522 050 00	Back seat cushion	(J)	1	
		Leatherette			
	911 522 050 00 3MK	Burgundy			
	911 522 050 00 4FK	Grey-beige	-84, -86		
	911 522 050 00 43S	Black			
	911 522 050 00 1HH	Blue			
	911 522 050 00 4RB	Brown			
	911 522 050 00 4JX	Greyish green	85-		
3	911 522 050 70	Back seat cushion	(J)	1	
		Leather			
	911 522 050 70 LG7	Burgundy			
	911 522 050 70 KZ4	Grey-beige	-84, -86		
	911 522 050 70 KZ2	Black			
	911 522 050 70 KZ3	Blue			
	911 522 050 70 KZ5	Brown			
	911 522 050 70 KZ6	Can-can-red			
	911 522 050 70 LG4	Pearl white			
	911 522 050 70 LG5	Champagne			
	911 522 050 70 LG6	Dark green			
	911 522 050 70 QC2	Greyish green	85-		
	911 522 050 70 PY9	Ocean blue	85-		
	911 522 050 70 PZ1	Wild buffalo	85-		

Model: 911 84

Model life 1984>>1986



Model: 911 84 Model life 1984>>1986

Pos	Part Number	Description	Remark	Qty	Model
		Rear luggage dump			CABRIO M419
(1)	911 555 123 61	Rear luggage dump		1	
		Carpet			
	911 555 123 61 70E	Black			
	911 555 123 61 30B	Blue			
	911 555 123 61 40E	Brown			
	911 555 123 61 80E	Burgundy			
	911 555 123 61 60A	Grey			
	911 555 123 61 2FL	Grey-beige	84,		
	911 555 123 61 6JD	Dark green			
	911 555 123 61 1VD	Champagne			
	911 555 123 61 80S	Can-can-red			
	911 555 123 61 8JK	Greyish green	85-		
	911 555 123 61 2YN	White	85-		
1	911 555 123 62	Rear luggage dump		1	
		Carpet			
	911 555 123 62 70E	Black			
	911 555 123 62 30B	Blue			
	911 555 123 62 40E	Brown			
	911 555 123 62 80E	Burgundy			
	911 555 123 62 60A	Grey			
	911 555 123 62 2FL	Grey-beige	84, 86		
	911 555 123 62 6JD	Dark green			
	911 555 123 62 1VD	Champagne			
	911 555 123 62 80S	Can-can-red			
	911 555 123 62 8JK	Greyish green			
	911 555 123 62 2YN	White			
2	911 552 488 04	Cover		1	
	911 552 488 04 7AE	Black			
3	999 703 002 40	Stopper		2	
		6,5 X 10 X 7			
4	911 552 103 01	Washer		2	
5	911 552 902 07	Glove compartment lock		2	
		W/o stipulated lock number			
5	911 552 902 08	Glove compartment lock		2	
		State lock number			
(6)	911 538 961 00	Knob	-85	2	
6	911 538 561 00	Knob	86-	2	
7	911 538 902 00	Replacement key		2	
		with			
		Key cap			
		State lock number			
		Information available			
8	911 555 151 61	Base		2	
		Seat well			
		Carpet			
	911 555 151 61 70E	Black			
	911 555 151 61 30B	Blue			
	911 555 151 61 40E	Brown			
	911 555 151 61 80E	Burgundy			
	911 555 151 61 60A	Grey			
	911 555 151 61 2FL	Grey-beige	84, 86		
	911 555 151 61 6JD	Dark green			
	911 555 151 61 1VD	Champagne			
	911 555 151 61 80S	Can-can-red			
	911 555 151 61 8JK	Greyish green	85-		
	911 555 151 61 2YN	White	85-		
9	999 507 248 02	Speed nut		2	
		M 5			
10	N 011 665 3	Washer		2	
		5,3 X 15 X 1,6			
10	N 011 665 16	Washer		2	

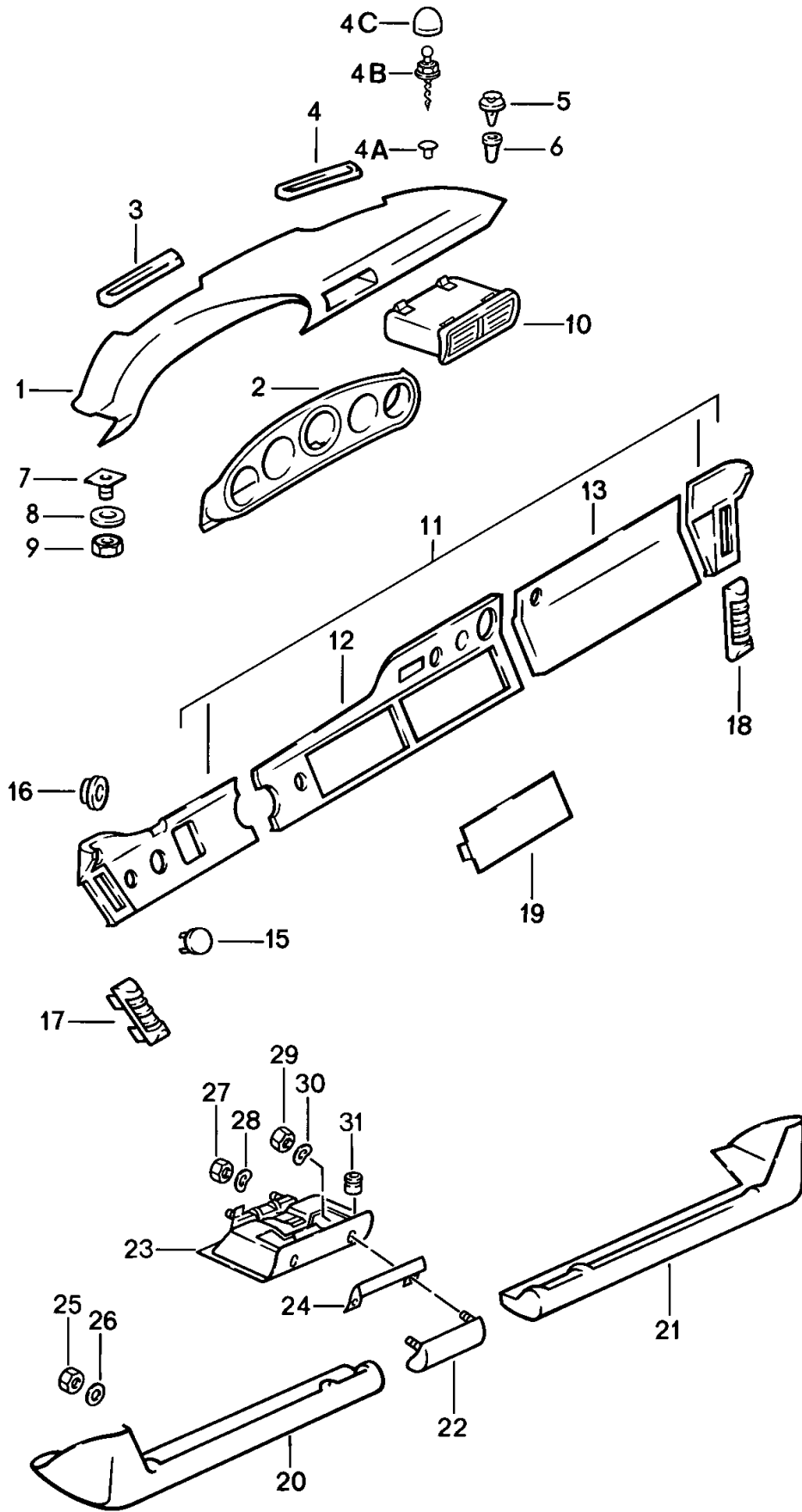
Model: 911 84

Model life 1984&gt;&gt;1986

Pos	Part Number	Description	Remark	Qty	Model
11	N 100 017 01	5,3 X 15 X 1,6 Hexagon-head bolt		2	
12	999 591 116 07	M 5 X 45 Cone washer		2	
13	900 145 062 07	A 4,5 Tapping screw B 3,5 X 25		2	

Model: 911 84

Model life 1984>>1986





Model: 911 84 Model life 1984>>1986

Pos	Part Number	Description	Remark	Qty	Model
1	911 552 055 04	Dashbord trim with Installation parts Dashbord trim Leatherette	-85  /LL	1	
	911 552 055 04 7AE	Black			
	911 552 055 04 30B	Blue			
	911 552 055 04 3MX	Burgundy			
	911 552 055 04 4RB	Brown			
	911 552 055 04 4JX	Greyish green	85		
1	911 552 055 06	Dashbord trim Leatherette	/LL 85	1	
	911 552 055 06 7AE	Black			
1	911 552 055 07	Dashbord trim Leatherette	/LL 85	1	SC
	911 552 055 07 7AE	Black			
(1)	911 552 056 04	Dashbord trim Leatherette	/RL	1	
	911 552 056 04 7AE	Black			
	911 552 056 04 30B	Blue			
	911 552 056 04 3MX	Burgundy			
	911 552 056 04 4RB	Brown			
	911 552 056 04 4JX	Greyish green	85		
1	911 552 055 72	Dashbord trim Leather	/LL -85	1	
	911 552 055 72 LG7	Burgundy			
	911 552 055 72 LG6	Dark green			
	911 552 055 72 KZ2	Black			
	911 552 055 72 KZ3	Blue			
	911 552 055 72 KZ5	Brown			
	911 552 055 72 QC2	Greyish green	85		
	911 552 055 72 PY9	Ocean blue	85		
	911 552 055 72 PZ1	Wild buffalo	85		
(1)	911 552 056 72	Dashbord trim Leather	/RL -85	1	
	911 552 056 72 LG7	Burgundy			
	911 552 056 72 LG6	Dark green			
	911 552 056 72 KZ2	Black			
	911 552 056 72 KZ3	Blue			
	911 552 056 72 KZ5	Brown			
	911 552 056 72 QC2	Greyish green	85		
	911 552 056 72 PY9	Ocean blue	85		
	911 552 056 72 PZ1	Wild buffalo	85		
2	911 552 549 00	Cover	/LL	1	
	911 552 549 00 700	Black Dashbord trim			
(2)	911 552 550 00	Cover	/RL	1	
	911 552 550 00 700	Black Dashbord trim			
3	911 552 409 00	Cover	/L	1	
4	911 552 410 00	Cover	/R	1	
4A	999 703 182 40	Heating nozzle Stopper		3	CABRIO M070
4B	999 591 608 17	Tenax lower part		3	CABRIO M070
4C	911 561 529 00	B 4,2 X 22 Cap		3	CABRIO M070
5	999 591 310 40	Fixing clip		7	
6	999 591 311 40	Bush		7	
7	999 591 344 02	Latch		2	
8	N 011 666 7	Washer		7	

Model: 911 84 Model life 1984>>1986

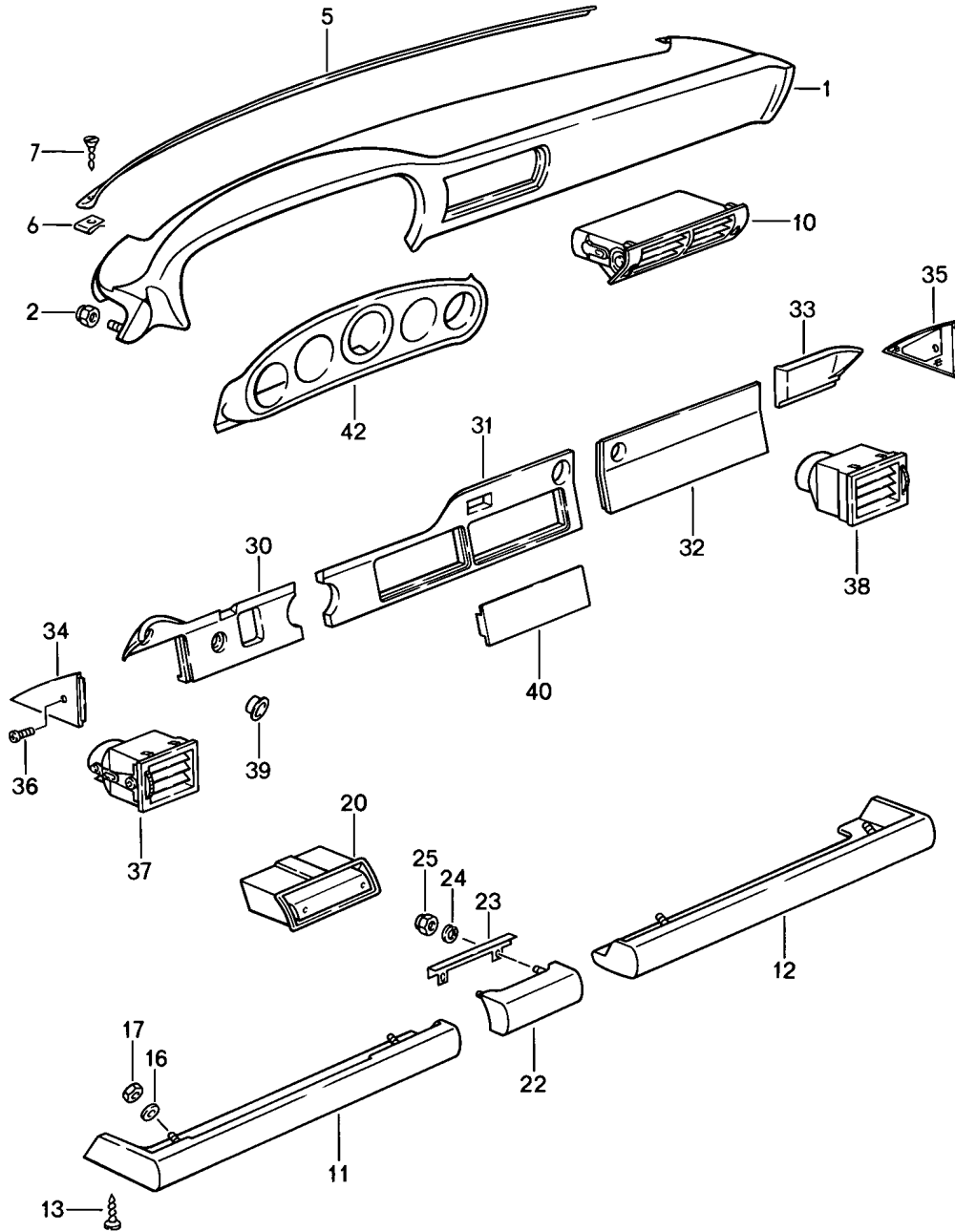
Pos	Part Number	Description	Remark	Qty	Model
9	999 090 003 02	B 6,4 Lock nut		7	
(10)	911 571 067 02	M 6 Centre nozzle		1	
(10)	911 571 067 03	Centre nozzle		1	M559
-	911 571 181 01	Gasket Centre nozzle		2	M559
11	911 552 041 10	Cover	/LL	1	
(11)	911 552 942 01	Cover Set	/RL	1	
12	911 552 479 09	Cover	/LL	1	
	911 552 479 09 7AE	Black Centre			
12	911 552 479 60	Cover	/LL	1	
	911 552 479 60 7AE	Black Centre			
(12)	911 552 480 08	Cover	/RL	1	
(12)	911 552 480 13	Cover	/RL	1	
	911 552 480 13 7AE	Black Centre			
13	911 552 488 04	Cover		1	
	911 552 488 04 7AE	Black Glove compartment cover			
16	911 552 217 00	Rosette		1	
	911 552 217 00 70B	Black Lid-release cable			
17	911 552 071 00	Side vent	/L	1	
18	911 552 072 00	Side vent	/R	1	
19	911 552 463 02	Trim cover		1	
	911 552 463 02 70B	Black			
20	901 552 035 27	Knee protection strip Leatherette	/L	1	
	901 552 035 27 7AE	Black			
	901 552 035 27 3MX	Burgundy			
	901 552 035 27 4RB	Brown			
	901 552 035 27 30B	Dark blue			
	901 552 035 27 4JX	Greyish green	85		
20	901 552 035 70	Knee protection strip Leather	/L	1	
	901 552 035 70 LG7	Burgundy			
	901 552 035 70 LG6	Dark green			
	901 552 035 70 KZ2	Black			
	901 552 035 70 KZ3	Blue			
	901 552 035 70 KZ5	Brown			
	901 552 035 70 QC2	Greyish green	85		
	901 552 035 70 PY9	Ocean blue	85		
	901 552 035 70 PZ1	Wild buffalo	85		
21	901 552 036 27	Knee protection strip Leatherette	/R	1	
	901 552 036 27 7AE	Black			
	901 552 036 27 3MX	Burgundy			
	901 552 036 27 4RB	Brown			
	901 552 036 27 30B	Blue			
	901 552 036 27 4JX	Greyish green	85		
21	901 552 036 70	Knee protection strip Leather	/R	1	
	901 552 036 70 LG7	Burgundy			
	901 552 036 70 LG6	Dark green			
	901 552 036 70 KZ2	Black			
	901 552 036 70 KZ3	Blue			
	901 552 036 70 KZ5	Brown			
	901 552 036 70 QC2	Greyish green	85		
	901 552 036 70 PY9	Ocean blue	85		

Model: 911 84 Model life 1984>>1986

Pos	Part Number	Description	Remark	Qty	Model
22	901 552 036 70 PZ1	Wild buffalo	85	1	
	901 552 050 25	Ashtray handle			
		Leatherette			
	901 552 050 25 7AE	Black			
	901 552 050 25 30B	Dark blue			
	901 552 050 25 3MX	Burgundy			
22	901 552 050 25 4RB	Brown		1	
	901 552 050 25 4JX	Greyish green	85		
	911 552 050 70	Ashtray handle			
		Leather			
	911 552 050 70 LG7	Burgundy			
	911 552 050 70 LG6	Dark green			
	911 552 050 70 KZ2	Black			
	911 552 050 70 KZ3	Blue			
	911 552 050 70 KZ5	Brown			
	911 552 050 70 QC2	Greyish green	85		
	911 552 050 70 PY9	Ocean blue	85		
23	901 552 050 70 PZ1	Wild buffalo	85	1	
	901 552 061 25	Ashtray			
24	901 552 607 00	Fireproof plate		1	
25	N 011 005 14	Hexagon nut		4	
		M 5			
25	900 076 091 01	Hexagon nut		4	
		M 5			
26	N 011 665 3	Washer		4	
		A 5,3			
26	N 011 665 16	Washer		4	
		A 5,3			
27	N 011 005 14	Hexagon nut		2	
		M 5			
27	900 076 091 01	Hexagon nut		2	
		M 5			
28	N 011 665 3	Washer		2	
		A 5,3			
28	N 011 665 16	Washer		2	
		A 5,3			
29	900 070 001 02	Cap nut		2	
		M 4			
30	N 012 224 3	Spring washer		2	
		B 4			
31	999 591 903 40	Rubber stop		2	

Model: 911 84

Model life 1984>>1986



Model: 911 84 Model life 1984>>1986

Pos	Part Number	Description	Remark	Qty	Model
		Dashbord trim with Installation parts	86-		
1	911 552 055 05	Dashbord trim Leatherette	/LL	1	
	911 552 055 05 7AE	Black			
	911 552 055 05 30B	Blue			
	911 552 055 05 4RB	Brown			
	911 552 055 05 3MX	Burgundy			
	911 552 055 05 4JX	Greyish green			
(1)	911 552 056 05	Dashbord trim Leatherette	/RL	1	
	911 552 056 05 7AE	Black			
	911 552 056 05 30B	Blue			
	911 552 056 05 4RB	Brown			
	911 552 056 05 3MX	Burgundy			
	911 552 056 05 4JX	Greyish green			
1	911 552 055 73	Dashbord trim Leather	/LL	1	
	911 552 055 73 KZ2	Black			
	911 552 055 73 KZ3	Blue			
	911 552 055 73 KZ5	Brown			
	911 552 055 73 LG7	Burgundy			
	911 552 055 73 QC2	Greyish green			
	911 552 055 73 LG6	Dark green			
	911 552 055 73 PY9	Ocean blue			
	911 552 055 73 PZ1	Wild buffalo			
(1)	911 552 056 73	Dashbord trim Leather	/RL	1	
	911 552 056 73 KZ2	Black			
	911 552 056 73 KZ3	Blue			
	911 552 056 73 KZ5	Brown			
	911 552 056 73 LG7	Burgundy			
	911 552 056 73 QC2	Greyish green			
	911 552 056 73 LG6	Dark green			
	911 552 056 73 PY9	Ocean blue			
	911 552 056 73 PZ1	Wild buffalo			
2	999 090 003 02	Lock nut M 6		7	
5	911 552 411 00	Defroster vent		1	
	911 552 411 00 1DB	Black			
	911 552 411 00 8HL	Blue			
	911 552 411 00 4RB	Brown			
	911 552 411 00 3MC	Burgundy			
	911 552 411 00 2DL	Greyish green			
5	911 552 241 01	Defroster vent		1	
	911 552 241 01 1DB	Black			
	911 552 241 01 8HL	Blue			
	911 552 241 01 4RB	Brown			
	911 552 241 01 3MC	Burgundy			
	911 552 241 01 2DL	Greyish green			
6	999 591 713 02	Speed nut B 4,2		5	
6	999 591 713 03	Speed nut B 4,2		5	
7	900 145 084 07	Tapping screw B 4,2 X 19		5	
10	911 572 051 01	Centre nozzle	/LL	1	
	911 572 051 01 01C	Black			
(10)	911 572 052 01	Centre nozzle	/RL	1	
	911 572 052 01 01C	Black			
11	911 552 069 00	Knee protection strip Leatherette	/LL /L	1	

Model: 911 84 Model life 1984>>1986

Pos	Part Number	Description	Remark	Qty	Model	
	911 552 069 00 7AE	Black				
	911 552 069 00 30B	Blue				
	911 552 069 00 4RB	Brown				
	911 552 069 00 3MX	Burgundy				
	911 552 069 00 4JX	Greyish green				
(11)	911 552 069 01	Knee protection strip Leatherette	/RL /L	1		
	911 552 069 01 7AE	Black				
	911 552 069 01 30B	Blue				
	911 552 069 01 4RB	Brown				
	911 552 069 01 3MX	Burgundy				
	911 552 069 01 4JX	Greyish green				
11	911 552 151 50	Knee protection strip Leather	/LL /L	1		
	911 552 151 50 KZ2	Black				
	911 552 151 50 KZ3	Blue				
	911 552 151 50 KZ5	Brown				
	911 552 151 50 LG7	Burgundy				
	911 552 151 50 QC2	Greyish green				
	911 552 151 50 LG6	Dark green				
	911 552 151 50 PY9	Ocean blue				
	911 552 151 50 PZ1	Wild buffalo				
	(11)	911 552 151 51	Knee protection strip Leather	/RL /L	1	
		911 552 151 51 KZ2	Black			
911 552 151 51 KZ3		Blue				
911 552 151 51 KZ5		Brown				
911 552 151 51 LG7		Burgundy				
911 552 151 51 QC2		Greyish green				
911 552 151 51 LG6		Dark green				
911 552 151 51 PY9		Ocean blue				
911 552 151 51 PZ1		Wild buffalo				
12		911 552 070 00	Knee protection strip Leatherette	/LL /R	1	
		911 552 070 00 7AE	Black			
	911 552 070 00 30B	Blue				
	911 552 070 00 4RB	Brown				
	911 552 070 00 3MX	Burgundy				
	911 552 070 00 4JX	Greyish green				
(12)	911 552 070 01	Knee protection strip Leatherette	/RL /R	1		
	911 552 070 01 7AE	Black				
	911 552 070 01 30B	Blue				
	911 552 070 01 4RB	Brown				
	911 552 070 01 3MX	Burgundy				
	911 552 070 01 4JX	Greyish green				
12	911 552 152 50	Knee protection strip Leather	/LL /R	1		
	911 552 152 50 KZ2	Black				
	911 552 152 50 KZ3	Blue				
	911 552 152 50 KZ5	Brown				
	911 552 152 50 LG7	Burgundy				
	911 552 152 50 QC2	Greyish green				
	911 552 152 50 LG6	Dark green				
	911 552 152 50 PY9	Ocean blue				
	911 552 152 50 PZ1	Wild buffalo				
	(12)	911 552 152 51	Knee protection strip Leather	/RL /R	1	
		911 552 152 51 KZ2	Black			
911 552 152 51 KZ3		Blue				
911 552 152 51 KZ5		Brown				
911 552 152 51 LG7		Burgundy				
911 552 152 51 QC2		Greyish green				

Model: 911 84 Model life 1984>>1986

Pos	Part Number	Description	Remark	Qty	Model
13	911 552 152 51 LG6	Dark green		2	
	911 552 152 51 PY9	Ocean blue			
	911 552 152 51 PZ1	Wild buffalo			
	999 073 062 02	Tapping screw B 4,8 X 19			
16	N 011 665 3	Washer B 5,3		4	
		Washer B 5,3			
17	N 011 005 14	Hexagon nut M 5		4	
		Hexagon nut M 5			
20	911 552 101 00	Ashtray		1	
22	911 552 050 01	Ashtray handle Leatherette		1	
	911 552 050 01 7AE	Black			
	911 552 050 01 30B	Blue			
	911 552 050 01 4RB	Brown			
	911 552 050 01 3MX	Burgundy			
	911 552 050 01 4JX	Greyish green			
	911 552 049 50	Ashtray handle Leather			
	911 552 049 50 KZ2	Black			
	911 552 049 50 KZ3	Blue			
	911 552 049 50 KZ5	Brown			
	911 552 049 50 LG7	Burgundy			
	911 552 049 50 QC2	Greyish green			
23	911 552 049 50 LG6	Dark green		1	
	911 552 049 50 PY9	Ocean blue			
	911 552 049 50 PZ1	Wild buffalo			
	911 552 607 00	Fireproof plate			
	911 552 607 00 70B	Black			
	(23) 911 552 607 50	Fireproof plate			
	911 552 607 50 70B	Black			
	911 552 607 50 70B	Black			
24	N 012 224 3	Spring washer B 4		2	
		Cap nut M 4			
30	911 552 477 09	Cover	/LL /L	1	
		911 552 477 09 7AE	Black		
(30)	911 552 478 06	Cover	/RL /R	1	
		911 552 478 06 7AE	Black		
(30)	911 552 478 10	Cover	/RL /R	1	
		911 552 478 10 7AE	Black		
31	911 552 479 09	Cover	/LL	1	
		911 552 479 09 7AE	Black		
31	911 552 479 60	Cover	/LL	1	
		911 552 479 60 7AE	Black		
(31)	911 552 944 01	Cover	/RL	1	
		911 552 944 01 7AE	Black		
(31)	911 552 480 13	Cover	/RL	1	
		911 552 480 13 7AE	Black		
32	911 552 488 04	Cover		1	
		911 552 488 04 7AE	Black		
33	911 552 594 06	Cover	/LL /R	1	
		911 552 594 06 7AE	Black		
(33)	911 552 593 07	Cover	/RL /L	1	
		911 552 593 07 7AE	Black		
34	911 552 113 00	Cover	/L	1	
		911 552 113 00 01C	Black		
35	911 552 114 00	Cover	/R	1	
		911 552 114 00 01C	Black		

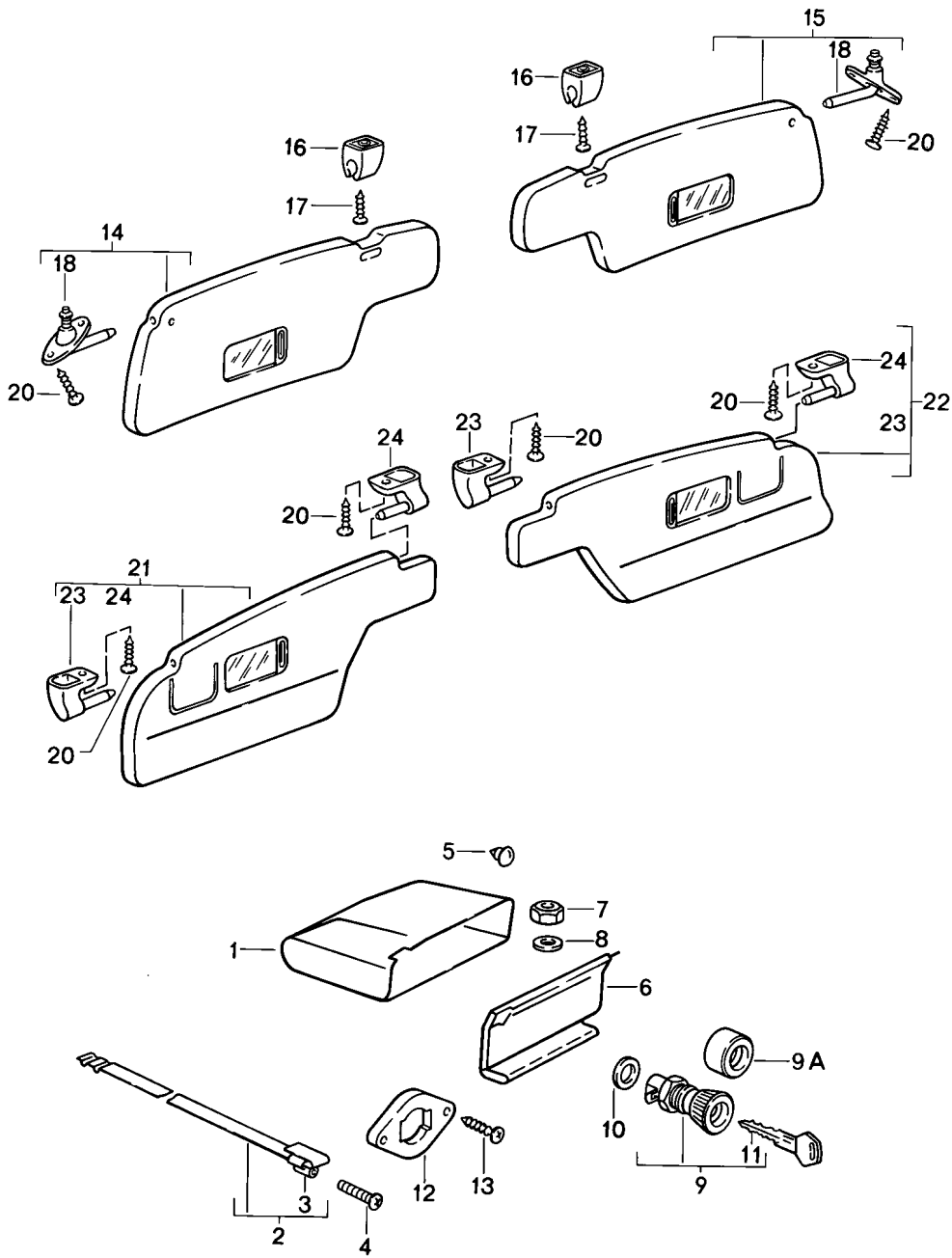
Model: 911 84 Model life 1984>>1986

Pos	Part Number	Description	Remark	Qty	Model
36	900 145 003 07	Tapping screw BZ 3,5 X 9,5		2	
37	911 572 041 00	Side vent	/LL /L	1	
	911 572 041 00 01C	Black			
(37)	911 572 075 00	Side vent	/RL /L	1	
	911 572 075 00 01C	Black			
38	911 572 042 00	Side vent	/LL /R	1	
	911 572 042 00 01C	Black			
(38)	911 572 076 00	Side vent	/RL /R	1	
	911 572 076 00 01C	Black			
39	911 552 217 00	Rosette		1	
	911 552 217 00 70B	Black Lid-release cable			
40	911 552 463 02	Trim cover		1	
	911 552 463 02 70B	Black			
42	911 552 549 00	Cover	/LL	1	
	911 552 549 00 700	Black Dashboard trim			
(42)	911 552 550 00	Cover	/RL	1	
	911 552 550 00 700	Black Dashboard trim			



Model: 911 84

Model life 1984>>1986



Model: 911 84 Model life 1984>>1986

Pos	Part Number	Description	Remark	Qty	Model
		Glove compartment			
		Sun visors			
1	911 552 501 00	Glove compartment		1	
(2)	901 552 531 20	Restraining strap	-85	1	
2	911 552 176 01	Restraining strap	/LL	1	
2	911 552 175 01	Restraining strap	/RL	1	
4	900 146 010 02	Oval-head screw		1	
		AM 5 X 30			
5	999 703 064 50	Buffer		1	
		14 X 12			
(5)	999 703 330 50	Buffer		1	
		14 X 17,5			
6	911 552 010 04	Glove compartment cover	-85	1	
6	911 552 010 05	Glove compartment cover	86-	1	
6		Glove compartment cover	86-	1	
	911 552 010 05 GRV	Prime coated			
7	N 021 196 1	Lock nut		4	
		M 5			
7	N 021 196 3	Hexagon nut		4	
		M 5			
8	900 025 003 02	Washer		4	
		5,3			
(9)	911 552 902 07	Glove compartment lock	-84	1	
(9)		Glove compartment lock		1	
		W/o stipulated lock number			
9	911 552 902 08	Glove compartment lock		1	
		State lock number			
(9A)	911 538 961 00	Knob	-85	1	
9A	911 538 561 00	Knob	86-	1	
10	911 552 103 01	Washer		1	
(11)	911 538 903 00	Blank key		2	
(11)		Blank key		2	
(11)	944 538 041 00	Key lamp		2	
(11)	944 538 041 01	Key lamp		2	
11	911 538 902 00	Replacement key		2	
		State lock number			
		Information available			
12	911 552 513 02	Door lock striker		1	
13	900 143 065 07	Tapping screw		2	
		2,9 X 9,5			
13	900 073 003 01	Tapping screw		2	
		2,9 X 9,5			
(14)	911 731 031 18	Sun visor	/L -85	1	COUPE
		with mirror			
	911 731 031 18 JQ5	Burgundy			
	911 731 031 18 CC4	White/black	-84		
	911 731 031 18 CC1	Blue			
	911 731 031 18 LA7	Brown			
	911 731 031 18 CA9	Black			
	911 731 031 18 NY2	Greyish green	85		
(14)	964 731 031 01	Sun visor	/L	1	COUPE
		with mirror			
		Black			
(14)	964 731 031 00	Sun visor	/LL /L	1	COUPE
		with mirror			
		Black			
(14)	911 731 031 04	Sun visor	/L (AUS) -85	1	COUPE
		without mirror			
	911 731 031 04 JQ5	Burgundy			
	911 731 031 04 CC4	White/black	-84		
	911 731 031 04 CC1	Blue			
	911 731 031 04 LA7	Brown			
	911 731 031 04 CA9	Black			

Model: 911 84 Model life 1984&gt;&gt;1986

Pos	Part Number	Description	Remark	Qty	Model
14	911 731 031 04 NY2	Greyish green	85		
	911 731 031 35	Sun visor with mirror	/L 86-	1	COUPE
	911 731 031 35 CA9	Black			
	911 731 031 35 CC1	Blue			
	911 731 031 35 LA7	Brown			
	911 731 031 35 JQ5	Burgundy			
14	911 731 031 35 NY2	Greyish green			
	911 731 031 36	Sun visor with mirror	/L 86- (AUS) (S)	1	COUPE
	911 731 031 36 CA9	Black			
	911 731 031 36 CC1	Blue			
	911 731 031 36 LA7	Brown			
	911 731 031 36 JQ5	Burgundy			
	911 731 031 36 NY2	Greyish green			
(15)	911 731 032 17	Sun visor with mirror	/R -85	1	COUPE
	911 731 032 17 JQ5	Burgundy			
	911 731 032 17 CC4	White/black	-84		
	911 731 032 17 CC1	Blue			
	911 731 032 17 LA7	Brown			
	911 731 032 17 CA9	Black			
	911 731 032 17 NY2	Greyish green	85		
15	964 731 032 00	Sun visor	/LL /R	1	COUPE
	964 731 032 00 CA9	with mirror Black			
(15)	911 731 032 04	Sun visor without mirror	/R (AUS) -85	1	COUPE
	911 731 032 04 JQ5	Burgundy			
	911 731 032 04 CC4	White/black	-84		
	911 731 032 04 CC1	Blue			
	911 731 032 04 LA7	Brown			
	911 731 032 04 CA9	Black			
	911 731 032 04 NY2	Greyish green	85		
15	911 731 032 35	Sun visor with mirror	/R 86-	1	COUPE
	911 731 032 35 CA9	Black			
	911 731 032 35 CC1	Blue			
	911 731 032 35 LA7	Brown			
	911 731 032 35 JQ5	Burgundy			
	911 731 032 35 NY2	Greyish green			
15	911 731 032 36	Sun visor with mirror	/R 86- (AUS) (S)	1	COUPE
	911 731 032 36 CA9	Black			
	911 731 032 36 CC1	Blue			
	911 731 032 36 LA7	Brown			
	911 731 032 36 JQ5	Burgundy			
	911 731 032 36 NY2	Greyish green			
16	911 731 331 00	Support	(AUS)	2	COUPE
(16)		Support		2	COUPE
17	900 143 111 07	Oval-head sheetmetal screw B 3,9 X 13		2	COUPE
18	964 731 319 00	Bearing	/L	1	COUPE
18	964 731 320 00	Bearing	/R	1	COUPE
20	900 145 075 07	Tapping screw B 4,2 X 16		4	
(21)	911 731 031 61	Sun visor with mirror	/L -85	1	TARGA/CABRIO
21	911 731 031 63	Sun visor with mirror	/L	1	TARGA/CABRIO
	911 731 031 63 CA9	Black			

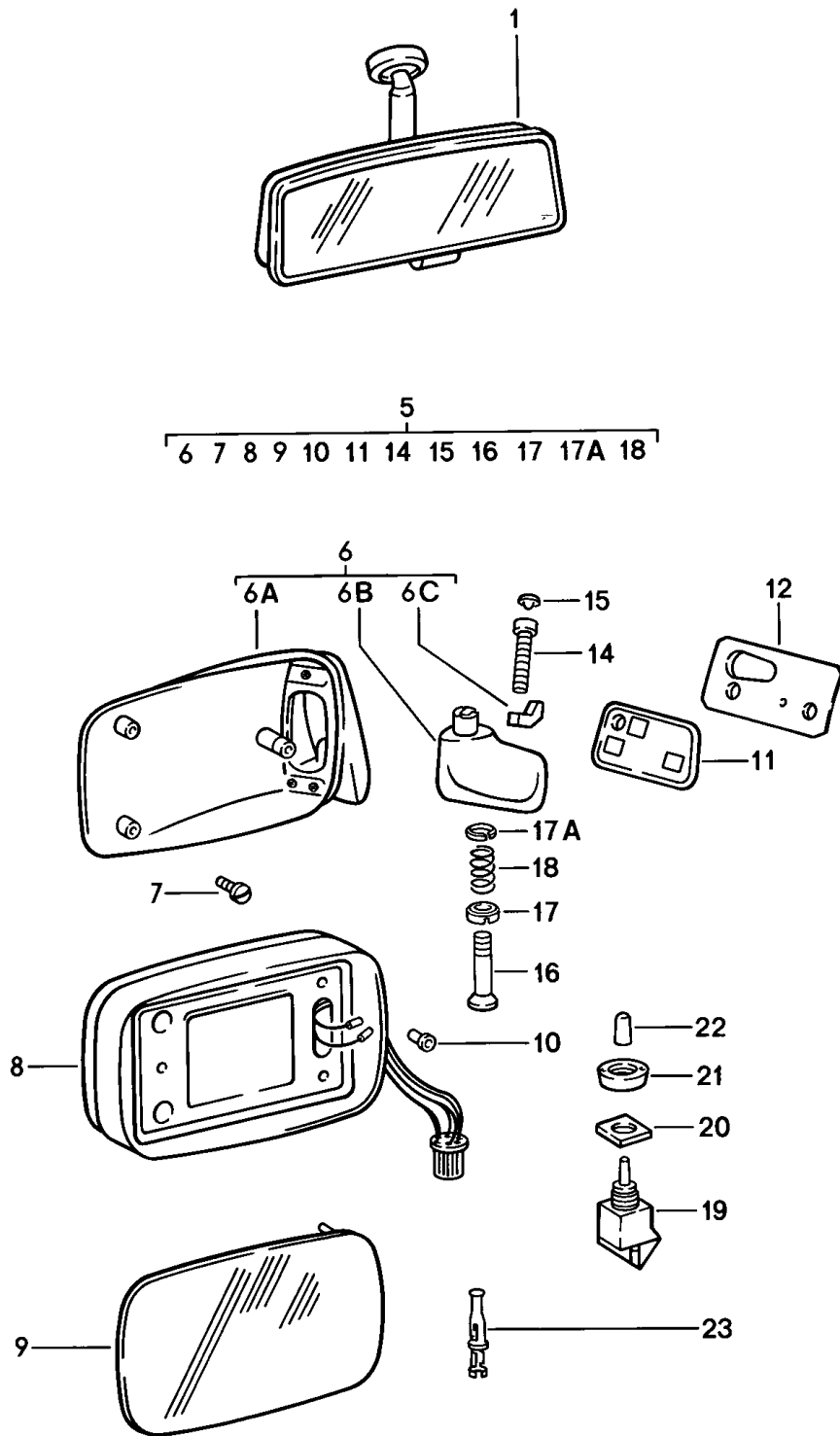
Model: 911 84

Model life 1984&gt;&gt;1986

Pos	Part Number	Description	Remark	Qty	Model
21	911 731 031 64	Sun visor	/L (S)	1	TARGA/CABRIO (AUS
		with mirror			
	911 731 031 64 CA9	Black			
(22)	911 731 032 60	Sun visor	/R -85	1	TARGA/CABRIO
		with mirror			
22	911 731 032 63	Sun visor	/R 86-	1	TARGA/CABRIO
		with mirror			
	911 731 032 63 CA9	Black			
(22)	911 731 032 64	Sun visor	/R 86- (AUS) (S)	1	TARGA/CABRIO
		with mirror			
	911 731 032 64 CA9	Black			
23	964 731 319 40	Bearing bracket	/L	2	TARGA/CABRIO
24	964 731 320 40	Bearing bracket	/R	2	TARGA/CABRIO

Model: 911 84

Model life 1984>>1986



Model: 911 84 Model life 1984>>1986

Pos	Part Number	Description	Remark	Qty	Model
1	477 857 511 A	Interior mirror		1	
	477 857 511 A 01C	Door mirror			
		Interior mirror			
1	477 857 511 B	Satin black		1	
	477 857 511 B 01C	Interior mirror			
		Satin black			
-	911 731 901 01	Installation set	/LL /R	1	
		for subsequent installation	-84		
		See TPI			
		NR.22			
		Order also:			
-	911 612 165 01	Wiring harness		1	
		Driver's door			
-	911 612 164 03	Wiring harness	/LL	1	
		FRONT luggage compartment			
-	911 731 035 08	Mirror glass		1	
		Plane			
-	911 731 035 09	Mirror glass	(J) (N) (S)	1	
		Convex			
(5)	911 731 927 01	Repair kit	/LL /L	1	
(5)	911 731 928 01	Repair kit	/LL /R	1	
(5)	911 731 931 01	Repair kit	/RL /L	1	
(5)	911 731 932 01	Repair kit	/RL /R	1	
		Door mirror			
		See TPI			
		NR.22			
6A	911 731 043 03	Mirror housing	/L	1	
(6A)	911 731 044 03	Mirror housing	/R	1	
6B	911 731 241 02	Mirror base	/LL /L	1	
(6B)	911 731 287 02	Mirror base	/RL /L	1	
(6B)	911 731 288 02	Mirror base	/LL /R	1	
(6B)	911 731 242 02	Mirror base	/RL /R	1	
6AB	944 731 021 01	Mirror housing	/L	1	
	944 731 021 01 G3M	with			
		Mirror base			
		Grey			
		Prime coated			
6C	911 731 263 00	Mounting piece		2	
7	999 143 003 02	Hexagon-head bolt	-84	3	
7		Hexagon-head bolt		3	
		M 5 X 10			
8	911 731 027 06	Covering frame	/L	1	
(8)	911 731 028 06	Covering frame	/R	1	
		Repair kit			
		for			
		Covering frame			
		Bayonet lock			
		Comprising:			
-	PCG 731 028 06	Electronic unit	/R /L	1	
		Engine			
		Door mirror			
-	944 731 027 01	Covering frame	/R /L	1	
		Use also:			
9	944 731 035 02	Mirror glass		1	
		Bayonet lock			
9	944 731 035 04	Mirror glass	(S)	1	
		Plane			
		Bayonet lock			
9	944 731 035 03	Mirror glass		1	
		Convex			
		Bayonet lock			
9	944 731 035 05	Mirror glass	(S)	1	
		Convex			

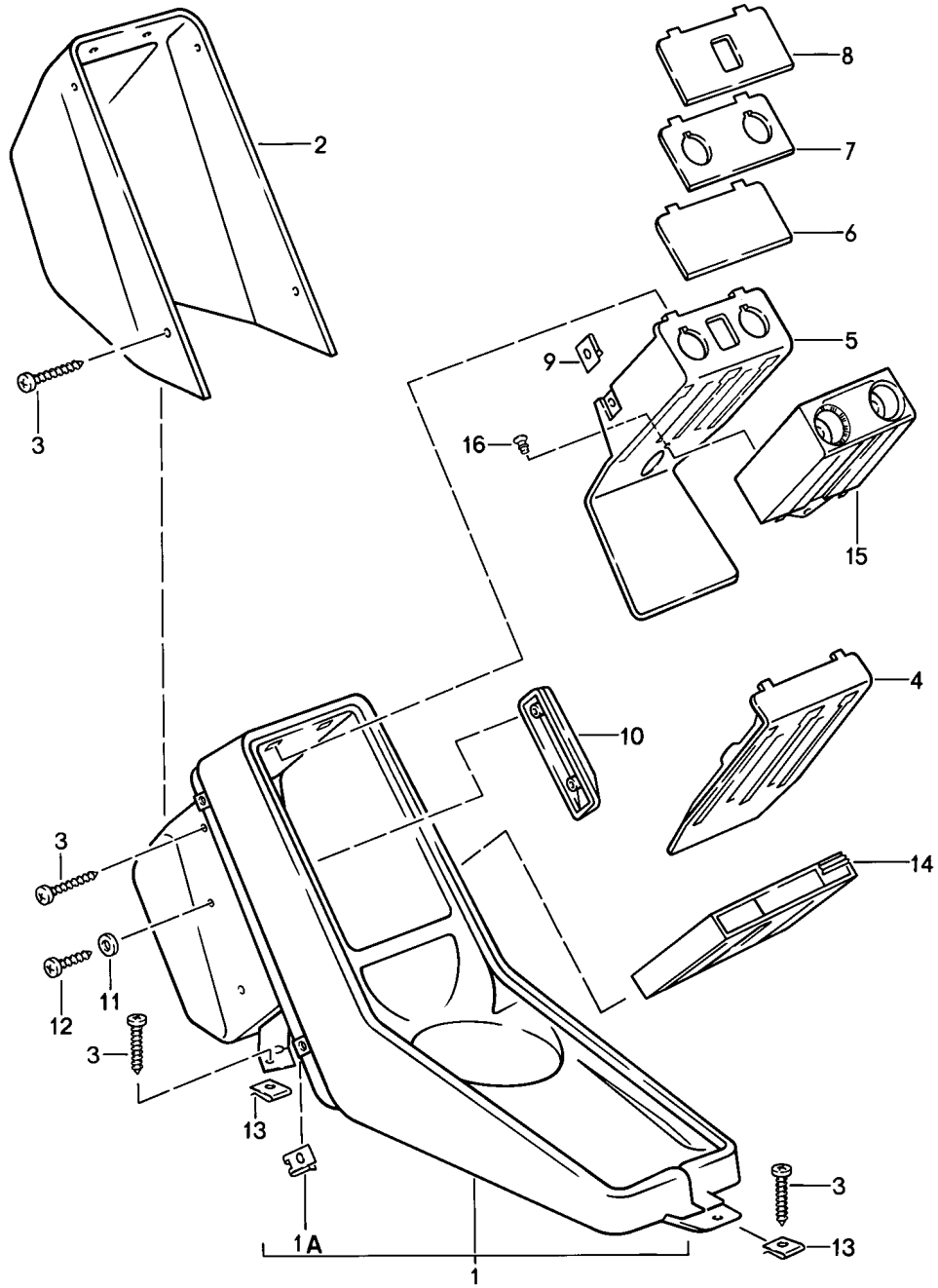
Model: 911 84

Model life 1984&gt;&gt;1986

Pos	Part Number	Description	Remark	Qty	Model
9	911 731 035 08	Bayonet lock Mirror glass Plane		1	
(9)	911 731 035 09	Mirror glass	(J) (N) (S)	1	
(9)		Mirror glass Convex	(J) (N) (S)	1	
10	999 703 128 40	Grommet		3	
11	911 731 247 00	Desk pad	/L	1	
(11)	911 731 248 00	Desk pad	/R	1	
12	911 531 197 00	Reinforcement	/L	1	
(12)	911 531 198 00	Reinforcement	/R	1	
13	999 190 123 02	Blind rivet 3,2 X 7,37		2	
14	999 218 021 02	Pan-head screw Micro-self-locking AM 5 X 35		1	
14	999 218 021 0C	Pan-head screw Micro-self-locking AM 5 X 35		1	
15	999 703 137 40	Cap		1	
16	911 731 257 02	Guide tube		1	
16	911 731 257 03	Guide tube		1	
16	911 731 257 02	Guide tube		1	
16	911 731 257 03	Guide tube		1	
16	911 731 257 02	Guide tube		1	
16	911 731 257 03	Guide tube		1	
16	911 731 257 02	Guide tube		1	
17	911 731 345 02	Centring washer Lower		1	
17A	911 731 347 00	Centring washer Upper		1	
18	911 731 029 01	Compression spring		1	
19	911 613 115 00	Switch		1	
20	911 731 343 03	Gasket		1	
21	911 731 251 00	Round nut		1	
22	911 613 633 01	Protection cap		1	
-	477 957 861	Rubber sleeve		1	
-	803 971 979	Plug socket 7-pole		1	
23	N 017 562 4	Cylindrical socket 1,6 X 0,75		X	
-	111 971 958	Flat receptacle 2,8 X 8		6	

Model: 911 84

Model life 1984>>1986





Model: 911 84 Model life 1984>>1986

Pos	Part Number	Description	Remark	Qty	Model
1	911 552 030 01	Centre console Centre console Leatherette		1	
	911 552 030 01 05T	Black			
	911 552 030 01 4RB	Brown			
	911 552 030 01 1HH	Blue			
	911 552 030 01 3MK	Burgundy			
	911 552 030 01 4JX	Greyish green	85-		
	911 552 030 01 5FX	Grey-beige	84, 86		
1	911 552 030 03	Centre console Leatherette		1	
	911 552 030 03 05T	Black			
	911 552 030 03 4RB	Brown			
	911 552 030 03 1HH	Blue			
	911 552 030 03 3MK	Burgundy			
	911 552 030 03 4JX	Greyish green	85-		
	911 552 030 03 5FX	Grey-beige	84, 86		
1	911 552 030 50	Centre console Leather		1	
	911 552 030 50 KZ2	Black			
	911 552 030 50 KZ3	Blue			
	911 552 030 50 KZ4	Grey-beige	84, 86		
	911 552 030 50 KZ5	Brown			
	911 552 030 50 KZ6	Can-can-red	85-		
	911 552 030 50 LG4	Pearl white	85-		
	911 552 030 50 LG5	Champagne	85-		
	911 552 030 50 LG6	Dark green			
	911 552 030 50 LG7	Burgundy			
	911 552 030 50 QC2	Greyish green	85-		
	911 552 030 50 PZ1	Wild buffalo	85-		
	911 552 030 50 PY9	Ocean blue	85-		
1A	999 507 018 02	Speed nut B 4,2		4	
1A	999 507 018 01	Speed nut B 4,2		4	
2	911 552 231 00	Cap		1	
3	900 143 121 07	Tapping screw B 4,2 X 16		4	
3	900 143 121 0H	Tapping screw B 4,2 X 16		4	
4	911 552 259 01	Cover	-84	1	
(5)	911 552 169 00	Cassette carrier	-85	1	
5	911 613 069 00	Cassette carrier	86-	1	
	911 613 069 00 70B	Black for cars with Fader			
(5)	911 613 069 01	Centre console Cassette carrier	86-	1	
	911 613 069 01 70B	Black for cars with Fader Radio			
(6)	911 552 273 00	Adhesive film		1	
7	911 552 269 00	Cover Air-conditioning switch	-84	1	
8	911 552 271 00	Cover Fader	-84	1	
9	999 507 018 02	Speed nut B 4,2		2	
9	999 507 018 01	Speed nut B 4,2		2	
10	911 552 177 01	Stop		1	
(10)	911 552 519 00	Stop	86-	1	TURBO

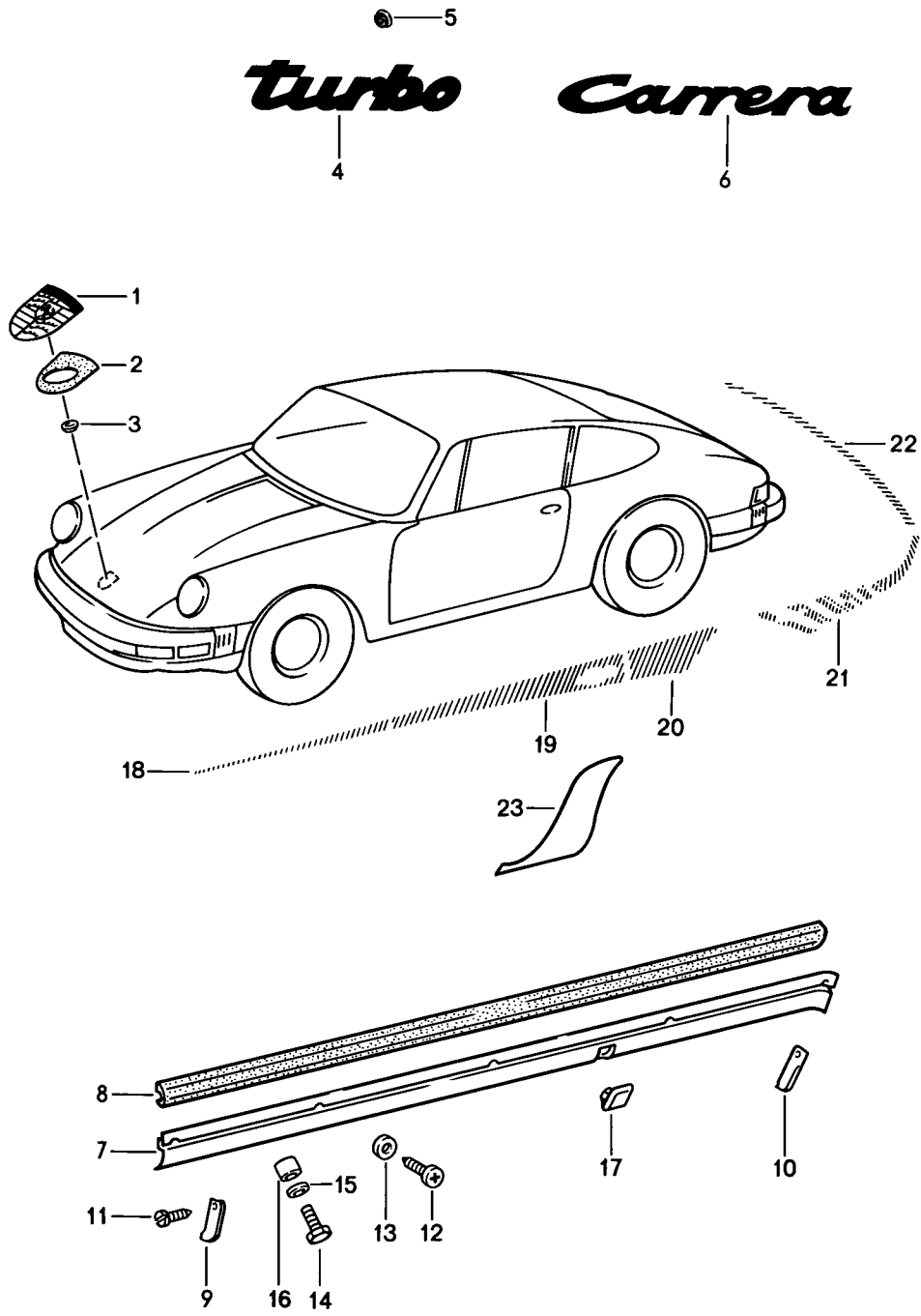
Model: 911 84

Model life 1984&gt;&gt;1986

Pos	Part Number	Description	Remark	Qty	Model
11	900 025 003 02	Washer A 5,3		2	CARRERA M559
12	N 013 961 2	Oval-head sheetmetal screw B 3,9 X 13		2	
12	N 013 961 11	Oval-head sheetmetal screw B 3,9 X 13		2	
13	999 507 240 00	Speed nut B 4,2		3	
14	911 645 226 00	Cassette box		X	
14	964 552 753 00	Cassette box		X	
15	964 552 753 00 01C	Black			
15	911 613 611 01	Switch housing	86-	1	TURBO CARRERA M559
15	911 613 611 01 01C	Black			
16	999 190 363 40	Stopper 4,1 X 8	86-	1	TURBO CARRERA M559

Model: 911 84

Model life 1984>>1986



Model: 911 84

Model life 1984&gt;&gt;1986

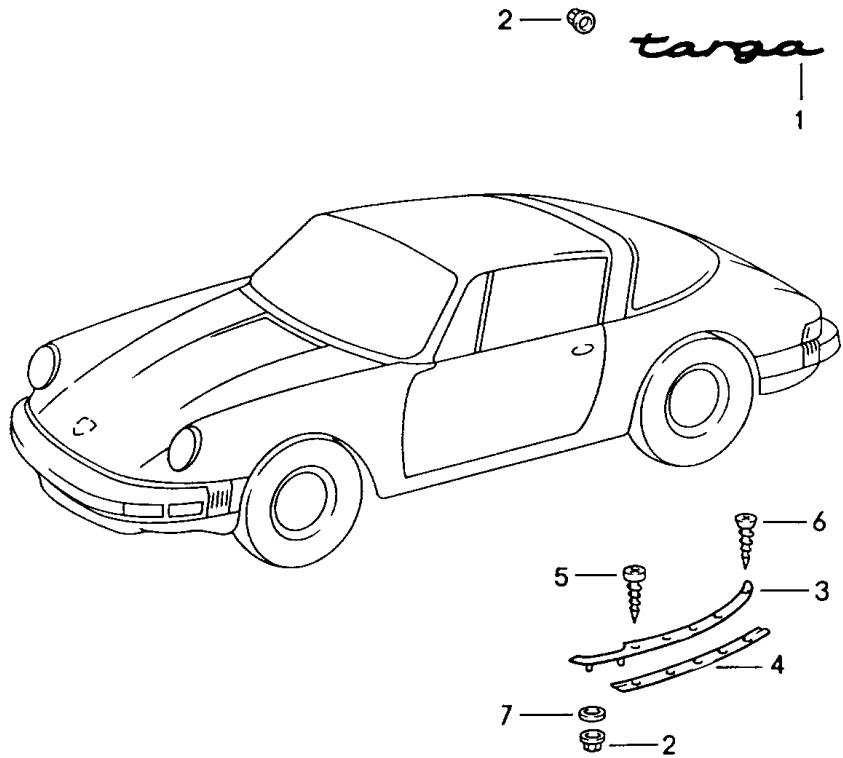
Pos	Part Number	Description	Remark	Qty	Model
		Decorative fittings			
1	901 559 210 20	Lid emblem		1	
1	901 559 210 26	Lid emblem		1	
2	901 559 215 20	Desk pad		1	
2	7L5 853 611 B	Desk pad		1	
3	999 591 423 03	Tapping nut		2	
4	930 559 317 00	Logo		1	TURBO
4	930 559 317 03	Logo		1	TURBO
5	999 591 423 03	Tapping nut		2	
6	911 559 037 00	Logo		1	CARRERA
6		Logo		1	CARRERA
	911 559 037 00 70C	Black			
(7)	911 559 047 01	Trim cover	/L	1	CARRERA
(7)		Trim cover	/L	1	CARRERA
	911 559 047 01 GRV	Prime coated			
(7)	930 559 047 01	Trim cover	/L	1	TURBO CARRERA M491
(7)		Trim cover	/L	1	TURBO CARRERA M491
	930 559 047 01 GRV	Prime coated			
(7)	911 559 048 01	Trim cover	/R	1	CARRERA
(7)		Trim cover	/R	1	CARRERA
	911 559 048 01 GRV	Prime coated			
(7)	930 559 048 01	Trim cover	/R	1	TURBO CARRERA M491
(7)		Trim cover	/R	1	TURBO CARRERA M491
	930 559 048 01 GRV	Prime coated			
8	930 559 103 01	Rubber moulding		2	CARRERA
(8)		Rubber moulding		2	TURBO
9	PCG 559 941 04	End piece	/LV /LH	1	
		Set			
		Comprising:			
		POS 9 + 10			
		Black			
		Coated			
10		End piece	/RV/RH	1	
		Set			
		Comprising:			
		POS 9 + 10			
		Black			
		Coated			
11	900 143 049 07	Tapping screw		8	
		BZ 3,5 X 9,5			
12	900 143 031 02	Oval-head sheetmetal screw		10	
		B 4,2 X 9,5			
13	900 025 002 02	Washer		10	
		4,3			
13	900 025 002 03	Washer		10	
		4,3			
14	900 187 032 02	Tapping screw		3	
		B 6,3 X 32			
14	900 187 129 02	Tapping screw		3	
		B 6,3 X 38			
15	900 151 007 02	Washer		6	
		B 7,4			
15	900 151 007 03	Washer		6	
		B 7,4			
16	911 559 145 01	Spacer sleeve		X	
		5 MM			
16	911 559 145 00	Spacer sleeve		X	

Model: 911 84 Model life 1984>>1986

Pos	Part Number	Description	Remark	Qty	Model
17	911 559 149 01	11,8 MM Stopper Adhesive film Black Hatched		2	
18	930 559 301 00	Adhesive film	/L	1	
(18)	930 559 302 00	Adhesive film	/R	1	
19	930 559 303 00	Adhesive film	/L	1	
(19)	930 559 304 00	Adhesive film	/R	1	
20	930 559 305 00	Adhesive film	/L	1	
(20)	930 559 306 00	Adhesive film	/R	1	
21	930 559 307 00	Adhesive film	/L	1	
(21)	930 559 308 00	Adhesive film	/R	1	
22	930 559 309 00	Adhesive film Adhesive film White Hatched	/H	1	
(18)	930 559 301 01	Adhesive film	/L	1	
(18)	930 559 302 01	Adhesive film	/R	1	
(19)	930 559 303 01	Adhesive film	/L	1	
(19)	930 559 304 01	Adhesive film	/R	1	
(20)	930 559 305 01	Adhesive film	/L	1	
(20)	930 559 306 01	Adhesive film	/R	1	
(21)	930 559 307 01	Adhesive film	/L	1	
(21)	930 559 308 01	Adhesive film	/R	1	
(22)	930 559 309 01	Adhesive film	/H	1	
23	930 559 321 00	Stone guard film	/L	1	TURBO
(23)	930 559 322 00	Stone guard film	/R	1	TURBO

Model: 911 84

Model life 1984>>1986



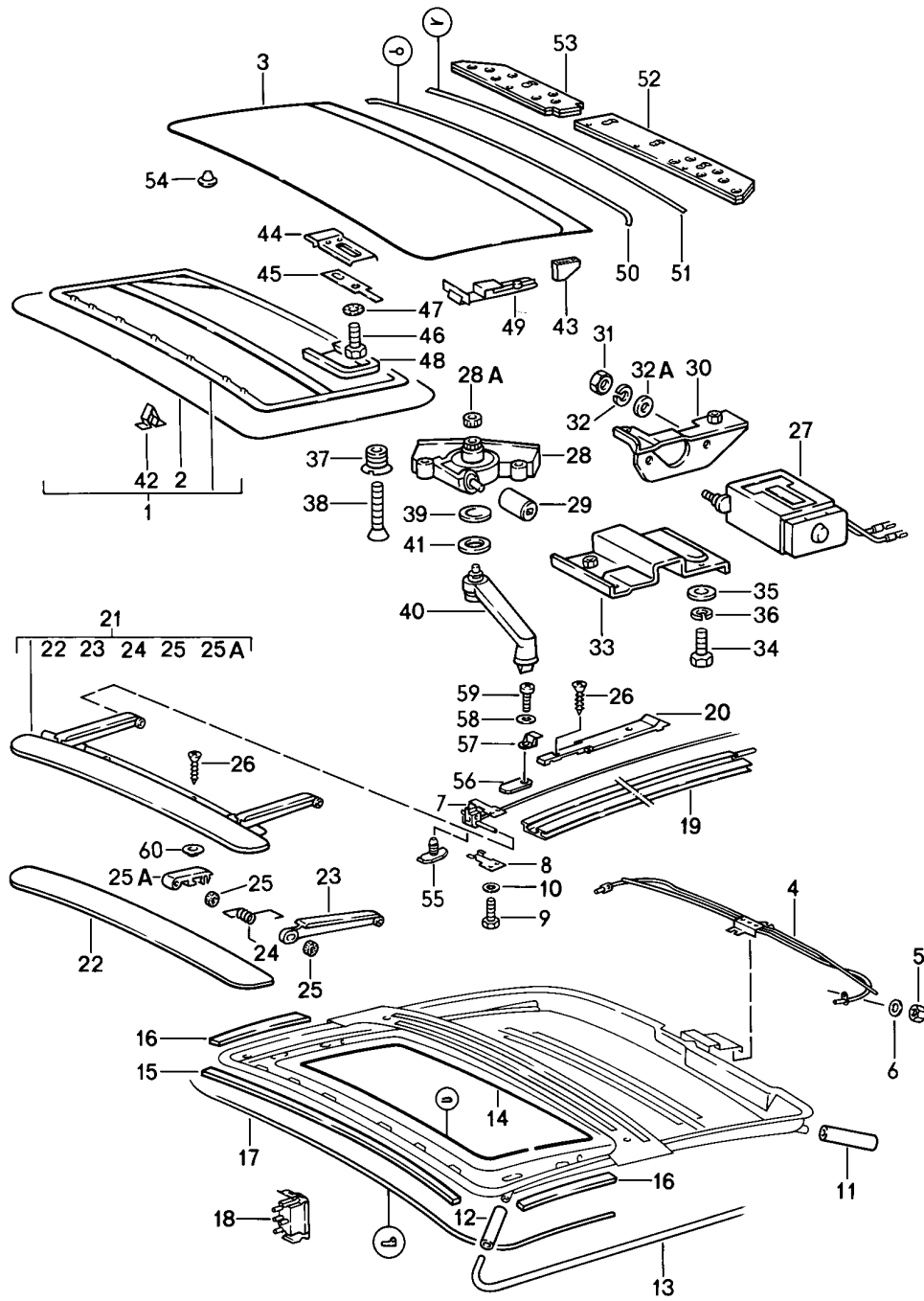
Model: 911 84

Model life 1984>>1986

Pos	Part Number	Description	Remark	Qty	Model
		Decorative fittings			TARGA
1	911 559 307 41	Logo		2	
1	911 559 307 42	Logo		2	
2	999 591 423 03	Tapping nut \$=3		6	
(3)	911 565 049 40	Moulding	/L	1	
	911 565 049 40 70K	Black			
(3)	911 565 050 40	Moulding	/R	1	
	911 565 050 40 70K	Black			
4	901 565 557 40	Piping		2	
5	N 013 957 5	Oval-head sheetmetal screw B 3,5 X 9,5		8	
6	900 144 009 00	Counters. head tapp. screw 2,9 X 13		2	
7	900 151 006 40	Washer B 6,4		4	

Model: 911 84

Model life 1984>>1986





Model: 911 84 Model life 1984>>1986

Pos	Part Number	Description	Remark	Qty	Model
		Sunroof			M650
1	901 564 020 07	Roofliner frame		1	
	901 564 020 07 700	Black			
	901 564 020 07 1HH	Blue			
	901 564 020 07 4RB	Brown			
	901 564 020 07 7FC	Grey-beige	84		
	901 564 020 07 8LC	Burgundy			
	901 564 020 07 4JX	Greyish green			
(1)	911 564 020 00	Roofliner frame		1	
	911 564 020 00 700	Black			
	911 564 020 00 1HH	Blue			
	911 564 020 00 4RB	Brown			
	911 564 020 00 7FC	Grey-beige	84		
	911 564 020 00 8LC	Burgundy			
	911 564 020 00 4JX	Greyish green			
2	901 564 291 07	Roofliner frame		1	
	901 564 291 07 700	Black			
	901 564 291 07 8LC	Burgundy			
	901 564 291 07 7FC	Grey-beige	-84		
	901 564 291 07 1HH	Blue			
	901 564 291 07 4RB	Brown			
	901 564 291 07 4JX	Greyish green	85-		
2	911 564 201 00	Cover		1	
	911 564 201 00 700	Black			
	911 564 201 00 8LC	Burgundy			
	911 564 201 00 7FC	Grey-beige	-84		
	911 564 201 00 1HH	Blue			
	911 564 201 00 4RB	Brown			
	911 564 201 00 4JX	Greyish green	85-		
3	930 564 051 01	Lid		1	
3A	911 564 417 00	Leaf spring		2	
3B	911 564 420 00	Knurled nut		4	
(4)	964 564 231 00	Pipeline		1	
5	N 011 005 14	Hexagon nut		2	
		M 5			
5	900 076 091 01	Hexagon nut		2	
		M 5			
6	900 025 003 02	Washer		2	
		A 5,3			
(7)	911 564 043 01	Guide	/L	1	
		It is necessary to rework			
7	911 564 044 01	Guide	/R	1	
		It is necessary to rework			
8	901 564 451 05	Reinforcement		2	
9	900 075 106 02	Hexagon-head bolt		4	
		M 4 X 6			
10	N 012 116 1	Serrated lock washer		4	
		A 4,3			
11	911 564 825 00	Water drain hose	/H	2	
12	911 564 821 01	Water drain hose	/V	2	
13	911 503 581 01	Water drain tube	/L	1	
13	911 503 581 02	Water drain tube	/L	1	
13		Water drain tube	/L	1	
	911 503 581 02 GRV	Prime coated			
(13)	911 503 582 01	Water drain tube	/R	1	
(13)	911 503 582 02	Water drain tube	/R	1	
(13)		Water drain tube	/R	1	
	911 503 582 02 GRV	Prime coated			
(14)	911 564 465 00	Beading		1	
15	911 564 409 00	Sealing strip		1	
16	911 564 409 01	Sealing strip		2	
		Lateral			
17	911 564 191 00	Velvet strip		1	

Model: 911 84

Model life 1984&gt;&gt;1986

Pos	Part Number	Description	Remark	Qty	Model
18	911 613 622 00	Tip switch for electric adjustment		1	
18	911 613 622 01	Tip switch for electric adjustment		1	
19	911 564 041 01	Guide rail	/L	1	
19	911 564 042 01	Guide rail	/R	1	
20	911 564 047 00	Intermediate piece		2	
21	911 564 005 01	Air deflector OHNE Spoiler		1	
21	911 564 005 02	Air deflector OHNE Spoiler		1	
22	911 564 015 00	Wind deflector plate		1	
23	911 564 127 00	Hinge		2	
24	911 564 125 00	Spring	/L	1	
(24)	911 564 126 00	Spring	/R	1	
25	911 564 423 00	Rubber stop		4	
25A	911 564 123 00	Bearing clip		2	
26	900 145 009 02	Tapping screw B 3,9 X 9,5		2	
(26)	900 145 028 02	Rais. counters. h. tap. s. B 3,9 X 13		2	
27	911 624 016 03	Motor		1	
28	911 564 601 01	Transmission		1	
28A	928 564 125 02	Drive pinion		1	
29	911 624 103 00	Clutch		1	
29	911 624 103 01	Clutch		1	
30	911 624 007 01	Engine support		1	
31	N 011 005 14	Hexagon nut M 5		2	
31	900 076 091 01	Hexagon nut M 5		2	
32	N 012 005 3	Lock ring B 5		2	
32A	900 025 003 02	Washer A 5,3		2	
33	964 564 035 00	Gear support		1	
34	N 010 225 4	Hexagon-head bolt M 5 X 8		1	
34	900 075 001 03	Hexagon-head bolt M 5 X 8		1	
35	900 025 003 02	Washer A 5,3		2	
36	N 012 005 3	Lock ring B 5		2	
37	901 564 661 05	Screw		2	
38	900 269 012 02	Countersunk-head screw M 4 X 25		2	
39	901 564 663 05	Cap		1	
40	901 564 085 05	Crank		1	
41	911 564 643 00	Washer		3	
42	901 564 299 05	Duct clamp		7	
42	901 564 299 0F	Duct clamp		7	
43	901 564 431 05	Guide shoe		2	
44	911 564 045 00	Guide		2	
45	911 564 451 00	Tab washer		2	
46	911 564 459 00	Wedge screw AM 5 X 12		4	
47	900 025 003 02	Washer A 5,3		4	
48	911 564 401 00	Cap/protective strip		2	
49	911 564 433 00	Support		4	

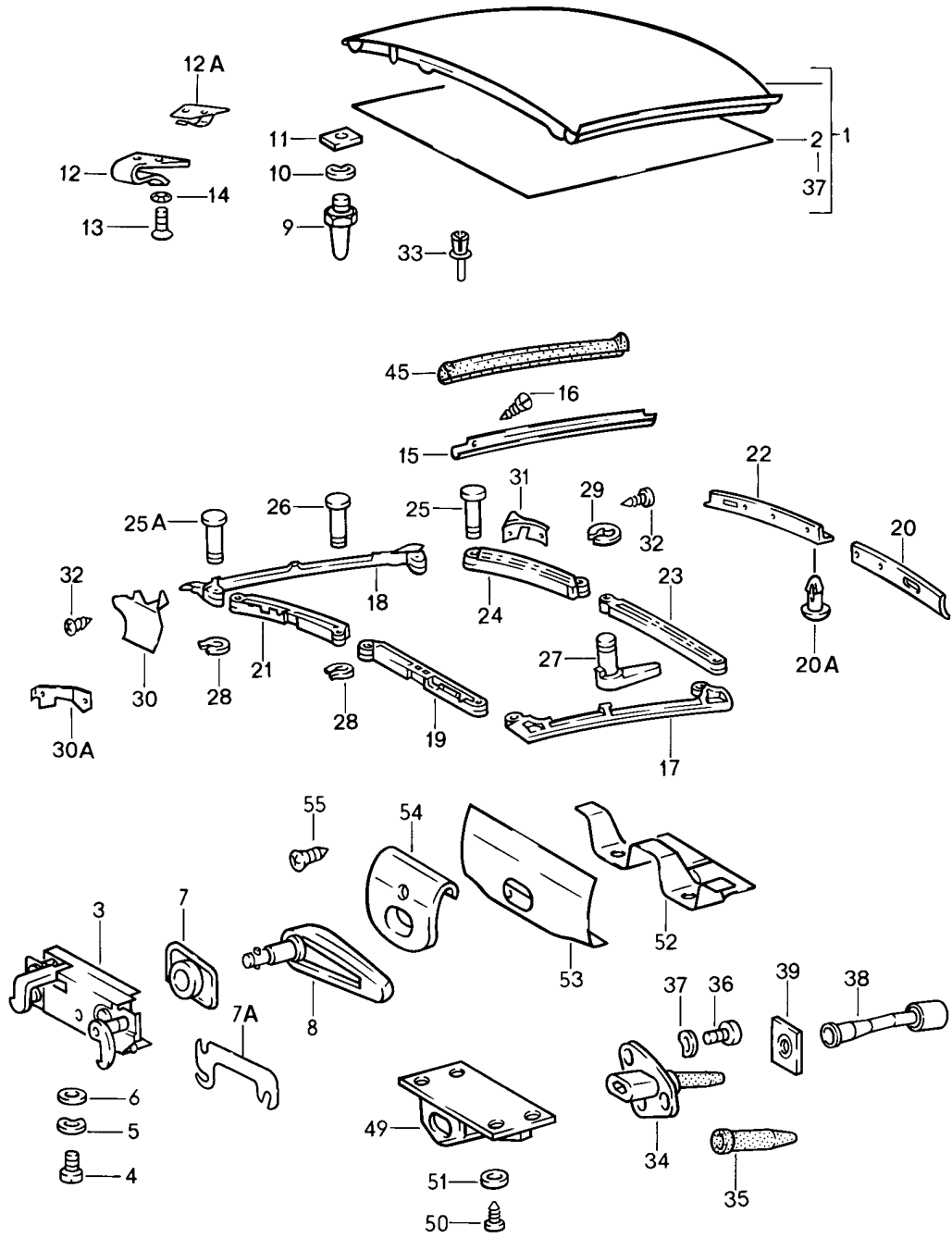
Model: 911 84

Model life 1984>>1986

Pos	Part Number	Description	Remark	Qty	Model
50	911 564 193 00	Velvet strip		1	
51	901 564 905 05	Sealing rubber Rear		1	
52	911 564 025 01	Cover	/L -85	1	
(52)		Cover	/L 86-	1	
53	911 564 026 00	Cover	/R	1	
54	999 703 013 50	Stopper		2	
55	999 591 774 40	Stopper		2	
60	911 564 521 00	Protection cap	86-	2	

Model: 911 84

Model life 1984>>1986



Model: 911 84 Model life 1984>>1986

Pos	Part Number	Description	Remark	Qty	Model
		Soft top			TARGA
1	911 565 002 40	Soft top	-85	1	
(1)	911 565 002 46	Soft top	86-	1	
(1)	911 565 002 47	Soft top	86-	1	
(1)	964 565 002 00	Soft top	86-	1	
	964 565 002 00 707	Black mat			
(1)	964 565 002 01	Soft top	86-	1	
	964 565 002 01 707				
(1)	PCG 565 002 01	Soft top	86-	1	
	PCG 565 002 01 707				
-	901 565 035 41	Outer lining		1	
		Soft top			
2	901 565 036 43	Roofliner		1	
3	911 565 031 41	Catch	-85	2	
(3)	911 565 031 63	Catch	/L 86-	1	
(3)	911 565 032 63	Catch	/R 86-	1	
4	999 509 006 02	Pan-head screw	-85	4	
		M 6 X 15			
4	N 014 740 2	Pan-head screw	86-	6	
		M 6 X 16			
4	N 014 740 11	Pan-head screw	86-	6	
		M 6 X 16			
5	N 012 226 5	Spring washer		4	
		B 6			
6	N 011 524 7	Washer	-85	4	
6	N 011 524 27	Washer		4	
6	N 011 524 7	Washer	86-	6	
		A 6,4			
6	N 011 524 27	Washer	86-	6	
		A 6,4			
7	901 565 299 45	Rosette	-85	2	
7	901 565 299 46	Rosette		2	
7A	911 565 707 01	Shim	86-	X	
8	911 565 075 41	Handle	-85	2	
(8)	911 565 075 61	Handle	86-	2	
	911 565 075 61 70B	Black			
9	911 565 074 40	Locating peg		2	
10	N 012 241 1	Spring washer		2	
11	901 565 203 40	Threaded plate		2	
12	964 565 265 00	Latch		8	
12	964 565 265 01	Latch		8	
12A	911 565 263 00	Clamp		4	
12A	911 565 263 01	Clamp		4	
13	999 219 006 02	Countersunk-head screw		16	
		M 4 X 8			
15	901 565 303 45	Rain channel	/L	1	
(15)	901 565 304 45	Rain channel	/R	1	
16	N 013 957 5	Oval-head sheetmetal screw		18	
		B 3,5 X 9,5			
17	901 565 201 45	Roof frame	/L -85	1	
		Lateral			
(17)	911 565 029 45	Roof frame	/L 86-	1	
		Lateral			
18	901 565 202 45	Roof frame	/R -85	1	
		Lateral			
(18)	911 565 030 45	Roof frame	/R 86-	1	
		Lateral			
19	911 565 207 40	Roof frame	/L -85	1	
		Front			
(19)	911 565 207 46	Roof frame	/L 86-	1	
		Front			
20	901 565 093 46	Padded cover	/L	1	
20A	999 703 114 40	Stopper		10	

Model: 911 84 Model life 1984>>1986

Pos	Part Number	Description	Remark	Qty	Model
21	911 565 208 40	Roof frame Front	/R -85	1	
(21)	911 565 208 46	Roof frame Front	/R 86-	1	
22	901 565 094 46	Padded cover	/R	1	
23	901 565 211 45	Roof frame Rear	/L -85	1	
23		Roof frame Rear Left	/L	1	
(23)	901 565 211 45 70B 911 565 211 45	Black Roof frame Rear	/L 86-	1	
24	911 565 212 40	Roof frame Rear	/R -85	1	
(24)	911 565 212 45	Roof frame Rear	/R 86-	1	
25	901 565 328 45	Bolt	-85	4	
25		Bolt	86-	2	
25A	911 565 328 45	Bolt	86-	2	
26	901 565 209 40	Bolt		1	
27	964 565 145 00	Locking bolt		1	
28	900 041 004 01	Circlip		5	
29	900 116 007 01	Lock washer		1	
29	N 012 439 1	Lock washer		1	
29	N 012 439 2	Lock washer		1	
(30)	901 565 097 46	Lining	/V /L -85	1	
30	901 565 098 46	Lining	/V /R -85	1	
(30A)	911 565 283 00	Cover	/V /L 86-	1	
30A	911 565 284 00	Cover	/V /R 86-	1	
(31)	901 565 273 45	Cover	/H /L	1	
31	901 565 274 45	Cover	/H /R	1	
32	N 013 953 2	Oval-head sheetmetal screw B 2,9 X 9,5		12	
33	999 591 519 40	Expansion rivet		3	
34	911 565 037 42	Silentbloc bearing	/L	1	
(34)	911 565 038 42	Silentbloc bearing	/R	1	
35	911 565 217 40	Covering		2	
36	N 014 765 2	Pan-head screw M 6 X 10		6	
37	N 012 226 5	Spring washer B 6		6	
38	911 565 220 41	Silentbloc bearing		2	
38	911 565 220 42	Silentbloc bearing		2	
39	901 565 361 40	Seal		2	
45	911 565 259 40	Roof frame seal Roof frame	/L	1	
(45)	911 565 260 40	Roof frame seal Roof frame	/R	1	
49	911 565 187 40	Mounting Locking bolt		1	
50	N 013 957 5	Oval-head sheetmetal screw B 3,5 X 9,5		4	
51	900 025 002 02	Washer 4,3		4	
51	900 025 002 03	Washer 4,3		4	
52	911 565 133 40	Supporting plate		1	
52		Supporting plate Prime coated		1	
53	911 565 135 40	Cover plate		1	
54	911 565 189 41	Cover plate		1	
55	900 145 003 07	Tapping screw		1	

Model: 911 84

Model life 1984>>1986

Pos	Part Number	Description	Remark	Qty	Model
		B 3,5 X 9,5			

Model: 911 84

Model life 1984>>1986





Model: 911 84 Model life 1984>>1986

Pos	Part Number	Description	Remark	Qty	Model
		Windscreen frame			TARGA/CABRI
		Accessories			
1	901 555 901 40	Lining	-85	1	
2	911 555 059 41	Lining	86-	1	TARGA
	911 555 059 41 702	Black			
(2)	911 555 059 61	Lining	86-	1	CABRIO
	911 555 059 61 702	Black			
3	911 561 499 00	Piping	86-	1	
	911 561 499 00 70B	Black			
3	911 561 499 01	Piping	86-	1	
	911 561 499 01 70B	Black			
(3)	911 799 565 25	Piping	86-	1	TARGA
4	911 555 563 40	Felt strip	86-	2	
5	911 555 419 00	Filler piece	/L 86-	1	
(5)	911 555 420 00	Filler piece	/R 86-	1	
6	911 555 553 00	Cover	/L 86-	1	
	911 555 553 00 702	Black			
(6)	911 555 554 00	Cover	/R 86-	1	
	911 555 554 00 702	Black			
7	911 799 565 80	Gasket		1	
		for cars with POS.20+21 NACHARBEIT ERFORDERLICH			
8	911 565 090 47	Gasket		1	
		for cars without POS.20+21 It is necessary to rework			
9	911 555 559 60	Border strip	/L -85	1	
		Black			
10	911 555 560 60	Border strip	/R -85	1	
		Black			
11	900 145 071 07	Tapping screw	-85	5	
(12)	911 555 491 40	Guide rose	/L -85	1	
12	911 555 519 42	Guide rose	/L 86-	1	TARGA
	911 555 519 42 70B	Black			
(12)	911 555 519 60	Guide rose	/L 86-	1	CABRIO
	911 555 519 60 70B	Black			
(13)	911 555 492 40	Guide rose	/R -85	1	
13	911 555 520 42	Guide rose	/R 86-	1	TARGA
	911 555 520 42 70B	Black			
(13)	911 555 520 60	Guide rose	/R 86-	1	CABRIO
	911 555 520 60 70B	Black			
14	900 143 084 07	Oval-head sheetmetal screw	-85	4	
14		Oval-head sheetmetal screw	-85	4	
		B 3,5 X 16			
14	900 143 136 07	Oval-head sheetmetal screw	86-	4	
14	N 013 957 5	Oval-head sheetmetal screw		4	
		B 3,5 X 9,5			
15	911 561 729 03	Gate guide	/L 86-	1	
(15)	911 561 739 03	Gate guide	/L 86-	1	CABRIO M439
16	911 561 730 03	Gate guide	/R 86-	1	
(16)	911 561 740 03	Gate guide	/R 86-	1	CABRIO M439
17	900 025 047 07	Washer	86-	4	
		A 6,4			
18	999 119 013 07	Pan-head screw	86-	4	
		M 6 X 12			
19	911 551 157 51	Lining strap	/L 86-	1	
		Leather			
	911 551 157 51 1AJ	Black			
	911 551 157 51 30B	Blue			
	911 551 157 51 4RB	Brown			

Model: 911 84 Model life 1984>>1986

Pos	Part Number	Description	Remark	Qty	Model
	911 551 157 51 7LD	Burgundy			
	911 551 157 51 5JX	Greyish green			
	911 551 157 51 6JD	Dark green			
	911 551 157 51 6GX	Ocean blue			
	911 551 157 51 5NW	Wild buffalo			
	911 551 157 51 8YD	Pearl white			
	911 551 157 51 1VD	Champagne			
	911 551 157 51 80S	Can-can-red			
	911 551 157 51 6FL	Grey-beige			
(19)	911 551 158 51	Lining strap Leather	/R 86-	1	
	911 551 158 51 1AJ	Black			
	911 551 158 51 30B	Blue			
	911 551 158 51 4RB	Brown			
	911 551 158 51 7LD	Burgundy			
	911 551 158 51 5JX	Greyish green			
	911 551 158 51 6JD	Dark green			
	911 551 158 51 6GX	Ocean blue			
	911 551 158 51 5NW	Wild buffalo			
	911 551 158 51 8YD	Pearl white			
	911 551 158 51 1VD	Champagne			
	911 551 158 51 80S	Can-can-red			
	911 551 158 51 6FL	Grey-beige			
20	911 531 711 40	Joint rubber	/L	1	
(20)	911 531 712 40	Joint rubber	/R	1	
21	999 703 366 40	Fastening plug		2	

Model: 911 84

Model life 1984>>1986



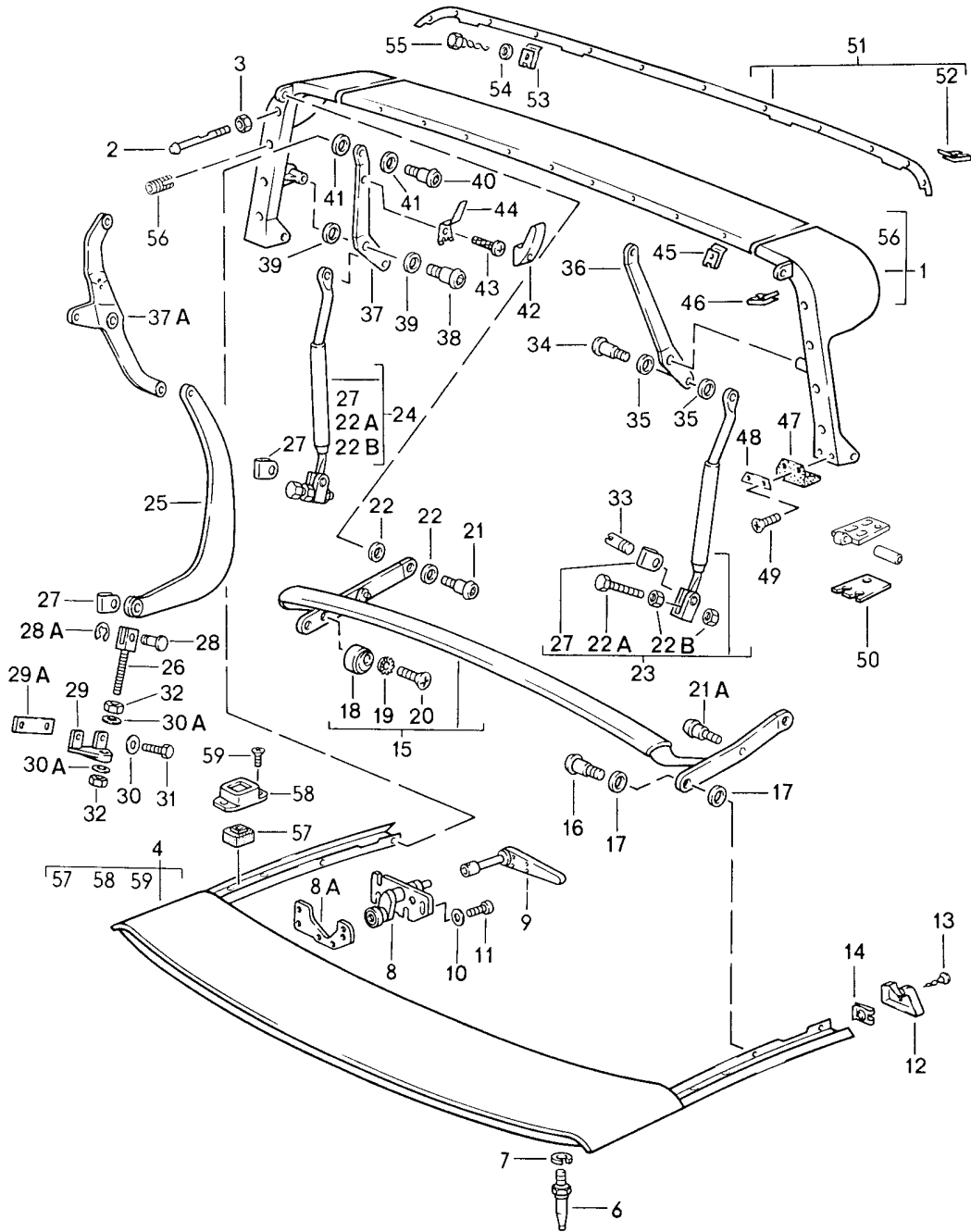
Model: 911 84

Model life 1984>>1986

Pos	Part Number	Description	Remark	Qty	Model
		Convertible top			
		Convertible top frame			
		Manually			
1	911 561 005 00	Convertible top	-85	1	
	911 561 005 00 3AV	Black			
	911 561 005 00 6HA	Dark blue	84-		
	911 561 005 00 9RA	Dark brown			
	911 561 005 00 4JK	Greyish green	85		
	911 561 005 00 7MK	Burgundy	85		
(1)	911 561 005 05	Convertible top	86-	1	
	911 561 005 05 3AV	Black			
	911 561 005 05 6HA	Dark blue			
	911 561 005 05 9RA	Dark brown			
	911 561 005 05 4JK	Greyish green			
	911 561 005 05 7MK	Burgundy			
2	911 561 011 00	Convertible top frame	-85	1	
(2)	911 561 011 05	Convertible top frame	86-	1	
	911 561 011 05 70B	Black			

Model: 911 84

Model life 1984>>1986



Model: 911 84 Model life 1984>>1986

Pos	Part Number	Description	Remark	Qty	Model
		Main folding top bow			
		Roof frame			
		Single parts			
1	911 561 015 00	Main folding top bow	-85	1	
(1)	911 561 015 65	Main folding top bow	86-	1	
	911 561 015 65 70B	Black			
2	911 561 449 01	Retaining pivot	-85	2	
(2)	911 561 449 65	Retaining pivot	86-	2	
3	900 076 062 07	Hexagon nut		2	
		M 8			
4	911 561 027 00	Roof frame	-85	1	
(4)	911 561 027 01	Roof frame	86-	1	
	911 561 027 01 700	Black			
6	911 565 074 40	Locating peg	-85	2	
(6)	911 565 214 60	Locating peg	86-	2	
7	N 012 228 3	Spring washer		2	
		B 8			
(8)	911 565 031 41	Catch	-85	2	
(8)	911 565 031 63	Catch	/L 86-	1	
8	911 565 032 63	Catch	/R 86-	1	
8A	911 561 547 01	Threaded plate	86-	1	
9	911 565 075 41	Handle	-85	2	
(9)	911 565 075 61	Handle	86-	2	
	911 565 075 61 70B	Black			
10	N 011 524 7	Washer	-85	4	
		A 6,4			
10	N 011 524 27	Washer		4	
		A 6,4			
10	N 011 524 7	Washer	86-	6	
		A 6,4			
10	N 011 524 27	Washer	86-	6	
		A 6,4			
11	999 218 015 02	Pan-head screw	-85	4	
		M 6 X 12			
11	999 218 015 01	Pan-head screw		4	
		M 6 X 12			
11	N 014 740 2	Pan-head screw	86-	6	
		M 6 X 16			
11	N 014 740 11	Pan-head screw	86-	6	
		M 6 X 16			
12	911 561 139 00	End piece	/L -85	1	
12	911 561 139 65	End piece	/L 86-	1	
(12)	911 561 140 00	End piece	/R -85	1	
(12)	911 561 140 65	End piece	/R 86-	1	
13	N 014 086 12	Tapping screw	-85	2	
		3,5 X 13			
13	N 014 086 1C	Tapping screw		2	
		3,5 X 13			
13	900 145 041 07	Tapping screw	86-	2	
		3,5 X 16			
14	999 591 349 02	Speed nut	-85	2	
		B 3,5			
(14)	999 591 762 40	Special nut	86-	2	
		B 3,5			
15	911 561 019 00	Intermed. folding top bow	-85	1	
15		Intermed. folding top bow		1	
	911 561 019 00 70B	Black			
(15)	911 561 019 65	Intermed. folding top bow	86-	1	
	911 561 019 65 70B	Black			
16	911 561 461 00	Screw		2	
		M 8 X 20			
17	911 561 428 00	Washer		4	
		10,5			

Model: 911 84 Model life 1984>>1986

Pos	Part Number	Description	Remark	Qty	Model
18	911 561 402 00	Eccentric washer		2	
19	N 012 140 1	Shake-proof washer		2	
20	N 033 185 1	Countersunk-head screw		2	
		M 4 X 16			
21	911 561 421 00	Screw		2	
		M 8 X 24			
21A	911 561 426 00	Screw		2	
		M5 x 12			
22	911 561 428 00	Washer		4	
		10,5			
22A	N 040 241 1	Hexagon-head bolt		2	
		M 10 X 60			
22A	900 075 513 01	Hexagon-head bolt		2	
		M 10 X 60			
22B	N 011 010 13	Hexagon nut		4	
		M 10			
23	911 561 041 00	Steering arm	/L -85	1	
24	911 561 042 00	Steering arm	/R -85	1	
(25)	911 561 157 00	Steering arm	/L 86-	1	
	911 561 157 00 70B	Black			
(25)	911 561 158 00	Steering arm	/R 86-	1	
	911 561 158 00 70B	Black			
26	911 561 595 65	Joint fork	86-	2	
26	911 561 595 66	Joint fork	86-	2	
27	911 561 429 00	Slide	-85	2	
28	911 561 761 65	Bolt	86-	2	
28A	999 166 034 02	Sl-lock	86-	2	
		8			
29	911 561 431 65	Bearing bracket	86-	2	
29A	911 561 585 65	Threaded plate	86-	2	
30	900 025 007 02	Washer	86-	4	
		A 8,4			
30	900 025 007 03	Washer	86-	4	
		A 8,4			
30A	900 025 008 09	Washer	86-	4	
		A 10,5			
30A	900 025 008 04	Washer	86-	4	
		A 10,5			
31	900 075 087 02	Hexagon-head bolt	86-	4	
		M 8 X 16			
31	900 075 087 03	Hexagon-head bolt	86-	4	
		M 8 X 16			
32	N 011 010 13	Hexagon nut	86-	4	
		M 10			
33	911 561 425 00	Screw		2	
33	911 561 425 01	Screw		2	
34	911 561 418 00	Screw		2	
		M 8 X 20			
35	911 561 428 00	Washer		4	
		10,5			
36	911 561 171 00	Steering arm	/L -85	1	
(36)	911 561 119 00	Steering arm	/L 86	1	
	911 561 119 00 70B	Black			
37	911 561 172 00	Steering arm	/R -85	1	
(37)	911 561 120 00	Steering arm	/R 86	1	
	911 561 120 00 70B	Black			
(37A)	911 561 119 65	Steering arm	/L 86-	1	M439
	911 561 119 65 70B	Black			
(37A)	911 561 120 65	Steering arm	/R 86-	1	M439
	911 561 120 65 70B	Black			
38	911 561 420 00	Screw		2	
		M 10 X 28			
39	911 561 430 00	Washer		4	

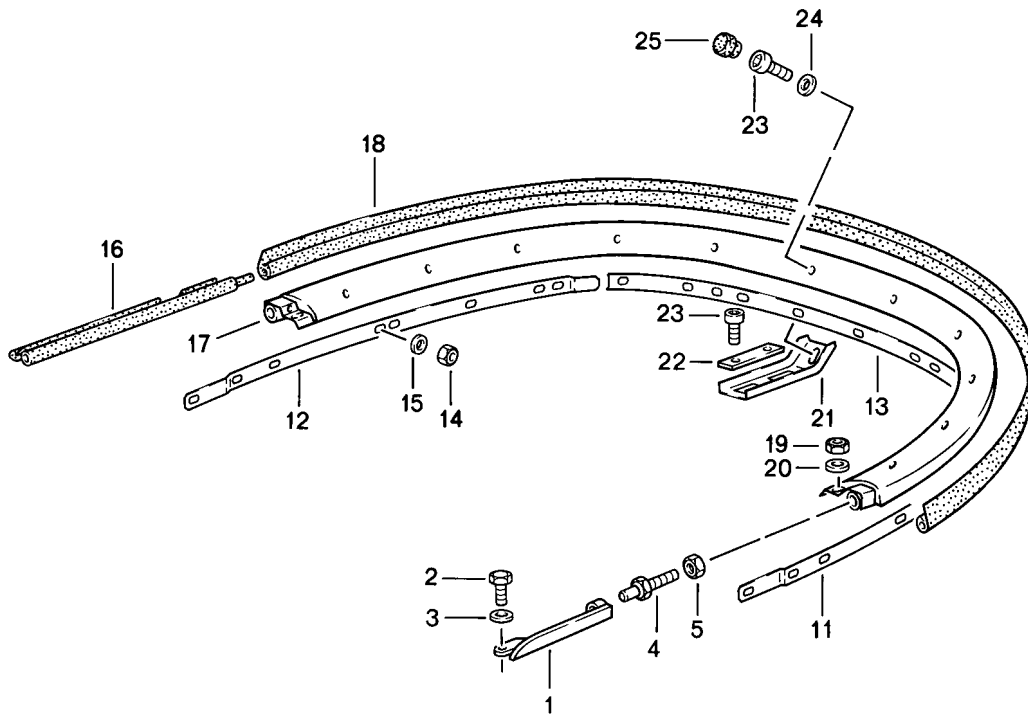
Model: 911 84 Model life 1984>>1986

Pos	Part Number	Description	Remark	Qty	Model
40	911 561 461 00	13,5 Screw		2	
41	911 561 428 00	M 8 X 20 Washer		4	
42	901 552 871 40	10,5 Cover		2	
43	900 250 006 02	Tapping screw		2	
44	901 552 872 20	AM 5 X 10 Coat hook		2	
45	999 507 020 02	Speed nut		7	
45	999 507 020 01	4,2 Speed nut		7	
46	999 507 018 02	4,2 Speed nut		2	
46	999 507 018 01	4,2 Speed nut		2	
47	911 561 471 00	Gasket		2	
48	911 561 475 00	Plate		2	
49	900 269 056 07	Countersunk-head screw		4	
50	911 561 423 00	M 4 X 10 Plate		X	
50	911 561 423 01	2 MM Plate		X	
51	911 561 035 00	1 MM Rail		1	
52	999 591 582 02	Speed nut		4	
53	999 507 018 02	4,2 Speed nut		11	
53	999 507 018 01	4,2 Speed nut		11	
54	900 151 001 02	4,2 Washer		11	
54	900 151 028 02	Washer		11	
54	900 151 028 01	B 4,3 Washer		11	
55	900 187 037 07	B 4,3 Hexagon-head tapping screw		11	
56	999 504 069 02	4,2 X 16 Threaded insert		4	
57	911 561 453 00	M 6 Buffer		2	
58	911 561 451 00	Housing		2	
59	911 561 451 00 70B	Black			
59	900 269 043 02	Countersunk-head screw		4	
		M 4 X 12			



Model: 911 84

Model life 1984>>1986

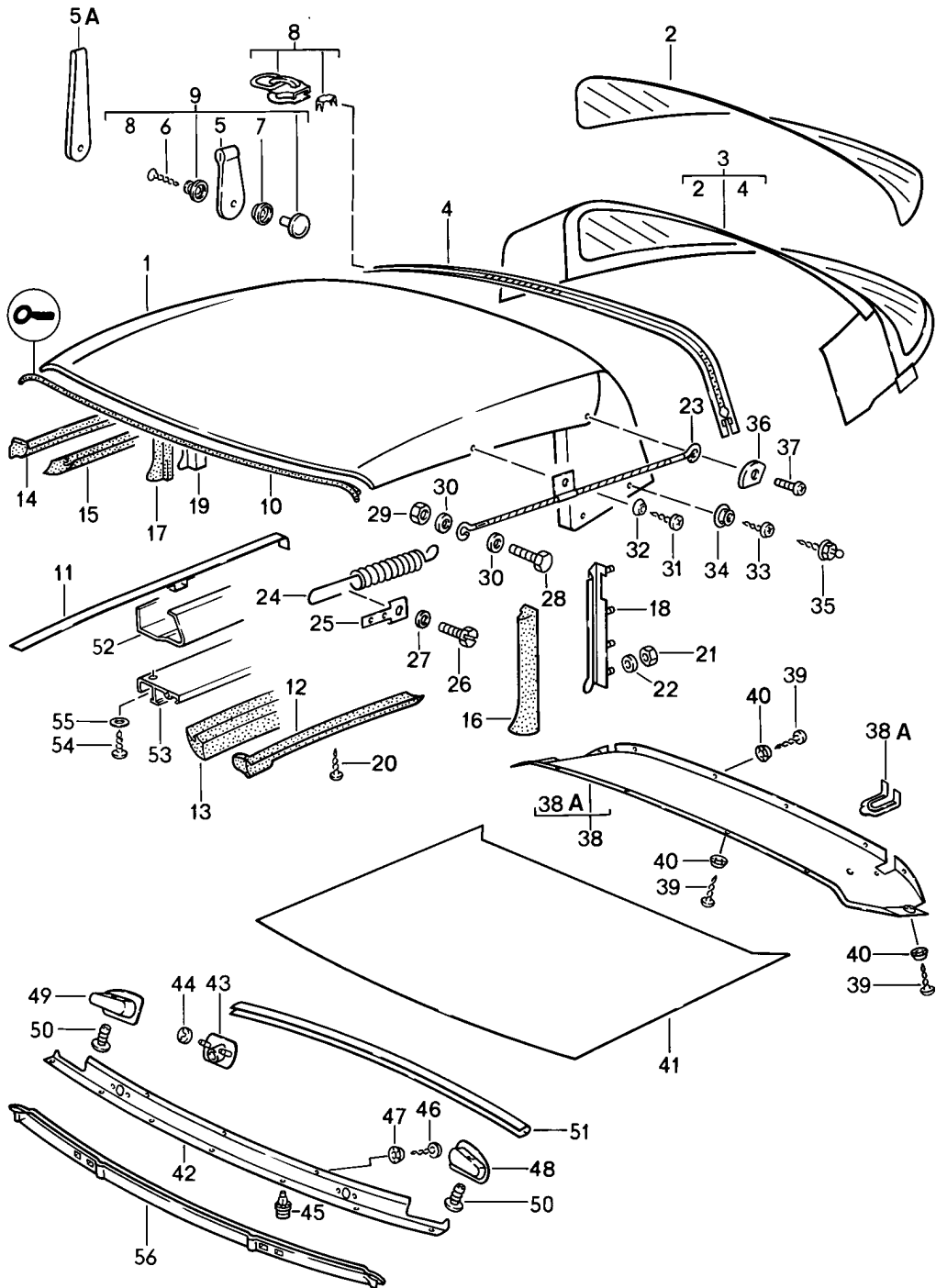


Model: 911 84 Model life 1984>>1986

Pos	Part Number	Description	Remark	Qty	Model
		Convertible top			
		Clamp			
		Single parts			
1	911 561 341 01	Tensioner blade	/L	1	
(1)	911 561 342 01	Tensioner blade	/R	1	
2	N 010 210 7	Hexagon-head bolt		3	
2	N 010 210 13	Hexagon-head bolt		3	
		M 6 X 10			
3	900 025 047 07	Washer		2	
		A 6,4			
4	911 561 331 00	Locating peg		2	
5	900 076 062 07	Hexagon nut		2	
		M 8			
11	911 561 283 00	Rail	/L	1	
12	911 561 284 00	Rail	/R	1	
13	911 561 281 00	Rail		1	
		Centre			
14	N 011 005 14	Hexagon nut		19	
		M 5			
14	900 076 091 01	Hexagon nut		19	
		M 5			
15	900 025 003 02	Washer		19	
		A 5,3			
(16)	911 561 463 00	Gasket	/L	1	
(16)	911 561 463 01	Gasket	/L	1	
16	911 561 464 00	Gasket	/R	1	
16	911 561 464 01	Gasket	/R	1	
17	911 561 083 01	Clamp		1	
18	911 561 371 00	Sealing rubber		1	
19	900 076 010 02	Nut		2	
		M 6			
19	900 076 010 0B	Nut		2	
		M 6			
20	N 011 524 7	Washer		2	
		A 6,4			
20	N 011 524 27	Washer		2	
		A 6,4			
21	911 561 379 00	Support		3	
22	911 561 387 00	Desk pad		1	
23	N 014 761 2	Pan-head screw		9	
		M 6 X 12			
23	900 119 129 01	Pan-head screw		9	
		M 6 X 12			
24	N 011 524 7	Washer		3	
		A 6,4			
24	N 011 524 27	Washer		3	
		A 6,4			
25	999 703 169 40	Cap		3	

Model: 911 84

Model life 1984>>1986



Model: 911 84 Model life 1984>>1986

Pos	Part Number	Description	Remark	Qty	Model
1	911 561 051 00	Convertible top Seal Single parts Convertible top covering Roof Upper	-85	1	
	911 561 051 00 3AV	Black			
	911 561 051 00 6HA	Dark blue	84-		
	911 561 051 00 9RA	Dark brown			
	911 561 051 00 4JK	Greyish green	85-		
	911 561 051 00 7MK	Burgundy	85-		
(1)	911 561 051 01	Convertible top covering Roof Upper		1	
	911 561 051 01 3AV	Black			
	911 561 051 01 6HA	Dark blue			
	911 561 051 01 9RA	Dark brown			
	911 561 051 01 4JK	Greyish green			
	911 561 051 01 7MK	Burgundy			
2	911 561 359 00	Rear window	-85	1	
2	911 561 359 65	Rear window	86-	1	
3	911 561 053 00	Rear window with Cover	-85 /H	1	
	911 561 053 00 3AV	Black			
	911 561 053 00 6HA	Dark blue	84-		
	911 561 053 00 7JW	Dark blue			
	911 561 053 00 9RA	Dark brown			
	911 561 053 00 4JK	Greyish green	85-		
	911 561 053 00 7MK	Burgundy	85-		
(3)	911 561 053 65	Rear window with Cover	/H	1	
	911 561 053 65 3AV	Black			
	911 561 053 65 6HA	Dark blue			
	911 561 053 65 9RA	Dark brown			
	911 561 053 65 4JK	Greyish green			
	911 561 053 65 7MK	Burgundy			
4	911 561 405 01	Zip	-85	1	
	911 561 405 01 3AV	Black			
(4)	911 561 405 02	Zip	86-	1	
	911 561 405 02 3AV	Black			
5	911 561 523 01	Traction noose	-85	1	
	911 561 523 01 1AJ	Black			
5A	911 561 523 02	Traction noose	86-	1	
	911 561 523 02 1AJ	Black			
6	900 144 028 07	Tapping screw B 3,5 X 13		1	
7	911 561 485 00	Snap fastener lower part		1	
8	000 043 022 00	Zip		X	
	000 043 022 00 3AV	Black			
9	000 043 026 00	Repair kit Zip	-85	X	
	000 043 026 00 3AV	Black			
		Repair kit			
(10)	911 561 244 01	Roof frame seal		1	
11	911 561 153 65	Restraining strap	-85	2	
(11)		Restraining strap	86-	2	
12	911 561 205 00	Seal	/L -85	1	
(12)	911 561 189 65	Roof frame seal Outer	/L 86-	1	
13	911 561 187 00	Roof frame seal Inner	/L 86-	1	

Model: 911 84

Model life 1984&gt;&gt;1986

Pos	Part Number	Description	Remark	Qty	Model
14	911 561 206 00	Seal	/R -85	1	
(14)	911 561 190 65	Roof frame seal Outer	/R 86-	1	
15	911 561 188 00	Roof frame seal Inner	/R 86-	1	
16	911 561 221 01	Gasket	/L -85	1	
(16)	911 561 681 00	Gasket	/L 86-	1	
17	911 561 222 01	Gasket	/R -85	1	
(17)	911 561 682 00	Gasket	/R 86-	1	
17A	911 561 913 00	Piping	/L -85	1	
(17A)	911 561 914 00	Piping	/R -85	1	
18	911 561 025 00	Rail	/L -85	1	
(18)	911 561 025 04	Rail	/L 86-	1	
19	911 561 026 00	Rail	/R -85	1	
(19)	911 561 026 04	Rail	/R 86-	1	
20	N 013 958 7	Oval-head sheetmetal screw B 3,5 X 13		8	
21	N 011 005 14	Hexagon nut M 5		8	
21	900 076 091 01	Hexagon nut M 5		8	
22	N 011 665 11	Washer B 5,3		8	
23	911 561 239 00	Tension rope	/L	1	
(23)	911 561 240 00	Tension rope	/R	1	
24	911 561 403 01	Tension spring		2	
25	911 561 407 00	Support		2	
26	N 010 211 4	Hexagon-head bolt M 6 X 12		2	
27	N 011 524 7	Washer 6,4		4	
27	N 011 524 27	Washer 6,4		4	
28	900 075 100 02	Hexagon-head bolt M 4 X 12		2	
28	900 075 100 03	Hexagon-head bolt M 4 X 12		2	
29	900 910 006 02	Lock nut M 4		4	
29	900 084 020 01	Lock nut M 4		4	
30	900 025 002 02	Washer 4,3		4	
30	900 025 002 03	Washer 4,3		4	
31	900 144 031 07	Counters. head tapp. screw B 3,5 X 16		2	
32	999 591 102 17	Washer		2	
32	999 591 102 1H	Washer		2	
32	999 591 102 17	Washer \$=3,5		2	
32	999 591 102 1H	Washer \$=3,5		2	
33	900 144 028 07	Tapping screw B 3,5 X 13		2	
34	999 591 835 17	Snap fastener lower part		2	
35	999 591 598 02	Tenax lower part B 4,2 X 16		2	
(35)	999 591 597 02	Tenax lower part B 4,2 X 10		6	
36	911 561 455 00	Corner piece	-85	2	
(36)	911 561 455 01	Corner piece	/L 86-	1	
	911 561 455 01 70B	Black			

Model: 911 84 Model life 1984>>1986

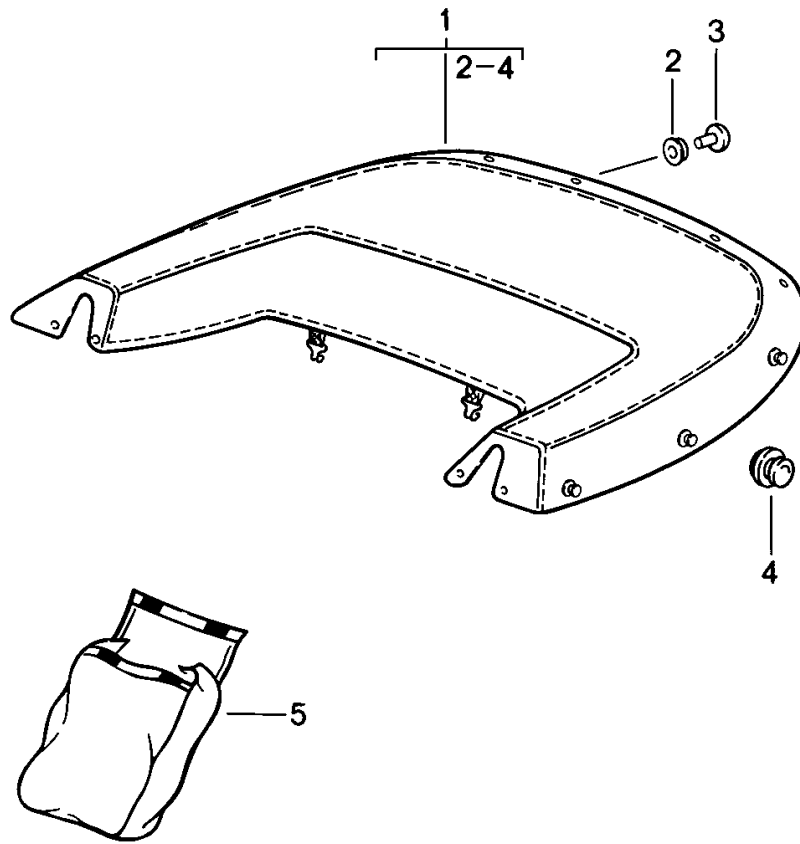
Pos	Part Number	Description	Remark	Qty	Model
(36)	911 561 456 01	Corner piece	/R 86-	1	
	911 561 456 01 70B	Black			
37	N 033 203 2	Countersunk-head screw		2	
37		Countersunk-head screw		2	
		M 4 X 18			
38	911 561 059 00	Lining	-85	1	
(38)	911 561 059 61	Lining	86-	1	
	911 561 059 61 700	Black			
		Main folding top bow			
(38)	911 561 059 65	Lining	86-	1	M439
	911 561 059 65 700	Black			
		Main folding top bow			
38A	911 561 597 00	Rosette	/L 86-	1	
	911 561 597 00 70B	Black			
(38A)	911 561 598 00	Rosette	/R 86-	1	
	911 561 598 00 70B	Black			
(38A)	911 561 598 66	Rosette	/R 86-	1	M439
	911 561 598 66 70B	Black			
39	900 145 096 07	Oval-head sheetmetal screw		13	
		4,2 X 16			
39	900 145 096 0G	Oval-head sheetmetal screw		13	
		4,2 X 16			
40	999 591 116 07	Cone washer		13	
		4,5 90 DEG			
40		Cone washer		15	
41	911 561 050 00	Roofliner		1	
42	911 565 093 60	Padded cover	-85	1	
(42)	911 565 093 61	Padded cover	86-	1	
	911 565 093 61 700	Black			
(42)	911 565 093 65	Padded cover	86-	1	M439
	911 565 093 65 700	Black			
43	911 565 279 60	Rosette	-85	2	
(43)	911 565 279 61	Rosette	/L 86-	1	
	911 565 279 61 70B	Black			
(43)	911 565 280 61	Rosette	/R 86-	1	
	911 565 280 61 70B	Black			
(43)	911 561 781 65	Guide rose	86-	2	M439
		for emergency control			
44	999 591 676 02	Clamping washer		4	
		\$=7			
44	999 591 676 01	Clamping washer		4	
		\$=7			
45	823 867 299	Clip		8	
46	N 014 093 3	Oval-head sheetmetal screw		3	
		4,2 X 13			
47	999 591 116 07	Cone washer		3	
		4,5 90 DEG			
48	911 565 271 60	Handle	/L -85	1	
(48)	911 565 271 65	Handle	/L 86-	1	
	911 565 271 65 70B	Black			
49	911 565 272 60	Handle	/R -85	1	
(49)	911 565 272 65	Handle	/R 86-	1	
	911 565 272 65 70B	Black			
50	999 591 587 40	Expansion rivet		2	
51	911 555 593 61	Edge protection		1	
-	911 565 299 60	Moltoprene shim		2	
		Edge protection			
-	911 565 297 60	Cover		1	
		Edge protection			
52	911 561 301 00	Rain channel	/L 86-	1	
	911 561 301 00 70K	Black			
(52)	911 561 302 00	Rain channel	/R 86-	1	
	911 561 302 00 70K	Black			

Model: 911 84 Model life 1984>>1986

Pos	Part Number	Description	Remark	Qty	Model
52A	999 190 162 37	Blind rivet 3,2 X 8,38		12	
52A	PCG 190 162 37	Blind rivet 3,2 X 8,38		12	
53	911 561 793 00	Rail	/L 86-	1	
(53)	911 561 794 00	Rail	/R 86-	1	
54	N 013 957 5	Oval-head sheetmetal screw B 3,5 X 9,5	86-	8	
55	900 151 028 02	Washer B 4,3		8	
55	900 151 028 01	Washer B 4,3		8	
56	911 565 269 60	Lining Roof frame	-85	1	
(56)	911 561 295 01	Cover	86-	1	
	911 561 295 01 700	Black			
(56)	911 561 295 00	Cover	86-	1	M439
	911 561 295 00 700	Black			

Model: 911 84

Model life 1984>>1986





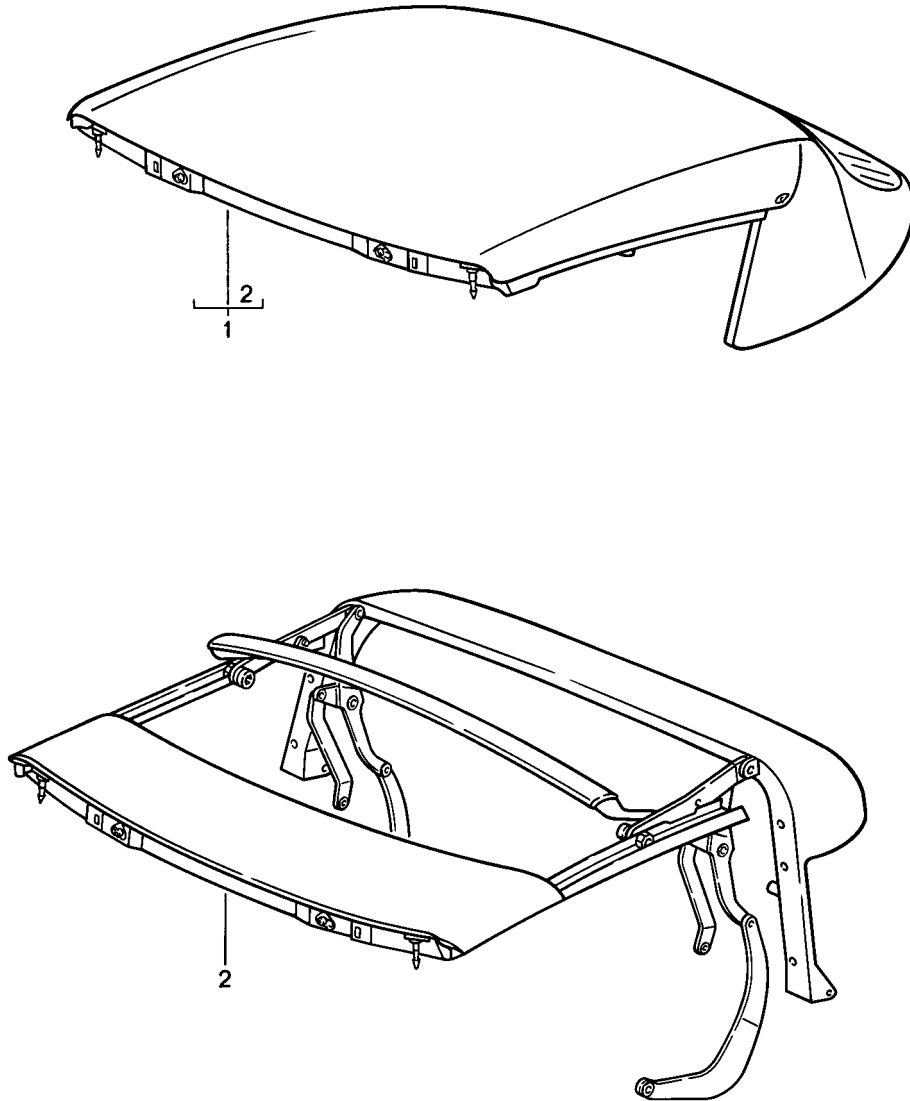
Model: 911 84

Model life 1984>>1986

Pos	Part Number	Description	Remark	Qty	Model
1	911 561 023 00	Convertible top cover			
	911 561 023 00 3AV	Convertible top cover	-85	1	
	911 561 023 00 6HA	Black			
	911 561 023 00 9RA	Dark blue			
	911 561 023 00 4JK	Dark brown			
	911 561 023 00 7MK	Greyish green	85-		
		Burgundy	85-		
(1)	911 561 023 60	Convertible top cover		1	
	911 561 023 60 3AV	Black			
	911 561 023 60 6HA	Dark blue			
	911 561 023 60 9RA	Dark brown			
	911 561 023 60 4JK	Greyish green			
	911 561 023 60 7MK	Burgundy			
2	999 591 836 17	Push button		6	
3	999 591 838 17	Push button		6	
4	999 591 983 12	Tenax upper part		8	
5	911 561 087 00	Bag		1	

Model: 911 84

Model life 1984>>1986



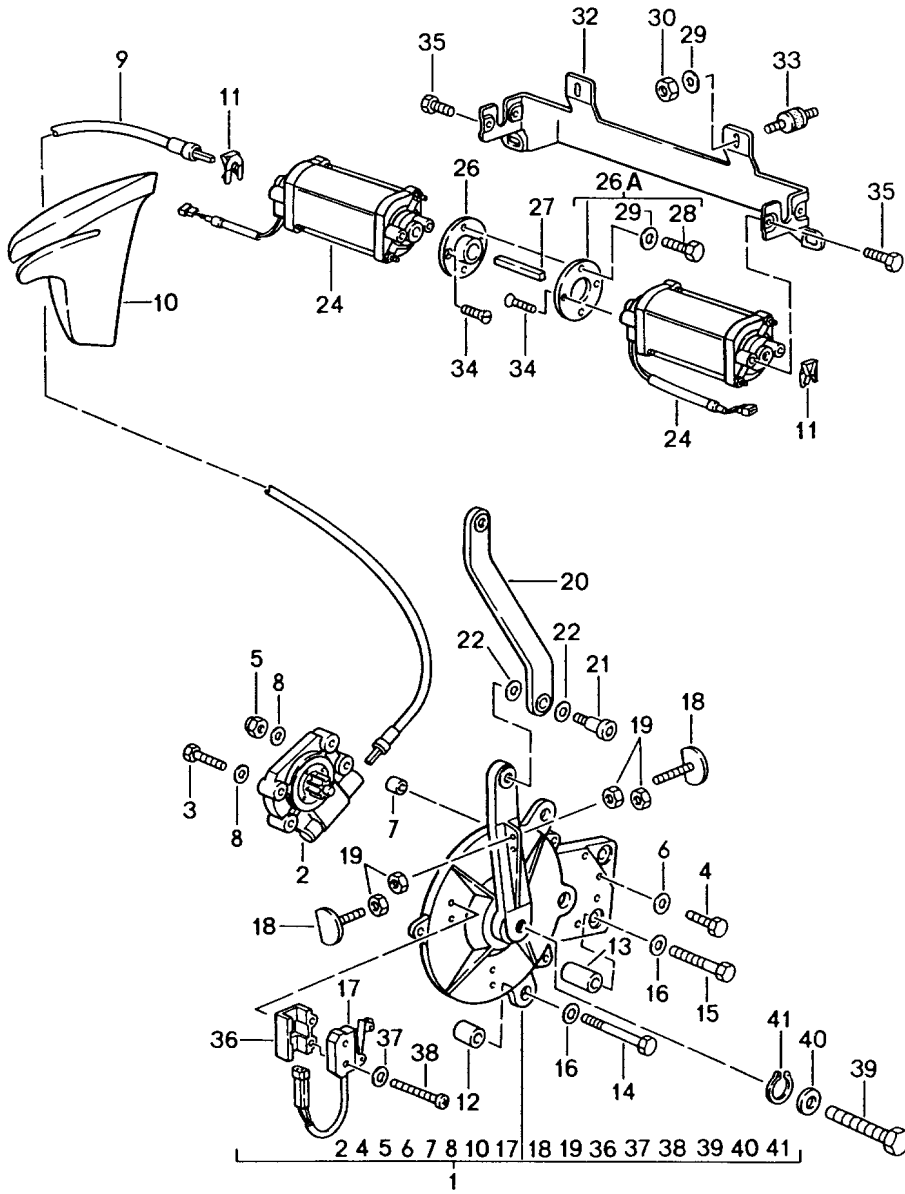
Model: 911 84

Model life 1984>>1986

Pos	Part Number	Description	Remark	Qty	Model
1	911 561 005 65	Convertible top	86-	1	M439
		Convertible top frame			
		Electrically adjustable			
		Folding top			
		Complete			
2	911 561 011 65	Convertible top frame	86-	1	M439
		911 561 005 65 3AV Black			
		911 561 005 65 6HA Dark blue			
		911 561 005 65 9RA Dark brown			
		911 561 005 65 4JK Greyish green			
		911 561 005 65 7MK Burgundy			
2	911 561 011 65	Convertible top frame	86-	1	M439
		911 561 011 65 70B Black			
		Complete			

Model: 911 84

Model life 1984>>1986



Model: 911 84

Model life 1984&gt;&gt;1986

Pos	Part Number	Description	Remark	Qty	Model
		Convertible top	86-		M439
		Driving mechanism			
(1)	911 561 045 66	Transmission	/L	1	
	911 561 045 66 70B	Black			
1	911 561 046 66	Transmission	/R	1	
	911 561 046 66 70B	Black			
(2)	911 561 103 65	Planetary transmission	/L	1	
(2)	911 561 104 65	Planetary transmission	/R	1	
3	N 010 262 2	Hexagon-head bolt		2	
		M 4 X 20			
4	N 010 301 1	Hexagon-head bolt		2	
		M 4 X 35			
5	900 910 004 02	Lock nut		2	
		M 4			
6	N 011 522 14	Washer		2	
		A 4,3			
7	911 561 629 65	Spacer		2	
8	911 561 518 00	Spacer		4	
(9)	993 561 921 03	Shaft	/L	1	
9	993 561 922 03	Shaft	/R	1	
(10)	911 561 655 65	Filler piece	/L	1	
10	911 561 656 65	Filler piece	/R	1	
		for			
		Shaft			
11	911 561 643 65	Spring clamp		2	
11	987 561 643 00	Spring clamp		2	
12	911 561 746 65	Spacer sleeve		4	
13	911 561 745 65	Spacer sleeve		2	
14	N 010 347 5	Hexagon-head bolt		4	
		M 6 X 35			
15	N 040 303 1	Hexagon-head bolt		2	
		M 6 X 50			
16	900 151 003 02	Washer		6	
		A 6,4			
16	900 151 006 03	Washer		6	
		A 6,4			
17	911 613 071 00	Microswitch	/R	2	
17	911 613 071 02	Microswitch	/R	2	
18	911 561 645 00	Adjusting screw		2	
19	N 011 002 2	Hexagon nut		4	
		M 3			
(20)	911 561 169 65	Push rod	/L	1	
	911 561 169 65 70B	Black			
(20)	911 561 170 65	Push rod	/R	1	
	911 561 170 65 70B	Black			
21	911 561 418 00	Screw		4	
		M 8 X 20			
22	911 561 428 00	Washer		8	
		10,5			
24	911 624 117 00	Electric motor		2	
25	N 013 994 2	Counters. head tapp. screw		6	
		B 4,8 X 16			
26	911 624 269 01	Washer		1	
		\$ 50			
26A	911 624 171 01	Washer		1	
27	911 624 273 00	Connecting piece		1	
28	N 010 205 6	Hexagon-head bolt		4	
		M 5 X 10			
28	900 075 105 02	Screw		4	
		M 5 X 10			
29	900 025 003 02	Washer		4	
		A 5,3			
30	N 011 005 14	Hexagon nut		4	

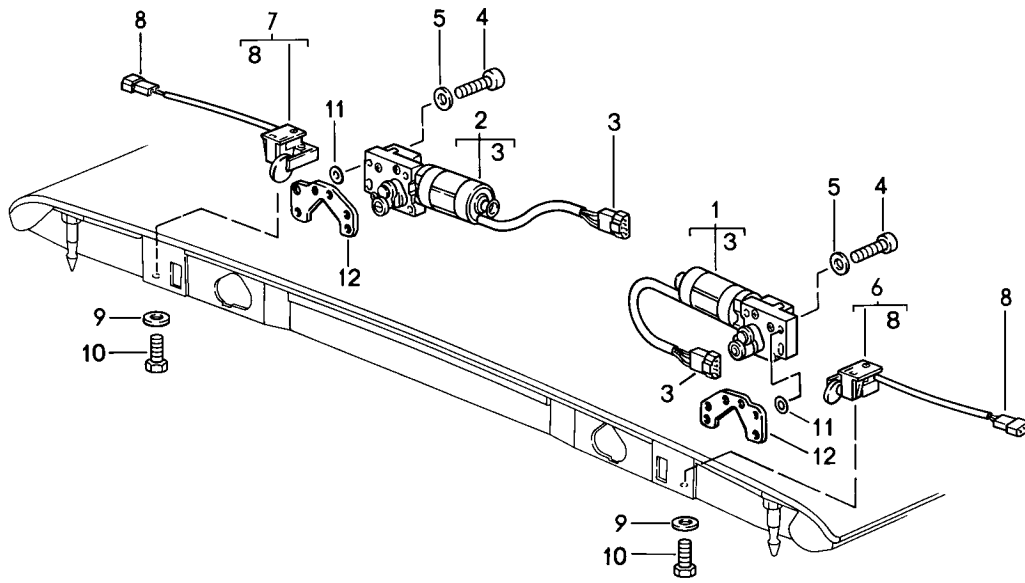
Model: 911 84

Model life 1984>>1986

Pos	Part Number	Description	Remark	Qty	Model
30	900 076 091 01	M 5 Hexagon nut		4	
32	911 561 185 65	M 5 Clip		2	
33	999 703 308 00	Bonded rubber mounting		4	
33	999 703 308 0A	Bonded rubber mounting		4	
34	999 919 045 02	Countersunk-head screw M 5 X 16		4	
35	999 919 046 02	Hexagon-head bolt M 5 X 16		4	
36	911 613 413 00	Support		2	
37	900 025 001 02	Washer A 3,2		4	
38	900 146 072 02	Oval-head screw M 3 X 25		4	
39	911 561 756 66	Screw for emergency control		2	
40	N 011 524 7	Washer A 6,4		2	
40	N 011 524 27	Washer A 6,4		2	
41	N 012 406 2	Lock washer 6 X 0,7		2	

Model: 911 84

Model life 1984>>1986



Model: 911 84

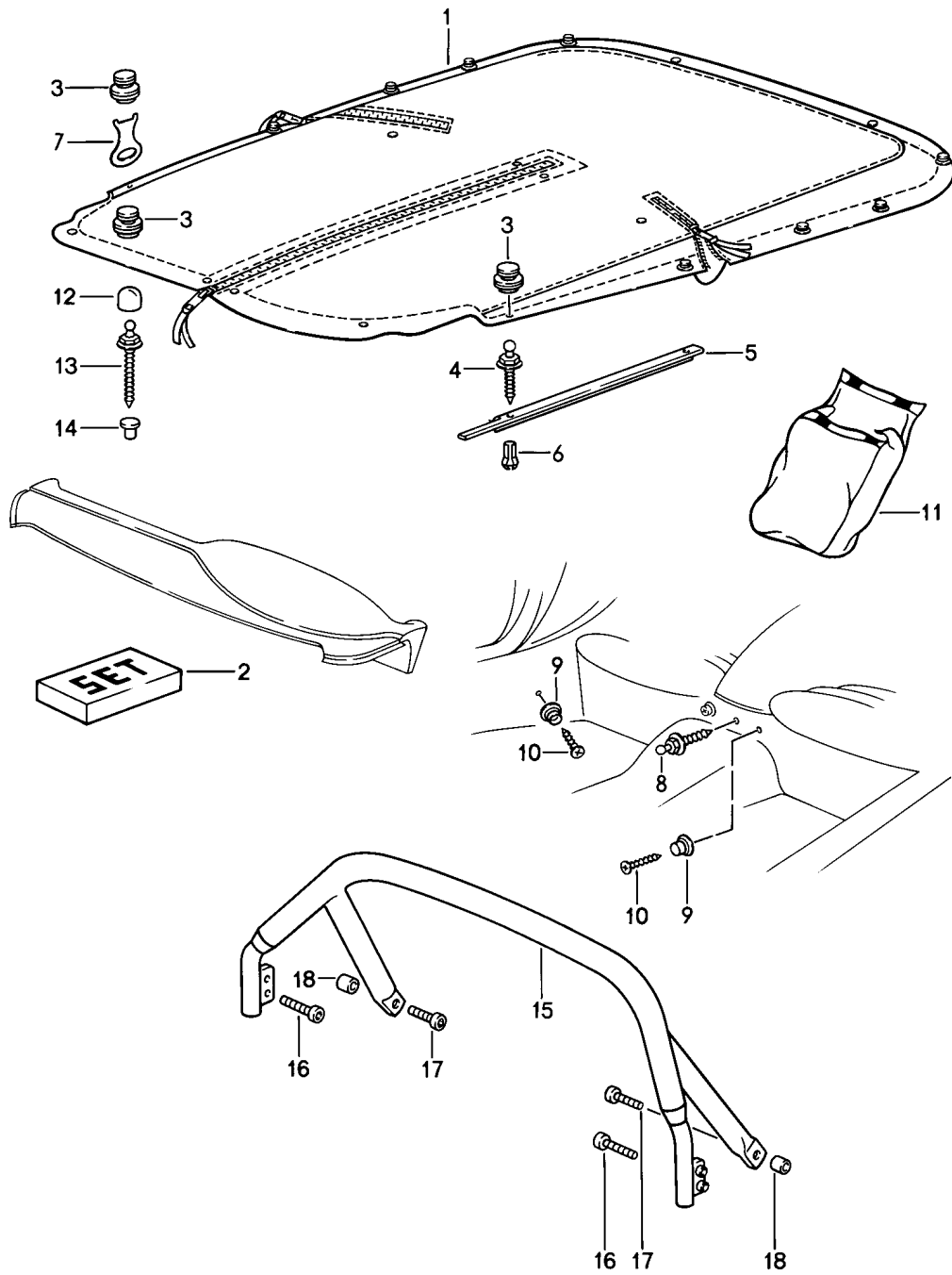
Model life 1984>>1986

Pos	Part Number	Description	Remark	Qty	Model
		Convertible top	86-		M439
		Catch			
		Electrically adjustable			
1	911 624 055 00	Engine	/L	1	
2	911 624 056 00	Engine	/R	1	
3	171 971 998 C	Connector housing		2	
4	N 014 743 2	Pan-head screw		8	
		M 6 X 30			
4	900 067 012 03	Pan-head screw		8	
		M 6 X 30			
5	N 011 524 7	Washer		8	
		A 6,4			
5	N 011 524 27	Washer		8	
		A 6,4			
6	911 613 015 00	Microswitch	/L	1	
7	911 613 016 00	Microswitch	/R	1	
8	171 971 998 A	Connector housing		2	
9	900 151 028 02	Washer		4	
		B 4,3			
9	900 151 028 01	Washer		4	
		B 4,3			
(10)	900 146 011 02	Oval-head screw		4	
		M 4 X 10			
11	N 027 401 1	Shim		8	
		6 X 12 X 1,0			
12	911 561 547 01	Threaded plate		2	



Model: 911 84

Model life 1984>>1986



Model: 911 84 Model life 1984>>1986

Pos	Part Number	Description	Remark	Qty	Model
1	911 561 923 00	Tonneau cover Protective bracket	/LL	1	
	911 561 923 00 3AV	Black			
	911 561 923 00 6HA	Dark blue			
	911 561 923 00 9RA	Dark brown			
	911 561 923 00 4JK	Greyish green	85		
	911 561 923 00 7MK	Burgundy			
(1)	911 561 923 00 1YK	Tonneau cover			
	911 561 924 00	Tonneau cover F >>91ES1 50895 F >>91ES1 59568	/RL	1	
	911 561 924 00 3AV	Black			
	911 561 924 00 6HA	Dark blue			
	911 561 924 00 9RA	Dark brown			
	911 561 924 00 4JK	Greyish green	85		
	911 561 924 00 7MK	Burgundy			
	911 561 924 00 1YK	Tonneau cover			
1	911 561 089 00	Tonneau cover	/LL -85	1	
	911 561 089 00 3AV	Black			
	911 561 089 00 6HA	Dark blue			
	911 561 089 00 9RA	Dark brown			
	911 561 089 00 4JK	Greyish green			
	911 561 089 00 7MK	Burgundy			
		Order also: POS.3			
(1)	911 561 090 00	Tonneau cover F 91ES1 50896>> F 91ES1 59569>>	/RL -85	1	
	911 561 090 00 3AV	Black			
	911 561 090 00 6HA	Dark blue			
	911 561 090 00 9RA	Dark brown			
	911 561 090 00 4JK	Greyish green			
	911 561 090 00 7MK	Burgundy			
		Order also: POS.3			
(1)	911 561 089 60	Tonneau cover	/LL 86-	1	
	911 561 089 60 3AV	Black			
	911 561 089 60 6HA	Dark blue			
	911 561 089 60 9RA	Dark brown			
	911 561 089 60 4JK	Greyish green			
	911 561 089 60 7MK	Burgundy			
		Order also: POS.3			
(1)	911 561 090 60	Tonneau cover	/RL 86-	1	
	911 561 090 60 3AV	Black			
	911 561 090 60 6HA	Dark blue			
	911 561 090 60 9RA	Dark brown			
	911 561 090 60 4JK	Greyish green			
	911 561 090 60 7MK	Burgundy			
		Order also: POS.3			
2	911 561 921 00	Installation set F >>91ES1 50895 F >>91ES1 59568		1	
3	999 591 983 12	Tenax upper part		9	
4	999 591 598 02	Tenax lower part		4	
5	911 531 041 60	Moulding	/L	1	
	911 531 041 60 70K	Black			
(5)	911 531 432 60	Moulding	/R	1	
	911 531 432 60 70K	Black			
(5)	911 531 042 60	Moulding	/R	1	
	911 531 042 60 70K	Black			

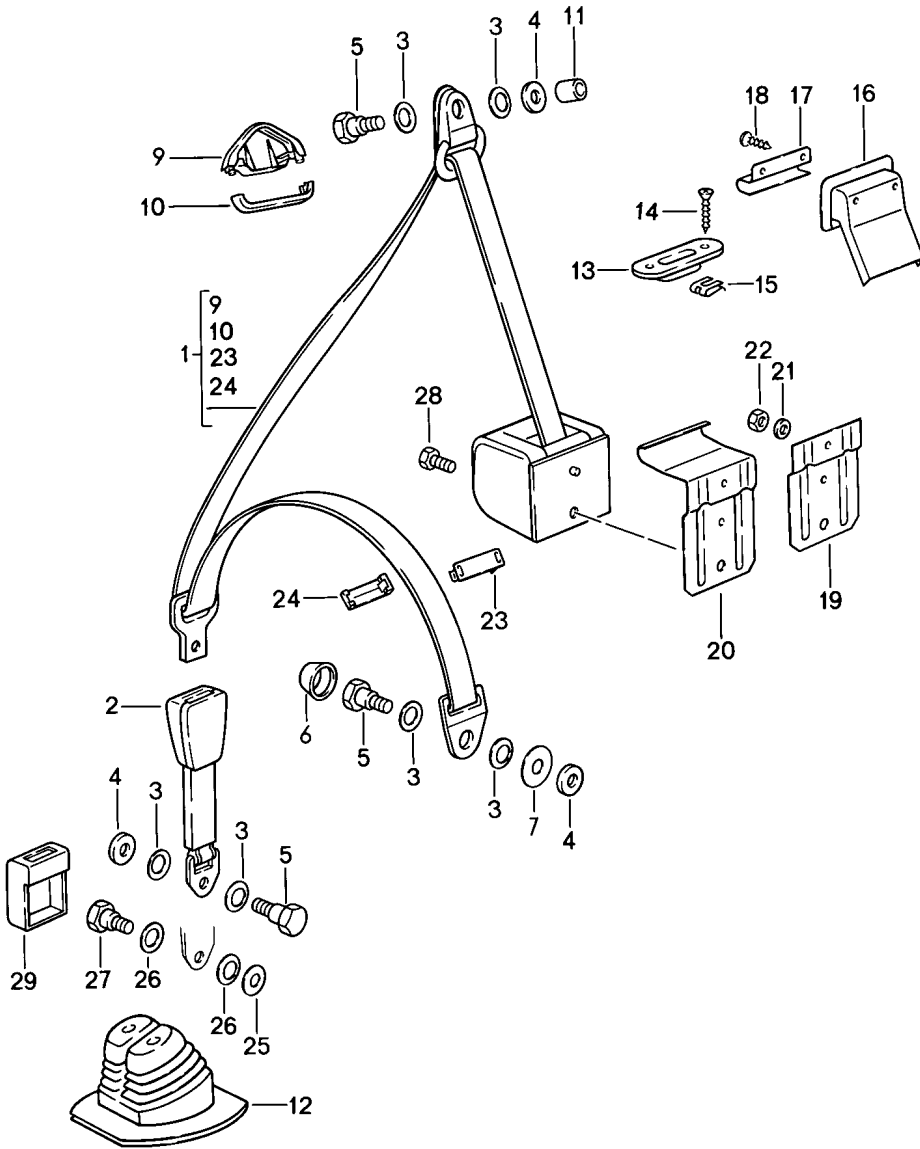
Model: 911 84

Model life 1984&gt;&gt;1986

Pos	Part Number	Description	Remark	Qty	Model
6	999 591 708 02	Prestole cage		4	
7	000 043 032 00	Key		X	
8	999 591 597 02	Tenax lower part		1	
9	999 591 835 17	Snap fastener lower part		4	
10	900 144 028 07	Tapping screw 3,5 X 13		4	
11	911 561 087 00	Bag		1	
12	911 561 529 00	Cap		3	
13	999 591 608 17	Tenax lower part B 4,2 X 22		3	
14	999 703 182 40	Stopper \$=4		3	
(15)	911 565 907 61	Protective bracket Leatherette Black	-85	1	
(15)	911 565 907 62	Protective bracket Leather Black	-85	1	
15	911 565 006 65	Protective bracket Leatherette Black	86-	1	
15	911 565 006 66	Protective bracket Leather Black	86-	1	
16	900 119 090 07	Pan-head screw M 10 X 40		4	
17	900 119 006 07	Pan-head screw M 10 X 35		2	
(18)	911 565 247 60	Bush	-85	2	
18	911 565 247 65	Bush	86-	2	

Model: 911 84

Model life 1984>>1986



Model: 911 84 Model life 1984>>1986

Pos	Part Number	Description	Remark	Qty	Model
		Seat belt			
		Front			
1	928 803 126 09	Seat belt	85	2	
1		Seat belt	-85	2	
		Automatic			
1	928 803 126 10	Seat belt	86-	2	
	928 803 126 10 70B	Black			
		Automatic			
(2)	928 803 183 05	Seat-belt buckle	-84	2	
(2)	928 803 183 09	Seat-belt buckle	85-	1	
	928 803 183 09 70B	Black			
		Driver's side			
(2)	928 803 183 08	Seat-belt buckle	85-	1	
	928 803 183 08 70B	Black			
		Passenger's side			
3	211 857 771	Washer		8	
4	999 025 113 02	Washer	-85	4	TARGA
4		Washer	-85	6	COUPE
		11,5 X 21 X 2			
4		Washer	86-	2	COUPE
		11,5 X 21 X 2			
(4)	810 019 829	Spacer	86-	2	
5	111 857 793 E	Hexagon-head bolt		6	COUPE
5		Hexagon-head bolt		4	TARGA/CABRIO
(5)		Hexagon-head bolt		2	TARGA/CABRIO
6	811 857 845	Cap		2	
7	901 803 144 00	Washer	-85	2	
8	928 803 157 02	Washer	-85	2	TARGA/CABRIO
9	928 803 141 00	Cover	-85	2	
		Upper part			
10	928 803 143 00	Cover	-85	2	
		Lower part			
(10)	944 803 141 00	Cover	86-	2	
	944 803 141 00 70B	Black			
11	928 803 259 02	Spacer sleeve		2	TARGA/CABRIO
12	911 555 102 01	Bellows	-84	1	
13	911 555 615 01	Rosette		2	COUPE
14	N 014 093 3	Oval-head sheetmetal screw		4	COUPE
		BZ 4,2 X 13			
15	999 507 020 02	Speed nut		4	COUPE
		4,2			
15	999 507 020 01	Speed nut		4	COUPE
		4,2			
16	901 803 139 00	Rosette		2	TARGA
17	911 555 619 40	Relay lever		2	TARGA
(17)	911 555 619 60	Relay lever	/L -85	1	CABRIO
(17)	911 555 620 60	Relay lever	/R -85	1	CABRIO
18	900 145 071 07	Tapping screw		4	TARGA
		B 3,5 X 13			
19	911 555 625 00	Support for seatbelt		2	COUPE
(19)	911 501 461 61	Support for seatbelt		2	CABRIO
20	911 555 613 41	Support for seatbelt		2	TARGA
21	900 031 011 02	Washer		2	
		6,4			
22	900 076 010 02	Nut		2	
		M 6			
22	900 076 010 0B	Nut		2	
		M 6			
23	928 803 151 02	Clip		2	
		Upper part			
24	928 803 153 02	Clip		2	
		Lower part			
25	911 803 531 00	Paper washer	85-	2	

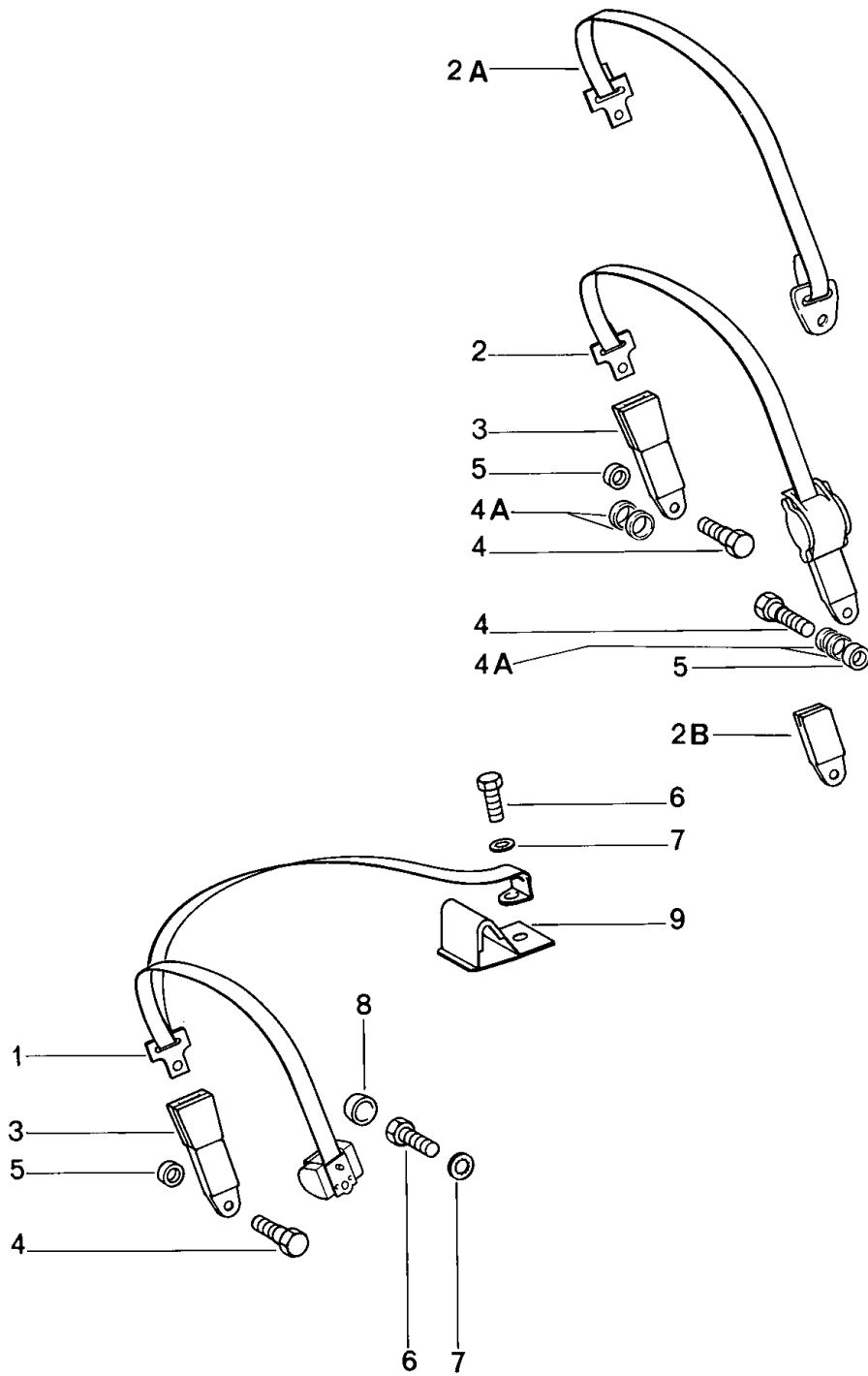
Model: 911 84

Model life 1984&gt;&gt;1986

Pos	Part Number	Description	Remark	Qty	Model
26	911 803 533 00	Cup spring	85-	4	
27	914 803 468 10	Screw	85-	2	
28	911 803 150 00	Screw		2	
29	911 803 453 00	Cap	85-	2	

Model: 911 84

Model life 1984>>1986



Model: 911 84

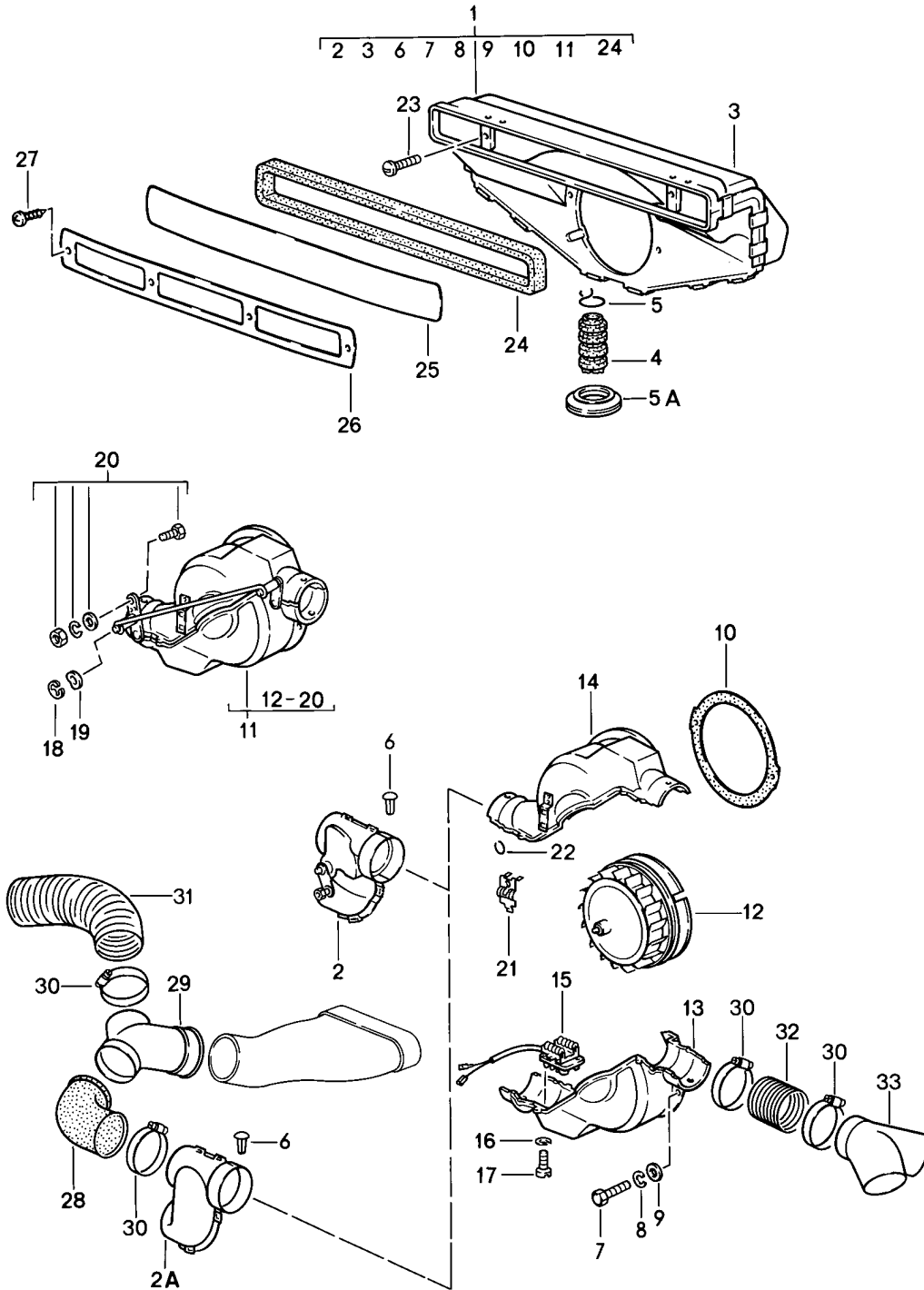
Model life 1984>>1986

Pos	Part Number	Description	Remark	Qty	Model
(1)	911 803 049 06	Seat belt Rear Seat belt Automatic	(A) (AUS) (N) (SF)	2	M335
2A	477 857 795 477 857 795 70B	Seat belt Manually		2	M186
(2B)	477 857 750 B	Cap		2	M185
(3)	477 857 739 A	Seat-belt buckle		2	
(3)	477 857 739 B 477 857 739 B 70B	Seat-belt buckle Black		2	
4	911 803 451 00	Fastening screw		2	M335
4		Fastening screw		4	M185/186
4A	211 857 771	Washer		4	M185/186
4A		Washer		2	M335
(5)	901 803 116 40	Spacer sleeve		4	M185/186
(5)		Spacer sleeve		2	M335
6	111 857 799 A	Hexagon-head bolt		2	M335
6	3B0 857 799	Hexagon-head bolt		2	M335
6	111 857 799	Hexagon-head bolt		2	M335
8	811 857 845	Cap		2	M335
(8)	911 803 259 01	Cap		2	M335
(8)		Cap		4	M185/186
9	911 803 059 04	Relay lever	-84	2	M335
(9)	911 803 479 00	Relay lever	85-	2	M335
-	928 803 151 02	Clip Upper part		2	
-	928 803 153 02	Clip Lower part		2	



Model: 911 84

Model life 1984>>1986



Model: 911 84 Model life 1984>>1986

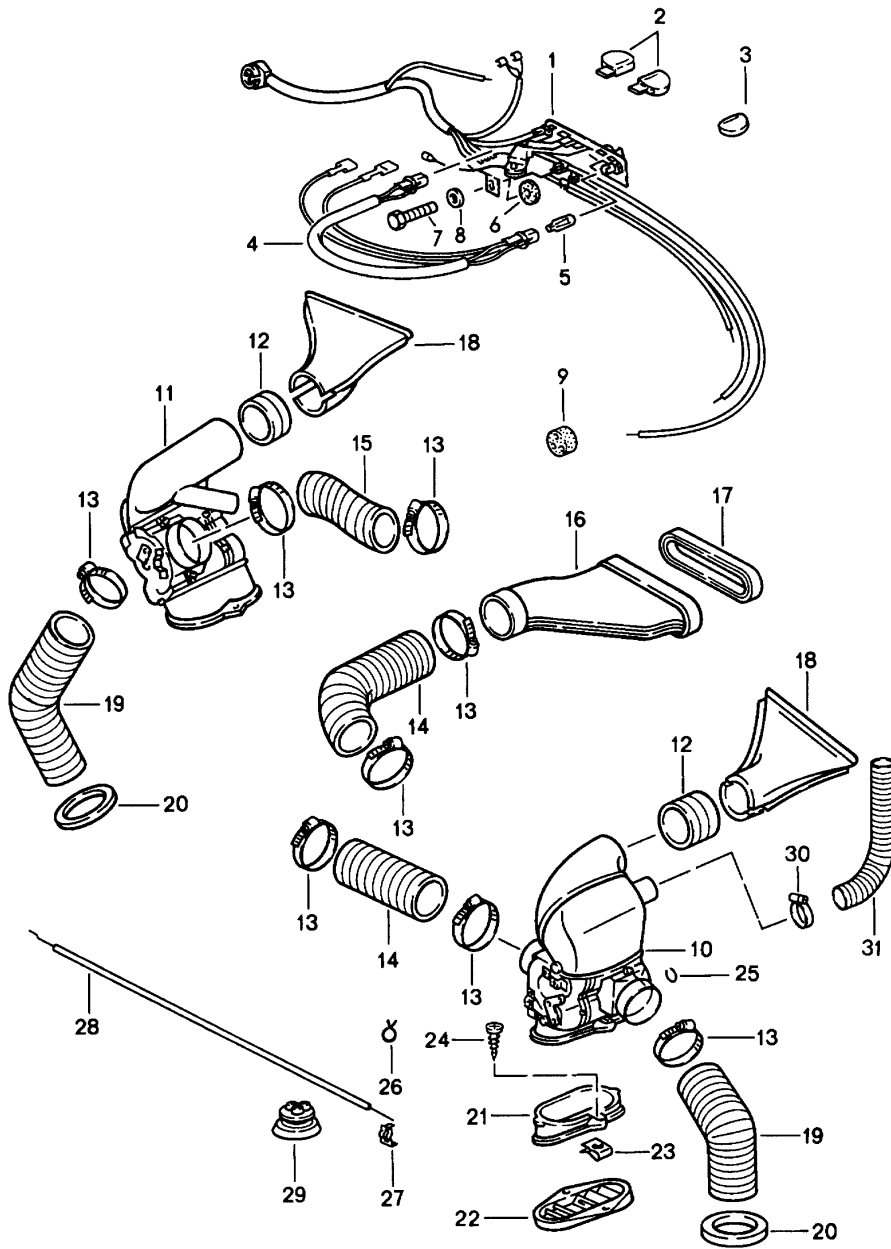
Pos	Part Number	Description	Remark	Qty	Model
(1)	911 571 031 01	Ventilation Heating system 1 Fresh air inlet box Ready for installation	/LL	1	CARRERA
		Order also:	/LL		
-	911 571 039 00	Distributing piece	-85	1	
-	911 571 039 01	Distributing piece	86-	1	
-	999 591 565 40	Clip		2	
(1)	911 571 032 01	Fresh air inlet box Ready for installation	/RL	1	
		Order also:	/RL		
-	911 571 040 00	Distributing piece	-85	1	
-	911 571 040 01	Distributing piece	86-	1	
-	999 591 565 40	Clip		2	
1	911 571 035 00	Fresh air inlet box Ready for installation	/LL -85	1	CARRERA
(1)	911 571 036 00	Fresh air inlet box Ready for installation	/RL -85	1	CARRERA
2	911 571 039 00	Distributing piece	/LL -85	1	CARRERA
(2)	911 571 040 00	Distributing piece	/RL -85	1	CARRERA
2A	911 571 039 01	Distributing piece	/LL 86-	1	CARRERA
(2A)	911 571 040 01	Distributing piece	/RL 86-	1	CARRERA
3	911 571 041 01	Fresh air inlet box	/LL -85	1	M559/573
(3)	911 571 042 01	Fresh air inlet box	/RL -85	1	
(3)	911 571 041 01	Fresh air inlet box	/LL	1	
(3)	911 571 042 01	Fresh air inlet box	/RL	1	
4	911 571 224 00	Water drain hose 600 MM	/LL/RL	1	
(4)	901 571 064 20	Water drain tube	/RL	1	
5	999 512 145 02	Hose clamp	/RL	1	
(5A)	901 571 326 32	Water drain hose	/RL	1	
6	999 591 565 40	Clip 6,2		2	
7	900 075 145 02	Hexagon-head bolt M 5 X 15		2	
8	900 027 011 01	Lock ring B 4		2	
9	900 025 003 02	Washer 5,3		2	
10	901 571 922 00	Sealing ring		1	
10	901 571 922 01	Sealing ring		1	
11	911 571 017 00	Blower	-85	1	
(11)	911 571 018 00	Blower	-85	1	
11		Blower		1	
12	911 571 320 32	Blower motor		1	
13	911 571 905 00	Housing		1	
14	911 571 907 00	Housing		1	
15	911 618 151 00	Thermo bi-metal switch	-85	1	
15	911 618 051 00	Thermo bi-metal switch	86-	1	
15	911 618 051 01	Thermo bi-metal switch	86-	1	
16	N 012 004 2	Lock ring B 4		2	
17	900 014 046 02	Pan-head screw AM 4 X 10		2	
18	N 012 434 1	Lock washer 4		2	
19	N 012 221 3	Spring washer A 4,3		2	
20	901 211 683 00	Clamping screw M 4		1	
21	901 571 919 00	Terminal		1	
22	901 571 921 00	Retainer		6	
23	N 014 153 1	Oval-head screw		2	

Model: 911 84 Model life 1984>>1986

Pos	Part Number	Description	Remark	Qty	Model
		M 5 X 40			
24	901 571 325 32	Sealing frame		1	
25	911 559 410 00	Grille		1	
25		Grille		1	
	911 559 410 00 70K				
25	993 559 411 00	Grille		1	
26	911 559 401 00	Grille frame		1	
27	N 014 086 12	Tapping screw		4	
27	N 014 086 1C	Tapping screw		4	
27	N 014 086 12	Tapping screw		4	
		B 3,5 X 13			
27	N 014 086 1C	Tapping screw		4	
		B 3,5 X 13			
-	901 559 491 20	Spacer		2	
28	911 572 325 00	Heater hose	/LL 86-	1	CARRERA
28		Heater hose	86-	1	CARRERA
		LW 62 X 150			
(28)		Heater hose	/RL 86-	1	CARRERA
29	911 573 254 00	Branch piece	/LL 86-	1	
(29)	911 573 253 00	Branch piece	/RL 86-	1	
(29)		Branch piece	/LL 86-	1	TURBO CARRERA M559
29	911 573 254 00	Branch piece	/RL 86-	1	TURBO CARRERA M559
30	999 512 349 02	Hose clamp 50-70/9	86-	3	
30	999 512 349 01	Hose clamp 50-70/9	86-	3	
30	999 512 349 0B	Hose clamp 50-70/9	86-	3	
31	911 573 115 00	Hose 60 X 420	86-	2	CARRERA
31		Hose 60 X 420	86-	1	TURBO CARRERA M559
32	911 571 239 00	Air hose	86-	2	CARRERA
33	911 571 251 00	Branch piece	86-	1	CARRERA

Model: 911 84

Model life 1984>>1986



Model: 911 84 Model life 1984>>1986

Pos	Part Number	Description	Remark	Qty	Model
		Ventilation			
		Heating system 2			
1	911 613 111 10	Control switch	/LL -85	1	
1	911 613 111 07	Control switch	/LL -85	1	M559/573
1	911 613 111 08	Control switch	/LL (J) -85	1	
(1)	911 613 111 10	Control switch	/LL 86-	1	
(1)	911 613 112 07	Control switch	/RL	1	
2	911 613 995 00	Knob	-85	2	
		Black			
(2)	911 613 139 00	Knob	86-	2	
	911 613 139 00 01C	Black			
3	901 571 918 00	Knob	-85	1	
		Red			
3	901 571 917 00	Knob	-85	1	
		Black			
(3)	911 613 135 00	Knob	86-	1	
	911 613 135 00 K51	Red			
(3)	911 613 135 01	Knob	86-	1	
	911 613 135 01 01C	Black			
4	911 612 172 01	Wiring harness		1	
5	900 631 132 90	Bulb		2	
		12V 1,2W			
6	914 571 903 10	Sealing ring		1	
7	N 010 217 9	Hexagon-head bolt		1	
		M 6 X 20			
8	N 011 524 7	Washer		1	
		6,4			
8	N 011 524 27	Washer		1	
		6,4			
9	914 571 151 10	Rubber sleeve		1	
		Bowden control			
10	911 571 049 07	Control box	/L -85	1	
(10)		Control box	/L -85	1	M559/573
(10)		Control box	/L 86-	1	
11	911 571 050 07	Control box	/R -85	1	
(11)		Control box	/R -85	1	M559/573
(11)		Control box	/R 86-	1	
12	901 571 345 32	Hose piece	-85	2	
(12)		Hose piece	86-	2	
13	999 512 349 02	Hose clamp		8	
13	999 512 349 01	Hose clamp		8	
13	999 512 349 0B	Hose clamp		8	
14	473 261 233 A	Air hose		2	
14	911 571 243 00	Air hose	/RL -85	1	
15	911 571 239 00	Air hose	-85	1	
16	911 571 085 00	Air duct	/LL -85	1	
(16)	911 571 086 01	Air duct	/RL -85	1	
(16)	911 571 085 01	Air duct	/LL 86-	1	
(16)	911 571 086 01	Air duct	/RL 86-	1	
17	911 571 189 00	Sealing ring		1	
18	901 572 045 31	Heating nozzle	-85	2	
19	914 572 123 10	Air hose		2	
20	901 572 913 01	Sealing ring		2	
21	911 571 051 00	Connecting flange		2	
22	911 571 347 01	Air distributor	/L	1	
(22)	911 571 348 01	Air distributor	/R	1	
23	999 591 574 02	Speed nut		4	
		B4,8			
24	900 143 039 02	Tapping screw		4	
		BZ 4,8 X 19			
25	901 571 921 00	Retainer		16	
26	999 512 162 02	Clamping spring		8	
(27)	477 819 343	Spring clamp		4	

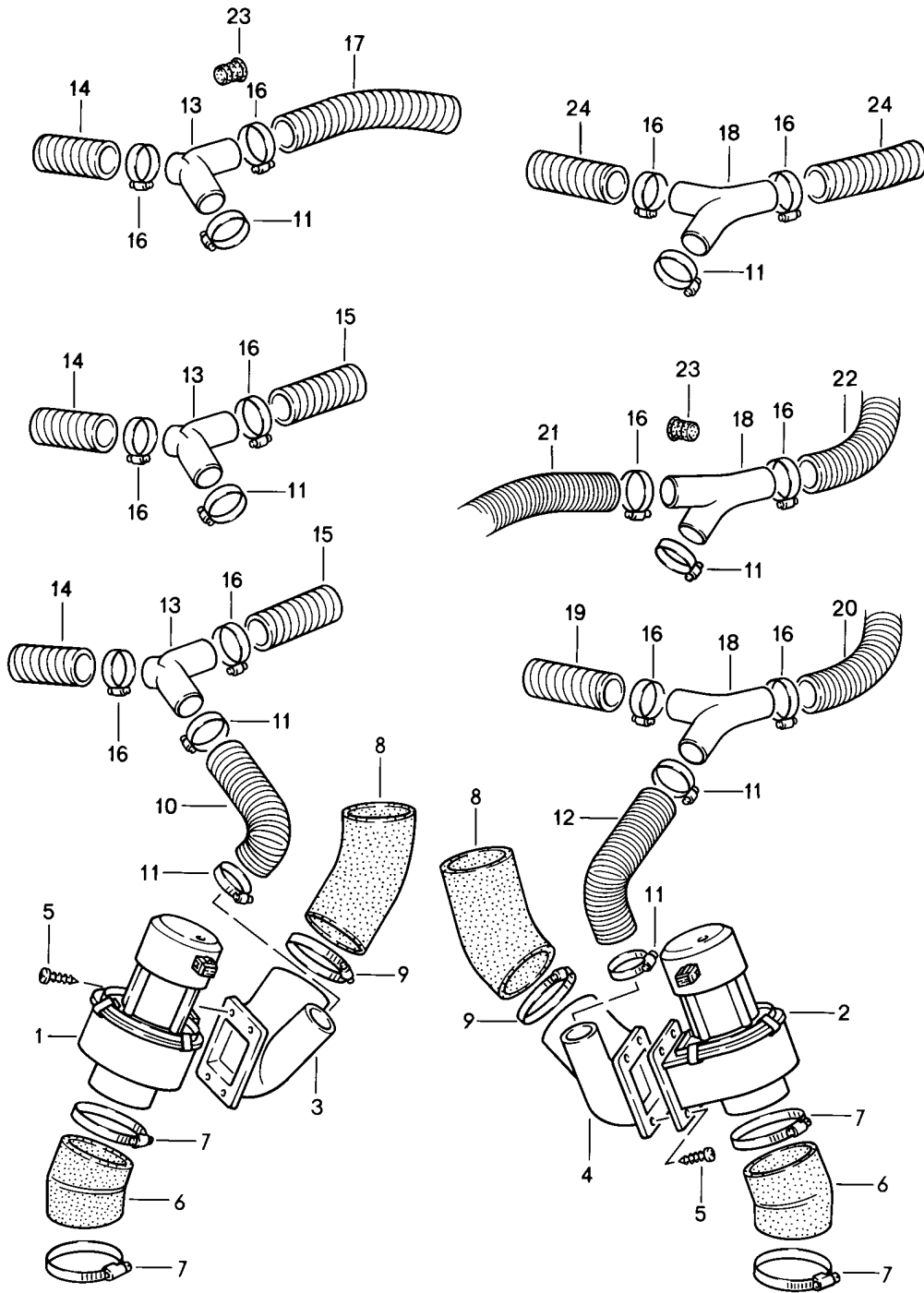
Model: 911 84

Model life 1984&gt;&gt;1986

Pos	Part Number	Description	Remark	Qty	Model
28	911 572 114 00	Bowden control		2	
29	911 612 863 00	Grommet		1	
29	914 571 151 10	Rubber sleeve		1	
30	999 512 356 02	Hose clamp		2	
31	911 571 228 00	Air hose	-85	2	

Model: 911 84

Model life 1984>>1986



Model: 911 84 Model life 1984>>1986

Pos	Part Number	Description	Remark	Qty	Model
		Additional blower			
(1)	911 624 043 02	Radial blower	/L	1	
(2)	911 624 044 02	Radial blower	/R	1	
3	911 571 137 00	Double socket	/L	1	
4	911 571 138 00	Double socket	/R	1	
5	999 919 018 00	Screw KA 35 X 10		8	
6	930 571 101 01	Hot air socket		2	
7	999 512 349 02	Hose clamp		4	
7	999 512 349 01	Hose clamp		4	
7	999 512 349 0B	Hose clamp		4	
8	914 572 123 10	Air hose LW 60 X 165		2	
9	999 512 349 02	Hose clamp		2	
9	999 512 349 01	Hose clamp		2	
9	999 512 349 0B	Hose clamp		2	
10	911 571 228 00	Air hose LW 36 X 180	/LL -85	1	
10		Air hose	-85	1	
10	911 573 211 00	Air hose LW 36 X 390	/RL -85	1	
(10)	911 572 223 00	Air hose LW 36 X 120	86-	1	
(10)		Air hose LW 36 X 200	86-	1	
11	999 512 356 02	Hose clamp	-85	4	
12	911 571 228 00	Air hose LW 36 X 390	-85	1	
(12)	911 572 223 00	Air hose LW 38 X 240	86-	1	
13	911 571 255 00	Air distributor	-85	1	
(13)	911 572 259 00	Air distributor	/L 86-	1	
14	911 571 221 00	Side vent Air hose LW 38 X 140	-85	1	
14	911 572 223 00	Air hose LW 38 X 240	-85	1	
15	911 573 212 00	Air hose	-85	1	
15	911 572 223 00	Air hose LW 38 X 60	-85	1	
(15)	911 573 115 00	Hose LW 38 X 240	86-	1	
16	999 512 356 02	Hose clamp	-85	X	
(16)	999 512 349 02	Hose clamp 50-70/9	86-	X	
(16)	999 512 349 01	Hose clamp 50-70/9	86-	X	
(16)	999 512 349 0B	Hose clamp 50-70/9	86-	X	
17	911 573 209 00	Air hose LW 36 X 385	/RL -85	1	
17	911 573 204 00	Air hose LW 36 X 1000	/RL -85	1	
(17)	911 573 115 00	Hose LW 60 X 420	86-	1	
18	911 573 235 00	Air distributor	-85	1	
(18)	911 572 260 00	Air distributor	/R 86-	1	
19	911 573 212 00	Side vent Air hose LW 38 X 60	-85	1	
19	911 572 223 00	Air hose	-85	1	

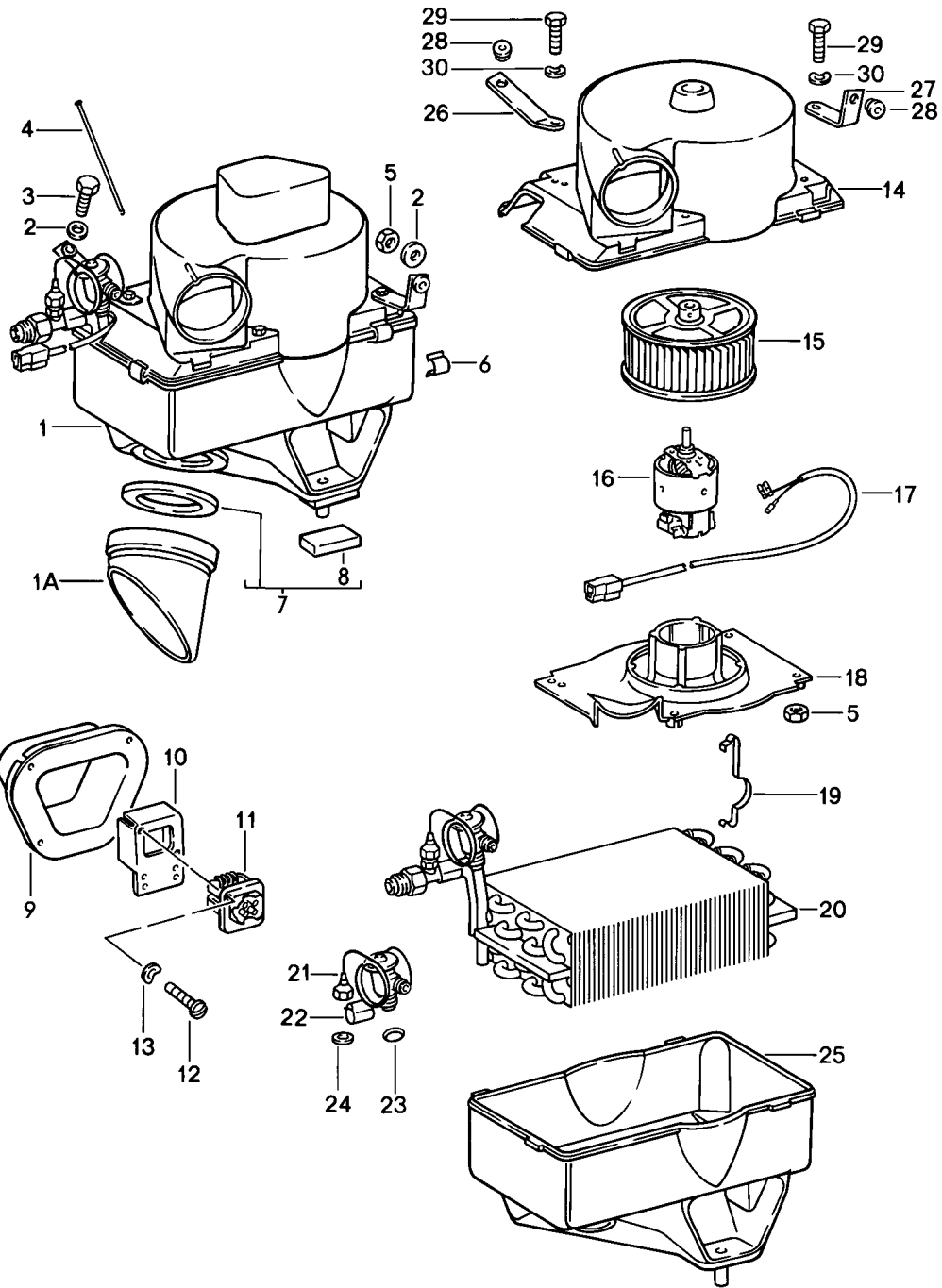


Model: 911 84 Model life 1984>>1986

Pos	Part Number	Description	Remark	Qty	Model
(19)	911 573 115 00	LW 38 X 240 Hose	86-	1	
20	911 571 246 00	LW 60 X 420 Air hose	/LL -85	1	
20	911 571 228 00	LW 36 X 90 Air hose	/LL -85	1	
(20)	911 573 212 00	LW 36 X 390 Air hose	/RL -85	1	
(20)	911 572 223 00	LW 38 X 60 Air hose	/RL -85	1	
21	911 573 203 00	LW 38 X 240 Air hose	/LL -85	1	
21	911 573 204 00	LW 36 X 480 Air hose	/LL -85	1	
(21)	911 573 115 00	LW 36 X 1000 Hose	86-	1	
22	911 571 246 00	LW 60 X 420 Air hose	/LL -85	1	
22	911 571 228 00	LW 36 X 90 Air hose	/LL -85	1	
23	911 573 207 00	LW 36 X 390 Closure for pipe adapter	-85	1	
24	911 572 223 00	LW 38 X 240 Air hose	-85	1	

Model: 911 84

Model life 1984>>1986



Model: 911 84 Model life 1984>>1986

Pos	Part Number	Description	Remark	Qty	Model
-	911 573 915 00	Air conditioner Evaporator housing Single parts Conversion set for subsequent installation	/LL -85	1	CARRERA
-	911 573 915 01	Air conditioner for subsequent installation	/RL -85	1	CARRERA
-	930 573 915 00	Air conditioner for subsequent installation	/LL -85	1	TURBO
-	930 573 915 01	Air conditioner for subsequent installation	/RL -85	1	TURBO
-	930 573 915 02	Air conditioner for subsequent installation for subsequent installation	/RL -85 85	1	TURBO M573
-	911 624 899 00	Electric motor		1	
-	911 624 903 00	Clamp		4	
-	911 573 323 00	Engine support		1	
-	911 573 915 04	Air conditioner for subsequent installation	/LL 86-	1	CARRERA
1	911 573 021 02	Evaporator housing Use also:	/LL -85	1	
-	911 504 043 01	Lid		1	
-	911 504 043 01 GRV	Lid		1	
(1)	911 573 021 04	Evaporator housing F >>91GS1 03535 F >>91GS1 09713 F >>91GS1 41576 F >>91GS1 49579 F >>91GS1 52001 F >>91GS1 59580 F >>93GS0 01053	/LL (J) (J) (J)	1	COUPE COUPE TARGA TARGA CABRIO CABRIO TURBO
(1)		Evaporator housing	/LL	1	
(1)	911 573 022 03	Evaporator housing	/RL	1	
1A	901 501 631 30	Connecting piece	/LL	1	
2	900 151 003 02	Washer A 6,4	-85	2	
2	900 151 006 03	Washer A 6,4		2	
2	900 151 003 02	Washer A 6,4	/LL 86-	2	
2	900 151 006 03	Washer A 6,4	/LL 86-	2	
(2)	N 042 121 1	Shake-proof washer A 6,4	/RL 86-	2	
3	900 075 057 02	Hexagon-head bolt M 6 X 16		1	
3	900 075 057 03	Hexagon-head bolt M 6 X 16		1	
4	901 573 903 00	Guide tube		1	
5	900 076 010 02	Temperature switch Nut M 6		5	
5	900 076 010 0B	Nut M 6		5	
6	901 573 904 00	Tensioning spring		4	
-	911 573 135 37	Protection cap	/RL	1	
-	911 573 131 37	Water drain sleeve F >>91GS1 03535 F >>91GS1 09713 F >>91GS1 41576	/RL (J)	1	COUPE COUPE TARGA

Model: 911 84 Model life 1984>>1986

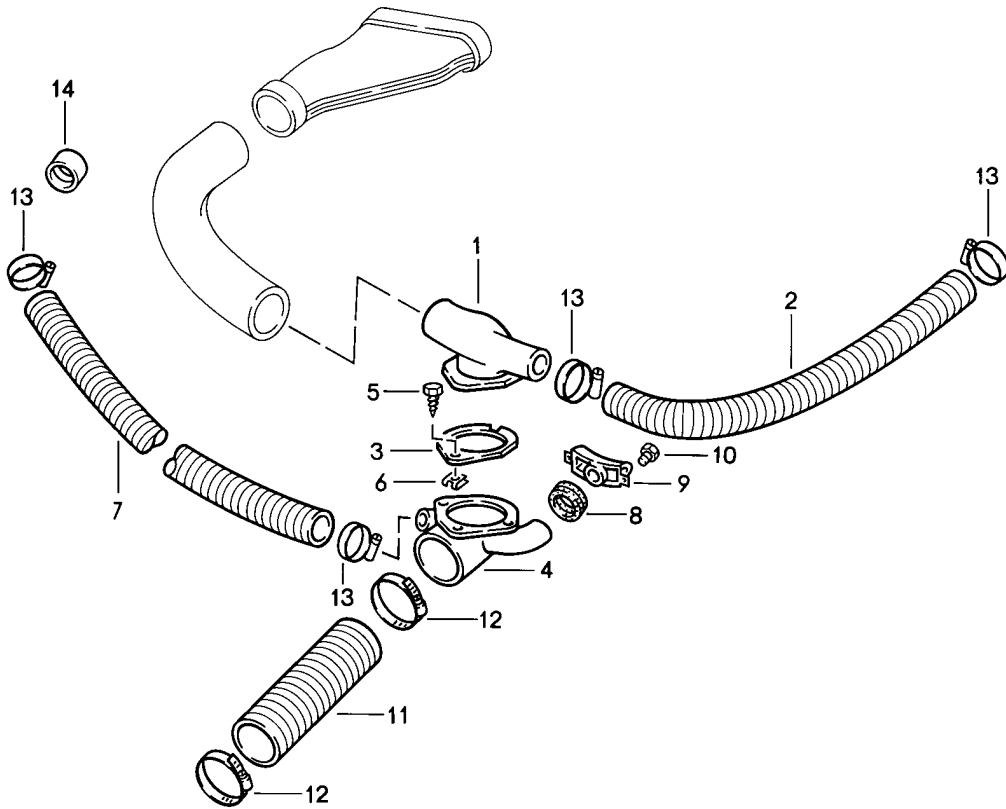
Pos	Part Number	Description	Remark	Qty	Model
		F >>91GS1 49579	(J)		TARGA
		F >>91GS1 52001			CABRIO
		F >>91GS1 59580	(J)		CABRIO
		F >>93GS0 01053			TURBO
-	911 573 131 39	Water drain sleeve	/RL	1	
		F 91GS1 03536>>			COUPE
		F 91GS1 09714>>	(J)		COUPE
		F 91GS1 41577>>			TARGA
		F 91GS1 49580>>	(J)		TARGA
		F 91GS1 52002>>			CABRIO
		F 91GS1 59581>>	(J)		CABRIO
		F 93GS0 01054>>			TURBO
-	911 573 143 00	Rubber sleeve	/RL	1	
7	901 573 901 00	Parts kit	/LL	1	
		Comprising:			
-		Sealing ring		1	
(8)		Shim		2	
(9)	911 573 073 01	Connection piece	/LL	1	
10	478 820 209	Bracket	/LL -85	1	
11	911 618 151 00	Thermo bi-metal switch	/LL	1	
12	900 146 011 02	Oval-head screw	/LL -85	2	
		AM 4 X 10			
13	N 012 224 3	Spring washer	/LL -85	2	
		B 4			
14	911 573 023 00	Housing cover	-85	1	
(14)	911 573 923 00	Housing cover	/LL 86-	1	
(14)	911 573 924 00	Housing cover	/RL 86-	1	
15	901 573 906 00	Fan	-85	1	
15	901 573 906 01	Fan		1	
15	901 573 906 00	Fan	/RL 86-	1	
15	901 573 906 01	Fan	/RL 86-	1	
(15)	911 624 906 00	Blower	/LL 86-	1	
		with			
		POS.16			
16	901 624 901 00	Electric motor	-84	1	
(16)	911 624 899 00	Electric motor	85	1	
(16)		Electric motor	/RL 86-	1	
17	901 612 084 00	Wiring harness	-85	1	
17		Wiring harness	/RL 86-	1	
(17)	911 612 984 00	Wiring harness	/LL 86-	1	
18	911 573 323 00	Engine support	-85	1	
18		Engine support	/RL 86-	1	
(18)	911 573 927 00	Engine support	/LL 86-	1	
19	901 624 903 00	Clamp	-84	4	
(19)	911 624 903 00	Clamp	85-	4	
20	911 573 929 01	Evaporator	-85	1	
20	911 573 929 03	Evaporator		1	
		without			
		Expansion valve			
(20)	911 573 929 00	Evaporator	/LL 86-	1	
(20)	911 573 929 02	Evaporator	/LL 86-	1	
		without			
		Expansion valve			
		Pos 21			
20	911 573 929 01	Evaporator	/RL 86-	1	
20	911 573 929 03	Evaporator	/RL 86-	1	
		without			
		Expansion valve			
		Expansion valve			
21	911 573 925 00	Expansion valve		1	
22	901 573 914 00	Clip		1	
23	999 707 250 40	O-ring		1	
		3/4"			
23	999 707 434 41	O-ring		1	

Model: 911 84 Model life 1984>>1986

Pos	Part Number	Description	Remark	Qty	Model
24	901 573 916 00	3/4" Gasket		1	
24	911 573 916 00	O-ring 7/16"		1	
25	901 573 908 00	Housing	/LL	1	
(25)	911 573 122 00	Housing	/RL	1	
26	911 572 473 00	Lower part Fastening angle	/LL	1	
		F >>91GS1 03535			COUPE
		F >>91GS1 09713	(J)		COUPE
		F >>91GS1 41576			TARGA
		F >>91GS1 49579	(J)		TARGA
		F >>91GS1 52001			CABRIO
		F >>91GS1 59580	(J)		CABRIO
		F >>93GS0 01053			TURBO
26		Fastening angle	/LL	1	
		F 91GS1 03536>>			COUPE
		F 91GS1 09714>>	(J)		COUPE
		F 91GS1 41577>>			TARGA
		F 91GS1 49580>>	(J)		TARGA
		F 91GS1 52002>>			CABRIO
		F 91GS1 59581>>	(J)		CABRIO
		F 93GS0 01054>>			TURBO
27	911 572 471 00	Fastening angle	/LL	1	
		F >>91GS1 03535			COUPE
		F >>91GS1 09713	(J)		COUPE
		F >>91GS1 41576			TARGA
		F >>91GS1 49579	(J)		TARGA
		F >>91GS1 52001			CABRIO
		F >>91GS1 59580	(J)		CABRIO
		F >>93GS0 01053			TURBO
27		Fastening angle	/LL	1	
		F 91GS1 03536>>			COUPE
		F 91GS1 09714>>	(J)		COUPE
		F 91GS1 41577>>			TARGA
		F 91GS1 49580>>	(J)		TARGA
		F 91GS1 52002>>			CABRIO
		F 91GS1 59581>>	(J)		CABRIO
		F 93GS0 01054>>			TURBO
28	901 573 133 00	Rubber sleeve		2	
29	N 010 217 9	Hexagon-head bolt M 6 X 20		4	
30	N 012 226 5	Spring washer B 6		4	

Model: 911 84

Model life 1984>>1986



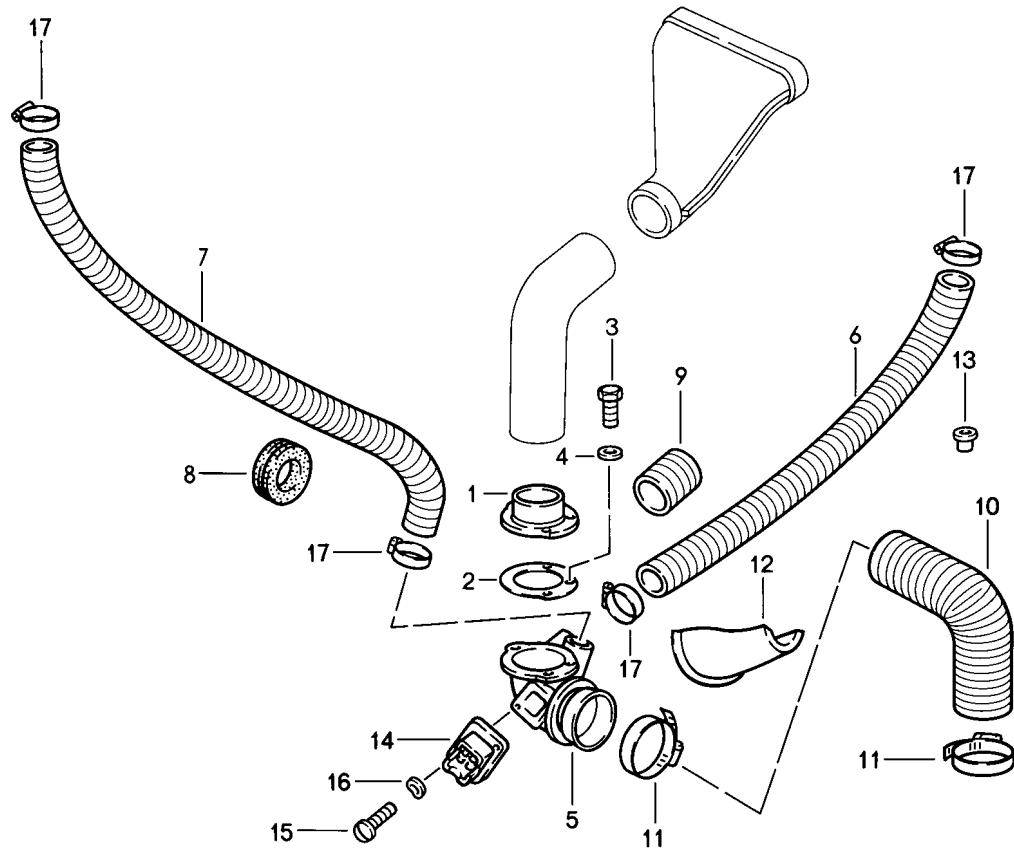
Model: 911 84

Model life 1984&gt;&gt;1986

Pos	Part Number	Description	Remark	Qty	Model
		Cooling air duct			
		Left-hand drive			
1	911 573 179 00	Air distributor	-85	1	
(1)	911 573 179 01	Air distributor	86-	1	
2	911 573 204 00	Air hose	-85	1	
		LW 36 X 630			
2		Air hose	-85	1	
		LW 36 X 1000			
(2)	911 573 117 00	Air hose	86-	1	
		60 X 750			
3	911 573 173 00	Gasket		1	
4	911 573 181 00	Connecting piece	-85	1	
(4)	911 573 181 01	Connecting piece	86-	1	
5	900 187 014 02	Hexagon-head tapping screw	-85	3	
		B 4,2 X 16			
(5)	900 143 007 02	Oval-head sheetmetal screw	86-	2	
		B 4,2 X 13			
(5)	900 073 507 01	Oval-head sheetmetal screw	86-	2	
		B 4,2 X 13			
(5)	900 143 047 07	Tapping screw	86-	1	
		B 4,2 X 19			
(5)	900 073 007 01	Tapping screw	86-	1	
		B 4,2 X 19			
-	900 025 003 02	Washer	86-	3	
		A 5,3			
6	999 591 457 02	Speed nut		3	
		B 4,2			
7	911 571 228 00	Air hose	-85	1	
8	911 573 185 00	Rubber sleeve		2	
9	911 573 183 00	Footwell outlet vent		1	
10	N 010 207 6	Hexagon-head bolt		2	
		M 5 X 12			
10	N 010 207 17	Hexagon-head bolt		2	
		M 5 X 12			
11	911 571 240 01	Air hose		1	
11	911 571 240 02	Air hose		1	
12	999 512 351 02	Hose clamp		2	
		76-92 X 9			
13	999 512 356 02	Hose clamp	-85	4	
		25-40/9			
(13)	999 512 349 02	Hose clamp	86-	2	
		50-70/9			
(13)	999 512 349 01	Hose clamp	86-	2	
		50-70/9			
(13)	999 512 349 0B	Hose clamp	86-	2	
		50-70/9			
14	911 573 207 00	Closure for pipe adapter	-85	1	

Model: 911 84

Model life 1984>>1986



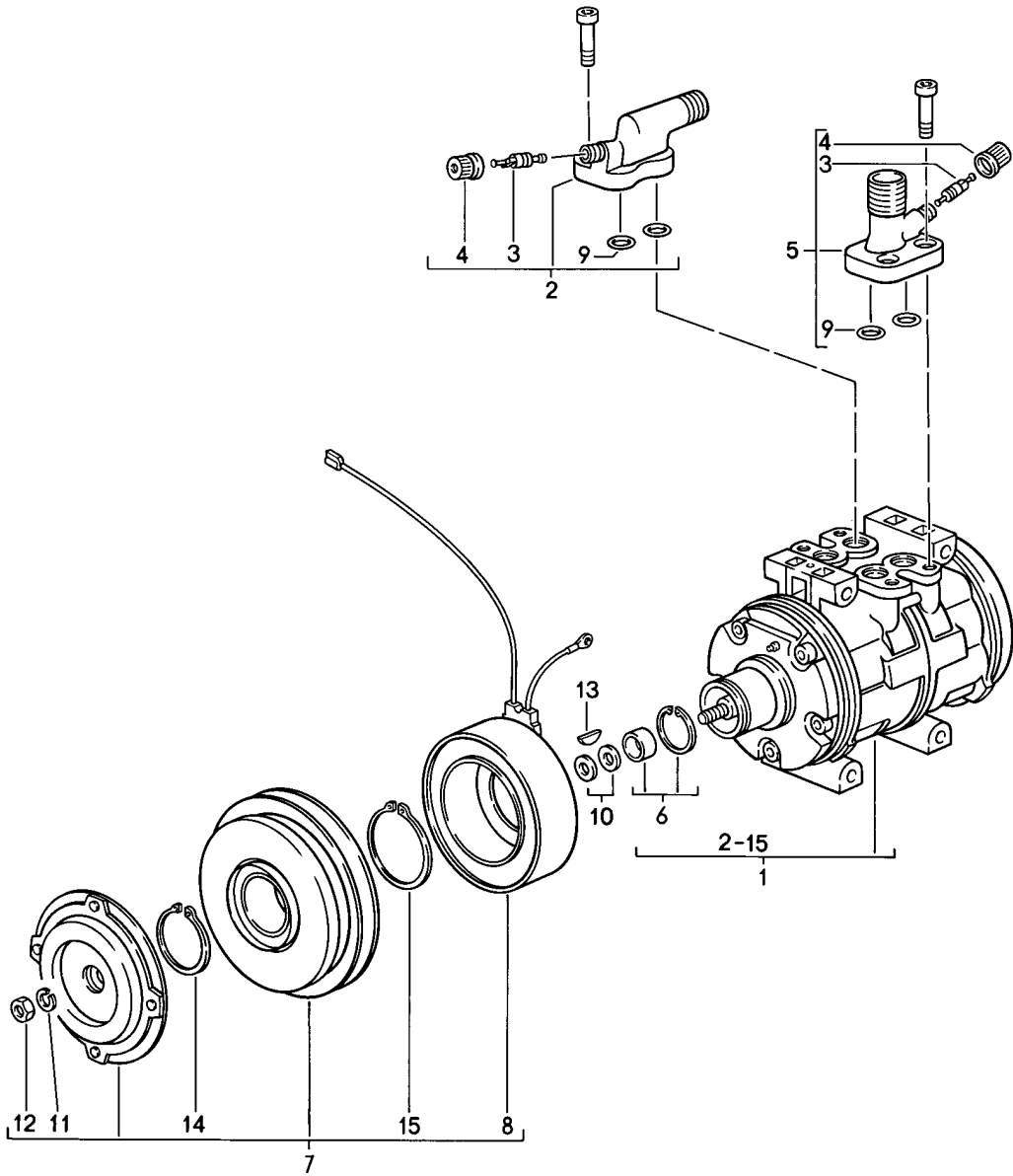


Model: 911 84 Model life 1984>>1986

Pos	Part Number	Description	Remark	Qty	Model
		Cooling air duct			
		Right-hand drive			
1	911 573 191 00	Flange socket	-85	1	
(1)	911 573 180 01	Air distributor	86-	1	
2	901 572 527 00	Sealing washer		1	
3	N 010 207 6	Hexagon-head bolt		3	
		M 5 X 12			
3	N 010 207 17	Hexagon-head bolt		3	
		M 5 X 12			
4	900 025 003 02	Washer		3	
		5,3			
5	911 573 088 00	Connecting piece	-85	1	
(5)	911 573 088 01	Connecting piece	86-	1	
6	911 573 203 00	Air hose	-85	1	
(6)	911 573 118 00	Air hose	86-	1	
		Ø=60 X 950			
7	911 573 204 00	Air hose	-85	1	
		LW 36 X 1000			
8	901 573 143 00	Rubber sleeve	-85	3	
9	999 702 062 50	Grommet		1	
10	911 573 523 02	Air hose		1	
10		Air hose		1	
11	999 512 351 02	Hose clamp		2	
		76-92 X 9			
12	911 551 607 00	Covering		1	
13	900 121 015 02	Tubular rivet		4	
		A 6 X 0,5 X 15			
-	911 551 075 01	Floorboard	/L	1	COUPE
-	911 551 075 41	Floorboard		1	TARGA/CABRIO
		See group			
		8/07/00			
14	911 618 151 00	Thermo bi-metal switch		1	
15	900 146 011 02	Oval-head screw		2	
		AM 4 X 10			
16	N 012 224 3	Spring washer		2	
		A 4			
17	999 512 356 02	Hose clamp	-85	4	
(17)	999 512 349 02	Hose clamp	86-	2	
		50-70/9			
(17)	999 512 349 01	Hose clamp	86-	2	
		50-70/9			
(17)	999 512 349 0B	Hose clamp	86-	2	
		50-70/9			

Model: 911 84

Model life 1984>>1986

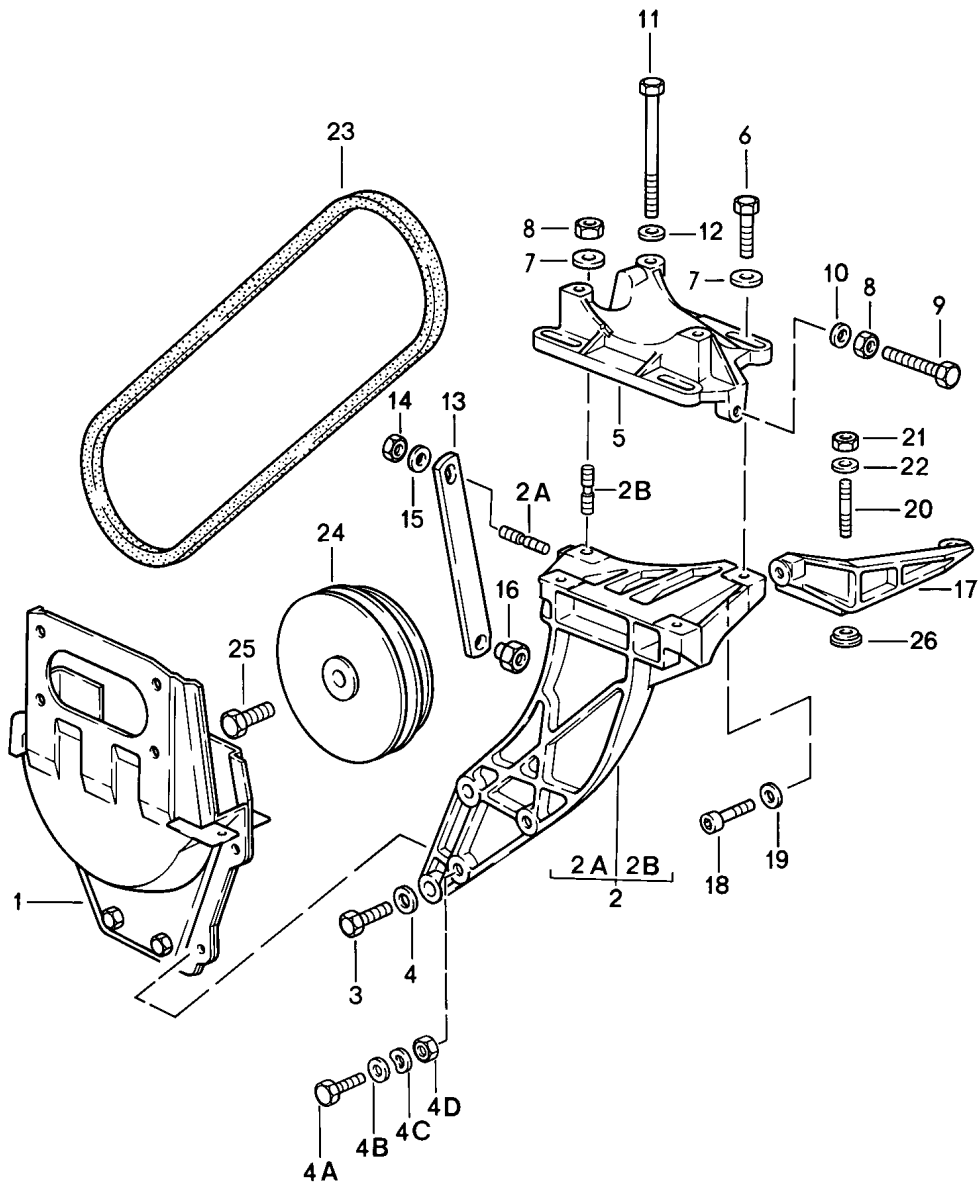


Model: 911 84 Model life 1984>>1986

Pos	Part Number	Description	Remark	Qty	Model
1	930 126 021 01	Compressor Compressor Complete		1	
(1)	930 126 021 05	Compressor Complete New design See technical information Group 8 NR. 95/16		1	TURBO
(1)	930 126 021 07	Compressor Complete New design See technical information Group 8 NR. 41/17		1	CARRERA
-		Use also:			
-	999 192 247 50	V-belt		1	CARRERA
2	930 126 925 00	Pressure valve		1	
3	928 573 908 03	Valve insert		2	
4	928 573 909 02	Cap		2	
5	930 126 923 00	Suction valve		1	
6	930 126 921 00	Set of shaft seals		1	
7	930 126 903 00	Clutch Complete		1	
8	930 126 907 00	Solenoid coil		1	
9	944 126 935 01	O-ring		4	
10	477 298 829	Spacer 0,1 MM		X	
(10)	477 298 829 A	Spacer 0,2 MM		X	
(10)	477 298 829 B	Spacer 0,5 MM		X	
(10)	477 298 829 C	Spacer 0,8 MM		X	
(10)	477 298 829 B	Spacer 1,0 MM		X	
11	900 027 015 02	Lock ring B 8		1	
11	900 027 015 03	Lock ring B 8		1	
12	N 011 008 8	Hexagon nut M 8		1	
13	944 126 905 00	Spring 12 X 4		1	
14	477 298 843	Circlip \$=37 MM		1	
15	477 298 841	Circlip \$=45,8 MM		1	

Model: 911 84

Model life 1984>>1986



Model: 911 84

Model life 1984>>1986

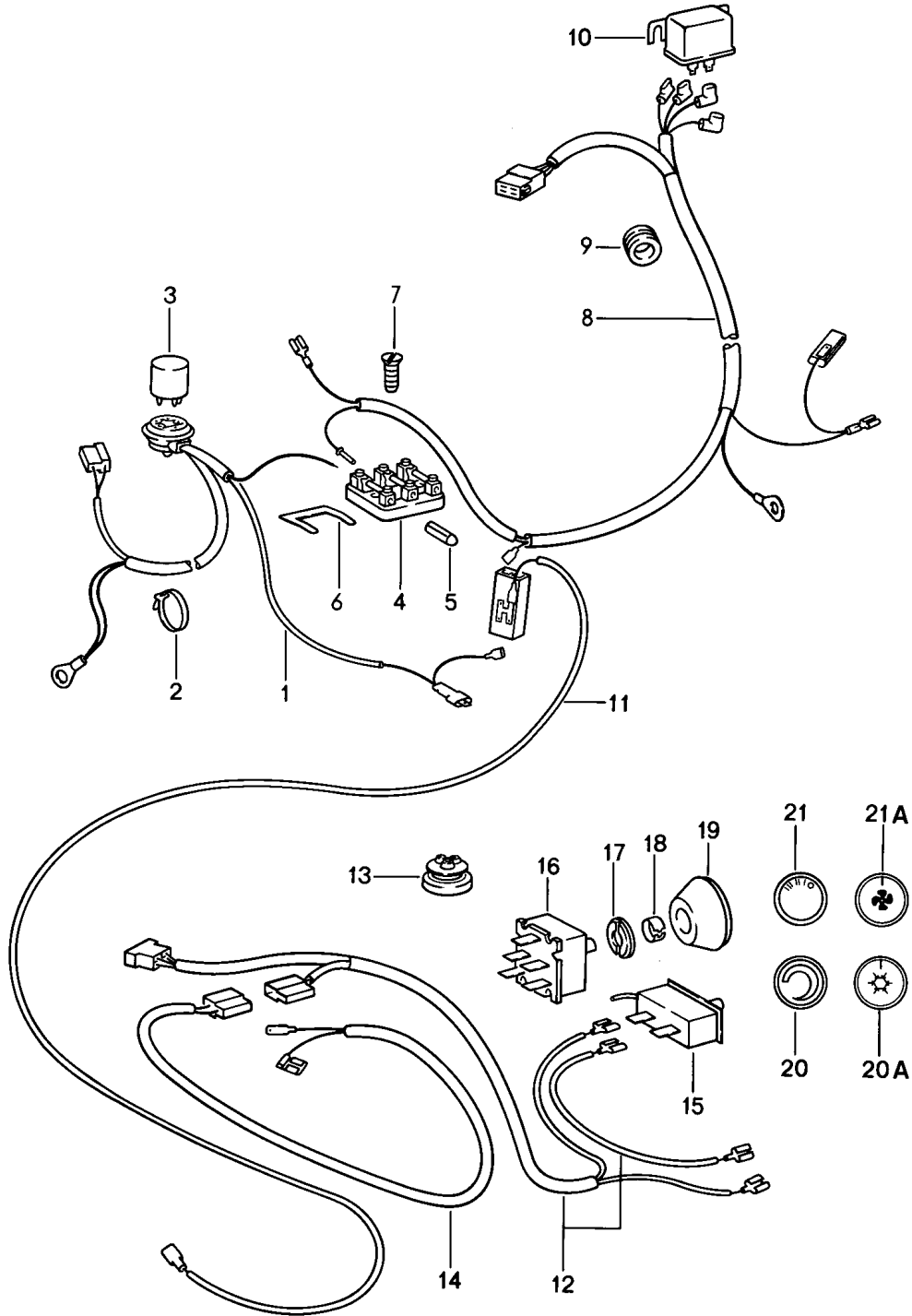
Pos	Part Number	Description	Remark	Qty	Model
1		Compressor Mounting And Driving mechanism See group 1/09/00			
2	930 126 015 00	Bracket		1	
2A	999 062 073 02	Stud		1	
2A		Stud M 8 X 16		1	
2B	900 081 019 02	Stud M 8 X 25		1	
3	N 010 289 4	Hexagon-head bolt M 10 X 32		2	
4	900 025 008 09	Washer 10,5		2	
4	900 025 008 04	Washer 10,5		2	
4A	900 075 085 02	Hexagon-head bolt M 8 X 20		2	
4B	900 025 007 02	Washer 8,4		2	
4B	900 025 007 03	Washer 8,4		2	
4C	N 012 229 3	Spring washer A 8		2	
4D	900 910 097 02	Lock nut M 8		2	
5	930 126 118 01	Compressor plate		1	CARRERA
(5)	930 126 119 00	Compressor plate		1	TURBO
6	N 010 335 5	Hexagon-head bolt M 8 X 35		3	
6	900 075 032 03	Hexagon-head bolt M 8 X 35		3	
7	900 223 001 02	Washer 8,4		4	
8	900 076 025 02	Hexagon nut M 8		2	
8	900 076 064 02	Hexagon nut M 8		2	
9	N 040 237 1	Hexagon-head bolt M 8 X 55		1	
10	900 025 007 02	Washer 8,4		1	
10	900 025 007 03	Washer 8,4		1	
11	N 010 388 3	Hexagon-head bolt M 8 X 90		3	
12	900 025 007 02	Washer 8,4		3	
12	900 025 007 03	Washer 8,4		3	
13	911 126 124 02	Strut		1	
14	900 076 025 02	Hexagon nut M 8		1	
14	900 076 064 02	Hexagon nut M 8		1	
15	900 025 007 02	Washer 8,4		1	
15	900 025 007 03	Washer 8,4		1	
16	964 126 125 20	Nut		1	
17	930 126 116 02	Fastening angle		1	

Model: 911 84 Model life 1984>>1986

Pos	Part Number	Description	Remark	Qty	Model
17	930 126 116 04	Fastening angle		1	
18	999 218 009 02	Pan-head screw Micro-self-locking M 8 X 40		1	
19	900 025 007 02	Washer 8,4		1	
19	900 025 007 03	Washer 8,4		1	
20	999 062 127 02	Stud BM 6 X 25		2	
21	900 910 010 02	Lock nut M 6		2	
22	N 011 666 7	Washer 6,4		2	
23	999 192 254 50	V-belt		1	CARRERA
23	999 192 255 50	V-belt		1	TURBO
24		See group 1/02/00			
25		See group 1/02/00		1	
26	930 126 135 01	Washer		2	

Model: 911 84

Model life 1984>>1986



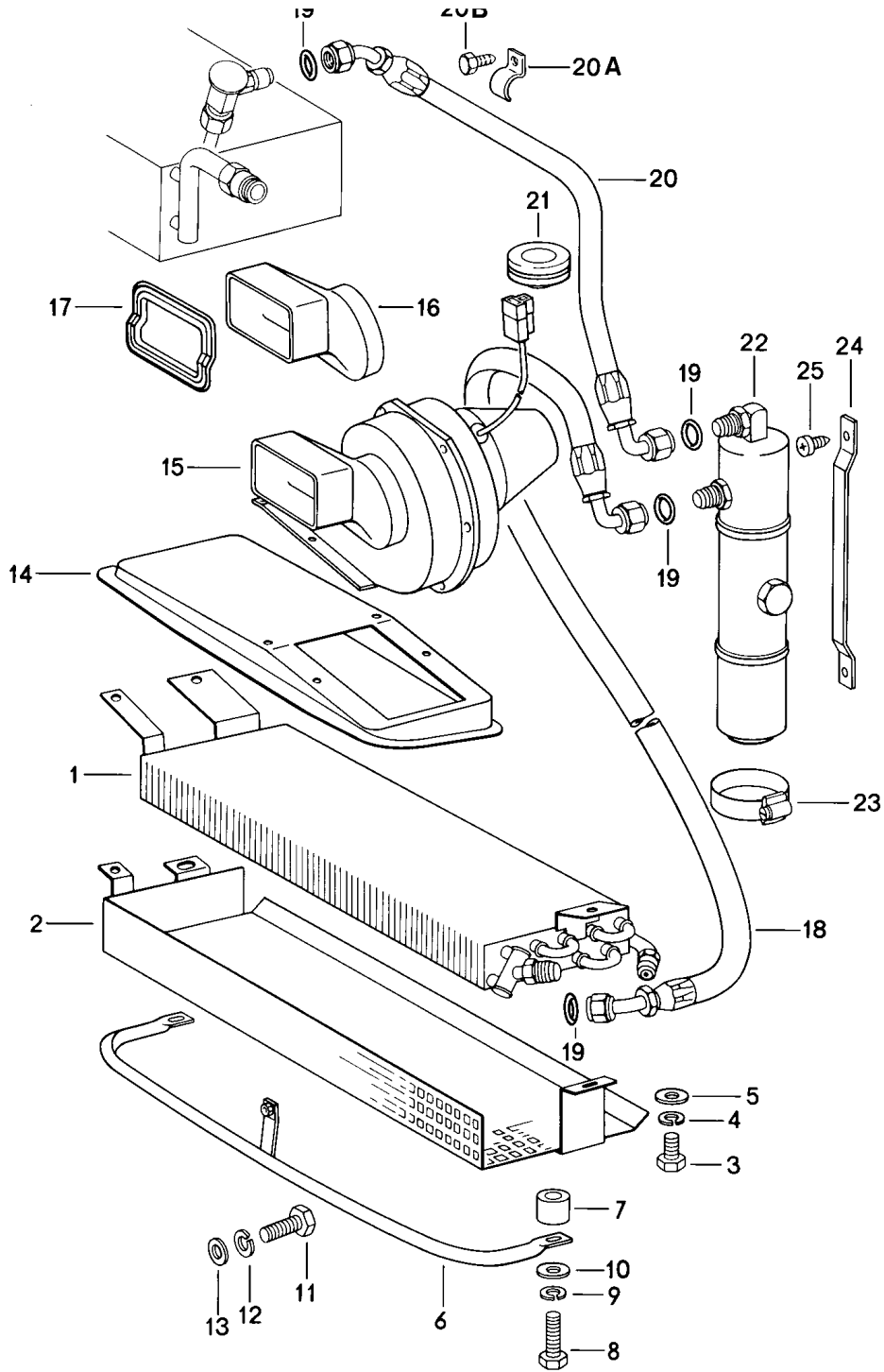
Model: 911 84 Model life 1984>>1986

Pos	Part Number	Description	Remark	Qty	Model
1	911 612 080 01	electrical components for Air conditioner Wiring harness NR. 80	-85	1	TURBO CARRERA M559
(1)	911 612 080 02	Wiring harness	-84	1	TURBO M573
(1)	911 612 080 04	NR.80 Wiring harness NR.80	86-	1	TURBO CARRERA M559
2	999 513 008 40	Tie-wrap		1	M559
3	911 615 109 01	Standard type relay		1	M559
4	911 612 093 05	Fuse box Triple		1	
5	N 017 121 5	Lock 25 A		1	
6	901 612 835 01	Connecting rail		1	
7	900 146 009 02	Oval-head screw AM 4 X 12		2	
(8)	911 612 078 01	Wiring harness NR. 78	-84	1	
8	911 612 078 04	Wiring harness NR.78	85-	1	
9	999 702 119 50	Rubber sleeve		1	
10	911 615 103 01	Relay		1	
11	911 612 079 00	Wiring harness NR. 79		1	
12	911 612 029 01	Wiring harness NR. 29	-85	1	
12		Wiring harness NR.29	/LL 86-	1	TURBO CARRERA M559
(12)	911 612 029 02	Wiring harness NR.29	/RL 86-	1	TURBO CARRERA M559
13	911 612 863 00	Grommet		1	
13	914 571 151 10	Rubber sleeve		1	
14		See group 8/13/05			
15	911 613 121 01	Temperature switch It is necessary to rework		1	
16	911 613 243 00	Blower switch		1	
17	911 613 119 02	Rosette Blower switch	-85	1	
17	911 613 120 01	Rosette Temperature switch	-85	1	
18	999 591 619 01	Knob holder	-85	2	
19	911 613 141 00	Knob	-85	2	
(20)	911 613 237 02	Cap with symbol Temperature switch	-85	1	
(20)	911 613 237 03	Cap with symbol Temperature switch	-85	1	
20A	911 613 103 02	Knob	86-	1	
	911 613 103 02 70B	Black Temperature switch			
(21)	911 613 238 02	Cap with symbol Blower switch	-85	1	
21A	911 613 104 02	Knob	86-	1	
	911 613 104 02 70B	Black Blower switch			



Model: 911 84

Model life 1984>>1986



Model: 911 84

Model life 1984>>1986

Pos	Part Number	Description	Remark	Qty	Model
		Condenser Refrigerant line Accessories and others Front			
1	911 573 056 03	Condenser		1	
2	911 573 058 01	Stone guard		1	
3	900 075 057 02	Hexagon-head bolt M 6 X 16		3	
3	900 075 057 03	Hexagon-head bolt M 6 X 16		3	
4	N 012 007 2	Lock ring A 6		3	
4	900 027 004 03	Lock ring A 6		3	
5	N 011 524 7	Washer		3	
5	N 011 524 27	Washer		3	
5	N 011 524 7	Washer A 6,4		3	
5	N 011 524 27	Washer A 6,4		3	
6	911 573 055 00	Impact protection		1	
7	911 573 513 01	Spacer		2	
8	N 040 281 1	Hexagon-head bolt M 10 X 45		2	
8	900 075 516 01	Hexagon-head bolt M 10 X 45		2	
9	900 027 016 02	Lock ring B 10		2	
9	900 027 016 03	Lock ring B 10		2	
10	900 151 026 02	Washer B 10,5 X 30		2	
10	900 151 050 01	Washer B 10,5 X 30		2	
11	900 075 085 02	Hexagon-head bolt M 8 X 20		1	
12	900 027 015 02	Lock ring B 8		1	
12	900 027 015 03	Lock ring B 8		1	
13	900 025 007 02	Washer A 8,4 X 16 X 1,6		1	
13	900 025 007 03	Washer A 8,4 X 16 X 1,6		1	
14	911 501 581 01	Air baffle plate		1	
14	911 501 581 01 GRV	Air baffle plate Prime coated		1	
(15)	911 624 013 01	Blower		1	
16	911 573 161 00	Intake manifold		1	
17	911 573 515 00	Gasket		1	
18	911 573 154 03	Hose line NW 8		1	
18	911 573 154 04	Hose line NW 8		1	
19	999 707 247 40	O-ring 5/8"		4	
(20)	911 573 152 03	Refrigerant hose	/LL	1	
(20)	911 573 159 01	Hose line	/RL	1	
20A	999 511 061 02	Clamp		4	
20A	999 511 061 01	Clamp		4	
20B	900 187 025 02	Hexagon-head tapping screw B 5,5 X 13		2	
20B	900 075 145 02	Hexagon-head bolt		2	

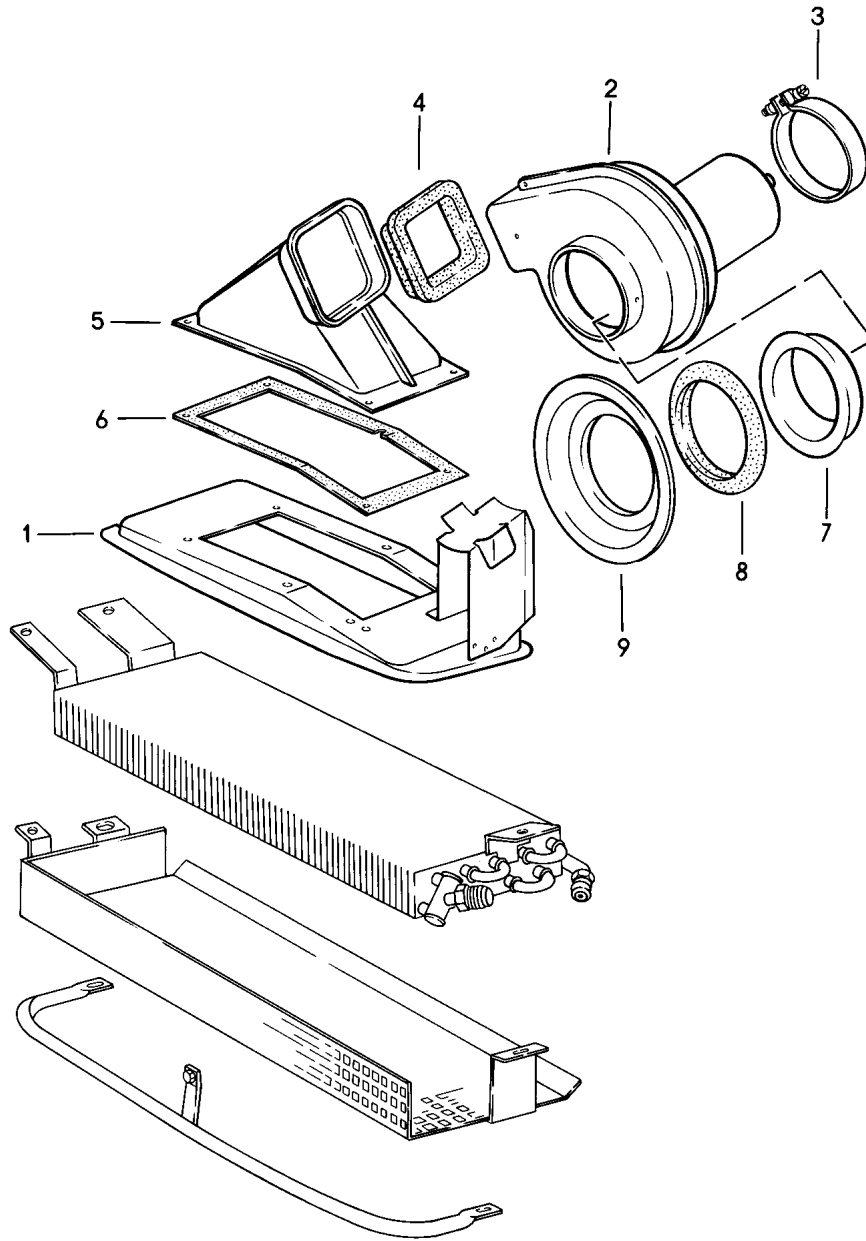
Model: 911 84

Model life 1984&gt;&gt;1986

Pos	Part Number	Description	Remark	Qty	Model
20B		Hexagon-head bolt M 5 X 16		2	
-	N 011 005 14	Hexagon nut M 5		2	
-	900 076 091 01	Hexagon nut M 5		2	
21	901 573 143 00	Rubber sleeve		1	
22	911 573 939 03	Desiccator		1	
23	901 573 141 00	Hose clamp		2	
24	901 573 140 00	Retaining bar		1	
25	900 143 029 02	Oval-head sheetmetal screw B 4,2 X 16		2	

Model: 911 84

Model life 1984>>1986



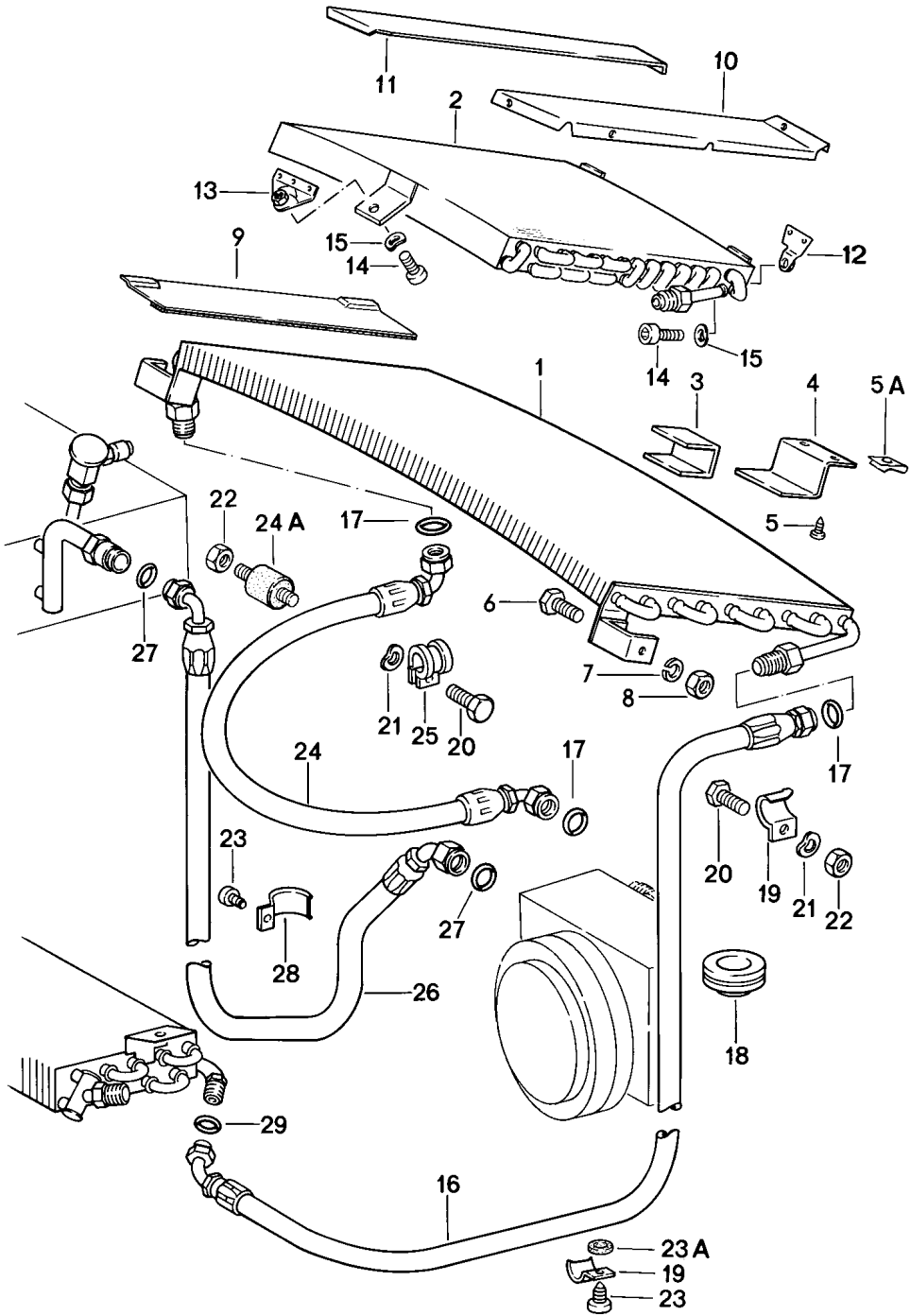
Model: 911 84

Model life 1984>>1986

Pos	Part Number	Description	Remark	Qty	Model
		Fan Front	/RL		M573
1	930 501 057 00	Air baffle plate		1	
1		Air baffle plate		1	
	930 501 057 00 GRV	Prime coated			
2	911 624 151 05	Fan		1	
3	999 512 244 02	Clamp		1	
4	930 573 171 01	Gasket		1	
5	930 573 065 00	Air guide		1	
6	930 573 173 00	Gasket		1	
7	930 573 511 00	Intake manifold		1	
8	930 573 517 01	Gasket		1	
9	930 501 593 00	Insert		1	
9		Insert		1	
	930 501 593 00 GRV	Prime coated			

Model: 911 84

Model life 1984>>1986



Model: 911 84

Model life 1984&gt;&gt;1986

Pos	Part Number	Description	Remark	Qty	Model
(1)	911 573 057 04	Condenser Refrigerant line Accessories and others Rear Condenser Use also: POS.(3)		1	CARRERA
2	930 573 053 01	Condenser		1	TURBO
3	901 573 138 00	Moltoprene shim 6 X 65 X 85		1	CARRERA
(3)	911 573 141 00	Moltoprene shim 9 X 65 X 85		1	CARRERA M425
(4)	911 573 147 00	Bracket		1	CARRERA
(4)	911 573 059 00	Retaining bar		1	
5	900 143 031 02	Oval-head sheetmetal screw B 4,2 X 9,5		2	
5A	999 591 575 02	Speed nut B 4,2		2	CARRERA
5A	999 591 575 01	Speed nut B 4,2		2	CARRERA
6	900 075 145 02	Hexagon-head bolt M 5 X 15		2	
7	900 025 003 02	Washer A 5,3		2	
8	999 507 248 02	Speed nut M 5		2	
9	911 573 027 00	Cover plate		2	
10	930 512 263 00	Cover plate		1	TURBO
11	930 512 264 00	Cover plate		1	TURBO
(12)	930 512 047 01	Support		2	TURBO CARRERA M425
13	930 512 258 00	Fastening angle		1	TURBO
14	900 067 008 02	Pan-head screw M 6 X 12		3	TURBO
14	900 067 008 03	Pan-head screw M 6 X 12		3	TURBO
15	N 012 226 5	Spring washer A 6		3	TURBO
16	911 573 153 05	Hose line NW 10	-85	1	CARRERA
16		Hose line		1	CARRERA
(16)	930 573 151 03	Hose line NW 10		1	TURBO
17	999 707 250 40	O-ring 3/4"		3	
17	999 707 434 41	O-ring 3/4"		3	
18	901 573 143 00	Rubber sleeve		1	
18		Rubber sleeve	/RL	3	
(19)	911 573 144 00	Clamp		18	
(19)	999 511 061 02	Clamp		10	
(19)	999 511 061 01	Clamp		10	
20	N 010 207 6	Hexagon-head bolt M 5 X 12		2	
20	N 010 207 17	Hexagon-head bolt M 5 X 12		2	
20	N 010 209 5	Hexagon-head bolt M 5 X 25		1	TURBO
-	911 573 517 00	Spacer sleeve		2	TURBO
21	N 012 005 3	Lock ring B 5		2	
22	N 011 005 14	Hexagon nut		2	

Model: 911 84

Model life 1984>>1986

Pos	Part Number	Description	Remark	Qty	Model
22	900 076 091 01	M 5 Hexagon nut		2	
23	900 187 115 02	M 5 Combination screw		16	
23	900 187 115 01	B 5,5 X 16 Combination screw		16	
(23)	N 090 183 1	B 5,5 X 16 Combination screw		3	
(23)	900 075 145 02	B 6,3 X 16 Hexagon-head bolt		11	
(23)		Hexagon-head bolt		11	
-	N 011 005 14	M 5 X 16 Hexagon nut		11	
-	900 076 091 01	M 5 Hexagon nut		11	
-	N 012 005 3	Lock ring		11	
23A	999 704 134 40	B 5 Sealing washer		13	
(23A)	N 011 524 7	4 X 15 X 4,5 Washer		1	
(23A)	N 011 524 27	A 6,4 Washer		1	
-	901 543 423 00	A 6,4 Edge protection		1	TURBO
24	911 573 150 03	Hose line		1	CARRERA
24	911 573 150 05	NW 10 Hose line		1	CARRERA
(24)	930 573 150 04	NW 10 Hose line		1	TURBO
24A	999 703 312 00	NW 10 Bonded rubber buffer		1	TURBO
24A	999 703 312 01	§=15 MM M 5 X 10 Bonded rubber buffer		1	TURBO
25	999 511 061 02	§=15 MM M 5 X 10 Clamp		1	CARRERA
25	999 511 061 01	Clamp		1	CARRERA
25	999 512 080 02	Hose clamp		2	TURBO
(26)	911 573 149 03	Hose line		1	
-	911 573 525 02	NW 13 Hose line	/RL	1	
27	999 707 251 40	O-ring		2	
28	911 573 145 00	7/8" Clamp		16	
28	911 573 145 01	Clamp		16	
(28)	999 511 115 02	Pipe clamp		3	
(28)	999 511 080 02	22/20 Clamp		2	
29	999 707 247 40	O-ring		1	
		5/8"			



Model: 911 84

Model life 1984>>1986



Model: 911 84

Model life 1984>>1986

Pos	Part Number	Description	Remark	Qty	Model
		Conversion set Air conditioner Refrigerant R134A -- TI 1/95 --	84-		
-	911 573 939 03	Desiccator with Desiccator Insert		1	
-	999 707 247 40	O-ring 7,5 x 2 mm		2	
-	928 573 965 03	Valve Eckventil 90 Grad		1	
-	928 573 965 01	Valve TI 1/95		1	
-	928 573 965 02	Valve Eckventil 90 Grad		1	
-	928 573 965 00	Valve TI 1/95		1	
-	000 043 200 04	Oil		X	
-		Oil		X	
-		Refrigerant R 134a		X	
-	964 701 141 02	Sticker		2	

Model: 911 84

Model life 1984>>1986





Model: 911 84 Model life 1984>>1986

Pos	Part Number	Description	Remark	Qty	Model
		Mirror base	/LL /R	1	
		Mounting piece		1	
		Hexagon-head bolt	M 5 X 10	3	
		And			
		Desk pad	/R	1	
		Rubber sleeve		1	
		Rocker switch		1	
		Electric installation set		1	
		Grommet		3	
		Pan-head screw	AM 5 X 3	1	
		Micro-self-locking			
		Guide tube			
		Reinforcement	/R	1	
		Pin connector socket		1	
		7-pole			
>>	911 731 927 01	Repair kit	/LL /L	1	
		Door mirror			
		See TPI			
		NR.22			
>>	911 731 928 01	Repair kit	/LL /R	1	
		Door mirror			
		See TPI			
		NR.22			
>>	911 731 931 01	Repair kit	/RL /L	1	
		Door mirror			
		See TPI			
		NR.22			
>>	911 731 932 01	Repair kit	/RL /R	1	
		Door mirror			
		See TPI			
		NR.22			
		Comprising:			
		Mirror housing		1	
		Mirror base		1	
		Mounting piece		1	
		Hexagon-head bolt	M 5 X 10	3	
		Desk pad		1	
		Reinforcement		1	
		Tubular rivet		2	
		Pan-head screw	AM 5 X 3	1	
		Micro-self-locking			
		Cap		1	
		Guide tube		1	
		Centring washer	/U	1	
		Compression spring		1	
		Centring washer	/O	1	
		Gasket		1	
>>	911 503 995 00	Installation set		1	CARRERA
		Front spoiler			
		Only together with			
		Rear spoiler			
		Comprising:			
-	911 503 055 00	Front spoiler		1	
-	911 503 141 00	Desk pad	/L	1	
-	911 503 142 00	Desk pad	/R	1	
-	N 011 666 7	Washer		8	
		B 6,4			
-	900 910 012 02	Lock nut		15	
		M 6			
-	900 910 047 09	Lock nut		15	
		M 6			
-	911 503 023 00	Shim		7	
-	911 503 349 00	Spacer sleeve		11	

Model: 911 84

Model life 1984&gt;&gt;1986

Pos	Part Number	Description	Remark	Qty	Model
-	N 011 524 7	Washer A 6,4		11	
-	N 011 524 27	Washer A 6,4		11	
-	N 010 217 9	Hexagon-head bolt M 6 X 20		4	
>>	911 512 909 00	Installation set Rear spoiler Only together with Front spoiler Comprising:		1	CARRERA
-	911 512 043 00	Rear spoiler without Rear window wiper		1	
-	911 512 091 00	Polyuret. rim for spoiler		1	
-	911 512 215 00	Piping		1	
-	911 512 289 00	Base rail	/L	1	
-	911 512 290 00	Base rail	/R	1	
-	911 512 231 00	Perforated plate	/L	1	
-	911 512 232 00	Perforated plate	/R	1	
-	911 512 037 00	Air baffle plate	/L	1	
-	911 512 038 00	Air baffle plate	/R	1	
-	930 512 253 01	Fastening angle		3	
-	930 512 257 00	Fastening angle	/L	1	
-	930 512 258 00	Fastening angle	/R	1	
-	999 703 169 40	Cap		1	
-	999 703 013 50	Stopper		2	
-	999 084 074 02	Lock nut M 6		9	
-	999 084 075 02	Lock nut M 6		10	
-	999 084 076 02	Lock nut M 4		10	
-	N 040 226 2	Hexagon-head bolt M 4 X 15		10	
-	900 119 091 02	Pan-head screw M 6 X 15		7	
-	999 507 328 02	Captive nut M 6		5	
-	999 507 328 0B	Captive nut M 6		5	
-	900 143 124 07	Tapping screw BZ 3,5 X 13		6	
-	900 143 114 07	Oval-head sheetmetal screw BZ 3,5 X 9,5		6	
-	900 269 037 07	Countersunk-head screw M 4 X 20		2	
-	N 014 765 2	Pan-head screw M 6 X 10		7	
-	N 011 666 7	Washer B 6,4		14	
-	930 512 039 00	Fastening plate		1	
-	911 512 331 02	Gas-pressure spring		2	
-	999 166 043 02	Bolt		1	
-	N 012 645 2	Lock washer 5		1	
-	930 512 052 00	Lock upper part	/H	1	
-	900 075 016 02	Hexagon-head bolt M 6 X 22		1	
-	900 075 016 03	Hexagon-head bolt M 6 X 22		1	
-	N 012 226 5	Spring washer B 6		15	

Model: 911 84

Model life 1984&gt;&gt;1986

Pos	Part Number	Description	Remark	Qty	Model
-	N 011 524 7	Washer A 6,4		6	
-	N 011 524 27	Washer A 6,4		6	
-	900 076 010 02	Nut M 6		1	
-	900 076 010 0B	Nut M 6		1	
-	999 591 102 17	Washer 3,5		6	
-	999 591 102 1H	Washer 3,5		6	
>>	930 512 901 00	Installation set Rear spoiler Only together with Front spoiler Comprising:		1	CARRERA
-	930 512 023 00	Rear spoiler		1	
-	930 512 021 00	Polyuret. rim for spoiler		1	
-	999 084 075 02	Lock nut M 6		17	
-	930 512 253 01	Fastening angle		3	
-	930 512 257 00	Fastening angle	/L	1	
-	930 512 258 00	Fastening angle	/R	1	
-	N 040 226 2	Hexagon-head bolt M 4 X 15		10	
-	999 084 076 02	Lock nut M 4		10	
-	930 512 215 00	Piping		1	
-	930 512 281 00	Base rail		1	
-	999 507 328 02	Captive nut M 6		5	
-	999 507 328 0B	Captive nut M 6		5	
-	900 119 091 02	Pan-head screw M 6 X 15		7	
-	N 011 666 7	Washer B 6,4		10	
-	N 012 226 5	Spring washer B 6		16	
-	N 014 765 2	Pan-head screw M 6 X 10		7	
-	930 512 175 00	Angular plate		2	
-	930 512 039 00	Fastening plate		1	
-	930 512 052 00	Lock upper part	/H	1	
-	911 512 037 00	Air baffle plate	/L	1	
-	911 512 038 00	Air baffle plate	/R	1	
-	911 512 231 00	Perforated plate	/L	1	
-	911 512 232 00	Perforated plate	/R	1	
-	999 703 169 40	Cap		1	
-	999 703 013 50	Stopper		2	
-	911 512 331 02	Gas-pressure spring		2	
-	999 166 043 02	Bolt		1	
-	N 012 645 2	Lock washer 5		1	
-	900 075 016 02	Hexagon-head bolt M 6 X 22		1	
-	900 075 016 03	Hexagon-head bolt M 6 X 22		1	
-	N 011 524 7	Washer A 6,4		6	
-	N 011 524 27	Washer A 6,4		6	

Model: 911 84

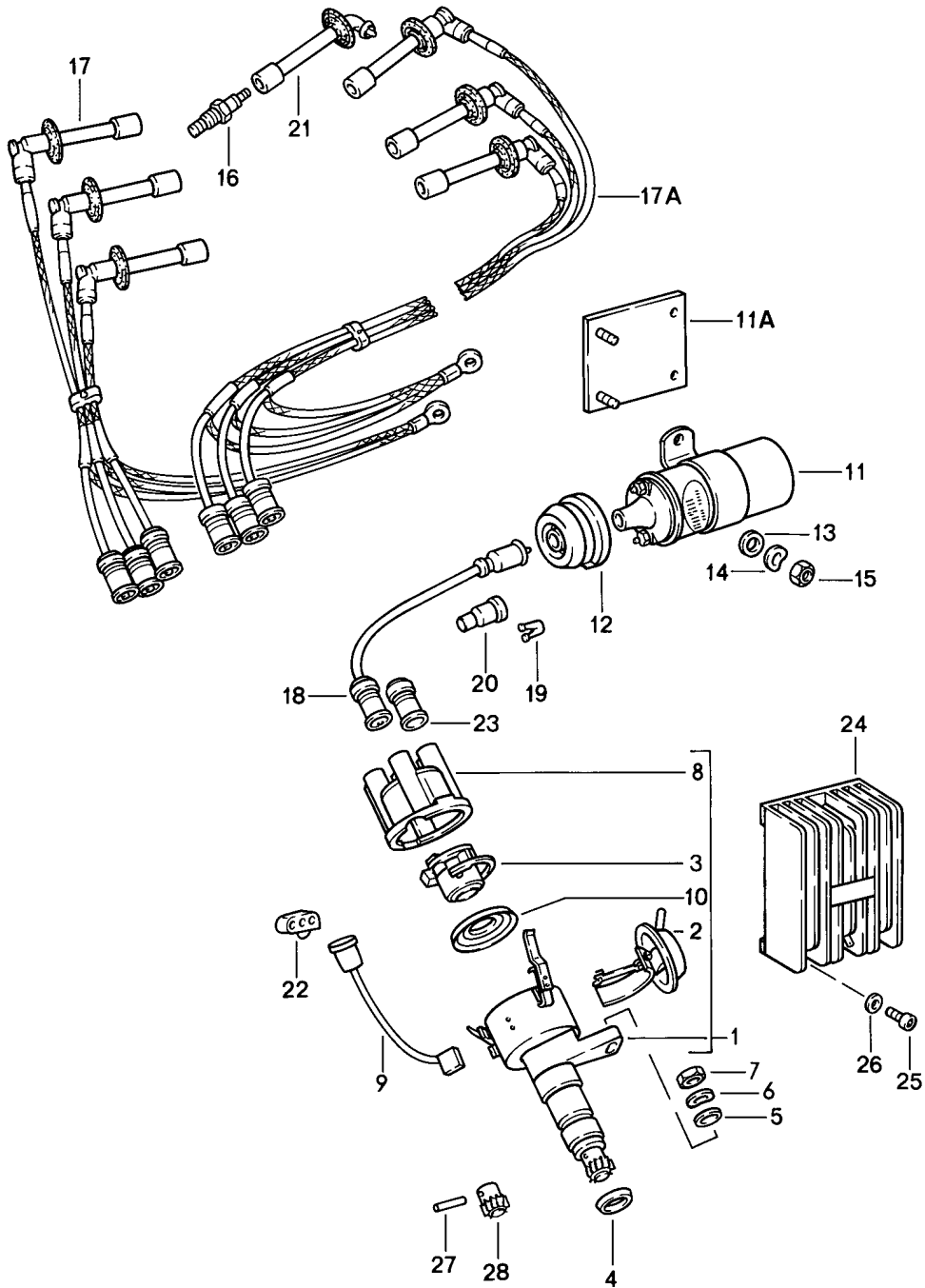
Model life 1984&gt;&gt;1986

Pos	Part Number	Description	Remark	Qty	Model
-	900 076 010 02	Nut M 6		1	
-	900 076 010 0B	Nut M 6		1	
-	900 143 114 07	Oval-head sheetmetal screw BZ 3,5 X 9,5		6	
-	900 143 124 07	Tapping screw BZ 3,5 X 13		6	
-	900 269 037 07	Countersunk-head screw M 4 X 20		2	
-	999 591 102 17	Washer 3,5		6	
-	999 591 102 1H	Washer 3,5		6	



Model: 911 84

Model life 1984>>1986



Model: 911 84

Model life 1984&gt;&gt;1986

Pos	Part Number	Description	Remark	Qty	Model
		Engine electrics 1			TURBO
1	930 602 103 00	Distributor		1	M30.66
2	930 602 917 00	Vacuum unit		1	
3	930 602 901 01	Rotor		1	M30.66
3	930 602 901 04	Rotor		1	M30.66
3	930 602 901 03	Rotor		1	TURBO
3	930 602 901 04	Rotor		1	TURBO
3	930 602 901 03	Rotor		1	M30.66
3	930 602 901 04	Rotor		1	M30.66
4	911 602 102 01	Sealing ring		1	
5	900 025 007 02	Washer A 8,4		1	
5	900 025 007 03	Washer A 8,4		1	
6	N 012 241 8	Spring washer B 8		1	
7	900 076 025 02	Hexagon nut M 8		1	
7	900 076 064 02	Hexagon nut M 8		1	
(8)	930 602 904 00	Distributor cap		1	
(8)	930 602 904 01	Distributor cap		1	
9	930 602 907 01	Electric line		1	
10	930 602 909 00	Dust cover		1	
11	901 602 502 00	Ignition transformer		1	
11A	901 126 121 01	Mounting plate		1	
12	911 602 801 00	Protection cap		1	
13	900 025 007 02	Washer 8,4		2	
13	900 025 007 03	Washer 8,4		2	
14	N 012 241 8	Spring washer B 8		2	
15	900 076 025 02	Hexagon nut M 8		2	
15	900 076 064 02	Hexagon nut M 8		2	
		Spark plug Use also: 547 09222 for		X	
-	547 09 222	Spark plug Nut for		X	
16	999 170 128 90	Spark plug W3DP - bosch -		6	
17	911 609 011 07	Set of ignition cables geschirmt	/L	1	
17A	911 609 010 07	Set of ignition cables geschirmt	/R	1	
18	911 609 061 07	Ignition lead		1	
		Ignition transformer			
19	911 609 510 00	Cable plug		1	
19	PCG 609 510 00	Cable plug		1	
20	999 659 001 40	Water protection cap		1	
21	911 602 315 00	Spark plug connector Screened connector	84	6	
21		Spark plug connector	85-	6	
22	901 609 591 00	Cable holder		4	
23	122 035 281	Suppression connector		7	
24	930 602 702 00	Switch unit		1	

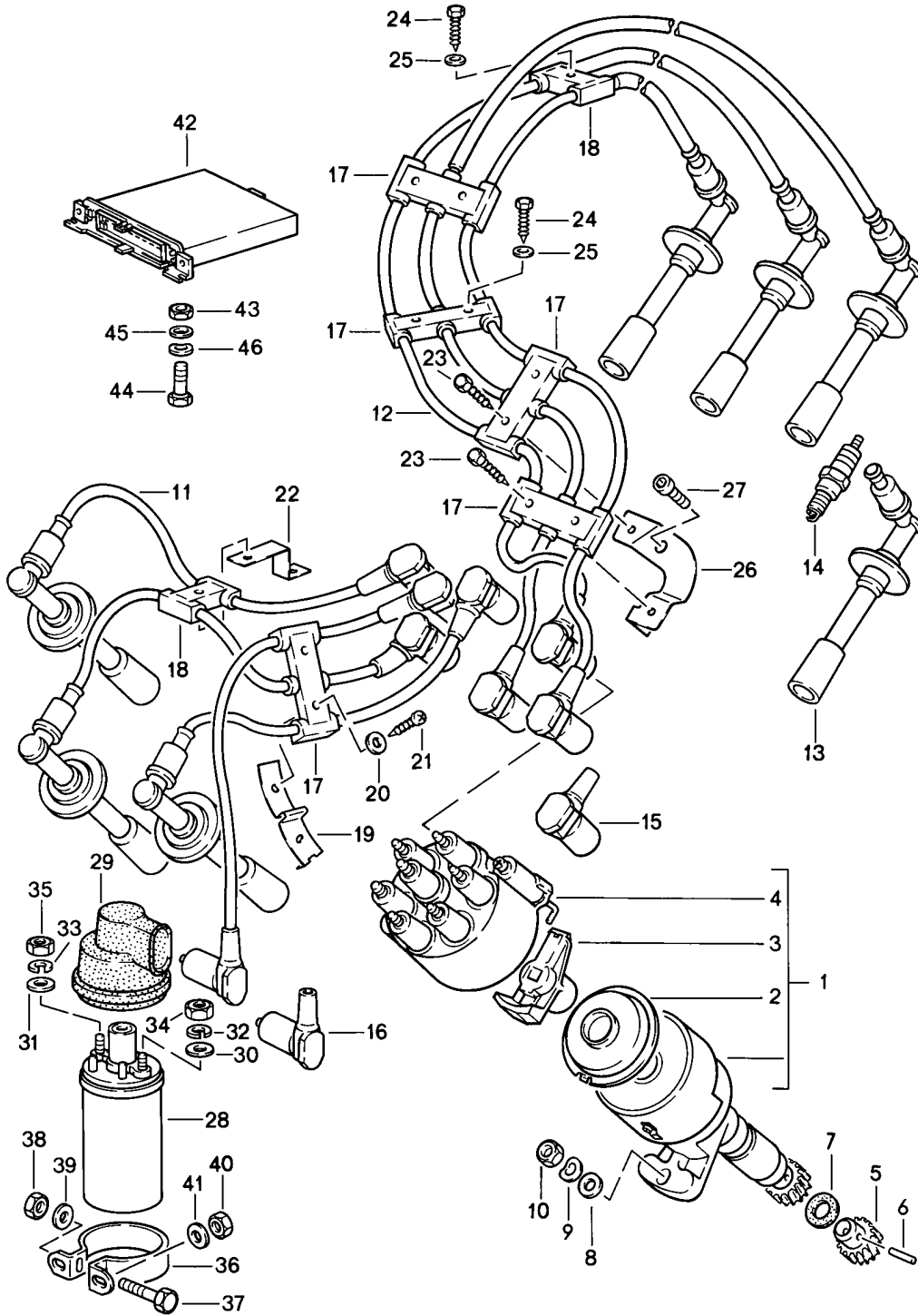
Model: 911 84

Model life 1984&gt;&gt;1986

Pos	Part Number	Description	Remark	Qty	Model
24	930 602 702 X	Control unit		1	
25	N 014 703 2	Pan-head screw M 6 X 18		3	
26	900 031 011 02	Washer 6,4		3	
27	930 602 922 00	Pin		1	
28	930 602 422 03	Pinion		1	M30.66

Model: 911 84

Model life 1984>>1986



Model: 911 84

Model life 1984&gt;&gt;1986

Pos	Part Number	Description	Remark	Qty	Model
		Engine electrics 2			CARRERA 930.20/21/26
(1)	930 602 923 00	Distributor M >> 63E 00700		1	
(1)	930 602 923 X	Distributor M >> 63E 00700		1	
1	930 602 023 00	Distributor M 63E 00701 >>		1	
2	930 602 909 00	Dust cover		1	
3	930 602 902 01	Rotor		1	
4	930 602 919 00	Distributor cap		1	
5	930 602 424 00	Pinion		1	
5	930 602 424 02	Pinion		1	
6	930 602 922 00	Pin		1	
7	911 602 102 01	Sealing ring		1	
8	900 025 007 02	Washer A 8,4		1	
8	900 025 007 03	Washer A 8,4		1	
9	N 012 241 8	Spring washer B 8		1	
10	900 076 025 02	Hexagon nut M 8		1	
10	900 076 064 02	Hexagon nut M 8		1	
11	911 602 011 00	Set of ignition cables	/L 84	1	
11	911 602 011 04	Set of ignition cables	/L	1	930.20/21
(11)	911 602 011 03	Set of ignition cables	/L 85-	1	930.26
12	911 602 012 00	Set of ignition cables	/R 84	1	
(12)	911 602 012 03	Set of ignition cables	/R 85-	1	930.20/21 930.26
13	911 602 315 00	Spark plug connector Screened connector	84	6	
(13)		Spark plug connector Screened connector Spark plug Use also: 547 09222 for Spark plug	85-	6	
-	547 09 222	Nut for Spark plug		X	
14	999 170 157 90	Nut for Spark plug Spark plug WR4CC		6	930.20/26
14	999 170 156 90	- bosch - Spark plug WR7DC - bosch -		6	930.21
15	944 609 133 00	Distributor plug	84	7	
(15)	928 602 557 01	Suppression connector	85-	7	
16	944 609 131 00	Ignition coil plug	84	1	
(16)	928 602 131 00	Ignition coil plug	85-	1	
17	911 609 591 00	Cable holder		10	
-	911 602 183 03	Cable holder	85-	1	
-	928 602 554 00	Cable clip for ignition cable	85-	1	
18	911 609 593 00	Cable holder		4	
19	911 602 081 01	Support		1	
-	911 602 187 00	Support	84	1	
-	911 602 083 02	Support	85-	1	
20	900 025 003 02	Washer A 5,3		2	

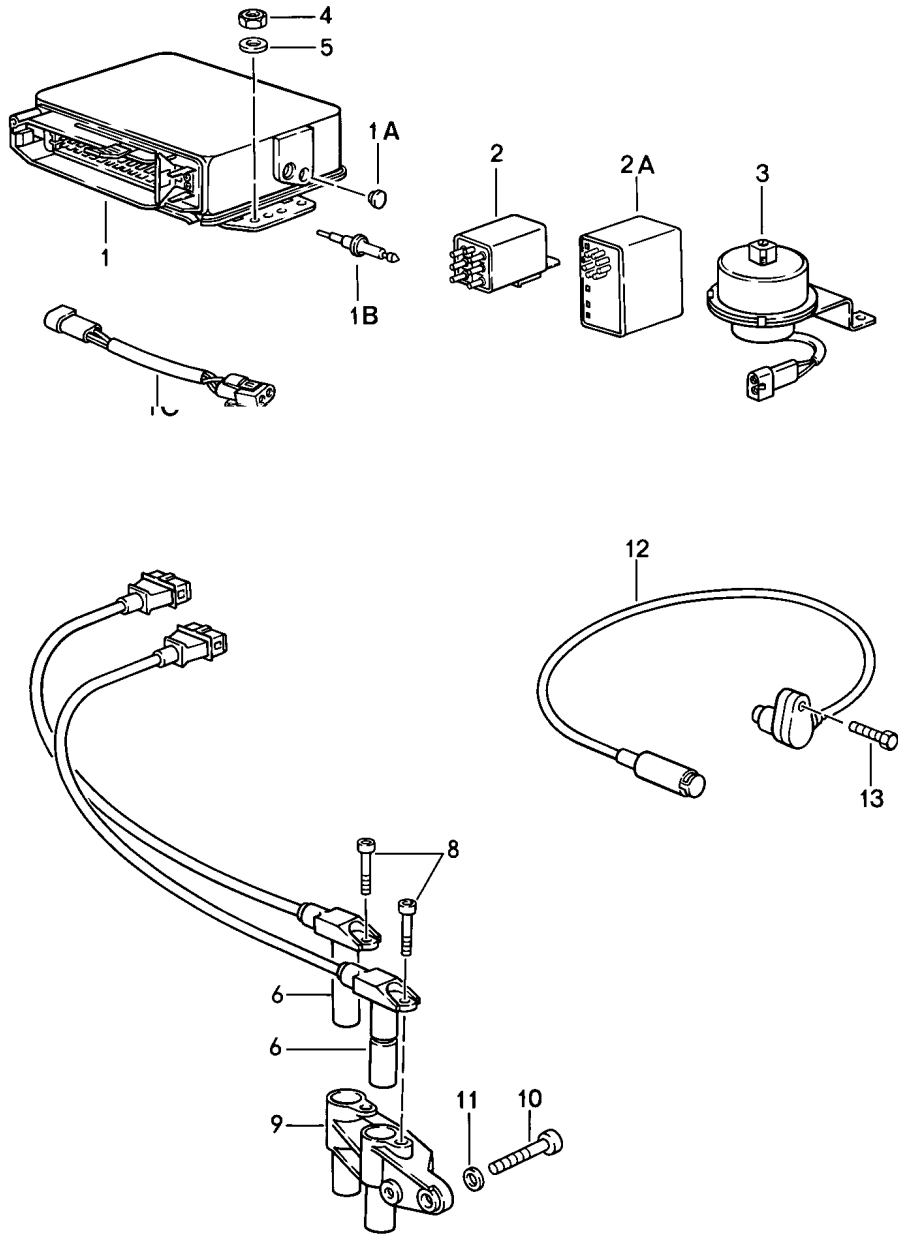
Model: 911 84

Model life 1984&gt;&gt;1986

Pos	Part Number	Description	Remark	Qty	Model
-	113 142 261 A	Clip		2	
21	N 044 132 2	Oval-head screw M 5 X 20		2	
22	911 602 083 01	Support		1	
23	900 187 017 02	Hexagon-head tapping screw BZ 4,2 X 19		2	
24	900 187 020 02	Hexagon-head tapping screw BZ 4,2 X 25		4	
25	900 025 002 02	Washer 4,3		4	
25	900 025 002 03	Washer 4,3		4	
26	911 609 595 00	Retaining bracket		1	
27	900 119 052 02	Pan-head screw M 8 X 15		1	
28	944 602 115 00	Ignition coil		1	
29	944 602 801 00	Protection cap		1	
30	900 025 003 02	Washer 5,3		1	
31	N 011 524 7	Washer A 6,4		1	
31	N 011 524 27	Washer A 6,4		1	
32	N 012 005 3	Lock ring B 5		1	
33	N 012 006 4	Lock ring B 6		1	
34	N 011 005 14	Hexagon nut M 5		1	
34	900 076 091 01	Hexagon nut M 5		1	
35	900 076 010 02	Nut M 6		1	
35	900 076 010 0B	Nut M 6		1	
36	944 602 117 00	Clamp		1	
37	900 146 045 02	Oval-head screw M 5 X 45		1	
38	N 011 005 14	Hexagon nut M 5		1	
38	900 076 091 01	Hexagon nut M 5		1	
39	900 025 003 02	Washer 5,3		1	
40	900 076 025 02	Hexagon nut M 8		2	
40	900 076 064 02	Hexagon nut M 8		2	
41	900 025 007 02	Washer A 8,4		2	
41	900 025 007 03	Washer A 8,4		2	
-	999 075 048 02	Hexagon-head bolt M 6 X 22		2	

Model: 911 84

Model life 1984>>1986



Model: 911 84

Model life 1984&gt;&gt;1986

Pos	Part Number	Description	Remark	Qty	Model
		Engine electrics 3 Technical information 1/85 Gr. 2			CARRERA 930.20/21/26
1	911 618 111 05	Control unit		1	930.21
1	911 618 111 EX	Control unit		1	930.21
		- dme -	(J)		
1	911 618 111 08	Control unit	-85	1	930.20
		- dme -			
1	911 618 111 HX	Control unit	-85	1	930.20
		- dme -			
1	911 618 111 09	Control unit	-85	1	930.20
		- dme -			M240
1	911 618 111 10	Control unit	-85	1	930.26
		- DME -	(CH) (S)		
1	911 618 111 KX	Control unit	-85	1	930.26
		- dme -	(CH) (S)		
1	911 618 111 11	Control unit	-85	1	930.26
		- dme -	(AUS)		
1	911 618 111 18	Control unit	86-	1	930.20/26
1	911 618 111 LX	Control unit	86-	1	930.20/26
		- dme -			
1	911 618 111 19	Control unit	86-	1	930.20
		- dme -			M240
1	911 618 111 05	Control unit	86-	1	930.21
1	911 618 111 EX	Control unit	86-	1	930.21
		- dme -	(AUS)		
			(A) (D)		M298
			(CH)		
1A	911 606 411 01	Stopper Red		1	
1B	944 618 940 00	Adjusting key		1	
1C	911 612 421 00	Adapter for -DME-	86-	1	
		Wiring harness			
(1C)	911 612 422 00	Adapter plug for -DME-	86-	1	
		Wiring harness			
2	911 618 154 00	Switch unit -DME-		1	
2	911 618 154 01	Switch unit -DME-		1	
3	944 606 051 00	altitude capsule		1	
4	900 076 010 02	Nut M 6		7	
4	900 076 010 0B	Nut M 6		7	
5	N 011 524 7	Washer A 6,4		7	
5	N 011 524 27	Washer A 6,4		7	
6	911 606 215 01	Pulse sender		2	
8	N 014 740 2	Pan-head screw M 6 X 16		2	
8	N 014 740 11	Pan-head screw M 6 X 16		2	
9	930 101 089 01	Support Pulse sender		1	
10	N 010 217 9	Hexagon-head bolt M 6 X 20		2	
11	N 011 524 7	Washer A 6,4		2	



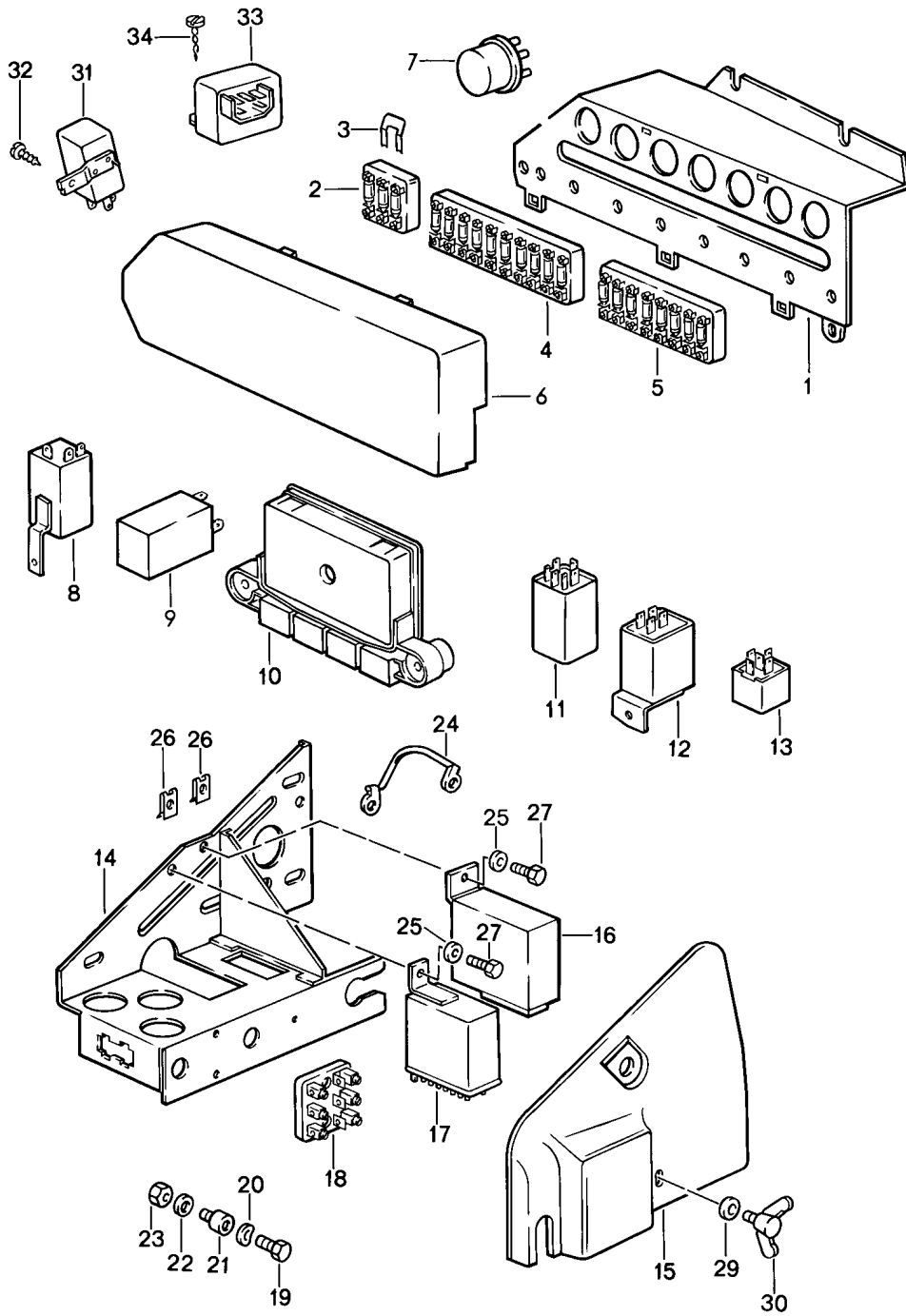
Model: 911 84

Model life 1984&gt;&gt;1986

Pos	Part Number	Description	Remark	Qty	Model
11	N 011 524 27	Washer A 6,4		2	
12	911 606 108 00	Timing mark sender		1	
13	900 067 089 02	Pan-head screw M 6 X 25		1 1	
13	900 067 089 01	Pan-head screw M 6 X 25		1 1	

Model: 911 84

Model life 1984>>1986



Model: 911 84 Model life 1984>>1986

Pos	Part Number	Description	Remark	Qty	Model
		Control unit			
		Relay			
		Fuse box			
1	911 612 197 00	Mounting plate		1	
2	911 612 093 05	Fuse box		1	CARRERA
		Triple			
(2)		Fuse box		1	TURBO
		Triple			
3	901 612 835 01	Connecting rail		2	
4	911 612 086 01	Fuse box		1	
		10-fold			
5	911 612 087 01	Fuse box		1	
		8-fold			
6	911 612 161 05	Lid	84	1	CARRERA
(6)	911 612 161 06	Lid	-85	1	CARRERA
(6)	930 612 161 02	Lid	84	1	TURBO
(6)	930 612 161 03	Lid	-85	1	TURBO
(6)	911 612 161 08	Lid	86-	1	
-	911 612 243 00	Assignment sticker	86-	1	CARRERA
-	930 612 243 00	Assignment sticker	86-	1	TURBO
		Relay			
7	911 615 108 01	Standard type relay		1	
		Red			
7	911 615 109 01	Standard type relay		X	
		Black			
(7)	944 615 112 02	Relay	85-	1	
		Power window			
8	911 618 121 00	Relay		1	930.26
		Engine-speed shutoff			
9	914 618 303 11	Flasher relay	-84	1	
(9)	111 953 227 D	Flasher relay	85-	1	
(9)	191 953 227 A	Flasher relay	85-	1	
(9)	1H0 953 227	Flasher relay	85-	1	
(9)	911 618 103 00	Flasher relay		1	
		for cars with			
		Trailer coupling			
10	911 618 313 00	Control unit		1	
		for			
		Convertible top			
		See technical information			
		GR.6, NR. 6/96, Typ 964			
11	928 618 113 01	Relay		1	
		Intensive windscreen washer			
11	928 618 113 02	Relay		1	
		Intensive windscreen washer			
12	930 617 117 01	Relay		1	TURBO
		Ignition cut-off			
12	930 617 117 02	Relay		1	TURBO
		Ignition cut-off			
13	821 951 253	Relay		1	CARRERA
		for oxygen sensor			
13	PCG 951 253 00	Relay		1	CARRERA
		for oxygen sensor			
14	911 610 013 00	Mounting plate	84	1	CARRERA
(14)	911 610 013 01	Mounting plate	85	1	CARRERA
(14)	911 610 103 03	Mounting plate	-85	1	TURBO
(14)	930 610 103 01	Mounting plate	86-	1	TURBO
15	911 610 105 04	Cover		1	
16	911 615 115 00	Relay		1	
		Rear window heating			
		Two-stage heatable			
17	911 618 153 00	Relay		1	
		Additional blower			

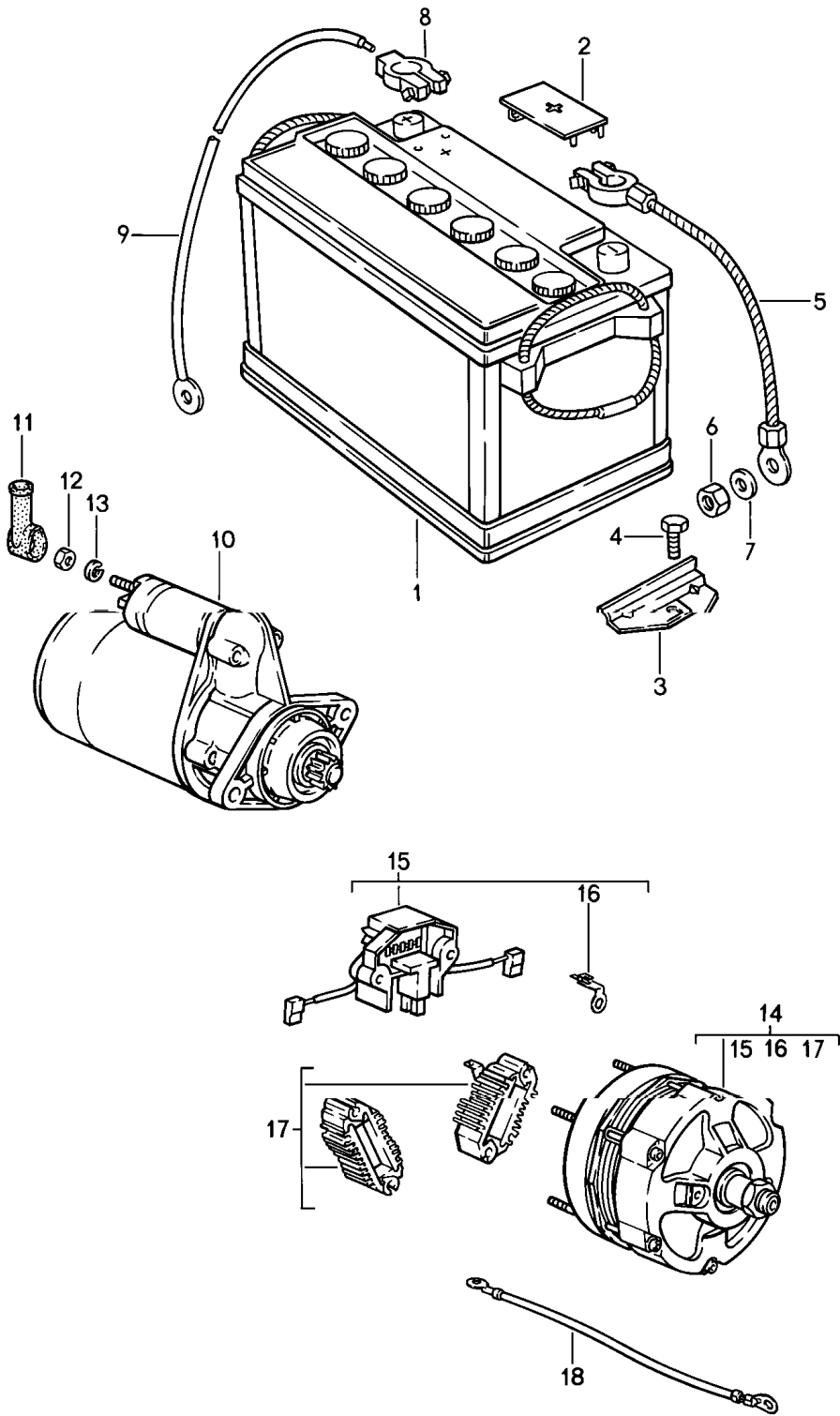
Model: 911 84

Model life 1984&gt;&gt;1986

Pos	Part Number	Description	Remark	Qty	Model
18	911 612 093 05	Fuse box Triple		1	CARRERA
19	N 010 208 5	Hexagon-head bolt M 6 X 8		3	
20	N 012 226 5	Spring washer B 6		3	
21	999 703 384 00	Megulastik pivot bearing		3	
21	999 703 384 01	Megulastik pivot bearing		3	
22	900 031 011 02	Washer 6,4		3	
23	900 910 096 02	Lock nut VM 6		3	
24	911 612 008 00	Ground strap for Mounting plate		1	
25	900 151 028 02	Washer B 4,3 X 12		2	
25	900 151 028 01	Washer B 4,3 X 12		2	
26	N 015 429 2	Speed nut B 4,2		2	
26	N 015 429 6	Speed nut B 4,2		2	
27	900 187 013 02	Hexagon-head tapping screw BZ 4,2 X 13		2	
29	900 151 003 02	Washer A 6,4		2	
29	900 151 006 03	Washer A 6,4		2	
30	900 029 102 02	Wing screw		2	
-	N 017 121 1	Safety fuse 8 A		X	
-	N 017 121 5	Lock 25 A		X	
-	N 017 121 4	Lock 16 A		X	
-	900 173 006 90	Safety fuse 5 A		X	
-	911 612 401 00	Spacer		1	
-	900 143 076 02	Oval-head sheetmetal screw 4,2 X 25		1	
-	900 146 009 02	Oval-head screw 4 X 12			
-	999 507 401 40	Special nut		X	

Model: 911 84

Model life 1984>>1986

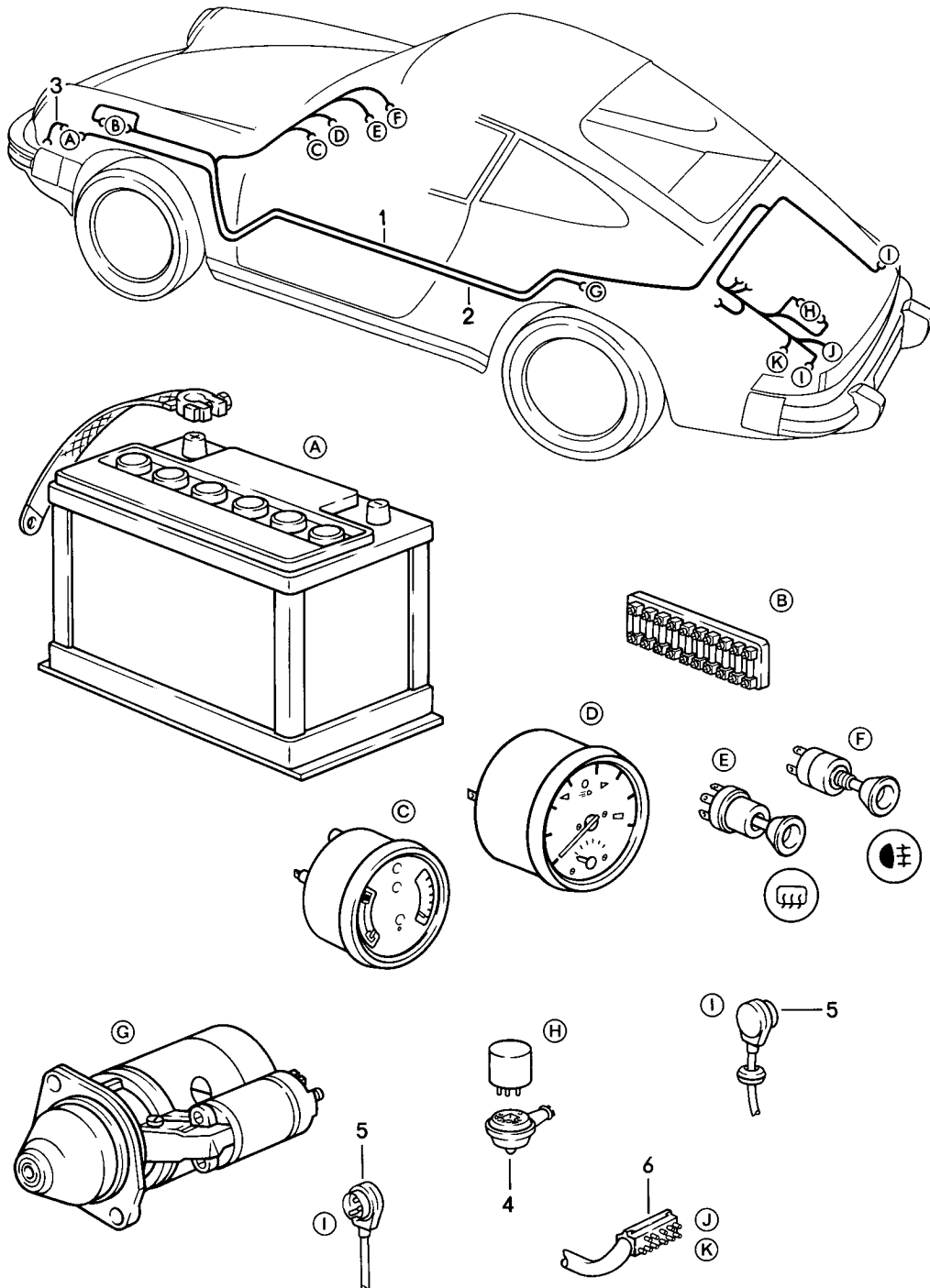


Model: 911 84 Model life 1984>>1986

Pos	Part Number	Description	Remark	Qty	Model
		Battery			
		Starter			
		Generator			
1	928 611 101 00	Battery		1	
		12 V 66 AH			
1	928 611 101 01	Battery		1	
		12 V 66 AH			
1	928 611 175 02	Battery		1	
		12 V 75 AH			
1	999 611 070 20	Battery		1	
		12 V 70 AH			
1	999 611 070 21	Battery		1	
		12 V 70 AH			
(1)	999 611 088 20	Battery		1	
		12 V 88 AH			
2	999 611 104 00	Pole covering		1	
3	911 611 209 00	Bracket		1	
4	999 075 032 02	Hexagon-head bolt		1	
		M 8 X 20			
5	911 611 899 00	Ground strap		1	
		Battery			
6	900 076 030 02	Hexagon nut		1	
		M 8			
7	900 025 007 02	Washer		1	
		A 8,4			
7	900 025 007 03	Washer		1	
		A 8,4			
8	911 611 898 01	Terminal		1	
8	911 611 898 04	Terminal		1	
9	911 612 022 28	Battery-starter cable		1	
10	911 604 101 01	Starter		1	
10	911 604 101 AX	Starter		1	
11	999 659 006 50	Protection cap		1	
12	900 076 025 02	Hexagon nut		1	
		M 8			
12	900 076 064 02	Hexagon nut		1	
		M 8			
13	900 027 015 02	Lock ring		1	
		B 8			
13	900 027 015 03	Lock ring		1	
		B 8			
14	911 603 120 05	Generator		1	
(14)	911 603 120 EX	Generator		1	
(14)	911 603 120 GX	Generator		1	
(14)		Generator		1	
15	911 603 913 01	Electronic regulator		1	
16	911 603 911 00	Push-on connector		1	
17	911 603 910 01	Diode plate		1	
18	911 612 233 00	Ground strap		1	

Model: 911 84

Model life 1984>>1986



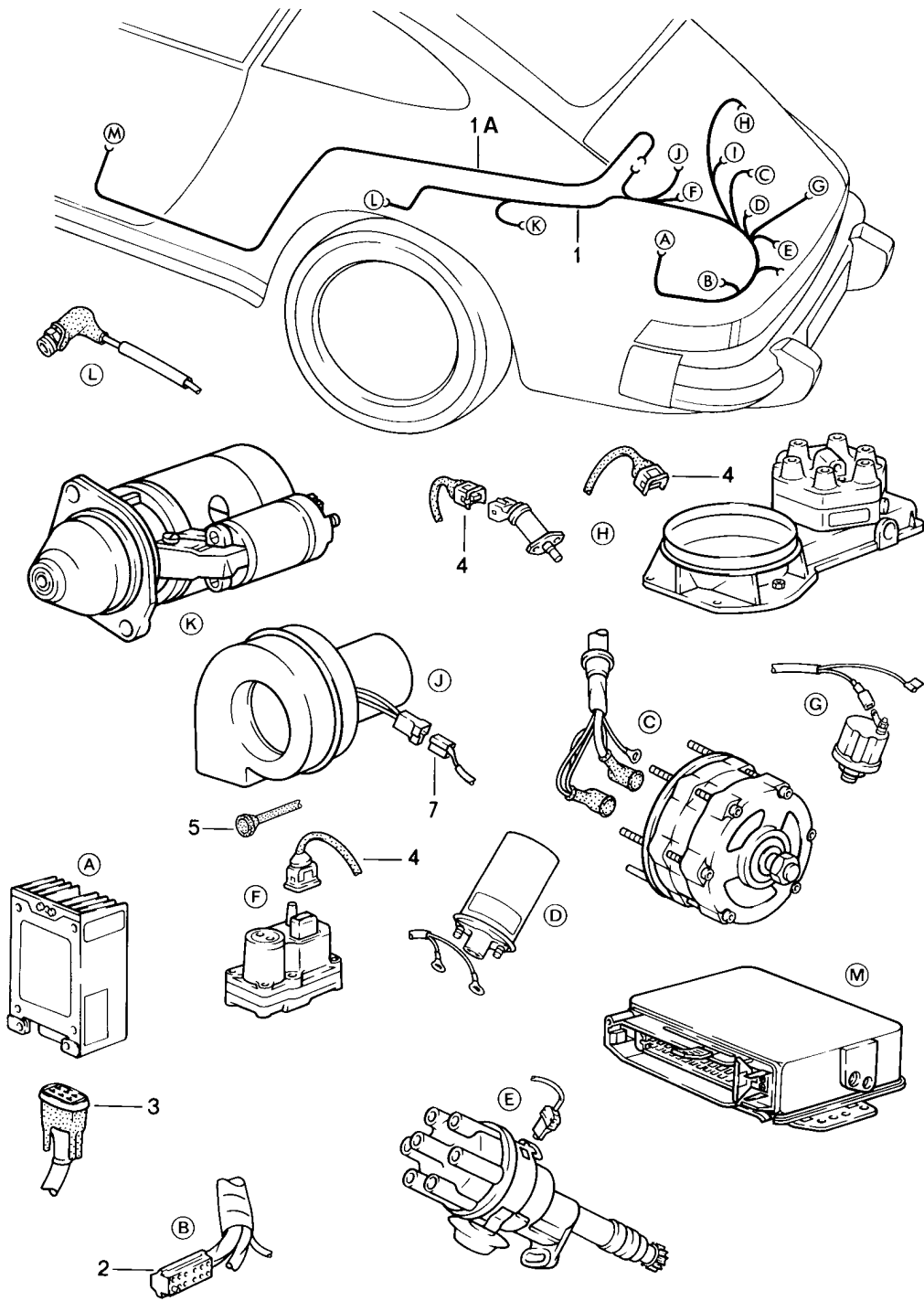
Model: 911 84 Model life 1984>>1986

Pos	Part Number	Description	Remark	Qty	Model
		Wiring harnesses Passenger compartment Battery-starter cable Boot floor plate			
1	911 612 001 31	Wiring harness Tunnel	/LL 84	1	CARRERA
(1)	911 612 001 32	Wiring harness Tunnel	/LL 85	1	CARRERA
(1)	911 612 001 34	Wiring harness Tunnel	/LL 86-	1	CARRERA
(1)	930 612 001 07	Wiring harness Tunnel	/LL 85	1	TURBO
(1)	930 612 001 09	Wiring harness Tunnel	/LL 86-	1	TURBO
(1)	911 612 061 28	Wiring harness Tunnel	/RL 84	1	CARRERA
(1)	911 612 061 29	Wiring harness Tunnel	/RL 85	1	CARRERA
(1)	911 612 061 31	Wiring harness Tunnel	/RL 86-	1	CARRERA
(1)	930 612 061 07	Wiring harness Tunnel	/RL 85	1	TURBO
(1)	930 612 061 09	Wiring harness Tunnel	/RL 86-	1	TURBO
2	911 612 022 28	Battery-starter cable		1	
-	901 612 107 00	Ground strap for Bonnet Mounting parts		2	
-	999 513 002 40	Tie-wrap		1	
-	N 020 910 4	Tie-wrap		1	
-	999 513 003 40	Tie-wrap		1	
-	999 702 132 50	Rubber sleeve		1	
-	999 513 023 40	Tie-wrap		5	
-	911 612 821 00	Covering		1	
3	911 611 899 00	Ground strap Battery		1	
-	999 611 920 20	Ground strap Transmission		1	
4	901 612 333 00	Plug socket Relay		1	
5	901 612 330 00	Multiple plug connection 6-pole Rear light		2	
6	911 612 113 05	Connector housing 14-pole		1	
(6)	911 612 884 00	Connector housing 12-pole		1	
-	901 612 334 00	Plug socket for Relay		1	



Model: 911 84

Model life 1984>>1986



Model: 911 84 Model life 1984>>1986

Pos	Part Number	Description	Remark	Qty	Model
1	911 607 016 00	Wiring harnesses Engine Wiring harness		1	CARRERA
(1)	930 607 016 02	Engine Wiring harness		1	TURBO
-	911 607 174 03	Engine Wiring harness	-85	1	CARRERA
-	911 607 174 04	Injector valve Wiring harness	86-	1	CARRERA
-	911 612 907 00	Injector valve Contact pin		2	
-	911 612 907 01	for Back-up light switch Contact pin		2	
1A	911 612 173 07	for Back-up light switch Wiring harness	-85	1	
(1A)	911 612 173 09	- dme - Control unit Wiring harness	86-	1	
-	944 612 130 00	- dme - Control unit Rubber sleeve		1	
-		Seal Body		1	
(1A)	911 612 173 06	Rubber sleeve Seal Body Wiring harness	(J)	1	M298
-	944 612 130 00	- dme - Control unit with O2 sensor closed-loop ctrl		1	
(1A)	911 612 173 08	Rubber sleeve Seal Body Wiring harness	(AUS) (CH) (S) -85	1	
-	944 612 130 00	- dme - Control unit Rubber sleeve		1	
(1A)	911 612 173 10	Seal Body Wiring harness	(AUS) (CH) (S) 86-	1	
-	944 612 130 00	- dme - Control unit Rubber sleeve		1	
2	911 612 115 03	Seal Body Connector housing		1	
3	928 612 421 00	14-pole Connector housing without Cap		1	TURBO
4	022 906 231 A	Control unit Connector housing		1	TURBO
(4)	022 906 233 B	Connector housing 3-pole		1	
(4)	022 906 231 B	Terminal sleeve housing 2-pole		1	
5	022 906 102	Protection cap		1	
6	999 659 033 50	Rubber cap		2	

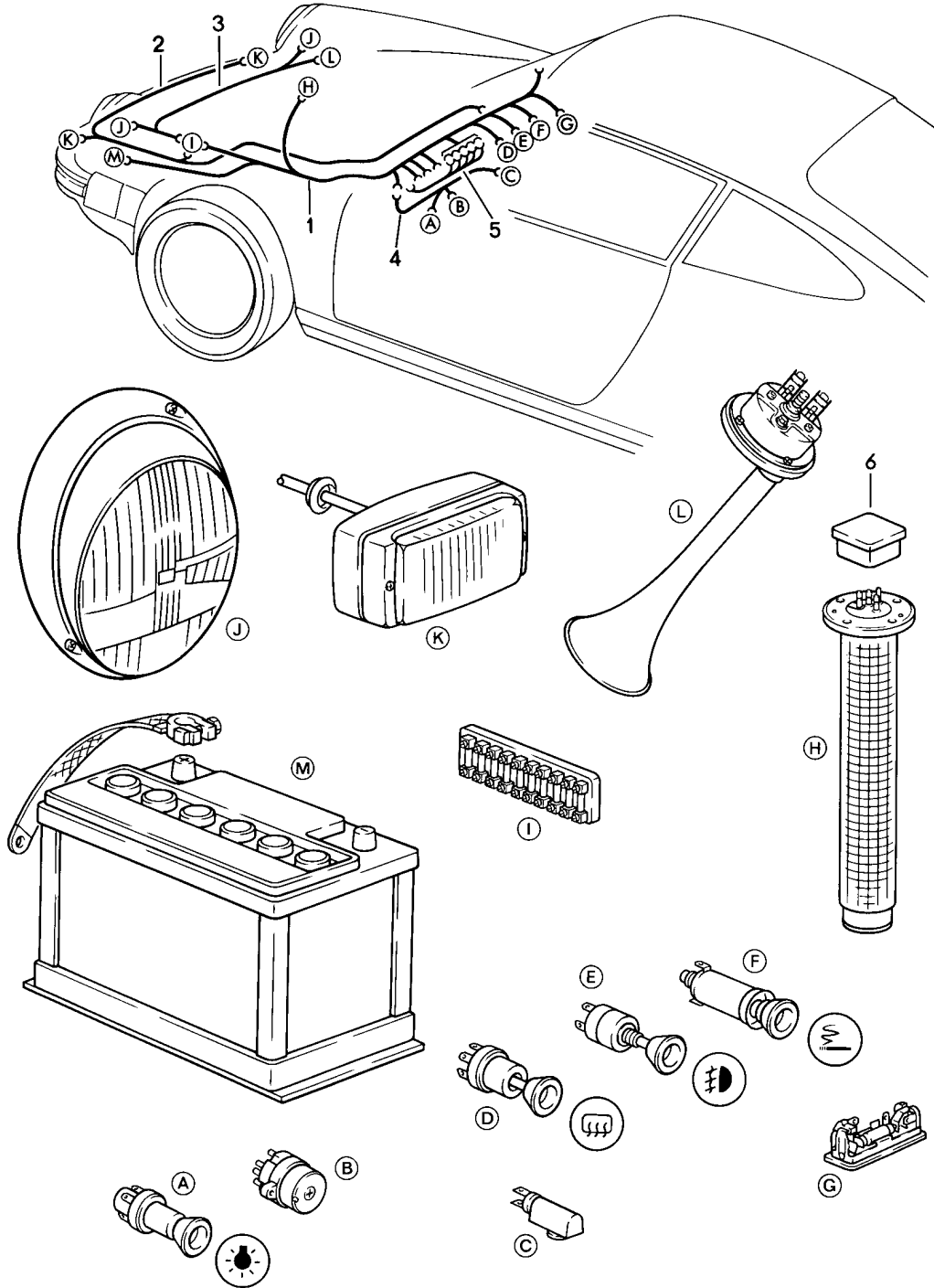
Model: 911 84

Model life 1984&gt;&gt;1986

Pos	Part Number	Description	Remark	Qty	Model
-	999 911 041 00	Edge protection		*	
7	999 652 167 40	Terminal sleeve housing		1	
-	914 613 491 00	Protection cap		1	
		Temperature switch			
-	911 612 233 00	Ground strap		1	
		Generator			
		Engine			
-	999 511 081 02	Pipe clamp		1	
		for			
		Wiring harness			
		POS.1			

Model: 911 84

Model life 1984>>1986



Model: 911 84 Model life 1984>>1986

Pos	Part Number	Description	Remark	Qty	Model
1	911 612 002 15	Wiring harnesses FRONT luggage compartment Wiring harness	/LL 84	1	CARRERA
1	911 612 002 18	FRONT luggage compartment Wiring harness	/LL -85	1	CARRERA
(1)	911 612 002 19	FRONT luggage compartment Wiring harness	/LL 86-	1	CARRERA
1	911 612 002 14	FRONT luggage compartment Wiring harness	/LL 84	1	TURBO
(1)	930 612 002 00	FRONT luggage compartment Wiring harness	/LL -85	1	TURBO
(1)	930 612 002 02	FRONT luggage compartment Wiring harness	/LL 86-	1	TURBO
1	911 612 060 05	FRONT luggage compartment Wiring harness	/RL 84	1	CARRERA
(1)	911 612 060 04	FRONT luggage compartment Wiring harness	/RL 84	1	TURBO
(1)	911 612 060 07	FRONT luggage compartment Wiring harness	/RL -85	1	CARRERA
(1)	911 612 060 09	FRONT luggage compartment Wiring harness	/RL 86-	1	CARRERA
(1)	930 612 060 00	FRONT luggage compartment Wiring harness	/RL -85	1	TURBO
(1)	930 612 060 02	FRONT luggage compartment Wiring harness	/RL 86-	1	TURBO
2	911 612 027 03	FRONT luggage compartment Additional cables		1	
-	911 612 027 01	Fog headlamp Ground cable Ground strap		1	
3	911 612 003 01	Fog headlamp Wiring harness Fuse box Headlamp Horn		1	
-	113 941 189	Grommet Rubber Headlamp casing		X	
4	911 612 011 32	Wiring harness	-84	1	
(4)	911 612 011 34	Ignition starter switch Wiring harness	85-	1	
5	911 612 047 00	Ignition starter switch Wiring harness		1	
-	911 612 177 01	Instruments Wiring harness	-85	1	
-	911 612 177 02	Direction indicator light Wiring harness	86-	1	
-	477 953 331	Direction indicator light Grommet		2	
-	911 612 010 03	Direction indicator light Wiring harness		1	
-	930 612 091 00	Light switch Single line Indicator light Generator		1	TURBO
-	111 971 977	Diode Flat connector socket		1	TURBO
-	911 617 108 00	Single line Diode Indicator light Generator		1	TURBO
-	911 617 108 01	Diode Indicator light		1	TURBO

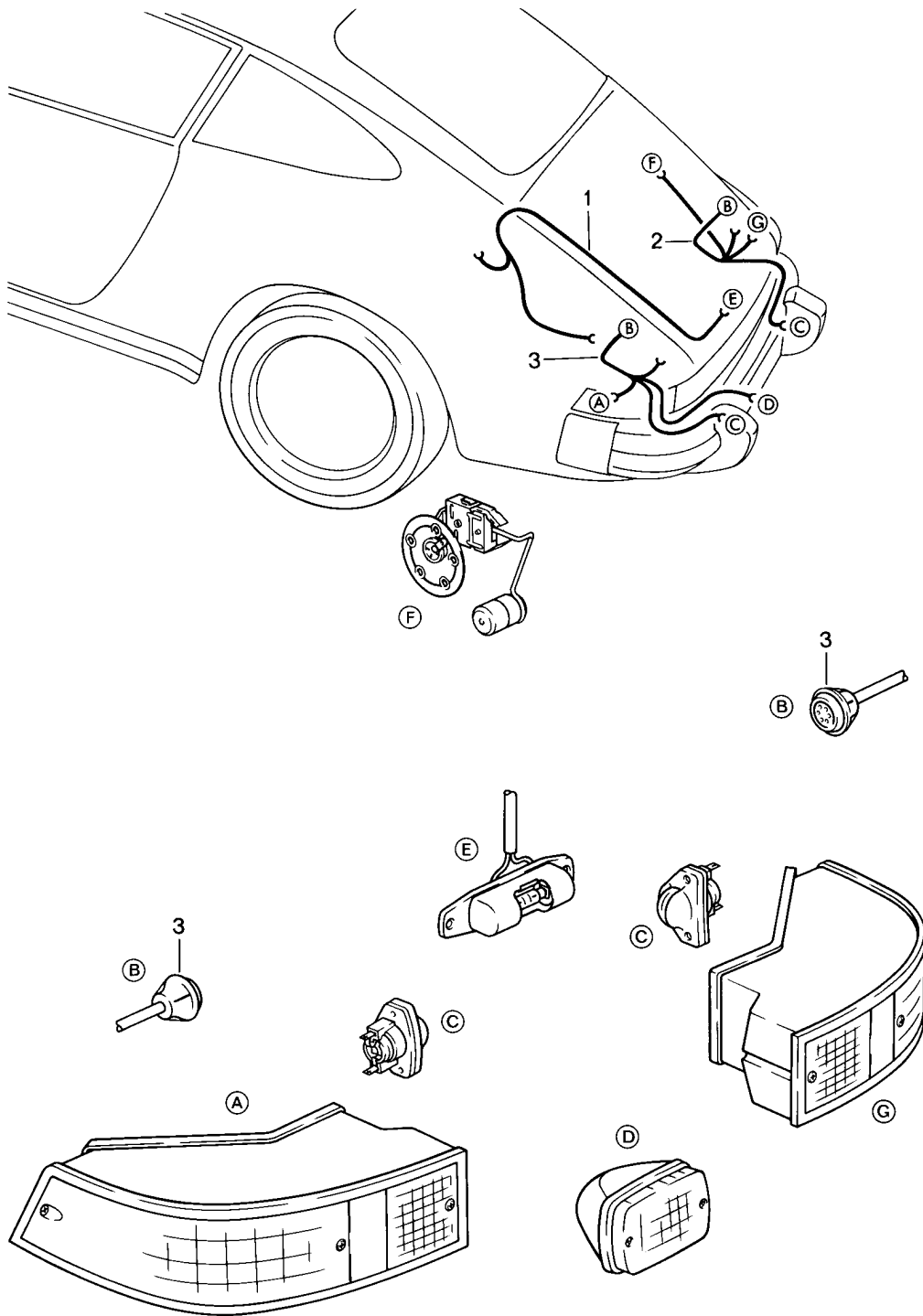
Model: 911 84

Model life 1984>>1986

Pos	Part Number	Description	Remark	Qty	Model
		Generator			
		Use also:			
		825.971.990		1	
-	911 612 083 00	Ground cable		1	
		Ashtray light			
-	901 612 303 20	Ground strap		1	
		Fuel tank			
		Connection piece			
-	911 612 014 30	Wiring harness	84	1	
		Emergency light switch			
-	911 612 014 31	Wiring harness	85-	1	
		Emergency light switch			
-	911 612 091 02	Wiring harness	(CH)	1	
		Switch			
		Fog headlamp			
-	901 612 064 00	Ground cable		1	
		Switch			
		Fog headlamp			
6	901 612 891 01	Connector housing		1	

Model: 911 84

Model life 1984>>1986



Model: 911 84

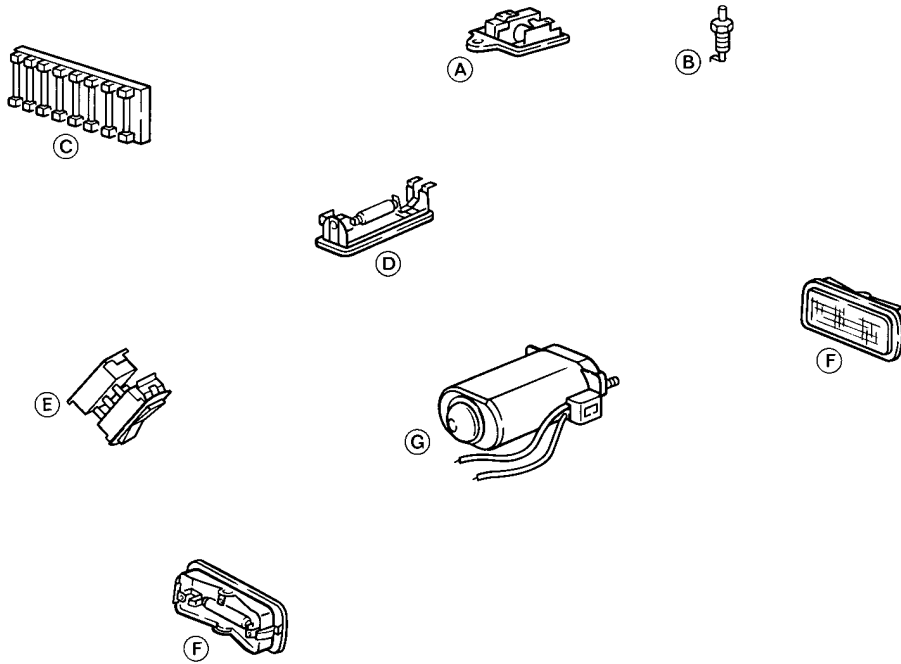
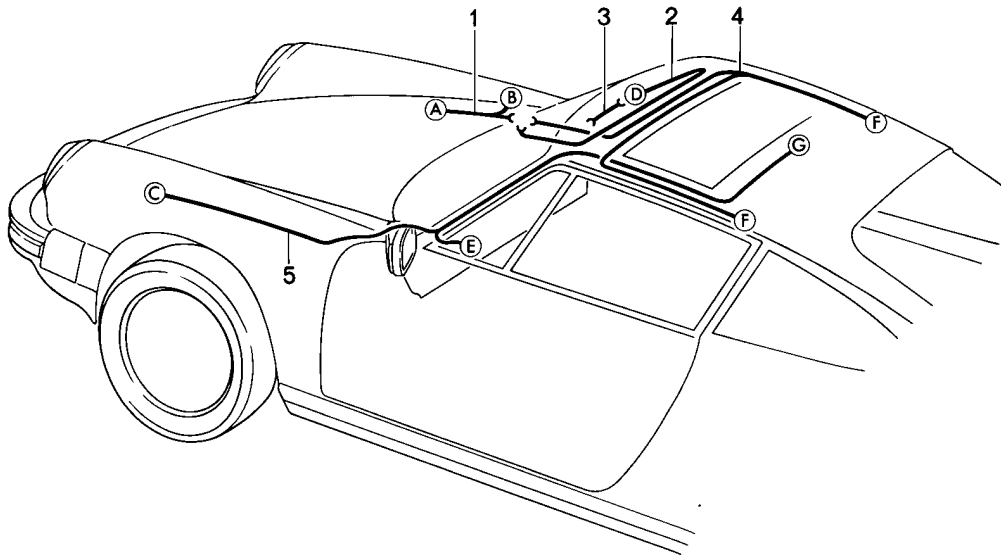
Model life 1984>>1986

Pos	Part Number	Description	Remark	Qty	Model
1	911 612 049 00	Wiring harnesses Engine compartment lamp Rear light	-85	1	
(1)	911 612 049 02	Wiring harness Engine compartment lamp	86-	1	
2	911 612 039 01	Wiring harness Rear light	/R	1	
3	911 612 039 10	Wiring harness Rear light	/L	1	
-	911 612 026 00	Wiring harness Switch for rear fog light Fuse box		1	
-	901 612 066 02	Wiring harness Switch for rear fog light		1	
-	911 612 091 02	Wiring harness Switch for Fog headlamp	(CH)	1	
-	901 612 064 00	Ground cable Switch for Fog headlamp And Switch for rear fog light		1	
-	911 612 154 00	Wiring harness Rear fog light		1	
-	911 612 155 01	Right-hand drive Wiring harness for - 2 -		1	
3	901 612 330 00	Rear fog light Multiple plug connection		1	



Model: 911 84

Model life 1984>>1986



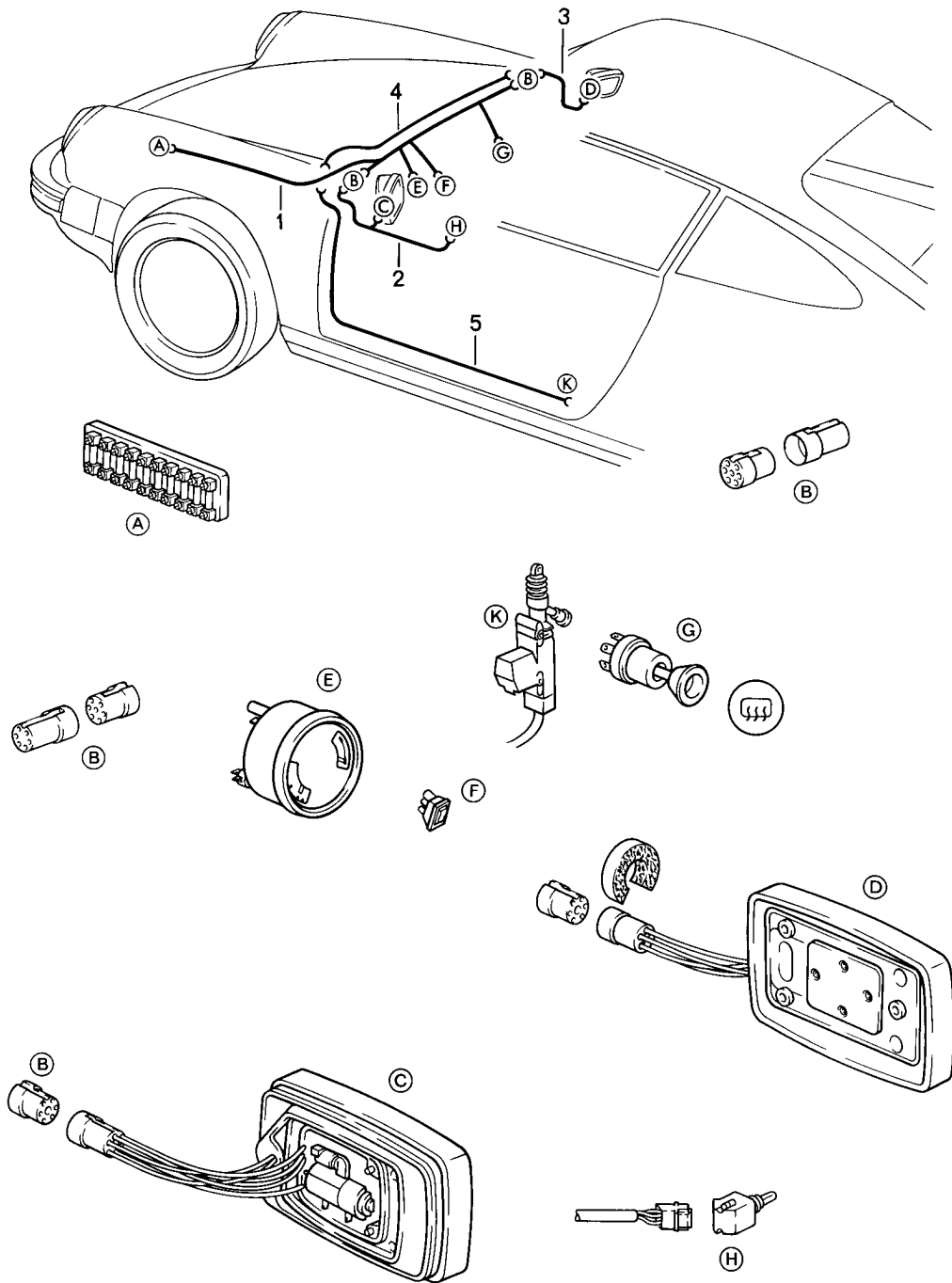
Model: 911 84

Model life 1984>>1986

Pos	Part Number	Description	Remark	Qty	Model
		Wiring harnesses FRONT luggage compartment Interior lights Sunroof Convertible top control Electric			
1	911 612 044 21	Wiring harness	-85	1	
(1)		Luggage compartment lamp		1	
		Wiring harness		1	
2	901 612 035 41	Luggage compartment lamp		1	TARGA
		Wiring harness		1	
3	911 612 226 00	Interior light		1	TARGA, COUPE
		Ground strap		1	
(3)	911 612 042 60	Interior light	-85	1	CABRIO
		Wiring harness		1	
(3)	911 612 042 61	Interior light	86-	1	CABRIO
		Wiring harness		1	
4	901 612 035 20	Interior light	84	1	COUPE
		Wiring harness		1	
(4)	911 612 045 01	Interior lights	-85	1	
		Wiring harness		1	
(4)	911 612 045 02	Interior light	86-	1	
		Wiring harness		1	
5	911 612 034 00	Interior light	/LL 84	1	
		Wiring harness		1	
(5)	911 612 034 01	Sunroof	/LL -85	1	
		Wiring harness		1	
(5)	911 612 034 02	Sunroof	86-	1	
		Wiring harness		1	
(5)	911 612 064 01	Sunroof	/RL 84	1	
		Wiring harness		1	
(5)	911 612 064 02	Sunroof	/RL 85-	1	
		Wiring harness		1	
(5)	911 612 064 03	Sunroof	86-	1	
		Wiring harness		1	
-	993 612 563 00	Sunroof	86-	1	CABRIO
		Wiring harness		1	
		Convertible top control		1	
		Electric		1	
-	911 612 561 01	Wiring harness	/LL 86-	1	CABRIO
		Convertible top control		1	
		Electric		1	
-	911 612 562 00	Wiring harness	/RL 86-	1	CABRIO
		Convertible top control		1	
		Electric		1	
-	911 612 415 00	Wiring harness		1	
		Switch		1	

Model: 911 84

Model life 1984>>1986



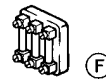
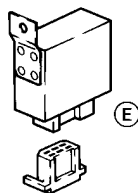
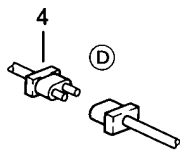
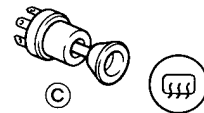
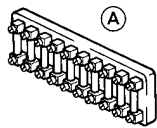
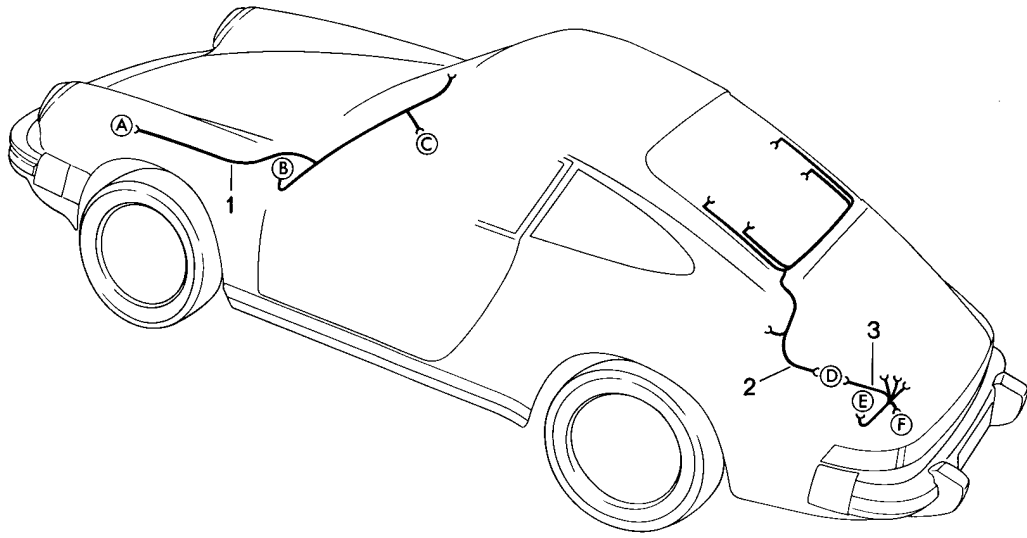
Model: 911 84

Model life 1984>>1986

Pos	Part Number	Description	Remark	Qty	Model
		Wiring harnesses Door mirror Electrically adjustable Central locking system			
1	911 612 162 03	Door mirror Driver's side	84		
		Wiring harness	/LL	1	
(1)	911 612 162 02	Boot floor plate Wiring harness	/RL	1	
2	911 612 163 01	Boot floor plate Wiring harness Driver's door Door mirror Driver's side And Passenger's side		1	
1	911 612 164 03	Wiring harness	/LL -84	1	
(1)	911 612 164 02	Boot floor plate Wiring harness	/RL -84	1	
2	911 612 165 01	Boot floor plate Wiring harness Driver's door		1	
3	911 612 166 01	Wiring harness Passenger's door Wiring harnesses Central locking system		1	
4	911 612 263 01	Wiring harness	85-	1	
5	911 612 264 00	Wiring harness	85-	2	
-	911 612 521 00	Wiring harness Seat Electrically adjustable Heated	-85	1	
-	911 612 521 01	Wiring harness Seat Electrically adjustable Heated	86-	1	

Model: 911 84

Model life 1984>>1986



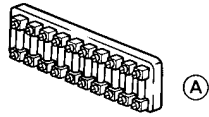
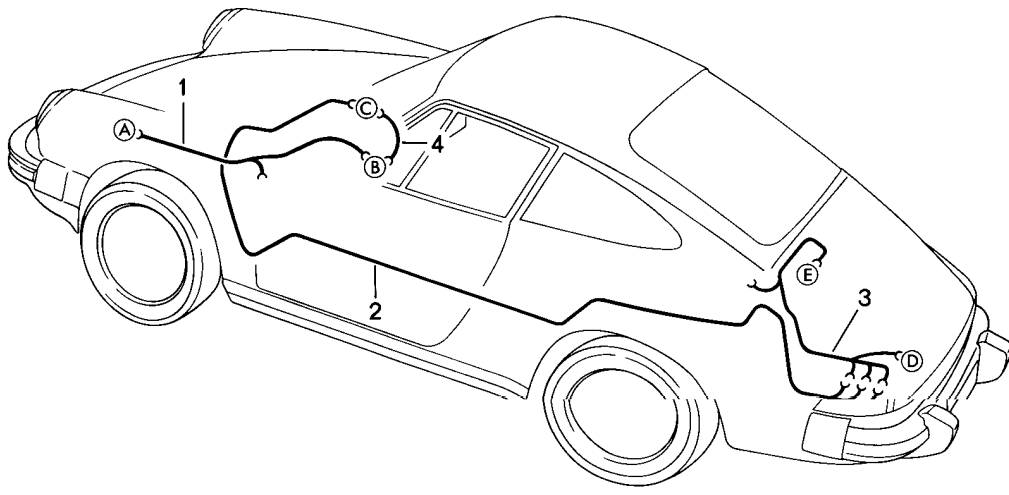
Model: 911 84

Model life 1984>>1986

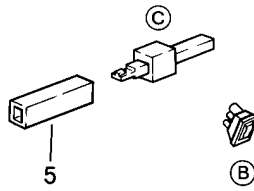
Pos	Part Number	Description	Remark	Qty	Model
1	911 612 057 00	Wiring harnesses Windscreen heating Rear window heating	/LL	1	
(1)	911 612 057 01	Wiring harness Windscreen heating	/RL	1	
2	911 612 032 02	Wiring harness Rear window heating	-85	1	
2	911 612 032 03	Wiring harness Rear window heating	86-	1	COUPE/TARGA
-	999 652 381 00	Connector housing	-85	1	
-	944 612 436 00	Connector		1	
-	911 612 037 01	Wiring harness Rear window	-85	2	COUPE
-	911 612 075 00	Additional cable Rear window	-85	2	TARGA
-	911 612 091 04	Single line Rear window	86-	2	COUPE/TARGA
3	911 612 035 00	Wiring harness Washer		1	
4	999 652 381 00	Relay Connector housing 2-pole for Cable		1	
5	901 612 333 00	911 612 032 02 Plug socket Relay		1	
-	901 612 066 02	Wiring harness Switch		1	

Model: 911 84

Model life 1984>>1986



A

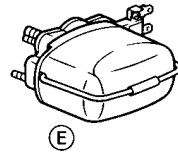


C

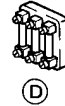
5



B



E



D

Model: 911 84

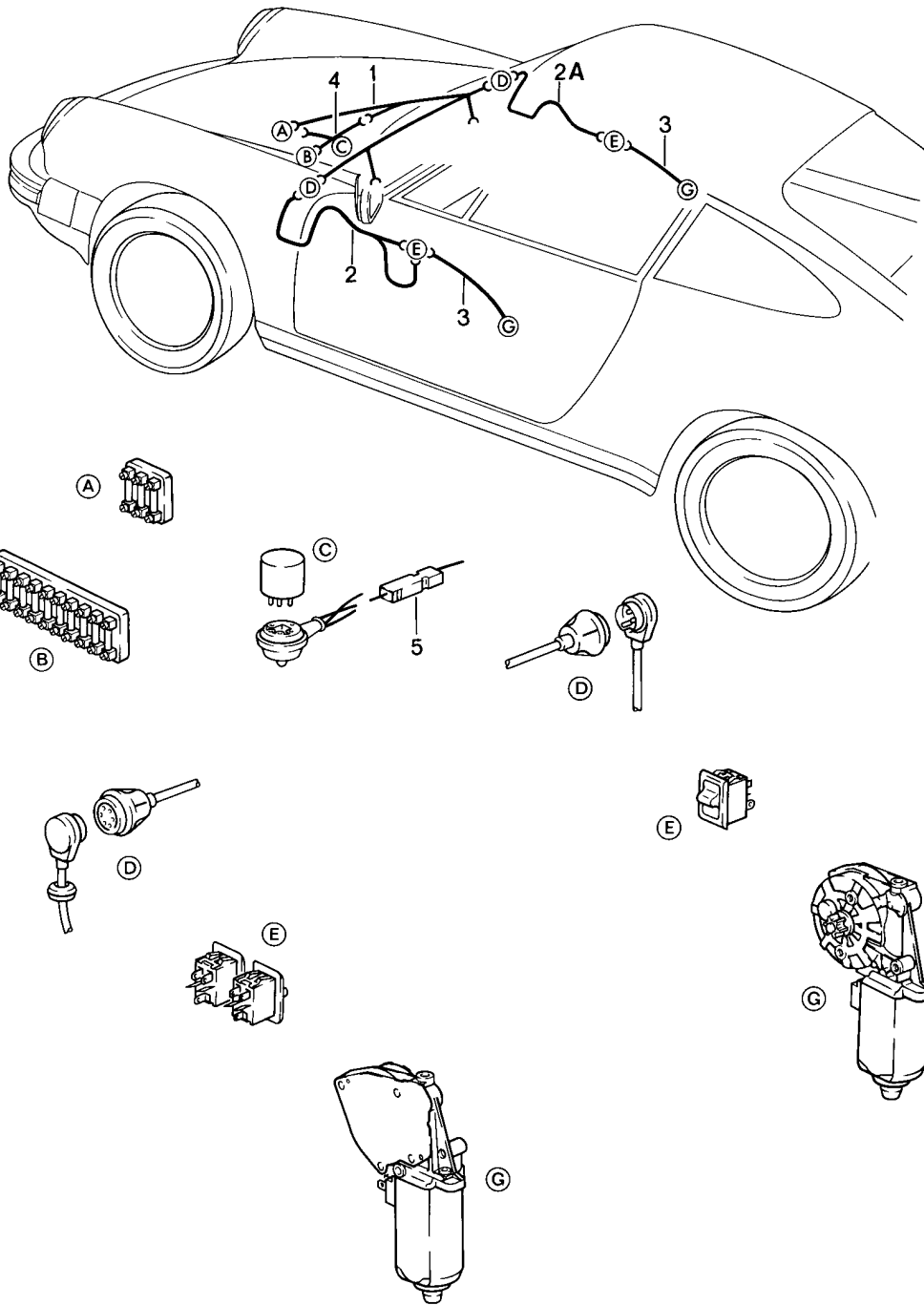
Model life 1984>>1986

Pos	Part Number	Description	Remark	Qty	Model
1	911 612 019 00	Wiring harnesses Rear window wiper Wiring harness Switch Fuse box	/LL	1	
1	911 612 099 00	Wiring harness Switch Fuse box	/RL	1	
2	911 612 025 01	Wiring harness Tunnel	/LL	1	
2	911 612 063 01	Wiring harness Tunnel	/RL	1	
3	911 612 031 02	Wiring harness Fuse box Engine		1	CARRERA
(3)	911 612 031 01	Wiring harness Fuse box Engine		1	TURBO
4	911 612 223 00	Single line Switch Diode		1	
5	111 971 977	Flat connector socket		1	
-	911 617 106 01	Diode		1	
-	911 617 106 02	Diode		1	



Model: 911 84

Model life 1984>>1986



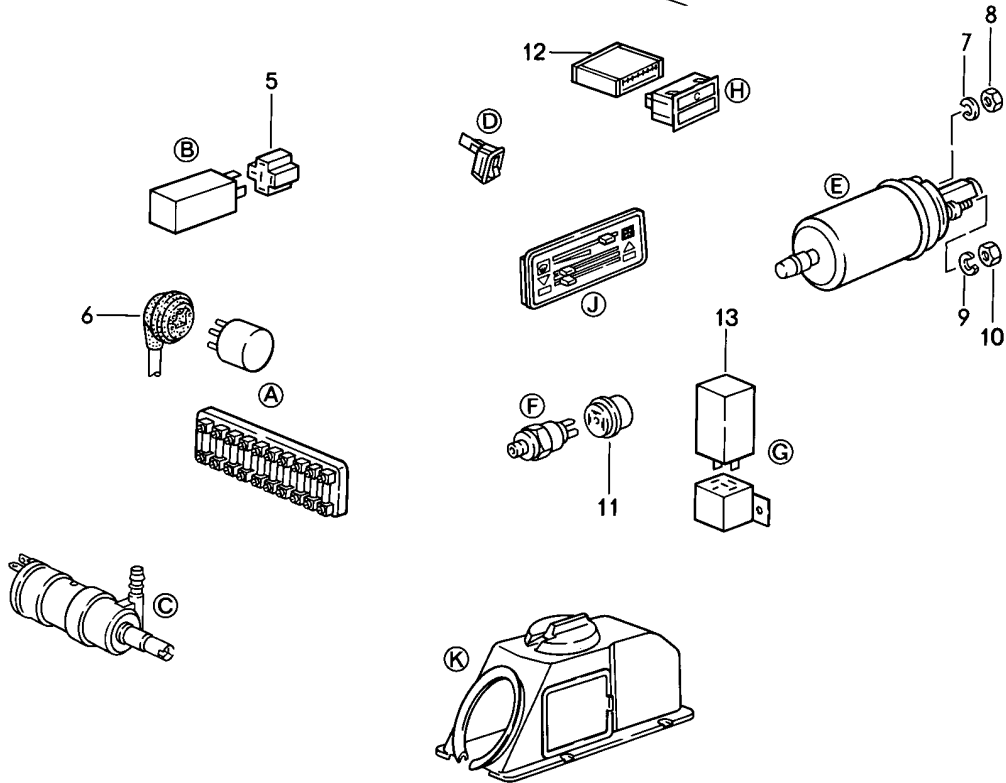
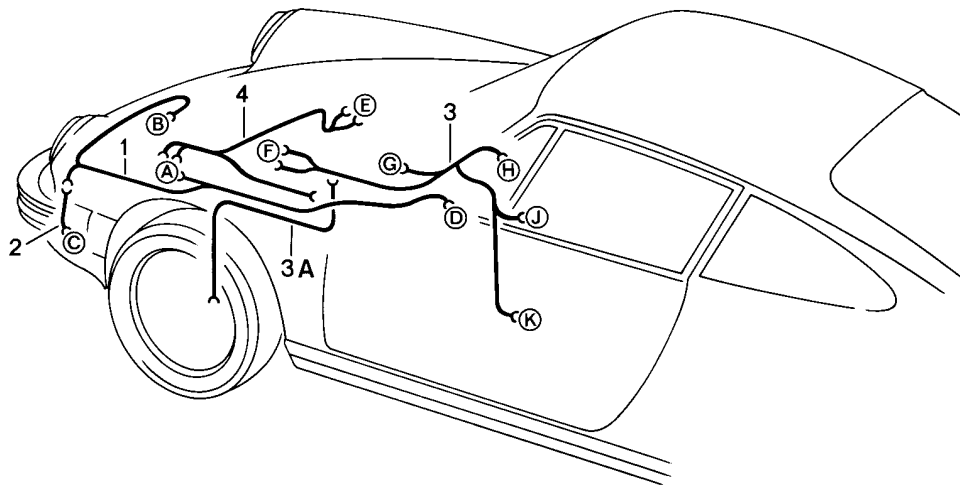
Model: 911 84

Model life 1984&gt;&gt;1986

Pos	Part Number	Description	Remark	Qty	Model
		Wiring harnesses FRONT luggage compartment Power window			
1	911 612 167 00	Wiring harness		1	
2	911 612 104 01	Wiring harness Connection point Switch	/L	1	
2A	911 612 104 02	Wiring harness Connection point Switch	/R	1	
3	911 612 048 00	Wiring harness Switch Engine		2	
4	911 612 147 01	Wiring harness Relay	/LL	1	
(4)	911 612 147 02	Wiring harness Relay	/RL	1	
5	111 971 977	Flat connector socket		1	

Model: 911 84

Model life 1984>>1986



Model: 911 84 Model life 1984>>1986

Pos	Part Number	Description	Remark	Qty	Model
1	911 612 076 01	Wiring harnesses Headlight washer system Indicator lights Fuel pump Wiring harness		1	
2	911 612 179 01	Headlight washer system Wiring harness		1	
3	911 612 041 15	Headlight washer system Wiring harness	/RL (AUS) 84	1	
(3)	911 612 041 23	Brake circuit monitoring Wiring harness	/RL (AUS) 85-	1	
3	911 612 041 16	Brake circuit monitoring Wiring harness Seat belt And	/RL 84	1	
(3)	911 612 041 19	Brake circuit monitoring Wiring harness Seat belt And	/RL 85-	1	
(3)	911 612 041 14	Brake circuit monitoring Wiring harness Seat belt And	/LL 84	1	(SA)
(3)	911 612 041 18	Brake circuit monitoring Wiring harness Seat belt And		1	(SA)
(3)	911 612 041 13	Brake circuit monitoring Wiring harness Seat belt And	/LL 84	1	
(3)	911 612 041 17	Brake circuit monitoring Wiring harness Seat belt And	85-	1	
3A	911 612 051 00	Brake circuit monitoring Wiring harness Brake pad wear indicator Rear axle		1	
(3A)	911 612 052 00	Wiring harness Brake fluid Warning system Front axle		1	
-	911 612 170 01	Wiring harness Brake circuit monitoring Warning system		1	
-	911 612 015 00	Wiring harness Warning light Bridge	(J)	1	
4	911 612 072 15	Wiring harness Fuel pump		1	CARRERA
(4)	930 612 072 02	Wiring harness Fuel pump		1	TURBO
(4)	930 612 072 03	Wiring harness Fuel pump Rear		1	TURBO
5	803 971 835 A	Terminal sleeve housing		1	
6	901 612 333 00	Plug socket		1	
7	900 027 011 01	Lock ring B 4		1	
8	N 011 004 6	Hexagon nut		1	

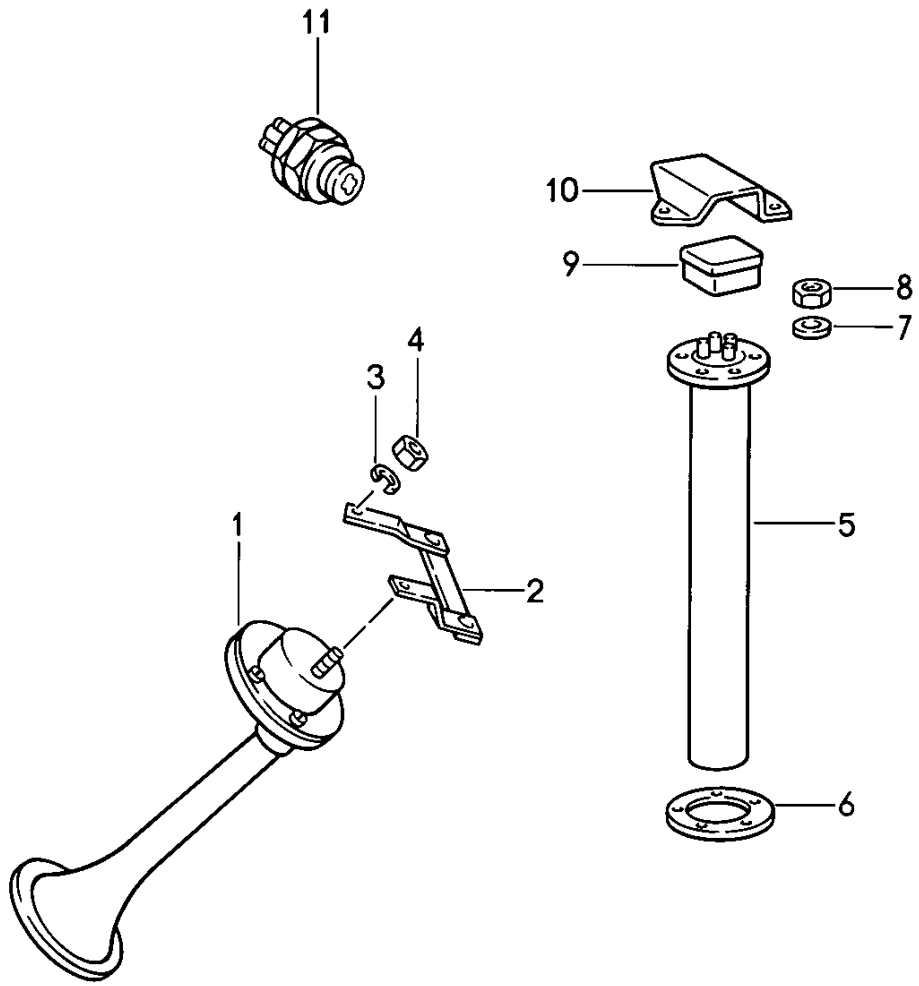
Model: 911 84

Model life 1984&gt;&gt;1986

Pos	Part Number	Description	Remark	Qty	Model
8	N 011 004 G	M 4 Nut		1	
9	N 012 005 3	M 4 Lock ring		1	
10	N 011 005 14	B 5 Hexagon nut		1	
10	900 076 091 01	M 5 Hexagon nut		1	
11	113 945 525	M 5 Terminal sleeve housing		2	
12	113 971 998 B	Brake light switch Connector housing		1	
-	999 652 192 47	Brake circuit monitoring Connector housing		1	
-	815 971 989	Connecting line POS. 1 + POS. 2 Connector housing		1	
13	911 618 102 00	Connecting line POS. 1 + POS. 2 Warning time relay	/LL	1	
(13)	911 618 102 01	Seat belt Relay Seat belt	/RL	1	

Model: 911 84

Model life 1984>>1986

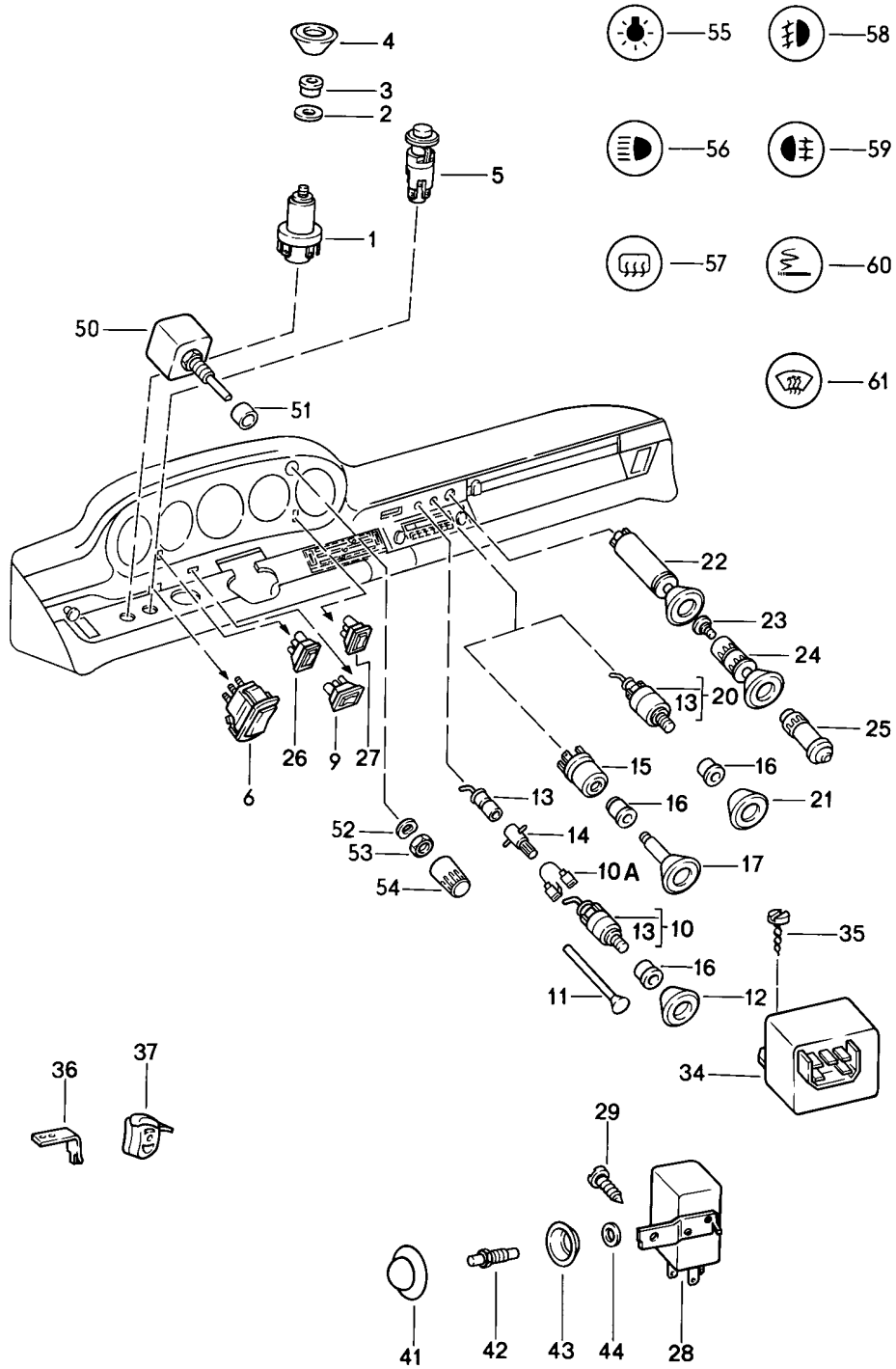


Model: 911 84 Model life 1984>>1986

Pos	Part Number	Description	Remark	Qty	Model
1	911 635 101 20	Fanfare Sender Fuel-level indicator Back-up light switch		1	
1	911 635 101 21	Fanfare Short High-pitched		1	
(1)	911 635 102 20	Fanfare Long Low-pitched		1	
(1)	911 635 102 21	Fanfare Long Low-pitched		1	
2	911 635 091 00	Support		1	
3	N 042 121 3	Shake-proof washer 6,4		2	
4	900 076 010 02	Nut M 6		2	
4	900 076 010 0B	Nut M 6		2	
5	901 741 801 00	Sender Fuel-level indicator		1	
6	477 919 133	Sealing ring		1	
7	N 012 222 4	Spring washer A 5		5	
8	N 011 005 14	Hexagon nut M 5		5	
8	900 076 091 01	Hexagon nut M 5		5	
9	901 612 891 01	Connector housing		1	
10	901 201 275 30	Cap for Sender Yellow Anodised		1	
(10)	901 201 275 31	Cap for Sender Black		1	
11	914 613 541 02	Back-up light switch		1	

Model: 911 84

Model life 1984>>1986





Model: 911 84

Model life 1984&gt;&gt;1986

Pos	Part Number	Description	Remark	Qty	Model
		Switch	-85		
		Relay			
1	911 613 029 03	Push-pull light switch		1	
2	900 151 026 02	Washer		1	
		B 10,5			
2	900 151 050 01	Washer		1	
		B 10,5			
(3)	911 613 213 02	Rosette		1	
4	911 613 215 00	Knob		1	
5	911 613 124 32	Hazard warning light sw.		1	
-	900 631 102 90	Light		1	
		2 W			
(5)	911 613 159 00	Switch		1	CABRIO
		Door mirror			
		Heated			
6	911 613 622 00	Tip switch		1	
		for sliding roof			
6	911 613 622 01	Tip switch		1	
		for sliding roof			
-	911 613 621 03	Switch		3	
		for window opener			
-	911 613 635 20	Assembly frame		3	
		for window opener			
9	911 613 113 00	Changeover switch		1	
		for			
		Door mirror			
		Electrically adjustable			
		without			
		Cap with symbol			
(10)	911 613 149 00	Switch		1	
		Rear window heating			
(10)	911 613 147 00	Switch		1	
		Rear window heating			
		Two-stage heatable			
-	999 703 067 50	Stopper		1	
(12)	911 613 028 03	Knob		1	
13	999 632 007 00	Bulb socket		1	
14	900 631 132 90	Bulb		1	
15	911 613 147 00	Switch	-84	1	
		Fog headlamp			
		Switch for rear fog light			
16	911 613 213 03	Rosette		2	
17	911 613 028 03	Knob		1	
(20)	911 613 149 00	Switch	85-	1	
		Fog headlamp			
		Switch for rear fog light			
(21)	911 613 028 03	Knob		1	
22	911 652 102 06	Cigarette lighter		1	
22	911 652 102 08	Cigarette lighter		1	
23	644 652 112 00	Glower		1	
		Cigarette lighter			
24	911 652 122 02	Connector		1	
		Cigarette lighter			
25	901 613 801 00	Connector		1	
		for			
		Auxiliary unit			
26	911 613 321 01	Tip switch		1	
		Rear window wiper			
27	911 613 319 01	Tip switch		1	
		Headlight washer system			
28	928 618 111 00	Relay		1	
		Headlight washer system			
29	N 013 968 7	Tapping screw		1	

Model: 911 84

Model life 1984&gt;&gt;1986

Pos	Part Number	Description	Remark	Qty	Model
29	900 143 097 01	B 4,8 X 13 Tapping screw		1	
34	911 618 149 01	B 4,8 X 13 Pulse sender		1	
35	N 013 970 5	Wipe interval Oval-head sheetmetal screw		1	
35	N 106 568 02	B 4,8 X 9,5 Oval-head sheetmetal screw		1	
36	901 613 523 20	B 4,8 X 9,5 Contact bow		1	
37	901 613 521 20	Handbrake Indicator light		1	
41	901 615 616 20	Contact switch		2	
42	964 613 601 00	Rubber cap		3	
(42)	928 613 147 00	Door contact switch for Luggage compartment lamp		2	
(42)	901 615 601 02	Interior light Contact switch		1	
(42)	901 615 601 03	for Glove compartment light Contact switch		1	
43	901 615 615 20	for Glove compartment light		2	
44	900 031 001 60	Concave washer		2	
50	911 618 147 01	Washer 8,4 Potentiometer		1	
50	911 618 147 02	Wipe interval Potentiometer		1	
51	911 618 207 00	Wipe interval		1	
52	900 028 019 01	Spacer sleeve		1	
53	911 618 209 00	Spring washer B 7		1	
54	911 618 011 00	Hexagon nut M 7 X 0,75		1	
55	911 613 239 01	Knob with Spring		1	
55	911 613 239 02	Cap with symbol		1	
55	911 613 239 02	Cap with symbol		1	
57	911 613 232 01	Light switch		1	
57	911 613 232 02	Cap with symbol		1	
57	911 613 232 02 01C	Rear window heating Cap with symbol		1	
57	911 613 232 03	Satin black Rear window heating		1	
57	911 613 232 03 01C	Cap with symbol		1	
57	911 613 232 03	Satin black Rear window heating		1	
57	911 613 232 03 01C	Cap with symbol		1	
58	911 613 233 01	Satin black Rear window heating		1	
59	911 613 234 01	Cap with symbol		1	
60	911 613 235 01	Fog headlamp		1	
60	911 613 235 02	Cap with symbol		1	
60	911 613 235 02	Rear fog light		1	
60	911 613 235 01	Cap with symbol		1	
60	911 613 235 02	Cigarette lighter		1	
60	911 613 235 02	Cap with symbol		1	

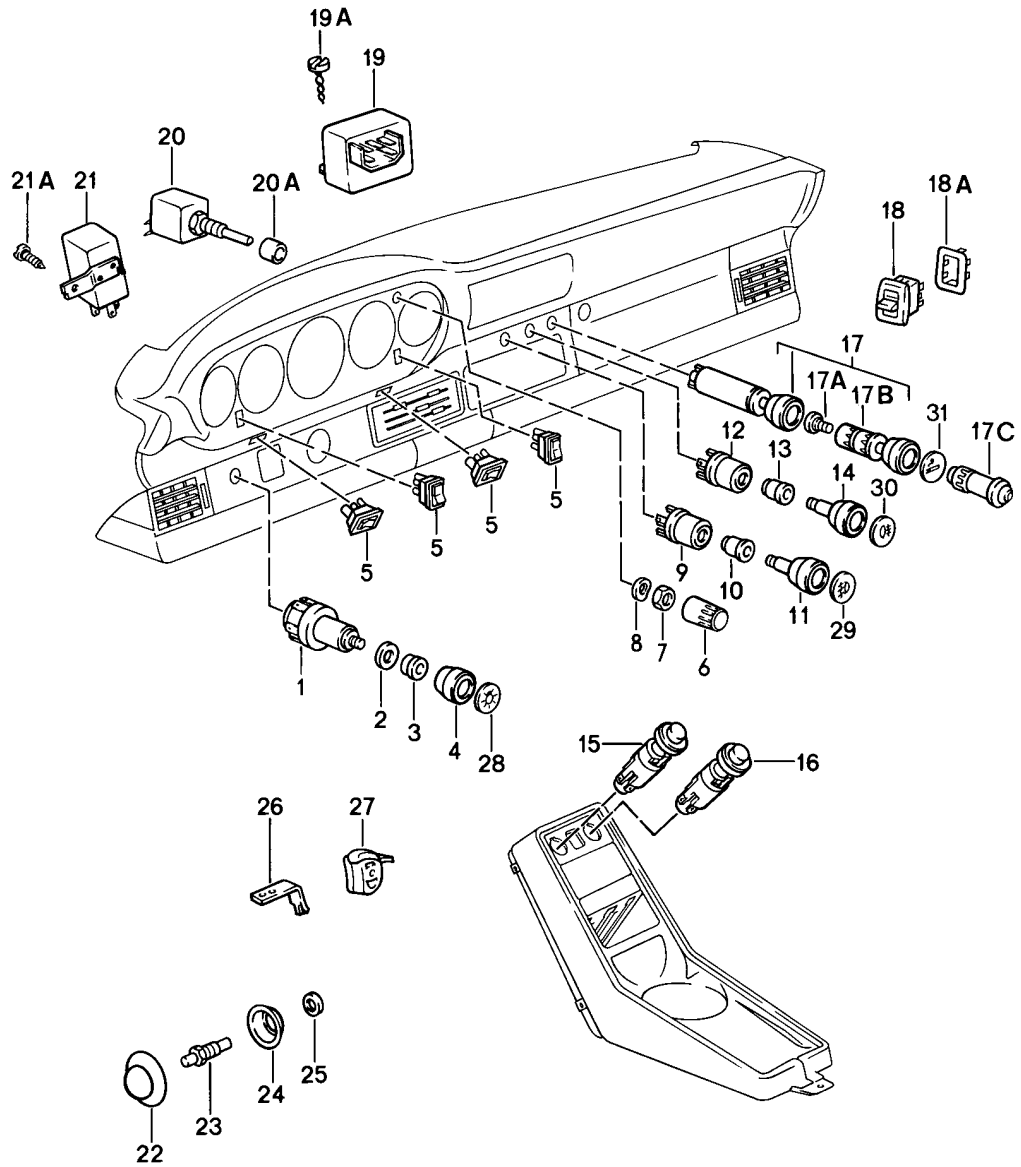
Model: 911 84

Model life 1984&gt;&gt;1986

Pos	Part Number	Description	Remark	Qty	Model
61	911 613 240 01	Cigarette lighter Cap with symbol Windscreen heating		1	

Model: 911 84

Model life 1984>>1986



Model: 911 84

Model life 1984>>1986

Pos	Part Number	Description	Remark	Qty	Model
		Switch	86-		
		Relay			
1	911 613 029 03	Push-pull light switch		1	
2	900 151 026 02	Washer		1	
2	900 151 050 01	Washer		1	
3	911 613 213 02	Rosette		1	
4	911 613 214 05	Knob		1	
5	911 613 622 00	Tip switch for sliding roof		1	
5	911 613 622 01	Tip switch for sliding roof		1	
5	911 613 622 00	Tip switch Convertible top		1	CABRIO
5	911 613 622 01	Tip switch Convertible top		1	CABRIO
5	911 613 319 02	Tip switch Intensive windscreen washer		1	
5	911 613 113 00	Changeover switch Door mirror		1	
5	911 613 319 01	Tip switch Electrically adjustable		1	
5	911 613 321 01	Tip switch Headlight washer system		1	
6	911 618 011 00	Rear window wiper Knob		1	
7	911 618 209 00	Potentiometer Hexagon nut		1	
8	900 028 019 01	Spring washer		1	
9	911 613 149 00	Switch Fog headlamp		1	
10	911 613 213 03	Rosette		1	
-	900 631 132 90	Bulb		1	
11	911 613 028 10	Knob		1	
12	911 613 149 00	Switch Rear fog light		1	
13	911 613 213 03	Rosette		1	
-	900 631 132 90	Bulb		1	
14	911 613 028 10	Knob		1	
15	911 613 124 32	Hazard warning light sw.		1	
-	900 631 102 90	Light 2 W		1	
16	911 613 148 00	Switch Rear window heating		1	
(16)	911 613 159 00	Switch Door mirror		1	CABRIO
		Heated			
17	911 652 102 06	Cigarette lighter		1	
17	911 652 102 08	Cigarette lighter		1	
17A	644 652 112 00	Glower Cigarette lighter		1	
17B	911 652 122 02	Connector Cigarette lighter		1	
17C	901 613 801 00	Connector Connector		1	
		for			
		Auxiliary units			
18	911 613 621 03	Switch for window opener		3	
18A	911 613 635 20	Assembly frame		1	
19	911 618 149 01	Pulse sender Wipe interval		1	

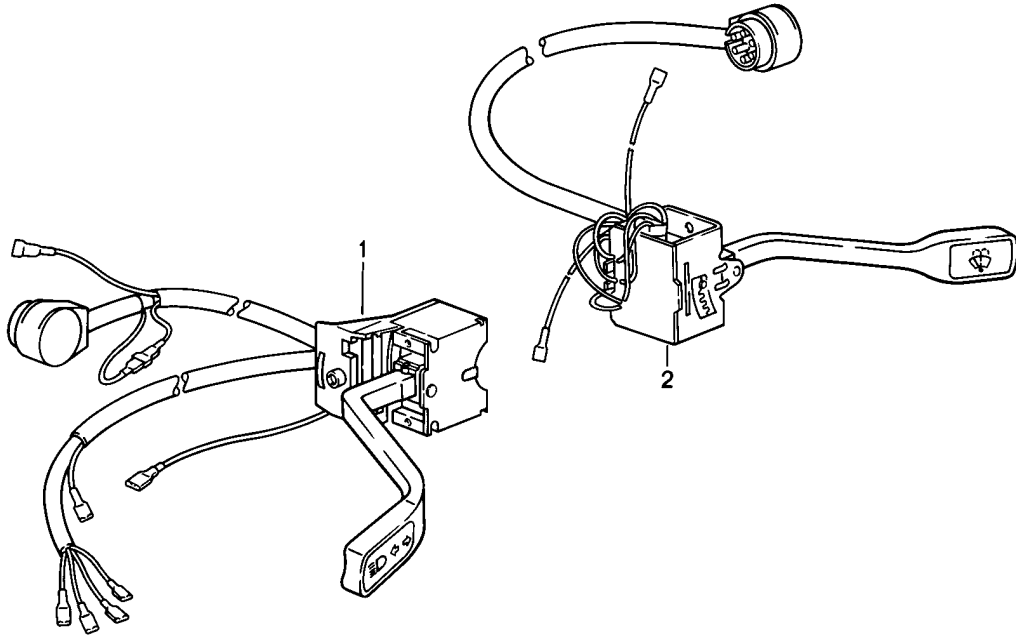
Model: 911 84

Model life 1984&gt;&gt;1986

Pos	Part Number	Description	Remark	Qty	Model
19A	N 013 970 5	Oval-head sheetmetal screw B 4,8 X 9,5		1	
19A	N 106 568 02	Oval-head sheetmetal screw B 4,8 X 9,5		1	
20	911 618 147 01	Potentiometer Wipe interval		1	
20	911 618 147 02	Potentiometer Wipe interval		1	
20A	911 618 207 00	Spacer sleeve		1	
21	928 618 111 00	Relay Headlight washer system		1	
21A	N 013 968 7	Tapping screw B 4,8 X 13		1	
21A	900 143 097 01	Tapping screw B 4,8 X 13		1	
22	901 615 616 20	Rubber cap		1	
23	964 613 601 00	Door contact switch Luggage compartment lamp		3	
(23)	928 613 147 00	Door contact switch Interior light		3	
(23)	901 615 601 02	Contact switch Glove compartment Light		1	
(23)	901 615 601 03	Contact switch Glove compartment Light		1	
24	901 615 615 20	Concave washer		2	
25	900 031 001 60	Washer 8,4		2	
26	901 613 523 20	Contact bow Handbrake Indicator light		1	
27	901 613 521 20	Contact switch Cap with symbol		1	
28	911 613 239 01	Cap with symbol Light switch		1	
28	911 613 239 02	Cap with symbol Light switch		1	
29	911 613 233 02	Cap with symbol Fog headlamp		1	
29	911 613 233 03	Cap with symbol		1	
29	911 613 233 03 01C	Satin black Fog headlamp		1	
29	911 613 233 03	Cap with symbol for Fog headlamp		1	
29	911 613 233 03 01C	Black		1	
30	911 613 234 02	Cap with symbol Rear fog light		1	
31	911 613 235 01	Cap with symbol Cigarette lighter		1	
31	911 613 235 02	Cap with symbol Cigarette lighter		1	

Model: 911 84

Model life 1984>>1986



Model: 911 84

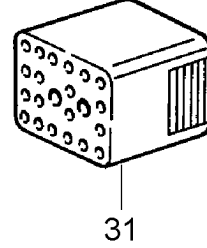
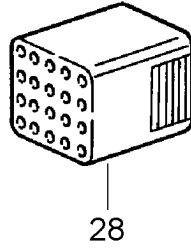
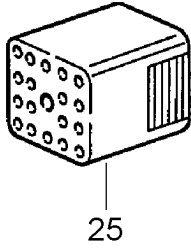
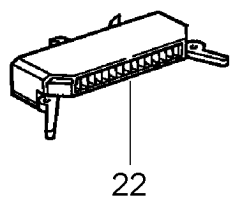
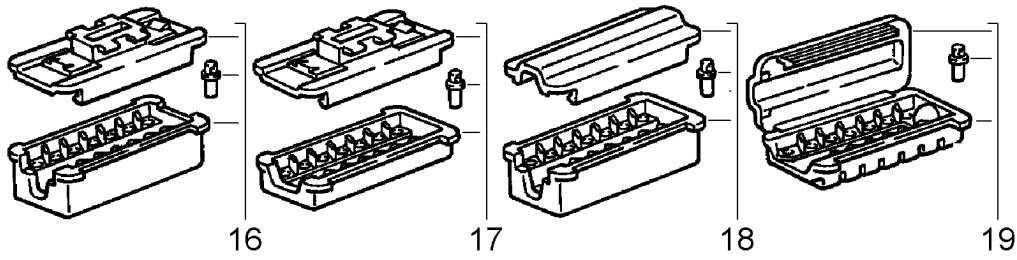
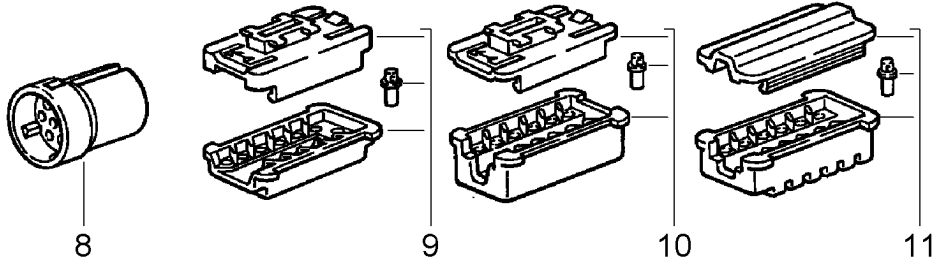
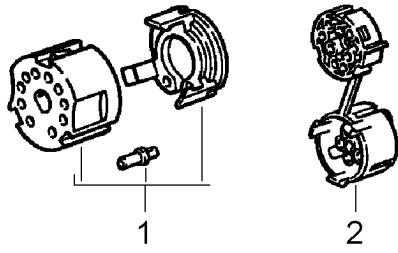
Model life 1984&gt;&gt;1986

Pos	Part Number	Description	Remark	Qty	Model
1	911 613 305 01	Steering column switch Steering column switch Left		1	
2	911 613 306 02	Steering column switch Right		1 1	



Model: 911 84

Model life 1984>>1986

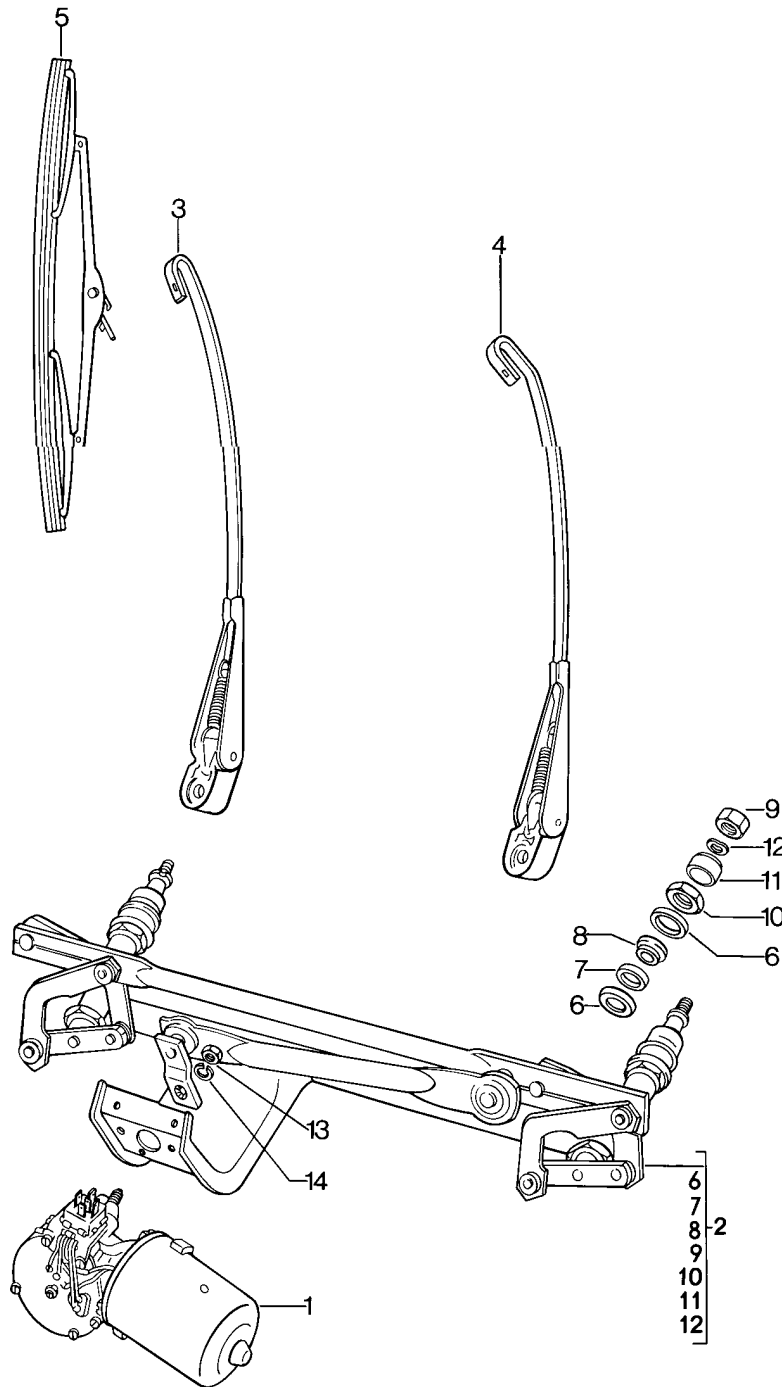


Model: 911 84 Model life 1984>>1986

Pos	Part Number	Description	Remark	Qty	Model
		Connector housing 10-pole Until 22-pole 10-pole			
1	911 612 889 00	Connector housing with		X	
-		Contact bush		10	
2	944 613 531 01	Connector housing for		X	
-	944 612 548 00	Contact bush 12-pole		10	
8	861 972 524	Connector housing 1,6 / 3,5		X	
9	911 612 122 02	Plug socket with		X	
		Contact bush		12	
9	911 612 122 04	Plug socket with		X	
		Contact bush		12	
10	928 612 423 00	Connector housing		X	
11	911 612 884 00	Connector housing		X	
11	911 612 121 01	Connector housing 14-pole		X	
16	911 612 115 02	Connector housing		X	
17	911 612 113 05	Connector housing		X	
18	911 612 115 03	Connector housing		X	
19	944 612 215 00	Connector housing without		X	
		Contact bush 99965235122 17-pole		14	
22	944 612 311 00	Connector housing for		X	
-	999 652 380 12	Contact spring 19-pole		X	
25	171 971 971 C	Connector housing Nature		X	
(25)	171 971 971 E	Connector housing White		X	
		20-pole			
28	171 971 971	Connector housing Yellow		X	
(28)	171 971 971 D	Connector housing Red		X	
		22-pole			
31	171 971 971 A	Connector housing Black		X	
(31)	171 971 971 B	Connector housing Blue		X	

Model: 911 84

Model life 1984>>1986



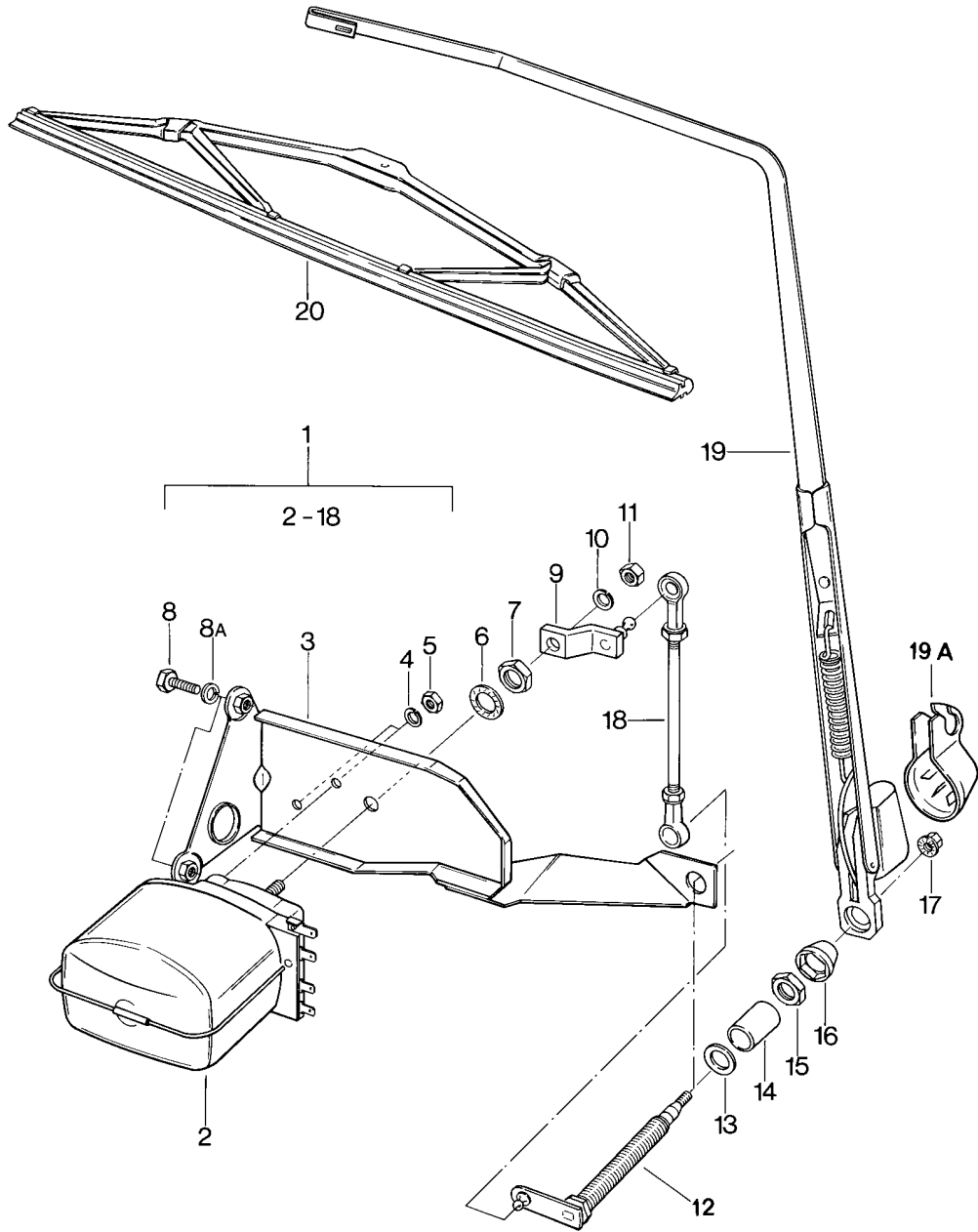
Model: 911 84

Model life 1984&gt;&gt;1986

Pos	Part Number	Description	Remark	Qty	Model
		Windscreen wiper system			
1	911 628 115 01	Wiper motor	/LL 84	1	
(1)	911 628 115 02	Wiper motor	/LL 85-	1	
(1)	911 628 114 00	Wiper motor	/RL 84	1	
(1)	911 628 114 01	Wiper motor	/RL 85-	1	
2	911 628 961 00	Crank drive with POS. 6-12	/LL -84	1	
(2)	911 628 961 01	Crank drive with POS. 6-12	/RL -84	1	
2	911 628 035 01	Crank drive	/LL 85-	1	
(2)	911 628 036 01	Crank drive	/RL 85-	1	
3	911 628 313 00	Wiper arm	/LL /L /RL /R	1	
4	911 628 314 00	Wiper arm	/LL /R	1	
(4)	911 628 312 00	Wiper arm	/RL /L	1	
5	964 628 901 00	Wiper blade		2	
5	964 628 901 02	Wiper blade		2	
6	911 628 963 00	Flange washer Black		4	
7	901 628 923 01	Rubber bush		2	
8	901 628 924 00	Rubber bush		2	
9	N 011 118 11	Hexagon nut BM 8		2	
9	900 034 001 05	Hexagon nut BM 8		2	
9	N 011 118 11	Hexagon nut		2	
9	900 034 001 05	Hexagon nut		2	
10	901 628 925 00	Hexagon nut		2	
11	901 628 926 00	Cap		2	
12	901 628 927 00	Spring washer		2	
12	481 955 349	Spring washer		2	
12	803 955 437	Spring washer		2	
13	900 076 010 02	Nut M 6		1	
13	900 076 010 0B	Nut M 6		1	
14	N 012 226 5	Spring washer 6,4		1	
14		Spring washer		1	

Model: 911 84

Model life 1984>>1986



Model: 911 84

Model life 1984&gt;&gt;1986

Pos	Part Number	Description	Remark	Qty	Model
1	911 628 019 03	Rear window wiper Rear window wiper without Wiper arm And Wiper blade		1	CARRERA
(1)	911 628 019 05	Rear window wiper without Wiper arm And Wiper blade		1	CARRERA M473/491 TURBO
2	911 628 063 00	Wiper motor		1	
3	911 628 037 01	Assembly frame		1	
4	N 012 006 4	Lock ring		2	
5	999 076 023 02	Hexagon nut M 5		2	
6	911 628 338 00	Washer 14,2		1	
7	999 078 014 02	Hexagon nut M 14 X 1		1	
8	999 072 005 09	Hexagon nut M 6 X 12		2	
8	999 072 005 01	Hexagon nut M 6 X 12		2	
8A	N 012 006 4	Lock ring B 6		1	
9	901 628 318 00	Lever		1	
10	N 012 006 4	Lock ring A 6		1	
11	999 076 024 02	Hexagon nut M 6		1	
12	911 628 256 02	Wiper bearing		1	CARRERA
(12)	911 628 256 01	Wiper bearing		1	CARRERA M473/491 TURBO
13	999 040 002 00	Round seal B 10		1	
14	911 628 251 03	Bush 14 MM		1	
(14)	911 628 251 01	Bush 23 MM		1	
(14)	911 628 251 04	Bush 4 MM		1	
(14)	911 628 251 02	Bush 27 MM		1	
15	999 183 004 02	Hexagon nut M 12 X 1		1	
16	911 628 193 00	Cap		1	
17	999 084 045 02	Lock nut M 6		1	
18	911 628 145 00	Joint rod		1	
18	911 628 145 01	Joint rod		1	
19	911 628 611 01	Wiper arm		1	
19A	911 628 623 00	Cap		1	
20	911 628 613 01	Wiper blade		1	
-	911 613 321 01	Tip switch		1	
-	911 612 031 02	Wiring harness Rear window wiper		1	CARRERA
-	911 612 031 01	Wiring harness		1	TURBO M491
-	911 612 025 01	Rear window wiper Wiring harness Rear window wiper	/LL	1	

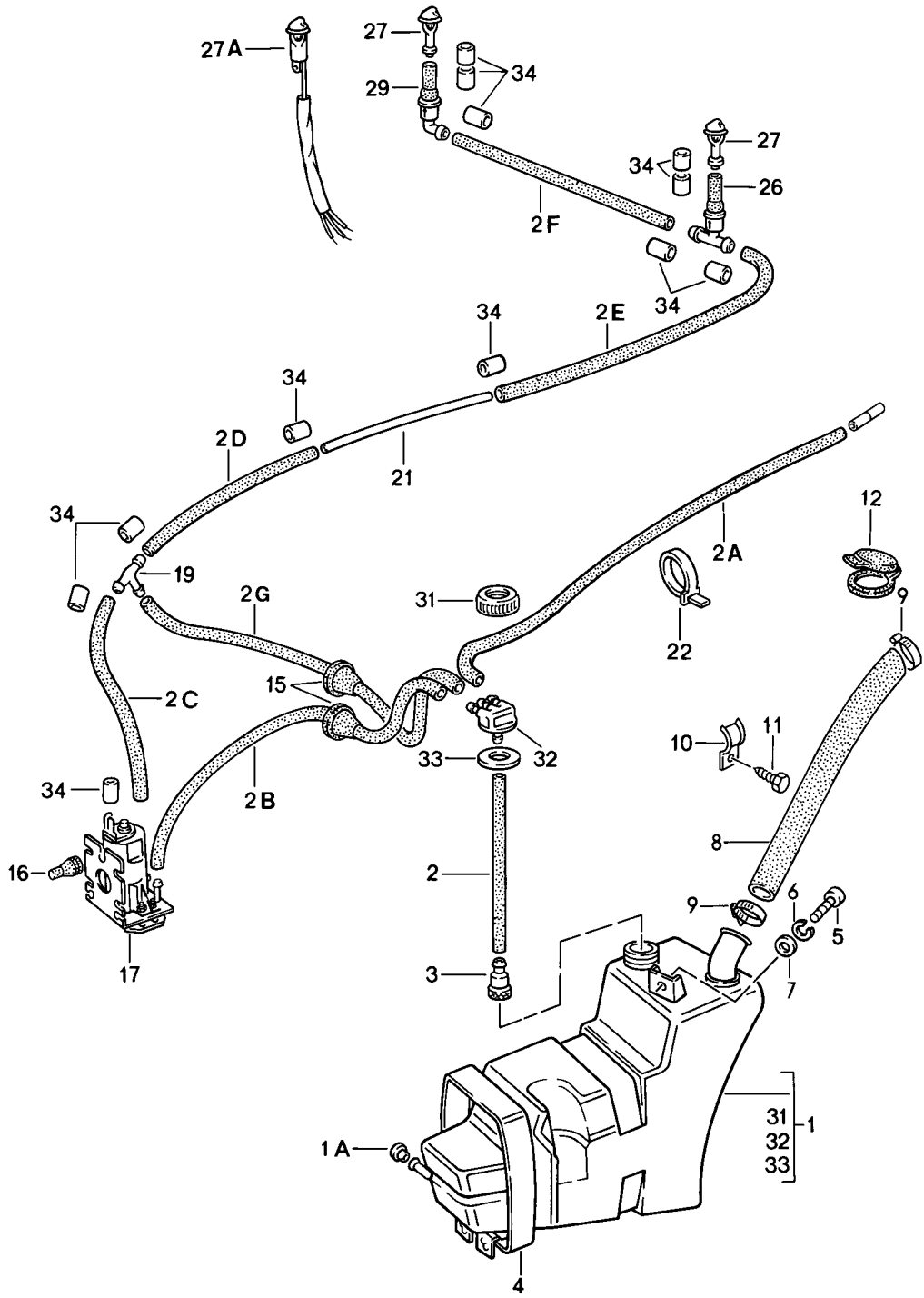
Model: 911 84

Model life 1984>>1986

Pos	Part Number	Description	Remark	Qty	Model
-	911 612 063 01	Switch Wiring harness Rear window wiper	/RL	1	
-	911 612 223 00	Switch Single line Rear window wiper		1	
-	911 612 019 00	Switch Wiring harness Rear window wiper	/LL	1	
-	911 612 099 00	Switch Wiring harness Rear window wiper	/RL	1	
-	911 617 106 01	Switch Diode		1	
-	911 617 106 02	Diode		1	

Model: 911 84

Model life 1984>>1986





Model: 911 84 Model life 1984>>1986

Pos	Part Number	Description	Remark	Qty	Model
1	911 628 075 08	Windscreen washer system		1	
		Water reservoir			
		When required order also:			
1A	999 703 013 50	Stopper		1	
		for			
		Water reservoir			
-	N 020 301 1	Hose	-84	X	
		4 X 6			
-	PCG 020 301 10	Hose		X	
		4 X 1			
		3000 MM			
2		300 MM		1	
2A		800 MM		1	
2B		650 MM		1	
2C		150 MM		1	
2D		360 MM		1	
2E		360 MM		1	
2F		900 MM		1	
2G		500 MM		1	
-	999 181 722 40	Hose	85-	*	
		4,6 X 8,2			
(2)		300 MM		1	
(2A)		800 MM		1	
(2B)		650 MM		1	
(2C)		150 MM		1	
(2D)		1790 MM		1	
(2F)		1060 MM		1	
(2G)		500 MM		1	
3	911 628 749 00	Valve		1	
4	911 628 081 00	Restraining strap		1	
4	911 628 081 02	Restraining strap		1	
5	N 010 217 9	Hexagon-head bolt		1	
		M 6 X 20			
6	N 012 007 2	Lock ring		1	
		A 6			
6	900 027 004 03	Lock ring		1	
		A 6			
7	900 151 003 02	Washer		1	
		A 6			
7	900 151 006 03	Washer		1	
		A 6			
8	911 628 236 00	Filling hose		1	
		25 X 32 X 710			
8	911 628 236 01	Filling hose		1	
		25 X 32 X 710			
9	999 512 356 02	Hose clamp		2	
10	911 573 145 00	Clamp		1	
10	911 573 145 01	Clamp		1	
11	900 187 025 02	Hexagon-head tapping screw		1	
		B 5,5 X 13			
12	964 201 507 00	Lid		1	
		Filler neck			
15	911 612 413 00	Rubber sleeve		1	
16	914 628 741 00	Stopper		3	
17	928 628 074 01	Pump		1	
19	901 628 749 20	T-piece		1	
21	911 628 237 00	Pipe		1	
		4 X 5 X 1100 MM			
21	901 628 739 22	Pipe		1	
		4 X 5 X 1100 MM			
22	999 513 023 40	Tie-wrap		2	
26	914 628 433 00	Valve		1	
27	914 628 203 11	Nozzle	84	2	

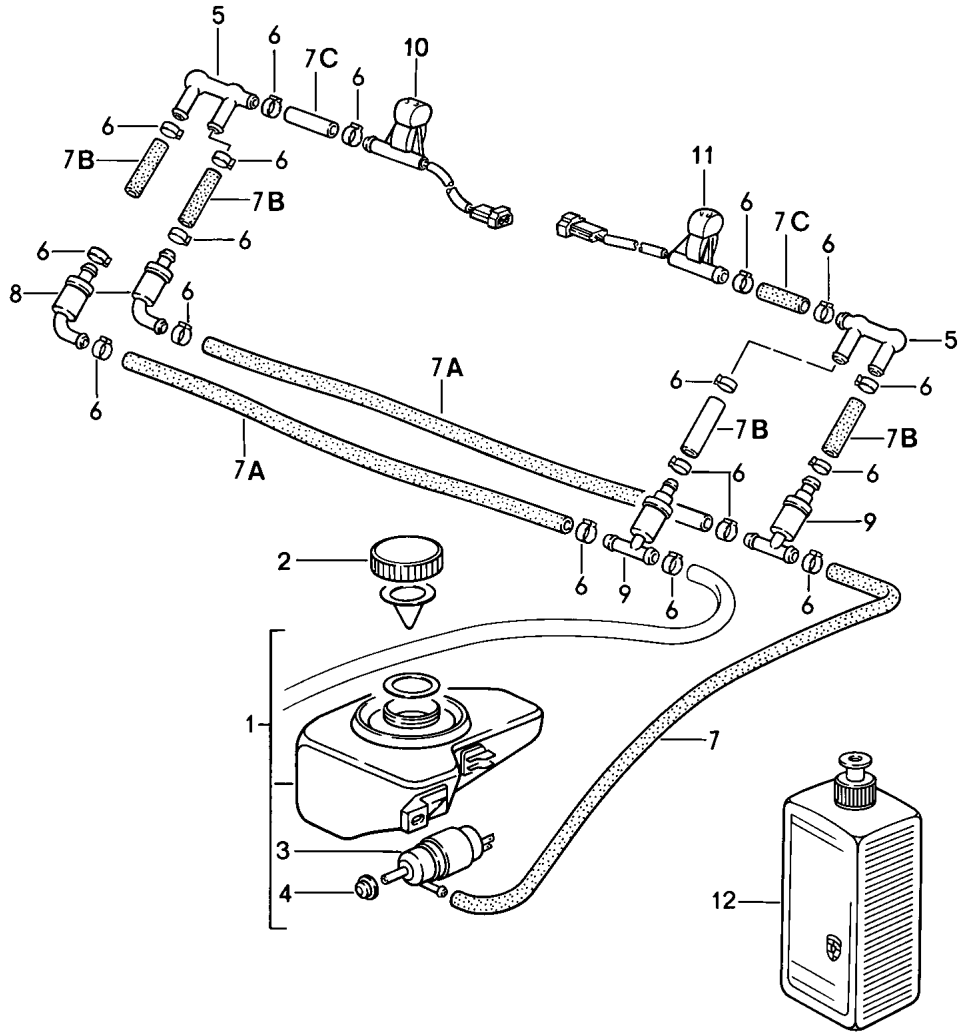
Model: 911 84

Model life 1984>>1986

Pos	Part Number	Description	Remark	Qty	Model
27A	928 628 077 00	Nozzle Heated	85-	2	
29	477 955 481	Valve		1	
31	911 628 735 00	Threaded cover		1	
31	911 628 735 01	Threaded cover		1	
32	911 628 737 00	Connecting piece		1	
33	911 628 743 00	Closing gasket		1	
34	111 971 521 A	Hose		8	

Model: 911 84

Model life 1984>>1986



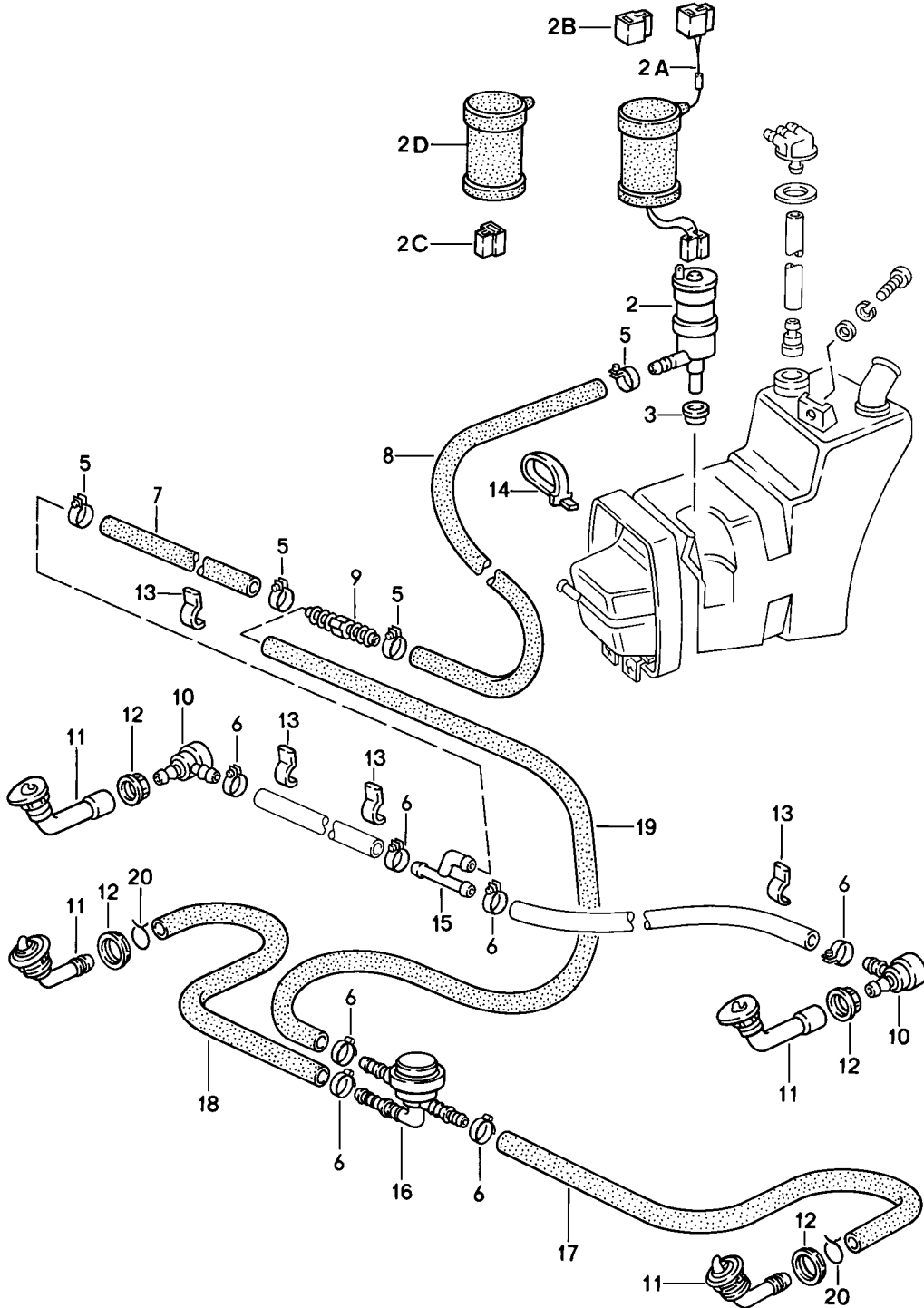
Model: 911 84

Model life 1984>>1986

Pos	Part Number	Description	Remark	Qty	Model
1	911 628 027 00	Intensive windscreen washer Water reservoir		1	
2	911 628 077 00	Threaded cover with Gasket		1	
3	431 955 651	Pump		1	
4	431 955 465 B	Sealing ring		1	
5	911 628 617 00	Connecting piece		1	
6	N 100 020 01	Clip		20	
6	999 512 527 00	Clamp		20	
-	999 181 722 40	Hose 4,6 X 8,2		*	
7		600 MM		1	
7A		915 MM		2	
7B		20 MM		4	
7C		140 MM		2	
8	477 955 481	Valve		2	
9	914 628 433 00	Valve		2	
10	928 628 077 00	Nozzle	/R	1	
	928 628 077 00 01C	Black			
11	944 628 077 00	Nozzle	/L	1	
	944 628 077 00 01C	Black			
12	928 628 931 00	Silicone remover 1 LITER		X	
12	000 044 000 93	Silicone remover 1 LITER		X	

Model: 911 84

Model life 1984>>1986



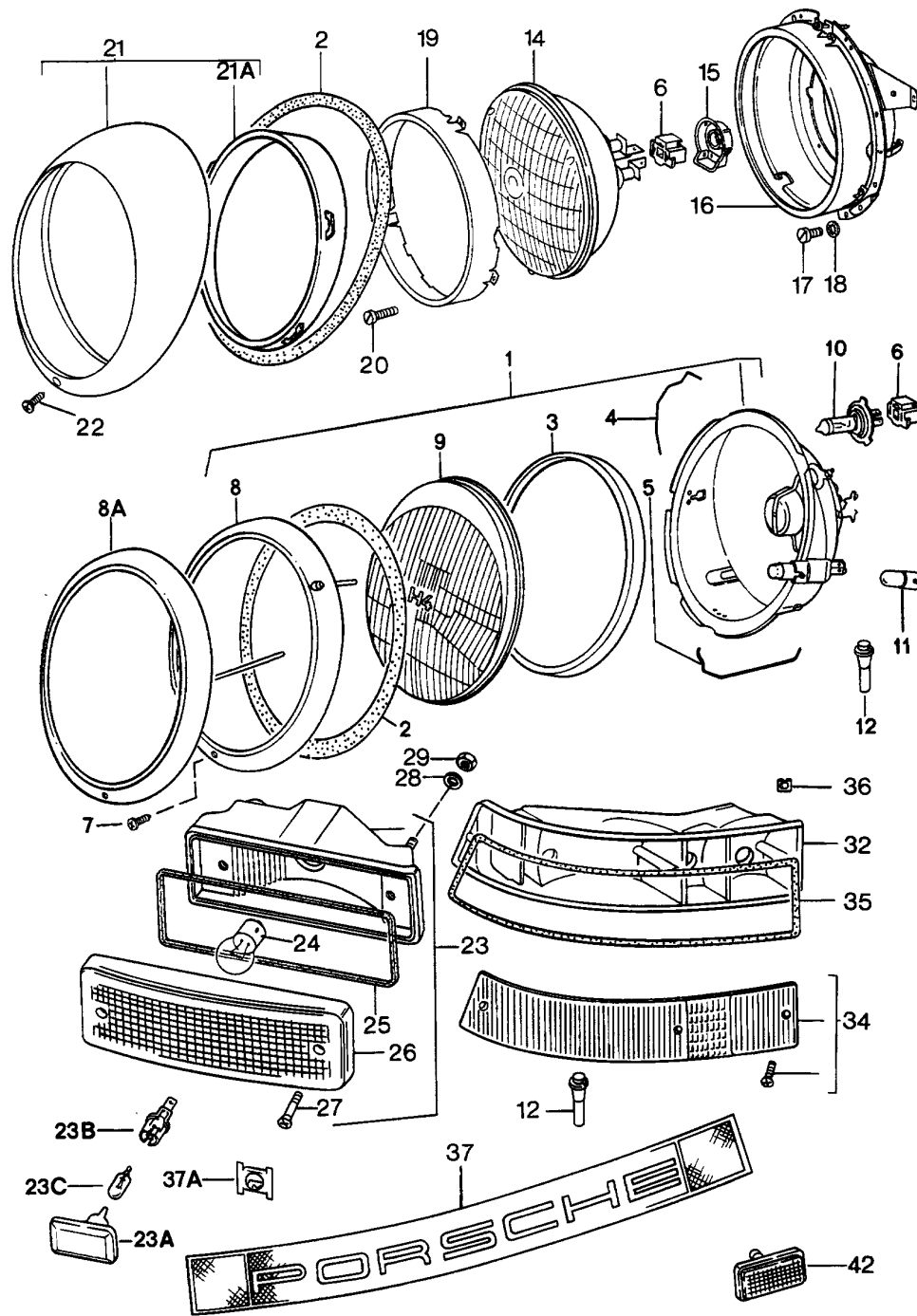
Model: 911 84

Model life 1984>>1986

Pos	Part Number	Description	Remark	Qty	Model
-	911 628 075 07	Headlight washer system Water reservoir		1	
2	191 955 681	Headlight washer system Pump		1	
2A	911 612 179 01	Wiring harness		1	
2B	999 652 192 47	Connector housing		1	
2C	999 652 167 40	Terminal sleeve housing		1	
2D	477 971 921	Protection cap		1	
3	928 628 193 00	Gasket		1	
5	N 023 570 2	Hose clamp		4	
6	999 512 160 02	Hose clamp		4	
6	PCG 512 160 02	Hose clamp		4	
(6)	999 512 335 02	Clamp		7	
-	999 181 806 40	Hose PVC 10 X 16		*	
7		420 MM		1	
8		230 MM		1	
9	999 137 023 40	Hose connection		1	
10	477 955 183	Pressure control valve		2	
11	911 628 085 01	Jet carrier	84	2	
(11)	911 628 071 01	Jet carrier	85-	2	
12	900 281 002 40	Hexagon nut		2	
13	999 613 017 40	Covering for Cable holder		*	
14	999 513 008 40	Tie-wrap		1	
15	914 628 413 10	Distributing piece		1	
16	281 955 187	Valve		1	
-	999 181 806 40	Hose		*	
17		610 MM		1	
18		630 MM		1	
19		640 MM		1	

Model: 911 84

Model life 1984>>1986



Model: 911 84 Model life 1984>>1986

Pos	Part Number	Description	Remark	Qty	Model
1	911 631 112 02	Headlamp Lights Headlamp	/RL (AUS) (GB)	2	
		H 4 with Ring Resicoated	(ZA)		(HK)
1	911 631 113 02	Headlamp	/LL	2	
		H 4 with Ring Resicoated			
2	911 631 115 02	Gasket		2	
3	911 631 967 00	Gasket		2	
4	901 631 116 02	Locking spring		6	
		Upper			
5	644 631 122 00	Locking spring		5	
		Lower			
6	911 631 108 00	Terminal sleeve housing		2	
-	N 017 498 A	Flat plug		X	
		7,7 X 1 CuZn			
7	911 631 132 00	Oval-head screw		2	
		M 4 X 9			
8	911 631 933 00	Headlamp ring		2	
		Chrome			
8	911 631 933 01	Headlamp ring		2	
		Resicoated			
8A	911 631 141 00	Headlamp ring		2	
		Prime coated			
8A		Headlamp ring		2	
-	911 631 033 00	Ball screw		2	
-	911 631 132 00	Oval-head screw		2	
		M 4 X 9			
		Headlamp ring			
		Prime coated			
-	113 951 539	Washer		2	
-	911 631 139 00	Spacer sleeve		2	
9	911 631 927 01	Lens		2	
		for			
		911.631.112.02			
-	PCG 911 631 01	Kit	/RL	1	
		Lens			
		Comprising:			
-	911 631 927 01	Lens		2	
-	911 631 115 02	Gasket		2	
-	911 631 967 00	Gasket		2	
-	113 951 539	Washer		2	
(9)	911 631 927 00	Lens		2	
		for			
		911.631.113.02			
-	PCG 911 631 00	Kit	/LL	1	
		Lens			
		Comprising:			
-	911 631 927 00	Lens		2	
-	911 631 115 02	Gasket		2	
-	911 631 967 00	Gasket		2	
-	113 951 539	Washer		2	
10	999 631 202 90	Bulb		2	
		H 4 12 V - 60/55 W			
(10)	999 631 202 91	Halogen bulb	(F)	2	
		H 4 12 V - 60/55 W			
		Yellow			



Model: 911 84 Model life 1984>>1986

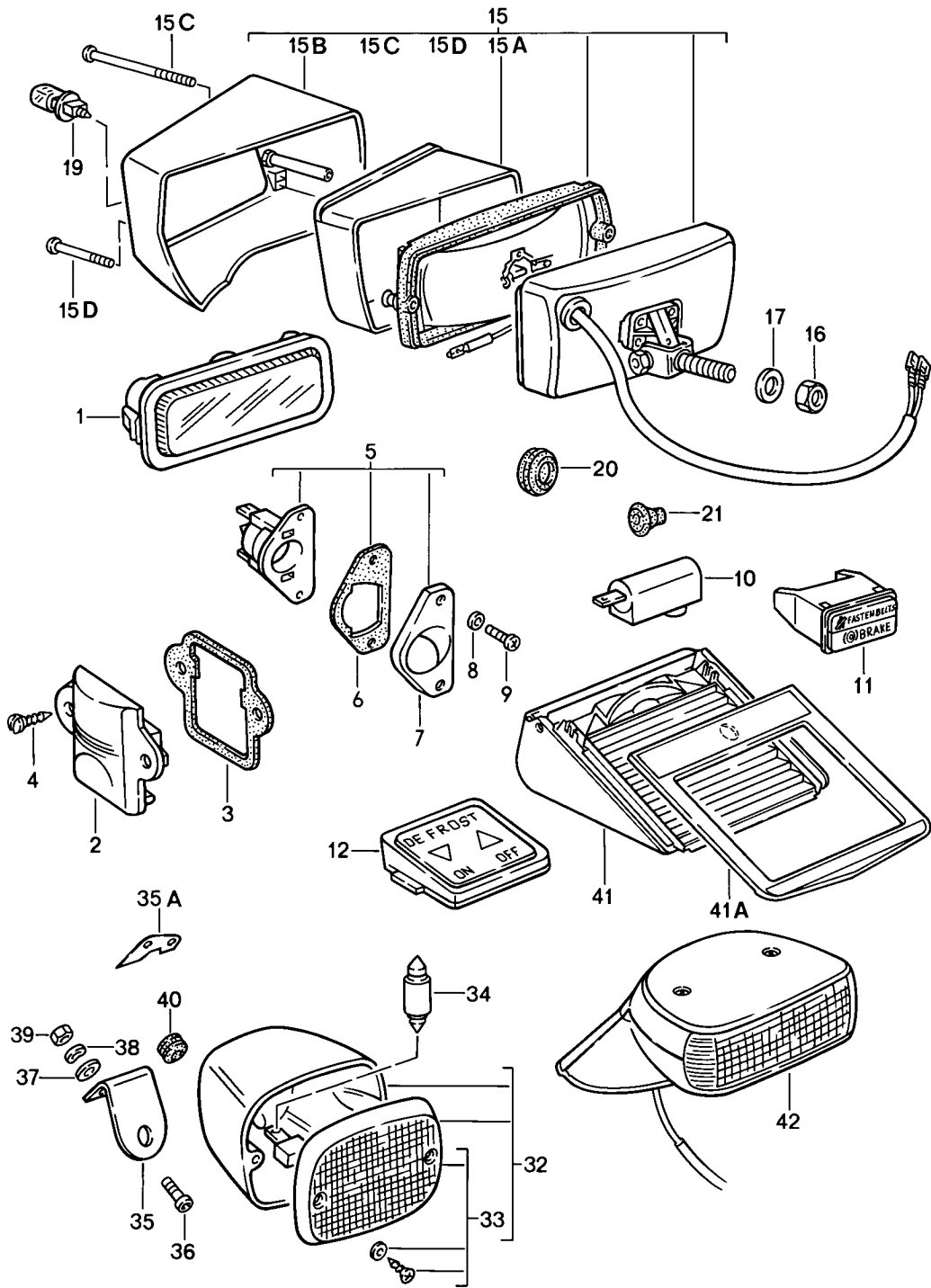
Pos	Part Number	Description	Remark	Qty	Model
11	900 631 103 90	Bulb 12 V - 4 W		2	
(12)	911 631 259 02	Rubber sleeve		4	
(14)	911 631 114 00	Headlamp	(J)	2	
-	900 631 109 90	Bulb 12 V - 45/40 W for 911.631.114.00	(J)	2	
15	911 631 116 00	Cap for 911.631.114.00	(J)	2	
20	N 014 122 17	Oval-head screw M 4 X 8		6	
23	911 631 405 00	Direction indicator light		2	
23A	4A0 949 101	Direction indicator light		2	
23B	161 949 111	Bulb socket		2	
23C	999 631 032 90	Bulb		2	
24		Bulb See group 9/05/05			
25	911 631 961 00	Rubber seal		2	
26	911 631 914 00	Direction indicator light Lens		2	
27	911 631 918 00	Direction indicator light Oval-head sheetmetal screw with Washer		4	
28	900 025 003 02	Washer 5,3		4	
29	N 021 196 1	Lock nut M 5		4	
29	N 021 196 3	Hexagon nut M 5		4	
-	999 591 379 01	Cable clamp		4	
32	911 631 939 00	Tail light housing	/L	1	
(32)	911 631 940 00	Tail light housing	/R	1	
-	N 100 818 01	Oval-head screw for Tail light housing M5 X 16		X	
34	911 631 949 00	Lens	/L	1	
-	PCG 631 911 00	Screw Fastening screw Silver Comprising: 6 Schrauben 6 Dichtungen		1	
-	PCG 631 911 01	Screw Fastening screw Black Comprising: 6 Schrauben 6 Dichtungen		1	
(34)	911 631 950 00	Lens	/R	1	
-	PCG 631 911 00	Screw Fastening screw Silver Comprising: 6 Schrauben 6 Dichtungen		1	
-	PCG 631 911 01	Screw Fastening screw Black		1	

Model: 911 84 Model life 1984>>1986

Pos	Part Number	Description	Remark	Qty	Model
		Comprising: 6 Schrauben 6 Dichtungen			
35	911 631 971 01	Gasket	/L	1	
(35)	911 631 971 00	Gasket	/R	1	
36	999 507 312 12	Nut lock M 5		4	
36	999 507 330 02	Cable holder M 5		4	
36	999 507 312 12	Nut lock M 5		4	
37	911 631 432 03	Covering with Reflector		1	
(37)	911 631 432 02	Covering  without Reflector		1	TURBO M491
37A	999 591 447 02	Cage		10	
42	930 633 101 01	Reflector		2	TURBO
42	930 633 101 02	Reflector		2	TURBO
42	930 633 101 01	Reflector	84	2	TURBO M491
42	930 633 101 02	Reflector	84	2	TURBO M491

Model: 911 84

Model life 1984>>1986



Model: 911 84 Model life 1984>>1986

Pos	Part Number	Description	Remark	Qty	Model
		Interior light			
		Fog headlamp			
		Lights			
(1)	901 632 101 28	Interior light		2	COUPE
(1)	911 632 102 00	Light		1	TARGA/CABRIO
(1)		Light		1	
-	964 555 153 00	Desk pad		2	CARRERA
		Interior light			COUPE
2	901 632 201 01	Luggage compartment lamp		1	
3	901 632 291 00	Desk pad		1	
		Luggage compartment lamp			
4	N 013 961 2	Oval-head sheetmetal screw		2	
		B 3,9 X 13			
4	N 013 961 11	Oval-head sheetmetal screw		2	
		B 3,9 X 13			
5	911 631 620 04	License plate light		2	
6	911 631 608 00	Gasket		2	
		License plate light			
6	911 631 608 01	Gasket		2	
		License plate light			
7	911 631 606 00	Lens		2	
8	911 631 604 00	Sealing washer		4	
9	900 146 041 07	Oval-head screw		4	
		BM 3 X 15			
-	999 591 381 02	Cable clamp		2	
-	999 591 381 01	Cable clamp		2	
10	911 632 904 00	Ashtray light		1	
-	911 632 017 00	Indicator light	86-	1	CABRIO
		Convertible top			
		Electric			
11	944 632 211 00	Combination warning light	-85	1	
		for			
		Belt			
		Brake			
-	PCG 632 211 00	Lens	-85	1	
		Combination warning light			
		for			
		94463221100			
(11)	911 632 211 00	Indicator light	86-	1	
		for			
		Belt			
		Brake			
-	PCG 632 211 00	Lens	86-	1	
		Combination warning light			
		for			
		91163221100			
(11)	945 632 212 00	Indicator light	(AUS)	1	
		("PARK-BRAKE"/"BRAKE")			
-	PCG 632 213 00	Lens		1	
		Combination warning light			
		for			
		94563221200			
-	911 632 116 01	Grommet		1	
		for			
		Double			
		Indicator light			
15	911 631 203 00	Fog headlamp	/L	1	
		Light-diffusing lens			
		Clear			
15	911 631 203 01	Fog headlamp	/L	1	
		Light-diffusing lens			
		Yellow			
15	911 631 204 00	Fog headlamp	/R	1	

Model: 911 84

Model life 1984&gt;&gt;1986

Pos	Part Number	Description	Remark	Qty	Model
15	911 631 204 01	Light-diffusing lens Clear Fog headlamp	/R	1	
15A	911 631 941 00	Light-diffusing lens Yellow	/L	1	
(15A)	911 631 941 01	Light-diffusing lens Clear	/L	1	
15A	911 631 942 00	Light-diffusing lens Yellow	/R	1	
(15A)	911 631 942 01	Light-diffusing lens Clear	/R	1	
15B	911 631 981 00	Frame for light	/L	1	
(15B)	911 631 982 00	Frame for light	/R	1	
15C	911 631 983 00	Oval-head screw M 4 X 80		1	
15D	911 631 984 00	Oval-head screw M 4 X 37		1	
16	N 011 185 6	Hexagon nut M 10		2	
17	900 151 026 02	Washer B 10,5 X 30		2	
17	900 151 050 01	Washer B 10,5 X 30		2	
19	900 631 126 90	Halogen bulb H 3		2	
20	999 702 084 50	Rubber sleeve		2	
21	911 612 132 00	Grommet		2	
32	911 631 251 29	Rear fog light		2	
33	911 631 975 00	Lens with Screw And Gasket		2	
34	900 631 127 90	Bulb 12 V - 21 W		2	
34		Bulb 12 V - 21 W		2	
(35)	911 631 125 02	Fastening angle		1	
35A	911 631 153 00	Desk pad Fastening angle		1	
36	900 067 117 07	Pan-head screw M 6 X 16		4	
37	900 151 006 09	Washer 6,4		4	
37	N 011 666 7	Washer B 6,4		4	
38	N 012 006 4	Lock ring B 6		4	
38		Lock ring B 6		4	
39	900 076 010 07	Hexagon nut		4	
40	999 702 020 50	Rubber sleeve 8 X 12 X 9		2	
-	999 703 066 50	Stopper		1	
-	999 652 208 10	Cable shoe Rear fog light		2	
-	999 591 381 02	Cable clamp		6	
-	999 591 381 01	Cable clamp		6	
-	999 703 067 50	Stopper		1	
-	911 631 315 01	Engine compartment lamp Bulb		1	

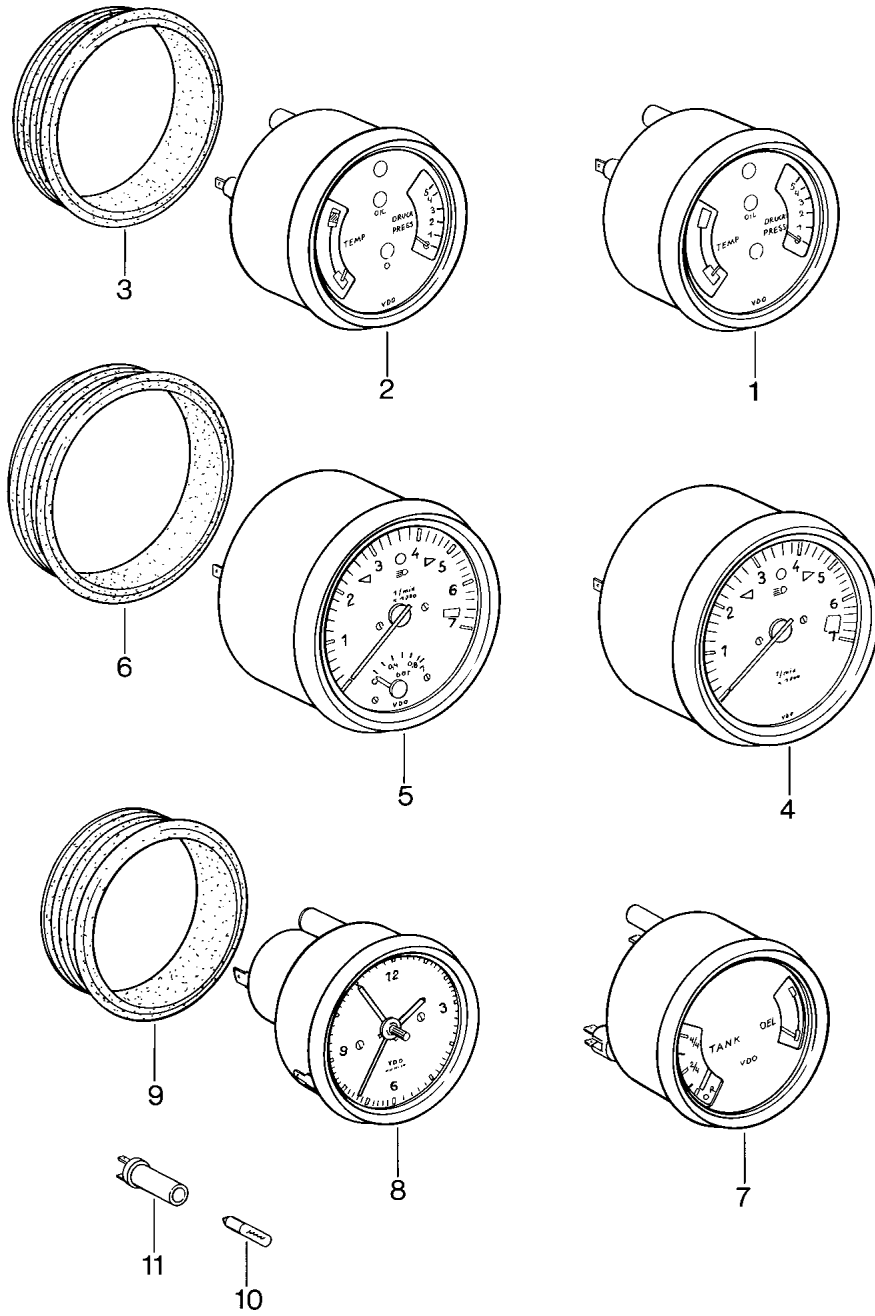
Model: 911 84

Model life 1984>>1986

Pos	Part Number	Description	Remark	Qty	Model
-	999 631 202 90	Bulb H 4 12 V - 60/55 W		2	
-	999 631 202 91	Halogen bulb H 4 12 V - 60/55 W Yellow	(F)	2	
-	900 631 109 90	Bulb 12 V - 45/40 W	(J)	2	
-		Bulb 12 V - 45/40 W	(J)	2	
-	900 631 126 90	Halogen bulb H 3 Fog headlamp		2	
-	900 631 127 90	Bulb 12 V - 21 W		2	
-		Bulb 12 V - 21 W		2	
-	900 631 128 90	Bulb 12 V - 21/5 W		2	
-	900 631 103 90	Bulb  Direction indicator light 12 V - 4 W	(DK) (I) (N) (J)	2	
-	900 631 115 90	Bulb Luggage compartment lamp 12 V - 10 W		1	
-	900 631 106 90	Linolite lamp Interior light Engine compartment lamp 12 V - 10 W		3	
-	900 631 132 90	Bulb 12 V - 1,2 W for Switch Fog headlamp Additional headlamp Rear window heating		X	
-	900 631 123 90	Linolite lamp Rear fog light 12 V - 18 W		2	
-	900 631 123 92	Linolite lamp Rear fog light 12 V - 18 W		2	
-	900 631 104 90	Bulb License plate light 12 V - 5 W		2	

Model: 911 84

Model life 1984>>1986



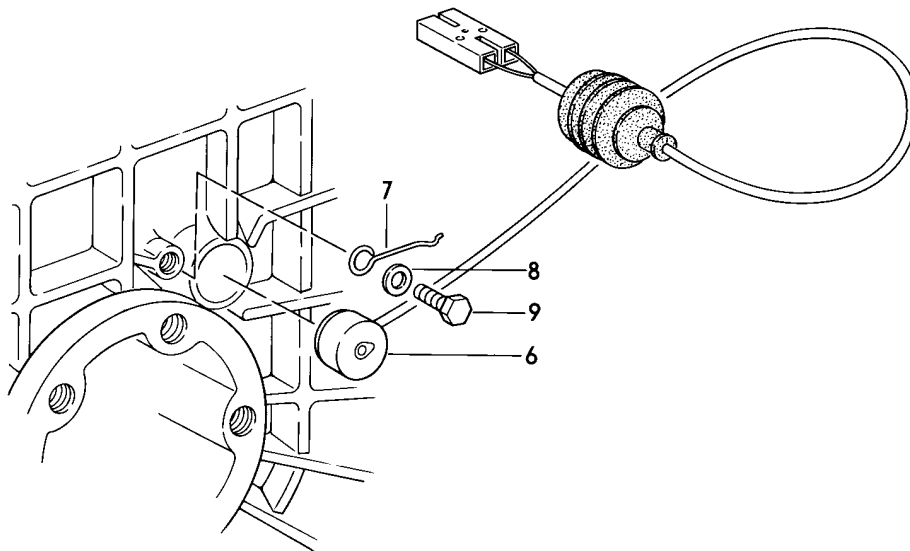
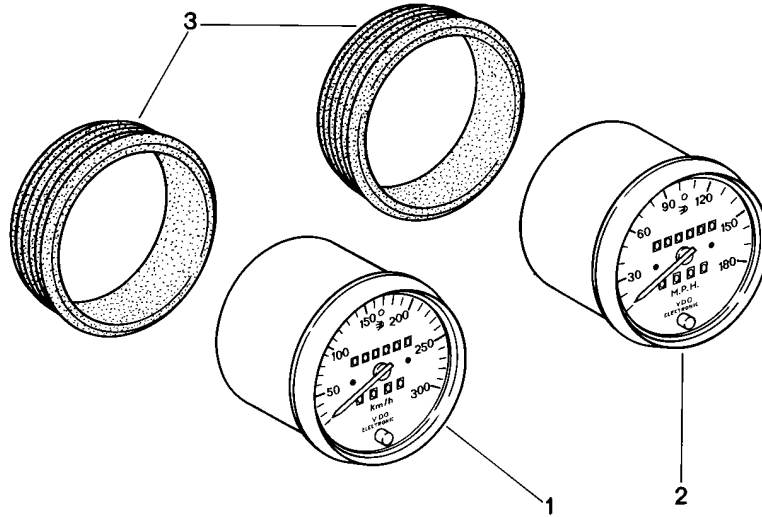
Model: 911 84 Model life 1984>>1986

Pos	Part Number	Description	Remark	Qty	Model
		Instruments			
1	911 641 923 00	Instrument cluster 100 \$		1	
1	911 641 923 X	Instrument cluster 100 \$		1	
3	911 641 902 00	Rubber ring 100 \$	-85	2	
(3)	911 641 902 01	Rubber ring 100 \$	86-	2	
4	911 641 301 06	Tachometer 115 \$		1	CARRERA
(4)	911 641 301 FX	Tachometer 115 \$		1	CARRERA
5	930 641 302 01	Tachometer with Boost pressure gauge 115 \$		1	TURBO
6	911 641 903 00	Rubber ring 115 \$	-85	2	
(6)	911 641 903 01	Rubber ring 115 \$	86-	2	
7	911 641 202 03	Instrument cluster 80 \$		1	
7	911 641 202 DX	Instrument cluster 80 \$		1	
8	911 641 701 29	Clock 80 \$		1	
9	911 641 901 00	Rubber ring 80 \$	-85	2	
(9)	911 641 901 01	Rubber ring 80 \$	86-	2	
-	900 631 132 90	Bulb		X	
-	900 631 103 90	Bulb		1	
		Charging control indicator			
11	999 632 007 00	Bulb socket with Flat plug		X	
(11)	999 632 009 10	Bulb socket Double Flat plug for Glass-base bulb Small		1	
(11)	999 632 002 00	Bulb socket Flat plug Double		1	
-	911 612 047 00	Wiring harness for Instrument Illumination with 8 Bulb socket		1	
-	999 652 161 10	Tubular rivet		8	



Model: 911 84

Model life 1984>>1986

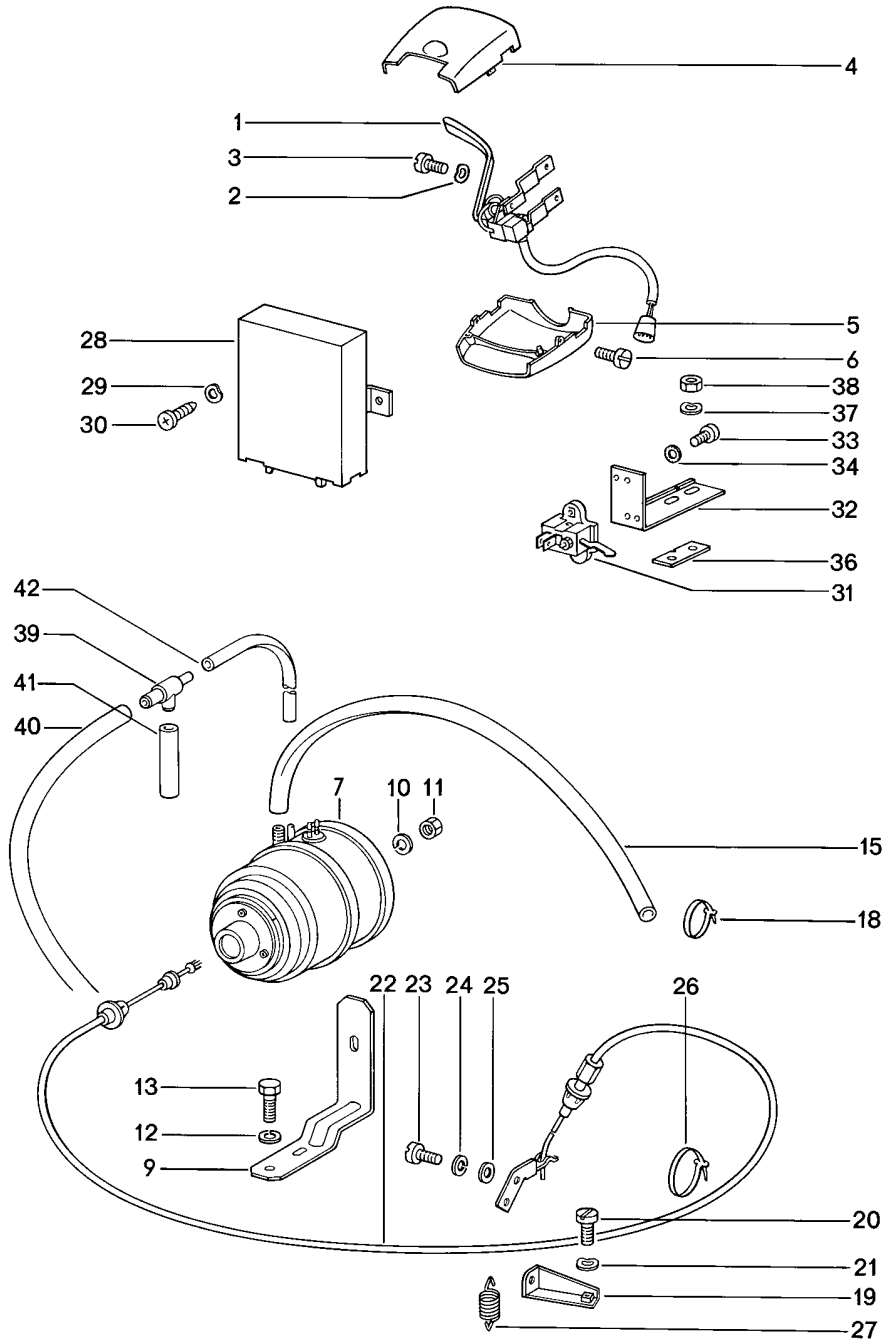


Model: 911 84 Model life 1984>>1986

Pos	Part Number	Description	Remark	Qty	Model
		Speedometer 260 KM/H			
(1)	911 641 516 06	Speedometer		1	CARRERA
(1)	911 641 516 FX	Speedometer 260 KM/H		1	CARRERA
(1)	911 641 516 04	Speedometer 260 KM/H		1	CARRERA (SA)
(1)	911 641 516 DX	Speedometer 260 KM/H		1	CARRERA (SA)
1	930 641 507 01	Speedometer		1	TURBO
1	930 641 507 AX	Speedometer 300 KM/H		1	TURBO
1	930 641 507 03	Speedometer 300 KM/H		1	TURBO (SA)
-	911 641 111 00	Buzzer Relay	(J)	1	, (SA)
(1)	911 641 537 04	Speedometer 250 KM/H with Warning function	(J)	1	CARRERA
(1)	911 641 537 DX	Speedometer 250 KM/H with Warning function	(J)	1	CARRERA
(2)	930 641 508 00	Speedometer	(GB)	1	(HK)
(2)	930 641 508 X	Speedometer MPH 170 + KM/H 270	(GB)	1	(HK)
3	911 641 902 00	Rubber ring	-85	4	
3	911 641 902 01	Rubber ring 100 \$	86-	4	
6	911 606 209 00	Pulse sender	84	1	
6	911 606 209 01	Pulse sender	85-	1	
7	915 660 509 00	Tensioning spring		1	
8	N 011 524 7	Washer A 6,4		1	
8	N 011 524 27	Washer A 6,4		1	
9	999 072 005 09	Hexagon nut M 6 X 12		1	
9	999 072 005 01	Hexagon nut M 6 X 12		1	
-	911 612 406 01	Cable holder		1	
-	900 093 010 02	Grooved nail 3 X 8		1	
-	999 513 002 40	Tie-wrap		1	TURBO
-	N 020 910 4	Tie-wrap		1	TURBO
-	999 513 003 40	Tie-wrap		1	TURBO

Model: 911 84

Model life 1984>>1986



Model: 911 84

Model life 1984&gt;&gt;1986

Pos	Part Number	Description	Remark	Qty	Model
1	911 613 102 01	Cruise control Switch		1	
2	900 115 007 01	Serrated lock washer 3,2		2	
3	900 014 079 02	Pan-head screw M 3 X 10		2	
4	911 613 311 02	Switch housing Upper part		1	
5	911 613 312 02	Switch housing Lower part		1	
6	900 014 079 02	Pan-head screw M 3 X 10		2	
7	911 617 123 02	Drive link		1	
9	911 617 127 00	Support		1	
10	900 027 015 02	Lock ring B 8		1	
10	900 027 015 03	Lock ring B 8		1	
11	900 076 025 02	Hexagon nut M 8		1	
11	900 076 064 02	Hexagon nut M 8		1	
12	N 011 524 7	Washer A 6,4		2	
12	N 011 524 27	Washer A 6,4		2	
13	900 075 260 02	Hexagon-head bolt M 6 X 16 SB		2	
-	N 020 359 1	Hose		*	
15		670 MM		1	
18	999 513 010 40	Tie-wrap 140 MM		1	
19	911 110 226 00	Retaining bracket		1	
20	900 071 005 02	Oval-head screw M 5 X 10		1	
21	N 012 222 4	Spring washer A 5		1	
(22)	911 617 124 04	Bowden cable		1	
23	N 014 128 13	Oval-head screw M 5 X 8		2	
24	N 012 005 3	Lock ring B 5		2	
25	900 025 003 02	Washer A 5,3		2	
26	999 513 010 40	Tie-wrap 250 MM		2	
27	911 110 227 00	Gas prop		1	
28	928 617 127 00	Cruise control regulator		1	
29	N 012 222 4	Spring washer B 5	/LL	2	
30	999 217 008 02	Hexagon-head bolt M 5 X 10 Regulator Boot floor plate	/LL	2	
-	999 507 028 02	Speed nut B 4,2	/RL	1	
-	900 143 007 02	Oval-head sheetmetal screw B 4,2 X 13	/RL	1	
-	900 073 507 01	Oval-head sheetmetal screw B 4,2 X 13	/RL	1	
31	911 613 411 00	Brake light switch		1	
31	911 613 411 01	Brake light switch		1	
32	911 613 131 00	Support		1	

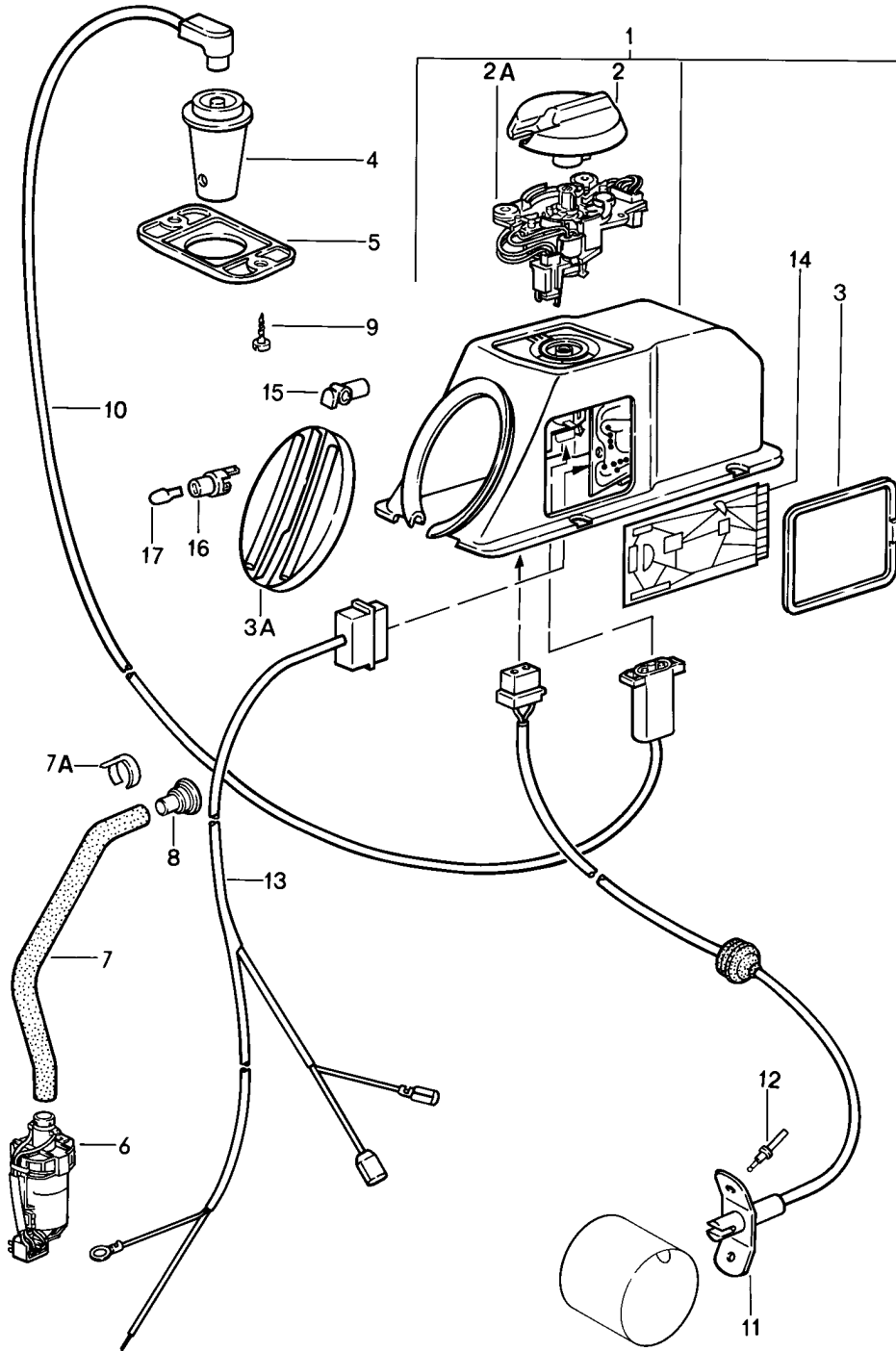
Model: 911 84

Model life 1984&gt;&gt;1986

Pos	Part Number	Description	Remark	Qty	Model
33	900 146 011 02	Oval-head screw M 4 X 10		2	
34	900 114 014 01	Shake-proof washer A 4,3		2	
36	911 613 132 00	Plate		1	
37	N 012 226 5	Spring washer B 6		2	
38	900 076 010 02	Nut M 6		2	
38	900 076 010 0B	Nut M 6		2	
39	321 611 813	T-piece		1	
-	N 020 359 1	Hose C 9 X 15		*	
41		45 MM		1	
40		130 MM		1	
-	999 181 167 50	Hose C 4,5 X 9,5		*	
42		500 MM		1	
-	911 612 157 06	Wiring harness Cruise control regulator Tunnel	/RL 84	1	
-	911 612 157 07	Wiring harness Cruise control regulator Tunnel	/LL 84	1	
-	911 612 157 08	Wiring harness Cruise control regulator Tunnel	/RL 85	1	
-	911 612 157 09	Wiring harness Cruise control regulator Tunnel	/LL 85	1	
-	911 612 157 10	Wiring harness Cruise control regulator Tunnel	86-	1	
-	911 612 158 01	Wiring harness Tunnel	85	1	
-	911 612 158 02	Drive link Wiring harness Tunnel Drive link		1	

Model: 911 84

Model life 1984>>1986



Model: 911 84

Model life 1984&gt;&gt;1986

Pos	Part Number	Description	Remark	Qty	Model
1	911 659 053 00	Heating system 1 Control mechanism Manually	84	1	CABRIO
(1)	911 659 053 01	Control mechanism Manually	85-	1	CABRIO
(1)	911 659 049 02	Control mechanism Automatic	84	1	COUPE, TARGA
(1)	911 659 049 03	Control mechanism Automatic	85- 86-	1	COUPE, TARGA M424
(1)	930 659 059 00	Control mechanism Automatic	86- -85	1	CABRIO TURBO
(1)	930 659 059 01	Control mechanism Automatic	86-	1	TURBO
2	911 659 110 00	Knob		1	
2A	911 659 045 01	Switch	84	1	M424
(2A)	911 659 045 03	Switch	85-	1	M424
3	911 659 108 00	Lid		2	
3A	911 424 591 05	Sleeve for Governor Automatic		1	
(3A)	911 424 591 02	Sleeve for Governor Manually		1	
4	911 659 105 01	Interior sensor	-85	1	
5	911 571 235 01	Rosette	-85	1	
-	911 659 123 00	Cap Connector		1	
6	911 624 065 00	Interior sensor	86-	1	
6	911 624 065 01	Interior sensor	86-	1	
-	911 552 357 00	Bracket	86-	1	
-	900 138 001 02	Tapping screw B 2,6 X 6,5	86-	2	
-	N 013 932 1	Oval-head sheetmetal screw B 2,9 X 6,5	86-	2	
-	944 612 217 00	Connector housing Clutch 4-pole	86-	1	
7	911 572 527 00	Connecting hose	/LL 86-	1	
(7)	911 572 528 00	Connecting hose	/RL 86-	1	
7A	911 572 525 00	Clamping piece for Intake manifold	86-	1	
8	911 572 523 00	Intake manifold	86-	1	
	911 572 523 00 01C	Black			
9	900 143 065 07	Tapping screw B 2,9 X 9,5	-85	2	
9	900 073 003 01	Tapping screw B 2,9 X 9,5		2	
10	911 612 150 00	Wiring harness for Interior sensor	-85	1	
11	911 659 101 00	Caloric feeler		1	
(11)	911 659 101 01	Caloric feeler		1	
-		Connecting piece See group 2/02/00			
12	999 190 129 02	Blind rivet		2	
13	911 612 152 00	Wiring harness	/LL	1	
(13)	911 612 152 01	Wiring harness	/RL	1	
-	N 012 225 2	Spring washer		4	

Model: 911 84

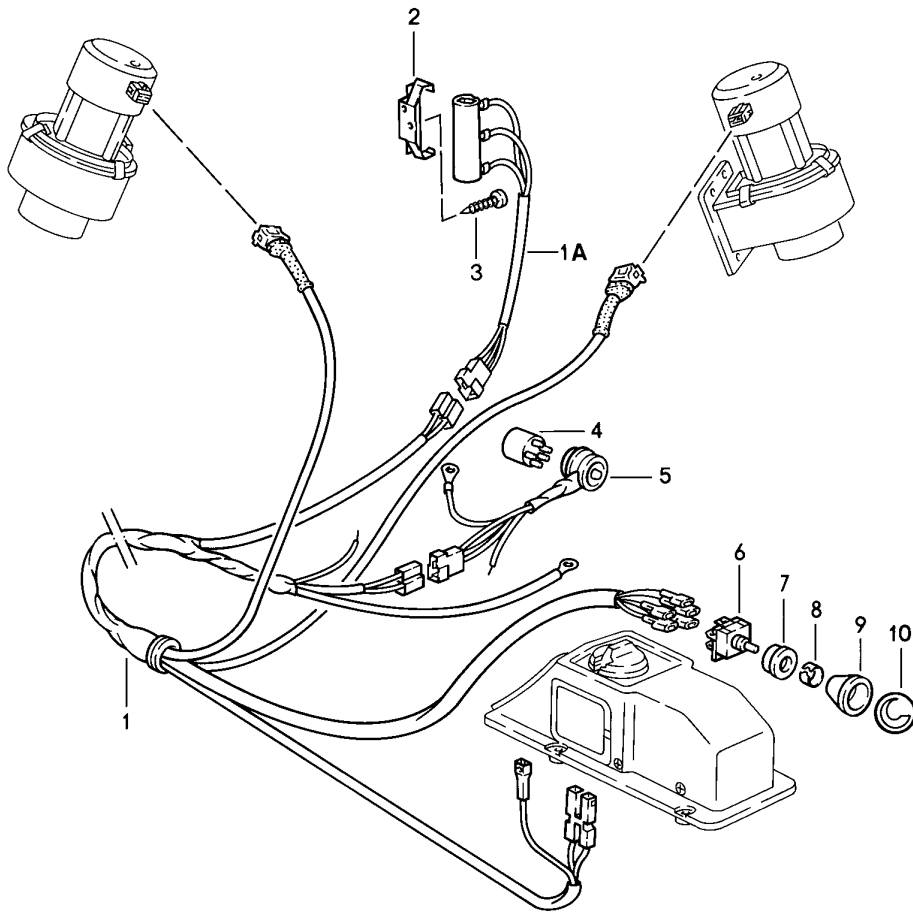
Model life 1984>>1986

Pos	Part Number	Description	Remark	Qty	Model
-	900 075 154 07	B 5 Hexagon-head bolt M 5 X 18		4	
14	911 659 058 02	Printed circuit board	-85	1	
14		Printed circuit board	86	1	
15	999 168 021 40	Ball socket		2	
16	914 631 179 10	Bulb socket	84	1	
(16)	999 632 015 00	Bulb socket	85-	1	
17	900 631 132 90	Bulb 12 V - 1,2 W		1	



Model: 911 84

Model life 1984>>1986

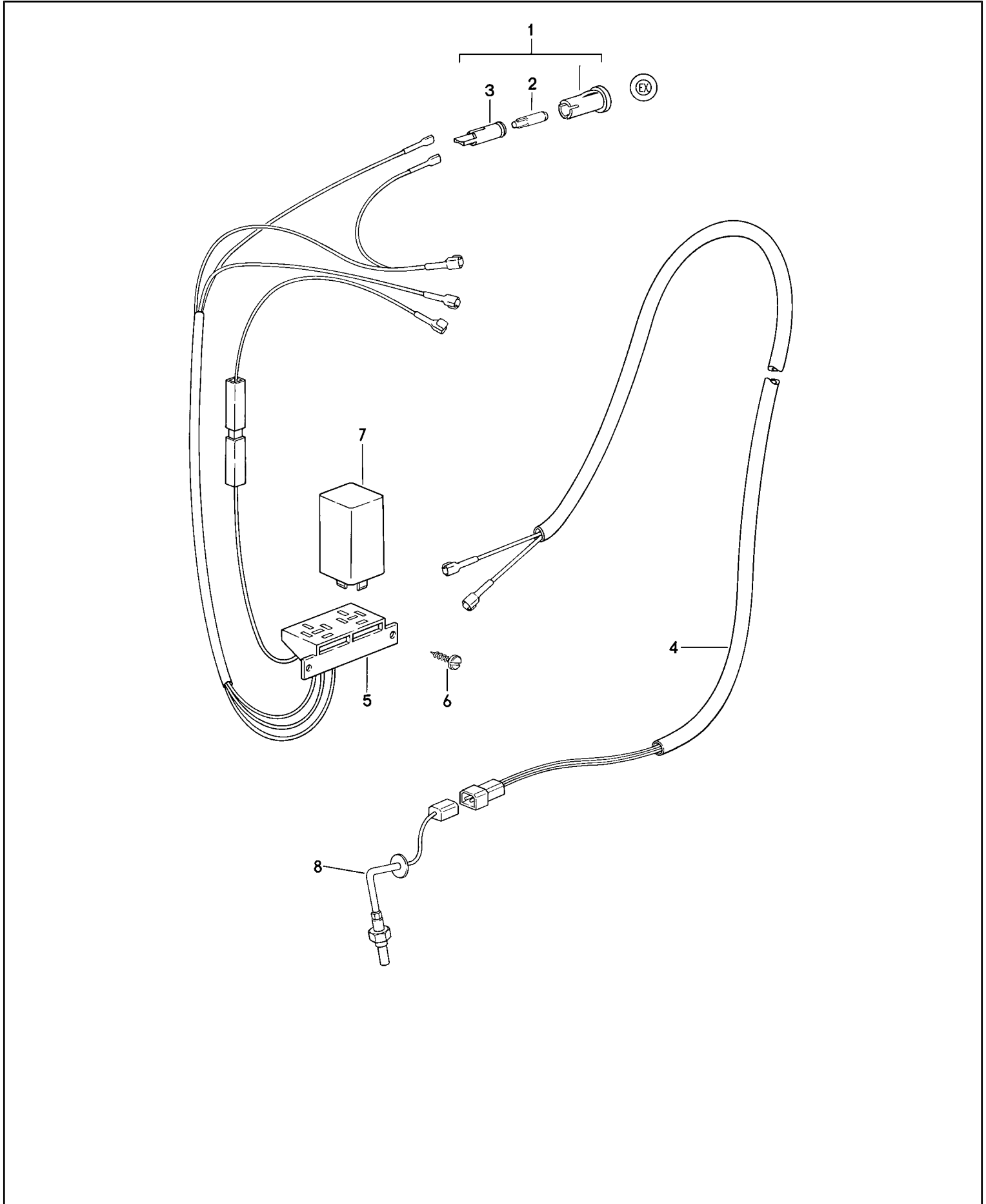


Model: 911 84 Model life 1984>>1986

Pos	Part Number	Description	Remark	Qty	Model
1	930 612 113 05	Heating system 2			
(1)	930 612 113 04	Wiring harness	/LL	1	TURBO
1A	930 616 011 00	Wiring harness	/RL	1	TURBO
(1A)	911 616 011 00	Resistor		1	TURBO
2	911 616 011 00	Resistor		1	CARRERA
2	930 616 113 00	Support	-85	1	TURBO
2	911 616 113 01	Support	86-	1	TURBO
(2)		Support		1	CARRERA
3	900 143 058 02	Tapping screw		2	TURBO
4	911 615 109 01	Standard type relay		1	
5	930 612 115 00	Wiring harness		1	TURBO
6	911 613 243 00	Blower switch		1	TURBO
7	911 613 213 06	Rosette		1	TURBO
8	999 591 619 01	Knob holder		1	TURBO
9	911 613 141 00	Knob	-85	1	TURBO
(9)	911 613 103 02	Knob	86-	1	TURBO
	911 613 103 02 70B	Black			
		Temperature switch			
10	911 613 237 02	Cap with symbol	-85	1	TURBO
10	911 613 237 03	Cap with symbol	-85	1	TURBO

Model: 911 84

Model life 1984>>1986

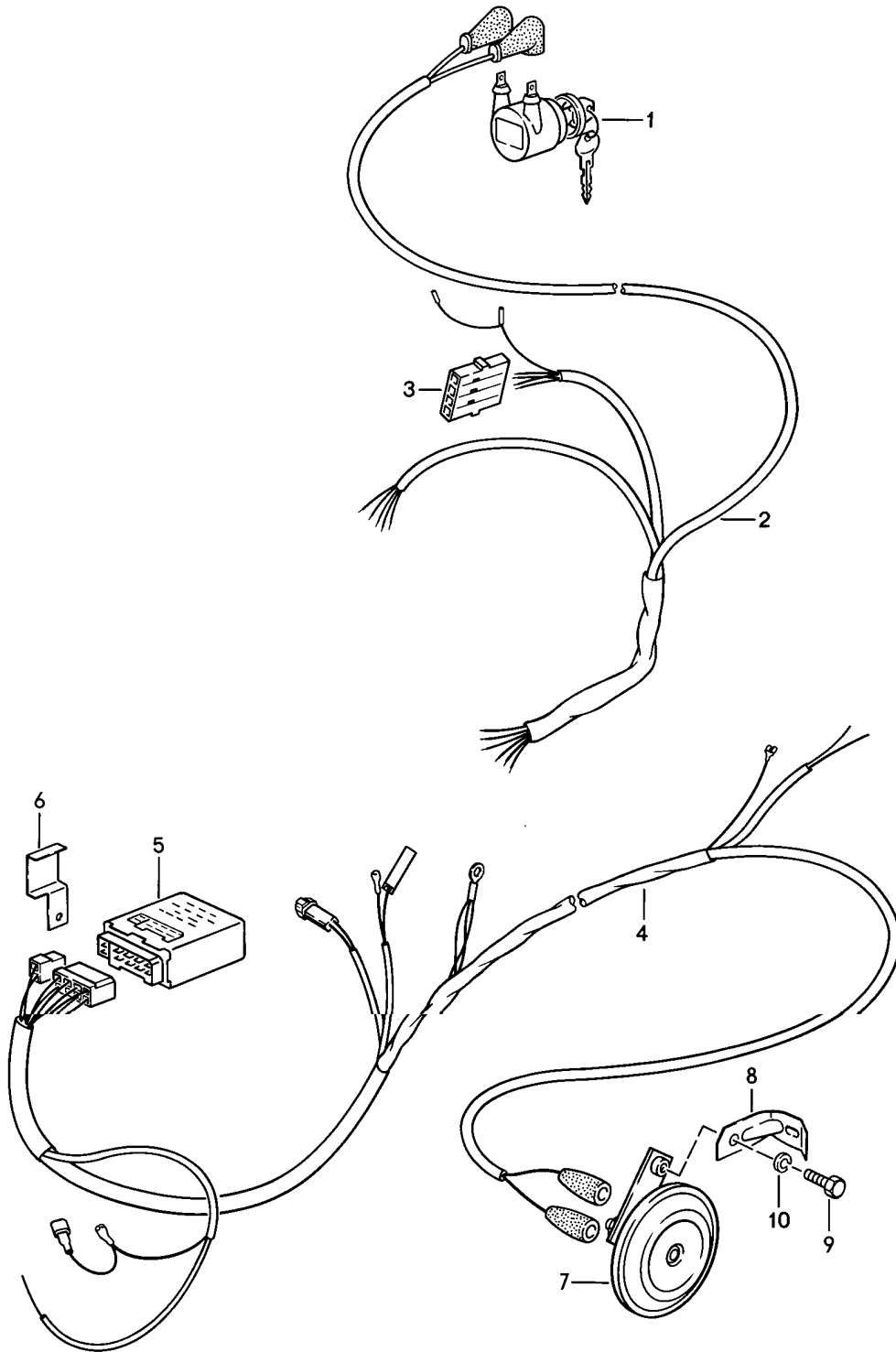


Model: 911 84 Model life 1984>>1986

Pos	Part Number	Description	Remark	Qty	Model
1	911 632 015 01	Emission control Indicator light -EX-	(J)	1	
2	900 631 132 90	Bulb		1	
3	111 919 243	Bulb socket		1	
4	930 612 171 00	Wiring harness for Temperature sensor		1	
5	930 612 169 00	Wiring harness for Indicator light	84	1	
(5)	930 612 169 02	Wiring harness for Indicator light	85-	1	
6	N 013 970 5	Oval-head sheetmetal screw B 4,8 X 9,5		1	
6	N 106 568 02	Oval-head sheetmetal screw B 4,8 X 9,5		1	
7	911 617 119 00	Switch unit Temperature monitoring		1	SC
(7)	043 906 086	Switch unit Temperature monitoring		1	TURBO
8		See group 2/02/00		1	

Model: 911 84

Model life 1984>>1986



Model: 911 84 Model life 1984>>1986

Pos	Part Number	Description	Remark	Qty	Model
1	911 637 101 00	Alarm system Left-hand drive Alarm switch with 2 secondary keys		1	
2	911 612 163 02	Wiring harness Driver's door Passenger's door without Spiegel	-84	1	
(2)	911 612 165 02	Wiring harness Driver's door Passenger's door with Spiegel		1	
3	111 971 977	Flat connector socket		1	
4	911 612 176 01	Wiring harness		1	
5	911 637 104 02	Alarm control unit		1	CARRERA
(5)	911 637 104 03	Alarm control unit	(CH)	1	CARRERA
(5)	911 637 104 00	Alarm control unit		1	TURBO
(5)	911 637 104 01	Alarm control unit	(CH)	1	TURBO
6	911 637 117 00	Support		1	
7	944 637 103 01	Horn		1	
8	911 635 093 00	Retaining bracket		1	
9	N 010 239 11	Hexagon-head bolt M 8 X 18		1	
9	N 010 239 30	Hexagon-head bolt M 8 X 18		1	
10	900 027 015 02	Lock ring B 8		1	
10	900 027 015 03	Lock ring B 8		1	