

Model: 911 87**Model life 1987>>1989**

ORDER-INFO

THIS PARTS CATALOGUE CONTAINS ALL ORDER INFORMATION OF
TYPE 911 FROM MODEL YEAR 1987 TO MODEL YEAR 1989

IT IS AVAILABLE IN TWO EDITIONS IN THE FOLLOWING LANGUAGES:

EDITION

USA, CANADA

- *

EDITION

ALL OTHER COUNTRIES

- GERMAN

* - ENGLISH

- FRENCH

- ITALIAN

- SPANISH

UPDATING IS BEING PERFORMED BY CHANGING OF UPDATE.

THE EDITION CAN BE RECOGNIZED BY THE CURRENT NO.
YEAR IN THE BOTTOM LINE OF SUBJECT UPDATE.

THE PREVIOUS UPDATE SHOULD NO LONGER BE USED.

ALL ILLUSTRATIONS ARE SUBJECT TO CHANGE WITHOUT OBLIGATION.

Model: 911 87**Model life 1987>>1989**

ALL ILLUSTRATIONS ARE SUBJECT TO
CHANGE WITHOUT OBLIGATION.

Model: 911 87

Model life 1987>>1989

EXPLANAT.- VIN

EXPLANATION OF THE ABRIDGED VERSION OF THE VEHICLE IDENT. NUMBERS (VIN)
 =====
 USED IN THE CATALOGUE
 =====

DIGIT: 1 2 3 4 5 6 7 8 9 10 11 12 13 14 15 16 17

EXAMPLE: W P O Z Z Z 9 1 Z K S 1 0 0 1 2 5

 === = = = =====

 ! ! ! ! !

VEHICLE TYPE 1ST+2ND DIGIT-----+ ! ! ! !

 ! ! ! !

MODEL YEAR-----+ ! ! !

 ! ! !

MANUFACTURING LOCATION-----+ ! !

 ! !

VEHICLE TYPE 3RD DIGIT-----+ !

 !

SERIAL NUMBER-----+ !

Model: 911 87

Model life 1987>>1989

SUMMARY TYPES

VEHICLE TYPE	MY	VEHICLE IDENT.NR.	ENGINE TYPE
911 CARRERA COUPE	87 H	91HS1 00001>05000	930.20/25/26
911 CARRERA M637	87 H	91HS1 05001>05300	930.20/25/26
911 CARRERA TARGA	87 H	91HS1 40001>45000	930.20/25/26
911 CARRERA CABRIO	87 H	91HS1 50001>55000	930.20/25/26
911 TURBO COUPE	87 H	93HS0 00001>02000	930.66, 221 KW
911 TURBO TARGA	87 H	93HS0 10001>12000	930.66, 221 KW
911 TURBO CABRIO	87 H	93HS0 20001>22000	930.66, 221 KW
911 CARRERA COUPE (J)	87 H	91HS1 09501>09999	930.25, 160 KW
911 CARRERA TARGA (J)	87 H	91HS1 49501>49999	930.25, 160 KW
911 CARRERA CABRIO (J)	87 H	91HS1 59501>59999	930.25, 160 KW
911 CARRERA COUPE (USA)(CDN)	87 H	91HS1 20001>25000	930.25, 160 KW
911 CARRERA M637 (USA)(CDN)	87 H	91HS1 25001>25300	930.25, 160 KW
911 CARRERA TARGA (USA)(CDN)	87 H	91HS1 60001>65000	930.25, 160 KW
911 CARRERA CABRIO (USA)(CDN)	87 H	91HS1 70001>75000	930.25, 160 KW
911 TURBO COUPE (USA)	87 H	93HS0 50001>55000	930.68, 210 KW
911 TURBO TARGA (USA)	87 H	93HS0 60001>62000	930.68, 210 KW
911 TURBO CABRIO (USA)	87 H	93HS0 70001>72000	930.68, 210 KW
911 TURBO COUPE (CDN)	87 H	93HS0 55001>57000	930.66, 221 KW
911 TURBO TARGA (CDN)	87 H	93HS0 65001>67000	930.66, 221 KW
911 TURBO CABRIO (CDN)	87 H	93HS0 75001>77000	930.66, 221 KW
911 CARRERA COUPE	88 J	91JS1 00001>05000	930.20/25/26
911 CARRERA M637	88 J	91JS1 05001>05300	930.20/25/26
911 CARRERA TARGA	88 J	91JS1 40001>45000	930.20/25/26
911 CARRERA CABRIO	88 J	91JS1 50001>55000	930.20/25/26
911 TURBO COUPE	88 J	93JS0 00001>02000	930.66, 221 KW
911 TURBO TARGA	88 J	93JS0 10001>12000	930.66, 221 KW
911 TURBO CABRIO	88 J	93JS0 20001>22000	930.66, 221 KW
911 CARRERA COUPE (J)	88 J	91JS1 09501>09999	930.25, 160 KW
911 CARRERA TARGA (J)	88 J	91JS1 49501>49999	930.25, 160 KW
911 CARRERA CABRIO (J)	88 J	91JS1 59501>59999	930.25, 160 KW
911 CARRERA COUPE (USA)(CDN)	88 J	91JS1 20001>25000	930.25, 160 KW
911 CARRERA M637 (USA)(CDN)	88 J	91JS1 25001>25300	930.25, 160 KW
911 CARRERA TARGA (USA)(CDN)	88 J	91JS1 60001>65000	930.25, 160 KW
911 CARRERA CABRIO (USA)(CDN)	88 J	91JS1 70001>75000	930.25, 160 KW
911 TURBO COUPE (USA)(CDN)	88 J	93JS0 50001>55000	930.68, 210 KW
911 TURBO TARGA (USA)(CDN)	88 J	93JS0 60001>62000	930.68, 210 KW
911 TURBO CABRIO (USA)(CDN)	88 J	93JS0 70001>72000	930.68, 210 KW
911 CARRERA COUPE	89 K	91KS1 00001>05000	930.20/25
911 CARRERA TARGA	89 K	91KS1 40001>45000	930.20/25
911 CARRERA CABRIO/SPEEDSTER	89 K	91KS1 50001>55000	930.20/25
911 TURBO COUPE	89 K	93KS0 00001>02000	930.66, 221 KW
911 TURBO TARGA	89 K	93KS0 10001>12000	930.66, 221 KW
911 TURBO CABRIO	89 K	93KS0 20001>22000	930.66, 221 KW
911 CARRERA COUPE (USA)(CDN)	89 K	91KS1 20001>25000	930.25, 160 KW
911 CARRERA TARGA (USA)(CDN)	89 K	91KS1 60001>65000	930.25, 160 KW
911 CARRERA CABRIO/SPEEDSTER (USA)(CDN)	89 K	91KS1 70001>75000	930.25, 160 KW
911 TURBO COUPE (USA)(CDN)	89 K	93KS0 50001>55000	930.68, 210 KW
911 TURBO TARGA (USA)(CDN)	89 K	93KS0 60001>62000	930.68, 210 KW
911 TURBO CABRIO (USA)(CDN)	89 K	93KS0 70001>72000	930.68, 210 KW

Model: 911 87

Model life 1987>>1989

AUFBAU MOTORNR.

EXPLANATION OF THE MOTOR-NUMBERS USED IN THE CATALOGUE

=====

DIGIT:	1 2 3	4 5 6 7 8
EXAMPLE:	6 3 K	0 0 1 3 6
	= = =	=====
	! ! !	!
ENGINE TYPE (6 = 6-CYL.-ENGINE)-----+	! !	!
	! !	!
ENGINE VERSION-----+	!	!
	!	!
MODEL YEAR-----+		!
		!
SERIAL NUMBER-----+		!

Model: 911 87

Model life 1987>>1989

SUMMARY ENGINES

VEHICLE TYPE	ENGINE		ENGINE NO.	TECHNICAL DATA
	TYPE	MY		
911 CARRERA	930.20	87 H	63H 00001>10000	6ZYL/3,2L/170KW
911 CARRERA CATAL. CONVERTER	930.25	87 H	64H 00001>10000	6ZYL/3,2L/160KW
911 CARRERA (S)	930.26	87 H	63H 10001>11000	6ZYL/3,2L/170KW
911 TURBO	930.66	87 H	67H 00001>05000	6ZYL/3,3L/221KW
911 TURBO (USA)	930.68	87 H	68H 00001>05000	6ZYL/3,3L/210KW
911 CARRERA	930.20	88 J	63J 00001>10000	6ZYL/3,2L/170KW
911 CARRERA CATAL. CONVERTER	930.25	88 J	64J 00001>10000	6ZYL/3,2L/160KW
911 CARRERA (S)	930.26	88 J	63J 10001>11000	6ZYL/3,2L/170KW
911 TURBO	930.66	88 J	67J 00001>05000	6ZYL/3,3L/221KW
911 TURBO (USA)	930.68	88 J	68J 00001>05000	6ZYL/3,3L/210KW
911 CARRERA	930.20	89 K	63K 00001>10000	6ZYL/3,2L/170KW
911 CARRERA CATAL. CONVERTER	930.25	89 K	64K 00001>10000	6ZYL/3,2L/160KW
911 TURBO	930.66	89 K	67K 00001>05000	6ZYL/3,3L/221KW
911 TURBO (USA)(CDN)	930.68	89 K	68K 00001>05000	6ZYL/3,3L/210KW

Model: 911 87

Model life 1987>>1989

EXPL. TRANSMISS.

EXPLANATION OF THE TRANSMISSION-NUMBERS USED IN THE CATALOGUE >>MOD.87

DIGIT: 1 2 3 4 5 6 7 8

EXAMPLE: 7 3 H 0 6 8 4 5

TRANSMISSION TYPE-----+ ! ! !
 TRANSMISSION VERSION-----+ ! !
 MODEL YEAR-----+ !
 SERIAL NUMBER-----+ !

EXPLANATION OF THE TRANSMISSION-NUMBERS USED IN THE CATALOGUE MOD.88>>

DIGIT: 1 2 3 4 5 6 7 8 9 10 11 12

EXAMPLE: G 5 0 0 0 1 K 0 0 5 4 3

TRANSMISSION TYPE-----+ ! ! !
 TRANSMISSION VERSION-----+ ! ! !
 INDEX OF VARIANTS-----+ ! !
 MODEL YEAR-----+ !
 SERIAL NUMBER-----+ !

Model: 911 87

Model life 1987>>1989

SUMM. TRANSMISS.

VEHICLE TYPE	TRANSM.		TRANSMISSION NO.	TECNICAL DATA
	TYPE	MY		
911 CARRERA	G50.00	87 H	73H 00001 > 73H 20000	5-SPEED
911 CARRERA (USA) (CDN) (AUS) (J)	G50.01	87 H	74H 00001 > 74H 20000	5-SPEED
911 CARRERA (CH)	G50.02	87 H	73H 20001 > 73H 25000	5-SPEED
911 TURBO	930.36	87 H	77H 00001 > 77H 10000	4-SPEED
911 CARRERA	G50.00	88 J	G5000 1J00001>1J10000	5-SPEED
911 CARRERA M220	G50.00	88 J	G5000 2J10001>2J20000	5-SPEED
911 CARRERA (USA) (CDN) (AUS) (J)	G50.01	88 J	G5001 1J00001>1J10000	5-SPEED
911 CARRERA (USA) (CDN) (AUS) (J) M220	G50.01	88 J	G5001 2J10001>2J20000	5-SPEED
911 CARRERA (CH)	G50.02	88 J	G5002 1J00001>1J10000	5-SPEED
911 CARRERA (CH) M220	G50.02	88 J	G5002 2J10001>2J20000	5-SPEED
911 TURBO	930.36	88 J	93036 1J00001>1J10000	4-SPEED
911 TURBO M220	930.36	88 J	93036 2J10000>2J20000	4-SPEED
911 CARRERA	G50.50	89 K	G5000 1K00001>1K10000	5-SPEED
911 CARRERA M220	G50.50	89 K	G5000 2K00001>2K20000	5-SPEED
911 CARRERA (USA) (CDN) (AUS) (J)	G50.01	89 K	G5001 1K00001>1K10000	5-SPEED
911 CARRERA (USA) (CDN) (AUS) (J) M220	G50.01	89 K	G5001 1K00001>2K20000	5-SPEED
911 CARRERA (CH)	G50.02	89 K	G5002 1K00001>1K10000	5-SPEED
911 CARRERA (CH) M220	G50.02	89 K	G5002 2K00001>2K20000	5-SPEED
911 TURBO	G50.50	89 K	G5050 1K00001>1K10000	5-SPEED
911 TURBO M220	G50.50	89 K	G5050 2K00001>2K20000	5-SPEED

Model: 911 87

Model life 1987>>1989

LEGENDS/NOTICES

LEGENDS AND NOTICES

=====

IN COLUMN -S- STATUS

- N NEW ADDITION
- P PART ALREADY IN PROGRAMME, BUT NEW AT THIS APPLICATION
- W DELETED AT THIS APPLICATION, BUT CONTINUED TO BE CARRIED
- A STOCK TO BE USED UP
- U DELETED WITHOUT REPLACEMENT
- E THIS PART NO. IS NO LONGER AVAILABLE FROM PORSCHE
- * PART ALSO OR ONLY AVAILABLE IN REPAIR KIT
- > ALSO AVAILABLE IN EXCHANGE

IN COLUMN - ILL. -

- 1 IDENTIFICATION NO. IN ILLUSTRATION
- (1) PART ONLY SIMILAR AS ILLUSTRATED
- PART IS NOT ILLUSTRATED

FIG.-NUMBERS FOR WHICH THERE IS SHOWN NO TEXT ARE NOT VALID FOR THIS EDITION OF CATALOGUE

IN COLUMN -PART NUMBER/CODE-

000 000 000 00 PART NUMBER EQUALS ORDERING NO., IF A CODE IS SHOWN, IT WILL HAVE TO BE PART OF ORDERING NUMBER

AC3 COLOUR CODE

IN COLUMN -TEXT

INSTALLATION WIRH ENGINE OR CHASSIS NUMBER-RANGE

EXAMPLE:

M 65H 00134 >> FROM ENGINE NO.

Model: 911 87**Model life 1987>>1989**

F >> 95 HS90 00143 UP TO VIN

Model: 911 87

Model life 1987>>1989

LEGENDS/NOTICES

IN COLUMN - A -

IDENTIFICATION LETTER FOR PERIOD OF INSTALLATION
THAT IS REPEATED SEVERAL TIMES IN THE CATALOG GROUP.

EXPLANATION PLEASE FIND IN TEXT COLUMN OF THE CATALOG GROUP

IN COLUMN - QU - = NO. OF PIECES

- 1 NUMBER PER APPLICATION
- X NUMBER AS NEEDED
- * AVAILABLE ONLY IN RUNNING LENGTHS 1 = 1 METRE

IN COLUMN - MODEL/SYMBOL -

- M 650 OPTIONAL EQUIPMENT - SEE M-NO. LIST
- 89 LIMITATION OF MODEL YEAR FOR INSTANCE: VALID UP TO
END OF MODEL YEAR 1984
- /LL LHD
- /RL RHD
- +
- /V FRONT I
I
- /H REAR I
I----> APPLIES TO
- /L LEFT I DIRECTION OF TRAVEL
I
- /R RIGHT I
-----+
- WW THE PART CAN BE USED INSTEAD OF THE
PRECEDING ONE
- JUBI:88 ANNIVERSARY MODEL 1988

OUTSIDE: DIAMONDBLUE-METALLIC
INSIDE: SEAT SURFACE AND BACKREST SURFACE:
LEATHER, SILVERBLUE-METALLIC
HEADRESTS WITH INSIGNIA "PORSCHE"
CARPETS OF SILK-VELOUR, SIVERBLUE
ANNIVERSARY BADGE ON GLOVE BOX

Model: 911 87

Model life 1987>>1989

COUNTRY-EQIPM.

EQUIPMENT BY COUNTRY REGULATIONS

=====

(A)	AUSTRIA
(AG)	ARABIAN GULF STATES
(AUS)	AUSTRALIA
(B)	BELGIUM
(CDN)	CANADA
(CH)	SWITZERLAND
(D)	FEDERAL REPUBLIC OF GERMANY
(DK)	DENMARK
(E)	SPAIN
(F)	FRANCE
(GB)	GREAT BRITAIN
(GR)	GREECE
(HK)	HONGKONG
(I)	ITALY
(J)	JAPAN
(L)	LUXEMBURG
(N)	NORWAY
(NL)	NETHERLANDS
(NZ)	NEW ZEALAND
(P)	PORTUGAL
(RC)	TAIWAN
(S)	SWEDEN
(SA)	SAUDI ARABIA
(SF)	FINLAND
(USA)	UNITED STATES OF AMERICA
(ZA)	SOUTH AFRICA

Model: 911 87

Model life 1987>>1989

NR	Description
M000	+-----+ ! Summary of optional extras "M"! +-----+
M018	Sports steering wheel with elevated hub 30 mm
M020	Speedometer with two scales mph-km/h
M024	Version for Greece
M027	Version for California
M034	Version for Italy
M058	Impact absorbers, front and rear
M061	Version for Great Britain
M062	Version for Sweden
M070	Tarpaulin
M097	Anniversary model "25 years 911" (D) ----- Exterior: dark Blue Metallic Interior: all leather equipment in Pear Grey carpets of silk-velour, Pear Grey special center console
M098	Anniversary model "25 years 911" (USA) ----- Exterior: Silver Metallic Interior: all leather equipment in Silk Grey carpets of silk-velour, Silk Grey special center console
M099	Anniversary model "25 years 911" (RDW) ----- Exterior: Blue Metallic Interior: all leather equipment in Blue Metallic carpets of silk-velour, Silver Blue special center console
M103	Shock absorber adjustment
M111	Version for Austria
M113	Version for Canada
M119	Version for Spain
M124	Version for France
M126	Control and indications in French lettering
M130	Control and indications in English lettering
M139	Seat heating system, left seat
M148	Engine with increased power output 930.66
M150	Operation with leaded gas
M152	Engine noise reduction
M154	Engine control unit for improved emission results

Model: 911 87

Model life 1987>>1989

NR	Description
M155	Motronic control unit for cars with catalytic converter
M156	Muffler (low noise level)
M157	Three-way catalytic converter, oxygen sensor and digital engine electronics (DME)
M158	Radio Blaupunkt RENO SWR 46
M160	Radio Blaupunkt Charleston SWR 26
M176	Blower for oil cooler
M185	2-point seat belts, rear automatic
M186	2-point seat belts, rear manual
M193	Version for Japan
M195	Preparation for mobile telephone system
M197	Stronger battery
M208	Trailer coupling
M215	Version for Saudi Arabia
M220	Locking differential 40 %
M221	Porsche locking differential
M225	Version for Belgium, engine designation: -B-
M240	Version for countries having inferior fuel qualities
M243	Short shifter
M261	Door mirror - flat - passenger's side, electrically adjustable and heatable
M269	Additional headlamps
M277	Version for Switzerland
M286	Intensified windscreen washer
M288	Headlamp washer
M298	Preparation for unleaded fuel manual transmission
M325	Version for South Africa/New Zealand
M326	Radio Blaupunkt Berlin IQR 88 with ARI
M328	Radio Blaupunkt Bremen SQR 46 with ARI
M329	Radio Blaupunkt Toronto SQR 48
M330	Radio Blaupunkt Toronto SQR 46
M335	Automatic seat belt, 3-point, rear
M340	Seat heating system, right seat
M341	Central locking system
M375	Clutch lining without asbestos
M379	Standard seat, left, electrical vertical adjustment
M380	Standard seat, right,

Model: 911 87 Model life 1987>>1989

NR	Description
	electrcal vertical adjustment
M381	Standard seat, left, manually adjustable
M382	Standard seat, right, manually adjustable
M383	Sports seat, left, electrically vertically adjustable
M387	Sports seat, right, electrically vertically adjustable
M395	Light-alloy rims, forged, 16-inch
M401	Light-alloy rims, forged 15-inch
M419	Rear luggage dump
M423	Holder for cassettes and coins
M424	Automatic heating control
M425	Rear window wiper
M430	Front fog lights, yellow
M437	Comfort seat, left, electrically adjustable
M438	Comfort seat, right, electrically adjustable
M439	Electrical hood operation
M441	Radio preparation
M444	Cabrio
M449	Emergency wheel, forged
M451	Reduceg radio preparation
M454	Automatic speed control
M462	"Securiflex" windscreen
M463	Clear windscreen
M467	Door mirror for driver's side, convex, electrically heatable and adjustable
M470	Without front spoiler and rear spoiler
M473	With front spoiler and rear spoiler
M474	Shock absorber (sporting), front and rear
M475	Brake pads without asbestos
M479	Version for Australia
M481	Manual transmission
M484	Version for USA
M488	Inscriptions in German language
M490	Sound package
M491	Turbo Look
M492	Headlamps for left-hand traffic
M494	Additional amplifier
M496	Prepararation for Philips telephone "C" network

Model: 911 87

Model life 1987>>1989

NR	Description
M498	Deletion of model designation on rear end
M499	Version for Germany
M503	Cabrio version (Speedster)
M505	Special series-slant nose
M506	Special series-slant nose
M513	Lumbar support, right seat
M525	Anti-theft device with continuous sound
M526	Door panels (cloth)
M528	Door mirror for passenger's side - convex - electrically heatable and adjustable
M533	Anti-theft device
M553	Version for USA, Canada
M559	Air conditioner
M567	Windscreen tinted, upper part darker coloured
M573	Air conditioner
M576	Without rear fog lamp
M579	Version for Hong Kong
M586	Lumbar support, left seat
M592	ABS system (Bosch/Teves)
M593	Anti-lock brake system (Bosch)
M602	Raised stop lamp
M605	Headlight levelling system
M612	Preparation for Philips telephone "C2" network
M637	Club Sport "CS"
M650	Electrical sliding roof
M657	Power assisted steering
M685	Rear seats, split
M686	Radio Blaupunkt Ludwigsburg SQM 26 ARI
M688	Radio Blaupunkt Boston SQM 23
M690	CD player "CD-10" radio + ARI
M691	CD player "CD-2" with radio
M900	Tourist's cars
M930	Seat covers, rear, leather
M931	Seat covers, rear, leatherette
M932	Seat covers,, rear cloth/leatherette/leatherette
M933	Seat covers, rear cloth/leather/leather
M934	Seat covers, rear, cloth/cloth/leatherette
M935	Seat covers, rear, draped leather
M946	Seat covers, front, leather/leather/leatherette

Model: 911 87

Model life 1987>>1989

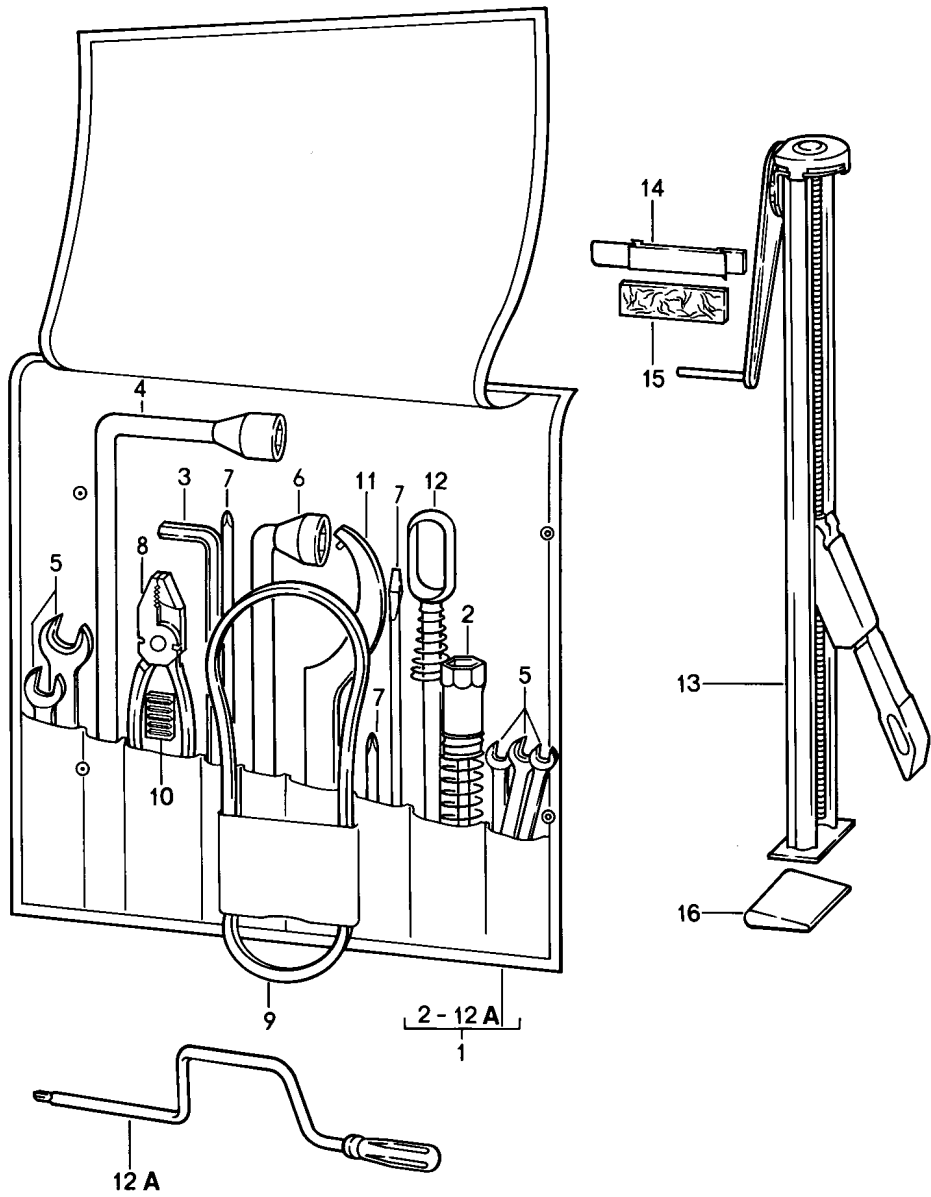
NR	Description
M947	Seat covers front: cloth/leather/leatherette rear: cloth/leatherette/leatherette
M948	Seat covers, front, cloth/leather/leather
M975	Luggage compartment lining with velour carpet
M980	Seat cover - draped leather
M981	Leather equipment without seat covers
M983	Seat covers, front, leather
M986	Partial leather equipment
M990	Seat covers, front, cloth/cloth/leatherette

Model: 911 87

Model life 1987>>1989

Model: 911 87

Model life 1987>>1989



Model: 911 87

Model life 1987>>1989

Pos	Part Number	Description	Remark	Qty	Model
1	911 721 002 12	Tool Jack		1	
-	911 721 002 14	Tool bag	87	1	
		Tool with contents	88-	1	
		Comprising: Tool bag without		1	
		Towing lug 99672115100		1	
2	477 012 203 A	Spark plug wrench		1	
3	477 012 227	Angular screw driver		1	
4	999 571 045 02	Rim wrench SW 19		1	
5	999 195 011 02	Double-end spanner 8 X 9		1	
5	999 195 012 02	Double-end spanner 10 X 11		1	
5	999 195 013 02	Double-end spanner 12 X 13		1	
5	999 195 014 02	Double-end spanner 14 X 15		1	
5	999 195 015 02	Double-end spanner 17 X 19		1	
6	999 571 046 02	Tool SW 24		1	
7	911 721 107 02	Screwdriver Set		1	
8	999 107 005 02	Tool		1	
9	999 192 176 50	Narrow v-belt 9,5 X 710		1	
9	999 192 176 5A	Narrow v-belt 9,5 X 710		1	
9	999 192 313 5A	Narrow v-belt 9,5 X 695		1	
10	911 721 013 00	Bag with Safety fuse		1	
11	999 571 047 02	Tool Pulley		5	
12	996 721 151 00	Towing lug		1	
12A	928 521 907 02	Crank for emergency control	88-	1	
-	911 721 237 00	Front seat Intermediate piece for emergency control		1	
-	999 571 043 02	Power windows Double socket wrench 10 X 13		1	
-	911 721 231 00	Angular screw driver 6 MM for Pan-head screw	88-	1	
-	911 721 235 00	Carrier plate for battery Extension rod		1	
13	911 721 011 04	Jack		1	
14	911 722 021 01	Bracket for Jack		1	
15	911 556 208 02	Felt strip		1	
16	911 721 131 00	Clamping piece		1	
16	911 721 131 01	Clamping piece without		1	

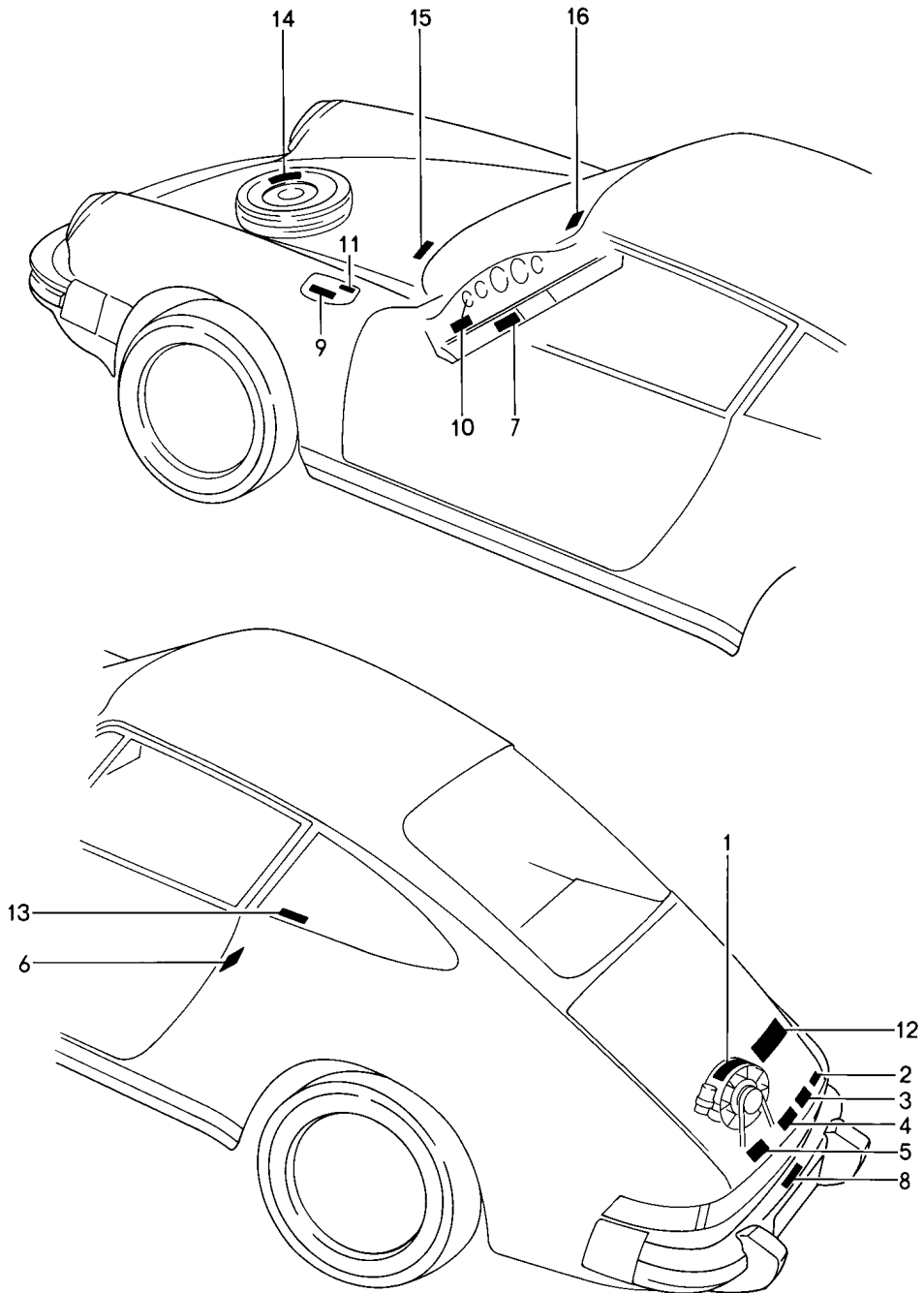
Model: 911 87

Model life 1987>>1989

Pos	Part Number	Description	Remark	Qty	Model
		Adhesive film			

Model: 911 87

Model life 1987>>1989



Model: 911 87

Model life 1987>>1989

Pos	Part Number	Description	Remark	Qty	Model
1	930 006 501 02	Sticker Sticker		1	TURBO
2	930 006 509 00	Ignition point Sticker		1	TURBO
2	930 006 509 01	Firing order Sticker		1	CARRERA
3	901 006 503 00	Firing order Sticker		1	
4	930 006 504 02	Valve clearance Sticker		1	
5	937 701 127 00	Engine-oil level Sticker		1	CARRERA
5	911 701 287 03	Tyre pressure Sticker	(AUS) 89	1	
5	911 701 287 07	Tyre pressure Sticker	(AUS) 89	1	M491
5	930 006 505 01	Tyre pressure Sticker Tyre pressure		1	TURBO CARRERA M491
8	928 006 901 00	Sticker Drawbar load		1	
9	911 701 251 00	Indication sticker Unleaded fuel only White	(AUS) (J)	1	
9	911 701 251 01	Sticker Unleaded fuel only Black	(AUS) (J)	1	
10	944 701 210 02	Sticker EUROSUPER Unleaded		1	
10	928 701 173 03	Sticker Unleaded fuel only	(B) (L)	1	
10	911 701 253 00	Sticker Unleaded fuel only	(AUS) (J)	1	
11	930 701 203 01	Sticker Type of fuel 91 ROZ	(J)	1	
11	928 006 117 04	Sticker Type of fuel 91 ROZ	(AUS)	1	
11	411 000 263 A	Sticker Type of fuel 98 ROZ		1	
11	928 006 117 03	Sticker Type of fuel 95 ROZ		1	M298
12	930 006 119 05	Sticker Engine specifications	(S) 87	1	TURBO
12	930 006 121 05	Sticker Engine specifications	(CH) 87	1	CARRERA
12	930 006 535 11	Sticker Adjustment Exhaust system	(S) 87	1	CARRERA
12	930 006 535 14	Sticker Adjustment Exhaust system	(S) 88	1	CARRERA
12	930 006 513 40	Sticker Adjustment Exhaust system	(AUS)	1	CARRERA
12	930 006 535 15	Sticker Engine specifications	(S) 89	1	CARRERA
12	930 006 513 45	Sticker	89	1	CARRERA

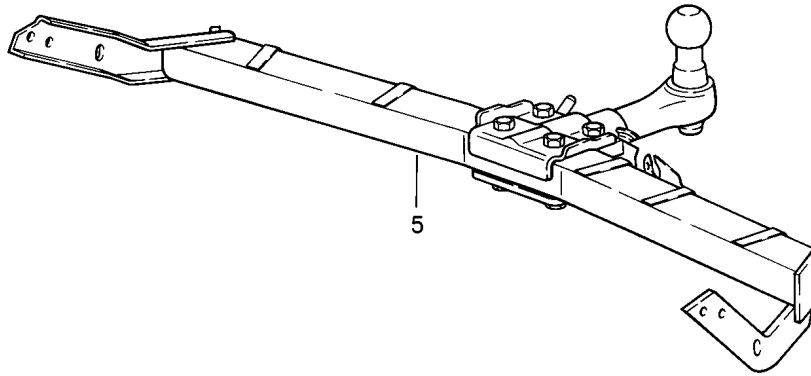
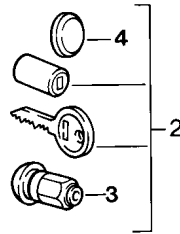
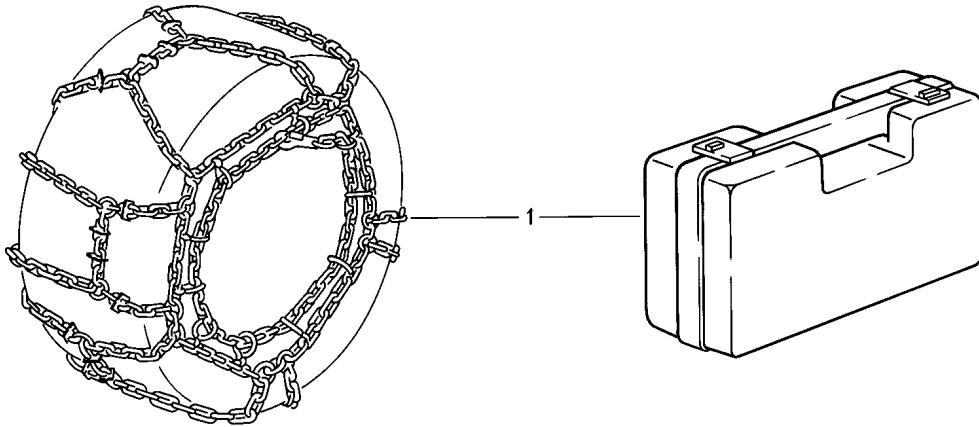
Model: 911 87

Model life 1987>>1989

Pos	Part Number	Description	Remark	Qty	Model
13	911 701 250 00	Engine specifications Sticker	(AUS)	2	
14	928 701 145 05	Alarm system Sticker for emergency wheel German		1	
14	996 361 701 00	Sticker for emergency wheel English		1	
14	996 361 701 01	Sticker for emergency wheel French		1	
14	928 701 148 05	Sticker for emergency wheel Italian		1	
14	928 701 149 00	Sticker for emergency wheel Spanish		1	
16	928 701 102 02	Indication sticker Sekuriflex German		1	
16	928 701 102 03	Indication sticker Sekuriflex French		1	
16	928 701 102 04	Indication sticker Sekuriflex Italian		1	
16	928 701 102 05	Indication sticker Sekuriflex Spanish		1	
16	928 701 102 06	Indication sticker Sekuriflex English		1	

Model: 911 87

Model life 1987>>1989



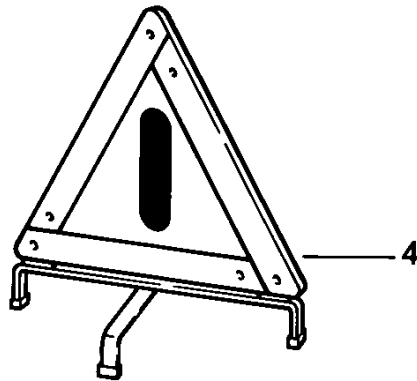
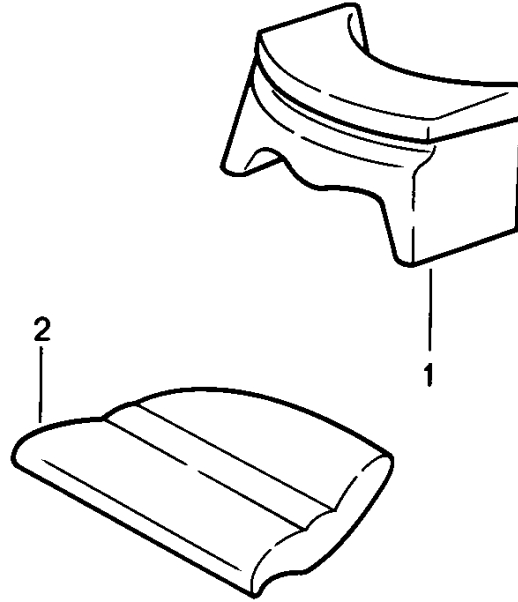
Model: 911 87

Model life 1987>>1989

Pos	Part Number	Description	Remark	Qty	Model
(1)	911 361 909 00	Accessories Snow chains Snow chains Set for Tyre 185/70 R 15 215/60 R 15 205/55 R 16 225/50 R 16 245/45 R 16		1	
2	928 361 047 03	Wheel nut Lockable 1 set		1	
2	965 361 955 00	Wheel nut Lockable 1 set		1	
2	968 361 955 00	Wheel nut Lockable 1 set		1	
2	993 361 057 00	Wheel nut Lockable 1 set		1	
3	928 361 306 03	Wheel nut Lockable		4	
4	965 361 167 00	Cap		4	
5	911 722 031 02	Trailer coupling Trailer coupling Complete		1	CARRERA

Model: 911 87

Model life 1987>>1989

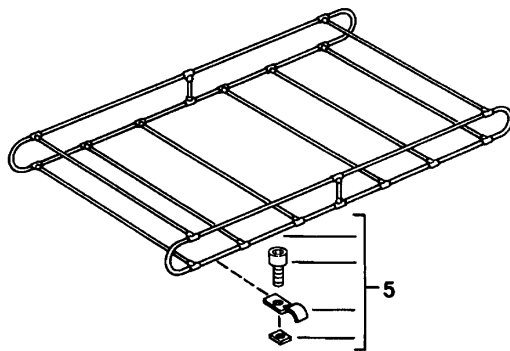
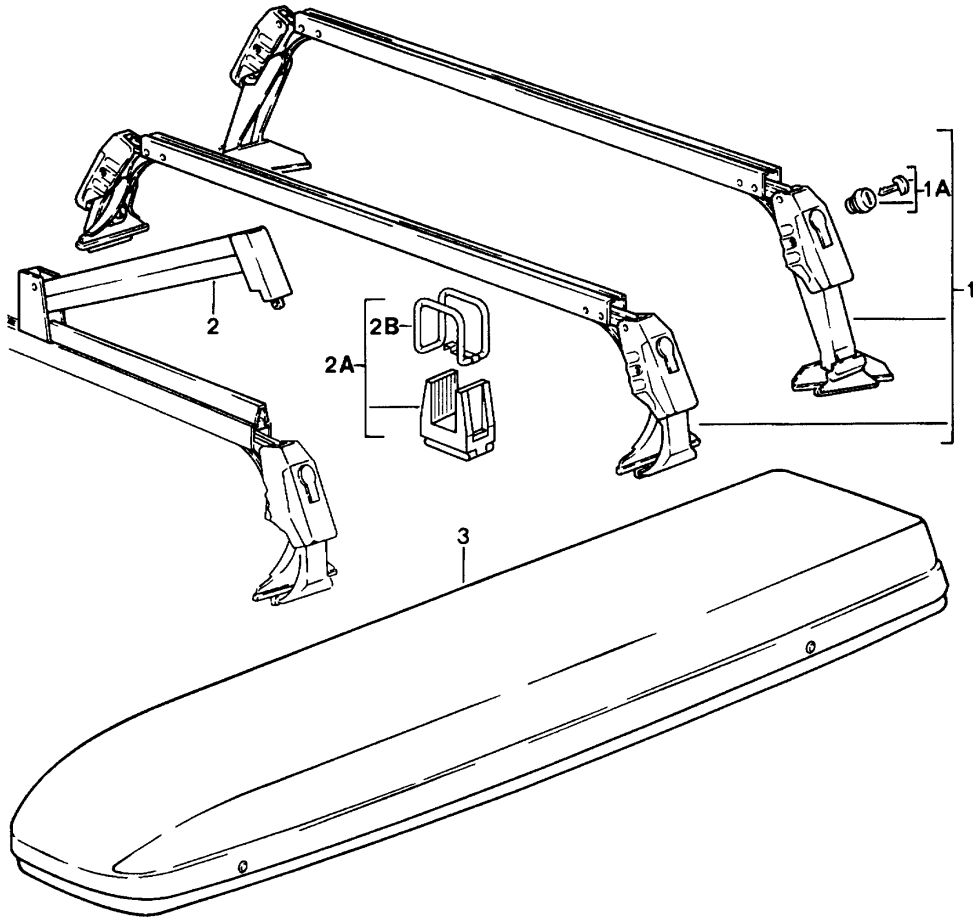


Model: 911 87 Model life 1987>>1989

Pos	Part Number	Description	Remark	Qty	Model
1	928 522 050 00	Accessories Child car seat Floor mat Vehicle cover		1	
2	911 522 071 00 911 522 071 00 4CR	Child car seat Older than 4 years Only together with Child car seat cushion	/L	1	
(2)	911 522 072 00 911 522 072 00 4CR	Black with PORSCHE logo Child car seat cushion	/R	1	
4	911 721 104 01	Warning triangle	(D)	1	
4	PCG 860 251 00	Warning triangle	(D)	1	
-	000 043 080 00	Floor mat Front Rubber 1 set		1	
-	PCG 043 203 01	Cover Porsche crest Ohne Spoiler Aussenspiegel Left		1	911
-	PCG 043 202 01	Cover Porsche crest Ohne Spoiler Aussenspiegel Left		1	911
-	000 043 202 01	Right Cover Porsche crest Ohne Spoiler Aussenspiegel Left		1	911
-	PCG 043 202 02	Right Cover Porsche crest with spoiler Aussenspiegel Left		1	911
-	000 043 202 02	Right Cover Porsche crest with spoiler Aussenspiegel Left Right		1	911

Model: 911 87

Model life 1987>>1989



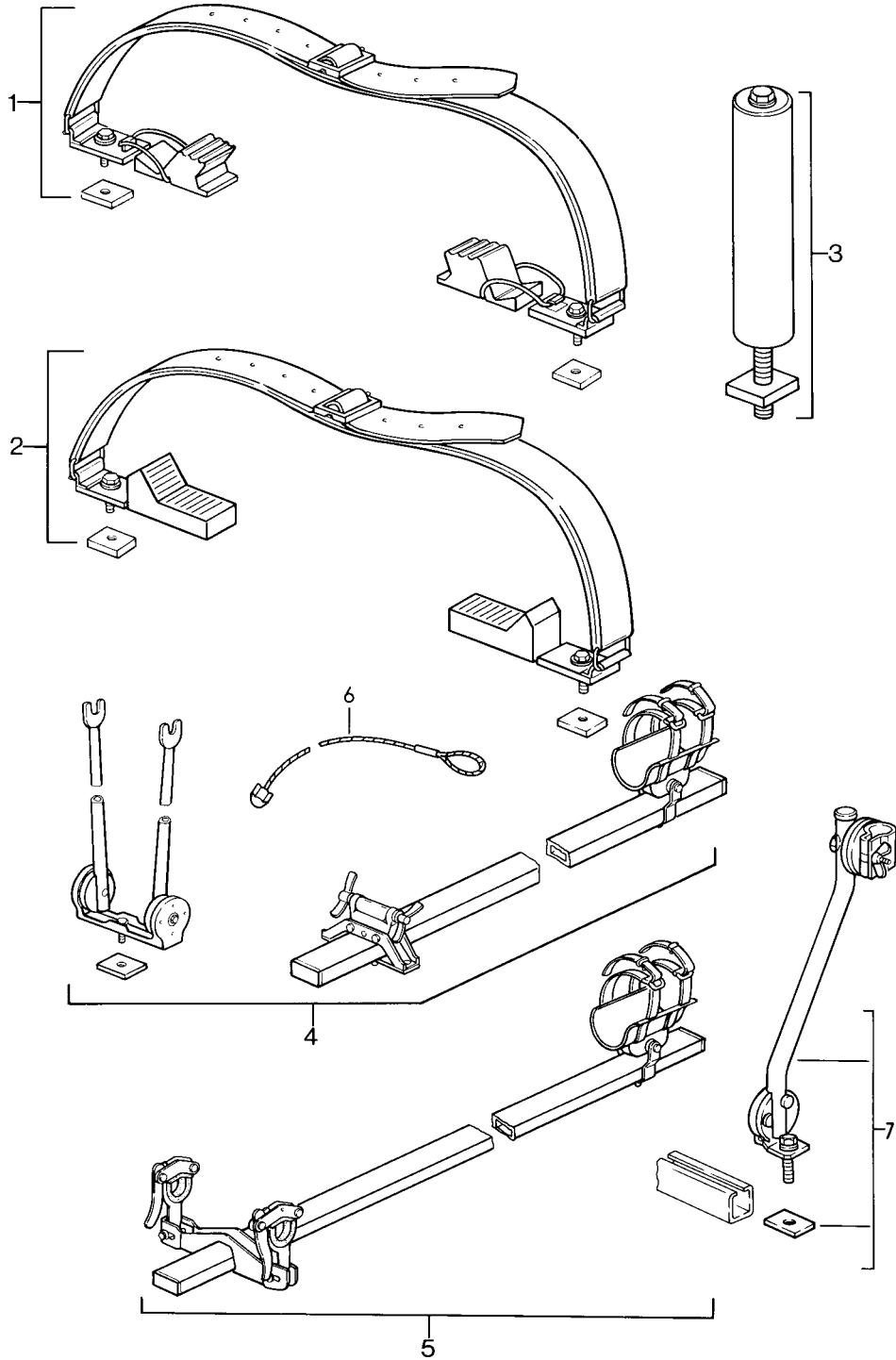
Model: 911 87

Model life 1987>>1989

Pos	Part Number	Description	Remark	Qty	Model
1	911 801 055 00	Roof transport system		1	COUPE
(1)	911 801 055 60	Set of main supports		1	TARGA/CABRIO
		MAX. 35 KG			
1A	928 801 011 02	Cylinder lock with keys State lock number		1	
2	928 801 061 02	Clamping bow Comprising: Clamping bow		1 4	
2A	928 801 903 02	Rubber support for skis		2	
2B	928 801 193 02	Retaining strap		2	
3	928 801 063 02	Ski box	/L	1	
(3)	928 801 064 02	Ski box	/R	1	
5	928 801 081 02	Roof luggage rack set Set		1	

Model: 911 87

Model life 1987>>1989



Model: 911 87

Model life 1987>>1989

Pos	Part Number	Description	Remark	Qty	Model
1	928 801 019 02	Roof transport system		1	
2	928 801 017 02	Set of surf board supports		1	
3	928 801 085 02	Set - canoe carrier		1	
		Ladder support mandrel		X	
		Set			
4	928 801 093 02	Set - bike carrier		1	
		for			
		Racing bike			
5	928 801 095 02	Set - bike carrier		1	
		for			
		Standard bike			
6	928 801 079 02	Safety rope		1	
7	928 801 097 02	Support for bicycle		1	

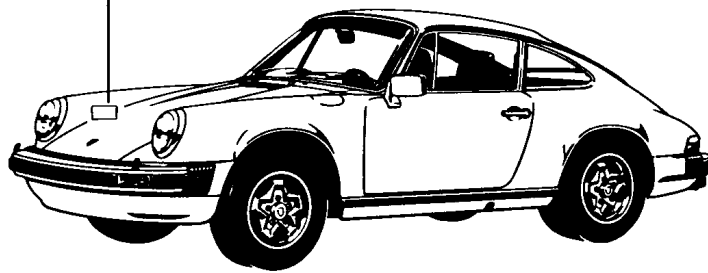
Model: 911 87

Model life 1987>>1989

FARBNUMMER
COLOUR NUMBER
NUMERO DE COULEUR
NUMERO COLORE
NUMERO DE COLOR

80K 9 2
GUARDS RED
INDISCHROT
G1

FARB BENENNUNG
COLOUR
COULEUR
COLORE
COLOR



Model: 911 87

Model life 1987>>1989

Pos	Part Number	Description	Remark	Qty	Model
-	911 096 050 00	Lacquers Basic materials Polyester filler 1 KG GLASSIT-NON-FERRO 839-10		X	
-	911 096 051 00	Hardener 30 GR GLASSIT 948-36 Red		X	
-	911 096 052 00	Primer filler 1 LTR GLASSOFIX 238-150		X	
-	911 096 053 00	Hardener 500 ML GLASSOFIX 352-228		X	
-	911 096 054 00	Primer filler 1 LTR GLASSODUR 285-100 White		X	
-	911 096 055 00	Hardener 500 ML GLASSODUR 929-28/1		X	
-	911 096 056 00	Wash primer 2 LTR GLASSOFIX 2K 934-200		X	
-	911 096 057 00	Hardener 1 LTR GLASSOFIX 934-100		X	
-	911 096 058 00	Polyurethane plastic putty 1 KG GLASSODUR 995-20		X	
-	911 096 059 00	Hardener 1 KG GLASSODUR 929-13		X	
-	911 096 060 00	Thinner 1 LTR GLASSODUR 352-91		X	
-	911 096 062 00	Additional lacquer 1 LTR GLASSODUR 521-111		X	
-	911 096 063 00	Underbody protection 1 KG GLASSOHYD 1109-		X	
-	000 043 001 00	Tin SN 90% 200 GR		X	
-	911 095 903 80	Synthetic resin prime coat Metallic 1 LTR		X	
	911 095 903 80 80D	Cassis red metallic			
	911 095 903 80 697	Diamond-blue metallic			
	911 095 903 80 36N	Diamond-blue metallic			
	911 095 903 80 40L	Cognac brown metallic			
	911 095 903 80 40D	Espresso brown metallic			
	911 095 903 80 699	Granite green metallic			
	911 095 903 80 35Y	Lagoon green metallic			
	911 095 903 80 21Z	Lagoon green metallic			
	911 095 903 80 81K	Coral metallic			
	911 095 903 80 550	Linen grey metallic			
	911 095 903 80 35V	Marine blue metallic			
	911 095 903 80 980	Silver metallic			
	911 095 903 80 36P	Venetian blue metallic			
	911 095 903 80 81L	Velvet red metallic			

Model: 911 87 Model life 1987>>1989

Pos	Part Number	Description	Remark	Qty	Model
	911 095 903 80 22D	Slate grey metallic			
	911 095 903 80 693	Stone grey metallic			
	911 095 903 80 947	Pearlescent effect			
	911 095 903 80 22E	Forest green metallic			
	911 095 903 80 37B	Baltic blue metallic			
	911 095 903 80 34S	DUNKELBLAU-METALLIC			
-	911 096 064 00	Clear lacquer 1LTR GLASSODUR-MS 923-85		X	
-	911 095 902 60	Top-coat paint 2 K 1 LTR		X	
	911 095 902 60 548	Apricot beige			
	911 095 902 60 80F	Carmine red			
	911 095 902 60 347	Dark blue			
	911 095 902 60 908	Grand prix white			
	911 095 902 60 499	Caramel beige			
	911 095 902 60 60M	Linen			
	911 095 902 60 10W	Summer yellow			
	911 095 902 60 22C	Murano green			
	911 095 902 60 700	Black			
	911 095 902 60 80K	Guards red			
	911 095 902 60 21M	Turquoise			
-	911 095 932 20	Paint touch-up applicator		X	
	911 095 932 20 548	Apricot beige			
	911 095 932 20 80F	Carmine red			
	911 095 932 20 347	Dark blue			
	911 095 932 20 908	Grand prix white			
	911 095 932 20 499	Caramel beige			
	911 095 932 20 10W	Summer yellow			
	911 095 932 20 60M	Linen			
	911 095 932 20 22C	Murano green			
	911 095 932 20 700	Black			
	911 095 932 20 80K	Guards red			
	911 095 932 20 21M	Turquoise			
-	911 095 933 20	Paint touch-up applicator Set Comprising: Primer Clear lacquer		X	
	911 095 933 20 80D	Cassis red metallic			
	911 095 933 20 40L	Cognac brown metallic			
	911 095 933 20 697	Diamond-blue metallic			
	911 095 933 20 36N	Diamond-blue metallic			
	911 095 933 20 40D	Espresso brown metallic			
	911 095 933 20 699	Granite green metallic			
	911 095 933 20 81K	Coral metallic			
	911 095 933 20 35Y	Lagoon green metallic			
	911 095 933 20 21Z	Lagoon green metallic			
	911 095 933 20 35V	Marine blue metallic			
	911 095 933 20 980	Silver metallic			
	911 095 933 20 550	Linen grey metallic			
	911 095 933 20 36P	Venetian blue metallic			
	911 095 933 20 81L	Velvet red metallic			
	911 095 933 20 22D	Slate grey metallic			
	911 095 933 20 693	Stone grey metallic			
	911 095 933 20 22E	Forest green metallic			
	911 095 933 20 37B	Baltic blue metallic			

Model: 911 87

Model life 1987>>1989



Model: 911 87 Model life 1987>>1989

Pos	Part Number	Description	Remark	Qty	Model
-	928 101 921 00	Securing liquid Sealing compound Preservative agent Securing liquid Loctite -270- 10 CCM High strength		X	
-	000 043 205 13	Sealing compound Sealing compound SILASTIK 732 RTV 90 ML		X	
-	000 043 010 00	Loctite -574- 50 CCM Loctite Adhesive set for pasting Metal Glass Ceramics Thermoset plastic Comprising:		X	
-	000 043 051 00	Loctite Loctite -312- 50 CCM		X	
-	000 043 202 65	Loctite AKTIVATOR NF 736 180 CCM		X	
-	000 043 004 00	Mounting paste Optimoly ht 1 90-gramme tube		X	
-	000 043 005 00	Grease OPTIMOL - OLISTAMOLY 1 90-gramme tube		X	
-	000 043 204 21	Grease for lock cylinder Spraying can		X	
-	G 052 778 A2	Grease for lock cylinder Spraying can		X	
-	999 571 062 00	Preservative agent Care kit Comprising: Suitcase		1	
-	999 901 013 40	Liquid preservative		1	
-	999 901 014 41	Car shampoo		1	
-	999 901 015 40	Polisher		1	
-	999 901 016 40	Tar remover		1	
-	999 901 017 40	Dashboard cleaner		1	
-	999 901 018 40	Paint polish		1	
-	999 901 019 41	Insect remover		1	
-	999 901 020 40	Spot remover		1	
-	999 901 021 40	Polishing cotton		1	
-	999 901 022 40	Polishing cloth		1	
-	000 044 000 02	Leather care 250 ML		X	
-	999 901 017 41	Window cleaner Summer 250 ML		X	
-	999 901 017 42	Window cleaner Summer		X	

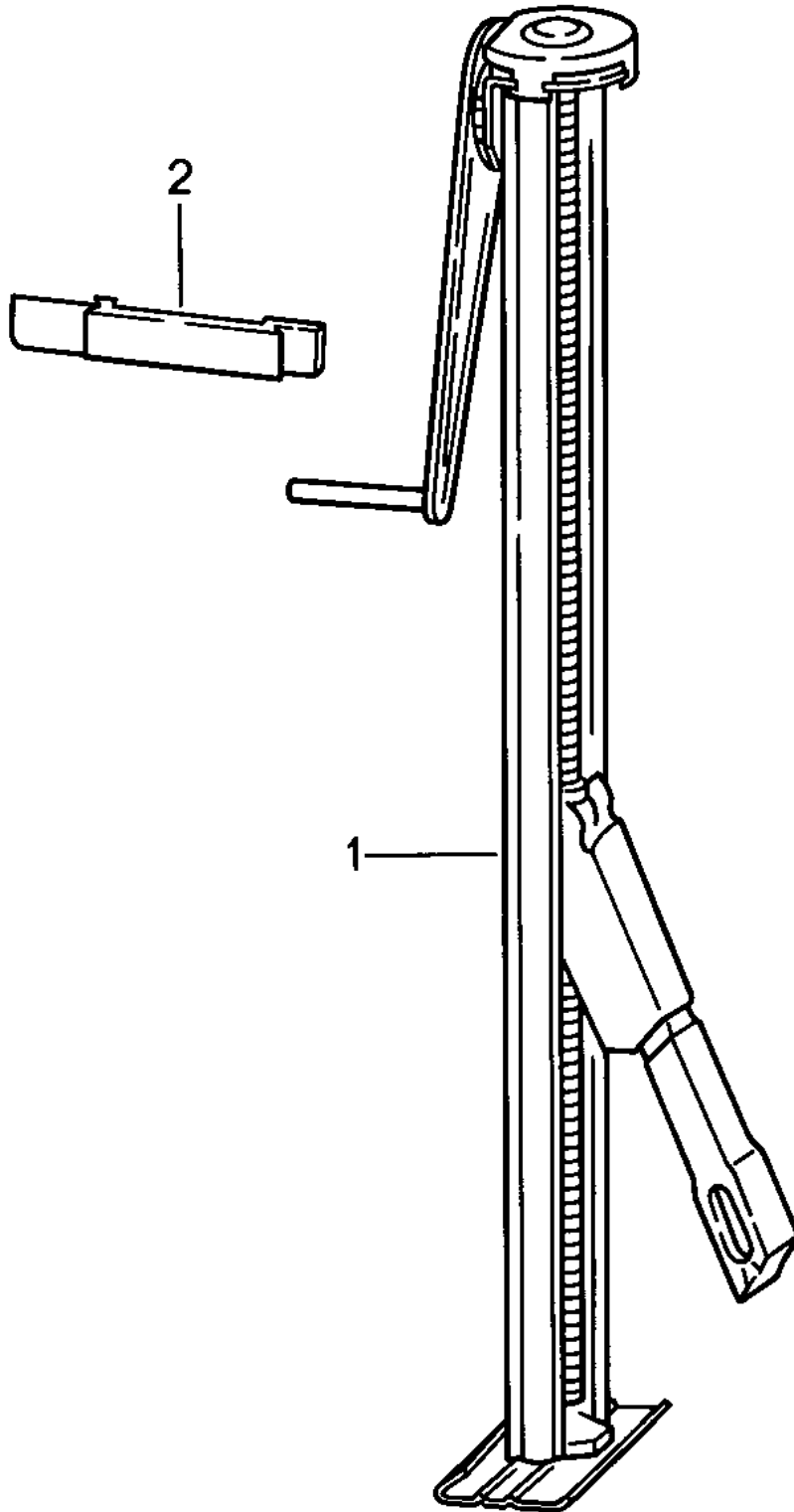
Model: 911 87

Model life 1987>>1989

Pos	Part Number	Description	Remark	Qty	Model
-	000 044 000 87	250 ML Window cleaner Summer		X	
-	999 901 033 40	250 ML Window cleaner Winter		X	
-	999 901 036 40	1000 ML Car shampoo Refilling bottle		X	
-	999 917 803 00	1000 ML Window cleaner Spray bottle		X	
-	928 628 931 00	250 ML Silicone remover		X	
-	000 044 000 93	1000 ML Silicone remover		X	
-	999 901 030 40	1000 ML Rim cleaner Spray bottle		X	
-	999 901 031 40	500 ML Rim cleaner Refilling bottle 1000 ML		X	

Model: 911 87

Model life 1987>>1989



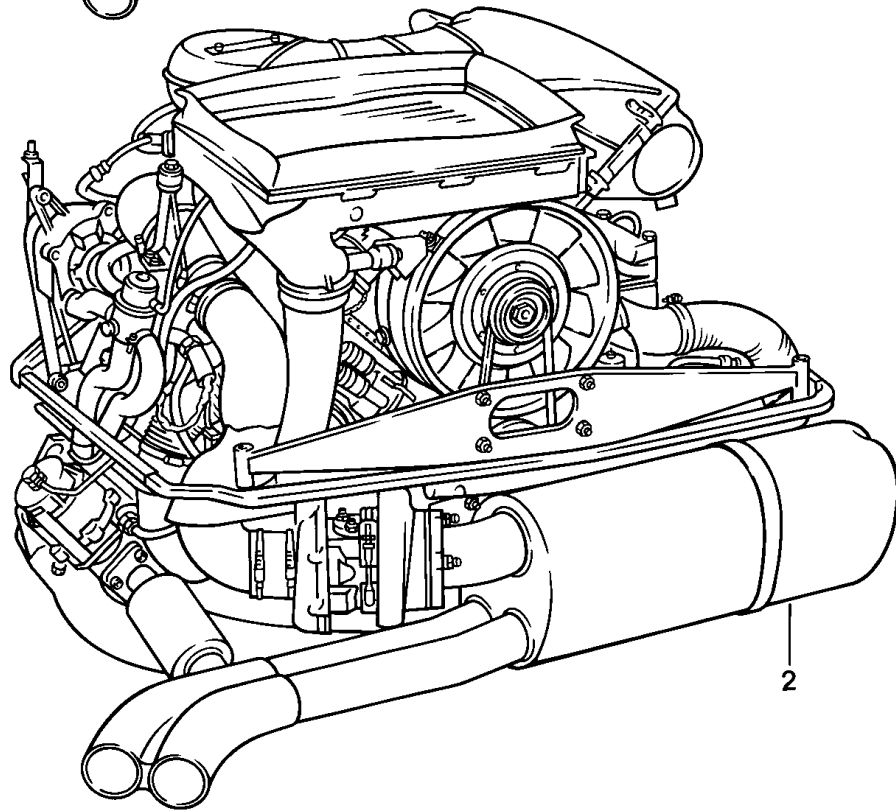
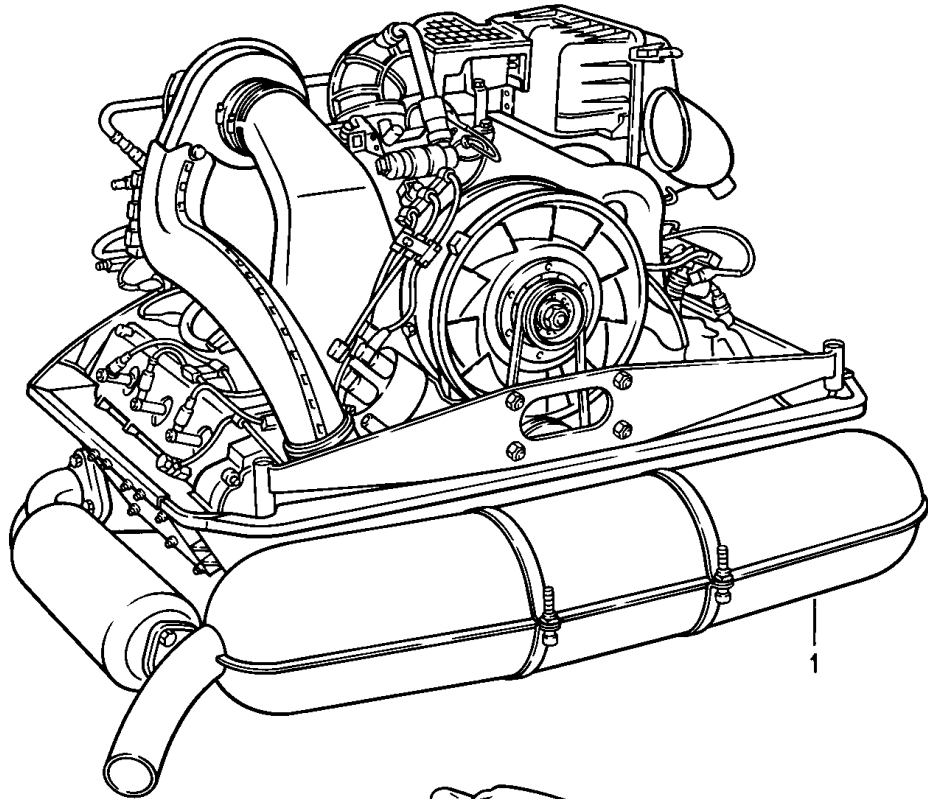
Model: 911 87

Model life 1987>>1989

Pos	Part Number	Description	Remark	Qty	Model
		Special model flatnose design Jack Accessories	88-		TURBO M506
1	911 721 911 00	Jack		1	
2	911 722 021 01	Bracket		1	

Model: 911 87

Model life 1987>>1989



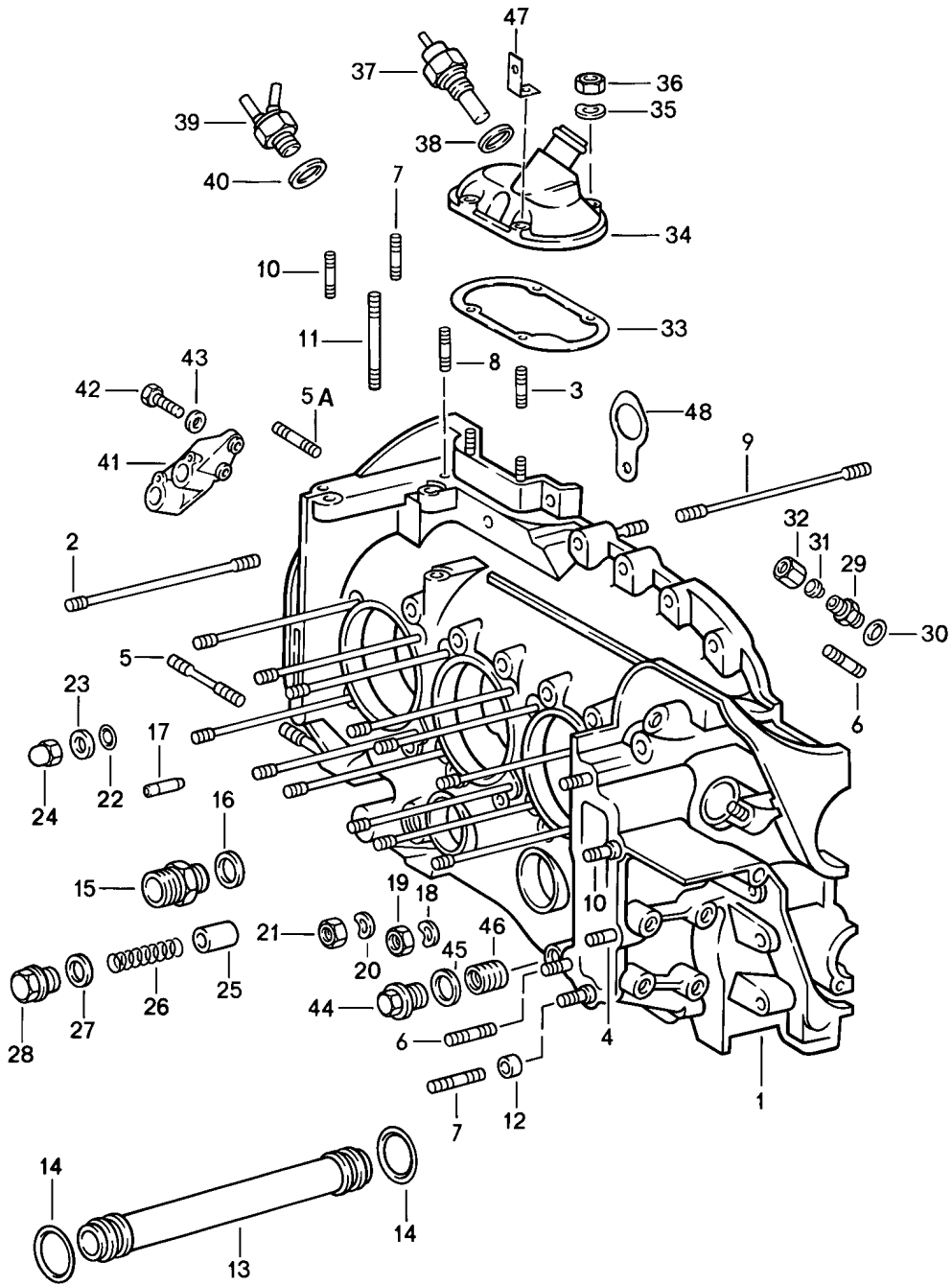
Model: 911 87

Model life 1987>>1989

Pos	Part Number	Description	Remark	Qty	Model
1	930 100 220 00	Replacement engine Ready for installation Engine		1	930.20 COUPE/TARGA
1	930 100 220 01	Engine		1	930.20 CABRIO
1	930 100 225 00	Engine		1	930.25 COUPE/TARGA
1	930 100 225 01	Engine		1	930.25 CABRIO
1	930 100 225 02	Engine	(J)	1	930.25 COUPE/TARGA
1	930 100 225 03	Engine	(J)	1	930.25 CABRIO
1	930 100 225 04	Engine	(AUS) (CH)	1	930.25 COUPE/TARGA
1	930 100 225 05	Engine	(AUS) (CH)	1	930.25 CABRIO
1	930 100 226 00	Engine	(S) -88	1	930.26 COUPE/TARGA
1	930 100 226 01	Engine	(S) -88	1	930.26 CABRIO
2	930 100 266 04	Engine	-87	1	930.66 COUPE
2		Engine	88	1	930.66 COUPE / TARG
2		Engine	A -88	1	930.66 COUPE / TARG
2	930 100 266 03	Engine	A -87	1	930.66 CABRIO
2		Engine	-88	1	930.66 CABRIO

Model: 911 87

Model life 1987>>1989



Model: 911 87

Model life 1987>>1989

Pos	Part Number	Description	Remark	Qty	Model
1	930 101 917 00	Crankcase Left		1	930.20/25/26
-	911 101 183 00	Crankcase with studs		X	
		Stopper			
		16 x 11			
1	930 101 918 00	Crankcase with studs		1	930.66/68
2	911 101 172 00	Stud		12	930.20/25/26
		Upper			
2	993 101 170 51	Stud		12	930.20/25/26
2		Stud		24	930.66/68
3	999 062 085 02	Stud		4	
		M 6 X 20			
4	999 062 006 02	Stud		2	
		M 8 X 20			
5	999 062 099 02	Stud		1	930.20/25/26
		M 10 X 105			
5	900 060 096 01	Stud		1	930.20/25/26
		M 10 X 105			
5	999 062 192 02	Stud		1	930.66/68
		M 10 X 102			
5A	999 062 099 02	Stud		1	
		M 10 X 105			
5A	900 060 096 01	Stud		1	
		M 10 X 105			
6	999 062 007 02	Stud		5	
		M 8 X 22			
6	900 060 106 01	Stud		5	
		M 8 X 22			
7	999 062 009 02	Stud		3	
		M 8 X 28			
7	900 060 105 01	Stud		3	
		M 8 X 28			
8	999 062 055 02	Stud		1	
		M 6 X 12			
9	930 101 174 01	Stud		2	
10	999 062 008 02	Stud		3	
		M 8 X 25			
11	999 062 147 02	Stud		1	
		M 8 X 62			
12	901 101 145 00	Dowel sleeve		2	
13	901 107 351 01	Oil tube		4	
(13)	930 107 040 01	Set		X	
		Set			
		Divided			
		Comprising:			
		Oil tube			
		I			
		Oil tube			
		II			
-	900 041 013 01	Circlip		1	
-	999 707 113 40	Round seal		2	
-	999 707 113 41	O-ring		2	
-	999 707 112 40	Round seal		2	
-	999 707 112 4A	Round seal		2	
14	999 707 112 40	Round seal		8	
14	999 707 112 4A	Round seal		8	
15	999 136 008 09	Connection piece		1	
15	999 136 008 01	Connection piece		1	
16	900 123 011 30	Sealing ring		1	
		A 22 X 27			
17	911 101 011 01	Spray jet		6	930.20/25/26

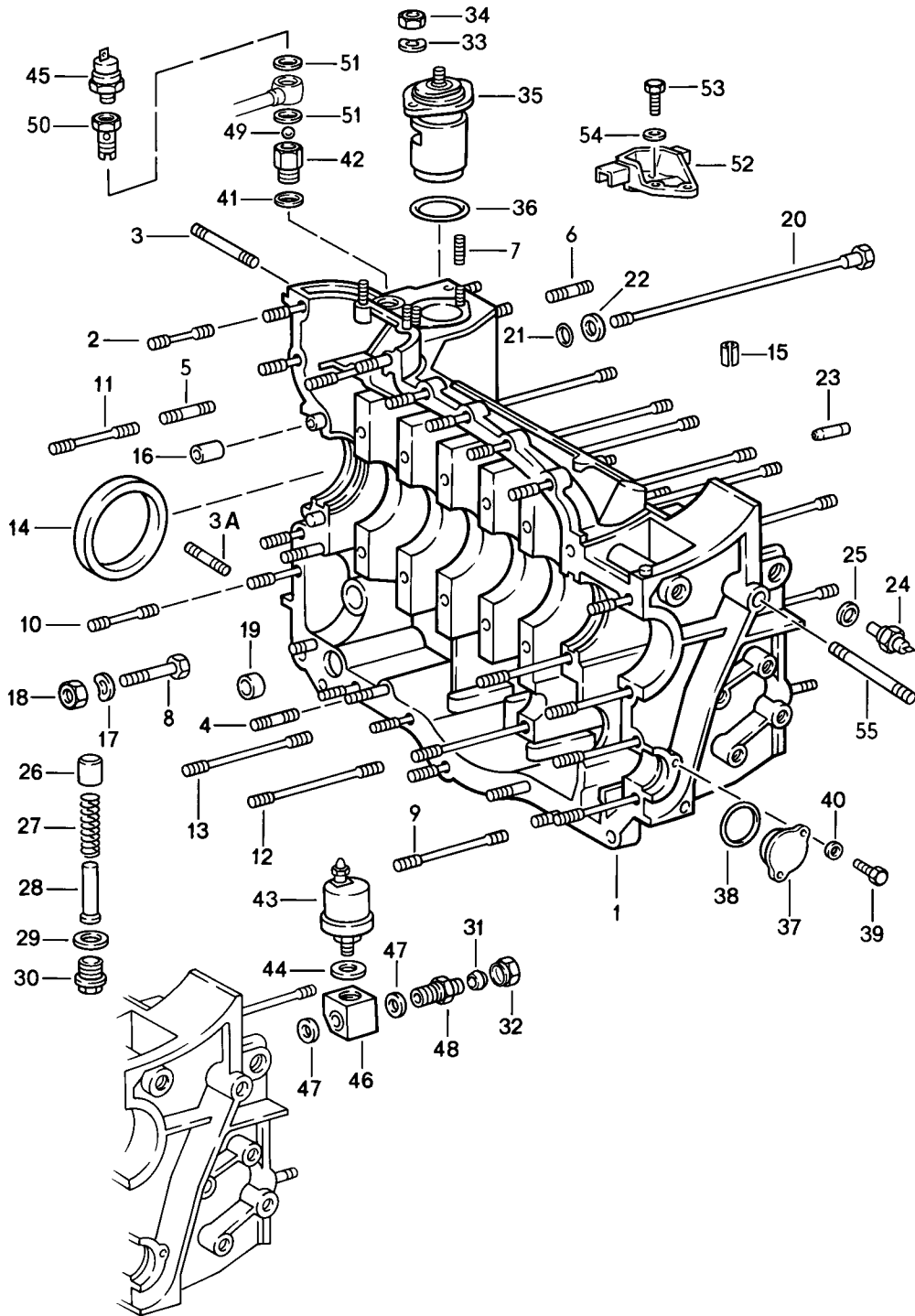
Model: 911 87

Model life 1987>>1989

Pos	Part Number	Description	Remark	Qty	Model
17	911 101 011 51	Spray jet Oversize		6	930.20/25/26
17	930 101 015 00	Spray jet		6	930.66/68
17	930 101 015 50	Spray jet Oversize		6	930.66/68
18	900 031 014 30	Washer 8,4		24	
19	900 910 022 02	Lock nut M 8		24	
20	N 012 242 3	Spring washer B 10 X 18		1	
21	900 076 052 02	Hexagon nut M 10 X 1		1	
22	999 701 006 40	O-ring		12	
23	901 101 161 01	Washer		12	
(23)	901 101 161 02	Washer		12	
24	930 101 172 01	Cap nut M10 X 1		13	
25	911 107 512 00	Piston		1	
26	901 107 531 00	Compression spring		1	
27	900 123 106 30	Sealing ring A 18 X 24		1	
28	999 064 026 02	Screw plug		1	
28	999 064 026 01	Screw plug		1	
29	901 107 375 00	Screw socket		1	
30	900 123 101 30	Sealing ring A 12 X 18		1	
31	N 020 825 1	Cutting ring LL 8		1	
32	900 104 003 02	Union nut A LL 8		1	
32	900 104 003 03	Union nut A LL 8		1	
33	930 107 791 02	Gasket		1	
34	930 107 073 00	Lid		1	
35	N 012 226 5	Spring washer B 6		4	
36	900 076 010 02	Nut M 6		4	
36	900 076 010 0B	Nut M 6		4	
37	930 606 118 00	Temperature switch		1	930.20/25/26
38	900 123 007 30	Sealing ring A 14 X 18		1	930.20/25/26
39	930 110 401 01	Thermo valve		1	930.66/68
40	900 123 007 30	Sealing ring A 14 X 18		1	930.66/68
41	930 101 089 01	Support for Pulse sender		1	930.20/25/26
42	N 010 217 9	Hexagon-head bolt M 6 X 20		2	930.20/25/26
43	N 011 524 7	Washer A 6,4		2	930.20/25/26
43	N 011 524 27	Washer A 6,4		2	930.20/25/26
44	944 107 197 01	Screw plug		1	
45	900 123 118 30	Sealing ring A 22 X 27		1	
46	999 504 127 00	Threaded insert M 20 X 1,5		1	
48	901 101 151 00	Clip		1	

Model: 911 87

Model life 1987>>1989



Model: 911 87

Model life 1987>>1989

Pos	Part Number	Description	Remark	Qty	Model
1	930 101 917 00	Crankcase Right		1	930.20/25/26
-	911 101 183 00	Crankcase with studs Stopper 16 x 11		X	
1	930 101 918 00	Crankcase with studs		1	930.66/68
2	999 062 115 02	Stud M 8 X 32		15	
3	999 062 225 02	Stud M 10 X 142		1	930.20/25/26
3	900 060 095 01	Stud M 10 X 142		1	930.20/25/26
3	999 062 225 02	Stud M 10 X 140		1	930.66/68
3	900 060 095 01	Stud M 10 X 140		1	930.66/68
3A	999 062 099 02	Stud M 10 X 105		1	
3A	900 060 096 01	Stud M 10 X 105		1	
4	999 062 006 02	Stud M 8 X 20		3	
5	999 062 009 02	Stud M 8 X 28		1	
5	900 060 105 01	Stud M 8 X 28		1	
6	999 062 073 02	Stud M 8 X 16		4	
7	999 062 055 02	Stud M 6 X 12		3	
8	900 074 139 02	Hexagon-head bolt M 8 X 55		1	
8	900 074 139 03	Hexagon-head bolt M 8 X 55		1	
9	900 060 101 01	Stud M 8 X 78		3	
10	999 062 075 02	Stud M 8 X 48		2	
11	999 062 138 02	Stud M 8 X 52		1	
11	900 060 102 01	Stud M 8 X 52		1	
12	999 062 051 02	Stud M 8 X 108		1	
13	930 101 175 00	Stud		1	
14	999 113 264 40	Radial sealing ring 90 X 110 X 12		1	
14	999 113 461 40	Radial sealing ring 90 X 110 X 12		1	
14	999 113 426 40	Radial sealing ring 90 X 110 X 12		1	
14	999 113 426 41	Radial sealing ring 90 X 110 X 12		1	
15	900 095 025 01	Roll pin 8 X 16		1	
16	901 101 195 00	Dowel sleeve		2	
17	900 031 014 30	Washer 8,4		1	
18	900 910 022 02	Lock nut M 8		1	
19	999 704 172 50	Sealing ring		1	

Model: 911 87

Model life 1987>>1989

Pos	Part Number	Description	Remark	Qty	Model
20	930 101 173 02	Screw		11	
21	999 701 006 40	O-ring		12	
22	901 101 161 01	Washer		12	
(22)	901 101 161 02	Washer		12	
23	911 101 011 01	Spray jet		3	930.20/25/26
23	930 101 015 00	Spray jet		3	930.66/68
24	911 606 112 00	Remote temperature sensor		1	
25	900 123 008 30	Sealing ring A 14 X 20		1	
26	911 107 512 00	Piston		1	
27	930 107 531 01	Compression spring		1	
28	930 107 533 00	Guide sleeve		1	
28	930 107 533 01	Guide sleeve		1	
29	900 123 106 30	Sealing ring A 18 X 24		1	
30	999 064 026 02	Screw plug		1	
30	999 064 026 01	Screw plug		1	
31	N 020 825 1	Cutting ring LL 8		1	
32	900 104 003 02	Union nut A LL 8		1	
32	900 104 003 03	Union nut A LL 8		1	
33	N 012 226 5	Spring washer B 6		2	
34	900 076 010 02	Nut M 6		2	
34	900 076 010 0B	Nut M 6		2	
35	930 107 765 00	Oil thermostat		1	
36	999 701 053 40	O-ring 39,2 X 3		1	
37	930 105 165 00	Cover		1	
38	999 701 658 40	Round seal 33,3 X 2,4		1	
39	900 075 057 02	Hexagon-head bolt M 6 X 16		2	
39	900 075 057 03	Hexagon-head bolt M 6 X 16		2	
40	N 011 524 7	Washer 6,4		2	
40	N 011 524 27	Washer 6,4		2	
41	N 013 832 5	Sealing ring A 18 X 22		1	
42	901 101 175 01	Reducing socket		1	930.20/25/26
42	930 107 705 00	Reducing socket		1	930.66/68
43	911 606 135 00	Pressure transmitter		1	
44	900 123 009 20	Sealing ring		1	
45	911 606 230 00	Oil pressure switch		1	
46	911 107 704 00	Connection piece		1	
47	900 123 101 30	Sealing ring A 12 X 18		2	
48	911 107 709 01	Screw socket		1	
49	900 108 022 00	Ball \$ 9 MM		1	930.66/68
50	930 107 706 00	Banjo bolt		1	930.66/68
51	900 123 007 30	Sealing ring A 14 X 18		2	930.66/68
52	930 101 191 02	Support		1	
53	N 010 217 9	Hexagon-head bolt M 6 X 20		2	930.20/25/26
54	N 011 524 7	Washer		2	930.20/25/26

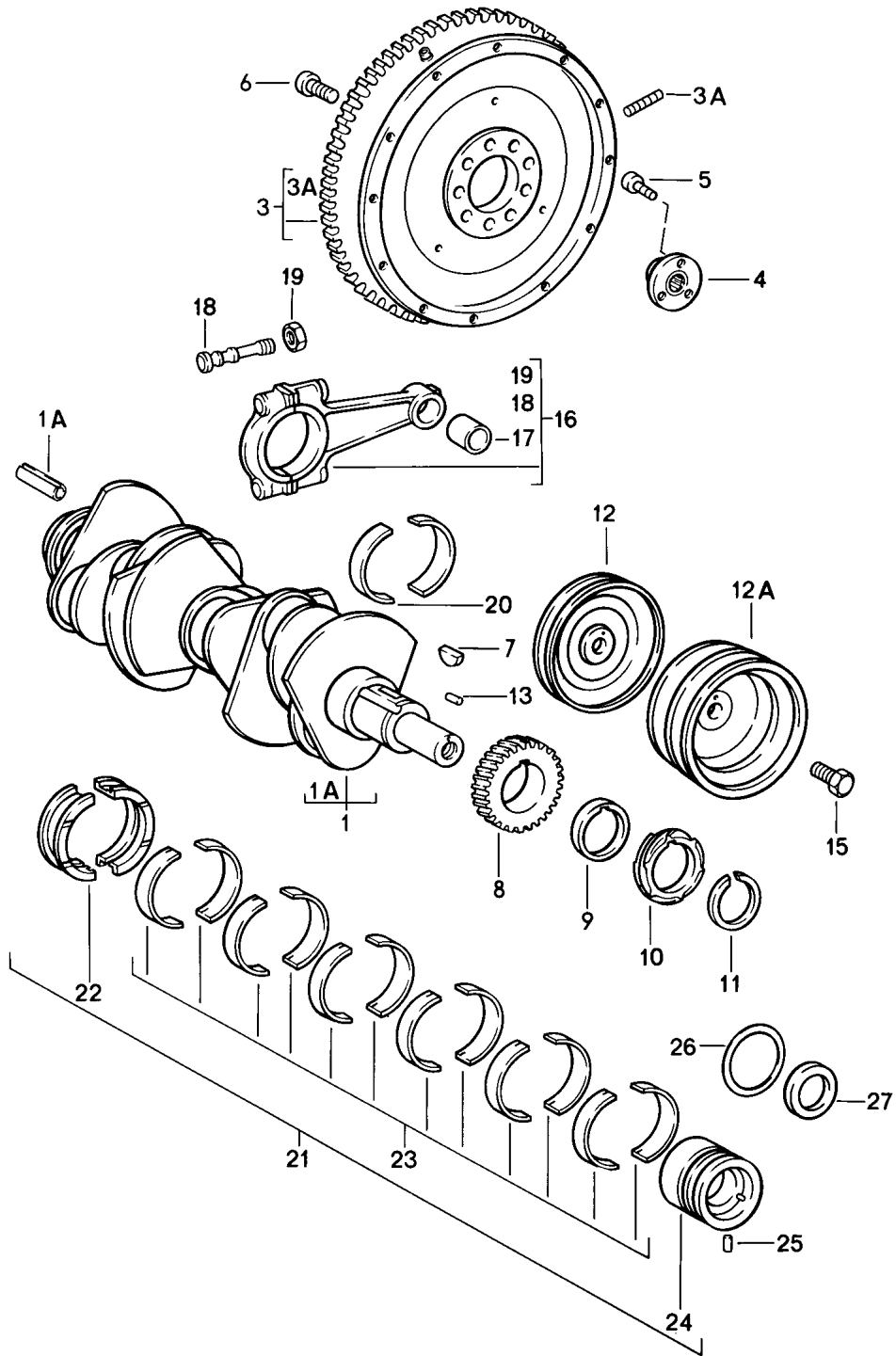
Model: 911 87

Model life 1987>>1989

Pos	Part Number	Description	Remark	Qty	Model
54	N 011 524 27	A 6,4 Washer		2	930.20/25/26
55	999 061 056 02	A 6,4 Stud M 10 X 15		1	

Model: 911 87

Model life 1987>>1989



Model: 911 87 Model life 1987>>1989

Pos	Part Number	Description	Remark	Qty	Model
1	930 102 014 09	Crankshaft		1	930.20/25/26
1	930 102 014 10	Crankshaft		1	930.66/68
1	930 102 014 11	Crankshaft		1	930.66/68
1A	900 095 031 00	Tensioning sleeve 6 X 16		1	930.20/25/26
3	930 102 033 03	Flywheel		1	930.20/25/26
(3)	930 102 213 00	Flywheel	-88	1	930.66/68
(3)	930 102 239 02	Flywheel	89-	1	930.66/68
3A	930 102 349 00	Threaded pin		1	930.20/25/26
4	930 102 042 00	Bush	89-	1	930.66/68
(4)	931 102 111 00	Deep-groove ball bearing	-88	1	930.66/68
(4)	931 102 111 02	Deep-groove ball bearing	89-	1	930.20/25/26
5	900 067 008 02	Pan-head screw M 6 X 12		3	930.66/68
5	900 067 008 03	Pan-head screw M 6 X 12		3	930.66/68
6	930 102 206 00	Pan-head screw		9	930.66/68
7	901 102 147 00	Woodruff key		1	930.66/68
8	901 102 111 00	Timing gear Number 0		1	930.66/68
8	901 102 111 10	Timing gear Number 1		1	930.66/68
8	901 102 111 20	Timing gear Number 1		1	930.66/68
9	901 102 145 00	Intermediate ring		1	930.66/68
10	930 102 112 00	Drive wheel		1	930.20/25/26
10	930 102 112 01	Drive wheel		1	930.20/25/26
10	930 102 115 01	Drive wheel		1	930.66/68
10	930 102 115 02	Drive wheel		1	930.66/68
11	901 102 148 00	Circlip Number 0		1	930.66/68
11	901 102 148 01	Circlip Number 1		1	930.66/68
11	901 102 148 02	Circlip Number 2		1	930.66/68
11	901 102 148 03	Circlip Number 3		1	930.66/68
12	930 102 028 08	Pulley		1	930.20/25/26
12	930 102 126 02	Pulley		1	930.66
12A	930 102 024 03	Pulley		1	930.20/25/26 M559 930.66-S M148
12A	930 102 024 02	Pulley		1	M30.66 M559/573
13	N 101 090 01	Straight pin 5 M 6 X 14		1	
13	N 101 090 0A	Straight pin 5 M 6 X 14		1	
15	999 093 005 02	Hexagon-head bolt M12 X 1,5 X 22		1	
16	964 103 020 53	Connecting rod Weight group: 3= 615 - 624 G		6	
16	964 103 020 54	Connecting rod Weight group: 4= 624 - 633 G		6	
16	964 103 020 65	Connecting rod Weight group:		6	

Model: 911 87 Model life 1987>>1989

Pos	Part Number	Description	Remark	Qty	Model
16	964 103 020 66	5= 633 - 642 G Connecting rod		6	
16	964 103 020 67	Weight group: 6= 642 - 651 G Connecting rod		6	
16	964 103 020 68	Weight group: 7= 651 - 660 G Connecting rod		6	
16	964 103 020 59	Weight group: 8= 660 - 669 G Connecting rod		6	
16	964 103 020 60	Weight group: 9= 669 - 678 G Connecting rod		6	
16	964 103 020 61	Weight group: 10= 678 - 687 G Connecting rod		6	
>>	930 103 975 00	Weight group: 11= 687 - 696 G Connecting rod		1	
		Connecting rods			
		Comprising:			
		Connecting rods		6	
17	930 103 134 01	Connecting rod bush		6	
18	964 103 176 00	Connecting rod bolt		12	
19	930 103 174 00	Connecting rod nut		12	
20	930 103 147 15	Connecting-rod bearing		6	
		Set			
20	930 103 147 50	Connecting-rod bearing		12	
		Oversize			
		0,25 MM			
20	930 103 147 81	Connecting-rod bearing		12	
		Oversize			
		0,25 MM			
20		Connecting-rod bearing		12	
		Connecting-rod bearing			
		Oversize			
		0,25 MM			
20	930 103 147 60	Connecting-rod bearing		12	
		Oversize			
		0,50 MM			
21	964 101 901 00	Set of crankshaft bearings		1	
21	964 101 901 51	Set of crankshaft bearings		1	
		Oversize			
		Inner			
		0,25 MM			
21	964 101 901 56	Set of crankshaft bearings		1	
		Oversize			
		Inner			
		0,50 MM			
21	964 101 901 61	Set of crankshaft bearings		1	
		Oversize			
		Outer			
		0,25 MM			
21	964 101 901 71	Set of crankshaft bearings		1	
		Oversize			
		Inner			
		0,25 MM			
		Oversize			
		Outer			
		0,25 MM			
21	964 101 901 76	Set of crankshaft bearings		1	
		Oversize			

Model: 911 87 Model life 1987>>1989

Pos	Part Number	Description	Remark	Qty	Model
22	930 101 131 15	Inner 0,50 MM Oversize Outer 0,25 MM Bearing shell Set		1	
22	930 101 131 51	I Bearing shell I Oversize		2	
22	930 101 131 56	Inner 0,25 MM Bearing shell I Oversize		2	
22	930 101 131 61	Inner 0,50 MM Bearing shell I Oversize		2	
22	930 101 131 71	Outer 0,25 MM Bearing shell I Oversize		2	
22	930 101 131 76	Inner 0,25 MM Outer 0,25 MM Bearing shell I Oversize		2	
23	930 101 132 15	Inner 0,50 MM Outer 0,25 MM Bearing shell II-VII		12	
23	930 101 132 51	Bearing shell II-VII Oversize		12	
23	930 101 132 92	Inner 0,25 MM Bearing shell II-VII Oversize		12	
23		Inner 0,25 MM Bearing shell Bearing shell II-VII Oversize		12	
23	930 101 132 56	Inner 0,25 MM Bearing shell II-VII Oversize		12	
23	930 101 132 61	Inner 0,50 MM Bearing shell II-VII Oversize		12	

Model: 911 87

Model life 1987>>1989

Pos	Part Number	Description	Remark	Qty	Model
23	930 101 132 71	Outer 0,25 MM Bearing shell II-VII Oversize Inner 0,25 MM		12	
23	930 101 132 72	Outer 0,25 MM Bearing shell II-VII Oversize Inner 0,25 MM		12	
23		Outer 0,25 MM Bearing shell Bearing shell II-VII Oversize Inner 0,25 MM		12	
23	930 101 132 76	Outer 0,25 MM Bearing shell II-VII Oversize Inner 0,50 MM		12	
24	964 101 138 01	Outer 0,25 MM Bearing sleeve VIII		1	
24	964 101 138 54	Outer 0,25 MM Bearing sleeve VIII Oversize Inner 0,25 MM		1	
24	964 101 138 55	Outer 0,25 MM Bearing sleeve VIII Oversize Inner 0,50 MM		1	
24	964 101 138 65	Outer 0,25 MM Bearing sleeve VIII Oversize Inner 0,50 MM		1	
24	964 101 138 66	Outer 0,25 MM Bearing sleeve VIII Oversize Inner 0,25 MM		1	
24	964 101 138 67	Outer 0,25 MM Bearing sleeve VIII Oversize Inner 0,50 MM		1	
25	900 012 061 00	Outer 0,25 MM Straight pin		1	

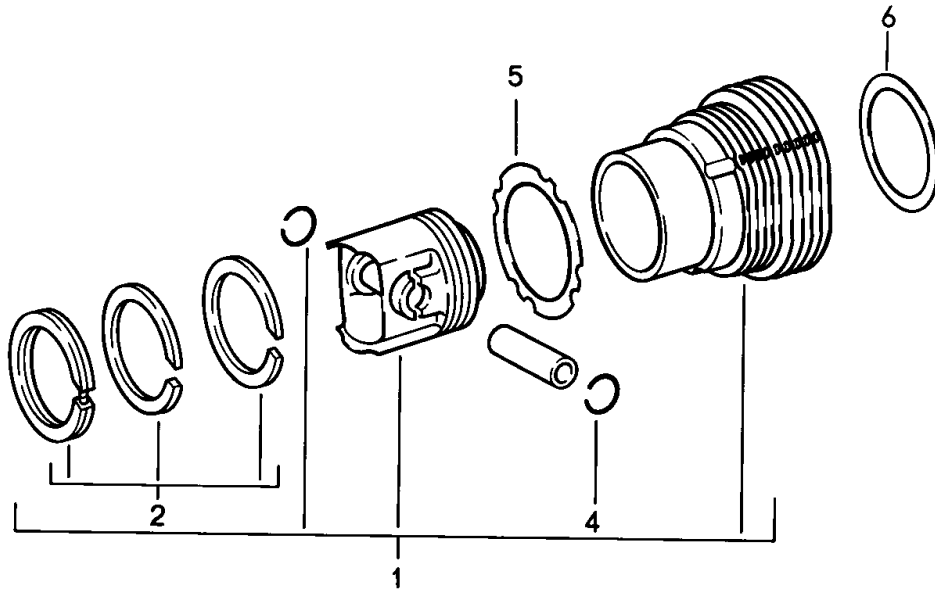
Model: 911 87

Model life 1987>>1989

Pos	Part Number	Description	Remark	Qty	Model
26	999 707 285 40	5 H 8 X 10 O-ring		1	
27	999 113 290 41	51 X 4,5 Radial sealing ring 30 X 50 X 10		1	

Model: 911 87

Model life 1987>>1989



Model: 911 87

Model life 1987>>1989

Pos	Part Number	Description	Remark	Qty	Model
1	930 103 989 01	Cylinder with piston Group 5 - mahle - Cylinder with piston Identification -- / - 618-626 G		6	930.20/26
1	PCG 503 569 2	Cylinder with piston Complete Fa. Mahle Only by sets		6	930.25
1	930 103 990 01	Cylinder with piston Identification -- / - 613-621 G		6	930.25
1	930 103 989 02	Cylinder with piston Identification + / ++ 626-634 G		6	930.20/26
1	930 103 990 02	Cylinder with piston Identification + / ++ 621-629 G		6	930.25
1	930 103 990 91	Cylinder with piston Identification + / ++ 621-629 G		6	930.25
1	PCG 503 989 0	Cylinder with piston Complete Fa. Mahle Only by sets		6	930.66/68
1	930 103 969 03	Cylinder with piston Identification -- / - 616-624 G		6	930.66/68
1	930 103 969 04	Cylinder with piston Identification + / ++ 624-632 G Group 5 - ks -		6	930.66/68
1	930 103 991 01	Cylinder with piston Identification -- / - 650-658G		6	930.25
1	930 103 991 02	Cylinder with piston Identification + / ++ 658-666G Group 6 - mahle -		6	930.25
1	930 103 989 03	Cylinder with piston Identification -- / - 618-626 G		6	930.20/26
1	930 103 990 03	Cylinder with piston Identification -- / - 613-621 G		6	930.25
1	930 103 989 04	Cylinder with piston Identification + / ++ 626-634 G		6	930.20/26

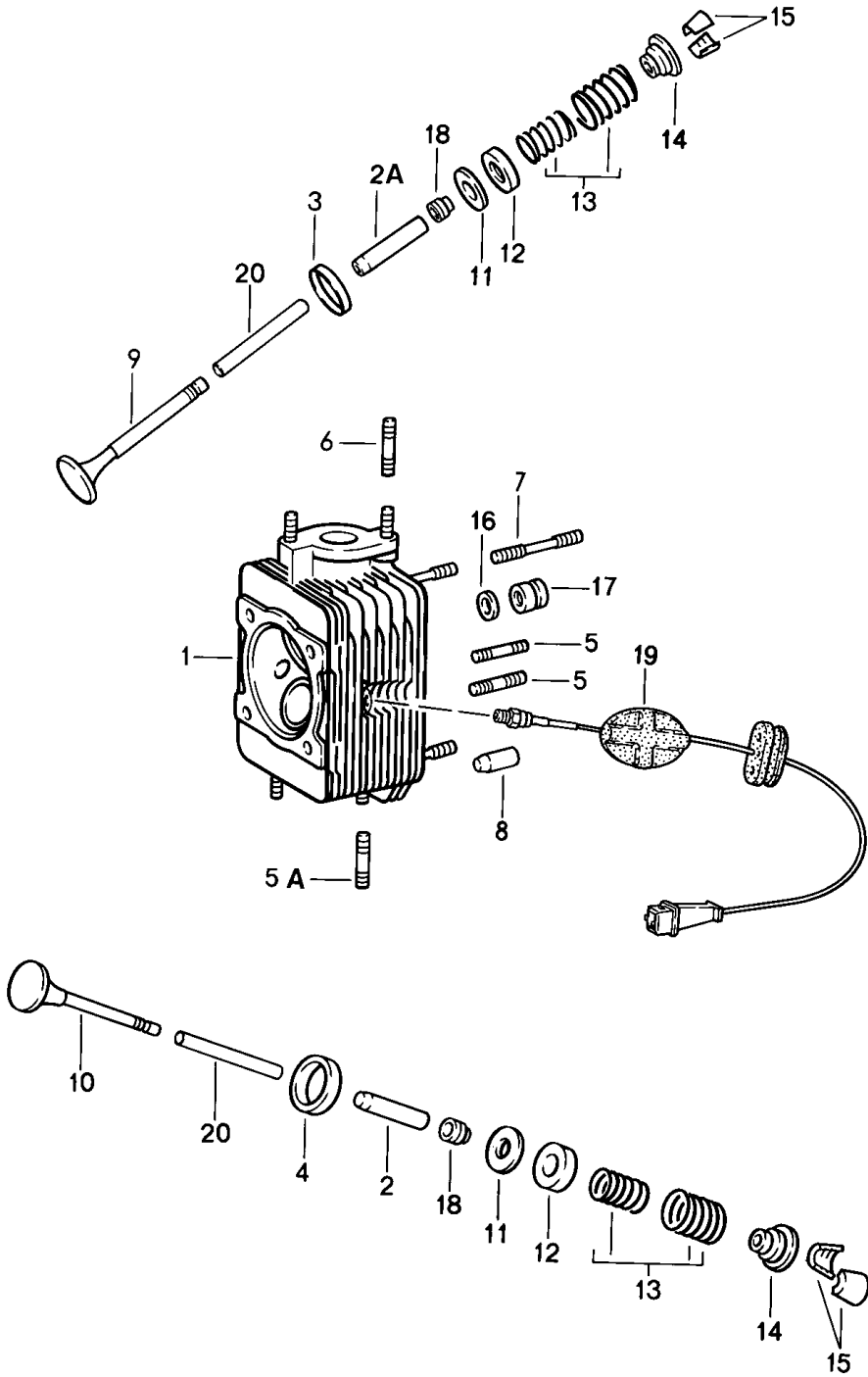
Model: 911 87

Model life 1987>>1989

Pos	Part Number	Description	Remark	Qty	Model
1	930 103 990 04	Cylinder with piston Identification + / ++ 621-629 G		6	930.25
1	930 103 969 05	Cylinder with piston Identification -- / - 616-624 G		6	930.66/68
1	930 103 969 04	Cylinder with piston Identification -- / - 616-624 G		6	930.66/68
1	930 103 969 06	Cylinder with piston Identification + / ++ 624-632 G Group 6 - ks -		6	930.66/68
1	930 103 991 03	Cylinder with piston Identification -- / - 650-658G		6	930.25
1	930 103 991 04	Cylinder with piston Identification + / ++ 658-666G Piston rings - mahle -		6	930.25
2	930 103 986 00	Set of piston rings		6	930.20/25/26
2	930 103 968 00	Set of piston rings Piston rings - ks -		6	930.66/68
2	930 103 986 01	Set of piston rings		6	930.25
4	900 908 019 00	Ring C 23		12	
5	930 104 194 02	Cylinder base gasket 0,25 MM		6	
5	930 104 194 01	Cylinder base gasket Oversize 0.50 mm See technical information GR.1 NR.18 1977		6	
6	930 104 381 01	Cylinder head gasket		6	930.66-S M148

Model: 911 87

Model life 1987>>1989



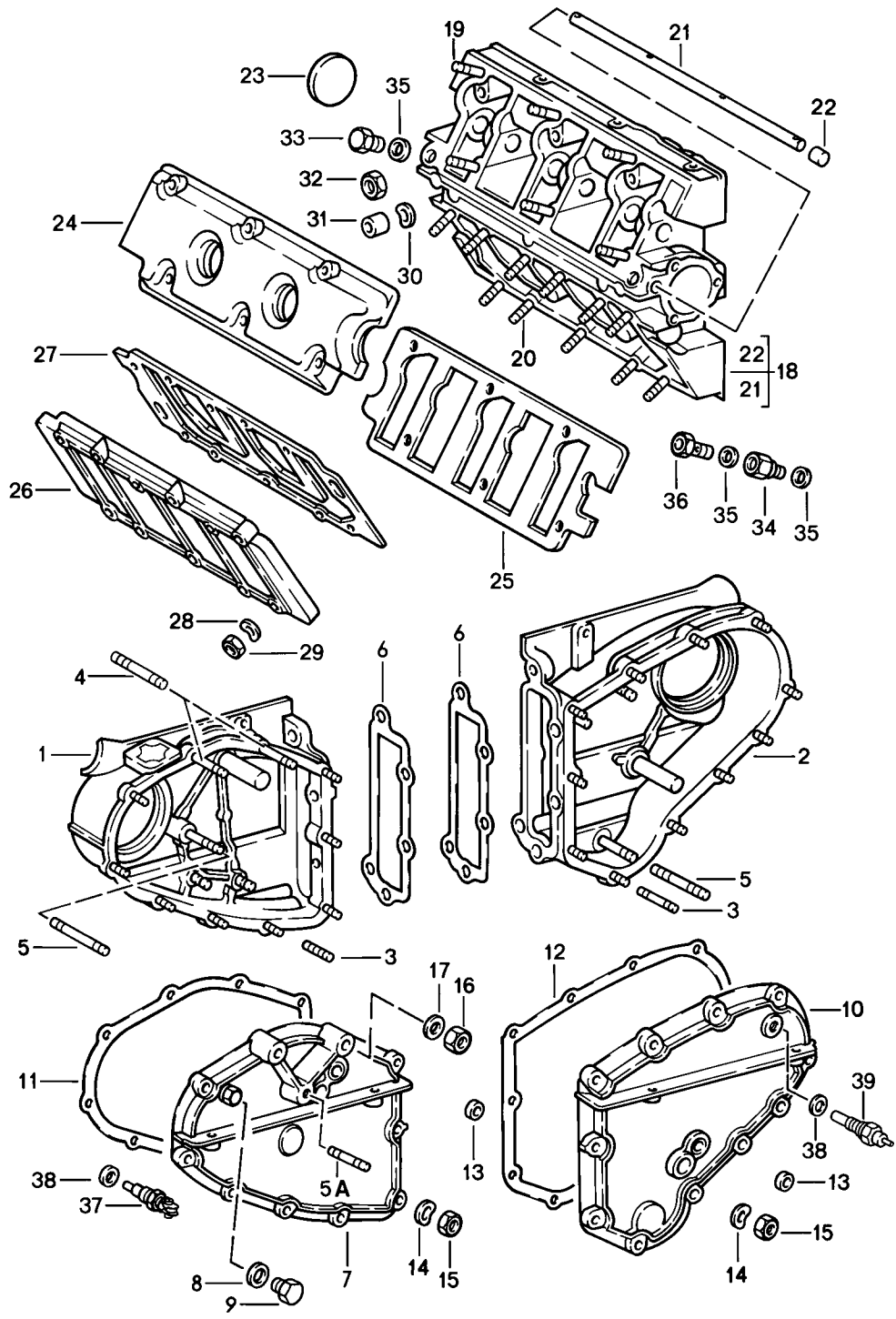
Model: 911 87

Model life 1987>>1989

Pos	Part Number	Description	Remark	Qty	Model
1	930 104 033 06	Cylinder head		6	930.20/25
1	930 104 033 07	Cylinder head without valves		6	930.26
1	930 104 043 10	Cylinder head without valves		6	930.66/68
1	930 104 043 12	Cylinder head without valves		6	930.66 M148
2	930 104 321 50	Valve guide 1st oversize		12	930.66/68
2A	930 104 321 53	Valve guide 1st oversize		6	930.20/25/26
3	930 104 331 50	Valve seat ring Intake		6	
4	930 104 335 56	Valve seat ring Exhaust Oversize		6	
5	999 062 006 02	Stud BM 8 X 20		12	
5A	999 062 239 02	Stud BM 8 X 30		12	
6	999 062 010 02	Stud BM 8 X 35		12	930.20/25/26
6	999 062 178 02	Stud BM 8 X 120		12	930.66/68
7	999 062 041 02	Stud BM 8 X 50		24	
8	999 012 006 00	Straight pin		12	
9	930 105 409 13	Intake valve		6	930.20/25/26
9	930 105 409 01	Intake valve		6	930.20/25/26
9	930 105 409 14	Intake valve		6	930.20/25/26
9	964 105 409 06	Intake valve		6	930.66/68
9	964 105 409 08	Intake valve		6	930.66/68
10	930 105 419 51	Exhaust valve		6	930.20/25/26
10	930 105 419 50	Exhaust valve		6	930.66/68
11	930 105 461 00	Washer		X	
12	901 105 463 00	Ring		12	
13	901 105 901 50	Set of valve springs		12	
13	901 105 901 51	Set of valve springs		12	
14	901 105 421 03	Concave washer		12	
15	901 105 417 00	Collet		24	
16	999 031 091 01	Washer		24	
17	901 104 382 02	Nut		24	
17	901 104 382 03	Nut		24	
18	928 104 193 12	Valve stem seal		12	
(18)	928 104 193 13	Valve stem seal		12	
(18)	964 104 111 07	Valve stem seal		12	
19	930 606 915 00	Temperature sensor		1	930.20/25/26
20	000 043 204 48	Sleeve for Valve stem seal		X	

Model: 911 87

Model life 1987>>1989



Model: 911 87

Model life 1987>>1989

Pos	Part Number	Description	Remark	Qty	Model
1	930 105 061 02	Camshaft housing Chain case Chain case for M30.26	/L	1	
-	999 062 046 02	Use also: Stud BM 8 X 65		2	
2	930 105 062 01	Chain case	/R	1	
3	999 062 102 02	Stud BM 6 X 22		19	
4	999 062 046 02	Stud BM 8 X 65		2	M30.26
4	999 062 052 02	Stud BM 8 X 42		2	
5	999 062 255 02	Stud M 8 X 60	/L	1	
5	999 062 041 02	Stud M 8 X 50	/R	1	
5A	999 062 010 02	Stud BM 8 X 35		1	M30.26
6	930 105 193 06	Gasket		2	
7	930 105 063 08	Lid for M30.26	/L	1	
-	999 062 010 02	Use also: Stud BM 8 X 35		1	
8	900 123 007 30	Sealing ring A 14 X 18		1	
9	N 016 155 3	Screw plug M 14 X 1,5		1	930.20/25/26
9	N 016 155 4	Screw plug M 14 X 1,5		1	930.20/25/26
10	930 105 064 10	Lid	/R	1	
11	930 105 191 03	Gasket	/L	1	
12	930 105 192 04	Gasket	/R	1	
13	900 036 008 02	Lid		2	
14	900 031 011 30	Washer 6,4		17	
15	900 910 012 02	Lock nut M 6		19	
15	900 910 047 09	Lock nut M 6		19	
16	900 076 025 02	Hexagon nut M 8		4	
16	900 076 064 02	Hexagon nut M 8		4	
17	N 012 241 8	Spring washer B 8		4	
18	930 105 021 00	Camshaft housing		2	
19	999 062 009 02	Stud BM 8 X 28		12	
19	900 060 105 01	Stud BM 8 X 28		12	
20	999 062 010 02	Stud BM 8 X 35		22	
21	930 105 362 00	Oil splash tube		2	
22	901 105 379 00	Stopper		4	
23	930 105 161 00	Lid		2	
24	901 105 115 03	Lid		2	
25	930 105 194 04	Gasket		2	
26	930 105 116 00	Lid		2	930.20/25/26

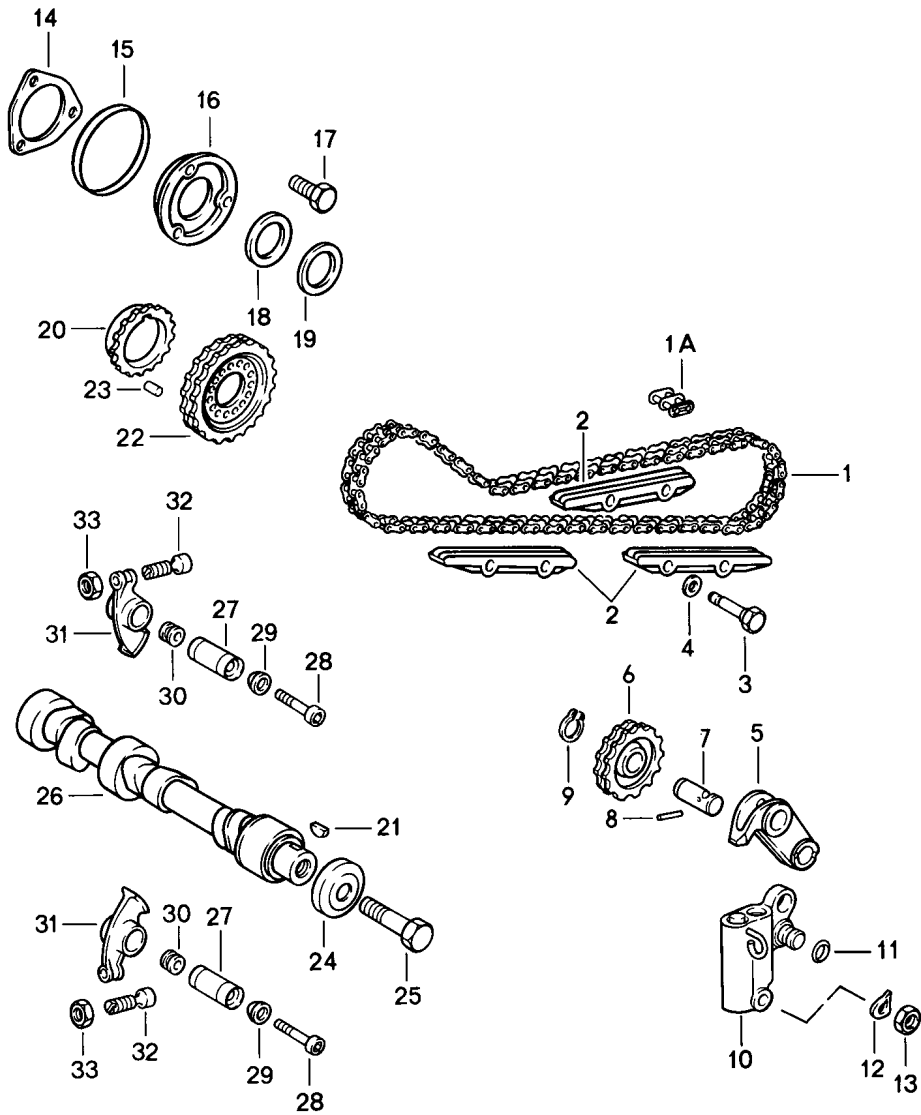
Model: 911 87

Model life 1987>>1989

Pos	Part Number	Description	Remark	Qty	Model
26	930 105 116 05	Lid		2	930.20/25/26
26	930 105 116 00	Lid	/R	1	930.66/68
26	930 105 116 05	Lid	/R	1	930.66/68
26	930 105 116 01	Lid	/L	1	930.66/68
27	930 105 195 05	Gasket		2	
27	930 105 195 06	Gasket		2	
27	930 105 195 07	Gasket		2	
28	900 031 014 30	Washer 8,4		40	
29	900 084 004 03	Hexagon nut M 8		40	
29	900 084 004 02	Hexagon nut M 8		40	
30	N 012 241 8	Spring washer B 8 X 15		40	
31	901 111 271 00	Nut		6	
32	900 076 025 02	Hexagon nut M 8		34	
32	900 076 064 02	Hexagon nut M 8		34	
33	901 105 374 00	Screw plug		2	
34	901 105 361 01	Intermediate piece		2	
34	901 105 361 02	Intermediate piece		2	
35	900 123 005 00	Sealing ring A 12 X 16		4	
36	999 134 018 02	Banjo bolt A 6		2	
37	911 617 117 00	Temperature switch		1	930.66
38	900 123 007 70	Sealing ring A 14 X 18		1	930.66/68
-	930 105 902 00	Gasket set for Valve cover		1	
-	930 105 902 01	Gasket set for Valve cover		1	

Model: 911 87

Model life 1987>>1989



Model: 911 87

Model life 1987>>1989

Pos	Part Number	Description	Remark	Qty	Model
1	993 105 529 00	Valve control Left Timing chain Closed		1	
1	911 105 529 50	Timing chain Divided with Connecting link		1	
1	911 105 529 51	Timing chain Divided with Connecting link		1	
1A	901 105 530 00	Connecting link Only together with 911.105.529.50		1	
2	911 105 222 06	Guide rail		3	
3	901 105 226 03	Bolt		4	
4	900 123 066 30	Sealing ring A 10 X 16		4	
5	930 105 509 00	Chain wheel support		1	
6	901 105 055 00	Sprocket		1	
7	901 105 056 01	Bolt		1	
7	901 105 056 02	Bolt		1	
8	900 197 010 00	Tensioning sleeve 3 X 22		1	
9	N 012 415 1	Circlip 15 X 1		1	
10	930 105 058 03	Chain adjuster		1	
11	999 701 690 40	Round seal 12 X 1,78		1	
12	N 012 241 8	Spring washer B 8 X 15		1	
13	900 076 025 02	Hexagon nut M 8		1	
13	900 076 064 02	Hexagon nut M 8		1	
14	930 105 197 05	Gasket		1	
15	999 701 468 40	Round seal 67,5 X 75,4 X 4		1	
16	930 105 196 00	Cover		1	
17	900 075 341 02	Combination screw M 6 X 25		3	
17	900 075 341 01	Combination screw M 6 X 25		3	
18	901 105 562 00	Thrust washer		1	
18	901 105 562 02	Thrust washer		1	
19	901 105 561 00	Shim		X	
20	901 105 583 01	Flange		1	
21	N 012 708 2	Woodruff key 4 X 5		1	
22	901 105 546 02	Sprocket II		1	
22	901 105 546 04	Sprocket II		1	
23	900 243 001 00	Straight pin 6 H 8 X 14		1	
24	993 105 163 50	Washer		1	
25	900 082 072 01	Hexagon-head bolt M 12 X 1,5 X 50		1	
26	930 105 147 10	Camshaft		1	930.20/25/26
26	930 105 147 16	Camshaft		1	930.20/25/26
26	930 105 147 17	Camshaft		1	930.20/25/26
26	930 105 143 03	Camshaft		1	930.66/68

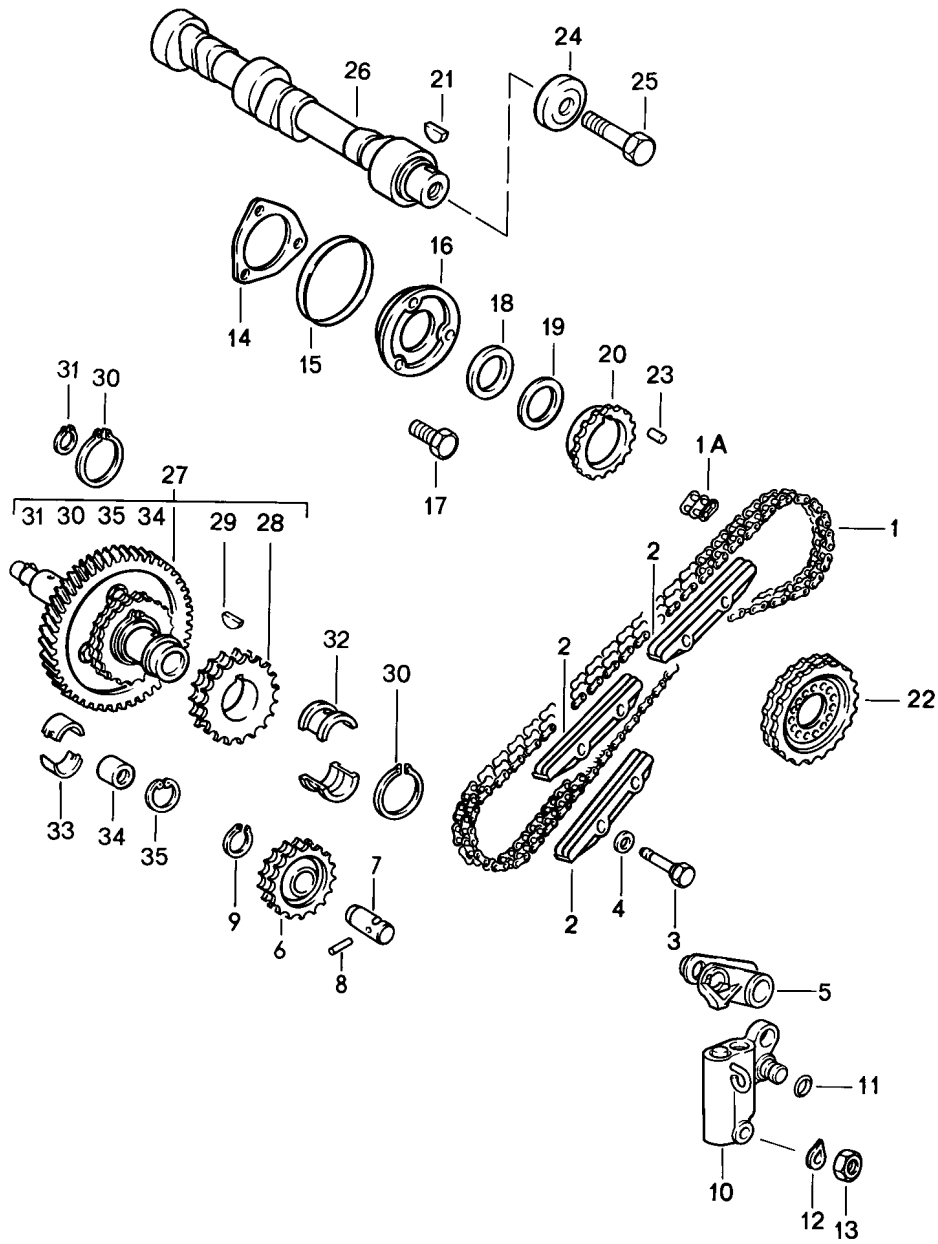
Model: 911 87

Model life 1987>>1989

Pos	Part Number	Description	Remark	Qty	Model
27	901 105 342 04	Rocker shaft		12	
28	999 067 008 00	Pan-head screw		12	
29	901 105 344 02	Bush		12	
29	901 105 344 03	Bush		12	
30	901 105 376 02	Nut		12	
31	930 105 043 00	Rocker arm		12	
31	930 105 043 02	Rocker arm		12	
32	901 105 370 02	Adjusting screw		12	
33	999 034 005 00	Nut		12	

Model: 911 87

Model life 1987>>1989



Model: 911 87

Model life 1987>>1989

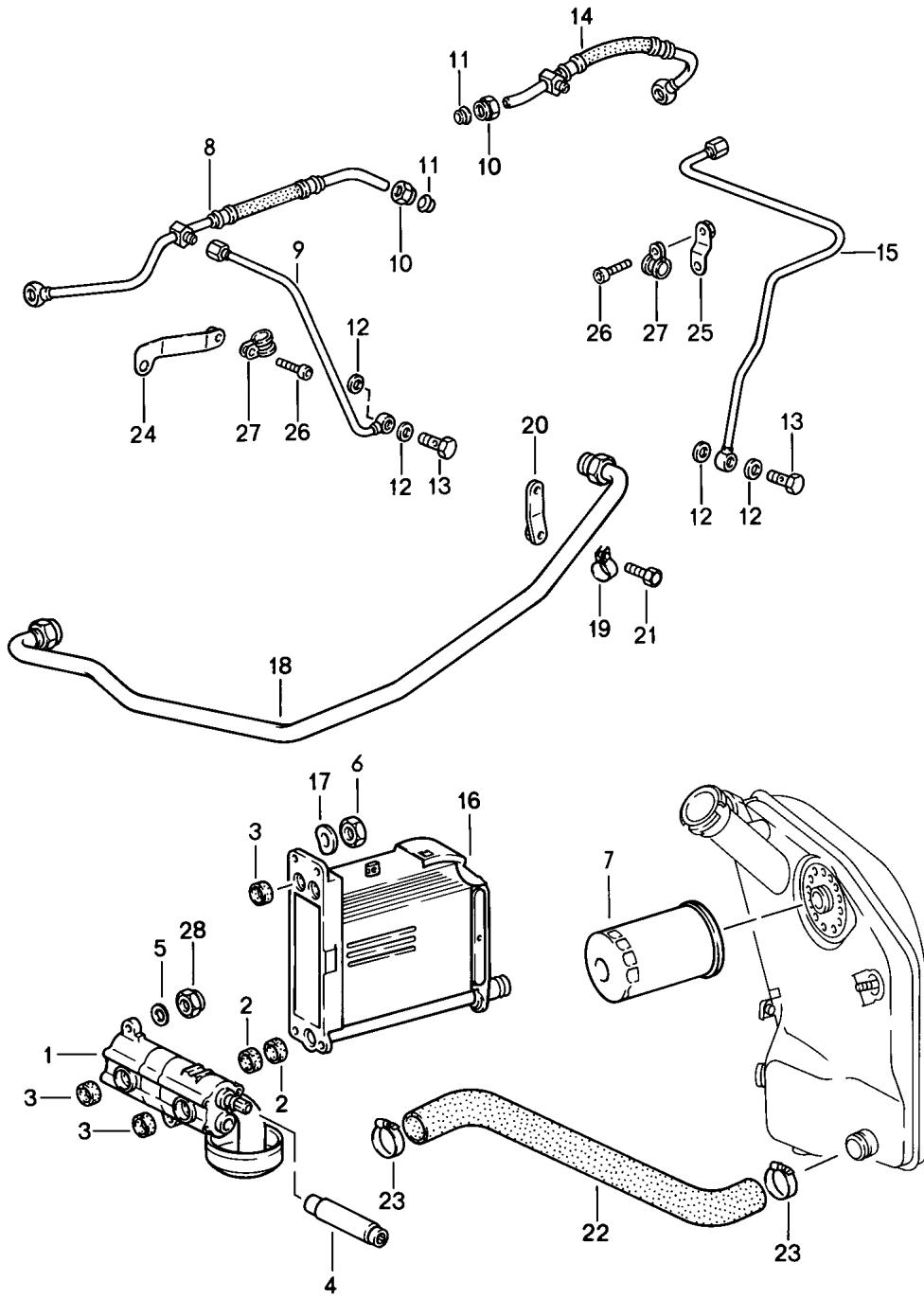
Pos	Part Number	Description	Remark	Qty	Model
1	993 105 529 00	Valve control Right Timing chain Closed		1	
1	911 105 529 50	Timing chain Divided with Connecting link		1	
1	911 105 529 51	Timing chain Divided with Connecting link		1	
1A	901 105 530 00	Connecting link Only together with 911.105.529.50		1	
2	911 105 222 05	Guide rail		1	
2	911 105 222 06	Guide rail		2	
3	901 105 226 03	Bolt		4	
4	900 123 066 30	Sealing ring A 10 X 16		4	
5	930 105 510 00	Chain wheel support		1	
6	901 105 055 00	Sprocket		1	
7	901 105 056 01	Bolt		1	
7	901 105 056 02	Bolt		1	
8	900 197 010 00	Tensioning sleeve 3 X 22		1	
9	N 012 415 1	Circlip 15 X 1		1	
10	930 105 058 03	Chain adjuster		1	
11	999 701 690 40	Round seal 12 X 1,78		1	
12	N 012 241 8	Spring washer B 8 X 15		1	
13	900 076 025 02	Hexagon nut M 8		1	
13	900 076 064 02	Hexagon nut M 8		1	
14	930 105 197 05	Gasket		1	
15	999 701 468 40	Round seal 67,5 X 75,4 X 4		1	
16	930 105 196 00	Cover		1	
17	900 075 341 02	Combination screw M 6 X 25		3	
17	900 075 341 01	Combination screw M 6 X 25		3	
18	901 105 562 00	Thrust washer		1	
18	901 105 562 02	Thrust washer		1	
19	901 105 561 00	Shim		X	
20	901 105 583 01	Flange		1	
21	N 012 708 2	Woodruff key 4 X 5		1	
22	901 105 546 02	Sprocket II		1	
22	901 105 546 04	Sprocket II		1	
23	900 243 001 00	Straight pin 6 H 8 X 14		1	
24	993 105 163 50	Washer		1	
25	900 082 072 01	Hexagon-head bolt M 12 X 1,5 X 50		1	
26	930 105 148 10	Camshaft		1	930.20/25/26
26	930 105 148 16	Camshaft		1	930.20/25/26
26	930 105 148 17	Camshaft		1	930.20/25/26

Model: 911 87 Model life 1987>>1989

Pos	Part Number	Description	Remark	Qty	Model
26	930 105 142 03	Camshaft		1	930.66/68
26	930 105 142 04	Camshaft		1	930.66/68
26	930 105 142 05	Camshaft		1	930.66/68
27	930 105 013 01	Intermediate shaft Size 0		1	
27	930 105 013 04	Intermediate shaft Size 0		1	
27	930 105 013 11	Intermediate shaft Size 1		1	
28	901 105 125 04	Sprocket		2	
29	900 118 010 00	Woodruff key		2	
30	900 041 025 01	Circlip 36 X 1,75		2	
31	900 041 026 01	Circlip 13 X 1		1	
32	916 101 137 00	Thrust bearing		2	
32	993 101 137 00	Thrust bearing		2	
32	993 101 137 01	Thrust bearing		2	
33	901 101 135 00	Bearing		2	
34	901 105 275 00	Stopper		1	
35	N 012 296 1	Circlip 16 X 1		1	

Model: 911 87

Model life 1987>>1989



Model: 911 87

Model life 1987>>1989

Pos	Part Number	Description	Remark	Qty	Model
		Engine lubrication Oil pump Lines See technical information GR.1 NR.1/1A-85			
1	911 107 008 05	Oil pump		1	930.20/25/26
1	996 107 008 70	Oil pump		1	930.66/68
2	999 704 173 50	Sealing ring		2	
3	999 704 172 50	Sealing ring		4	
4	901 107 121 00	Connecting shaft		1	930.20/25/26
4	930 107 143 00	Connecting shaft		1	930.66/68
5	900 025 007 02	Washer A 8,4		3	
5	900 025 007 03	Washer A 8,4		3	
6	900 076 025 02	Hexagon nut M 8		4	
6	900 076 064 02	Hexagon nut M 8		4	
7	930 107 764 01	Oil filter		1	
7	930 107 764 03	Oil filter Red	-(IND)	1	
8	930 107 347 04	Oil hose		1	
9	930 107 347 02	Oil pipe		1	
10	900 104 003 02	Union nut ALL 8		2	
10	900 104 003 03	Union nut ALL 8		2	
11	N 020 825 1	Cutting ring LL 8		2	
12	900 123 115 30	Sealing ring A 8 X 11,5		4	
13	N 021 073 1	Banjo bolt LL 3-5		2	
14	930 107 348 11	Oil hose		1	
14	930 107 348 12	Oil hose		1	
15	930 107 348 09	Oil pipe		1	
15	930 107 348 14	Oil pipe		1	
15	930 107 348 09	Oil pipe		1	
16	911 107 041 00	Oil cooler		1	
16	911 107 041 02	Oil cooler		1	
17	N 012 241 8	Spring washer B 8		4	
18	930 107 741 16	Oil pipe Use also: 930.107.417.02		1	
18	911 107 741 17	Oil pipe		1	930.26
18	930 107 741 11	Oil pipe		1	930.66/68
19	930 107 407 03	Pipe clamp		1	
20	930 107 417 01	Retaining bracket		1	930.20/25/26
20	930 107 417 02	Retaining bracket		1	930.25 M152
21	999 072 005 09	Hexagon nut M 6 X 12		1	930.20/25/26
21	999 072 005 01	Hexagon nut M 6 X 12		1	930.20/25/26
22	911 107 233 00	Suction hose		1	930.20/25/26
22	930 107 233 02	Suction hose		1	930.66/68
23	999 512 091 00	Hose clamp S 40/15		2	
24	930 107 341 00	Support	/L	1	
25	930 107 342 01	Support	/R	1	
26	900 119 059 02	Pan-head screw		2	

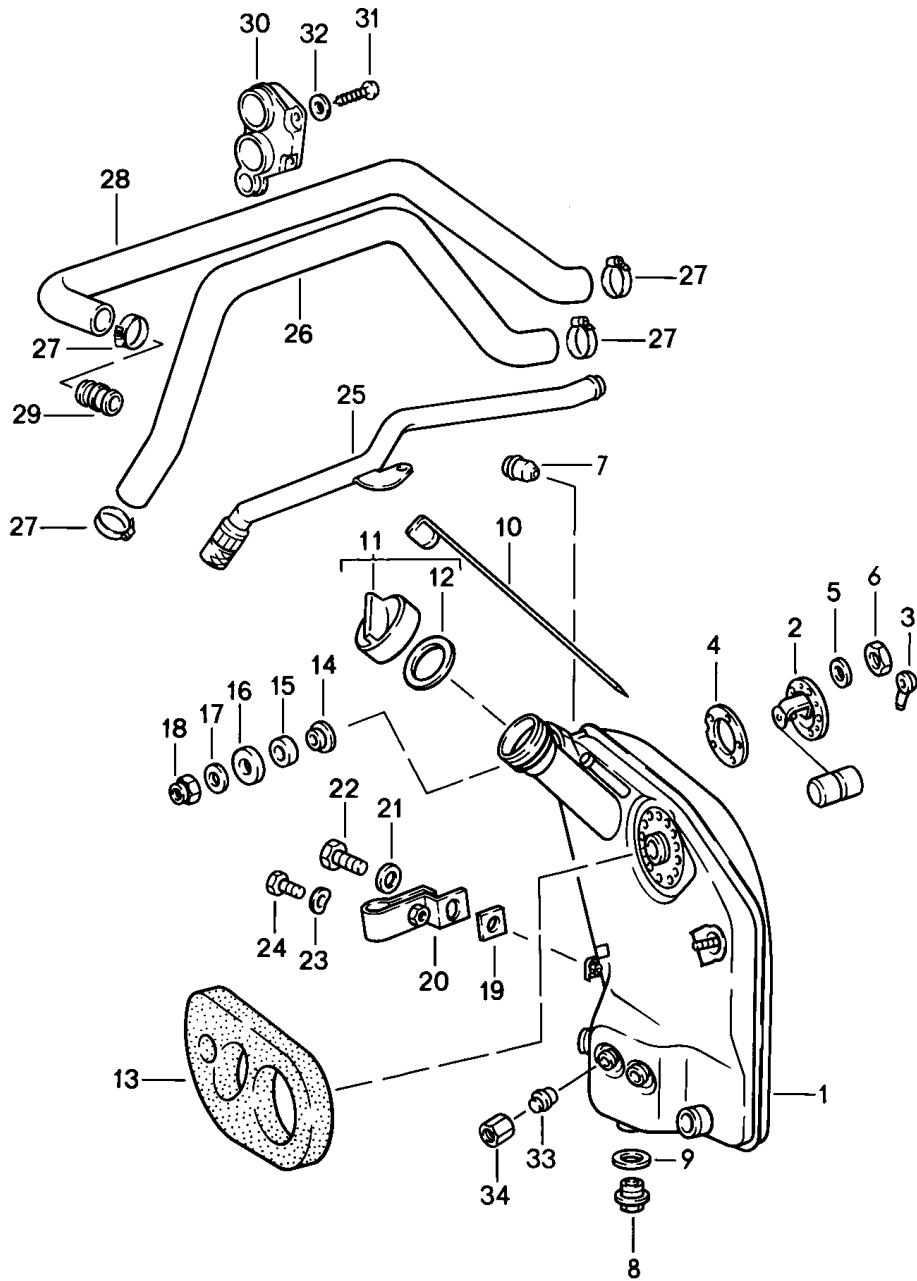
Model: 911 87

Model life 1987>>1989

Pos	Part Number	Description	Remark	Qty	Model
26	900 119 088 01	M 4 X 10 Pan-head screw		2	
27	999 511 174 02	M 4 X 10 Pipe clamp		2	
27	PCG 511 174 02	4/9 Pipe clamp		2	
28	999 084 095 02	4/9 Lock nut		3	
		M 8			

Model: 911 87

Model life 1987>>1989



Model: 911 87

Model life 1987>>1989

Pos	Part Number	Description	Remark	Qty	Model
		Engine lubrication			
		Oil tank			
		Lines			
(1)	911 107 006 22	Oil tank		1	930.20/25/26
(1)	911 107 006 24	Oil tank		1	930.20/25/26
		Use also:			
(1)	911 107 006 26	Oil tank		1	930.20/25/26
		Use also:			
(1)	911 107 006 31	Oil tank		1	930.20/25/26
		Use also:			
1	930 107 006 03	Oil tank		1	930.66/68
1	930 107 006 04	Oil tank		1	930.66/68
1	930 107 006 07	Oil tank		1	930.66/68
2	911 641 541 02	Tank gauge		1	
3	999 659 011 50	Water protection cap		1	
4	914 201 891 00	Gasket		1	
5	900 025 003 30	Washer		5	
		5,3			
6	N 011 005 14	Hexagon nut		5	
		M 5			
6	900 076 091 01	Hexagon nut		5	
		M 5			
7	930 107 289 00	Restrictor		1	
8	911 107 176 03	Screw plug		1	
9	900 123 011 20	Sealing ring		1	
		A22X27			
10	930 107 731 01	Oil level dipstick		1	
11	944 107 091 01	Oil filler cover		1	
12	999 701 846 40	O-ring		1	
13	911 107 192 03	Gasket		1	
14	901 107 692 00	Washer		2	
15	901 107 693 01	Washer		2	
16	901 107 661 00	Washer		2	
17	900 151 008 02	Washer		2	
		B8,4			
18	999 090 004 02	Hexagon nut		2	
		M8			
18	900 084 004 02	Hexagon nut		2	
		M8			
19	901 501 909 20	Intermediate layer		1	
20	901 501 930 22	Support		1	
21	N 011 524 7	Washer		1	
		A6,4			
21	N 011 524 27	Washer		1	
		A6,4			
22	N 010 217 9	Hexagon-head bolt		1	
		M6X20			
23	N 012 226 5	Spring washer		1	
		A6			
24	900 075 057 02	Hexagon-head bolt		1	
		M6X16			
24	900 075 057 03	Hexagon-head bolt		1	
		M6X16			
25	930 107 397 01	Line		1	930.66/68
		Bleeding			
		Crankcase			
26	930 207 386 01	Connecting hose		1	930.20/25/26
27	999 512 252 02	Hose clamp		5	
		LA 23-35			
28	930 207 385 01	Connecting hose		1	930.20/25/26
29	930 110 267 04	Connecting piece		1	930.20/25/26
30	930 207 356 05	Retaining bracket		1	930.20/25/26
31	N 013 969 8	Oval-head sheetmetal screw		2	930.20/25/26

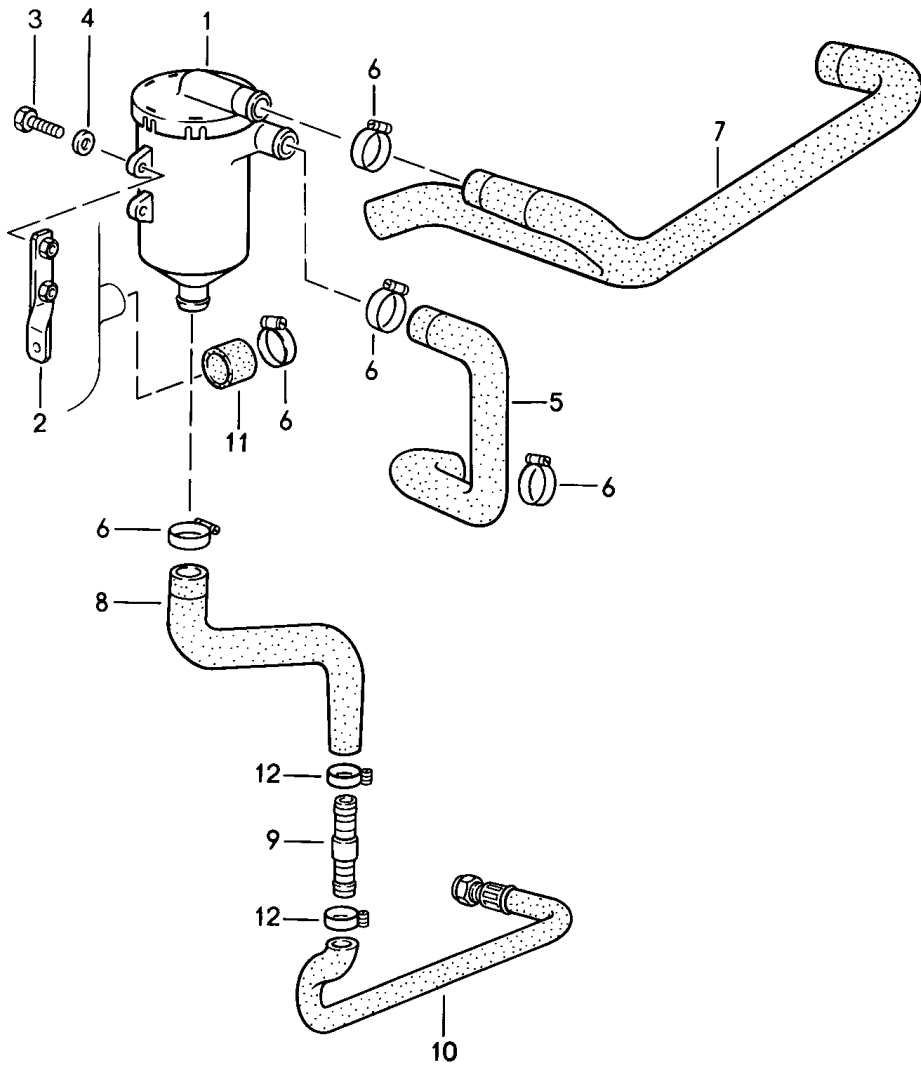
Model: 911 87

Model life 1987>>1989

Pos	Part Number	Description	Remark	Qty	Model
32	900 025 003 02	BZ 4,8X16 Washer A5,3		2	930.20/25/26
33	930 107 601 01	Round socket	(AUS) (CDN)	1	930.66
34	900 104 013 02	Union nut M 26 X 1,5	(AUS) (CDN)	1	930.66

Model: 911 87

Model life 1987>>1989



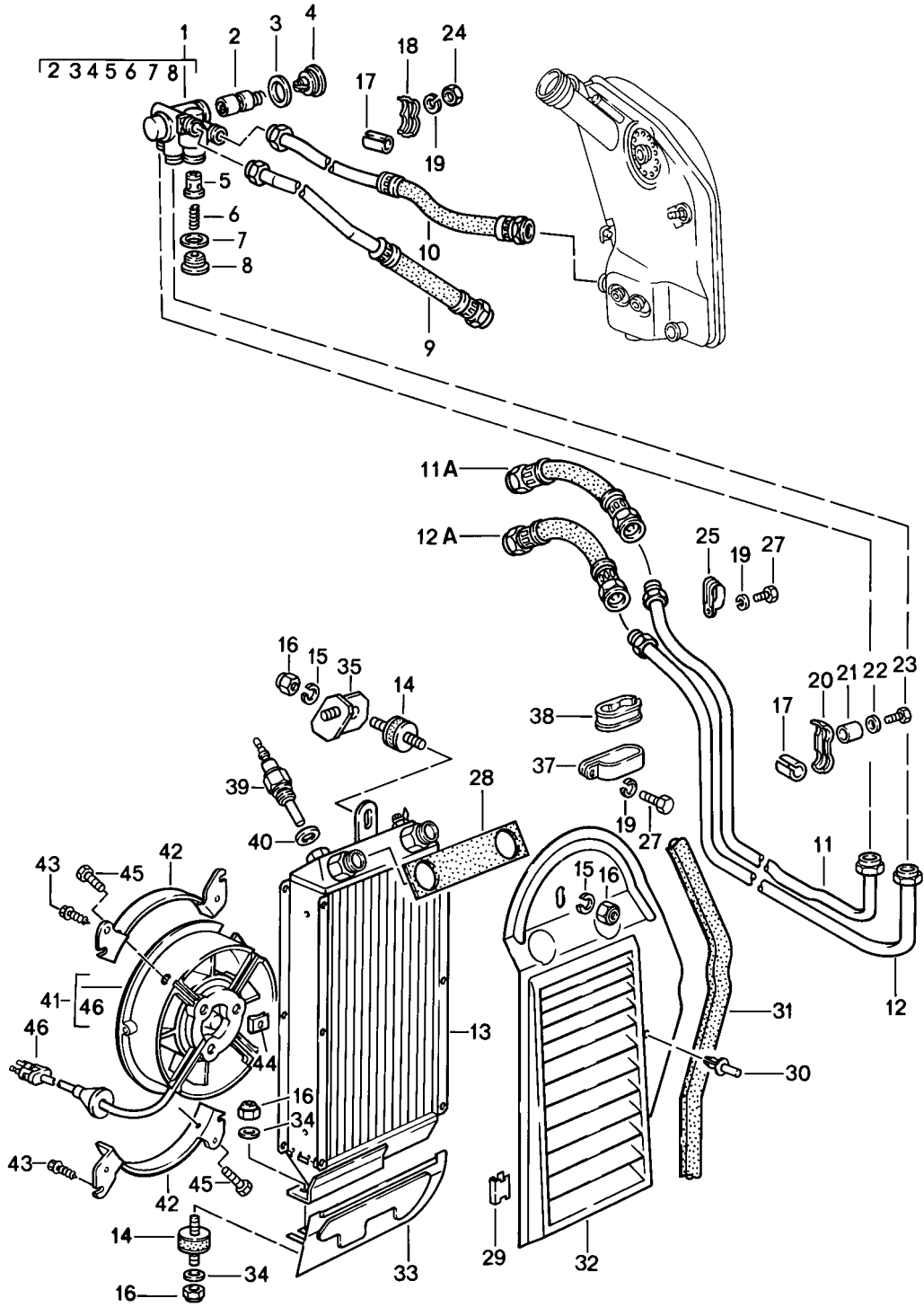
Model: 911 87

Model life 1987>>1989

Pos	Part Number	Description	Remark	Qty	Model
		Oil separator			930.66/68
1	930 107 321 01	Oil separator		1	
2	930 107 323 00	Support		1	
3	N 010 217 9	Hexagon-head bolt M 6X20		2	
4	900 223 003 02	Washer 6,4		2	
5	930 107 391 00	Hose		1	
6	999 512 252 02	Hose clamp		6	
7	930 107 395 04	Hose		1	
7	930 107 995 00	Hose		1	
8	930 107 389 04	Hose		1	
9	930 110 267 01	Hose connection		1	
10	930 107 389 06	Hose		1	
11	930 107 711 00	Cap		1	
12	999 512 421 02	Hose clamp		2	

Model: 911 87

Model life 1987>>1989



Model: 911 87

Model life 1987>>1989

Pos	Part Number	Description	Remark	Qty	Model
		Engine lubrication			
		Oil cooler			
1	930 107 017 00	Regulator housing		1	
2	930 107 155 00	Regulator insert		1	
3	900 123 136 30	Sealing ring		1	
		A 42X49			
4	911 107 155 00	Screw plug		1	
5	930 107 076 00	Piston		1	
6	900 280 008 00	Compression spring		1	
7	900 123 075 30	Sealing ring		1	
		A 32X38			
8	916 107 276 00	Screw plug		1	
9	930 107 743 12	Oil pipe		1	930.20/25/26
9	930 107 743 15	Oil pipe		1	930.20/25/26
9	930 107 743 10	Oil pipe		1	930.66/68
10	911 107 730 11	Oil pipe		1	
11	930 207 046 01	Return pipe		1	
11	930 207 046 02	Return pipe		1	
11A	930 207 113 00	Oil pipe		1	
11A	930 207 113 01	Oil pipe		1	
11A	930 207 113 04	Oil pipe		1	
11A	930 207 113 05	Oil pipe		1	
12	930 207 045 01	Intake tube		1	
12	930 207 045 04	Intake tube		1	
		From model 87 on	87-		
12A	930 207 111 00	Oil pipe		1	
(12A)	930 207 111 05	Oil pipe		1	
(12A)	930 207 111 06	Oil pipe		1	
13	930 207 053 02	Oil cooler		1	
		for cars without			
		M 176			
		Use also:			
13	930 207 053 04	Oil cooler		1	
		for cars without			
		M 176			
		Use also:			
-	N 016 155 3	Screw plug		1	
		M 14 X 1,5			
-	N 016 155 4	Screw plug		1	
		M 14 X 1,5			
-	900 123 007 30	Sealing ring		1	
		A 14 X 18			
14	930 207 239 01	Bonded rubber buffer		3	
14	930 207 239 02	Bonded rubber buffer		3	
15	900 151 008 02	Washer		2	
		B 8,4			
16	900 910 022 02	Lock nut		6	
		M8			
17	911 207 302 00	Hose		6	
18	911 207 237 00	Support		1	
19	N 012 006 4	Lock ring		4	
		B6			
20	911 207 303 00	Support		3	
21	911 559 145 00	Spacer sleeve		3	
22	900 151 007 02	Washer		6	
		B7,4			
22	900 151 007 03	Washer		6	
		B7,4			
23	900 187 129 02	Tapping screw		3	
		B 6,3 X 38			
24	900 076 010 02	Nut		1	
		M 6			
24	900 076 010 0B	Nut		1	

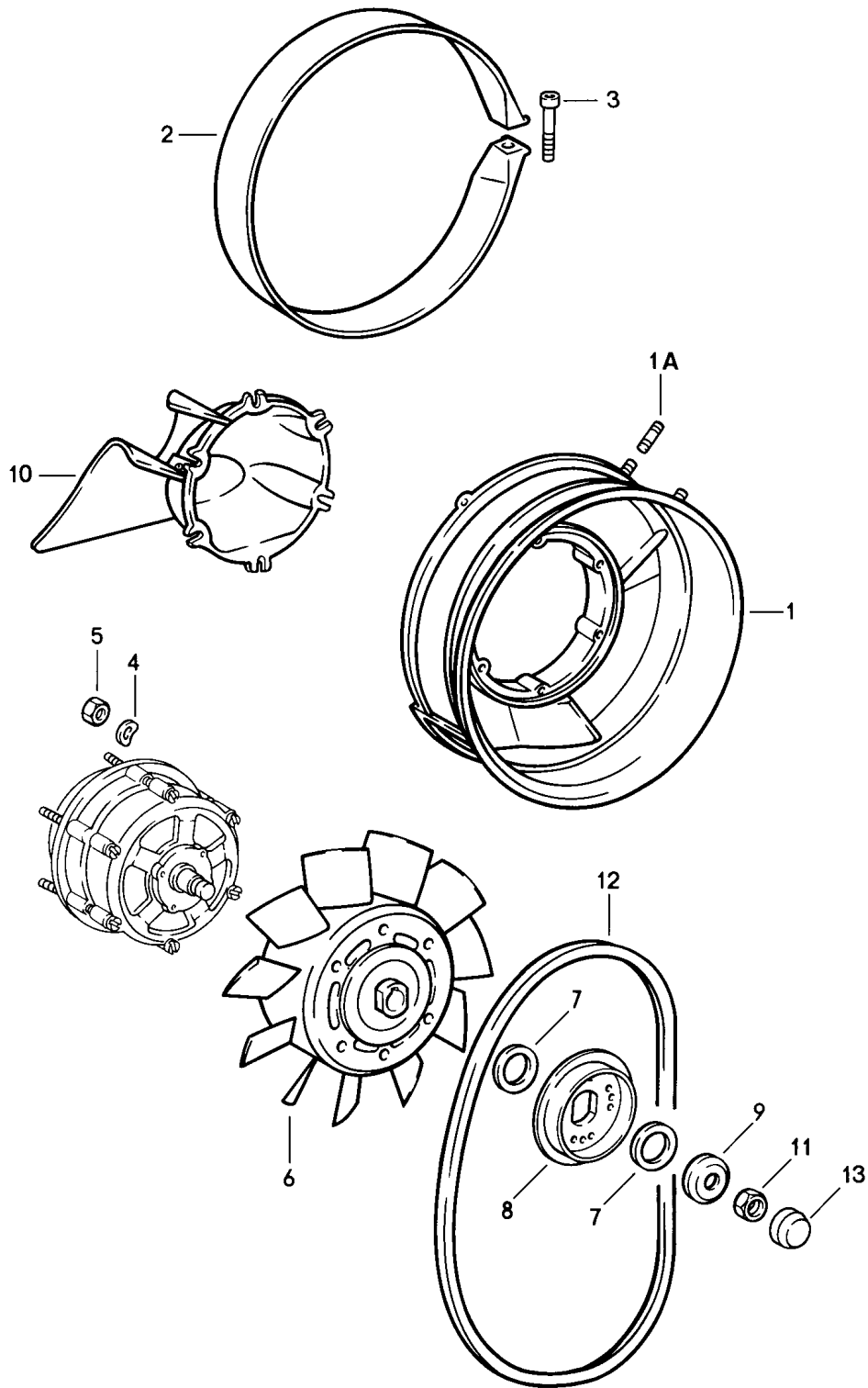
Model: 911 87

Model life 1987>>1989

Pos	Part Number	Description	Remark	Qty	Model
25	999 511 084 02	M 6 Pipe clamp 1100 2 X 22/15		2	
27	N 010 217 9	Hexagon-head bolt M 6 X 20		3	
28	930 207 361 00	Gasket		1	
29	999 920 005 02	U-clamp		5	
29	999 920 005 01	U-clamp		5	
30	999 591 429 40	Expansion rivet		2	
31	930 207 353 00	Gasket		1	
32	930 207 319 12	Cover plate		1	930.66
(32)	930 207 319 13	Cover plate	(USA) (CDN)	1	930.66/68 (SA)
(32)	930 207 319 14	Cover plate	(USA)	1	930.20/25 (SA)
32	930 207 319 15	Cover plate		1	930.20/25/26
33	930 207 121 00	Cover plate		1	
34	900 025 007 02	Washer A 8,4		4	
34	900 025 007 03	Washer A 8,4		4	
35	930 207 927 00	Support		1	
36	930 207 921 00	Support		1	
37	999 511 162 02	Pipe clamp		1	
38	930 207 265 00	Rubber mounting		1	
38	930 207 265 01	Rubber mounting		1	
39	930 606 118 00	Temperature switch		1	
40	900 123 007 30	Sealing ring A 14 X 18		1	
41	911 624 121 00	Blower		1	
(41)	911 624 121 01	Blower Only together with Position (42) PCG.624.104.00		1	
42	911 624 104 00	Retaining bracket B 4,2 X 13		2	
(42)	PCG 624 104 00	Retaining bracket Only together with Position (41) 911.624.121.01		2	
43	999 450 006 02	Tapping screw B 4,2 X 13		4	
44	999 507 229 02	Speed nut		4	
45	900 075 363 02	Combination screw M 6 X 10		4	
46	999 652 381 00	Connector housing		1	

Model: 911 87

Model life 1987>>1989



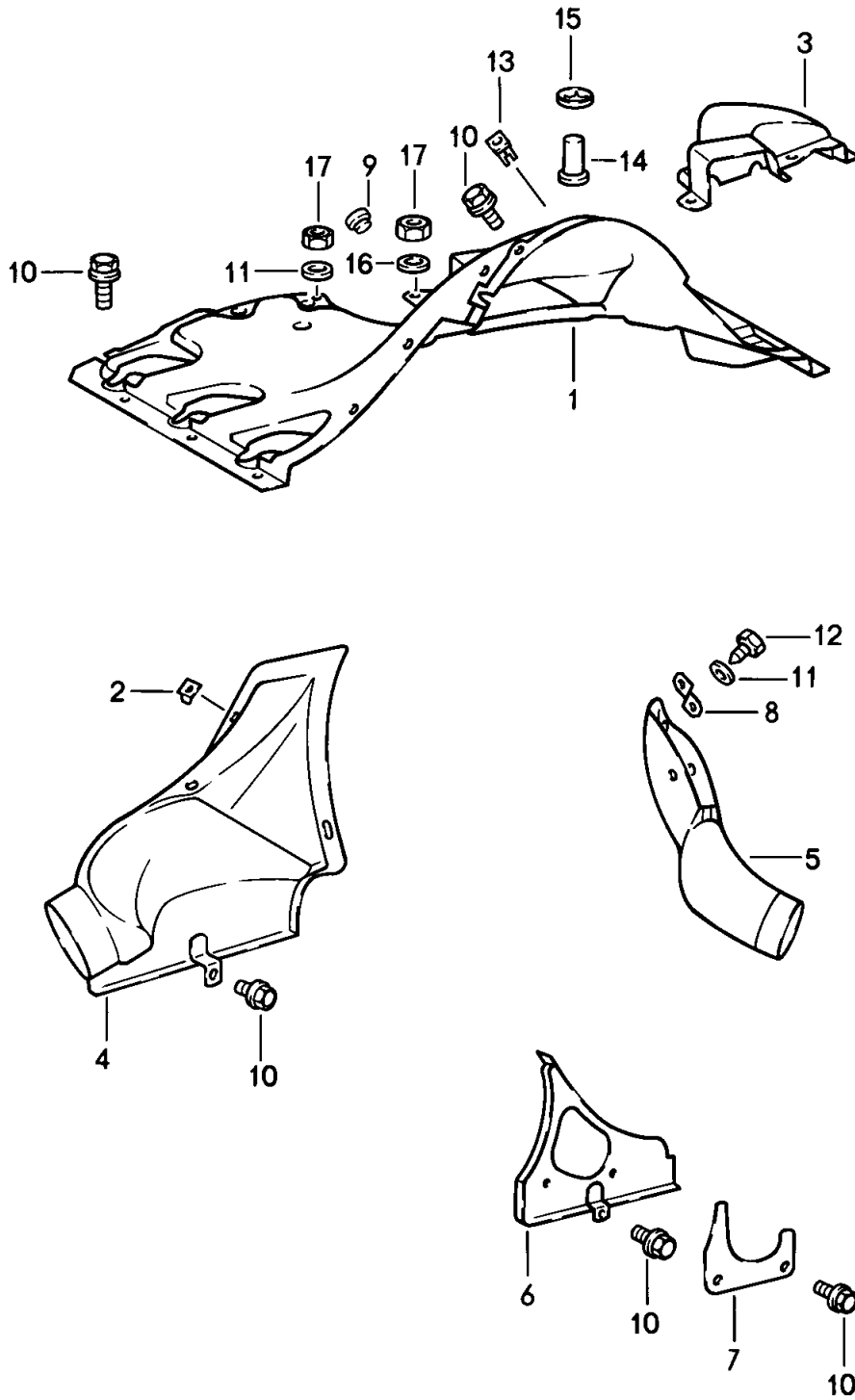
Model: 911 87

Model life 1987>>1989

Pos	Part Number	Description	Remark	Qty	Model
1	930 106 006 07	Air cooling Fan housing		1	930.20/25
1		Fan housing		1	930.26
1	930 106 006 06	Fan housing		1	930.66/68
1A	999 062 006 02	Stud BM 8 X 20		1	
1A	999 062 073 02	Stud BM 8 X 16sb		1	
2	964 106 251 20	Clip		1	
3	900 067 020 02	Pan-head screw M 8 X 50		1	
3	900 067 362 01	Pan-head screw M 8 X 50		1	
4	900 025 003 02	Washer A 5,3		6	
5	900 910 008 02	Lock nut M 5		6	
6	930 106 012 00	Impeller		1	
6	930 106 012 01	Impeller		1	
-	999 118 008 00	Woodruff key		1	
7	930 106 564 00	Shim		X	
8	930 106 209 02	Pulley half		1	
9	911 603 428 01	Tensioning cap		1	
10	911 106 055 01	Hub extension		1	
11	928 603 904 00	Set of fastening parts		1	
12	999 192 176 50	Narrow v-belt 9,5 X 710		1	
12	999 192 176 5A	Narrow v-belt 9,5 X 710		1	
12	999 192 313 5A	Narrow v-belt 9,5 X 695		1	
13	911 603 127 00	Protection cap		1	
13	911 603 127 01	Protection cap		1	

Model: 911 87

Model life 1987>>1989



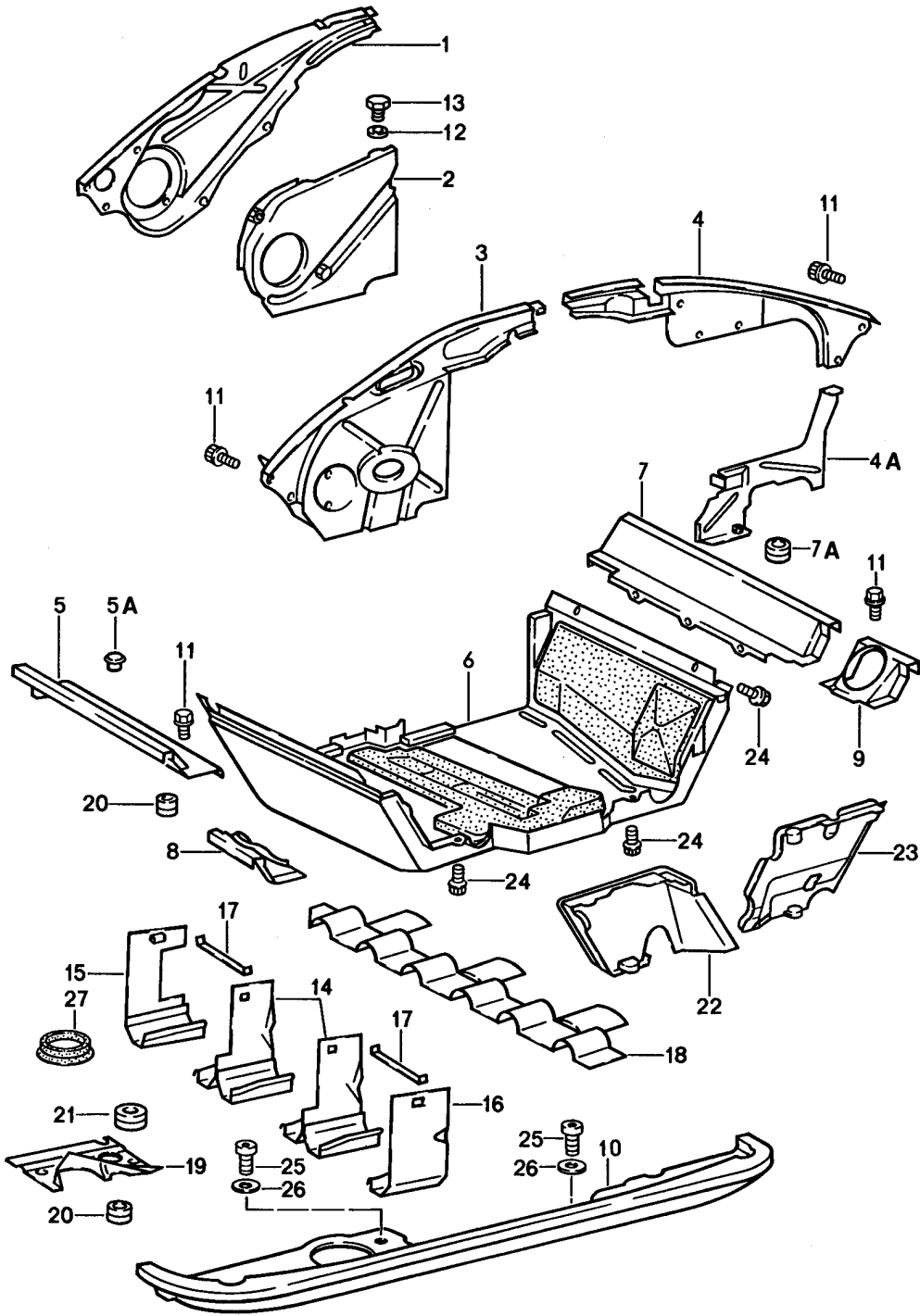
Model: 911 87

Model life 1987>>1989

Pos	Part Number	Description	Remark	Qty	Model
1	930 106 041 09	Air guide Air guide Black		1	930.20/25/26
1	930 106 041 13	Air guide Black		1	930.66/68
2	999 507 003 02	Speed nut B 6,3		4	
2	999 507 003 01	Speed nut B 6,3		4	
3	911 106 406 00	Air guide		1	
4	930 106 321 01	Hot air socket		1	930.66/68
4	930 106 021 50	Hot air socket		1	930.66/68
5	911 106 327 00	Hot air socket		1	930.66/68
6	911 106 036 01	Cover plate		1	930.20/25/26
(6)	911 106 036 00	Cover plate		1	930.66/68
7	911 106 827 00	Closing plate		1	930.66/68
8	911 106 331 00	Support		1	930.66/68
9	999 703 092 40	Stopper 9 X 18,5/14		1	930.66/68
10	999 075 039 02	Combination screw M 6 X 12		3	
10	999 075 039 0C	Combination screw M 6 X 12		3	
10	999 143 004 08	Combination screw M 6 X 12		8	
10	999 143 004 01	Combination screw M 6 X 12		8	
10	999 075 039 0C	Combination screw M 6 X 12		8	
10	900 075 057 02	Hexagon-head bolt M 6 X 16		2	
10	900 075 057 03	Hexagon-head bolt M 6 X 16		2	
10	900 075 014 02	Hexagon-head bolt M 6 X 18		2	
10	900 075 014 03	Hexagon-head bolt M 6 X 18		2	
11	N 011 524 7	Washer A 6,4		5	
11	N 011 524 27	Washer A 6,4		5	
11	999 025 108 02	Washer 6,4 X 14		4	
12	900 187 015 02	Hexagon-head tapping screw B 6,3 X 16		2	
12	900 187 027 02	Hexagon-head tapping screw BZ 6,3 X 23		1	930.66/68
13	999 591 592 40	Special nut		4	930.20/25/26
16	N 011 524 7	Washer A 6,4		2	
16	N 011 524 27	Washer A 6,4		2	
17	900 076 010 02	Nut M 6		2	
17	900 076 010 0B	Nut M 6		2	

Model: 911 87

Model life 1987>>1989



Model: 911 87 Model life 1987>>1989

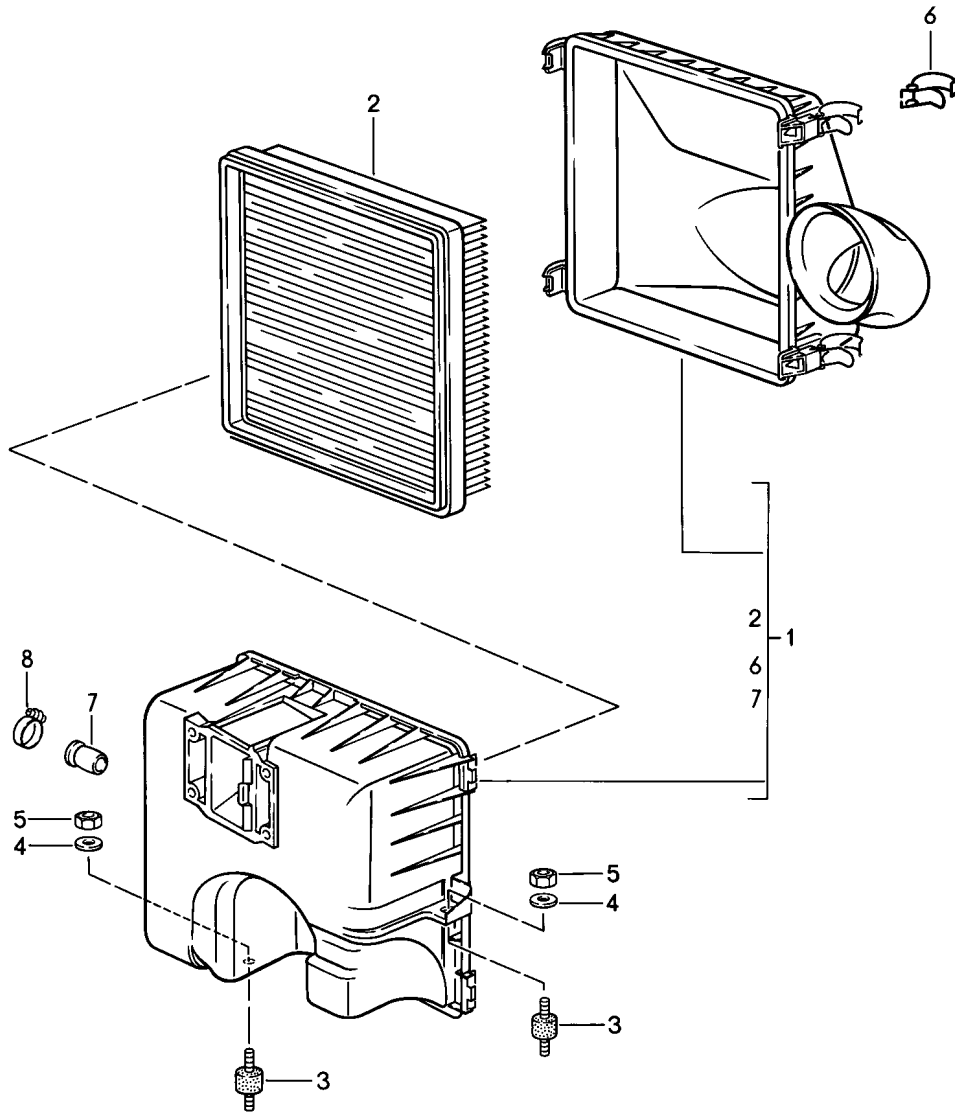
Pos	Part Number	Description	Remark	Qty	Model
		Air guide			
		Engine cover			
1	930 106 705 01	Engine cover		1	930.66/68
2	930 106 707 01	Engine cover		1	930.66/68
3	930 106 089 01	Engine cover		1	930.20/25/26
3	930 106 089 02	Engine cover		1	930.25
			(AUS) (CH)		
4	911 106 802 03	Engine cover		1	930.20/25/26
4	911 106 802 05	Engine cover		1	930.20/25/26
4A	930 106 123 01	Engine cover	-88	1	930.25
			(AUS) (CH)		
4A		Engine cover	89-	1	930.25
			(AUS) (CH)		
4	930 106 805 00	Engine cover		1	930.66/68
5	930 106 861 01	Engine cover		1	930.20/25/26
5	930 106 861 02	Engine cover	(J)	1	930.25
5	930 106 861 03	Engine cover	(CH)	1	930.25
			(AUS)		
5	911 106 083 01	Engine cover		1	930.26
(5)	930 106 703 01	Engine cover		1	930.66
5A	999 703 224 40	Cap		1	930.20/25/26
		20,5 MM \$			
6	930 119 007 01	Engine capsule		1	930.20/25
			(AUS) (CH)		
			87		
6		Engine capsule		1	930.20/25
			(AUS) (CH)		
			88-		
7	930 106 862 01	Engine cover		1	930.20/25/26
7	930 106 084 03	Engine cover		1	930.66
7A	999 702 114 50	Grommet		1	930.66/68
		18 MM \$			
7A	999 702 042 50	Grommet		1	930.66/68
		25 MM \$			
8	901 106 825 00	Cover		1	930.66/68
9	930 106 826 01	Cover		1	930.66/68
10	930 106 085 18	Engine cover		1	930.20/25
10	930 106 085 14	Engine cover		1	930.26
10	930 106 085 17	Engine cover		1	930.20/25
					M559
10	930 106 085 15	Engine cover		1	930.26
					M559
10	930 106 085 18	Engine cover	(CH)	1	930.25
			(AUS)		
10	930 106 085 17	Engine cover		1	930.25
					M559
			(AUS) (CH)		
10	930 106 081 12	Engine cover		1	930.66/68
					M559/573
10	930 106 081 17	Engine cover		1	930.66/68
					M559/573
10	930 106 081 13	Engine cover		1	930.66-S
					M148
11	999 075 039 02	Combination screw		16	
		M 6 X 12			
11	999 075 039 0C	Combination screw		16	
		M 6 X 12			
11	999 143 004 08	Combination screw		13	
		M 6 X 12			
11	999 143 004 01	Combination screw		13	
		M 6 X 12			
11	999 075 039 0C	Combination screw		13	
		M 6 X 12			

Model: 911 87 Model life 1987>>1989

Pos	Part Number	Description	Remark	Qty	Model
12	N 011 524 7	Washer 6,4		2	
12	N 011 524 27	Washer 6,4		2	
13	N 010 208 5	Hexagon-head bolt M 6 X 8		2	930.66/68
14	930 106 023 00	Baffle plate		4	930.20/25/26
14	930 106 023 01	Baffle plate		4	930.66/68
15	930 106 221 00	Baffle plate		2	930.20/25/26
15	930 106 221 01	Baffle plate		2	930.66/68
16	930 106 222 00	Baffle plate		2	930.20/25/26
16	930 106 222 01	Baffle plate		2	930.66/68
17	930 106 228 00	Leaf spring		6	
18	930 106 301 00	Cover plate		2	930.20/25/26
19	930 106 852 01	Cover		1	930.66/68
19	930 106 952 01	Engine cover		1	930.66-S M148
20	930 106 175 00	Rubber sleeve 21,5 \$		3	930.66/68
21	930 106 176 00	Rubber sleeve 34 \$		1	930.66/68
22	930 119 009 01	Side section	/L 87	1	930.20/25
22		Side section	/L 88-	1	930.20/25
		Engine capsule	(AUS) (CH)		
23	930 119 010 01	Side section	/R 87	1	930.20/25
23		Side section	/R 88-	1	930.20/25
		Engine capsule	(AUS) (CH)		
24	900 075 374 02	Combination screw M 6 X 14	(AUS) (CH)	4	930.20/25
24	900 075 374 01	Combination screw M 6 X 14	(AUS) (CH)	4	930.20/25
24	900 075 392 00	Combination screw M 6 X 18	(AUS) (CH)	10	930.20/25
25	900 067 008 02	Pan-head screw M 6 X 12		2	
25	900 067 008 03	Pan-head screw M 6 X 12		2	
26	N 011 524 7	Washer A 6,4		2	
26	N 011 524 27	Washer A 6,4		2	
27	930 106 191 00	Rubber sleeve		1	

Model: 911 87

Model life 1987>>1989



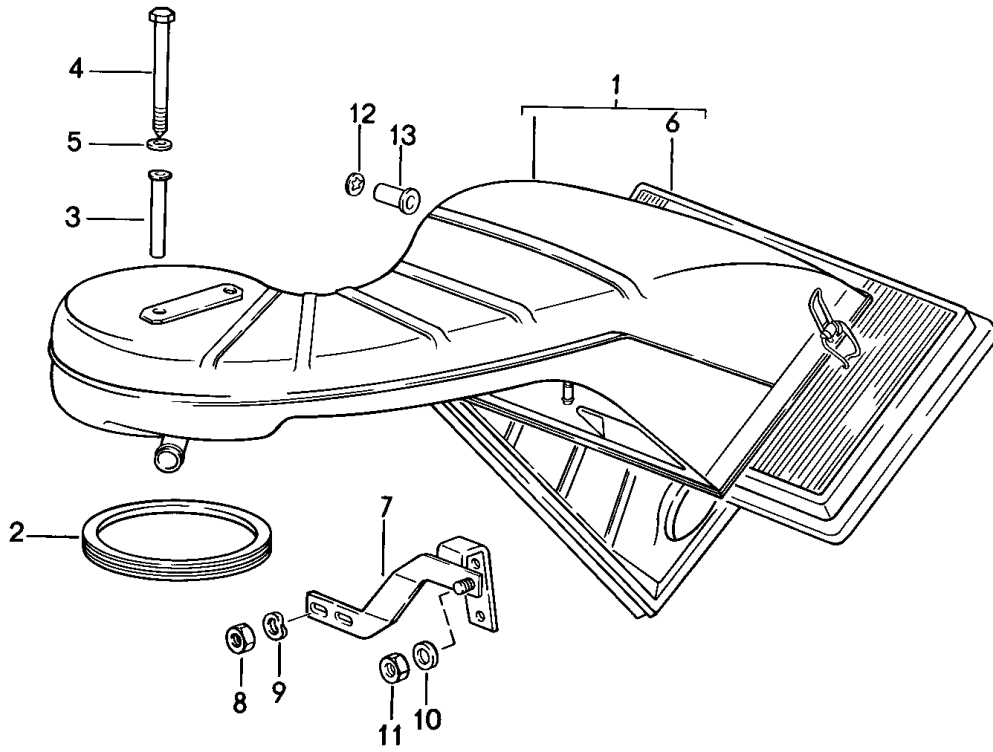
Model: 911 87

Model life 1987>>1989

Pos	Part Number	Description	Remark	Qty	Model
1	930 110 343 01	Air cleaner Air cleaner Information available		1	930.20/25/26
2	930 110 393 00	Filter element		1	
3	930 110 579 01	Bonded rubber buffer		2	
3	999 703 265 00	Bonded rubber buffer		2	
4	N 011 666 7	Washer B6,4		2	
5	999 084 074 02	Lock nut M6		2	
6	930 110 902 00	Clamp		4	
7	930 110 256 00	Stopper		1	M637
8	999 512 554 00	Hose clamp		1	M637

Model: 911 87

Model life 1987>>1989



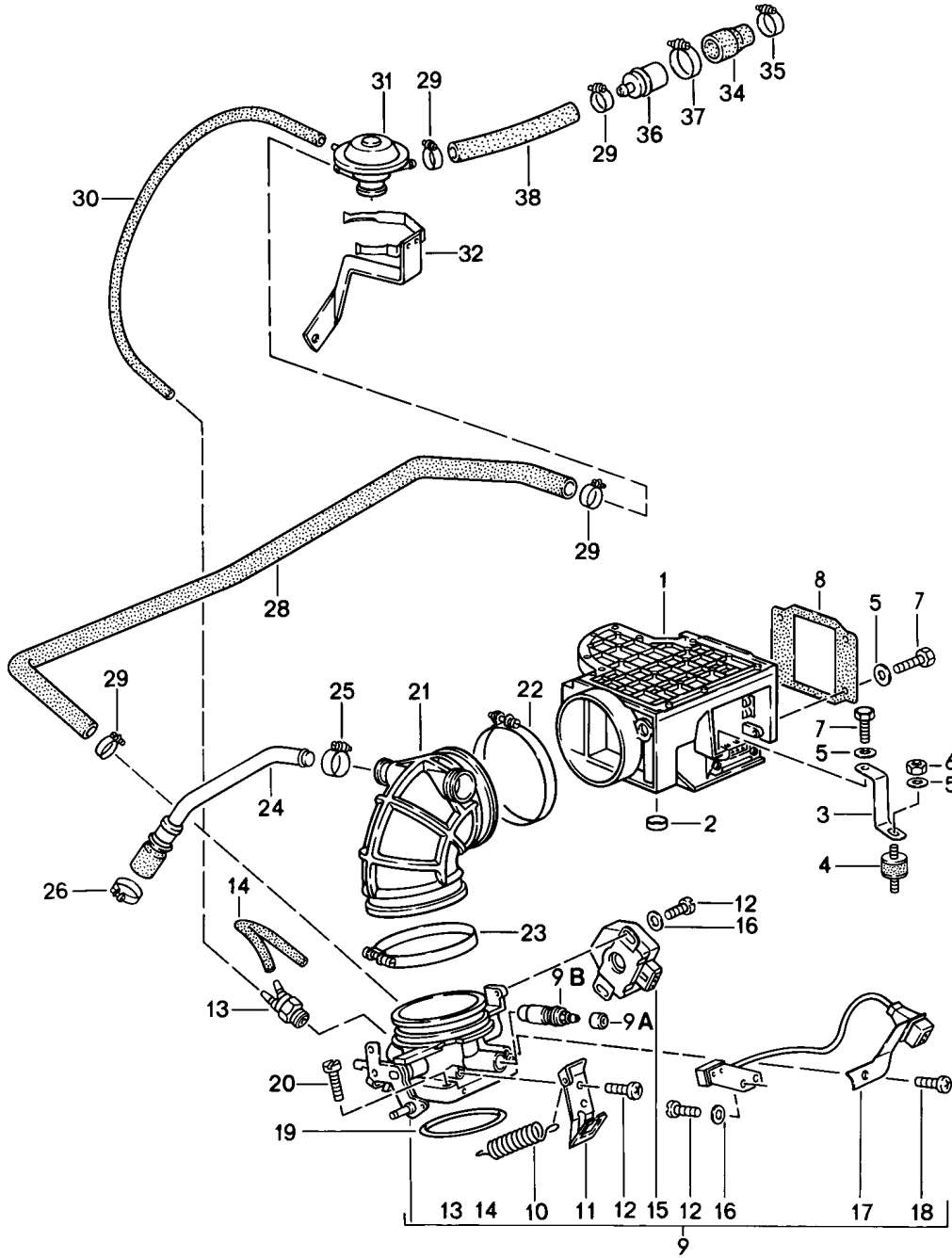
Model: 911 87

Model life 1987>>1989

Pos	Part Number	Description	Remark	Qty	Model
1	930 110 020 01	Air cleaner		1	930.66/68
1	930 110 920 01	Air cleaner		1	930.66-S M148
2	930 110 122 00	Sealing ring		1	
-	930 110 121 02	Support ring		1	
3	930 110 436 01	Spacer sleeve		2	
4	900 074 023 02	Hexagon-head bolt		2	
5	N 011 524 7	Washer 6,4		2	
5	N 011 524 27	Washer 6,4		2	
6	930 110 185 02	Air cleaner cartridge		1	
7	930 110 331 03	Support		1	
8	999 084 423 02	Lock nut		1	
9	900 025 007 02	Washer 8,4		2	
9	900 025 007 03	Washer 8,4		2	
10	N 012 241 8	Spring washer B 8		2	
11	900 076 025 02	Hexagon nut M 8		2	
11	900 076 064 02	Hexagon nut M 8		2	
12	999 591 369 02	Locking washer		1	
12	999 591 369 0B	Locking washer		1	
13	911 106 415 01	Pipe with Strainer		1	

Model: 911 87

Model life 1987>>1989



Model: 911 87

Model life 1987>>1989

Pos	Part Number	Description	Remark	Qty	Model
		for			930.20/25/26
		L-JETRONIC I			930.20/25/26
1	930 606 123 00	Mass air flow meter		1	
2	944 606 935 01	Stopper		1	
		Blue			
3	930 110 524 00	Support		1	
4	930 110 579 01	Bonded rubber buffer		1	
4	999 703 265 00	Bonded rubber buffer		1	
5	N 011 524 7	Washer		10	
		A6,4			
5	N 011 524 27	Washer		10	
		A6,4			
6	999 084 074 02	Lock nut		1	
		M6			
7	900 075 355 02	Combination screw		5	
		M 6 X 16			
7	900 075 355 01	Hexagon-head bolt		5	
		M 6 X 16			
8	928 110 201 01	Sealing frame		1	
9	930 110 519 03	Flap-Nozzle		1	
9A	930 110 520 00	Cap		1	
9B	930 110 919 00	Throttle screw		1	
10	930 110 497 00	Tension spring		1	
11	911 110 918 04	Support		1	
12	900 146 011 02	Oval-head screw		6	
		M4X10			
13	930 207 231 00	Thermo valve		1	
14	911 110 953 00	Hose		1	
15	930 606 119 02	Throttle-valve switch		1	
15	944 606 113 01	Throttle-valve switch		1	
16	N 012 224 3	Spring washer		4	
		B4			
17	911 606 013 00	Microswitch		1	
17	911 606 013 03	Microswitch		1	
18	N 014 138 7	Oval-head screw		1	
		M6X10			
19	999 701 124 40	O-ring		1	
		67,5X4			
20	900 067 089 02	Pan-head screw		4	
		M6X25			
20	900 067 089 01	Pan-head screw		4	
		M6X25			
21	930 110 356 02	Air guide		1	
22	999 512 302 02	Hose clamp		1	
		S85/9			
22	PCG 512 302 02	Hose clamp		1	
		S85/9			
23	999 512 359 02	Hose clamp		1	
		S89/12ZY			
23	PCG 512 359 02	Hose clamp		1	
		S89/12ZY			
24	930 110 328 05	Pipeline		1	
25	999 512 554 00	Hose clamp		1	
		A9X18ZY			
26	N 023 565 3	Hose clamp		1	
		A9X21ZY			
28	930 207 236 00	Hose		1	
		F >>91HS1 09592			
		F >>91HS1 00719			
		F >>91HS1 40358			
		F >>91HS1 49563			
		F >>91HS1 50331			
		F >>91HS1 59564			

Model: 911 87 Model life 1987>>1989

Pos	Part Number	Description	Remark	Qty	Model
28	930 207 236 01	Hose F 91HS1 09593>> F 91HS1 00720>> F 91HS1 40359>> F 91HS1 49564>> F 91HS1 50352>> F 91HS1 59565>>		1	
29	N 023 569 2	Hose clamp S16/9ZY		4	
29	PCG 023 569 2	Hose clamp S16/9ZY		4	
29	N 023 570 2	Hose clamp S15/9ZY F 91HS1 09593>> F 91HS1 00720>> F 91HS1 40359>> F 91HS1 49564>> F 91HS1 50352>> F 91HS1 59565>>		2	
-	999 239 010 40	Hose 4 X 9		*	
30		830MM		1	
31	930 207 227 00	Recirculating air valve F >>91HS1 09592 F >>91HS1 00719 F >>91HS1 40358 F >>91HS1 49563 F >>91HS1 50331 F >>91HS1 59564		1	
31	930 207 227 02	Recirculating air valve F 91HS1 09593>> F 91HS1 00720>> F 91HS1 40359>> F 91HS1 49564>> F 91HS1 50352>> F 91HS1 59565>>		1	
32	930 207 237 00	Support F >>91HS1 09592 F >>91HS1 00719 F >>91HS1 40358 F >>91HS1 49563 F >>91HS1 50331 F >>91HS1 59564		1	
32	930 207 237 02	Support F 91HS1 09593>> F 91HS1 00720>> F 91HS1 40359>> F 91HS1 49564>> F 91HS1 50352>> F 91HS1 59565>>		1	
34	930 207 243 01	Rubber sleeve		1	
35	999 512 554 00	Hose clamp A9X18		1	
36	930 207 229 00	Valve		1	
37	999 512 552 00	Hose clamp S25/9ZY		1	
37	999 512 552 01	Hose clamp S25/9ZY		1	
38	930 207 235 00	Hose F >>91HS1 09592 F >>91HS1 00719 F >>91HS1 40358 F >>91HS1 49563		1	

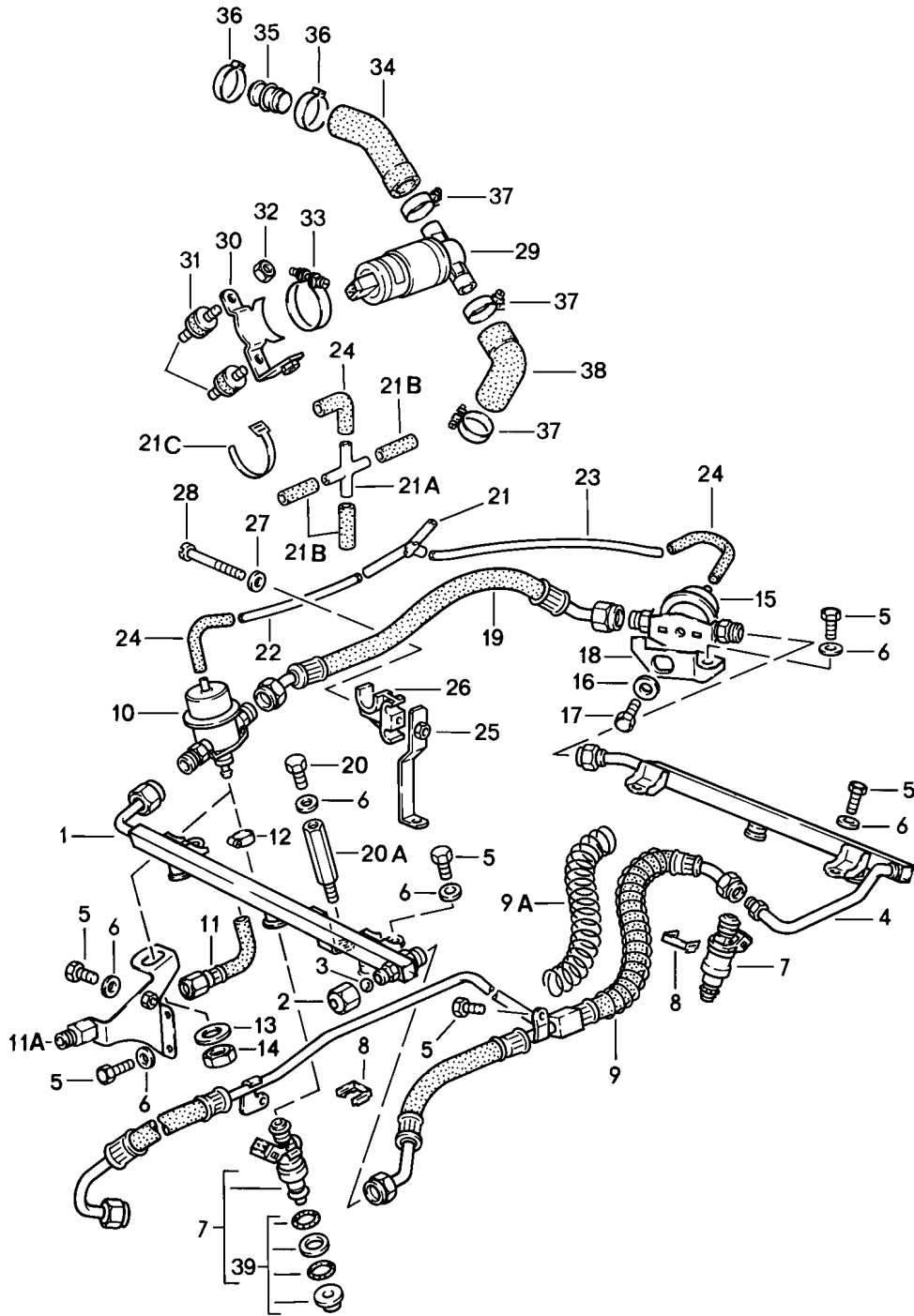
Model: 911 87

Model life 1987>>1989

Pos	Part Number	Description	Remark	Qty	Model
38	930 207 235 01	F >>91HS1 50331 F >>91HS1 59564 Hose F 91HS1 09593>> F 91HS1 00720>> F 91HS1 40359>> F 91HS1 49564>> F 91HS1 50352>> F 91HS1 59565>>		1	
38	930 207 235 02	Hose F 91HS1 09593>> F 91HS1 00720>> F 91HS1 40359>> F 91HS1 49564>> F 91HS1 50352>> F 91HS1 59565>>		1	

Model: 911 87

Model life 1987>>1989



Model: 911 87 Model life 1987>>1989

Pos	Part Number	Description	Remark	Qty	Model
		for L-JETRONIC II			930.20/25/26 930.20/25/26
1	930 110 307 04	Fuel collection pipe		1	
2	928 110 475 01	Cap nut		1	
2	928 110 475 03	Cap nut		1	
2	928 110 475 04	Cap nut		1	
3	900 108 022 00	Ball 9MM		1	
4	930 110 308 04	Fuel collection pipe		1	
5	900 075 355 02	Combination screw M6X16		10	
5	900 075 355 01	Hexagon-head bolt M6X16		10	
6	N 011 524 7	Washer 6,4		13	
6	N 011 524 27	Washer 6,4		13	
7	930 606 120 00	Injector valve		6	
8	930 110 388 00	Retaining clip		6	
8	930 110 388 01	Retaining clip		6	
9	930 110 595 03	Fuel line	87	1	
9	930 110 595 05	Fuel line	88-		
-	999 521 039 40	Spiral 18 X 3 345 MM		X	
9A				1	
10	928 110 198 01	Pressure regulator		1	
11	930 110 509 01	Fuel line		1	
11A	930 110 569 00	Retaining bracket		1	
12	999 512 160 02	Hose clamp S13/9ZY		1	
12	PCG 512 160 02	Hose clamp S13/9ZY		1	
13	900 031 013 02	Washer 17		1	
14	900 034 013 02	Hexagon nut BM16X1,5		1	
14	900 034 013 01	Hexagon nut BM16X1,5		1	
15	930 110 602 00	Diaphragm damper		1	
16	944 110 312 00	Washer		1	
17	N 010 235 3	Hexagon-head bolt 8 X 10		1	
18	930 110 594 00	Retaining bracket		1	
19	930 110 411 00	Connecting hose		1	
19	930 110 411 03	Connecting hose		1	
20	999 072 005 09	Hexagon nut M6X12		1	
20	999 072 005 01	Hexagon nut M6X12		1	
20A	911 607 301 00	Spacer		1	930.26
21	928 573 727 02	Distributing piece		1	
21A	999 137 017 40	Distributing piece KS 4		1	930.26
-	999 239 003 40	Hose 3,2 X 7		*	930.26
21B		40 MM		3	
21C	999 513 021 40	Tie-wrap 1,6 - 16		1	930.26
-	N 020 139 11	Pipe 4 X 1		*	
22		210MM		1	
23		380 MM		1	
24	928 574 717 02	Moulded hose		3	

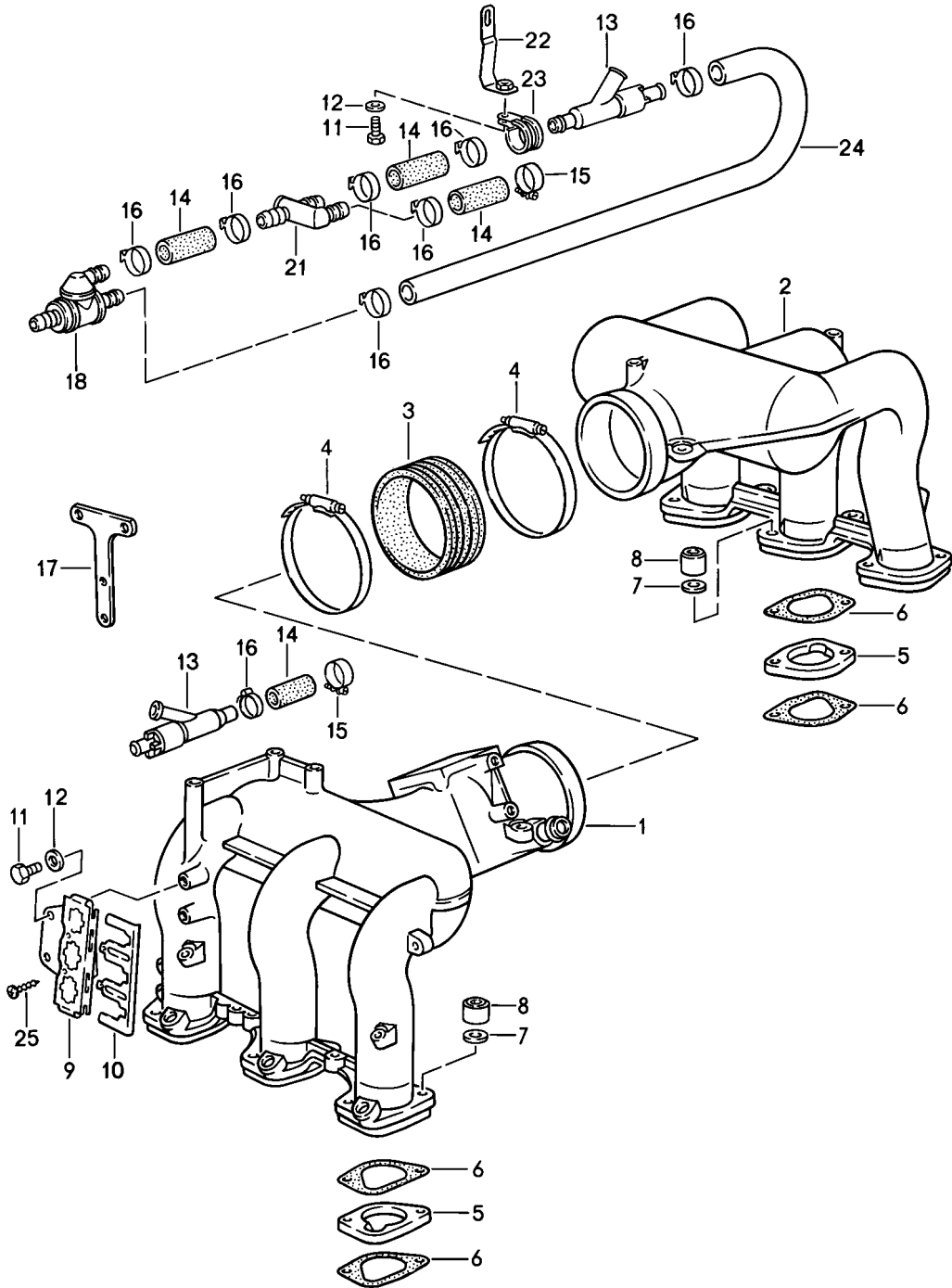
Model: 911 87

Model life 1987>>1989

Pos	Part Number	Description	Remark	Qty	Model
25	930 110 673 00	Strut		1	
26	930 110 671 00	Support		1	
27	900 025 003 02	Washer 5,3		1	
28	N 100 467 01	Pan-head screw M5X55		1	
29	930 606 161 00	Idle-speed adjuster		1	
30	930 110 597 02	Retaining bracket		1	
31	930 110 579 01	Bonded rubber buffer		2	
31	999 703 265 00	Bonded rubber buffer		2	
32	999 084 074 02	Lock nut M6		2	
33	999 512 369 02	Clamp SP43/9ZY		1	
33	999 512 369 0B	Clamp SP43/9ZY		1	
34	930 110 665 00	Pipeline		1	
35	930 110 267 01	Hose connection		1	
36	999 512 380 02	Hose clamp		2	
36	999 512 380 0B	Hose clamp		2	
37	PCG 512 237 02	Hose clamp S26/9ZY		3	
38	930 110 589 02	Hose		1	
39	944 110 901 00	Gasket for Injector valve		1	

Model: 911 87

Model life 1987>>1989



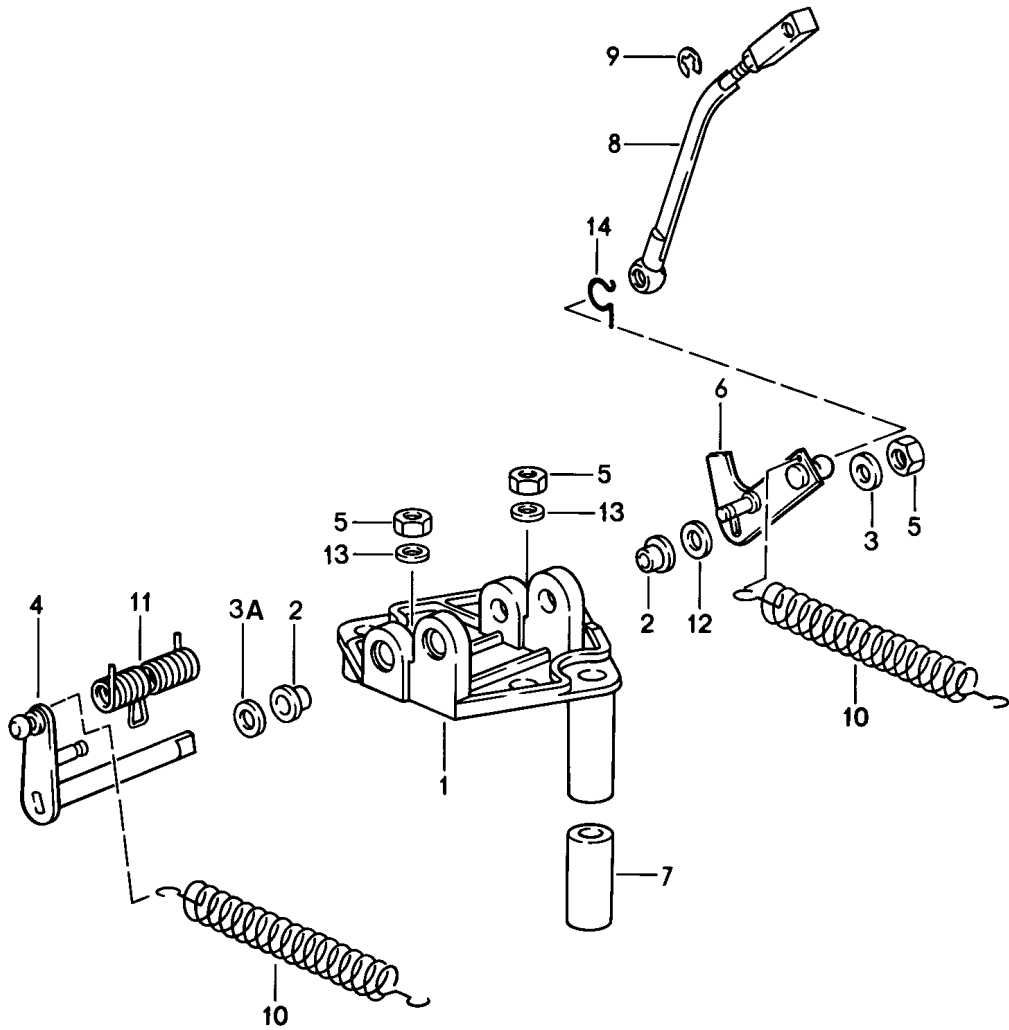
Model: 911 87

Model life 1987>>1989

Pos	Part Number	Description	Remark	Qty	Model
		for			930.20/25/26
		L-JETRONIC III			930.20/25/26
1	930 110 036 03	Intake distributor		1	
2	930 110 338 03	Intake distributor		1	
3	930 110 573 01	Rubber sleeve		1	
4	999 512 367 02	Hose clamp		2	
		S99/9ZY			
5	930 110 459 00	Intermediate flange		6	
6	930 110 197 08	Gasket	87	12	
6	930 110 197 11	Gasket	87-	12	
6	930 110 197 14	Gasket	88-	12	
7	999 025 152 02	Washer		12	
		8,1X15X3			
7	999 025 152 0C	Washer		12	
		8,1X15X3			
8	901 111 271 00	Nut		12	
9	911 606 125 01	Support		1	
10	911 606 127 01	Support		1	
11	999 072 005 09	Hexagon nut		3	
		M 6 X 12			
11	999 072 005 01	Hexagon nut		3	
		M 6 X 12			
12	N 011 524 7	Washer		3	
		A 6,4			
12	N 011 524 27	Washer		3	
		A 6,4			
13	067 133 753 A	Venturi tube		1	
13	067 133 753 B	Venturi tube		1	
-	999 181 022 51	Hose		*	
		11,8 X 19			
14		45 MM		4	
15	999 512 554 00	Hose clamp		3	
		A 9 X 18			
16	999 512 381 02	Clamp		9	
16	999 512 497 02	Clamp		9	
		18,8 - 21,1			
17	911 606 083 00	Support		1	930.26
18	930 110 667 01	Check valve		1	
21	930 110 691 01	Connection piece		1	
22	930 110 689 00	Retaining bracket		1	
23	999 512 428 02	Clamp		1	
24	999 181 068 41	Hose		1	
25	N 013 953 2	Oval-head sheetmetal screw		2	
		B 2,9 X 9,5			

Model: 911 87

Model life 1987>>1989

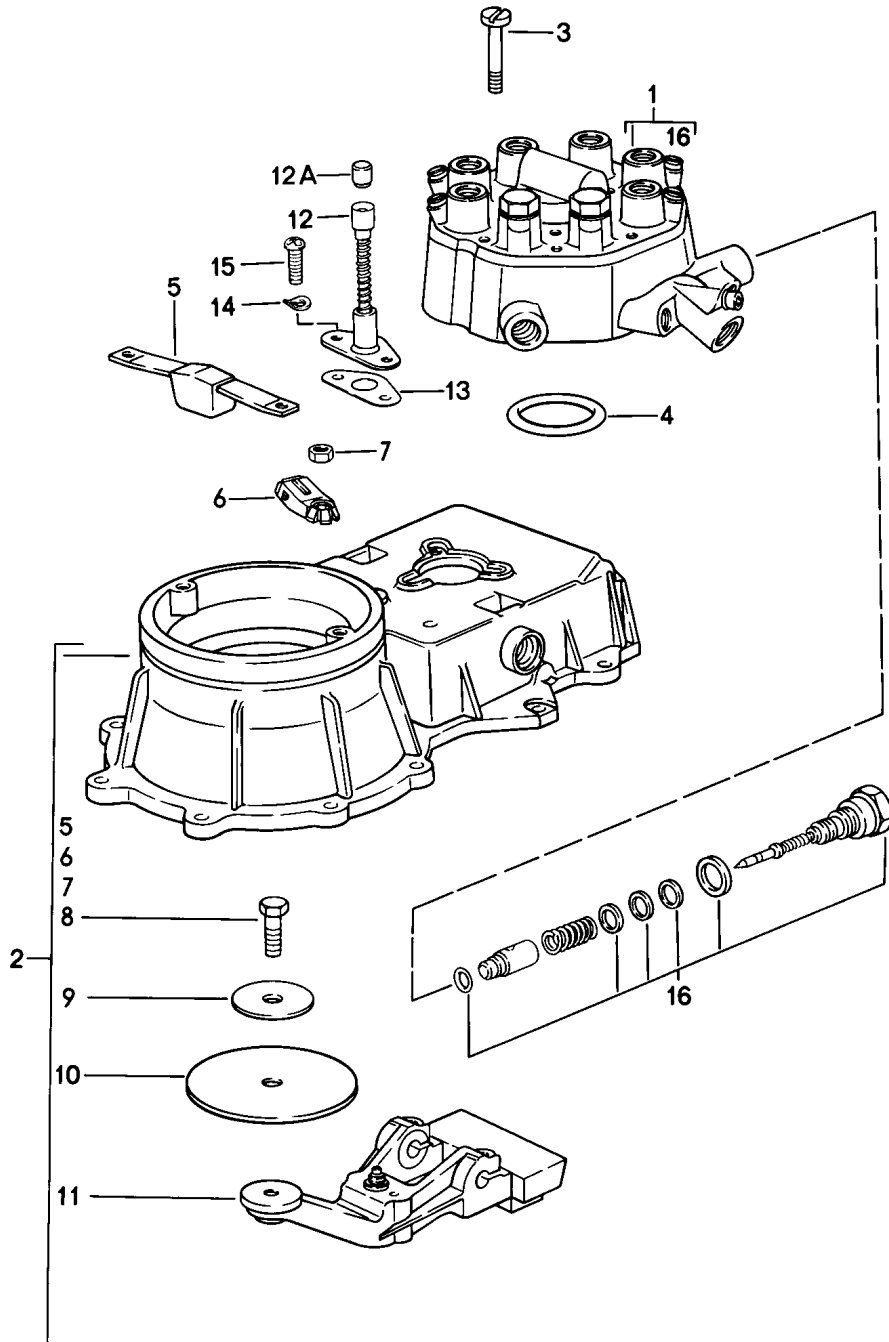


Model: 911 87 Model life 1987>>1989

Pos	Part Number	Description	Remark	Qty	Model
		Throttle linkage			
		Bracket			
1	911 110 091 07	Bracket		1	
2	999 924 069 00	Bearing sleeve		2	
3	900 025 007 02	Washer		2	
		A 8,4			
3	900 025 007 03	Washer		2	
		A 8,4			
3A	930 110 572 00	Washer		2	
4	911 110 060 03	Lever		1	930.20/25/26
4	930 110 060 06	Lever		1	930.66/68
5	900 076 025 02	Hexagon nut		4	
		M 8			
5	900 076 064 02	Hexagon nut		4	
		M 8			
(6)	911 110 110 06	Lever		1	930.20/25/26
6	930 110 110 06	Lever		1	930.66/68
7	901 110 236 00	Spacer tube		1	
8	930 110 098 05	Pull rod		1	930.20/25/26
(8)	930 110 079 06	Pull rod		1	930.66/68
9	N 012 325 1	Lock washer		1	
10	911 110 165 08	Tension spring		2	930.20/25/26
11	930 110 148 05	Steering knuckle spring		1	930.66/68
12	930 110 571 00	Washer		1	930.20/25/26
12	930 110 571 02	Washer		1	930.20/25/26
12	930 110 571 01	Washer		1	930.66/68
13	900 025 007 02	Washer		1	930.66/68
		8,4			
13	900 025 007 03	Washer		1	930.66/68
		8,4			
14	900 169 014 02	Securing clip		1	
14	900 169 014 01	Securing clip		1	

Model: 911 87

Model life 1987>>1989

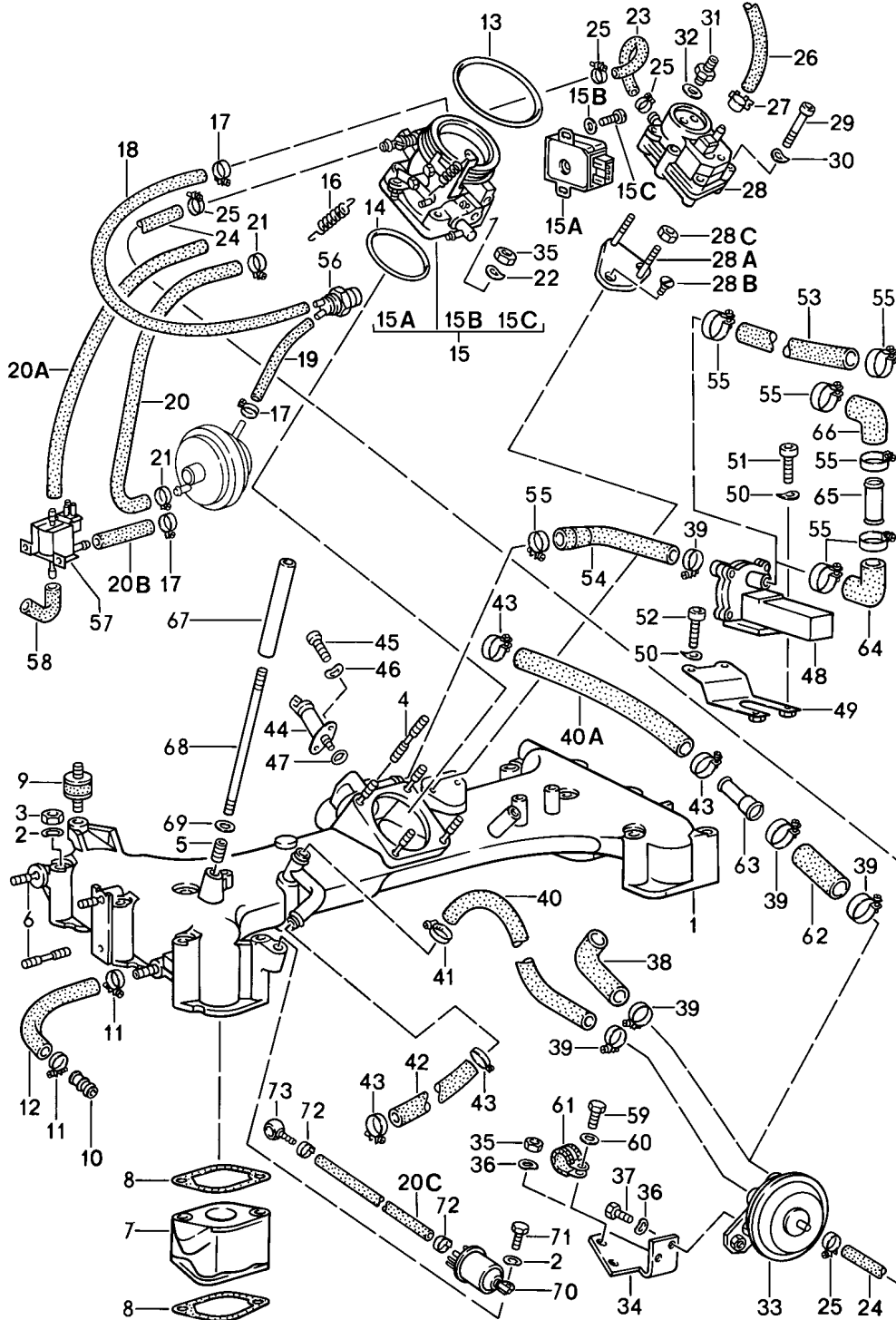


Model: 911 87 Model life 1987>>1989

Pos	Part Number	Description	Remark	Qty	Model
		Mixture control unit			930.66/68
1	930 110 909 00	Fuel distributor		1	930.66
2	930 110 907 00	Mass air flow meter		1	930.66
3	900 146 045 02	Oval-head screw AM 5 X 45		3	
4	911 110 936 01	Gasket		1	
5	911 110 961 00	Stop		1	
6	911 110 929 00	Safety contact		1	
7	911 110 945 00	Lock nut		1	
8	911 110 944 01	Hexagon-head bolt		1	
9	911 110 960 00	Support washer		1	
10	911 110 943 01	Air flow sensor plate		1	
10	911 110 943 03	Air flow sensor plate		1	
11	911 110 959 00	Control lever		1	
12	930 110 910 02	Adjusting key		1	
13	930 110 911 00	Gasket		1	
14	N 012 005 3	Lock ring B 5		2	
15	N 014 128 13	Oval-head screw AM 5 X 8		2	
16	928 110 920 01	Parts kit Pressure regulator See workshop manual KD-NR. 256155		1	

Model: 911 87

Model life 1987>>1989



Model: 911 87 Model life 1987>>1989

Pos	Part Number	Description	Remark	Qty	Model
		for			930.66/68
		K-JETRONIC I			930.66/68
1	930 110 034 00	Intake manifold		1	930.66
1	930 110 934 00	Intake manifold		1	930.66-S
2	N 011 525 13	Washer		12	M148
		B 8			
3	900 076 025 02	Hexagon nut		12	
		M 8			
3	900 076 064 02	Hexagon nut		12	
		M 8			
4	999 062 093 02	Stud		4	
		BM 6 X 35			
5	999 504 004 00	Threaded insert		3	
		M 8			
6	999 062 009 02	Stud		3	
		BM 8 X 28			
6	900 060 105 01	Stud		3	
		BM 8 X 28			
7	930 110 141 03	Flange		6	
8	930 110 197 10	Gasket		12	
9	930 110 194 00	Bonded rubber buffer		3	
10	930 110 267 00	Hose connection		1	
11	999 512 554 00	Hose clamp		2	
		A 9 X 18			
-	999 239 011 40	Hose		*	
		12 X 19			
12		270 MM		1	
13	999 701 477 40	Round seal		1	
14	999 701 468 40	Round seal		1	
		67,5 X 75,4 X 4			
15	930 110 250 08	Flap-Nozzle		1	930.66
16	930 110 497 00	Tension spring		1	
17	999 512 361 02	Hose clamp		6	
		S6/7ZY			
-	999 239 020 40	Hose		*	
		Red			
		3,2 X 7			
18		390 MM		1	
19		1000 MM		1	
-	999 239 022 40	Hose		*	
		Blue			
		4 X 10			
20		575 MM		1	930.66
-	999 239 021 40	Hose		*	
		Blue			
		3,2 X 7			
20C		270 MM		2	930.66-S
					M148
21	999 512 159 02	Hose clamp		2	930.66
		S9/9ZY			
21	999 512 082 02	Hose clamp		2	930.66
		10/9			
21	999 512 082 01	Hose clamp		2	930.66
		10/9			
22	N 012 226 5	Spring washer		4	
		B 6			
-	999 239 013 40	Hose		*	
		Black			
		5 X 11			
-	999 239 013 4A	Hose		*	
		Black			
		5 X 11			
23		150 MM		1	930.66

Model: 911 87

Model life 1987>>1989

Pos	Part Number	Description	Remark	Qty	Model
24		405 MM		1	
		750 MM		1	930.66-S M148
25	999 512 082 02	Hose clamp 10/9		4	
25	999 512 082 01	Hose clamp 10/9		4	
-	999 239 006 40	Hose Black 8 X 14		*	
-	999 239 034 40	Hose Black 7,3 X 3		*	
26		120 MM		1	
27	999 512 160 02	Hose clamp 13/9		4	
27	PCG 512 160 02	Hose clamp 13/9		4	
28	930 606 105 05	Warm-up valve		1	930.66
28	930 606 105 EX	Warm-up valve		1	930.66
29	N 044 703 3	Pan-head screw M 6 X 45		2	
29	900 119 055 02	Pan-head screw M 6 X 60		2	
30	N 012 226 5	Spring washer A 6		2	
31	900 915 004 02	Connection piece		1	
32	900 123 144 30	Sealing ring A 10 X 13,5		1	
33	930 110 173 00	Vacuum limiter		1	
34	930 110 167 00	Retaining bracket		1	
34	930 110 967 00	Retaining bracket		1	930.66-S M148
35	900 076 010 02	Nut M 6		6	
35	900 076 010 0B	Nut M 6		6	
36	N 012 226 5	Spring washer B 6		4	
37	999 072 005 09	Hexagon nut M 6 X 12		2	
37	999 072 005 01	Hexagon nut M 6 X 12		2	
37	N 010 215 13	Hexagon-head bolt M 6 X 15		2	930.66-S M148
38	930 110 171 01	Hose		1	
39	PCG 512 237 02	Hose clamp 26/9		2	
-	999 239 007 40	Hose 15 X 4,5		X	
40		90 MM		1	
(40)		500 MM		1	930.66-S M148
(40)		220 MM		1	930.66-S
41	N 024 115 1	Hose clamp 9/23 ZY		2	
-	999 181 284 50	Hose 15 X 3,5		*	
42		300 MM		1	
43	999 512 346 00	Hose clamp 22/9		2	
44	930 606 107 01	Electric starting valve		1	

Model: 911 87

Model life 1987>>1989

Pos	Part Number	Description	Remark	Qty	Model
45	N 014 740 2	Pan-head screw M 6 X 16		2	
45	N 014 740 11	Pan-head screw M 6 X 16		2	
46	N 012 226 5	Spring washer A 6		2	
47	999 701 395 50	O-ring		1	
48	930 606 102 00	Auxiliary air regulator		1	
48	930 606 102 X	Auxiliary air regulator		1	
49	930 110 229 01	Support		1	930.66
50	N 012 226 5	Spring washer B 6		4	
51	900 067 009 02	Pan-head screw M 6 X 15		2	
51	900 067 429 01	Pan-head screw M 6 X 15		2	
52	900 067 008 02	Pan-head screw M 6 X 12		2	
52	900 067 008 03	Pan-head screw M 6 X 12		2	
53	999 239 009 40	Hose		*	930.66
54	930 110 335 00	Air hose		1	930.66
54	930 110 335 08	Air hose		1	930.66
55	N 024 141 2	Hose clamp 9 X 31 ZY		2	
56	930 110 401 01	Thermo valve		1	
59	900 075 017 02	Hexagon-head bolt M 6 X 25		1	930.66-S M148
59	900 075 017 03	Hexagon-head bolt M 6 X 25		1	930.66-S M148
60	N 011 524 7	Washer A 6,4		1	930.66-S M148
60	N 011 524 27	Washer A 6,4		1	930.66-S M148
61	999 511 069 02	Clamp 12 X 15		1	930.66-S M148
61	999 511 069 0C	Clamp 12 X 15		1	930.66-S M148
62	930 110 171 01	Hose		1	930.66-S M148
63	930 110 535 00	It is necessary to rework Connecting tube		1	930.66-S M148
64	931 110 181 01	Moulded hose		1	930.66-S M148
65	930 110 536 00	Connecting tube		1	930.66-S M148
66	931 110 183 01	Moulded hose		1	930.66-S M148
67	930 110 332 02	Sleeve 105,4 MM	/L	1	930.66-S M148
67	930 110 332 01	Sleeve 99 MM	/R	1	930.66-S M148
68	930 110 538 01	Stud BM 8 X 150	/L	1	930.66-S M148
68	930 110 538 00	Stud BM 8 X 160	/R	1	930.66-S M148
69	900 025 007 02	Washer A 8,4	/L	1	930.66-S M148
69	900 025 007 03	Washer A 8,4	/L	1	930.66-S M148
70	047 906 283	Diverter valve		1	930.66-S M148
71	900 075 087 02	Hexagon-head bolt		1	930.66-S

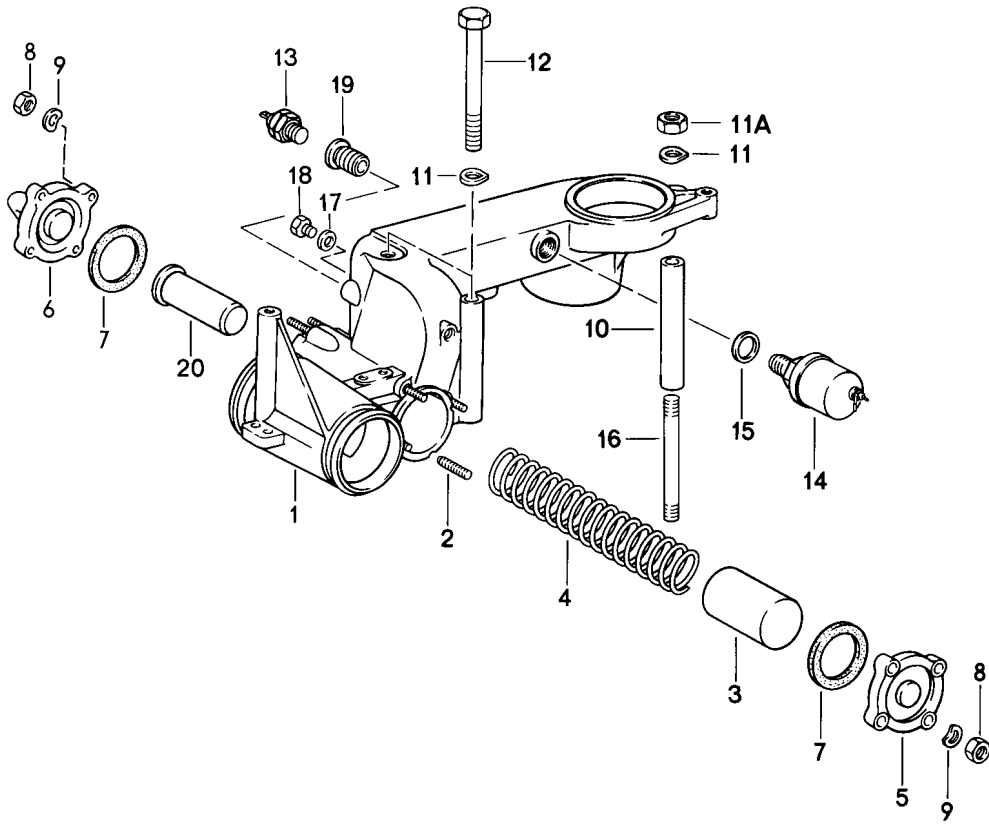
Model: 911 87

Model life 1987>>1989

Pos	Part Number	Description	Remark	Qty	Model
71	900 075 087 03	M 8 X 16 Hexagon-head bolt		1	M148 930.66-S
72	311 133 343 A	M 8 X 16 Hose clamp		4	M148 930.66-S
73	911 110 382 00	Ring piece		1	M148 930.66-S

Model: 911 87

Model life 1987>>1989

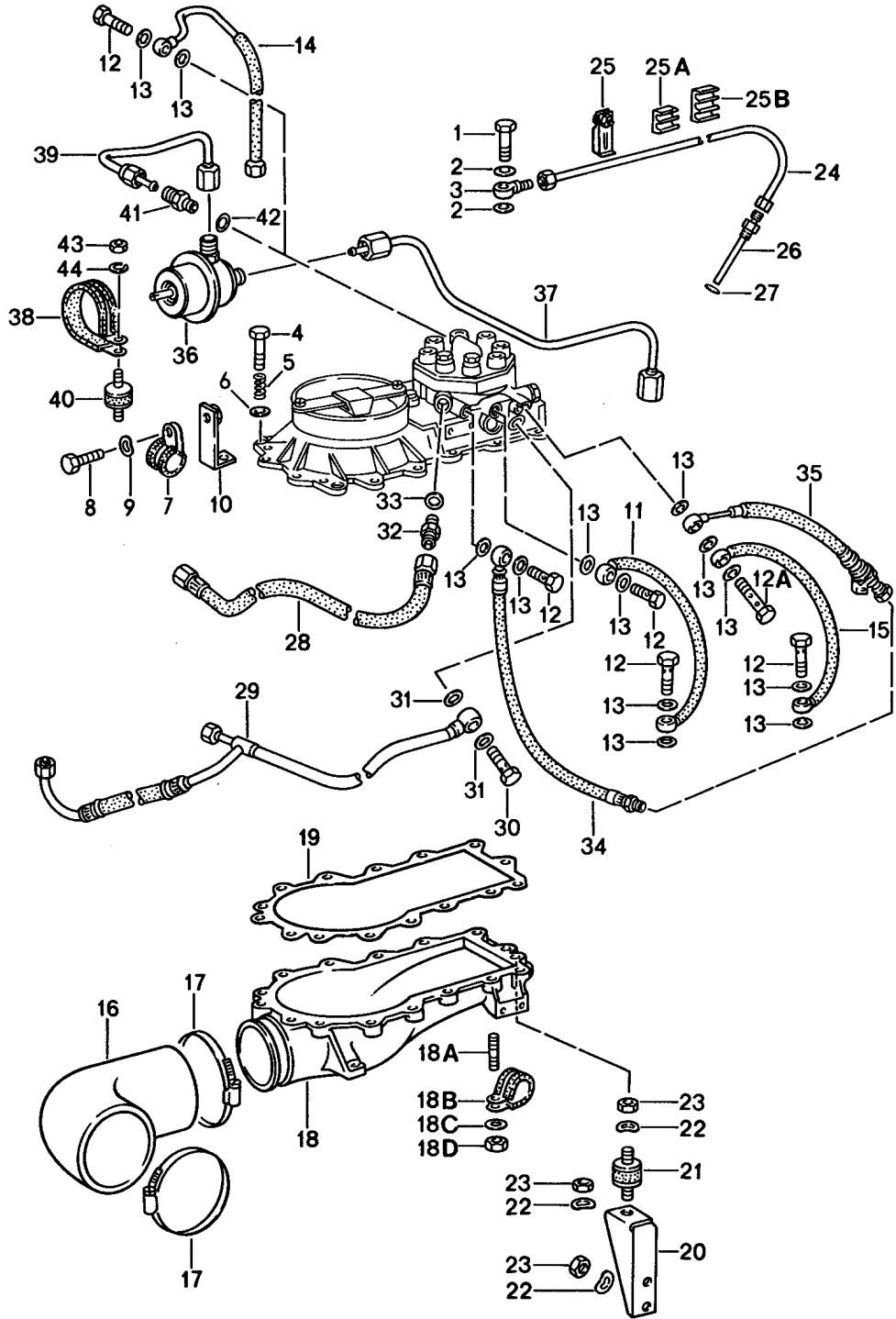


Model: 911 87 Model life 1987>>1989

Pos	Part Number	Description	Remark	Qty	Model
		for K-JETRONIC II			930.66/68 930.66/68
1	930 110 018 03	Valve housing		1	
2	999 062 127 02	Stud M 6 X 25		8	
-	999 072 005 01	Hexagon nut AM 6 X 12		2	
-	999 504 004 00	Threaded insert M 8 X 2 D		2	
-	999 504 116 00	Threaded insert M 10 X 1 X 1 D		1	
-	999 504 117 00	Threaded insert M 18 X 1,5 X 0,50		1	
3	930 110 151 00	Piston		1	
4	930 110 157 00	Compression spring		1	
5	930 110 156 06	Lid		1	
5	930 110 156 09	Lid		1	
6	930 110 056 02	Lid		1	
7	930 110 149 00	Gasket		2	
8	900 076 010 02	Nut M 6		8	
8	900 076 010 0B	Nut M 6		8	
9	N 011 524 7	Washer A 6,4		8	
9	N 011 524 27	Washer A 6,4		8	
10	930 110 332 00	Spacer tube		1	
11	N 012 241 8	Spring washer B 8		3	
11A	900 076 025 02	Hexagon nut M 8		1	
11A	900 076 064 02	Hexagon nut M 8		1	
12	900 074 264 02	Hexagon-head bolt M 8 X 135		2	
13	930 606 101 00	Switch		1	
14	993 606 103 00	Boost pressure Pressure transmitter		1	
14	993 606 103 01	Boost pressure Pressure transmitter		1	
15	900 123 106 30	Boost pressure Sealing ring A 18 X 24		1	
16	999 062 234 02	Stud BM 8 X 135		1	
19	930 110 367 01	Threaded insert M 10 X 1 X 1D		1	
20	930 110 160 00	Spring guide		1	

Model: 911 87

Model life 1987>>1989



Model: 911 87

Model life 1987>>1989

Pos	Part Number	Description	Remark	Qty	Model
		for			930.66/68
		K-JETRONIC III			930.66/68
1	930 110 547 00	Banjo bolt		6	
1	930 110 547 01	Banjo bolt		6	
2	900 123 144 30	Sealing ring		12	
		A 10 X 13,5			
3	999 215 002 02	Ring piece		6	
4	900 067 011 02	Pan-head screw		4	
		M 6 X 20			
4	900 067 011 03	Pan-head screw		4	
		M 6 X 20			
4	900 067 089 02	Pan-head screw		10	
		M 6 X 25			
4	900 067 089 01	Pan-head screw		10	
		M 6 X 25			
4	900 075 341 02	Combination screw		1	
		M 6 X 25			
4	900 075 341 01	Combination screw		1	
		M 6 X 25			
5	911 110 364 00	Compression spring		11	
6	N 012 226 5	Spring washer		15	
		B 6			
7	999 511 085 02	Clamp		1	
8	900 075 057 02	Hexagon-head bolt		1	
		M 6 X 16			
8	900 075 057 03	Hexagon-head bolt		1	
		M 6 X 16			
9	N 012 226 5	Spring washer		1	
		B 6			
10	930 110 434 01	Clip		1	
11	930 110 303 01	Fuel line		1	
		Intake			
		Start valve			
11	930 110 303 02	Fuel line		1	
		Intake			
		Start valve			
12	911 110 899 00	Banjo bolt		6	
		A 2/3			
13	900 123 115 30	Sealing ring		13	
		A 8 X 11,5			
14	930 110 302 01	Fuel line		1	
		Intake			
		Warm-up valve			
15	930 110 305 02	Fuel line		1	
		Return line			
		Warm-up valve			
15	930 110 305 03	Fuel line		1	
		Return line			
		Warm-up valve			
16	930 110 137 02	Hose elbow		1	
17	999 512 350 02	Hose clamp		2	
18	930 110 035 04	Lower part		1	
-	999 062 022 02	Stud		2	
		M 8 X 12			
19	930 110 394 00	Gasket		1	
20	930 110 133 00	Retaining bracket		1	
21	930 110 194 00	Bonded rubber buffer		3	
22	N 012 241 8	Spring washer		7	
		B 8			
23	900 076 025 02	Hexagon nut		7	
		M 8			
23	900 076 064 02	Hexagon nut		7	
		M 8			

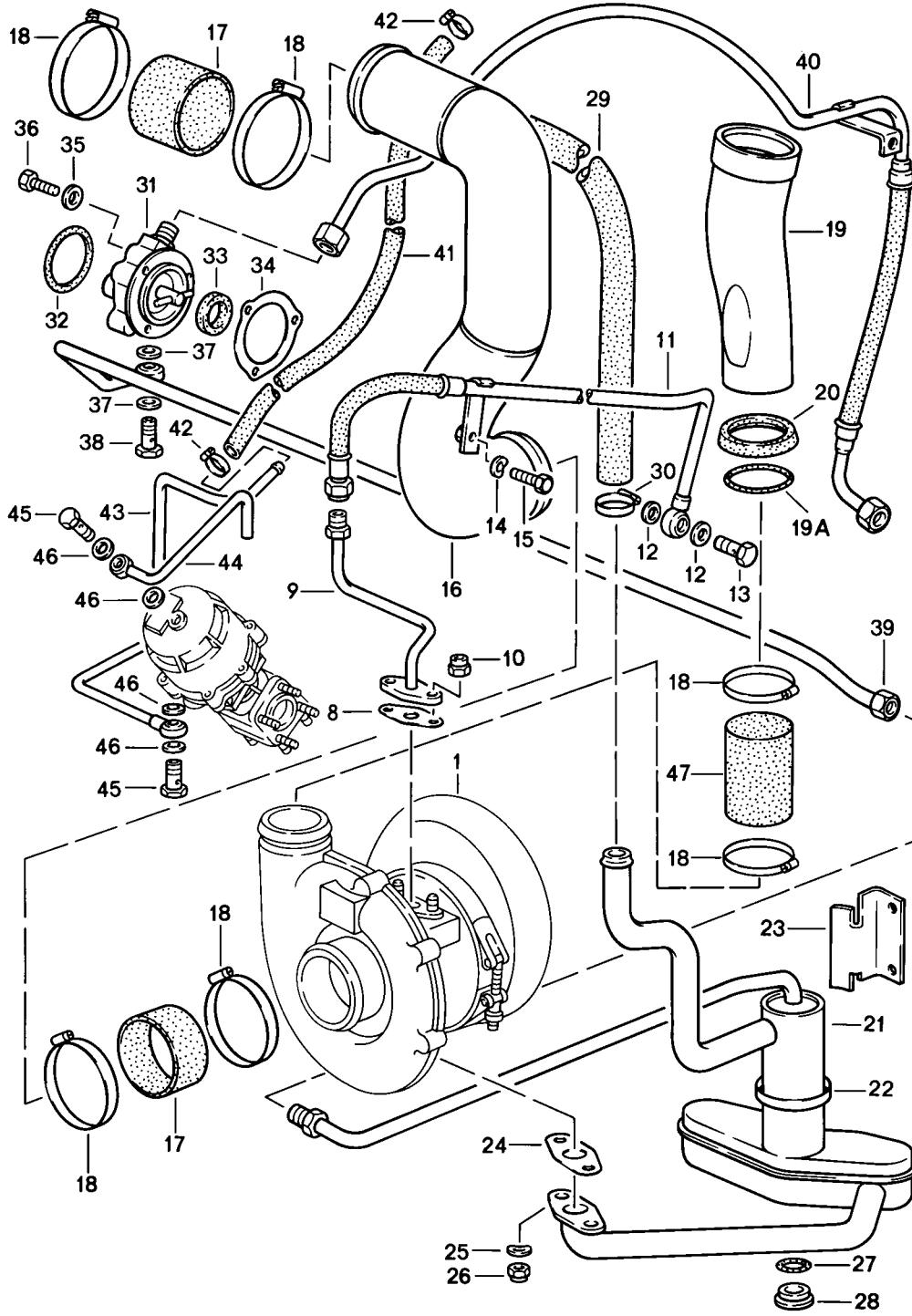
Model: 911 87

Model life 1987>>1989

Pos	Part Number	Description	Remark	Qty	Model
24	930 110 041 02	Injection line Cylinder 1		1	930.66
24	930 110 042 02	Injection line Cylinder 2		1	930.66
24	930 110 043 02	Injection line Cylinder 3		1	930.66
24	930 110 044 01	Injection line Cylinder 4		1	930.66
24	930 110 045 02	Injection line Cylinder 5		1	930.66
24	930 110 046 02	Injection line Cylinder 6		1	930.66
25	930 110 606 01	Pipe clamp Double		1	930.66
(25)	PCG 110 606 01	Rubber ply for Pipe clamp Lines It is necessary to rework		1	930.66
25	930 110 607 01	Pipe clamp Triple		3	930.66
(25)	PCG 110 606 01	Rubber ply for Pipe clamp Lines It is necessary to rework		3	930.66/68
26	930 110 225 02	Injector valve		6	930.66
27	900 123 144 30	Sealing ring A 10 X 13,5		6	
28	930 110 301 05	Fuel line Intake		1	
29	930 110 304 03	Fuel line Return line		1	
30	N 021 071 2	Banjo bolt		1	
31	900 123 101 30	Sealing ring A 12 X 18		2	
32	N 020 704 2	Connection piece		1	
33	900 123 116 30	Sealing ring A 12 X 15,5		1	
36	928 110 231 02	Diaphragm damper		1	930.66-S M148
37	930 110 302 03	Fuel line		1	930.66-S M148
37	930 110 302 07	Fuel line		1	930.66-S M148
38	999 511 132 02	Clamp 38 X 15		1	930.66-S M148
39	930 110 302 02	Fuel line		1	930.66-S M148
40	931 110 191 00	Bonded rubber buffer		1	930.66-S M148
41	928 110 223 03	Union		1	930.66-S M148
42	900 123 115 30	Sealing ring A 8 X 11,5		2	930.66-S M148
43	900 076 010 02	Nut M 6		2	930.66-S M148
43	900 076 010 0B	Nut M 6		2	930.66-S M148
44	N 012 226 5	Spring washer B 6		2	930.66-S M148

Model: 911 87

Model life 1987>>1989



Model: 911 87

Model life 1987>>1989

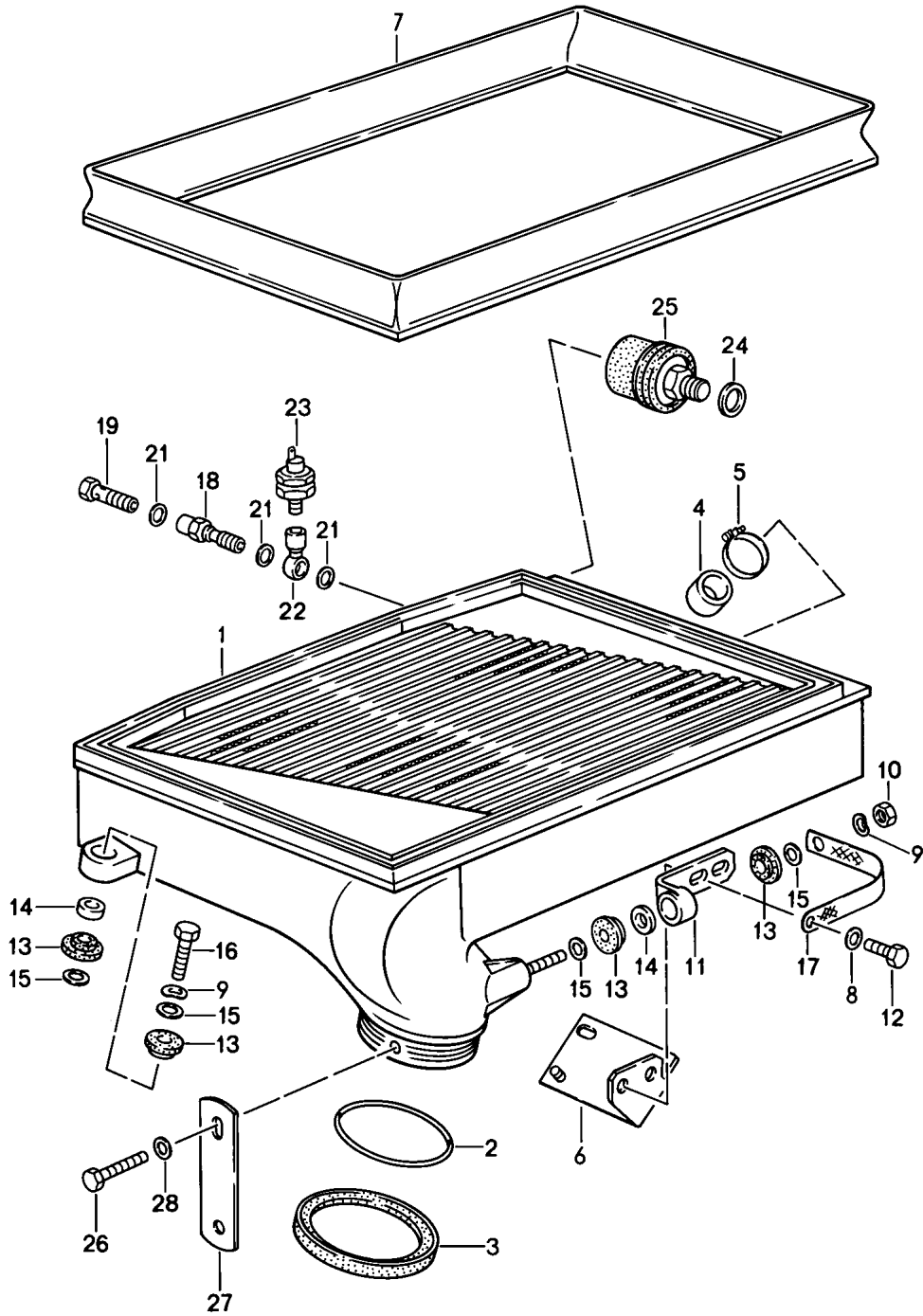
Pos	Part Number	Description	Remark	Qty	Model
1		Turbocharging Turbocharger See group 2/02/16			930.66/68
8	930 107 123 01	Gasket		1	
9	930 107 124 01	Oil pipe		1	
9	930 107 124 03	Oil pipe		1	
10	999 084 052 02	Lock nut M 8		2	
11	930 107 125 03	Oil pipe		1	
11	930 107 125 07	Oil pipe		1	
12	900 123 007 30	It is necessary to rework Sealing ring A 14 X 18		2	
13	930 107 706 00	Banjo bolt		1	
14	N 012 226 5	Spring washer B 6		1	
15	999 072 005 09	Hexagon nut M 6 X 12		1	
15	999 072 005 01	Hexagon nut M 6 X 12		1	
16	930 110 165 02	Intake pipe		1	
16	930 110 165 03	Intake manifold		1	930.66-S M148
17	930 110 158 01	Rubber sleeve 70x5x54		2	
17	930 110 363 00	Rubber sleeve 60x5x75		1	930.66-S M148
18	999 512 351 02	Hose clamp		4	
19	930 110 192 01	Pressure line		1	
19	930 110 192 04	Pressure line		1	930.66-S M148
19A	999 701 473 40	Round seal		1	
20	930 110 230 00	Sealing ring		1	
21	930 107 001 07	Oil collection container		1	
22	999 512 341 02	Clamp		2	
23	930 107 113 01	Retaining bracket		1	
24	930 107 116 01	Gasket	87	1	
24		Gasket	88-	1	
25	N 012 241 8	Spring washer B 8		2	
26	999 084 052 02	Lock nut M 8		2	
27	900 123 055 30	Sealing ring A 12 X 17		1	
28	900 219 006 02	Screw plug M 12 X 1,5		1	
28	900 219 006 01	Screw plug M 12 X 1,5		1	
29	930 107 394 02	Connecting hose		1	
29	000 043 204 95	Hose 500 MM		*	930.66-S M148
30	999 512 252 02	Hose clamp		2	
31	964 107 005 21	Oil pump		1	
32	999 707 289 40	Round seal 47 X 2		1	
33	999 113 246 40	Radial sealing ring		1	
34	930 105 197 05	Gasket	87	1	
34		Gasket	88-	1	
35	N 012 226 5	Spring washer B 6		3	
36	900 074 111 02	Hexagon-head bolt M 6 X 50		3	

Model: 911 87 Model life 1987>>1989

Pos	Part Number	Description	Remark	Qty	Model
37	900 123 018 30	Sealing ring A 16 X 20		2	
38	900 175 005 02	Banjo bolt		1	
39	930 107 338 00	Oil pipe		1	
40	930 107 336 03	Oil pipe		1	
-	999 239 006 40	Hose 8 X 14		*	
-	999 239 034 40	Hose 7,3 X 3		*	
41		380 MM		1	
41		450 MM		1	930.66-S M148
42	999 512 160 02	Hose clamp		2	
42	PCG 512 160 02	Hose clamp		2	
43	930 123 053 01	Control line		1	
44	930 123 043 04	Vent line		1	
45	900 175 020 02	Banjo bolt		2	
45	900 175 020 01	Banjo bolt		2	
46	900 123 043 30	Sealing ring A 12 X 15,5		4	
47	930 110 158 04	Rubber sleeve 50x4,5x44		1	930.66-S M148

Model: 911 87

Model life 1987>>1989



Model: 911 87 Model life 1987>>1989

Pos	Part Number	Description	Remark	Qty	Model
1	930 110 233 07	Charge air cooler		1	930.66/68
1	930 110 233 05	Charge air cooler		1	930.66-S M148
2	999 701 469 40	Round seal		3	
3	930 110 379 00	Sealing ring		1	
4	930 110 256 01	Cap		1	
5	999 512 045 02	Hose clamp		1	
6	930 110 224 01	Mounting plate		1	
6	930 110 925 00	Mounting plate		1	930.66-S M148
7	930 110 285 01	Gasket		1	
7	930 110 285 03	Gasket		1	
7	930 110 285 02	Gasket		1	930.66-S M148
7	930 110 285 04	Gasket		1	930.66-S M148
8	900 025 007 02	Washer B 8,4		4	
8	900 025 007 03	Washer B 8,4		4	
9	N 012 241 8	Spring washer B 8		7	
10	900 076 025 02	Hexagon nut M 8		3	
10	900 076 064 02	Hexagon nut M 8		3	
11	930 110 223 02	Support		1	
12	900 075 087 02	Hexagon-head bolt M 8 X 16		2	
12	900 075 087 03	Hexagon-head bolt M 8 X 16		2	
12	900 075 085 02	Hexagon-head bolt M 8 X 20		2	930.66-S M148
13	930 113 430 00	Rubber mounting		6	
14	930 110 232 00	Spacer sleeve		3	
15	900 151 008 02	Washer 8,4		6	
16	900 074 134 02	Hexagon-head bolt M 8 X 45		2	
17	901 612 110 00	Ground strap		1	930.66-S M148
18	999 135 002 02	Screw socket		1	930.66-S M148
19	930 110 547 00	Banjo bolt		1	930.66-S M148
19	930 110 547 01	Banjo bolt		1	930.66-S M148
21	N 013 806 2	Sealing ring		2	930.66-S M148
22	999 215 027 02	Ring fitting A 10 X 14 M 10 X 1		1	930.66-S M148
22	999 215 027 03	Ring fitting M 10 X 1		1	930.66-S M148
23	930 606 101 00	Switch Boost pressure		1	930.66-S M148
24	900 123 106 30	Sealing ring A 18 X 24		1	930.66-S M148
25	993 606 103 00	Pressure transmitter Boost pressure		1	930.66-S M148
25	993 606 103 01	Pressure transmitter Boost pressure		1	930.66-S M148

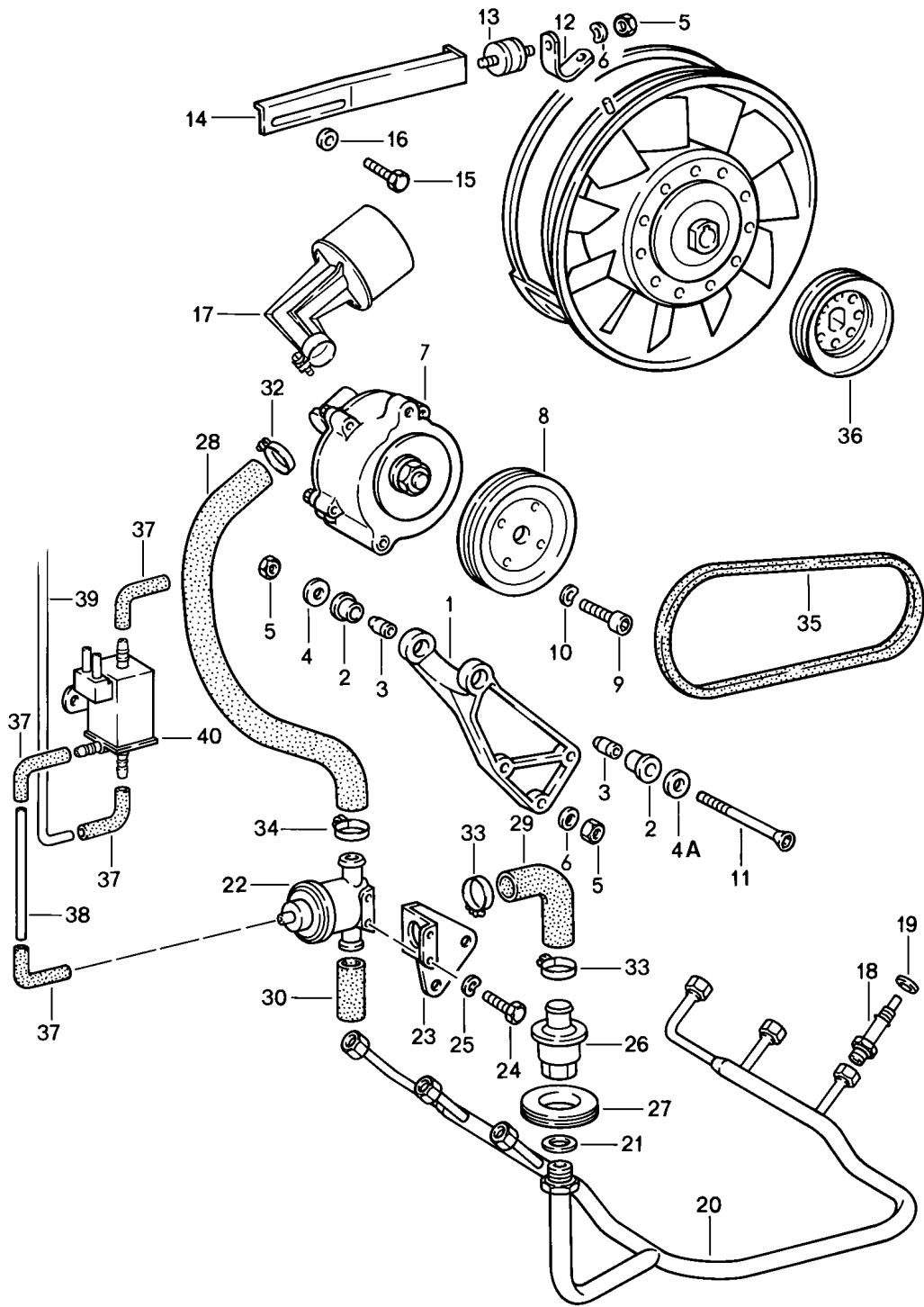
Model: 911 87

Model life 1987>>1989

Pos	Part Number	Description	Remark	Qty	Model
26	N 010 215 13	Hexagon-head bolt M 6 X 15		2	930.66-S M148
27	930 110 961 00	Support		1	930.66-S M148
28	N 011 524 7	Washer A 6,4		1	930.66-S M148
28	N 011 524 27	Washer A 6,4		1	930.66-S M148
-	930 110 234 02	Air guide	/L (D)	1	
-	930 110 234 03	Air guide	(D)	1	

Model: 911 87

Model life 1987>>1989



Model: 911 87

Model life 1987>>1989

Pos	Part Number	Description	Remark	Qty	Model
		Air injection			930.26
1	911 113 113 02	Bracket		1	
2	911 113 121 00	Rubber mounting		2	
3	911 113 122 00	Spacer sleeve		2	
4	900 151 008 02	Washer B 8,4		1	
4A	911 113 162 00	Washer		1	
5	900 076 025 02	Hexagon nut M 8		7	
5	900 076 064 02	Hexagon nut M 8		7	
6	900 025 007 02	Washer A 8,4		4	
6	900 025 007 03	Washer A 8,4		4	
7	930 113 122 00	Air pump		1	
8	930 113 158 00	Pulley		1	
9	900 067 008 02	Pan-head screw M 6 X 12		4	
9	900 067 008 03	Pan-head screw M 6 X 12		4	
10	N 012 226 5	Spring washer A 6		4	
11	900 249 006 02	Countersunk-head screw M 8 X 120		1	
12	911 113 126 02	Retaining bracket		1	
13	930 110 194 00	Bonded rubber buffer		2	
13	999 703 263 00	Bonded rubber buffer		2	
14	911 113 125 02	Support		1	
15	900 075 085 02	Hexagon-head bolt M 8 X 20		1	
16	900 223 001 02	Washer 8,4		1	
17	911 113 117 02	Air cleaner		1	
18	911 113 145 02	Union		6	
18	911 113 145 04	Union		6	
19	900 123 033 20	Sealing ring A 10 X 13,5 CU		6	
20	911 113 043 02	Air tube		1	
21	900 123 060 30	Sealing ring A 24 X 29		1	
22	930 113 147 01	Diverter valve		1	
23	930 113 146 01	Support		1	
24	999 072 005 09	Hexagon nut M 6 X 12		2	
24	999 072 005 01	Hexagon nut M 6 X 12		2	
25	N 011 524 7	Washer 6,4		2	
25	N 011 524 27	Washer 6,4		2	
26	911 113 115 01	Check valve		1	
27	911 113 146 00	Gasket		1	
28	930 113 138 03	Hose		1	
29	930 113 137 01	Hose		1	
30	930 113 139 02	Hose		1	
32	999 512 038 02	Hose clamp S27/9		1	
32	PCG 512 038 02	Hose clamp S27/9		1	
33	PCG 512 237 02	Hose clamp S26/9		1	
34	999 512 296 02	Hose clamp		2	

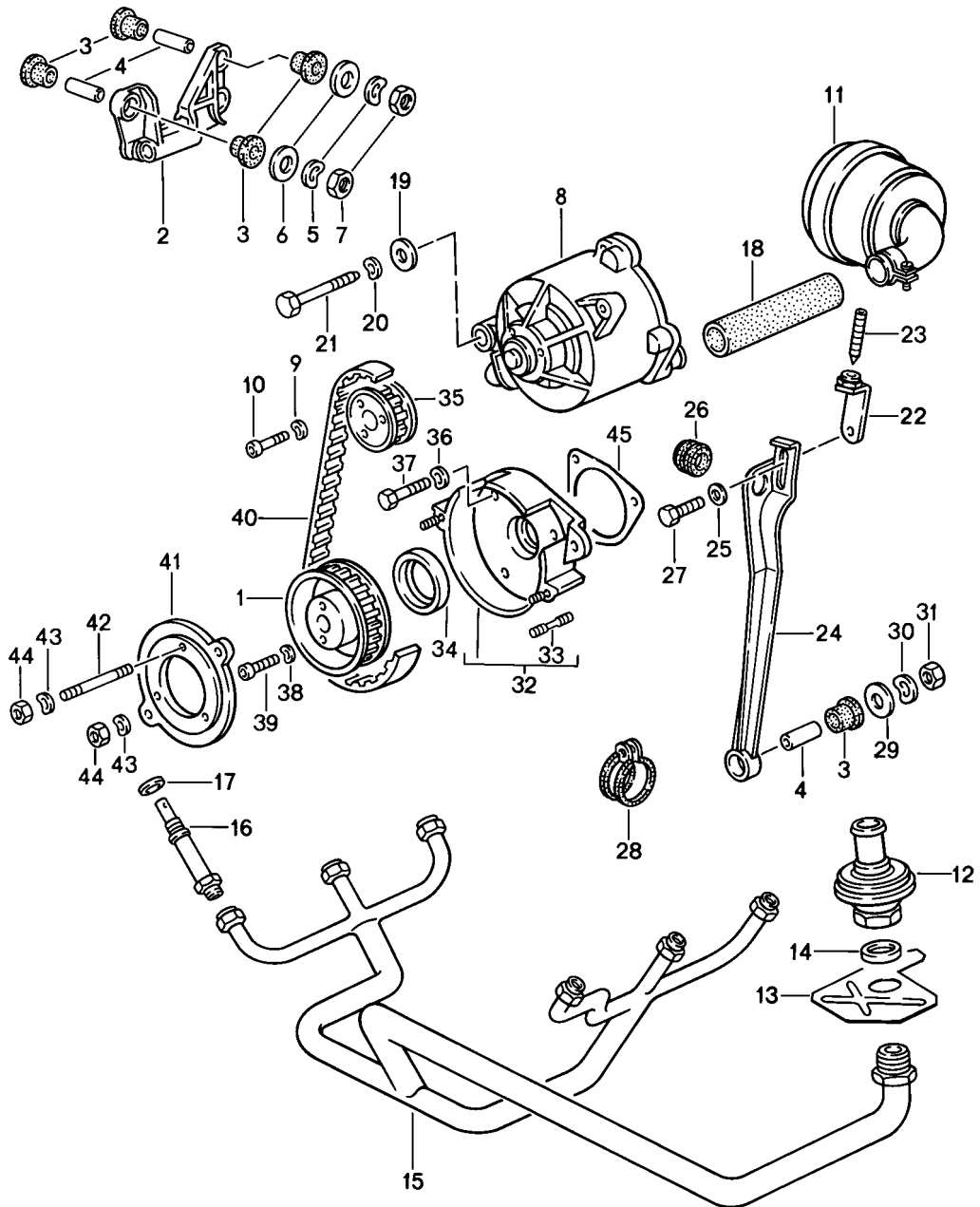
Model: 911 87

Model life 1987>>1989

Pos	Part Number	Description	Remark	Qty	Model
35	900 192 005 50	S25/7 Narrow v-belt 9,5 X 975		1	
36	911 106 208 00	Pulley		1	
37	928 574 717 02	Moulded hose		4	
-	N 020 139 11	Pipe 4 X 1		*	
38		500 MM		1	
39		400 MM		1	
40	911 618 123 00	Change-over valve Electric		1	

Model: 911 87

Model life 1987>>1989



Model: 911 87

Model life 1987>>1989

Pos	Part Number	Description	Remark	Qty	Model
		Air injection			930.66/68
1	930 113 025 02	Pulley		1	
2	930 113 159 02	Bracket		1	
2	930 113 159 03	Bracket		1	
3	930 113 161 00	Rubber mounting		8	
4	930 113 163 00	Spacer sleeve		4	
5	900 025 007 02	Washer B 8		3	
5	900 025 007 03	Washer B 8		3	
6	900 151 008 02	Washer B 8,4		3	
7	900 076 025 02	Hexagon nut M 8		3	
7	900 076 064 02	Hexagon nut M 8		3	
8	930 113 114 01	Air pump		1	
9	N 011 524 7	Washer A 6,4		3	
9	N 011 524 27	Washer A 6,4		3	
10	900 067 089 02	Pan-head screw M 6 X 25		3	
10	900 067 089 01	Pan-head screw M 6 X 25		3	
11	930 113 120 01	Air cleaner		1	
-	930 113 401 00	Filter cartridge		1	
12	911 113 115 01	Check valve		1	
13	930 113 135 01	Heat shield		1	
14	900 123 060 30	Sealing ring A 24 X 29		2	
15	930 113 043 02	Air tube		1	
16	911 113 145 02	Union		6	
16	911 113 145 04	Union		6	
17	900 123 033 20	Sealing ring A 10 X 13,5 C 4		6	
18	999 239 004 40	Breather hose		1	
19	900 025 007 02	Washer B 8,4		2	
19	900 025 007 03	Washer B 8,4		2	
20	N 012 241 8	Spring washer B 8		1	
21	N 010 391 4	Hexagon-head bolt M 8 X 100		1	
22	930 113 187 01	Clamping bracket		1	
23	900 068 004 02	Threaded pin M 8 X 45		1	
24	930 113 171 01	Support		1	
25	900 025 007 02	Washer B 8,4		1	
25	900 025 007 03	Washer B 8,4		1	
26	999 702 170 50	Grommet	88-	1	
27	N 010 247 7	Hexagon-head bolt M 8 X 35	87	1	
27	N 010 247 18	Hexagon-head bolt M 8 X 35	87-	1	
27	900 075 099 02	Hexagon-head bolt M 8 X 30	88-	1	
27	900 075 099 03	Hexagon-head bolt M 8 X 30	88-	1	
28	N 020 607 1	Clamp	87	1	

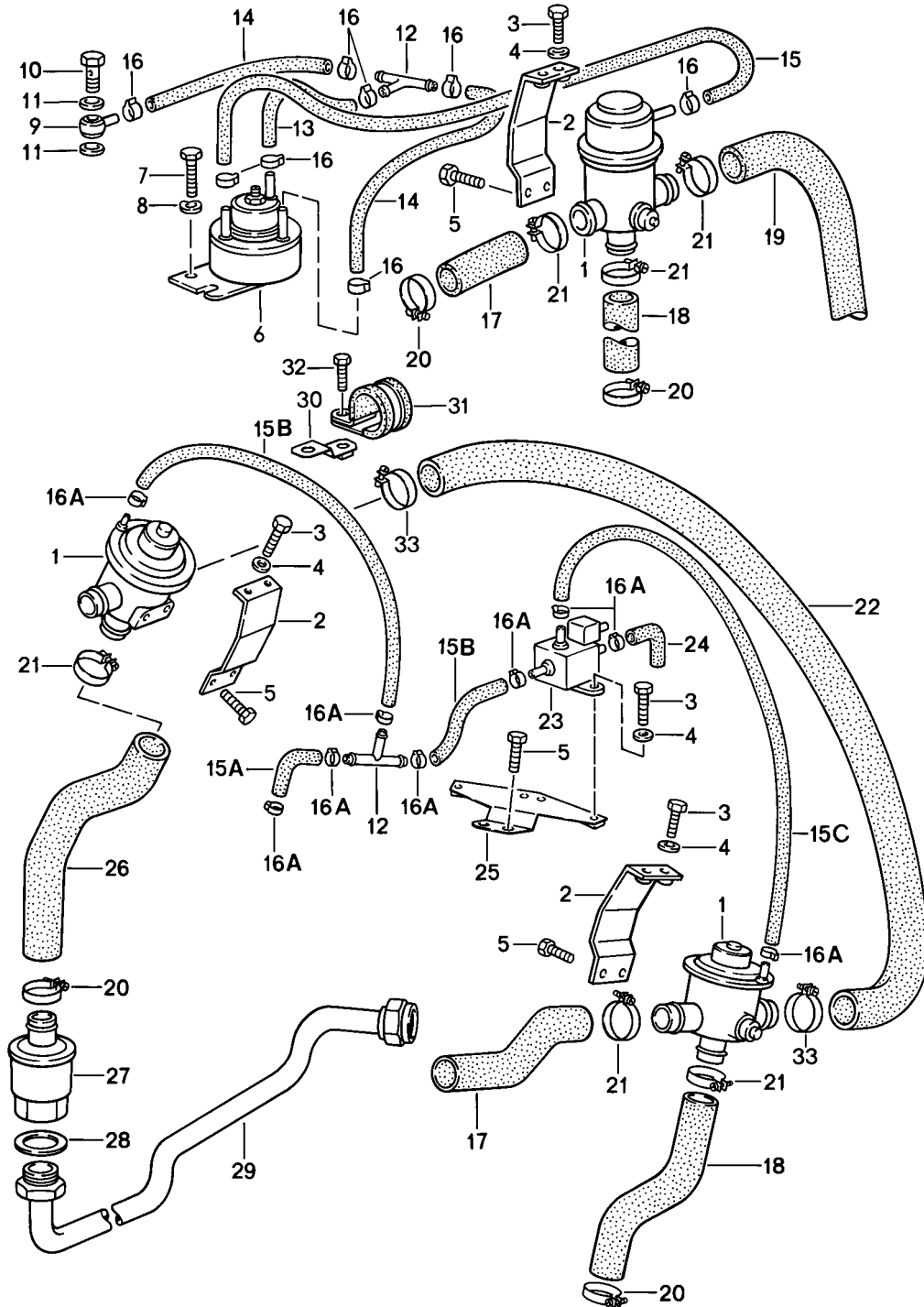
Model: 911 87

Model life 1987>>1989

Pos	Part Number	Description	Remark	Qty	Model
29	900 151 008 02	20/20 Washer B 8,4		1	
30	N 012 241 8	Spring washer B 8		1	
31	900 076 025 02	Hexagon nut M 8		1	
31	900 076 064 02	Hexagon nut M 8		1	
32	930 113 031 04	Intermediate flange		1	
33	999 062 055 02	Stud BM 6 X 12		2	
33	999 062 009 02	Stud BM 8 X 28		1	
33	900 060 105 01	Stud BM 8 X 28		1	
34	999 113 464 40	Sealing ring		1	
35	930 113 017 06	Gear wheel		1	
36	N 011 524 7	Washer A 6,4		3	
36	N 011 524 27	Washer A 6,4		3	
37	900 075 057 02	Hexagon-head bolt M 6 X 16		3	
37	900 075 057 03	Hexagon-head bolt M 6 X 16		3	
38	N 011 524 7	Washer A 6,4		2	
38	N 011 524 27	Washer A 6,4		2	
39	900 067 013 02	Pan-head screw M 6 X 35		2	
40	999 192 131 50	Toothed belt		1	
41	930 113 033 02	Lid		1	
42	999 062 123 02	Stud BM 6 X 45		3	
43	N 011 524 7	Washer A 6,4		5	
43	N 011 524 27	Washer A 6,4		5	
44	900 076 010 02	Nut M 6		5	
44	900 076 010 0B	Nut M 6		5	
45	930 105 197 03	Gasket		1	

Model: 911 87

Model life 1987>>1989



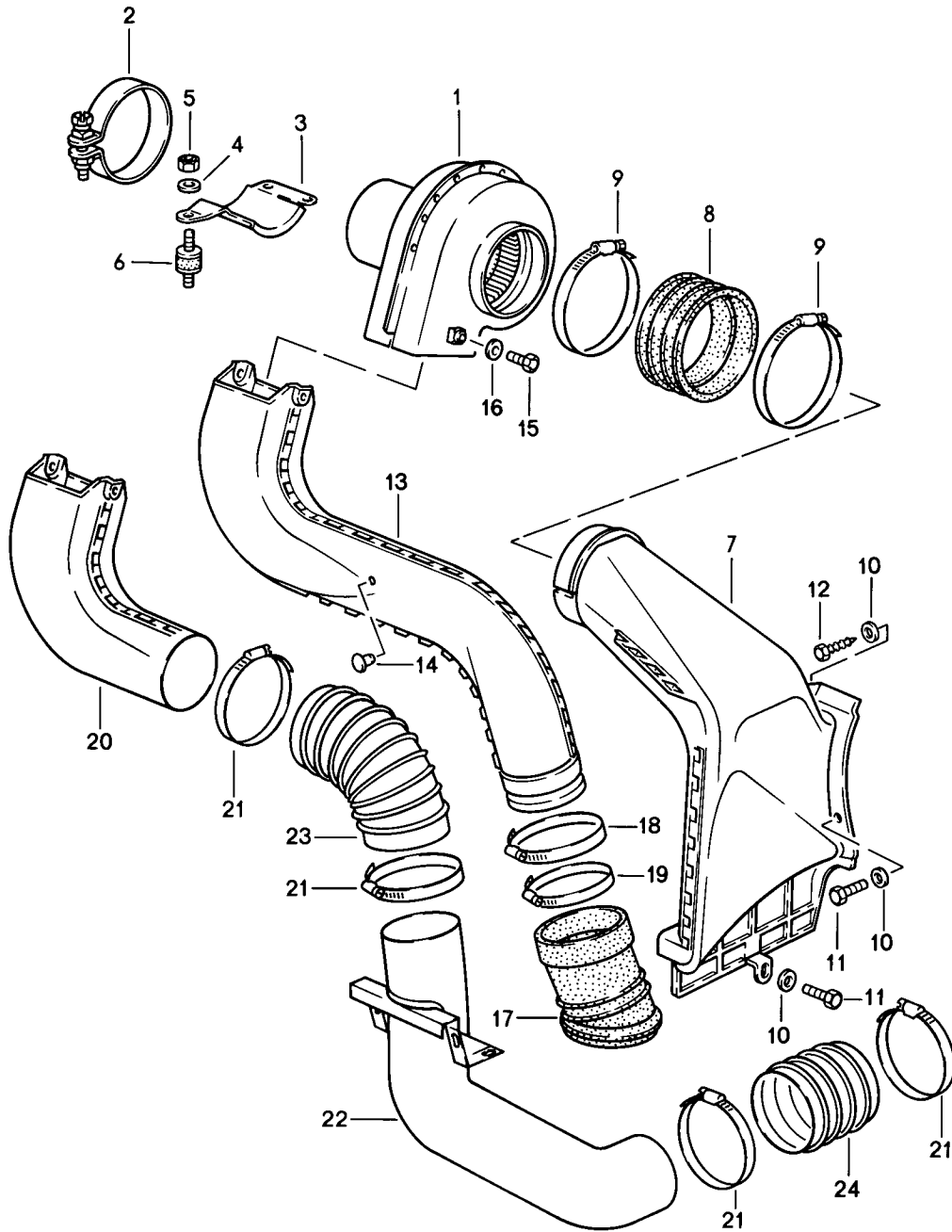
Model: 911 87

Model life 1987>>1989

Pos	Part Number	Description	Remark	Qty	Model
1	930 113 127 00	Air injection Diverter valve		1	930.66/68
2	930 113 112 00	Retaining bracket		2	930.66
3	N 010 217 9	Hexagon-head bolt M 6 X 20		6	
4	N 011 524 7	Washer A 6,4		8	
4	N 011 524 27	Washer A 6,4		8	
5	999 143 004 08	Combination screw M 6 X 12		6	
5	999 143 004 01	Combination screw M 6 X 12		6	
5	999 075 039 0C	Combination screw M 6 X 12		6	
6	930 113 126 02	Control valve		1	930.66
7	999 072 005 09	Hexagon nut M 6 X 12		2	930.66
7	999 072 005 01	Hexagon nut M 6 X 12		2	930.66
8	N 012 226 5	Spring washer B 6		2	930.66
9	911 110 382 00	Ring piece		1	930.66
10	N 021 053 2	Banjo bolt		1	930.66
11	900 123 144 30	Sealing ring A 10 X 35		2	930.66
12	999 137 004 40	T-piece		1	
13	999 239 014 40	Hose 3,5 X 8,5		*	
13		60 MM		1	930.66
14		75 MM		2	
15		270 MM		2	
16	311 133 343 A	Hose clamp		8	
17	930 113 118 01	Hose		1	
18	930 113 181 00	Hose		1	
19	930 113 182 00	Air hose		1	930.66
20	999 512 038 02	Hose clamp S 28/9 ZY		2	
20	PCG 512 038 02	Hose clamp S 28/9 ZY		2	
21	PCG 512 237 02	Hose clamp S 26/9		5	

Model: 911 87

Model life 1987>>1989



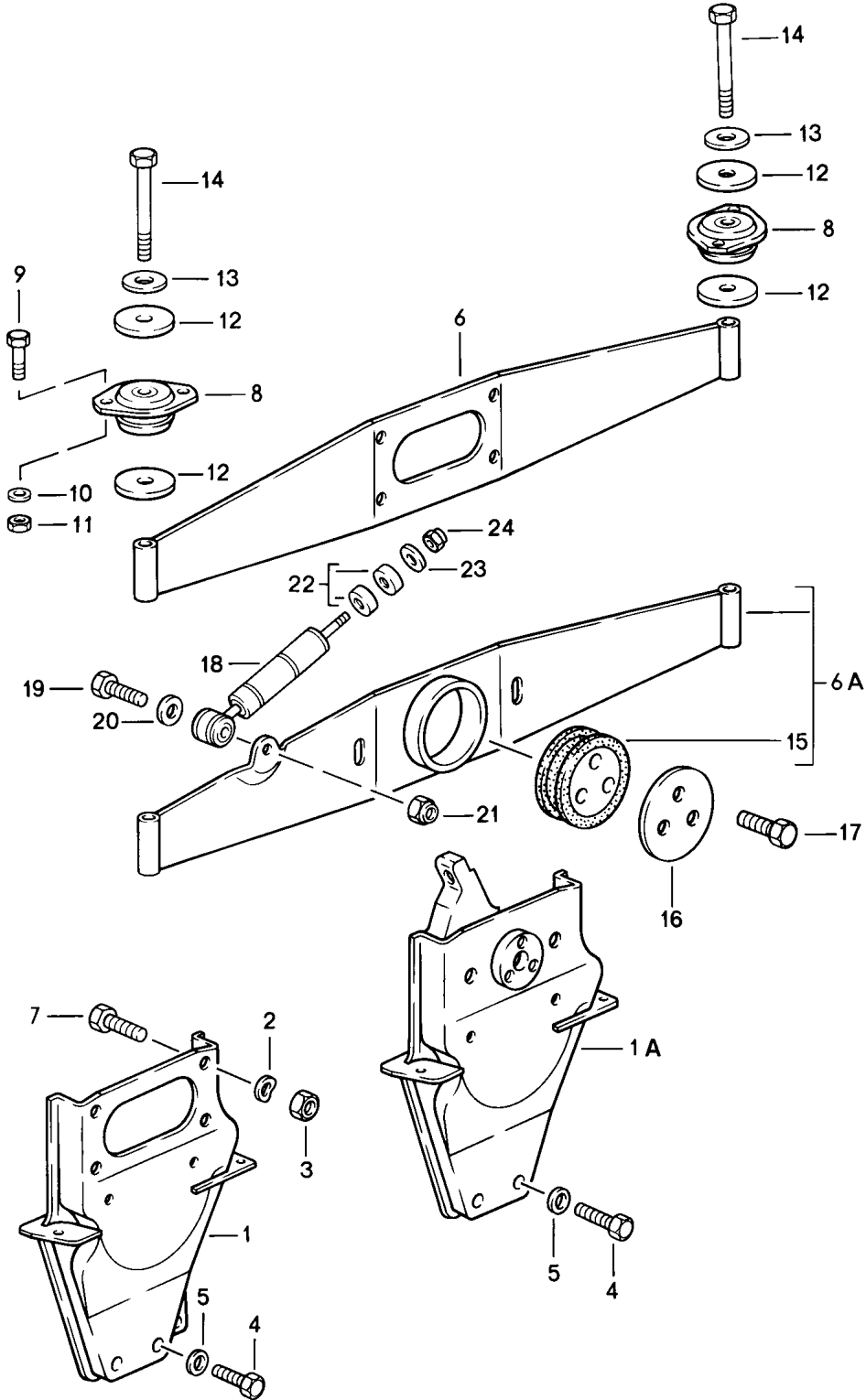
Model: 911 87

Model life 1987>>1989

Pos	Part Number	Description	Remark	Qty	Model
		Additional blower			930.20/25/26
1	965 624 151 00	Blower		1	
2	999 512 244 02	Clamp SP 77/20		1	
3	930 211 139 00	Support		1	
4	N 011 524 7	Washer 6,4		3	
4	N 011 524 27	Washer 6,4		3	
5	900 910 096 02	Lock nut M 6		3	
6	930 110 579 01	Bonded rubber buffer		3	
6	999 703 265 00	Bonded rubber buffer		3	
7	930 211 323 01	Hot air socket		1	930.20/25
(7)	930 211 323 02	Hot air socket		1	930.26
8	930 211 581 00	Rubber sleeve		1	
9	999 512 087 02	Hose clamp S94/9ZY		2	
9	PCG 512 087 02	Hose clamp S94/9ZY		2	
10	999 025 108 02	Washer		4	
11	999 072 005 09	Hexagon nut M6 X 12		2	
11	999 072 005 01	Hexagon nut M6 X 12		2	
12	900 187 015 02	Hexagon-head tapping screw B 6,3 X 16		2	
13	930 211 341 03	Hot-air manifold		1	
14	999 703 077 40	Cap 10,5 X 6,3		1	
15	N 010 205 6	Hexagon-head bolt M 5 X 10		2	
15	900 075 105 02	Screw M 5 X 10		2	
16	900 025 003 02	Washer 5,3		2	
17	930 211 337 00	Boot		1	
17	930 211 337 01	Boot		1	
18	999 512 200 02	Hose clamp S81/9ZY		1	
19	999 512 235 02	Hose clamp S77/9ZY		1	
20	930 211 341 01	Hot-air manifold		1	930.26
21	999 512 349 02	Hose clamp SGT 50-70/9		4	930.26
21	999 512 349 01	Hose clamp SGT 50-70/9		4	930.26
21	999 512 349 0B	Hose clamp SGT 50-70/9		4	
22	930 211 341 02	Hot-air manifold		1	930.26
23	911 211 553 01	Flexible pipe		1	930.26
24	911 211 553 02	Flexible pipe		1	930.26

Model: 911 87

Model life 1987>>1989



Model: 911 87

Model life 1987>>1989

Pos	Part Number	Description	Remark	Qty	Model
1	930 115 017 02	Engine suspension Engine bracket		1	930.20/25/26 COUPE/TARGA
1A	930 115 017 09	Engine bracket		1	930.20/25/26 CABRIO
(1)	930 115 017 08	Engine bracket		1	930.66/68 COUPE/TARGA
(1A)	930 115 017 09	Engine bracket		1	930.66/68 CABRIO
2	N 012 242 3	Spring washer		4	
3	900 157 002 02	Hexagon nut M 10		4	
3	900 157 002 03	Hexagon nut M 10		4	
4	N 010 450 5	Hexagon-head bolt M10X50		2	
4	900 074 373 02	Hexagon-head bolt M10X50		2	
4	N 010 253 7	Hexagon-head bolt M10X22		1	
4	900 074 064 02	Hexagon-head bolt M10X60		1	930.20/25/26
4	900 074 377 01	Hexagon-head bolt M10X60		1	930.20/25/26
4	N 010 472 4	Hexagon-head bolt M10X85		1	930.66/68
4	900 074 375 01	Hexagon-head bolt M10X85		1	930.66/68
5	900 025 008 09	Washer A10,5		4	
5	900 025 008 04	Washer A10,5		4	
6	930 375 011 01	Bracket		1	
6A	911 375 011 06	Bracket		1	CABRIO
7	900 156 006 02	Hexagon-head bolt M 10 X 18		4	
8	911 375 043 00	Bearing		2	
8	911 375 043 07	Bearing		2	CABRIO 930.20/25/26 M637
9	N 010 335 5	Hexagon-head bolt M 8 X 35		4	
9	900 075 032 03	Hexagon-head bolt M 8 X 35		4	
10	900 027 015 02	Lock ring B 8		4	
10	900 027 015 03	Lock ring B 8		4	
11	900 076 025 02	Hexagon nut M 8		4	
11	900 076 064 02	Hexagon nut M 8		4	
12	901 305 311 00	Seat		4	
13	803 199 347	Spring washer		2	
13	803 199 34H	Washer		2	
14	N 010 191 2	Hexagon-head bolt M 12 X 1,5 X 95		2	
14	900 082 142 01	Hexagon-head bolt M 12 X 1,5 X 95		2	
15	911 375 043 05	Torsion bearing		1	CABRIO
16	911 375 313 00	End plate		1	CABRIO
17	N 010 275 3	Hexagon-head bolt M 10X35		3	CABRIO

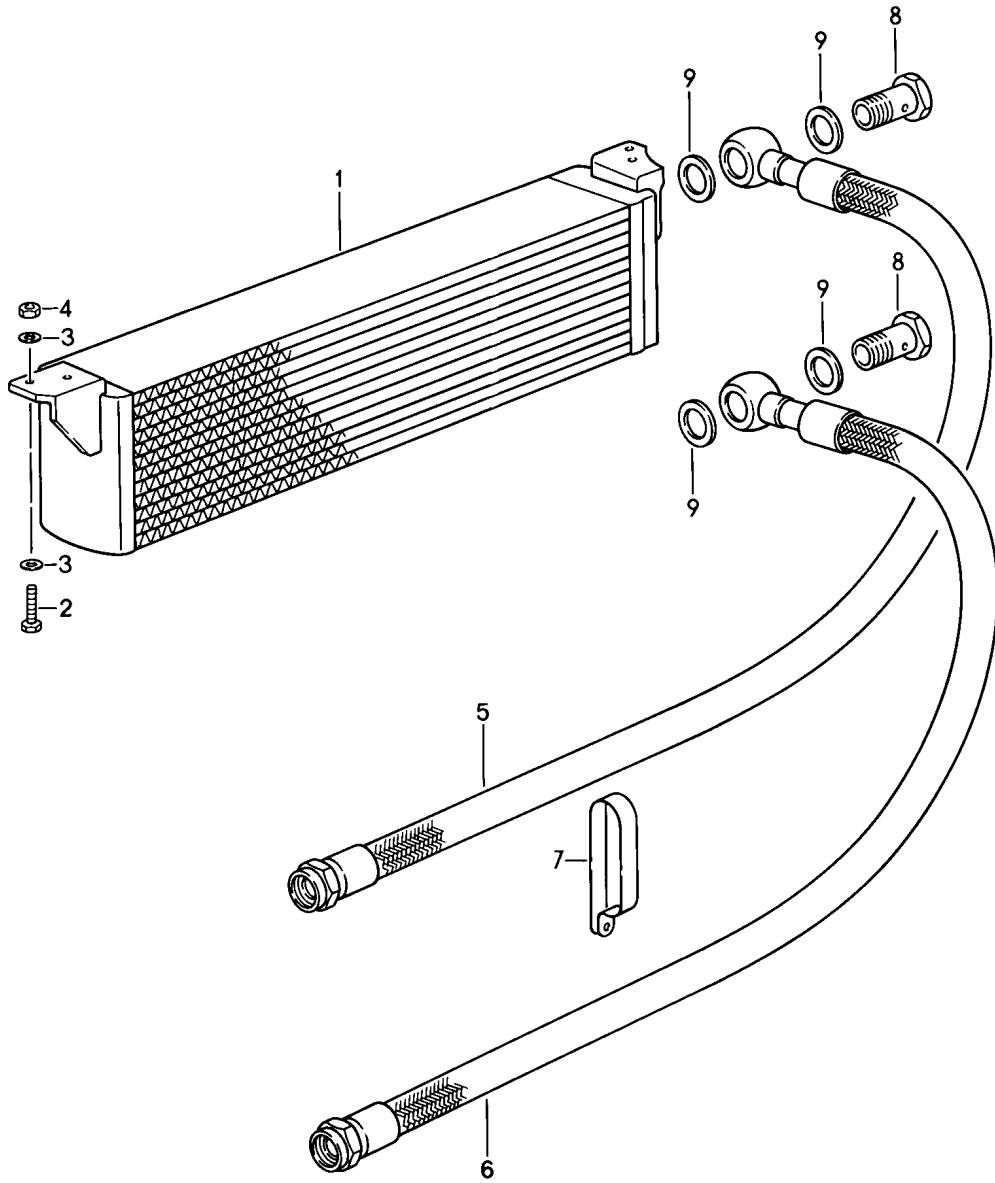
Model: 911 87

Model life 1987>>1989

Pos	Part Number	Description	Remark	Qty	Model
17	900 075 460 01	Hexagon-head bolt M 10X35		3	CABRIO
18	911 375 175 00	Vibration damper		1	CABRIO
18	911 375 175 01	Vibration damper		1	SPEEDSTER
19	N 010 445 2	Hexagon-head bolt M 10X45		1	CABRIO
19	900 074 372 01	Hexagon-head bolt M 10X45		1	CABRIO
20	900 025 008 09	Washer A 10,5		1	CABRIO
20	900 025 008 04	Washer A 10,5		1	CABRIO
21	N 900 876 01	Lock nut VM 10		1	CABRIO
22	911 375 181 00	Spacer ring		2	CABRIO
23	N 900 662 01	Washer 6,4 X 21,5		1	CABRIO
24	900 910 010 09	Lock nut VM 6		1	CABRIO

Model: 911 87

Model life 1987>>1989



Model: 911 87

Model life 1987>>1989

Pos	Part Number	Description	Remark	Qty	Model
		Special model	88-		TURBO M506
		flatnose design			
		Oil cooler			
		Centre			
1	911 107 051 01	Oil cooler		1	
2	900 075 341 02	Combination screw		4	
		M 6 X 25			
2	900 075 341 01	Combination screw		4	
		M 6 X 25			
3	N 011 524 7	Washer		4	
		A 6,4			
3	N 011 524 27	Washer		4	
		A 6,4			
4	900 910 012 02	Lock nut		4	
		M 6			
4	900 910 047 09	Lock nut		4	
		M 6			
5	930 107 911 00	Oil hose		1	
		Intake			
6	930 107 912 00	Oil hose		1	
		Return line			
7	999 511 130 02	Pipe clamp		1	
		44/20			
8	900 134 015 02	Banjo bolt		2	
		A 20			
9	900 123 049 30	Sealing ring		4	
		A 26 X 32			

Model: 911 87

Model life 1987>>1989



Model: 911 87

Model life 1987>>1989

Pos	Part Number	Description	Remark	Qty	Model
>>	930 100 907 04	Gasket set Repair kits Maintenance set Gasket set Engine Cylinder Cylinder head Comprising:		1	930.20/25/26
-	999 704 172 50	Sealing ring		2	
-	930 104 194 02	Cylinder base gasket		6	
-	928 104 193 12	Valve stem seal		12	
-	928 104 193 13	Valve stem seal		12	
-	964 104 111 07	Valve stem seal		12	
-	930 105 193 06	Gasket		2	
-	900 031 014 30	Washer 8,4		40	
-	999 701 596 40	O-ring 8,3-2,4		2	
-	999 701 598 40	O-ring 20,3-2,4		2	
-	999 701 298 40	O-ring 10-1,3		2	
-	N 013 804 2	Sealing ring A 6 X 10		2	
-	930 105 197 05	Gasket		2	
-	999 701 124 40	O-ring 67,5 X 4		1	
-	930 105 191 03	Gasket		1	
-	930 105 192 04	Gasket		1	
-	900 031 011 30	Washer 6,4		19	
-	930 105 194 04	Gasket		2	
-	930 105 195 05	Gasket		2	
-	930 105 195 06	Gasket		2	
-	930 105 195 07	Gasket		2	
-	999 704 173 50	Sealing ring		1	
-	900 123 005 30	Sealing ring A 12 X 16		7	
-	999 707 112 40	Round seal		8	
-	999 707 112 4A	Round seal		8	
-	930 110 197 14	Gasket		12	
-	999 701 423 40	O-ring 6 X 5		6	
-	900 123 050 30	Sealing ring A 8 X 11,5		17	
-	900 123 144 30	Sealing ring 10 X 13,5		1	
-	999 701 395 50	O-ring 7-28		1	
-	999 701 210 40	O-ring 20-2,5		1	
-	999 701 210 4A	O-ring 20-2,5		1	
-	911 111 191 01	Gasket		1	
-	911 111 191 02	Gasket		1	
-	930 111 192 06	Gasket		2	
-	930 111 193 03	Gasket		1	
-	911 111 188 02	Support washer		1	
-	911 111 189 03	Gasket		1	
-	900 123 033 20	Sealing ring A 10 X 13,5		6	
-	900 123 060 30	Sealing ring A 24 X 29		1	

Model: 911 87 Model life 1987>>1989

Pos	Part Number	Description	Remark	Qty	Model
-	900 123 008 30	Sealing ring A 14 X 20		1	
-	900 123 116 30	Sealing ring A 12 X 15,5		3	
-	999 701 135 50	O-ring 15 X 2,5		1	
-	900 123 006 30	Sealing ring A 14 X 18		2	
-	930 111 191 12	Gasket		6	
-	900 123 007 70	Sealing ring A 14 X 18		2	
-	999 701 468 40	Round seal		2	
-	911 113 146 00	Gasket		1	
-	999 701 446 40	O-ring		6	
-	900 123 007 30	Sealing ring		1	
-	900 123 005 00	Sealing ring A 12 X 16		8	
-	900 123 115 30	Sealing ring A 8 X 11,5		4	
-	999 701 690 40	Round seal 12 X 1,78		2	
>>	930 100 908 02	Gasket set Engine Cylinder Cylinder head Comprising:		1	930.66/68
-	999 704 172 50	Sealing ring		6	
-	930 104 194 02	Cylinder base gasket		6	
-	928 104 193 12	Valve stem seal		12	
-	928 104 193 13	Valve stem seal		12	
-	964 104 111 07	Valve stem seal		12	
-	930 105 193 06	Gasket		2	
-	999 701 596 40	O-ring 8,3 - 2,4		2	
-	999 701 598 40	O-ring 20,3 - 2,4		2	
-	999 701 298 40	O-ring 10-1,3		2	
-	N 013 804 2	Sealing ring A 6 - 10		2	
-	930 105 197 05	Gasket		2	
-		Gasket		1	
-	930 105 191 03	Gasket		1	
-	930 105 192 04	Gasket		1	
-	900 031 011 30	Washer 6,4		19	
-	930 105 194 04	Gasket		2	
-	930 105 195 05	Gasket		2	
-	930 105 195 06	Gasket		2	
-	930 105 195 07	Gasket		2	
-	900 031 014 30	Washer 8,4		42	
-	999 704 173 50	Sealing ring		1	
-	900 123 116 30	Sealing ring A 12 X 16		7	
-	999 707 112 40	Round seal		8	
-	999 707 112 4A	Round seal		8	
-	999 707 289 40	Round seal 47 X 2		1	
-	900 123 007 30	Sealing ring A 14 X 18		2	
-	999 113 246 40	Radial sealing ring		1	
-	900 123 055 30	Sealing ring		1	

Model: 911 87 Model life 1987>>1989

Pos	Part Number	Description	Remark	Qty	Model
-	930 107 116 01	A 12 X 17 Gasket		1	
-	900 123 018 30	Sealing ring A 16 X 20		2	
-	930 107 123 01	Gasket		1	
-	900 123 033 20	Sealing ring A 10 X 13,5		27	
-	930 110 197 10	Gasket		12	
-	930 110 149 00	Gasket		2	
-	930 110 122 00	Sealing ring		1	
-	900 123 101 30	Sealing ring A 12 X 18		2	
-	900 123 144 30	Sealing ring A 10 X 13,5		1	
-	930 110 394 00	Gasket		1	
-	900 123 115 30	Sealing ring A 8 X 11,5		20	
-	999 701 395 50	O-ring 7-2		1	
-	930 111 192 06	Gasket		2	
-	999 701 468 40	Round seal		3	
-	930 110 230 00	Sealing ring		1	
-	930 110 379 00	Sealing ring		1	
-	930 111 160 01	Gasket		2	
-	930 111 162 01	Gasket		2	
-	911 111 189 03	Gasket		1	
-	930 111 191 10	Gasket		6	
-	930 111 193 03	Gasket		1	
-	930 123 191 05	Sealing ring		2	
-	999 701 473 40	Round seal		1	
-	930 123 192 04	Gasket		1	
-	930 123 194 06	Gasket		2	
-	999 701 469 40	Round seal		3	
-	999 701 477 40	Round seal		1	
-	911 113 179 02	Gasket		1	
-	911 113 190 01	Gasket		6	
-	900 123 106 30	Sealing ring		1	
-	900 123 116 30	Sealing ring		15	
-	900 123 060 30	Sealing ring		2	
-	930 123 134 04	Gasket		1	
-	999 113 464 40	Sealing ring		1	
-	900 123 005 00	Sealing ring A 12 X 16		8	
-	930 111 156 01	Support washer		1	
-	930 123 132 02	Support washer		1	
>>	930 100 901 04	Gasket set Engine Crankcase Comprising:		1	
-	999 704 172 50	Sealing ring		3	
-	999 701 006 40	O-ring		26	
-	999 113 215 40	Sealing ring 90 X 110 X 12		1	
-	930 101 391 01	Gasket		2	
-	900 123 118 30	Sealing ring A 22 X 27		1	
-	999 113 049 50	Oil scraper ring 30 X 50 X 10		1	
-	999 707 285 40	O-ring 51 X 4,5		1	
-	900 123 044 30	Sealing ring A 18 X 22		1	
-	900 123 066 30	Sealing ring		8	

Model: 911 87

Model life 1987>>1989

Pos	Part Number	Description	Remark	Qty	Model
-	900 031 011 30	A 10 X 16 Washer		3	
-	900 123 005 00	6,4 Sealing ring		4	
-	900 031 014 30	A 12 X 16 Washer		24	
-	930 105 198 01	8,4 Gasket		1	
-	999 704 173 50	Sealing ring		1	
-	900 123 011 30	Sealing ring		1	
-	999 701 053 50	A 22 X 27 Sealing ring		1	
-	900 123 106 30	39,2 X 3 Sealing ring		2	
-	930 107 791 02	A 18 X 24 Gasket		1	
-	911 602 102 01	Sealing ring		1	
-	900 123 009 20	Sealing ring		1	
-	900 123 007 30	A 18 X 24 Sealing ring		2	
-	901 102 191 00	A 14 X 18 Sealing ring		1	
-	999 701 658 40	Round seal		1	
>>	930 105 902 00	33,3 X 2,4 Gasket set		1	
>>	930 105 902 01	for Valve cover Comprising: Gasket set		1	
-	930 105 194 04	for Valve cover Comprising: Gasket		2	
-	930 105 195 05	Gasket		2	
-	930 105 195 06	Gasket		2	
-	930 105 195 07	Gasket		2	
-	900 031 014 30	Washer		34	
-	900 084 004 03	8,4 Hexagon nut		34	
-	900 084 004 02	M 8 Hexagon nut		34	
>>	930 107 040 01	M 8 Set		1	
-	900 041 013 01	Oil tube		1	
-	999 707 112 40	Divided Comprising: Oil tube		1	
-	999 707 112 4A	Oil tube		1	
-	999 707 113 40	Circlip		1	
-	999 707 113 41	Round seal		2	
-	999 707 113 41	Round seal		2	
-	999 707 113 41	Round seal		2	
>>	964 101 901 00	O-ring		2	
-	930 101 131 15	Set of crankshaft bearings Comprising: Bearing shell		1	
-	930 101 132 15	Set I Bearing shell		12	
-	964 101 138 01	II-VII Bearing sleeve		1	
>>	964 101 901 51	VIII Set of crankshaft bearings		1	

Model: 911 87

Model life 1987>>1989

Pos	Part Number	Description	Remark	Qty	Model
-	930 101 131 51	Oversize Inner 0,25 MM Comprising: Bearing shell I		2	
-	930 101 132 51	Bearing shell II-VII		12	
-	930 101 132 92	Bearing shell II-VII		12	
-	964 101 138 54	Bearing sleeve VIII		1	
>>	964 101 901 56	Set of crankshaft bearings Oversize Inner 0,50 MM Comprising:		1	
-	930 101 131 56	Bearing shell I		2	
-	930 101 132 56	Bearing shell II-VII		12	
-	964 101 138 55	Bearing sleeve VIII		1	
>>	964 101 901 61	Set of crankshaft bearings Oversize Outer 0,25 MM Comprising:		1	
-	930 101 131 61	Bearing shell I		2	
-	930 101 132 61	Bearing shell II-VII		12	
-	964 101 138 65	Bearing sleeve VIII		1	
>>	964 101 901 71	Set of crankshaft bearings Oversize Inner 0,25 MM Oversize Outer 0,25 MM Comprising:		1	
-	930 101 131 71	Bearing shell I		2	
-	930 101 132 71	Bearing shell II-VII		12	
-	930 101 132 72	Bearing shell II-VII		12	
-		Bearing shell Bearing shell II-VII		12	
-	964 101 138 66	Bearing sleeve VIII		1	
>>	964 101 901 76	Set of crankshaft bearings Oversize Inner 0,50 MM Oversize Outer 0,25 MM Comprising:		1	
-	930 101 131 76	Bearing shell I		2	

Model: 911 87 Model life 1987>>1989

Pos	Part Number	Description	Remark	Qty	Model
-	930 101 132 76	Bearing shell II-VII		12	
-	964 101 138 67	Bearing sleeve VIII Piston rings - mahle -		1	
>>	930 103 986 00	Set of piston rings		1	930.20/25/26
>>	930 103 968 00	Set of piston rings		1	930.66/68
>>	911 100 956 02	Maintenance set for Periodic maintenance 1 set Comprising:	-88	1	930.20/26
-	930 107 764 01	Oil filter		1	
-	930 107 764 03	Oil filter Red	-(IND)	1	
-	928 110 253 06	Fuel filter		1	
-	930 105 194 04	Gasket		2	
-	930 105 195 05	Gasket		2	
-	930 105 195 06	Gasket		2	
-	930 105 195 07	Gasket		2	
-	900 084 004 03	Hexagon nut		34	
-	900 084 004 02	Hexagon nut		34	
-	900 031 014 30	Washer		34	
-	930 110 393 00	Filter element		1	
-	900 123 118 30	Sealing ring		2	
-	999 170 157 90	Spark plug		6	
>>	911 100 956 06	Maintenance set for Periodic maintenance 1 set Comprising:	89	1	930.20
-	930 107 764 01	Oil filter		1	
-	930 107 764 03	Oil filter Red	-(SGP)	1	
-	930 105 194 04	Gasket		2	
-	930 105 195 05	Gasket		2	
-	930 105 195 06	Gasket		2	
-	930 105 195 07	Gasket		2	
-	900 084 004 03	Hexagon nut		34	
-	900 084 004 02	Hexagon nut		34	
-	900 031 014 30	Washer		34	
-	930 110 393 00	Filter element		1	
-	900 123 118 30	Sealing ring		2	
-	999 170 157 90	Spark plug		6	
>>	911 100 956 05	Maintenance set for Periodic maintenance 1 set Comprising:	-88	1	930.25
-	930 107 764 01	Oil filter		1	
-	930 107 764 03	Oil filter Red	-(IND)	1	
-	928 110 253 06	Fuel filter		1	
-	930 105 194 04	Gasket		2	
-	930 105 195 05	Gasket		2	
-	930 105 195 06	Gasket		2	
-	930 105 195 07	Gasket		2	
-	900 084 004 03	Hexagon nut		34	
-	900 084 004 02	Hexagon nut		34	
-	900 031 014 30	Washer		34	
-	930 110 393 00	Filter element		1	
-	900 123 118 30	Sealing ring		2	

Model: 911 87

Model life 1987>>1989

Pos	Part Number	Description	Remark	Qty	Model
-	999 170 156 90	Spark plug		6	
>>	911 100 956 07	Maintenance set for Periodic maintenance 1 set Comprising:	89	1	930.25
-	930 107 764 01	Oil filter		1	
-	930 107 764 03	Oil filter Red	-(IND)	1	
-	930 105 194 04	Gasket		2	
-	930 105 195 05	Gasket		2	
-	930 105 195 06	Gasket		2	
-	930 105 195 07	Gasket		2	
-	900 084 004 03	Hexagon nut		34	
-	900 084 004 02	Hexagon nut		34	
-	900 031 014 30	Washer		34	
-	930 110 393 00	Filter element		1	
-	900 123 118 30	Sealing ring		2	
-	999 170 156 90	Spark plug		6	
>>	911 100 988 01	Maintenance set for Periodic maintenance 1 set Comprising:	-88	1	930.66/68
-	930 107 764 01	Oil filter		1	
-	930 107 764 03	Oil filter Red		1	
-	928 110 147 05	Fuel filter		1	
-	930 105 194 04	Gasket		2	
-	930 105 195 05	Gasket		2	
-	930 105 195 06	Gasket		2	
-	930 105 195 07	Gasket		2	
-	900 031 014 30	Washer		34	
-	900 084 004 03	Hexagon nut		34	
-	900 084 004 02	Hexagon nut		34	
-	930 110 185 02	Air cleaner cartridge		1	
-	930 113 401 00	Filter cartridge		1	
-	900 123 118 30	Sealing ring		2	
-	999 170 128 90	Spark plug		6	
-	900 123 055 30	Sealing ring		1	
>>	911 100 988 02	Maintenance set for Periodic maintenance 1 set Comprising:	89	1	930.66/68
-	930 107 764 01	Oil filter		1	
-	930 107 764 03	Oil filter Red	-(IND)	1	
-	930 105 194 04	Gasket		2	
-	930 105 195 05	Gasket		2	
-	930 105 195 06	Gasket		2	
-	930 105 195 07	Gasket		2	
-	900 084 004 03	Hexagon nut		34	
-	900 084 004 02	Hexagon nut		34	
-	900 031 014 30	Washer		34	
-	900 123 118 30	Sealing ring		2	
-	900 123 055 30	Sealing ring		1	
-	999 170 128 90	Spark plug		6	
>>	928 603 904 00	Set of fastening parts for Pulley Generator Comprising:		X	

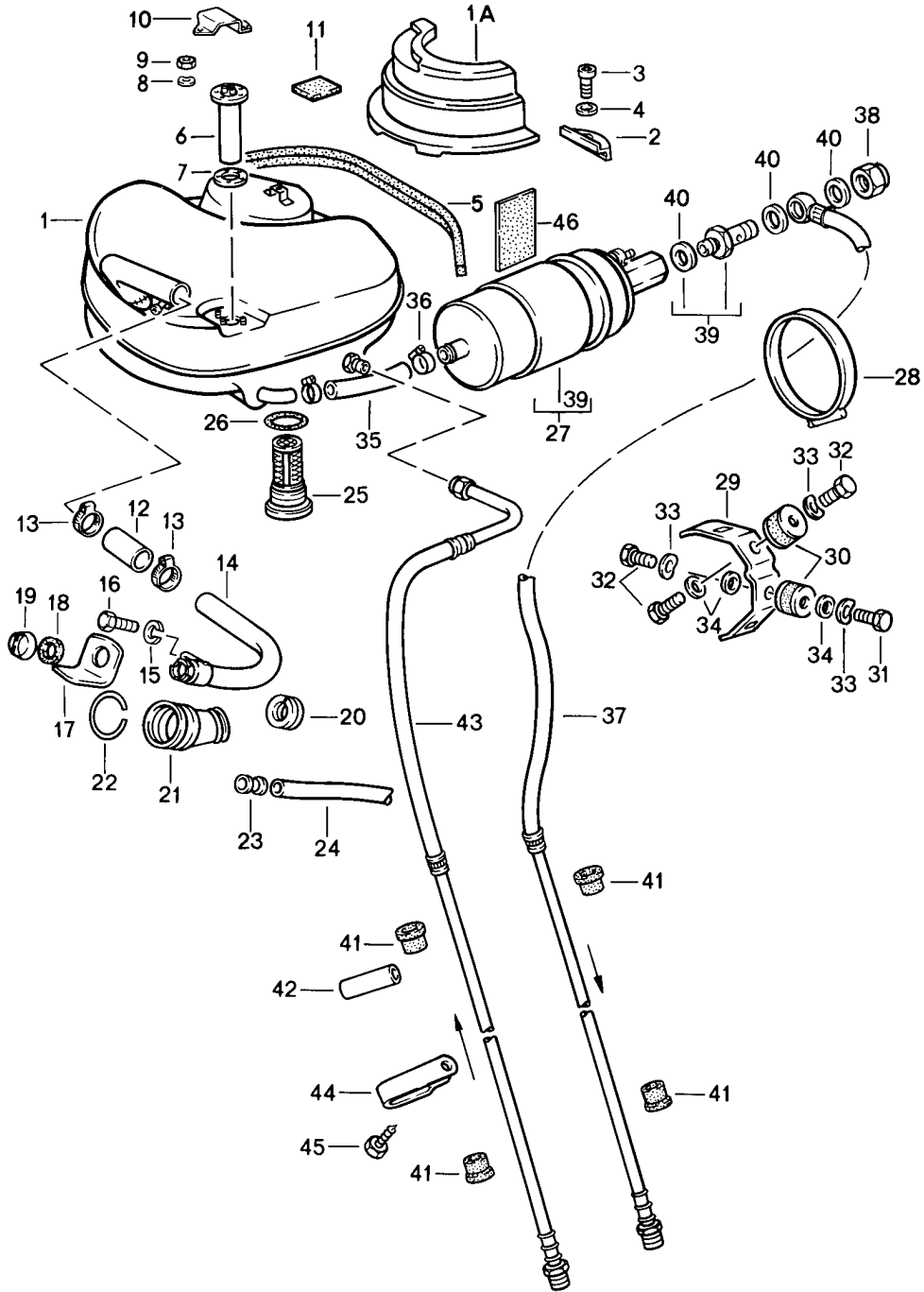
Model: 911 87

Model life 1987>>1989

Pos	Part Number	Description	Remark	Qty	Model
		Nut M 17 X 1,5 SW 24		1	
		Washer		1	
		Thrust washer		1	
		Woodruff key		1	
		Pipe		1	

Model: 911 87

Model life 1987>>1989



Model: 911 87 Model life 1987>>1989

Pos	Part Number	Description	Remark	Qty	Model
		Fuel system Front			
1	930 201 010 03	Fuel tank		1	
1	930 201 010 02	Fuel tank		1	
		80 Liter			
1	930 201 010 04	Fuel tank		1	
		80 Liter			
1	930 201 010 05	Fuel tank		1	
		80 Liter			
2	901 201 311 00	Bracket		3	
3	900 067 151 02	Pan-head screw		3	
		M 8 X 25			
3	900 067 151 0C	Pan-head screw		3	
		M 8 X 25			
4	900 031 001 02	Washer		3	
		8,4			
4	900 031 105 01	Washer		3	
		8,4			
5	901 504 932 20	Sealing strap		1	
6	901 741 801 00	Sender		1	
7	477 919 133	Sealing ring		1	
8	N 012 222 4	Spring washer		5	
		B 5			
9	N 011 005 14	Hexagon nut		5	
		M 5			
9	900 076 091 01	Hexagon nut		5	
		M 5			
10	901 201 275 30	Cap for Sender Yellow Anodised		1	
(10)	901 201 275 31	Cap for Sender Black		1	
11	911 201 259 02	Desk pad 10 MM		2	
11	911 201 259 03	Desk pad 19 MM		1	
12	911 201 515 00	Hose		1	
13	999 512 348 02	Hose clamp 40-60/9		2	
14	911 201 049 04	Filler neck for cars with Sheet metal cup for tank F >>91KS1 00958 F >>91KS1 40341 F >>91KS1 50414 F >>93KS0 00184 F >>93KS0 20083 F >>93KS0 10067		1	
(14)	911 201 049 06	Filler neck for cars with Plastic cup for tank F 91KS1 00959>> F 91KS1 40342>> F 91KS1 50415>> F 93KS0 00185>> F 93KS0 20084>> F 93KS0 10068>>		1	
14	911 201 049 05	Filler neck	(USA)	1	CARRERA TURBO

Model: 911 87 Model life 1987>>1989

Pos	Part Number	Description	Remark	Qty	Model
(14)	911 201 049 07	for cars with Sheet metal cup for tank F >>91KS1 00958 F >>91KS1 40341 F >>91KS1 50414 F >>93KS0 00184 F >>93KS0 20083 F >>93KS0 10067 Filler neck	(USA)	1	CARRERA TURBO
14	911 201 049 05	for cars with Plastic cup for tank F 91KS1 00959>> F 91KS1 40342>> F 91KS1 50415>> F 93KS0 00185>> F 93KS0 20084>> F 93KS0 10068>> Filler neck		1	CARRERA M298
(14)	911 201 049 07	for cars with Sheet metal cup for tank F >>91KS1 00958 F >>91KS1 40341 F >>91KS1 50414 F >>93KS0 00184 F >>93KS0 20083 F >>93KS0 10067 Filler neck		1	CARRERA M298
15	N 012 006 4	for cars with Plastic cup for tank F 91KS1 00959>> F 91KS1 40342>> F 91KS1 50415>> F 93KS0 00185>> F 93KS0 20084>> F 93KS0 10068>> Lock ring B 6		2	
16	900 075 310 02	Hexagon-head bolt M 6 X 12		2	
16	999 919 089 07	for cars with Sheet metal cup for tank F >>91KS1 00958 F >>91KS1 40341 F >>91KS1 50414 F >>93KS0 00184 F >>93KS0 20083 F >>93KS0 10067 Combination screw 5 X 16		1	
16	PCG 919 089 07	for cars with Plastic cup for tank F 91KS1 00959>> F 91KS1 40342>> F 91KS1 50415>> F 93KS0 00185>> F 93KS0 20084>> F 93KS0 10068>> Lens-head screw 5 X 16 for cars with		1	

Model: 911 87 Model life 1987>>1989

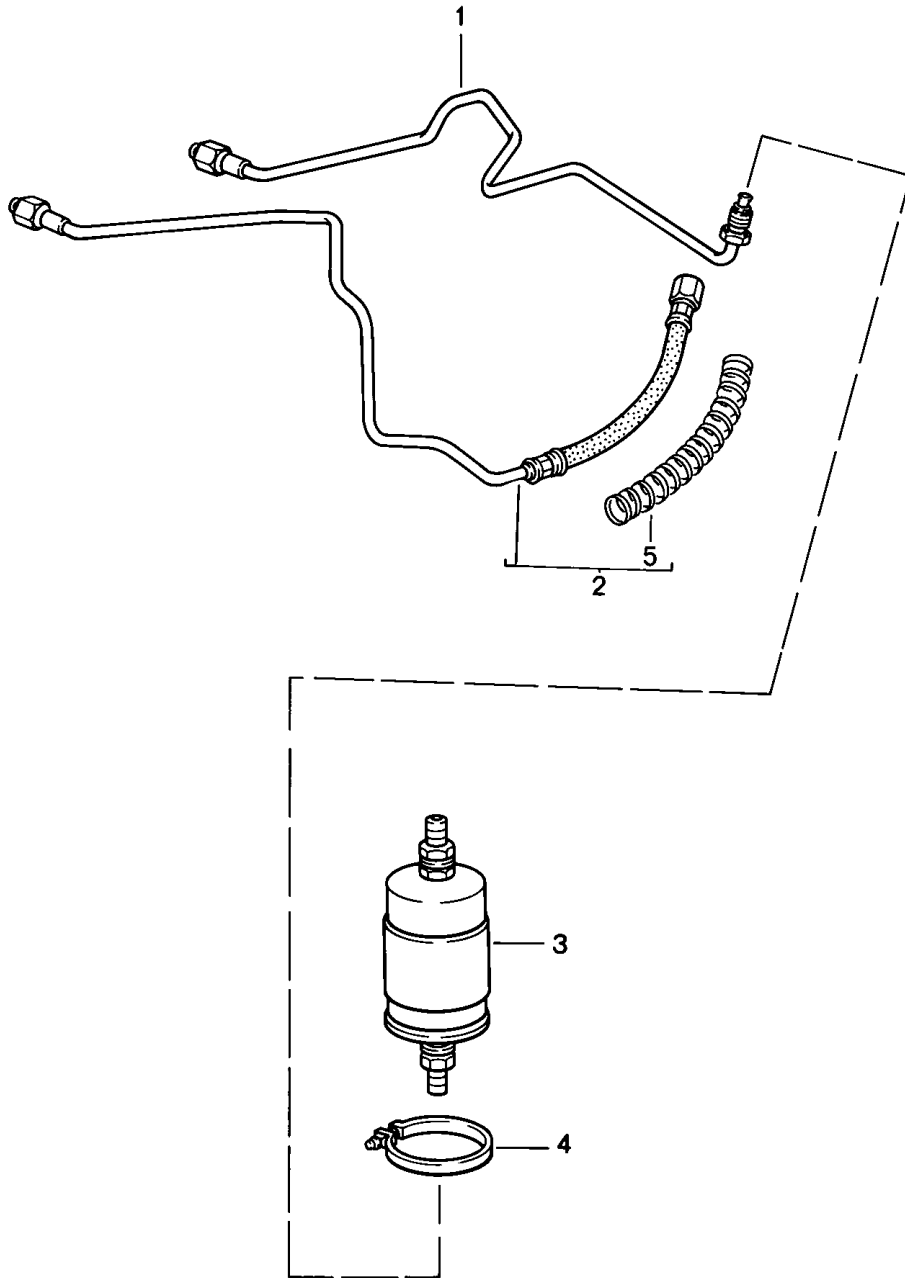
Pos	Part Number	Description	Remark	Qty	Model
17	911 201 279 01	Plastic cup for tank F 91KS1 00959>> F 91KS1 40342>> F 91KS1 50415>> F 93KS0 00185>> F 93KS0 20084>> F 93KS0 10068>> Protective flap for cars with Sheet metal cup for tank F >>91KS1 00958 F >>91KS1 40341 F >>91KS1 50414 F >>93KS0 00184 F >>93KS0 20083 F >>93KS0 10067		1	
17	964 201 279 00	Protective flap for cars with Plastic cup for tank F 91KS1 00959>> F 91KS1 40342>> F 91KS1 50415>> F 93KS0 00185>> F 93KS0 20084>> F 93KS0 10068>>		1	
18	944 201 553 00	Gasket		1	
19	911 201 272 02	Fuel tank cap		1	COUPE
19	911 201 272 00	Fuel tank cap		1	Coupe
19	993 201 271 00	Fuel tank cap		1	Coupe
19	964 201 906 00	Fuel tank cap Lockable W/o stipulated lock number with keys		1	TARGA CABRIO
19	964 201 906 01	Fuel tank cap Lockable State lock number with keys		2	TARGA CABRIO
20	911 201 095 00	Gasket		1	
21	901 201 591 20	Sleeve for cars with Sheet metal cup for tank F >>91KS1 00958 F >>91KS1 40341 F >>91KS1 50414 F >>93KS0 00184 F >>93KS0 20083 F >>93KS0 10067		1	
21	901 201 591 21	Sleeve for cars with Sheet metal cup for tank F >>91KS1 00958 F >>91KS1 40341 F >>91KS1 50414 F >>93KS0 00184 F >>93KS0 20083 F >>93KS0 10067		1	
21	911 201 367 00	Sleeve for cars with Plastic cup for tank F 91KS1 00959>> F 91KS1 40342>> F 91KS1 50415>>		1	

Model: 911 87 Model life 1987>>1989

Pos	Part Number	Description	Remark	Qty	Model
		F 93KS0 00185>>			
		F 93KS0 20084>>			
		F 93KS0 10068>>			
22	999 152 004 00	Circlip		1	
23	911 201 593 00	Overflow socket		1	
24	911 201 731 00	Overflow hose		1	
25	911 201 141 00	Fuel filter		1	
26	911 201 143 00	Sealing ring		1	
27	911 608 102 02	Fuel pump		1	930.66/68
27	944 608 102 04	Fuel pump		1	930.20/25/26
(27)		Fuel pump		1	930.20/25/26
28	999 512 394 00	Hose clamp 40-60/13		1	
29	911 608 105 01	Support		1	
30	911 608 206 00	Bonded rubber buffer		2	
31	999 072 005 09	Hexagon nut M 6 X 12		1	
31	999 072 005 01	Hexagon nut M 6 X 12		1	
32	N 010 208 5	Hexagon-head bolt M 6 X 8		3	
33	N 012 226 5	Spring washer B 6		4	
34	N 011 524 7	Washer A 6,4		4	
34	N 011 524 27	Washer A 6,4		4	
-	999 181 168 50	Hose 12 X 18,5 90 MM		*	
35				1	
36	999 512 554 00	Hose clamp		2	
37	911 356 066 07	Pressure line		1	930.66/68
37	911 356 066 08	Pressure line		1	930.20/25/26
38	928 110 475 01	Cap nut M 12 X 15,5		1	
38	928 110 475 03	Cap nut M 12 X 15,5		1	
38	928 110 475 04	Cap nut M 12 X 15,5		1	
(39)	893 906 093	Check valve		1	930.66/68
39	944 608 951 01	Check valve		1	930.20/25/26
40	N 013 812 2	Sealing ring A 12 X 15,5		2	930.20/25/26
40	900 123 005 20	Sealing ring A 12 X 16		2	930.66/68
41	911 356 202 03	Rubber sleeve		4	
42	999 613 017 40	Covering		*	
43	911 356 062 07	Return line		1	930.66/68
43	911 356 062 08	Return line		1	930.20/25/26
44	999 511 093 02	Pipe clamp		1	
45	900 187 104 02	Tapping screw B 4,8 X 13		1	
46	928 612 494 00	Foam part		1	
-	911 356 543 01	Support for Fuel line		3	

Model: 911 87

Model life 1987>>1989



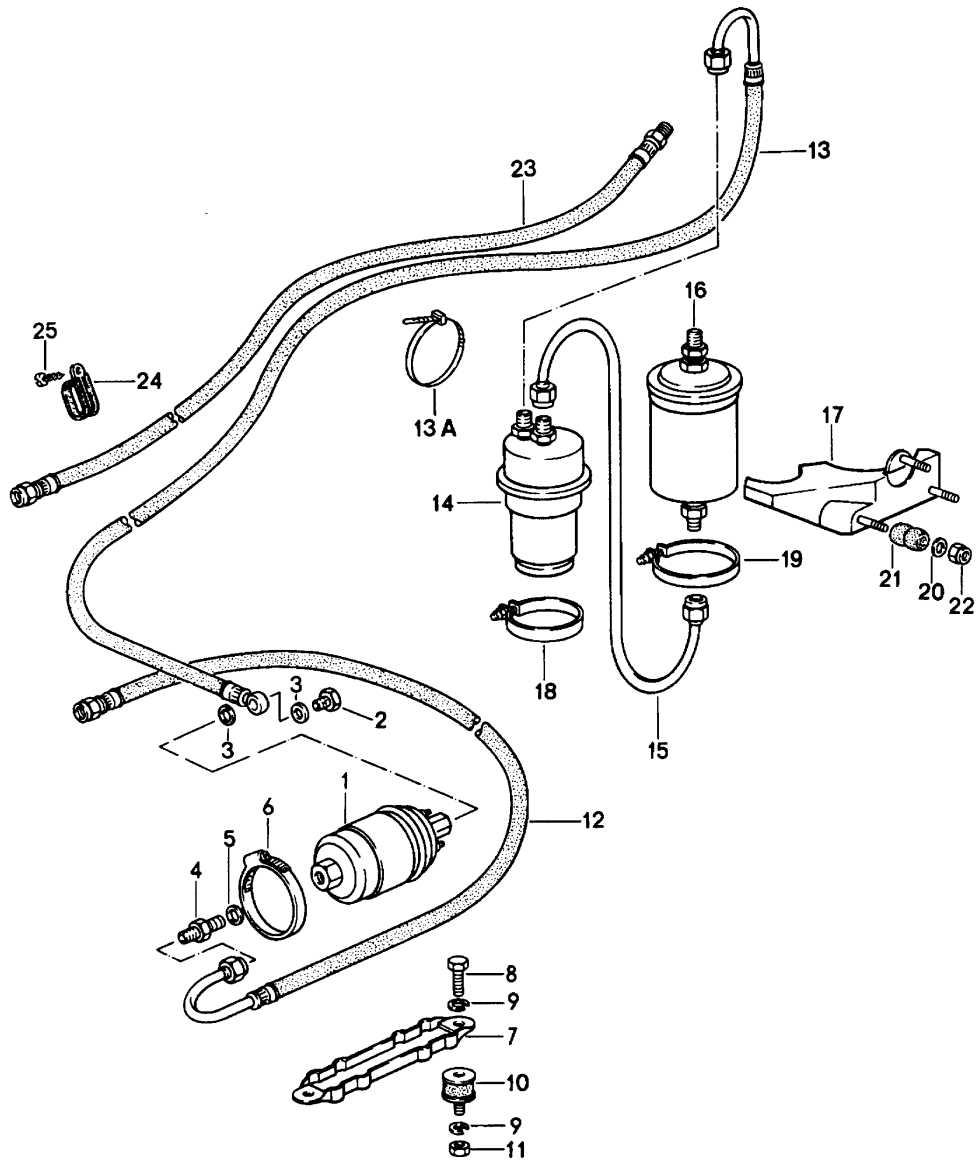
Model: 911 87

Model life 1987>>1989

Pos	Part Number	Description	Remark	Qty	Model
		Fuel system Rear			930.20/25/26
1	911 356 083 01	Pressure line		1	
2	911 356 085 05	Return line		1	
3	928 110 253 04	Fuel filter		1	(AG)(SA)
3	928 110 253 06	Fuel filter		1	
4	999 512 390 00	Hose clamp		1	
5	928 355 517 01	Spiral		1	

Model: 911 87

Model life 1987>>1989

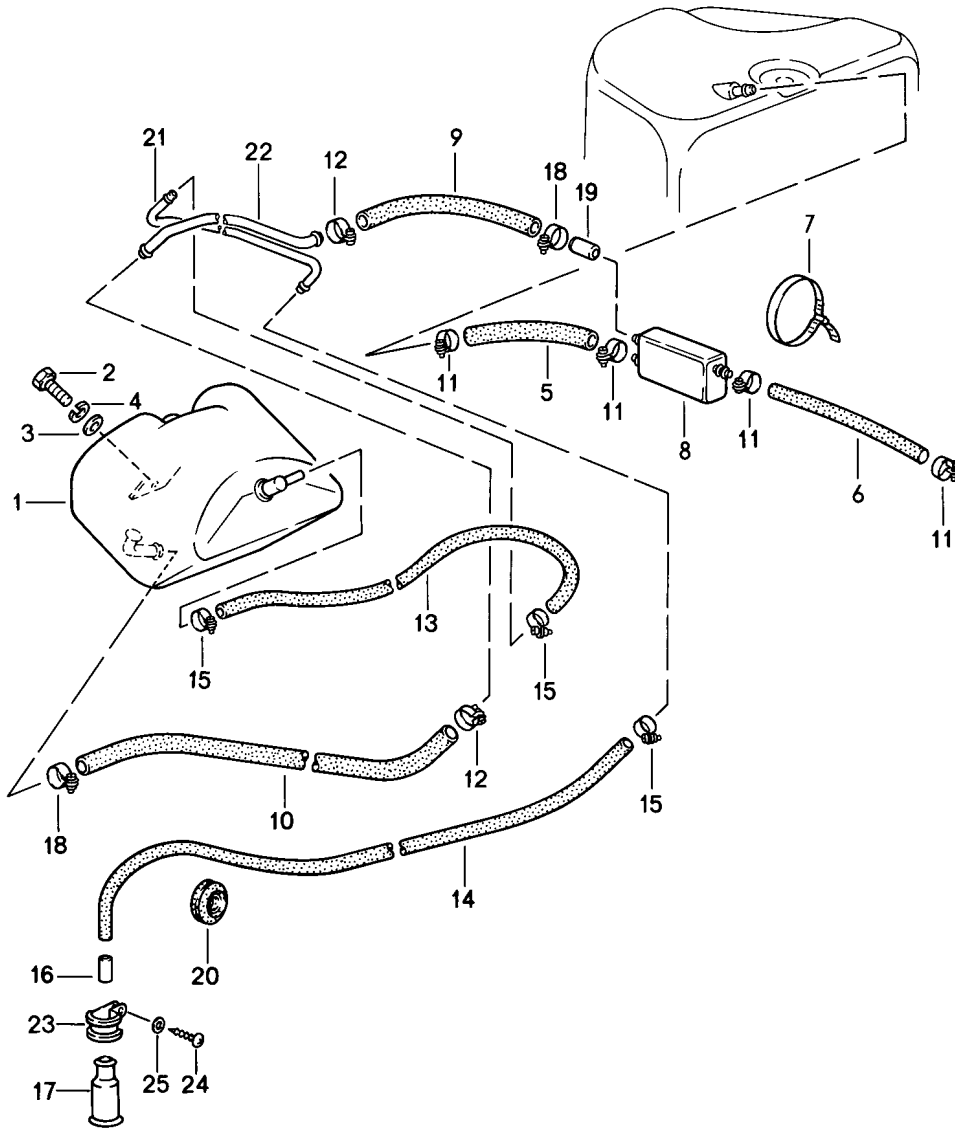


Model: 911 87 Model life 1987>>1989

Pos	Part Number	Description	Remark	Qty	Model
		Fuel system Rear			930.66/68
1	930 608 113 00	Fuel pump		1	
2	999 134 018 02	Banjo bolt M 12 X 1,5		1	
3	900 123 005 20	Sealing ring A 12 X 16		2	
4	N 020 702 1	Screw socket		1	
5	N 013 849 2	Sealing ring A 14 X 18		1	
6	999 512 394 00	Hose clamp 40-60/13		1	
7	911 608 105 00	Support		1	
8	N 010 208 5	Hexagon-head bolt M 6 X 8		2	
9	N 012 007 2	Lock ring A 6		4	
9	900 027 004 03	Lock ring A 6		4	
10	999 703 384 00	Megulastik pivot bearing		2	
10	999 703 384 01	Megulastik pivot bearing		2	
11	900 076 010 02	Nut M 6		2	
11	900 076 010 0B	Nut M 6		2	
12	930 356 068 02	Fuel line		1	
13	930 356 081 04	Fuel line		1	
13	930 356 081 06	Fuel line		1	
13A	999 513 010 40	Tie-wrap 140 MM		1	
14	911 110 197 02	Fuel accumulator		1	
15	911 356 091 02	Fuel line		1	
16	928 110 147 05	Fuel filter		1	
17	930 356 041 01	Bracket		1	
18	999 512 199 02	Clamp		1	
19	999 512 390 00	Hose clamp		1	
20	999 025 108 02	Washer 6,4		3	
21	901 504 859 20	Hose piece		3	
22	900 910 012 02	Lock nut M 6		3	
22	900 910 047 09	Lock nut M 6		3	
23	930 356 062 01	Return line		1	
24	999 511 093 02	Pipe clamp		1	
25	900 187 104 02	Tapping screw B 4,8 X 13		1	

Model: 911 87

Model life 1987>>1989

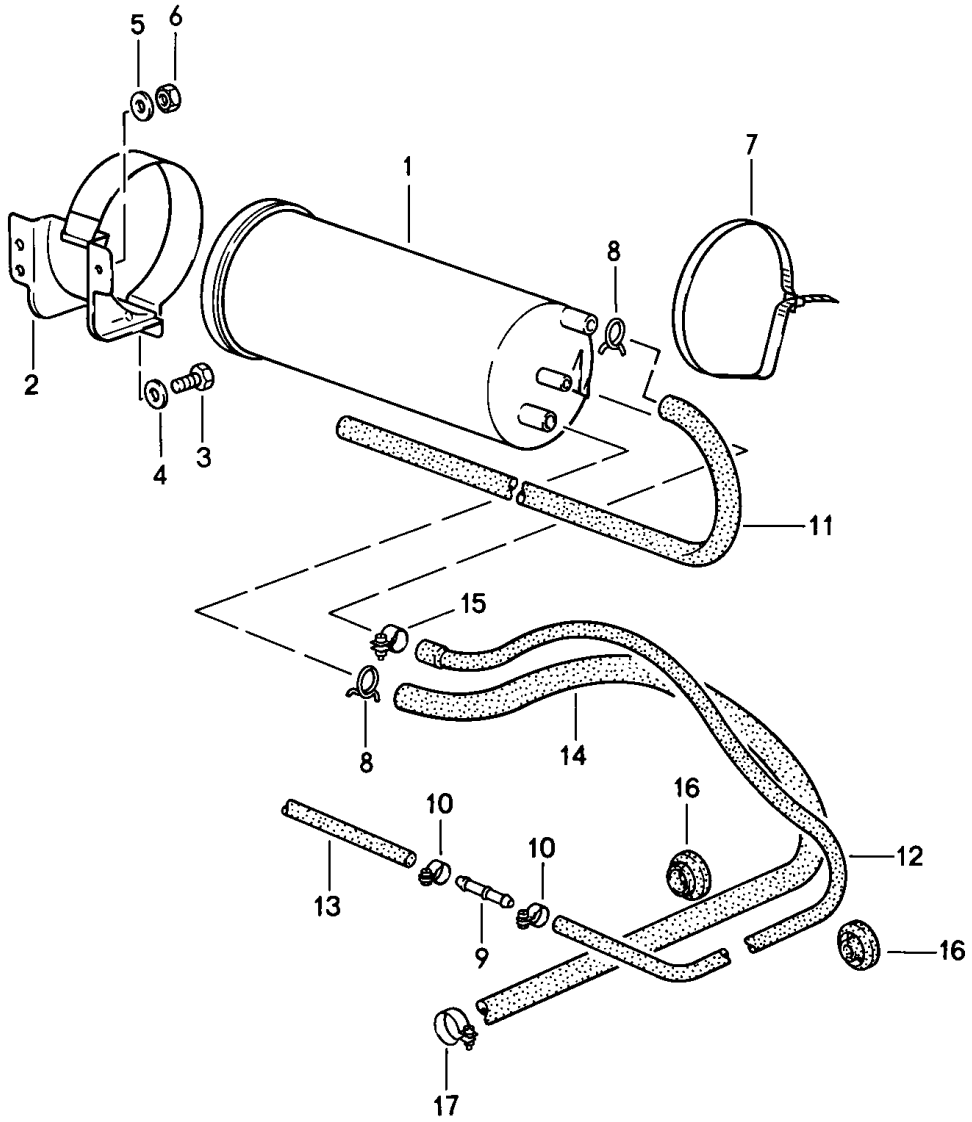


Model: 911 87 Model life 1987>>1989

Pos	Part Number	Description	Remark	Qty	Model
1	911 201 077 02	Tank ventilation Expansion tank		1	
2	900 075 057 02	Hexagon-head bolt M 6 X 16		1	
2	900 075 057 03	Hexagon-head bolt M 6 X 16		1	
3	N 011 524 7	Washer A 6,4		1	
3	N 011 524 27	Washer A 6,4		1	
4	N 012 007 02	Lock ring A 6		1	
5	999 181 189 50	Hose 14 X 2,5 180 MM		*	
5	999 181 189 5A	Hose 14 X 4 X 22		*	
6	911 201 287 01	Hose		1	
7	999 513 003 40	Tie-wrap		1	
8	911 201 381 00	Expansion tank		1	
-	N 020 359 1	Hose 9 X 2,5 350 MM		*	
9		390 MM			
10				1	
11	999 512 346 00	Hose clamp S 20/9 ZY S13/9ZY		4	
12	N 023 570 2	Hose clamp S19/9ZY		2	
-	N 020 361 2	Hose 4 X 1,5 370 MM		X	
13		1020 MM	/LL	1	
14		1170 MM	/RL	1	
15	999 512 069 02	Hose clamp S8/7ZY		3	
15	PCG 512 069 02	Hose clamp S8/7ZY		3	
16	911 201 157 01	Sleeve		1	
17	999 659 015 40	Protection cap		1	
18	N 023 570 2	Hose clamp S19/9ZY		1	
19	911 201 263 02	Restrictor		1	
20	111 971 911 A	Grommet		1	
21	911 501 657 02	Breather pipe D=5		1	
22	911 501 659 01	Breather pipe D=10		1	
22	911 501 659 01 GRV	Breather pipe Prime coated D=10		1	
23	999 511 072 02	Pipe clamp 10/9		1	
24	N 013 957 5	Oval-head sheetmetal screw B 3,5 X 9,5		1	
25	900 151 028 02	Washer B 4,3		1	
25	900 151 028 01	Washer B 4,3		1	

Model: 911 87

Model life 1987>>1989

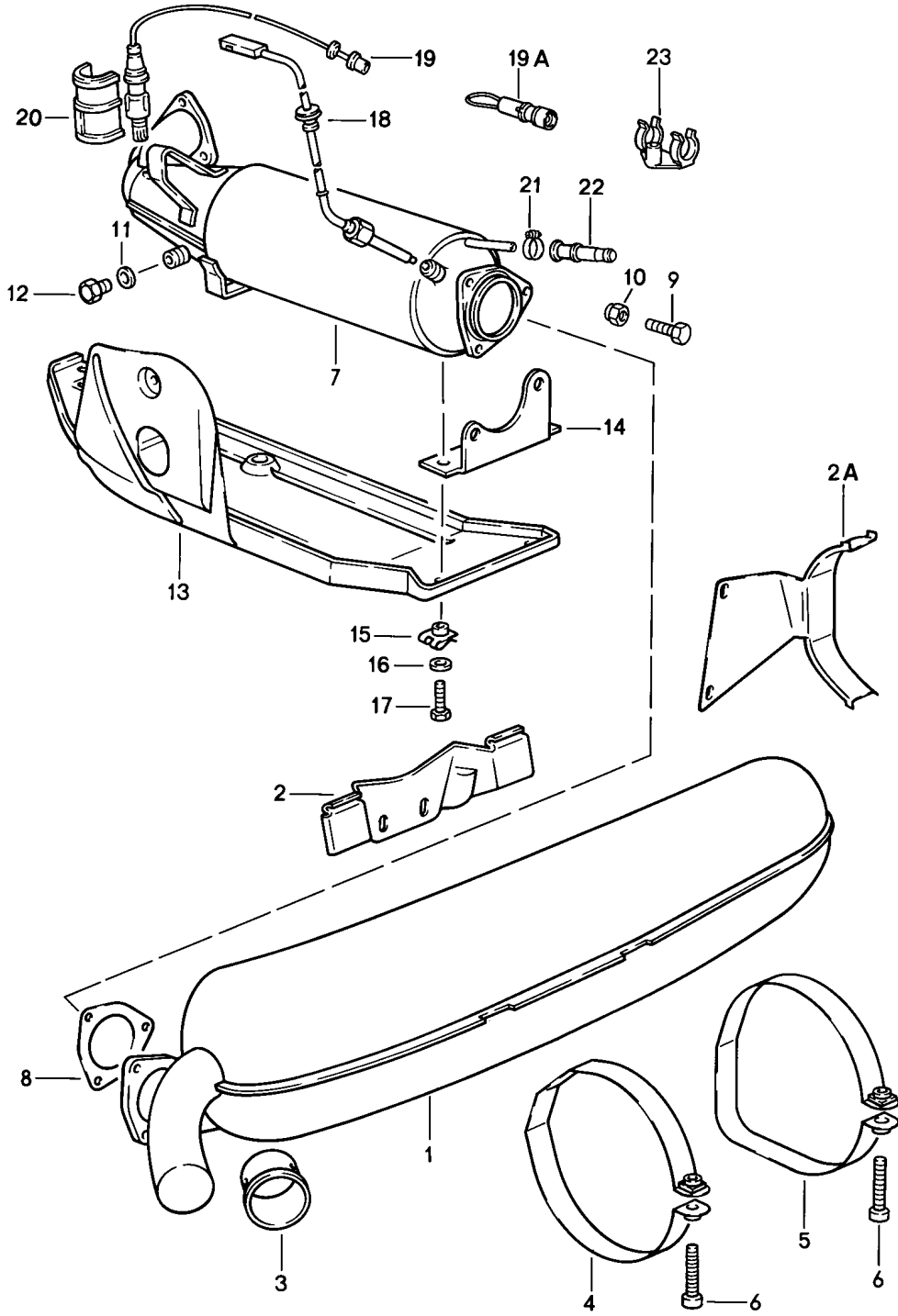


Model: 911 87 Model life 1987>>1989

Pos	Part Number	Description	Remark	Qty	Model
1	993 201 221 01	Carbon canister		1	
1	993 201 221 03	Carbon canister		1	
2	928 201 015 02	Bracket		1	
3	900 075 014 02	Hexagon-head bolt M 6 X 25		1	
3	900 075 014 03	Hexagon-head bolt M 6 X 25		1	
4	803 817 121	Washer		1	
5	N 011 524 7	Washer A 6,4		2	
5	N 011 524 27	Washer A 6,4		2	
6	900 910 010 09	Lock nut VM 6		2	
7	N 020 906 3	Tie-wrap		1	
8	999 512 265 02	Hose clamp 17		1	
9	911 201 415 00	Connecting piece		1	
10	900 272 001 02	Hose clamp LA8-12		2	
11	477 201 747 B	Hose 15 x 12		1	
-	N 020 361 2	Hose 4 X 1,5		X	
12		1080 MM		1	
13		1980 MM		1	
-	N 020 362 1	Hose 12 X 2,5		*	
14		1750 MM		1	930.20/25/26
14		750 MM		1	930.66/68
15	N 023 577 2	Hose clamp A 9 X 14ZY		1	
15	PCG 023 577 2	Hose clamp A9 x 14		1	
16	999 702 126 50	Grommet		2	
17	999 512 069 02	Hose clamp S8/7ZY		1	
17	PCG 512 069 02	Hose clamp S8/7ZY		1	

Model: 911 87

Model life 1987>>1989



Model: 911 87 Model life 1987>>1989

Pos	Part Number	Description	Remark	Qty	Model
		Exhaust system Conversion set for subsequent installation Catalytic converter See group 2/98/00			930.20/25/26
1	930 111 043 00	Exhaust silencer		1	
1	930 111 043 01	Exhaust silencer	(J)	1	
1	930 111 043 03	Exhaust silencer	(AUS) (CH) (S)	1	
2	930 111 151 01	Bracket		1	
2A	930 111 154 06	Bracket		1	M559/573
3	911 111 245 00	Ornamental exhaust pipe		1	
3	911 111 245 02	Ornamental exhaust pipe Black		1	
3	911 111 245 03	Ornamental exhaust pipe Chrome		1	
3	911 111 245 01	Ornamental exhaust pipe Black	(J)	1	
3	911 111 245 02	Ornamental exhaust pipe Black	(J)	1	
3	911 111 245 03	It is necessary to rework Ornamental exhaust pipe Chrome	(J)	1	
4	930 111 159 00	Clamp		1	
5	930 111 175 00	Clamp		1	
6	900 067 161 02	Pan-head screw AM10X50		2	
7	930 111 183 03	Front muffler		1	
7	930 113 230 15	Catalytic converter M >> 64H 06010 M >> 64H 05727 M >> 64H 06325		1	
7	930 113 230 25	Catalytic converter M 64H 06011 >> M 64H 05728 >> M 64H 06326 >>		1	
7	930 113 230 28	Catalytic converter		1	
7	930 113 230 19	Catalytic converter M >> 64H 06010 M >> 64H 05727 M >> 64H 06325	(J)	1	
7	930 113 230 26	Catalytic converter M 64H 06011 >> M 64H 05728 >> M 64H 06326 >>	(J)	1	
7	930 113 230 28	Catalytic converter		1	
7	930 113 230 27	Catalytic converter	(CH) 89-	1	930.25
7	930 113 230 28	Catalytic converter		1	
8	911 111 191 01	Gasket	87	1	
8	911 111 191 02	Gasket	87	1	
8	911 111 191 01	Gasket	88-	1	
8	911 111 191 02	Gasket	88-	1	
9	900 074 282 02	Screw M8X40		3	
10	900 910 097 02	Lock nut		3	
11	900 123 050 20	Sealing ring A8X11,5		1	
12	900 083 080 00	Hexagon-head bolt		1	
13	930 113 208 07	Catalytic converter cover M >> 64H 06010 M >> 64H 05727		1	

Model: 911 87 Model life 1987>>1989

Pos	Part Number	Description	Remark	Qty	Model
13		M >> 64H 06325 Catalytic converter cover M 64H 06011 >> M 64H 05728 >> M 64H 06326 >>		1	
14	930 113 196 00	Retaining bracket		1	
15	999 507 326 02	Captive nut		4	
16	N 011 666 7	Washer		4	
17	900 075 057 02	Hexagon-head bolt M6X16		4	
17	900 075 057 03	Hexagon-head bolt M6X16		4	
18	911 606 115 00	Temperature sensor	(J)	1	
19	965 606 126 01	Oxygen sensor		1	
19A	911 612 422 00	Adapter plug for - dme - Wiring harness		1	930.20/26
20	911 606 133 00	Protection plate		1	
21	N 023 570 2	Hose clamp A 9 / 15	(CH)	1	930.25
22	034 133 335 D	Cap	(CH)	1	930.25
23	999 591 758 40	Support		1	

Model: 911 87

Model life 1987>>1989

Pos	Part Number	Description	Remark	Qty	Model
		Exhaust system			930.20/25/26
1	930 211 029 01	Heat exchanger		2	
2	930 111 191 12	Gasket	-87	6	
2		Gasket	88-	6	
3	999 085 001 02	Socket head nut M 8		6	
4	900 076 025 02	Hexagon nut M 8		6	
4	900 076 064 02	Hexagon nut M 8		6	
5	930 111 192 03	Gasket	87	2	
5	930 111 192 06	Gasket	88-	2	
6	930 111 193 01	Gasket	87	1	
6	930 111 193 04	Gasket	87-	1	
6	930 111 193 05	Gasket	87-	1	
6	930 111 193 07	Gasket	87-	1	
6	930 111 193 03	Gasket	88-	1	
7	900 074 282 02	Screw M 8 X 40		6	
8	900 910 097 02	Lock nut		6	
9	930 111 169 05	Exhaust line		1	
16	930 111 197 03	Retaining bracket		1	
17	930 111 182 02	Cross tube covering		1	
18	999 507 326 02	Captive nut		4	
19	N 011 666 7	Washer		4	
20	900 075 057 02	Hexagon-head bolt M 6 X 16		4	
20	900 075 057 03	Hexagon-head bolt M 6 X 16		4	
21	930 211 335 00	Air distributor tube		1	930.20/25
21	930 211 335 01	Air distributor tube		1	930.26
22	930 211 339 01	Rubber sleeve		2	
23	N 100 478 01	Hose clamp A 9 X 71		4	
24	950 301 401 00	Bracket		1	

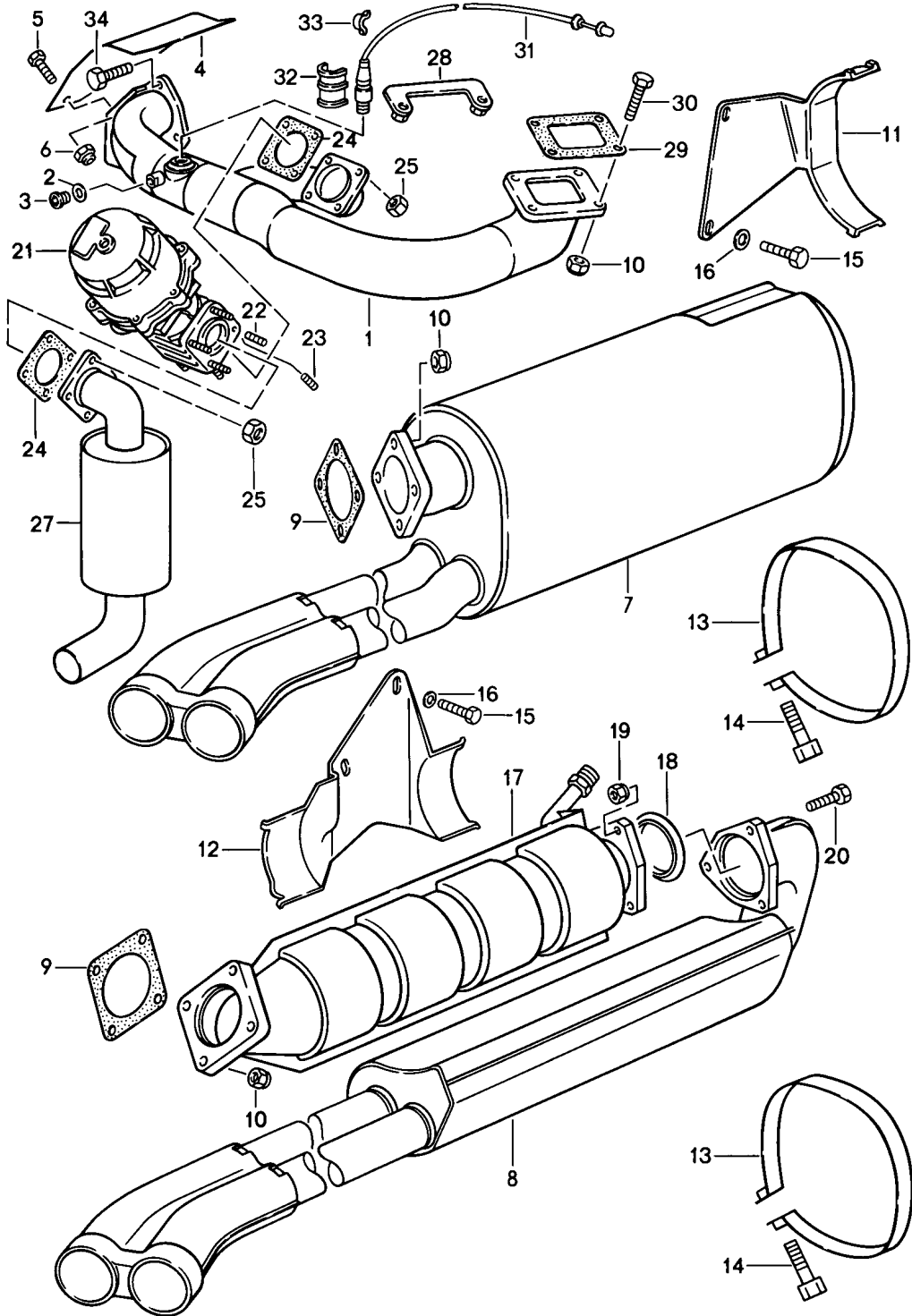
Model: 911 87

Model life 1987>>1989

Pos	Part Number	Description	Remark	Qty	Model
1	930 211 033 01	Exhaust system Heat exchanger		2	930.66/68
2	930 111 163 04	Exhaust line		1	930.66
4	930 111 192 06	Gasket	87-	2	
5	900 074 282 02	Screw M 8 X 37		9	
6	930 111 157 00	Compensating socket		1	930.66
7	900 910 097 02	Lock nut M 8		21	
8	930 111 193 03	Gasket	87	1	
8	930 111 193 07	Gasket	88-	1	
9	930 111 191 01	Gasket	87	6	
9	930 111 191 10	Gasket	88-	6	
10	999 085 001 02	Socket head nut M 8		6	
11	930 111 187 00	Clamp		2	930.66
12	911 111 189 03	Gasket	87-	1	930.66
13	930 111 156 01	Support washer		1	930.66
14	900 074 283 02	Screw M 8 X 45		2	930.66
15	900 910 097 02	Lock nut M 8		2	930.66
16	930 211 123 00	Hot air line		1	
17	930 211 197 00	Hose		1	
18	999 512 246 02	Clamp		2	
18	999 512 246 0C	Clamp		2	
19	930 211 196 00	Heater hose	/L	1	
19	930 211 196 01	Heater hose	/L	1	
20	901 211 194 00	Heater hose	/R	1	
20	901 211 194 01	Heater hose	/R	1	
21	911 211 131 00	Adapter		1	
22	999 512 349 02	Hose clamp		4	
22	999 512 349 01	Hose clamp		4	
22	999 512 349 0B	Hose clamp		4	

Model: 911 87

Model life 1987>>1989



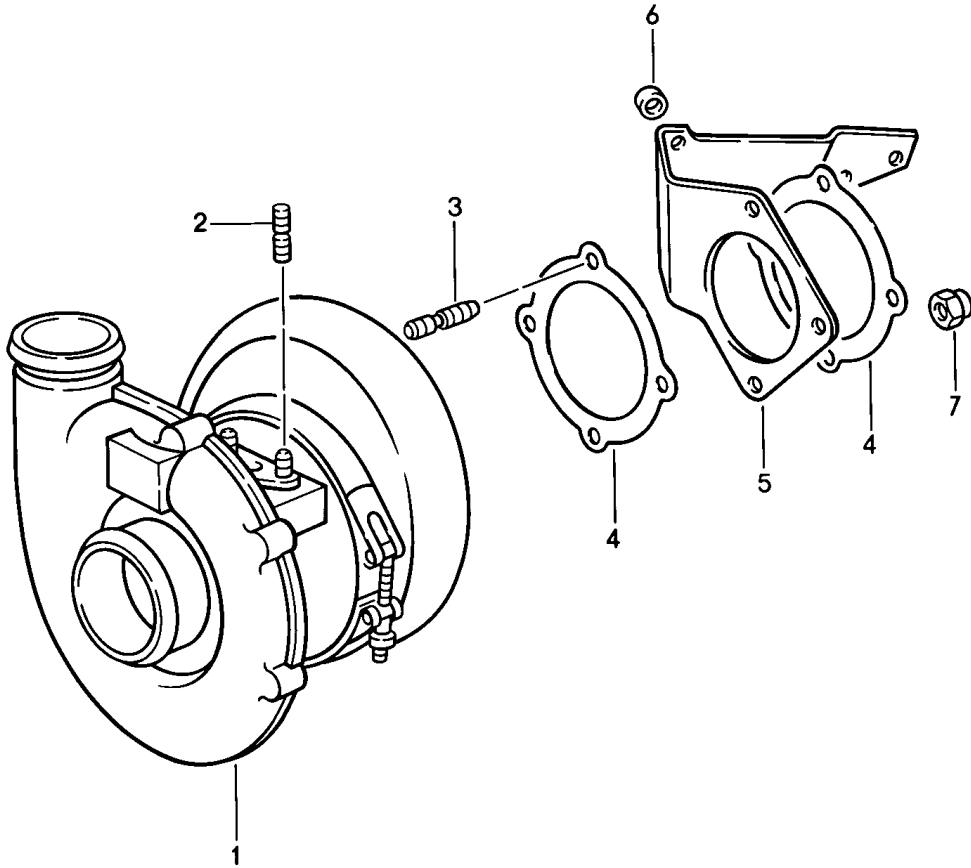
Model: 911 87

Model life 1987>>1989

Pos	Part Number	Description	Remark	Qty	Model
1	930 111 003 04	Exhaust system			930.66/68
(1)	930 111 913 00	Exhaust line		1	930.66
		Exhaust line		1	930.66
					M148
4	930 111 128 03	Heat shield		1	
5	900 075 312 02	Hexagon-head bolt		2	
		M 6 X 16			
6	900 910 096 02	Lock nut		2	
		M 6			
7	930 111 038 06	Exhaust silencer		1	930.66
(7)	930 111 038 52	Exhaust silencer	88-	1	930.66
					M148
9	930 123 191 01	Gasket	87	1	
9	930 123 191 05	Sealing ring	88-	1	
10	900 910 099 02	Lock nut		6	
		M 10			
11	930 111 154 06	Bracket		1	930.66
13	930 111 155 00	Clamp		1	930.66
14	900 067 161 02	Pan-head screw		2	
		AM 10 X 50			
15	900 075 085 02	Hexagon-head bolt		2	
		M 8 X 20			
16	900 151 008 02	Washer		2	
		A 8,4			
(17)	930 111 235 01	Front muffler		1	930.68
					M900
21	930 123 060 12	Wastegate		1	
22	900 081 048 02	Stud		4	
		M 8 X 25			
23	900 081 049 02	Stud		4	
		M 8 X 32			
24	930 123 194 06	Gasket		1	
25	900 910 097 02	Lock nut		8	
		M 8			
27	930 123 063 01	Muffler		1	
(27)	930 123 963 50	Muffler		1	930.66-S
					M148
28	930 123 114 02	Supporting plate		1	
29	930 123 192 01	Gasket	87	1	
29	930 123 192 04	Gasket	88-	1	
30	900 074 284 02	Screw		4	
		M 10 X 40			

Model: 911 87

Model life 1987>>1989



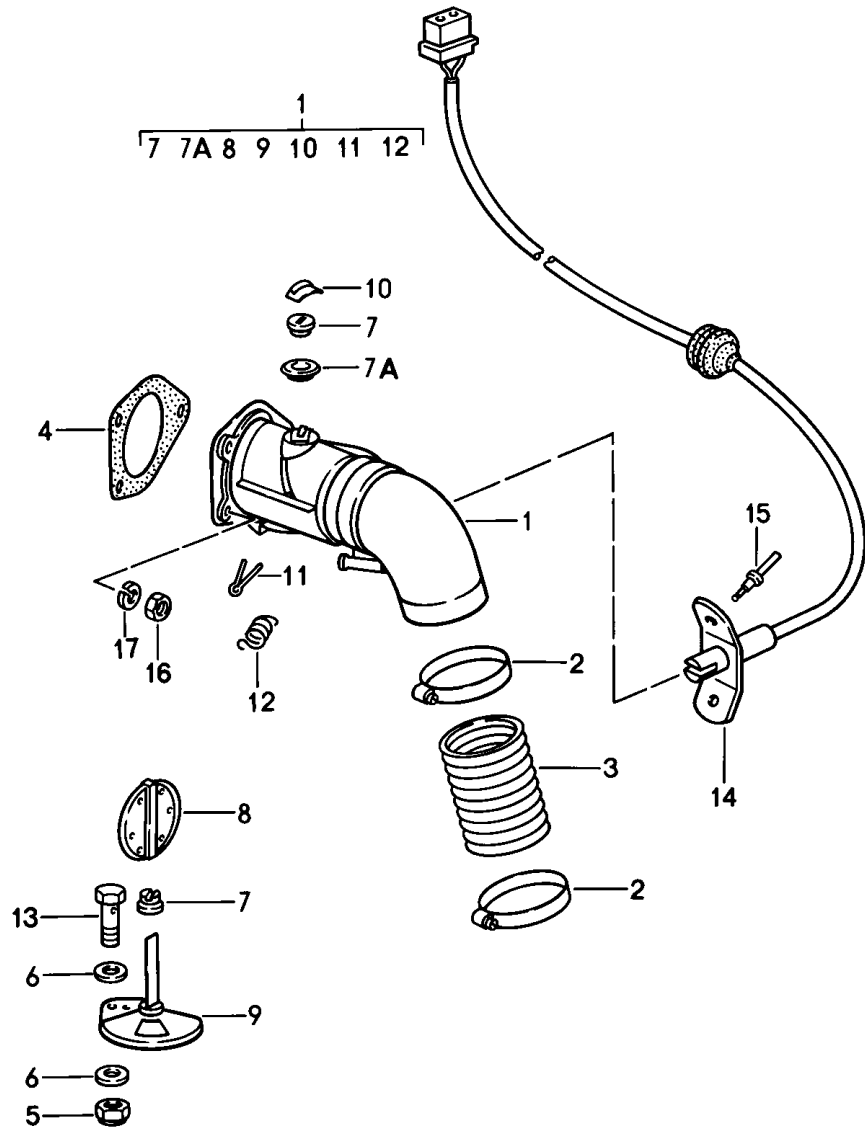
Model: 911 87

Model life 1987>>1989

Pos	Part Number	Description	Remark	Qty	Model
1	930 123 003 01	Turbocharger		1	930.66/68
1	930 123 913 03	Turbocharger		1	930.66-S M148
2	900 081 004 02	Stud M 8 X 20		4	
3	900 081 051 02	Stud M 10 X 35		4	
4	930 123 191 05	Sealing ring	87	2	
4		Sealing ring	88-	2	
5	930 123 121 05	Bracket		1	
(5)	930 123 921 05	Bracket		1	930.66-S M148
6	930 123 123 00	Spacer tube		1	
7	900 910 099 02	Lock nut M 10		4	

Model: 911 87

Model life 1987>>1989



Model: 911 87

Model life 1987>>1989

Pos	Part Number	Description	Remark	Qty	Model
1	911 211 013 01	Heating air supply Heat control box	/L	1	M424
(1)	911 211 013 00	Heat control box	/L	1	
(1)	911 211 014 00	Heat control box	/R	1	
2	999 512 349 02	Hose clamp		4	
2	999 512 349 01	Hose clamp		4	
2	999 512 349 0B	Hose clamp		4	
3	930 211 622 01	Connecting hose 330 MM		2	
4	911 211 297 00	Gasket		2	
5	900 910 012 02	Lock nut M 6		2	
5	900 910 047 09	Lock nut M 6		2	
6	N 011 524 7	Washer 6,4		4	
6	N 011 524 27	Washer 6,4		4	
7A	911 211 235 00	Bearing sleeve		2	
7	901 211 255 21	Bearing		4	
8	901 211 028 22	Air flap		2	
9	911 211 045 00	Rotary slide	/L	1	
(9)	911 211 046 00	Rotary slide	/R	1	
10	999 507 222 02	Mecano-speed-fix		2	
11	N 012 530 1	Cotter pin 3 X 15		2	
12	999 522 023 00	Spring		2	
13	911 211 683 01	Clamping screw M 6		2	
13	911 211 683 00	Clamping screw M 6		2	
14	911 659 101 00	Caloric feeler		1	
(14)	911 659 101 01	Caloric feeler		1	
15	999 190 129 02	Blind rivet		2	
16	900 076 010 02	Nut M 6		6	
16	900 076 010 0B	Nut M 6		6	
17	N 012 226 5	Spring washer B 6		6	

Model: 911 87

Model life 1987>>1989



Model: 911 87

Model life 1987>>1989

Pos	Part Number	Description	Remark	Qty	Model
>>	930 113 911 02	Assembly kit Repair kit Maintenance set Conversion set for subsequent installation Catalytic converter Comprising: for cars with Sheet metal cup for tank F >>91KS1 00958 F >>91KS1 40341 F >>91KS1 50414		1	930.20/25
-	930 113 230 25	Catalytic converter		1	
-	930 113 230 28	Catalytic converter		1	
-	911 111 191 01	Gasket		1	
-	911 111 191 02	Gasket		1	
-	930 111 193 03	Gasket		1	
-	930 111 192 06	Gasket		1	
-	900 074 282 02	Screw M 8 X 40		9	
-	900 910 097 02	Lock nut		9	
-	930 113 208 07	Catalytic converter cover		1	
-	930 113 196 00	Retaining bracket		1	
-	930 111 197 03	Retaining bracket		1	
-	999 507 326 02	Captive nut		7	
-	900 075 057 02	Hexagon-head bolt M 6 X 16		7	
-	900 075 057 03	Hexagon-head bolt M 6 X 16		7	
-	N 011 666 7	Washer		7	
-	911 201 049 05	Filler neck		1	
-	930 606 124 00	Oxygen sensor		1	
-	911 606 133 00	Protection plate		1	
-	944 701 201 02	Sticker		1	
-	000 043 057 00	Installation instructions		1	
-	911 701 241 00	Sticker		1	
-	900 083 080 00	Hexagon-head bolt		1	
-	900 123 050 20	Sealing ring		1	
>>	930 113 911 03	Conversion set for subsequent installation Catalytic converter Comprising: for cars with Plastic cup for tank F 91KS1 00959>> F 91KS1 40342>> F 91KS1 50415>>		1	
-	930 113 230 25	Catalytic converter		1	
-	930 113 230 28	Catalytic converter		1	
-	911 111 191 01	Gasket		1	
-	911 111 191 02	Gasket		1	
-	930 111 193 03	Gasket		1	
-	930 111 192 06	Gasket		1	
-	900 074 282 02	Screw M 8 X 40		9	
-	900 910 097 02	Lock nut M 8		9	
-	930 113 208 07	Catalytic converter cover		1	
-	930 113 196 00	Retaining bracket		1	
-	930 111 197 03	Retaining bracket		1	
-	999 507 326 02	Captive nut M 6		7	
-	900 075 057 02	Hexagon-head bolt		7	

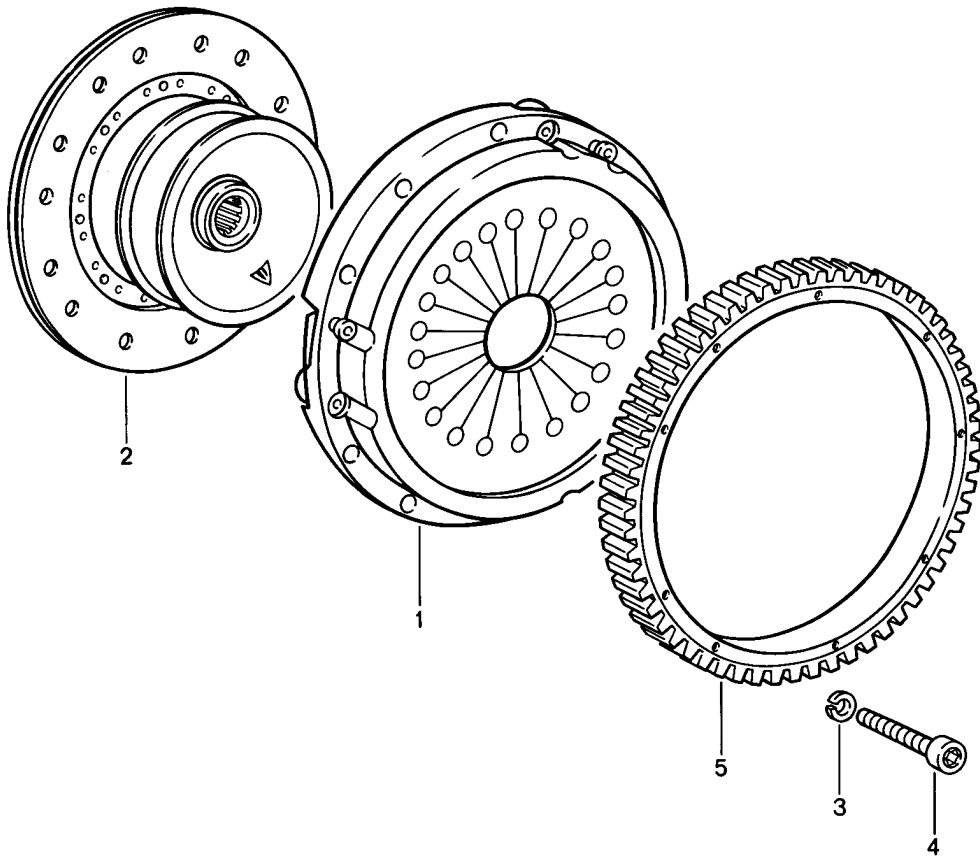
Model: 911 87

Model life 1987>>1989

Pos	Part Number	Description	Remark	Qty	Model
-	900 075 057 03	M 6 X 16 Hexagon-head bolt		7	
-	N 011 666 7	M 6 X 16 Washer		7	
-	911 201 049 07	B 6,4 Filler neck		1	
-	930 606 124 00	Oxygen sensor		1	
-	911 606 133 00	Protection plate		1	
-	944 701 201 02	Sticker		1	
-	000 043 057 00	Installation instructions		1	
-	911 701 241 00	Sticker		1	
-	900 083 080 00	Hexagon-head bolt		1	
-	900 123 050 20	M 8 X 1 Sealing ring		1	
1	PCG 930 211 00	A 8 X 11,5 Assembly kit Heat exchanger Comprising:	78-89	1	Turbo
-	900 067 161 02	Pan-head screw		1	
-	900 074 282 02	Screw		9	
-	999 085 001 02	Socket head nut		6	
-	930 111 155 00	Clamp		1	
-	911 113 190 01	Gasket		6	
-	930 123 114 02	Supporting plate		1	
-	930 123 192 05	Gasket		1	
-	930 123 191 05	Sealing ring		2	
-	930 123 194 06	Gasket		2	
-	900 910 097 0C	Lock nut		25	
-	900 910 099 02	Lock nut		6	
-	930 107 123 01	Gasket		1	
-	999 084 052 02	Lock nut		4	
-	930 107 116 01	Gasket		1	
-	N 012 241 8	Spring washer		2	
-	999 701 473 40	Round seal		1	
-	930 111 193 07	Gasket		1	
-	930 111 192 06	Gasket		2	
-	930 111 187 00	Clamp		2	
-	911 111 189 03	Gasket		1	
-	930 111 156 01	Support washer		1	
-	900 074 283 02	Screw		2	
-	900 910 097 0C	Lock nut		2	
-	900 074 284 02	Screw		4	
-	930 111 187 00	Clamp		2	
-	900 910 096 02	Lock nut		2	
-	999 039 001 00	Tab washer		8	
-	900 123 043 30	Sealing ring		4	

Model: 911 87

Model life 1987>>1989



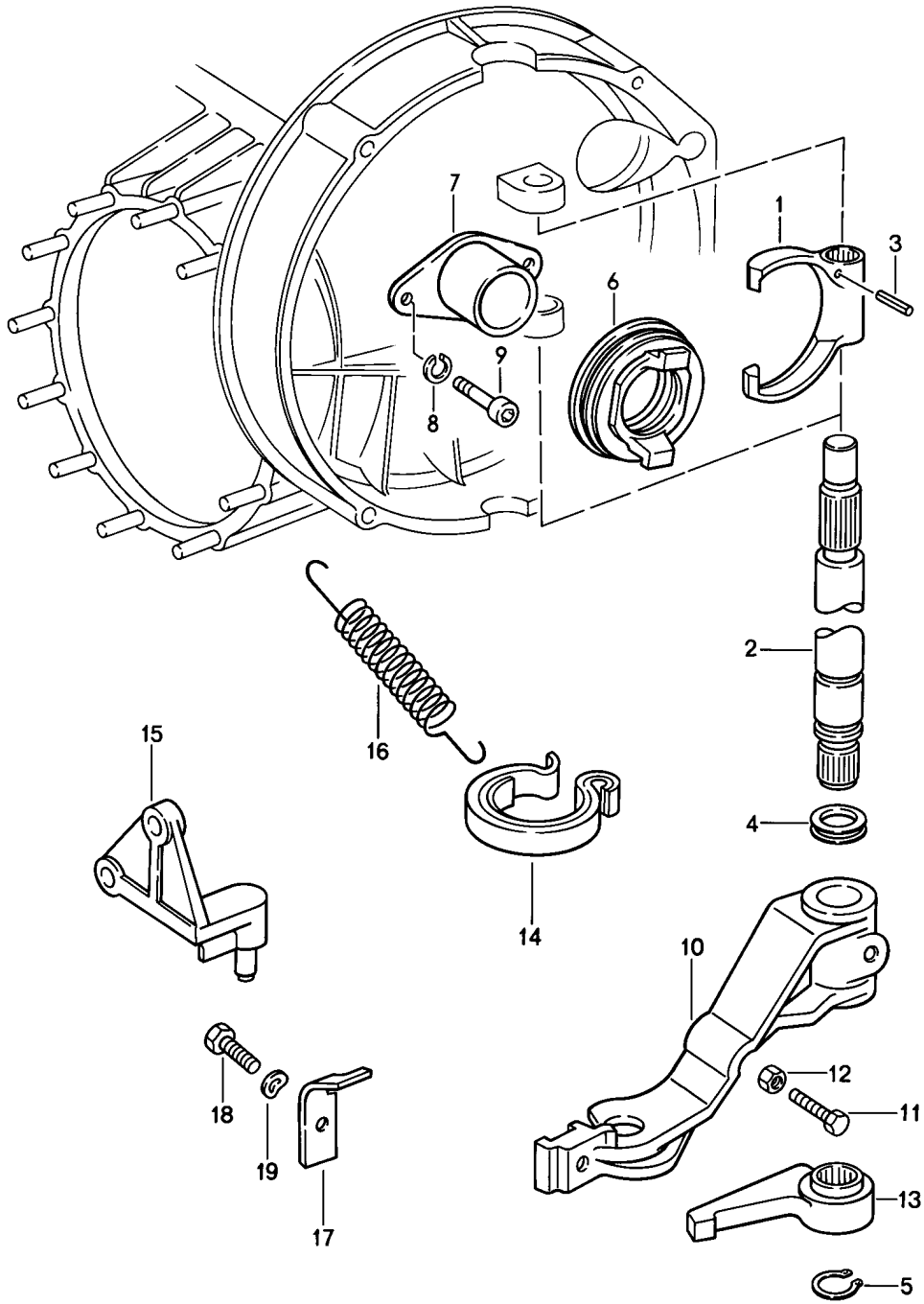
Model: 911 87

Model life 1987>>1989

Pos	Part Number	Description	Remark	Qty	Model
		Clutch			
1	950 116 023 02	Pressure plate	87	1	G50.00/01/02
1	950 116 023 03	Pressure plate		1	G50.00/01/02
1	950 116 023 50	Pressure plate		1	G50.50
1	930 116 021 03	Pressure plate		1	930.36
2	950 116 012 02	Clutch plate	-89	1	G50.00/01/02
2	950 116 012 04	Clutch plate	-89	1	G50.00/01/02
2	950 116 012 53	Drive plate		1	G50.00/01/02
2	950 116 012 54	Drive plate		1	G50.00/01/02
2	950 116 012 53	Drive plate		1	G50.00/01/02
2	950 116 012 54	Drive plate		1	G50.00/01/02
2	950 116 012 51	Clutch plate		1	G50.00
					930.36
2	950 116 012 53	Drive plate		1	G50.50
					930.36
2	950 116 012 54	Drive plate		1	G50.50
					930.36
3	N 012 241 8	Spring washer B 8		9	930.36
4	900 067 045 02	Pan-head screw M 8 X 80		9	G50.00/01/02
					G50.50
4	900 067 045 03	Pan-head screw M 8 X 80		9	G50.00/01/02
					G50.50
4	900 074 136 02	Hexagon-head bolt M 8 X 80		9	930.36
4	900 074 136 03	Hexagon-head bolt M 8 X 80		9	930.36
5	930 116 230 02	Starter ring		1	930.36
5	930 116 230 03	Starter ring		1	930.36
5	950 116 143 01	Starter ring		1	G50.00/01/02
					G50.50
5	950 116 143 05	Starter ring		1	G50.00/01/02
					G50.50
-	950 116 911 00	Repair kit for Clutch		1	G50.00/01/02
-	950 116 911 01	Repair kit for Clutch Comprising: Pressure plate		1	G50.00/01/02
		Clutch plate		1	
		Clutch release bearing		1	
		Guide tube		1	
-	930 116 911 00	Repair kit for Clutch Comprising: Pressure plate		1	930.36
		Clutch plate		1	
		Clutch release bearing		1	
-	930 116 911 01	Repair kit for Clutch Comprising: Pressure plate		1	930.36
		Clutch plate		1	
		Clutch release bearing		1	

Model: 911 87

Model life 1987>>1989



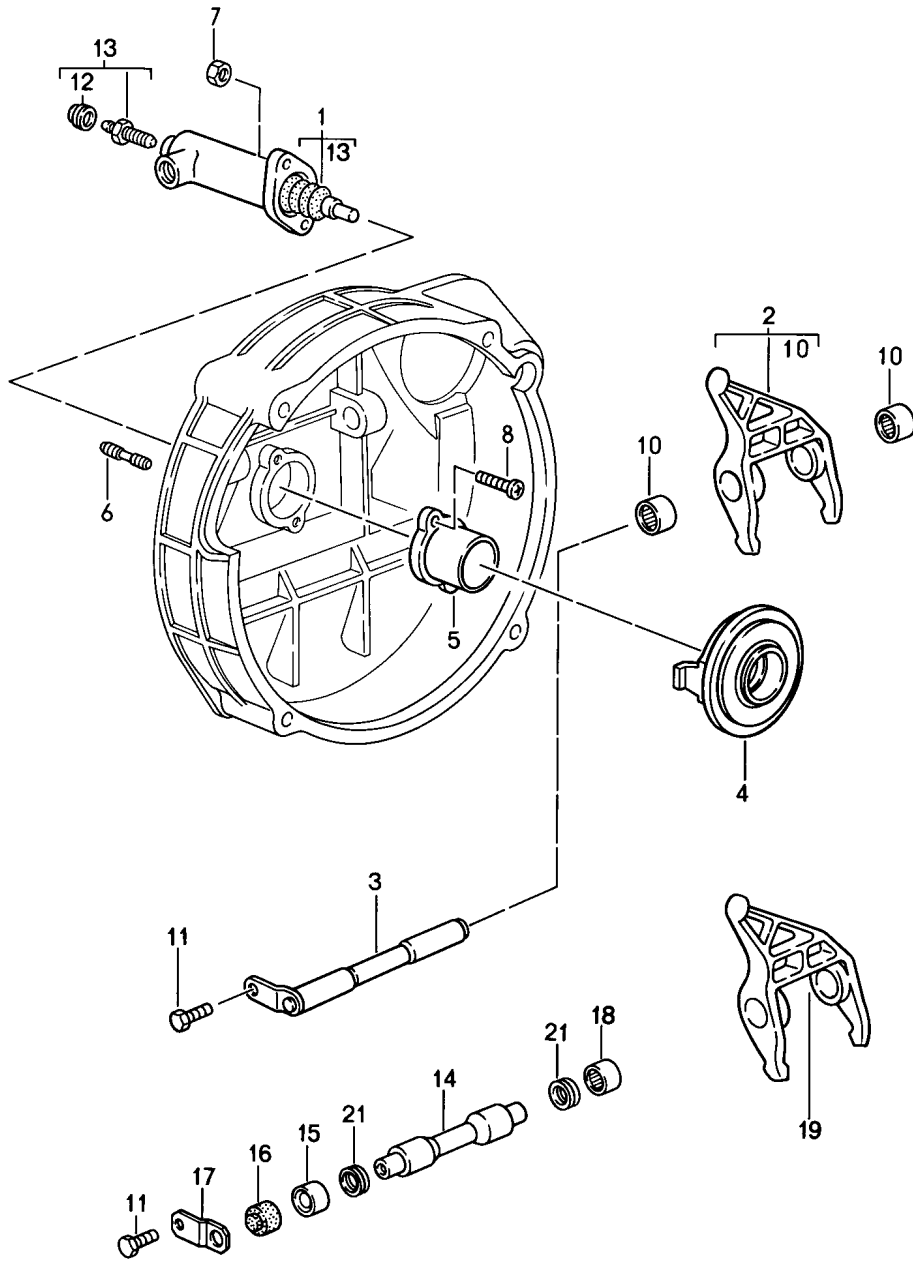
Model: 911 87

Model life 1987>>1989

Pos	Part Number	Description	Remark	Qty	Model
		Clutch release Mechanical			930.36
1	930 116 712 02	Release fork		1	
2	930 116 133 04	Bellcrank		1	
3	900 095 050 00	Roll pin		1	
4	930 301 139 00	Sealing ring		2	
4	930 301 140 00	Sealing ring		2	
5	N 012 418 1	Circlip 18 X 1,2		1	
6	930 116 081 11	Clutch release bearing		1	
7	930 116 813 00	Guide tube		1	
8	N 012 006 4	Lock ring B 6		2	
9	900 119 091 02	Pan-head screw M 6 X 15		2	
10	930 116 713 06	Clutch release lever		1	
11	900 075 033 02	Stud M 8 X 40		1	
11	900 075 033 03	Stud M 8 X 40		1	
12	N 011 118 11	Hexagon nut M 8		1	
12	900 034 001 05	Hexagon nut M 8		1	
13	930 116 717 02	Change lever		1	
14	930 116 064 09	Spring		1	
14	930 116 064 11	Spring		1	
(15)	930 116 611 06	Bearing bracket		1	
16	915 116 614 02	Tension spring		1	
17	930 116 714 06	Spring hanger		1	
18	900 075 087 02	Hexagon-head bolt M 8 X 16		1	
18	900 075 087 03	Hexagon-head bolt M 8 X 16		1	
19	N 012 241 8	Spring washer B 8		1	
-	999 701 482 40	O-ring		2	

Model: 911 87

Model life 1987>>1989



Model: 911 87 Model life 1987>>1989

Pos	Part Number	Description	Remark	Qty	Model
		Clutch release			G50.00/01/02 G50.50
		Hydraulic			
1	950 116 237 04	Clutch operating cylinder		1	G50.00/01/02
1	950 116 237 06	Clutch operating cylinder		1	G50.00/01/02
1	950 116 237 07	Clutch operating cylinder	-88	1	G50.00/01/02
1	950 116 237 10	Clutch operating cylinder	89-	1	G50.00/01/02
				1	G50.50
1	950 116 237 11	Clutch operating cylinder	89-	1	G50.00/01/02
				1	G50.50
1	950 116 237 12	Clutch operating cylinder	89-	1	G50.00/01/02
				1	G50.50
2	950 116 086 03	Release fork		1	G50.00/01/02
2	950 116 086 04	Release fork		1	G50.00/01/02
					G50.50
3	950 116 071 01	Clutch control shaft		1	G50.00/01/02
					G50.50
4	950 116 080 01	Clutch release bearing		1	G50.00/01/02
4	950 116 080 02	Clutch release bearing		1	G50.00/01/02
					G50.50
4	950 116 080 03	Clutch release bearing		1	G50.50
4	950 116 080 04	Clutch release bearing		1	G50.50
4	950 116 080 05	Clutch release bearing		1	G50.50
5	950 116 813 06	Guide tube		1	
6	999 062 007 02	Stud		2	
		BM 8 X 22			
6	900 060 106 01	Stud		2	
		BM 8 X 22			
7	900 076 025 02	Hexagon nut		2	
		M 8			
7	900 076 064 02	Hexagon nut		2	
		M 8			
8	900 270 055 02	Rais. counters. h. tap. s.		2	
		M 6 X 14			
8	999 270 070 01	Oval-head screw		2	
		M 6 X 14			
10	999 201 321 00	Needle sleeve		2	
		16 X 22 X 20			
11	900 075 057 02	Hexagon-head bolt		1	
		M 6 X 16			
11	900 075 057 03	Hexagon-head bolt		1	
		M 6 X 16			
12	901 351 927 10	Dust boot		1	
13	928 351 945 03	Ventilation valve		1	
14	950 116 710 04	Clutch control shaft		1	G50.50
		G5050 1K00695>>			
		G5050 2K00539>>			
15	999 201 339 00	Bush		1	G50.50
		G5050 1K00695>>			
		G5050 2K00539>>			
15	999 201 339 01	Bush		1	G50.50
		G5050 1K00695>>			
		G5050 2K00539>>			
16	950 116 725 00	Cover		1	G50.50
		G5050 1K00695>>			
		G5050 2K00539>>			
17	950 116 713 02	Retaining bracket		1	G50.50
		G5050 1K00695>>			
		G5050 2K00539>>			
18	999 201 365 00	Articulated bush		1	G50.50
		G5050 1K00695>>			
		G5050 2K00539>>			
18	999 201 365 01	Articulated bush		1	G50.50

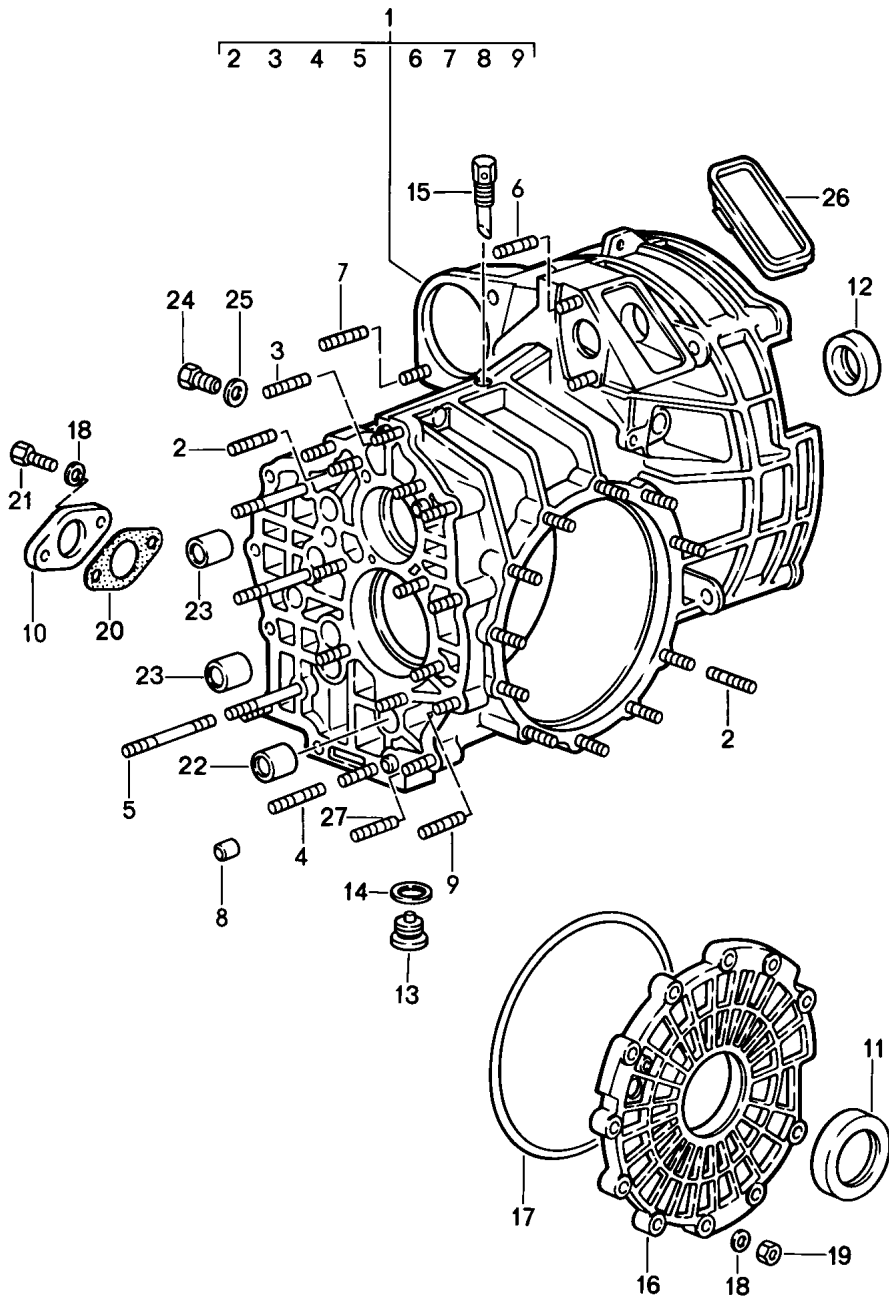
Model: 911 87

Model life 1987>>1989

Pos	Part Number	Description	Remark	Qty	Model
19	950 116 086 06	G5050 1K00695>> G5050 2K00539>> Release fork		1	G50.50
19	997 116 086 90	G5050 1K00695>> G5050 2K00539>> Release fork		1	G50.50
21	999 113 418 40	G5050 1K00695>> G5050 2K00539>> Gasket		2	G50.50

Model: 911 87

Model life 1987>>1989



Model: 911 87 Model life 1987>>1989

Pos	Part Number	Description	Remark	Qty	Model
		Replacement transmission			G50.00/01/02 G50.50
-	950 300 010 00	Transmission case Replacement transmission 5-speed Ready for installation		1	G50/00
-	950 300 010 05	Replacement transmission 5-speed Ready for installation		1	G50/00
-	950 300 020 05	Replacement transmission 5-speed Ready for installation		1	G50/00.12
-	950 300 020 X	Limited-slip differential Manual transmission 5-speed Ready for installation		1	G50/00.12
-	950 300 010 06	Limited-slip differential Replacement transmission 5-speed Ready for installation		1	G50/01
-	950 300 010 FX	Replacement transmission 5-speed Ready for installation		1	G50/01
-	950 300 020 06	Replacement transmission 5-speed Ready for installation		1	G50/01.12
-	950 300 020 FX	Limited-slip differential Replacement transmission 5-speed Ready for installation		1	G50/01.12
-	950 300 010 07	Limited-slip differential Replacement transmission 5-speed Ready for installation	(CH)	1	G50/02
-	950 300 010 GX	Replacement transmission 5-speed Ready for installation	(CH)	1	G50/02
-	950 300 020 02	Replacement transmission 5-speed Ready for installation	(CH)	1	G50/02.12
-	950 300 020 07	Limited-slip differential Replacement transmission 5-speed Ready for installation	(CH)	1	G50/02.12
-	950 300 010 50	Limited-slip differential Replacement transmission 5-speed Ready for installation		1	G50.50
-	950 300 020 50	Replacement transmission 5-speed Ready for installation		1	G50.50
1	950 301 910 03	Limited-slip differential Transmission case G >5050 1K00694 G >5050 2K00538		1	G50.00/01/02
1	950 301 910 05	Transmission case G5050 1K00695>> G5050 2K00539>>		1	G50.00/01/02
1	950 301 910 53	Transmission case G >5050 1K00694 G >5050 2K00538		1	G50.50
1	950 301 910 55	Transmission case G5050 1K00695>>		1	G50.50

Model: 911 87

Model life 1987>>1989

Pos	Part Number	Description	Remark	Qty	Model
1		G5050 2K00539>> Transmission case		1	G50.50
2	999 062 008 02	Stud M 8 X 25		18	
2	N 044 506 1	Stud M 8 X 38		7	G50.50
3	999 062 009 02	Stud M 8 X 28		5	
3	900 060 105 01	Stud M 8 X 28		5	
4	999 062 010 02	Stud M 8 X 35		1	
5	999 062 156 02	Stud M 8 X 78		3	
5	900 060 101 01	Stud M 8 X 78		3	
6	999 062 007 02	Stud M 8 X 22		2	
6	900 060 106 01	Stud M 8 X 22		2	
7	999 062 182 02	Stud M 10 X 25		1	
8	900 012 144 00	Straight pin 12 M 6 X 14		3	
9	999 062 006 02	Stud BM 8 X 20		1	
10	950 301 371 00	Lid		1	G50.00/01/02
11	999 113 347 40	Shaft sealing ring		2	
12	999 113 326 41	Shaft sealing ring		1	
13	999 063 008 02	Screw plug with magnet M 22 X 1,5		1	
14	900 123 011 30	Sealing ring A 22 X 27		1	
15	950 301 071 00	Bleeder		1	
16	950 301 312 01	Transmission cover G >5050 1K00694 G >5050 2K00538		1	G50.00/01/02
16	950 301 312 04	Transmission cover G5050 1K00695>> G5050 2K00539>>		1	G50.00/01/02
16	950 301 311 53	Transmission cover		1	G50.50
17	999 701 745 40	O-ring		1	
17	999 701 387 40	O-ring		1	G50.50
18	N 011 525 13	Washer A 8,4		13	
19	900 076 025 02	Hexagon nut M 8		12	
19	900 076 064 02	Hexagon nut M 8		12	
20	928 332 776 00	Flange gasket		1	G50.00/01/02
21	900 075 099 02	Hexagon-head bolt M 8 X 30		2	G50.00/01/02
21	900 075 099 03	Hexagon-head bolt M 8 X 30		2	G50.00/01/02
22	999 203 004 10	Round socket 16 X 22 X 27		1	
22		Round socket 16 X 22 X 27		1	
23	999 203 003 00	Bearing sleeve 16 X 22 X 20		3	
24	900 124 008 02	Screw plug M 12 X 1,5		1	

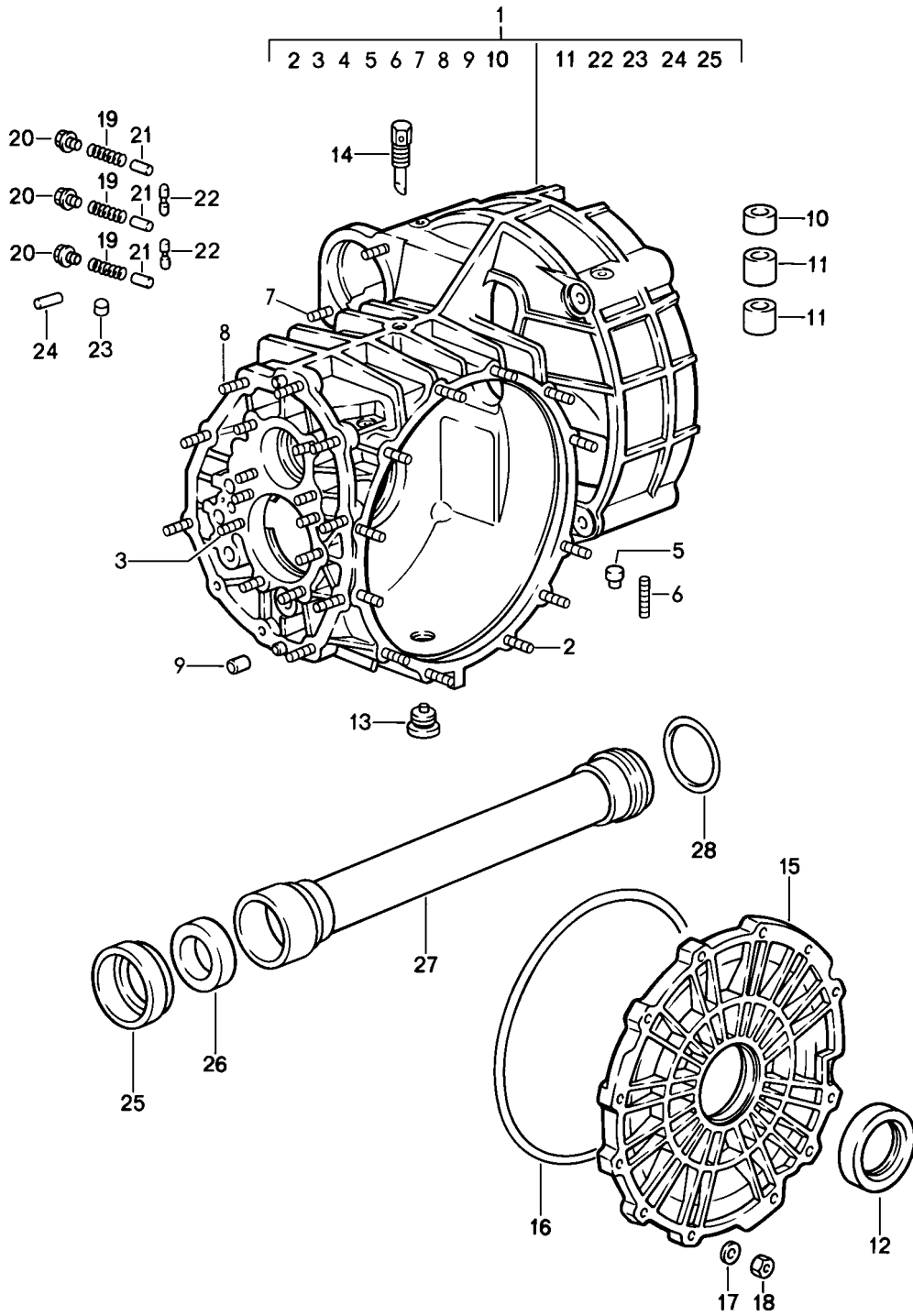
Model: 911 87

Model life 1987>>1989

Pos	Part Number	Description	Remark	Qty	Model
25	900 123 043 30	Sealing ring A 12 X 15,5		1	
26	950 301 151 01	Cap		1	
27	999 062 044 02	Stud BM 8 X 30		1	G50.00/01/02
27	999 062 009 02	Stud M 8 X 28		1	G50.50
27	900 060 105 01	Stud M 8 X 28		1	G50.50

Model: 911 87

Model life 1987>>1989



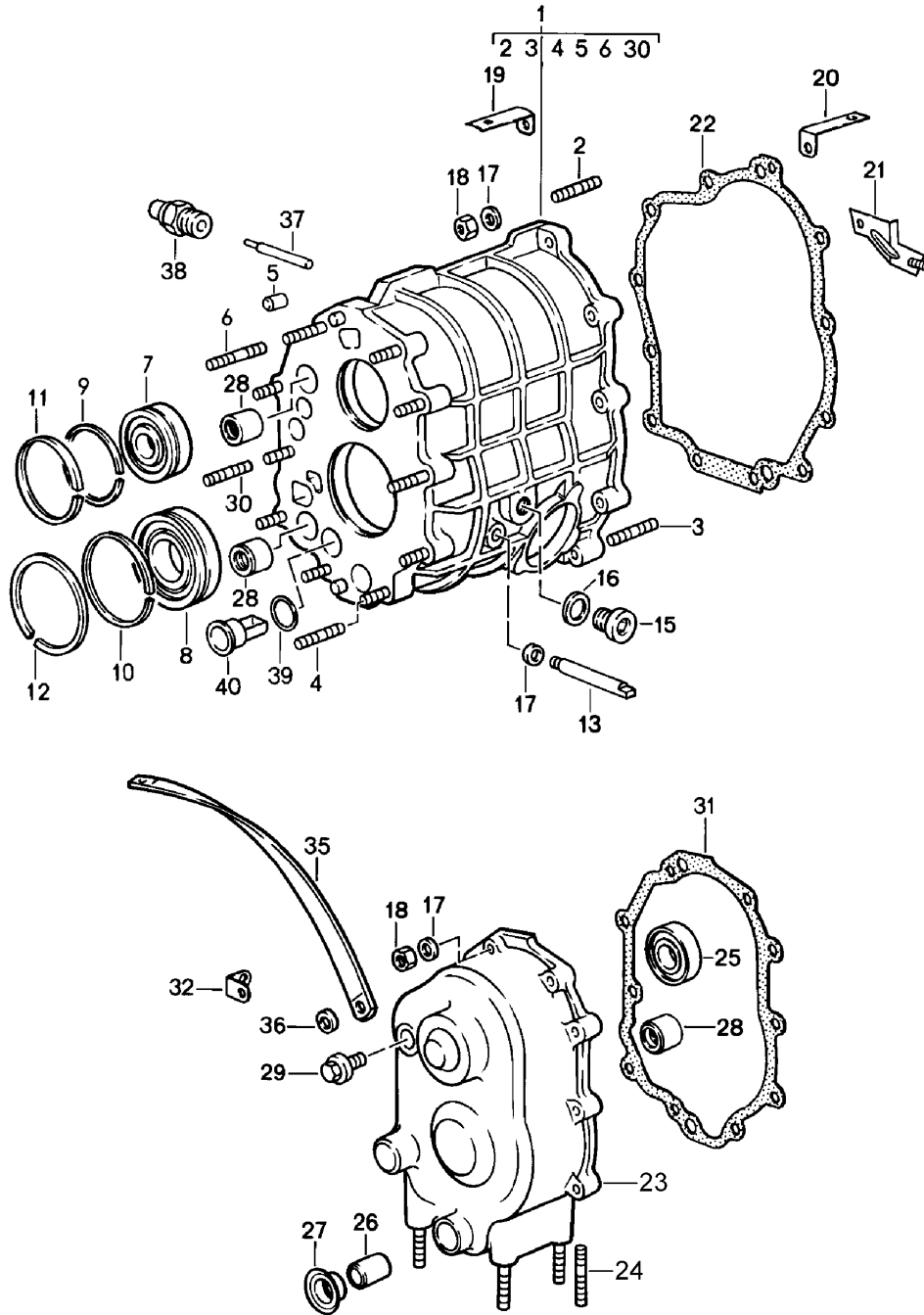
Model: 911 87

Model life 1987>>1989

Pos	Part Number	Description	Remark	Qty	Model
		Replacement transmission			930.36
		Transmission case			
-	930 300 010 36	Manual transmission 4-speed Ready for installation		1	930/36
-	930 300 020 36	Manual transmission 4-speed Ready for installation Limited-slip differential		1	930/36.12
1	930 301 901 02	Transmission case		1	
2	999 062 139 02	Stud BM 8 X 26		12	
3	999 062 008 02	Stud BM 8 X 25		4	
4	999 062 006 02	Stud BM 8 X 20		6	
5	930 301 141 00	Bolt		1	
6	999 062 073 02	Stud BM 8 X 16		1	
7	999 062 182 02	Stud BM 10 X 25		1	
8	999 062 009 02	Stud BM 8 X 28		8	
8	900 060 105 01	Stud BM 8 X 28		8	
9	900 012 110 00	Straight pin 10 M 6 X 14		2	
10	915 301 119 00	Bearing sleeve		1	
11	999 531 010 00	Bush		2	
12	999 113 183 40	Radial shaft seal		2	
13	999 064 020 02	Screw plug with magnet M 24 X 1,5		1	
14	904 301 071 00	Bleeder		1	
15	930 301 311 02	Transmission cover Lateral		1	
16	999 701 437 40	O-ring		1	
17	N 012 241 8	Spring washer B 8		12	
18	900 076 025 02	Hexagon nut M 8		12	
18	900 076 064 02	Hexagon nut M 8		12	
19	915 303 232 00	Spring		3	
20	900 075 352 02	Hexagon-head bolt M 10 X 8		3	
21	915 303 131 00	Detent		3	
22	930 303 131 00	Detent		2	
23	999 501 028 30	Stopper		1	
24	900 308 026 00	Roll pin 3,5 X 22		2	
25	930 301 133 00	Guide ring		1	
26	930 302 332 00	Shaft sealing ring		1	
27	930 302 053 00	Pipe		1	
28	999 701 440 40	O-ring		1	

Model: 911 87

Model life 1987>>1989



Model: 911 87

Model life 1987>>1989

Pos	Part Number	Description	Remark	Qty	Model
		Gear housing			G50.00/01/02
		Transmission cover			G50.50
1	950 301 911 03	Gear housing		1	
2	999 062 009 02	Stud		3	
		M 8 X 28			
2	900 060 105 01	Stud		3	
		M 8 X 28			
3	999 062 010 02	Stud		1	
		M 8 X 35			
4	999 062 008 02	Stud		7	
		M 8 X 25			
5	900 012 144 00	Straight pin		2	
		12 M6 X 14			
6	999 062 119 02	Stud		2	
		M 8 X 40			
7	999 110 142 03	Cylindrical-roller bearing		1	
		25 X 62 X 17			
		35 X 80 X 18			
8	999 110 109 01	Cylindrical-roller bearing		1	
		35 X 80 X 18			
9	900 111 001 00	Circlip		1	
		SP 62			
10	N 100 709 01	Circlip		1	
		SP 80			
11	999 152 031 01	Circlip		1	
		SB 68			
12	999 152 106 00	Circlip		1	
		SB 87			
13	914 301 307 00	Bolt		1	
		for			
		Reverse lever			
14	900 031 001 02	Washer		1	
14	900 031 105 01	Washer		1	
15	900 219 001 30	Screw plug		1	
16	900 123 011 30	Sealing ring		1	
		A 22 X 27			
17	900 025 007 02	Washer		21	
		A 8,4			
17	900 025 007 03	Washer		21	
		A 8,4			
18	900 076 025 02	Hexagon nut		20	
		M 8			
18	900 076 064 02	Hexagon nut		20	
		M 8			
19	911 606 225 00	Retaining bracket		1	
20	911 606 229 00	Retaining bracket		2	
21	950 301 027 00	Retaining bracket		1	
22	950 301 191 01	Gasket		1	
23	950 301 913 03	Transmission cover		1	
23	950 301 913 04	Transmission cover		1	
		When required order also:			
24	999 062 010 02	Stud		4	
		M 8 X 35			
25	999 110 144 00	Cylindrical-roller bearing		1	
		20 X 47 X 14			
26	999 203 004 10	Round socket	-88	1	
26	999 924 059 00	Bearing sleeve	89-	1	
		16,05			
27	999 113 404 40	Shaft sealing ring		1	
27		Shaft sealing ring		1	
		16 X 24 X 7,5			
28	999 203 003 00	Bearing sleeve		3	

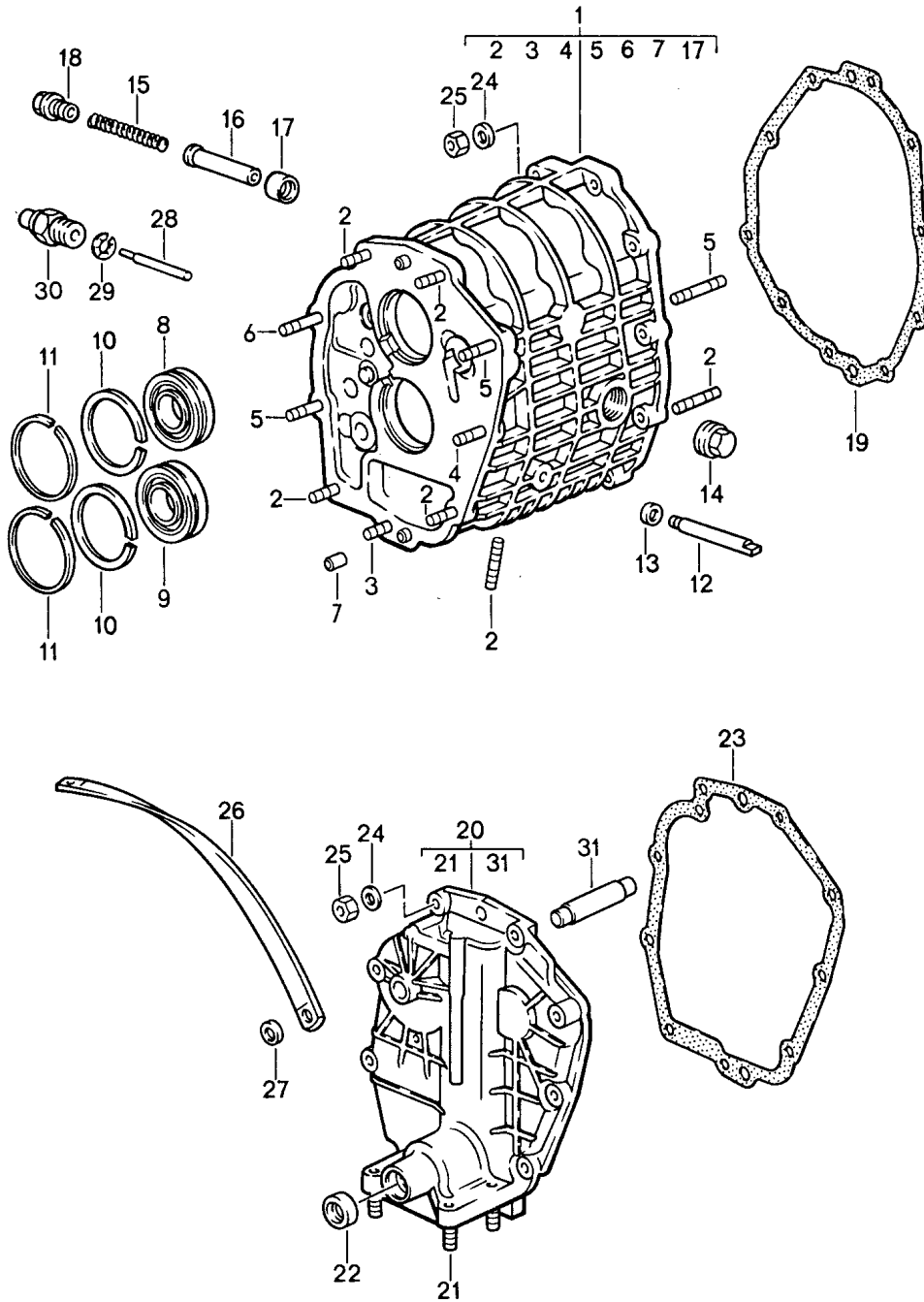
Model: 911 87

Model life 1987>>1989

Pos	Part Number	Description	Remark	Qty	Model
29	950 302 230 00	Screw plug		1	
30	999 062 044 02	Stud M 8 X 30		1	
31	950 301 351 02	Gasket		1	
32	911 606 227 00	Retaining bracket		1	
35	999 611 920 20	Ground strap		1	
36	999 151 022 02	Washer 20 X 8,4 X 2		2	
37	950 303 240 01	Cam follower		1	
38	914 613 541 02	Back-up light switch		1	
39	999 701 734 40	Sealing ring 29,5 X 1,5 N		1	
40	950 301 120 00	Oil tube		1	

Model: 911 87

Model life 1987>>1989



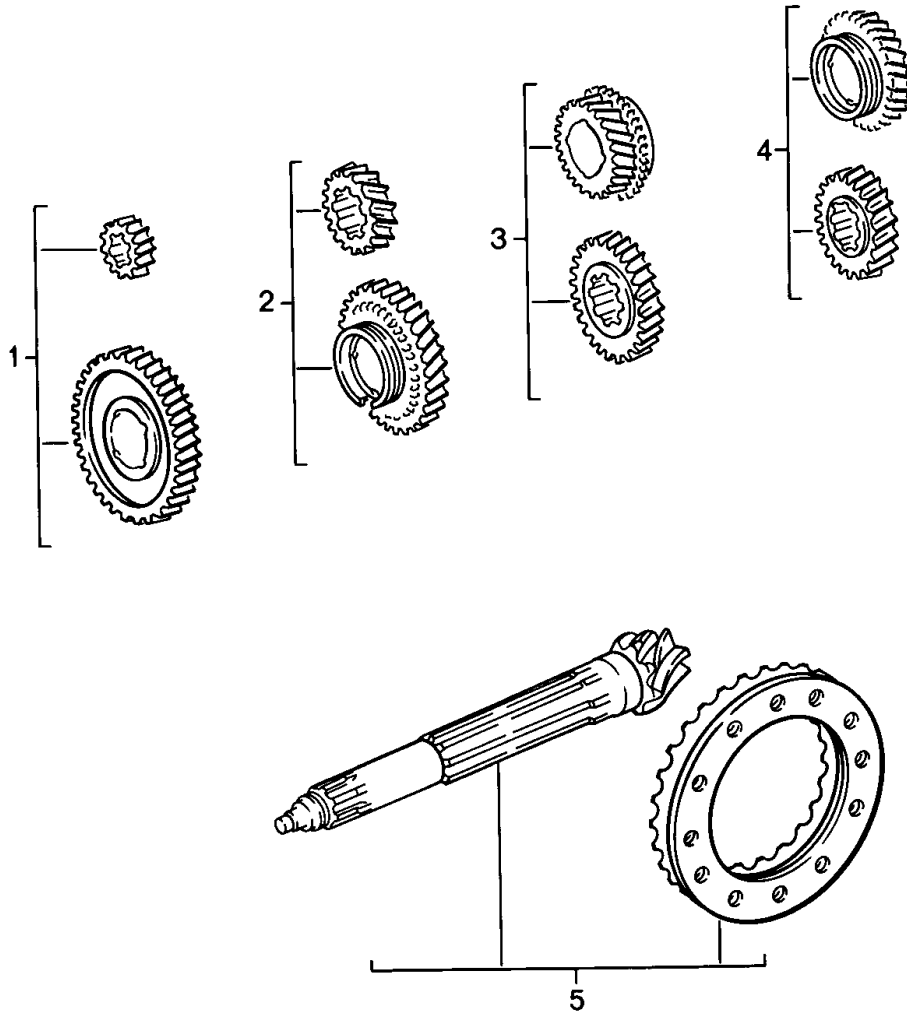
Model: 911 87

Model life 1987>>1989

Pos	Part Number	Description	Remark	Qty	Model
		Gear housing Transmission cover			930.36
1	930 301 911 00	Gear housing		1	
2	999 062 139 02	Stud BM 8 X 26		9	
3	999 062 007 02	Stud BM 8 X 22		1	
3	900 060 106 01	Stud BM 8 X 22		1	
4	999 062 009 02	Stud BM 8 X 28		1	
4	900 060 105 01	Stud BM 8 X 28		1	
5	999 062 010 02	Stud BM 8 X 35		3	
6	999 062 052 02	Stud BM 8 X 42		1	
7	900 012 110 00	Straight pin 10 M 6 X 14		2	
8	999 110 025 00	Cylindrical-roller bearing		1	
9	999 110 076 00	Cylindrical-roller bearing		1	
9	999 110 181 02	Cylindrical-roller bearing		1	
10	900 111 001 00	Circlip SP 62		2	
11	999 152 031 01	Circlip SB 68		2	
12	914 301 307 00	Bolt for Reverse lever		1	
13	N 011 525 13	Washer A 8,4		1	
14	900 064 009 02	Screw plug M 30 X 1,5		1	
15	930 303 230 08	Spring		1	
16	930 303 135 01	Detent		1	
17	999 504 107 00	Threaded insert M 16 X 1,5		1	
18	930 303 253 01	Screw plug M 16 X 1,5		1	
19	930 301 191 00	Gasket		1	
20	930 301 903 00	Transmission cover		1	
21	999 062 007 02	Stud BM 8 X 22		4	
21	900 060 106 01	Stud BM 8 X 22		4	
22	999 113 185 40	Shaft sealing ring 15 X 24 X 7		1	
23	930 301 351 00	Gasket		1	
24	N 012 241 8	Spring washer B 8		19	
25	900 076 025 02	Hexagon nut M 8		19	
25	900 076 064 02	Hexagon nut M 8		19	
26	999 611 920 20	Ground strap		1	
27	999 151 022 02	Washer 20 X 8,4 X 2		2	
28	930 303 175 01	Pin		1	
29	999 041 503 01	Locking ring 4 X 0,8		1	
30	914 613 541 02	Back-up light switch		1	
31	930 302 228 00	Bolt		1	

Model: 911 87

Model life 1987>>1989

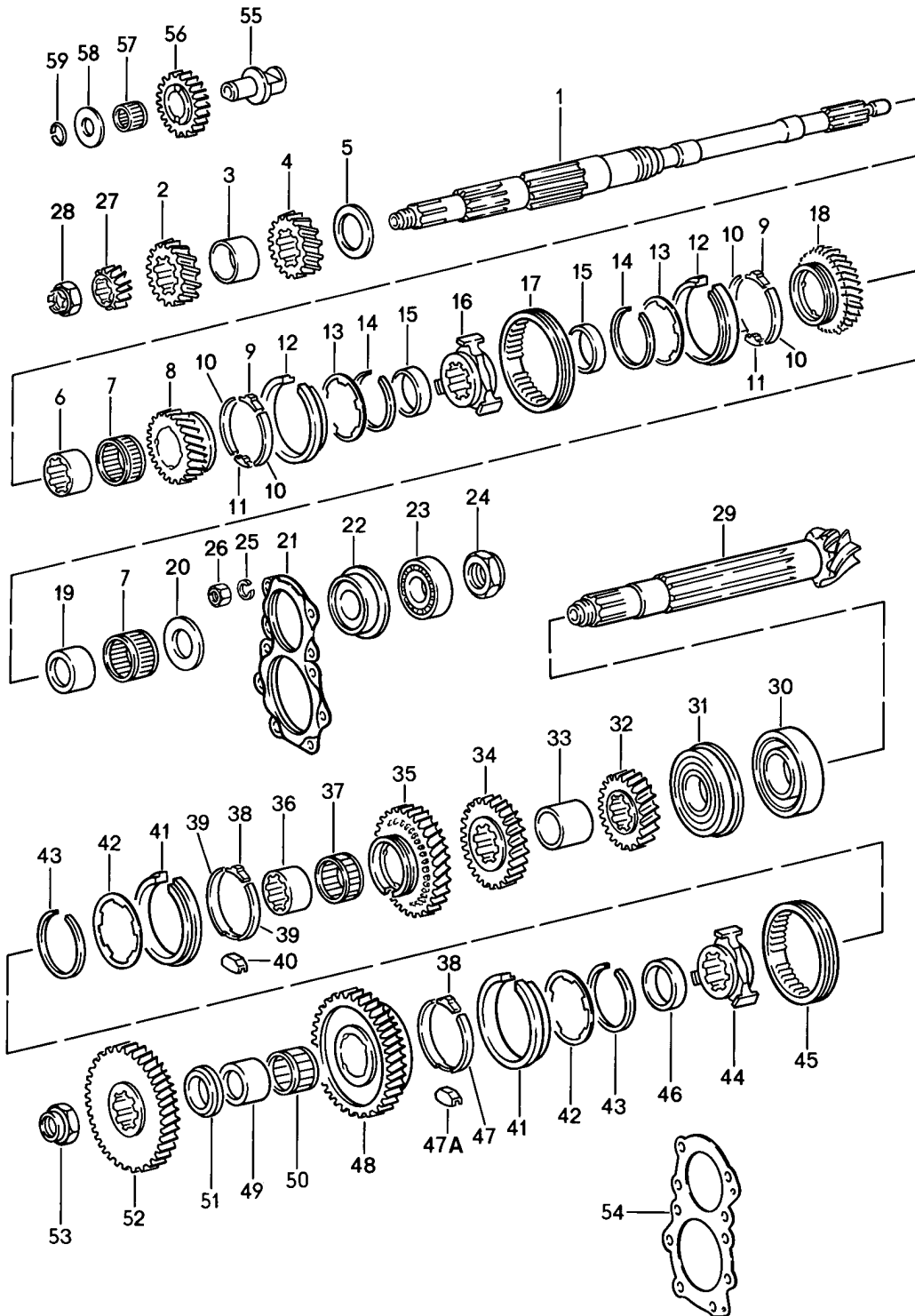


Model: 911 87 Model life 1987>>1989

Pos	Part Number	Description	Remark	Qty	Model
		Gear wheel sets 4-speed			930.36
1	930 302 901 06	Gear set 1st gear Z = 16:36 (FA)		1	
2	930 302 902 04	Gear set 2nd gear Z = 23:30 (NU)		1	
2	930 302 902 06	Gear set 2nd gear Z = 23:30 (NU)		1	
3	930 302 903 02	Gear set 3rd gear Z = 28:25 (SP)		1	
3	930 302 903 04	Gear set 3rd gear Z = 28:25 (SP)		1	
4	930 302 904 03	Gear set 4th speed Z = 32:20 (WK)		1	
5	930 302 911 01	Ring gear and pinion shaft 9:38		1	
5	930 302 911 03	Ring gear and pinion shaft 9:38		1	

Model: 911 87

Model life 1987>>1989



Model: 911 87

Model life 1987>>1989

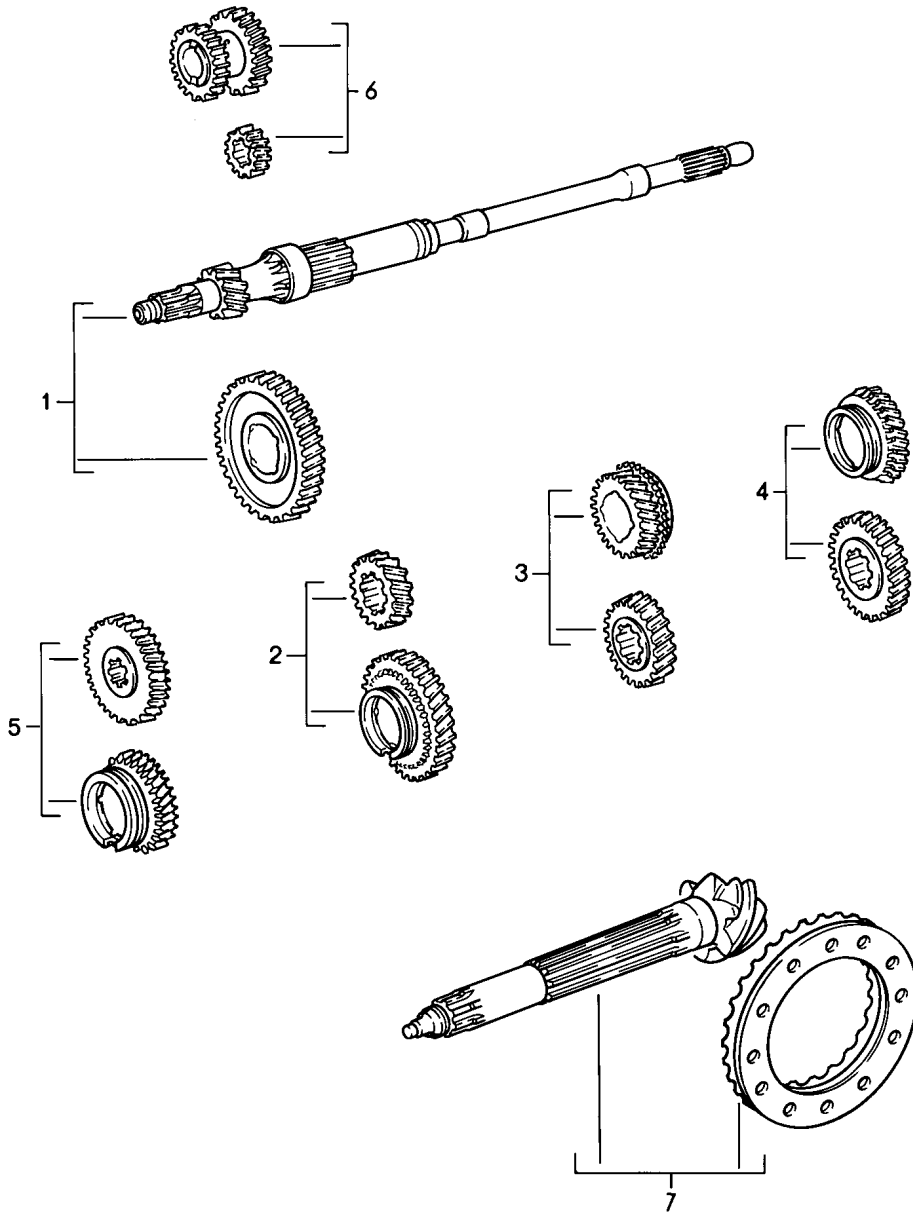
Pos	Part Number	Description	Remark	Qty	Model
		Gears and shafts 4-speed Gear wheel sets See group 3/03/00			930.36
1	930 302 101 01	Drive shaft		1	
2		Fixed gear wheel 1st gear		1	
3	930 302 265 00	Spacer sleeve		1	
4		Fixed gear wheel 2nd gear		1	
5	930 302 293 00	Thrust washer		1	
6	930 302 263 00	Bush 3rd gear		1	
7	999 201 470 00	Needle cage		2	
8		Loose gear wheel 3rd gear		1	
9	930 302 325 00	Stone 3rd/4th gear		2	
9	930 302 325 11	Stone 3rd/4th gear		2	
10	911 302 316 00	Spring 3rd/4th gear		4	
11	911 302 317 01	Stop 3rd/4th gear		2	
12	930 302 303 00	Synchroniser ring 3rd/4th gear		2	
13	930 302 311 00	Lock washer		2	
14	930 302 313 01	Circlip		2	
15	930 302 274 00	Spacer ring		2	
16	930 302 402 00	Guide sleeve		1	
16	930 302 402 61	Guide sleeve		1	
17	911 302 411 20	Shift sleeve		1	
17	911 302 411 26	Shift sleeve		1	
17	911 302 411 27	Shift sleeve		1	
18		Loose gear wheel 4th speed		1	
19	930 302 264 00	Bush 4th speed		1	
20	930 302 291 00	Thrust washer		1	
21	930 302 121 00	Tensioning plate		1	
22	999 052 030 00	Four-point bearing		1	
23	930 302 391 00	Cylindrical-roller bearing		1	
23	930 302 391 01	Cylindrical-roller bearing		1	
24	930 302 281 00	Collar nut		1	
25	900 027 015 02	Lock ring		10	
25	900 027 015 03	Lock ring		10	
26	900 076 025 02	Hexagon nut M 8		10	
26	900 076 064 02	Hexagon nut M 8		10	
27	930 302 221 00	Reverse gear wheel		1	
27	930 302 221 01	Reverse gear wheel		1	
28	930 302 451 00	Collar nut		1	
29		Drive shaft		1	
30	999 110 146 00	Cylindrical-roller bearing		1	
30	999 110 146 01	Cylindrical-roller bearing		1	
31	917 301 391 00	Four-point bearing		1	
32		Fixed gear wheel 4th speed		1	
33	930 302 266 02	Spacer ring		1	
34		Fixed gear wheel 3rd gear		1	

Model: 911 87 Model life 1987>>1989

Pos	Part Number	Description	Remark	Qty	Model
35		Loose gear wheel 2nd gear		1	
36	930 302 262 00	Bush 2nd gear		1	
37	999 201 047 00	Needle cage		2	
38	930 302 315 00	Stone 2nd gear		1	
38	930 302 316 00	Stone 1st gear		1	
39	928 302 318 02	Double barricade tape 2nd gear		2	
40	928 302 322 00	Stop 2nd gear		1	
41	930 302 301 00	Synchroniser ring 1st / 2nd gear		2	
42	930 302 331 00	Lock washer		2	
43	930 302 333 01	Circlip		2	
44	930 302 401 00	Guide sleeve		1	
45	930 302 411 01	Shift sleeve		1	
45	930 302 411 02	Shift sleeve		1	
45	930 302 411 03	Shift sleeve		1	
46	930 302 271 00	Spacer ring		1	
47	928 302 319 08	Double barricade tape 1st gear		1	
47A	928 302 320 01	Stop 1st gear		1	
48		Loose gear wheel 1st gear		1	
49	930 302 261 00	Inner ring		1	
50	999 201 156 00	Needle cage		1	
51	930 302 292 00	Thrust washer		1	
52	930 302 223 00	Reverse gear wheel		1	
53	930 302 453 00	Collar nut		1	
54	915 302 268 03	Adjusting shim 0,10 MM		X	
54	915 302 268 04	Adjusting shim 0,15 MM		X	
54	915 302 268 05	Adjusting shim 0,20 MM		X	
55	930 302 269 01	Sleeve		1	
56	930 302 222 00	Reverse gear wheel		1	
56	930 302 222 02	Reverse gear wheel		1	
57	999 201 115 00	Needle cage		1	
58	930 302 229 00	Washer		1	
59	999 152 053 01	Circlip		1	

Model: 911 87

Model life 1987>>1989



Model: 911 87 Model life 1987>>1989

Pos	Part Number	Description	Remark	Qty	Model
		Gear wheel sets			G50.00/01/02 G50.50
1	950 302 901 11	5-speed Transmission G50.00 Gear set 1st gear Z = 42 : 12		1	
2	950 302 902 02	Gear set 2nd gear Z = 35 : 17		1	
3	950 302 903 04	Gear set 3rd gear Z = 31 : 22		1	
4	950 302 904 12	Gear set 4th speed Z = 29 : 27		1	
5	950 302 905 27	Gear set 5th gear Z = 31 : 36	87	1	
5	950 302 905 40	Gear set 5th gear Z = 33 : 38	88-	1	
6	950 302 907 03	Gear set Reverse gear		1	
6	950 302 907 07	Gear set Reverse gear		1	
6	950 302 907 08	Gear set Reverse gear		1	
7	950 302 911 05	Ring gear and pinion shaft 9 : 31	-88	1	
7	950 302 911 07	Ring gear and pinion shaft 9 : 31		1	
7	950 302 911 05	Ring gear and pinion shaft 9 : 31	89-	1	
7	950 302 911 07	Ring gear and pinion shaft 9 : 31	89-	1	
		Transmission G50.01			
1	950 302 901 11	Gear set 1st gear Z = 42 : 12		1	
2	950 302 902 02	Gear set 2nd gear Z = 35 : 17		1	
3	950 302 903 04	Gear set 3rd gear Z = 31 : 22		1	
4	950 302 904 07	Gear set 4th speed Z = 36 : 32		1	
5	950 302 905 46	Gear set 5th gear Z = 32 : 36	87	1	
5		Gear set 5th gear Z = 33 : 37	88-	1	
6	950 302 907 03	Gear set Reverse gear		1	
6	950 302 907 07	Gear set Reverse gear		1	
6	950 302 907 08	Gear set Reverse gear		1	

Model: 911 87 Model life 1987>>1989

Pos	Part Number	Description	Remark	Qty	Model
7	950 302 911 05	Ring gear and pinion shaft 9 : 31	-88	1	
7	950 302 911 07	Ring gear and pinion shaft 9 : 31		1	
7	950 302 911 05	Ring gear and pinion shaft 9 : 31	89-	1	
7	950 302 911 07	Ring gear and pinion shaft 9 : 31	89-	1	
1	950 302 901 15	Transmission G50.02 Gear set 1st gear Z = 41 : 13		1	
2	950 302 902 10	Gear set 2nd gear Z = 36 : 19		1	
3	950 302 903 07	Gear set 3rd gear Z = 32 : 24		1	
4	950 302 904 03	Gear set 4th speed Z = 29 : 28		1	
5	950 302 905 27	Gear set 5th gear Z = 31 : 36	87	1	
5	950 302 905 40	Gear set 5th gear Z = 33 : 38	88-	1	
6	950 302 907 03	Gear set Reverse gear		1	
6	950 302 907 07	Gear set Reverse gear		1	
6	950 302 907 08	Gear set Reverse gear		1	
7	950 302 911 05	Ring gear and pinion shaft 9 : 31	-88	1	
7	950 302 911 07	Ring gear and pinion shaft 9 : 31		1	
7	950 302 911 05	Ring gear and pinion shaft 9 : 31	89-	1	
7	950 302 911 07	Ring gear and pinion shaft 9 : 31	89-	1	
1	950 302 901 60	Transmission G50.50 Gear set 1st gear Z = 41 : 13		1	
1	950 302 901 62	Gear set 1st gear Z = 41 : 13		1	
2	950 302 902 27	Gear set 2nd gear Z = 34 : 19		1	
3	950 302 903 16	Gear set 3rd gear Z = 33 : 26		1	
4	950 302 904 21	Gear set 4th speed Z = 29 : 30		1	
5	950 302 905 60	Gear set 5th gear Z = 31 : 41		1	
6	950 302 907 03	Gear set		1	

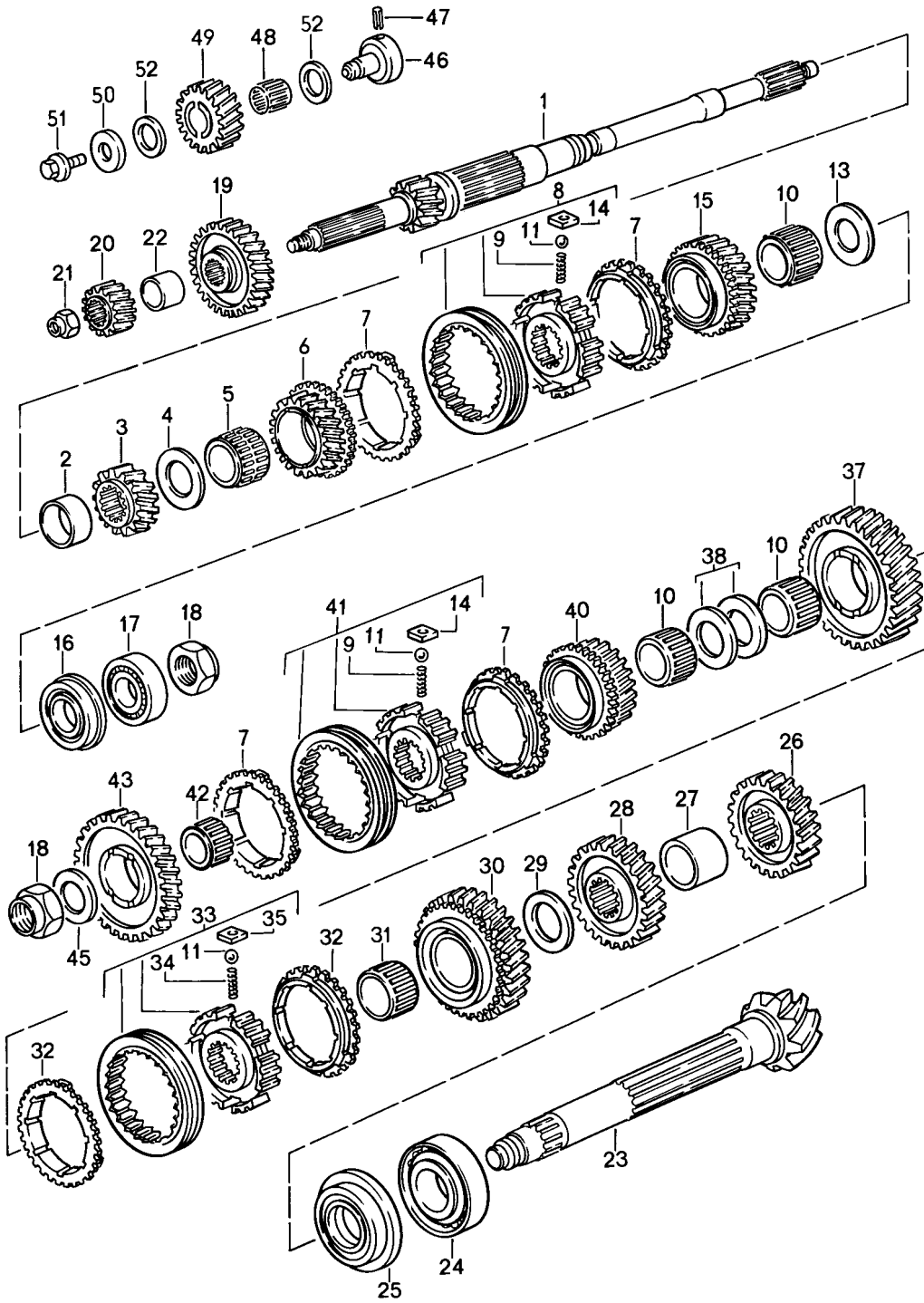
Model: 911 87

Model life 1987>>1989

Pos	Part Number	Description	Remark	Qty	Model
6	950 302 907 07	Reverse gear Z = 40 : 41 : 14 Gear set		1	
6	950 302 907 08	Reverse gear Z = 40 : 41 : 14 Gear set		1	
7	950 302 911 70	Reverse gear Z = 40 : 41 : 14 Ring gear and pinion shaft Z = 9 : 31		1	

Model: 911 87

Model life 1987>>1989



Model: 911 87 Model life 1987>>1989

Pos	Part Number	Description	Remark	Qty	Model
		Gears and shafts			G50.00/01/02 G50.50
		5-speed			
		Gear wheel sets			
		See group			
		3/03/10			
1		Drive shaft		1	
2	950 302 266 01	Bush		1	
3		Fixed gear wheel		1	
		2nd gear			
4	950 302 293 05	Thrust washer		1	
5	999 201 259 01	Needle cage		1	
		38 X 50 X 32,2			
6		Loose gear wheel		1	
		3rd gear			
7	928 304 211 05	Synchroniser ring		4	
8	950 304 221 04	Guide sleeve		1	
		3rd/4th gear			
8	950 304 021 06	Guide sleeve		1	
		3rd/4th gear			
8	950 304 021 81	Guide sleeve		1	
		3rd/4th gear			
9	928 304 261 01	Compression spring		6	
10	999 201 239 02	Needle cage		3	
		35 X 50 X 32,2			
11	N 025 653 2	Ball		9	
		6,5 MM			
13	950 302 294 05	Thrust washer		1	
14	928 304 251 00	Stone		6	
15		Loose gear wheel		1	
		4th speed			
16	999 052 094 00	Four-point bearing		1	
16	999 052 098 00	Four-point bearing		1	
17	999 110 117 01	Cylindrical-roller bearing		1	
		30 X 62 X 20			
18	999 034 033 00	Hexagon nut		2	
19		Fixed gear wheel		1	
		5th gear			
20		Reverse gear wheel		1	
21	950 302 281 01	Lock nut		1	
22	950 302 268 02	Bush		1	
23		Drive shaft		1	
24	999 110 119 01	Cylindrical-roller bearing		1	
		40 X 90 X 23			
25	999 052 088 00	Four-point bearing		1	G50.00/01/02
25	PCG 052 088 00	Four-point bearing		1	G50.00/01/02
25	999 052 164 00	Four-point bearing		1	G50.50
25	997 302 293 00	Angular-contact bearing		1	G50.50
26		Fixed gear wheel		1	
		4th speed			
27	950 302 267 01	Spacer sleeve		1	
28		Fixed gear wheel		1	
		3rd gear			
29	950 302 292 00	Thrust washer		1	
30		Loose gear wheel		1	
		2nd gear			
31	999 201 225 04	Needle-roller bearing		1	
32	950 304 311 02	Synchroniser ring		2	
33	950 304 031 03	Guide sleeve		1	
33	950 304 031 31	Guide sleeve		1	
33	950 304 031 03	Guide sleeve		1	
		1st / 2nd gear			
33	950 304 031 31	Guide sleeve		1	

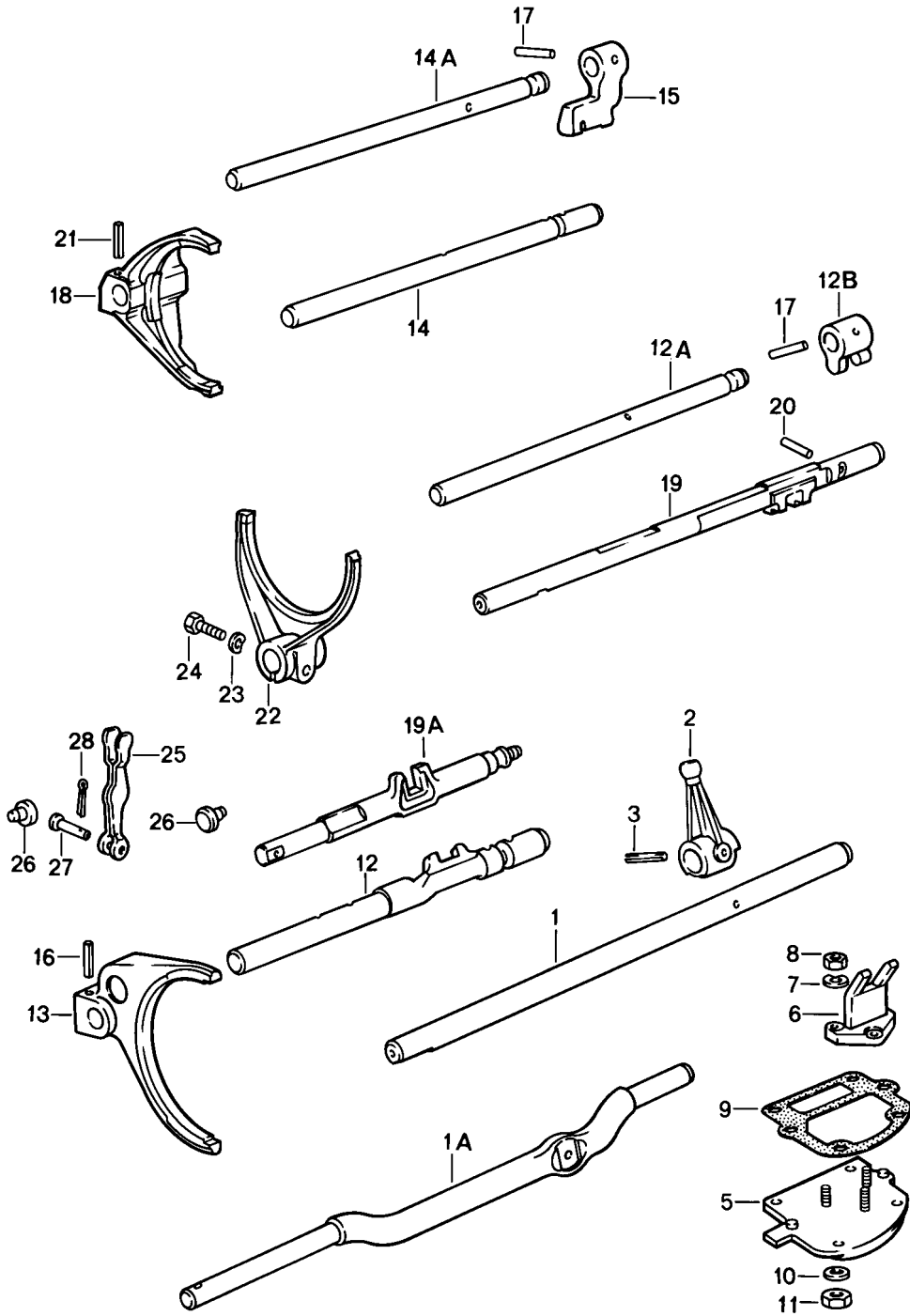
Model: 911 87

Model life 1987>>1989

Pos	Part Number	Description	Remark	Qty	Model
		1st / 2nd gear			
34	928 304 261 00	Compression spring		3	
35	950 304 351 00	Stone		3	
36	950 304 031 03	Guide sleeve		2	
36	950 304 031 31	Guide sleeve		2	
37		Loose gear wheel		1	
		1st gear			
38	950 302 295 07	Thrust washer		2	
		See q-information			
		NR.4/87			
		1st gear			
		5th gear			
40		Loose gear wheel		1	
		5th gear			
41	950 304 021 05	Guide sleeve		1	
41		Guide sleeve		1	
		5-speed			
		Reverse gear			
42	999 201 253 00	Needle cage		1	
43		Loose gear wheel		1	
		Reverse gear			
45	950 302 296 00	Thrust washer		1	
46	950 302 228 01	Bolt	-88	1	
46	950 302 228 03	Bolt	89-	1	
46		Bolt	89-	1	
47	N 013 302 1	Roll pin		1	
48	999 201 227 00	Needle cage		1	
48	999 201 227 01	Needle cage		1	
49		Reverse idler gear		1	
50	950 302 297 00	Thrust washer	-88	1	
50	950 302 297 10	Thrust washer	89-	1	G50.50
51	950 302 230 00	Screw plug		1	
52	950 302 297 12	Thrust washer	89-	2	G50.50

Model: 911 87

Model life 1987>>1989



Model: 911 87 Model life 1987>>1989

Pos	Part Number	Description	Remark	Qty	Model
		Shift rods shift forks for 4-speed And 5-speed			
1	950 303 109 05	Gear shift rod		1	G50.00/01/02 G50.50
1A	930 303 132 00	Gear shift rod		1	930.36
2	950 303 120 01	Shift lever		1	G50.00/01/02 G50.50
(2)	930 303 133 00	Shift lever		1	930.36
(3)	901 303 171 01	Bolt		1	930.36
3	900 309 024 00	Roll pin		1	G50.00/01/02 G50.50
-	N 012 512 1	5 X 26 Cotter pin		1	930.36
5	915 303 023 02	2 X 12 Shift cover		1	930.36
6	930 303 129 02	Fork		1	930.36
7	900 027 014 01	Lock ring		3	930.36
7	900 027 014 02	Lock ring B 6		3	930.36
7	N 012 006 4	Lock ring B 6		3	930.36
8	900 076 010 02	Nut M 6		3	930.36
8	900 076 010 0B	Nut M 6		3	
9	915 303 225 00	Gasket		1	930.36
10	N 012 241 8	Spring washer B 8		4	930.36
11	900 076 025 02	Hexagon nut M 8		4	930.36
11	900 076 064 02	Hexagon nut M 8		4	930.36
12	950 303 101 00	Gear shift rod		1	G50.00/01/02 G50.50
12A	930 303 101 01	1st / 2nd gear Gear shift rod		1	930.36
12B	930 303 111 03	1st / 2nd gear Shift fork		1	930.36
13	950 303 111 01	Shift fork		1	G50.00/01/02 G50.50
(13)	930 303 110 02	1st / 2nd gear Shift fork		1	930.36
14	950 303 103 00	1st / 2nd gear Gear shift rod		1	G50.00/01/02 G50.50
14A	930 303 103 01	3rd/4th gear Gear shift rod		1	930.36
15	930 303 115 03	3rd/4th gear Shift fork		1	930.36
16	900 095 017 01	Roll pin		2	G50.00/01/02 G50.50
17	900 309 003 00	5 X 24 Roll pin		2	930.36
18	950 303 113 04	5 X 24 Shift fork		1	G50.00/01/02 G50.50
18	950 303 113 08	3rd/4th gear Shift fork		1	G50.00/01/02

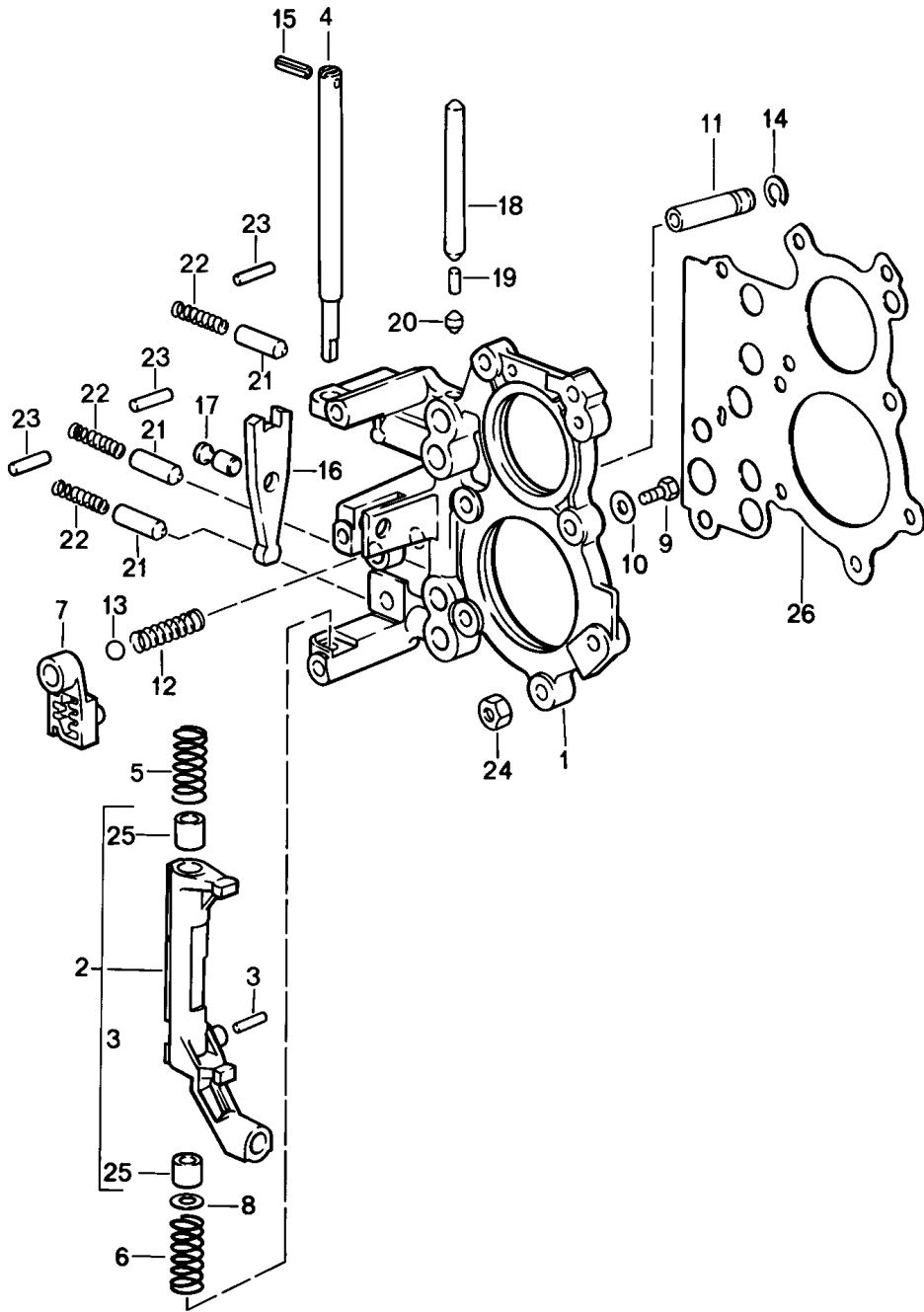
Model: 911 87

Model life 1987>>1989

Pos	Part Number	Description	Remark	Qty	Model
					G50.50
(18)	930 303 112 02	3rd/4th gear Shift fork		1	930.36
(18)	930 303 112 03	3rd/4th gear Shift fork		1	930.36
19	950 303 105 04	3rd/4th gear Gear shift rod		1	G50.00/01/02 G50.50
19A	930 303 105 03	Reverse gear 5th gear Gear shift rod		1	930.36
20	950 303 143 00	Reverse gear Detent		1	G50.00/01/02 G50.50
21	N 013 317 1	Roll pin		2	G50.00/01/02 G50.50
22	950 303 115 03	5 x 28 Shift fork		1	G50.00/01/02 G50.50
23	N 012 228 3	Reverse gear 5th gear Spring washer		3	930.36
23	N 011 525 13	B 8 Washer		1	G50.00/01/02 G50.50
24	900 075 099 02	A 8,4 Hexagon-head bolt M 8 X 30		4	
24	900 075 099 03	Hexagon-head bolt M 8 X 30		4	
25	930 303 019 01	Reverse lever		1	930.36
26	930 303 121 00	Spacer bolt		2	930.36
27	930 303 123 01	Bolt		1	930.36
28	N 012 502 1	Cotter pin 1,6 X 10		1	930.36

Model: 911 87

Model life 1987>>1989



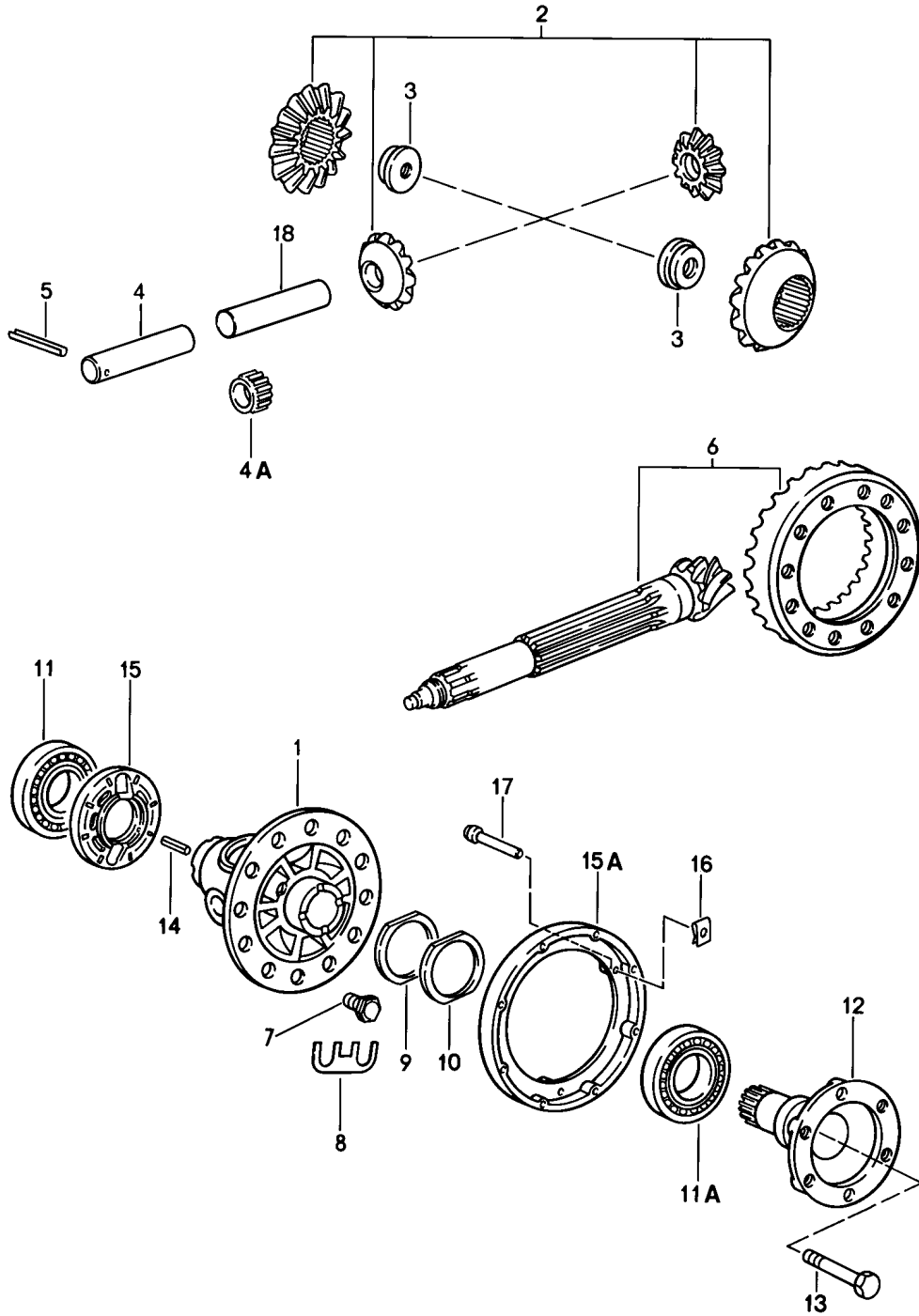
Model: 911 87

Model life 1987>>1989

Pos	Part Number	Description	Remark	Qty	Model
		Tensioning plate			G50.00/01/02 G50.50
		Shift control lock device 5-speed			
1	950 303 130 02	Tensioning plate	-87	1	G50.00/01/02
1	950 303 130 50	Tensioning plate		1	G50.00/01/02
1		Tensioning plate		1	G50.50
2	950 303 035 04	Reverse lever		1	
3	900 302 028 01	Straight pin 4 M6 X 20		1	
4	950 303 134 01	Bearing shaft		1	
4	950 303 134 07	Bearing shaft		1	
5	950 303 133 03	Compression spring		1	
6	950 303 132 03	Compression spring		1	
7	950 303 140 03	Shift gate		1	
8	N 027 381 1	Shim		1	
9	N 010 212 0	Hexagon-head bolt M 6 X 12		1	
10	N 011 666 7	Washer		1	
11	950 303 136 00	Dowel sleeve		1	
12	950 303 137 01	Compression spring		1	
13	N 025 669 2	Ball \$ = 10 MM		1	
14	999 152 018 01	Circlip SW 14		1	
15	N 013 304 1	Roll pin 4 X 20		1	
15	900 095 013 00	Roll pin 4 X 20		1	
16	950 303 146 01	Reverse lever		1	
17	950 303 145 00	Bolt		1	
18	950 303 141 00	Detent Long		1	
19	950 303 143 00	Detent		1	
20	950 303 142 00	Detent Short		1	
21	928 303 233 25	Arresting bush		3	
22	928 303 235 20	Compression spring	-87	3	
22	959 303 235 00	Compression spring	88-	3	
23	900 109 106 00	Needle-roller bearing 4 H11 X 16		3	
24	900 076 025 02	Hexagon nut M 8		10	
24	900 076 064 02	Hexagon nut M 8		10	
25	999 924 026 00	Bush 12 X 14 X 15		2	
26	950 303 125 10	Adjusting shim 0,1 MM		X	
26	950 303 125 11	Adjusting shim 0,15 MM		X	
26	950 303 125 12	Adjusting shim 0,2 MM		X	

Model: 911 87

Model life 1987>>1989



Model: 911 87 Model life 1987>>1989

Pos	Part Number	Description	Remark	Qty	Model
1	930 332 212 01	Differential housing		1	930.36
1	950 332 212 01	Differential housing		1	G50.00/01/02 G50.50
2	950 332 902 00	Differential pinions 1 set		1	G50.00/01/02 G50.50
2	928 332 902 01	Differential pinions 1 set		1	930.36
2	928 332 902 90	Differential pinions 1 set		1	930.36
2	950 332 902 90	Differential pinions 1 set		1	930.36
3	928 332 279 03	Threaded disc		2	G50.00/01/02 G50.50
3	928 332 279 02	Nut		2	930.36
4	928 332 207 07	Differential bolt		1	G50.00/01/02 G50.50
4	928 332 207 05	Differential bolt		1	930.36
4A	999 201 237 00	Needle cage 18 X 22 X 45		2	G50.00/01/02
(4A)	999 201 347 00	Needle cage Comprising: 31 NADELROLLEN		2	G50.50
5	900 309 035 00	Roll pin		1	
6	950 302 911 05	Ring gear and pinion shaft 9 : 31	-88	1	G50.00/01/02
6	950 302 911 07	Ring gear and pinion shaft 9 : 31		1	G50.00/01/02
6	950 302 911 05	Ring gear and pinion shaft 9 : 31	89-	1	G50.00/01/02
6	950 302 911 07	Ring gear and pinion shaft 9 : 31	89-	1	G50.00/01/02
6	930 302 911 01	Ring gear and pinion shaft 9 : 38		1	930.36
6	930 302 911 03	Ring gear and pinion shaft 9 : 38		1	930.36
6	950 302 911 70	Ring gear and pinion shaft Z = 9 : 31		1	G50.50
7	928 332 276 03	Hexagon-head bolt		12	
8	950 332 285 00	Tab washer		6	G50.00/01/02 G50.50
8	950 332 285 01	Tab washer		6	G50.00/01/02 G50.50
8	901 332 285 01	Tab washer		6	930.36
9	950 332 268 01	Adjusting ring 1,6 MM		X	G50.00/01/02 G50.50
9	950 332 268 02	Adjusting ring 1,7 MM		X	G50.00/01/02 G50.50
9	996 332 266 56	Adjusting ring 1,7 MM		X	G50.00/01/02 G50.50
9	950 332 268 04	Adjusting ring 1,8 MM		X	G50.00/01/02 G50.50
9	950 332 268 05	Adjusting ring 1,9 MM		X	G50.00/01/02 G50.50
9	950 332 268 06	Adjusting ring 2,0 MM 2,1 MM		X	G50.00/01/02 G50.50

Model: 911 87

Model life 1987>>1989

Pos	Part Number	Description	Remark	Qty	Model
9	950 332 268 07	Adjusting ring 2,2 MM		X	G50.00/01/02 G50.50
9	950 332 268 08	Adjusting ring 2,3 MM		X	G50.00/01/02 G50.50
9	950 332 268 09	Adjusting ring 2,4 MM		X	G50.00/01/02 G50.50
(9)	915 332 265 00	Adjusting ring 2,4 MM		X	930.36
9	950 332 268 10	Adjusting ring 2,5 MM		X	G50.00/01/02 G50.50
(9)	915 332 265 01	Adjusting ring 2,5 MM		X	930.36
9	950 332 268 11	Adjusting ring 2,6 MM		X	G50.00/01/02 G50.50
(9)	915 332 265 02	Adjusting ring 2,6 MM		X	930.36
9	950 332 268 12	Adjusting ring 2,7 MM		X	G50.00/01/02 G50.50
(9)	915 332 265 03	Adjusting ring 2,7 MM		X	930.36
9	996 332 266 76	Adjusting ring 2,8 MM		X	G50.00/01/02 G50.50
(9)	915 332 265 04	Adjusting ring 2,8 MM		X	930.36
9	950 332 268 14	Adjusting ring 2,9 MM		X	G50.00/01/02 G50.50
(9)	915 332 265 05	Adjusting ring 2,9 MM		X	930.36
9	996 332 266 50	Adjusting ring 3,0 MM		X	G50.00/01/02 G50.50
(9)	915 332 265 06	Adjusting ring 3,0 MM		X	930.36
9	950 332 268 16	Adjusting ring 3,1 MM		X	G50.00/01/02 G50.50
(9)	915 332 265 07	Adjusting ring 3,1 MM		X	930.36
(9)	915 332 265 08	Adjusting ring 3,2 MM		X	930.36
(9)	915 332 265 09	Adjusting ring 3,3 MM		X	930.36
(9)	915 332 265 10	Adjusting ring 3,4 MM		X	930.36
(9)	915 332 265 11	Adjusting ring 3,5 MM		X	930.36
(9)	915 332 265 12	Adjusting ring 3,6 MM		X	930.36
(9)	915 332 265 13	Adjusting ring 3,7 MM		X	930.36
10	950 332 268 00	Adjusting ring		X	G50.00/01/02 G50.50
(10)	915 332 263 00	Adjusting ring 0,25 MM		X	930.36

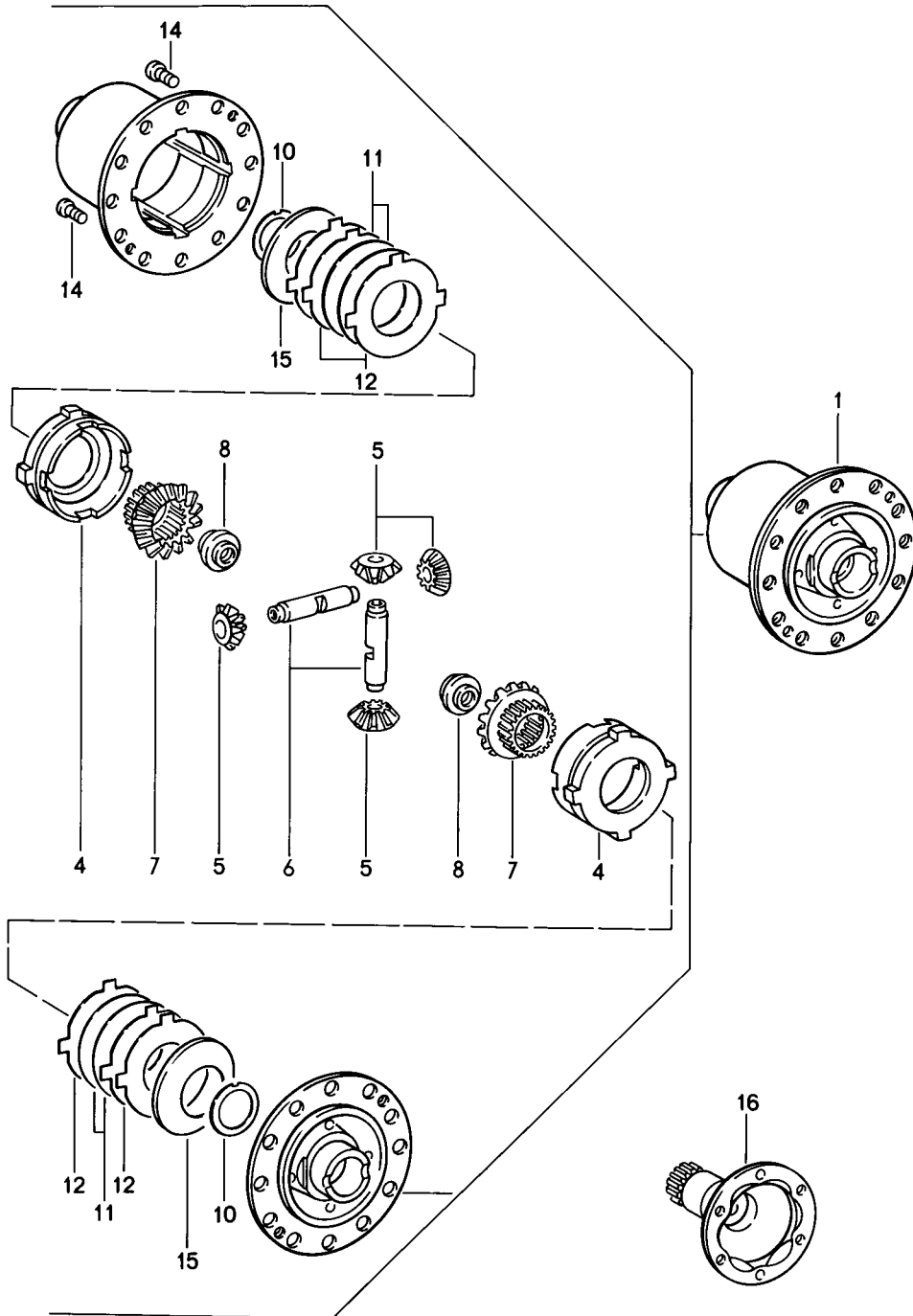
Model: 911 87

Model life 1987>>1989

Pos	Part Number	Description	Remark	Qty	Model
11	999 059 027 00	Taper roller bearing		1	
11	999 059 027 02	Taper roller bearing		1	
11A	999 059 064 00	Taper roller bearing		1	
12	950 332 209 01	Joint flange		2	G50.00/01/02 G50.50
12	930 332 209 05	Joint flange		2	930.36
12	930 332 209 12	Joint flange		2	930.36
13	N 010 472 4	Hexagon-head bolt		2	G50.00/01/02 G50.50
		M 10 X 85			
13	900 074 375 01	Hexagon-head bolt		2	G50.00/01/02 G50.50
		M 10 X 85			
13	900 074 291 02	Hexagon-head bolt		2	930.36
		M 10 X 78			
14	900 095 078 00	Tensioning sleeve		1	930.36
		4 X 14			
15	915 318 045 03	Magnet carrier disc		1	930.36
15A	950 318 045 03	Magnet carrier disc		1	G50.00/01/02
15A	950 318 045 04	Magnet carrier disc		1	G50.00/01/02 G50.50
					M220
16	N 012 644 1	Lock		3	G50.00/01/02 G50.50
17	950 318 355 10	Bolt		3	G50.00/01/02 M220
17	950 318 355 13	Bolt		3	G50.00/01/02 M220
18	950 332 205 00	Spacer sleeve		1	G50.50

Model: 911 87

Model life 1987>>1989



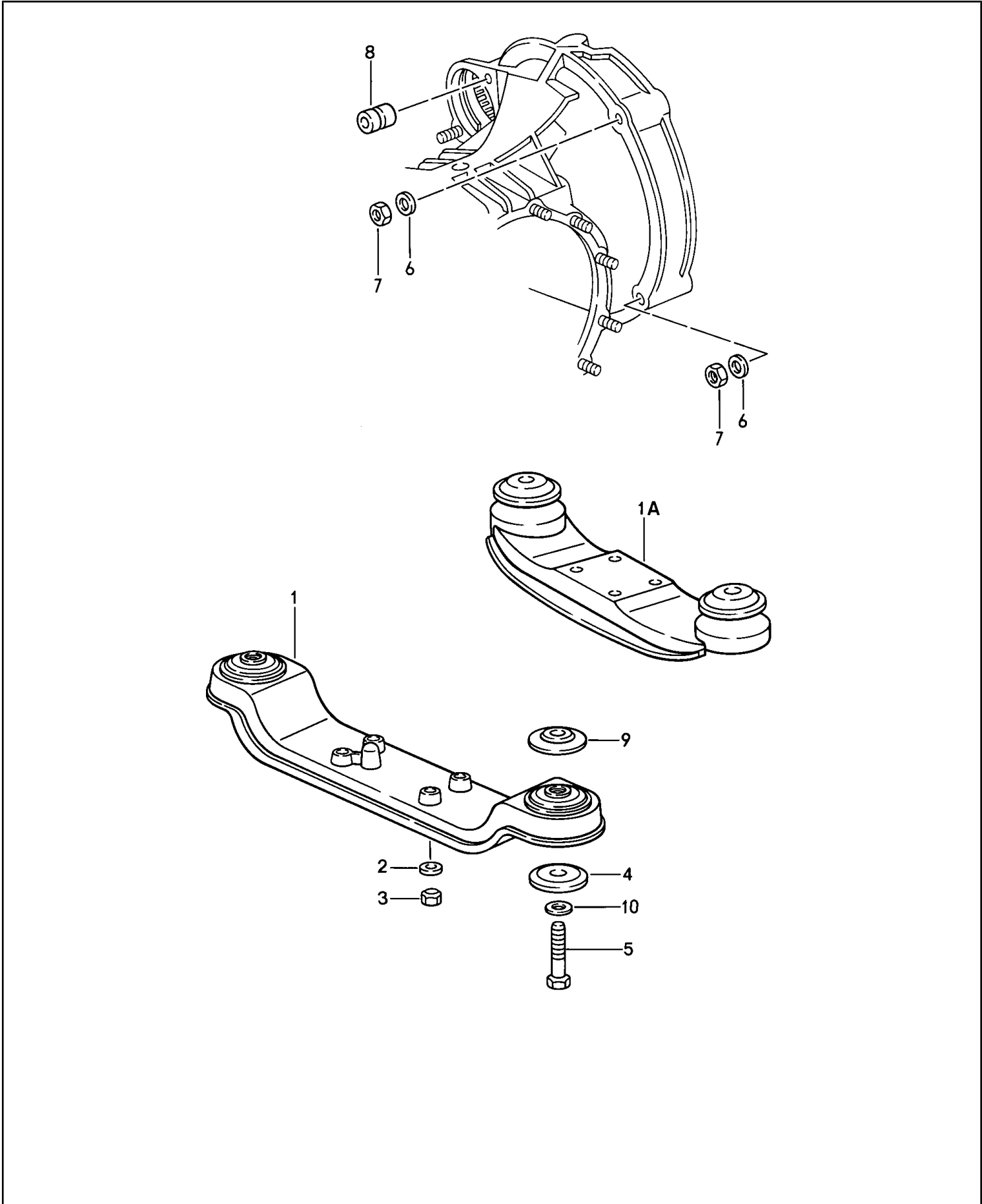
Model: 911 87

Model life 1987>>1989

Pos	Part Number	Description	Remark	Qty	Model
1	930 332 053 03	Limited-slip differential		1	930.36
1	950 332 053 06	Limited-slip differential 40 %		1	G50.00/01/02 G50.50
4	901 332 511 11	Thrust ring		2	930.36
4	928 332 511 00	Thrust ring		2	G50.00/01/02 G50.50
5	915 332 531 02	Bevel pinion		4	930.36
5	928 332 531 00	Bevel pinion		4	G50.00/01/02 G50.50
6	915 332 541 02	Differential shaft		2	930.36
6	928 332 541 00	Differential shaft		2	G50.00/01/02 G50.50
7	930 332 535 01	Shaft bevel gear		2	930.36
7	928 332 535 01	Shaft bevel gear		2	G50.00/01/02 G50.50
8	928 332 279 01	Threaded disc		2	
10	901 332 561 11	Thrust washer		2	
11	928 332 551 00	Inner disc		4	
12	917 332 552 10	Disc with external splines 2,0 MM		4	
12	917 332 552 11	Disc with external splines 1,9 MM		4	
12	917 332 552 12	Disc with external splines 2,0 MM		4	
12	917 332 552 12	Disc with external splines 2,1 MM		4	
14	N 014 765 2	Pan-head screw		2	
-	900 095 078 00	M 6 X 10 Tensioning sleeve 4 X 14		1	930.36
15	928 332 555 00	Cup spring		2	930.36
15	928 332 555 20	Cup spring		2	G50.00/01/02 G50.50
16	950 332 209 01	Joint flange		2	G50.00/01/02 G50.50
16	930 332 209 05	Joint flange		2	930.36
16	930 332 209 12	Joint flange		2	930.36

Model: 911 87

Model life 1987>>1989



Model: 911 87

Model life 1987>>1989

Pos	Part Number	Description	Remark	Qty	Model
1	911 375 031 09	Transmission suspension Transmission carrier Technical information 3/89 - 6 ZYLINDER Attention	-87	1	G50.00/01/02 G50.50
1		Transmission carrier Technical information 3/89 - 6 ZYLINDER Attention	88-	1	G50.00/01/02 G50.50
1A	930 375 031 00	Transmission carrier		1	930.36
2	N 011 525 13	Washer 8,4		4	
3	900 910 022 09	Lock nut		4	
3	900 910 022 03	Lock nut		4	
4	901 305 311 00	Seat		4	
5	911 375 317 01	Hexagon-head bolt M 12 X 1,5 X 68		2	G50.00/01/02 G50.50
5	901 305 317 00	Hexagon-head bolt M 12 X 1,5 X 60		2	930.36
5	930 375 317 00	Hexagon-head bolt M 12 X 1,5 X 65 Use also:		2	930.36
5	930 375 317 01	Hexagon-head bolt M 12 X 1,5 X 65 Use also:		2	930.36
-	999 025 074 02	Washer 12,4 X 34 X 5		2	930.36
-	999 025 074 01	Washer 12,4 X 34 X 5		2	930.36
6	900 031 005 02	Washer 10,5		5	
6	900 031 005 03	Washer 10,5		5	
7	900 157 002 02	Hexagon nut M 10		3	
7	900 157 002 03	Hexagon nut M 10		3	
8	901 104 382 02	Nut		2	
8	901 104 382 03	Nut		2	
9	911 375 305 00	Seat		2	G50.00/01/02 G50.50
10	999 025 074 02	Washer 12,4 X 34 X 5		2	930.36
10	999 025 074 01	Washer 12,4 X 34 X 5		2	930.36

Model: 911 87

Model life 1987>>1989



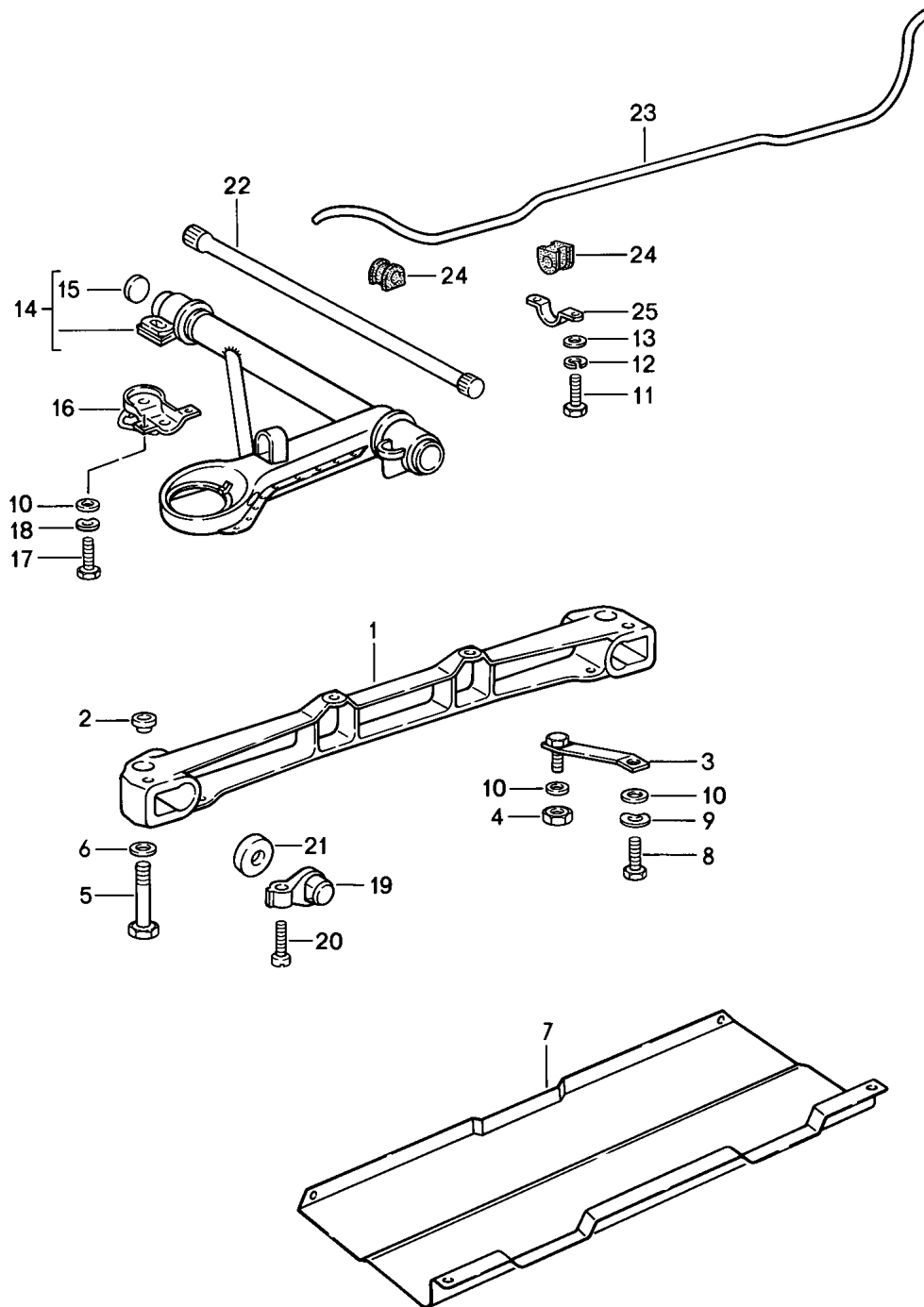
Model: 911 87

Model life 1987>>1989

Pos	Part Number	Description	Remark	Qty	Model
>>	950 300 911 00	Gasket set Gasket set Transmission Comprising:		1	G50.00/01/02
-	999 113 347 40	Shaft sealing ring 48 X 68 X 10		2	
-	999 113 326 41	Shaft sealing ring 26 X 40 X 12		1	
-	999 113 404 40	Shaft sealing ring 16 X 24 X 7,5		1	
-	999 701 745 40	O-ring 186 X 3,5		1	
-	928 332 776 00	Flange gasket		1	
-	900 123 011 30	Sealing ring A 22 X 27		1	
-	950 301 191 01	Gasket		1	
-	950 301 351 02	Gasket		1	
-	900 123 043 30	Sealing ring		1	
>>	950 300 911 50	Gasket set Transmission Comprising:		1	G50.50
-	999 113 347 40	Shaft sealing ring 48 X 68 X 10		2	
-	999 113 326 41	Shaft sealing ring 26 X 40 X 12		1	
-	999 113 404 40	Shaft sealing ring 16 X 24 X 7,5		1	
-	999 701 387 40	O-ring 210 X 3,5		1	
-	900 123 011 30	Sealing ring		1	
-	950 301 191 01	Gasket		1	
-	950 301 351 02	Gasket		1	
-	900 123 043 30	Sealing ring A 12 X 15		1	
-	999 701 734 40	Sealing ring 29,5 X 1,5		1	
>>	930 300 911 00	Gasket set Transmission Comprising:		1	G30.36
-	915 301 139 00	Sealing ring		1	
-	999 113 183 40	Radial shaft seal		2	
-	999 701 437 40	O-ring		1	
-	930 302 332 00	Shaft sealing ring		1	
-	999 701 440 40	O-ring		1	
-	930 301 191 00	Gasket		1	
-	999 113 185 40	Shaft sealing ring		1	
-	930 301 351 00	Gasket		1	
-	915 303 225 00	Gasket		1	

Model: 911 87

Model life 1987>>1989



Model: 911 87

Model life 1987>>1989

Pos	Part Number	Description	Remark	Qty	Model
		Front axle			
		Stabiliser			
1	911 341 013 10	Auxiliary support		1	
2	930 341 135 00	Adapter		2	TURBO
3	930 341 031 02	Strut		2	TURBO
(3)	911 341 031 01	Strut		2	CARRERA
4	900 910 031 09	Lock nut		2	
4	900 910 031 01	Lock nut		2	
5	900 082 110 02	Hexagon-head bolt M 12 X 1,5 X 85		2	
6	900 028 014 02	Washer B 12		2	
6	900 028 014 03	Washer B 12		2	
7	930 341 021 02	Protective plate		1	TURBO
7	911 341 161 04	Protective plate		1	CARRERA
7	911 341 161 05	Protective plate		1	CARRERA
8	N 014 721 2	Pan-head screw M 10 X 25		2	
9	900 027 016 02	Lock ring B 10		2	
9	900 027 016 03	Lock ring B 10		2	
10	900 025 008 09	Washer 10,5		8	
10	900 025 008 04	Washer 10,5		8	
11	900 075 087 02	Hexagon-head bolt M 8 X 16		2	
11	900 075 087 03	Hexagon-head bolt M 8 X 16		2	
12	900 027 015 02	Lock ring B 8		2	
12	900 027 015 03	Lock ring B 8		2	
13	900 025 007 02	Washer 8,4		2	
13	900 025 007 03	Washer 8,4		2	
14	911 341 901 01	Wishbone	/L	1	CARRERA
14	911 341 902 01	Wishbone	/R	1	CARRERA
14	930 341 901 01	Wishbone	/L	1	TURBO
14	930 341 902 01	Wishbone	/R	1	TURBO
15	900 040 008 01	Lid		2	
16	911 341 037 02	Protective bracket	/L	1	
16	901 341 159 00	Protective bracket	/R	1	
17	N 010 275 3	Hexagon-head bolt M 10 X 35		6	CARRERA
17	900 075 460 01	Hexagon-head bolt M 10 X 35		6	CARRERA
17	N 040 281 1	Hexagon-head bolt M 10 X 45		6	TURBO
17	900 075 516 01	Hexagon-head bolt M 10 X 45		6	TURBO
18	900 027 016 02	Lock ring B 10		6	
18	900 027 016 03	Lock ring B 10		6	
19	901 341 033 00	Reverse lever		2	
20	911 341 115 00	Adjusting screw		2	
21	901 341 475 00	Gasket		2	
22	901 343 101 12	Torsion bar	/L	1	
22	901 343 101 14	Torsion bar	/L	1	

Model: 911 87

Model life 1987>>1989

Pos	Part Number	Description	Remark	Qty	Model
22	901 343 102 12	Torsion bar	/R	1	
22	901 343 102 14	Torsion bar	/R	1	
23	911 343 703 13	Stabiliser 22 MM		1	
24	911 343 881 00	Stabiliser mounting 22 MM		4	
25	911 343 775 00	Clip		2	

Model: 911 87 Model life 1987>>1989

Pos	Part Number	Description	Remark	Qty	Model
-	PCG 043 110 00	Shock absorber strut Lubricants Grease Bearing 200 GR.		1	
1	911 341 041 33	Shock absorber strut - bilstein -	/L -88	1	TURBO
1	911 341 042 33	Shock absorber strut - bilstein -	/R -88	1	TURBO
1	911 341 041 35	Shock absorber strut - bilstein -	/L 89-	1	TURBO
				1	CARRERA
1	911 341 042 35	Shock absorber strut - bilstein -	/R 89-	1	TURBO
				1	CARRERA
					M491
2	911 341 041 04	Shock absorber strut - boge -	/L	1	CARRERA
2	911 341 042 04	Shock absorber strut - boge -	/R	1	CARRERA
2	911 341 041 05	Shock absorber strut - boge -	/L	1	M474/491 Carrera
2	911 341 042 05	Shock absorber strut - boge -	/R	1	M474/491 CARRERA
					M474/637
-	911 341 043 02	Shock absorber strut	/L	1	M474/491 CARRERA
		Outer part - boge -			
-	911 341 043 04	Shock absorber strut	/L	1	M474/491 CARRERA
		Outer part			
-	911 341 044 02	Shock absorber strut	/R	1	M474/491 CARRERA
		Outer part - boge -			
-	911 341 043 03	Shock absorber strut	/L	1	CARRERA
		Outer part - boge -			
		for 911.341.041.04/05			
-	911 341 044 03	Shock absorber strut	/R	1	CARRERA
		Outer part - boge -			
		for 911.341.042.04/05			
-	911 341 044 11	Shock absorber strut	/R	1	CARRERA
		Outer part - boge -			
		for 911.341.042.04/05			
3	901 343 301 00	Rubber stop		2	CARRERA
		- boge -			
4	911 341 806 00	Locking ring		2	M637 CARRERA
		Outer Threaded ring			
(4)		- boge - Locking ring		2	CARRERA
		Outer Threaded ring			
(4)	911 341 804 00	- boge - Screw plug		2	M474/491/637 CARRERA

Model: 911 87

Model life 1987>>1989

Pos	Part Number	Description	Remark	Qty	Model
(4)	911 341 804 01	Inner Threaded ring - boge - Screw plug		2	CARRERA
5	911 341 805 01	Inner Threaded ring - boge - Protective tube		2	CARRERA M474/491 M637
7	911 341 913 05	- boge - Repair set		2	CARRERA M474/491 M637
7	911 341 913 10	- boge - Repair set		2	CARRERA M474/491 M637
7	911 341 913 06	in pairs Use Attention Deleted 90134330100 POSITION 3 Repair set		2	CARRERA
7	911 341 913 13	- boge - Repair set in pairs Use Attention Deleted 90134330100 POSITION 3		2	CARRERA
8	911 341 018 00	Supporting mount		2	
9	901 341 629 00	Support washer		2	
10	900 038 002 01	Tab washer		2	
11	N 011 021 3	\$ 14 Hexagon nut M 14 X 1,5		2	
12	911 501 933 00	Double-bore pressure plate		2	
13	911 501 934 00	One-bore pressure plate		2	
14	900 067 063 02	Pan-head screw M 10 X 20		6	
15	999 523 103 01	Schnorr retainng washer		6	
16	911 341 049 01	Ball joint		2	
16	911 341 049 05	Ball joint		2	
17	901 341 425 00	Grooved nut		2	
17	901 341 425 01	Grooved nut		2	
18	901 341 426 00	Tab washer		2	
19	N 012 521 1	Cotter pin		2	
20	911 341 119 06	Threaded pin		2	
20	911 341 119 07	Threaded pin		2	
21	900 089 006 02	Washer A 8,4		2	
21	900 089 006 01	Washer A 8,4		2	
22	999 084 019 02	Lock nut		2	
23	999 701 084 50	O-ring OR 25,3 - 2,4		2	
24	901 341 623 00	Spacer ring		2	
25	911 341 065 06	Front wheel hub		2	CARRERA
25	911 341 065 10	Front wheel hub		2	CARRERA
25	930 341 065 01	Front wheel hub		2	TURBO CARRERA M491
26	911 331 671 00	Wheel bolt		10	TURBO

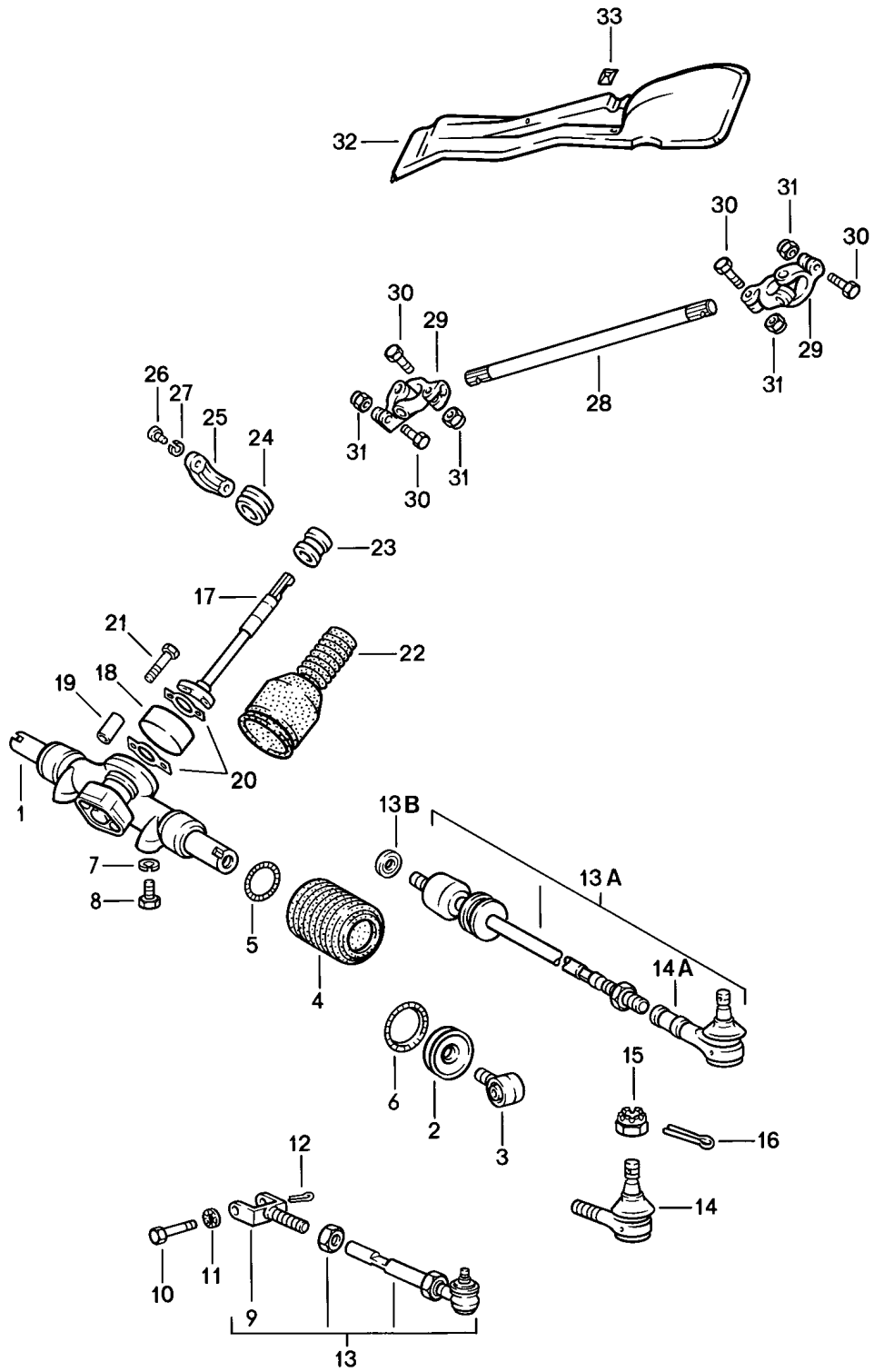
Model: 911 87

Model life 1987>>1989

Pos	Part Number	Description	Remark	Qty	Model
26	904 341 671 00	Wheel bolt		10	CARRERA
26	993 331 671 02	Wheel bolt		10	CARRERA
26	901 341 671 05	Wheel bolt		X	CARRERA
-	PCG 059 065 00	Oversize Bearing set Wheel hub Front axle Comprising:		1	
-	999 059 065 00	Taper roller bearing		2	
-	999 059 098 00	Taper roller bearing		2	
-	900 075 079 02	Hexagon-head bolt		10	
-	900 076 064 02	Hexagon nut		10	
-	901 341 623 00	Spacer ring		2	
-	477 405 641	Radial sealing ring		2	
-	999 701 084 50	O-ring		2	
-	N 012 241 8	Spring washer		10	
-	PCG 043 110 00	Grease Bearing 200 GR.		1	
27	999 059 098 00	Taper roller bearing		2	
28	999 059 065 00	Taper roller bearing		2	
28	999 059 099 00	Taper roller bearing		2	WW
28	999 059 065 00	Taper roller bearing		2	WW
29	477 405 641	Radial sealing ring		2	
30	911 341 663 00	Thrust washer		2	
31	911 341 673 00	Clamping nut		2	
32	999 119 001 01	Pan-head screw		2	
32	999 119 001 0B	Pan-head screw		2	
33	911 341 684 00	Cap		2	CARRERA
33	930 341 066 01	Cap		2	TURBO
				2	CARRERA
					M491
33	930 341 066 02	Cap		2	TURBO
				2	CARRERA
					M491
34	999 651 203 40	Cable holder		2	
35	999 651 202 40	Clip		2	

Model: 911 87

Model life 1987>>1989



Model: 911 87 Model life 1987>>1989

Pos	Part Number	Description	Remark	Qty	Model
		Steering parts			
		Lower			
1	914 347 010 06	Steering gear		1	CARRERA
(1)	930 347 010 00	Steering gear		1	TURBO
(1)	930 347 010 X	Steering gear		1	TURBO
(2)	911 347 056 00	Bellow support		2	CARRERA
3	914 347 057 00	Articulated bush		2	CARRERA
4	901 347 191 02	Bellows		2	CARRERA
(4)	930 347 191 02	Bellows		2	TURBO
5	901 347 308 00	Retainer spring		2	CARRERA
6	901 347 309 00	Retainer spring		2	CARRERA
7	900 027 016 02	Lock ring		2	CARRERA
		B 10			
7	900 027 016 03	Lock ring		2	CARRERA
		B 10			
(7)	900 028 032 02	Spring washer		2	TURBO
		B 10			
8	900 075 071 07	Hexagon-head bolt		2	CARRERA
		M 10 X 45			
8	N 010 275 3	Hexagon-head bolt		2	TURBO
		M 10 X 35			
8	900 075 460 01	Hexagon-head bolt		2	TURBO
		M 10 X 35			
9	901 347 315 01	Joint fork		2	CARRERA
9	901 347 315 03	Joint fork		2	CARRERA
10	911 347 327 00	Hexagon-head bolt		2	CARRERA
11	999 523 103 01	Schnorr retainng washer		2	CARRERA
		M 10			
12	900 021 008 00	Cotter pin		2	CARRERA
		2 X 15			
12	900 021 008 0A	Cotter pin		2	CARRERA
		2 X 15			
13	911 347 031 00	Tie rod		2	CARRERA
13	911 347 031 01	Tie rod		2	CARRERA
13A	930 347 031 01	Tie rod		2	TURBO
13B	930 347 313 01	Washer		2	TURBO
13B	930 347 313 02	Washer		2	TURBO
14	911 347 322 04	Ball joint		2	CARRERA
14A	930 347 322 00	Ball joint		2	TURBO
15	N 011 210 1	Castle nut		2	
		M 10 X 1			
16	900 021 013 00	Cotter pin		2	
		2 X 25			
17	901 347 210 03	Steering shaft		1	
17	901 347 210 04	Steering shaft		1	
18	901 347 201 02	Steering coupling		1	
19	901 347 215 00	Stop bush		2	
20	901 347 248 00	Tab washer		1	
21	N 010 353 3	Hexagon-head bolt		2	
		M 8 X 42			
22	901 347 393 01	Sealing bellows		1	
22	901 347 393 02	Sealing bellows		1	
23	911 347 041 00	Steering shaft bearing		1	
23	911 347 029 01	Steering shaft bearing		1	
		Complete			
-	911 347 029 00	Needle-roller bearing		1	
-	911 347 029 01	Steering shaft bearing		1	
24	901 347 223 03	Rubber mounting		1	
25	901 347 221 00	Housing		1	
25	901 347 221 01	Housing		1	
26	900 119 052 02	Pan-head screw		2	
		M 8 X 16			
27	900 142 002 01	Lock ring		2	

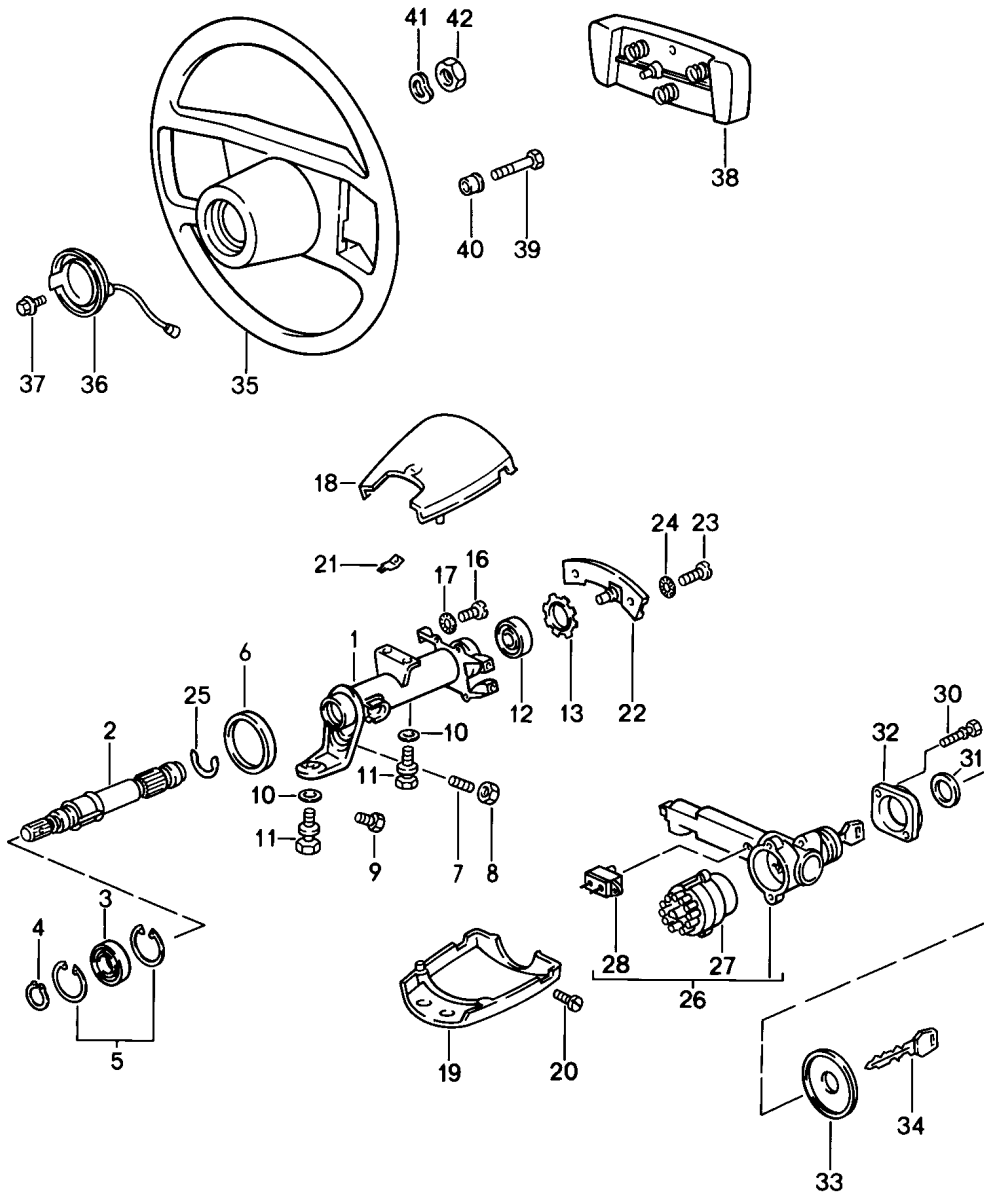
Model: 911 87

Model life 1987>>1989

Pos	Part Number	Description	Remark	Qty	Model
		8			
28	911 347 211 01	Intermed. steering shaft	/LL	1	
(28)	911 347 212 01	Intermed. steering shaft	/RL	1	
29	930 347 025 00	Universal joint		2	
29	930 347 025 01	Universal joint		2	
29	930 347 025 02	Universal joint		2	
30	N 010 335 5	Hexagon-head bolt M 8 X 35		4	
30	900 075 032 03	Hexagon-head bolt M 8 X 35		4	
31	N 021 194 1	Lock nut M 8		4	
32	901 347 067 00	Cover	/LL	1	
(32)	901 347 068 00	Cover	/RL	1	
33	999 507 209 01	Speed nut		2	

Model: 911 87

Model life 1987>>1989



Model: 911 87

Model life 1987>>1989

Pos	Part Number	Description	Remark	Qty	Model
		Steering parts			
		Upper			
1	911 347 073 03	Steering outer tube	/LL	1	
(1)	911 347 072 04	Steering outer tube	/RL	1	
2	911 347 061 02	Steering shaft		1	
3	900 052 031 00	Deep-groove ball bearing		1	
4	900 041 008 00	Circlip		1	
		17 X 1			
5	900 042 008 00	Circlip		2	
		35 X 1,5			
6	911 347 713 00	Gasket		1	
7	900 228 002 02	Threaded pin	/LL	1	
		M 8 X 16			
8	900 076 025 02	Hexagon nut	/LL	1	
		M 8			
8	900 076 064 02	Hexagon nut	/LL	1	
		M 8			
9	900 146 044 02	Oval-head screw	/RL	1	
		AM 6 X 10			
10	N 012 241 8	Spring washer		3	
		B 8			
11	901 347 753 00	Shear bolt		3	
12	911 347 771 02	Ball bearing		1	
13	999 041 102 01	Circlip		1	
16	900 014 069 02	Pan-head screw		8	
		AM 3 X 8			
17	900 115 007 01	Serrated lock washer		8	
		A 3,2			
18	911 613 099 00	Switch housing		1	
		Upper part			
19	911 613 312 00	Switch housing		1	
		Lower part			
19	911 613 312 03	Switch housing		1	
		Lower part			
-	911 613 328 00	Switch housing		1	
		Set			
		Comprising:			
		Upper part/lower part			
		POSITION 18 + 19			
20	900 014 079 02	Pan-head screw		2	
		AM 3 X 10			
21	999 652 315 02	Flat plug		1	
22	911 613 521 00	Wiper contact		1	
23	900 014 046 02	Pan-head screw		2	
		M 4 X 10			
24	900 115 005 02	Washer		2	
		A 4,3			
25	113 415 531	Circlip		1	
26	911 613 902 02	Steering lock	-88	1	
		W/o stipulated lock number			
26	964 347 917 01	Steering lock	89-	1	
		W/o stipulated lock number			
26	911 613 904 02	Steering lock	-88	1	
		State lock number			
26	964 347 917 00	Steering lock	-88	1	
		State lock number			
26		Steering lock	89-	1	
		State lock number			
27	964 613 012 00	Ignition starter switch		1	
28	911 613 125 00	Buzzer contact		1	
30	999 219 017 02	Shear bolt		2	
31	911 613 169 00	Washer		1	
31	911 613 169 01	Washer		1	

Model: 911 87 Model life 1987>>1989

Pos	Part Number	Description	Remark	Qty	Model
32	911 347 359 01	Tab washer		1	
-	999 190 113 02	Blind rivet		2	
33	911 613 160 01	Rosette		1	
	911 613 160 01 70B	Black			
34	911 538 902 00	Replacement key		1	
		State lock number			
		Information available			
35	911 347 084 08	Sports steering wheel		1	
		Leather			
		\$ 380 MM			
	911 347 084 08 1AJ	Black			
	911 347 084 08 7LD	Burgundy			
	911 347 084 08 5JX	Greyish green	-88		
	911 347 084 08 3LZ	Mahogany			
	911 347 084 08 2JZ	Marine blue			
	911 347 084 08 2UT	Caramel			
	911 347 084 08 6KT	Venetian blue			
	911 347 084 08 8HF	Blue metallic	88		JUBI.88
	911 347 084 08 7LZ	Velvet red	89-		
	911 347 084 08 8WH	Slate grey	89-		
(35)	911 347 084 09	Sports steering wheel		1	M018
		Leather			
		\$ 380 MM			
		with elevated hub			
	911 347 084 09 1AJ	Black			
	911 347 084 09 7LD	Burgundy			
	911 347 084 09 5JX	Greyish green	-88		
	911 347 084 09 3LZ	Mahogany			
	911 347 084 09 2JZ	Marine blue			
	911 347 084 09 2UT	Caramel			
	911 347 084 09 6KT	Venetian blue			
	911 347 084 09 8HF	Blue metallic	88		JUBI.88
	911 347 084 09 7LZ	Velvet red	89-		
	911 347 084 09 8WH	Slate grey	89-		
36	911 347 099 05	Slip ring		1	
37	113 415 869	Oval-head screw		7	
		AM 3,5 X 10			
38	911 347 859 01	Padded cap		1	
	911 347 859 01 1AJ	Black			
	911 347 859 01 7LD	Burgundy			
	911 347 859 01 5JX	Greyish green			
	911 347 859 01 3LZ	Mahogany			
	911 347 859 01 2JZ	Marine blue			
	911 347 859 01 2UT	Caramel			
	911 347 859 01 6KT	Venetian blue			
38	911 347 859 07	Padded cap	88-	1	
	911 347 859 07 1AJ	Black			
	911 347 859 07 7LD	Burgundy			
	911 347 859 07 5JX	Greyish green	-88		
	911 347 859 07 3LZ	Mahogany			
	911 347 859 07 2JZ	Marine blue			
	911 347 859 07 2UT	Caramel			
	911 347 859 07 6KT	Venetian blue			
	911 347 859 07 8HF	Blue metallic	88		JUBI.88
			88		M099
	911 347 859 07 7LZ	Velvet red	89-		
	911 347 859 07 8WH	Slate grey	89-		
39	N 010 261 3	Hexagon-head bolt		X	
		M 4 X 16			
40	321 419 779 A	Insulating bush		3	
41	N 012 239 1	Spring washer		1	
		B 18			

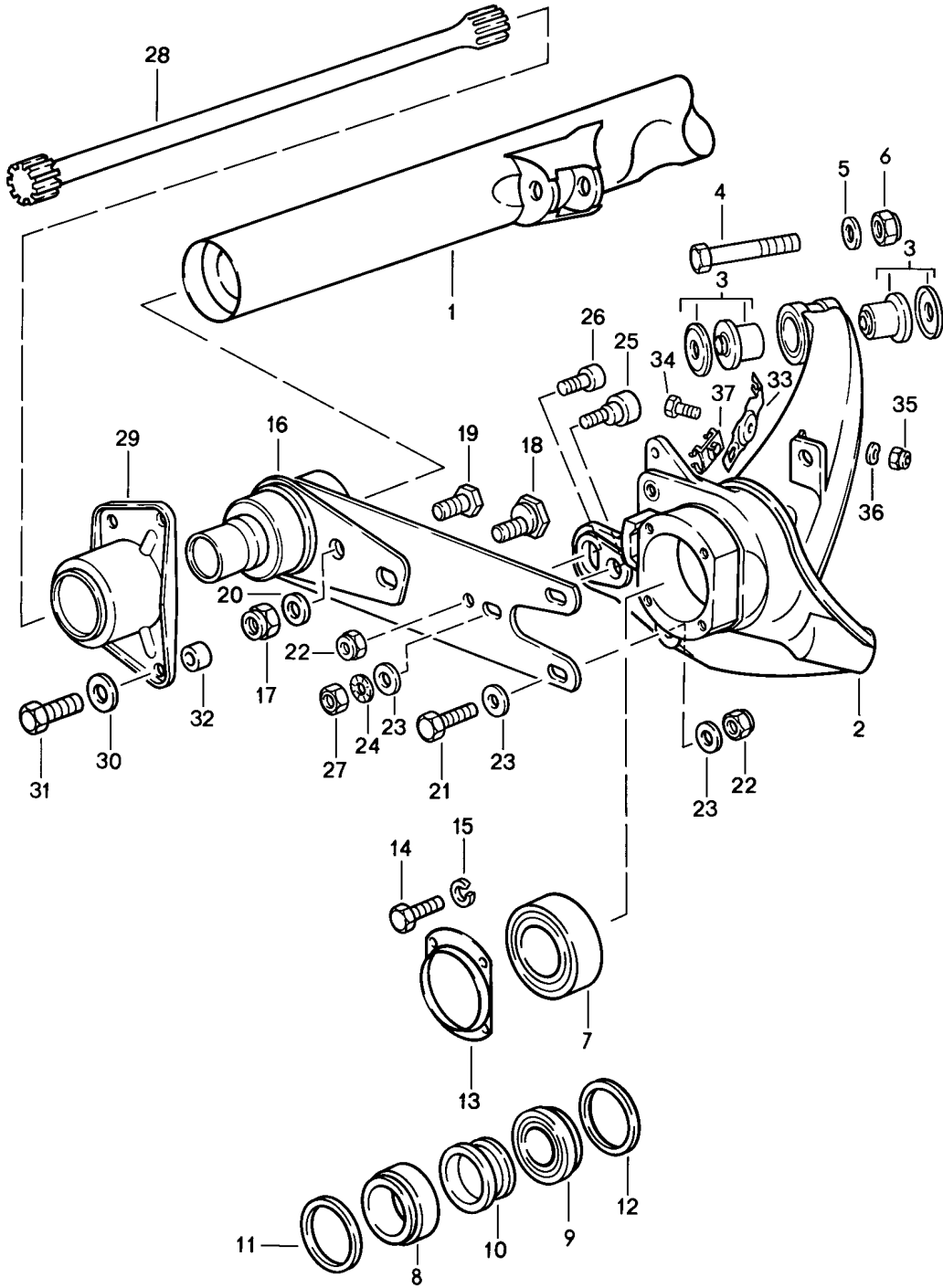
Model: 911 87

Model life 1987>>1989

Pos	Part Number	Description	Remark	Qty	Model
42	900 078 007 02	Hexagon nut M 18 X 1,5		1	

Model: 911 87

Model life 1987>>1989



Model: 911 87 Model life 1987>>1989

Pos	Part Number	Description	Remark	Qty	Model
1	911 331 006 01	Rear axle		1	CARRERA
1		Rear-axle cross-tube		1	CARRERA
	911 331 006 01 GRV	Prime coated			
(1)	930 331 010 02	Rear-axle cross-tube	-88	1	TURBO
(1)		Rear-axle cross-tube		1	TURBO
	930 331 010 02 GRV	Prime coated			
(1)	930 331 006 03	Rear-axle cross-tube	89-	1	TURBO
(1)		Rear-axle cross-tube	89-	1	TURBO
	930 331 006 03 GRV	Prime coated			
(1)	930 331 006 04	Rear-axle cross-tube		1	CARRERA
					M491
(1)		Rear-axle cross-tube		1	CARRERA
		Rear-axle cross-tube			M491
	930 331 006 04 GRV	Prime coated			
2	911 331 513 06	Rear-axle trailing arm	/L	1	CARRERA
(2)	911 331 514 06	Rear-axle trailing arm	/R	1	CARRERA
(2)	930 331 511 05	Rear-axle trailing arm	/L	1	TURBO
					CARRERA
(2)	930 331 511 06	Rear-axle trailing arm	/L	1	TURBO
					CARRERA
(2)	930 331 512 05	Rear-axle trailing arm	/R	1	TURBO
				1	CARRERA
(2)	930 331 512 06	Rear-axle trailing arm	/R	1	TURBO
				1	CARRERA
					M491
3	901 331 059 00	Flange mounting		4	
4	900 082 092 02	Hexagon-head bolt		2	
		M 14 X 1,5 X 80			
5	N 011 534 4	Washer		2	
		A 15			
6	900 910 094 02	Lock nut		2	
		M 14 X 1,5			
7	999 053 020 01	Angular-contact bearing		2	CARRERA
-	PCG 930 059 00	Set of bearings		1	TURBO
					M491
		Rear axle			CARRERA
		Comprising:			
		POS. 8-12			
-	901 332 806 01	Castle nut		1	
-	N 012 538 1	Cotter pin		1	
8	999 059 056 00	Taper roller bearing		2	TURBO
				2	CARRERA
					M491
9	999 059 047 00	Taper roller bearing		2	TURBO
				2	CARRERA
					M491
10	930 331 609 00	Spacer sleeve		2	TURBO
				2	CARRERA
					M491
11	999 113 235 40	Shaft sealing ring		2	TURBO
		65 X 85 X 8		2	CARRERA
					M491
12	999 113 218 40	Shaft sealing ring		2	TURBO
		58 X 81,2 X 5		2	CARRERA
					M491
13	911 331 561 30	Reinforcement cover		2	CARRERA
14	900 075 079 02	Hexagon-head bolt		8	CARRERA
		M 8 X 22			
15	900 027 015 02	Lock ring		8	CARRERA

Model: 911 87 Model life 1987>>1989

Pos	Part Number	Description	Remark	Qty	Model
15	900 027 015 03	B 8 Lock ring		8	CARRERA
16	911 333 009 00	B 8 Rear axle strut	-88	2	TURBO
16	911 333 009 05	Rear axle strut		2	TURBO
16	911 333 009 02	Rear axle strut	89-	2	TURBO
16	911 333 009 06	Rear axle strut	89-	2	TURBO
16	911 333 009 02	Rear axle strut		2	CARRERA
16	911 333 009 06	Rear axle strut		2	CARRERA
16	911 333 009 06	Rear axle strut		2	CARRERA
17	900 910 092 02	Lock nut		4	
17	900 360 007 01	Lock nut		4	
18	911 333 303 00	Eccentric screw		2	
18	911 333 303 01	Eccentric screw		2	
19	911 333 305 00	Hexagon-head bolt		2	
19	911 333 305 01	Hexagon-head bolt		2	
20	911 333 307 00	Washer M 10 X 30		4	
20	911 333 307 02	Washer M 10 X 30		4	
21	900 083 066 08	Hexagon-head bolt M 12 X 1,5 X 40		4	
22	N 022 141 4	Lock nut VFM 12 X 1,5		6	
23	901 333 143 01	Washer		10	
24	999 523 109 02	Lock washer M 12		10	
25	901 333 133 04	Eccentric		2	
25	901 333 133 06	Eccentric		2	
26	901 333 133 05	Eccentric		2	
27	900 078 017 02	Hexagon nut M 12 X 1,5		2	
28	911 333 115 00	Torsion bar 25 MM	/L	1	CARRERA
28	911 333 115 02	Torsion bar 25 MM New design Only together with 91133311602 Use	/L /R	1	CARRERA
(28)	911 333 116 00	Torsion bar 25 MM	/R	1	CARRERA
(28)	911 333 116 02	Torsion bar 25 MM New design Only together with 91133311502 Use	/R /L	1	CARRERA
(28)	911 333 101 03	Torsion bar 26 MM	/L -88	1	TURBO
(28)	911 333 101 13	Torsion bar 26 MM New design Only together with 91133310213 Use	/L -88 /R	1	TURBO
(28)	911 333 102 03	Torsion bar 26 MM	/R -88	1	TURBO
(28)	911 333 102 13	Torsion bar 26 MM New design Only together with 91133310113	/R -88 /L	1	TURBO

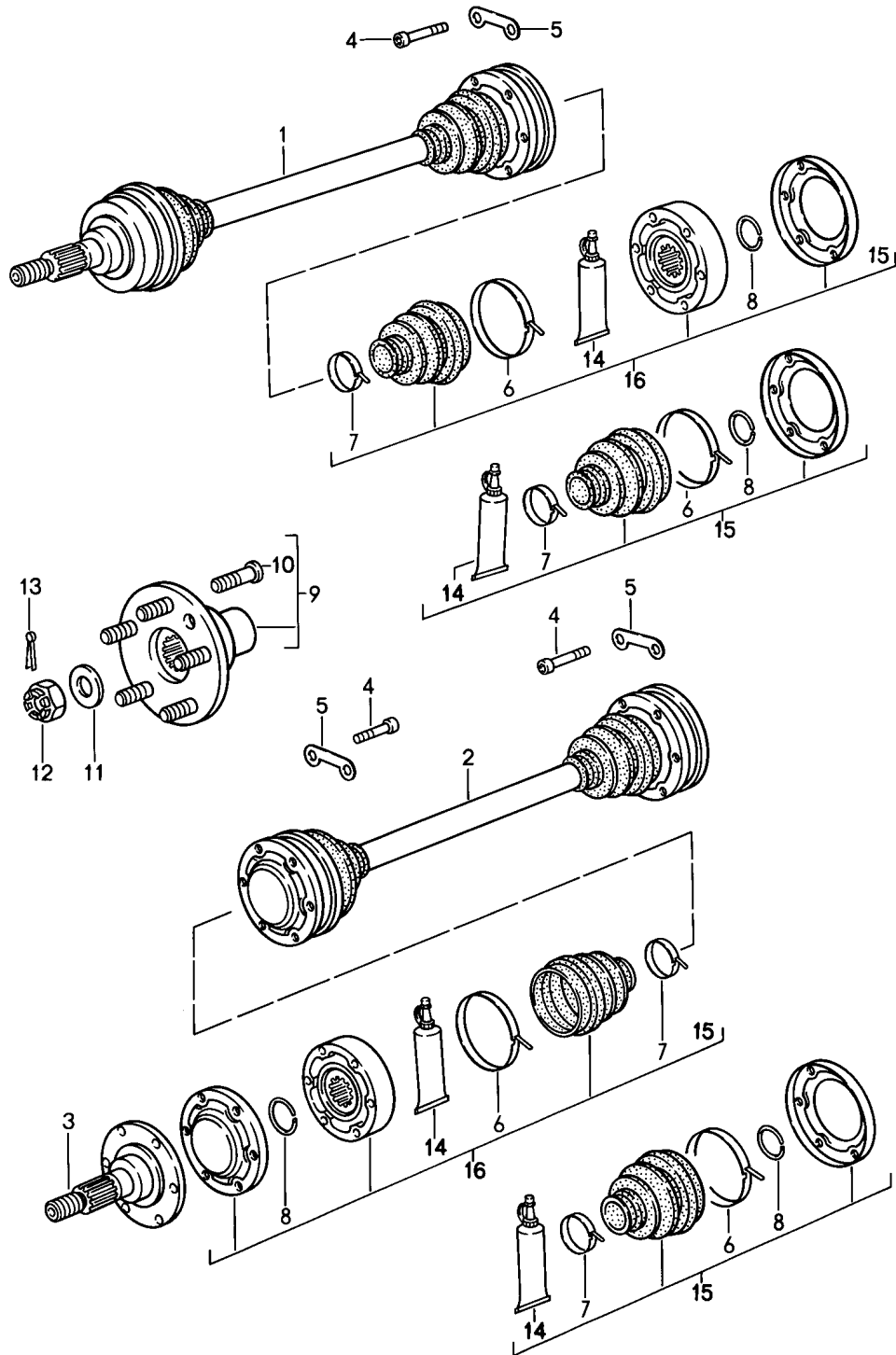
Model: 911 87

Model life 1987>>1989

Pos	Part Number	Description	Remark	Qty	Model
(28)	930 333 115 01	Use Torsion bar 27 MM	/L 89-	1	TURBO
(28)	930 333 115 02	Torsion bar 27 MM New design Only together with 93033311602	/L 89-	1	TURBO
(28)	930 333 116 01	Use Torsion bar 27 MM	/R	1	
(28)	930 333 116 02	Torsion bar 27 MM New design Only together with 93033311502	/R 89-	1	TURBO
29	901 333 153 00	Use Housing	/L	2	
30	900 025 008 09	Washer A 10,5		8	
30	900 025 008 04	Washer A 10,5		8	
31	N 010 275 3	Hexagon-head bolt M 10 X 35		8	
31	900 075 460 01	Hexagon-head bolt M 10 X 35		8	
32	911 331 107 01	Spacer ring		2	
33	911 331 705 00	Cable holder		2	
34	900 075 014 02	Hexagon-head bolt M 6 X 18		2	
34	900 075 014 03	Hexagon-head bolt M 6 X 18		2	
35	900 910 012 02	Lock nut M 6		2	
35	900 910 047 09	Lock nut M 6		2	
36	N 012 226 5	Spring washer B 6		2	
37	999 651 203 40	Cable holder		2	

Model: 911 87

Model life 1987>>1989

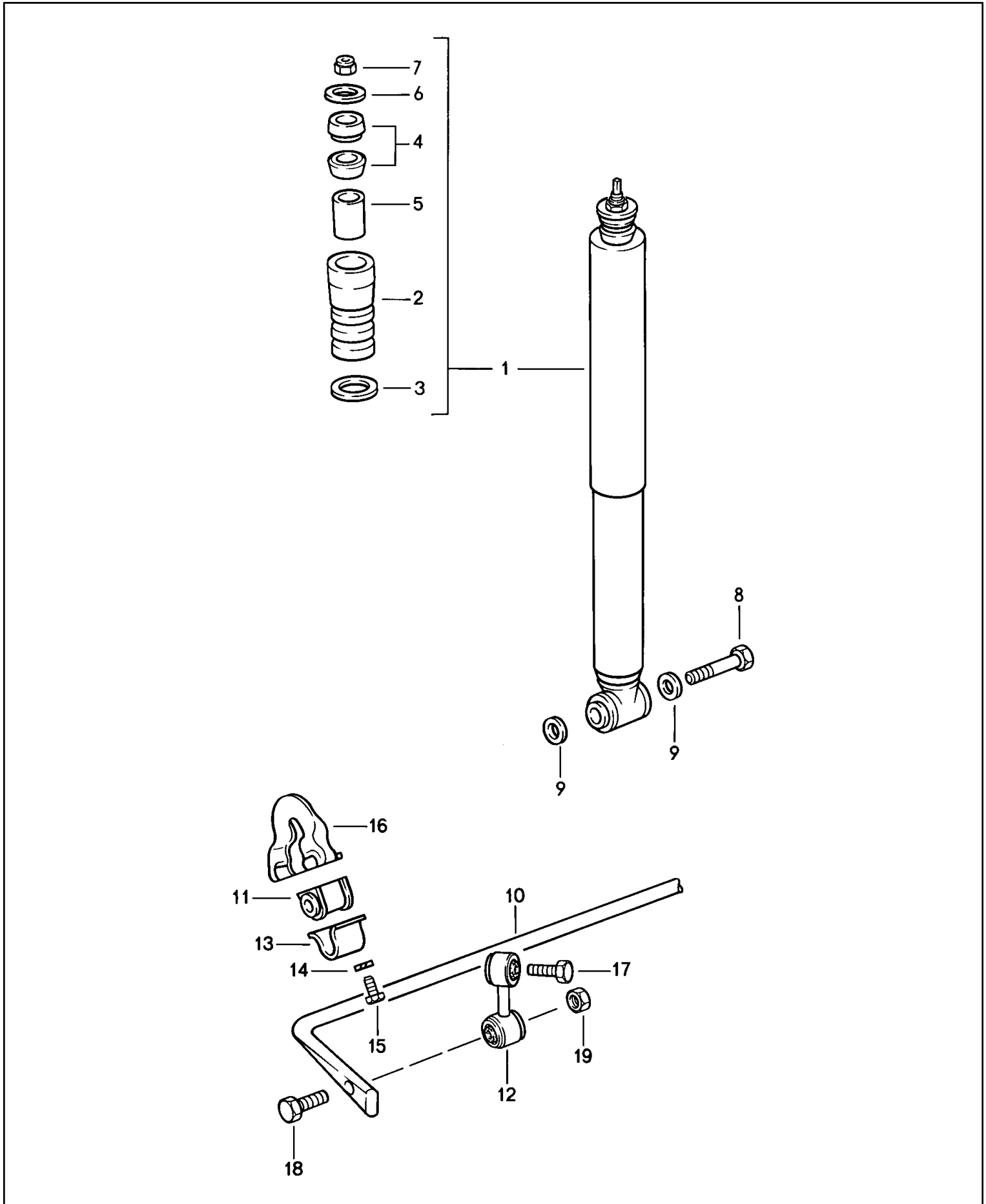


Model: 911 87 Model life 1987>>1989

Pos	Part Number	Description	Remark	Qty	Model
		Drive shaft			
		Rear-wheel hub			
1	911 332 024 14	Drive shaft		2	CARRERA
1	911 332 024 15	Drive shaft		2	CARRERA
2	930 332 037 04	Drive shaft		2	TURBO
				2	CARRERA
					M491
2	930 332 037 08	Drive shaft		2	TURBO
				2	CARRERA
					M491
3	930 332 232 05	Drive shaft	-88	2	TURBO
				2	CARRERA
					M491
3		Drive shaft	89-	2	TURBO
				2	CARRERA
					M491
4	900 067 123 01	Pan-head screw M 10 X 50		X	
5	911 332 191 00	Plate		X	
6	911 332 257 00	Clip		4	
		\$ 73 MM			
7	928 332 257 01	Clip		4	
		\$ 34 MM			
8	999 152 084 01	Circlip		4	
9	911 331 065 33	Rear-wheel hub		2	CARRERA
(9)	930 331 065 03	Rear-wheel hub		2	TURBO
				2	CARRERA
					M491
10	904 341 671 00	Wheel bolt		10	CARRERA
10	993 331 671 02	Wheel bolt		10	CARRERA
(10)	901 331 671 01	Wheel bolt		10	TURBO
				10	CARRERA
					M491
11	928 331 591 02	Washer		2	CARRERA
(11)	999 025 046 01	Washer		2	TURBO
				2	CARRERA
					M491
12	901 332 806 00	Castle nut		2	TURBO
12	901 332 806 01	Castle nut		2	TURBO
		for		2	CARRERA
		Carrera			M491
(12)	900 910 093 02	Lock nut		2	CARRERA
13	N 012 538 1	Cotter pin		2	TURBO
		4 X 40		2	CARRERA
					M491
14	000 043 110 01	Grease		X	
		Optimoly			
		1 100-gramme tube			
15	928 332 924 02	Repair kit		1	
		Dust bellows			
		Optimoly			
		1 100-gramme tube			
15	000 043 301 08	Repair kit		1	
		Dust bellows			
		Optimoly			
		1 100-gramme tube			
16	911 332 923 01	Repair kit		2	CARRERA
		Constant-velocity joint			
16		Repair kit		4	TURBO
		Constant-velocity joint		4	CARRERA
					M491

Model: 911 87

Model life 1987>>1989



Model: 911 87 Model life 1987>>1989

Pos	Part Number	Description	Remark	Qty	Model
(1)	911 333 051 06	Vibration damper Stabiliser Vibration damper - boge -		2	CARRERA
(1)	911 333 051 17	Vibration damper		2	CARRERA
(1)	911 333 051 07	Vibration damper		2	CARRERA M474/637
(1)	911 333 051 49	Vibration damper	-88	2	TURBO
(1)	911 333 051 60	Vibration damper - bilstein -	-88	2	TURBO
(1)	911 333 051 59	Vibration damper - bilstein -	89-	2	TURBO
				2	CARRERA M474/491
2	911 333 301 04	Additional spring		2	
3	911 333 511 00	Washer		2	TURBO
4	911 333 521 00	Rubber mounting		4	
5	911 333 522 00	Articulated bush		2	
6	911 333 523 00	Washer		2	TURBO
7	900 084 013 02	Lock nut M 10 X 1		2	
8	900 082 054 02	Hexagon-head bolt M 14 X 1,5 X 85		2	CARRERA
(8)	900 082 051 01	Hexagon-head bolt M 14 X 1,5 X 90		2	TURBO
				2	CARRERA M491
9	999 025 062 02	Washer		2	CARRERA
9		Washer		4	TURBO
				4	CARRERA M491
10	911 333 701 11	Stabiliser 21 MM		1	CARRERA
(10)	930 333 701 25	Stabiliser 20 MM	-88	1	TURBO
(10)	930 333 701 29	Stabiliser 20 MM	-88	1	TURBO
10	930 333 701 28	Stabiliser 18 MM	89-	1	TURBO
11	477 411 313 D	Stabiliser mounting 21 MM		2	CARRERA
11	477 411 313 M	Stabiliser mounting 21 MM		2	CARRERA
(11)	477 411 313 C	Stabiliser mounting 20 MM	-88	2	TURBO
(11)	477 411 313 B	Stabiliser mounting 18 MM	89-	2	TURBO
(11)	477 411 313 N	Stabiliser mounting 18 MM	89-	2	TURBO
12	930 333 071 00	Stabiliser mounting	/L	1	
12	930 333 071 01	Stabiliser mounting	/L	1	
(12)	930 333 072 00	Stabiliser mounting	/R	1	
(12)	930 333 072 01	Stabiliser mounting	/R	1	
13	113 411 333	Retaining bar		2	
14	900 027 015 02	Lock ring B 8		4	
14	900 027 015 03	Lock ring B 8		4	
15	N 010 239 11	Hexagon-head bolt M 8 X 18		4	
15	N 010 239 30	Hexagon-head bolt M 8 X 18		4	
16	911 501 180 02	Bracket		2	
16	911 501 983 00	Bracket		2	
16		Bracket		2	

Model: 911 87

Model life 1987>>1989

Pos	Part Number	Description	Remark	Qty	Model
17	911 501 983 00 GRV N 010 156 3	Prime coated Hexagon-head bolt M 12 X 1,5 X 70		2	
18	900 082 035 02	Hexagon-head bolt M 12 X 1,5 X 60		2	
19	900 910 046 02	Lock nut VM 12 X 1,5		2	
19	999 084 439 09	Lock nut VM 12 X 1,5		2	
19	999 084 445 09	Lock nut VM 12 X 1,5		2	
19	999 084 445 01	Lock nut VM 12 X 1,5		2	

Model: 911 87

Model life 1987>>1989

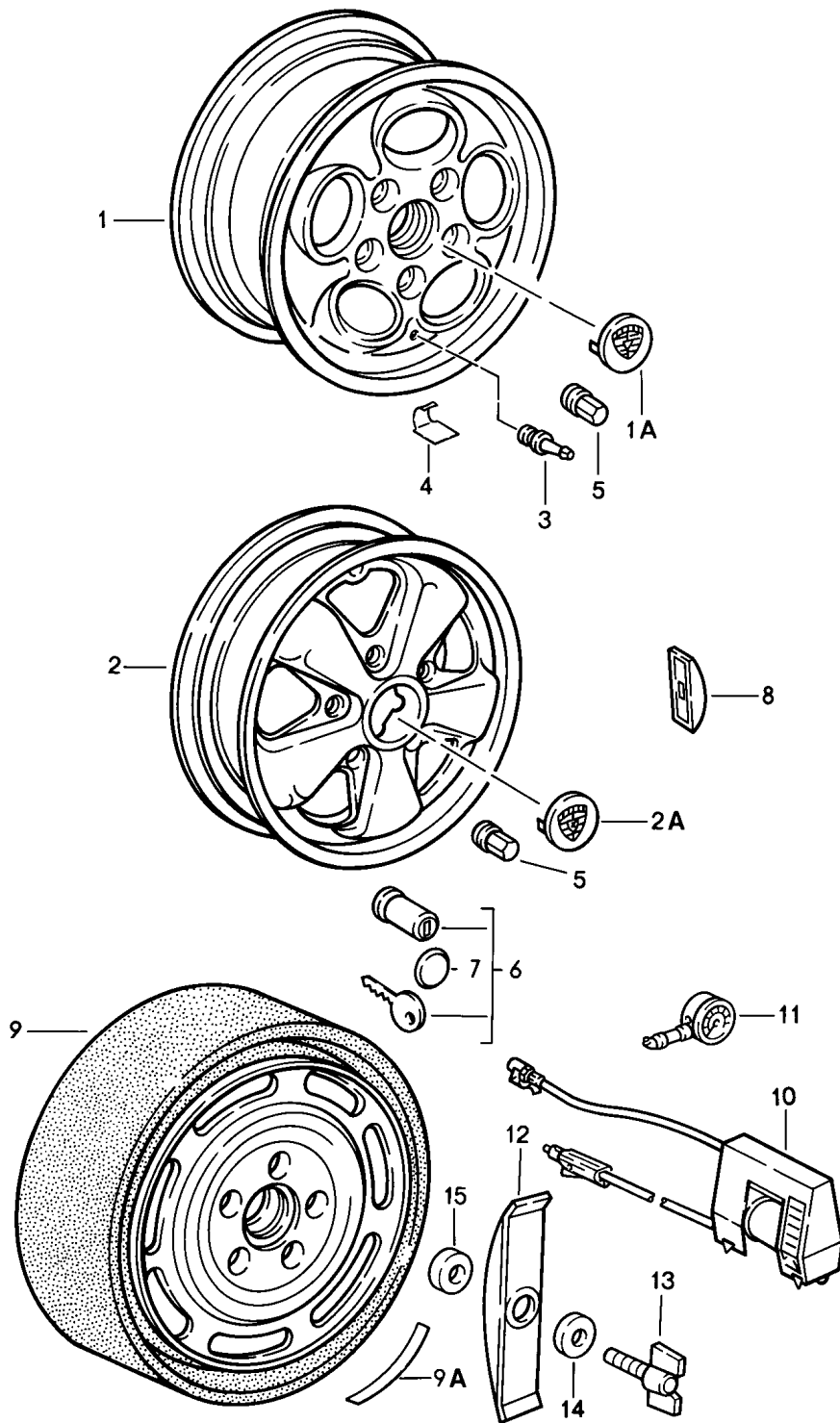


Model: 911 87 Model life 1987>>1989

Pos	Part Number	Description	Remark	Qty	Model
>>	928 332 924 02	Repair kits Repair kit Dust bellows Comprising: Lid		4 1	
>>	000 043 301 08	Repair kit Dust bellows Comprising: Lid		4 1	
-	999 152 084 01	Circlip		1	
-	911 332 257 00	Clip \$ 73 MM Dust bellows		1 1	
-	928 332 257 01	Clip \$ 34 MM		1	
-	000 043 005 00	Grease Optimoly 90 G.		1	
>>	911 332 923 01	Repair kit Constant-velocity joint		2	CARRERA
>>		Repair kit Constant-velocity joint Comprising: Constant-velocity joint Lid		4 4 1 1	TURBO CARRERA M491
-	999 152 084 01	Circlip Dust bellows		1 1	
-	911 332 257 00	Clip \$ 73 MM		1	
-	928 332 257 01	Clip \$ 34 MM		1	
-	000 043 005 00	Grease Optimoly 90 G.		1	

Model: 911 87

Model life 1987>>1989



Model: 911 87

Model life 1987>>1989

Pos	Part Number	Description	Remark	Qty	Model
1	911 361 023 46	Wheels Alloy wheel Silver metallic 6 J X 15 ET 36	/V	2	CARRERA
1	951 362 104 00	Alloy wheel Silver metallic 7 J X 15 ET 23,3	/H	2	CARRERA
1	951 362 116 00	Alloy wheel	/H /H	2 2	TURBO CARRERA M491
1	951 362 114 00	Silver metallic for winter use 8 J X 16 ET 23,3 Alloy wheel	/V /H	2 2	TURBO CARRERA M491
1A	928 361 032 01	Silver metallic for winter use 7 J X 16 ET 23,3 Hub cap		4	
(1A)	PCG 361 032 01	Silver metallic Porsche crest Black Hub cap		4	
(1A)	PCG 361 032 02	Silver metallic Porsche crest Black Hub cap		4	
2	911 361 020 90	Alloy wheel Unvarnished Rim flange polished for winter use 6 J X 15 ET 36	/V	2	CARRERA
2	911 361 020 41	Alloy wheel Black star Rim flange polished 7 J X 15 ET 23,3	/V	2	CARRERA
2	911 361 020 50	Alloy wheel Black star Rim flange polished 7 J X 15 ET 23,3	/V	2	CARRERA
2	911 361 020 93	Alloy wheel	/H /V	2 2	CARRERA /TURBO M491
2	911 361 020 42	Unvarnished Rim flange polished for winter use 7 J X 15 ET 23,3 Alloy wheel Black star Rim flange polished	/H	2	CARRERA
2	911 361 020 94	8 J X 15 ET 10,6 Alloy wheel	/H	2	CARRERA

Model: 911 87

Model life 1987>>1989

Pos	Part Number	Description	Remark	Qty	Model
				2	/TURBO M491
2	911 362 113 00	for winter use Unvarnished Rim flange polished 8 J X 15 ET 10,6 Alloy wheel	/V	2	CARRERA M395
2	911 362 113 90	Black star Rim flange polished 6 J X 16 ET 36 Alloy wheel	/V /V	2 2	CARRERA M395 TURBO M491
2	911 362 113 00	Unvarnished Rim flange polished for winter use 6 J X 16 ET 36 Alloy wheel	/V /V	2 2	CARRERA M395 TURBO M491
2	911 362 115 00	Unvarnished Rim flange polished for winter use 6 J X 16 ET 36 Alloy wheel	/V /H	2 2	TURBO M491 CARRERA M395
2	911 362 115 07	Black star Rim flange polished 7 J X 16 ET 23,3 Alloy wheel	/V /H	2 2	TURBO M491 CARRERA M395
2	911 362 115 90	Black star Rim flange polished 7 J X 16 ET 23,3 Alloy wheel	/V /H	2 2	TURBO M491 CARRERA M395
2	911 362 117 00	Unvarnished Rim flange polished 7 J X 16 ET 23,3 Alloy wheel	/H /H	2 2	TURBO CARRERA M491
2	911 362 117 03	Black star Rim flange polished 8 J X 16 ET 10,6 Alloy wheel	/H	2	TURBO

Model: 911 87 Model life 1987>>1989

Pos	Part Number	Description	Remark	Qty	Model
			/H	2	CARRERA M491
(2)	911 362 117 90	Black star Rim flange polished 8 J X 16 ET 10,6 Alloy wheel	/H /H	2 2	TURBO CARRERA M491
(2)	911 362 117 00	Unvarnished Rim flange polished 8 J X 16 ET 10,6 Alloy wheel	/H /H	2 2	TURBO CARRERA M491
(2)	911 362 117 03	Unvarnished Rim flange polished 8 J X 16 ET 10,6 Alloy wheel	/H /H	2 2	TURBO CARRERA M491
(2)	911 362 119 90	Unvarnished Rim flange polished 8 J X 16 ET 10,6 Perforated disc wheel	/H /H	2 2	TURBO CARRERA M491
2	911 362 119 00	Unvarnished Rim flange polished 9 J X 16 ET 15 Alloy wheel	/H /H	2 2	TURBO CARRERA M491
2	911 362 119 03	Black star Rim flange polished 9 J X 16 ET 15 Alloy wheel	/H /H	2 2	TURBO CARRERA M491
2A	911 361 032 28	Black star Rim flange polished 9 J X 16 ET 15 Hub cap		4	
2A	SOW 911 038 11	Black Hub cap		4	
2A	911 361 032 29	Black Crest Coloured Hub cap		4	
2A	911 361 032 32	Grand prix white Hub cap		4	
2A	911 361 032 30	Grand prix white Hub cap		4	
2A	911 361 032 50	Platinum-metallic Hub cap	-88	4	JUBI.88
	911 361 032 50 697	Diamond-blue metallic		4	
3	900 265 001 50	Rubber valve		4	

Model: 911 87

Model life 1987>>1989

Pos	Part Number	Description	Remark	Qty	Model
3	900 265 001 51	Rubber valve		4	
4	965 361 561 00	Valve support		4	
5	999 182 003 36	Wheel nut		20	
(5)	928 361 306 03	Wheel nut		4	
		Lockable without lock			
6	928 361 047 03	Wheel nut		1	
		Set			
		Lockable			
6	965 361 955 00	Wheel nut		1	
		Set			
		Lockable			
6	968 361 955 00	Wheel nut		1	
		Set			
		Lockable			
6	993 361 057 00	Wheel nut		1	
		Set			
		Lockable			
7	965 361 167 00	Cap		4	
8	901 361 410 50	Balance stick-on weight		X	
		5 GR.			
8	901 361 410 00	Balance stick-on weight		X	
		10 GR.			
8	901 361 411 50	Balance stick-on weight		X	
		15 GR.			
8	901 361 411 00	Balance stick-on weight		X	
		20 GR.			
8	901 361 412 50	Balance stick-on weight		X	
		25 GR.			
8	901 361 412 00	Balance stick-on weight		X	
		30 GR.			
8	901 361 413 50	Balance stick-on weight		X	
		35 GR.			
8	901 361 413 00	Balance stick-on weight		X	
		40 GR.			
8	901 361 414 50	Balance stick-on weight		X	
		45 GR.			
8	901 361 414 00	Balance stick-on weight		X	
		50 GR.			
8	901 361 415 50	Balance stick-on weight		X	
		55 GR.			
8	901 361 415 00	Balance stick-on weight		X	
		60 GR.			
8	901 361 416 50	Balance stick-on weight		X	
		65 GR.			
8	901 361 416 00	Balance stick-on weight		X	
		70 GR.			
8	901 361 417 50	Balance stick-on weight		X	
		75 GR.			
8	901 361 417 00	Balance stick-on weight		X	
		80 GR.			
9	928 362 030 02	Emergency wheel		1	
		with collapsible tire			
9A	928 701 145 05	Sticker		X	
		for emergency wheel			
		German			
9A	996 361 701 00	Sticker		X	
		for emergency wheel			
		English			
9A	996 361 701 01	Sticker		X	
		for emergency wheel			
		French			
9A	928 701 148 05	Sticker		X	
		for emergency wheel			

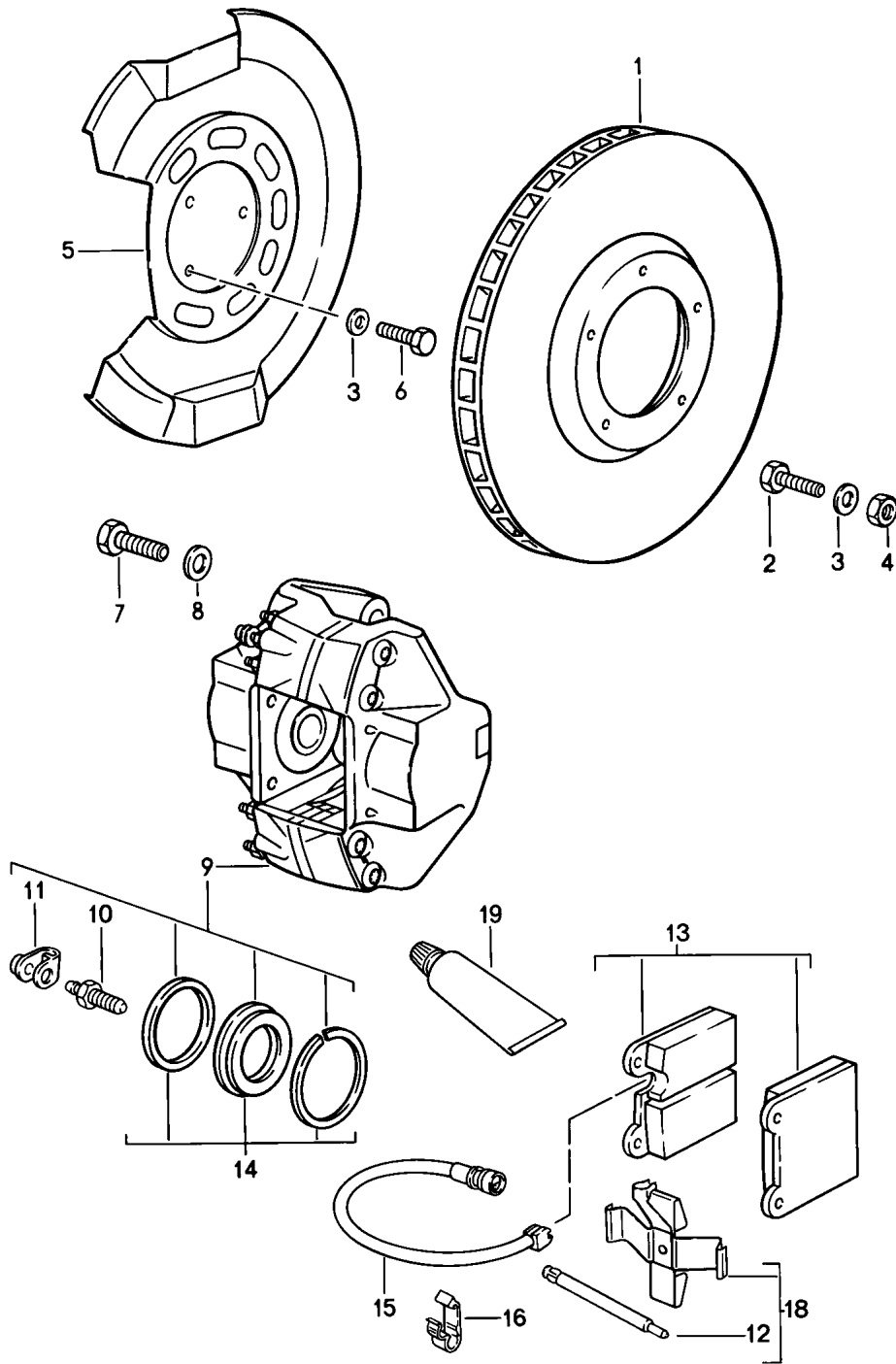
Model: 911 87

Model life 1987>>1989

Pos	Part Number	Description	Remark	Qty	Model
9A	928 701 149 00	Italian Sticker for emergency wheel Spanish		X	
(10)	911 652 052 00	Small electric compressor		1	
(10)	964 652 052 00	Small electric compressor		1	
(10)	964 652 053 00	Compressor		1	
(10)	993 652 053 00	Compressor		1	
(10)	996 652 053 00	Compressor		1	
(10)	997 652 051 00	Compressor		1	
(10)	997 652 055 00	Compressor		1	
-	996 361 521 00	Boot for Impeller		1	
11	911 722 202 00	Tyre pressure gauge Porsche Classic mit Lederhülle		1	
12	911 361 633 01	Clamping bow		1	
(12)	477 813 157	Mounting plate \$ 90 MM		1	
13	999 074 106 02	Wing screw M 8 X 25		1	
14	900 151 008 02	Washer B 8,4		1	
15	803 813 583	Washer		1	

Model: 911 87

Model life 1987>>1989



Model: 911 87

Model life 1987>>1989

Pos	Part Number	Description	Remark	Qty	Model
		Brake Front axle See technical information GR.4, NR. 4/99			CARRERA
1	911 351 041 22	Brake disc		2	
2	900 075 079 02	Hexagon-head bolt M 8 X 22		10	
3	N 012 241 8	Spring washer B 8		10	
4	900 076 025 02	Hexagon nut M 8		10	
4	900 076 064 02	Hexagon nut M 8		10	
5	901 351 801 17	Protective plate		2	
6	N 010 235 3	Hexagon-head bolt M 8 X 10		6	
7	900 083 023 02	Hexagon-head bolt M 12 X 1,5 X 35		4	
7	900 083 023 03	Hexagon-head bolt M 12 X 1,5 X 35		4	
8	N 012 232 1	Spring washer B 12		4	
9	911 351 425 03	Fixed calliper without pad	/L	1	
9	911 351 426 03	Fixed calliper without pad	/R	1	
10	911 351 919 02	Ventilation valve		2	
11	930 351 927 00	Dust boot		2	
11	930 351 927 01	Dust boot		2	
12	911 351 923 00	Retaining pin		4	
13	911 351 950 01	Brake pad repair set	-88	1	
13	911 351 950 06	Brake pad repair set - textar - Use also: 993.612.965.00		2	
13	911 351 950 08	Brake pad repair set - textar - Use also: 993.612.965.02		1	
14	911 351 946 00	Gasket set		2	
15	944 612 211 00	Warning contact		2	
15	944 612 211 05	Warning contact		2	
(15)	993 612 965 01	Brake pad wear indicator for Brake pad repair set 911.351.950.06		2	
(15)	993 612 965 02	Brake pad wear indicator for Brake pad repair set 911.351.950.06		2	
(15)	993 612 965 01	Brake pad wear indicator for Brake pad repair set 911.351.950.06		2	
(15)	993 612 965 02	Brake pad wear indicator for Brake pad repair set 911.351.950.06		2	
-	000 043 205 13	Sealing compound SILASTIC 732 RTV 90 ML		1	
16	944 612 627 00	Line bracket		2	

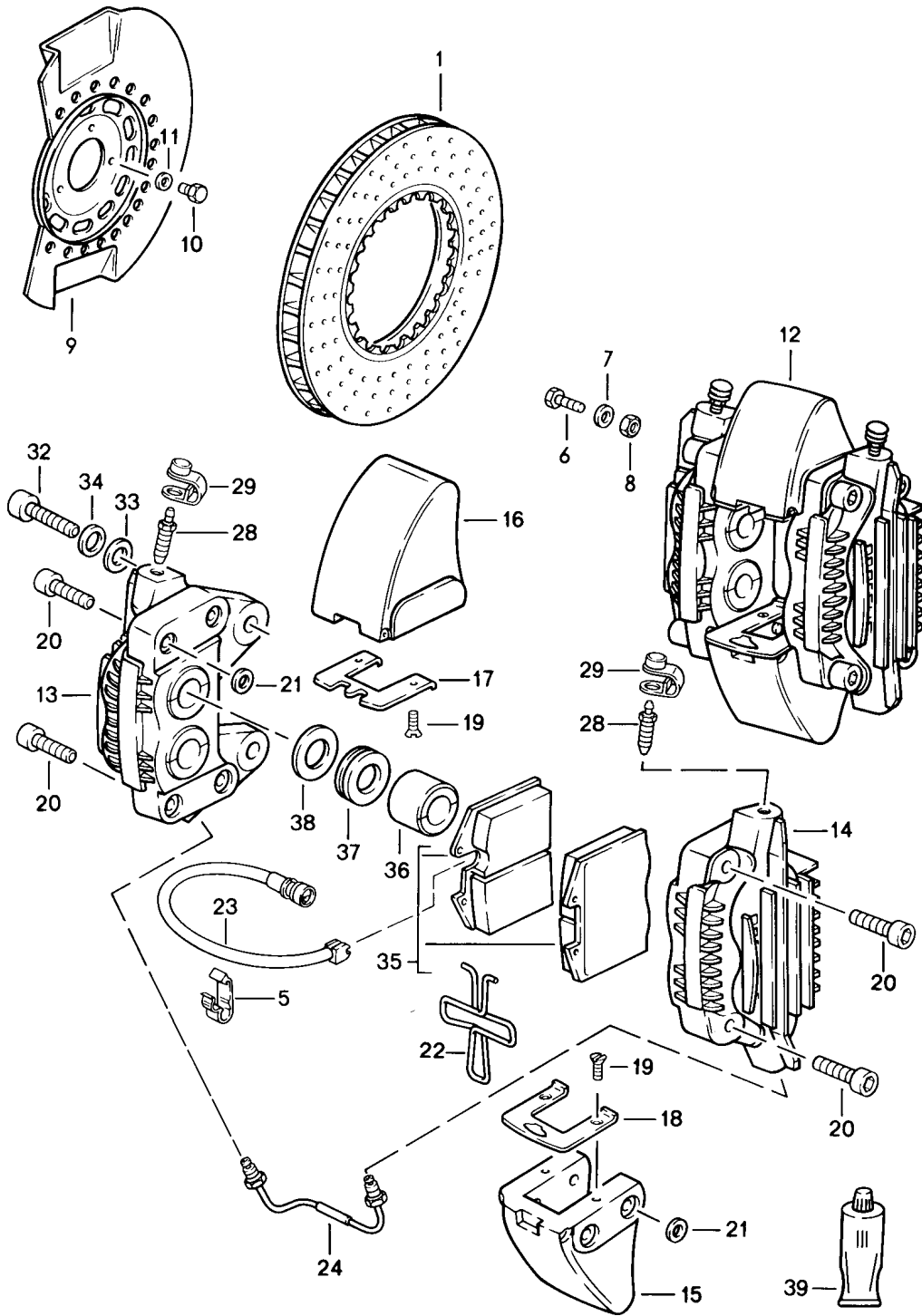
Model: 911 87

Model life 1987>>1989

Pos	Part Number	Description	Remark	Qty	Model
18	911 351 951 01	Parts kit for		1	
19	000 043 117 00	Brake pad repair set Brake cylinder paste 1 50-g tube		X	
19	000 043 305 11	Brake cylinder paste 1 50-g tube		X	

Model: 911 87

Model life 1987>>1989



Model: 911 87

Model life 1987>>1989

Pos	Part Number	Description	Remark	Qty	Model
		Brake Front axle			TURBO CARRERA M491
1	930 351 047 02	Brake disc	/L	1	
(1)	930 351 048 02	Brake disc	/R	1	
(1)	930 351 048 03	Brake disc	/R	1	
5	944 612 627 00	Line bracket		2	
6	900 075 079 02	Hexagon-head bolt M 8 X 22		10	
7	N 012 241 8	Spring washer B 8		10	
8	900 076 025 02	Hexagon nut M 8		10	
8	900 076 064 02	Hexagon nut M 8		10	
9	930 351 803 01	Protective plate		2	
10	N 010 235 3	Hexagon-head bolt M 8 X 10		6	
11	N 012 241 8	Spring washer B 8		6	
12	930 351 091 03	Brake calliper without pad	/L	1	
(12)	930 351 092 03	Brake calliper without pad	/R	1	
13	930 351 951 02	Fixed calliper Inner part Comprising: Housing	/L	1	
		Inner part		1	
		Sealing ring \$ 38 MM		2	
		Scraper ring \$ 38 MM		2	
		Piston \$ 38 MM		2	
(13)	930 351 952 02	Brake calliper Inner part Comprising: Housing	/R	1	
		Inner part		1	
		Sealing ring \$ 38 MM		2	
		Scraper ring \$ 38 MM		2	
		Piston \$ 38 MM		2	
14	930 351 953 01	Brake calliper Outer part Comprising: Housing		2	
		Outer part		1	
		Sealing ring \$ 38 MM		2	
		Scraper ring \$ 38 MM		2	
		Piston \$ 38 MM		2	
15	930 351 563 04	Bridge		2	
16	930 351 564 03	Bridge		2	
17	930 351 541 03	Spring plate		2	
18	930 351 542 03	Spring plate		2	
19	900 269 017 02	Countersunk-head screw M 5 X 12		8	

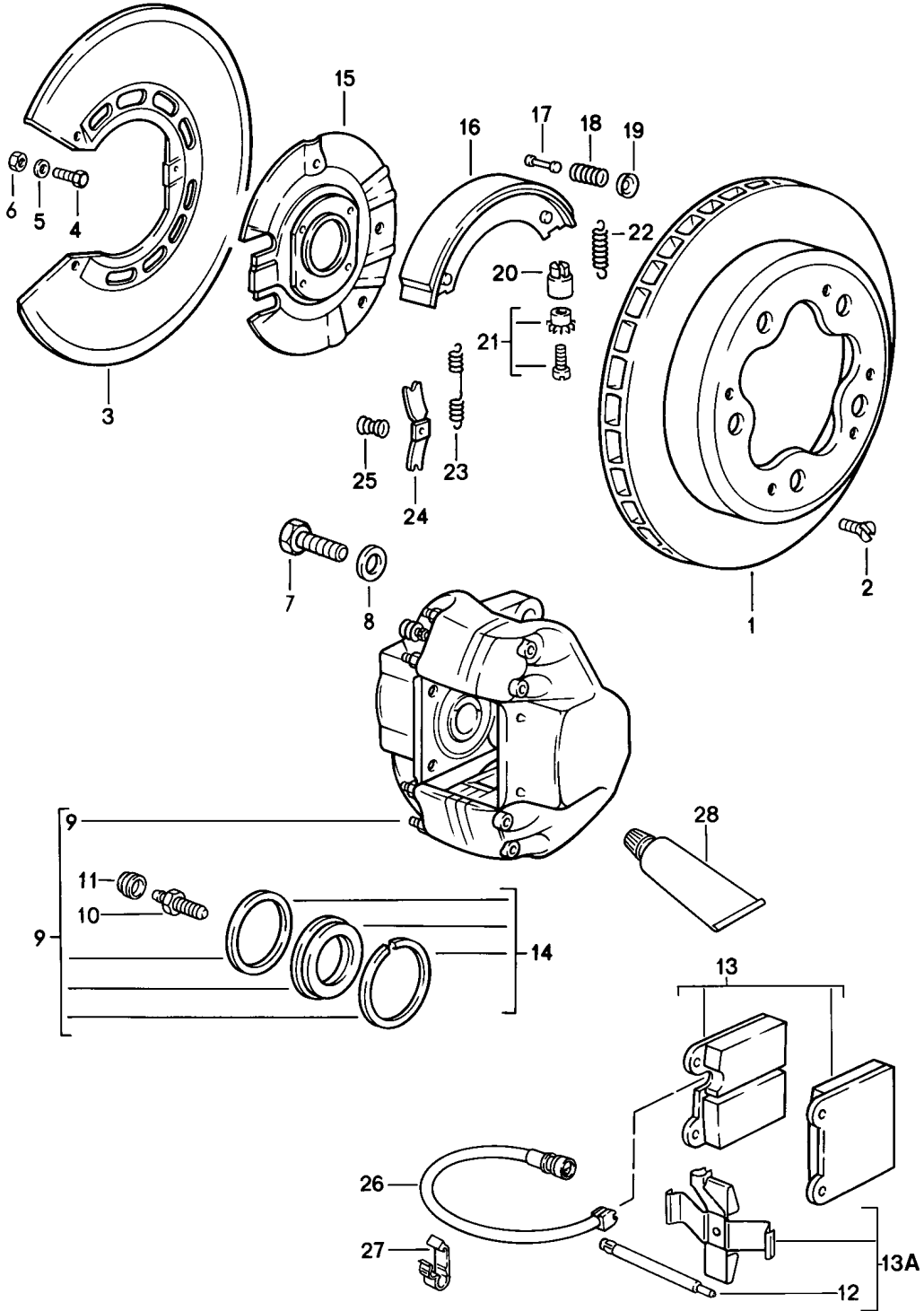
Model: 911 87

Model life 1987>>1989

Pos	Part Number	Description	Remark	Qty	Model
20	900 067 170 02	Pan-head screw M 12 X 1,5 X 40		16	
21	930 351 580 01	Spacer sleeve		16	
22	951 352 950 00	Expanding spring		2	
23	944 612 211 00	Warning contact		2	
23	944 612 211 05	Warning contact		2	
24	930 355 061 01	Connecting line	/L	1	
24	930 355 061 04	Connecting line	/L	1	
(24)	930 355 062 01	Connecting line	/R	1	
(24)	930 355 062 04	Connecting line	/R	1	
28	930 351 919 00	Ventilation valve		4	
29	930 351 927 00	Dust boot		4	
29	930 351 927 01	Dust boot		4	
32	900 067 170 02	Pan-head screw M 12 X 1,5 X 40		4	
33	930 351 553 01	Spacer		4	
34	N 012 232 1	Spring washer B 12		4	
35	930 351 938 05	Brake pad repair set	-88	1	
35	951 351 939 04	Brake pad repair set without asbestos		1	
35	964 351 939 02	Brake pad repair set without asbestos		1	
35	964 351 939 03	Brake pad repair set without asbestos		1	
36	930 351 551 04	Piston \$ 38 MM		8	
37	930 351 547 00	Scraper ring		8	
38	930 351 555 01	Sealing ring		8	
39	000 043 020 00	Optimoly 1 100-gramme tube		X	
(39)	000 043 117 00	Brake cylinder paste 1 50-g tube		X	
(39)	000 043 305 11	Brake cylinder paste 1 50-g tube		X	

Model: 911 87

Model life 1987>>1989



Model: 911 87 Model life 1987>>1989

Pos	Part Number	Description	Remark	Qty	Model
		Brake			CARRERA
		Rear axle			
1	911 352 041 08	Brake disc		2	
2	N 033 167 1	Countersunk-head screw		4	
		AM 6 X 12			
2	900 269 047 01	Countersunk-head screw		4	
		AM 6 X 12			
3	911 352 801 20	Protective plate		2	
4	900 075 087 02	Hexagon-head bolt		4	
		M 8 X 16			
4	900 075 087 03	Hexagon-head bolt		4	
		M 8 X 16			
(4)	N 010 235 3	Hexagon-head bolt		2	
		M 8 X 10			
5	N 012 241 8	Spring washer		6	
		B 8			
6	900 076 025 02	Hexagon nut		4	
		M 8			
6	900 076 064 02	Hexagon nut		4	
		M 8			
7	N 010 137 2	Hexagon-head bolt		4	
		M 12 X 1,5 X 35			
7	900 083 073 01	Hexagon-head bolt		4	
		M 12 X 1,5 X 35			
8	900 027 017 02	Lock ring		4	
		B 12			
9	911 352 425 00	Fixed calliper	/L	1	
		without pad			
(9)	911 352 426 00	Fixed calliper	/R	1	
		without pad			
10	901 352 977 10	Bleeder valve		2	
11	901 351 927 10	Dust boot		2	
12	911 352 923 00	Retaining pin		4	
13	911 352 950 01	Brake pad repair set		1	
13	911 352 950 04	Brake pad repair set		1	
		- textar -			
13	911 352 950 06	Brake pad repair set		1	
		- textar -			
13A	911 352 951 01	Parts kit		1	
14	911 352 905 00	Gasket set		2	
		Handbrake			
-	PCG 352 097 12	Set of fastening parts		1	
		Handbrake			
		Comprising:			
-	900 079 012 02	Castle nut		2	
-	911 352 090 01	Expanding bow		4	
-	911 352 098 01	Adjusting screw		2	
-	901 352 932 10	Return spring		2	
-	911 352 944 00	Support bush		2	
-	901 352 953 12	Compression spring		2	
-	901 352 954 10	Return spring		2	
-	901 352 955 10	Concave washer		4	
-	901 352 957 10	Compression spring		4	
-	901 352 959 11	Roll pin		4	
-	N 012 507 1	Cotter pin		2	
15	911 352 081 30	Brake mounting plate		2	
16	911 352 097 10	Brake shoe		4	
17	901 352 959 10	Roll pin		4	
17	901 352 959 11	Roll pin		4	
18	901 352 957 10	Compression spring		4	
19	901 352 955 10	Concave washer		4	
20	911 352 944 00	Support bush		2	
21	911 352 098 00	Adjusting screw		2	

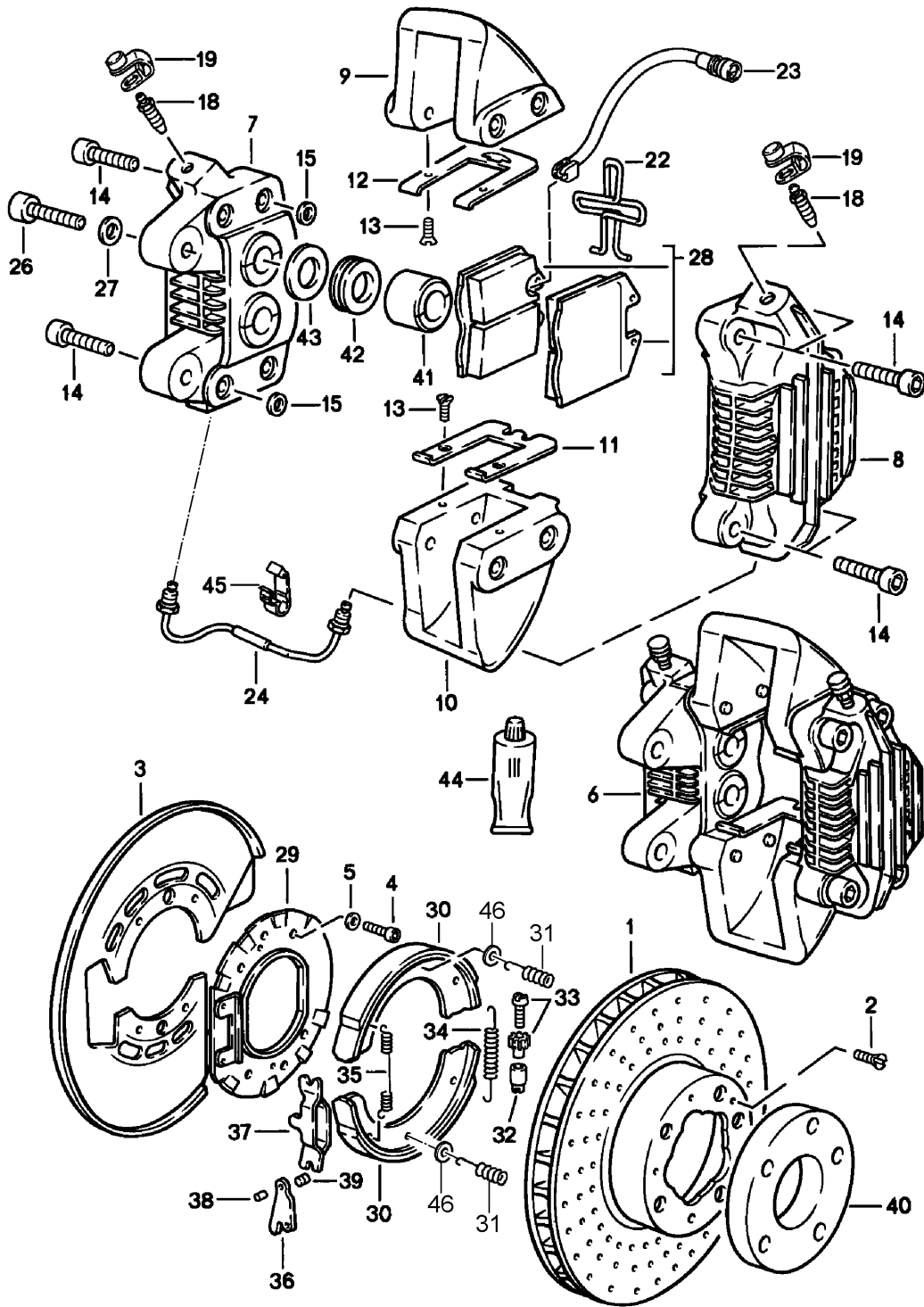
Model: 911 87

Model life 1987>>1989

Pos	Part Number	Description	Remark	Qty	Model
21	911 352 098 01	Adjusting screw		2	
22	901 352 932 10	Return spring		2	
23	901 352 954 10	Return spring		2	
24	911 352 090 00	Expanding bow		4	
24	911 352 090 01	Expanding bow		4	
25	901 352 953 10	Compression spring		2	
25	901 352 953 11	Compression spring		2	
25	901 352 953 12	Compression spring		2	
26	944 612 211 02	Warning contact		2	
26	944 612 211 03	Warning contact		2	
27	944 612 627 00	Line bracket		2	
28	000 043 117 00	Brake cylinder paste 1 50-g tube		X	
28	000 043 305 11	Brake cylinder paste 1 50-g tube		X	

Model: 911 87

Model life 1987>>1989



Model: 911 87

Model life 1987>>1989

Pos	Part Number	Description	Remark	Qty	Model
		Brake Rear axle			TURBO CARRERA M491
1	930 352 045 01	Brake disc	/L	1	
(1)	930 352 046 01	Brake disc	/R	1	
2	N 033 167 1	Countersunk-head screw M 6 X 12		4	
2	900 269 047 01	Countersunk-head screw M 6 X 12		4	
3	930 352 801 04	Protective plate		2	
4	900 067 057 02	Pan-head screw M 8 X 20		8	
4	900 067 057 03	Pan-head screw M 8 X 20		8	
5	N 012 241 8	Spring washer B 8		8	
6	930 352 091 03	Brake calliper without pad	/L	1	
(6)	930 352 092 03	Brake calliper without pad	/R	1	
7	930 352 091 03	Brake calliper Inner part Comprising: Housing	/L	1	
		Inner part		1	
		Sealing ring \$ 30 MM		2	
		Scraper ring \$ 30 MM		2	
		Piston \$ 30 MM		2	
7	930 352 092 03	Brake calliper Inner part Comprising: Housing	/R	1	
		Inner part		1	
		Sealing ring \$ 30 MM		2	
		Scraper ring \$ 30 MM		2	
		Piston \$ 30 MM		2	
8	930 352 953 01	Brake calliper Outer part Comprising: Housing		2	
		Outer part		1	
		Sealing ring \$ 30 MM		2	
		Scraper ring \$ 30 MM		2	
		Piston \$ 30 MM		2	
9	930 352 563 03	Bridge		2	
10	930 352 564 04	Bridge		2	
11	930 351 539 03	Spring plate		2	
12	930 351 540 03	Spring plate		2	
13	900 269 017 02	Countersunk-head screw M 5 X 12		8	
14	900 067 170 02	Pan-head screw M 12 X 1,5 X 40		16	
15	930 351 580 01	Spacer sleeve		16	
18	930 351 919 00	Ventilation valve		4	

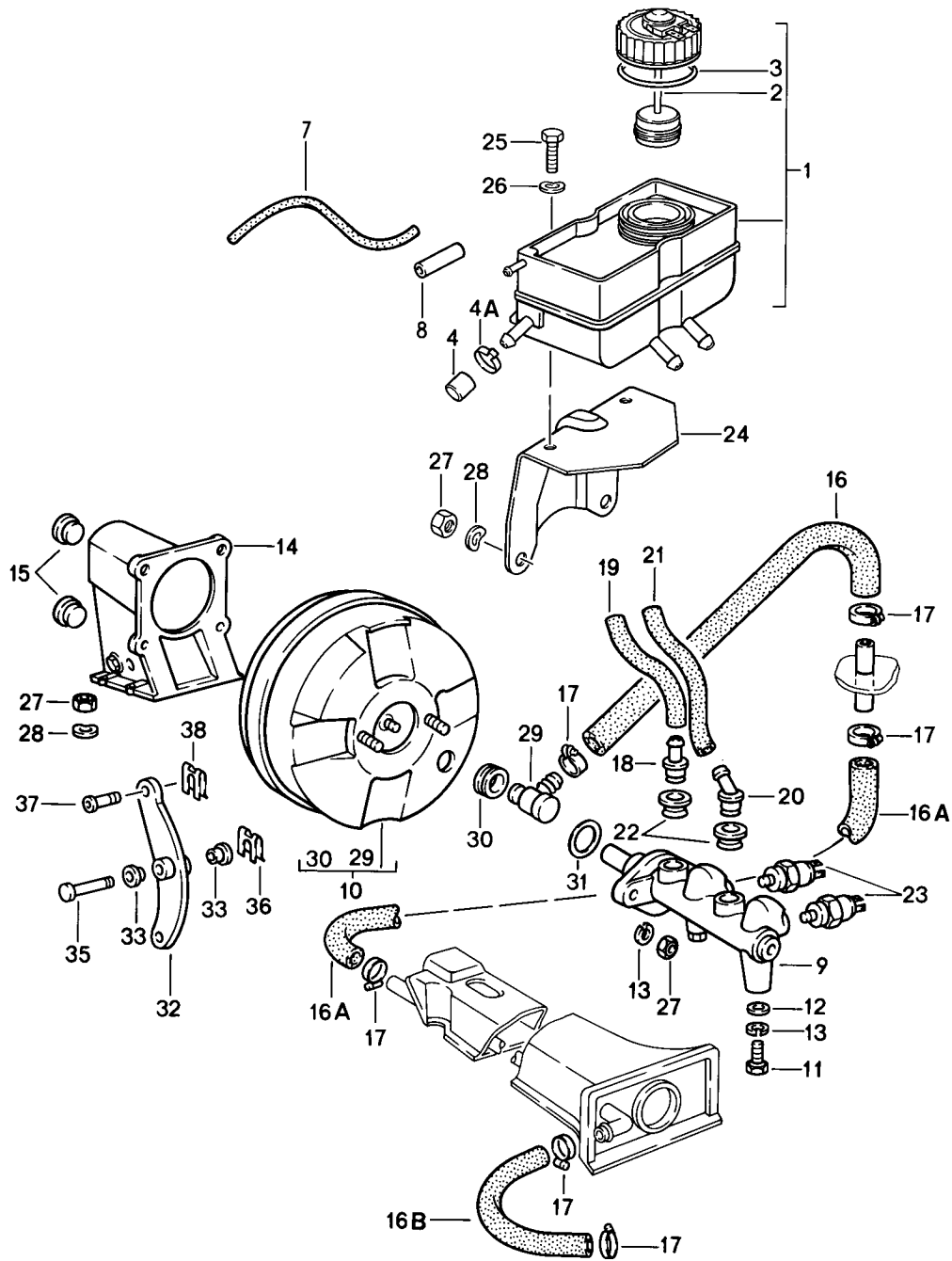
Model: 911 87

Model life 1987>>1989

Pos	Part Number	Description	Remark	Qty	Model
19	930 351 927 00	Dust boot		4	
19	930 351 927 01	Dust boot		4	
22	951 352 950 00	Expanding spring		2	
23	930 612 211 00	Warning contact		2	
23	930 612 211 02	Warning contact		2	
24	930 355 061 01	Connecting line	/L	1	
24	930 355 061 04	Connecting line	/L	1	
(24)	930 355 062 01	Connecting line	/R	1	
(24)	930 355 062 04	Connecting line	/R	1	
26	900 067 170 02	Pan-head screw M 12 X 1,5 X 40		4	
27	900 028 014 02	Washer B 12		4	
27	900 028 014 03	Washer B 12		4	
28	930 351 938 05	Brake pad repair set	-88	1	
28	951 351 939 04	Brake pad repair set without asbestos		1	
28	964 351 939 02	Brake pad repair set without asbestos		1	
28	964 351 939 03	Brake pad repair set without asbestos		1	
29	930 352 081 03	Handbrake Brake mounting plate		2	
30	996 352 993 00	Repair kit without asbestos		4	
30	997 352 993 02	Brake shoe 1 set Only together with Washer 928.352.963.00 Adjusting screw 993.352.071.00		1	
31	930 352 957 00	Compression spring		4	
32	911 352 944 00	Support bush		2	
33	911 352 098 00	Adjusting screw		2	
33	911 352 098 01	Adjusting screw		2	
34	901 352 932 10	Return spring		2	
35	901 352 954 10	Return spring		2	
36	993 352 073 00	Push-button lock		2	
37		Push-button lock		2	
38	993 352 737 00	Bolt		2	
39	928 352 447 00	Articulated bolt		2	
40	930 331 611 04	Spacer ring		2	
40	930 331 611 06	Spacer ring		2	
41	930 352 555 01	Piston \$ 30 MM		8	
42	930 352 554 00	Scraper ring		8	
43	930 352 553 02	Sealing ring		8	
44	000 043 020 00	Optimoly 1 100-gramme tube		1	
(44)	000 043 117 00	Brake cylinder paste 1 50-g tube		X	
(44)	000 043 305 11	Brake cylinder paste 1 50-g tube		X	
45	944 612 627 00	Line bracket		6	
46	928 352 963 00	Washer Only together with Brake shoe 997.352.993.02		4	

Model: 911 87

Model life 1987>>1989



Model: 911 87

Model life 1987>>1989

Pos	Part Number	Description	Remark	Qty	Model
		Brake fluid reservoir			
		Brake master cylinder			
1	911 355 017 04	Brake fluid reservoir		1	
2	911 355 351 00	Threaded cover		1	
3	911 355 908 00	Gasket		1	
4	911 355 327 00	Cap	-88	1	TURBO
4A	999 512 055 02	Hose clamp	-88	1	TURBO
4A	PCG 512 055 02	Hose clamp		1	TURBO
-	N 020 361 2	Hose		*	
		4 X 1,5			
7		900 MM	/LL	1	
7		1500 MM	/RL	1	
8	911 355 155 00	Pipe		1	
		5 X 3 X 1280			
9	911 355 011 12	Brake master cylinder		1	CARRERA
(9)	930 355 011 03	Brake master cylinder		1	TURBO
				1	CARRERA
					M491
10	930 355 027 00	Vacuum booster		1	CARRERA
(10)	930 355 027 02	Vacuum booster		1	TURBO
				1	CARRERA
					M491
11	N 010 237 6	Hexagon-head bolt		1	
		M 8 X 12			
11	N 010 237 14	Hexagon-head bolt		1	
		M 8 X 12			
12	900 151 008 02	Washer		1	
		A 8,4			
13	900 027 015 02	Lock ring		3	
		B 8			
13	900 027 015 03	Lock ring		3	
		B 8			
14	911 355 381 01	Bearing bracket	/LL	1	
(14)	911 355 382 00	Bearing bracket	/RL	1	
15	999 703 056 40	Stopper		2	
16	911 355 609 00	Moulded hose	/LL	1	
-	999 181 022 51	Hose		*	
		11,8 X 4			
(16)		790 MM	/RL	1	
		Brake booster			
16A		Boot floor plate			
		320 MM		1	
		Tunnel			
16B		Boot floor plate			
		1420 MM		1	
		Engine			
		Tunnel			
17	900 272 003 02	Hose clamp		6	
17	999 512 554 00	Hose clamp		6	
18	911 355 322 00	Intake socket		1	
-	999 181 021 50	Hose		*	
		7,5 X 12,5			
19		65 MM		1	
20	911 355 323 00	Intake socket		1	
-	999 181 021 50	Hose		*	
		7,5 X 12,5			
21		120 MM		1	
22	911 355 922 00	Sealing plug		2	
23	113 945 515 H	Brake light switch		2	
		2-pole			
24	911 355 033 00	Support		1	
25	900 075 057 02	Hexagon-head bolt		1	
		M 6 X 16			

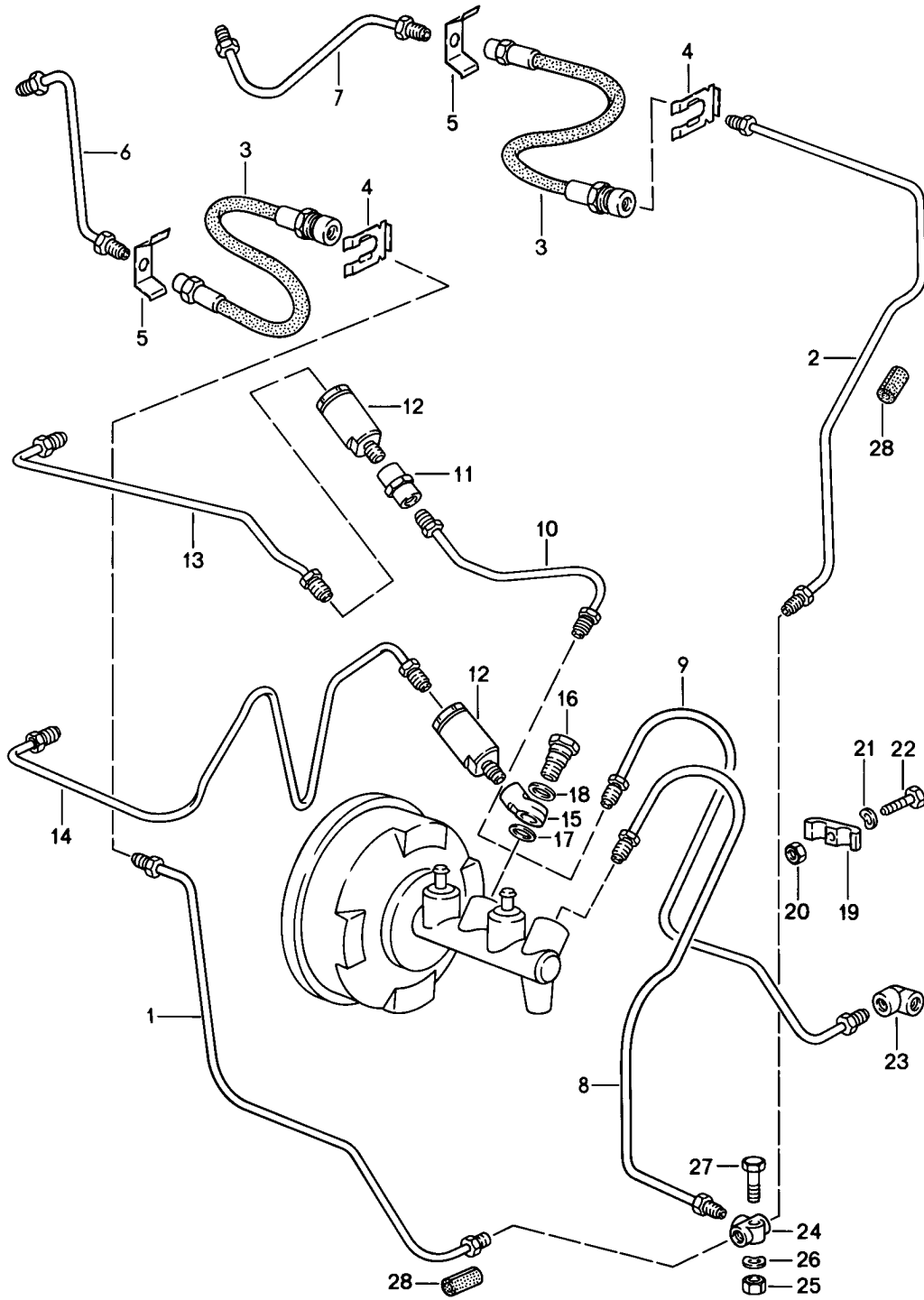
Model: 911 87

Model life 1987>>1989

Pos	Part Number	Description	Remark	Qty	Model
25	900 075 057 03	Hexagon-head bolt M 6 X 16		1	
26	N 012 226 5	Spring washer B 6		1	
27	N 022 146 1	Lock nut M 8		10	
28	N 012 241 8	Spring washer B 8		4	
29	191 611 933 F	Check valve		1	
(29)	477 611 933 A	Check valve		1	M605
30	911 355 921 00	Rubber seal		1	
30	955 355 921 00	Rubber seal		1	
31	251 611 243	Sealing ring		1	
32	911 355 084 00	Reverse lever	/RL	1	
(32)	911 355 083 03	Reverse lever	/LL	1	
33	928 423 542 00	Bearing sleeve		2	
35	911 355 511 01	Bearing pin		1	
36	N 012 654 1	Lock washer		1	
37	999 166 049 02	Bolt		1	
38	999 166 034 02	Sl-lock		1	

Model: 911 87

Model life 1987>>1989



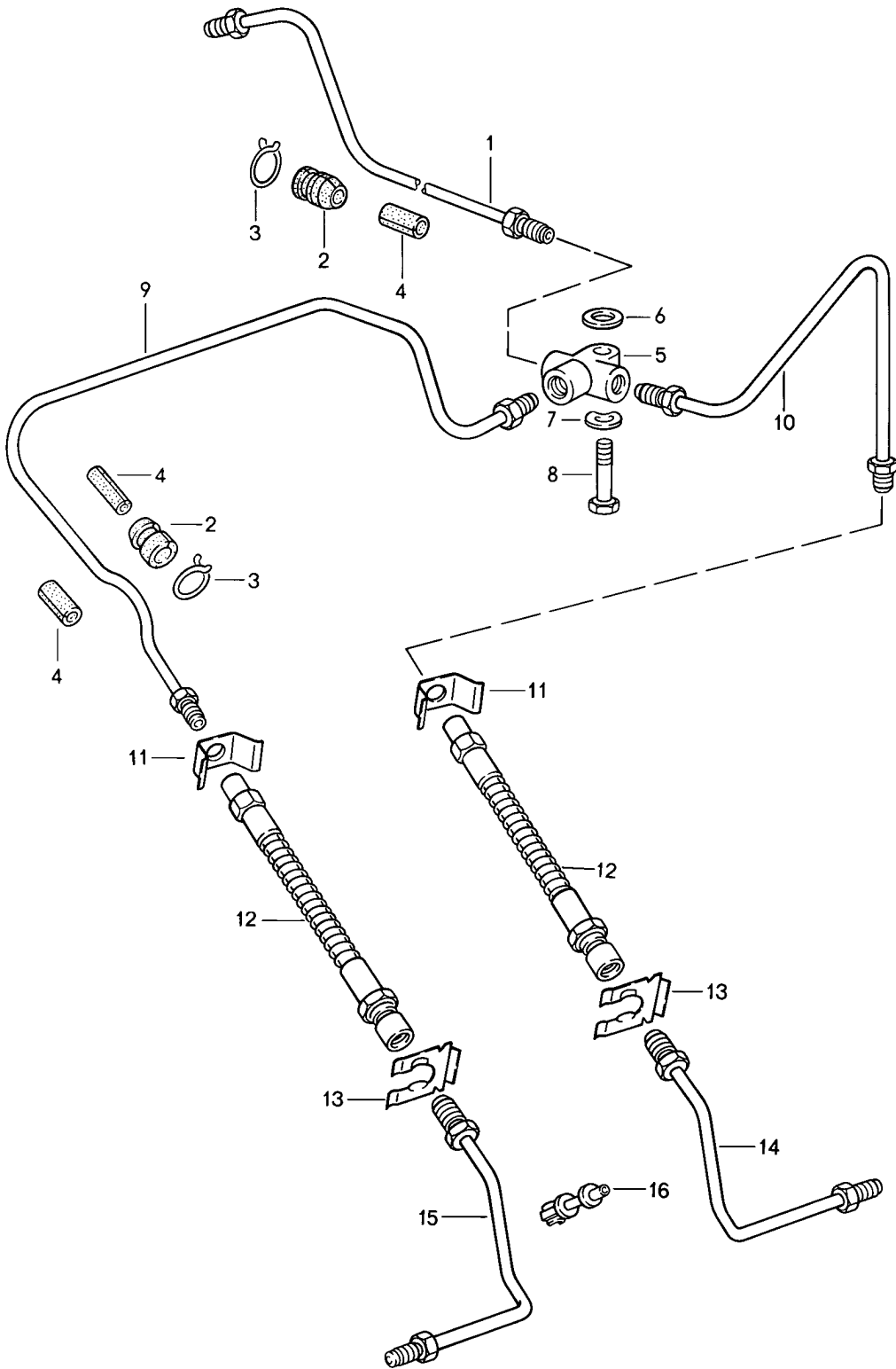
Model: 911 87

Model life 1987>>1989

Pos	Part Number	Description	Remark	Qty	Model
		Brake line Front			
1	911 355 618 01	Brake line	/L	1	
2	911 355 617 03	Brake line	/R	1	
3	901 355 632 01	Brake hose		2	
3	901 355 632 02	Brake hose		2	
4	113 611 715 A	Brake hose bracket		2	
5	803 611 715	Retainer spring		2	
6	911 355 605 01	Brake line		2	CARRERA
6	930 355 063 00	Brake line	/L	1	TURBO
7	930 355 064 00	Brake line	/R	1	TURBO
8	911 355 608 03	Connecting line	/LL	1	
8	911 355 065 00	Connecting line	/RL	1	
9	911 355 607 03	Connecting line	/LL	1	TURBO
9	911 355 066 00	Connecting line	/RL	1	TURBO
10	911 355 077 03	Brake line	/LL	1	CARRERA
11	914 355 661 00	Intermediate piece M 10 X 1	/LL	1	CARRERA
12	930 355 305 00	Regulator		1	CARRERA M491
12	928 355 305 02	Regulator		1	CARRERA
12		Regulator		1	CARRERA
13	911 355 079 00	Brake line	/LL	1	CARRERA
14	911 355 069 00	Brake line	/RL	1	CARRERA
15	999 230 175 10	Ring fitting M 10 X 1	/RL	1	CARRERA
16	901 355 531 00	Banjo bolt	/RL	1	CARRERA
17	N 013 808 3	Sealing ring A 10 X 16	/RL	1	CARRERA
18	N 013 812 2	Sealing ring A 12 X 15,5	/RL	1	CARRERA
19	999 511 112 40	Dual clip		1	
20	999 084 018 02	Lock nut M 6		1	
21	N 012 226 5	Spring washer A 6		1	
22	900 075 016 02	Hexagon-head bolt M 6 X 22		1	
22	900 075 016 03	Hexagon-head bolt M 6 X 22		1	
23	901 355 615 00	Angled pipe		1	
23	901 355 615 01	Angled pipe		1	
24	914 355 667 00	Distributor		1	
25	900 076 010 02	Nut M 6		1	
25	900 076 010 0B	Nut M 6		1	
26	N 011 524 7	Washer		1	
26	N 011 524 27	Washer		1	
27	900 075 017 02	Hexagon-head bolt M 6 X 25		1	
27	900 075 017 03	Hexagon-head bolt M 6 X 25		1	
28	914 355 691 00	Protective tube		3	

Model: 911 87

Model life 1987>>1989



Model: 911 87

Model life 1987>>1989

Pos	Part Number	Description	Remark	Qty	Model
		Brake line Rear			
1	911 355 611 04	Brake line		1	CARRERA
1	911 355 611 03	Brake line	-88	1	TURBO
1	911 355 611 04	Brake line	89-	1	TURBO
2	914 355 651 00	Rubber sleeve		2	
3	914 355 652 00	Clamp		2	
4	914 355 691 00	Protective tube		3	
5	914 355 667 00	Distributor		1	
6	N 011 666 7	Washer B 6,4		1	
7	N 012 226 5	Spring washer B 6		1	
8	900 075 017 02	Hexagon-head bolt M 6 X 25		1	
8	900 075 017 03	Hexagon-head bolt M 6 X 25		1	
9	911 355 627 06	Connecting line	/L	1	CARRERA
(9)	930 355 627 04	Connecting line	/L -88	1	TURBO
9	911 355 627 06	Connecting line	/L 89-	1	TURBO
10	911 355 653 06	Connecting line	/R	1	CARRERA
(10)	930 355 653 05	Connecting line	/R -88	1	TURBO
10	911 355 653 06	Connecting line	/R 89-	1	TURBO
11	803 611 715	Retainer spring		2	
12	911 355 087 00	Brake hose		2	
12	911 355 087 01	Brake hose		2	
13	113 611 715 A	Brake hose bracket		2	
14	911 355 622 03	Brake line	/R	1	CARRERA
14	930 355 066 00	Brake line	/R	1	TURBO
				1	CARRERA M491
15	911 355 621 03	Brake line	/L	1	CARRERA
15	930 355 065 00	Brake line	/L	1	TURBO
				1	CARRERA M491
16	999 507 235 40	Pipe clip		2	TURBO
				2	CARRERA M491

Model: 911 87

Model life 1987>>1989



Model: 911 87 Model life 1987>>1989

Pos	Part Number	Description	Remark	Qty	Model
>>	911 351 950 06	Repair kits Front axle See technical information GR.4, NR. 4/99 Brake pad repair set without asbestos Comprising: Brake pad Use also: 993.612.965.00		1 4 2	CARRERA
>>	911 351 950 08	Brake pad repair set without asbestos Comprising: Brake pad Use also: 993.612.965.00		1 4 2	CARRERA
>>	911 351 951 01	Parts kit Mounting parts Comprising: Expanding spring Retaining pin		1 2 4	CARRERA
>>	911 351 946 00	Gasket set for Fixed calliper Comprising: Gasket Protection cap Clamping spring		2 2 2	CARRERA
>>	911 352 950 01	Rear axle Brake pad repair set Comprising: Brake pad	-88	1 4	CARRERA
>>	911 352 950 02	Brake pad repair set without asbestos Comprising: Brake pad		1 4	CARRERA
>>	911 352 950 04	Brake pad repair set Comprising: Brake pad		4 4	CARRERA
>>	911 352 950 06	Brake pad repair set Comprising: Brake pad		4 4	CARRERA
>>	911 352 951 01	Parts kit Mounting parts Comprising: Retaining pin Expanding spring		1 4 2	CARRERA
>>	911 352 905 00	Gasket set for Fixed calliper Comprising: Gasket for Piston Protection cap		2 2	CARRERA
>>	930 351 938 05	Front axle And Rear axle Brake pad repair set Comprising: Brake pad	-88	2 2 4	TURBO TURBO CARRERA M491

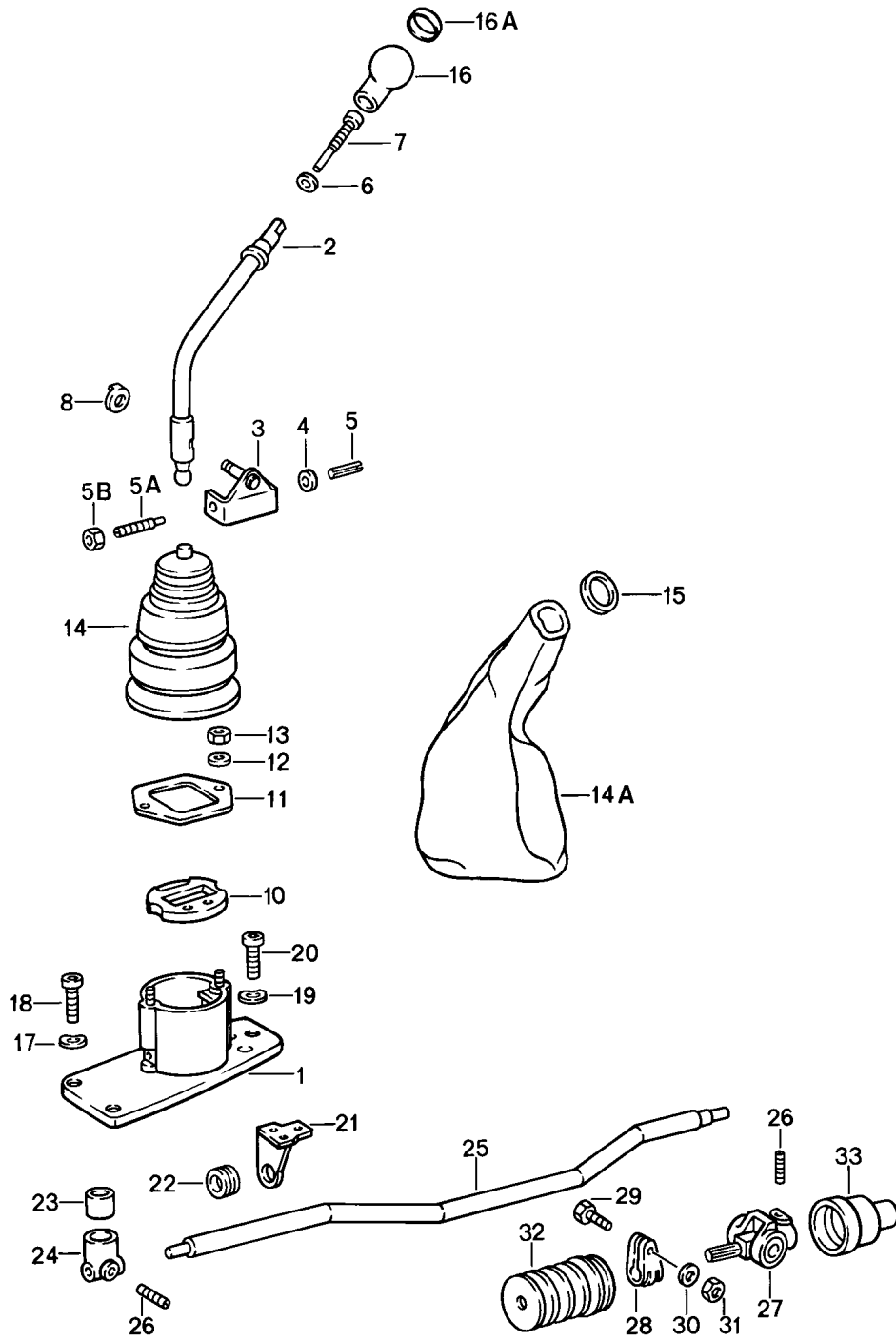
Model: 911 87

Model life 1987>>1989

Pos	Part Number	Description	Remark	Qty	Model
>>	951 351 939 04	Brake pad repair set		2	TURBO
		without asbestos		2	CARRERA
		Comprising:			M491
		Brake pad		4	
>>	964 351 939 02	Brake pad repair set		2	TURBO
		without asbestos		2	CARRERA
		Comprising:			M491
		Brake pad		4	
>>	964 351 939 03	Brake pad repair set		2	TURBO
		without asbestos		2	CARRERA
		Comprising:			M491
		Brake pad		4	

Model: 911 87

Model life 1987>>1989



Model: 911 87

Model life 1987>>1989

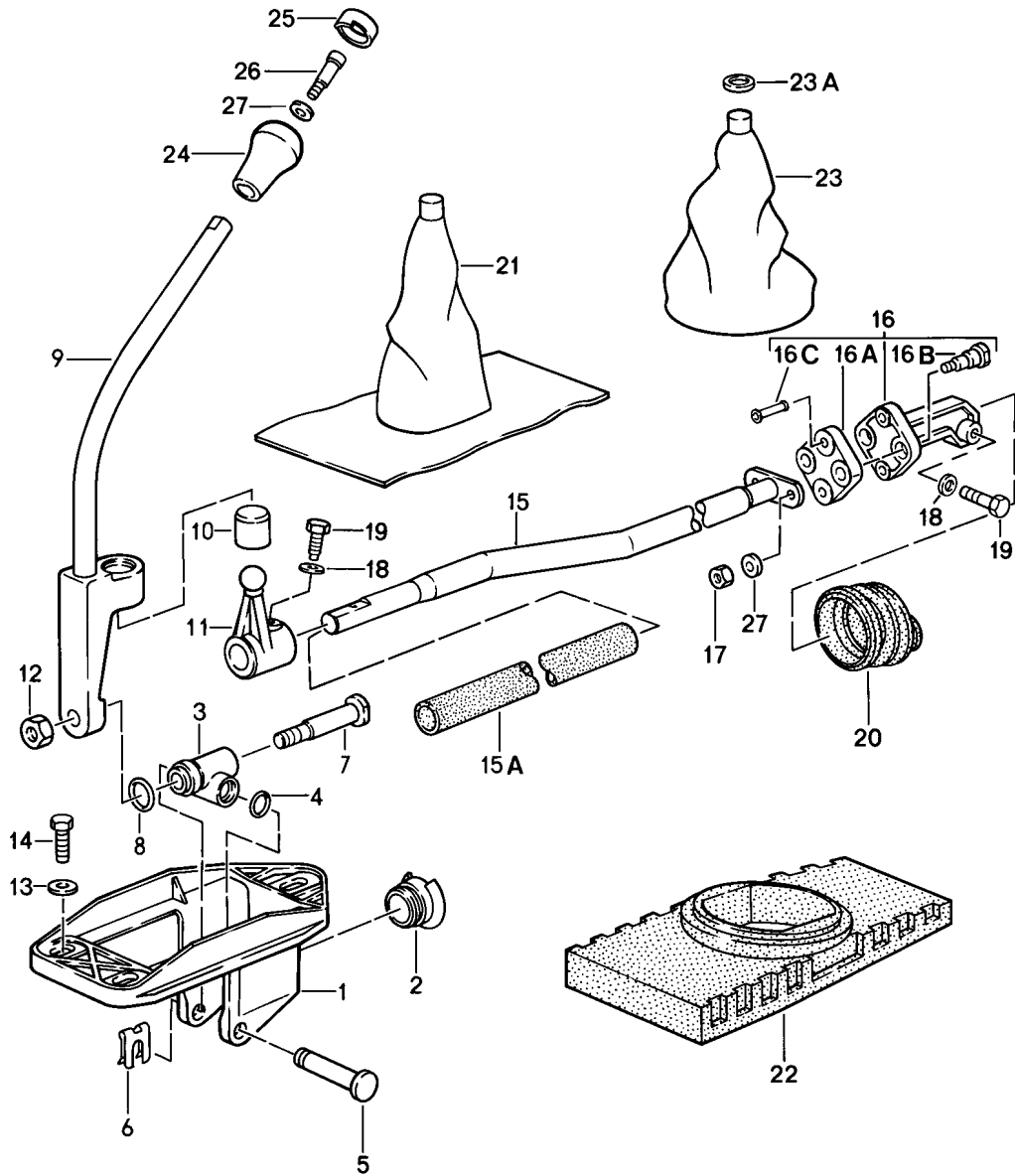
Pos	Part Number	Description	Remark	Qty	Model
		Transmission control	-88		TURBO
1	911 424 019 06	Gearshift bracket		1	
2	930 424 017 04	Gearshift lever		1	
3	930 424 071 00	Fork		1	
-	930 424 125 00	Leaf spring		1	
-	900 234 041 01	Shim		1	
		10 X 16 X 1,3			
-	900 116 007 01	Lock washer		1	
-	N 012 439 1	Lock washer		1	
-	N 012 439 2	Lock washer		1	
4	911 424 187 01	Shim		1	
		0,2 MM			
5	900 197 035 01	Tensioning sleeve		1	
		8 X 28			
5	900 197 035 0B	Tensioning sleeve		1	
		8 X 28			
5A	911 424 335 00	Threaded pin		1	
5B	N 011 113 3	Hexagon nut		1	
		M 14			
6	N 011 525 13	Washer		1	
		A 8,4			
7	N 014 715 3	Pan-head screw		1	
		M 8 X 45			
7	900 067 103 01	Pan-head screw		1	
		M 8 X 45			
8	N 012 439 2	Lock washer		1	
10	930 424 147 00	Buffer plate		1	
11	930 424 165 01	Retainer plate		1	
12	900 027 014 01	Lock ring		2	
		B 6			
12	900 027 014 02	Lock ring		2	
		B 6			
12	N 012 006 4	Lock ring		2	
		B 6			
13	900 076 010 02	Nut		2	
		M 6			
13	900 076 010 0B	Nut		2	
		M 6			
14	911 424 181 01	Sleeve		1	
14A	911 424 047 00	Leather sleeve		1	
		for			
		Gearshift lever			
	911 424 047 00 1AJ	Black			
	911 424 047 00 8LY	Mahogany			
	911 424 047 00 8KY	Marine blue			
	911 424 047 00 7LD	Burgundy			
	911 424 047 00 KZ6	Can-can-red			
	911 424 047 00 5JX	Greyish green			
	911 424 047 00 1WY	Linen			
	911 424 047 00 5MJ	Plum red			
	911 424 047 00 3UJ	Caramel			
	911 424 047 00 7JJ	Venetian blue			
	911 424 047 00 2VJ	Silver-grey			
	911 424 047 00 1VD	Champagne			
15	999 702 051 50	Grommet		1	
16	950 424 079 00	Gearshift knob		1	
	950 424 079 00 1AJ	Black			
	950 424 079 00 8LY	Mahogany			
	950 424 079 00 8KY	Marine blue			
	950 424 079 00 7LD	Burgundy			
	950 424 079 00 5JX	Greyish green/grey-green			
	950 424 079 00 1WY	Linen			
	950 424 079 00 5MJ	Plum red			

Model: 911 87 Model life 1987>>1989

Pos	Part Number	Description	Remark	Qty	Model
	950 424 079 00 3UJ	Caramel			
	950 424 079 00 7JJ	Venetian blue			
	950 424 079 00 2VJ	Silver-grey			
	950 424 079 00 1VD	Champagne			
16A	930 424 189 01	Cap with symbol		1	
	930 424 189 01 01C	Black			
17	N 012 228 3	Spring washer B 8		3	
18	900 067 057 02	Pan-head screw M 8 X 20		3	
18	900 067 057 03	Pan-head screw M 8 X 20		3	
19	N 012 226 5	Spring washer B 6		2	
20	900 067 011 02	Pan-head screw M 6 X 20		2	
20	900 067 011 03	Pan-head screw M 6 X 20		2	
21	930 424 031 00	Bearing bracket		1	
21	930 424 031 01	Bearing bracket		1	
22	914 424 224 00	Friction ring		1	
23	911 424 139 00	Ball socket		1	
23	911 424 139 01	Ball socket		1	
(24)	930 424 241 00	Head shift rod		1	
25	911 424 020 00	Gear shift rod		1	
-	PCG 424 020 00	Repair kit Gear shift rod Comprising:		1	
-	911 424 024 04	Shift rod coupling		1	
-	911 424 139 01	Ball socket		1	
-	914 424 224 00	Friction ring		1	
-	901 424 229 00	Conical screw		2	
26		Conical screw		2	
27	911 424 024 04	Shift rod coupling		1	
-	964 424 223 00	Bush		2	
28	914 424 214 00	Clamp		1	
29	N 010 335 5	Hexagon-head bolt M 8 X 35		1	
29	900 075 032 03	Hexagon-head bolt M 8 X 35		1	
30	999 523 102 02	Washer		1	
30	999 523 102 0B	Washer		1	
31	900 076 025 02	Hexagon nut M 8		1	
31	900 076 064 02	Hexagon nut M 8		1	
32	911 424 292 00	Sealing sleeve		1	
33	911 424 294 00	Sealing sleeve		1	

Model: 911 87

Model life 1987>>1989



Model: 911 87 Model life 1987>>1989

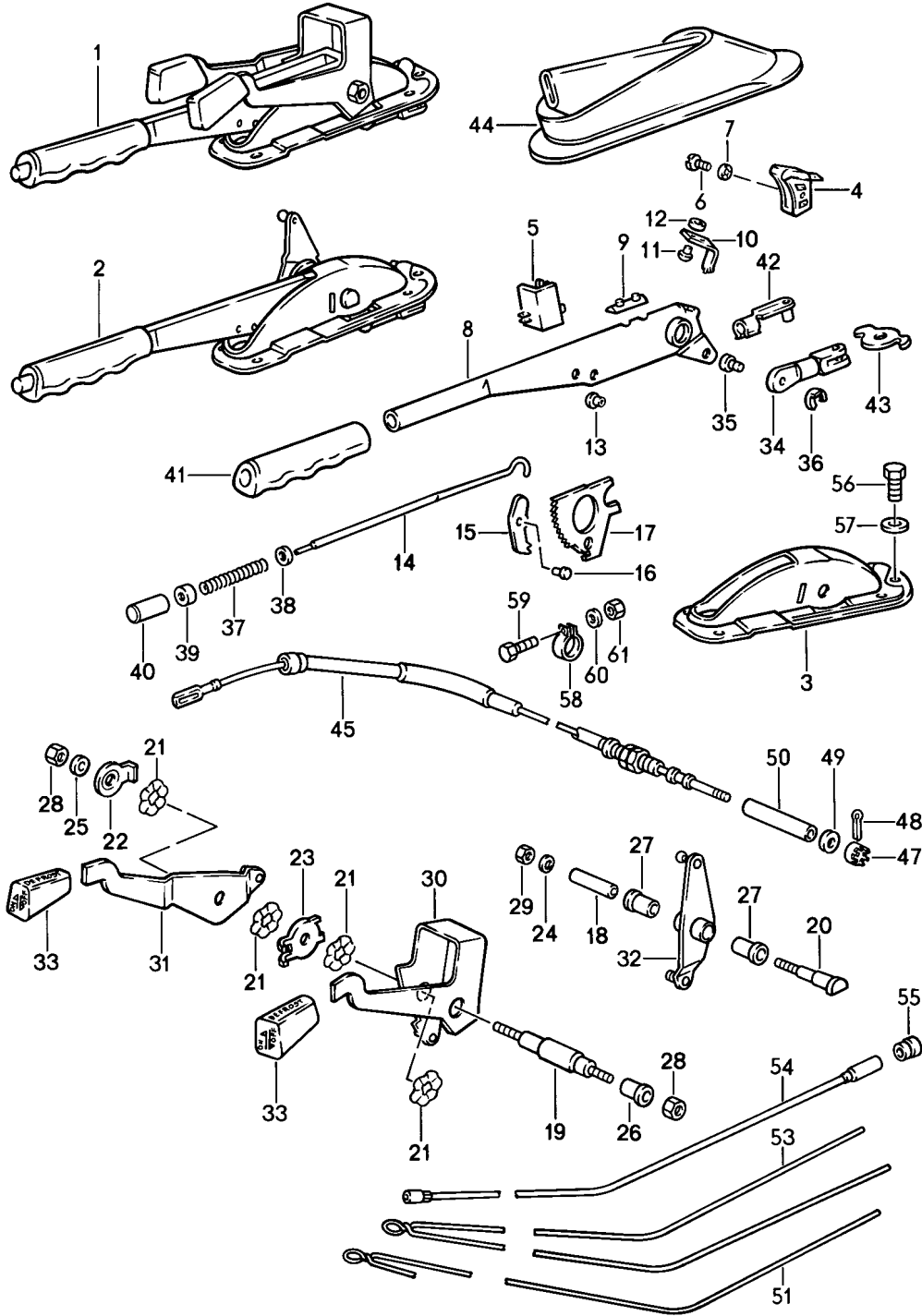
Pos	Part Number	Description	Remark	Qty	Model
		Transmission control			CARRERA TURBO
1	950 424 141 00	Gearshift bracket		1	
2	950 424 224 03	Friction ring		1	
3	950 424 124 01	Shift-lever bearing		1	
4	999 701 012 50	O-ring		1	
5	950 424 131 00	Bolt		1	
6	N 012 653 1	Lock washer		1	
7	950 424 185 01	Threaded bolt		1	
8	999 701 923 40	O-ring		1	
9	950 424 017 05	Gearshift lever		1	
9	950 424 017 06	Gearshift lever		1	M243
10	911 424 139 01	Ball socket		1	
11	950 424 241 01	Head shift rod		1	
12	N 011 010 6	Hexagon nut		1	
12	N 101 552 10	Hexagon nut		1	
13	900 151 008 02	Washer A 8,4		3	
14	900 075 085 02	Hexagon-head bolt M 8 X 20		3	
15	950 424 020 04	Gear shift rod		1	
-	PCG 424 020 04	Repair kit Gear shift rod Comprising:		1	
-	950 424 124 01	Shift-lever bearing		1	
-	911 424 139 01	Ball socket		1	
-	999 701 012 50	O-ring		1	
-	999 701 923 40	O-ring		1	
15A	000 043 205 11	Insulating hose \$ 12,25 X 22 700 MM		*	
16	950 424 028 03	Bearing body	87	1	
16		Bearing body	88-	1	
16A	950 424 227 01	Rubber washer	87	1	
16A	950 424 227 02	Rubber washer	87-	1	
16A	950 424 227 01	Rubber washer	88-	1	
16A	950 424 227 02	Rubber washer	88-	1	
16B	950 424 025 00	Bolt		2	
16C	900 120 046 02	Tubular rivet		2	
16C	900 120 046 0C	Tubular rivet		2	
17	900 076 025 02	Hexagon nut		2	
17	900 076 064 02	Hexagon nut		2	
18	N 011 654 2	Washer 9,5 X 17 X 1,5		2	
19	999 074 023 02	Fit bolt M 8 X 25,5		2	
20	950 424 294 06	Sealing sleeve	87	1	
20		Sealing sleeve	88-	1	
21	950 424 075 00	Inner sleeve		1	
22	950 424 180 00	Bracket for Leather sleeve		1	
23	950 424 073 00	Leather sleeve		1	
	950 424 073 00 1AJ	Black			
	950 424 073 00 8LY	Mahogany			
	950 424 073 00 8KY	Marine blue			
	950 424 073 00 7LD	Burgundy			
	950 424 073 00 5JX	Greyish green/grey-green			
	950 424 073 00 1WY	Linen			
	950 424 073 00 5MJ	Plum red			
	950 424 073 00 3UJ	Caramel			
	950 424 073 00 2VJ	Silver-grey			
	950 424 073 00 7JJ	Venetian blue			

Model: 911 87 Model life 1987>>1989

Pos	Part Number	Description	Remark	Qty	Model
	950 424 073 00 1VD	Champagne			
	950 424 073 00 4MT	Velvet red	89-		
	950 424 073 00 2WT	Slate grey	89-		
	950 424 073 00 2WH	Cashmere beige	89-		
	950 424 073 00 5VT	Silk grey	89-		
	950 424 073 00 7VK	Linen	89-		
23	950 424 073 02	Leather sleeve		1	M243
	950 424 073 02 1AJ	Black			
	950 424 073 02 8LY	Mahogany			
	950 424 073 02 8KY	Marine blue			
	950 424 073 02 7LD	Burgundy			
	950 424 073 02 5JX	Greyish green/			
	950 424 073 02 1WY	Linen			
	950 424 073 02 5MJ	Plum red			
	950 424 073 02 3UJ	Caramel			
	950 424 073 02 2VJ	Silver-grey			
	950 424 073 02 7JJ	Venetian blue			
	950 424 073 02 1VD	Champagne			
	950 424 073 02 4MT	Velvet red	89-		
	950 424 073 02 2WT	Slate grey	89-		
	950 424 073 02 2WH	Cashmere beige	89-		
	950 424 073 02 5VT	Silk grey	89-		
	950 424 073 02 7VK	Linen	89-		
23	911 552 925 00	Leather sleeve	89	1	JUBI:89
	911 552 925 00 2XR	Pearl grey			
	911 552 925 00 8HF	Blue metallic			
	911 552 925 00 5VT	Silk grey			
23	950 424 073 02	Leather sleeve		1	M243
	950 424 073 02 8HF	Blue metallic	88		JUBI
23A	999 702 051 50	Grommet		1	
		for			
		Leather sleeve			
24	950 424 079 00	Gearshift knob		1	
	950 424 079 00 1AJ	Black			
	950 424 079 00 8LY	Mahogany			
	950 424 079 00 8KY	Marine blue			
	950 424 079 00 7LD	Burgundy			
	950 424 079 00 5JX	Greyish green/grey-green			
	950 424 079 00 1WY	Linen			
	950 424 079 00 5MJ	Plum red			
	950 424 079 00 3UJ	Caramel			
	950 424 079 00 2VJ	Silver-grey			
	950 424 079 00 7JJ	Venetian blue			
	950 424 079 00 1VD	Champagne			
	950 424 079 00 8HF	Blue metallic	88		JUBI
	950 424 079 00 4MT	Velvet red	89-		
	950 424 079 00 2WT	Slate grey	89-		
	950 424 079 00 2WH	Cashmere beige	89-		
	950 424 079 00 5VT	Silk grey	89-		
25	950 424 120 00	Cap with symbol		1	
25	950 424 120 01	Cap with symbol		1	
26	N 014 715 3	Pan-head screw		1	
		M 8 X 45			
26	900 067 103 01	Pan-head screw		1	
		M 8 X 45			
27	N 011 525 13	Washer		1	

Model: 911 87

Model life 1987>>1989



Model: 911 87

Model life 1987>>1989

Pos	Part Number	Description	Remark	Qty	Model
(1)	911 424 051 13	Parking-brake lever Actuating lever for Heating		1	M637
2	911 424 051 18	Parking-brake lever with bearing bracket		1	
3	901 424 058 02	Bearing bracket		1	
4	901 613 521 20	Contact switch		1	
5	911 613 525 00	Heating lever contact		1	
6	900 015 025 02	Oval-head screw AM 4 X 15		1	
7	900 115 005 02	Washer A 4,3		1	
8	911 424 059 00	Parking-brake lever		1	
9	901 424 509 01	Stop		1	
10	901 613 523 20	Contact bow		1	
11	900 055 001 20	Buttonhead rivet		2	
12	900 031 012 10	Washer 2,8		2	
13	900 206 003 00	Tubular rivet 5 X 0,5 X 10		1	
14	901 424 567 03	Push rod		1	
15	901 424 508 00	Pawl		1	
16	901 424 511 00	Bolt		1	
17	914 424 541 00	Locking segment		1	
18	911 424 717 01	Tensioning sleeve		1	
(19)	911 424 515 00	Collar bolt		1	M637
20	911 424 519 02	Collar bolt		1	
21	911 424 737 00	Washer		4	
22	911 424 735 00	Disc		1	M637
23	911 424 735 03	Disc		1	
23	911 424 735 06	Disc		1	
24	N 011 692 3	Washer		1	
25	999 523 006 00	Cup spring		1	
27	999 924 001 40	Bearing sleeve		2	
28	999 084 019 02	Lock nut		2	
29	999 084 043 02	Hexagon nut M 5		1	
(30)	911 424 711 03	Actuating lever	/L	1	M637
(31)	911 424 711 02	Actuating lever	/R	1	M637
32	911 424 075 05	Connecting lever		1	
33	911 424 792 03	Control button		2	
34	901 424 569 01	Fork		1	
35	999 166 010 02	Bolt A 6 X 16 X 3		1	
36	999 166 008 02	Safety clip		1	
37	901 424 543 00	Compression spring		1	
38	914 424 258 00	Guide sleeve		1	
39	901 424 593 01	Ring		1	
40	901 424 523 01	Push button		1	
41	901 424 521 01	Handle		1	
42	999 166 001 02	Bolt 6 X 24		1	
43	901 424 568 00	Turnbuckle		1	
44	911 424 591 03	Sleeve		1	M637
45	911 424 551 02	Parking-brake cable		2	CARRERA
45	911 424 551 03	Parking-brake cable		2	CARRERA
45	911 424 551 04	Parking-brake cable		2	CARRERA
45	930 424 051 02	Parking-brake cable		2	TURBO
45	930 424 051 03	Parking-brake cable		2	TURBO
47	900 079 012 02	Castle nut		2	

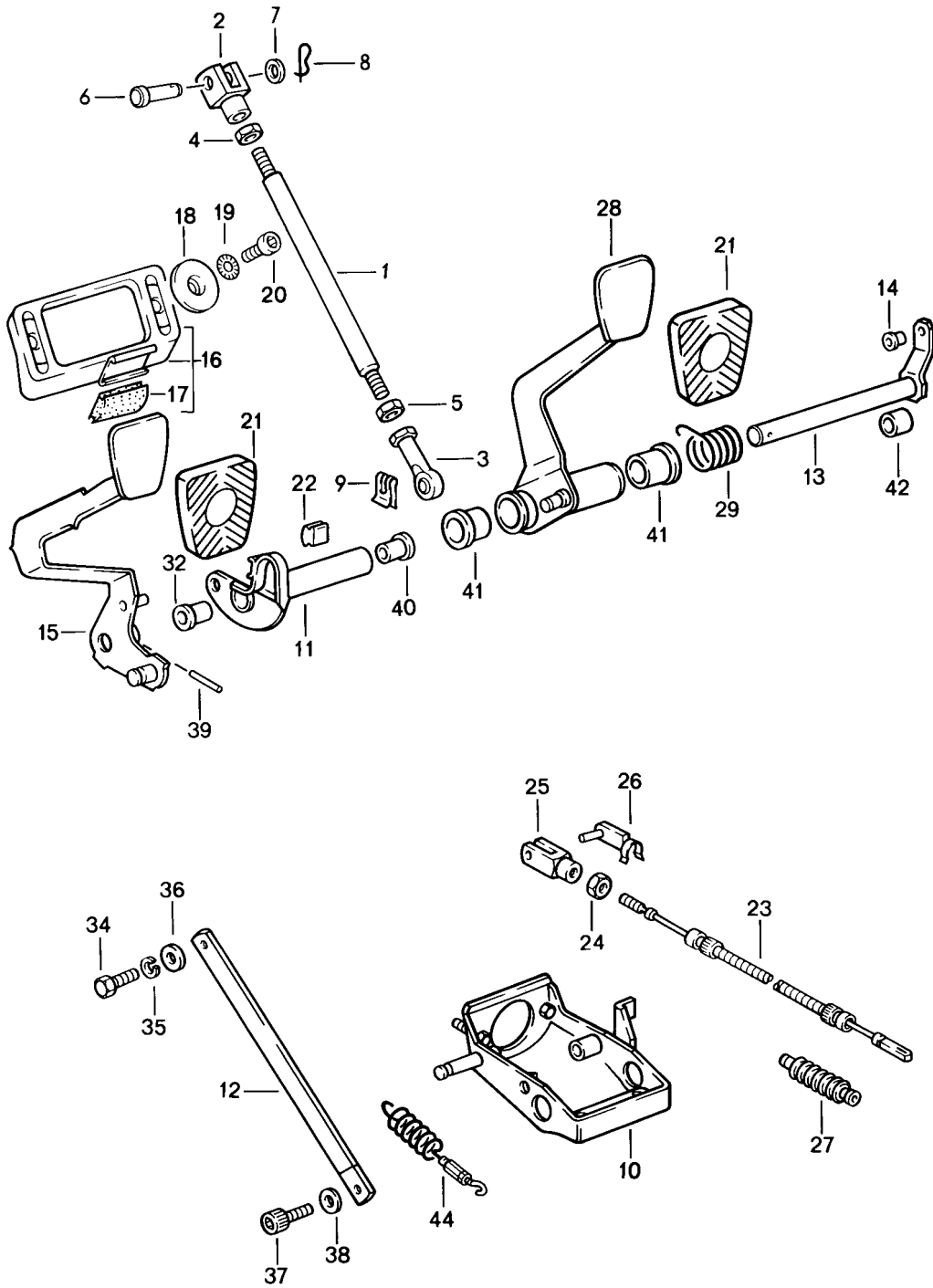
Model: 911 87

Model life 1987>>1989

Pos	Part Number	Description	Remark	Qty	Model
48	N 012 507 1	M 6 Cotter pin 1,6 X 15		2	
49	N 011 666 7	Washer B 6,4		4	
50	901 424 557 01	Spacer tube		2	CARRERA
51	911 424 701 01	Wire pull for Heat control box		2	M637
53	911 424 701 08	Wire pull		1	
54	911 424 804 00	Guide		2	
54	911 424 804 01	Guide		2	
54	901 424 704 01	Guide		2	M637
55	999 702 154 40	Grommet		2	
56	900 075 087 02	Hexagon-head bolt M 8 X 16		3	
56	900 075 087 03	Hexagon-head bolt M 8 X 16		3	
57	900 027 015 02	Lock ring B 8		3	
57	900 027 015 03	Lock ring B 8		3	
58	999 706 009 80	Suspension strap		1	
58	911 424 341 01	Suspension strap		1	
58	911 424 341 03	Suspension strap		1	
59	900 075 057 02	Hexagon-head bolt M 6 X 16		1	
59	900 075 057 03	Hexagon-head bolt M 6 X 16		1	
60	N 012 226 5	Spring washer B 6		1	
61	900 076 010 02	Nut M 6		1	
61	900 076 010 0B	Nut M 6		1	

Model: 911 87

Model life 1987>>1989



Model: 911 87

Model life 1987>>1989

Pos	Part Number	Description	Remark	Qty	Model
		Pedals	/LL -88		TURBO
1	911 423 523 01	Push rod		1	
2	999 166 039 02	Clevis		1	
3	999 593 116 02	Swivel head		1	
4	900 157 002 02	Hexagon nut M 10		1	
4	900 157 002 03	Hexagon nut M 10		1	
5	900 157 003 02	Hexagon nut M 10		1	
6	900 087 037 02	Bolt 10 H 11 X 28 X 23,5		1	
7	900 031 005 02	Washer 10,5		1	
7	900 031 005 03	Washer 10,5		1	
8	999 021 001 07	Connector		1	
9	999 166 034 02	Sl-lock		1	
10	911 423 065 04	Bearing bracket		1	
11	911 423 062 00	Bearing tube		1	
12	911 423 082 00	Tension strut		1	
13	930 423 027 04	Clutch pedal shaft		1	
14	901 423 343 00	Bush		1	
15	911 423 077 05	Clutch pedal		1	
16	901 423 036 00	Stop		1	
17	901 423 391 00	Rubber stop		1	
18	901 423 368 00	Desk pad		2	
19	N 012 130 2	Shake-proof washer		2	
20	900 119 025 02	Pan-head screw M 5X15		2	
21	914 423 210 00	Rubber pad		2	
22	911 423 391 02	Protective strip		1	
23	930 423 401 05	Clutch cable		1	
23	930 423 401 09	Clutch cable		1	
24	900 076 010 02	Nut M 6		2	
24	900 076 010 0B	Nut M 6		2	
25	900 166 002 02	Clevis G 6 X 24		1	
25	900 166 002 01	Clevis G 6 X 24		1	
26	999 166 001 02	Bolt 6 X 24		1	
-	999 512 291 02	Hose clamp		1	
27	311 713 269 A	Bellows		1	
28	911 423 053 05	Brake pedal		1	
29	911 423 531 03	Return spring		1	
34	N 010 253 7	Hexagon-head bolt M 10 X 22		1	
35	900 027 016 02	Lock ring B 10		1	
35	900 027 016 03	Lock ring B 10		1	
36	900 025 008 09	Washer A 10,5		1	
36	900 025 008 04	Washer A 10,5		1	
37	900 067 063 02	Pan-head screw M 10 X 20		1	
38	999 523 103 02	Lock washer 10		1	
39	900 309 002 00	Roll pin		1	

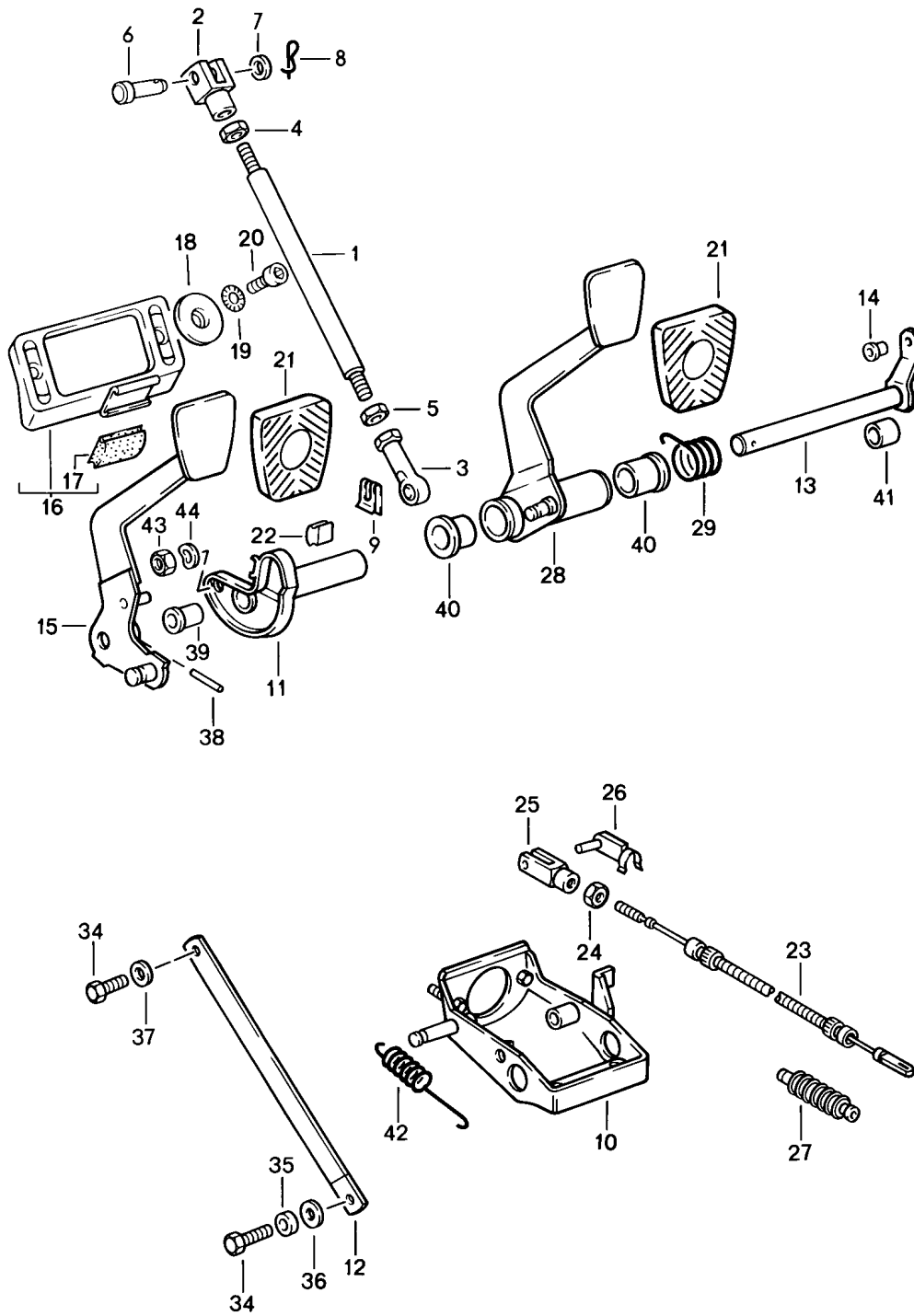
Model: 911 87

Model life 1987>>1989

Pos	Part Number	Description	Remark	Qty	Model
40	911 423 341 01	6 X 28 Bush		2	
41	911 423 542 00	Bush		2	
42	911 423 219 03	Spacer sleeve		1	
44	930 423 005 00	Clutch spring		1	

Model: 911 87

Model life 1987>>1989



Model: 911 87

Model life 1987>>1989

Pos	Part Number	Description	Remark	Qty	Model
		Pedals	/RL -88		TURBO
1	911 423 523 01	Push rod		1	
2	999 166 039 02	Clevis		1	
3	999 593 116 02	Swivel head		1	
4	900 157 002 02	Hexagon nut M 10		1	
4	900 157 002 03	Hexagon nut M 10		1	
5	900 157 003 02	Hexagon nut M 10 LINKS		1	
6	900 087 037 02	Bolt		1	
7	900 031 005 02	10 H 11 X 28 X 23,5 Washer		1	
7	900 031 005 03	10,5 Washer		1	
8	999 021 001 07	10,5 Connector		1	
9	999 166 034 02	Sl-lock		1	
10	911 423 066 01	Bearing bracket		1	
11	901 423 034 00	Bearing tube		1	
12	911 423 086 00	Tension strut		1	
13	911 423 028 06	Clutch pedal shaft		1	
14	901 423 343 00	Bush		1	
15	911 423 078 03	Clutch pedal		1	
16	901 423 036 00	Stop		1	
17	901 423 391 00	Rubber stop		1	
18	901 423 368 00	Desk pad		2	
19	N 012 130 2	Shake-proof washer		2	
20	900 119 001 02	Pan-head screw M 5 X 12		2	
20	900 976 003 01	Pan-head screw M 5 X 12		2	
21	914 423 210 00	Rubber pad		2	
22	901 423 391 00	Rubber stop		1	
23	930 423 401 06	Clutch cable		1	
23	930 423 401 10	Clutch cable		1	
24	900 076 010 02	Nut M 6		2	
24	900 076 010 0B	Nut M 6		2	
25	900 166 002 02	Clevis G 6 X 24		1	
25	900 166 002 01	Clevis G 6 X 24		1	
26	999 166 001 02	Bolt 6 X 24		1	
-	999 512 291 02	Hose clamp		1	
27	311 713 269 A	Bellows		1	
28	911 423 054 01	Brake pedal		1	
29	911 423 532 01	Return spring		1	
29	911 423 532 02	Return spring		1	
34	900 075 072 02	Hexagon-head bolt M 10 X 18		2	
35	900 027 016 02	Lock ring B 10		1	
35	900 027 016 03	Lock ring B 10		1	
36	900 025 008 09	Washer 10,5		1	
36	900 025 008 04	Washer 10,5		1	
37	900 028 032 02	Spring washer B 10		1	

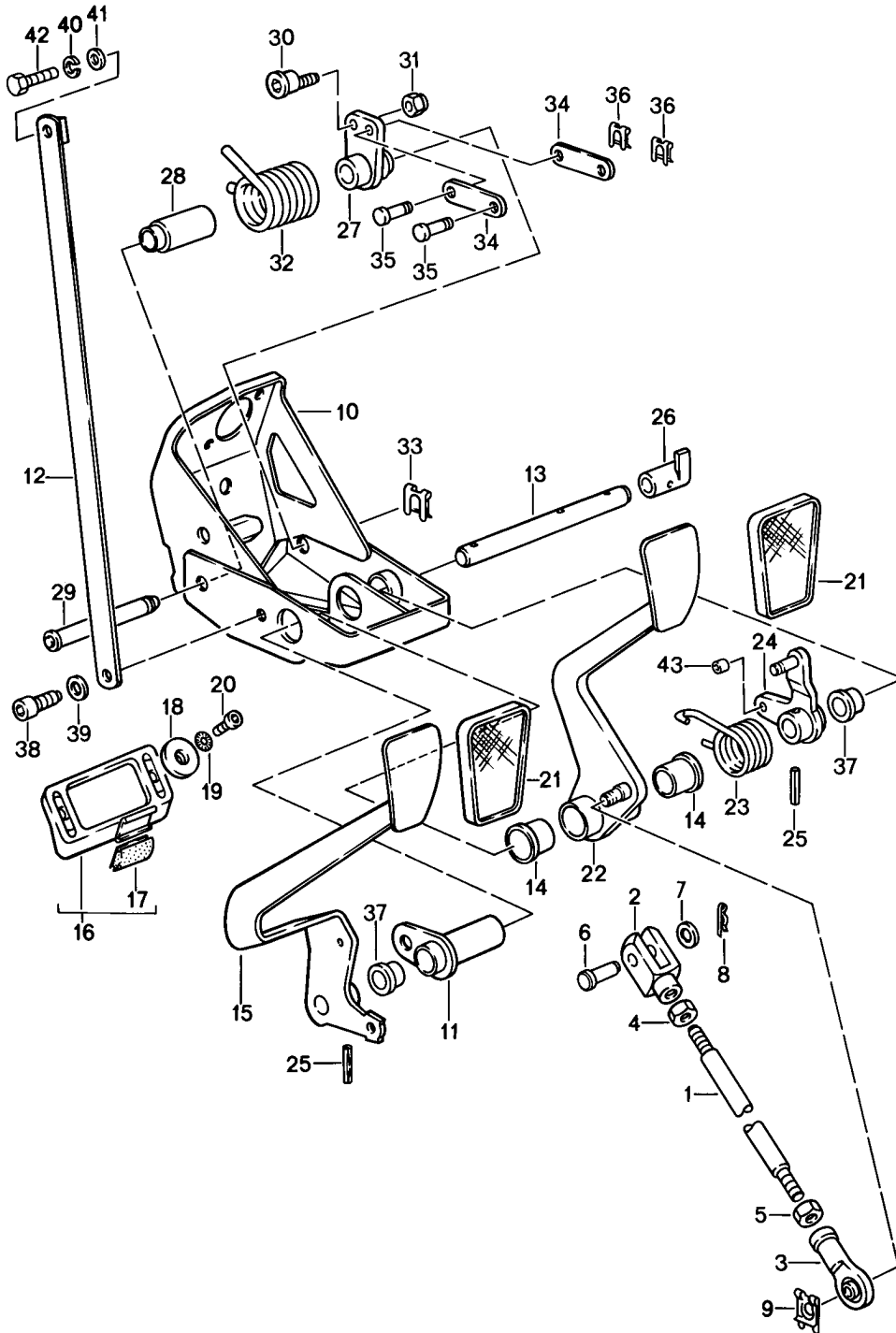
Model: 911 87

Model life 1987>>1989

Pos	Part Number	Description	Remark	Qty	Model
38	900 309 002 00	Roll pin 6 X 28		1	
39	911 423 341 01	Bush		1	
40	911 423 542 00	Bush		2	
41	911 423 219 03	Spacer sleeve		1	
42	911 423 306 01	Tension spring		1	
43	N 011 118 11	Hexagon nut M 8		1	
43	900 034 001 05	Hexagon nut M 8		1	
44	900 027 015 02	Lock ring B 8		1	
44	900 027 015 03	Lock ring B 8		1	

Model: 911 87

Model life 1987>>1989



Model: 911 87

Model life 1987>>1989

Pos	Part Number	Description	Remark	Qty	Model
		Pedals	/LL /LL 89-		CARRERA TURBO
1	911 423 523 01	Push rod		1	
2	999 166 039 02	Clevis		1	
3	999 593 116 02	Swivel head		1	
4	900 157 002 02	Hexagon nut M 10		1	
4	900 157 002 03	Hexagon nut M 10		1	
5	900 157 003 02	Hexagon nut M 10 LINKS		1	
6	900 087 037 02	Bolt 10 H 11 X 28 X 23,5		1	
7	900 031 005 02	Washer 10,5		1	
7	900 031 005 03	Washer 10,5		1	
8	999 021 001 07	Connector		1	
9	999 166 034 02	Sl-lock		1	
10	911 423 065 08	Bearing bracket		1	
11	911 423 062 03	Bearing tube		1	
12	911 423 082 00	Tension strut		1	
13	911 423 216 06	Clutch pedal shaft		1	
14	999 924 014 40	Bush		2	
14	999 924 014 4A	Bush		2	
15	911 423 077 06	Clutch pedal		1	
16	901 423 036 00	Stop		1	
17	901 423 391 00	Rubber stop		1	
18	901 423 368 00	Desk pad		2	
19	N 012 130 2	Shake-proof washer		2	
20	900 119 025 02	Pan-head screw M 5 X 15		2	
21	914 423 210 00	Rubber pad		2	
22	911 423 053 07	Brake pedal		1	
23	911 423 531 03	Return spring		1	
24	911 423 519 01	Lever		1	
25	N 023 351 1	Roll pin		3	
26	911 423 181 00	Shift finger for Cruise control		1	
27	911 423 453 02	Lever		1	
28	911 423 543 01	Bearing		1	
29	911 423 565 00	Bearing shaft		1	
30	911 423 561 00	Eccentric		1	
31	900 910 022 09	Lock nut		1	
31	900 910 022 03	Lock nut		1	
32	911 423 551 02	Return spring		1	
33	N 012 653 3	Lock washer		1	
34	911 423 567 00	Intermediate piece		2	
35	959 423 569 01	Bolt		2	
36	N 012 645 2	Lock washer		2	
37	964 423 611 00	Bush		2	
38	900 067 063 02	Pan-head screw M 10 X 20		1	
39	999 523 103 02	Lock washer		1	
40	900 027 016 02	Lock ring B 10		1	
40	900 027 016 03	Lock ring B 10		1	
41	900 025 008 09	Washer A 10,5		1	
41	900 025 008 04	Washer A 10,5		1	

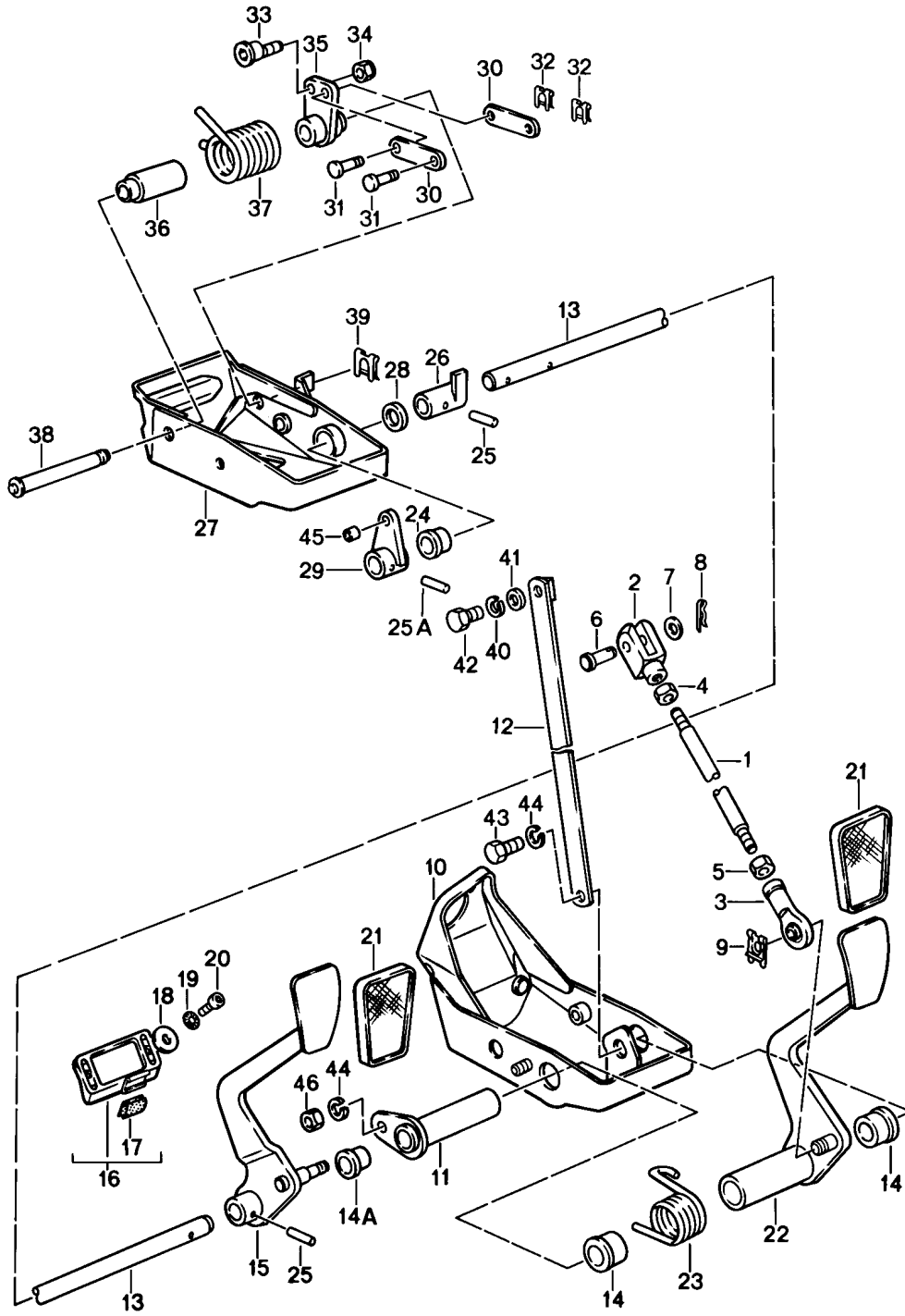
Model: 911 87

Model life 1987>>1989

Pos	Part Number	Description	Remark	Qty	Model
42	N 010 253 7	Hexagon-head bolt M 10 X 22		1	
43	999 924 015 00	Bush		1	

Model: 911 87

Model life 1987>>1989



Model: 911 87

Model life 1987>>1989

Pos	Part Number	Description	Remark	Qty	Model
		Pedals	/RL /RL 89-		CARRERA TURBO
1	911 423 523 01	Push rod		1	
2	999 166 039 02	Clevis		1	
3	999 593 116 02	Swivel head		1	
4	900 157 002 02	Hexagon nut M 10		1	
4	900 157 002 03	Hexagon nut M 10		1	
5	900 157 003 02	Hexagon nut M 10		1	
6	900 087 037 02	Bolt 10 H11 X 28 X 23,5		1	
7	900 031 005 02	Washer 10,5		1	
7	900 031 005 03	Washer 10,5		1	
8	999 021 001 07	Connector		1	
9	999 166 034 02	Sl-lock		1	
10	911 423 066 03	Bearing bracket		1	
11	911 423 064 00	Bearing tube		1	
12	911 423 086 00	Tension strut		1	
13	911 423 192 04	Clutch pedal shaft		1	
14	911 423 542 00	Bush		2	
14A	911 423 341 01	Bush		1	
15	911 423 078 06	Clutch pedal		1	
16	901 423 036 00	Stop		1	
17	901 423 391 00	Rubber stop		1	
18	901 423 368 00	Desk pad		2	
19	N 012 130 2	Shake-proof washer		2	
20	900 119 001 02	Pan-head screw M 5 X 15		2	
20	900 976 003 01	Pan-head screw M 5 X 15		2	
21	914 423 210 00	Rubber pad		2	
22	911 423 054 01	Brake pedal		1	
23	911 423 532 01	Return spring		1	
23	911 423 532 02	Return spring		1	
24	964 423 611 00	Bush		1	
25	N 023 351 1	Roll pin \$ 6 MM		2	
25A	N 013 317 1	Roll pin \$ 5 MM		1	
26	911 423 181 00	Shift finger		1	
27	911 423 068 02	Bearing bracket		1	
28	N 011 565 3	Washer		1	
29	911 423 520 02	Lever		1	
30	911 423 567 00	Intermediate piece		2	
31	959 423 569 01	Bolt		2	
32	N 012 645 2	Lock washer		2	
33	911 423 561 00	Eccentric		1	
34	900 910 022 09	Lock nut		1	
34	900 910 022 03	Lock nut		1	
35	911 423 453 02	Lever		1	
36	911 423 543 01	Bearing		1	
37	911 423 551 02	Return spring		1	
38	911 423 565 00	Bearing shaft		1	
39	N 012 653 3	Lock washer		1	
40	900 027 016 02	Lock ring		1	
40	900 027 016 03	Lock ring		1	
41	900 025 008 09	Washer A 10,5		1	
41	900 025 008 04	Washer		1	

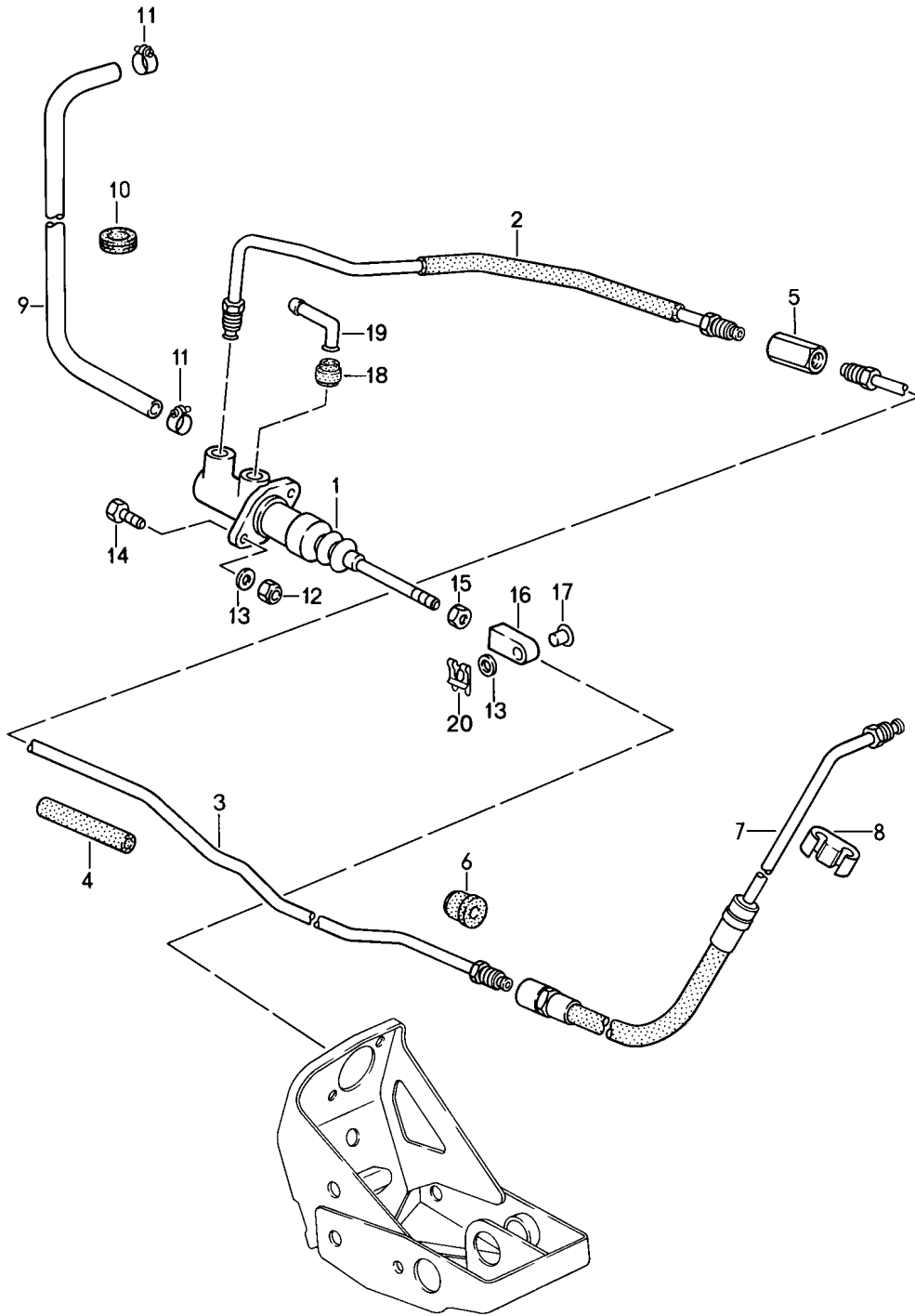
Model: 911 87

Model life 1987>>1989

Pos	Part Number	Description	Remark	Qty	Model
42	N 010 253 7	A 10,5 Hexagon-head bolt		1	
43	900 067 063 02	M 10 X 22 Pan-head screw		1	
44	999 523 103 02	M 10 X 20 Lock washer		2	
45	999 924 015 00	A 10,5 Bush		2	
46	900 076 025 02	6 X 8 X 6 Hexagon nut		1	
46	900 076 064 02	M 8 Hexagon nut		1	

Model: 911 87

Model life 1987>>1989



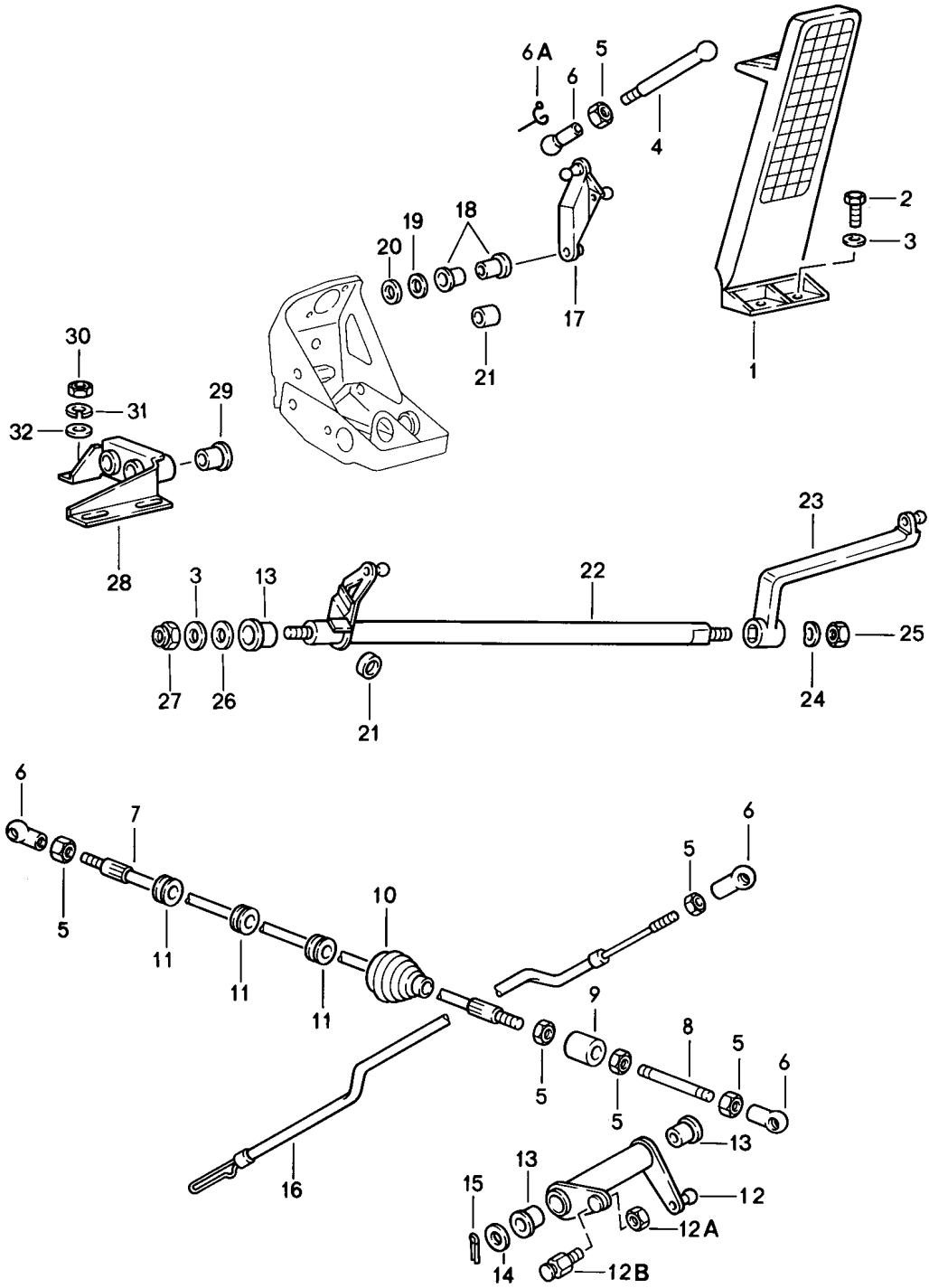
Model: 911 87

Model life 1987>>1989

Pos	Part Number	Description	Remark	Qty	Model
		clutch actuation			CARRERA
		Clutch master cylinder	89-		TURBO
		Clutch pipeline			
1	911 423 171 03	Clutch master cylinder		1	
2	911 423 197 00	Clutch pipeline	/LL	1	
(2)	911 423 198 00	Clutch pipeline	/RL	1	
3	911 423 199 02	Clutch pipeline		1	
5	477 209 161	Connecting piece		1	
6	911 356 202 04	Rubber sleeve		1	
7	911 423 177 03	Clutch hose		1	
7	911 423 177 06	Clutch hose		1	
(7)	911 423 177 05	Clutch hose	/RL 89-	1	CARRERA
7	930 423 175 00	Clutch hose		1	TURBO
7	930 423 175 01	Clutch hose		1	TURBO
8	999 591 740 40	Cable holder		1	
-	999 181 021 50	Hose		*	
		7,5 X 12,5			
		650 MM			
10	999 702 068 50	Rubber sleeve		1	
11	999 512 160 02	Hose clamp		2	
11	PCG 512 160 02	Hose clamp		2	
12	900 910 022 09	Lock nut		2	
		M 8			
12	900 910 022 03	Lock nut		2	
		M 8			
13	900 031 001 02	Washer		3	
		8,4 X 15			
13	900 031 105 01	Washer		3	
		8,4 X 15			
14	900 075 079 02	Hexagon-head bolt		2	
		M 8 X 22			
15	900 076 025 02	Hexagon nut		1	
15	900 076 064 02	Hexagon nut		1	
16	911 423 307 00	Intermediate piece		1	
17	999 924 001 40	Bearing sleeve		1	
18	911 423 925 00	Rubber sleeve		1	
19	911 423 923 00	Adapter		1	
20	N 900 470 01	Lock washer		1	

Model: 911 87

Model life 1987>>1989



Model: 911 87 Model life 1987>>1989

Pos	Part Number	Description	Remark	Qty	Model
		Pedals for Accelerator control			
1	911 423 111 02	Accelerator pedal		1	
1	911 423 111 03	Accelerator pedal		1	
2	900 075 260 02	Hexagon-head bolt M 6 X 16		2	
3	N 011 666 7	Washer B 6,4		2	
4	914 423 227 00	Push rod		1	
4	914 423 227 01	Push rod		1	
5	N 011 005 14	Hexagon nut M 5		6	
5	900 076 091 01	Hexagon nut M 5		6	
6	911 423 147 00	Ball socket		4	
6A	900 169 014 02	Securing clip		1	
6A	900 169 014 01	Securing clip		1	
7	PCG 423 024 00	Throttle linkage		1	
8	911 423 269 00	Extension rod		1	
9	911 423 081 02	Housing		1	
(10)	911 423 593 01	Sealing sleeve		1	
11	901 423 227 00	Bush		3	
12	911 423 017 02	Reverse lever Order also: 911.423.227.00 N .022.148.1		1	CARRERA
(12)	930 423 017 01	Reverse lever	-88	1	TURBO
(12)	930 423 017 02	Reverse lever	89-	1	TURBO
12A	900 910 010 09	Lock nut		1	
12B	911 423 227 00	Screw bolt		1	
13	914 423 211 00	Bearing sleeve		2	
14	900 025 008 09	Washer 10,5		1	
14	900 025 008 04	Washer 10,5		1	
15	N 012 530 1	Cotter pin 3,2 X 15		1	
16	911 423 015 02	Throttle linkage		1	CARRERA
16	930 423 019 02	Throttle linkage		1	TURBO
17	911 423 250 00	Reverse lever		1	CARRERA
17	901 423 250 02	Reverse lever		1	TURBO
18	901 423 253 00	Bearing sleeve		2	
19	N 011 556 2	Washer 8,4 X 15		1	
20	N 900 470 01	Lock washer		1	
21	901 423 193 00	Rubber stop		1	
(22)	911 423 254 00	Shaft	/RL	1	
23	901 423 022 00	Lever	/RL	1	
24	N 011 524 7	Washer B 6	/RL	1	
24	N 011 524 27	Washer B 6	/RL	1	
25	900 076 010 02	Nut M 6	/RL	1	
25	900 076 010 0B	Nut M 6	/RL	1	
26	911 423 225 00	Washer		1	
27	900 910 012 02	Lock nut M 6		1	
27	900 910 047 09	Lock nut M 6		1	
(28)	911 423 068 02	Bearing bracket	/RL	1	CARRERA

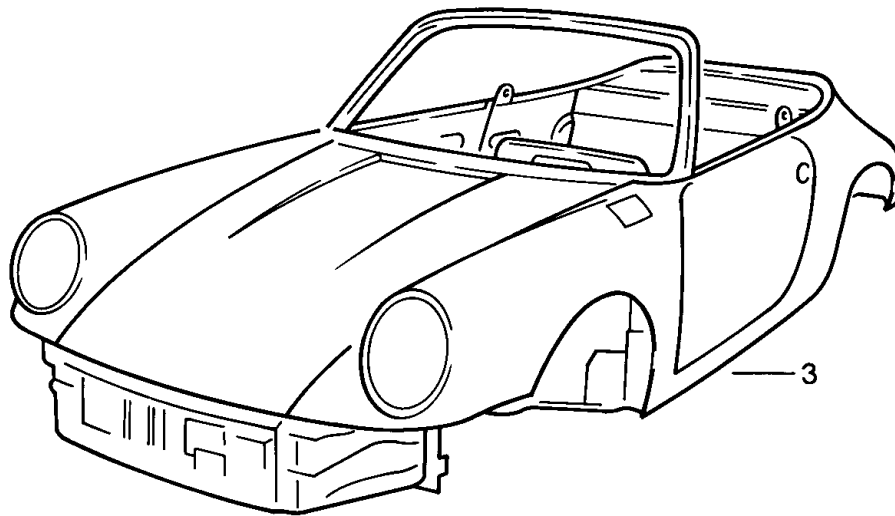
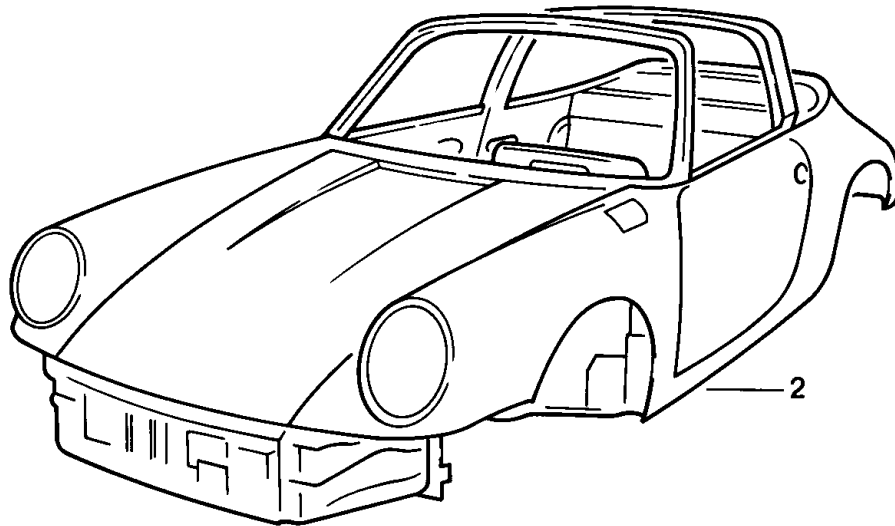
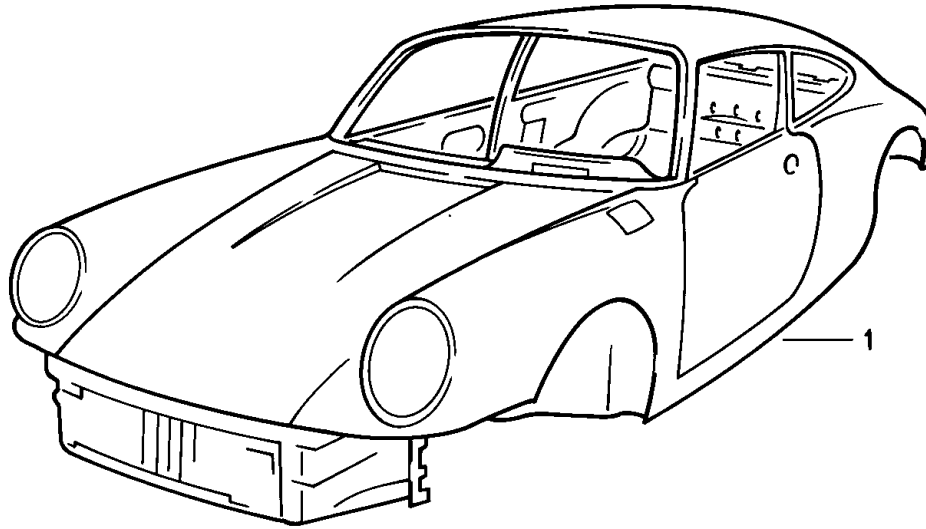
Model: 911 87

Model life 1987>>1989

Pos	Part Number	Description	Remark	Qty	Model
28	901 423 013 00	Bearing bracket	/RL	1	TURBO
29	911 423 341 01	Bush	/RL	1	CARRERA
			/RL	1	TURBO
30	900 076 025 02	Hexagon nut M 8	/RL	5	
30	900 076 064 02	Hexagon nut M 8	/RL	5	
31	900 027 015 02	Lock ring B 8	/RL	5	
31	900 027 015 03	Lock ring B 8	/RL	5	
32	900 025 007 02	Washer 8,4	/RL	6	
32	900 025 007 03	Washer 8,4	/RL	6	

Model: 911 87

Model life 1987>>1989

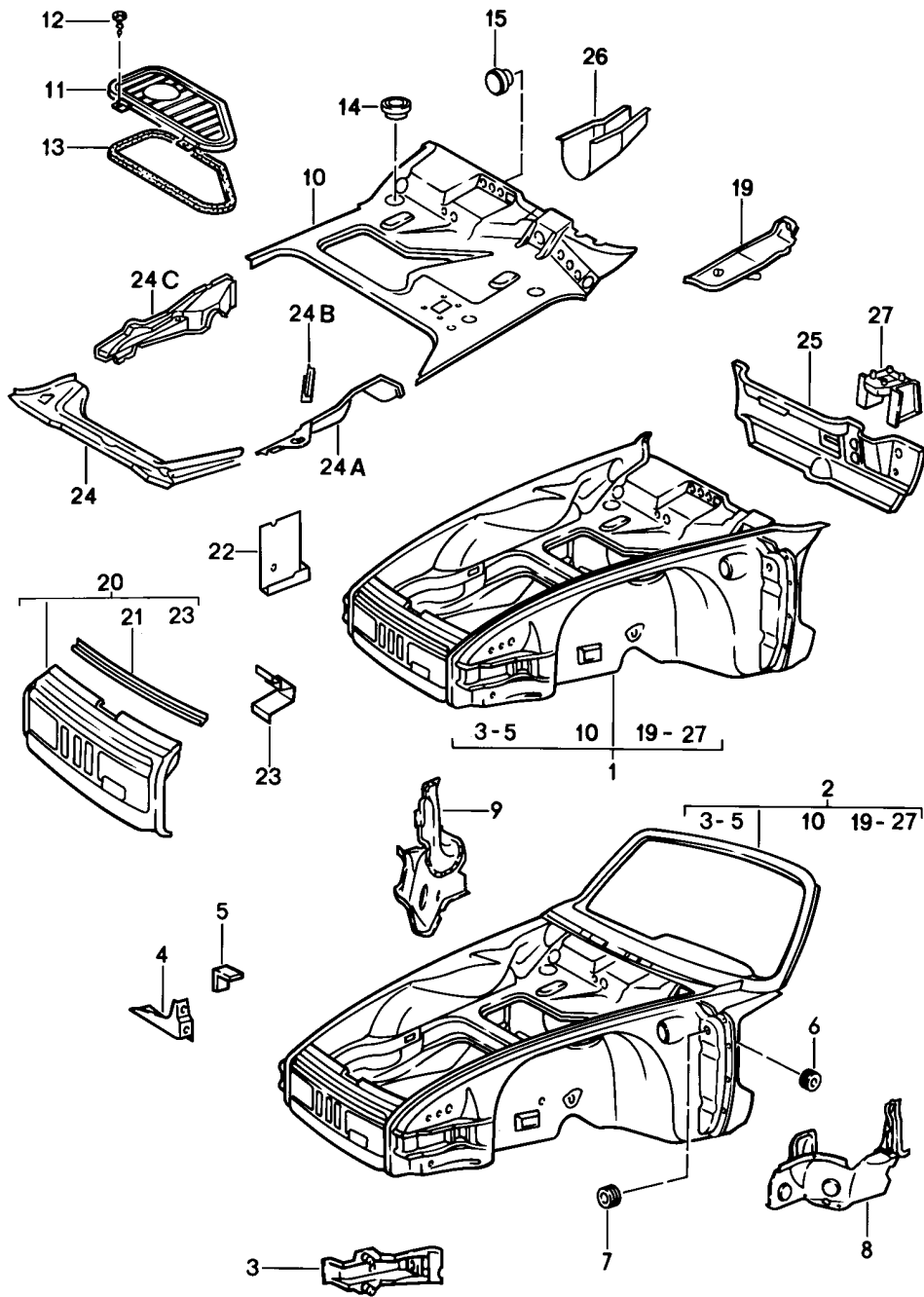


Model: 911 87 Model life 1987>>1989

Pos	Part Number	Description	Remark	Qty	Model
		Body in white Prime coated Sealed Sprayed with filler with Underbody protection BodysHELLs can only only available from current Model year available			
1	911 500 921 31	Body in white	/LL	1	CARRERA COUPE
(1)	911 500 921 32	Body in white	/RL	1	CARRERA COUPE
(1)	930 500 921 10	Body in white	/LL	1	TURBO COUPE
(1)	930 500 921 11	Body in white	/RL	1	TURBO COUPE
2	911 500 921 73	Body in white	/LL	1	TARGA
(2)	911 500 921 74	Body in white	/RL	1	TARGA
(2)	930 500 921 73	Body in white	/LL	1	TURBO TARGA
(2)	930 500 921 74	Body in white	/RL	1	TURBO TARGA
3	911 500 921 75	Body in white	/LL	1	CABRIO
(3)	911 500 921 76	Body in white	/RL	1	CABRIO
(3)	911 500 921 77	Body in white	/LL	1	SPEEDSTER
(3)	911 500 921 78	Body in white	/RL	1	SPEEDSTER
(3)	930 500 921 75	Body in white	/LL	1	TURBO CABRIO
(3)	930 500 921 76	Body in white	/RL	1	TURBO CABRIO

Model: 911 87

Model life 1987>>1989



Model: 911 87 Model life 1987>>1989

Pos	Part Number	Description	Remark	Qty	Model
		Frame			
		Front			
(1)	911 500 913 00	Body front section	/LL	1	COUPE
(1)	911 500 914 00	Body front section	/RL	1	COUPE
(1)		Body front section	/RL	1	COUPE
	911 500 914 00 GRV	Prime coated			
(1)	930 500 913 00	Body front section	/LL	1	TURBO COUPE
(1)	930 500 914 00	Body front section	/RL	1	TURBO COUPE
(1)		Body front section	/RL	1	TURBO COUPE
	930 500 914 00 GRV	Prime coated			
(1)	911 500 913 62	Body front section	/LL	1	SPEEDSTER
(1)		Body front section	/LL	1	SPEEDSTER
	911 500 913 62 GRV	Prime coated			
(1)	911 500 914 62	Body front section	/RL	1	SPEEDSTER
(2)	911 500 913 60	Body front section	/LL	1	TARGA CABRIO
		F >>91KS1 40341			TARGA
		F >>91KS1 50414			CABRIO
		F >>93KS0 10067			TARGA
		F >>93KS0 20083			CABRIO
(2)	911 500 913 61	Body front section	/LL	1	TARGA CABRIO
		F 91KS1 40342>>			TARGA
		F 91KS1 50415>>			CABRIO
		F 93KS0 10068>>			TARGA
		F 93KS0 20084>>			CABRIO
(2)	911 500 914 60	Body front section	/RL	1	TARGA CABRIO
		F >>91KS1 40341			TARGA
		F >>91KS1 50414			CABRIO
		F >>93KS0 10067			TARGA
		F >>93KS0 20083			CABRIO
(2)		Body front section	/RL	1	TARGA CABRIO
		F >>91KS1 40341			TARGA
		F >>91KS1 50414			CABRIO
		F >>93KS0 10067			TARGA
		F >>93KS0 20083			CABRIO
	911 500 914 60 GRV	Prime coated			
(2)	911 500 914 61	Body front section	/RL	1	TARGA CABRIO
		F 91KS1 40342>>			TARGA
		F 91KS1 50415>>			CABRIO
		F 93KS0 10068>>			TARGA
		F 93KS0 20084>>			CABRIO
(2)	930 500 913 40	Body front section	/LL	1	TURBO TARGA/CABRIO
		F >>91KS1 40341			TARGA
		F >>91KS1 50414			CABRIO
		F >>93KS0 10067			TARGA
		F >>93KS0 20083			CABRIO
(2)	930 500 913 41	Body front section	/LL	1	TURBO TARGA/CABRIO
		F 91KS1 40342>>			TARGA
		F 91KS1 50415>>			CABRIO
		F 93KS0 10068>>			TARGA
		F 93KS0 20084>>			CABRIO
(2)	930 500 914 40	Body front section	/RL	1	TURBO TARGA/CABRIO
		F >>91KS1 40341			TARGA

Model: 911 87 Model life 1987>>1989

Pos	Part Number	Description	Remark	Qty	Model
(2)		F >>91KS1 50414 F >>93KS0 10067 F >>93KS0 20083 Body front section	/RL	1	CABRIO TARGA CABRIO TURBO TARGA/CABRIO
(2)	930 500 914 40 GRV 930 500 914 41	F >>91KS1 40341 F >>91KS1 50414 F >>93KS0 10067 F >>93KS0 20083 Prime coated Body front section	/RL	1	TARGA CABRIO TARGA CABRIO TURBO TARGA/CABRIO
(2)		F 91KS1 40342>> F 91KS1 50415>> F 93KS0 10068>> F 93KS0 20084>> Body front section	/RL	1	TARGA CABRIO TARGA CABRIO TURBO TARGA/CABRIO
(3)	930 500 914 41 GRV 911 501 149 02	Prime coated Support for Impact absorber	/L	1	
(3)	911 501 149 02 GRV	Support Prime coated for Impact absorber	/L	1	
(3)	911 501 150 02	Support for Impact absorber	/R	1	
(3)	911 501 150 02 GRV	Support Prime coated for Impact absorber	/R	1	
4	911 501 490 01	Bracket Lower for Oil cooler		1	
4	911 501 490 01 GRV	Bracket Prime coated Lower for Oil cooler		1	
5	911 503 492 01	Bracket Upper for Oil cooler		1	
5	911 503 292 00 911 503 292 00 GRV	Bracket Prime coated Upper for Oil cooler		1	
6	111 971 911 A	Grommet 15 \$		2	
8	911 501 513 40	Corner reinforcement with Post bracket	/LL /L	1	TARGA CABRIO
8		Corner reinforcement with Post bracket	/LL /L	1	TARGA CABRIO

Model: 911 87 Model life 1987>>1989

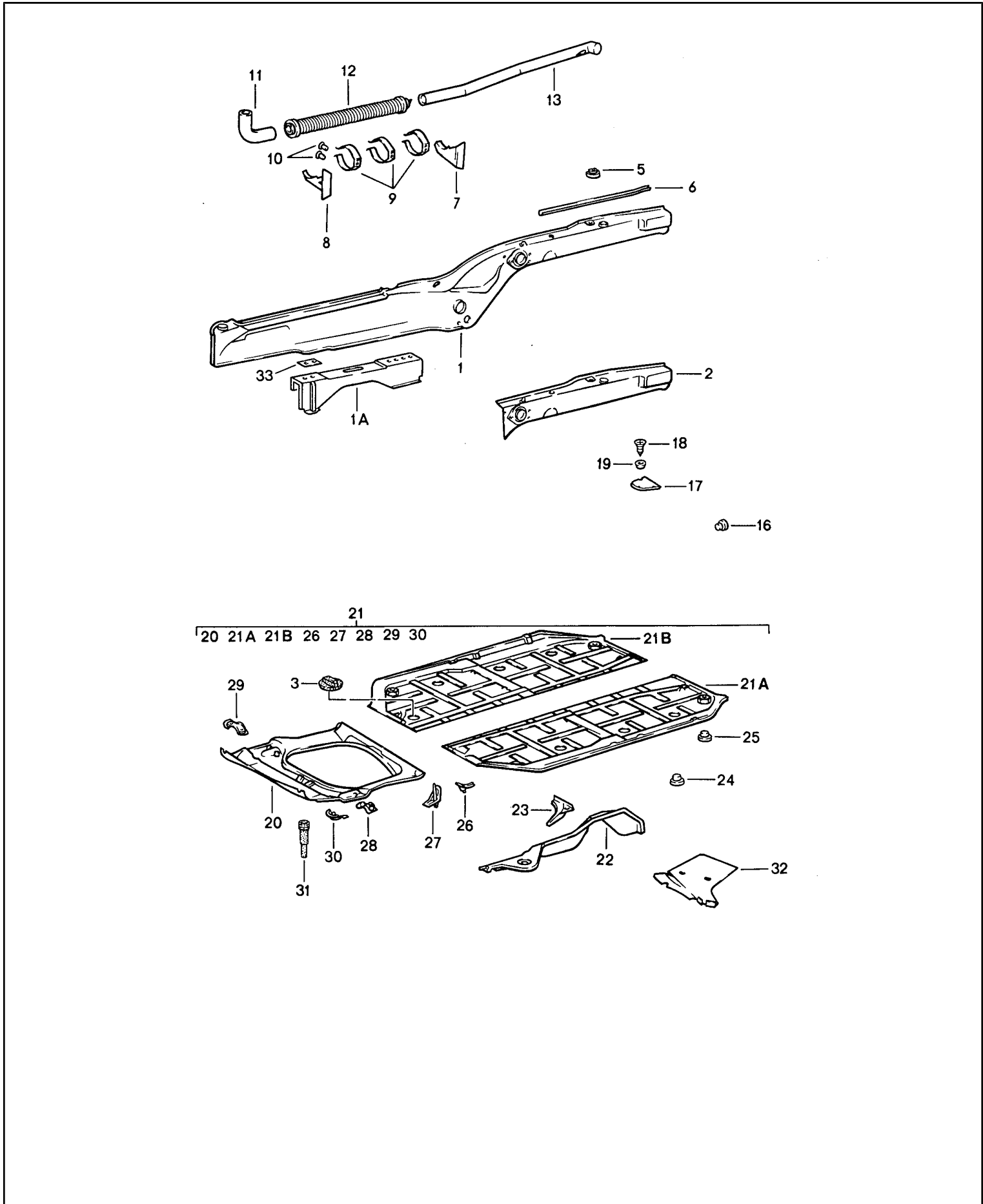
Pos	Part Number	Description	Remark	Qty	Model
(8)	911 501 513 40 GRV 911 501 527 40	Prime coated Corner reinforcement	/RL /L	1	TARGA CABRIO
(8)		Corner reinforcement	/RL /L	1	TARGA CABRIO
9	911 501 527 40 GRV 911 501 514 40	Prime coated Corner reinforcement with Post bracket	/LL /R	1	TARGA CABRIO
9		Corner reinforcement with Post bracket	/LL /R	1	TARGA CABRIO
(9)	911 501 514 40 GRV 911 501 528 40	Prime coated Corner reinforcement with Post bracket	/RL /R	1	TARGA CABRIO
(9)		Corner reinforcement with Post bracket	/RL /R	1	TARGA CABRIO
10	911 501 528 40 GRV 911 501 035 22	Prime coated Boot floor plate	/LL -88	1	
(10)	911 501 035 24	Boot floor plate	/LL 89-	1	
(10)	911 501 036 13	Boot floor plate	/RL -88	1	
(10)	911 501 036 14	Boot floor plate	/RL 89-	1	
(10)	911 501 036 14 GRV	Boot floor plate	/RL 89-	1	
11	911 501 036 14 GRV 911 504 043 01	Prime coated Lid	/LL	1	
11		Lid	/LL	1	
(11)	911 504 043 01 GRV 911 504 044 00	Prime coated Lid	/RL	1	
(11)		Lid	/RL	1	
12	911 504 044 00 GRV 900 144 034 07	Prime coated Tapping screw B 4,2 X 16		4	
12	900 144 034 0G	Tapping screw B 4,2 X 16		4	
13	911 504 491 02	Gasket	/LL	1	
(13)	901 504 491 32	Gasket	/RL	1	
14	999 703 103 40	Stopper 23,5 \$		1	
15	911 504 405 00	Covering		1	
(19)	911 501 815 00	Connecting piece	/L	1	COUPE
(19)		Connecting piece	/L	1	COUPE
(19)	911 501 815 00 GRV 901 501 412 21	Prime coated Connecting piece	/R 87	1	COUPE
(19)	911 501 412 00	Connecting piece	/R 88-	1	COUPE
(19)		Connecting piece	/R 88-	1	COUPE
(19)	911 501 412 00 GRV 911 501 815 40	Prime coated Connecting piece	/L	1	TARGA
(19)		Connecting piece	/L	1	TARGA
		Boot floor plate			CABRIO
		Wheel housing			
(19)	911 501 815 40 GRV 911 501 412 40	Prime coated Connecting piece	/R	1	CABRIO
(19)		Connecting piece	/R	1	CABRIO
		Boot floor plate			TARGA
		Wheel housing			
20	911 501 412 40 GRV 911 501 099 06	Prime coated Cross panel		1	CARRERA
20		Cross panel		1	CARRERA
(20)	911 501 099 06 GRV 911 501 099 07	Prime coated Cross panel		1	TURBO CARRERA

Model: 911 87 Model life 1987>>1989

Pos	Part Number	Description	Remark	Qty	Model
(20)	911 501 099 07 GRV	Cross panel Prime coated		1	M559 TURBO
21	911 501 395 00	Sealing rail		1	CARRERA M559
21	911 501 395 00 GRV	Sealing rail Prime coated		1	
22	911 501 397 00	Support for jack	/R	1	
22	911 501 397 00 GRV	Support Prime coated for jack	/R	1	
23	911 501 387 01	Support for jack		1	
23	911 501 387 01 GRV	Support Prime coated for jack		1	
24	911 501 117 02	Fuel tank support holder Centre		1	
24	911 501 117 02 GRV	Fuel tank support holder Prime coated Centre		1	
24A	911 501 111 02	Fuel tank support holder	/L	1	
24A	911 501 111 02 GRV	Fuel tank support holder Prime coated	/L	1	
24B	911 501 143 00	Retaining strip for Battery		1	
24B	911 501 143 00 GRV	Retaining strip Prime coated for Battery		1	
24C	911 501 114 04	Fuel tank support holder	/LL /R	1	
24C	911 501 114 04 GRV	Fuel tank support holder Prime coated	/LL /R	1	
24C	911 501 114 05	Fuel tank support holder	/RL /R	1	
24C	911 501 114 05 GRV	Fuel tank support holder Prime coated	/RL /R	1	
25	901 501 041 35	Cross panel	/LL	1	
(25)	911 501 132 00	Cross panel	/RL	1	CARRERA
(25)	911 501 132 00 GRV	Cross panel Prime coated	/RL	1	CARRERA
26	901 501 354 32	Cup	/LL	1	
(26)	911 501 356 00	Cup	/RL	1	
(26)	911 501 356 00 GRV	Cup Prime coated for Steering column	/RL	1	
27	911 501 144 00	Reinforcement	/LL	1	
27	911 501 144 00 GRV	Reinforcement Prime coated	/LL	1	
(27)	911 501 142 00	Reinforcement for Brake booster	/RL	1	
(27)	911 501 142 00 GRV	Reinforcement Prime coated for Brake booster	/RL	1	
-	927 631 224 01	Grommet		1	TURBO

Model: 911 87

Model life 1987>>1989



Model: 911 87 Model life 1987>>1989

Pos	Part Number	Description	Remark	Qty	Model
(1)	901 501 961 43	Frame Centre Side member	/L	1	
1	901 501 962 43	Inner Side member	/R	1	
-	927 631 224 01	Inner Grommet		2	
(1A)	911 501 268 02	Seat rail support Outer	/R	1	
(1A)	911 501 264 02	Seat rail support Inner	/R	1	
(1A)	911 501 264 02 GRV	Prime coated			
(1A)	911 501 189 00	Seat rail support Outer	/L	1	
(1A)		Seat rail support Outer	/L	1	
1A	911 501 189 00 GRV	Prime coated			
	911 501 263 02	Seat rail support Inner	/L	1	
2	911 501 263 02 GRV	Prime coated			
2	911 501 962 04	Side member Inner	/R	1	
2		Sub-part Side member Inner	/R	1	
(2)	911 501 962 04 GRV	Sub-part Prime coated			
(2)	911 501 961 05	Side member Inner	/L	1	
(2)		Sub-part Side member	/L	1	
3	911 501 961 05 GRV	Prime coated			
3	111 801 177	Sub-part Rubber valve		8	
5	901 501 117 20	Mounting plate		2	
6	901 501 796 20	Profile rail	/R	1	CARRERA
6		Profile rail	/R	1	CARRERA
(6)	901 501 796 20 GRV	Prime coated			
(6)	930 501 792 00	Profile rail	/R	1	TURBO
(6)		Profile rail	/R	1	TURBO
(6)	930 501 792 00 GRV	Prime coated			
(6)	901 501 795 20	Profile rail	/L	1	CARRERA
(6)		Profile rail	/L	1	CARRERA
(6)	901 501 795 20 GRV	Prime coated			
(6)	930 501 791 00	Profile rail	/L	1	TURBO
(6)		Profile rail	/L	1	TURBO
7	930 501 791 00 GRV	Prime coated			
8	901 501 263 20	Pipe bracket		2	
9	901 501 264 20	Pipe bracket		2	
9	901 501 128 20	Retainer spring		6	
9		Retainer spring		6	
10	901 501 128 20 GRV	Prime coated			
	N 013 411 1	Rivet 3 X 6		12	
(11)	911 572 211 01	Hot air duct Front		2	
(12)	911 572 025 02	Muffler Not Closed		2	
(13)	911 572 222 02	Hot air duct Rear	/R	1	
(13)	911 572 221 02	Hot air duct	/L	1	

Model: 911 87 Model life 1987>>1989

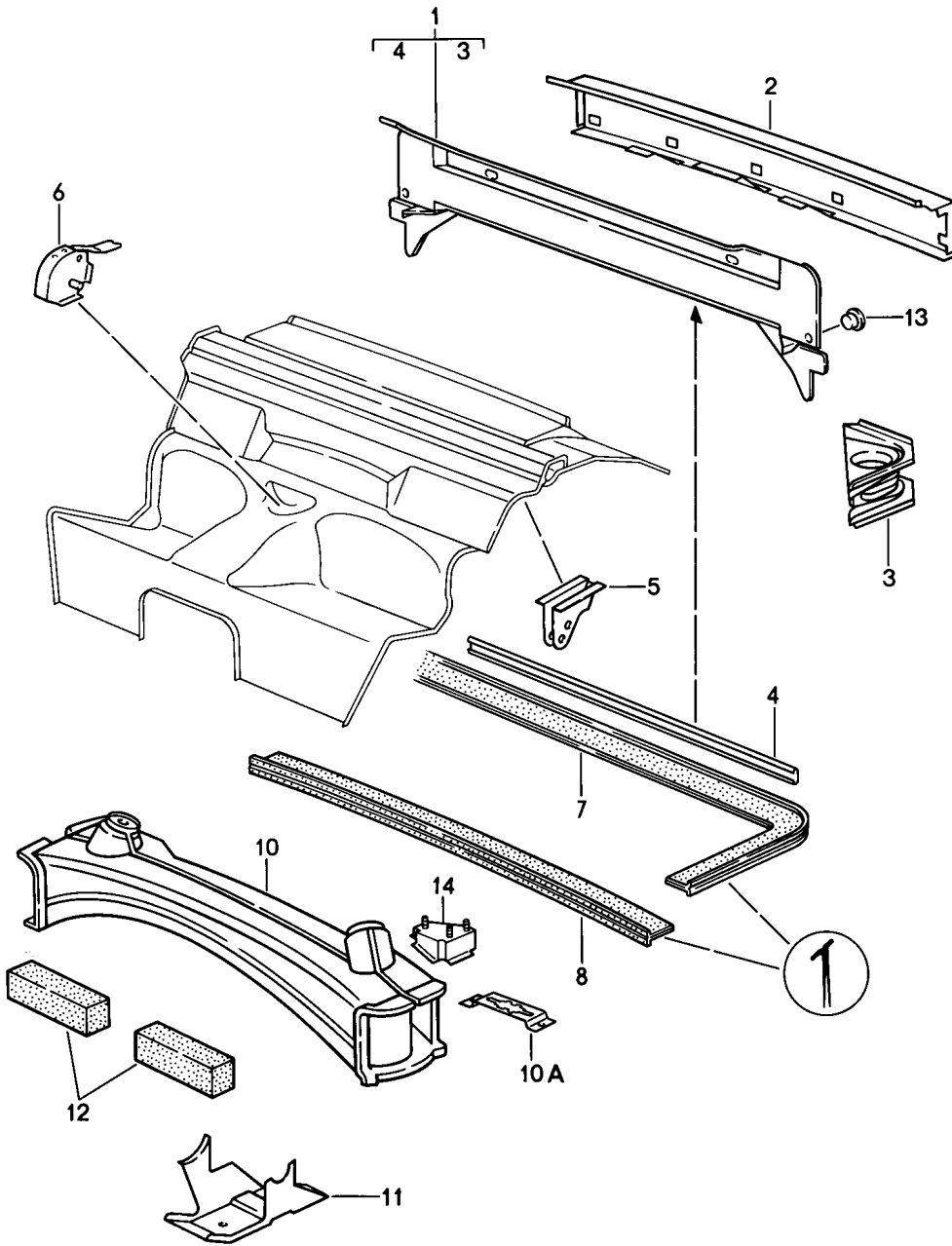
Pos	Part Number	Description	Remark	Qty	Model
16	914 552 233 10	Rear Filler piece		1	
	914 552 233 10 01C	Black 10 \$			
16	914 552 233 10	Rear Filler piece		1	
	914 552 233 10 01C	Black 10 \$			
17	901 504 731 30	Lid		1	
18	900 143 019 07	Oval-head sheetmetal screw B 4,8 X 22		4	
19	900 031 006 07	Washer 5,3		4	
-	999 591 329 02	Prestole cage B 4,8		4	
20	911 501 955 00	Tank compartment floor		1	
20		Tank compartment floor		1	
	911 501 955 00 GRV	Prime coated			
21	911 501 051 21	Floorpan	/LL	1	CARRERA
21		Floorpan	/LL	1	CARRERA
	911 501 051 21 GRV	Prime coated			
21	911 501 052 24	Floorpan	/RL	1	CARRERA
-	901 501 560 20	Bracket	/RL	1	CARRERA
	901 501 560 20 GRV	Pedals			
21	930 501 051 12	Floorpan	/LL	1	TURBO
21	930 501 052 14	Floorpan	/RL	1	TURBO
-	901 501 560 20	Bracket	/RL	1	CARRERA
	901 501 560 20 GRV	Pedals			
21	930 501 052 14	Floorpan	/RL	1	TURBO
	930 501 052 14 GRV	Prime coated			
21A	911 501 935 00	Floorpan	/LL /L	1	
21A		Floorpan	/LL /L	1	
	911 501 935 00 GRV	Prime coated			
21B	911 501 936 00	Floorpan	/LL /R	1	
21B		Floorpan	/LL /R	1	
	911 501 936 00 GRV	Prime coated			
22	911 501 111 02	Fuel tank support holder	/L	1	
22		Fuel tank support holder	/L	1	
	911 501 111 02 GRV	Prime coated			
-	911 501 143 00	Retaining strip		1	
-		Retaining strip		1	
	911 501 143 00 GRV	Prime coated			
(22)	911 501 114 04	Fuel tank support holder	/LL /R	1	
(22)		Fuel tank support holder	/LL /R	1	
	911 501 114 04 GRV	Prime coated			
(22)	911 501 114 05	Fuel tank support holder	/RL /R	1	
(22)		Fuel tank support holder	/RL /R	1	
	911 501 114 05 GRV	Prime coated			
23	901 501 457 20	Bracket	/L	1	
23		Bracket	/L	1	
	901 501 457 20 GRV	Prime coated			
(23)	901 501 458 20	Bracket	/R	1	
(23)		Bracket	/R	1	
	901 501 458 20 GRV	Prime coated			
24	999 703 121 40	Stopper 8 \$		20	
25	999 703 125 40	Stopper 8,9 \$		4	
26	901 501 063 23	Bracket		2	
27	901 501 359 01	Axle mounting	/V /L	1	CARRERA
27		Axle mounting	/V /L	1	CARRERA
	901 501 359 01 GRV	Prime coated			
(27)	930 501 359 01	Axle mounting	/V /L	1	TURBO
(27)	901 501 360 01	Axle mounting	/V /R	1	CARRERA

Model: 911 87 Model life 1987>>1989

Pos	Part Number	Description	Remark	Qty	Model
(27)	901 501 360 01 GRV	Axle mounting Prime coated	/V /R	1	CARRERA
(27)	930 501 360 01	Axle mounting	/V /R	1	TURBO
28	901 501 409 23	Reinforcement plate	/L	1	
28		Reinforcement plate	/L	1	
	901 501 409 23 GRV	Prime coated			
(28)	901 501 410 23	Reinforcement plate	/R	1	
(28)		Reinforcement plate	/R	1	
	901 501 410 23 GRV	Prime coated			
29	901 501 427 21	Reinforcement		2	
	901 501 427 21 GRV	Prime coated			
		Axle mounting			
30	901 501 407 22	Corner reinforcement	/L	1	
30		Corner reinforcement	/L	1	
	901 501 407 22 GRV	Prime coated			
(30)	901 501 408 22	Corner reinforcement	/R	1	
(30)		Corner reinforcement	/R	1	
	901 501 408 22 GRV	Prime coated			
31	911 025 612 00	Grommet		2	
32	911 501 285 00	Carrier plate for battery		1	
32		Carrier plate for battery		1	
	911 501 285 00 GRV	Prime coated			
33	911 501 642 01	Compensating plate		X	

Model: 911 87

Model life 1987>>1989



Model: 911 87 Model life 1987>>1989

Pos	Part Number	Description	Remark	Qty	Model
		Frame			
		Rear			
1	911 507 080 01	Cross member		1	CARRERA
1		Cross member		1	CARRERA
	911 507 080 01 GRV	Prime coated			
(1)	930 501 080 01	Cross member		1	TURBO
(1)		Cross member		1	TURBO
	930 501 080 01 GRV	Prime coated			
2	911 507 095 00	End plate		1	CARRERA
	911 507 095 00 GRV				
2	930 501 095 00	End plate		1	TURBO
	930 501 095 00 GRV				
3	901 501 083 21	Engine mounting		2	
3		Engine mounting		2	
	901 501 083 21 GRV	Prime coated			
4	901 501 797 20	Profile rail		1	
		It is necessary to rework			TURBO
5	911 501 729 01	Pneumatic spring mount for		2	
		Gas-pressure spring			
5		Pneumatic spring mount		2	
	911 501 729 01 GRV	Prime coated			
(6)	911 501 041 01	Bearing	-88	1	COUPE/TARGA
(6)	911 501 041 02	Bearing	89-	1	COUPE/TARGA
(6)		Bearing	89-	1	COUPE/TARGA
	911 501 041 02 GRV	Prime coated			
(6)	911 501 041 60	Bearing	-88	1	CABRIO
(6)	911 501 041 61	Bearing	89-	1	CABRIO
		for			
		Back seat backrest			
(6)		Bearing	89-	1	CABRIO
	911 501 041 61 GRV	Prime coated			
		for			
		Back seat backrest			
7	911 504 111 02	Engine compartment seal		1	CARRERA
(7)	930 504 170 01	Engine compartment seal		1	TURBO
8	911 504 113 02	Engine compartment seal		1	CARRERA
(8)	911 504 115 02	Engine compartment seal		1	TURBO
10	911 501 075 07	Cross member		1	CARRERA
10		Cross member		1	CARRERA
		Rear			
		for			
		Suspension strut mounting			
	911 501 075 07 GRV	Prime coated			
(10)	930 501 075 01	Cross member		1	TURBO
(10)		Cross member		1	TURBO
	930 501 075 01 GRV	Prime coated			
10A	911 501 485 01	Support		1	
10A		Support		1	
	911 501 485 01 GRV				
11	911 501 023 02	Bracket		1	TURBO
		for			
		Fuel pump			
11		Bracket		1	TURBO
	911 501 023 02 GRV	Prime coated			
		for			
		Fuel pump			
12	911 504 930 00	Strap		2	
13	999 703 098 40	Stopper		2	
		19 \$			
14	911 501 160 01	Support	88-	1	M454
		for			
		Drive link			

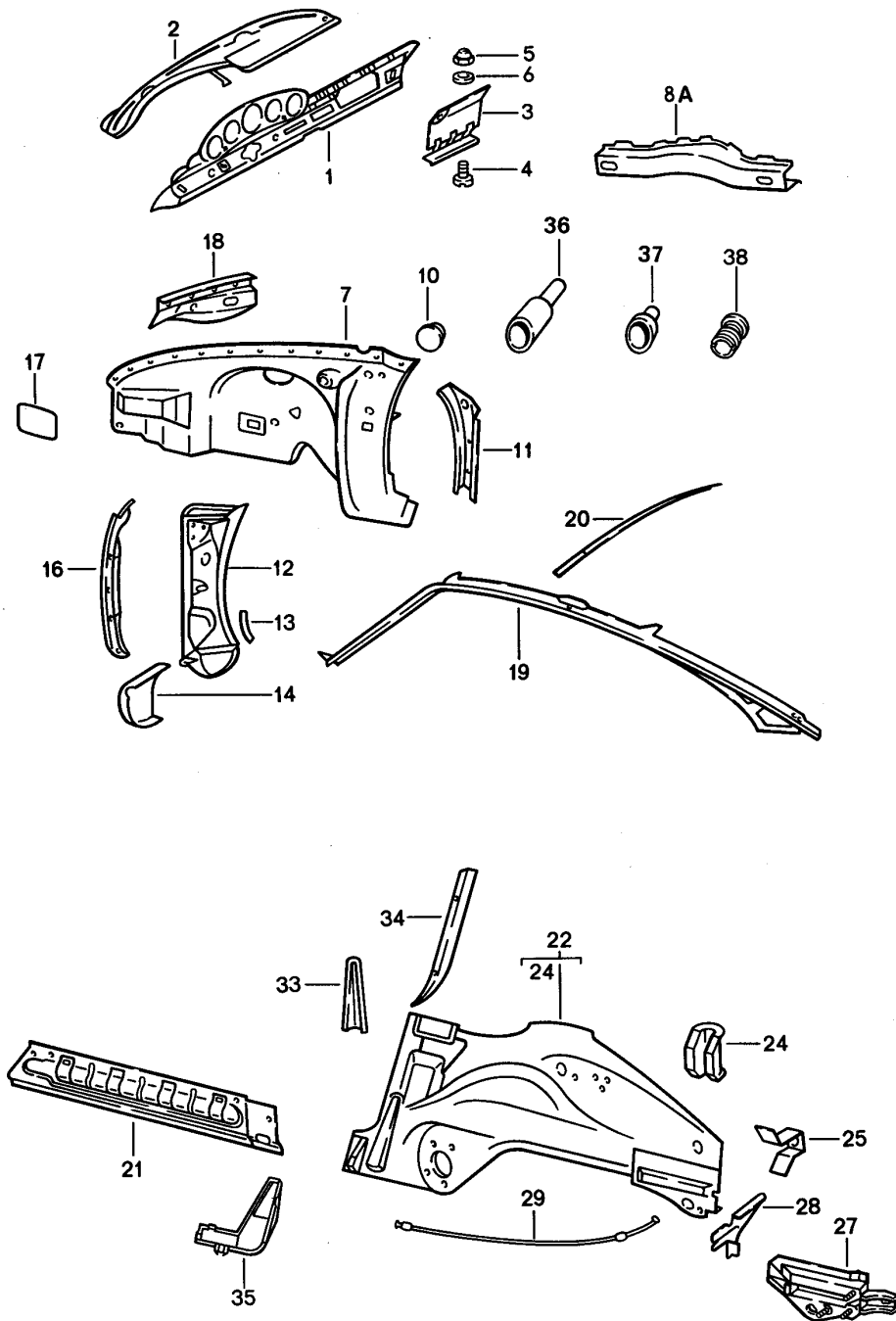
Model: 911 87

Model life 1987>>1989

Pos	Part Number	Description	Remark	Qty	Model
14	911 501 160 01 GRV	Support for Drive link Prime coated	88-	1	M454

Model: 911 87

Model life 1987>>1989



Model: 911 87 Model life 1987>>1989

Pos	Part Number	Description	Remark	Qty	Model
1	911 502 021 17	Interior panelling Dashboard	/LL	1	
1		Lower part Dashboard	/LL	1	
		Lower part			
(1)	911 502 021 17 GRV	Prime coated			
	911 502 022 39	Dashboard	/RL	1	
		Lower part			
2	911 502 025 42	Dashboard	/LL	1	
		Upper part			
		F >>91KS1 00958			COUPE
		F >>91KS1 40341			TARGA
		F >>91KS1 50414			CABRIO
		F >>93KS0 00184			COUPE
		F >>93KS0 10067			TARGA
		F >>93KS0 20083			CABRIO
2		Dashboard	/LL	1	
		Upper part			
	911 502 025 42 GRV	Prime coated			
		F >>91KS1 00958			COUPE
		F >>91KS1 40341			TARGA
		F >>91KS1 50414			CABRIO
		F >>93KS0 00184			COUPE
		F >>93KS0 10067			TARGA
		F >>93KS0 20083			CABRIO
(2)	911 502 025 44	Dashboard	/LL	1	
		Upper part			
		F 91KS1 00959>>			COUPE
		F 91KS1 40342>>			TARGA
		F 91KS1 50415>>			CABRIO
		F 93KS0 00185>>			COUPE
		F 93KS0 10068>>			TARGA
		F 93KS0 20084>>			CABRIO
(2)		Dashboard	/LL	1	
		Upper part			
	911 502 025 44 GRV	Prime coated			
		F 91KS1 00959>>			COUPE
		F 91KS1 40342>>			TARGA
		F 91KS1 50415>>			CABRIO
		F 93KS0 00185>>			COUPE
		F 93KS0 10068>>			TARGA
		F 93KS0 20084>>			CABRIO
(2)	911 502 025 43	Dashboard	/LL	1	SPEEDSTER
		Upper part			
(2)		Dashboard	/LL	1	SPEEDSTER
		Upper part			
	911 502 025 43 GRV	Prime coated			
(2)	911 502 026 42	Dashboard	/RL	1	
		Upper part			
		F >>91KS1 00958			COUPE
		F >>91KS1 40341			TARGA
		F >>91KS1 50414			CABRIO
		F >>93KS0 00184			COUPE
		F >>93KS0 10067			TARGA
		F >>93KS0 20083			CABRIO
(2)	911 502 026 44	Dashboard	/RL	1	
		Upper part			
		F 91KS1 00959>>			COUPE
		F 91KS1 40342>>			TARGA
		F 91KS1 50415>>			CABRIO
		F 93KS0 00185>>			COUPE
		F 93KS0 10068>>			TARGA
		F 93KS0 20084>>			CABRIO

Model: 911 87 Model life 1987>>1989

Pos	Part Number	Description	Remark	Qty	Model
(2)	911 502 026 44 GRV	Dashboard Upper part Prime coated F 91KS1 00959>> F 91KS1 40342>> F 91KS1 50415>> F 93KS0 00185>> F 93KS0 10068>> F 93KS0 20084>>	/RL	1	COUPE TARGA CABRIO COUPE TARGA CABRIO
(2)	911 502 026 43	Dashboard Upper part	/RL	1	SPEEDSTER
(2)	911 502 026 43 GRV	Dashboard Upper part Prime coated	/RL	1	SPEEDSTER
3	911 552 010 05	Glove compartment cover		1	
3	911 552 010 05 GRV	Glove compartment cover Prime coated		1	
4	999 217 008 02	Hexagon-head bolt AM 5 X 10		2	
5	N 021 196 1	Lock nut M 5		4	
5	N 021 196 3	Hexagon nut M 5		4	
6	900 025 003 02	Washer 5,3		4	
7	911 501 967 02	Wheel housing	/L	1	
7	911 501 967 02 GRV	Wheel housing Prime coated	/L	1	
(7)	911 501 968 02	Wheel housing	/R	1	
(7)	911 501 968 02 GRV	Wheel housing Prime coated	/R	1	
(7)	911 501 967 03	Wheel housing	/L	1	SPEEDSTER
(7)	911 501 968 03	Wheel housing Order also: 911.501.057.45	/R	1	SPEEDSTER
-	911 501 057 45	Side member Upper for Wheel housing	/L	1	SPEEDSTER
-	911 501 058 45	Side member Upper for Wheel housing	/R	1	SPEEDSTER
-	911 507 535 00	Bracket for Jacking point	/L	1	
-	911 507 535 01	Bracket for Jacking point	/L	1	
-	911 501 836 00	Bracket for Jacking point	/R	1	
-	911 501 836 00 GRV	Bracket Right for Jacking point	/R	1	
10	999 703 031 40	Stopper 31 X 37 X 11		2	
10	999 703 031 4A	Stopper 31 X 37 X 11		2	

Model: 911 87 Model life 1987>>1989

Pos	Part Number	Description	Remark	Qty	Model
(10)	111 971 911 A	Grommet		2	
(10)	999 703 348 40	Rubber sleeve		2	COUPE M650
(10)	999 702 126 50	10,5 X 16 X 8 Grommet Wheel housing 17,5 X 32 X 7	/V /L	4	
(10)	999 703 224 40	Cap 20 X 25 X 6		2	
11	901 501 217 21	Post bracket F >>91JS1 01686 F >>91JS1 09839 F >>91JS1 05093	/L (J)	1	COUPE COUPE COUPE COUPE M637 COUPE TURBO TARGA TARGA CABRIO CABRIO TURBO CABRIO TURBO TARGA
11	911 501 679 01	Post bracket	/L	1	COUPE
(11)	901 501 218 21	Post bracket F >>91JS1 01686 F >>91JS1 09839 F >>91JS1 05093	/R (J)	1	COUPE COUPE COUPE COUPE M637 COUPE TURBO TARGA TARGA CABRIO CABRIO TURBO CABRIO TURBO TARGA
(11)	911 501 680 01	Post bracket F 91JS1 01687>> F 91JS1 09840>> F 91JS1 05094>>	/R (J)	1	COUPE COUPE COUPE COUPE M637 COUPE TURBO TARGA TARGA CABRIO CABRIO TURBO CABRIO TURBO TARGA
(11)	911 501 680 01 GRV	Post bracket Prime coated F 91JS1 01687>> F 91JS1 09840>> F 91JS1 05094>>	/R (J)	1	COUPE COUPE COUPE COUPE M637 COUPE TURBO TARGA TARGA CABRIO CABRIO TURBO CABRIO TURBO TARGA
12	911 501 039 02	Hinge pillar F >>91JS1 01686 F >>91JS1 09839 F >>91JS1 05093	/L (J)	1	COUPE COUPE COUPE

Model: 911 87 Model life 1987>>1989

Pos	Part Number	Description	Remark	Qty	Model
(12)	911 501 040 02	F >>93JS0 00314 F >>91JS1 40603 F >>91JS1 49575 F >>91JS1 50606 F >>91JS1 59576 F >>93JS0 20118 F >>93JS0 10088 Hinge pillar F >>91JS1 01686 F >>91JS1 09839 F >>91JS1 05093	(J) (J) /R (J)	1	M637 COUPE TURBO TARGA TARGA CABRIO CABRIO TURBO CABRIO TURBO TARGA COUPE COUPE COUPE
(12)	964 599 039 00	F >>93JS0 00314 F >>91JS1 40603 F >>91JS1 49575 F >>91JS1 50606 F >>91JS1 59576 F >>93JS0 20118 F >>93JS0 10088 Hinge pillar F 91JS1 01687>> F 91JS1 09840>> F 91JS1 05094>>	(J) (J) /L (J)	1	M637 COUPE TURBO TARGA TARGA CABRIO CABRIO TURBO CABRIO TURBO TARGA COUPE COUPE COUPE
(12)	964 599 040 00	F 91JS0 00315>> F 91JS1 40604>> F 91JS1 49576>> F 91JS1 50607>> F 91JS1 59577>> F 93JS0 20119>> F 93JS0 10089>> Hinge pillar F 91JS1 01687>> F 91JS1 09840>> F 91JS1 05094>>	(J) (J) /R (J)	1	M637 COUPE TURBO TARGA TARGA CABRIO CABRIO TURBO CABRIO TURBO TARGA COUPE COUPE COUPE
(12)	964 502 039 01	F 91JS0 00315>> F 91JS1 40604>> F 91JS1 49576>> F 91JS1 50607>> F 91JS1 59577>> F 93JS0 20119>> F 93JS0 10089>> Hinge pillar	(J) (J) /L	1	COUPE TURBO TARGA TARGA CABRIO CABRIO TURBO CABRIO TURBO TARGA SPEEDSTER
(12)	964 502 039 01 GRV	Hinge pillar	/L	1	SPEEDSTER
(12)	964 502 040 01	Prime coated		1	
(12)	964 502 040 01	Hinge pillar	/R	1	SPEEDSTER
(12)	964 502 040 01 GRV	Hinge pillar	/R	1	SPEEDSTER
13	901 501 305 20	Prime coated		1	
13	901 501 305 20	Angular bracket	/L	1	
(13)	901 501 305 20 GRV	Angular bracket	/L	1	
(13)	901 501 306 20	Prime coated		1	
(13)	901 501 306 20	Angular bracket	/R	1	
(13)	901 501 306 20 GRV	Angular bracket	/R	1	
14	911 501 439 00	Prime coated		1	
14	911 501 439 00	Filler plate	/L	1	
(14)	911 501 439 00 GRV	Filler plate	/L	1	
(14)	911 501 440 00	Prime coated		1	
(14)	911 501 440 00	Filler plate	/R	1	
(14)	911 501 440 00 GRV	Filler plate	/R	1	
16	911 501 053 00	Prime coated		1	
	911 501 053 00	Wing joining plate	/L	1	

Model: 911 87 Model life 1987>>1989

Pos	Part Number	Description	Remark	Qty	Model
16	911 501 053 00 GRV	Wing joining plate Prime coated	/L	1	
16	911 501 053 01	Wing joining plate	/L	1	
	911 501 053 01 GRV	Prime coated			
(16)	911 501 054 00	Wing joining plate	/R	1	
(16)	911 501 054 00 GRV	Wing joining plate Prime coated	/R	1	
17	911 504 101 00	Cover plate		2	
18	911 501 223 02	Reinforcement bracket	/L	1	
18	911 501 223 02 GRV	Reinforcement bracket Prime coated	/L	1	
(18)	911 501 226 01	Reinforcing support	/R	1	
(18)	911 501 226 00	Reinforcing support	/R	1	
(18)	911 501 226 00 GRV	Reinforcing support Prime coated	/R	1	
19	911 502 029 00	Roof frame	/L	1	COUPE
		F >>91JS1 01686			COUPE
		F >>91JS1 09839	(J)		COUPE
		F >>91JS1 05093			COUPE
		F >>93JS0 00314			M637
		F >>91JS1 40603			COUPE TURBO
		F >>91JS1 49575	(J)		TARGA
		F >>91JS1 50606			TARGA
		F >>91JS1 59576	(J)		CABRIO
		F >>91JS1 59576	(J)		CABRIO
		F >>93JS0 20118			TURBO CABRIO
		F >>93JS0 10088			TURBO TARGA
(19)	911 502 029 03	Roof frame with Windscreen frame part	/L	1	COUPE
		F 91KS1 00959>>			COUPE
		F 91KS1 40342>>			TARGA
		F 91KS1 50415>>			CABRIO
		F 93KS0 00185>>			COUPE
		F 93KS0 10068>>			TARGA
		F 93KS0 20084>>			CABRIO
(19)	911 502 030 00	Roof frame	/R	1	COUPE
		F >>91JS1 01686			COUPE
		F >>91JS1 09839	(J)		COUPE
		F >>91JS1 05093			COUPE
		F >>93JS0 00314			M637
		F >>91JS1 40603			COUPE TURBO
		F >>91JS1 49575	(J)		TARGA
		F >>91JS1 50606			TARGA
		F >>91JS1 59576	(J)		CABRIO
		F >>91JS1 59576	(J)		CABRIO
		F >>93JS0 20118			TURBO CABRIO
		F >>93JS0 10088			TURBO TARGA
(19)	911 502 030 02	Roof frame with Windscreen frame part	/R	1	COUPE
		F >>91KS1 00958			COUPE
		F >>91KS1 40341			TARGA
		F >>91KS1 50414			CABRIO
		F >>93KS0 00184			COUPE
		F >>93KS0 10067			TARGA
		F >>93KS0 20083			CABRIO
(19)	911 502 030 03	Roof frame with Windscreen frame part	/R	1	COUPE
		F 91KS1 00959>>			COUPE
		F 91KS1 40342>>			TARGA
		F 91KS1 50415>>			CABRIO

Model: 911 87 Model life 1987>>1989

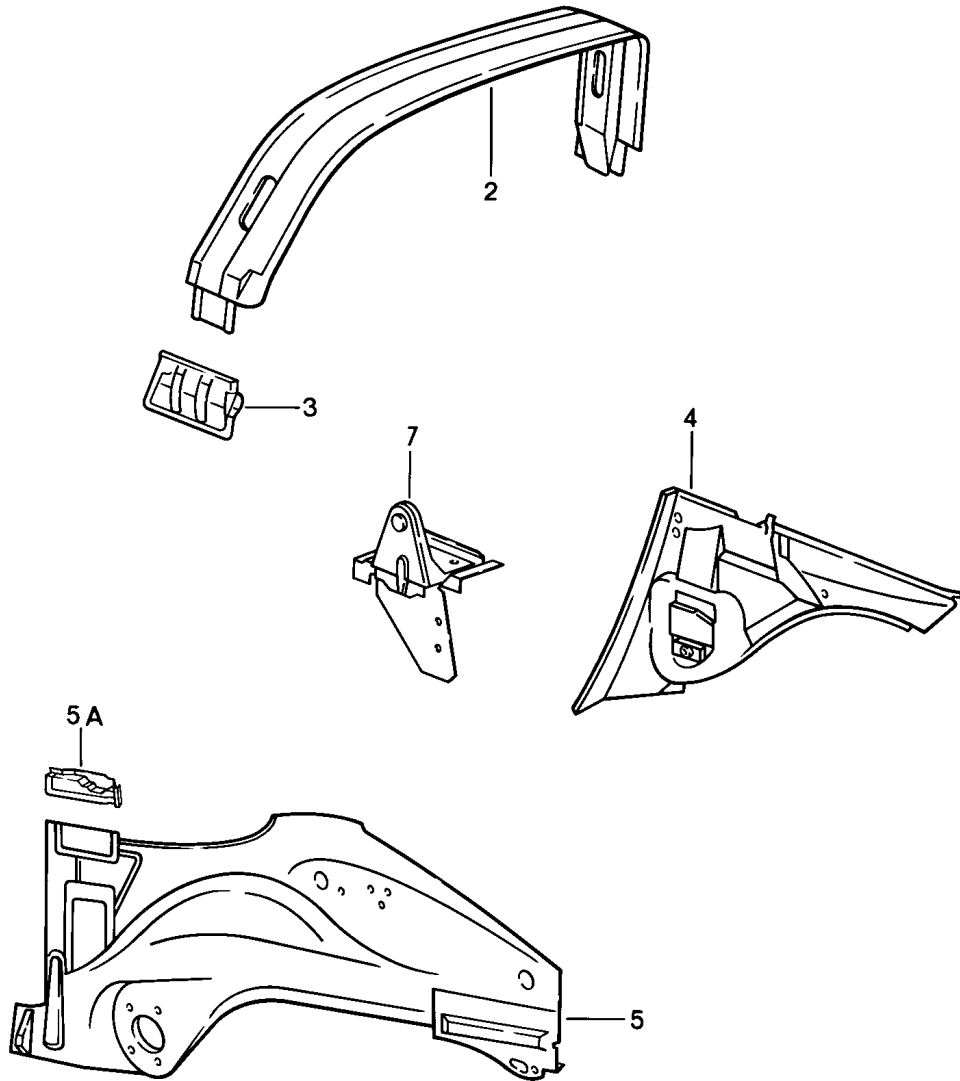
Pos	Part Number	Description	Remark	Qty	Model
		F 93KS0 00185>> F 93KS0 10068>> F 93KS0 20084>>			COUPE TARGA CABRIO
20	911 502 220 00	Cross piece for windscreen		1	
20		Cross piece for windscreen		1	
	911 502 220 00 GRV	Prime coated			
(21)	911 501 123 04	Side member	/L	1	
(21)	911 501 124 04	Side member	/R	1	
(21)	964 501 136 00	Side member	/R	1	
(21)		Side member	/R	1	
	964 501 136 00 GRV	Prime coated			
22	911 501 017 81	Side member	/L	1	COUPE
		Wheel housing			
22		Side member	/L	1	COUPE
		Wheel housing			
	911 501 017 81 GRV	Prime coated			
(22)	911 501 018 33	Side member	/R	1	COUPE
		Wheel housing			
(22)		Side member	/R	1	COUPE
	911 501 018 33 GRV	Prime coated			
		Wheel housing			
-	911 507 625 00	Bracket	/L	1	
-		Bracket	/L	1	
	911 507 625 00 GRV	Prime coated			
-	911 507 626 00	Bracket	/R	1	
-		Bracket	/R	1	
	911 507 626 00 GRV	Prime coated			
24	911 501 115 00	Reinforcement		2	
		Side section			
24		Reinforcement		2	
	911 501 115 00 GRV	Prime coated			
		Side section			
25	911 501 125 00	Threaded support		6	
25		Threaded support		6	
	911 501 125 00 GRV	Prime coated			
27	911 501 167 03	Mounting	/L	1	
27		Mounting	/L	1	
	911 501 167 03 GRV	Prime coated			
(27)	911 501 168 00	Mounting	/R	1	
(27)		Mounting	/R	1	
	911 501 168 00 GRV	Prime coated			
28	911 501 313 00	Corner reinforcement	/L	1	
(28)	911 501 314 00	Corner reinforcement	/R	1	
(28)		Corner reinforcement	/R	1	
	911 501 314 00 GRV	Prime coated			
29	911 502 483 00	Guide tube for Lid-release cable	88-	1	
32	911 501 195 00	Jacking point		1	
33	911 501 823 00	Bracket	/L	1	COUPE
33		Bracket	/L	1	COUPE
	911 501 823 00 GRV	Prime coated			
(33)	911 501 824 00	Bracket	/R	1	COUPE
(33)		Bracket	/R	1	COUPE
	911 501 824 00 GRV	Prime coated			
34	901 502 245 00	Profile	/L	1	COUPE
(34)	901 502 246 00	Profile	/R	1	COUPE
35	911 501 577 00	Gusset plate	/L	1	COUPE
35	911 507 077 40	Gusset plate	/L	1	TARGA CABRIO
35		Gusset plate	/L	1	TARGA
	911 507 077 40 GRV	Prime coated			CABRIO

Model: 911 87 Model life 1987>>1989

Pos	Part Number	Description	Remark	Qty	Model
(35)	911 501 578 00	Gusset plate	/R	1	COUPE
(35)	911 507 078 40	Gusset plate	/R	1	TARGA
(35)	911 507 078 40 GRV	Gusset plate Prime coated	/R	1	CABRIO TARGA
36	911 507 515 00	Guide tube Front		2	CABRIO SPEEDSTER
37	911 507 517 00	Guide tube Rear		2	SPEEDSTER
38	999 209 013 00	Adjusting ring		2	SPEEDSTER

Model: 911 87

Model life 1987>>1989



Model: 911 87 Model life 1987>>1989

Pos	Part Number	Description	Remark	Qty	Model
		Interior panelling			TARGA/CABRIO /SPEEDSTER
2	911 565 001 40	Roll bar		1	TARGA
3	911 501 203 40	Filler plate	/L	1	TARGA
3		Filler plate	/L	1	TARGA
	911 501 203 40 GRV	Prime coated			
(3)	911 501 204 40	Filler plate	/R	1	TARGA
(3)		Filler plate	/R	1	TARGA
	911 501 204 40 GRV	Prime coated			
(4)	911 501 205 43	Rear bulkhead	/L	1	TARGA
(4)		Rear bulkhead	/L	1	TARGA
	911 501 205 43 GRV	Prime coated			
(4)	911 501 205 65	Rear bulkhead	/L	1	CABRIO
(4)		Rear bulkhead	/L	1	CABRIO
		Left			
	911 501 205 65 GRV	Prime coated			
(4)	911 507 105 00	Rear bulkhead	/L	1	SPEEDSTER
(4)		Rear bulkhead	/L	1	SPEEDSTER
	911 507 105 00 GRV	Prime coated			
(4)	911 501 206 43	Rear bulkhead	/R	1	TARGA
(4)		Rear bulkhead	/R	1	TARGA
	911 501 206 43 GRV	Prime coated			
(4)	911 501 206 65	Rear bulkhead	/R	1	CABRIO
(4)		Rear bulkhead	/R	1	CABRIO
		Right			
	911 501 206 65 GRV	Prime coated			
(4)	911 507 106 00	Rear bulkhead	/R	1	SPEEDSTER
(4)		Rear bulkhead	/R	1	SPEEDSTER
	911 507 106 00 GRV	Prime coated			
(5)	911 501 017 73	Side member	/L	1	TARGA
		Wheel housing			
(5)	911 501 017 68	Side member	/L	1	CABRIO
		Wheel housing			
(5)		Side member	/L	1	CABRIO
		Wheel housing			
		Rear			
	911 501 017 68 GRV	Prime coated			
(5)	911 501 017 92	Side member	/L	1	SPEEDSTER
		Wheel housing			
(5)		Side member	/L	1	SPEEDSTER
		Wheel housing			
		Rear			
		Left			
	911 501 017 92 GRV	Prime coated			
(5)	911 501 018 73	Side member	/R	1	TARGA
		Wheel housing			
(5)		Side member	/R	1	TARGA
		Wheel housing			
		Rear			
	911 501 018 73 GRV	Prime coated			
(5)	911 501 018 68	Side member	/R	1	CABRIO
		Wheel housing			
(5)		Side member	/R	1	CABRIO
		Wheel housing			
		Rear			
	911 501 018 68 GRV	Prime coated			
(5)	911 501 018 92	Side member	/R	1	SPEEDSTER
		Wheel housing			
(5)		Side member	/R	1	SPEEDSTER
		Wheel housing			
		Rear			
		Right			
	911 501 018 92 GRV	Prime coated			

Model: 911 87 Model life 1987>>1989

Pos	Part Number	Description	Remark	Qty	Model
5A	911 501 465 60	Insert	/L	1	CABRIO
5A		Insert	/L	1	CABRIO
	911 501 465 60 GRV	Prime coated			
5A	911 501 466 60	Insert	/R	1	CABRIO
5A		Insert	/R	1	CABRIO
	911 501 466 60 GRV	Prime coated			
7	911 501 431 61	Convertible top support	/L	1	CABRIO
					SPEEDSTER
7		Convertible top support	/L	1	CABRIO
	911 501 431 61 GRV	Prime coated			SPEEDSTER
(7)	911 501 432 61	Convertible top support	/R	1	CABRIO
					SPEEDSTER
(7)		Convertible top support	/R	1	CABRIO
	911 501 432 61 GRV	Prime coated			SPEEDSTER

Model: 911 87 Model life 1987>>1989

Pos	Part Number	Description	Remark	Qty	Model
		Wing with Sheet metal cup for tank Valid up to: F >>91KS1 00958 F >>91KS1 40341 F >>91KS1 50414 F >>93KS0 00184 F >>93KS0 10067 F >>93KS0 20083			COUPE TARGA CABRIO COUPE TARGA CABRIO
1	911 503 031 09	Wing	/L	1	CARRERA
(1)	930 503 031 12	Wing	/L	1	TURBO CARRERA M491
	930 503 031 12 GRV	Prime coated It is necessary to rework			
2	930 503 307 00	Wing joining plate	/L	1	TURBO CARRERA M491
(2)	930 503 308 00	Wing joining plate	/R	1	TURBO CARRERA M491
3	911 503 032 04	Wing	/R	1	CARRERA
3	911 503 032 10	Wing	/R	1	CARRERA
(3)		It is necessary to rework Wing	/R	1	CARRERA
(3)	911 503 032 10 GRV	It is necessary to rework			
(3)	930 503 032 12	Wing	/R	1	TURBO CARRERA M491
4	000 043 129 00	Sealing strap 25 X 2 MM		*	
5	901 503 394 22	Piping 4,3 MM		2	
-	PCG 503 394 00	Set Piping Body Front and rear Comprising:	77-89	1	TURBO
-	930 503 197 00	Piping		2	
-	911 503 325 00	Intermediate layer		2	
-	911 503 326 00	Intermediate layer		2	
-	901 503 394 22	Piping		2	
(5)	911 799 503 07	Wing seal 6,5 MM		X	
-	PCG 799 503 07	Set Piping Body Front and rear Comprising:	86-89	1	
-	911 503 185 01	Intermediate layer		1	
-	911 503 186 01	Intermediate layer		1	
-	911 503 325 00	Intermediate layer		2	
-	911 503 326 00	Intermediate layer		2	
-	911 799 503 07	Wing seal		2	
-	911 559 511 00	Gasket		2	
6	900 187 010 02	Hexagon-head tapping screw BZ 6,3 X 19		32	
6	900 187 010 03	Hexagon-head tapping screw BZ 6,3 X 19		32	
7	900 067 011 02	Pan-head screw M 6 X 20		4	
7	900 067 011 03	Pan-head screw		4	

Model: 911 87 Model life 1987>>1989

Pos	Part Number	Description	Remark	Qty	Model
8	N 011 666 7	M 6 X 20 Washer		32	
9	N 011 550 1	B 6,4 Washer		4	
(9)	N 011 666 7	B 6,5 Washer		4	
(9)	999 025 098 02	B 6,4 Washer		X	
10	999 704 157 40	Washer		32	
11	999 591 327 02	Speed nut		32	
11	999 501 327 01	B 6,3 Speed nut		32	
11	999 591 327 01	B 6,3 Speed nut		32	
12	911 504 031 00	Lid		1	
12		Lid		1	
	911 504 031 00 GRV	Tank filler neck Prime coated			
13	911 504 331 00	Spring		1	
14	900 067 051 02	Pan-head screw		3	
15	N 012 005 3	M 5 X 10 Lock ring		3	
16	900 025 003 02	B 5 Washer		3	
17	901 504 317 21	A 5,3 Lid-release cable		1	
18	911 504 385 00	Rubber washer		1	
19	901 552 822 00	Knob		1	
20	901 504 385 20	Connecting tube		1	
21	999 702 020 50	Rubber sleeve		1	
22	914 504 319 00	Grommet		1	
23	999 230 002 02	Screw nipple		1	
24	901 504 034 20	Bearing		1	
24		Bearing		1	
	901 504 034 20 GRV	Prime coated			
25	911 025 679 00	Buffer		1	
(26)	911 503 015 05	Headlamp casing	/L	1	
(26)		Headlamp casing	/L	1	
	911 503 015 05 GRV	Prime coated			
(26)	911 503 016 05	Headlamp casing	/R	1	
(26)		Headlamp casing	/R	1	
	911 503 016 05 GRV	Prime coated			
(27)	911 503 079 01	Wing strut	/L	1	
(27)		Wing strut	/L	1	
	911 503 079 01 GRV				
(27)	911 504 080 00	Bracket	/R	1	
	911 504 080 00 GRV	Prime coated			
28	900 075 087 02	Hexagon-head bolt M 8 X 16		4	
28	900 075 087 03	Hexagon-head bolt M 8 X 16		4	
29	900 027 015 02	Lock ring B 8		4	
29	900 027 015 03	Lock ring B 8		4	
30	900 025 007 02	Washer A 8,4		4	
30	900 025 007 03	Washer A 8,4		4	
(30)	900 025 007 02	Washer A 8,4		4	
(30)	900 025 007 03	Washer A 8,4		4	

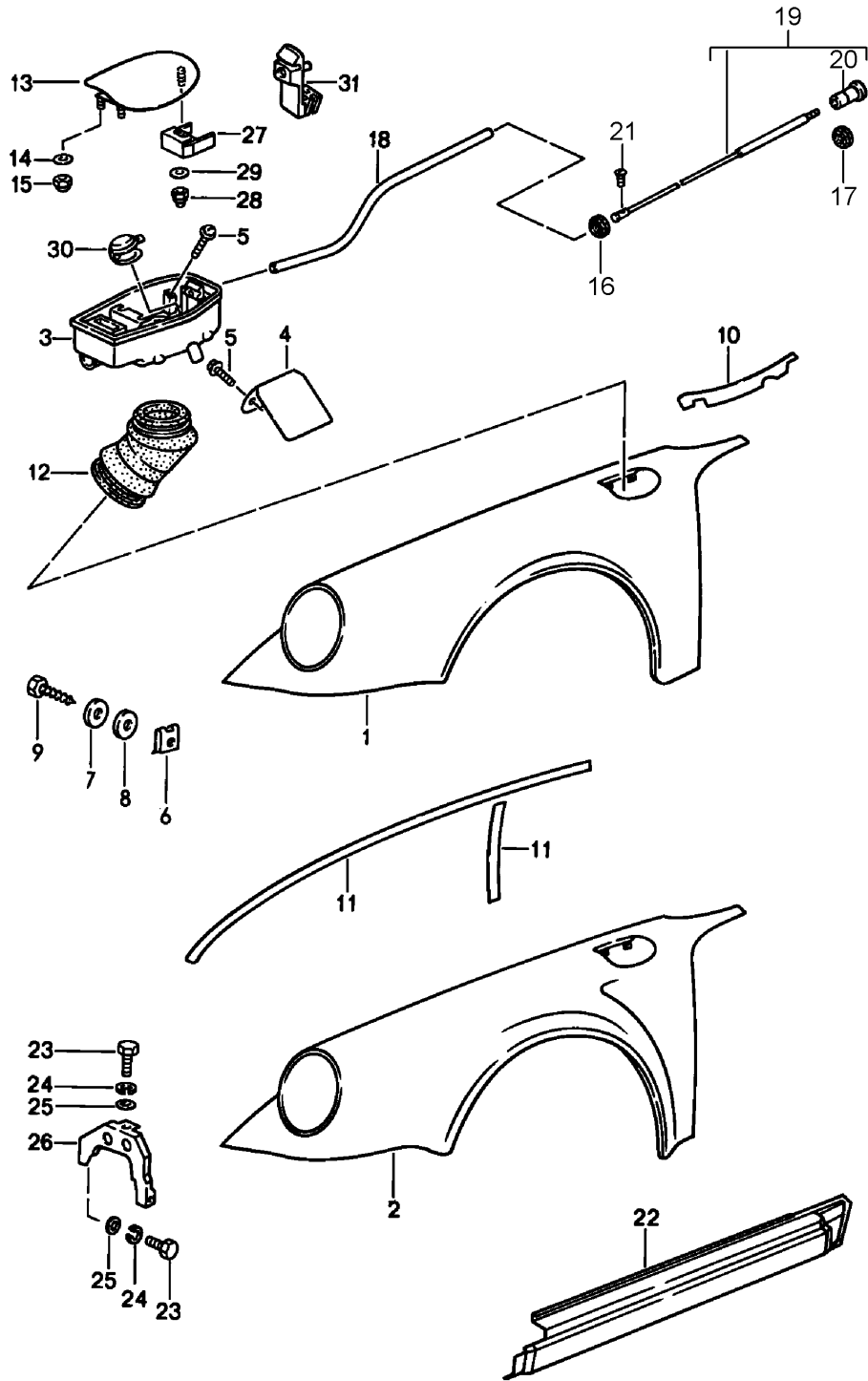
Model: 911 87

Model life 1987>>1989

Pos	Part Number	Description	Remark	Qty	Model
31	911 503 401 05	A 8,4 Door sill	/L	1	
	911 503 401 05 GRV	Prime coated			
31	911 503 401 06	Door sill	/L	1	
	911 503 401 06 GRV	Prime coated			
(31)	911 503 402 05	Door sill	/R	1	
	911 503 402 05 GRV	Prime coated			
(31)	911 503 402 06	Door sill	/R 85-	1	
	911 503 402 06 GRV	Prime coated			
32	411 837 111	Cap		4	

Model: 911 87

Model life 1987>>1989



Model: 911 87 Model life 1987>>1989

Pos	Part Number	Description	Remark	Qty	Model
		Wing with Plastic cup for tank It is necessary to rework Valid from: F 91KS1 00959>> F 91KS1 40342>> F 91KS1 50415>> F 93KS0 00185>> F 93KS0 10068>> F 93KS0 20084>>			COUPE TARGA CABRIO COUPE TARGA CABRIO
(1)	911 503 031 11	Wing	/L	1	CARRERA
(1)	911 503 031 13	Front wing	/L	1	CARRERA
	911 503 031 13 GRV	Prime coated			
(1)	911 503 032 04	Wing	/R	1	CARRERA
(1)	911 503 032 10	Wing	/R	1	CARRERA
	911 503 032 10 GRV	Prime coated			
2	930 503 031 14	Front wing	/L	1	TURBO CARRERA
	930 503 031 14 GRV	Prime coated			M491
(2)	930 503 032 12	Wing	/R	1	TURBO CARRERA
	930 503 032 12 GRV	Prime coated			M491
3	964 201 030 00	Cup		1	
4	964 201 279 00	Protective flap		1	
5	999 919 089 07	Combination screw 5 X 16		4	
5	PCG 919 089 07	Lens-head screw 5 X 16		4	
5	999 919 089 07	Combination screw		5	
5	PCG 919 089 07	Lens-head screw		5	
6	999 591 327 02	Speed nut B 6,3		16	
6	999 501 327 01	Speed nut B 6,3		16	
6	999 591 327 01	Speed nut B 6,3		16	
7	999 704 157 40	Washer		32	
8	900 151 003 02	Washer A 6,4		32	
8	900 151 006 03	Washer A 6,4		32	
9	900 187 010 02	Hexagon-head tapping screw BZ 6,3 X 19		32	
9	900 187 010 03	Hexagon-head tapping screw BZ 6,3 X 19		32	
10	901 503 394 22	Piping 4,3 MM		2	
-	PCG 503 394 00	Set Piping Body Front and rear Comprising:	77-89	1	TURBO
-	930 503 197 00	Piping		2	
-	911 503 325 00	Intermediate layer		2	
-	911 503 326 00	Intermediate layer		2	
-	901 503 394 22	Piping		2	
10	911 799 503 07	Wing seal 6,5 MM		X	
-	PCG 799 503 07	Set Piping Body Front and rear	76-89	1	

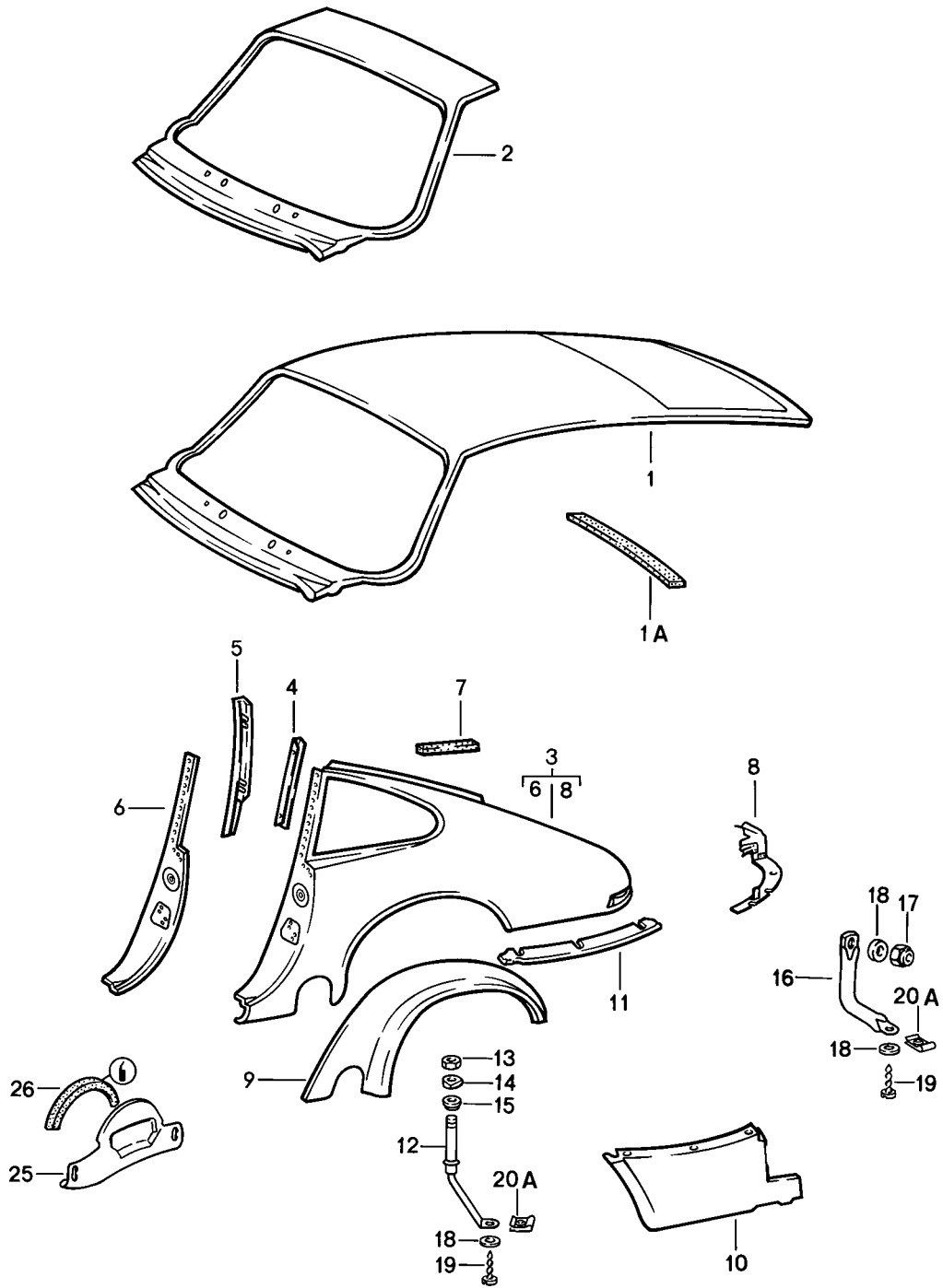
Model: 911 87

Model life 1987>>1989

Pos	Part Number	Description	Remark	Qty	Model
-	911 503 185 01	Comprising: Intermediate layer		1	
-	911 503 186 01	Intermediate layer		1	
-	911 503 325 00	Intermediate layer		2	
-	911 503 326 00	Intermediate layer		2	
-	911 799 503 07	Wing seal		2	
-	911 559 511 00	Gasket		2	
11	000 043 129 00	Sealing strap 25 X 2		X	
12	911 201 367 00	Sleeve		1	
13	964 504 033 00	Lid		1	
13		Lid		1	
14	964 504 033 00 GRV	Prime coated			
14	900 025 053 07	Washer A 5,3		2	
15	900 085 011 07	Cap nut M 5		2	
16	999 702 076 50	Rubber sleeve 8 X 14 X 7		1	
17	999 702 020 50	Rubber sleeve 8 X 12 X 9		1	
18	000 043 204 80	Pipe		1	
18	000 043 300 56	Pipeline		*	
(18)	911 507 205 00	Guide tube		1	SPEEDSTER
19	964 504 037 01	Lid-release cable		1	
20	901 552 822 00	Knob		1	
21	900 146 016 02	Oval-head screw		1	
22	911 503 401 05	Door sill	/L	1	
	911 503 401 05 GRV	Prime coated			
22	911 503 401 06	Door sill	/L	1	
	911 503 401 06 GRV	Prime coated			
(22)	911 503 402 05	Door sill	/R	1	
	911 503 402 05 GRV	Prime coated			
(22)	911 503 402 06	Door sill	/R 85-	1	
	911 503 402 06 GRV	Prime coated			
23	900 075 087 02	Hexagon-head bolt M 8 X 16		4	
23	900 075 087 03	Hexagon-head bolt M 8 X 16		4	
24	900 027 015 02	Lock ring B 8		4	
24	900 027 015 03	Lock ring B 8		4	
25	900 025 007 02	Washer A 8,4		4	
25	900 025 007 03	Washer A 8,4		4	
26	911 503 079 01	Wing strut	/L	1	
	911 503 079 01 GRV	Prime coated			
(26)	911 504 080 00	Bracket	/R	1	
	911 504 080 00 GRV	Prime coated			
27	964 504 375 00	Support		1	
28	900 085 011 07	Cap nut M 5		1	
29	900 025 003 02	Washer A 5,3		1	
30	964 201 507 00	Lid		1	
31	964 201 167 00	Latch		1	

Model: 911 87

Model life 1987>>1989



Model: 911 87 Model life 1987>>1989

Pos	Part Number	Description	Remark	Qty	Model
1	911 503 087 08	Exterior panelling Rear It is necessary to rework Outer roof panel F >>91JS1 01686 F >>91JS1 09839 F >>91JS1 05093	(J)	1	COUPE COUPE COUPE COUPE M637 COUPE TURBO COUPE
1	901 503 051 00	F >>93JS0 00314 Outer roof panel for cars with Width of fold 10 MM MOD. 89		1	COUPE COUPE
(1)	911 503 087 16	F >>91KS1 00958 F >>93KS0 00184 Outer roof panel Until for cars with Width of fold 15 MM MOD. 89		1	COUPE COUPE COUPE
(1)	911 503 087 16 GRV	F 91KS1 00959>> F 93KS0 00185>> Outer roof panel Until for cars with Width of fold 15 MM MOD. 89		1	COUPE COUPE COUPE
(1)	911 503 087 09	F 91KS1 00959>> F 93KS0 00185>> Prime coated Outer roof panel F >>91JS1 01686 F >>91JS1 09839 F >>91JS1 05093	(J)	1	COUPE COUPE COUPE COUPE M637 COUPE TURBO COUPE M650
(1)	901 503 051 05	F >>93JS0 00314 Outer roof panel for cars with Width of fold 10 MM MOD. 89		1	COUPE COUPE COUPE M650
(1)	911 503 087 13	F >>91KS1 00958 F >>93KS0 00184 Outer roof panel for cars with Width of fold 10 MM MOD. 89		1	COUPE COUPE COUPE M650
(1)	911 503 087 13 GRV	F >>91KS1 00958 F >>93KS0 00184 Prime coated Outer roof panel Until for cars with Width of fold 15 MM		1	COUPE COUPE COUPE M650

Model: 911 87 Model life 1987>>1989

Pos	Part Number	Description	Remark	Qty	Model
(1)		MOD. 89 F 91KS1 00959>> F 93KS0 00185>> Outer roof panel		1	COUPE COUPE COUPE M650
		Until for cars with Width of fold 15 MM MOD. 89 F 91KS1 00959>> F 93KS0 00185>>			COUPE COUPE
1A	911 503 087 17 GRV	Prime coated		1	COUPE
2	911 503 507 01	Plastic foam strip		1	COUPE
	911 503 987 01	Windscreen frame part for cars with Width of fold 10 MM MOD. 89 F >>91KS1 00958 F >>93KS0 00184		1	COUPE COUPE COUPE
2		Windscreen frame part for cars with Width of fold 10 MM MOD. 89 F >>91KS1 00958 F >>93KS0 00184		1	COUPE COUPE COUPE
	911 503 987 01 GRV	Prime coated		1	COUPE
(2)	911 503 987 02	Windscreen frame part Until for cars with Width of fold 15 MM MOD. 89 F 91KS1 00959>> F 93KS0 00185>>		1	COUPE COUPE COUPE
(3)	911 503 061 12	Side section for cars with Width of fold 10 MM MOD. 89 F >>91KS1 00958 F >>93KS0 00184	/L	1	COUPE COUPE COUPE
(3)	911 503 061 13	Side section Until for cars with Width of fold 15 MM MOD. 89 F 91KS1 00959>> F 93KS0 00185>>	/L	1	COUPE COUPE COUPE
(3)	911 503 061 13 GRV	Prime coated Until for cars with Width of fold 15 MM MOD. 89 F 91KS1 00959>> F 93KS0 00185>>	/L	1	COUPE COUPE COUPE
(3)	930 503 061 03	Side section for cars with	/L	1	COUPE COUPE TURBO

Model: 911 87 Model life 1987>>1989

Pos	Part Number	Description	Remark	Qty	Model
(3)	930 503 061 04	Width of fold 10 MM MOD. 89 F >>91KS1 00958 F >>93KS0 00184 Side section Until for cars with Width of fold 15 MM MOD. 89 F 91KS1 00959>> F 93KS0 00185>> Side section Prime coated with POS.9 Until for cars with Width of fold 15 MM MOD. 89 F 91KS1 00959>> F 93KS0 00185>>	/L	1	COUPE COUPE TURBO
(3)	930 503 061 04 GRV	Side section Prime coated with POS.9 Until for cars with Width of fold 15 MM MOD. 89 F 91KS1 00959>> F 93KS0 00185>>	/L	1	COUPE COUPE TURBO COUPE M491
(3)	911 503 062 12	Side section for cars with Width of fold 10 MM MOD. 89 F >>91KS1 00958 F >>93KS0 00184	/R	1	COUPE COUPE COUPE
(3)	911 503 062 13	Side section Until for cars with Width of fold 15 MM MOD. 89 F 91KS1 00959>> F 93KS0 00185>>	/R	1	COUPE COUPE COUPE
(3)	911 503 062 13 GRV	Side section Prime coated Until for cars with Width of fold 15 MM MOD. 89 F 91KS1 00959>> F 93KS0 00185>>	/R	1	COUPE COUPE COUPE
(3)	930 503 062 02	Side section	/R 87	1	COUPE TURBO
(3)	930 503 062 03	Side section for cars with Width of fold 10 MM MOD. 89 F >>91KS1 00958 F >>93KS0 00184	/R	1	TURBO
(3)	930 503 062 04	Side section with POS.9 Until for cars with	/R	1	COUPE COUPE TURBO COUPE M491

Model: 911 87 Model life 1987>>1989

Pos	Part Number	Description	Remark	Qty	Model
(3)	930 503 062 04 GRV	Width of fold 15 MM MOD. 89 F 91KS1 00959>> F 93KS0 00185>> Side section Prime coated with POS.9 Until for cars with Width of fold 15 MM MOD. 89 F 91KS1 00959>> F 93KS0 00185>>	/R	1	COUPE COUPE TURBO COUPE M491
4	911 503 193 00	Retaining strip F >>91HS1 02284 F >>91HS1 05062 F >>91HS1 09747 F >>93HS0 00540	(J)	2	COUPE COUPE COUPE COUPE M637 COUPE TURBO COUPE
4	911 503 193 01	Retaining strip for cars with Width of fold 10 MM MOD. 89 F >>91KS1 00958 F >>93KS0 00184		2	COUPE COUPE COUPE
4	911 503 193 01 GRV	Retaining strip for cars with Width of fold 10 MM MOD. 89 F >>91KS1 00958 F >>93KS0 00184		2	COUPE COUPE COUPE
5	911 502 043 02	Lock pillar Inner panel for cars with Width of fold 10 MM MOD. 89 F >>91KS1 00958 F >>93KS0 00184	/L	1	COUPE COUPE
(5)	964 502 071 01	Inner panel Inner panel Until for cars with Width of fold 15 MM MOD. 89 F 91KS1 00959>> F 93KS0 00185>>	/L	1	COUPE COUPE
(5)	911 502 044 02	Lock pillar Inner panel for cars with Width of fold 10 MM MOD. 89 F >>91KS1 00958 F >>93KS0 00184	/R	1	COUPE COUPE COUPE COUPE

Model: 911 87 Model life 1987>>1989

Pos	Part Number	Description	Remark	Qty	Model
(5)	964 502 072 01	Inner panel Inner panel Until for cars with Width of fold 15 MM MOD. 89 F 91KS1 00959>> F 93KS0 00185>>	/R	1	
6	911 502 041 04	Lock pillar for cars with Width of fold 10 MM MOD. 89 F >>91KS1 00958 F >>93KS0 00184	/L	1	COUPE COUPE
(6)	964 502 041 00	Lock pillar Until for cars with Width of fold 15 MM MOD. 89 F 91KS1 00959>> F 93KS0 00185>>	/L	1	COUPE COUPE
(6)	964 502 041 00 GRV	Lock pillar Prime coated Until for cars with Width of fold 15 MM MOD. 89 F 91KS1 00959>> F 93KS0 00185>>	/L	1	COUPE COUPE
-	911 504 471 00	Cap Behind Lock pillar		1	
(6)	911 502 042 04	Lock pillar for cars with Width of fold 10 MM MOD. 89 F >>91KS1 00958 F >>93KS0 00184	/R	1	COUPE COUPE
(6)	964 502 042 00	Lock pillar Until for cars with Width of fold 15 MM MOD. 89 F 91KS1 00959>> F 93KS0 00185>>	/R	1	COUPE COUPE
(6)	964 502 042 00 GRV	Lock pillar Prime coated Until for cars with Width of fold 15 MM MOD. 89 F 91KS1 00959>> F 93KS0 00185>>	/R	1	COUPE COUPE
-	911 504 471 00	Cap Behind Lock pillar		1	

Model: 911 87 Model life 1987>>1989

Pos	Part Number	Description	Remark	Qty	Model
7	911 504 933 00	Seal	/L	1	
(7)	911 504 934 00	Seal	/R	1	
8	911 503 073 00	Bar	/L	1	
		Tail light housing			
8		Bar	/L	1	
	911 503 073 00 GRV	Prime coated			
		Tail light housing			
(8)	911 503 074 00	Bar	/R	1	
		Tail light housing			
(8)		Bar	/R	1	
		Tail light housing			
	911 503 074 00 GRV	Prime coated			
9	930 503 907 00	Wing joining plate	/L	1	TURBO CARRERA M491
9		Wing joining plate	/L	1	TURBO CARRERA M491
	930 503 907 00 GRV	Prime coated			
(9)	930 503 908 00	Wing joining plate	/R	1	TURBO CARRERA M491
(9)		Wing joining plate	/R	1	TURBO CARRERA M491
	930 503 908 00 GRV	Prime coated			
10	911 503 067 03	Lower part	/L	1	CARRERA
		Lower part			
10		Lower part	/L	1	CARRERA
	911 503 067 03 GRV	Prime coated			
(10)	930 503 067 00	Side section	/L	1	TURBO CARRERA M491
		Lower part			
(10)		Side section	/L	1	TURBO CARRERA M491
		Lower part			
	930 503 067 00 GRV	Prime coated			
(10)	911 503 068 03	Lower part	/R	1	CARRERA
		Lower part			
(10)		Lower part	/R	1	CARRERA
	911 503 068 03 GRV	Prime coated			
		Lower part			
(10)	930 503 068 00	Side section	/R	1	TURBO CARRERA M491
		Lower part			
(10)		Side section	/R	1	TURBO CARRERA M491
		Lower part			
	930 503 068 00 GRV	Prime coated			
(10)	930 503 068 01	Side section	/R	1	TURBO
	930 503 068 01 GRV	Prime coated			
		Lower part			CARRERA M491
11	911 503 185 01	Intermediate layer	/L	1	CARRERA
(11)	911 503 186 01	Intermediate layer	/R	1	CARRERA
-	PCG 799 503 07	Set	76-89	1	
		Piping			
		Body			
		Front and rear			
		Comprising:			
-	911 503 185 01	Intermediate layer		1	
-	911 503 186 01	Intermediate layer		1	
-	911 503 325 00	Intermediate layer		2	

Model: 911 87 Model life 1987>>1989

Pos	Part Number	Description	Remark	Qty	Model
-	911 503 326 00	Intermediate layer		2	
-	911 799 503 07	Wing seal		2	
-	911 559 511 00	Gasket		2	
(11)	930 503 197 00	Piping		2	TURBO
-	PCG 503 394 00	Set Piping Body Front and rear Comprising:	77-89	1	TURBO
-	930 503 197 00	Piping		2	
-	911 503 325 00	Intermediate layer		2	
-	911 503 326 00	Intermediate layer		2	
-	901 503 394 22	Piping		2	
(11)	000 043 204 81	Intermediate layer		*	TURBO CARRERA M491
12	911 501 623 02	Support tube	/V	2	
13	900 078 009 02	Hexagon nut M 20 X 1,5		2	
(14)	900 025 021 02	Washer A 21		2	
15	901 501 913 21	Sealing ring		2	
16	930 501 628 01	Support tube	/H /L	1	
16	911 501 628 01	Support tube	/H /R	1	
17	900 910 012 02	Lock nut M 6		2	
17	900 910 047 09	Lock nut M 6		2	
18	N 011 666 7	Washer 6,4		6	
(19)	900 187 108 02	Tapping screw BZ 6,3 X 16		4	
(19)	900 187 108 01	Tapping screw BZ 6,3 X 16		4	
20A	999 507 048 03	Speed nut B 6,3		4	
(25)	911 504 753 01	Spring cover	/L	1	CARRERA
25	930 504 753 00	Spring cover	/L	1	TURBO
25	930 504 753 00 GRV	Spring cover Prime coated	/L	1	CARRERA M491 TURBO
(25)	911 504 754 01	Spring cover	/R	1	CARRERA
(25)	930 504 754 00	Spring cover	/R	1	TURBO CARRERA M491
(25)	930 504 754 00 GRV	Spring cover Prime coated	/R	1	TURBO CARRERA M491
26	911 559 511 00	Gasket		2	
-	PCG 799 503 07	Set Piping Body Front and rear Comprising:	76-89	1	
-	911 503 185 01	Intermediate layer		1	
-	911 503 186 01	Intermediate layer		1	
-	911 503 325 00	Intermediate layer		2	
-	911 503 326 00	Intermediate layer		2	

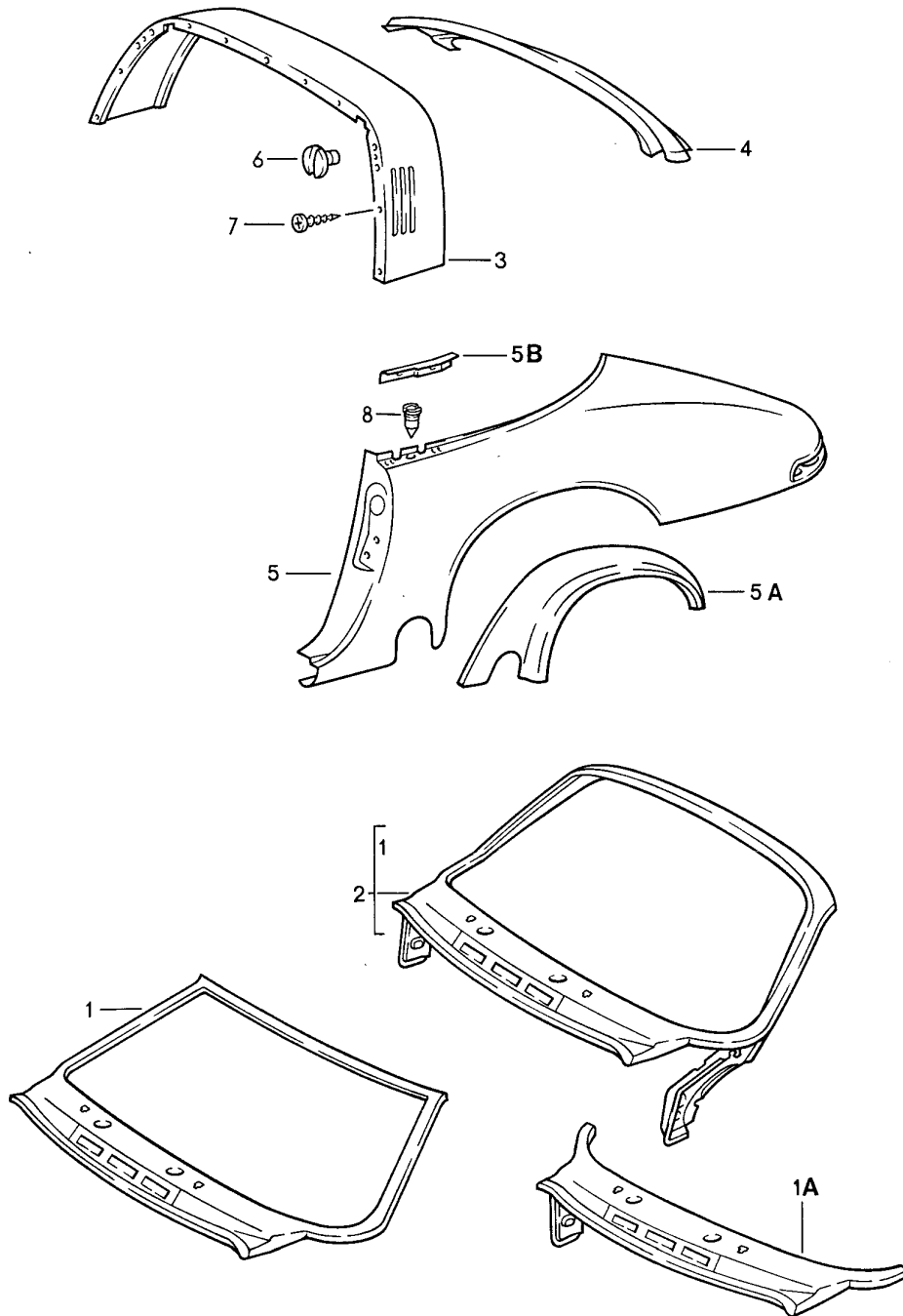
Model: 911 87

Model life 1987>>1989

Pos	Part Number	Description	Remark	Qty	Model
-	911 799 503 07	Wing seal		2	
-	911 559 511 00	Gasket		2	

Model: 911 87

Model life 1987>>1989



Model: 911 87 Model life 1987>>1989

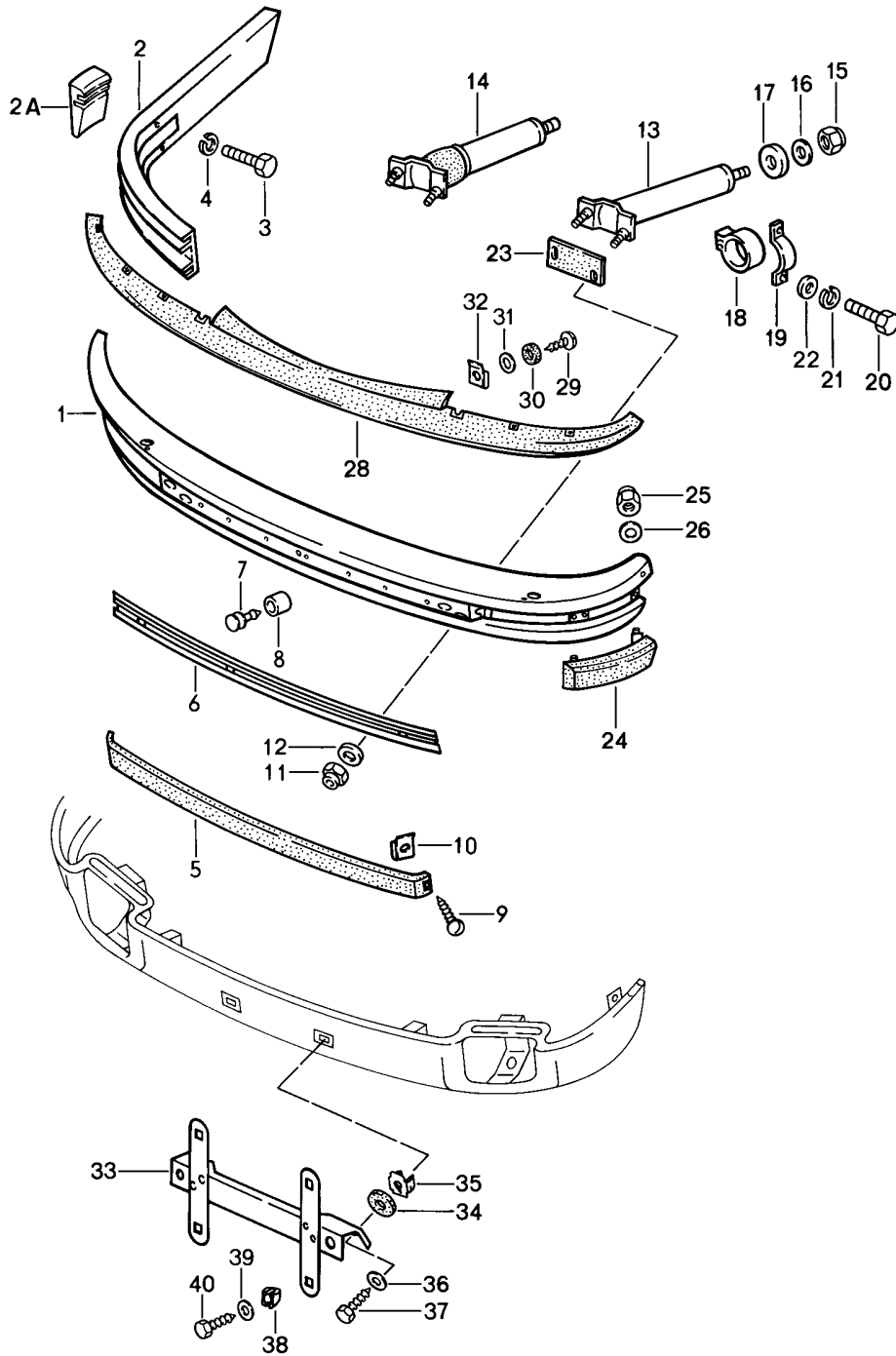
Pos	Part Number	Description	Remark	Qty	Model
		Exterior panelling			TARGA/CABRIO /SPEEDSTER
1	911 503 087 42	It is necessary to rework Scuttle		1	
1		Scuttle for cars with Width of fold 10 MM MOD. 89		1	
(1)	911 503 087 42 GRV 911 503 087 46	Prime coated Scuttle for cars with Width of fold 15 MM MOD. 89		1	
1A	911 503 523 00	Cowl Lower		1	SPEEDSTER
1A		Cowl Lower		1	SPEEDSTER
2	911 503 523 00 GRV 911 599 503 34	Prime coated Windscreen frame		1	TARGA/CABRIO
(2)	911 599 503 35	Windscreen frame for cars with Width of fold 15 MM MOD. 89		1	TARGA/CABRIO
(2)		Windscreen frame for cars with Width of fold 15 MM MOD. 89		1	TARGA/CABRIO
3	911 599 503 35 GRV 911 565 043 48	Prime coated Lining	87	1	TARGA
3	911 565 083 00	Lining Roll bar		1	TARGA
	911 565 083 00 70B	Black	-88		
	911 565 083 00 9XM	Black	89		
4	901 503 322 40	Rear end for cars with Width of fold 10 MM MOD. 89		1	
4	964 503 511 40	Centre part for cars with Width of fold 15 MM MOD. 89		1	
5	911 503 061 51	Side section	/L	1	TARGA
5		Side section	/L	1	TARGA
(5)	911 503 061 51 GRV 930 503 061 42	Prime coated Side section	/L	1	TARGA M491
(5)		Side section	/L	1	TARGA M491
	930 503 061 42 GRV	with POS. 5A Prime coated			TURBO TARGA
(5)	911 503 061 62	Side section	/L	1	CABRIO SPEEDSTER
(5)		Side section	/L	1	CABRIO SPEEDSTER
	911 503 061 62 GRV	Prime coated			

Model: 911 87 Model life 1987>>1989

Pos	Part Number	Description	Remark	Qty	Model
(5)	930 503 061 61	Side section	/L	1	CABRIO M491
(5)		Side section	/L	1	SPEEDSTER CABRIO M491
		with POS.5A			TURBO CABRIO SPEEDSTER
(5)	930 503 061 61 GRV	Prime coated			
(5)	911 503 062 51	Side section	/R	1	TARGA
(5)		Side section	/R	1	TARGA
	911 503 062 51 GRV	Prime coated			
(5)	930 503 062 42	Side section	/R	1	TARGA M491
(5)	911 503 062 62	Side section		1	CABRIO SPEEDSTER
(5)		Side section		1	CABRIO SPEEDSTER
	911 503 062 62 GRV	Prime coated			
(5)	930 503 062 61	Side section	/R	1	CABRIO M491
(5)		Side section	/R	1	SPEEDSTER CABRIO M491
		with POS.5A			TURBO CABRIO SPEEDSTER
	930 503 062 61 GRV	Prime coated			
5A	930 503 907 00	Wing joining plate	/L	1	TURBO M491
5A		Wing joining plate	/L	1	TURBO M491
	930 503 907 00 GRV	Prime coated			
(5A)	930 503 908 00	Wing joining plate	/R	1	TURBO M491
(5A)		Wing joining plate	/R	1	TURBO M491
	930 503 908 00 GRV	Prime coated			
5B	911 503 627 00	Support frame	/L	1	SPEEDSTER
5B		Support frame	/L	1	SPEEDSTER
	911 503 627 00 GRV	Prime coated			
(5B)	911 503 628 00	Support frame	/R	1	SPEEDSTER
(5B)		Support frame	/R	1	SPEEDSTER
	911 503 628 00 GRV	Prime coated			
6	901 801 153 40	Screw plug		4	TARGA
		Ski rack			
6	999 064 037 40	Screw plug		4	TARGA
		Ski rack			
7	N 013 957 5	Oval-head sheetmetal screw B 3,5 X 9,5		15	TARGA
8	911 565 363 00	Water drain valve		2	TARGA

Model: 911 87

Model life 1987>>1989



Model: 911 87

Model life 1987>>1989

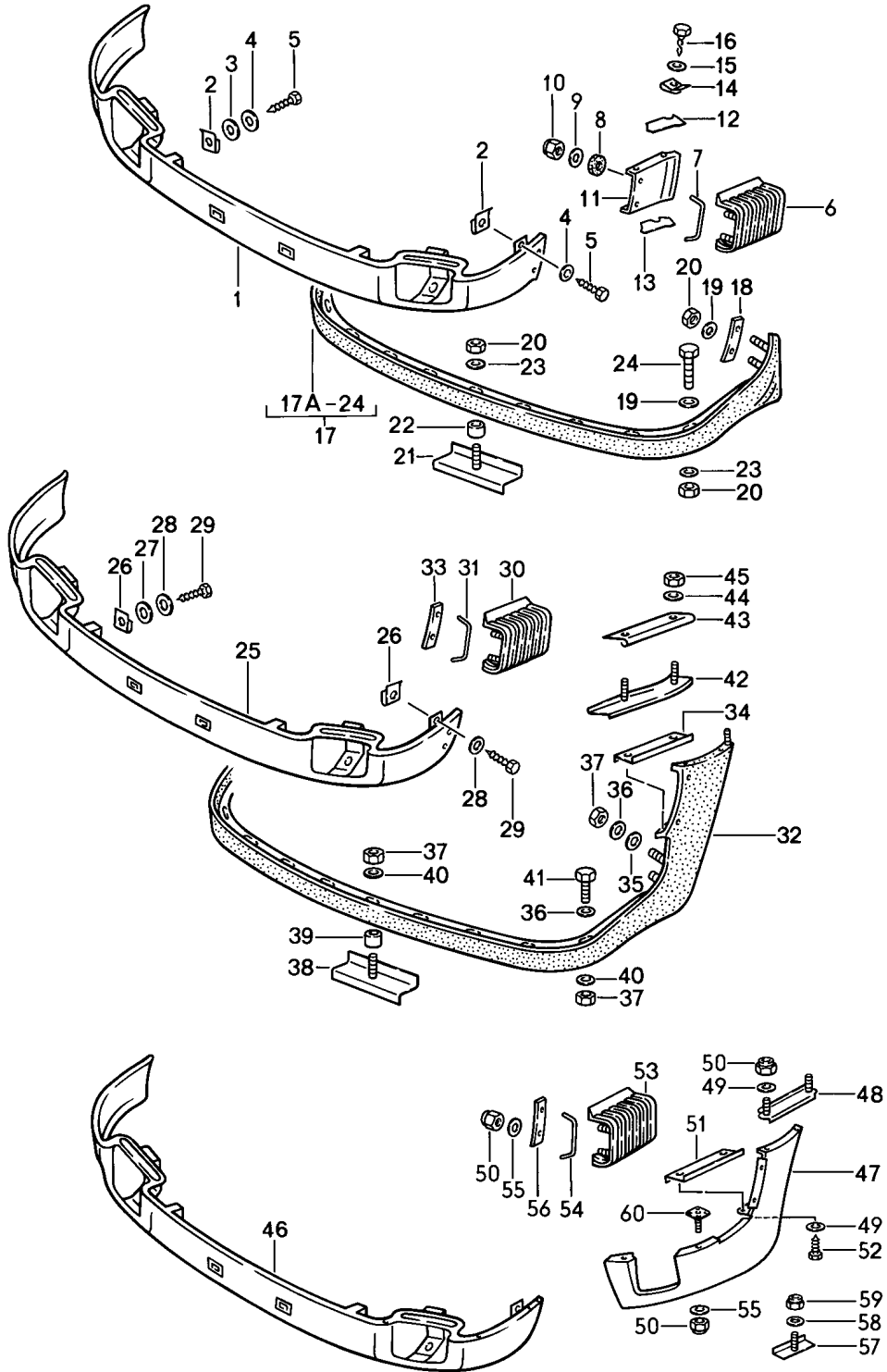
Pos	Part Number	Description	Remark	Qty	Model
		Bumper Front			
(1)	911 505 011 18	Bumper		1	
(1)	911 505 011 19	Bumper		1	
1	930 505 011 02	Bumper		1	M288
1	930 505 011 03	Bumper		1	M288
5	911 505 147 03	Protective moulding		1	
5	911 505 147 04	Protective moulding		1	
-	PCG 505 147 03	Set of fastening parts Protective moulding Comprising:		1	
-	900 143 085 07	Tapping screw		2	
-	911 505 417 00	Moulding plug		7	
-	911 505 418 00	Grommet		7	
-	999 507 018 01	Speed nut		2	
6	911 505 149 02	Insert		1	
7	911 505 417 00	Moulding plug		7	
8	911 505 418 00	Grommet		7	
9	900 143 085 07	Tapping screw B 4,2 X 16		2	
10	999 507 018 02	Speed nut B 4,2		2	
10	999 507 018 01	Speed nut B 4,2		2	
11	N 011 185 6	Hexagon nut M 10		4	
12	900 025 008 09	Washer A 10,5		4	
12	900 025 008 04	Washer A 10,5		4	
13	911 505 045 03	Impact pipe		2	
14	911 505 279 03	Impact absorber M 8		2	M058/113
15	900 084 004 03	Hexagon nut M 8		2	
15	900 084 004 02	Hexagon nut M 8		2	
(15)	999 084 608 02	Hexagon nut M 12		2	M058
16	900 151 008 02	Washer A 8,4		2	
(16)	900 025 009 02	Washer A 13		2	M058
17	911 505 220 01	Desk pad		2	
(17)	911 505 219 01	Desk pad		2	M058
18	911 505 221 00	Stop		2	
19	911 505 223 00	Supporting bow		2	
20	900 075 085 02	Hexagon-head bolt M 8 X 20		4	
21	900 027 015 02	Lock ring A 8		4	
21	900 027 015 03	Lock ring A 8		4	
22	900 025 007 02	Washer A 8,4		4	
22	900 025 007 03	Washer A 8,4		4	
23	911 505 311 00	Desk pad		2	
24	911 505 307 00	Cover	/L	1	
(24)	911 505 308 00	Cover	/R	1	
25	N 021 196 1	Lock nut M 5		4	
25	N 021 196 3	Hexagon nut		4	

Model: 911 87 Model life 1987>>1989

Pos	Part Number	Description	Remark	Qty	Model
26	N 011 665 3	M 5 Washer		4	
26	N 011 665 16	A 5,3 Washer		4	
28	911 505 187 01	A 5,3 Sealing strip		1	
29	N 013 968 7	Tapping screw		10	
		B 4,8 X 13			
29	900 143 097 01	Tapping screw		10	
		B 4,8 X 13			
30	999 704 157 40	Washer		4	
31	N 011 665 3	Washer		10	
		A 5,3			
31	N 011 665 16	Washer		10	
		A 5,3			
32	999 507 041 09	Speed nut		10	
		B 4,8			
		Number plate			
		Mount			
		Front			
(33)	911 701 201 00	Support		1	
33	911 701 053 00	Support		1	M218
(33)	911 701 201 02	Support		1	M411
34	803 955 637	Sealing washer		2	
35	999 591 354 02	Prestole cage		2	
36	N 011 524 7	Washer		2	
		A 6,4			
36	N 011 524 27	Washer		2	
		A 6,4			
37	900 187 115 02	Combination screw		2	
		B 5,5 X 16			
37	900 187 115 01	Combination screw		2	
		B 5,5 X 16			
38	999 591 498 40	Special nut		2	
39	900 151 028 02	Washer		2	
		B 4,3			
39	900 151 028 01	Washer		2	
		B 4,3			
40	900 143 134 00	Tapping screw		2	
		BZ 4,2 X 9,5			

Model: 911 87

Model life 1987>>1989



Model: 911 87 Model life 1987>>1989

Pos	Part Number	Description	Remark	Qty	Model
		Front apron			
		Front spoiler			
		Carrera			
1	911 503 971 00	Front apron		1	
1		Front apron		1	
	911 503 971 00 GRV	Prime coated			
(1)	911 503 971 01	Front apron		1	M637
(1)		Front apron		1	M637
	911 503 971 01 GRV	Prime coated			
2	999 591 327 02	Speed nut		4	
		B 6,3			
2	999 501 327 01	Speed nut		4	
		B 6,3			
2	999 591 327 01	Speed nut		4	
		B 6,3			
3	999 704 157 40	Washer		2	
4	N 011 666 7	Washer		4	
		B 6,4			
5	900 187 010 02	Hexagon-head tapping screw		4	
		BZ 6,3 X 19			
5	900 187 010 03	Hexagon-head tapping screw		4	
		BZ 6,3 X 19			
6	911 799 505 63	Bellows	/L	1	
6	911 799 505 13	Bellows	/L	1	
(6)	911 799 505 64	Bellows	/R	1	
(6)	911 799 505 14	Bellows	/R	1	
7	911 505 375 00	Clamp		2	
8	901 511 791 21	Rubber washer		4	
9	900 025 003 02	Washer		4	
		A 5,3			
10	900 910 009 02	Lock nut		4	
		NM 5			
10	900 084 026 01	Lock nut		4	
		NM 5			
11	911 503 315 00	Front apron	/L	1	
11		Front apron	/L	1	
	911 503 315 00 GRV	Prime coated			
(11)	911 503 316 00	Front apron	/R	1	
(11)		Front apron	/R	1	
	911 503 316 00 GRV	Prime coated			
12	911 503 326 00	Intermediate layer		1	
13	911 503 325 00	Intermediate layer		1	
-	PCG 799 503 07	Set	76-89	1	
		Piping			
		Body			
		Front and rear			
		Comprising:			
-	911 503 185 01	Intermediate layer		1	
-	911 503 186 01	Intermediate layer		1	
-	911 503 325 00	Intermediate layer		2	
-	911 503 326 00	Intermediate layer		2	
-	911 799 503 07	Wing seal		2	
-	911 559 511 00	Gasket		2	
-	PCG 503 394 00	Set	77-89	1	TURBO
		Piping			
		Body			
		Front and rear			
		Comprising:			
-	930 503 197 00	Piping		2	
-	911 503 325 00	Intermediate layer		2	
-	911 503 326 00	Intermediate layer		2	
-	901 503 394 22	Piping		2	
14	999 507 041 09	Speed nut		8	

Model: 911 87 Model life 1987>>1989

Pos	Part Number	Description	Remark	Qty	Model
15	N 011 665 3	B 4,8 Washer		8	
15	N 011 665 16	A 5,3 Washer		8	
16	900 187 018 02	A 5,3 Hexagon-head tapping screw		8	
17	911 503 995 00	B 4,8 X 16 Installation set for subsequent installation Only together with		1	
-	911 512 909 00	Installation set Rear spoiler Carrera		1	
-	930 512 901 00	Or Installation set Rear spoiler TURBO LOOK		1	
17A	911 503 055 00	Front spoiler		1	
18	911 503 141 00	Desk pad	/L	1	
(18)	911 503 142 00	Desk pad	/R	1	
19	N 011 666 7	Washer B 6,4		8	
20	900 910 012 02	Lock nut M 6		15	
20	900 910 047 09	Lock nut M 6		15	
21	911 503 023 00	Shim		7	
22	911 503 349 00	Spacer sleeve		11	
23	N 011 524 7	Washer A 6,4		11	
23	N 011 524 27	Washer A 6,4		11	
24	N 010 217 9	Hexagon-head bolt M 6 X 20 for Turbo Turbo-lock		4	
25	930 503 971 00	Front apron		1	
25	930 503 971 00 GRV	Front apron Prime coated		1	
26	999 591 327 02	Speed nut B 6,3		4	
26	999 501 327 01	Speed nut B 6,3		4	
26	999 591 327 01	Speed nut B 6,3		4	
27	999 704 157 40	Washer		2	
28	N 011 666 7	Washer B 6,4		4	
29	900 187 010 02	Hexagon-head tapping screw BZ 6,3 X 19		4	
29	900 187 010 03	Hexagon-head tapping screw BZ 6,3 X 19		4	
30	911 799 505 63	Bellows	/L	1	
30	911 799 505 13	Bellows	/L	1	
(30)	911 799 505 64	Bellows	/R	1	
(30)	911 799 505 14	Bellows	/R	1	
31	911 505 375 00	Clamp		2	
32	930 503 055 01	Front spoiler		1	
33	930 503 329 00	Desk pad	/L	1	
(33)	930 503 330 00	Desk pad	/R	1	
34	930 503 327 01	Plate with pressed-in hole		2	
35	901 565 448 40	Spacer		4	

Model: 911 87 Model life 1987>>1989

Pos	Part Number	Description	Remark	Qty	Model
36	N 011 666 7	Washer B 6,4		8	
37	900 910 012 02	Lock nut M 6		15	
37	900 910 047 09	Lock nut M 6		15	
38	911 503 023 00	Shim		7	
39	911 503 349 00	Spacer sleeve		11	
40	N 011 524 7	Washer A 6,4		11	
40	N 011 524 27	Washer A 6,4		11	
41	N 010 217 9	Hexagon-head bolt M 6 X 20		4	
42	930 503 131 00	Plate with screw bolt	/L	1	
(42)	930 503 132 00	Plate with screw bolt	/R	1	
43	930 503 197 00	Piping		2	
-	PCG 503 394 00	Set Piping Body Front and rear Comprising:	77-89	1	TURBO
-	930 503 197 00	Piping		2	
-	911 503 325 00	Intermediate layer		2	
-	911 503 326 00	Intermediate layer		2	
-	901 503 394 22	Piping		2	
44	N 011 665 3	Washer B 5,3		4	
44	N 011 665 16	Washer B 5,3		4	
45	N 011 005 14	Hexagon nut M 5		4	
45	900 076 091 01	Hexagon nut M 5 Turbo-look Front spoiler		4	
46	930 503 971 00	Front apron		1	
46	930 503 971 00 GRV	Front apron Prime coated		1	
47	930 503 391 00	Front apron	/L	1	
(47)	930 503 392 00	Front apron	/R	1	
(47)	930 503 392 01	Front apron	/R	1	
48	930 503 137 00	Plate with screw bolt		2	
49	N 011 665 3	Washer B 5,3		8	
49	N 011 665 16	Washer B 5,3		8	
50	900 910 009 02	Lock nut M 5		16	
50	900 084 026 01	Lock nut M 5		16	
51	930 503 327 01	Plate with pressed-in hole		2	
52	900 187 004 02	Hexagon-head tapping screw B 4,8 X 19		4	
53	911 799 505 63	Bellows	/L	1	
53	911 799 505 13	Bellows	/L	1	
(53)	911 799 505 64	Bellows	/R	1	
(53)	911 799 505 14	Bellows	/R	1	
54	911 505 375 00	Clamp		2	
55	900 025 003 02	Washer A 5,3		12	
56	930 503 329 00	Desk pad	/L	1	
(56)	930 503 330 00	Desk pad	/R	1	

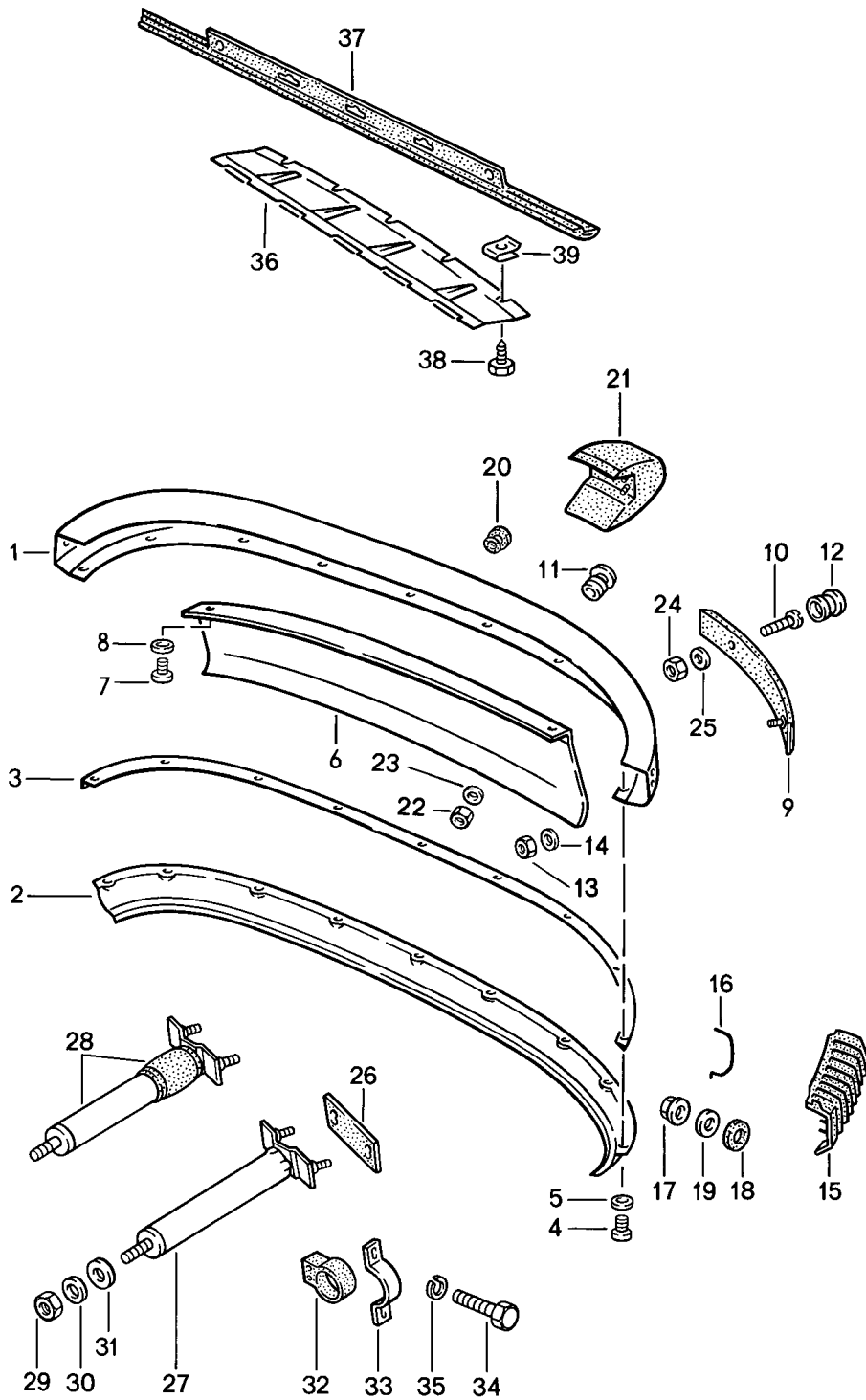
Model: 911 87

Model life 1987>>1989

Pos	Part Number	Description	Remark	Qty	Model
57	911 503 173 00	Shim		6	
58	N 011 524 7	Washer A 6,4		6	
58	N 011 524 27	Washer A 6,4		6	
59	900 910 012 02	Lock nut M 6		6	
59	900 910 047 09	Lock nut M 6		6	
60	999 503 068 02	Square screw M 5		4	

Model: 911 87

Model life 1987>>1989



Model: 911 87 Model life 1987>>1989

Pos	Part Number	Description	Remark	Qty	Model
		Bumper Rear			
1	930 505 012 05	Bumper		1	
1	930 505 112 01	Bumper		1	M215
2	911 505 171 08	Rear apron		1	CARRERA
2		Rear apron		1	CARRERA
	911 505 171 08 GRV	Prime coated			
(2)	930 505 077 04	Rear apron		1	TURBO CARRERA M491
		Rear apron			
(2)	930 505 077 04 GRV	Prime coated		1	TURBO CARRERA M491
3	911 505 345 03	Piping		1	
4	900 278 024 09	Screw	87	8	
4		Screw M 6 X 10	88-	8	
5	N 011 524 7	Washer A 6,4		8	
5	N 011 524 27	Washer A 6,4		8	
6	930 505 511 00	Heat protection		1	TURBO
6		Heat protection		1	TURBO
	930 505 511 00 GRV				
(6)	930 505 511 02	Heat protection		1	TURBO
7	900 278 024 09	Screw	87	3	
7		Screw M 6 X 10	88-	3	TURBO
8	N 011 524 7	Washer A 6,4		6	TURBO
8	N 011 524 27	Washer A 6,4		6	TURBO
(9)	930 505 089 01	Protective moulding	/L	1	TURBO CARRERA M491
	930 505 089 01 70A	Black			
(9)	930 505 090 00	Protective moulding	/R	1	TURBO CARRERA M491
	930 505 090 00 70A	Black			
(9)	911 505 099 04	Protective moulding	/L	1	CARRERA
	911 505 099 04 70A	Black			
(9)	911 505 100 01	Protective moulding	/R	1	CARRERA
	911 505 100 01 70A	Black			
10	999 141 001 02	Half-round screw M 5 X 12		2	
10	999 141 001 0B	Half-round screw M 5 X 12		2	
11	999 703 181 40	Stopper 25,7 X 32 X 12		1	
12	914 552 233 10	Filler piece		2	CARRERA M058
12		Filler piece		2	CARRERA
	914 552 233 10 01C	Black 12 MM			M058
(12)	911 505 327 00	Filler piece 22 MM		2	CARRERA
13	900 910 011 02	Lock nut M 6		3	TURBO TURBO
14	900 151 003 02	Washer A 6,4		3	TURBO
14	900 151 006 03	Washer A 6,4		3	TURBO
14	999 704 135 70	Washer		3	TURBO

Model: 911 87 Model life 1987>>1989

Pos	Part Number	Description	Remark	Qty	Model
		7 X 17 X 1,5			
15	911 799 505 65	Bellows	/L 89-	1	
15	911 799 505 15	Bellows	/L 89-	1	
(15)	911 799 505 66	Bellows	/R 89-	1	
(15)	911 799 505 16	Bellows	/R 89-	1	
16	911 505 376 00	Clamp		2	
17	900 910 009 02	Lock nut NM 5		4	
17	900 084 026 01	Lock nut NM 5		4	
18	901 511 791 21	Rubber washer		4	
19	900 025 003 02	Washer A 5,3		4	
20	911 505 347 00	Rubber sleeve		2	
21	930 505 031 00	Buffer	/L	1	
(21)	930 505 031 01	Buffer	/L	1	M215
(21)	930 505 032 00	Buffer	/R	1	
(21)	930 505 032 01	Buffer	/R	1	M215
22	900 084 004 03	Hexagon nut M 8		4	
22	900 084 004 02	Hexagon nut M 8		4	
23	900 025 007 02	Washer 8,4		4	
23	900 025 007 03	Washer 8,4		4	
24	N 011 185 6	Hexagon nut M 10		4	
25	900 025 008 09	Washer 10,5		4	
25	900 025 008 04	Washer 10,5		4	
26	911 505 311 00	Desk pad		2	
27	911 505 046 03	Impact pipe		2	
28	911 505 280 03	Impact absorber		2	M058/113
29	999 084 608 02	Hexagon nut M 12		2	
30	900 025 009 02	Washer 13		2	
31	911 505 220 01	Desk pad		2	
(31)	911 505 219 01	Desk pad		2	M058
32	911 505 221 00	Stop		2	
33	911 505 223 00	Supporting bow		2	
34	900 075 085 02	Hexagon-head bolt M 8 X 20		4	
35	900 027 015 02	Lock ring A 8		4	
35	900 027 015 03	Lock ring A 8		4	
36	911 503 157 01	Heat protection		1	CARRERA
(36)	930 503 157 01	Heat protection		1	TURBO
37	911 503 085 05	Seal		1	
38	900 187 104 02	Tapping screw B 4,8 X 13		5	
39	999 507 041 09	Speed nut B 4,8 Number plate Mount Rear		5	
-	928 701 050 03	Support		1	
-	914 571 903 10	Sealing ring		2	
-	900 025 003 02	Washer A 5,3		2	

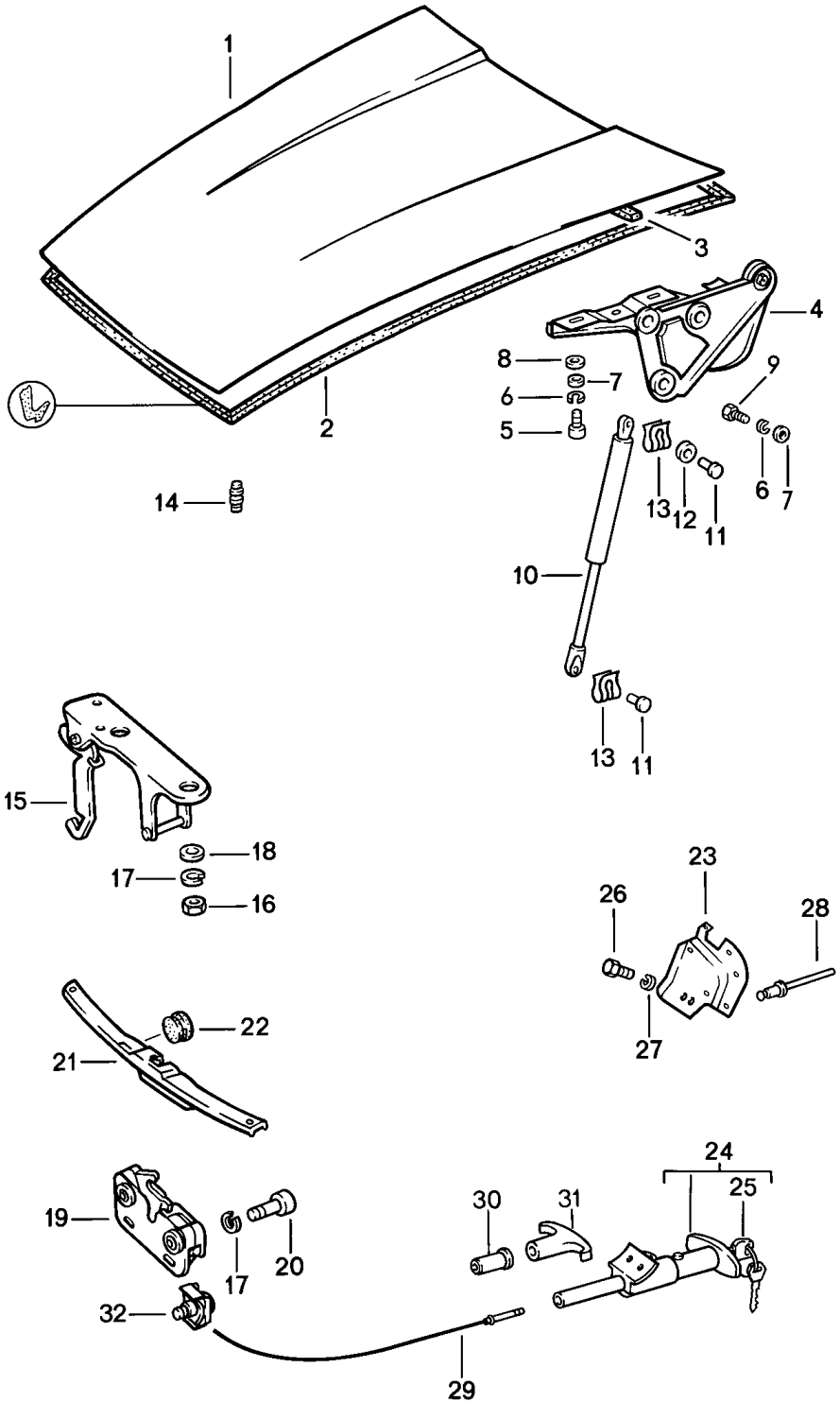
Model: 911 87

Model life 1987>>1989

Pos	Part Number	Description	Remark	Qty	Model
-	N 100 818 01	Oval-head screw CM 5 X 16		2	
-	999 919 045 02	Countersunk-head screw M 5 X 15		2	
-	999 591 498 40	Special nut		2	
-	900 151 028 02	Washer B 4,3		2	
-	900 151 028 01	Washer B 4,3		2	
-	900 143 134 00	Tapping screw BZ 4,2 X 9,5		2	

Model: 911 87

Model life 1987>>1989



Model: 911 87 Model life 1987>>1989

Pos	Part Number	Description	Remark	Qty	Model
		Lid			
		Front			
1	911 511 010 01	Lid		1	
(1)	911 511 010 03	Lid		1	
	911 511 010 03 GRV	Prime coated			
		Use also:			
-	997 632 201 00	Light		1	
1	964 511 010 00	Lid	89-	1	
	964 511 010 00 GRV	Prime coated			
2	911 511 923 02	Sealing frame		1	
3	911 511 127 00	Sealing frame		1	TARGA
4	911 511 031 00	Hinge	/L	1	
(4)	964 511 031 00	Hinge	/L	1	
(4)	911 511 032 00	Hinge	/R	1	
(4)	964 511 032 00	Hinge	/R	1	
5	900 067 057 02	Pan-head screw M 8 X 20		4	
5	900 067 057 03	Pan-head screw M 8 X 20		4	
6	900 027 015 02	Lock ring B 8		10	
6	900 027 015 03	Lock ring B 8		10	
7	900 025 007 02	Washer 8,4		10	
7	900 025 007 03	Washer 8,4		10	
8	900 151 008 02	Washer 8,4		X	
9	900 075 085 02	Hexagon-head bolt M 8 X 20		6	
10	911 511 331 01	Gas-pressure spring		2	
10	911 511 331 00	Gas-pressure spring		2	
11	999 166 043 02	Bolt		4	
12	911 511 332 00	Spacer		2	
13	N 012 645 2	Lock washer		4	
14	999 703 036 50	Rubber stop		2	
15	911 511 051 02	Lock upper part		1	
16	900 076 010 02	Nut M 6		2	
16	900 076 010 0B	Nut M 6		2	
17	N 012 007 2	Lock ring A 6		4	
17	900 027 004 03	Lock ring A 6		4	
18	N 011 666 7	Washer B 6,4		2	
19	911 511 052 01	Lock lower part		1	
20	N 014 743 2	Pan-head screw M 6 X 30		2	
20	900 067 012 03	Pan-head screw M 6 X 30		2	
21	911 555 085 00	Cover for Cross panel		1	
-	999 507 254 02	Clamping washer D = 3,0		4	
-	999 507 254 0C	Clamping washer D = 3,0		4	
22	999 703 119 40	Stopper		2	

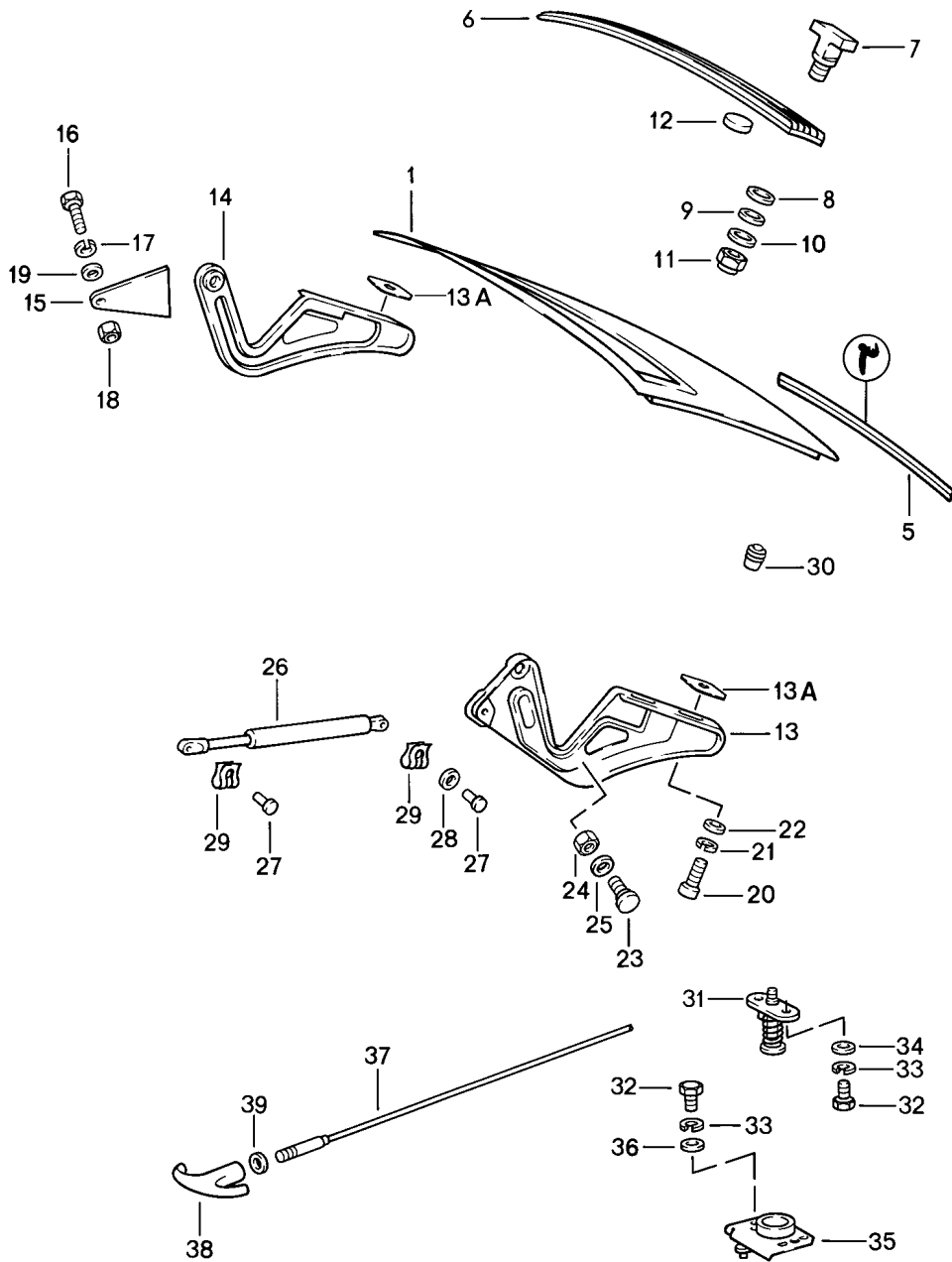
Model: 911 87

Model life 1987>>1989

Pos	Part Number	Description	Remark	Qty	Model
23	911 502 725 00	Support		1	
23		Support		1	
	911 502 725 00 GRV	Prime coated			
24	911 511 903 00	Lock with 2 secondary keys W/o stipulated lock number		1	
24	911 511 904 00	Lock with 2 secondary keys State lock number		1	
25		See group 8/04/00			
26	N 010 225 4	Hexagon-head bolt M 5 X 8		2	
26	900 075 001 03	Hexagon-head bolt M 5 X 8		2	
(29)	911 511 037 00	Bowden cable		1	
(29)	911 511 037 01	Bowden cable		1	M637
30	911 511 617 00	Spacer sleeve		1	M637
31	901 552 813 20	Handle		1	M637
32	911 511 067 00	Clamp		1	

Model: 911 87

Model life 1987>>1989



Model: 911 87 Model life 1987>>1989

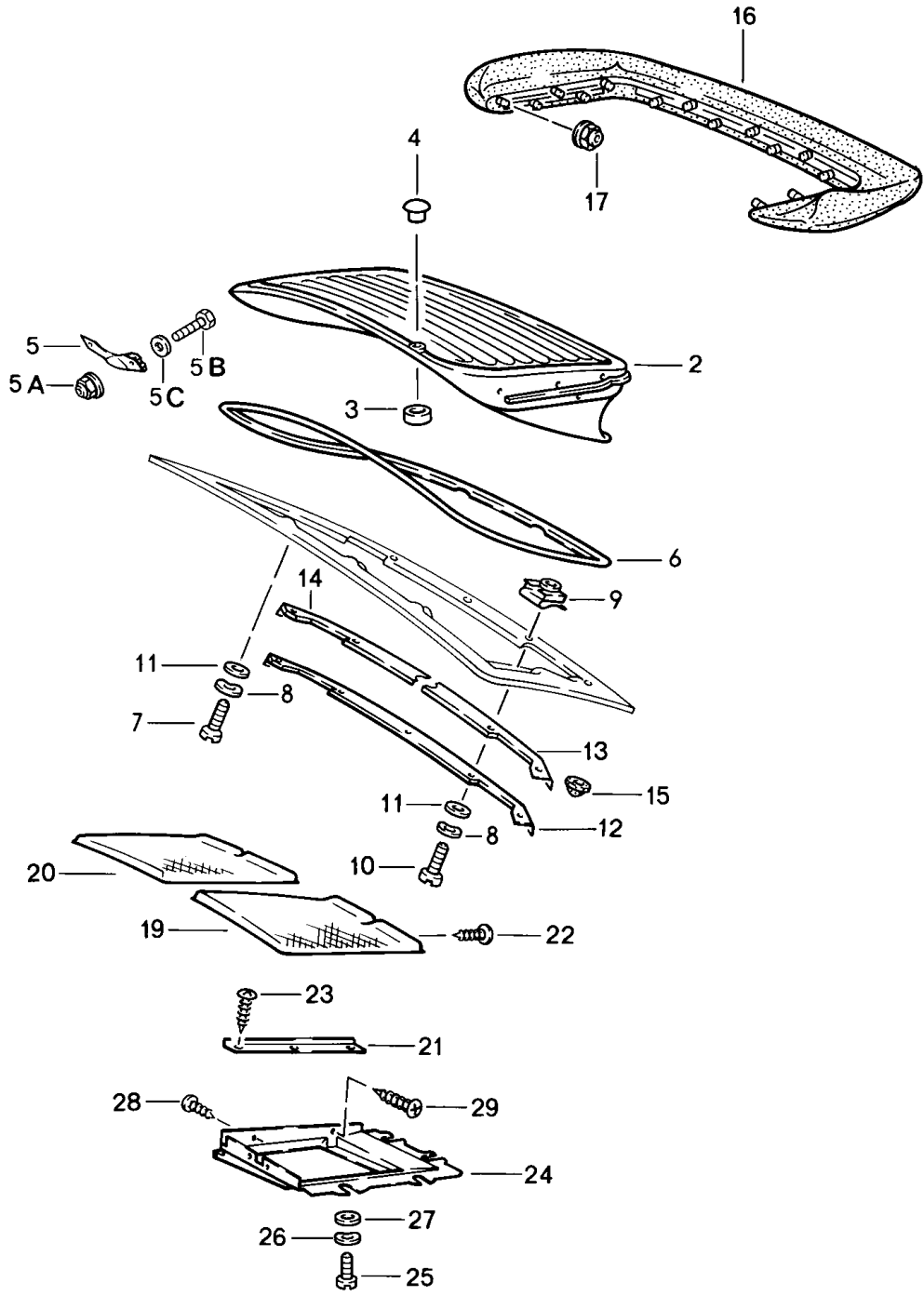
Pos	Part Number	Description	Remark	Qty	Model
1	911 512 010 65	Lid Rear		1	CARRERA
1	911 512 010 65 GRV	Lid Prime coated		1	CARRERA
(1)	930 512 010 09	Lid		1	TURBO
(1)	930 512 010 08	Lid		1	TURBO
(1)	930 512 010 08 GRV	Lid Prime coated		1	TURBO
5	911 512 129 01	Gasket		1	
6	911 559 411 00	Ventilation grille		1	CARRERA
6	911 559 411 01	Ventilation grille		1	CARRERA
7	911 559 433 00	T-headed screw		6	CARRERA
(7)	911 559 433 01	T-headed screw		2	M559
8	911 559 435 00	Spacer		6	CARRERA
9	113 951 539	Washer		6	CARRERA
10	N 011 665 3	Washer A 5,3		6	CARRERA
10	N 011 665 16	Washer A 5,3		6	CARRERA
11	900 910 009 02	Lock nut NM 5		6	CARRERA
11	900 084 026 01	Lock nut NM 5		6	CARRERA
(11)	900 034 006 02	Hexagon nut B M5		2	M559
12	911 559 151 01	Base		6	CARRERA
13	911 512 035 00	Hinge	/L	1	
13A	999 025 098 02	Washer D=9		X	
14	901 512 036 20	Hinge	/R	1	CARRERA
14	901 512 036 20 GRV	Hinge Prime coated	/R	1	CARRERA
(14)	930 512 036 00	Lid hinge	/R	1	TURBO M473 CARRERA M491
(14)	930 512 036 00 GRV	Lid hinge Prime coated	/R	1	TURBO M473 CARRERA M491
15	930 512 039 00	Fastening plate		1	/TURBO M473 CARRERA M491
16	900 075 016 02	Hexagon-head bolt M 6 X 22		1	M473 CARRERA M491
16	900 075 016 03	Hexagon-head bolt M 6 X 22		1	M473 CARRERA M491
17	N 012 226 5	Spring washer B 6		1	M473 CARRERA M491
18	900 076 010 02	Nut M 6		1	M473 CARRERA M491
18	900 076 010 0B	Nut M 6		1	CARRERA
19	N 011 524 7	Washer 6,4		1	M473 CARRERA M491
19	N 011 524 27	Washer		1	M473

Model: 911 87 Model life 1987>>1989

Pos	Part Number	Description	Remark	Qty	Model
		6,4			CARRERA M491
20	900 067 011 02	Pan-head screw M 6 X 20		4	
20	900 067 011 03	Pan-head screw M 6 X 20		4	
21	N 012 006 4	Lock ring B 6		4	
22	N 011 666 7	Washer B 6,4		4	
23	901 512 471 20	Collar bolt		2	
24	900 910 023 02	Lock nut M 8		2	
(24)	999 084 052 02	Lock nut M 8		2	
25	900 025 007 02	Washer A 8,4		2	
25	900 025 007 03	Washer A 8,4		2	
26	911 512 331 01	Gas-pressure spring		1	CARRERA
(26)	911 512 331 02	Gas-pressure spring		2	TURBO CARRERA M473/491
27	999 166 043 02	Bolt		2	
28	911 511 332 00	Spacer		1	
29	N 012 645 2	Lock washer		2	
29		Lock washer		3	M473
30	999 703 140 40	Rubber buffer		2	
31	930 512 052 00	Lock upper part		1	CARRERA
(31)		Lock upper part		1	TURBO M473 CARRERA M491 CARRERA
32	900 075 162 02	Hexagon-head bolt M 6 X 16		2	CARRERA
32	N 010 287 1	Hexagon-head bolt M 6 X 16		2	CARRERA
32	900 075 057 02	Hexagon-head bolt M 6 X 16		2	CARRERA
(32)	N 010 217 9	Hexagon-head bolt M 6 X 20		2	TURBO
33	N 012 006 4	Lock ring B 6		4	
34	N 011 666 7	Washer B 6,4		2	
35	901 512 052 00	Lock lower part		1	
36	900 025 028 02	Washer B 6,4		2	
37	901 511 073 20	Lid-release cable		1	
37	901 511 073 21	Lid-release cable		1	
38	901 552 813 20	Handle		1	
39	911 512 531 00	Grommet for Lid lock		1	
-	999 651 152 02	Cable clamp		X	
-	999 651 152 01	Cable clamp		X	

Model: 911 87

Model life 1987>>1989



Model: 911 87 Model life 1987>>1989

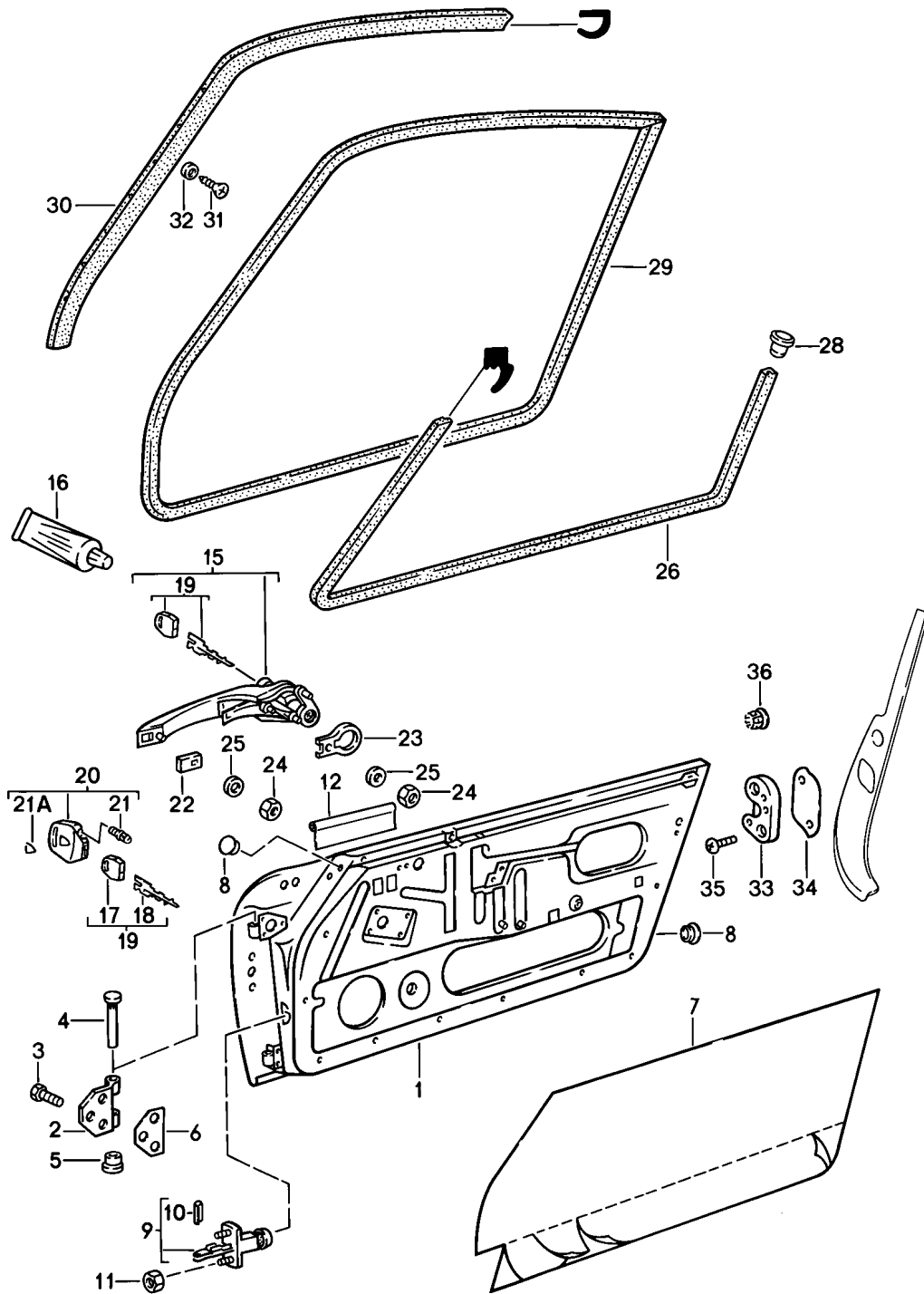
Pos	Part Number	Description	Remark	Qty	Model
-	911 512 909 00	Rear spoiler Installation set Rear spoiler for subsequent installation Only together with		1	CARRERA M473
-	911 503 995 00	Installation set Front spoiler		1	
-	930 512 901 00	Installation set Rear spoiler for subsequent installation Only together with		1	CARRERA TURBO OPTIK
-	911 503 995 00	Installation set Front spoiler		1	
2	930 512 023 00	Rear spoiler		1	TURBO M491 M473
(2)	911 512 043 00	Rear spoiler		1	
3	930 512 267 00	Spacer		2	
4	999 703 169 40	Cap		1	
5	930 512 253 01	Fastening angle		3	TURBO CARRERA M 047
(5)	930 512 257 00	Fastening angle	/L	1	
(5)	930 512 258 00	Fastening angle	/R	1	
5A	999 084 076 02	Lock nut M 4		10	
5B	N 040 226 2	Hexagon-head bolt M 4 X 15		10	
5C	900 025 002 02	Washer A 4,3		10	
5C	900 025 002 03	Washer A 4,3		10	
6	930 512 215 00	Piping		1	TURBO M491 M473
6	911 512 215 00	Piping		1	
7	N 014 765 2	Pan-head screw M 6 X 10		3	
8	N 012 226 5	Spring washer A 6		5	
9	999 507 328 02	Captive nut M 6		5	
9	999 507 328 0B	Captive nut M 6		5	
10	900 119 091 02	Pan-head screw M 6 X 15		7	
11	N 011 666 7	Washer 6,4		10	
12	930 512 281 00	Base rail		1	TURBO M491 M473
13	911 512 289 00	Base rail	/L	1	
14	911 512 290 00	Base rail	/R	1	
15	999 703 013 50	Stopper		2	
16	930 512 021 00	Polyuret. rim for spoiler		1	TURBO M491 M473
(16)	911 512 091 00	Polyuret. rim for spoiler		1	
(17)	999 084 074 02	Lock nut		9	M473
(17)	999 084 075 02	Lock nut		10	M473
(17)		Lock nut M 6		17	M491
19	930 512 031 00	Grille	/L	1	TURBO
(19)	911 512 231 00	Perforated plate	/L	1	M473/491
20	930 512 032 00	Grille	/R	1	TURBO
(20)	911 512 232 00	Perforated plate	/R	1	M473/491
21	930 512 175 00	Angular plate		2	

Model: 911 87 Model life 1987>>1989

Pos	Part Number	Description	Remark	Qty	Model
22	900 143 124 07	Tapping screw 3,5 X 13		2	
23	900 143 114 07	Oval-head sheetmetal screw 3,5 X 9,5		6	
24	930 512 241 00	Air guide		1	TURBO
(24)	930 123 907 00	Air guide		1	TURBO M148
(24)	911 512 037 00	Air baffle plate	/L	1	M473/491
(24)	911 512 038 00	Air baffle plate	/R	1	M473/491
25	N 014 765 2	Pan-head screw M 6 X 10		4	
26	N 012 226 5	Spring washer A 6		4	
27	N 011 666 7	Washer B 6,4		4	
28	900 143 124 07	Tapping screw 3,5 X 13		2	
29	900 146 053 07	Oval-head screw M 4 X 18		2	

Model: 911 87

Model life 1987>>1989



Model: 911 87 Model life 1987>>1989

Pos	Part Number	Description	Remark	Qty	Model
		Accessories			
		Doors			
1	911 531 005 23	Bare door shell	/L	1	
1		Bare door shell	/L	1	
	911 531 005 23 GRV	Prime coated			
		It is necessary to rework			
-	964 531 201 00	Exterior panelling	/L	1	
	964 531 201 00 GRV	Prime coated			
		It is necessary to rework			
(1)	911 531 006 09	Bare door shell	/R	1	
(1)	911 531 006 23	Bare door shell	/R	1	
	911 531 006 23 GRV	Prime coated			
		It is necessary to rework			
-	964 531 202 00	Exterior panelling	/R	1	
	964 531 202 00 GRV	Prime coated			
		It is necessary to rework			
(1)	911 531 005 62	Bare door shell	/L 89	1	SPEEDSTER
(1)		Bare door shell	/L 89-	1	SPEEDSTER
	911 531 005 62 GRV	Prime coated			
(1)	911 531 006 62	Bare door shell	/R 89	1	SPEEDSTER
(1)		Bare door shell	/R 89-	1	SPEEDSTER
	911 531 006 62 GRV	Prime coated			
2	901 531 303 21	Hinge arm		4	
3	999 093 010 02	Hexagon-head bolt		12	
		M 8 X 20			
4	901 531 305 20	Hinge bolt		4	
5	901 531 311 20	Bush		8	
6	901 531 391 20	Desk pad		4	
(7)	911 531 889 00	Seal	/L -88	1	
(7)		Seal	/L 89-	1	
7	911 531 890 00	Seal	/R -88	1	
7		Seal	/R 89-	1	
8	999 703 119 40	Stopper		X	
(8)	999 703 345 40	Cap		4	
		Oval			
		57 X 22 X 64			
(8)	999 703 344 40	Cap		2	
		Round			
		22 X 28 X 4,7			
9	911 531 057 02	Door arrester		2	
9	911 531 957 00	Door arrester		2	
		with			
		Set of fastening parts			
(9)	964 537 057 00	Door arrester		2	
(9)	911 531 057 04	Door arrester		2	SPEEDSTER
10	900 309 032 02	Spiral clamping pin		2	
(10)	911 531 275 00	Bolt		2	
(10)	911 531 275 01	Bolt		2	
-	999 166 008 02	Safety clip		2	
		6			
11	900 910 012 02	Lock nut		4	
		M 6			
11	900 910 047 09	Lock nut		4	
		M 6			
(11)	999 072 005 09	Hexagon nut		4	
		M 6 X 12			
(11)	999 072 005 01	Hexagon nut		4	
		M 6 X 12			
11A	N 011 524 7	Washer		4	
		A 6,4			
11A	N 011 524 27	Washer		4	
		A 6,4			
12	911 531 297 00	Piping		2	COUPE

Model: 911 87 Model life 1987>>1989

Pos	Part Number	Description	Remark	Qty	Model
	911 531 297 00 01C	Satin black			
(12)	911 531 297 40	Piping		2	CABRIO TARGA
	911 531 297 40 01C	Satin black			
(12)	911 531 297 41	Piping		2	CABRIO TARGA
	911 531 297 41 01C	Satin black			
(15)	911 538 941 07	Outer door handle with lock cylinder And two spare keys W/o stipulated lock number	/L	1	CABRIO
(15)	911 538 941 06	Outer door handle with lock cylinder And two spare keys State lock number	/L	1	
(15)	911 538 942 07	Outer door handle with lock cylinder And two spare keys W/o stipulated lock number	/R	1	
(15)	911 538 942 06	Outer door handle with lock cylinder And two spare keys State lock number	/R	1	
16	000 043 204 21	Grease for lock cylinder		X	
16	G 052 778 A2	Grease for lock cylinder		X	
17	944 538 431 00	Key cap		1	
18	911 538 903 00	Blank key		1	
19	911 538 902 00	Replacement key with Key cap State lock number Information available		1	
20	944 538 041 00	Key lamp Complete		1	
20	944 538 041 01	Key lamp Complete		1	
21	928 537 630 02	Bulb E 5,5		1	
21A	944 538 443 00	Crest		2	
22	911 531 631 00	Desk pad		2	
23	911 531 632 00	Desk pad		2	
24	900 910 008 02	Lock nut M 5		4	
25	900 025 003 02	Washer A 5,3		4	
26	911 531 095 40	Door sealing	/L -88	1	TARGA/CABRIO
(26)	911 531 096 40	Door seal	/R -88	1	TARGA/CABRIO
(26)	911 531 095 40	Door sealing	/L -89	1	TARGA/CABRIO /SPEEDSTER
(26)	911 531 096 40	Door seal	/R -89	1	TARGA/CABRIO /SPEEDSTER
28	911 531 523 65	Cap	/H	2	CABRIO
(28)	911 531 537 00	End piece	/L /V 89	1	SPEEDSTER
(28)	911 531 538 00	End piece	/R /V 89	1	SPEEDSTER
29	911 531 095 02	Door sealing	-88	2	COUPE
29	911 531 095 03	Door sealing		2	COUPE
(29)	911 531 095 02	Door sealing	89	2	COUPE
(29)	911 531 095 03	Door sealing	89-	2	COUPE
30	911 542 403 03	Sealing rail	/L	1	COUPE
30	911 542 404 03	Sealing rail	/R	1	COUPE

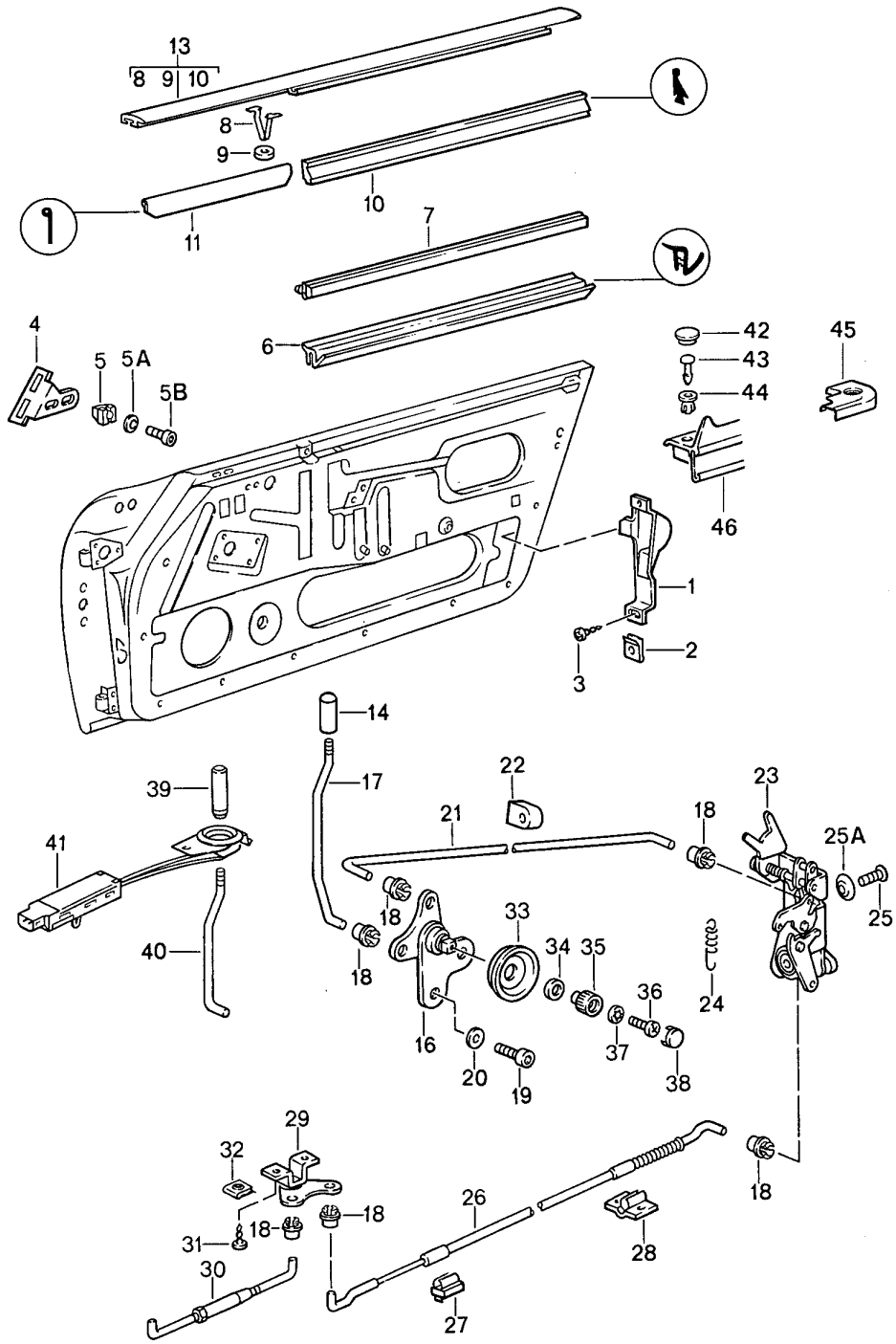
Model: 911 87

Model life 1987>>1989

Pos	Part Number	Description	Remark	Qty	Model
31	900 145 081 00	Tapping screw B 2,9 X 6,5 F >>91JS1 02525 F >>91JS1 05120 F >>91JS1 09893 F >>93JS0 00495	(J)	30	COUPE CARRERA COUP CARRERA COUP M637 CARRERA COUP TURBO COUP
32	999 591 009 12	Protection washer 3,5 MS F >>91JS1 02525 F >>91JS1 05120 F >>91JS1 09893 F >>93JS0 00495	(J)	30	COUPE CARRERA COUP CARRERA COUP M637 CARRERA COUP TURBO COUP
-	999 190 204 00	Buttonhead rivet 3,2 X 8 F 91JS1 02526>> F 91JS1 05121>> F 91JS1 09894>> F 93JS0 00496>>	(J)	26	CARRERA COUP CARRERA COUP M637 CARRERA COUP TURBO COUP
33	911 531 701 02	Door lock striker Yellow Chrome	/L	1	
(33)	911 531 702 02	Door lock striker Yellow Chrome	/R	1	
34	901 531 703 23	Desk pad 1 MM		X	
(34)	901 531 703 24	Desk pad 2 MM		X	
35	999 219 008 00	Oval-head screw M 8 X 40		4	
36	911 531 243 00	Stopper for cars without Alarm system	/L -88	1	

Model: 911 87

Model life 1987>>1989



Model: 911 87 Model life 1987>>1989

Pos	Part Number	Description	Remark	Qty	Model
		Installation parts			
		Doors			
(1)	911 537 335 00	Cover	/L	1	CARRERA
(1)	911 537 355 00	Cover	/L	1	M341
1	911 537 336 00	Cover	/R	1	CARRERA
(1)	911 537 356 00	Cover	/R	1	M341
		for			
		Door lock			
2	N 015 438 1	Speed nut		5	
		B 3,5			
3	900 144 028 07	Tapping screw		5	
		B 3,5 X 13			
(4)	911 555 821 00	Bracket	/L	1	
4	911 555 822 00	Bracket	/R	1	
		for			
		Cover strip			
5	999 591 498 40	Special nut		4	
		B 4,2/4,8			
5A	N 011 524 7	Washer		4	
		A 6,4			
5A	N 011 524 27	Washer		4	
		A 6,4			
5B	900 119 064 02	Pan-head screw		4	
		M 6 X 15			
5B	900 976 005 01	Pan-head screw		4	
		M 6 X 15			
6	911 531 951 01	Sealing for door slot		2	
(6)	911 531 391 00	Sealing for door slot		2	SPEEDSTER
(6)	911 531 391 01	Sealing for door slot	/L	1	SPEEDSTER
(6)	911 531 392 01	Sealing for door slot	/R	1	SPEEDSTER
		Inner			
(7)	901 531 935 20	Sealing for door slot	/L	1	COUPE
(7)	911 531 295 40	Sealing for door slot	/L	1	TARGA CABRIO
7	901 531 936 20	Sealing for door slot	/R	1	COUPE
(7)	911 531 296 40	Sealing for door slot	/R	1	TARGA CABRIO
8	999 591 326 02	Moulding clip		14	
9	911 531 309 00	Ring		14	
(10)	911 531 931 02	Sealing strip	/L	1	COUPE
(10)	911 531 931 42	Sealing strip	/L	1	TARGA CABRIO
10	911 531 932 02	Sealing strip	/R	1	COUPE
(10)	911 531 932 42	Sealing strip	/R	1	TARGA CABRIO
11	901 531 933 20	Sealing strip		2	
(11)	911 531 297 00	Piping		2	COUPE
	911 531 297 00 01C	Black			
11	911 531 297 40	Piping		2	TARGA/CABRIO
	911 531 297 40 01C	Satin black			
11	911 531 297 41	Piping		2	TARGA/CABRIO
	911 531 297 41 01C	Satin black			
(13)	911 531 041 30	Moulding	/L	1	COUPE
	911 531 041 30 70K	Black			
13	911 531 042 30	Moulding	/R	1	COUPE
	911 531 042 30 70K	Black			
(13)	911 531 041 50	Moulding	/L	1	TARGA CABRIO
	911 531 041 50 70K	Black			
(13)	911 531 042 50	Moulding	/R	1	TARGA CABRIO
	911 531 042 50 70K	Black			
(13)	911 531 041 60	Moulding	/L	1	CABRIO M070
	911 531 041 60 70K	Black			

Model: 911 87 Model life 1987>>1989

Pos	Part Number	Description	Remark	Qty	Model
(13)	911 531 042 60	Moulding	/R	1	CABRIO M070
	911 531 042 60 70K	Black			
14	928 555 359 02	Locking knob	-88	2	
14		Locking knob		2	
		Doors			
	928 555 359 02 70B	Black			
(14)	928 555 359 02	Locking knob		2	SPEEDSTER
(14)		Locking knob		2	SPEEDSTER
		Doors			
	928 555 359 02 70B	Black			
(16)	911 531 075 02	Mounting for push-button	/L	1	
(16)	911 531 075 03	Mounting for push-button	/L	1	
16	911 531 076 02	Mounting for push-button	/R	1	
16	911 531 076 03	Mounting for push-button	/R	1	
(17)	911 531 707 01	Rod for push-button	/L -87	1	
(17)		Rod for push-button	/L	1	SPEEDSTER
17	911 531 708 01	Rod for push-button	/R -87	1	
17		Rod for push-button	/R	1	SPEEDSTER
18	993 531 563 00	Linkage clip		10	
19	900 186 147 02	Pan-head screw		4	
		M 6 X 10			
19	900 976 008 01	Pan-head screw		4	
		M 6 X 10			
20	N 012 226 5	Spring washer		4	
		B 6			
21	911 531 562 01	Connecting rod		2	
22	911 531 565 00	Rubber mounting		4	
(22)	911 531 599 00	Rubber mounting		4	
(23)	964 531 053 01	Door lock	/LL /L	1	
		with antishutout mechanism			
(23)	964 531 053 00	Door lock	/RL /L	1	
		without antishutout mechanism			
(23)	964 531 054 00	Door lock	/LL /R	1	
		without antishutout mechanism			
(23)	964 531 054 01	Door lock	/RL /R	1	
		with antishutout mechanism			
24	993 531 165 00	Tension spring		2	
25	999 219 009 00	Oval-head screw		6	
		Micro-self-locking			
		AM 6 X 16			
25A	999 591 118 02	Washer		6	
		6,5 90 DEG			
26	911 531 509 01	Bowden cable		2	
27	911 531 097 00	Support	/V	2	
28	911 531 099 00	Support	/H	2	
29	993 531 083 00	Relay lever	/L	1	
29	993 531 084 00	Relay lever	/R	1	
30	911 531 091 01	Pull rod		2	
31	N 014 086 4	Rais. counters. h. tap. s.		4	
		B 3,5 X 13			
32	999 507 009 02	Speed nut		4	
		B 3,5			
33	928 537 585 02	Covering		2	
34	911 531 705 00	Spacer ring		2	TURBO
35	928 537 581 03	Rotary knob		2	
		AM 5 X 12			
36	999 218 010 02	Oval-head screw		2	
		Micro-self-locking			
		M 5 X 12			
37	900 116 005 02	Lock washer		2	
		7			
38	911 531 703 00	Cap		2	

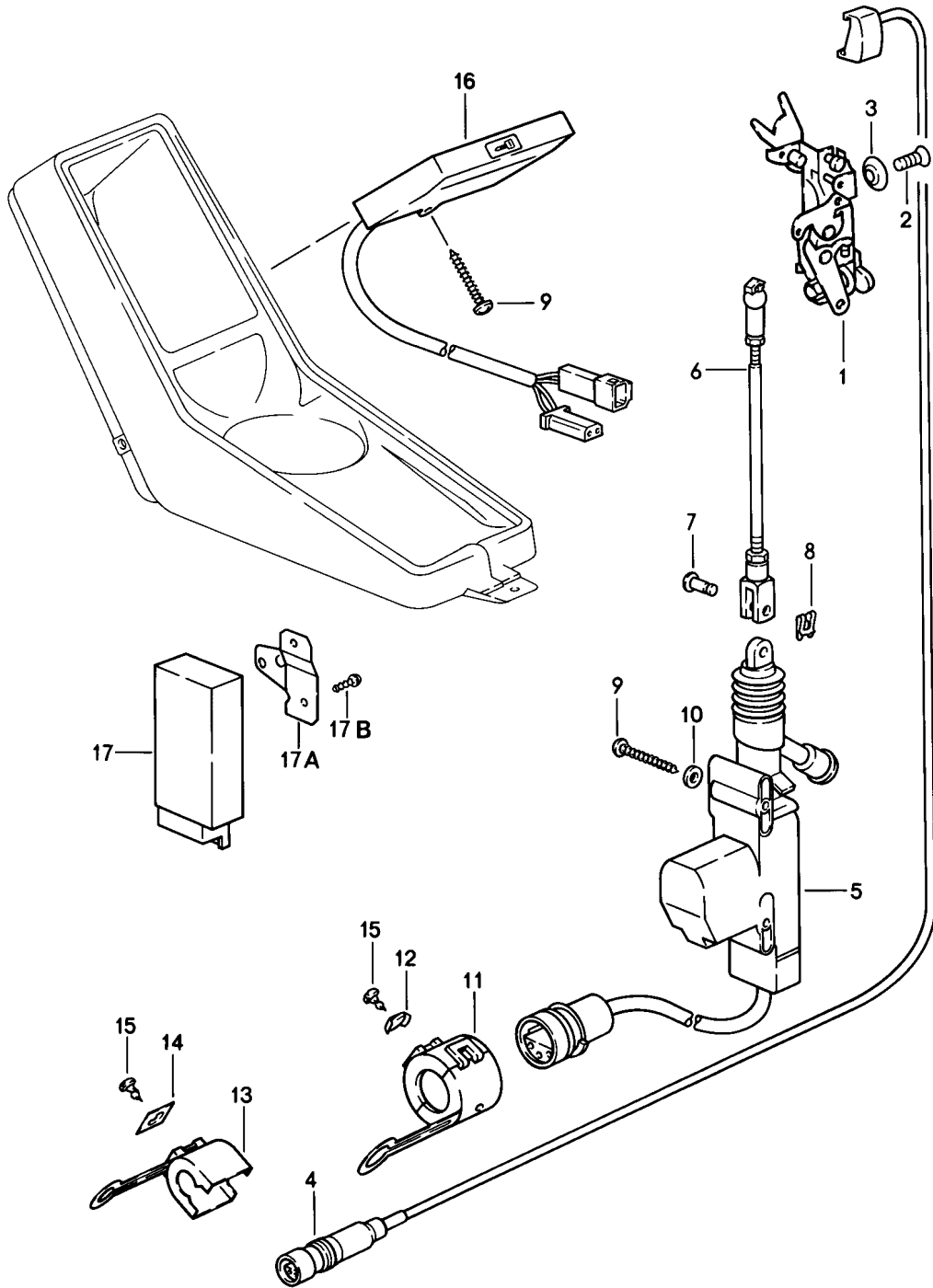
Model: 911 87

Model life 1987>>1989

Pos	Part Number	Description	Remark	Qty	Model
39	928 637 138 00 928 637 138 00 01C	Locking knob Satin black with Diode	89-	2	
(40)	911 531 707 02	Rod for push-button	/L 88-	1	
40	911 531 708 02	Rod for push-button	/R 88-	1	
41	911 637 137 00	Coil	89-	2	
42	999 703 367 40	Stopper		4	SPEEDSTER
43	N 013 961 2	Oval-head sheetmetal screw 3,9 X 13		4	SPEEDSTER
43	N 013 961 11	Oval-head sheetmetal screw 3,9 X 13		4	SPEEDSTER
44	999 591 934 40	Expander nut		4	SPEEDSTER
(45)	911 531 821 00 911 531 821 00 01C	Cap Black	/L /H	1	SPEEDSTER
45	911 531 822 00 911 531 822 00 01C	Cap Black	/R /H	1	SPEEDSTER
(46)	911 531 279 00	Sealing strip Outer	/L	1	SPEEDSTER
46	911 531 280 00	Sealing strip Outer	/R	1	SPEEDSTER

Model: 911 87

Model life 1987>>1989



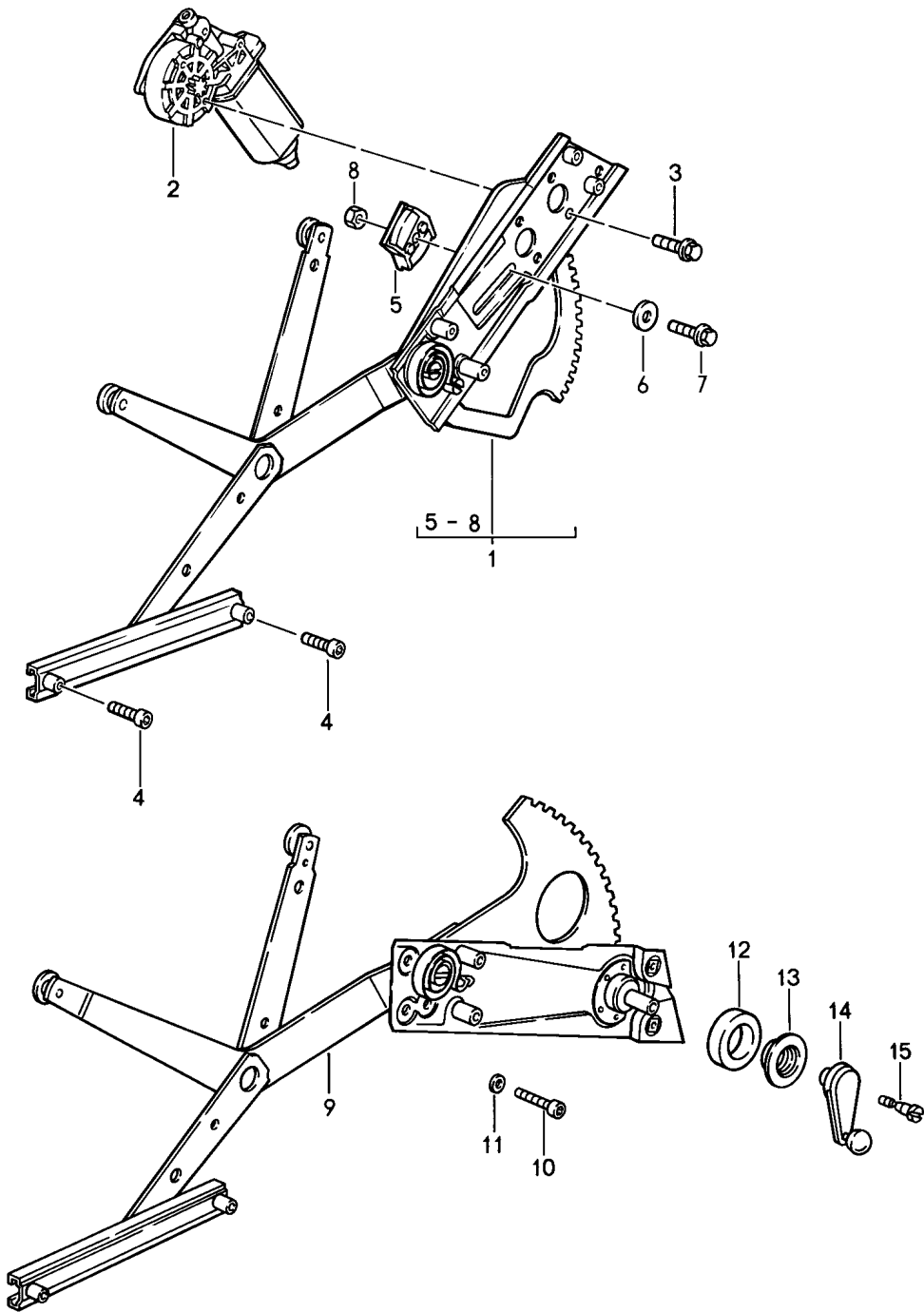
Model: 911 87

Model life 1987>>1989

Pos	Part Number	Description	Remark	Qty	Model
		Central locking system			
1	964 531 053 03	Door lock with antishutout mechanism	/LL /L	1	
(1)	964 531 053 02	Door lock without antishutout mechanism	/RL /L	1	
(1)	964 531 054 02	Door lock without antishutout mechanism	/LL /R	1	
(1)	964 531 054 03	Door lock with antishutout mechanism	/RL /R	1	
2	999 219 009 00	Oval-head screw Micro-self-locking AM 6 X 16		6	
3	999 591 118 02	Washer 6,5 90 DEG		6	
4	964 613 134 00	Microswitch		2	
-	911 531 621 00	Cable holder		2	
-	900 278 001 00	Countersunk-head screw M 2,5 X 6		2	
5	911 624 211 01	Transmission element	-88	2	
(5)	944 624 211 00	Transmission element	89-	1	
6	964 537 571 00	Operating rod		2	
7	N 100 438 01	Bolt		2	
8	N 012 644 1	Lock		2	
9	999 141 018 02	Half-round screw		5	
10	900 151 001 02	Washer		4	
11	944 612 450 01	Support		2	
12	999 591 711 02	Speed nut		2	
13	944 612 420 00	Locking device		2	
14	999 591 351 02	Speed nut		2	
15	N 013 956 7	Oval-head sheetmetal screw BZ 3,5 X 6,5		4	
16	911 613 609 01	Keypad		1	
	911 613 609 01 01C	Black			
17	911 618 029 00	Control unit	-88	1	
(17)	911 618 113 01	Control unit	89-	1	
(17)	911 618 113 02	Control unit	89-	1	
17A	911 618 229 02	Support		1	
17B	999 919 032 02	Oval-head screw		1	

Model: 911 87

Model life 1987>>1989

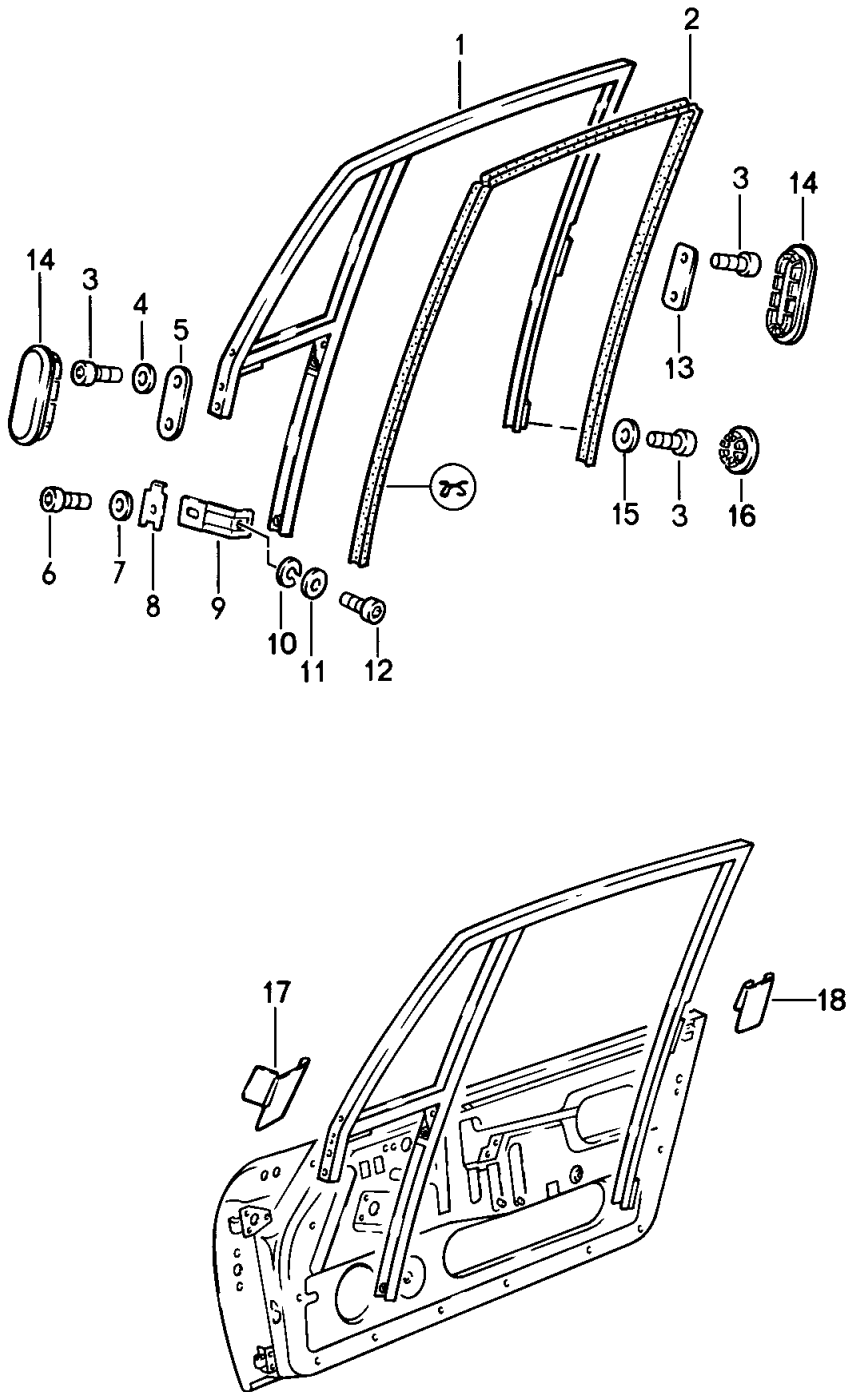


Model: 911 87 Model life 1987>>1989

Pos	Part Number	Description	Remark	Qty	Model
1	911 542 935 44	Power windows Cross-arm	/L 87	1	
1	911 542 935 46	Cross-arm	/L 88-	1	
(1)	911 542 936 44	Cross-arm	/R 87	1	
(1)	911 542 936 46	Cross-arm	/R 88-	1	
2	911 624 015 41	Motor	/L 87	1	
2	911 624 015 43	Motor	/L 88-	1	
(2)	911 624 014 41	Motor	/R 87	1	
(2)	911 624 014 43	Motor	/R 88-	1	
3	999 217 028 02	Hexagon-head bolt M 6 X 16		6	
(3)	999 919 073 02	Oval-head screw 53 X 28/20		6	
4	999 218 016 02	Combination screw Micro-self-locking M 6 X 16		12	
4	999 218 016 01	Combination screw Micro-self-locking M 6 X 16		12	
5	911 542 231 41	Stop bracket M 8	/L	1	
(5)	911 542 232 41	Stop bracket M 8	/R	1	
7	999 217 043 08	Hexagon-head bolt M 8 X 16		2	
8	N 011 008 20	Hexagon nut M 8		2	
9	911 542 929 03	Power windows	/L	1	COUPE
(9)	911 542 041 03	Cross-arm	/L	1	M637 SPEEDSTER
(9)	911 542 930 03	Cross-arm	/R	1	M503 COUPE
(9)	911 542 042 03	Cross-arm	/R	1	M637 SPEEDSTER
10	N 014 761 2	Pan-head screw M 6 X 12		12	M503
10	900 119 129 01	Pan-head screw M 6 X 12		12	M503/637
11	N 011 524 7	Washer A 6,4		12	M503/637
11	N 011 524 27	Washer A 6,4		12	M503/637
12	901 542 495 20	Sealing ring		2	M503/637
12	901 542 495 21	Sealing ring		2	M503/637
13	901 552 891 20	Rosette		2	M503/637
14	959 542 115 01	Window crank		2	COUPE M637 SPEEDSTER
15	959 542 115 01 3DL 911 542 475 00	Black Conical screw		2	M503/637

Model: 911 87

Model life 1987>>1989



Model: 911 87 Model life 1987>>1989

Pos	Part Number	Description	Remark	Qty	Model
(1)	911 542 029 01	Door glass frame Door glass frame F >>91KS1 03182 F >>93KS0 00537	/L	1	COUPE CARRERA TURBO
(1)	911 542 029 01 70K 911 542 029 02	Black Door glass frame F 91KS1 03183>> F 93KS0 00538>>	/L	1	CARRERA TURBO
1	911 542 029 02 70K 911 542 030 01	Black Door glass frame F >>91KS1 03182 F >>93KS0 00537	/R	1	CARRERA TURBO
(1)	911 542 030 01 70K 911 542 030 02	Black Door glass frame F 91KS1 03183>> F 93KS0 00538>>	/R	1	CARRERA TURBO
2	911 542 030 02 70K 911 542 905 00	Black Window guide M 8 X 16		2	
3	999 218 008 02	Pan-head screw M 8 X 12		10	
3	900 119 018 03	Micro-self-locking Pan-head screw M 8 X 12		10	
4	900 025 007 02	Micro-self-locking Washer A 8,4 X 16 X 1,6 F >>91JS1 02788 F >>91JS1 09907 F >>91JS1 05128	(J)	4	CARRERA COUP CARRERA COUP CARRERA COUP M637 TURBO COUPE
4	900 025 007 03	F >>93JS0 00554 Washer A 8,4 X 16 X 1,6 F >>91JS1 02788 F >>91JS1 09907 F >>91JS1 05128	(J)	4	CARRERA COUP CARRERA COUP CARRERA COUP M637 TURBO COUPE
5	911 542 236 00	F >>93JS0 00554 Plate F 91JS1 02789>> F 91JS1 09908>> F 91JS1 05129>>	(J)	2	CARRERA COUP CARRERA COUP CARRERA COUP M637 TURBO COUPE
6	900 119 052 02	F 93JS0 00555>> Pan-head screw M 8 X 16 F >>91JS1 02788 F >>91JS1 09907 F >>91JS1 05128	(J)	2	CARRERA COUP CARRERA COUP CARRERA COUP M637 TURBO COUPE
(6)	999 218 008 02	F >>93JS0 00554 Pan-head screw M 8 X 12 Micro-self-locking F 91JS1 02789>> F 91JS1 09908>> F 91JS1 05129>>	(J)	2	CARRERA COUP CARRERA COUP CARRERA COUP M637 TURBO COUPE
(6)	900 119 018 03	F 93JS0 00555>> Pan-head screw M 8 X 12 Micro-self-locking		2	CARRERA COUP CARRERA COUP CARRERA COUP M637 TURBO COUPE

Model: 911 87 Model life 1987>>1989

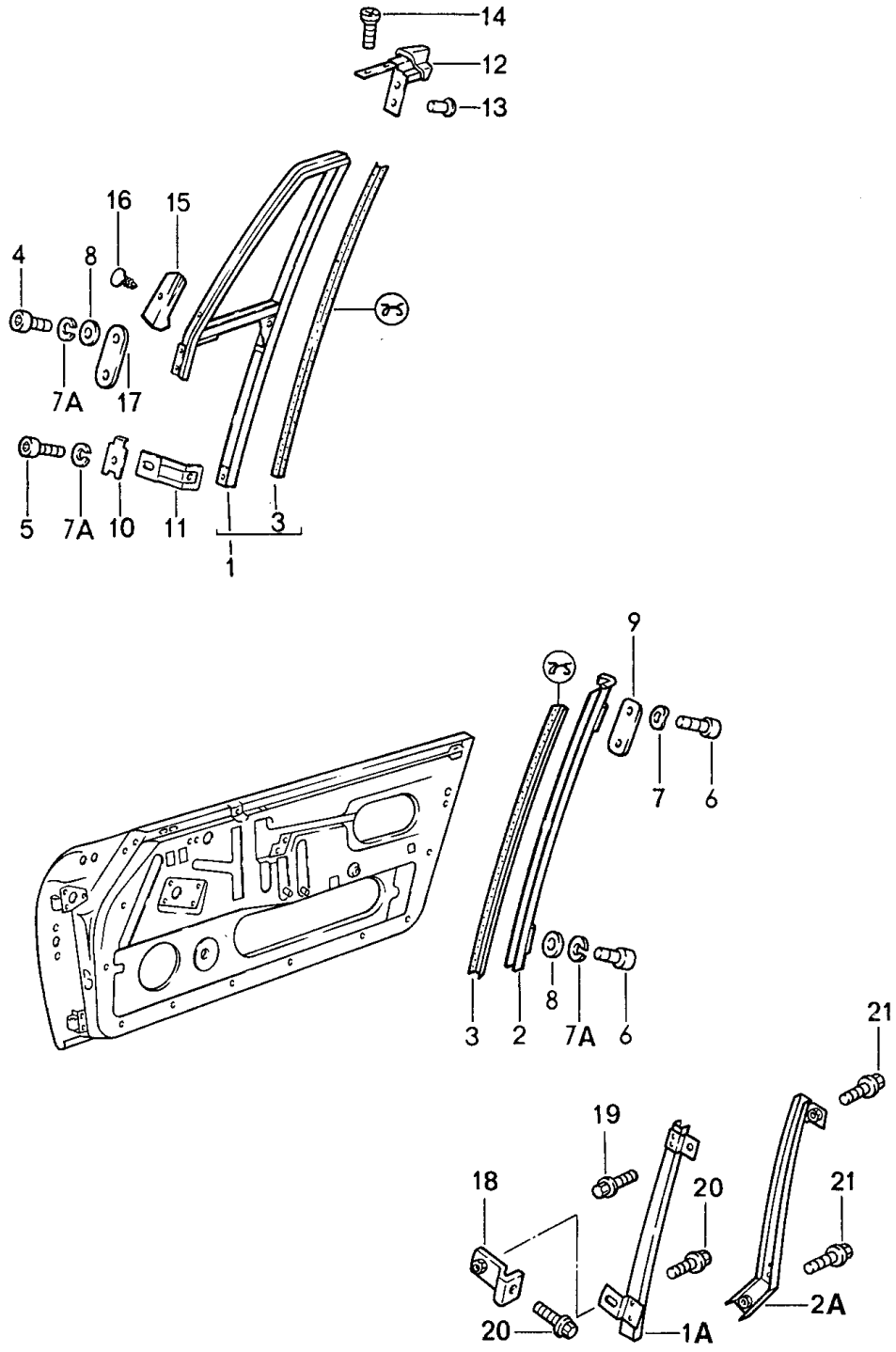
Pos	Part Number	Description	Remark	Qty	Model
7	900 027 015 02	F 91JS1 02789>> F 91JS1 09908>> F 91JS1 05129>> F 93JS0 00555>> Lock ring B 8	(J)	2	CARRERA COUP CARRERA COUP CARRERA COUP M637 TURBO COUPE M637
7	900 027 015 03	F >>91JS1 02788 F >>91JS1 09907 F >>91JS1 05128 F >>93JS0 00554 Lock ring B 8	(J)	2	CARRERA COUP CARRERA COUP CARRERA COUP TURBO COUPE
8	901 542 252 25	F >>91JS1 02788 F >>91JS1 09907 F >>91JS1 05128	(J)	2	CARRERA COUP CARRERA COUP CARRERA COUP M637 TURBO COUPE
9	911 542 061 00	F >>93JS0 00554 Desk pad		2	
10	N 012 006 4	Retaining bracket Lock ring B 6		2	
		F >>91JS1 02788 F >>91JS1 09907 F >>91JS1 05128	(J)	2	CARRERA COUP CARRERA COUP CARRERA COUP M637 TURBO COUPE
11	N 011 666 7	F >>93JS0 00554 Washer B 6,4		2	
12	900 186 001 02	Pan-head screw M 6 X 15 F >>91JS1 02788 F >>91JS1 09907 F >>91JS1 05128	(J)	2	CARRERA COUP CARRERA COUP CARRERA COUP M637 TURBO COUPE
12	999 218 015 02	F >>93JS0 00554 Pan-head screw M 6 X 12 Micro-self-locking		2	
		F 91JS1 02789>> F 91JS1 09908>> F 91JS1 05129>>	(J)	2	CARRERA COUP CARRERA COUP CARRERA COUP M637 TURBO COUPE
12	999 218 015 01	F 93JS0 00555>> Pan-head screw M 6 X 12 Micro-self-locking		2	
		F 91JS1 02789>> F 91JS1 09908>> F 91JS1 05129>>	(J)	2	CARRERA COUP CARRERA COUP CARRERA COUP M637 TURBO COUPE
(13)	901 542 299 25	F 93JS0 00555>> Cover plate F >>91JS1 02788 F >>91JS1 09907 F >>91JS1 05128	(J)	2	CARRERA COUP CARRERA COUP CARRERA COUP M637 TURBO COUPE
13	911 542 237 00	F >>93JS0 00554 Plate F 91JS1 02789>> F 91JS1 09908>> F 91JS1 05129>>	(J)	2	CARRERA COUP CARRERA COUP CARRERA COUP M637

Model: 911 87 Model life 1987>>1989

Pos	Part Number	Description	Remark	Qty	Model
(14)	999 703 119 40	F 93JS0 00555>> Stopper F >>91JS1 02788 F >>91JS1 09907 F >>91JS1 05128	(J)	8	TURBO COUPE CARRERA COUP CARRERA COUP CARRERA COUP M637
14	999 703 345 40	F >>93JS0 00554 Cap Oval 57 X 22 X 64 F 91JS1 02789>> F 91JS1 09908>> F 91JS1 05129>>	(J)	4	TURBO COUPE CARRERA COUP CARRERA COUP CARRERA COUP M637
15	900 025 007 02	F 93JS0 00555>> Washer A 8,4 X 16 X 1,6 F >>91JS1 02788 F >>91JS1 09907 F >>91JS1 05128	(J)	2	TURBO COUPE CARRERA COUP CARRERA COUP CARRERA COUP M637
15	900 025 007 03	F >>93JS0 00554 Washer A 8,4 X 16 X 1,6 F >>91JS1 02788 F >>91JS1 09907 F >>91JS1 05128	(J)	2	TURBO COUPE CARRERA COUP CARRERA COUP CARRERA COUP M637
15	N 900 577 02	F >>93JS0 00554 Washer 8,4 X 21 X 2 F 91JS1 02789>> F 91JS1 09908>> F 91JS1 05129>>	(J)	2	TURBO COUPE CARRERA COUP CARRERA COUP CARRERA COUP M637
15	999 151 022 02	F 93JS0 00555>> Washer 8,4 X 20 X 2 F 91JS1 02789>> F 91JS1 09908>> F 91JS1 05129>>	(J)	2	TURBO COUPE CARRERA COUP CARRERA COUP CARRERA COUP M637
(16)	999 703 119 40	F 93JS0 00555>> Stopper F >>91JS1 02788 F >>91JS1 09907 F >>91JS1 05128	(J)	2	TURBO COUPE CARRERA COUP CARRERA COUP CARRERA COUP M637
16	999 703 344 40	F >>93JS0 00554 Cap Round 22 X 28 X 4,7 F 91JS1 02789>> F 91JS1 09908>> F 91JS1 05129>>	(J)	2	TURBO COUPE CARRERA COUP CARRERA COUP CARRERA COUP M637
(17)	911 531 711 01	F 93JS0 00555>> Joint rubber	/V /L	1	TURBO COUPE
17	911 531 712 01	Joint rubber	/V /R	1	
(18)	911 531 713 01	Joint rubber	/H /L	1	
18	911 531 714 01	Joint rubber	/H /R	1	

Model: 911 87

Model life 1987>>1989



Model: 911 87 Model life 1987>>1989

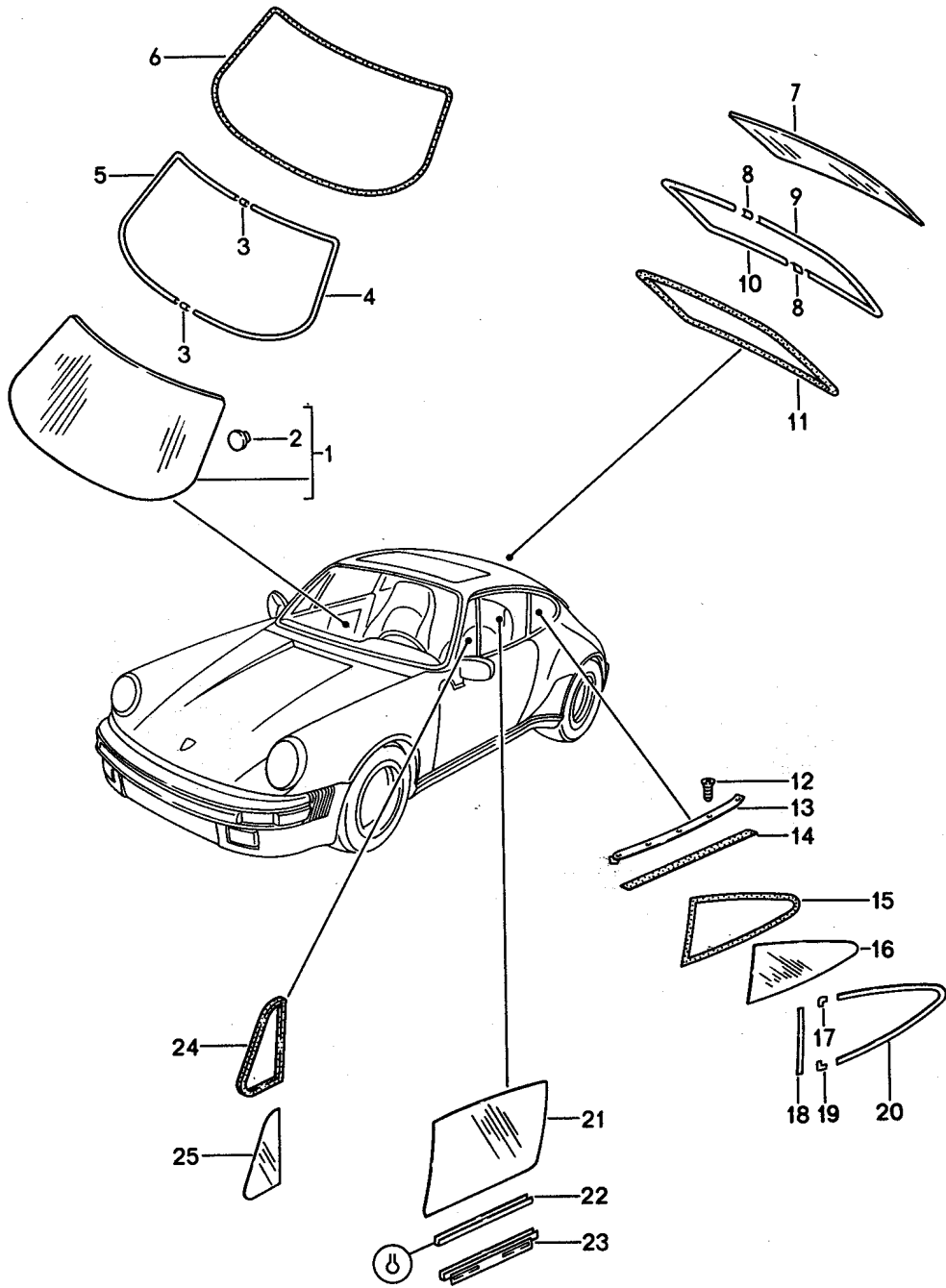
Pos	Part Number	Description	Remark	Qty	Model
		Door glass frame			TARGA/CABRIO /SPEEDSTER
(1)	911 542 019 43	Door glass frame	/L	1	
	911 542 019 43 70K	Black			
1	911 542 020 43	Door glass frame	/R	1	
	911 542 020 43 70K	Black			
(1A)	964 542 245 00	Window guide rail Front	/L	1	SPEEDSTER
1A	911 542 246 00	Window guide rail Front	/R	1	SPEEDSTER
(2)	901 542 023 40	Window guide rail	/L	1	
	901 542 023 40 70K	Black			
(2)	911 542 036 40	Window guide rail	/R	1	
	911 542 036 40 70K	Black			
(2A)	911 542 035 42	Window guide rail Rear	/L	1	SPEEDSTER
2A	911 542 036 42	Window guide rail Rear	/R	1	SPEEDSTER
3	911 542 505 40	Window guide		2	
4	N 014 761 2	Pan-head screw M 6 X 12		8	
4	900 119 129 01	Pan-head screw M 6 X 12		8	
5	900 119 091 02	Pan-head screw M 6 X 15		2	
6	900 119 035 02	Pan-head screw M 6 X 8		6	
7	900 028 008 01	Lock ring		4	
7A	N 012 006 4	Lock ring B 6		22	
8	N 011 666 7	Washer B 6,4		X	
9	901 542 299 20	Cover plate		2	
		F >>91JS1 41004	A		CARRERA TARG
		F >>91JS1 49679	A (J)		CARRERA TARG
		F >>91JS1 51076			CARRERA CABR
		F >>91JS1 59679	(J)		CARRERA CABR
		F >>93JS0 20193			TURBO CABR
		F >>93JS0 10117	A		TURBO TARG
9	911 542 237 40	Plate		2	
		F 91JS1 41005>>	A		CARRERA TARG
		F 91JS1 49680>>	A (J)		CARRERA TARG
		F 91JS1 51077>>			CARRERA CABR
		F 91JS1 59680>>	(J)		CARRERA CABR
		F 93JS0 20194>>			TURBO CABR
		F 93JS0 10118>>	A		TURBO TARG
10	901 542 252 20	Desk pad		2	
10	901 542 252 25	Desk pad		2	
11	911 542 061 00	Retaining bracket		2	
(12)	911 542 065 41	Frame connection	/L	1	
12	911 542 066 41	Frame connection	/R	1	
13	900 056 003 20	Rivet		4	
14	900 270 050 07	Countersunk-head screw M 5 X 8		4	
(15)	911 531 711 40	Joint rubber	/L	1	
		F >>91KS1 40323	A		CARRERA TARG
		F >>91KS1 50391			CARRERA CABR
		F >>93KS0 10066	A		TURBO TARG
		F >>93KS0 20081			TURBO CABR
15	911 531 712 40	Joint rubber	/R	1	
		F >>91KS1 40323	A		CARRERA TARG
		F >>91KS1 50391			CARRERA CABR
		F >>93KS0 10066	A		TURBO TARG

Model: 911 87 Model life 1987>>1989

Pos	Part Number	Description	Remark	Qty	Model
(15)	911 531 711 41 911 531 711 41 01C	F >>93KS0 20081 Joint rubber Black F 91KS1 40324>> F 91KS1 50392>> F 93KS0 10067>> F 93KS0 20082>>	/L A A	1	TURBO CABR CARRERA TARG CARRERA CABR TURBO TARG TURBO CABR
15	911 531 712 41 911 531 712 41 01C	Joint rubber Black F 91KS1 40324>> F 91KS1 50392>> F 93KS0 10067>> F 93KS0 20082>>	/R A A	1	CARRERA TARG CARRERA CABR TURBO TARG TURBO CABR
16	999 703 366 40	Fastening plug		2	
17	911 542 236 40	Plate F 91JS1 41005>> F 91JS1 49680>> F 91JS1 51077>> F 91JS1 59680>> F 93JS0 20194>> F 93JS0 10118>>	A A (J) (J) A	2	CARRERA TARG CARRERA TARG CARRERA CABR CARRERA CABR TURBO CABR TURBO TARG
18	911 542 537 00	Retaining bracket Front		2	SPEEDSTER
19	900 067 287 02	Combination screw M 6 X 12		2	SPEEDSTER
20	900 067 240 02	Combination screw M 6 X 12		4	SPEEDSTER
21	900 067 287 02	Combination screw M 6 X 12		4	SPEEDSTER

Model: 911 87

Model life 1987>>1989



Model: 911 87 Model life 1987>>1989

Pos	Part Number	Description	Remark	Qty	Model
1	911 541 011 04	window glazing Windscreen Tinted for cars with Trim frame		1	COUPE
1	911 541 011 26	Windscreen Tinted for cars with Trim frame		1	
1	964 541 011 00	Windscreen Tinted for cars without Trim frame MOD. 89		1	
1	964 541 011 09	Windscreen Tinted for cars without Trim frame MOD. 89		1	
1	911 541 011 05	Windscreen Tinted Green top tint for cars with Trim frame		1	
1	911 541 011 27	Windscreen Tinted Green top tint with Antenna	85-	1	
1	964 541 011 01	Windscreen Tinted Green top tint for cars without Trim frame MOD. 89		1	
1	964 541 011 10	Windscreen Tinted Green top tint for cars without Trim frame MOD. 89		1	
1	911 541 011 06	Windscreen Clear for cars with Trim frame		1	
1	911 541 011 28	Windscreen Clear for cars with Trim frame		1	
1	964 541 011 02	Windscreen Clear for cars without Trim frame MOD. 89		1	
1	964 541 011 11	Windscreen Clear for cars without Trim frame MOD. 89		1	
-	911 541 112 02	Film for stickers Self-destroying for cars without Trim frame		1	

Model: 911 87 Model life 1987>>1989

Pos	Part Number	Description	Remark	Qty	Model
-	000 043 204 82	Adhesive for Windscreen		X	
2	477 845 043	Retainer plate		1	
3	911 541 921 01	Covering plate		2	
	911 541 921 01 70K	Black			
4	911 541 911 01	Trim frame	/L	1	
	911 541 911 01 70K	Black			
5	911 541 912 01	Trim frame-half	/R	1	
	911 541 912 01 70K	Black			
6	911 541 225 03	Sealing frame for cars with Trim frame		1	
6	911 541 225 04	Sealing frame for cars with Trim frame		1	
6	964 541 225 00	Sealing frame for cars without Trim frame MOD. 89		1	
7	911 545 107 00	Rear window for cars with Trim frame		1	
7	911 545 107 07	Rear window for cars with Trim frame		1	
7	964 545 107 04	Rear window for cars without Trim frame MOD. 89		1	
7	911 631 073 00	Rear window with Brake light Raised for cars with Trim frame		1	
7	964 545 107 05	Rear window with Brake light Raised for cars without Trim frame MOD. 89		1	
8	911 541 921 01	Covering plate for vehicles up to		2	
	911 541 921 01 70K	Black F >>91HS1 02286 F >>91HS1 05068 F >>91HS1 09747 F >>93HS0 00542			
8	911 541 821 00	Covering plate		2	
	911 541 821 00 70K	Black F 91HS1 02287>> F 91HS1 05069>> F 91HS1 09748>> F 93HS0 00543>>			
9	911 545 911 00	Trim frame F >>91HS1 02286 F >>91HS1 05068 F >>91HS1 09747 F >>93HS0 00542	/L	1	
	911 545 911 00 70K	Black Aluminium			

Model: 911 87 Model life 1987>>1989

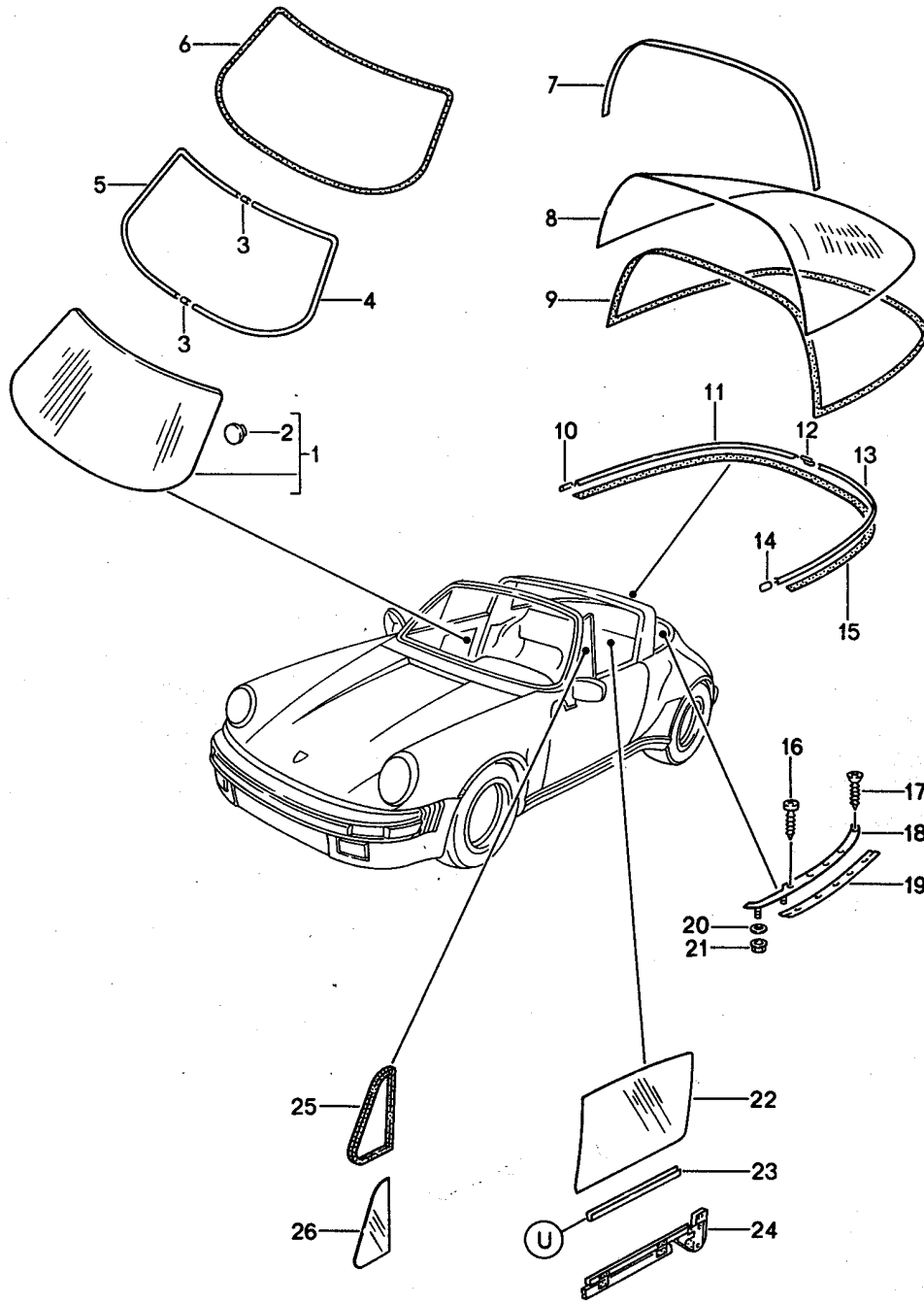
Pos	Part Number	Description	Remark	Qty	Model
9	911 545 811 00	Trim frame-half F 91HS1 02287>> F 91HS1 05069>> F 91HS1 09748>> F 93HS0 00543>>	/L	1	
	911 545 811 00 70K	Black Plastic material			
10	911 545 912 00	Trim frame-half F >>91HS1 02286 F >>91HS1 05068 F >>91HS1 09747 F >>93HS0 00542	/R	1	
	911 545 912 00 70K	Black Aluminium			
10	911 545 812 00	Trim frame-half F 91HS1 02287>> F 91HS1 05069>> F 91HS1 09748>> F 93HS0 00543>>	/R	1	
	911 545 812 00 70K	Black Plastic material			
11	911 545 225 00	Sealing frame It is necessary to rework for cars with Trim frame MOD. 89		1	
11	964 545 225 00	Sealing frame for cars without Trim frame MOD. 89		1	
12	900 144 017 07	Tapping screw B 2.9 X 13		12	
13	911 543 195 02	Moulding	/L	1	
	911 543 195 02 70K	Black			
(13)	911 543 196 02	Moulding		1	
	911 543 196 02 70K	Black			
14	000 043 129 00	Sealing strap		X	
15	911 543 035 01	Sealing frame F >>91HS1 02284 F >>91HS1 05063 F >>91HS1 09747 F >>93HS0 00540	/L	1	
15	911 543 035 03	Sealing frame for vehicles up to F >>91KS1 00958 F >>93KS0 00184	/L	1	
15	911 543 035 05	Sealing frame for vehicles up to F >>91KS1 00958 F >>93KS0 00184	/L	1	
15	964 543 035 02	Sealing frame for vehicles up to F >>91KS1 00958 F >>93KS0 00184	/L	1	
15	964 543 035 00	Sealing frame F 91KS1 00959>> F 93KS0 00185>>	/L	1	
15	964 543 035 02	Sealing frame F 91KS1 00959>> F 93KS0 00185>>	/L	1	
(15)	911 543 036 01	Sealing frame F >>91HS1 02284 F >>91HS1 05063	/R	1	

Model: 911 87 Model life 1987>>1989

Pos	Part Number	Description	Remark	Qty	Model
(15)	911 543 036 03	F >>91HS1 09747 F >>93HS0 00540 Sealing frame for vehicles up to F >>91KS1 00958 F >>93KS0 00184	/R	1	
(15)	964 543 036 02	Sealing frame for vehicles up to F >>91KS1 00958 F >>93KS0 00184	/R	1	
(15)	964 543 036 00	Sealing frame F 91KS1 00959>> F 93KS0 00185>>	/R	1	
(15)	964 543 036 02	Sealing frame F 91KS1 00959>> F 93KS0 00185>>	/R	1	
16	911 543 101 02	Rear window F >>91KS1 00958 F >>93KS0 00184	/L	1	
16	964 543 101 00	Rear window F 91KS1 00959>> F 93KS0 00185>>	/L	1	
(16)	911 543 102 02	Rear window F >>91KS1 00958 F >>93KS0 00184	/R	1	
(16)	911 543 102 07	Rear window F >>91KS1 00958 F >>93KS0 00184	/R	1	
(16)	964 543 102 00	Rear window F 91KS1 00959>> F 93KS0 00185>>	/R	1	
17	911 543 187 02	Covering plate Upper		2	
18	911 543 197 02	Moulding	/L	1	
(18)	911 543 198 02	Moulding	/R	1	
19	911 543 185 02	Covering plate Lower		2	
19		Covering plate for Lower		2	
20	911 543 185 02 70K	Black			
	911 543 419 02	Moulding	/L	1	
	911 543 419 02 70K	Black			
(20)	911 543 420 02	Moulding	/R	1	
	911 543 420 02 70K	Black			
21	901 542 101 35	Side window	/L	1	
(21)	901 542 102 35	Side window	/R	1	
22	911 542 491 40	Rubber ply		2	
23	911 542 057 00	Window lifter rail	/L	1	
(23)	911 542 058 00	Window lifter rail	/R	1	
24	901 542 921 21	Sealing frame	/L	1	
(24)	901 542 922 21	Sealing frame	/R	1	
25	911 542 511 00	Side window	/L	1	
(25)	911 542 512 00	Side window	/R	1	

Model: 911 87

Model life 1987>>1989



Model: 911 87 Model life 1987>>1989

Pos	Part Number	Description	Remark	Qty	Model
1	911 541 011 04	window glazing Windscreen Tinted for cars with Trim frame MOD. 89		1	TARGA/CABRIO
1	911 541 011 26	Windscreen Tinted for cars with Trim frame MOD. 89		1	
1	964 541 011 00	Windscreen Tinted for cars without Trim frame MOD. 89		1	
1	964 541 011 09	Windscreen Tinted for cars without Trim frame MOD. 89		1	
1	911 541 011 05	Windscreen Tinted Green top tint for cars with Trim frame MOD. 89		1	
1	911 541 011 27	Windscreen Tinted Green top tint with Antenna	85-	1	
1	964 541 011 01	Windscreen Tinted Green top tint for cars without Trim frame MOD. 89		1	
1	964 541 011 10	Windscreen Tinted Green top tint for cars without Trim frame MOD. 89		1	
1	911 541 011 06	Windscreen Clear for cars with Trim frame MOD. 89		1	
1	911 541 011 28	Windscreen Clear for cars with Trim frame MOD. 89		1	
1	964 541 011 02	Windscreen Clear for cars without Trim frame MOD. 89		1	
1	964 541 011 11	Windscreen Clear for cars without Trim frame		1	

Model: 911 87 Model life 1987>>1989

Pos	Part Number	Description	Remark	Qty	Model
-	911 541 112 02	MOD. 89 Film for stickers Self-destroying for Windscreen Sekuriflex		1	
-	000 043 204 82	Adhesive for Windscreen		X	
2	477 845 043	Retainer plate		1	
3	911 541 921 01	Covering plate		2	
	911 541 921 01 70K	Black			
3	911 541 921 01	Covering plate		2	
	911 541 921 01 70K	Black			
4	911 541 911 01	Trim frame	/L	1	
	911 541 911 01 70K	Black			
4	911 541 911 01	Trim frame	/L	1	
	911 541 911 01 70K	Black			
5	911 541 912 01	Trim frame-half	/R	1	
	911 541 912 01 70K	Black			
5	911 541 912 01	Trim frame-half	/R	1	
	911 541 912 01 70K	Black			
6	911 541 225 03	Sealing frame for cars with Trim frame MOD. 89		1	
6	911 541 225 04	Sealing frame for cars with Trim frame MOD. 89		1	
6	964 541 225 00	Sealing frame for cars without Trim frame MOD. 89		1	
7	901 565 930 41	Gasket		1	TARGA
8	911 565 551 03	Rear window		1	TARGA
8	911 631 074 00	Rear window with Brake light Raised		1	TARGA
-	911 631 061 00	Frame for light		1	TARGA
-	000 043 303 19	Adhesive set		1	Targa
9	911 545 051 41	Sealing frame		1	TARGA
10	911 565 570 40	Moulding	/R	1	TARGA
	911 565 570 40 70K	Black			
11	911 565 556 41	Moulding	/R	1	TARGA
	911 565 556 41 70K	Black			
12	911 541 921 01	Covering plate		1	TARGA
	911 541 921 01 70K	Black			
12	911 541 921 01	Covering plate		1	TARGA
	911 541 921 01 70K	Black			
13	911 565 555 41	Moulding	/L	1	TARGA
	911 565 555 41 70K	Black			
14	911 565 569 40	Moulding	/L	1	TARGA
	911 565 569 40 70K	Black			
15	000 043 129 00	Sealing strap		X	TARGA
16	999 073 047 02	Tapping screw B 3.5 X 9.5		8	TARGA
17	900 144 009 00	Counters. head tapp. screw B 2.9 X 13		2	TARGA
18	911 565 049 40	Moulding	/L	1	TARGA
	911 565 049 40 70K	Black			
(18)	911 565 050 40	Moulding	/R	1	TARGA

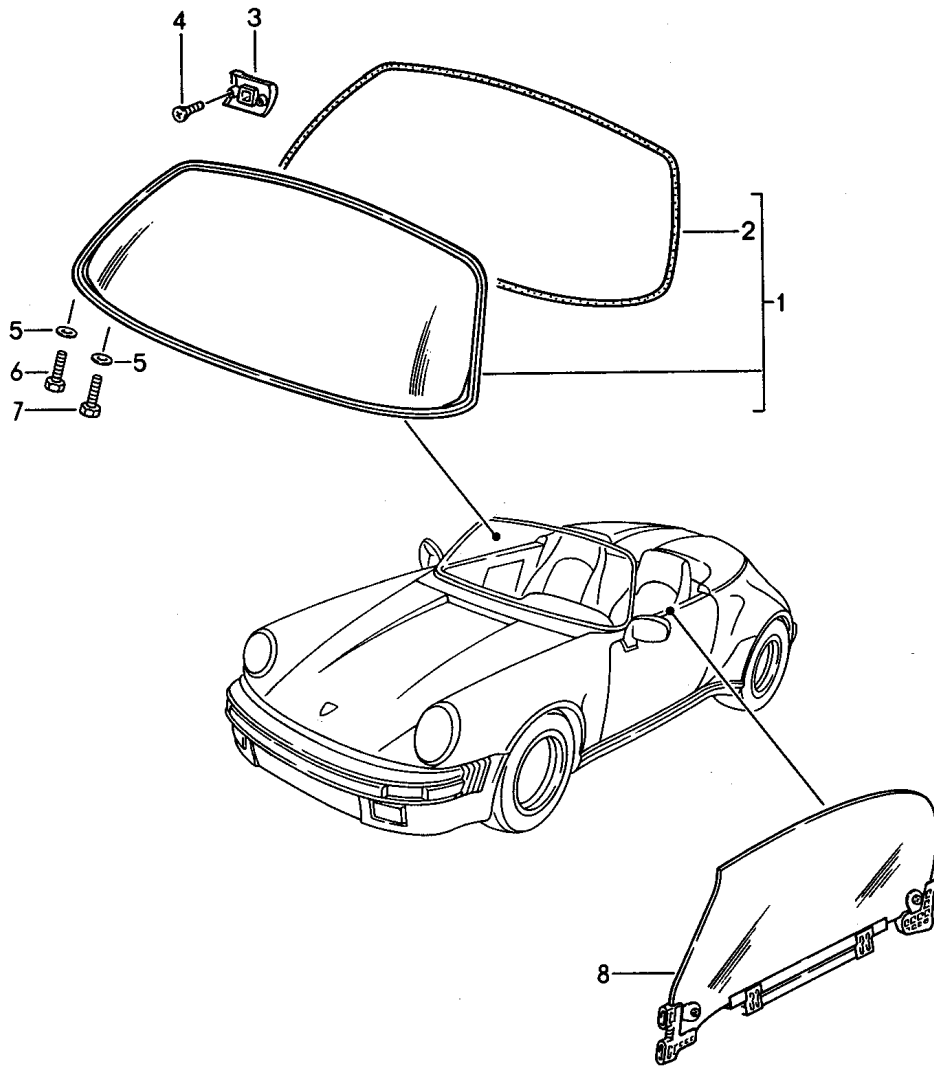
Model: 911 87

Model life 1987>>1989

Pos	Part Number	Description	Remark	Qty	Model
	911 565 050 40 70K	Black			
19	901 565 557 40	Piping		2	TARGA
20	900 151 006 40	Washer B 6.4		4	TARGA
21	999 591 423 03	Tapping nut		4	TARGA
22	911 542 101 45	Door window glass	/L	1	
(22)	911 542 102 45	Door window glass	/R	1	
23	911 542 491 40	Rubber ply		2	
24	911 542 057 42	Window lifter rail	/L	1	
(24)	911 542 058 42	Window lifter rail	/R	1	
25	911 799 542 85	Sealing frame		2	
26	911 542 503 41	Side window	/L	1	
(26)	911 542 504 41	Side window	/R	1	

Model: 911 87

Model life 1987>>1989

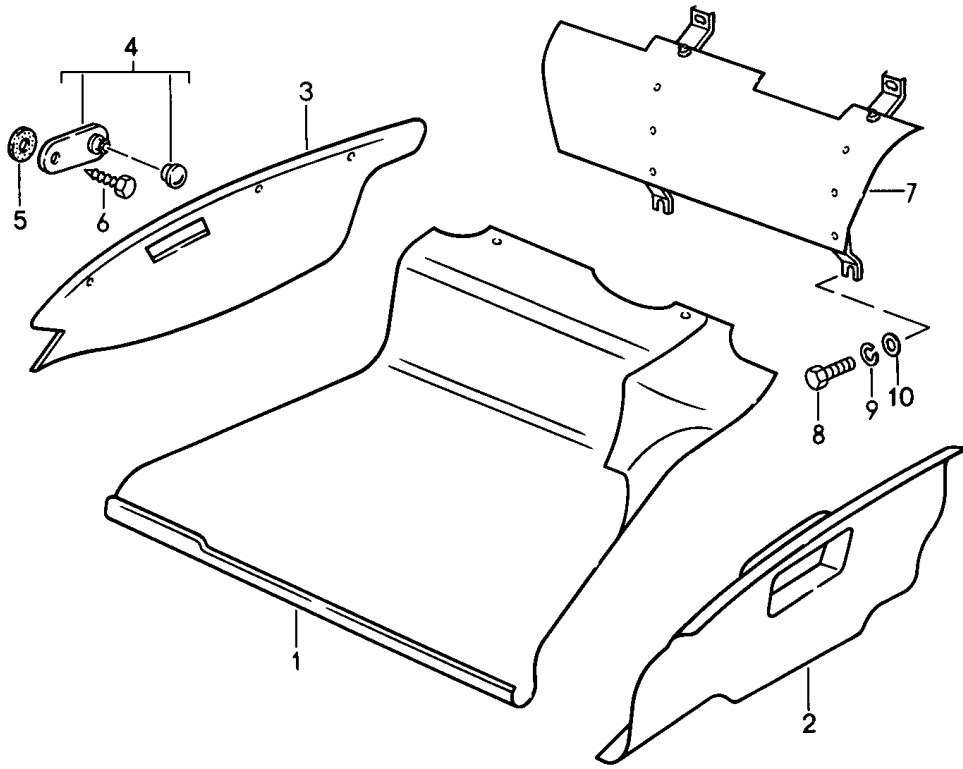


Model: 911 87 Model life 1987>>1989

Pos	Part Number	Description	Remark	Qty	Model
(1)	911 541 905 00	window glazing Windscreen frame part with Windscreen Tinted		1	SPEEDSTER
-	911 541 011 25	Windscreen Tinted		1	
-	911 541 373 00	Seal Lower		1	
-	911 541 363 00	Seal Upper		1	
-	911 541 343 00	Gasket for Windscreen frame Lower		1	
1	911 541 905 01	Windscreen frame part with Windscreen Clear		1	
-	911 541 373 00	Seal Lower		1	
-	911 541 363 00	Seal Upper		1	
-	911 541 343 00	Gasket for Windscreen frame Lower		1	
-	911 541 011 24	Windscreen Clear		1	
2	911 541 323 00	Gasket		1	
(3)	911 561 729 04	Gate guide	/L	1	
	911 561 729 04 01C	Satin black metallic			
3	911 561 730 04	Gate guide	/R	1	
	911 561 730 04 01C	Satin black metallic			
4	900 270 009 02	Countersunk-head screw M 4 X 8		4	
5	N 011 525 15	Washer A 8.4		4	
6	N 010 335 5	Hexagon-head bolt M 8 X 35		2	
6	900 075 032 03	Hexagon-head bolt M 8 X 35		2	
7	N 010 385 3	Hexagon-head bolt M 8 X 85		2	
8	964 542 911 00	Door window glass	/L	1	
(8)	964 542 912 00	Door window glass	/R	1	

Model: 911 87

Model life 1987>>1989



Model: 911 87 Model life 1987>>1989

Pos	Part Number	Description	Remark	Qty	Model
		Interior equipment			
		FRONT luggage compartment			
1	911 551 045 10	Front-compartment carpet	/LL	1	
	911 551 045 10 4FD	Anthracite			
	911 551 045 10 A16	Anthracite			
(1)	911 551 045 12	Front-compartment carpet	/LL	1	M496
	911 551 045 12 4FD	Anthracite			
	911 551 045 12 A16	Anthracite			
1	911 551 045 09	Front-compartment carpet	/LL	1	M975
		Carpet			
	911 551 045 09 70E	Black	-88		
	911 551 045 09 5FV	Black	89		
	911 551 045 09 6HM	Silver-blue	88		JUBI
	911 551 045 09 SS2	Silver-blue	89		
	911 551 045 09 1XV	Pearl grey	89		
(1)	911 551 045 13	Front-compartment carpet	/LL	1	M496/975
		Carpet			
	911 551 045 13 70E	Black	-88		
	911 551 045 13 5FV	Black	89		
	911 551 045 13 SS2	Silver-blue	89		
	911 551 045 13 1XV	Pearl grey	89		
(1)	911 551 045 11	Front-compartment carpet	/RL	1	
	911 551 045 11 4FD	Anthracite			
	911 551 045 11 A16	Anthracite			
(1)	911 551 045 08	Front-compartment carpet	/RL	1	M975
		Carpet			
	911 551 045 08 70E	Black	-88		
	911 551 045 08 5FV	Black	89		
	911 551 045 08 6HM	Silver-blue	88		JUBI
	911 551 045 08 SS2	Silver-blue	89		
2	911 551 049 05	Carpet for tunnel	/L	1	
	911 551 049 05 4FD	Anthracite			
	911 551 049 05 A16	Anthracite			
2	911 551 049 04	Front boot side wall	/L	1	M975
		Carpet			
	911 551 049 04 70E	Black	-88		
	911 551 049 04 5FV	Black	89		
	911 551 049 04 6HM	Silver-blue	88		JUBI
	911 551 049 04 SS2	Silver-blue	89		
	911 551 049 04 1XV	Pearl grey	89		
3	911 551 050 06	Carpet for tunnel	/R	1	
	911 551 050 06 4FD	Anthracite			
(3)	911 551 050 04	Front boot side wall	/R	1	M975
		Carpet			
	911 551 050 04 70E	Black	-88		
	911 551 050 04 5FV	Black	89		
	911 551 050 04 6HM	Silver-blue	88		JUBI
	911 551 050 04 SS2	Silver-blue	89		
	911 551 050 04 1XV	Pearl grey	89		
4	911 503 075 00	Desk pad		6	
5	999 704 157 40	Washer		6	
		5,5 X 18 X 1,5			
6	900 187 010 02	Hexagon-head tapping screw		6	
		BZ 6,3 X 19			
6	900 187 010 03	Hexagon-head tapping screw		6	
		BZ 6,3 X 19			
7	911 551 067 03	Luggage compartment trim	/LL	1	
7	911 551 067 05	Luggage compartment trim	/LL	1	
(7)	911 551 068 01	Luggage compartment trim	/RL	1	
(7)	911 551 068 02	Luggage compartment trim	/RL	1	
8	900 075 260 02	Hexagon-head bolt		4	
		M 6 X 16			
9	N 012 007 2	Lock ring		4	

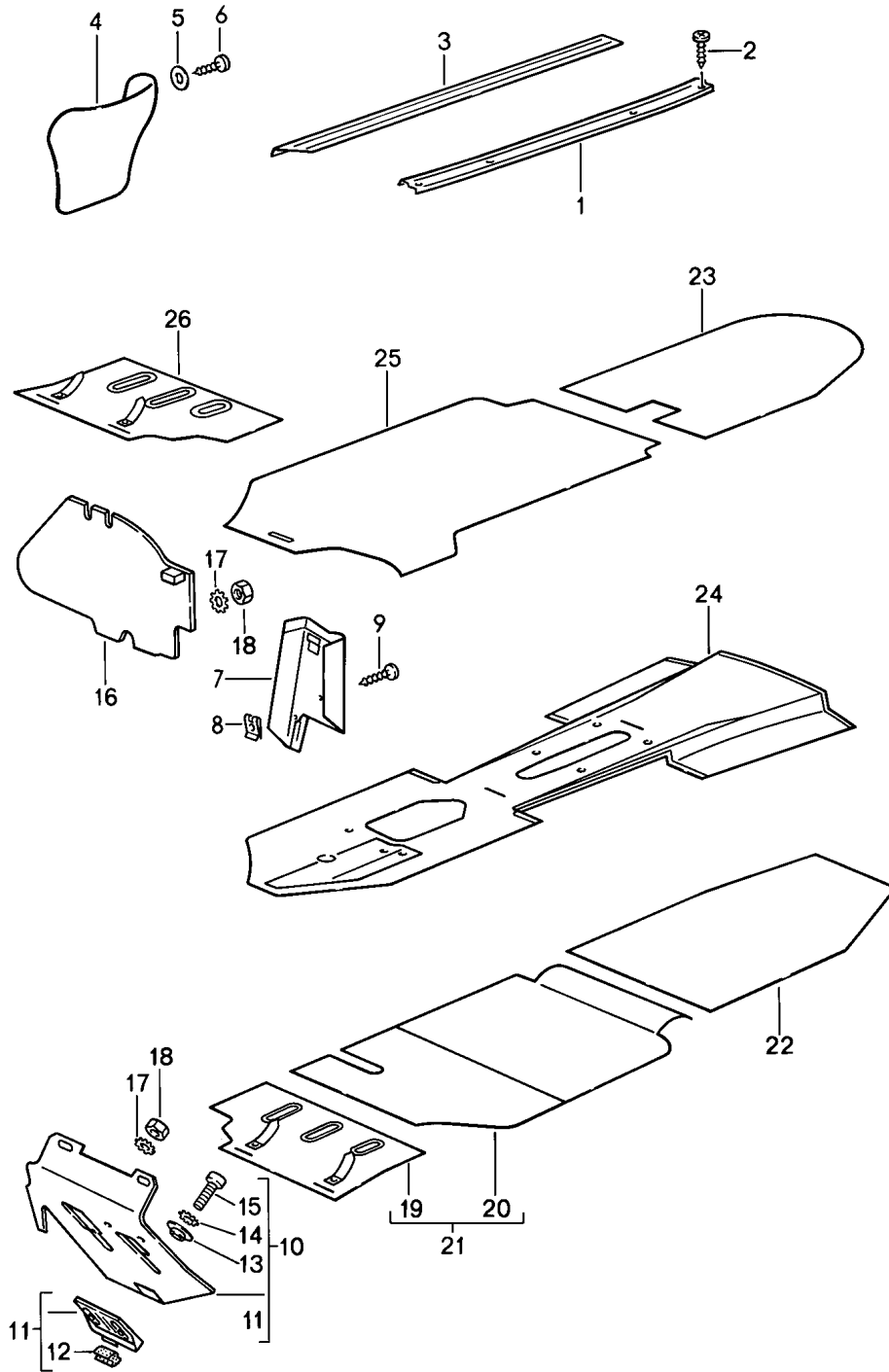
Model: 911 87

Model life 1987>>1989

Pos	Part Number	Description	Remark	Qty	Model
9	900 027 004 03	A 6 Lock ring		4	
10	900 151 003 02	A 6 Washer 6,4		4	
10	900 151 006 03	Washer 6,4		4	

Model: 911 87

Model life 1987>>1989



Model: 911 87 Model life 1987>>1989

Pos	Part Number	Description	Remark	Qty	Model
1	901 551 419 50	Linings Footwell Detachable carpets Cover strip		2	
(1)	901 551 419 28	Inner Aluminium Cover strip		2	
(1)		Black Cover strip for		2	
2	901 551 419 28 70K 900 145 041 00	Door sill Inner Black Rais. counters. h. tap. s. B 3,5 X 16		10	
(2)	900 145 041 07	Tapping screw B 3,5 X 16		10	
(3)	911 551 619 00	Rubber pad	/L	1	
3	911 551 620 00	Rubber pad	/R	1	
(4)	911 555 179 01	Lining for Additional blower Carpet	/L	1	COUPE
	911 555 179 01 70E	Black	-88		
	911 555 179 01 5FV	Black	89		
	911 555 179 01 5MF	Mahogany			
	911 555 179 01 3KF	Marine blue	-88		
	911 555 179 01 4KV	Marine blue	89		
	911 555 179 01 80E	Burgundy	-88		
	911 555 179 01 8MD	Burgundy	89		
	911 555 179 01 2XF	Linen			
	911 555 179 01 1VD	Champagne	-88		
	911 555 179 01 8JK	Greyish green	-88		
	911 555 179 01 4MM	Plum red	-88		
	911 555 179 01 5UM	Caramel			
	911 555 179 01 7VM	Silver-grey	-88		
	911 555 179 01 7VT	Silk grey	89		
	911 555 179 01 8UT	Cashmere beige	89		
	911 555 179 01 9MT	Velvet red	89		
	911 555 179 01 3WT	Slate grey	89		
	911 555 179 01 3KM	Venetian blue			
	911 555 179 01 6HM	Silver-blue	88		JUBI
		Silver-blue	89		
(4)	911 555 179 41	Lining for Additional blower Carpet	/L	1	TARGA/CABRIO SPEEDSTER
	911 555 179 41 70E	Black	-88		
	911 555 179 41 5FV	Black	89		
	911 555 179 41 5MF	Mahogany			
	911 555 179 41 3KF	Marine blue	-88		
	911 555 179 41 4KV	Marine blue	89		
	911 555 179 41 80E	Burgundy	-88		
	911 555 179 41 8MD	Burgundy	89		
	911 555 179 41 2XF	Linen			
	911 555 179 41 1VD	Champagne	-88		
	911 555 179 41 8JK	Greyish green	-88		
	911 555 179 41 4MM	Plum red	-88		
	911 555 179 41 5UM	Caramel			
	911 555 179 41 7VM	Silver-grey	-88		
	911 555 179 41 7VT	Silk grey	89		

Model: 911 87 Model life 1987>>1989

Pos	Part Number	Description	Remark	Qty	Model
	911 555 179 41 8UT	Cashmere beige	89		
	911 555 179 41 9MT	Velvet red	89		
	911 555 179 41 3WT	Slate grey	89		
	911 555 179 41 3KM	Venetian blue			
	911 555 179 41 6HM	Silver-blue	88		JUBI
		Silver-blue	89		
4	911 555 180 01	Lining for Additional blower Carpet	/R	1	COUPE
	911 555 180 01 70E	Black	-88		
	911 555 180 01 5FV	Black	89		
	911 555 180 01 5MF	Mahogany			
	911 555 180 01 3KF	Marine blue	-88		
	911 555 180 01 4KV	Marine blue	89		
	911 555 180 01 80E	Burgundy	-88		
	911 555 180 01 8MD	Burgundy	89		
	911 555 180 01 2XF	Linen			
	911 555 180 01 1VD	Champagne	-88		
	911 555 180 01 8JK	Greyish green	-88		
	911 555 180 01 4MM	Plum red	-88		
	911 555 180 01 5UM	Caramel			
	911 555 180 01 7VM	Silver-grey	-88		
	911 555 180 01 7VT	Silk grey	89		
	911 555 180 01 8UT	Cashmere beige	89		
	911 555 180 01 9MT	Velvet red	89		
	911 555 180 01 3WT	Slate grey	89		
	911 555 180 01 3KM	Venetian blue			
	911 555 180 01 6HM	Silver-blue	88		JUBI
		Silver-blue	89		
4	911 555 180 41	Lining for Additional blower Carpet	/R	1	TARGA/CABRIO SPEEDSTER
	911 555 180 41 70E	Black	-88		
	911 555 180 41 5FV	Black	89		
	911 555 180 41 5MF	Mahogany			
	911 555 180 41 3KF	Marine blue	-88		
	911 555 180 41 4KV	Marine blue	89		
	911 555 180 41 80E	Burgundy	-88		
	911 555 180 41 8MD	Burgundy	89		
	911 555 180 41 2XF	Linen			
	911 555 180 41 1VD	Champagne	-88		
	911 555 180 41 8JK	Greyish green	-88		
	911 555 180 41 4MM	Plum red	-88		
	911 555 180 41 5UM	Caramel			
	911 555 180 41 7VM	Silver-grey	-88		
	911 555 180 41 7VT	Silk grey	89		
	911 555 180 41 8UT	Cashmere beige	89		
	911 555 180 41 9MT	Velvet red	89		
	911 555 180 41 3WT	Slate grey	89		
	911 555 180 41 3KM	Venetian blue			
	911 555 180 41 6HM	Silver-blue	88		JUBI
		Silver-blue	89		
(4)	911 555 179 41	Lining for Additional blower Carpet	/L	1	CABRIO
	911 555 179 41 1XV	Pearl grey	89		
4	911 555 180 41	Lining for Additional blower	/R	1	CABRIO

Model: 911 87 Model life 1987>>1989

Pos	Part Number	Description	Remark	Qty	Model
(4)	911 555 180 41 1XV	Carpet Pearl grey	89	1	COUPE M637
	911 555 179 02	Lining	/L		
(4)	911 555 179 02 70E	Carpet Black	-88	1	COUPE M637
	911 555 179 02 5FV	Black	89		
	911 555 179 02 5MF	Mahogany			
	911 555 179 02 3KF	Marine blue	-88		
	911 555 179 02 4KV	Marine blue	89		
	911 555 179 02 80E	Burgundy	-88		
	911 555 179 02 8MD	Burgundy	89		
	911 555 179 02 8JK	Greyish green	-88		
	911 555 179 02 2XF	Linen	89		
	911 555 179 02 8UT	Cashmere beige	89		
	911 555 180 02	Lining	/R		
	911 555 180 02 70E	Carpet Black	-88		
	911 555 180 02 5FV	Black	89		
	911 555 180 02 5MF	Mahogany			
911 555 180 02 3KF	Marine blue	-88			
911 555 180 02 4KV	Marine blue	89			
911 555 180 02 80E	Burgundy	-88			
911 555 180 02 8MD	Burgundy	89			
911 555 180 02 8JK	Greyish green	-88			
911 555 180 02 2XF	Linen	89			
911 555 180 02 8UT	Cashmere beige	89			
5	999 591 102 17	Washer 3,5 DEG		6	
5	999 591 102 1H	Washer 3,5 DEG		6	
6	900 145 082 07	Tapping screw 3,5 X 38		6	
7	901 501 950 22	Foot support Black	/RL	1	
(7)	911 501 950 02	Foot support Black	/RL	1	M559
8	N 015 429 2	Speed nut B 4,2	/RL	2	
8	N 015 429 6	Speed nut B 4,2	/RL	2	
9	900 145 035 02	Rais. counters. h. tap. s. B 4,2 X 16	/RL	2	
10	911 551 063 04	Pedal floor board	/LL /L	1	COUPE
10	911 551 063 44	Pedal floor board	/LL /L	1	TARGA/CABRIO SPEEDSTER
(10)	901 551 061 23	Pedal floor board	/RL /L	1	COUPE
(10)	901 551 061 42	Pedal floor board	/RL /L	1	TARGA/CABRIO SPEEDSTER
(10)	911 551 075 01	Floorboard	/RL /L	1	COUPE M559
(10)	911 551 075 41	Floorboard	/RL /L	1	TARGA/CABRIO M559
11	901 423 036 00	Stop	/LL /L /RL /R	1	
12	901 423 391 00	Rubber stop	/LL /L /RL /R	1	
13	901 423 368 00	Desk pad	/LL /L	1	
13		Desk pad	/RL /R	2	
14	N 012 130 2	Shake-proof washer A 5,3	/RL /R	2	
15	900 119 001 02	Pan-head screw	/LL /L	1	

Model: 911 87 Model life 1987>>1989

Pos	Part Number	Description	Remark	Qty	Model
15	900 976 003 01	Pan-head screw	/LL /L	1	
15	900 119 001 02	Pan-head screw	/RL /R	2	
		M 5 X 12			
15	900 976 003 01	Pan-head screw	/RL /R	2	
		M 5 X 12			
16	911 551 064 01	Floorboard	/LL /R	1	COUPE
16	901 551 064 42	Pedal floor board	/LL /R	1	TARGA/CABRIO SPEEDSTER
(16)	911 551 062 22	Pedal floor board	/RL /R	1	COUPE
(16)	911 551 062 42	Pedal floor board	/RL /R	1	TARGA/CABRIO SPEEDSTER
17	N 042 121 3	Shake-proof washer		1	
		A 6,4			
18	900 076 010 02	Nut		1	
		M 6			
18	900 076 010 0B	Nut		1	
		M 6			
19	911 551 015 02	Floorboard carpet	/LL /L	1	COUPE
		Carpet			
	911 551 015 02 70E	Black	-88		
	911 551 015 02 5FV	Black	89		
	911 551 015 02 5MF	Mahogany			
	911 551 015 02 3KF	Marine blue	-88		
	911 551 015 02 4KV	Marine blue	89		
	911 551 015 02 80E	Burgundy	-88		
	911 551 015 02 8MD	Burgundy	89		
	911 551 015 02 1VD	Champagne	-88		
	911 551 015 02 8JK	Greyish green	-88		
	911 551 015 02 2XF	Linen			
	911 551 015 02 4MM	Plum red	-88		
	911 551 015 02 5UM	Caramel			
	911 551 015 02 7VM	Silver-grey	-88		
	911 551 015 02 7VT	Silk grey	89		
	911 551 015 02 3KM	Venetian blue			
	911 551 015 02 8UT	Cashmere beige	89		
	911 551 015 02 9MT	Velvet red	89		
	911 551 015 02 3WT	Slate grey	89		
	911 551 015 02 6HM	Silver-blue	88		JUBI
		Silver-blue	89		
19	911 551 015 42	Floorboard carpet	/LL /L	1	TARGA/CABRIO SPEEDSTER
		Carpet			
	911 551 015 42 70E	Black	-88		
	911 551 015 42 5FV	Black	89		
	911 551 015 42 5MF	Mahogany			
	911 551 015 42 3KF	Marine blue	-88		
	911 551 015 42 4KV	Marine blue	89		
	911 551 015 42 80E	Burgundy	-88		
	911 551 015 42 8MD	Burgundy	89		
	911 551 015 42 1VD	Champagne	-88		
	911 551 015 42 8JK	Greyish green	-88		
	911 551 015 42 2XF	Linen			
	911 551 015 42 4MM	Plum red	-88		
	911 551 015 42 5UM	Caramel			
	911 551 015 42 7VM	Silver-grey	-88		
	911 551 015 42 7VT	Silk grey	89		
	911 551 015 42 3KM	Venetian blue			
	911 551 015 42 8UT	Cashmere beige	89		
	911 551 015 42 9MT	Velvet red	89		
	911 551 015 42 3WT	Slate grey	89		
	911 551 015 42 6HM	Silver-blue	88		JUBI
		Silver-blue	89		
(19)	911 551 017 04	Floorboard carpet	/RL /L	1	TURBO

Model: 911 87 Model life 1987>>1989

Pos	Part Number	Description	Remark	Qty	Model
		CARPET			CARRERA M559
	911 551 017 04 70E	Black	-88		
	911 551 017 04 5FV	Black	89		
	911 551 017 04 5MF	Mahogany			
	911 551 017 04 3KF	Marine blue	-88		
	911 551 017 04 4KV	Marine blue	89		
	911 551 017 04 80E	Burgundy	-88		
	911 551 017 04 8MD	Burgundy	89		
	911 551 017 04 1VD	Champagne	-88		
	911 551 017 04 8JK	Greyish green	-88		
	911 551 017 04 2XF	Linen			
	911 551 017 04 4MM	Plum red	-88		
	911 551 017 04 5UM	Caramel			
	911 551 017 04 7VM	Silver-grey	-88		
	911 551 017 04 7VT	Silk grey	89		
	911 551 017 04 3KM	Venetian blue			
	911 551 017 04 8UT	Cashmere beige	89		
	911 551 017 04 9MT	Velvet red	89		
	911 551 017 04 3WT	Slate grey	89		
	911 551 017 04 6HM	Silver-blue	88		JUBI
		Silver-blue	89		
19	911 551 015 42	Floorboard carpet	/LL /L 89	1	CABRIO M097
		CARPET			
	911 551 015 42 1XV	Pearl grey			
20	911 551 021 03	CARPET	/LL /L -88	1	COUPE
		CARPET			
	911 551 021 03 70E	Black			
	911 551 021 03 5MF	Mahogany			
	911 551 021 03 3KF	Marine blue			
	911 551 021 03 80E	Burgundy			
	911 551 021 03 1VD	Champagne			
	911 551 021 03 8JK	Greyish green			
	911 551 021 03 2XF	Linen			
	911 551 021 03 4MM	Plum red			
	911 551 021 03 5UM	Caramel			
	911 551 021 03 7VM	Silver-grey			
	911 551 021 03 3KM	Venetian blue			
	911 551 021 03 6HM	Silver-blue	88		JUBI
20	911 551 021 42	CARPET	/LL /L -88	1	TARGA/CABRIO
		CARPET			
	911 551 021 42 70E	Black			
	911 551 021 42 5MF	Mahogany			
	911 551 021 42 3KF	Marine blue			
	911 551 021 42 80E	Burgundy			
	911 551 021 42 1VD	Champagne			
	911 551 021 42 8JK	Greyish green			
	911 551 021 42 2XF	Linen			
	911 551 021 42 4MM	Plum red			
	911 551 021 42 5UM	Caramel			
	911 551 021 42 7VM	Silver-grey			
	911 551 021 42 3KM	Venetian blue			
	911 551 021 42 6HM	Silver-blue	88		JUBI
20	911 551 021 04	CARPET	/LL /L 89	1	COUPE
		CARPET			
	911 551 021 04 5FV	Black			
	911 551 021 04 5MF	Mahogany			
	911 551 021 04 4KV	Marine blue			
	911 551 021 04 8MD	Burgundy			
	911 551 021 04 2XF	Linen			
	911 551 021 04 8UT	Cashmere beige			

Model: 911 87 Model life 1987>>1989

Pos	Part Number	Description	Remark	Qty	Model	
20	911 551 021 04 7VT	Silk grey				
	911 551 021 04 9MT	Velvet red				
	911 551 021 04 3WT	Slate grey				
	911 551 021 04 5UM	Caramel				
	911 551 021 04 3KM	Venetian blue				
	911 551 021 04 6HM	Silver-blue				
	911 551 021 43	Carpet	/LL /L 89	1	TARGA/CABRIO SPEEDSTER	
		Carpet	89			
	911 551 021 43 5FV	Black				
	911 551 021 43 5MF	Mahogany				
	911 551 021 43 4KV	Marine blue				
	911 551 021 43 8MD	Burgundy				
	911 551 021 43 2XF	Linen				
	911 551 021 43 8UT	Cashmere beige				
20	911 551 021 43 7VT	Silk grey				
	911 551 021 43 9MT	Velvet red				
	911 551 021 43 3WT	Slate grey				
	911 551 021 43 5UM	Caramel				
	911 551 021 43 3KM	Venetian blue				
	911 551 021 43 6HM	Silver-blue				
	911 551 021 43	Carpet	/LL /L 89	1	CABRIO M097	
		Carpet				
	911 551 021 43 1XV	Pearl grey				
	21	911 551 011 12	Carpet	/RL /L	1	COUPE
			Carpet			
		911 551 011 12 70E	Black	-88		
		911 551 011 12 5FV	Black	89		
		911 551 011 12 5MF	Mahogany			
911 551 011 12 3KF		Marine blue	-88			
911 551 011 12 4KV		Marine blue	89			
911 551 011 12 80E		Burgundy	-88			
911 551 011 12 8MD		Burgundy	89			
911 551 011 12 2XF		Linen				
911 551 011 12 1VD		Champagne	-88			
911 551 011 12 8JK		Greyish green	-88			
911 551 011 12 4MM		Plum red	-88			
911 551 011 12 5UM		Caramel				
911 551 011 12 7VM		Silver-grey	-88			
911 551 011 12 7VT		Silk grey	89			
911 551 011 12 3KM		Venetian blue				
911 551 011 12 8UT		Cashmere beige	89			
911 551 011 12 9MT		Velvet red	89			
911 551 011 12 3WT		Slate grey	89			
911 551 011 12 6HM		Silver-blue	88		JUBI	
	Silver-blue	89				
911 551 011 13	Carpet	/RL /L	1	TURBO COUPE COUPE M559		
	Carpet					
911 551 011 13 70E	Black	-88				
911 551 011 13 5FV	Black	89				
911 551 011 13 5MF	Mahogany					
911 551 011 13 3KF	Marine blue	-88				
911 551 011 13 4KV	Marine blue	89				
911 551 011 13 80E	Burgundy	-88				
911 551 011 13 8MD	Burgundy	89				
911 551 011 13 2XF	Linen					
911 551 011 13 1VD	Champagne	-88				
911 551 011 13 8JK	Greyish green	-88				
911 551 011 13 4MM	Plum red	-88				
911 551 011 13 5UM	Caramel					

Model: 911 87 Model life 1987>>1989

Pos	Part Number	Description	Remark	Qty	Model
	911 551 011 13 7VM	Silver-grey	-88		
	911 551 011 13 7VT	Silk grey	89		
	911 551 011 13 3KM	Venetian blue			
	911 551 011 13 8UT	Cashmere beige	89		
	911 551 011 13 9MT	Velvet red	89		
	911 551 011 13 3WT	Slate grey	89		
	911 551 011 13 6HM	Silver-blue	88		JUBI
		Silver-blue	89		
21	911 551 011 49	Carpet	/RL /L	1	TARGA/CABRIO SPEEDSTER
		Carpet			
	911 551 011 49 70E	Black	-88		
	911 551 011 49 5FV	Black	89		
	911 551 011 49 5MF	Mahogany			
	911 551 011 49 3KF	Marine blue	-88		
	911 551 011 49 4KV	Marine blue	89		
	911 551 011 49 80E	Burgundy	-88		
	911 551 011 49 8MD	Burgundy	89		
	911 551 011 49 2XF	Linen			
	911 551 011 49 1VD	Champagne	-88		
	911 551 011 49 8JK	Greyish green	-88		
	911 551 011 49 4MM	Plum red	-88		
	911 551 011 49 5UM	Caramel			
	911 551 011 49 7VM	Silver-grey	-88		
	911 551 011 49 7VT	Silk grey	89		
	911 551 011 49 3KM	Venetian blue			
	911 551 011 49 8UT	Cashmere beige	89		
	911 551 011 49 9MT	Velvet red	89		
	911 551 011 49 3WT	Slate grey	89		
	911 551 011 49 6HM	Silver-blue	88		JUBI
		Silver-blue	89		
21	911 551 011 50	Carpet	/RL /L	1	TURBO TARGA TURBO CABRIO TARGA/CABRIO SPEEDSTER M559
		Carpet			
	911 551 011 50 70E	Black	-88		
	911 551 011 50 5FV	Black	89		
	911 551 011 50 5MF	Mahogany			
	911 551 011 50 3KF	Marine blue	-88		
	911 551 011 50 4KV	Marine blue	89		
	911 551 011 50 80E	Burgundy	-88		
	911 551 011 50 8MD	Burgundy	89		
	911 551 011 50 2XF	Linen			
	911 551 011 50 1VD	Champagne	-88		
	911 551 011 50 8JK	Greyish green	-88		
	911 551 011 50 4MM	Plum red	-88		
	911 551 011 50 5UM	Caramel			
	911 551 011 50 7VM	Silver-grey	-88		
	911 551 011 50 7VT	Silk grey	89		
	911 551 011 50 3KM	Venetian blue			
	911 551 011 50 8UT	Cashmere beige	89		
	911 551 011 50 9MT	Velvet red	89		
	911 551 011 50 3WT	Slate grey	89		
	911 551 011 50 6HM	Silver-blue	88		JUBI
		Silver-blue	89		
22	911 551 013 05	Carpet	/H /L	1	
		Carpet			
	911 551 013 05 70E	Black	-88		
	911 551 013 05 5FV	Black	89		
	911 551 013 05 5MF	Mahogany			
	911 551 013 05 3KF	Marine blue	-88		

Model: 911 87 Model life 1987>>1989

Pos	Part Number	Description	Remark	Qty	Model
	911 551 013 05 4KV	Marine blue	89		
	911 551 013 05 80E	Burgundy	-88		
	911 551 013 05 8MD	Burgundy	89		
	911 551 013 05 2XF	Linen			
	911 551 013 05 1VD	Champagne	-88		
	911 551 013 05 8JK	Greyish green	-88		
	911 551 013 05 4MM	Plum red	-88		
	911 551 013 05 5UM	Caramel			
	911 551 013 05 7VM	Silver-grey	-88		
	911 551 013 05 7VT	Silk grey	89		
	911 551 013 05 3KM	Venetian blue			
	911 551 013 05 6HM	Silver-blue	88		JUBI
		Silver-blue	89		
	911 551 013 05 1XV	Pearl grey	89		
	911 551 013 05 8UT	Cashmere beige	89		
	911 551 013 05 9MT	Velvet red	89		
	911 551 013 05 3WT	Slate grey	89		
23	911 551 014 08	Carpet	/H /R	1	
		Carpet			
	911 551 014 08 70E	Black	-88		
	911 551 014 08 5FV	Black	89		
	911 551 014 08 5MF	Mahogany			
	911 551 014 08 3KF	Marine blue	-88		
	911 551 014 08 4KV	Marine blue	89		
	911 551 014 08 80E	Burgundy	-88		
	911 551 014 08 8MD	Burgundy	89		
	911 551 014 08 2XF	Linen			
	911 551 014 08 1VD	Champagne	-88		
	911 551 014 08 8JK	Greyish green	-88		
	911 551 014 08 4MM	Plum red	-88		
	911 551 014 08 5UM	Caramel			
	911 551 014 08 7VM	Silver-grey	-88		
	911 551 014 08 7VT	Silk grey	89		
	911 551 014 08 3KM	Venetian blue			
	911 551 014 08 6HM	Silver-blue	88		JUBI
		Silver-blue	89		
	911 551 014 08 1XV	Pearl grey	89		
	911 551 014 08 8UT	Cashmere beige	89		
	911 551 014 08 9MT	Velvet red	89		
	911 551 014 08 3WT	Slate grey	89		
24	911 551 411 46	Carpet for tunnel	/LL -88	1	CARRERA
		Carpet			
	911 551 411 46 70E	Black			
	911 551 411 46 5MF	Mahogany			
	911 551 411 46 3KF	Marine blue			
	911 551 411 46 80E	Burgundy			
	911 551 411 46 2XF	Linen			
	911 551 411 46 1VD	Champagne			
	911 551 411 46 8JK	Greyish green			
	911 551 411 46 4MM	Plum red			
	911 551 411 46 5UM	Caramel			
	911 551 411 46 7VM	Silver-grey			
	911 551 411 46 3KM	Venetian blue			
(24)	911 551 411 47	Carpet for tunnel	/RL -88	1	CARRERA
		Carpet			
	911 551 411 47 70E	Black			
	911 551 411 47 5MF	Mahogany			
	911 551 411 47 3KF	Marine blue			
	911 551 411 47 80E	Burgundy			
	911 551 411 47 2XF	Linen			
	911 551 411 47 1VD	Champagne			
	911 551 411 47 8JK	Greyish green			
	911 551 411 47 4MM	Plum red			

Model: 911 87 Model life 1987>>1989

Pos	Part Number	Description	Remark	Qty	Model	
(24)	911 551 411 47 5UM	Caramel				
	911 551 411 47 7VM	Silver-grey				
	911 551 411 47 3KM	Venetian blue				
	911 551 411 44	Carpet for tunnel	/LL -88	1	TURBO	
		Carpet				
	911 551 411 44 70E	Black				
	911 551 411 44 5MF	Mahogany				
	911 551 411 44 3KF	Marine blue				
	911 551 411 44 80E	Burgundy				
	911 551 411 44 2XF	Linen				
	911 551 411 44 1VD	Champagne				
	911 551 411 44 8JK	Greyish green				
	911 551 411 44 4MM	Plum red				
	911 551 411 44 5UM	Caramel				
(24)	911 551 411 44 7VM	Silver-grey				
	911 551 411 44 3KM	Venetian blue				
	911 551 411 45	Carpet for tunnel	/RL -88	1	TURBO	
		Carpet				
	911 551 411 45 70E	Black				
	911 551 411 45 5MF	Mahogany				
	911 551 411 45 3KF	Marine blue				
	911 551 411 45 80E	Burgundy				
	911 551 411 45 2XF	Linen				
	911 551 411 45 1VD	Champagne				
	911 551 411 45 8JK	Greyish green				
	911 551 411 45 4MM	Plum red				
	911 551 411 45 5UM	Caramel				
	911 551 411 45 7VM	Silver-grey				
24	911 551 411 45 3KM	Venetian blue				
	911 551 411 45 3KM	Carpet for tunnel	/LL 89	1		
		Carpet				
	911 551 411 68 5FV	Black				
	911 551 411 68 5MF	Mahogany				
	911 551 411 68 4KV	Marine blue				
	911 551 411 68 8MD	Burgundy				
	911 551 411 68 2XF	Linen				
	911 551 411 68 8UT	Cashmere beige				
	911 551 411 68 7VT	Silk grey				
	911 551 411 68 3WT	Slate grey				
	911 551 411 68 5UM	Caramel				
	911 551 411 68 3KM	Venetian blue				
	911 551 411 68 9MT	Velvet red				
(24)	911 551 411 68 6HM	Silver-blue	89			
	911 551 411 47	Carpet for tunnel	/RL 89	1		
		Carpet				
	911 551 411 47 5FV	Black				
	911 551 411 47 5MF	Mahogany				
	911 551 411 47 4KV	Marine blue				
	911 551 411 47 8MD	Burgundy				
	911 551 411 47 2XF	Linen				
	911 551 411 47 8UT	Cashmere beige				
	911 551 411 47 7VT	Silk grey				
	911 551 411 47 3WT	Slate grey				
	911 551 411 47 5UM	Caramel				
	911 551 411 47 3KM	Venetian blue				
	911 551 411 47 9MT	Velvet red				
24	911 551 411 47 6HM	Silver-blue	89			
	911 551 411 68	Carpet for tunnel	/LL 89	1	CABRIO M097	
		Carpet				
	911 551 411 68 1XV	Pearl grey				
	(24)	911 551 411 46	Carpet for tunnel	/LL	1	CARRERA
			Carpet			

Model: 911 87 Model life 1987>>1989

Pos	Part Number	Description	Remark	Qty	Model
(24)	911 551 411 46 6HM	Silver-blue	88		JUBI
	911 551 411 47	Carpet for tunnel	/RL	1	CARRERA
		Carpet			
(24)	911 551 411 47 6HM	Silver-blue	88		JUBI
	911 551 411 12	Carpet for tunnel	/LL -88	1	COUPE M637
		Carpet			
	911 551 411 12 70E	Black			
	911 551 411 12 5MF	Mahogany			
	911 551 411 12 3KF	Marine blue			
	911 551 411 12 80E	Burgundy			
	911 551 411 12 8JK	Greyish green			
(24)	911 551 411 31	Carpet for tunnel	/RL -88	1	COUPE M637
		Carpet			
	911 551 411 31 70E	Black			
	911 551 411 31 5MF	Mahogany			
	911 551 411 31 3KF	Marine blue			
	911 551 411 31 80E	Burgundy			
	911 551 411 31 8JK	Greyish green			
(24)	911 551 411 53	Carpet for tunnel	/LL 89	1	COUPE M637
		Carpet			
	911 551 411 53 5FV	Black			
	911 551 411 53 5MF	Mahogany			
	911 551 411 53 4KV	Marine blue			
	911 551 411 53 8MD	Burgundy			
	911 551 411 53 2XF	Linen			
	911 551 411 53 8UT	Cashmere beige			
(24)	911 551 411 31	Carpet for tunnel	/RL 89	1	COUPE M637
		Carpet			
	911 551 411 31 5FV	Black			
	911 551 411 31 5MF	Mahogany			
	911 551 411 31 4KV	Marine blue			
	911 551 411 31 8MD	Burgundy			
	911 551 411 31 2XF	Linen			
	911 551 411 31 8UT	Cashmere beige			
25	911 551 012 18	Carpet	/LL /R -88	1	COUPE
		Carpet			
	911 551 012 18 70E	Black			
	911 551 012 18 5MF	Mahogany			
	911 551 012 18 3KF	Marine blue			
	911 551 012 18 80E	Burgundy			
	911 551 012 18 2XF	Linen			
	911 551 012 18 1VD	Champagne			
	911 551 012 18 8JK	Greyish green			
	911 551 012 18 4MM	Plum red			
	911 551 012 18 5UM	Caramel			
	911 551 012 18 7VM	Silver-grey			
	911 551 012 18 3KM	Venetian blue			
	911 551 012 18 6HM	Silver-blue	88		JUBI
(25)	911 551 012 56	Carpet	/LL /R -88	1	TARGA/CABRIO
		Carpet			
	911 551 012 56 70E	Black			
	911 551 012 56 5MF	Mahogany			
	911 551 012 56 3KF	Marine blue			
	911 551 012 56 80E	Burgundy			
	911 551 012 56 2XF	Linen			
	911 551 012 56 1VD	Champagne			
	911 551 012 56 8JK	Greyish green			
	911 551 012 56 4MM	Plum red			
	911 551 012 56 5UM	Caramel			

Model: 911 87 Model life 1987>>1989

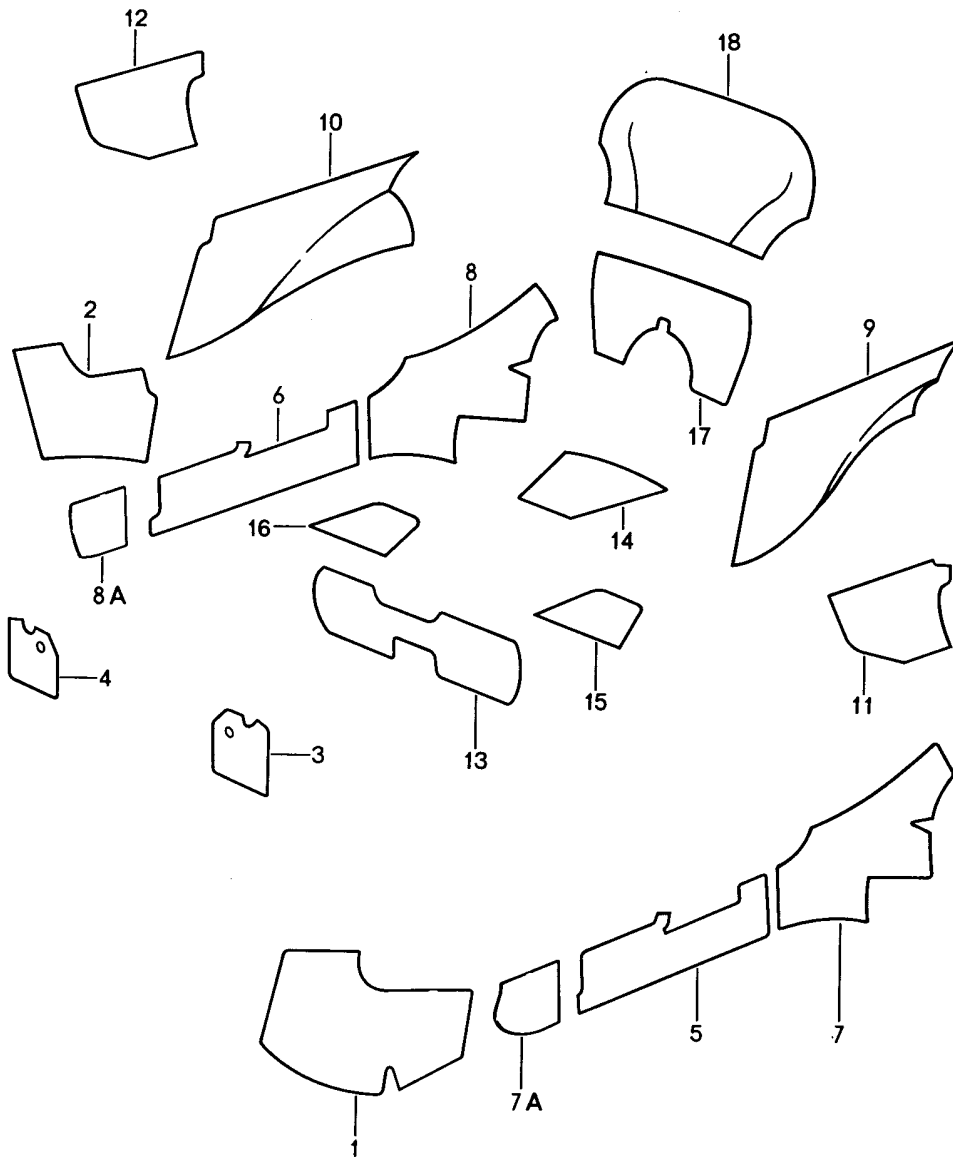
Pos	Part Number	Description	Remark	Qty	Model
(25)	911 551 012 56 7VM	Silver-grey			
	911 551 012 56 3KM	Venetian blue			
	911 551 012 56 6HM	Silver-blue	88		JUBI
	911 551 022 02	Carpet	/RL /R -88	1	COUPE
		Carpet			
	911 551 022 02 70E	Black			
	911 551 022 02 5MF	Mahogany			
	911 551 022 02 3KF	Marine blue			
	911 551 022 02 80E	Burgundy			
	911 551 022 02 2XF	Linen			
	911 551 022 02 1VD	Champagne			
	911 551 022 02 8JK	Greyish green			
	911 551 022 02 4MM	Plum red			
	911 551 022 02 5UM	Caramel			
(25)	911 551 022 02 7VM	Silver-grey			
	911 551 022 02 3KM	Venetian blue			
	911 551 022 02 6HM	Silver-blue	88		JUBI
	911 551 022 42	Carpet	/RL /R -88	1	TARGA/CABRIO
		Carpet			
	911 551 022 42 70E	Black			
	911 551 022 42 5MF	Mahogany			
	911 551 022 42 3KF	Marine blue			
	911 551 022 42 80E	Burgundy			
	911 551 022 42 2XF	Linen			
	911 551 022 42 1VD	Champagne			
	911 551 022 42 8JK	Greyish green			
	911 551 022 42 4MM	Plum red			
	911 551 022 42 5UM	Caramel			
25	911 551 022 42 7VM	Silver-grey			
	911 551 022 42 3KM	Venetian blue			
	911 551 022 42 6HM	Silver-blue	88		JUBI
	911 551 012 18	Carpet	/LL /R 89	1	COUPE
		Carpet			
	911 551 012 18 5FV	Black			
	911 551 012 18 5MF	Mahogany			
	911 551 012 18 4KV	Marine blue			
	911 551 012 18 8MD	Burgundy			
	911 551 012 18 2XF	Linen			
	911 551 012 18 8UT	Cashmere beige			
	911 551 012 18 7VT	Silk grey			
	911 551 012 18 9MT	Velvet red			
	911 551 012 18 3WT	Slate grey			
911 551 012 18 5UM	Caramel				
(25)	911 551 012 18 3KM	Venetian blue			
	911 551 012 18 6HM	Silver-blue			
	911 551 012 56	Carpet	/LL /R 89	1	TARGA/CABRIO
		Carpet			SPEEDSTER
	911 551 012 56 5FV	Black			
	911 551 012 56 5MF	Mahogany			
	911 551 012 56 4KV	Marine blue			
	911 551 012 56 8MD	Burgundy			
	911 551 012 56 2XF	Linen			
	911 551 012 56 8UT	Cashmere beige			
	911 551 012 56 7VT	Silk grey			
	911 551 012 56 9MT	Velvet red			
	911 551 012 56 3WT	Slate grey			
	911 551 012 56 5UM	Caramel			
(25)	911 551 012 56 3KM	Venetian blue			
	911 551 012 56 6HM	Silver-blue			
	911 551 022 03	Carpet	/RL /R 89	1	COUPE
		Carpet			
	911 551 022 03 5FV	Black			

Model: 911 87 Model life 1987>>1989

Pos	Part Number	Description	Remark	Qty	Model	
(25)	911 551 022 03 5MF	Mahogany				
	911 551 022 03 4KV	Marine blue				
	911 551 022 03 8MD	Burgundy				
	911 551 022 03 2XF	Linen				
	911 551 022 03 8UT	Cashmere beige				
	911 551 022 03 7VT	Silk grey				
	911 551 022 03 9MT	Velvet red				
	911 551 022 03 3WT	Slate grey				
	911 551 022 03 5UM	Caramel				
	911 551 022 03 3KM	Venetian blue				
(25)	911 551 022 03 6HM	Silver-blue				
	911 551 022 43	Carpet	/RL /R 89	1	TARGA/CABRIO SPEEDSTER	
		Carpet				
	911 551 022 43 5FV	Black				
	911 551 022 43 5MF	Mahogany				
	911 551 022 43 4KV	Marine blue				
	911 551 022 43 8MD	Burgundy				
	911 551 022 43 2XF	Linen				
	911 551 022 43 8UT	Cashmere beige				
	911 551 022 43 7VT	Silk grey				
(25)	911 551 022 43 9MT	Velvet red				
	911 551 022 43 3WT	Slate grey				
	911 551 022 43 5UM	Caramel				
	911 551 022 43 3KM	Venetian blue				
	911 551 022 43 6HM	Silver-blue				
	911 551 012 56	Carpet	/LL /R 89	1	CABRIO M097	
		Carpet				
	911 551 012 56 1XV	Pearl grey				
	26	911 551 016 08	Floorboard carpet	/RL /R	1	
			Carpet			
911 551 016 08 70E		Black	-88			
911 551 016 08 5FV		Black	89			
911 551 016 08 5MF		Mahogany				
911 551 016 08 3KF		Marine blue	-88			
911 551 016 08 4KV		Marine blue	89			
911 551 016 08 80E		Burgundy	-88			
911 551 016 08 8MD		Burgundy	89			
911 551 016 08 2XF		Linen				
911 551 016 08 1VD	Champagne	-88				
911 551 016 08 8JK	Greyish green	-88				
911 551 016 08 4MM	Plum red	-88				
911 551 016 08 5UM	Caramel					
911 551 016 08 7VM	Silver-grey	-88				
911 551 016 08 7VT	Silk grey	89				
911 551 016 08 8UT	Cashmere beige	89				
911 551 016 08 9MT	Velvet red	89				
911 551 016 08 3WT	Slate grey	89				
911 551 016 08 3KM	Venetian blue					
911 551 016 08 6HM	Silver-blue	88				
	Silver-blue	89		JUBI		

Model: 911 87

Model life 1987>>1989



Model: 911 87 Model life 1987>>1989

Pos	Part Number	Description	Remark	Qty	Model
1	911 551 401 09	Interior equipment Adhesive carpets Adhesive carpet Wheel housing Carpet	/L	1	
	911 551 401 09 70E	Black	-88		
	911 551 401 09 5FV	Black	89		
	911 551 401 09 5MF	Mahogany			
	911 551 401 09 3KF	Marine blue	-88		
	911 551 401 09 4KV	Marine blue	89		
	911 551 401 09 80E	Burgundy	-88		
	911 551 401 09 8MD	Burgundy	89		
	911 551 401 09 1VD	Champagne			
	911 551 401 09 2XF	Linen			
	911 551 401 09 8JK	Greyish green	-88		
	911 551 401 09 4MM	Plum red	-88		
	911 551 401 09 5UM	Caramel			
	911 551 401 09 7VM	Silver-grey	-88		
	911 551 401 09 7VT	Silk grey	89		
	911 551 401 09 8UT	Cashmere beige	89		
	911 551 401 09 9MT	Velvet red	89		
	911 551 401 09 3WT	Slate grey	89		
	911 551 401 09 3KM	Venetian blue			
	911 551 401 09 6HM	Silver-blue	88		JUBI
		Silver-blue	89		
	911 551 401 09 1XV	Pearl grey	89		
2	911 551 402 09	Adhesive carpet Wheel housing Carpet	/LL /R -88	1	
	911 551 402 09 70E	Black			
	911 551 402 09 5MF	Mahogany			
	911 551 402 09 3KF	Marine blue			
	911 551 402 09 80E	Burgundy			
	911 551 402 09 1VD	Champagne			
	911 551 402 09 2XF	Linen			
	911 551 402 09 8JK	Greyish green			
	911 551 402 09 4MM	Plum red			
	911 551 402 09 5UM	Caramel			
	911 551 402 09 7VM	Silver-grey			
	911 551 402 09 3KM	Venetian blue			
	911 551 402 09 6HM	Silver-blue	88		JUBI
(2)	911 551 042 11	Carpet Wheel housing Carpet	/RL /R -88	1	
	911 551 042 11 70E	Black			
	911 551 042 11 5MF	Mahogany			
	911 551 042 11 3KF	Marine blue			
	911 551 042 11 80E	Burgundy			
	911 551 042 11 1VD	Champagne			
	911 551 042 11 2XF	Linen			
	911 551 042 11 8JK	Greyish green			
	911 551 042 11 4MM	Plum red			
	911 551 042 11 5UM	Caramel			
	911 551 042 11 7VM	Silver-grey			
	911 551 042 11 3KM	Venetian blue			
	911 551 042 11 6HM	Silver-blue	88		JUBI
2	911 551 402 09	Adhesive carpet Wheel housing Carpet	/LL /R 89	1	
	911 551 402 09 5FV	Black			
	911 551 402 09 5MF	Mahogany			
	911 551 402 09 4KV	Marine blue			
	911 551 402 09 8MD	Burgundy			

Model: 911 87 Model life 1987>>1989

Pos	Part Number	Description	Remark	Qty	Model
	911 551 402 09 2XF	Linen			
	911 551 402 09 8UT	Cashmere beige			
	911 551 402 09 7VT	Silk grey			
	911 551 402 09 9MT	Velvet red			
	911 551 402 09 3WT	Slate grey			
	911 551 402 09 5UM	Caramel			
	911 551 402 09 3KM	Venetian blue			
	911 551 402 09 6HM	Silver-blue			
(2)	911 551 042 12	Adhesive carpet Wheel housing Carpet	/RL /R 89	1	
	911 551 042 12 5FV	Black			
	911 551 042 12 5MF	Mahogany			
	911 551 042 12 4KV	Marine blue			
	911 551 042 12 8MD	Burgundy			
	911 551 042 12 2XF	Linen			
	911 551 042 12 8UT	Cashmere beige			
	911 551 042 12 7VT	Silk grey			
	911 551 042 12 9MT	Velvet red			
	911 551 042 12 3WT	Slate grey			
	911 551 042 12 5UM	Caramel			
	911 551 042 12 3KM	Venetian blue			
	911 551 042 12 6HM	Silver-blue			
2	911 551 402 09	Adhesive carpet Wheel housing Carpet	/LL /R 89	1	M097
	911 551 402 09 1XV	Pearl grey			
3	911 551 077 00	Adhesive carpet Front Carpet	/L	1	M637
	911 551 077 00 70E	Black	-88		
	911 551 077 00 5FV	Black	89		
	911 551 077 00 5MF	Mahogany			
	911 551 077 00 8UT	Cashmere beige	89		
	911 551 077 00 3KF	Marine blue	-88		
	911 551 077 00 4KV	Marine blue	89		
	911 551 077 00 80E	Burgundy	-88		
	911 551 077 00 8MD	Burgundy	89		
	911 551 077 00 8JK	Greyish green	-88		
	911 551 077 00 2XF	Linen	89		
4	911 551 078 00	Adhesive carpet Front Carpet	/R	1	M637
	911 551 078 00 70E	Black	-88		
	911 551 078 00 5FV	Black	89		
	911 551 078 00 5MF	Mahogany			
	911 551 078 00 8UT	Cashmere beige	89		
	911 551 078 00 3KF	Marine blue	-88		
	911 551 078 00 4KV	Marine blue	89		
	911 551 078 00 80E	Burgundy	-88		
	911 551 078 00 8MD	Burgundy	89		
	911 551 078 00 8JK	Greyish green	-88		
	911 551 078 00 2XF	Linen	89		
5	911 551 031 51	Carpet Door sill Carpet	/V /L	1	
	911 551 031 51 70E	Black	-88		
	911 551 031 51 5FV	Black	89		
	911 551 031 51 5MF	Mahogany			
	911 551 031 51 3KF	Marine blue	-88		
	911 551 031 51 4KV	Marine blue	89		
	911 551 031 51 80E	Burgundy	-88		
	911 551 031 51 8MD	Burgundy	89		

Model: 911 87 Model life 1987>>1989

Pos	Part Number	Description	Remark	Qty	Model
	911 551 031 51 1VD	Champagne	-88		
	911 551 031 51 2XF	Linen			
	911 551 031 51 8JK	Greyish green	-88		
	911 551 031 51 4MM	Plum red	-88		
	911 551 031 51 5UM	Caramel			
	911 551 031 51 7VM	Silver-grey	-88		
	911 551 031 51 7VT	Silk grey	89		
	911 551 031 51 8UT	Cashmere beige	89		
	911 551 031 51 9MT	Velvet red	89		
	911 551 031 51 3WT	Slate grey	89		
	911 551 031 51 3KM	Venetian blue			
	911 551 031 51 6HM	Silver-blue	88		JUBI
		Silver-blue	89		
(5)	911 551 031 51 1XV	Pearl grey	89		
	911 551 031 52	Carpet	/V /L	1	M637
		Door sill			
		Carpet			
	911 551 031 52 70E	Black	-88		
	911 551 031 52 5FV	Black	89		
	911 551 031 52 5MF	Mahogany			
	911 551 031 52 3KF	Marine blue	-88		
	911 551 031 52 4KV	Marine blue	89		
	911 551 031 52 80E	Burgundy	-88		
	911 551 031 52 8MD	Burgundy	89		
	911 551 031 52 2XF	Linen	89		
	911 551 031 52 8UT	Cashmere beige			
6	911 551 031 52 8JK	Greyish green	-88		
	911 551 032 51	Carpet	/V /R	1	
		Door sill			
		Carpet			
	911 551 032 51 70E	Black	-88		
	911 551 032 51 5FV	Black	89		
	911 551 032 51 5MF	Mahogany			
	911 551 032 51 3KF	Marine blue	-88		
	911 551 032 51 4KV	Marine blue	89		
	911 551 032 51 80E	Burgundy	-88		
	911 551 032 51 8MD	Burgundy	89		
	911 551 032 51 1VD	Champagne	-88		
	911 551 032 51 2XF	Linen			
	911 551 032 51 8JK	Greyish green	-88		
	911 551 032 51 4MM	Plum red	-88		
	911 551 032 51 5UM	Caramel			
	911 551 032 51 7VM	Silver-grey	-88		
	911 551 032 51 7VT	Silk grey	89		
	911 551 032 51 8UT	Cashmere beige	89		
	911 551 032 51 9MT	Velvet red	89		
	911 551 032 51 3WT	Slate grey	89		
	911 551 032 51 3KM	Venetian blue			
	911 551 032 51 6HM	Silver-blue	88		JUBI
		Silver-blue	89		
	911 551 032 51 1XV	Pearl grey	89		
(6)	911 551 032 52	Carpet	/V /R	1	M637
		Door sill			
		Carpet			
	911 551 032 52 70E	Black	-88		
	911 551 032 52 5FV	Black	89		
	911 551 032 52 5MF	Mahogany			
	911 551 032 52 3KF	Marine blue	-88		
	911 551 032 52 4FV	Marine blue	89		
	911 551 032 52 80E	Burgundy	-88		
	911 551 032 52 8MD	Burgundy	89		
	911 551 032 52 2XF	Linen	89		
	911 551 032 52 8UT	Cashmere beige	89		

Model: 911 87 Model life 1987>>1989

Pos	Part Number	Description	Remark	Qty	Model
7	911 551 032 52 8JK	Greyish green	-88	1	
	911 551 033 02	Carpet	/H /L		
		Door sill			
		Carpet			
	911 551 033 02 70E	Black	-88		
	911 551 033 02 5FV	Black	89		
	911 551 033 02 5MF	Mahogany			
	911 551 033 02 3KF	Marine blue	-88		
	911 551 033 02 4KV	Marine blue	89		
	911 551 033 02 80E	Burgundy	-88		
	911 551 033 02 8MD	Burgundy	89		
	911 551 033 02 1VD	Champagne	-88		
	911 551 033 02 2XF	Linen			
	911 551 033 02 8JK	Greyish green	-88		
	911 551 033 02 4MM	Plum red	-88		
	911 551 033 02 5UM	Caramel			
	911 551 033 02 7VM	Silver-grey	-88		
	911 551 033 02 7VT	Silk grey	89		
	911 551 033 02 8UT	Cashmere beige	89		
	911 551 033 02 9MT	Velvet red	89		
911 551 033 02 3WT	Slate grey	89			
911 551 033 02 3KM	Venetian blue				
911 551 033 02 6HM	Silver-blue	88			
	Silver-blue	89			
(7)	911 551 033 03	Carpet	/H /L (J)	1	JUBI
		Door sill			
		Carpet			
	911 551 033 03 70E	Black	-88		
	911 551 033 03 5FV	Black	89		
	911 551 033 03 5MF	Mahogany			
	911 551 033 03 3KF	Marine blue	-88		
	911 551 033 03 4KV	Marine blue	89		
	911 551 033 03 80E	Burgundy	-88		
	911 551 033 03 8MD	Burgundy	89		
	911 551 033 03 1VD	Champagne	-88		
	911 551 033 03 2XF	Linen			
	911 551 033 03 8JK	Greyish green	-88		
	911 551 033 03 4MM	Plum red	-88		
	911 551 033 03 5UM	Caramel			
	911 551 033 03 7VM	Silver-grey	-88		
	911 551 033 03 7VT	Silk grey	89		
	911 551 033 03 8UT	Cashmere beige	89		
	911 551 033 03 9MT	Velvet red	89		
	911 551 033 03 3WT	Slate grey	89		
	911 551 033 03 3KM	Venetian blue			
	911 551 033 03 6HM	Silver-blue	88		
		Silver-blue	89		
7	911 551 033 05	Adhesive carpet	/H /L	1	SPEEDSTER
		Door sill			
		Carpet			
	911 551 033 05 70E	Black	-88		
	911 551 033 05 5FV	Black	89		
	911 551 033 05 5MF	Mahogany			
	911 551 033 05 3KF	Marine blue	-88		
	911 551 033 05 4KV	Marine blue	89		
	911 551 033 05 80E	Burgundy	-88		
	911 551 033 05 8MD	Burgundy	89		
	911 551 033 05 1VD	Champagne	-88		
	911 551 033 05 2XF	Linen			
	911 551 033 05 8JK	Greyish green	-88		
	911 551 033 05 4MM	Plum red	-88		
	911 551 033 05 5UM	Caramel			
	911 551 033 05 7VM	Silver-grey	-88		

Model: 911 87 Model life 1987>>1989

Pos	Part Number	Description	Remark	Qty	Model
	911 551 033 05 7VT	Silk grey	89		
	911 551 033 05 8UT	Cashmere beige	89		
	911 551 033 05 9MT	Velvet red	89		
	911 551 033 05 3WT	Slate grey	89		
	911 551 033 05 3KM	Venetian blue			
	911 551 033 05 6HM	Silver-blue			JUBI
		Silver-blue	89		
7	911 551 033 02	Carpet	/H /L 89	1	M097
		Door sill			
		Carpet			
	911 551 033 02 1XV	Pearl grey			
7A	911 551 033 04	Carpet	/V /L	1	M637
		Door sill			
		Carpet			
	911 551 033 04 70E	Black	-88		
	911 551 033 04 5FV	Black	89		
	911 551 033 04 5MF	Mahogany			
	911 551 033 04 3KF	Marine blue	-88		
	911 551 033 04 4KV	Marine blue	89		
	911 551 033 04 80E	Burgundy	-88		
	911 551 033 04 8MD	Burgundy	89		
	911 551 033 04 2XF	Linen	89		
	911 551 033 04 8UT	Cashmere beige	89		
	911 551 033 04 8JK	Greyish green	-88		
8	911 551 034 02	Carpet	/H /R	1	
		Door sill			
		Carpet			
	911 551 034 02 70E	Black	-88		
	911 551 034 02 5FV	Black	89		
	911 551 034 02 5MF	Mahogany			
	911 551 034 02 3KF	Marine blue	-88		
	911 551 034 02 4KV	Marine blue	89		
	911 551 034 02 80E	Burgundy	-88		
	911 551 034 02 8MD	Burgundy	89		
	911 551 034 02 1VD	Champagne	-88		
	911 551 034 02 2XF	Linen			
	911 551 034 02 8JK	Greyish green	-88		
	911 551 034 02 4MM	Plum red	-88		
	911 551 034 02 5UM	Caramel			
	911 551 034 02 7VM	Silver-grey	-88		
	911 551 034 02 7VT	Silk grey	89		
	911 551 034 02 8UT	Cashmere beige	89		
	911 551 034 02 9MT	Velvet red	89		
	911 551 034 02 3WT	Slate grey	89		
	911 551 034 02 3KM	Venetian blue			
	911 551 034 02 6HM	Silver-blue	88		JUBI
		Silver-blue	89		
(8)	911 551 034 03	Carpet	/H /R (J)	1	
		Door sill			
		Carpet			
	911 551 034 03 70E	Black	-88		
	911 551 034 03 5FV	Black	89		
	911 551 034 03 5MF	Mahogany			
	911 551 034 03 3KF	Marine blue	-88		
	911 551 034 03 4KV	Marine blue	89		
	911 551 034 03 80E	Burgundy	-88		
	911 551 034 03 8MD	Burgundy	89		
	911 551 034 03 1VD	Champagne	-88		
	911 551 034 03 2XF	Linen			
	911 551 034 03 8JK	Greyish green	-88		
	911 551 034 03 4MM	Plum red	-88		
	911 551 034 03 5UM	Caramel			
	911 551 034 03 7VM	Silver-grey	-88		

Model: 911 87 Model life 1987>>1989

Pos	Part Number	Description	Remark	Qty	Model
	911 551 034 03 7VT	Silk grey	89		
	911 551 034 03 8UT	Cashmere beige	89		
	911 551 034 03 9MT	Velvet red	89		
	911 551 034 03 3WT	Slate grey	89		
	911 551 034 03 3KM	Venetian blue			
	911 551 034 03 6HM	Silver-blue	88		JUBI
		Silver-blue	89		
8	911 551 034 05	Adhesive carpet	/H /R	1	SPEEDSTER
		Door sill			
		Carpet			
	911 551 034 05 70E	Black	-88		
	911 551 034 05 5FV	Black	89		
	911 551 034 05 5MF	Mahogany			
	911 551 034 05 3KF	Marine blue	-88		
	911 551 034 05 4KV	Marine blue	89		
	911 551 034 05 80E	Burgundy	-88		
	911 551 034 05 8MD	Burgundy	89		
	911 551 034 05 1VD	Champagne	-88		
	911 551 034 05 2XF	Linen			
	911 551 034 05 8JK	Greyish green	-88		
	911 551 034 05 4MM	Plum red	-88		
	911 551 034 05 5UM	Caramel			
	911 551 034 05 7VM	Silver-grey	-88		
	911 551 034 05 7VT	Silk grey	89		
	911 551 034 05 8UT	Cashmere beige	89		
	911 551 034 05 9MT	Velvet red	89		
	911 551 034 05 3WT	Slate grey	89		
	911 551 034 05 3KM	Venetian blue			
	911 551 034 05 6HM	Silver-blue			JUBI
		Silver-blue	89		
8	911 551 034 02	Carpet	/H /R 89	1	M097
		Door sill			
		Carpet			
	911 551 034 02 1XV	Pearl grey			
8A	911 551 034 04	Adhesive carpet	/V /R	1	M637
		Door sill			
		Carpet			
	911 551 034 04 70E	Black	-88		
	911 551 034 04 5FV	Black	89		
	911 551 034 04 5MF	Mahogany			
	911 551 034 04 3KF	Marine blue	-88		
	911 551 034 04 4KV	Marine blue	89		
	911 551 034 04 80E	Burgundy	-88		
	911 551 034 04 8MD	Burgundy	89		
	911 551 034 04 2XF	Linen	89		
	911 551 034 04 8UT	Cashmere beige	89		
	911 551 034 04 8JK	Greyish green	-88		
9	911 551 035 00	Adhesive carpet	/H /L	1	M637
		Wheel housing panel			
		Carpet			
	911 551 035 00 70E	Black	-88		
	911 551 035 00 5FV	Black	89		
	911 551 035 00 5MF	Mahogany			
	911 551 035 00 3KF	Marine blue	-88		
	911 551 035 00 4KV	Marine blue	89		
	911 551 035 00 80E	Burgundy	-88		
	911 551 035 00 8MD	Burgundy	89		
	911 551 035 00 2XF	Linen	89		
	911 551 035 00 8UT	Cashmere beige	89		
	911 551 035 00 8JK	Greyish green	-88		
10	911 551 036 00	Adhesive carpet	/H /R	1	M637
		Wheel housing panel			
		Carpet			

Model: 911 87 Model life 1987>>1989

Pos	Part Number	Description	Remark	Qty	Model
	911 551 036 00 70E	Black	-88		
	911 551 036 00 5FV	Black	89		
	911 551 036 00 5MF	Mahogany			
	911 551 036 00 3KF	Marine blue	-88		
	911 551 036 00 4KV	Marine blue	89		
	911 551 036 00 80E	Burgundy	-88		
	911 551 036 00 8MD	Burgundy	89		
	911 551 036 00 2XF	Linen	89		
	911 551 036 00 8UT	Cashmere beige	89		
	911 551 036 00 8JK	Greyish green	-88		
9	911 551 035 00	Adhesive carpet	/L 89	1	SPEEDSTER
		Wheel housing panel			
		Carpet			
	911 551 035 00 5FV	Black			
	911 551 035 00 5MF	Mahogany			
	911 551 035 00 4KV	Marine blue			
	911 551 035 00 8MD	Burgundy			
	911 551 035 00 2XF	Linen			
	911 551 035 00 8UT	Cashmere beige			
	911 551 035 00 5UM	Caramel			
	911 551 035 00 7VT	Silk grey			
	911 551 035 00 3WT	Slate grey			
	911 551 035 00 3KM	Venetian blue			
10	911 551 036 00	Adhesive carpet	/R 89	1	SPEEDSTER
		Wheel housing panel			
		Carpet			
	911 551 036 00 5FV	Black			
	911 551 036 00 5MF	Mahogany			
	911 551 036 00 4KV	Marine blue			
	911 551 036 00 8MD	Burgundy			
	911 551 036 00 2XF	Linen			
	911 551 036 00 8UT	Cashmere beige			
	911 551 036 00 5UM	Caramel			
	911 551 036 00 7VT	Silk grey			
	911 551 036 00 3WT	Slate grey			
	911 551 036 00 3KM	Venetian blue			
11	911 555 771 61	Carpet cover	/L	1	CABRIO
		Carpet			
	911 555 771 61 70E	Black	-88		
	911 555 771 61 5FV	Black	89		
	911 555 771 61 5MF	Mahogany			
	911 555 771 61 3KF	Marine blue	-88		
	911 555 771 61 4KV	Marine blue	89		
	911 555 771 61 80E	Burgundy	-88		
	911 555 771 61 8MD	Burgundy	89		
	911 555 771 61 1VD	Champagne	-88		
	911 555 771 61 2XF	Linen			
	911 555 771 61 8JK	Greyish green	-88		
	911 555 771 61 4MM	Plum red	-88		
	911 555 771 61 5UM	Caramel			
	911 555 771 61 7VM	Silver-grey	-88		
	911 555 771 61 7VT	Silk grey	89		
	911 555 771 61 8UT	Cashmere beige	89		
	911 555 771 61 9MT	Velvet red	89		
	911 555 771 61 3WT	Slate grey	89		
	911 555 771 61 3KM	Venetian blue			
	911 555 771 61 6HM	Silver-blue	88		JUBI
		Silver-blue	89		
(11)	911 555 771 65	Carpet cover	/L	1	CABRIO M439
		Carpet			
	911 555 771 65 70E	Black	-88		
	911 555 771 65 5FV	Black	89		

Model: 911 87 Model life 1987>>1989

Pos	Part Number	Description	Remark	Qty	Model
	911 555 771 65 5MF	Mahogany			
	911 555 771 65 3KF	Marine blue	-88		
	911 555 771 65 4KV	Marine blue	89		
	911 555 771 65 80E	Burgundy	-88		
	911 555 771 65 8MD	Burgundy	89		
	911 555 771 65 1VD	Champagne	-88		
	911 555 771 65 2XF	Linen			
	911 555 771 65 8JK	Greyish green	-88		
	911 555 771 65 4MM	Plum red	-88		
	911 555 771 65 5UM	Caramel			
	911 555 771 65 7VM	Silver-grey	-88		
	911 555 771 65 7VT	Silk grey	89		
	911 555 771 65 8UT	Cashmere beige	89		
	911 555 771 65 9MT	Velvet red	89		
	911 555 771 65 3WT	Slate grey	89		
	911 555 771 65 3KM	Venetian blue			
	911 555 771 65 6HM	Silver-blue	88		JUBI
		Silver-blue	89		
(11)	911 555 771 65	Carpet cover	/L 89	1	CABRIO M097
		Carpet			
(11)	911 555 771 65 1XV	Pearl grey			
	911 555 771 62	Adhesive carpet	/L 89	1	SPEEDSTER
	911 555 771 62 5FV	Black			
	911 555 771 62 5MF	Mahogany			
	911 555 771 62 4KV	Marine blue			
	911 555 771 62 8MD	Burgundy			
	911 555 771 62 2XF	Linen			
	911 555 771 62 8UT	Cashmere beige			
	911 555 771 62 5UM	Caramel			
	911 555 771 62 7VT	Silk grey			
	911 555 771 62 3WT	Slate grey			
	911 555 771 62 3KM	Venetian blue			
12	911 555 772 61	Carpet cover	/R	1	CABRIO
		Carpet			
	911 555 772 61 70E	Black	-88		
	911 555 772 61 5FV	Black	89		
	911 555 772 61 5MF	Mahogany			
	911 555 772 61 3KF	Marine blue	-88		
	911 555 772 61 4KV	Marine blue	89		
	911 555 772 61 80E	Burgundy	-88		
	911 555 772 61 8MD	Burgundy	89		
	911 555 772 61 1VD	Champagne	-88		
	911 555 772 61 2XF	Linen			
	911 555 772 61 8JK	Greyish green	-88		
	911 555 772 61 4MM	Plum red	-88		
	911 555 772 61 5UM	Caramel			
	911 555 772 61 7VM	Silver-grey	-88		
	911 555 772 61 7VT	Silk grey	89		
	911 555 772 61 8UT	Cashmere beige	89		
	911 555 772 61 9MT	Velvet red	89		
	911 555 772 61 3WT	Slate grey	89		
	911 555 772 61 3KM	Venetian blue			
	911 555 772 61 6HM	Silver-blue	88		JUBI
		Silver-blue	89		
(12)	911 555 772 65	Carpet cover	/R	1	CABRIO M439
		Carpet			
	911 555 772 65 70E	Black	-88		
	911 555 772 65 5FV	Black	89		
	911 555 772 65 5MF	Mahogany			
	911 555 772 65 3KF	Marine blue	-88		
	911 555 772 65 4KV	Marine blue	89		

Model: 911 87 Model life 1987>>1989

Pos	Part Number	Description	Remark	Qty	Model
	911 555 772 65 80E	Burgundy	-88		
	911 555 772 65 8MD	Burgundy	89		
	911 555 772 65 1VD	Champagne	-88		
	911 555 772 65 2XF	Linen			
	911 555 772 65 8JK	Greyish green	-88		
	911 555 772 65 4MM	Plum red	-88		
	911 555 772 65 5UM	Caramel			
	911 555 772 65 7VM	Silver-grey	-88		
	911 555 772 65 7VT	Silk grey	89		
	911 555 772 65 8UT	Cashmere beige	89		
	911 555 772 65 9MT	Velvet red	89		
	911 555 772 65 3WT	Slate grey	89		
	911 555 772 65 3KM	Venetian blue			
	911 555 772 65 6HM	Silver-blue	88		JUBI
		Silver-blue	89		
(12)	911 555 772 65	Carpet cover	/R 89	1	CABRIO M097
		Carpet			
	911 555 772 65 1XV	Pearl grey			
(12)	911 555 772 62	Adhesive carpet	/R 89	1	SPEEDSTER
		Carpet			
	911 555 772 62 5FV	Black			
	911 555 772 62 5MF	Mahogany			
	911 555 772 62 4KV	Marine blue			
	911 555 772 62 8MD	Burgundy			
	911 555 772 62 2XF	Linen			
	911 555 772 62 8UT	Cashmere beige			
	911 555 772 62 5UM	Caramel			
	911 555 772 62 7VT	Silk grey			
	911 555 772 62 3WT	Slate grey			
	911 555 772 62 3KM	Venetian blue			
13	911 551 051 04	Carpet		1	
		Heel plate			
		Carpet			
	911 551 051 04 70E	Black	-88		
	911 551 051 04 5FV	Black	89		
	911 551 051 04 5MF	Mahogany			
	911 551 051 04 3KF	Marine blue	-88		
	911 551 051 04 4KV	Marine blue	89		
	911 551 051 04 80E	Burgundy	-88		
	911 551 051 04 8MD	Burgundy	89		
	911 551 051 04 1VD	Champagne	-88		
	911 551 051 04 2XF	Linen			
	911 551 051 04 8JK	Greyish green	-88		
	911 551 051 04 4MM	Plum red	-88		
	911 551 051 04 5UM	Caramel			
	911 551 051 04 7VM	Silver-grey	-88		
	911 551 051 04 7VT	Silk grey	89		
	911 551 051 04 8UT	Cashmere beige	89		
	911 551 051 04 9MT	Velvet red	89		
	911 551 051 04 3WT	Slate grey	89		
	911 551 051 04 3KM	Venetian blue			
	911 551 051 04 6HM	Silver-blue	88		JUBI
		Silver-blue	89		
	911 551 051 04 1XV	Pearl grey	89		
14	911 551 023 01	Adhesive carpet		1	CARRERA TURBO
		Seat well			
		Carpet			
	911 551 023 01 70E	Black	-88		
	911 551 023 01 5FV	Black	89		
	911 551 023 01 5MF	Mahogany			
	911 551 023 01 3KF	Marine blue	-88		
	911 551 023 01 4KV	Marine blue	89		

Model: 911 87 Model life 1987>>1989

Pos	Part Number	Description	Remark	Qty	Model
	911 551 023 01 80E	Burgundy	-88		
	911 551 023 01 8MD	Burgundy	89		
	911 551 023 01 1VD	Champagne	-88		
	911 551 023 01 2XF	Linen			
	911 551 023 01 8JK	Greyish green	-88		
	911 551 023 01 4MM	Plum red	-88		
	911 551 023 01 5UM	Caramel			
	911 551 023 01 7VM	Silver-grey	-88		
	911 551 023 01 7VT	Silk grey	89		
	911 551 023 01 8UT	Cashmere beige	89		
	911 551 023 01 9MT	Velvet red	89		
	911 551 023 01 3WT	Slate grey	89		
	911 551 023 01 3KM	Venetian blue			
	911 551 023 01 6HM	Silver-blue	88		JUBI
		Silver-blue	89		
	911 551 023 01 1XV	Pearl grey	89		
(14)	911 551 423 07	Adhesive carpet		1	M637
		Seat well			
		Carpet			
	911 551 423 07 70E	Black	-88		
	911 551 423 07 5FV	Black	89		
	911 551 423 07 5MF	Mahogany			
	911 551 423 07 3KF	Marine blue	-88		
	911 551 423 07 4KV	Marine blue	89		
	911 551 423 07 80E	Burgundy	-88		
	911 551 423 07 8MD	Burgundy	89		
	911 551 423 07 2XF	Linen	89		
	911 551 423 07 8UT	Cashmere beige	89		
(14)	911 551 423 07 8JK	Greyish green	-88		
	911 551 423 07	Adhesive carpet	89	1	SPEEDSTER
		Seat well			
		Carpet			
	911 551 423 07 5FV	Black			
	911 551 423 07 5MF	Mahogany			
	911 551 423 07 4KV	Marine blue			
	911 551 423 07 8MD	Burgundy			
	911 551 423 07 2XF	Linen			
	911 551 423 07 8UT	Cashmere beige			
	911 551 423 07 5UM	Caramel			
	911 551 423 07 7VT	Silk grey			
	911 551 423 07 3WT	Slate grey			
	911 551 423 07 3KM	Venetian blue			
15	911 551 081 00	Adhesive carpet	/L	1	M637
		Back seat			
		Carpet			
	911 551 081 00 70E	Black	-88		
	911 551 081 00 5FV	Black	89		
	911 551 081 00 5MF	Mahogany			
	911 551 081 00 3KF	Marine blue	-88		
	911 551 081 00 4KV	Marine blue	89		
	911 551 081 00 80E	Burgundy	-88		
	911 551 081 00 8MD	Burgundy	89		
	911 551 081 00 2XF	Linen	89		
	911 551 081 00 8UT	Cashmere beige	89		
	911 551 081 00 8JK	Greyish green	-88		
16	911 551 082 00	Adhesive carpet	/R	1	M637
		Back seat			
		Carpet			
	911 551 082 00 70E	Black	-88		
	911 551 082 00 5FV	Black	89		
	911 551 082 00 5MF	Mahogany			
	911 551 082 00 3KF	Marine blue	-88		
	911 551 082 00 4KV	Marine blue	89		

Model: 911 87 Model life 1987>>1989

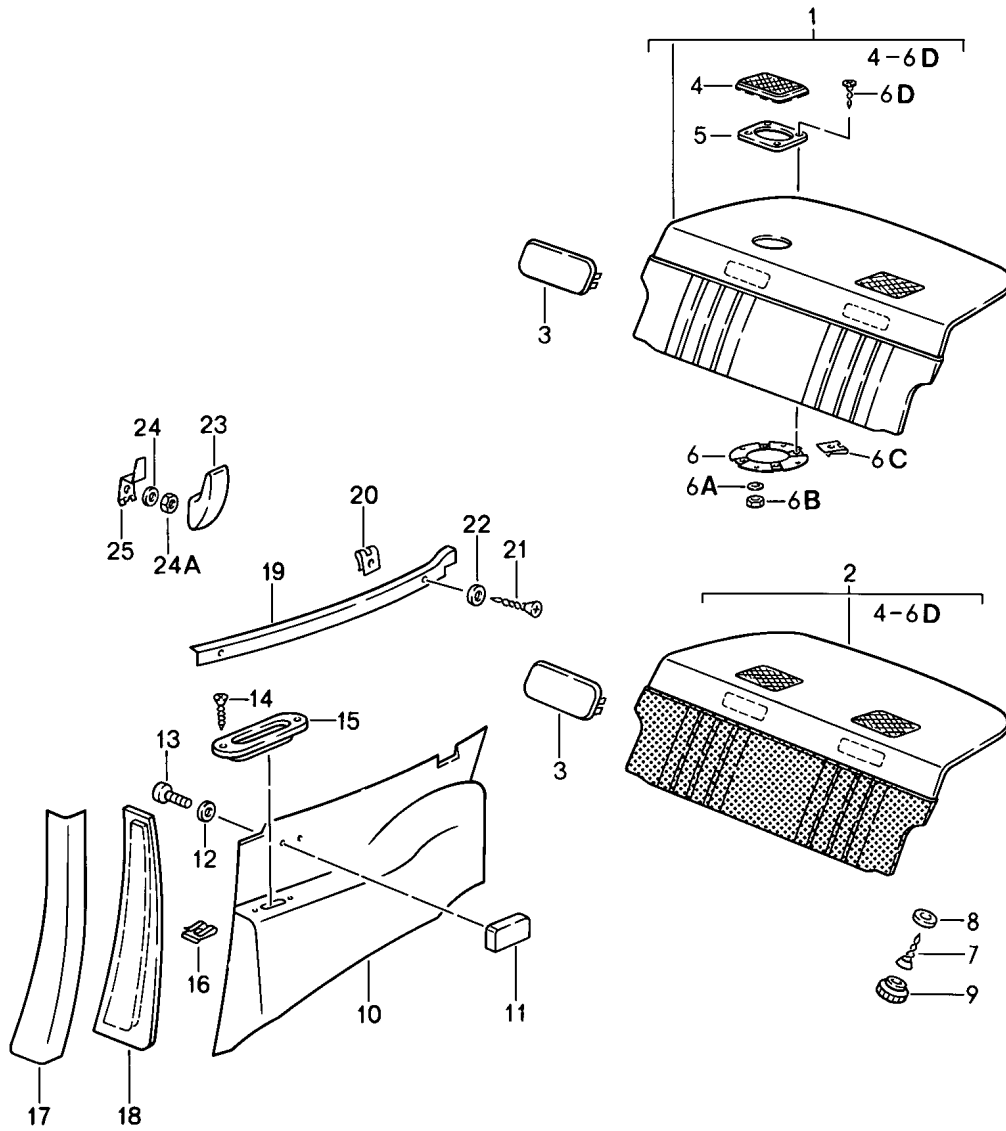
Pos	Part Number	Description	Remark	Qty	Model			
15	911 551 082 00 80E	Burgundy	-88	1	SPEEDSTER			
	911 551 082 00 8MD	Burgundy	89					
	911 551 082 00 2XF	Linen	89					
	911 551 082 00 8UT	Cashmere beige	89					
	911 551 082 00 8JK	Greyish green	-88					
	911 551 081 00	Adhesive carpet Back seat Carpet	/L 89					
	911 551 081 00 5FV	Black						
	911 551 081 00 5MF	Mahogany						
	911 551 081 00 4KV	Marine blue						
	911 551 081 00 8MD	Burgundy						
	911 551 081 00 2XF	Linen						
	911 551 081 00 8UT	Cashmere beige						
	911 551 081 00 5UM	Caramel						
	911 551 081 00 7VT	Silk grey						
16	911 551 081 00 3WT	Slate grey		1	SPEEDSTER			
	911 551 081 00 3KM	Venetian blue						
	911 551 082 00	Adhesive carpet Back seat Carpet	/R 89					
	911 551 082 00 5FV	Black						
	911 551 082 00 5MF	Mahogany						
	911 551 082 00 4KV	Marine blue						
	911 551 082 00 8MD	Burgundy						
	911 551 082 00 2XF	Linen						
	911 551 082 00 8UT	Cashmere beige						
	911 551 082 00 5UM	Caramel						
	911 551 082 00 7VT	Silk grey						
	911 551 082 00 3WT	Slate grey						
	911 551 082 00 3KM	Venetian blue						
	17	911 551 054 03	Carpet Seat well Carpet			/H	1	CARRERA TURBO
911 551 054 03 70E		Black	-88					
911 551 054 03 5FV		Black	89					
911 551 054 03 5MF		Mahogany						
911 551 054 03 3KF		Marine blue	-88					
911 551 054 03 4KV		Marine blue	89					
911 551 054 03 80E		Burgundy	-88					
911 551 054 03 8MD		Burgundy	89					
911 551 054 03 1VD		Champagne	-88					
911 551 054 03 2XF		Linen						
911 551 054 03 8JK		Greyish green	-88					
911 551 054 03 4MM		Plum red	-88					
911 551 054 03 5UM		Caramel						
911 551 054 03 7VM		Silver-grey	-88					
911 551 054 03 7VT		Silk grey	89					
911 551 054 03 8UT		Cashmere beige	89					
911 551 054 03 9MT		Velvet red	89					
911 551 054 03 3WT		Slate grey	89					
911 551 054 03 3KM		Venetian blue						
911 551 054 03 6HM		Silver-blue	88					
		Silver-blue	89					
911 551 054 03 1XV		Pearl grey	89					
(17)		911 551 054 04	Adhesive carpet Seat well Carpet	/H	1	COUPE M637		
		911 551 054 04 70E	Black	-88				
		911 551 054 04 5FV	Black	89				
		911 551 054 04 5MF	Mahogany					
		911 551 054 04 3KF	Marine blue	-88				

Model: 911 87 Model life 1987>>1989

Pos	Part Number	Description	Remark	Qty	Model
(17)	911 551 054 04 4KV	Marine blue	89	1	SPEEDSTER
	911 551 054 04 80E	Burgundy	-88		
	911 551 054 04 8MD	Burgundy	89		
	911 551 054 04 2XF	Linen	89		
	911 551 054 04 8UT	Cashmere beige	89		
	911 551 054 04 8JK	Greyish green	-88		
	911 551 054 04	Adhesive carpet	/H 89		
		Seat well			
		Carpet			
	911 551 054 04 5FV	Black			
	911 551 054 04 5MF	Mahogany			
	911 551 054 04 4KV	Marine blue			
	911 551 054 04 8MD	Burgundy			
	911 551 054 04 2XF	Linen			
	911 551 054 04 8UT	Cashmere beige			
	911 551 054 04 5UM	Caramel			
	911 551 054 04 7VT	Silk grey			
911 551 054 04 3WT	Slate grey				
911 551 054 04 3KM	Venetian blue				
18	911 551 037 00	Adhesive carpet		1	COUPE M637
		Rear wall			
		Carpet			
	911 551 037 00 70E	Black	-88		
	911 551 037 00 5FV	Black	89		
	911 551 037 00 5MF	Mahogany			
	911 551 037 00 3KF	Marine blue	-88		
	911 551 037 00 4KV	Marine blue	89		
	911 551 037 00 80E	Burgundy	-88		
	911 551 037 00 8MD	Burgundy	89		
	911 551 037 00 2XF	Linen	89		
	911 551 037 00 8UT	Cashmere beige	89		
	911 551 037 00 8JK	Greyish green	-88		
18	911 551 037 01	Adhesive carpet	89	1	SPEEDSTER
		Rear wall			
		Carpet			
	911 551 037 01 5FV	Black			
	911 551 037 01 5MF	Mahogany			
	911 551 037 01 4KV	Marine blue			
	911 551 037 01 8MD	Burgundy			
	911 551 037 01 2XF	Linen			
	911 551 037 01 8UT	Cashmere beige			
	911 551 037 01 5UM	Caramel			
	911 551 037 01 7VT	Silk grey			
	911 551 037 01 3WT	Slate grey			
	911 551 037 01 3KM	Venetian blue			

Model: 911 87

Model life 1987>>1989



Model: 911 87

Model life 1987>>1989

Pos	Part Number	Description	Remark	Qty	Model
		Interior equipment			COUPE/TARGA
		Rear			
1	911 555 111 10	Back wall lining		1	COUPE
		Leatherette			
		Upper part/lower part			
	911 555 111 10 05T	Black/black			
	911 555 111 10 1MX	Mahogany/mahogany			
	911 555 111 10 1KX	Marine blue/marine blue			
	911 555 111 10 3MK	Burgundy/burgundy			
	911 555 111 10 4JX	Greyish green/grey-green	-88		
	911 555 111 10 TT3	Black/linen			
	911 555 111 10 TT5	Mahogany/linen			
	911 555 111 10 TT4	Marine blue/linen			
	911 555 111 10 TT6	Burgundy/linen			
	911 555 111 10 TT7	Greyish green/linen	-88		
	911 555 111 10 XN8	Black/cashmere beige	89		
	911 555 111 10 XP2	Marine blue/cashmere beige	89		
(1)	911 555 111 12	Back wall lining		1	COUPE M335
		Leatherette			
		Upper part/lower part			
	911 555 111 12 05T	Black/black			
	911 555 111 12 1MX	Mahogany/mahogany			
	911 555 111 12 1KX	Marine blue/marine blue			
	911 555 111 12 3MK	Burgundy/burgundy			
	911 555 111 12 4JX	Greyish green/grey-green	-88		
	911 555 111 12 TT3	Black/linen			
	911 555 111 12 TT5	Mahogany/linen			
	911 555 111 12 TT4	Marine blue/linen			
	911 555 111 12 TT6	Burgundy/linen			
	911 555 111 12 TT7	Greyish green/linen	-88		
	911 555 111 12 XN8	Black/cashmere beige	89		
	911 555 111 12 XP2	Marine blue/cashmere beige	89		
1	911 555 112 00	Back wall lining		1	TARGA
		Leatherette			
		Upper part/lower part			
	911 555 112 00 05T	Black/black			
	911 555 112 00 1MX	Mahogany/mahogany			
	911 555 112 00 1KX	Marine blue/marine blue			
	911 555 112 00 3MK	Burgundy/burgundy			
	911 555 112 00 4JX	Greyish green/grey-green	-88		
	911 555 112 00 TT3	Black/linen			
	911 555 112 00 TT5	Mahogany/linen			
	911 555 112 00 TT4	Marine blue/linen			
	911 555 112 00 TT6	Burgundy/linen			
	911 555 112 00 TT7	Greyish green/linen	-88		
	911 555 112 00 XN8	Black/cashmere beige	89		
	911 555 112 00 XP2	Marine blue/cashmere beige	89		
(1)	911 555 112 02	Back wall lining		1	TARGA M335
		Leatherette			
		Upper part/lower part			
	911 555 112 02 05T	Black/black			
	911 555 112 02 1MX	Mahogany/mahogany			
	911 555 112 02 1KX	Marine blue/marine blue			
	911 555 112 02 3MK	Burgundy/burgundy			
	911 555 112 02 4JX	Greyish green/grey-green	-88		
	911 555 112 02 TT3	Black/linen			
	911 555 112 02 TT5	Mahogany/linen			
	911 555 112 02 TT4	Marine blue/linen			
	911 555 112 02 TT6	Burgundy/linen			
	911 555 112 02 TT7	Greyish green/linen	-88		
	911 555 112 02 XN8	Black/cashmere beige	89		

Model: 911 87 Model life 1987>>1989

Pos	Part Number	Description	Remark	Qty	Model			
1	911 555 112 02 XP2	Marine blue/cashmere beige	89	1	COUPE			
	911 555 111 11	Back wall lining Whole-leather Upper part/lower part						
	911 555 111 11 KZ2	Black/black						
	911 555 111 11 TV1	Mahogany/mahogany						
	911 555 111 11 TS1	Marine blue/marine blue						
	911 555 111 11 LG7	Burgundy/burgundy						
	911 555 111 11 TV6	Black/linen						
	911 555 111 11 QC2	Greyish green/grey-green	-88					
	911 555 111 11 TV8	Mahogany/linen						
	911 555 111 11 TV7	Marine blue/linen						
	911 555 111 11 TV9	Burgundy/linen						
	911 555 111 11 TW8	Greyish green/linen	-88					
	911 555 111 11 UB7	Black/lipstick red	-88					
	911 555 111 11 LL9	Black/champagne	-88					
	911 555 111 11 UC1	Marine blue/lipstick red	-88					
	911 555 111 11 UB8	Black/silver grey	-88					
	911 555 111 11 UB9	Marine blue/silver-grey	-88					
	911 555 111 11 UC2	Marine blue/champagne	-88					
	911 555 111 11 UD5	Caramel/caramel						
	911 555 111 11 UD6	Venetian bl./venetian blue						
	911 555 111 11 XP1	Black/cashmere beige	89					
	911 555 111 11 XP4	Marine blue/cashmere beige	89					
	911 555 111 11 XP6	Black/silk grey	89					
	911 555 111 11 XP8	Marine blue/silk grey	89					
	911 555 111 11 XN6	Velvet red	89					
	911 555 111 11 XN7	Slate grey	89					
	(1)	911 555 111 13	Back wall lining Whole-leather Upper part/lower part				1	COUPE M335
911 555 111 13 KZ2		Black/black						
911 555 111 13 TV1		Mahogany/mahogany						
911 555 111 13 TS1		Marine blue/marine blue						
911 555 111 13 LG7		Burgundy/burgundy						
911 555 111 13 TV6		Black/linen						
911 555 111 13 QC2		Greyish green/grey-green	-88					
911 555 111 13 TV8		Mahogany/linen						
911 555 111 13 TV7		Marine blue/linen						
911 555 111 13 TV9		Burgundy/linen						
911 555 111 13 TW8		Greyish green/linen	-88					
911 555 111 13 UB7		Black/lipstick red	-88					
911 555 111 13 LL9		Black/champagne	-88					
911 555 111 13 UC1		Marine blue/lipstick red	-88					
911 555 111 13 UB8		Black/silver grey	-88					
911 555 111 13 UB9		Marine blue/silver-grey	-88					
911 555 111 13 UC2		Marine blue/champagne	-88					
911 555 111 13 UD5		Caramel/caramel						
911 555 111 13 UD6		Venetian bl./venetian blue						
911 555 111 13 XP1		Black/cashmere beige	89					
911 555 111 13 XP4		Marine blue/cashmere beige	89					
911 555 111 13 XP6		Black/silk grey	89					
911 555 111 13 XP8		Marine blue/silk grey	89					
911 555 111 13 XN6		Velvet red	89					
911 555 111 13 XN7		Slate grey	89					
1		911 555 112 01	Back wall lining Whole-leather Upper part/lower part		1	TARGA		
		911 555 112 01 KZ2	Black/black					
	911 555 112 01 TV1	Mahogany/mahogany						
	911 555 112 01 TS1	Marine blue/marine blue						
	911 555 112 01 LG7	Burgundy/burgundy						

Model: 911 87 Model life 1987>>1989

Pos	Part Number	Description	Remark	Qty	Model
	911 555 112 01 TV6	Black/linen			
	911 555 112 01 QC2	Greyish green/grey-green	-88		
	911 555 112 01 TV8	Mahogany/linen			
	911 555 112 01 TV7	Marine blue/linen			
	911 555 112 01 TV9	Burgundy/linen			
	911 555 112 01 TW8	Greyish green/linen	-88		
	911 555 112 01 UB7	Black/lipstick red	-88		
	911 555 112 01 LL9	Black/champagne	-88		
	911 555 112 01 UC1	Marine blue/lipstick red	-88		
	911 555 112 01 UB8	Black/silver grey	-88		
	911 555 112 01 UB9	Marine blue/silver-grey	-88		
	911 555 112 01 UC2	Marine blue/champagne	-88		
	911 555 112 01 UD5	Caramel/caramel			
	911 555 112 01 UD6	Venetian bl./venetian blue			
	911 555 112 01 XP1	Black/cashmere beige	89		
	911 555 112 01 XP4	Marine blue/cashmere beige	89		
	911 555 112 01 XP6	Black/silk grey	89		
	911 555 112 01 XP8	Marine blue/silk grey	89		
	911 555 112 01 XN6	Velvet red	89		
	911 555 112 01 XN7	Slate grey	89		
(1)	911 555 112 03	Back wall lining		1	TARGA M335
		Whole-leather			
		Upper part/lower part			
	911 555 112 03 KZ2	Black/black			
	911 555 112 03 TV1	Mahogany/mahogany			
	911 555 112 03 TS1	Marine blue/marine blue			
	911 555 112 03 LG7	Burgundy/burgundy			
	911 555 112 03 TV6	Black/linen			
	911 555 112 03 QC2	Greyish green/grey-green	-88		
	911 555 112 03 TV8	Mahogany/linen			
	911 555 112 03 TV7	Marine blue/linen			
	911 555 112 03 TV9	Burgundy/linen			
	911 555 112 03 TW8	Greyish green/linen	-88		
	911 555 112 03 UB7	Black/lipstick red	-88		
	911 555 112 03 LL9	Black/champagne	-88		
	911 555 112 03 UC1	Marine blue/lipstick red	-88		
	911 555 112 03 UB8	Black/silver grey	-88		
	911 555 112 03 UB9	Marine blue/silver-grey	-88		
	911 555 112 03 UC2	Marine blue/champagne	-88		
	911 555 112 03 UD5	Caramel/caramel			
	911 555 112 03 UD6	Venetian bl./venetian blue			
	911 555 112 03 XP1	Black/cashmere beige	89		
	911 555 112 03 XP4	Marine blue/cashmere beige	89		
	911 555 112 03 XP6	Black/silk grey	89		
	911 555 112 03 XP8	Marine blue/silk grey	89		
	911 555 112 03 XN6	Velvet red	89		
	911 555 112 03 XN7	Slate grey	89		
1	911 555 111 11	Back wall lining	89	1	COUPE M099
		Whole-leather			
		Upper part/lower part			
	911 555 111 11 SR8	Blue/			
		Blue metallic			
(1)	911 555 111 13	Back wall lining	89	1	COUPE M099 M335
		Whole-leather			
		Upper part/lower part			
	911 555 111 13 SR8	Blue/			
		Blue metallic			
1	911 555 111 18	Back wall lining		1	COUPE
		Leatherette/leather			

Model: 911 87 Model life 1987>>1989

Pos	Part Number	Description	Remark	Qty	Model
		Upper part/lower part			
	911 555 111 18 QX4	Black/black			
	911 555 111 18 TZ9	Mahogany/mahogany			
	911 555 111 18 TZ3	Marine blue/marine blue			
	911 555 111 18 QX7	Burgundy/burgundy			
	911 555 111 18 QX8	Greyish green/grey-green	-88		
	911 555 111 18 TW3	Black/linen			
	911 555 111 18 TW5	Mahogany/linen			
	911 555 111 18 QY2	Black/champagne	-88		
	911 555 111 18 TW4	Marine blue/linen			
	911 555 111 18 TW6	Burgundy/linen			
	911 555 111 18 TW7	Greyish green/linen	-88		
	911 555 111 18 UD7	Black/lipstick red	-88		
	911 555 111 18 UR1	Marine blue/lipstick red	-88		
	911 555 111 18 UD8	Black/silver grey	-88		
	911 555 111 18 UD9	Marine blue/silver-grey	-88		
	911 555 111 18 UR2	Marine blue/champagne	-88		
	911 555 111 18 XN9	Black/cashmere beige	89		
	911 555 111 18 XP3	Marine blue/cashmere beige	89		
	911 555 111 18 XP5	Black/silk grey	89		
	911 555 111 18 XP7	Marine blue/silk grey	89		
(1)	911 555 111 19	Back wall lining		1	COUPE M335
		Leatherette/leather			
		Upper part/lower part			
	911 555 111 19 QX4	Black/black			
	911 555 111 19 TZ9	Mahogany/mahogany			
	911 555 111 19 TZ3	Marine blue/marine blue			
	911 555 111 19 QX7	Burgundy/burgundy			
	911 555 111 19 QX8	Greyish green/grey-green	-88		
	911 555 111 19 TW3	Black/linen			
	911 555 111 19 TW5	Mahogany/linen			
	911 555 111 19 QY2	Black/champagne	-88		
	911 555 111 19 TW4	Marine blue/linen			
	911 555 111 19 TW6	Burgundy/linen			
	911 555 111 19 TW7	Greyish green/linen	-88		
	911 555 111 19 UD7	Black/lipstick red	-88		
	911 555 111 19 UR1	Marine blue/lipstick red	-88		
	911 555 111 19 UD8	Black/silver grey	-88		
	911 555 111 19 UD9	Marine blue/silver-grey	-88		
	911 555 111 19 UR2	Marine blue/champagne	-88		
	911 555 111 19 XN9	Black/cashmere beige	89		
	911 555 111 19 XP3	Marine blue/cashmere beige	89		
	911 555 111 19 XP5	Black/silk grey	89		
	911 555 111 19 XP7	Marine blue/silk grey	89		
1	911 555 112 08	Back wall lining		1	TARGA
		Leatherette/leather			
		Upper part/lower part			
	911 555 112 08 QX4	Black/black			
	911 555 112 08 TZ9	Mahogany/mahogany			
	911 555 112 08 TZ3	Marine blue/marine blue			
	911 555 112 08 QX7	Burgundy/burgundy			
	911 555 112 08 QX8	Greyish green/grey-green	-88		
	911 555 112 08 TW3	Black/linen			
	911 555 112 08 TW5	Mahogany/linen			
	911 555 112 08 QY2	Black/champagne	-88		
	911 555 112 08 TW4	Marine blue/linen			
	911 555 112 08 TW6	Burgundy/linen			
	911 555 112 08 TW7	Greyish green/linen	-88		
	911 555 112 08 UD7	Black/lipstick red	-88		
	911 555 112 08 UR1	Marine blue/lipstick red	-88		
	911 555 112 08 UD8	Black/silver grey	-88		
	911 555 112 08 UD9	Marine blue/silver-grey	-88		

Model: 911 87 Model life 1987>>1989

Pos	Part Number	Description	Remark	Qty	Model
	911 555 112 08 UR2	Marine blue/champagne	-88		
	911 555 112 08 XN9	Black/cashmere beige	89		
	911 555 112 08 XP3	Marine blue/cashmere beige	89		
	911 555 112 08 XP5	Black/silk grey	89		
	911 555 112 08 XP7	Marine blue/silk grey	89		
(1)	911 555 112 09	Back wall lining		1	TARGA M335
		Leatherette/leather Upper part/lower part			
	911 555 112 09 QX4	Black/black			
	911 555 112 09 TZ9	Mahogany/mahogany			
	911 555 112 09 TZ3	Marine blue/marine blue			
	911 555 112 09 QX7	Burgundy/burgundy			
	911 555 112 09 QX8	Greyish green/grey-green	-88		
	911 555 112 09 TW3	Black/linen			
	911 555 112 09 TW5	Mahogany/linen			
	911 555 112 09 QY2	Black/champagne	-88		
	911 555 112 09 TW4	Marine blue/linen			
	911 555 112 09 TW6	Burgundy/linen			
	911 555 112 09 TW7	Greyish green/linen	-88		
	911 555 112 09 UD7	Black/lipstick red	-88		
	911 555 112 09 UR1	Marine blue/lipstick red	-88		
	911 555 112 09 UD8	Black/silver grey	-88		
	911 555 112 09 UD9	Marine blue/silver-grey	-88		
	911 555 112 09 UR2	Marine blue/champagne	-88		
	911 555 112 09 XN9	Black/cashmere beige	89		
	911 555 112 09 XP3	Marine blue/cashmere beige	89		
	911 555 112 09 XP5	Black/silk grey	89		
	911 555 112 09 XP7	Marine blue/silk grey	89		
1	911 555 111 18	Back wall lining	89	1	COUPE M099
		Leatherette/leather Upper part/lower part			
	911 555 111 18 SR6	Blue/ Blue metallic			
(1)	911 555 111 19	Back wall lining		1	COUPE M099 M335
		Leatherette/leather Upper part/lower part			
	911 555 111 19 SR6	Blue/ Blue metallic			
1	911 555 111 18	Back wall lining	88	1	COUPE
		Leatherette/leather Upper part/lower part			
	911 555 111 18 WR3	Black/ Blue metallic	88 88		JUBI
1	911 555 111 19	Back wall lining	88	1	COUPE M335
		Leatherette/leather Upper part/lower part			
	911 555 111 19 WR3	Black/ Blue metallic	88 88		JUBI
(1)	911 555 112 08	Back wall lining	88	1	TARGA
		Leatherette/leather Upper part/lower part			
	911 555 112 08 WR3	Black/ Blue metallic	88 88		JUBI
(1)	911 555 112 09	Back wall lining	88	1	TARGA M335
		Leatherette/leather Upper part/lower part			
	911 555 112 09 WR3	Black/	88		JUBI

Model: 911 87

Model life 1987>>1989

Pos	Part Number	Description	Remark	Qty	Model
2	911 555 111 14	Blue metallic Back wall lining Upper part/lower part Leatherette/ Cloth Pin stripe velour	88	1	COUPE
	911 555 111 14 7BN	Black-white Black-white			
	911 555 111 14 6LN	Mahogany-white Mahogany-white			
	911 555 111 14 TS6	Blue-white Blue-white			
	911 555 111 14 1MJ	Burgundy-white Burgundy-white			
	911 555 111 14 3JV	Greyish green-white Greyish green-white	-88 -88		
	911 555 111 14 XU2	Linen white Linen white	89 89		
	911 555 111 14 SJ8	Cashmere beige-white Cashmere beige-white	89 89		
	911 555 111 14 XU8	Linen white Linen white	89 89		
	911 555 111 14 XY5	Linen white Linen white	89 89		
	911 555 111 14 SK5	Cashmere beige-white Cashmere beige-white	89 89		
	911 555 111 14 SJ2	Linen white Linen white	89 89		
(2)	911 555 111 15	Back wall lining Upper part/lower part Leatherette/ Cloth Pin stripe velour		1	COUPE M335
	911 555 111 15 7BN	Black-white Black-white			
	911 555 111 15 6LN	Mahogany-white Mahogany-white			
	911 555 111 15 TS6	Blue-white Blue-white			
	911 555 111 15 1MJ	Burgundy-white Burgundy-white			
	911 555 111 15 3JV	Greyish green-white Greyish green-white	-88 -88		
	911 555 111 15 XU2	Linen white Linen white	89 89		
	911 555 111 15 SJ8	Cashmere beige-white Cashmere beige-white	89 89		
	911 555 111 15 XU8	Linen white Linen white	89 89		
	911 555 111 15 XY5	Linen white Linen white	89 89		
	911 555 111 15 SK5	Cashmere beige-white Cashmere beige-white	89 89		
	911 555 111 15 SJ2	Linen white Linen white	89 89		
2	911 555 112 04	Back wall lining Upper part/lower part Leatherette/ Cloth Pin stripe velour		1	TARGA
	911 555 112 04 7BN	Black-white Black-white			

Model: 911 87 Model life 1987>>1989

Pos	Part Number	Description	Remark	Qty	Model
	911 555 112 04 6LN	Mahogany-white Mahogany-white			
	911 555 112 04 TS6	Blue-white Blue-white			
	911 555 112 04 1MJ	Burgundy-white Burgundy-white			
	911 555 112 04 3JV	Greyish green-white Greyish green-white	-88 -88		
	911 555 112 04 XU2	Linen white Linen white	89 89		
	911 555 112 04 SJ8	Cashmere beige-white Cashmere beige-white	89 89		
	911 555 112 04 XU8	Linen white Linen white	89 89		
	911 555 112 04 XY5	Linen white Linen white	89 89		
	911 555 112 04 SK5	Cashmere beige-white Cashmere beige-white	89 89		
	911 555 112 04 SJ2	Linen white Linen white	89 89		
(2)	911 555 112 05	Back wall lining Upper part/lower part Leatherette/ Cloth Pin stripe velour		1	TARGA M335
	911 555 112 05 7BN	Black-white Black-white			
	911 555 112 05 6LN	Mahogany-white Mahogany-white			
	911 555 112 05 TS6	Blue-white Blue-white			
	911 555 112 05 1MJ	Burgundy-white Burgundy-white			
	911 555 112 05 3JV	Greyish green-white Greyish green-white	-88 -88		
	911 555 112 05 XU2	Linen white Linen white	89 89		
	911 555 112 05 SJ8	Cashmere beige-white Cashmere beige-white	89 89		
	911 555 112 05 XU8	Linen white Linen white	89 89		
	911 555 112 05 XY5	Linen white Linen white	89 89		
	911 555 112 05 SK5	Cashmere beige-white Cashmere beige-white	89 89		
	911 555 112 05 SJ2	Linen white Linen white	89 89		
2	911 555 111 14	Back wall lining Upper part/lower part Leatherette/ Cloth Pin stripe flannel		1	COUPE
	911 555 111 14 8BF	Black/anthracite	-88		
	911 555 111 14 9LF	Mahogany/mahogany	-88		
	911 555 111 14 TS7	Marine blue/blue	-88		
	911 555 111 14 1MF	Burgundy/burgundy	-88		
	911 555 111 14 9JF	Greyish green/grey-green	-88		
(2)	911 555 111 15	Back wall lining Upper part/lower part Leatherette/ Cloth		1	COUPE M335

Model: 911 87 Model life 1987>>1989

Pos	Part Number	Description	Remark	Qty	Model
		Pin stripe flannel	-88		
	911 555 111 15 8BF	Black/anthracite	-88		
	911 555 111 15 9LF	Mahogany/mahogany	-88		
	911 555 111 15 TS7	Marine blue/blue	-88		
	911 555 111 15 1MF	Burgundy/burgundy	-88		
	911 555 111 15 9JF	Greyish green/grey-green	-88		
2	911 555 112 04	Back wall lining		1	TARGA
		Upper part/lower part			
		Leatherette/ Cloth			
		Pin stripe flannel	-88		
	911 555 112 04 8BF	Black/anthracite	-88		
	911 555 112 04 9LF	Mahogany/mahogany	-88		
	911 555 112 04 TS7	Marine blue/blue	-88		
	911 555 112 04 1MF	Burgundy/burgundy	-88		
	911 555 112 04 9JF	Greyish green/grey-green	-88		
(2)	911 555 112 05	Back wall lining		1	TARGA M335
		Upper part/lower part			
		Leatherette/ Cloth			
		Pin stripe flannel	-88		
	911 555 112 05 8BF	Black/anthracite	-88		
	911 555 112 05 9LF	Mahogany/mahogany	-88		
	911 555 112 05 TS7	Marine blue/blue	-88		
	911 555 112 05 1MF	Burgundy/burgundy	-88		
	911 555 112 05 9JF	Greyish green/grey-green	-88		
2	911 555 111 14	Back wall lining		1	COUPE
		Upper part/lower part			
		Leatherette/ Cloth			
		Multicolour	89		
	911 555 111 14 2VV	Black/black	89		
	911 555 111 14 8XV	Mahogany/mahogany	89		
	911 555 111 14 9JV	Marine blue/marine blue	89		
	911 555 111 14 1MV	Burgundy/burgundy	89		
	911 555 111 14 XU4	Black/linen	89		
	911 555 111 14 SK1	Black/cashmere beige	89		
	911 555 111 14 XY1	Mahogany/linen	89		
	911 555 111 14 XY7	Marine blue/linen	89		
	911 555 111 14 SK7	Marine blue/cashmere beige	89		
	911 555 111 14 SJ4	Burgundy/linen	89		
(2)	911 555 111 15	Back wall lining		1	COUPE M335
		Upper part/lower part			
		Leatherette/ Cloth			
		Multicolour	89		
	911 555 111 15 2VV	Black/black	89		
	911 555 111 15 8XV	Mahogany/mahogany	89		
	911 555 111 15 9JV	Marine blue/marine blue	89		
	911 555 111 15 1MV	Burgundy/burgundy	89		
	911 555 111 15 XU4	Black/linen	89		
	911 555 111 15 SK1	Black/cashmere beige	89		
	911 555 111 15 XY1	Mahogany/linen	89		
	911 555 111 15 XY7	Marine blue/linen	89		
	911 555 111 15 SK7	Marine blue/cashmere beige	89		
	911 555 111 15 SJ4	Burgundy/linen	89		
2	911 555 112 04	Back wall lining		1	TARGA
		Upper part/lower part			
		Leatherette/ Cloth			
		Multicolour	89		

Model: 911 87 Model life 1987>>1989

Pos	Part Number	Description	Remark	Qty	Model
	911 555 112 04 2VV	Black/black	89		
	911 555 112 04 8XV	Mahogany/mahogany	89		
	911 555 112 04 9JV	Marine blue/marine blue	89		
	911 555 112 04 1MV	Burgundy/burgundy	89		
	911 555 112 04 XU4	Black/linen	89		
	911 555 112 04 SK1	Black/cashmere beige	89		
	911 555 112 04 XY1	Mahogany/linen	89		
	911 555 112 04 XY7	Marine blue/linen	89		
	911 555 112 04 SK7	Marine blue/cashmere beige	89		
	911 555 112 04 SJ4	Burgundy/linen	89		
(2)	911 555 112 05	Back wall lining		1	TARGA M335
		Upper part/lower part Leatherette/ Cloth			
		Multicolour	89		
	911 555 112 05 2VV	Black/black	89		
	911 555 112 05 8XV	Mahogany/mahogany	89		
	911 555 112 05 9JV	Marine blue/marine blue	89		
	911 555 112 05 1MV	Burgundy/burgundy	89		
	911 555 112 05 XU4	Black/linen	89		
	911 555 112 05 SK1	Black/cashmere beige	89		
	911 555 112 05 XY1	Mahogany/linen	89		
	911 555 112 05 XY7	Marine blue/linen	89		
	911 555 112 05 SK7	Marine blue/cashmere beige	89		
	911 555 112 05 SJ4	Burgundy/linen	89		
2	911 555 111 14	Back wall lining		1	COUPE
		Upper part/lower part Leatherette/ Porsche lettering cloth			
	911 555 111 14 2CZ	Black/black			
	911 555 111 14 4MR	Mahogany/mahogany			
	911 555 111 14 TS8	Marine blue/blue			
	911 555 111 14 5LZ	Burgundy/burgundy			
	911 555 111 14 1JK	Greyish green/grey-green	-88		
	911 555 111 14 XU3	Black/linen	89		
	911 555 111 14 SJ9	Black/cashmere beige	89		
	911 555 111 14 XU9	Mahogany/linen	89		
	911 555 111 14 XY6	Marine blue/linen	89		
	911 555 111 14 SK6	Marine blue/cashmere beige	89		
	911 555 111 14 SJ3	Burgundy/linen	89		
(2)	911 555 111 15	Back wall lining		1	COUPE M335
		Upper part/lower part Leatherette/ Porsche lettering cloth			
	911 555 111 15 2CZ	Black/black			
	911 555 111 15 4MR	Mahogany/mahogany			
	911 555 111 15 TS8	Marine blue/blue			
	911 555 111 15 5LZ	Burgundy/burgundy			
	911 555 111 15 1JK	Greyish green/grey-green	-88		
	911 555 111 15 XU3	Black/linen	89		
	911 555 111 15 SJ9	Black/cashmere beige	89		
	911 555 111 15 XU9	Mahogany/linen	89		
	911 555 111 15 XY6	Marine blue/linen	89		
	911 555 111 15 SK6	Marine blue/cashmere beige	89		
	911 555 111 15 SJ3	Burgundy/linen	89		
2	911 555 112 04	Back wall lining		1	TARGA
		Upper part/lower part Leatherette/ Porsche lettering cloth			
	911 555 112 04 2CZ	Black/black			
	911 555 112 04 4MR	Mahogany/mahogany			

Model: 911 87 Model life 1987>>1989

Pos	Part Number	Description	Remark	Qty	Model
	911 555 112 04 TS8	Marine blue/blue			
	911 555 112 04 5LZ	Burgundy/burgundy			
	911 555 112 04 1JK	Greyish green/grey-green	-88		
	911 555 112 04 XU3	Black/linen	89		
	911 555 112 04 SJ9	Black/cashmere beige	89		
	911 555 112 04 XU9	Mahogany/linen	89		
	911 555 112 04 XY6	Marine blue/linen	89		
	911 555 112 04 SK6	Marine blue/cashmere beige	89		
	911 555 112 04 SJ3	Burgundy/linen	89		
(2)	911 555 112 05	Back wall lining		1	TARGA M335
		Upper part/lower part			
		Leatherette/			
		Porsche lettering cloth			
	911 555 112 05 2CZ	Black/black			
	911 555 112 05 4MR	Mahogany/mahogany			
	911 555 112 05 TS8	Marine blue/blue			
	911 555 112 05 5LZ	Burgundy/burgundy			
	911 555 112 05 1JK	Greyish green/grey-green	-88		
	911 555 112 05 XU3	Black/linen	89		
	911 555 112 05 SJ9	Black/cashmere beige	89		
	911 555 112 05 XU9	Mahogany/linen	89		
	911 555 112 05 XY6	Marine blue/linen	89		
	911 555 112 05 SK6	Marine blue/cashmere beige	89		
	911 555 112 05 SJ3	Burgundy/linen	89		
2	911 555 111 16	Back wall lining		1	COUPE
		Upper part/lower part			
		Leather/			
		Cloth			
		Pin stripe velour			
	911 555 111 16 7BN	Black-white			
		Black-white			
	911 555 111 16 6LN	Mahogany-white			
		Mahogany-white			
	911 555 111 16 TS9	Blue-white			
		Blue-white			
	911 555 111 16 1MJ	Burgundy-white			
		Burgundy-white			
	911 555 111 16 3JV	Greyish green-white	-88		
		Greyish green-white	-88		
	911 555 111 16 XU5	Linen white	89		
		Linen white	89		
	911 555 111 16 SK2	Cashmere beige-white	89		
		Cashmere beige-white	89		
	911 555 111 16 XY2	Linen white	89		
		Linen white	89		
	911 555 111 16 XY8	Linen white	89		
		Linen white	89		
	911 555 111 16 SK8	Cashmere beige-white	89		
		Cashmere beige-white	89		
	911 555 111 16 SJ5	Linen white	89		
		Linen white	89		
(2)	911 555 111 17	Back wall lining		1	COUPE M335
		Upper part/lower part			
		Leather/			
		Cloth			
		Pin stripe velour			
	911 555 111 17 7BN	Black-white			
		Black-white			
	911 555 111 17 6LN	Mahogany-white			
		Mahogany-white			
	911 555 111 17 TS9	Blue-white			

Model: 911 87 Model life 1987>>1989

Pos	Part Number	Description	Remark	Qty	Model
	911 555 111 17 1MJ	Blue-white Burgundy-white			
	911 555 111 17 3JV	Burgundy-white Greyish green-white	-88		
	911 555 111 17 XU5	Greyish green-white Linen white	-88		
	911 555 111 17 SK2	Linen white Cashmere beige-white	89		
	911 555 111 17 XY2	Linen white Cashmere beige-white	89		
	911 555 111 17 XY8	Linen white Linen white	89		
	911 555 111 17 SK8	Linen white Cashmere beige-white	89		
	911 555 111 17 SJ5	Cashmere beige-white Linen white	89		
2	911 555 112 06	Linen white Back wall lining Upper part/lower part Leather/ Cloth Pin stripe velour	89	1	TARGA
	911 555 112 06 7BN	Black-white Black-white			
	911 555 112 06 6LN	Mahogany-white Mahogany-white			
	911 555 112 06 TS9	Blue-white Blue-white			
	911 555 112 06 1MJ	Burgundy-white Burgundy-white			
	911 555 112 06 3JV	Greyish green-white Greyish green-white	-88		
	911 555 112 06 XU5	Greyish green-white Linen white	-88		
	911 555 112 06 SK2	Linen white Linen white	89		
	911 555 112 06 XY2	Cashmere beige-white Cashmere beige-white	89		
	911 555 112 06 XY8	Linen white Linen white	89		
	911 555 112 06 SK8	Linen white Linen white	89		
	911 555 112 06 SJ5	Cashmere beige-white Cashmere beige-white	89		
(2)	911 555 112 07	Linen white Back wall lining Upper part/lower part Leather/ Cloth Pin stripe velour	89	1	TARGA M335
	911 555 112 07 7BN	Black-white Black-white			
	911 555 112 07 6LN	Mahogany-white Mahogany-white			
	911 555 112 07 TS9	Blue-white Blue-white			
	911 555 112 07 1MJ	Burgundy-white Burgundy-white			
	911 555 112 07 3JV	Greyish green-white Greyish green-white	-88		
	911 555 112 07 XU5	Greyish green-white Linen white	-88		
	911 555 112 07 SK2	Linen white Linen white	89		
	911 555 112 07 SK2	Cashmere beige-white	89		

Model: 911 87 Model life 1987>>1989

Pos	Part Number	Description	Remark	Qty	Model
		Cashmere beige-white	89		
	911 555 112 07 XY2	Linen white	89		
		Linen white	89		
	911 555 112 07 XY8	Linen white	89		
		Linen white	89		
	911 555 112 07 SK8	Cashmere beige-white	89		
		Cashmere beige-white	89		
	911 555 112 07 SJ5	Linen white	89		
		Linen white	89		
2	911 555 111 16	Back wall lining		1	COUPE
		Upper part/lower part			
		Leather/			
		Cloth			
		Pin stripe flannel	-88		
	911 555 111 16 8BF	Black/anthracite	-88		
	911 555 111 16 9LF	Mahogany/mahogany	-88		
	911 555 111 16 TT1	Marine blue/blue	-88		
	911 555 111 16 1MF	Burgundy/burgundy	-88		
	911 555 111 16 9JF	Greyish green/grey-green	-88		
(2)	911 555 111 17	Back wall lining		1	COUPE M335
		Upper part/lower part			
		Leather/			
		Cloth			
		Pin stripe flannel	-88		
	911 555 111 17 8BF	Black/anthracite	-88		
	911 555 111 17 9LF	Mahogany/mahogany	-88		
	911 555 111 17 TT1	Marine blue/blue	-88		
	911 555 111 17 1MF	Burgundy/burgundy	-88		
	911 555 111 17 9JF	Greyish green/grey-green	-88		
2	911 555 112 06	Back wall lining		1	TARGA
		Upper part/lower part			
		Leather/			
		Cloth			
		Pin stripe flannel	-88		
	911 555 112 06 8BF	Black/anthracite	-88		
	911 555 112 06 9LF	Mahogany/mahogany	-88		
	911 555 112 06 TT1	Marine blue/blue	-88		
	911 555 112 06 1MF	Burgundy/burgundy	-88		
	911 555 112 06 9JF	Greyish green/grey-green	-88		
(2)	911 555 112 07	Back wall lining		1	TARGA M335
		Upper part/lower part			
		Leather/			
		Cloth			
		Pin stripe flannel	-88		
	911 555 112 07 8BF	Black/anthracite	-88		
	911 555 112 07 9LF	Mahogany/mahogany	-88		
	911 555 112 07 TT1	Marine blue/blue	-88		
	911 555 112 07 1MF	Burgundy/burgundy	-88		
	911 555 112 07 9JF	Greyish green/grey-green	-88		
2	911 555 111 16	Back wall lining		1	COUPE
		Upper part/lower part			
		Leather/			
		Cloth			
		Multicolour	89		
	911 555 111 16 2VV	Black/black	89		
	911 555 111 16 8XV	Mahogany/mahogany	89		
	911 555 111 16 9JV	Marine blue/marine blue	89		
	911 555 111 16 1MV	Burgundy/burgundy	89		
	911 555 111 16 XU7	Black/linen	89		
	911 555 111 16 SK4	Black/cashmere beige	89		
	911 555 111 16 XY4	Mahogany/linen	89		

Model: 911 87 Model life 1987>>1989

Pos	Part Number	Description	Remark	Qty	Model
(2)	911 555 111 16 SJ1	Marine blue/linen	89	1	COUPE M335
	911 555 111 16 SL1	Marine blue/cashmere beige	89		
	911 555 111 16 SJ7	Burgundy/linen	89		
	911 555 111 17	Back wall lining			
		Upper part/lower part			
		Leather/ Cloth			
		Multicolour	89		
	911 555 111 17 2VV	Black/black	89		
	911 555 111 17 8XV	Mahogany/mahogany	89		
	911 555 111 17 9JV	Marine blue/marine blue	89		
	911 555 111 17 1MV	Burgundy/burgundy	89		
	911 555 111 17 XU7	Black/linen	89		
	911 555 111 17 SK4	Black/cashmere beige	89		
	911 555 111 17 XY4	Mahogany/linen	89		
2	911 555 111 17 SJ1	Marine blue/linen	89	1	TARGA
	911 555 111 17 SL1	Marine blue/cashmere beige	89		
	911 555 111 17 SJ7	Burgundy/linen	89		
	911 555 112 06	Back wall lining			
		Upper part/lower part			
		Leather/ Cloth			
		Multicolour	89		
	911 555 112 06 2VV	Black/black	89		
	911 555 112 06 8XV	Mahogany/mahogany	89		
	911 555 112 06 9JV	Marine blue/marine blue	89		
	911 555 112 06 1MV	Burgundy/burgundy	89		
	911 555 112 06 XU7	Black/linen	89		
	911 555 112 06 SK4	Black/cashmere beige	89		
	911 555 112 06 XY4	Mahogany/linen	89		
(2)	911 555 112 06 SJ1	Marine blue/linen	89	1	TARGA M335
	911 555 112 06 SL1	Marine blue/cashmere beige	89		
	911 555 112 06 SJ7	Burgundy/linen	89		
	911 555 112 07	Back wall lining			
		Upper part/lower part			
		Leather/ Cloth			
		Multicolour	89		
	911 555 112 07 2VV	Black/black	89		
	911 555 112 07 8XV	Mahogany/mahogany	89		
	911 555 112 07 9JV	Marine blue/marine blue	89		
	911 555 112 07 1MV	Burgundy/burgundy	89		
	911 555 112 07 XU7	Black/linen	89		
	911 555 112 07 SK4	Black/cashmere beige	89		
	911 555 112 07 XY4	Mahogany/linen	89		
2	911 555 112 07 SJ1	Marine blue/linen	89	1	COUPE
	911 555 112 07 SL1	Marine blue/cashmere beige	89		
	911 555 112 07 SJ7	Burgundy/linen	89		
	911 555 111 16	Back wall lining			
		Upper part/lower part			
		Leather/ Porsche lettering cloth			
	911 555 111 16 2CZ	Black/black			
	911 555 111 16 4MR	Mahogany/mahogany			
	911 555 111 16 TT2	Marine blue/blue			
	911 555 111 16 5LZ	Burgundy/burgundy			
	911 555 111 16 1JK	Greyish green/grey-green	-88		
	911 555 111 16 XU6	Black/linen	89		
	911 555 111 16 SK3	Black/cashmere beige	89		
	911 555 111 16 XY3	Mahogany/linen	89		
911 555 111 16 XY9	Marine blue/linen	89			

Model: 911 87 Model life 1987>>1989

Pos	Part Number	Description	Remark	Qty	Model			
(2)	911 555 111 16 SK9	Marine blue/cashmere beige	89	1	COUPE M335			
	911 555 111 16 SJ6	Burgundy/linen	89					
	911 555 111 17	Back wall lining						
		Upper part/lower part						
		Leather/						
		Porsche lettering cloth						
	911 555 111 17 2CZ	Black/black						
	911 555 111 17 4MR	Mahogany/mahogany						
	911 555 111 17 TT2	Marine blue/blue						
	911 555 111 17 5LZ	Burgundy/burgundy						
	911 555 111 17 1JK	Greyish green/grey-green	-88					
	911 555 111 17 XU6	Black/linen	89					
	911 555 111 17 SK3	Black/cashmere beige	89					
	911 555 111 17 XY3	Mahogany/linen	89					
	911 555 111 17 XY9	Marine blue/linen	89					
	911 555 111 17 SK9	Marine blue/cashmere beige	89					
	911 555 111 17 SJ6	Burgundy/linen	89					
2	911 555 112 06	Back wall lining		1	TARGA			
		Upper part/lower part						
		Leather/						
		Porsche lettering cloth						
	911 555 112 06 2CZ	Black/black						
	911 555 112 06 4MR	Mahogany/mahogany						
	911 555 112 06 TT2	Marine blue/blue						
	911 555 112 06 5LZ	Burgundy/burgundy						
	911 555 112 06 1JK	Greyish green/grey-green	-88					
	911 555 112 06 XU6	Black/linen	89					
	911 555 112 06 SK3	Black/cashmere beige	89					
	911 555 112 06 XY3	Mahogany/linen	89					
	911 555 112 06 XY9	Marine blue/linen	89					
	911 555 112 06 SK9	Marine blue/cashmere beige	89					
	911 555 112 06 SJ6	Burgundy/linen	89					
	(2)	911 555 112 07	Back wall lining				1	TARGA M335
			Upper part/lower part					
		Leather/						
		Porsche lettering cloth						
911 555 112 07 2CZ		Black/black						
911 555 112 07 4MR		Mahogany/mahogany						
911 555 112 07 TT2		Marine blue/blue						
911 555 112 07 5LZ		Burgundy/burgundy						
911 555 112 07 1JK		Greyish green/grey-green	-88					
911 555 112 07 XU6		Black/linen	89					
911 555 112 07 SK3		Black/cashmere beige	89					
911 555 112 07 XY3		Mahogany/linen	89					
911 555 112 07 XY9		Marine blue/linen	89					
911 555 112 07 SK9		Marine blue/cashmere beige	89					
911 555 112 07 SJ6		Burgundy/linen	89					
3		911 555 627 00	Trim cover		2	M335		
		911 555 627 00 01C	Black					
(4)	911 555 019 00	Loudspeaker grille	87	2				
4	944 555 149 00	Loudspeaker grille	88-	2				
	944 555 149 00 01C	Satin black						
4	944 555 149 01	Loudspeaker grille	87-	2				
		Satin black						
5	944 555 159 00	Frame	88-	2				
		for Loudspeaker						
6	911 555 215 00	Support	88-	2				
6A	900 025 002 02	Washer	88-	8				
		A 4,3						
6A	900 025 002 03	Washer	88-	8				

Model: 911 87 Model life 1987>>1989

Pos	Part Number	Description	Remark	Qty	Model
6B	N 011 004 6	A 4,3 Hexagon nut	88-	8	
6B	N 011 004 G	M 4 Nut	88-	8	
6C	999 591 575 02	M 4 Speed nut	87	8	
6C	999 591 575 01	B 4,2 Speed nut	87-	8	
6C	999 507 032 02	B 4,2 Speed nut	88-	8	
6D	900 145 084 07	B 3,9 Tapping screw	87	8	
6D	900 143 178 07	B 4,2 X 19 Oval-head sheetmetal screw	88-	8	
7	900 145 072 07	B 3,9 X 22 Tapping screw		2	
(7)	900 145 008 07	B 3,5 X 22 Tapping screw		2	M335
8	999 591 102 17	B 3,5 X 32 Washer		2	
8	999 591 102 1H	Washer		2	
8	900 151 024 40	Washer		4	M335
9	911 803 521 00	A 4,3 Knurled head		4	M335
(10)	911 555 071 05	Side trim panel	/L	1	COUPE
	911 555 071 05 3MK	Leatherette Burgundy			
	911 555 071 05 1MX	Mahogany			
	911 555 071 05 05T	Black			
	911 555 071 05 1KV	Marine blue			
	911 555 071 05 4WX	Linen			
	911 555 071 05 4JX	Greyish green	-88		
	911 555 071 05 7RT	Cashmere beige	89		
(10)	911 555 071 47	Side trim panel	/L	1	TARGA
	911 555 071 47 3MK	Leatherette Burgundy			
	911 555 071 47 1MX	Mahogany			
	911 555 071 47 05T	Black			
	911 555 071 47 1KV	Marine blue			
	911 555 071 47 4WX	Linen			
	911 555 071 47 4JX	Greyish green	-88		
	911 555 071 47 7RT	Cashmere beige	89		
10	911 555 072 05	Side trim panel	/R	1	COUPE
	911 555 072 05 3MK	Leatherette Burgundy			
	911 555 072 05 1MX	Mahogany			
	911 555 072 05 05T	Black			
	911 555 072 05 1KV	Marine blue			
	911 555 072 05 4WX	Linen			
	911 555 072 05 4JX	Greyish green	-88		
	911 555 072 05 7RT	Cashmere beige	89		
(10)	911 555 072 47	Side trim panel	/R	1	TARGA
	911 555 072 47 3MK	Leatherette Burgundy			
	911 555 072 47 1MX	Mahogany			
	911 555 072 47 05T	Black			
	911 555 072 47 1KV	Marine blue			
	911 555 072 47 4WX	Linen			
	911 555 072 47 4JX	Greyish green	-88		
	911 555 072 47 7RT	Cashmere beige	89		
(10)	911 555 071 74	Side trim panel	/L	1	COUPE
	911 555 071 74 LG7	Leather Burgundy			

Model: 911 87 Model life 1987>>1989

Pos	Part Number	Description	Remark	Qty	Model
	911 555 071 74 TV1	Mahogany			
	911 555 071 74 LG5	Champagne	-88		
	911 555 071 74 TS1	Marine blue			
	911 555 071 74 KZ2	Black			
	911 555 071 74 TW1	Linen			
	911 555 071 74 UD3	Plum red	-88		
	911 555 071 74 UD4	Silver-grey	-88		
	911 555 071 74 UD5	Caramel			
	911 555 071 74 UD6	Venetian blue			
	911 555 071 74 QC2	Greyish green	-88		
	911 555 071 74 8HF	Blue metallic	88		JUBI
	911 555 071 74 XN4	Cashmere beige	89		
	911 555 071 74 XN5	Silk grey	89		
	911 555 071 74 XN6	Velvet red	89		
	911 555 071 74 XN7	Slate grey	89		
10	911 555 072 74	Side trim panel	/R	1	COUPE
		Leather			
	911 555 072 74 LG7	Burgundy			
	911 555 072 74 TV1	Mahogany			
	911 555 072 74 LG5	Champagne	-88		
	911 555 072 74 TS1	Marine blue			
	911 555 072 74 KZ2	Black			
	911 555 072 74 TW1	Linen			
	911 555 072 74 UD3	Plum red	-88		
	911 555 072 74 UD4	Silver-grey	-88		
	911 555 072 74 UD5	Caramel			
	911 555 072 74 UD6	Venetian blue			
	911 555 072 74 QC2	Greyish green	-88		
	911 555 072 74 8HF	Blue metallic	88		JUBI
	911 555 072 74 XN4	Cashmere beige	89		
	911 555 072 74 XN5	Silk grey	89		
	911 555 072 74 XN6	Velvet red	89		
	911 555 072 74 XN7	Slate grey	89		
(10)	911 555 071 78	Side trim panel	/L	1	TARGA
		Leather			
	911 555 071 78 LG7	Burgundy			
	911 555 071 78 TV1	Mahogany			
	911 555 071 78 LG5	Champagne	-88		
	911 555 071 78 TS1	Marine blue			
	911 555 071 78 KZ2	Black			
	911 555 071 78 TW1	Linen			
	911 555 071 78 UD3	Plum red	-88		
	911 555 071 78 UD4	Silver-grey	-88		
	911 555 071 78 UD5	Caramel			
	911 555 071 78 UD6	Venetian blue			
	911 555 071 78 QC2	Greyish green	-88		
	911 555 071 78 8HF	Blue metallic	88		JUBI
	911 555 071 78 XN4	Cashmere beige	89		
	911 555 071 78 XN5	Silk grey	89		
	911 555 071 78 XN6	Velvet red	89		
	911 555 071 78 XN7	Slate grey	89		
(10)	911 555 072 78	Side trim panel	/R	1	TARGA
		Leather			
	911 555 072 78 LG7	Burgundy			
	911 555 072 78 TV1	Mahogany			
	911 555 072 78 LG5	Champagne	-88		
	911 555 072 78 TS1	Marine blue			
	911 555 072 78 KZ2	Black			
	911 555 072 78 TW1	Linen			
	911 555 072 78 UD3	Plum red	-88		
	911 555 072 78 UD4	Silver-grey	-88		
	911 555 072 78 UD5	Caramel			
	911 555 072 78 UD6	Venetian blue			

Model: 911 87 Model life 1987>>1989

Pos	Part Number	Description	Remark	Qty	Model
	911 555 072 78 QC2	Greyish green	-88		
	911 555 072 78 8HF	Blue metallic	88		JUBI
	911 555 072 78 XN4	Cashmere beige	89		
	911 555 072 78 XN5	Silk grey	89		
	911 555 072 78 XN6	Velvet red	89		
	911 555 072 78 XN7	Slate grey	89		
(10)	911 555 071 09	Side trim panel	/L	1	COUPE M526
		All-cloth			
		Pin stripe velour			
	911 555 071 09 7BN	Black-white			
	911 555 071 09 6LN	Mahogany-white			
	911 555 071 09 8GJ	Blue-white			
	911 555 071 09 1MJ	Burgundy-white			
	911 555 071 09 3JV	Greyish green-white	-88		
	911 555 071 09 4WJ	Linen white	89		
	911 555 071 09 4TN	Cashmere beige-white	89		
(10)	911 555 071 50	Side trim panel	/L	1	TARGA M526
		All-cloth			
		Pin stripe velour			
	911 555 071 50 7BN	Black-white			
	911 555 071 50 6LN	Mahogany-white			
	911 555 071 50 8GJ	Blue-white			
	911 555 071 50 1MJ	Burgundy-white			
	911 555 071 50 3JV	Greyish green-white	-88		
	911 555 071 50 4WJ	Linen white	89		
	911 555 071 50 4TN	Cashmere beige-white	89		
10	911 555 072 09	Side trim panel	/R	1	COUPE M526
		All-cloth			
		Pin stripe velour			
	911 555 072 09 7BN	Black-white			
	911 555 072 09 6LN	Mahogany-white			
	911 555 072 09 8GJ	Blue-white			
	911 555 072 09 1MJ	Burgundy-white			
	911 555 072 09 3JV	Greyish green-white	-88		
	911 555 072 09 4WJ	Linen white	89		
	911 555 072 09 4TN	Cashmere beige-white	89		
(10)	911 555 072 50	Side trim panel	/R	1	TARGA M526
		All-cloth			
		Pin stripe velour			
	911 555 072 50 7BN	Black-white			
	911 555 072 50 6LN	Mahogany-white			
	911 555 072 50 8GJ	Blue-white			
	911 555 072 50 1MJ	Burgundy-white			
	911 555 072 50 3JV	Greyish green-white	-88		
	911 555 072 50 4WJ	Linen white	89		
	911 555 072 50 4TN	Cashmere beige-white	89		
(10)	911 555 071 09	Side trim panel	/L	1	COUPE M526
		Pin stripe flannel	-88		
	911 555 071 09 8BF	Anthracite	-88		
	911 555 071 09 9LF	Mahogany	-88		
	911 555 071 09 6GF	Blue	-88		
	911 555 071 09 1MF	Burgundy	-88		
	911 555 071 09 9JF	Greyish green	-88		
(10)	911 555 071 50	Side trim panel	/L	1	TARGA M526
		Pin stripe flannel	-88		
	911 555 071 50 8BF	Anthracite	-88		
	911 555 071 50 9LF	Mahogany	-88		

Model: 911 87 Model life 1987>>1989

Pos	Part Number	Description	Remark	Qty	Model
10	911 555 071 50 6GF	Blue	-88	1	COUPE M526
	911 555 071 50 1MF	Burgundy	-88		
	911 555 071 50 9JF	Greyish green	-88		
	911 555 072 09	Side trim panel	/R		
		Pin stripe flannel	-88		
	911 555 072 09 8BF	Anthracite	-88		
	911 555 072 09 9LF	Mahogany	-88		
	911 555 072 09 6GF	Blue	-88		
	911 555 072 09 1MF	Burgundy	-88		
	911 555 072 09 9JF	Greyish green	-88		
(10)	911 555 072 50	Side trim panel	/R	1	TARGA M526
	Pin stripe flannel	-88			
	911 555 072 50 8BF	Anthracite	-88		
	911 555 072 50 9LF	Mahogany	-88		
	911 555 072 50 6GF	Blue	-88		
	911 555 072 50 1MF	Burgundy	-88		
	911 555 072 50 9JF	Greyish green	-88		
(10)	911 555 071 09	Side trim panel	/L	1	COUPE M526
		Multicolour	89		
	911 555 071 09 2VV	Black	89		
	911 555 071 09 8XV	Mahogany	89		
	911 555 071 09 9JV	Marine blue	89		
	911 555 071 09 1MV	Burgundy	89		
	911 555 071 09 6UV	Linen	89		
	911 555 071 09 5TC	Cashmere beige	89		
(10)	911 555 071 50	Side trim panel	/L	1	TARGA M526
		Multicolour	89		
	911 555 071 50 2VV	Black	89		
	911 555 071 50 8XV	Mahogany	89		
	911 555 071 50 9JV	Marine blue	89		
	911 555 071 50 1MV	Burgundy	89		
	911 555 071 50 6UV	Linen	89		
	911 555 071 50 5TC	Cashmere beige	89		
10	911 555 072 09	Side trim panel	/R	1	COUPE M526
		Multicolour	89		
	911 555 072 09 2VV	Black	89		
	911 555 072 09 8XV	Mahogany	89		
	911 555 072 09 9JV	Marine blue	89		
	911 555 072 09 1MV	Burgundy	89		
	911 555 072 09 6UV	Linen	89		
	911 555 072 09 5TC	Cashmere beige	89		
(10)	911 555 072 50	Side trim panel	/R	1	TARGA M526
		Multicolour	89		
	911 555 072 50 2VV	Black	89		
	911 555 072 50 8XV	Mahogany	89		
	911 555 072 50 9JV	Marine blue	89		
	911 555 072 50 1MV	Burgundy	89		
	911 555 072 50 6UV	Linen	89		
	911 555 072 50 5TC	Cashmere beige	89		
(10)	911 555 071 09	Side trim panel	/L	1	COUPE M526
		Porsche lettering cloth			
	911 555 071 09 2CZ	Black			
	911 555 071 09 4MR	Mahogany			
	911 555 071 09 6HZ	Blue			
	911 555 071 09 5LZ	Burgundy			
	911 555 071 09 1JK	Greyish green	-88		

Model: 911 87 Model life 1987>>1989

Pos	Part Number	Description	Remark	Qty	Model
(10)	911 555 071 09 5WZ	Linen	89	1	TARGA M526
	911 555 071 09 7TH	Cashmere beige	89		
	911 555 071 50	Side trim panel	/L		
		Porsche lettering cloth			
	911 555 071 50 2CZ	Black			
	911 555 071 50 4MR	Mahogany			
	911 555 071 50 6HZ	Blue			
	911 555 071 50 5LZ	Burgundy			
	911 555 071 50 1JK	Greyish green	-88		
	911 555 071 50 5WZ	Linen	89		
10	911 555 071 50 7TH	Cashmere beige	89	1	COUPE M526
	911 555 072 09	Side trim panel	/R		
		Porsche lettering cloth			
	911 555 072 09 2CZ	Black			
	911 555 072 09 4MR	Mahogany			
	911 555 072 09 6HZ	Blue			
	911 555 072 09 5LZ	Burgundy			
	911 555 072 09 1JK	Greyish green	-88		
	911 555 072 09 5WZ	Linen	89		
	911 555 072 09 7TH	Cashmere beige	89		
(10)	911 555 072 50	Side trim panel	/R	1	TARGA M526
		Porsche lettering cloth			
	911 555 072 50 2CZ	Black			
	911 555 072 50 4MR	Mahogany			
	911 555 072 50 6HZ	Blue			
	911 555 072 50 5LZ	Burgundy			
	911 555 072 50 1JK	Greyish green	-88		
	911 555 072 50 5WZ	Linen	89		
	911 555 072 50 7TH	Cashmere beige	89		
	11	477 857 375 A	Support for seatbelt		
	477 857 375 A 01C	Black			
12	N 011 665 3	Washer B 5,3		4	M186
12	N 011 665 16	Washer B 5,3		4	M186
13	900 146 003 02	Oval-head screw M 5 X 10		4	M186
14	N 014 093 3	Oval-head sheetmetal screw BZ 4,2 X 13		4	COUPE
15	911 555 615 01	Rosette		2	COUPE
16	999 507 020 02	Speed nut 4,2		4	COUPE
16	999 507 020 01	Speed nut 4,2		4	COUPE
(17)	911 555 757 00	Cover	/L	1	COUPE
		Lock pillar			
		Leatherette			
	911 555 757 00 3MK	Burgundy			
	911 555 757 00 1MX	Mahogany			
	911 555 757 00 05T	Black			
	911 555 757 00 1KX	Marine blue			
	911 555 757 00 4WX	Linen			
	911 555 757 00 4JX	Greyish green	-88		
	911 555 757 00 7RT	Cashmere beige	89		
17	911 555 758 00	Cover	/R	1	COUPE
		Lock pillar			
		Leatherette			
	911 555 758 00 3MK	Burgundy			
	911 555 758 00 1MX	Mahogany			
	911 555 758 00 05T	Black			

Model: 911 87 Model life 1987>>1989

Pos	Part Number	Description	Remark	Qty	Model
(17)	911 555 758 00 1KX	Marine blue		1	TARGA
	911 555 758 00 4WX	Linen			
	911 555 758 00 4JX	Greyish green	-88		
	911 555 758 00 7RT	Cashmere beige	89		
	911 555 757 40	Cover	/L		
		Lock pillar			
		Leatherette			
	911 555 757 40 3MK	Burgundy			
	911 555 757 40 1MX	Mahogany			
	911 555 757 40 05T	Black			
(17)	911 555 757 40 1KX	Marine blue		1	TARGA
	911 555 757 40 4WX	Linen			
	911 555 757 40 4JX	Greyish green	-88		
	911 555 757 40 7RT	Cashmere beige	89		
	911 555 758 40	Cover	/R		
		Lock pillar			
		Leatherette			
	911 555 758 40 3MK	Burgundy			
	911 555 758 40 1MX	Mahogany			
	911 555 758 40 05T	Black			
(17)	911 555 758 40 1KX	Marine blue		1	COUPE
	911 555 758 40 4WX	Linen			
	911 555 758 40 4JX	Greyish green	-88		
	911 555 758 40 7RT	Cashmere beige	89		
	911 555 757 70	Cover	/L		
		Lock pillar			
		Leather			
	911 555 757 70 2LX	Mahogany			
	911 555 757 70 7LD	Burgundy			
	911 555 757 70 7JX	Marine blue			
17	911 555 757 70 7VX	Linen		1	COUPE
	911 555 757 70 1VD	Champagne	-88		
	911 555 757 70 1AJ	Black			
	911 555 757 70 1MC	Plum red	-88		
	911 555 757 70 3VC	Silver-grey	-88		
	911 555 757 70 5JX	Greyish green	-88		
	911 555 757 70 4UC	Caramel			
	911 555 757 70 7KC	Venetian blue			
	911 555 757 70 8HF	Blue metallic	88		
	911 555 757 70 2WH	Cashmere beige	89		
(17)	911 555 757 70 5VT	Silk grey	89	1	COUPE
	911 555 757 70 4MT	Velvet red	89		
	911 555 757 70 2WT	Slate grey	89		
	911 555 758 70	Cover	/R		
		Lock pillar			
		Leather			
	911 555 758 70 2LX	Mahogany			
	911 555 758 70 7LD	Burgundy			
	911 555 758 70 7JX	Marine blue			
	(17)	911 555 758 70 7VX	Linen		
911 555 758 70 1VD		Champagne	-88		
911 555 758 70 1AJ		Black			
911 555 758 70 1MC		Plum red	-88		
911 555 758 70 3VC		Silver-grey	-88		
911 555 758 70 5JX		Greyish green	-88		
911 555 758 70 4UC		Caramel			
911 555 758 70 7KC		Venetian blue			
911 555 758 70 8HF		Blue metallic	88		
911 555 758 70 2WH		Cashmere beige	89		
(17)	911 555 758 70 5VT	Silk grey	89	1	TARGA
	911 555 758 70 4MT	Velvet red	89		
	911 555 758 70 2WT	Slate grey	89		
	911 555 757 75	Cover	/L		

Model: 911 87 Model life 1987>>1989

Pos	Part Number	Description	Remark	Qty	Model
		Lock pillar			
		Leather			
	911 555 757 75 2LX	Mahogany			
	911 555 757 75 7LD	Burgundy			
	911 555 757 75 7JX	Marine blue			
	911 555 757 75 7VX	Linen			
	911 555 757 75 1VD	Champagne	-88		
	911 555 757 75 1AJ	Black			
	911 555 757 75 1MC	Plum red	-88		
	911 555 757 75 3VC	Silver-grey	-88		
	911 555 757 75 5JX	Greyish green	-88		
	911 555 757 75 4UC	Caramel			
	911 555 757 75 7KC	Venetian blue			
	911 555 757 75 8HF	Blue metallic	88		JUBI
	911 555 757 75 2WH	Cashmere beige	89		
	911 555 757 75 5VT	Silk grey	89		
	911 555 757 75 4MT	Velvet red	89		
	911 555 757 75 2WT	Slate grey	89		
(17)	911 555 758 75	Cover	/R	1	TARGA
		Lock pillar			
		Leather			
	911 555 758 75 2LX	Mahogany			
	911 555 758 75 7LD	Burgundy			
	911 555 758 75 7JX	Marine blue			
	911 555 758 75 7VX	Linen			
	911 555 758 75 1VD	Champagne	-88		
	911 555 758 75 1AJ	Black			
	911 555 758 75 1MC	Plum red	-88		
	911 555 758 75 3VC	Silver-grey	-88		
	911 555 758 75 5JX	Greyish green	-88		
	911 555 758 75 4UC	Caramel			
	911 555 758 75 7KC	Venetian blue			
	911 555 758 75 8HF	Blue metallic	88		JUBI
	911 555 758 75 2WH	Cashmere beige	89		
	911 555 758 75 5VT	Silk grey	89		
	911 555 758 75 4MT	Velvet red	89		
	911 555 758 75 2WT	Slate grey	89		
(18)	901 555 023 01	Filler piece	/L	1	TARGA
18	901 555 024 01	Filler piece	/R	1	TARGA
(19)	911 555 091 00	Rear cover moulding	/L	1	COUPE
		Leatherette			
	911 555 091 00 3MK	Burgundy			
	911 555 091 00 05T	Black			
	911 555 091 00 1MX	Mahogany			
	911 555 091 00 1KX	Marine blue			
	911 555 091 00 4JX	Greyish green	-88		
19	911 555 092 00	Rear cover moulding	/R	1	COUPE
		Leatherette			
	911 555 092 00 3MK	Burgundy			
	911 555 092 00 05T	Black			
	911 555 092 00 1MX	Mahogany			
	911 555 092 00 1KX	Marine blue			
	911 555 092 00 4JX	Greyish green	-88		
(19)	911 555 091 40	Rear cover moulding	/L	1	TARGA
		Leatherette			
	911 555 091 40 3MK	Burgundy			
	911 555 091 40 05T	Black			
	911 555 091 40 1MX	Mahogany			
	911 555 091 40 1KX	Marine blue			
	911 555 091 40 4JX	Greyish green	-88		
(19)	911 555 092 40	Rear cover moulding	/R	1	TARGA
		Leatherette			
	911 555 092 40 3MK	Burgundy			

Model: 911 87 Model life 1987>>1989

Pos	Part Number	Description	Remark	Qty	Model
	911 555 092 40 05T	Black			
	911 555 092 40 1MX	Mahogany			
	911 555 092 40 1KX	Marine blue			
	911 555 092 40 4JX	Greyish green	-88		
(19)	911 555 091 70	Rear cover moulding	/L	1	COUPE
		Leather			
	911 555 091 70 LG7	Burgundy			
	911 555 091 70 TV1	Mahogany			
	911 555 091 70 KZ2	Black			
	911 555 091 70 TS1	Marine blue			
	911 555 091 70 QC2	Greyish green	-88		
	911 555 091 70 UD5	Caramel			
	911 555 091 70 UD6	Venetian blue			
	911 555 091 70 XN6	Velvet red	89		
	911 555 091 70 XN7	Slate grey	89		
19	911 555 092 70	Rear cover moulding	/R	1	COUPE
		Leather			
	911 555 092 70 LG7	Burgundy			
	911 555 092 70 TV1	Mahogany			
	911 555 092 70 KZ2	Black			
	911 555 092 70 TS1	Marine blue			
	911 555 092 70 QC2	Greyish green	-88		
	911 555 092 70 UD5	Caramel			
	911 555 092 70 UD6	Venetian blue			
	911 555 092 70 XN6	Velvet red	89		
	911 555 092 70 XN7	Slate grey	89		
(19)	911 555 091 75	Rear cover moulding	/L	1	TARGA
		Leather			
	911 555 091 75 LG7	Burgundy			
	911 555 091 75 TV1	Mahogany			
	911 555 091 75 KZ2	Black			
	911 555 091 75 TS1	Marine blue			
	911 555 091 75 QC2	Greyish green	-88		
	911 555 091 75 UD5	Caramel			
	911 555 091 75 UD6	Venetian blue			
	911 555 091 75 XN6	Velvet red	89		
	911 555 091 75 XN7	Slate grey	89		
(19)	911 555 092 75	Rear cover moulding	/R	1	TARGA
		Leather			
	911 555 092 75 LG7	Burgundy			
	911 555 092 75 TV1	Mahogany			
	911 555 092 75 KZ2	Black			
	911 555 092 75 TS1	Marine blue			
	911 555 092 75 QC2	Greyish green	-88		
	911 555 092 75 UD5	Caramel			
	911 555 092 75 UD6	Venetian blue			
	911 555 092 75 XN6	Velvet red	89		
	911 555 092 75 XN7	Slate grey	89		
20	999 591 338 02	Speed nut		4	
		B 3,5			
20	999 591 460 01	Speed nut		4	
		B 3,5			
21	900 145 071 07	Tapping screw		6	COUPE
		B 3,5 X 13			
21		Tapping screw		4	TARGA
		B 3,5 X 13			
22	999 591 102 17	Washer		6	COUPE
		3,5			
22	999 591 102 1H	Washer		6	COUPE
		3,5			
22	999 591 102 17	Washer		4	TARGA
		3,5			
22	999 591 102 1H	Washer		4	TARGA

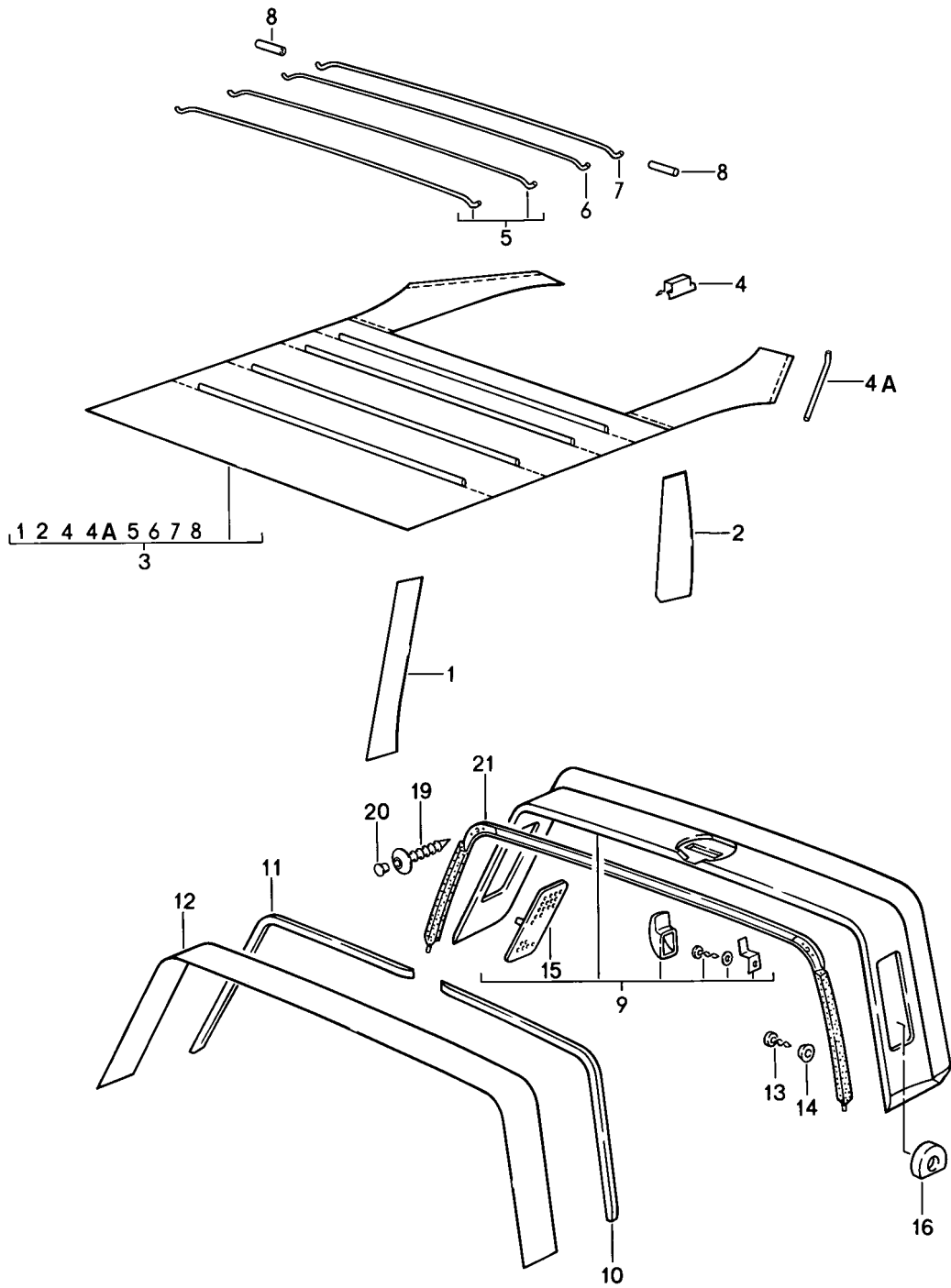
Model: 911 87

Model life 1987>>1989

Pos	Part Number	Description	Remark	Qty	Model
23	901 552 871 40	3,5 Cover		2	
24	900 025 003 02	Washer A 5,3		2	
24A	N 011 005 14	Hexagon nut M 5		2	
24A	900 076 091 01	Hexagon nut M 5		2	
25	901 552 872 20	Coat hook		2	

Model: 911 87

Model life 1987>>1989



Model: 911 87 Model life 1987>>1989

Pos	Part Number	Description	Remark	Qty	Model					
1	911 555 507 00	Interior equipment	/L	1	COUPE TARGA COUPE					
		Roof								
		Roll bar								
		Lining								
		Windscreen frame part								
		911 555 507 00 702 Black								
		911 555 507 00 1MX Mahogany								
		911 555 507 00 3MX Burgundy								
		911 555 507 00 1KX Marine blue								
		911 555 507 00 4JX Greyish green								
(1)	911 555 508 00	Lining	/R	1	COUPE					
		Windscreen frame part								
		911 555 508 00 702 Black								
		911 555 508 00 1MX Mahogany								
		911 555 508 00 3MX Burgundy								
		911 555 508 00 1KX Marine blue								
		911 555 508 00 4JX Greyish green								
		2				911 555 505 01	Lining	/L	1	COUPE
							Door pillar			
							911 555 505 01 702 Black			
911 555 505 01 1MX Mahogany										
911 555 505 01 3MX Burgundy										
911 555 505 01 1KX Marine blue										
911 555 505 01 4JX Greyish green										
(2)	911 555 506 01		Lining	/R	1		COUPE			
			Door pillar							
			911 555 506 01 702 Black							
		911 555 506 01 1MX Mahogany								
		911 555 506 01 3MX Burgundy								
		911 555 506 01 1KX Marine blue								
		911 555 506 01 4JX Greyish green								
		3	911 555 055 05			Roof lining		-88	1	COUPE
						for cars without				
						Sunroof				
911 555 055 05 700 Black										
911 555 055 05 8LC Burgundy										
911 555 055 05 1MX Mahogany										
911 555 055 05 1KX Marine blue										
911 555 055 05 4JX Greyish green										
(3)	911 555 055 15			Roof lining	-88	1	COUPE M650			
				911 555 055 15 700 Black						
		911 555 055 15 8LC Burgundy								
		911 555 055 15 1MX Mahogany								
		911 555 055 15 1KX Marine blue								
		911 555 055 15 4JX Greyish green								
		4	999 591 336 01	Fastening clamp				/H	5	COUPE
				(4) 999 591 342 02 Clamp						
				(4) 999 591 342 03 Clamp						
				4A 911 555 561 00 Tension wire						
5	901 555 511 20	Transverse strut		2	COUPE					
		1 + 2								
6	901 555 512 20	Transverse strut		1	COUPE					
		3								
7	901 555 513 20	Transverse strut		1	COUPE					
		4								
8	644 555 515 00	Rubber profile		8	COUPE					
9	911 565 019 41	Interior lining		1	TARGA					
		911 565 019 41 702 Black								
10	911 565 513 40	Padding	/L	1	TARGA					
11	911 565 514 40	Padding	/R	1	TARGA					
12	901 565 511 40	Cover		1	TARGA					
		Padding								

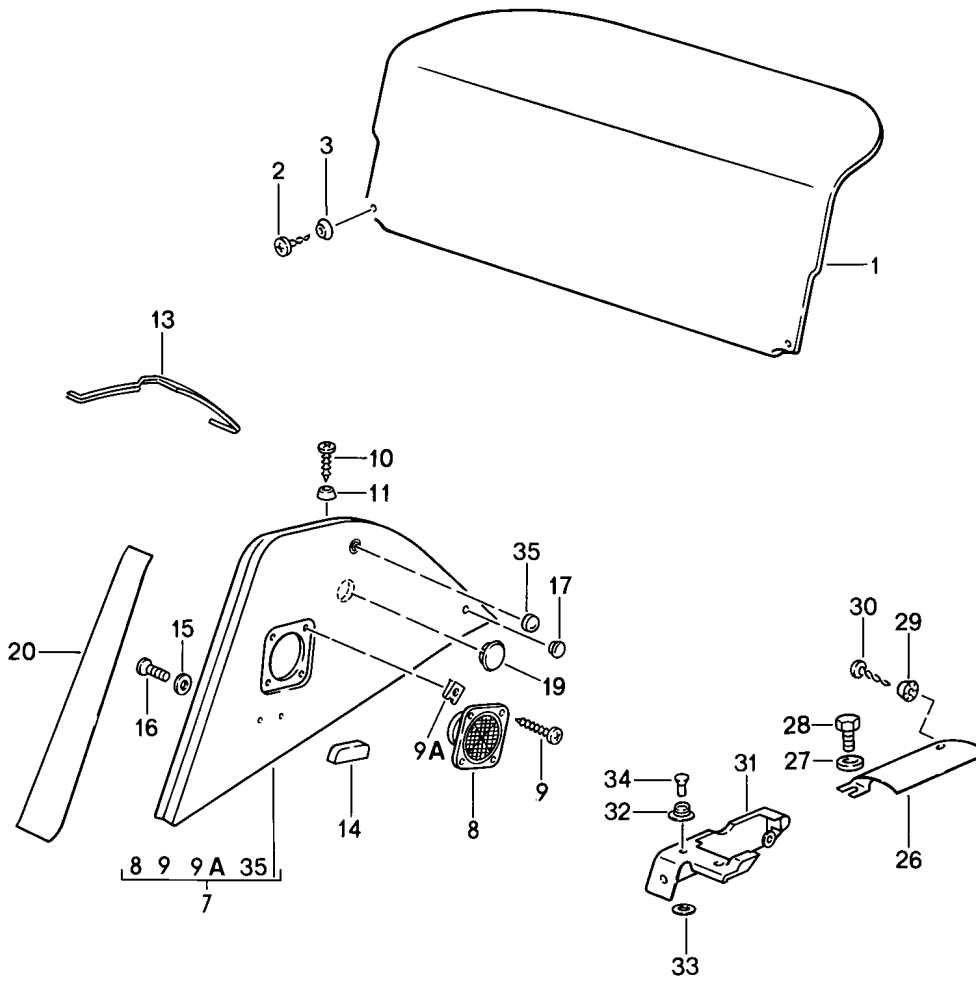
Model: 911 87

Model life 1987>>1989

Pos	Part Number	Description	Remark	Qty	Model
(12)	901 565 128 43	Cover		1	TARGA
	901 565 128 43 702	Black for Interior lining			
13	900 145 038 07	Oval-head sheetmetal screw B 3,5 X 16		4	TARGA
14	999 591 102 17	Washer 3,5		4	TARGA
14	999 591 102 1H	Washer 3,5		4	TARGA
(15)	911 565 157 40	Bleeding	/L	1	TARGA
15	911 565 158 40	Bleeding	/R	1	TARGA
16	911 565 132 00	Filler piece		2	TARGA
19	999 703 186 40	Plastic plug		4	TARGA
20	999 591 384 40	Cap		4	TARGA
21	911 565 091 47	Seal		1	TARGA
	911 565 091 47 8VB	Black Roll bar			

Model: 911 87

Model life 1987>>1989



Model: 911 87 Model life 1987>>1989

Pos	Part Number	Description	Remark	Qty	Model
		Interior equipment			CABRIO/SPEED
		Rear			
1	911 555 075 61	Back wall lining for manual folding top		1	CABRIO
		Carpet			
	911 555 075 61 70E	Black	-88		
	911 555 075 61 5FV	Black	89		
	911 555 075 61 5MF	Mahogany			
	911 555 075 61 3KF	Marine blue	-88		
	911 555 075 61 4KV	Marine blue	89		
	911 555 075 61 80E	Burgundy	-88		
	911 555 075 61 8MD	Burgundy	89		
	911 555 075 61 2XF	Linen			
	911 555 075 61 8JK	Greyish green	-88		
	911 555 075 61 4MM	Plum red	-88		
	911 555 075 61 7VM	Silver-grey	-88		
	911 555 075 61 7VT	Silk grey	89		
	911 555 075 61 8UT	Cashmere beige	89		
	911 555 075 61 9MT	Velvet red	89		
	911 555 075 61 3WT	Slate grey	89		
	911 555 075 61 1VD	Champagne	-88		
	911 555 075 61 5UM	Caramel			
	911 555 075 61 3KM	Venetian blue			
	911 555 075 61 6HM	Silver-blue	88		JUBI
		Silver-blue	89		
(1)	911 555 075 66	Back wall lining		1	CABRIO M439
		Carpet			
	911 555 075 66 70E	Black	-88		
	911 555 075 66 5FV	Black	89		
	911 555 075 66 5MF	Mahogany			
	911 555 075 66 3KF	Marine blue	-88		
	911 555 075 66 4KV	Marine blue	89		
	911 555 075 66 80E	Burgundy	-88		
	911 555 075 66 8MD	Burgundy	89		
	911 555 075 66 2XF	Linen			
	911 555 075 66 8JK	Greyish green	-88		
	911 555 075 66 4MM	Plum red	-88		
	911 555 075 66 7VM	Silver-grey	-88		
	911 555 075 66 7VT	Silk grey	89		
	911 555 075 66 8UT	Cashmere beige	89		
	911 555 075 66 9MT	Velvet red	89		
	911 555 075 66 3WT	Slate grey	89		
	911 555 075 66 1VD	Champagne	-88		
	911 555 075 66 5UM	Caramel			
	911 555 075 66 3KM	Venetian blue			
	911 555 075 66 6HM	Silver-blue	88		JUBI
		Silver-blue	89		
(1)	911 555 075 66	Back wall lining	89	1	CABRIO M097
		Carpet			
	911 555 075 66 1XV	Pearl grey			
2	900 145 072 07	Tapping screw B 3,5 X 22		2	
3	999 591 102 17	Washer		2	
3	999 591 102 1H	Washer		2	
(7)	911 555 071 93	Side trim panel	/L	1	CABRIO
		Carpet			
	911 555 071 93 70E	Black	-88		
	911 555 071 93 5FV	Black	89		
	911 555 071 93 5MF	Mahogany			
	911 555 071 93 3KF	Marine blue	-88		
	911 555 071 93 4KV	Marine blue	89		

Model: 911 87 Model life 1987>>1989

Pos	Part Number	Description	Remark	Qty	Model
	911 555 071 93 80E	Burgundy	-88		
	911 555 071 93 8MD	Burgundy	89		
	911 555 071 93 2XF	Linen			
	911 555 071 93 8JK	Greyish green	-88		
	911 555 071 93 4MM	Plum red	-88		
	911 555 071 93 1VD	Champagne	-88		
	911 555 071 93 7VM	Silver-grey	-88		
	911 555 071 93 7VT	Silk grey	89		
	911 555 071 93 8UT	Cashmere beige	89		
	911 555 071 93 9MT	Velvet red	89		
	911 555 071 93 3WT	Slate grey	89		
	911 555 071 93 5UM	Caramel			
	911 555 071 93 3KM	Venetian blue			
	911 555 071 93 6HM	Silver-blue	88		JUBI
(7)	911 555 071 91	Side trim panel	/L	1	CABRIO M439
		Carpet			
	911 555 071 91 70E	Black	-88		
	911 555 071 91 5FV	Black	89		
	911 555 071 91 5MF	Mahogany			
	911 555 071 91 3KF	Marine blue	-88		
	911 555 071 91 4KV	Marine blue	89		
	911 555 071 91 80E	Burgundy	-88		
	911 555 071 91 8MD	Burgundy	89		
	911 555 071 91 2XF	Linen			
	911 555 071 91 8JK	Greyish green	-88		
	911 555 071 91 4MM	Plum red	-88		
	911 555 071 91 1VD	Champagne	-88		
	911 555 071 91 7VM	Silver-grey	-88		
	911 555 071 91 7VT	Silk grey	89		
	911 555 071 91 8UT	Cashmere beige	89		
	911 555 071 91 9MT	Velvet red	89		
	911 555 071 91 3WT	Slate grey	89		
	911 555 071 91 5UM	Caramel			
	911 555 071 91 3KM	Venetian blue			
	911 555 071 91 6HM	Silver-blue	88		JUBI
(7)	911 555 071 67	Side trim panel	/L	1	SPEEDSTER
		Carpet			
	911 555 071 67 70E	Black	-88		
	911 555 071 67 5FV	Black	89		
	911 555 071 67 5MF	Mahogany			
	911 555 071 67 3KF	Marine blue	-88		
	911 555 071 67 4KV	Marine blue	89		
	911 555 071 67 80E	Burgundy	-88		
	911 555 071 67 8MD	Burgundy	89		
	911 555 071 67 2XF	Linen			
	911 555 071 67 8JK	Greyish green	-88		
	911 555 071 67 4MM	Plum red	-88		
	911 555 071 67 1VD	Champagne	-88		
	911 555 071 67 7VM	Silver-grey	-88		
	911 555 071 67 7VT	Silk grey	89		
	911 555 071 67 8UT	Cashmere beige	89		
	911 555 071 67 9MT	Velvet red	89		
	911 555 071 67 3WT	Slate grey	89		
	911 555 071 67 5UM	Caramel			
	911 555 071 67 3KM	Venetian blue			
	911 555 071 67 6HM	Silver-blue			JUBI
7	911 555 072 93	Side trim panel	/R	1	CABRIO
		Carpet			
	911 555 072 93 70E	Black	-88		
	911 555 072 93 5FV	Black	89		
	911 555 072 93 5MF	Mahogany			
	911 555 072 93 3KF	Marine blue	-88		

Model: 911 87 Model life 1987>>1989

Pos	Part Number	Description	Remark	Qty	Model
	911 555 072 93 4KV	Marine blue	89		
	911 555 072 93 80E	Burgundy	-88		
	911 555 072 93 8MD	Burgundy	89		
	911 555 072 93 2XF	Linen			
	911 555 072 93 8JK	Greyish green	-88		
	911 555 072 93 4MM	Plum red	-88		
	911 555 072 93 1VD	Champagne	-88		
	911 555 072 93 7VM	Silver-grey	-88		
	911 555 072 93 7VT	Silk grey	89		
	911 555 072 93 8UT	Cashmere beige	89		
	911 555 072 93 9MT	Velvet red	89		
	911 555 072 93 3WT	Slate grey	89		
	911 555 072 93 5UM	Caramel			
	911 555 072 93 3KM	Venetian blue			
	911 555 072 93 6HM	Silver-blue	88		JUBI
(7)	911 555 072 91	Side trim panel	/R	1	CABRIO M439
		Carpet			
	911 555 072 91 70E	Black	-88		
	911 555 072 91 5FV	Black	89		
	911 555 072 91 5MF	Mahogany			
	911 555 072 91 3KF	Marine blue	-88		
	911 555 072 91 4KV	Marine blue	89		
	911 555 072 91 80E	Burgundy	-88		
	911 555 072 91 8MD	Burgundy	89		
	911 555 072 91 2XF	Linen			
	911 555 072 91 8JK	Greyish green	-88		
	911 555 072 91 4MM	Plum red	-88		
	911 555 072 91 1VD	Champagne	-88		
	911 555 072 91 7VM	Silver-grey	-88		
	911 555 072 91 7VT	Silk grey	89		
	911 555 072 91 8UT	Cashmere beige	89		
	911 555 072 91 9MT	Velvet red	89		
	911 555 072 91 3WT	Slate grey	89		
	911 555 072 91 5UM	Caramel			
	911 555 072 91 3KM	Venetian blue			
	911 555 072 91 6HM	Silver-blue	88		JUBI
7	911 555 072 67	Side trim panel	/R	1	SPEEDSTER
		Carpet			
	911 555 072 67 70E	Black	-88		
	911 555 072 67 5FV	Black	89		
	911 555 072 67 5MF	Mahogany			
	911 555 072 67 3KF	Marine blue	-88		
	911 555 072 67 4KV	Marine blue	89		
	911 555 072 67 80E	Burgundy	-88		
	911 555 072 67 8MD	Burgundy	89		
	911 555 072 67 2XF	Linen			
	911 555 072 67 8JK	Greyish green	-88		
	911 555 072 67 4MM	Plum red	-88		
	911 555 072 67 1VD	Champagne	-88		
	911 555 072 67 7VM	Silver-grey	-88		
	911 555 072 67 7VT	Silk grey	89		
	911 555 072 67 8UT	Cashmere beige	89		
	911 555 072 67 9MT	Velvet red	89		
	911 555 072 67 3WT	Slate grey	89		
	911 555 072 67 5UM	Caramel			
	911 555 072 67 3KM	Venetian blue			
	911 555 072 67 6HM	Silver-blue			JUBI
(7)	911 555 071 91	Side trim panel	/L	1	CABRIO
		Carpet			
	911 555 071 91 6HM	Silver-blue	89		
	911 555 071 91 1XV	Pearl grey	89		
(7)	911 555 072 91	Side trim panel	/R	1	CABRIO

Model: 911 87 Model life 1987>>1989

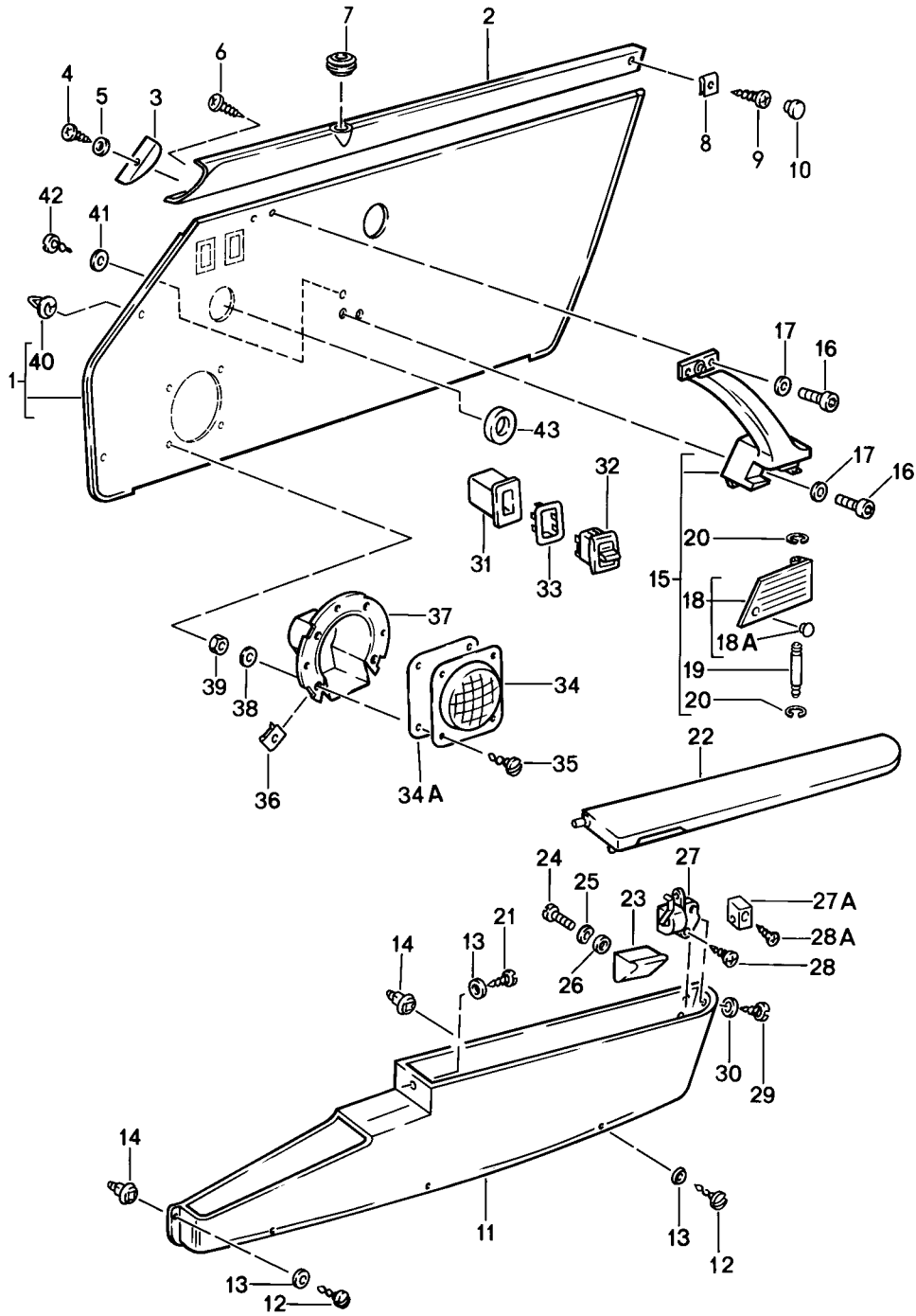
Pos	Part Number	Description	Remark	Qty	Model
		Carpet			
	911 555 072 91 6HM	Silver-blue	89		
	911 555 072 91 1XV	Pearl grey	89		
8	928 645 423 00	Loudspeaker grille		2	
9	900 143 132 07	Tapping screw		8	
		B 3,9 X 16			
9A	999 507 071 00	Speed nut		8	
		B 3,9			
10	N 014 093 3	Oval-head sheetmetal screw		4	
		4,2 X 13			
11	999 591 116 07	Cone washer		4	
(13)	911 555 417 00	Rosette	/L	1	CABRIO
	911 555 417 00 70B	Black			
(13)	911 555 417 66	Rosette	/L	1	CABRIO M439
	911 555 417 66 70B	Black			
13	911 555 418 00	Rosette	/R	1	CABRIO
	911 555 418 00 70B	Black			
(13)	911 555 418 66	Rosette	/R	1	CABRIO M439
	911 555 418 66 70B	Black			
14	477 857 375 A	Support for seatbelt		2	
	477 857 375 A 01C	Black			
15	900 151 027 02	Washer		4	
		B 5,3			
15	900 151 027 03	Washer		4	
		B 5,3			
16	900 146 003 02	Oval-head screw		4	
		M 5 X 10			
17	N 900 685 01	Push button		2	
19	911 555 523 66	Cap		2	CABRIO M439
	911 555 523 66 70B	Black			
		for emergency control			
(20)	911 555 757 40	Cover	/L	1	
		Lock pillar			
		Leatherette			
	911 555 757 40 05T	Black			
	911 555 757 40 1MX	Mahogany			
	911 555 757 40 1KX	Marine blue			
	911 555 757 40 3MK	Burgundy			
	911 555 757 40 4WX	Linen			
	911 555 757 40 4JX	Greyish green	-88		
	911 555 757 40 7RT	Cashmere beige	89		
20	911 555 758 40	Cover	/R	1	
		Lock pillar			
		Leatherette			
	911 555 758 40 05T	Black			
	911 555 758 40 1MX	Mahogany			
	911 555 758 40 1KX	Marine blue			
	911 555 758 40 3MK	Burgundy			
	911 555 758 40 4WX	Linen			
	911 555 758 40 4JX	Greyish green	-88		
	911 555 758 40 7RT	Cashmere beige	89		
(20)	911 555 757 75	Cover	/L	1	
		Lock pillar			
		Leather			
	911 555 757 75 1AJ	Black			
	911 555 757 75 2LX	Mahogany			
	911 555 757 75 7JX	Marine blue			
	911 555 757 75 7VX	Linen			
	911 555 757 75 7LD	Burgundy			
	911 555 757 75 1MC	Plum red	-88		

Model: 911 87 Model life 1987>>1989

Pos	Part Number	Description	Remark	Qty	Model
	911 555 757 75 3VC	Silver-grey	-88		
	911 555 757 75 1VD	Champagne	-88		
	911 555 757 75 5JX	Greyish green	-88		
	911 555 757 75 4UC	Caramel			
	911 555 757 75 7KC	Venetian blue			
	911 555 757 75 8HF	Blue metallic	88		JUBI
	911 555 757 75 2XR	Pearl grey	89		
	911 555 757 75 2WH	Cashmere beige	89		
	911 555 757 75 5VT	Silk grey	89		
	911 555 757 75 4MT	Velvet red	89		
	911 555 757 75 2WT	Slate grey	89		
20	911 555 758 75	Cover	/R	1	
		Lock pillar			
		Leather			
	911 555 758 75 1AJ	Black			
	911 555 758 75 2LX	Mahogany			
	911 555 758 75 7JX	Marine blue			
	911 555 758 75 7VX	Linen			
	911 555 758 75 7LD	Burgundy			
	911 555 758 75 1MC	Plum red	-88		
	911 555 758 75 3VC	Silver-grey	-88		
	911 555 758 75 1VD	Champagne	-88		
	911 555 758 75 5JX	Greyish green	-88		
	911 555 758 75 4UC	Caramel			
	911 555 758 75 7KC	Venetian blue			
	911 555 758 75 8HF	Blue metallic	88		JUBI
	911 555 758 75 2XR	Pearl grey	89		
	911 555 758 75 2WH	Cashmere beige	89		
	911 555 758 75 5VT	Silk grey	89		
	911 555 758 75 4MT	Velvet red	89		
	911 555 758 75 2WT	Slate grey	89		
26	911 555 077 60	Rear cover moulding	/L	1	
		Leatherette			
	911 555 077 60 700	Black			
(26)	911 555 078 60	Rear cover moulding	/R	1	
		Leatherette			
	911 555 078 60 700	Black			
27	900 025 007 02	Washer		6	
		8,4			
27	900 025 007 03	Washer		6	
		8,4			
(28)	900 067 057 02	Pan-head screw		6	
		M 8 X 20			
(28)	900 067 057 03	Pan-head screw		6	
		M 8 X 20			
29	999 591 116 07	Cone washer		2	
30	N 014 093 3	Oval-head sheetmetal screw		2	
		4,2 X 13			
(31)	911 555 763 62	Cover	/L	1	CABRIO
	911 555 763 62 70B	Black			
(31)	911 555 763 64	Cover	/L 89	1	SPEEDSTER
	911 555 763 64 70B	Black			
(31)	911 555 764 62	Cover	/R	1	CABRIO
	911 555 764 62 70B	Black			
(31)	911 555 764 64	Cover	/R 89	1	SPEEDSTER
	911 555 764 64 70B	Black			
32	999 591 835 17	Snap fastener lower part		2	
33	900 025 001 02	Washer		2	
		A 3,2			
34	999 190 162 37	Blind rivet		2	
34	PCG 190 162 37	Blind rivet		2	
35	911 561 434 00	Cap		2	
	911 561 434 00 70B	Black			

Model: 911 87

Model life 1987>>1989



Model: 911 87 Model life 1987>>1989

Pos	Part Number	Description	Remark	Qty	Model
		Interior equipment			
		Doors			
(1)	911 555 931 40	Door trim panel	/L	1	CARRERA
		Leatherette			
	911 555 931 40 3MK	Burgundy			
	911 555 931 40 4WX	Linen			
	911 555 931 40 05T	Black			
	911 555 931 40 1MX	Mahogany			
	911 555 931 40 1KX	Marine blue			
	911 555 931 40 4JX	Greyish green			
	911 555 931 40 7RT	Cashmere beige			
(1)	911 555 031 45	Door trim panel	/L 88-	1	CARRERA
		Leatherette			
	911 555 031 45 3MK	Burgundy			
	911 555 031 45 4WX	Linen			
	911 555 031 45 05T	Black			
	911 555 031 45 1MX	Mahogany			
	911 555 031 45 1KX	Marine blue			
	911 555 031 45 4JX	Greyish green	-88		
	911 555 031 45 7RT	Cashmere beige	89		
(1)	911 555 031 57	Door trim panel	/L 88-	1	COUPE M637
		Leatherette			
	911 555 031 57 3MK	Burgundy			
	911 555 031 57 4WX	Linen			
	911 555 031 57 05T	Black			
	911 555 031 57 1MX	Mahogany			
	911 555 031 57 1KX	Marine blue			
	911 555 031 57 4JX	Greyish green	-88		
	911 555 031 57 7RT	Cashmere beige	89		
(1)	911 555 031 88	Door trim panel	/L 89	1	SPEEDSTER
		Leatherette			
	911 555 031 88 3MK	Burgundy			
	911 555 031 88 4WX	Linen			
	911 555 031 88 05T	Black			
	911 555 031 88 1MX	Mahogany			
	911 555 031 88 1KX	Marine blue			
	911 555 031 88 7RT	Cashmere beige	89		
1	911 555 932 40	Door trim panel	/R	1	CARRERA
		Leatherette			
	911 555 932 40 3MK	Burgundy			
	911 555 932 40 4WX	Linen			
	911 555 932 40 05T	Black			
	911 555 932 40 1MX	Mahogany			
	911 555 932 40 1KX	Marine blue			
	911 555 932 40 4JX	Greyish green			
	911 555 932 40 7RT	Cashmere beige			
(1)	911 555 032 44	Door trim panel	/R 88-	1	CARRERA
		Leatherette			
	911 555 032 44 3MK	Burgundy			
	911 555 032 44 4WX	Linen			
	911 555 032 44 05T	Black			
	911 555 032 44 1MX	Mahogany			
	911 555 032 44 1KX	Marine blue			
	911 555 032 44 4JX	Greyish green	-88		
	911 555 032 44 7RT	Cashmere beige	89		
1	911 555 032 57	Door trim panel	/R 88-	1	COUPE M637
		Leatherette			
	911 555 032 57 3MK	Burgundy			
	911 555 032 57 4WX	Linen			
	911 555 032 57 05T	Black			
	911 555 032 57 1MX	Mahogany			

Model: 911 87 Model life 1987>>1989

Pos	Part Number	Description	Remark	Qty	Model
1	911 555 032 57 1KX	Marine blue		1	SPEEDSTER
	911 555 032 57 4JX	Greyish green	-88		
	911 555 032 57 7RT	Cashmere beige	89		
	911 555 032 88	Door trim panel	/R 89		
		Leatherette			
	911 555 032 88 3MK	Burgundy			
	911 555 032 88 4WX	Linen			
	911 555 032 88 05T	Black			
	911 555 032 88 1MX	Mahogany			
	911 555 032 88 1KX	Marine blue			
(1)	911 555 032 88 7RT	Cashmere beige	89	1	CARRERA
	911 555 031 56	Door trim panel	/L		
(1)	911 555 031 56 2XR	Pearl grey	89	1	CARRERA
	911 555 032 55	Door trim panel	/R		
(1)	911 555 032 55 2XR	Pearl grey	89	1	TURBO CARRERA M981
	911 555 931 50	Door trim panel	/L		
(1)	911 555 931 50 LG7	Burgundy		1	JUBI 88
	911 555 931 50 TW1	Linen			
	911 555 931 50 UD3	Plum red			
	911 555 931 50 KZ2	Black			
	911 555 931 50 TV1	Mahogany			
	911 555 931 50 TS1	Marine blue			
	911 555 931 50 UD4	Silver-grey			
	911 555 931 50 UD5	Caramel			
	911 555 931 50 LG5	Champagne			
	911 555 931 50 QC2	Greyish green			
	911 555 931 50 UD6	Venetian blue			
	911 555 931 50 8HF	Blue metallic			
	911 555 931 50 XN4	Cashmere beige			
	911 555 931 50 XN5	Silk grey			
	911 555 931 50 XN6	Velvet red			
	911 555 931 50 XN7	Slate grey			
	(1)	911 555 031 56	Door trim panel		
		Leather			
(1)	911 555 031 56 LG7	Burgundy		1	JUBI 88
	911 555 031 56 TW1	Linen			
	911 555 031 56 UD3	Plum red	-88		
	911 555 031 56 KZ2	Black			
	911 555 031 56 TV1	Mahogany			
	911 555 031 56 TS1	Marine blue			
	911 555 031 56 UD4	Silver-grey	-88		
	911 555 031 56 UD5	Caramel			
	911 555 031 56 LG5	Champagne	-88		
	911 555 031 56 QC2	Greyish green	-88		
	911 555 031 56 UD6	Venetian blue			
	911 555 031 56 8HF	Blue metallic	88		
	911 555 031 56 XN4	Cashmere beige	89		
	911 555 031 56 XN5	Silk grey	89		
	911 555 031 56 XN6	Velvet red	89		
	911 555 031 56 XN7	Slate grey	89		
	(1)	911 555 031 90	Door trim panel		
		Leather			
(1)	911 555 031 90 LG7	Burgundy		1	SPEEDSTER M981
	911 555 031 90 TW1	Linen			
	911 555 031 90 UD3	Plum red	-88		

Model: 911 87 Model life 1987>>1989

Pos	Part Number	Description	Remark	Qty	Model
1	911 555 031 90 KZ2	Black		1	TURBO CARRERA M981
	911 555 031 90 TV1	Mahogany			
	911 555 031 90 TS1	Marine blue			
	911 555 031 90 UD4	Silver-grey	-88		
	911 555 031 90 UD5	Caramel			
	911 555 031 90 LG5	Champagne	-88		
	911 555 031 90 QC2	Greyish green	-88		
	911 555 031 90 UD6	Venetian blue			
	911 555 031 90 8HF	Blue metallic			
	911 555 031 90 XN4	Cashmere beige	89		
	911 555 031 90 XN5	Silk grey	89		
	911 555 031 90 XN6	Velvet red	89		
	911 555 031 90 XN7	Slate grey	89		
	911 555 932 50	Door trim panel	/R		
		Leather			
	911 555 932 50 LG7	Burgundy			
	911 555 932 50 TW1	Linen			
	911 555 932 50 UD3	Plum red			
	911 555 932 50 KZ2	Black			
	911 555 932 50 TV1	Mahogany			
	911 555 932 50 TS1	Marine blue			
911 555 932 50 UD4	Silver-grey				
911 555 932 50 UD5	Caramel				
911 555 932 50 LG5	Champagne				
911 555 932 50 QC2	Greyish green				
911 555 932 50 UD6	Venetian blue				
911 555 932 50 8HF	Blue metallic				
911 555 932 50 XN4	Cashmere beige				
911 555 932 50 XN5	Silk grey				
911 555 932 50 XN6	Velvet red				
911 555 932 50 XN7	Slate grey				
1	911 555 032 90	Door trim panel	/R	1	SPEEDSTER M981
		Leather			
	911 555 032 90 LG7	Burgundy			
	911 555 032 90 TW1	Linen			
	911 555 032 90 UD3	Plum red	-88		
	911 555 032 90 KZ2	Black			
	911 555 032 90 TV1	Mahogany			
	911 555 032 90 TS1	Marine blue			
	911 555 032 90 UD4	Silver-grey	-88		
	911 555 032 90 UD5	Caramel			
	911 555 032 90 LG5	Champagne	-88		
	911 555 032 90 QC2	Greyish green	-88		
	911 555 032 90 UD6	Venetian blue			
	911 555 032 90 8HF	Blue metallic			
	911 555 032 90 XN4	Cashmere beige	89		
	911 555 032 90 XN5	Silk grey	89		
	911 555 032 90 XN6	Velvet red	89		
	911 555 032 90 XN7	Slate grey	89		
(1)	911 555 032 55	Door trim panel	/R 88-	1	TURBO CARRERA M981
		Leather			
	911 555 032 55 LG7	Burgundy			
	911 555 032 55 TW1	Linen			
	911 555 032 55 UD3	Plum red	-88		
	911 555 032 55 KZ2	Black			
	911 555 032 55 TV1	Mahogany			
	911 555 032 55 TS1	Marine blue			
	911 555 032 55 UD4	Silver-grey	-88		

Model: 911 87 Model life 1987>>1989

Pos	Part Number	Description	Remark	Qty	Model
	911 555 032 55 UD5	Caramel			
	911 555 032 55 LG5	Champagne	-88		
	911 555 032 55 QC2	Greyish green	-88		
	911 555 032 55 UD6	Venetian blue			
	911 555 032 55 8HF	Blue metallic	88		JUBI 88
	911 555 032 55 XN4	Cashmere beige	89		
	911 555 032 55 XN5	Silk grey	89		
	911 555 032 55 XN6	Velvet red	89		
	911 555 032 55 XN7	Slate grey	89		
(1)	911 555 931 42	Door trim panel All-cloth Pin stripe velour	/L	1	M526
	911 555 931 42 7BN	Black-white			
	911 555 931 42 6LN	Mahogany-white			
	911 555 931 42 8GJ	Blue-white			
	911 555 931 42 1MJ	Burgundy-white			
	911 555 931 42 3JV	Greyish green-white			
	911 555 931 42 4WJ	Linen white			
	911 555 931 42 4TN	Cashmere beige-white			
(1)	911 555 031 47	Door trim panel All-cloth Pin stripe velour	/L 88-	1	M526
	911 555 031 47 7BN	Black-white			
	911 555 031 47 6LN	Mahogany-white			
	911 555 031 47 8GJ	Blue-white			
	911 555 031 47 1MJ	Burgundy-white			
	911 555 031 47 3JV	Greyish green-white	-88		
	911 555 031 47 4WJ	Linen white	89		
	911 555 031 47 4TN	Cashmere beige-white	89		
(1)	911 555 031 89	Door trim panel All-cloth Pin stripe velour	/L 89	1	SPEEDSTER M526
	911 555 031 89 7BN	Black-white			
	911 555 031 89 6LN	Mahogany-white			
	911 555 031 89 8GJ	Blue-white			
	911 555 031 89 1MJ	Burgundy-white			
	911 555 031 89 4WJ	Linen white	89		
	911 555 031 89 4TN	Cashmere beige-white	89		
(1)	911 555 932 42	Door trim panel All-cloth Pin stripe velour	/R	1	M526
	911 555 932 42 7BN	Black-white			
	911 555 932 42 6LN	Mahogany-white			
	911 555 932 42 8GJ	Blue-white			
	911 555 932 42 1MJ	Burgundy-white			
	911 555 932 42 3JV	Greyish green-white			
	911 555 932 42 4WJ	Linen white			
	911 555 932 42 4TN	Cashmere beige-white			
(1)	911 555 032 46	Door trim panel All-cloth Pin stripe velour	/R 88-	1	M526
	911 555 032 46 7BN	Black-white			
	911 555 032 46 6LN	Mahogany-white			
	911 555 032 46 8GJ	Blue-white			
	911 555 032 46 1MJ	Burgundy-white			
	911 555 032 46 3JV	Greyish green-white	-88		
	911 555 032 46 4WJ	Linen white	89		
	911 555 032 46 4TN	Cashmere beige-white	89		
(1)	911 555 032 89	Door trim panel All-cloth Pin stripe velour	/R 89	1	SPEEDSTER M526

Model: 911 87 Model life 1987>>1989

Pos	Part Number	Description	Remark	Qty	Model
	911 555 032 89 7BN	Black-white			
	911 555 032 89 6LN	Mahogany-white			
	911 555 032 89 8GJ	Blue-white			
	911 555 032 89 1MJ	Burgundy-white			
	911 555 032 89 4WJ	Linen white	89		
	911 555 032 89 4TN	Cashmere beige-white	89		
(1)	911 555 931 42	Door trim panel	/L	1	M526
		Pin stripe flannel	-88		
	911 555 931 42 8BF	Anthracite			
	911 555 931 42 9LF	Mahogany			
	911 555 931 42 6GF	Blue			
	911 555 931 42 1MF	Burgundy			
	911 555 931 42 9JF	Greyish green			
(1)	911 555 031 47	Door trim panel	/L	1	M526
		Pin stripe flannel	-88		
	911 555 031 47 8BF	Anthracite	-88		
	911 555 031 47 9LF	Mahogany	-88		
	911 555 031 47 6GF	Blue	-88		
	911 555 031 47 1MF	Burgundy	-88		
	911 555 031 47 9JF	Greyish green	-88		
(1)	911 555 031 89	Door trim panel	/L	1	SPEEDSTER M526
		Pin stripe flannel	-88		
	911 555 031 89 8BF	Anthracite	-88		
	911 555 031 89 9LF	Mahogany	-88		
	911 555 031 89 6GF	Blue	-88		
	911 555 031 89 1MF	Burgundy	-88		
	911 555 031 89 9JF	Greyish green	-88		
(1)	911 555 932 42	Door trim panel	/R	1	M526
		Pin stripe flannel	-88		
	911 555 932 42 8BF	Anthracite			
	911 555 932 42 9LF	Mahogany			
	911 555 932 42 6GF	Blue			
	911 555 932 42 1MF	Burgundy			
	911 555 932 42 9JF	Greyish green			
(1)	911 555 032 46	Door trim panel	/R	1	M526
		Pin stripe flannel	-88		
	911 555 032 46 8BF	Anthracite	-88		
	911 555 032 46 9LF	Mahogany	-88		
	911 555 032 46 6GF	Blue	-88		
	911 555 032 46 1MF	Burgundy	-88		
	911 555 032 46 9JF	Greyish green	-88		
(1)	911 555 032 89	Door trim panel	/R	1	SPEEDSTER M526
		Pin stripe flannel	-88		
	911 555 032 89 8BF	Anthracite	-88		
	911 555 032 89 9LF	Mahogany	-88		
	911 555 032 89 6GF	Blue	-88		
	911 555 032 89 1MF	Burgundy	-88		
	911 555 032 89 9JF	Greyish green	-88		
(1)	911 555 931 42	Door trim panel	/L	1	M526
		Multicolour	89		
	911 555 931 42 2VV	Black			
	911 555 931 42 8XV	Mahogany			
	911 555 931 42 9JV	Marine blue			
	911 555 931 42 1MV	Burgundy			
	911 555 931 42 6UV	Linen			
	911 555 931 42 5TC	Cashmere beige			
(1)	911 555 031 47	Door trim panel	/L	1	M526
		Multicolour	89		
	911 555 031 47 2VV	Black	89		
	911 555 031 47 8XV	Mahogany	89		
	911 555 031 47 9JV	Marine blue	89		

Model: 911 87 Model life 1987>>1989

Pos	Part Number	Description	Remark	Qty	Model
(1)	911 555 031 47 1MV	Burgundy	89	1	SPEEDSTER M526
	911 555 031 47 6UV	Linen	89		
	911 555 031 47 5TC	Cashmere beige	89		
	911 555 031 89	Door trim panel	/L 89		
		Multicolour	89		
	911 555 031 89 2VV	Black	89		
	911 555 031 89 8XV	Mahogany	89		
	911 555 031 89 9JV	Marine blue	89		
	911 555 031 89 1MV	Burgundy	89		
	911 555 031 89 6UV	Linen	89		
(1)	911 555 031 89 5TC	Cashmere beige	89	1	M526
	911 555 932 42	Door trim panel	/R		
		Multicolour	89		
	911 555 932 42 2VV	Black			
	911 555 932 42 8XV	Mahogany			
	911 555 932 42 9JV	Marine blue			
	911 555 932 42 1MV	Burgundy			
	911 555 932 42 6UV	Linen			
	911 555 932 42 5TC	Cashmere beige			
	911 555 032 46	Door trim panel	/R		
(1)	911 555 032 46	Multicolour	89	1	M526
	911 555 032 46 2VV	Black	89		
	911 555 032 46 8XV	Mahogany	89		
	911 555 032 46 9JV	Marine blue	89		
	911 555 032 46 1MV	Burgundy	89		
	911 555 032 46 6UV	Linen	89		
	911 555 032 46 5TC	Cashmere beige	89		
	911 555 032 89	Door trim panel	/R 89		
		Multicolour	89		
	911 555 032 89 2VV	Black	89		
(1)	911 555 032 89 8XV	Mahogany	89	1	SPEEDSTER M526
	911 555 032 89 9JV	Marine blue	89		
	911 555 032 89 1MV	Burgundy	89		
	911 555 032 89 6UV	Linen	89		
	911 555 032 89 5TC	Cashmere beige	89		
	911 555 931 42	Door trim panel	/L		
		Porsche lettering cloth			
	911 555 931 42 2CZ	Black			
	911 555 931 42 4MR	Mahogany			
	911 555 931 42 6HZ	Blue			
(1)	911 555 931 42 5LZ	Burgundy		1	M526
	911 555 931 42 1JK	Greyish green			
	911 555 931 42 5WZ	Linen			
	911 555 931 42 7TH	Cashmere beige			
	911 555 031 47	Door trim panel	/L 88-		
		Porsche lettering cloth			
	911 555 031 47 2CZ	Black			
	911 555 031 47 4MR	Mahogany			
	911 555 031 47 6HZ	Blue			
	911 555 031 47 5LZ	Burgundy			
(1)	911 555 031 47 1JK	Greyish green	-88	1	SPEEDSTER M526
	911 555 031 47 5WZ	Linen	89		
	911 555 031 47 7TH	Cashmere beige	89		
	911 555 031 89	Door trim panel	/L 89		
		Porsche lettering cloth			
	911 555 031 89 2CZ	Black			
	911 555 031 89 4MR	Mahogany			
	911 555 031 89 6HZ	Blue			
	911 555 031 89 5LZ	Burgundy			
	911 555 031 89 5WZ	Linen	89		

Model: 911 87 Model life 1987>>1989

Pos	Part Number	Description	Remark	Qty	Model
(1)	911 555 031 89 7TH	Cashmere beige	89		
	911 555 932 42	Door trim panel	/R	1	M526
		Porsche lettering cloth			
	911 555 932 42 2CZ	Black			
	911 555 932 42 4MR	Mahogany			
	911 555 932 42 6HZ	Blue			
	911 555 932 42 5LZ	Burgundy			
	911 555 932 42 1JK	Greyish green			
	911 555 932 42 5WZ	Linen			
(1)	911 555 932 42 7TH	Cashmere beige			
	911 555 032 46	Door trim panel	/R 88-	1	M526
		Porsche lettering cloth			
	911 555 032 46 2CZ	Black			
	911 555 032 46 4MR	Mahogany			
	911 555 032 46 6HZ	Blue			
	911 555 032 46 5LZ	Burgundy			
	911 555 032 46 1JK	Greyish green	-88		
	911 555 032 46 5WZ	Linen	89		
	911 555 032 46 7TH	Cashmere beige	89		
(1)	911 555 032 89	Door trim panel	/R 89	1	SPEEDSTER M526
		Porsche lettering cloth			
	911 555 032 89 2CZ	Black			
	911 555 032 89 4MR	Mahogany			
	911 555 032 89 6HZ	Blue			
	911 555 032 89 5LZ	Burgundy			
	911 555 032 89 5WZ	Linen	89		
	911 555 032 89 7TH	Cashmere beige	89		
(2)	911 555 083 08	Cover strip	/L	1	
		Leatherette			
	911 555 083 08 7AE	Black			
	911 555 083 08 1MX	Mahogany			
	911 555 083 08 1KX	Marine blue			
	911 555 083 08 3MX	Burgundy			
	911 555 083 08 4JX	Greyish green	-88		
(2)	911 555 083 60	Cover strip	/L 89	1	SPEEDSTER
		Leatherette			
	911 555 083 60 7AE	Black			
	911 555 083 60 1MX	Mahogany			
	911 555 083 60 1KX	Marine blue			
	911 555 083 60 3MX	Burgundy			
2	911 555 084 07	Cover strip	/R	1	
		Leatherette			
	911 555 084 07 7AE	Black			
	911 555 084 07 1MX	Mahogany			
	911 555 084 07 1KX	Marine blue			
	911 555 084 07 3MX	Burgundy			
	911 555 084 07 4JX	Greyish green	-88		
(2)	993 555 084 00	Cover strip	/R	1	
		Leatherette			
	993 555 084 00 7AE	Black			
	993 555 084 00 1KX	Marine blue			
	993 555 084 00 3MX	Burgundy			
2	911 555 084 59	Cover strip	/R 89	1	SPEEDSTER
		Leatherette			
	911 555 084 59 7AE	Black			
	911 555 084 59 1MX	Mahogany			
	911 555 084 59 1KX	Marine blue			
	911 555 084 59 3MX	Burgundy			
(2)	911 555 083 62	Cover strip	/L	1	
		Leather			
	911 555 083 62 KZ2	Black			
	911 555 083 62 TV1	Mahogany			

Model: 911 87 Model life 1987>>1989

Pos	Part Number	Description	Remark	Qty	Model
	911 555 083 62 TS1	Marine blue			
	911 555 083 62 LG7	Burgundy			
	911 555 083 62 QC2	Greyish green	-88		
	911 555 083 62 UD5	Caramel			
	911 555 083 62 UD6	Venetian blue			
	911 555 083 62 XN6	Velvet red	89		
	911 555 083 62 XN7	Slate grey	89		
(2)	911 555 083 90	Cover strip Leather	/L 89	1	SPEEDSTER
	911 555 083 90 KZ2	Black			
	911 555 083 90 TV1	Mahogany			
	911 555 083 90 TS1	Marine blue			
	911 555 083 90 LG7	Burgundy			
	911 555 083 90 UD5	Caramel			
	911 555 083 90 UD6	Venetian blue			
	911 555 083 90 XN6	Velvet red	89		
	911 555 083 90 XN7	Slate grey	89		
2	911 555 084 61	Cover strip Leather	/R	1	
	911 555 084 61 KZ2	Black			
	911 555 084 61 TV1	Mahogany			
	911 555 084 61 TS1	Marine blue			
	911 555 084 61 LG7	Burgundy			
	911 555 084 61 QC2	Greyish green	-88		
	911 555 084 61 UD5	Caramel			
	911 555 084 61 UD6	Venetian blue			
	911 555 084 61 XN6	Velvet red	89		
	911 555 084 61 XN7	Slate grey	89		
2	911 555 084 89	Cover strip Leather	/R 89	1	SPEEDSTER
	911 555 084 89 KZ2	Black			
	911 555 084 89 TV1	Mahogany			
	911 555 084 89 TS1	Marine blue			
	911 555 084 89 LG7	Burgundy			
	911 555 084 89 UD5	Caramel			
	911 555 084 89 UD6	Venetian blue			
	911 555 084 89 XN6	Velvet red	89		
	911 555 084 89 XN7	Slate grey	89		
(3)	911 555 421 00	Cap	/L	1	
	911 555 421 00 01C	Black			
	911 555 421 00 4MJ	Mahogany			
	911 555 421 00 9JJ	Marine blue			
	911 555 421 00 9MM	Burgundy			
	911 555 421 00 1DJ	Greyish green	-88		
3	911 555 422 00	Cap	/R	1	
	911 555 422 00 01C	Black			
	911 555 422 00 4MJ	Mahogany			
	911 555 422 00 9JJ	Marine blue			
	911 555 422 00 9MM	Burgundy			
	911 555 422 00 1DJ	Greyish green	-88		
(3)	911 555 291 50	Cap Leather	/L	1	M981
	911 555 291 50 1AJ	Black			
	911 555 291 50 2LX	Mahogany			
	911 555 291 50 7JX	Marine blue			
	911 555 291 50 7LD	Burgundy			
	911 555 291 50 5JX	Greyish green	-88		
	911 555 291 50 1MC	Velvet red	89		
	911 555 291 50 2WT	Slate grey	89		
	911 555 291 50 4UC	Caramel			
	911 555 291 50 7KC	Venetian blue			
3	911 555 292 50	Cap Leather	/R	1	M981

Model: 911 87 Model life 1987>>1989

Pos	Part Number	Description	Remark	Qty	Model
	911 555 292 50 1AJ	Black			
	911 555 292 50 2LX	Mahogany			
	911 555 292 50 7JX	Marine blue			
	911 555 292 50 7LD	Burgundy			
	911 555 292 50 5JX	Greyish green	-88		
	911 555 292 50 1MC	Velvet red	89		
	911 555 292 50 2WT	Slate grey	89		
	911 555 292 50 4UC	Caramel			
	911 555 292 50 7KC	Venetian blue			
4	900 145 035 02	Rais. counters. h. tap. s. B 4,2 X 16		2	
5	N 100 401 02	Cone washer		2	M981
6	900 143 177 02	Combination tapping screw B 4,2 X 13		4	
7	928 555 569 02	Guide bush		2	
8	N 100 665 01	Speed nut B 3,5		2	
9	N 013 958 7	Oval-head sheetmetal screw B 3,5 X 13		4	
10	999 703 077 40	Cap		2	
(11)	911 555 037 04	Package box Carpet/ Wrapping strap Leatherette	/L	1	CARRERA
	911 555 037 04 70E	Black/black	-88		
	911 555 037 04 5FV	Black/black	89		
	911 555 037 04 5MF	Mahogany			
	911 555 037 04 3KF	Marine blue	-88		
	911 555 037 04 4KV	Marine blue/marine blue	89		
	911 555 037 04 80E	Burgundy/burgundy	-88		
	911 555 037 04 8MD	Burgundy/burgundy	89		
	911 555 037 04 8UT	Cashmere beige/cash. beige	89		
	911 555 037 04 2XF	Linen			
	911 555 037 04 4JX	Greyish green/grey-green	-88		
11	911 555 038 04	Package box Carpet/ Wrapping strap Leatherette	/R	1	CARRERA
	911 555 038 04 70E	Black/black	-88		
	911 555 038 04 5FV	Black/black	89		
	911 555 038 04 5MF	Mahogany			
	911 555 038 04 3KF	Marine blue	-88		
	911 555 038 04 4KV	Marine blue/marine blue	89		
	911 555 038 04 80E	Burgundy/burgundy	-88		
	911 555 038 04 8MD	Burgundy/burgundy	89		
	911 555 038 04 8UT	Cashmere beige/cash. beige	89		
	911 555 038 04 2XF	Linen			
	911 555 038 04 4JX	Greyish green/grey-green	-88		
(11)	911 555 037 06	Package box Carpet/ Wrapping strap Leatherette	/L 88-	1	M490
	911 555 037 06 70E	Black/black	-88		
	911 555 037 06 5FV	Black/black	89		
	911 555 037 06 5MF	Mahogany/mahogany			
	911 555 037 06 3KF	Marine blue/marine blue	-88		
	911 555 037 06 4KV	Marine blue/marine blue	89		
	911 555 037 06 80E	Burgundy/burgundy	-88		
	911 555 037 06 8MD	Burgundy/burgundy	89		
	911 555 037 06 8UT	Cashmere beige/cash. beige	89		
	911 555 037 06 2XF	Linen			
	911 555 037 06 4JX	Greyish green/grey-green	-88		
11	911 555 038 06	Package box	/R 88-	1	M490

Model: 911 87 Model life 1987>>1989

Pos	Part Number	Description	Remark	Qty	Model
		Carpet/ Wrapping strap Leatherette			
	911 555 038 06 70E	Black/black	-88		
	911 555 038 06 5FV	Black/black	89		
	911 555 038 06 5MF	Mahogany/mahogany			
	911 555 038 06 3KF	Marine blue/marine blue	-88		
	911 555 038 06 4KV	Marine blue/marine blue	89		
	911 555 038 06 80E	Burgundy/burgundy	-88		
	911 555 038 06 8MD	Burgundy/burgundy	89		
	911 555 038 06 8UT	Cashmere beige/cash. beige	89		
	911 555 038 06 2XF	Linen			
	911 555 038 06 4JX	Greyish green/grey-green	-88		
(11)	930 555 037 03	Package box Carpet/ Wrapping strap Leather	/L	1	M981
	930 555 037 03 70E	Black/black	-88		
	930 555 037 03 5FV	Black/black	89		
	930 555 037 03 3KF	Marine blue/marine blue	-88		
	930 555 037 03 4KV	Marine blue/marine blue	89		
	930 555 037 03 5MF	Mahogany/mahogany			
	930 555 037 03 8JK	Greyish green/grey-green	-88		
	930 555 037 03 80E	Burgundy/burgundy	-88		
	930 555 037 03 8MD	Burgundy/burgundy	89		
	930 555 037 03 1VD	Champagne/champagne	-88		
	930 555 037 03 4MM	Plum red	-88		
	930 555 037 03 7VM	Silver-grey	-88		
	930 555 037 03 7VT	Silk grey/silk grey	89		
	930 555 037 03 9MT	Velvet red/velvet red	89		
	930 555 037 03 8UT	Cashmere beige/cash. beige	89		
	930 555 037 03 3WT	Slate grey/slate grey	89		
	930 555 037 03 2XF	Linen/linen			
	930 555 037 03 5UM	Caramel			
	930 555 037 03 3KM	Venetian blue			
11	930 555 037 03 6HM	Silver-blue/blue metallic	88		JUBI
	930 555 038 03	Package box Carpet/ Wrapping strap Leather	/R	1	M981
	930 555 038 03 70E	Black/black	-88		
	930 555 038 03 5FV	Black/black	89		
	930 555 038 03 3KF	Marine blue/marine blue	-88		
	930 555 038 03 4KV	Marine blue/marine blue	89		
	930 555 038 03 5MF	Mahogany/mahogany			
	930 555 038 03 8JK	Greyish green/grey-green	-88		
	930 555 038 03 80E	Burgundy/burgundy	-88		
	930 555 038 03 8MD	Burgundy/burgundy	89		
	930 555 038 03 1VD	Champagne/champagne	-88		
	930 555 038 03 4MM	Plum red	-88		
	930 555 038 03 7VM	Silver-grey	-88		
	930 555 038 03 7VT	Silk grey/silk grey	89		
	930 555 038 03 9MT	Velvet red/velvet red	89		
	930 555 038 03 8UT	Cashmere beige/cash. beige	89		
	930 555 038 03 3WT	Slate grey/slate grey	89		
	930 555 038 03 2XF	Linen/linen			
	930 555 038 03 5UM	Caramel			
	930 555 038 03 3KM	Venetian blue			
(11)	930 555 038 03 6HM	Silver-blue/blue metallic	88		JUBI
	911 555 037 05	Package box Carpet/ Wrapping strap Leather	/L 88-	1	M490/981

Model: 911 87 Model life 1987>>1989

Pos	Part Number	Description	Remark	Qty	Model
	911 555 037 05 70E	Black/black	-88		
	911 555 037 05 5FV	Black/black	89		
	911 555 037 05 3KF	Marine blue/marine blue	-88		
	911 555 037 05 4KV	Marine blue/marine blue	89		
	911 555 037 05 5MF	Mahogany/mahogany			
	911 555 037 05 8JK	Greyish green/grey-green	-88		
	911 555 037 05 80E	Burgundy/burgundy	-88		
	911 555 037 05 8MD	Burgundy/burgundy	89		
	911 555 037 05 1VD	Champagne/champagne	-88		
	911 555 037 05 4MM	Plum red/plum red	-88		
	911 555 037 05 7VM	Silver-grey/silver-grey	-88		
	911 555 037 05 7VT	Silk grey/silk grey	89		
	911 555 037 05 9MT	Velvet red/velvet red	89		
	911 555 037 05 8UT	Cashmere beige/cash. beige	89		
	911 555 037 05 3WT	Slate grey/slate grey	89		
	911 555 037 05 2XF	Linen			
	911 555 037 05 5UM	Caramel/caramel			
	911 555 037 05 3KM	Venetian bl./venetian blue			
	911 555 037 05 6HM	Silver-blue/blue metallic	88		JUBI
11	911 555 038 05	Package box Carpet/ Wrapping strap Leather	/R 88-	1	M490/981
	911 555 038 05 70E	Black/black	-88		
	911 555 038 05 5FV	Black/black	89		
	911 555 038 05 3KF	Marine blue/marine blue	-88		
	911 555 038 05 4KV	Marine blue/marine blue	89		
	911 555 038 05 5MF	Mahogany/mahogany			
	911 555 038 05 8JK	Greyish green/grey-green	-88		
	911 555 038 05 80E	Burgundy/burgundy	-88		
	911 555 038 05 8MD	Burgundy/burgundy	89		
	911 555 038 05 1VD	Champagne/champagne	-88		
	911 555 038 05 4MM	Plum red/plum red	-88		
	911 555 038 05 7VM	Silver-grey/silver-grey	-88		
	911 555 038 05 7VT	Silk grey/silk grey	89		
	911 555 038 05 9MT	Velvet red/velvet red	89		
	911 555 038 05 8UT	Cashmere beige/cash. beige	89		
	911 555 038 05 3WT	Slate grey/slate grey	89		
	911 555 038 05 2XF	Linen			
	911 555 038 05 5UM	Caramel/caramel			
	911 555 038 05 3KM	Venetian bl./venetian blue			
	911 555 038 05 6HM	Silver-blue/blue metallic	88		JUBI
(11)	911 555 037 05	Package box Carpet/ Wrapping strap Leather	/L 89	1	M097
	911 555 037 05 1XV	Pearl grey			
11	911 555 038 05	Package box Carpet/ Wrapping strap Leather	/R 89	1	M097
	911 555 038 05 1XV	Pearl grey			
12	900 145 026 07	Tapping screw B 4,2 X 22		8	
13	999 591 103 17	Protection washer		12	
13	PCG 591 103 17	Protection washer		12	
14	999 591 717 40	Expander nut B 4,2		10	
(15)	911 555 097 01	Grab handle Leatherette	/L	1	
	911 555 097 01 041	Black			
	911 555 097 01 3LN	Mahogany			
	911 555 097 01 6JN	Marine blue			

Model: 911 87 Model life 1987>>1989

Pos	Part Number	Description	Remark	Qty	Model
15	911 555 097 01 3MK	Burgundy		1	
	911 555 097 01 8XN	Linen			
	911 555 097 01 9JN	Greyish green	-88		
	911 555 097 01 2UU	Cashmere beige	89		
	911 555 098 01	Grab handle	/R		
		Leatherette			
	911 555 098 01 041	Black			
	911 555 098 01 3LN	Mahogany			
	911 555 098 01 6JN	Marine blue			
	911 555 098 01 3MK	Burgundy			
	911 555 098 01 8XN	Linen			
	911 555 098 01 9JN	Greyish green	-88		
	911 555 098 01 2UU	Cashmere beige	89		
	(15) 911 555 097 51	Grab handle	/L		
		Leather			
911 555 097 51 1AJ	Black				
911 555 097 51 2LX	Mahogany				
911 555 097 51 7JX	Marine blue				
911 555 097 51 7LD	Burgundy				
911 555 097 51 5JX	Greyish green	-88			
911 555 097 51 1VD	Champagne	-88			
911 555 097 51 1MC	Plum red	-88			
911 555 097 51 3VC	Silver-grey	-88			
911 555 097 51 2WH	Cashmere beige	89			
911 555 097 51 5VT	Silk grey	89			
911 555 097 51 4MT	Velvet red	89			
911 555 097 51 2WT	Slate grey	89			
911 555 097 51 4UC	Caramel				
911 555 097 51 7VX	Linen				
911 555 097 51 7KC	Venetian blue				
911 555 097 51 8HF	Blue metallic	88			
	Blue metallic	89			
911 555 097 51 2XR	Pearl grey	89			
15 911 555 098 51	Grab handle	/R			
	Leather				
911 555 098 51 1AJ	Black				
911 555 098 51 2LX	Mahogany				
911 555 098 51 7JX	Marine blue				
911 555 098 51 7LD	Burgundy				
911 555 098 51 5JX	Greyish green	-88			
911 555 098 51 1VD	Champagne	-88			
911 555 098 51 1MC	Plum red	-88			
911 555 098 51 3VC	Silver-grey	-88			
911 555 098 51 2WH	Cashmere beige	89			
911 555 098 51 5VT	Silk grey	89			
911 555 098 51 4MT	Velvet red	89			
911 555 098 51 2WT	Slate grey	89			
911 555 098 51 4UC	Caramel				
911 555 098 51 7VX	Linen				
911 555 098 51 7KC	Venetian blue				
911 555 098 51 8HF	Blue metallic	88			
	Blue metallic	89			
911 555 098 51 2XR	Pearl grey	89			
16 N 014 761 2	Pan-head screw		8		
	M 6 X 12				
16 900 119 129 01	Pan-head screw		8		
	M 6 X 12				
17 N 011 524 7	Washer		8		
	A 6,4				
17 N 011 524 27	Washer		8		
	A 6,4				
(18) 911 531 251 00	Door opener	/L	1		
911 531 251 00 70B	Black				

JUBI

JUBI

Model: 911 87 Model life 1987>>1989

Pos	Part Number	Description	Remark	Qty	Model
18	911 531 252 00	Door opener	/R	1	
	911 531 252 00 70B	Black			
18A	928 537 747 00	Luminous point		2	
19	911 555 583 00	Bolt		2	
19	911 555 583 01	Bolt		2	
20	900 116 002 01	Lock washer		2	
21	900 145 075 07	Tapping screw B 4,2 X 16	87	2	
(22)	911 555 039 03	Lid	/L	1	
		Lacquered			
	911 555 039 03 041	Black			
	911 555 039 03 3LN	Mahogany			
	911 555 039 03 6JN	Marine blue			
	911 555 039 03 3MK	Burgundy			
	911 555 039 03 8XN	Linen			
	911 555 039 03 9JN	Greyish green	-88		
	911 555 039 03 2UU	Cashmere beige	89		
22	911 555 040 03	Lid	/R	1	
		Lacquered			
	911 555 040 03 041	Black			
	911 555 040 03 3LN	Mahogany			
	911 555 040 03 6JN	Marine blue			
	911 555 040 03 3MK	Burgundy			
	911 555 040 03 8XN	Linen			
	911 555 040 03 9JN	Greyish green	-88		
	911 555 040 03 2UU	Cashmere beige	89		
(22)	911 555 039 52	Lid	/L	1	
		Leather			
	911 555 039 52 1AJ	Black			
	911 555 039 52 2LX	Mahogany			
	911 555 039 52 7JX	Marine blue			
	911 555 039 52 7LD	Burgundy			
	911 555 039 52 5JX	Greyish green	-88		
	911 555 039 52 1VD	Champagne	-88		
	911 555 039 52 1MC	Plum red	-88		
	911 555 039 52 3VC	Silver-grey	-88		
	911 555 039 52 2WH	Cashmere beige	89		
	911 555 039 52 5VT	Silk grey	89		
	911 555 039 52 4MT	Velvet red	89		
	911 555 039 52 2WT	Slate grey	89		
	911 555 039 52 4UC	Caramel			
	911 555 039 52 7VX	Linen			
	911 555 039 52 7KC	Venetian blue			
	911 555 039 52 8HF	Blue metallic	88		JUBI
		Blue metallic	89		
	911 555 039 52 2XR	Pearl grey	89		
22	911 555 040 52	Lid	/R	1	
		Leather			
	911 555 040 52 1AJ	Black			
	911 555 040 52 2LX	Mahogany			
	911 555 040 52 7JX	Marine blue			
	911 555 040 52 7LD	Burgundy			
	911 555 040 52 5JX	Greyish green	-88		
	911 555 040 52 1VD	Champagne	-88		
	911 555 040 52 1MC	Plum red	-88		
	911 555 040 52 3VC	Silver-grey	-88		
	911 555 040 52 2WH	Cashmere beige	89		
	911 555 040 52 5VT	Silk grey	89		
	911 555 040 52 4MT	Velvet red	89		
	911 555 040 52 2WT	Slate grey	89		
	911 555 040 52 4UC	Caramel			
	911 555 040 52 7VX	Linen			
	911 555 040 52 7KC	Venetian blue			

Model: 911 87 Model life 1987>>1989

Pos	Part Number	Description	Remark	Qty	Model
	911 555 040 52 8HF	Blue metallic	88		JUBI
		Blue metallic	89		
	911 555 040 52 2XR	Pearl grey	89		
23	914 555 059 10	Support		2	
24	900 146 011 02	Oval-head screw AM 4 X 10		2	
25	N 012 224 3	Spring washer B 4		2	
26	900 151 028 02	Washer B 4,3		2	
26	900 151 028 01	Washer B 4,3		2	
27	911 555 045 03	Bearing	/L	1	
(27)	911 555 046 03	Bearing	/R	1	
27A	911 555 391 00	Mounting		2	M637
28	900 143 047 07	Tapping screw B 4,2 X 19		4	
28	900 073 007 01	Tapping screw B 4,2 X 19		4	
28A	N 014 098 6	Rais. counters. h. tap. s. B 4,8 X 16		2	M637
29	900 145 075 07	Tapping screw B 4,2 X 16		2	
30	999 704 605 07	Cone washer		2	
31	911 613 623 01	Grommet		3	
32	911 613 621 03	Switch		3	
33	911 613 635 20	Assembly frame		3	
34	911 555 013 01	Loudspeaker grille		2	M637
34		Loudspeaker grille	87	2	
(34)	911 555 451 00	Loudspeaker grille	88-	2	
	911 555 451 00 01C	Black Woofer			
(34)	911 555 451 01	Loudspeaker grille	88-	2	
	911 555 451 01 01C	Black Woofer			
(34)	911 555 453 00	Loudspeaker grille Black Tweeter	88-	2	
(34)	911 555 453 01	Loudspeaker grille	88-	2	
	911 555 453 01 01C	Black Tweeter			
(34)	911 555 671 00	Bracket Woofer	88-	2	
(34)	911 555 671 01	Bracket Woofer	88-	2	
(34)	911 555 673 00	Bracket Tweeter	88-	2	
34A	911 555 645 01	Cover Loudspeaker grille Leatherette		2	M637
	911 555 645 01 05T	Black			
	911 555 645 01 1MX	Mahogany	-88		
	911 555 645 01 1KX	Marine blue	-88		
	911 555 645 01 2MX	Burgundy	-88		
	911 555 645 01 4JX	Greyish green	-88		
35	N 013 967 9	Tapping screw	87	8	
35		Tapping screw B 4,2 X 19		8	M637
35	900 143 124 07	Tapping screw BZ 3,5 X 13 Tweeter	88-	6	
35	N 013 967 9	Tapping screw B 4,2 X 19	88-	8	

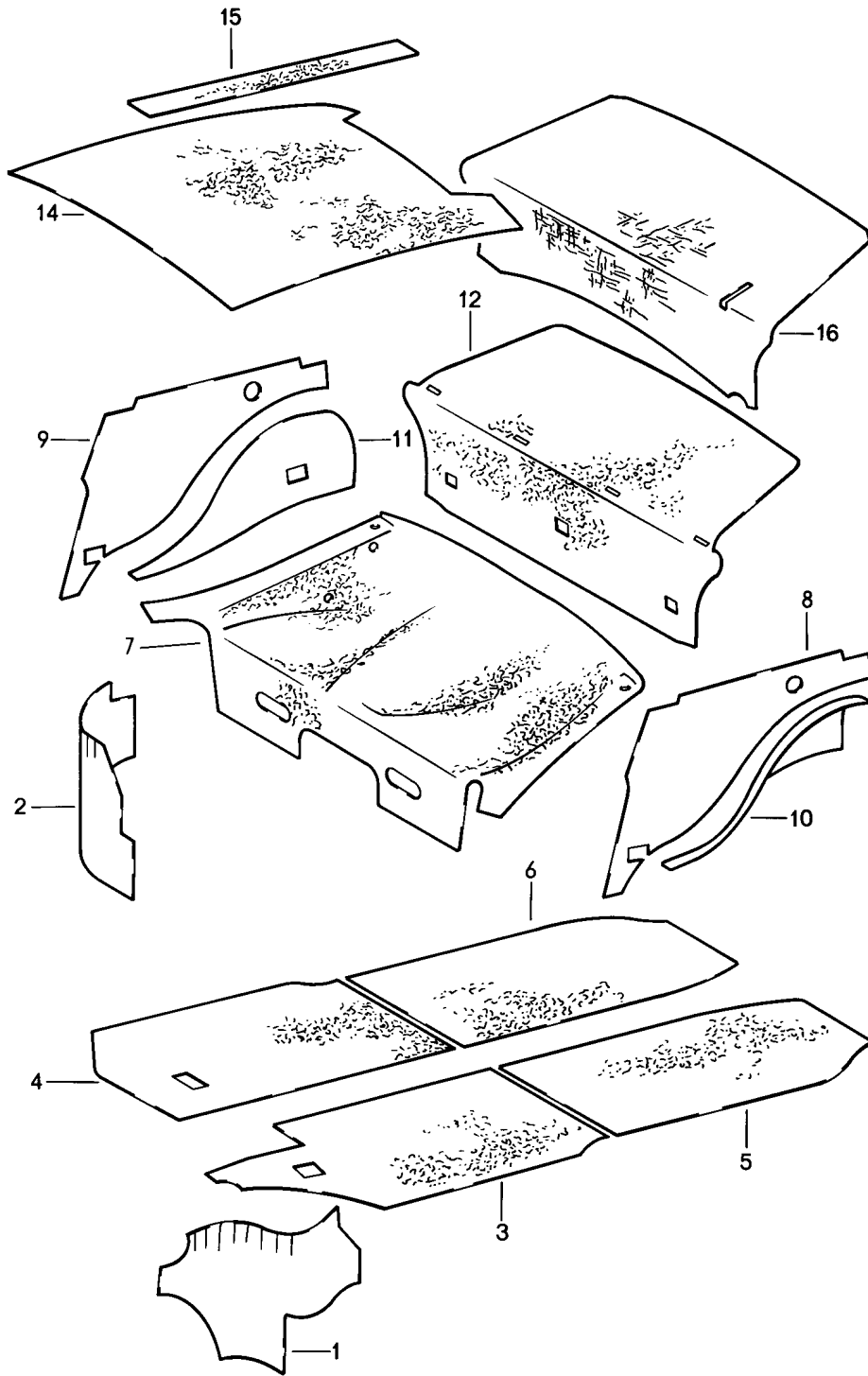
Model: 911 87

Model life 1987>>1989

Pos	Part Number	Description	Remark	Qty	Model
36	999 591 575 02	Woofers Speed nut B 4,2		8	
36	999 591 575 01	Speed nut B 4,2		8	
37	911 555 217 00	Housing		2	CARRERA
(37)	911 555 217 01	Housing	89	2	TURBO
38	900 025 002 02	Washer A 4,3		6	SPEEDSTER
38	900 025 002 03	Washer A 4,3		6	
39	N 011 004 6	Hexagon nut M 4		6	
39	N 011 004 G	Nut M 4		6	
40	823 867 299	Clip		8	
41	900 151 028 02	Washer A 4,3		2	
41	900 151 028 01	Washer A 4,3		2	
42	N 013 958 7	Oval-head sheetmetal screw B 3,5 X 13		2	
43	901 555 341 20	Shim Window crank		2	M637 SPEEDSTER

Model: 911 87

Model life 1987>>1989

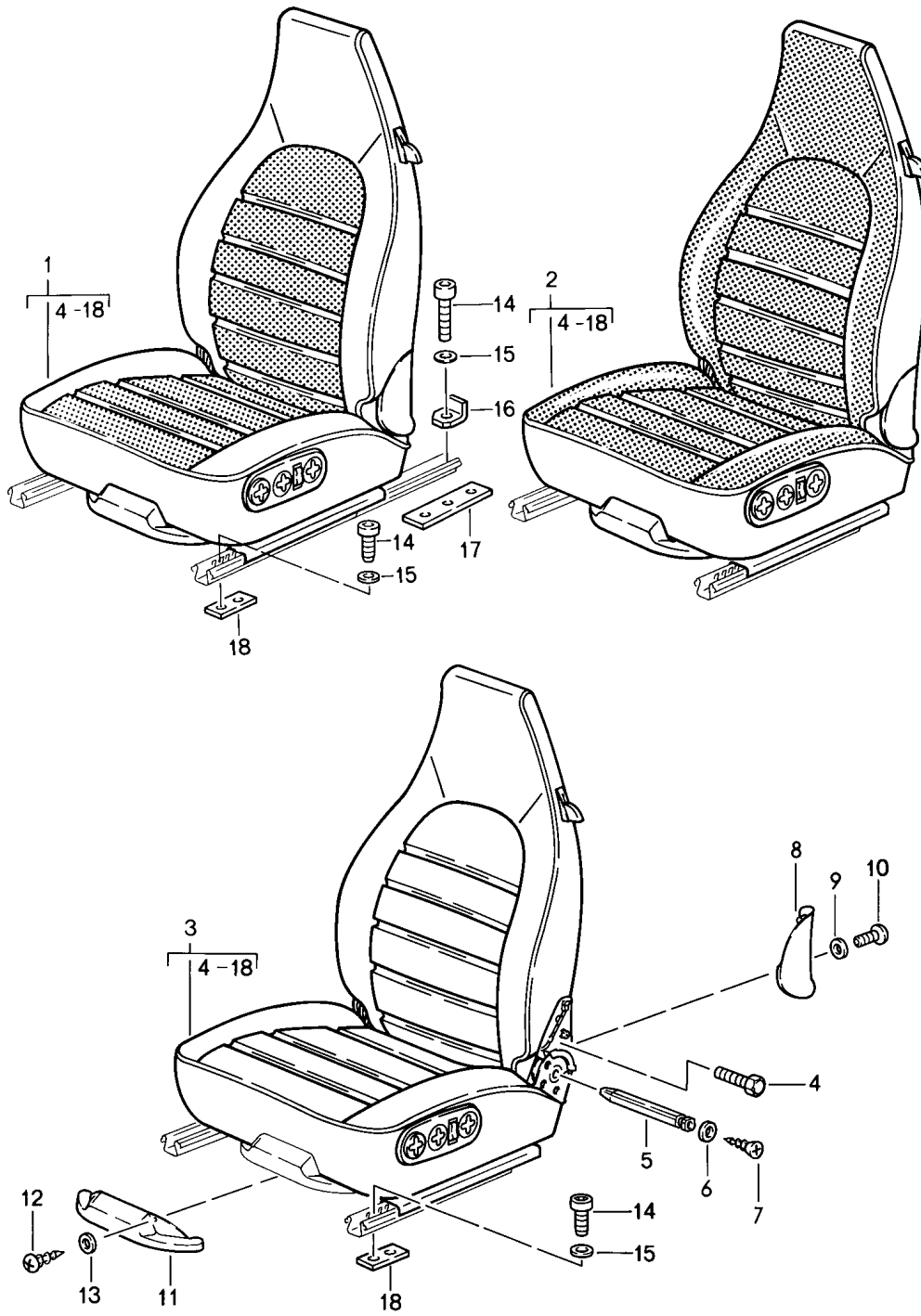


Model: 911 87 Model life 1987>>1989

Pos	Part Number	Description	Remark	Qty	Model
(1)	911 556 902 00	Body Sound proofing 1			
1		Damping mat	/L	1	TARGA/CABRIO
		Damping mat	/L	1	COUPE
(2)		Wheel housing			
2		Damping mat	/R	1	COUPE
		Damping mat	/R	1	TARGA/CABRIO
		Wheel housing			
(1-6)		Damping mat		*	
		1000 X 500			
3		Damping mat	/LL /L	1	COUPE
(3)		Damping mat	/LL /L	1	TARGA/CABRIO
(3)		Damping mat	/RL /L	1	
		Floor			
4		Damping mat	/LL /R	1	COUPE
(4)		Damping mat	/LL /R	1	TARGA/CABRIO
(4)		Damping mat	/RL /R	1	
		Floor			
5		Damping mat	/L	1	
		Floor			
6		Damping mat	/R	1	
		Floor			
(7)	930 556 233 02	Damping mat		1	
		Seat well			
8-11	999 913 006 00	Sound absorber		*	
8		Sound absorber	/L	*	COUPE
(8)		Sound absorber	/L	*	TARGA/CABRIO
		Wheel housing panel			
		Upper			
9		Sound absorber	/R	*	COUPE
(9)		Sound absorber	/R	*	TARGA/CABRIO
		Wheel housing panel			
		Upper			
10		Sound absorber	/L	*	COUPE
(10)		Sound absorber	/L	*	TARGA/CABRIO
		Wheel housing panel			
		Lower			
11		Sound absorber	/R	*	COUPE
(11)		Sound absorber	/R	*	TARGA/CABRIO
		Wheel housing panel			
		Lower			
12	911 556 239 06	Damping mat		1	COUPE/TARGA
(12)	911 556 239 61	Damping mat		1	CABRIO
		for rear panel			
		It is necessary to rework	89		SPEEDSTER
14	911 556 023 01	Damping mat		1	
		Roof			
14	911 556 023 02	Damping mat		1	
		Roof			
		100 X 90			
		It is necessary to rework			
15	911 556 248 00	Damping strip		4	
(16)	911 556 891 01	Damping mat		1	CARRERA
(16)	930 556 891 02	Damping mat		1	TURBO
		for engine compartment			

Model: 911 87

Model life 1987>>1989



Model: 911 87

Model life 1987>>1989

Pos	Part Number	Description	Remark	Qty	Model
-	PCG 043 204 90 PCG 043 204 90 2CZ	Seat Complete Group 8/08/00 - 8/08/60 See group 8/06/00 - 8/06/54 Catalogue STZ.18 Cloth PORSCHE logo Black Pieces 2000 MM X 1500 MM		1	

Model: 911 87

Model life 1987>>1989



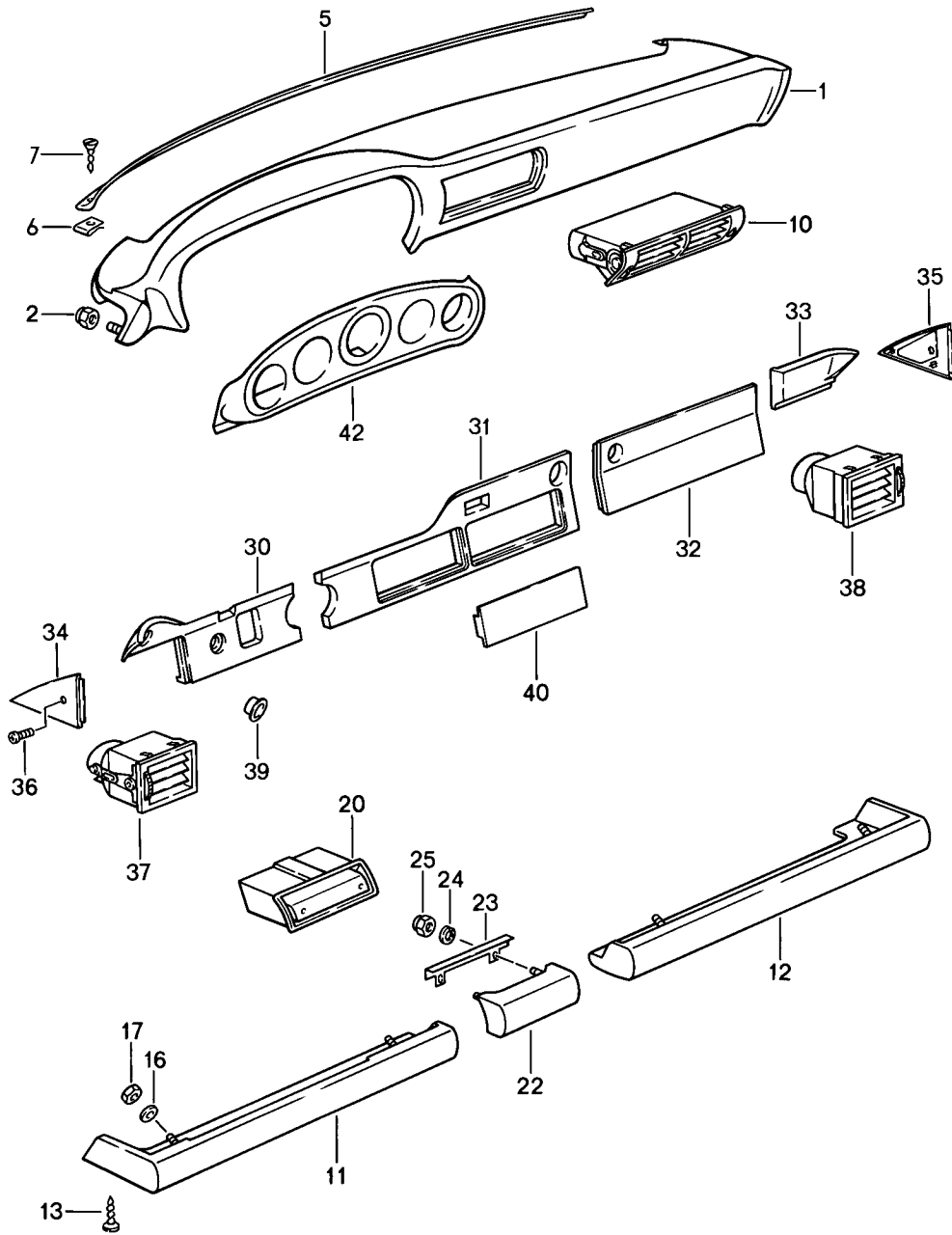
Model: 911 87

Model life 1987>>1989

Pos	Part Number	Description	Remark	Qty	Model
-	PCG 043 204 90 PCG 043 204 90 2CZ	Cloth Pieces Cloth PORSCHE logo Black Pieces 2000 MM X 1500 MM		1	

Model: 911 87

Model life 1987>>1989



Model: 911 87 Model life 1987>>1989

Pos	Part Number	Description	Remark	Qty	Model
1	911 552 055 05	Dashbord with Installation parts Dashbord trim Leatherette	/LL	1	
	911 552 055 05 7AE	Black			
	911 552 055 05 1MX	Mahogany			
	911 552 055 05 3MX	Burgundy			
	911 552 055 05 1KX	Marine blue			
	911 552 055 05 4JX	Greyish green	-88		
(1)	911 552 056 05	Dashbord trim Leatherette	/RL	1	
	911 552 056 05 7AE	Black			
	911 552 056 05 1MX	Mahogany			
	911 552 056 05 3MX	Burgundy			
	911 552 056 05 1KX	Marine blue			
	911 552 056 05 4JX	Greyish green	-88		
1	911 552 055 73	Dashbord trim Leather	/LL	1	
	911 552 055 73 LG7	Burgundy			
	911 552 055 73 TV1	Mahogany			
	911 552 055 73 KZ2	Black			
	911 552 055 73 TS1	Marine blue			
	911 552 055 73 QC2	Greyish green	-88		
	911 552 055 73 4MT	Velvet red	89		
	911 552 055 73 UD5	Caramel			
	911 552 055 73 2WT	Slate grey	89		
	911 552 055 73 UD6	Venetian blue			
(1)	911 552 056 73	Dashbord trim Leather	/RL	1	
	911 552 056 73 LG7	Burgundy			
	911 552 056 73 TV1	Mahogany			
	911 552 056 73 KZ2	Black			
	911 552 056 73 TS1	Marine blue			
	911 552 056 73 QC2	Greyish green	-88		
	911 552 056 73 4MT	Velvet red	89		
	911 552 056 73 UD5	Caramel			
	911 552 056 73 2WT	Slate grey	89		
	911 552 056 73 UD6	Venetian blue			
1	911 552 055 73	Dashbord trim Leather	/LL	1	
	911 552 055 73 2XR	Pearl grey	89		
2	999 090 003 02	Lock nut M 6		7	
5	911 552 241 01	Defroster vent	87	1	
	911 552 241 01 1DB	Black			
	911 552 241 01 8MT	Mahogany			
	911 552 241 01 5KT	Marine blue			
	911 552 241 01 3MC	Burgundy			
	911 552 241 01 2DL	Greyish green			
5	911 552 241 01	Defroster vent		1	
	911 552 241 01 9CW	Black			
	911 552 241 01 4KW	Marine blue			
	911 552 241 01 5MW	Mahogany			
	911 552 241 01 6LW	Burgundy			
	911 552 241 01 3JW	Greyish green	88		
6	999 591 713 02	Speed nut B 4,2		5	
6	999 591 713 03	Speed nut B 4,2		5	
7	900 145 084 07	Tapping screw B 4,2 X 19		5	
10	911 572 051 01	Centre nozzle	/LL	1	

Model: 911 87 Model life 1987>>1989

Pos	Part Number	Description	Remark	Qty	Model
(10)	911 572 051 01 01C	Black			
	911 572 052 01	Centre nozzle	/RL	1	
	911 572 052 01 01C	Black			
11	911 552 069 00	Knee protection strip	/LL /L	1	
		Leatherette			
	911 552 069 00 7AE	Black			
	911 552 069 00 3MX	Burgundy			
	911 552 069 00 1MX	Mahogany			
	911 552 069 00 1KX	Marine blue			
	911 552 069 00 4JX	Greyish green	-88		
11	911 552 069 01	Knee protection strip	/RL /L	1	
		Leatherette			
	911 552 069 01 7AE	Black			
	911 552 069 01 3MX	Burgundy			
	911 552 069 01 1MX	Mahogany			
	911 552 069 01 1KX	Marine blue			
	911 552 069 01 4JX	Greyish green	-88		
11	911 552 151 50	Knee protection strip	/LL /L	1	
		Leather			
	911 552 151 50 LG7	Burgundy			
	911 552 151 50 KZ2	Black			
	911 552 151 50 TV1	Mahogany			
	911 552 151 50 TS1	Marine blue			
	911 552 151 50 QC2	Greyish green	-88		
	911 552 151 50 4MT	Velvet red	89		
	911 552 151 50 2WT	Slate grey	89		
	911 552 151 50 UD5	Caramel			
	911 552 151 50 UD6	Venetian blue			
	911 552 151 50 8HF	Blue metallic	89		
(11)	911 552 151 51	Knee protection strip	/RL /L	1	
		Leather			
	911 552 151 51 LG7	Burgundy			
	911 552 151 51 KZ2	Black			
	911 552 151 51 TV1	Mahogany			
	911 552 151 51 TS1	Marine blue			
	911 552 151 51 QC2	Greyish green	-88		
	911 552 151 51 4MT	Velvet red	89		
	911 552 151 51 2WT	Slate grey	89		
	911 552 151 51 UD5	Caramel			
	911 552 151 51 UD6	Venetian blue			
	911 552 151 51 8HF	Blue metallic	89		
11	911 552 151 50	Knee protection strip	/LL /L	1	
		Leather			
	911 552 151 50 2XR	Pearl grey	89		
12	911 552 070 00	Knee protection strip	/LL /R	1	
		Leatherette			
	911 552 070 00 7AE	Black			
	911 552 070 00 3MX	Burgundy			
	911 552 070 00 1MX	Mahogany			
	911 552 070 00 1KX	Marine blue			
	911 552 070 00 4JX	Greyish green	-88		
12	911 552 070 01	Knee protection strip	/RL /R	1	
		Leatherette			
	911 552 070 01 7AE	Black			
	911 552 070 01 3MX	Burgundy			
	911 552 070 01 1MX	Mahogany			
	911 552 070 01 1KX	Marine blue			
	911 552 070 01 4JX	Greyish green	-88		
12	911 552 152 50	Knee protection strip	/LL /R	1	
		Leather			
	911 552 152 50 LG7	Burgundy			
	911 552 152 50 KZ2	Black			
	911 552 152 50 TV1	Mahogany			

Model: 911 87 Model life 1987>>1989

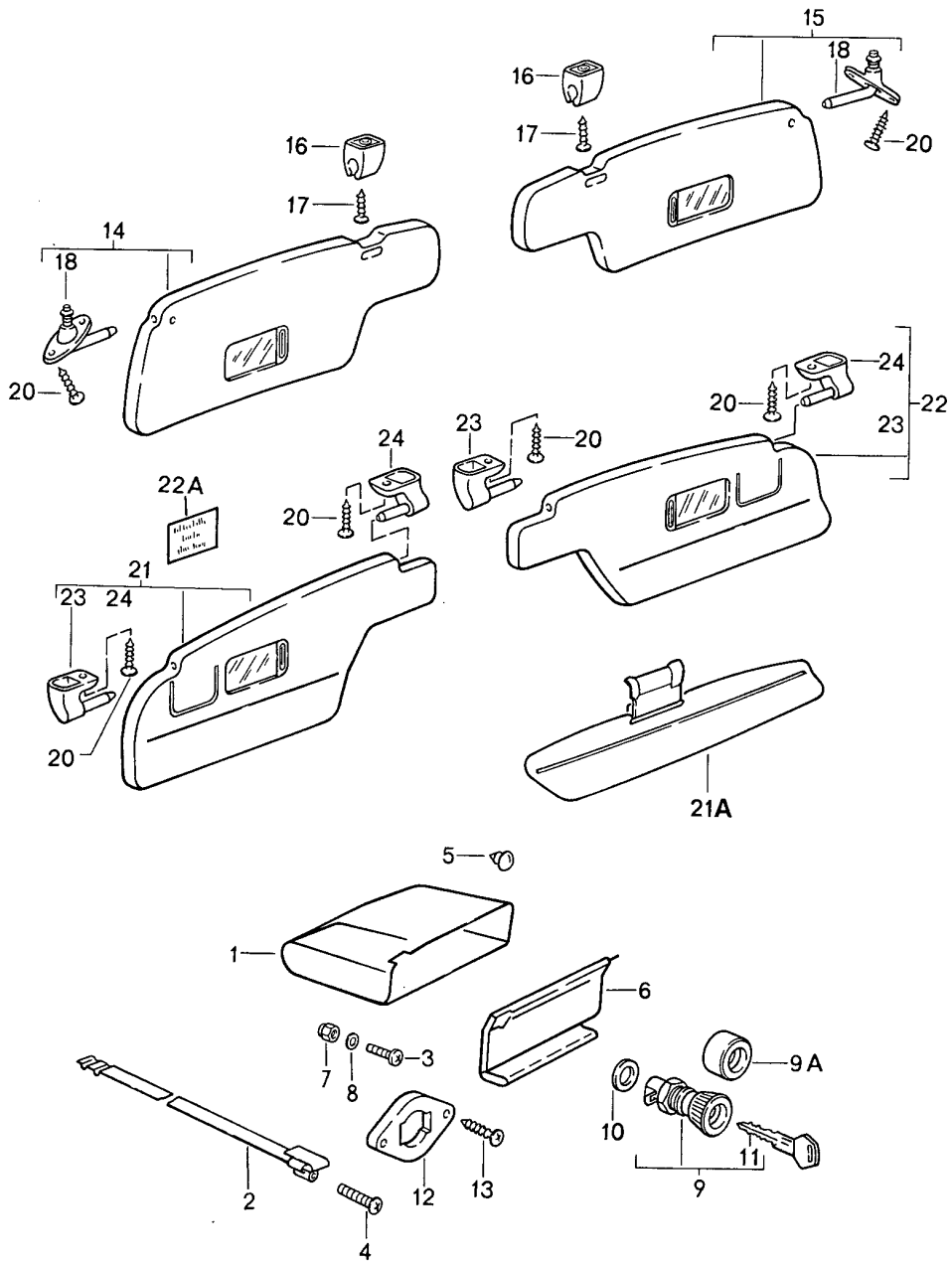
Pos	Part Number	Description	Remark	Qty	Model
	911 552 152 50 TS1	Marine blue			
	911 552 152 50 QC2	Greyish green	-88		
	911 552 152 50 4MT	Velvet red	89		
	911 552 152 50 2WT	Slate grey	89		
	911 552 152 50 UD5	Caramel			
	911 552 152 50 UD6	Venetian blue			
	911 552 152 50 8HF	Blue metallic	89		
(12)	911 552 152 51	Knee protection strip	/RL /R	1	
		Leather			
	911 552 152 51 LG7	Burgundy			
	911 552 152 51 KZ2	Black			
	911 552 152 51 TV1	Mahogany			
	911 552 152 51 TS1	Marine blue			
	911 552 152 51 QC2	Greyish green	-88		
	911 552 152 51 4MT	Velvet red	89		
	911 552 152 51 2WT	Slate grey	89		
	911 552 152 51 UD5	Caramel			
	911 552 152 51 UD6	Venetian blue			
	911 552 152 51 8HF	Blue metallic	89		
12	911 552 152 50	Knee protection strip	/LL /R	1	
		Leather			
	911 552 152 50 2XR	Pearl grey	89		
13	999 073 062 02	Tapping screw		2	
		B 4,8 X 19			
16	N 011 665 3	Washer		4	
		B 5,3			
16	N 011 665 16	Washer		4	
		B 5,3			
17	N 011 005 14	Hexagon nut		4	
		M 5			
17	900 076 091 01	Hexagon nut		4	
		M 5			
20	911 552 101 00	Ashtray		1	
22	911 552 050 01	Ashtray handle		1	
		Leatherette			
	911 552 050 01 7AE	Black			
	911 552 050 01 1MX	Mahogany			
	911 552 050 01 3MX	Burgundy			
	911 552 050 01 1KX	Marine blue			
	911 552 050 01 4JX	Greyish green	-88		
22	911 552 049 50	Ashtray handle		1	
		Leather			
	911 552 049 50 LG7	Burgundy			
	911 552 049 50 KZ2	Black			
	911 552 049 50 TV1	Mahogany			
	911 552 049 50 TS1	Marine blue			
	911 552 049 50 QC2	Greyish green	-88		
	911 552 049 50 4MT	Velvet red	89		
	911 552 049 50 2WT	Slate grey	89		
	911 552 049 50 UD5	Caramel			
	911 552 049 50 UD6	Venetian blue			
	911 552 049 50 8HF	Blue metallic	89		
	911 552 049 50 2XR	Pearl grey	89		
23	911 552 607 00	Fireproof plate		1	
	911 552 607 00 70B	Black			CARRERA M981
(23)	911 552 607 50	Fireproof plate		1	TURBO CARRERA M981
	911 552 607 50 70B	Black			
24	N 012 224 3	Spring washer		2	
		B 4			
25	900 070 001 02	Cap nut		2	
		M 4			

Model: 911 87 Model life 1987>>1989

Pos	Part Number	Description	Remark	Qty	Model
(25)	900 075 408 07	Hexagon-head bolt M 4 X 14		2	
30	911 552 477 09	Cover	/LL /L	1	
	911 552 477 09 7AE	Black			
(30)	911 552 478 10	Cover	/RL /R	1	
	911 552 478 10 7AE	Black			
31	911 552 479 60	Cover	/LL	1	
	911 552 479 60 7AE	Black			
(31)	911 552 480 13	Cover	/RL	1	
	911 552 480 13 7AE	Black			
-	911 552 467 00	Cap		1	COUPE M637
		for POS.31			
32	911 552 488 04	Cover		1	
	911 552 488 04 7AE	Black			
33	911 552 594 06	Cover	/LL /R	1	
	911 552 594 06 7AE	Black			
(33)	911 552 593 07	Cover	/RL /L	1	
	911 552 593 07 7AE	Black			
34	911 552 113 00	Cover	/L	1	
	911 552 113 00 01C	Black			
35	911 552 114 00	Cover	/R	1	
	911 552 114 00 01C	Black			
36	900 145 003 07	Tapping screw BZ 3,5 X 9,5		2	
37	911 572 041 00	Side vent	/LL /L	1	
	911 572 041 00 01C	Black			
(37)	911 572 075 00	Side vent	/RL /L	1	
	911 572 075 00 01C	Black			
38	911 572 042 00	Side vent	/LL /R	1	
	911 572 042 00 01C	Black			
(38)	911 572 076 00	Side vent	/RL /R	1	
	911 572 076 00 01C	Black			
39	911 552 217 00	Rosette		1	
	911 552 217 00 70B	Black			
		Lid-release cable			
40	911 552 463 02	Trim cover		1	
42	911 552 549 00	Cover	/LL	1	
	911 552 549 00 700	Black			
		Dashboard trim			
(42)	911 552 550 00	Cover	/RL	1	
	911 552 550 00 700	Black			
		Dashboard trim			

Model: 911 87

Model life 1987>>1989



Model: 911 87 Model life 1987>>1989

Pos	Part Number	Description	Remark	Qty	Model
		Glove compartment Sun visors			
1	911 552 501 00	Glove compartment	-88	1	
(1)	964 552 501 00	Glove compartment		1	
(1)	964 552 903 00	Glove compartment		1	
2	911 552 176 01	Restraining strap	/LL -88	1	
(2)		Restraining strap	/LL	1	
2	911 552 175 01	Restraining strap	/RL -88	1	
(2)		Restraining strap	/RL 89	1	
3	N 014 129 6	Oval-head screw		2	
3	900 146 003 02	Oval-head screw M 5 X 10		2	
4	900 146 010 02	Oval-head screw AM 5 X 30		1	
5	999 703 064 50	Buffer 14 X 12		1	
(5)	999 703 330 50	Buffer 14 X 17,5		1	
(5)	999 703 230 40	Buffer \$=14		2	
6	911 552 010 05	Glove compartment cover		1	
6	911 552 010 05 GRV	Glove compartment cover Prime coated		1	
7	N 021 196 1	Lock nut M 5		4	
7	N 021 196 3	Hexagon nut M 5		4	
8	900 025 003 02	Washer 5,3		4	
9	911 552 902 07	Glove compartment lock W/o stipulated lock number Order also: POS.9A		1	
9	911 552 902 08	Glove compartment lock State lock number Order also: POS.9A		1	
9A	911 538 561 00	Knob		1	
10	911 552 103 01	Washer		1	
11	911 538 902 00	Replacement key State lock number Information available		2	
12	911 552 513 02	Door lock striker		1	
13	900 143 065 07	Tapping screw 2,9 X 9,5		2	
13	900 073 003 01	Tapping screw 2,9 X 9,5		2	
(14)	911 731 031 36	Sun visor with mirror	/L -88	1	COUPE
	911 731 031 36 CA9	Black			
	911 731 031 36 TV3	Mahogany			
	911 731 031 36 TS3	Marine blue			
	911 731 031 36 RS8	Burgundy			
	911 731 031 36 RS9	Greyish green	-88		
(14)	964 731 031 01	Sun visor with mirror	/L 89- (AUS) (S)	1	COUPE
	964 731 031 01 CA9	Black			
	964 731 031 01 TV3	Mahogany			
	964 731 031 01 TS3	Marine blue			
	964 731 031 01 RS8	Burgundy			
(14)	964 731 031 00	Sun visor	/LL /L	1	COUPE
	964 731 031 00 CA9	with mirror			

Model: 911 87 Model life 1987>>1989

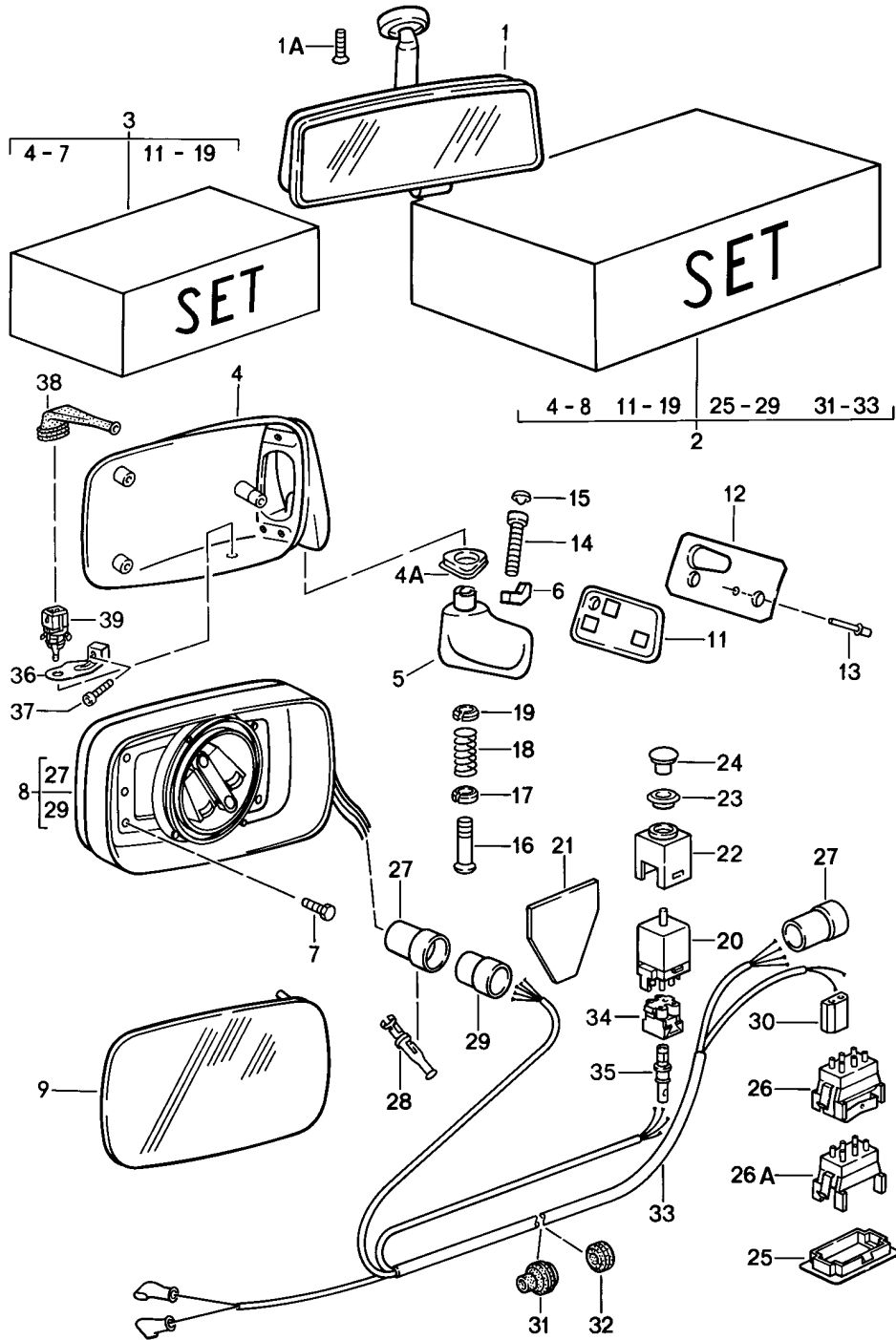
Pos	Part Number	Description	Remark	Qty	Model
(14)	911 731 031 35	Black Sun visor with mirror	/L -88	1	COUPE
	911 731 031 35 CA9	Black			
	911 731 031 35 TV3	Mahogany			
	911 731 031 35 TS3	Marine blue			
	911 731 031 35 RS8	Burgundy			
	911 731 031 35 RS9	Greyish green	-88		
(14)	964 731 031 00	Sun visor with mirror	/L 89	1	COUPE
	964 731 031 00 CA9	Black			
	964 731 031 00 TV3	Mahogany			
	964 731 031 00 TS3	Marine blue			
	964 731 031 00 RS8	Burgundy			
15	911 731 032 35	Sun visor with mirror	/R -88	1	COUPE
	911 731 032 35 CA9	Black			
	911 731 032 35 TV3	Mahogany			
	911 731 032 35 TS3	Marine blue			
	911 731 032 35 RS8	Burgundy			
	911 731 032 35 RS9	Greyish green	-88		
(15)	964 731 032 00	Sun visor with mirror	/R 89	1	COUPE
	964 731 032 00 CA9	Black			
	964 731 032 00 TV3	Mahogany			
	964 731 032 00 TS3	Marine blue			
	964 731 032 00 RS8	Burgundy			
(15)	911 731 032 36	Sun visor with mirror	/R -88	1	COUPE
	911 731 032 36 CA9	Black			
	911 731 032 36 TV3	Mahogany			
	911 731 032 36 TS3	Marine blue			
	911 731 032 36 RS8	Burgundy			
	911 731 032 36 RS9	Greyish green	-88		
(15)	964 731 032 01	Sun visor with mirror	/R 89 (AUS) (S)	1	COUPE
	964 731 032 01 CA9	Black			
	964 731 032 01 TV3	Mahogany			
	964 731 032 01 TS3	Marine blue			
	964 731 032 01 RS8	Burgundy			
16	911 731 331 00	Support	(AUS)	2	COUPE
(16)		Support		2	COUPE
17	900 143 111 07	Oval-head sheetmetal screw B 3,9 X 13		2	COUPE
18	964 731 319 00	Bearing	/L -88	1	COUPE
(18)		Bearing	/L 89	1	COUPE
(18)	964 731 320 00	Bearing	/R -88	1	COUPE
(18)		Bearing	/R 89	1	COUPE
20	900 145 075 07	Tapping screw B 4,2 X 16		4	
21	911 731 031 63	Sun visor with mirror	/L -88	1	TARGA/CABRIO
	911 731 031 63 CA9	Black			
21	964 731 031 40	Sun visor with mirror	/L	1	TARGA/CABRIO
	964 731 031 40 CA9	Black			
21	911 731 031 64	Sun visor with mirror	/L -88 (AUS) (S)	1	TARGA/CABRIO
	911 731 031 64 CA9	Black			
21	964 731 031 41	Sun visor with mirror	/L (AUS) (S)	1	TARGA/CABRIO
	964 731 031 41 CA9	Black			

Model: 911 87 Model life 1987>>1989

Pos	Part Number	Description	Remark	Qty	Model
21	964 731 031 43	Sun visor with mirror	/L (AUS) (S)	1	TARGA/CABRIO
(21A)	964 731 031 43 CA9	Black			
	911 731 031 37	Sun visor without mirror	/L 89	1	SPEEDSTER
	911 731 031 37 CA9	Black			
	911 731 031 37 TV3	Mahogany			
	911 731 031 37 TS3	Marine blue			
	911 731 031 37 RS8	Burgundy			
21A	911 731 032 37	Sun visor without mirror	/R 89	1	SPEEDSTER
	911 731 032 37 CA9	Black			
	911 731 032 37 TV3	Mahogany			
	911 731 032 37 TS3	Marine blue			
	911 731 032 37 RS8	Burgundy			
22	911 731 032 63	Sun visor with mirror	/R -88	1	TARGA/CABRIO
	911 731 032 63 CA9	Black			
22	964 731 032 40	Sun visor with mirror	/R	1	TARGA/CABRIO
	964 731 032 40 CA9	Black			
22	911 731 032 64	Sun visor with mirror	/R -88 (AUS) (S)	1	TARGA/CABRIO
	911 731 032 64 CA9	Black			
22	964 731 032 41	Sun visor with mirror	/R 89 (AUS) (S)	1	TARGA/CABRIO
	964 731 032 41 CA9	Black			
22	964 731 032 40	Sun visor with mirror	/R 89 (AUS) (S)	1	TARGA/CABRIO
	964 731 032 40 CA9	Black			
22A	911 731 401 10	Sticker		1	CABRIO
22A	911 731 401 20	Sticker		1	CABRIO M439
		German			
22A	911 731 401 11	Sticker		1	CABRIO
22A	911 731 401 21	Sticker		1	CABRIO M439
		Spanish			
22A	911 731 401 12	Sticker		1	CABRIO
22A	911 731 401 22	Sticker		1	CABRIO M439
		French			
22A	911 731 401 13	Sticker		1	CABRIO
22A	911 731 401 23	Sticker		1	CABRIO M439
		English			
22A	911 731 401 14	Sticker		1	CABRIO
22A	911 731 401 24	Sticker		1	CABRIO M439
		Italian			
22A	911 731 401 15	Sticker		1	CABRIO
22A	911 731 401 25	Sticker		1	CABRIO M439
		Japanese			
23	964 731 319 40	Bearing bracket	/L -88	2	TARGA/CABRIO
(23)		Bearing bracket	/L	2	TARGA/CABRIO
24	964 731 320 40	Bearing bracket	/R -88	2	TARGA/CABRIO
(24)		Bearing bracket	89	2	TARGA/CABRIO

Model: 911 87

Model life 1987>>1989



Model: 911 87

Model life 1987>>1989

Pos	Part Number	Description	Remark	Qty	Model
1	477 857 511 A	Interior mirror Door mirror Interior mirror		1	CARRERA TURBO
1	477 857 511 A 01C	Satin black			
1	477 857 511 B	Interior mirror		1	Carrera Turbo
	477 857 511 B 01C	Satin black			
(1)	911 731 101 00	Interior mirror	89	1	SPEEDSTER
	911 731 101 00 01C	Black			
(1)	911 731 101 00	Interior mirror	89	1	SPEEDSTER
	911 731 101 00 01C	Black			
-	911 731 221 00	Mirror base for Interior mirror 91173110100	89	1	SPEEDSTER
1A	999 219 032 02	Countersunk-head screw Micro-self-locking M 5 X 12	89	2	SPEEDSTER
2	911 731 901 02	Installation set Door mirror without Mirror glass for subsequent installation	/LL /R	1	
3	911 731 927 01	Repair kit Driver's door	/LL /L	1	
(3)	911 731 928 01	Repair kit Passenger's door	/LL /R	1	
3	911 731 931 01	Repair kit Passenger's door	/RL /L	1	
(3)	911 731 932 01	Repair kit Driver's door	/RL /R	1	
4	911 731 043 03	Mirror housing	/L	1	
(4)	911 731 044 03	Mirror housing	/R	1	
4A	944 731 143 00	Seal		2	
5	911 731 241 02	Mirror base	/LL /L	1	
(5)	911 731 287 02	Mirror base	/RL /L	1	
(5)	911 731 288 02	Mirror base	/LL /R	1	
(5)	911 731 242 02	Mirror base	/RL /R	1	
4	944 731 021 01	Mirror housing	/L	1	
	944 731 021 01 G3M	with Mirror base Grey Prime coated			
6	911 731 263 00	Mounting piece		2	
7	999 143 003 02	Hexagon-head bolt M 5 X 10		3	
8	944 731 027 01	Covering frame	/R /L	2	
9	944 731 035 02	Mirror glass		1	
9	944 731 035 04	Mirror glass Plane	(S)	1	
(9)	944 731 035 03	Mirror glass Convex		1	
9	944 731 035 05	Mirror glass Convex	(S)	1	
11	911 731 247 00	Desk pad	/L	1	
(11)	911 731 248 00	Desk pad	/R	1	
12	911 531 197 00	Reinforcement	/L	1	
(12)	911 531 198 00	Reinforcement	/R	1	
13	999 190 123 02	Blind rivet 3,2 X 7,37		2	
14	999 218 021 02	Pan-head screw AM 5 X 35		1	

Model: 911 87 Model life 1987>>1989

Pos	Part Number	Description	Remark	Qty	Model
14	999 218 021 0C	Pan-head screw AM 5 X 35		1	
15	999 703 137 40	Cap		1	
16	911 731 257 02	Guide tube		1	
16	911 731 257 03	Guide tube		1	
17	911 731 345 02	Centring washer Lower		1	
18	911 731 029 01	Compression spring		1	
19	911 731 347 00	Centring washer Upper		1	
20	928 613 241 00	Switch		1	
21	911 731 343 03	Gasket		1	
22	911 613 423 00	Assembly frame		1	
23	911 613 425 00	Rosette		1	
	911 613 425 00 01C	Black			
24	911 613 082 00	Knob		1	
	911 613 082 00 01C	Black			
25	911 613 615 01	Support		1	
	911 613 615 01 1DB	Black			
26	928 613 240 00	Switch		1	M261/528
	928 613 240 00 01C	Satin black			
26A	928 612 325 00	Adapter plug		1	
	928 612 325 00 01C	Satin black			
27	803 971 980	Pin connector socket 7-pole		1	
28	N 017 564 1	Round connector 1,6 - 1		X	
29	803 971 979	Plug socket 7-pole		1	
30	171 971 999 A	Terminal sleeve housing 2-pole		1	
31	477 957 861	Rubber sleeve		1	
32	999 702 136 40	Rubber sleeve 8 X 31 X 7		1	
(33)	911 612 165 04	Wiring harness Driver's door		1	
33	911 612 165 05	Wiring harness Driver's door with Alarm system	/LL	1	
(33)	911 612 166 04	Wiring harness Passenger's door		1	
34	928 612 542 00	Clutch housing 5-pole		1	
35	944 612 548 00	Contact bush		4	
(36)	927 641 342 00	Support	/RL	1	M099
36	928 641 342 00	Support	/LL	1	M097/099
37	N 014 760 3	Pan-head screw M 5 X 12		1	M097/099
37	900 067 070 01	Pan-head screw M 5 X 12		1	M097/099
38	911 612 817 00	Protection cap		1	M097/099
39	928 641 142 00	Temperature sensor		1	M097/099

Model: 911 87 Model life 1987>>1989

Pos	Part Number	Description	Remark	Qty	Model
1	911 552 030 03	Centre console		1	
		Centre console			
		Leatherette			
	911 552 030 03 05T	Black			
	911 552 030 03 1MX	Mahogany			
	911 552 030 03 1KX	Marine blue			
	911 552 030 03 3MK	Burgundy			
	911 552 030 03 4JX	Greyish green	-88		
	911 552 030 03 4WX	Linen			
	911 552 030 03 7RT	Cashmere beige	89		
1	911 552 030 50	Centre console		1	
		Leather			
	911 552 030 50 KZ2	Black			
	911 552 030 50 TV1	Mahogany			
	911 552 030 50 TS1	Marine blue			
	911 552 030 50 UD3	Plum red	-88		
	911 552 030 50 UD4	Silver-grey	-88		
	911 552 030 50 LG5	Champagne	-88		
	911 552 030 50 UD5	Caramel			
	911 552 030 50 LG7	Burgundy			
	911 552 030 50 QC2	Greyish green	-88		
	911 552 030 50 TW1	Linen			
	911 552 030 50 XN4	Cashmere beige	89		
	911 552 030 50 XN5	Silk grey	89		
	911 552 030 50 XN6	Velvet red	89		
	911 552 030 50 XN7	Slate grey	89		
	911 552 030 50 UD6	Venetian blue			
	911 552 030 50 8HF	Blue metallic	88		
1A	911 552 921 01	Centre console	89	1	JUBI:88 M097/099
		Whole-leather			
	911 552 921 01 2XR	Pearl grey	89		
	911 552 921 01 8HF	Blue metallic	89		
1B	999 507 018 02	Speed nut		4	
		B 4,2			
1B	999 507 018 01	Speed nut		4	
		B 4,2			
2	911 552 231 00	Cap		1	
3	900 143 121 07	Tapping screw		4	
		B 4,2 X 16			
3	900 143 121 0H	Tapping screw		4	
		B 4,2 X 16			
(5)	911 613 069 01	Cassette carrier		1	
	911 613 069 01 70B	Black			
9	999 507 018 02	Speed nut		4	
		B 4,2			
9	999 507 018 01	Speed nut		4	
		B 4,2			
10	911 552 177 01	Stop		1	CARRERA
(10)	911 552 519 00	Stop		1	TURBO CARRERA M559
11	900 025 003 02	Washer		2	
		A 5,3			
12	N 013 961 2	Oval-head sheetmetal screw		2	
		B 3,9 X 13			
12	N 013 961 11	Oval-head sheetmetal screw		2	
		B 3,9 X 13			
13	999 507 240 00	Speed nut		3	
		B 4,2			
14	911 645 226 02	Cassette box		X	
15	911 613 611 01	Switch housing		1	TURBO
	911 613 611 01 01C	Black			CARRERA

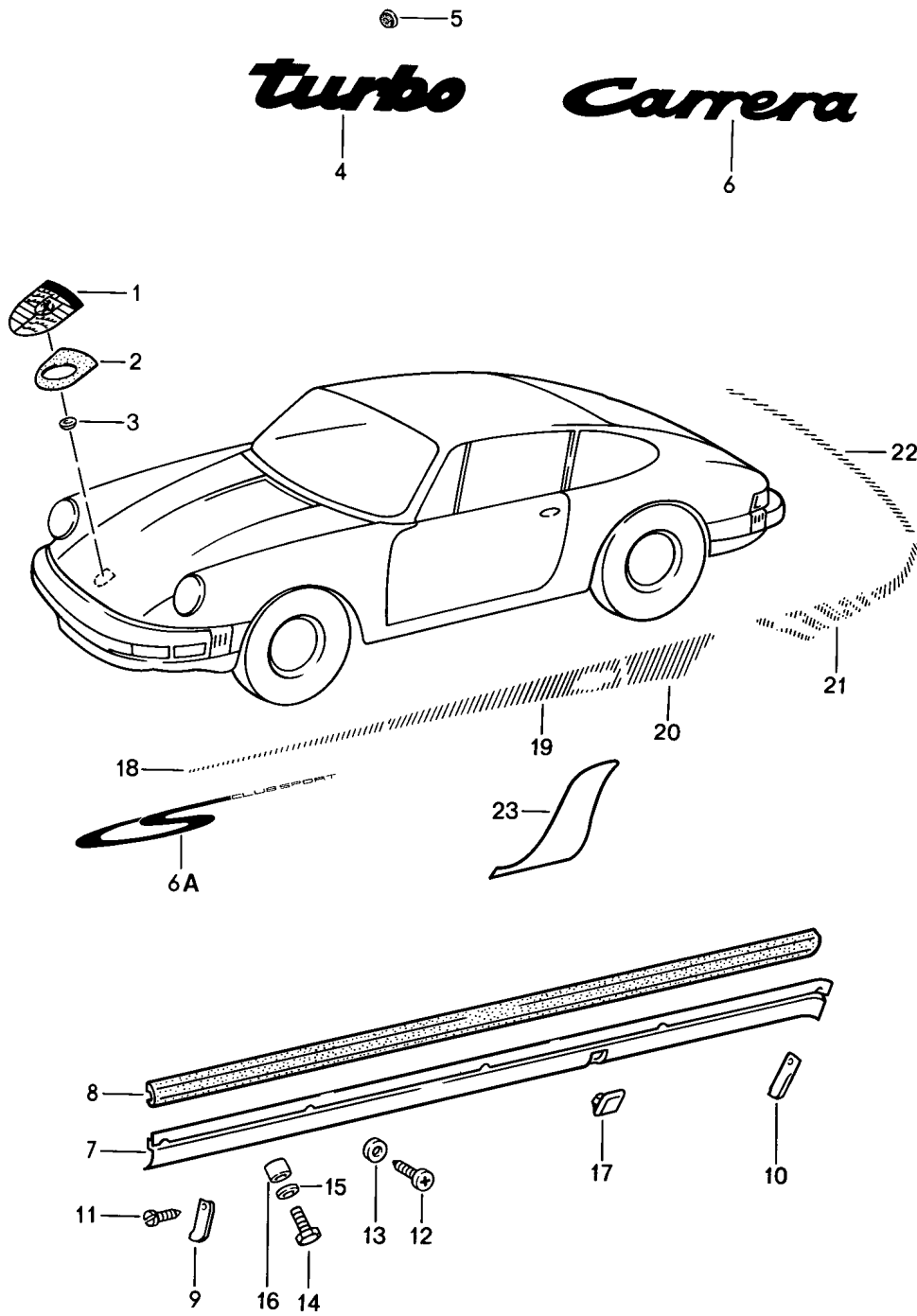
Model: 911 87

Model life 1987>>1989

Pos	Part Number	Description	Remark	Qty	Model
16	999 190 363 40	Stopper 4,1 X 8		1	M559 TURBO CARRERA M559
17	911 552 923 00	Logo	89	1	
		Whole-leather			
	911 552 923 00 2XR	Pearl grey	89		
	911 552 923 00 8HF	Blue metallic	89		
18	928 552 932 02	Cassette box	89	2	M097/099
19	928 552 933 02	Box for cds	89	1	M097/099

Model: 911 87

Model life 1987>>1989



Model: 911 87 Model life 1987>>1989

Pos	Part Number	Description	Remark	Qty	Model
		Decorative fittings			
1	901 559 210 20	Lid emblem		1	
1	901 559 210 26	Lid emblem		1	
2	901 559 215 20	Desk pad		1	
2	7L5 853 611 B	Desk pad		1	
3	999 591 423 03	Tapping nut		2	
4	930 559 317 00	Logo		1	TURBO
		F >>93JS0 00375			TURBO COUPE
		F >>93JS0 20135			TURBO CABRIO
		F >>93JS0 10096			TURBO TARGA
4	930 559 317 03	Logo		1	TURBO
		F >>93JS0 00375			TURBO COUPE
		F >>93JS0 20135			TURBO CABRIO
		F >>93JS0 10096			TURBO TARGA
4	930 559 317 02	Logo		1	TURBO
	930 559 317 02 70C	Black			TURBO COUPE
		F 93JS0 00376>>			TURBO CABRIO
		F 93JS0 20136>>			TURBO TARGA
		F 93JS0 10097>>			
5	999 591 423 03	Tapping nut		2	
6	911 559 037 00	Logo		1	CARRERA
	911 559 037 00 70C	Black			
6A	911 559 339 00	Logo	/L	1	CARRERA
		Black			M637
		for			
		Wing			
6A	911 559 339 01	Logo	/L	1	CARRERA
		Silver			M637
		for			
		Wing			
7	911 559 047 01	Trim cover	/L	1	CARRERA
7		Trim cover	/L	1	CARRERA
	911 559 047 01 GRV	Prime coated			
(7)	930 559 047 01	Trim cover	/L	1	TURBO
					CARRERA
					M491
(7)		Trim cover	/L	1	TURBO
	930 559 047 01 GRV	Prime coated			CARRERA
					M491
(7)	911 559 048 01	Trim cover	/R	1	CARRERA
(7)		Trim cover	/R	1	CARRERA
	911 559 048 01 GRV	Prime coated			
(7)	930 559 048 01	Trim cover	/R	1	TURBO
					CARRERA
					M491
(7)		Trim cover	/R	1	TURBO
	930 559 048 01 GRV	Prime coated			CARRERA
					M491
8	930 559 103 01	Rubber moulding		2	
		It is necessary to rework			CARRERA
9	PCG 559 941 04	End piece	/LV /LH	1	
		Set			
		Comprising:			
		POS 9 + 10			
		Black			
		Coated			
10		End piece	/RV/RH	1	
		Set			
		Comprising:			
		POS 9 + 10			
		Black			
		Coated			
11	900 143 049 07	Tapping screw		8	

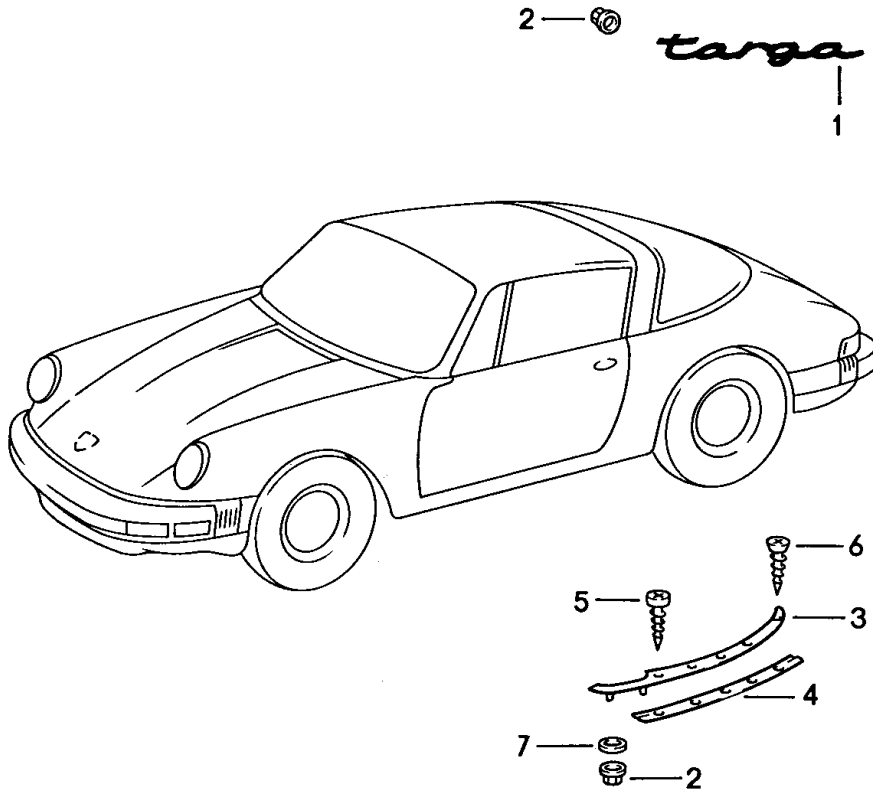
Model: 911 87

Model life 1987>>1989

Pos	Part Number	Description	Remark	Qty	Model
12	900 143 031 02	BZ 3,5 X 9,5 Oval-head sheetmetal screw		10	
13	900 025 002 02	B 4,2 X 9,5 Washer		10	
13	900 025 002 03	4,3 Washer		10	
14	900 187 032 02	4,3 Tapping screw	/L	3	
14	900 187 129 02	B 6,3 X 32 Tapping screw	/R	3	
15	900 151 007 02	B 6,3 X 38 Washer		6	
15	900 151 007 03	B 7,4 Washer		6	
16	911 559 145 01	B 7,4 Spacer sleeve		X	
16	911 559 145 00	5 MM Spacer sleeve		X	
17	911 559 149 01	11,8 MM Stopper		2	
18	930 559 301 00	Adhesive film	/L	1	
(18)	930 559 302 00	Black Adhesive film	/R	1	
19	930 559 303 00	Black Adhesive film	/L	1	
(19)	930 559 304 00	Black Adhesive film	/R	1	
20	930 559 305 00	Black Adhesive film	/L	1	
(20)	930 559 306 00	Black Adhesive film	/R	1	
21	930 559 307 00	Black Adhesive film	/L	1	
(21)	930 559 308 00	Black Adhesive film	/R	1	
22	930 559 309 00	Black Adhesive film	/H	1	
(18)	930 559 301 01	White Adhesive film	/L	1	
(18)	930 559 302 01	White Adhesive film	/R	1	
(19)	930 559 303 01	White Adhesive film	/L	1	
(19)	930 559 304 01	White Adhesive film	/R	1	
(20)	930 559 305 01	White Adhesive film	/L	1	
(20)	930 559 306 01	White Adhesive film	/R	1	
(21)	930 559 307 01	White Adhesive film	/L	1	
(21)	930 559 308 01	White Adhesive film	/R	1	
(22)	930 559 309 01	White Adhesive film	/H	1	
23	930 559 321 00	Stone guard film	/L	1	TURBO
(23)	930 559 322 00	Stone guard film	/R	1	TURBO

Model: 911 87

Model life 1987>>1989



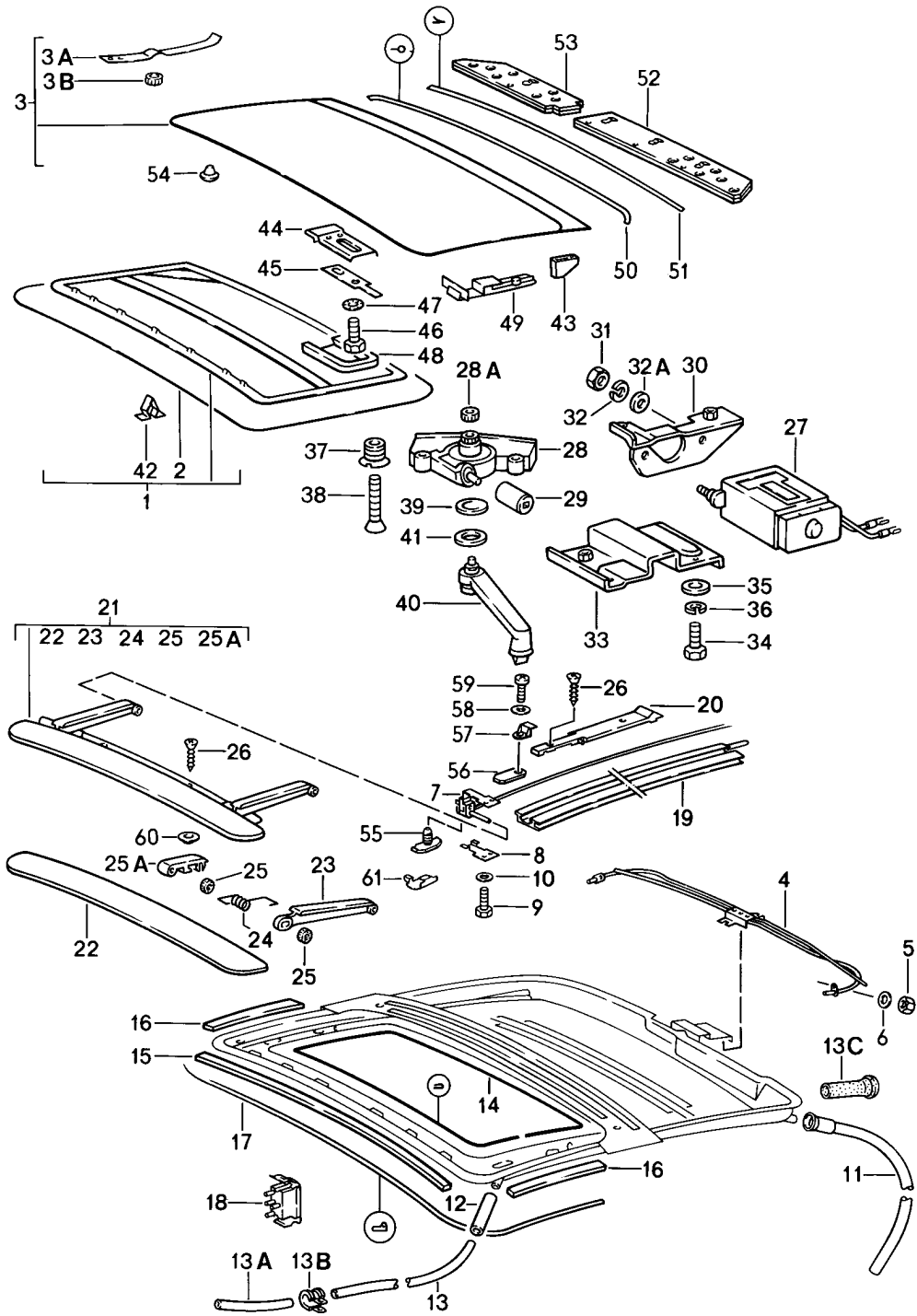
Model: 911 87

Model life 1987>>1989

Pos	Part Number	Description	Remark	Qty	Model
		Decorative fittings			TARGA
1	911 559 307 41	Logo		2	
1	911 559 307 42	Logo		2	
2	999 591 423 03	Tapping nut \$=3		6	
(3)	911 565 049 40	Moulding	/L	1	
	911 565 049 40 70K	Black			
(3)	911 565 050 40	Moulding	/R	1	
	911 565 050 40 70K	Black			
4	901 565 557 40	Piping		2	
5	N 013 957 5	Oval-head sheetmetal screw		8	
5		Oval-head sheetmetal screw B 3,5 X 9,5		8	
6	900 144 009 00	Counters. head tapp. screw 2,9 X 13		2	
7	900 151 006 40	Washer B 6,4		4	

Model: 911 87

Model life 1987>>1989



Model: 911 87 Model life 1987>>1989

Pos	Part Number	Description	Remark	Qty	Model
		Sunroof			COUPE M650
1	911 564 020 00	Roofliner frame F >>91KS1 01754 F >>93KS0 00306		1	
	911 564 020 00 700	Black			
	911 564 020 00 1MX	Mahogany			
	911 564 020 00 1KX	Marine blue			
	911 564 020 00 8LC	Burgundy			
	911 564 020 00 4JX	Greyish green	-88		
1	964 564 020 00	Roofliner frame F 91KS1 01755>> F 93KS0 00307>>		1	
	964 564 020 00 700	Black			
	964 564 020 00 1MX	Mahogany			
	964 564 020 00 1KX	Marine blue			
	964 564 020 00 8LC	Burgundy			
	964 564 020 00 4JX	Greyish green	-88		
2	901 564 291 07	Roofliner frame F >>91KS1 01754 F >>93KS0 00306		1	
	901 564 291 07 700	Black			
	901 564 291 07 8LC	Burgundy			
	901 564 291 07 1MX	Mahogany			
	901 564 291 07 1KX	Marine blue			
	901 564 291 07 4JX	Greyish green			
2	911 564 201 00	Cover F >>91KS1 01754 F >>93KS0 00306		1	
	911 564 201 00 700	Black			
	911 564 201 00 8LC	Burgundy			
	911 564 201 00 1MX	Mahogany			
	911 564 201 00 1KX	Marine blue			
	911 564 201 00 4JX	Greyish green	-88		
2	964 564 201 00	Cover F 91KS1 01755>> F 93KS0 00307>>		1	
	964 564 201 00 700	Black			
	964 564 201 00 1MX	Mahogany			
	964 564 201 00 1KX	Marine blue			
	964 564 201 00 8LC	Burgundy			
3	930 564 051 01	Lid F >>91KS1 01754 F >>93KS0 00306		1	
3	964 564 051 01	Lid Until Vehicle Ident. No. Use also: POS.1 + 49 From Vehicle Ident. No. F 91KS1 01755>> F 93KS0 00307>>		1	
3A	911 564 417 00	Leaf spring		2	
3B	911 564 420 00	Knurled nut		4	
(4)	964 564 231 00	Pipeline		1	
5	N 011 005 14	Hexagon nut M 5		2	
5	900 076 091 01	Hexagon nut M 5		2	
6	900 025 003 02	Washer		2	

Model: 911 87 Model life 1987>>1989

Pos	Part Number	Description	Remark	Qty	Model
(7)	964 564 143 00	A 5,3 Guide	/L	1	
7	964 564 144 00	It is necessary to rework Guide	/R	1	
8	901 564 451 05	Reinforcement		2	
9	900 075 106 02	Hexagon-head bolt M 4 X 6		4	
10	N 012 116 1	Serrated lock washer A 4,3		4	
(11)	911 564 825 00	Water drain hose F >>91JS1 01686 F >>91JS1 09839 F >>91JS1 05093	/H (J)	2	COUPE COUPE COUPE M637 COUPE TURBO
11	944 564 235 04	F >>93JS0 00314 Water drain hose F 91JS1 01687>> F 91JS1 09840>> F 91JS1 05094>>	/H (J)	2	COUPE COUPE COUPE M637 COUPE TURBO
11	944 564 924 00	F 93JS0 00315>> Water drain hose F 91JS1 01687>> F 91JS1 09840>> F 91JS1 05094>>	/H (J)	2	COUPE COUPE COUPE M637 COUPE TURBO
12	911 564 821 01	F 93JS0 00315>> Water drain hose	/V	2	
(13)	911 503 581 01	Water drain tube F >>91JS1 01686 F >>91JS1 09839 F >>91JS1 05093	/L (J)	1	COUPE COUPE COUPE M637 COUPE TURBO
13	911 503 581 02	F >>93JS0 00314 Water drain tube	/L	1	
13	911 503 581 02 GRV	Water drain tube Prime coated	/L	1	
(13)	911 503 582 01	Water drain tube F >>91JS1 01686 F >>91JS1 09839 F >>91JS1 05093	/R (J)	1	COUPE COUPE COUPE M637 COUPE TURBO
(13)	911 503 582 02	F >>93JS0 00314 Water drain tube	/R	1	
(13)	911 503 582 02 GRV	Water drain tube Prime coated	/R	1	
-	999 181 122 40	Hose 7 X 10 290 MM	/V	*	
13A		F 91JS1 01687>> F 91JS1 09840>> F 91JS1 05094>>	(J)	2	COUPE COUPE COUPE M637 COUPE TURBO
13B	N 020 621 1	F 93JS0 00315>> Clamp B 12/8 F 91JS1 01687>> F 91JS1 09840>> F 91JS1 05094>>	/V (J)	2	COUPE COUPE COUPE M637 COUPE TURBO
13C	911 564 297 00	F 93JS0 00315>> Grommet	/H	2	

Model: 911 87 Model life 1987>>1989

Pos	Part Number	Description	Remark	Qty	Model
		F 91JS1 01687>> F 91JS1 09840>> F 91JS1 05094>>	(J)		COUPE COUPE COUPE M637 COUPE TURBO
14	911 564 465 00	F 93JS0 00315>> Beading		1	
15	911 564 409 00	Sealing strip		1	
16	911 564 409 01	Sealing strip Lateral		2	
17	911 564 191 00	Velvet strip		1	
18	911 613 622 00	Tip switch for electric adjustment		1	
18	911 613 622 01	Tip switch for electric adjustment		1	
19	911 564 041 01	Guide rail F >>91HS1 00682 F >>91HS1 09587 F >>93HS0 00218	/L	1	
(19)	911 564 041 02	Guide rail F 91HS1 00683>>91KS1 01170 F 91HS1 09588>>93KS0 00223	/L	1	
(19)	964 564 341 00	Guide rail F 91KS1 01171>> F 93KS0 00224>>	/L	1	
19	911 564 042 01	Guide rail F >>91HS1 00682 F >>91HS1 09587 F >>93HS0 00218	/R	1	
(19)	911 564 042 02	Guide rail F 91HS1 00683>>91KS1 01170 F 93HS0 00219>>93KS0 00223	/R	1	
(19)	964 564 342 00	Guide rail F 91KS1 01171>> F 93KS0 00224>>	/R	1	
20	911 564 047 00	Intermediate piece F >>91HS1 00682 F >>91HS1 09587 F >>93HS0 00218	(J)	2	
(20)	911 564 047 01	Intermediate piece F 91HS1 00683>> F 91HS1 09588>> F 93HS0 00219>>	(J)	2	
(20)	993 564 047 00	Intermediate piece F 91HS1 00683>> F 91HS1 09588>> F 93HS0 00219>>	(J)	2	
21	911 564 005 01	Air deflector without Spoiler F >>91KS1 01754 F >>93KS0 00306		1	
21	911 564 005 02	Air deflector without Spoiler F >>91KS1 01754 F >>93KS0 00306		1	
22	911 564 015 00	Wind deflector plate F >>91KS1 01754 F >>93KS0 00306		1	
23	911 564 127 00	Hinge		2	
24	911 564 125 00	Spring F >>91KS1 01754 F >>93KS0 00306	/L	1	

Model: 911 87

Model life 1987>>1989

Pos	Part Number	Description	Remark	Qty	Model
(24)	911 564 126 00	Spring F >>91KS1 01754 F >>93KS0 00306	/R	1	
25	911 564 423 00	Rubber stop		4	
25A	911 564 123 00	Bearing clip		2	
26	900 145 009 02	Tapping screw B 3,9 X 9,5 F >>91HS1 00682 F >>91HS1 09587 F >>93HS0 00218	(J)	2	
(26)	900 145 028 02	Rais. counters. h. tap. s. B 3,9 X 13 F >>91HS1 00682 F >>91HS1 09587 F >>93HS0 00218	(J)	2	
(26)	900 270 060 07	Countersunk-head screw M 4 X 10 F 91HS1 00683>> F 91HS1 09588>> F 93HS0 00219>>	(J)	4	
27	911 624 016 03	Motor		1	
28	911 564 601 01	Transmission		1	
28A	928 564 125 02	Drive pinion		1	
29	911 624 103 00	Clutch		1	
29	911 624 103 01	Clutch		1	
30	911 624 007 01	Engine support		1	
31	N 011 005 14	Hexagon nut M 5		2	
31	900 076 091 01	Hexagon nut M 5		2	
32	N 012 005 3	Lock ring B 5		2	
32A	900 025 003 02	Washer A 5,3		2	
33	964 564 035 00	Gear support		1	
34	N 010 225 4	Hexagon-head bolt M 5 X 8		1	
34	900 075 001 03	Hexagon-head bolt M 5 X 8		1	
35	900 025 003 02	Washer A 5,3		2	
36	N 012 005 3	Lock ring B 5		2	
37	901 564 661 05	Screw		2	
38	900 269 012 02	Countersunk-head screw M 4 X 25		2	
39	901 564 663 05	Cap		1	
40	901 564 085 05	Crank		1	
41	911 564 643 00	Washer		3	
42	901 564 299 05	Duct clamp		7	
42	901 564 299 0F	Duct clamp		7	
43	901 564 431 05	Guide shoe		2	
44	911 564 045 00	Guide		2	
45	911 564 451 00	Tab washer		2	
46	911 564 459 00	Wedge screw AM 5 X 12		4	
47	900 025 003 02	Washer A 5,3		4	
48	911 564 401 00	Cap/protective strip		2	
49	911 564 433 00	Support		4	
(49)	964 564 435 00	Support F 91KS1 01755>> F 93KS0 00307>>		1	

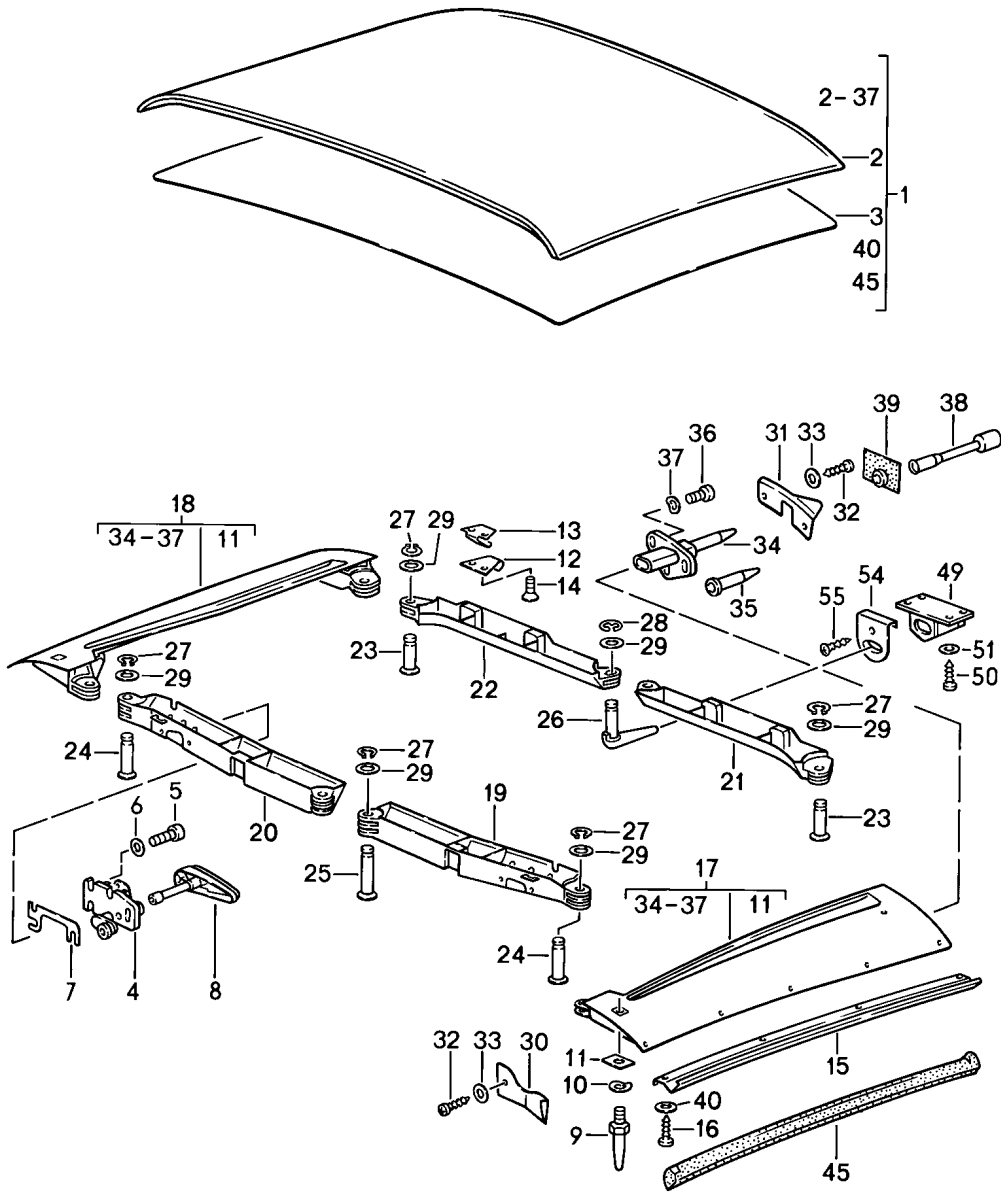
Model: 911 87

Model life 1987>>1989

Pos	Part Number	Description	Remark	Qty	Model
50	911 564 193 00	Velvet strip		1	
51	901 564 905 05	Sealing rubber Rear		1	
(52)	911 564 025 01	Cover	/L	1	
53	911 564 026 00	Cover	/R	1	
54	999 703 013 50	Stopper		2	
55	999 591 774 40	Stopper		2	
56	911 564 425 00	Threaded plate F 91HS1 00683>> F 91HS1 09588>> F 93HS0 00219>>	(J)	2	
57	911 564 165 00	Terminal piece F 91HS1 00683>> F 91HS1 09588>> F 93HS0 00219>>	(J)	2	
58	900 025 053 07	Washer A 5,3 F 91HS1 00683>> F 91HS1 09588>> F 93HS0 00219>>	(J)	2	
59	900 146 106 07	Oval-head screw M 5 X 12 F 91HS1 00683>> F 91HS1 09588>> F 93HS0 00219>>	(J)	2	
60	911 564 521 00	Protection cap		2	
61	964 564 241 00	Slide		2	

Model: 911 87

Model life 1987>>1989



Model: 911 87 Model life 1987>>1989

Pos	Part Number	Description	Remark	Qty	Model
		Soft top			TARGA
1	911 565 002 46	Soft top		1	
1	911 565 002 47	Soft top		1	
1	964 565 002 00	Soft top		1	
	964 565 002 00 707	Black mat			
2	901 565 035 41	Outer lining		1	
3	901 565 036 43	Roofliner		1	
4	911 565 031 63	Catch	/L	1	
(4)	911 565 032 63	Catch	/R	1	
4	911 565 031 64	Catch	/L	1	
	911 565 031 64 70C	Black			
4	964 565 031 00	Catch	/L	1	
(4)	911 565 032 64	Catch	/R	1	
	911 565 032 64 70C	Black			
(4)	964 565 032 00	Catch	/R	1	
5	N 014 740 2	Pan-head screw M 6 X 16		6	
5	N 014 740 11	Pan-head screw M 6 X 16		6	
6	N 011 524 7	Washer A 6,4		6	
6	N 011 524 27	Washer A 6,4		6	
7	911 565 707 01	Shim		X	
(8)	911 565 075 61	Handle	-88	2	
	911 565 075 61 70B	Black			
(8)	911 565 075 62	Handle		2	
	911 565 075 62 70B	Black			
9	911 565 074 40	Locating peg		2	
10	N 012 241 8	Spring washer		2	
11	901 565 203 40	Threaded plate		2	
12	964 565 265 00	Latch		8	
12	964 565 265 01	Latch		8	
13	911 565 263 00	Clamp		4	
13	911 565 263 01	Clamp		4	
14	999 219 006 02	Countersunk-head screw M 4 X 8		16	
15	901 565 303 45	Rain channel	/L	1	
(15)	901 565 304 45	Rain channel	/R	1	
16	N 013 957 5	Oval-head sheetmetal screw B 3,5 X 9,5		18	
17	911 565 029 45	Roof frame Lateral	/L	1	
(18)	911 565 030 45	Roof frame Lateral	/R	1	
(19)	911 565 207 46	Roof frame Front	/L	1	
20	911 565 208 46	Roof frame Front	/R	1	
21	911 565 211 45	Roof frame Rear	/L	1	
22	911 565 212 45	Roof frame Rear	/R	1	
23	901 565 328 45	Bolt	-88	2	
23	911 565 328 01	Bolt	89-	2	
	911 565 328 01 01C	Black			
24	911 565 328 45	Bolt	-88	2	
24	911 565 328 02	Bolt	89-	2	
	911 565 328 02 01C	Black			
25	901 565 209 40	Bolt	-88	1	
25	911 565 328 00	Bolt	89-	1	
	911 565 328 00 01C	Black			
26	964 565 145 00	Locking bolt		1	

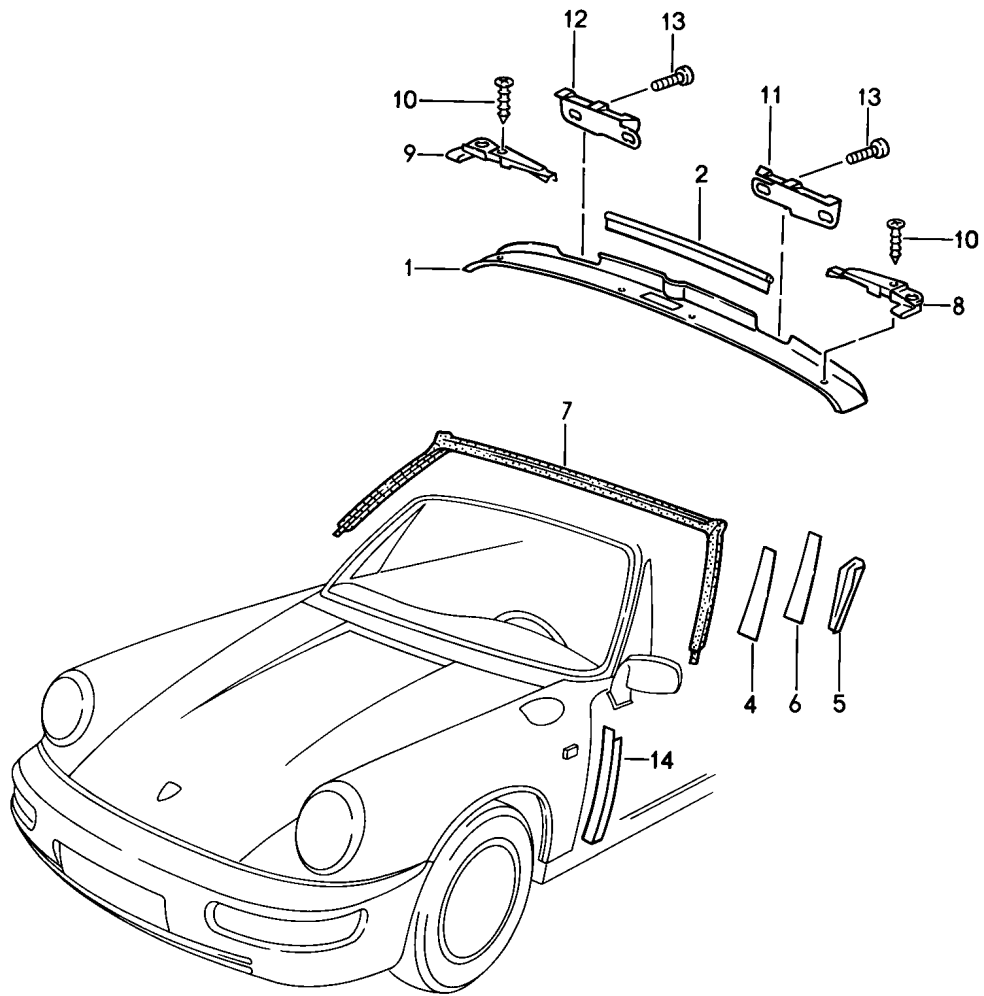
Model: 911 87

Model life 1987>>1989

Pos	Part Number	Description	Remark	Qty	Model
27	900 041 004 01	Circlip		5	
28	900 116 007 01	Lock washer		1	
28	N 012 439 2	Lock washer		1	
29	999 234 003 40	Shim 10,5 X 16		5	
30	911 565 283 00	Cover	/V /L	1	
(30)	911 565 284 00	Cover	/V /R	1	
31	901 565 273 45	Cover	/H /L	1	
(31)	901 565 274 45	Cover	/H /R	1	
32	N 013 953 2	Oval-head sheetmetal screw B 2,9 X 9,5		12	
33	900 025 001 02	Washer A 3,2		8	
34	911 565 037 42	Silentbloc bearing	/L	1	
(34)	911 565 038 42	Silentbloc bearing	/R	1	
35	911 565 217 40	Covering		2	
36	N 014 765 2	Pan-head screw M 6 X 10		6	
37	N 012 226 5	Spring washer B 6		6	
38	911 565 220 41	Silentbloc bearing		2	
38	911 565 220 42	Silentbloc bearing		2	
39	901 565 361 40	Seal		2	
40	900 025 002 02	Washer A 4,3		10	
40	900 025 002 03	Washer A 4,3		10	
45	911 565 259 40	Roof frame seal	/L	1	
(45)	911 565 260 40	Roof frame seal	/R	1	
49	911 565 187 40	Mounting Locking bolt		1	
50	N 013 957 5	Oval-head sheetmetal screw		4	
50		Oval-head sheetmetal screw B 3,5 X 9,5		4	
51	900 025 002 02	Washer 4,3		14	
51	900 025 002 03	Washer 4,3		14	
54	911 565 189 41	Cover plate		1	
55	900 145 003 07	Tapping screw B 3,5 X 9,5		1	

Model: 911 87

Model life 1987>>1989



Model: 911 87 Model life 1987>>1989

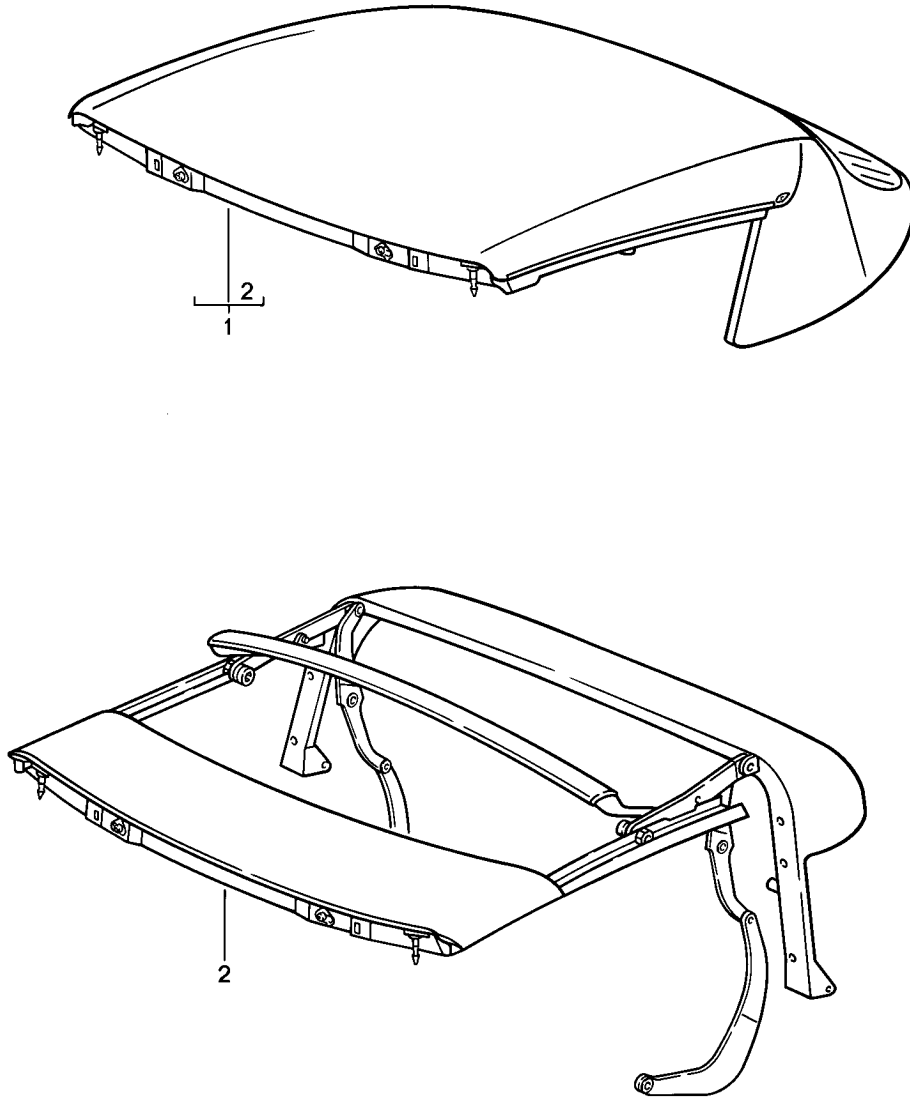
Pos	Part Number	Description	Remark	Qty	Model
		Windscreen frame			TARGA/CABRIO
		Accessories			
1	911 555 059 61	Lining		1	
	911 555 059 61 702	Black			
2	911 561 499 00	Piping		1	
	911 561 499 00 70B	Black			
2	911 561 499 01	Piping		1	
	911 561 499 01 70B	Black			
(2)	911 799 565 25	Piping		1	TARGA
4	911 555 563 40	Felt strip		2	
5	911 555 419 00	Filler piece	/L	1	
(5)	911 555 420 00	Filler piece	/R	1	
6	911 555 553 00	Cover	/L	1	
	911 555 553 00 702	Black			
(6)	911 555 554 00	Cover	/R	1	
	911 555 554 00 702	Black			
7	911 799 565 80	Gasket		1	
		It is necessary to rework			
8	911 555 519 42	Guide rose	/L	1	TARGA
	911 555 519 42 70B	Black			
(8)	911 555 519 60	Guide rose	/L	1	CABRIO
	911 555 519 60 70B	Black			
9	911 555 520 42	Guide rose	/R	1	TARGA
(9)	911 555 520 60	Guide rose	/R	1	CABRIO
	911 555 520 60 70B	Black			
10	900 143 084 07	Oval-head sheetmetal screw		4	
		B 3,5 X 16			
11	911 561 729 03	Gate guide	/L	1	
		F >>91JS1 50370			CABRIO
		F >>91JS1 59568	(J)		CABRIO
		F >>93JS0 20080			TURBO CABRIO
11		Gate guide	/L	1	
		F 91JS1 50371>>			CABRIO
		F 91JS1 59569>>	(J)		CABRIO
		F 93JS0 20081>>			TURBO CABRIO
(11)	911 561 729 03 03C	Black			
	911 561 739 03	Gate guide	/L	1	CABRIO
					M439
		F >>91JS1 50370			CABRIO
		F >>91JS1 59568	(J)		CABRIO
		F >>93JS0 20080			TURBO CABRIO
(11)		Gate guide	/L	1	CABRIO
					M439
		F 91JS1 50371>>			CABRIO
		F 91JS1 59569>>	(J)		CABRIO
		F 93JS0 20081>>			TURBO CABRIO
12	911 561 739 03 03C	Black			
	911 561 730 03	Gate guide	/R	1	CABRIO
		F >>91JS1 50370			CABRIO
		F >>91JS1 59568	(J)		CABRIO
		F >>93JS0 20080			TURBO CABRIO
12		Gate guide	/R	1	CABRIO
		F 91JS1 50371>>			CABRIO
		F 91JS1 59569>>	(J)		CABRIO
		F 93JS0 20081>>			TURBO CABRIO
(12)	911 561 730 03 03C	Black			
	911 561 740 03	Gate guide	/R	1	CABRIO
					M439
		F >>91JS1 50370			CABRIO
		F >>91JS1 59568	(J)		CABRIO
		F >>93JS0 20080			TURBO CABRIO
(12)		Gate guide	/R	1	CABRIO
					M439

Model: 911 87 Model life 1987>>1989

Pos	Part Number	Description	Remark	Qty	Model
		F 91JS1 50371>> F 91JS1 59569>> F 93JS0 20081>>	(J)		CABRIO CABRIO TURBO CABRIO
13	911 561 740 03 03C 999 119 013 07	Black Pan-head screw M 6 X 12		4	
14	911 551 157 51	Lining strap Leather	/L	1	
	911 551 157 51 1AJ	Black			
	911 551 157 51 2LX	Mahogany			
	911 551 157 51 7JX	Marine blue			
	911 551 157 51 7LD	Burgundy			
	911 551 157 51 5JX	Greyish green	-88		
	911 551 157 51 7VX	Linen			
	911 551 157 51 1MC	Plum red	-88		
	911 551 157 51 3VC	Silver-grey	-88		
	911 551 157 51 1VD	Champagne	-88		
	911 551 157 51 8UT	Cashmere beige	89		
	911 551 157 51 7VT	Silk grey	89		
	911 551 157 51 4MT	Velvet red	89		
	911 551 157 51 2WT	Slate grey	89		
	911 551 157 51 4UC	Caramel			
	911 551 157 51 7KC	Venetian blue			
(14)	911 551 157 51 8HF	Blue metallic	88		JUBI.
	911 551 158 51	Lining strap Leather	/R	1	
	911 551 158 51 1AJ	Black			
	911 551 158 51 2LX	Mahogany			
	911 551 158 51 7JX	Marine blue			
	911 551 158 51 7LD	Burgundy			
	911 551 158 51 5JX	Greyish green	-88		
	911 551 158 51 7VX	Linen			
	911 551 158 51 1MC	Plum red	-88		
	911 551 158 51 3VC	Silver-grey	-88		
	911 551 158 51 1VD	Champagne	-88		
	911 551 158 51 8UT	Cashmere beige	89		
	911 551 158 51 7VT	Silk grey	89		
	911 551 158 51 4MT	Velvet red	89		
	911 551 158 51 2WT	Slate grey	89		
	911 551 158 51 4UC	Caramel			
	911 551 158 51 7KC	Venetian blue			
	911 551 158 51 8HF	Blue metallic	88		JUBI.

Model: 911 87

Model life 1987>>1989



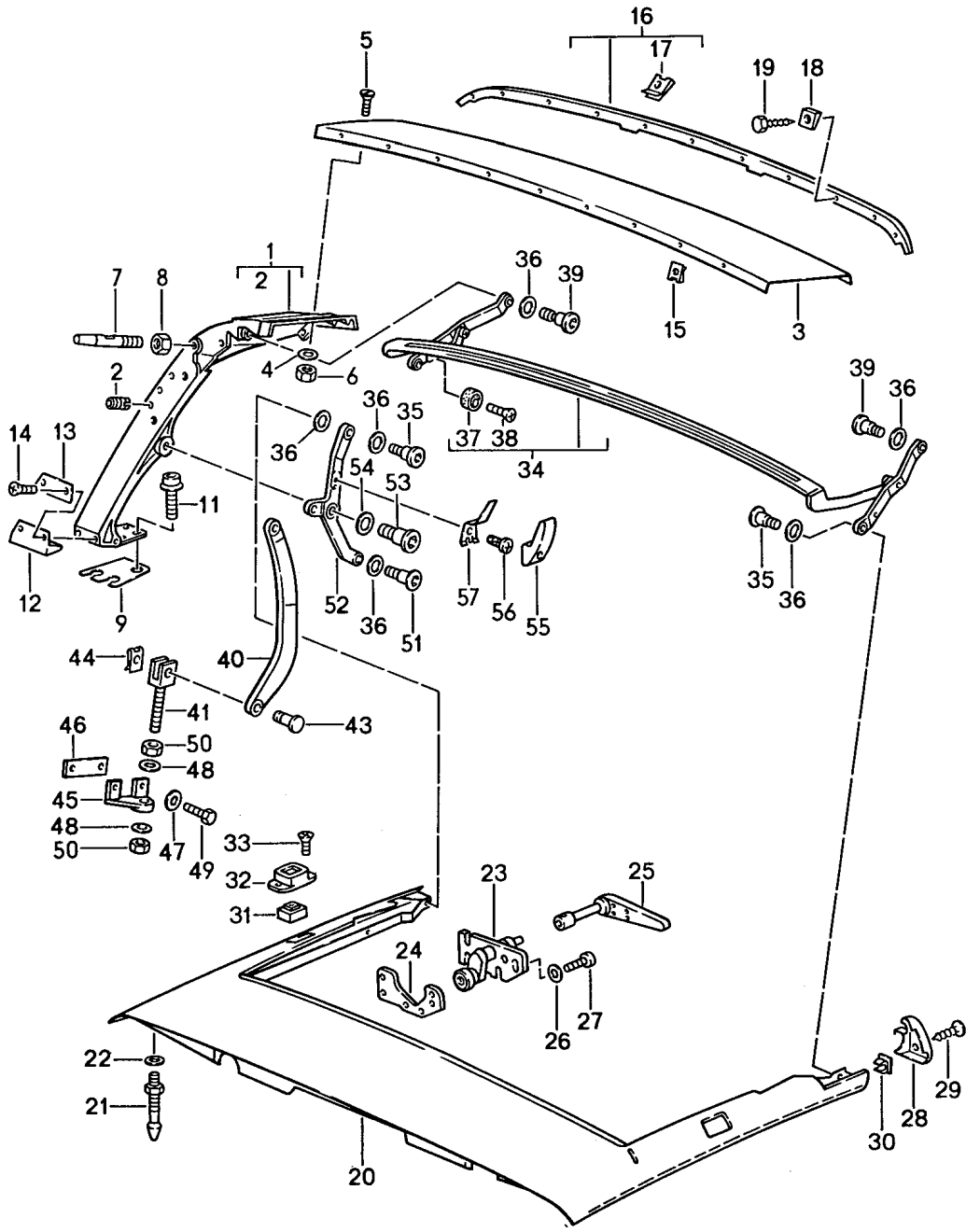
Model: 911 87

Model life 1987>>1989

Pos	Part Number	Description	Remark	Qty	Model
		Convertible top Convertible top frame Manually adjustable			CABRIO
1	911 561 005 05	Convertible top		1	
	911 561 005 05 3AV	Black			
	911 561 005 05 6HA	Dark blue			
	911 561 005 05 7MH	Mahogany			
	911 561 005 05 4JK	Greyish green	-88		
	911 561 005 05 7MK	Burgundy			
(2)	911 561 011 05	Convertible top frame		1	
	911 561 011 05 70B	Black			

Model: 911 87

Model life 1987>>1989



Model: 911 87 Model life 1987>>1989

Pos	Part Number	Description	Remark	Qty	Model
		Main folding top bow Roof frame Single parts			CABRIO
(1)	911 561 927 00	Main folding top bow	/L	1	
	911 561 927 00 70B	Black			
1	911 561 928 00	Main folding top bow	/R	1	
	911 561 928 00 70B	Black			
2	999 504 069 02	Threaded insert M 6		4	
3	911 561 215 00	Bow plate		1	
4	900 025 003 02	Washer A 5,3		10	
5	900 269 017 02	Countersunk-head screw M 5 X 12		10	
6	900 910 007 02	Lock nut M 5		10	
7	911 561 449 65	Retaining pivot		2	
8	900 076 062 07	Hexagon nut M 8		2	
9	911 561 423 00	Plate 2 MM		X	
9	911 561 423 01	Plate 1 MM		X	
(11)	900 067 271 09	Combination screw M 8 X 20		6	
12	911 561 471 00	Gasket		2	
13	911 561 475 00	Plate		2	
14	900 269 056 07	Countersunk-head screw M 4 X 10		4	
15	999 507 020 02	Speed nut B 4,2		4	
15	999 507 020 01	Speed nut 4,2		4	
16	911 561 035 00	Rail		1	
17	999 507 018 02	Speed nut B 4,2		11	
17	999 507 018 01	Speed nut B 4,2		11	
18	911 561 527 00	Base wedge		11	
19	900 187 014 02	Hexagon-head tapping screw BZ 4,2 X 16		11	
20	911 561 027 01	Roof frame		1	
	911 561 027 01 700	Black			
21	911 565 214 60	Locating peg		2	
22	900 025 007 02	Washer A 8,4 X 16 X 1,6		2	
22	900 025 007 03	Washer A 8,4 X 16 X 1,6		2	
(23)	911 565 031 63	Catch	/L -88	1	
23	911 565 032 63	Catch	/R -88	1	
(23)	911 565 031 64	Catch	/L	1	
	911 565 031 64 70C	Black			
(23)	964 565 031 00	Catch	/L	1	
23	911 565 032 64	Catch	/R	1	
	911 565 032 64 70C	Black			
(23)	964 565 032 00	Catch	/R	1	
24	911 561 547 01	Threaded plate		1	
25	911 565 075 61	Handle	-88	2	
	911 565 075 61 70B	Black			
(25)	911 565 075 62	Handle		2	
	911 565 075 62 70B	Black			
26	N 015 404 1	Washer A 6,4		8	

Model: 911 87 Model life 1987>>1989

Pos	Part Number	Description	Remark	Qty	Model
26	900 223 030 02	Washer A 6,4		8	
26	900 223 003 02	Washer A 6,4		8	
27	N 014 740 2	Pan-head screw M 6 X 16		8	
27	N 014 740 11	Pan-head screw M 6 X 16		8	
28	911 561 139 65	End piece	/L	1	
(28)	911 561 140 65	End piece	/R	1	
29	N 014 086 12	Tapping screw 3,5 X 13		2	
29	N 014 086 1C	Tapping screw 3,5 X 13		2	
30	999 591 762 40	Special nut B 3,5		2	
31	911 561 453 00	Buffer		2	
32	911 561 451 00	Housing		2	
	911 561 451 00 70B	Black			
33	900 269 043 02	Countersunk-head screw M 4 X 12		4	
34	911 561 019 65	Intermed. folding top bow		1	
	911 561 019 65 70B	Black			
35	911 561 461 00	Screw M 8 X 20		4	
36	911 561 428 00	Washer 10,5		16	
37	911 561 402 00	Eccentric washer		2	
38	N 033 185 1	Countersunk-head screw M 4 X 16		2	
39	911 561 421 00	Screw Micro-self-locking M 8 X 24		2	
(40)	911 561 157 00	Steering arm	/L	1	
	911 561 157 00 70B	Black			
40	911 561 158 00	Steering arm	/R	1	
	911 561 158 00 70B	Black			
41	911 561 595 65	Joint fork		2	
41	911 561 595 66	Joint fork		2	
43	911 561 761 65	Bolt		2	
44	999 166 034 02	S1-lock 8		2	
45	911 561 431 65	Bearing bracket		2	
46	911 561 585 65	Threaded plate		2	
47	900 025 007 02	Washer A 8,4		4	
47	900 025 007 03	Washer A 8,4		4	
48	900 025 008 09	Washer A 10,5		4	
48	900 025 008 04	Washer A 10,5		4	
49	900 075 087 02	Hexagon-head bolt M 8 X 16		4	
49	900 075 087 03	Hexagon-head bolt M 8 X 16		4	
50	N 011 010 13	Hexagon nut M 10		4	
51	911 561 418 00	Screw M 8 X 20		2	
(52)	911 561 119 00	Steering arm	/L	1	
	911 561 119 00 70B	Black			
(52)	911 561 120 00	Steering arm	/R	1	

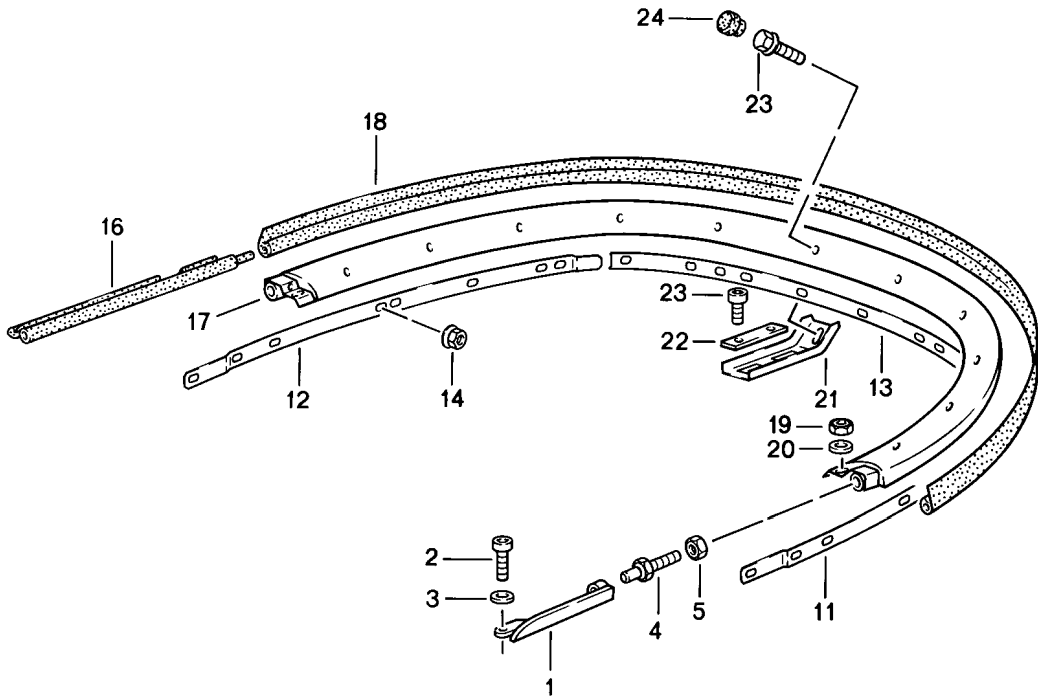
Model: 911 87

Model life 1987>>1989

Pos	Part Number	Description	Remark	Qty	Model
(52)	911 561 120 00 70B	Black			
	911 561 119 65	Steering arm	/L	1	M439
	911 561 119 65 70B	Black			
52	911 561 120 65	Steering arm	/R	1	M439
	911 561 120 65 70B	Black			
53	911 561 420 00	Screw Micro-self-locking M 10 X 28		2	
54	911 561 430 00	Washer 13,5		2	
55	901 552 871 40	Cover		2	
56	900 250 006 02	Tapping screw AM 5 X 10		2	
57	901 552 872 20	Coat hook		2	

Model: 911 87

Model life 1987>>1989



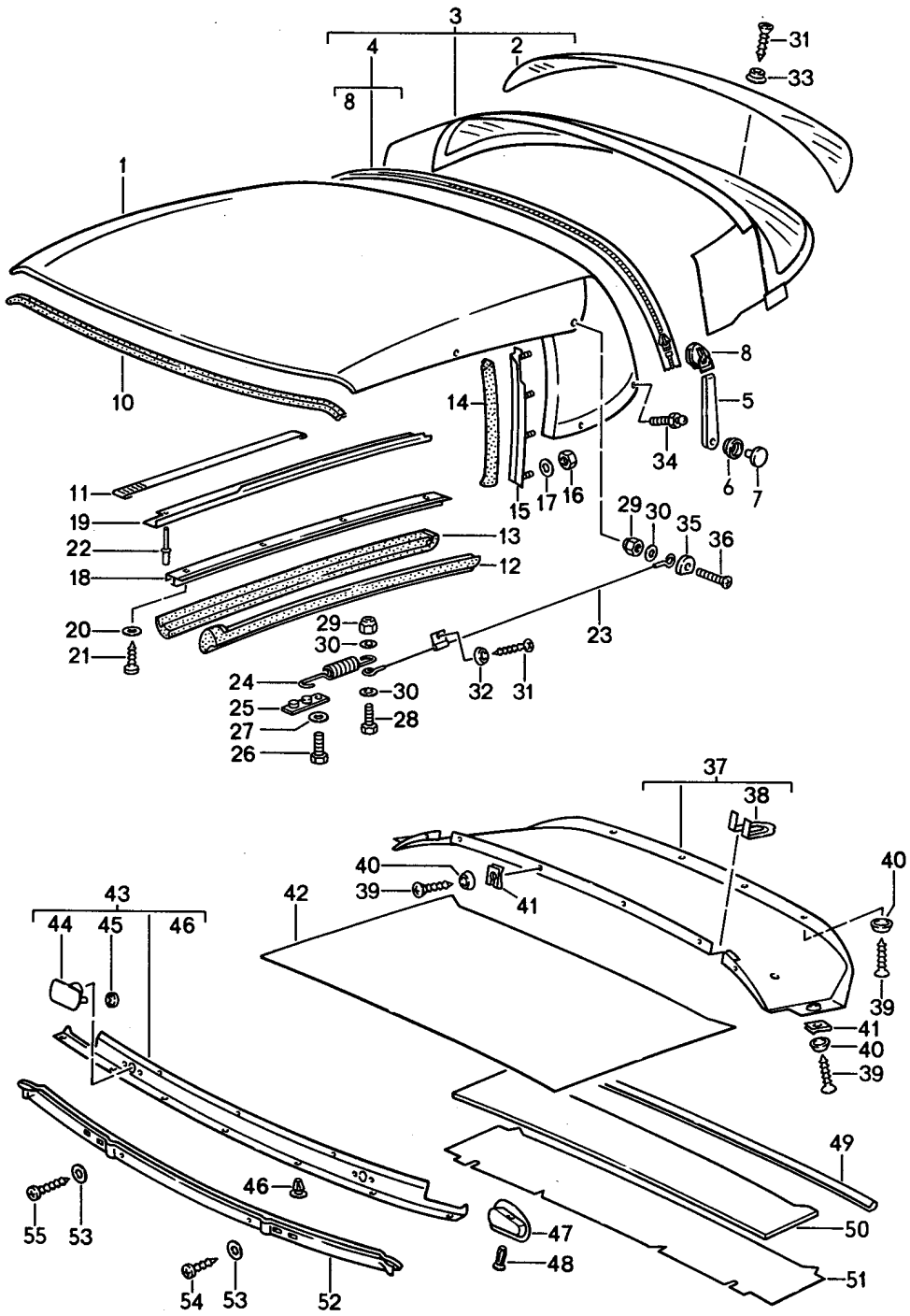
Model: 911 87

Model life 1987>>1989

Pos	Part Number	Description	Remark	Qty	Model
		Convertible top			CABRIO
		Clamp			
		Single parts			
1	911 561 341 01	Tensioner blade	/L	1	
(1)	911 561 342 01	Tensioner blade	/R	1	
2	N 014 765 2	Pan-head screw		2	
		M 6 X 10			
3	N 011 524 7	Washer		2	
		A 6,4			
3	N 011 524 27	Washer		2	
		A 6,4			
4	911 561 331 00	Locating peg		2	
5	900 076 062 07	Hexagon nut		2	
		M 8			
11	911 561 283 00	Rail	/L	1	
12	911 561 284 00	Rail	/R	1	
13	911 561 281 00	Rail		1	
		Centre			
14	900 377 009 02	Hexagon nut		18	
		M 5			
(16)	911 561 463 00	Gasket	/L	1	
(16)	911 561 463 01	Gasket	/L	1	
16	911 561 464 00	Gasket	/R	1	
16	911 561 464 01	Gasket	/R	1	
17	911 561 083 01	Clamp	-88	1	
17		Clamp		1	
	911 561 083 01 700	Black			
18	911 561 371 00	Sealing rubber		1	
19	900 076 010 02	Nut		2	
		M 6			
19	900 076 010 0B	Nut		2	
		M 6			
20	N 011 524 7	Washer		2	
		A 6,4			
20	N 011 524 27	Washer		2	
		A 6,4			
21	911 561 379 00	Support		3	
21		Support		2	
(21)	911 561 379 01	Support		1	TURBO
22	911 561 387 00	Desk pad		3	TURBO
23	900 075 357 02	Combination screw		3	
		M 6 X 12			
23	900 075 456 01	Combination screw		3	
		M 6 X 12			
24	999 703 169 40	Cap		3	

Model: 911 87

Model life 1987>>1989



Model: 911 87 Model life 1987>>1989

Pos	Part Number	Description	Remark	Qty	Model
		Convertible top covering			CABRIO
		Seal			
		Single parts			
1	911 561 051 01	Convertible top covering		1	
		Roof			
		Upper			
	911 561 051 01 3AV	Black			
	911 561 051 01 6HA	Dark blue			
	911 561 051 01 7MH	Mahogany			
	911 561 051 01 4JK	Greyish green	-88		
	911 561 051 01 7MK	Burgundy			
	911 561 051 01 8XK	Pearl grey	89		
2	911 561 359 65	Rear window		1	
3	911 561 053 65	Rear window		1	
		with			
		Cover	/H		
	911 561 053 65 3AV	Black			
	911 561 053 65 6HA	Dark blue			
	911 561 053 65 7MH	Mahogany			
	911 561 053 65 4JK	Greyish green	-88		
	911 561 053 65 7MK	Burgundy			
	911 561 053 65 8XK	Pearl grey	89		
4	911 561 405 02	Zip		1	
	911 561 405 02 3AV	Black			
5	911 561 523 02	Traction noose		1	
	911 561 523 02 1AJ	Black			
6	999 591 836 17	Push button		1	
7	999 591 838 17	Push button		1	
8	000 043 022 00	Zip		X	
		Repair kit			
	000 043 022 00 3AV	Black			
10	911 561 244 01	Roof frame seal		1	
11	911 561 153 65	Restraining strap		2	
12	911 561 189 65	Roof frame seal	/L	1	
(12)	911 561 190 65	Roof frame seal	/R	1	
		Outer			
12	911 561 189 66	Roof frame seal	/L	1	
	911 561 189 66 8VB	Black			
		Outer			
(12)	911 561 190 66	Roof frame seal	/R	1	
	911 561 190 66 8VB	Black			
		Outer			
13	911 561 187 00	Roof frame seal	/L	1	
(13)	911 561 188 00	Roof frame seal	/R	1	
		Inner			
14	911 561 681 00	Gasket	/L	1	
(14)	911 561 682 00	Gasket	/R	1	
15	911 561 025 04	Rail	/L	1	
		F >>91HS1 59577	(J)		
		F >>91HS1 50774			
(15)	911 561 026 04	Rail	/R	1	
		F >>91HS1 59577	(J)		
		F >>91HS1 50774			
15	911 561 025 04	Rail	/L	1	(J)
		F 91HS1 59578>>			
		F 91HS1 50775>>			
(15)	911 561 025 04 70B	Black			
	911 561 026 04	Rail	/R	1	(J)
		F 91HS1 59578>>			
		F 91HS1 50775>>			
	911 561 026 04 70B	Black			
16	900 076 063 07	Hexagon nut		8	
		M 5			

Model: 911 87 Model life 1987>>1989

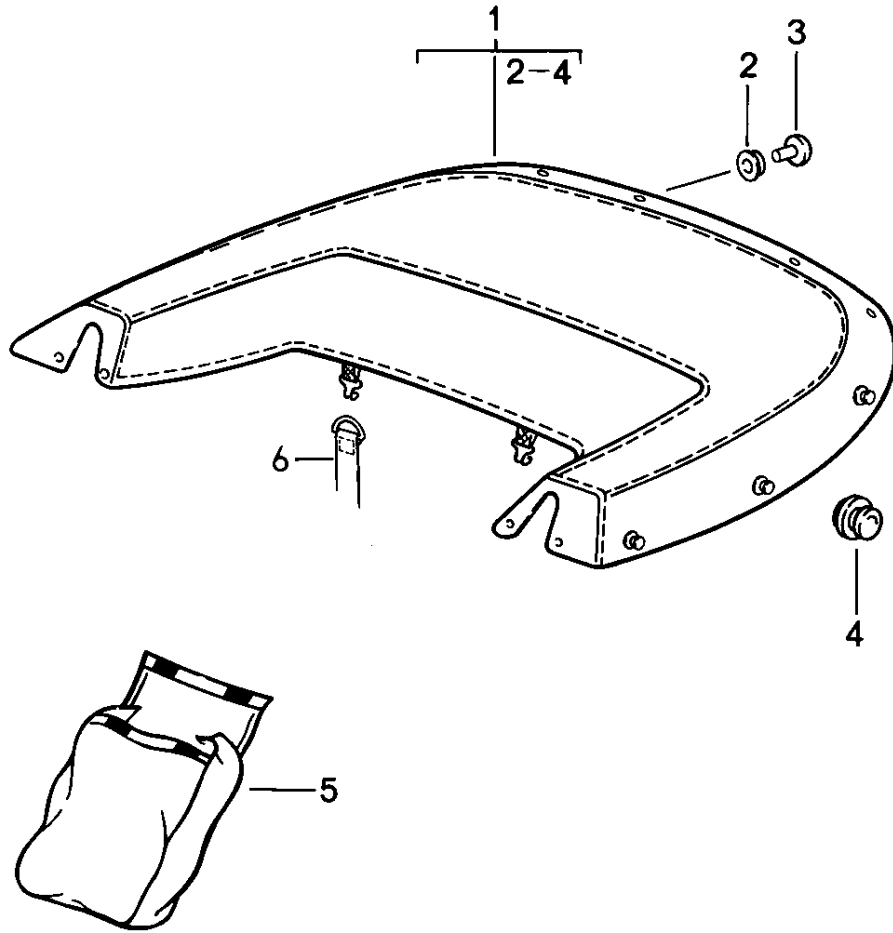
Pos	Part Number	Description	Remark	Qty	Model
17	900 151 038 07	Washer A 5,3		8	
18	911 561 793 00	Rail	/L	1	
(18)	911 561 794 00	Rail	/R	1	
19	911 561 301 00	Rain channel	/L	1	
	911 561 301 00 70K	Black			
(19)	911 561 302 00	Rain channel	/R	1	
	911 561 302 00 70K	Black			
20	900 151 028 02	Washer B 4,3		8	
20	900 151 028 01	Washer B 4,3		8	
21	N 013 957 5	Oval-head sheetmetal screw B 3,5 X 9,5		8	
22	999 190 162 37	Blind rivet B 3,2 X 12,6		12	
22	PCG 190 162 37	Blind rivet B 3,2 X 12,6		12	
23	911 561 239 00	Tension rope	/L	1	
(23)	911 561 240 00	Tension rope	/R	1	
24	911 561 403 01	Tension spring		2	
25	911 561 407 00	Support		2	
26	N 010 211 4	Hexagon-head bolt M 6 X 12		2	
27	N 011 524 7	Washer A 6,4		4	
27	N 011 524 27	Washer A 6,4		4	
28	900 075 100 02	Hexagon-head bolt M 4 X 12		2	
28	900 075 100 03	Hexagon-head bolt M 4 X 12		2	
29	900 910 006 02	Lock nut M 4		4	
29	900 084 020 01	Lock nut M 4		4	
30	900 025 002 02	Washer A 4,3		4	
30	900 025 002 03	Washer A 4,3		4	
31	900 144 028 07	Tapping screw B 3,5 X 13		4	
32	999 591 102 17	Washer \$=3,5		2	
32	999 591 102 1H	Washer \$=3,5		2	
33	999 591 835 17	Snap fastener lower part		2	
34	999 591 598 02	Tenax lower part B 4,2 X 16		2	
34	999 591 597 02	Tenax lower part B 4,2 X 10		6	
35	911 561 455 01	Corner piece	/L	1	
	911 561 455 01 70B	Black			
(35)	911 561 456 01	Corner piece	/R	1	
	911 561 456 01 70B	Black			
36	N 033 203 2	Countersunk-head screw M 4 X 20		2	
37	911 561 059 62	Lining		1	
	911 561 059 62 700	Black			
(37)	911 561 059 66	Main folding top bow Lining		1	M439
	911 561 059 66 700	Black Main folding top bow			

Model: 911 87 Model life 1987>>1989

Pos	Part Number	Description	Remark	Qty	Model
38	911 561 597 00	Rosette	/L	1	
	911 561 597 00 70B	Black			
(38)	911 561 598 00	Rosette	/R	1	
	911 561 598 00 70B	Black			
(38)	911 561 598 66	Rosette	/R	1	M439
	911 561 598 66 70B	Black			
39	900 145 096 07	Oval-head sheetmetal screw 4,2 X 16		12	
39	900 145 096 0G	Oval-head sheetmetal screw 4,2 X 16		12	
40	999 591 116 07	Cone washer		12	
41	999 507 020 02	Speed nut B 4,2		4	
41	999 507 020 01	Speed nut 4,2		4	
42	911 561 050 00	Roofliner		1	
43	911 565 093 61	Padded cover	-88	1	
	911 565 093 61 700	Black			
(43)	911 565 093 62	Padded cover		1	
	911 565 093 62 700	Black			
(43)	911 565 093 65	Padded cover	-88	1	/TURBO M439
	911 565 093 65 700	Black			
43	911 565 093 66	Padded cover		1	/TURBO M439
	911 565 093 66 700	Black			
(44)	911 565 279 61	Rosette	/L	1	
	911 565 279 61 70B	Black			
44	911 565 280 61	Rosette	/R	1	
	911 565 280 61 70B	Black			
(44)	911 561 781 65	Guide rose for emergency control		2	M439
45	999 591 676 02	Clamping washer \$=7,0		4	
45	999 591 676 01	Clamping washer \$=7,0		4	
46	823 867 299	Clip		8	
47	911 565 271 65	Handle	/L	1	
	911 565 271 65 70B	Black			
(47)	911 565 272 65	Handle	/R	1	
	911 565 272 65 70B	Black			
48	999 591 587 40	Expansion rivet		2	
49	911 555 593 61	Edge protection		1	
50	911 565 299 60	Moltoprene shim		2	
51	911 565 297 60	Cover Roof frame		1	
(52)	911 561 295 01	Cover	-88	1	
	911 561 295 01 700	Black			
(52)	911 561 295 02	Cover		1	
	911 561 295 02 700	Black			
(52)	911 561 295 00	Cover	-88	1	/TURBO M439
	911 561 295 00 700	Black			
52	911 561 295 03	Cover		1	/TURBO M439
	911 561 295 03 700	Black			
53	900 025 013 07	Washer A 3,7		7	
54	900 143 133 07	Tapping screw BZ 3,5 X 6,5		5	
55	900 143 124 07	Tapping screw BZ 3,5 X 13		2	

Model: 911 87

Model life 1987>>1989



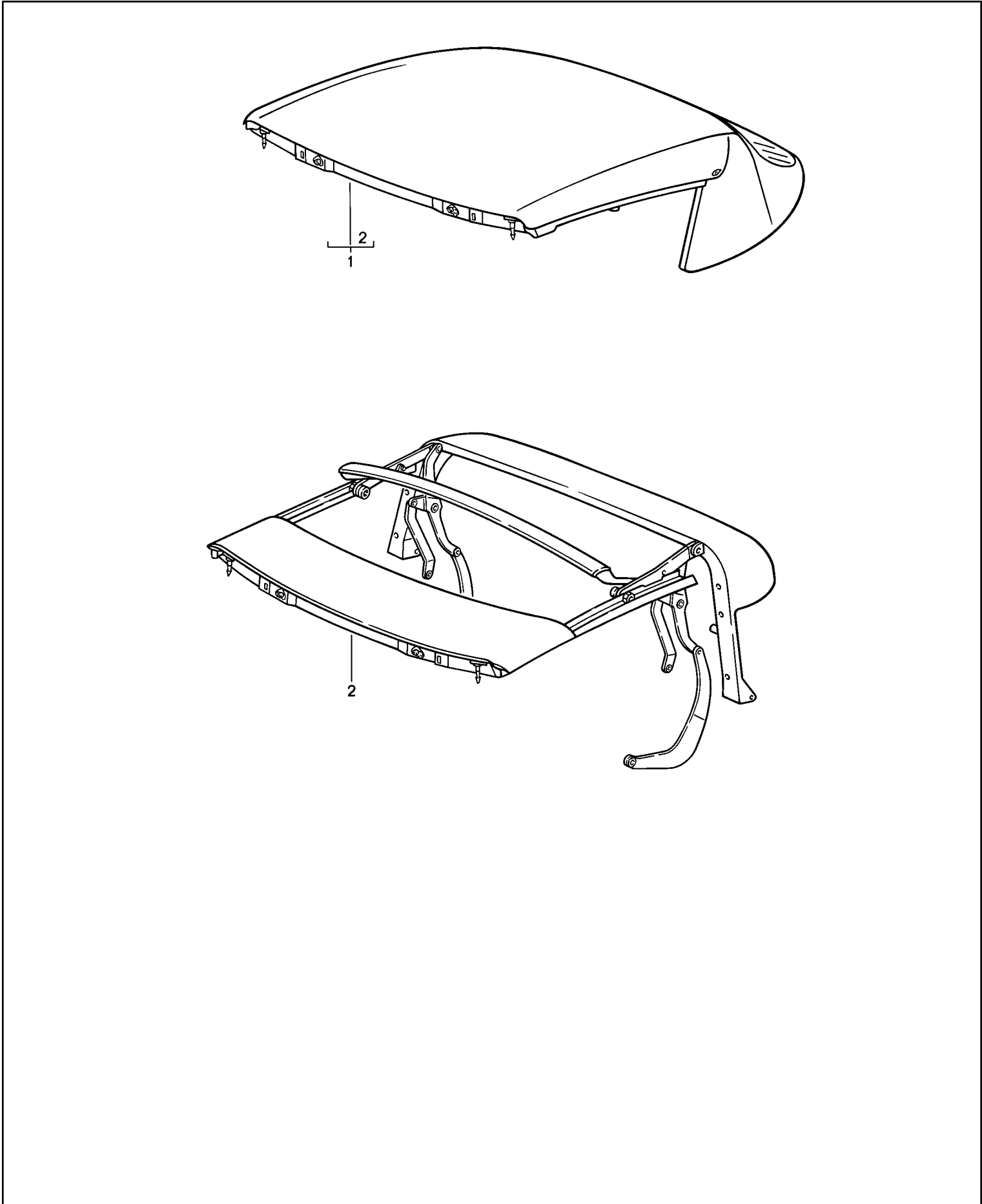
Model: 911 87

Model life 1987>>1989

Pos	Part Number	Description	Remark	Qty	Model
1	911 561 023 60	Convertible top cover		1	CABRIO
	911 561 023 60 3AV	Convertible top cover Black			
	911 561 023 60 6HA	Dark blue			
	911 561 023 60 7MH	Mahogany			
	911 561 023 60 4JK	Greyish green	-88		
	911 561 023 60 7MK	Burgundy			
2	999 591 836 17	Push button		6	
3	999 591 838 17	Push button		6	
4	999 591 983 12	Tenax upper part		6	
5	911 561 087 00	Bag for		1	
6	911 561 493 00	Convertible top cover Leather loop		2	

Model: 911 87

Model life 1987>>1989



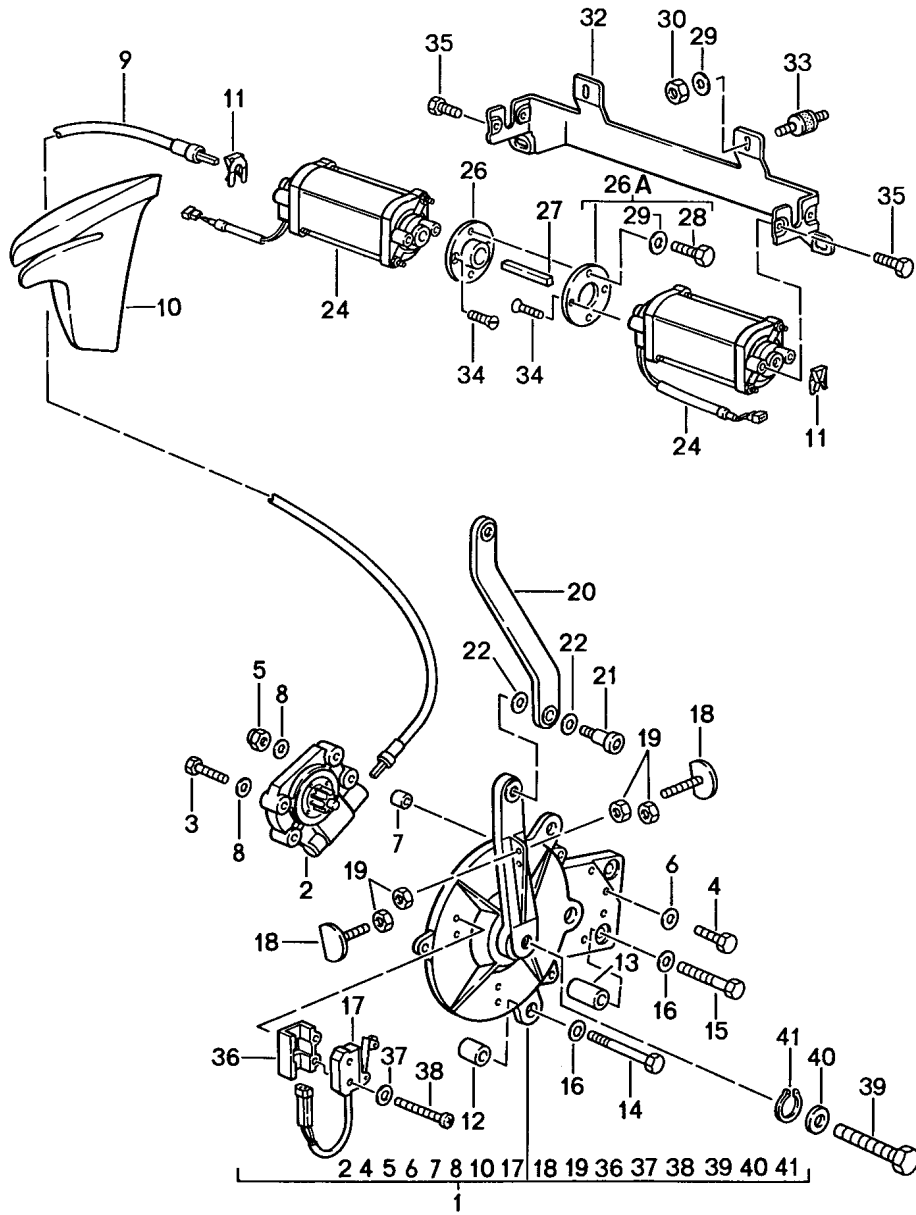
Model: 911 87

Model life 1987>>1989

Pos	Part Number	Description	Remark	Qty	Model	
1	911 561 005 65	Convertible top		1	CABRIO M439	
		Convertible top frame				
		Electrically adjustable				
		Folding top				
		Complete				
		911 561 005 65 3AV	Black			
		911 561 005 65 6HA	Dark blue			
		911 561 005 65 7MH	Mahogany			
		911 561 005 65 4JK	Greyish green			-88
		911 561 005 65 7MK	Burgundy			
2	911 561 011 65	Convertible top frame		1		
		911 561 011 65 8XK	Pearl grey			89
		911 561 011 65 70B	Black			
		Complete				

Model: 911 87

Model life 1987>>1989



Model: 911 87 Model life 1987>>1989

Pos	Part Number	Description	Remark	Qty	Model
		Convertible top			CABRIO M439
(1)	911 561 045 66	Driving mechanism			
	911 561 045 66 70B	Transmission	/L	1	
1	911 561 046 66	Black			
	911 561 046 66 70B	Transmission	/R	1	
		Black			
(2)	911 561 103 65	Planetary transmission	/L	1	
(2)	911 561 104 65	Planetary transmission	/R	1	
3	N 010 262 2	Hexagon-head bolt		2	
		M 4 X 20			
4	N 010 301 1	Hexagon-head bolt		2	
		M 4 X 35			
5	900 910 004 02	Lock nut		2	
		M 4			
6	900 025 002 02	Washer		2	
		A 4,3			
6	900 025 002 03	Washer		2	
		A 4,3			
7	911 561 629 65	Spacer		2	
8	911 561 518 00	Spacer		4	
(9)	993 561 921 03	Shaft	/L	1	
9	993 561 922 03	Shaft	/R	1	
(10)	911 561 655 65	Filler piece	/L	1	
10	911 561 656 65	Filler piece	/R	1	
		for			
		Shaft			
11	911 561 643 65	Spring clamp		2	
11	987 561 643 00	Spring clamp		2	
12	911 561 746 65	Spacer sleeve		4	
13	911 561 745 65	Spacer sleeve		2	
14	N 010 347 5	Hexagon-head bolt		4	
		M 6 X 35			
15	N 040 303 1	Hexagon-head bolt		2	
		M 6 X 50			
16	900 151 003 02	Washer		6	
		A 6,4			
16	900 151 006 03	Washer		6	
		A 6,4			
17	911 613 071 00	Microswitch	/R	2	
17	911 613 071 02	Microswitch	/R	2	
18	911 561 645 00	Adjusting screw	/R	2	
19	N 011 002 2	Hexagon nut	/R	4	
		M 3			
20	911 561 169 65	Push rod	/L	1	
	911 561 169 65 70B	Black			
(20)	911 561 170 65	Push rod	/R	1	
	911 561 170 65 70B	Black			
21	911 561 418 00	Screw		4	
		M 8 X 20			
22	911 561 428 00	Washer		8	
		10,5			
24	911 624 117 00	Electric motor		2	
26	911 624 269 01	Washer		1	
		\$=50			
26A	911 624 171 01	Washer		1	
27	911 624 273 00	Connecting piece		1	
28	N 010 205 6	Hexagon-head bolt		4	
		M 5 X 10			
28	900 075 105 02	Screw		4	
		M 5 X 10			
29	900 025 003 02	Washer		4	
		A 5,3			

Model: 911 87

Model life 1987>>1989

Pos	Part Number	Description	Remark	Qty	Model
30	N 011 005 14	Hexagon nut M 5		4	
30	900 076 091 01	Hexagon nut M 5		4	
32	911 561 185 65	Clip		2	
33	999 703 308 00	Bonded rubber mounting		4	
33	999 703 308 0A	Bonded rubber mounting		4	
34	999 919 045 02	Countersunk-head screw M 5 X 16		4	
35	999 919 046 02	Hexagon-head bolt M 5 X 16		4	
36	911 613 413 00	Support		2	
37	900 025 001 02	Washer A 3,2		4	
38	900 146 072 02	Oval-head screw M 3 X 25		4	
39	911 561 756 66	Screw for Emergency operation		2	
40	N 011 524 7	Washer A 6,4		2	
40	N 011 524 27	Washer A 6,4		2	
41	N 012 406 2	Lock washer 6 X 0,7		2	

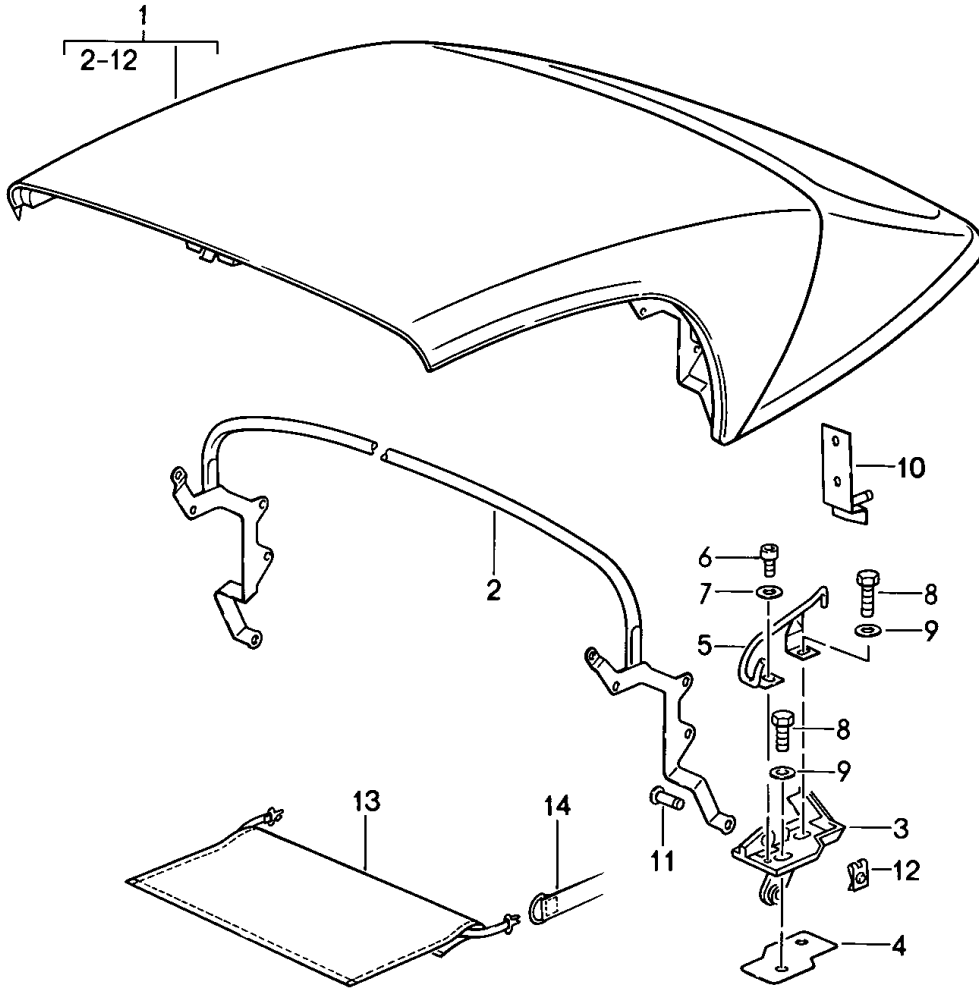
Model: 911 87

Model life 1987>>1989

Pos	Part Number	Description	Remark	Qty	Model
		Convertible top			CABRIO M439
		Catch			
		Electrically adjustable			
1	911 624 055 03	Electric motor	/L	1	
1	911 624 055 CX	Electric motor	/L	1	
2	911 624 056 03	Electric motor	/R	1	
2	911 624 056 CX	Electric motor	/R	1	
3	171 971 998 C	Connector housing		2	
4	N 014 743 2	Pan-head screw M 6 X 30		8	
4	900 067 012 03	Pan-head screw M 6 X 30		8	
5	N 011 524 7	Washer A 6,4		8	
5	N 011 524 27	Washer A 6,4		8	
6	911 613 015 00	Microswitch	/L	1	
7	911 613 016 00	Microswitch	/R	1	
8	171 971 998 A	Connector housing		2	
9	900 151 028 02	Washer B 4,3		4	
9	900 151 028 01	Washer B 4,3		4	
10	900 146 011 02	Oval-head screw M 4 X 10		4	
11	N 027 401 1	Shim 6 X 12 X 1,0		8	
12	911 561 547 01	Threaded plate		2	

Model: 911 87

Model life 1987>>1989

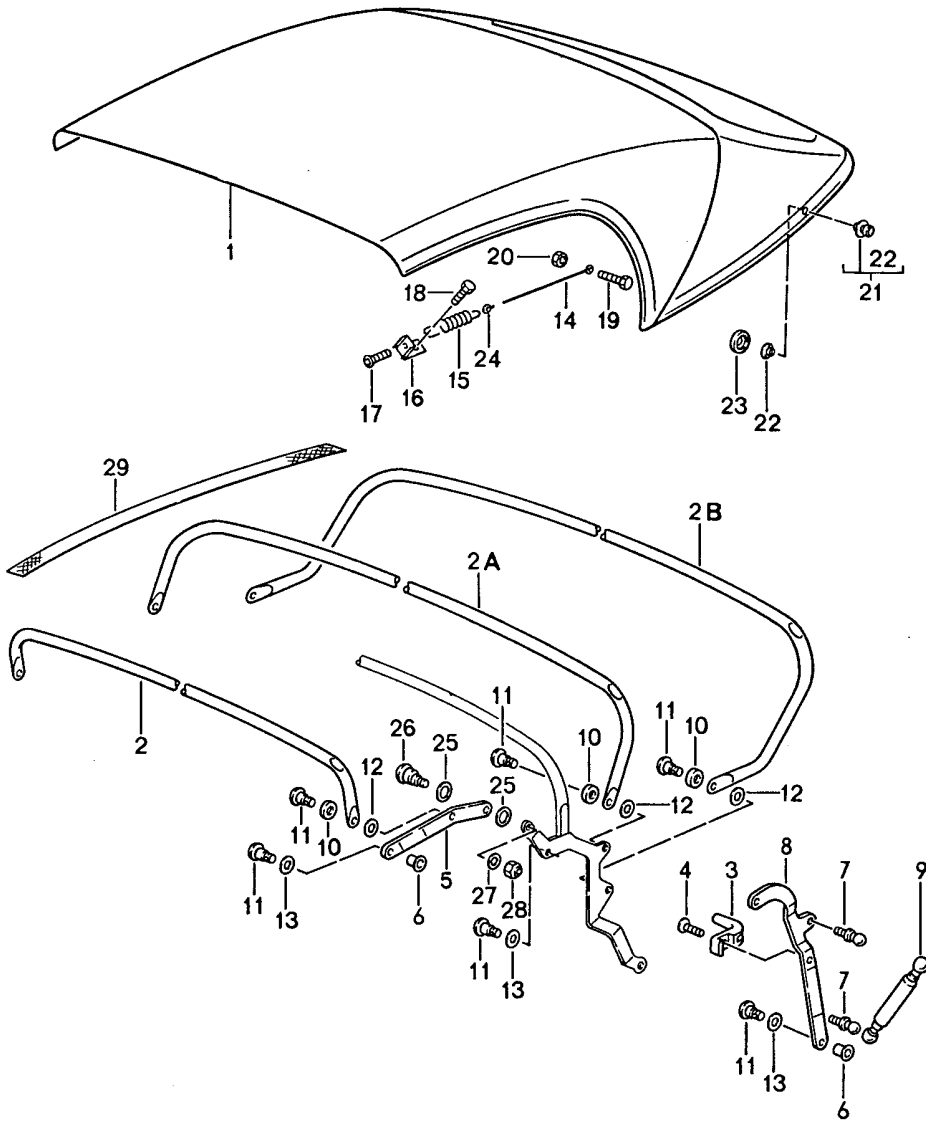


Model: 911 87 Model life 1987>>1989

Pos	Part Number	Description	Remark	Qty	Model
		Emergency folding top Complete	89		SPEEDSTER
		Main folding top bow Single parts			
1	911 563 005 00	Emergency folding top Ready for installation		1	
	911 563 005 00 2XW	Black			
	911 563 005 00 3WW	Mahogany			
	911 563 005 00 7JW	Dark blue			
	911 563 005 00 9LW	Burgundy			
2	911 563 071 00	Main folding top bow		1	
	911 563 071 00 70K	Black			
3	911 563 343 00	Bearing	/L	1	
(3)	911 563 344 00	Bearing	/R	1	
4	911 563 453 00	Desk pad		4	
(5)	911 563 567 01	Clip	/L	1	
(5)	911 563 568 01	Clip	/R	1	
6	900 067 006 07	Pan-head screw M 6 X 10		2	
7	900 025 004 07	Washer A 6,4		2	
8	900 067 057 02	Pan-head screw M 8 X 20		4	
8	900 067 057 03	Pan-head screw M 8 X 20		4	
9	900 151 008 02	Washer B 8,4		4	
10	911 563 413 00	Support	/L	1	
(10)	911 563 414 00	Support with locating peg	/R	1	
11	999 088 017 02	Bolt 11 X 19,5		2	
12	999 166 044 01	Sl-lock 8		2	
12	999 166 044 0B	Sl-lock 8		2	
13	911 563 755 00	Protective cloth		1	
	911 563 755 00 2FX	Black			
14	911 561 493 00	Leather loop		2	

Model: 911 87

Model life 1987>>1989



Model: 911 87 Model life 1987>>1989

Pos	Part Number	Description	Remark	Qty	Model
		Convertible top covering Convertible top frame Single parts	89		SPEEDSTER
1	911 563 051 00	Convertible top covering with Rear window		1	
	911 563 051 00 2XW	Black			
	911 563 051 00 3WW	Mahogany			
	911 563 051 00 7JW	Dark blue			
	911 563 051 00 9LW	Burgundy			
2	911 563 181 00	Roof strut		1	
	911 563 181 00 70K	Black			
2A	911 563 115 00	Roof strut		1	
	911 563 115 00 70K	Black			
2B	911 563 333 00	Roof strut		1	
	911 563 333 00 70K	Black			
3	911 563 733 00	Stop		1	
	911 563 733 00 01C	Black			
4	900 249 001 07	Countersunk-head screw M 6 X 15		1	
5	911 563 179 00	Steering arm	/L	1	
	911 563 179 00 70K	Black			
(5)	911 563 180 00	Steering arm	/R	1	
	911 563 180 00 70K	Black			
6	999 209 027 40	Bush 10 X 11,5 X 7		4	
7	999 167 043 09	Ball pin A 10		4	
8	911 563 173 00	Steering arm	/H /L	1	
	911 563 173 00 70K	Black			
(8)	911 563 174 00	Steering arm	/H /R	1	
	911 563 174 00 70K	Black			
9	911 563 195 00	Connecting rod		2	
10	999 025 210 40	Washer 10,5 X 18 X 4		6	
11	999 218 052 07	Screw M 8 X 9,2 Micro-self-locking		12	
12	911 561 428 00	Washer 10,5		6	
13	999 025 217 40	Washer 10,5 X 18 X 2		6	
14	911 563 105 00	Tension rope		2	
15	911 561 403 02	Tension spring		2	
16	911 563 397 00	Fastening angle		2	
17	900 249 035 02	Countersunk-head screw M 5 X 10		2	
18	N 010 225 4	Hexagon-head bolt M 5 X 8		2	
18	900 075 001 03	Hexagon-head bolt M 5 X 8		2	
19	900 075 408 07	Hexagon-head bolt M 4 X 16		2	
20	900 076 061 07	Hexagon nut M 4		2	
21	999 591 983 12	Tenax upper part		10	
22	999 591 982 17	Washer		10	
23	911 563 625 00	Rubber base		10	
24	999 591 966 12	Eye 4,5		1	
25	911 561 430 00	Washer		4	
26	999 218 055 07	Screw M 6 X 28		2	

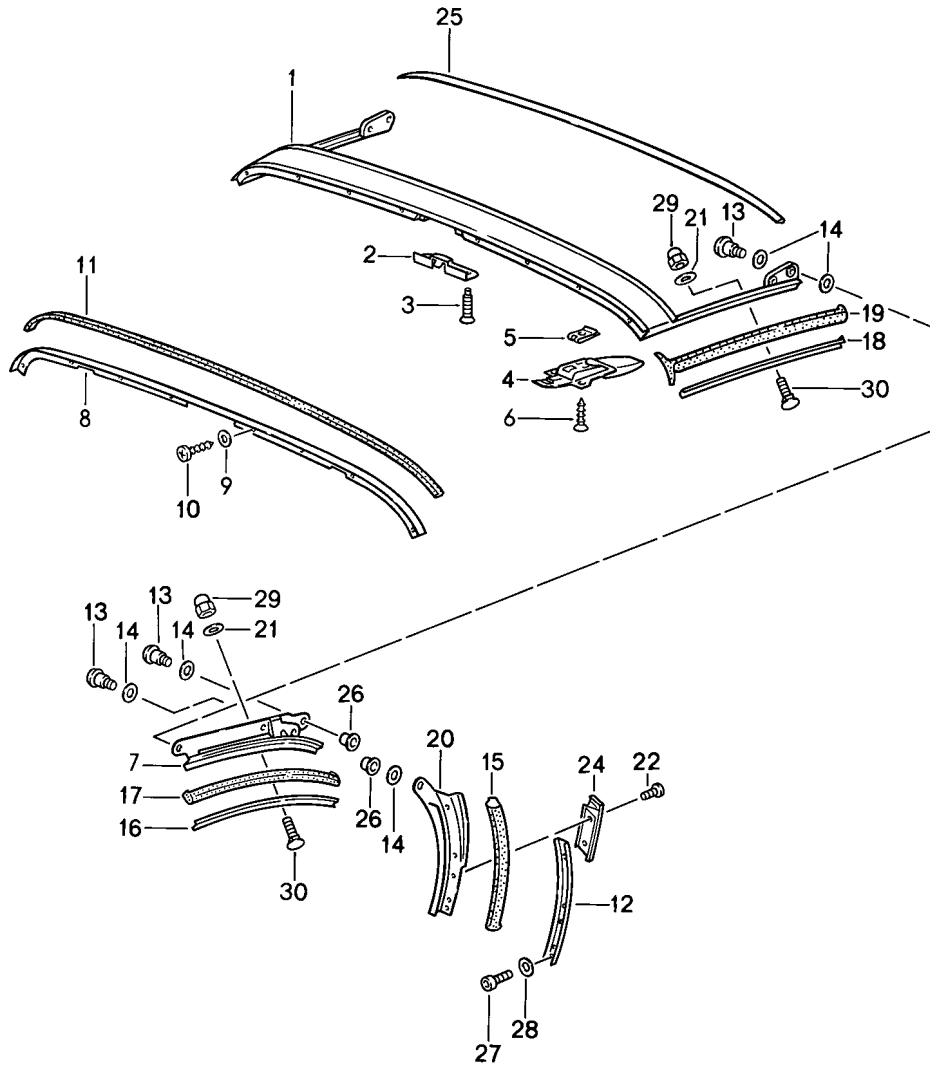
Model: 911 87

Model life 1987>>1989

Pos	Part Number	Description	Remark	Qty	Model
27	N 011 524 7	Washer A 6,4		2	
27	N 011 524 27	Washer A 6,4		2	
28	900 910 012 02	Lock nut M 6		2	
28	900 910 047 09	Lock nut M 6		2	
29	999 706 013 40	Restraining strap		X	
29	000 043 204 84	Restraining strap 25 X 1		X	

Model: 911 87

Model life 1987>>1989



Model: 911 87

Model life 1987>>1989

Pos	Part Number	Description	Remark	Qty	Model
		Emergency folding top Seal	89		SPEEDSTER
1	911 563 027 00	Roof frame	/V	1	
2	911 563 633 00	Roof frame		1	
	911 563 633 00 01C	Handle			
3	900 270 063 07	Black Countersunk-head screw M 5 X 10		2	
4	911 563 081 00	Catch		2	
5	999 507 023 02	Speed nut B 4,8		6	
5	999 507 023 01	Speed nut B 4,8		6	
6	N 014 098 6	Rais. counters. h. tap. s. B 4,8 X 16		6	
7	911 563 089 00	Roof frame	/L	1	
	911 563 089 00 70K	Black Centre			
(7)	911 563 090 00	Roof frame	/R	1	
	911 563 090 00 70K	Black Centre			
8	911 563 735 00	Rail	/V	1	
9	900 025 013 07	Washer A 3,7		8	
10	N 013 958 14	Tapping screw B 3,5 X 13		8	
11	911 563 505 00	Gasket	/V	1	
12	911 563 521 00	Reinforcement strip	/H /L	1	
(12)	911 563 522 00	Reinforcement strip	/H /R	1	
13	999 218 052 07	Screw M 8 X 9,2		6	
14	999 025 217 40	Washer 10,5 X 18 X 2		10	
15	911 563 245 00	Gasket	/H /L	1	
(15)	911 563 246 00	Gasket	/H /R	1	
16	911 563 517 00	Reinforcement strip	/L	1	
(16)	911 563 518 00	Reinforcement strip Centre	/R	1	
17	911 563 235 00	Gasket	/L	1	
(17)	911 563 236 00	Gasket Centre	/R	1	
18	911 563 513 00	Reinforcement strip	/V /L	1	
(18)	911 563 514 00	Reinforcement strip	/V /R	1	
19	911 563 233 00	Gasket	/V /L	1	
(19)	911 563 234 00	Gasket	/V /R	1	
20	911 563 141 00	Roof frame	/H /L	1	
(20)	911 563 142 00	Roof frame	/H /R	1	
21	900 151 038 07	Washer A 5,3		14	
22	N 014 128 13	Oval-head screw		4	
22		Oval-head screw M 5 X 8		4	
24	911 563 363 00	Cover	/L	1	
(24)	911 563 364 00	Cover	/R	1	
25	911 555 593 61	Edge protection 1155 MM for		1	
26	999 209 027 40	Roof frame Bush 10 X 11,5 X 7	/V	4	
27	900 119 059 02	Pan-head screw M 4 X 10		6	
27	900 119 088 01	Pan-head screw		6	

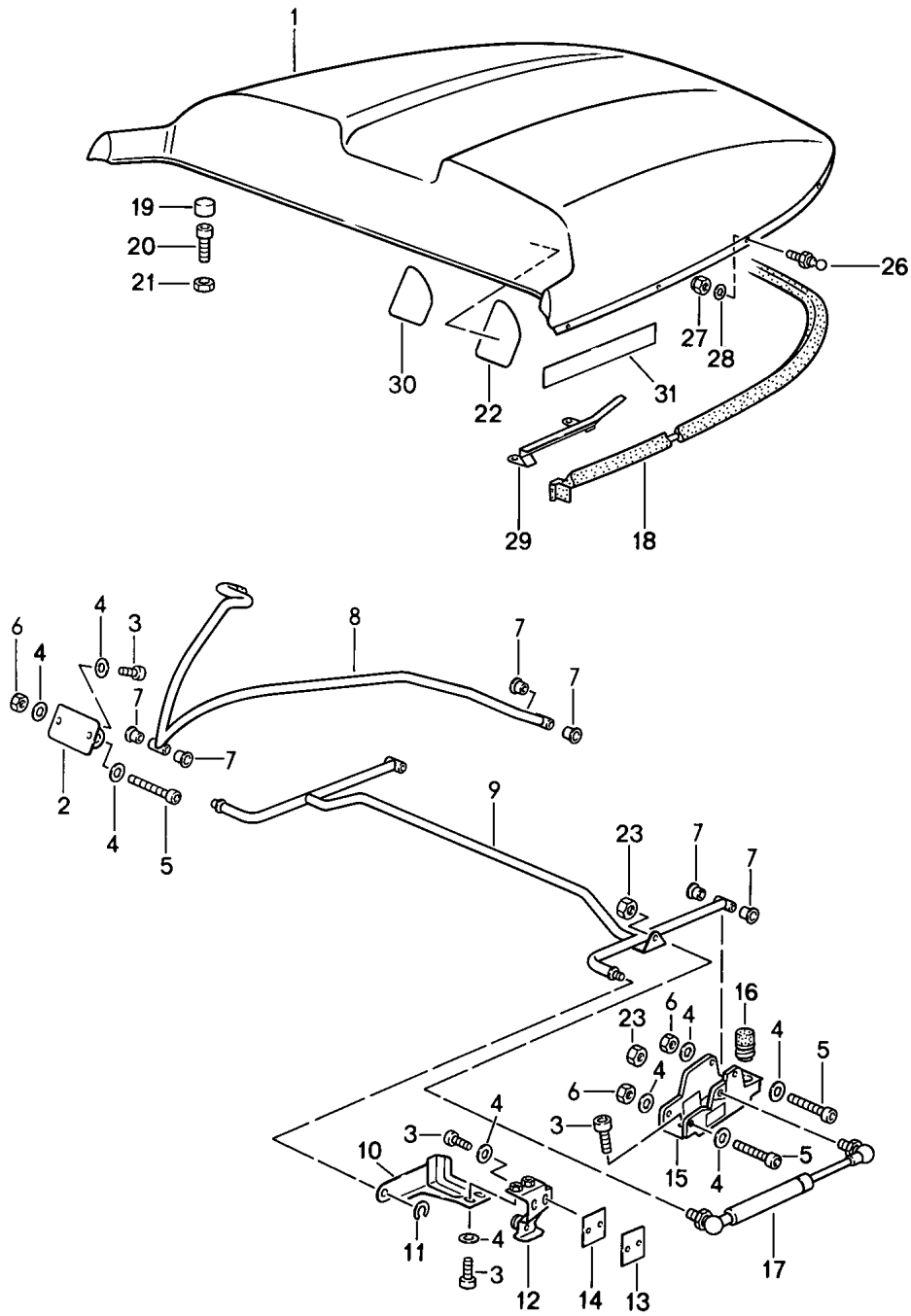
Model: 911 87

Model life 1987>>1989

Pos	Part Number	Description	Remark	Qty	Model
28	900 025 049 07	M 4 X 10 Washer		4	
29	900 096 008 01	A 4,3 Cap nut		14	
30	999 050 001 02	M 5 Round head screw M 5 X 12		14	

Model: 911 87

Model life 1987>>1989



Model: 911 87 Model life 1987>>1989

Pos	Part Number	Description	Remark	Qty	Model
			89		SPEEDSTER
1	911 504 319 01	Rear covering Rear covering Unvarnished		1	
2	911 504 661 00	Bearing bracket Centre		1	
2	911 504 661 00 GRV	Bearing bracket Prime coated Centre		1	
3	900 067 117 07	Pan-head screw M 6 X 16		10	
4	900 025 047 07	Washer A 6,4		20	
5	N 044 703 5	Pan-head screw M 6 X 45		5	
6	900 076 010 07	Hexagon nut M 6		5	
7	999 924 053 40	Bush 6,2 X 15 X 17		10	
8	911 504 453 00	Control arm		1	
9	911 504 441 00	Cross tube		1	
10	911 504 763 00	Mounting	/L	1	
(10)	911 504 764 00	Mounting for Cross tube	/R	1	
11	900 116 007 01	Lock washer		2	
11	N 012 439 2	Lock washer 8		2	
12	911 504 525 01	Support	/L	1	
(12)	911 504 526 01	Support	/R	1	
13	911 504 825 00	Spacer 40 X 32 X 1 POM		X	
14	911 504 827 00	Plate 40 X 32		2	
15	911 504 675 00	Bracket for Control arm		2	
16	999 703 036 50	Rubber stop 18 X 27		2	
17	911 504 231 00	Gas-pressure spring		1	
18	911 504 337 00	Gasket		1	
	911 504 337 00 70B	Black			
19	911 504 733 00	Cap		2	
	911 504 733 00 70B	Black 15 X 11			
20	900 067 226 07	Pan-head screw M 6 X 20		2	
21	900 034 032 07	Hexagon nut BM 6		2	
22	911 504 715 00	Protective film	/L	1	
(22)	911 504 716 00	Protective film Inner	/R	1	
23	900 076 062 07	Hexagon nut M 8		2	
26	999 591 967 12	Tenax lower part M 5 X 5		2	
26		Tenax lower part M 5 X 10		8	
27	900 910 104 07	Lock nut M 5		8	
28	N 011 523 13	Washer A 5,3		8	
29	911 504 539 00	Mount	/L	1	
(29)	911 504 540 00	Mount	/R	1	

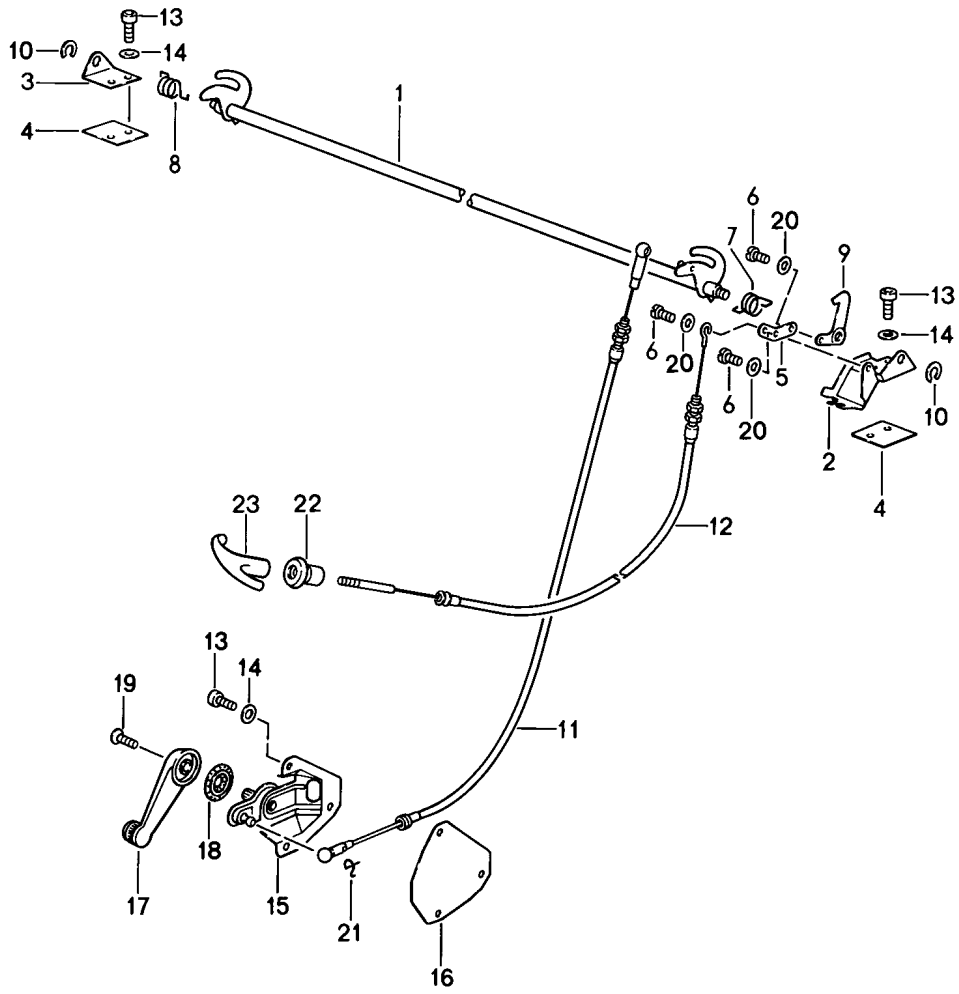
Model: 911 87

Model life 1987>>1989

Pos	Part Number	Description	Remark	Qty	Model
		for			
		Gasket			
(30)	911 504 581 00	Protective film	/L	1	
(30)	911 504 582 00	Protective film	/R	1	
		Outer			
		Black			
31	911 504 805 00	Protective film	/V	2	
(31)	000 043 204 92	Adhesive tape		1	
		Roller			
		1 M			

Model: 911 87

Model life 1987>>1989



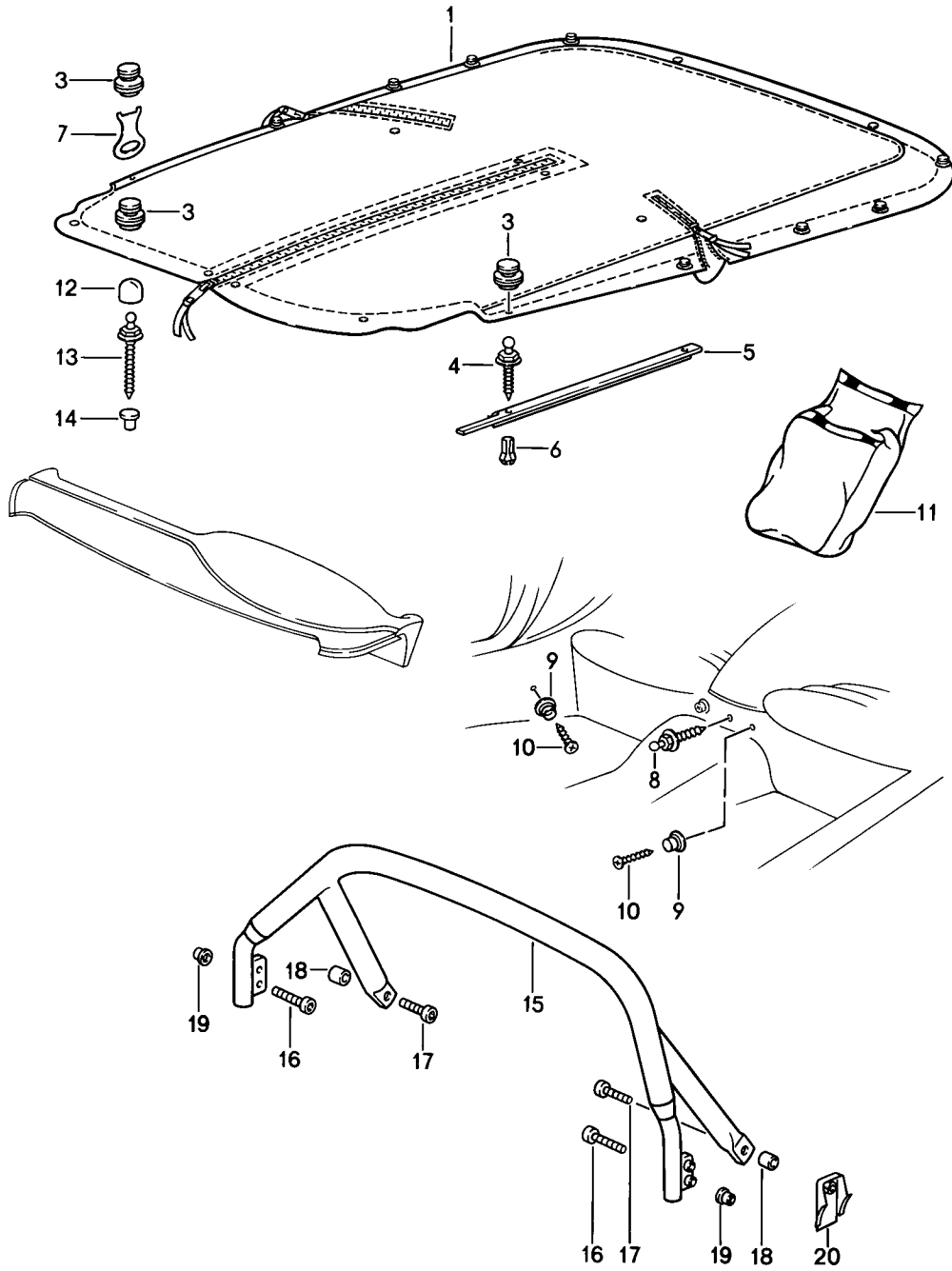
Model: 911 87

Model life 1987>>1989

Pos	Part Number	Description	Remark	Qty	Model
		Rear covering	89		SPEEDSTER
		Control shaft			
		Single parts			
1	911 504 443 00	Control shaft		1	
2	911 504 765 00	Bearing bracket	/L	1	
3	911 504 766 00	Bearing bracket	/R	1	
4	999 541 004 40	Desk pad		2	
		20 X 40 X 1 POM			
5	911 504 767 00	Rocker arm	/L	1	
6	900 236 017 07	Screw		3	
		M 3 X 3 X 3,5			
7	999 525 002 02	Torsion spring	/L	1	
		19,5 X 1,5			
8	999 525 004 00	Torsion spring	/R	1	
		19,5 X 1,5			
9	911 504 723 00	Hook	/L	1	
10	N 012 439 2	Lock washer		2	
		8			
11	911 504 055 00	Bowden cable		1	
		for			
		Cover			
12	911 504 057 01	Bowden cable		1	
		for			
		Hook			
13	900 067 117 07	Pan-head screw		7	
		M 6 X 16			
14	900 025 047 07	Washer		7	
		A 6,4			
15	911 504 321 01	Support		1	
16	911 504 789 00	Desk pad		1	
17	944 555 057 01	Window crank		1	
		Black			
18	111 837 595	Desk pad		1	
19	900 249 034 02	Countersunk-head screw		1	
		M 5 X 12			
19	900 249 072 01	Countersunk-head screw		1	
		M 5 X 12			
20	900 089 015 07	Washer		3	
		3			
21	900 169 014 02	Securing clip		1	
		8			
21	900 169 014 01	Securing clip		1	
		8			
22	911 555 469 00	Rosette		1	
23	901 552 813 20	Handle		1	

Model: 911 87

Model life 1987>>1989

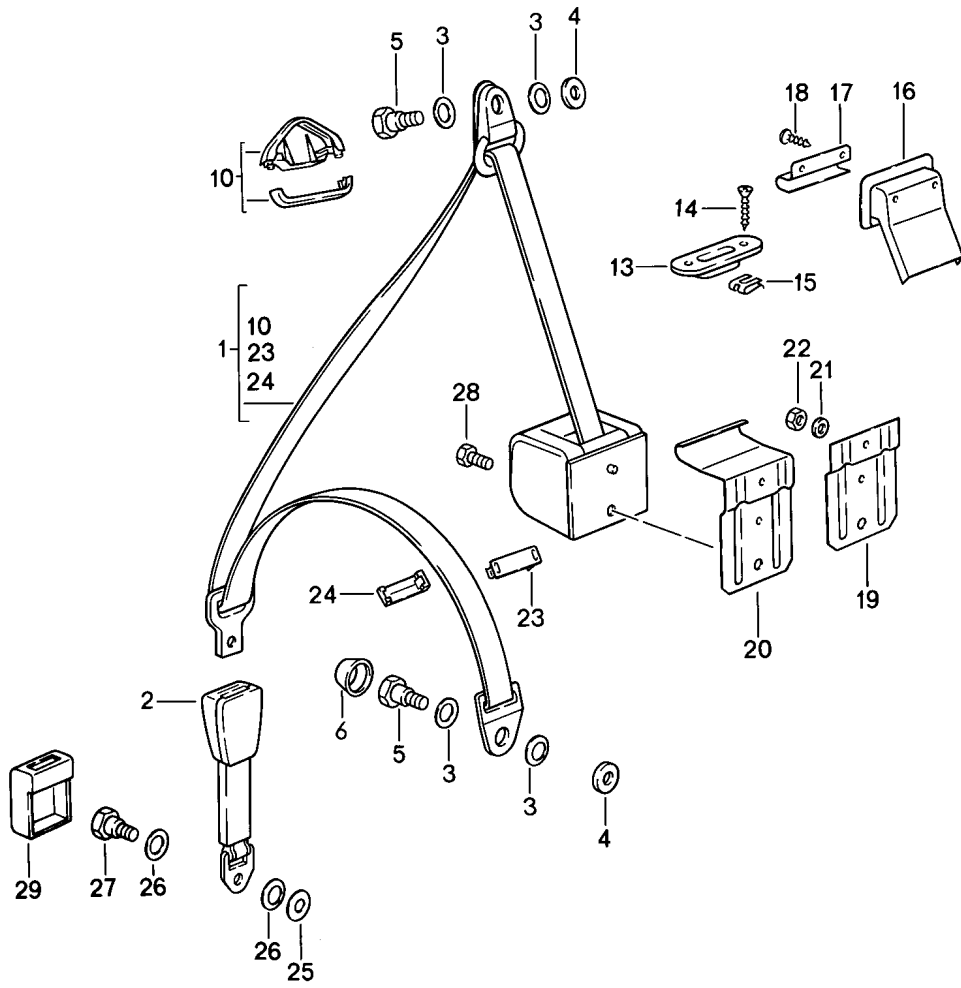


Model: 911 87 Model life 1987>>1989

Pos	Part Number	Description	Remark	Qty	Model
		Tonneau cover			CABRIO
		Protective bracket			
1	911 561 089 60	Tonneau cover	/LL	1	
	911 561 089 60 3AV	Black			
	911 561 089 60 7MH	Mahogany			
	911 561 089 60 6HA	Dark blue			
	911 561 089 60 7MK	Burgundy			
		for subsequent installation			
		See technical information			
		GR.X NR.3/84			
(1)	911 561 090 60	Tonneau cover	/RL	1	
	911 561 090 60 3AV	Black			
	911 561 090 60 7MH	Mahogany			
	911 561 090 60 6HA	Dark blue			
	911 561 090 60 7MK	Burgundy			
		for subsequent installation			
		See technical information			
		GR.X NR.3/84			
3	999 591 983 12	Tenax upper part		8	
4	999 591 598 02	Tenax lower part		4	
5	911 531 041 60	Moulding	/L	1	
	911 531 041 60 70K	Black			
(5)	911 531 042 60	Moulding	/R	1	
	911 531 042 60 70K	Black			
6	999 591 708 02	Prestole cage		4	
7	000 043 032 00	Key		X	
8	999 591 597 02	Tenax lower part		1	
9	999 591 835 17	Snap fastener lower part		2	
10	900 144 028 07	Tapping screw		2	
		3,5 X 13			
11	911 561 087 00	Bag		1	
12	911 561 529 00	Cap		3	
13	999 591 608 17	Tenax lower part		3	
		B 4,2 X 22			
14	999 703 182 40	Stopper		3	
		\$=4			
15	911 565 006 65	Protective bracket		1	
		Leatherette			
		Black			
15	911 565 006 66	Protective bracket		1	
		Leather			
		Black			
16	900 119 090 07	Pan-head screw		4	
		M 10 X 40			
17	900 119 006 07	Pan-head screw		2	
		M 10 X 35			
18	911 565 247 65	Bush		2	
19	911 501 911 00	Threaded bush		4	
		M 10			
20	911 501 593 66	Support	/L	1	
20		Support	/L	1	
		Left			
		for			
		Roll-over bar			
	911 501 593 66 GRV	Prime coated			
(20)	911 501 594 66	Support	/R	1	
(20)		Support	/R	1	
		Right			
		for			
		Roll-over bar			
	911 501 594 66 GRV	Prime coated			

Model: 911 87

Model life 1987>>1989



Model: 911 87 Model life 1987>>1989

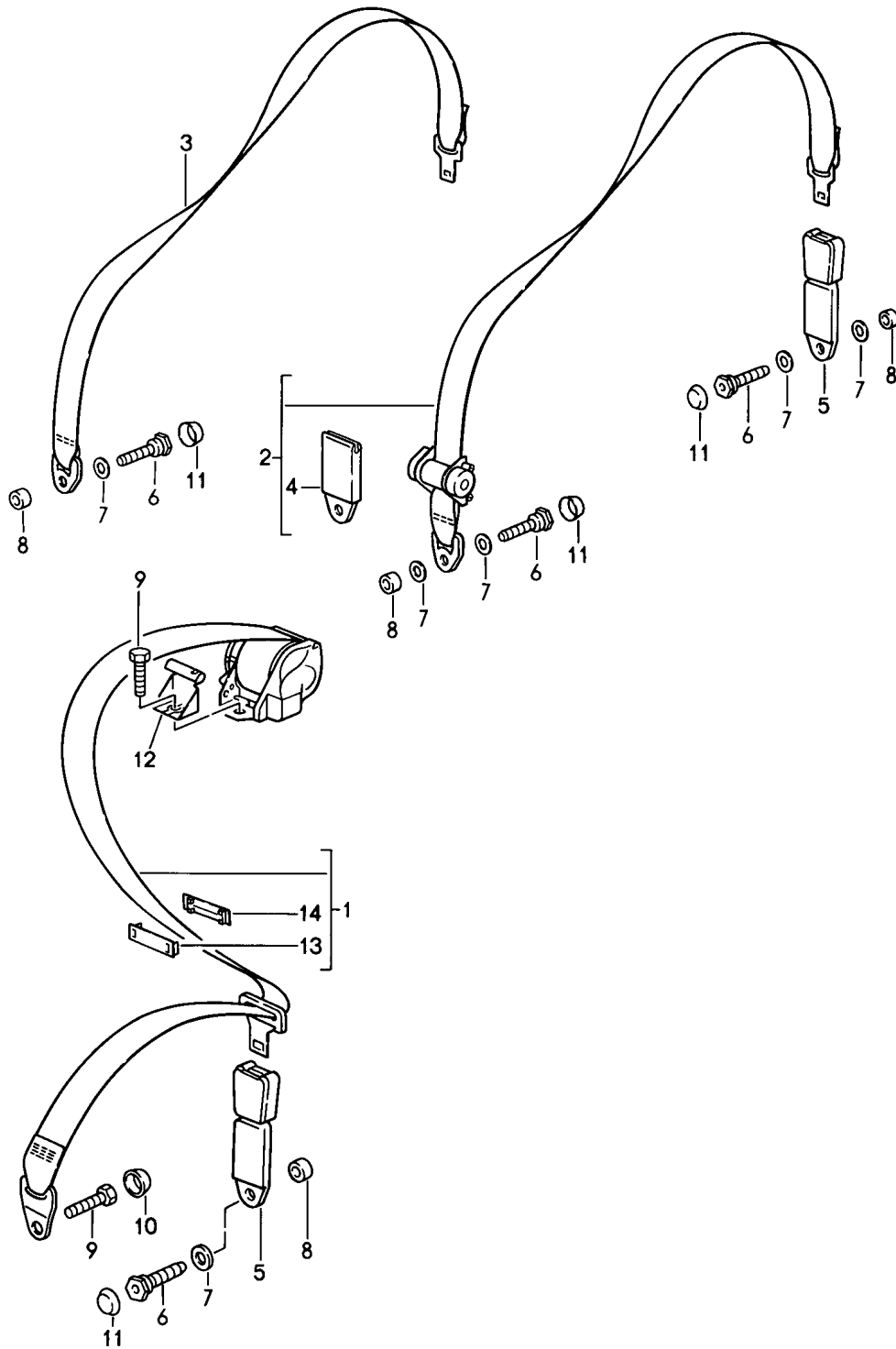
Pos	Part Number	Description	Remark	Qty	Model
1	928 803 126 10 928 803 126 10 70B	Seat belt Front Seat belt Black Automatic		2	
2	928 803 183 08 928 803 183 08 70B	Seat-belt buckle F >>91KS1 02065 F >>91KS1 40598 F >>91KS1 50739 F >>93KS0 00342 F >>93KS0 20120 Black F >>93KS0 10081 Passenger's side	A	2	CARRERA COUP CARRERA TARG CARRERA CABR TURBO COUPE TURBO CABRIO TURBO TARGA
(2)	928 803 183 09 928 803 183 09 70B	Seat-belt buckle F >>91KS1 02065 F >>91KS1 40598 F >>91KS1 50739 F >>93KS0 00342 F >>93KS0 20120 Black F >>93KS0 10081 Driver's side	A	2	CARRERA COUP CARRERA TARG CARRERA CABR TURBO COUPE TURBO CABRIO TURBO TARGA
(2)	964 803 183 02 964 803 183 02 70B	Seat-belt buckle F 91KS1 02066>> F 91KS1 40599>> F 91KS1 50740>> F 93KS0 00343>> F 93KS0 20121>> Black F 93KS0 10082>> Passenger's side	A	1	CARRERA COUP CARRERA TARG CARRERA CABR TURBO COUPE TURBO CABRIO TURBO TARGA
(2)	964 803 183 03 964 803 183 03 70B	Seat-belt buckle F 91KS1 02066>> F 91KS1 40599>> F 91KS1 50740>> F 93KS0 00343>> F 93KS0 20121>> Black F 93KS0 10082>> Driver's side	A	1	CARRERA COUP CARRERA TARG CARRERA CABR TURBO COUPE TURBO CABRIO TURBO TARGA
3	211 857 771	Washer		8	
4	999 025 113 02	Washer 11,5 X 21 X 2		2	COUPE
(4)	810 019 829	Spacer		2	
5	111 857 793 E	Hexagon-head bolt		6	COUPE
5		Hexagon-head bolt		4	TARGA/CABRIO
(5)		Hexagon-head bolt		2	TARGA/CABRIO
6	811 857 845	Cap		2	
(10)	944 803 141 00 944 803 141 00 70B	Cover Black		2	
13	911 555 615 01	Rosette		2	COUPE
14	N 014 093 3	Oval-head sheetmetal screw BZ 4,2 X 13		4	COUPE
15	999 507 020 02	Speed nut 4,2		4	COUPE
15	999 507 020 01	Speed nut 4,2		4	COUPE
16	901 803 139 00	Rosette		2	TARGA
17	911 555 619 40	Relay lever		2	TARGA
18	900 145 071 07	Tapping screw B 3,5 X 13		4	TARGA
20	911 555 625 00	Support for seatbelt		2	COUPE

Model: 911 87 Model life 1987>>1989

Pos	Part Number	Description	Remark	Qty	Model
(20)	911 501 461 61	Support for seatbelt		2	CABRIO
19	911 555 613 41	Support for seatbelt		2	TARGA
19		Support for seatbelt		2	COUPE M637
21	900 031 011 02	Washer 6,4		2	
22	900 076 010 02	Nut M 6		2	
22	900 076 010 0B	Nut M 6		2	
23	928 803 151 02	Clip Upper part		2	
24	928 803 153 02	Clip Lower part		2	
25	911 803 531 00	Paper washer F >>91KS1 02065 F >>91KS1 40598 F >>91KS1 50739 F >>93KS0 00342 F >>93KS0 20120 F >>93KS0 10081	A	2	CARRERA COUP CARRERA TARG CARRERA CABR TURBO COUPE TURBO CABRIO TURBO TARGA
(25)	N 011 655 2	Washer 11,5 X 21 X 1,8 F 91KS1 02066>> F 91KS1 40599>> F 91KS1 50740>> F 93KS0 00343>> F 93KS0 20121>> F 93KS0 10082>>	A	2	CARRERA COUP CARRERA TARG CARRERA CABR TURBO COUPE TURBO CABRIO TURBO TARGA
26	911 803 533 00	Cup spring F >>91KS1 02065 F >>91KS1 40598 F >>91KS1 50739 F >>93KS0 00342 F >>93KS0 20120 F >>93KS0 10081	A	4	CARRERA COUP CARRERA TARG CARRERA CABR TURBO COUPE TURBO CABRIO TURBO TARGA
27	914 803 468 10	Screw F >>91KS1 02065 F >>91KS1 40598 F >>91KS1 50739 F >>93KS0 00342 F >>93KS0 20120 F >>93KS0 10081	A	2	CARRERA COUP CARRERA TARG CARRERA CABR TURBO COUPE TURBO CABRIO TURBO TARGA
(27)	959 803 701 00	Hexagon-head bolt F 91KS1 02066>> F 91KS1 40599>> F 91KS1 50740>> F 93KS0 00343>> F 93KS0 20121>> F 93KS0 10082>>	A	2	CARRERA COUP CARRERA TARG CARRERA CABR TURBO COUPE TURBO CABRIO TURBO TARGA
(27)	959 803 701 01	Hexagon-head bolt F 91KS1 02066>> F 91KS1 40599>> F 91KS1 50740>> F 93KS0 00343>> F 93KS0 20121>> F 93KS0 10082>>	A	2	CARRERA COUP CARRERA TARG CARRERA CABR TURBO COUPE TURBO CABRIO TURBO TARGA
28	911 803 150 00	Screw		2	
29	911 803 453 00	Cap		2	
	911 803 453 00 70B	Black			

Model: 911 87

Model life 1987>>1989



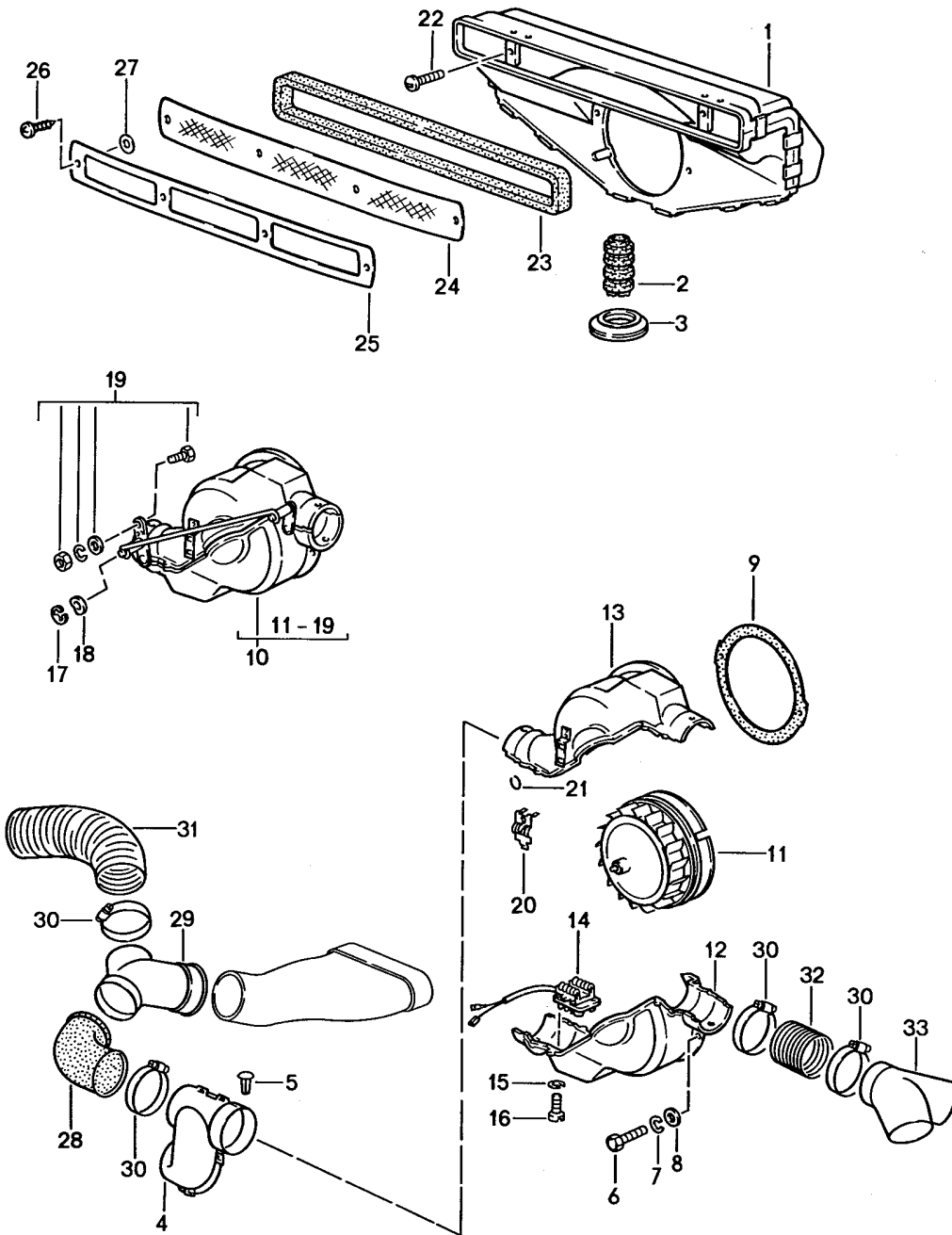
Model: 911 87

Model life 1987>>1989

Pos	Part Number	Description	Remark	Qty	Model
1	911 803 049 07 911 803 049 07 70B	Seat belt Rear Seat belt Black Automatic		2	M335
2	477 857 787 C 477 857 787 C 70B	Seat belt Automatic		2	M185/215
3	477 857 795 477 857 795 70B	Seat belt Manually		2	M186
4	477 857 750 B	Cap		2	M185
5	477 857 739 A	Seat-belt buckle		2	
5	477 857 739 B 477 857 739 B 70B	Seat-belt buckle Black		2	
6	911 803 451 00	Fastening screw		2	M335
6		Fastening screw		4	M185/186
7	211 857 771	Washer		4	M185/186
7		Washer		2	M335
8	901 803 116 40	Spacer sleeve		4	M185/186
8		Spacer sleeve		2	M335
9	111 857 799 A	Hexagon-head bolt		4	M335
9	3B0 857 799	Hexagon-head bolt		4	M335
10	811 857 845	Cap		2	M335
11	911 803 259 01	Cap		2	M335
11		Cap		4	M185/186
12	911 803 479 00	Relay lever		2	M335 COUPE/TARGA
13	928 803 151 02	Clip Upper part		2	
14	928 803 153 02	Clip Lower part		2	

Model: 911 87

Model life 1987>>1989



Model: 911 87 Model life 1987>>1989

Pos	Part Number	Description	Remark	Qty	Model
		Ventilation			
		Heating system 1			
1	911 571 041 01	Fresh air inlet box	/LL	1	
(1)	911 571 042 01	Fresh air inlet box	/RL	1	
2	911 571 224 00	Water drain hose	/LL/RL	1	
		600 MM			
3	901 573 143 00	Rubber sleeve	/RL	1	
4	911 571 039 01	Distributing piece	/LL	1	CARRERA
(4)	911 571 040 01	Distributing piece	/RL	1	CARRERA
5	999 591 565 40	Clip		2	
		6,2			
6	900 075 264 02	Hexagon-head bolt		2	
6	900 075 145 02	Hexagon-head bolt		2	
		M 5 X 15			
7	900 027 011 01	Lock ring		2	
		B5			
8	900 025 003 02	Washer		2	
		5,3			
9	901 571 922 00	Sealing ring		1	
9	901 571 922 01	Sealing ring		1	
10	911 571 018 00	Blower		1	
11	911 571 320 32	Blower motor		1	
12	911 571 905 00	Housing		1	
13	911 571 907 00	Housing		1	
14	911 618 051 00	Thermo bi-metal switch		1	
14	911 618 051 01	Thermo bi-metal switch		1	
15	N 012 004 2	Lock ring		2	
		B 4			
16	900 014 046 02	Pan-head screw		2	
		AM 4 X 10			
17	N 012 434 1	Lock washer		2	
		4			
18	N 012 221 3	Spring washer		2	
		A 4,3			
19	901 211 683 00	Clamping screw		1	
		M 4			
20	901 571 919 00	Terminal		1	
21	901 571 921 00	Retainer		6	
22	N 014 153 1	Oval-head screw		2	
		M 5 X 40			
23	901 571 325 32	Sealing frame		1	
24	911 559 410 00	Grille		1	
24		Grille		1	
	911 559 410 00 70K				
24	993 559 411 00	Grille		1	
25	911 559 401 00	Grille frame		1	
26	N 014 086 12	Tapping screw		4	
		B 3,5 X 13			
26	N 014 086 1C	Tapping screw		4	
		B 3,5 X 13			
27	901 559 491 20	Spacer		2	
28	911 572 325 00	Heater hose	/LL 87	1	
(28)		Heater hose	/RL 87	1	
(28)		Heater hose		1	
29	911 573 254 00	Branch piece	/LL	1	
(29)	911 573 253 00	Branch piece	/RL	1	
(29)		Branch piece	/LL	1	TURBO CARRERA M559
29	911 573 254 00	Branch piece	/RL	1	TURBO CARRERA M599
30	999 512 349 02	Hose clamp		3	

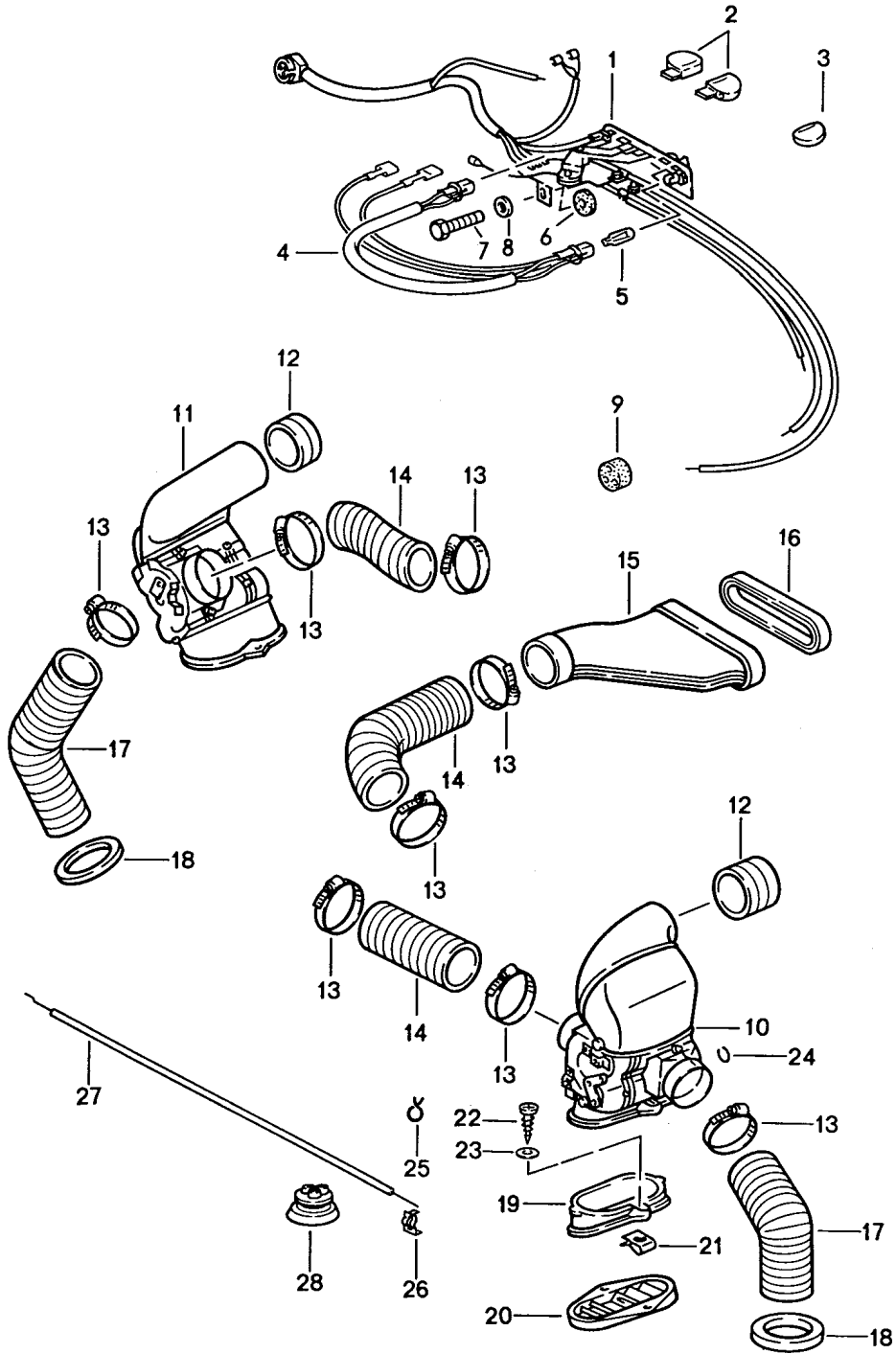
Model: 911 87

Model life 1987>>1989

Pos	Part Number	Description	Remark	Qty	Model
30	999 512 349 01	50-70/9 Hose clamp		3	
30	999 512 349 0B	50-70/9 Hose clamp		3	
31	911 573 115 00	50-70/9 Hose 60 X 420		1	TURBO CARRERA M599
31	911 573 115 01	Hose 60 X 550		1	CARRERA
32	911 571 239 00	Air hose		2	CARRERA
33	911 571 251 00	Branch piece		1	CARRERA

Model: 911 87

Model life 1987>>1989

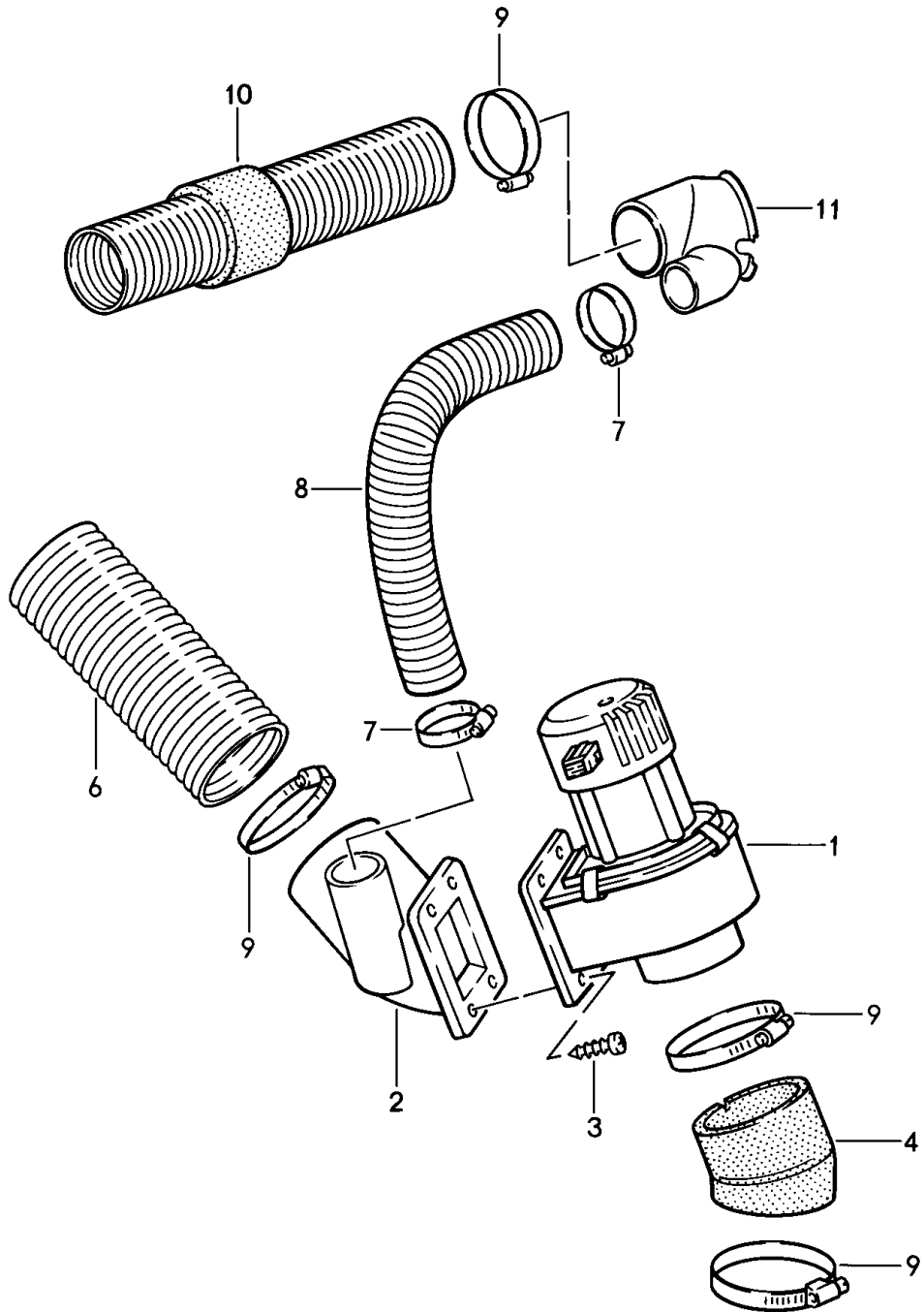


Model: 911 87 Model life 1987>>1989

Pos	Part Number	Description	Remark	Qty	Model
		Ventilation			
		Heating system 2			
(1)	911 613 111 10	Control switch	/LL	1	
(1)	911 613 112 07	Control switch	/RL	1	
2	911 613 139 00	Knob		2	
	911 613 139 00 01C	Black			
3	911 613 135 00	Knob		1	
	911 613 135 00 K51	Red			
(3)	911 613 135 01	Knob		1	
	911 613 135 01 01C	Black			
4	911 612 172 01	Wiring harness		1	
5	900 631 132 90	Bulb		2	
		12V 1,2W			
6	914 571 903 10	Sealing ring		1	
7	N 010 217 9	Hexagon-head bolt		1	
		M 6 X 20			
8	N 011 524 7	Washer		1	
		6,4			
8	N 011 524 27	Washer		1	
		6,4			
9	914 571 151 10	Rubber sleeve		1	
		Bowden control			
10	911 571 049 07	Control box	/L	1	
11	911 571 050 07	Control box	/R	1	
12	901 571 345 32	Hose piece		2	
13	999 512 349 02	Hose clamp		9	
13	999 512 349 01	Hose clamp		9	
13	999 512 349 0B	Hose clamp		9	
14	911 571 239 00	Air hose		3	CARRERA
14	473 261 233 A	Air hose	/LL	3	M559
14	911 571 243 00	Air hose	/RL	1	M559
14	473 261 233 A	Air hose	/RL	1	M559
15	911 571 085 01	Air duct	/LL	1	
(15)	911 571 086 01	Air duct	/RL	1	
16	911 571 189 00	Sealing ring		1	
17	914 572 123 10	Air hose		2	
18	901 572 913 01	Sealing ring		2	
19	911 571 051 00	Connecting flange		2	
20	911 571 347 01	Air distributor	/L	1	
(20)	911 571 348 01	Air distributor	/R	1	
21	999 591 574 02	Speed nut		4	
		B 4,8			
22	900 143 039 02	Tapping screw		4	
		BZ 4,8 X 19			
22	N 013 969 8	Oval-head sheetmetal screw	/RL	2	M559
		BZ 4,8 X 16			
22	900 143 039 02	Tapping screw	/RL	2	M559
		BZ 4,8 X 19			
23	N 011 523 5	Washer	/RL	5	M559
		A 5,3			
24	901 571 921 00	Retainer		16	
25	999 512 162 02	Clamping spring		8	
26	477 819 343	Spring clamp		4	
27	911 572 114 00	Bowden control		2	
28	911 612 863 00	Grommet		1	
28	914 571 151 10	Rubber sleeve		1	

Model: 911 87

Model life 1987>>1989



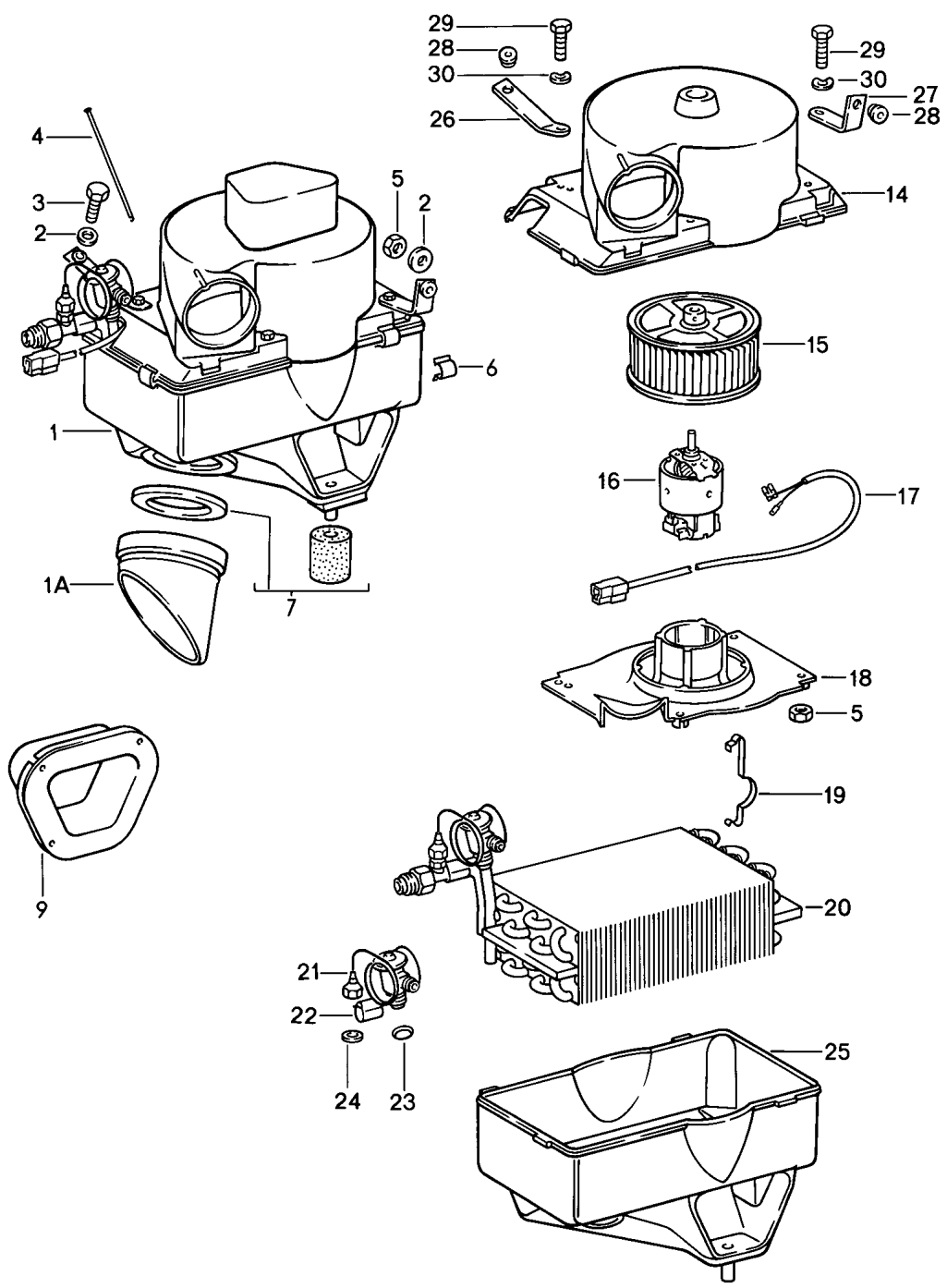
Model: 911 87

Model life 1987>>1989

Pos	Part Number	Description	Remark	Qty	Model
		Additional blower Air guide			CARRERA M637 SPEEDSTER
(1)	911 624 043 02	Radial blower	/L	1	
1	911 624 044 02	Radial blower	/R	1	
(2)	911 571 137 00	Double socket	/L	1	
2	911 571 138 00	Double socket	/R	1	
(2)	911 573 231 00	Air distributor	/L	1	M637 SPEEDSTER
(2)	911 573 232 00	Air distributor		1	M637 SPEEDSTER
3	999 919 018 00	Screw 3,5 X 10		8	
4	930 571 101 01	Hot air socket		2	
6	914 572 123 10	Air hose		2	
7	999 512 356 02	Hose clamp 25-40/9		4	
8	911 572 223 00	Air hose 36 X 200	87	2	
8		Air hose LW 38 X 240		2	
8	911 573 211 00	Air hose	/L	1	M637
8	911 571 228 00	Air hose 36 X 390		1	SPEEDSTER/M6
8	911 571 226 00	Air hose 36 X 160	/R	1	M637 SPEEDSTER
9	999 512 349 02	Hose clamp 50-70/9		X	
9	999 512 349 01	Hose clamp 50-70/9		X	
9	999 512 349 0B	Hose clamp 50-70/9		X	
10	911 573 115 00	Hose \$=60 X 420		1	
(11)	911 572 259 00	Air distributor	/L	1	
11	911 572 260 00	Air distributor Side vent	/R	1	

Model: 911 87

Model life 1987>>1989



Model: 911 87 Model life 1987>>1989

Pos	Part Number	Description	Remark	Qty	Model
-	911 573 915 04	Air conditioner Evaporator housing Single parts Air conditioner for subsequent installation	/LL	1	CARRERA
1	911 573 021 04	Evaporator housing	/LL	1	TURBO CARRERA M559
(1)	911 573 022 04	Evaporator housing	/RL	1	TURBO CARRERA M559
1A	901 501 631 30	Connecting piece	/LL	1	
2	900 151 003 02	Washer A 6,4	/LL	2	
2	900 151 006 03	Washer A 6,4	/LL	2	
(2)	N 042 121 1	Shake-proof washer A 6,4	/RL	2	
3	900 075 057 02	Hexagon-head bolt M 6 X 16		1	
3	900 075 057 03	Hexagon-head bolt M 6 X 16		1	
4	901 573 903 00	Guide tube		1	
5	900 076 010 02	Nut M 6		5	
5	900 076 010 0B	Nut M 6		5	
6	901 573 904 00	Tensioning spring		4	
-	911 573 135 37	Protection cap	/RL	1	
-	911 573 131 39	Water drain sleeve	/RL	1	
-	911 573 143 00	Rubber sleeve	/RL	1	
7	901 573 901 00	Parts kit Comprising: Sealing ring Shim	/LL	1	
(9)	911 573 073 01	Connection piece with Support	/LL	1	TURBO CARRERA M559
11	911 618 151 00	Thermo bi-metal switch	/LL	1	
(14)	911 573 923 00	Housing cover	/LL	1	
(14)	911 573 924 00	Housing cover	/RL	1	
15	901 573 906 00	Fan	/RL	1	
15	901 573 906 01	Fan	/RL	1	
(15)	911 624 906 00	Blower with POS.16	/LL	1	
16	911 624 899 00	Electric motor	/RL	1	
17	901 612 084 00	Wiring harness	/RL	1	
17	911 612 984 00	Wiring harness	/LL	1	
18	911 573 323 00	Engine support	/RL	1	
(18)	911 573 927 00	Engine support	/LL	1	
19	901 624 903 00	Clamp		4	
(20)	911 573 929 00	Evaporator	/LL	1	
(20)	911 573 929 02	Evaporator without Expansion valve POS 21	/LL	1	
(20)	911 573 929 01	Evaporator	/RL	1	
(20)	911 573 929 03	Evaporator without Expansion valve	/RL	1	
21	911 573 925 00	Expansion valve		1	

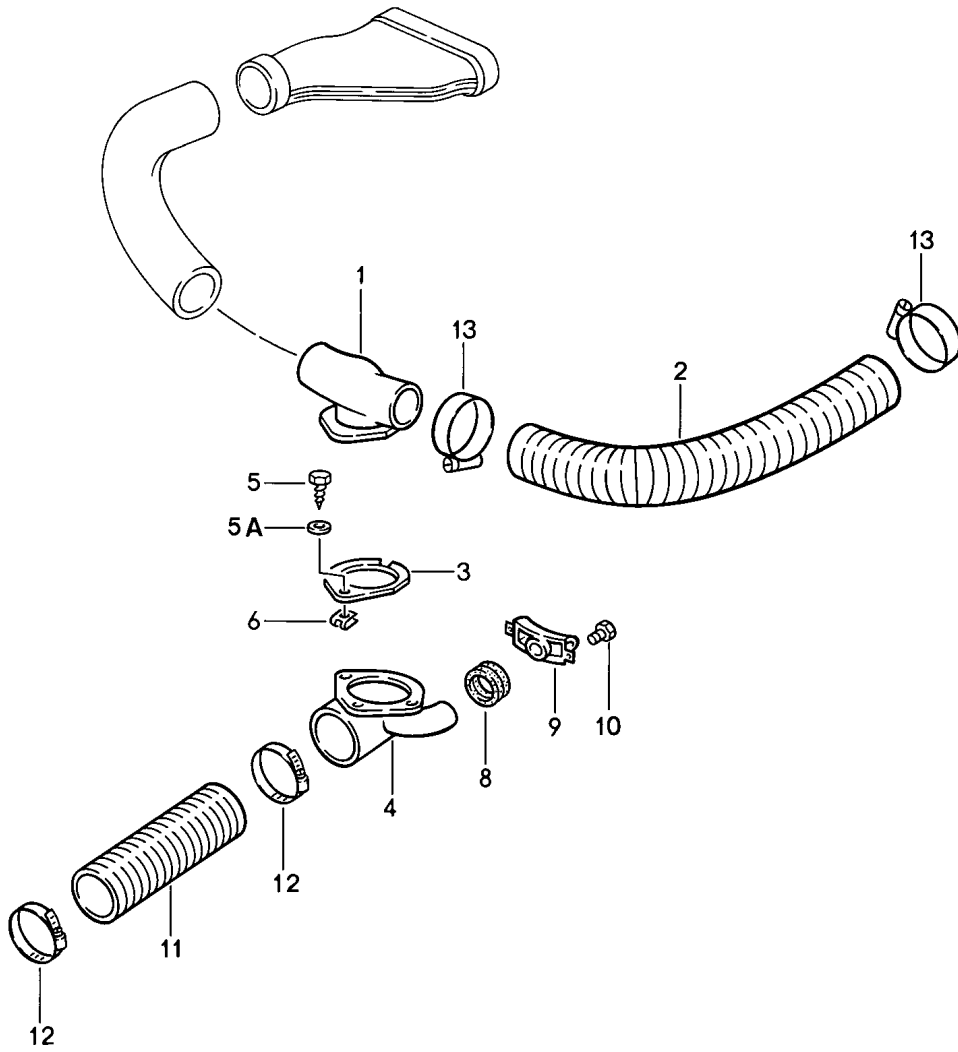
Model: 911 87

Model life 1987>>1989

Pos	Part Number	Description	Remark	Qty	Model
22	901 573 914 00	Clip		1	
23	999 707 250 40	O-ring 10,52 X 1,8		1	
23	999 707 434 41	O-ring 10,52 X 1,8		1	
24	901 573 916 00	Gasket		1	
24	911 573 916 00	O-ring 7/16"		1	
25	901 573 908 00	Housing Lower part	/LL	1	
(25)	911 573 122 00	Housing Lower part	/RL	1	
26	911 572 473 00	Fastening angle	/LL	1	
27	911 572 471 00	Fastening angle	/LL	1	
28	901 573 133 00	Rubber sleeve		2	
29	N 010 217 9	Hexagon-head bolt M 6 X 20		4	
30	N 012 226 5	Spring washer B 6		4	
(30)	N 042 131 1	Shake-proof washer J 8,2		1	

Model: 911 87

Model life 1987>>1989



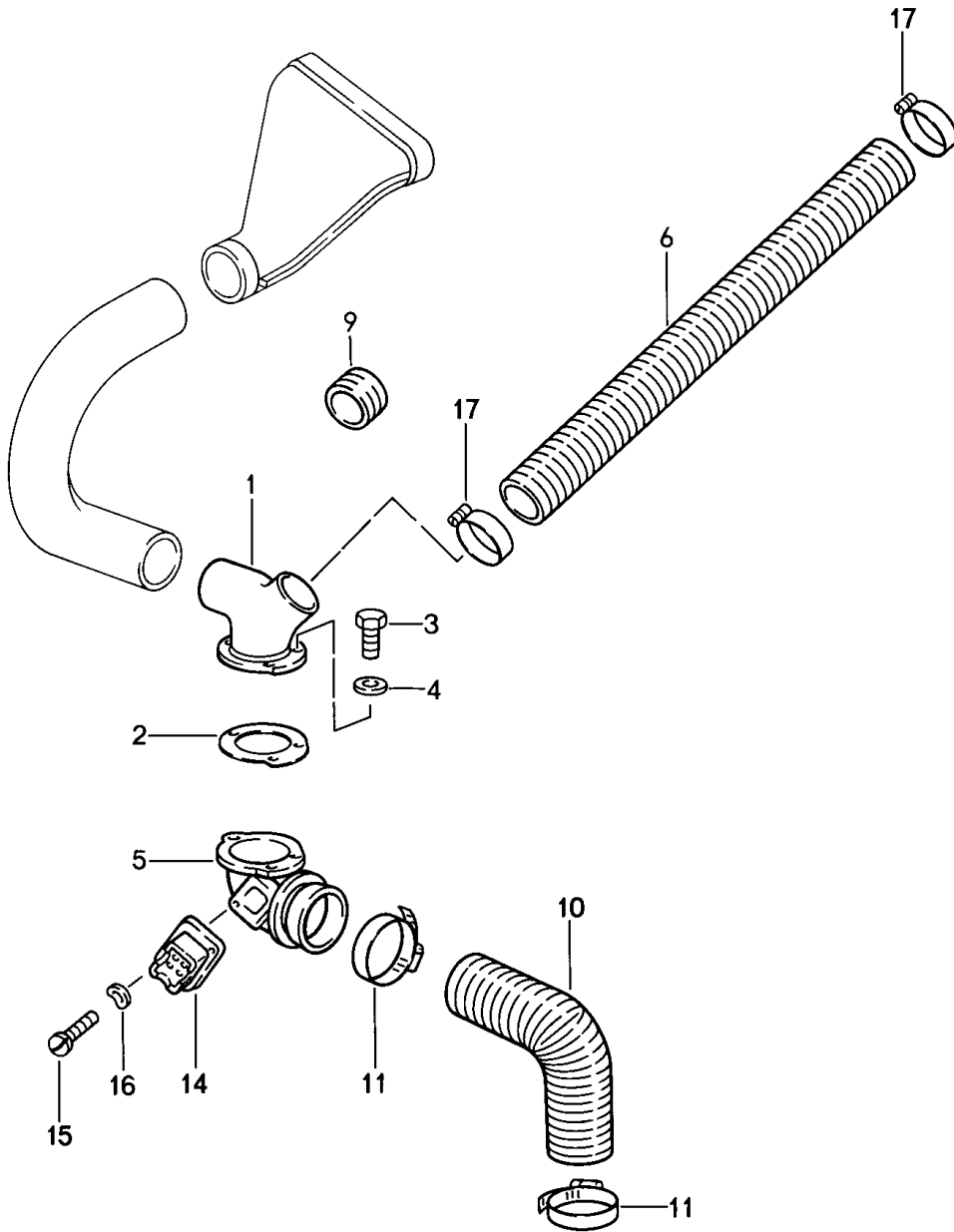
Model: 911 87

Model life 1987>>1989

Pos	Part Number	Description	Remark	Qty	Model
		Cooling air duct			
		Left-hand drive			
1	911 573 179 01	Air distributor		1	
2	911 573 117 00	Air hose		1	
		60 X 750			
3	911 573 173 00	Gasket		1	
4	911 573 181 01	Connecting piece		1	
5	900 143 007 02	Oval-head sheetmetal screw		2	
		B 4,2 X 13			
5	900 073 507 01	Oval-head sheetmetal screw		2	
		B 4,2 X 13			
(5)	900 143 047 07	Tapping screw		1	
		B 4,2 X 19			
(5)	900 073 007 01	Tapping screw		1	
		B 4,2 X 19			
5A	900 025 003 02	Washer		3	
		A 5,3			
6	999 591 457 02	Speed nut		3	
		B 4,2			
8	911 573 185 00	Rubber sleeve		2	
9	911 573 183 00	Footwell outlet vent		1	
10	N 010 207 6	Hexagon-head bolt	87	2	
		M 5 X 12			
10	N 010 207 17	Hexagon-head bolt	87-	2	
		M 5 X 12			
10	900 143 007 02	Oval-head sheetmetal screw	87	2	
10	900 073 507 01	Oval-head sheetmetal screw	87-	2	
10	900 143 007 02	Oval-head sheetmetal screw	88-	4	
		B 4,2 X 13			
10	900 073 507 01	Oval-head sheetmetal screw	88-	4	
		B 4,2 X 13			
11	911 571 240 01	Air hose		1	
11	911 571 240 02	Air hose		1	
12	999 512 351 02	Hose clamp		2	
		76-92 X 9			
12		Hose clamp		1	
		70-90/9			
13	999 512 349 02	Hose clamp		2	
		50-70/9			
13	999 512 349 01	Hose clamp		2	
		50-70/9			
13	999 512 349 0B	Hose clamp		2	
		50-70/9			

Model: 911 87

Model life 1987>>1989



Model: 911 87 Model life 1987>>1989

Pos	Part Number	Description	Remark	Qty	Model
1	911 573 180 01	Cooling air duct		1	
(1)	911 573 032 01	Right-hand drive Air distributor		1	
-	911 573 088 02	Use also: Connecting piece		1	
2	901 572 527 00	Sealing washer		2	
3	N 010 207 6	Hexagon-head bolt M 5 X 12		3	
3	N 010 207 17	Hexagon-head bolt M 5 X 12		3	
(3)	900 187 013 02	Hexagon-head tapping screw B 4,2 X 13 F 91KS1 00093>> F 91KS1 40076>> F 91KS1 50080>> F 93KS0 00069>> F 93KS0 20063>> F 93KS0 10061>>		3	COUPE TARGA CABRIO TURBO COUPE TURBO CABRIO TURBO TARGA
4	N 011 523 5	Washer A 5,3		3	
4	900 025 002 02	Washer A 4,3 F 91KS1 00093>> F 91KS1 40076>> F 91KS1 50080>> F 93KS0 00069>> F 93KS0 20063>> F 93KS0 10061>>		3	COUPE TARGA CABRIO TURBO COUPE TURBO CABRIO TURBO TARGA
4	900 025 002 03	Washer A 4,3 F 91KS1 00093>> F 91KS1 40076>> F 91KS1 50080>> F 93KS0 00069>> F 93KS0 20063>> F 93KS0 10061>>		3	COUPE TARGA CABRIO TURBO COUPE TURBO CABRIO TURBO TARGA
5	911 573 088 01	Connecting piece		1	
(5)	911 573 088 02	Connecting piece		1	
-	911 573 032 01	Use also: Air distributor		1	
6	911 573 118 00	Air hose \$=60 X 950		1	
7	999 591 457 02	Speed nut B 4,2 F 91KS1 00093>> F 91KS1 40076>> F 91KS1 50080>> F 93KS0 00069>> F 93KS0 20063>> F 93KS0 10061>>		3	COUPE TARGA CABRIO TURBO COUPE TURBO CABRIO TURBO TARGA
9	999 702 062 50	Grommet		1	
10	911 573 523 02	Air hose	87	1	
10		Air hose		1	
11	999 512 351 02	Hose clamp		2	
11		Hose clamp 70-92/9		2	
14	911 618 151 00	Thermo bi-metal switch		1	
15	900 146 011 02	Oval-head screw AM 4 X 10		2	
16	N 012 224 3	Spring washer A 4		2	
17	999 512 349 02	Hose clamp		2	

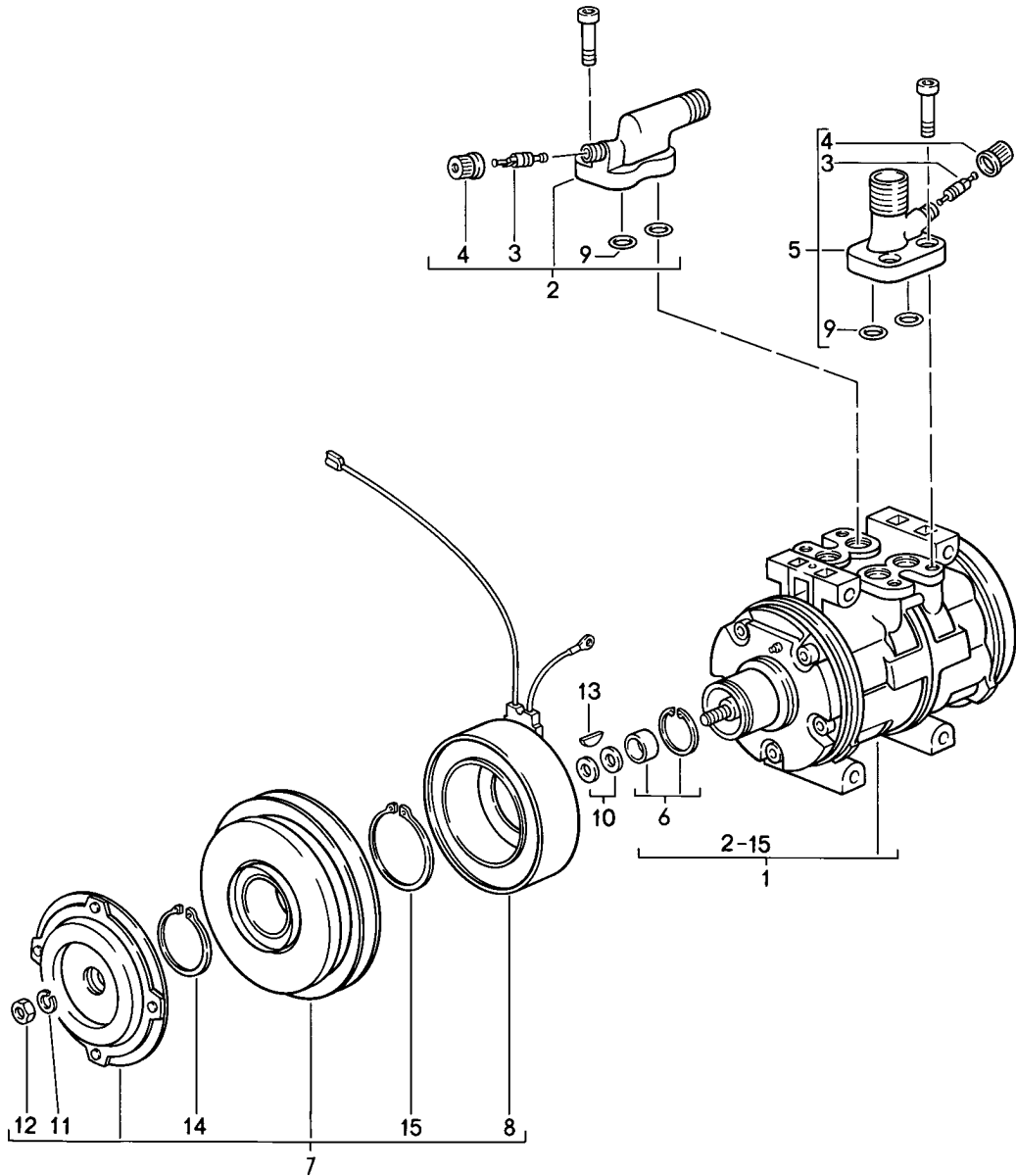
Model: 911 87

Model life 1987>>1989

Pos	Part Number	Description	Remark	Qty	Model
17	999 512 349 01	50-70/9 Hose clamp		2	
17	999 512 349 0B	50-70/9 Hose clamp		2	

Model: 911 87

Model life 1987>>1989



Model: 911 87 Model life 1987>>1989

Pos	Part Number	Description	Remark	Qty	Model
1	930 126 021 01	Compressor Compressor Complete		1	
(1)	930 126 021 05	Compressor Complete New design See technical information Group 8 NR. 95/16		1	TURBO
(1)	930 126 021 07	Compressor Complete New design See technical information Group 8 NR. 41/17		1	CARRERA
-		Use also:			
-	999 192 247 50	V-belt		1	CARRERA
2	930 126 925 00	Pressure valve		1	
3	928 573 908 03	Valve insert		2	
4	928 573 909 02	Cap		2	
5	930 126 923 00	Suction valve		1	
6	930 126 921 00	Set of shaft seals		1	
7	930 126 903 00	Clutch Complete		1	
8	930 126 907 00	Solenoid coil		1	
9	944 126 935 01	O-ring		4	
10	477 298 829	Spacer 0,1 MM		X	
(10)	477 298 829 A	Spacer 0,2 MM		X	
(10)	477 298 829 B	Spacer 0,5 MM		X	
(10)	477 298 829 C	Spacer 0,8 MM		X	
(10)	477 298 829 B	Spacer 1,0 MM		X	
11	900 027 015 02	Lock ring B 8		1	
11	900 027 015 03	Lock ring B 8		1	
12	N 011 008 8	Hexagon nut M 8		1	
13	944 126 905 00	Spring		1	
14	477 298 843	Circlip \$ 37 MM		1	
15	477 298 841	Circlip \$ 45,8 MM		1	

Model: 911 87 Model life 1987>>1989

Pos	Part Number	Description	Remark	Qty	Model
1		Compressor Mounting Driving mechanism See group 1/09/00			
2	930 126 015 00	Bracket		1	
2A	999 062 073 02	Stud M 8 X 16		1	
2B	900 081 019 02	Stud M 8 X 25		1	
3	N 010 289 4	Hexagon-head bolt M 10 X 32		2	
4	900 025 008 09	Washer		2	
4	900 025 008 04	Washer		2	
4	900 025 008 09	Washer 10,5		2	
4	900 025 008 04	Washer 10,5		2	
4A	900 075 085 02	Hexagon-head bolt M 8 X 20		2	TURBO
4B	900 025 007 02	Washer 8,4 X 16 X 1,6		2	
4B	900 025 007 03	Washer 8,4 X 16 X 1,6		2	
4C	N 012 229 3	Spring washer A 8		2	
4D	900 910 097 02	Lock nut M 8		2	
5	930 126 118 01	Compressor plate		1	CARRERA
(5)	930 126 119 00	Compressor plate		1	TURBO
6	N 010 335 5	Hexagon-head bolt M 8 X 35		3	
6	900 075 032 03	Hexagon-head bolt M 8 X 35		3	
7	900 223 001 02	Washer 8,4		4	
8	900 076 025 02	Hexagon nut M 8		2	
8	900 076 064 02	Hexagon nut M 8		2	
9	N 040 237 1	Hexagon-head bolt M 8 X 55		1	
10	900 025 007 02	Washer 8,4		1	
10	900 025 007 03	Washer 8,4		1	
11	N 010 388 3	Hexagon-head bolt M 8 X 90		3	
12	900 025 007 02	Washer 8,4		3	
12	900 025 007 03	Washer 8,4		3	
13	911 126 124 02	Strut		1	
14	900 076 025 02	Hexagon nut M 8		1	
14	900 076 064 02	Hexagon nut M 8		1	
15	900 025 007 02	Washer 8,4		1	
15	900 025 007 03	Washer 8,4		1	
16	964 126 125 20	Nut		1	
17	930 126 116 02	Fastening angle		1	

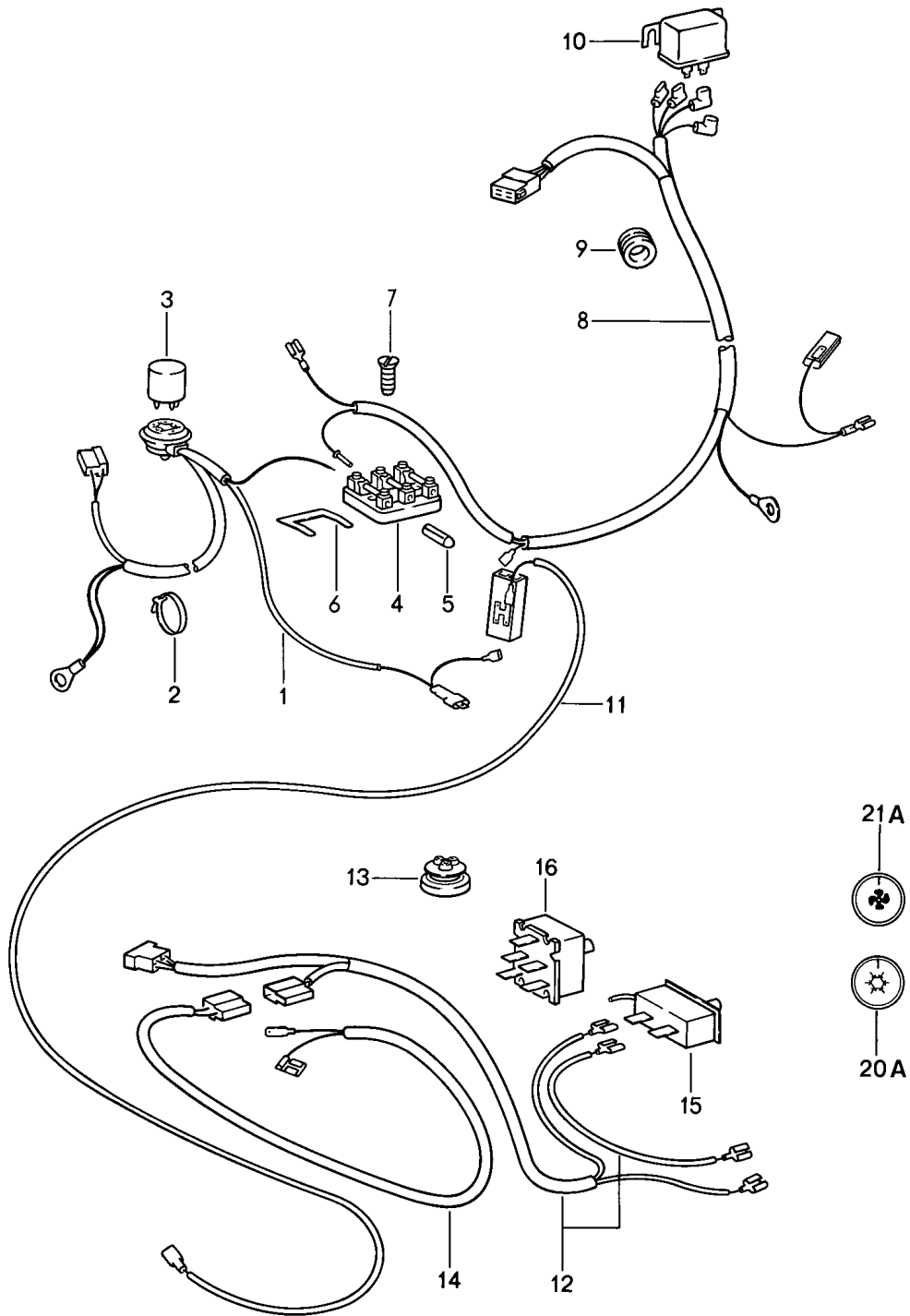
Model: 911 87

Model life 1987>>1989

Pos	Part Number	Description	Remark	Qty	Model
17	930 126 116 04	Fastening angle		1	
18	999 218 009 02	Pan-head screw Micro-self-locking M 8 X 40		1	
19	900 025 007 02	Washer 8,4		1	
19	900 025 007 03	Washer 8,4		1	
20	999 062 127 02	Stud BM 6 X 25		2	
21	900 910 096 02	Lock nut M 6		2	
22	N 011 666 7	Washer 6,4		2	
23	999 192 254 50	V-belt		1	CARRERA
23	999 192 255 50	V-belt		1	TURBO
24		See group 1/02/00			
25		See group 1/02/00			
26	930 126 135 01	Washer 6,1		2	

Model: 911 87

Model life 1987>>1989

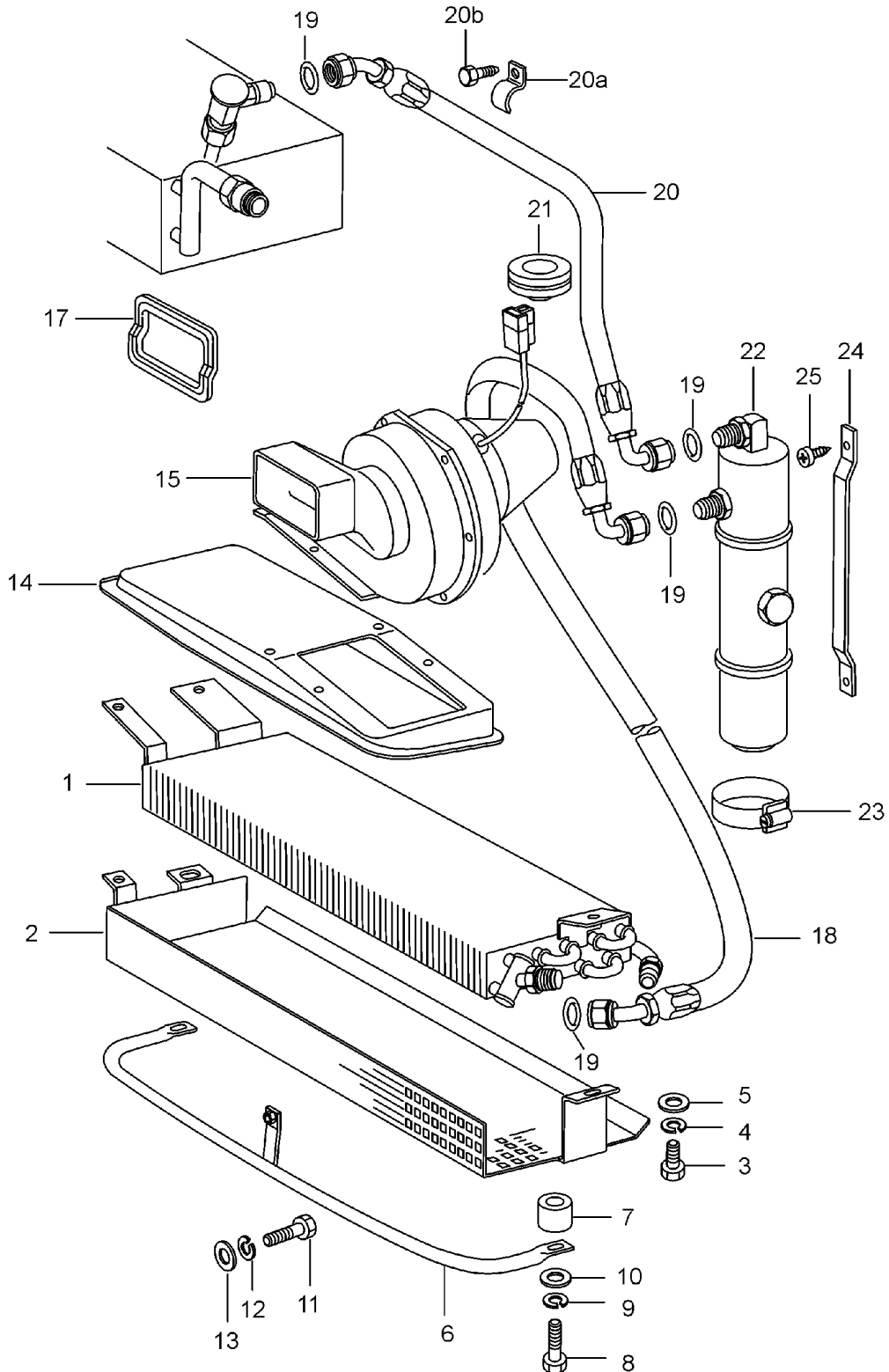


Model: 911 87 Model life 1987>>1989

Pos	Part Number	Description	Remark	Qty	Model
1		electrical components for Air conditioner See group 9/02/12			
2	999 513 008 40	Tie-wrap		1	
3		See group 9/02/00			
4	911 612 093 05	Fuse box Triple		1	
5		See group 9/02/00			
6		See group 9/02/00			
7	900 146 009 02	Oval-head screw AM 4 X 12		2	
8	911 612 078 04	Wiring harness NR.78		1	
9	999 702 119 50	Rubber sleeve		1	
10	911 615 103 01	Relay	-88	1	
(10)		Relay with Lock		1	
12		See group 9/02/14			
13		See group 8/13/01			
14		See group 8/13/05			
15		See group 9/03/06			
16		See group 9/03/06			
20A		See group 9/03/06			
21A		See group 9/03/06			

Model: 911 87

Model life 1987>>1989



Model: 911 87 Model life 1987>>1989

Pos	Part Number	Description	Remark	Qty	Model
		Condenser Lines Accessories and others	/V		
1	911 573 056 03	Condenser		1	
2	911 573 058 01	Stone guard		1	
3	900 075 057 02	Hexagon-head bolt M 6 X 16		3	
3	900 075 057 03	Hexagon-head bolt M 6 X 16		3	
4	N 012 007 2	Lock ring B 6		3	
4	900 027 004 03	Lock ring B 6		3	
5	N 011 524 7	Washer 6,4		3	
5	N 011 524 27	Washer 6,4		3	
6	911 573 055 00	Impact protection		1	
7	911 573 513 01	Spacer		2	
8	N 040 281 1	Hexagon-head bolt M 10 X 45		2	
8	900 075 516 01	Hexagon-head bolt M 10 X 45		2	
9	900 027 016 02	Lock ring B 10		2	
9	900 027 016 03	Lock ring B 10		2	
10	900 151 026 02	Washer B 10,5		2	
10	900 151 050 01	Washer B 10,5		2	
11	900 075 085 02	Hexagon-head bolt M 8 X 20		1	
12	900 027 015 02	Lock ring B 8		1	
12	900 027 015 03	Lock ring B 8		1	
13	900 025 007 02	Washer B 8,4		1	
13	900 025 007 03	Washer B 8,4		1	
14	911 501 581 01	Air baffle plate		1	
14	911 501 581 01 GRV	Air baffle plate Prime coated		1	
(15)	911 624 013 01	Blower		1	
16	911 573 161 00	Intake manifold		1	
17	911 573 515 00	Gasket		1	
18	911 573 154 03	Hose line NW 8		1	
18	911 573 154 04	Hose line NW 8		1	
19	999 707 247 40	O-ring NW 8		4	
(20)	911 573 152 03	Refrigerant hose NW 8	/LL	1	
(20)	911 573 159 01	Hose line NW 10	/RL	1	
20A	999 511 061 02	Clamp		4	
20A	999 511 061 01	Clamp		4	
20B	900 187 025 02	Hexagon-head tapping screw B 5,5 X 13		2	
20B	900 075 145 02	Hexagon-head bolt M 5 X 16		2	

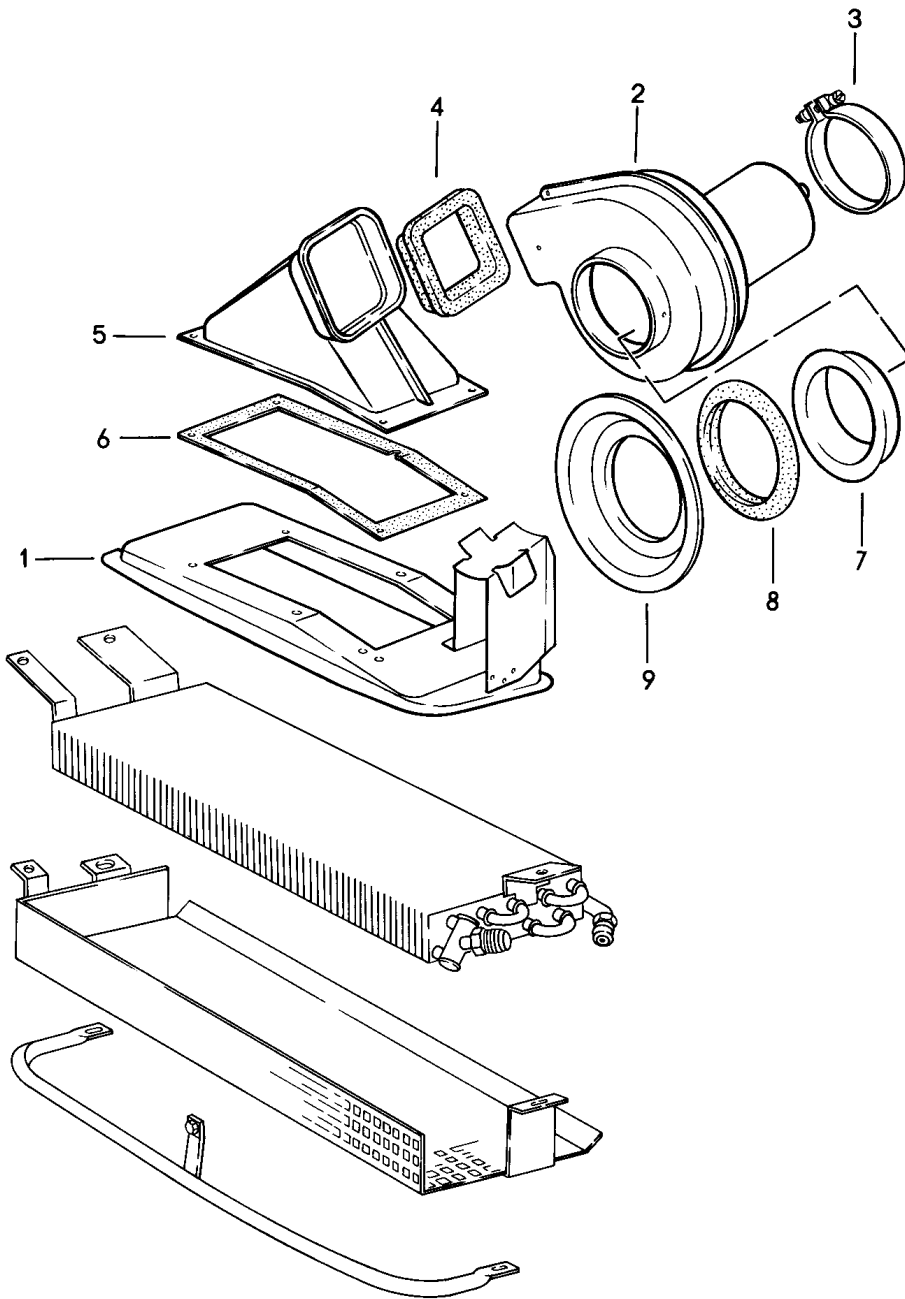
Model: 911 87

Model life 1987>>1989

Pos	Part Number	Description	Remark	Qty	Model
-	900 076 027 02	Nut M 5		2	
21	901 573 143 00	Rubber sleeve		1	
22	911 573 939 03	Desiccator		1	
23	901 573 141 00	Hose clamp		2	
24	901 573 140 00	Retaining bar		1	
25	900 143 029 02	Oval-head sheetmetal screw B 4,2 X 16		2	

Model: 911 87

Model life 1987>>1989



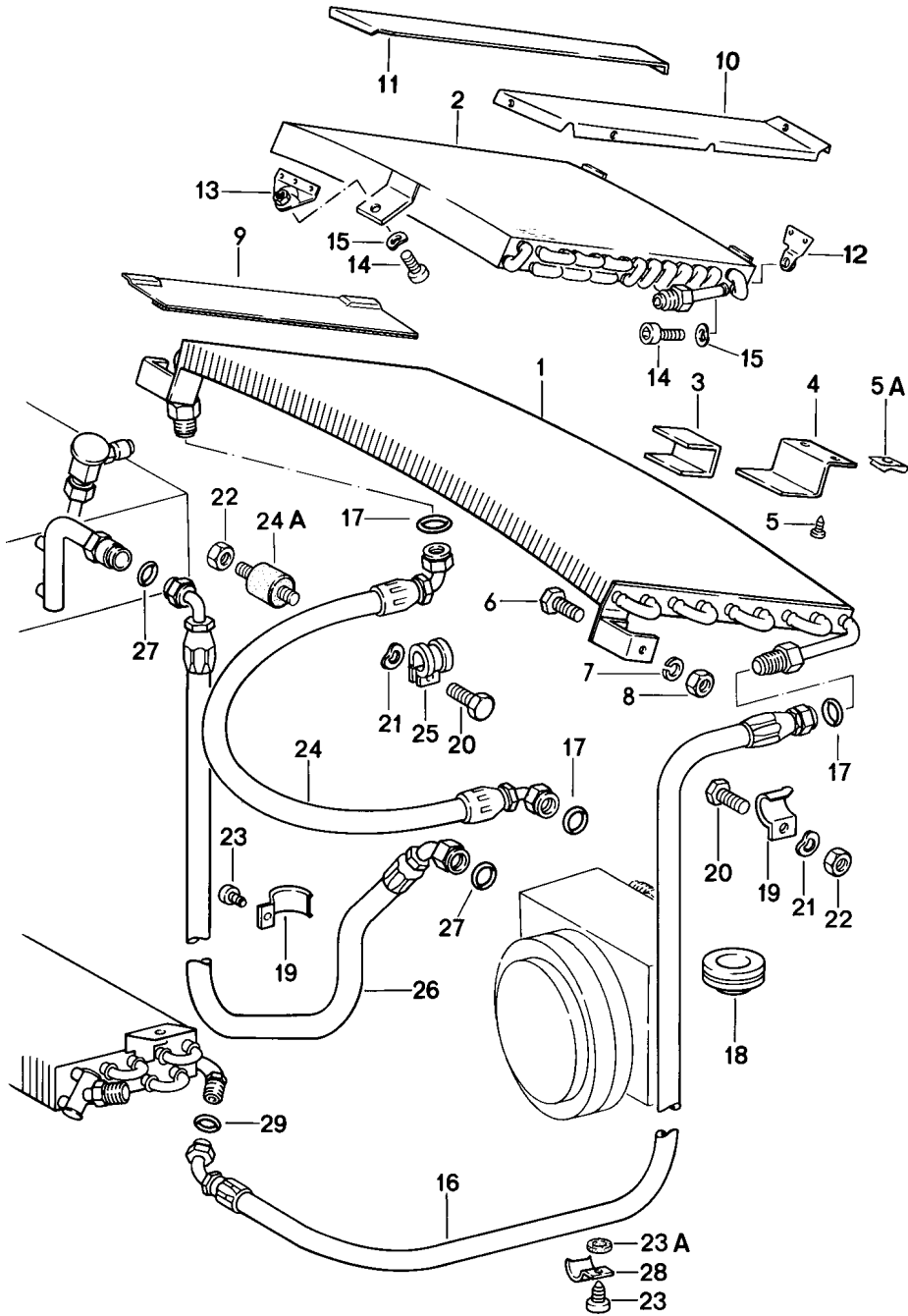
Model: 911 87

Model life 1987>>1989

Pos	Part Number	Description	Remark	Qty	Model
		Fan Front	/RL		M573
1	930 501 057 00	Air baffle plate		1	
1		Air baffle plate		1	
	930 501 057 00 GRV	Prime coated			
2	911 624 151 05	Fan		1	
3	999 512 244 02	Clamp		1	
4	930 573 171 01	Gasket		1	
5	930 573 065 00	Air guide		1	
6	930 573 173 00	Gasket		1	
7	930 573 511 00	Intake manifold		1	
8	930 573 517 01	Gasket		1	
9	930 501 593 00	Insert		1	
9		Insert		1	
	930 501 593 00 GRV	Prime coated			

Model: 911 87

Model life 1987>>1989



Model: 911 87 Model life 1987>>1989

Pos	Part Number	Description	Remark	Qty	Model
(1)	911 573 057 04	Condenser Lines Accessories and others Condenser Use also: POS.3	/H	1	CARRERA M425
2	930 573 053 01	Condenser		1	TURBO
3	911 573 141 00	Moltoprene shim 9 X 65 X 85		1	CARRERA M425
(4)	911 573 147 00	Bracket		1	CARRERA
(4)	911 573 059 00	Retaining bar		1	
5	900 143 031 02	Oval-head sheetmetal screw B 4,2 X 9,5		2	
5A	999 591 575 02	Speed nut B 4,2		2	CARRERA
5A	999 591 575 01	Speed nut B 4,2		2	CARRERA
6	900 075 145 02	Hexagon-head bolt M 5 X 15		2	
7	900 025 003 02	Washer A 5,3		2	
8	999 507 248 02	Speed nut M 5		2	
9	911 573 027 00	Cover plate		2	
10	930 512 263 00	Cover plate		1	TURBO
11	930 512 264 00	Cover plate	/R	1	TURBO
12	930 512 047 01	Support		2	TURBO CARRERA M491
13	930 512 258 00	Fastening angle		1	TURBO
14	900 067 008 02	Pan-head screw M 6 X 12		3	TURBO
14	900 067 008 03	Pan-head screw M 6 X 12		3	TURBO
15	N 012 226 5	Spring washer A 6		3	TURBO
16	911 573 153 05	Hose line NW 10		1	CARRERA
(16)	930 573 151 03	Hose line NW 10		1	TURBO
17	999 707 250 40	O-ring NW 10		3	
17	999 707 434 41	O-ring NW 10		3	
18	901 573 143 00	Rubber sleeve		1	
18		Rubber sleeve	/RL	3	
(19)	911 573 144 00	Clamp		18	
(19)	999 511 061 02	Clamp		10	
(19)	999 511 061 01	Clamp		10	
20	N 010 207 6	Hexagon-head bolt M 5 X 12		2	
20	N 010 207 17	Hexagon-head bolt M 5 X 12		2	
20	N 010 209 5	Hexagon-head bolt M 5 X 25 F >>93KS0 00117 F >>93KS0 20070 F >>93KS0 10063		1	TURBO TURBO COUPE TURBO CABRIO TURBO TARGA
20	900 075 145 02	Hexagon-head bolt M 5 X 16 F 93KS0 00118>> F 93KS0 20071>> F 93KS0 10064>>		1	TURBO TURBO COUPE TURBO CABRIO TURBO TARGA

Model: 911 87 Model life 1987>>1989

Pos	Part Number	Description	Remark	Qty	Model
-	911 573 517 00	Spacer sleeve F >>93KS0 00117 F >>93KS0 20070 F >>93KS0 10063		2	TURBO TURBO COUPE TURBO CABRIO TURBO TARGA
21	N 012 005 3	Lock ring B 5		11	
22	N 011 005 14	Hexagon nut M 5		11	
22	900 076 091 01	Hexagon nut M 5		11	
22	900 076 025 02	Hexagon nut M 8		1	
22	900 076 064 02	Hexagon nut M 8		1	
23	900 187 115 02	Combination screw B 5,5 X 16		16	
23	900 187 115 01	Combination screw B 5,5 X 16		16	
(23)	900 075 145 02	Hexagon-head bolt M 5 X 16		11	
23A	999 704 134 40	Sealing washer		13	
-	901 543 423 00	Edge protection F >>93KS0 00117 F >>93KS0 20070 F >>93KS0 10063		1	TURBO TURBO COUPE TURBO CABRIO TURBO TARGA
24	911 573 150 03	Hose line NW 10		1	CARRERA
24	911 573 150 05	Hose line NW 10		1	CARRERA
(24)	930 573 150 04	Hose line F >>93KS0 00117 F >>93KS0 20070 F >>93KS0 10063		1	TURBO TURBO COUPE TURBO CABRIO TURBO TARGA
(24)	930 573 150 05	Hose line NW 10 F 93KS0 00118>> F 93KS0 20071>> F 93KS0 10064>>		1	TURBO TURBO COUPE TURBO CABRIO TURBO TARGA
-	999 513 023 40	Tie-wrap 12-27		1	
24A	999 703 312 00	Bonded rubber buffer 15 X 20		1	
24A	999 703 312 01	Bonded rubber buffer 15 X 20		1	
25	999 511 080 02	Clamp		2	
25	N 020 601 1	Pipe clamp		1	TURBO
25	N 020 601 A	Pipe clamp		1	TURBO
-	911 635 093 00	Retaining bracket	/LL	1	
-	911 573 445 00	Support	/LL	1	
-	N 010 239 11	Hexagon-head bolt M 8 X 18	/LL	2	
-	N 010 239 30	Hexagon-head bolt M 8 X 18	/LL	2	
-	900 025 007 02	Washer A 8,4	/LL	3	
-	900 025 007 03	Washer A 8,4	/LL	3	
(26)	911 573 149 03	Hose line NW 13		1	
-	911 573 525 02	Hose line	/RL	1	
27	999 707 251 40	O-ring NW 13		2	
28	911 573 145 00	Clamp		10	

Model: 911 87

Model life 1987>>1989

Pos	Part Number	Description	Remark	Qty	Model
28	911 573 145 01	Clamp		10	
(28)	999 511 080 02	Clamp		2	
29	999 707 247 40	O-ring 5/8"		1	

Model: 911 87

Model life 1987>>1989



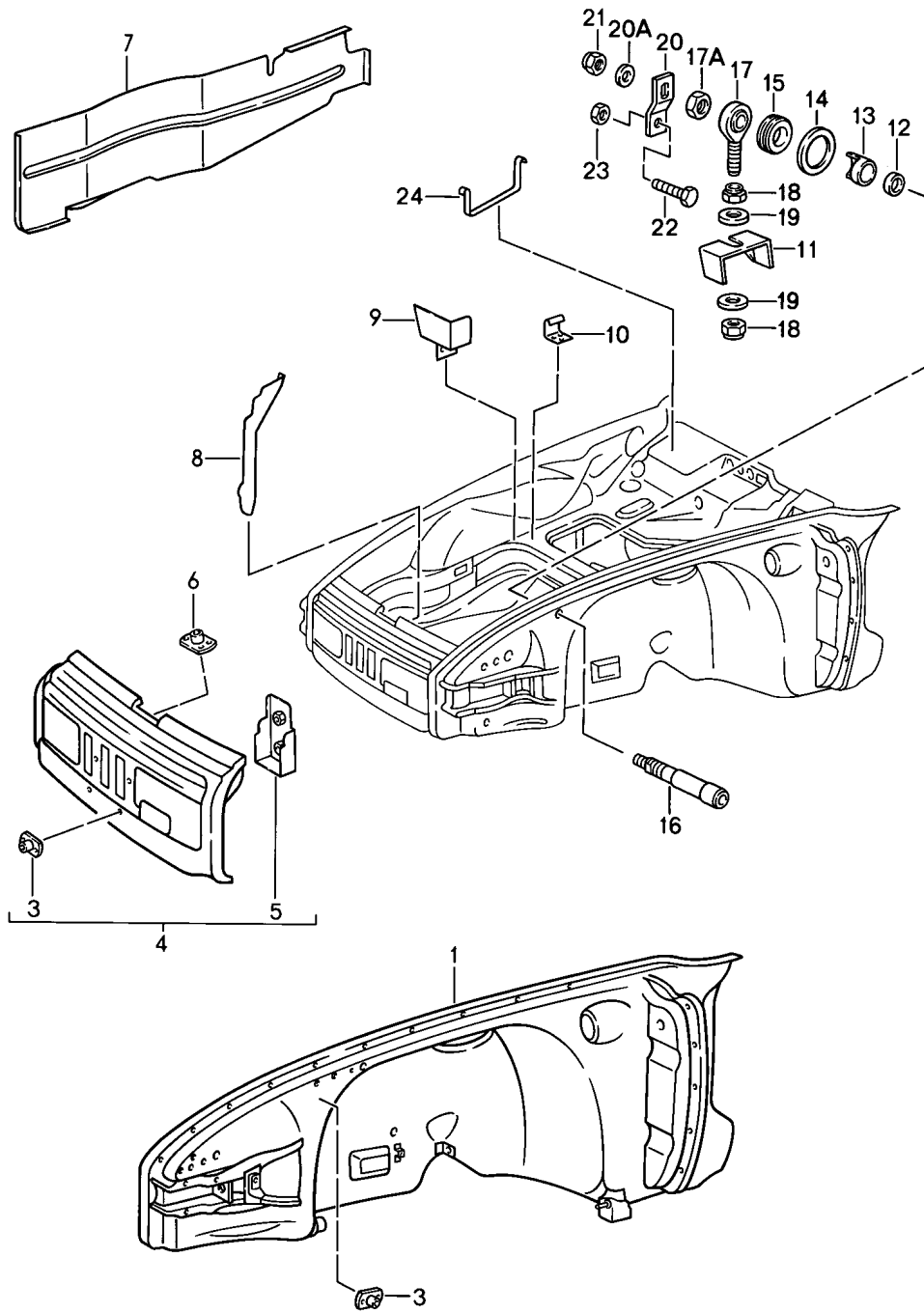
Model: 911 87

Model life 1987>>1989

Pos	Part Number	Description	Remark	Qty	Model
-	911 573 939 03	Conversion set Air conditioner Refrigerant R134a -- TI 1/95 -- Desiccator with Desiccator Insert		1	
-	999 707 247 40	O-ring 7,5 x 2 mm		2	
-	928 573 965 03	Valve Eckventil 90 Grad		1	
-	928 573 965 01	Valve TI 1/95		1	
-	928 573 965 02	Valve Eckventil 90 Grad		1	
-	928 573 965 00	Valve TI 1/95		1	
-	000 043 200 04	Oil		X	
-		Oil		X	
-		Refrigerant R 134a		X	
-	964 701 141 02	Sticker		2	

Model: 911 87

Model life 1987>>1989



Model: 911 87

Model life 1987>>1989

Pos	Part Number	Description	Remark	Qty	Model
		Special model flatnose design Interior panelling	88-		TURBO M506
1	911 599 501 91	Front Wheel housing	/L	1	
(1)	911 599 501 96	Wheel housing	/R	1	
		Order also: POS. 3		2	
(1)		Wheel housing	/R	1	
	911 599 501 96 GRV	Prime coated			
		Order also: POS. 3		2	
3	999 505 003 02	Speed nut M 6		X	
4	930 501 915 00	Cross panel		1	
		Order also: POS. 6		2	
5	911 503 937 00	Bearing bracket	/L	1	
5		Bearing bracket Left	/L	1	
		for Cross panel			
	911 503 937 00 GRV	Prime coated			
(5)	911 503 938 00	Bearing bracket	/R	1	
		FUER SCHEINWERFERWELLE			
(5)		Bearing bracket Right	/R	1	
		for Cross panel			
	911 503 938 00 GRV	Prime coated			
6	999 505 004 02	Speed nut M 8		2	
8	911 503 947 00	Reinforcement plate	/V	1	
		Cross panel			
8		Reinforcement plate for	/V	1	
		Cross panel for flatnose			
	911 503 947 00 GRV	Prime coated			
9	911 722 921 00	Support		1	
		for jack			
10	911 722 921 01	Support for		1	
		Rubber strap			
11	911 503 939 00	Weldable piece		2	
11		Weldable piece		2	
	911 503 939 00 GRV	Prime coated			
12	928 303 120 01	Shaft sealing ring		2	
13	911 503 941 00	Mounting		2	
		Sealing ring			
13		Mounting		2	
		Sealing ring			
		Wheel housing for flatnose			
	911 503 941 00 GRV	Prime coated			
14	999 025 062 02	Washer 15 X 40 X 2,5 AUF 25 MM AUFBOHREN		2	
15	999 702 031 50	Rubber sleeve 16 X 25 X 8,5		2	
15	999 702 031 5A	Rubber sleeve 16 X 25 X 8,5		2	

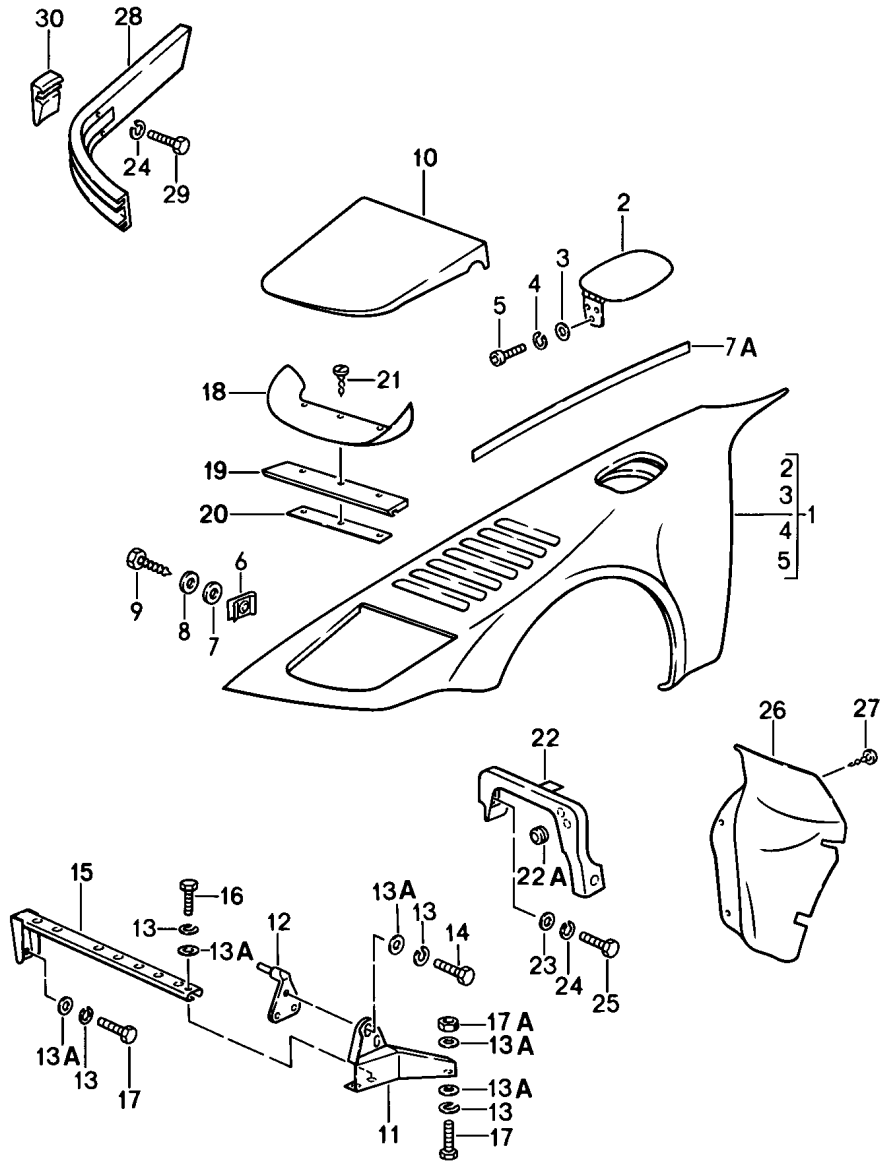
Model: 911 87

Model life 1987>>1989

Pos	Part Number	Description	Remark	Qty	Model
16	911 503 935 00	Bolt		2	
16		Bolt		2	
		Pop-up headlight			
		Wheel housing			
		for flatnose			
	911 503 935 00 GRV	Prime coated			
17	939 347 301 00	Swivel head		2	
17A	999 084 012 02	Lock nut		2	
18	999 084 013 02	Lock nut		4	
		M 12 X 1,5			
19	900 025 009 02	Washer		4	
		A 13			
20	911 503 949 00	Driver		2	
20A	900 031 005 02	Washer		2	
		10,5			
20A	900 031 005 03	Washer		2	
		10,5			
21	999 084 016 02	Lock nut		2	
		M 10			
22	900 075 029 09	Hexagon-head bolt		2	
		M 8 X 25			
22	900 075 029 03	Hexagon-head bolt		2	
		M 8 X 25			
23	999 084 020 02	Lock nut		2	
		M 8			
24	930 201 931 00	Clip		1	

Model: 911 87

Model life 1987>>1989



Model: 911 87 Model life 1987>>1989

Pos	Part Number	Description	Remark	Qty	Model
		Special model flatnose design Exterior panelling	88-		TURBO M506
1	930 503 031 05	Front Wing Front wing	/L	1	
	930 503 031 05 GRV	with ventilation			
(1)	930 503 031 06	Front wing without ventilation	/L	1	
(1)	930 503 032 05	Front wing	/R	1	
	930 503 032 05 GRV	with ventilation			
(1)	930 503 032 06	Front wing without ventilation	/R	1	
(1)		Front wing Right without ventilation for flatnose	/R	1	
	930 503 032 06 GRV	Prime coated			
2	911 504 931 00	Lid		1	
3	900 025 003 02	Washer A 5,3		3	
4	N 012 005 3	Lock ring B 5		3	
5	900 067 051 02	Pan-head screw M 5 X 10		3	
6	999 591 327 02	Speed nut B 6,3		32	
6	999 501 327 01	Speed nut B 6,3		32	
6	999 591 327 01	Speed nut B 6,3		32	
7	999 704 157 40	Washer		32	
7A	000 043 129 00	Sealing strap		X	
8	900 151 003 02	Washer A 6,4		32	
8	900 151 006 03	Washer A 6,4		32	
9	900 187 010 02	Hexagon-head tapping screw BZ 6,3 X 19		32	
9	900 187 010 03	Hexagon-head tapping screw BZ 6,3 X 19		32	
10	911 503 911 00	Cover	/L	1	
10		Cover Headlamp Left for flatnose	/L	1	
	911 503 911 00 GRV	Prime coated			
(10)	911 503 912 00	Cover	/R	1	
(10)		Cover Headlamp Right for flatnose	/R	1	
	911 503 912 00 GRV	Prime coated			
11	911 503 953 00	Bearing bracket	/L	1	
(11)	911 503 954 00	Bearing bracket	/R	1	
(11)		Bearing bracket Pop-up headlight Right for flatnose	/R	1	
	911 503 954 00 GRV	Prime coated			
12	914 750 271 10	Bearing bracket		2	
13	N 012 006 4	Lock ring		18	

Model: 911 87 Model life 1987>>1989

Pos	Part Number	Description	Remark	Qty	Model
13A	N 011 666 7	B 6 Washer		22	
14	N 010 210 13	B 6,4 Hexagon-head bolt		6	
15	911 503 925 01	M 6 X 10 Strut	/L	1	
15	911 503 925 01 GRV	Strut	/L	1	
(15)	911 503 926 00	Prime coated Strut	/R	1	
(15)	911 503 926 00	Strut	/R	1	
16	911 503 926 00 GRV	Pop-up headlight Right for flatnose Prime coated			
16	999 072 005 09	Hexagon nut		2	
16	999 072 005 01	M 6 X 12 Hexagon nut		2	
17	900 075 057 02	M 6 X 12 Hexagon-head bolt		10	
17	900 075 057 03	M 6 X 16 Hexagon-head bolt		10	
17A	900 910 012 02	M 6 X 16 Lock nut		8	
17A	900 910 047 09	M 6 Lock nut		8	
18	911 503 943 00	M 6 Cover	/L	1	
(18)	911 503 944 00	Cover	/R	1	
19	911 503 983 00	Sealing rubber		2	
20	911 503 985 00	Cover plate		2	
20	911 503 985 00 GRV	Cover plate Rubber seal		2	
21	900 143 049 07	Headlamp casing for flatnose Prime coated			
21	900 143 049 07	Tapping screw		10	
22	911 503 931 01	BZ 3,5 X 9,5 Support	/L	1	
(22)	911 504 080 00	for Water reservoir Bracket	/R	1	
22A	911 504 080 00 GRV	Prime coated			
22A	999 702 020 50	for Horn Rubber sleeve		2	
23	900 025 007 02	Washer		4	
23	900 025 007 03	A 8,4 Washer		4	
24	900 027 015 02	A 8,4 Lock ring		8	
24	900 027 015 03	B 8 Lock ring		8	
25	900 075 087 02	B 8 Hexagon-head bolt		4	
25	900 075 087 03	M 8 X 16 Hexagon-head bolt		4	
26	911 503 965 00	M 8 X 16 Cover	/L	1	
(26)	911 503 966 00	Cover	/R	1	
27	900 143 007 02	Oval-head sheetmetal screw		4	
27	900 073 507 01	B 4,2 X 13 Oval-head sheetmetal screw		4	
27	900 073 507 01	B 4,2 X 13		4	

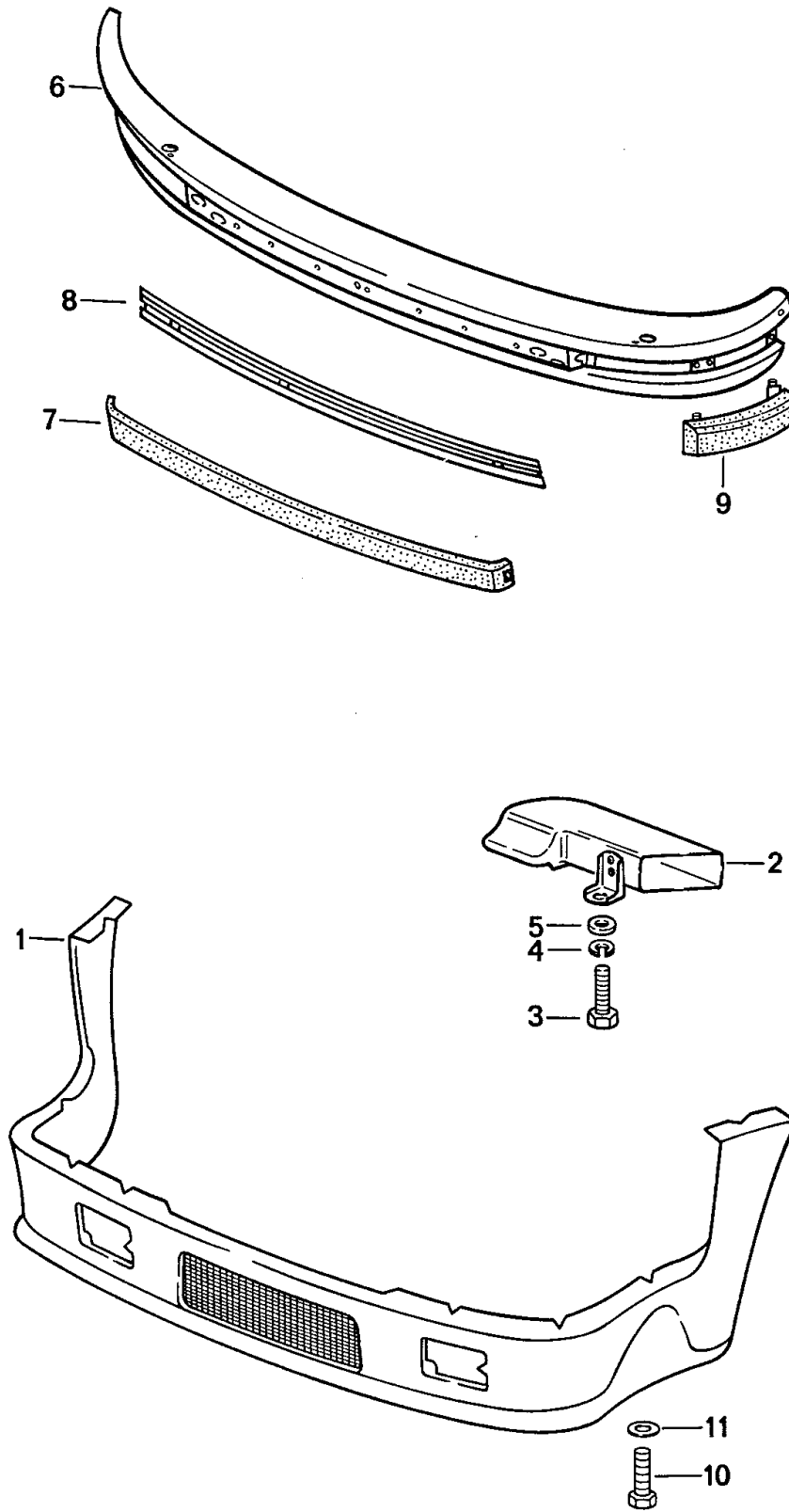
Model: 911 87

Model life 1987>>1989

Pos	Part Number	Description	Remark	Qty	Model
31	930 505 921 00	Front apron with Grille		1	
32	900 075 341 02	Combination screw M 6 X 25		8	
32	900 075 341 01	Combination screw M 6 X 25		8	

Model: 911 87

Model life 1987>>1989



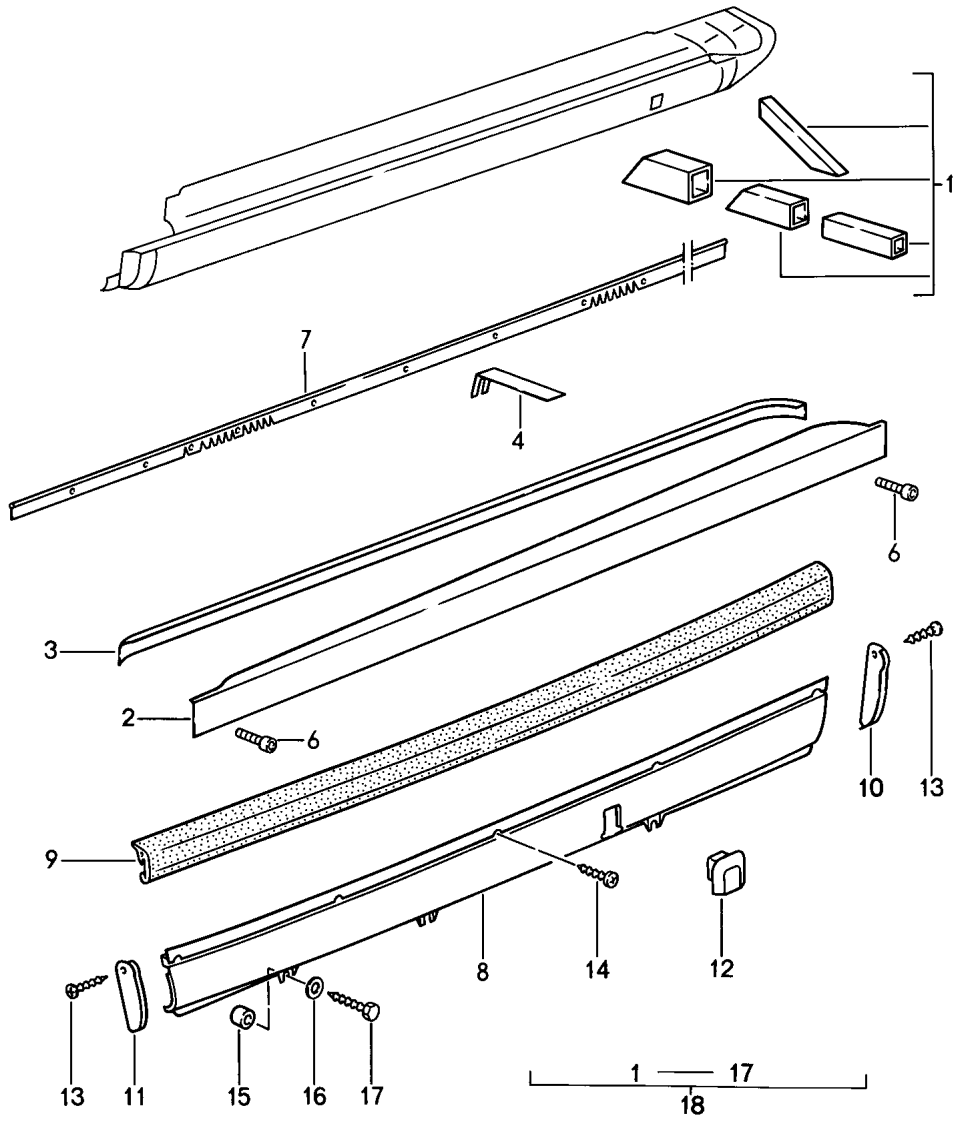
Model: 911 87

Model life 1987>>1989

Pos	Part Number	Description	Remark	Qty	Model
		Special model	88-		TURBO M506
		flatnose design			
		Exterior panelling			
		Front			
		Bumper			
1	930 505 921 00	Front apron with Grille		1	
2	911 512 919 00	Intake manifold		1	
3	900 075 057 02	Hexagon-head bolt M 6 X 16		2	
3	900 075 057 03	Hexagon-head bolt M 6 X 16		2	
4	N 012 006 4	Lock ring B6		2	
5	N 011 666 7	Washer B 6,4		2	
6	930 505 941 00	Bumper without Position light		1	
(6)	930 505 941 01	Bumper with Position light		1	
7	911 505 947 00	Impact protection for Bumper with Position light		1	
8	911 505 149 02	Insert for Bumper with Position light		1	
9	911 505 937 00	Cover	/L	1	
(9)	911 505 938 00	Cover for Bumper with Position light	/R	1	
10	900 075 341 02	Combination screw M6 X 25		8	
10	900 075 341 01	Combination screw M6 X 25		8	
11	900 151 008 02	Washer B8,4		8	

Model: 911 87

Model life 1987>>1989



Model: 911 87 Model life 1987>>1989

Pos	Part Number	Description	Remark	Qty	Model
		Special model flatnose design Exterior panelling	88-		TURBO M506
1	911 501 195 01	Centre Extension Jacking point		2	
2	930 503 947 00	Entrance lining	/L	1	
2		Entrance lining	/L	1	
(2)	930 503 947 00 GRV	Prime coated			
(2)	930 503 948 00	Entrance lining	/R	1	
(2)		Entrance lining	/R	1	
	930 503 948 00 GRV	Prime coated			
3	930 503 957 00	Reinforcement plate	/L	1	
3		Reinforcement plate	/L	1	
	930 503 957 00 GRV	Prime coated			
(3)	930 503 958 00	Reinforcement plate	/R	1	
(3)		Reinforcement plate	/R	1	
		Entrance lining Right for flatnose			
	930 503 958 00 GRV	Prime coated			
4	930 503 951 00	Support		6	
4		Support		6	
	930 503 951 00 GRV	Prime coated			
6	900 014 066 02	Pan-head screw M 5 X 18		4	
6	900 976 010 01	Pan-head screw M 5 X 18		4	
7	937 571 121 01	Piping		2	
	937 571 121 01 041	Black			
8	911 559 113 01	Trim cover	/L	1	
8		Trim cover	/L	1	
	911 559 113 01 GRV	Prime coated			
(8)	911 559 114 01	Trim cover	/R	1	
(8)		Trim cover	/R	1	
	911 559 114 01 GRV	Prime coated			
9	930 559 103 01	Rubber moulding		2	
10	PCG 559 941 04	End piece Set Comprising: POS 10 + 11 Black Coated	/LV /LH	1	
11		End piece Set Comprising: POS 10 + 11 Black Coated	/RV/RH	1	
12	911 559 149 02	Cap		2	
13	900 143 049 07	Tapping screw BZ 3,5 X 9,5		8	
14	900 143 007 02	Oval-head sheetmetal screw B 4,2 X 13		10	
14	900 073 507 01	Oval-head sheetmetal screw B 4,2 X 13		10	
15	911 559 145 00	Spacer sleeve 11,8 MM		X	
15	911 559 145 01	Spacer sleeve 5 MM		X	
16	900 151 007 02	Washer B 7,4		6	

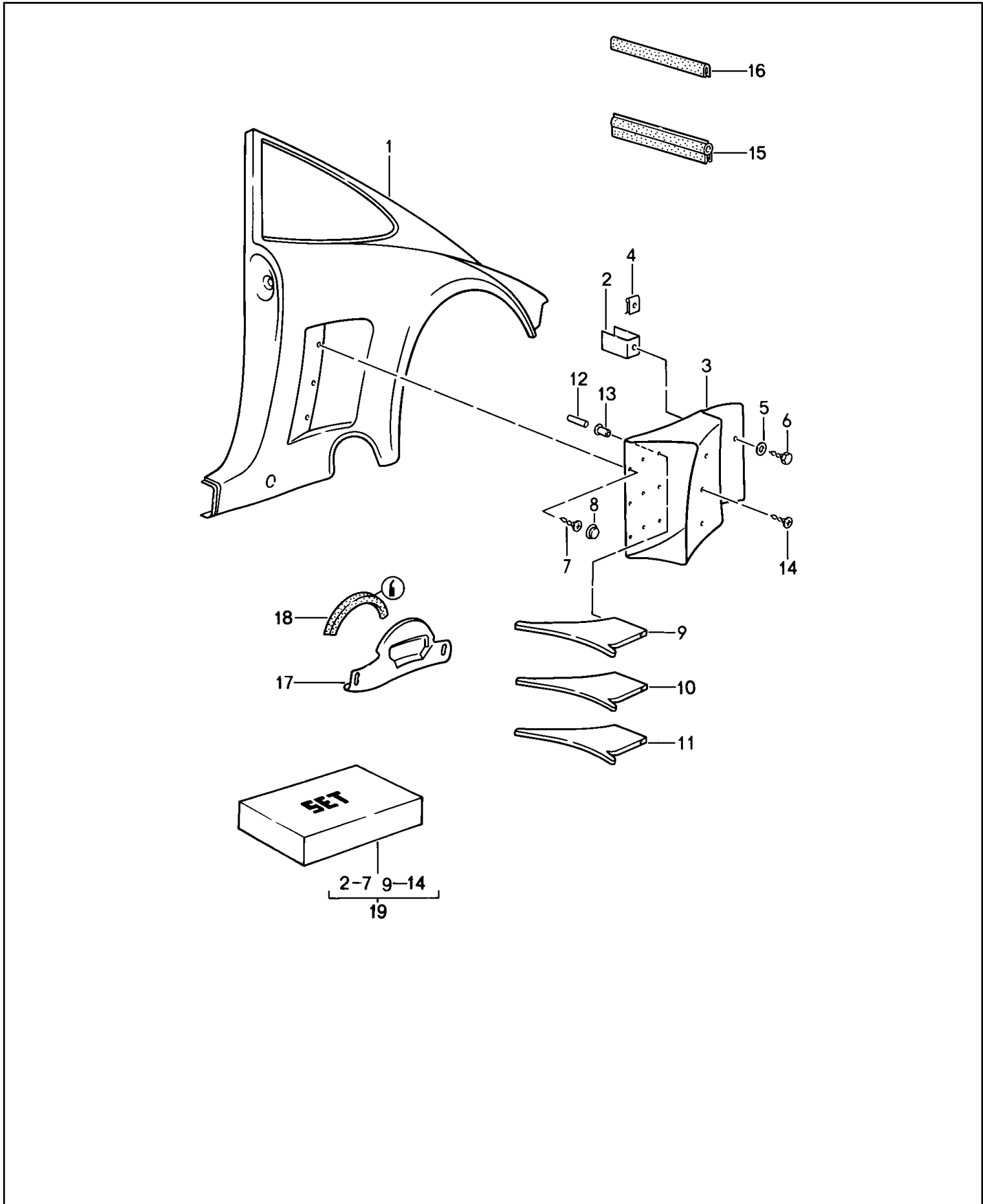
Model: 911 87

Model life 1987>>1989

Pos	Part Number	Description	Remark	Qty	Model
16	900 151 007 03	Washer B 7,4		6	
17	900 187 032 02	Tapping screw BZ 6,3 X 32	/L	3	
17	900 187 129 02	Tapping screw B 6,3 X 38	/R	3	
18	930 503 917 00	Entrance lining	/L	1	
(18)	930 503 918 00	Entrance lining Installation set Complete	/R	1	

Model: 911 87

Model life 1987>>1989



Model: 911 87

Model life 1987>>1989

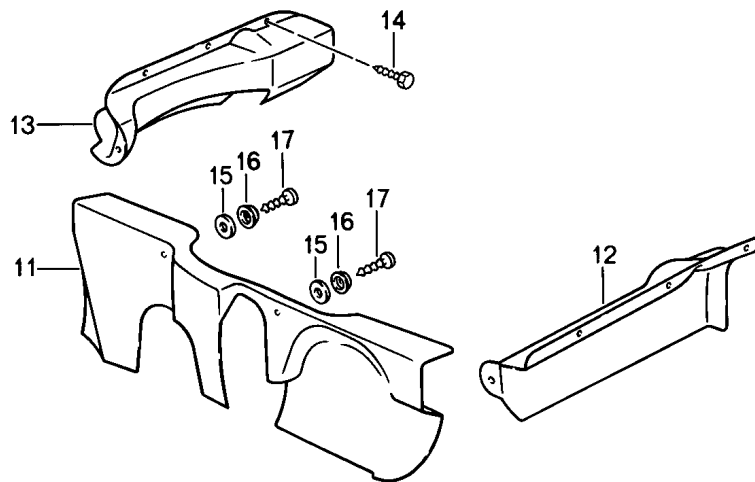
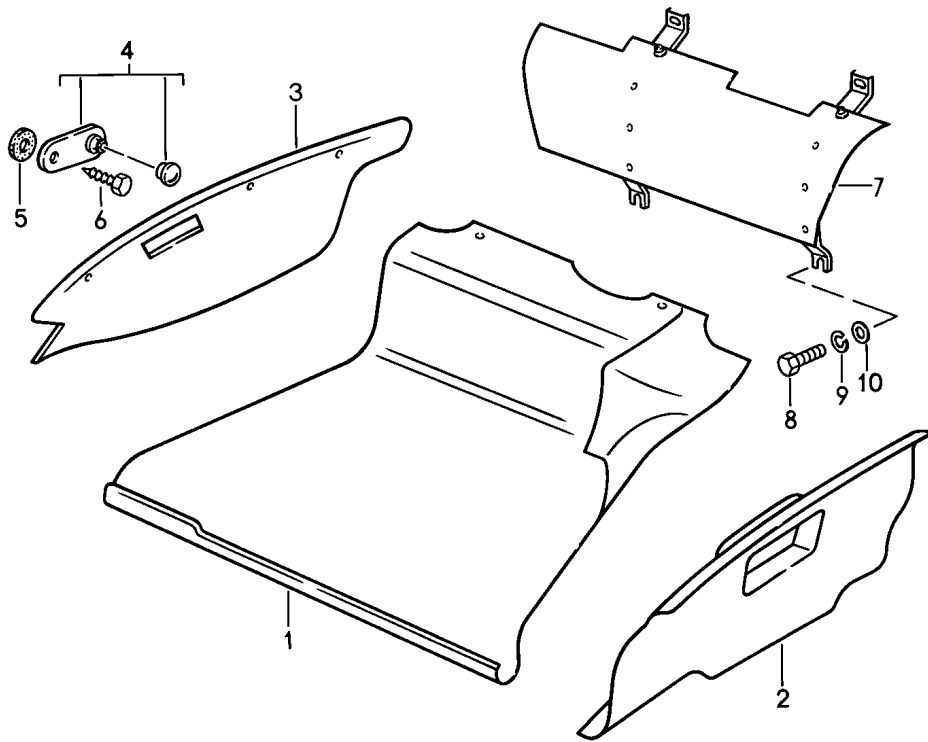
Pos	Part Number	Description	Remark	Qty	Model
		Special model flatnose design Exterior panelling	88-		TURBO M506
1	930 503 961 02	Rear Side section	/L -88	1	TURBO COUPE
1		Side section	/L	1	TURBO COUPE
	930 503 961 02 GRV	Prime coated			
(1)	930 503 962 02	Side section	/R -88	1	TURBO COUPE
(1)		Side section	/R	1	TURBO COUPE
	930 503 962 02 GRV	Prime coated			
(1)	930 503 961 42	Side section	/L	1	TURBO TARGA
(1)		Side section	/L	1	TURBO TARGA
	930 503 961 42 GRV	Prime coated			
(1)	930 503 962 42	Side section	/R	1	TURBO TARGA
(1)		Side section	/R	1	TURBO TARGA
	930 503 962 42 GRV	Prime coated			
(1)	930 503 961 61	Side section	/L	1	TURB.CABRIO
(1)		Side section	/L	1	TURB.CABRIO
	930 503 961 61 GRV	Prime coated			
(1)	930 503 962 61	Side section	/R	1	TURB.CABRIO
(1)		Side section	/R	1	TURB.CABRIO
	930 503 962 61 GRV	Prime coated			
2	911 503 979 00	Support		2	
2		Support		2	
	911 503 979 00 GRV	Prime coated			
3	911 503 915 10	Air well	/L	1	
3		Air well	/L	1	
	911 503 915 10 GRV	Prime coated			
(3)	911 503 916 10	Air well	/R	1	
(3)		Air well	/R	1	
	911 503 916 10 GRV	Prime coated			
4	999 591 327 02	Speed nut		2	
		B 6,3			
4	999 501 327 01	Speed nut		2	
		B 6,3			
4	999 591 327 01	Speed nut		2	
		B 6,3			
5	N 011 666 7	Washer		2	
		B 6,4			
6	900 187 010 03	Hexagon-head tapping screw		2	
		BZ 6,3 X 19			
7	311 867 167	Oval-head sheetmetal screw	/R	4	
8	311 867 169	Cap	/R	4	
9	930 503 949 00	Bar	/L	1	
		Upper			
10	930 503 949 01	Bar	/L	1	
		Centre			
10		Bar	/L	1	
		Centre			
	930 503 949 01 GRV	Prime coated			
11	930 503 949 02	Bar	/L	1	
		Lower			
11		Bar	/L	1	
		Lower			
	930 503 949 02 GRV	Prime coated			
(9)	930 503 950 02	Bar	/R	1	
(10)	930 503 950 01	Bar	/R	1	
(10)		Bar	/R	1	
	930 503 950 01 GRV	Prime coated			
(11)	930 503 950 00	Bar	/R	1	
(11)		Bar	/R	1	
	930 503 950 00 GRV	Prime coated			

Model: 911 87 Model life 1987>>1989

Pos	Part Number	Description	Remark	Qty	Model
12	900 309 004 00	Roll pin		X	
13	999 702 129 40	Sleeve		24	
14	900 145 071 07	Tapping screw B 3,5 X 13		6	
(17)	930 504 754 00	Spring cover	/R	1	
(17)	930 504 754 00 GRV	Spring cover Prime coated	/R	1	
17	930 504 753 00	Spring cover	/L	1	
17	930 504 753 00 GRV	Spring cover Prime coated	/L	1	
18	911 559 511 00	Gasket		2	
-	PCG 799 503 07	for Spring cover Set Piping Body Front and rear Comprising:	76-89	1	
-	911 503 185 01	Intermediate layer		1	
-	911 503 186 01	Intermediate layer		1	
-	911 503 325 00	Intermediate layer		2	
-	911 503 326 00	Intermediate layer		2	
-	911 799 503 07	Wing seal		2	
-	911 559 511 00	Gasket		2	
19	930 503 901 00	Installation set		1	

Model: 911 87

Model life 1987>>1989



Model: 911 87

Model life 1987>>1989

Pos	Part Number	Description	Remark	Qty	Model
		Special model flatnose design Interior equipment	88-		TURBO M506
1	911 551 925 00	FRONT luggage compartment Front-compartment carpet	/LL	1	
	911 551 925 00 4FD	Anthracite			
2	911 551 921 00	Front-compartment carpet	/L	1	
	911 551 921 00 4FD	Anthracite			
3	911 551 923 00	Front-compartment carpet	/R	1	
	911 551 923 00 4FD	Anthracite			
(1)	911 799 551 31	Front-compartment carpet Set Carpet	/RL -88	1	
	911 799 551 31 70E	Black			
4	911 503 075 00	Desk pad		6	
5	999 704 157 40	Washer		6	
6	900 187 010 02	Hexagon-head tapping screw BZ 6,3 X 19		6	
6	900 187 010 03	Hexagon-head tapping screw BZ 6,3 X 19		6	
7	911 551 067 03	Luggage compartment trim	/LL	1	
7	911 551 067 05	Luggage compartment trim	/LL	1	
(7)	911 551 068 01	Luggage compartment trim	/RL	1	
(7)	911 551 068 02	Luggage compartment trim	/RL	1	
8	900 075 260 02	Hexagon-head bolt M 6 X 16		4	
9	N 012 007 2	Lock ring A 6		4	
9	900 027 004 03	Lock ring A 6		4	
10	900 151 003 02	Washer A 6,4		4	
10	900 151 006 03	Washer A 6,4		4	
11	911 503 963 00	Luggage compartment cover	/V	1	
12	911 503 961 00	Luggage compartment cover	/L	1	
13	911 503 962 00	Luggage compartment cover for Linkage	/R	1	
14	900 145 044 07	Pop-up headlight Tapping screw B 4,2 X 22		4	
15	999 591 116 07	Cone washer 4,5		2	
16	999 591 836 17	Push button		2	
17	900 145 071 07	Tapping screw B 3,5 X 13		2	

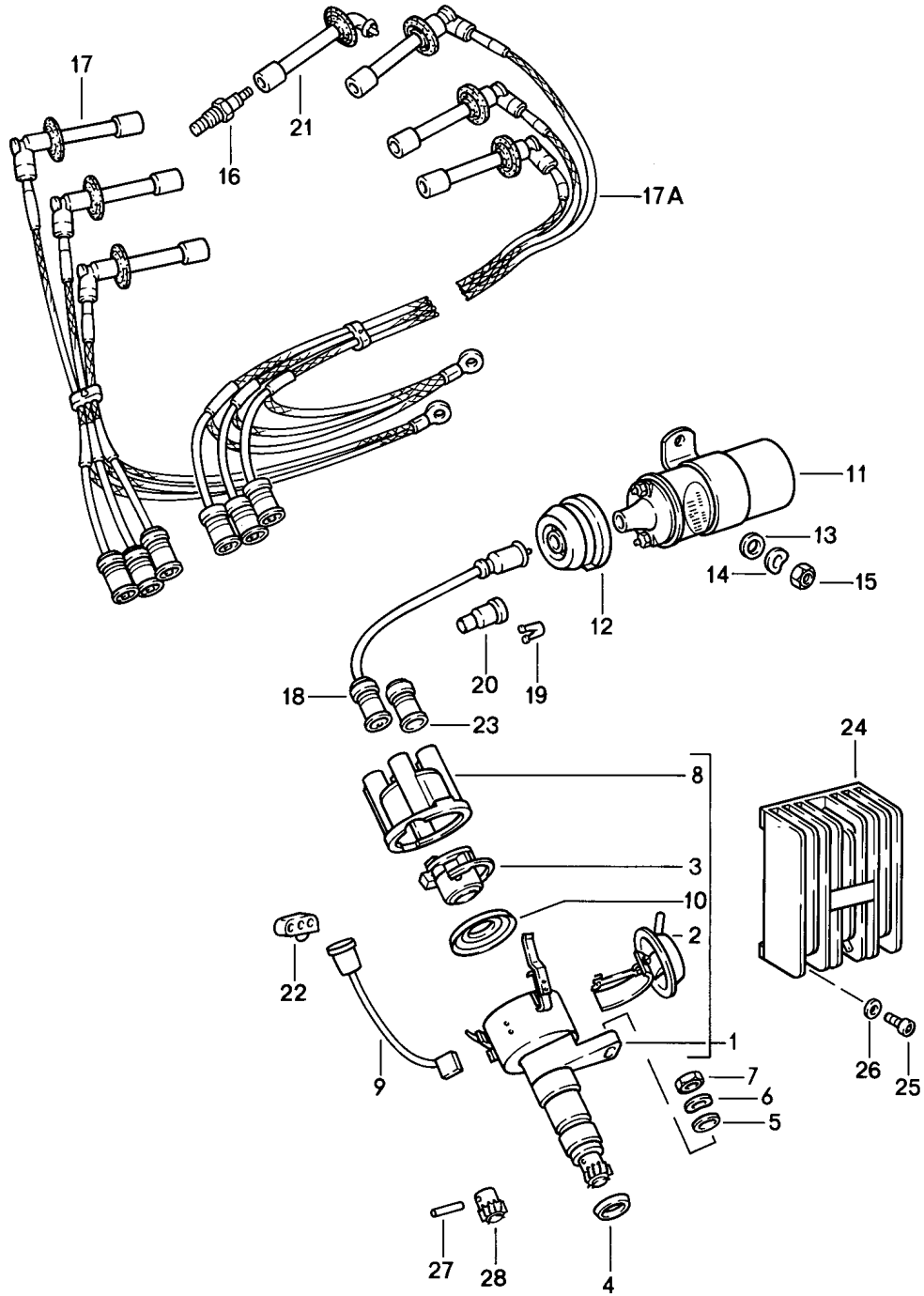
Model: 911 87

Model life 1987>>1989



Model: 911 87

Model life 1987>>1989



Model: 911 87

Model life 1987>>1989

Pos	Part Number	Description	Remark	Qty	Model
		Engine electrics 1			TURBO
1	930 602 103 00	Distributor		1	M30.66
2	930 602 917 00	Vacuum unit		1	
3	930 602 901 01	Rotor		1	M30.66
3	930 602 901 04	Rotor		1	M30.66
3	930 602 901 03	Rotor		1	TURBO
3	930 602 901 04	Rotor		1	TURBO
3	930 602 901 03	Rotor		1	M30.66
3	930 602 901 04	Rotor		1	M30.66
4	911 602 102 01	Sealing ring		1	
5	900 025 007 02	Washer B 8,4		1	
5	900 025 007 03	Washer B 8,4		1	
6	N 012 241 8	Spring washer B 8		1	
7	900 076 025 02	Hexagon nut M 8		1	
7	900 076 064 02	Hexagon nut M 8		1	
8	930 602 904 00	Distributor cap		1	
8	930 602 904 01	Distributor cap		1	
9	930 602 907 01	Electric line		1	
10	930 602 909 00	Dust cover		1	
11	901 602 502 00	Ignition transformer		1	
12	911 602 801 00	Protection cap		1	
13	900 025 007 02	Washer 8,4		2	
13	900 025 007 03	Washer 8,4		2	
14	N 012 241 8	Spring washer B 8		2	
15	900 076 025 02	Hexagon nut M 8		2	
15	900 076 064 02	Hexagon nut M 8 Spark plug Use also: 547 09222 for Spark plug		2	
-	547 09 222	Nut for Spark plug		X	
16	999 170 128 90	Spark plug W3DPO		6	
17	911 609 011 07	Set of ignition cables geschirmt	/L	1	
17A	911 609 010 07	Set of ignition cables geschirmt	/R	1	
18	911 609 061 07	Ignition lead		1	
19	911 609 510 00	Cable plug		1	
19	PCG 609 510 00	Cable plug		1	
20	999 659 001 40	Water protection cap		1	
21	911 602 315 00	Spark plug connector		6	
22	901 609 591 00	Cable holder		4	
23	122 035 281	Suppression connector		7	
24	930 602 702 00	Switch unit		1	
24	930 602 702 X	Control unit		1	
25	N 014 703 2	Pan-head screw M 6 X 18		3	
26	900 031 011 02	Washer A 6,4		3	

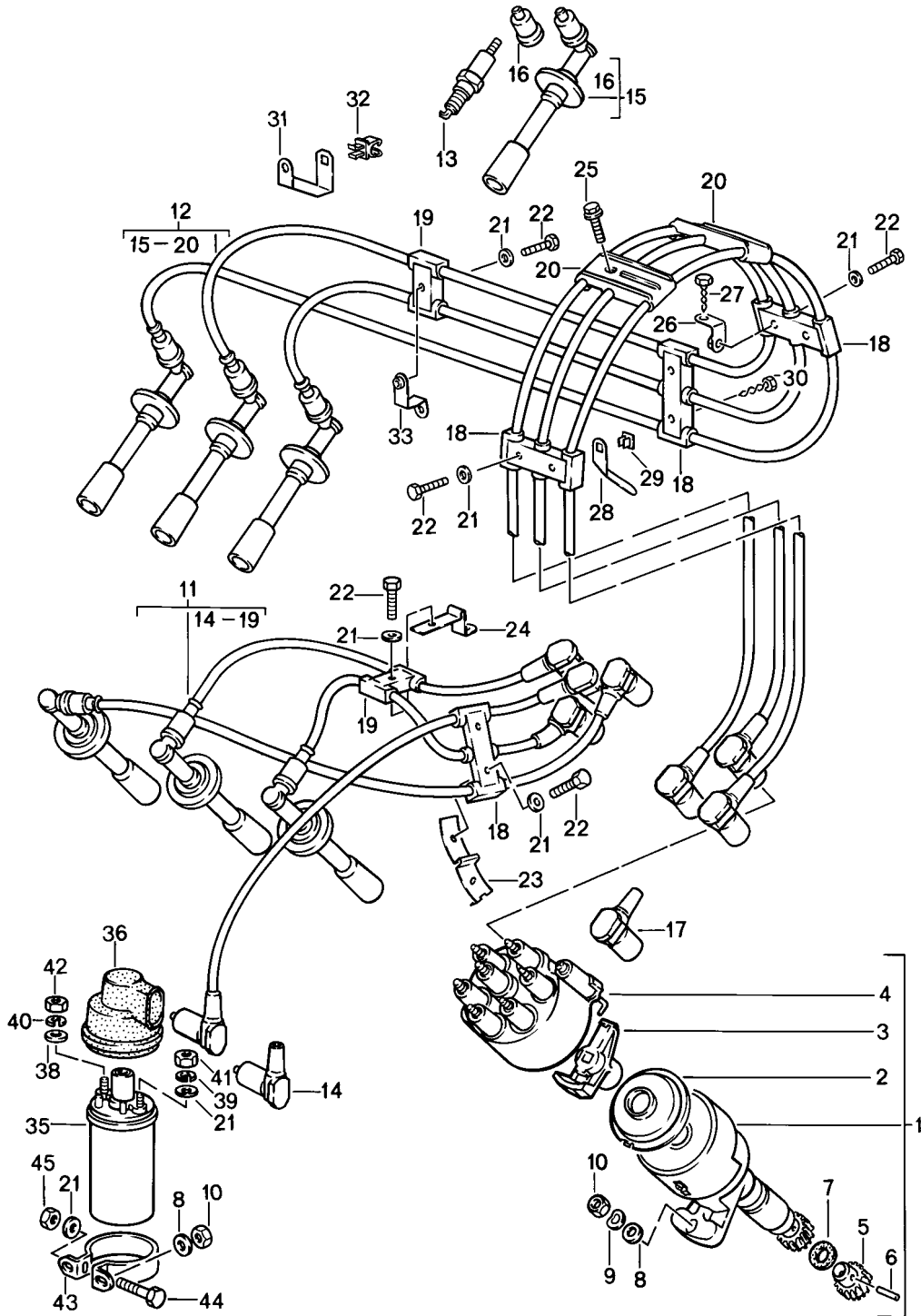
Model: 911 87

Model life 1987>>1989

Pos	Part Number	Description	Remark	Qty	Model
27	930 602 922 00	Pin		1	
28	930 602 422 03	Pinion		1	

Model: 911 87

Model life 1987>>1989



Model: 911 87

Model life 1987>>1989

Pos	Part Number	Description	Remark	Qty	Model
		Engine electrics 2			CARRERA 930.20/25/26
1	930 602 023 00	Distributor		1	
2	930 602 909 00	Dust cover		1	
3	930 602 902 01	Rotor		1	
4	930 602 919 00	Distributor cap		1	
5	930 602 424 00	Pinion		1	
5	930 602 424 02	Pinion		1	
6	930 602 922 00	Pin		1	
7	911 602 102 01	Sealing ring		1	
8	900 025 007 02	Washer B 8,4		3	
8	900 025 007 03	Washer B 8,4		3	
9	N 012 241 8	Spring washer B 8		1	
10	900 076 025 02	Hexagon nut M 8		3	
10	900 076 064 02	Hexagon nut M 8		3	
11	911 602 011 04	Set of ignition cables	/L	1	930.20/25
11	911 602 011 03	Set of ignition cables	/L	1	930.26
12	911 602 012 03	Set of ignition cables	/R	1	
		Spark plug Use also: 547 09222 for		X	
-	547 09 222	Spark plug Nut for		X	
13	999 170 157 90	Spark plug Spark plug WR4CC		6	930.20/26
13	999 170 156 90	Spark plug WR7DC		6	930.25
14	928 602 131 00	Ignition coil plug		1	
15	911 602 315 00	Spark plug connector		6	
16	999 659 001 40	Water protection cap		6	
17	928 602 557 01	Suppression connector		7	
18	911 609 591 00	Cable holder		10	
19	911 609 593 00	Cable holder		4	
		Single parts Complete in pairs Order			
20	911 602 185 00	Cable holder		2	
21	900 025 003 02	Washer A 5,3		6	
22	N 010 264 4	Hexagon-head bolt M 5 X 20		5	
23	911 602 081 01	Support		1	
24	911 602 083 01	Support		1	
25	999 075 048 02	Hexagon-head bolt M 6 X 22		2	
26	911 602 085 00	Retaining bracket		1	
27	900 187 015 02	Hexagon-head tapping screw		1	
28	911 602 086 00	Retaining bracket		1	
29	999 591 592 40	Special nut		1	
30	900 187 017 02	Hexagon-head tapping screw		1	
31	911 602 183 03	Cable holder		1	
32	928 602 554 00	Cable clip		1	
33	911 602 083 02	Support		1	930.26
35	944 602 115 00	Ignition coil		1	

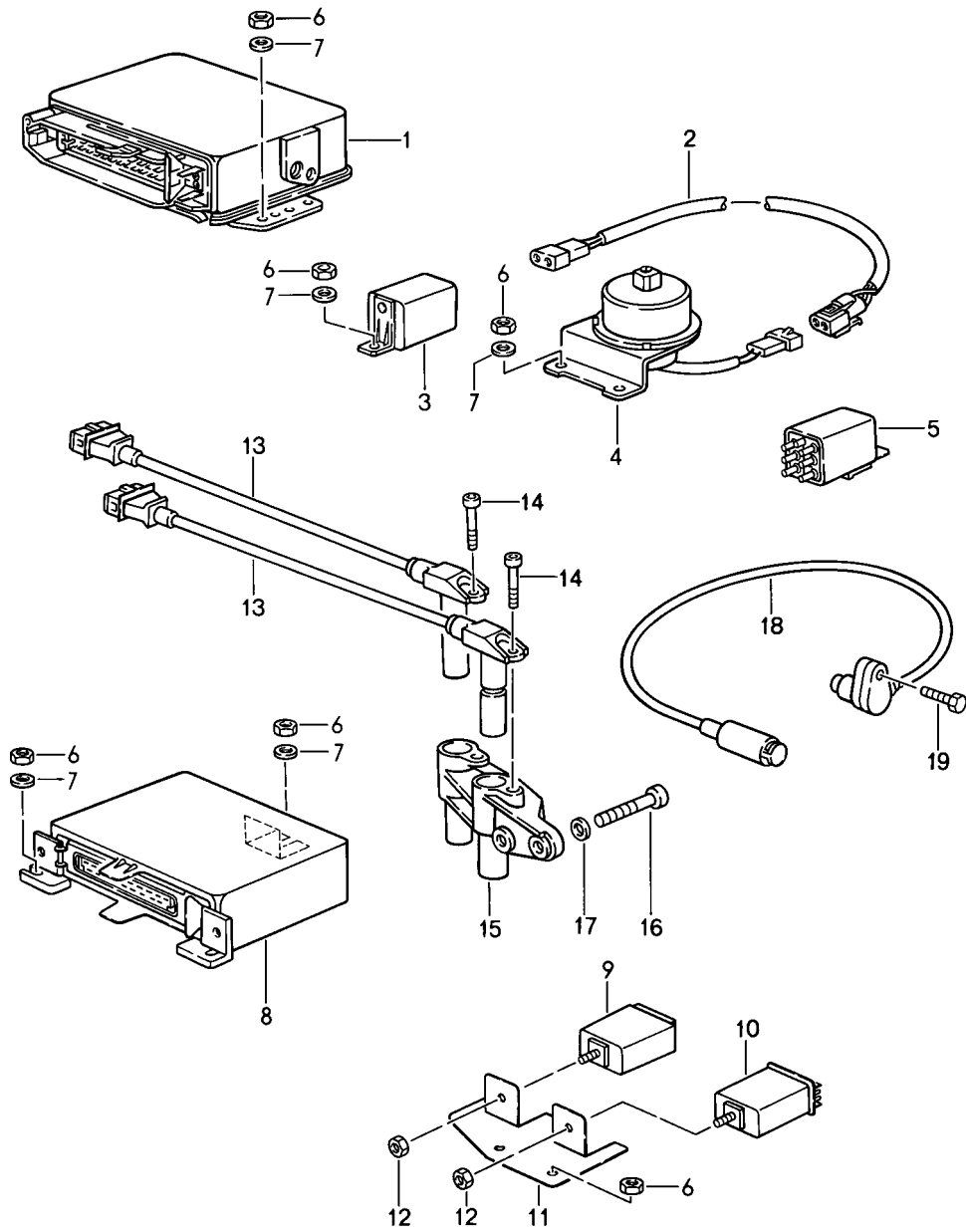
Model: 911 87

Model life 1987>>1989

Pos	Part Number	Description	Remark	Qty	Model
36	944 602 801 00	Protection cap		1	
38	N 011 524 7	Washer A 6,4		1	
38	N 011 524 27	Washer A 6,4		1	
39	N 012 005 3	Lock ring B 5		1	
40	N 012 006 4	Lock ring B 6		1	
41	N 011 005 14	Hexagon nut M 5		1	
41	900 076 091 01	Hexagon nut M 5		1	
42	900 076 010 02	Nut M 5		1	
42	900 076 010 0B	Nut M 5		1	
43	944 602 117 00	Clamp		1	
44	900 146 045 02	Oval-head screw M 5 X 45		1	
45	N 011 005 14	Hexagon nut M 5		1	
45	900 076 091 01	Hexagon nut M 5		1	

Model: 911 87

Model life 1987>>1989



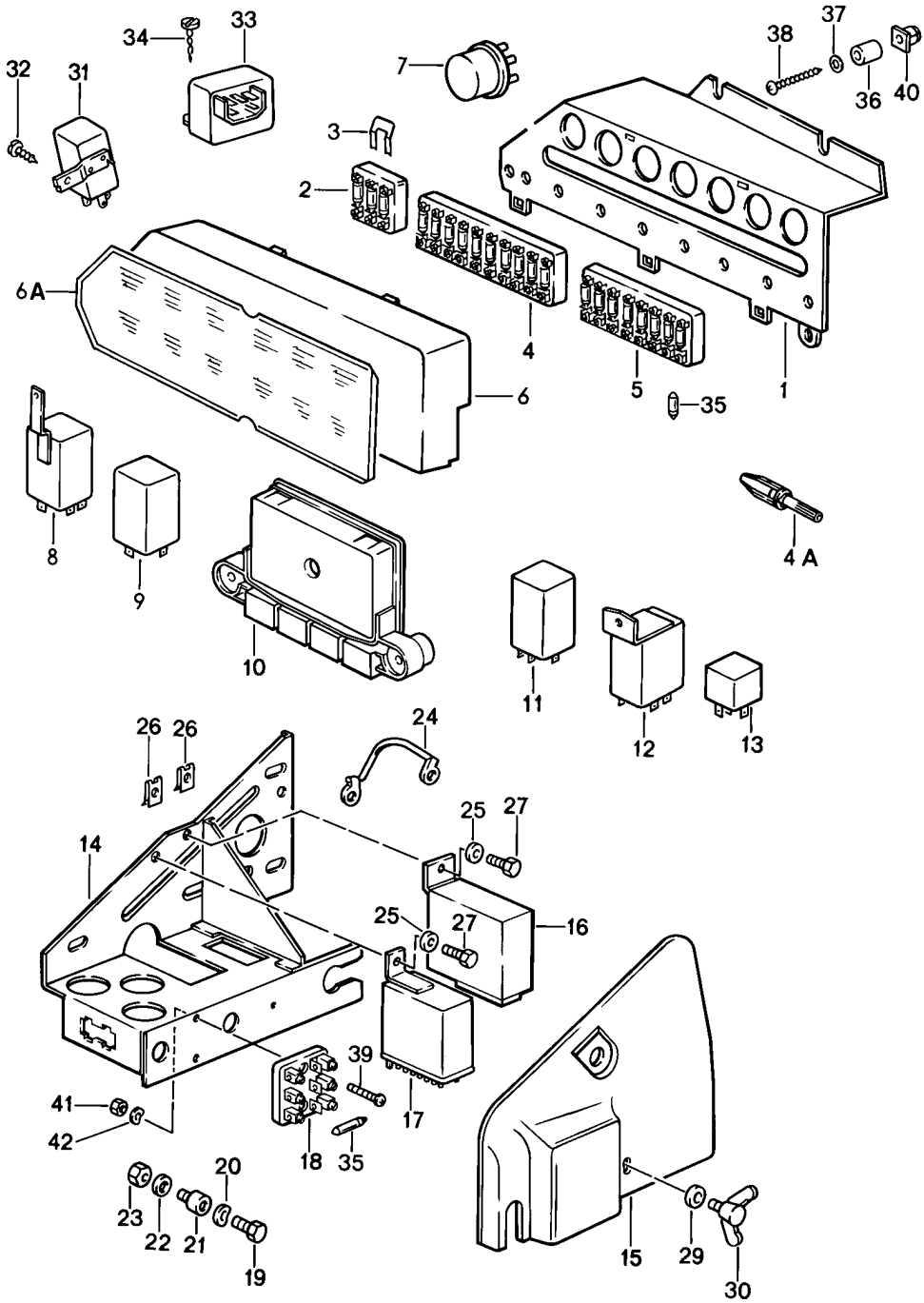
Model: 911 87

Model life 1987>>1989

Pos	Part Number	Description	Remark	Qty	Model
		Engine electrics 3			
1	911 618 111 18	Control unit		1	930.20/26
1	911 618 111 LX	Control unit		1	930.20/26
		- dme -			
1	911 618 111 15	Control unit		1	930.20/26
1	911 618 111 RX	Control unit		1	930.20/26
		- dme -			M637
1	911 618 111 19	Control unit		1	930.20
		- dme -			M240
1	911 618 111 17	Control unit		1	930.20
		- dme -			M240/637
1	911 618 111 TX	Control unit		1	930.20
		- dme -			M240/637
1	911 618 111 20	Control unit		1	930.25
		- dme -			
1	911 618 111 PX	Control unit		1	930.25
		- dme -			
1	911 618 111 16	Control unit		1	930.25
		- dme -			M637
1	911 618 111 SX	Control unit		1	930.25
		- dme -			M637
2	911 612 421 00	Adapter for - dme -		1	
		Wiring harness			
3	911 618 154 00	Switch unit - dme -		1	
3	911 618 154 01	Switch unit - dme -		1	
4	944 606 051 00	altitude capsule		1	
5	911 618 121 00	Relay for Engine-speed shutoff		1	M30.26
6	900 076 010 02	Nut M 6		7	
6	900 076 010 0B	Nut M 6		7	
7	N 011 524 7	Washer A 6,4		7	
7	N 011 524 27	Washer A 6,4		7	
13	911 606 215 01	Pulse sender Speed sensor		2	
14	N 014 740 2	Pan-head screw M 6 X 16		2	
14	N 014 740 11	Pan-head screw M 6 X 16		2	
15	930 101 089 01	Support for Pulse sender		1	
16	N 010 217 9	Hexagon-head bolt M 6 X 20		2	
17	N 011 524 7	Washer A 6,4		2	
17	N 011 524 27	Washer A 6,4		2	
18	911 606 108 00	Timing mark sender for top dead centre marking		1	
19	900 067 089 02	Pan-head screw M 6 X 25		1	
19	900 067 089 01	Pan-head screw M 6 X 25		1	

Model: 911 87

Model life 1987>>1989



Model: 911 87 Model life 1987>>1989

Pos	Part Number	Description	Remark	Qty	Model
		Control units			
		Relay			
		Fuse box			
1	911 612 197 00	Mounting plate		1	
2	911 612 093 03	Fuse box		1	CARRERA
		Triple			
3	901 612 835 01	Connecting rail		3	
4	911 612 086 02	Fuse box		1	
		10-fold			
4A	928 612 479 00	Fuse holder		1	CABRIO M439
-	900 321 004 90	Lock		1	CABRIO M439
		2,5 A			
5	911 612 087 01	Fuse box		1	
		8-fold			
6	911 612 161 08	Lid		1	
6A	911 612 243 02	Assignment sticker	-88	1	CARRERA
6A	911 612 243 03	Assignment sticker	89-	1	CARRERA
6A	930 612 243 02	Assignment sticker	-88	1	TURBO
6A	930 612 243 03	Assignment sticker	89-	1	TURBO
7	911 615 108 01	Standard type relay		X	
		Red			
7	911 615 109 01	Standard type relay		X	
		Black			
(7)	944 615 112 02	Relay		1	
		for window opener			
8	911 618 121 00	Relay		1	M30.26
		Engine-speed shutoff			
(8)	930 606 918 00	Relay		1	M30.66 M148
		Engine-speed shutoff			
(8)	911 615 118 01	Relay		1	M30.66/68
		for			
		Mass air flow meter			
		Boost pressure			
9	111 953 227 D	Flasher relay		1	
9	191 953 227 A	Flasher relay		1	
9	1H0 953 227	Flasher relay		1	
(9)	911 618 103 00	Flasher relay		1	
		for cars with			
		Trailer coupling			
(9)	911 618 102 01	Relay		1	
		for			
		Seat belt			
(9)	911 618 102 00	Warning time relay	(USA)	1	(SA)
		for			
		Seat belt			
10	911 618 313 00	Control unit		1	M439
		for			
		Convertible top			
		See technical information			
		GR.6, NR. 6/96, Typ 964			
(10)	911 618 231 00	Control unit	(GB)	1	M061
		for reduced light			
11	928 618 113 01	Relay		1	M286
		for			
		Intensive windscreen washer			
11	928 618 113 02	Relay		1	M286
		for			
		Intensive windscreen washer			
12	930 617 117 01	Relay		1	TURBO
		Ignition cut-off			
12	930 617 117 02	Relay		1	TURBO

Model: 911 87

Model life 1987>>1989

Pos	Part Number	Description	Remark	Qty	Model
13	821 951 253	Ignition cut-off Relay		1	CARRERA
13	PCG 951 253 00	for oxygen sensor Relay		1	CARRERA
14	911 610 013 01	for oxygen sensor Mounting plate		1	CARRERA
14	930 610 103 01	Mounting plate		1	TURBO
15	911 610 105 04	Cover		1	
16	911 615 115 00	Relay		1	
17	911 618 153 00	for Rear window heating Relay		1	
18	911 612 093 05	for Additional blower Fuse box		1	CARRERA
19	N 010 208 5	Triple Hexagon-head bolt		3	
20	N 012 226 5	M 6 X 8 Spring washer		3	
21	999 703 384 00	B 6 Megulastik pivot bearing		3	
21	999 703 384 01	Megulastik pivot bearing		2	
22	900 031 011 02	Washer		3	
23	900 910 096 02	6,4 Lock nut		3	
24	911 612 008 00	VM 6 Ground strap		1	
25	900 151 028 02	Washer		2	
25	900 151 028 01	B 4,3 X 12 Washer		2	
26	N 015 429 2	B 4,3 X 12 Speed nut		2	
26	N 015 429 6	B 4,2 X 16,5 Speed nut		2	
27	900 187 013 02	B 4,2 X 16,5 Hexagon-head tapping screw		2	
28	N 015 429 2	BZ 4,2 X 13 Speed nut		1	
28	N 015 429 6	B 4,2 Speed nut		1	
29	900 151 003 02	B 4,2 Washer		2	
29	900 151 006 03	A 6,4 Washer		2	
30	900 029 102 02	A 6,4 Wing screw		2	
31	928 618 111 00	Relay		1	M288
32	N 013 968 7	Headlight washer system Tapping screw		1	
32	900 143 097 01	B 4,8 X 13 Tapping screw		1	
33	911 618 149 01	B 4,8 X 13 Pulse sender		1	
34	N 013 970 5	Wipe interval Oval-head sheetmetal screw		1	
34	N 106 568 02	B 4,8 X 9,5 Oval-head sheetmetal screw		1	
35	N 017 121 1	B 4,8 X 9,5 Safety fuse		X	
35	N 017 121 5	8 AMP. Lock		X	
35	N 017 121 4	25 AMP. Lock		X	

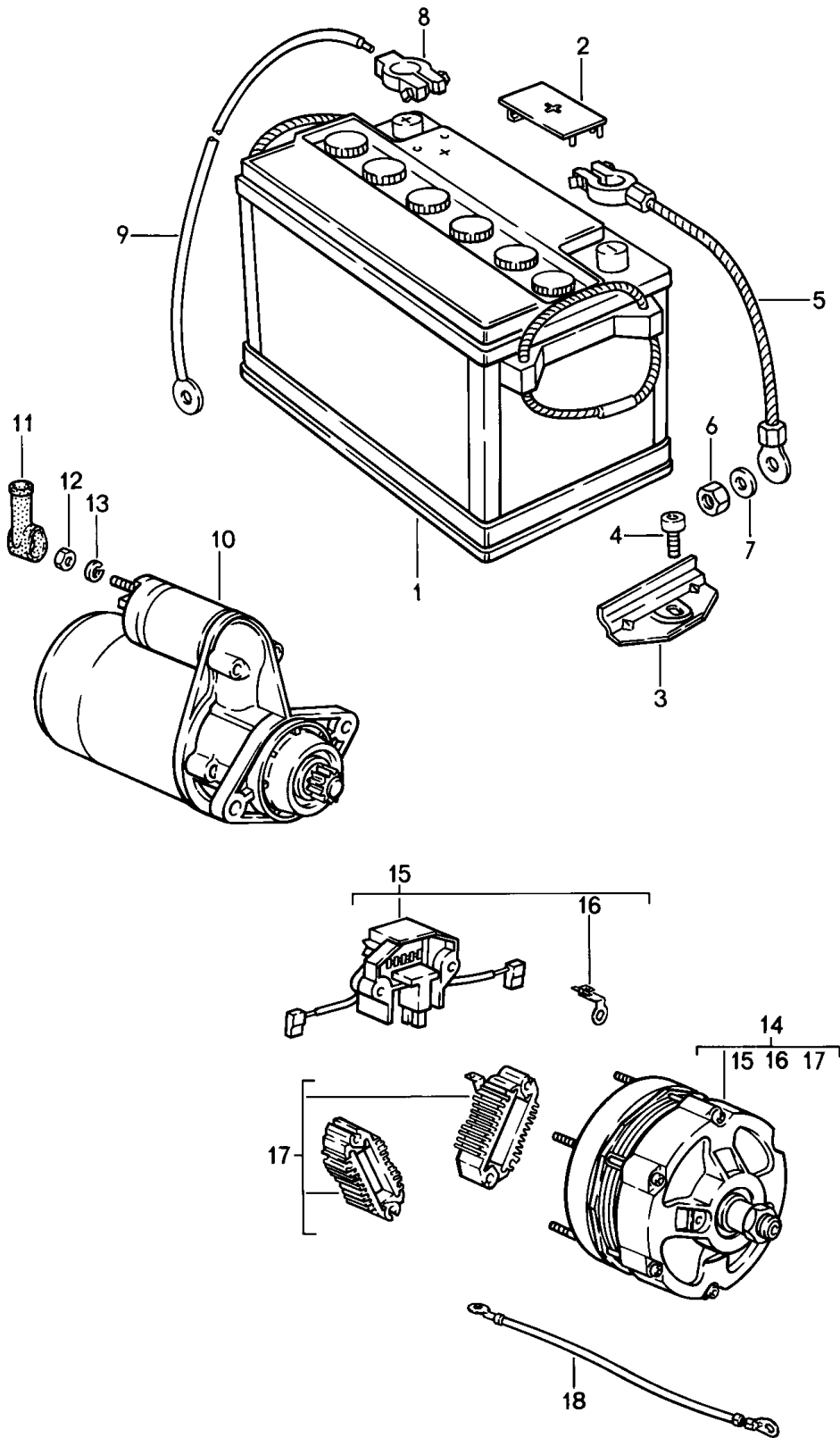
Model: 911 87

Model life 1987>>1989

Pos	Part Number	Description	Remark	Qty	Model
35	900 173 006 90	16 AMP. Safety fuse		X	
35	900 321 004 90	5 AMP. Lock		1	CABRIO M439
36	911 612 401 00	2,5 A Spacer		1	
37	900 025 002 02	Washer 4,3		2	
37	900 025 002 03	Washer 4,3		2	
38	900 143 076 02	Oval-head sheetmetal screw 4,2 X 25		1	
39	900 146 009 02	Oval-head screw 4 X 12		1	
40	999 507 401 40	Special nut		1	

Model: 911 87

Model life 1987>>1989



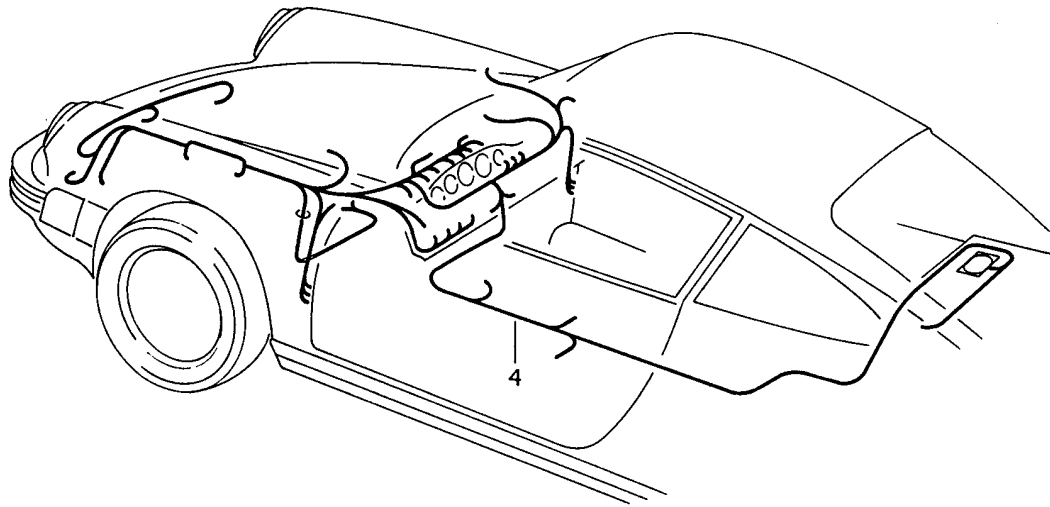
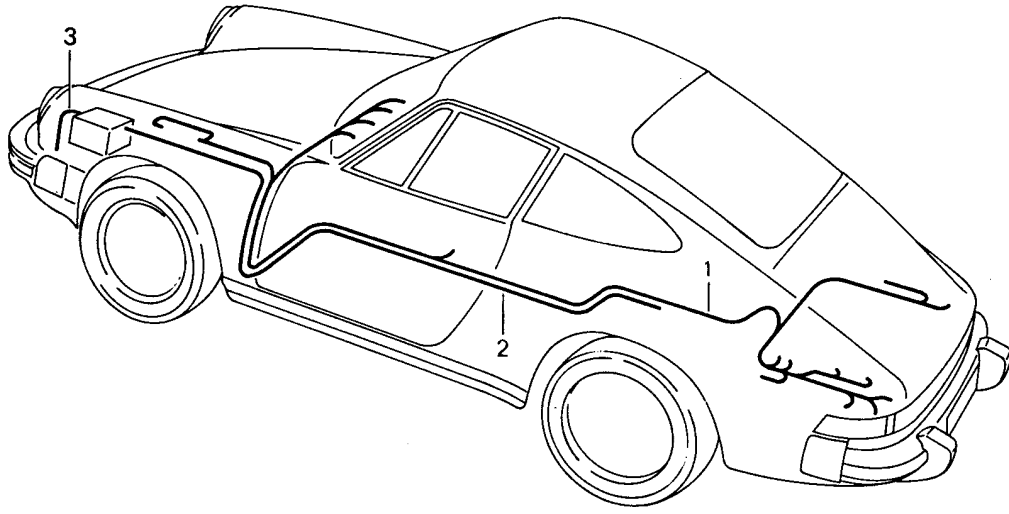
Model: 911 87

Model life 1987>>1989

Pos	Part Number	Description	Remark	Qty	Model
		Battery			
		Starter			
		Generator			
1	928 611 101 00	Battery		1	
		12 V 66 AH			
1	928 611 101 01	Battery		1	
		12 V 66 AH			
1	928 611 175 02	Battery		1	
		12 V 75 AH			
1	999 611 070 20	Battery		1	
		12 V 70 AH			
1	999 611 070 21	Battery		1	
		12 V 70 AH			
(1)	999 611 088 20	Battery		1	
		12 V 88 AH			
2	999 611 104 00	Pole covering		1	
3	911 611 209 00	Bracket		1	
4	N 014 725 2	Pan-head screw		1	
		M 8 X 25			
4	900 067 018 03	Pan-head screw		1	
		M 8 X 25			
5	911 611 899 00	Ground strap		1	
6	900 076 030 02	Hexagon nut		1	
		M 8 X 1			
7	900 025 025 02	Washer		1	
		8,4			
8	911 611 898 01	Terminal		1	
8	911 611 898 04	Terminal		1	
9	911 612 022 28	Battery-starter cable		1	
10	911 604 101 01	Starter		1	
10	911 604 101 AX	Starter		1	
11	999 659 006 50	Protection cap		1	
12	900 076 025 02	Hexagon nut		1	
		M 8			
12	900 076 064 02	Hexagon nut		1	
		M 8			
13	N 012 009 3	Lock ring		1	
		B 8			
14	911 603 120 05	Generator		1	
(14)	911 603 120 EX	Generator		1	
(14)	911 603 120 GX	Generator		1	
15	911 603 913 01	Electronic regulator		1	
16	911 603 911 00	Push-on connector		1	
17	911 603 910 01	Diode plate		1	
18	911 612 233 00	Ground strap		1	

Model: 911 87

Model life 1987>>1989

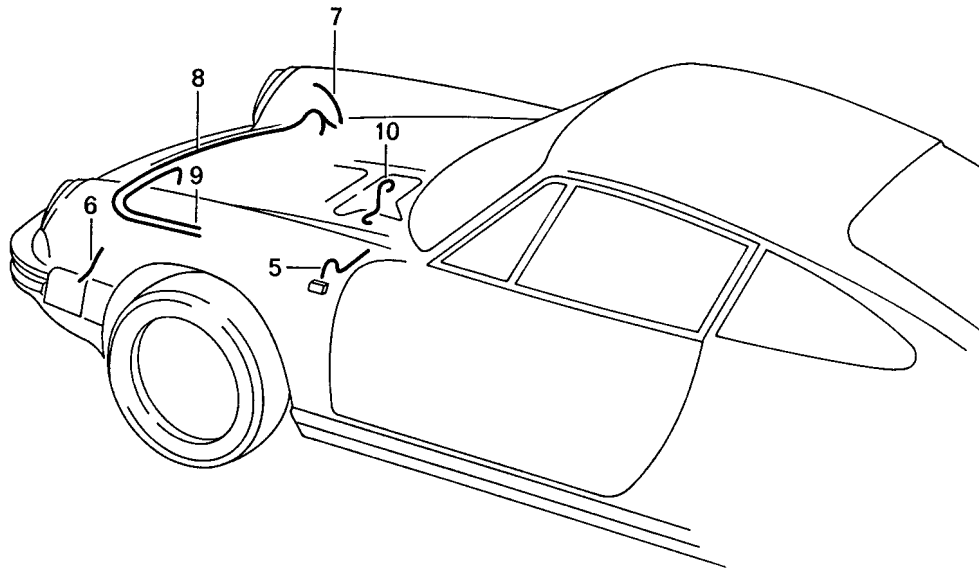
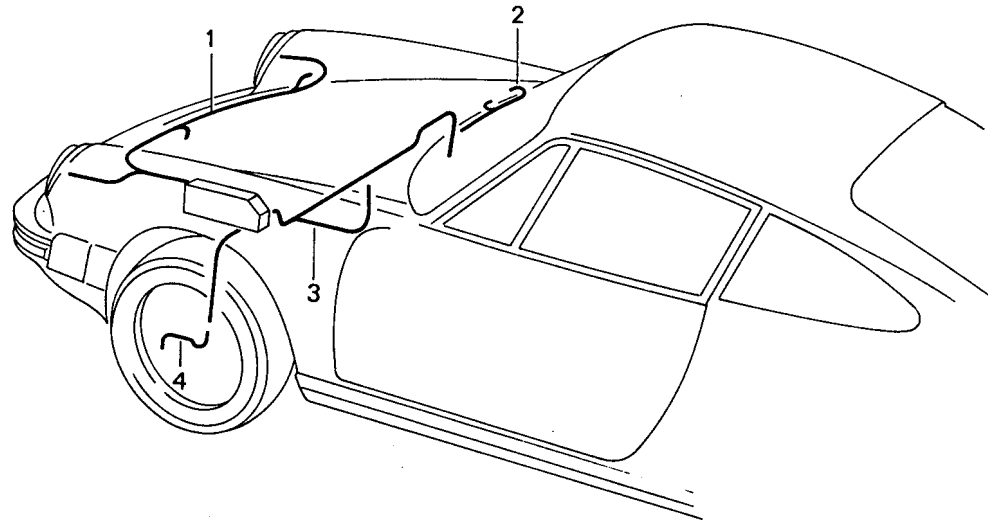


Model: 911 87 Model life 1987>>1989

Pos	Part Number	Description	Remark	Qty	Model
1	911 612 001 36	Wiring harnesses Passenger compartment Starter battery Boot floor plate Wiring harness NR. 1 Tunnel	/LL	1	CARRERA
1	930 612 001 11	Wiring harness NR. 1 Tunnel	/LL	1	TURBO
1	911 612 061 32	Wiring harness NR. 61 Tunnel	/RL	1	CARRERA
1	930 612 061 11	Wiring harness NR. 61 Tunnel	/RL	1	TURBO
2	911 612 022 28	Battery-starter cable NR. 22		1	
3	911 611 899 00	Ground strap 160 MM Battery		1	
4	911 612 002 20	Wiring harness NR. 2 Boot floor plate	/LL 87	1	CARRERA
4	911 612 002 25	Wiring harness NR. 2 Boot floor plate	/LL 88	1	CARRERA
4	911 612 002 26	Wiring harness NR.2 Boot floor plate	/LL 89	1	CARRERA
4	930 612 002 03	Wiring harness NR. 2 Boot floor plate	/LL 87	1	TURBO
4	930 612 002 06	Wiring harness NR. 2 Boot floor plate	/LL 88	1	TURBO
4	930 612 002 07	Wiring harness NR.2 Boot floor plate	/LL 89	1	TURBO
4	911 612 060 11	Wiring harness NR. 60 Boot floor plate	/RL 87	1	CARRERA
4	911 612 060 14	Wiring harness NR. 60 Boot floor plate	/RL 88	1	CARRERA
4	911 612 060 15	Wiring harness NR.60 Boot floor plate	/RL 89	1	CARRERA
4	930 612 060 03	Wiring harness NR. 60 Boot floor plate	/RL 87	1	TURBO
4	930 612 060 05	Wiring harness NR. 60 Boot floor plate	/RL 88	1	TURBO
4	930 612 060 06	Wiring harness NR.60 Boot floor plate	/RL 89	1	TURBO
4	911 612 148 13	Wiring harness NR.148 Loudspeaker		2	

Model: 911 87

Model life 1987>>1989



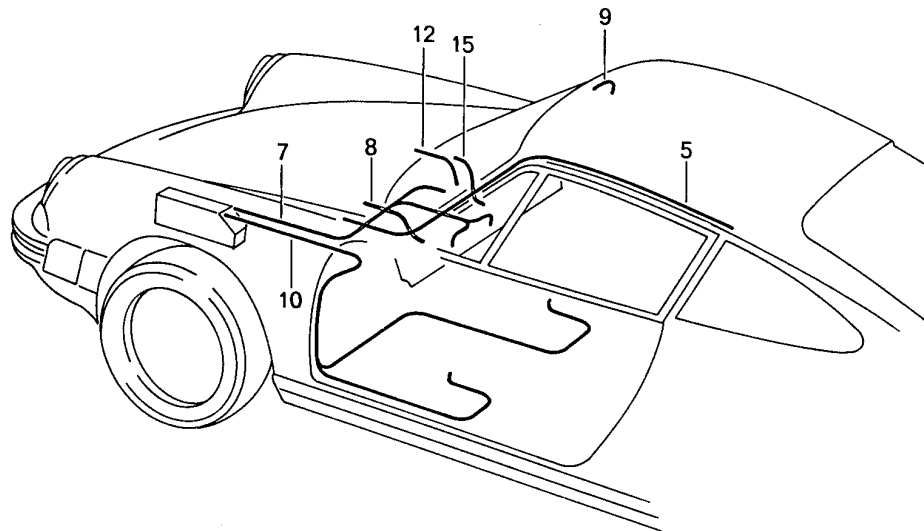
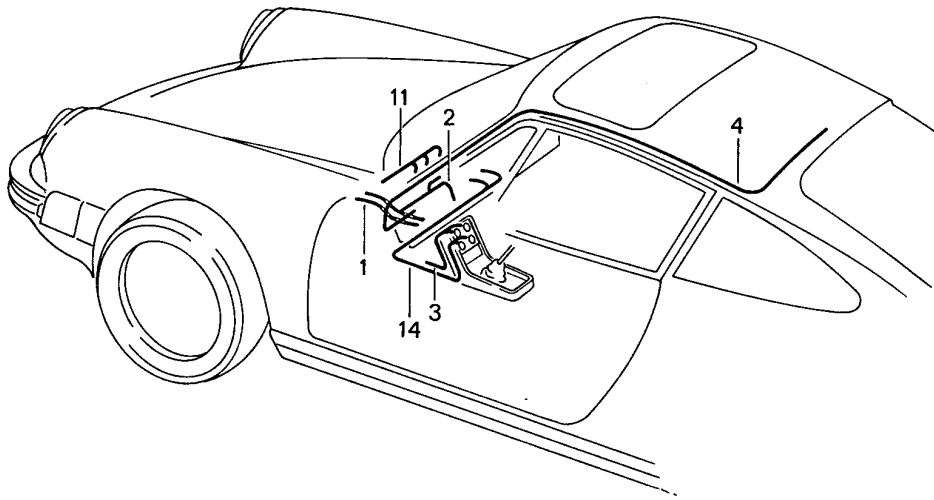
Model: 911 87

Model life 1987>>1989

Pos	Part Number	Description	Remark	Qty	Model
1	911 612 003 04	Wiring harnesses Body front section Wiring harness NR. 3 Headlamp		1	
2	911 612 044 21	Wiring harness NR. 44 Luggage compartment lamp		1	
3	911 612 052 00	Wiring harness NR. 52 Brake pad wear indicator		1	
4	944 612 211 00	Warning contact Brake pad wear indicator		2	
4	944 612 211 05	Warning contact Brake pad wear indicator		2	
5	911 612 177 02	Wiring harness NR. 177 Direction indicator light		2	
6	911 612 179 01	Wiring harness NR. 179 Pump Headlight washer system		1	
7	911 612 804 00	Wiring harness NR. 804 Temperature switch Oil cooler		1	
8	911 612 805 00	Wiring harness NR. 805 Blower Oil cooler		1	
9	911 612 080 04	Wiring harness NR. 80 Fuse box Condenser Blower		1	M559
10	901 612 084 00	Wiring harness NR. 28 Evaporator housing		1	M559

Model: 911 87

Model life 1987>>1989

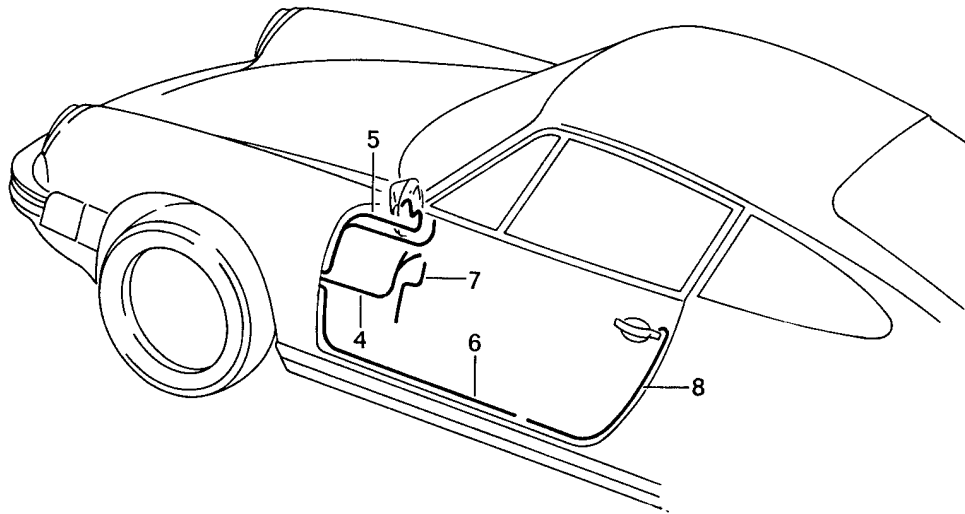
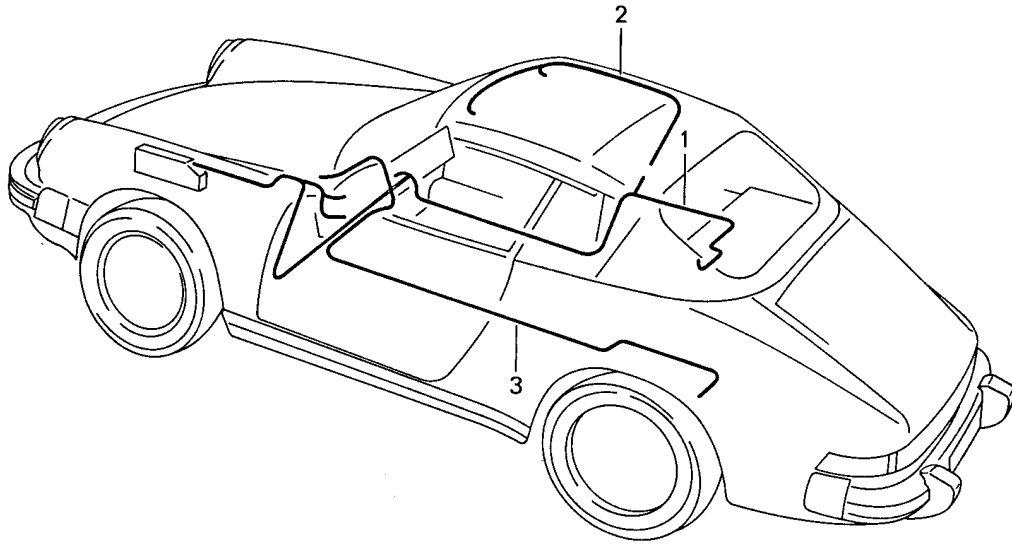


Model: 911 87 Model life 1987>>1989

Pos	Part Number	Description	Remark	Qty	Model
1	911 612 010 03	Wiring harnesses Passenger compartment Body Wiring harness NR. 10		1	
2	911 612 011 35	Push-pull light switch Wiring harness NR. 11		1	
3	911 612 014 31	Ignition starter switch Wiring harness NR. 14		1	
4	911 612 034 04	Hazard warning light sw. Rear window heating Wiring harness NR. 34	/LL	1	
4	911 612 064 04	Sunroof Wiring harness NR. 64	/RL	1	
5	911 612 045 03	Sunroof Wiring harness NR. 45		1	COUPE
5	911 612 042 62	Interior light Wiring harness NR. 42		1	TARGA/CABRIO
7	911 612 157 11	Interior light Wiring harness NR. 157	87	1	CARRERA
(7)	911 612 157 12	Cruise control regulator Wiring harness NR. 157	88-	1	
8	911 612 223 00	Cruise control regulator Single line NR. 91		1	
9	911 612 226 00	Switch Rear window wiper Ground strap NR. 91		1	TARGA/CABRIO
10	911 612 521 02	Interior light Wiring harness NR. 521		1	
11	930 612 169 02	Electric Adjustable and heatable Front seat Wiring harness NR. 169	(J)	1	
12	930 612 091 00	Indicator light -EX- Single line NR. 91		1	TURBO
14	911 612 029 01	Charging control indicator Diode Wiring harness NR. 29	/LL	1	M559
14	911 612 029 02	Thermo bi-metal switch Wiring harness NR. 29	/RL	1	M559
15	911 612 091 02	Thermo bi-metal switch Wiring harness NR. 91	(N)	1	
		Switch Fog headlamp			

Model: 911 87

Model life 1987>>1989

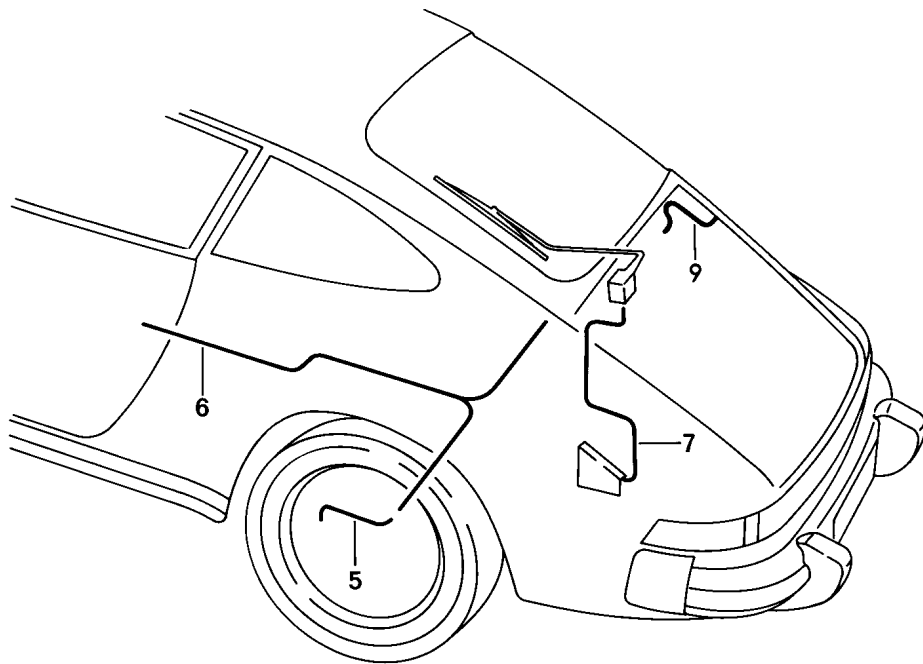
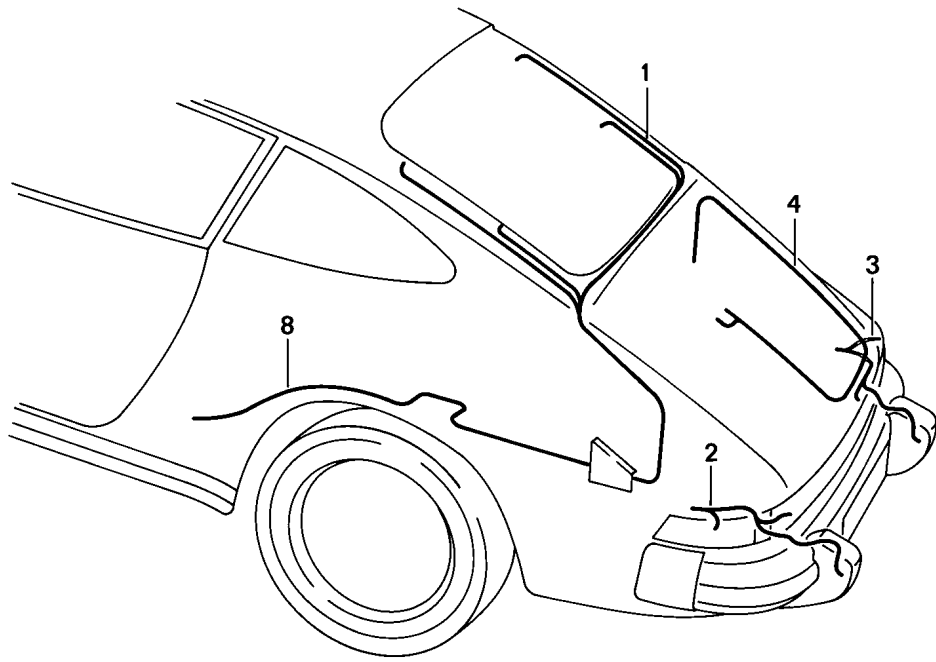


Model: 911 87 Model life 1987>>1989

Pos	Part Number	Description	Remark	Qty	Model
1	911 612 561 01	Wiring harnesses Body Door Wiring harness NR. 561 Cabriolet Convertible top	/LL	1	
1	911 612 562 00	Wiring harness NR. 562 Cabriolet Convertible top	/RL	1	
2	993 612 563 00	Wiring harness NR. 563 Convertible top		1	
3	930 612 171 00	Locking device Wiring harness NR. 171 Temperature sensor	(J)	1	
4	911 612 104 01	Wiring harness NR. 104 Switch Power windows		1	
4	911 612 104 02	Driver's door Wiring harness NR. 104 Switch Power windows		1	
5	911 612 165 04	Passenger's door Wiring harness NR. 165 Door mirror		1	
5	911 612 165 05	Driver's door Wiring harness NR. 165 Door mirror		1	M533
5	911 612 166 04	Driver's door Wiring harness NR. 166 Door mirror		1	
6	911 612 264 00	Passenger's door Wiring harness NR. 264 Central locking system	-88	2	
6	911 612 264 01	Wiring harness NR.264 Central locking system	89-	2	
7	911 612 048 00	Wiring harness NR. 48 Engine		2	
8	964 613 134 00	Power windows Microswitch for Central locking system		2	

Model: 911 87

Model life 1987>>1989

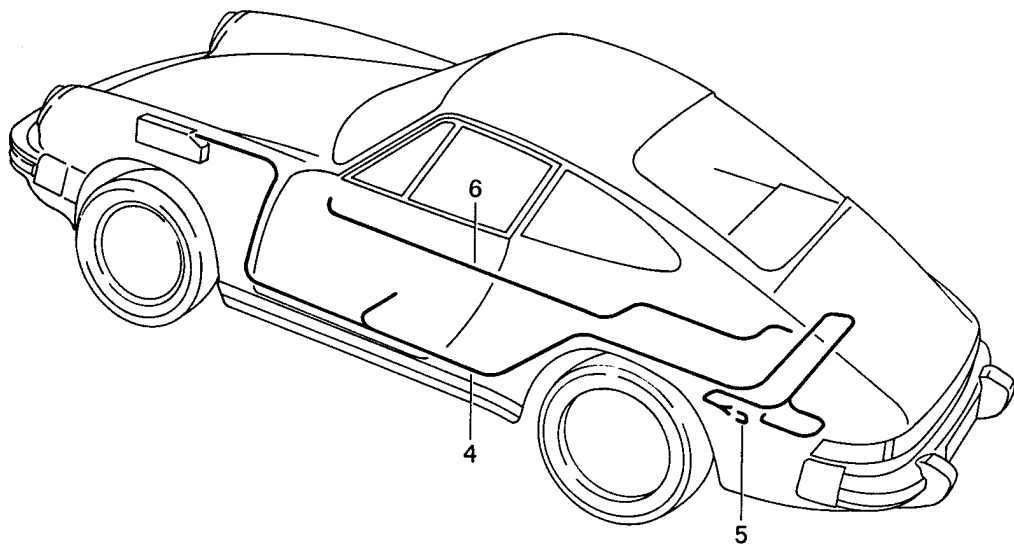
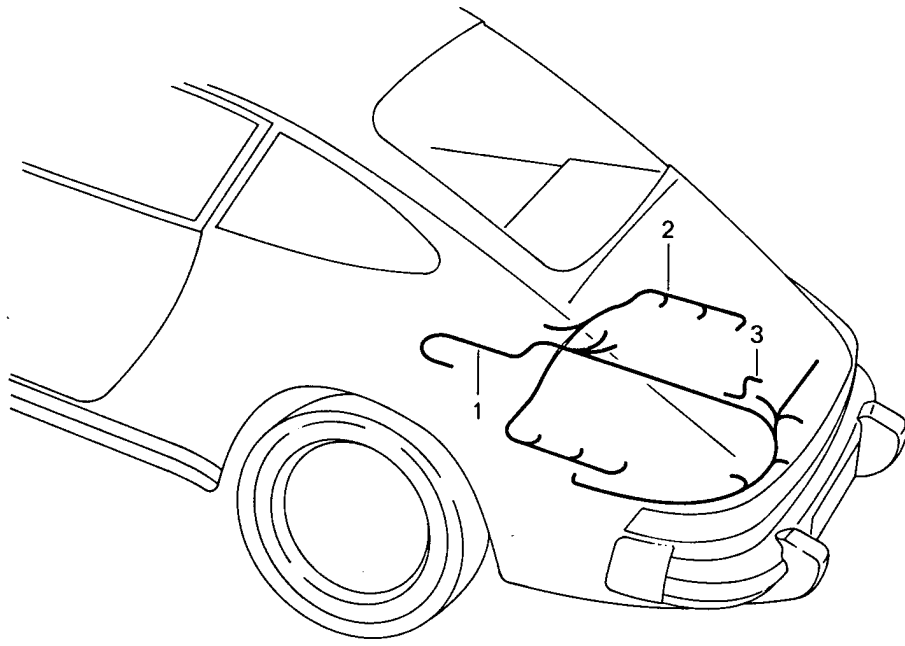


Model: 911 87 Model life 1987>>1989

Pos	Part Number	Description	Remark	Qty	Model
1	911 612 032 03	Wiring harnesses Rear end Wiring harness NR. 32 Rear window heating		1	
2	911 612 039 12	Wiring harness NR. 39 Rear light with rear foglamp	/L	1	
2	911 612 039 15	Wiring harness NR. 39 Rear light without rear foglamp	/L	1	
3	911 612 039 12	Wiring harness NR. 39 Rear light with rear foglamp	/R	1	
3	911 612 039 15	Wiring harness NR. 39 Rear light without rear foglamp	/R	1	
4	911 612 049 02	Wiring harness NR. 49 Engine compartment lamp		1	
5	944 612 211 02	Warning contact Brake pad wear indicator		2	CARRERA
5	944 612 211 03	Warning contact Brake pad wear indicator		2	CARRERA
5	930 612 211 00	Warning contact Brake pad wear indicator		2	TURBO CARRERA M491
5	930 612 211 02	Warning contact Brake pad wear indicator		2	TURBO CARRERA M491
6	911 612 051 00	Wiring harness NR. 51 Brake pad wear indicator		1	
7	911 612 031 02	Wiring harness NR. 31 Rear window wiper		1	
8	930 612 072 03	Wiring harness NR. 72 Fuel pump		1	TURBO
9	901 612 107 00	Ground strap for Bonnet		2	

Model: 911 87

Model life 1987>>1989

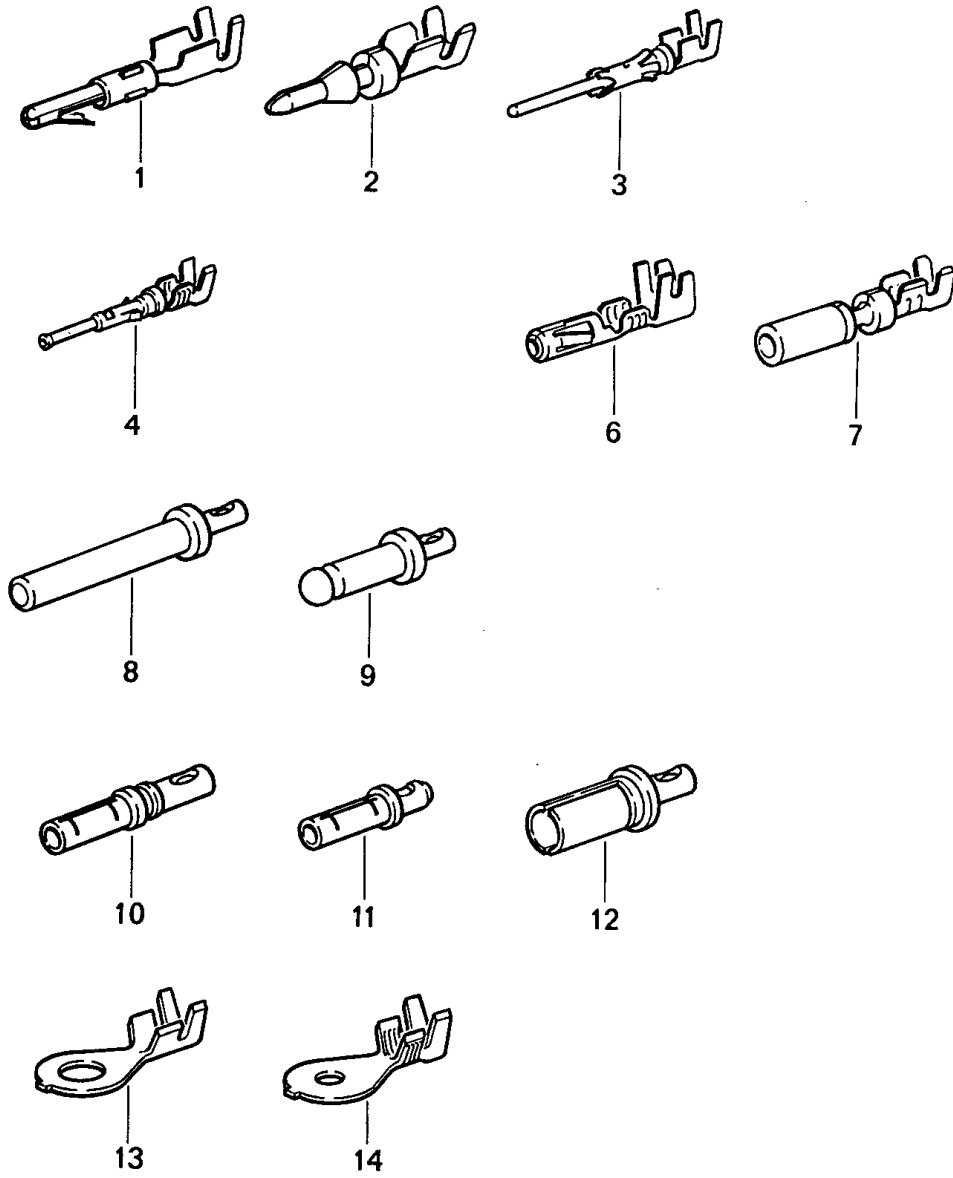


Model: 911 87 Model life 1987>>1989

Pos	Part Number	Description	Remark	Qty	Model
1	911 607 016 02	Wiring harnesses Engine - dme - O2 sensor closed-loop ctrl Wiring harness NR. 16		1	M30.20/25/26
1	930 607 016 02	Engine Wiring harness NR. 16		1	M30.66
2	911 607 174 04	Engine Wiring harness NR. 174		1	M30.20/25/26
3	911 612 233 00	Injector valve Ground strap NR. 91		1	
4	911 612 173 09	Generator Wiring harness NR. 173 - dme -		1	M30.20/25
-	944 612 130 00	Rubber sleeve Seal Body		1	
4	911 612 173 10	Wiring harness NR. 173 - dme -		1	M30.26
-	944 612 130 00	Rubber sleeve Seal Body		1	
-		Rubber sleeve Seal Body		1	
-		Rubber sleeve Seal Body		1	
5	911 612 422 00	Adapter plug for - dme -		1	M30.20/26
6	911 612 158 02	Wiring harness NR. 158 Cruise control		1	

Model: 911 87

Model life 1987>>1989



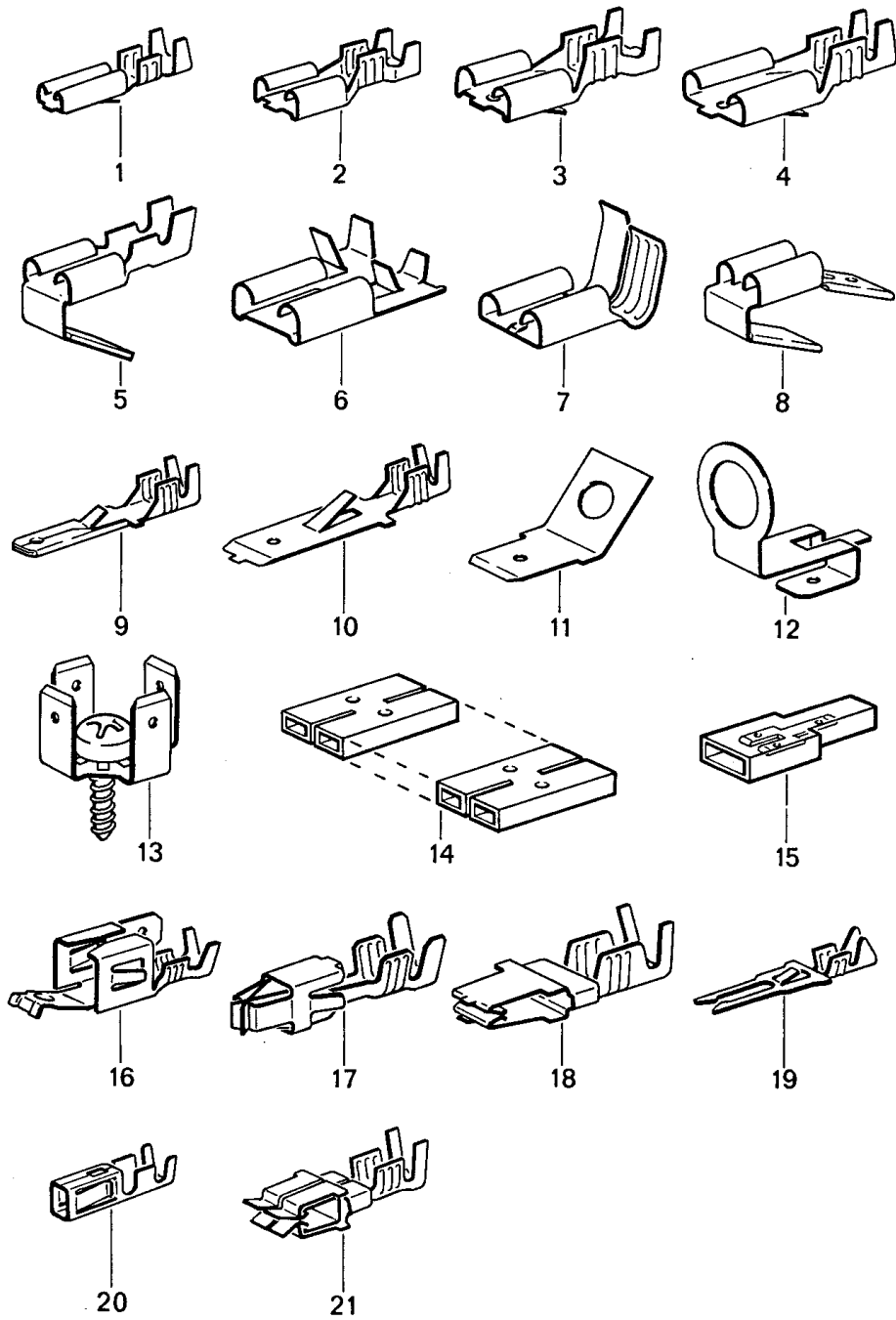
Model: 911 87

Model life 1987>>1989

Pos	Part Number	Description	Remark	Qty	Model
1	N 017 586 2	Round connector Contact pin Cable shoe		X	
2	944 612 428 00	Round connector \$ 0,5 - 1,0 CUZN		X	
3	N 017 564 1	Round connector \$ 0,5 - 1,0 CUSN		X	
4	N 017 562 4	Cylindrical socket \$ 0,5 - 1,0 CUSN		X	
6	N 017 599 4	Cylindrical socket \$ 2,5 - 6,0 CUSN		X	
7	944 612 427 00	Contact bush \$ 0,75 - 1,5 CUSN		X	
8	999 652 369 12	Pin \$ 0,5 - 2,0 CUAG		X	
9	911 612 907 00	Contact pin \$ 0,5 - 2,0 CUAG		X	
9	911 612 907 01	Contact pin \$ 0,5 - 2,0 CUAG		X	
10	944 612 548 00	Contact bush \$ 0,5 - 2,0 CUAG		X	
11	999 652 351 22	Contact bush \$ 0,5 - 2,0 CUAG		X	
12	999 652 371 12	Contact bush \$ 0,5 - 2,0 CUAG		X	
13	N 017 505 4	Cable shoe \$ 5,0 - 1,0		X	
(13)	N 017 515 4	Cable shoe \$ 5,0 - 2,5		X	
(13)	N 017 516 2	Cable shoe \$ 6,0 - 2,5		X	
(13)	999 650 532 00	Cable shoe \$ 8,0 - 2,5 CUSN		X	
(13)	999 652 246 10	Cable shoe \$ 8,0 - 2,5 CUZN		X	
(13)	999 652 225 10	Cable shoe \$ 8,0 - 2,5 CUZN		X	
(13)	999 652 235 10	Cable shoe \$ 10 - 2,5		X	
14	999 652 208 10	Cable shoe \$ 6,0 - 2,5		X	

Model: 911 87

Model life 1987>>1989



Model: 911 87

Model life 1987>>1989

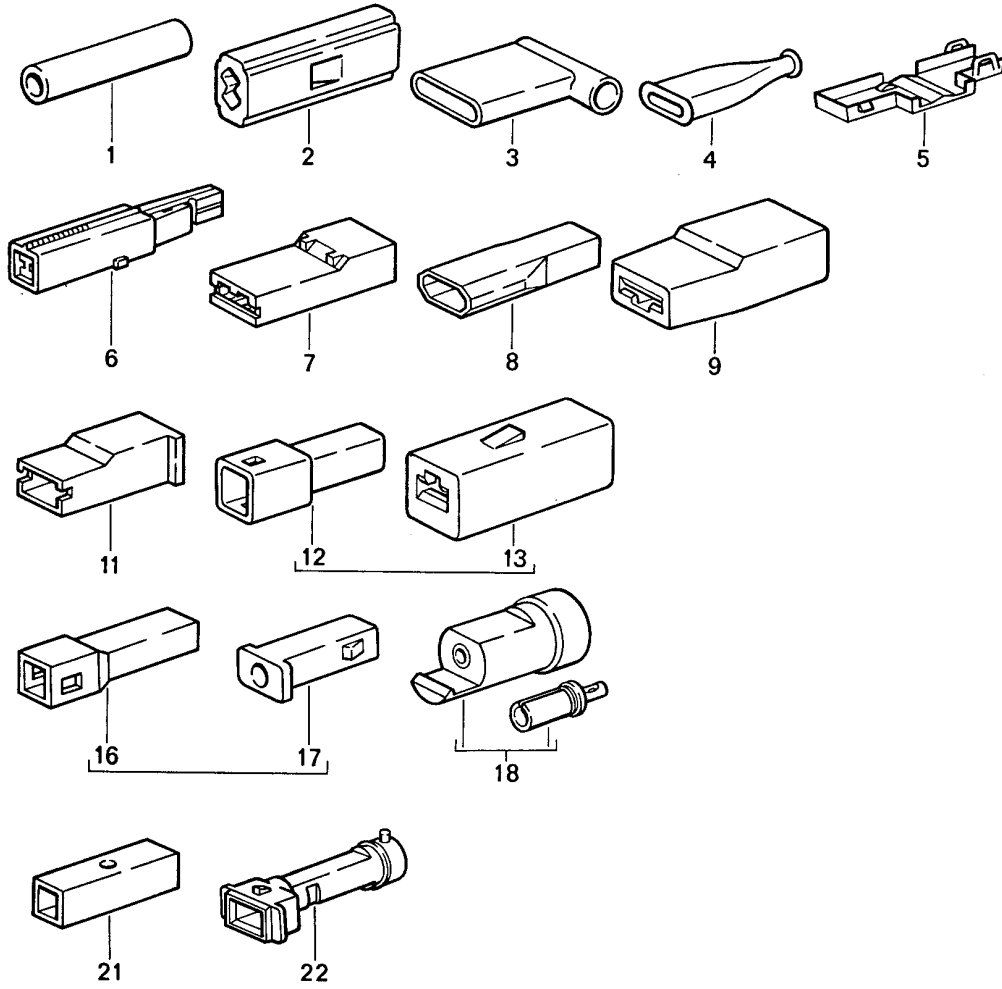
Pos	Part Number	Description	Remark	Qty	Model
1	111 971 958	Flat plug Push-on connector Flat receptacle with Clip 2,8 X 1		X	
(1)		Flat receptacle without Clip 2,8 X 1 CUZN		X	
(1)		Flat receptacle without Clip 2,8 X 1 CUSN		X	
(1)	N 017 243 1	Flat receptacle without Clip 2,8 X 1,5 CUZN		X	
2	111 971 959	Flat receptacle with Clip 6,3 X 0,8		X	
(2)	PCG 971 959	Flat receptacle without Clip 6,3 X 1,0 SN		X	
2	N 017 491 8	Flat receptacle with Clip 6,3 X 2,5 CUZN		X	
2	N 017 494 3	Flat receptacle with Clip 6,3 X 6,0 CUSN		X	
(2)	999 652 106 02	Flat receptacle without Clip 6,3 X 1,5 CUSN		X	
(2)		Flat receptacle without Clip 6,3 X 1,5 CUZN		X	
(2)	N 017 491 8	Flat receptacle without Clip 6,3 X 2,5 CUZN		X	
(2)	N 017 494 3	Flat receptacle without Clip 6,3 X 6,0 CUZN		X	
3	N 017 453 1	Flat receptacle without Clip 7,7 X 2,5 CUZN		X	
3	N 017 245 1	Flat receptacle without Clip 7,7 X 10 CUSN		X	
5	N 017 242 1	Flat receptacle with Push-on connector 6,3 X 1		X	
6	N 017 498 2	Flat receptacle		X	

Model: 911 87 Model life 1987>>1989

Pos	Part Number	Description	Remark	Qty	Model
-	N 017 498 A	6,3 X 1 Flat plug		X	
7	999 652 116 02	7,7 X 1 CuZn Retaining bracket		X	
8	999 652 122 10	6,3 X 1,5 Multiple plug connector		X	
9	N 017 457 2	6,3 Flat plug with Clip		X	
10	111 971 985	2,8 X 1 Flat plug with Clip		X	
10	111 971 986	6,3 X 1 Flat plug with Clip		X	
11	999 652 125 10	6,3 X 2,5 Flat plug		X	
11	999 652 315 02	6,3 \$ 2,8 Flat plug		X	
11		6,3 \$ 5,3 CUSN Flat plug		X	
(11)		6,3 \$ 5,3 CUZN Flat plug		X	
12	911 603 911 00	6,3 \$ 5,3 Push-on connector		X	
13	171 971 519 A	6,3 Ground connector		X	
13	PCG 971 519 A	Ground connector		X	
14	999 652 142 40	Push-on connector		X	
(14)		6,3 12-FACH Push-on connector		X	
(14)		6,3 5-FACH Push-on connector		X	
(14)		6,3 Triple Push-on connector		X	
(14)		6,3 2-FACH Push-on connector		X	
15	999 652 151 40	6,3 1-FACH Push-on connector		X	
16	999 652 275 10	6,3 Contact		X	
17	N 903 353 03	6,3 Contact spring		X	
18	999 652 451 22	\$ 2,5 - 3,5 Coding element		X	
19	999 652 380 12	6,3 \$ 0,5 - 1,0 Contact spring		X	
19	477 971 827 B	\$ 0,4 - 0,75 Cable connection		1	
19		2-FACH Cable connection		1	
20	999 652 269 12	1-FACH Contact spring		X	
21	999 652 456 22	Contact spring		X	
		\$ 0,75 - 1,5			

Model: 911 87

Model life 1987>>1989



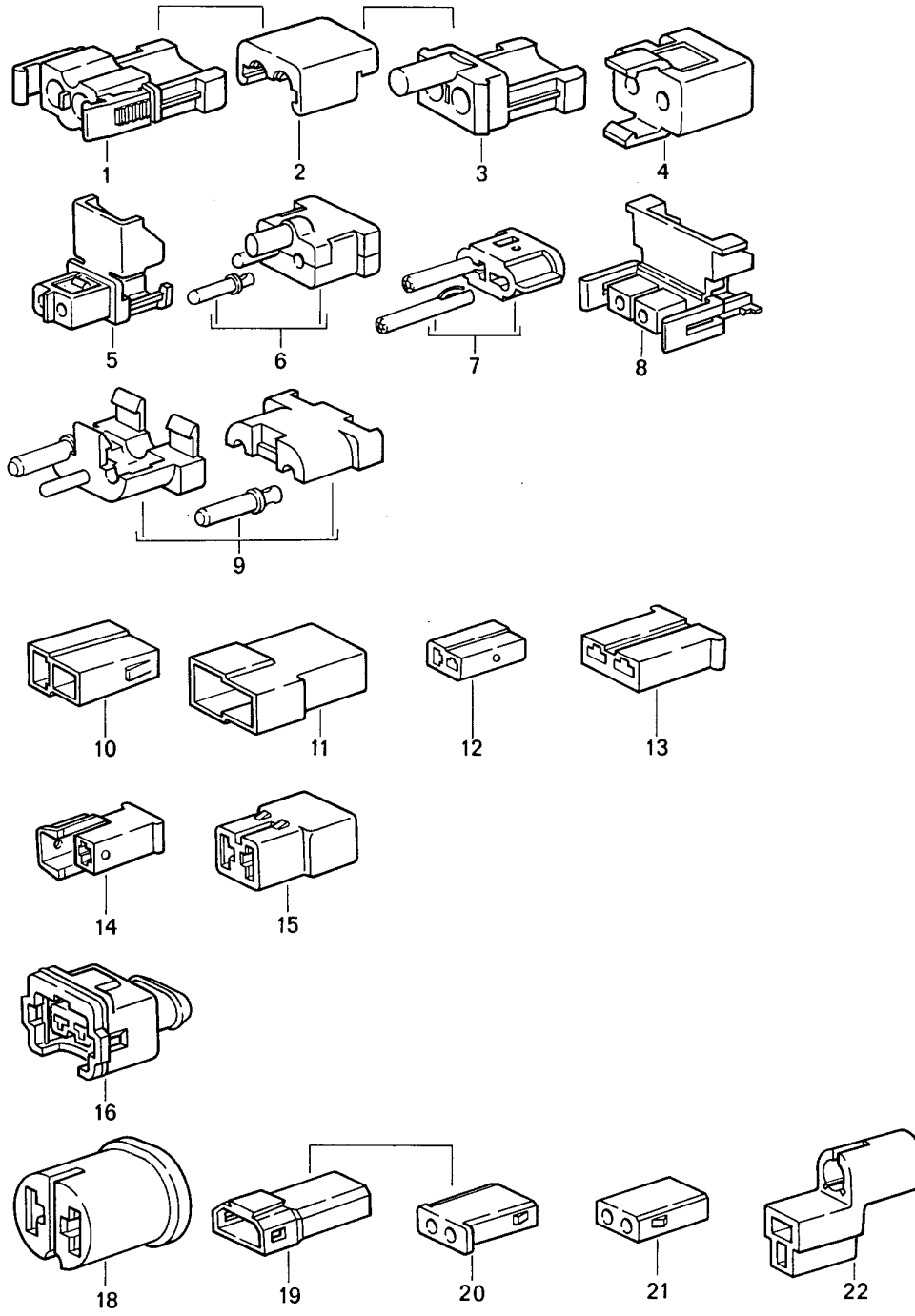
Model: 911 87

Model life 1987>>1989

Pos	Part Number	Description	Remark	Qty	Model
		Insulated cable connection Connector housing Single pole			
1	999 652 149 40	Insulated cable connection \$ 1,5		X	
2	111 971 921	Protection cap 6,3		X	
3	999 652 160 40	Sleeve 6,3		X	
5	211 971 921	Protection cap 6,3		X	
6	059 905 371	Diode connector 6,3		X	
7	111 971 921 B	Connector housing 6,3		X	
8	999 652 119 40	Connector housing 6,3		X	
9	825 971 990	Terminal sleeve housing 6,3		X	
11	431 971 995	Flat connector socket 6,3		X	
12	823 971 976	Flat connector socket 2,8		X	
13	823 971 990	Terminal sleeve housing 2,8		X	
16	171 971 998	Connector housing 1,6		X	
17	171 971 999	Terminal sleeve housing 1,6		X	
18	999 653 002 90	Connector housing with		X	
-	999 652 371 12	Contact bush		X	
21	111 971 977	Flat connector socket 6,3		X	
22	813 972 643 A	Flat connector socket		X	

Model: 911 87

Model life 1987>>1989

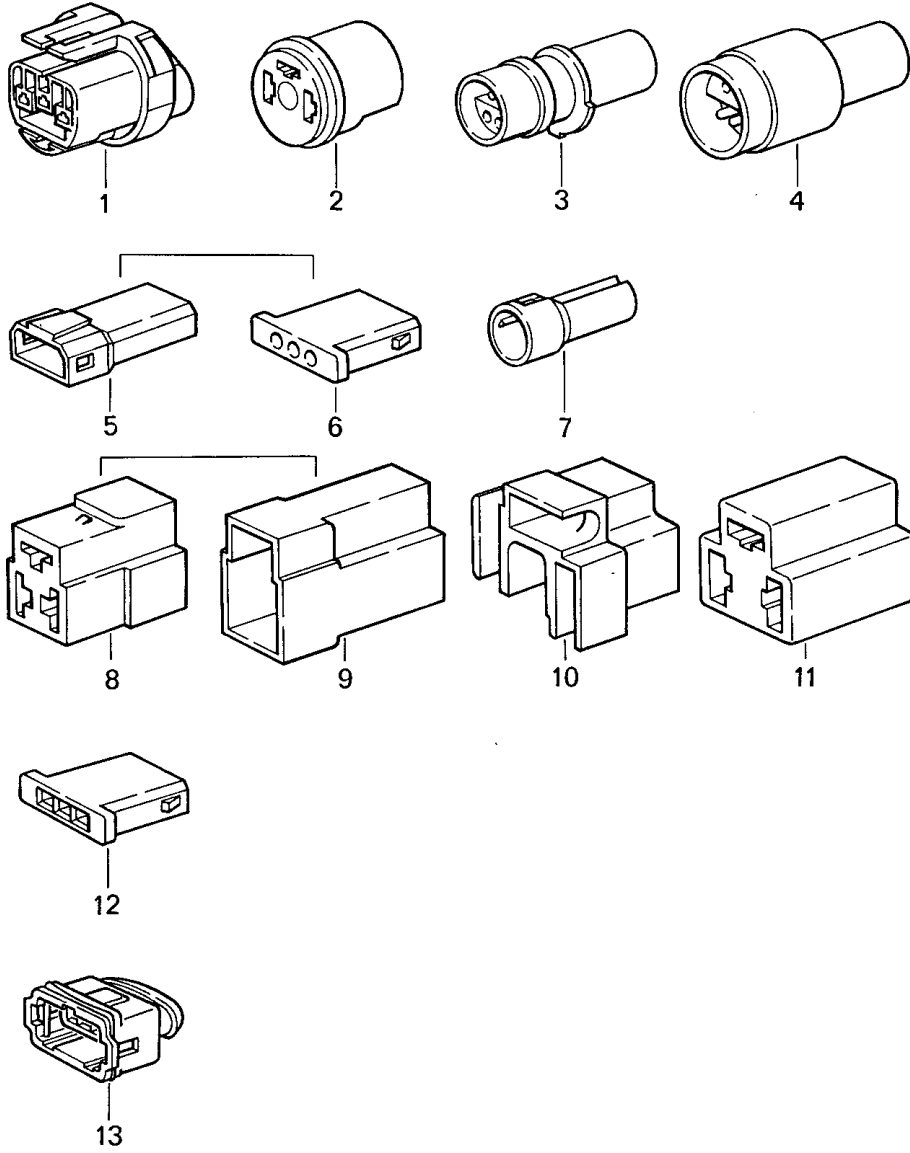


Model: 911 87 Model life 1987>>1989

Pos	Part Number	Description	Remark	Qty	Model
1	999 652 370 40	Connector housing 2-pole		X	
-	999 652 371 12	Connector housing for		X	
2	999 652 372 40	Contact bush		X	
3	999 652 368 40	Clip		X	
-	999 652 369 12	Connector housing for		X	
4	911 612 887 00	Pin		X	
-	999 652 351 22	Connector housing for		X	
5	928 612 557 00	Contact bush		X	
-	944 612 548 00	Connector housing with		X	
6	999 652 381 00	Contact bush		2	
7	911 645 112 00	Adapter plug with		1	
8	944 612 547 00	Contact pin		2	
-	944 612 548 00	Connector housing for		X	
9	911 612 118 00	Contact bush		X	
10	815 971 989 A	Connector housing with		2	
11	815 971 988 A	6,3		X	
12	810 971 989	Connector housing 6,3		X	
13	171 906 231	Connector housing 6,3		X	
14	171 971 934	Connector housing 6,3		X	
15	815 971 989	Connector housing 6,3		X	
16	022 906 231 A	Connector housing Grey		X	
-	N 903 353 03	for		X	
16	928 612 825 00	Contact spring		X	
18	810 971 993	Connector housing Beige		X	
19	171 971 998 A	Terminal sleeve housing 1,6		X	
20	171 971 999 A	Connector housing 1,6		X	
21		Terminal sleeve housing 1,6		X	
22	944 612 439 00	Connector housing for Cigarette lighter		X	

Model: 911 87

Model life 1987>>1989



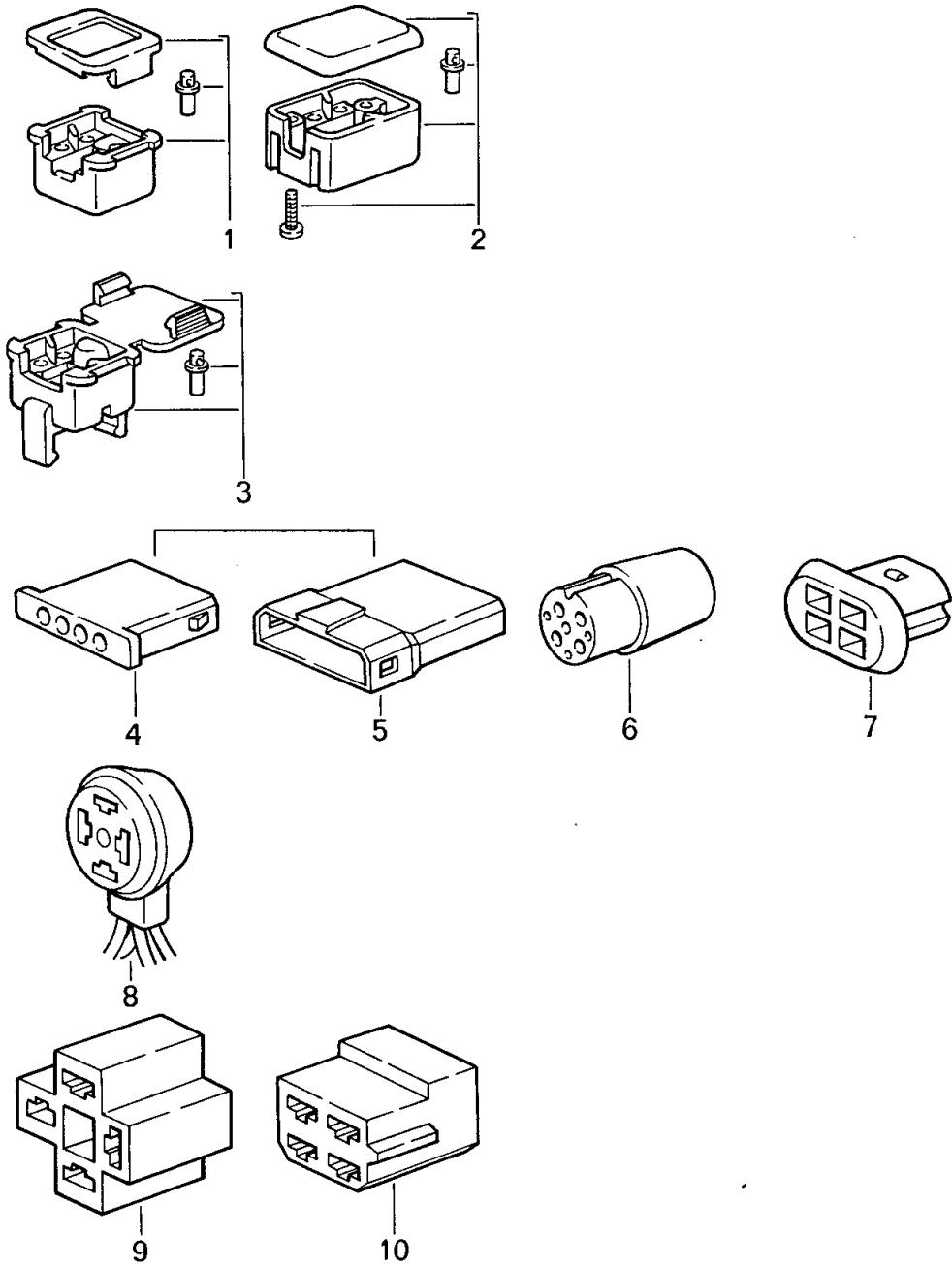
Model: 911 87

Model life 1987>>1989

Pos	Part Number	Description	Remark	Qty	Model
		Connector housing 3-pole			
1	165 941 165	Connector housing 3,5		X	
2	113 945 525	Terminal sleeve housing 6,3		X	
3	944 612 436 00	Connector for		X	
4	944 612 435 00	Connector housing for		X	
5	171 971 998 B	Connector housing 1,6		X	
6	171 971 999 B	Terminal sleeve housing 1,6		X	
7	113 919 113	Connector housing 1,6		X	
8	821 971 970	Connector housing 6,3		X	
9	821 971 975	Flat connector socket 6,3		X	
10	111 941 341	Terminal sleeve housing 6,3		X	
11	914 612 327 10	Connector housing 6,3		X	
12	311 906 231 B	Connector housing		X	
13	022 906 233 B	Connector housing		X	

Model: 911 87

Model life 1987>>1989



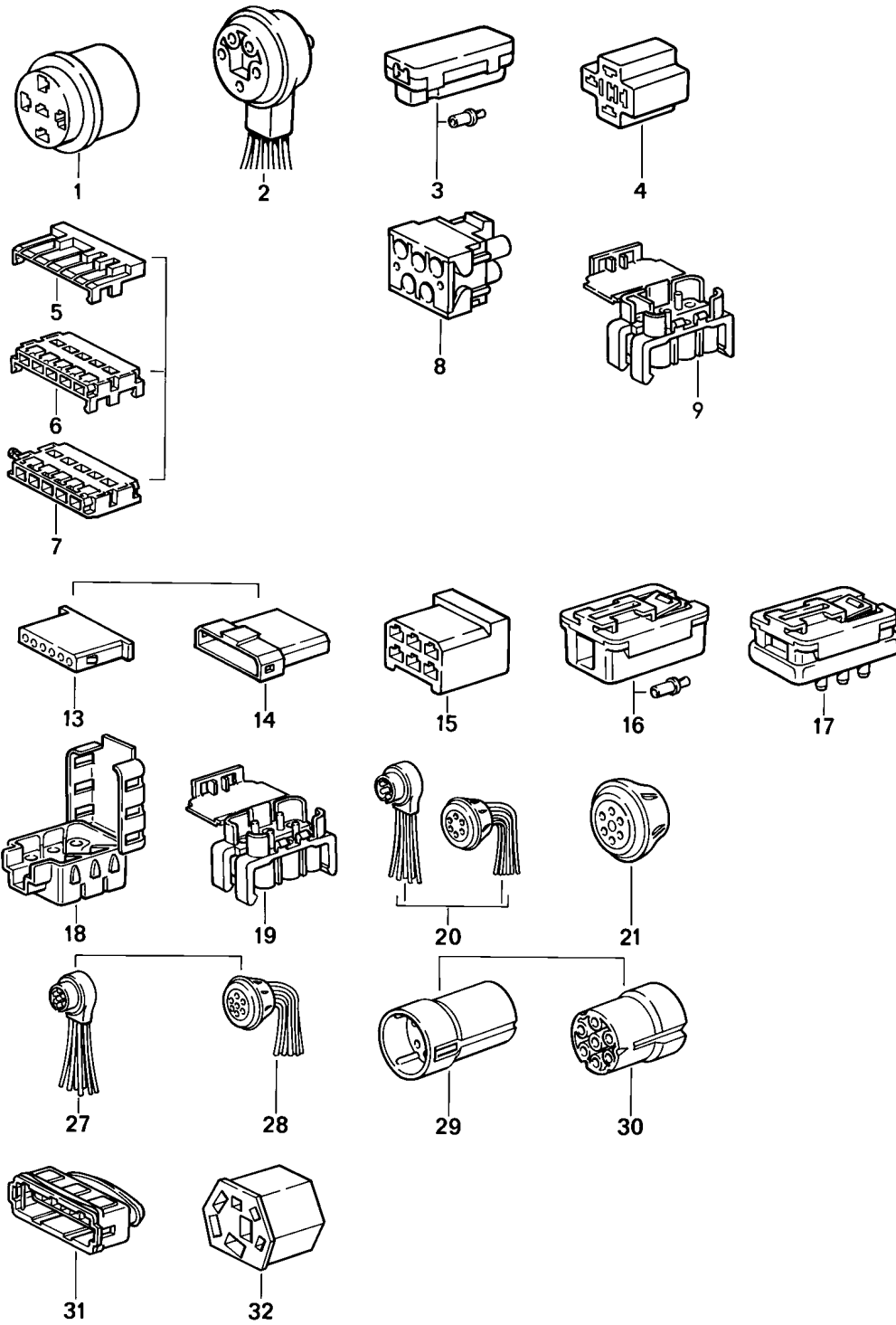
Model: 911 87

Model life 1987>>1989

Pos	Part Number	Description	Remark	Qty	Model
1	901 612 891 01	Connector housing 4-pole		X	
-	999 652 371 12	Connector housing with Contact bush		3	
2	901 612 891 00	Connector housing with		X	
-	999 652 371 12	Contact bush		4	
3	944 612 217 00	Connector housing for		X	
-	999 652 351 22	Contact bush		X	
4	171 971 999 C	Connector housing 1,6		X	
5	171 971 998 C	Connector housing 1,6		X	
6	914 612 325 00	Plug socket 1,6		X	
7	928 612 131 00	Connector housing		X	
8	901 612 334 00	Plug socket		X	
9	928 631 108 00	Connector housing 6,3		X	
10	803 905 897	Connector housing 6,3		X	

Model: 911 87

Model life 1987>>1989



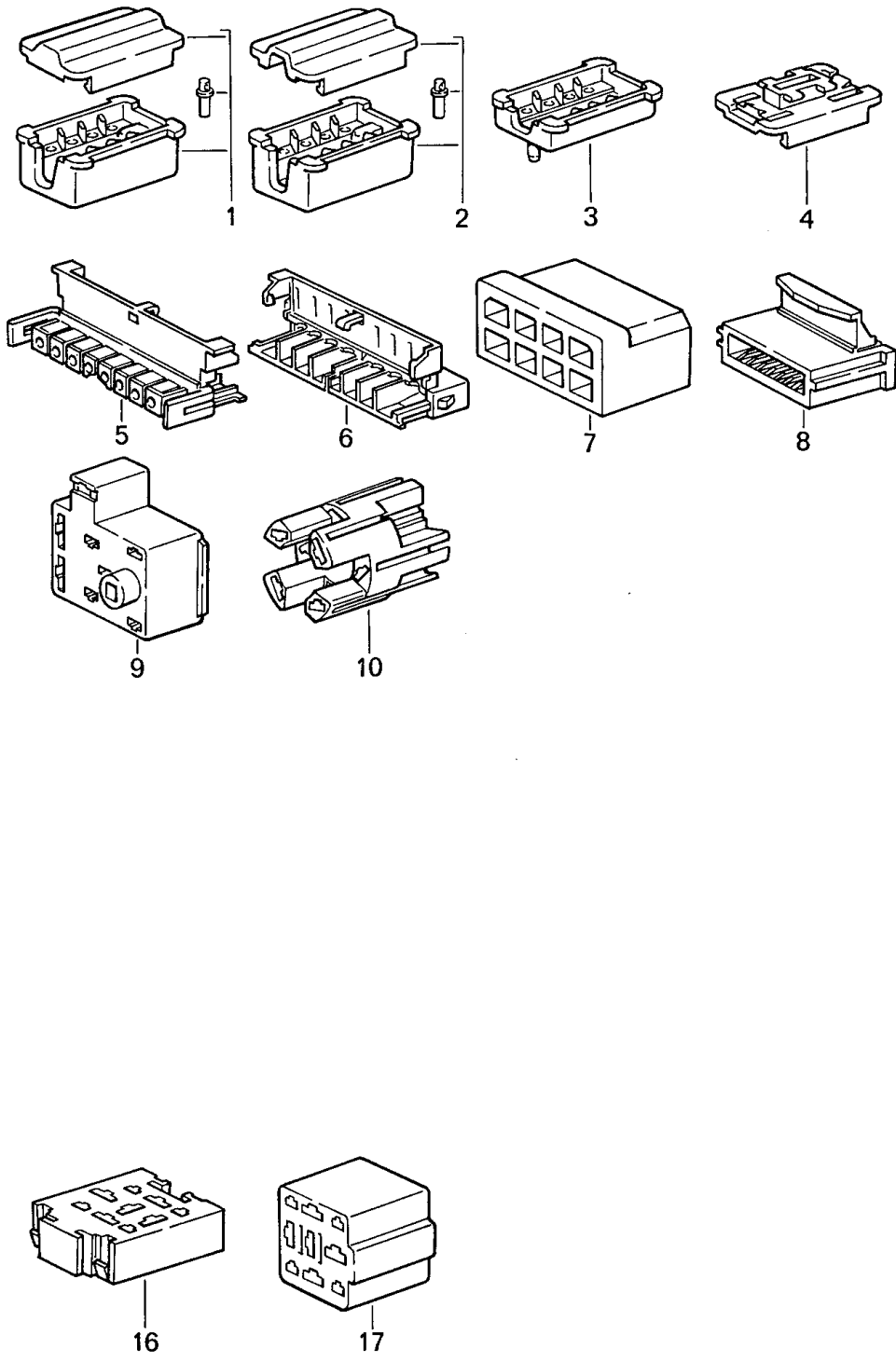
Model: 911 87

Model life 1987>>1989

Pos	Part Number	Description	Remark	Qty	Model
		Connector housing 5-pole			
		6-pole			
		7-pole			
		5-pole			
1	113 971 835	Terminal sleeve housing 2,8		X	
2	901 612 333 00	Plug socket for Standard type relay		X	
3	928 612 411 00	Clutch		X	
4	803 971 835 A	Terminal sleeve housing for Relay		X	
5	928 612 335 25	Coding element		1	
6	928 612 332 00	Module housing		X	
-	999 652 451 22	Coding element		X	
7	928 612 331 00	Initial housing		X	
8	928 612 542 00	Clutch housing		X	
9	944 612 539 00	Clutch 6-pole		X	
13	171 971 999 E	Connector housing 1,6		X	
14	171 971 998 E	Connector housing 1,6		X	
15	803 971 831	Terminal sleeve housing 6,3		X	
16	911 612 868 01	Clutch with Clip		X	
17	911 612 867 02	Connector with Contact pin with Clip		X 6	
18	928 612 469 00	Clutch for Contact pin		X X	
19	944 612 537 00	Clutch		X	
20	901 612 330 00	Multiple plug connection		X	
21	901 612 061 00	Push-on connector 7-pole		X	
27	911 612 331 00	Connector		X	
28	911 612 332 00	Plug socket		X	
29	803 971 980	Pin connector socket for Contact pin \$ 3,5 for Contact pin \$ 1,6		X 1 6	
30	803 971 979	Plug socket for Contact bush \$ 3,5 for Contact bush 1,6		X 1 6	
31	071 906 233	Terminal sleeve housing for Flat connector		X	
32	111 953 631	Terminal sleeve housing 2,8 / 6,3		X	

Model: 911 87

Model life 1987>>1989



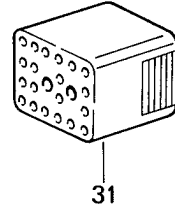
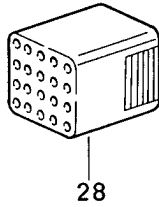
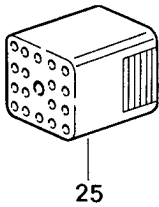
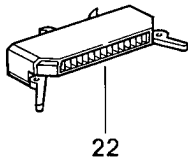
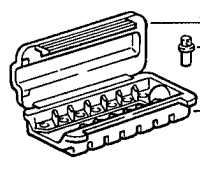
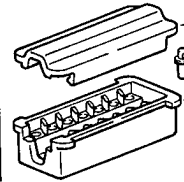
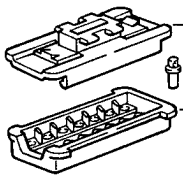
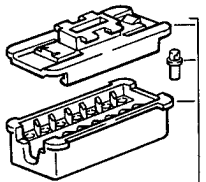
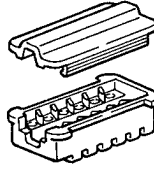
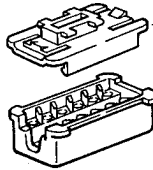
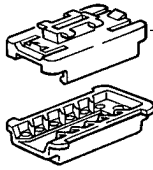
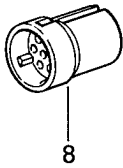
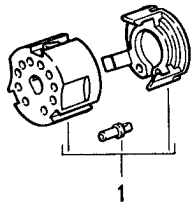
Model: 911 87

Model life 1987>>1989

Pos	Part Number	Description	Remark	Qty	Model
		Connector housing 8-pole			
		9-pole			
		8-pole			
1	944 612 117 00	Connector housing		X	
		with			
-	999 652 371 12	Contact bush		8	
2	928 612 117 01	Connector housing		X	
		with			
-	999 652 371 12	Contact bush		8	
3	999 652 395 40	Connector housing		X	
4	999 652 396 40	Clip		X	
5	944 612 554 00	Connector housing		X	
		for			
-	944 612 548 00	Contact bush		X	
6	944 612 553 00	Connector housing		X	
7	803 971 971	Connector housing		X	
		6,3			
8	113 971 998 B	Connector housing		X	
9	321 971 999 A	Terminal sleeve housing		X	
		2,8 / 6,3			
10	911 612 120 00	Connector housing		X	
		6,3			
		9 - POLIG			
16	135 937 501 A	Relay carrier		X	
		2,8 / 6,3			
17	849 941 593	Connector housing		X	
		2,8 / 6,3			

Model: 911 87

Model life 1987>>1989



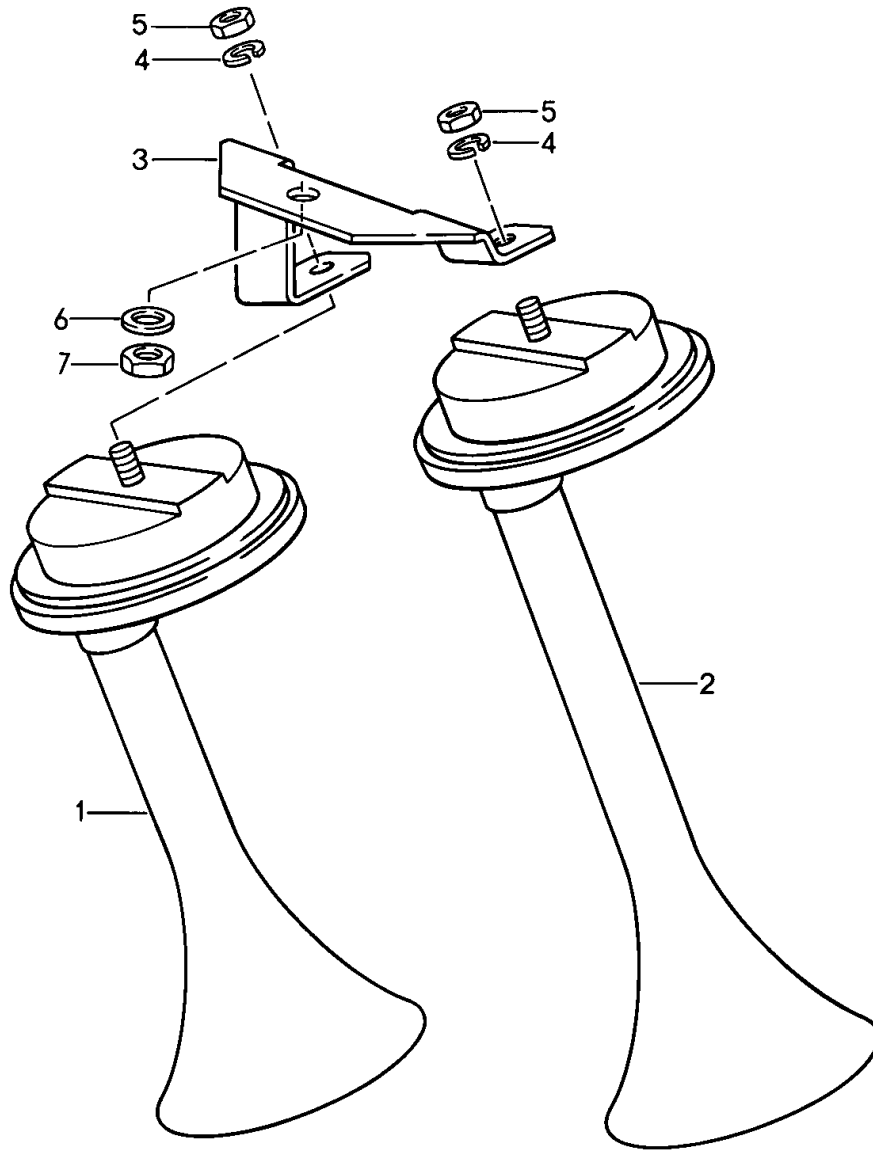
Model: 911 87

Model life 1987>>1989

Pos	Part Number	Description	Remark	Qty	Model
		Connector housing 10-pole Until 22-pole 10-pole			
1	911 612 889 00	Connector housing with		X	
-		Contact bush		10	
2	944 613 531 01	Connector housing for		X	
-	944 612 548 00	Contact bush 12-pole		10	
8	861 972 524	Connector housing 1,6 / 3,5		X	
9	911 612 122 02	Plug socket with		X	
		Contact bush		12	
9	911 612 122 04	Plug socket with		X	
		Contact bush		12	
10	928 612 423 00	Connector housing		X	
11	911 612 884 00	Connector housing		X	
11	911 612 121 01	Connector housing 14-pole		X	
16	911 612 115 02	Connector housing		X	
17	911 612 113 05	Connector housing		X	
18	911 612 115 03	Connector housing		X	
19	944 612 215 00	Connector housing without		X	
		Contact bush 99965235122 17-pole		14	
22	944 612 311 00	Connector housing for		X	
-	999 652 380 12	Contact spring 19-pole		X	
25	171 971 971 C	Connector housing Nature		X	
(25)	171 971 971 E	Connector housing White		X	
		20-pole			
28	171 971 971	Connector housing Yellow		X	
(28)	171 971 971 D	Connector housing Red		X	
		22-pole			
31	171 971 971 A	Connector housing Black		X	
(31)	171 971 971 B	Connector housing Blue		X	

Model: 911 87

Model life 1987>>1989



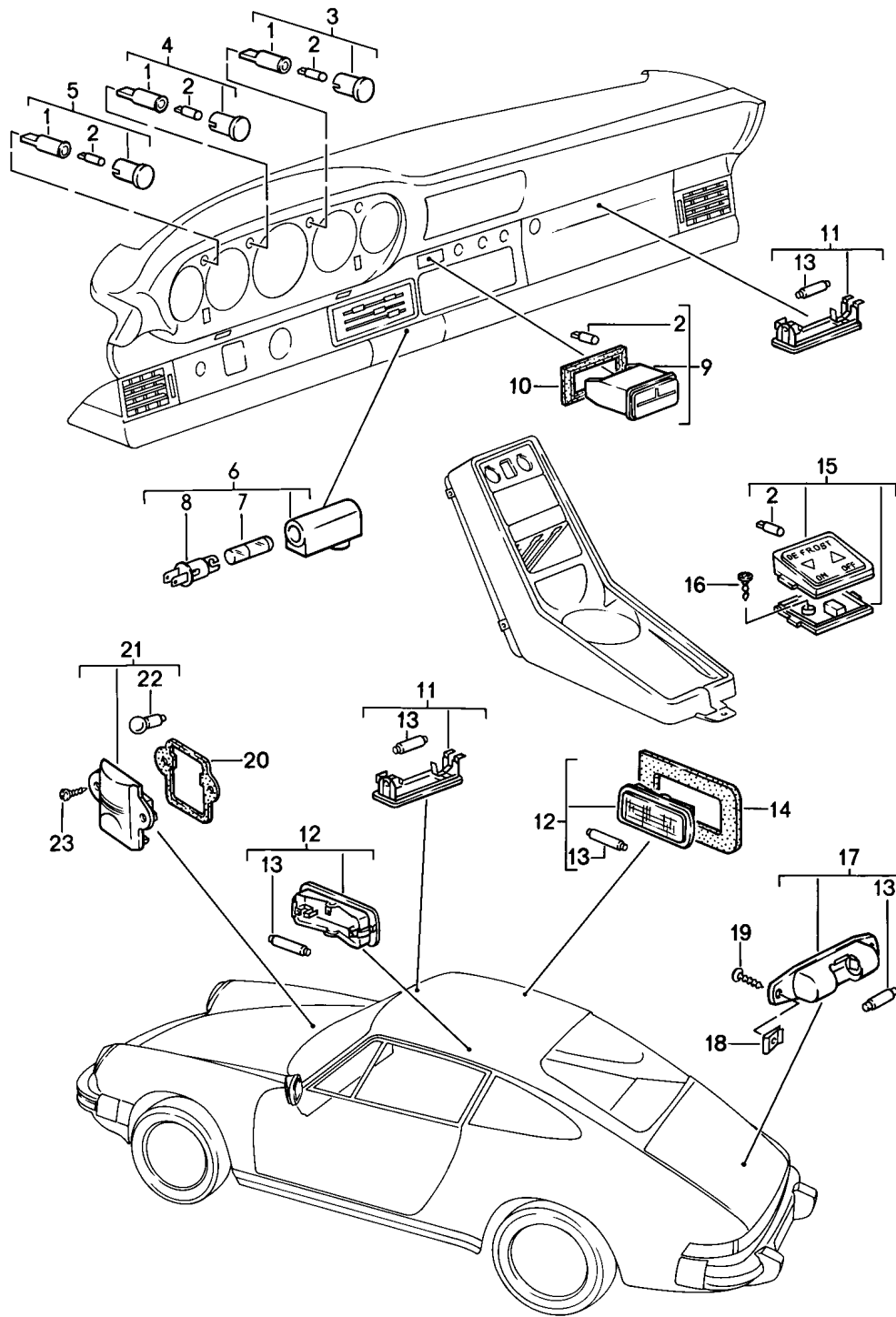
Model: 911 87

Model life 1987>>1989

Pos	Part Number	Description	Remark	Qty	Model
1	911 635 101 20	Horn Fanfare High-pitched		1	
1	911 635 101 21	Fanfare Short High-pitched		1	
2	911 635 102 20	Fanfare Long Low-pitched		1	
(2)	911 635 102 21	Fanfare Long Low-pitched		1	
3	911 635 107 00	Support		1	
4	N 042 121 3	Shake-proof washer A 6,4		2	
5	900 076 010 02	Nut M 6		2	
5	900 076 010 0B	Nut M 6		2	
6	N 011 525 13	Washer A 8,4		1	
7	900 076 025 02	Hexagon nut M 8		1	
7	900 076 064 02	Hexagon nut M 8		1	

Model: 911 87

Model life 1987>>1989

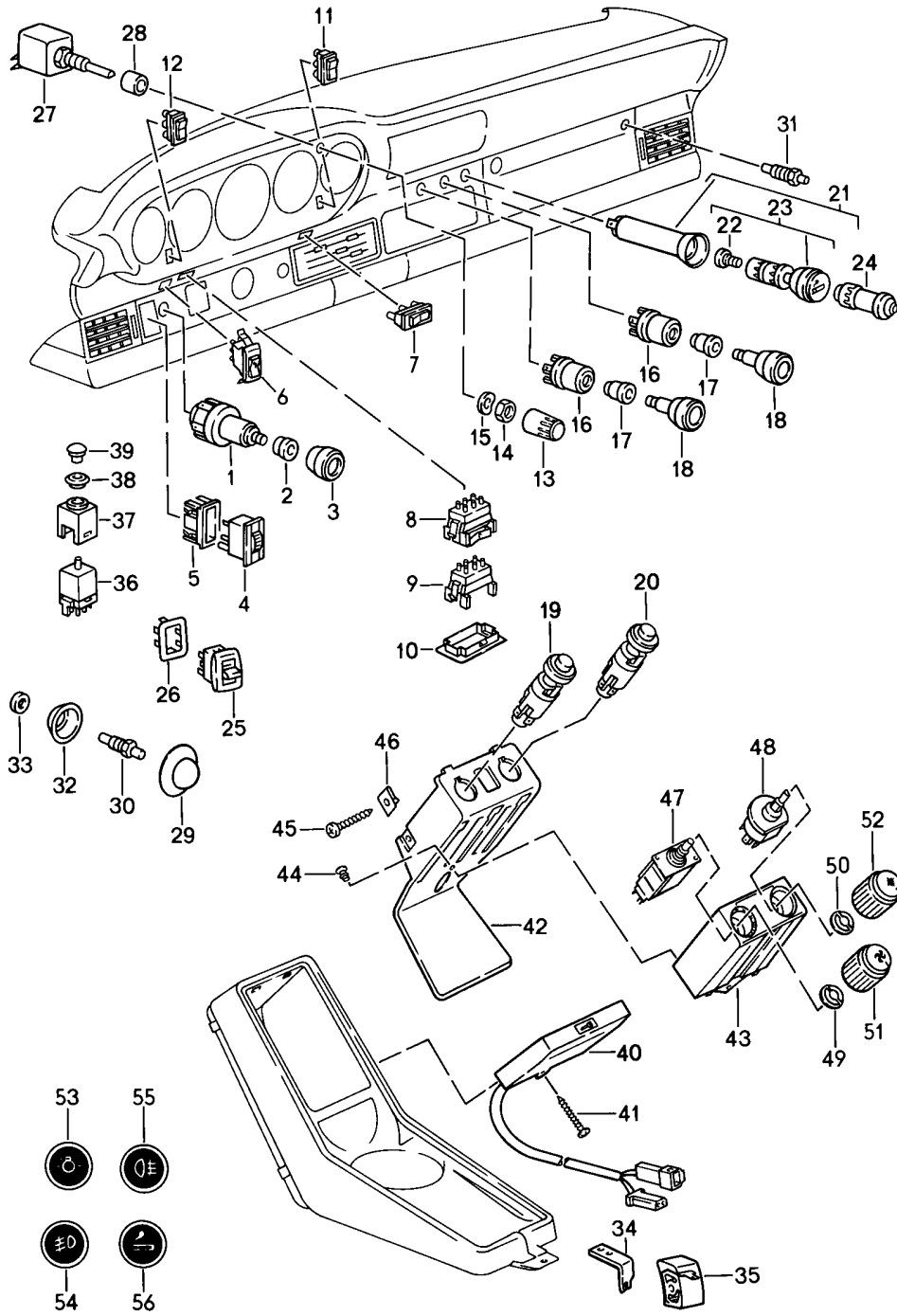


Model: 911 87 Model life 1987>>1989

Pos	Part Number	Description	Remark	Qty	Model
1	111 919 243	Interior lights		X	
2	900 631 132 90	Bulb socket		X	
3	911 632 015 01	Bulb 1,2 W	(J)	1	
4	911 632 017 00	Indicator light "EX"		1	CABRIO M439
5	911 632 016 00	Indicator light Convertible top Trailer coupling		1	M208
6	911 632 904 00	Ashtray light		1	
7	900 631 102 90	Light		1	
8	911 632 114 00	2 W Bulb socket 2-pole		1	
9	911 632 211 00	Indicator light		1	
-	PCG 632 211 10	Lens		1	
9	944 632 213 00	Combination warning light for 91163221100	(AUS)	1	
-	PCG 632 213 00	Lens	(AUS)	1	
9	911 799 632 01	Combination warning light	(AUS) 89-	1	
9	911 799 632 00	Combination warning light	(GB) 89-	1	
10	911 632 116 01	Grommet		1	
11	911 632 102 00	Light		1	
11		Light		1	TARGA/CABRIO
12	901 632 101 28	Interior light		2	COUPE
13	900 631 106 90	Linolite lamp		X	
14	964 555 153 00	10 W Desk pad		2	COUPE
17	911 631 315 01	Engine compartment lamp		1	
18	999 507 028 02	Speed nut		2	
19	N 014 093 3	B 4,2 Oval-head sheetmetal screw		2	
20	901 632 291 00	B 4,2 X 13 Desk pad	-88	1	
21	901 632 201 01	Luggage compartment lamp	-88	1	
(21)	959 632 201 00	Luggage compartment lamp	89-	1	
22	900 631 106 90	Linolite lamp	89-	1	
22	900 631 115 90	10 W Bulb		1	
23	N 013 961 2	10 W Oval-head sheetmetal screw		2	
23	N 013 961 11	B 3,9 X 13 Oval-head sheetmetal screw		2	
		B 3,9 X 13			

Model: 911 87

Model life 1987>>1989



Model: 911 87 Model life 1987>>1989

Pos	Part Number	Description	Remark	Qty	Model
1	911 613 029 03	Switch Push-pull light switch		1	
2	911 613 213 07	Rosette		1	
3	911 613 214 05	Knob		1	
	911 613 214 05 01C	Black			
4	911 631 231 00	Switch Headlight levelling system		1	M605
4	911 631 231 01	Switch Headlight levelling system		1	M605
5	911 613 342 00	Rosette		1	M605
	911 613 342 00 01C	Black			
6	911 613 622 00	Tip switch for sliding roof And Convertible top control		1	
6	911 613 622 01	Tip switch for sliding roof And Convertible top control		1	
7	911 613 319 02	Tip switch for Intensive windscreen washer		1	
8	928 613 240 00	Switch		1	
	928 613 240 00 01C	Satin black			
9	928 612 325 00	Adapter plug		1	
	928 612 325 00 01C	Black for electric adjustment			
10	911 613 615 01	Door mirror Support		1	
	911 613 615 01 1DB	Black for Mirror changeover switch			
11	911 613 319 01	Tip switch for Headlight washer system		1	
12	911 613 321 01	Tip switch for Rear window wiper		1	
13	911 618 011 00	Knob		1	
14	911 618 209 00	Hexagon nut M 7 X 0,75		1	
15	900 028 019 01	Spring washer B 7		1	
16	911 613 149 00	Switch		2	
17	911 613 213 03	Rosette		2	
18	911 613 028 10	Knob		2	
19	911 613 124 32	Hazard warning light sw.		1	
-	900 631 102 90	Light 2 W		1	
20	911 613 148 00	Switch for Rear window heating		1	
20	911 613 159 00	Switch for Door mirror Heated		1	CABRIO
21	911 652 102 06	Cigarette lighter		1	
21	911 652 102 08	Cigarette lighter		1	
22	644 652 112 00	Glower for Cigarette lighter		1	
23	911 652 122 02	Connector for		1	

Model: 911 87

Model life 1987>>1989

Pos	Part Number	Description	Remark	Qty	Model
24	901 613 801 00	Cigarette lighter Connector for		1	
25	911 613 621 03	Auxiliary unit Switch for window opener		3	
26	911 613 635 20	Assembly frame		1	
27	911 618 147 01	Potentiometer		1	
27	911 618 147 02	Potentiometer		1	
28	911 618 207 00	Spacer sleeve		1	
29	901 615 616 20	Rubber cap		2	
30	928 613 147 00	Door contact switch for		2	
31	901 615 601 02	Interior light Contact switch for		1	
31	901 615 601 03	Glove compartment light Contact switch for		1	
(31)	964 613 601 00	Glove compartment light Door contact switch for		1	
32	901 615 615 20	Luggage compartment lamp Concave washer		2	
33	900 031 001 60	Washer 8,4		X	
34	901 613 523 20	Contact bow for Handbrake Indicator light		1	
35	901 613 521 20	Contact switch		1	
36	928 613 241 00	Switch for Door mirror		1	
37	911 613 423 00	Assembly frame		1	
38	911 613 425 00	Rosette		1	
39	911 613 425 00 01C	Black		1	
39	911 613 082 00	Knob		1	
40	911 613 082 00 01C	Black		1	
40	911 613 609 01	Keypad		1	
40	911 613 609 01 01C	Black for Central locking system		1	
41	999 141 018 02	Half-round screw		1	
42	911 613 069 01	Cassette carrier		1	
42	911 613 069 01 70B	Black		1	
43	911 613 611 01	Switch housing		1	
43	911 613 611 01 01C	Black		1	
44	999 190 363 40	Stopper 4,1 X 8		1	
45	900 143 121 07	Tapping screw B 4,2 X 16		2	
45	900 143 121 0H	Tapping screw B 4,2 X 16		2	
46	999 507 018 02	Speed nut B 4,2		2	
46	999 507 018 01	Speed nut B 4,2		2	
47	911 613 121 01	Temperature switch It is necessary to rework		1	
48	911 613 243 00	Blower switch		1	
49	911 613 120 01	Rosette M 10 X 0,75		1	

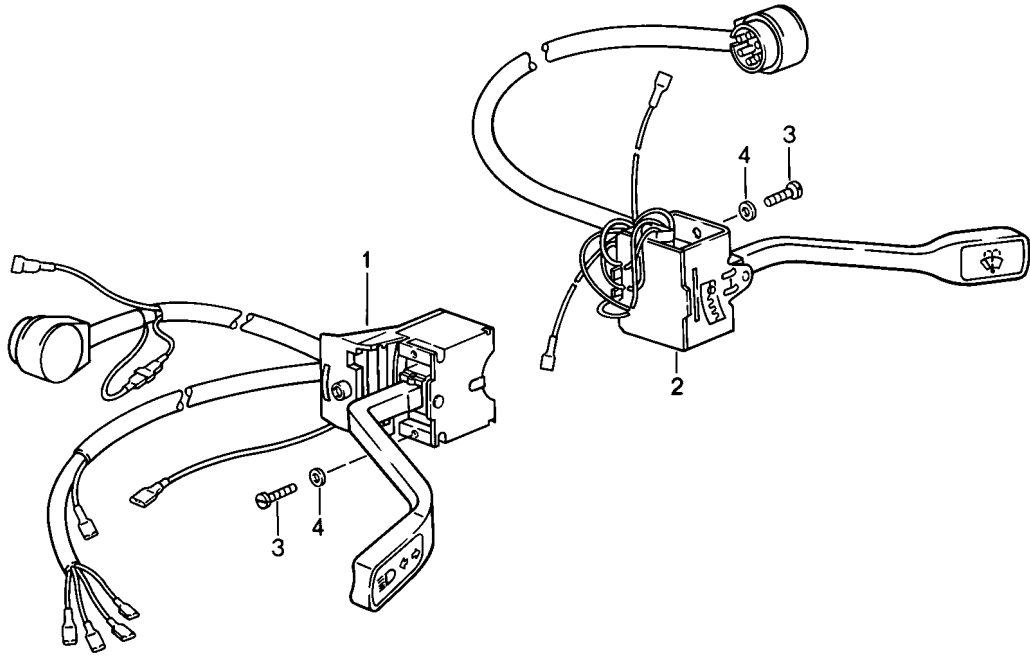
Model: 911 87

Model life 1987>>1989

Pos	Part Number	Description	Remark	Qty	Model
50	911 613 119 02	Rosette M 10 X 1		1	
51	911 613 103 02	Knob		1	
	911 613 103 02 70B	Black for Temperature switch			
52	911 613 104 02	Knob		1	
	911 613 104 02 70B	Black for Blower switch			
		Cap with symbol			
53	911 613 239 01	Cap with symbol Light switch		1	
53	911 613 239 02	Cap with symbol Light switch		1	
54	911 613 233 02	Cap with symbol Fog headlamp		1	
38	911 613 233 03	Cap with symbol		1	
	911 613 233 03 01C	Satin black Fog headlamp			
54	911 613 233 03	Cap with symbol for Fog headlamp		1	
	911 613 233 03 01C	Black			
55	911 613 234 02	Cap with symbol Rear fog light		1	
56	911 613 235 01	Cap with symbol Cigarette lighter		1	
56	911 613 235 02	Cap with symbol Cigarette lighter		1	

Model: 911 87

Model life 1987>>1989



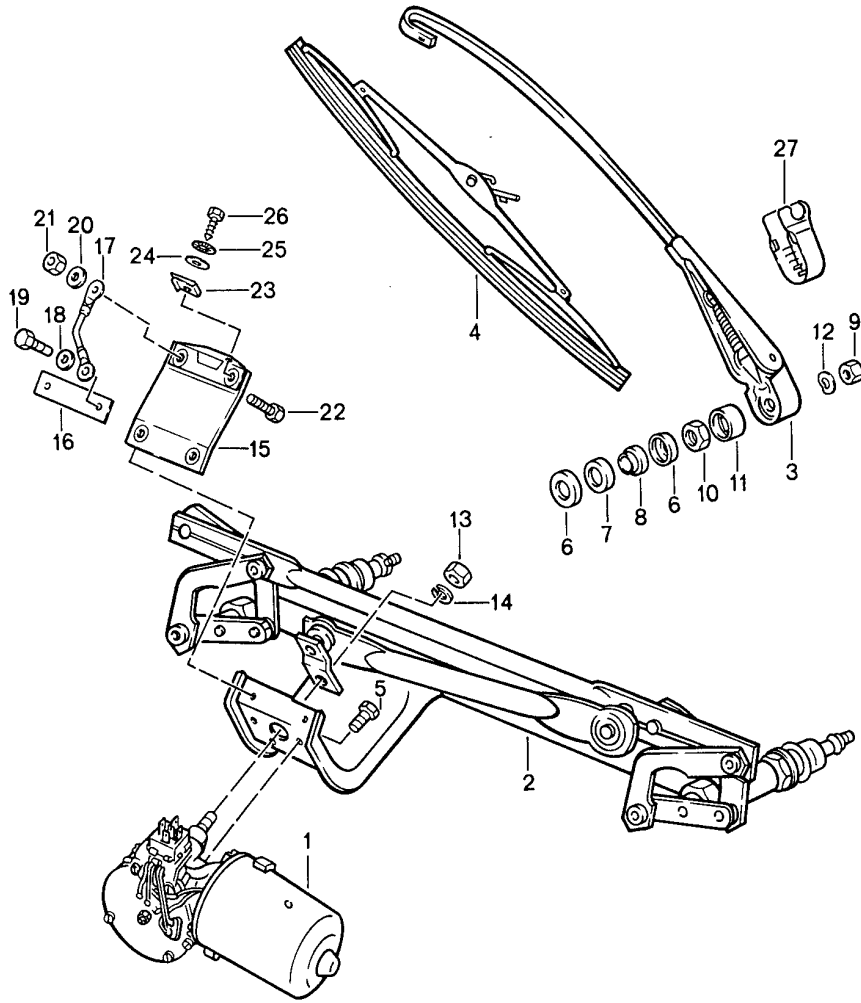
Model: 911 87

Model life 1987>>1989

Pos	Part Number	Description	Remark	Qty	Model
1	911 613 305 01	Steering column switch Steering column switch Left		1	
2	911 613 306 02	Steering column switch Right		1	
3	900 014 069 02	Pan-head screw AM 3 X 8		4	
4	900 115 007 01	Serrated lock washer A 3,2		4	

Model: 911 87

Model life 1987>>1989



Model: 911 87 Model life 1987>>1989

Pos	Part Number	Description	Remark	Qty	Model
		Windscreen wiper system			
1	911 628 115 02	Wiper motor	/LL	1	
1	911 628 114 01	Wiper motor	/RL	1	
1	911 628 115 03	Wiper motor	/LL	1	SPEEDSTER
1	911 628 114 02	Wiper motor	/RL	1	SPEEDSTER
2	911 628 035 01	Crank drive	/LL	1	
(2)	911 628 036 01	Crank drive	/RL	1	
2	911 628 039 01	Crank drive	/LL	1	SPEEDSTER
2	911 628 040 01	Crank drive	/RL	1	SPEEDSTER
3	911 628 313 00	Wiper arm	/LL /L	1	
			/RL /R		
3	911 628 314 00	Wiper arm	/LL /R	1	
(3)	911 628 312 00	Wiper arm	/RL /L	1	
3	911 628 313 30	Wiper arm	/LL /L	1	SPEEDSTER
3	911 628 314 30	Wiper arm	/LL /R	1	SPEEDSTER
3	911 628 312 30	Wiper arm	/RL /L	1	SPEEDSTER
3	911 628 315 30	Wiper arm	/RL /R	1	SPEEDSTER
4	964 628 901 00	Wiper blade		2	
4	964 628 901 02	Wiper blade		2	
4	964 628 901 00	Wiper blade		2	SPEEDSTER
4	964 628 901 02	Wiper blade		2	SPEEDSTER
5	900 075 207 02	Hexagon-head bolt M 6 X 15		3	
6	911 628 963 00	Flange washer Black		4	
6	911 628 323 00	Washer		2	SPEEDSTER
7	901 628 923 01	Rubber bush		2	
7	911 628 321 00	Rubber bush		2	SPEEDSTER
8	901 628 924 00	Rubber bush		2	
(8)	911 628 311 00	Sleeve		2	SPEEDSTER
9	N 011 118 11	Hexagon nut BM 8		2	
9	900 034 001 05	Hexagon nut BM 8		2	
10	901 628 925 00	Hexagon nut		2	
11	901 628 926 00	Cap		2	
12	901 628 927 00	Spring washer		2	
12	481 955 349	Spring washer		2	
12	803 955 437	Spring washer		2	
13	900 076 025 02	Hexagon nut M 8		1	
13	900 076 064 02	Hexagon nut M 8		1	
14	N 012 241 8	Spring washer B 8		1	
15	901 628 053 20	Rubber mounting	/LL	1	
15	901 628 054 20	Rubber mounting	/RL	1	
16	901 628 505 20	Tab washer		1	
17	911 628 333 00	Ground strap		1	
18	900 025 003 02	Washer A 5,3		2	
19	N 010 264 4	Hexagon-head bolt M 5 X 20		2	
20	N 011 524 7	Washer A 6,4		1	
20	N 011 524 27	Washer A 6,4		1	
21	999 076 024 02	Hexagon nut M 6		1	
22	900 075 014 02	Hexagon-head bolt M 6 X 18		1	
22	900 075 014 03	Hexagon-head bolt M 6 X 18		1	

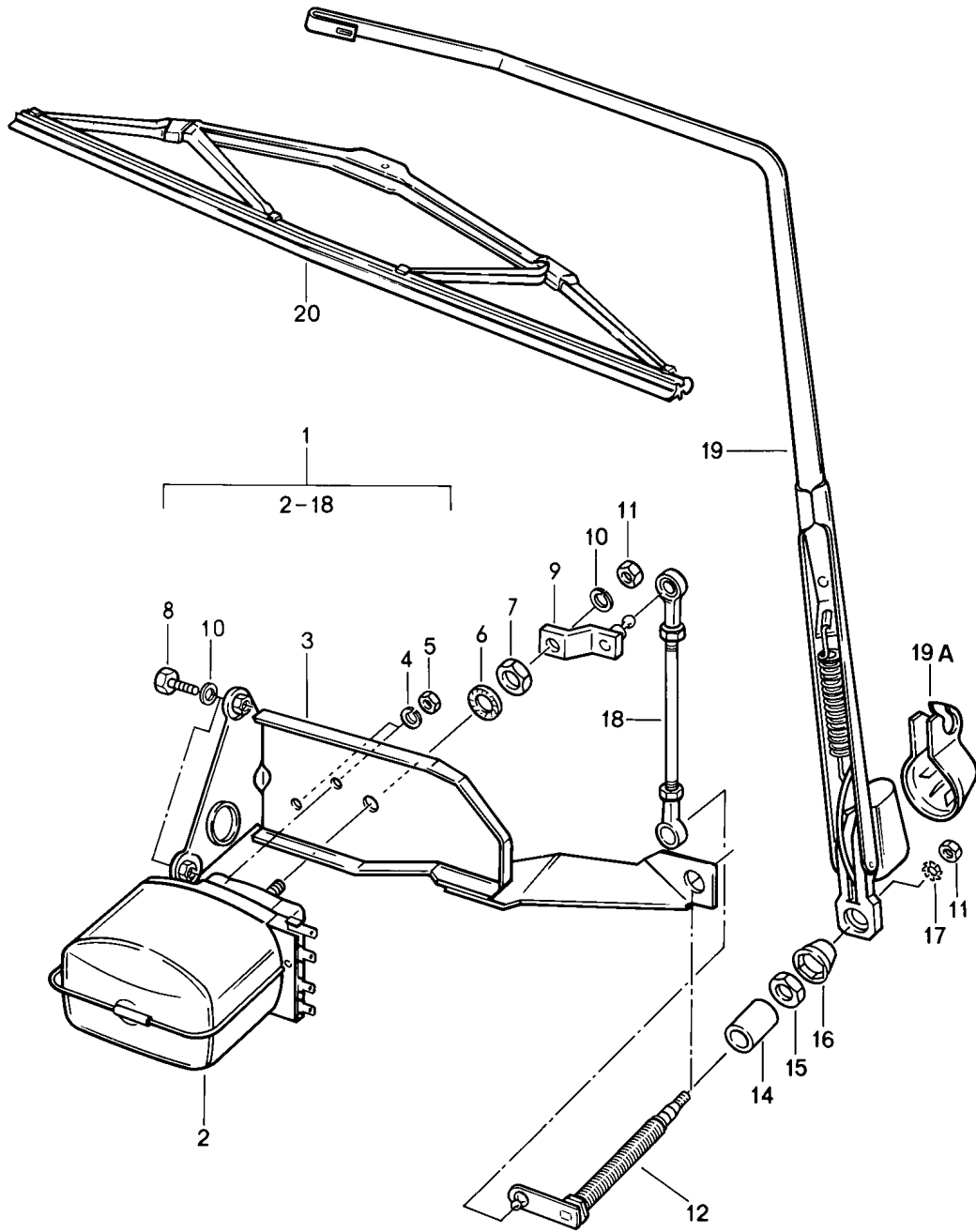
Model: 911 87

Model life 1987>>1989

Pos	Part Number	Description	Remark	Qty	Model
23	N 015 429 2	Speed nut B 4,2		2	
23	N 015 429 6	Speed nut B 4,2		2	
24	900 151 028 02	Washer B 4,3		2	
24	900 151 028 01	Washer B 4,3		2	
25	N 042 122 2	Shake-proof washer J 4,3		2	
26	900 187 011 02	Hexagon-head tapping screw B 4,3 X 13		2	
27	928 628 623 00	Cap		2	
(27)	911 628 931 00	Flap		2	SPEEDSTER

Model: 911 87

Model life 1987>>1989

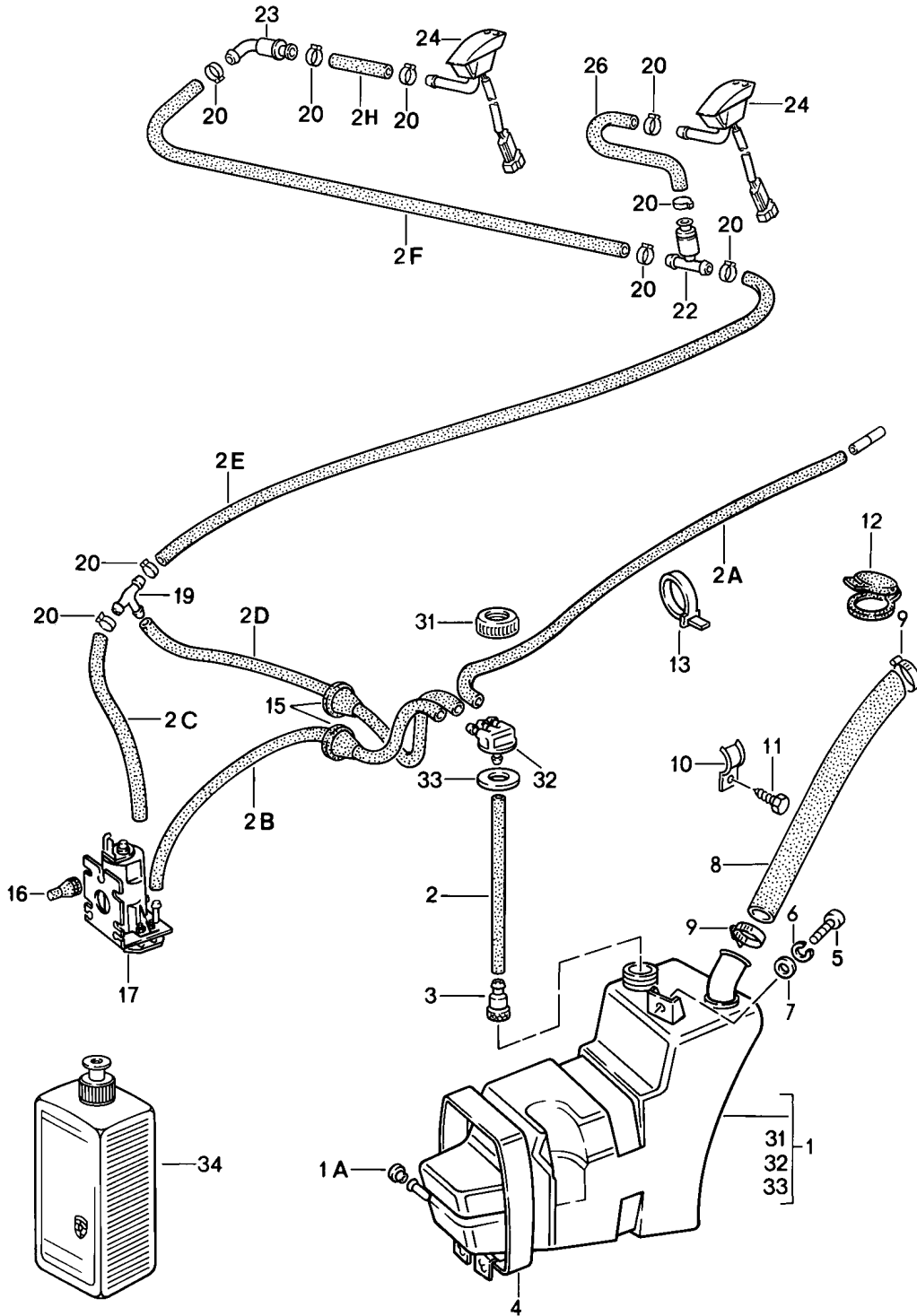


Model: 911 87 Model life 1987>>1989

Pos	Part Number	Description	Remark	Qty	Model
		Rear window wiper for subsequent installation Carrera with M 559 Use also: 911.573.057.04			
1	911 628 019 03	Rear window wiper		1	CARRERA
1	911 628 019 05	Rear window wiper		1	CARRERA M473 TURBO M491
2	911 628 063 00	Wiper motor		1	
3	911 628 037 01	Assembly frame		1	
4	N 012 005 3	Lock ring		2	
5	999 076 023 02	Hexagon nut M 5		2	
6	911 628 338 00	Washer 14,2		1	
7	999 078 014 02	Hexagon nut M 14 X 1		1	
8	999 072 005 09	Hexagon nut M 6 X 12		2	
8	999 072 005 01	Hexagon nut M 6 X 12		2	
9	901 628 318 00	Lever		1	
10	N 012 006 4	Lock ring B 6		3	
11	900 076 025 02	Hexagon nut M 6		2	
11	900 076 064 02	Hexagon nut M 6		2	
12	911 628 256 02	Wiper bearing		1	CARRERA
(12)	911 628 256 01	Wiper bearing		1	CARRERA M473 TURBO M491
14	911 628 251 03	Bush		1	CARRERA
(14)	911 628 251 02	Bush		1	CARRERA M473 TURBO M491
15	999 183 004 02	Hexagon nut M 12 X 1		1	
16	911 628 193 00	Cap		1	
17	N 012 226 5	Spring washer		1	
18	911 628 145 00	Joint rod		1	
18	911 628 145 01	Joint rod		1	
19	911 628 611 01	Wiper arm		1	
19A	911 628 623 00	Cap		1	
20	911 628 613 01	Wiper blade		1	
-	911 617 106 01	Diode		1	
-	911 617 106 02	Diode		1	

Model: 911 87

Model life 1987>>1989



Model: 911 87 Model life 1987>>1989

Pos	Part Number	Description	Remark	Qty	Model
1	911 628 075 08	Windscreen washer system		1	
(1)	911 628 075 07	Water reservoir		1	M288
		When required order also:			
1A	999 703 013 50	Stopper		1	
-	999 181 722 40	Hose		*	
		4,6 X 8,2			
2		300 MM		1	
2A		800 MM		1	
2B		650 MM		1	
2C		150 MM		1	
2D		500 MM		1	
2E		1790 MM		1	
2F		1060 MM		1	
2G		400 MM		1	
2H		25 MM		1	
3	911 628 749 00	Valve		1	
4	911 628 081 00	Restraining strap		1	
4	911 628 081 02	Restraining strap		1	
5	N 010 217 9	Hexagon-head bolt		1	
		M 6 X 20			
6	N 012 007 2	Lock ring		1	
		A 6			
6	900 027 004 03	Lock ring		1	
		A 6			
7	900 151 003 02	Washer		1	
		A 6,4			
7	900 151 006 03	Washer		1	
		A 6,4			
8	911 628 236 00	Filling hose		1	
		25 X 32 X 710			
8	911 628 236 01	Filling hose		1	
		25 X 32 X 710			
9	999 512 356 02	Hose clamp		2	
10	911 573 145 00	Clamp		1	
10	911 573 145 01	Clamp		1	
11	900 187 025 02	Hexagon-head tapping screw		1	
		B 5,5 X 13			
12	964 201 507 00	Lid	-88	1	
12		Lid	89-	1	
13	999 513 023 40	Tie-wrap		2	
15	911 612 413 00	Rubber sleeve		1	
16	914 628 741 00	Stopper		3	
17	928 628 074 01	Pump		1	
19	901 628 749 20	T-piece		1	
20	N 100 020 01	Clip		10	
20	999 512 527 00	Clamp		10	
22	914 628 433 00	Valve		1	
23	477 955 481	Valve		1	
24	944 628 077 00	Nozzle	/L	1	
	944 628 077 00 01C	Black			
24	928 628 077 00	Nozzle	/R	1	
	928 628 077 00 01C	Black			
31	911 628 735 00	Threaded cover		1	
31	911 628 735 01	Threaded cover		1	
32	911 628 737 00	Connecting piece		1	
33	911 628 743 00	Closing gasket		1	
34	999 901 017 41	Window cleaner		X	
		250 ML			
		Summer			
34	999 901 017 42	Window cleaner		X	
		250 ML			
		Summer			

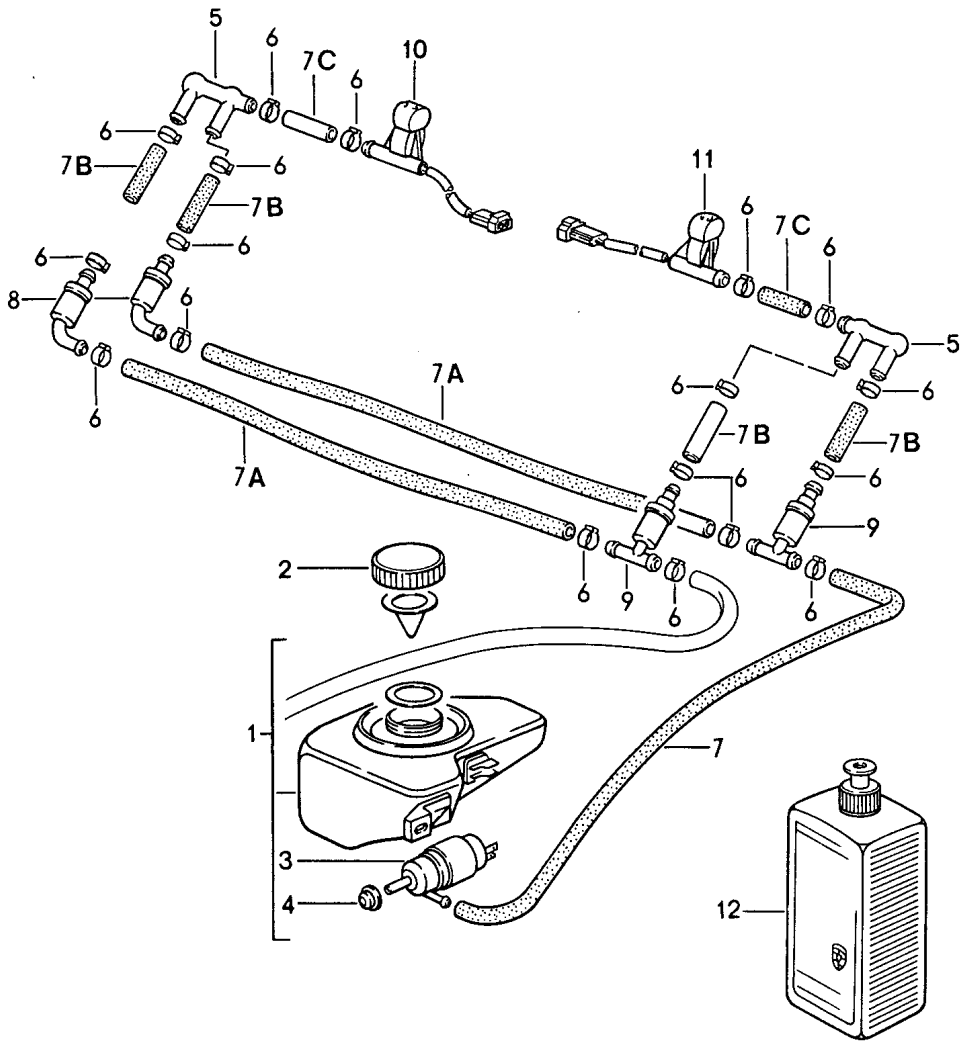
Model: 911 87

Model life 1987>>1989

Pos	Part Number	Description	Remark	Qty	Model
34	000 044 000 87	Window cleaner 250 ML Summer		X	
34	999 901 033 40	Window cleaner 1000 ML Winter		X	

Model: 911 87

Model life 1987>>1989



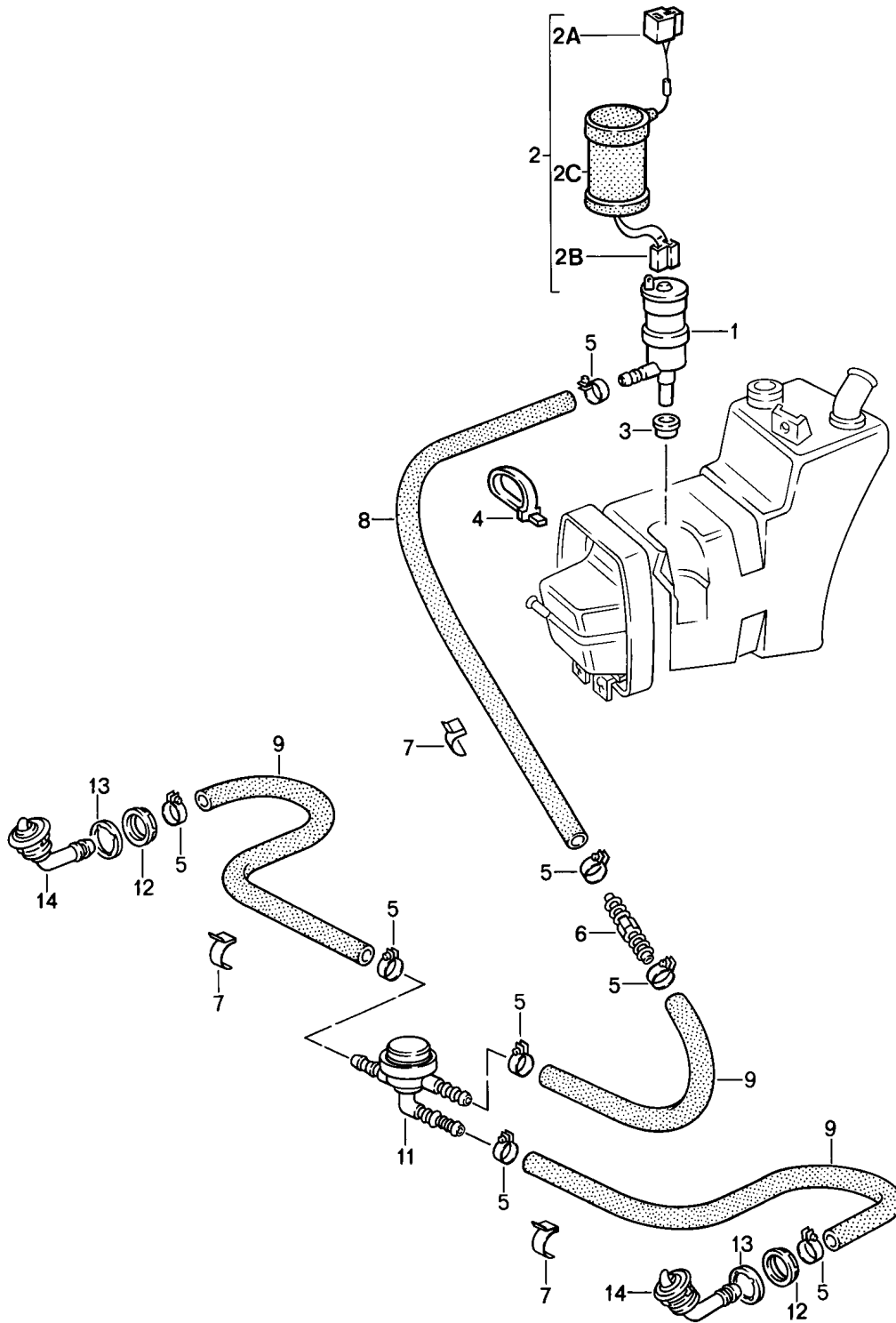
Model: 911 87

Model life 1987>>1989

Pos	Part Number	Description	Remark	Qty	Model
1	911 628 027 00	Intensive windscreen washer Water reservoir		1	
2	911 628 077 00	Threaded cover with Gasket		1	
3	431 955 651	Pump		1	
4	431 955 465 B	Sealing ring		1	
5	911 628 617 00	Connecting piece		1	
6	N 100 020 01	Clip		20	
6	999 512 527 00	Clamp		20	
-	999 181 722 40	Hose 4,6 X 8,2		*	
7		600 MM		1	
7A		915 MM		2	
7B		20 MM		4	
7C		140 MM		2	
8	477 955 481	Valve		2	
9	914 628 433 00	Valve		2	
10	928 628 077 00	Nozzle	/R	1	
	928 628 077 00 01C	Black			
11	944 628 077 00	Nozzle	/L	1	
	944 628 077 00 01C	Black			
12	928 628 931 00	Silicone remover 1 LITER		X	
12	000 044 000 93	Silicone remover 1 LITER		X	

Model: 911 87

Model life 1987>>1989



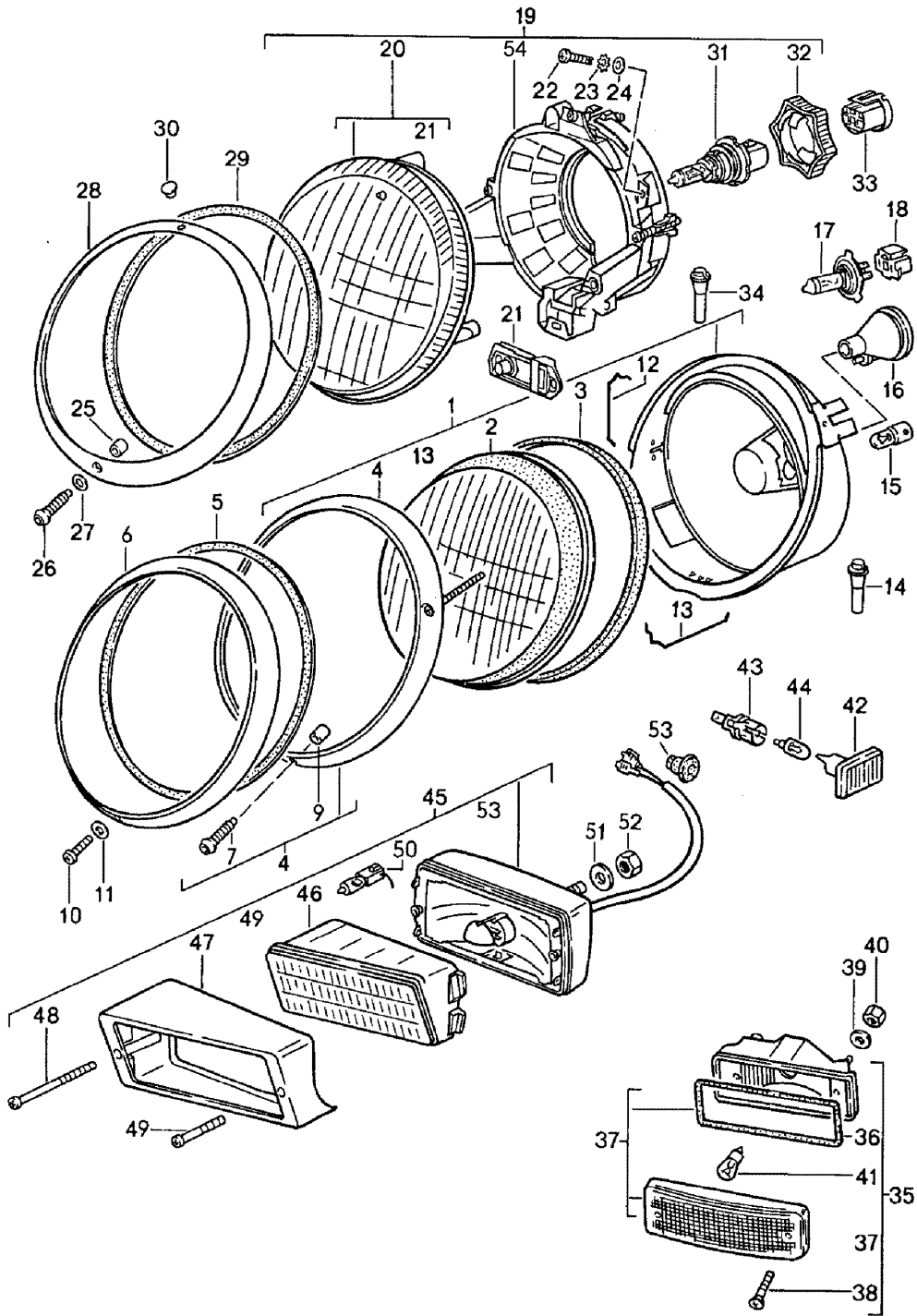
Model: 911 87

Model life 1987>>1989

Pos	Part Number	Description	Remark	Qty	Model
1	191 955 681	Headlight washer system Pump		1	
2	911 612 179 01	Wiring harness		1	
2A	999 652 192 47	Connector housing		1	
2B	999 652 167 40	Terminal sleeve housing		1	
2C	928 628 365 00	Protection cap		1	
3	928 628 193 00	Gasket		1	
4	999 513 008 40	Tie-wrap		X	
5	N 023 570 2	Hose clamp		8	
6	999 137 023 40	Hose connection		1	
7	999 651 128 09	Cable terminal		6	
-	999 181 806 40	Hose		*	
8		PVC 10 X 16 230 MM		1	
9		640 MM		3	
11	281 955 187	Valve		1	
12	900 281 002 40	Hexagon nut		2	
13	951 628 173 00	Desk pad		2	
14	911 628 071 01	Jet carrier		2	

Model: 911 87

Model life 1987>>1989



Model: 911 87 Model life 1987>>1989

Pos	Part Number	Description	Remark	Qty	Model
1	911 631 113 02	Headlamp		2	
1	911 631 112 02	Headlamp	/LL	2	M492
1	911 631 024 00	Headlamp	/LL	2	M605
1	911 631 023 00	Headlamp		2	M492/605
2	911 631 927 00	Lens	/LL	2	
-	PCG 911 631 00	Kit	/LL	1	
		Lens			
		Comprising:			
-	911 631 927 00	Lens		2	
-	911 631 115 02	Gasket		2	
-	911 631 967 00	Gasket		2	
-	113 951 539	Washer		2	
2	911 631 927 01	Lens		2	M492
-	PCG 911 631 01	Kit	/RL	1	
		Lens			
		Comprising:			
-	911 631 927 01	Lens		2	
-	911 631 115 02	Gasket		2	
-	911 631 967 00	Gasket		2	
-	113 951 539	Washer		2	
3	911 631 967 00	Gasket		2	
4	911 631 933 01	Headlamp ring		2	
5	911 631 115 02	Gasket		2	
6	911 631 141 00	Headlamp ring		2	
7	911 631 033 00	Ball screw		2	
9	911 631 139 00	Spacer sleeve		2	
10	911 631 132 00	Oval-head screw		2	
		M 4 X 9			
11	113 951 539	Washer		2	
12	901 631 116 02	Locking spring		6	
		Upper			
13	644 631 122 00	Locking spring		5	
		Lower			
14	911 631 259 02	Rubber sleeve		2	
15	900 631 103 90	Bulb		2	
		12V 4W			
16	911 612 325 00	Rubber sleeve		4	
		for			
		Wiring harness			
		Headlamp			
17	999 631 202 90	Bulb		2	
		H-4			
17	999 631 202 91	Halogen bulb	(F)	2	
		H-4			
18	911 631 108 00	Terminal sleeve housing		2	
-	N 017 498 A	Flat plug		X	
		7,7 X 1 CuZn			
35	911 631 405 00	Direction indicator light		2	
36	911 631 961 00	Rubber seal		2	
37	911 631 914 00	Lens		2	
38	911 631 918 00	Oval-head sheetmetal screw		4	
39	900 025 003 02	Washer		4	
		A 5,3			
40	N 021 196 1	Lock nut		4	
		M 5			
40	N 021 196 3	Hexagon nut		4	
		M 5			
41	900 631 127 90	Bulb		2	
		12V 21W			
42	4A0 949 101	Direction indicator light		2	
43	161 949 111	Bulb socket		2	
44	999 631 032 90	Bulb		2	

Model: 911 87

Model life 1987>>1989

Pos	Part Number	Description	Remark	Qty	Model
		12V 5W			
45	911 631 203 00	Fog headlamp	/L	1	
45	911 631 204 00	Fog headlamp	/R	1	
45	911 631 203 01	Fog headlamp	/L (F)	1	
45	911 631 204 01	Fog headlamp	/R (F)	1	
46	911 631 941 01	Light-diffusing lens	/L	1	
46	911 631 942 01	Light-diffusing lens	/R	1	
46	911 631 941 00	Light-diffusing lens	/L (F)	1	
46	911 631 942 00	Light-diffusing lens	/R (F)	1	
47	911 631 981 00	Frame for light	/L	1	
47	911 631 982 00	Frame for light	/R	1	
48	911 631 983 00	Oval-head screw M 4 X 80		2	
49	911 631 984 00	Oval-head screw M 4 X 37		2	
50	900 631 126 90	Halogen bulb H - 3		2	
51	900 151 026 02	Washer B 10,5 X 30		2	
51	900 151 050 01	Washer B 10,5 X 30		2	
52	N 011 185 6	Hexagon nut M 10		2	
53	911 612 132 00	Grommet		2	

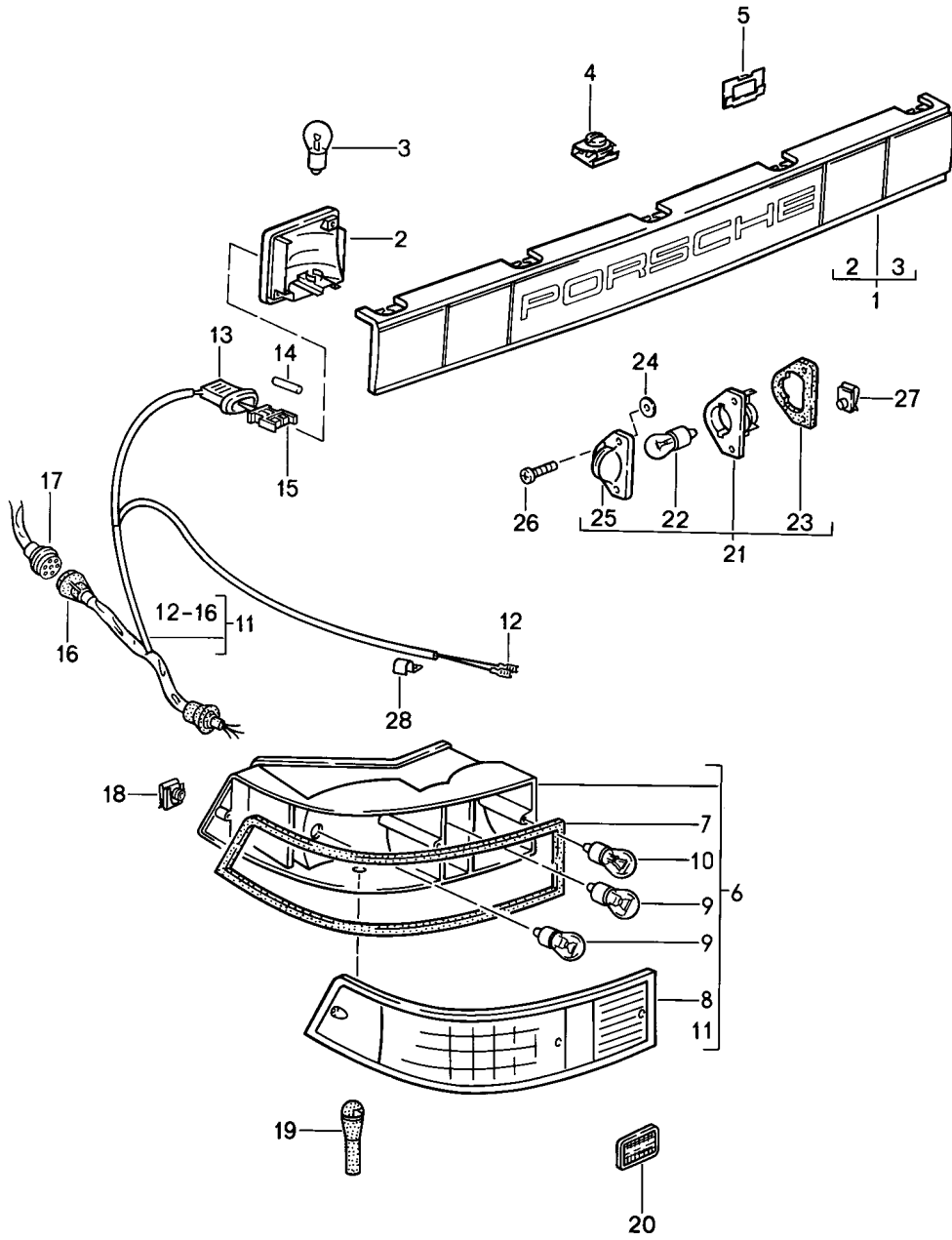
Model: 911 87

Model life 1987>>1989

Pos	Part Number	Description	Remark	Qty	Model
		Headlight levelling system			M605
1	911 631 231 00	Switch		1	
1	911 631 231 01	Switch		1	
2	911 613 342 00	Rosette		1	
	911 613 342 00 01C	Black			
3	911 631 357 00	Vacuum tank		1	
4	928 537 361 02	Valve		1	
5	477 611 933 A	Check valve		1	
6	911 631 223 00	Actuator		2	
7	928 573 727 02	Distributing piece		2	
-	999 181 070 40	Connecting hose		X	
		3,5 X 8			
		120 MM		2	
		260 MM		1	
8		Connecting hose		X	
		120 MM		2	
9		Connecting hose		X	
		260 MM		3	
10		Connecting hose		X	
		260 MM		1	
11	911 631 711 01	Vacuum line	/LL	1	
		1120 MM			
11	911 631 711 02	Vacuum line	/RL	1	
		580 MM			
12	911 631 711 00	Vacuum line	/LL	1	
		360 MM			
12	911 631 711 03	Vacuum line	/RL	1	
		550 MM			
13	911 631 710 00	Vacuum line	/LL	1	
		1250 MM			
13	911 631 710 03	Vacuum line	/RL	1	
		2350 MM			
14	911 631 710 02	Vacuum line		1	
		1350 MM			
15	911 631 710 01	Vacuum line		1	
		380 MM			

Model: 911 87

Model life 1987>>1989



Model: 911 87 Model life 1987>>1989

Pos	Part Number	Description	Remark	Qty	Model
1	911 633 123 01	Covering Combined lights Rear Covering with rear foglamp with Reflector		1	
1	911 633 123 00	Covering with rear foglamp without Reflector		1	
1	911 633 123 02	Covering without rear foglamp with Reflector	(USA)	1	M215
2	911 633 027 00	Reflector		2	
3	900 631 127 90	Bulb 12V 21W		2	
4	911 633 031 00	Fastening part		5	
5	911 633 127 00	Clip		5	
6	911 631 403 33	Combined lights	/L	1	
(6)	911 631 404 33	Combined lights	/R	1	
7	911 631 971 01	Gasket	/L	1	
(7)	911 631 971 00	Gasket	/R	1	
8	911 631 949 00	Lens	/L	1	
-	PCG 631 911 00	Screw Fastening screw Silver Comprising: 6 Schrauben 6 Dichtungen		1	
-	PCG 631 911 01	Screw Fastening screw Black Comprising: 6 Schrauben 6 Dichtungen		1	
(8)	911 631 950 00	Lens	/R	1	
-	PCG 631 911 00	Screw Fastening screw Silver Comprising: 6 Schrauben 6 Dichtungen		1	
-	PCG 631 911 01	Screw Fastening screw Black Comprising: 6 Schrauben 6 Dichtungen		1	
9	900 631 127 90	Bulb 12V 21W		4	
10	900 631 128 90	Bulb 12V 21/5W		2	
11	911 612 039 12	Wiring harness with rear foglamp	/L	1	
11		Wiring harness with rear foglamp	/R	1	
(11)	911 612 039 15	Wiring harness without rear foglamp		2	
12	111 971 958	Flat receptacle		4	
13	911 631 261 00	Protection cap		2	
14	944 612 548 00	Contact bush		4	

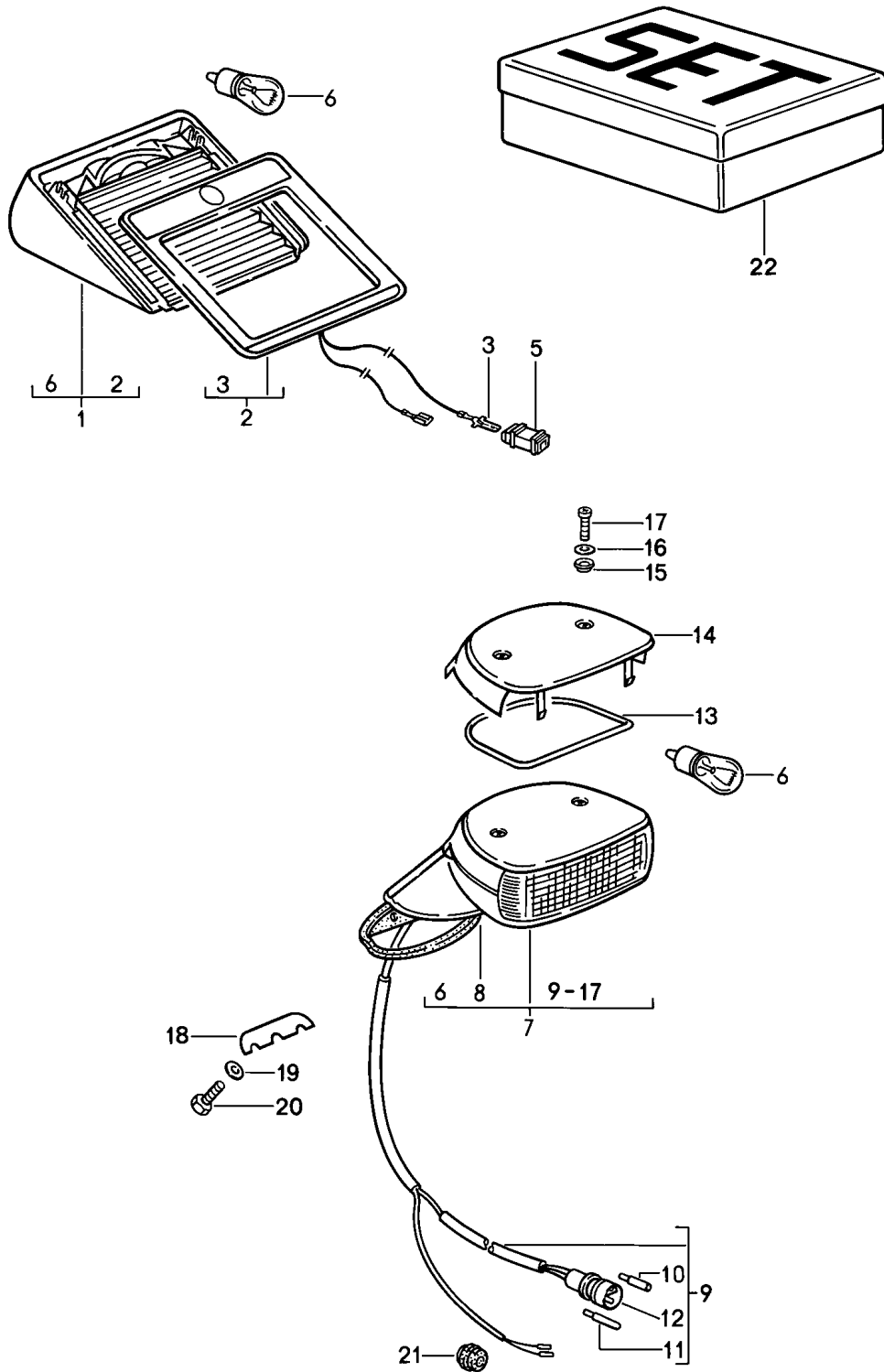
Model: 911 87

Model life 1987>>1989

Pos	Part Number	Description	Remark	Qty	Model
15	944 612 547 00	Connector housing		2	
16	911 612 331 00	Connector		2	
17	911 612 332 00	Plug socket 7-pole		2	
18	999 507 312 12	Nut lock		4	
18	999 507 330 02	Cable holder		4	
18	999 507 312 12	Nut lock		4	
19	911 631 259 02	Rubber sleeve		2	
20	930 633 101 01	Reflector		2	TURBO CARRERA M491
20	930 633 101 02	Reflector		2	TURBO CARRERA M491
21	911 631 620 04	License plate light		2	
22	900 631 104 90	Bulb 12 V - 5 W Light-diffusing lens		2	
23	911 631 608 00	Gasket		2	
23	911 631 608 01	Gasket		2	
24	911 631 604 00	Sealing washer 6,5 X 2,7 X 0,5		4	
25	911 631 606 00	Lens		2	
26	900 146 041 07	Oval-head screw BM 3 X 15		4	
(26)	900 143 116 07	Oval-head sheetmetal screw B 3,5 X 22	(J) (USA)	4	
(26)	900 143 116 0H	Oval-head sheetmetal screw B 3,5 X 22	(J) (USA)	4	
27	911 505 339 00	Speed nut BG 3,5	(J) (USA)	4	
28	999 591 381 02	Cable clamp		2	
28	999 591 381 01	Cable clamp		2	

Model: 911 87

Model life 1987>>1989



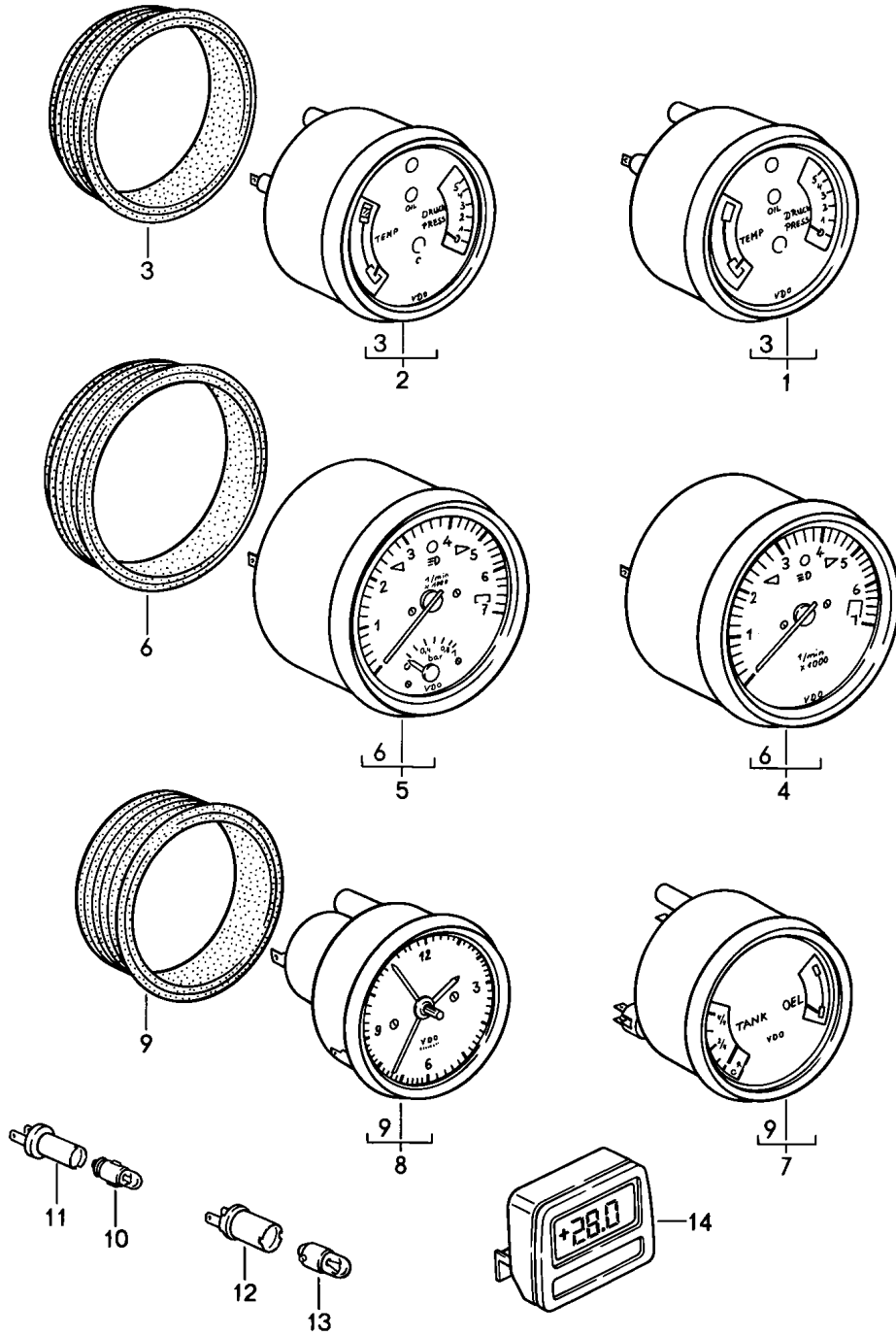
Model: 911 87

Model life 1987>>1989

Pos	Part Number	Description	Remark	Qty	Model
1	911 631 080 00	Additional brake light Brake light Lower		1	COUPE
(1)	911 631 070 01	Brake light Lower		1	TARGA
(1)	911 631 070 00	Brake light		1	COUPE/TARGA
	911 631 070 00 01C	Black Upper			
2	911 631 061 01	Frame for light Lower		1	COUPE/TARGA
(2)	911 631 061 00	Frame for light Upper		1	COUPE/TARGA
3	111 971 985	Flat plug		1	
5	813 972 643 A	Flat connector socket		1	
6	900 631 127 90	Bulb 12V 21W		1	
7	911 631 072 00	Brake light Outer for cars with Spoiler		1	
7	911 631 072 01	Brake light Outer for cars with Spoiler		1	
(7)	911 631 071 00	Brake light		1	CABRIO
(7)	911 631 071 01	Brake light		1	CABRIO
8	911 631 181 00	Gasket for 911.631.072.00		1	
8	911 631 458 00	Gasket for 911.631.071.00		1	CABRIO
9	911 612 049 03	Wiring harness		1	
10	944 612 427 00	Contact bush		2	
11	944 612 428 00	Round connector		1	
12	944 612 436 00	Connector		1	
13	911 631 457 00	Gasket		1	
14	911 631 452 00	Lid		1	
15	911 631 422 00	Rubber washer		2	
16	911 631 421 00	Plastic washer PA 6		2	
17	900 146 067 07	Lens-head screw M 4 X 12		2	
18	911 631 419 00	Desk pad		1	
19	N 011 666 7	Washer B 6,4		2	
20	999 072 005 09	Hexagon nut M 6 X 12		2	
20	999 072 005 01	Hexagon nut M 6 X 12		2	
21	999 702 140 40	Rubber sleeve 4 X 21 X 8		1	
22	000 043 069 00	Adhesive set for Frame for light		1	
22	000 043 303 19	Adhesive set for Frame for light		1	

Model: 911 87

Model life 1987>>1989

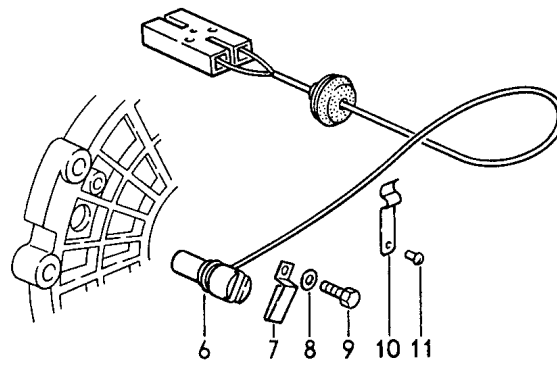
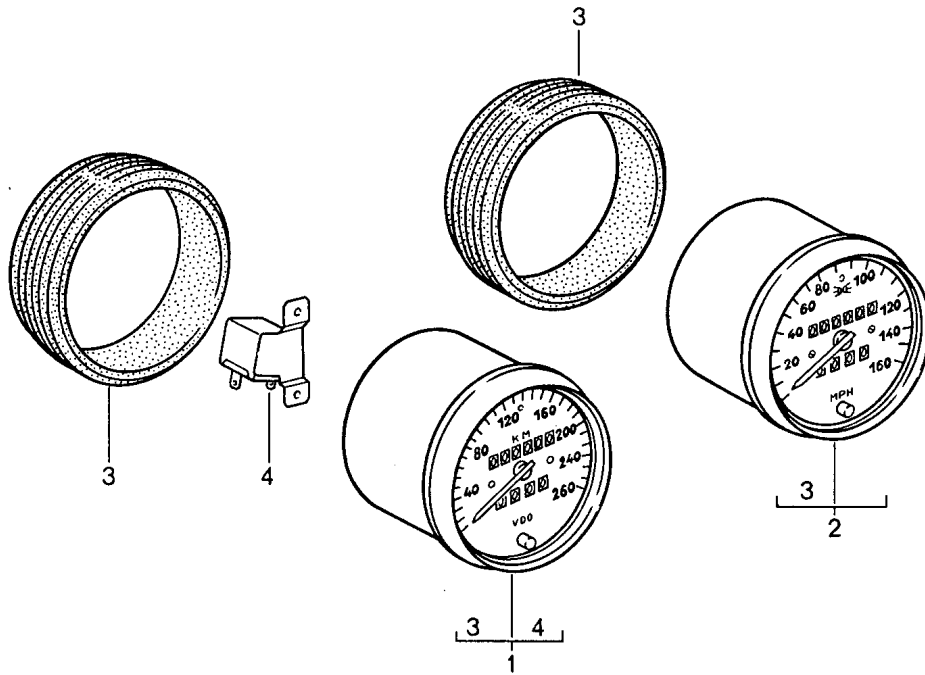


Model: 911 87 Model life 1987>>1989

Pos	Part Number	Description	Remark	Qty	Model
		Instruments			
1	911 641 923 00	Instrument cluster 100 \$		1	
1	911 641 923 X	Instrument cluster 100 \$		1	
3	911 641 902 01	Rubber ring 100 \$		2	
4	911 641 301 06	Tachometer		1	CARRERA
4	911 641 301 FX	Tachometer		1	CARRERA
4	911 641 301 07	Tachometer		1	CARRERA M637
4	911 641 301 GX	Tachometer		1	CARRERA M637
5	930 641 302 01	Tachometer		1	TURBO
6	911 641 903 01	Rubber ring 115 \$		2	
7	911 641 202 03	Instrument cluster 80 \$		1	
7	911 641 202 DX	Instrument cluster 80 \$		1	
8	911 641 701 29	Clock			
9	911 641 901 01	Rubber ring 80 \$		2	
10	900 631 102 90	Light 12 V - 2 W		X	
11	999 632 009 10	Bulb socket		X	
12	999 632 002 00	Bulb socket		X	
13	900 631 103 90	Bulb 12 V - 4 W		X	
14	911 641 931 00	Instrument Temperature gauge		1	M097
14	911 641 931 X	Instrument Temperature gauge		1	M097
-	911 799 612 80	Wiring harness for Temperature gauge		1	M097
-	911 799 612 81	Wiring harness for Temperature gauge Centre console		1	M097

Model: 911 87

Model life 1987>>1989

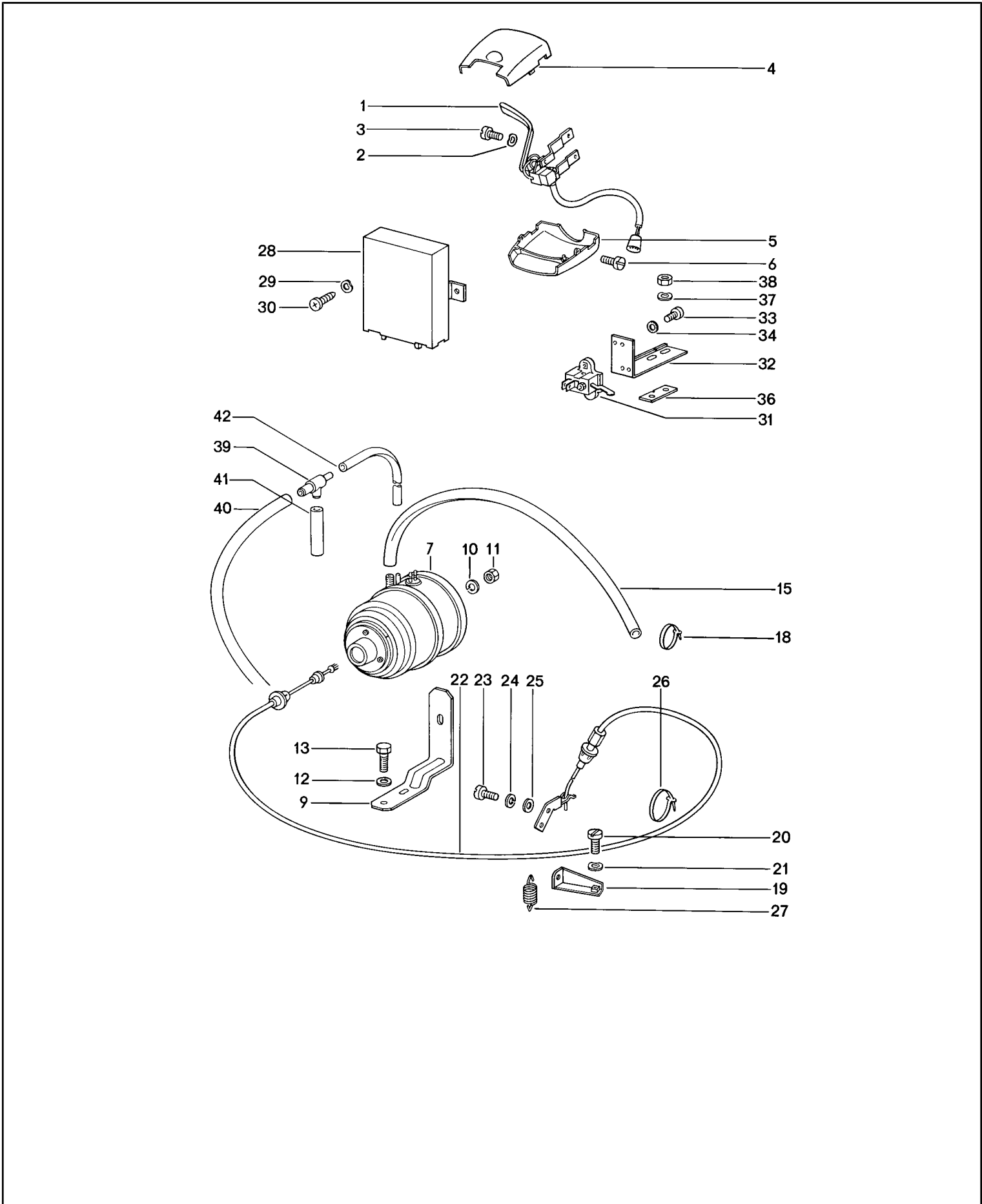


Model: 911 87 Model life 1987>>1989

Pos	Part Number	Description	Remark	Qty	Model
1	911 641 516 06	Speedometer		1	CARRERA
1	911 641 516 FX	Speedometer		1	CARRERA
		260 KM/H			
(1)	930 641 507 01	Speedometer		1	TURBO
(1)	930 641 507 AX	Speedometer		1	TURBO
		300 KM/H			
2	930 641 508 00	Speedometer	(GB)	1	(HK)
2	930 641 508 X	Speedometer	(GB)	1	(HK)
		170 MPH + 270 KM/H			
3	911 641 902 01	Rubber ring		4	
		100 \$			
4	911 641 111 00	Buzzer		1	(SA)
6	911 606 209 01	Pulse sender	-88	1	TURBO
6	911 606 910 01	Pulse sender	89-	1	TURBO
6		Pulse sender		1	CARRERA
(7)	915 660 509 00	Tensioning spring	-88	1	TURBO
7	964 606 219 00	Tab washer	89-	1	
7		Tab washer	89-	1	TURBO
7		Tab washer		1	CARRERA
8	900 025 014 02	Washer		1	TURBO
		6,4			
9	999 072 005 09	Hexagon nut		1	
		M 6 X 12			
9	999 072 005 01	Hexagon nut		1	
		M 6 X 12			
10	911 612 406 01	Cable holder		1	TURBO
11	900 093 010 02	Grooved nail		1	TURBO
		3 X 8			

Model: 911 87

Model life 1987>>1989



Model: 911 87

Model life 1987>>1989

Pos	Part Number	Description	Remark	Qty	Model
		Cruise control	87		
1	911 613 102 01	Switch		1	
2	900 115 007 01	Serrated lock washer 3,2		2	
3	900 014 079 02	Pan-head screw M 3 X 10		2	
4	911 613 311 02	Switch housing Upper part		1	
5	911 613 312 02	Switch housing Lower part		1	
6	900 014 079 02	Pan-head screw M 3 X 10		2	
7	911 617 123 02	Drive link		1	
9	911 617 127 00	Support		1	
10	900 027 015 02	Lock ring B 8		1	
10	900 027 015 03	Lock ring B 8		1	
11	900 076 025 02	Hexagon nut M 8		1	
11	900 076 064 02	Hexagon nut M 8		1	
12	N 011 524 7	Washer A 6,4		2	
12	N 011 524 27	Washer A 6,4		2	
13	900 075 260 02	Hexagon-head bolt M 6 X 16 SB		2	
-	N 020 359 1	Hose 9 X 15 670 MM		*	
15				1	
18	999 513 010 40	Tie-wrap 140 MM		1	
19	911 110 226 00	Retaining bracket		1	
20	900 071 005 02	Oval-head screw M 5 X 10		1	
21	900 028 007 02	Spring washer B 5		1	
(22)	911 617 124 04	Bowden cable		1	
23	900 146 005 02	Oval-head screw M 5 X 8		2	
24	900 027 003 02	Lock ring A 5		2	
25	900 025 003 02	Washer A 5,3		2	
26	999 513 010 40	Tie-wrap 250 MM		2	
27	911 110 227 00	Gas prop		1	
28	928 617 127 00	Cruise control regulator		1	
29	900 028 007 02	Spring washer B 5	/LL	2	
30	900 146 003 02	Oval-head screw M 5 X 10 Regulator Boot floor plate	/LL	2	
-	999 507 028 02	Speed nut B 4,2	/RL	1	
-	900 143 007 02	Oval-head sheetmetal screw B 4,2	/RL	1	
-	900 073 507 01	Oval-head sheetmetal screw B 4,2	/RL	1	
31	911 613 411 00	Brake light switch		1	
31	911 613 411 01	Brake light switch		1	

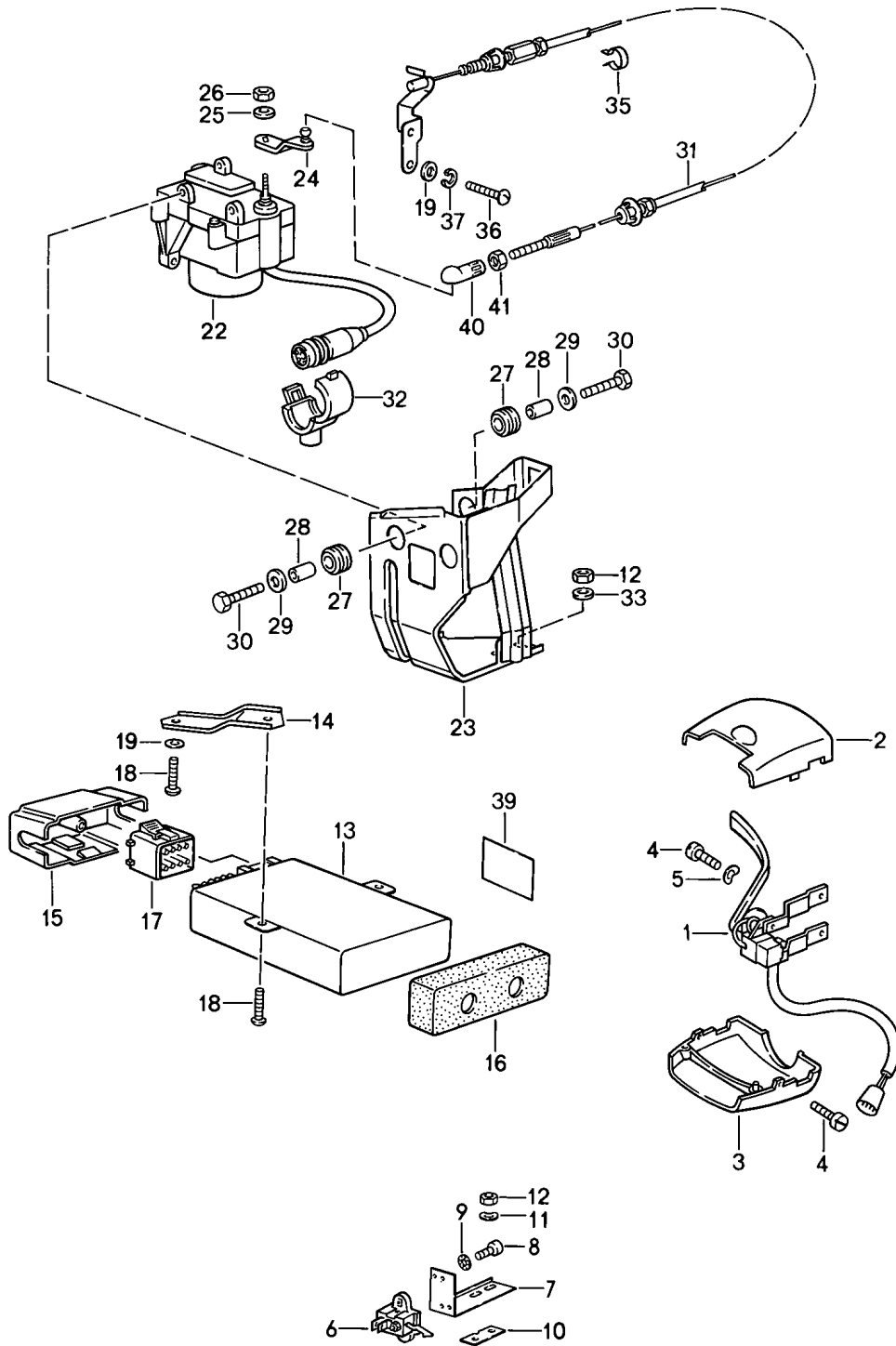
Model: 911 87

Model life 1987>>1989

Pos	Part Number	Description	Remark	Qty	Model
32	911 613 131 00	Support		1	
33	900 146 011 02	Oval-head screw M 4 X 10		2	
34	900 114 014 01	Shake-proof washer A 4,3		2	
36	911 613 132 00	Plate		1	
37	N 012 226 5	Spring washer B 6		2	
38	900 076 010 02	Nut M 6		2	
38	900 076 010 0B	Nut M 6		2	
39	321 611 813	T-piece		1	
-	N 020 359 1	Hose C 9 X 15		*	
41		45 MM		1	
40		130 MM		1	
-	999 181 167 50	Hose C 4,5 X 9,5		*	
42		500 MM		1	

Model: 911 87

Model life 1987>>1989



Model: 911 87

Model life 1987>>1989

Pos	Part Number	Description	Remark	Qty	Model
		Cruise control	88-		
1	911 613 102 01	Switch		1	
2	911 613 311 02	Switch housing Upper part		1	
3	911 613 312 02	Switch housing Lower part		1	
4	900 014 079 02	Pan-head screw M 3 X 10		4	
5	900 115 007 01	Serrated lock washer A 3,2		2	
6	911 613 411 00	Brake light switch		1	
6	911 613 411 01	Brake light switch		1	
7	911 613 131 00	Support		1	
8	900 146 011 02	Oval-head screw M 4 X 10		2	
9	900 114 014 01	Shake-proof washer A 4,3		2	
10	911 613 132 00	Plate		1	
11	N 012 226 5	Spring washer B 6		2	
12	900 076 010 02	Nut M 6		3	
12	900 076 010 0B	Nut M 6		3	
13	911 617 227 00	Control unit		1	
13	911 617 227 X	Control unit		1	
14	911 617 021 00	Support	/LL	1	
14	911 617 021 01	Support	/LL	1	
(14)	911 617 022 00	Support	/RL	1	
15	911 617 133 02	Cap	/LL	1	
16	911 617 134 00	Cap	/RL	1	
17	911 617 427 00	Coding plug		1	
18	900 146 003 02	Oval-head screw M 5 X 10		3	
19	900 025 003 02	Washer A 5,3		4	
22	944 617 121 00	Drive link		1	
23	911 617 047 00	Support		1	
24	911 617 043 01	Rubber mounting		1	
25	N 012 229 3	Spring washer A 8		1	
26	N 011 018 4	Hexagon nut M 8 X 1		1	
27	999 702 133 40	Rubber mounting 10 X 18 X 2		3	
28	999 531 014 02	Bush 6,1 X 10,2		3	
29	N 011 666 7	Washer B 6,4		6	
30	900 075 017 02	Hexagon-head bolt M 6 X 25		3	
30	900 075 017 03	Hexagon-head bolt M 6 X 25		3	
31	911 617 124 05	Bowden cable		1	
32	944 612 450 00	Fixing clip		1	
33	N 011 524 7	Washer A 6,4		1	
33	N 011 524 27	Washer A 6,4		1	
35	477 971 851	Cable clip		1	
36	N 014 128 13	Oval-head screw M 5 X 8		2	
37	N 012 005 3	Lock ring		2	

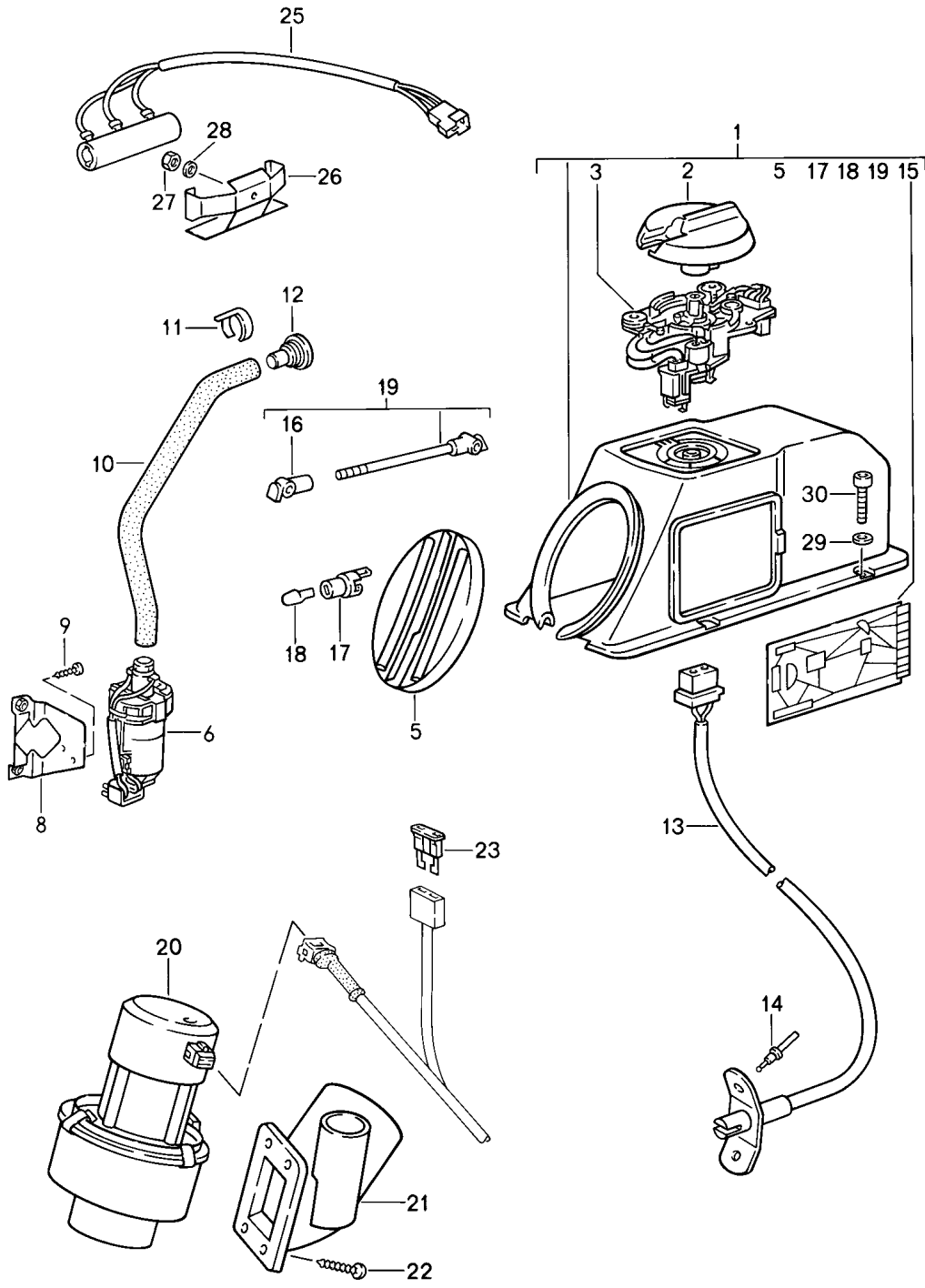
Model: 911 87

Model life 1987>>1989

Pos	Part Number	Description	Remark	Qty	Model
40	N 015 521 3	B 5 Ball socket		1	
41	N 011 005 14	Hexagon nut M 5		1	
41	900 076 091 01	Hexagon nut M 5		1	

Model: 911 87

Model life 1987>>1989



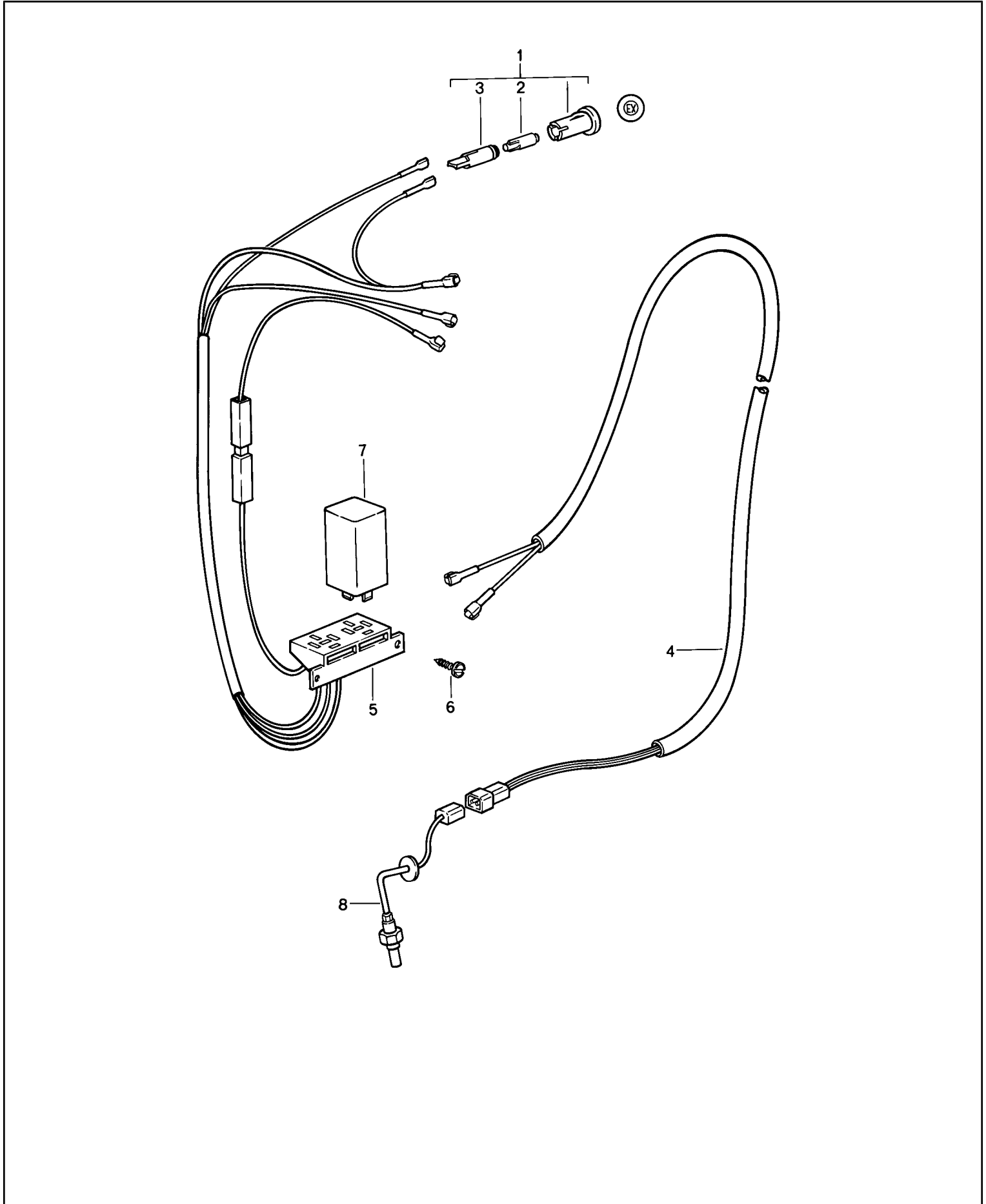
Model: 911 87

Model life 1987>>1989

Pos	Part Number	Description	Remark	Qty	Model
1	911 659 049 03	Heating Additional blower Control mechanism Automatic		1	CARRERA M424
(1)	930 659 059 01	Control mechanism		1	TURBO
2	911 659 110 00	Knob		1	
3	911 659 045 03	Switch for Control mechanism		1	
5	911 424 591 05	Sleeve for Control mechanism Automatic		1	
6	911 624 065 00	Interior sensor		1	
6	911 624 065 01	Interior sensor		1	
8	911 552 357 00	Bracket		1	
9	900 138 001 02	Tapping screw B 2,9 X 6,5		2	
10	911 572 527 00	Connecting hose	/LL	1	
(10)	911 572 528 00	Connecting hose	/RL	1	
11	911 572 525 00	Clamping piece		1	
12	911 572 523 00	Intake manifold		1	
	911 572 523 00 01C	Black			
13	911 659 101 00	Caloric feeler		1	
(13)	911 659 101 01	Caloric feeler		1	
14	999 190 129 02	Blind rivet		2	
15	911 659 058 02	Printed circuit board		1	
16	999 168 021 40	Ball socket	87	2	
16		Ball socket	88-	2	
17	999 632 015 00	Bulb socket		1	
18	900 631 132 90	Bulb 12 V - 1,2 W		1	
19	911 659 303 00	Connecting rod		1	
20	911 624 043 02	Radial blower	/L	1	
(20)	911 624 044 02	Radial blower	/R	1	
21	911 571 137 00	Double socket	/L	1	
(21)	911 571 138 00	Double socket	/R	1	
22	999 919 018 00	Screw 3,5 X 10		8	
23	N 017 131 11	Lock 10 A		2	
25	911 616 011 00	Resistor		1	
26	911 616 113 01	Support for Resistor		1	
27	900 076 010 02	Nut M 6		1	
27	900 076 010 0B	Nut M 6		1	
28	N 011 524 7	Washer A 6,4		1	
28	N 011 524 27	Washer A 6,4		1	
29	N 012 225 2	Spring washer B 5		4	
30	900 067 125 07	Pan-head screw M 5 X 20		4	

Model: 911 87

Model life 1987>>1989



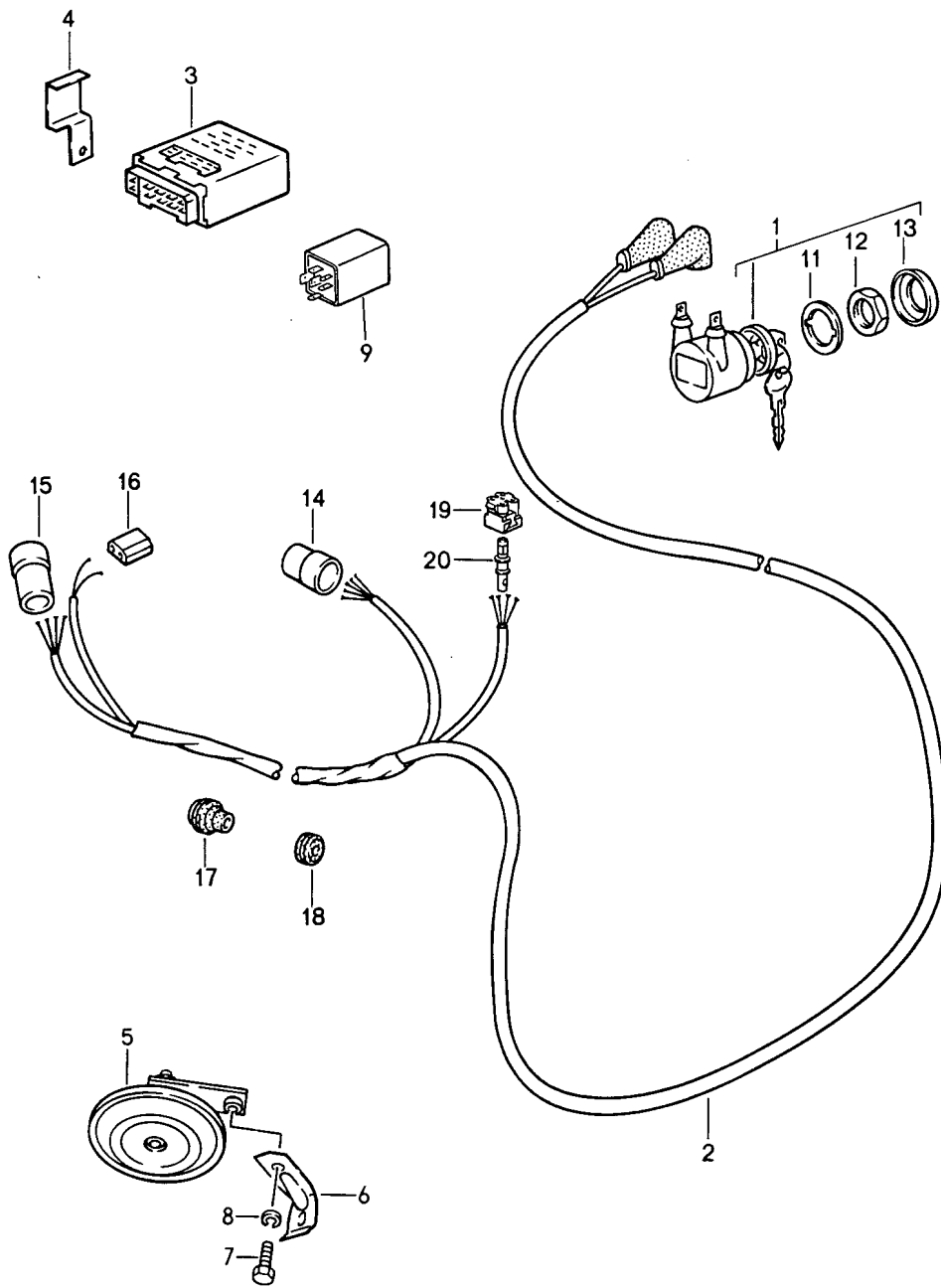
Model: 911 87

Model life 1987>>1989

Pos	Part Number	Description	Remark	Qty	Model
1	911 632 015 01	Emission control Indicator light	(J)	1	
2	900 631 132 90	-EX- Bulb		1	
3	111 919 243	12 V - 1,2 W Bulb socket		1	
4	930 612 171 00	Wiring harness for Temperature sensor		1	
5	930 612 169 02	Wiring harness for Indicator light		1	
6	N 013 970 5	Oval-head sheetmetal screw B 4,8 X 9,5		1	
6	N 106 568 02	Oval-head sheetmetal screw B 4,8 X 9,5		1	
7	911 617 119 00	Switch unit		1	CARRERA
(7)	043 906 086	Switch unit		1	TURBO
8		See group 2/02/00		1	

Model: 911 87

Model life 1987>>1989

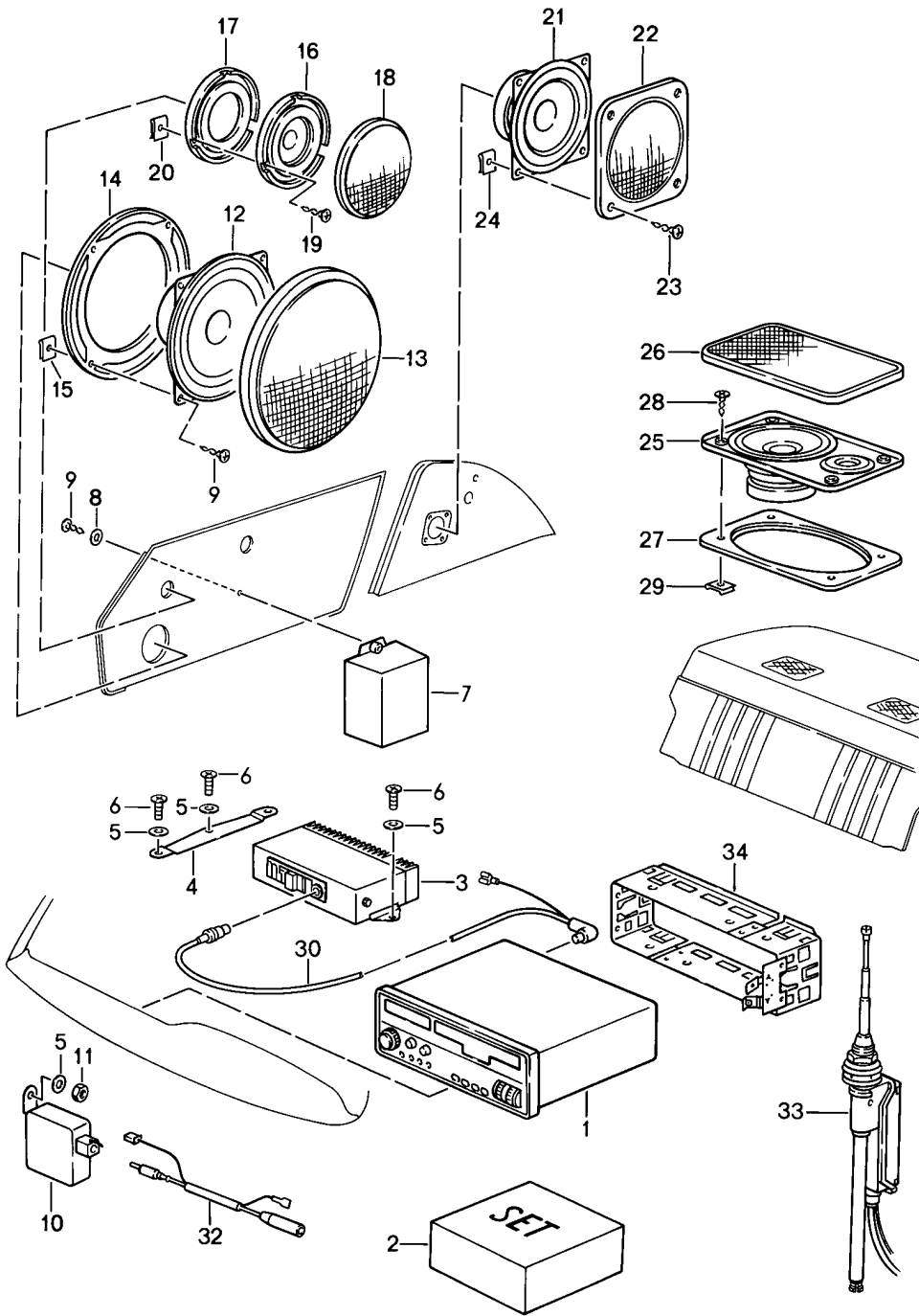


Model: 911 87 Model life 1987>>1989

Pos	Part Number	Description	Remark	Qty	Model
1	911 637 101 00	Alarm system Alarm switch with Key	/LL	1	
2	911 612 165 05	Wiring harness Driver's door	/LL -88	1	
3	911 637 104 02	Alarm control unit	/LL -88	1	CARRERA
3	928 637 104 03	Alarm control unit	89	1	CARRERA
3	911 637 104 03	Alarm control unit	/LL (CH) -88	1	CARRERA
3	928 637 104 04	Alarm control unit	(CH) 89	1	CARRERA
3	911 637 104 00	Alarm control unit	/LL -88	1	TURBO
3	930 637 104 01	Alarm control unit	89	1	TURBO
4	911 637 117 00	Support	/LL 87	1	
4	911 635 093 00	Retaining bracket	88-	1	
5	944 637 103 01	Horn		1	
6	911 635 093 00	Retaining bracket		1	
7	N 010 239 11	Hexagon-head bolt M 8 X 18		1	
7	N 010 239 30	Hexagon-head bolt M 8 X 18		1	
8	900 027 015 02	Lock ring		1	
8	900 027 015 03	Lock ring		1	
11	477 951 255	Washer	/LL -88	1	
12	911 637 125 00	Hexagon nut M 21 X 0,75	/LL -88	1	
13	477 951 251	Rosette	/LL -88	1	
14	803 971 979	Plug socket	/LL -88	1	
15	803 971 980	Pin connector socket	/LL -88	1	
16	171 971 999 A	Terminal sleeve housing	/LL -88	1	
17	477 957 861	Rubber sleeve	/LL -88	1	
18	999 702 136 40	Rubber sleeve	/LL -88	1	
19	928 612 542 00	Clutch housing	/LL -88	1	
20	944 612 548 00	Contact bush	/LL -88	X	

Model: 911 87

Model life 1987>>1989



Model: 911 87 Model life 1987>>1989

Pos	Part Number	Description	Remark	Qty	Model
		Radio Loudspeaker Installation parts See TPI GR.9 , NR.7 , 07/94 GR.9 , NR.10 , 09/94			
1	911 645 169 00	Radio	87	1	
		BERLIN IQR 86			
1	911 645 071 01	Radio	88-	1	
		BERLIN IQR 88			
1	911 645 168 00	Radio		1	CARRERA
		LUDWIGSBURG SQM 26			
1	911 645 159 01	Radio		1	
		BREMEN SQR 46			
1	911 645 139 02	Radio		1	
		TORONTO SQR 46			
(1)	928 645 018 00	Installation set CD player CD-10	89	1	M690
2	911 645 145 02	Installation set for Radio	-88	1	
		Comprising:			
-	911 645 173 02	Retaining frame		1	
		Retainer spring		1	
		Cap		1	
		When required order also:			
-	999 619 126 01	Condenser for Rear window wiper		X	
		Water pump			
3	928 645 405 02	Amplifier		1	M494
4	911 645 040 00	Retaining bracket		1	M494
5	N 011 524 7	Washer A 6,4		5	
5	N 011 524 27	Washer A 6,4		5	
6	N 014 138 7	Oval-head screw M 6 X 10		4	
7	911 645 575 00	Diplexer		2	M490
7	911 645 575 01	Diplexer		2	M490
8	900 025 002 02	Washer B 4,3		2	
8	900 025 002 03	Washer B 4,3		2	
9	N 013 967 9	Tapping screw B 4,2 X 19		11	
10	928 645 173 02	Antenna booster		1	
10	964 645 173 01	Antenna booster		1	
11	900 076 010 02	Nut M 6		1	
11	900 076 010 0B	Nut M 6		1	
(12)	911 645 433 00	Door speaker		2	
(12)	911 645 434 00	Door speaker		2	SPEEDSTER
12	911 645 415 00	Woofers		2	M490
(13)	911 555 013 01	Loudspeaker grille	87	2	
13	911 555 451 00	Loudspeaker grille	88-	2	
	911 555 451 00 01C	Black			
13	911 555 451 01	Loudspeaker grille	88-	2	
	911 555 451 01 01C	Black			
		Woofers			
14	911 555 671 00	Bracket	88-	2	

Model: 911 87 Model life 1987>>1989

Pos	Part Number	Description	Remark	Qty	Model
14	911 555 671 01	Woofers Bracket	88-	2	
15	999 591 575 02	Woofers Speed nut B 4,2		8	
15	999 591 575 01	Speed nut B 4,2		8	
16	911 645 417 00	Tweeter		2	M490
17	911 555 673 00	Bracket		2	
18	911 555 453 00	Loudspeaker grille Black		2	
18	911 555 453 01	Loudspeaker grille	88-	2	
	911 555 453 01 01C	Black Tweeter			
19	900 143 124 07	Tapping screw B 3,5 X 13		6	
20	N 900 488 01	Speed nut B 3,5		6	
21	928 645 413 00	Mid-range loudspeaker	87	2	CABRIO
21	911 645 421 00	Rear loudspeaker	88-	2	CABRIO
22	928 645 423 00	Loudspeaker grille		2	CABRIO
23	900 143 132 07	Tapping screw B 3,9 X 16		8	CABRIO
24	999 507 071 00	Speed nut B 3,9		8	CABRIO
(25)	911 645 435 00	Rear loudspeaker		2	COUPE/TARGA
25	911 645 419 00	Rear loudspeaker		2	COUPE/TARGA M490
(26)	911 555 019 00	Loudspeaker grille	87	2	COUPE/TARGA
26	944 555 149 00	Loudspeaker grille	88-	2	COUPE/TARGA
	944 555 149 00 01C	Satin black			
26	944 555 149 01	Loudspeaker grille Satin black	87-	2	
27	944 555 159 00	Frame	88-	2	COUPE/TARGA
28	900 145 084 07	Tapping screw B 4,2 X 19	87	8	COUPE/TARGA
28	900 143 129 07	Counters. head tapp. screw B 3,9 X 22	88-	8	COUPE/TARGA
29	999 591 575 02	Speed nut B 4,2	87	8	COUPE/TARGA
29	999 591 575 01	Speed nut B 4,2	87-	8	COUPE/TARGA
29	999 507 032 02	Speed nut B 3,9	88-	8	COUPE/TARGA
30	928 645 406 00	Connecting cable Radio Amplifier		1	M494
30	911 612 196 00	Wiring harness for Booster	88-	1	
-	911 612 172 01	BERLIN IQR 88 Connecting cable Booster Radio		1	M326
32	911 645 263 00	Connecting cable for Antenna		1	
(33)	911 645 305 00	Antenna		1	SPEEDSTER
34	911 645 173 03	Retaining frame for Radio		1	
34	911 645 173 02	Retaining frame for		1	

Model: 911 87

Model life 1987>>1989

Pos	Part Number	Description	Remark	Qty	Model
		CD player			

Model: 911 87

Model life 1987>>1989



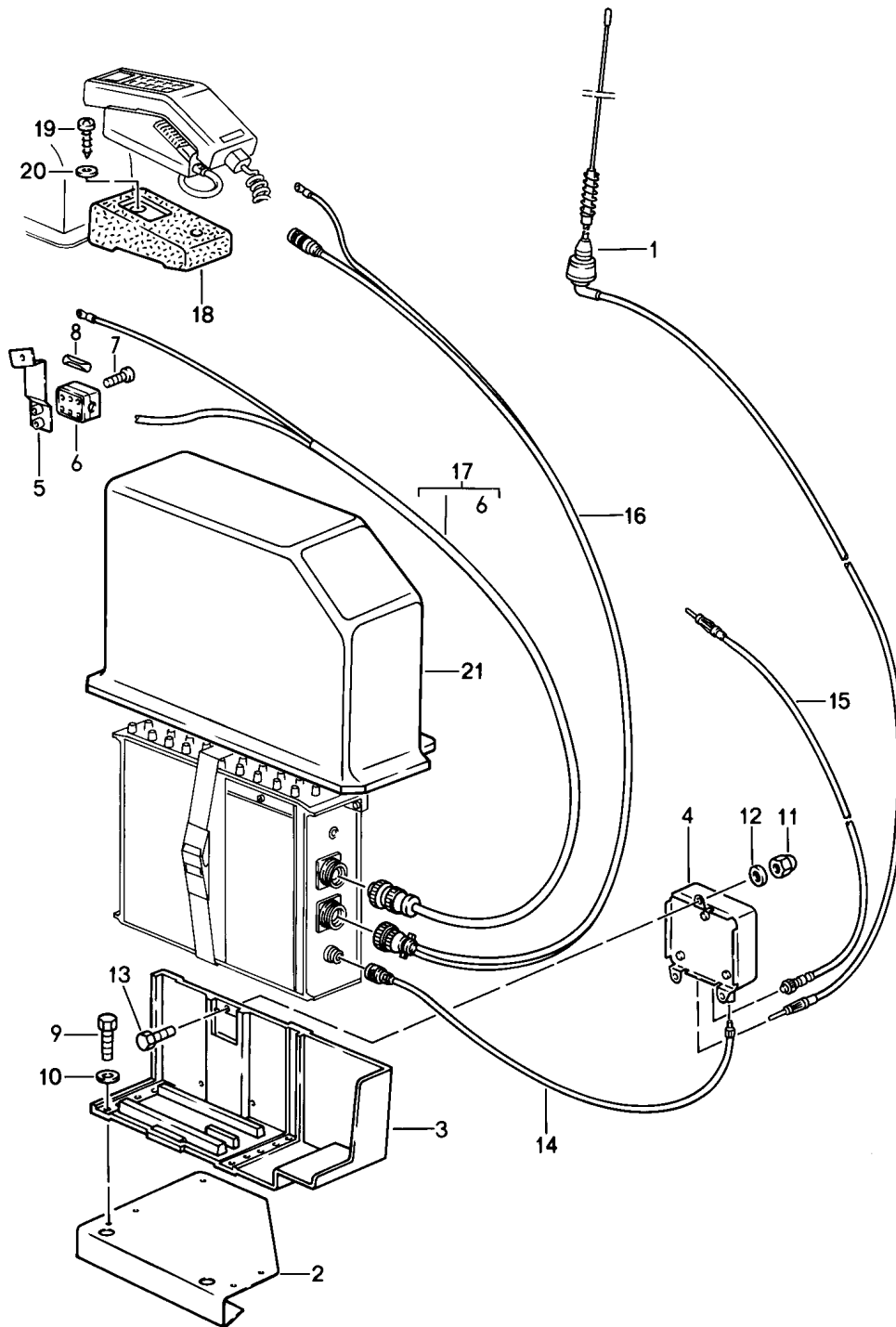
Model: 911 87

Model life 1987>>1989

Pos	Part Number	Description	Remark	Qty	Model
-	911 645 190 00	Radio Navigation system Installation parts		1	
-	911 645 191 00	Radio Navigation system with PORSCHE logo		1	
-	911 645 192 00	Radio Navigation system with TMC with PORSCHE logo		1	
-	911 645 195 00	Cover for Radio Navigation system with PORSCHE logo		1	
-	911 645 197 00	Cover for Radio Navigation system without PORSCHE logo		1	
-	911 645 196 00	Adapter		1	
-	911 642 105 00	Adapter		1	
-	911 642 105 00	Antenna		1	
-	911 642 100 00	Antenna		1	
-	911 642 100 00	Software Update 1-2011		1	
-	911 642 100 01	Software Update 1-2013		1	
-	911 642 100 02	Software Update 1-2014		1	
-	911 642 107 00	Microphone		1	
-	911 645 199 00	Handheld transmitter		1	
-	911 645 190 01	Navigation system Knob Control part Navigation system		2	

Model: 911 87

Model life 1987>>1989



Model: 911 87 Model life 1987>>1989

Pos	Part Number	Description	Remark	Qty	Model
1	928 646 125 00	Preparation for telephone Antenna	(D) 88	1	M496 COUPE
(1)	911 646 125 00	Roof Antenna		1	TARGA/CABRIO
2	911 646 011 00	Wing Retainer plate		1	
3	928 646 117 00	Bracket		1	
4	928 646 115 00	Diplexer		1	
5	911 646 021 00	Clip		1	
6	999 609 001 40	Fuse box		1	
7	N 014 133 8	Oval-head screw M 5 X 12		2	
8	N 017 121 4	Lock 16 A Red		1	
8	900 173 006 90	Safety fuse 5 A Yellow		1	
9	N 010 215 13	Hexagon-head bolt M 6 X 15		8	
10	N 011 524 7	Washer A 6,4		8	
10	N 011 524 27	Washer A 6,4		8	
11	N 011 141 2	Cap nut M 5		3	
12	900 025 003 02	Washer A 5,3		3	
13	900 075 145 02	Hexagon-head bolt M 5 X 16		3	
14	928 646 034 00	Line Diplexer		1	
15	911 646 032 00	Receiving part Line Diplexer		1	
16	928 646 035 00	Radio Wiring harness Control part		1	
17	911 646 031 00	Receiving part Line Fuse box		1	
18	911 555 431 00	Receiving part Bracket Carpet		1	
	911 555 431 00 70E	Black			
	911 555 431 00 5MF	Mahogany			
	911 555 431 00 3KF	Marine blue			
	911 555 431 00 80E	Burgundy			
	911 555 431 00 8JK	Greyish green			
	911 555 431 00 2XF	Linen			
	911 555 431 00 4MM	Plum red			
	911 555 431 00 7VM	Silver-grey			
	911 555 431 00 1VD	Champagne			
	911 555 431 00 5UM	Caramel			
	911 555 431 00 3KM	Venetian blue			
19	N 013 962 2	Oval-head sheetmetal screw B 3,9 X 16		2	
20	900 025 002 02	Washer A 4,3		2	
20	900 025 002 03	Washer A 4,3		2	
21	911 551 331 00	Cover		1	
	911 551 331 00 4FD	Anthracite			

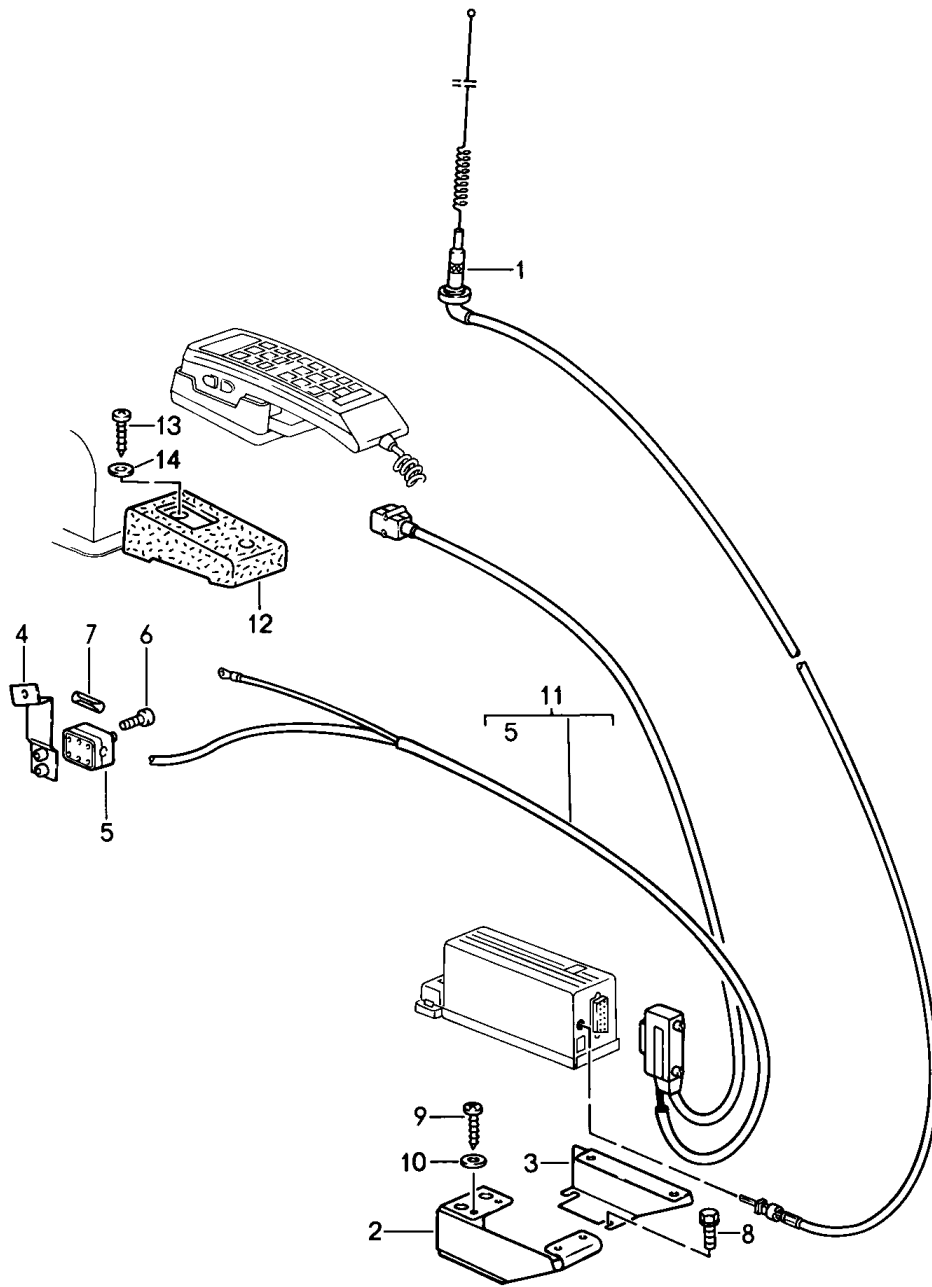
Model: 911 87

Model life 1987>>1989

Pos	Part Number	Description	Remark	Qty	Model
21	911 551 331 01 911 551 331 01 70E	Cover Carpet Black		1	M975

Model: 911 87

Model life 1987>>1989

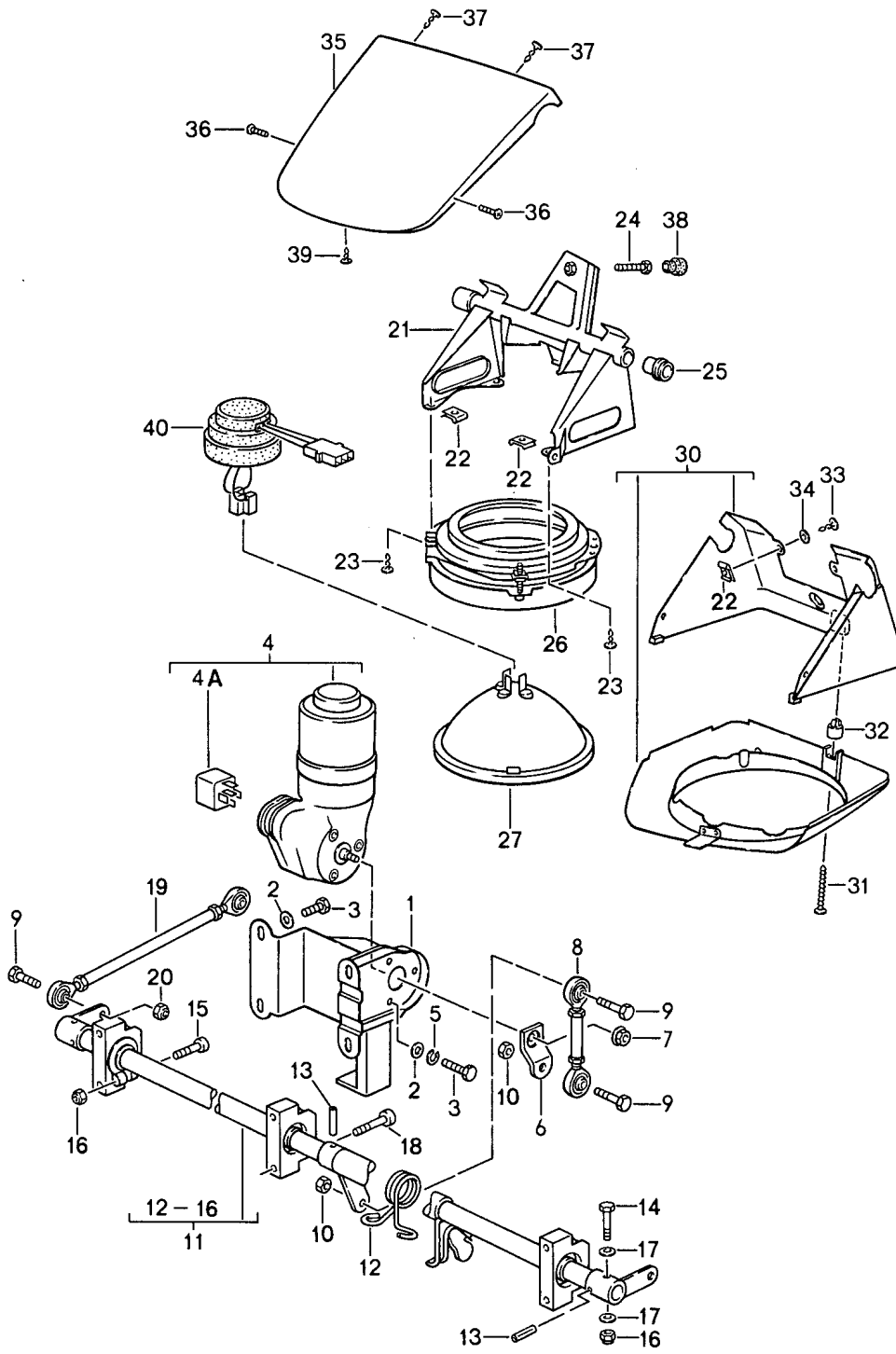


Model: 911 87 Model life 1987>>1989

Pos	Part Number	Description	Remark	Qty	Model
		Preparation for telephone			M195
1	928 646 126 00	Antenna Roof		1	COUPE
(1)	964 646 126 00	Antenna Wing		1	TARGA/CABRIO
2	911 646 222 00	Support		1	
3	911 646 122 00	Support		1	
4	911 646 021 00	Clip		1	
5	999 609 001 40	Fuse box		1	
6	N 014 133 8	Oval-head screw M 5 X 12		2	
7	N 017 121 4	Lock 16 A Red		1	
7	900 173 006 90	Safety fuse 5 A Yellow		1	
8	900 075 357 02	Combination screw M 6 X 12		3	
8	900 075 456 01	Combination screw M 6 X 12		3	
9	N 013 964 4	Oval-head sheetmetal screw B 4,2 X 16		4	
10	N 011 522 14	Washer A 4,3		4	
11	911 646 037 00	Wiring harness	/LL	1	
11	911 646 041 00	Wiring harness	/RL	1	
12	911 555 431 00	Bracket Carpet		1	
	911 555 431 00 70E	Black			
	911 555 431 00 5MF	Mahogany			
	911 555 431 00 3KF	Marine blue			
	911 555 431 00 80E	Burgundy			
	911 555 431 00 8JK	Greyish green			
	911 555 431 00 2XF	Linen			
	911 555 431 00 4MM	Plum red			
	911 555 431 00 7VM	Silver-grey			
	911 555 431 00 1VD	Champagne			
	911 555 431 00 5UM	Caramel			
	911 555 431 00 3KM	Venetian blue			
13	N 013 962 2	Oval-head sheetmetal screw B 3,9 X 16		2	
14	900 025 002 02	Washer A 4,3		2	
14	900 025 002 03	Washer A 4,3		2	

Model: 911 87

Model life 1987>>1989



Model: 911 87 Model life 1987>>1989

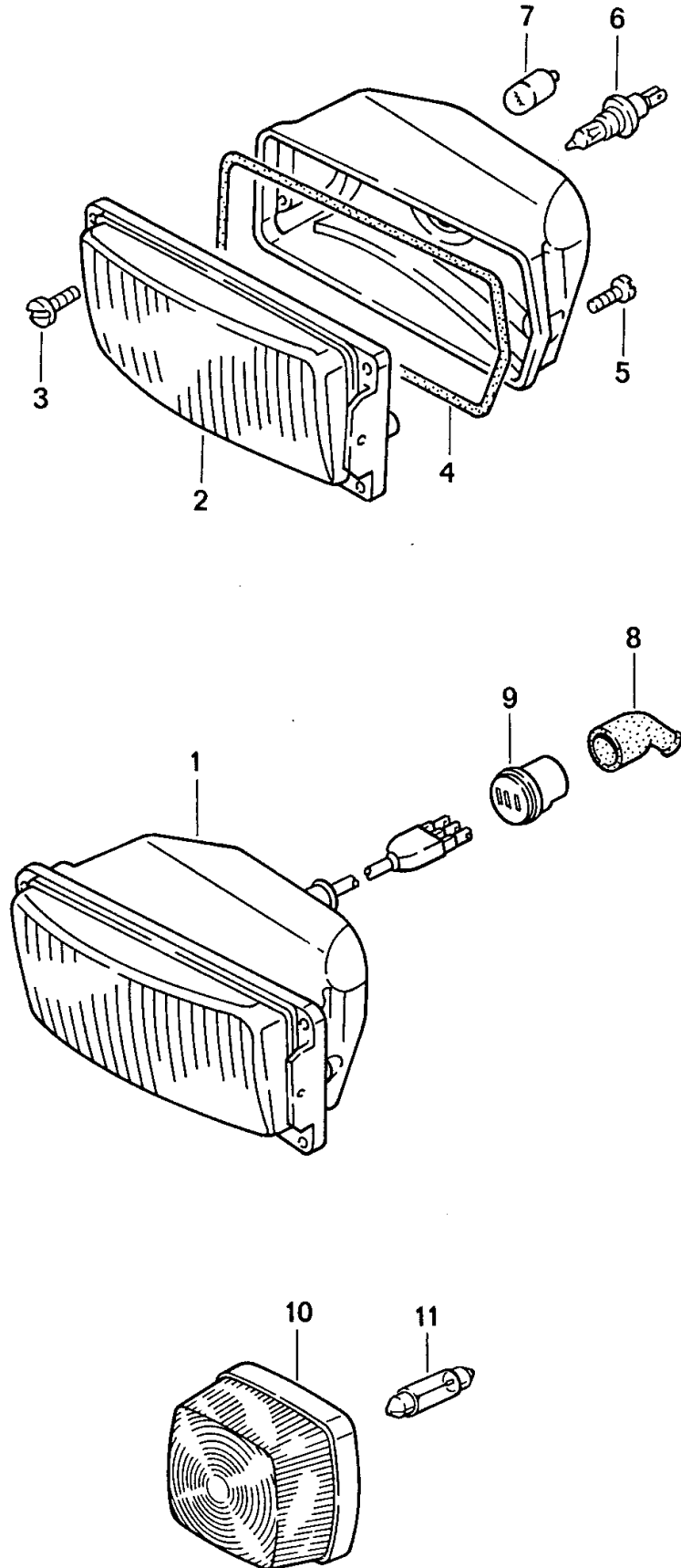
Pos	Part Number	Description	Remark	Qty	Model
		Special model flatnose design Pop-up headlight	88-		TURBO M506
1	911 503 952 00	Mounting		1	
1		Mounting		1	
		Engine			
		Pop-up headlight for flatnose			
2	911 503 952 00 GRV N 011 666 7	Prime coated Washer		8	
3	900 075 057 02	B 6,4 Hexagon-head bolt		8	
3	900 075 057 03	M 6 X 16 Hexagon-head bolt		8	
4	477 941 379 A	M 6 X 16 Electric motor		1	
4A	111 943 383 C	Relay		1	
4A	928 615 116 01	Relay		1	
5	N 012 006 4	Lock ring		3	
		B 6			
6	911 503 951 00	Lever		1	
7	999 084 055 02	Lock nut		1	
		M 8			
8	911 503 928 00	Connecting rod		1	
9	900 075 029 09	Hexagon-head bolt		4	
		M 8 X 25			
9	900 075 029 03	Hexagon-head bolt		4	
		M 8 X 25			
10	900 076 025 02	Hexagon nut		2	
		M 8			
10	900 076 064 02	Hexagon nut		2	
		M 8			
11	911 503 909 00	Control shaft		1	
		Complete			
12	477 805 662	Spring		1	
13	900 309 005 00	Roll pin		1	
		4 X 16			
14	N 010 221 3	Hexagon-head bolt		2	
		M 6 X 35			
15	900 067 097 02	Pan-head screw		3	
		M 6 X 30			
16	900 910 012 02	Lock nut		5	
		M 6			
16	900 910 047 09	Lock nut		5	
		M 6			
17	N 011 524 7	Washer		4	
		A 6,4			
17	N 011 524 27	Washer		4	
		A 6,4			
18	900 067 081 02	Pan-head screw		2	
		M 8 X 35			
18	900 067 102 02	Pan-head screw		2	
		M 8 X 35			
19	911 503 927 00	Connecting rod		2	
20	999 084 020 02	Lock nut		2	
		M 8			
21	911 503 933 00	Mounting	/L	1	
21		Mounting	/L	1	
		Headlamp			
		Left			
		for flatnose			
	911 503 933 00 GRV	Prime coated			

Model: 911 87 Model life 1987>>1989

Pos	Part Number	Description	Remark	Qty	Model
(21)	911 503 934 00	Mounting	/R	1	
(21)		Mounting	/R	1	
		Headlamp			
		Right			
		for flatnose			
	911 503 934 00 GRV	Prime coated			
22	999 591 338 02	Speed nut		8	
		B 3,5			
22	999 591 460 01	Speed nut		8	
		B 3,5			
23	900 143 041 00	Oval-head sheetmetal screw		8	
		B 3,9 X 19			
24	900 074 015 02	Hexagon-head bolt		4	
		M 6 X 30			
25	477 805 623	Bush		4	
(25)	911 503 929 00	Plastic slide bearing		4	
(26)	477 941 046	Retaining frame		2	
(27)	477 941 771 B	Headlamp		2	
30	911 503 977 00	Housing	/L	1	
(30)	911 503 978 00	Housing	/R	1	
31	N 043 979 2	Tapping screw		2	
		B 4,2 X 45			
32	477 857 173	Clip		2	
33	N 013 958 7	Oval-head sheetmetal screw		4	
		B 3,5 X 13			
34	900 151 028 02	Washer		4	
		B 4,3			
34	900 151 028 01	Washer		4	
		B 4,3			
35	911 503 911 00	Cover	/L	1	
35		Cover	/L	1	
		Headlamp			
		Left			
		for flatnose			
	911 503 911 00 GRV	Prime coated			
(35)	911 503 912 00	Cover	/R	1	
(35)		Cover	/R	1	
		Headlamp			
		Right			
		for flatnose			
	911 503 912 00 GRV	Prime coated			
36	900 148 023 07	Lens-head screw		4	
		AM 4 X 15			
37	311 867 167	Oval-head sheetmetal screw		4	
		B 4,2			
38	311 867 169	Cap		4	
	311 867 169 01C	Black			
39	900 145 071 07	Tapping screw		2	
		B 3,5 X 13			
40	477 941 659 A	Cap		2	

Model: 911 87

Model life 1987>>1989



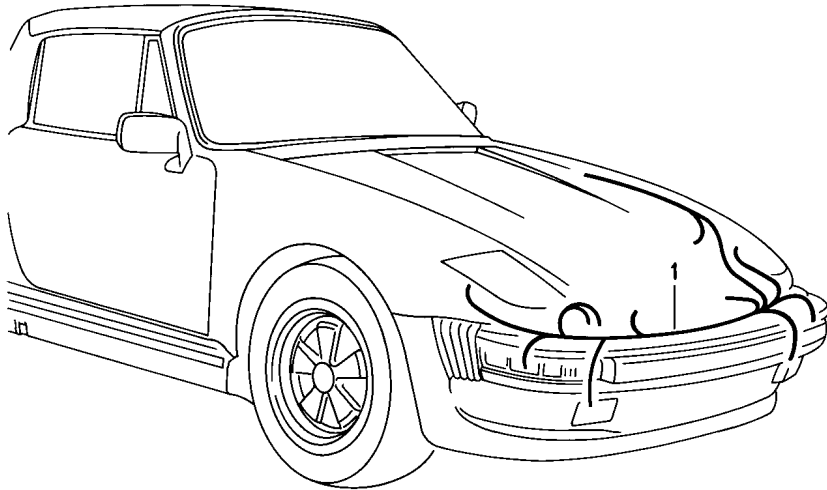
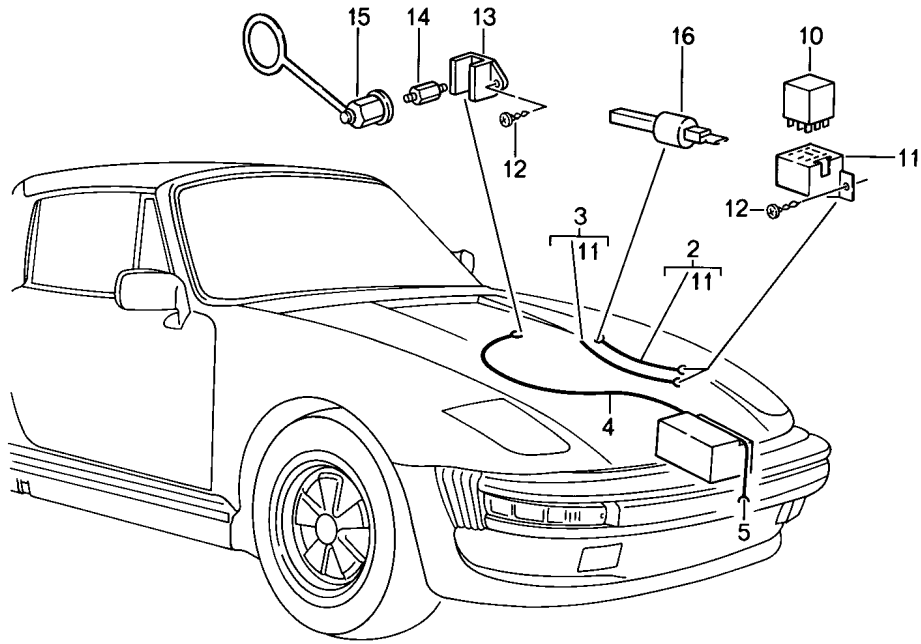
Model: 911 87

Model life 1987>>1989

Pos	Part Number	Description	Remark	Qty	Model
		Special model	88-		TURBO M506
		flatnose design			
		Additional headlamp			
1	944 631 407 00	Additional headlamp	/L	1	
		White			
(1)	944 631 408 00	Additional headlamp	/R	1	
		White			
(1)	944 631 409 00	Additional headlamp	/L	1	
		Yellow			
(1)	944 631 410 00	Additional headlamp	/R	1	
		Yellow			
2	944 631 407 00	Additional headlamp	/L	1	
		White			
(2)	944 631 408 00	Additional headlamp	/R	1	
		White			
(2)	944 631 409 00	Additional headlamp	/L	1	
		Yellow			
(2)	944 631 410 00	Additional headlamp	/R	1	
		Yellow			
3	N 014 119 1	Oval-head screw		6	
3	N 014 119 8	Oval-head screw		6	
4	944 631 421 00	Gasket		2	
5	N 014 122 8	Oval-head screw		4	
5	N 014 122 17	Oval-head screw		4	
		M 4 X 8			
6	900 631 126 90	Halogen bulb		2	
		H3 12V 55W			
7	900 631 103 90	Bulb		2	
		12V 4W			
8	914 613 491 00	Protection cap		2	
9	113 945 525	Terminal sleeve housing		2	
10	944 631 905 00	Position light		2	
11	900 631 105 90	Bulb		2	
		12V 5W			

Model: 911 87

Model life 1987>>1989



Model: 911 87

Model life 1987>>1989

Pos	Part Number	Description	Remark	Qty	Model
		Special model flatnose design Wiring harnesses	88-		TURBO M506
1	911 612 911 00	Relay Wiring harness		1	
4	911 612 935 00	Pop-up headlight		1	
5	477 971 221	Battery-starter cable		1	
		Ground strap		1	
		Battery			
12	900 145 071 07	Tapping screw		4	
		B 3,5 X 13			
13	928 612 867 00	Cable connection		1	
14	928 612 868 01	Hexagon-head bolt		1	
15	928 612 073 00	Protection cap		1	
15	928 612 073 01	Protection cap		1	

Model: 911 87

Model life 1987>>1989

Pos	Part Number	Description	Remark	Qty	Model
		Special model flatnose design Windscreen washer system	88-		TURBO M506
1	911 628 075 10	Horn			
(2)	911 299 628 05	Water reservoir	88-	1	
		Hose	88-	*	
		25 X 3,5			
5	191 955 681	Pump		1	
6	911 612 179 01	Wiring harness		1	
6A	999 652 192 47	Connector housing		1	
6B	928 628 365 00	Protection cap		1	
6C	999 652 167 40	Terminal sleeve housing		1	
7	928 628 193 00	Gasket		1	
8	N 023 570 2	Hose clamp		1	
		9 / 15			
9	911 628 735 00	Threaded cover		1	
9	911 628 735 01	Threaded cover		1	
10	911 628 737 00	Connecting piece		1	
11	911 628 743 00	Closing gasket		1	
12	911 628 749 00	Valve		1	
13	914 628 215 00	Valve		1	
14	911 628 081 00	Restraining strap		1	
14	911 628 081 02	Restraining strap		1	
15	999 702 020 50	Rubber sleeve		2	
16	911 612 413 00	Rubber sleeve		2	
17	901 628 749 20	T-piece		1	
18	N 100 020 01	Clip		1	
		6 / 10			
18	999 512 527 00	Clamp		1	
		6 / 10			
19	914 628 741 00	Stopper		3	
20	928 628 074 01	Pump		1	
21	N 010 217 9	Hexagon-head bolt		1	
		M 6 X 20			
22	N 012 007 2	Lock ring		1	
		A 6			
22	900 027 004 03	Lock ring		1	
		A 6			
23	900 151 003 02	Washer		1	
		A 6,4			
23	900 151 006 03	Washer		1	
		A 6,4			
-	999 181 722 40	Hose		*	
		4,6 X 8,2			
24		150 MM		1	
24A		500 MM		1	
24B		650 MM		1	
24C		800 MM		1	
24D		300 MM		1	
25	999 901 017 41	Window cleaner		X	
		250 ML			
		Summer			
25	999 901 017 42	Window cleaner		X	
		250 ML			
		Summer			
25	000 044 000 87	Window cleaner		X	
		250 ML			
		Summer			
(25)	999 901 033 40	Window cleaner		X	
		1000 ML			
		Winter			
26	N 020 690 1	Clip		3	

Model: 911 87

Model life 1987>>1989

Pos	Part Number	Description	Remark	Qty	Model
27	900 025 007 02	B 20 / 28 Washer A 8,4 X 16 X 1,6		4	
27	900 025 007 03	Washer A 8,4 X 16 X 1,6		4	
28	900 084 004 03	Hexagon nut M 8		4	
28	900 084 004 02	Hexagon nut M 8		4	
29	999 513 008 40	Tie-wrap Horn		1	
(30)	911 635 101 20	Fanfare Short High-pitched		1	
(30)	911 635 101 21	Fanfare Short High-pitched		1	
(30)	911 635 102 20	Fanfare Long Low-pitched		1	
(30)	911 635 102 21	Fanfare Long Low-pitched		1	
31	911 504 080 00	Bracket		1	
	911 504 080 00 GRV	Prime coated			
35	900 910 003 04	Lock nut VM 8		2	
36	900 025 007 02	Washer A 8,4		6	
36	900 025 007 03	Washer A 8,4		6	
37	900 075 087 02	Hexagon-head bolt M 8 X 16		4	
37	900 075 087 03	Hexagon-head bolt M 8 X 16		4	
38	900 084 004 03	Hexagon nut M 8		2	
38	900 084 004 02	Hexagon nut M 8		2	