

**Model: 918****Model life 2015>>2015**

## ORDER-INFO

PET CONTAINS THE ORDERING DETAILS FOR ALL MODELS SHOWN IN THE MODEL OVERVIEW.

THE UPDATE SERVICE IS PERFORMED AUTOMATICALLY VIA INTERNET UPDATE.  
THE VERSION IS SHOWN IN THE HEADER AS "UPDATE 123/12"

SEATS AND RELATED ITEMS FOR MODELS INTRODUCED BEFORE 1997 ARE SHOWN IN THE STZ CATALOGUE.

SEATS AND RELATED ITEMS FOR MODELS INTRODUCED AFTER 1997 ARE SHOWN IN THE CORRESPONDING VEHICLE CATALOGUES.

ALL ILLUSTRATIONS ARE NON-BINDING.  
SUBJECT TO CHANGE.

Model: 918

Model life 2015>>2015

EXPLANAT.- VIN

EXPLANATION OF THE ABRIDGED VERSION OF THE VEHICLE IDENT. NUMBERS (VIN)  
 =====  
 USED IN THE CATALOGUE  
 =====

DIGIT:                            1 2 3 4 5 6 7 8 9 10 11 12 13 14 15 16 17

EXAMPLE:                        W P 0 Z Z Z 9 9 Z 5 S 7 0 0 1 2 5

                                      ===            =       =       =       =====

  !            !       !       !                    !

VEHICLE TYPE 1ST+2ND DIGIT-----+    !       !       !                    !

  !       !       !                    !

MODEL YEAR-----+    !       !                    !

  !       !                    !

MANUFACTURING LOCATION-----+    !                    !

  !                    !

VEHICLE TYPE 3RD DIGIT-----+    !

  !

SERIAL NUMBER-----+    !

**Model: 918**

**Model life 2015>>2015**

SUMMARY TYPES

VEHICLE TYPE	MY	VIN	ENGINE TYPE
918 Spyder	14 E	91ES8 00001>00918	M18.00
918 Spyder (USA,CDN)	14 E	A1ES8 00001>00918	M18.00
918 Spyder	15 F	91FS8 00001>00918	M18.00
918 Spyder (USA,CDN)	15 F	A1FS8 00001>00918	M18.00





Model: 918

Model life 2015>>2015

SUMMARY ENGINES

VEHICLE TYPE	ENGINE			TECHNICAL DATA
	TYPE	MY	ENGINE NO.	
918 Spyder	M18.00	14 E	___E 00001>01000	8ZYL/4,6L /447 KW
918 Spyder	M18.00	15 F	___F 00001>01000	8ZYL/4,6L /447 KW

Model: 918

Model life 2015>>2015

EXPL. TRANSM. NO.

EXPLANATION OF THE TRANSMISSION-NUMBERS USED IN THE CATALOGUE

=====

DIGIT:	1	2	3	4	5	6	7	8	9	10	11
EXAMPLE:	G	9	7	0	1	1	0	0	5	4	3
	=	=====				=	=====				
	!		!			!			!		!
	!		!			!			!		!
TRANSMISSION TYPE-----+			!			!			!		!
			!			!			!		!
TRANSMISSION VERSION-----+						!			!		!
						!			!		!
INDEX OF VARIANTS-----+									!		!
									!		!
SERIAL NUMBER-----+											!

**Model: 918**

**Model life 2015>>2015**

SUMM. TRANSMISS.

VEHICLE TYPE	TRANSM. TYPE	MY	TRANSMISSION NO.	TECHNICAL DATA
918 Spyder PDK	C18.00	14 E	C1800 1 00001>001000	7-GANG
918 Spyder PDK	C18.00	15 F	C1800 1 00001>001000	7-GANG

Model: 918

Model life 2015>>2015

LEGENDS/NOTICES

LEGENDS AND NOTICES

=====

IN COLUMN -S- STATUS

-----

- N NEW ADDITION
- P PART ALREADY IN PROGRAMME, BUT NEW AT THIS APPLICATION
- W DELETED AT THIS APPLICATION, BUT CONTINUED TO BE CARRIED
- K RACING PART: MARKETED FROM WEISSACH EMW
- A STOCK TO BE USED UP
- U DELETED WITHOUT REPLACEMENT
- \* PART ALSO OR ONLY AVAILABLE IN REPAIR KIT
- > ALSO AVAILABLE IN EXCHANGE

IN COLUMN - ILL. -

-----

- 1 IDENTIFICATION NO. IN ILLUSTRATION
- (1) PART ONLY SIMILAR AS ILLUSTRATED
- PART IS NOT ILLUSTRATED

FIG.-NUMBERS FOR WHICH THERE IS SHOWN NO TEXT ARE NOT VALID FOR THIS EDITION OF CATALOGUE

IN COLUMN -PART NUMBER/CODE-

-----

000 000 000 00 PART NUMBER EQUALS ORDERING NO., IF A CODE IS SHOWN, IT WILL HAVE TO BE PART OF ORDERING NUMBER

01C COLOUR CODE

IN COLUMN -TEXT

-----

INSTALLATION WITH ENGINE OR CHASSIS NUMBER-RANGE

EXAMPLE:

M 66W 00389>>

FROM ENGINE NO.

**Model: 918****Model life 2015>>2015**

F

&gt;&gt;99WS6 00889

UP TO CHASSIS NO.

Model: 918

Model life 2015>>2015

LEGENDS/NOTICES

IN COLUMN - QU - = NO. OF PIECES  
-----

1 NUMBER PER APPLICATION

X NUMBER AS NEEDED

\* AVAILABLE ONLY IN RUNNING LENGTHS 1 = 1 METRE

IN COLUMN - MODEL/SYMBOL -  
-----

I650 OPTIONAL EQUIPMENT - SEE I-NO. LIST  
-I650 COMPONENT NOT VALID FOR THIS I-NO.

-98 LIMITATION OF MODEL YEAR FOR INSTANCE: VALID UP TO  
END OF MODEL YEAR 1997

/LL LHD

/RL RHD

-----+  
/V FRONT I  
I

/H REAR I  
I----> APPLIES TO

/L LEFT I DIRECTION OF TRAVEL  
I

/R RIGHT I  
-----+

WW THE PART CAN BE USED INSTEAD OF THE  
PRECEDING ONE.

Model: 918

Model life 2015&gt;&gt;2015

COUNTRY-EQIPM.

## EQUIPMENT BY COUNTRY REGULATIONS

=====

(A)	AUSTRIA
(AG)	ARABIAN GULF STATES
(AUS)	AUSTRALIA
(B)	BELGIUM
(BR)	BRAZIL
(CDN)	CANADA
(CH)	SWITZERLAND
(CN)	PEOPLE'S REPUBLIC OF CHINA
(D)	FEDERAL REPUBLIC OF GERMANY
(DK)	DENMARK
(E)	SPAIN
(F)	FRANCE
(GB)	GREAT BRITAIN
(GR)	GREECE
(HK)	HONGKONG
(I)	ITALY
(J)	JAPAN
(L)	LUXEMBURG
(N)	NORWAY
(NL)	NETHERLANDS
(NZ)	NEW ZEALAND
(P)	PORTUGAL
(ROK)	KOREA
(RC)	TAIWAN
(THA)	THAILAND
(S)	SWEDEN
(SA)	SAUDI ARABIA
(SF)	FINLAND
(USA)	UNITED STATES OF AMERICA

Model: 918

Model life 2015>>2015

(ZA)

SOUTH AFRICA



Model: 918

Model life 2015&gt;&gt;2015

NR	Description
IEH1	Charging cable length: standard
IEH2	Charging cable length: 7.5 metres
IES1	Charging socket, AC type 1, mode 2-3 (NAR/Japan)
IES3	Charging socket, AC type 2, mode 2-3 (EU)
IES4	Household charging socket, type L
IIY1	Model year period from week 22 to week 45
IIY2	Model year period from week 45 to week 22
IUX5	Standard valve
IUX6	TPM valve, Silver
IUX7	TPM valve, Black
IXAJ	Painted sill covers
IXAS	Sport Design front apron
IXAT	SportDesign package
IXCA	Dashboard trim strip (3-part) sports seats
IXCB	Instrument surround sports seats
IXCC	Side air vents sports seats
IXCD	Center air vent bracket sports seats
IXCE	Rear center console sports seats
IXCG	Sports seat backrest in Aluminium Look finish
IXCH	Side/centre air vent slats, sports seats
IXCK	Rear center console in Galvano Silver
IXCL	Instrument surround in Galvano Silver
IXCN	Side air vents in Aluminium Look finish (997)
IXCW	Aluminium Look trim on belt opening in B-pillar
IXCY	Center air vent in Aluminium Look finish
IXCZ	Short shifter
IXDA	Wheel spokes painted Black
IXDH	Wheel centre painted in Platinum
IXDJ	Decorative trim on gear lever/selector, painted
IXDM	Decorative dashboard trim, painted
IXDP	Instrument cluster frame, painted
IXDR	Painted trim on belt opening in B-pillar
IXDS	Ignition lock surround in leather
IXDU	Leather trim on belt opening in B-pillar
IXDV	Dashboard end-trim in leather
IXDX	Mirror attachment point finisher, leather
IXDZ	Selector lever cover in leather
IXD9	Wheel painted in body colour
IXEA	Passive handset in leather
IXES	Preparation, illuminated door entry guard
IXE8	Gear lever knob aluminium/dark burr maple/leather
IXE9	Handbrake lever aluminium/dark burr maple/leather
IXFD	Instrument dials in Sand Beige
IXFE	Instrument dials in Terracotta
IXFF	Instrument dials in Brown/Natural
IXFG	Instrument dials in Guards Red
IXFH	Instrument dials in Speed Yellow

Model: 918

Model life 2015&gt;&gt;2015

NR	Description
IXFJ	Instrument dials in Carrara White
IXFL	Instrument dials painted in Luxor Beige
IXFP	Handbrake lever Aluminium II
IXFR	Instrument dial painted Racing Yellow
IXGB	Decorative dashboard trim, carbon
IXGC	Dashboard carbon/Alcantara
IXGD	Parking brake handle carbon/Alcantara
IXGE	Handle recess insert, carbon
IXGX	Seat belts with Acid Green stripes
IXGY	Seat belts with Orange stripes
IXGZ	Seat belts with Silver stripes
IXHB	Centre console trim in leather
IXHC	Shift lever in mahogany
IXHD	PDK selector lever in mahogany
IXHE	Dashboard trim panel in mahogany
IXHF	Multi-function steering wheel in mahogany
IXHG	Centre console trim in mahogany
IXHH	Shift lever, carbon
IXHJ	PDK selector lever, carbon
IXHL	Multi-function steering wheel, carbon
IXHM	Centre console trim, carbon
IXHS	Rear centre tunnel in leather
IXJJ	Carbon trim on belt opening in B-pillar
IXJL	Makassar Ebony side air vent
IXJM	Sycamore side air vent
IXJN	Makassar Ebony center air vent
IXJP	Sycamore center air vent
IXJR	Makassar Ebony windscreen defroster panel
IXJS	Sycamore windscreen defroster panel
IXJT	Makassar Ebony rear center console
IXJU	Sycamore rear center console
IXJ4	Leather cover for ignition lock surround
IXKB	Side air vent in light burr maple
IXKC	Side air vent in dark burr maple
IXKD	Side air vent in Carbon
IXKG	"Defroster trim in light burr maple; leather"
IXKH	"Defroster trim in dark burr maple; leather"
IXKJ	Defroster trim in Carbon/leather
IXKL	Leather speaker covers
IXKM	Speaker covers in light burr maple
IXKN	Speaker covers in dark burr maple
IXKP	Carbon speaker covers
IXKR	Center air vent bracket in light burr maple
IXKS	Center air vent bracket in dark burr maple
IXLF	Sports exhaust system
IXLG	Centre console storage bin cover

Model: 918

Model life 2015&gt;&gt;2015

NR	Description
	in Alcantara, with logo
IXLK	SportDesign steering wheel, Alcantara
IXMA	Rooflining in leather
IXME	Rear section of centre console painted
IXMF	Front center console including 2 storage bins, leather
IXMJ	Rear section of centre console in Carbon
IXMK	Roll-over bar in exterior color
IXML	Rear center console in light burr maple
IXMP	Leather sun visor, 2 illuminated vanity mirrors *
IXMR	Sun visor in leather, 2 illuminated vanity mirrors,
IXMZ	Rear section of centre console in leather
IXNB	Rear center console in dark burr maple
IXNG	Instrument surround in leather
IXNN	Center air vent bracket in leather
IXNR	Carbon center air vent bracket
IXNS	Leather steering column trim, 4-part
IXNU	Leather trim strip (dashboard)
IXNV	Trim strip (dashboard) in light burr maple
IXNW	Trim strip (dashboard) in dark burr maple
IXNX	Carbon trim strip (dashboard)
IXN3	Dashboard side air vent in leather
IXPA	3-spoke sports steering wheel in leather interior co
IXPB	3-spoke sports steering wheel, light burr maple, leather
IXPC	3-spoke sports steering wheel, dark burr maple, leather
IXPD	3-spoke sports steering wheel, Carbon/leather
IXPG	3-spoke sports steering wheel, sports seats
IXPT	Centre console storage bin lid with crest
IXPU	Multi-function steering wheel Galvano Silver, new generation
IXPV	Multi-function steering wheel, Galvano Silver
IXPW	Instrument surround in light burr maple
IXPX	Instrument surround in dark burr maple *
IXPY	Carbon instrument surround
IXRF	20/21" 918 SPYDER wheel, PLATINUM, central lock
IXRN	17-mm spacers, rear
IXRP	5-mm spacers, front/rear
IXRT	20-inch Sport Techno wheel
IXSA	Painted sports seat backrest
IXSB	Leather sports seat backrest
IXSC	Porsche Crest embossed in headrest
IXSD	Front seat controls in leather
IXSE	Bucket seat, left

Model: 918

Model life 2015&gt;&gt;2015

NR	Description
IXSF	Bucket seat, right
IXSG	Racing bucket seat, left
IXSH	Silver seat belts
IXSJ	6-point harness
IXSL	6-point safety catch
IXSM	Racing safety cage
IXSN	Omission of rear seats
IXSR	Carbon back for bucket seat, right
IXSS	Carbon back for bucket seat, left
IXST	Seat belts in Sand Beige
IXSU	Upholstered seat
IXSW	Seat belts in Maritime Blue
IXSX	Seat belts in Guards Red
IXSY	Seat belts in Speed Yellow
IXTG	Inner door sills in leather
IXTJ	Door panel parts in light burr maple
IXTK	Door panel parts in dark burr maple
IXTL	Door panel parts in Carbon
IXTR	Door panel parts in Aluminium Look finish
IXTT	Makassar Ebony door panel parts
IXTU	Sycamore door panel parts
IXTV	Leather door panel parts
IXTW	Door panel parts in Galvano Silver
IXUA	Spoiler lip painted
IXUB	Cover on headlight cleaning system, painted
IXUC	Model designation painted
IXUV	Centre console storage bin lid with logo
IXUX	Rear backrest release loop in leather
IXVM	Leather center air vent
IXVP	Trim strip including cupholder cover in leather
IXVR	Side/centre air vent in leather
IXVT	Cover for loudspeakers, doors and rear in leather
IXV1	Defroster trim in leather
IXWA	Door panel trim in leather
IXWB	Door panel trim in mahogany
IXWC	Door panel trim in carbon
IXWD	Door panel trim in brushed aluminium
IXWE	Door panel trim, painted
IXWJ	Sports seat Plus, painted backrest
IXWR	PDK gate frame in Aluminium Look
IXWS	PDK gate frame painted
IXWT	PDK gate frame painted Black
IXWU	PDK gate frame in leather
IXXB	Door entry guards, stainless steel, illuminated

Model: 918

Model life 2015&gt;&gt;2015

NR	Description
IXXD	Door entry guards, carbon, illuminated
IXXF	Red tail lights
IXXG	Tail lights in clear glass look
IXXH	Alcantara sun visor
IXXJ	Alcantara interior light cover
IXXK	Front seat covers in woven leather
IXXL	Rear seat covers in woven leather
IXXM	Without chequered flag design (seat)
IXXR	Tail lights, darkened
IXXV	Sports-look pedals
IXXZ	Footrest
IXX1	Floor mats, logo, leather border
IXX2	Illuminated footwell
IXYA	PDK selector lever (EXC)
IXYB	Fuel tank cap in Aluminium Look
IXYC	Shift lever, aluminium
IXYD	Dashboard trim panel, aluminium
IXYE	Centre console cover, brushed aluminium
IXYG	Centre console trim, painted
IXYH	PDK selector lever, aluminium
IXY5	Tiptronic gear selector gate in leather
IXZB	Carbon centre air vent
IXZD	Interior light surround in leather
IX45	Instrument dial in interior color
IX46	Tiptronic selector lever in aluminium/leather
IX47	Gear lever knob in Carbon/leather
IX54	Stainless steel tailpipes
IX58	Handbrake lever in Carbon/leather
IX69	Door entry guards in Carbon with logo
IX70	Door entry guards in stainless steel with logo
IX71	Instrument dial painted/Aluminium Look finish
IX72	Gear lever knob aluminium/light burr maple/leather
IX73	Sports chassis -20 mm, without PASM
IX74	Sports suspension (exclusive)
IX75	Differential lock (exclusive)
IX76	Inner door sill guard, left/right
IX91	Handbrake lever aluminium/light burr maple/leather
IX97	Gear lever knob in aluminium/leather
IX98	Handbrake lever in aluminium/leather
IX99	Natural leather
I022	Black-coloured instrument dials, instrument cluster
I023	Silver -coloured instrument dials, instrument cluster
I024	Version for Greece
I025	Black-coloured instrument dials, stopwatch
I026	Silver-coloured instrument dials, stopwatch
I029	Standard chassis
I030	Sport-type chassis

Model: 918

Model life 2015&gt;&gt;2015

NR	Description
I031	Sports chassis with PASM and PDCC
I032	Touring suspension
I034	Version for Italy
I058	Impact absorbers, front and rear
I061	Version for Great Britain
I062	Version for Sweden
I063	Version Luxemburg
I064	Version for Netherlands
I065	Version for Denmark
I066	Version for Norway
I067	Version for Finland
I068	PAP right-hand drive version
I069	Other country version
I070	Pedestrian protection
I071	EU country version
I072	Version for Mexico
I073	Version for Russia
I074	PAP left-hand drive version
I075	China version
I083	Fuel tank, 70-litre
I098	Left-hand drive version
I099	Right-hand drive version
I1T1	First aid kit
I111	Version for Austria
I113	Version for Canada
I114	Version for Taiwan
I119	Version for Spain
I124	Version for France
I126	Control and indications in French lettering
I127	Control and indications in Swedish lettering
I130	Control and indications in English lettering
I140	Dynamic engine mounts (PADM)
I145	Compression variant
I150	Operation with leaded gas
I153	Middle radiator
I155	Sound symposer
I165	Emissions concept EU 5
I170	Acoustic package RoW
I171	Acoustic package USA
I172	Acoustic package PAP, China, Korea
I176	Sports exhaust system
I181	Standard climatic zones
I182	Hot country
I183	Super-hot country
I193	Version for Japan
I2C4	Steering column, reach + height adjustable with memory

Model: 918

Model life 2015&gt;&gt;2015

NR	Description
I209	Licence plate holder version 1
I210	Licence plate holder version 2
I211	Licence plate holder version 3
I215	Version for Saudi Arabia
I218	Licence plate holder version 4
I219	Differential
I220	Locking differential 40 %
I221	PTV Plus, el. controlled rear-diff. lock
I225	Version for Belgium
I250	PDK transmission (dual clutch)
I254	Manually retractable exterior mirrors
I255	Manually retractable exterior mirrors with memory
I256	Manually retractable exterior mirrors, with automatic dimming
I257	Manually retractable exterior mirrors, with automatic dimming and memory
I258	Electrically retractable exterior mirrors
I259	Electrically retractable ext. mirrors with memory
I260	Electrically retractable exterior mirrors with automatic dimming
I261	Electrically retractable exterior mirrors with automatic dimming and memory
I263	Left exterior mirror glass, flat
I264	Left exterior mirror glass, convex
I265	Automatic anti-dazzle interior mirror with rain sensor
I266	Automatic anti-dazzle door mirror
I267	Automatically dimmable interior and door mirrors
I268	Rain sensor
I270	Door mirrors -flat - driver's side, electrically adjustable and heatable
I271	Door mirrors -aspherical- driver's side, electrically adjustable and heatable
I273	Door mirrors, electrically adjustable and heatable
I274	Vanity mirror, illuminated
I275	Manual anti-dazzle interior mirror
I276	Automatic anti-dazzle interior mirror
I277	Version for Switzerland
I284	Right exterior mirror glass, convex
I285	Right exterior mirror glass, aspherical
I288	Headlamp washer
I301	Transmission ratio long
I305	Gear lever in Alcantara, Black

Model: 918

Model life 2015&gt;&gt;2015

NR	Description
I310	PDK gear selector EXC
I313	Sports seat, left, manual, 2-way
I314	Sports seat, right, manual, 2-way
I315	Sports seat, left, partially electrical, 4-way
I316	Sports seat, right, partially electrical, 4-way
I317	Sports seat Plus, left, manual, 2-way
I318	Sports seat Plus, right, manual, 2-way
I319	Sports seat Plus, left, partially electrical, 4-way
I320	Sports seat Plus, right, partially electrical, 4-way
I321	Sports seat, left, electrical, 14-way
I322	Sports seat, right, electrical, 14-way
I323	Sports seat Plus, left, electrical, 18-way
I324	Sports seat Plus, right, electrical, 18-way
I325	Version for South Africa/New Zealand
I335	Automatic seat belt, 3-point, rear
I338	Rear-wheel drive
I339	All-wheel drive
I340	Wheel rims painted in basic colour
I342	Seat heating, left/right seat
I345	Heated steering wheel
I346	Rims, painted Silver
I347	Rims, painted GT Silver
I352	Electronic damper control for PASM and PDCC
I369	Standard seat, left
I370	Standard seat, right
I371	Bucket seat, 918 Spyder, left (harder)
I372	Bucket seat, 918 Spyder, right (harder)
I373	Bucket seat, 918 Spyder, left
I374	Bucket seat, 918 Spyder, right
I375	Sports seat, backrest shell, left
I376	Sports seat, backrest shell, right
I377	Sports seat, backrest shell, left, electrically adjustable
I378	Sports seat, backrest shell, right, electrically adjustable
I388	Sports bucket seat, left
I389	Sports bucket seat, right



Model: 918

Model life 2015&gt;&gt;2015

NR	Description
I424	Cd compartment
I431	Multi-function steering wheel, touch + feel
I437	Comfort seat, left, electrically adjustable
I438	Comfort seat, right, electrically adjustable
I439	20" 911 Turbo 4 wheel
I440	Antenna diversity
I441	Radio preparation
I442	20/21" 918 Spyder wheel, central lock
I443	20/21" 918 Spyder wheel Performance, central lock
I444	Anti-theft lock, wheel bolts "THATCHAM"
I446	Concave wheel centers with full-colour Porsche Crest
I447	Emergency wheel
I448	Brake pad; sport version
I450	Ceramic brake (PCCB)
I451	Multi-function steering wheel, Makassar Ebony, touch + feel
I452	Multi-function steering wheel, Sycamore, touch + feel
I453	Multi-function steering wheel, Carbon, touch + feel
I454	Automatic speed control
I456	Automatic distance control (ACC)
I459	3-spoke airbag steering wheel, touch + feel
I460	20" RS Spyder Design wheel
I461	External antenna
I465	Rear fog light, left
I466	Rear fog light, right
I474	Front-axle lift function
I475	"PASM" electronic damper control
I476	Porsche Stability Management (PSM)
I477	PASM w/o lowering
I478	Central wheel lock
I479	Version for Australia
I480	6-speed manual transmission
I482	Tire Pressure Monitoring TPM, 433 MHz
I483	315-MHz TPM, Tire Pressure Monitoring
I484	Version for USA
I487	7-speed manual transmission
I488	Inscriptions in German language
I490	Sound system "ASK"
I492	Headlights for left-hand traffic
I498	Deletion of model designation on rear end
I499	Version for Germany
I501	Car cover

Model: 918

Model life 2015&gt;&gt;2015

NR	Description
I506	Reflection-optimised interior
I508	Decorative trims in Carbon Look
I509	Fire extinguisher
I513	Lumbar support, right seat
I514	GTS logo with model designation in Silver
I515	GTS logo with model designation in Black
I517	Glove box and centre console compartment
I521	Tilt sensor
I523	Immobiliser, 434 MHz
I524	Immobilizer, central locking, 433 MHz
I525	Immobilizer, central locking, 315 MHz
I532	Alarm system remote control omitted
I533	Radio convertible-top operation omitted
I534	Theft security system, 433 MHz
I535	Theft security system, 315 MHz
I536	-07 Alarm siren and tilt sensor 08- Alarm siren
I537	Seat position control for comfort seat, left
I538	Seat position control for comfort seat, right
I539	Mechanical seat height adjustment, left
I540	Mechanical seat height adjustment, right
I541	Active seat ventilation (incl. heated seats)
I542	Active seat ventilation, front and rear (incl. heated seats)
I543	Electric seat height adjustment Passenger's side
I544	Anti-theft protection without infrared monitoring, 433 MHz
I545	Anti-theft protection without infrared monitoring, 315 MHz
I546	Roll-over bar in exterior colour
I547	Roll-over bar in Aluminium Look
I551	Wind deflector
I552	Electric wind deflector
I553	Version for USA, Canada
I554	Front spoiler lip included
I555	Black seat belts
I559	High-gloss mouldings
I560	Advanced airbag
I562	Airbag, driver's side and front passenger's side
I563	Side airbag
I566	Front fog lights, white

Model: 918

Model life 2015&gt;&gt;2015

NR	Description
I567	Windscreen tinted, upper part darker coloured
I568	Windscreen without shade band
I570	Without interior air conditioning
I571	Activated charcoal filter
I572	Manual air-conditioning system
I573	Air conditioner
I574	Without air conditioner
I575	Luggage compartment cooling system
I577	Luggage set
I578	6-point seat belt, driver
I579	6-point seat belt, passenger
I581	Centre console, front
I583	Smoker package
I584	Storage box on engine cover
I585	Cupholder
I586	Lumbar support, left seat
I594	Alcantara rooflining
I599	Aluminium doors
I601	Xenon lighting system
I602	LED headlights with dynamic cornering light Plus (PDLs Plus)
I603	Xenon plus dynamic cornering light
I605	LED daytime driving lights
I606	Daytime driving lights
I607	Garage door opener "Homelink", 315 MHz
I608	Garage door opener "Homelink" 433 MHz
I610	DVD navigation, "Europe package"
I611	DVD navigation South Africa
I612	DVD navigation middle east
I613	DVD navigation australia
I614	DVD navigation asia-pacific
I615	DVD navigation system, North America
I616	DVD, Navigation Russia
I617	DVD Navigation China
I618	Preparation for telephone installation
I619	Mobile phone preparation (BLUETOOTH) without console
I621	12-V socket, passenger's side, footwell
I625	"KESSY" Porsche Entry and Drive
I628	LED headlights with integrated daytime driving light
I630	Interior light package
I631	Traffic sign recognition
I632	PDLs+ dynamic high beam
I635	Parking assistant
I636	ParkAssist, front and rear

Model: 918 Model life 2015>>2015

NR	Description
I639	Sport Chrono package
I640	Sport Chrono Package Plus
I641	electronic logbook
I642	Start/Stop function
I647	Steering column, mechanically reach/height-adjustable, without ELV
I648	Steering column, electrically reach/height-adjustable, without ELV
I649	Electric water heater
I651	Electric window opener
I653	External-sliding glass sunroof
I655	Steering column with mech. reach/height adjustment
I656	Steering column with electric reach/height adjustment and memory
I657	Power assisted steering
I659	On-board computer
I660	Obd 2
I661	DC charging
I663	Fuel pump activation
I664	Orvr
I665	-2008 PCM 2, 2009- PCM 3 basic module incl. radio
I666	-2008 PCM 2, 2009- PCM 3 telephone (GSM)
I669	PCM 3 - Telephone handset (BLUETOOTH)
I671	Voice control system
I672	-2008 PCM 2, 2009- PCM 3 Offroad navigation
I673	Navigation system preparation, China
I674	"Vehicle Tracking System" preparation
I675	Without radio preparation (Japan navigation system)
I676	TV tuner
I677	"Driver card" antenna
I678	Alarm system connection
I679	Restart inhibitor
I680	BOSE sound package
I681	Carrera GT sound system
I682	Top Premium sound system
I686	SAT radio reception XM (SDARS)
I688	HD radio reception
I689	Preperation for CD autochanger
I690	SDARS + HD radio reception
I691	Digital radio reception DAB
I692	CD autochanger "Porsche"
I693	Integrated CD/DVD autochanger
I694	CD radio "PORSCHE CDR 24"
I696	CD radio, Porsche CDR 31
I697	CD radio "Porsche CDR-23"

Model: 918

Model life 2015&gt;&gt;2015

NR	Description
I7G5	Preparation, VTS (Vehicle Tracking System), with driver card, connection to alarm system, re-start inhibitor
I7G9	VTS preparation and Porsche Car Connect (pcc)
I7I2	VTS security package (with PCC)
I7I1	Omission underbody protection
I751	PCCB, front axle and rear axle 3K
I77J	Navigation software Argentina
I77K	Navigation software Chile
I789	Colour to sample
I796	Full leather trim natural leather
I798	Full leather trim special leather
I799	Full leather trim by choice
I801	Makassar Ebony wood package, dark (matt satin finish)
I802	Sycamore package, light (matt satin finish)
I803	Carbon package
I804	GT2 Carbon exterior package
I805	Lifestyle package
I808	Racetrack package
I810	Floor mats
I811	without door panel trim
I812	Door panel trim, galvanised
I840	Sports steering wheel (for PDK with paddle)
I841	Basic steering wheel Smooth leather
I843	Sports steering wheel in Alcantara
I844	Multi-function steering wheel Smooth leather
I845	Multi-function steering wheel Carbon
I846	Sports steering wheel 918 Spyder, leather
I847	Multi-function steering wheel Makassar
I852	PDLs+ High beam assist
I870	Universal multimedia interface
I875	6-point seat belts, 918 in Red
I876	6-point seat belts, 918 in Acid Green
I880	Sports steering wheel, 918 Spyder, Alcantara
I881	Mirror in Carbon Look
I882	Roof in Carbon Look
I883	Rear wing in Carbon Look
I892	Film in Black-Grey
I899	Isofix child-seat restraint on front passenger side
I901	Martini Racing Design film
I902	Salzburg Racing Design film
I912	without ID plate
I931	Rear seat covers in Alcantara/leatherette
I932	Rear seat covers in Alcantara/leather

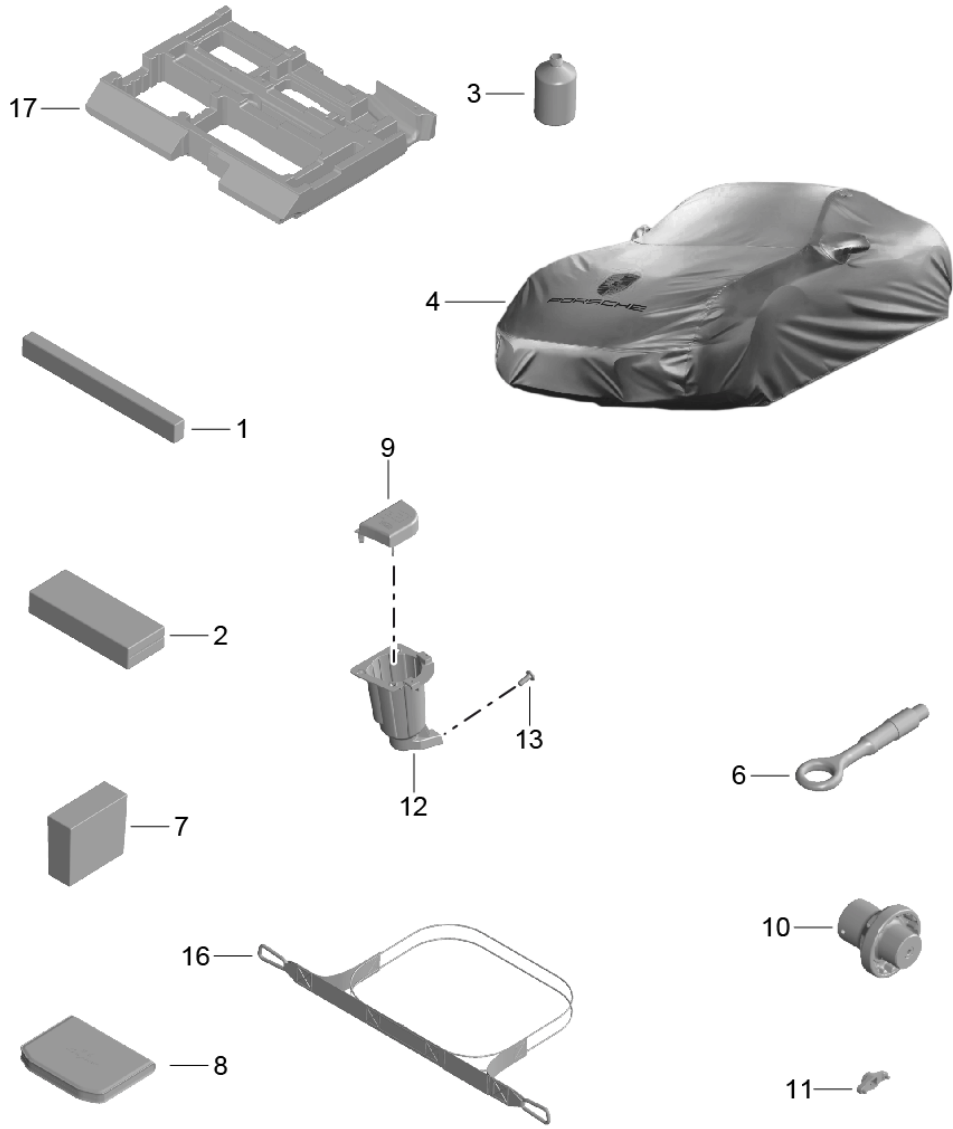
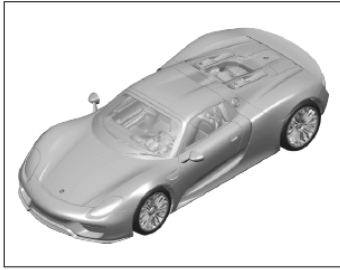
Model: 918

Model life 2015&gt;&gt;2015

NR	Description
I936	Seat covers, rear, leather
I937	Seat covers, rear, leatherette
I939	Seat covers, rear, draped leather
I940	Seat covers rear, ruff.leather/leather/leatherette Soft ruffled leather, embossed
I946	Seat covers, front, leather/leather/leatherette
I950	Alcantara seat covers, front
I951	Seat covers front, Alcantara/leather/leather
I970	Two-tone interior
I971	"TORO" embossed leather
I975	Alcantara interior
I980	Leather package
I981	Leather equipment, without seat covers
I982	Seat covers, front, draped leather/leather/leather
I983	Seat covers, front, leather
I984	Leather interior, authentic
I985	Seat covers, leather/leather/leatherette, 2
I990	Seat covers, front, cloth/cloth/leatherette
I991	Steering wheel airbag module in leather
I998	Leather, natural
I999	Passenger compartment monitoring sensor for leather colour of choice

Model: 918

Model life 2015>>2015



Model: 918

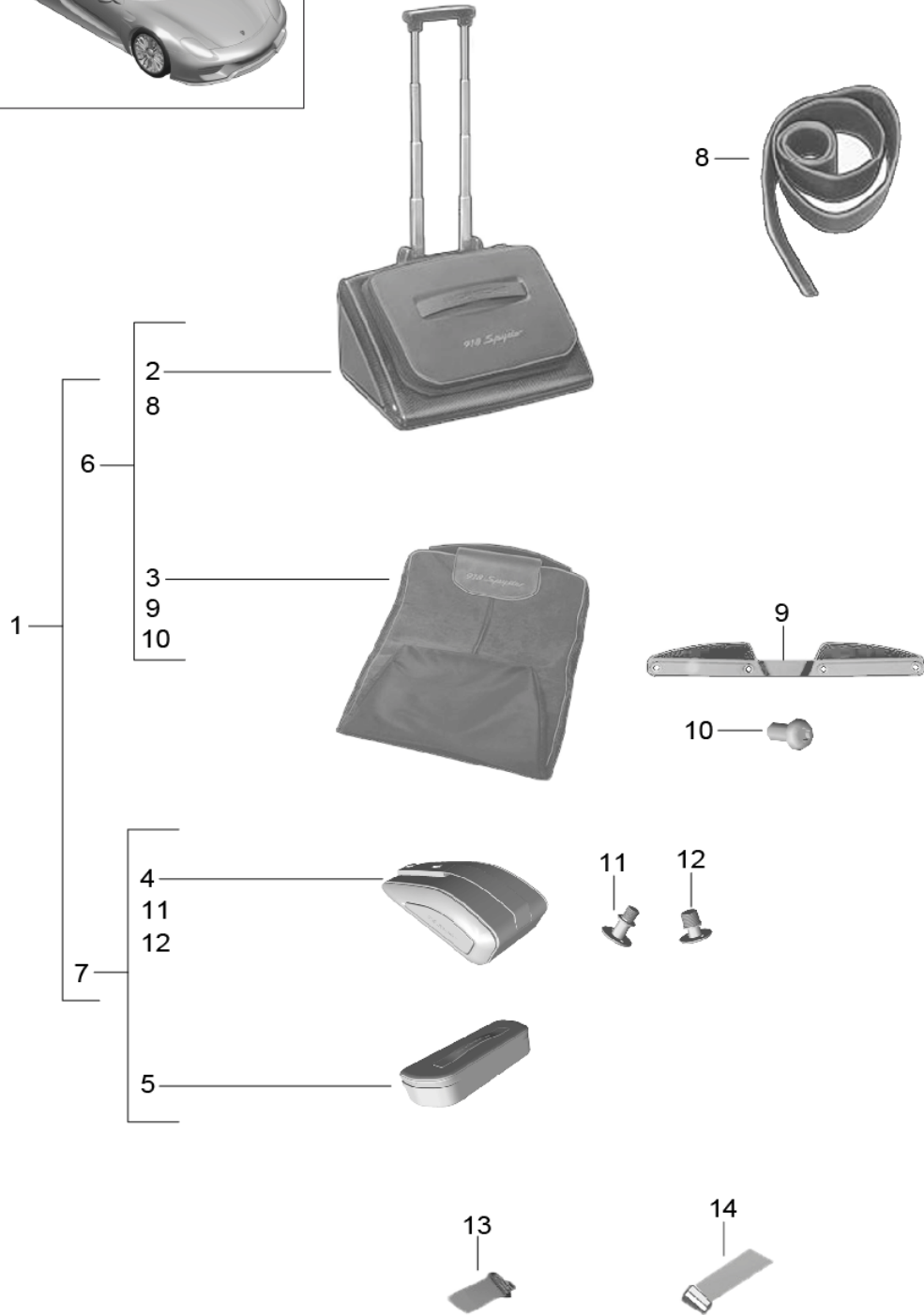
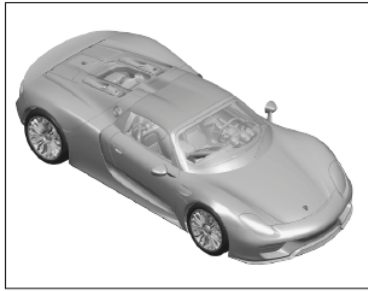
Model life 2015>>2015

Pos	Part Number	Description	Remark	Qty	Model
1	8K0 860 251	Tool Warning triangle		1	-I193/-I553
2	7PP 860 282	First-aid kit		1	I1T1
3		Bottle of tyre sealant See illustrations 6/01/00		1	
4	918 721 201 00	Cover		1	
5	918 721 203 00	Transport lock		1	
6	970 721 551 01	Towing lug		1	
(6)	970 721 551 02	Towing lug		1	
7	997 652 055 00	Compressor		1	
9	918 721 427 00	Lid		1	
	918 721 427 00 1E0	Black			
10	918 361 069 01	Tool Central locking		1	
11	918 361 167 00	Tool Cover		1	
12	918 721 425 00	Cup Including Cover Workshop Box		2	
13	999 015 026 A1	Oval-head screw M6 X 16		1	
16	997 722 073 00	Restraining strap		1	
17		Insert Tool See illustrations 9/01/03			



Model: 918

Model life 2015>>2015



Model: 918 Model life 2015>>2015

Pos	Part Number	Description	Remark	Qty	Model
1	918 044 000 00	Luggage set Inst. & Conv. Instructions 918 Spyder Group 6 6699 (6/14) Attention Luggage set 5-part		1	
	918 044 000 00 SPA	Black/Acid Green			Authentic
	918 044 000 00 SPC	Red/Silver			Serien Leder
	918 044 000 00 SPD	Black/Silver			Authentic
	918 044 000 00 SPF	Brown/Silver			Authentic
	918 044 000 00 SPG	Brown/Orange			Authentic
2		Set Comprising: Trolley		1	
3		Garment bag		2	
4		Box		1	
5		Centre console Bag		1	
6	918 044 000 05	Glove compartment Travel bag Set 3-part		1	
	918 044 000 05 SPA	Black/Acid Green			Authentic
	918 044 000 05 SPC	Red/Silver			Serien Leder
	918 044 000 05 SPD	Black/Silver			Authentic
	918 044 000 05 SPF	Brown/Silver			Authentic
	918 044 000 05 SPG	Brown/Orange			Authentic
7	918 044 000 06	Tray Set 2-part		1	
	918 044 000 06 SPA	Black/Acid Green			Authentic
	918 044 000 06 SPC	Red/Silver			Serien Leder
	918 044 000 06 SPD	Black/Silver			Authentic
	918 044 000 06 SPF	Brown/Silver			Authentic
	918 044 000 06 SPG	Brown/Orange			Authentic
8	918 044 000 10	Only for replacement Order Belt Trolley		1	
	918 044 000 10 SPA	Black/Acid Green			
	918 044 000 10 SPD	Black/Silver			
	918 044 000 10 SPK	Black/Orange			
	918 044 000 10 SPS	Black			
9	918 555 505 00	Support Garment bag		2	
10	918 555 505 00 5Q0	Black			
10	999 073 593 01	Lens-head screw Support		8	M8x1,0x19,5
11	918 553 823 00	Garment bag Mounting Box		1	M12
12	918 553 821 00	Centre console Front Mounting Box		1	M16
13	918 505 753 00	Centre console Rear Belt		1	
14	918 505 751 00	Trolley Rear Belt		1	

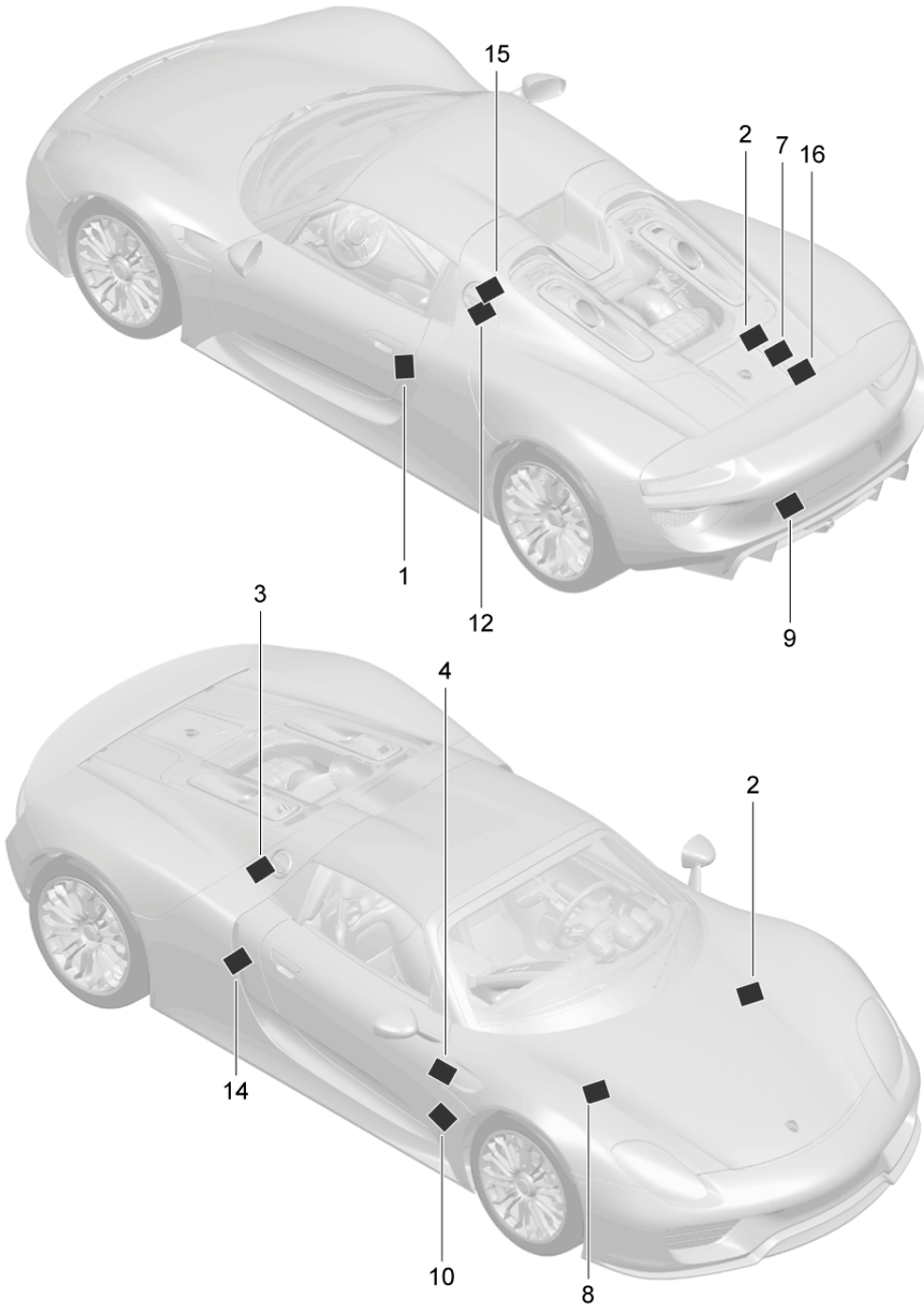
Model: 918

Model life 2015>>2015

Pos	Part Number	Description	Remark	Qty	Model
		Trolley Front			

Model: 918

Model life 2015>>2015



Model: 918 Model life 2015>>2015

Pos	Part Number	Description	Remark	Qty	Model
1	918 701 286 05	Stickers Stickers Tyre Sticker		1	-I553
(2)	955 701 675 05	Tyre pressure Sticker		1	I193
(2)	7P0 010 758 A	Brake fluid Indication sticker		1	I073
(2)	7PP 010 709 L	Brake fluid Indication sticker		1	I215
(2)	7PP 010 709 M	Brake fluid Indication sticker		1	I075
3	958 701 697 00	Warning sign	-(BR) -(CN) -(J) -(PME)	1	
(3)	958 701 697 10	High voltage Warning sign	-(RUS) (BR) (CN) (J) (PME) (RUS)	1	
(3)	958 701 739 00	High voltage Warning sign		4	
(3)	7PP 010 849 L	High voltage Warning sign		1	
(3)	8R0 010 539	Battery Hybrid Warning sign		1	
(3)	8R0 010 539 A	English Warning sign		1	
(3)	8R0 010 539 B	German Warning sign		1	
(3)	8R0 010 539 C	French Warning sign		1	
(3)	8R0 010 539 D	Spanish Warning sign		1	
(3)	8R0 010 539 E	Italian Warning sign		1	
(3)	8R0 010 539 F	Russian Warning sign		1	
(3)	8R0 010 539 G	Chinese Warning sign		1	
4		Japanese Stickers Airbag Sticker		1	
-	918 361 199 01	Not available Sticker		1	
-	958 701 289 01	Central locking Sticker		1	
8	918 701 141 00	Emergency wheel Sticker		1	I062/073/553 I573
(8)	918 701 521 00	Coolant Content Sticker		1	I193
9	955 701 675 15	Coolant Content Sticker		1	I193
10	970 701 523 00	Import Japan Sticker		1	I193
11	955 701 675 00	Recycling Sticker		1	I193
12	955 701 676 10	Expansion tank Sticker		1	I193

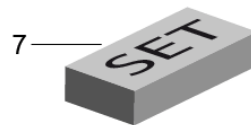
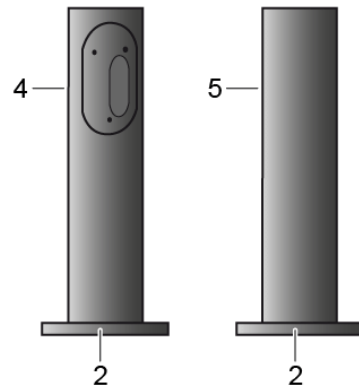
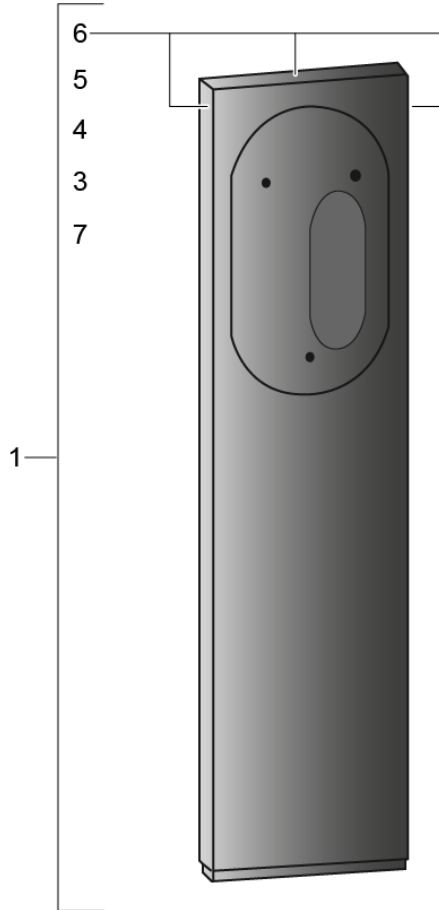
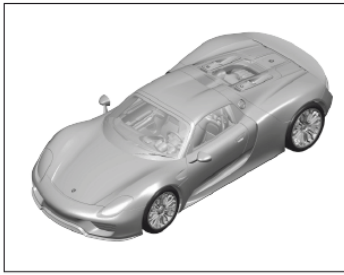
Model: 918

Model life 2015>>2015

Pos	Part Number	Description	Remark	Qty	Model
-	996 701 611 00	Fuel filler flap Sticker		1	
-	955 701 673 00	Battery Sticker		1	I193
14	955 006 675 00	Battery Sticker		1	I193
15	918 006 117 00	Motor fan Sticker		1	-I193/-I553
(15)	918 006 117 10	98 ROZ Sticker		1	I193/553
17	918 611 501 00	98 ROZ Sticker Flap Charging socket		1	I034/119/130

Model: 918

Model life 2015>>2015



Model: 918

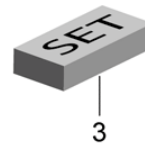
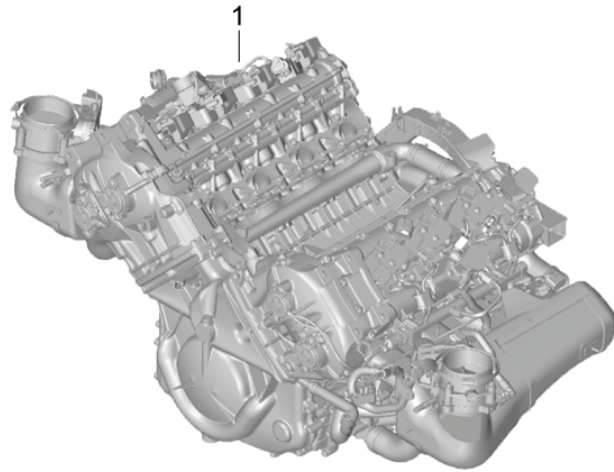
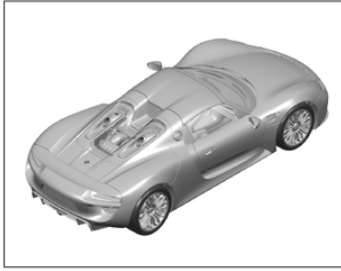
Model life 2015>>2015

Pos	Part Number	Description	Remark	Qty	Model
1	970 044 000 70	Stand Power supply Hybrid Stand Charging socket Hybrid Glasses box with PORSCHE logo without Charging Dock without Connecting line When required order also: Post bracket for Trade equipment		1	167x42x10 cm
2	970 044 000 76	Lower part Movable Stand Charging socket Hybrid		1	88x84x8 cm
(2)	970 044 000 77	Lower part Fixed Stand Charging socket Hybrid		1	75x75x3 cm
(3)	970 044 000 71	Only for replacement Stand Charging socket Hybrid		1	
4	970 044 000 72	Frame Interior frame Stand Charging socket Hybrid Washer Front without Charging Dock without Connecting line		1	
5	970 044 000 73	Stand Charging socket Hybrid Washer Rear		1	
6	970 044 000 74	Side trim panel Stand Charging socket Hybrid Set		1	
(7)	970 044 000 75	3-part Set of fastening parts Stand Charging socket Hybrid		1	



Model: 918

Model life 2015>>2015



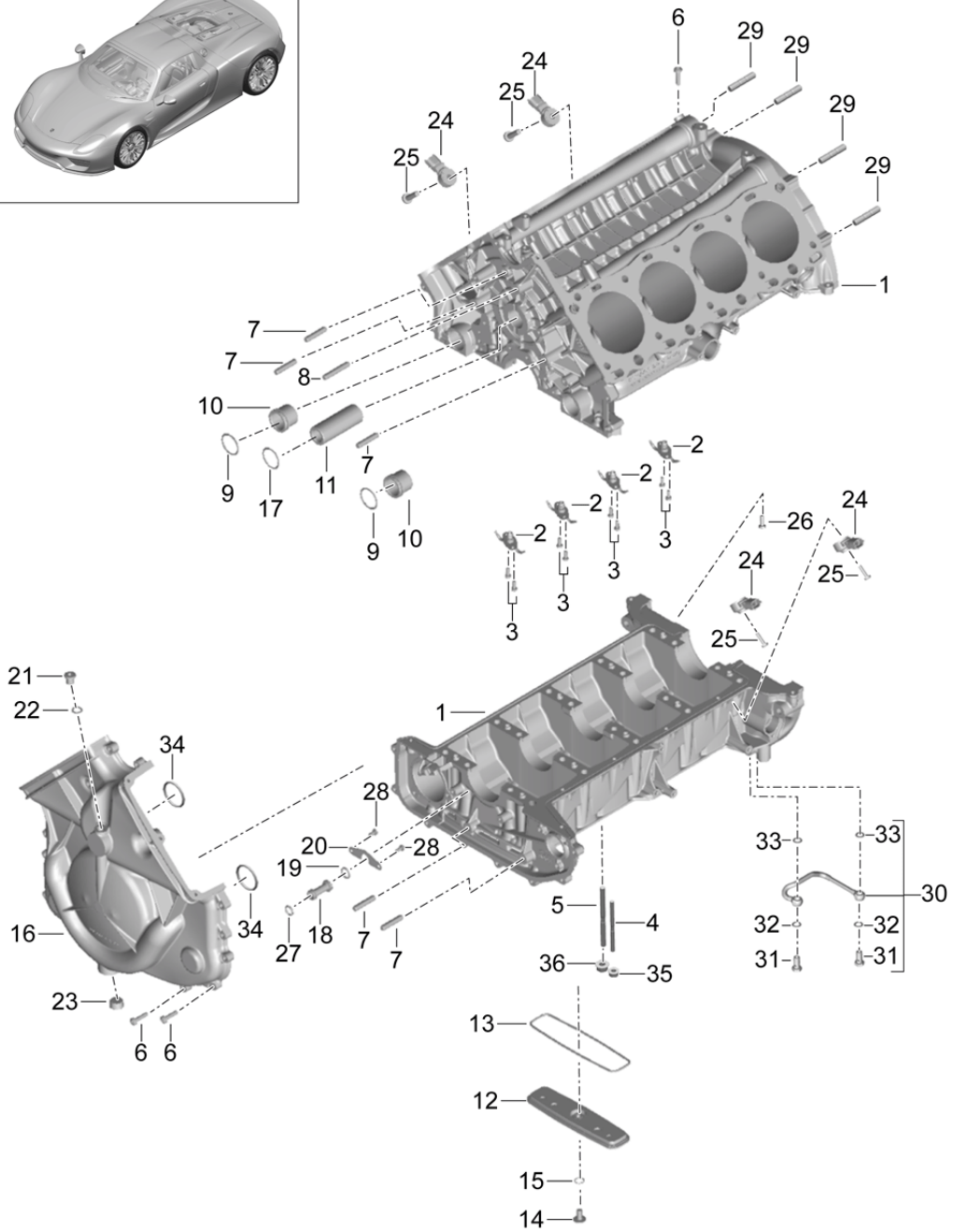
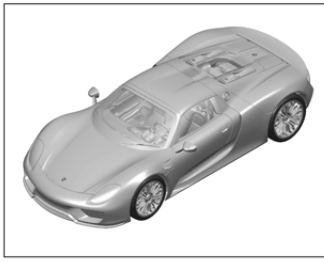
Model: 918

Model life 2015>>2015

Pos	Part Number	Description	Remark	Qty	Model
1	918 100 918 01	Replacement engine	15	1	
1	918 100 918 AX	Replacement engine	15	1	
2	000 043 301 19	Engine oil EXXON MOBIL 1 0W-40 1 LITER Container Information available		X	
(2)	000 043 301 21	Engine oil EXXON MOBIL 1 0W-40 20 LITER Container Information available		X	
3	000 043 303 65	Sealing set for Engine Transports		1	

Model: 918

Model life 2015>>2015



Model: 918

Model life 2015&gt;&gt;2015

Pos	Part Number	Description	Remark	Qty	Model
1	918 101 913 07	Crankcase Crankcase Complete		1	M18.00
1	918 101 013 07	Crankcase Complete		1	
2	918 101 051 01	Nozzle		4	
3	N 104 592 02	Pan-head screw M 5 X 12		8	
4	918 101 305 00	Stud M 8 X 121		10	
5	918 101 307 00	Stud M 10 X 142		10	
6	999 073 102 01	Round head screw M 6 X 25		24	
7	900 302 053 00	Straight pin 8 X 40		5	
8	900 302 054 00	Straight pin 8 X 50		1	
9	999 701 936 40	O-ring 30 X 3,0		4	
10	918 101 310 00	Intermediate piece		2	
11	918 105 215 02	Bearing shaft		1	
12	918 101 114 03	Lid		3	
(12)	918 101 115 01	Lid		1	
13	999 701 840 40	Gasket 124 X 3,0		4	
14	999 073 549 01	Lens-head screw M 8 X 16		4	
15	999 707 681 40	O-ring 12,10 X 1,78		4	
16	918 101 021 04	Control box cover		1	
17	999 707 364 41	Sealing ring 30 X 2,5		1	
18	918 102 311 02	Oil tube		1	
19	918 102 411 00	Sealing ring		1	
20	918 102 211 01	Retaining bracket		1	
21	900 219 006 30	Screw plug M 12 X 1,5		1	
22	900 123 104 30	Sealing ring A 14 X 18		1	
23	900 063 012 30	Screw plug M 20 X 1,5		1	
24	997 606 121 00	Knock sensor Information available		4	
25	999 073 095 01	Oval-head screw M 8 X 30		4	
26	999 073 103 01	Round head screw M 6 X 16		1	
27	999 707 672 40	O-ring 11,8 X 2,5		1	
27	999 707 672 41	O-ring 11,8 X 2,5		1	
28	N 106 808 01	Round head screw M 5 X 10		2	
29	999 062 321 01	Stud M 10 X 57		4	
30	918 107 356 04	Oil pipe		1	
30	918 107 356 05	Oil pipe		1	
31	918 107 455 00	Banjo bolt		2	
32	900 123 101 30	Sealing ring A 12 X 18		2	
33		Sealing ring A 12 X 18		X	

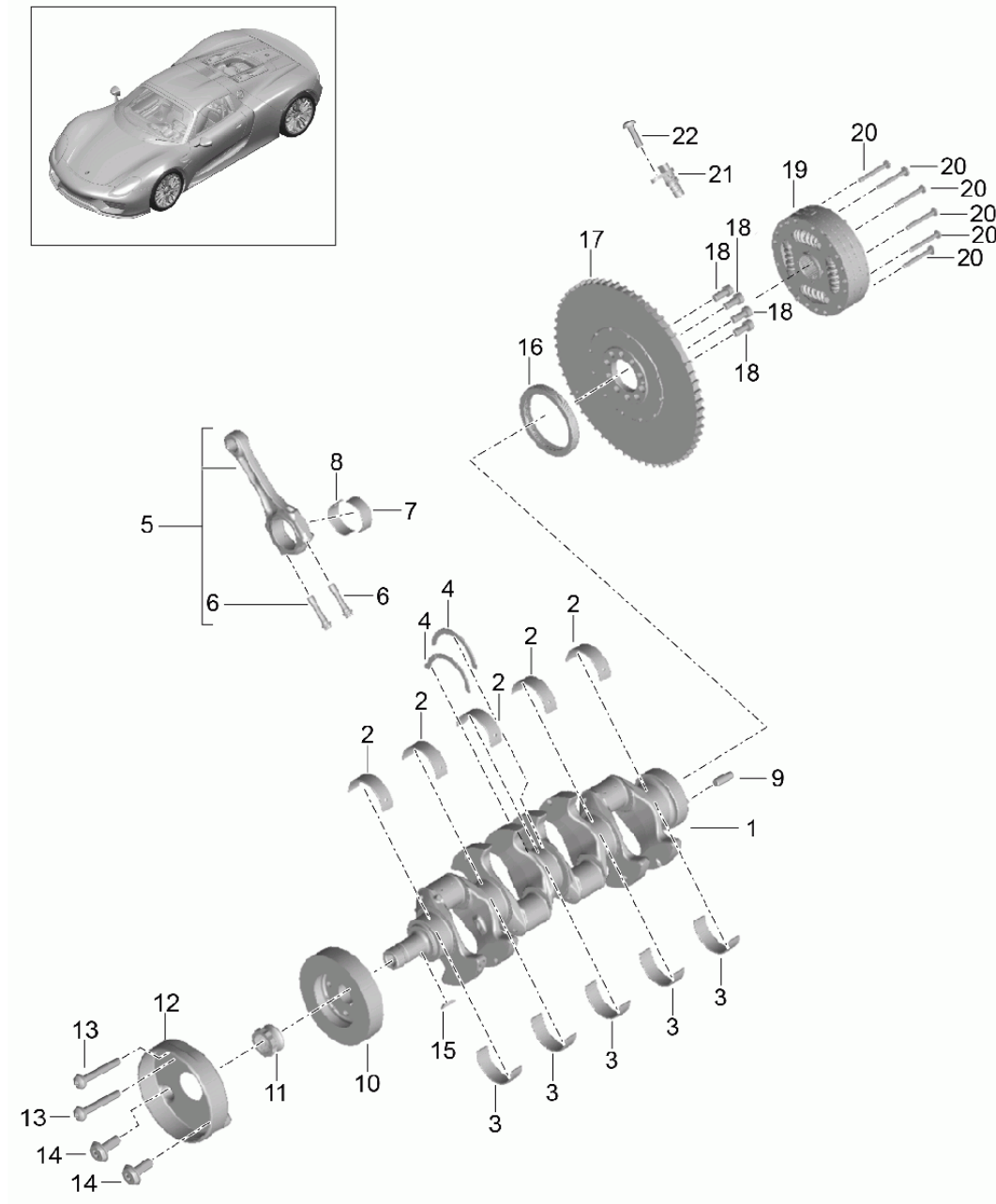
Model: 918

Model life 2015>>2015

Pos	Part Number	Description	Remark	Qty	Model
(33)	918 107 453 00	1,5 MM Sealing ring		X	
(33)	918 107 453 01	1,8 MM Sealing ring		X	
(33)	918 107 453 02	2,2 MM Sealing ring		X	
34	999 707 687 40	2,6 MM O-ring		2	
35	900 377 011 01	30,00 X 3,0 Hexagon nut		10	
36	900 377 003 03	M 10 Hexagon nut		10	
-	918 101 502 00	M 8 Dowel sleeve		4	
-	918 101 401 00	Dowel sleeve		8	
-	944 104 361 00	Dowel sleeve		2	
-	918 101 501 00	Dowel sleeve		10	
-	918 101 503 00	Dowel sleeve		2	
-	000 043 204 58	Sealing compound DREIBOND FD 2210 Container 30GR		X	

Model: 918

Model life 2015>>2015



Model: 918 Model life 2015>>2015

Pos	Part Number	Description	Remark	Qty	Model
1	918 102 151 02	Crankshaft Connecting rods		1	
2	918 101 141 00	Crankshaft Main bearing		5	
2	918 101 141 01	Crankshaft Upper Red 2,237 Main bearing		5	
2	918 101 141 02	Crankshaft Upper Yellow 2,240 Main bearing		5	
2	918 101 141 03	Crankshaft Upper Blue 2,246 Main bearing		5	
3	918 101 143 00	Crankshaft Lower Red 2,237 Main bearing		5	
3	918 101 143 01	Crankshaft Lower Yellow 2,240 Main bearing		5	
3	918 101 143 02	Crankshaft Lower Blue 2,246 Main bearing		5	
3	918 101 143 03	Crankshaft Lower Green 2,252 Main bearing		5	
4	918 101 131 02	Thrust washer Upper		2	
5	918 103 013 00	Connecting rod		8	
5	918 103 013 02	Connecting rod		8	
6	918 103 176 00	Connecting rod bolt		16	
7	918 103 133 00	Connecting-rod bearing Upper Red 1,790		8	
(7)	918 103 133 01	Connecting-rod bearing Upper Yellow 1,795		8	
(7)	918 103 133 02	Connecting-rod bearing Upper Blue 1,800		8	
8	918 103 135 00	Connecting-rod bearing Lower Red		8	

Model: 918

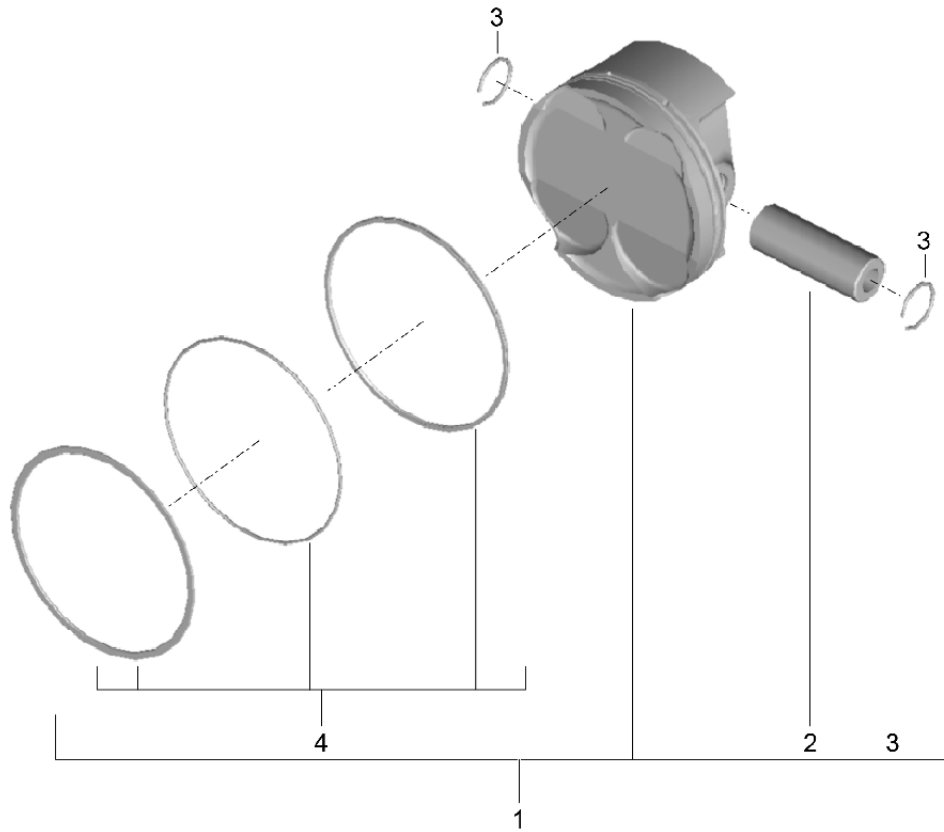
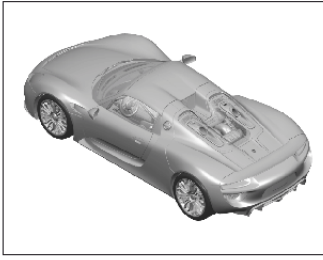
Model life 2015&gt;&gt;2015

Pos	Part Number	Description	Remark	Qty	Model
(8)	918 103 135 01	1,790 Connecting-rod bearing Lower Yellow		8	
(8)	918 103 135 02	1,795 Connecting-rod bearing Lower Blue		8	
9	900 302 016 00	1,800 Straight pin 6 X 16		1	
10	918 102 153 01	Vibration damper		1	
11	918 102 511 01	Nut		1	
12	918 102 321 04	Heat shield		1	
13	999 073 586 A1	Oval-head screw M 5 X 35		2	
13	N 102 850 02	Round head screw M 5 X 35		2	
14	999 073 268 A2	Oval-head screw M 5 X 12		2	
14	999 073 625 01	Oval-head screw M 5 X 12		2	
15	918 102 521 01	Woodruff key		1	
16	9A1 101 223 90	Shaft sealing ring		1	
17	918 102 239 01	Flywheel		1	
18	N 906 650 01	Pan-head screw M 10 X 1 X 22,3		10	
19	918 102 249 00	Damper		1	
19	918 102 249 02	Damper		1	
20	N 911 650 01	Round head screw M 6 X 52		12	
21	918 606 112 00	Speed sensor		1	
22	999 073 344 01	Round head screw M 6 X 20		1	



Model: 918

Model life 2015>>2015



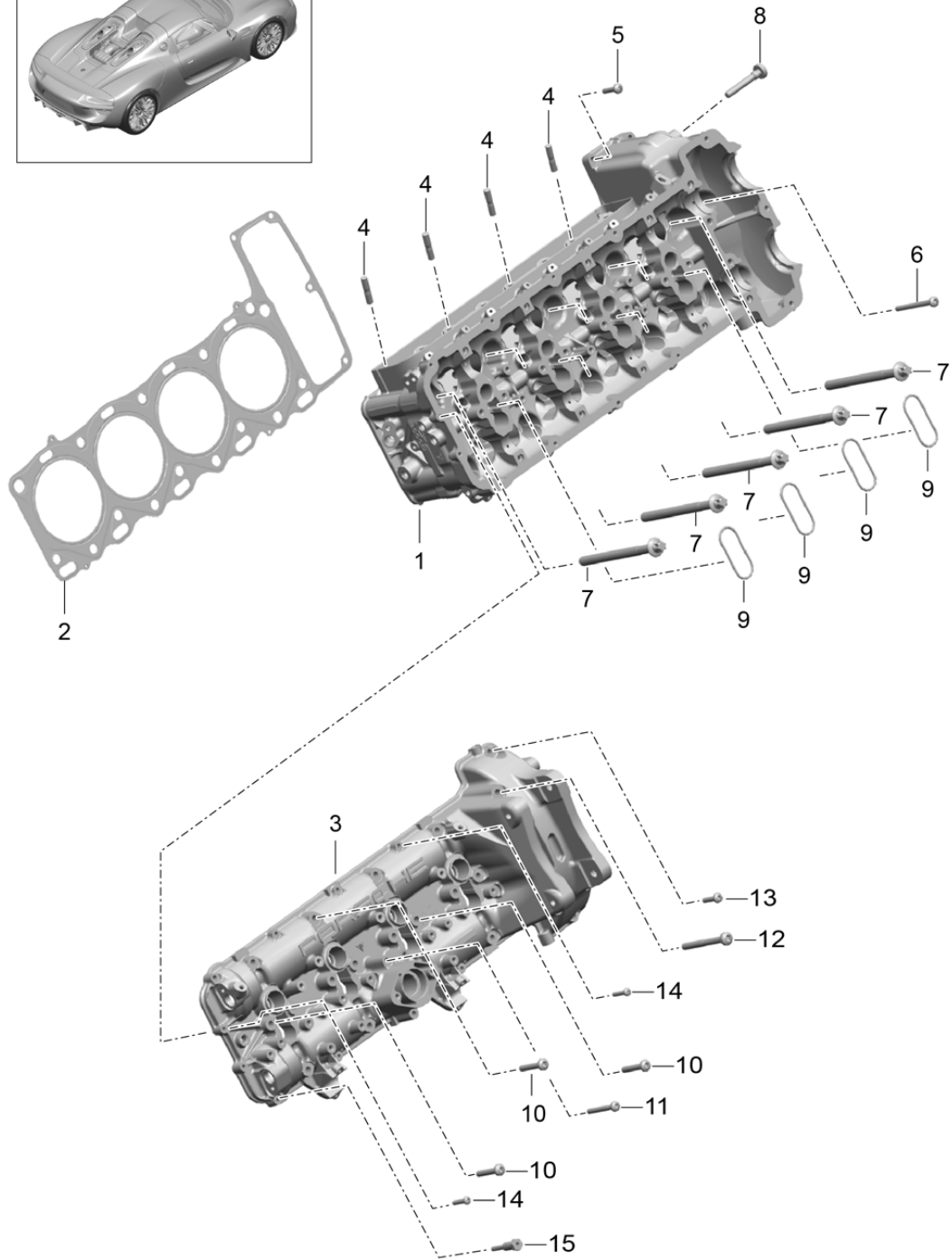
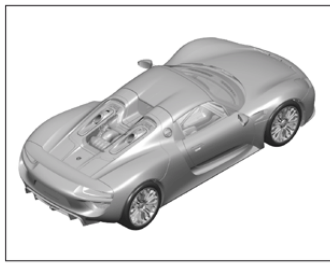
Model: 918

Model life 2015>>2015

Pos	Part Number	Description	Remark	Qty	Model
		Piston			
		Piston rings			
1	918 103 025 01	Piston		8	
1	918 103 025 02	Piston		8	
2	918 103 371 02	Piston pin		8	
3	918 103 141 00	Circlip		16	
4	918 103 920 00	Set of piston rings		8	

Model: 918

Model life 2015>>2015

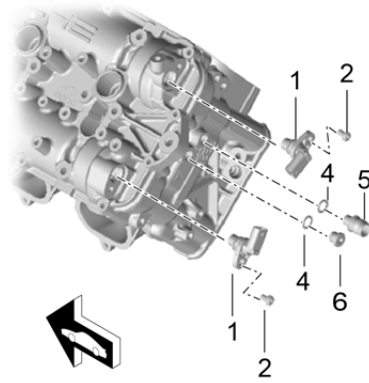
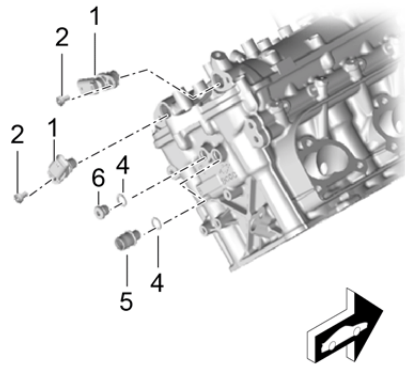
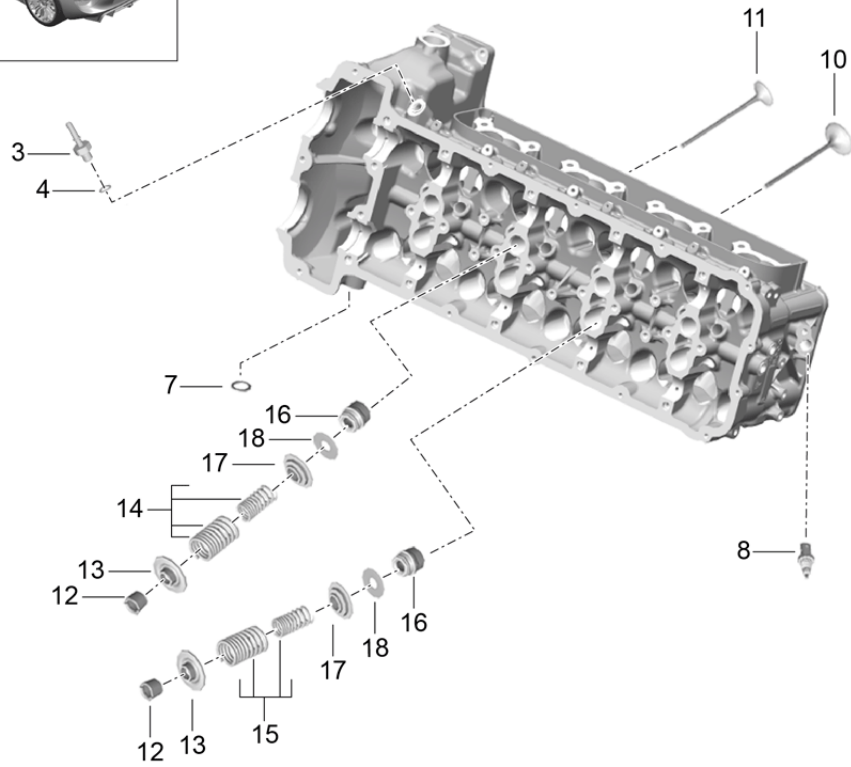
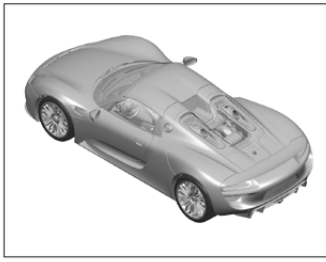


Model: 918 Model life 2015>>2015

Pos	Part Number	Description	Remark	Qty	Model
1	918 104 011 05	Cylinder head Valve cover Cylinder head Complete with Valve cover Valves Cylinders 1 - 4		1	
(1)	918 104 012 05	Cylinder head Complete with Valve cover Valves Cylinders 5 - 8		1	
2	918 104 411 02	Cylinder head gasket		2	
3		Valve cover Cylinders 1 - 4 To Use Cylinder head Complete 91810401105		1	
(3)		Valve cover Cylinders 5 - 8 To Use Cylinder head Complete 91810401205		1	
4	900 060 094 01	Stud M 8F0 X 18		24	
5	999 073 102 01	Round head screw M 6 X 25		4	
6	999 073 353 01	Round head screw M 6 X 70		4	
7	918 104 171 01	Screw Cylinder head M 11 X 1,5 X 140		20	
8	918 105 839 02	Fit bolt		2	
9	900 331 055 40	O-ring 45 X 2,5		8	
10	999 073 584 01	Round head screw M 7 X 40		32	
11	999 073 107 01	Torx screw M 6 X 50		4	
12	999 073 106 01	Round head screw M 8 X 80		8	
13	999 073 102 01	Round head screw M 6 X 25		10	
14	N 106 243 01	Round head screw M 5 X 25		17	
15	918 107 507 00	Spacer bolt		1	
-	000 043 204 58	Sealing compound DREIBOND FD 2210 Container 30 GR		X	

Model: 918

Model life 2015>>2015



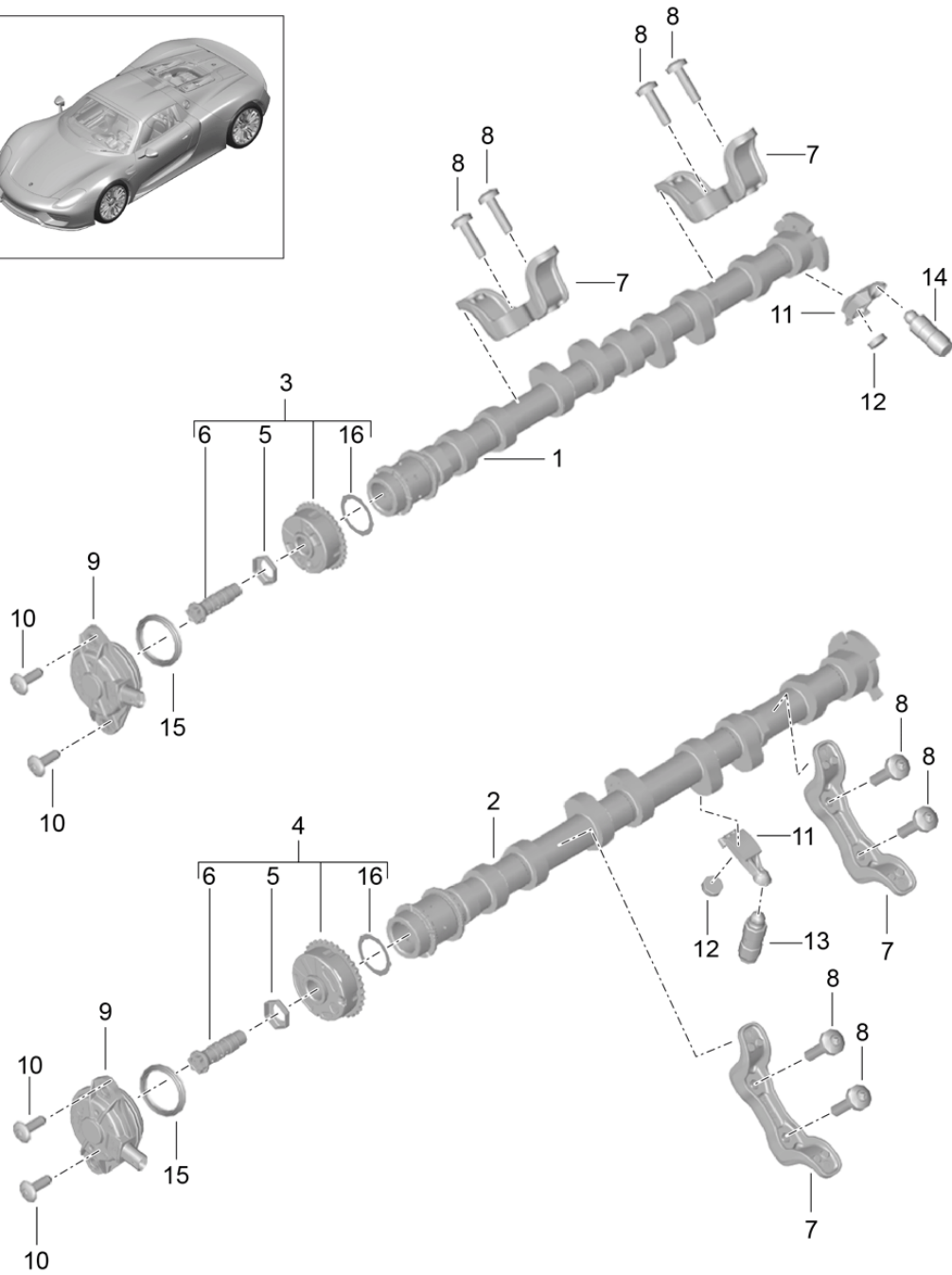
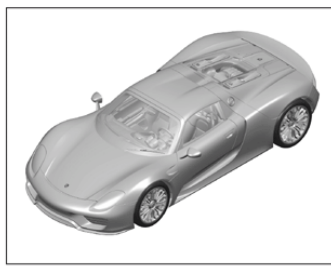
Model: 918

Model life 2015>>2015

Pos	Part Number	Description	Remark	Qty	Model
		Cylinder head			
		Valves			
		Accessories			
1	946 606 106 00	Hall sender		4	
2	999 073 189 01	Round head screw M 6 X 12		4	
3	918 104 521 00	Screw socket		3	
4	900 123 003 30	Sealing ring A10 X 14		7	
5	918 104 523 00	Screw socket		2	
6	999 063 036 01	Screw plug		2	
7	900 123 007 30	Sealing ring		2	
8	958 606 623 20	Temperature sensor		2	
-	WHT 002 287 B	O-ring		2	
		Temperature sensor			
10	918 105 111 02	Intake valve		16	
11	918 105 113 02	Exhaust valve		16	
12	918 105 133 00	Valve collet		64	
13	918 105 121 04	Concave washer Upper		32	
14	918 105 431 05	Set of valve springs Intake		16	
15	918 105 435 05	Set of valve springs Exhaust		16	
16	918 105 115 00	Valve stem seal		32	
17	918 105 117 02	Concave washer Lower		32	

Model: 918

Model life 2015>>2015



Model: 918

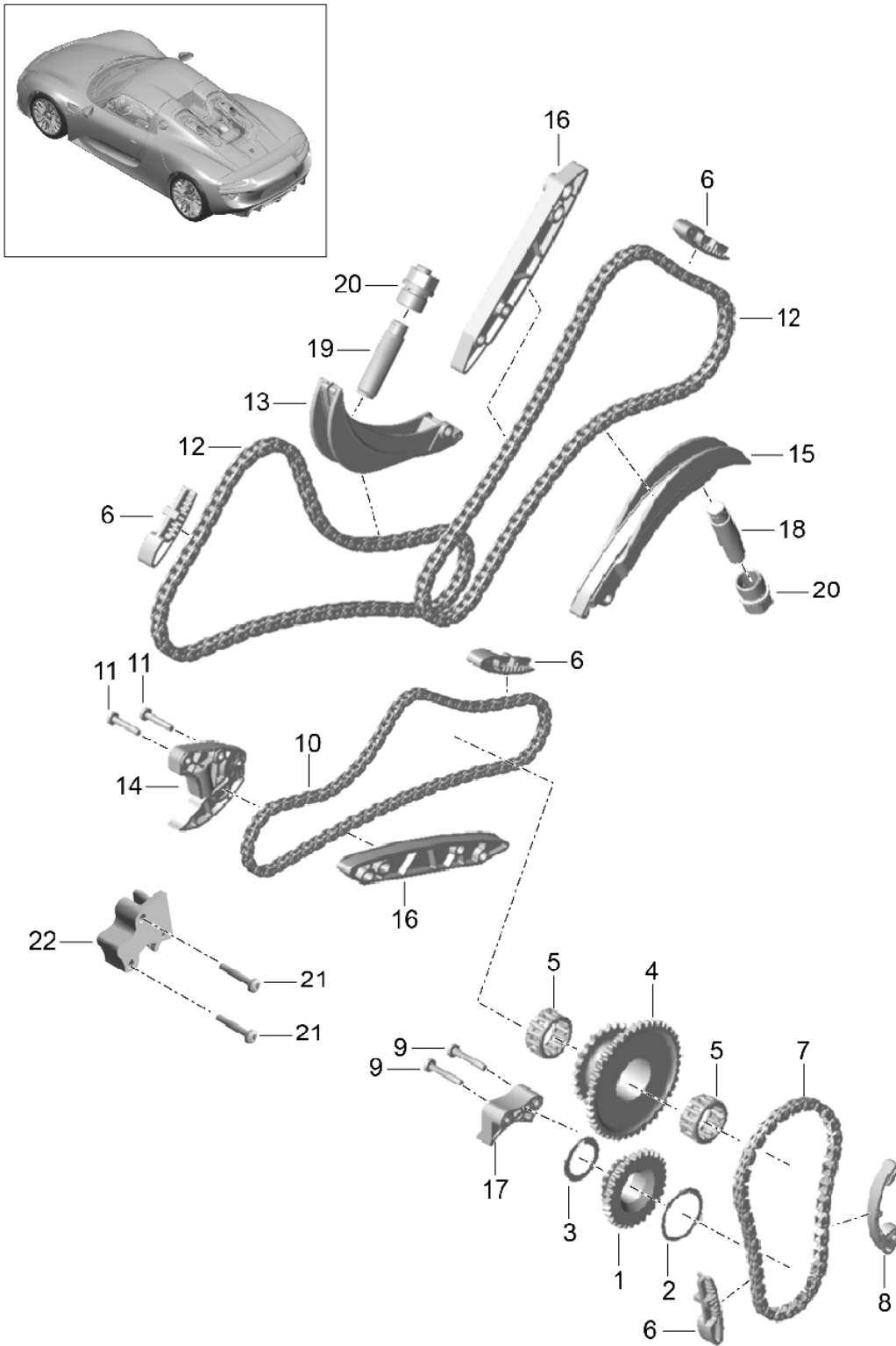
Model life 2015&gt;&gt;2015

Pos	Part Number	Description	Remark	Qty	Model
1	918 105 320 06	Camshaft Camshaft Intake Cylinders 1 - 4		1	
(1)	918 105 319 08	Camshaft Intake Cylinders 5 - 8		1	
2	918 105 343 06	Camshaft Exhaust Cylinders 1 - 4		1	
(2)	918 105 344 06	Camshaft Exhaust Cylinders 5 - 8		1	
3	918 105 031 02	Camshaft adjuster Intake		2	
4	918 105 032 03	Camshaft adjuster Exhaust		2	
5	946 105 154 75	Sleeve		4	
6	946 105 054 75	Screw Camshaft adjuster		4	
(6)	946 105 054 76	Screw Camshaft adjuster		4	
7	918 104 223 01	Support Camshaft		4	
8	999 073 344 01	Round head screw M 6 X 20		8	
9	918 105 153 03	Actuator		4	
10	999 073 173 00	Lens-head screw M 6 X 16		8	
11	918 105 145 06	Valve lever		32	
12	918 105 425 02	Shim		32	
13	918 105 085 03	Bracket Exhaust		16	
14	9A1 105 085 90	Bracket Intake		16	
15	999 701 506 41	Sealing ring 42,0 X 51,8 X 4,9		4	
16	946 105 155 75	Washer		4	



Model: 918

Model life 2015>>2015



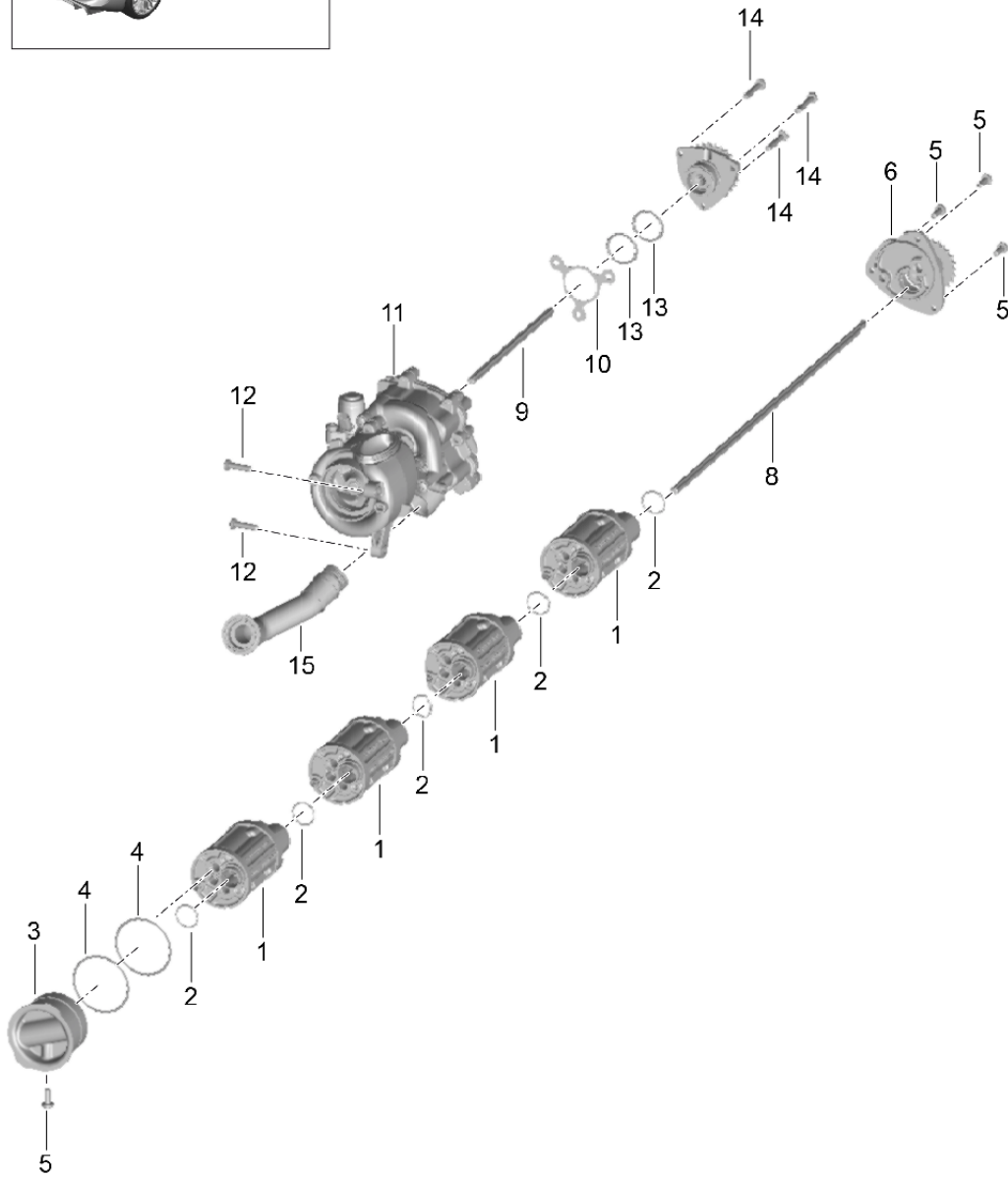
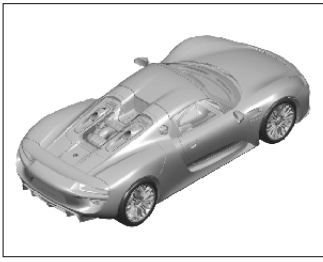
Model: 918

Model life 2015>>2015

Pos	Part Number	Description	Remark	Qty	Model
1	918 105 211 04	Valve control Sprocket Crankshaft		1	
2	918 102 421 00	Washer		1	
3	918 102 423 00	Washer		1	
4	918 105 213 02	Sprocket Intermediate shaft		1	
5	999 201 479 00	Needle-roller bearing 30 X 40 X 18		2	
6	918 105 335 01	Guide rail Short		4	
7	918 105 311 01	Tooth-type chain		1	
9	999 073 352 01	Round head screw M 6 X 35		2	
10	918 105 331 01	Timing chain		1	
11	999 073 110 01	Round head screw M 6 X 30		2	
12	918 105 321 01	Timing chain		2	
13	918 105 324 02	Tensioner blade Cylinders 5 - 8		1	
14	918 105 347 01	Chain adjuster Cylinders 1 - 4		1	
15	918 105 323 02	Tensioner blade Cylinders 1 - 4		2	
16	918 105 325 02	Guide rail Long Cylinders 5 - 8		3	
17	918 105 345 02	Guide sleeve		1	
18	918 105 337 02	Chain adjuster Cylinders 1 - 4		1	
19	918 105 338 02	Chain adjuster Cylinders 5 - 8		1	
20	918 105 339 02	Screw plug		2	
21	N 105 540 05	Oval-head screw M6 X 35		2	
22	918 105 327 02	Chain adjuster		1	

Model: 918

Model life 2015>>2015



Model: 918 Model life 2015>>2015

Pos	Part Number	Description	Remark	Qty	Model
		Oil pump Driving mechanism Return line			
1	918 107 041 03	Oil pump		1	
2	999 707 671 40	O-ring 22,5 X 320		2	
3	918 105 151 03	Lid		1	
4	999 707 607 40	O-ring 59 X 2,5		5	
5	999 073 103 01	Round head screw M 6 X 16		4	
6	918 105 041 05	Bearing case Front		1	
7	918 105 043 02	Bearing case Front		1	
8	918 107 305 00	Shaft Oil pump		1	
9	918 107 307 01	Shaft Oil pump		1	
10	918 107 401 00	Spacer 0,3 MM		1	
10	918 107 401 10	Spacer 0,35 MM		1	
(10)	918 107 401 01	Spacer 0,4 MM		1	
(10)	918 107 401 11	Spacer 0,45 MM		1	
(10)	918 107 401 02	Spacer 0,5 MM		1	
(10)	918 107 401 12	Spacer 0,55 MM		1	
(10)	918 107 401 03	Spacer 0,6 MM		1	
(10)	918 107 401 13	Spacer 0,65 MM		1	
(10)	918 107 401 04	Spacer 0,7 MM		1	
(10)	918 107 401 14	Spacer 0,75 MM		1	
(10)	918 107 401 05	Spacer 0,8 MM		1	
(10)	918 107 401 15	Spacer 0,85 MM		1	
(10)	918 107 401 06	Spacer 0,9 MM		1	
(10)	918 107 401 16	Spacer 0,95 MM		1	
(10)	918 107 401 07	Spacer 1,0 MM		1	
(10)	918 107 401 17	Spacer 1,05 MM		1	
11	918 107 011 09	Oil pump		1	
11	918 107 011 10	Oil pump		1	
11	918 107 011 11	Oil pump		1	
12	999 073 102 01	Round head screw M 6 X 25		10	
13	999 707 364 41	Sealing ring 30 X 2,5		2	
13	996 107 103 51	O-ring 29,10 X 2,55		2	
14	999 073 352 01	Round head screw M 6 X 35		3	
15	918 107 257 02	Oil pipe		1	

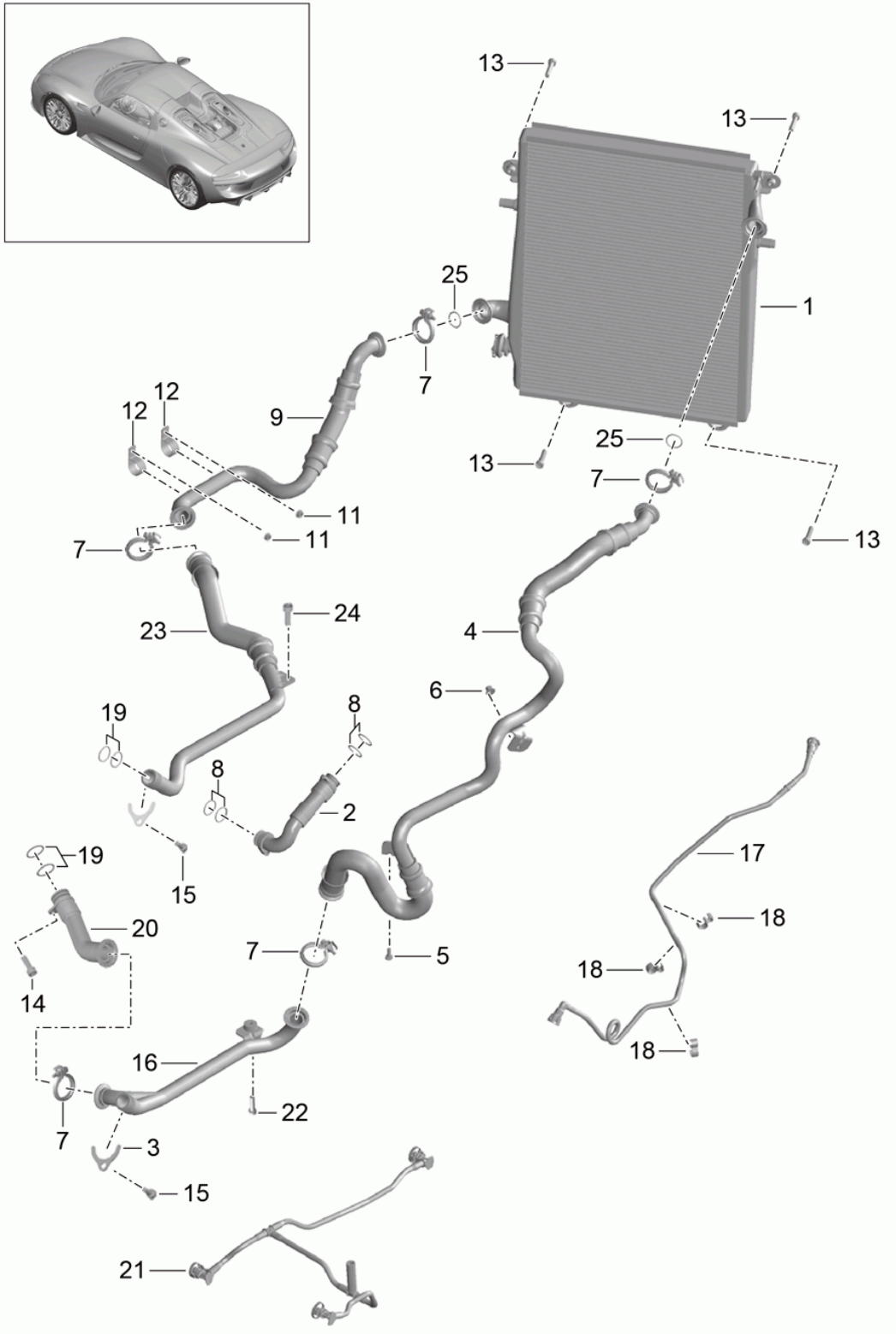
Model: 918

Model life 2015&gt;&gt;2015

Pos	Part Number	Description	Remark	Qty	Model
16	918 107 413 00	Oil pump Lock washer		1	

Model: 918

Model life 2015>>2015



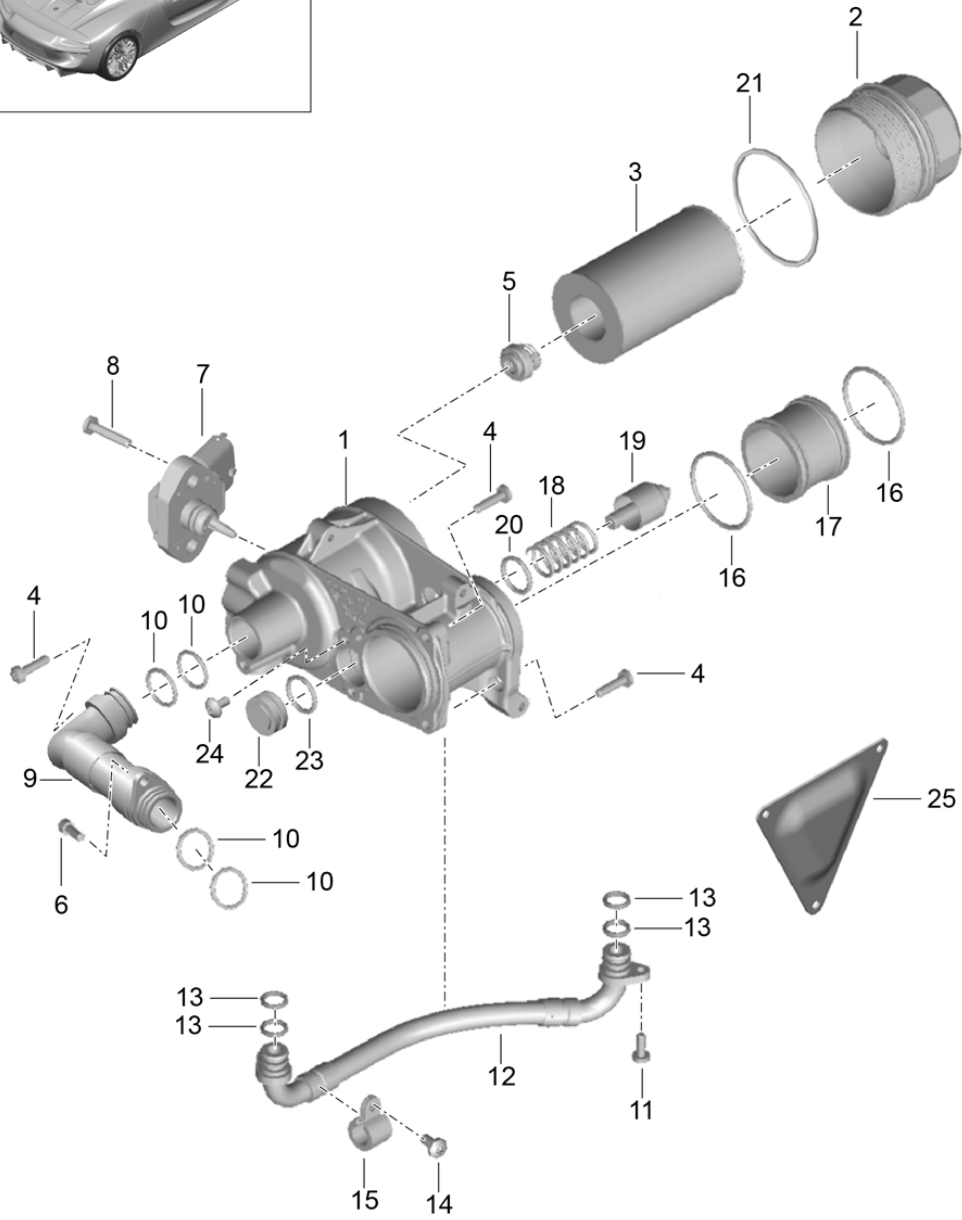
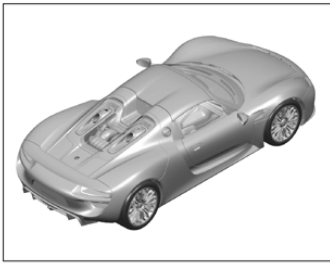
Model: 918

Model life 2015&gt;&gt;2015

Pos	Part Number	Description	Remark	Qty	Model
1		Engine lubrication Oil cooling Oil pipe Oil cooler See illustrations 1/04/20		3	
2		Oil pipe See illustrations 1/04/10		1	
3	918 107 231 00	Retaining bracket		2	
4	918 107 251 03	Oil pipe Supply		1	
5	999 073 103 01	Round head screw M 6 X 16		1	
6	N 100 151 01	Hexagon nut T 5		1	
7	1K0 253 725 F	Clip D = 44		4	
8	999 707 543 40	O-ring 23,00 X 2,5		4	
9	918 107 253 01	Oil pipe Return line		1	
10	N 909 960 01	Clip D1 24 X 15		2	
11	900 377 009 01	Hexagon nut M 5		2	
12	999 511 124 01	Clip D1 25 X 15		2	
13	N 909 035 02	Multiple-tooth screw M 8 X 35		4	
14	N 105 464 03	Pan-head screw M 6 X 16		1	
15	900 387 021 01	Pan-head screw M 6 X 12		3	
16	918 107 252 03	Oil pipe Supply		1	
16	918 107 252 04	Oil pipe Supply		1	
16	918 107 252 05	Oil pipe Supply		1	
17	918 107 237 02	Breather pipe Oil cooler		1	
18	999 507 091 40	Cable holder 8,00 / 12,00		3	
19	999 707 496 40	O-ring 23 X 3		4	
20	918 107 257 02	Oil pipe		1	
21	918 107 233 02	Ventilation pipe		1	
22	999 073 110 01	Round head screw M 6 X 30		1	
23	918 107 254 02	Oil pipe Return line		1	
23	918 107 254 03	Oil pipe Return line		1	
24	N 909 494 02	Round head screw M 6 X 12		1	
25	999 701 393 40	O-ring		2	

Model: 918

Model life 2015>>2015





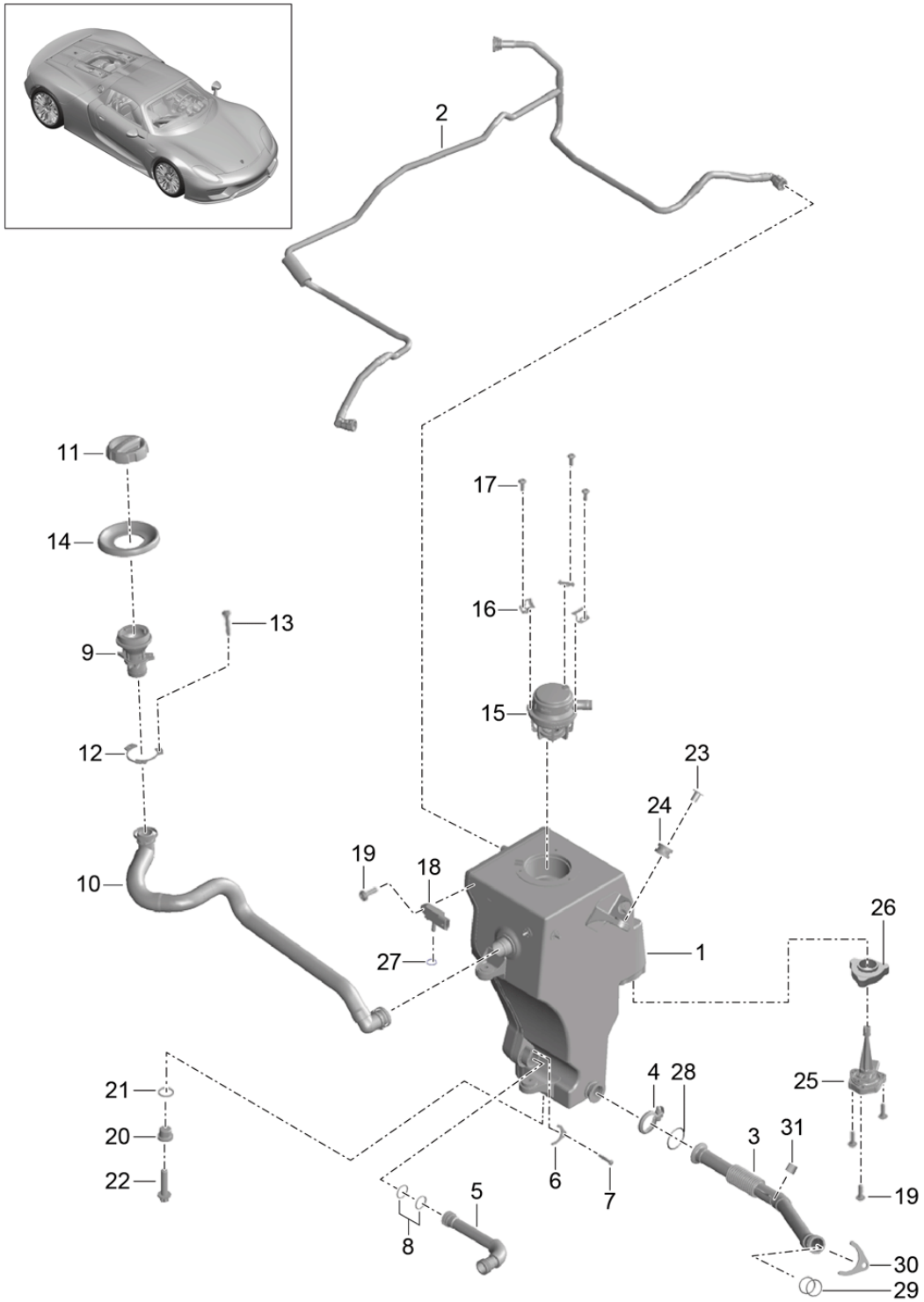
Model: 918

Model life 2015&gt;&gt;2015

Pos	Part Number	Description	Remark	Qty	Model
1	918 107 219 10	Oil filter Bracket Housing		1	
1	918 107 219 11	Oil filter Housing		1	
2	918 107 285 00	Oil filter Lid		1	
3	996 107 225 53	Filter element		1	
4	999 073 102 01	Round head screw M 6 X 25		6	
5	918 107 239 00	Shut-off valve		1	
6	999 073 344 01	Round head screw M 6 X 20		2	
7	9A1 606 203 00	Oil pressure sender		1	
8	999 073 110 01	Round head screw M 6 X 30		1	
9	918 107 227 06	Oil pipe		1	
9	918 107 227 07	Oil pipe		1	
9	918 107 227 08	Oil pipe		1	
10	999 707 543 40	O-ring 23 X 2,5		4	
11	999 073 103 01	Round head screw M 6 X 35		2	
12	918 107 221 03	Oil pipe		1	
12	918 107 221 04	Oil pipe		1	
13	999 707 582 40	O-ring 13 X 3,0		4	
14	999 073 189 01	Round head screw M 6 X 12		4	
15	999 511 155 03	Pipe clamp 15 X 15		1	
16	999 707 502 40	O-ring 50 X 3		2	
17	918 106 141 01	Cooling water tube		1	
18	918 107 587 00	Spring Thermostat		1	
19	918 107 187 01	Thermostat		1	
20	999 707 585 40	O-ring 22 X 3		1	
21	996 107 313 51	Sealing ring Oil filter		1	
22	918 107 373 01	Lid Thermostat		1	
23	999 707 585 40	O-ring 22 X 3,0		1	
24	N 910 733 01	Oval-head screw M 6 X 12		2	
25	918 107 403 01	Support Housing Oil filter		1	

Model: 918

Model life 2015>>2015



Model: 918 Model life 2015>>2015

Pos	Part Number	Description	Remark	Qty	Model
		Engine lubrication			
		Oil tank			
1	918 107 021 09	Oil inlet		1	
2	918 107 235 03	Oil tank		1	
		Vent line			
		Oil tank			
3	918 107 225 02	Intake pipe		1	
3	918 107 225 03	Intake pipe		1	
3	918 107 225 04	Intake pipe		1	
4	1K0 253 725 F	Clip		1	
5	918 107 229 00	Oil pipe		1	
6	918 107 231 00	Retaining bracket		1	
7	999 073 189 01	Round head screw		1	
		M 6 X 12			
8	999 707 496 40	O-ring		4	
		23 X 3			
9	918 107 061 00	Filler neck		1	
		Engine oil			
10	918 107 063 01	Filler tube		1	
		Engine oil			
11	918 107 159 02	Lid		1	-I808
		Engine oil			
11	918 107 159 03	Lid		1	-I808
		Engine oil			
(11)	918 107 159 12	Lid		1	I808
		Engine oil			
(11)	918 107 159 13	Lid		1	I808
		Engine oil			
12	918 107 065 01	Clamping ring		1	
13	999 073 585 A1	Oval-head screw		3	
		M 5 X 25			
14	918 107 067 01	Boot		1	
		Oil inlet			
14	918 107 067 02	Boot		1	
		Oil inlet			
15	918 107 031 01	Oil separator		1	
16	918 107 321 01	Support		3	
		Oil separator			
17	999 015 026 A1	Oval-head screw		3	
		M 6 X 16			
18	9A1 606 114 00	Pressure sensor		1	
19	999 073 252 A1	Oval-head screw		4	
		M 6 X 20			
20	900 219 020 31	Screw plug		1	
		Oil tank			
21	900 123 106 30	Sealing ring		1	
		A 18 X 24			
22	900 385 042 01	Torx screw		3	
		BM 8 X 35			
23	999 209 037 01	Spacer sleeve		3	
		8,4 X 1,8			
24	999 702 193 40	Rubber sleeve		3	
		12,2 X 24,0 X 6,0			
25	958 606 160 10	Oil-level sender		1	
26	038 103 196 B	Sealing ring		1	
		Oil-level sender			
27	918 606 701 00	Sealing washer		1	
		Oil pressure sender			
		12 X 15,5 X 1,5			
28	999 701 393 40	O-ring		1	
29	999 707 547 40	O-ring		1	
30	918 107 311 00	Retaining bracket		1	
31	918 107 261 00	Spacer sleeve		1	



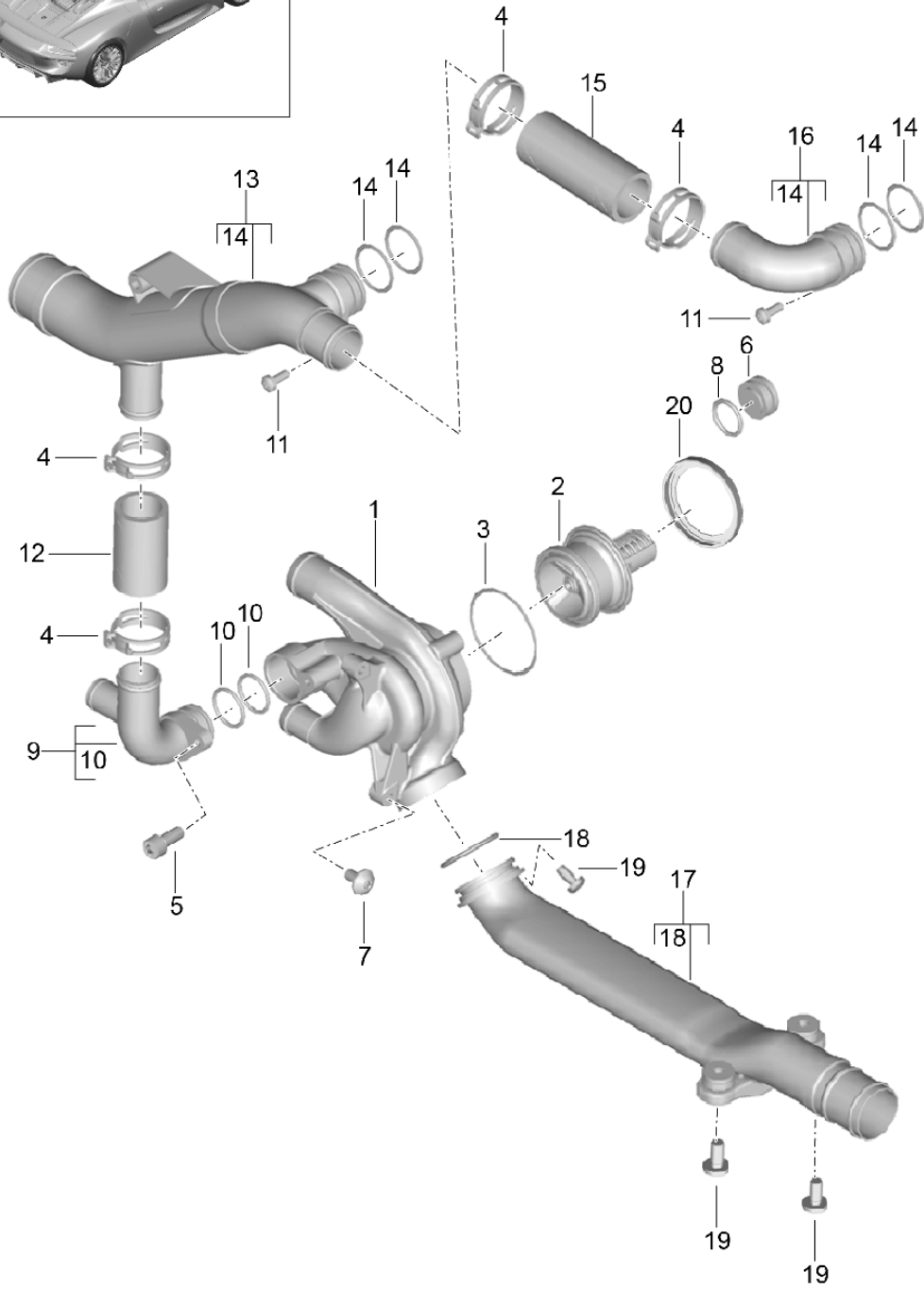
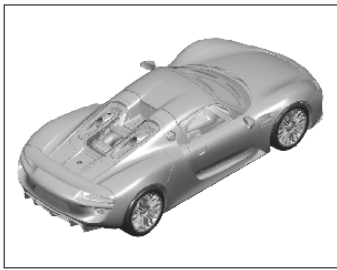
Model: 918

Model life 2015>>2015

Pos	Part Number	Description	Remark	Qty	Model
		Engine lubrication			
		Oil cooling			
		Oil cooler			
1	918 107 131 04	Oil cooler		1	
2	999 702 214 40	Grommet		3	
		14,0 X 20,5 X 7,5			
3	999 166 083 09	Tab washer		3	
4	999 025 255 01	Washer		6	
		16,0 X 32,0 X 0,5			
5	918 106 981 00	Retaining bracket		1	
		Oil cooler			
6	999 073 189 01	Round head screw		4	
		M 6 X 12			
7	999 209 037 01	Spacer sleeve		4	
		8,4 X 1,8			
8	999 702 193 40	Rubber sleeve		4	
		12,2 X 24,0 X 6,0			
9	N 909 035 02	Multiple-tooth screw		4	
		M 8 X 35			
10		Fan		1	
		See illustrations			
		1/05/20			
11		Retaining frame		1	
		See illustrations			
		1/05/20			
-	918 107 509 00	Adhesive film		1	
		Oil cooler			

Model: 918

Model life 2015>>2015



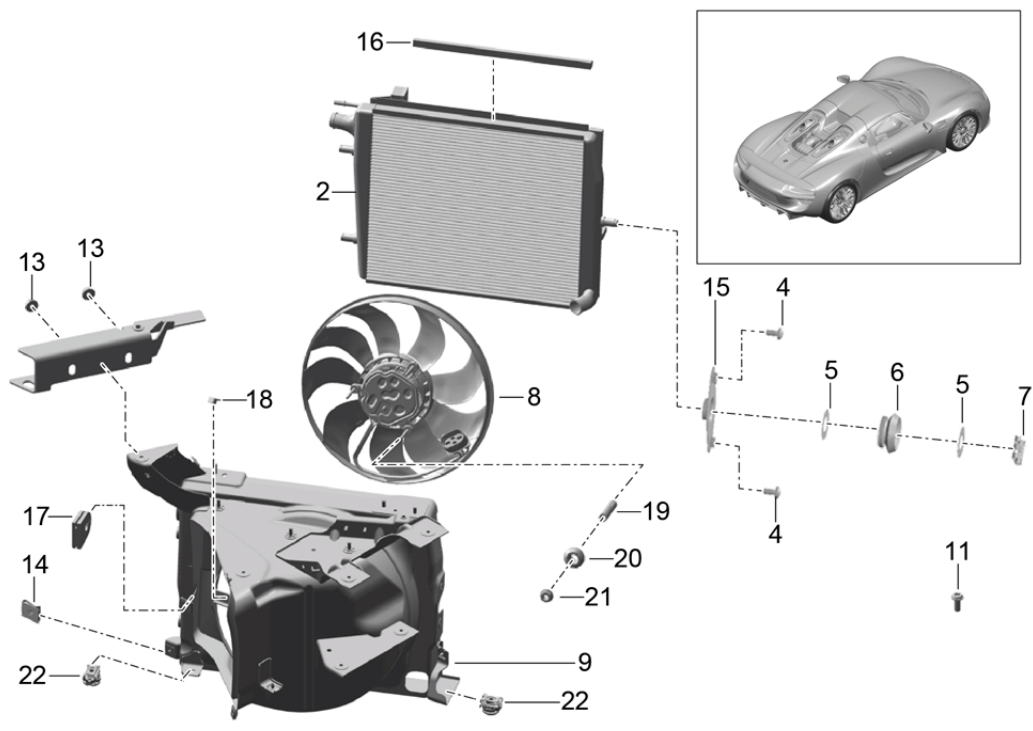
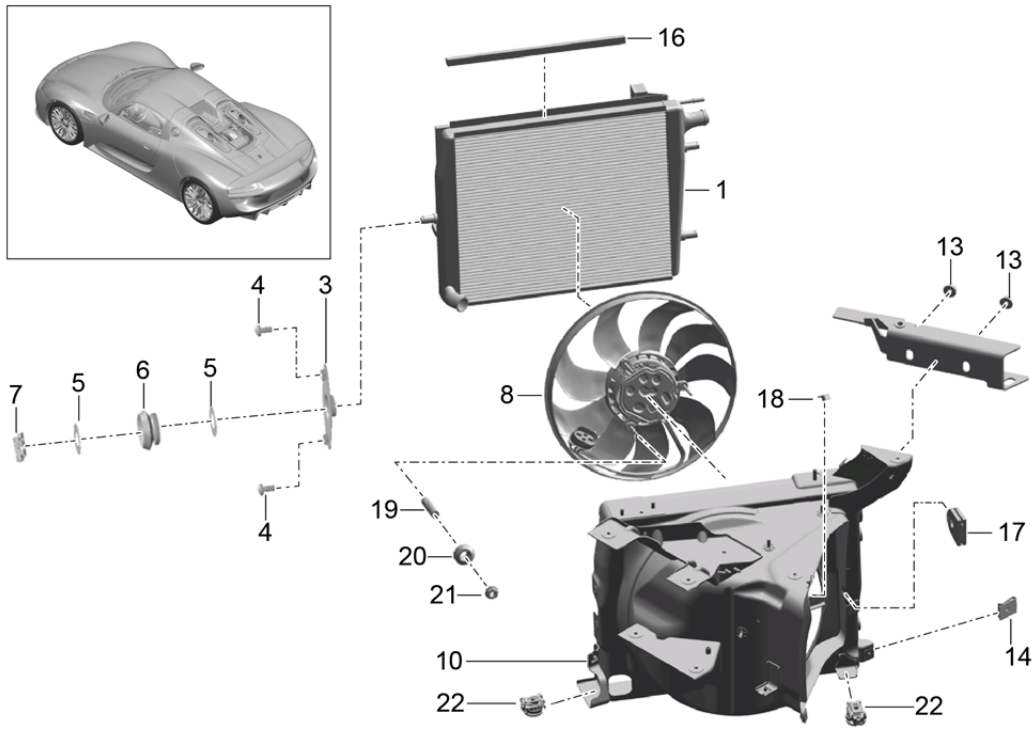
Model: 918

Model life 2015&gt;&gt;2015

Pos	Part Number	Description	Remark	Qty	Model
		Water pump			
		Thermostat			
1	918 106 213 07	Thermostat housing		1	
(1)	918 106 213 08	Thermostat housing		1	
2	918 106 281 00	Thermostat insert		1	
3	999 707 625 40	O-ring		2	
		59 X 2,5			
4	999 512 695 09	Hose clamp		2	
5	999 073 344 01	Round head screw		1	
		M 6 X 20			
6	918 107 373 01	Lid		1	
		Thermostat			
		See illustrations			
		1/04/10			
7	N 910 733 01	Oval-head screw		2	
		M 6 X 12			
8	999 707 585 40	O-ring		1	
		22 X 3			
		See illustrations			
		1/04/10			
9	918 106 221 06	Water tube		1	
10	999 701 693 40	O-ring		2	
		25 X 2,5			
11	999 073 103 01	Round head screw		4	
		M 6 X 35			
12	918 106 245 03	Water hose		1	
13	918 106 219 06	Water tube		1	
		Supply			
(13)	918 106 219 07	Water tube		1	
		Supply			
(13)	918 106 219 08	Water tube		1	
		Supply			
14	999 701 936 40	O-ring		4	
		30 X 3,0			
(14)	999 707 501 40	O-ring		4	
		30 X 3,0			
15	918 106 233 03	Water hose		1	
		Supply			
16	918 106 217 02	Water tube		1	
		Supply			
(16)	918 106 217 04	Water tube		1	
		Supply			
(16)	918 106 217 05	Water tube		1	
		Supply			
17	918 106 275 03	Water tube		1	
		Return line			
18	999 707 410 40	O-ring		1	
		39,2 X 3,0			
19	999 073 189 01	Round head screw		3	
		M 6 X 12			
20	9A1 106 558 00	Sealing ring		1	
		Thermostat			

Model: 918

Model life 2015>>2015



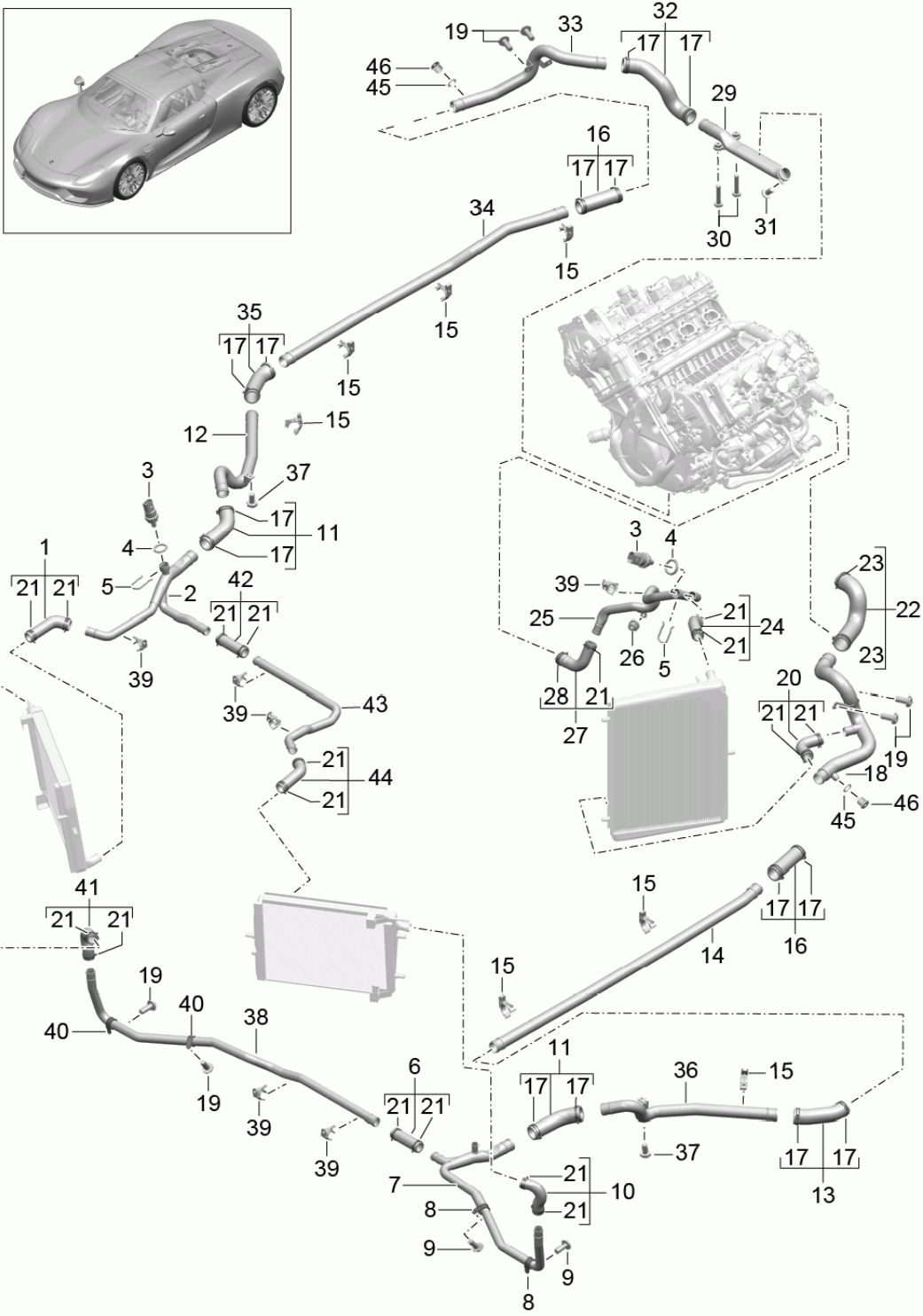


Model: 918 Model life 2015>>2015

Pos	Part Number	Description	Remark	Qty	Model
1	918 106 133 02	Water cooling Radiator Front		1	
2	918 106 134 02	Radiator Left		1	
3	980 106 235 00	Radiator Right		2	
4	999 073 189 01	Retaining bracket Round head screw M 6 X 12		6	
5	999 025 255 01	Washer		12	
6	999 702 214 40	Grommet		6	
7	999 166 083 09	Tab washer		6	
8	918 624 035 02	Fan		2	
9	918 504 481 01	Frame Radiator Left		1	
10	918 504 482 01	Frame Radiator Right		1	
11	999 015 026 A1	Oval-head screw M6 X 16		8	
13	N 015 082 10	Hexagon nut M 6		4	
14	918 504 597 00	Speed nut M 6		12	
15	918 106 981 00	Retaining bracket Radiator		2	
16	918 106 191 00	Gasket		2	
17	918 624 701 00	Grommet		4	
18	999 513 054 40	Tie-wrap 3,5 - 45,0		14	
19	991 624 177 01	Spacer sleeve		6	
20	991 624 173 00	Rubber mounting		12	
21	900 377 018 01	Hexagon nut M 6		6	
22	8P7 806 305	Shim		4	

Model: 918

Model life 2015>>2015



Model: 918 Model life 2015>>2015

Pos	Part Number	Description	Remark	Qty	Model
		Water cooling High Temperature control			
1	918 106 286 00	Water hose		1	
2	918 106 251 03	Water tube Return line Front		1	
3	997 606 410 00	Temperature sensor		2	
4	999 707 508 40	O-ring 19,6 X 3,65		2	
4	918 606 405 00	O-ring 19,6 X 3,65		2	
5	999 021 011 01	Retainer spring		2	
6	918 106 238 03	Water hose		1	
7	918 106 237 04	Water tube Supply Front		1	
7	918 106 237 05	Water tube Supply Front		1	
7	918 106 237 06	Water tube Supply Front		1	
8	999 511 218 00	Clip		2	
9	999 015 026 A1	Oval-head screw M 6		2	
10	918 106 247 02	Water hose		1	
10	918 106 247 03	Water hose		1	
11	918 106 299 00	Water hose		2	
12	918 106 259 01	Water tube Return line Front		1	
13	918 106 287 01	Water hose		1	
14	918 106 231 02	Water tube Supply Front		1	
14	918 106 231 03	Water tube Supply Front		1	
15	991 106 415 02	Support		6	
16	918 106 229 03	Water hose		2	
17	999 512 772 09	Hose clamp B47 X 12		14	
18	918 106 225 04	Water tube Supply Rear		1	
19	999 015 026 A1	Oval-head screw M6 X 16		6	
20	918 106 257 03	Water hose		1	
21	999 512 664 09	Hose clamp B36 X 12		17	
22	918 106 223 04	Water hose		1	
22	918 106 223 05	Water hose		1	
23	999 512 669 09	Hose clamp B53 X 12		2	
24	918 106 277 03	Water hose		1	
25	918 106 271 02	Water tube Return line Rear		1	
26	N 100 151 01	Hexagon nut T5		1	
27	918 106 273 04	Water hose		1	
28	999 512 665 09	Hose clamp		1	

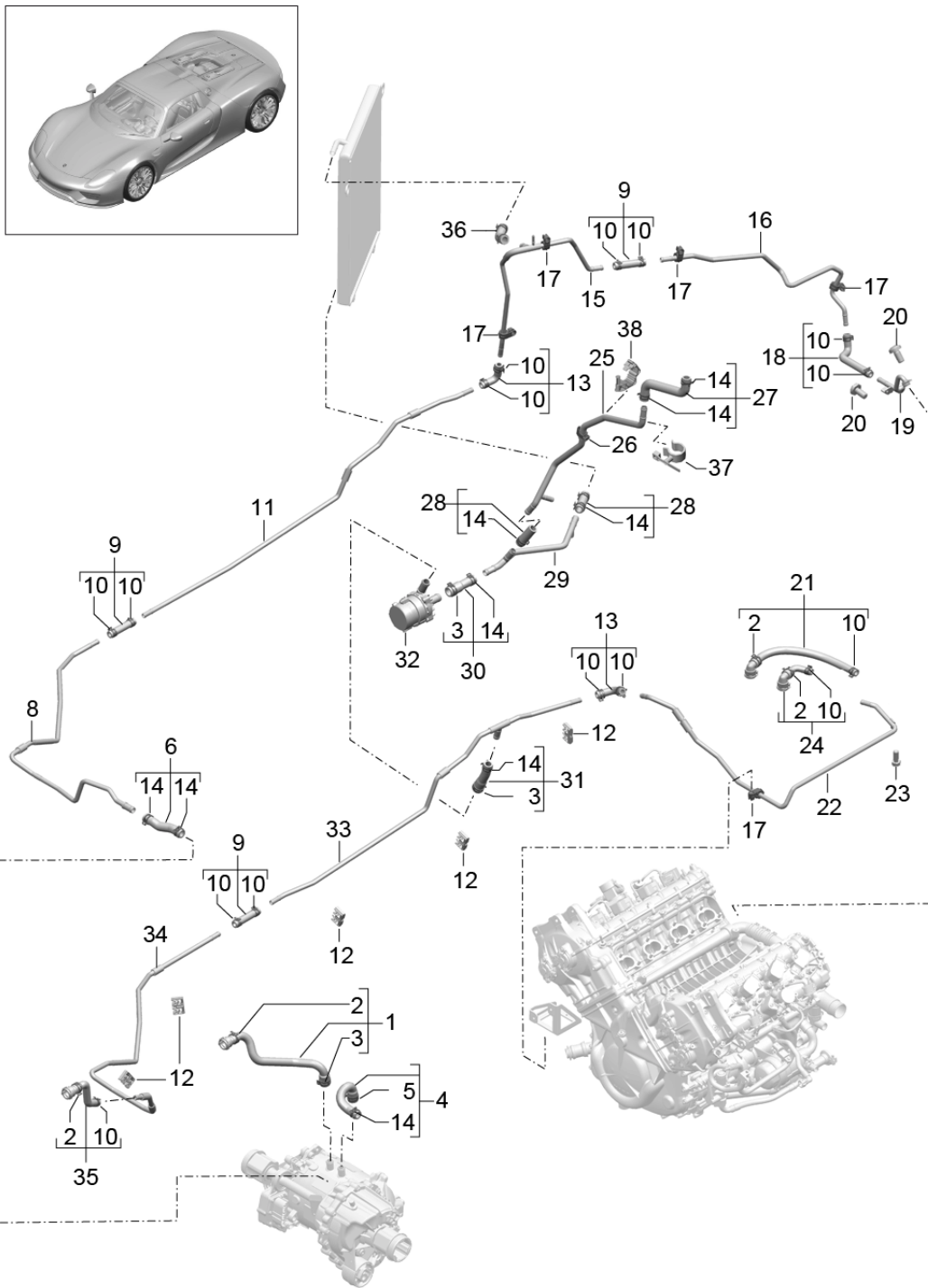
Model: 918

Model life 2015>>2015

Pos	Part Number	Description	Remark	Qty	Model
29	918 106 275 03	B 40 X 12 Water tube Return line		1	
30	999 073 110 01	Round head screw M 6 X 30		2	
31	N 909 494 02	Round head screw M 6 X 12		1	
32	918 106 267 03	Water hose		1	
32	918 106 267 04	Water hose		1	
33	918 106 265 03	Water tube Return line Rear		1	
34	918 106 261 03	Water tube Return line Front		1	
34	918 106 261 04	Water tube Return line Front		1	
35	918 106 288 01	Water hose		1	
36	918 106 243 01	Water tube Supply Front		1	
37	999 073 189 01	Round head screw M6 X 12		2	
38	918 106 241 03	Water tube Supply Front		1	
38	918 106 241 04	Water tube Supply Front		1	
39	999 591 689 40	Cable holder		8	
40	999 511 218 00	Clip		2	
41	918 106 248 00	Water hose		1	
41	918 106 248 01	Water hose		1	
42	918 106 238 03	Water hose		1	
43	918 106 253 03	Water tube Return line Front		1	
44	918 106 285 00	Water hose		1	
45	900 123 007 30	Sealing ring A 14 X 18		2	
46	999 063 038 01	Screw plug M 14 X 1,5		2	

Model: 918

Model life 2015>>2015



Model: 918 Model life 2015>>2015

Pos	Part Number	Description	Remark	Qty	Model
		Water cooling Medium Temperature control			
1	918 106 379 00	Water hose		1	
1	918 106 379 01	Water hose		1	
2	999 512 656 09	Hose clamp B 25 X 12		3	
3	999 512 658 09	Hose clamp B 27 X 12		3	
4	918 106 359 02	Water hose		1	
5	999 512 657 09	Hose clamp B 26 X 12		1	
6	918 106 365 02	Water hose		1	
8	918 106 313 03	Water tube Supply Front		1	
9	918 106 315 01	Water hose		3	
10	999 512 652 09	Hose clamp B 19 X 12		14	
11	918 106 333 03	Water tube Supply Front		1	
12	999 507 918 40	Cable holder 8,00 / 8,00		5	
13	918 106 317 01	Water hose		2	
14	999 512 683 09	Hose clamp B 23 X 12		10	
15	918 106 349 01	Water tube Supply Front		1	
16	918 106 319 02	Water tube Supply Rear		1	
17	991 573 837 00	Support		5	
18	918 106 363 02	Water hose Supply Rear		1	
19	918 106 361 01	Water tube		1	
19	918 106 361 02	Water tube		1	
-	999 707 686 40	O-ring		1	
20	999 073 189 01	Round head screw M 6 X 12		2	
21	918 106 279 03	Water hose		1	
-	999 230 387 40	Clutch		1	
22	918 106 341 02	Water hose Water tube Return line Rear		1	
22	918 106 341 03	Water tube Return line Rear		1	
23	N 104 592 02	Pan-head screw M 5 X 12		1	
24	918 106 337 02	Water hose		1	
25	918 106 343 02	Water tube Filler tube		1	
26	1C0 121 093 E	Support		1	
27	918 106 269 02	Water hose Filler tube		1	
28	918 106 331 01	Water hose		2	
29	918 106 327 03	Water tube		1	
-	900 123 033 30	Sealing ring A 10 X 13,5		1	

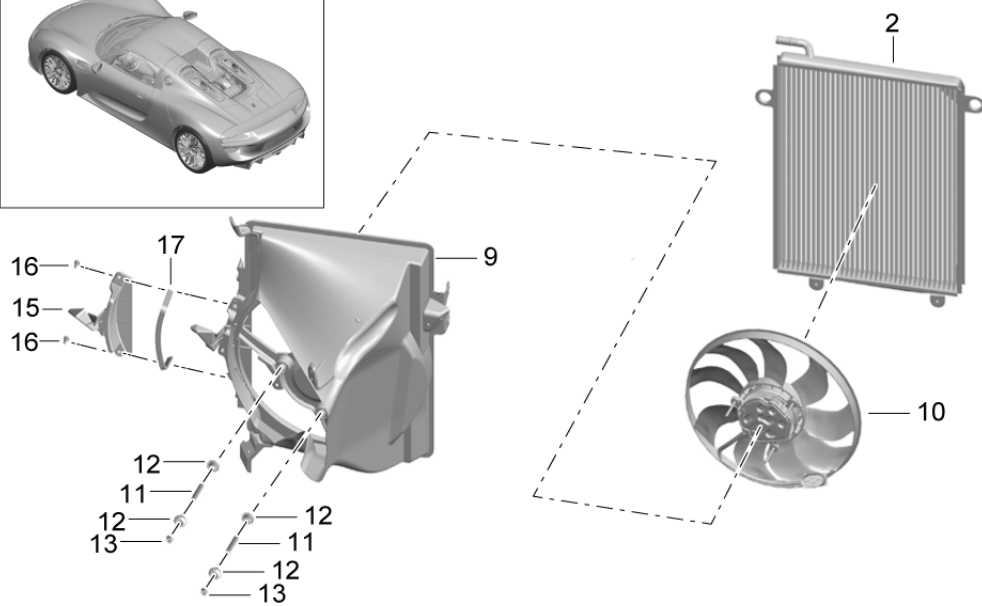
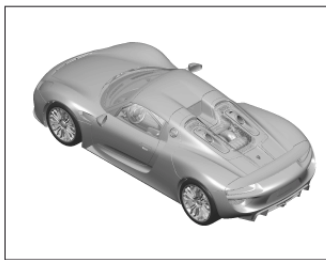
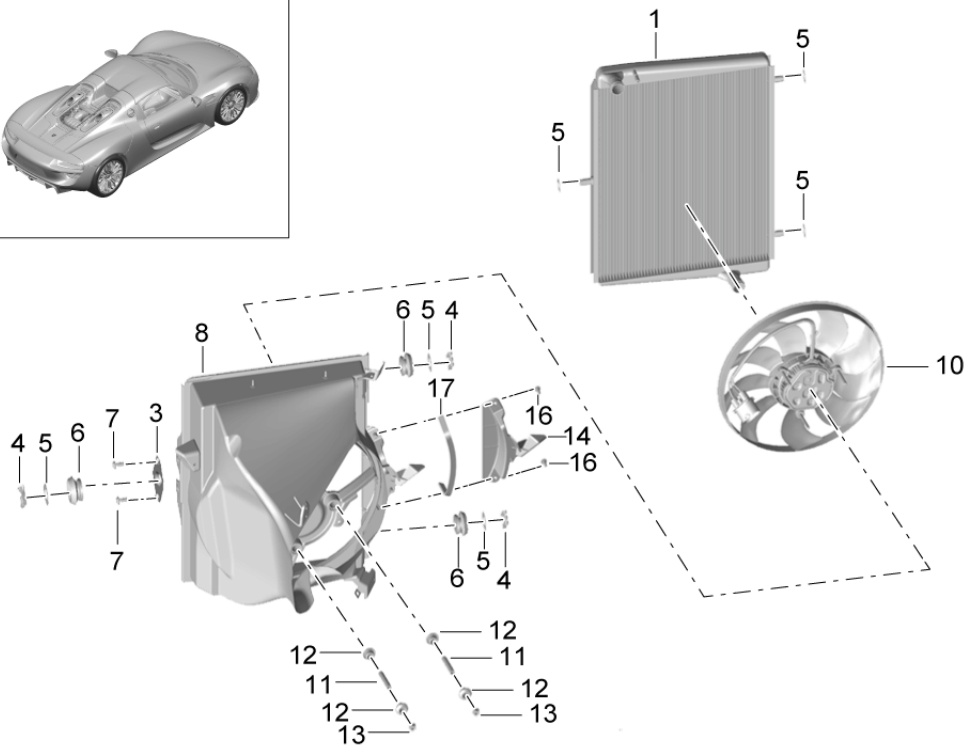
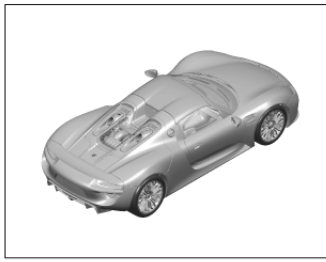
Model: 918

Model life 2015>>2015

Pos	Part Number	Description	Remark	Qty	Model
-	999 063 036 01	Screw plug M 10 X 1		1	
30	918 106 329 02	Water hose		1	
31	918 106 377 02	Water hose		1	
32	918 620 253 00	Water pump Electric		1	
33	918 106 339 04	Water tube Return line Front		1	
34	918 106 335 03	Water tube Return line Front		1	
35	918 106 371 02	Water hose		1	
36	918 106 369 01	Water hose		1	
37	N 106 776 01	Support		1	
38	999 507 152 40	Cable holder Water tube		1	

Model: 918

Model life 2015>>2015



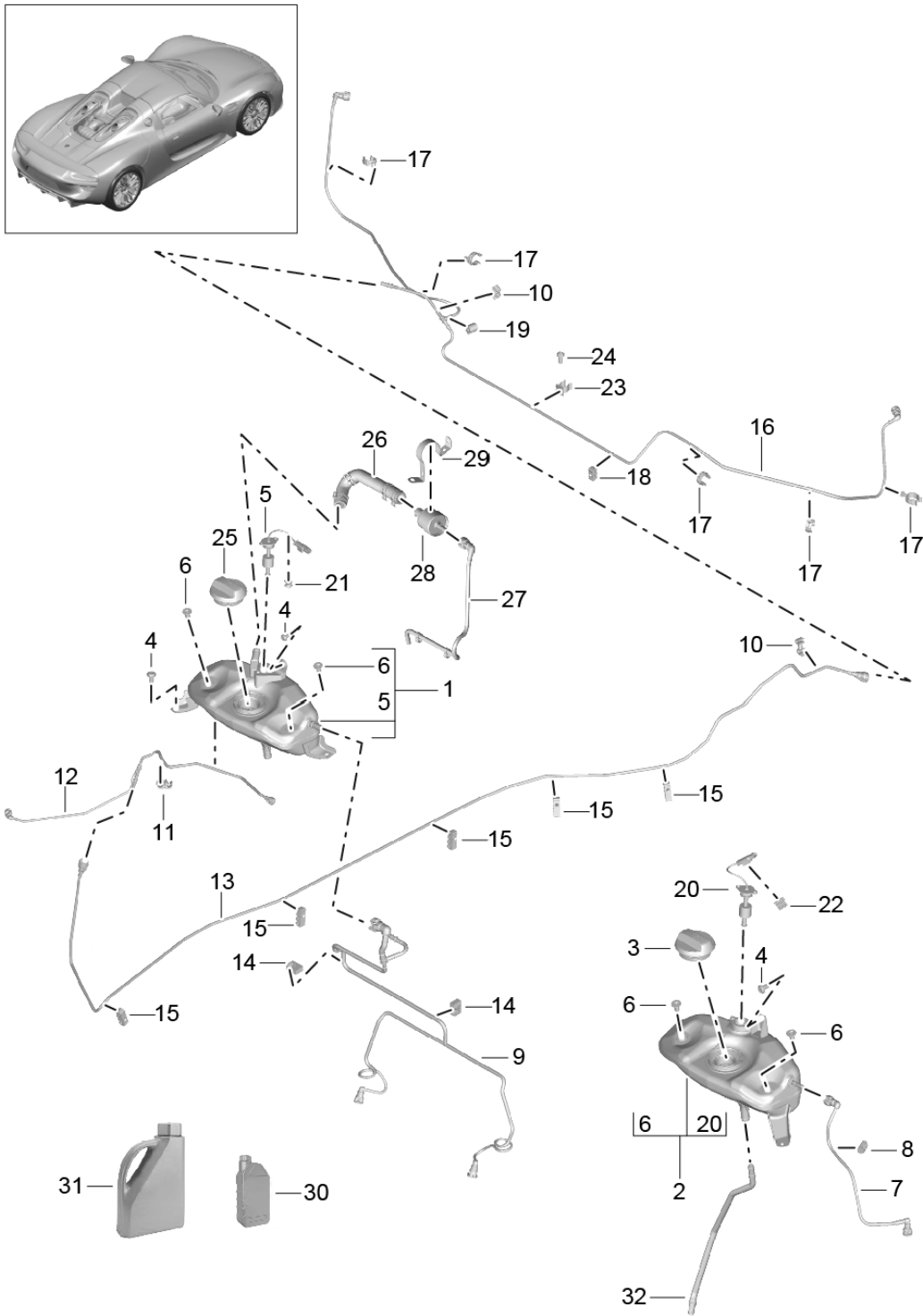


Model: 918 Model life 2015>>2015

Pos	Part Number	Description	Remark	Qty	Model
1	918 106 135 01	Radiator Rear		1	
2	918 106 137 01	Radiator Rear Left		1	
3	918 106 981 00	Retaining bracket		2	
4	999 166 083 09	Tab washer		6	
5	999 025 255 01	Washer 16,0 X 32 X 0,5		12	
6	999 702 214 40	Grommet		6	
7	999 073 189 01	Round head screw M 6 X 12		4	
8	918 504 251 01	Frame Radiator Left		1	
9	918 504 252 01	Frame Radiator Right		1	
10	918 624 035 02	Fan		2	
11	991 624 177 01	Spacer sleeve		6	
12	991 624 173 00	Rubber mounting		12	
13	900 377 018 01	Hexagon nut M 6		6	
14	918 504 491 01	Lid		1	
15	918 504 492 01	Lid		1	
16	999 015 026 A1	Oval-head screw		4	
17	918 504 591 01	Sealing strap 240 X 10 X 8		2	

Model: 918

Model life 2015>>2015



Model: 918 Model life 2015>>2015

Pos	Part Number	Description	Remark	Qty	Model
1	918 106 047 03	Water cooling Water reservoir Bleeding Expansion tank Coolant Left		1	
1	918 106 047 04	Expansion tank Coolant Left		1	
2	918 106 048 03	Expansion tank Coolant Right		1	
2	918 106 048 04	Expansion tank Coolant Right		1	
3	991 106 457 01	Lid Coolant		1	
3	918 106 459 00	Lid Coolant		1	
4	999 015 025 A2	Lens-head screw M 6 X 12		6	
5	918 606 505 00	Sender Coolant		1	
6	999 086 012 01	Speed nut M 10		4	
7	918 106 345 00	Vent line Radiator		1	
8	999 591 822 40	Line bracket 4,75		7	
9	918 106 263 02	Vent line Engine		1	
11	999 507 075 40	Cable holder 4,0 - 12,0		1	
12	918 106 357 01	Vent line		1	
13	918 106 353 02	Vent line		1	
14	999 591 922 40	Support 4,8 / 8,0		2	
15	8K0 611 797 E	Line bracket Information available		5	
16	918 106 351 01	Vent line Radiator		1	
17	999 591 820 40	Support 4,3 / 25,0		5	
18	8K0 611 797 D	Clip		3	
19	N 107 162 01	Spacer ring		1	
20	918 002 606 02	Sender Coolant		2	
21	999 656 785 40	Clip		1	
22	4G0 971 848 C	Cable holder		1	
23	999 507 658 09	Cable holder 9,5 - 10,5		1	
24	N 106 808 01	Round head screw		1	
25	918 106 457 00	Lid Coolant		1	
25	918 106 457 01	Lid Coolant		1	
26	918 106 443 01	Vent line Expansion tank		1	
27	918 106 297 00	Overflow hose		1	
28	918 106 147 00	Bleeder valve		1	
29	918 106 449 02	Retaining bracket		1	
30	000 043 301 47	Antifreeze 1 LITER		X	

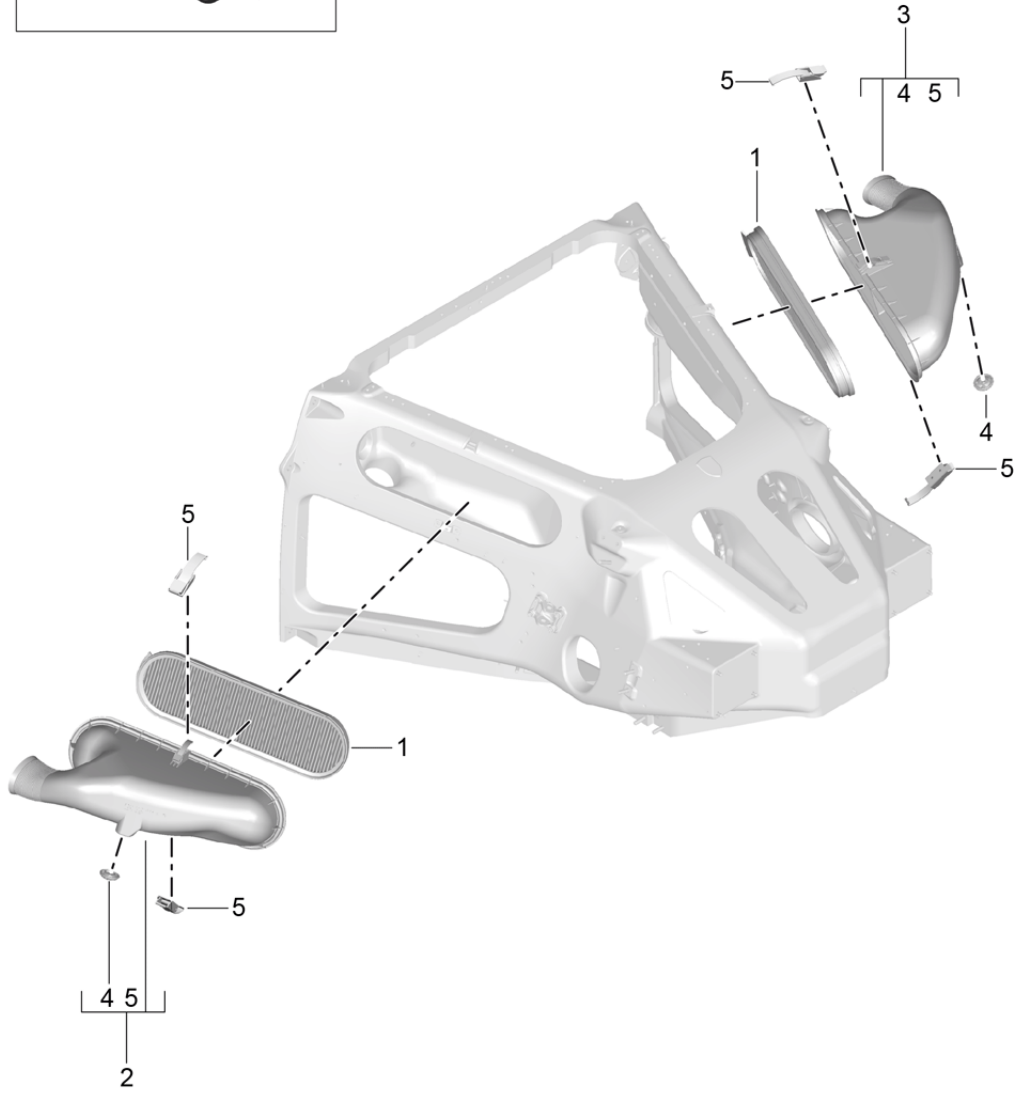
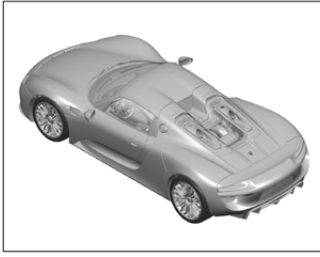
Model: 918

Model life 2015>>2015

Pos	Part Number	Description	Remark	Qty	Model
31	000 043 301 48	Container Antifreeze 20 LITER		X	
32	918 106 255 02	Container Filler tube Return line		1	
32	918 106 255 03	Filler tube Return line		1	

Model: 918

Model life 2015>>2015



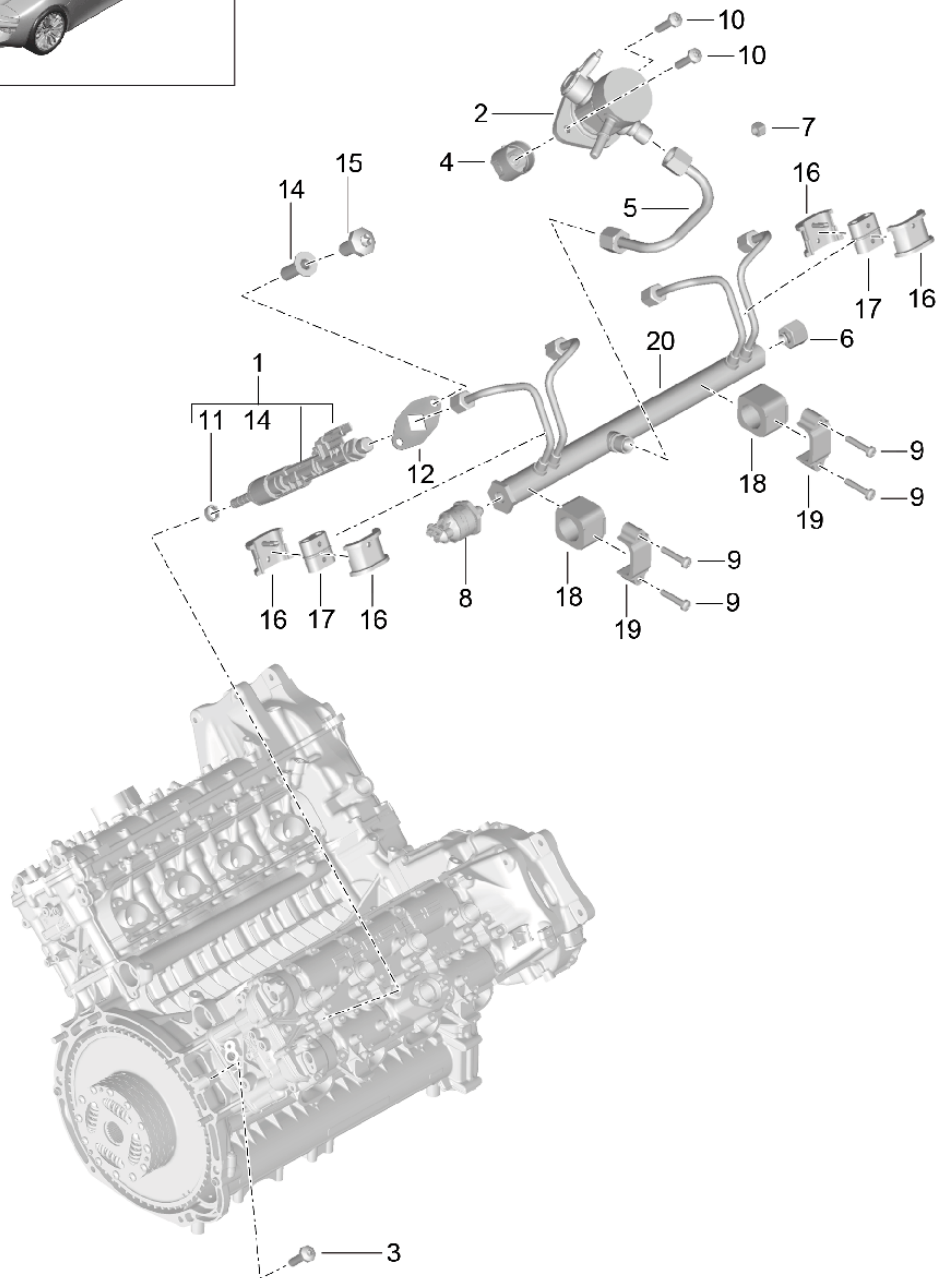
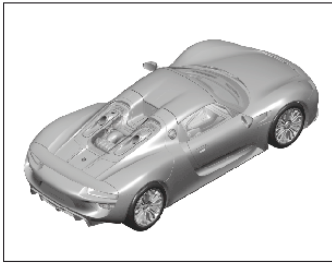
Model: 918

Model life 2015>>2015

Pos	Part Number	Description	Remark	Qty	Model
		Air cleaner system			
		Air cleaner			
1	918 110 221 00	Air cleaner cartridge		2	
2	918 110 121 00	Housing		1	
		Air cleaner			
		Left			
3	918 110 122 00	Housing		1	
		Air cleaner			
		Right			
4	955 512 188 00	Water drain valve		2	
5	918 110 521 00	Clamp		X	
		Housing			
		Air cleaner			

Model: 918

Model life 2015>>2015



Model: 918 Model life 2015>>2015

Pos	Part Number	Description	Remark	Qty	Model
1	918 110 128 00	Fuel collection pipe high-pressure pump high-pressure injector Use also: 918.110.414... 918.110.413.03 N .101.961.05		8 4 1 2	
2	918 110 315 00	high-pressure pump		2	
(2)	918 110 315 01	high-pressure pump		2	
(2)	918 110 315 02	high-pressure pump		2	
3	999 073 344 01	Round head screw M 6 X 20		4	
4	06L 109 311	Cam follower		2	
5	918 110 215 01	Fuel line		2	
6	918 110 425 00	Stopper		2	
8	918 606 231 00	Pressure sensor		2	
9	N 106 243 01	Round head screw M 5 X 25		8	
10	999 073 102 01	Round head screw		4	
11	918 110 928 00	Sealing ring		8	
12	918 110 413 02	Support		8	
12	918 110 413 03	Support		8	
(12)	918 110 413 04	Support		8	
14	918 110 414 31	Spacer sleeve Support 1,2		16	
14	918 110 414 51	Spacer sleeve Support 1,9		32	
(14)	918 110 414 32	Spacer sleeve Support 1,3		16	
(14)	918 110 414 52	Spacer sleeve Support 2,0		32	
(14)	918 110 414 33	Spacer sleeve Support 1,4		16	
(14)	918 110 414 53	Spacer sleeve Support 2,1		32	
(14)	918 110 414 34	Spacer sleeve Support 1,5		16	
(14)	918 110 414 54	Spacer sleeve Support 2,2		32	
(14)	918 110 414 35	Spacer sleeve Support 1,6		16	
(14)	918 110 414 55	Spacer sleeve Support 2,3		32	
15	N 909 494 02	Round head screw M 6 X 12		16	
15	N 101 961 05	Oval-head screw M 6 X 18		16	
16	918 110 429 00	Damping piece Outer part		8	
17	918 110 439 00	Damping piece Inner part		4	
18	918 110 417 00	Damping piece		4	
19	918 110 415 00	Support		4	



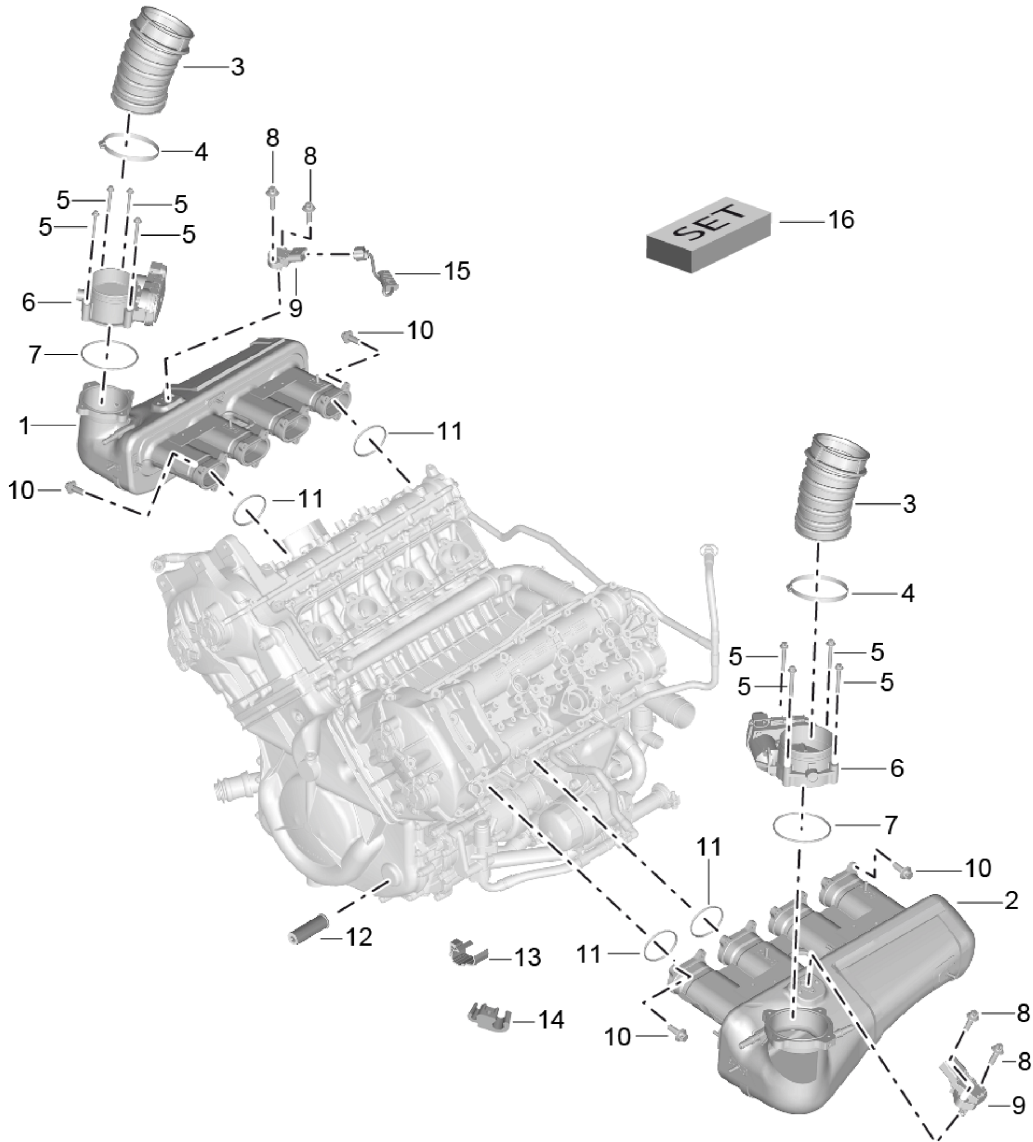
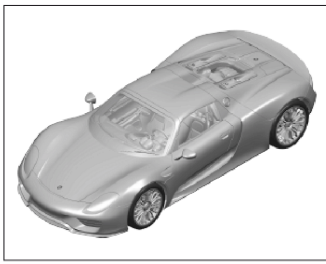
Model: 918

Model life 2015>>2015

Pos	Part Number	Description	Remark	Qty	Model
20	918 110 115 01	Damping piece Fuel collection pipe		2	

Model: 918

Model life 2015>>2015



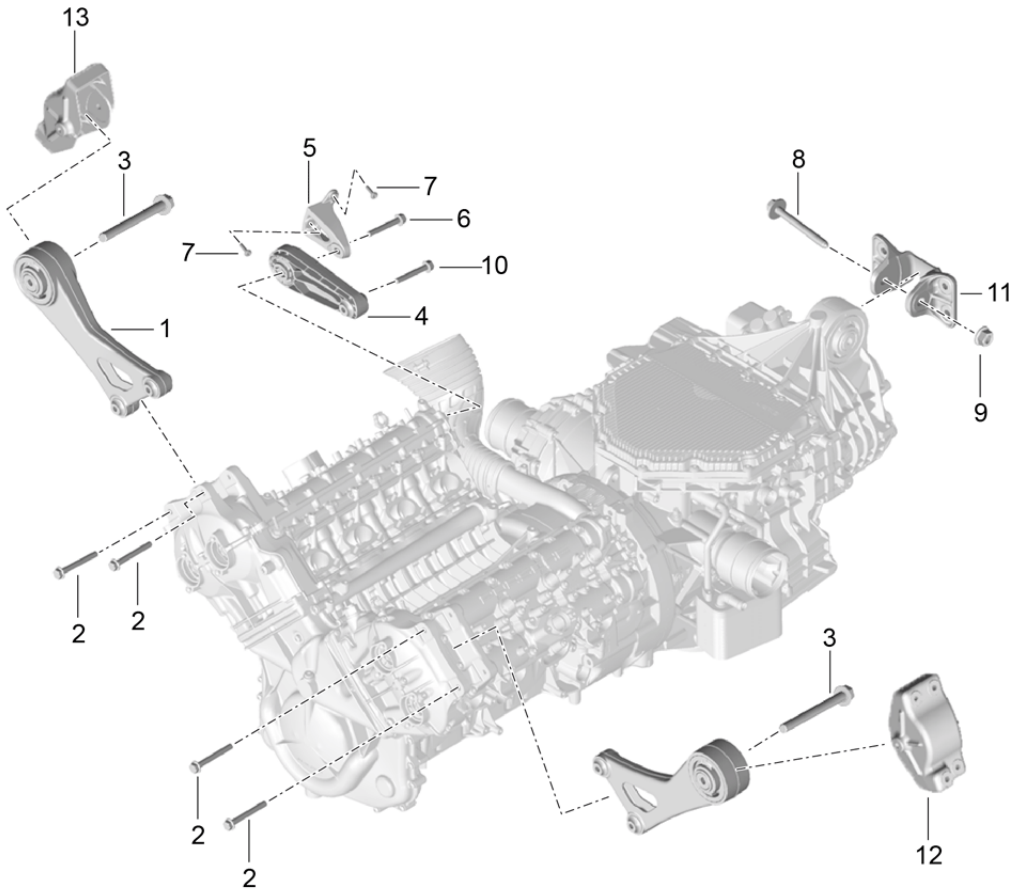
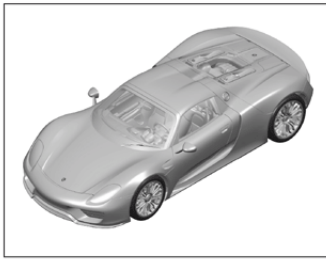
Model: 918

Model life 2015&gt;&gt;2015

Pos	Part Number	Description	Remark	Qty	Model
1	918 110 111 03	Intake distributor Intake distributor Cylinders 1 - 4		01	
1	918 110 111 04	Intake distributor Cylinders 1 - 4		01	
2	918 110 112 03	Intake distributor Cylinders 5 - 8		01	
2	918 110 112 04	Intake distributor Cylinders 5 - 8		01	
3	918 110 270 01	Bellows		2	
4	999 512 629 00	Hose clamp		2	
5	900 385 070 01	Torx screw M 6 X 50		8	
6	997 605 116 01	Throttle body		2	
7	999 707 453 40	O-ring 87 X 3		2	
8	900 385 143 01	Screw M 5 X 16		4	
9	991 606 180 00	Pressure sensor with Temperature sensor		2	
10	999 073 591 01	Outer hexagon round screw M 6 X 20		24	
11	999 707 345 40	O-ring 54 X 2,5		8	
12	918 105 201 01	Support		2	
13	999 649 024 40	Cable holder 15,0		4	
14	999 507 912 40	Cable holder 4,75 / 10,0		2	
15	918 607 105 00	Adapter Pressure sensor		2	
16	918 607 913 00	Repair kit Wiring harness Pressure sensor		2	

Model: 918

Model life 2015>>2015



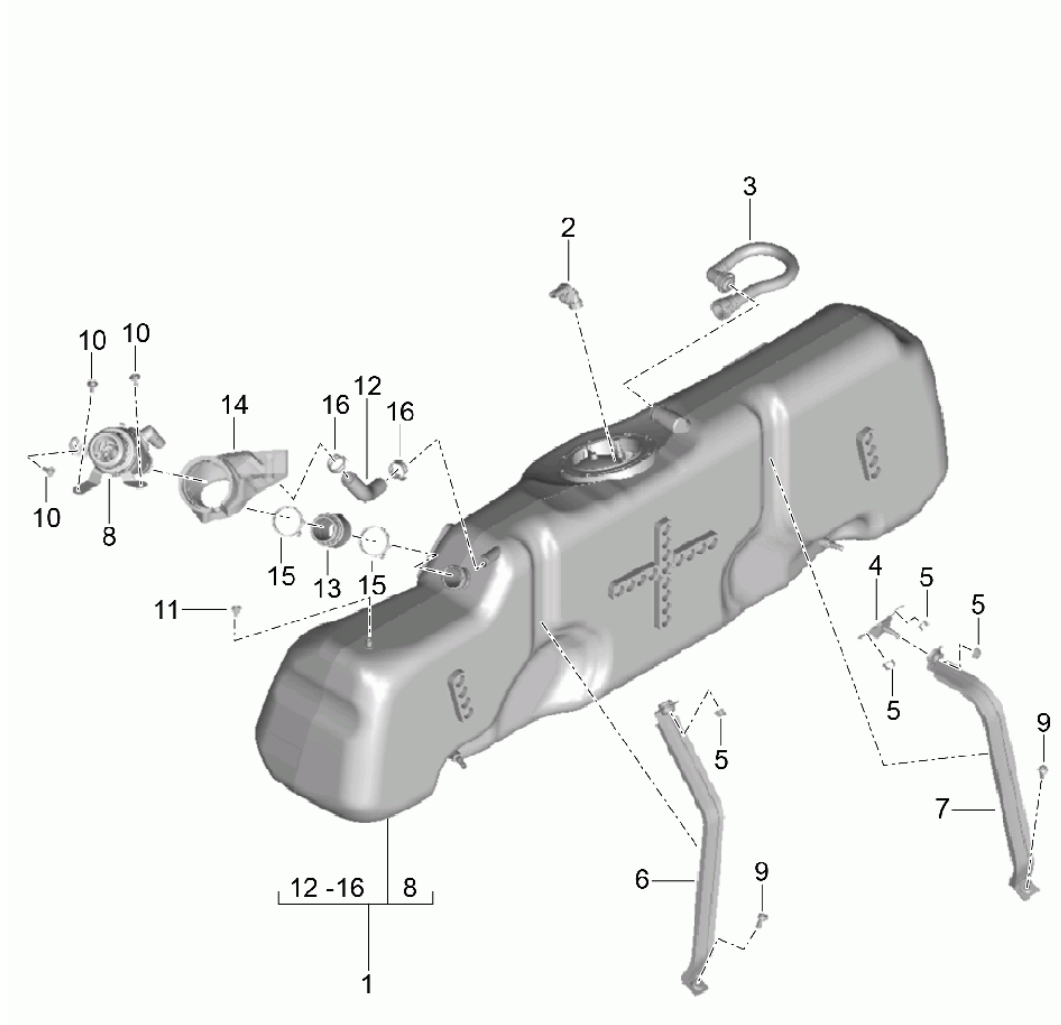
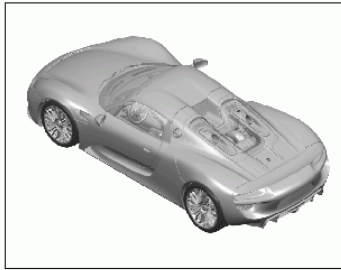
Model: 918

Model life 2015>>2015

Pos	Part Number	Description	Remark	Qty	Model
1	918 375 011 01	Engine suspension Transmission suspension Unit carrier Strut		2	
2	N 911 056 01	Engine mounting Hexagon-head bolt M 10 X 85		4	
3	900 378 314 02	Hexagon-head bolt M 10 X 115		2	
4	918 375 053 00	Bracket Engine		1	
5	918 375 185 01	Bracket Bracket		1	
6	900 378 255 01	Hexagon-head bolt M 10 X 70		1	
7	999 073 254 A1	Oval-head screw M 6 X 30		2	
8	N 909 763 02	Hexagon-head bolt M 14 X 135		1	
9	N 102 403 04	Hexagon nut M 14 X 1,5		1	
10	N 106 996 01	Hexagon-head bolt M 10 X 60		1	
11	918 504 365 01	Bracket Transmission carrier		1	
12	918 504 175 00	Bracket Engine Left		1	
13	918 504 176 00	Bracket Engine Right		1	

Model: 918

Model life 2015>>2015



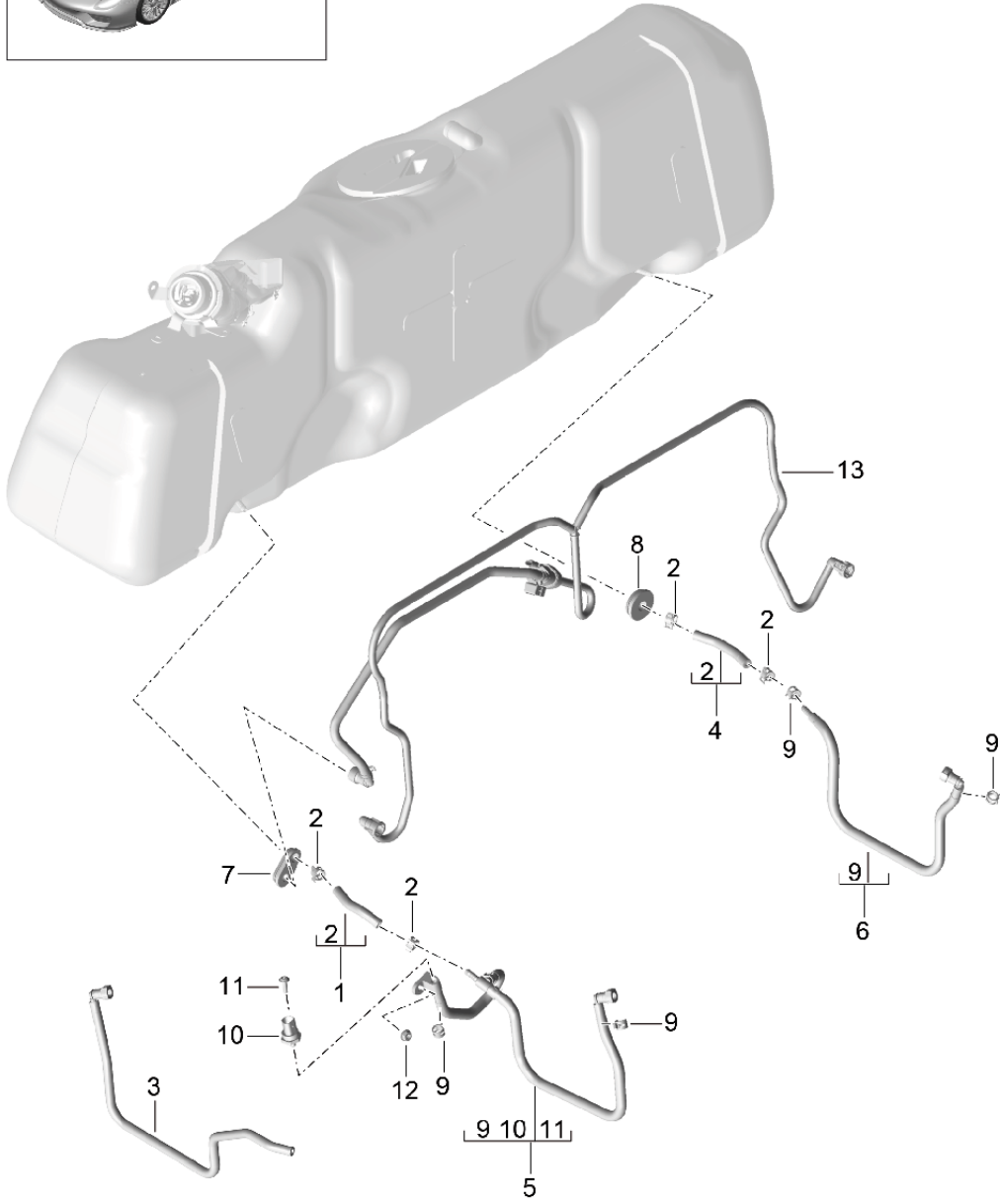
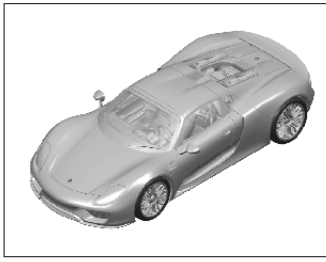
Model: 918

Model life 2015>>2015

Pos	Part Number	Description	Remark	Qty	Model
1	918 201 013 01	Fuel tank Fuel tank with Fuel pump Filler neck		1	-I664/I083
2	5C0 201 733	Pressure sensor Information available		1	
3	918 201 251 01	Vent line Fuel tank		1	
4	918 201 738 00	Support Restraining strap		1	
5	900 380 005 01	Nut M 8		4	
6	918 201 105 01	Restraining strap Left		1	
7	918 201 106 01	Restraining strap Right		1	
8	918 201 044 02	Filler neck		1	
9	999 073 094 01	Screw M 8 X 20		2	
10	999 073 297 A1	Oval-head screw M 6 X 16		3	
11	999 073 236 0A	Oval-head screw M 6 X 10 Ground cable		1	
12	918 201 253 00	Vent line		1	I083
13	991 201 812 00	Hose		1	I083
14	918 201 401 00	Sealing sleeve		1	I083
15	999 512 748 01	Clamp B 43 X 12		2	I083
16	999 512 656 09	Hose clamp B 25 X 12		2	I083

Model: 918

Model life 2015>>2015





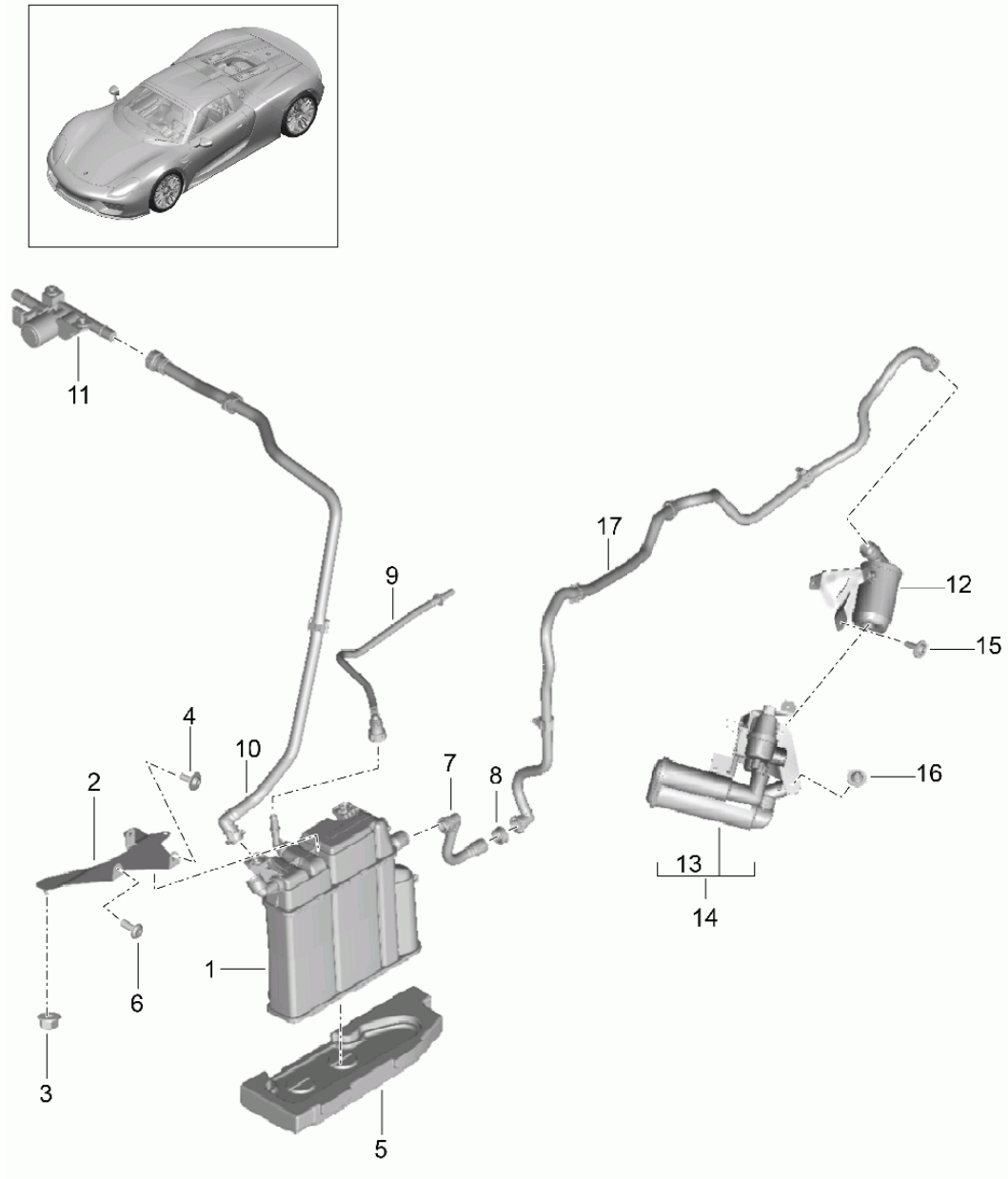
Model: 918

Model life 2015>>2015

Pos	Part Number	Description	Remark	Qty	Model
1	918 110 201 03	Fuel system Lines Line Supply Left		1	
2	N 909 865 01	Hose clamp B 14 X 12		2	
3	918 110 205 02	Line Supply Right		1	
4	918 110 207 00	Line Supply		1	
5	918 110 203 03	Line Supply		1	
6	918 110 209 00	Line Supply		1	
7	918 110 607 01	Grommet		1	
8	918 110 609 01	Grommet		1	
9	N 910 203 01	Hose clamp		4	
10	918 606 220 01	Pressure sensor		1	
11	999 015 026 01	Oval-head screw M 6 X 12		1	
12	900 377 009 01	Hexagon nut M 5		1	
13	918 110 407 03	Vent line with Valve		1	

Model: 918

Model life 2015>>2015



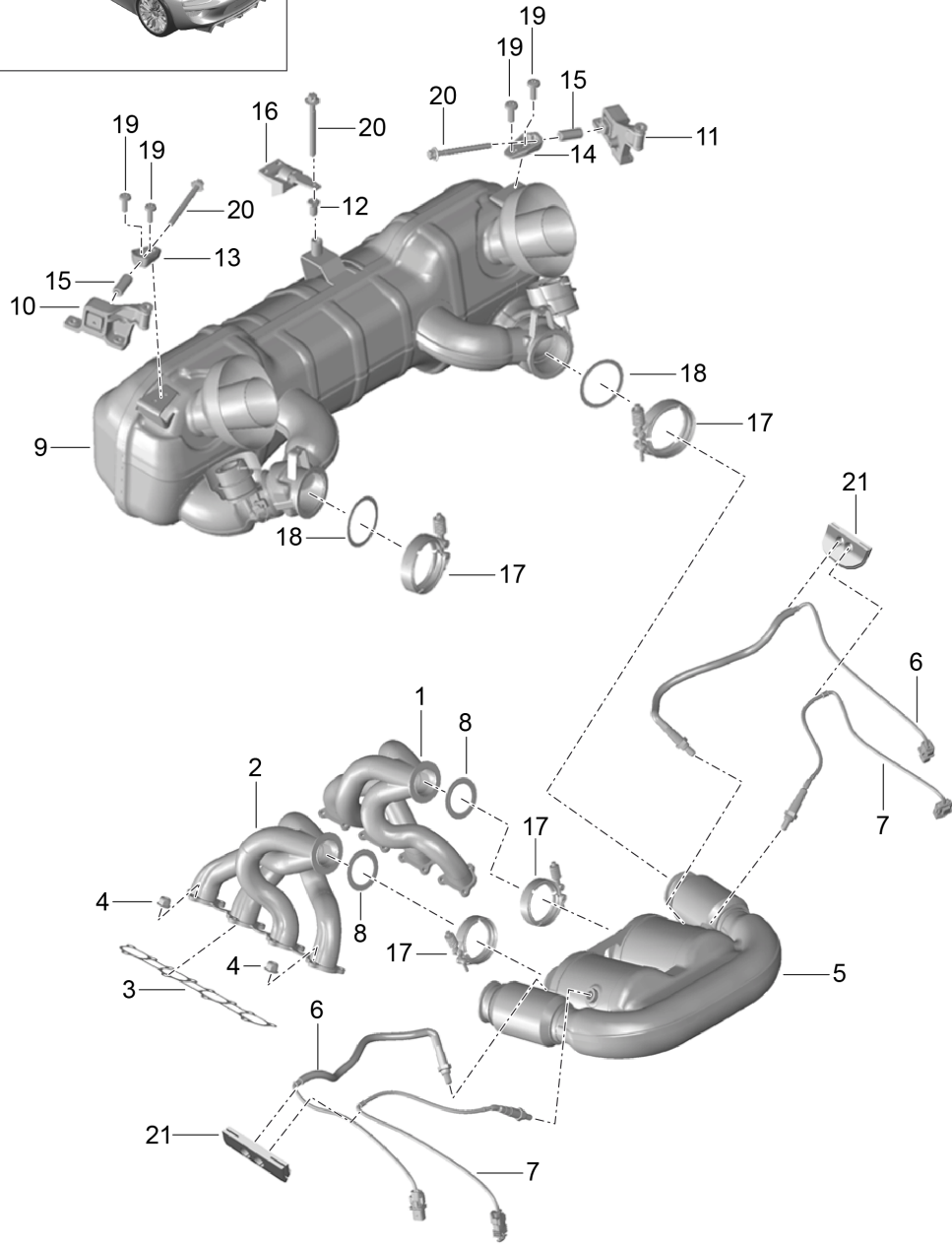
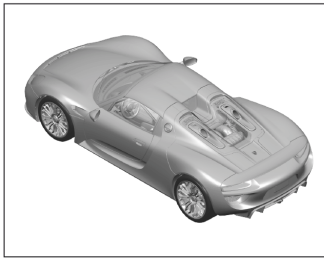
Model: 918

Model life 2015>>2015

Pos	Part Number	Description	Remark	Qty	Model
1	918 201 221 01	Carbon canister		1	
2	918 201 621 02	Carbon canister Support		1	
3	900 380 015 01	Carbon canister Upper Hexagon nut M 6		2	
4	999 073 297 A1	Oval-head screw M 6 X 16		1	
5	918 201 631 01	Support Carbon canister Lower		1	
6	999 073 258 01	Oval-head screw M 8 X 20		1	
6	999 072 085 01	Hexagon-head bolt M 8 X 35		1	
7	918 201 361 01	Air tube Front		1	
8	918 201 561 00	Grommet Air tube		1	
9	918 201 355 01	Purge-air line		1	
10	918 201 252 01	Vent line		1	
11	7PP 201 559	Carbon canister Pressure regulator		1	
12	918 201 276 00	Filter with Support		1	-I664
15	999 073 297 A1	Oval-head screw M 6 X 16		2	-I664
17	918 201 363 01	Air tube Rear		1	

Model: 918

Model life 2015>>2015



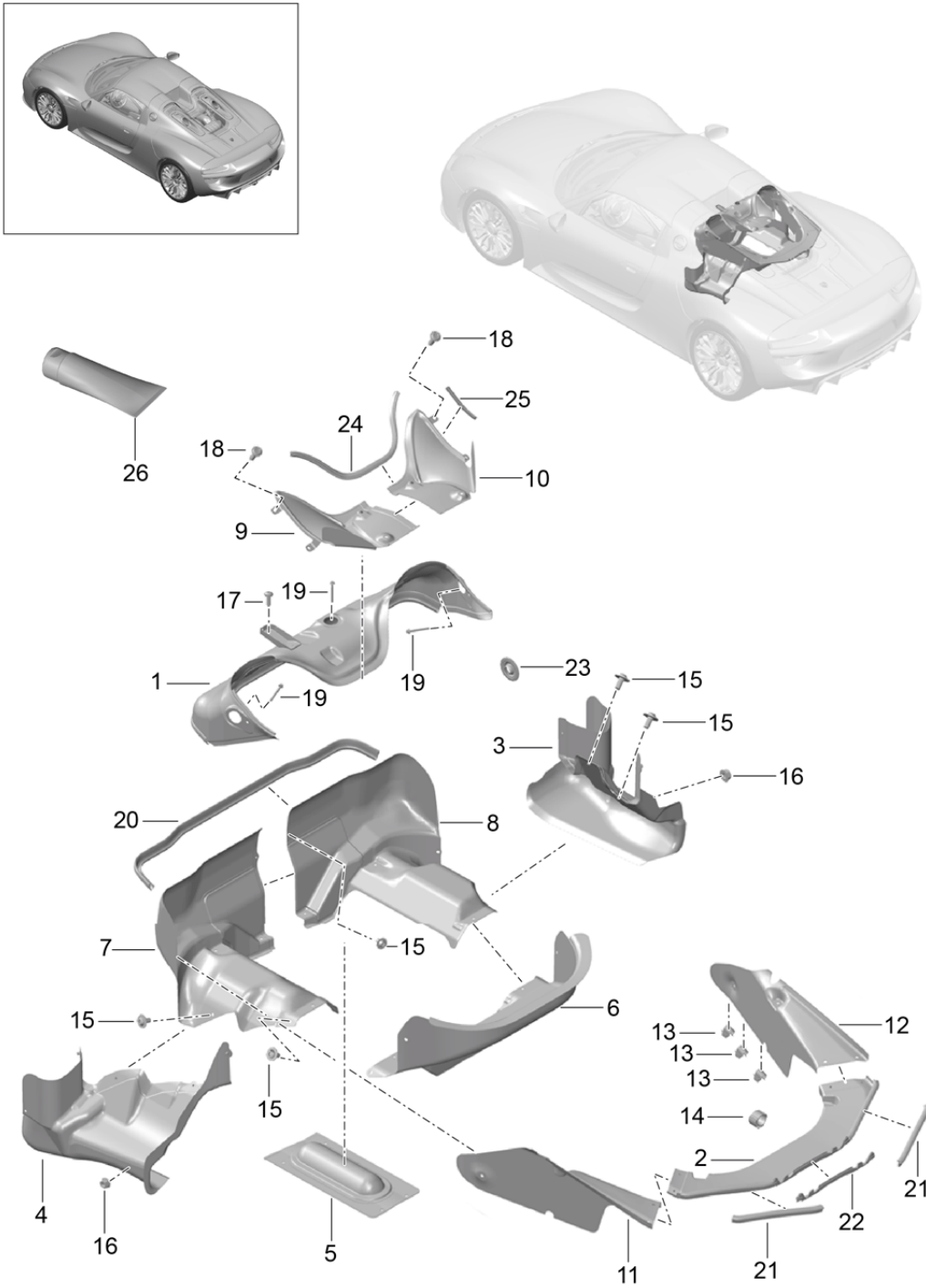
Model: 918

Model life 2015>>2015

Pos	Part Number	Description	Remark	Qty	Model
1	918 111 129 02	Exhaust system Exhaust manifold Right		1	
2	918 111 130 02	Exhaust manifold Left		1	
3	918 111 411 00	Gasket Exhaust manifold		2	
4	999 084 642 02	Hexagon nut M 8		24	
5	918 111 141 02	Catalytic converter		1	
5	918 111 141 03	Catalytic converter		1	
6	918 606 181 00	Oxygen sensor in front of Catalytic converter		2	
7	918 606 191 00	Oxygen sensor After Catalytic converter		2	
8	918 111 421 00	Gasket Front muffler		2	
9	918 111 151 02	Muffler		1	
10	918 111 521 05	Rubber mounting Left		1	
11	918 111 522 05	Rubber mounting Right		1	
12	918 111 526 01	Adjusting screw		1	
13	918 111 571 01	Support Left		1	
14	918 111 572 01	Support Right		1	
15	918 111 573 01	Spacer sleeve		2	
16	918 111 529 01	Rubber mounting Centre		1	
17	918 111 423 00	Clip		4	
18	918 111 431 00	Gasket		2	
19	999 073 103 01	Round head screw M 6 X 16		10	
20	900 385 276 01	Torx screw BM 6 X 60		3	
21	918 606 401 01	Grommet Oxygen sensor		2	

Model: 918

Model life 2015>>2015



Model: 918 Model life 2015>>2015

Pos	Part Number	Description	Remark	Qty	Model
1	918 111 611 08	Exhaust system Heat protection Heat protection Front		1	
1	918 111 611 12	Heat protection Front		1	
1	918 111 611 13	Heat protection Front		1	
2	918 111 631 08	Heat protection Rear		1	
2	918 111 631 09	Heat protection Rear		1	
2	918 111 631 11	Heat protection Rear		1	
3	918 111 463 08	Heat protection Cylinders 1 - 4		1	
3	918 111 463 11	Heat protection Cylinders 1 - 4		1	
4	918 111 461 08	Heat protection Cylinders 5 - 8		1	
4	918 111 461 09	Heat protection Cylinders 5 - 8		1	
4	918 111 461 11	Heat protection Cylinders 5 - 8		1	
5	918 111 471 08	Heat protection Crankcase		1	
5	918 111 471 09	Heat protection Crankcase		1	
5	918 111 471 12	Heat protection Crankcase		1	
6	918 111 491 08	Heat protection Catalytic converter		1	
6	918 111 491 12	Heat protection Catalytic converter		1	
7	918 111 481 08	Heat protection Left		1	
7	918 111 481 12	Heat protection Left		1	
8	918 111 482 08	Heat protection Right		1	
8	918 111 482 12	Heat protection Right		1	
9	918 111 619 08	Heat protection Lid Left		1	
9	918 111 619 11	Heat protection Lid Left		1	
10	918 111 623 08	Heat protection Lid Right		1	
10	918 111 623 11	Heat protection Lid Right		1	
11	918 111 635 08	Heat protection Lateral Left		1	
11	918 111 635 12	Heat protection Lateral Left		1	
12	918 111 636 08	Heat protection Lateral Right		1	

Model: 918

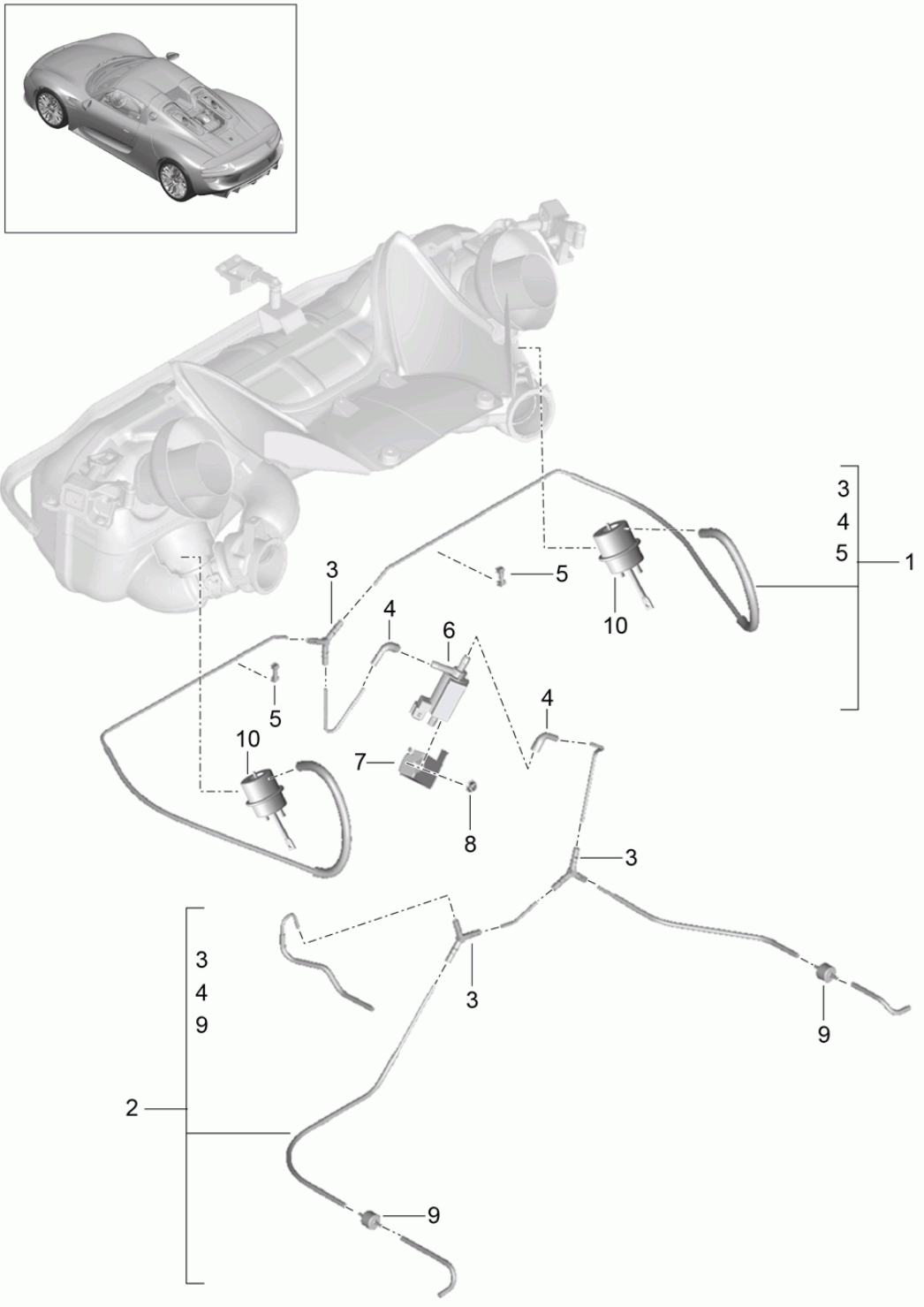
Model life 2015>>2015

Pos	Part Number	Description	Remark	Qty	Model
12	918 111 636 12	Heat protection Lateral Right		1	
13	999 651 204 01	Cable clip 7,0 - 8,0		2	
14	999 507 793 40	Hose holder 23,0		1	
15	999 073 307 02	Oval-head screw M 6 X 12 Micro-self-locking		12	
(15)	999 073 307 01	Oval-head screw M 6 X 12		22	
16	900 377 009 03	Hexagon nut M 5		2	
17	999 073 103 01	Round head screw M 6 X 16		4	
18	999 073 252 A1	Oval-head screw M 6 X 20		6	
19	900 385 276 01	Torx screw M 6 X 60		3	
20	918 111 501 00	Gasket Heat protection		1	
21	918 111 503 00	Gasket Heat protection		2	
22	918 111 505 00	Gasket Heat protection		1	
23	918 111 507 01	Grommet Heat protection		3	
24	918 111 509 00	Gasket Heat protection		1	
25	918 111 511 00	Gasket Heat protection		1	
26	000 043 303 99	Adhesive Loctite ACETOXY ROT 5399 310ML		X	



Model: 918

Model life 2015>>2015



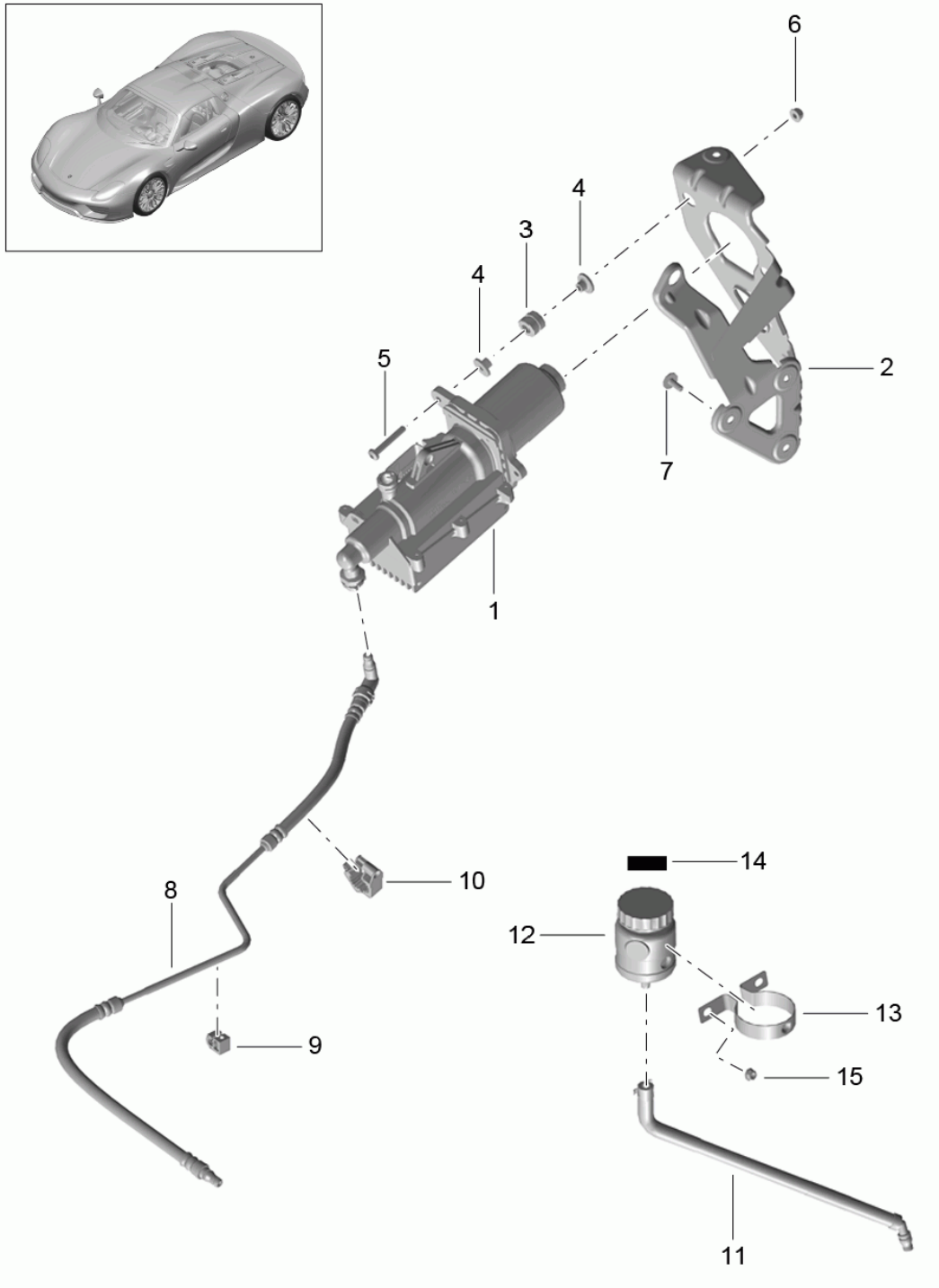
Model: 918

Model life 2015&gt;&gt;2015

Pos	Part Number	Description	Remark	Qty	Model
		Exhaust system			
		Control			
1	918 110 055 05	Vacuum line		1	
2	918 110 056 03	Vacuum line		1	
3	928 573 727 05	Distributing piece		3	
4	996 110 695 71	Moulded hose		2	
5	999 507 866 40	Line bracket		2	
		4,3 / 4,3			
6	9A1 605 125 01	Change-over valve		1	
7	918 110 639 00	Support		1	
		Change-over valve			
8	900 377 009 01	Hexagon nut		1	
		M 5			
9	964 110 950 02	Check valve		2	
10	918 111 851 00	Vacuum unit		2	

Model: 918

Model life 2015>>2015



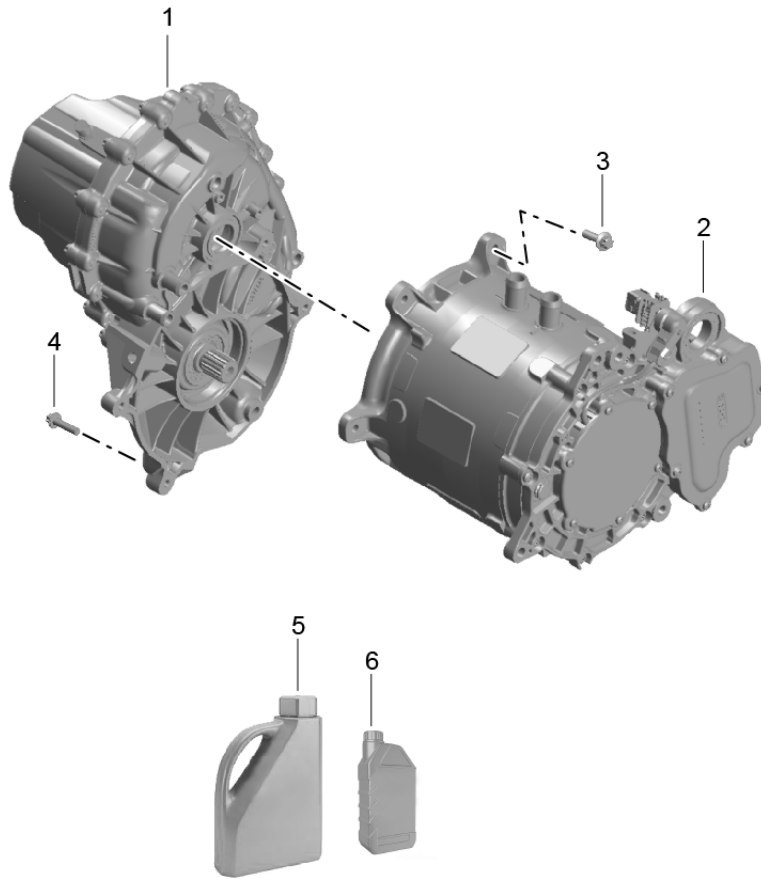
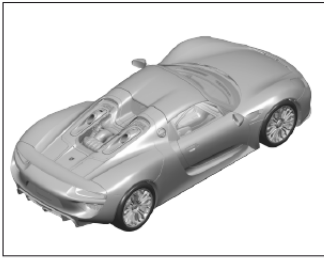
Model: 918

Model life 2015>>2015

Pos	Part Number	Description	Remark	Qty	Model
		Control mechanism Hydraulic Electric motor			
1	958 116 060 BX	Control mechanism Hydraulic		1	
2	918 355 345 01	Support Control mechanism		1	
3	999 702 325 40	Grommet 10X16,8X16		3	
4	999 702 425 41	Spacer sleeve 6,1X1,95		6	
(4)	999 703 425 41	Spacer sleeve 6,1X1,95		6	
5	999 073 244 01	Oval-head screw M6 X 40		3	
6	N 015 082 10	Hexagon nut M6		3	
7	999 073 297 A1	Oval-head screw M 6 X 16		4	
8	918 355 043 01	Pressure line Control mechanism		1	
-	N 107 623 01	Spacer		1	
9	95B 611 797	Support		2	
10	999 651 144 40	Cable holder		1	
11	918 355 053 01	Return line Control mechanism		1	
12	918 355 019 00	Expansion tank Control mechanism		1	
13	918 355 505 00	Support Expansion tank		1	
14	7PP 010 709 M	Indication sticker Brake fluid		1	
15	900 377 009 03	Hexagon nut M6		2	

Model: 918

Model life 2015>>2015



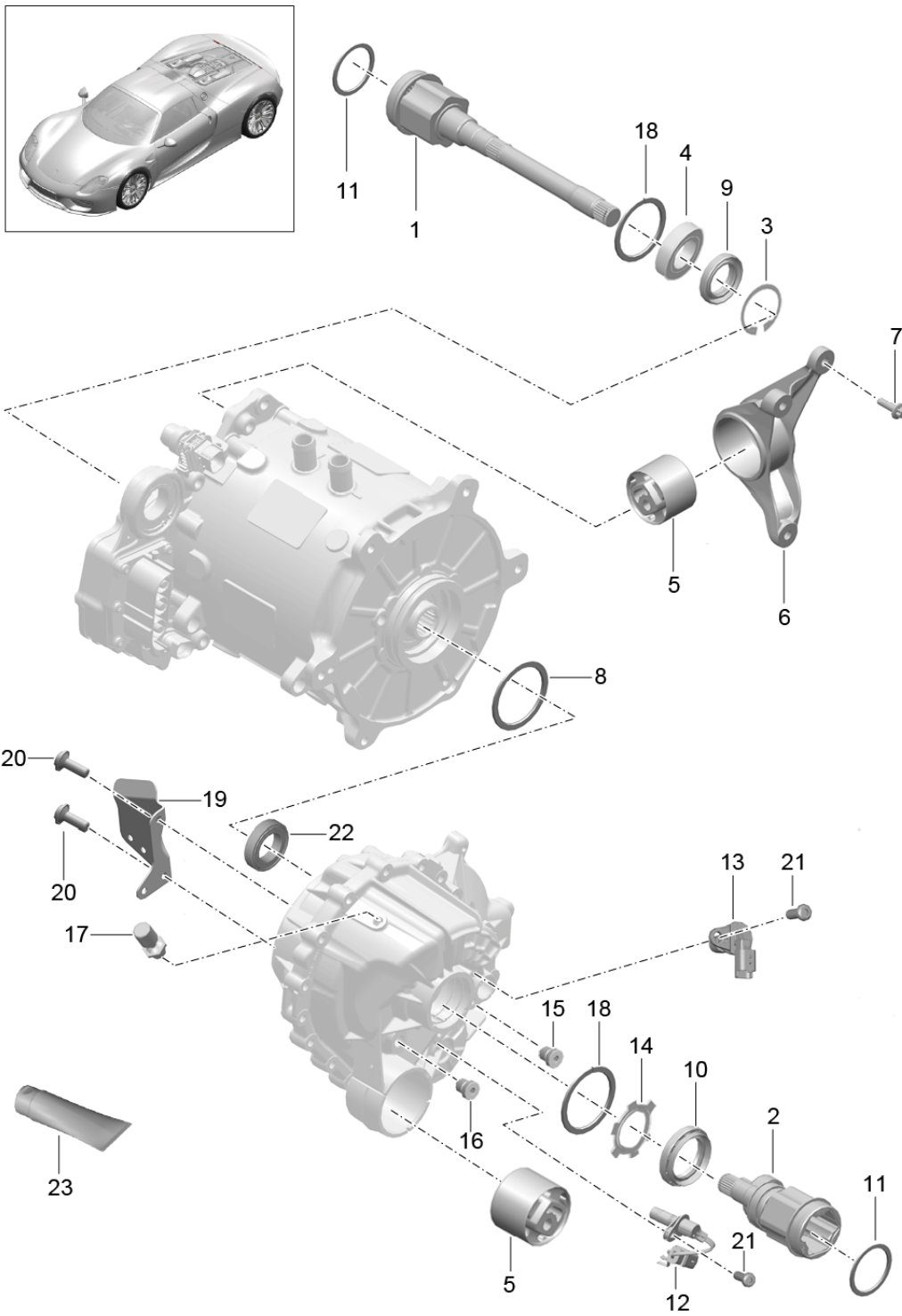
Model: 918

Model life 2015>>2015

Pos	Part Number	Description	Remark	Qty	Model
1		Front-axle final drive Front-axle final drive Mechanical See illustrations 9/01/10		1	
1	918 349 010 01	Front-axle final drive Mechanical		1	
2		Electric motor Front axle See illustrations 9/01/10		1	
3	900 385 116 01	Torx screw BM 8 X 30		5	
4	900 385 042 01	Torx screw BM 8 X 35		1	
5	000 043 207 30	Transmission oil PENTOSIN FFL 3 20 LTR. Container		X	
6	000 043 207 29	Transmission oil PENTOSIN FFL 3 1 LTR. Container		X	

Model: 918

Model life 2015>>2015



Model: 918 Model life 2015>>2015

Pos	Part Number	Description	Remark	Qty	Model
1	918 349 301 00	Front-axle final drive Single parts Joint flange Short		1	
2	918 349 302 01	Joint flange Long		1	
3	900 042 025 01	Circlip Bearing Flanged shaft 55 X 2		1	
4	999 052 228 00	Deep-groove ball bearing Flanged shaft 30X55X13		1	
5	918 375 347 01	Rubber mounting Front-axle final drive		2	
6	918 375 150 01	Unit mount without Bearing Use also: 91837534701		1	
7	900 385 153 01	Torx screw BM 10X30		3	
8	999 701 132 41	O-ring Electric motor 80X3,00		1	
9	918 349 901 00	Shaft sealing ring Joint flange Short 75MM		1	
10	918 349 902 00	Shaft sealing ring Joint flange Long 54MM		1	
11	918 349 915 00	Bellows Joint flange		2	
12	918 349 903 00	Sensor Position		1	
13	918 349 906 00	Connecting piece Actuator		1	
14	918 349 909 00	Spacer Sensor 0,1MM		X	
(14)	918 349 910 00	Spacer Sensor 0,2MM		X	
(14)	918 349 911 00	Spacer Sensor 0,3MM		X	
(14)	918 349 912 00	Spacer Sensor 0,4MM		X	
(14)	918 349 908 00	Spacer Sensor 0,5MM		X	
15	918 349 904 00	Drain plug Transmission oil		1	
16	918 349 905 00	Screw plug Oil level		1	
17	918 349 907 00	Bleeder Transmission		1	
18	918 349 917 00	Circlip Joint flange		2	
19	918 375 411 01	Retaining bracket		1	



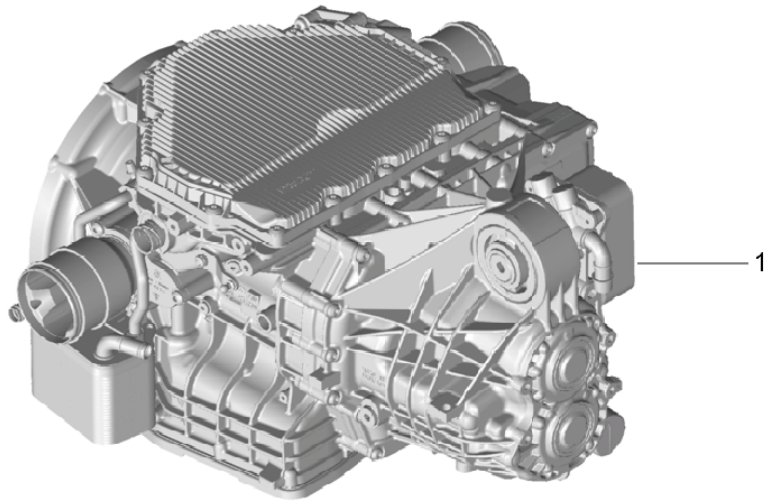
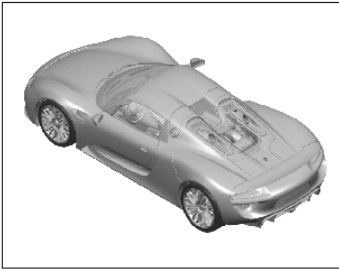
Model: 918

Model life 2015&gt;&gt;2015

Pos	Part Number	Description	Remark	Qty	Model
20	999 015 026 A1	High voltage Line Oval-head screw M6X16		2	
21	918 349 913 00	Oval-head screw Sensor		2	
22	918 349 918 00	Shaft sealing ring		1	
23	000 043 110 01	Grease OPTITEMP HT1FL 110 GR.		1	

Model: 918

Model life 2015>>2015



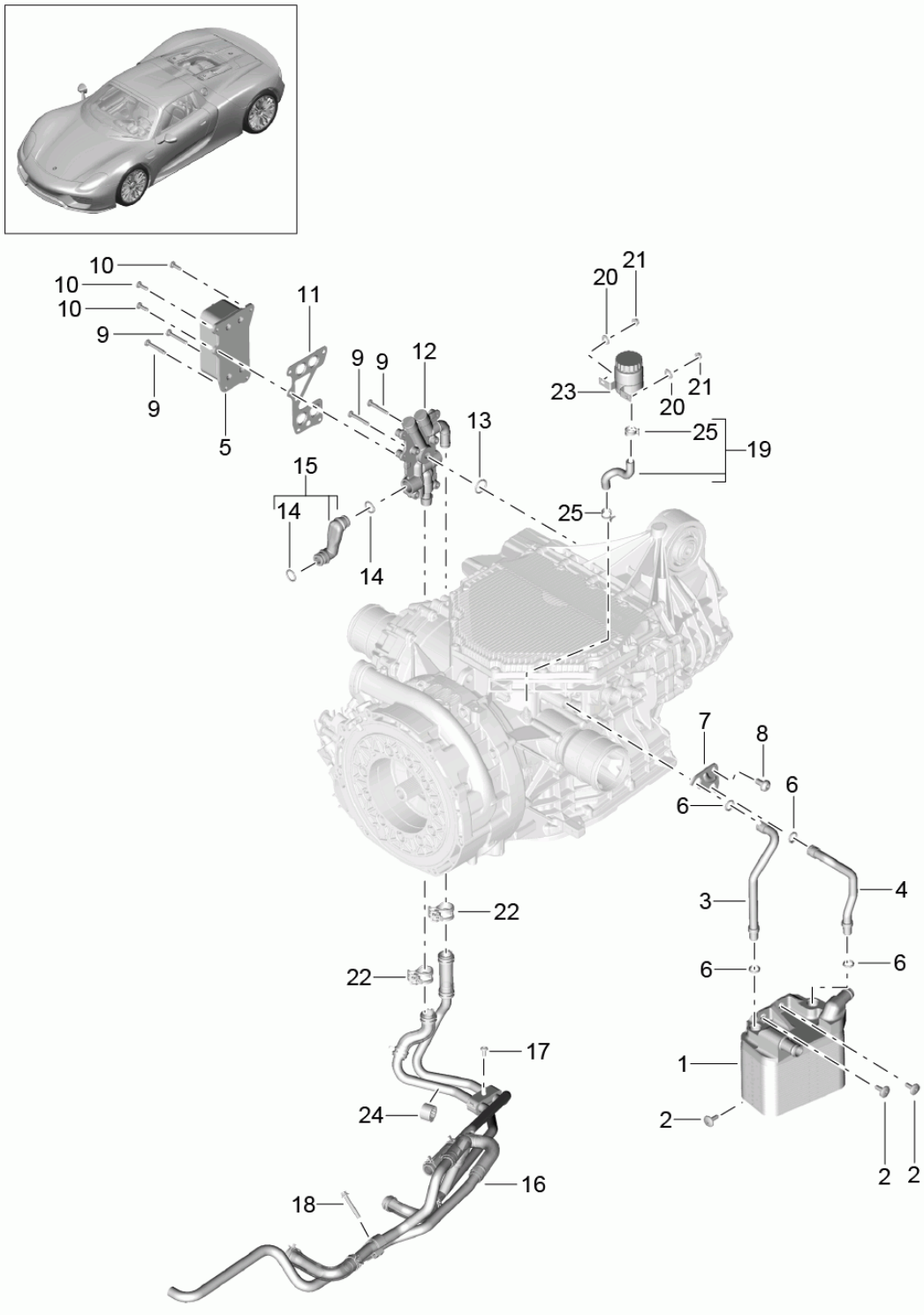
Model: 918

Model life 2015>>2015

Pos	Part Number	Description	Remark	Qty	Model
		Replacement transmission PDK			I221
1	918 300 031 00	Replacement transmission		1	
1	918 300 031 X	Replacement transmission		1	
1	918 300 031 01	Replacement transmission		1	
1	918 300 031 AX	Replacement transmission		1	
2	000 043 303 41	Transmission oil PENTOSIN FFL 3 +XS4 1 LTR. Container		X	
3	000 043 204 20	Transmission oil 75 W 90 MOBILUBE PTX FM Differential 20 LTR. Container		X	
3	000 043 210 12	Transmission oil 75 W 90 MOBILUBE PTX Differential 20 LTR. Container		X	

Model: 918

Model life 2015>>2015



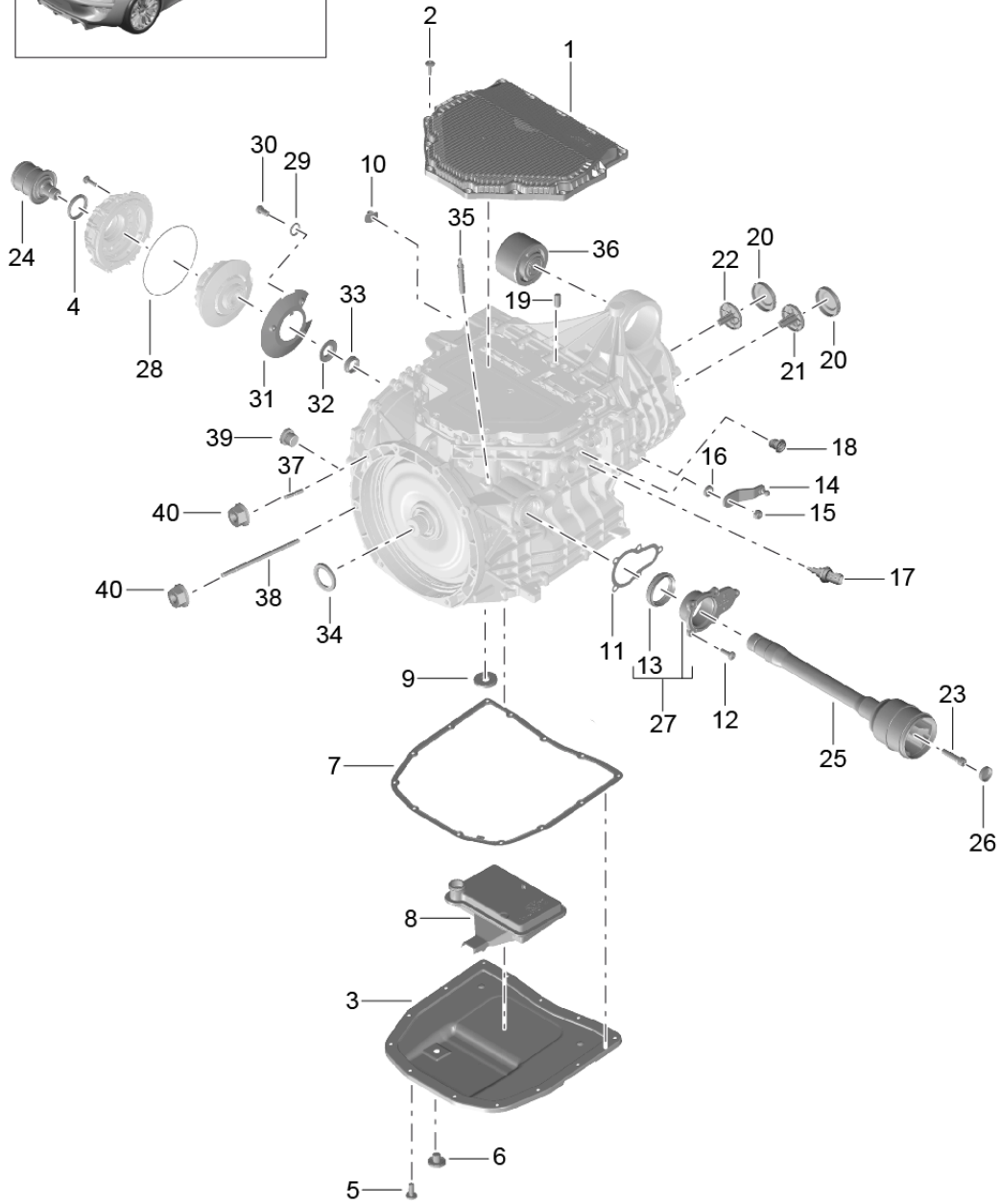
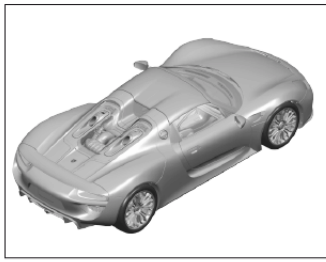
Model: 918

Model life 2015&gt;&gt;2015

Pos	Part Number	Description	Remark	Qty	Model
		PDK Transmission Heat exchanger Water tube Oil pipe			C18.00
1	918 307 017 00	Heat exchanger		1	
2	918 307 826 00	Round head screw M 6 X 18		3	
3	918 307 085 00	Line Return line		1	
4	918 307 087 00	Line Supply		1	
5	9G2 307 019 00	Heat exchanger		1	
6	9G1 307 891 00	Sealing ring 12,5 X 2,5		4	
7	918 307 255 00	Retaining bracket Line		1	
8	9G1 307 802 00	Torx screw M 8 X 15		1	
9	918 307 822 00	Torx screw M 6 X 45		4	
10	918 321 813 00	Torx screw M 6 X 20		3	
11	918 307 241 00	Gasket Heat exchanger		1	
12	918 307 219 00	Mounting Heat exchanger		1	
13	918 321 818 00	O-ring 24 X 3,0		1	
14	918 307 890 00	O-ring 19 X 3,0		2	
15	918 307 347 00	Pipe		1	
16	918 307 073 04	Water line		1	
17	999 073 189 01	Round head screw		1	
18	900 385 025 01	Torx screw BM 6 X 40		1	
19	918 321 211 00	Moulded hose		1	
20	900 031 105 01	Washer		2	
21	900 377 009 01	Hexagon nut M 5		2	
22	999 512 597 09	Hose clamp A 16 X 12		2	
23	918 321 035 00	Expansion tank		1	
24	N 107 675 01	Spacer		1	
25	999 512 597 09	Hose clamp A 16 X 12		2	

Model: 918

Model life 2015>>2015



Model: 918

Model life 2015&gt;&gt;2015

Pos	Part Number	Description	Remark	Qty	Model
		PDK Transmission			C18.00
1	918 321 125 00	Single parts Oil pan Upper		1	
2	9G1 321 801 00	Torx screw M 6 X 25		13	
3	918 321 127 00	Oil pan Lower		1	
4	9G1 332 803 00	Shaft sealing ring 64 X 82 X 8		1	
5	9G1 307 816 00	Torx screw		13	
6	918 321 802 00	Screw plug		1	
7	918 321 826 00	Gasket Oil pan Lower		1	
8	918 307 323 00	Oil filter		1	
9	918 321 899 00	Magnet		1	
10	9G1 303 803 00	Retaining clip		1	
11	9G1 321 259 00	Gasket		1	
12	9G1 332 801 00	Torx screw M 8 X 25		6	
13	9G1 332 804 00	Shaft sealing ring 42 X 55 X 7		1	
14	9G1 324 135 00	Gearshift lever		1	
15	9G1 324 815 00	Nut M 8 X 1		1	
16	970 324 805 00	Shaft sealing ring 10 X 18 X 5		1	
17	991 606 391 00	Temperature sensor		1	
18	970 321 805 00	Screw plug M 18 X 1,5 with		2	
19	918 321 221 00	Sealing ring Breather pipe		1	
20	9G1 321 360 00	Lid 60 X 10/13		2	
21	9G1 302 375 00	Sealing ring		1	
22	918 302 375 00	Sealing ring		1	
23	918 332 802 00	Torx screw M 10 X 45		2	
24	918 332 208 02	Flanged shaft Short		1	
25	918 332 209 02	Flanged shaft Long		1	
26	918 332 821 00	Lid Flanged shaft		1	
27	918 321 159 00	Housing Complete		1	
28	9G1 321 815 00	O-ring		1	
29	9G1 321 818 00	O-ring		2	
30	9G1 321 809 00	Round head screw M 6 X 12		3	
31	918 332 225 00	Baffle plate Oil		1	
32	9G1 307 301 00	Baffle plate Oil		1	
33	9G1 332 806 00	Shaft sealing ring 40 X 52 / 55 X 40		1	
34	9G1 116 807 00	Shaft sealing ring 40 X 57 X 6		1	
35	918 321 028 00	Bleeder		1	
36	918 375 049 04	Hydraulic mount		1	

Model: 918

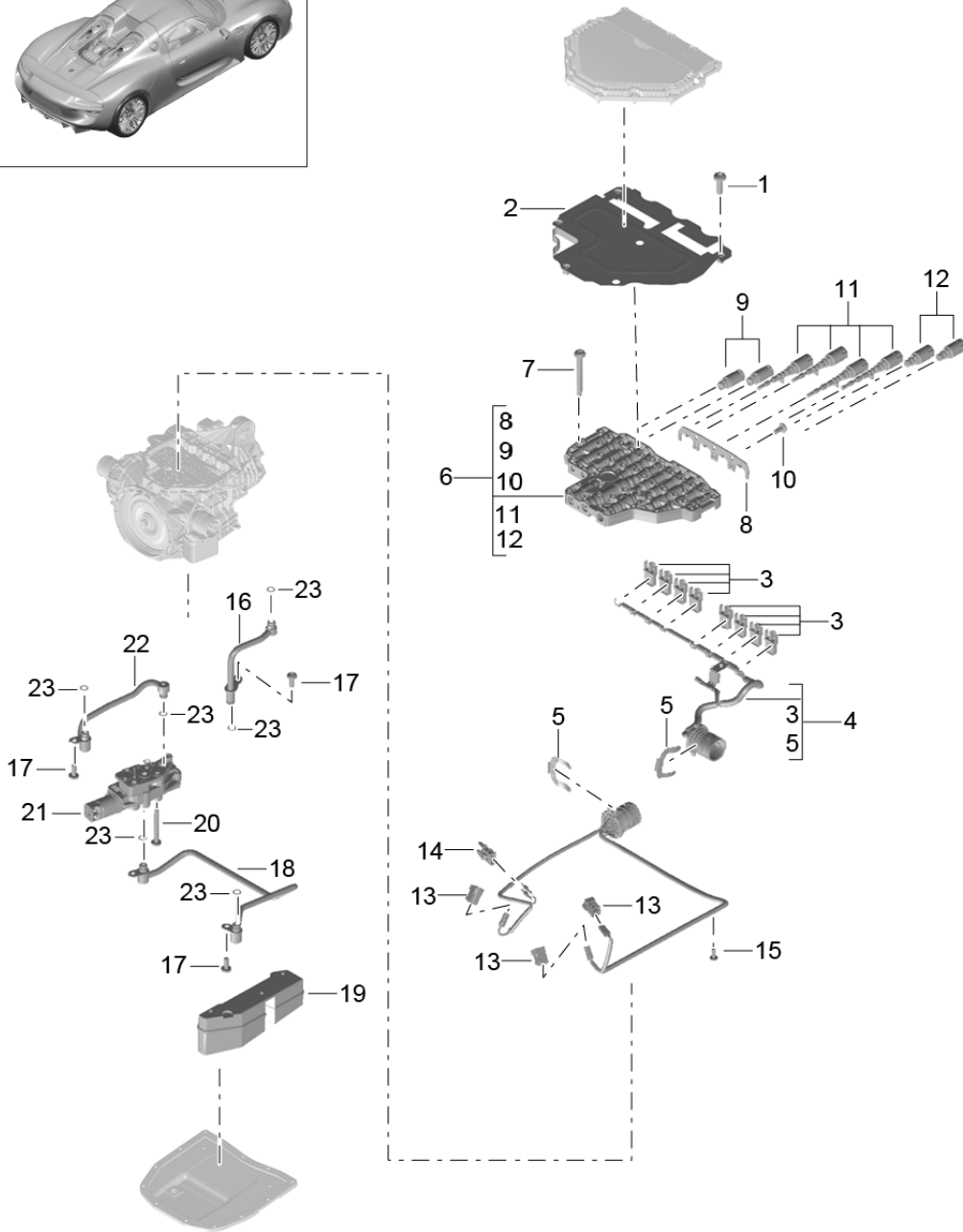
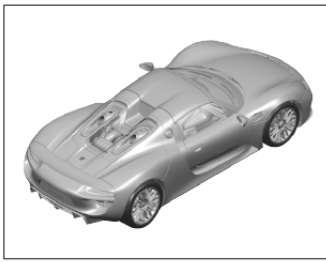
Model life 2015>>2015

Pos	Part Number	Description	Remark	Qty	Model
37	999 062 321 01	Stud M 10 X 57		4	
38	999 062 320 01	Stud M 10 X 222		4	
39	970 321 871 00	Screw plug M 10 X 1		1	
40	N 102 613 11	Hexagon nut M10		8	
-	000 043 209 35	Grease DF 977 S ML		1	



Model: 918

Model life 2015>>2015

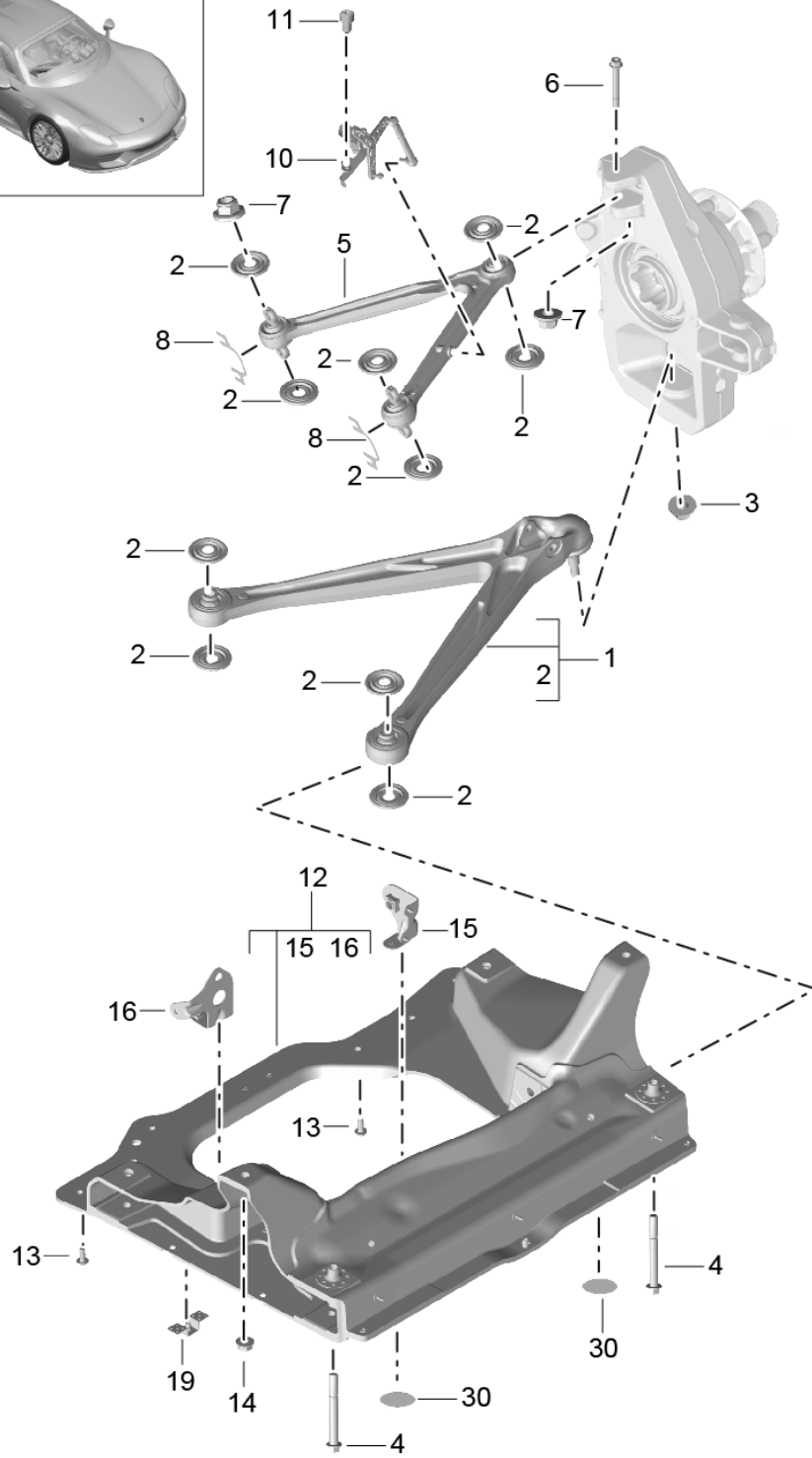
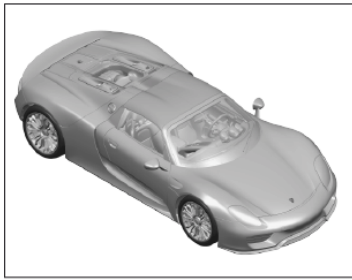


Model: 918 Model life 2015>>2015

Pos	Part Number	Description	Remark	Qty	Model
		PDK Transmission Single parts			C18.00
1	918 321 813 00	Torx screw M 5 X 20		5	
2	918 321 325 00	Heat shield		1	
3	9G1 317 698 00	Connector housing		8	
4	918 317 615 00	Wiring harness		1	
5	9G1 303 803 00	Retaining clip		1	
6	918 317 015 00	Control unit Hydraulic		1	
7	918 317 801 00	Torx screw M 6 X 55		20	
8	918 307 247 00	Retaining bracket		2	
9	918 317 237 00	Solenoid valve		2	
10	918 307 805 00	Torx screw		6	
11	918 317 258 00	Pressure regulator		4	
12	918 317 259 00	Pressure regulator		2	
13	918 317 684 00	Connector housing		3	
14	918 317 690 00	Connector housing		1	
15	9G1 317 803 00	Torx screw		1	
16	918 315 107 00	Pipeline		1	
17	9G1 307 816 00	Torx screw		6	
18	918 315 103 00	Pipeline		1	
19	918 307 301 00	Filler piece		1	
20	9G1 315 804 00	Torx screw		3	
21	9G1 315 015 00	Valve block		1	
22	918 315 105 00	Pipeline		1	
23	9G1 307 892 00	O-ring		6	
24	918 317 651 00	Cable guide		1	

Model: 918

Model life 2015>>2015



Model: 918 Model life 2015>>2015

Pos	Part Number	Description	Remark	Qty	Model
1	918 341 053 01	Wishbone Auxiliary support Level adjustment		2	
1	918 341 053 02	Wishbone Lower		2	
2	918 341 851 00	Use also: 999.084.449.09 Boot		2 1	
(2)	918 341 855 00	Repair kit Wishbone Bearing GR. 14 Comprising: Boot Retainer		2 2 1	
(2)	918 341 853 00	Boot Repair kit Wishbone Bearing GR. 16 Comprising: Boot Retainer Ring		1 1 1 1	
3	999 084 655 01	Hexagon nut Only together with Wishbone 918.341.053.01		4	
3	999 084 449 09	Lock nut M 12 X 1,5 Only together with Wishbone 918.341.053.02		4	
4	999 311 502 01	Fit bolt MJ12 X 1.5		4	-I808
(4)	999 311 502 02	Fit bolt MJ12 X 1.5		4	I808
5	918 341 051 00	Wishbone Upper		2	
6	999 311 602 01	Fit bolt M 10 X 1,5 X 65		4	-I808
(6)	999 311 602 02	Fit bolt M 10 X 1,5 X 65		2	I808
7	999 084 656 01	Hexagon nut M 10		2	
8	918 341 543 00	Adjusting shim 0,5MM		4	
(8)	918 341 543 01	Adjusting shim 1,0MM		4	
(8)	918 341 543 02	Adjusting shim 2,0MM		4	
(8)	918 341 543 03	Adjusting shim 4,0MM		4	

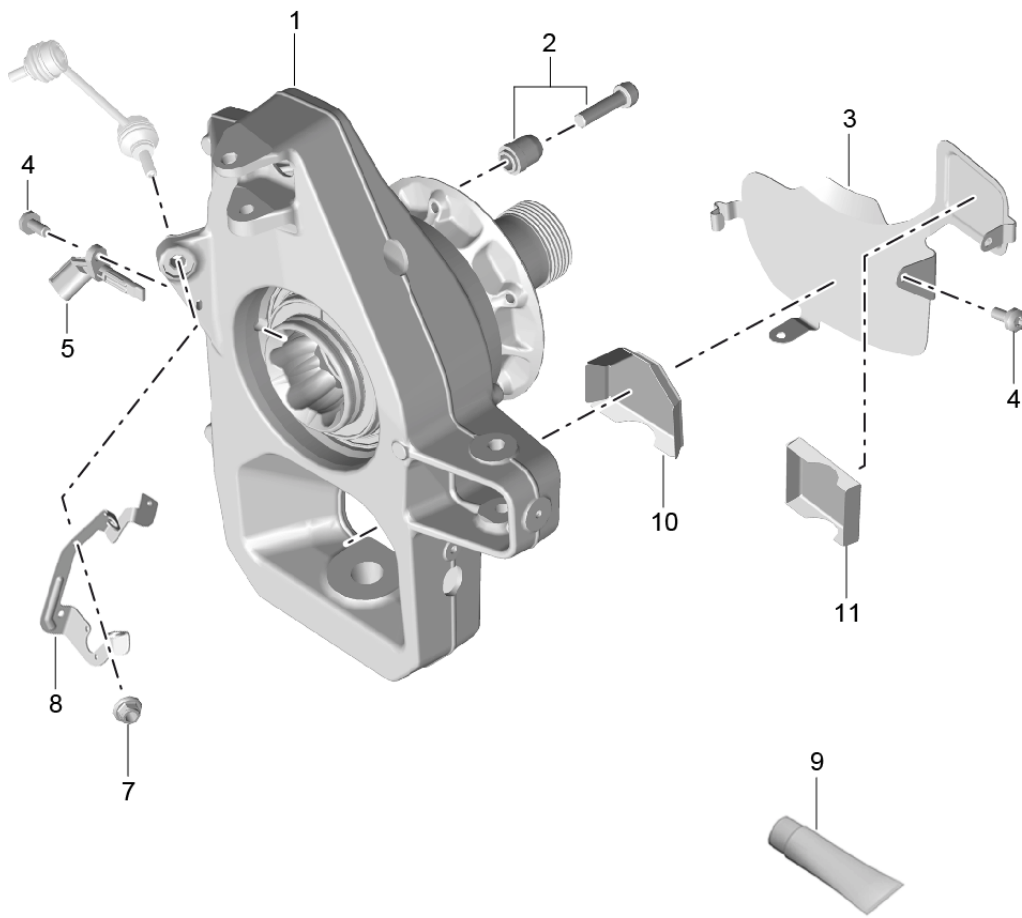
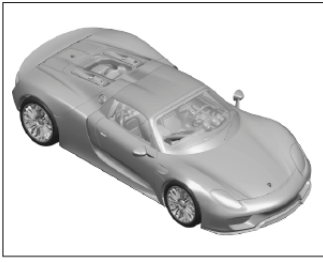
Model: 918

Model life 2015&gt;&gt;2015

Pos	Part Number	Description	Remark	Qty	Model
10	918 343 021 00	Sensor Level adjustment	/L	1	
(10)	918 343 022 00	Sensor Level adjustment	/R	1	
11	N 105 447 03	Pan-head screw Mount Sensor Level adjustment		X	
12	918 341 101 02	Auxiliary support Use also: 91850160100		1 2	
13	999 073 258 A1	Oval-head screw M8 X 20		6	
14	999 084 445 01	Lock nut M12 X 1,5		2	
15	918 501 981 00	Support Hybrid Module Repair kit		1	
16	918 501 982 00	Support Hybrid Module Repair kit		1	
17	999 061 401 02	Stud M 10 X 40		X	
19	918 501 980 01	Support Underbody protection Repair kit		1	
30	918 501 601 00	Sticker Auxiliary support		2	

Model: 918

Model life 2015>>2015

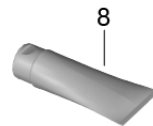
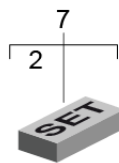
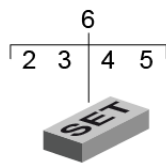
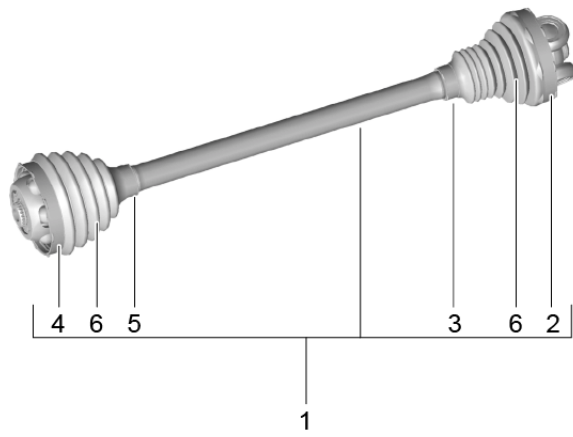
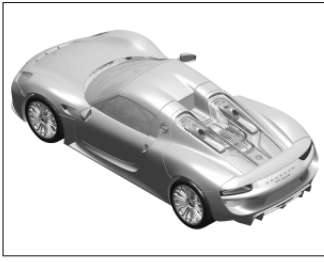


Model: 918 Model life 2015>>2015

Pos	Part Number	Description	Remark	Qty	Model
1	918 341 921 03	Wheel carrier Wheel carrier Complete	/L	1	-I808
(1)	918 341 921 04	Wheel carrier Wheel carrier Complete	/L	1	I808
(1)	918 341 922 03	Wheel carrier Wheel carrier Complete	/R	1	-I808
(1)	918 341 922 04	Wheel carrier Wheel carrier Complete	/R	1	I808
2	918 341 881 00	Driving pin Repair kit Comprising: Driving pin Driving pin Pan-head screw		1  1 4 5	
3	918 351 801 00	Cover plate	/L	1	
(3)	918 351 802 00	Cover plate	/R	1	
4	N 107 512 01	Outer hexagon round screw M 6 X 14		8	
5	4E0 927 803 F	Speed sensor		2	
6	918 609 408 00	Support Self-levelling sensor	/R	1	
(6)	918 609 407 01	Support Self-levelling sensor	/L	1	
7	999 084 656 01	Hexagon nut M 10		2	
8	918 351 821 00	Support		2	
9	000 043 981 00	Grease		1	
10	918 351 831 00	Heat protection	/L	1	
(10)	918 351 832 00	Heat protection	/R	1	
11	918 351 833 00	Heat protection	/L	1	
(11)	918 351 834 00	Heat protection	/R	1	

Model: 918

Model life 2015>>2015





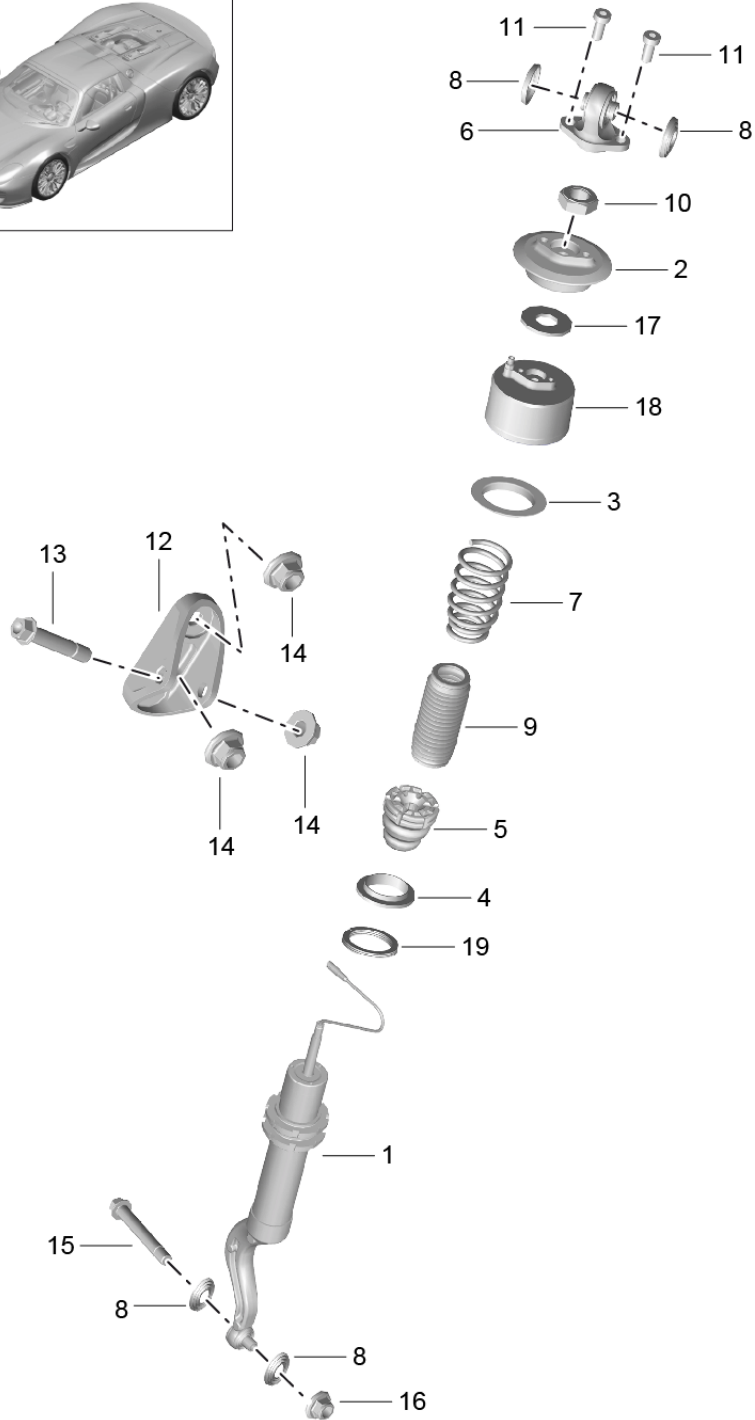
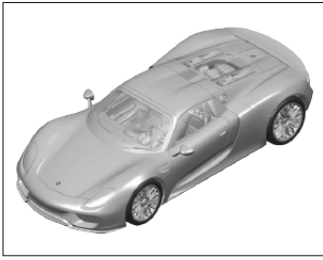
Model: 918

Model life 2015>>2015

Pos	Part Number	Description	Remark	Qty	Model
1	918 349 037 04	Drive shaft		2	
2	970 349 263 01	Drive shaft Hose clip To Transmission Large		2	
3	970 349 261 00	Hose clip To Transmission Small		2	
4	918 349 891 00	Hose clip To Wheel Large		2	
5	N 908 637 01	Clip To Wheel Small		2	
6	918 349 851 00	Repair kit Boot Comprising: Bellows Bellows Hose clip Hose clip Hose clip Hose clip Circlip		1 1 1 1 1 1 2	
7	918 349 853 00	Repair kit Drive shaft Comprising: Hose clip Circlip		1 1	
8	000 043 110 02	Grease Grease for drive shaft 1 100-gramme tube See technical manual Group 4		X	

Model: 918

Model life 2015>>2015

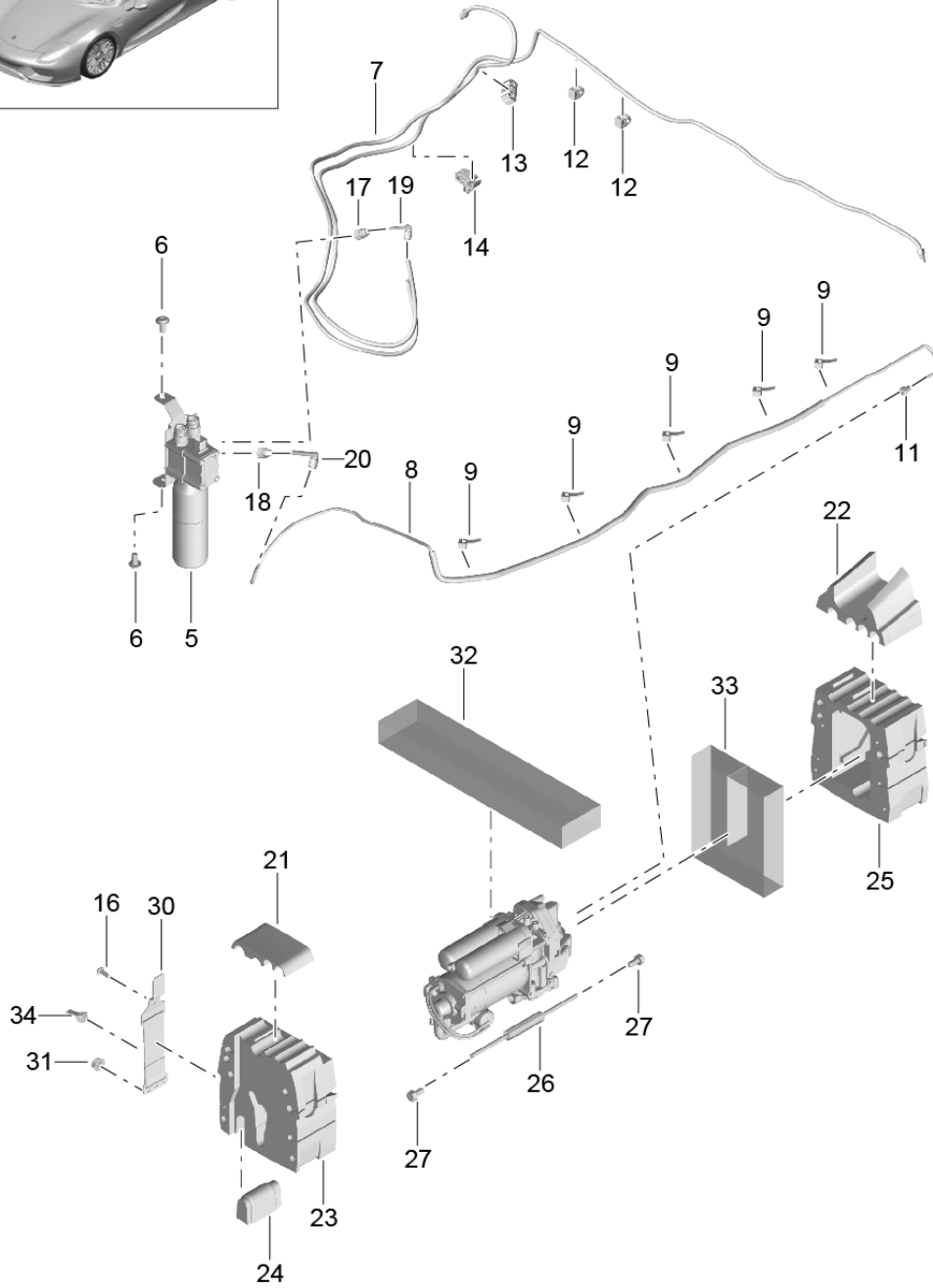
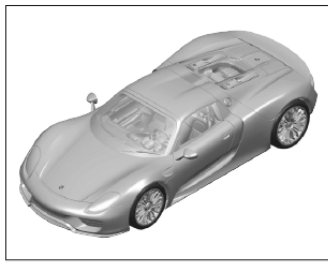


Model: 918 Model life 2015>>2015

Pos	Part Number	Description	Remark	Qty	Model
		suspension			
		Shock absorber strut			
		Bearing bracket			
1	918 343 053 00	Vibration damper		2	-I474
(1)	918 343 053 01	Vibration damper		2	I474
2	918 343 503 00	Concave washer		2	-I474
3	918 343 525 02	Base		2	
4	918 333 513 00	Intermediate ring		2	
5	918 343 541 00	Additional spring		2	
6	918 343 015 00	Supporting mount		2	
7	918 343 531 00	Coil spring		2	
8	918 343 593 00	Boot		4	
9	918 333 107 00	Bellows		2	
10	918 343 133 00	Hexagon nut		2	
		M 12			
11	918 343 016 00	Screw		4	
		M8 X 18			
12	918 343 521 01	Bearing bracket		2	
13	999 311 605 02	Fit bolt		2	I808
		MJ 10 X 52			
(13)	999 311 605 01	Fit bolt		2	-I808
		MJ 10X 52			
14	999 084 656 01	Hexagon nut		6	
		M 10			
15	999 311 606 01	Fit bolt		2	-I808
		MJ 10 X 1,5 X 72			
(15)	999 311 606 02	Fit bolt		2	I808
		MJ 10 X 1,5 X 72			
16	999 084 656 01	Hexagon nut		2	
		M10			
17	999 025 271 02	Washer		2	
18	918 343 561 00	Air spring		1	I474
19	918 333 537 00	Additional spring		2	

Model: 918

Model life 2015>>2015



Model: 918 Model life 2015>>2015

Pos	Part Number	Description	Remark	Qty	Model
		Front axle Level adjustment Control unit See illustrations 9/01/03		1	I474
(1)	918 341 193 02	Compressor Complete		1	
2	918 341 141 01	Mount Compressor		1	
5	918 341 195 00	Pressure accumulator		1	
6	999 015 025 09	Lens-head screw M6 X 12 Mount Pressure accumulator		2	
7	918 341 271 02	Air tube Pressure accumulator for Shock absorber		2	
8	918 341 269 01	Air tube Compressor for Pressure accumulator		1	
9	999 513 075 40	Tie-wrap Wiring harness Body		X	
11	999 230 598 10	Connecting piece VOSS 203		1	
12	95B 611 797	Support Wiring harness Shock absorber		5	
13	8K0 611 797 D	Clip Wiring harness Damper		2	
14	955 355 546 01	Support Wiring harness Damper		2	
16	999 015 026 A1	Oval-head screw M6 X 16 Mount POS30		4	
17	999 230 598 10	Connecting piece VOSS M8 Wiring harness Damper To Pressure accumulator		2	
18	999 230 753 10	Connecting piece VOSS 6,0 Wiring harness Compressor To Pressure accumulator		1	
19	999 230 754 40	Angled pipe 6 / 4 MM Wiring harness Damper To Pressure accumulator		2	
20	999 230 755 40	Angled pipe 6 / 6 MM Wiring harness Compressor To		1	

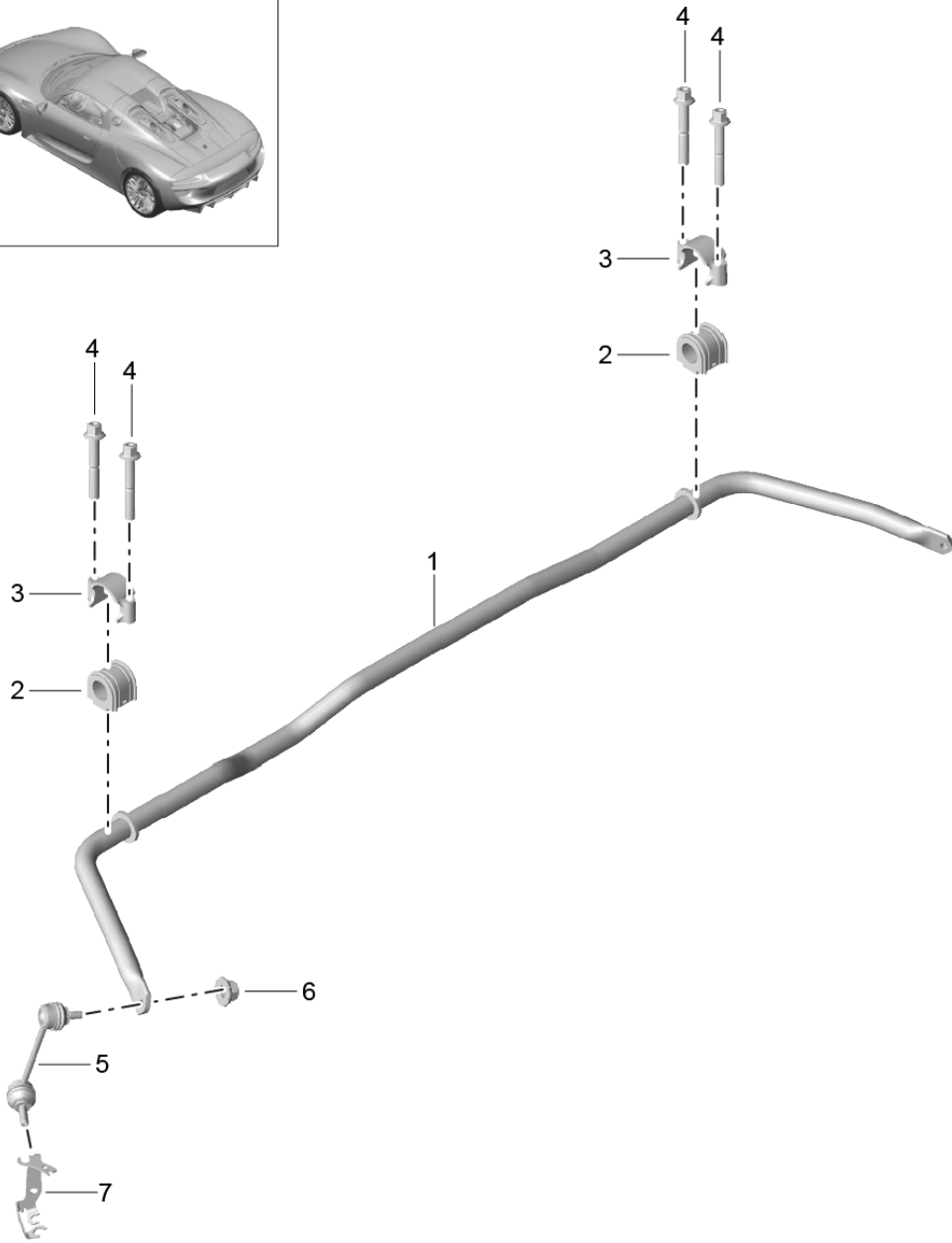
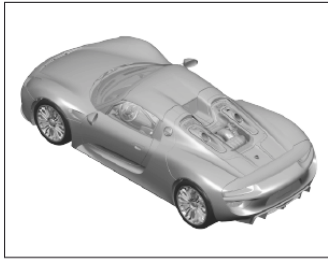
Model: 918

Model life 2015>>2015

Pos	Part Number	Description	Remark	Qty	Model
21	918 341 421 00	Pressure accumulator Foam part Front Upper		1	
22	918 341 425 00	Foam part Rear Upper		1	
23	918 341 423 01	Foam part Front Lower		1	
24	918 341 429 00	Insert POS23		1	
25	918 341 427 00	Foam part Rear Lower		1	
26	918 341 441 00	Spacer Foam part		4	
27	918 341 643 00	Screw POS26		4	
30	918 341 301 00	Belt Foam part		4	
31	900 377 018 01	Hexagon nut M6 Mount Belt		4	
32	918 341 531 00	Sound absorber Foam part		1	
33	918 341 533 00	Sound absorber Compressor		1	
34	999 513 075 40	Tie-wrap Mount Foam part To POS30		2	
-	991 618 440 12	Control unit		1	

Model: 918

Model life 2015>>2015



Model: 918

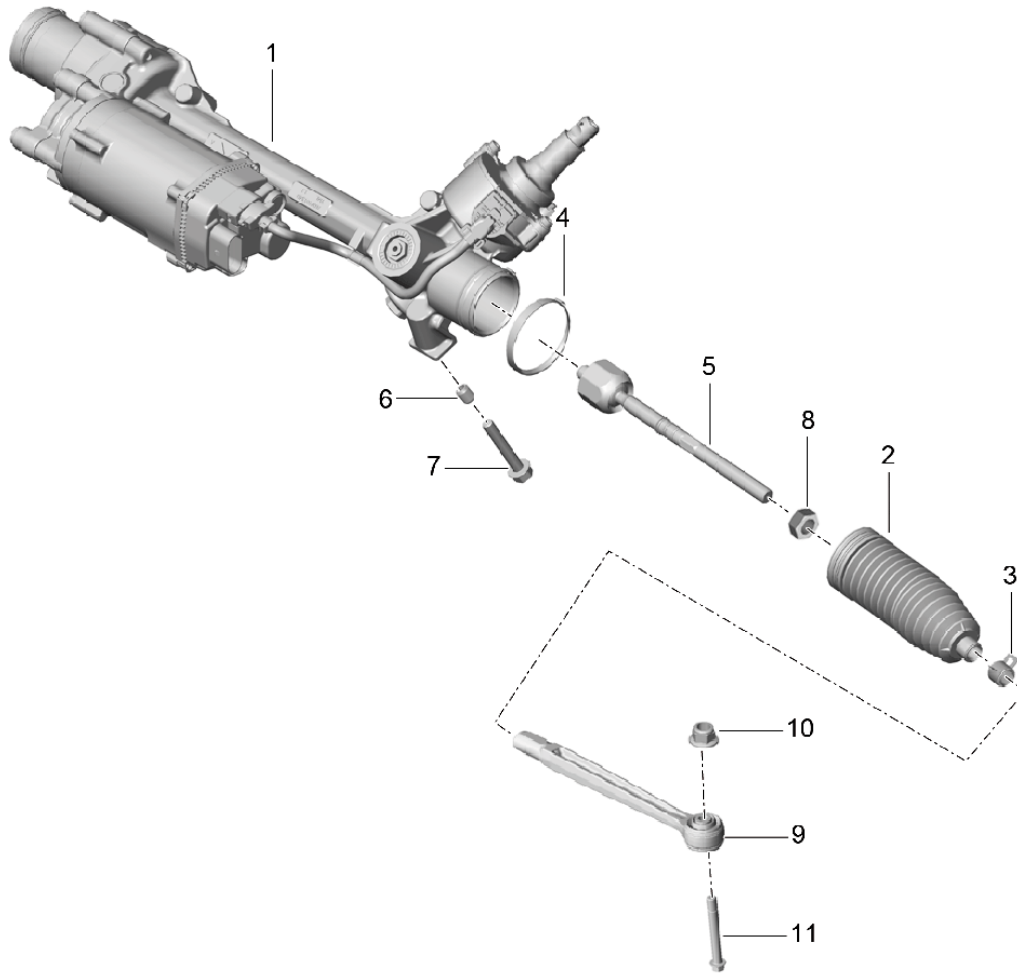
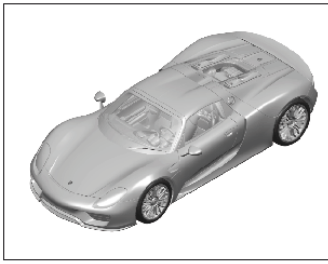
Model life 2015>>2015

Pos	Part Number	Description	Remark	Qty	Model
1	918 343 701 01	Stabiliser		1	
2	918 343 792 01	Stabiliser mounting		2	
3	918 343 777 01	Clip		2	
4	999 072 960 01	Hexagon-head bolt MJ6 X 1 X 41		4	
5	918 343 069 01	Stabiliser mounting	/L	1	
(5)	918 343 070 01	Stabiliser mounting	/R	1	
6	999 084 656 01	Hexagon nut M 10		2	
7	918 351 821 00	Support	/L	1	
(7)	918 351 822 00	Support	/R	1	



Model: 918

Model life 2015>>2015



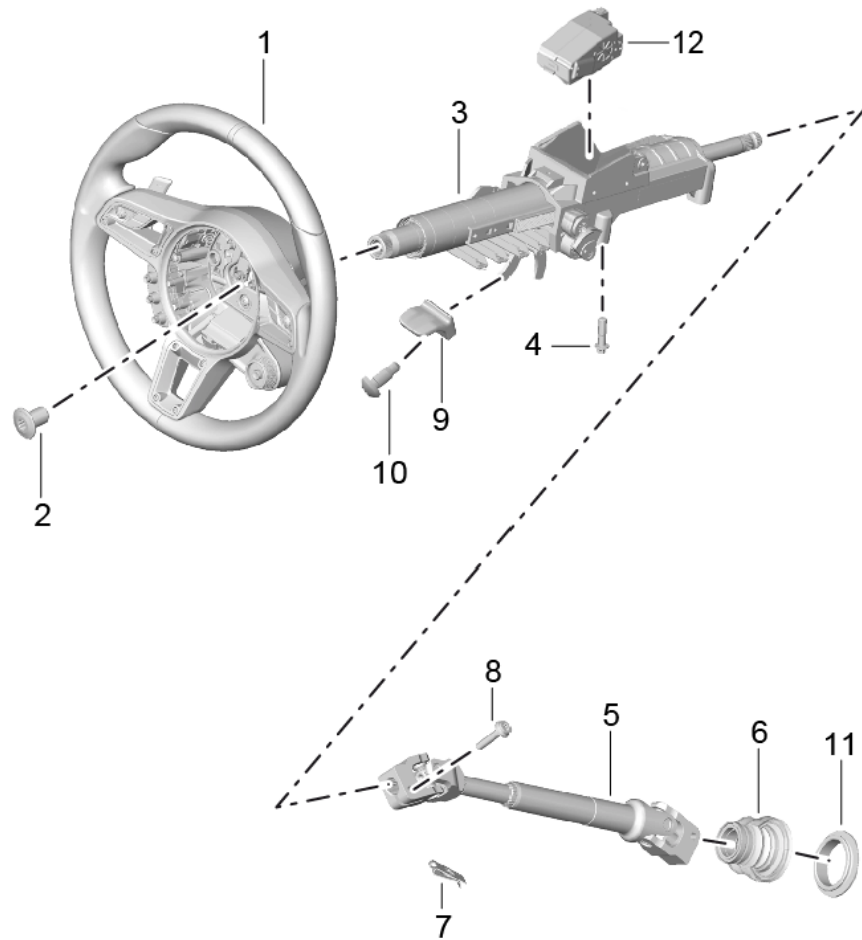
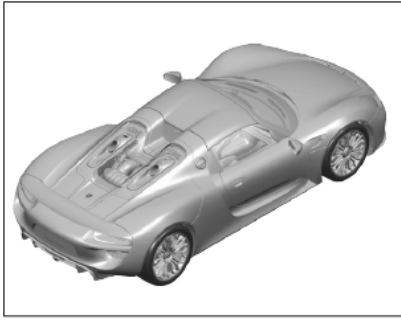
Model: 918

Model life 2015>>2015

Pos	Part Number	Description	Remark	Qty	Model
1	918 347 005 04	Power steering Steering gear Steering gear		1	
2	991 347 191 01	Power steering Bellows		1	
3	991 347 375 01	Clamping ring		2	
4	991 347 293 01	Clamping ring		2	
5	991 347 322 00	Joint		2	
6	900 197 070 01	Roll pin 13 X 14		2	
7	900 385 004 01	Torx screw AM 10 X 60		2	
8	999 034 037 01	Hexagon nut M 14 X 1,5		2	
9	918 347 031 00	Track rod		2	
10	999 084 656 01	Hexagon nut M10		2	
11	999 311 604 01	Fit bolt MJ10 X 1.5 X 81		2	-I808
(11)	999 311 604 02	Fit bolt MJ10 X 1.5 X 81		2	I808

Model: 918

Model life 2015>>2015



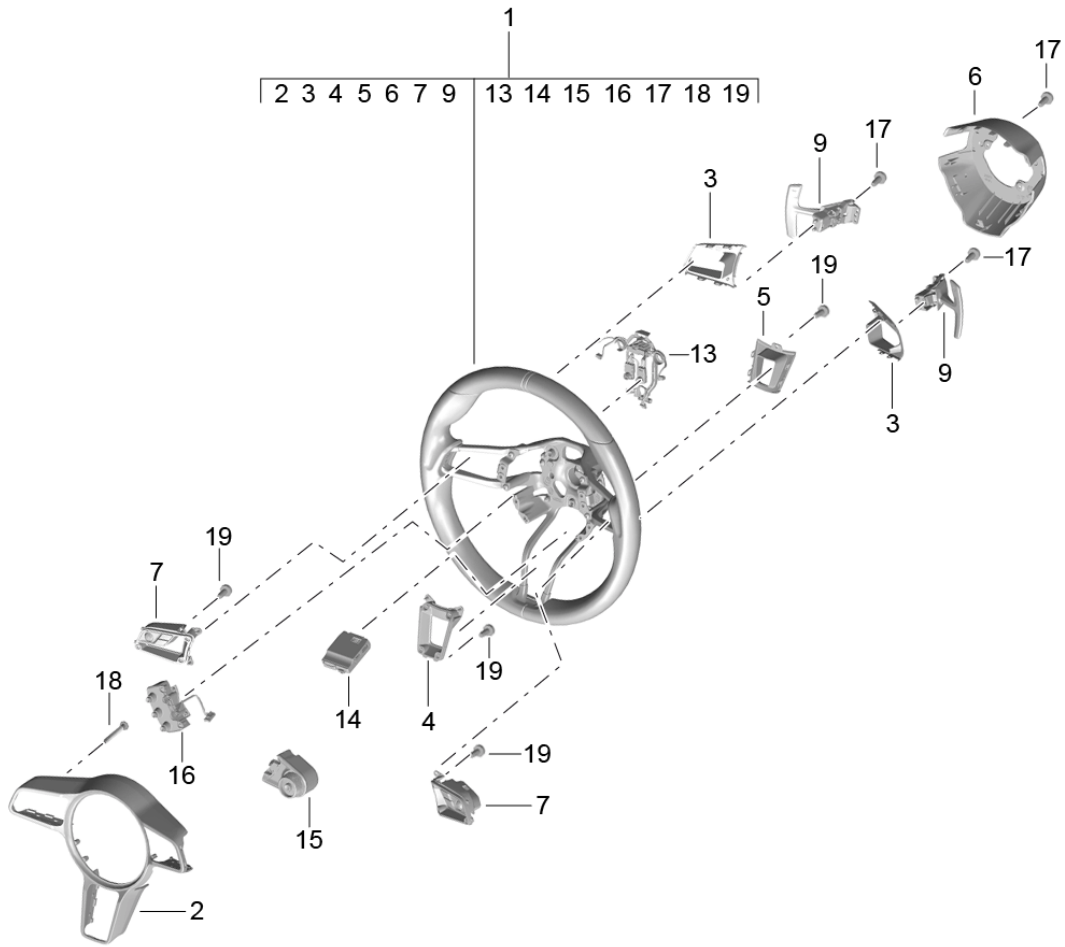
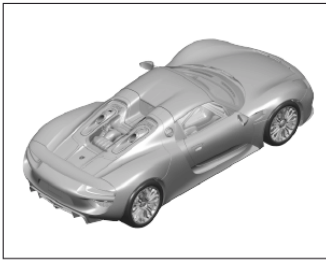
Model: 918

Model life 2015&gt;&gt;2015

Pos	Part Number	Description	Remark	Qty	Model
1		Steering wheels Steering column Steering shaft Steering wheel See illustrations 4/03/06		1	
2	N 910 207 01	Screw M18 X 1.5 X 26		1	
3	918 347 015 03	Steering column		1	
4	N 911 744 01	Multiple-tooth screw M 8 X 35		4	
5	918 347 023 00	Steering shaft		1	
6	918 347 037 00	Sealing sleeve		1	
7	999 507 020 01	Speed nut		2	
8	WHT 004 955 A	Torx screw M8 X 30		2	
9	970 347 175 00 970 347 175 00 1E0	Handle Black		1	
10	N 104 857 03	Round head screw M5 X 12		1	
11		Bracket See illustrations 8/01/01 Position 11		1	
12	7PP 905 852 C	Control unit		1	

Model: 918

Model life 2015>>2015



Model: 918 Model life 2015>>2015

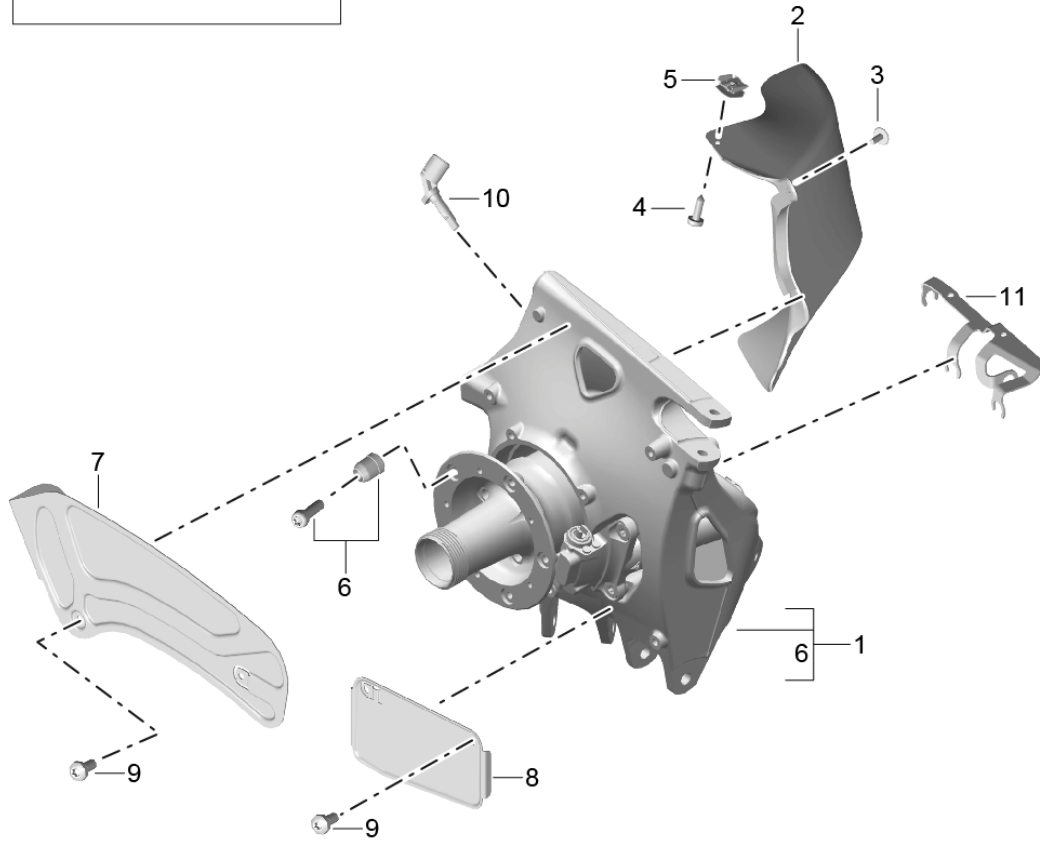
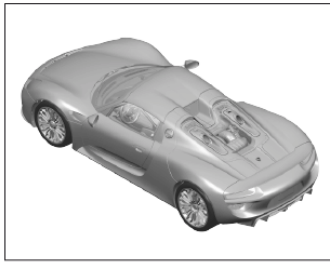
Pos	Part Number	Description	Remark	Qty	Model
(1)	918 347 803 03	Steering wheels Single parts Steering wheel Leather Complete		1	-I508/I846
	918 347 803 03 SPU	Black/Acid Green			+33,+53
	918 347 803 03 SPV	Black/Silver			+34,+36,+54, +56
(1)	918 347 803 03 SPW	Black/Orange		1	+37 -I508/I846
	918 347 803 06	Steering wheel Leather Complete			
	918 347 803 06 SPU	Black/Acid Green			+33,+53
	918 347 803 06 SPV	Black/Silver			+34,+36,+54, +56
1	918 347 803 06 SPW	Black/Orange		1	+37 I508/846
	918 347 803 04	Steering wheel Leather Complete			
	918 347 803 04 SPU	Black/Acid Green			+33,+53,+63, +73
	918 347 803 04 SPV	Black/Silver			+34,+54,+64, +74,+56,+36, +37
1	918 347 803 04 SPW	Black/Orange		1	+37 I508/846
	918 347 803 07	Steering wheel Leather Complete			
	918 347 803 07 SPU	Black/Acid Green			+33,+53,+63, +73
	918 347 803 07 SPV	Black/Silver			+34,+54,+64, +74,+56,+36, +37
(1)	918 347 803 07 SPW	Black/Orange		1	+37 I508/880
	918 347 803 05	Steering wheel Authentic Leather Complete			
	918 347 803 05 SPX	Black/Acid Green			+33,+53,+63, +73
	918 347 803 05 SPY	Black/Silver			+34,+54,+64, +74,+56,+36, +37
(1)	918 347 803 05 SPZ	Black/Orange		1	+37 I508/880
	918 347 803 08	Steering wheel Authentic Leather Complete			
	918 347 803 08 SPX	Black/Acid Green			+33,+53,+63, +73
	918 347 803 08 SPY	Black/Silver			+34,+54,+64, +74,+56,+36, +37
	918 347 803 08 SPZ	Black/Orange Information available			
2	95B 419 732 A	Cover		1	
	95B 419 732 A U04	Aluminium, brushed			
3	95B 419 936	Cover Rear Left	/L	1	
	95B 419 936 OX2	Smoke Chrome, High Gloss			
(3)	95B 419 937	Cover Rear Right	/R	1	
	95B 419 937 OX2	Smoke Chrome, High Gloss			
4	95B 419 938 A	Cover Front		1	

Model: 918 Model life 2015>>2015

Pos	Part Number	Description	Remark	Qty	Model
5	95B 419 938 A OX2 95B 419 938 B	Smoke Chrome, High Gloss Cover Rear		1	
6	95B 419 938 B OX2 95B 419 798 A	Smoke Chrome, High Gloss Cover Rear Leather		1	
7	95B 419 798 A A34 95B 998 537 A	Black Key Set		1	
9	95B 998 537 A OX2 95B 998 540 C	Smoke Chrome, High Gloss Shifting paddle Set		1	-I508
(9)	95B 998 540 C OX2 95B 998 540 D	Smoke Chrome, High Gloss Shifting paddle Set		1	I508
13	95B 998 540 D A3G 95B 971 388 B	Carbon Gloss Black Wiring harness Multi-functional unit		1	
14		Control unit See illustrations 9/01/03		1	
15	95B 919 680	Key		1	
16	95B 919 680 OX2 95B 959 673	Smoke Chrome, High Gloss Strip for switches		1	
17	95B 959 673 OX2 N 107 524 01	Smoke Chrome, High Gloss Screw M4 X 10		X	
18	999 919 305 01	Screw M4 X 30		4	
19	999 919 304 01	Screw M8 X 3		6	

Model: 918

Model life 2015>>2015





Model: 918 Model life 2015>>2015

Pos	Part Number	Description	Remark	Qty	Model
1	918 331 921 01	Rear axle Wheel carrier Wheel hub Wheel carrier Complete	/L	1	-I808
1	918 331 921 03	Wheel carrier Complete	/L	1	-I808
(1)	918 331 921 02	Wheel carrier Complete	/L	1	I808
(1)	918 331 921 04	Wheel carrier Complete	/L	1	I808
(1)	918 331 922 01	Wheel carrier Complete	/R	1	-I808
(1)	918 331 922 03	Wheel carrier Complete	/R	1	-I808
(1)	918 331 922 02	Wheel carrier Complete	/R	1	I808
(1)	918 331 922 04	Wheel carrier Complete	/R	1	I808
2	918 331 391 01	Air baffle plate	/L	1	
(2)	918 331 392 01	Air baffle plate	/R	1	
3	999 073 404 01	Oval-head screw		4	
4	N 906 487 04	Tapping screw		2	
5	N 906 988 01	Speed nut		2	
6	918 331 881 00	Driving pin Repair kit Comprising: Driving pin Pan-head screw		1   5 5	
7	918 352 801 02	Cover plate	/L	1	
(7)	918 352 802 02	Cover plate	/R	1	
8	918 352 803 01	Cover plate Lower	/L	1	
(8)	918 352 804 01	Cover plate Lower	/R	1	
9	N 107 512 01	Outer hexagon round screw		X	
10	4E0 927 803 F	Speed sensor	/L	1	
(10)	4E0 927 804 F	Speed sensor	/R	1	
11	918 609 401 02	Support Wheel carrier	/L	1	
(11)	918 609 402 02	Support Wheel carrier	/R	1	
-	000 043 981 00	Grease		1	



Model: 918 Model life 2015>>2015

Pos	Part Number	Description	Remark	Qty	Model
1	918 331 043 00	Rear axle Control arm Level adjustment Control arm Lower		2	
2	999 311 504 01	Fit bolt MJ12 X 1,5 X 77		4	-I808
(2)	999 311 504 02	Fit bolt MJ12 X 1,5 X 77		4	I808
3	999 084 655 01	Hexagon nut M12		X	
4	918 331 041 00	Wishbone Lower		2	
5	918 331 047 02	Wishbone Upper		2	
6	999 311 602 01	Fit bolt MJ10 X 1,5 X 65		2	-I808
(6)	999 311 602 02	Fit bolt MJ10 X 1,5 X 65		2	I808
7	918 331 061 00	Control arm Upper		2	
8	999 311 503 01	Fit bolt MJ12 X 1,5		4	-I808
(8)	999 311 503 02	Fit bolt MJ12 X 1,5		4	I808
9	918 331 731 00	Washer		2	
10	999 084 656 01	Hexagon nut M 10		X	
11	999 234 501 01	Eccentric washer 25 X 3		4	
12	999 061 129 01	Stud M 10 X 83		2	
13	991 331 057 06	Track rod Rear axle Steering	/L	1	
(13)	991 331 057 07	Track rod Rear axle Steering	/L	1	
(13)	991 331 057 08	Track rod Rear axle Steering	/L	1	
(13)	991 331 058 06	Track rod Rear axle Steering	/R	1	
(13)	991 331 058 07	Track rod Rear axle Steering	/R	1	
(13)	991 331 058 08	Track rod Rear axle Steering	/R	1	
14	918 331 543 11	Spacer plate 10MM		2	
(14)	918 331 543 10	Spacer plate 3MM		2	
16	918 333 021 00	Sensor		2	
17	N 106 808 01	Level adjustment Round head screw Sensor		4	
18	918 609 401 02	Support Level adjustment	/L	1	
(18)	918 609 402 02	Support Level adjustment Wiring harness	/R	1	
				2	

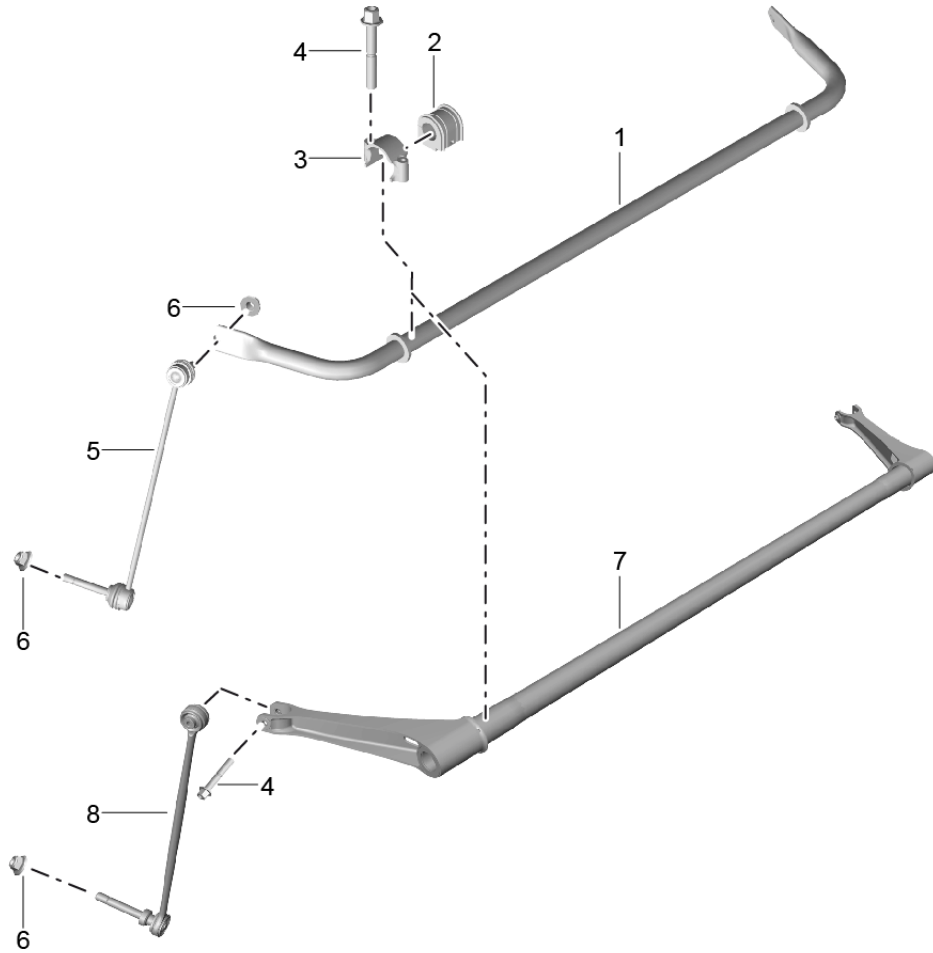
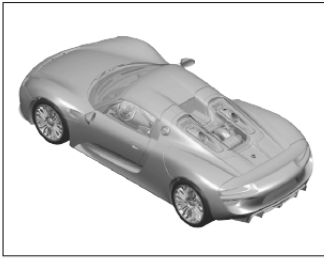
Model: 918

Model life 2015>>2015

Pos	Part Number	Description	Remark	Qty	Model
		Rear axle See illustrations 9/02/20			
19	999 015 025 A1	Oval-head screw M6 X 12		4	
23	918 341 851 00	Boot Repair kit Wishbone Bearing GR. 14 Comprising: Boot		1      2	
(23)	918 341 853 00	Retainer Boot Repair kit Wishbone Bearing GR. 18 Comprising: Boot		2 2 1    2	
24	918 331 891 00	Retainer O-ring		2 1	
25	918 331 543 24	Adjusting shim 0,5MM		2	
(25)	918 331 543 25	Adjusting shim 1MM		2	
(25)	918 331 543 26	Adjusting shim 2MM		2	
(25)	918 331 543 27	Adjusting shim 4MM		2	

Model: 918

Model life 2015>>2015



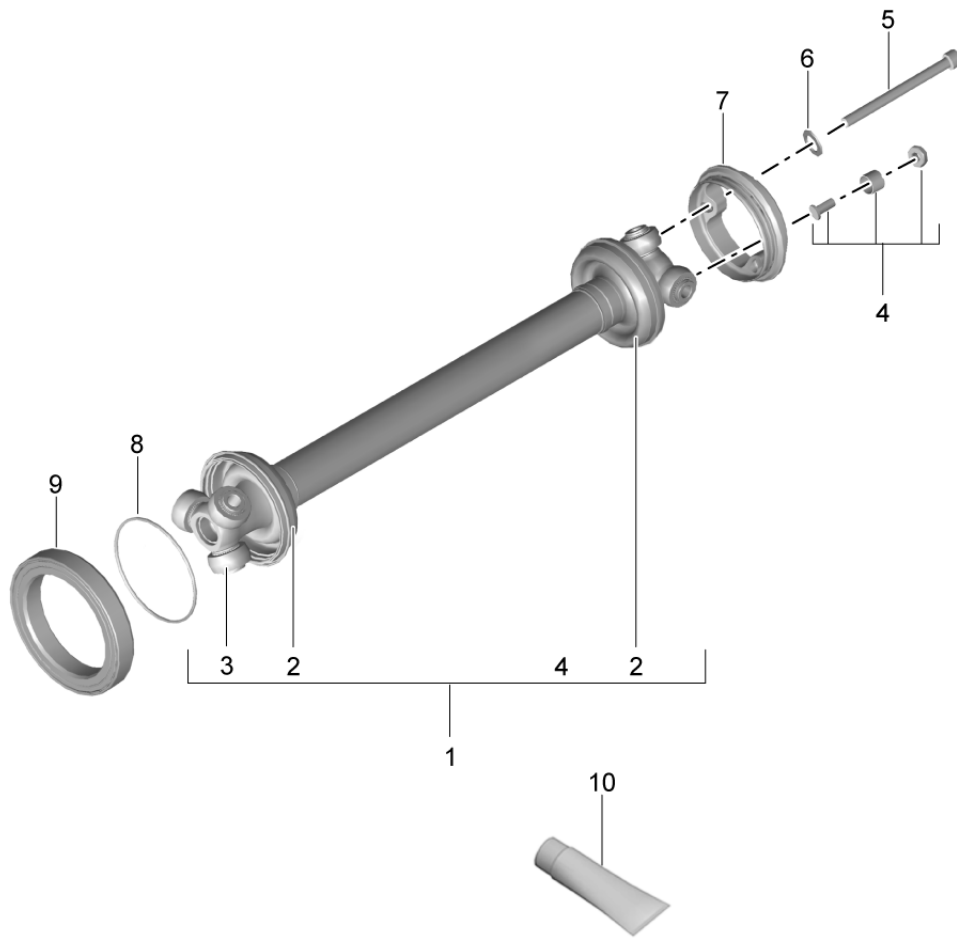
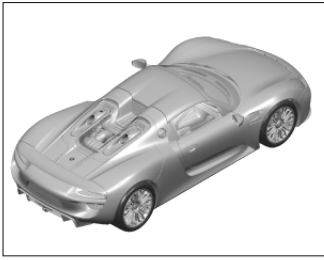
Model: 918

Model life 2015>>2015

Pos	Part Number	Description	Remark	Qty	Model
		Stabiliser Rear axle			
1	918 333 701 01	Stabiliser		1	-I808
2	918 333 792 01	Stabiliser mounting		2	-I808
(2)	918 333 792 10	Stabiliser mounting		2	I808
3	918 343 777 01	Clip Stabiliser		2	
4	999 072 960 01	Hexagon-head bolt M 6 X 41		4	
5	918 333 069 01	Stabiliser mounting	/L	1	-I808
(5)	918 333 070 01	Stabiliser mounting	/R	1	-I808
6	999 084 656 01	Hexagon nut M 10		2	
7	918 333 701 10	Stabiliser		1	I808
8	918 333 071 01	Stabiliser mounting		2	I808

Model: 918

Model life 2015>>2015



Model: 918

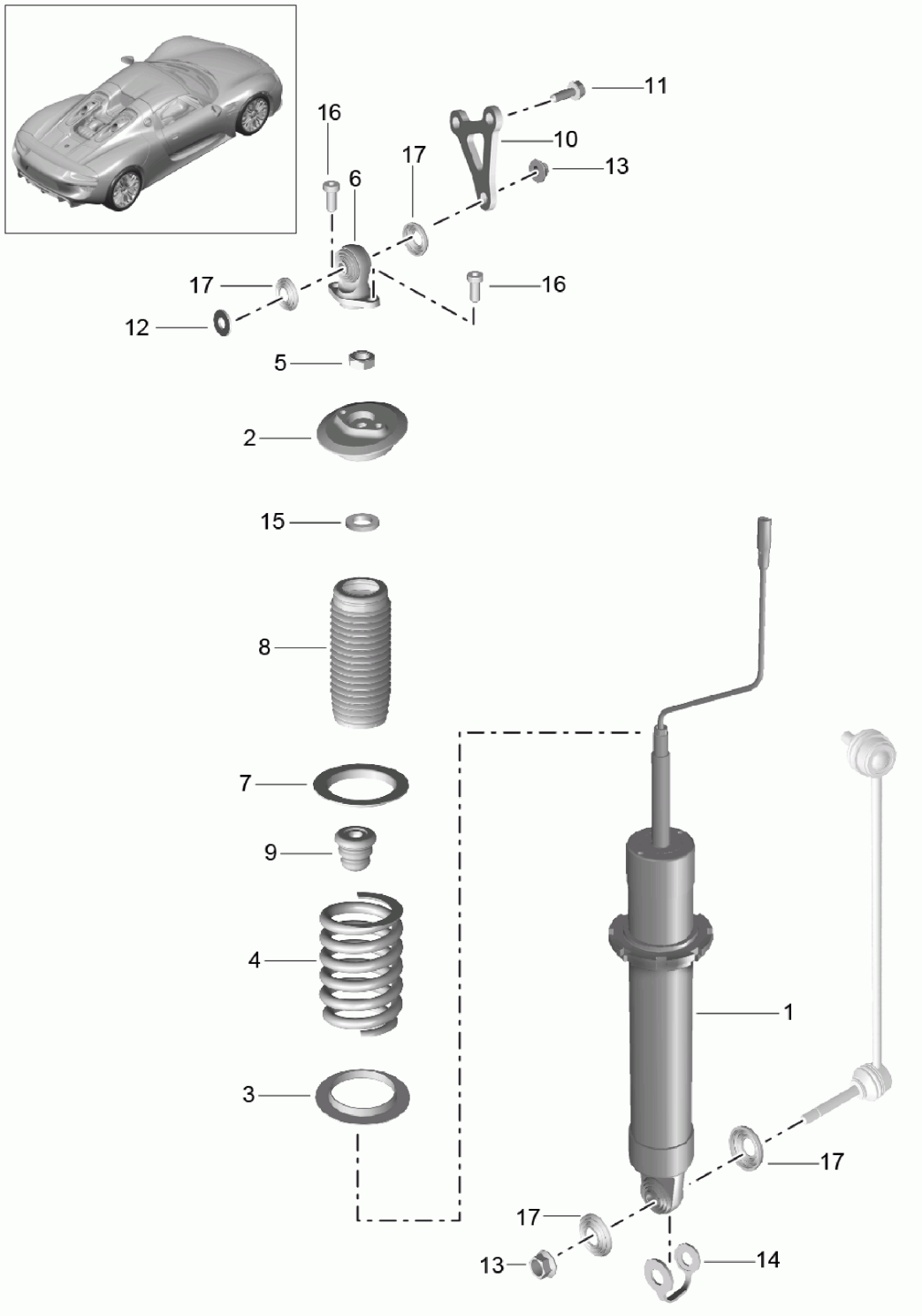
Model life 2015>>2015

Pos	Part Number	Description	Remark	Qty	Model
1	918 332 023 04	Drive shaft	/L	1	
(1)	918 332 024 06	Drive shaft	/R	1	
2	918 332 851 01	Repair kit		1	
		Bellows			
		Clip		2	
		Ring		1	
		Clip		2	
		O-ring		2	
		Circlip		6	
		Tape		1	
		Protective film		2	
		Assembly aux. material			
3	918 332 853 01	Repair kit		1	
		Drive shaft			
		Comprising:			
		Roller		3	
		Needle		3	
		Circlip		3	
4	918 332 855 00	Repair kit		1	
		Fixing device			
		Comprising:			
		Nut		1	
		Bush		1	
		Bolt		1	
5	900 387 301 02	Pan-head screw		6	
		M10 X 1 X 115			
6	900 123 168 01	Gasket		6	
		A10 X 16			
7	918 332 857 01	Housing		1	
		M10 X 1			
8	918 332 925 00	O-ring		1	
		90X2,5			
9	918 332 927 00	Rubber strap		1	
10	999 917 826 02	Grease		2	
		Drive shaft			
		Inner			
		1 tube			
		150G			
(10)	999 917 826 03	Grease		4	
		Drive shaft			
		Outer			
		1 tube			
		125G			
		See technical manual			
		Group 4			



Model: 918

Model life 2015>>2015



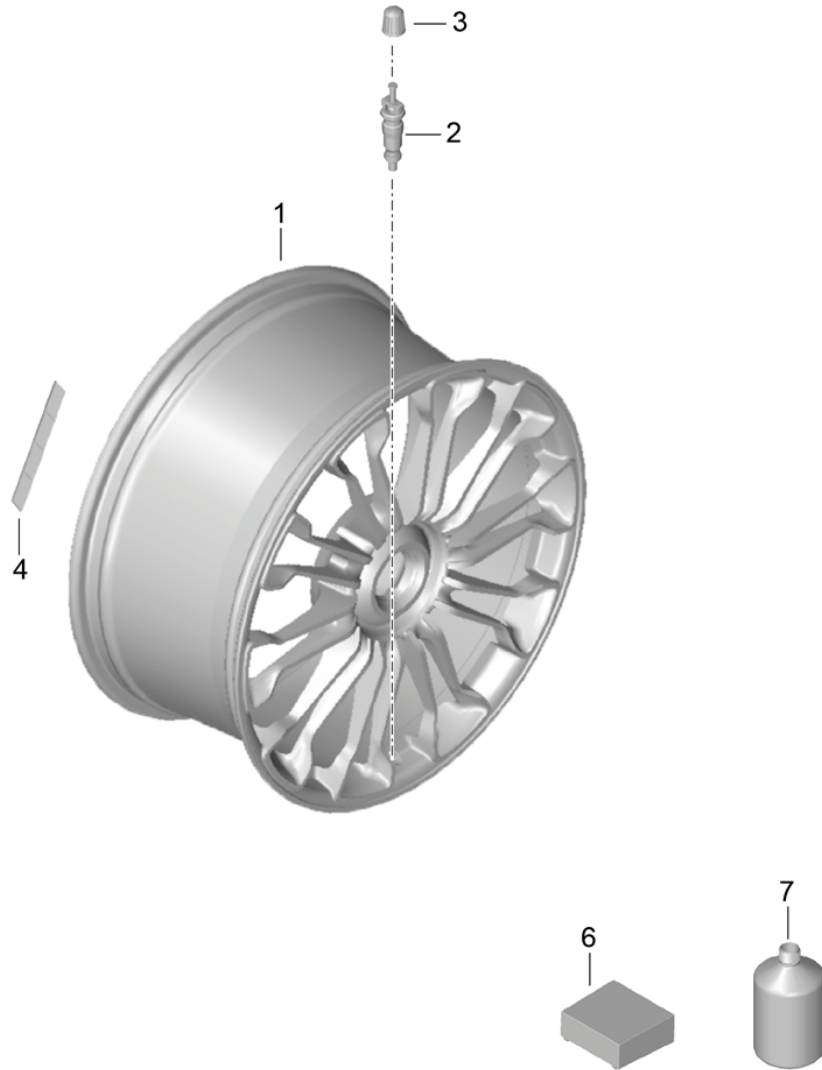
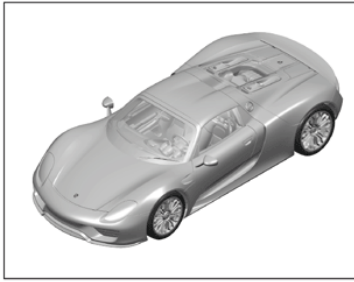
Model: 918

Model life 2015&gt;&gt;2015

Pos	Part Number	Description	Remark	Qty	Model
		suspension			
		Shock absorber strut			
		Bearing bracket			
1	918 333 053 01	Vibration damper		2	
1	918 333 053 02	Vibration damper		2	
2	918 333 503 00	Concave washer		2	
3	918 343 563 00	Concave washer		2	
4	918 333 531 01	Coil spring		2	
5	918 343 133 00	Hexagon nut		2	
6	918 333 015 00	Supporting mount		2	
7	918 343 525 02	Base		2	
8	918 333 107 00	Bellows		2	
9	918 333 541 00	Additional spring		2	
10	918 333 521 00	Mounting plate		2	
11	N 106 421 01	Hexagon-head bolt		4	
		M 8 X 25			
12	999 025 287 01	Washer		2	
13	999 084 656 01	Hexagon nut		2	
		M10			
14	918 331 733 00	Washer		2	
		Stabiliser			
15	999 025 271 02	Washer		2	
		Spring strut			
16	918 343 016 00	Screw		2	
		M8X18			
17	918 343 593 00	Boot		4	

Model: 918

Model life 2015>>2015



Model: 918 Model life 2015>>2015

Pos	Part Number	Description	Remark	Qty	Model
1	918 362 163 01	Wheels Part number Disc wheel without Hub cap And Wheel bolts	/V	2	I442
(1)	918 362 163 01 041 918 362 163 01	Disc wheel 9,5J X 20" ET 57 Black Disc wheel 9,5J X 20" ET 57	/V	2	IXRF
(1)	918 362 163 01 OB5 918 362 163 02	Platinum satin-matt Disc wheel 9,5J X 20" ET 57	/V	2	I443
(1)	918 362 163 02 88Z 918 362 189 03	Brilliant chrome finish Disc wheel 12,5J X 21" ET 57	/H	2	I442
(1)	918 362 189 03 041 918 362 189 03	Black Disc wheel 12,5J X 21" ET 57	/H	2	IXRF
(1)	918 362 189 03 OB5 918 362 189 04	Platinum satin-matt Disc wheel 12,5J X 21" ET 57	/H	2	I443
2	918 362 189 04 88Z 955 361 053 00	Brilliant chrome finish Valve Silver		4	IUX6/482/483
(2)	9P1 601 361 A	Valve Silver		4	IUX6/482/483
(2)	9P1 601 361	Valve Black		4	IUX7/482/483
3	N 908 729 01	Cap Silver		4	IUX6/482/483
(3)	WHT 006 913	Cap Black		4	IUX7/482/483
4	997 361 405 00	Balance stick-on weight Silver 5 G.		X	
(4)	9P1 601 179	Balance stick-on weight Black 5.G.		X	
(4)	997 361 410 00	Balance stick-on weight Silver 10 G.		X	
(4)	9P1 601 181	Balance stick-on weight Black 10.G.		X	
(4)	997 361 415 00	Balance stick-on weight Silver 15 G.		X	
(4)	9P1 601 182	Balance stick-on weight Black 15.G.		X	
(4)	997 361 420 00	Balance stick-on weight Silver 20 G.		X	
(4)	9P1 601 183	Balance stick-on weight		X	

Model: 918 Model life 2015>>2015

Pos	Part Number	Description	Remark	Qty	Model
(4)	997 361 425 00	Black 20.G. Balance stick-on weight Silver		X	
(4)	9P1 601 184	25 G. Balance stick-on weight Black		X	
(4)	997 361 430 00	25.G. Balance stick-on weight Silver		X	
(4)	9P1 601 185	30 G. Balance stick-on weight Black		X	
(4)	997 361 435 00	30.G. Balance stick-on weight Silver		X	
(4)	9P1 601 186	35 G. Balance stick-on weight Black		X	
(4)	997 361 440 00	35.G. Balance stick-on weight Silver		X	
(4)	9P1 601 187	40 G. Balance stick-on weight Black		X	
(4)	997 361 445 00	40.G. Balance stick-on weight Silver		X	
(4)	9P1 601 188	45 G. Balance stick-on weight Black		X	
(4)	997 361 450 00	45.G. Balance stick-on weight Silver		X	
(4)	9P1 601 189	50 G. Balance stick-on weight Black		X	
(4)	997 361 455 00	50.G. Balance stick-on weight Silver		X	
(4)	9P1 601 190	55 G. Balance stick-on weight Black		X	
(4)	997 361 460 00	55.G. Balance stick-on weight Silver		X	
(4)	9P1 601 191	60 G. Balance stick-on weight Black		X	
(4)	997 361 465 00	60.G. Balance stick-on weight Silver		X	
(4)	9P1 601 192	65 G. Balance stick-on weight Black		X	
(4)	997 361 470 00	65.G. Balance stick-on weight Silver		X	
(4)	9P1 601 193	70 G. Balance stick-on weight Black		X	
(4)	997 361 475 00	70.G. Balance stick-on weight		X	

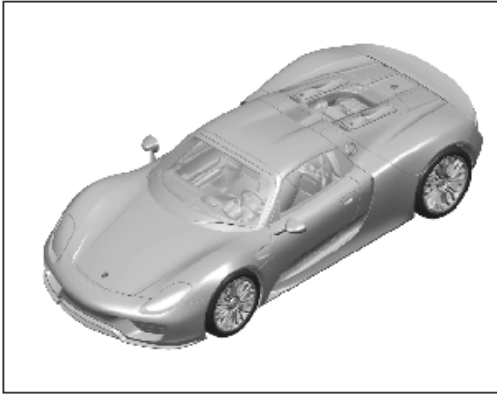
Model: 918

Model life 2015>>2015

Pos	Part Number	Description	Remark	Qty	Model
(4)	9P1 601 194	Silver 75 G. Balance stick-on weight		X	
(4)	997 361 480 00	Black 75.G. Balance stick-on weight		X	
(4)	9P1 601 195	Silver 80 G. Balance stick-on weight		X	
(4)	997 361 485 00	Black 80.G. Balance stick-on weight		X	
(4)	9P1 601 196	Silver 85 G. Balance stick-on weight		X	
(4)	997 361 490 00	Black 85.G. Balance stick-on weight		X	
(4)	9P1 601 197	Silver 90 G. Balance stick-on weight		X	
(4)	997 361 495 00	Black 90.G. Balance stick-on weight		X	
6	997 652 055 00	Compressor		1	
7	4L0 012 619 A	Bottle of tyre sealant		1	

Model: 918

Model life 2015>>2015



Model: 918

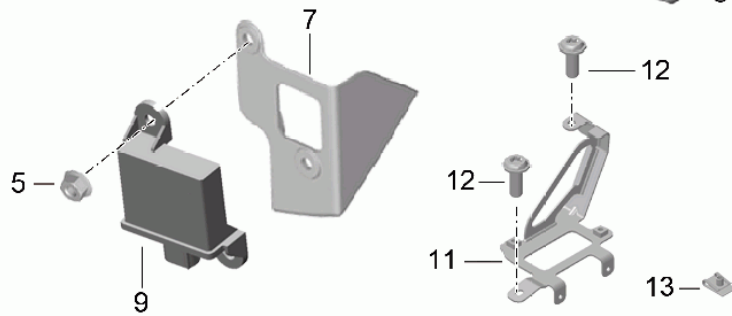
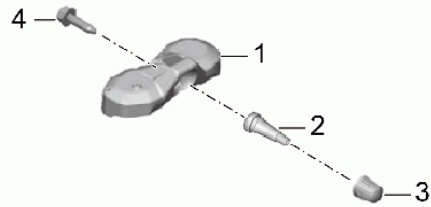
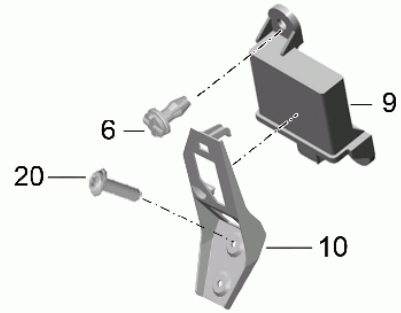
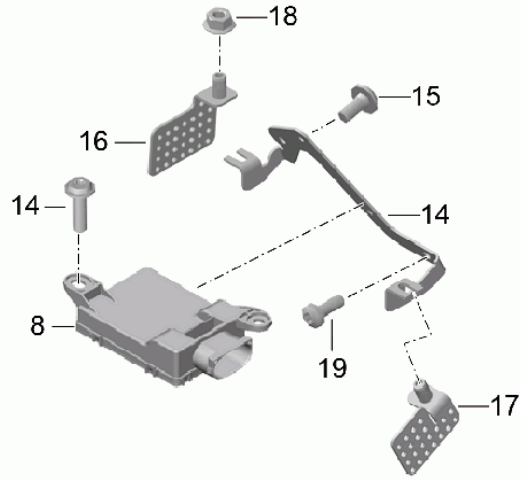
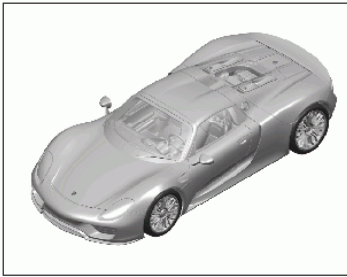
Model life 2015&gt;&gt;2015

Pos	Part Number	Description	Remark	Qty	Model
1	918 361 675 02	Central locking Wheel nut Front and rear Central locking Right thread Identification Red	/L	2	I478 I808
(1)	918 361 676 02	Wheel nut Front and rear Central locking Left thread Identification Red	/R	2	I808
(1)	918 361 675 03	Wheel nut Front and rear Central locking Right thread Identification Blue	/L	2	-I808
(1)	918 361 676 03	Wheel nut Front and rear Central locking Left thread Identification Black	/R	2	-I808
3	918 361 177 03	Hub cover Left thread Nature	/L	2	I808
(3)	918 361 178 03	Hub cover Right thread Nature	/R	2	I808
(3)	918 361 177 02	Hub cover Left thread Black	/L	2	-I808
(3)	918 361 178 02	Hub cover Right thread Black	/R	2	-I808
-	000 043 300 35	Spraying can		1	



Model: 918

Model life 2015>>2015

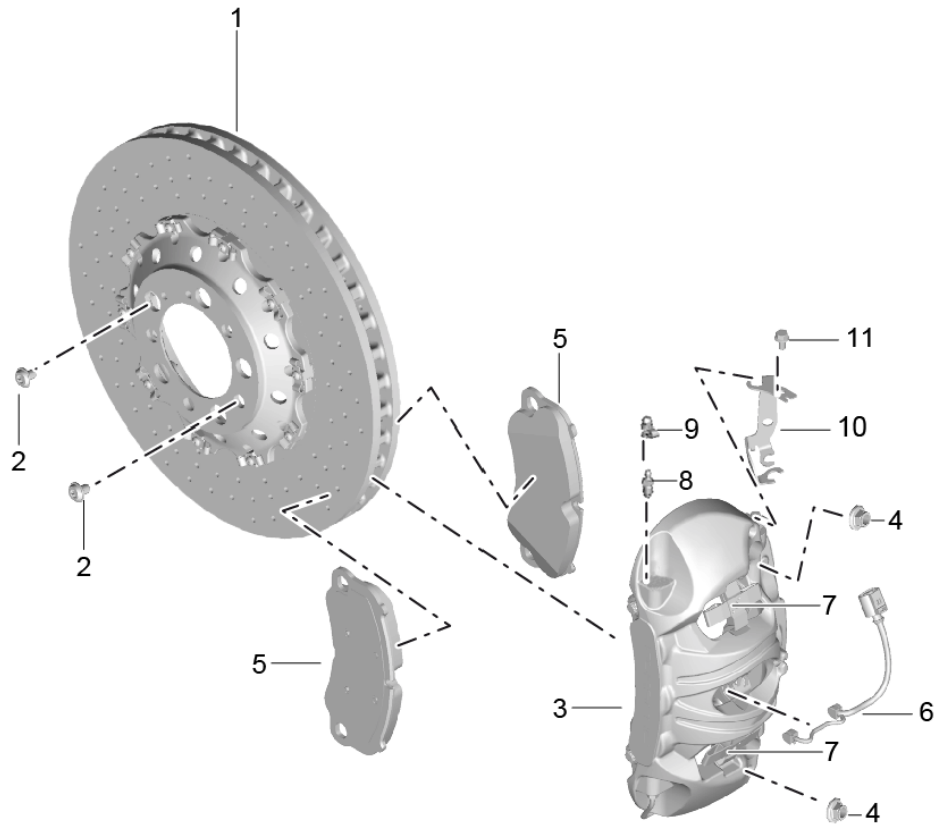
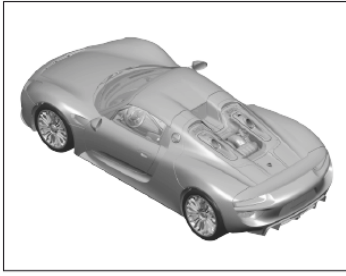


Model: 918 Model life 2015>>2015

Pos	Part Number	Description	Remark	Qty	Model
1	7PP 907 275 F	Tyre pressure monitoring Sensor		4	I482
(1)	7PP 907 275 G	Tyre pressure monitoring Information available Sensor		4	I483
2	9P1 601 361	Tyre pressure monitoring Information available Valve Aluminium Black		4	IUX7
3	N 908 729 01	Cap Silver		4	IUX6
(3)	WHT 006 913	Cap Black		4	IUX7
4	4D0 601 365	Fastening screw		4	
5	900 377 018 01	Hexagon nut		2	
6	4D0 863 788	Expansion rivet		4	
7	918 618 409 00	Support transmitter Rear	/L	1	
8	918 618 103 01	Antenna		1	I483
(8)	918 618 104 01	Antenna		1	I482
9	7PP 907 283	transmitter		4	
10	918 618 403 00	Support Rear transmitter	/R	1	
11		Support transmitter Front See illustrations 8/01/01 Bracket Hinge Door	/L	1	
(11)	918 618 410 00	Support transmitter Front	/R	1	
12	999 015 026 A1	Oval-head screw M6 X 16		3	
13	918 504 597 00	Speed nut M6		1	
14	918 618 407 01	Support Centre Tunnel		1	
15	999 015 025 A2	Lens-head screw		2	
16		Support Tunnel See illustrations 8/01/01	/R	1	
17		Support Tunnel See illustrations 8/01/01	/L	1	
18	900 377 018 01	Hexagon nut		2	
19	N 104 514 05	Round head screw		2	
20	999 073 252 A1	Oval-head screw M6 X 20		2	

Model: 918

Model life 2015>>2015



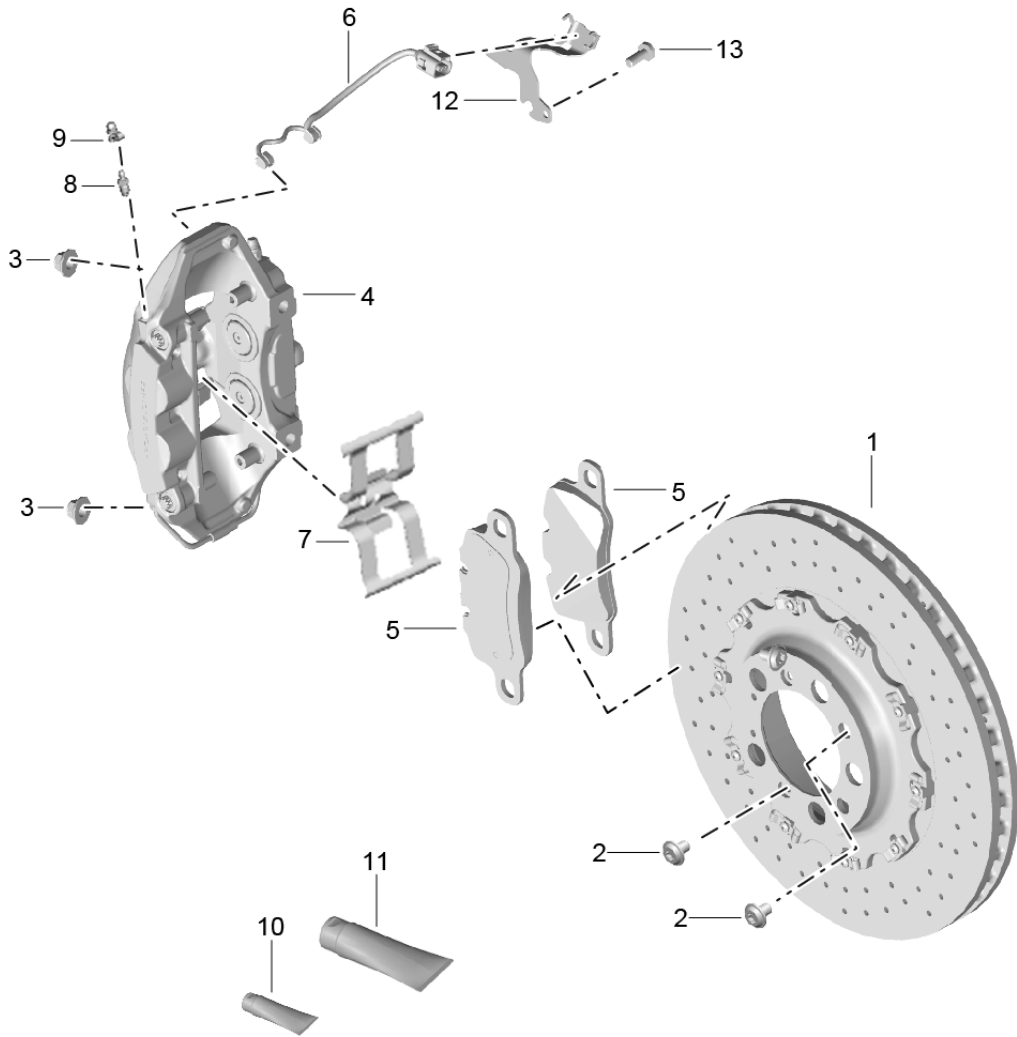
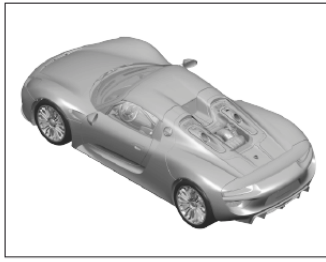
Model: 918

Model life 2015>>2015

Pos	Part Number	Description	Remark	Qty	Model
1	918 351 407 01	Disc brake Front axle Brake disc	/L	1	I450
(1)	918 351 408 01	Brake disc	/R	1	I450
2	999 073 572 01	Lens-head screw M 6 X 8-MK		8	I450
3	918 351 429 03	Fixed calliper Acid Green without pad	/L	1	I450
(3)	918 351 430 03	Fixed calliper Acid Green without pad	/R	1	I450
4	999 084 656 01	Hexagon nut M10		4	
5	918 351 946 02	Brake pad repair set Comprising: Brake pad Use also: Spring Set	/V	1	-I808/I450
(5)	918 351 946 03	Brake pad repair set Comprising: Brake pad Use also: Spring Set	/V	1	I450/808
6	991 609 185 00	Warning contact		2	
7	970 351 959 01	Spring Set		1	
8	8A0 615 273	Ventilation valve with Dust boot		4	
9	930 351 927 00	Dust boot		4	
10	918 351 821 00	Support Brake line	/L	1	
(10)	918 351 822 00	Support Brake line	/R	1	
11	900 378 036 01	Hexagon-head bolt M6 X 12		2	
-	000 043 117 00	Brake cylinder paste 50 GR.		X	
-	000 043 020 00	Optimoly 1 100-gramme tube		X	

Model: 918

Model life 2015>>2015



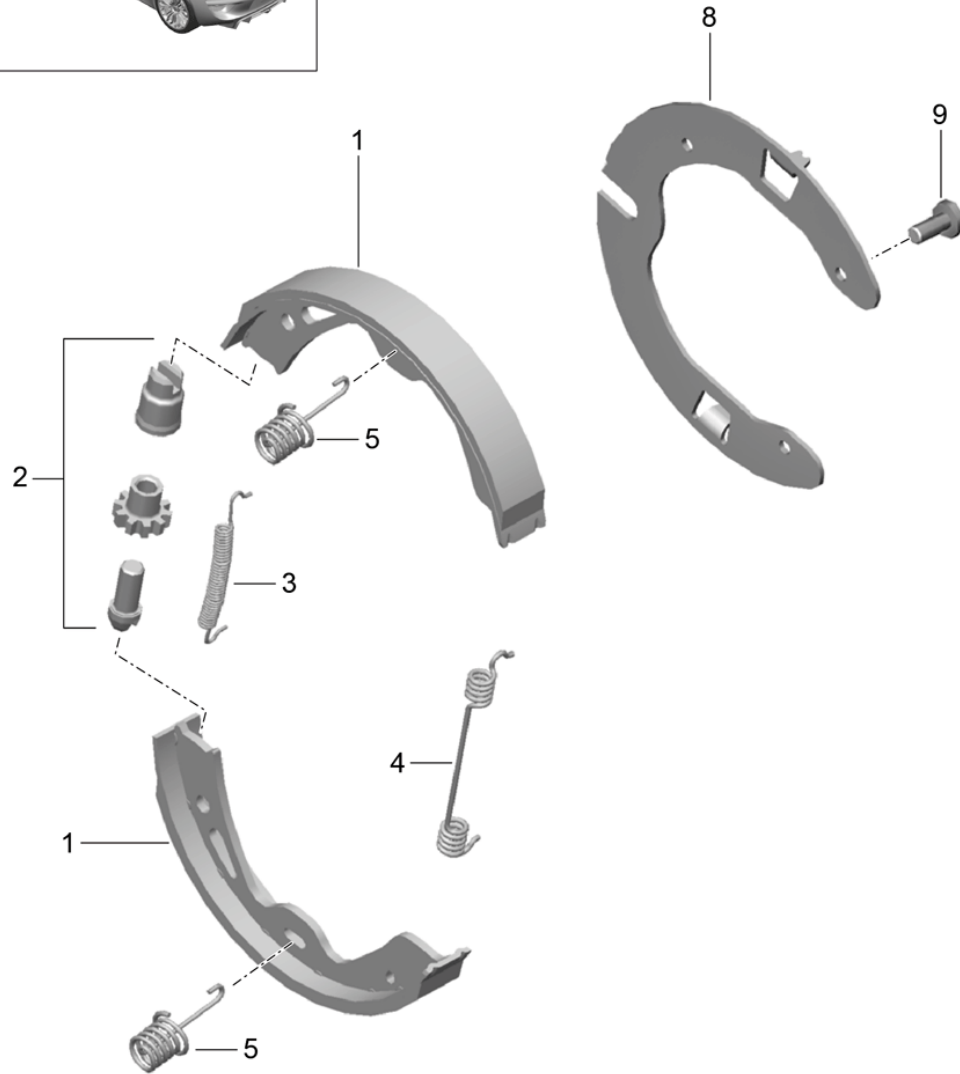
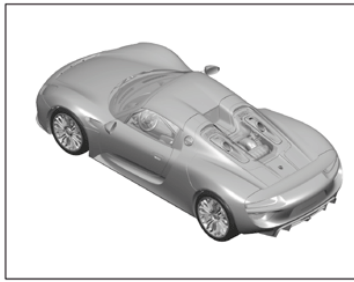
Model: 918

Model life 2015>>2015

Pos	Part Number	Description	Remark	Qty	Model
		Disc brake Rear axle			
1	918 352 409 01	Brake disc	/L	1	I450
(1)	918 352 410 01	Brake disc	/R	1	I450
2	999 073 572 01	Lens-head screw M 6 X 8		4	I450
3	999 084 656 01	Hexagon nut M 10		4	
4	918 352 429 02	Fixed calliper Acid Green without pad	/L	1	I450
(4)	918 352 430 02	Fixed calliper Acid Green without pad	/R	1	I450
5	918 352 946 03	Brake pad repair set Comprising: Brake pad Use also: Repair kit		1	-I808/I450
(5)	918 352 946 04	Brake pad repair set Comprising: Brake pad Use also: Repair kit		4	
6	991 609 185 00	Warning contact		1	
7	991 352 951 00	Repair kit Mounting parts Comprising: Tension strut Spring		2	
		Locking screw		2	
8	997 352 917 00	Ventilation valve with Dust boot		2	
8	997 352 919 00	Ventilation valve with Dust boot		4	
9	930 351 927 00	Dust boot		4	
10	000 043 117 00	Brake cylinder paste 50 GR.		X	
11	000 043 020 00	Optimoly 1 100-gramme tube		X	
12	918 355 503 01	Support Brake line Fixed calliper	/L	1	
(12)	918 355 504 01	Support Brake line Fixed calliper	/R	1	
13	N 107 512 01	Outer hexagon round screw POS12		X	

Model: 918

Model life 2015>>2015



Model: 918

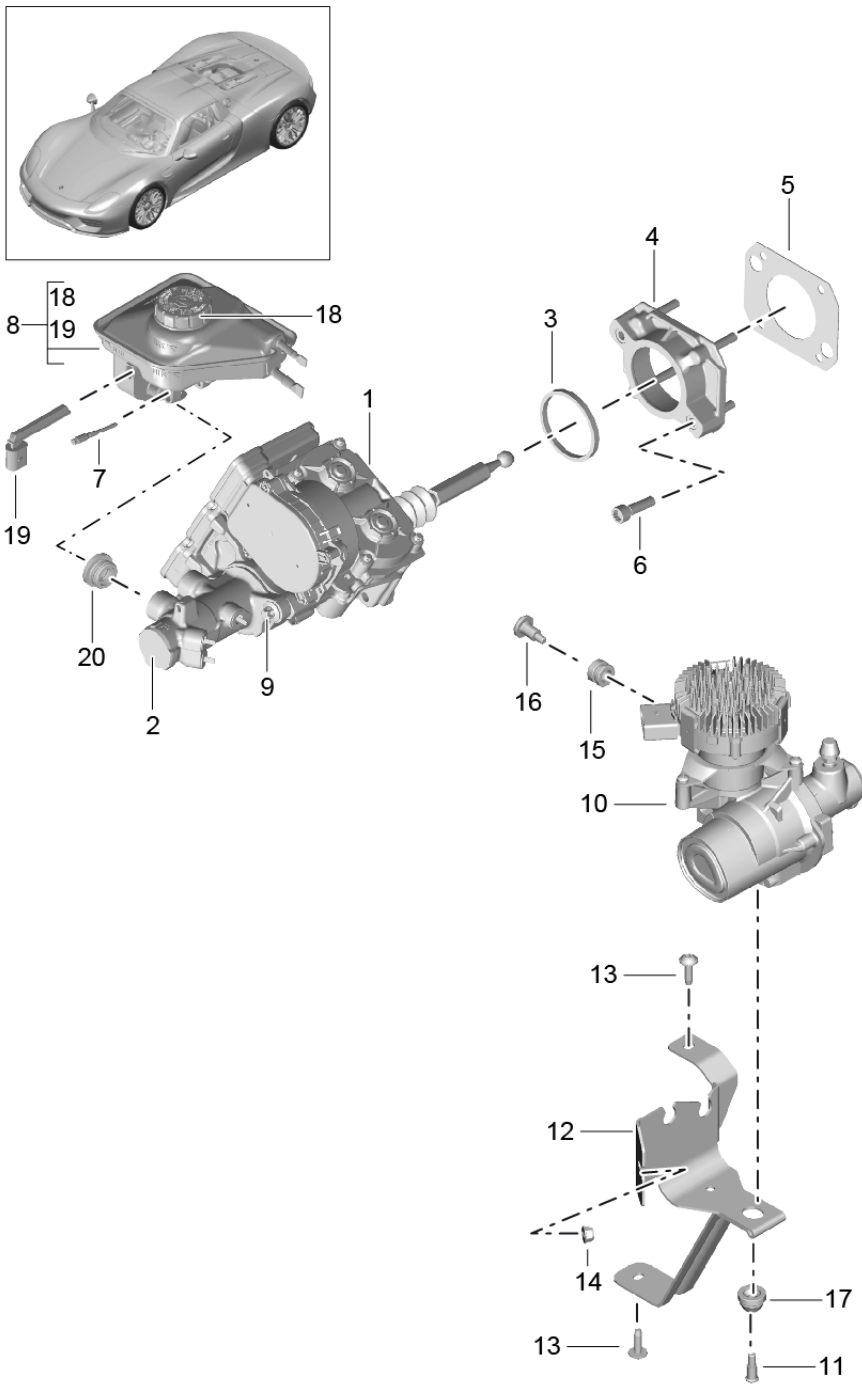
Model life 2015&gt;&gt;2015

Pos	Part Number	Description	Remark	Qty	Model
1	298 698 533	Parking brake Brake shoe Repair kit Comprising: 4 X Brake shoe Use also: Mounting parts		1	
2	298 609 723	Adjusting screw		2	
3	298 609 717	Tension spring		2	
4	298 609 715	Tension spring		2	
5	298 609 583	Compression spring		4	
8	918 352 521 00	Retainer plate	/L	1	
(8)	918 352 522 00	Retainer plate	/R	1	
9	N 107 512 01	Outer hexagon round screw M6 X 14 Key Parking brake See illustrations 7/01/00		6	



Model: 918

Model life 2015>>2015



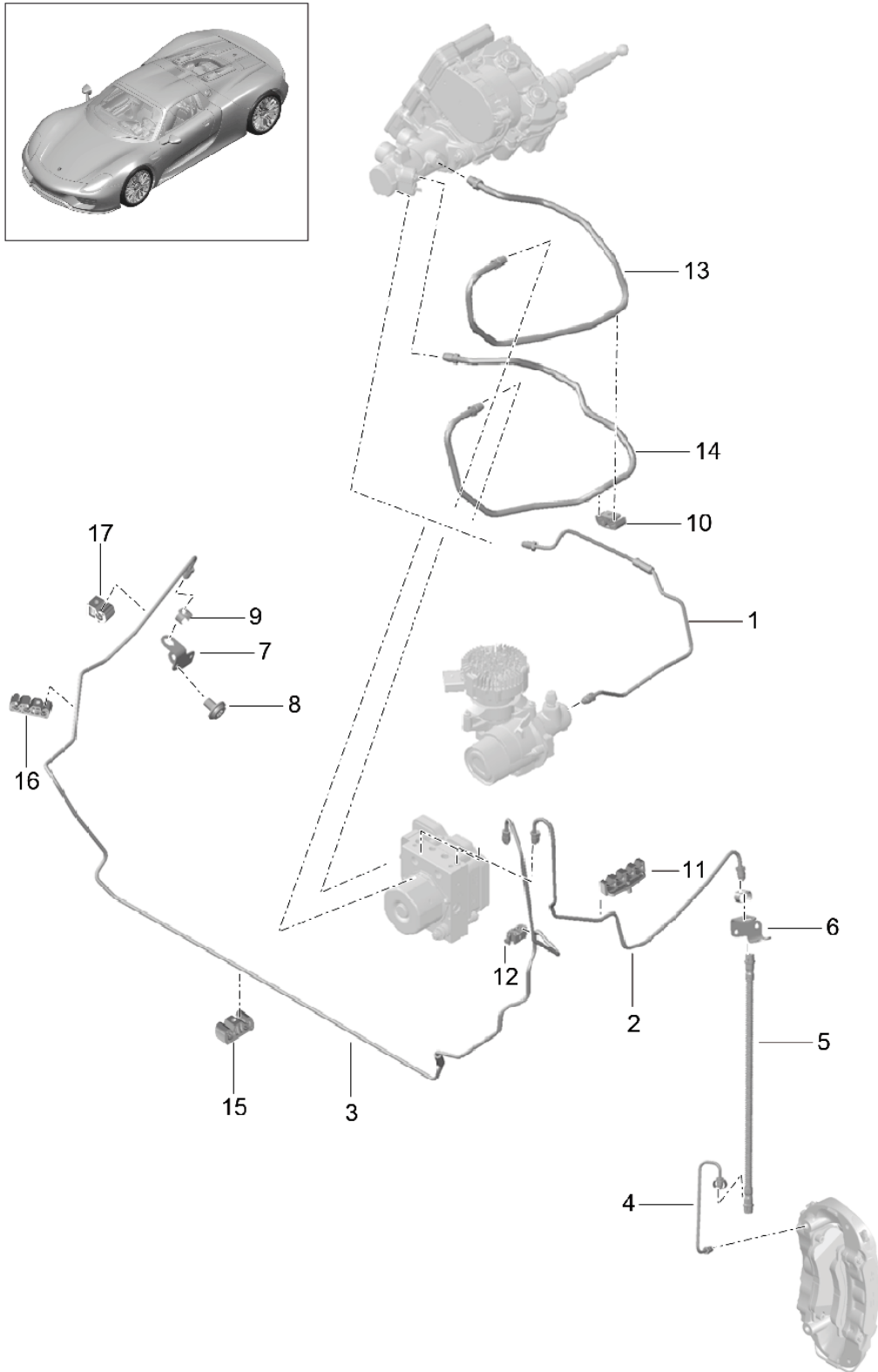
Model: 918

Model life 2015>>2015

Pos	Part Number	Description	Remark	Qty	Model
1	918 355 125 05	Brake master cylinder Brake booster Brake fluid reservoir Brake booster Complete		1	
2	918 355 945 03	Brake master cylinder		1	
3	918 355 925 00	Gasket Brake booster		1	
4	918 355 295 00	Spacer Brake booster		3	
5	918 355 595 00	Gasket		1	
6	N 105 521 02	Pan-head screw M8 X 28		2	
7	WHT 005 308	Outer hexagon round screw		4	
8	991 355 013 01	Expansion tank Brake fluid		1	
-	000 043 203 66	Brake fluid		X	
9	900 378 108 01	Hexagon-head bolt M 8 X 35		2	
10	918 355 145 00	Electric motor		1	
11	918 355 335 00	Bolt Screw		1	
12	918 355 303 00	Support		1	
13	N 107 254 01	Hexagon socket head bolt M6		2	
14	N 107 370 01	Clamping nut		1	
15	918 355 593 00	Buffer		2	
16	918 355 591 00	Bolt		2	
17	4F0 614 177	Rubber stop		1	
18	958 355 351 00	Lid		1	
19	958 355 377 00	Sensor		1	
20	958 355 922 00	Rubber seal Between Brake master cylinder And Expansion tank		2	

Model: 918

Model life 2015>>2015



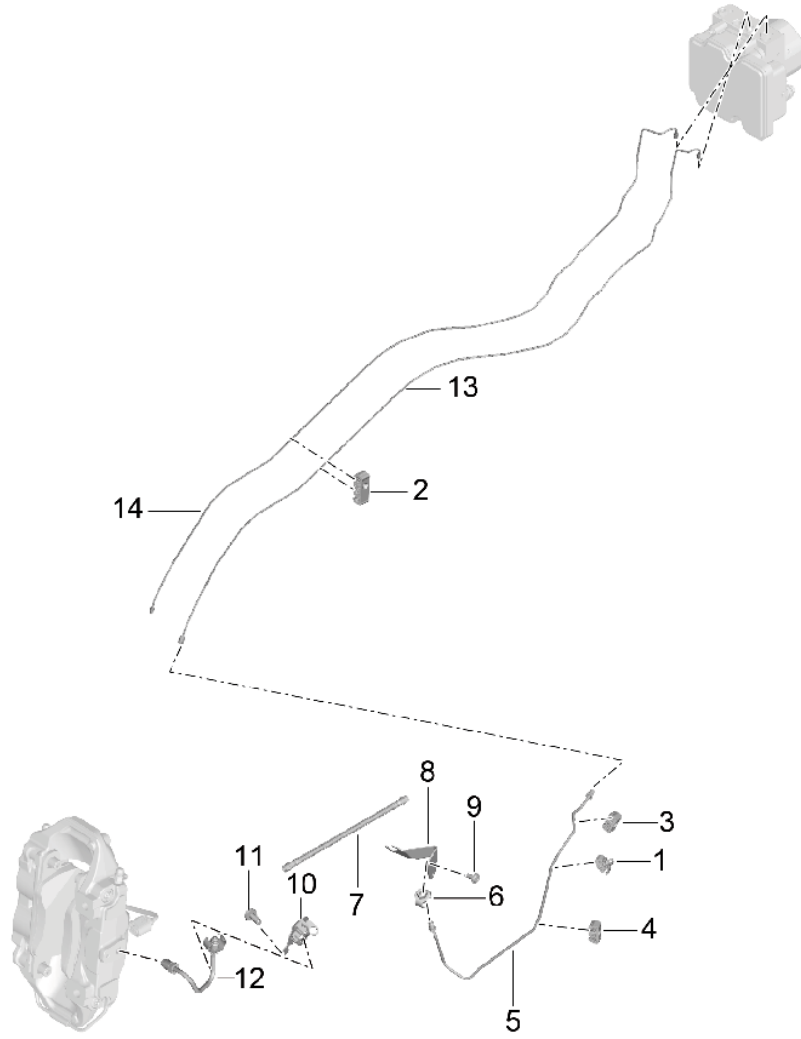
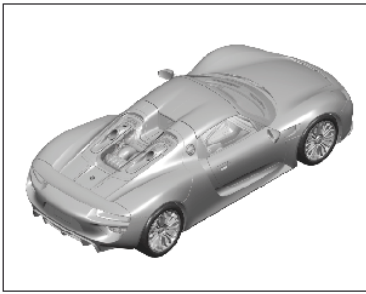
Model: 918

Model life 2015>>2015

Pos	Part Number	Description	Remark	Qty	Model
		Brake lines			
		Body front section			
1	918 355 351 05	Brake line		1	
2	918 355 175 04	Brake line	/L	1	
3	918 355 176 04	Brake line	/R	1	
4	918 355 587 00	Brake line	/L	1	
(4)	918 355 588 00	Brake line	/R	1	
5	918 355 137 00	Brake hose		2	
6	918 355 501 00	Support	/L	1	
		Brake hose			
(6)	918 355 502 00	Support	/R	1	
		Brake hose			
7	918 351 501 00	Support	/L	1	
		Brake hose			
(7)	918 351 502 00	Support	/R	1	
		Brake hose			
8	999 073 572 01	Lens-head screw		2	
		M6 X 8			
9	997 355 331 01	Retainer spring		2	
10	6Q0 611 797 C	Support		1	
11	955 355 544 00	Line bracket		1	
12	999 507 291 40	Cable holder		1	
13	918 355 311 03	Brake line		1	
14	918 355 313 04	Brake line		1	
15	8K0 611 797 D	Clip		3	
16	8K0 611 797 E	Line bracket		1	
		Information available			
17	999 651 409 40	Cable holder		1	

Model: 918

Model life 2015>>2015

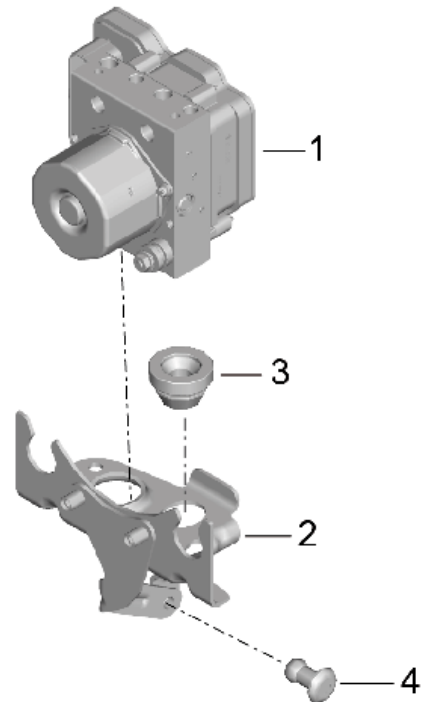
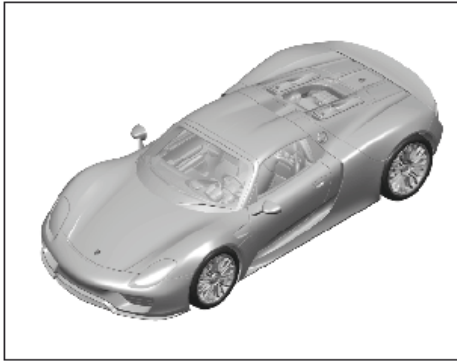


Model: 918 Model life 2015>>2015

Pos	Part Number	Description	Remark	Qty	Model
		Brake line			
		Underbody			
		Rear axle			
1	8K0 611 797 D	Clip		2	
2	8K0 611 797 E	Line bracket		7	
		Information available			
3	955 355 546 01	Support		1	
4	999 651 409 40	Cable holder		5	
5	918 355 189 02	Brake line	/L	1	
(5)	918 355 190 03	Brake line	/R	1	
6	997 355 331 01	Retainer spring		2	
7	918 355 139 00	Brake hose		2	I450
8	918 352 501 00	Support	/L	1	
		Brake hose			
(8)	918 352 502 00	Support	/R	1	
		Brake hose			
9	999 015 025 A1	Oval-head screw		4	
		M 6 X 12			
10	918 355 501 00	Support	/L	1	
		Brake hose			
(10)	918 355 502 00	Support	/R	1	
		Brake hose			
11	N 107 512 01	Outer hexagon round screw		2	
		M 6 X 14			
12	918 355 585 00	Brake line	/L	1	I450
(12)	918 355 586 00	Brake line	/R	1	I450
13	918 355 177 03	Brake line	/L	1	
14	918 355 179 03	Brake line	/R	1	

Model: 918

Model life 2015>>2015



Model: 918

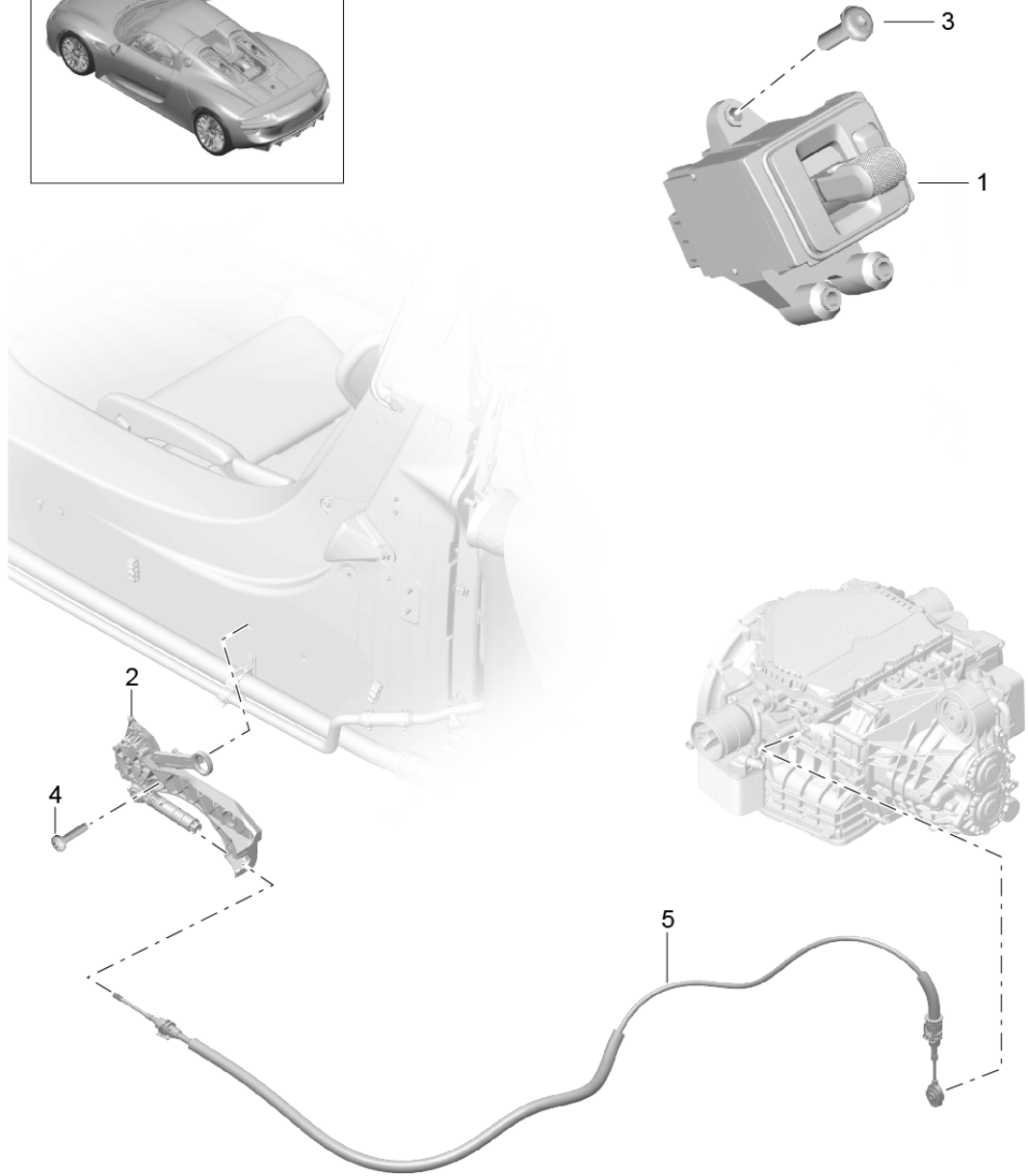
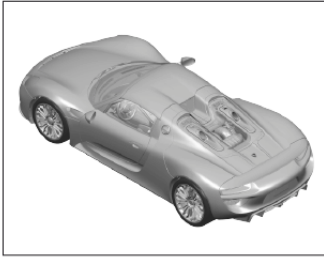
Model life 2015>>2015

Pos	Part Number	Description	Remark	Qty	Model
		Hydraulic unit Anti-lock brake system Control			
1	918 355 955 02	Hydraulic unit		1	
2	918 355 133 01	Support		1	
3	4F0 614 177	Rubber stop		1	
4	999 190 236 01	Blind rivet		3	
-	918 355 935 01	Parts kit Mount Hydraulic unit Comprising: Nut Washer Damping rubber		1	
5	991 606 145 03	Sensor		1	
6	900 385 275 01	Torx screw BM 6X 20		2	



Model: 918

Model life 2015>>2015



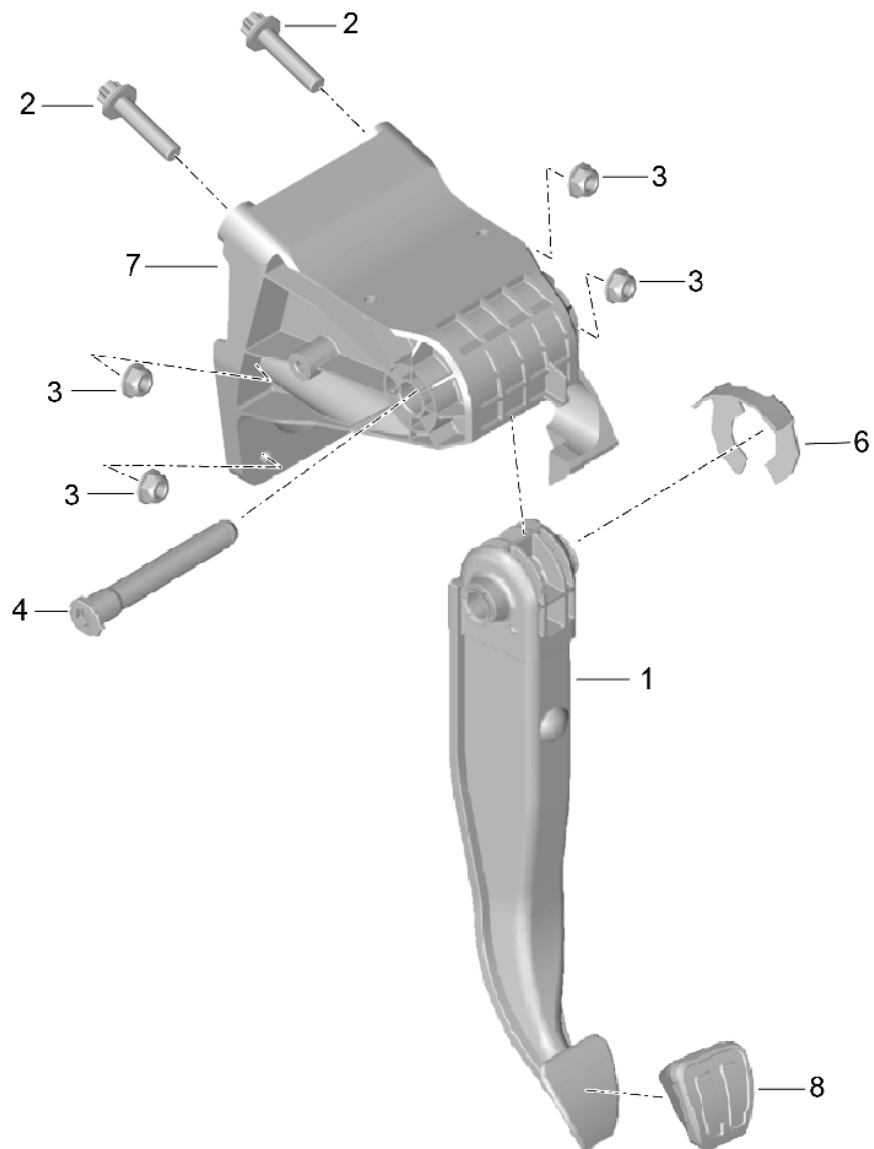
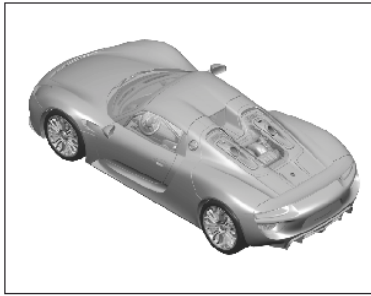
Model: 918

Model life 2015>>2015

Pos	Part Number	Description	Remark	Qty	Model
1	918 426 011 01	Selector lever Parking lock		1	
(1)	918 426 011 02	Selector knob		1	
2	918 426 021 00	Emergency operation Parking lock		1	
3	999 073 345 09	Lens-head screw M5X 18		3	
4	999 073 102 01	Round head screw M6 X 25		2	
5	918 426 033 00	Bowden cable Emergency operation Parking brake		1	

Model: 918

Model life 2015>>2015



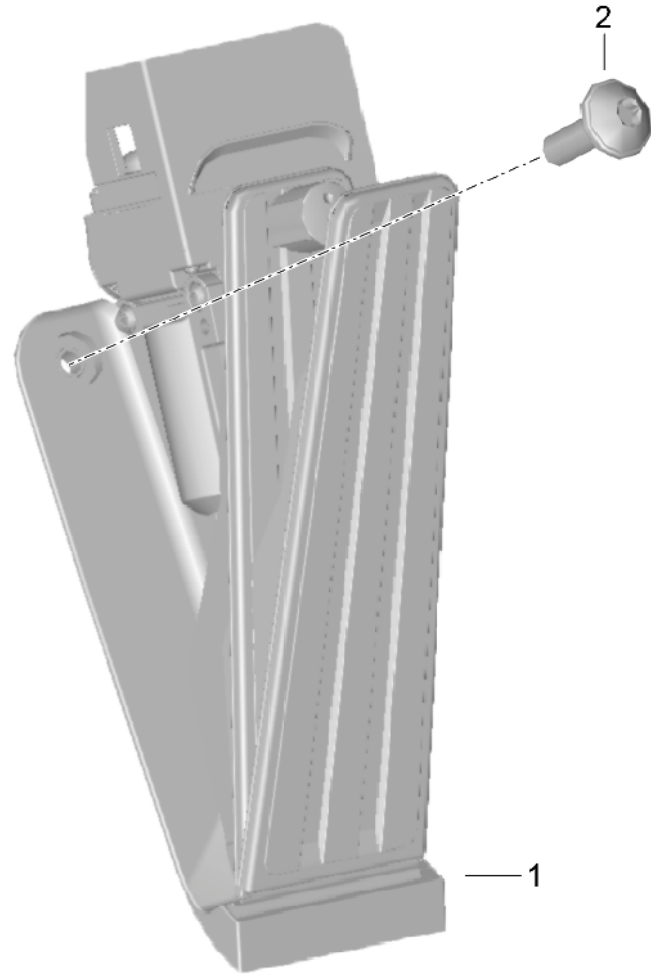
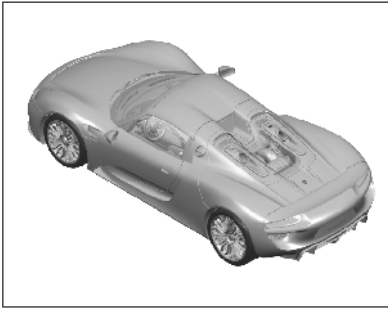
Model: 918

Model life 2015&gt;&gt;2015

Pos	Part Number	Description	Remark	Qty	Model
1	918 423 041 02	Brake pedal Brake pedal Use also: 9P1721173		1 1	
2	900 385 042 01	Torx screw Brake pedal M8 X 35		2	
3	N 023 003 14	Hexagon nut M8		4	
4	918 423 283 00	Bearing pin		1	
6	999 166 092 01	K1-lock		1	
7	918 423 065 01	Bearing bracket		1	
8	9P1 721 173	Pedal cap Base		1	
8	9P1 721 173 B	Pedal cap Base		1	

Model: 918

Model life 2015>>2015



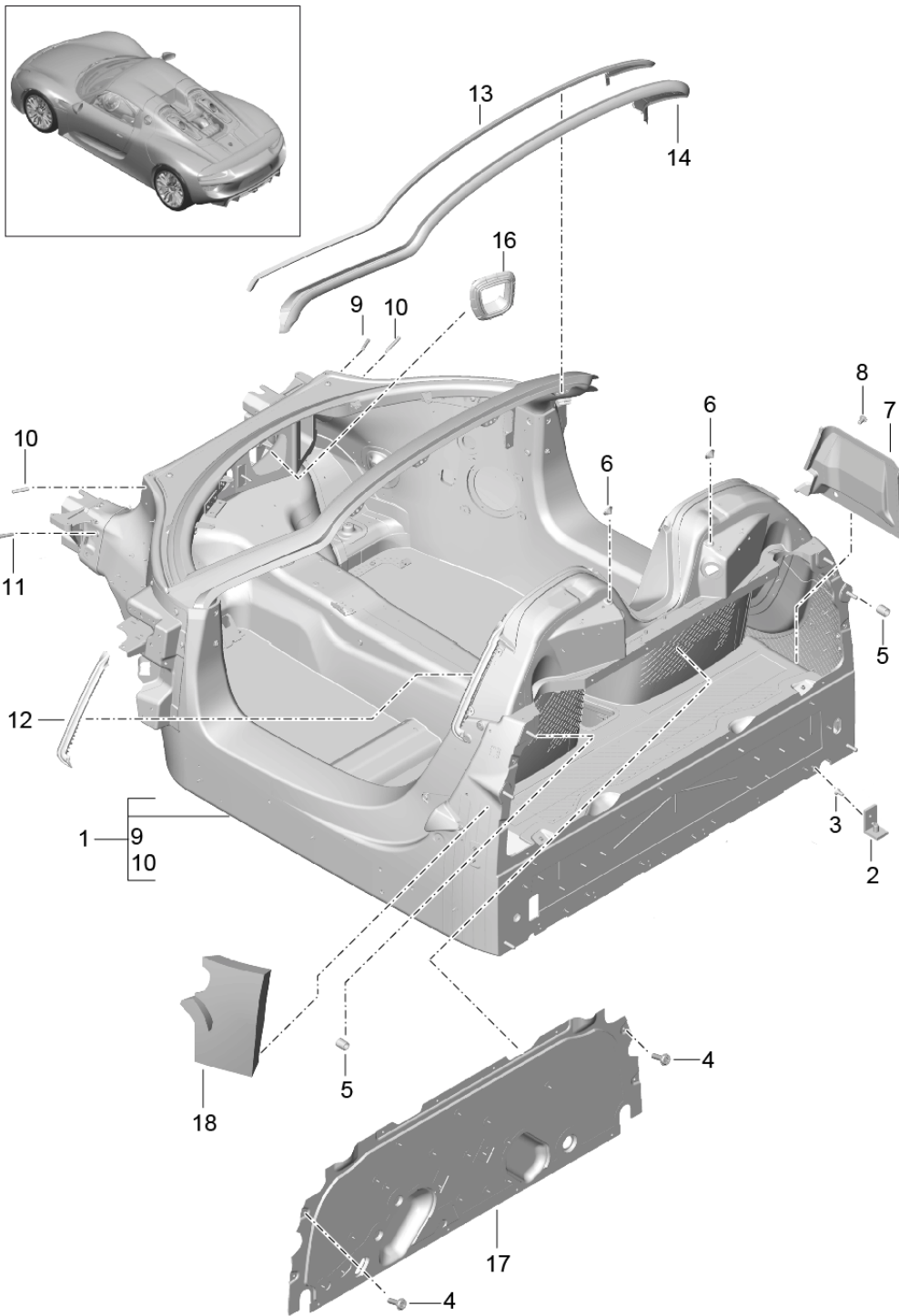
Model: 918

Model life 2015&gt;&gt;2015

Pos	Part Number	Description	Remark	Qty	Model
1	918 423 021 03	Accelerator control		1	
1	918 423 021 04	Accelerator control		1	
2	N 107 148 01	Outer hexagon round screw M 6 X 18		1	

Model: 918

Model life 2015>>2015



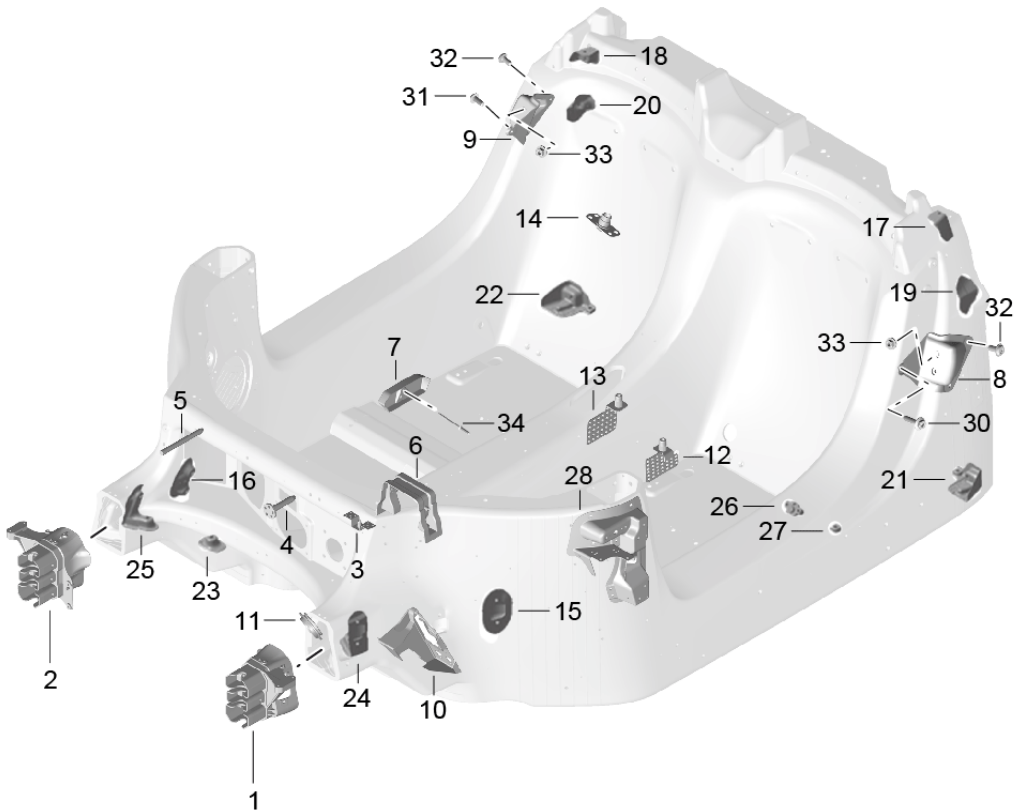
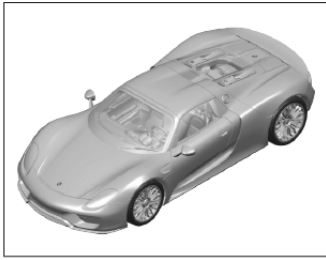
Model: 918 Model life 2015>>2015

Pos	Part Number	Description	Remark	Qty	Model
1		Monocoque Accessories Monocoque Complete See illustrations 8/01/02		1	
-		Shut-off valve Hybrid Battery See illustrations 9/01/40		1	
2	918 501 151 00	Support Battery		6	
3	900 249 001 03	Countersunk-head screw M6 X 15		X	
4	999 073 252 A1	Oval-head screw M6 X 20		X	
5	999 095 040 01	Dowel sleeve 16M7 X 18,5		6	
6	999 703 421 40	Grommet		2	
7	918 501 381 00	Cover		1	
8	999 015 025 A1	Oval-head screw M6 X 12		4	
9	999 061 404 02	Stud M10 X 27		4	
10	999 061 401 02	Stud M10 X 40		4	
11	999 061 404 02	Stud M10 X 27		X	
12	918 504 287 01	Gasket Door window glass	/L	1	
(12)	918 504 288 01	Gasket Door window glass	/R	1	
13	918 504 283 00	Additional gasket Windscreen frame		1	
14	918 504 281 01	Gasket Windscreen frame		1	
16	991 573 769 01	Grommet Air conditioner Firewall		1	
17	918 501 131 05	Lid Tank covering		1	
18	918 556 623 00	Sound absorber Door sill Upper Left	/L	1	
(18)	918 556 624 00	Sound absorber Door sill Upper Right	/R	1	
-		Auxiliary support See illustrations 4/01/00		1	
-	999 917 086 00	Grease Gaskets		1	



Model: 918

Model life 2015>>2015



Model: 918 Model life 2015>>2015

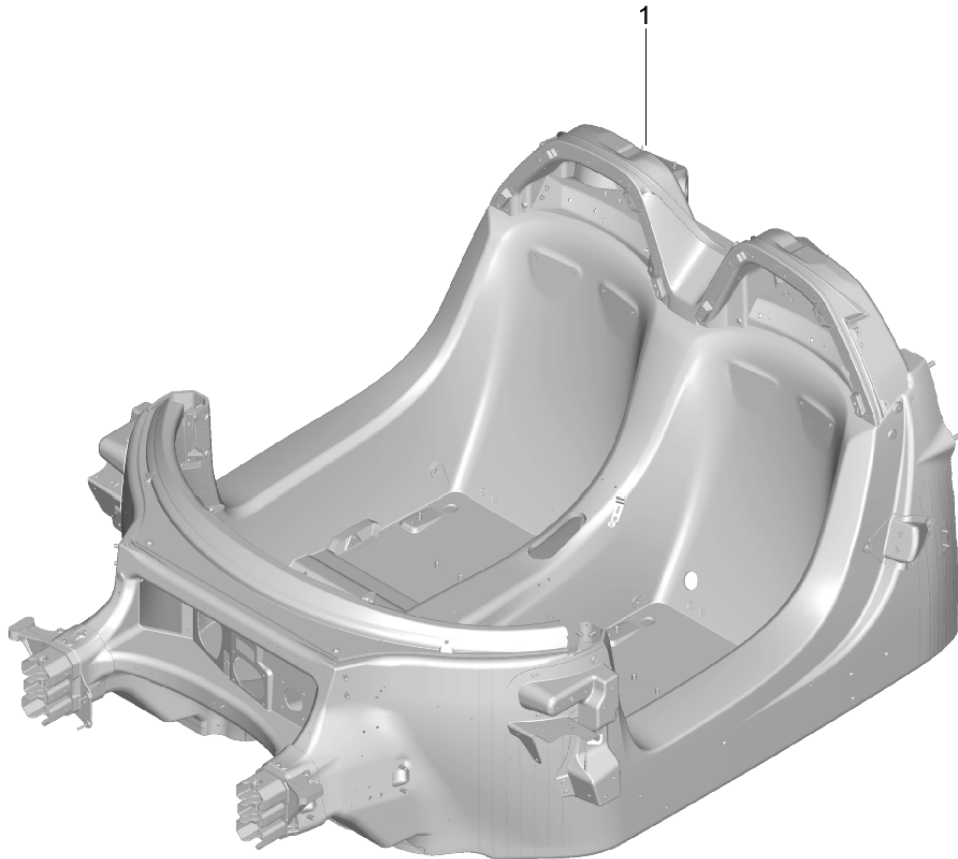
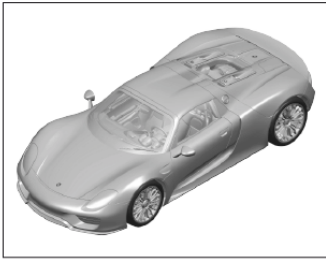
Pos	Part Number	Description	Remark	Qty	Model
		Special repair concept Monocoque See technical manual Group 5			
1	918 501 403 04	Adapter Bracket	/L	1	
2	918 501 404 04	Adapter Bracket	/R	1	
3	918 501 517 00	Support Underbody		2	
4	918 572 481 00	Support Air conditioner		1	
5	918 572 785 00	Support Blower		1	
6	918 501 409 00	Bracket Tunnel Use also:		1	
7	918 618 231 00	POS32 Adapter Side airbag		2	
8	918 537 433 01	Bracket Catch bar	/L	1	
9	918 537 434 01	Bracket Catch bar	/R	1	
10	918 551 609 00	Bracket Foot support		1	
	918 551 609 00 A3G	Carbon Gloss Black			
11	918 347 247 00	Bracket Firewall Inner		1	
12	918 618 405 01	Support Tyre pressure monitoring	/L	1	
13	918 618 406 01	Support Tyre pressure monitoring	/R	1	
14	918 501 351 00	Mount Restraining strap		2	
(15)	918 501 931 50	Mount Wishbone Rear	/L	1	
(16)	918 501 930 51	Upper Mount Wishbone Rear	/R	1	
(17)	918 501 931 53	Upper Mount Unit carrier	/L	1	
(18)	918 501 930 52	Upper Mount Unit carrier	/R	1	
(19)	918 501 931 55	Upper Mount Unit carrier	/L	1	
(20)	918 501 930 54	Centre Mount Unit carrier	/R	1	
(21)	918 501 931 57	Centre Mount Unit carrier	/L	1	
(22)	918 501 930 56	Lower Mount Unit carrier	/R	1	
(23)	918 501 932 58	Lower Mount		2	

Model: 918 Model life 2015>>2015

Pos	Part Number	Description	Remark	Qty	Model
(24)	918 501 931 60	Front axle Auxiliary support Mount Wishbone Front Upper	/L	1	
(25)	918 501 930 59	Mount Wishbone Front Upper	/R	1	
(26)	918 501 933 61	Reinforcement Battery Plate		4	
(27)	918 501 934 62	Mount Battery		4	
28	918 501 905 00	Bracket Hinge Door with Mounting parts	/L	1	
(28)	918 501 906 00	Bracket Hinge Door with Mounting parts	/R	1	
30	999 072 085 01	Hexagon-head bolt POS8	/L	1	
31	999 073 258 01	Oval-head screw POS9	/R	1	
32	999 073 592 01	Oval-head screw M6 X 16 POS8 POS9		2	
33	999 084 459 01	Hexagon nut M8 POS8 POS9		2	
34	999 190 243 01	Blind rivet POS7		2	

Model: 918

Model life 2015>>2015



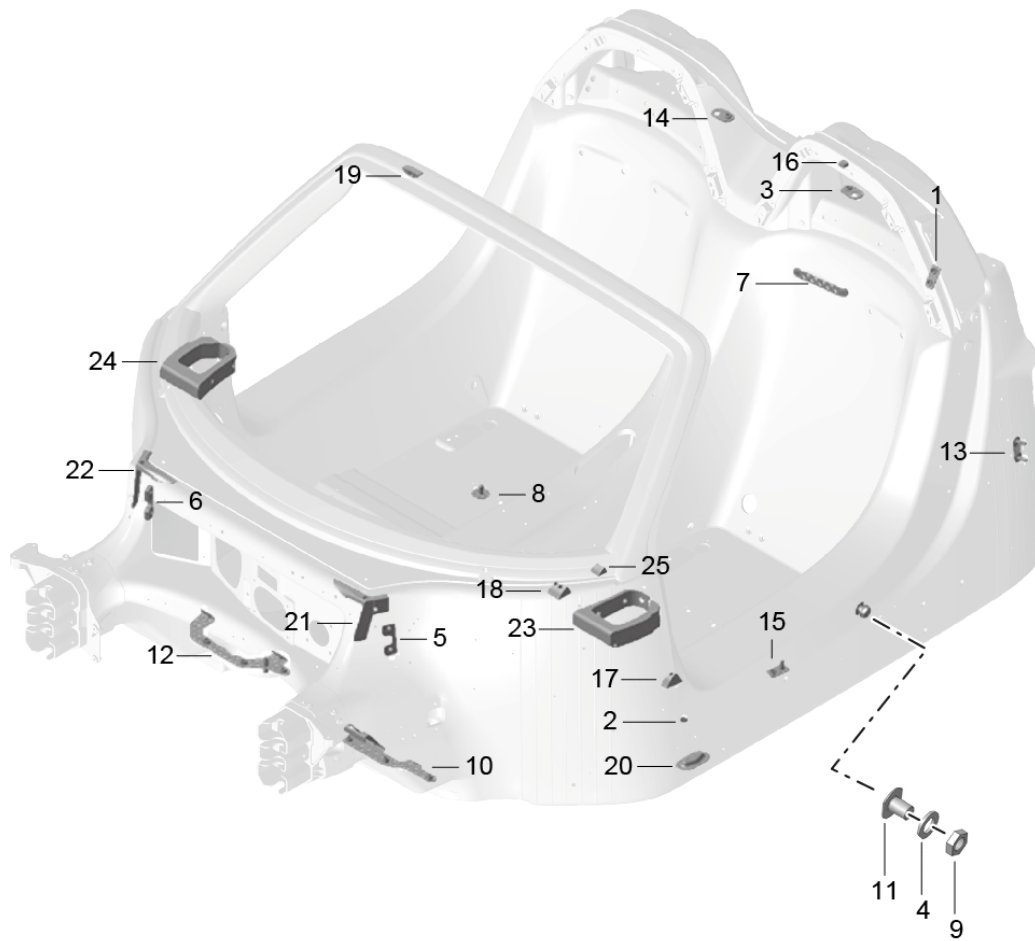
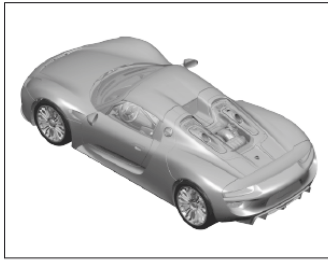
Model: 918

Model life 2015>>2015

Pos	Part Number	Description	Remark	Qty	Model
1	918 501 901 00	Monocoque Complete Vehicle Ident. No. Indicate Monocoque Complete without Cover Cowl Order also: Cover Cowl See illustrations 8/01/05 Position 13		1	

Model: 918

Model life 2015>>2015

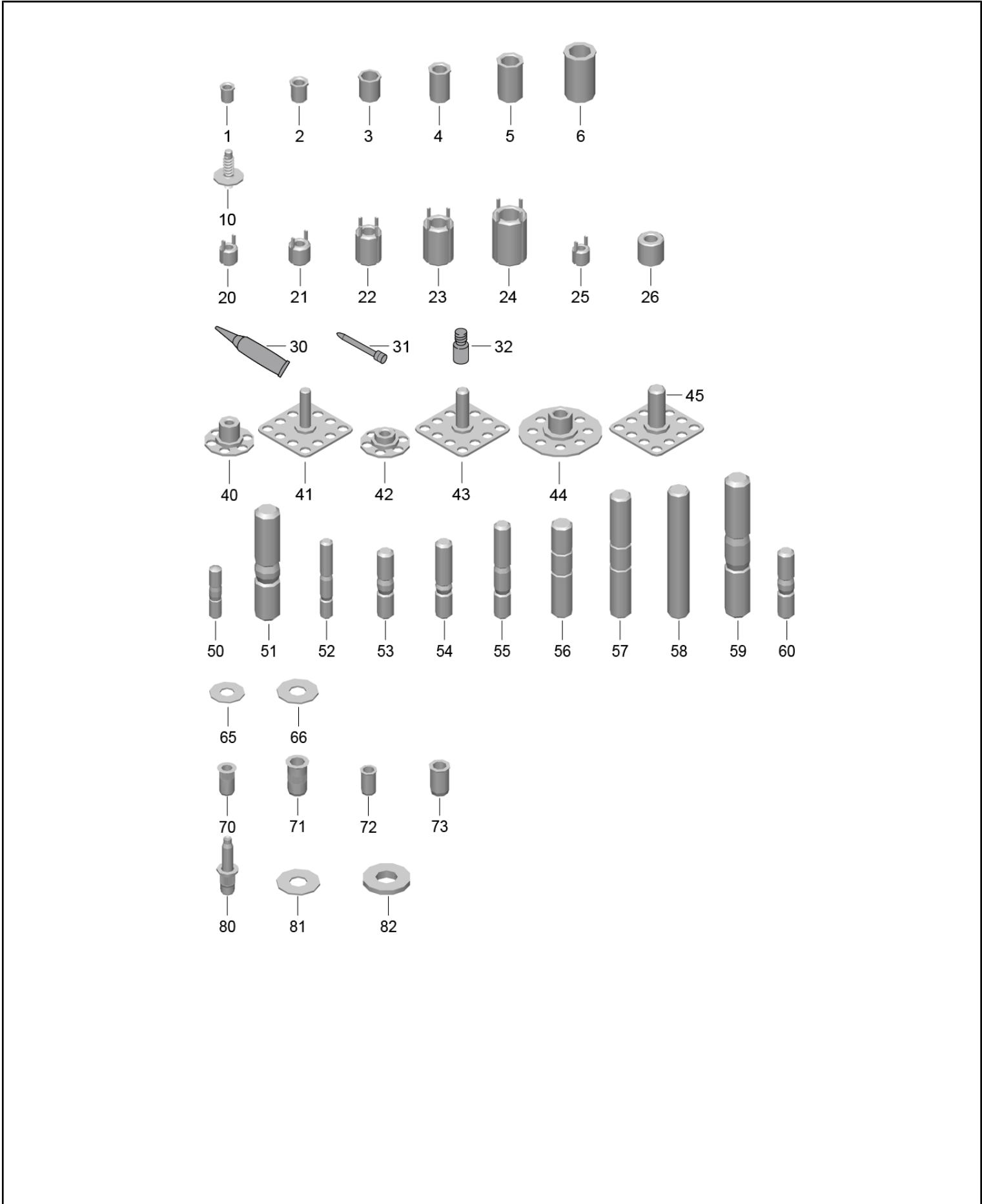


Model: 918 Model life 2015>>2015

Pos	Part Number	Description	Remark	Qty	Model
		Special repair concept Monocoque See technical manual Group 5			
1	918 501 940 00	Belt		2	
2	918 501 940 01	Seat		4	
3	918 501 940 03	Belt	/L	1	
		Guide			
4	918 501 940 04	Spacer		4	
5	918 501 941 05	Mount		1	
		Spring strut			
6	918 501 940 05	Mount		2	
		Spring strut			
7	918 501 940 06	Belt		4	
8	918 501 940 07	Belt		4	
9	918 501 940 08	Hexagon nut		4	
10	918 501 940 09	Mounting plate		1	
		Driver's side			
11	918 501 940 10	Belt		4	
12	918 501 940 11	Mounting plate		1	
		Passenger's side			
13	918 501 940 12	Door lock		2	
14	918 501 941 03	Belt	/R	1	
		Guide			
15	918 501 940 13	Seat		4	
(16)	918 501 960 59	Aluminium auxil. support		4	
		Roll-over bar			
(17)	918 501 960 50	Seat rail		2	
		Outer			
(18)	918 501 960 51	Seat rail	/L	1	
		Inner			
(18)	918 501 960 52	Seat rail	/R	1	
		Inner			
(19)	918 501 960 55	Mount	/L	1	
		Roof			
		Outer			
(19)	918 501 960 56	Mount	/L	1	
		Roof			
		Centre			
(19)	918 501 960 57	Mount	/R	1	
		Roof			
		Centre			
(19)	918 501 960 58	Mount	/R	1	
		Roof			
		Outer			
(20)	918 501 950 50	Lifting platform		2	
(21)	918 501 951 51	Mount	/L	1	
		Spring strut			
(22)	918 501 952 52	Mount	/R	1	
		Spring strut			
(23)	918 501 951 53	Mount	/L	1	
		A-pillar			
(24)	918 501 952 54	Mount	/R	1	
		A-pillar			
25	918 501 960 53	Mount	/L	1	
		Tunnel			
(25)	918 501 960 54	Mount	/R	1	
		Tunnel			

Model: 918

Model life 2015>>2015





Model: 918

Model life 2015&gt;&gt;2015

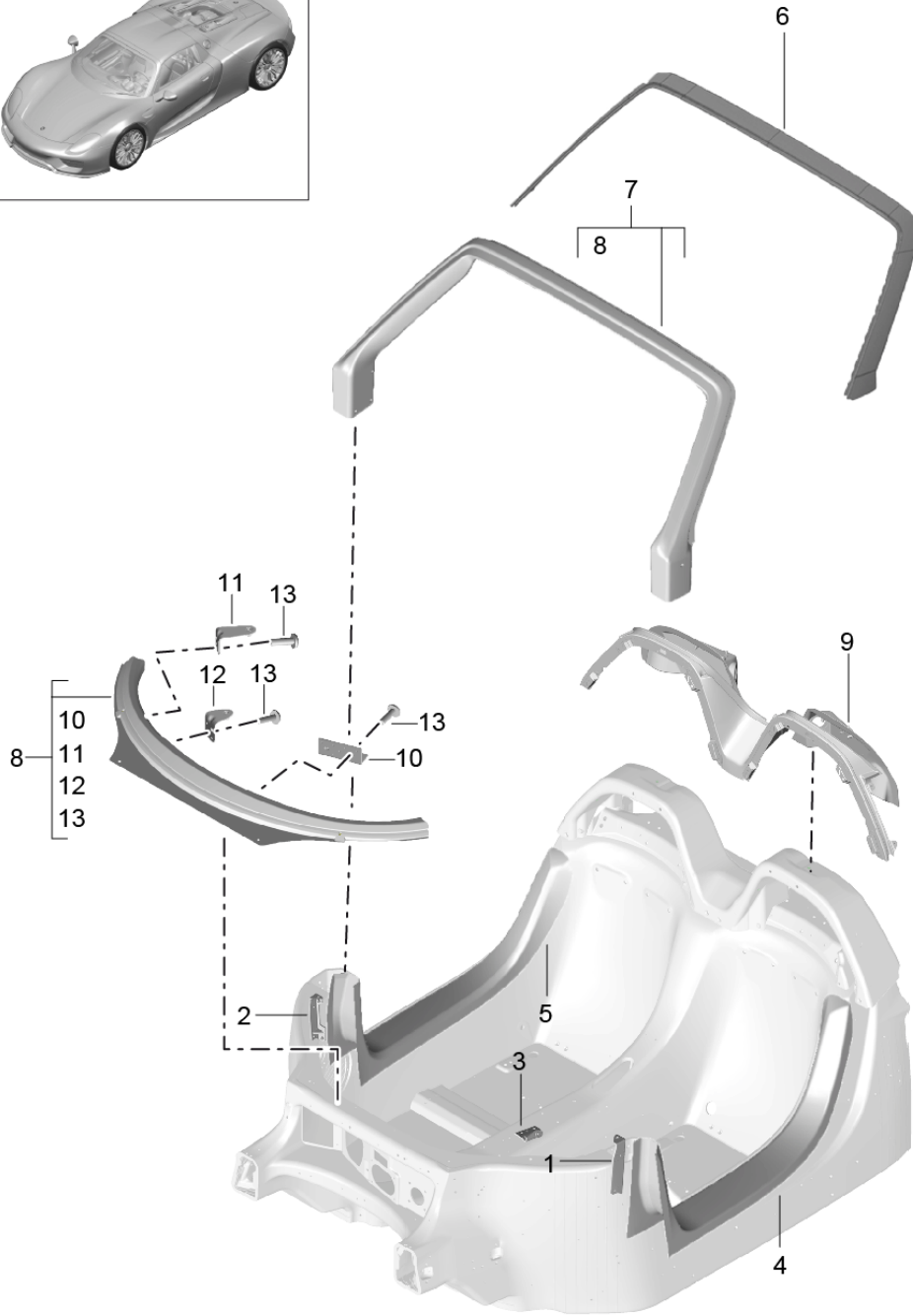
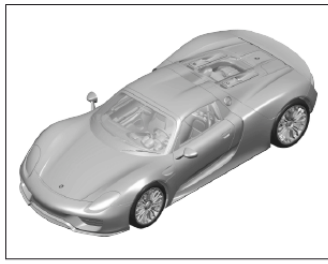
Pos	Part Number	Description	Remark	Qty	Model
		Thread repair See technical manual Group 5			
1	999 504 271 00	Threaded bush Time - sert M5 X 0,8 X 7,6		X	
2	999 504 251 00	Complete set Threaded bush Time - sert M6 X 1,0 Including Tool		X	
3	999 504 259 00	Threaded bush Time - sert M8 X 1,25 X 11,7		X	
4	999 504 252 00	Complete set Threaded bush Time - sert M8 X 1,25 Including Tool		X	
5	999 504 253 00	Complete set Threaded bush Time - sert M10 X 1,5 Including Tool		X	
6	999 504 255 A2	Complete set Threaded bush Time - sert M12 Including Tool		1	
10	999 516 102 01	Bolt		X	
20	999 504 225 00	Threaded bush Keensert M5 X 0,8 X 8		X	
21	999 504 226 00	Threaded bush Keensert M6 X 1,0 X 10		X	
22	999 504 272 00	Threaded bush Keensert M8 X 1,25 X 16		X	
23	999 504 273 00	Threaded bush Keensert M10 X 1,5 X 20		X	
24	999 504 274 00	Threaded bush Keensert M12 X 1,5 X 24		X	
25	999 504 277 01	Threaded bush Keensert M5 X 0,8 X 10		X	
26	999 504 256 00	Threaded bush Keensert M6 X 1,0 X 12		X	
30	000 043 302 57	Adhesive SCOTCHWELD DP490 50ML		X	
31	000 043 302 58	Adhesive set Thread repair PERMABOND PT321 50ML Mixing tube		X	
				1	
				2	

Model: 918 Model life 2015&gt;&gt;2015

Pos	Part Number	Description	Remark	Qty	Model
32	928 101 921 00	Loctite 10ML		X	
40	999 516 109 01	Threaded bush bigHead M5 X 10		X	
41	999 516 105 01	Threaded bush bigHead M5 X 20		X	
42	999 516 103 01	Threaded bush bigHead M6 X 5		X	
43	999 516 104 01	Threaded bush bigHead M6 X 20		X	
44	999 516 106 01	Threaded bush bigHead M8 X 10		X	
45	999 516 107 01	Threaded bush bigHead M8 X 20		X	
46	999 516 108 01	Threaded bush bigHead M8 X 30		X	
50	900 060 115 01	Stud M6 X 15		X	
51	900 060 116 01	Stud M12X1		X	
52	900 060 070 03	Stud M6 X 30		X	
53	900 060 082 02	Stud M8FO X 20		X	
54	900 060 081 A1	Stud M8FO X 25		X	
55	900 060 090 A1	Stud M8FO X 35		X	
56	999 061 404 02	Stud M10 X 27		X	
57	999 061 401 02	Stud M10 X 40		X	
58	999 061 035 01	Stud M10 X 47		X	
59	900 305 022 02	Stud M12 X1,5 X 50		X	
60	900 060 082 02	Stud BM12 X 1,5 X 35		X	
65	999 025 282 00	Washer M5		X	
66	999 025 283 00	Washer M6		X	
70	999 500 203 01	Blind rivet nut M5		X	
71	999 500 204 01	Blind rivet nut M6		X	
72	999 500 209 01	Blind rivet nut M5		X	
73	999 500 210 01	Blind rivet nut M6		X	
80	999 080 077 01	Screw M5		X	
81	999 025 288 01	Washer 8,2 X 20 X 0,9		X	
82	999 209 123 01	Spacer sleeve		X	

Model: 918

Model life 2015>>2015

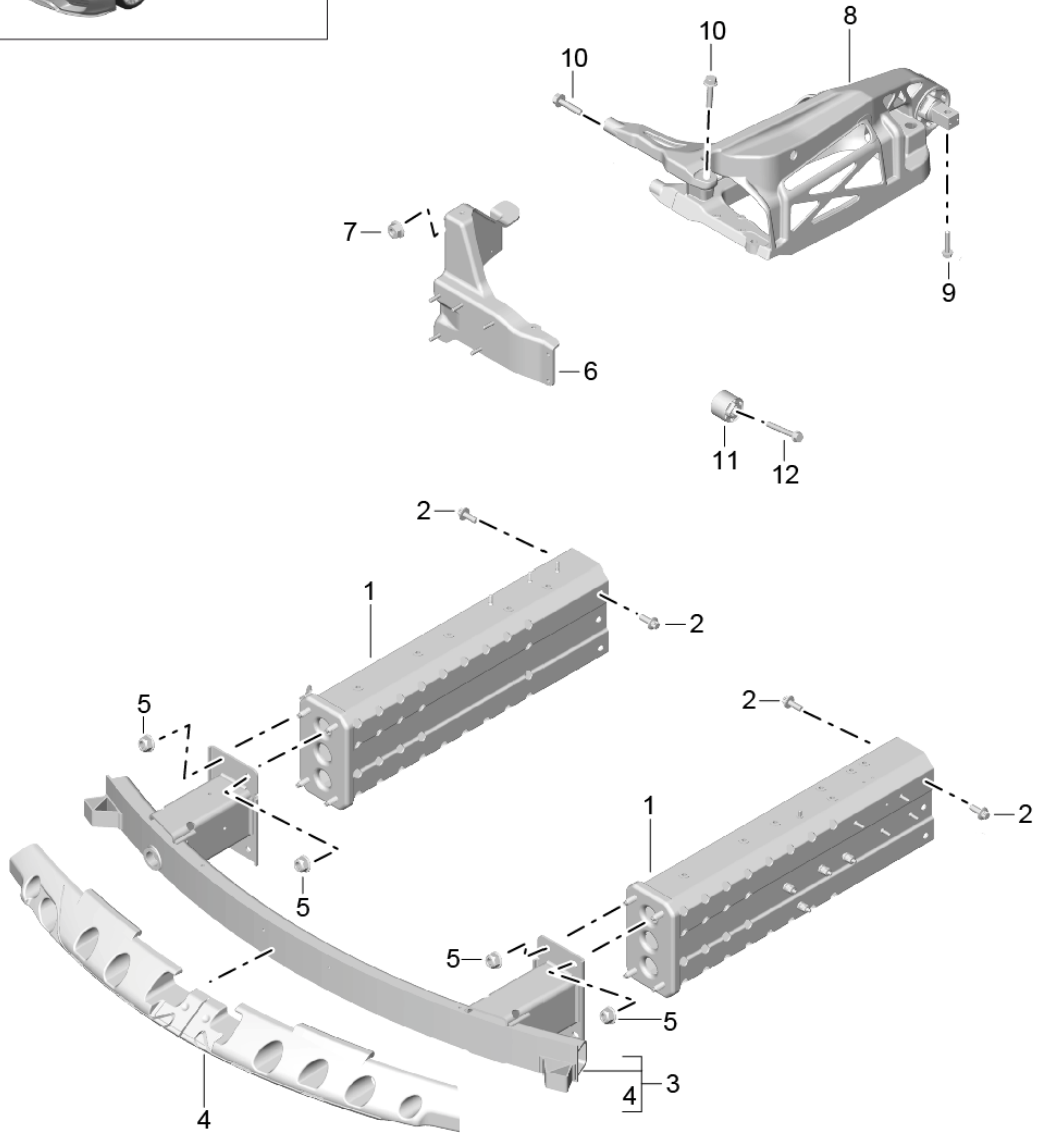
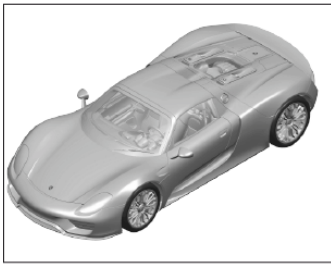


Model: 918 Model life 2015>>2015

Pos	Part Number	Description	Remark	Qty	Model
		Special repair concept Monocoque See technical manual Group 5			
1	918 552 617 01	Support	/L	1	
		Retaining frame			
2	918 552 619 01	Support	/R	1	
		Retaining frame			
3	918 552 625 01	Bracket		1	
		Support			
4	918 501 913 00	Sill cover	/L	1	
5	918 501 914 00	Sill cover	/R	1	
6	918 501 907 00	Cowl		1	
		Lining			
	918 501 907 00 A3G	Carbon Gloss Black			
	918 501 907 00 G21	Prime coated			
7	918 501 902 00	Cowl		1	
		Upper			
		Order also:			
		Position			
		8			
		Comprising:			
		Cowl		1	
		Support		2	
		Blind rivet		2	
		Blind rivet		2	
8	918 501 903 00	Cowl		1	
		Lower			
		Comprising:			
		Cowl panel support		1	
		Support		2	
		Support		2	
		Support		1	
		Oval-head screw		8	
		Oval-head screw		4	
9	918 501 904 00	Roll-over bar		1	
		Comprising:			
		Frame		1	
		Cover		1	
		Upper			
		Cover		2	
		Head rest			
		Countersunk-head screw		16	
10	918 552 615 01	Support		1	
		Retaining frame			
		Cowl			
11	918 552 621 01	Support		2	
		Retaining frame			
		Cowl			
12	918 552 623 01	Support		2	
		Retaining frame			
		Cowl			
13	999 073 621 01	Oval-head screw		X	
		M5X16			
		for			
		POS10			
		POS11			
		POS12			

Model: 918

Model life 2015>>2015



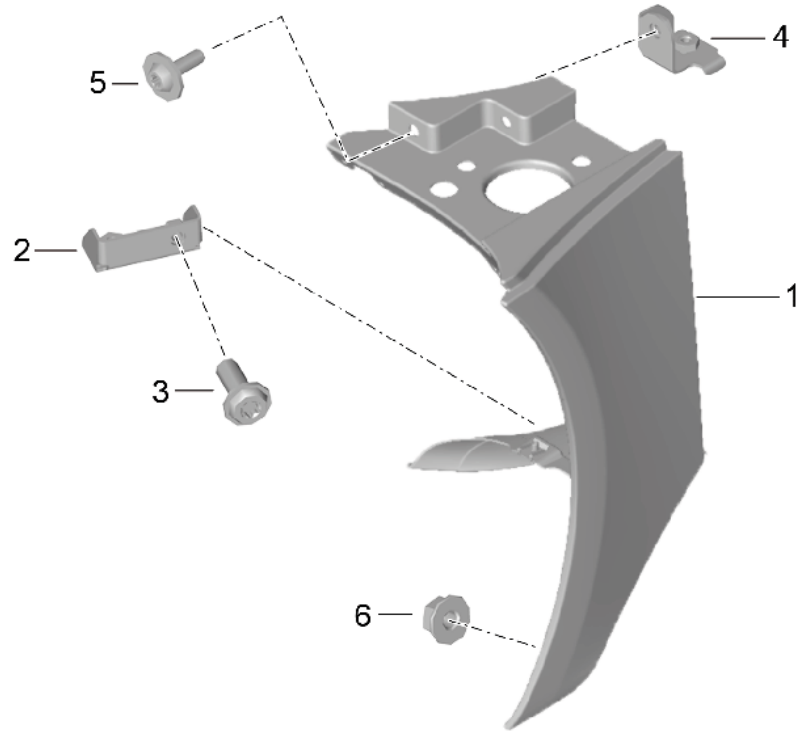
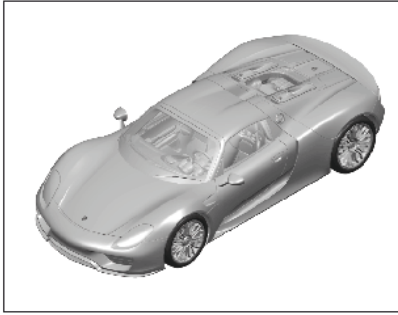
Model: 918

Model life 2015&gt;&gt;2015

Pos	Part Number	Description	Remark	Qty	Model
		Body front section			
		Bodyshell			
1	918 501 311 03	Bracket	/L	1	
(1)	918 501 312 03	Bracket	/R	1	
2	900 385 274 01	Torx screw		X	
		M 10 X 25			
3	918 505 041 00	Bumper reinforcement		1	
		Front			
4	918 505 779 00	Bracket		1	
		Front			
5	900 380 021 A1	Hexagon nut		6	
		M 10			
6	918 501 441 01	Assembly frame		1	
		Bracket			
7	900 377 018 01	Hexagon nut		3	
		M6			
8	918 375 013 02	Engine carrier		1	
9	N 106 620 01	Hexagon-head bolt		2	
		M8 X 40			
10	N 106 999 01	Hexagon-head bolt		4	
		M10 X 45			
11	918 375 347 01	Rubber mounting		2	
12	999 072 853 02	Hexagon-head bolt		2	
		M12 X 95			

Model: 918

Model life 2015>>2015



Model: 918

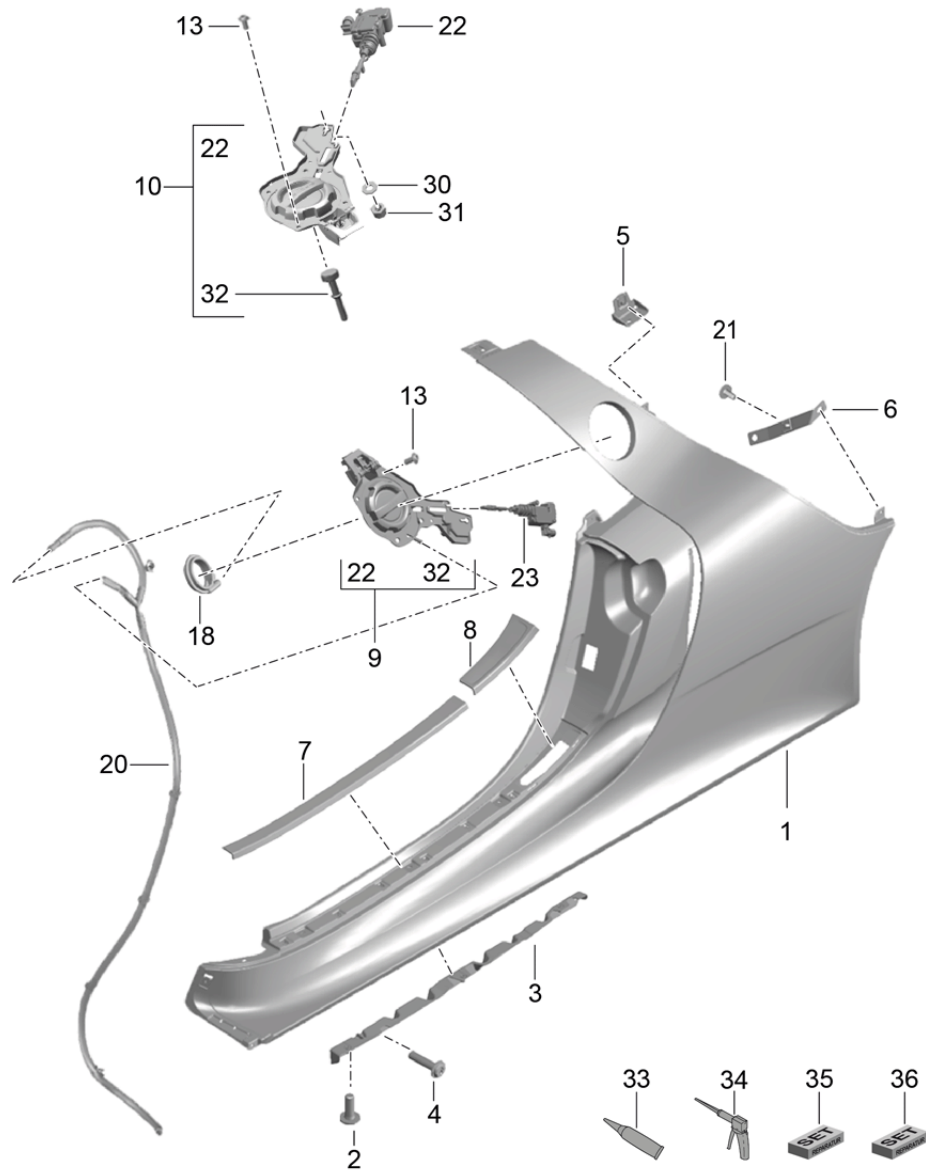
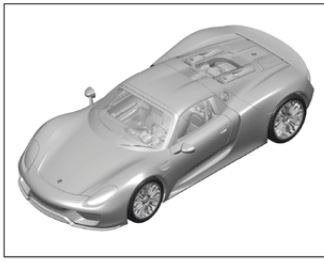
Model life 2015>>2015

Pos	Part Number	Description	Remark	Qty	Model
		Body front section			
		Accessories			
		Side section			
1	918 505 131 01	Side section	/L	1	
	918 505 131 01 G21	Prime coated			
(1)	918 505 132 01	Side section	/R	1	
	918 505 132 01 G21	Prime coated			
2	918 505 521 01	Support	/L	1	
		Side section			
		Lower			
(2)	918 505 522 01	Support	/R	1	
		Side section			
		Lower			
3	999 015 026 A1	Oval-head screw		4	
		M6 X 16			
4	918 505 451 01	Support		4	
		Side section			
		Upper			
5	999 073 446 A1	Oval-head screw		8	
		M5 X 16			
6	900 377 022 00	Hexagon nut		2	
		M6			



Model: 918

Model life 2015>>2015



Model: 918 Model life 2015>>2015

Pos	Part Number	Description	Remark	Qty	Model
1	918 559 211 01	Door sill			
		Tank filler neck			
	918 559 211 01	Door sill	/L	1	
	918 559 211 01 G21	Prime coated			
(1)	918 559 212 01	Door sill	/R	1	
	918 559 212 01 G21	Prime coated			
2	999 015 026 A1	Oval-head screw		X	
		M6 X 16			
3	918 559 511 02	Retaining strip	/L	1	
(3)	918 559 512 02	Retaining strip	/R	1	
4	999 073 253 A1	Oval-head screw		6	
		M6 X 25			
5	918 559 701 01	Support		2	
		Door sill			
6	918 559 601 00	Strut	/L	1	
		Door sill			
(6)	918 559 602 00	Strut	/R	1	
		Door sill			
7	918 559 521 01	Scuff plate	/L	1	
	918 559 521 01 G21	Prime coated			
(7)	918 559 522 01	Scuff plate	/R	1	
	918 559 522 01 G21	Prime coated			
8	918 559 523 01	Lid	/L	1	
		Emergency operation			
	918 559 523 01 G21	Prime coated			
9	918 504 141 03	Tank filler neck		1	
		Module			
		Complete			
10	918 504 142 06	Charging socket		1	-I553
		Module			
		Complete			
		Use also:			
		900.025.044.07		2	
		900.084.020.03		2	
13	999 015 025 A1	Oval-head screw		8	
		M6 X 12			
18	918 504 525 01	Water drain strip		1	
20	918 504 519 01	Hose line		1	
		Emergency operation			
		Parking lock			
		See illustrations			
		7/01/00			
21	999 073 297 A1	Oval-head screw		2	
		M6 X 16			
		for			
		POS 6			
22	9P1 962 625	Actuator		1	
		Flap			
		Charging socket			
23	918 624 113 01	Actuator		1	
		Flap			
		Fuel tank			
30	900 025 044 07	Washer		2	
31	900 084 020 03	Hexagon nut		2	
		M4			
32	918 504 701 01	Rubber stop		X	
33	000 043 302 88	Adhesive		1	
		for			
		Fuel filler flap			
		And			
		Charging socket			
34	000 043 300 48	Tool		1	
35	000 043 303 94	Repair kit		1	

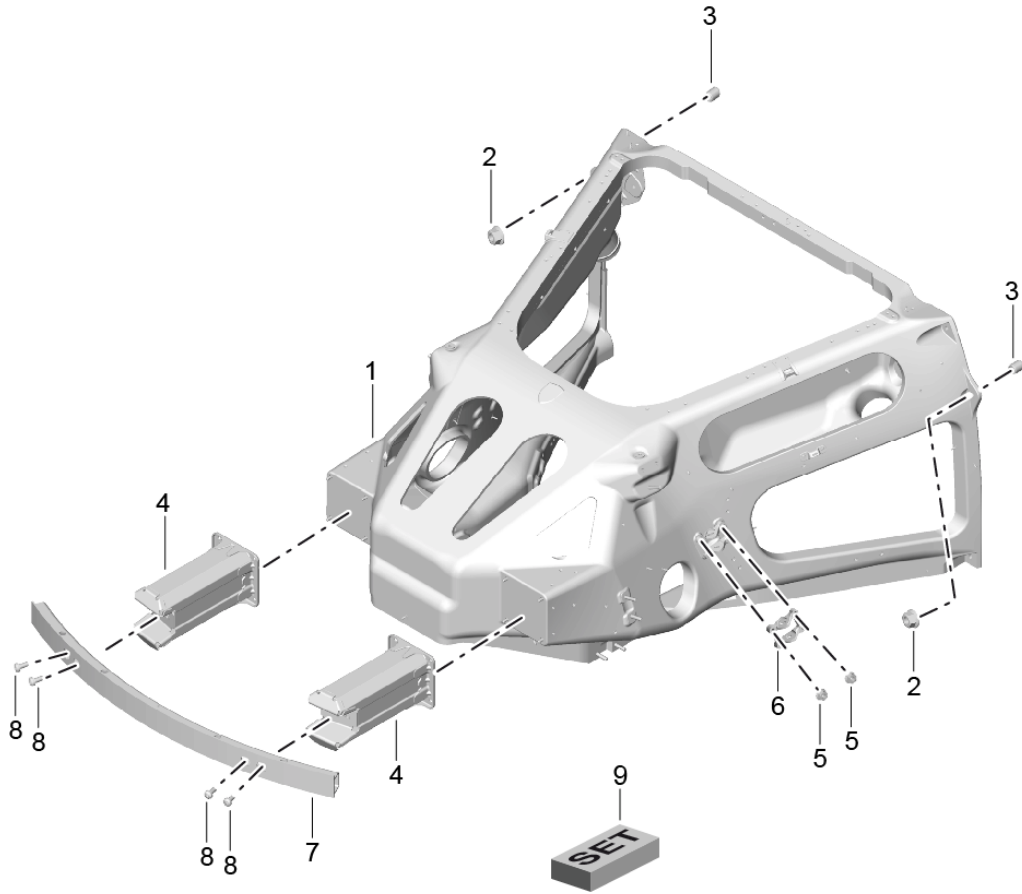
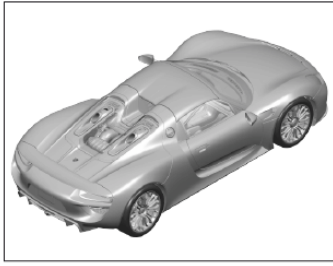
Model: 918

Model life 2015>>2015

Pos	Part Number	Description	Remark	Qty	Model
36	000 043 303 95	for Fuel filler flap Use also: 000.043.302.88 Repair kit for Charging socket Use also: 000.043.302.88		1	

Model: 918

Model life 2015>>2015



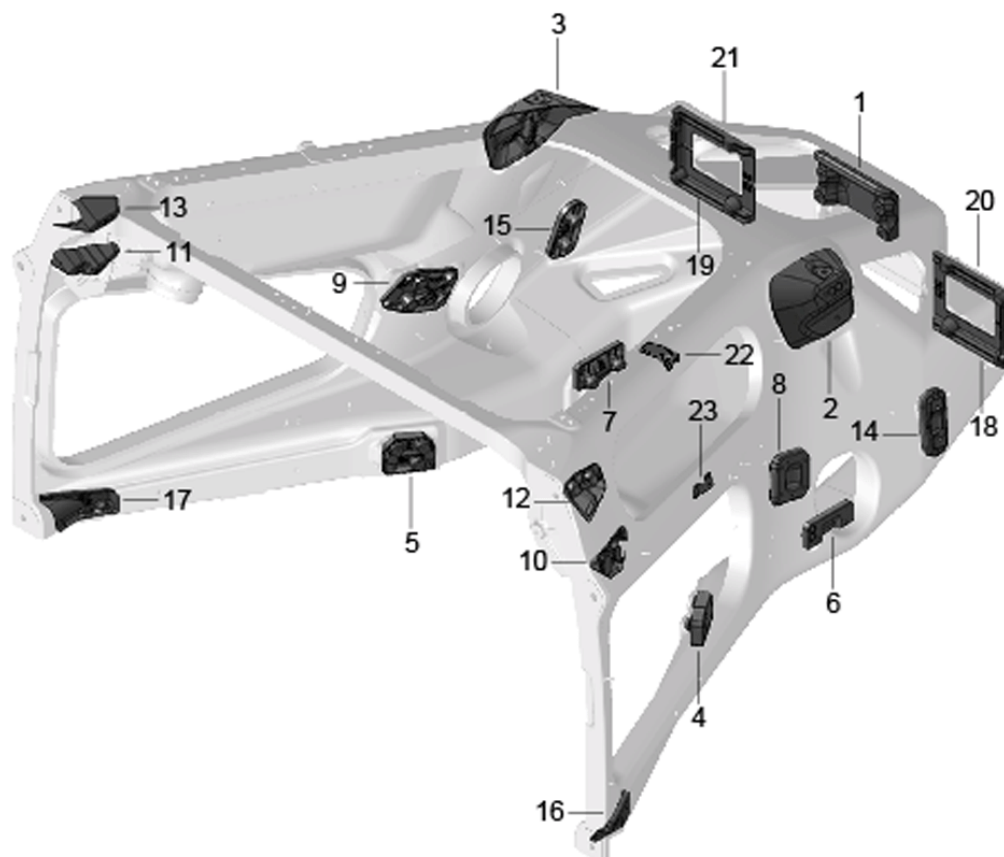
Model: 918

Model life 2015>>2015

Pos	Part Number	Description	Remark	Qty	Model
1	918 501 071 07	Rear end Unit carrier Unit carrier Complete		1	
2	999 084 445 01	Lock nut M 12 X 1,5		6	
3	999 095 040 01	Dowel sleeve 16M7 X 18,5		2	
4	918 501 411 01	Bracket	/L	1	
(4)	918 501 412 01	Bracket	/R	1	
5	900 377 003 03	Hexagon nut M8		8	
6	918 504 361 00	Bearing bracket	/L	1	
(6)	918 504 362 00	Bearing bracket	/R	1	
7	918 505 241 00	Bumper reinforcement Rear		1	
8	999 073 094 01	Screw M 8X20		4	
9	000 043 306 60	Repair kit Blind rivet nut And Speed nut M6 / M10		X	

Model: 918

Model life 2015>>2015



Model: 918 Model life 2015>>2015

Pos	Part Number	Description	Remark	Qty	Model
		Special repair concept Unit carrier See technical manual Group 5			
(1)	918 501 911 50	Transmission mounting		1	
(2)	918 501 911 51	Mount Spring strut	/L	1	
(3)	918 501 912 52	Mount Spring strut	/R	1	
(4)	918 501 911 53	Mount Lengthways Control arm Lower	/L	1	
(5)	918 501 912 54	Mount Lengthways Control arm Lower	/R	1	
(6)	918 501 911 55	Mount Wishbone Lower	/L	1	
(7)	918 501 912 56	Mount Wishbone Lower	/R	1	
(8)	918 501 911 57	Mount Lengthways Control arm Upper	/L	1	
(9)	918 501 912 58	Mount Lengthways Control arm Upper	/R	1	
(10)	918 501 911 59	Mount Monocoque Upper Lower	/L	1	
(11)	918 501 912 60	Mount Monocoque Upper Lower	/R	1	
(12)	918 501 911 61	Mount Monocoque Upper Upper	/L	1	
(13)	918 501 912 62	Mount Monocoque Upper Upper	/R	1	
(14)	918 501 911 63	Mount Wishbone Upper	/L	1	
(15)	918 501 912 64	Mount Wishbone Upper	/R	1	
(16)	918 501 971 50	Mount Monocoque Lower	/L	1	
(17)	918 501 972 51	Mount Monocoque Lower	/R	1	
(18)	918 501 971 52	Mount Bracket 3 Lower	/L	1	

Model: 918

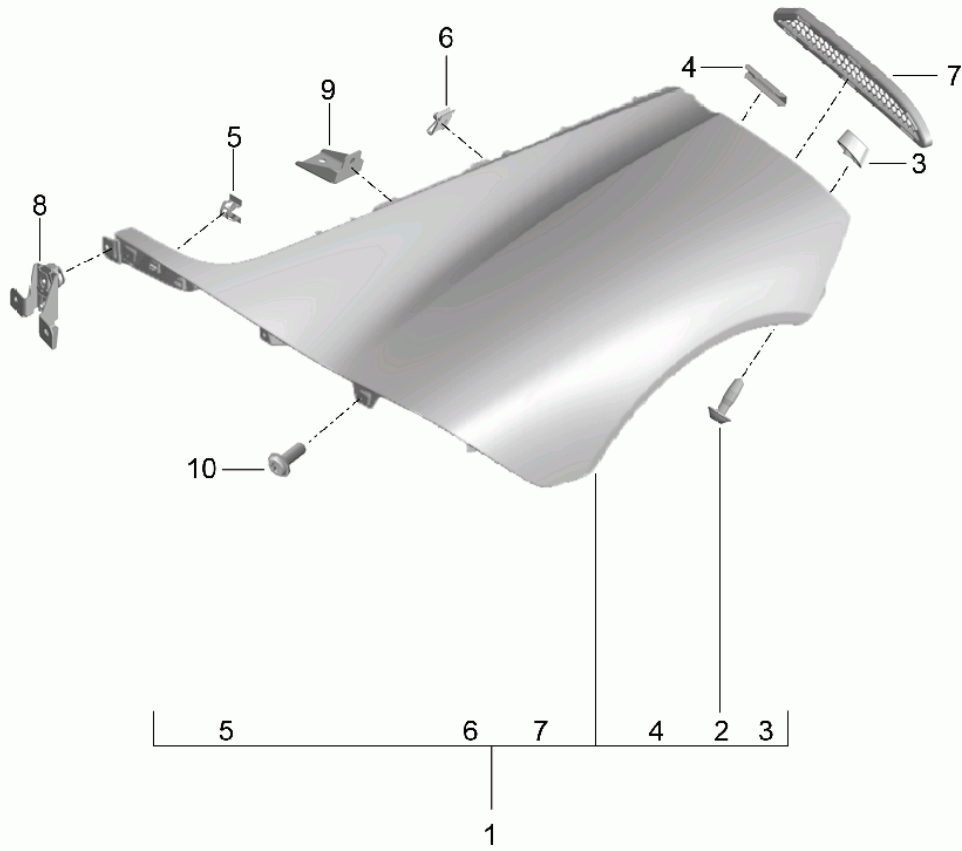
Model life 2015&gt;&gt;2015

Pos	Part Number	Description	Remark	Qty	Model
(19)	918 501 972 53	Mount Bracket 3 Lower	/R	1	
(20)	918 501 971 54	Mount Bracket 3 Upper	/L	1	
(21)	918 501 972 55	Mount Bracket 3 Upper	/R	1	
22	918 501 571 00	Support Suction housing Upper		1	
23	918 501 573 00	Support Suction housing Lower		1	



Model: 918

Model life 2015>>2015



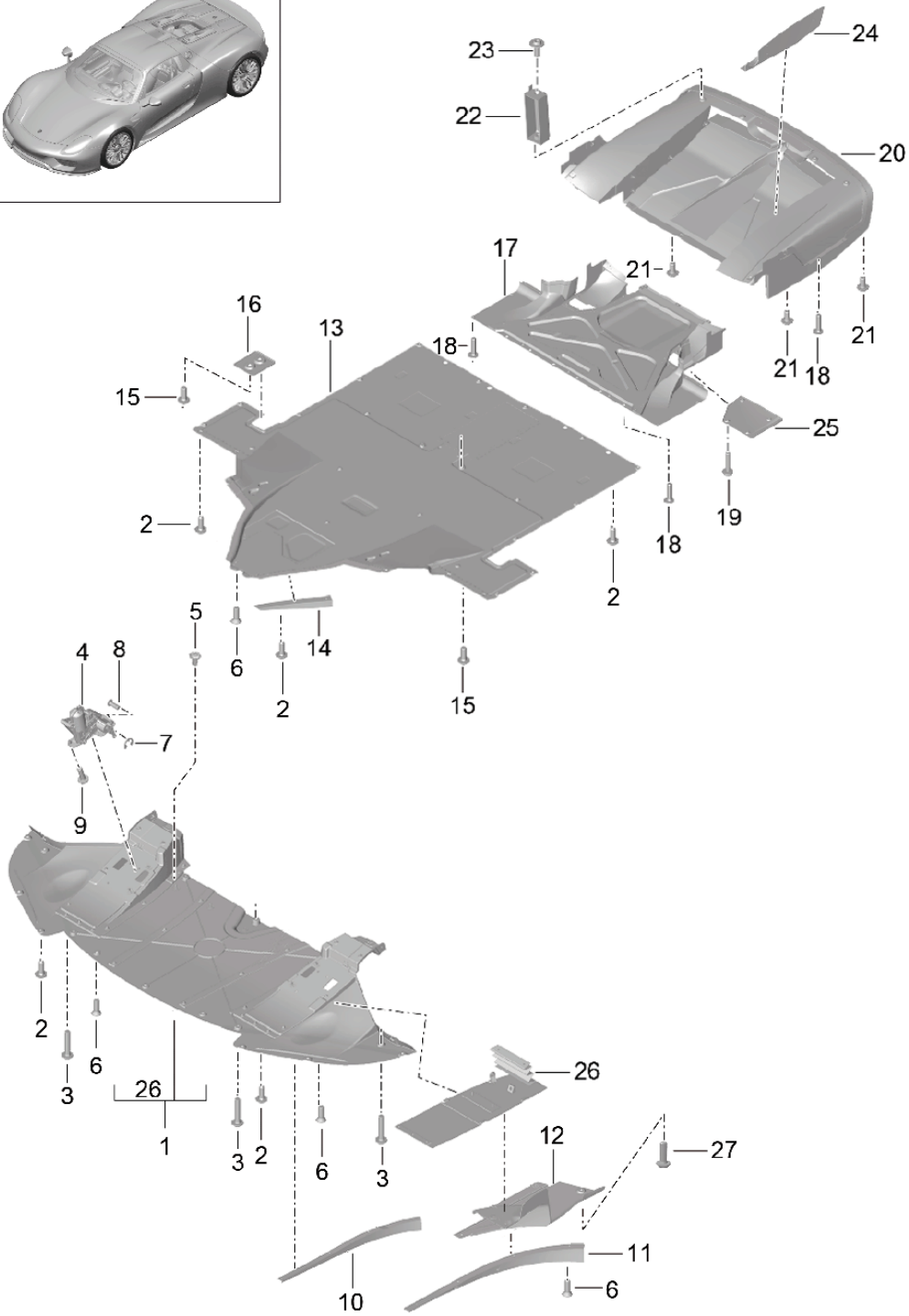
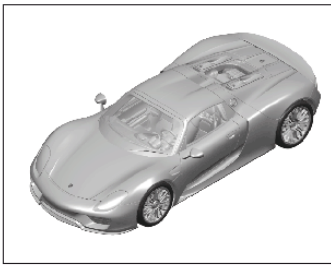
Model: 918

Model life 2015>>2015

Pos	Part Number	Description	Remark	Qty	Model
1	918 505 051 01	Wing Rear	/L	1	
		Wing Included Parts kit			
	918 505 051 01 G21	Prime coated			
(1)	918 505 052 01	Wing	/R	1	
		Included Parts kit			
	918 505 052 01 G21	Prime coated			
2	999 919 296 01	Oval-head screw M6 X 18		2	
3	918 504 488 00	Buffer	/R	1	
(3)	918 504 487 00	Buffer	/L	1	
4	999 507 696 00	U-clamp		X	
5	999 507 533 00	Clamp		X	
6	918 504 597 00	Speed nut		X	
7	918 505 552 01	Cover	/R	1	
		Air exhaust			
(7)	918 505 551 01	Cover	/L	1	
		Air exhaust			
8	918 505 529 01	Support	/L	1	
(8)	918 505 530 01	Support	/R	1	
9	918 505 531 01	Support		2	
		Rear			
10	999 015 026 A1	Oval-head screw M6 X 16		X	

Model: 918

Model life 2015>>2015



Model: 918 Model life 2015>>2015

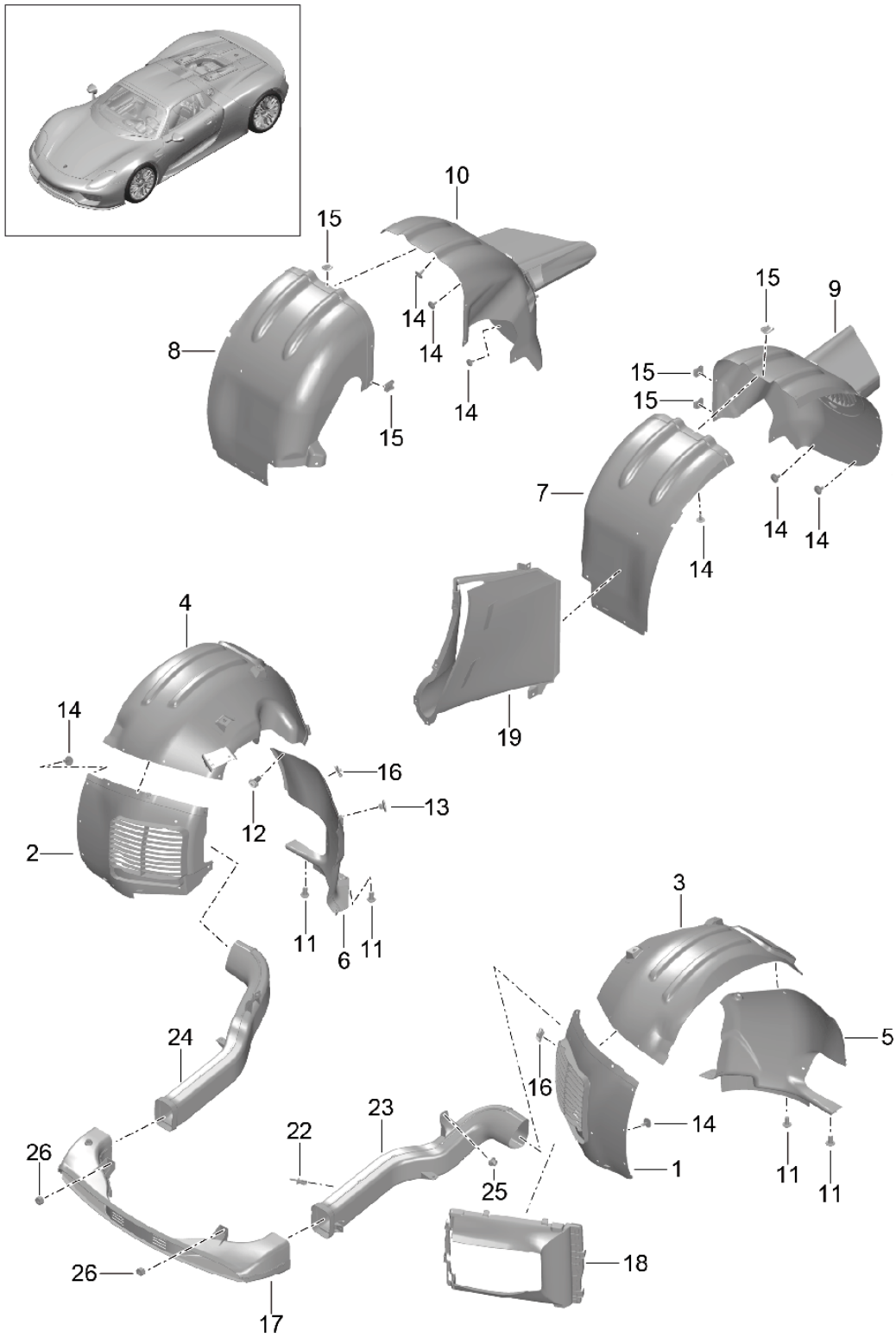
Pos	Part Number	Description	Remark	Qty	Model
1	918 504 233 02	Underbody Lining Underbody protection Front Complete		1	
2	999 015 026 A1	Oval-head screw M6X16 Mount Underbody		X	
3	999 073 254 A1	Luggage compartment liner Oval-head screw M6X30 Mount Underbody		X	
4	918 624 971 01	Frame Electric motor Flap		2	
		Wiring harness See illustrations 9/02/12		1	
5	999 015 030 01	Oval-head screw M4X8 Sensor Underbody		4	
6	999 073 386 A1	Countersunk-head screw M5X16 Support Sensor And Flap Underbody		X	
7	900 116 003 00	Lock washer Flap		4	
8	999 166 096 01	Electric motor Bolt 5H11X12,5 Flap		4	
9	999 073 585 A1	Electric motor Oval-head screw M5X25 Electric motor		6	
10	918 504 513 01	Underbody Air baffle plate Centre	/L	1	
(10)	918 504 514 01	Front Air baffle plate Centre	/R	1	
11	918 504 505 01	Front Air baffle plate Inner	/L	1	
(11)	918 504 506 01	Front Air baffle plate Inner	/R	1	
12	918 504 243 01	Front Underbody protection Lateral	/L	1	
(12)	918 504 244 01	Front Underbody protection Lateral	/R	1	
13	918 504 235 01	Underbody protection Centre		1	
14	918 504 517 01	Air baffle plate	/L	1	

Model: 918 Model life 2015>>2015

Pos	Part Number	Description	Remark	Qty	Model
(14)	918 504 518 01	Inner Centre Air baffle plate	/R	1	
15	999 073 258 A1	Inner Centre Oval-head screw M8X20 Mount Underbody		X	
16	918 504 713 01	Centre Cover Jacking point		1	
(17)	918 504 237 02	Underbody protection Rear Front		1	
18	999 073 253 A1	Oval-head screw M6 X25		X	
19	999 510 104 A1	Pan-head screw M8 X 35		8	
20	918 504 239 01	Underbody protection Rear Rear		1	
21	999 015 025 A1	Oval-head screw M 6 X 12		X	
22	918 504 601 01	Support Underbody Rear		2	
23	999 073 297 A1	Oval-head screw M6 X 16		2	
24	918 504 507 01	Air baffle plate Inner Rear	/L	1	
(24)	918 504 508 01	Air baffle plate Inner Rear	/R	1	
25	918 504 509 01	Air baffle plate Outer Rear	/L	1	
(25)	918 504 510 01	Air baffle plate Outer Rear	/R	1	
26	918 504 311 02	Flap Underbody Front	/L	1	
(26)	918 504 312 02	Flap Underbody Front	/R	1	
27	999 073 252 A1	Oval-head screw M6X20 Mount Underbody		4	
-		Centre Water drain valve Battery Hybrid See illustrations 9/01/40			

Model: 918

Model life 2015>>2015



Model: 918 Model life 2015>>2015

Pos	Part Number	Description	Remark	Qty	Model
1	918 504 123 01	Wheel-housing liner Air guide Wheel-housing liner Front Left		1	
2	918 504 124 01	Wheel-housing liner Front Right Front		1	
3	918 504 125 01	Wheel-housing liner Front Left Centre		1	
4	918 504 126 01	Wheel-housing liner Front Right Centre		1	
5	918 504 127 01	Wheel-housing liner Front Left Rear		1	
6	918 504 128 01	Wheel-housing liner Front Right Rear		1	
7	918 504 133 01	Wheel-housing liner Rear Left Front		1	
8	918 504 134 01	Wheel-housing liner Rear Right Front		1	
9	918 504 135 01	Wheel-housing liner Rear Left Rear		1	
10	918 504 136 01	Wheel-housing liner Rear Right Rear		1	
11	999 015 025 A1	Oval-head screw M6 X 12		X	
12	999 015 026 A1	Oval-head screw M6 X 16		X	
13	999 049 007 40	Plastic nut		2	
14	999 073 505 01	Tapping screw 8 X 16		X	
15	999 507 795 09	Speed nut		6	
16	N 906 271 03	Speed nut		6	
17	918 575 323 01	Air guide Centre		1	
18	918 575 321 01	Air guide Lateral Front	/L	1	
(18)	918 575 322 01	Air guide Lateral Front	/R	1	
19	918 504 121 01	Air guide Lateral Rear	/L	1	
(19)	918 504 122 01	Air guide	/R	1	

Model: 918

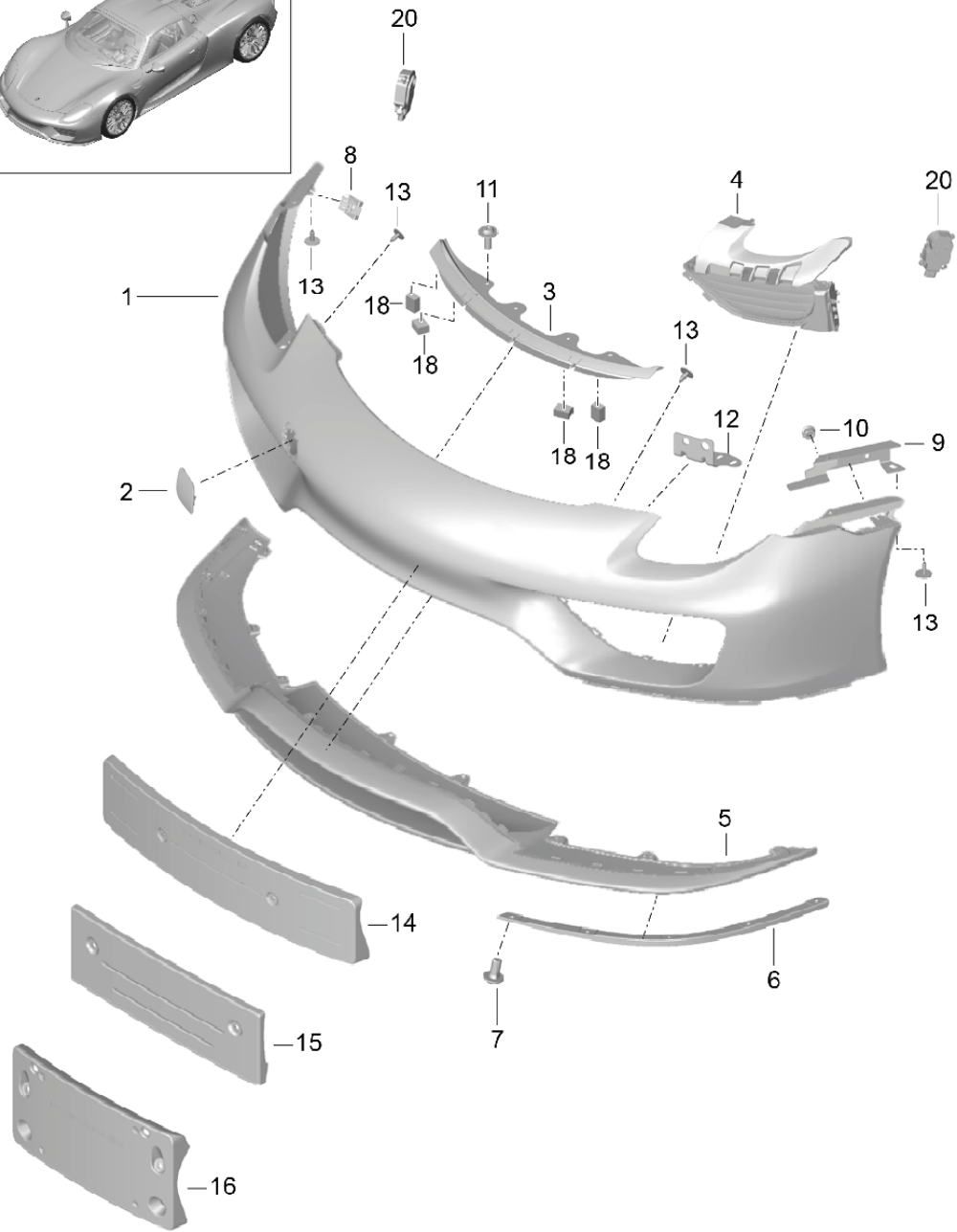
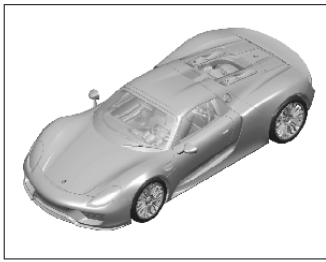
Model life 2015&gt;&gt;2015

Pos	Part Number	Description	Remark	Qty	Model
-		Lateral Rear Frame Radiator See illustrations 2/02/10		1	
-		Frame Radiator See illustrations 2/02/10		1	
22	N 905 369 01	Expansion rivet 5 X 11		8	
23	918 504 515 01	Air duct Brake	/L	1	
24	918 504 516 01	Air duct Brake	/R	1	
25	999 049 033 40	Plastic nut		2	
26	900 377 009 03	Hexagon nut M5		4	



Model: 918

Model life 2015>>2015

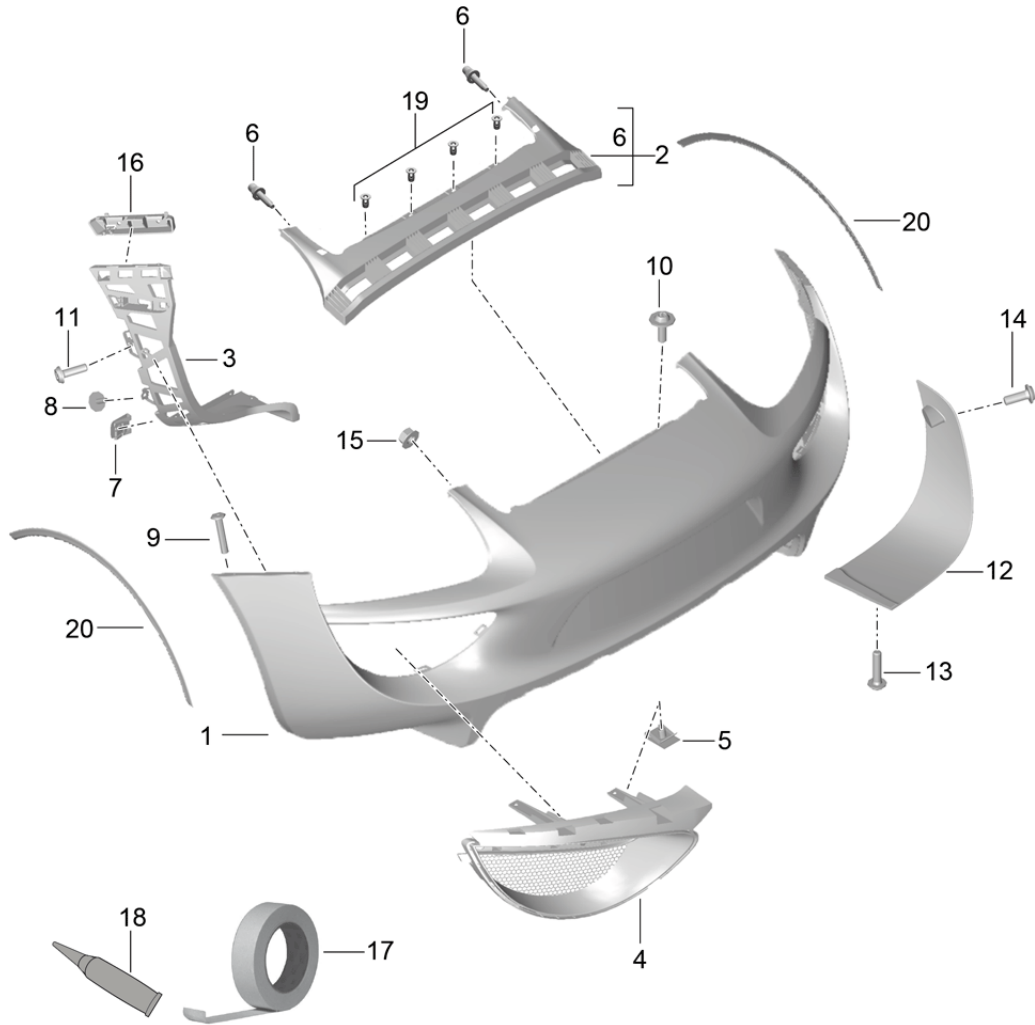
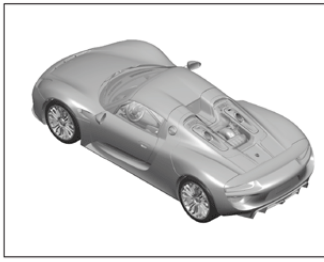


Model: 918 Model life 2015>>2015

Pos	Part Number	Description	Remark	Qty	Model
1	918 505 311 01	Bumper Front Lining		1	
2	918 505 311 01 G2X	Prime coated			
2	918 505 703 01	Cover		1	
		Towing lug			
	918 505 703 01 G2X	Prime coated			
3	918 505 553 01	Cover		1	
		Lining			
	918 505 553 01 G2X	Prime coated			
4	918 505 567 01	Cooling air control without Engine	/L	1	
(4)	918 505 567 01 OK1	Black mat			
	918 505 568 01	Cooling air control without Engine	/R	1	
	918 505 568 01 OK1	Black mat			
5	918 505 525 01	Spoiler Front		1	
6	918 505 557 00	Spoiler lip Front	/L	1	
(6)	918 505 558 00	Spoiler lip Front	/R	1	
7	999 015 025 A1	Oval-head screw M6X12		X	
8	999 507 795 09	Speed nut ST 4,8		X	
9	918 505 535 01	Retaining strip Lateral	/L	1	
(9)	918 505 536 01	Retaining strip Lateral	/R	1	
10	N 015 082 10	Hexagon nut		8	
11	999 073 297 A1	Oval-head screw M6X16		6	
12	918 505 545 01	Fastening angle	/L	1	
(12)	918 505 546 01	Fastening angle	/R	1	
13	999 073 505 01	Tapping screw ST 4,8X16-C		4	
14	918 701 051 00	Assembly kit Number plate Support		1	-I075/I211
(14)	918 701 051 00 OK1	Black mat			
	918 701 051 04	Assembly kit Number plate Support		1	China I075/211
	918 701 051 04 OK1	Black mat			
15	918 701 051 03	Assembly kit Number plate Support		1	RDW I210
(16)	918 701 051 03 OK1	Black mat			
	918 701 051 02	Assembly kit Number plate Support		1	I209
	918 701 051 02 OK1	Black mat			
-	000 043 302 78	Adhesive tape 3000MM		1	
-	999 915 577 40	Primer Adhesive tape		1	
18	918 555 811 00	Support		4	
20	95B 965 501 B	Electric motor		2	

Model: 918

Model life 2015>>2015

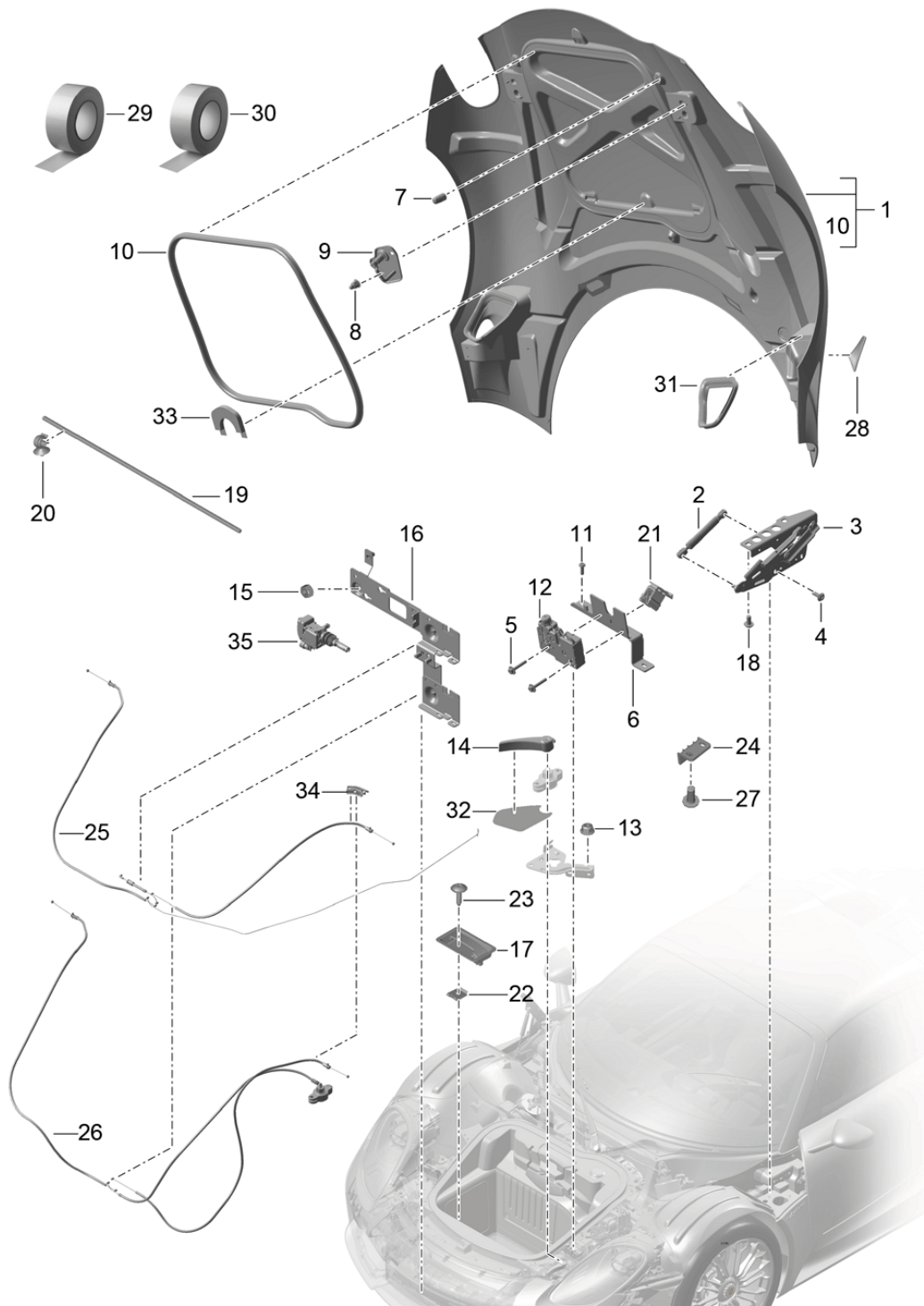


Model: 918 Model life 2015>>2015

Pos	Part Number	Description	Remark	Qty	Model
1	918 505 411 02	Bumper Rear Lining		1	
	918 505 411 02 G2X	Prime coated			
2	918 505 509 01	Bracket Lining		1	
3	918 505 631 01	Support Lateral	/L	1	
(3)	918 505 632 01	Support Lateral	/R	1	
4	918 505 711 01	Cover Air exhaust with Retaining frame	/L	1	
(4)	918 505 712 01	Cover Air exhaust with Retaining frame	/R	1	
5	918 504 597 00	Speed nut		10	
7	999 507 795 09	Speed nut ST 4,8		16	
8	999 073 505 01	Tapping screw ST4,8X16-C		6	
9	999 190 191 30	Blind rivet A 3,2X17,0		4	
10	999 073 297 A1	Oval-head screw M6X16		8	
11	999 073 269 A1	Oval-head screw M5X16		2	
12	918 505 721 01	Air baffle plate	/L	1	I808
(12)	918 505 722 01	Air baffle plate	/R	1	I808
13	999 073 253 A1	Oval-head screw M6X25		2	I808
14	999 015 026 A1	Oval-head screw M6X16		6	I808
15	900 377 018 01	Hexagon nut M 6		2	
16	918 505 511 01	Retaining strip	/L	1	
(16)	918 505 512 01	Retaining strip	/R	1	
17	000 043 302 78	Adhesive tape 3000MM		1	
18	999 915 577 40	Primer Adhesive tape		1	
19	999 500 147 01	Sheetmetal press nut M6		4	
20	918 505 331 00	Wheel cover Japan		1	I193
	918 505 331 00 G2X	Prime coated			

Model: 918

Model life 2015>>2015



Model: 918 Model life 2015>>2015

Pos	Part Number	Description	Remark	Qty	Model
		Lid			
		Front			
1	918 511 011 05	Lid		1	-I808
	918 511 011 05 G21	Prime coated			
(1)	918 511 011 06	Lid		1	-I892/I808
	918 511 011 06 G21	Prime coated			
(1)	918 511 011 07	Lid		1	I808/892
	918 511 011 07 G21	Prime coated			
2	918 511 671 00	Gas-pressure spring		2	-I808
3	918 511 151 04	Hinge	/L	1	-I808
(3)	918 511 151 05	Hinge	/L	1	I808
(3)	918 511 152 04	Hinge	/R	1	-I808
(3)	918 511 152 05	Hinge	/R	1	I808
4	999 073 258 A1	Oval-head screw		4	
		M8 X 20			
5	N 911 860 01	Combination screw		4	
		M6 X 35			
6	918 511 311 01	Bracket	/L	1	
		Lock			
(6)	918 511 312 01	Bracket	/R	1	
		Lock			
7	999 703 140 41	Rubber buffer		2	
		12 X 18 X 34			
8	WHT 001 308	Cap nut		4	
		M6			
9	95B 823 259	Clip	/L	1	
(9)	95B 823 260	Clip	/R	1	
10	918 511 611 01	Gasket		1	
		Lid			
11	999 073 252 A2	Oval-head screw		4	
		M6 X 20			
12	918 511 509 03	Lock		2	
13	900 380 015 01	Hexagon nut		2	
		M6			
14	95B 823 661	Actuating lever		1	
		Hook			
14	95B 823 661 A	Actuating lever		1	
		Hook			
15	900 380 001 01	Hexagon nut		3	
		M6			
16	918 511 321 00	Bracket		1	-I553
		Lock			
18	999 073 574 01	Oval-head screw		4	
		M8 X 16			
19	918 511 673 01	Holder		1	I808
20	999 591 023 40	Cable holder		1	I808
21	999 507 119 40	Clip		1	
24	918 511 331 00	Guide wedge		2	
		Upper			
25	918 511 319 02	Bowden cable		1	
		Lid			
26	918 511 317 02	Bowden cable		1	-I553
		Hook			
27	999 015 026 A1	Oval-head screw		5	
28	918 511 211 01	Cover	/L	1	I808
		Lid			
(28)	918 511 212 01	Cover	/R	1	I808
		Lid			
29	000 043 302 78	Adhesive tape		1	
		3000MM			
30	999 915 577 40	Primer		1	
		Adhesive tape			
31	918 511 613 01	Gasket	/L	1	

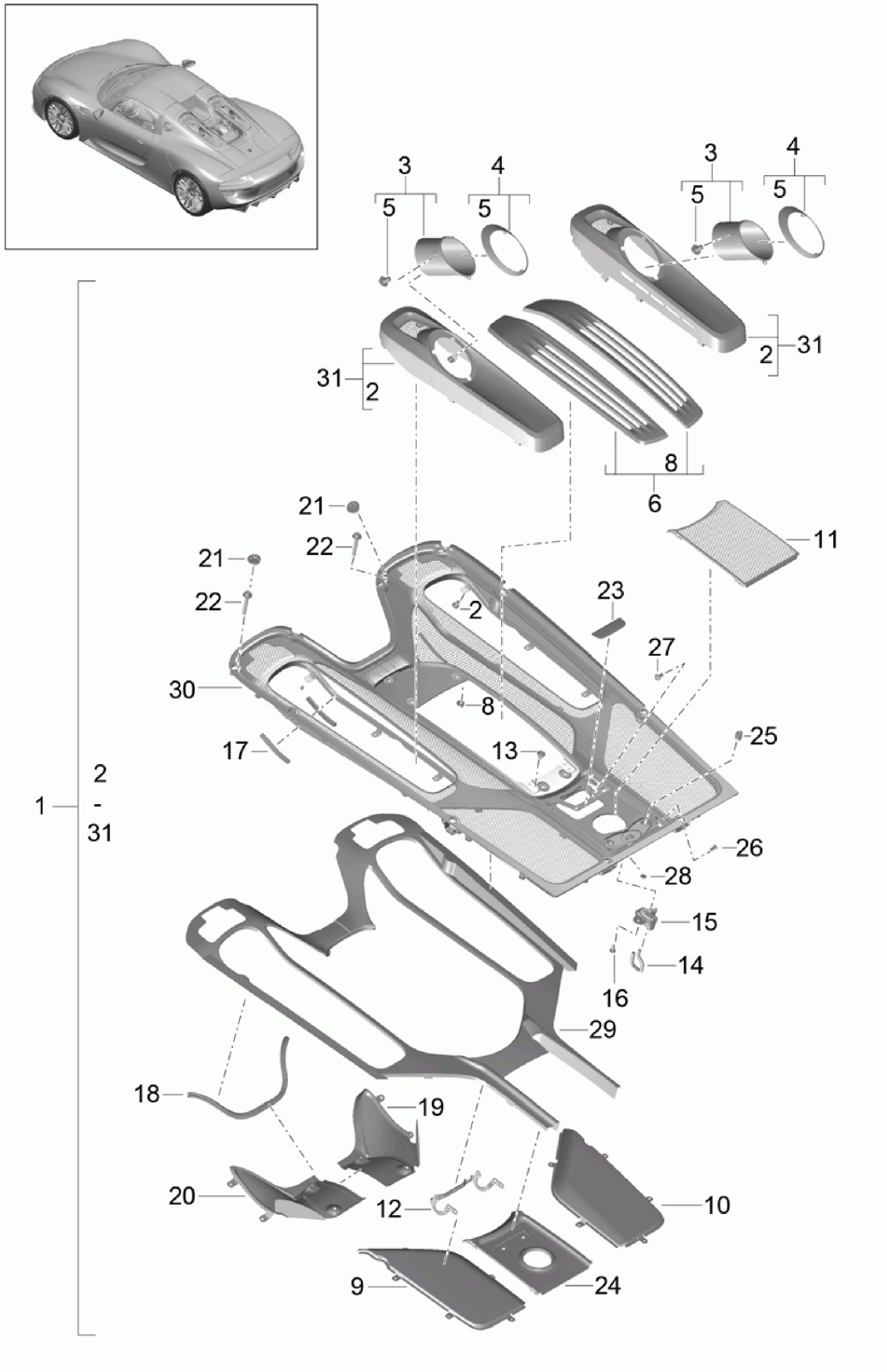
Model: 918

Model life 2015>>2015

Pos	Part Number	Description	Remark	Qty	Model
(31)	918 511 614 01	Wheel housing Gasket	/R	1	
32	918 511 761 00	Wheel housing Protective film		1	
33	918 551 715 00	Actuating lever Foam part POS19		1	
34	918 511 419 00	Guide piece	/L	1	
(34)	918 511 420 00	Guide piece	/R	1	
35	991 624 117 01	Actuator		1	

Model: 918

Model life 2015>>2015





Model: 918 Model life 2015>>2015

Pos	Part Number	Description	Remark	Qty	Model
1	918 504 021 02	Lid Rear		1	
1	918 504 021 02 OK1	Lid Black mat		1	
1	918 504 021 03	Lid		1	
1	918 504 021 03 OK1	Lid Black mat		1	
2	999 015 025 00	Oval-head screw M6 X 12		X	
3	918 504 927 00	Repair kit Cover Tail pipe Comprising:		1	
		Cover	/L	1	
		Cover	/R	1	
4	918 504 925 00	Lens-head screw Repair kit Cover Ring Comprising:		8	
		Repair kit		1	
		Cover			
		Ring			
		Comprising:			
		Ring	/L	1	
		Ring	/R	1	
5	999 073 432 00	Lens-head screw Oval-head screw M5 X 8		8	
6	918 504 923 00	Repair kit Catalytic converter cover Comprising:		1	
		Cover	/L	1	
		Cover	/R	1	
8	900 377 022 00	Hexagon nut Hexagon nut M6		8	
9	918 504 429 00	Lid Inner	/L	1	
10	918 504 429 00 OK1	Black mat			
10	918 504 430 00	Lid Inner	/R	1	
11	918 504 430 00 OK1	Black mat			
11	918 512 411 00	Service cover Outer Plate		1	
12	918 512 411 00 6T8	Stainless steel			
12	918 512 151 00	Hinge Service cover		1	
13	999 073 573 00	Oval-head screw M6 X 12		8	
14	918 512 051 01	Catch bar Service cover		1	
15	918 512 055 00	Cover Catch bar		1	
16	999 073 432 02	Oval-head screw M5 X 12		7	
17	918 111 511 00	Gasket		2	
18	918 111 509 00	Gasket		1	
19	918 111 623 08	Heat protection	/R	1	
20	918 111 619 08	Heat protection	/L	1	
21	918 504 433 00	Cap		10	
22	900 387 027 00	Combination screw M6 X 45		10	
23	918 512 783 00	Badge 918 Spyder		1	
-	000 043 302 79	only via spec. procurement Adhesive tape		1	

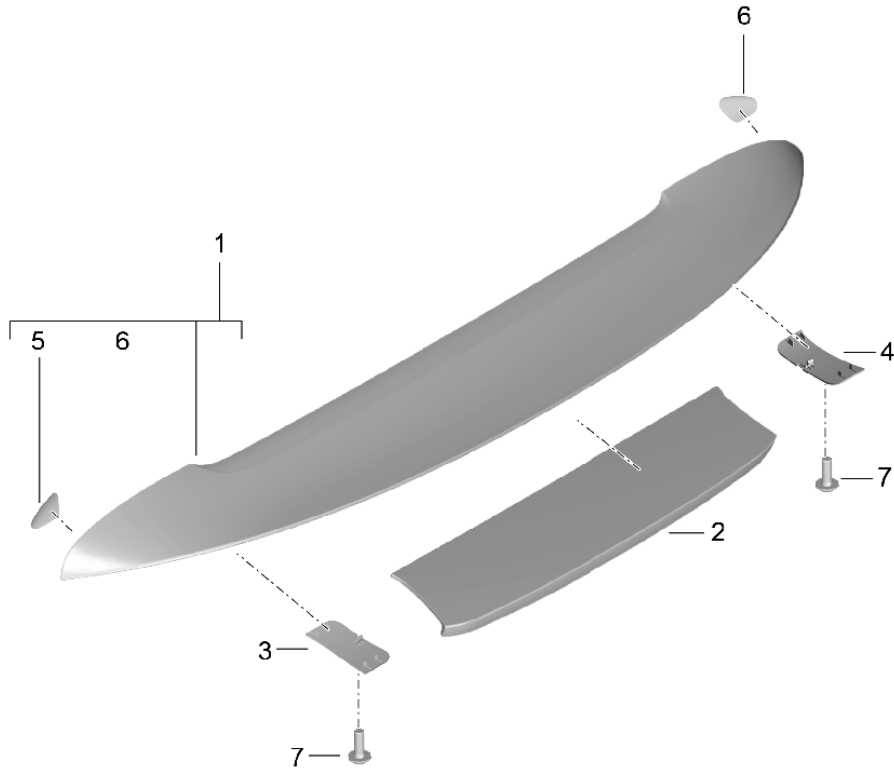
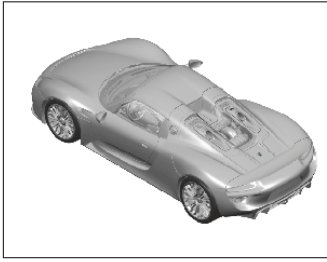
Model: 918

Model life 2015>>2015

Pos	Part Number	Description	Remark	Qty	Model
24	918 512 421 00	300MM Inner panel Service cover		1	
	918 512 421 00 6T8	Stainless steel			
25	999 703 488 40	Buffer		2	
26	999 015 045 01	Countersunk-head screw M5 X 12 K		4	
27	999 015 025 01	Oval-head screw M6 X 12		4	
28	999 911 757 40	Adhesive plate		2	
29	918 504 427 00	Inner panel		1	
	918 504 427 00 6T8	Stainless steel			
30	918 504 425 00	Outer part		1	
	918 504 425 00 6T8	Stainless steel			
31	918 504 921 00	Repair kit		1	
		Cover			
		Exhaust system			
		Comprising:			
		Cover	/L	1	
		Cover	/R	1	
		Lens-head screw		14	

Model: 918

Model life 2015>>2015



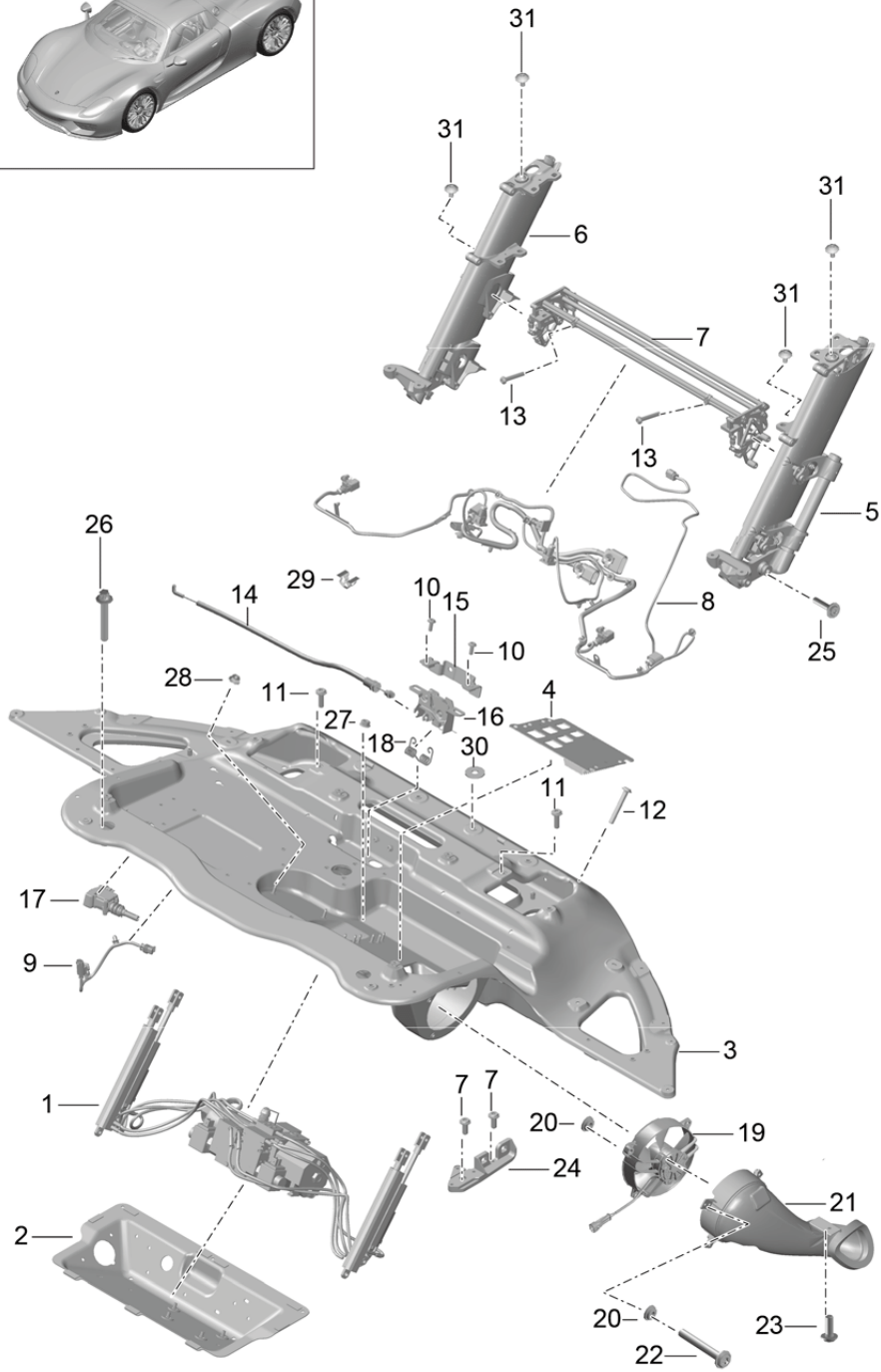
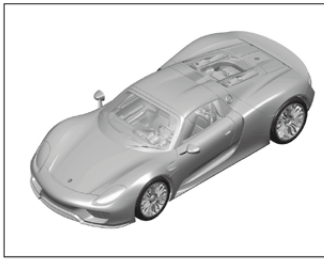
Model: 918

Model life 2015>>2015

Pos	Part Number	Description	Remark	Qty	Model
1	918 504 231 06	Rear spoiler		1	-I883
	918 504 231 06 G21	Rear spoiler			
(1)	918 504 231 07	Prime coated		1	I883
	918 504 231 07 A3G	Rear spoiler			
2	918 504 261 01	Carbon Gloss Black		1	-I883
	918 504 261 01 G21	Spoiler			
(2)	918 504 261 02	Prime coated		1	I883
	918 504 261 02 A3G	Spoiler			
3	918 504 531 01	Carbon Gloss Black		1	
	918 504 531 01	Lid	/L		
	918 504 531 01 G21	Rear spoiler			
4	918 504 532 01	Prime coated		1	
	918 504 532 01	Lid	/R		
	918 504 532 01 G21	Rear spoiler			
5	918 504 731 00	Prime coated		1	
	918 504 731 00	Protective film	/L		
6	918 504 732 00	Protective film	/R	1	
7	999 015 026 A1	Oval-head screw		6	
		M6 X 16			

Model: 918

Model life 2015>>2015



Model: 918

Model life 2015&gt;&gt;2015

Pos	Part Number	Description	Remark	Qty	Model
1	918 504 131 04	Rear spoiler Driving mechanism Ventilation pipe Hydraulic unit		1	
1	918 504 131 AX	Rear spoiler Hydraulic unit		1	
2	918 504 331 01	Rear spoiler Bracket Hydraulic unit		1	
3	918 505 351 05	Assembly frame Rear		1	
4	918 505 651 00	Heat dissipator Assembly frame Use also: 000.043.303.61		1	
5	918 504 111 02	Driving mechanism Rear spoiler	/L	1	
6	918 504 112 02	Driving mechanism Rear spoiler	/R	1	
7	918 504 113 01	Actuator Rear spoiler		1	
8	918 612 894 00	Wiring harness Rear spoiler		1	
9	918 612 892 00	Wiring harness Drive link		1	
10	999 015 026 A1	Oval-head screw M6 X 16		6	
11	999 073 252 A1	Oval-head screw M6 X 20		6	
12	999 073 277 01	Oval-head screw M6 X 45		2	
13	N 910 796 02	Round head screw M4 X 25		2	
14	918 512 219 00	Release Service cover		1	
15	918 512 311 00	Bracket Lid lock		1	
16	4E0 823 509 E	Lid lock Service cover		1	
17	991 624 118 03	Actuator Lid Rear		1	
18	918 504 315 00	Torsion spring Service cover		1	
19	918 618 215 00	Control unit Blower		1	
20	999 924 129 40	Bush		6	
21	918 575 325 00	Air guide Blower		1	
22	999 073 277 A2	Oval-head screw M6 X 45		3	
23	999 015 026 A1	Oval-head screw M6 X 16		1	
24	918 504 431 00	Bracket	/L	1	
(24)	918 504 432 00	Bracket	/R	1	
25	999 073 575 01	Bracket Oval-head screw M8 X 40		4	
26	900 385 071 02	Outer hexagon round screw BM 8X 50 Control unit Rear spoiler		2	

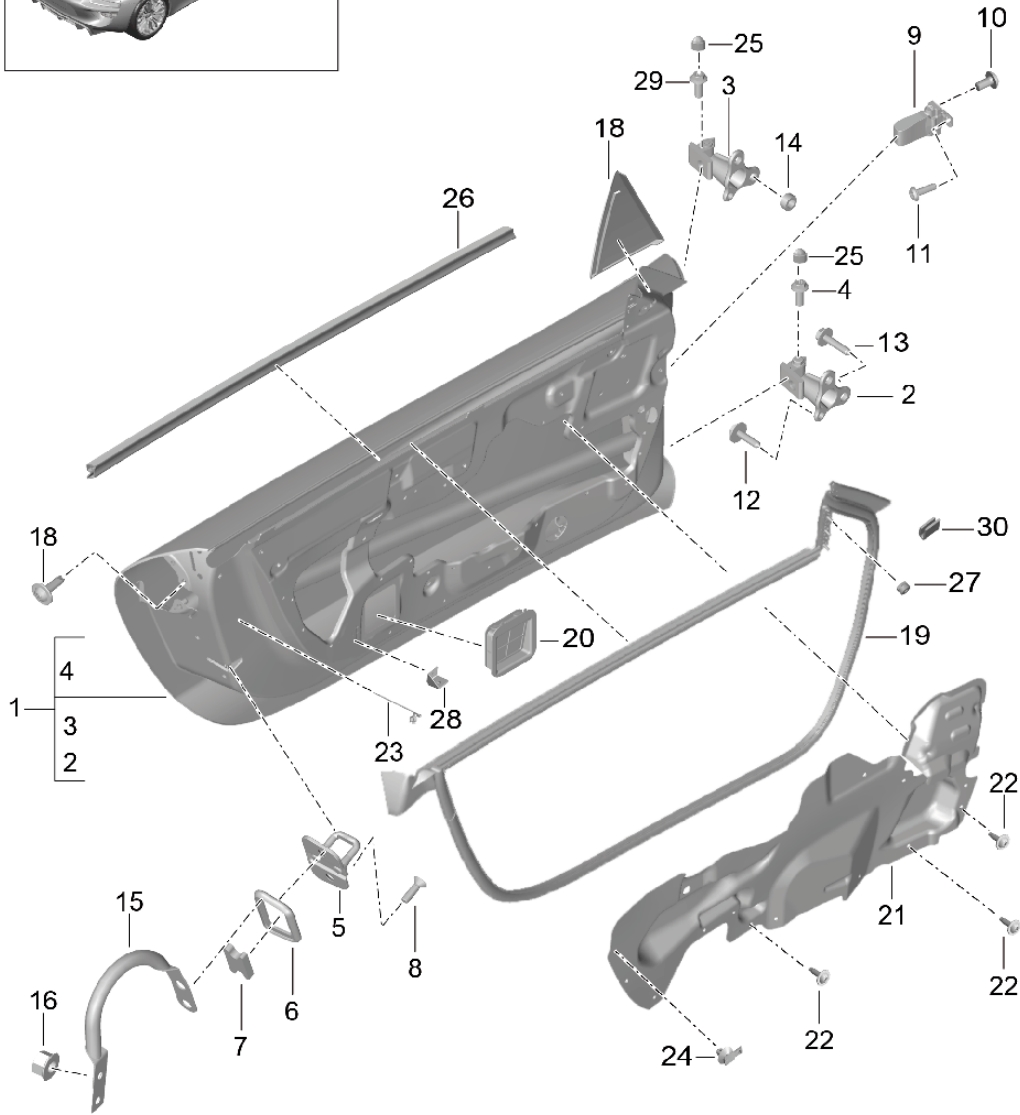
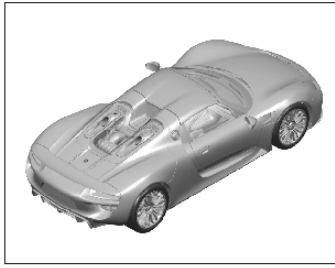
Model: 918

Model life 2015>>2015

Pos	Part Number	Description	Remark	Qty	Model
		see Group 90103			
27	900 377 018 01	Hexagon nut M6		2	
28	N 015 082 10	Hexagon nut M6		3	
29	999 507 533 03	Clamp 8 X 10/2,5		4	
30	900 151 051 01	Washer		2	
31	000 043 306 62	Screw Rear spoiler M3		4	
32	000 043 306 61	Adhesive for Heat dissipator Assembly frame		X	

Model: 918

Model life 2015>>2015



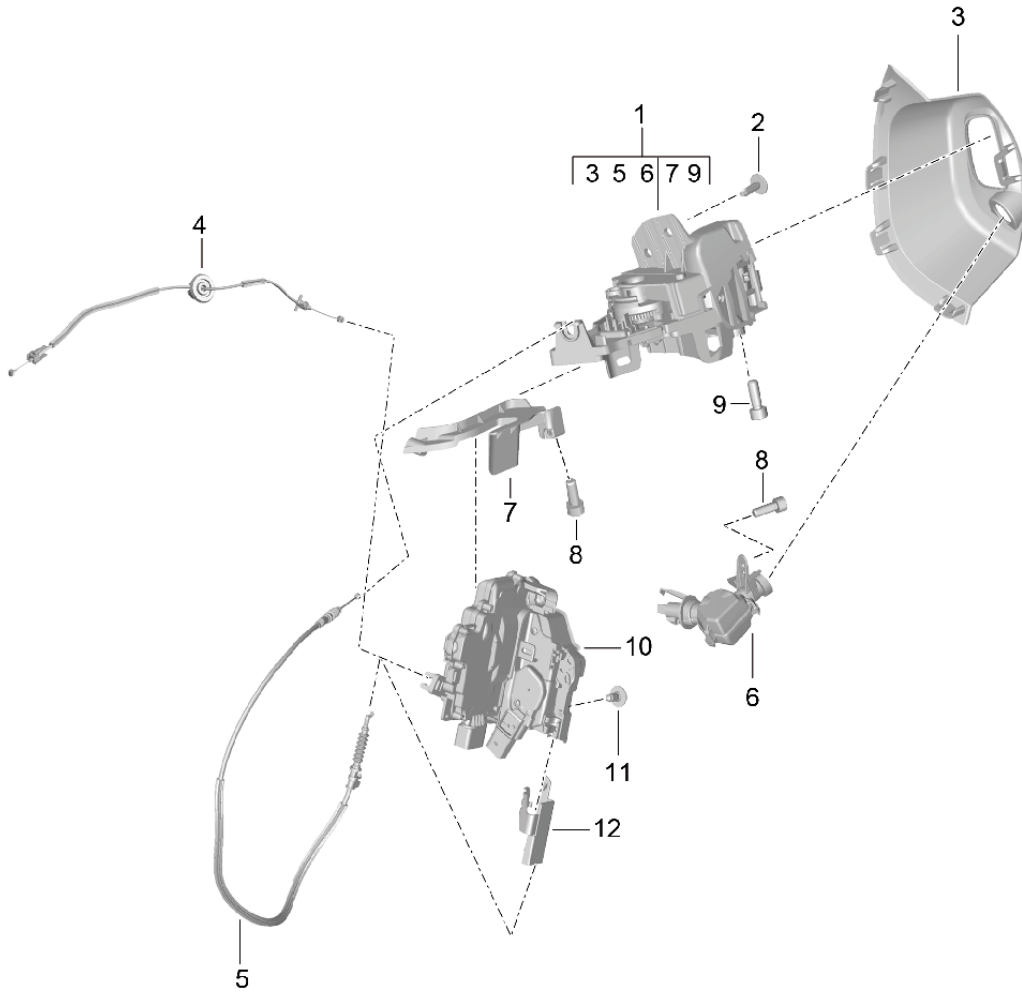
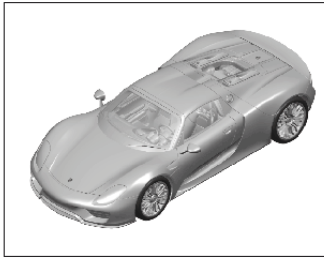


Model: 918 Model life 2015>>2015

Pos	Part Number	Description	Remark	Qty	Model
		Door			
		Installation parts			
1	918 531 011 03	Door	/L	1	
	918 531 011 03 G21	Prime coated			
(1)	918 531 012 03	Door	/R	1	
	918 531 012 03 G21	Prime coated			
2	918 531 319 04	Hinge	/L	1	
		Lower			
(2)	918 531 320 04	Hinge	/R	1	
		Lower			
3	918 531 321 04	Hinge	/L	1	
		Upper			
(3)	918 531 322 04	Hinge	/R	1	
		Upper			
4	999 072 060 01	Hexagon-head bolt		4	
		M8 X 12			
5	3D4 837 033 D	Door lock striker		2	
6	980 537 621 01	Gasket		2	
7	980 537 611 00	Spacer		2	
8	999 219 047 01	Countersunk-head screw		4	
		M8 X 27			
9	918 537 413 01	Door arrester		2	
10	999 015 025 A1	Oval-head screw		2	
		M6 X 12			
11	999 073 261 A3	Oval-head screw		2	
		M8 X 25			
12	900 075 523 01	Combination screw		4	
		M5 X 20			
13	999 072 085 01	Hexagon-head bolt		8	
		M8 X 35			
14	918 531 831 00	Sleeve		2	
		Hinge			
		Adjustment			
15	918 537 435 01	Support	/L	1	
(15)	918 537 436 01	Support	/R	1	
16	900 380 005 01	Nut		4	
17	N 911 914 01	Round head screw		2	
18	918 537 415 01	Cover	/L	1	
(18)	918 537 416 01	Cover	/R	1	
19	918 537 275 02	Gasket	/L	1	
(19)	918 537 276 02	Gasket	/R	1	
20	918 572 663 00	Bleeding		2	
21	918 555 501 01	Sealing film	/L	1	
(21)	918 555 502 01	Sealing film	/R	1	
22	N 909 101 02	Hexagon socket head bolt		8	
23	7L5 807 448	Cable holder		2	
		Wiring harness			
		See illustrations			
		9/02/15			
24	N 906 851 01	Support		X	
25	999 703 387 40	Cap		4	
		13X14			
26	918 537 279 01	Sealing strip	/L	1	
		Outer			
(26)	918 537 280 01	Sealing strip	/R	1	
		Outer			
27	900 084 020 03	Hexagon nut		6	
		M4			
28	918 531 275 00	Support		6	
		Door trim panel			
29	999 072 080 A1	Hexagon-head bolt		4	
		M10 X 25			
30	918 555 511 00	Support		2	

Model: 918

Model life 2015>>2015

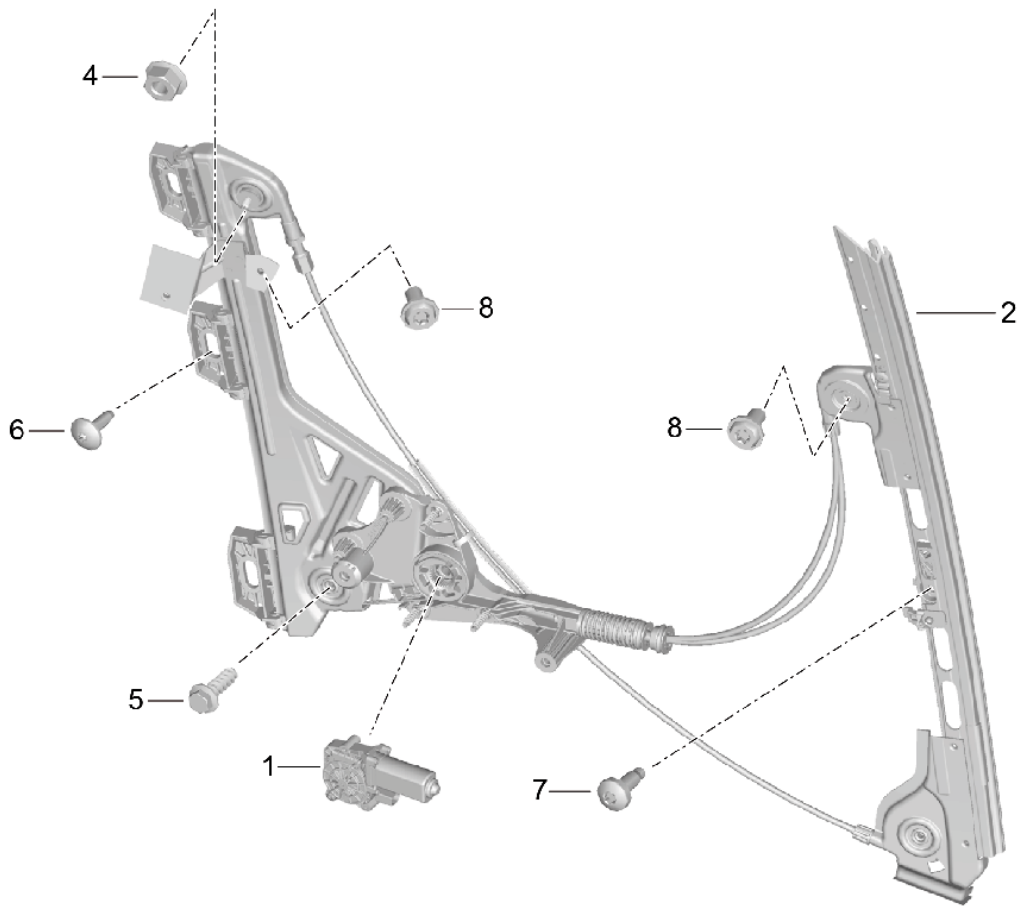
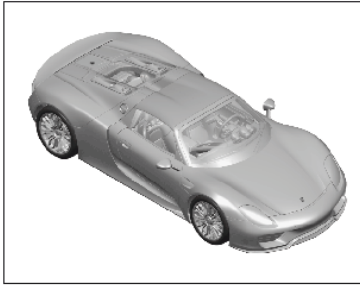


Model: 918 Model life 2015>>2015

Pos	Part Number	Description	Remark	Qty	Model
		Door handle			
		Door lock			
1	918 537 161 03	Outer door handle	/L	1	
	918 537 161 03 OK1	Black mat			
(1)	918 537 162 03	Outer door handle	/R	1	
	918 537 162 03 OK1	Black mat			
2	999 073 322 01	Oval-head screw		6	
		M6 X 20			
2	999 073 322 03	Oval-head screw		6	
		M6 X 20			
3	918 537 723 03	Cover	/L	1	
	918 537 723 03 OK1	Black mat			
(3)	918 537 724 03	Cover	/R	1	
	918 537 724 03 OK1	Black mat			
4	918 537 319 01	Bowden cable		1	
		Inner door release			
5	918 537 419 03	Bowden cable		1	
		Outer			
6	918 538 163 03	Transmission element	/L	1	
		Outer door handle			
7	918 537 545 03	Cover		1	
		Lock			
8	N 105 464 05	Pan-head screw		3	
		M6 X 16			
9	N 105 464 03	Pan-head screw		2	
10	4G1 837 015	Door lock	/L	1	-I072/-I553
(10)	4G1 837 015 A	Door lock	/L	1	I072/553
(10)	8J1 837 016 C	Door lock	/R	1	-I072/-I553
(10)	8J1 837 016 D	Door lock	/R	1	I072/553
11	WHT 003 688	Combination screw		4	
		M8 X 16			
12	918 537 519 00	Detent	/L	1	
		Door lock			
(12)	918 537 520 00	Detent	/R	1	
		Door lock			
-	7L5 807 448	Cable holder		4	
-	999 507 236 40	Cable holder		1	

Model: 918

Model life 2015>>2015

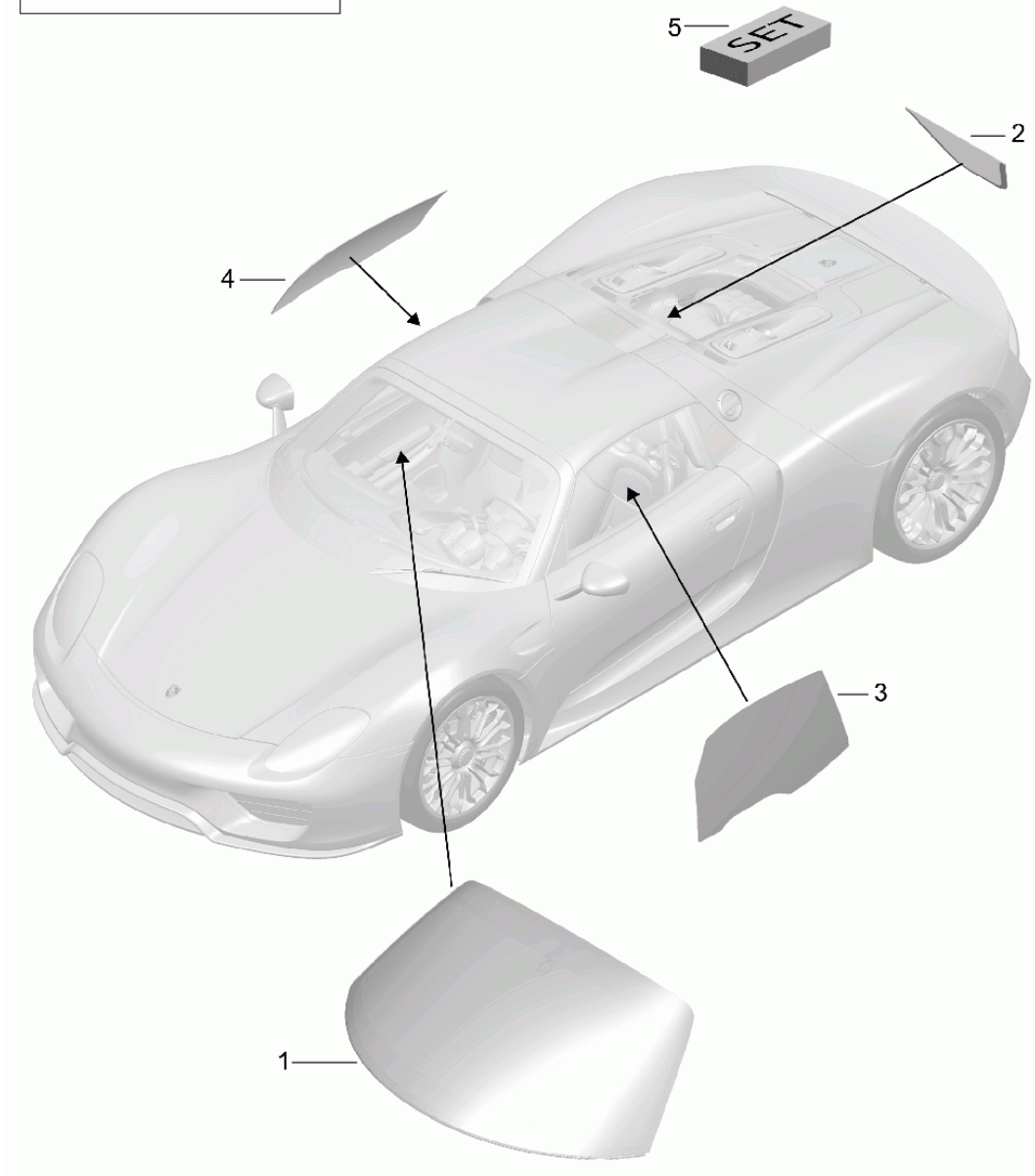
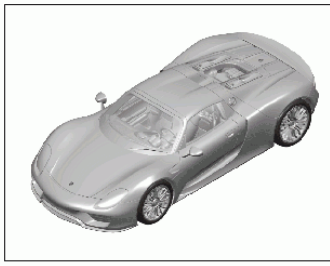


Model: 918 Model life 2015>>2015

Pos	Part Number	Description	Remark	Qty	Model
1	991 624 101 02	Power windows Electric motor	/L	1	
(1)	991 624 102 02	Electric motor	/R	1	
2	918 542 075 01	Power windows with Engine	/L	1	
(2)	918 542 076 01	Power windows with Engine	/R	1	
-		Sealing strip Outer See illustrations 8/04/00	/L	1	
4	900 377 018 01	Hexagon nut		2	
5	999 919 297 02	Hexagon-head bolt 8,0 X 26,0		4	
6	999 073 322 01	Oval-head screw		X	
6	999 073 322 03	Oval-head screw		X	
7	999 073 605 01	Round head screw		2	
8	999 015 025 A1	Oval-head screw M6 X 12		4	

Model: 918

Model life 2015>>2015



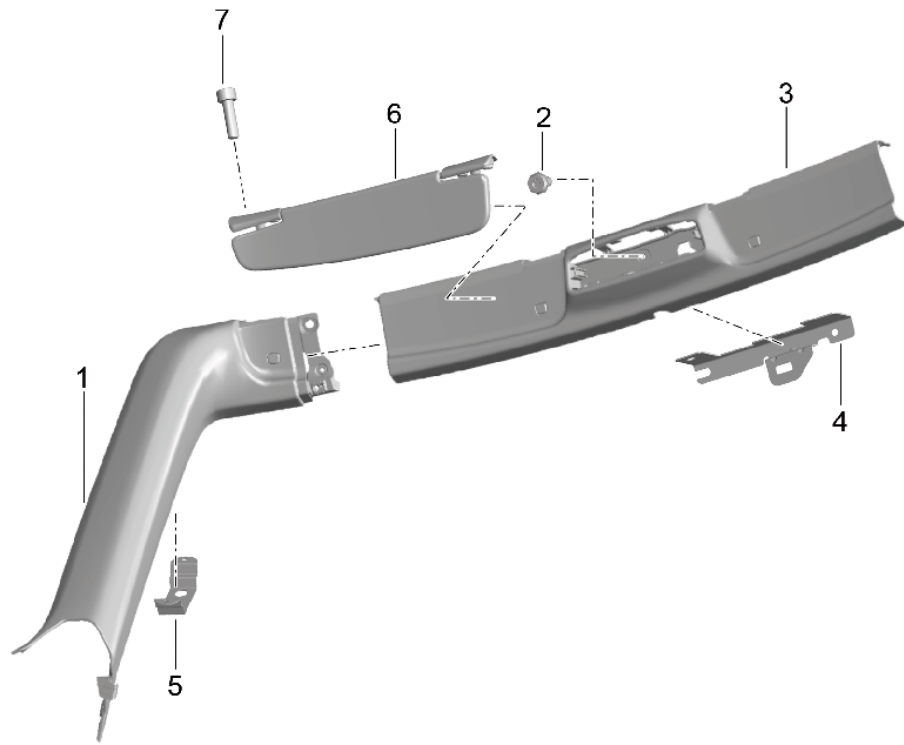
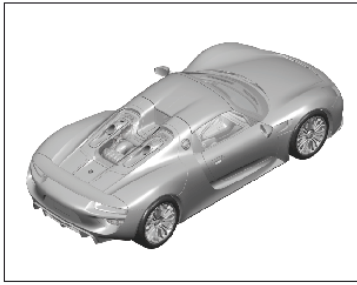
Model: 918

Model life 2015>>2015

Pos	Part Number	Description	Remark	Qty	Model
1	918 541 901 00	window glazing Windscreen Use also: 000.043.303.19.		1	
2	918 545 901 00	Rear window Use also: 000.043.303.19		1	I808
(2)	918 545 901 01	Rear window Use also: 000.043.303.19		1	-I808
3	918 542 111 02	Door window glass	/L	1	
4	918 542 112 02	Door window glass	/R	1	
5	000 043 303 19	Adhesive set		1	

Model: 918

Model life 2015>>2015



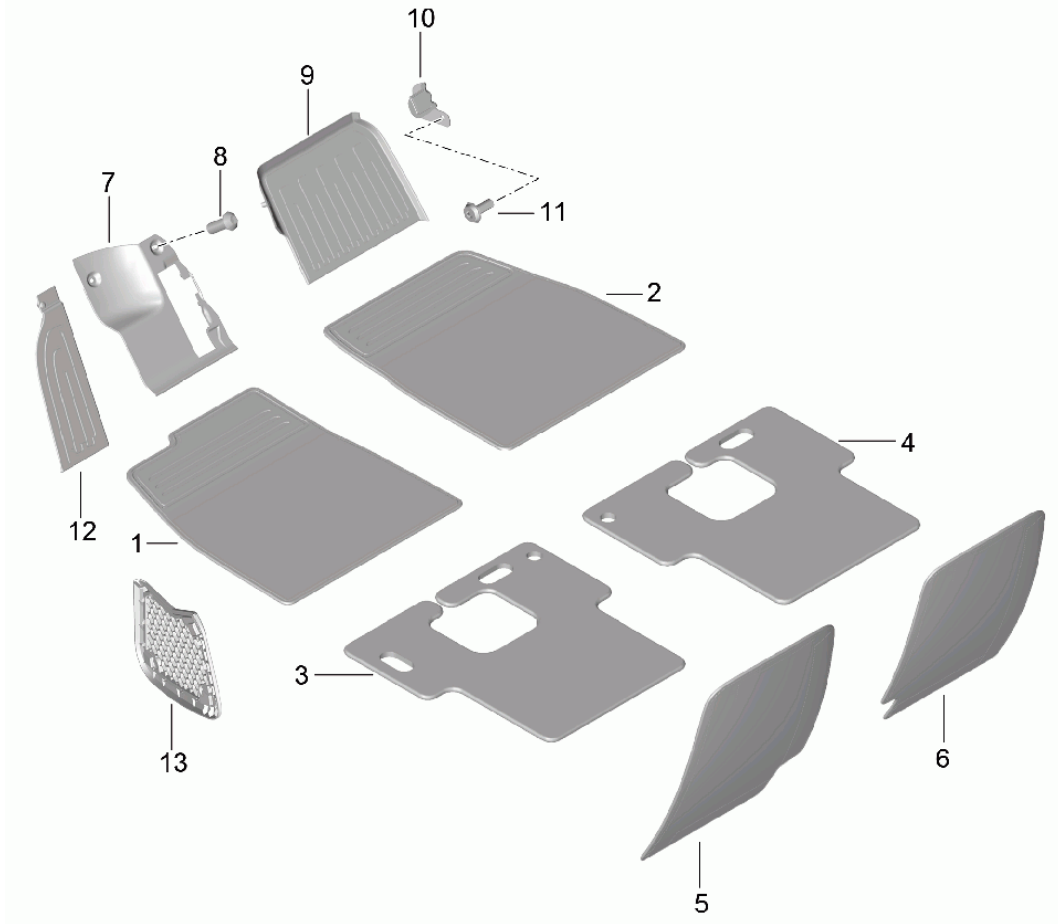
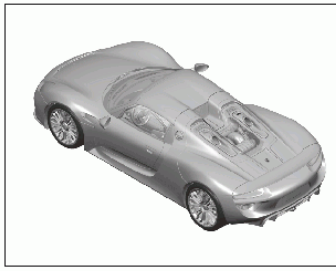


Model: 918 Model life 2015>>2015

Pos	Part Number	Description	Remark	Qty	Model
1	918 555 181 00	Sun visors Linings A-pillar Lining	/L	1	-I553
	918 555 181 00 A11	A-pillar Leather Black			
(1)	918 555 181 00	Lining A-pillar Authentic Leather	/L	1	-I553
	918 555 181 00 A91	Black			
(1)	918 555 182 00	Lining A-pillar Leather	/R	1	-I553
	918 555 182 00 A11	Black			
(1)	918 555 182 00	Lining A-pillar Authentic Leather	/R	1	-I553
	918 555 182 00 A91	Black			
2	999 073 268 01	Oval-head screw M5 X 12		3	
3	918 555 059 00	Cowl panel covering Leather		1	
	918 555 059 00 A11	Black			
(3)	918 555 059 00	Cowl panel covering Authentic Leather		1	
	918 555 059 00 A91	Black			
4	918 555 801 00	Support Lining Cowl		1	
5	918 501 771 00	Support Lining A-pillar		2	
6	918 731 031 00	Sun visor Leather	/L	1	-I553
	918 731 031 00 A11	Black			
(6)	918 731 031 00	Sun visor Authentic Leather	/L	1	-I553
	918 731 031 00 A91	Black			
(6)	918 731 032 00	Sun visor Leather	/R	1	-I553
	918 731 032 00 A11	Black			
(6)	918 731 032 00	Sun visor Authentic Leather	/R	1	-I553
	918 731 032 00 A91	Black			
7	900 067 011 A1	Pan-head screw M6 X 20		8	

Model: 918

Model life 2015>>2015



Model: 918 Model life 2015>>2015

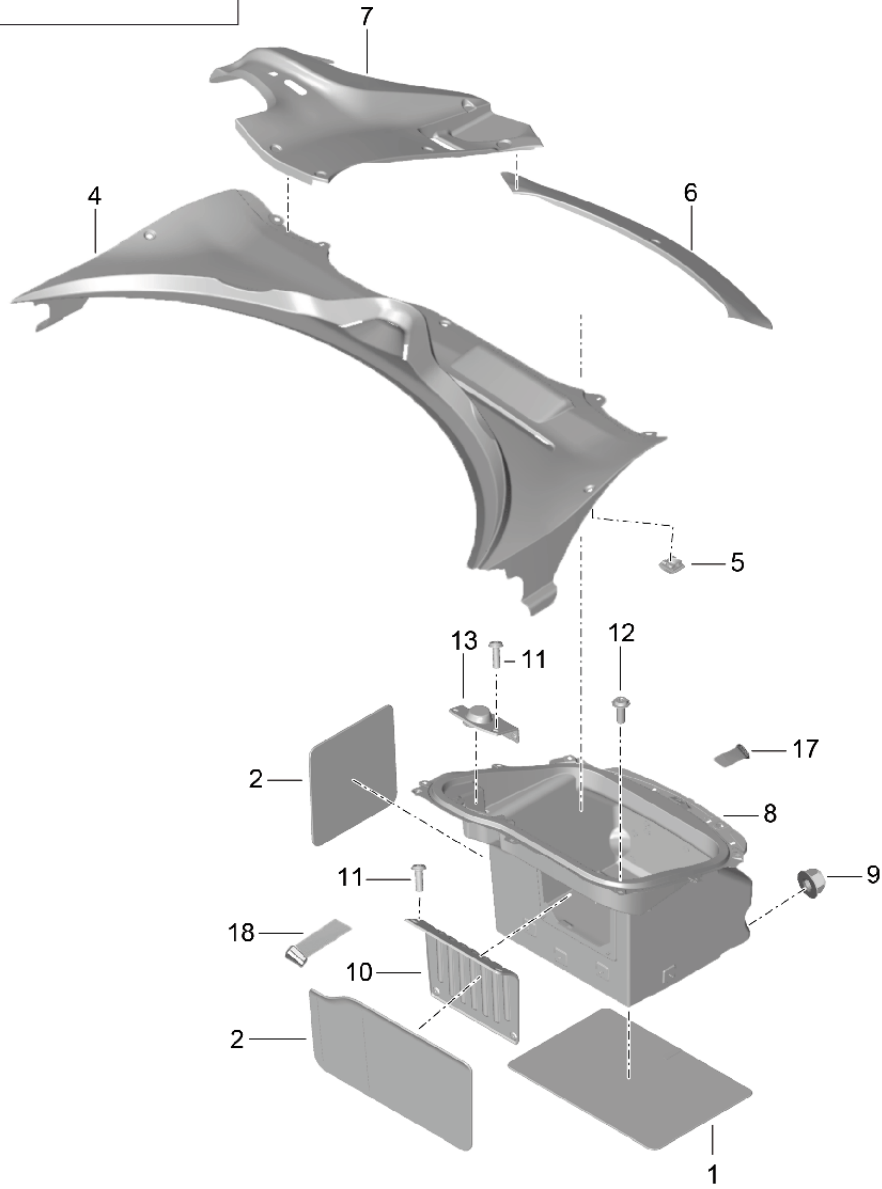
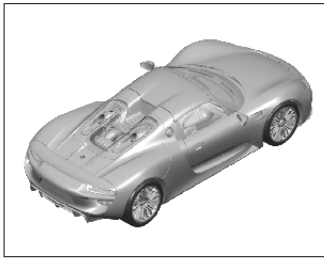
Pos	Part Number	Description	Remark	Qty	Model
1	918 551 011 02	Footwell Floor mats Floor mat Front Driver's side		1	-I808
(1)	918 551 011 02 SQB	Black		1	I808/951/983 I984/998
(1)	918 551 011 02	Floor mat Front Driver's side		1	I808
(1)	918 551 011 02 SQB	Black		1	I808
(1)	918 551 011 01	Floor mat Front Driver's side		1	I808/990
(1)	918 551 011 01 SQB	Black		1	I808/990
2	918 551 011 01 SQB	Floor mat Front Driver's side		1	-I808
(2)	918 551 012 02	Floor mat Front Passenger's side		1	I808/951/983 I984/998
(2)	918 551 012 02 SQB	Black		1	I808/951/983 I984/998
(2)	918 551 012 02	Floor mat Front Passenger's side		1	I808
(2)	918 551 012 02 SQB	Black		1	I808
(2)	918 551 012 01	Floor mat Front Passenger's side		1	I808/990
(2)	918 551 012 01 SQB	Black		1	I808/990
3	918 551 012 01 SQB	Floor mat Front Passenger's side		1	-I808
3	918 551 511 00	Carpet Driver's side Rear		1	-I808
4	918 551 511 00 A90	Black		1	-I808
4	918 551 512 00	Carpet Passenger's side Rear		1	-I808
5	918 551 512 00 A90	Black		1	-I808
5	918 551 053 00	Back wall lining Driver's side		1	-I808
6	918 551 053 00 A90	Black		1	-I808
6	918 551 054 00	Back wall lining Passenger's side		1	-I808
7	918 551 054 00 A90	Black		1	-I808
7	918 551 501 00	Cover Pedals		1	
8	918 551 501 00 A05	Black mat		3	
8	N 106 321 05	Oval-head screw M6 X 25		3	
9	918 551 612 01	Foot support Footwell Passenger's side		1	
10	918 551 612 01 A3G	Carbon Gloss Black		1	
10	918 551 804 01	Support Cover Passenger's side		1	
11	999 073 268 A2	Oval-head screw		2	

Model: 918 Model life 2015>>2015

Pos	Part Number	Description	Remark	Qty	Model
12	918 551 611 01	Foot support Driver's side		1	
	918 551 611 01 A3G	Carbon Gloss Black			
13	918 555 235 00	Cover Woofer	/L	1	
	918 555 235 00 5Q0	Black			
(13)	918 555 236 00	Cover Woofer	/R	1	
	918 555 236 00 5Q0	Black			
(14)	918 555 623 00	Cover OBD	/L	1	
	918 555 623 00 5Q0	Black			
(15)	918 555 624 00	Cover SERVICESTECKER	/R	1	
	918 555 624 00 5Q0	Black			
-	000 043 302 80	Velcro strip 3000MM		1	-I808

Model: 918

Model life 2015>>2015

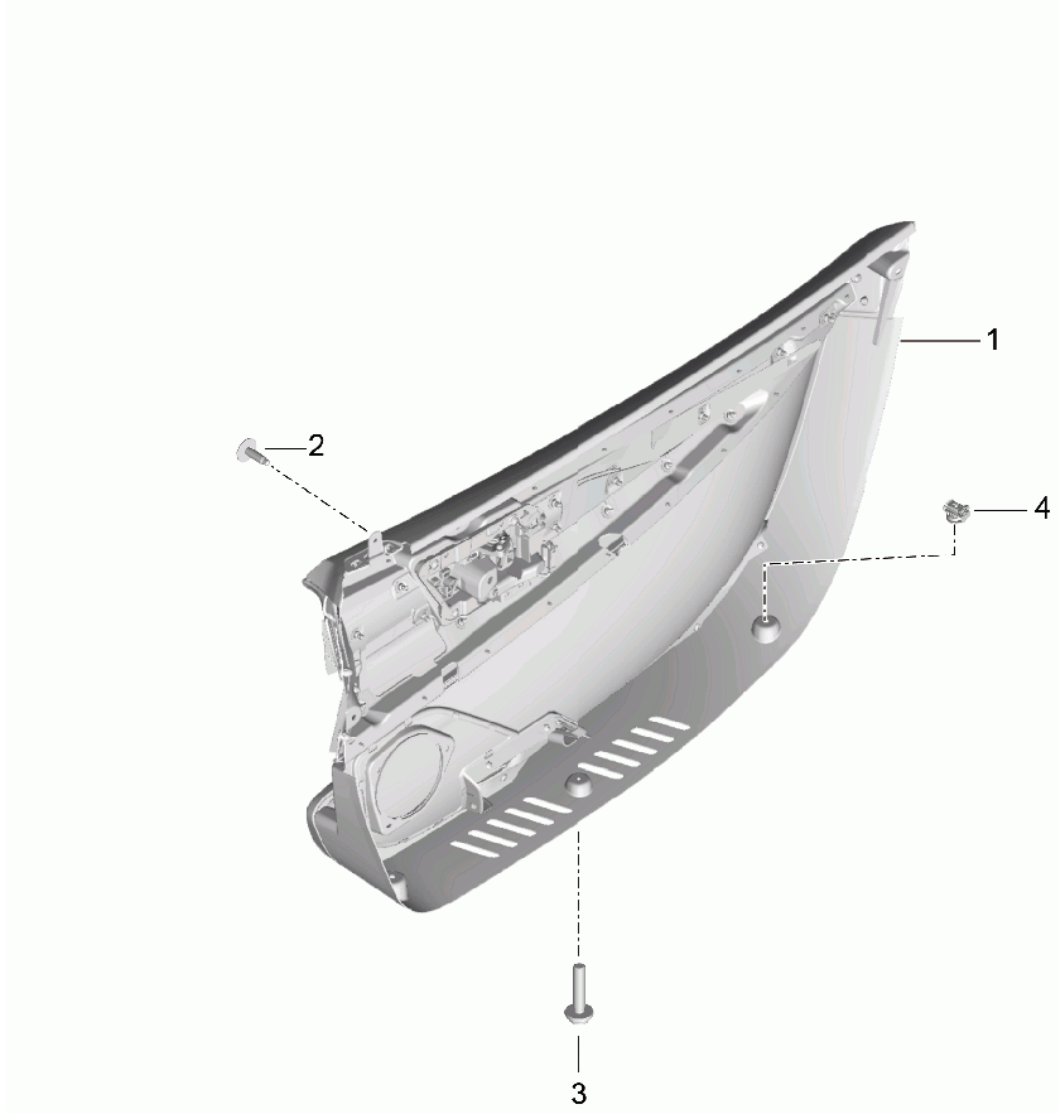
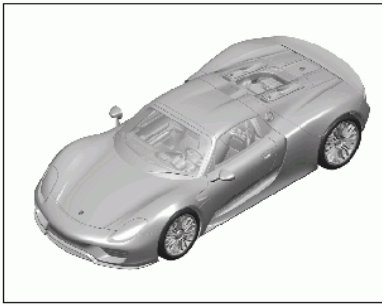


Model: 918 Model life 2015>>2015

Pos	Part Number	Description	Remark	Qty	Model
1	918 551 031 01	Luggage compartment liner Linings Lining Front		1	
	918 551 031 01 A90	Black			
2	918 551 050 00	Luggage compartment trim Set Comprising: Lining Left Right Rear		1	
	918 551 050 00 A90	Black			
-	999 902 066 42	Velcro strip 50 X 250		4	-I808
-	999 902 065 41	Velcro strip 25 X 200		1	-I808
-	999 902 065 42	Velcro strip 25 X 250		2	-I808
4	918 555 063 04	Cover Cowl		1	-I808
	918 555 063 04 A3G	Carbon Gloss Black			
(4)	918 555 063 05	Cover Cowl		1	I808
	918 555 063 05 A3G	Carbon Gloss Black			
-	999 590 085 40	Safety device/filler sock. Cover Cowl		1	
-	999 591 483 40	Lock washer Safety device/filler sock. Cover Cowl		1	
5	999 590 084 40	Cams		18	
6	918 555 111 02	Cover Front apron		1	
	918 555 111 02 A3G	Carbon Gloss Black			
7	918 555 067 02	Cover Wheel housing panel	/L	1	
	918 555 067 02 A3G	Carbon Gloss Black			
(7)	918 555 068 02	Cover Wheel housing panel	/R	1	
	918 555 068 02 A3G	Carbon Gloss Black			
8	918 505 129 01	Luggage compartment liner		1	
9	900 380 021 A1	Hexagon nut M10		2	
10	918 505 609 01	Service cover Charger		1	
11	999 073 269 A1	Oval-head screw M5 X 16		8	
12	999 015 026 A1	Oval-head screw M5 X 16		2	
13	918 505 611 01	Service cover Expansion tank		1	
17	918 505 751 00	Belt Adapter Front Trolley		1	
18	918 505 753 00	Belt Adapter Rear Trolley		1	

Model: 918

Model life 2015>>2015



Model: 918 Model life 2015>>2015

Pos	Part Number	Description	Remark	Qty	Model
1	918 555 121 00	Door trim panel Complete Door trim panel	/L	1	-I508/-I808 I506/681
		Upper part Carbon Matt Black Leather			
	918 555 121 00 SQC	Black/Acid Green			+53
	918 555 121 00 SQD	Black/Silver			+54
	918 555 121 00 SQG	Matt Carrera Red/Silver			+56
	918 555 121 00 SQE	Matt Tarpan Br/Silver			+36
	918 555 121 00 SQF	Matt Tarpan Br/Orange			+37
(1)	918 555 121 00	Door trim panel	/L	1	-I508/-I808 I506/681
		Upper part Carbon Matt Black Authentic Leather			
	918 555 121 00 SQH	Black/Acid Green			+33
	918 555 121 00 SQI	Black/Silver			+34
(1)	918 555 121 00	Door trim panel	/L	1	-I506/-I508 -I808/I681
		Upper part Carbon Gloss Black Leather			
	918 555 121 00 SPM	Black/Acid Green			+53
	918 555 121 00 SPN	Black/Silver			+54
	918 555 121 00 SPR	Carrera Red/Silver			+56
(1)	918 555 121 00	Door trim panel	/L	1	-I506/-I508 -I808/I681
		Upper part Carbon Gloss Black Authentic Leather			
	918 555 121 00 SPP	Tarpan Brown/Silver			+36
	918 555 121 00 SPQ	Tarpan Brown/Orange			+37
	918 555 121 00 SPS	Black/Acid Green			+33
	918 555 121 00 SPT	Black/Silver			+34
(1)	918 555 122 00	Door trim panel	/R	1	-I508/-I808 I506/681
		Upper part Carbon Matt Black Leather			
	918 555 122 00 SQC	Black/Acid Green			+53
	918 555 122 00 SQD	Black/Silver			+54
	918 555 122 00 SQG	Matt Carrera Red/Silver			+56
	918 555 122 00 SQE	Matt Tarpan Br/Silver			+36
	918 555 122 00 SQF	Matt Tarpan Br/Orange			+37
(1)	918 555 122 00	Door trim panel	/R	1	-I508/-I808 I506/681
		Upper part Carbon Matt Black Authentic Leather			
	918 555 122 00 SQH	Black/Acid Green			+33
	918 555 122 00 SQI	Black/Silver			+34
(1)	918 555 122 00	Door trim panel	/R	1	-I506/-I508 -I808/I681
		Upper part Carbon Gloss Black Leather			
	918 555 122 00 SPM	Black/Acid Green			+53
	918 555 122 00 SPN	Black/Silver			+54



Model: 918 Model life 2015>>2015

Pos	Part Number	Description	Remark	Qty	Model
(1)	918 555 122 00 SPR	Carrera Red/Silver			+56
	918 555 122 00	Door trim panel	/R	1	-I506/-I508 -I808/I681
		Upper part			
		Carbon Gloss Black			
		Authentic			
		Leather			
	918 555 122 00 SPP	Tarpan Brown/Silver			+36
	918 555 122 00 SPQ	Tarpan Brown/Orange			+37
	918 555 122 00 SPS	Black/Acid Green			+33
	918 555 122 00 SPT	Black/Silver			+34
(1)	918 555 121 01	Door trim panel	/L	1	-I808/I506 I508/681
		Upper part			
		Carbon Matt Black			
		Leather			
	918 555 121 01 SQC	Black/Acid Green			+53
	918 555 121 01 SQD	Black/Silver			+54
	918 555 121 01 SQG	Matt Carrera Red/Silver			+56
	918 555 121 01 SQE	Matt Tarpan Br/Silver			+36
	918 555 121 01 SQF	Matt Tarpan Br/Orange			+37
(1)	918 555 121 01	Door trim panel	/L	1	-I808/I506 I508/681
		Upper part			
		Carbon Matt Black			
		Authentic			
		Leather			
	918 555 121 01 SQH	Black/Acid Green			+33
	918 555 121 01 SQI	Black/Silver			+34
(1)	918 555 121 01	Door trim panel	/L	1	-I506/-I808 I508/681
		Upper part			
		Carbon Gloss Black			
		Leather			
	918 555 121 01 SPM	Black/Acid Green			+53
	918 555 121 01 SPN	Black/Silver			+54
	918 555 121 01 SPR	Carrera Red/Silver			+56
(1)	918 555 121 01	Door trim panel	/L	1	-I506/-I808 I508/681
		Upper part			
		Carbon Gloss Black			
		Authentic			
		Leather			
	918 555 121 01 SPP	Tarpan Brown/Silver			+36
	918 555 121 01 SPQ	Tarpan Brown/Orange			+37
	918 555 121 01 SPS	Black/Acid Green			+33
	918 555 121 01 SPT	Black/Silver			+34
(1)	918 555 122 01	Door trim panel	/R	1	-I808/I506 I508/681
		Upper part			
		Carbon Matt Black			
		Leather			
	918 555 122 01 SQC	Black/Acid Green			+53
	918 555 122 01 SQD	Black/Silver			+54
	918 555 122 01 SQG	Matt Carrera Red/Silver			+56
	918 555 122 01 SQE	Matt Tarpan Br/Silver			+36
	918 555 122 01 SQF	Matt Tarpan Br/Orange			+37
(1)	918 555 122 01	Door trim panel	/R	1	-I808/I506 I508/681
		Upper part			
		Carbon Matt Black			
		Authentic			
		Leather			

Model: 918 Model life 2015>>2015

Pos	Part Number	Description	Remark	Qty	Model
(1)	918 555 122 01 SQH	Black/Acid Green			+33
	918 555 122 01 SQI	Black/Silver			+34
	918 555 122 01	Door trim panel	/R	1	-I506/-I808 I508/681
(1)		Carbon Gloss Black Leather			
	918 555 122 01 SPM	Black/Acid Green			+53
	918 555 122 01 SPN	Black/Silver			+54
(1)	918 555 122 01 SPR	Carrera Red/Silver			+56
	918 555 122 01	Door trim panel	/R	1	-I506/-I808 I508/681
		Carbon Gloss Black Authentic Leather			
(1)	918 555 122 01 SPP	Tarpan Brown/Silver			+36
	918 555 122 01 SPQ	Tarpan Brown/Orange			+37
	918 555 122 01 SPS	Black/Acid Green			+33
(1)	918 555 122 01 SPT	Black/Silver			+34
	918 555 121 02	Door trim panel	/L	1	-I681/I506 I808
		Upper part Carbon Matt Black Leather			
(1)	918 555 121 02 SQC	Black/Acid Green			+53
	918 555 121 02 SQD	Black/Silver			+54
	918 555 121 02 SQG	Matt Carrera Red/Silver			+56
(1)	918 555 121 02 SQE	Matt Tarpan Br/Silver			+36
	918 555 121 02 SQF	Matt Tarpan Br/Orange			+37
	918 555 121 02	Door trim panel	/L	1	-I681/I506 I808
	Upper part Carbon Matt Black Authentic Leather				
(1)	918 555 121 02 SQH	Black/Acid Green			+33
	918 555 121 02 SQI	Black/Silver			+34
	918 555 121 02	Door trim panel	/L	1	-I506/-I681 I808
	Carbon Gloss Black Leather				
(1)	918 555 121 02 SPM	Black/Acid Green			+53
	918 555 121 02 SPN	Black/Silver			+54
	918 555 121 02 SPR	Carrera Red/Silver			+56
(1)	918 555 121 02	Door trim panel	/L	1	-I506/-I681 I808
		Carbon Gloss Black Authentic Leather			
	918 555 121 02 SPP	Tarpan Brown/Silver			+36
(1)	918 555 121 02 SPQ	Tarpan Brown/Orange			+37
	918 555 121 02 SPS	Black/Acid Green			+33
	918 555 121 02 SPT	Black/Silver			+34
(1)	918 555 122 02	Door trim panel	/R	1	-I681/I506 I808
		Upper part Carbon Matt Black Leather			
	918 555 122 02 SQC	Black/Acid Green			+53
(1)	918 555 122 02 SQD	Black/Silver			+54
	918 555 122 02 SQG	Matt Carrera Red/Silver			+56
	918 555 122 02 SQE	Matt Tarpan Br/Silver			+36
(1)	918 555 122 02 SQF	Matt Tarpan Br/Orange			+37
	918 555 122 02	Door trim panel	/R	1	-I681/I506

Model: 918 Model life 2015>>2015

Pos	Part Number	Description	Remark	Qty	Model
		Upper part Carbon Matt Black Authentic Leather			I808
	918 555 122 02 SQH	Black/Acid Green			+33
	918 555 122 02 SQI	Black/Silver			+34
(1)	918 555 122 02	Door trim panel	/R	1	-I506/-I681 I808
		Carbon Gloss Black Leather			
	918 555 122 02 SPM	Black/Acid Green			+53
	918 555 122 02 SPN	Black/Silver			+54
	918 555 122 02 SPR	Carrera Red/Silver			+56
(1)	918 555 122 02	Door trim panel	/R	1	-I506/-I681 I808
		Carbon Gloss Black Authentic Leather			
	918 555 122 02 SPP	Tarpan Brown/Silver			+36
	918 555 122 02 SPQ	Tarpan Brown/Orange			+37
	918 555 122 02 SPS	Black/Acid Green			+33
	918 555 122 02 SPT	Black/Silver			+34
(1)	918 555 121 03	Door trim panel	/L	1	I506/681/808
		Upper part Carbon Matt Black Leather			
	918 555 121 03 SQC	Black/Acid Green			+53
	918 555 121 03 SQD	Black/Silver			+54
	918 555 121 03 SQG	Matt Carrera Red/Silver			+56
	918 555 121 03 SQE	Matt Tarpan Br/Silver			+36
	918 555 121 03 SQF	Matt Tarpan Br/Orange			+37
(1)	918 555 121 03	Door trim panel	/L	1	I506/681/808
		Upper part Carbon Matt Black Authentic Leather			
	918 555 121 03 SQH	Black/Acid Green			+33
	918 555 121 03 SQI	Black/Silver			+34
(1)	918 555 121 03	Door trim panel	/L	1	-I506/I681 I808
		Carbon Gloss Black Leather			
	918 555 121 03 SPM	Black/Acid Green			+53
	918 555 121 03 SPN	Black/Silver			+54
	918 555 121 03 SPR	Carrera Red/Silver			+56
(1)	918 555 121 03	Door trim panel	/L	1	-I506/I681 I808
		Carbon Gloss Black Authentic Leather			
	918 555 121 03 SPP	Tarpan Brown/Silver			+36
	918 555 121 03 SPQ	Tarpan Brown/Orange			+37
	918 555 121 03 SPS	Black/Acid Green			+33
	918 555 121 03 SPT	Black/Silver			+34
(1)	918 555 122 03	Door trim panel	/R	1	I506/681/808
		Upper part Carbon Matt Black Leather			
	918 555 122 03 SQC	Black/Acid Green			+53
	918 555 122 03 SQD	Black/Silver			+54
	918 555 122 03 SQG	Matt Carrera Red/Silver			+56
	918 555 122 03 SQE	Matt Tarpan Br/Silver			+36

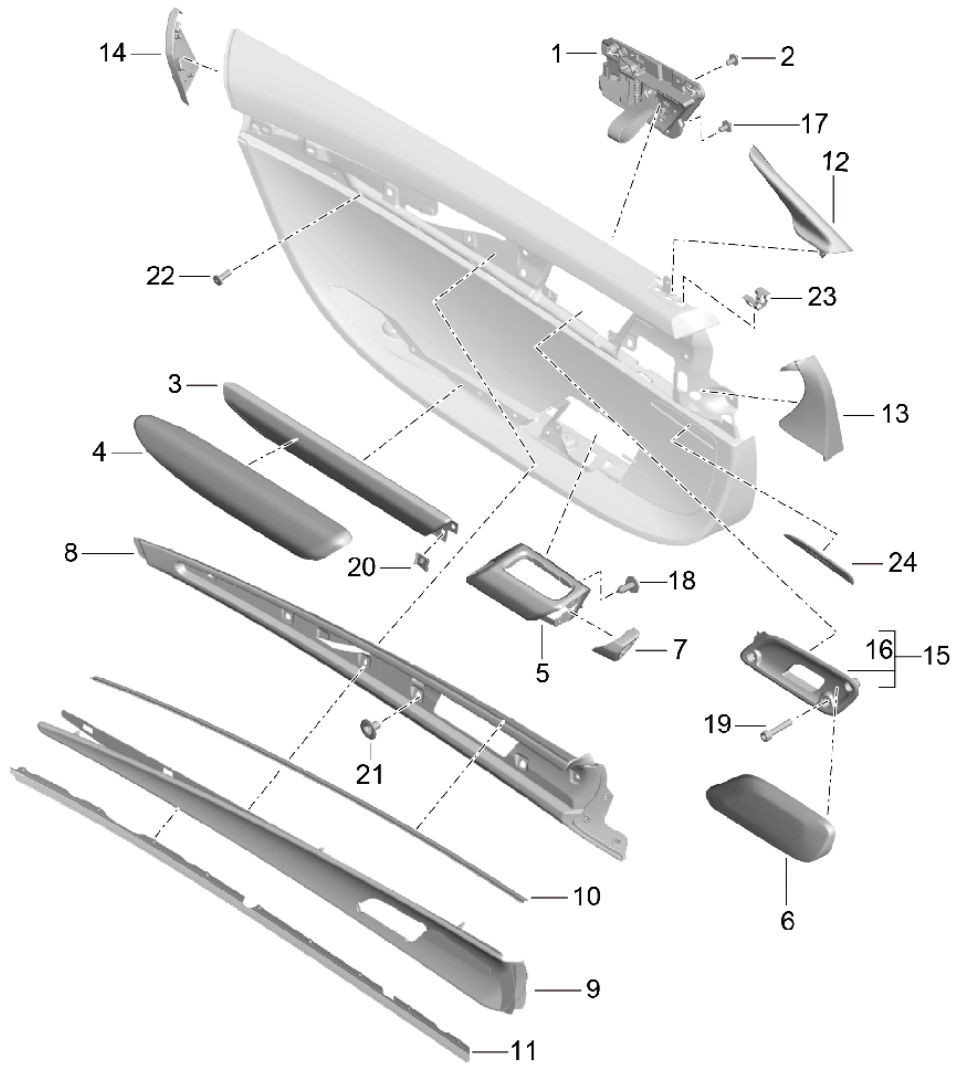
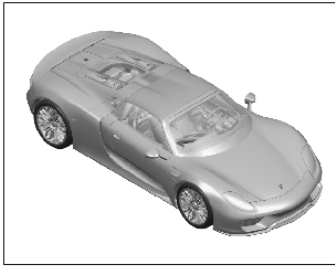
Model: 918

Model life 2015>>2015

Pos	Part Number	Description	Remark	Qty	Model
(1)	918 555 122 03 SQF 918 555 122 03	Matt Tarpan Br/Orange Door trim panel Upper part Carbon Matt Black Authentic Leather	/R	1	+37 I506/681/808
(1)	918 555 122 03 SQH 918 555 122 03 SQI 918 555 122 03	Black/Acid Green Black/Silver Door trim panel  Carbon Gloss Black Leather	/R	1	+33 +34 -I506/I681 I808
(1)	918 555 122 03 SPM 918 555 122 03 SPN 918 555 122 03 SPR 918 555 122 03	Black/Acid Green Black/Silver Carrera Red/Silver Door trim panel  Carbon Gloss Black Authentic Leather	/R	1	+53 +54 +56 -I506/I681 I808
2	918 555 122 03 SPP 918 555 122 03 SPQ 918 555 122 03 SPS 918 555 122 03 SPT	Tarpan Brown/Silver Tarpan Brown/Orange Black/Acid Green Black/Silver			+36 +37 +33 +34
2	N 909 101 02	Hexagon socket head bolt M5 X 18		8	
3	N 911 279 01	Pan-head screw M6X25		6	
4	8P7 806 305	Shim		6	

Model: 918

Model life 2015>>2015



Model: 918 Model life 2015>>2015

Pos	Part Number	Description	Remark	Qty	Model
1	918 555 251 00	Door trim panel Single parts Door opener with Sensor	/L	1	-I808
(1)	918 555 251 00 OX2 918 555 252 00	Smoke Chrome, High Gloss Door opener with Sensor	/R	1	-I808
(1)	918 555 252 00 OX2 918 555 251 01	Smoke Chrome, High Gloss Door opener with Sensor	/L	1	I808
(1)	918 555 251 01 A11 918 555 252 01	Black Door opener with Sensor	/R	1	I808
2	918 555 252 01 A11 N 106 538 01	Black Fastening screw M5X8		8	
3	918 555 521 00	Bracket Armrest	/L	1	-I508/-I808
(3)	918 555 521 00 U04 918 555 522 00	Aluminium, brushed Bracket Armrest	/R	1	-I508/-I808
(3)	918 555 522 00 U04 918 555 521 01	Aluminium, brushed Bracket Armrest	/L	1	I808
(3)	918 555 521 01 A3G 918 555 522 01	Carbon Gloss Black Bracket Armrest	/R	1	I808
(3)	918 555 522 01 A3G 918 555 521 02	Carbon Gloss Black Bracket Armrest Aluminium Anodised	/L	1	-I808/I508
(3)	918 555 521 02 A7E 918 555 522 02	Black Bracket Armrest Aluminium Anodised	/R	1	-I808/I508
4	918 555 522 02 A7E 918 555 231 00	Black Padded cover Armrest Leather	/L	1	-I808
(4)	918 555 231 00 A11 918 555 231 00 N12 918 555 231 00	Black Carrera Red Padded cover Armrest Authentic Leather	/L	1	+53,+54 +56 -I808
(4)	918 555 231 00 A91 918 555 231 00 S91 918 555 232 00	Black Tarpan Brown Padded cover Armrest Leather	/R	1	+33,+34 +36,+37 -I808
(4)	918 555 232 00 A11 918 555 232 00 N12 918 555 232 00	Black Carrera Red Padded cover Armrest Authentic Leather	/R	1	+53,+54 +56 -I808
	918 555 232 00 A91	Black			+33,+34

Model: 918 Model life 2015>>2015

Pos	Part Number	Description	Remark	Qty	Model
5	918 555 232 00 S91	Tarpan Brown			+36,+37
	918 555 539 00	Cover	/L	1	-I808
(5)	918 555 539 00 OX2	Armrest Smoke Chrome, High Gloss			
	918 555 540 00	Cover	/R	1	-I808
(5)	918 555 540 00 OX2	Armrest Smoke Chrome, High Gloss			
	918 555 539 01	Cover	/L	1	I808
(5)	918 555 539 01 OX2	Armrest Smoke Chrome, High Gloss			
	918 555 540 01	Cover	/R	1	I808
6	918 555 540 01 OX2	Armrest Smoke Chrome, High Gloss			
	918 555 247 00	Padded cover	/L	1	-I808
(6)		Shelf			
		Leather			
	918 555 247 00 A11	Black			+53,+54
	918 555 247 00 N12	Carrera Red			+56
(6)	918 555 247 00	Padded cover	/L	1	-I808
		Shelf			
		Leather			
	918 555 247 00 A91	Black			+33,+34
(6)	918 555 247 00 S91	Tarpan Brown			+36,+37
	918 555 248 00	Padded cover	/R	1	-I808
		Shelf			
		Leather			
(6)	918 555 248 00 A11	Black			+53,+54
	918 555 248 00 N12	Carrera Red			+56
	918 555 248 00	Padded cover	/R	1	-I808
		Shelf			
7		Leather			
	918 555 248 00 A91	Black			+33,+34
	918 555 248 00 S91	Tarpan Brown			+36,+37
	918 555 549 00	Armrest	/L	1	I808
(7)		Cover			
	918 555 549 00 5Q0	Black			
8	918 555 550 00	Armrest	/R	1	I808
		Cover			
(8)	918 555 550 00 5Q0	Black			
	918 555 381 00	Cover	/L	1	
		Outer			
		Leather			
(8)	918 555 381 00 A11	Black			+53,+54
	918 555 381 00 N12	Carrera Red			+56
	918 555 381 00	Cover	/L	1	
		Outer			
(8)		Leather			
	918 555 381 00 A91	Black			+33,+34
	918 555 381 00 S91	Tarpan Brown			+36,+37
	918 555 382 00	Cover	/R	1	
(8)		Outer			
		Leather			
	918 555 382 00 A11	Black			+53,+54
	918 555 382 00 N12	Carrera Red			+56
(8)	918 555 382 00	Cover	/R	1	
		Outer			
(8)		Leather			
	918 555 382 00 A91	Black			+33,+34
	918 555 382 00 S91	Tarpan Brown			+36,+37

Model: 918 Model life 2015>>2015

Pos	Part Number	Description	Remark	Qty	Model
9	918 555 371 00	Cover Inner Leather	/L	1	-I808
	918 555 371 00 A11	Black			+53,+54
	918 555 371 00 N12	Carrera Red			+56
(9)	918 555 371 00	Cover Inner Authentic Leather	/L	1	-I808
	918 555 371 00 A91	Black			+33,+34
	918 555 371 00 S91	Tarpan Brown			+36,+37
(9)	918 555 371 01	Cover Inner Leather	/L	1	I808
	918 555 371 01 A11	Black			+53,+54
	918 555 371 01 N12	Carrera Red			+56
(9)	918 555 371 01	Cover Inner Authentic Leather	/L	1	I808
	918 555 371 01 A91	Black			+33,+34
	918 555 371 01 S91	Tarpan Brown			+36,+37
(9)	918 555 372 00	Cover Inner Leather	/R	1	-I808
	918 555 372 00 A11	Black			+53,+54
	918 555 372 00 N12	Carrera Red			+56
(9)	918 555 372 00	Cover Inner Authentic Leather	/R	1	-I808
	918 555 372 00 A91	Black			+33,+34
	918 555 372 00 S91	Tarpan Brown			+36,+37
(9)	918 555 372 01	Cover Inner Leather	/R	1	I808
	918 555 372 01 A11	Black			+53,+54
	918 555 372 01 N12	Carrera Red			+56
(9)	918 555 372 01	Cover Inner Authentic Leather	/R	1	I808
	918 555 372 01 A91	Black			+33,+34
	918 555 372 01 S91	Tarpan Brown			+36,+37
10	918 555 681 00	Piping Upper	/L	1	
	918 555 681 00 2M8	Acid Green			+33,+53,+63, +73,
	918 555 681 00 S18	Silver			+34,+54,+64, +74,+56,+36, +37
(10)	918 555 681 00 N18	Orange			
	918 555 682 00	Piping Upper	/R	1	
	918 555 682 00 2M8	Acid Green			+33,+53,+63, +73,
	918 555 682 00 S18	Silver			+34,+54,+64, +74,+56,+36, +37
	918 555 682 00 N18	Orange			
11	918 555 691 00	Piping Lower	/L	1	
	918 555 691 00 2M8	Acid Green			+33,+53,+63, +73,
	918 555 691 00 S18	Silver			+34,+54,+64,



Model: 918 Model life 2015>>2015

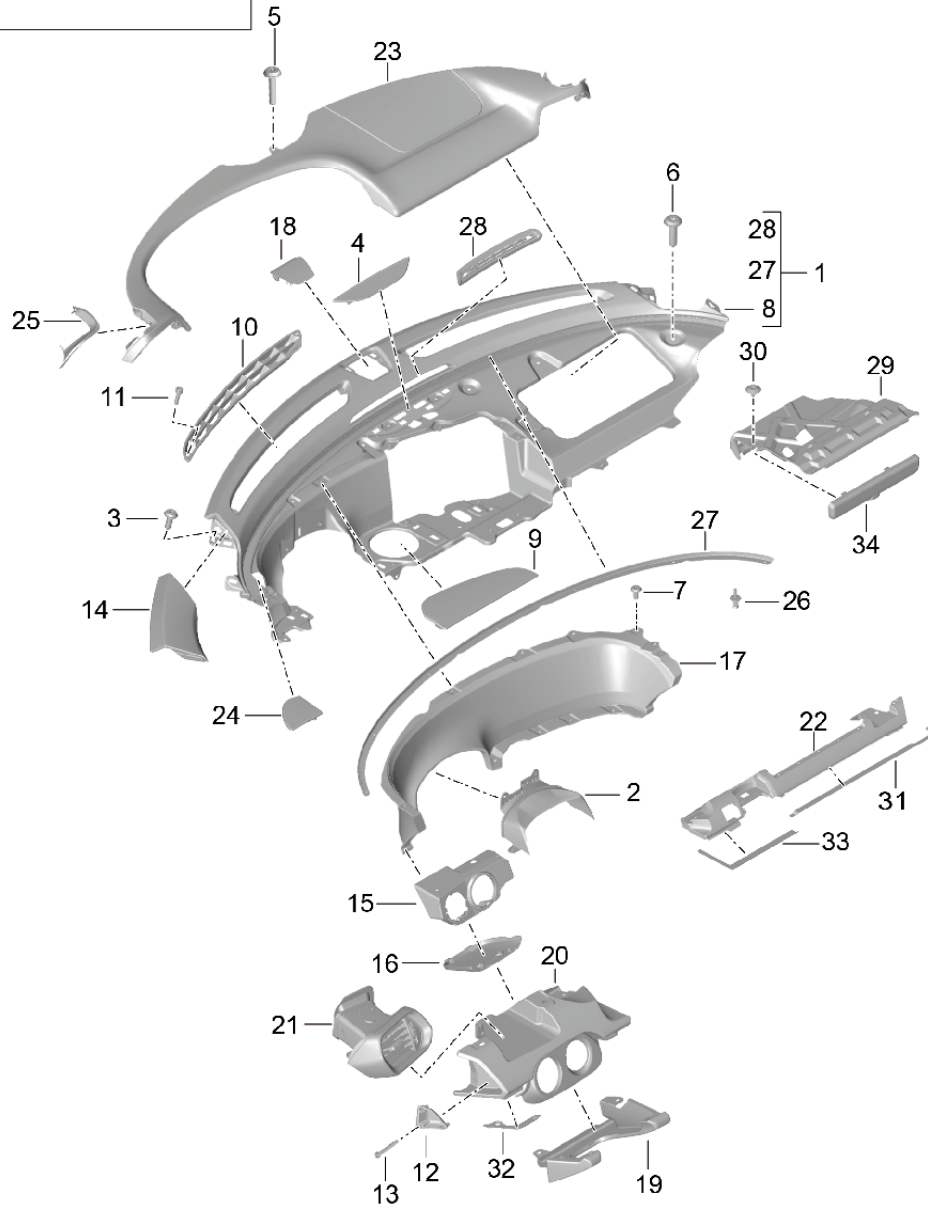
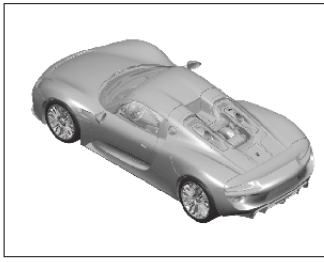
Pos	Part Number	Description	Remark	Qty	Model
(11)	918 555 691 00 N18 918 555 692 00	Orange Piping Lower	/R	1	+74,+56,+36, +37
	918 555 692 00 2M8	Acid Green			+33,+53,+63, +73,
	918 555 692 00 S18	Silver			+34,+54,+64, +74,+56,+36, +37
12	918 555 692 00 N18 918 555 741 00	Orange Trim cover Door glass frame	/L	1	
(12)	918 555 741 00 5Q0 918 555 742 00	Black Trim cover Door glass frame	/R	1	
13	918 555 742 00 5Q0 918 555 643 00	Black Cover Front Leather	/L	1	
(13)	918 555 643 00 A11 918 555 643 00 N12 918 555 643 00	Black Carrera Red Cover Front Authentic Leather	/L	1	+53,+54 +56
(13)	918 555 643 00 A91 918 555 643 00 S91 918 555 644 00	Black Tarpan Brown Cover Front Leather	/R	1	+33,+34 +36,+37
(13)	918 555 644 00 A11 918 555 644 00 N12 918 555 644 00	Black Carrera Red Cover Front Authentic Leather	/R	1	+53,+54 +56
14	918 555 644 00 A91 918 555 644 00 S91 918 555 683 00	Black Tarpan Brown Cover Rear	/L	1	+33,+34 +36,+37
(14)	918 555 683 00 A3G 918 555 683 00 A5M 918 555 684 00	Carbon Gloss Black Carbon Black mat Cover Rear	/R	1	
15	918 555 684 00 A3G 918 555 684 00 A5M 918 555 577 00	Carbon Gloss Black Carbon Matt Black Cover Door opener Leather	/L	1	-I808
(15)	918 555 577 00 A11 918 555 577 00 N12 918 555 577 00	Black Carrera Red Cover Door opener Authentic Leather	/L	1	+53,+54 +56 -I808
(15)	918 555 577 00 A91 918 555 577 00 S91 918 555 578 00	Black Tarpan Brown Cover Door opener Leather	/R	1	+33,+34 +36,+37 -I808
(15)	918 555 578 00 A11 918 555 578 00 N12 918 555 578 00	Black Carrera Red Cover	/R	1	+53,+54 +56 -I808

Model: 918 Model life 2015>>2015

Pos	Part Number	Description	Remark	Qty	Model
		Door opener Authentic Leather			
	918 555 578 00 A91	Black			+33,+34
	918 555 578 00 S91	Tarpan Brown			+36,+37
16	918 555 577 01	Cover	/L	1	I808
		Door opener			
	918 555 577 01 5Q0	Black			
(16)	918 555 578 01	Cover	/R	1	I808
		Door opener			
	918 555 578 01 5Q0	Black			
17	N 106 538 01	Fastening screw		9	
		M5X8			
18	999 073 155 09	Tapping screw		16	
		ST4,2X13-C			
19	900 067 437 01	Pan-head screw		8	I808
		M4X20			
20	999 507 020 01	Speed nut		X	-I808/I681
		ST 4,2			
21	999 049 031 01	Hexagon nut		15	
		T5			
22	999 190 104 30	Blind rivet		18	
		A 3,2X7,9			
23	999 507 533 02	Clamp		X	
		8,0X10,0/2,5			
24	918 645 801 01	Badge	/L	1	-I681
(24)	918 645 801 00	Badge	/L	1	I681
(24)	918 645 802 00	Badge	/R	1	I681
(24)	918 645 802 01	Badge		1	-I681
-	000 043 302 79	Adhesive tape		1	
		300MM			

Model: 918

Model life 2015>>2015



Model: 918 Model life 2015>>2015

Pos	Part Number	Description	Remark	Qty	Model
1	918 552 111 01	Dashboard Dashboard Upper part Leather		1	
	918 552 111 01 SQJ	Black			
	918 552 111 01 SPM	Black/Acid Green			
	918 552 111 01 SPN	Black/Silver			
	918 552 111 01 SQK	Carrera Red/Black			
	918 552 111 01 SPR	Carrera Red/Silver			
	918 552 111 01 SQM	Black/Tarpan Brown			
(1)	918 552 111 01	Dashboard Upper part Authentic Leather		1	
	918 552 111 01 SQL	Black/black			
	918 552 111 01 SPS	Black/Acid Green			
	918 552 111 01 SPT	Black/Silver			
	918 552 111 01 SPP	Tarpan Brown/Silver			
	918 552 111 01 SPQ	Tarpan Brown/Orange			
2	918 552 371 02	Cover Steering column		1	
	918 552 371 02 5Q0	Black			
3	999 073 499 01	Oval-head screw M5 X 14		X	
4	918 552 151 01	Cover Centre		1	
	918 552 151 01 5Q0	Black			+33,+34,+54, +63,+64,+73 +74 +36,+37 +56
	918 552 151 01 S92	Tarpan Brown			
	918 552 151 01 OE1	Carrera Red			
5	999 073 270 09	Oval-head screw M5 X 20		X	
6	999 073 345 09	Lens-head screw M5 X 18		X	
7	999 073 273 09	Oval-head screw M5 X 10		X	
8	918 552 211 02	Dashboard Bracket		1	
	918 552 211 02 A5M	Carbon Matt Black			
	918 552 211 02 A3G	Carbon Gloss Black			
9	918 552 327 02	Cover Centre		1	
	918 552 327 02 5Q0	Black			
10	918 552 375 01	Defroster trim	/L	1	
	918 552 375 01 5Q0	Black			
(10)	918 552 376 01	Defroster trim	/R	1	
	918 552 376 01 5Q0	Black			
11	900 067 436 01	Pan-head screw M4 X 14		4	
12	918 552 405 01	Closing element Dashboard	/L	1	
	918 552 405 01 OX2	Smoke Chrome, High Gloss			
(12)	918 552 406 01	Closing element Dashboard	/R	1	
	918 552 406 01 OX2	Chrome			
13	900 067 438 01	Pan-head screw M4 X 30		8	
14	918 552 575 01	Loudspeaker grille High-pitched	/L	1	
	918 552 575 01 5Q0	Black			
(14)	918 552 576 01	Loudspeaker grille High-pitched	/R	1	



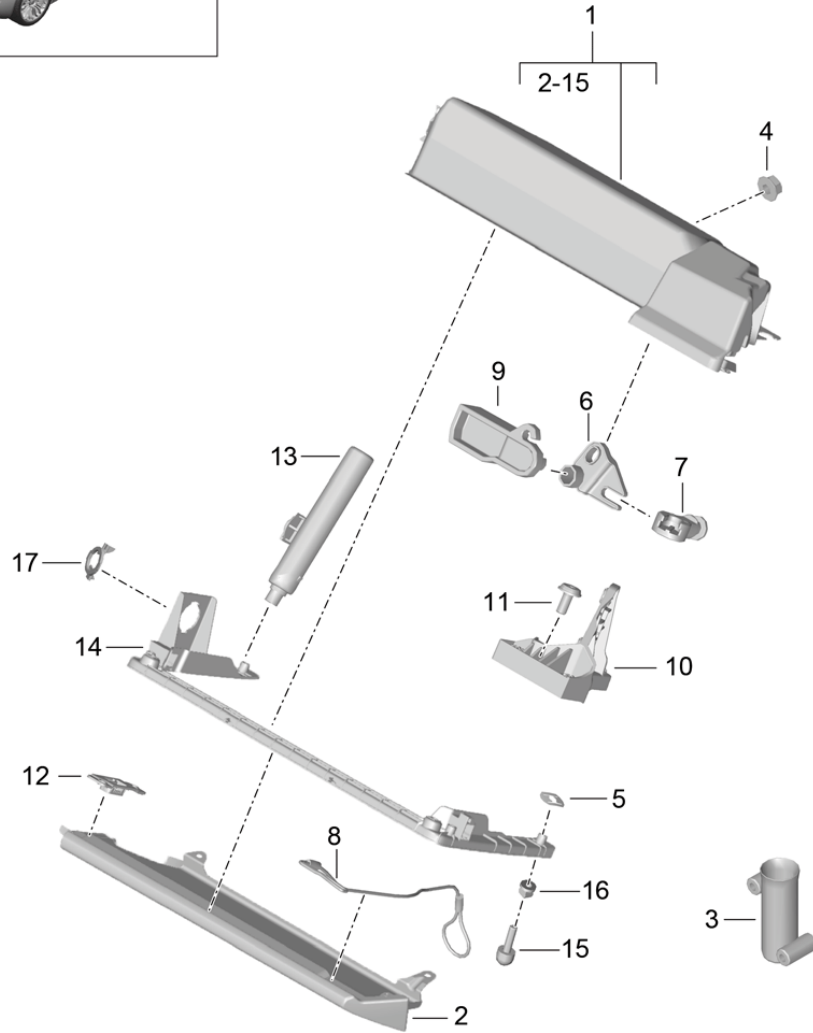
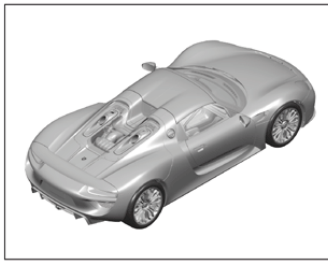
Model: 918

Model life 2015>>2015

Pos	Part Number	Description	Remark	Qty	Model
	918 552 121 03 A11	Black			+53,+54,+63, +64,+73,+74 +56
(23)	918 552 121 03 N12	Carrera Red			
	918 552 121 03	Attachment Bracket Authentic Leather		1	
	918 552 121 03 A91	Black			+33,+34
24	918 552 121 03 S91	Tarpan Brown			+36,+37
	918 552 325 02	Cover Dashboard Driver's side		1	
	918 552 325 02 5Q0	Black			
25	918 552 581 01	Insert	/L	1	
		A-pillar			
(25)	918 552 582 01	Insert	/R	1	
		A-pillar			
26	999 507 360 40	Expansion rivet 4.2 X 8.5		3	
27	918 552 785 01	Piping		1	
	918 552 785 01 A11	Black			
	918 552 785 01 2M8	Acid Green			
	918 552 785 01 S18	Silver			
	918 552 785 01 N18	Orange			
28	918 552 141 02	Blower Exhaust Centre		1	
	918 552 141 02 5Q0	Black			
29	918 552 414 02	Lining Cold air		1	-I553
30	1H0 819 943	Screw		3	
31	918 552 820 00	Locking bracket Glove compartment		1	
32	918 552 821 00	Locking bracket Lower part Driver's side	/R	1	
(32)	918 552 823 00	Locking bracket Lower part Driver's side	/L	1	
33	918 552 825 00	Locking bracket Lower part Driver's side	/L	1	
34	918 552 416 00	Lid Fusebox		1	
	918 552 416 00 1E0	Black Transmission Selector lever See illustrations 7/01/00			

Model: 918

Model life 2015>>2015



Model: 918 Model life 2015>>2015

Pos	Part Number	Description	Remark	Qty	Model
1	918 552 204 04	Glove compartment Glove compartment Leather		1	-I193/I517
	918 552 204 04 A11	Black			+53,+54,+63, +64,+73,+74
	918 552 204 04 N12	Carrera Red			+56
(1)	918 552 204 04	Glove compartment Authentic Leather		1	-I193/I517
	918 552 204 04 A91	Black			+33,+34
	918 552 204 04 S91	Tarpan Brown			+36,+37
(1)	918 552 204 06	Glove compartment Leather	(J)	1	I193/517
	918 552 204 06 A11	Black			+53,+54,+63, +64,+73,+74
	918 552 204 06 N12	Carrera Red			+56
(1)	918 552 204 06	Glove compartment Authentic Leather	(J)	1	I193/517
	918 552 204 06 A91	Black			+33,+34
	918 552 204 06 S91	Tarpan Brown			+36,+37
2	918 552 204 03	Dashboard Lower part Passenger's side Leather		1	-I193/-I517
	918 552 204 03 A11	Black			+53,+54,+63, +64,+73,+74
	918 552 204 03 N12	Carrera Red			+56
(2)	918 552 204 03	Dashboard Lower part Passenger's side Authentic Leather		1	-I193/-I517
	918 552 204 03 A91	Black			+33,+34
	918 552 204 03 S91	Tarpan Brown			+36,+37
(2)	918 552 204 05	Dashboard Lower part Passenger's side Leather	(J)	1	-I517/I193
	918 552 204 05 A11	Black			+53,+54,+63, +64,+73,+74
	918 552 204 05 N12	Carrera Red			+56
(2)	918 552 204 05	Dashboard Lower part Passenger's side Authentic Leather	(J)	1	-I517/I193
	918 552 204 05 A91	Black			+33,+34
	918 552 204 05 S91	Tarpan Brown			+36,+37
3	918 552 884 00	Support Warning light	(J)	1	I193
4	900 377 009 01	Hexagon nut		4	
5	999 591 946 03	Clamping washer		1	
6	918 552 864 00	Lever		1	I517
7	918 552 868 00	Intermediate piece		1	I517
8	918 552 870 00	Emergency operation		1	I517
9	918 552 862 00	Pressure piece		1	I517
10	918 552 866 00	Retainer plate		1	I517
11	999 073 273 09	Oval-head screw M5 X 10		X	
12	918 552 860 00	Mounting Key		1	I517
	918 552 860 00 5Q0	Black			+33,+34,+53,



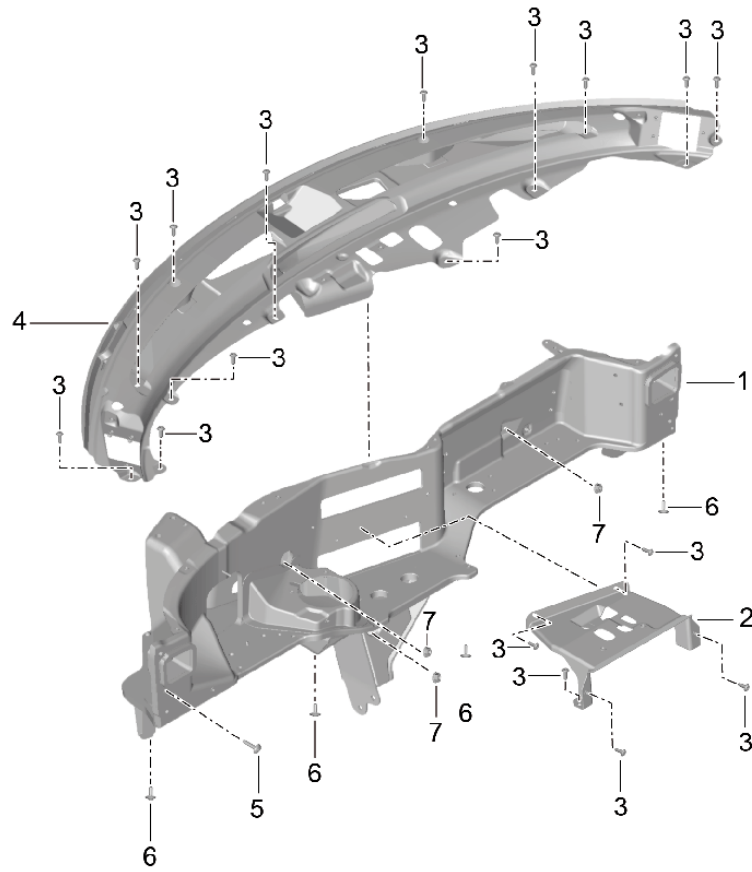
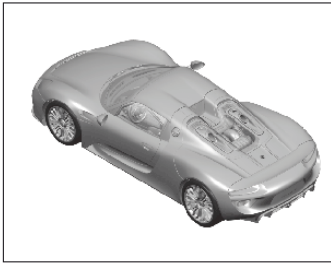
Model: 918

Model life 2015>>2015

Pos	Part Number	Description	Remark	Qty	Model
	918 552 860 00 OE1	Carrera Red			+54,+63,+64,
	918 552 860 00 S92	Tarpan Brown			+73,+74
13	996 552 779 00	Damper		1	+56
		Glove compartment			+36,+37
13	918 552 779 00	Damper		1	I517
		Glove compartment			
14	918 552 642 03	Terminal piece		1	I517
	918 552 642 03 1E0	Black			
15	918 552 854 00	Rubber buffer		2	I517
16	918 552 856 00	Expander nut		2	I517
17	918 552 872 00	Cover plate		1	I517
		Damper			
		Glove compartment			

Model: 918

Model life 2015>>2015



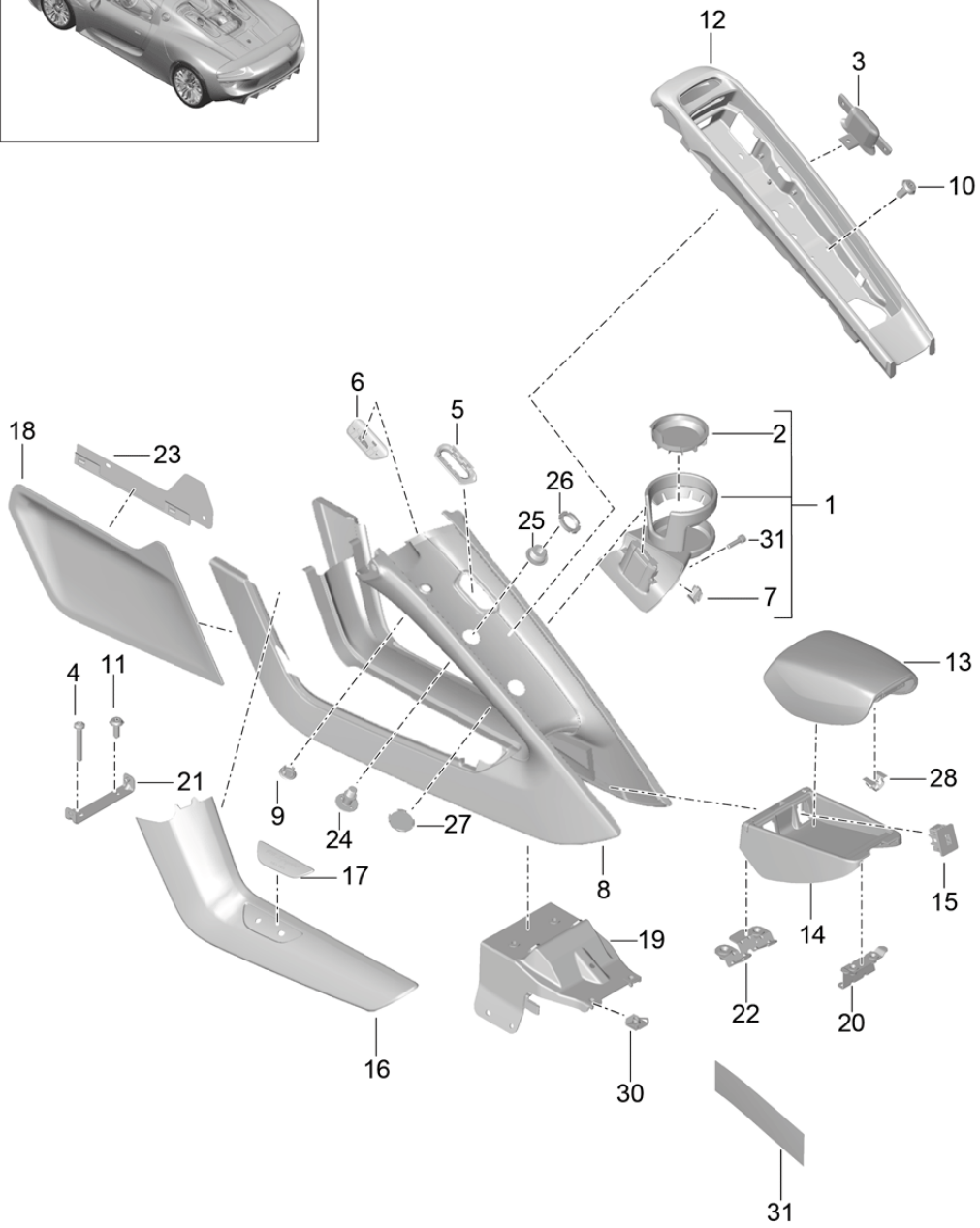
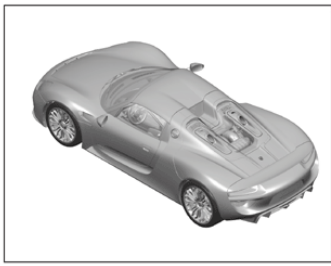
Model: 918

Model life 2015>>2015

Pos	Part Number	Description	Remark	Qty	Model
1	918 552 163 06	Retaining frame Dashboard		1	-I553
1	918 552 163 07	Retaining frame Centre		1	I553
2	918 552 351 01	Support ADR		1	
3	999 073 499 01	Oval-head screw M5 X 14		16	
4	918 552 161 02	Retaining frame Upper		1	
5	999 073 366 02	Oval-head screw M6 X 30		4	
6	N 911 883 02	Oval-head screw M6 X 20		4	
7	900 377 018 09	Hexagon nut M6		3	

Model: 918

Model life 2015>>2015



Model: 918 Model life 2015>>2015

Pos	Part Number	Description	Remark	Qty	Model
1	918 553 381 00	Centre console Support for Beverages		1	I585
	918 553 381 00 5Q0	Black			
2	918 553 611 00	Insert		1	I585
3	918 553 481 00	Mounting Beverages Support		1	I585
4	999 073 558 01	Oval-head screw M5X35		2	
5	918 553 483 00	Rosette		2	
	918 553 483 00 5Q0	Black			
6	918 553 485 00	Cover		1	-I585
	918 553 485 00 5Q0	Black			
7	999 507 130 01	U-clamp 1,20-1,70		X	
8	918 553 311 03	Bracket Centre console Leather		1	I474/681/808
	918 553 311 03 A11	Black			+53,+54,+63, +64,+73,+74
	918 553 311 03 N12	Carrera Red			+56
(8)	918 553 311 03	Bracket Centre console Authentic Leather		1	I474/681/808
	918 553 311 03 S91	Tarpan Brown			+36,+37
	918 553 311 03 A91	Black, embossed			+33,+34
(8)	918 553 311 03	Bracket Centre console Leather		1	-I808
	918 553 311 03 A11	Black			+53,+54,+63, +64,+73,+74
	918 553 311 03 N12	Carrera Red			+56
(8)	918 553 311 03	Bracket Centre console Authentic Leather		1	-I808
	918 553 311 03 S91	Tarpan Brown			+36,+37
	918 553 311 03 A91	Black, embossed			+33,+34
(8)	918 553 311 04	Bracket Centre console Leather		1	-I474/I808
	918 553 311 04 A11	Black			+53,+54,+63, +64,+73,+74
	918 553 311 04 N12	Carrera Red			+56
(8)	918 553 311 04	Bracket Centre console Leather		1	-I474/-I681 I808
	918 553 311 04 A11	Black			+53,+54,+63, +64,+73,+74
	918 553 311 04 N12	Carrera Red			+56
(8)	918 553 311 04	Bracket Centre console Leather		1	-I681/I808
	918 553 311 04 A11	Black			+53,+54,+63, +64,+73,+74
	918 553 311 04 N12	Carrera Red			+56
(8)	918 553 311 04	Bracket Centre console Authentic		1	-I474/I808

Model: 918 Model life 2015>>2015

Pos	Part Number	Description	Remark	Qty	Model
(8)	918 553 311 04 A91	Leather Black			+33,+34
	918 553 311 04 S91	Tarpan Brown			+36,+37
	918 553 311 04	Bracket		1	-I474/-I681 I808
(8)		Centre console Authentic Leather			
	918 553 311 04 S91	Tarpan Brown			+36,+37
	918 553 311 04 A91	Black			+33,+34
	918 553 311 04	Bracket		1	-I681/I808
9		Centre console Authentic Leather			
	918 553 311 04 S91	Tarpan Brown			+36,+37
	918 553 311 04 A91	Black			+33,+34
10	918 553 819 00	Cap		1	
	918 553 819 00 5Q0	Centre console Black			
11	999 073 273 09	Oval-head screw M5 X 10		X	
	999 073 499 01	Oval-head screw M5 X 14		X	
12	918 553 171 03	Cover		1	-I508/-I808 I506
		Centre console Carbon Matt Black			
(12)	918 553 171 03 A1R	Black			
	918 553 171 03	Cover		1	-I506/-I508 -I808
(12)		Centre console Carbon Gloss Black			
	918 553 171 03 U04	Aluminium, brushed			
(12)	918 553 171 04	Cover		1	I506/508/808
		Centre console Carbon Matt Black			
(12)	918 553 171 04 A1R	Black			
	918 553 171 04	Cover		1	-I808/I506 I508
(12)		Centre console Carbon Matt Black			
	918 553 171 04 A1R	Black			
(12)	918 553 171 04	Cover		1	-I506/I508 I808
		Centre console Carbon Gloss Black			
(12)	918 553 171 04 A3G	Carbon Gloss Black			
	918 553 171 04	Cover		1	-I506/-I808 I508
13		Centre console Carbon Gloss Black			
	918 553 171 04 A3G	Carbon Gloss Black			
	918 553 121 02	Armrest		1	I681
(13)		Centre console Leather			
	918 553 121 02 A11	Black			+53,+54,+63, +64,+73,+74
	918 553 121 02 N12	Carrera Red			+56
	918 553 121 02	Armrest		1	I474/681
(13)		Centre console Leather			
	918 553 121 02 A11	Black			+53,+54,+63, +64,+73,+74
	918 553 121 02 N12	Carrera Red			+56
	918 553 121 02	Armrest		1	I681

Model: 918 Model life 2015>>2015

Pos	Part Number	Description	Remark	Qty	Model
(13)	918 553 121 02 A91	Centre console Authentic Leather Black, embossed		1	+33,+34
	918 553 121 02 S91	Tarpan Brown			+36,+37
	918 553 121 02	Armrest			I474/681
(13)	918 553 121 02 A91	Centre console Authentic Leather Black, embossed		1	+33,+34
	918 553 121 02 S91	Tarpan Brown			+36,+37
	918 553 121 03	Armrest			-I681/-I975 I808
(13)	918 553 121 03 A11	Centre console Leather Black		1	+53,+54,+63, +64,+73,+74 +56
	918 553 121 03 N12	Carrera Red			-I681/-I975 I808
	918 553 121 03	Armrest			
(13)	918 553 121 03 A91	Centre console Authentic Leather Black, embossed		1	+33,+34
	918 553 121 03 S91	Tarpan Brown			+36,+37
	918 553 121 04	Armrest			-I681/I808 I975
14	918 553 121 04 2W0	Centre console Leather Alcantara Black		1	+63,+64,+73, +74 I681
15	918 553 335 01	Shelf		1	I681
16	918 553 545 00	Armrest Cover		1	I681
	918 553 545 00 5Q0	USB stick Black			
(16)	918 553 451 04	Cover Tunnel	/L	1	-I508/-I808
	918 553 451 04 U04	Aluminium, brushed			
(16)	918 553 452 04	Cover Tunnel	/R	1	-I508/-I808
	918 553 452 04 U04	Aluminium, brushed			
(16)	918 553 451 03	Cover Tunnel	/L	1	I508
	918 553 451 03 A3G	Carbon Gloss Black			
(16)	918 553 452 03	Cover Tunnel	/R	1	I508
	918 553 452 03 A3G	Carbon Gloss Black			
-		Badge		2	
17	918 553 783 01	Centre console Badge	/L	1	
(17)	918 553 784 01	918 Spyder Chassis number Indicate		1	
	918 553 784 01	Badge	/R		
18	918 553 227 02	918 Spyder Chassis number Indicate		1	
	918 553 227 02	Lining Tunnel	/L		
	918 553 227 02 A11	Leather Black			

Model: 918

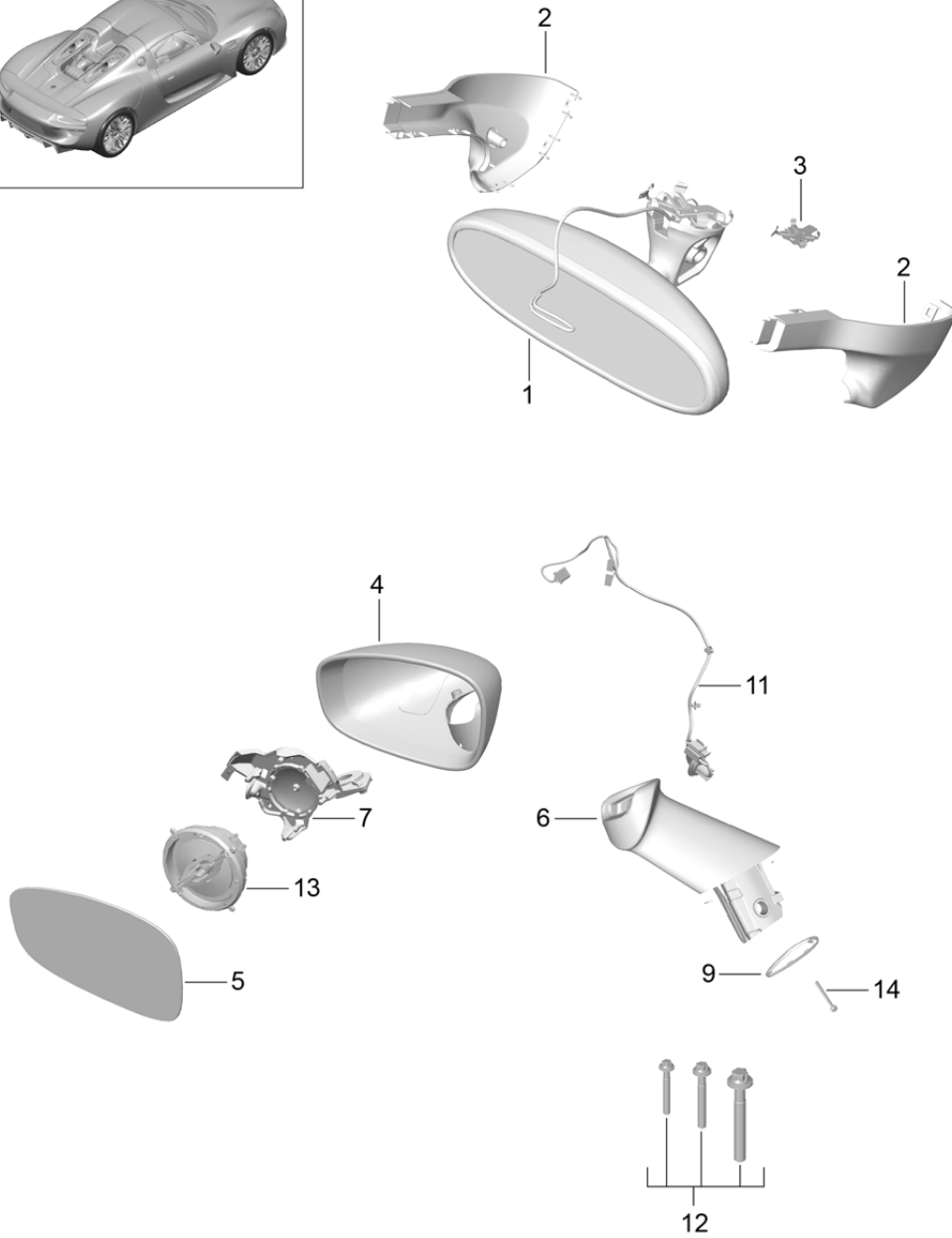
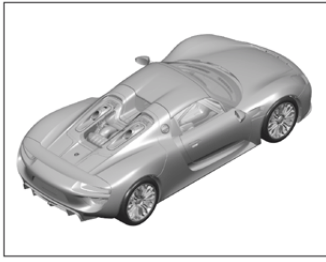
Model life 2015&gt;&gt;2015

Pos	Part Number	Description	Remark	Qty	Model
(18)	918 553 227 02	Lining Tunnel Authentic Leather	/L	1	
	918 553 227 02 A91	Black, embossed			
(18)	918 553 228 02	Lining Tunnel Leather	/R	1	
	918 553 228 02 A11	Black			
(18)	918 553 228 02	Lining Tunnel Authentic Leather	/R	1	
	918 553 228 02 A91	Black, embossed			
19	918 553 363 02	Support Centre console Rear		1	
20	918 553 377 00	Support Armrest Front		1	
21	918 553 365 01	Support Lining Tunnel Upper		2	
22	918 553 385 01	Support Armrest Rear		1	
23	918 553 461 01	Support Lining Tunnel	/L	1	
(23)	918 553 462 01	Support Lining Tunnel	/R	1	
24	918 553 823 00	Mounting Luggage set	/V	1	
(24)	918 553 821 00	Mounting Luggage set	/H	1	
25	918 553 827 00	Adapter Luggage set	/H	1	
(25)	918 553 825 00	Adapter Luggage set	/V	1	
26	918 553 831 00	Nut Luggage set		2	
27	918 553 829 00	Cap Bracket		2	
	918 553 829 00 5Q0	Black			
28	999 507 533 02	Clamp 8,0 X 10,0/ 2,5		X	
30	900 067 436 01	Pan-head screw M4 X 14		2	I585
31	000 043 302 79	Adhesive tape 300MM		1	



Model: 918

Model life 2015>>2015



Model: 918 Model life 2015>>2015

Pos	Part Number	Description	Remark	Qty	Model
1	918 731 511 00	Interior mirror		1	I275
	918 731 511 00 9B9	Door mirror			
		Interior mirror			
		Satin black			
2	918 731 811 00	Cover	/L	1	
		Interior mirror			
		Mirror base			
	918 731 811 00 9B9	Satin black			
(2)	918 731 812 00	Cover	/R	1	
		Interior mirror			
		Mirror base			
	918 731 812 00 9B9	Satin black			
3	7PP 857 959	Spring clamp		1	
		Rain sensor			
		See illustrations			
		9/04/00			
4	918 731 619 00	Housing	/L	1	-I881
		Door mirror			
	918 731 619 00 G21	Prime coated			
(4)	918 731 619 01	Housing	/L	1	I881
		Door mirror			
	918 731 619 01 A3G	Carbon			
(4)	918 731 620 00	Housing	/R	1	-I881
		Door mirror			
	918 731 620 00 G21	Prime coated			
(4)	918 731 620 01	Housing	/R	1	I881
		Door mirror			
	918 731 620 01 A3G	Carbon			
5	918 731 035 00	Mirror glass	/L	1	I263
		Plane			
(5)	918 731 035 01	Mirror glass	/L	1	I265
		Aspherical			
(5)	918 731 038 00	Mirror glass	/R	1	I284
		Convex			
(5)	918 731 038 01	Mirror glass	/R	1	I284/553
		Convex			
(5)	918 731 038 02	Mirror glass	/R	1	I215/284
		Convex			
6	918 731 219 00	Mirror base	/L	1	-I881
		Manually adjustable			
	918 731 219 00 G21	Prime coated			
(6)	918 731 220 00	Mirror base	/R	1	-I881
		Manually adjustable			
	918 731 220 00 G21	Prime coated			
(6)	918 731 219 01	Mirror base	/L	1	I881
		Manually adjustable			
	918 731 219 01 A3G	Carbon Gloss Black			
(6)	918 731 220 01	Mirror base	/R	1	I881
		Manually adjustable			
	918 731 220 01 A3G	Carbon Gloss Black			
7	918 731 621 01	Reinforcement plate	/L	1	
(7)	918 731 622 01	Reinforcement plate	/R	1	
9	918 731 823 00	Gasket	/L	1	
		Lower			
(9)	918 731 824 00	Gasket	/R	1	
		Lower			
11	918 612 711 00	Wiring harness		2	I254
		Door mirror			
12	918 731 901 00	Repair kit		1	
		Door mirror			
		Comprising:			
		Screw		1	
		M5 X 16 TORX T25			

Model: 918

Model life 2015&gt;&gt;2015

Pos	Part Number	Description	Remark	Qty	Model
		Screw M3 X 8 TORX T10		4	
		Screw M3 X 37 TORX T10		1	
13	8T0 959 577	Adjusting motor		2	
14	999 072 082 01	Hexagon-head bolt M8 X 32		2	
15	918 731 623 00	Vibration damper Reinforcement plate		1	

Model: 918

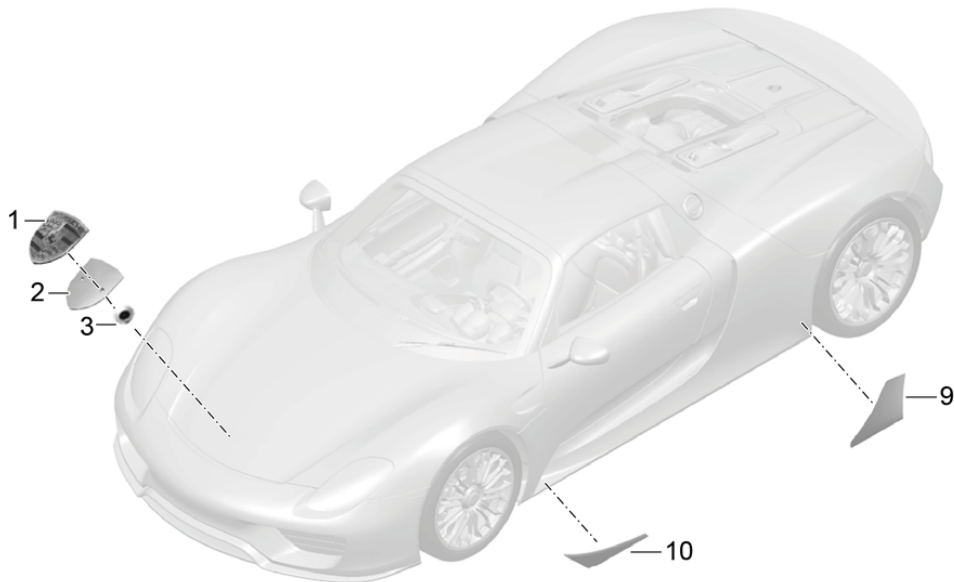
Model life 2015>>2015

P O R S C H E - 8

4 - *e-hybrid*

5 - *e-hybrid*

6 - *Spyder 918* - 7



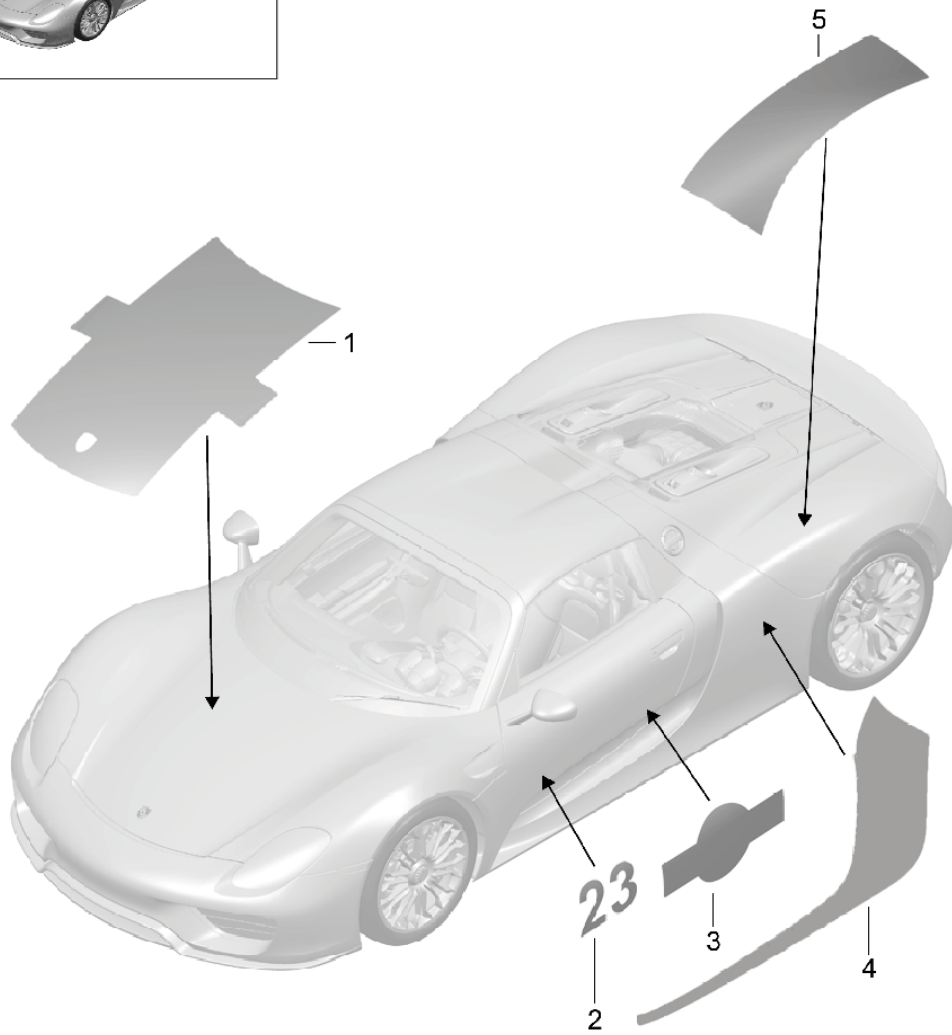
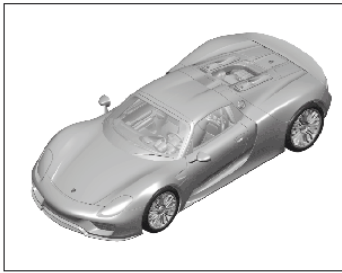
Model: 918

Model life 2015>>2015

Pos	Part Number	Description	Remark	Qty	Model
1	991 559 211 00	Insignias Decorative fittings Stone guard film Lid emblem Front		1	
2	991 559 215 02	Desk pad		1	
3	999 591 423 03	Tapping nut 3,0		2	
4	918 559 245 00	Logo e-hybrid Chrome	/L	1	
5	918 559 246 00	Logo e-hybrid Chrome	/R	1	
6	918 559 249 01	Logo Spyder Chrome		1	
7	918 559 231 01	Logo 918 Chrome		1	
8	981 559 233 00	Logo Porsche		1	
9	918 504 825 00	Stone guard film Rear	/L	1	
(9)	918 504 826 00	Stone guard film Rear	/R	1	
10	918 504 827 00	Stone guard film Front	/L	1	
(10)	918 504 828 00	Stone guard film Front	/R	1	

Model: 918

Model life 2015>>2015



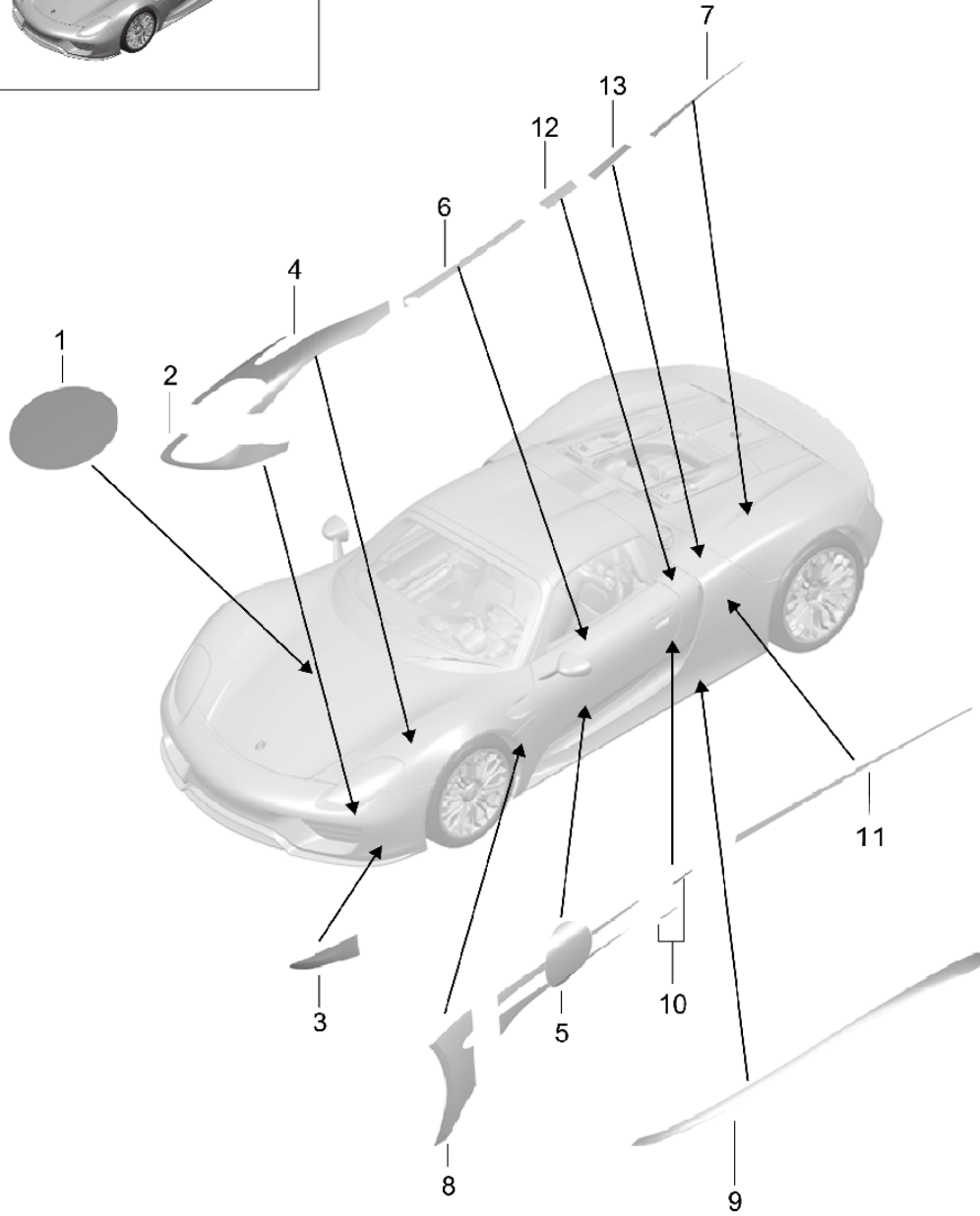
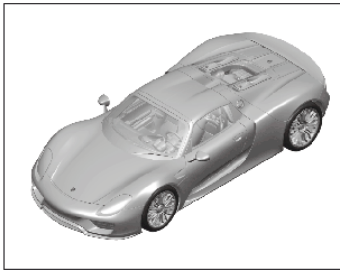
Model: 918

Model life 2015>>2015

Pos	Part Number	Description	Remark	Qty	Model
		Decorative film Martini Racing See workshop manual 665255			I901
1	918 559 333 00	Decorative film Lid Front Centre		1	
2	918 559 341 00	Decorative film Door		2	
3	918 559 335 00	Decorative film Door		2	
4	918 559 337 00	Decorative film Door sill	/L	1	
(4)	918 559 338 00	Decorative film Door sill	/R	1	
5	918 559 339 00	Decorative film Wing	/L	1	
(5)	918 559 340 00	Decorative film Wing	/R	1	

Model: 918

Model life 2015>>2015





Model: 918 Model life 2015>>2015

Pos	Part Number	Description	Remark	Qty	Model
		Decorative film See workshop manual 665255			I902
1	918 559 349 00	Decorative film Lid Front Centre		1	
2	918 559 353 00	Decorative film Bumper Upper	/L	1	
(2)	918 559 354 00	Decorative film Bumper Upper	/R	1	
3	918 559 355 00	Decorative film Bumper Lower	/L	1	
(3)	918 559 356 00	Decorative film Bumper Lower	/R	1	
4	918 559 351 00	Decorative film Lid	/L	1	
(4)	918 559 352 00	Decorative film Lid	/R	1	
5	918 559 357 00	Decorative film Door Lower	/L	1	
(5)	918 559 358 00	Decorative film Door Lower	/R	1	
6	918 559 359 00	Decorative film Door Upper	/L	1	
(6)	918 559 360 00	Decorative film Door Upper	/R	1	
7	918 559 373 00	Decorative film Wing Rear	/L	1	
(7)	918 559 374 00	Decorative film Wing Rear	/R	1	
8	918 559 361 00	Decorative film Side section Front	/L	1	
(8)	918 559 362 00	Decorative film Side section Front	/R	1	
9	918 559 363 00	Decorative film Door sill Lower	/L	1	
(9)	918 559 364 00	Decorative film Door sill Lower	/R	1	
10	918 559 365 00	Decorative film Door sill Inner Centre	/L	1	
(10)	918 559 366 00	Decorative film Door sill Inner Centre	/R	1	
11	918 559 367 00	Decorative film Door sill	/L	1	

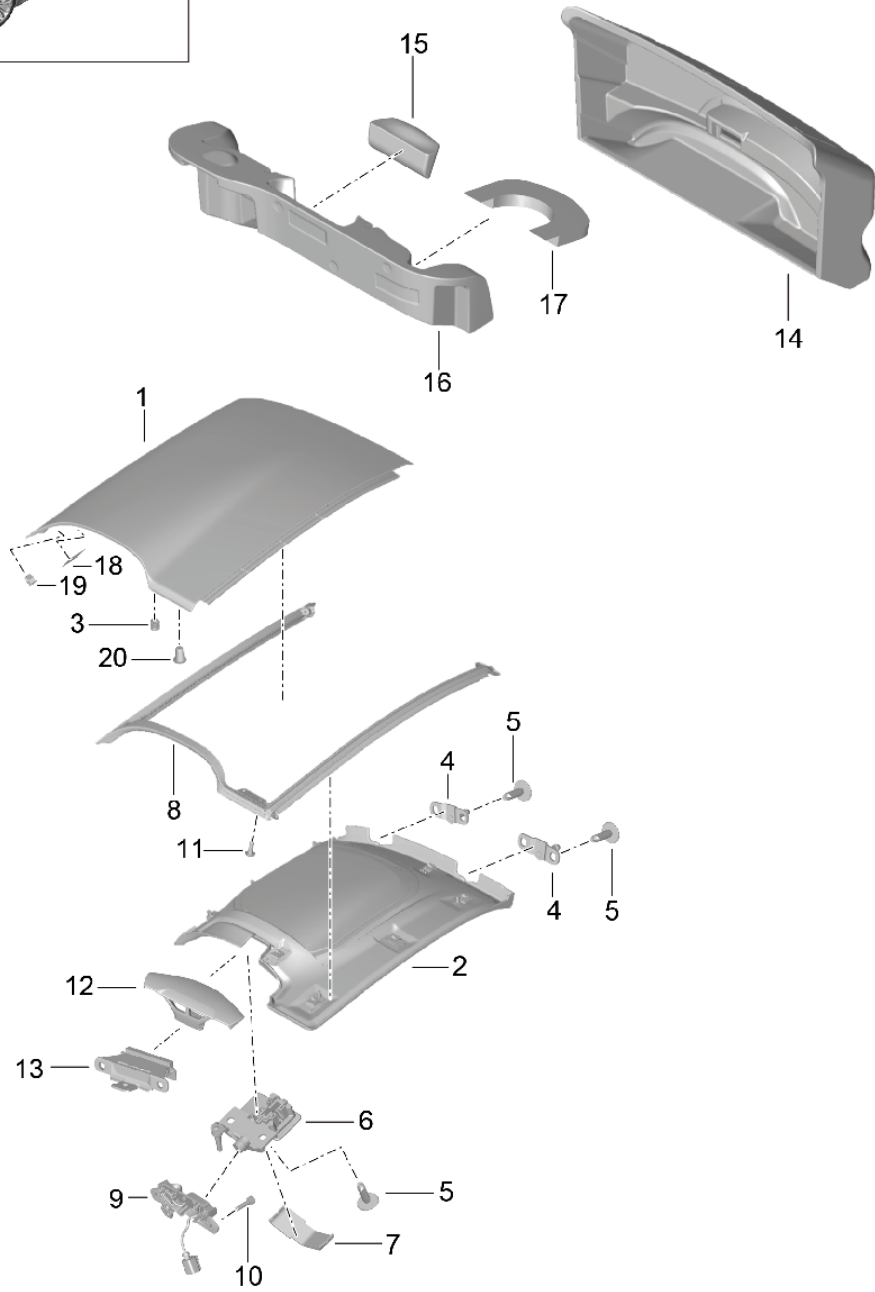
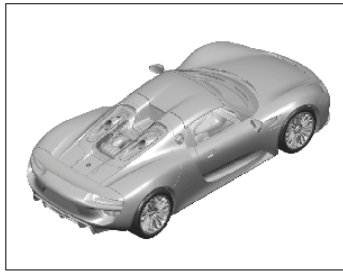
Model: 918

Model life 2015>>2015

Pos	Part Number	Description	Remark	Qty	Model
(11)	918 559 368 00	Outer Centre Decorative film Door sill	/R	1	
12	918 559 369 00	Outer Centre Decorative film Door sill	/L	1	
(12)	918 559 370 00	Inner Upper Decorative film Door sill	/R	1	
13	918 559 371 00	Inner Upper Decorative film Door sill	/L	1	
(13)	918 559 372 00	Outer Upper Decorative film Door sill Outer Upper	/R	1	

Model: 918

Model life 2015>>2015



Model: 918 Model life 2015>>2015

Pos	Part Number	Description	Remark	Qty	Model
1	918 565 111 01	Roof	/L	1	I808/882
(1)	918 565 111 01 A3G	Carbon			
(1)	918 565 111 02	Roof	/L	1	-I808/-I882
(1)	918 565 111 02 G21	Prime coated			
(1)	918 565 112 01	Roof	/R	1	I808/882
(1)	918 565 112 01 A3G	Carbon			
(1)	918 565 112 02	Roof	/R	1	-I808/-I882
(1)	918 565 112 02 G21	Prime coated			
2	918 555 631 01	Rooflining	/L	1	-I553/-I990 I882
	918 555 631 01 2W0	Alcantara Black Information available			
2	918 555 631 04	Rooflining	/L	1	-I553/-I882 -I990
	918 555 631 04 2W0	Alcantara Black			
(2)	918 555 631 03	Rooflining	/L	1	I882/990
	918 555 631 03 2W0	Alcantara Black Information available			
(2)	918 555 631 06	Rooflining	/L	1	I882/990
	918 555 631 06 2W0	Alcantara Black			
(2)	918 555 632 01	Rooflining	/R	1	-I553/-I990 I882
	918 555 632 01 2W0	Alcantara Black Information available			
(2)	918 555 632 04	Rooflining	/R	1	-I553/-I990 I882
	918 555 632 04 2W0	Alcantara Black			
(2)	918 555 632 04	Rooflining	/R	1	-I553/-I882 -I990
	918 555 632 04 2W0	Alcantara Black			
(2)	918 555 632 03	Rooflining	/R	1	I882/990
	918 555 632 03 2W0	Alcantara Black Information available			
(2)	918 555 632 06	Rooflining	/R	1	I882/990
	918 555 632 06 2W0	Alcantara Black			
3	999 703 488 41	Buffer		4	
4	918 565 201 00	Fixing device		4	
5	999 073 322 01	Oval-head screw M6 X 20		X	
5	999 073 322 03	Oval-head screw M6 X 20		X	
6	918 565 213 01	Locking device	/L	1	
	918 565 213 01 C70	Mat chrome			
(6)	918 565 214 01	Locking device	/R	1	
	918 565 214 01 C70	Mat chrome			
7	918 565 417 00	Cover		2	
	918 565 417 00 1E0	Black			
8	918 565 221 02	Gasket	/L	1	
(8)	918 565 222 02	Gasket	/R	1	
9	918 565 203 01	Mounting	/L	1	
	918 565 203 01 5Q0	Roof Black			
(9)	918 565 204 01	Mounting	/R	1	

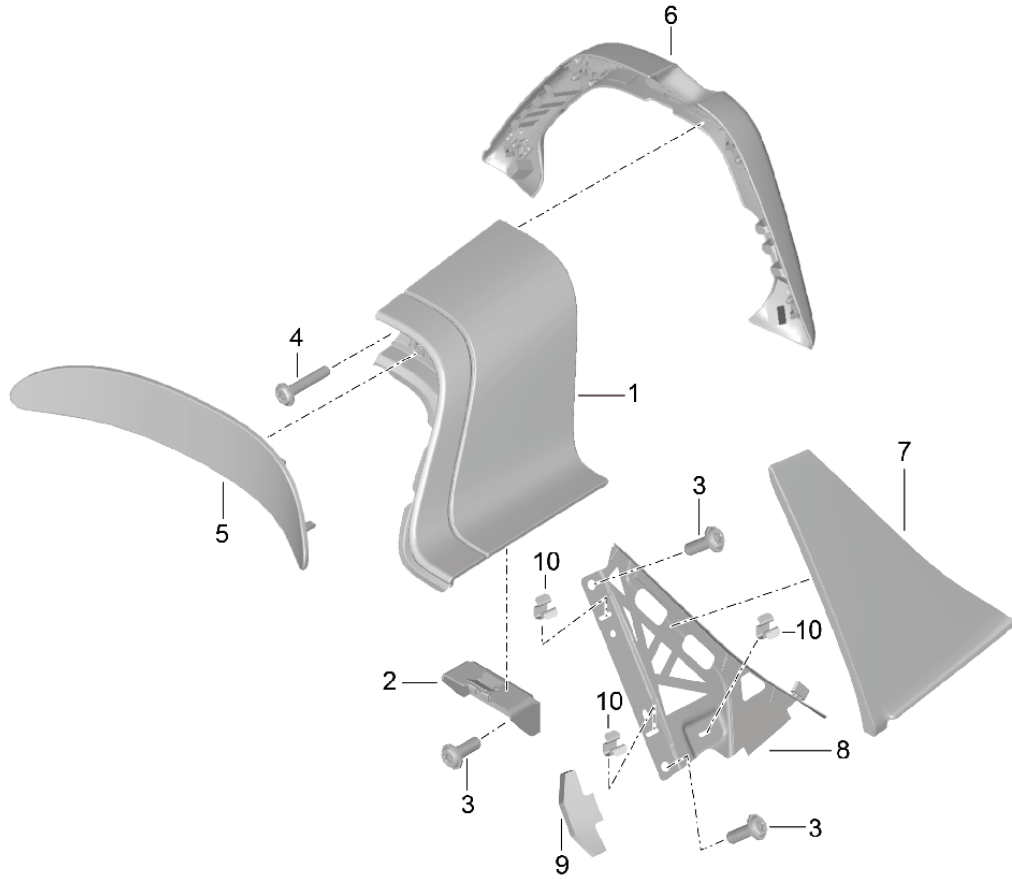
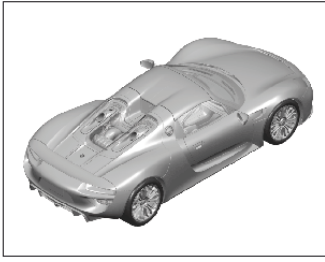
Model: 918

Model life 2015>>2015

Pos	Part Number	Description	Remark	Qty	Model
		Roof			
	918 565 204 01 5Q0	Black			
10	900 075 524 01	Combination screw M6 X 25		4	
11	999 073 268 01	Oval-head screw M5 X 12		5	
12	918 565 161 00	Air deflector		1	
	918 565 161 00 5Q0	Black			
13	918 565 635 00	Mounting Air deflector		1	
	918 565 635 00 5Q0	Black			
14	918 551 709 00	Foam part Front		1	-I553
15	918 551 711 00	Foam part Rear Upper		1	
16	918 551 713 00	Foam part Rear		1	
17	918 551 715 00	Foam part Upper		1	
18	999 209 084 40	Spacer 20 X 25 X 0,5		X	
19	997 555 857 00	Grommet Centring journal		2	
20	999 507 047 09	Clamp		8	
-	999 917 086 00	Grease		1	

Model: 918

Model life 2015>>2015

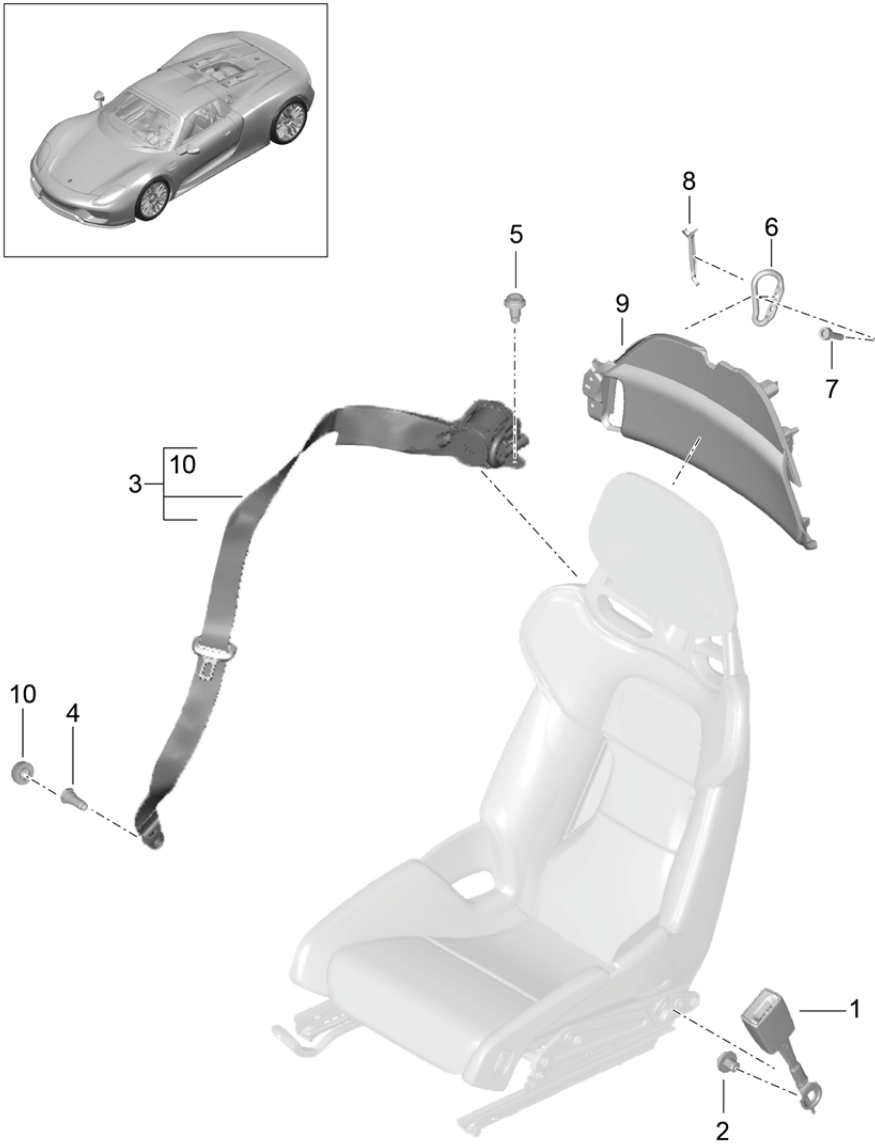


Model: 918 Model life 2015>>2015

Pos	Part Number	Description	Remark	Qty	Model
		Roll-over bar			
		B-pillar			
		Lining			
1	918 505 061 01	Lining	/L	1	
	918 505 061 01 G21	Prime coated			
(1)	918 505 062 01	Lining	/R	1	
	918 505 062 01 G21	Prime coated			
2	918 505 533 01	Support		1	
		Lining			
3	999 015 026 A1	Oval-head screw		2	
		M6 X 16			
4	999 073 254 A1	Oval-head screw		2	
		M6 X 30			
5	918 505 409 02	Cover	/L	1	
	918 505 409 02 OK1	OK1			
(5)	918 505 410 02	Cover	/R	1	
	918 505 410 02 OK1	OK1			
6	918 555 183 00	B-pillar	/L	1	
		Lining			
	918 555 183 00 A11	Black			
(6)	918 555 183 00	B-pillar	/L	1	
		Lining			
		Authentic			
		Leather			
	918 555 183 00 A91	Black			
(6)	918 555 184 00	B-pillar	/R	1	
		Lining			
	918 555 184 00 A11	Black			
(6)	918 555 184 00	B-pillar	/R	1	
		Lining			
		Authentic			
		Leather			
	918 555 184 00 A91	Black			
7	918 505 165 01	B-pillar	/L	1	
		Lining			
	918 505 165 01 A3G	Carbon Gloss Black			
(7)	918 505 166 01	B-pillar	/R	1	
		Lining			
	918 505 166 01 A3G	Carbon Gloss Black			
8	918 505 265 01	B-pillar	/L	1	
		Support			
	918 505 265 01 OK1	Black mat			
(8)	918 505 266 01	B-pillar	/R	1	
		Support			
	918 505 266 01 OK1	Black mat			
-	999 209 084 40	Spacer		X	
		20 X 25 X 0,5			
9	918 505 365 00	Sound absorber		2	
		B-pillar			
10	999 507 047 09	Clamp		3	
12	918 505 513 00	Clamp		1	
		Lining			
		Roll-over bar			

Model: 918

Model life 2015>>2015



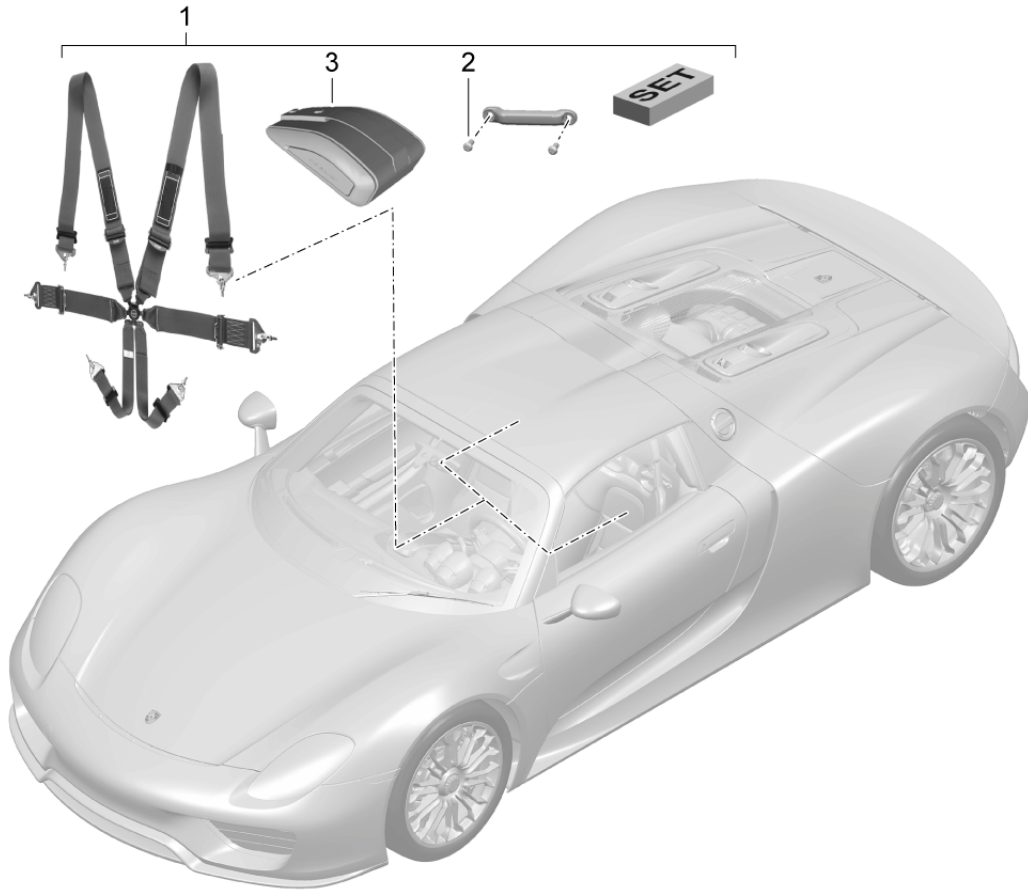
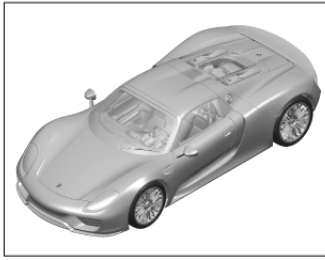


Model: 918 Model life 2015>>2015

Pos	Part Number	Description	Remark	Qty	Model
		Seat belt			
		3-point automat. seat belt			
1	918 803 183 00	Seat-belt buckle	/L	1	I371/373
(1)	918 803 184 00	Seat-belt buckle	/R	1	-I553/I374
2	999 218 101 02	Hexagon-head bolt		2	
-		Switch		1	
		Seat-belt buckle			
		See illustrations			
		9/03/05			
3	918 803 033 00	Seat belt	/L /R	2	-I553
	918 803 033 00 OD1	Black/Acid Green			IXGX
	918 803 033 00 OE2	Black/Orange			IXGY
	918 803 033 00 OF3	Black/Silver			IXGZ
	918 803 033 00 A23	Black			I555
4	999 075 057 09	Hexagon-head bolt		2	
5	N 989 260 01	Fastening screw		2	
6	918 803 815 00	Relay lever	/L	1	
		Belt			
(6)	918 803 816 00	Relay lever	/R	1	
		Belt			
7	N 910 214 03	Pan-head screw		4	
		M10 X 35			
8	918 803 835 00	Guide	/L	1	
		Seat belt			
(8)	918 803 836 00	Guide	/R	1	
		Seat belt			
9	918 555 215 00	Lining	/L	1	
		Seat-belt tensioner			
		Leather			
	918 555 215 00 A11	Black			
(9)	918 555 215 00	Lining	/L	1	
		Seat-belt tensioner			
		Leather			
		Authentic			
	918 555 215 00 A91	Black			
(9)	918 555 216 00	Lining	/R	1	
		Seat-belt tensioner			
		Leather			
	918 555 216 00 A11	Black			
(9)	918 555 216 00	Lining	/R	1	
		Seat-belt tensioner			
		Leather			
		Authentic			
	918 555 216 00 A91	Black			
10	991 803 295 00	Cap		1	
-	918 803 737 00	Bag		1	I578/579
		6-point seat belt			
	918 803 737 00 SPA	Black/Acid Green			+33,+53,+63, +73
	918 803 737 00 SPB	Black/Silver			+34,+54,+64, +74
	918 803 737 00 SPC	Carrera Red/Silver			+56
	918 803 737 00 SPF	Tarpan Brown/Silver			+36
	918 803 737 00 SPG	Tarpan Brown/Orange			+37

Model: 918

Model life 2015>>2015



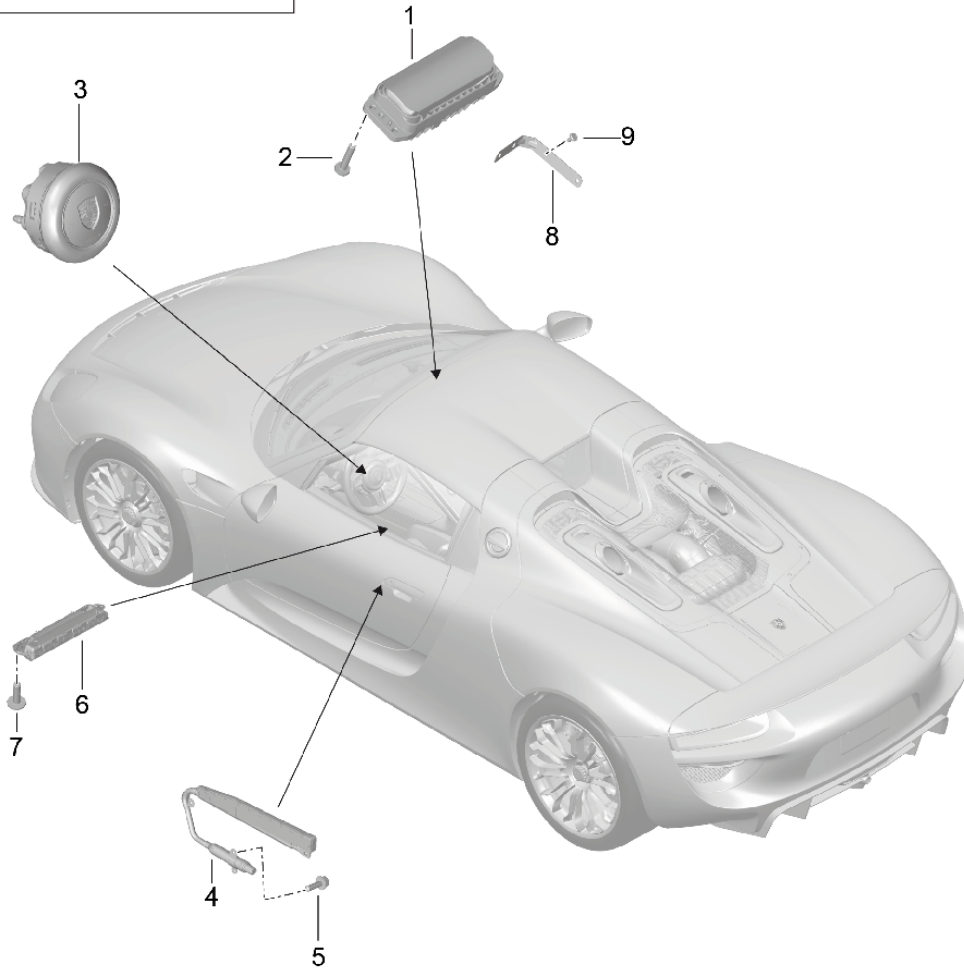
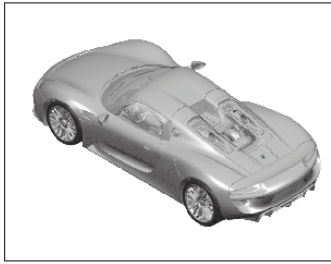
Model: 918

Model life 2015>>2015

Pos	Part Number	Description	Remark	Qty	Model
1	918 803 017 00	Seat belt 6-point seat belt		2	I578/579
(1)	918 803 017 01	Seat belt Set 6-point seat belt Black		2	I578/579
(1)	918 803 017 02	Seat belt Set 6-point seat belt Red		2	I578/579/875
2	999 073 593 01	Seat belt Set 6-point seat belt Acid Green		2	I578/579/876
2	999 073 593 01	Lens-head screw M8X1X19,5		4	I578/579
3	918 803 737 00	Bag		1	I578/579
	918 803 737 00 SPA	6-point seat belt Black/Acid Green			+33,+53,+63, +73
	918 803 737 00 SPB	Black/Silver			+34,+54,+64, +74
	918 803 737 00 SPC	Carrera Red/Silver			+56
	918 803 737 00 SPF	Tarpan Brown/Silver			+36
	918 803 737 00 SPG	Tarpan Brown/Orange			+37

Model: 918

Model life 2015>>2015

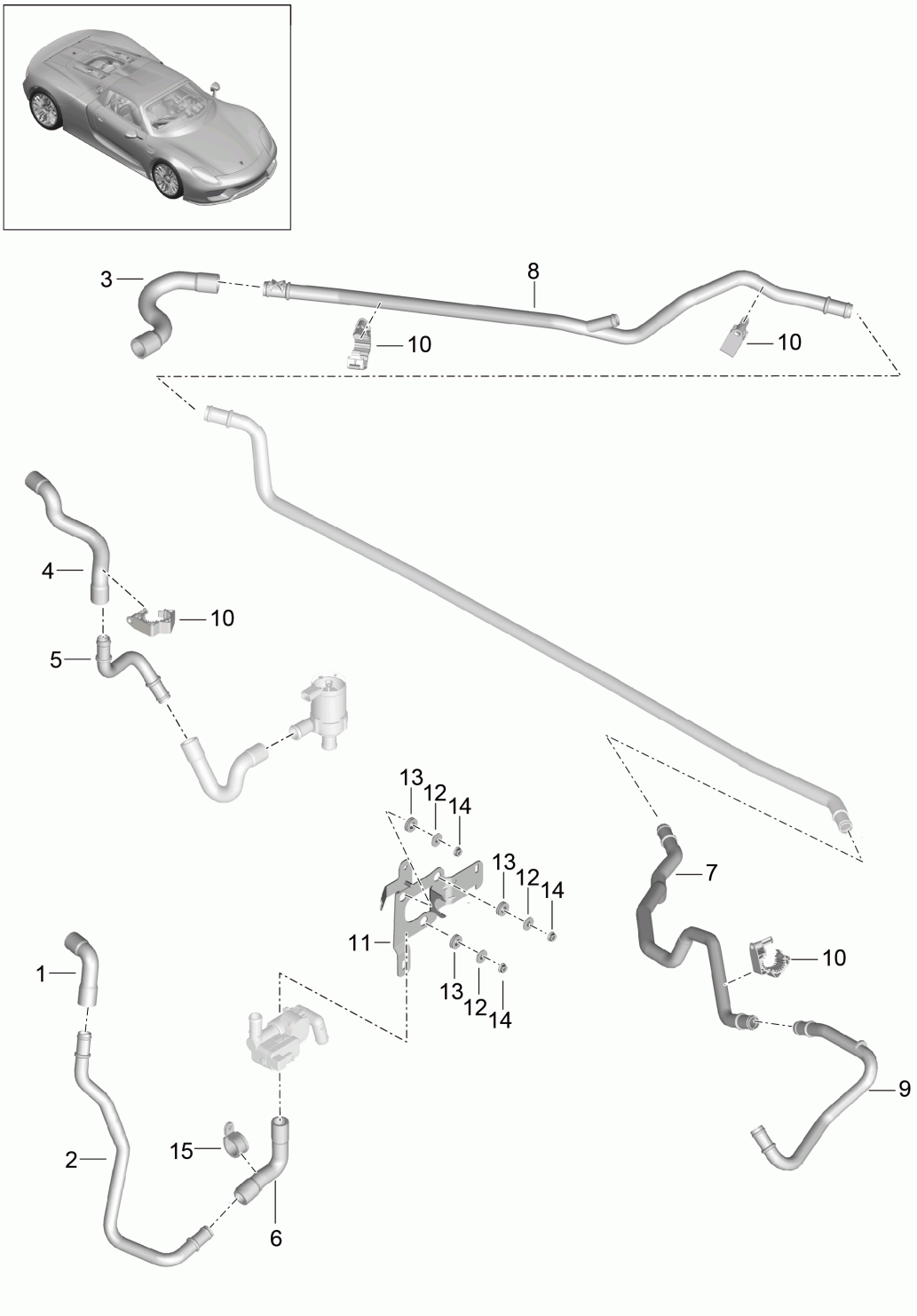


Model: 918 Model life 2015>>2015

Pos	Part Number	Description	Remark	Qty	Model
1	918 803 071 00	Airbag Airbag unit Passenger's side		1	
2	N 910 971 01	Fastening screw Airbag unit Passenger's side M6X30		4	
3	918 803 089 00	Airbag unit Driver's side		1	
(3)	918 803 089 01	918 803 089 00 A34 Black Airbag unit Driver's side		1	
4	918 803 091 00	918 803 089 01 A34 Black Head airbag Door Left	/L	1	
(4)	918 803 092 00	Head airbag Door Right	/R	1	
5	N 106 533 01	Hexagon-head bolt M6X20		3	
7	N 106 610 01	Hexagon socket head bolt M6 X 20		4	I553
8	918 552 157 01	Support Airbag Passenger's side Mount		2	
9	999 073 273 09	Oval-head screw M5 X 10		4	
-		Side airbag Seat See illustrations 8/17/00 Position 1 Or 2			

Model: 918

Model life 2015>>2015



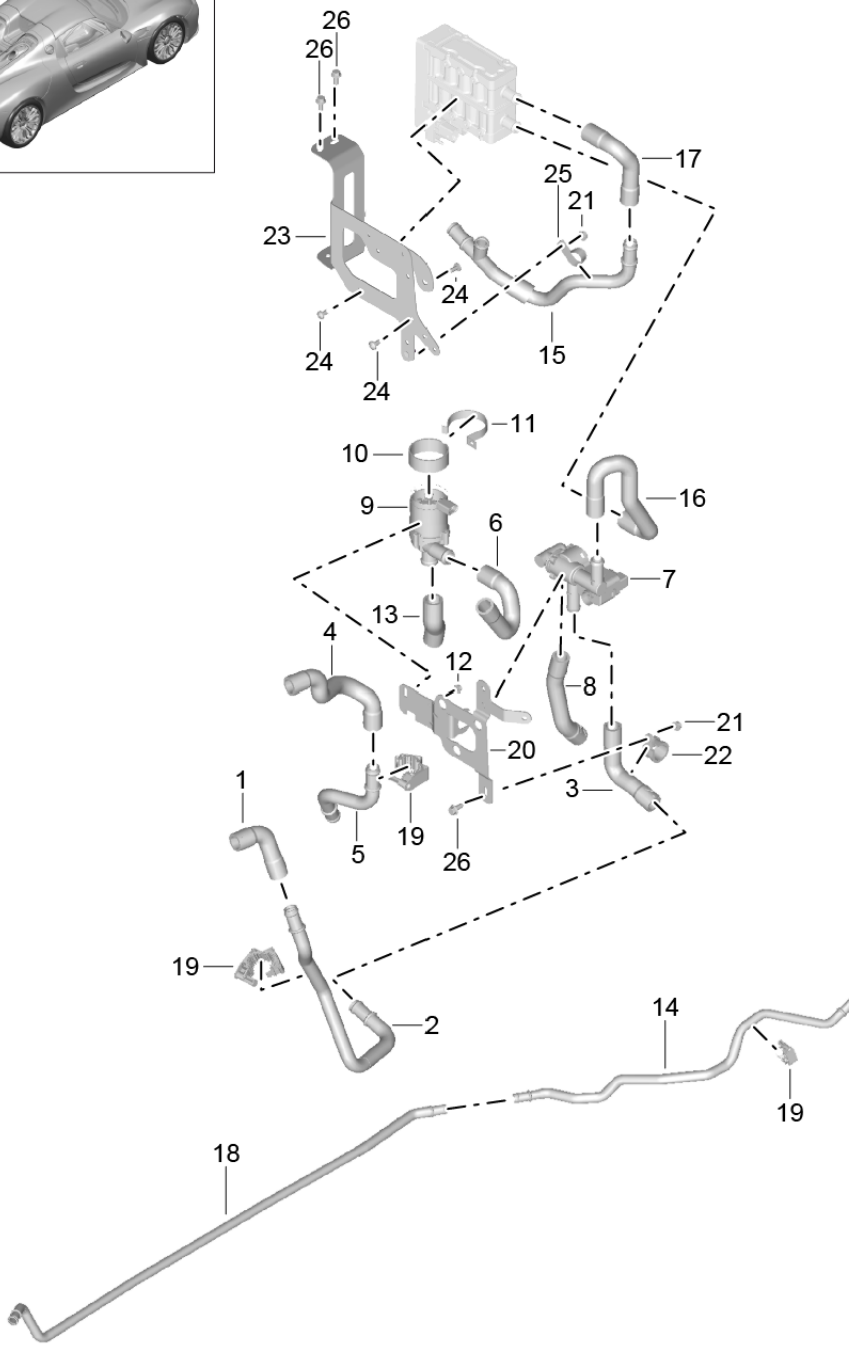
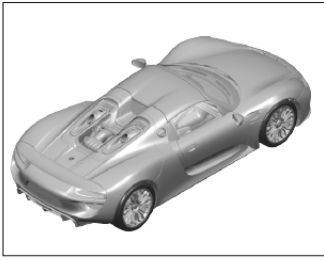
Model: 918

Model life 2015>>2015

Pos	Part Number	Description	Remark	Qty	Model
		Heating Body front section Feed line Return line			-I649
1	918 572 801 00	Heater hose		1	
2	918 572 187 00	Heater pipeline		1	
3	918 572 823 00	Heater hose		1	
4	918 572 805 00	Heater hose		1	
5	918 572 185 00	Heater pipeline		1	
6	918 572 821 01	Heater hose		1	
7	918 572 827 00	Heater pipeline		1	
8	918 572 829 00	Heater hose		1	
9	918 572 191 00	Heater pipeline		1	
10	999 507 152 40	Cable holder 18-20		2	
11	918 572 631 00	Support Water pump		1	
12	955 572 121 00	Bush		3	
13	955 572 095 00	Rubber sleeve		3	
14	N 015 082 10	Hexagon nut M6		4	
15	N 909 960 01	Clip		1	

Model: 918

Model life 2015>>2015





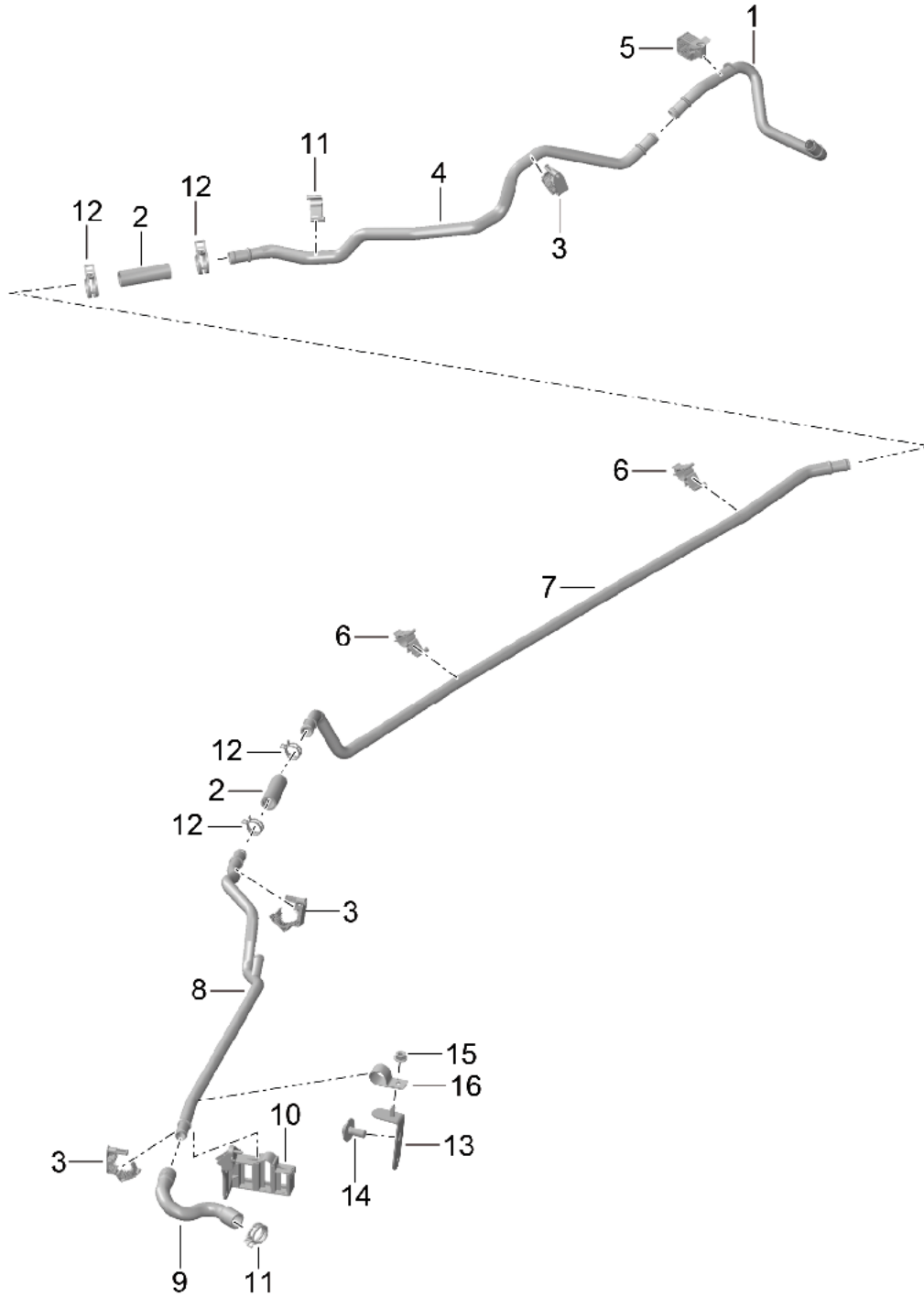
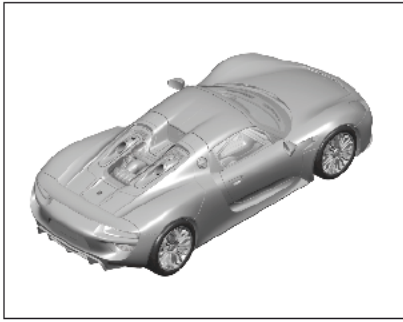
Model: 918

Model life 2015>>2015

Pos	Part Number	Description	Remark	Qty	Model
		Heating Body front section with Auxiliary heater			I649
1	918 572 801 00	Heater hose		1	
2	918 572 187 00	Heater pipeline		1	
3	918 572 803 00	Heater hose		1	
4	918 572 805 00	Heater hose		1	
5	918 572 185 00	Heater pipeline		1	
6	918 572 807 00	Heater hose		1	
7	918 572 607 00	Change-over valve		1	
8	918 572 809 00	Heater pipeline		1	
9	955 106 561 10	Water pump		1	
10	958 572 409 00	Rubber boot Water pump		1	
11	958 572 148 00	Clamping spring		1	
12	900 377 009 01	Hexagon nut M5		1	
13	918 572 819 00	Heater pipeline		1	
14	918 572 815 01	Heater pipeline		1	
15	918 572 183 00	Heater pipeline		1	
16	918 572 189 00	Heater pipeline		1	
17	918 572 817 00	Heater hose		1	
-		Heater See illustrations 9/01/35		1	
18	918 572 181 01	Heater pipeline		1	
19	999 507 152 40	Cable holder 18-20		1	
20	918 572 631 00	Support Water pump		1	
21	N 015 082 10	Hexagon nut M6		4	
22	N 909 960 01	Clip		2	
23	918 572 611 00	Support Heater		1	
24	999 919 205 09	Torx screw M6 X 12		5	
25	999 511 177 01	Clamp		1	
26	N 106 532 01	Hexagon-head bolt M6 X 16		3	

Model: 918

Model life 2015>>2015

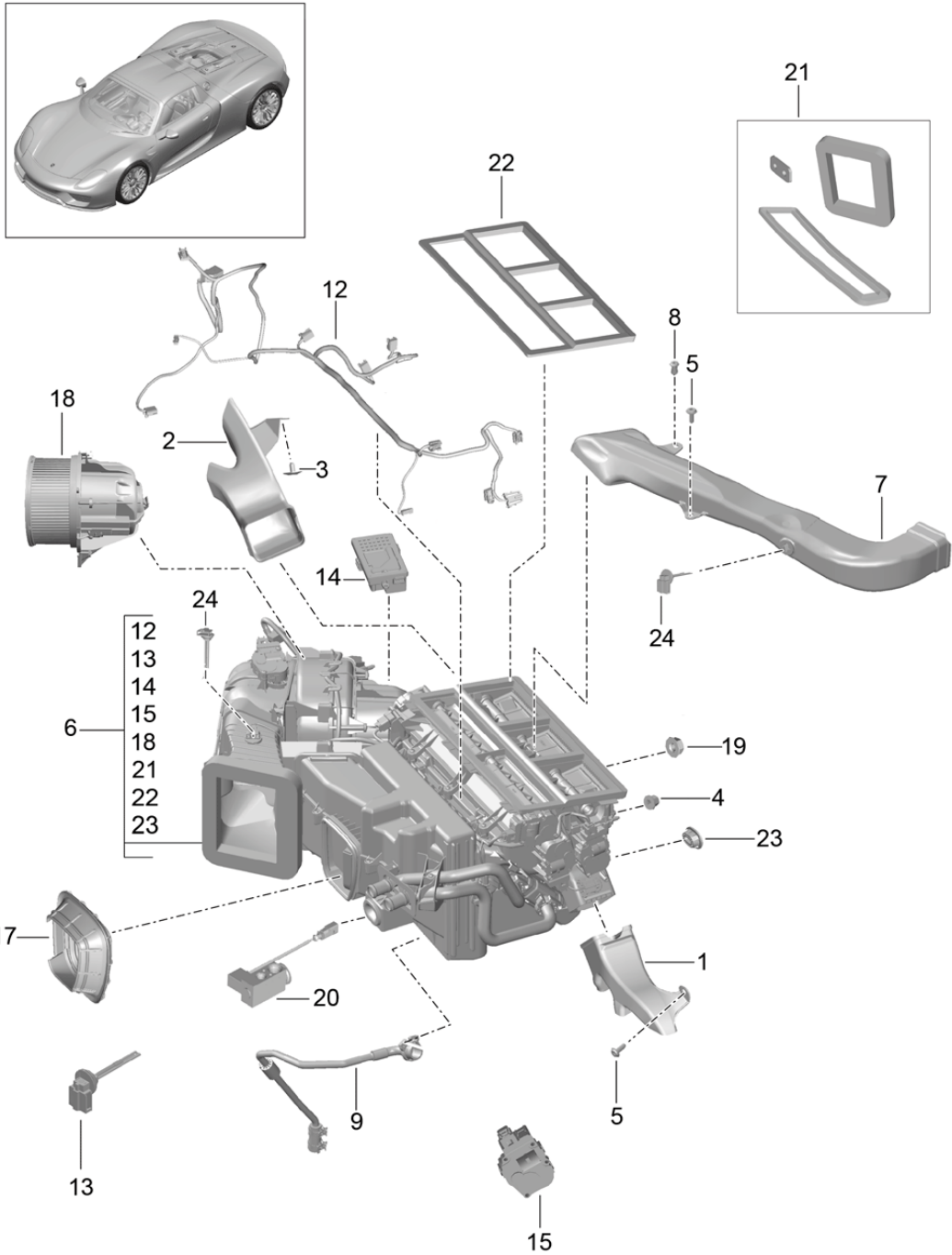


Model: 918 Model life 2015>>2015

Pos	Part Number	Description	Remark	Qty	Model
		Heater pipeline Rear Monocoque			
1	918 572 191 00	Heater pipeline		1	
2	918 572 811 00	Hose		3	
3	999 507 152 40	Cable holder 18-20		5	
4	918 572 193 01	Heater pipeline		1	
5	991 573 829 01	Support		1	
6	918 574 203 00	Support		3	
7	918 572 181 01	Heater pipeline		1	
8	918 572 825 00	Heater pipeline		1	
9	918 572 813 01	Heater pipeline		1	
10	918 610 139 00	Support		1	
11	999 512 606 09	Hose clamp 29X12		1	
12	999 512 603 09	Hose clamp A 26 X 12		X	
14	999 073 307 A2	Oval-head screw M6 X 12		2	
15	N 015 082 10	Hexagon nut M6		1	
16	999 511 177 01	Clamp 20 X 15		1	

Model: 918

Model life 2015>>2015



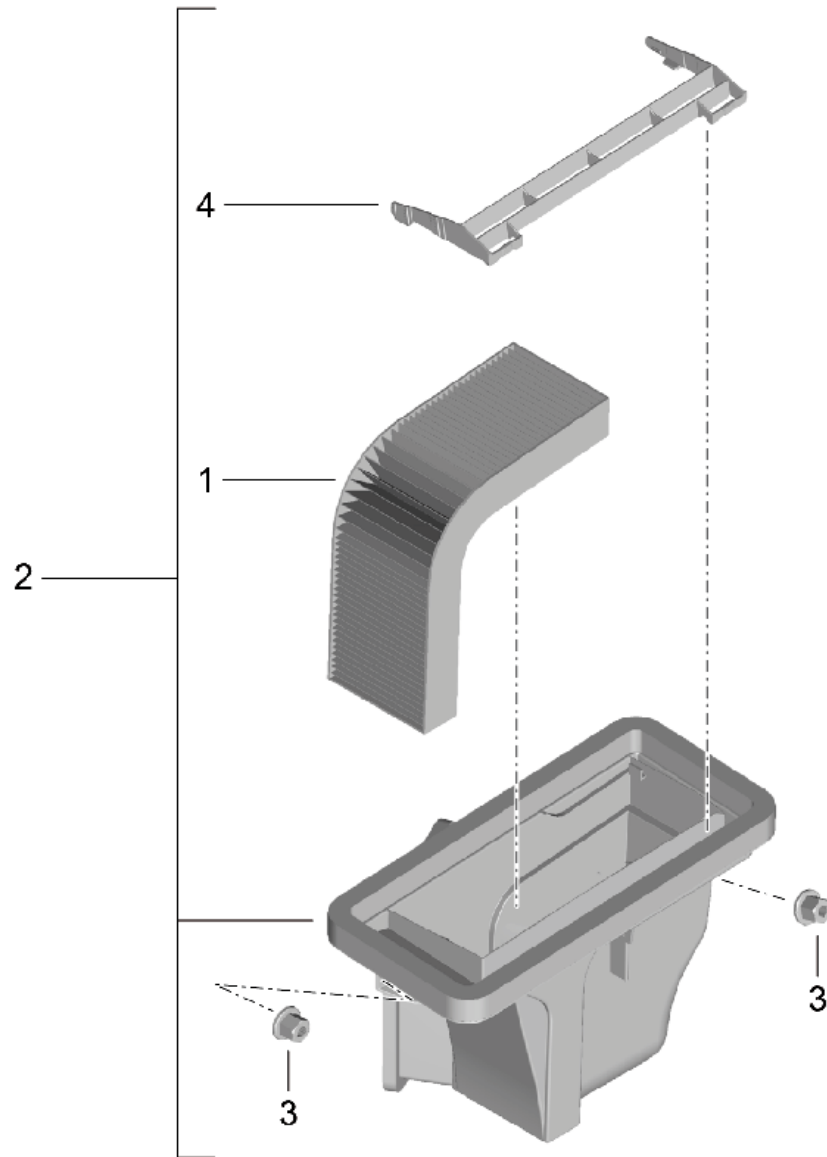
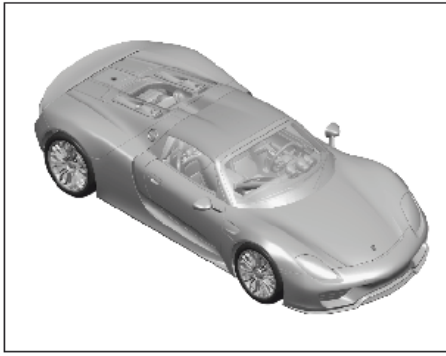
Model: 918

Model life 2015>>2015

Pos	Part Number	Description	Remark	Qty	Model
1	918 572 473 00	Air guide Air conditioner Passenger compartment		1	
2	918 572 474 00	Air guide Footwell Driver's side		1	
3	1H0 819 943	Air guide Footwell Passenger's side		2	
4	N 904 553 01	Screw		3	
5	999 073 499 01	Plastic nut M6		2	
6	918 573 011 03	Oval-head screw M5 X 14		1	I570
(6)	918 573 011 04	Air conditioner		1	I573
7	918 572 463 00	2-zone Air guide Lateral	/L	1	
(7)	918 572 464 00	Air guide Lateral	/R	1	
8	999 591 712 40	Expansion rivet 6 X 12		2	
9	918 572 781 00	Water drain tube		1	
12	918 612 725 00	Wiring harness		2	I570/573
13	970 653 253 00	Air conditioner Sensor		1	I573
14	970 624 423 02	Evaporator Regulator Blower		1	I573
15	991 624 425 03	Air conditioner Electric motor		8	I573
16	970 653 257 00	Air conditioner Temperature sensor Sensor		1	I573
17	991 572 769 01	Fresh-air intake system Grommet Firewall		1	
18	918 573 903 00	Expansion valve Blower with		1	
19	900 377 018 01	Engine support Hexagon nut M6		3	
20	918 573 905 00	Expansion valve Set		1	
21	918 573 901 00	Gasket set		1	
22	991 573 851 00	Sealing frame		1	
23	991 572 875 00	Grommet Mount		2	
24	970 653 253 00	Air conditioner Sensor Temperature sensor		1	

Model: 918

Model life 2015>>2015



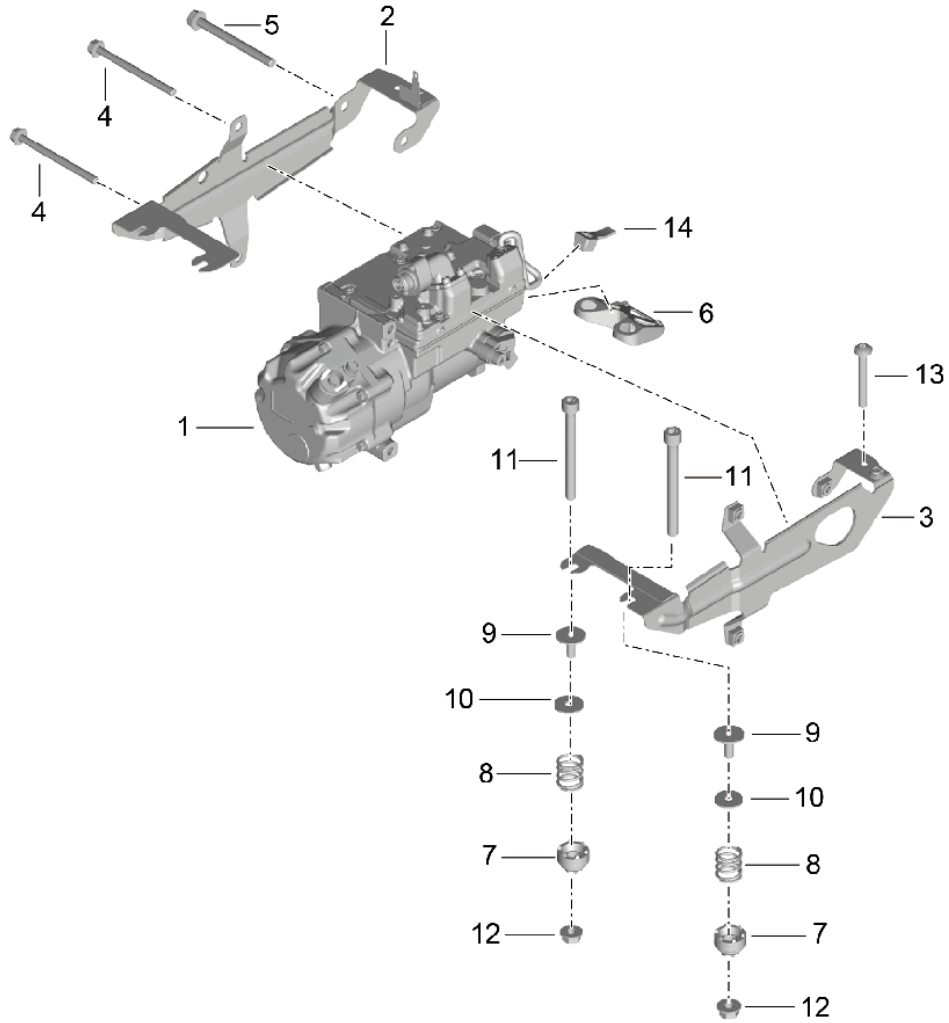
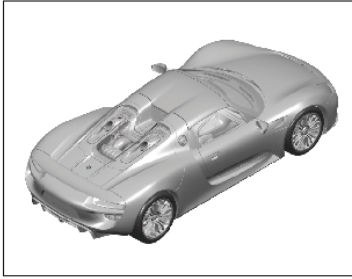
Model: 918

Model life 2015&gt;&gt;2015

Pos	Part Number	Description	Remark	Qty	Model
		Passenger compart. filter Outer			
1	918 572 711 00	Air cleaner cartridge		1	
2	918 572 072 00	Air intake		1	
3	N 904 553 01	Plastic nut		3	
4	918 572 972 00	Grille		1	

Model: 918

Model life 2015>>2015



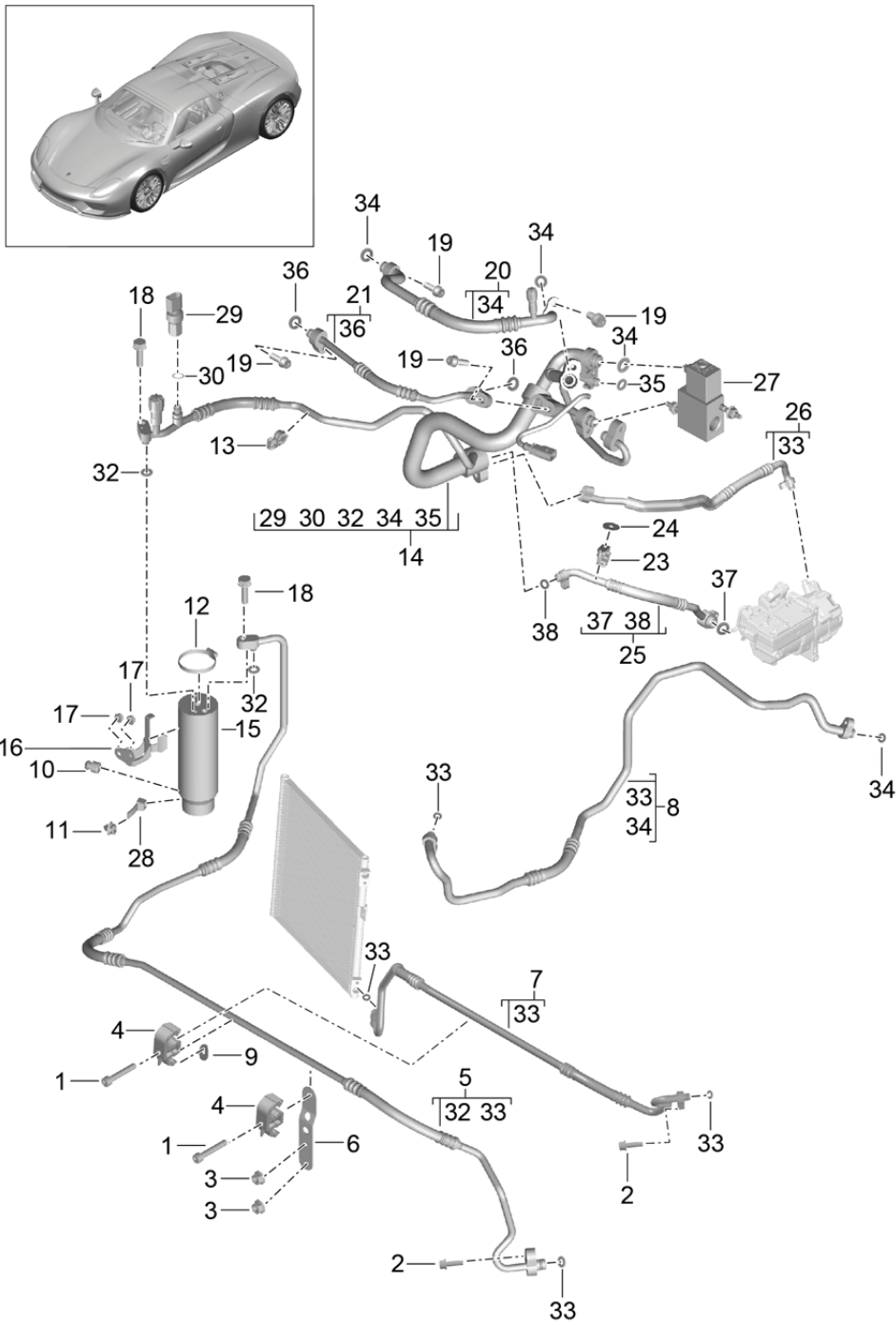


Model: 918 Model life 2015>>2015

Pos	Part Number	Description	Remark	Qty	Model
1	918 573 377 00	Compressor		1	
2	918 573 713 00	Air conditioner Compressor Support	/L	1	
3	918 573 714 00	Compressor Support		1	
4	N 106 926 01	Compressor Hexagon-head bolt M8X100X80		2	
5	N 910 718 01	Hexagon-head bolt M8 X 85		1	
6	918 375 313 00	Support Compressor		1	
7	918 573 501 00	Engine mounting Rubber mounting		4	
8	918 573 503 00	Compression spring		4	
9	918 573 505 01	Mounting		4	
10	N 905 636 02	Washer		6	
11	N 106 247 01	Pan-head screw M6 X 60		4	
12	N 015 082 10	Hexagon nut M6		2	
13	999 073 558 01	Oval-head screw M5 X 35		3	
14	999 513 075 40	Tie-wrap		1	
-	000 043 200 04	Oil for Compressor 250 ML		1	

Model: 918

Model life 2015>>2015



Model: 918

Model life 2015&gt;&gt;2015

Pos	Part Number	Description	Remark	Qty	Model
1	N 105 103 01	Refrigerant circuit Hexagon socket head bolt M6 X 35		6	
2	N 104 144 02	Pan-head screw M8 X 28		X	
3	900 377 009 03	Hexagon nut M5		2	
4	955 572 180 00	Dual clip		4	
5	918 573 105 00	Pressure line Desiccator		1	
6	918 573 765 00	Support Luggage compartment liner		1	
7	918 573 103 00	Pressure line Between Condenser		1	
8	918 573 094 01	Pressure line		1	
9	N 905 636 02	Washer		2	
10	918 573 763 00	Stop Desiccator		1	
11	N 906 661 01	Tie-wrap		1	
12	999 512 349 01	Hose clamp		1	
13	991 573 837 00	Support		5	
14	918 573 093 00	Pressure line Desiccator		1	I573
(14)	918 573 093 01	Pressure line Desiccator		1	I570
15	944 573 143 01	Desiccator		1	
16	918 573 761 00	Support Desiccator		1	
17	900 377 018 01	Hexagon nut		3	
18	900 075 340 01	Combination screw M6 X 22		2	
19	N 104 144 02	Pan-head screw M 8X28		6	
20	918 573 213 00	Intake pipe Heat exchanger		1	
21	918 573 203 00	Pressure line Heat exchanger		1	
-		Line bracket See illustrations 8/14/00		1	
-		Condenser See illustrations 8/13/25		2	
23	999 507 152 40	Cable holder 18 -20		1	
24	N 905 636 02	Washer Under Support		5	
25	918 573 211 01	Intake pipe Compressor		1	
26	918 573 201 01	Pressure line Compressor		1	
27	970 573 160 01	Shut-off valve		1	I573
28	999 513 076 40	Tie-wrap		1	
29	955 613 137 03	Pressure sensor		1	
30	955 572 324 00	Round seal Intake		1	
(30)	955 573 749 04	O-ring 10.8 X 1,82		X	
32	999 707 431 41	O-ring 6,70X1,80N*		2	
33	999 707 557 41	O-ring		4	

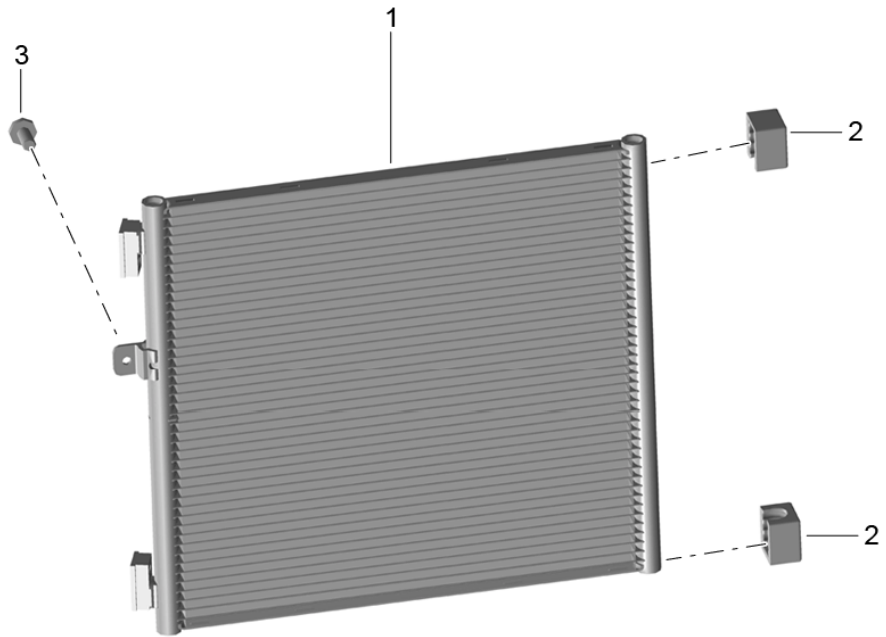
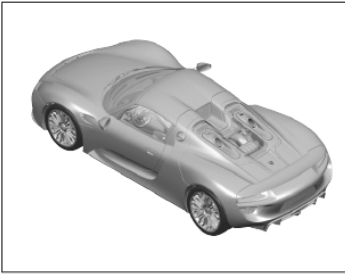
Model: 918

Model life 2015&gt;&gt;2015

Pos	Part Number	Description	Remark	Qty	Model
34	999 707 558 41	11,00 X 2,50 N O-ring		4	
35	999 707 531 41	13,70X2,50N O-ring		1	
36	999 707 556 41	7,50X2,00N O-ring		2	
37	999 707 439 41	9,50X2,50N O-ring		1	
38	999 707 653 40	23,80X2,40N O-ring		1	
		16,70X2,50N			

Model: 918

Model life 2015>>2015



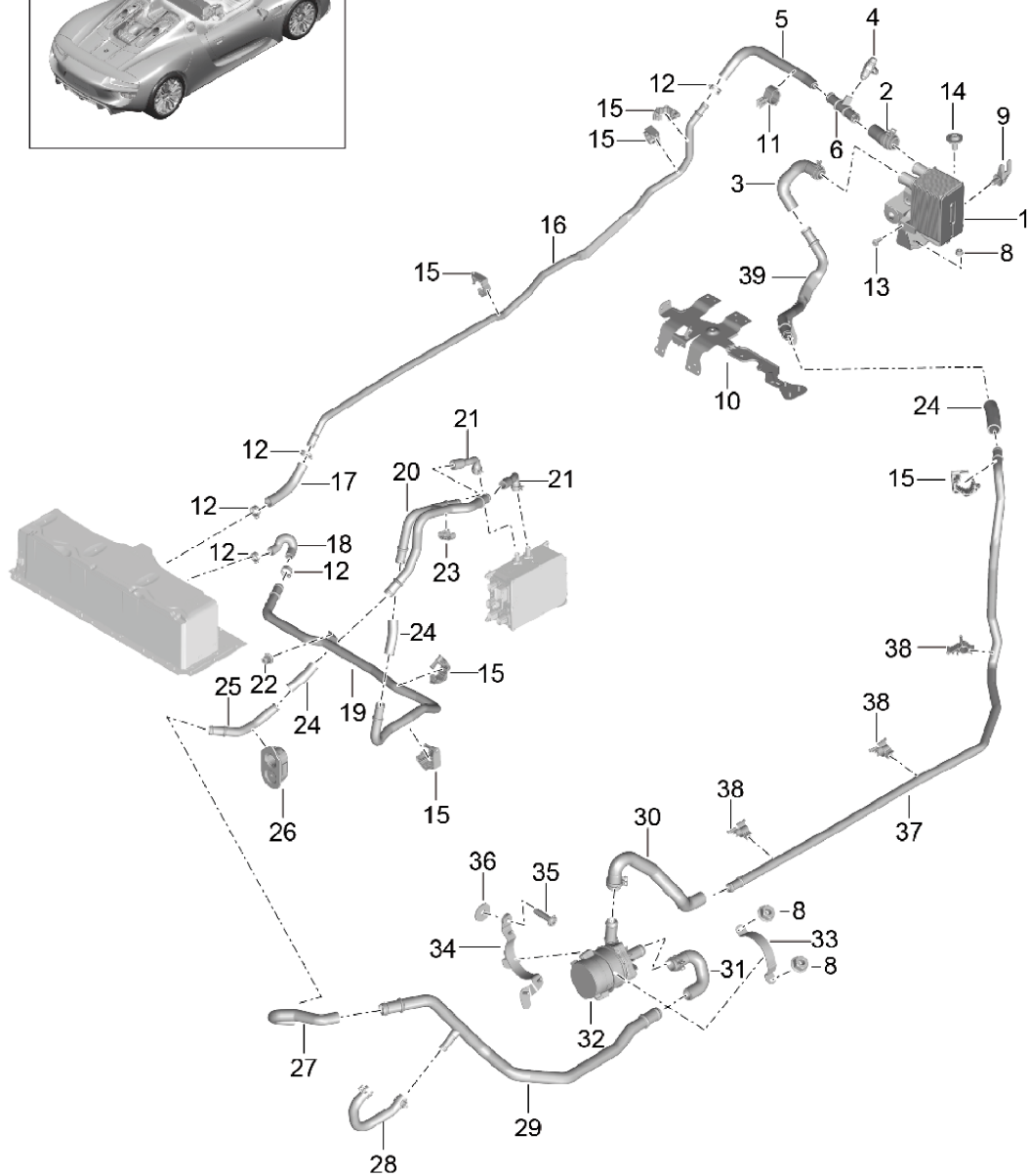
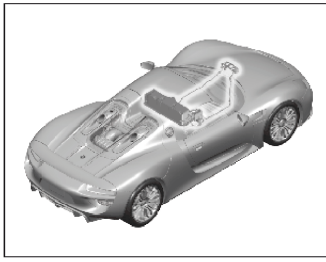
Model: 918

Model life 2015>>2015

Pos	Part Number	Description	Remark	Qty	Model
1	991 573 111 04	Condenser		2	
2	918 106 501 00	Condenser		4	
3	999 073 189 01	Rubber mounting		2	
		Round head screw			
		M6 X 12			

Model: 918

Model life 2015>>2015



Model: 918 Model life 2015>>2015

Pos	Part Number	Description	Remark	Qty	Model
1	918 574 211 01	Hybrid Battery Cooling Radiator Including Expansion valve		1	
2	918 574 811 01	Moulded hose Body front section		1	
3	918 574 815 01	Moulded hose Heat exchanger		1	
4	997 352 919 00	Ventilation valve		1	
5	918 574 817 01	Hose Heat exchanger		1	
6	918 574 501 00	T-piece Bleeding		1	
8	900 377 018 01	Hexagon nut M6		4	
9	1C0 971 845	Support		1	
10	918 574 161 03	Support Lines		1	
11	4H0 131 614 C	Hose holder		1	
12	999 512 657 09	Hose clamp		X	
13	999 073 307 01	Oval-head screw M6 X 12		1	
14	999 073 189 01	Round head screw M6 X 12		2	
15	999 507 152 40	Cable holder		X	
16	918 574 101 02	Line Supply Heat exchanger		1	
17	918 574 819 00	Hose		1	
18	918 574 803 01	Battery Moulded hose		1	
19	918 574 111 02	Battery Hose Charger Supply		1	
20	918 574 141 00	Line Charger		1	
21	918 574 807 01	Moulded hose Charger Support Charger See illustrations 9/01/35 Charger See illustrations 9/01/35		2	
22	N 904 553 01	Plastic nut		2	
23	955 572 055 03	Clip		1	
24	918 574 805 00	Hose Hose Wastegate line		3	
25	918 574 171 00	Line Rear end		1	
26	918 574 603 01	Grommet Bulkhead		1	
27	918 574 151 00	Moulded hose Rear end		1	
28	918 574 813 01	Moulded hose		1	
29	918 574 131 00	MT/NT Return line Charger		1	



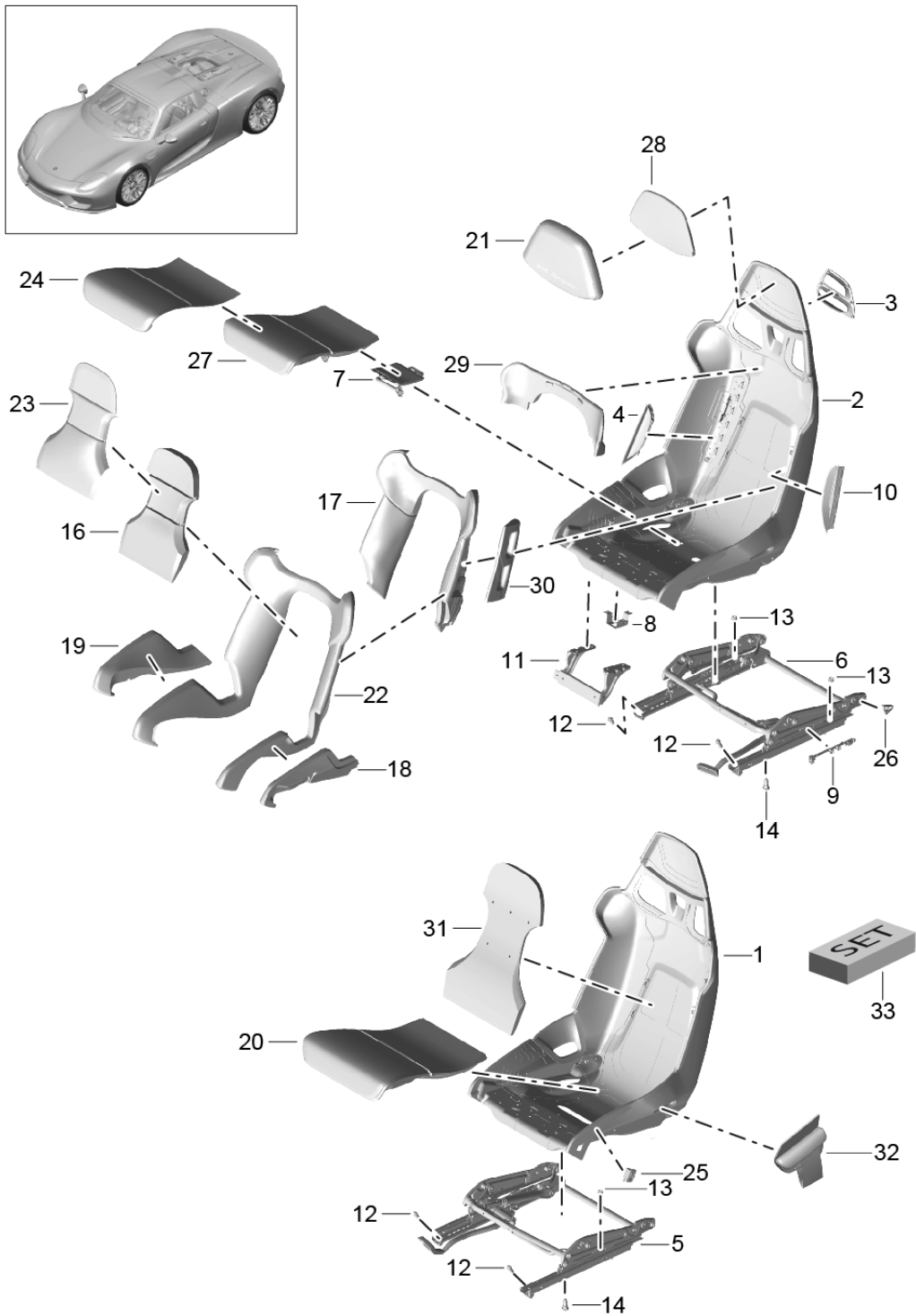
Model: 918

Model life 2015&gt;&gt;2015

Pos	Part Number	Description	Remark	Qty	Model
30	918 574 809 01	Moulded hose Pump		1	
31	918 574 801 01	Moulded hose Pump		1	
32	918 620 253 01	Water pump Battery		1	
33	918 106 417 00	Clamping bow Water pump		1	
34	918 574 791 00	Support Water pump		1	
35	999 073 253 A1	Oval-head screw M6 X 25		2	
36	N 905 636 02	Washer		2	
37	918 574 121 00	Return line Door sill		1	
38	918 574 203 00	Support		3	
39	918 574 401 01	Return line Heat exchanger		1	
40	N 911 687 01	Pan-head screw M6 X 18		1	

Model: 918

Model life 2015>>2015



Model: 918 Model life 2015>>2015

Pos	Part Number	Description	Remark	Qty	Model
1	918 521 905 00	Bucket seat Seat adjuster Bucket seat with Airbag unit Carbon	/L	1	
2	918 521 906 00	Bucket seat with Airbag unit Carbon	/R	1	-I560
3	918 521 901 00	Repair kit Cover Belt Guide		1	
4	918 521 902 00	Repair kit Cover Backrest Centre	/L	1	
5	918 521 903 00	Repair kit Seat adjuster	/L	1	
6	918 521 904 00	Repair kit Seat adjuster Manually adjustable	/R	1	-I543
(6)	918 521 904 01	Repair kit Seat adjuster Electrically adjustable	/R	1	I543
7	918 521 907 00	Repair kit Assembly Part		1	
8	918 521 908 00	Repair kit Bracket Control unit		1	
9	9P1 998 045	Repair kit Sensor SLP		1	I373/374/560
10	918 521 912 00	Repair kit Cover Backrest Centre	/R	1	
11	918 521 513 00	Support Fire extinguisher	/R	1	I372/374/509
12	999 073 312 09	Screw M10 X 30,6		4	
13	900 817 003 02	Lock nut M10		4	
14	999 075 057 09	Hexagon-head bolt		2	
16	918 521 581 01	Foam part Backrest Centre	/L	1	I373
(16)		Foam part Backrest Centre	/R	1	I373/374
17	918 521 531 00	Foam part Backrest Outer	/L	1	I373
(17)		Foam part Backrest Outer	/R	1	I374
(17)	918 521 531 01	Foam part Backrest Outer		1	I371
18	918 521 535 00	Foam part Seat cushion	/L	1	I373

Model: 918 Model life 2015>>2015

Pos	Part Number	Description	Remark	Qty	Model
(18)		Outer Foam part Seat cushion	/R	1	I374
(18)	918 521 535 01	Outer Foam part Seat cushion		1	I371
19	918 521 536 00	Outer Foam part Seat cushion	/L	1	I373
(19)		Outer Foam part Seat cushion	/R	1	I374
(19)	918 521 536 01	Outer Foam part Seat cushion		1	I371
20	918 521 571 00	Outer Foam part Seat cushion	/L	1	-I560/I373
(20)		Foam part Seat cushion	/R	1	-I560/I374
21	918 521 181 04	Cover Head rest	/L	1	I371/951
	918 521 181 04 SPA	Black/Acid Green			+73
	918 521 181 04 SPB	Black/Silver			+74
(21)	918 521 181 04	Cover	/L	1	-I984/-I998 I371/983
	918 521 181 04 SPA	Black/Acid Green			+53
	918 521 181 04 SPB	Black/Silver			+54
(21)	918 521 181 04	Cover	/L	1	I373/951
	918 521 181 04 SPA	Black/Acid Green			+73
	918 521 181 04 SPB	Black/Silver			+74
(21)	918 521 181 04	Cover	/L	1	-I984/-I998 I373/983
	918 521 181 04 SPA	Black/Acid Green			+53
	918 521 181 04 SPB	Black/Silver			+54
(21)	918 521 181 04	Cover	/R	1	I374/951
	918 521 181 04 SPA	Black/Acid Green			+73
	918 521 181 04 SPB	Black/Silver			+74
(21)	918 521 181 04	Cover	/R	1	-I984/-I998 I374/983
	918 521 181 04 SPA	Black/Acid Green			+53
	918 521 181 04 SPB	Black/Silver			+54
(21)	918 521 181 05	Cover	/L	1	-I984/I371 I983
	918 521 181 05 SPD	Black/Acid Green			
	918 521 181 05 SPE	Black/Silver			
	918 521 181 05 SPF	Tarpan Brown/Silver			
	918 521 181 05 SPG	Tarpan Brown/Orange			
(21)	918 521 181 05	Cover	/L	1	-I983/I371 I984
	918 521 181 05 SPD	Black/Acid Green			
	918 521 181 05 SPE	Black/Silver			
	918 521 181 05 SPF	Tarpan Brown/Silver			
	918 521 181 05 SPG	Tarpan Brown/Orange			
(21)	918 521 181 05	Cover	/L	1	-I984/I373 I983

Model: 918 Model life 2015>>2015

Pos	Part Number	Description	Remark	Qty	Model
(21)	918 521 181 05 SPD	Head rest Black/Acid Green	/L	1	-I983/I373 I984
	918 521 181 05 SPE	Black/Silver			
	918 521 181 05 SPF	Tarpan Brown/Silver			
	918 521 181 05 SPG	Tarpan Brown/Orange			
	918 521 181 05	Cover			
(21)	918 521 181 05 SPD	Head rest Black/Acid Green	/R	1	-I984/I374 I983
	918 521 181 05 SPE	Black/Silver			
	918 521 181 05 SPF	Tarpan Brown/Silver			
	918 521 181 05 SPG	Tarpan Brown/Orange			
	918 521 181 05	Cover			
(21)	918 521 181 05 SPD	Head rest Black/Acid Green	/R	1	-I983/I374 I984
	918 521 181 05 SPE	Black/Silver			
	918 521 181 05 SPF	Tarpan Brown/Silver			
	918 521 181 05 SPG	Tarpan Brown/Orange			
	918 521 181 05	Cover			
(21)	918 521 181 05 SPD	Head rest Black/Acid Green	/L	1	I371/983
	918 521 181 05 SPE	Black/Silver			
	918 521 181 05 SPF	Tarpan Brown/Silver			
	918 521 181 05 SPG	Tarpan Brown/Orange			
	918 521 181 06	Cover			
(21)	918 521 181 06 SPC	Head rest Carrera Red/Silver	/L	1	I371/998
	918 521 181 06	Cover			
(21)	918 521 181 06 SPC	Head rest Carrera Red/Silver	/L	1	I373/983
	918 521 181 06	Cover			
(21)	918 521 181 06 SPC	Head rest Carrera Red/Silver	/L	1	I373/998
	918 521 181 06	Cover			
(21)	918 521 181 06 SPC	Head rest Carrera Red/Silver	/R	1	I374/983
	918 521 181 06	Cover			
(21)	918 521 181 06 SPC	Head rest Carrera Red/Silver	/R	1	I374/998
	918 521 181 06	Cover			
(21)	918 521 181 06 SPC	Head rest Carrera Red/Silver	/L	1	I371/990
	918 521 181 07	Cover			
(21)	918 521 181 07 SPH	Head rest Black/Acid Green	/L	1	I373/990
	918 521 181 07 SPI	Black/Silver			
	918 521 181 07	Cover			
	918 521 181 07 SPH	Head rest Black/Acid Green			
	918 521 181 07 SPI	Black/Silver			
(21)	918 521 181 07	Cover	/R	1	I374/990
	918 521 181 07	Head rest Black/Acid Green			
22	918 521 181 07 SPH	Head rest Black/Acid Green	/L	1	I371/951
	918 521 181 07 SPI	Black/Silver			
	918 521 141 04	Cover			
	918 521 141 04 SPA	Backrest Outer Black/Acid Green			
	918 521 141 04 SPB	Black/Silver			
(22)	918 521 141 04	Cover	/L	1	I373/951
	918 521 141 04	Backrest			

Model: 918 Model life 2015>>2015

Pos	Part Number	Description	Remark	Qty	Model
(22)	918 521 141 04 SPA	Outer Black/Acid Green	/L	1	I371/983
	918 521 141 04 SPB	Black/Silver			
	918 521 141 04	Cover Backrest Outer			
(22)	918 521 141 04 SPA	Black/Acid Green	/L	1	I373/983
	918 521 141 04 SPB	Black/Silver			
	918 521 141 04	Cover Backrest Outer			
(22)	918 521 141 04 SPA	Black/Acid Green	/L	1	I373/983
	918 521 141 04 SPB	Black/Silver			
	918 521 141 04	Cover Backrest Outer			
22	918 521 141 04 SPA	Black/Acid Green	/R	1	I374/951
	918 521 141 04 SPB	Black/Silver			
	918 521 142 04	Cover Backrest Outer			
(22)	918 521 142 04 SPA	Black/Acid Green	/R	1	-I984/-I998 I374/983
	918 521 142 04 SPB	Black/Silver			
	918 521 142 04	Cover Backrest Outer			
(22)	918 521 142 04 SPA	Black/Acid Green	/L	1	-I984/I371 I983
	918 521 142 04 SPB	Black/Silver			
	918 521 141 05	Cover Backrest Outer			
(22)	918 521 141 05 SPD	Black/Acid Green	/L	1	-I984/I373 I983
	918 521 141 05 SPE	Black/Silver			
	918 521 141 05 SPF	Tarpan Brown/Silver			
	918 521 141 05 SPG	Tarpan Brown/Orange			
	918 521 141 05	Cover Backrest Outer			
(22)	918 521 141 05 SPD	Black/Acid Green	/L	1	-I983/I371 I984
	918 521 141 05 SPE	Black/Silver			
	918 521 141 05 SPF	Tarpan Brown/Silver			
	918 521 141 05 SPG	Tarpan Brown/Orange			
	918 521 141 05	Cover Backrest Outer			
(22)	918 521 141 05 SPD	Black/Acid Green	/L	1	-I983/I373 I984
	918 521 141 05 SPE	Black/Silver			
	918 521 141 05 SPF	Tarpan Brown/Silver			
	918 521 141 05 SPG	Tarpan Brown/Orange			
	918 521 141 05	Cover Backrest Outer			
(22)	918 521 141 05 SPD	Black/Acid Green	/R	1	-I984/I374 I983
	918 521 141 05 SPE	Black/Silver			
	918 521 141 05 SPF	Tarpan Brown/Silver			
	918 521 141 05 SPG	Tarpan Brown/Orange			
	918 521 142 05	Cover			

Model: 918 Model life 2015>>2015

Pos	Part Number	Description	Remark	Qty	Model
		Backrest Outer			
	918 521 142 05 SPD	Black/Acid Green			
	918 521 142 05 SPE	Black/Silver			
	918 521 142 05 SPF	Tarpan Brown/Silver			
	918 521 142 05 SPG	Tarpan Brown/Orange			
(22)	918 521 142 05	Cover	/R	1	-I983/I374 I984
		Backrest Outer			
	918 521 142 05 SPD	Black/Acid Green			
	918 521 142 05 SPE	Black/Silver			
	918 521 142 05 SPF	Tarpan Brown/Silver			
	918 521 142 05 SPG	Tarpan Brown/Orange			
(22)	918 521 141 06	Cover	/L	1	I371/983
		Backrest Outer			
(22)	918 521 141 06 SPC	Carrera Red/Silver	/L	1	I371/998
	918 521 141 06	Cover			
		Backrest Outer			
(22)	918 521 141 06 SPC	Carrera Red/Silver	/L	1	I373/983
	918 521 141 06	Cover			
		Backrest Outer			
(22)	918 521 141 06 SPC	Carrera Red/Silver	/L	1	I373/998
	918 521 141 06	Cover			
		Backrest Outer			
(22)	918 521 141 06 SPC	Carrera Red/Silver	/R	1	I374/983
	918 521 142 06	Cover			
		Backrest Outer			
(22)	918 521 142 06 SPC	Carrera Red/Silver	/R	1	I374/998
	918 521 142 06	Cover			
		Backrest Outer			
(22)	918 521 142 06 SPC	Carrera Red/Silver	/L	1	I371/990
	918 521 141 07	Cover			
		Backrest Outer			
(22)	918 521 141 07 A9F	Black	/L	1	I373/990
	918 521 141 07	Cover			
		Backrest Outer			
(22)	918 521 141 07 A9F	Black	/R	1	I374/990
	918 521 142 07	Cover			
		Backrest Outer			
	918 521 142 07 A9F	Black			
23	918 521 151 05	Cover	/L	1	-I984/-I998 I371/983
		Backrest Centre part			
	918 521 151 05 8YR	Black			
23	918 521 151 05	Cover	/L	1	-I984/-I998 I373/983
		Backrest Centre part			
	918 521 151 05 8YR	Black			
23	918 521 151 05	Cover	/R	1	-I984/-I998 I374/983
		Backrest			

Model: 918 Model life 2015>>2015

Pos	Part Number	Description	Remark	Qty	Model
(23)	918 521 151 05 8YR 918 521 151 06	Centre part Black Cover	/L	1	-I984/I371 I983
(23)	918 521 151 06 A91 918 521 151 06 S91 918 521 151 06	Backrest Centre part Black Tarpan Brown Cover	/L	1	-I983/I371 I984
(23)	918 521 151 06 A91 918 521 151 06 S91 918 521 151 06	Backrest Centre part Black Tarpan Brown Cover	/L	1	-I984/I373 I983
(23)	918 521 151 06 A91 918 521 151 06 S91 918 521 151 06	Backrest Centre part Black Tarpan Brown Cover	/L	1	-I984/I373 I983
(23)	918 521 151 06 A91 918 521 151 06 S91 918 521 151 06	Backrest Centre part Black Tarpan Brown Cover	/R	1	-I984/I374 I983
(23)	918 521 151 06 A91 918 521 151 06 S91 918 521 151 06	Backrest Centre part Black Tarpan Brown Cover	/R	1	-I983/I374 I984
(23)	918 521 151 06 A91 918 521 151 06 S91 918 521 151 07	Backrest Centre part Black Tarpan Brown Cover	/L	1	I371/951
(23)	918 521 151 07 2W0 918 521 151 07	Backrest Centre part Black Cover	/L	1	I373/951
(23)	918 521 151 07 2W0 918 521 151 07	Backrest Centre part Black Cover	/R	1	I374/951
(23)	918 521 151 07 2W0 918 521 151 08	Backrest Centre part Black Cover	/L	1	I371/990
(23)	918 521 151 08 A9F 918 521 151 08	Backrest Centre part Black Cover	/L	1	I373/990
(23)	918 521 151 08 A9F 918 521 151 08	Backrest Centre part Black Cover	/R	1	I374/990
(23)	918 521 151 08 A9F 918 521 151 09	Backrest Centre part Black Cover	/L	1	I371/983



Model: 918 Model life 2015>>2015

Pos	Part Number	Description	Remark	Qty	Model
(23)	918 521 151 09 N11 918 521 151 09	Backrest Centre part Carrera Red Cover	/L	1	I371/998
(23)	918 521 151 09 N11 918 521 151 09	Backrest Centre part Carrera Red Cover	/L	1	I373/983
(23)	918 521 151 09 N11 918 521 151 09	Backrest Centre part Carrera Red Cover	/L	1	I373/998
(23)	918 521 151 09 N11 918 521 151 09	Backrest Centre part Carrera Red Cover	/R	1	I374/983
(23)	918 521 151 09 N11 918 521 151 09	Backrest Centre part Carrera Red Cover	/R	1	I374/998
24	918 521 151 09 N11 918 521 161 10	Backrest Centre part Carrera Red Cover	/L	1	-I984/-I998 I371/373/983
(24)	918 521 161 10 8YR 918 521 161 10	Seat cushion Black Cover	+53,+54 /R	1	-I560/-I984 -I998/I374 I983
(24)	918 521 161 10 8YR 918 521 161 11	Seat cushion Black Cover	+53,+54 /L	1	-I984/I371 I373/983
(24)	918 521 161 11 A91 918 521 161 11 S91 918 521 161 11	Seat cushion Black Tarpan Brown Cover	+33,+34 +36,+37 /R	1	-I560/-I984 I374/983
(24)	918 521 161 11 A91 918 521 161 11 S91 918 521 161 12	Seat cushion Black Tarpan Brown Cover	+33,+34 +36,+37 /L	1	I371/951
(24)	918 521 161 12 2W0 918 521 161 12	Seat cushion Black Cover	/L	1	I373/951
(24)	918 521 161 12 2W0 918 521 161 12	Seat cushion Black Cover	/R	1	-I560/I374 I951
(24)	918 521 161 12 2W0 918 521 161 13	Seat cushion Black Cover	/L	1	I371/990
(24)	918 521 161 13 A9F 918 521 161 13	Seat cushion Black Cover	/L	1	I373/990
(24)	918 521 161 13 A9F 918 521 161 13	Seat cushion Black Cover	/R	1	-I560/I374 I990
(24)	918 521 161 13 A9F 918 521 161 14	Seat cushion Black Cover	/R	1	-I984/-I998

Model: 918 Model life 2015>>2015

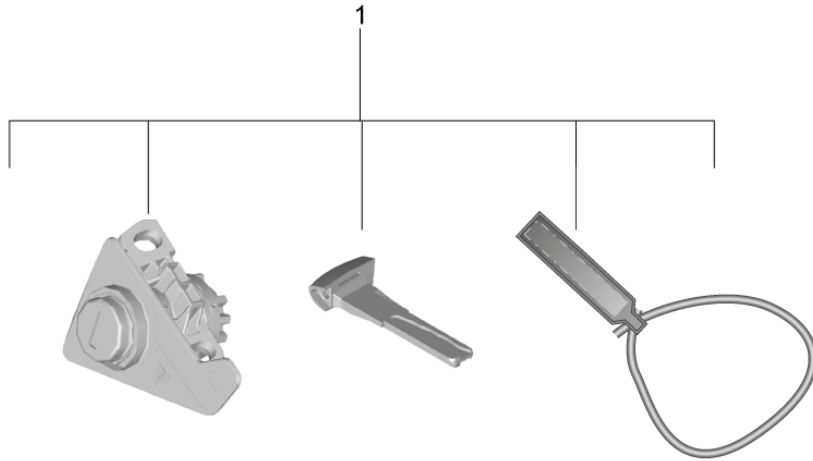
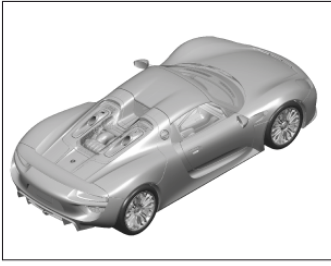
Pos	Part Number	Description	Remark	Qty	Model
		Seat cushion			I374/560/983
	918 521 161 14 8YR	Black			
(24)	918 521 161 15	Cover	/R	1	-I984/I374 I560/983
		Seat cushion			
	918 521 161 15 A91	Black			
	918 521 161 15 S91	Tarpan Brown			
(24)	918 521 161 15	Cover	/R	1	-I983/I374 I560/984
		Seat cushion			
	918 521 161 15 A91	Black			
	918 521 161 15 S91	Tarpan Brown			
(24)	918 521 161 16	Cover	/R	1	I374/560/951
		Seat cushion			
	918 521 161 16 2W0	Black			
(24)	918 521 161 17	Cover	/R	1	I374/560/990
		Seat cushion			
	918 521 161 17 A9F	Black			
(24)	918 521 161 18	Cover	/L	1	I371/983
		Seat cushion			
	918 521 161 18 N11	Carrera Red			
(24)	918 521 161 18	Cover	/L	1	I371/998
		Seat cushion			
	918 521 161 18 N11	Carrera Red			
(24)	918 521 161 18	Cover	/L	1	I373/983
		Seat cushion			
	918 521 161 18 N11	Carrera Red			
(24)	918 521 161 18	Cover	/L	1	I373/998
		Seat cushion			
	918 521 161 18 N11	Carrera Red			
(24)	918 521 161 18	Cover	/R	1	-I560/I374 I983
		Seat cushion			
	918 521 161 18 N11	Carrera Red			
(24)	918 521 161 18	Cover	/R	1	-I560/I374 I998
		Seat cushion			
	918 521 161 18 N11	Carrera Red			
(24)	918 521 161 19	Cover	/R	1	I374/560/983 I998
		Seat cushion			
	918 521 161 19 N11	Carrera Red			
25	918 613 201 01	Switch		1	I371/373/374 I543
		Seat cushion			
	918 613 201 01 5Q0	Black			
	918 613 201 01 OE1	Carrera Red			
	918 613 201 01 S92	Tarpan Brown			
26	918 521 561 00	Cable guide		1	I371/373/374
28	918 521 463 00	Foam part		1	I371/373/374
		Head rest			
29	918 521 459 00	Foam part		1	I371/373/374
		Backrest			
30	918 521 466 00	Foam part	/L	1	I374
		Backrest			
		Outer			
(30)	918 521 465 00	Foam part	/R	1	I371/373
		Backrest			
		Outer			
31	918 521 581 01	Foam part		1	I371/373/374
		Backrest			
		Centre			
32	918 521 301 00	Seat	/L	1	

Model: 918 Model life 2015>>2015

Pos	Part Number	Description	Remark	Qty	Model
(32)	918 521 301 00 8YR 918 521 302 00	Padded cap Authentic Black Seat	/R	1	
(32)	918 521 302 00 8YR 918 521 301 01	Padded cap Authentic Black Seat	/L	1	
(32)	918 521 301 01 A91 918 521 302 01	Padded cap Leather Black Seat	/R	1	
33	918 521 302 01 A91 918 521 911 00	Padded cap Leather Black Repair kit Cover		1	

Model: 918

Model life 2015>>2015



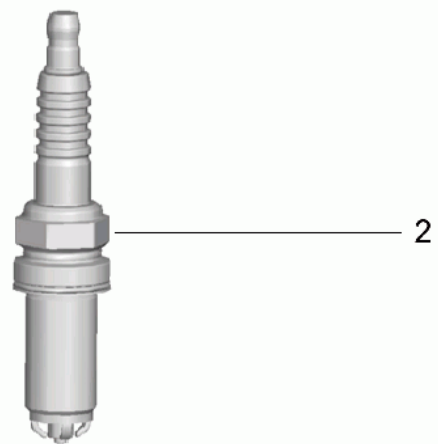
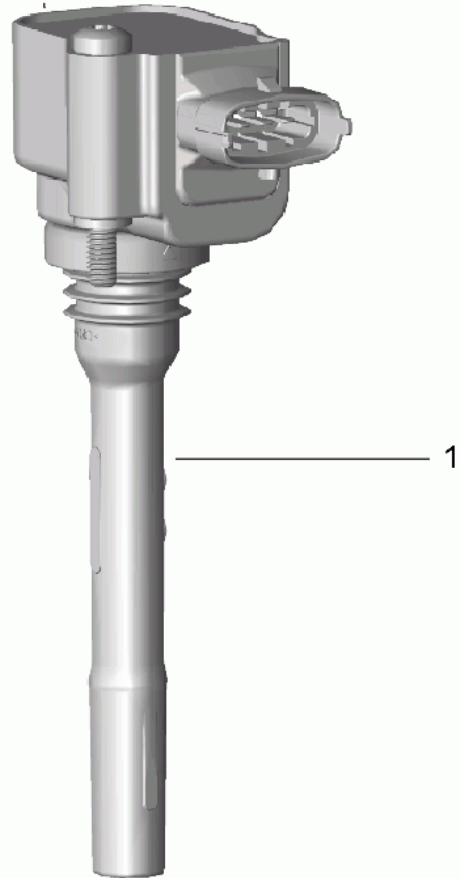
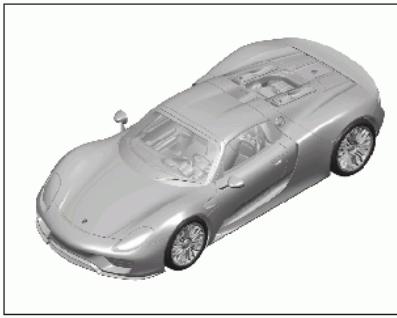
Model: 918

Model life 2015>>2015

Pos	Part Number	Description	Remark	Qty	Model
1	918 538 911 03	Set of locks Set of locks with stipulated lock number Comprising: Lock cylinder Key tag Emergency key VIN Indicate		1  1 1 2	
(1)	918 538 911 04	Set of locks unspecified coding Comprising: Lock cylinder Key tag Emergency key VIN Indicate		1  1 1 2	

Model: 918

Model life 2015>>2015



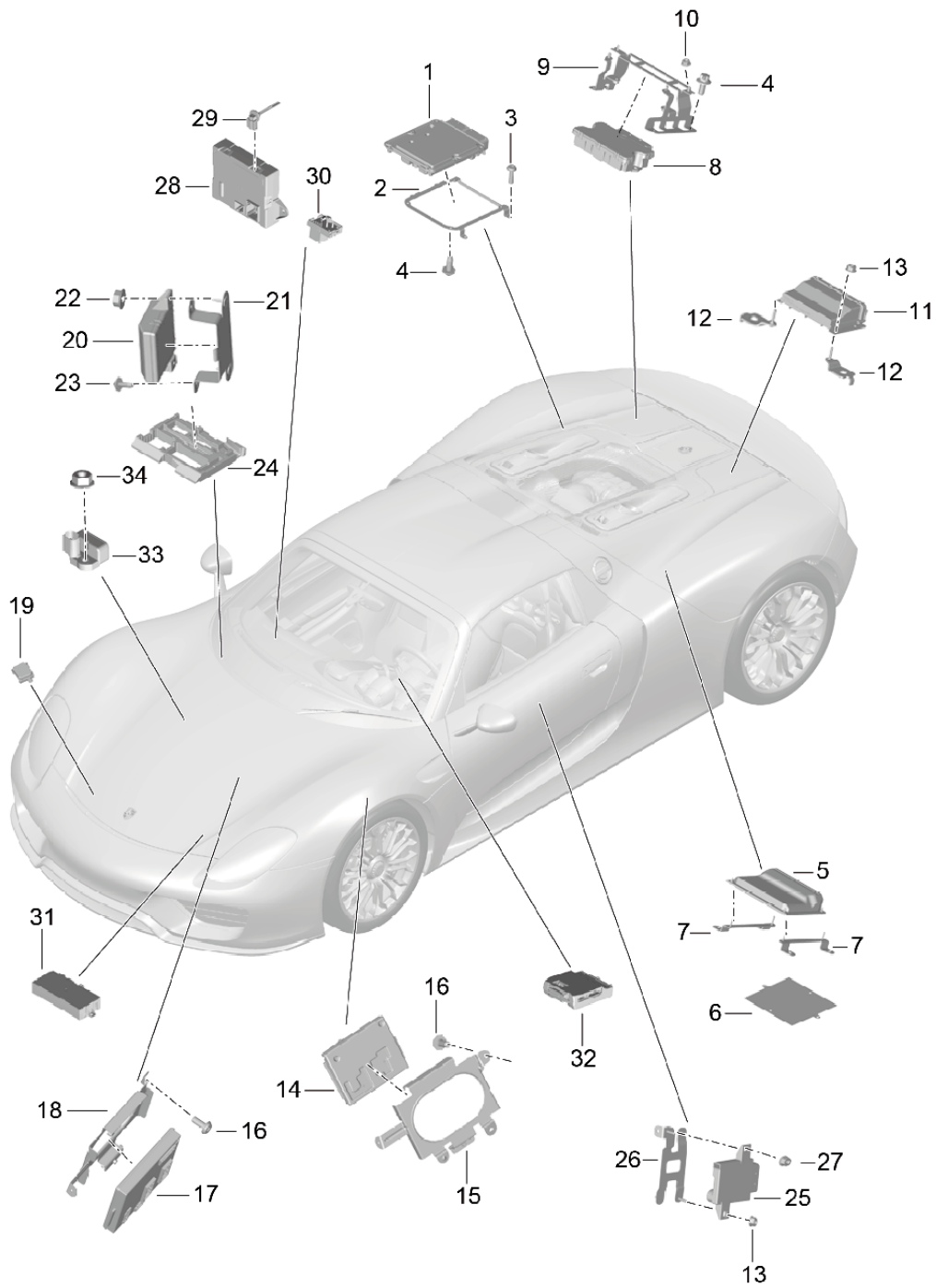
Model: 918

Model life 2015&gt;&gt;2015

Pos	Part Number	Description	Remark	Qty	Model
1	918 602 104 01	Ignition system		8	
2	999 170 152 90	Ignition coil		8	
		Spark plug			
		FR8A8G			
3	N 106 476 02	Torx screw		8	
		M 6 X 45			

Model: 918

Model life 2015>>2015





Model: 918 Model life 2015>>2015

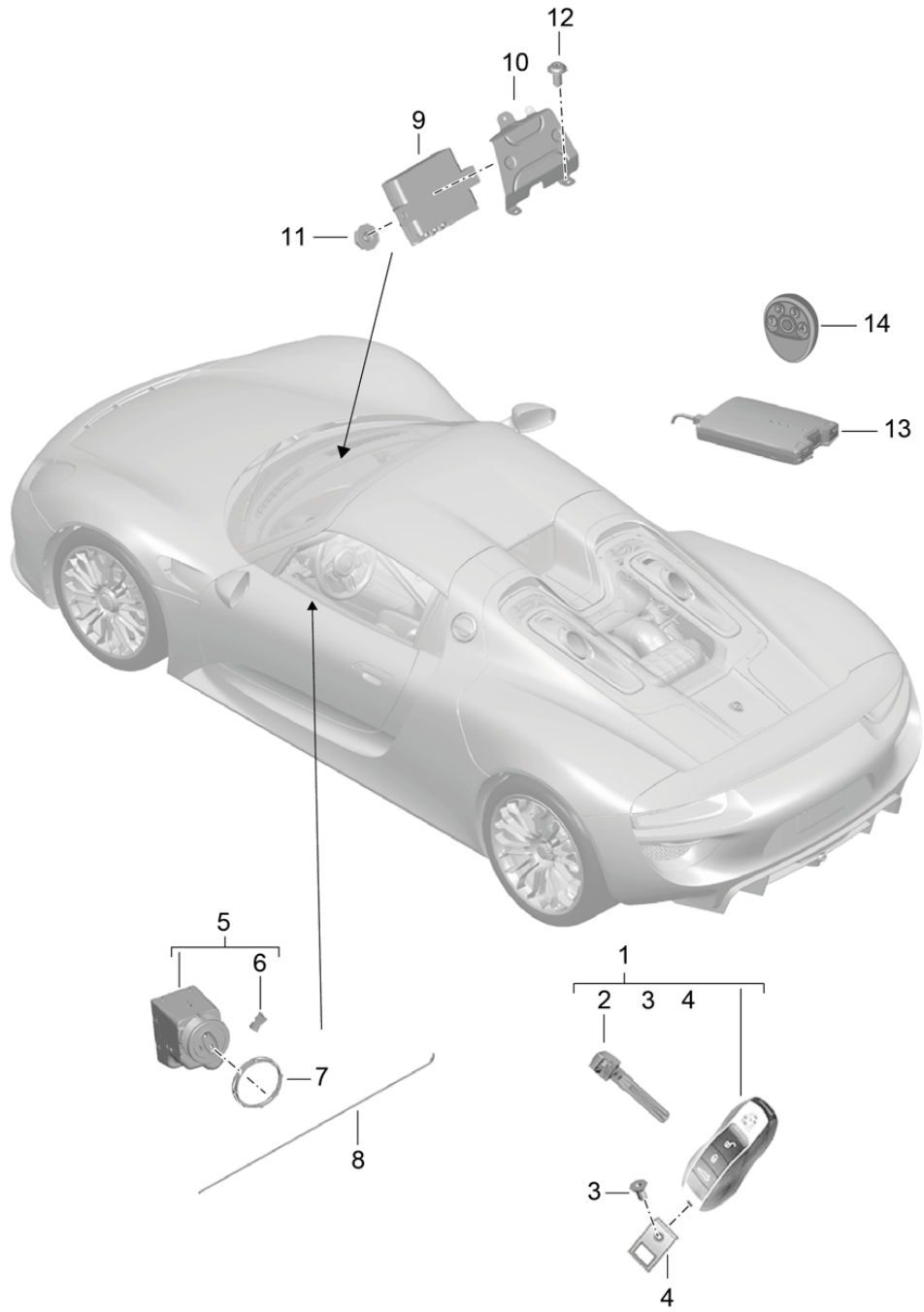
Pos	Part Number	Description	Remark	Qty	Model
1	918 618 603 00	Control units Sensor Control unit		1	
2	918 618 133 00	- dme - Support Control unit		1	
3	999 073 269 A1	- dme - Oval-head screw M 5 X 16		4	
4	N 106 695 01	Oval-head screw M 5 X 12		4	
5	991 618 270 15	Control unit PDK		1	
6	918 618 387 00	Cooling plate Control unit PDK		1	
7	918 618 701 00	Clamping bow		2	
8	991 618 145 03	Control unit Electric parking brake		1	
9	918 618 327 01	Support Electric parking brake		1	
10	900 377 009 03	Hexagon nut M 5		X	
11	918 618 111 04	Control unit Rear spoiler		1	
(11)	918 618 111 05	Control unit Rear spoiler		1	
(11)	918 618 111 06	Control unit Rear spoiler		1	
12	918 618 427 00	Clamping bow Information available		2	
13	900 377 018 01	Hexagon nut M 6		X	
14	7PP 907 064 HJ	Control unit Body front section		1	I523
(14)	7PP 907 064 HQ	Control unit Body front section		1	I523
(14)	7PP 907 064 HK	Control unit Body front section		1	I524
(14)	7PP 907 064 HL	Control unit Body front section		1	I525
(14)	7PP 907 064 HS	Control unit Body front section		1	I525
15	918 618 325 02	Support Control unit Body front section	/L	1	
(15)	918 618 326 01	Left Support Control unit Body front section	/R	1	
16	999 073 268 01	Right Oval-head screw M 5 X 12		X	
17	7PP 907 279 BF	Control unit Rear end		1	
(17)	7PP 907 279 BS	Control unit Rear end		1	
18	918 618 326 01	Support Control unit Rear end		1	
19	8K0 907 410	Control unit Garage door opener		1	I608
20	95B 907 530 D	Control unit		1	

Model: 918 Model life 2015>>2015

Pos	Part Number	Description	Remark	Qty	Model
21	918 618 202 00	Gateway Support		1	
22	900 377 009 01	Gateway Hexagon nut M 5		2	
23	999 073 268 01	Oval-head screw M 5 X 12		2	
24	918 618 149 01	Foam part Control units		1	
25	4H0 906 093 D	Control unit Fuel pump		1	-I484
26	918 618 401 02	Support		1	
27	900 385 041 01	Torx screw M 6 X 12		2	
28	918 618 201 03	Control unit Air conditioner		1	
30	991 653 243 00	Sensor Air conditioner It is necessary to rework See technical manual Group 8 8714 19		1	
31	991 618 151 87	Control unit Level adjustment		1	
32	95B 959 256 B	Control unit Steering wheel Heating		1	
33	991 606 111 00	Acceleration sensor Body		3	
34	900 377 018 01	Hexagon nut M6		1	
(34)	900 385 275 01	Torx screw BM 6 X 20		2	
-	958 505 535 00	Sensor Temperature sensor		1	

Model: 918

Model life 2015>>2015

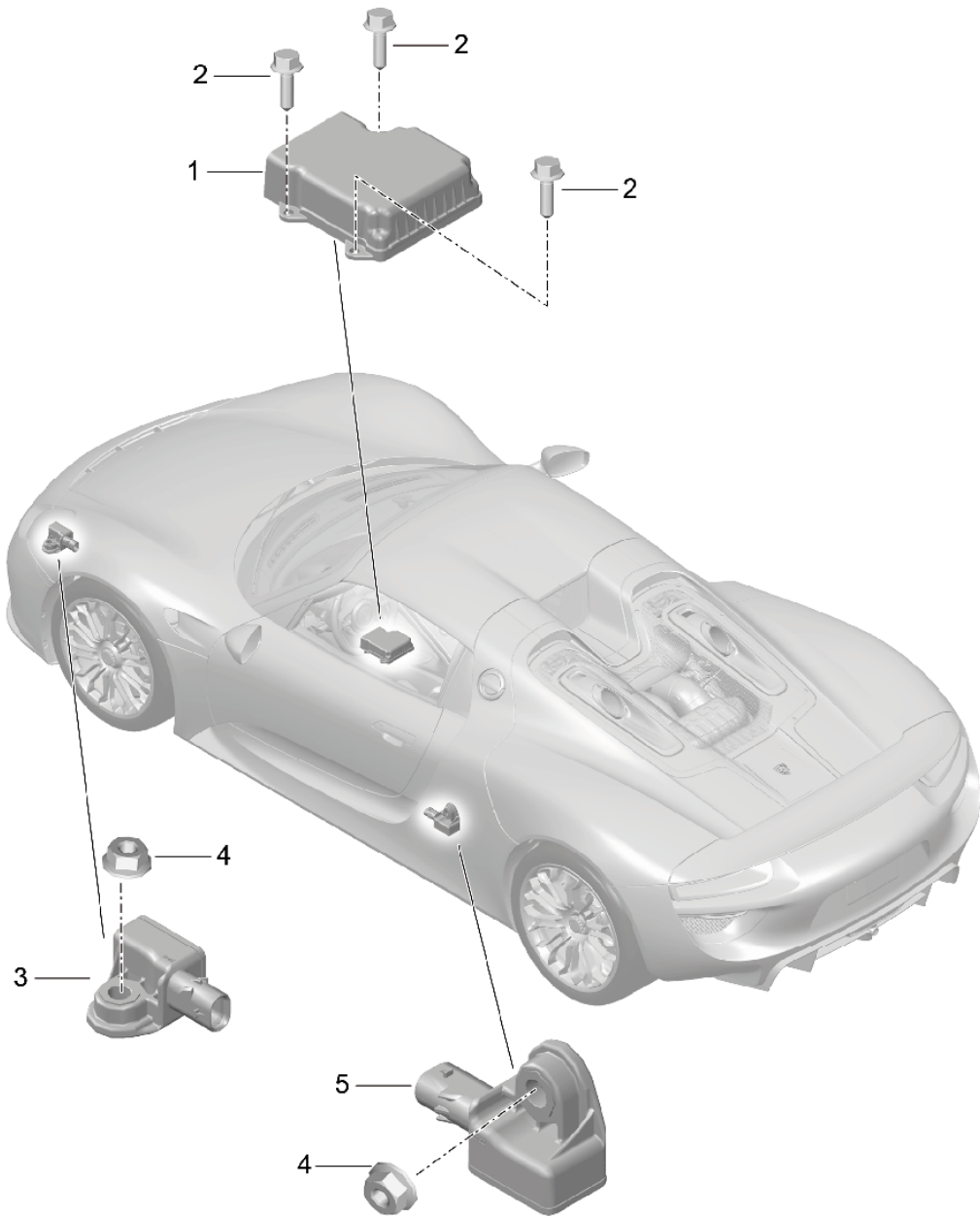


Model: 918 Model life 2015>>2015

Pos	Part Number	Description	Remark	Qty	Model
1	991 637 940 03	Handheld transmitter Garage door opener Handheld transmitter Key cover Vehicle Ident. No. Indicate		1	I524
(1)	991 637 942 03	Handheld transmitter Key cover Vehicle Ident. No. Indicate		1	-I553/I525
(1)	991 637 958 03	Handheld transmitter Key cover Vehicle Ident. No. Indicate		1	I523
2	958 538 916 00	Emergency key with stipulated lock number Vehicle Ident. No. Indicate		1	
-	999 611 106 00	Battery Handheld transmitter		1	
3	991 637 301 00	Eye		1	
4	991 637 303 00	Countersunk-head screw		1	
5	7PP 905 865 F	Control unit Ignition starter switch		1	
7	7PP 911 094	Nut		1	
8	7PP 907 256	Emergency operation Release Ignition starter switch		1	
9	7PP 035 620 J	Control unit VTS vehicle tracking		1	
10	918 647 355 00	Support		1	
11	N 015 082 10	Hexagon nut M 6		2	
12	999 015 025 A2	Lens-head screw M 6 X 12		2	
13	7PP 862 077	System Card VTS vehicle tracking Information available		1	
14	7PP 862 423	Handheld transmitter Information available		1	

Model: 918

Model life 2015>>2015



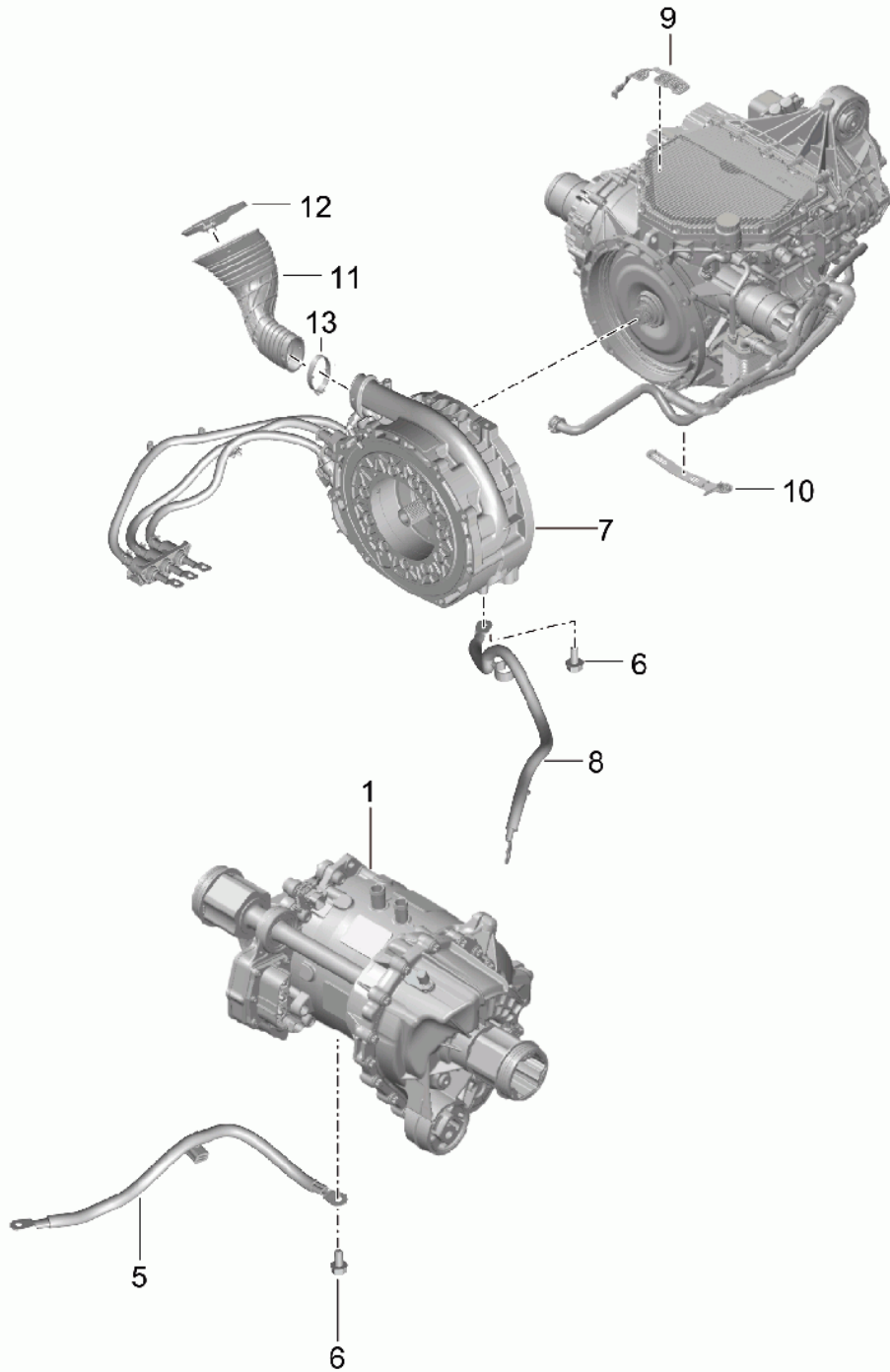
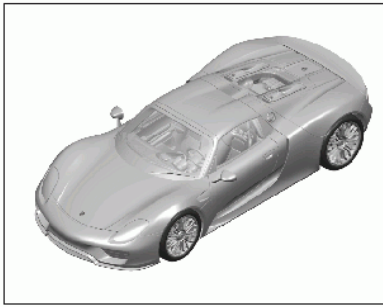
Model: 918

Model life 2015>>2015

Pos	Part Number	Description	Remark	Qty	Model
		Control unit Sensor Airbag Airbag unit See illustrations 8/12/50 Switch Airbag See illustrations 9/03/05			
1	991 618 201 05	Control unit		1	
2	N 106 533 01	Hexagon-head bolt M6 X 20		3	
3	991 618 223 01	Front sensor		2	
4	N 015 082 10	Hexagon nut M6		2	
5	991 618 221 01	Sensor Side airbag		2	

Model: 918

Model life 2015>>2015



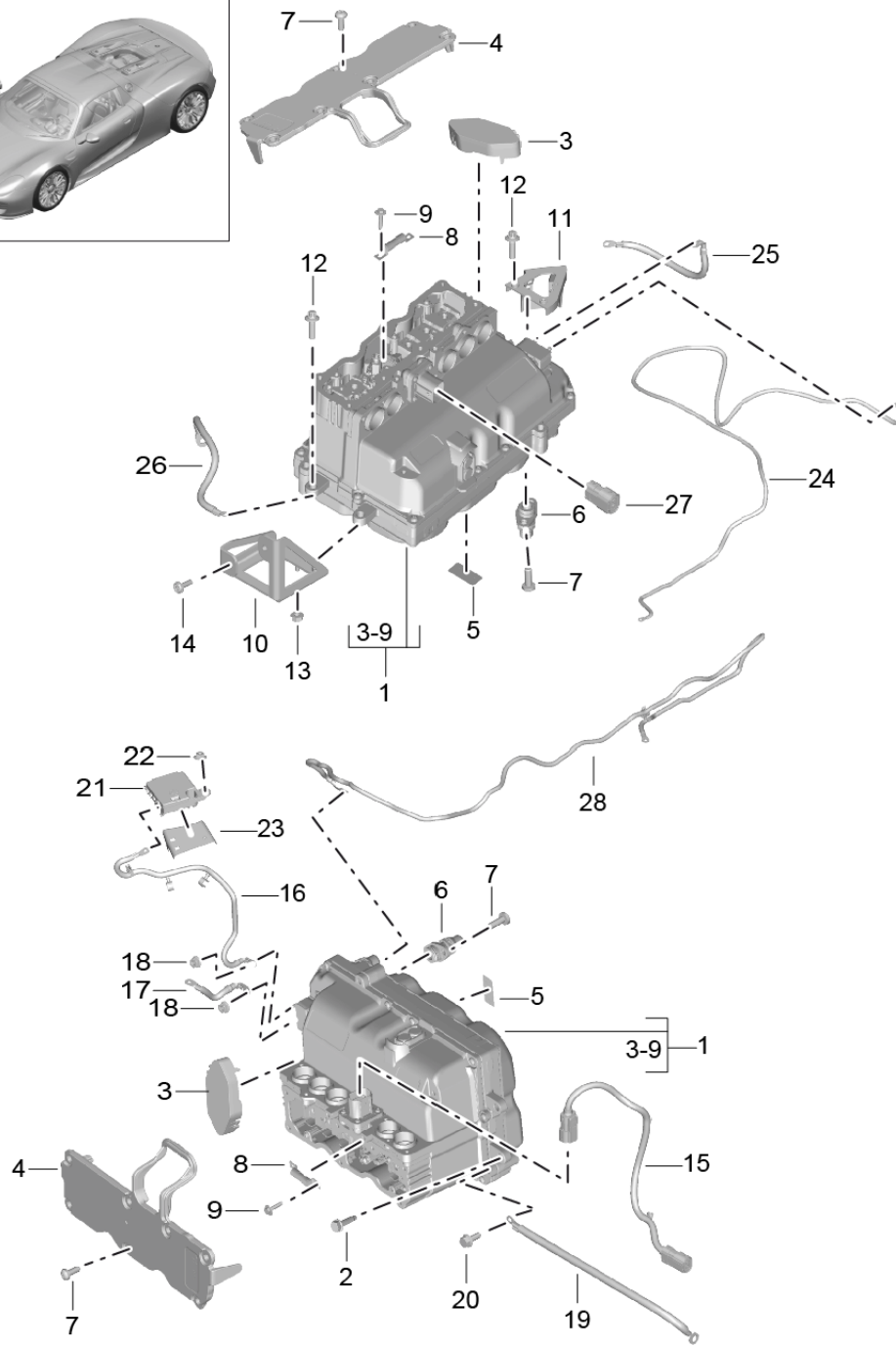
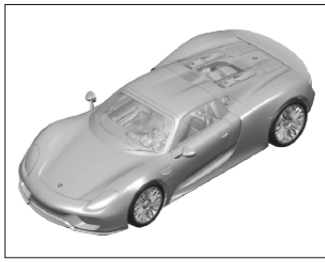
Model: 918 Model life 2015>>2015

Pos	Part Number	Description	Remark	Qty	Model
1	918 608 049 01	Electric motor Front axle And Rear axle		1	
(1)	918 117 049 02	Electric motor Front axle Driving mechanism Hybrid		1	
5	918 611 319 00	Front axle Ground cable		1	
6	900 378 074 01	Hexagon-head bolt M 8 X 16		1	
7	918 117 010 01	Electric motor Rear axle		1	
(7)	918 117 010 04	Electric motor Rear axle		1	
(7)	918 117 010 05	Electric motor Rear axle		1	
8	918 611 339 01	Ground cable Electric motor Rear axle		1	
9	918 117 301 01	Protective grille Upper part Electric motor Rear axle		1	
10	918 117 303 00	Protective grille Lower part Electric motor Rear axle		1	
11	918 117 215 00	Air guide Electric motor Rear axle		1	
12	918 117 415 01	Clip Air guide Upper		1	
13	918 117 416 00	Clip Air guide Lower		1	



Model: 918

Model life 2015>>2015



Model: 918 Model life 2015>>2015

Pos	Part Number	Description	Remark	Qty	Model
1	970 608 060 07	Power electronics		2	
1	970 608 060 DX	Power electronics		1	
2	N 102 400 03	Hexagon-head bolt M 8 X 32		4	
3	7PP 907 299	Cover		2	
4	7PP 907 300	Ground cable Cover		2	
5	958 701 697 00	Wiring harness Power electronics Electric motor Warning sign	-(BR) -(CN) -(J) -(PME) -(RUS)	1	
(5)	958 701 697 10	Warning sign	(BR) (CN) (J) (PME) (RUS)	1	
6	5C0 121 133 A	High voltage Cooling water socket		2	
7	N 104 514 05	Round head screw M 6 X 16		X	
8	5C0 915 463	Lock for Compressor Air conditioner		1	
9	WHT 006 421	Combination screw M 4 X 10		2	
10	918 608 303 01	Support Power electronics Rear		1	
11	918 608 305 00	Support Power electronics Rear		1	
12	900 385 114 01	Torx screw BM 8X25		4	
13	900 377 014 01	Hexagon nut M8		2	
14	999 073 252 A1	Oval-head screw M6X20		3	
15	918 611 343 00	Cable Heat exchanger		1	
16	918 611 303 00	Power electronics Cable Power electronics Front		1	
17	918 611 329 00	Ground cable Power electronics Front		1	
18	N 106 092 01	Hexagon nut M 8		1	
19	918 611 317 00	Ground cable Power electronics Body Front		1	
20	900 378 035 01	Hexagon-head bolt M6X16		X	
22	N 907 988 05	Collar nut M8		X	
23	918 611 229 00	Support Connection point Engine compartment		1	
24	918 611 333 02	Cable Power electronics Battery		1	

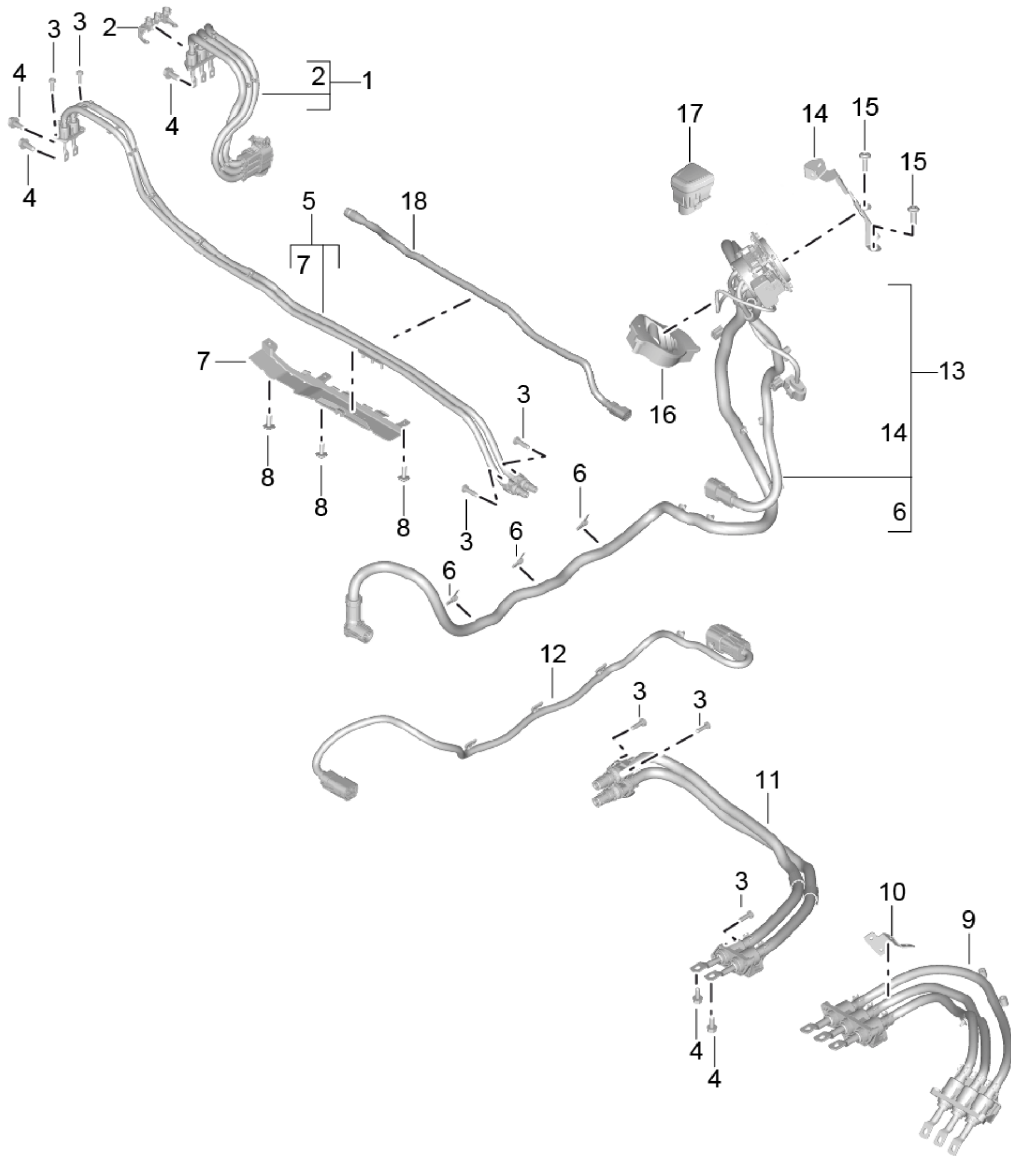
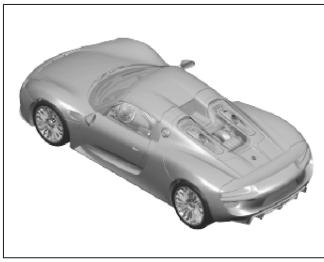
Model: 918

Model life 2015>>2015

Pos	Part Number	Description	Remark	Qty	Model
25	918 611 359 00	Rear Ground cable Power electronics		1	
26	918 611 327 00	Rear Ground cable Power electronics		1	
28	918 611 013 02	Body Rear Wiring harness Battery Fusebox		1	

Model: 918

Model life 2015>>2015



Model: 918 Model life 2015>>2015

Pos	Part Number	Description	Remark	Qty	Model
1	918 611 305 01	Wiring harnesses Hybrid High voltage Wiring harness Power electronics Engine Front		1	
2	918 611 135 00	Support Wiring harness		1	
3	N 910 696 01	Hexagon-head bolt M6X22		X	
4	N 106 531 01	Hexagon-head bolt M8X20		X	
5	918 611 301 01	Wiring harness Power electronics Battery Information available		1	
6	958 612 854 00	Tie-wrap Mount		3	
7	918 611 225 01	Cable guide Power electronics Battery		1	
8	N 909 446 04	Fastening screw M5 X 12		3	
9	918 611 306 00	Wiring harness Power electronics Engine Rear		1	
10	918 611 139 00	Support Wiring harness Power electronics Rear		1	
11	918 611 302 00	Wiring harness Power electronics Battery Rear Information available		1	
12	918 611 357 00	Wiring harness Power electronics Rear		1	
13	918 611 349 01	Wiring harness		1	-I661/IES3 IES4
(13)	918 611 351 02	Charging socket Wiring harness		1	I661
(13)	918 611 369 01	Charging socket Wiring harness Charging socket		1	-I661/IES1
14	918 611 219 01	Support Charging socket		1	IES3/ES4
(14)	918 611 221 01	Support Charging socket		1	IES1
15	999 015 026 A2	Oval-head screw M6X16		X	
16	918 611 119 00	Cover Charging socket		1	
(16)	918 611 121 00	Cover Charging socket		1	I193/553
17	7PP 915 210	Switch Charging control indicator		1	
18	7PP 915 210 1E0 918 611 311 00	Black Cable High voltage Battery		1	

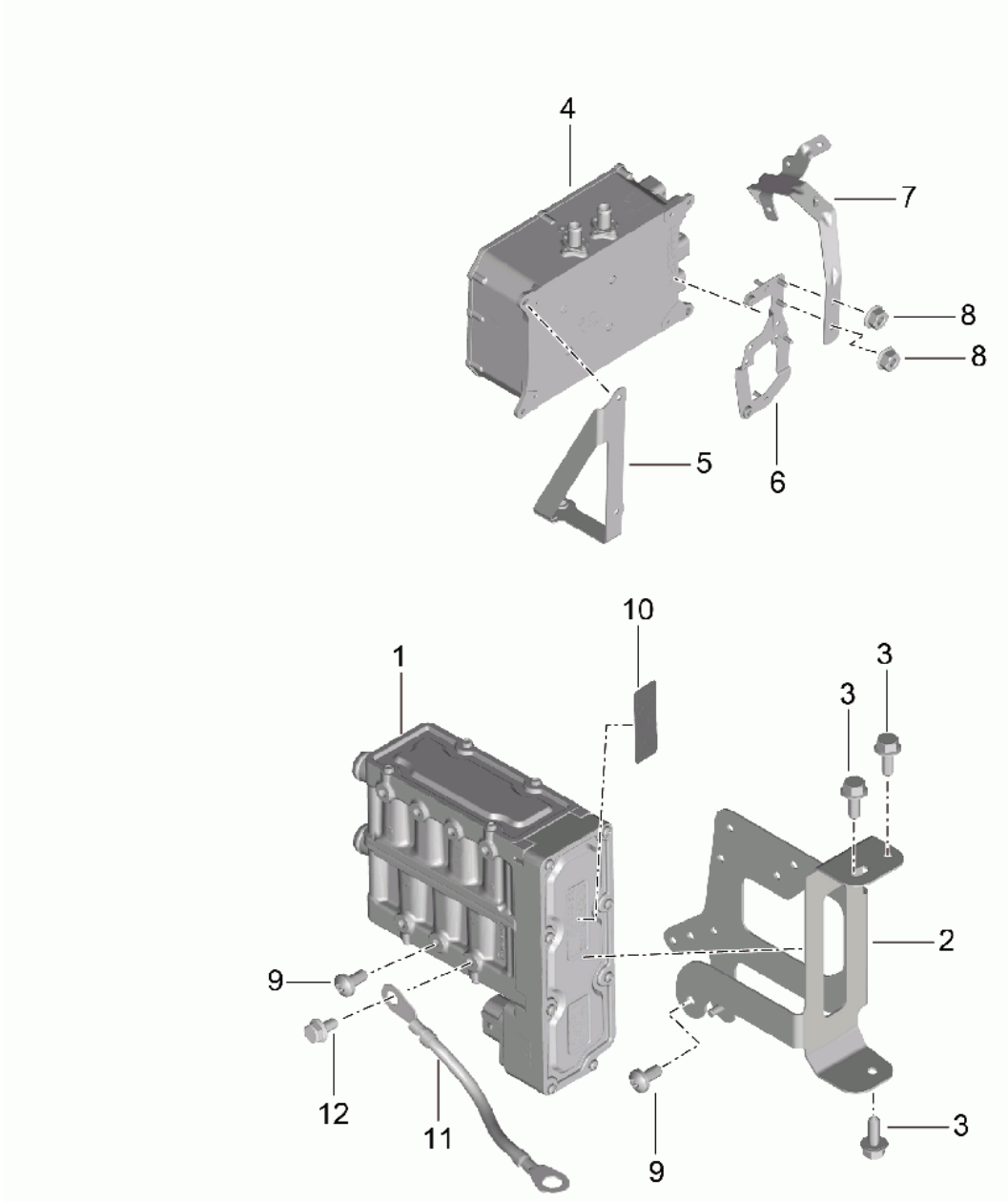
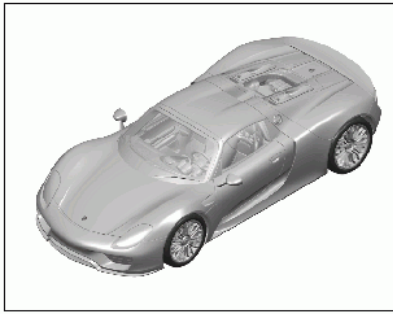
Model: 918

Model life 2015>>2015

Pos	Part Number	Description	Remark	Qty	Model
		Compressor Air conditioner			

Model: 918

Model life 2015>>2015



Model: 918

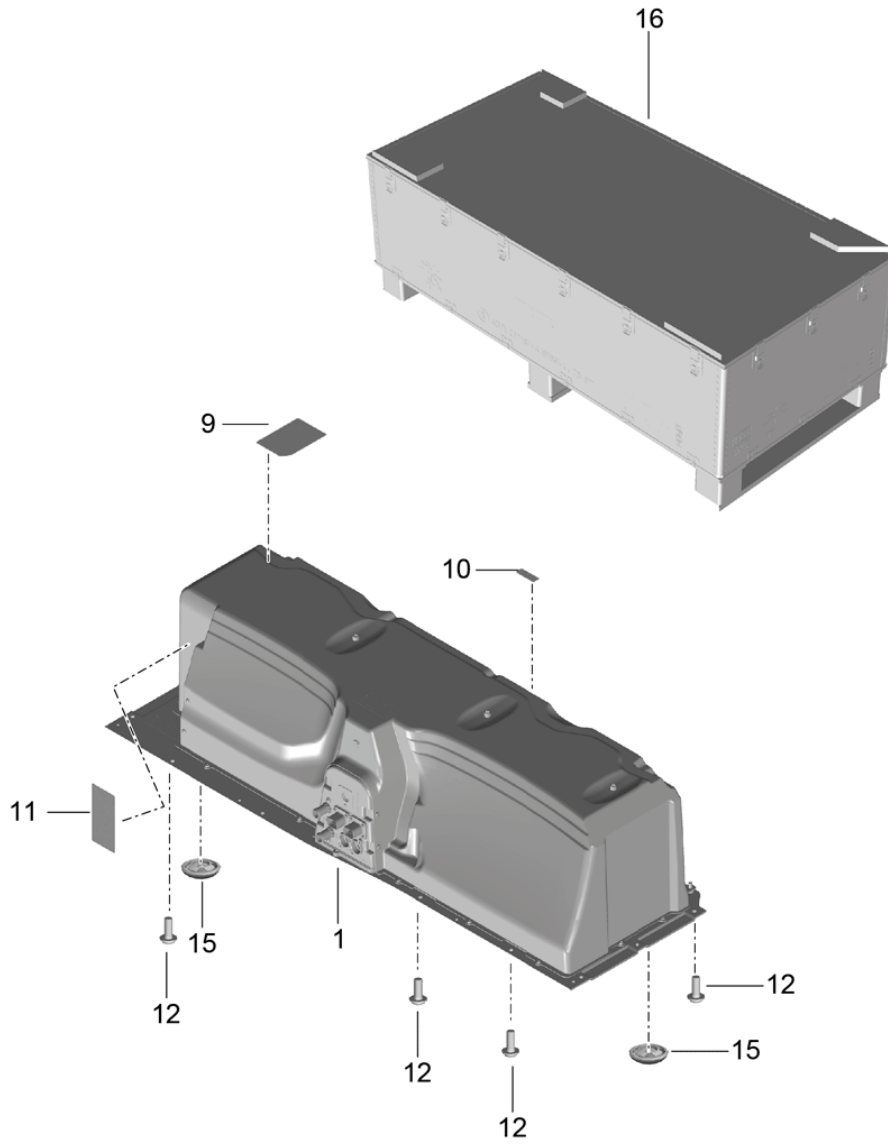
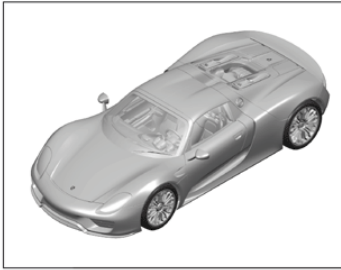
Model life 2015>>2015

Pos	Part Number	Description	Remark	Qty	Model
1	12E 963 231 B	Heater Battery Passenger compartment Charger Battery Heating element Inner And Battery Information available		1	
2	918 572 611 00	Support Heater		1	
3	N 106 532 01	Hexagon-head bolt M6 X 16		3	
4	5QE 915 682 B	Charger Battery		1	
5	918 611 291 00	Support Charger		1	
6	918 574 671 00	Support Charger		1	
7	918 574 793 02	Support Charger		1	
8	900 377 018 01	Hexagon nut M6		X	
9	999 015 025 A1	Oval-head screw M 6 X 12		2	
10	958 701 697 00	Warning sign	-(BR) -(CN) -(J) -(PME) -(RUS)	1	
(10)	958 701 697 10	Warning sign	(BR) (CN) (J) (PME) (RUS)	1	
11	918 611 323 00	High voltage Ground cable Heater		1	
12	900 378 036 01	Hexagon-head bolt M6X12		1	
13	918 611 343 00	Cable Heat exchanger Power electronics See illustrations 9/01/20		1	



Model: 918

Model life 2015>>2015



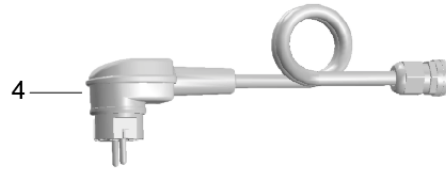
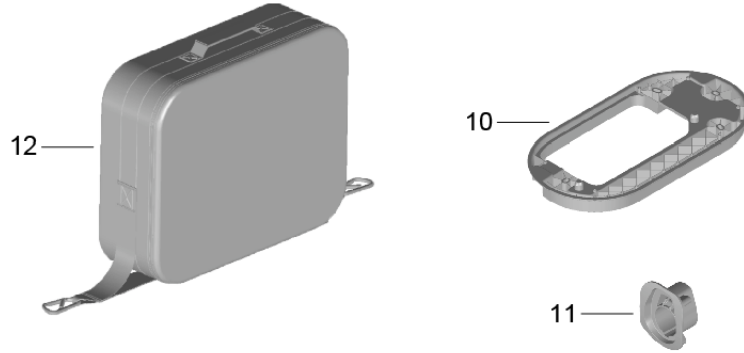
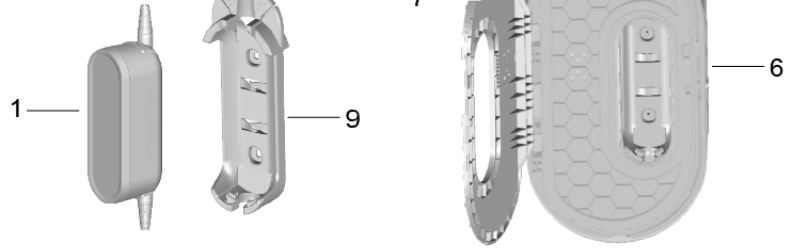
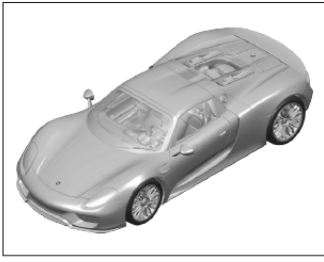
Model: 918

Model life 2015>>2015

Pos	Part Number	Description	Remark	Qty	Model
		Battery Hybrid			
1	918 611 055 02	Battery		1	-I661
(1)	918 611 056 01	Battery		1	I661
9	8R0 010 539	Warning sign English		1	
(9)	8R0 010 539 A	Warning sign German		1	
(9)	8R0 010 539 B	Warning sign French		1	
(9)	8R0 010 539 C	Warning sign Spanish		1	
(9)	8R0 010 539 D	Warning sign Italian		1	
(9)	8R0 010 539 E	Warning sign Russian		1	
(9)	8R0 010 539 F	Warning sign Chinese		1	
(9)	8R0 010 539 G	Warning sign Japanese		1	
10	958 701 739 00	Warning sign Hybrid Yellow Lid Fusebox		1	
(11)	7PP 010 849 L	Warning sign ENTSORGUNG Battery		1	
12	999 073 258 A1	Oval-head screw M8 X 20		16	
15	955 512 188 00	Water drain valve 20 MM		X	
-		Warning sign See group 0/01/05			
16	918 611 921 00	Transport box Battery		1	
17	12E 998 020	Transport box Hybrid Battery Module Defect 1180X780X600 MM		1	

Model: 918

Model life 2015>>2015



Model: 918

Model life 2015&gt;&gt;2015

Pos	Part Number	Description	Remark	Qty	Model
1	7PP 971 675	AC charging station Electronic unit Charger Universal Charging Dock Electronic unit	-(AUS) -(J) -(MEX) -(PLA)	1	
1		Charger Universal Electronic unit Charger Universal	-(IND) -(OTHE -(PAP) -(PME) -(RUS) -(PAP) (CN)	1	
(1)	7PP 971 675 B	Electronic unit Charger Universal	(AUS) (J) (MEX) (PLA) (IND) (OTHE (PAP) (PME) (RUS) (PAP)	1	
(1)		Electronic unit Charger Universal	-(CN)	1	
-	7PP 919 839	Locking screw Set Electronic unit Charger		1	
3	7PP 971 678	Connecting line Power supply 220 V TYP E/F		1	
(3)	7PP 971 678 A	Connecting line Power supply 100 V TYP B Information available	(J)	1	
(3)	7PP 971 678 B	Connecting line Power supply Type j	(CH)	1	
(3)	7PP 971 678 C	Connecting line Power supply TYP G		1	
(3)	7PP 971 678 D	Connecting line Power supply TYP B		1	
(3)	7PP 971 678 G	Connecting line Power supply Type k	(DK)	1	
(3)	7PP 971 678 H	Connecting line Power supply Type i		1	
(3)	7PP 971 678 J	Connecting line Power supply TYP M		1	
(3)	7PP 971 678 L	Connecting line Power supply TYP N		1	
(3)	7PP 971 678 M	Connecting line Power supply Type i	(CN)	1	
(3)	7PP 971 678 N	Connecting line Power supply	(I)	1	

Model: 918 Model life 2015>>2015

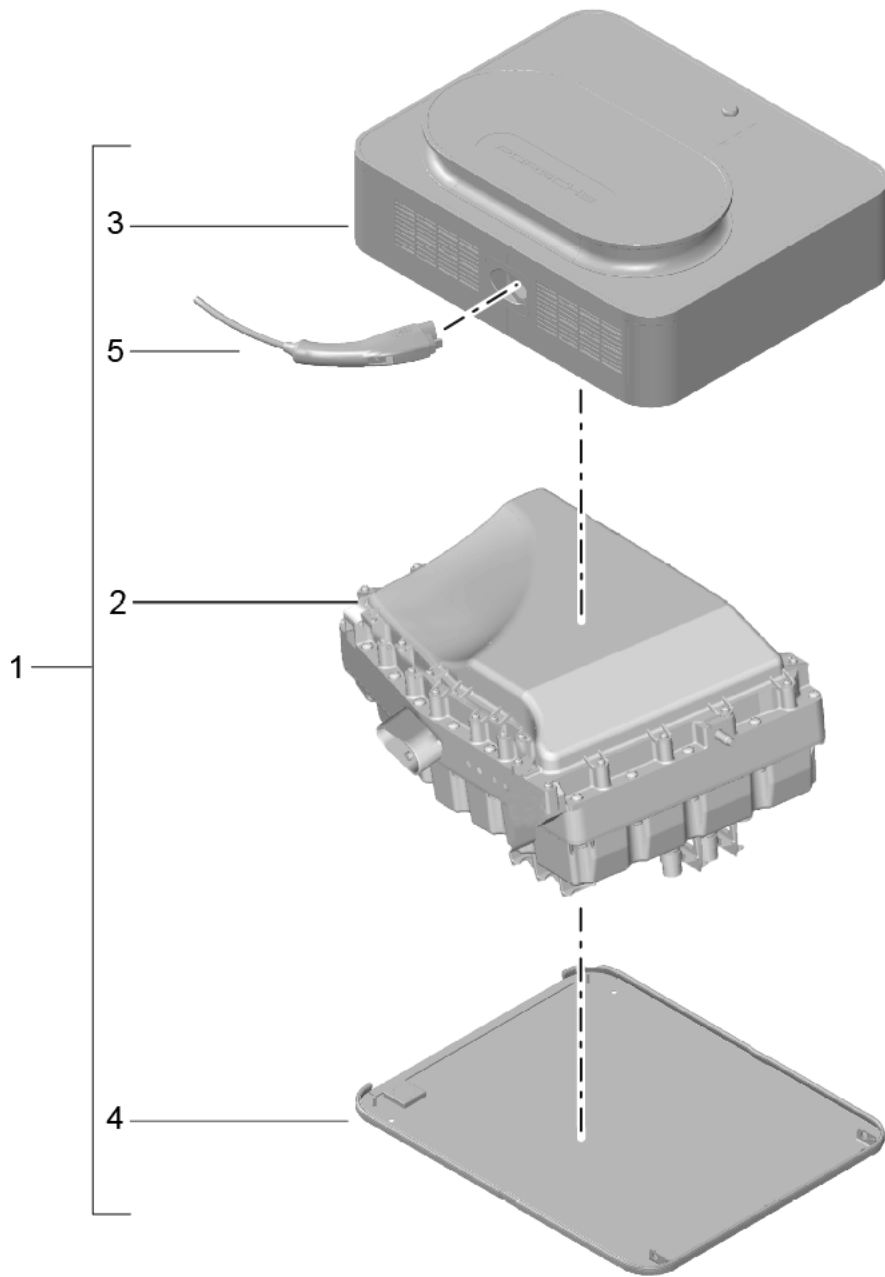
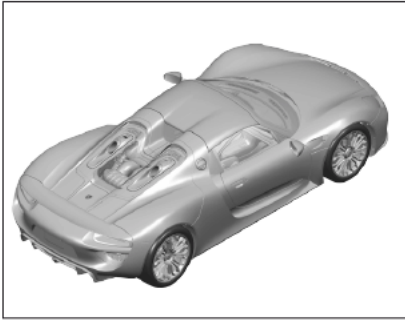
Pos	Part Number	Description	Remark	Qty	Model
(3)	7PP 971 678 P	Type 1 Connecting line Power supply	(BR)	1	
4	7PP 971 678 T	TYP N Connecting line Power supply		1	
(4)	7PP 971 678 AA	NEMA 6-30 Connecting line Power supply		1	
(4)	7PP 971 678 AB	NEMA 6-50 Connecting line Power supply		1	
(4)	7PP 971 678 AC	NEMA 14-30 Connecting line Power supply		1	
4	7PP 971 678 AE	NEMA 14-50 Connecting line Power supply		1	
(4)	7PP 971 678 AF	CEE 3P 16A Connecting line Power supply		1	
(4)	7PP 971 678 AG	CEE 3P 32A Connecting line Power supply		1	
(4)	7PP 971 678 AH	CEE 1P 16A Connecting line Power supply		1	
(4)	7PP 971 678 AJ	CEE 1P 32A Connecting line Power supply	(J)	1	
5	7PP 971 676	YP-41 200 V Information available Connecting line		1	
(5)	7PP 971 676 A	Vehicle TYP 2 2,5 M Connecting line		1	
(5)	7PP 971 676 D	Vehicle TYP 2 (UL) 2,5 M Connecting line	(MEX)	1	IEH1/661
(5)	7PP 971 676 E	Vehicle TYP 2 (UL) 7,5 M Connecting line	(MEX)	1	IEH2/661
(5)	7PP 971 676 H	Vehicle TYP 1 (UL) 2,5 M Connecting line	(MEX)	1	-I661/IEH1 IES1/072
(5)	7PP 971 676 J	Vehicle TYP 1 (UL) 7,5 M Connecting line	(MEX)	1	-I661/IEH2 IES1/072
(5)	7PP 971 676 P	Vehicle TYP 1 IEC 2,5 M Connecting line	-(CDN) -(MEX) -(USA)	1	-I661/IEH1 IES1

Model: 918 Model life 2015>>2015

Pos	Part Number	Description	Remark	Qty	Model
(5)	7PP 971 676 Q	Connecting line Vehicle TYP 1 IEC 7,5 M	-(CDN) -(MEX) -(USA)	1	-I661/IEH2 IES1
6	7PP 957 787	Charging Dock Electronic unit Charger		1	
(6)	7PP 915 706	Charging Dock Electronic unit Charger TYP 1	(J) (PAP) (USA) (AUS) (CDN) (MEX) (PLA) (ROK) (KARI) (PAP) (PLA) (SGP)	1	-I661/IES1
(6)	7PP 915 706 A	Charging Dock Electronic unit Charger TYP 2	-(AUS) -(J) -(USA) -(CDN) -(KARI) -(MEX) -(ROK) -(SGP)	1	-IES1
(6)		Charging Dock Electronic unit Charger TYP 2	(PAP) (PLA)	1	-IES1
(6)		Charging Dock Electronic unit Charger TYP 2	(CDN) (MEX) (PAP) (USA) (J)	1	IES1/661
9	7PP 943 109	Bracket Small		1	
(11)	9A7 957 547 02	Support Connector TYP 2		1	
12	918 722 711 00	Bag Connecting line		1	

Model: 918

Model life 2015>>2015



Model: 918

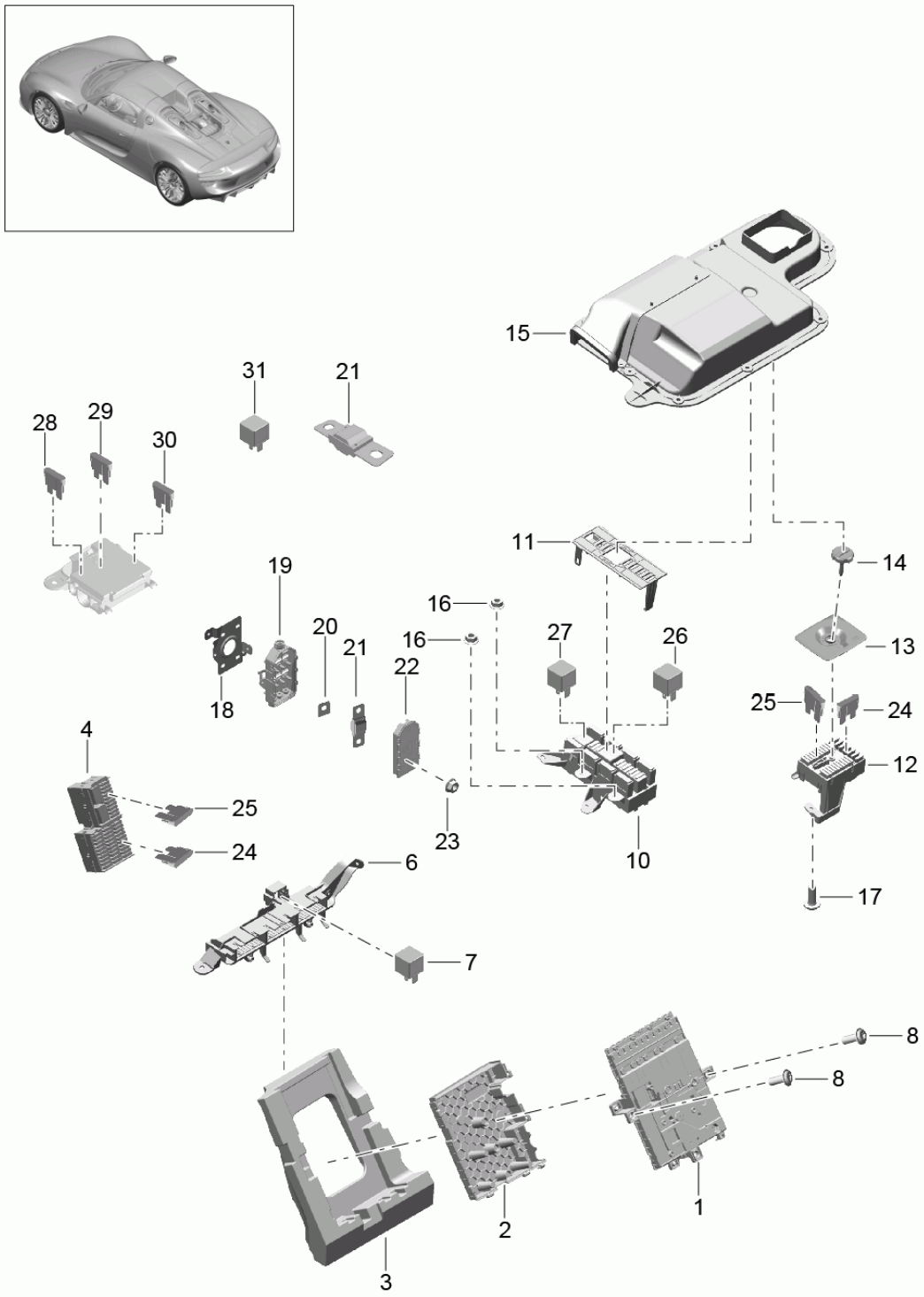
Model life 2015>>2015

Pos	Part Number	Description	Remark	Qty	Model
1	918 611 088 00	DC charging station Electronic unit Charger Universal Bracket Box		1	I661
2	918 611 182 00	Charger Universal Electronic unit		1	I661
3	918 611 382 00	Charger Retaining frame		1	
4	918 611 384 00	Charger Housing cover		1	
5	918 611 282 00	Charger Connecting cable Vehicle		1	
(5)	970 044 000 14	Connecting line  Power supply  Black MODE 3 / TYP 2 7,5 M Set with Bag	-(AUS) -(CN) -(J) -(USA) -(BR) -(CDN) -(PLA)	1	



Model: 918

Model life 2015>>2015



Model: 918 Model life 2015>>2015

Pos	Part Number	Description	Remark	Qty	Model
1	991 610 303 00	Central electrical system Fusebox Lower part		1	
2	991 610 305 00	Central electrical system Lid		1	
3	918 610 310 01	Central electrical system Included Gasket And Screw set Support		1	
4	918 610 101 00	Central electrical system Relay carrier 1 Footwell Left		1	
6	918 610 108 00	Relay carrier 2 Footwell Right		1	
7	999 657 016 90	Relay		1	
8	999 015 026 A1	Oval-head screw M6X16		X	
10	918 610 105 01	Relay carrier 1 Luggage compartment		1	
11	918 610 106 00	Cover		1	
12	918 610 109 00	Relay carrier 1 Fusebox Luggage compartment		1	
13	918 610 113 00	Lid Fusebox Luggage compartment		1 1	
14	918 610 114 00	Screw plug Fusebox Fusebox Luggage compartment		1	
15	918 610 112 01	Lid Fusebox		1	
(15)	918 610 112 02	Lid Fusebox		1	
16	900 377 009 01	Hexagon nut M5		2	
17	999 015 026 A1	Oval-head screw M6X16		2	
18	918 610 203 00	Support Distributor		1	
19	999 650 241 92	Housing Lock Double		1	
20	999 650 716 22	Bridge Double		1	
21	999 607 092 00	Lock		2	
22	999 650 349 41	Lid		1	
23	900 377 009 03	Hexagon nut M5		2	
24	999 607 098 00	Lock 3 A		X	
(24)	999 607 082 00	Lock 5 A		X	
(24)	999 607 083 00	Lock 7,5 A		X	
(24)	999 607 084 00	Lock 10 A		X	
(24)	999 607 085 00	Lock 15 A		X	

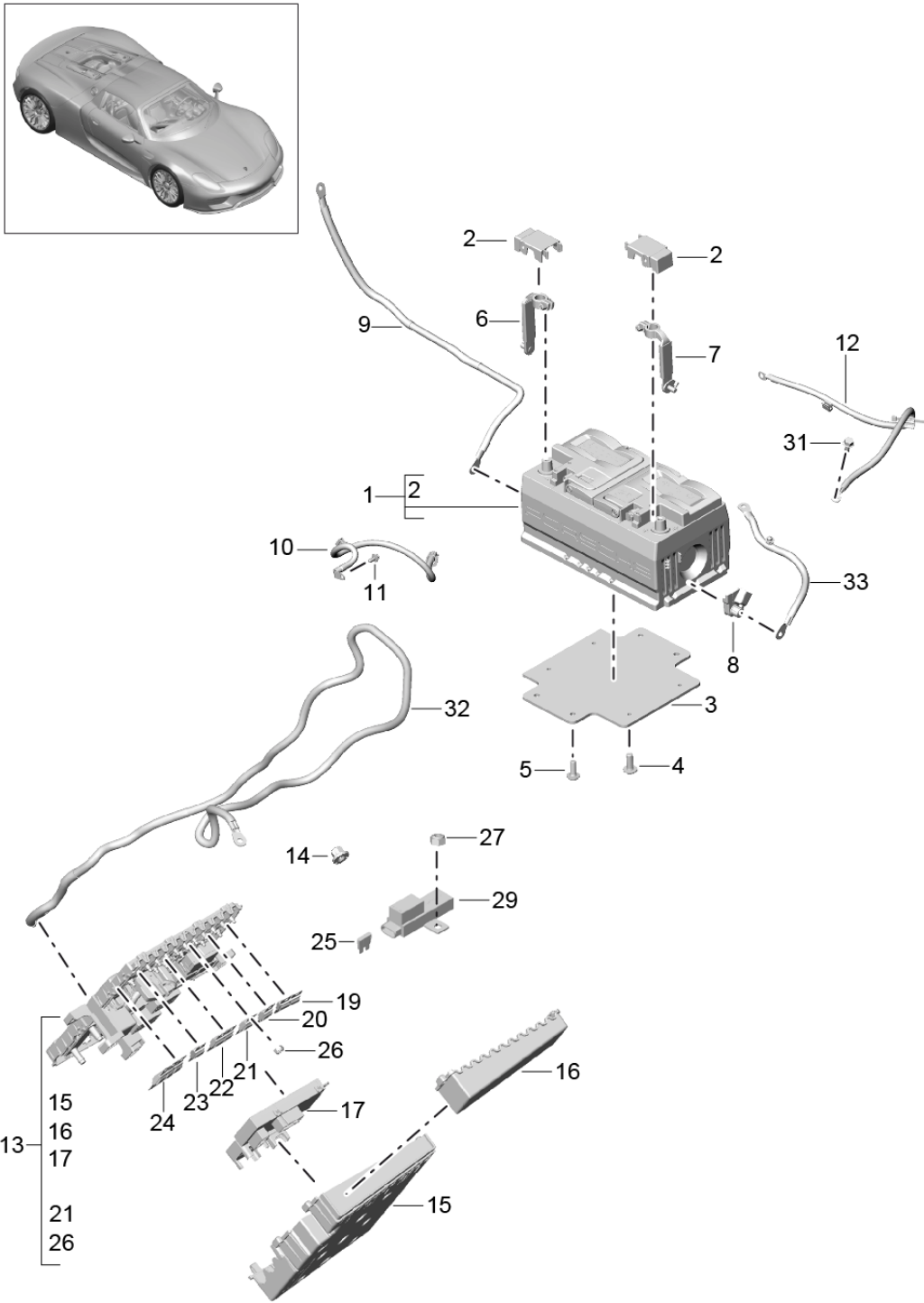
Model: 918

Model life 2015>>2015

Pos	Part Number	Description	Remark	Qty	Model
(24)	999 607 086 00	Lock 20 A		X	
(24)	999 607 087 00	Lock 20 A		X	
(24)	999 607 088 00	Lock 30 A		X	
(24)	999 607 089 00	Lock 40 A		X	
25	999 607 111 00	Lock E 25 A		X	
(25)	999 607 011 00	Lock 40 A		X	
(25)	999 607 019 00	Lock 50 A		X	
(25)	999 607 013 00	Lock 60 A		X	
26	955 615 025 10	Relay - dme -		1	
27	958 615 010 00	Relay Water pump		1	
28	N 104 249 08	Lock 60A		2	
29	N 104 249 05	Lock 110A		1	
30	999 607 092 00	Lock 60A		1	
31	999 657 015 90	Relay Fanfare Luggage compartment		1	

Model: 918

Model life 2015>>2015



Model: 918

Model life 2015&gt;&gt;2015

Pos	Part Number	Description	Remark	Qty	Model
1	918 611 020 51	Battery Ground distributor Power distributor		1	
2	918 611 380 00	Battery Pole covering		2	
3	918 504 611 01	Battery Reinforcement Tunnel Support		1	
4	999 015 026 A1	Battery Oval-head screw M6 X 16		4	
5	999 073 258 A1	Oval-head screw M8 X 20		2	
6	918 680 710 01	Battery Ground cable		1	
7	918 680 701 00	Battery B+		1	
8	918 611 381 00	Cable Pole covering Power electronics B+		1	
9	918 611 023 01	Ground cable Battery Ground distributor		1	
10	918 607 030 01	Ground cable Engine		1	
11	900 385 041 01	Torx screw BM6X12		1	
12	918 611 325 01	Ground cable Compressor		1	
13	918 610 301 00	Power distributor Complete When required order also: POS. 12		1	
14	999 049 033 40	Plastic nut T 6		3	
15	991 610 305 00	Lid		1	
16	918 610 309 00	Cable guide Upper part		1	
17	991 618 075 01	Control unit		1	
19	999 607 054 00	Lock 100 A 60 A		1	
20	999 607 099 00	Lock 40 A		1	
21	999 607 095 00	Lock 80 A		1	
22	999 607 055 00	Lock 100 A 40 A		1	
23	999 607 092 00	Lock 60 A		1	
24	999 607 053 00	Lock 100 A 80 A 100 A		1	
25	999 607 082 00	Lock 5 A		1	
26	900 084 122 02	Hexagon nut M 5		X	
27	900 084 123 02	Hexagon nut M 8		X	

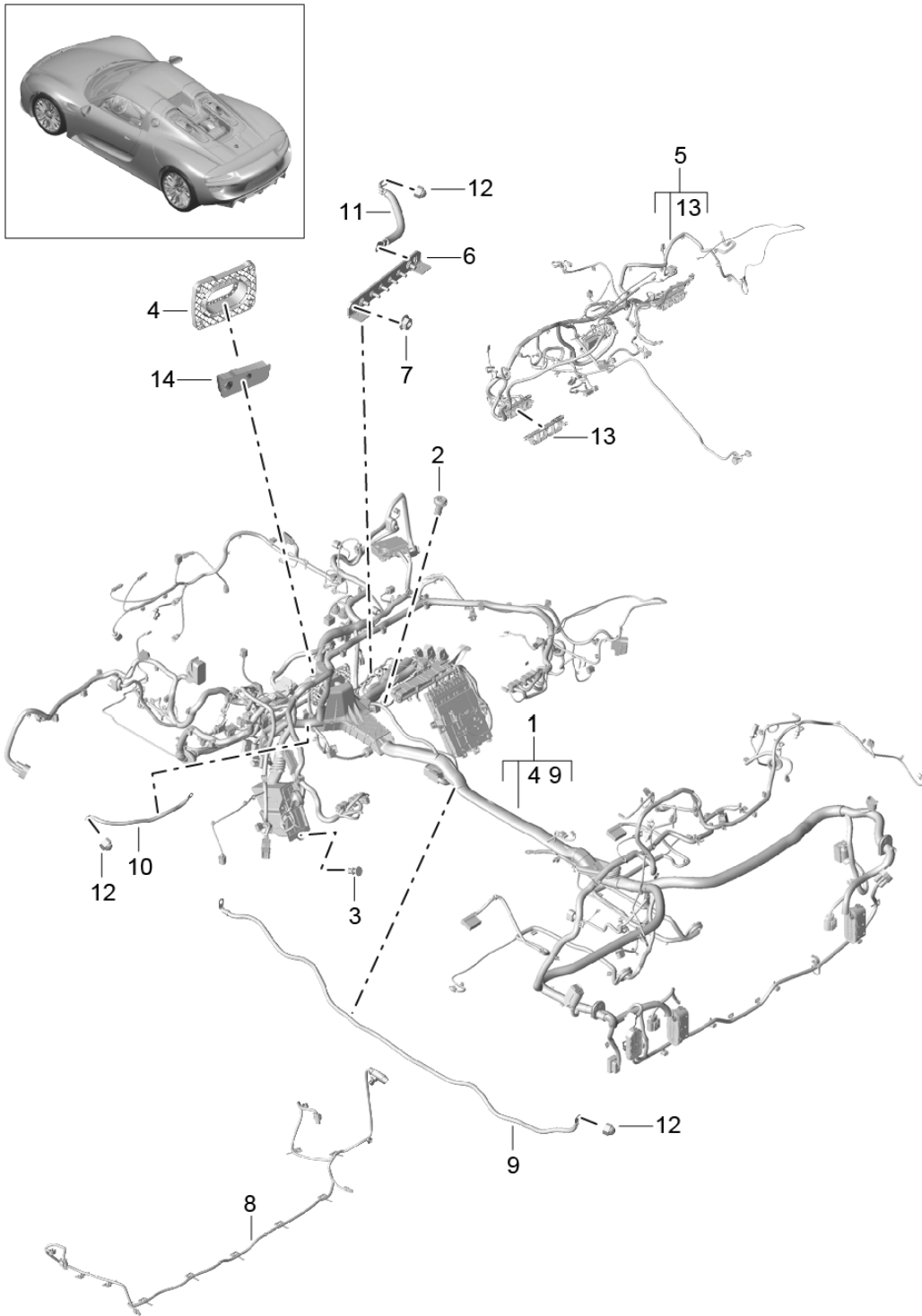
Model: 918

Model life 2015&gt;&gt;2015

Pos	Part Number	Description	Remark	Qty	Model
29	999 657 020 90	Relay		2	
30	999 657 021 90	Relay		1	
31	900 378 074 01	Hexagon-head bolt M8X16		1	
32	918 611 315 00	Cable Fusebox Connection point		1	
33	918 611 335 01	Cable Battery Distributor		1	
34	000 998 020	Transport box Starter Battery Defect 840X580X380 MM		1	

Model: 918

Model life 2015>>2015



Model: 918

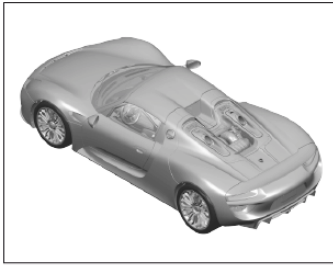
Model life 2015>>2015

Pos	Part Number	Description	Remark	Qty	Model
		Wiring harnesses Passenger compartment And Sub-part			
1	918 612 101 11	Wiring harness Passenger compartment		1	-I474/-I553
1	918 612 102 11	Wiring harness Passenger compartment		1	-I553/I474
2	999 015 026 A1	Oval-head screw M6 X 16		2	
3	999 507 557 40	Expansion rivet 7,6 X 12,3		2	
4	918 610 115 00	Lid Wiring harness Firewall		1	
5	918 612 551 10	Wiring harness Dashboard		1	-I517/-I553
(5)	918 612 552 10	Wiring harness Dashboard		1	-I553/I517
6	918 611 341 00	Ground distributor Front		1	
7	900 377 009 01	Hexagon nut M5		2	
8	918 612 850 10	Wiring harness Underbody		1	
9	918 611 043 00	Ground cable Firewall		1	
10	918 611 063 01	Ground cable Firewall Left		1	
11	918 611 053 00	Ground cable Firewall Right Front		1	
12	3D0 971 254	Cap nut M10		X	
13	918 610 127 00	Retaining frame Connection point Passenger compartment Left		1	
(13)	918 610 128 00	Retaining frame Connection point Passenger compartment Right		1	
14	918 610 453 00	Seal Wiring harness Passenger compartment Monocoque		1	



Model: 918

Model life 2015>>2015



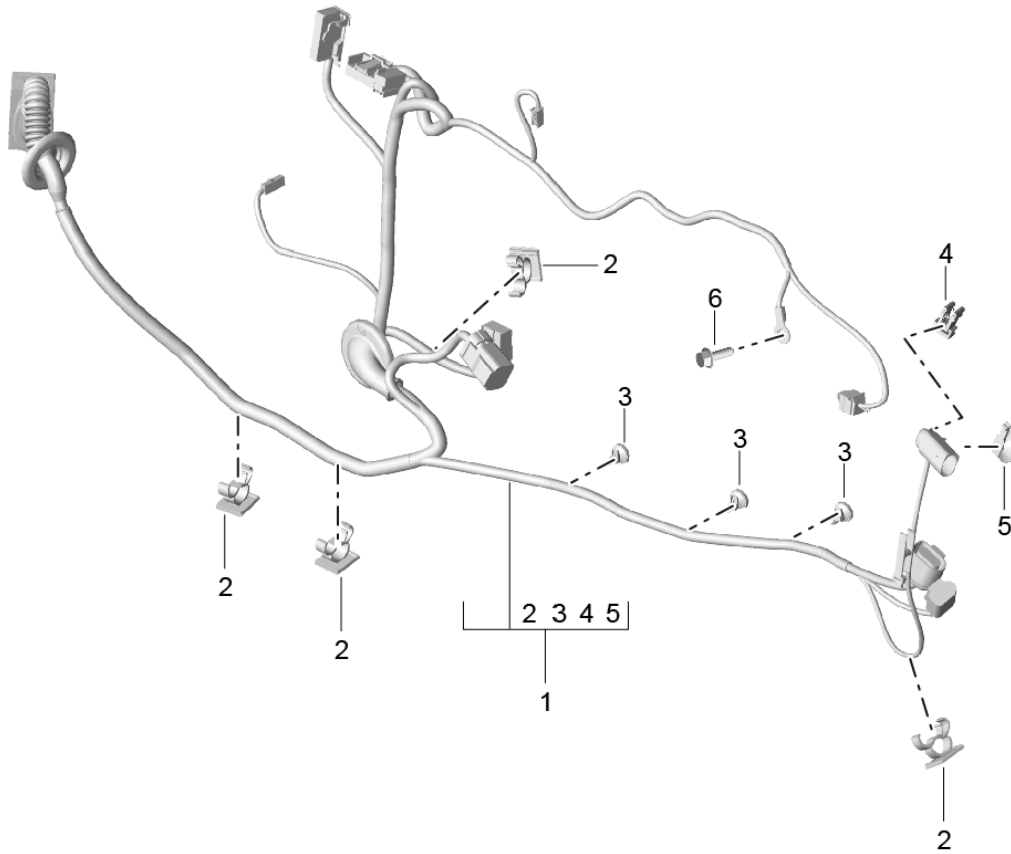
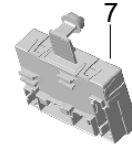
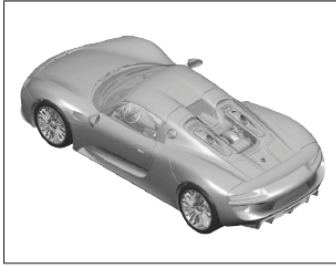
Model: 918

Model life 2015>>2015

Pos	Part Number	Description	Remark	Qty	Model
1	918 612 590 10	Wiring harnesses Bumper FRONT luggage compartment Bonnet Front axle Wiring harness		1	I607/608
(1)	918 612 591 10	Bumper Front Wiring harness		1	-I607/-I608
-	3D0 971 497 D	Bumper Front Tie-wrap		X	
2	95B 965 501 B	Electric motor Disc pack		2	
3	999 919 118 09	Oval-head screw 4,0X14		6	
4	918 609 131 00	Wiring harness Front axle		2	
5	918 612 831 10	Wiring harness Steering gear		1	
6	918 610 141 00	Support Wiring harness	/L	1	
(6)	918 610 142 00	Body front section Support Wiring harness Body front section	/R	1	

Model: 918

Model life 2015>>2015



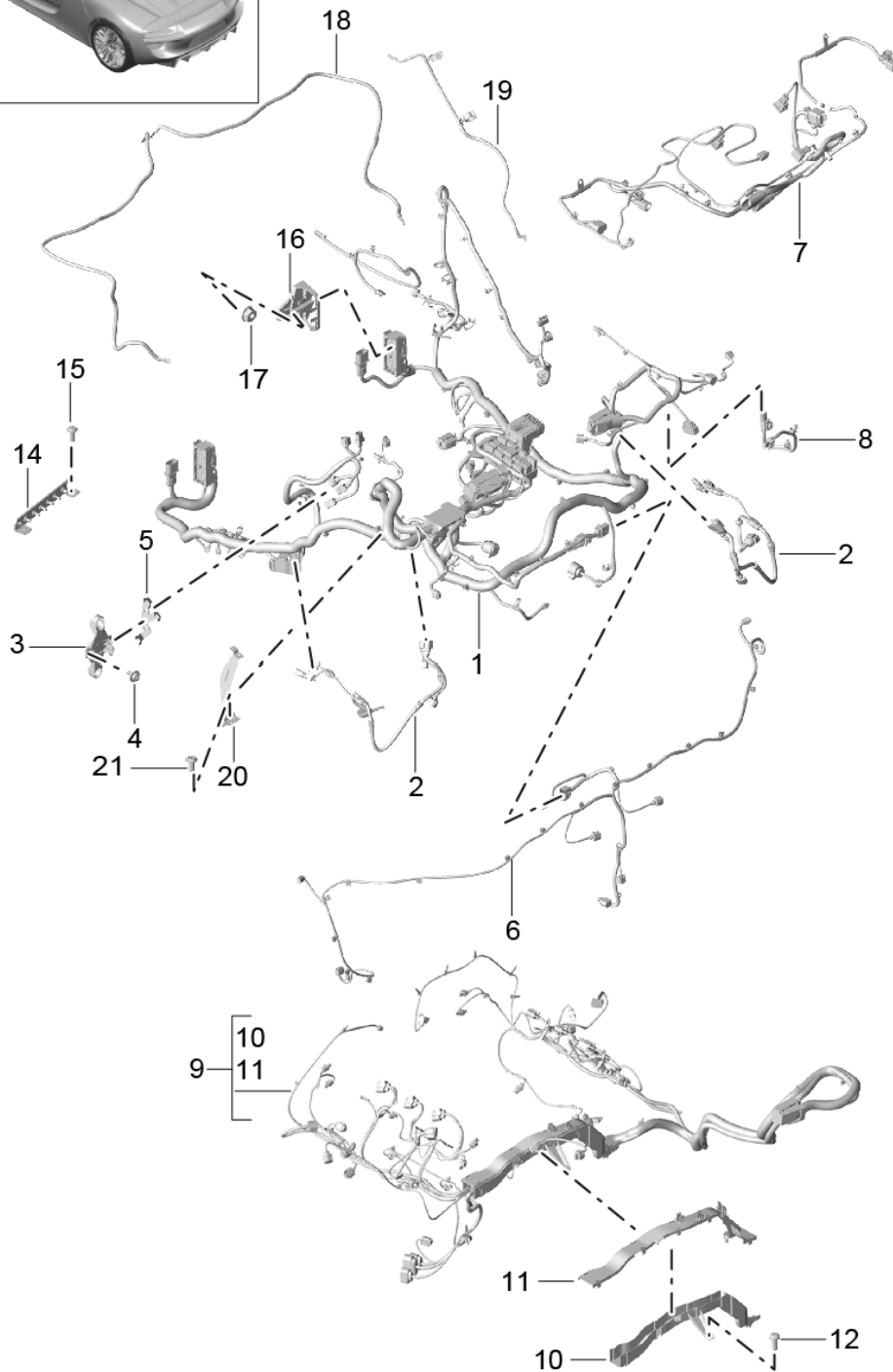
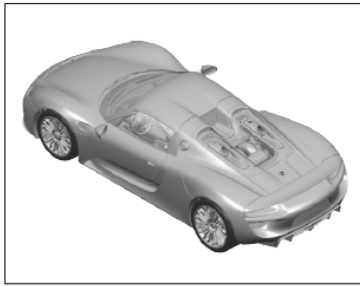
Model: 918

Model life 2015>>2015

Pos	Part Number	Description	Remark	Qty	Model
1	918 612 601 10	Wiring harnesses Driver's door Passenger's door Wiring harness Door Driver's side		1	
(1)	918 612 602 10	Wiring harness Door Passenger's side		1	
2	7L5 807 448	Cable holder		5	
6	N 106 533 01	Hexagon-head bolt M6 X 20		1	
7	4H0 959 793 AC	Control unit Door Driver's side		1	
(7)	4H0 959 792 S	Control unit Door Passenger's side		1	

Model: 918

Model life 2015>>2015



Model: 918 Model life 2015>>2015

Pos	Part Number	Description	Remark	Qty	Model
		Wiring harnesses Rear end Rooflining Rear lid Anti-lock brake system Brake pad wear indicator Rear axle			
1	918 612 801 11	Wiring harness Rear end		1	-I664
(1)	918 612 802 11	Wiring harness Rear end		1	I074/664
2	918 609 133 00	Wiring harness Rear axle		2	
3	981 610 135 00	Cover Connection point Rear axle		2	
4	999 073 331 09	Combination screw M6X16		2	
5	918 609 409 00	Support Connection point Wiring harness Rear axle	/L	1	
(5)	918 609 410 00	Support Connection point Wiring harness Rear axle	/R	1	
6	918 612 895 10	Wiring harness Bumper Rear		1	-I553
7	918 612 894 00	Wiring harness Spoiler Rear		1	
8	918 612 892 00	Wiring harness Actuator Rear		1	
9	918 607 003 04	Wiring harness Engine		1	
10	918 607 307 00	Cable guide Crankcase		1	
11	918 607 309 00	Lid Cable guide		1	
12	999 073 103 01	Round head screw M6 X 16		3	
14	918 611 341 00	Ground distributor Rear		2	
15	999 015 026 A1	Oval-head screw M6X16		X	
16	918 610 123 01	Support Connection point		2	
17	900 377 018 01	Hexagon nut M6		4	
18	918 611 033 00	Ground cable Body Rear		1	
19	918 611 353 00	Ground cable Charger		1	
20	918 610 251 01	Support Wiring harness Left		1	
21	999 015 025 A1	Oval-head screw M6X12		2	
22	918 610 501 00	Locking device Bayonet lock		2	

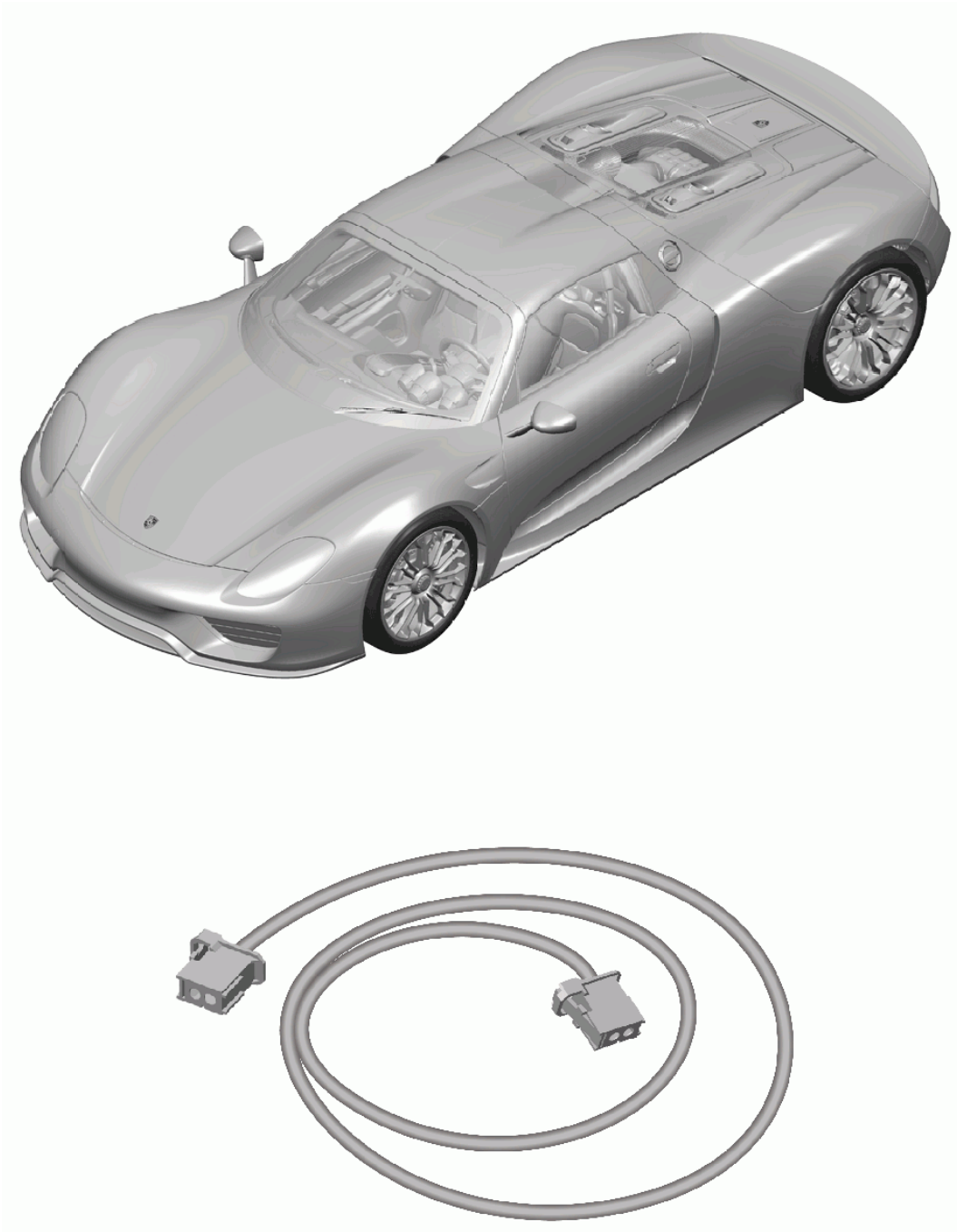
Model: 918

Model life 2015>>2015

Pos	Part Number	Description	Remark	Qty	Model
23	918 610 503 00	PDK Black Locking device Bayonet lock		1	
24	918 610 505 00	PDK White Gasket Plug socket		3	
25	999 915 599 41	PDK Securing liquid Bayonet lock PDK		1	

Model: 918

Model life 2015>>2015



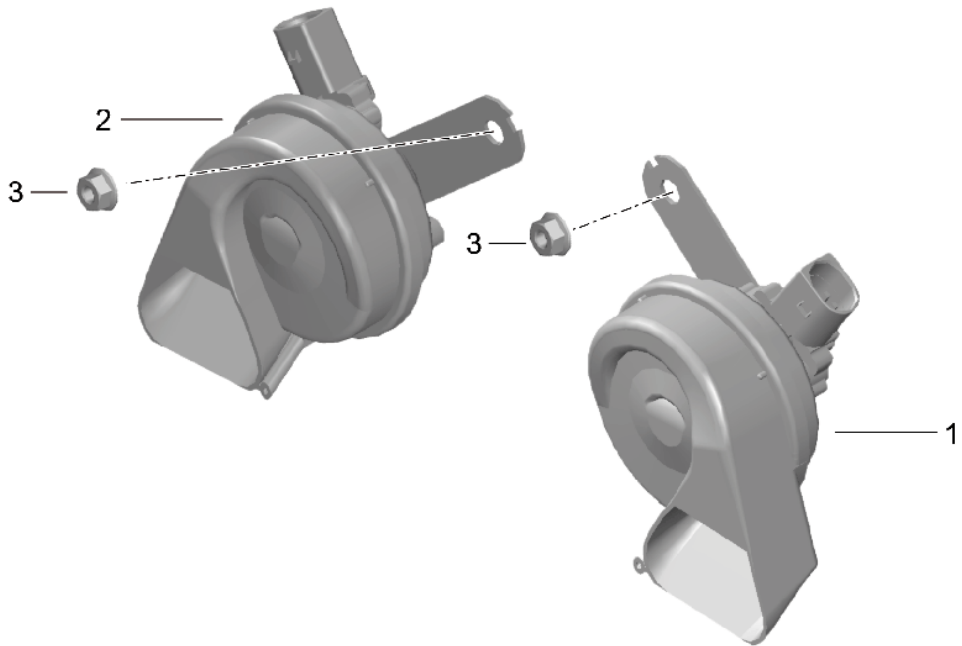
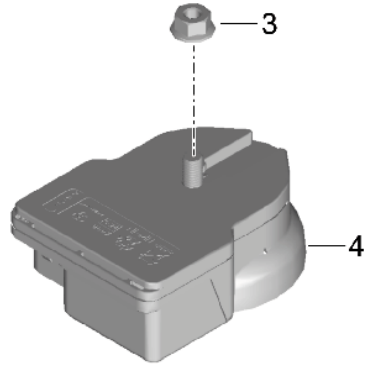
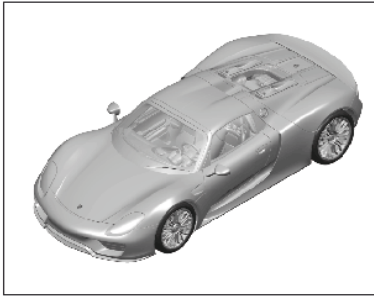


Model: 918 Model life 2015>>2015

Pos	Part Number	Description	Remark	Qty	Model
-	918 612 082 00	Wiring harnesses Airbag Seat belt Wiring harness Airbag unit Passenger's side Setting 1 To Connection point Dashboard Connector Light green		1	
-	918 612 083 00	Wiring harness Airbag unit Passenger's side Setting2 To Connection point Dashboard Connector Yellow		1	
-	918 612 090 00	Wiring harness Head airbag Driver's side		1	
-	918 612 091 00	Wiring harness Head airbag Passenger's side		1	
-	918 612 084 00	Wiring harness Seat-belt tensioner Driver's side To Control unit Airbag Connector Yellow		1	
-	918 612 085 00	Wiring harness Seat-belt tensioner Passenger's side To Control unit Airbag Connector Yellow		1	

Model: 918

Model life 2015>>2015



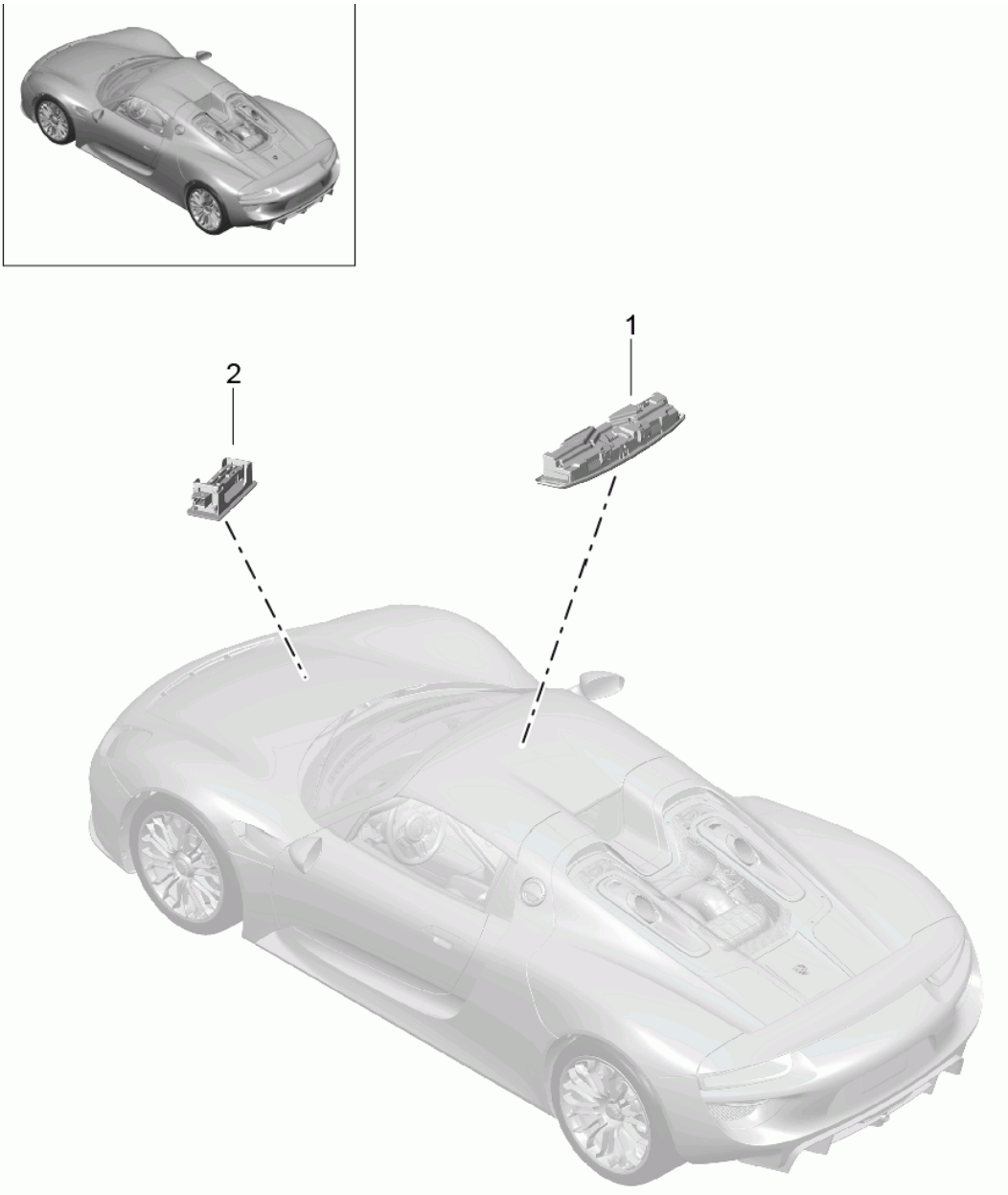
Model: 918

Model life 2015&gt;&gt;2015

Pos	Part Number	Description	Remark	Qty	Model
1	918 635 149 00	Fanfare Horn Alarm system		1	
2	918 635 150 00	Fanfare Low-pitched		1	
3	N 106 092 04	Fanfare High-pitched		X	
4	1K8 951 605 B	Hexagon nut M 8 Alarm siren Information available		1	I536 I536

Model: 918

Model life 2015>>2015



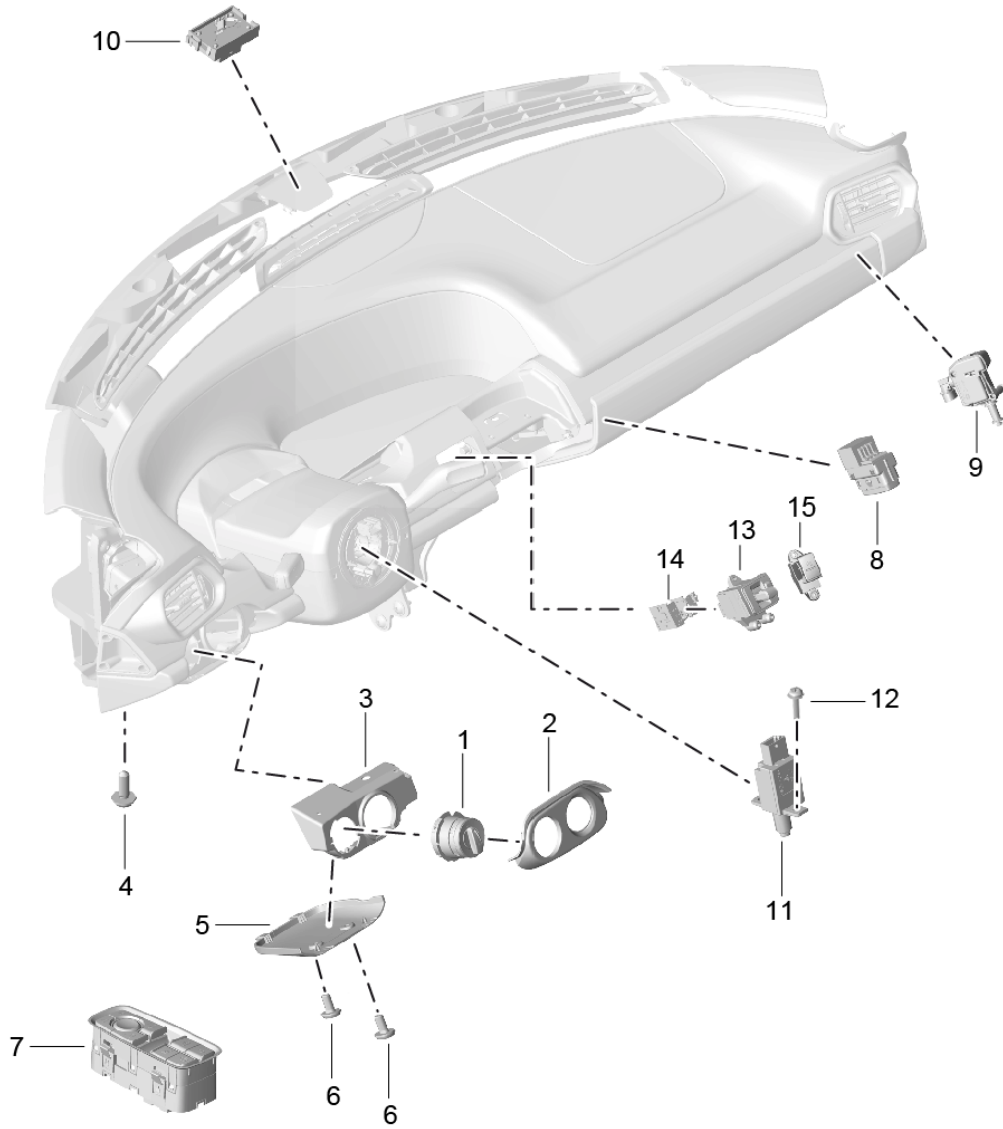
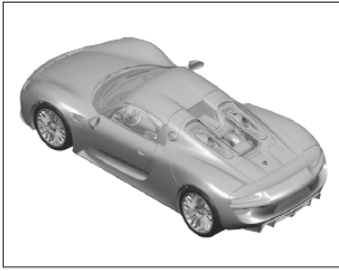
Model: 918

Model life 2015>>2015

Pos	Part Number	Description	Remark	Qty	Model
1	918 613 501 00	Interior lights Luggage compartment lamp Bracket Roof		1	-I607/-I608
(1)	918 613 501 00 A05	Black mat			
	918 613 505 00	Bracket Roof		1	I607/608
	918 613 505 00 A05	Black mat			
2	991 632 137 00	Light Included LED module Luggage compartment		1	

Model: 918

Model life 2015>>2015

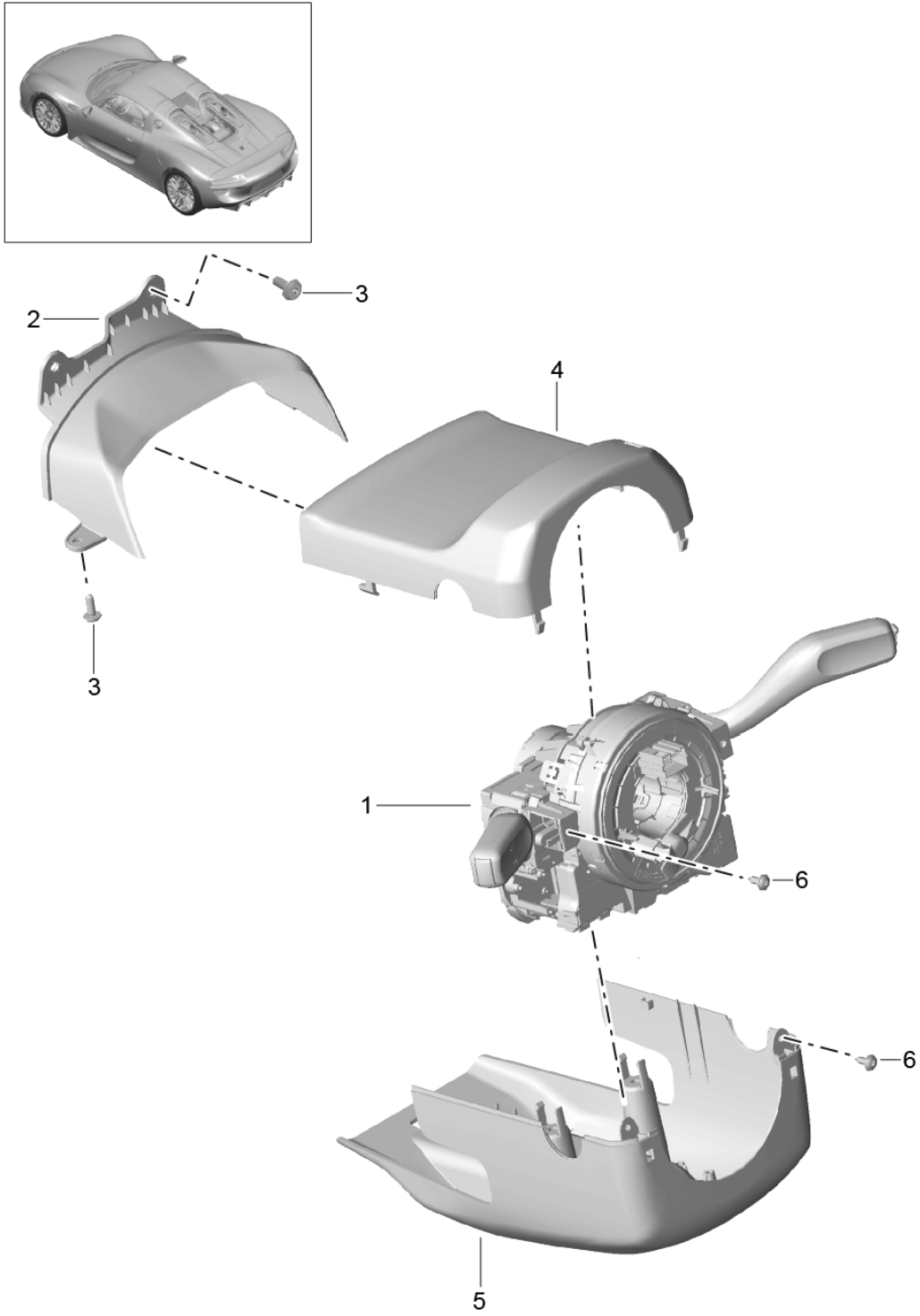


Model: 918 Model life 2015>>2015

Pos	Part Number	Description	Remark	Qty	Model
1	970 613 533 08	Switch Light switch		1	
2	970 613 533 08 DML	Matt Black/hi-gloss chrome			
2	918 552 589 01	Rosette		1	
	918 552 589 01 5Q0	Black			
3	918 552 587 02	Mounting Light switch		1	
4	999 073 499 01	Oval-head screw M 5 X 14		3	
5	918 552 579 01	Cover Light switch		1	
	918 552 579 01 5Q0	Black			
6	999 073 273 09	Oval-head screw M 5 X 10		2	
7	918 613 157 00	Switch Multi-function Driver's side	/L	1	
	918 613 157 00 DML	Matt Black/hi-gloss chrome			
(8)	7PP 959 855 C	Switch Power windows Passenger's side	/R	1	
	7PP 959 855 C DML	Matt Black/hi-gloss chrome			
8	918 613 513 00	Tip switch Glove compartment		1	
	918 613 513 00 5Q0	Black			
	918 613 513 00 OE1	Carrera Red			
	918 613 513 00 S92	Tarpan Brown			
9	918 624 212 00	Actuator Glove compartment		1	
10		Sensor Air conditioner See illustrations 9/01/03		1	
11	991 653 241 02	Temperature sensor Inner		1	
12	999 919 167 09	Oval-head screw M3X10		2	
13		Selector knob See illustrations 7/01/00		X	
15		Key Parking brake See illustrations 7/01/00		X	

Model: 918

Model life 2015>>2015





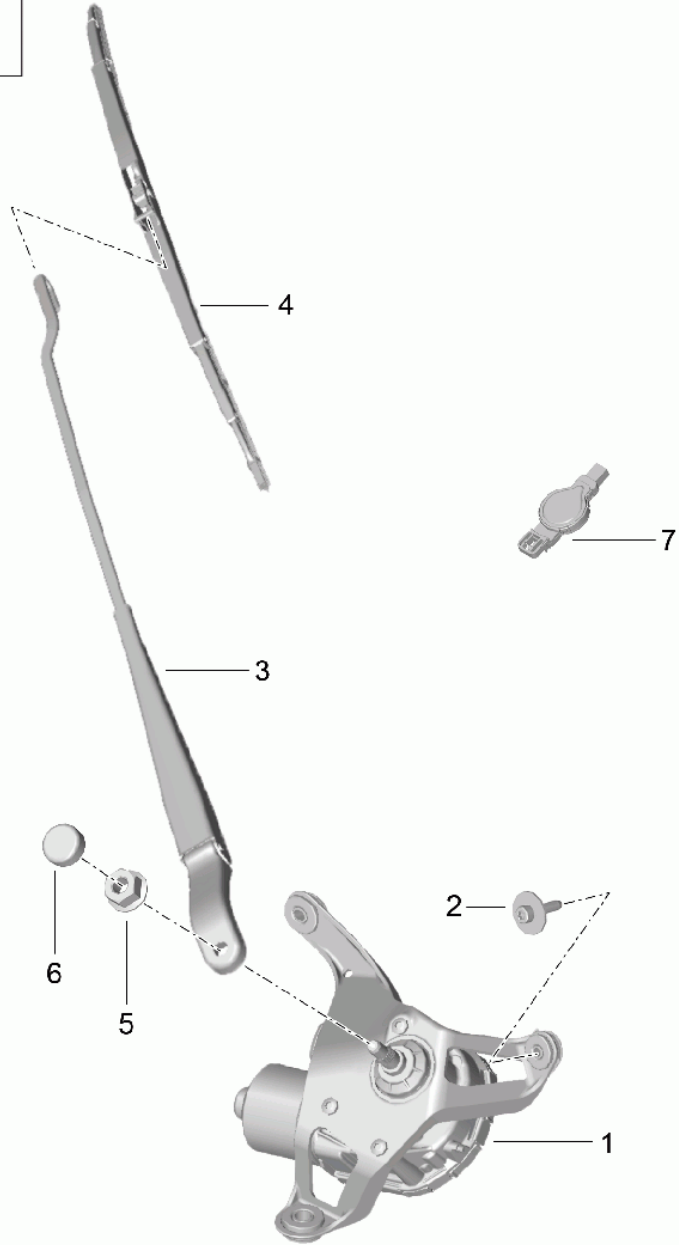
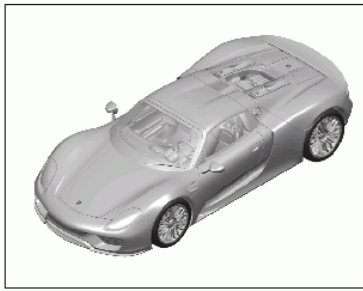
Model: 918

Model life 2015>>2015

Pos	Part Number	Description	Remark	Qty	Model
1	918 613 013 01	Steering column switch		1	
	918 613 013 01 1E0	Steering column switch Black			
2	918 552 371 02	Cover		1	
		Steering column			
	918 552 371 02 5Q0	Black			
3	999 073 499 01	Oval-head screw		4	
		M 5 X 14			
4	918 552 473 03	Switch housing		1	
		Upper			
	918 552 473 03 5Q0	Black			
5	918 552 475 02	Switch housing		1	
		Lower			
	918 552 475 02 5Q0	Black			
6	999 073 155 09	Tapping screw		4	
		4,2 X 13			

Model: 918

Model life 2015>>2015



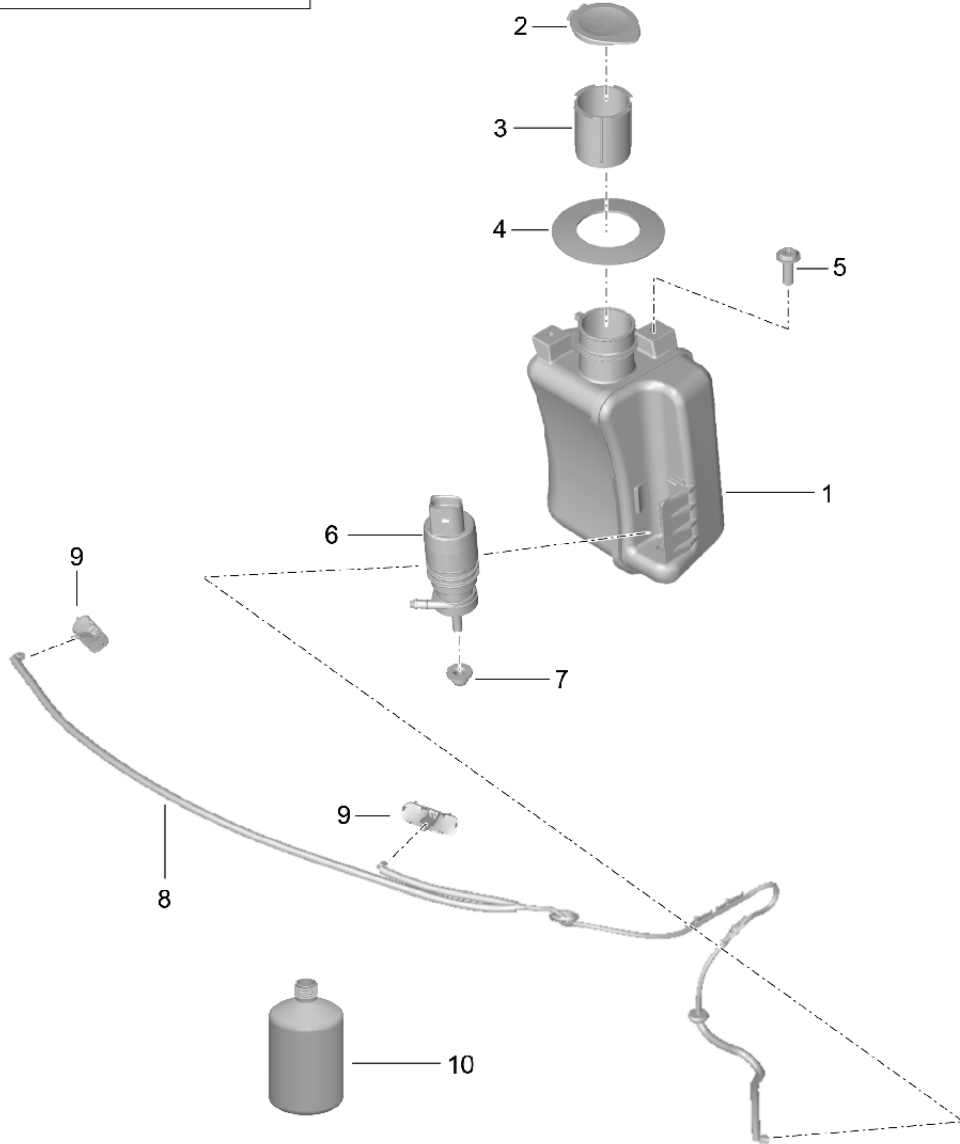
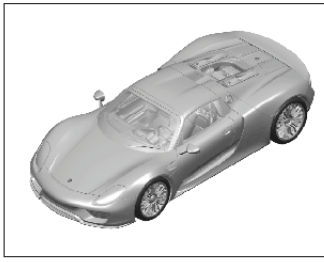
Model: 918

Model life 2015>>2015

Pos	Part Number	Description	Remark	Qty	Model
1	918 628 035 01	Windscreen wiper system Wiper motor with Crank drive		1	
2	900 387 017 02	Combination screw M 6 X 25		3	
3	918 628 121 01	Wiper arm		1	
4	918 628 145 00	Wiper blade		1	
5	N 102 613 07	Hexagon nut M 10		1	
6	955 628 305 02	Cap		1	
7	991 615 108 01	Rain sensor		1	

Model: 918

Model life 2015>>2015



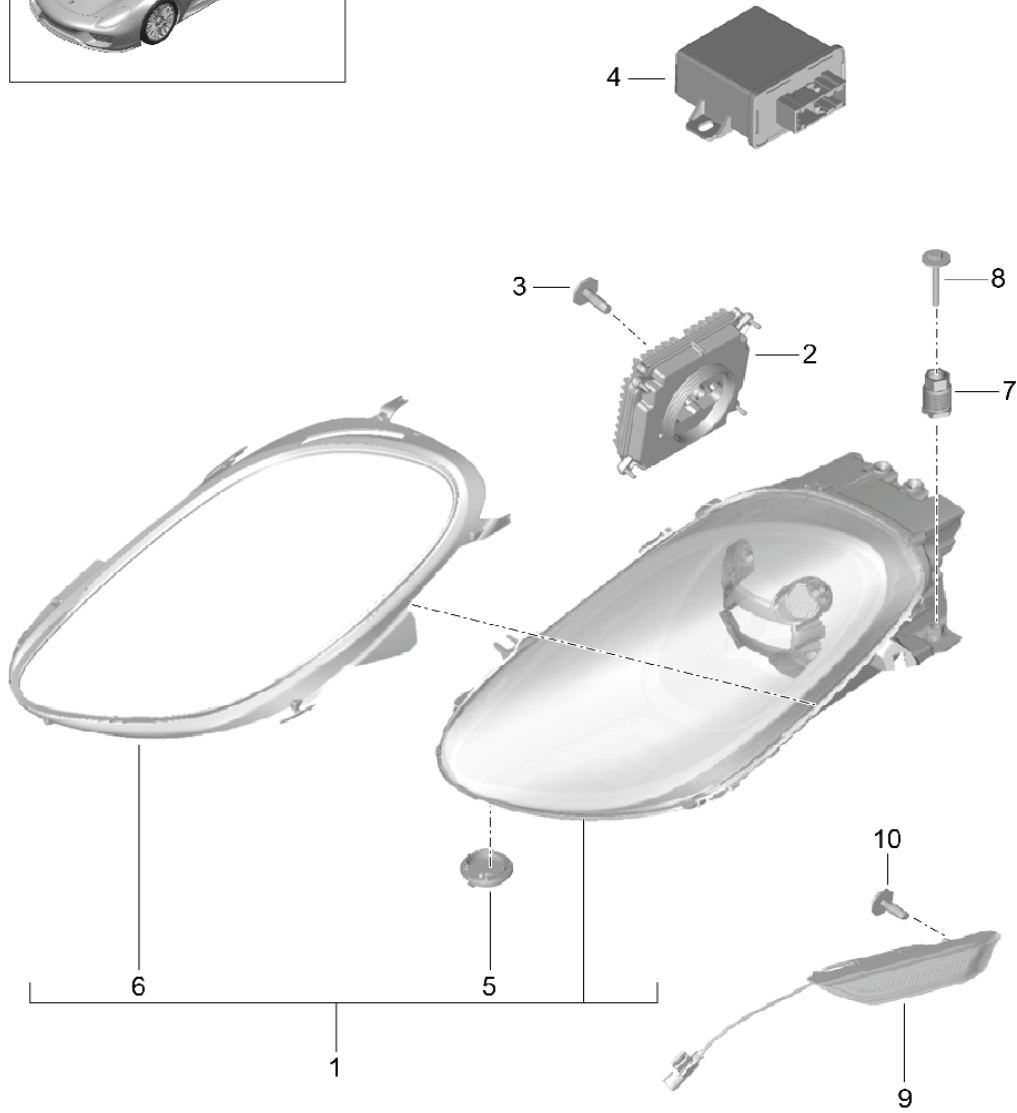
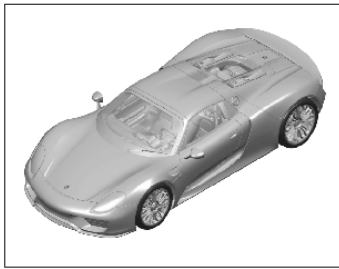
Model: 918

Model life 2015>>2015

Pos	Part Number	Description	Remark	Qty	Model
		Windscreen washer system			
1	918 528 701 01	Water reservoir		1	
2	991 528 413 00	Lid		1	
3	4A0 955 485	Strainer		1	
4	918 528 501 00	Boot		1	
5	999 015 026 A1	Oval-head screw M 6 X 16		3	
6	1K5 955 651	Pump		1	
7	955 628 712 00	Gasket		1	
8	918 628 211 01	Line Complete		1	
9	918 628 073 00	Nozzle Driver's side		1	
(9)	918 628 074 00	Nozzle Passenger's side		1	
10	999 901 017 42	Window cleaner 250 ML Summer		X	
(10)	999 901 033 40	Window cleaner 1000 ML Winter		X	

Model: 918

Model life 2015>>2015

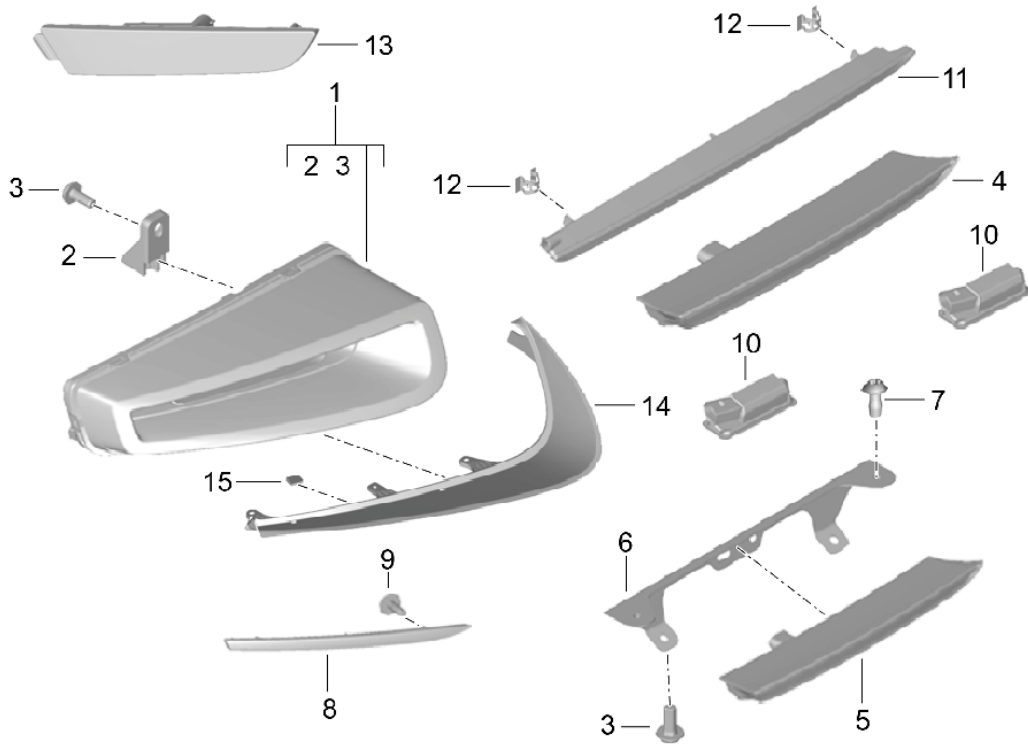
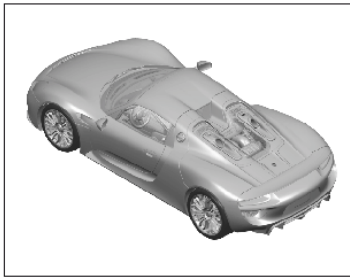


Model: 918 Model life 2015>>2015

Pos	Part Number	Description	Remark	Qty	Model
1	918 631 171 02	LED headlights Direction indicator light LED headlights	/L	1	-I492/-I553 I628
1	918 631 173 02	Left with Control unit LED headlights	/L	1	I492/628
(1)	918 631 172 02	with Control unit Left LED headlights	/R	1	-I492/-I553 I628
(1)	918 631 174 02	with Control unit Right LED headlights	/R	1	I492/628
2	7PP 941 472 G	Control unit LED module		2	
3	999 919 159 09	Oval-head screw 4,0 X 12		8	
4	7PP 907 357 F	Control unit Headlight levelling system		2	
5	997 631 267 01	Ventilation component		2	
6	918 631 315 00	Gasket LED headlights	/L	2	
(6)	918 631 316 00	Gasket LED headlights	/R	2	
7	918 631 531 00	Bush Mount Headlamp		6	
8	900 075 504 01	Combination screw M 6 X 45		6	
9	918 631 155 00	Direction indicator light Left	/L	1	-I553
(9)	918 631 156 00	Direction indicator light Right	/R	1	-I553
10	N 909 187 02	Screw		2	

Model: 918

Model life 2015>>2015



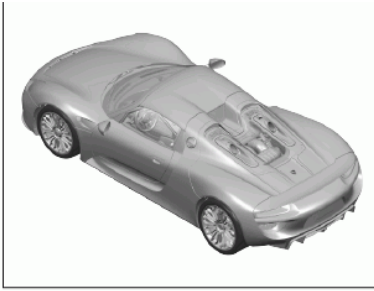


Model: 918 Model life 2015>>2015

Pos	Part Number	Description	Remark	Qty	Model
1	918 631 141 01	Rear light License plate light Additional brake light	/L	1	-I553
1	918 631 142 01	Rear light Left	/R	1	-I553
2	918 631 431 00	Fastening angle Rear light		2	
3	999 073 268 A2	Oval-head screw M 5 X 12		6	
5	981 631 467 02	Rear fog light		1	-I553
7	N 106 839 01	Oval-head screw TP 6 X 12		2	
8	918 631 495 00	Reflector	/L	1	
(8)	918 631 496 00	Reflector	/R	1	
9	N 909 187 02	Screw TP 4 X 12		X	
10	1K8 943 021 C	License plate light		2	
11	991 631 181 03	Additional brake light		1	
12	999 507 533 02	Clamp		4	
14	918 631 201 02	Cover Rear light Left	/L	1	
(14)	918 631 202 02	Cover Rear light Right	/R	1	
15	997 631 585 00	Buffer		2	

Model: 918

Model life 2015>>2015



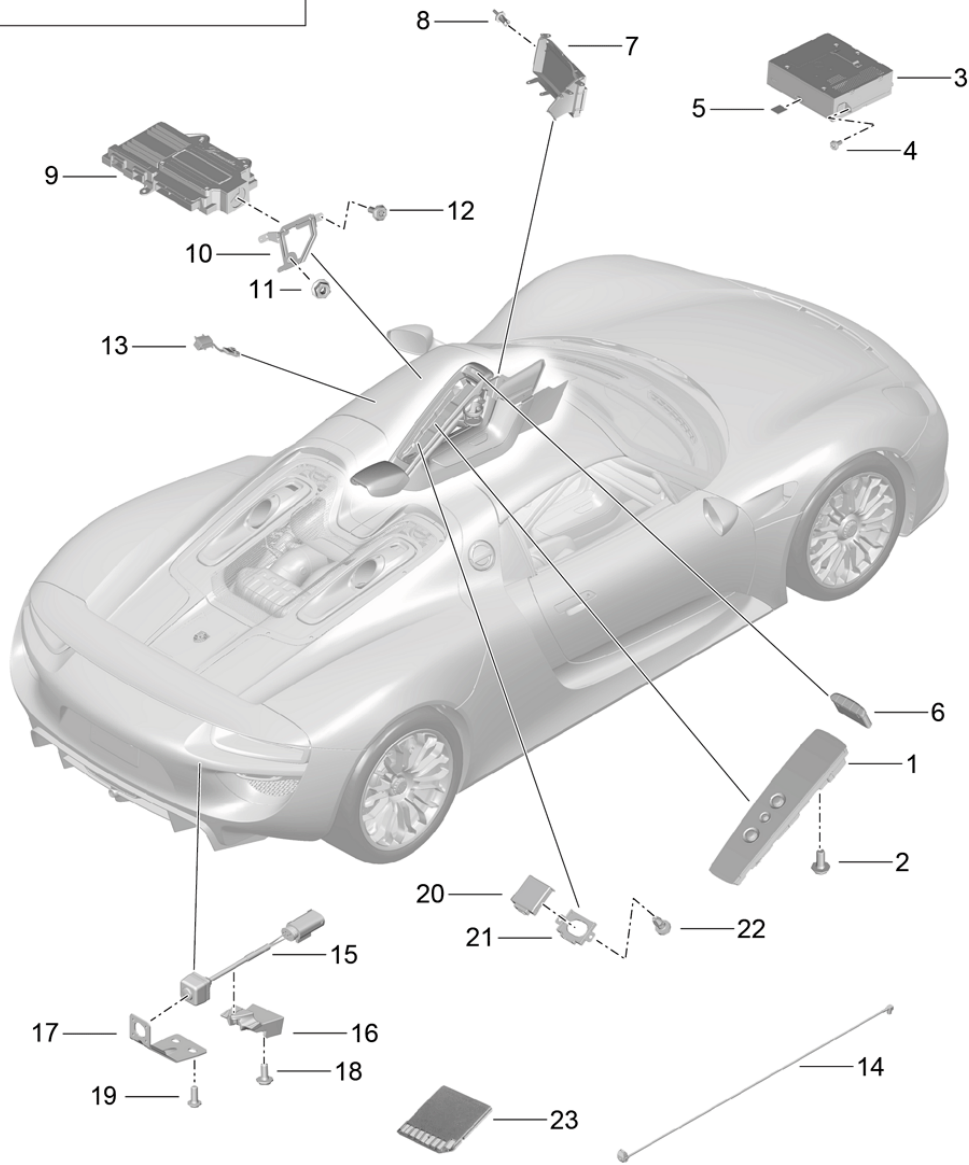
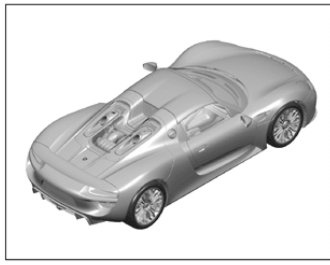
Model: 918

Model life 2015>>2015

Pos	Part Number	Description	Remark	Qty	Model
1	918 641 103 10	Instruments Complete Instrument cluster Complete		1	-I484/-I506
	918 641 103 10 SPO	Smoke Chrome, Satin Matt Black mat			
(1)	918 641 103 11	Instrument cluster Complete		1	-I484/I506
	918 641 103 11 A05	Black mat			
2	999 073 499 01	Oval-head screw M 5 X 14		4	

Model: 918

Model life 2015>>2015



Model: 918

Model life 2015&gt;&gt;2015

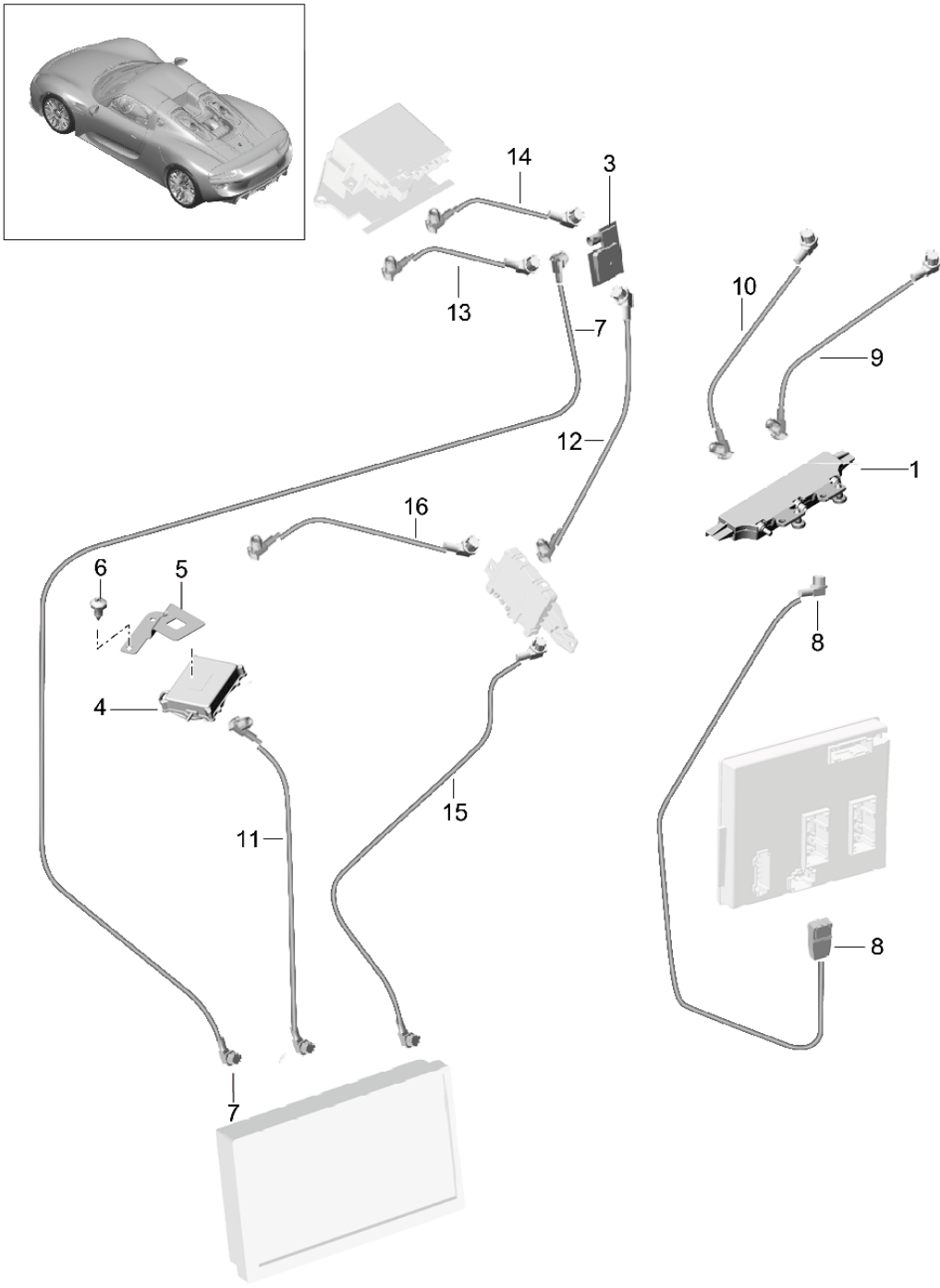
Pos	Part Number	Description	Remark	Qty	Model
1	918 613 110 01	Radio Navigation system Telephone Control part		1	
1	918 613 110 X	Radio Navigation system Control part		1	
3	918 642 170 04	Radio Navigation system Computer		1	
(3)	918 642 170 05	Receiving part Displays Computer		1	
(3)	918 642 172 01	Receiving part Displays Computer		1	I075
(3)	918 642 172 02	Displays Computer		1	I075
(3)	918 642 171 04	Displays Computer		1	I072
(3)	918 642 171 05	Displays Computer		1	I072
4	999 073 499 01	Oval-head screw M5 X 14		2	
5	918 642 321 01	Storage medium Navigation system		1	I072
(5)	918 642 322 01	Storage medium Navigation system		1	
(5)	918 642 322 02	Storage medium Navigation system		1	
(5)	918 642 323 01	Storage medium Navigation system		1	I074/215
(5)	918 642 323 02	Storage medium Navigation system		1	I074/215
(5)	918 642 324 01	Storage medium Navigation system		1	I075
6	918 613 121 01	Keypad Centre console		1	-I474
(6)	918 613 121 01 U04	Aluminium, brushed			
(6)	918 613 123 01	Keypad Centre console		1	I474
7	918 613 123 01 U04	Aluminium, brushed			
7	918 641 205 02	Display		1	
8	999 507 360 40	Radio Expansion rivet 4,2 X 8,5		3	
9	918 645 201 00	Booster		1	
10	918 645 301 00	Support Booster		1	
11	N 015 082 10	Hexagon nut M6		3	
12	999 073 268 A2	Oval-head screw M 5 X 12		3	
13	991 646 313 02	Microphone Telephone		1	
14	918 642 121 00	Connecting cable USB		2	I870
15	918 642 733 01	Control unit Reversing camera		1	
16	918 642 433 00	Cover Reversing camera		1	
17	918 642 401 00	Support		1	

Model: 918 Model life 2015>>2015

Pos	Part Number	Description	Remark	Qty	Model
18	999 015 025 A2	Reversing camera Lens-head screw M 6 X 12		2	
19	999 015 026 A1	Oval-head screw M 6 X 16		2	
20	918 618 209 00	Sensor Interior monitoring		1	I543
(20)	991 618 209 01	Sensor Interior monitoring		1	I193/534
21	918 618 211 00	Support Sensor Interior monitoring		1	
22	4D0 863 788	Expansion rivet		2	
23	918 642 901 00	Storage medium Software see Technical information 61/14	-(CN)	1	
(23)	918 642 902 00	Storage medium Software	(CN)	1	

Model: 918

Model life 2015>>2015



Model: 918 Model life 2015>>2015

Pos	Part Number	Description	Remark	Qty	Model
1	918 647 106 00	Antenna booster Antenna Connecting line Antenna booster Radio Basic		1	
(1)	918 647 127 00	Antenna booster Radio Digital		1	I691
3	7PP 035 504 A	Antenna GPS Telephone		1	
(3)	918 647 053 00	Antenna GPS Telephone		1	I7G9/7I2
(3)	991 647 063 01	Antenna GSM Telephone		1	I7G9/7I2
6	N 106 571 01	Oval-head sheetmetal screw 3 X 13		4	I690/7G9/7I2
7	918 612 022 00	Connecting line Antenna GPS To Control part Navigation system		1	I672
8	918 612 013 00	Connecting line Control unit Electronics Body front section To Antenna booster Connecting line	/LL	1	I098
9	918 612 014 00	Antenna booster Connecting line		1	I681
10	918 612 073 00	Antenna booster Connecting line Antenna booster Digital		1	I691
11	918 612 021 00	Connecting line Antenna To Control part Navigation system		1	
12	918 612 036 00	Connecting line Control unit VTS vehicle tracking Antenna		1	I7G5/7G9
13	918 612 037 00	Connecting line Control unit VTS vehicle tracking Antenna		1	I674
14	918 612 038 00	GPS Connecting line Control unit VTS vehicle tracking Antenna		1	I674
15	918 612 040 00	GSM Connecting line Control unit To Control part		1	
16	918 612 041 00	Connecting line Control unit To		1	I681



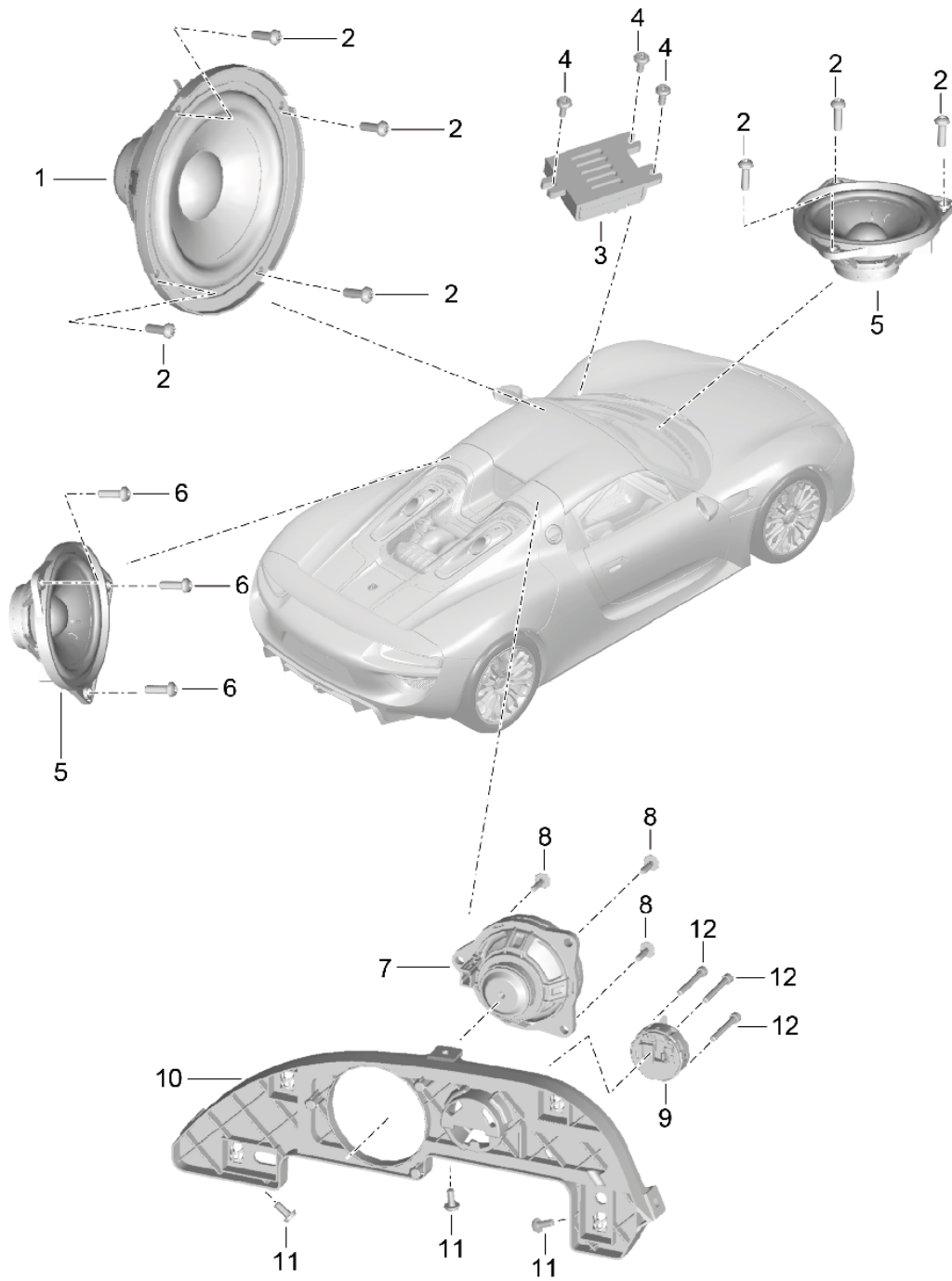
Model: 918

Model life 2015&gt;&gt;2015

Pos	Part Number	Description	Remark	Qty	Model
-	958 647 432 20	Display Dashboard Support Single pole Connection point		1	

Model: 918

Model life 2015>>2015



Model: 918

Model life 2015>>2015

Pos	Part Number	Description	Remark	Qty	Model
		Loudspeaker			I681
1	918 645 115 00	Woofers		2	
2	N 104 301 04	Lens-head screw M 5 X 16		8	
3	7PP 035 411 E	Tweeter		2	
4	999 073 499 01	Oval-head screw M5 X 14		6	
5	7PP 035 415 G	Mid-range loudspeaker		3	
6	999 073 155 09	Tapping screw ST 4,2X13		3	
7	7PP 035 416 C	Loudspeaker		2	
8	N 907 321 03	Oval-head screw		6	
9	7PP 035 412 A	Tweeter		2	
10	918 645 405 02	Retaining bar	/L	1	
(10)	918 645 406 02	Retaining bar	/R	1	
11	999 073 268 A2	Oval-head screw M 5 X 12		6	
12	900 067 438 01	Pan-head screw M4 X 30		6	