

Model: 9PA108**Model life 2007>>2010**

ORDER-INFO

PET CONTAINS THE ORDERING DETAILS FOR ALL MODELS SHOWN IN THE MODEL OVERVIEW.

THE UPDATE SERVICE IS PERFORMED AUTOMATICALLY VIA INTERNET UPDATE.
THE VERSION IS SHOWN IN THE HEADER AS "UPDATE 123/12"

SEATS AND RELATED ITEMS FOR MODELS INTRODUCED BEFORE 1997 ARE SHOWN IN THE STZ CATALOGUE.

SEATS AND RELATED ITEMS FOR MODELS INTRODUCED AFTER 1997 ARE SHOWN IN THE CORRESPONDING VEHICLE CATALOGUES.

ALL ILLUSTRATIONS ARE NON-BINDING.
SUBJECT TO CHANGE.

Model: 9PA108

Model life 2007>>2010

EXPLANAT.- VIN

EXPLANATION OF THE ABRIDGED VERSION OF THE VEHICLE IDENT. NUMBERS (VIN)
 =====
 USED IN THE CATALOGUE
 =====

DIGIT:		1	2	3	4	5	6	7	8	9	10	11	12	13	14	15	16	17
--------	--	---	---	---	---	---	---	---	---	---	----	----	----	----	----	----	----	----

EXAMPLE:		W	P	0	Z	Z	Z	9	9	Z	5	S	7	0	0	1	2	5
----------	--	---	---	---	---	---	---	---	---	---	---	---	---	---	---	---	---	---

						===				=		=		=					=====
--	--	--	--	--	--	-----	--	--	--	---	--	---	--	---	--	--	--	--	-------

						!				!		!		!					!
--	--	--	--	--	--	---	--	--	--	---	--	---	--	---	--	--	--	--	---

VEHICLE TYPE 1ST+2ND DIGIT-----+										!		!		!					!
----------------------------------	--	--	--	--	--	--	--	--	--	---	--	---	--	---	--	--	--	--	---

										!		!		!					!
--	--	--	--	--	--	--	--	--	--	---	--	---	--	---	--	--	--	--	---

MODEL YEAR-----+												!		!					!
------------------	--	--	--	--	--	--	--	--	--	--	--	---	--	---	--	--	--	--	---

												!		!					!
--	--	--	--	--	--	--	--	--	--	--	--	---	--	---	--	--	--	--	---

MANUFACTURING LOCATION-----+													!						!
------------------------------	--	--	--	--	--	--	--	--	--	--	--	--	---	--	--	--	--	--	---

													!						!
--	--	--	--	--	--	--	--	--	--	--	--	--	---	--	--	--	--	--	---

VEHICLE TYPE 3RD DIGIT-----+																			!
------------------------------	--	--	--	--	--	--	--	--	--	--	--	--	--	--	--	--	--	--	---

																			!
--	--	--	--	--	--	--	--	--	--	--	--	--	--	--	--	--	--	--	---

SERIAL NUMBER-----+																			!
---------------------	--	--	--	--	--	--	--	--	--	--	--	--	--	--	--	--	--	--	---

Model: 9PA108

Model life 2007>>2010

SUMMARY TYPES

VEHICLE TYPE	MY	VIN	ENGINE TYPE	
CAYENNE (C99) (TR)	07 7	9P7LA 00061>10000	M55.01	213 KW
CAYENNE S (C99) (TR)	07 7	9P7LA 30061>40000	M48.01	283 KW
CAYENNE TURBO (C99) (TR)	07 7	9P7LA 80061>90000	M48.51	368 KW
CAYENNE	08 8	9P8LA 00061>30000	M55.01	213 KW
CAYENNE S	08 8	9P8LA 30061>70000	M48.01	283 KW
CAYENNE TURBO	08 8	9P8LA 80061>99999	M48.51	368 KW
CAYENNE GTS	08 8	9P8LA 70061>80000	M48.01	298 KW
CAYENNE	09 9	9P9LA 00061>20000	M55.01	213 KW
CAYENNE S	09 9	9P9LA 40061>60000	M48.01	283 KW
CAYENNE GTS	09 9	9P9LA 60061>80000	M48.01	298 KW
CAYENNE TURBO	09 9	9P9LA 80061>90000	M48.51	368 KW
CAYENNE DIESEL	09 9	9P9LA 20061>30000	M05.9D	176 KW
CAYENNE	10 A	9PALA 00061>20000	M55.01	213 KW
CAYENNE (USA.CDN)	10 A	APALA 00061>20000	M55.01	213 KW
CAYENNE S	10 A	9PALA 50061>60000	M48.01	283 KW
CAYENNE S (USA.CDN)	10 A	APALA 50061>60000	M48.01	283 KW
CAYENNE GTS	10 A	9PALA 60061>80000	M48.01	298 KW
CAYENNE GTS (USA.CDN)	10 A	APALA 60061>80000	M48.01	298 KW
CAYENNE TURBO	10 A	9PALA 80061>90000	M48.51	368 KW
CAYENNE TURBO (USA.CDN)	10 A	APALA 80061>90000	M48.51	368 KW
CAYENNE DIESEL	10 A	9PALA 20061>30000	M05.9D	176 KW
CAYENNE TRANSYBERIA	10 A	9PALA 30061>50000	M48.01	298 KW
CAYENNE TRANSYBERIA (USA.CDN)	10 A	APALA 30061>50000	M48.01	298 KW

Model: 9PA108

Model life 2007>>2010

EXPL. ENGINE-NO.

EXPLANATION OF THE MOTOR-NUMBERS USED IN THE CATALOGUE

```

=====
DIGIT:                    1 2 3     4 5 6 7 8
EXAMPLE:                  6 9 5     0 0 1 3 6
                        = = =     =====
                        ! ! !       !
ENGINE TYPE (6 = 6-CYL.-ENGINE)-----+ ! !       !
FROM MY-09 POWER KIT (S) OTHERWISE ( )-----+ ! !       !
                                      ! !       !
ENGINE VERSION-----+ !       !
FROM MY-09 CONUNTRY VERSION (T=Taiwan) OTHERWISE( )+ !       !
                                      !       !
MODEL YEAR-----+       !
                                      !
SERIAL NUMBER-----+

```

Model: 9PA108

Model life 2007>>2010

SUMMARY ENGINES

VEHICLE TYPE	ENGINE		ENGINE NO.	TECHNICAL DATA
	TYPE	MY		
CAYENNE	M55.01	08 8	638 01001>999999	6ZYL/3,6L /213 KW
CAYENNE S	M48.01	08 8	838 00501>999999	8ZYL/4,8L /283 KW
CAYENNE TURBO	M48.51	08 8	848 00501>999999	8ZYL/4,8L /368 KW
CAYENNE GTS	M48.01	08 8	858 00501>999999	8ZYL/4,8L /298 KW
CAYENNE TURBO +E81	M48.51	08 8	868 00501>999999	8ZYL/4,8L /397 KW
CAYENNE	M55.01	09 9	639 01001>999999	6ZYL/3,6L /213 KW
CAYENNE S	M48.01	09 9	___9 00501>999999	8ZYL/4,8L /283 KW
CAYENNE GTS	M48.01	09 9	G_9 00501>999999	8ZYL/4,8L /298 KW
CAYENNE TURBO	M48.51	09 9	___9 00501>999999	8ZYL/4,8L /368 KW
CAYENNE TURBO +E81	M48.51	09 9	S_9 00501>999999	8ZYL/4,8L /397 KW
CAYENNE TURBO +E8A	M48.51	09 9	T_9 00501>999999	8ZYL/4,8L /404 KW
CAYENNE DIESEL	M05.9D	09 9	CAS 0001>999999	6ZYL/3,0L /176 KW
CAYENNE	M55.01	10 A	63A 01001>999999	6ZYL/3,6L /213 KW
CAYENNE S	M48.01	10 A	___A 00501>999999	8ZYL/4,8L /283 KW
CAYENNE GTS	M48.01	10 A	G_A 00501>999999	8ZYL/4,8L /298 KW
CAYENNE TURBO	M48.51	10 A	___A 00501>999999	8ZYL/4,8L /368 KW
CAYENNE TURBO +E81	M48.51	10 A	S_A 00501>999999	8ZYL/4,8L /397 KW
CAYENNE TURBO +E8A	M48.51	10 A	T_A 00501>999999	8ZYL/4,8L /404 KW
CAYENNE DIESEL	M05.9D	10 A	CAS 0001>999999	6ZYL/3,0L /176 KW

Model: 9PA108

Model life 2007>>2010

EXPL. TRANSM. NO.

EXPLANATION OF THE TRANSMISSION-NUMBERS USED IN THE CATALOGUE

=====

DIGIT:	1	2	3	4	5	6	7	8	9	10	11
EXAMPLE:	G	9	7	0	1	1	0	0	5	4	3
	=	=====				=	=====				
	!		!			!			!		!
	!		!			!			!		!
TRANSMISSION TYPE-----+			!			!			!		!
			!			!			!		!
TRANSMISSION VERSION-----+						!			!		!
						!			!		!
INDEX OF VARIANTS-----+									!		!
									!		!
SERIAL NUMBER-----+											!

Model: 9PA108

Model life 2007>>2010

SUMM. TRANSMISS.

VEHICLE TYPE	TRANSM.		TRANSMISSION NO.	TECHNICAL DATA
	TYPE	MY		
CAYENNE	G48.22	08 8	G4822 0 002001>999999	6-GANG
CAYENNE	A48.22	08 8	A4822 0 002001>999999	6-GANG
CAYENNE S	G48.02	08 8	G4802 0 002001>999999	6-GANG
CAYENNE S	A48.02	08 8	A4802 0 002001>999999	6-GANG
CAYENNE TURBO	A48.52	08 8	A4852 0 002001>999999	6-GANG
CAYENNE	G48.22	09 9	G4822 0 002001>999999	6-GANG
CAYENNE	A48.22	09 9	A4822 0 002001>999999	6-GANG
CAYENNE S	G48.02	09 9	G4802 0 002001>999999	6-GANG
CAYENNE S	A48.02	09 9	A4802 0 002001>999999	6-GANG
CAYENNE TURBO	A48.52	09 9	A4852 0 002001>999999	6-GANG
CAYENNE DIESEL	A05.9D	09 9	A059D 0 002001>999999	6-GANG
CAYENNE	G48.22	10 A	G4822 0 002001>999999	6-GANG
CAYENNE	A48.22	10 A	A4822 0 002001>999999	6-GANG
CAYENNE S	G48.02	10 A	G4802 0 002001>999999	6-GANG
CAYENNE S	A48.02	10 A	A4802 0 002001>999999	6-GANG
CAYENNE TURBO	A48.52	10 A	A4852 0 002001>999999	6-GANG
CAYENNE DIESEL	A05.9D	10 A	A059D 0 002001>999999	6-GANG

Model: 9PA108

Model life 2007>>2010

LEGENDS/NOTICES

LEGENDS AND NOTICES

=====

IN COLUMN -S- STATUS

- N NEW ADDITION
- P PART ALREADY IN PROGRAMME, BUT NEW AT THIS APPLICATION
- W DELETED AT THIS APPLICATION, BUT CONTINUED TO BE CARRIED
- K RACING PART: MARKETED FROM WEISSACH EMW
- A STOCK TO BE USED UP
- U DELETED WITHOUT REPLACEMENT
- * PART ALSO OR ONLY AVAILABLE IN REPAIR KIT
- > ALSO AVAILABLE IN EXCHANGE

IN COLUMN - ILL. -

- 1 IDENTIFICATION NO. IN ILLUSTRATION
- (1) PART ONLY SIMILAR AS ILLUSTRATED
- PART IS NOT ILLUSTRATED

FIG.-NUMBERS FOR WHICH THERE IS SHOWN NO TEXT ARE NOT VALID FOR THIS EDITION OF CATALOGUE

IN COLUMN -PART NUMBER/CODE-

000 000 000 00 PART NUMBER EQUALS ORDERING NO., IF A CODE IS SHOWN, IT WILL HAVE TO BE PART OF ORDERING NUMBER

01C COLOUR CODE

IN COLUMN -TEXT

INSTALLATION WITH ENGINE OR CHASSIS NUMBER-RANGE

EXAMPLE:

M 66W 00389>>

FROM ENGINE NO.

Model: 9PA108**Model life 2007>>2010**

F

>>99WS6 00889

UP TO CHASSIS NO.

Model: 9PA108

Model life 2007>>2010

LEGENDS/NOTICES

IN COLUMN - QU - = NO. OF PIECES

1 NUMBER PER APPLICATION

X NUMBER AS NEEDED

* AVAILABLE ONLY IN RUNNING LENGTHS 1 = 1 METRE

IN COLUMN - MODEL/SYMBOL -

I650 OPTIONAL EQUIPMENT - SEE I-NO. LIST
-I650 COMPONENT NOT VALID FOR THIS I-NO.

-98 LIMITATION OF MODEL YEAR FOR INSTANCE: VALID UP TO
END OF MODEL YEAR 1997

/LL LHD

/RL RHD

-----+
/V FRONT I

I

/H REAR I

I----> APPLIES TO

/L LEFT I DIRECTION OF TRAVEL

I

/R RIGHT I

-----+

WW THE PART CAN BE USED INSTEAD OF THE
PRECEDING ONE.

Model: 9PA108

Model life 2007>>2010

COUNTRY-EQIPM.

EQUIPMENT BY COUNTRY REGULATIONS

=====

(A)	AUSTRIA
(AG)	ARABIAN GULF STATES
(AUS)	AUSTRALIA
(B)	BELGIUM
(BR)	BRAZIL
(CDN)	CANADA
(CH)	SWITZERLAND
(CN)	PEOPLE'S REPUBLIC OF CHINA
(D)	FEDERAL REPUBLIC OF GERMANY
(DK)	DENMARK
(E)	SPAIN
(F)	FRANCE
(GB)	GREAT BRITAIN
(GR)	GREECE
(HK)	HONGKONG
(I)	ITALY
(J)	JAPAN
(L)	LUXEMBURG
(N)	NORWAY
(NL)	NETHERLANDS
(NZ)	NEW ZEALAND
(P)	PORTUGAL
(ROK)	KOREA
(RC)	TAIWAN
(THA)	THAILAND
(S)	SWEDEN
(SA)	SAUDI ARABIA
(SF)	FINLAND
(USA)	UNITED STATES OF AMERICA

Model: 9PA108

Model life 2007>>2010

(ZA)

SOUTH AFRICA

Model: 9PA108

Model life 2007>>2010

NR	Description
IB0A	Component set without country assignment
IB0D	Component set for USA
IB0E	Component set for Canada
IB0L	Component set for Japan
IB0M	Component set for AGCC countries
IB0N	Component set for Great Britain
IB0R	Component set for Australia
IB0W	Component set for California
IB1C	Component set for Mexico
IB1D	Component set for Brazil
IB1P	Component set for China
IB1Q	Component set for Argentina
IB2G	Component set for Thailand
ICD3	18-inch Turbo wheel-2 (8 X 18 RO 57)
ICJ1	Cayene wheel 7.5x17, wheel offset 53
ICJ2	Cayenne S wheel 8x18, wheel offset 57
ICJ3	19-inch (9 X 19) Cayenne Design wheel
ICJ6	18-inch (8 x 18) Cayenne Turbo wheel
ICP5	Cayenne Sport Techno wheel 9"/10" x 20" Titanium metallic
ICP7	19-inch (9 x 19) Cayenne Design wheel painted in body colour
ICS5	20-inch (9X20) Cayenne Sport Design wheel
ICS6	Cayenne Sport Techno wheel 9x20, wheel offset 60
ICT1	Cayenne Sport Techno wheel 9x20, wheel offset 60, wheel spokes painted in exterior colour
ICW3	Cayenne Design wheel 19 " in titanium metallic
ICY2	21-inch Cayenne Sport wheel (10 x 21 RO 50)
ICY3	Cayenne Sport Techno wheel 9-inch/10-inch x 20-inch
ICY4	Cayenne Sport Techno wheel 9"/10" x 20" in vehicle colour
IC2R	18-inch Cayenne S wheel-2 (8 x 18 RO 57)
IC4I	21-inch Cayenne Sportplus wheel Orange wheel spokes
IC4P	21-inch Cayenne Sportplus wheel Black wheel spokes
IC9N	21-inch Cayenne Sportplus wheel (10 x 21)
IC9S	21-inch Cayenne Sportplus wheel, wheel centre in exterior colour
ID5V	8-cylinder petrol engine 4.8 l/280 KW V8 FSI
ID5X	6-cyl. spark-ignition engine, 3.6 l/206 kW FSI
ID5Z	8-cylinder petrol engine 4.8 l/368 KW V8 biturbo
ID50	6-cylinder diesel engine, 3.0 l/176 kW TDI
IE0A	No campaign version, basic equipment
IE0W	GTS version
IE1T	Sondermodell CAYENNE. Porsche Design Edition 3

Model: 9PA108

Model life 2007>>2010

NR	Description
IE2D	Special model Transsyberia
IE8A	Turbo S
IE81	Enhanced performance engine
IFZ0	Seat belts in Black
IFZ1	Seat belts in Guards Red
IFZ2	Seat belts in Silver Grey
IFZ3	Seat belts in Sand Beige
IFZ4	Seat belts in Orange
IGY1	Power closing mechanism for tailgate
IG0L	6-speed manual transmission for all-wheel drive vehicle
IG0R	Tiptronic s
IHA8	Tyres 295/35 R21 107 Y
IHD9	Tyres 275/40 R20 106 Y
IHP2	All-season tyres 275/45 R19 108 V
IHV7	All-season tyres 235/65 R17 108 V
IH8Z	Tyres 235/65 R17 108 V
IH9K	Tyres 255/55 R18 109 Y
IH9L	Tyres 275/45 R19 108 Y
IH9M	All-season tyre on 18-inch aluminium wheel
IJ0L	340 A (70 Ah) battery
IJ0Z	520 A (110 Ah) battery
IJ1U	450 A (95 Ah) battery
IJ2C	480 A (85 Ah) and 520 A (110 Ah) batteries
IK4H	Closed body
IL0L	Left-hand drive version
IL0R	Right-hand drive version
IN1M	Two-colour seat covers in partial leather, smooth-finish
IN1P	Seat covers in partial leather (natural leather, smooth-finish)
IN1X	Part-leather seat covers, grained
IN2S	Seat covers in partial leather ALCANTARA
IN2Z	Two-tone seat covers in partial leather, embossed for Cayenne S special model
IN5U	Part-leather seat covers, smooth leather
IN5Y	Seat covers in partial leather (natural leather, soft ruffled leather)
IN7D	Soft ruffled leather seats in smooth leather
IN7F	Soft ruffled leather seats in embossed leather
IQA0	Without child seat
IQH0	without voice control
IQH1	Voice control system
IQJ2	Aluminium package
IQJ4	Aluminium package, Black
IQJ5	Aluminium package, Titanium-Metallic
IQL3	Tinted glass, green at rear
IQL5	Dark tinted rear privacy glass

Model: 9PA108

Model life 2007>>2010

NR	Description
IQL6	Heat-insulating glass at rear, metallized
IQR1	With compass
IQV0	Without TV and digital radio reception
IQV1	With TV reception
IQV4	XM satellite radio receiver
IQV8	HD radio reception and SAT radio XM (SDARS)
IQ1D	Sports seats with expanded memory function in smooth leather
IQ1J	GTS sports seats front and rear
IQ2J	Comfort seats, front
IUF0	Without electrical interface
IUF1	Multimedia socket for external source
IU5A	Instrument insert, km/h indication, RoW
IU5B	Instrument insert, mph indication, GB
IU5C	Instrument insert, mph indication, USA
IU5D	Instrument insert, km/h indication, Canada
IU5E	Instrument insert, km/h indication, Japan
IU5F	Instrument insert, display km/h, AGCC
IU5G	Instrument insert, km/h indication, Australia
IVC0	Without garage door opener
IVC1	Garage door opener, 433 MHz
IVC2	Garage door opener, 315 MHz
IVR0	Without anti-ram protection measures
IVR1	Side protection, running board
IVR3	Front-end and side protection
IVR4	Front impact protection measures
I0AB	Anti-roll bar, front and rear
I0AG	Anti-roll bar, front, disengageable
I0AW	Front and rear anti-roll bars with active Body control -PDCC-
I0BB	Anti-roll bar, rear
I0BJ	Anti-roll bar, rear, disengageable
I0F9	Diesel fuel system, cooled
I0GD	Emissions compliance EU 2, (CN)
I0GG	Emissions compliance EU 4
I0GM	Emissions compliance LEV
I0GU	Emissions compliance EU 2
I0GZ	EU 3 diesel emissions concept with E-OBD
I0JA	Weight class 1, front axle - 1170-1210 kg
I0JB	Weight class 2, front axle - 1211-1226 kg
I0JC	Weight class 3, front axle - 1227-1251 kg
I0JD	Weight class 4, front axle - 1252-1276 kg
I0JE	Weight class 5, front axle - 1277-1292 kg
I0JF	Weight class 6, front axle - 1293-1328 kg
I0JG	Weight class 7, front axle - 1329-1428 kg
I0NA	Deletion of model designation
I0NB	Logo set in basic version

Model: 9PA108

Model life 2007>>2010

NR	Description
I0P0	Standard tailpipe
I0P3	Sports tailpipe in precision-cast aluminium, 4-pipe look
I0P8	Sports exhaust system
I0YA	Weight class 1, rear axle - 1039-1074 kg
I0YB	Weight class 2, rear axle - 1075-1128 kg
I0YC	Weight class 3, rear axle - 1129-1159 kg
I0YD	Weight class 4, rear axle - 1160-1215 kg
I0YE	Weight class 5, rear axle - 1216-1244 kg
I0YF	Weight class 6, rear axle - 1245-1299 kg
I0YG	Weight class 7, rear axle - 1300-1331 kg
I0Y1	Standard climatic zone
I0Y2	Tropical climatic zone
I0Y3	Cold climatic zone
I1A2	Engine variant without reduced compression
I1BA	Suspension/dampers, standard
I1BH	Suspension/dampers, standard 2 PASM
I1BK	Air suspension with levelling system and height adjustment (PASM)
I1BS	4-corner air suspension
I1BW	Comfort suspension/damping (steel springs)
I1D0	Without towball
I1D2	Detachable trailer coupling
I1D6	Trailer coupling without tow ball
I1D7	Preparation for detachable trailer coupling
I1D8	Preparation for detachable trailer coupling "usa"
I1D9	Electric folding trailer coupling
I1G1	18-inch collapsible spare wheel
I1G3	High-pressure alloy spare wheel with tyre
I1G4	19" collapsible spare wheel
I1G6	Spare wheel, space saving - 17-inch, radial tyre, compressor, in vehicle
I1G8	Tire Fit, tyre repair set
I1KP	Rear disc brakes - disc diameter 18"plus Brake calliper painted red
I1KU	Rear disc brakes - disc diameter 18 inches, brake calliper painted red
I1KW	Rear disc brakes - disc diameter 17 inches, brake calliper painted black
I1KY	Rear disc brakes - disc diameter 17 inches, brake calliper painted silver
I1KZ	Rear disc brakes - disc diameter 17 inches, brake calliper painted red
I1LH	Rear disc brake - disc diameter 19 inches, brake calliper painted red
I1LK	Front disc brake, disc diameter 19 inches,

Model: 9PA108

Model life 2007>>2010

NR	Description
I1LL	brake calliper painted Green Front disc brake, disc diameter 19 inches, brake calliper painted Green
I1LM	Front disc brake, disc diameter 19 inches, brake calliper painted Black
I1LP	*
I1LX	Front disc brake - disc diameter 20 inch, brake calliper painted yellow (PCCB)
I1L0	Normal air cleaner
I1L2	Equipment for countries with dust-laden air
I1MD	Leather steering wheel for airbag system - 3 spokes, heatable, TWO-COLOUR
I1MV	Lederlenkrad fuer Airbagsystem - 3 Speichen, aufgepolstert
I1MW	Leather steering wheel for airbag system - 3 spokes, padded
I1NE	Wheel centres STANDARD
I1NP	Wheel centres with full-colour Porsche Crest (concave)
I1N1	Power steering
I1N3	Speed-dependent power-assisted steering (servotronic)
I1XJ	3-spoke multi-function steering wheel in dark Burr maple wood with radio control element
I1XK	3-spoke multi-function steering wheel in Light Olive wood with radio control element
I1Y0	Ohne Vorder- /Hinterachssperre
I1Y1	Differential lock, rear, centre differential lock
I2C4	Steering column, reach + height adjustable with memory
I2C5	Steering column, reach + height adjustable, mechanical
I2D0	Without Aerokit
I2D1	Aerokit, with sill cover
I2D2	Aerokit, without sill cover
I2D3	Sill cover
I2D4	Cayenne GTS aerokit standard spoiler
I2EH	Rear disc brakes - disc diameter 19 inch Brake calliper painted yellow (PCCB)
I2FV	3-spoke multi-function steering wheel in light Olive wood , matt, with radio control element
I2G1	Insert for fuelling with unleaded petrol
I2G3	Without fuel tank adapter for unleaded petrol
I2G4	Insert for fuelling with unleaded petrol (CARB Diagnosis)
I2G6	Without fuel tank adapter; ethanol fuel
I2JB	Bumper, standard
I2JC	Comfort bumper, stainless-steel attachment,

Model: 9PA108

Model life 2007>>2010

NR	Description
	front apron bottom section
I2JL	Comfort bumper (stainless steel trim at rear)
I2JX	Comfort bumper (stainless steel trim at front + rear)
I2PH	Leather steering wheel for airbag system - 3 spokes, heated
I2PM	Leather steering wheel for airbag system - 3-spoke steering wheel
I2PR	Alcantara steering wheel, 3-spoke, heated, padded
I2PW	Alcantara steering wheel, 3-spoke, padded
I2V5	Fresh-air intake with active carbon filter
I2X2	Tiptronic controls on steering wheel
I3B1	Child seat anchors, USA/Canada requirement
I3B4	Child seat anchors for ISOFIX child seat system, RoW
I3CA	Without bulkhead
I3CX	Net partition
I3D1	Centre console STANDARD (PVC)
I3D3	Centre console MEDIUM, grained leather
I3D4	Centre console in natural leather
I3D5	Centre console Alcantara
I3D8	Centre console Leather, smooth
I3FA	Without roof insert
I3FE	Electric glass slide/tilt sunroof
I3FU	Porsche large roof system
I3GE	Raised loadspace floor
I3GN	Variable luggage-compartment floor concept
I3J4	Head restraints for front seats
I3J7	Headrests for front seats, with embossed crest
I3LD	Door & side trim panel - standard - PAG
I3LE	Door & side trim panel - MEDIUM - PAG
I3LH	Door trim and side wall - all leather -- pillars/rooflining in Alcantara - PAG
I3LM	Door panel/side trim panel in natural leather
I3LS	Door & side trim panel - Alcantara
I3LT	Door, side trim panel in two-colour natural leather
I3L3	Manual height adjustment for both 8-way adjustable front seats
I3L4	Driver memory package
I3L5	Electrical adjustment for both 12-way adjustable front seats
I3ME	Tufted velour carpeting with protective pad
I3MT	Pearl velour carpeting with protective pad
I3NW	Rear seats, split backrest can be folded down
I3PB	Front seat adjustment, left electrical, right manual
I3PN	12-way electrical adjustment for both front seats + memory
I3QT	3-point automatic seat belts at front with seat-belt

Model: 9PA108

Model life 2007>>2010

NR	Description
	pre-tensioners + height adjustment
I3S1	Unpainted roof rails
I3S2	Black roof rails without drip mouldings
I3S4	Preparation for roof rack, black
I3S5	Black roof rails with drip mouldings
I3S7	Roof rails
I3S8	Roof Transport System
I3W4	Acoustic package, standard
I3W7	Extra audio package
I3X0	Without through-loading facility
I3X1	Load-through facility with ski bag
I3Y0	without sun blind
I3Y3	Manual sun blind, rear side window
I3Y4	Roller blind for rear side windows
I4AV	Door trim and side wall - smooth-leather insert
I4A0	Without seat heating
I4A3	Heated seats, front
I4A4	Heated seats, front/rear
I4E0	Tailgate release from outside
I4E2	Interior tailgate release, electrical
I4E7	Power closing for rear lid
I4F2	Porsche entry + drive
I4F6	Porsche entry + drive (usa/can)
I4GF	Windscreen of tinted glass
I4GY	Windscreen of heat-insulating glass
I4K0	Central-locking system with key remote and interior operation
I4K3	Central locking with remote control, inner release and safe lock system
I4LA	no controls on steering wheel
I4LB	3-spoke multi-function steering wheel in leather with radio control element
I4LC	3-spoke multi-function steering wheel in leather with radio and telephone control element
I4L2	Safety interior mirror, manual dimming function
I4L6	Safety interior mirror, automatic dimming function
I4N1	Padded dashboard
I4N3	Switch panel in two-tone leather w. decor. stitching
I4N8	Dashboard in genuine leather
I4QF	3-point automatic belts at front with electrical height adjustment and memory
I4UB	Airbag with kneebar
I4UD	Airbag, can not be deactivated on passenger's side
I4UE	Airbags for driver and front-seat passenger; front-seat passenger side can be deactivated
I4UQ	Advanced airbag
I5D1	Carrier frequency 433.92 MHz

Model: 9PA108 Model life 2007>>2010

NR	Description
I5D2	Carrier frequency 315 MHz
I5D3	Carrier frequency 315 MHz with reduced transmission power for Japan
I5D9	Carrier frequency 433.92 MHz with changed transmission duration
I5MA	Decorative inlays - paint, painted plastic
I5MG	Burr maple wood package, dark high gloss
I5MH	Carbon decorative inlays
I5RK	Door mirror, right, flat
I5RP	Right exterior mirror, convex with camera
I5RQ	Door mirror, right, convex
I5RR	Door mirror, right, convex (US)
I5RT	Door mirror, right, convex (AGCC)
I5RV	Door mirror, right, aspherical
I5SG	Door mirror, left, flat
I5SJ	Door mirror, left, convex
I5SL	Door mirror, left, aspherical
I5SU	Left exterior mirror, convex with camera
I5TE	Aluminium "sport" package
I5TF	"Olive" wood package, light high gloss
I5TK	Decorative inlays, grained olive wood
I5W0	Roof rail, Titanium-Metallic
I5W2	Preparation for roof rack, bright, silver
I5W3	Roof rack black, guide rails bright
I6A0	Without fire extinguisher
I6A4	Preparation for fire extinguisher
I6A5	Fire extinguisher
I6A7	With fire extinguisher
I6EA	Without additional body covers, side stone guards
I6EB	Additional body covers, stone guards and partial cover
I6EP	Additional body covers, stone guards, type 1
I6EQ	Additional body covers, stone guards, type 2
I6ES	Additional body covers, stone guards, type 3
I6ET	Additional body covers, stone guards, type 4
I6E2	Front centre armrest in natural leather
I6E3	Centre armrest, front - PVC foam film
I6E4	GTS front centre armrest in natural leather
I6E6	Centre armrest, front - smooth leather
I6E7	Centre armrest, front - grained leather
I6FA	without contrasting colour
I6FB	Door-mirror housing painted in exterior colour
I6FI	Contrasting colour: Orange
I6FM	Contrasting colour: Crystal Silver Metallic
I6FP	Contrasting colour: Meteor Grey Metallic
I6GA	Without component set

Model: 9PA108

Model life 2007>>2010

NR	Description
I6GE	Component set - wheel arch extensions, extra wide for Australia
I6GF	Component set - wider wheel arch covers
I6GG	Component set for wider wheel arch trim (USA/CAN)
I6GH	Component set for wider wheel arch trim in exterior colour (USA) - 2010, 2011 - worldwide
I6GJ	Component set for wider wheel arch trim in exterior colour (RoW) - 2010, 2011 - worldwide
I6GK	Component set for wider wheel arch trim in exterior colour (AUS)
I6NA	One-piece rooflining in Alcantara, USA
I6NF	One-piece rooflining in Alcantara, Canada
I6NJ	Standard rooflining, fabric
I6NL	Standard rooflining in fabric, Canada
I6NN	Alcantara rooflining
I6NQ	Roof lining, standard, fabric, USA
I6N1	Mudguards, rear
I6P1	Number-plate holder, rear (ECE)
I6P2	Number-plate holder, rear (USA)
I6Q2	Gear selector knob + grip in leather, gear lever in leather/aluminium
I6Q8	Gear lever, wood, dark
I6W1	Number-plate holder, front, large (ECE)
I6W2	Number-plate holder, front, small (RoW)
I6W3	Number-plate holder, front (NAR)
I6XP	Door mirrors, electrically retractable, electrically adjustable, separately heated
I6XQ	Exterior mirror with memory function, electr. retractable/adjustable, separately heated
I6XT	Door mirrors, automatically dimmable, electrically retractable/adjustable, separately heated + memory
I6XW	Door mirrors, automatically dimmable, electrically retractable/adjustable, separately heated
I7AC	Alarm system, interior surveillance, alarm horn
I7AH	Alarm system, interior surveillance can be deactivated Backup horn
I7AK	Alarm system, interior surveillance system, anti-towing protection
I7AL	Alarm system, interior surveillance system, backup horn, anti-towing protection
I7AT	Alarm system, interior surveillance, with VTS (Vehicle Tracking System)
I7AU	Alarm system, backup horn, with VTS (Vehicle Tracking System)
I7A1	Preparation for CD autochanger

Model: 9PA108

Model life 2007>>2010

NR	Description
I7A2	CD autochanger (6-disc)
I7B2	Five 12-volt plug sockets (USA)
I7B3	Four 12-volt plug sockets (ROW)
I7B6	Six 12-V sockets
I7B7	Five 12-V sockets
I7B8	Seven 12-V sockets
I7D7	Integrated CD/DVD autochanger
I7F7	Gear lever, wood, light, high gloss
I7GA	LEV 2 emissions concept
I7GG	EU 4 emissions concept with particle filter
I7G1	VTS (Vehicle Tracking System) preparation, without driver card
I7G2	VTS (Vehicle Tracking System) preparation, with driver card
I7G5	Preparation, VTS (Vehicle Tracking System), with driver card, connection to alarm system, re-start inhibitor
I7K3	Tire Pressure Monitoring, 433 MHz
I7K4	Tyre pressure monitoring system 315 MHz
I7K5	315-MHz Tire Pressure Monitoring with reduced transmission power
I7M0	Door entry guards of plastic from MY 04
I7M1	Door entry guards of stainless steel from MY 04
I7QT	Navigation "Europe package"
I7QV	Navigation south africa
I7QX	Navigation North America
I7QZ	Navigation middle east
I7Q0	Without navigation unit
I7Q2	PCM navigation module
I7Q4	Navigation system preparation, Japan
I7Q7	PCM incl. navigation & compass display in instrument cluster
I7RA	Navigation, Australia
I7RB	Navigation, Hong Kong
I7RC	Navigation, Singapore
I7RD	Navigation Taiwan
I7RV	Navigation Russia
I7T0	Compass display in instrument cluster
I7T1	Offroad navigation, with course calculator showing latitude and longitude
I7T3	Offroad navigation, with course calculator showing latitude and longitude + COMPASS
I7T7	Navigation system preparation, China
I7VE	Auxiliary heater with integrated timer.
I7VL	Auxiliary heater with integrated timer and remote control

Model: 9PA108

Model life 2007>>2010

NR	Description
I7X0	Without ParkAssist
I7X1	Ultrasound ParkAssist and reversing camera
I7X2	ParkAssist, front/rear
I7X3	Reversing camera
I7X8	Ultrasound parking aid and reversing camera
I7X9	Reversing camera
I8BB	Halogen main headlights, right-hand traffic
I8BC	Main headlights with gas-discharge lamps + direction indicators, XENON, right-hand traffic
I8BF	Halogen main headlight, left-hand traffic
I8BR	Halogen main headlights, U.S. version with direction indicator and running lights, right-hand traffic
I8BZ	Main headlights with gas-discharge lamps + direction indicators, XENON, left-hand traffic
I8DQ	Basic radio/PCM terminal, USA, double-DIN colour display
I8DR	Porsche CDR 30 radio WW
I8DU	Porsche CDR 23 radio WW
I8DV	Basic radio/PCM terminal, RoW, double-DIN colour display
I8EE	Xenon, ECE, left-hand traffic (Black)
I8EF	Xenon, ECE, right-hand traffic (Black)
I8EG	Xenon, USA, right-hand traffic (Black)
I8FE	Preparation for second battery
I8F2	Side direction indicator lights
I8F5	Side marker lights and direction indicators
I8GH	190-A generator
I8GR	150-A generator
I8GV	180 A generator
I8JD	Main headlights with gas-discharge lamps U.S. version, XENON RHD
I8K0	Without special low beam mode
I8K1	Daytime driving light setting, Scandinavia
I8K3	Daytime driving lights, auxiliary driving lights, RoW, with COMING/LEAVING HOME function
I8K4	Daytime driving light setting, Canada
I8K5	Auxiliary driving lights, USA (NAR)
I8K8	Auxiliary driving lights (RoW)
I8K9	Daytime driving lights, auxiliary driving lights, Canada (NAR), with COMING/LEAVING HOME function
I8L6	Diversity antenna
I8N3	Wipers - variable interval setting with rain sensor
I8Q0	Without headlight beam adjustment
I8Q1	Headlight levelling, manual
I8Q3	Headlight levelling - dynamic
I8RV	10 loudspeakers, passive

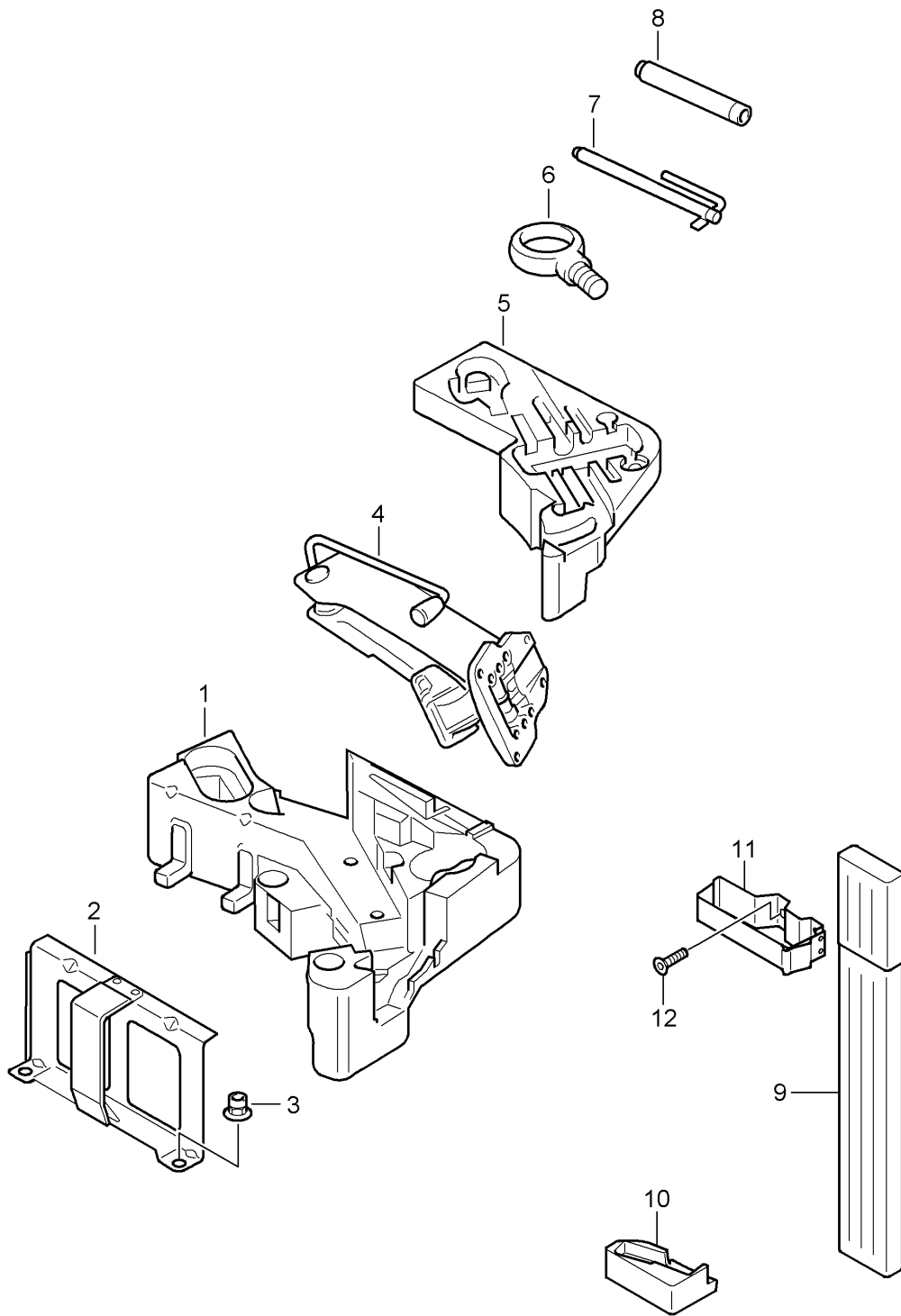
Model: 9PA108

Model life 2007>>2010

NR	Description
I8TF	Rear fog light, left and right
I8T1	Cruise control
I8T3	Automatic distance control + cruise control ACC from MY 04
I8WB	Fog lights
I8WU	Roof-mounted lights
I8X0	Without headlight washer system
I8X1	Headlight cleaning system
I8YZ	Without radio but with preparation for 10 loudspeakers
I8ZM	Antenna in rear spoiler
I9AB	Air conditioning system with mechanical control
I9AD	Climatronic, free of CFCs
I9AH	4-zone air conditioning system
I9C8	Without specific driving light circuit, USA
I9G1	220 A generator
I9JA	Non-smoker package
I9JB	Smoker version; ashtrays at front and rear
I9L1	Engine bay lighting
I9MA	Interior lighting in basic equipment package
I9MB	Comfort interior lighting, dimmable, with light strips on door panels
I9M0	Without auxiliary/parking heater
I9M5	Preheater for diesel
I9Q1	Multi-function display, on-board computer
I9TF	Courtesy entry and exit lights
I9TH	Safety lights on front and rear doors
I9T1	Heated washer nozzles, front
I9VL	Bose Surround Sound System
I9WC	Without multimedia in the vehicle rear
I9WM	Preparation for "Rear Seat Entertainment"
I9W0	Without preparation for installation of car phone
I9W1	Telephone module without passive handset
I9W5	BLUETOOTH mobile phone preparation
I9ZF	Telephone preparation for VDA mobile phone with hands-free facility
I9ZH	Installation of car phone with emergency-call system - PCM telematics
I9ZP	Telephone module with passive handset
I9ZT	Telephone preparation USA, JAPAN

Model: 9PA108

Model life 2007>>2010

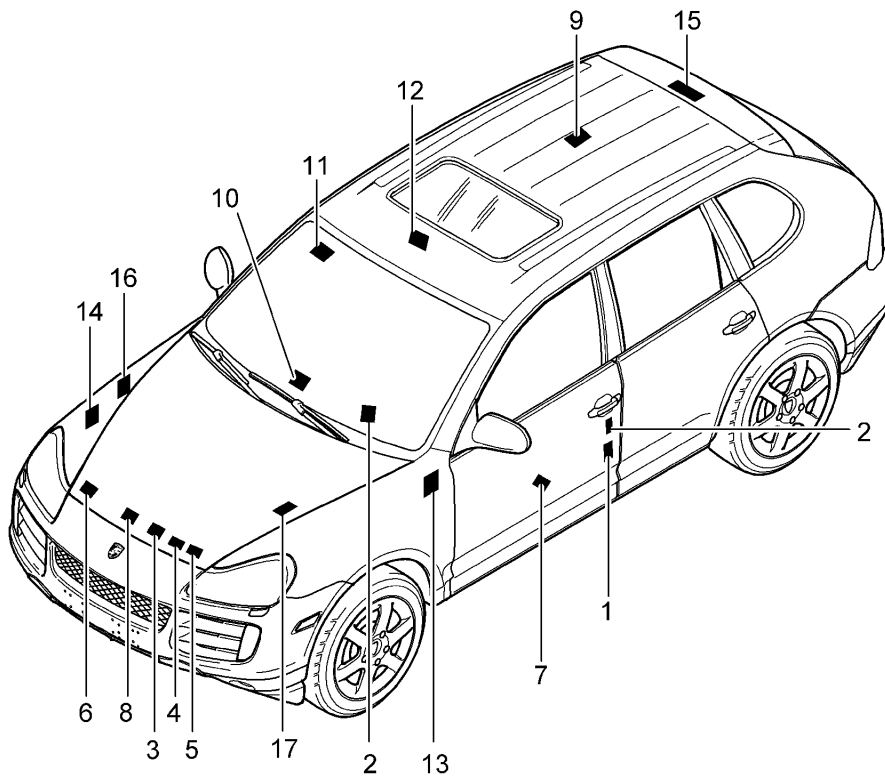


Model: 9PA108 Model life 2007>>2010

Pos	Part Number	Description	Remark	Qty	Model
1	955 721 101 00	Tool Jack Mounting		1	
2	955 721 111 00	Jack Support		1	
3	N 102 058 02	Hexagon nut M 6		2	
4	955 721 211 01	Jack		1	
5	955 721 102 00	Mounting Tool		1	
6	955 721 151 00	Towing lug		1	
-	955 721 153 00	Extractor for Hub cap		1	
7	955 721 135 01	Socket wrench Release Headlamp Rear light		1	
8	999 571 074 30	Threaded bolt for Wheels		1	
-	955 721 135 02	Rim wrench		1	
-	955 721 135 03	Double-end spanner 10 X 13		1	
-	955 721 135 04	Screwdriver		1	
9	000 722 722 05	Warning triangle		1	
9	000 722 722 06	Warning triangle		1	
10	955 721 723 00	Mounting Warning triangle		1	
11	955 721 724 00	Support Warning triangle		1	
12	N 908 183 01	Pan-head screw M 6 X 9		2	
-	993 722 041 00	First-aid kit		1	
-	955 721 725 00	Base wedge		2	

Model: 9PA108

Model life 2007>>2010



Model: 9PA108 Model life 2007>>2010

Pos	Part Number	Description	Remark	Qty	Model
1	955 701 297 00	Stickers Stickers Tyre pressure Sticker		1	IB0A/B0M/B0N IB0R/B1C/B1D IB1P/B1Q/B2G ID5X
1		Tyre pressure Sticker		1	IB0A/B0M/B0N IB0R/B1C/B1D IB1P/B1Q/B2G ID50
(1)	955 701 297 05	Tyre pressure Sticker		1	IB0A/B0M/B0N IB1C/B1D/B1P IB1Q/B2G/D5V
(1)	955 701 297 10	Tyre pressure Sticker	-08	1	IB0A/B0M/B0N IB1C/B1D/B1P IB1Q/B2G/D5Z
(1)	955 701 297 11	Tyre pressure Sticker	09-	1	IB0A/B0M/B0N IB1C/B1D/B1P IB1Q/B2G/D5Z IB0N/B1C/B2G IB1D/B1P/B1Q
(1)	955 701 299 00	Sticker		1	IB0L/D5X
(1)	955 701 299 05	Tyre pressure Sticker		1	IB0L/D5V
(1)	955 701 299 10	Tyre pressure Sticker	-08	1	IB0L/D5Z
(1)	955 701 299 15	Tyre pressure Sticker	09-	1	IB0L/D5Z
(1)	955 701 298 50	Tyre pressure Sticker		1	IB0R/D5X
(1)	955 701 298 55	Tyre pressure Sticker		1	IB0R/D5V
(1)	955 701 298 60	Tyre pressure Sticker		1	IB0R/D5Z
(1)	955 701 298 75	Tyre pressure Sticker		1	IB0A/B0E/B0M IB0N/B0R/B1C IB1D/B1P/B1Q IB2G
(1)	955 701 298 80	Comfort air pressure Sticker		1	IB0L
(1)	955 701 290 00	Comfort air pressure Indication sticker	/LL	1	IL0L
(1)	955 701 291 00	Tyre pressure monitoring Indication sticker	/RL	1	IL0R
2	955 701 387 00	Tyre pressure monitoring Sticker		1	
(2)	955 701 387 10	Top speed 240 Km/h Sticker		1	
(2)	955 701 387 20	Top speed 190 Km/h Sticker		1	
(2)	955 701 388 00	Top speed 210 Km/h Sticker		1	
		Top speed 120 Mph / 190 Km/h			

Model: 9PA108 Model life 2007>>2010

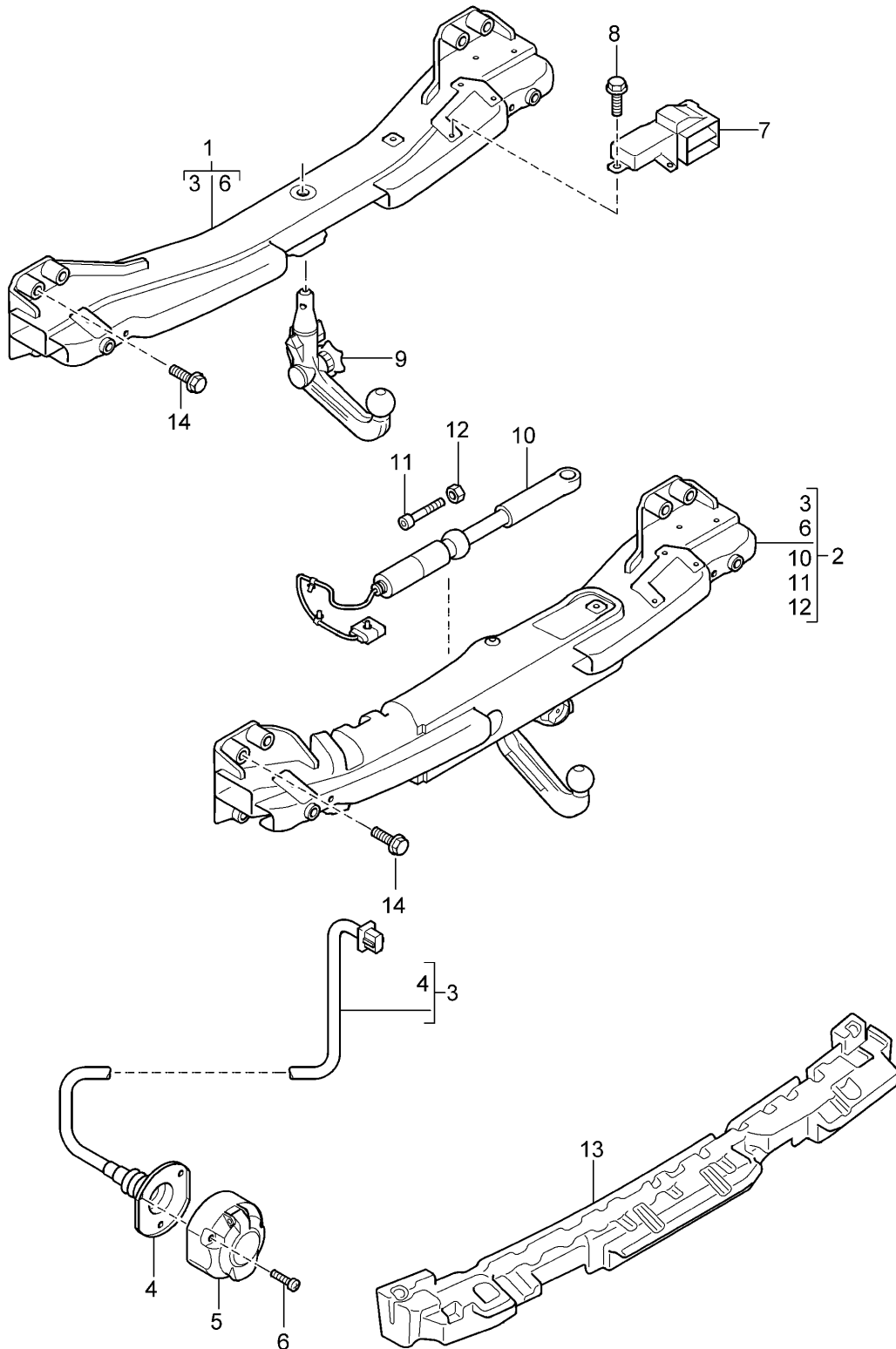
Pos	Part Number	Description	Remark	Qty	Model
(3)	955 006 108 00	Stickers Engine specifications Sticker	08	1	(THA) ID5V
(3)	955 006 108 10	Exhaust gas Sticker	09-	1	ID5X/D5Z (THA) ID5V
4	955 006 150 00	Exhaust gas Sticker		1	ID5X/D5Z ID5V/D5Z
4	955 006 150 10	Assembly V-belt Sticker		1	IB0L
(4)	955 006 675 00	Assembly V-belt Sticker		1	IB0L
(4)	955 701 676 25	Motor fan Sticker		1	IB0L
6	955 701 141 00	Air conditioner Sticker		1	
7	955 701 673 00	Air conditioner Sticker		1	IB0L
8	997 006 544 00	Battery Sticker		1	-ID50
8	955 006 544 00	Engine oil - MOBILLOEL - Sticker		1	ID50
9	955 006 117 10	Engine oil - MOBILLOEL - Sticker		1	IB0A/B0L/B0N IB0R/B1C/B1D IB1P/B2G
(9)	955 006 117 30	Type of fuel 98/95 ROZBLEIFREI Sticker		1	IB0M
(9)	955 701 676 10	Type of fuel 95/98 ROZ Sticker		1	IB0L
(9)	955 701 676 15	Fuel filler flap Sticker		1	IB0L
(9)	955 701 676 20	Fuel Sticker		1	ID50
(9)	955 701 119 00	Type of fuel Sticker		1	I7VE/7VL
11	955 701 435 00	Auxiliary heater Stickers Airbag Warning sign		1	IB0A/B0D/B0E IB0L/B0N/B1C IB2G
(11)	955 701 435 10	Airbag Warning sign		1	IB1P
(11)	955 701 435 20	Airbag Warning sign		1	IB0M
(11)	955 701 435 30	Airbag Warning sign		1	IB0R
(11)	955 701 675 20	Airbag Sticker		1	IB0L
(11)	955 701 676 00	Airbag Sticker		1	IB0L
12	955 701 675 10	Warning light Engine Sticker Recycling		1	IB0L

Model: 9PA108 Model life 2007>>2010

Pos	Part Number	Description	Remark	Qty	Model
13	955 701 433 00	Warning sign Driver's side		1	IB0L
(13)	955 701 432 00	Warning sign Passenger's side		1	IB0L
14	955 701 160 00	Sticker Window cleaner		1	-IB0L
14	955 701 160 10	Sticker Window cleaner		1	IB0L
15	955 701 289 00	Sticker Emergency wheel	-08	1	IB0R/1G1/1G6
(15)		Sticker Emergency wheel	09-	1	IB0R/D5V/D5X ID50 I1G1
(15)	955 701 298 70	Sticker Emergency wheel	09-	1	IB0R/D5Z/1G4
(15)	955 701 292 00	Sticker Emergency wheel	-08	1	IB0M/1G1/1G6
(15)		Sticker Emergency wheel	09-	1	IB0M/D5V/D5X I1G1
(15)	955 701 292 10	Sticker Emergency wheel	09-	1	IB0M/D5Z/1G4
(15)	955 701 293 00	Sticker Emergency wheel	-08	1	IB1P/1G1
(15)		Sticker Emergency wheel	09-	1	IB1P/D5V/D5X I1G1
(15)	955 701 293 10	Sticker Emergency wheel	09-	1	IB1P/D5Z/1G4
(15)	955 701 294 00	Sticker Emergency wheel	-08	1	I1G1/1G6
(15)		Sticker Emergency wheel	09-	1	ID5V/D5X/1G1
(15)	955 701 294 10	Sticker Emergency wheel	09-	1	ID5Z/1G4
(15)	955 701 675 15	Sticker Import Japan		1	IB0L
16	955 701 675 00	Sticker Expansion tank		1	IB0L
17	955 701 675 05	Sticker Brake fluid		1	IB0L

Model: 9PA108

Model life 2007>>2010

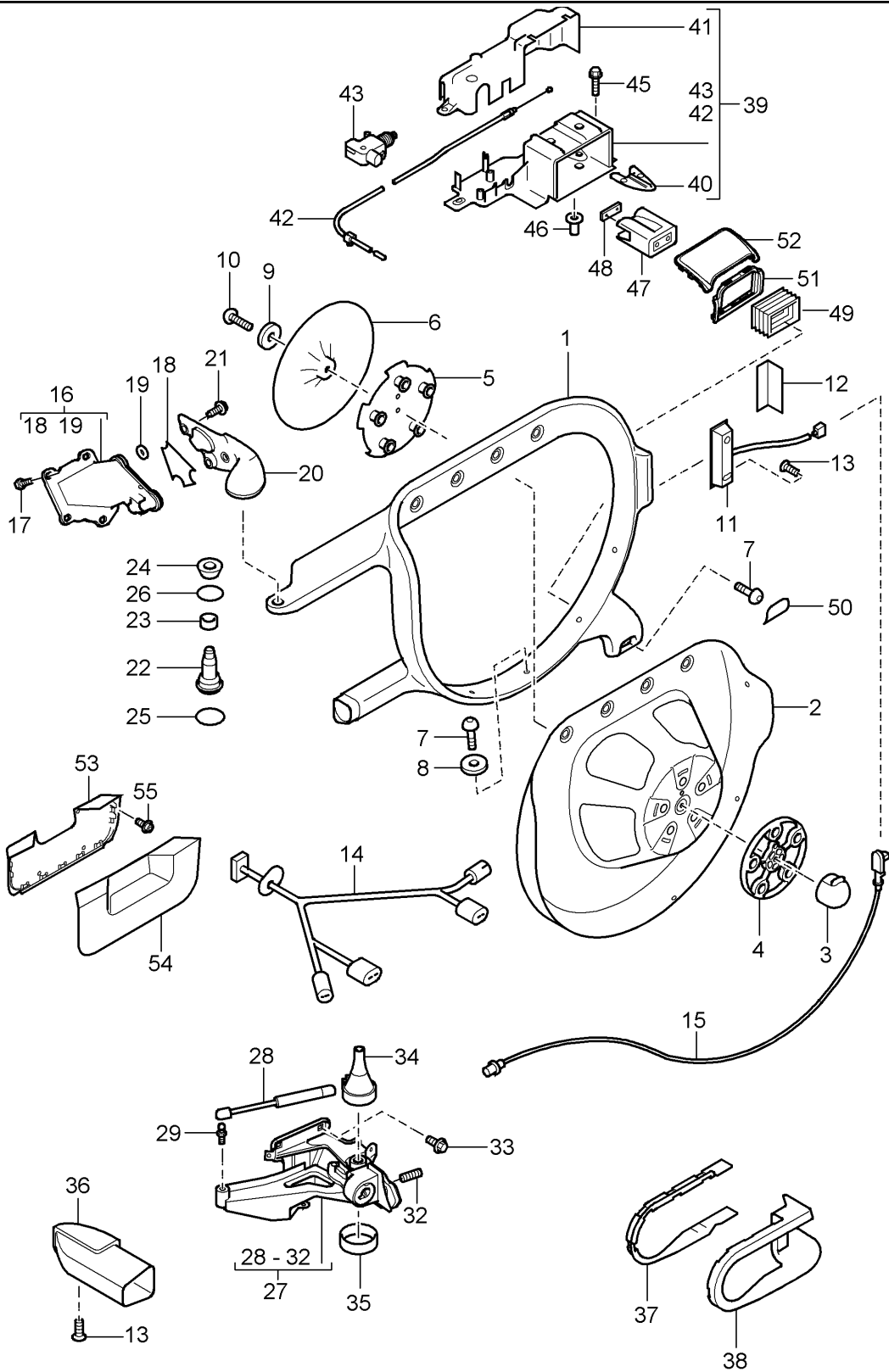


Model: 9PA108 Model life 2007>>2010

Pos	Part Number	Description	Remark	Qty	Model
1	955 722 003 01	Trailer coupling Trailer coupling with Wiring harness		1	I1D2
(1)	955 722 006 00	Trailer coupling with Wiring harness	(AUS)	1	I1D6
-	955 722 030 10	Cover Trailer coupling Red		1	I1D2
2	955 722 005 02	Trailer coupling with Wiring harness	-08	1	I1D9
2	955 722 005 03	Trailer coupling with Wiring harness	09-	1	I1D9
3	955 612 505 01	Wiring harness		1	I1D2
(3)	955 612 507 01	Wiring harness		1	I1D9
(3)	955 612 508 00	Wiring harness	(AUS)	1	I1D6
4	955 612 520 01	Grommet		1	
5	955 612 533 01	Plug socket		1	I1D2/1D9
(5)	999 650 893 40	Plug socket	(AUS)	1	I1D6
6	N 014 156 5	Oval-head screw M 5 X 30		3	
7		Locking device Support Spare wheel See illustrations 0/02/05			I1G3
8		Hexagon-head bolt See illustrations 0/02/05			I1G3
9	955 722 023 01	Ball head		1	I1D2
9	958 722 023 00	Ball head		1	I1D2
10	955 624 010 00	Electric motor Trailer coupling		1	I1D9
11	999 218 069 02	Pan-head screw M 5 X 40		3	
12	900 910 007 02	Lock nut M 5		3	
13	955 722 025 10	Foam part		1	I1D2/1D6
(13)	955 722 026 10	Foam part		1	I1D9
14	N 910 292 02	Hexagon-head bolt BM 12 x 1,5 x 100		8	

Model: 9PA108

Model life 2007>>2010



Model: 9PA108

Model life 2007>>2010

Pos	Part Number	Description	Remark	Qty	Model
1	955 722 010 00	Bracket Spare wheel Outer Retaining frame Spare wheel Outer		1	
2	955 722 010 00 4W9 955 722 012 00	Satin aluminium Spring support Spare wheel		1	
3	955 722 012 00 03C 955 722 013 00	Rally black Centring aid Spare wheel		1	
4	955 722 075 00	Spacer		1	
5	955 722 014 00	Threaded plate		1	
6	955 722 015 00	Cap Wheel bolts		1	
7	955 722 015 00 01C N 910 489 01	Satin black Oval-head screw M 8 X 28		12	
8	955 722 401 00	Spacer 4,3 MM		3	
(8)	955 722 402 00	Spacer 5,1 MM		2	
(8)	955 722 403 00	Spacer		1	
9	N 910 651 01	Washer 8,4 X 28 X 2,5		1	
10	N 103 156 03	Hexagon-head bolt AM 8 X 40		1	
11	955 613 271 01	Tip switch		1	
12	955 722 017 00	Protection cap Tip switch		1	
13	955 722 017 00 4W9 N 104 272 02	Satin aluminium Countersunk-head screw M 5 X 12		3	
14	955 612 812 01	Wiring harness		1	
15	955 612 813 00	Wiring harness		1	
16	955 722 020 02	Mounting Upper Inner		1	
17	N 101 277 07	Hexagon-head bolt M 8 X 26		4	
18	955 722 404 00	Spacer		1	
19	955 722 405 00	Sealing ring		3	
20	955 722 121 00	Mounting Upper		1	
21	955 722 121 00 4W9 N 910 460 02	Satin aluminium Oval-head screw M 8 X 35		3	
22	955 722 406 00	Bolt		1	
23	955 722 407 00	Articulated support		1	
24	955 722 408 00	Spacer		1	
25	955 722 409 00	Circlip		1	
26	955 722 410 00	Circlip		1	
27	955 722 201 03	Bearing Lower		1	
28	955 722 411 00	Gas-pressure spring		1	
29	955 722 413 00	Ball pin		2	
32	N 106 086 02	Threaded pin M 16 X 25		2	
33	N 106 266 01	Hexagon-head bolt M 8 X 30		4	
34	955 722 255 10	Cap Upper		1	

Model: 9PA108 Model life 2007>>2010

Pos	Part Number	Description	Remark	Qty	Model
35	955 722 256 00	Cap Lower		1	
36	955 722 203 00	Cover Bearing Lower		1	
37	955 722 203 00 4W9	Satin aluminium		1	
	955 722 204 10	Frame Bearing Lower			
38	955 722 205 11	Cover Bearing Lower		1	
	955 722 205 11 4W9	Satin aluminium			
39	955 722 031 02	Locking device Support Spare wheel	-09	1	
	955 722 031 03	Locking device Support Spare wheel			
40	955 722 032 11	Rubber stop Upper		1	
(40)	955 722 032 01	Rubber stop Lower		1	
41	955 722 035 01	Cover Locking device		1	
	955 722 525 00	Emergency operation			
42	955 722 525 00	Emergency operation		1	
43	955 624 521 00	Electric motor	-09	1	
43	955 624 521 01	Electric motor		1	
-	955 624 523 00	Connecting piece		1	
-	955 624 525 00	End piece		1	
45	N 014 156 5	Oval-head screw M 6 X 25		4	
46	N 908 179 02	Blind rivet nut M 6		4	
	955 722 251 00	Retaining bar			
47	955 722 251 00	Retaining bar		1	
48	955 722 252 00	Counterplate Retaining bar		1	
	955 722 253 00	Bellows			
49	955 722 253 00	Bellows		1	
	955 722 253 00 01C	Satin black			
50	955 722 254 00	Cap		1	
	955 722 254 00 4W9	Satin aluminium			
51	955 722 142 00	Covering frame		1	
52	955 722 277 00	Cap for Lining Rear		1	
	955 722 261 00	Spring support			
	955 722 261 00 01C	Satin black			
54	955 722 262 00	Cover		1	
	955 722 262 00 B41	Satin black			
55	N 101 319 03	Hexagon-head bolt M 6 X 14		4	

Model: 9PA108

Model life 2007>>2010

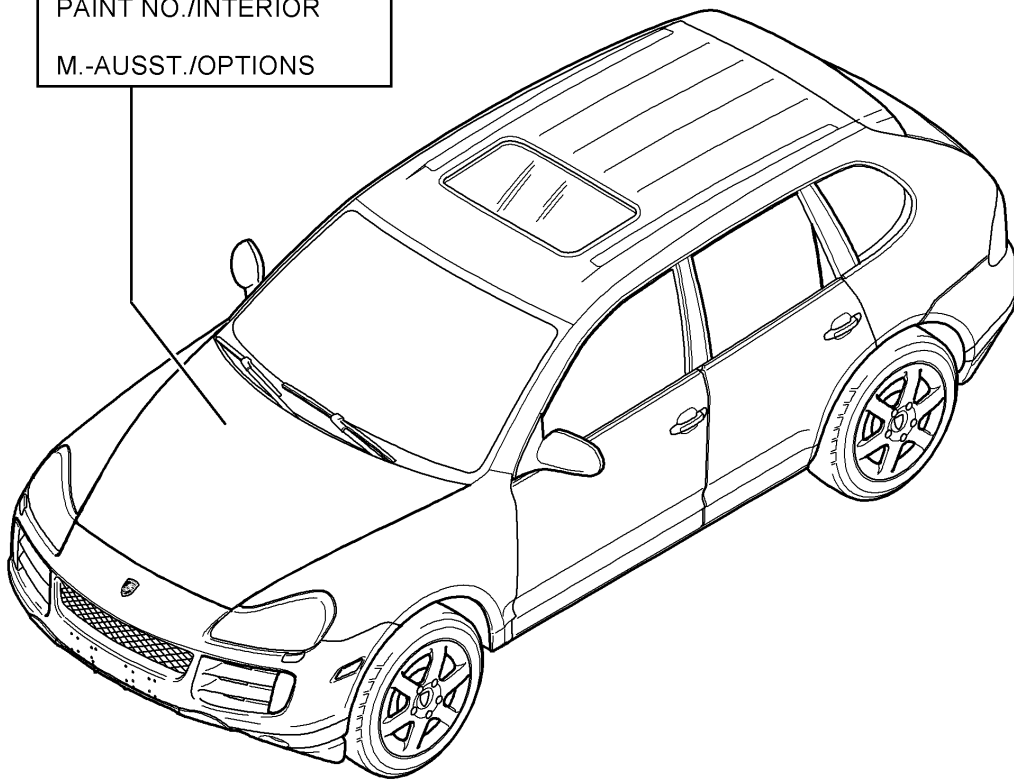
FAHRZG.-IDENT-NR.
VEHICLE.-IDENT-NO.

TYP/TYPE

MOTORKB./GETR.KB.
ENG.CODE/TRANS.CODE

LACKNR./INNENAUSST.
PAINT NO./INTERIOR

M.-AUSST./OPTIONS

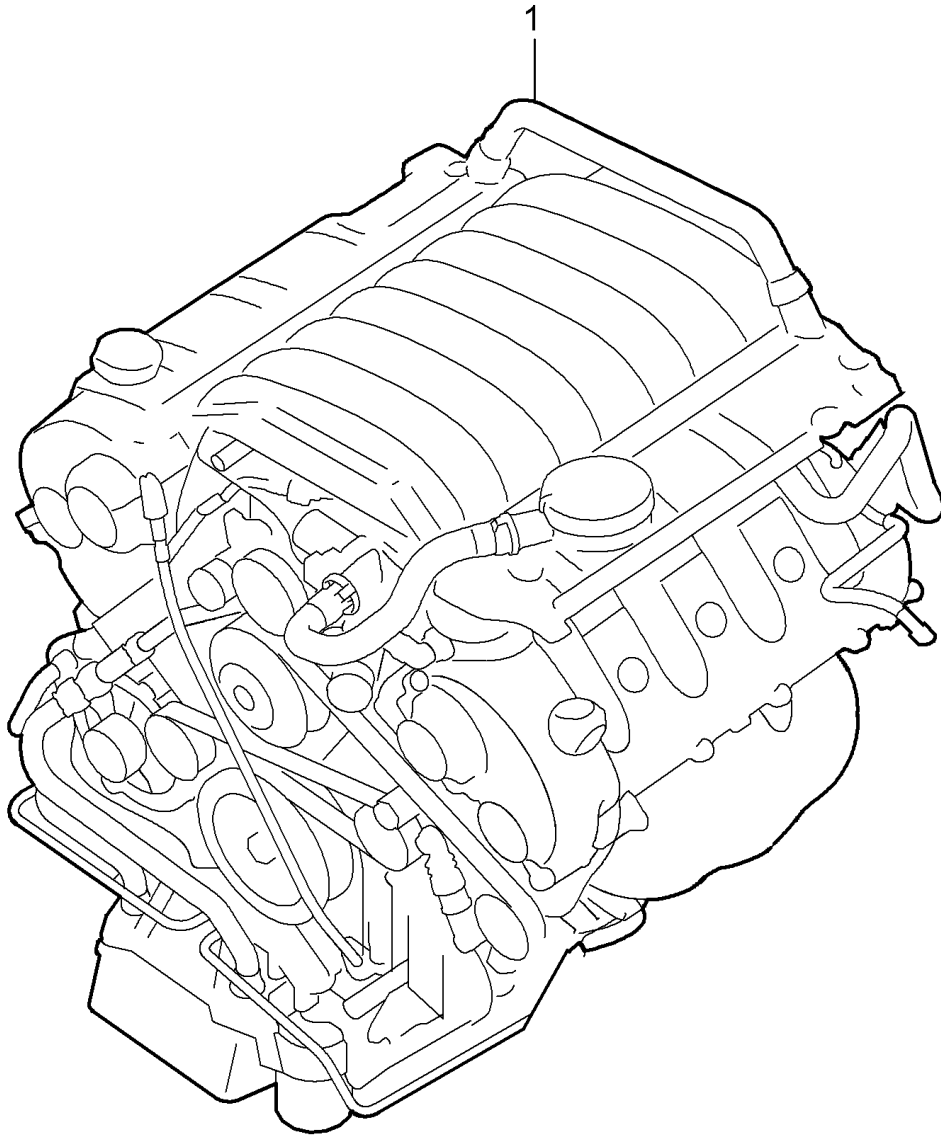


Model: 9PA108 Model life 2007>>2010

Pos	Part Number	Description	Remark	Qty	Model
		Paint touch-up applicator Lacquers			
-	911 095 932 20	Paint touch-up applicator		X	
	911 095 932 20 041	Black			A 1
	911 095 932 20 R9A	Ivory white			R 6
	911 095 932 20 M3E	GTS Red			Z 6
-	911 095 933 20	Paint touch-up applicator Set Comprising: Paint touch-up applicator Primer Paint touch-up applicator Clear lacquer		X	
	911 095 933 20 M3W	Carmon red metallic			E 4
	911 095 933 20 M1W	Jarama beige metallic			D 5
	911 095 933 20 A7W	Crystal silver metallic			8 E
	911 095 933 20 C9Z	Basalt black metallic			Z 4
	911 095 933 20 4W9	Satin aluminium			
	911 095 933 20 M6X	Dark olive-metallic			7 G
	911 095 933 20 D5Q	Marine blue metallic			P 6
	911 095 933 20 M6U	Olive Green Metallic			D 4
	911 095 933 20 M7W	Meteor Grey Metallic			9 Q
	911 095 933 20 M2Z	Nordic Gold Metallic			8 W
	911 095 933 20 M8W	Macadamia Metallic			9 S
	911 095 933 20 R7M	Lava Grey Metallic			9 B

Model: 9PA108

Model life 2007>>2010



Model: 9PA108 Model life 2007>>2010

Pos	Part Number	Description	Remark	Qty	Model
		Replacement engine without Drive plate Tiptronic without Flywheel Manual transmission without Compressor			M48.01/51
1	948 100 948 04	Replacement engine		1	M48.01 IE0A
(1)	948 100 948 DX	Not Ready for installation M >> 838 20207 Replacement engine		1	M48.01 IE0A
(1)	948 100 948 06	Not Ready for installation M >> 838 20207 Replacement engine	-08	1	M48.01 IE0A
(1)	948 100 948 FX	Not Ready for installation M 838 20208 >> for vehicles up to M >> 838 20207 Use also: Piwis tester Software Update V19.020 Replacement engine	-08	1	M48.01 IE0A
(1)	948 100 948 08	Not Ready for installation M 838 20208 >> for vehicles up to M >> 838 20207 Use also: Piwis tester Software Update V19.020 Replacement engine	09-	1	M48.01 IE0A
(1)	948 100 948 HX	Not Ready for installation M >> 9 05540 for vehicles up to M >> 838 20207 Use also: Piwis tester Software Update V19.020 Replacement engine	09-	1	M48.01 IE0A
		Not Ready for installation M >> 9 05540 for vehicles up to M >> 838 20207 Use also:			

Model: 9PA108 Model life 2007>>2010

Pos	Part Number	Description	Remark	Qty	Model
(1)	948 100 948 10	Piwis tester Software Update V19.020 Replacement engine	-09	1	M48.01 IE0A
(1)	948 100 948 KX	Not Ready for installation M 9 05541 >> for vehicles up to M >> 838 20207 Use also: Piwis tester Software Update V19.020 Replacement engine	-09	1	M48.01 IE0A
(1)	948 100 948 12	Not Ready for installation for vehicles up to M >> 838 20207 Use also: Piwis tester Software Update V19.020 Replacement engine	10-	1	M48.01 IE0A
(1)	948 100 948 MX	Not Ready for installation for vehicles up to M >> 838 20207 Use also: Piwis tester Software Update V19.020 Replacement engine	10-	1	M48.01 IE0A
(1)	948 100 948 07	Not Ready for installation for vehicles up to M >> 858 01039 Use also: Piwis tester Software Update V19.020 Replacement engine	08	1	M48.01 IE0W
(1)	948 100 948 GX	Not Ready for installation for vehicles up to M >> 858 01039 Use also: Piwis tester Software Update V19.020 Replacement engine	08	1	M48.01 IE0W

Model: 9PA108 Model life 2007>>2010

Pos	Part Number	Description	Remark	Qty	Model
(1)	948 100 948 09	<p>Not Ready for installation for vehicles up to M >> 858 01039 Use also: Piwis tester Software Update V19.020 Replacement engine</p>	09-	1	M48.01 IEOW
(1)	948 100 948 JX	<p>Not Ready for installation M >> G 9 04964 for vehicles up to M >> 858 01039 Use also: Piwis tester Software Update V19.020 Replacement engine</p>	09-	1	M48.01 IEOW
(1)	948 100 948 11	<p>Not Ready for installation M >> G 9 04964 for vehicles up to M >> 858 01039 Use also: Piwis tester Software Update V19.020 Replacement engine</p>	-09	1	M48.01 IEOW/E2D
(1)	948 100 948 LX	<p>Not Ready for installation M G 9 04965 >> for vehicles up to M >> 858 01039 Use also: Piwis tester Software Update V19.020 Replacement engine</p>	-09	1	M48.01 IEOW/E2D
(1)	948 100 948 13	<p>Not Ready for installation M G 9 04965 >> for vehicles up to M >> 858 01039 Use also: Piwis tester Software Update V19.020 Replacement engine</p>	10-	1	M48.01 IEOW/E1T/E2D
		<p>Not Ready for installation for vehicles up to M >> 858 01039</p>			

Model: 9PA108

Model life 2007>>2010

Pos	Part Number	Description	Remark	Qty	Model
(1)	948 100 948 NX	Use also: Piwis tester Software Update V19.020 Replacement engine	10-	1	M48.01 IEOW/E1T/E2D
(1)	948 100 950 42	Not Ready for installation for vehicles up to M >> 858 01039 Use also: Piwis tester Software Update V19.020 Replacement engine		1	M48.51 IE0A
(1)	948 100 950 1X	Not Ready for installation M >> 848 09397 Replacement engine		1	M48.51 IE0A
(1)	948 100 950 44	Not Ready for installation M >> 848 09397 Replacement engine	-08	1	M48.51 IE0A
(1)	948 100 950 3X	Not Ready for installation M 848 09398 >> for vehicles up to M >> 848 09397 Use also: Piwis tester Software Update V19.020 Replacement engine	-08	1	M48.51 IE0A
(1)	948 100 950 46	Not Ready for installation M 848 09398 >> for vehicles up to M >> 848 09397 Use also: Piwis tester Software Update V19.020 Replacement engine	09-	1	M48.51 IE0A
(1)	948 100 950 5X	Not Ready for installation M >> 9 01688 for vehicles up to M >> 848 09397 Use also: Piwis tester Software Update V19.020 Replacement engine	09-	1	M48.51

Model: 9PA108 Model life 2007>>2010

Pos	Part Number	Description	Remark	Qty	Model
		Not Ready for installation M >> 9 01688 for vehicles up to M >> 848 09397 Use also: Piwis tester Software Update V19.020			IE0A
(1)	948 100 950 49	Replacement engine	-09	1	M48.51 IE0A
		Not Ready for installation M 9 01689 >> for vehicles up to M >> 848 09397 Use also: Piwis tester Software Update V19.020			
(1)	948 100 950 8X	Replacement engine	-09	1	M48.51 IE0A
		Not Ready for installation M 9 01689 >> for vehicles up to M >> 848 09397 Use also: Piwis tester Software Update V19.020			
(1)	948 100 950 52	Replacement engine	10-	1	M48.51 IE0A
		Not Ready for installation for vehicles up to M >> 848 09397 Use also: Piwis tester Software Update V19.020			
(1)	948 100 951 AX	Replacement engine	10-	1	M48.51 IE0A
		Not Ready for installation for vehicles up to M >> 848 09397 Use also: Piwis tester Software Update V19.020			
(1)	948 100 950 45	Replacement engine	08	1	M48.51 IE81
		Not Ready for installation Replacement engine			
(1)	948 100 950 4X	Replacement engine	08	1	M48.51 IE81

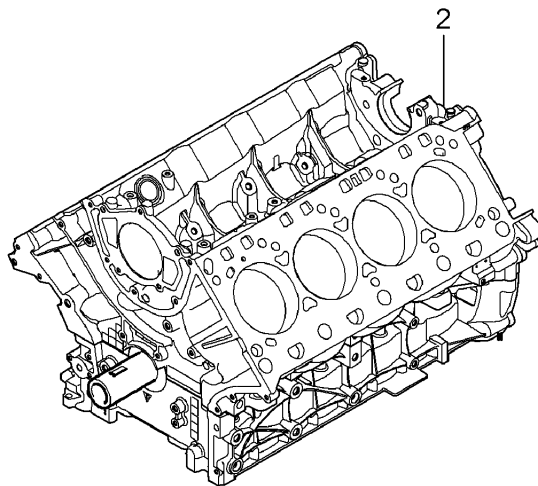
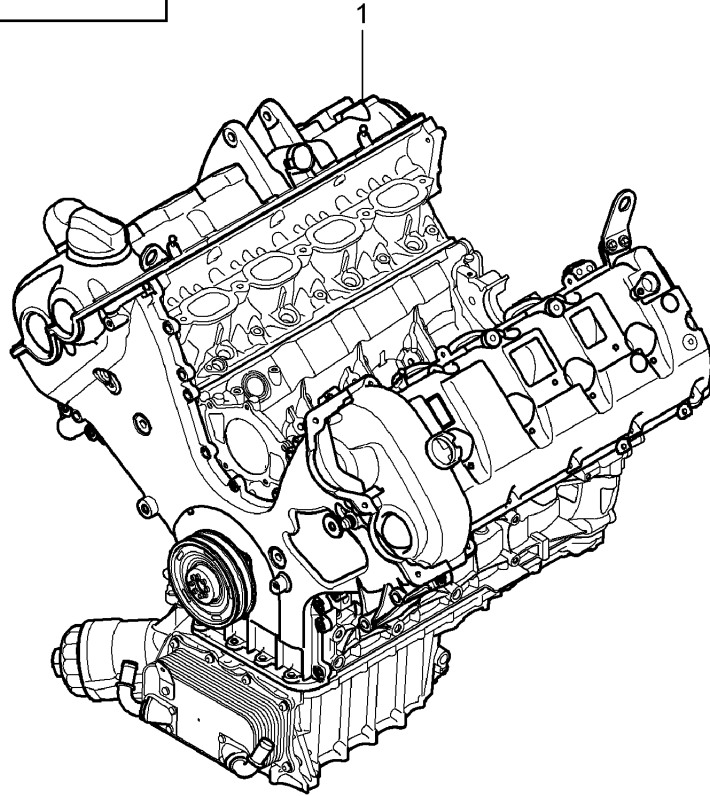
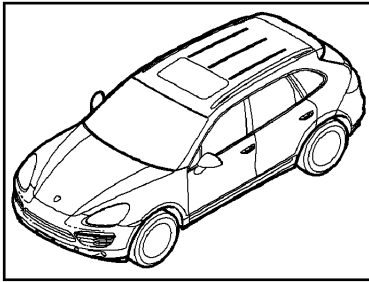
Model: 9PA108

Model life 2007>>2010

Pos	Part Number	Description	Remark	Qty	Model
(1)	948 100 950 47	Not Ready for installation Replacement engine	09-	1	M48.51 IE81
(1)	948 100 950 6X	Not Ready for installation M >> S 9 00561 Replacement engine	09-	1	M48.51 IE81
(1)	948 100 950 50	Not Ready for installation M >> S 9 00561 Replacement engine	-09	1	M48.51 IE81
(1)	948 100 950 9X	Not Ready for installation M S 9 00562 >> Replacement engine	-09	1	M48.51 IE81
(1)	948 100 950 53	Not Ready for installation M S 9 00562 >> Replacement engine	10-	1	M48.51 IE81
(1)	948 100 951 BX	Not Ready for installation Replacement engine	10-	1	M48.51 IE81
(1)	948 100 950 48	Not Ready for installation Replacement engine	09-	1	M48.51 IE8A
(1)	948 100 950 7X	Not Ready for installation M >> T 9 01787 Replacement engine	09-	1	M48.51 IE8A
(1)	948 100 950 51	Not Ready for installation M >> T 9 01787 Replacement engine	-09	1	M48.51 IE8A
(1)	948 100 951 X	Not Ready for installation M T 9 01788 >> Replacement engine	-09	1	M48.51 IE8A
(1)	948 100 950 54	Not Ready for installation M T 9 01788 >> Replacement engine	10-	1	M48.51 IE8A
(1)	948 100 951 CX	Not Ready for installation Replacement engine	10-	1	M48.51 IE8A
		Not Ready for installation			

Model: 9PA108

Model life 2007>>2010



Model: 9PA108 Model life 2007>>2010

Pos	Part Number	Description	Remark	Qty	Model
(1)	948 100 948 60	Short engine Short engine Short engine Comprising: Valve cover Cylinder head Oil pan Valve cover without Gaskets Use also: 7PP.103.113 948.604.206.01 948.111.181.01 999.170.130.90 999.707.582.41 999.707.581.41 948.110.615.00 N .906.651.01 M >> 9 05540 M >> 8 3 89999 M >> G 9 04964		1	M48.01/51 M48.01
(1)	948 100 948 RX	Short engine Comprising: Valve cover Cylinder head Oil pan Valve control without Gaskets Use also: 7PP.103.113 948.604.206.01 948.111.181.01 999.170.130.90 999.707.582.41 999.707.581.41 948.110.615.00 N .906.651.01 M >> 9 05540 M >> 8 3 89999 M >> G 9 04964		1	IEOA IEOA IEOW M48.01
(1)	948 100 948 60	Short engine Comprising: Valve cover Cylinder head Oil pan Valve control Parts kit without Gaskets Use also: 948.111.181.01 999.170.130.90 999.707.582.41 999.707.581.41 948.110.615.00 N .906.651.01 M 9 05541 >> M G 9 04965 >>		1	IEOA IEOA IEOW M48.01
(1)	948 100 948 RX	Short engine Comprising: Valve cover		1	IEOA IEOW M48.01

Model: 9PA108 Model life 2007>>2010

Pos	Part Number	Description	Remark	Qty	Model
-	948 101 910 20	Cylinder head Oil pan Valve control Parts kit without Gaskets Use also: 948.111.181.01 999.170.130.90 999.707.582.41 999.707.581.41 948.110.615.00 N .906.651.01 M 9 05541 >> M G 9 04965 >> Joint flange Parts kit for Short engine 94810094860 948100948RX Use also: 99970736040 94810653300 94810612402 94810615401 99970758640 99970182540 94810743700 94810743900 94810743910 99970760640 99970402090 94811014601		2 8 1 1 1 10	IE0A IEOW M48.01
(1)	948 100 951 60	Short engine Comprising: Valve cover Cylinder head Oil pan Valve control without Gasket Use also: 7PP.103.113 948.604.206.01 948.111.181.01 999.170.228.90 999.707.582.41 999.707.581.41 948.110.615.00 N .906.651.01		1 1 2 2 2 2 4 2 2 8 8 8	M48.51
(1)	948 100 951 RX	M >> 9 01688 M >> T 9 01787 M >> S 9 00561 Short engine Comprising: Valve cover Cylinder head Oil pan Valve control without Gasket Use also:		10 1 1 2 8 1 1 1 1 10	IE0A IE8A IE81 M48.51

Model: 9PA108 Model life 2007>>2010

Pos	Part Number	Description	Remark	Qty	Model
-	999 707 763 40	94810743950 94810743960 99970760640 99970402090 94811014601 O-ring Turbocharger Parts kit for Short engine 94810095160 948100951RX Use also: 90012300520 90012301820 94810712350 99970756840 99970750340 90012300520		2 2 8 8 8 2	M48.51
2	948 100 948 50	Short engine Comprising: Crankcase Piston Connecting rod Crankshaft Use also: 94810701305 7PP103113 94860420601 94811118101 99917013090 N 90665101 00004320458 M >> 9 05540 M >> 8 3 89999 M >> G 9 04964 M >> 8 5 89999		1 4 2 2 1 8 1	M48.01
(2)	948 100 948 TX	Short engine Comprising: Crankcase Piston Connecting rod Crankshaft Use also: 94810701305 7PP103113 94860420601 94811118101 99917013090 N 90665101 00004320458 M >> 9 05540 M >> 8 3 89999 M >> G 9 04964 M >> 8 5 89999		1 1 1 2 8 10 X	IE0A IE0A IE0W IE0W M48.01
(2)	948 100 948 50	Short engine Comprising: Crankcase Piston Connecting rod Crankshaft Use also: 94810701305 7PP103113 94860420601 94811118101 99917013090 N 90665101 00004320458 M >> 9 05540 M >> 8 3 89999 M >> G 9 04964 M >> 8 5 89999		1 1 1 2 8 10 X	IE0A IE0A IE0W IE0W M48.01
		94810701305		1	

Model: 9PA108 Model life 2007>>2010

Pos	Part Number	Description	Remark	Qty	Model
		94811118101		2	
		99917013090		8	
		N 90665101		10	
		99907390531		7	
		99907390531		75	
		99907391331		2	
		99907390331		2	
		99907390531		3	
		99991557343		X	
		M 9 05541 >>			IEOA
		M G 9 04965 >>			IEOW
(2)	948 100 948 TX	Short engine		1	M48.01
		Comprising:			
		Crankcase			
		Piston			
		Connecting rod			
		Crankshaft			
		Use also:			
		94810701305		1	
		94811118101		2	
		99917013090		8	
		N 90665101		10	
		99907390531		7	
		99907390531		75	
		99907391331		2	
		99907390331		2	
		99907390531		3	
		99991557343		X	
		M 9 05541 >>			IEOA
		M G 9 04965 >>			IEOW
-	948 101 910 20	Joint flange		1	M48.01
		Parts kit			
		for			
		Short engine			
		94810094850			
		948100948TX			
		Use also:			
		99970736040		1	
		94810653300		1	
		94810612402		2	
		94810615401		2	
		99970758640		2	
		99970182540		2	
		94810743700		4	
		94810743900		2	
		94810743910		2	
		99970760640		8	
		99970402090		8	
		94811014601		8	
-	999 707 575 40	O-ring		1	M48.01
		Parts kit			
		for			
		Short engine			
		94810094850			
		948100948TX			
		Use also:			
		99970748140		1	
		94810113021		1	
		94810112520		1	
		94810112720		1	
		94810112921		1	
		00004320435		X	
		94810417305		1	

Model: 9PA108

Model life 2007>>2010

Pos	Part Number	Description	Remark	Qty	Model
-	948 105 935 01	94810417405 94810418110 Gasket Parts kit for Short engine 94810094850 948100948TX Use also: 94810593601 94810593800 94810593702 94810516910 94810502312 94810506811 94810506510 94810518011 94810516612 99901502201 99901502101 94810725212		1 20 1 1 2 8 1 1 1 1 1 1 1 2 1 2 1	M48.01
-	948 107 222 00	Filter element Parts kit for Short engine 94810094850 948100948TX Use also: 99970749640 94810732200 99970760340 99970756740 99970753040 99970754740 99970758540 99970756840 9486062400		1 2 1 1 1 1 1 1 1 1 1	M48.01
(2)	948 100 951 50	Short engine Comprising: Crankcase Piston Connecting rod Crankshaft Use also: 94810701355 7PP103113 94860420601 94811118101 99917022890 N 90665101 00004320458 M >> 9 01688 M >> T 9 01787 M >> S 9 00561		1 1 1 1 2 8 10 X	M48.51
(2)	948 100 951 TX	Short engine Comprising: Crankcase Piston Connecting rod Crankshaft Use also: 94810701355 7PP103113		1 1 1	IE0A IE8A IE81 M48.51

Model: 9PA108 Model life 2007>>2010

Pos	Part Number	Description	Remark	Qty	Model
(2)	948 100 951 50	94860420601 94811118101 99917022890 N 90665101 00004320458 M >> 9 01688 M >> T 9 01787 M >> S 9 00561 Short engine Comprising: Crankcase Piston Connecting rod Crankshaft Use also: 94810701355 94811118101 99917022890 N 90665101 99991557343 99907391431 99907391331 99907390331 99907390831 99907390531 M 9 01689 >> M T 9 01788 >> M S 9 00562 >>		1 2 8 10 X 1 2 8 10 X 7 2 2 3 75 1 2 8 10 X 7 2 2 3 75	IE0A IE8A IE81 M48.51 IE0A IE8A IE81 M48.51
(2)	948 100 951 TX	Short engine Comprising: Crankcase Piston Connecting rod Crankshaft Use also: 94810701355 94811118101 99917022890 N 90665101 99991557343 99907391431 99907391331 99907390331 99907390831 99907390531 M 9 01689 >> M T 9 01788 >> M S 9 00562 >>		1 2 8 10 X 7 2 2 3 75	IE0A IE8A IE81 M48.51
-	948 101 910 20	Joint flange Parts kit for Short engine 94810095150 948100951TX Use also: 99970736040 94810653300 94810612402 94810615401 99970758640 99970182540 94810743750 94810743950		1 1 2 2 2 2 2 4 2	IE0A IE8A IE81 M48.51

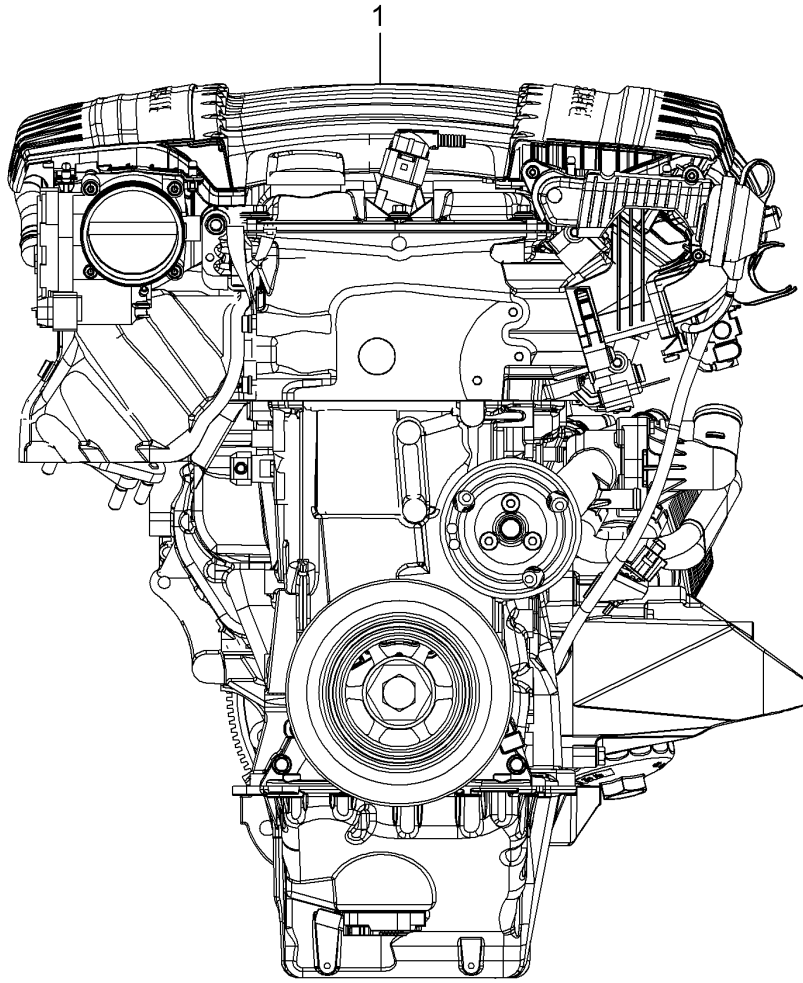
Model: 9PA108

Model life 2007>>2010

Pos	Part Number	Description	Remark	Qty	Model
		99970756740		1	
		99970753040		1	
		99970754740		1	
		99970758540		1	
		99970756840		1	
		9486062400		1	

Model: 9PA108

Model life 2007>>2010



Model: 9PA108 Model life 2007>>2010

Pos	Part Number	Description	Remark	Qty	Model
1	955 100 955 02	Replacement engine Replacement engine Together with Manual transmission Not Ready for installation	-08	1	M55.01 IG0L
(1)	955 100 955 BX	Replacement engine Together with Manual transmission Not Ready for installation	-08	1	IG0L
(1)	955 100 955 04	Replacement engine Together with Manual transmission Not Ready for installation	09-	1	IG0L
(1)	955 100 955 DX	M >> 639 10538 Replacement engine Together with Manual transmission Not Ready for installation	09-	1	IG0L
(1)	955 100 955 06	M >> 639 10538 Replacement engine Together with Manual transmission Not Ready for installation	-09	1	IG0L
(1)	955 100 955 FX	M 639 10539 >> Replacement engine Together with Manual transmission Not Ready for installation	-09	1	IG0L
(1)	955 100 955 08	M 639 10539 >> Replacement engine Together with Manual transmission Not Ready for installation	10-	1	IG0L
(1)	955 100 955 HX	M >> 63A 05019 See technical information Service Group 1 KD-NR. 1373 19/09 Replacement engine Together with Manual transmission Not Ready for installation	10-	1	IG0L
(1)	955 100 955 10	M >> 63A 05019 See technical information Service Group 1 KD-NR. 1373 19/09 Replacement engine Together with Manual transmission Not Ready for installation	M 63A 05020 >>	1	IG0L

Model: 9PA108

Model life 2007>>2010

Pos	Part Number	Description	Remark	Qty	Model
(1)	955 100 955 KX	See technical information Service Group 1 KD-NR. 1373 19/09 Replacement engine Together with Manual transmission Not Ready for installation M 63A 05020 >> See technical information Service Group 1 KD-NR. 1373 19/09		1	IG0L
(1)	955 100 955 01	Replacement engine Together with Tiptronic Not Ready for installation M >> 638 08942		1	IG0R
(1)	955 100 955 AX	Replacement engine Together with Tiptronic Not Ready for installation M >> 638 08942		1	IG0R
(1)	955 100 955 03	Replacement engine Together with Tiptronic Not Ready for installation M >> 638 08943 >>	-08	1	IG0R
(1)	955 100 955 CX	Replacement engine Together with Tiptronic Not Ready for installation M 638 08943 >>	-08	1	IG0R
(1)	955 100 955 05	Replacement engine Together with Tiptronic Not Ready for installation M >> 639 10017	09-	1	IG0R
(1)	955 100 955 EX	Replacement engine Together with Tiptronic Not Ready for installation M >> 639 10017	09-	1	IG0R
(1)	955 100 955 07	Replacement engine Together with Tiptronic Not Ready for installation M 639 10018 >>	-09	1	IG0R
(1)	955 100 955 GX	Replacement engine Together with Tiptronic Not Ready for installation	-09	1	IG0R

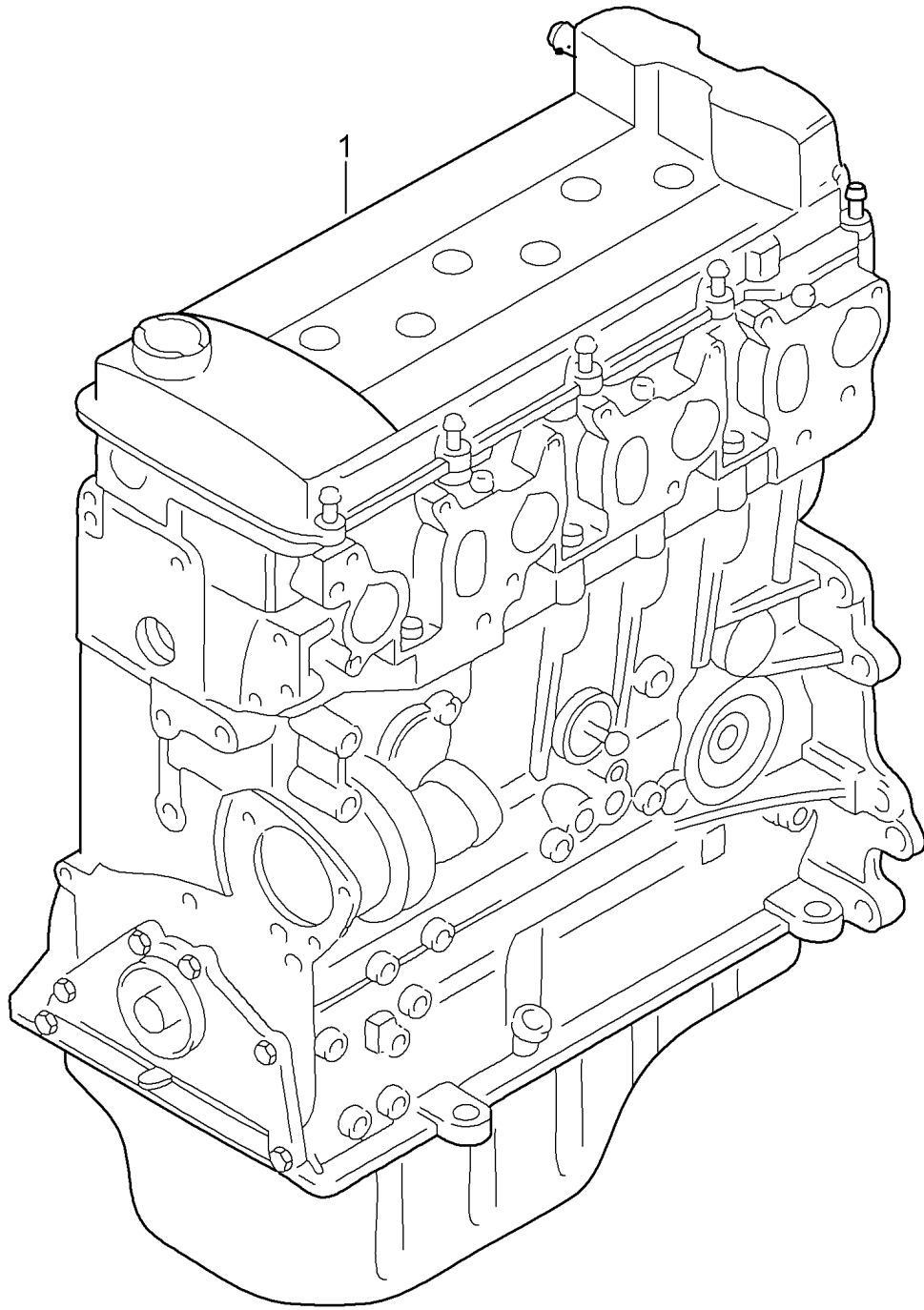
Model: 9PA108

Model life 2007>>2010

Pos	Part Number	Description	Remark	Qty	Model
(1)	955 100 955 09	M 639 10018 >> Replacement engine Together with Tiptronic Not Ready for installation M >> 63A 03026 See technical information Service Group 1 KD-NR. 1373 19/09	10-	1	IGOR
(1)	955 100 955 JX	Replacement engine Together with Tiptronic Not Ready for installation M >> 63A 03026 See technical information Service Group 1 KD-NR. 1373 19/09	10-	1	IGOR
(1)	955 100 955 11	Replacement engine Together with Tiptronic Not Ready for installation M 63A 03027 >> See technical information Service Group 1 KD-NR. 1373 19/09		1	IGOR
(1)	955 100 955 LX	Replacement engine Together with Tiptronic Not Ready for installation M 63A 03027 >> See technical information Service Group 1 KD-NR. 1373 19/09		1	IGOR

Model: 9PA108

Model life 2007>>2010



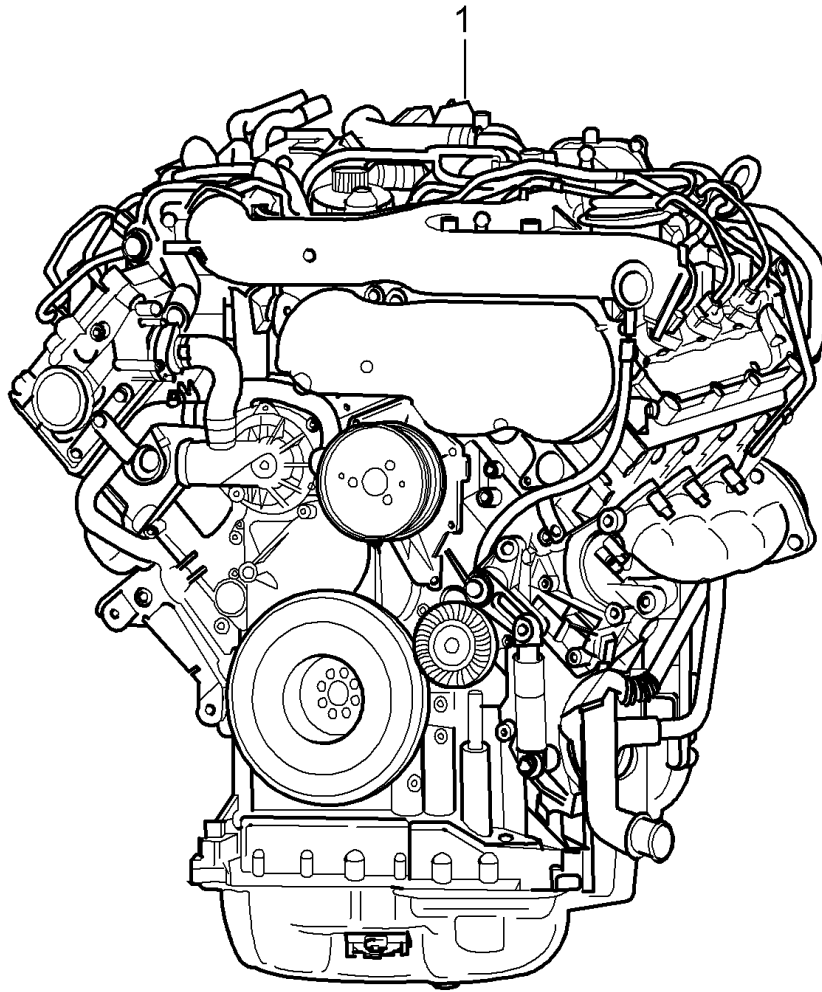
Model: 9PA108

Model life 2007>>2010

Pos	Part Number	Description	Remark	Qty	Model
		Short engine Comprising: Valve cover Cylinder head Crankcase Crank drive Oil pan			M55.01
1	955 100 937 00	Short engine Together with Manual transmission Not Ready for installation		1	IG0L
(1)	955 100 937 X	Short engine Together with Manual transmission Not Ready for installation		1	IG0L
(1)	955 100 937 01	Short engine Together with Tiptronic Not Ready for installation		1	IG0R
(1)	955 100 937 AX	Short engine Together with Tiptronic Not Ready for installation		1	IG0R

Model: 9PA108

Model life 2007>>2010

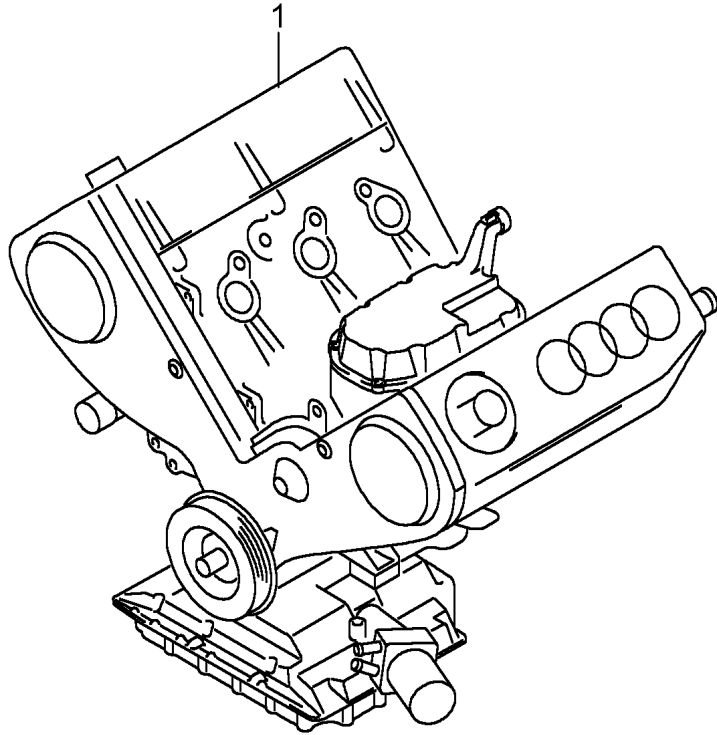
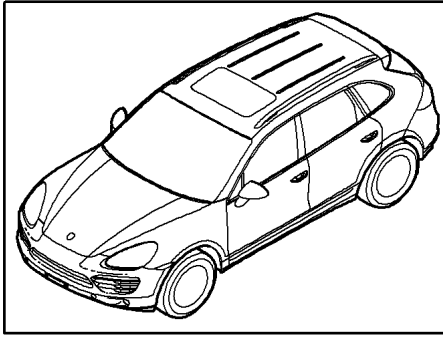


Model: 9PA108 Model life 2007>>2010

Pos	Part Number	Description	Remark	Qty	Model
1	955 100 959 00	Replacement engine Replacement engine Together with Tiptronic Not Ready for installation		1	M05.9D IG0R/8GH
(1)	955 100 959 X	Replacement engine Together with Tiptronic Not Ready for installation		1	IG0R/8GH
(1)	955 100 959 01	Replacement engine Together with Tiptronic Not Ready for installation		1	IG0R/9G1
(1)	955 100 959 AX	Replacement engine Together with Tiptronic Not Ready for installation for Vehicle with Generator 190 A Use also: 955.106.155.00 955.603.252.00 N .910.264.02 955.106.475.00 N .904.650.03		1 1 4 1 1 1 1 1 1 1 4 1 1	I8GH I8GH

Model: 9PA108

Model life 2007>>2010

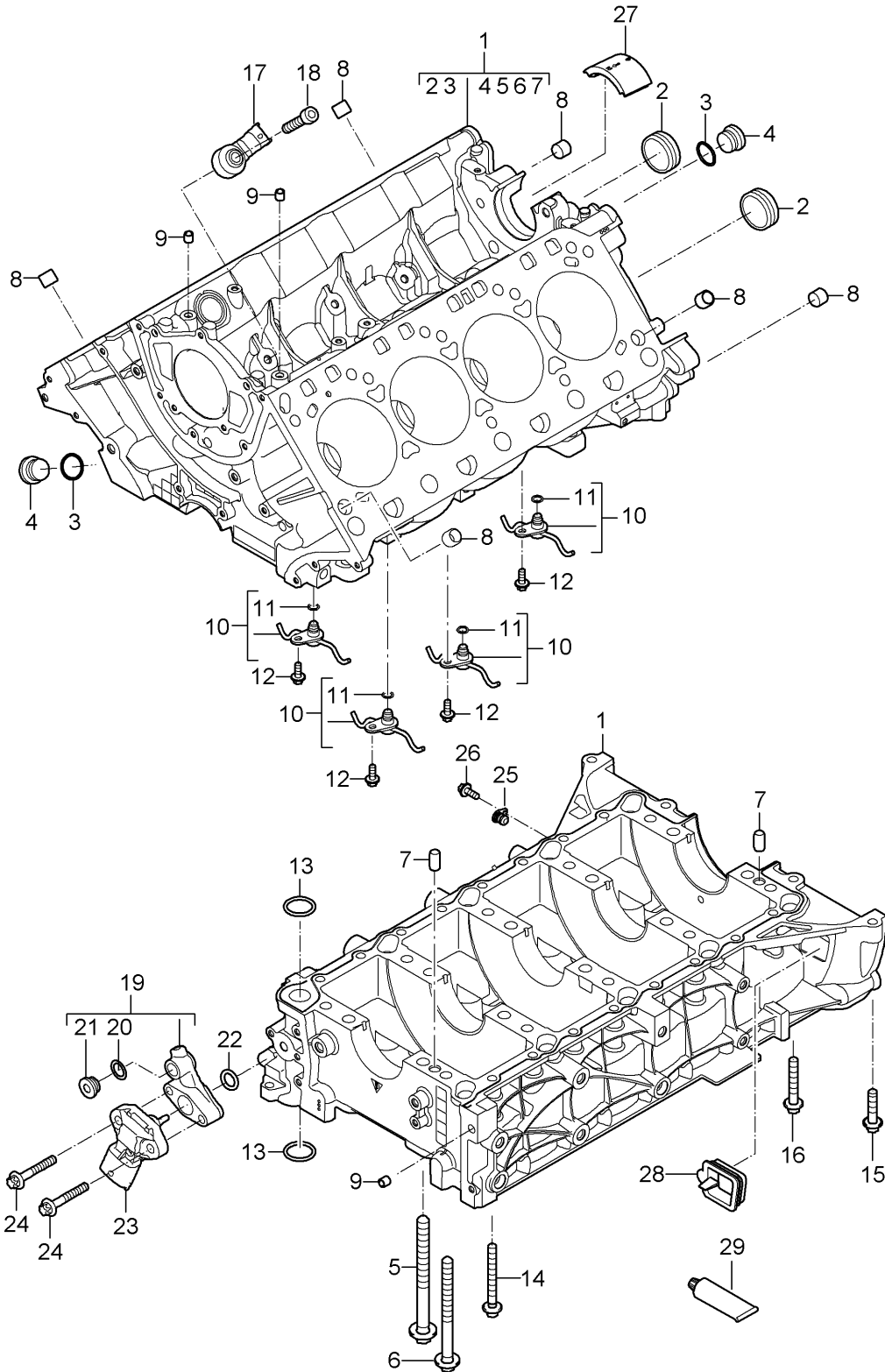


Model: 9PA108 Model life 2007>>2010

Pos	Part Number	Description	Remark	Qty	Model
		Short engine Comprising: Valve cover Cylinder head Crankcase Crank drive Oil pan			M05.9D
1	955 100 934 00	Short engine Together with Tiptronic Not Ready for installation Use also: 955.102.329.00 N .013.333.1 When required order also: 958.102.361.00 WHT.004.920 for cars with Generator		1	IG0R
				1	
				1	
				1	
(1)	955 100 934 X	Short engine Together with Tiptronic Not Ready for installation Use also: 955.102.329.00 N .013.333.1 When required order also: 958.102.361.00 WHT.004.920 for cars with Generator		1	I8GH
				1	IG0R
				1	
				1	
(1)	955 100 934 AX	Short engine Together with Tiptronic Not Ready for installation Use also: 955.102.329.00 N .013.333.1 When required order also: 958.102.361.00 WHT.004.920 for cars with Generator		1	IG0R
				1	
				1	
				1	
				1	I8GH
				1	

Model: 9PA108

Model life 2007>>2010



Model: 9PA108 Model life 2007>>2010

Pos	Part Number	Description	Remark	Qty	Model
1	948 101 001 10	Crankcase Single parts Crankcase without Piston Use also: 014.301.153.B 996.106.103.50 948.101.017.11 900.385.009.01 999.707.481.40		1	M48.01/51
(1)	948 101 001 12	Piston Crankcase without Piston Use also: 014.301.153.B 996.106.103.50 948.101.017.11 900.385.009.01 999.707.481.40		8	
(1)	948 101 001 13	Crankcase without Piston Use also: 014.301.153.B 996.106.103.50 948.101.017.11 900.385.009.01 999.707.481.40		1	
(1)	000 043 207 45	Piston Crankcase without Piston Use also: 014.301.153.B 996.106.103.50 948.101.017.11 900.385.009.01 999.707.481.40		8	M48.01
(1)		999.915.573.43 M >> 9 05540 M >> 8 3 89999 M >> G 9 04964 M >> 8 5 89999 Crankcase without Piston Use also: 948.103.058.22 948.103.057.22 014.301.153.B 996.106.103.50 948.101.017.13 900.385.009.01 999.707.481.40 999.915.573.43 955.111.161.10 955.111.162.00 N .107.141.01		1	IE0A IE0A IE0W IE0W M48.51
				4	
				4	
				6	
				3	
				4	
				4	
				1	
				1	
				4	
				4	
				6	
				3	
				4	
				4	
				1	
				1	
				1	
				4	

Model: 9PA108 Model life 2007>>2010

Pos	Part Number	Description	Remark	Qty	Model
(1)	948 101 001 20	M >> 9 01688 M >> T 9 01787 M >> S 9 00561 Crankcase without Piston Use also: 014.301.153.B 996.106.103.50 948.101.017.11 900.385.009.01 999.707.481.40 Piston M 9 05541 >>		1	IE0A IE8A IE81
(1)	948 101 001 21	M G 9 04965 >> M 9 01689 >> M T 9 01788 >> M S 9 00562 >> Crankcase without Piston Use also: 014.301.153.B 996.106.103.50 948.101.017.11 900.385.009.01 999.707.481.40 Piston		1	M48.01 IE0A M48.01 IE0W M48.51 IE0A M48.51 IE8A M48.51 IE81
(1)	948 101 001 22	Crankcase without Piston Use also: 014.301.153.B 996.106.103.50 948.101.017.12 900.385.009.01 999.707.481.40 See technical information Service Group 1 Document 1010 25/13		1	M48.01
(1)		Crankcase without Piston Use also: 948.103.058.22 948.103.057.22 948.103.009.20 014.301.153.B 996.106.103.50 948.101.017.12 900.385.009.01 999.707.481.40 See technical information Service Group 1 Document 1010 25/13		1	M48.51
		Crankcase without Piston Use also: 948.103.046.72 948.103.045.72 948.103.009.70 014.301.153.B 996.106.103.50 948.101.017.12 900.385.009.01 999.707.481.40 See technical information		4 4 1 6 3 4 4 1	

Model: 9PA108 Model life 2007>>2010

Pos	Part Number	Description	Remark	Qty	Model
(1)	948 101 001 23	Service Group 1 Document 1010 25/13 Crankcase without Piston Use also: 948.103.058.22 948.103.057.22 948.103.009.20 014.301.153.B 996.106.103.50 948.101.017.13 900.385.009.01 999.707.481.40 See technical information		1 4 4 1 6 3 4 4 1	M48.01
(1)	948 101 001 24	Service Group 1 Document 1010 25/13 Crankcase without Piston Use also: 948.103.058.22 948.103.057.22 948.103.009.20 014.301.153.B 996.106.103.50 948.101.017.13 900.385.009.01 999.707.481.40 See technical information		1 4 4 1 6 3 4 4 1	M48.01
(1)	948 101 001 23	Service Group 1 Document 1010 25/13 Crankcase without Piston Use also: 948.103.046.72 948.103.045.72 948.103.009.70 014.301.153.B 996.106.103.50 948.101.017.13 900.385.009.01 999.707.481.40 See technical information		1 4 4 1 6 3 4 4 1	M48.51
(1)	948 101 001 24	Service Group 1 Document 1010 25/13 Crankcase without Piston Use also: 948.103.046.72 948.103.045.72 948.103.009.70 014.301.153.B		1 4 4 1 6	M48.51

Model: 9PA108 Model life 2007>>2010

Pos	Part Number	Description	Remark	Qty	Model
		996.106.103.50		3	
		948.101.017.13		4	
		900.385.009.01		4	
		999.707.481.40		1	
		See technical information			
		Service			
		Group 1			
		Document			
		1010 25/13			
2	948 101 216 00	Lid		2	
3	900 123 118 30	Sealing ring		2	
		A 22 X 27			
4	999 063 024 30	Screw plug		2	
		M 22 X 1,5			
5	948 101 190 01	Screw		10	
		M 11 X 1,5 X 130			
6	948 101 191 01	Screw		10	
		M 10 X 1,5 X 117			
7	999 012 051 00	Straight pin		2	
		BM 10 X 18			
8	014 301 153 B	Dowel sleeve		6	
		13 X 16 X 13,5			
9	996 106 103 50	Dowel sleeve		3	
		8,2 X 7			
10	948 101 017 10	Spray nozzle		4	
		M >> 838 14266			
		M >> 848 06850			
(10)	948 101 017 11	Spray nozzle		4	
(10)	948 101 017 12	Spray nozzle		4	
(10)	948 101 017 13	Spray nozzle		4	
		M 838 14267 >>			
		M 848 06851 >>			
11	999 707 509 40	O-ring		4	
		8,55 X 2			
12	900 385 009 01	Torx screw		4	
		BM 6 X 16			
13	999 707 481 40	O-ring		2	
		24 X 3			
14	900 385 029 01	Torx screw		16	
		CM 8 X 70			
		M >> 9 05540			M48.01
					IE0A
		M >> G 9 04964			M48.01
					IE0W
		M >> 9 01688			M48.51
					IE0A
		M >> T 9 01787			M48.51
					IE8A
		M >> S 9 00561			M48.51
					IE81
(14)	999 073 915 30	Oval-head screw		16	
		M 8 X 70			
		M 9 05541 >>			M48.01
					IE0A
		M G 9 04965 >>			M48.01
					IE0W
		M 9 01689 >>			M48.51
					IE0A
		M T 9 01788 >>			M48.51
					IE8A
		M S 9 00562 >>			M48.51
					IE81
(14)	999 073 915 31	Oval-head screw		16	

Model: 9PA108 Model life 2007>>2010

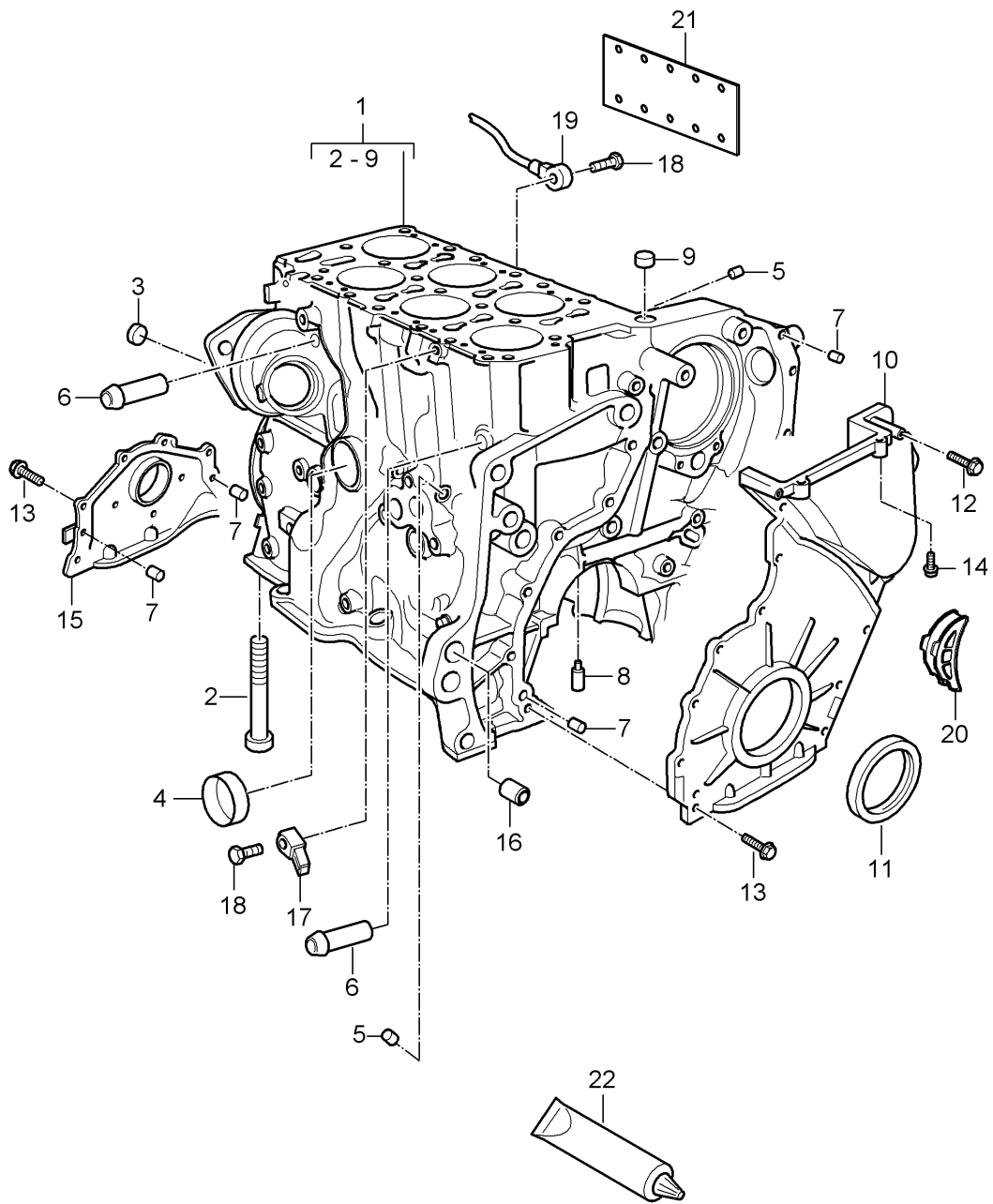
Pos	Part Number	Description	Remark	Qty	Model
15	900 385 042 01	M 8 X 70 Torx screw		2	
16	900 385 071 01	BM 8 X 35 Torx screw		2	
17	997 606 121 00	BM 8 X 50 Knock sensor		4	
18	900 067 102 02	Information available Pan-head screw		4	
19	948 107 314 01	M 8 X 35 Adapter		1	
(19)	948 107 314 02	Adapter		1	
		M >> 9 05540			M48.01 IE0A
		M >> G 9 04964			M48.01 IE0W
		M >> 9 01688			M48.51 IE0A
		M >> T 9 01787			M48.51 IE8A
		M >> S 9 00561			M48.51 IE81
(19)	948 107 314 03	Adapter		1	
		M 9 05541 >>			M48.01 IE0A
		M G 9 04965 >>			M48.01 IE0W
		M 9 01689 >>			M48.51 IE0A
		M T 9 01788 >>			M48.51 IE8A
		M S 9 00562 >>			M48.51 IE81
20	900 123 144 30	Sealing ring		1	
		A 10 X 13,5			
21	900 219 023 01	Screw plug		1	
		M 10 X 1			
22	999 707 575 40	O-ring		1	
		20 X 3			
23	997 606 203 01	Oil pressure sender		1	
(23)	997 606 203 02	Oil pressure sender		1	
24	900 385 045 01	Torx screw		2	
		BM 6 X 40			
25	948 107 260 00	Lid		1	M48.01
26	900 385 041 01	Torx screw		1	M48.01
		BM 6 X 12			
27	955 101 730 00	Lid		1	
		M >> 9 05540			M48.01 IE0A
		M >> G 9 04964			M48.01 IE0W
		M >> 9 01688			M48.51 IE0A
		M >> T 9 01787			M48.51 IE8A
		M >> S 9 00561			M48.51 IE81
(27)	7P5 103 113	Lid		1	
(27)	7PP 103 113	Lid		1	
		M 9 05541 >>			M48.01 IE0A
		M G 9 04965 >>			M48.01 IE0W
		M 9 01689 >>			M48.51

Model: 9PA108 Model life 2007>>2010

Pos	Part Number	Description	Remark	Qty	Model
		M T 9 01788 >>			IE0A M48.51
		M S 9 00562 >>			IE8A M48.51 IE81
28	955 301 729 10	Stopper		1	
29	000 043 204 58	Sealing compound 1 tube 30 GR. for Crankcase Lower part M >> 9 05540		X	
		M >> G 9 04964			M48.01 IE0A M48.01 IE0W
		M >> 9 01688			M48.51 IE0A
		M >> T 9 01787			M48.51 IE8A
		M >> S 9 00561			M48.51 IE81
(29)	999 915 573 43	Sealing compound 1 tube 75 ML for Crankcase Lower part M 9 05541 >>		X	
		M G 9 04965 >>			M48.01 IE0A M48.01 IE0W
		M 9 01689 >>			M48.51 IE0A
		M T 9 01788 >>			M48.51 IE8A
		M S 9 00562 >>			M48.51 IE81

Model: 9PA108

Model life 2007>>2010



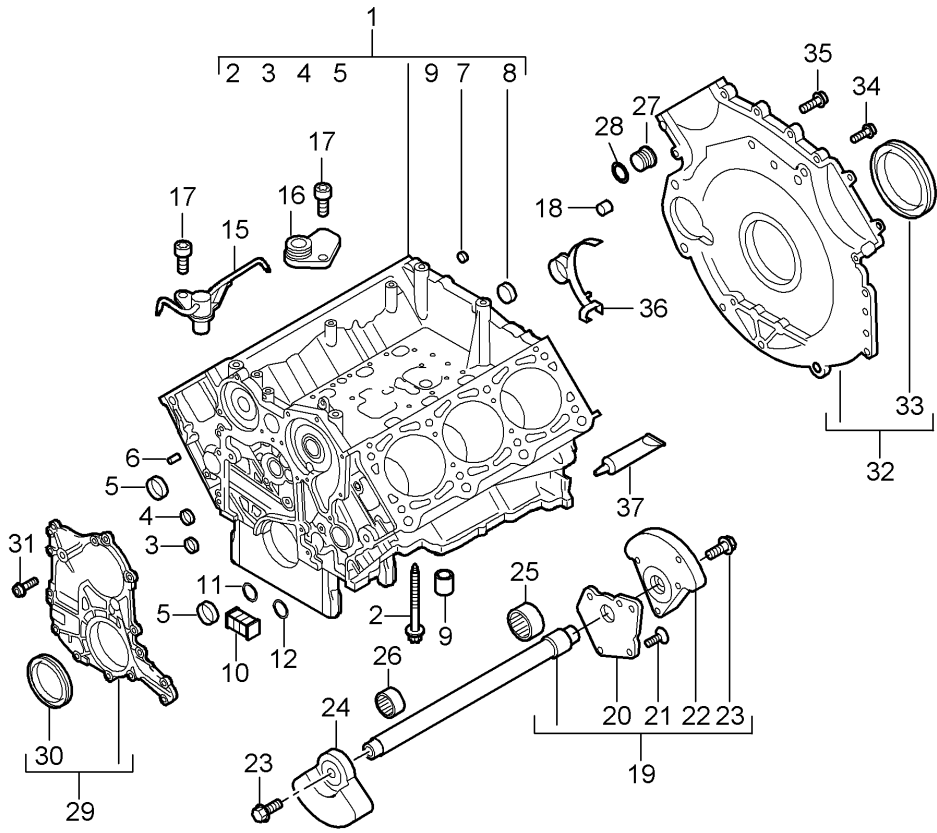
Model: 9PA108

Model life 2007>>2010

Pos	Part Number	Description	Remark	Qty	Model
1		Crankcase Single parts Crankcase Not available To Use Short engine		1	M55.01
2	N 903 658 01	Pan-head screw AM 10 X 78		14	
3	N 102 186 03	Lid 15 MM		2	
4	955 101 215 00	Lid 36,6 MM		1	
5	955 101 115 00	Stopper B 7,3 X 9,3		4	
(5)	955 101 115 01	Stopper B 7,3 X 9,3		4	
6	955 101 382 01	Connecting piece		2	
7	N 910 170 01	Straight pin 8 X 18		4	
8	955 101 157 00	Spray nozzle Engine oil		6	
(8)	958 101 017 00	Spray nozzle Engine oil		6	
9	N 905 026 01	Dowel sleeve 14 X 12		2	
10	955 101 173 01	Control box cover Lower		1	IG0L
(10)	955 101 173 11	Control box cover Lower		1	IG0R
11	955 101 051 00	Shaft sealing ring 85 X 105 X 11		1	
12	N 101 160 03	Combination screw M 6 X 58		2	
13	N 100 829 11	Combination screw M 6 X 16		20	
14	N 903 559 03	Combination screw M 8 X 30		2	
15	955 101 151 02	Joint flange Front		1	
16	955 101 139 01	Dowel sleeve 16 X 13,5		2	
17	955 606 125 00	Knock sensor		1	
18	N 010 272 5	Hexagon-head bolt M 8 X 26		2	
19	955 606 125 20	Knock sensor M >> 639 04557		1	
(19)	955 606 125 21	Knock sensor M 639 04558 >>		1	
20	955 101 732 00	Cap		1	
21	955 606 461 00	Heat protection		1	
(21)	955 606 461 01	Heat protection M 639 04558 >>		1	
22	000 043 300 39	Sealing compound 1 tube 50 ml. for Joint flange Front And Control box cover Lower		X	

Model: 9PA108

Model life 2007>>2010



Model: 9PA108 Model life 2007>>2010

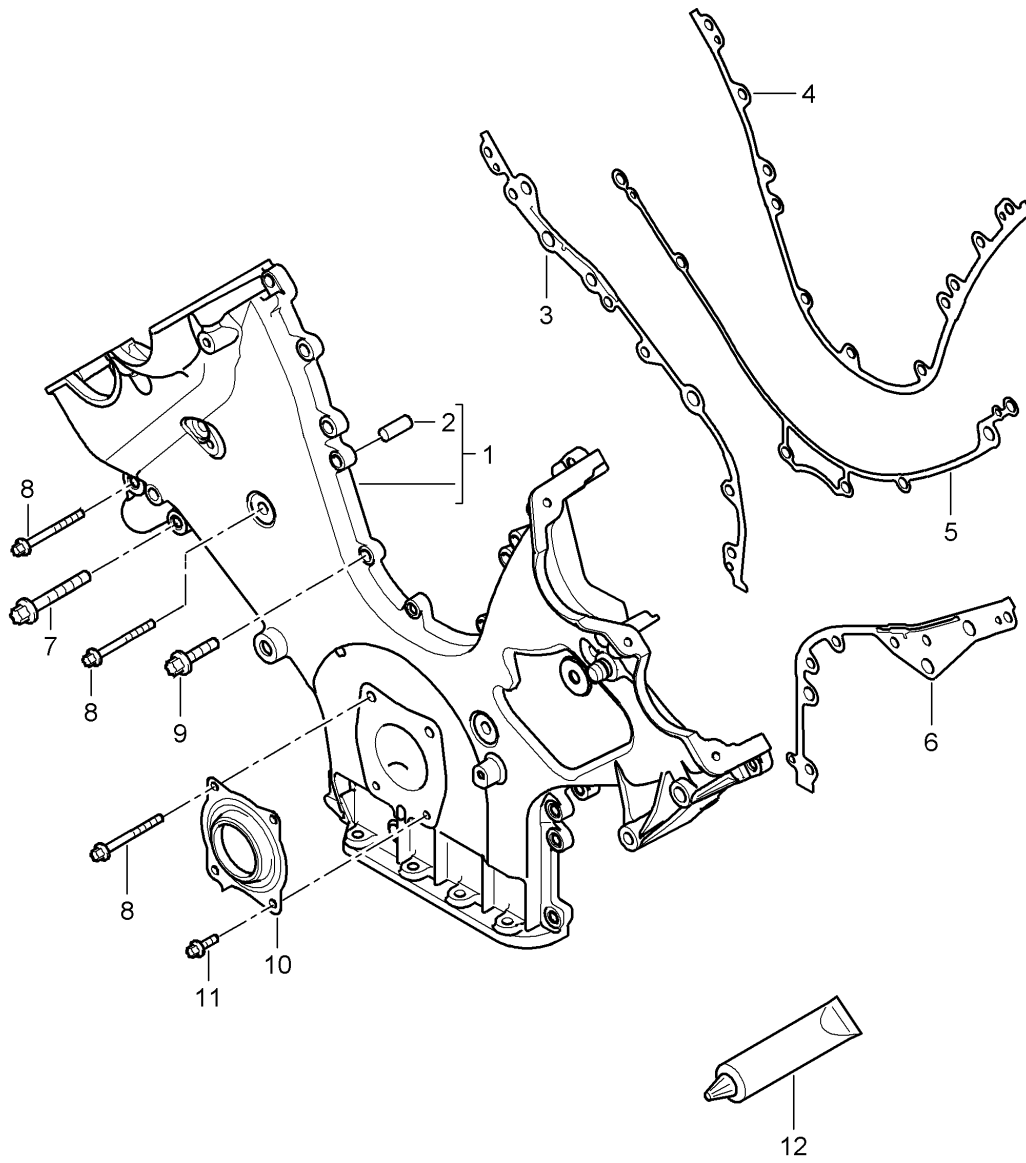
Pos	Part Number	Description	Remark	Qty	Model
		Crankcase Single parts			M05.9D
1	955 101 011 00	Crankcase Use also:		1	
		Piston		6	
(1)	955 101 011 01	Crankcase Use also:		1	
		Piston		6	
(1)	958 101 011 00	Crankcase Use also:		1	
		958.102.361.00		1	
		WHT.004.920		1	
		Piston		6	
(1)	958 101 011 01	Crankcase Use also:		1	
		958.102.361.00		1	
		WHT.004.920		1	
		Piston		6	
2	955 101 190 00	Bearing screw M 11 X 112		16	
3	N 011 903 4	Lid A 16		1	
4	N 011 904 7	Lid 18		1	
5	N 011 908 5	Lid 28		2	
6	N 106 678 01	Straight pin 6 X 16		2	
7	N 910 818 01	Lid 8		3	
8	N 011 914 10	Lid 24		1	
9	955 101 139 10	Dowel sleeve		2	
10	955 101 147 00	Gasket Joint flange Front and rear		4	
11	N 903 649 01	O-ring 7 X 2		1	
12	N 904 054 02	O-ring 11 X 2,5		1	
15	955 101 017 00	Spray nozzle Engine oil		3	
(15)	958 101 017 20	Spray nozzle Engine oil		3	
16	955 101 765 00	Valve		1	
17	N 910 547 01	Fit bolt M 6 X 6 X 12		4	
18	955 101 139 01	Dowel sleeve 16 X 13,5		2	
19	955 101 025 00	Balance shaft		1	
20	955 101 407 00	Lid		1	
21	N 104 560 04	Countersunk-head screw M 6 X 12		4	
22	955 101 331 00	Balance weight Rear		1	
23	N 908 932 02	Hexagon-head bolt M 10 X 20		2	
24	955 101 332 00	Balance weight Front		1	
25	955 101 869 00	Needle-roller bearing Durchm. 25 MM		1	
26	955 101 869 10	Needle-roller bearing Durchm. 22 MM		1	

Model: 9PA108 Model life 2007>>2010

Pos	Part Number	Description	Remark	Qty	Model
27	955 101 189 00	Lid 20		1	
28	955 107 124 00	Round seal 15 X 2,5		1	
29	955 101 150 00	Joint flange Front Use also: N .903.649.01 N .904.054.02		1 1 1	
(29)	955 101 150 01	Joint flange Front Use also: N .903.649.01 N .904.054.02		1 1 1	
30	955 101 052 00	Shaft sealing ring		1	
31	N 101 243 06	Oval-head screw M 6 X 20		12	
(31)	N 910 048 02	Stud M 6 X 22 / M 6 X 12		1	
32	955 101 071 00	Joint flange Rear		1	
33	955 101 053 00	Shaft sealing ring		1	
34	N 101 562 06	Oval-head screw M 6 X 30		21	
35	N 102 258 02	Pan-head screw M 8 X 32		7	
36	955 101 565 01	Cover		1	
37	000 043 207 49	Sealing compound 1 tube 80 ML		X	
(37)	958 101 902 00	Sealing compound 80 ML		X	

Model: 9PA108

Model life 2007>>2010



Model: 9PA108 Model life 2007>>2010

Pos	Part Number	Description	Remark	Qty	Model
1	948 101 022 02	Control box cover Joint flange Control box cover M >> 9 05540 M >> G 9 04964 M >> 9 01688 M >> T 9 01787 M >> S 9 00561		1	M48.01/51 M48.01 M48.01 IEOW M48.51 M48.51 IE8A M48.51 IE81
(1)	948 101 022 04	Control box cover		1	
(1)	948 101 022 05	Control box cover		1	
2	900 012 204 00	Straight pin 6 X 16 M >> 9 05540 M >> G 9 04964 M >> 9 01688 M >> T 9 01787 M >> S 9 00561		8	M48.01 M48.01 IEOW M48.51 M48.51 IE8A M48.51 IE81
(2)	900 012 204 30	Straight pin 6 X 16 M 9 05541 >> M G 9 04965 >> M 9 01689 >> M T 9 01788 >> M S 9 00562 >>	-09	8	M48.01 M48.01 IEOW M48.51 M48.51 IE8A M48.51 IE81
(2)	900 012 204 00	Straight pin 6 X 16	10-	8	
3	948 101 130 12	Gasket Version Steel M >> 9 08051 M >> G 9 07711 M >> T 9 02453		1	
(3)	948 101 130 20	Gasket Version Aluminium M 9 08052 >> M G 9 07712 >> M T 9 02454 >>		1	
4	948 101 125 10	Gasket Version Steel M >> 9 08051 M >> G 9 07711 M >> T 9 02453		1	
(4)	948 101 125 20	Gasket Version Aluminium M 9 08052 >> M G 9 07712 >> M T 9 02454 >>		1	
5	948 101 127 10	Gasket		1	
(5)	948 101 127 11	Gasket		1	
(5)	948 101 127 12	Gasket Version		1	

Model: 9PA108 Model life 2007>>2010

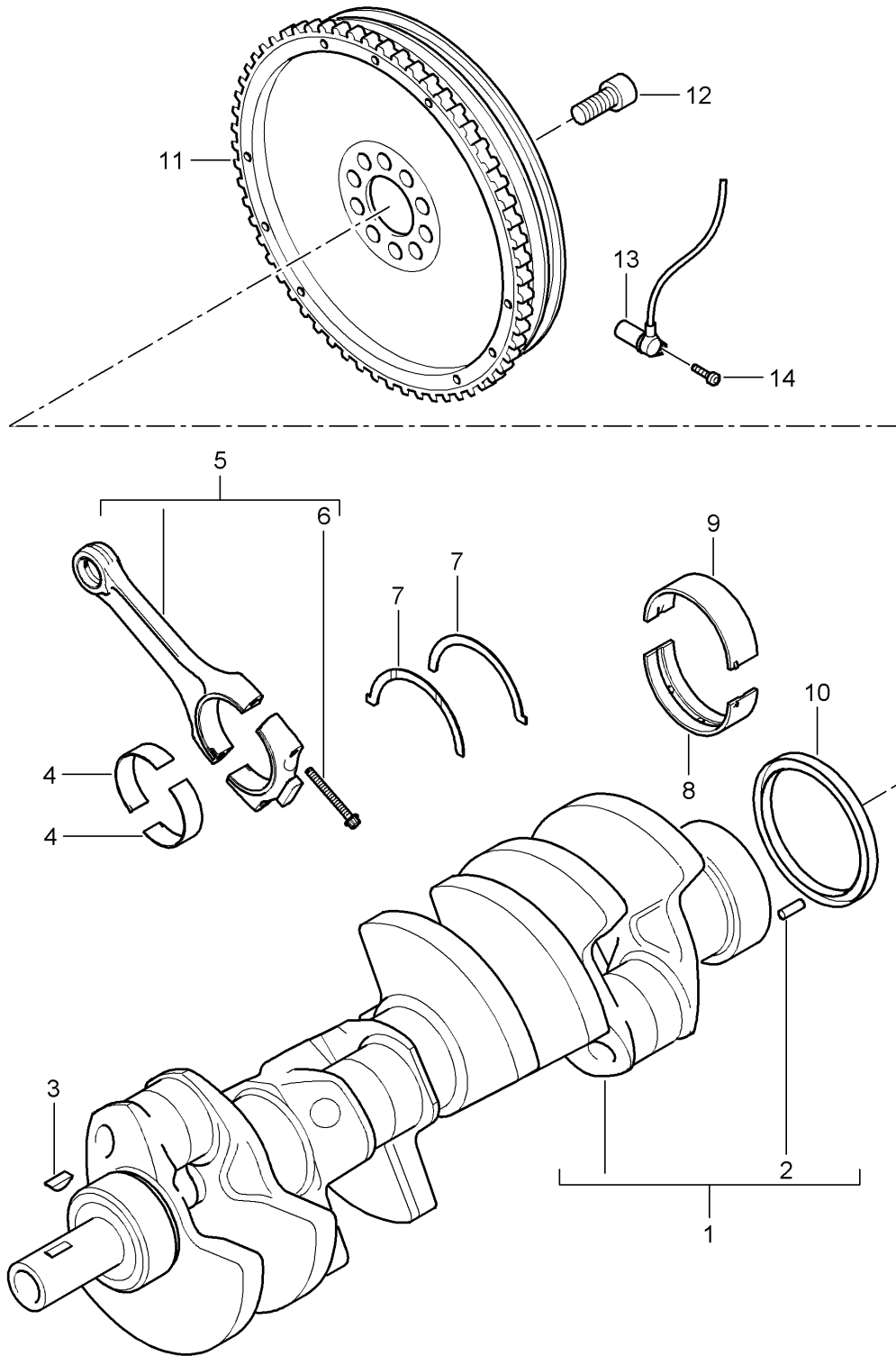
Pos	Part Number	Description	Remark	Qty	Model
(5)	948 101 127 20	Steel M >> 9 08051 M >> G 9 07711 M >> T 9 02453 Gasket Version Aluminium M 9 08052 >> M G 9 07712 >> M T 9 02454 >>		1	
6	948 101 129 12	Gasket Version Steel M >> 9 08051 M >> G 9 07711 M >> T 9 02453		1	
(6)	948 101 129 20	Gasket Version Aluminium M 9 08052 >> M G 9 07712 >> M T 9 02454 >>		1	
7	900 385 071 01	Torx screw BM 8 X 50 M >> 9 05540 M >> G 9 04964 M >> 9 01688 M >> T 9 01787 M >> S 9 00561		2	M48.01 M48.01 IE0W M48.51 M48.51 IE8A M48.51 IE81
(7)	999 073 913 30	Oval-head screw M 8 X 55 M 9 05541 >> M G 9 04965 >> M 9 01689 >> M T 9 01788 >> M S 9 00562 >>		2	M48.01 M48.01 IE0W M48.51 M48.51 IE8A M48.51 IE81
(7)	999 073 913 31	Oval-head screw M 8 X 55		2	
8	900 385 070 01	Torx screw BM 6 X 50 M >> 9 05540 M >> G 9 04964 M >> 9 01688 M >> T 9 01787 M >> S 9 00561		7	M48.01 M48.01 IE0W M48.51 M48.51 IE8A M48.51 IE81
(8)	999 073 914 30	Oval-head screw M 6 X 55 M 9 05541 >> M G 9 04965 >> M 9 01689 >> M T 9 01788 >> M S 9 00562 >>		7	M48.01 M48.01 IE0W M48.51 M48.51 IE8A M48.51

Model: 9PA108 Model life 2007>>2010

Pos	Part Number	Description	Remark	Qty	Model
(8)	999 073 914 31	Oval-head screw M 6 X 55		7	IE81
9	900 385 072 01	Torx screw BM 6 X 25 M >> 9 05540 M >> G 9 04964 M >> 9 01688 M >> T 9 01787 M >> S 9 00561		23	M48.01 M48.01 IE0W M48.51 M48.51 IE8A M48.51 IE81
(9)	999 073 905 30	Oval-head screw M 6 X 30 M 9 05541 >> M G 9 04965 >> M 9 01689 >> M T 9 01788 >> M S 9 00562 >>		23	M48.01 M48.01 IE0W M48.51 M48.51 IE8A M48.51 IE81
(9)	999 073 905 31	Oval-head screw M 6 X 30		23	
10	948 101 910 04	Joint flange with Assembly sleeve		1	
(10)	948 101 910 20	Joint flange with Assembly sleeve		1	
11	900 385 041 01	Torx screw BM 6 X 12 M >> 9 05540 M >> G 9 04964 M >> 9 01688 M >> T 9 01787 M >> S 9 00561		2	M48.01 M48.01 IE0W M48.51 M48.51 IE8A M48.51 IE81
(11)	999 073 903 30	Oval-head screw M 6 X 20 M 9 05541 >> M G 9 04965 >> M 9 01689 >> M T 9 01788 >> M S 9 00562 >>		2	M48.01 M48.01 IE0W M48.51 M48.51 IE8A M48.51 IE81
(11)	999 073 903 31	Oval-head screw M 6 X 20		2	
12	000 043 204 35	Sealing compound 1 tube 50 ML. for Control box cover		X	

Model: 9PA108

Model life 2007>>2010



Model: 9PA108 Model life 2007>>2010

Pos	Part Number	Description	Remark	Qty	Model
1	948 102 011 11	Crankshaft Connecting rod Crankshaft See workshop manual Group 1 KD-NR. 134819 M >> 9 05540 M >> G 9 04964 M >> 9 01688 M >> T 9 01787 M >> S 9 00561		1	M48.01/51 M48.01 M48.01 IEOW M48.51 M48.51 IE8A M48.51 IE81
(1)	948 102 011 12	Crankshaft Only together with Main bearing shell 948.101.241.00/01/02/03 And 948.101.242.00/01/02/03 See workshop manual Group 1 KD-NR. 134819 M 9 05541 >> M G 9 04965 >> M 9 01689 >> M T 9 01788 >> M S 9 00562 >>		1	M48.01 M48.01 IEOW M48.51 M48.51 IE8A M48.51 IE81
2	900 302 049 00	Straight pin 6 X 20		1	
3	N 012 713 1	Woodruff key 5,0 X 6,5		1	
4	948 103 210 10	Connecting-rod bearing Identification Red		16	
(4)	948 103 210 13	Connecting-rod bearing Identification Red Only together with Connecting rod 948.103.010.13/14/70		16	
(4)	946 103 354 00	Conrod bearing shell Identification Red Only together with Connecting rod 948.103.010.13/14/70		16	
(4)	948 103 210 11	Connecting-rod bearing Identification Yellow		16	
(4)	948 103 210 14	Connecting-rod bearing Identification Yellow Only together with Connecting rod 948.103.010.13/14/70		16	
(4)	946 103 354 01	Conrod bearing shell Identification Yellow Only together with		16	

Model: 9PA108 Model life 2007>>2010

Pos	Part Number	Description	Remark	Qty	Model
(4)	948 103 210 12	Connecting rod 948.103.010.13/14/70 Connecting-rod bearing Identification Blue		16	
(4)	948 103 210 15	Connecting-rod bearing Identification Blue Only together with Connecting rod 948.103.010.13/14/70		16	
(4)	946 103 354 02	Conrod bearing shell Identification Blue Only together with Connecting rod 948.103.010.13/14/70		16	
(4)	946 103 354 00	Conrod bearing shell Upper Identification Red Only together with Connecting rod 948.103.010.71		8	
(4)	946 103 354 01	Conrod bearing shell Upper Identification Yellow Only together with Connecting rod 948.103.010.71		8	
(4)	946 103 354 02	Conrod bearing shell Upper Identification Blue Only together with Connecting rod 948.103.010.71		8	
(4)	946 103 254 00	Conrod bearing shell Lower Identification Red Only together with Connecting rod 948.103.010.71		8	
(4)	946 103 254 01	Conrod bearing shell Lower Identification Yellow Only together with Connecting rod 948.103.010.71		8	
(4)	946 103 254 02	Conrod bearing shell Lower Identification Blue Only together with Connecting rod 948.103.010.71		8	
5	948 103 975 13	Connecting rod Set Comprising: Connecting rod		1	
				8	

Model: 9PA108 Model life 2007>>2010

Pos	Part Number	Description	Remark	Qty	Model
(5)	948 103 010 13	Connecting rod Complete		8	
(5)	948 103 010 14	Connecting rod Complete		8	
(5)	948 103 010 70	Connecting rod Complete		8	
(5)	948 103 010 71	Connecting rod Complete		8	
		Only together with Conrod bearing shell 946.103.254.01/04 And 946.103.354.01/04		8	
6	997 103 115 01	Connecting rod bolt		16	
7	948 101 215 10	Thrust washer		2	
8	948 101 208 13	Main bearing shell Lower Identification Red Only together with Crankshaft 948.102.011.11 M >> 9 05540 M >> G 9 04964 M >> 9 01688 M >> T 9 01787 M >> S 9 00561		5	M48.01 M48.01 IEOW M48.51 M48.51 IE8A M48.51 IE81
(8)	948 101 241 00	Main bearing shell Lower Identification Red M 9 05541 >> M G 9 04965 >> M 9 01689 >> M T 9 01788 >> M S 9 00562 >>		5	M48.01 M48.01 IEOW M48.51 M48.51 IE8A M48.51 IE81
(8)	948 101 208 14	Main bearing shell Lower Identification Yellow Only together with Crankshaft 948.102.011.11 M >> 9 05540 M >> G 9 04964 M >> 9 01688 M >> T 9 01787 M >> S 9 00561		5	M48.01 M48.01 IEOW M48.51 M48.51 IE8A M48.51 IE81
(8)	948 101 241 01	Main bearing shell Lower Identification Yellow M 9 05541 >> M G 9 04965 >>		5	M48.01 M48.01

Model: 9PA108 Model life 2007>>2010

Pos	Part Number	Description	Remark	Qty	Model
(8)	948 101 208 15	M 9 01689 >> M T 9 01788 >> M S 9 00562 >> Main bearing shell Lower Identification Blue Only together with Crankshaft 948.102.011.11 M >> 9 05540 M >> G 9 04964 M >> 9 01688 M >> T 9 01787 M >> S 9 00561		5	IEOW M48.51 M48.51 IE8A M48.51 IE81 M48.01 M48.01 IEOW M48.51 M48.51 IE8A M48.51 IE81
(8)	948 101 241 02	Main bearing shell Lower Identification Blue M 9 05541 >> M G 9 04965 >> M 9 01689 >> M T 9 01788 >> M S 9 00562 >>		5	M48.01 M48.01 IEOW M48.51 M48.51 IE8A M48.51 IE81
(8)	948 101 241 03	Main bearing shell Lower Identification Green M 9 05541 >> M G 9 04965 >> M 9 01689 >> M T 9 01788 >> M S 9 00562 >>		5	M48.01 M48.01 IEOW M48.51 M48.51 IE8A M48.51 IE81
9	948 101 213 13	Main bearing shell Upper Identification Red Only together with Crankshaft 948.102.011.11 M >> 9 05540 M >> G 9 04964 M >> 9 01688 M >> T 9 01787 M >> S 9 00561		5	M48.01 M48.01 IEOW M48.51 M48.51 IE8A M48.51 IE81
(9)	948 101 242 00	Main bearing shell Upper Identification		5	M48.01 M48.01 IEOW M48.51 M48.51 IE8A M48.51 IE81

Model: 9PA108 Model life 2007>>2010

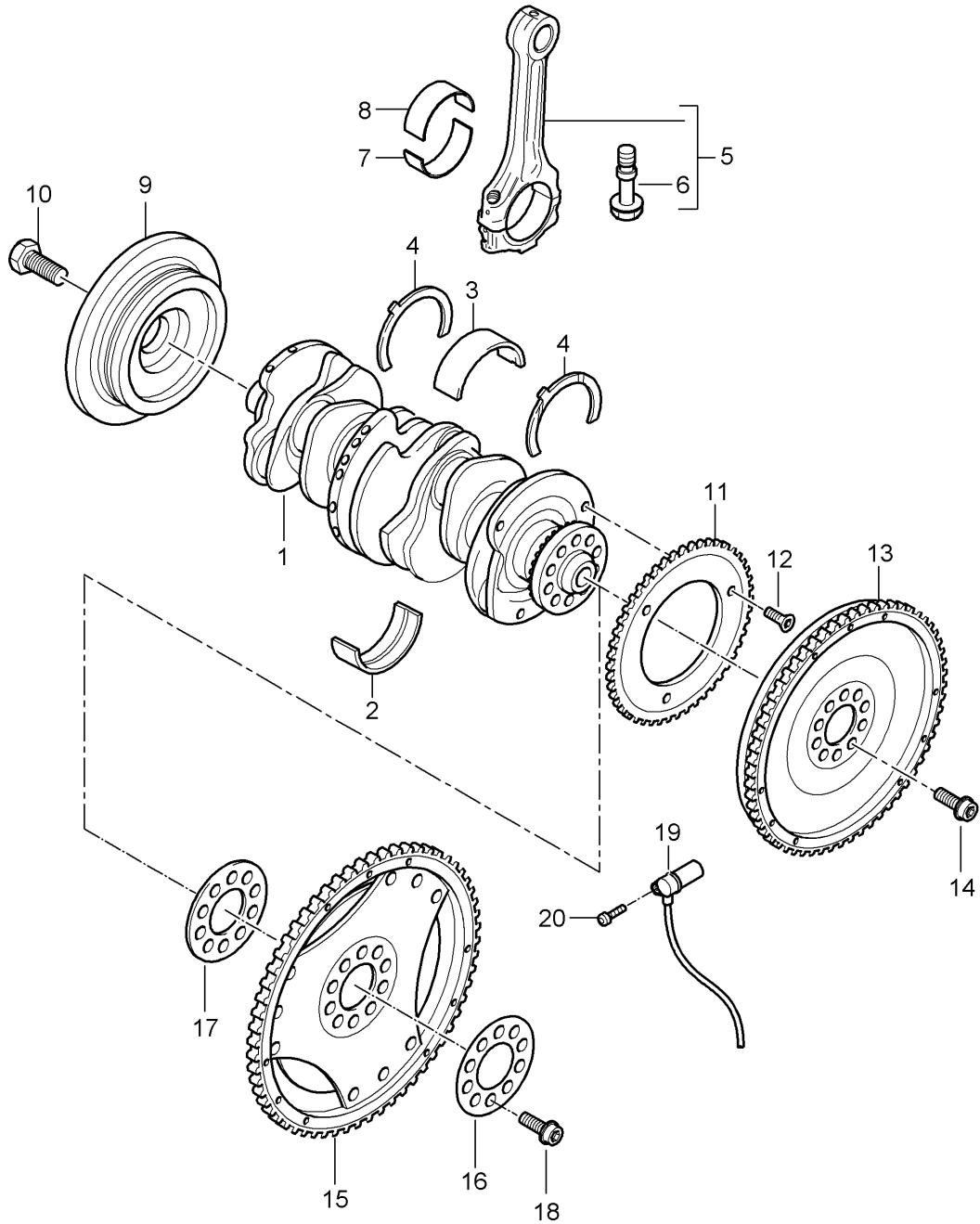
Pos	Part Number	Description	Remark	Qty	Model
(9)	948 101 213 14	Red M 9 05541 >> M G 9 04965 >> M 9 01689 >> M T 9 01788 >> M S 9 00562 >> Main bearing shell Upper Identification Yellow Only together with Crankshaft 948.102.011.11 M >> 9 05540 M >> G 9 04964 M >> 9 01688 M >> T 9 01787 M >> S 9 00561		5	M48.01 M48.01 IE0W M48.51 M48.51 IE8A M48.51 IE81
(9)	948 101 242 01	Main bearing shell Upper Identification Yellow M 9 05541 >> M G 9 04965 >> M 9 01689 >> M T 9 01788 >> M S 9 00562 >>		5	M48.01 M48.01 IE0W M48.51 M48.51 IE8A M48.51 IE81
(9)	948 101 213 15	Main bearing shell Upper Identification Blue Only together with Crankshaft 948.102.011.11 M >> 9 05540 M >> G 9 04964 M >> 9 01688 M >> T 9 01787 M >> S 9 00561		5	M48.01 M48.01 IE0W M48.51 M48.51 IE8A M48.51 IE81
(9)	948 101 242 02	Main bearing shell Upper Identification Blue M 9 05541 >> M G 9 04965 >> M 9 01689 >> M T 9 01788 >> M S 9 00562 >>		5	M48.01 M48.01 IE0W M48.51 M48.51 IE8A M48.51 IE81

Model: 9PA108 Model life 2007>>2010

Pos	Part Number	Description	Remark	Qty	Model
(9)	948 101 242 03	Main bearing shell Upper Identification Green M 9 05541 >> M G 9 04965 >> M 9 01689 >> M T 9 01788 >> M S 9 00562 >>		5	M48.01 M48.01 IE0W M48.51 M48.51 IE8A M48.51 IE81
10	948 101 212 02	Shaft sealing ring M >> 838 22988 M >> 858 05357 M >> 848 11308 M >> 868 00694		1	
(10)	997 101 212 01	Shaft sealing ring M 838 22989 >> M 858 05358 >> M 848 11309 >> M 868 00695 >>		1	
11	955 114 012 01	Double-mass flywheel		1	ID5V/G0L
12	N 906 651 01	Pan-head screw M 10 X 1 X 29		10	ID5V/G0L
13	955 606 381 10	Inductive transmitter		1	
(13)	955 606 381 11	Inductive transmitter		1	
14	N 014 701 11	Pan-head screw M 6 X 12		1	

Model: 9PA108

Model life 2007>>2010



Model: 9PA108 Model life 2007>>2010

Pos	Part Number	Description	Remark	Qty	Model
1	955 102 011 00	Crankshaft Connecting rod Crankshaft See workshop manual Group 1 KD-NR. 134819		1	M55.01
2	955 102 591 00	Bearing shell Crankshaft Lower Identification Yellow See workshop manual Group 1 KD-NR. 134819		7	
(2)	955 102 591 06	Bearing shell Crankshaft Lower Identification Yellow See workshop manual Group 1 KD-NR. 134819		7	
(2)	955 102 591 01	Bearing shell Crankshaft Lower Identification Blue See workshop manual Group 1 KD-NR. 134819		7	
(2)	955 102 591 04	Bearing shell Crankshaft Lower Identification Blue See workshop manual Group 1 KD-NR. 134819		7	
(2)	955 102 591 02	Bearing shell Crankshaft Lower Identification Red See workshop manual Group 1 KD-NR. 134819		7	
(2)	955 102 591 05	Bearing shell Crankshaft Lower Identification Red See workshop manual Group 1 KD-NR. 134819		7	
(2)	955 102 591 03	Bearing shell Crankshaft Lower Identification Violet See workshop manual Group 1 KD-NR. 134819		7	
(2)	955 102 591 07	Bearing shell		7	

Model: 9PA108 Model life 2007>>2010

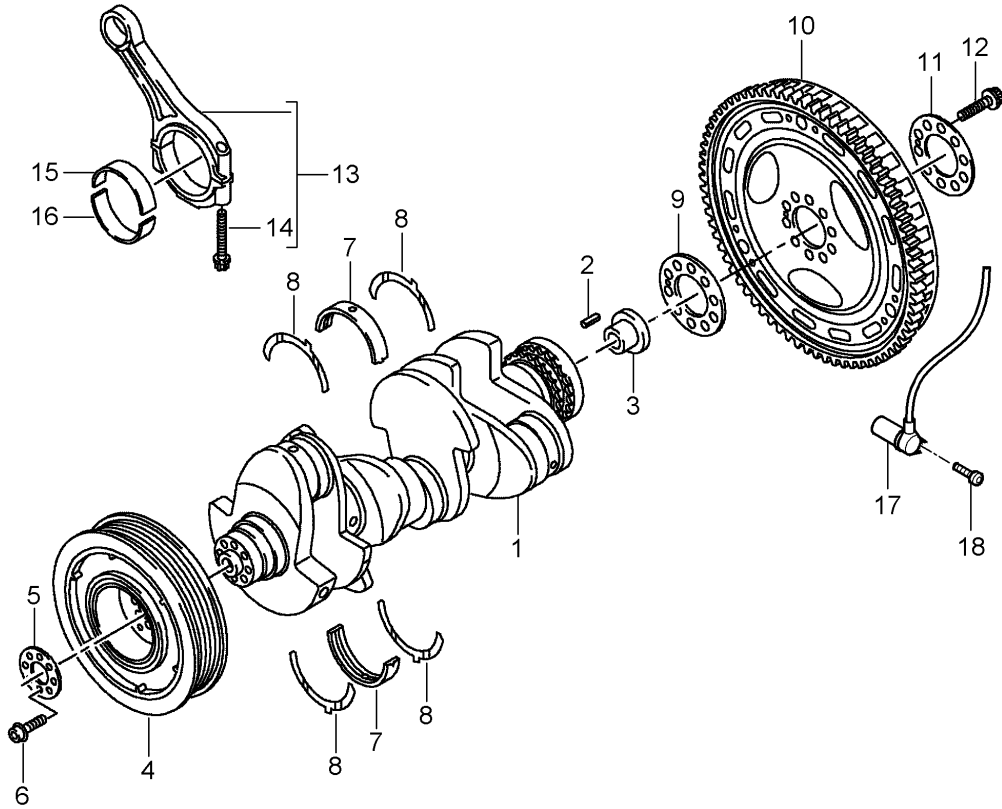
Pos	Part Number	Description	Remark	Qty	Model
3	955 102 561 00	Crankshaft Lower Identification Violet See workshop manual Group 1 KD-NR. 134819 Bearing shell		7	
(3)	955 102 561 01	Crankshaft Upper Identification Yellow See workshop manual Group 1 KD-NR. 134819 Bearing shell		7	
(3)	955 102 561 02	Crankshaft Upper Identification Blue See workshop manual Group 1 KD-NR. 134819 Bearing shell		7	
(3)	955 102 561 03	Crankshaft Upper Identification ROT See workshop manual Group 1 KD-NR. 134819 Bearing shell		7	
(3)	955 102 561 04	Crankshaft Upper Identification Violet See workshop manual Group 1 KD-NR. 134819 Bearing shell		7	
4	955 102 635 01	Thrust washer		2	
5	955 103 975 00	Connecting rod Set		1	
(5)	955 103 975 01	Comprising: Connecting rod Connecting rod Set		6 1	
6	955 102 425 01	Connecting rod bolt		6	
7	955 103 210 00	Conrod bearing shell Lower		12 6	
(7)	955 103 210 02	Identification Yellow Conrod bearing shell Lower		6	

Model: 9PA108 Model life 2007>>2010

Pos	Part Number	Description	Remark	Qty	Model
(7)	958 103 210 20	Identification Yellow Conrod bearing shell Lower		6	
8	955 103 210 01	Identification Yellow Conrod bearing shell Upper		6	
(8)	955 103 210 03	Identification Red Conrod bearing shell Upper		6	
(8)	958 103 210 21	Identification Red Conrod bearing shell Upper		6	
9	955 102 241 00	Vibration damper		1	
(9)	955 102 241 01	Vibration damper		1	
10	N 010 087 6	Hexagon-head bolt M 18 X 1,5 X 40		1	
11	955 102 189 00	Drive plate		1	
12	955 102 229 00	Inductive transmitter Countersunk-head screw M 6 X 13		3	
13	955 114 012 10	Double-mass flywheel		1	IG0L
14	N 906 651 01	Pan-head screw M 10 X 1 X 29		10	IG0L
15	955 102 327 00	Drive plate		1	IG0R
16	955 102 301 00	Washer		1	IG0R
17	955 102 303 20	Shim 1,2 MM		X	IG0R
18	N 905 398 01	Pan-head screw M 10 X 1 X 19		10	IG0R
19	955 606 147 00	Pulse sender		1	
20	N 103 352 06	Round head screw M 6 X 12		1	

Model: 9PA108

Model life 2007>>2010



Model: 9PA108 Model life 2007>>2010

Pos	Part Number	Description	Remark	Qty	Model
		Crankshaft Connecting rod			M05.9D
1	955 102 011 10	Crankshaft Use also: N .013.333.1		1	
(1)	958 102 011 00	955.102.329.00 Crankshaft Use also: N .013.333.1		1	
(1)	958 102 011 01	955.102.329.00 Crankshaft Use also: N .013.333.1		1	
2	N 013 333 1	955.102.329.00 Tensioning sleeve 6 X 14		1	
3	955 102 329 00	Bush		1	
4	955 102 241 10	Vibration damper		1	
(4)	955 102 241 11	Vibration damper		1	
(4)	958 102 241 01	Vibration damper		1	
5	WHT 003 351	Shim 24,5 X 60,5 X 1,5		1	
6	N 910 059 02	Pan-head screw M 8 X 25		8	
7	955 102 901 00	Bearing set Crankshaft Comprising: Bearing shell Lower Bearing shell Upper		4	
(7)	958 101 241 10	Main bearing shell Lower Identification Blue		4	
(7)	958 101 241 13	Main bearing shell Lower Identification Blue		4	
(7)	958 101 241 11	Main bearing shell Lower Identification Yellow		4	
(7)	958 101 241 14	Main bearing shell Lower Identification Yellow		4	
(7)	958 101 241 12	Main bearing shell Lower Identification Red		4	
(7)	958 101 241 15	Main bearing shell Lower Identification Red		4	
(7)	958 101 242 10	Main bearing shell Upper Identification Blue		4	
(7)	958 101 242 13	Main bearing shell Upper Identification Blue		4	

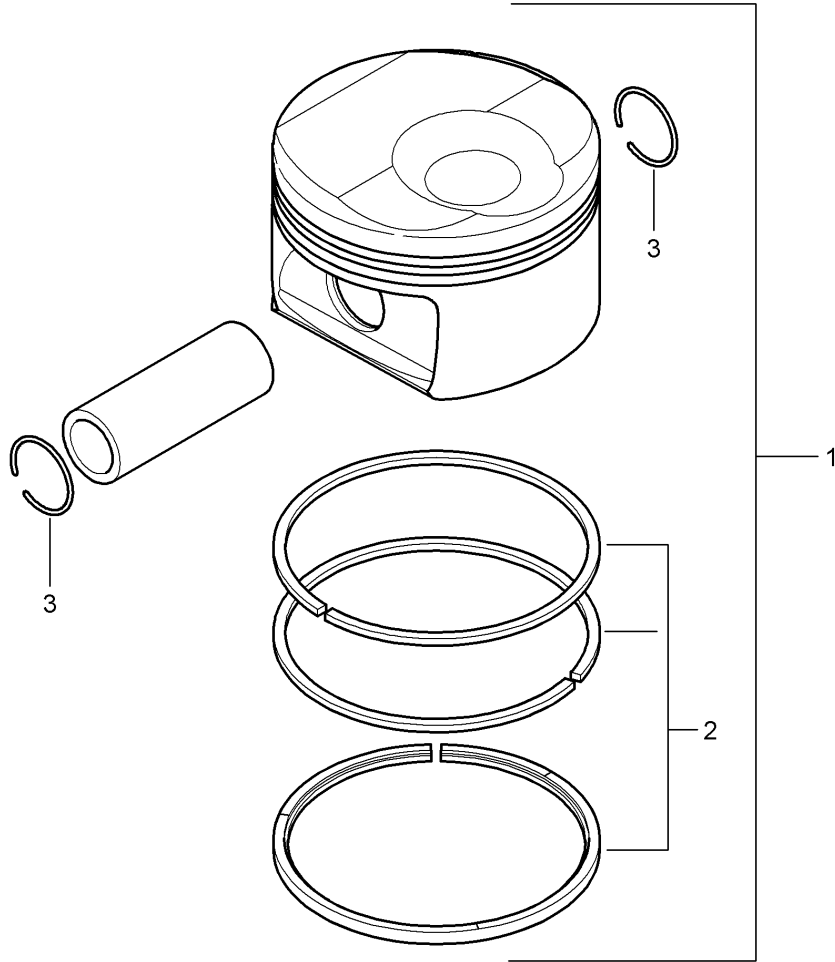
Model: 9PA108

Model life 2007>>2010

Pos	Part Number	Description	Remark	Qty	Model
(7)	958 101 242 11	Main bearing shell Upper Identification Yellow		4	
(7)	958 101 242 14	Main bearing shell Upper Identification Yellow		4	
(7)	958 101 242 12	Main bearing shell Upper Identification Red		4	
(7)	958 101 242 15	Main bearing shell Upper Identification Red		4	
8	955 102 902 00	Thrust washer Set Comprising: Thrust washer Lower Thrust washer Upper		1 2 2	
9	955 102 303 60	Shim 1,5 MM		1	
10	955 102 327 10	Drive plate		1	
11	955 102 303 70	Shim 3,4 MM		1	
12	N 905 398 01	Pan-head screw M 10 X 1 X 19		10	
13	955 103 975 10	Connecting rod Set Comprising: Connecting rod		1 6	
14	955 102 425 10	Connecting rod bolt M 8 X 1 X 50		12	
(14)	WHT 006 219	Connecting rod bolt M 8 X 1 X 50		12	
15	955 103 210 10	Conrod bearing shell Upper Identification Yellow		6	
16	955 103 210 20	Conrod bearing shell Lower Identification Yellow		6	
17	955 606 381 20	Inductive transmitter		1	
18	N 106 536 01	Pan-head screw M 6 X 20		1	

Model: 9PA108

Model life 2007>>2010



Model: 9PA108 Model life 2007>>2010

Pos	Part Number	Description	Remark	Qty	Model
1	948 103 046 09	Piston Piston rings Piston Tolerance range X Identification -		4	M48.01/51 M48.01
(1)	948 103 046 14	556,5 G Cylinders 1 - 4 Piston Tolerance range X Identification -		4	M48.01
(1)	948 103 048 21	556,5 G Cylinders 1 - 4 Piston Tolerance range X Identification -		4	M48.01
(1)	948 103 048 24	556,5 G Cylinders 1 - 4 Piston Tolerance range X Identification -		4	M48.01
(1)	948 103 048 27	554 - 559 G Cylinders 1 - 4 Piston Tolerance range X Identification -		4	M48.01
(1)	948 103 058 21	554 - 559 G Cylinders 1 - 4 See technical information Service Group 1 Document 1010 25/13 M >> A 65168 M >> G A 65064 Piston Tolerance range X Identification -		4	IE0A IE0W M48.01
(1)	948 103 046 10	554 - 559 G Cylinders 1 - 4 See technical information Service Group 1 Document 1010 25/13 M A 65169 >> M G A 65065 >> Piston Tolerance range X Identification +		4	IE0A IE0W M48.01

Model: 9PA108 Model life 2007>>2010

Pos	Part Number	Description	Remark	Qty	Model
(1)	948 103 046 15	562,5 G Cylinders 1 - 4 Piston Tolerance range X Identification +		4	M48.01
(1)	948 103 048 22	562,5 G Cylinders 1 - 4 Piston Tolerance range X Identification +		4	M48.01
(1)	948 103 048 25	562,5 G Cylinders 1 - 4 Piston Tolerance range X Identification +		4	M48.01
(1)	948 103 048 28	560 - 565 G Cylinders 1 - 4 Piston Tolerance range X Identification +		4	M48.01
(1)	948 103 058 22	560 - 565 G Cylinders 1 - 4 See technical information Service Group 1 Document 1010 25/13 M >> A 65168 M >> G A 65064 Piston Tolerance range X Identification +		4	IE0A IE0W M48.01
(1)	948 103 045 09	560 - 565 G Cylinders 1 - 4 See technical information Service Group 1 Document 1010 25/13 M A 65169 >> M G A 65065 >> Piston Tolerance range X Identification -		4	IE0A IE0W M48.01
(1)	948 103 045 14	556,5 G Cylinders 5 - 8 Piston Tolerance range X Identification -		4	M48.01

Model: 9PA108 Model life 2007>>2010

Pos	Part Number	Description	Remark	Qty	Model
(1)	948 103 047 21	556,5 G Cylinders 5 - 8 Piston Tolerance range X Identification -		4	M48.01
(1)	948 103 047 24	556,5 G Cylinders 5 - 8 Piston Tolerance range X Identification -		4	M48.01
(1)	948 103 047 27	554 - 559 G Cylinders 5 - 8 Piston Tolerance range X Identification -		4	M48.01
(1)	948 103 057 21	554 - 559 G Cylinders 5 - 8 See technical information Service Group 1 Document 1010 25/13 M >> A 65168 M >> G A 65064 Piston Tolerance range X Identification -		4	IE0A IE0W M48.01
(1)	948 103 045 10	554 - 559 G Cylinders 5 - 8 See technical information Service Group 1 Document 1010 25/13 M A 65169 >> M G A 65065 >> Piston Tolerance range X Identification +		4	IE0A IE0W M48.01
(1)	948 103 045 15	562,5 G Cylinders 5 - 8 Piston Tolerance range X Identification +		4	M48.01
(1)	948 103 047 22	562,5 G Cylinders 5 - 8 M >> G A 09234 Piston Tolerance range X Identification		4	M48.01

Model: 9PA108 Model life 2007>>2010

Pos	Part Number	Description	Remark	Qty	Model
(1)	948 103 047 25	+ 562,5 G Cylinders 5 - 8 Piston Tolerance range X Identification		4	M48.01
(1)	948 103 047 28	+ 560 - 565 G Cylinders 5 - 8 Piston Tolerance range X Identification		4	M48.01
(1)	948 103 057 22	+ 560 - 565 G Cylinders 5 - 8 See technical information Service Group 1 Document 1010 25/13 M >> A 65168 M >> G A 65064 Piston Tolerance range X Identification		4	IE0A IE0W M48.01
(1)	948 103 046 59	+ 560 - 565 G Cylinders 5 - 8 See technical information Service Group 1 Document 1010 25/13 M A 65169 >> M G A 65065 >> Piston Tolerance range X Identification		4	IE0A IE0W M48.51
(1)	948 103 046 64	- 563,5 G Cylinders 1 - 4 Piston Tolerance range X Identification		4	M48.51
(1)	948 103 046 67	- 563,5 G Cylinders 1 - 4 Piston Tolerance range X Identification		4	M48.51
		- 561 - 566 G Cylinders 1 - 4 See technical information Service Group 1 Document			

Model: 9PA108 Model life 2007>>2010

Pos	Part Number	Description	Remark	Qty	Model
(1)	948 103 046 71	1010 25/13 M >> A 65084 M >> S A 65000 M >> T A 65004 Piston Tolerance range X Identification - 561 - 566 G Cylinders 1 - 4 See technical information Service Group 1 Document		4	IE0A IE81 IE8A M48.51
(1)	948 103 046 60	1010 25/13 M A 65085 >> M S A 65001 >> M T A 65005 >> Piston Tolerance range X Identification + 569,5 G Cylinders 1 - 4		4	IE0A IE81 IE8A M48.51
(1)	948 103 046 65	Piston Tolerance range X Identification + 569,5 G Cylinders 1 - 4		4	M48.51
(1)	948 103 046 68	Piston Tolerance range X Identification + 567 - 572 G Cylinders 1 - 4 See technical information Service Group 1 Document		4	M48.51
(1)	948 103 046 72	1010 25/13 M >> A 65084 M >> S A 65000 M >> T A 65004 Piston Tolerance range X Identification + 567 - 572 G Cylinders 1 - 4 See technical information Service Group 1 Document		4	IE0A IE81 IE8A M48.51
		1010 25/13 M A 65085 >> M S A 65001 >> M T A 65005 >>			IE0A IE81 IE8A

Model: 9PA108 Model life 2007>>2010

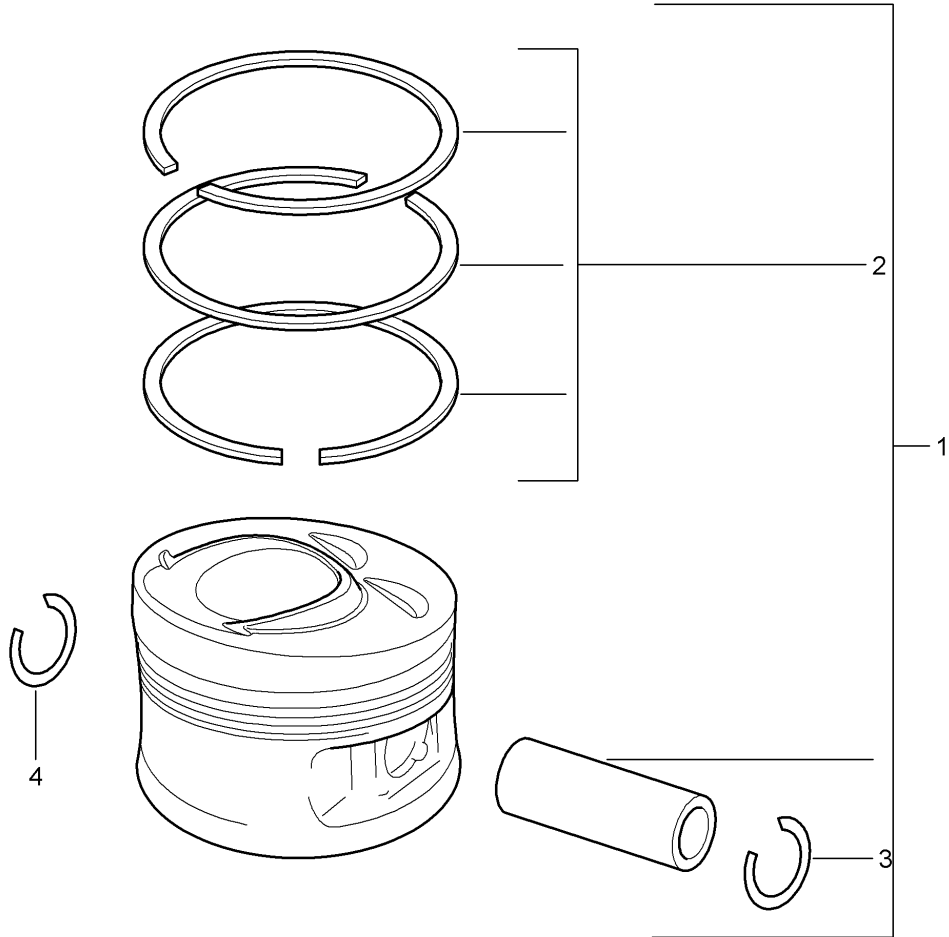
Pos	Part Number	Description	Remark	Qty	Model
(1)	948 103 045 59	Piston Tolerance range X Identification - 563,5 G Cylinders 5 - 8		4	M48.51
(1)	948 103 045 64	Piston Tolerance range X Identification - 563,5 G Cylinders 5 - 8		4	M48.51
(1)	948 103 045 67	Piston Tolerance range X Identification - 561 - 566 G Cylinders 5 - 8 See technical information Service Group 1 Document 1010 25/13 M >> A 65084 M >> S A 65000 M >> T A 65004		4	M48.51
(1)	948 103 045 71	Piston Tolerance range X Identification - 561 - 566 G Cylinders 5 - 8 See technical information Service Group 1 Document 1010 25/13 M A 65085 >> M S A 65001 >> M T A 65005 >>		4	IE0A IE81 IE8A M48.51
(1)	948 103 045 60	Piston Tolerance range X Identification + 569,5 G Cylinders 5 - 8		4	IE0A IE81 IE8A M48.51
(1)	948 103 045 65	Piston Tolerance range X Identification + 569,5 G Cylinders 5 - 8		4	M48.51
(1)	948 103 045 68	Piston Tolerance range X Identification +		4	M48.51

Model: 9PA108 Model life 2007>>2010

Pos	Part Number	Description	Remark	Qty	Model
(1)	948 103 045 72	567- 572 G Cylinders 5 - 8 See technical information Service Group 1 Document 1010 25/13 M >> A 65084 M >> S A 65000 M >> T A 65004 Piston Tolerance range X Identification +		4	IE0A IE81 IE8A M48.51
2	948 103 931 14	567- 572 G Cylinders 5 - 8 See technical information Service Group 1 Document 1010 25/13 M A 65085 >> M S A 65001 >> M T A 65005 >>		8	IE0A IE81 IE8A
(2)	948 103 931 15	Set of piston rings		8	
(2)	948 103 931 16	Set of piston rings		8	M48.01
(2)	948 103 931 30	Set of piston rings See technical information Service Group 1 Document 1010 25/13 M >> A 65168 M >> G A 65064		8	M48.01
(2)	948 103 941 20	Set of piston rings See technical information Service Group 1 Document 1010 25/13 M A 65169 >> M G A 65065 >>		8	IE0A IE0W M48.01
(2)	948 103 931 16	Set of piston rings See technical information Service Group 1 Document 1010 25/13 M A 65169 >> M G A 65065 >>		8	IE0A IE0W M48.51
(2)	948 103 941 21	Set of piston rings See technical information Service Group 1 Document 1010 25/13 M >> A 65084 M >> S A 65000 M >> T A 65004		8	IE0A IE81 IE8A M48.51
3	948 103 341 00	Set of piston rings See technical information Service Group 1 Document 1010 25/13 M A 65085 >> M S A 65001 >> M T A 65005 >> Circlip		16	IE0A IE81 IE8A

Model: 9PA108

Model life 2007>>2010



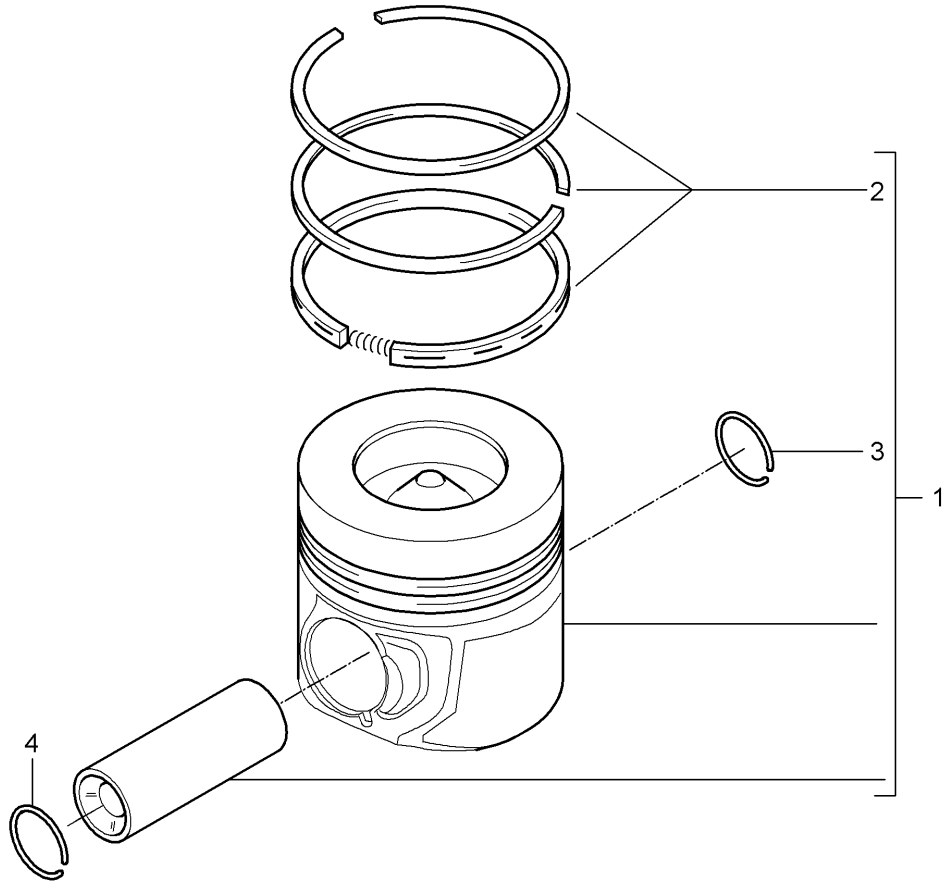
Model: 9PA108

Model life 2007>>2010

Pos	Part Number	Description	Remark	Qty	Model
1	955 103 032 00	Piston Piston rings Piston Complete Cylinder 1 / 3 / 5		3	M55.01
(1)	955 103 033 00	Piston Complete Cylinder 2 / 4 / 6		3	
2	955 103 926 00	Set of piston rings		6	
3	N 012 273 1	Circlip C 20 X 1,5		6	
4		Circlip C 20 X 1,5		6	

Model: 9PA108

Model life 2007>>2010

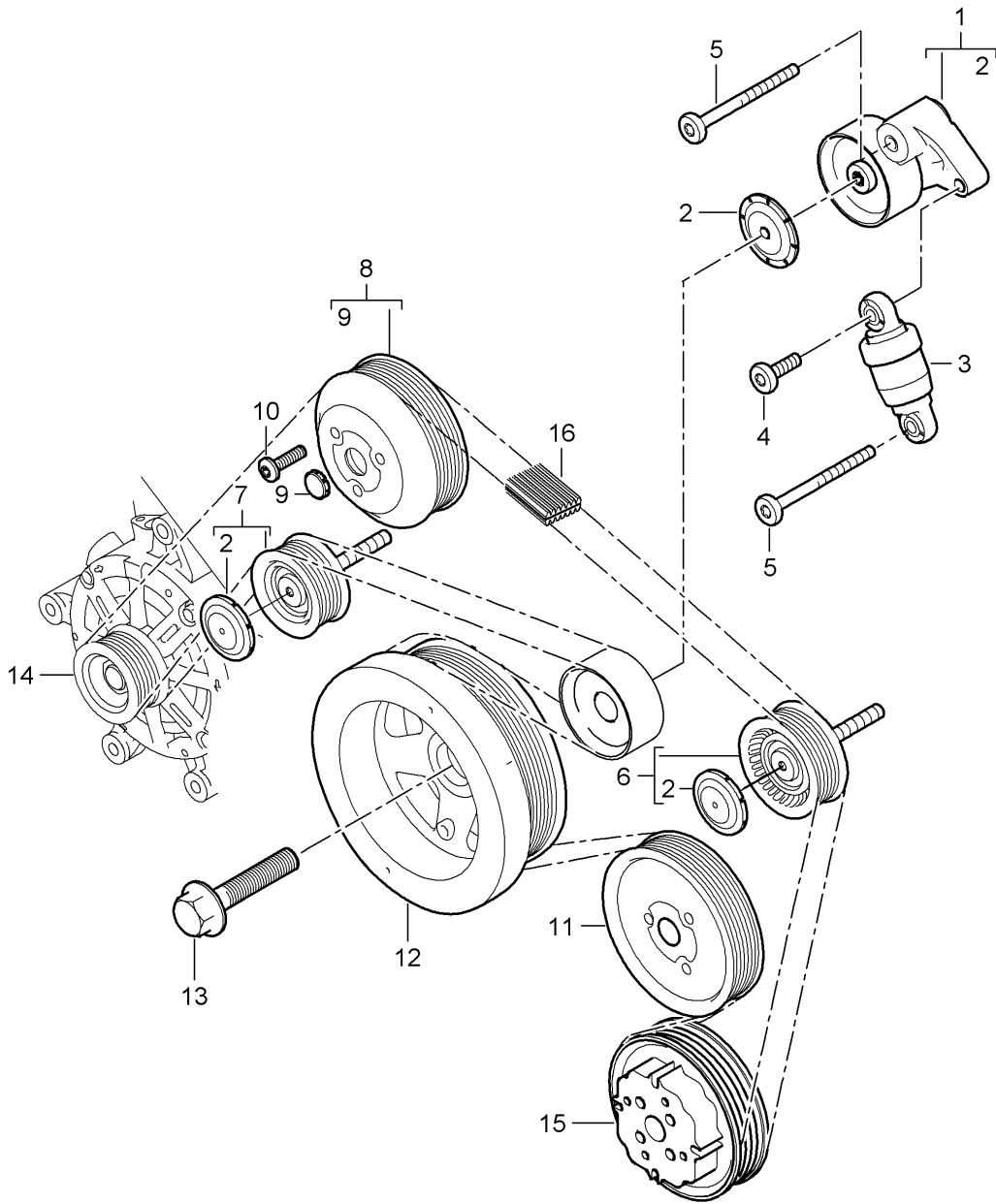


Model: 9PA108 Model life 2007>>2010

Pos	Part Number	Description	Remark	Qty	Model
1	955 103 034 00	Piston Piston rings Piston Complete		6	M05.9D
(1)	958 103 034 00	Piston Complete Only together with Crankcase 955.101.011.00/01 059.103.011.BL/DD Or 958.101.011.00/01 059.103.011.DM/DN		6	
(1)	958 103 034 01	Piston Complete Only together with Crankcase 958.101.011.02 059.103.011.FS		6	
2	955 103 927 00	Set of piston rings		6	
3	955 103 441 00	Circlip 30 X 2		6	
4		Circlip 30 X 2		6	

Model: 9PA108

Model life 2007>>2010



Model: 9PA108 Model life 2007>>2010

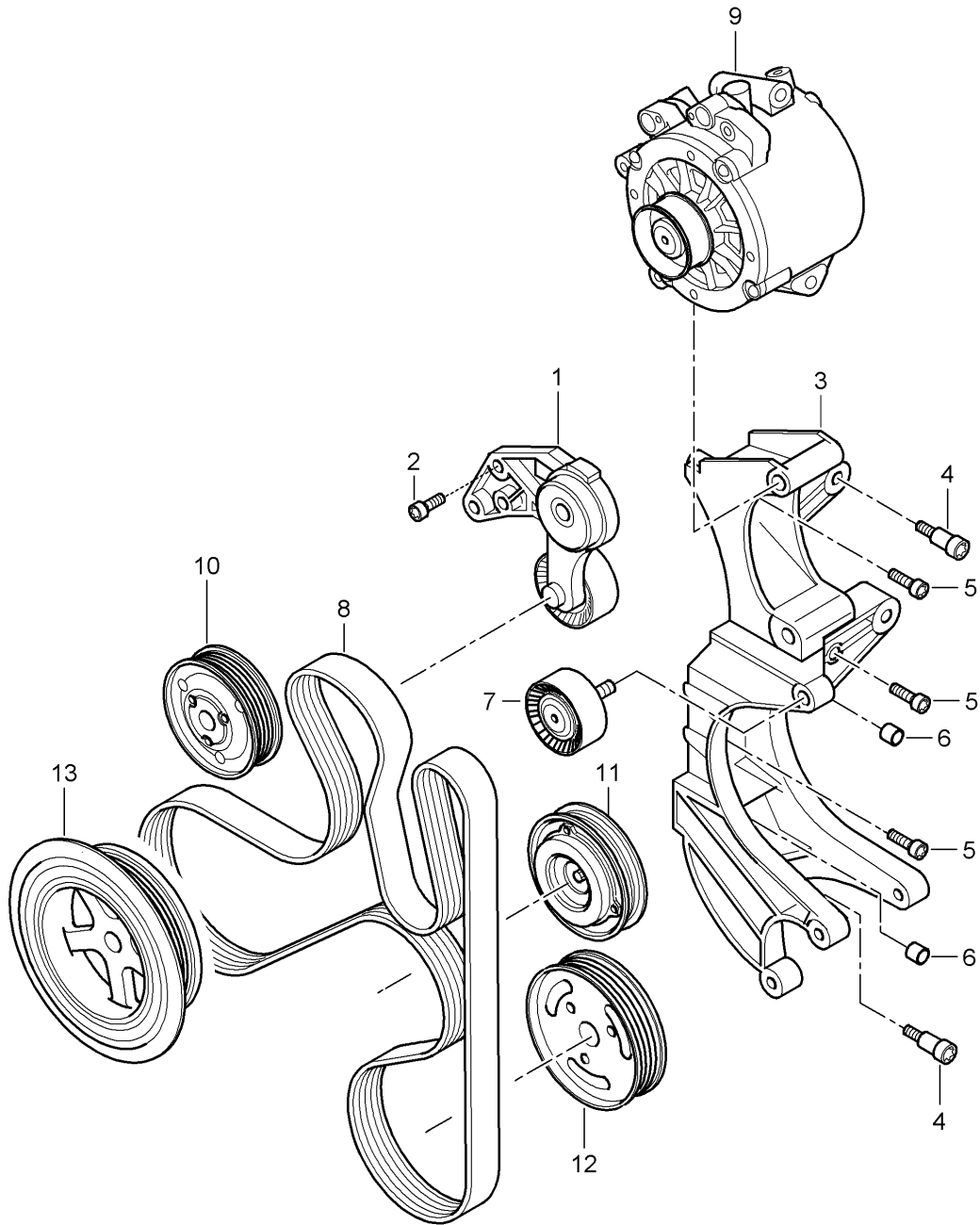
Pos	Part Number	Description	Remark	Qty	Model
1	948 102 403 00	Belt tensioner Belt drive Lever with Tensioning roller M >> 9 05540 M >> G 9 04964 M >> 9 01688 M >> T 9 01787 M >> S 9 00561		1	M48.01/51 M48.01 M48.01 IEOW M48.51 M48.51 IE8A M48.51 IE81
(1)	948 102 403 21	Lever with Tensioning roller M 9 05541 >> M G 9 04965 >> M 9 01689 >> M T 9 01788 >> M S 9 00562 >>		1	M48.01 M48.01 IEOW M48.51 M48.51 IE8A M48.51 IE81
(1)	948 102 403 22	Lever with Tensioning roller		1	
(1)	948 102 403 23	Lever with Tensioning roller		1	
2	948 102 839 00	Protection cap		3	
3	948 102 261 21	Tensioner Hydraulic M 9 05541 >> M G 9 04965 >> M 9 01689 >> M T 9 01788 >> M S 9 00562 >>		1	M48.01 M48.01 IEOW M48.51 M48.51 IE8A M48.51 IE81
4	999 073 246 09	Use also: 948.102.403.21 Torx screw M 8 X 33		1	
5	999 073 329 09	Torx screw M 8 X 96		2	
6	948 102 119 10	Deflection roller with Fastening screw And Protection cap		1	
(6)	955 102 119 10	Deflection roller with Fastening screw And Protection cap		1	
(6)	7PP 145 276	Deflection roller with Fastening screw And Protection cap		1	
7	948 102 118 00	Deflection roller		1	

Model: 9PA108 Model life 2007>>2010

Pos	Part Number	Description	Remark	Qty	Model
(7)	948 102 118 20	with Fastening screw And Protection cap Deflection roller		1	
8	948 106 091 00	with Fastening screw And Protection cap Pulley		1	
(8)	948 106 091 01	Water pump Pulley		1	
9	948 106 419 00	Water pump Lid		1	
10	999 073 104 01	Torx screw M 8 X 16		3	
11		Pulley Power-steering pump Tandem pump See illustrations 4/03/03		1	
12	948 102 241 61	Vibration damper Crankshaft		1	
(12)	948 102 241 62	Vibration damper Crankshaft		1	
(12)	948 102 241 63	Vibration damper Crankshaft		1	
(12)	948 102 241 64	Vibration damper Crankshaft		1	
13	948 102 202 10	Hexagon-head bolt M 18 X 1,5 X 72,1		1	
14		Pulley Generator See illustrations 9/02/05		1	
15		Compressor See illustrations 8/13/70		1	
16	955 102 251 00	V-belt 7 DPK 2880		1	
(16)	7PP 903 137	V-belt 7 DPK 2880		1	

Model: 9PA108

Model life 2007>>2010



Model: 9PA108 Model life 2007>>2010

Pos	Part Number	Description	Remark	Qty	Model
		Belt tensioner Belt drive			M55.01
1	955 102 299 00	Belt tensioner M >> 638 08942		1	
(1)	955 102 361 00	Belt tensioner M 638 08943 >>	-08	1	
(1)	955 102 361 01	Belt tensioner M >> 63A 03026 M >> 63A 05019 See technical information Service Group 1 KD-NR. 1373 19/09	09-	1	
(1)	955 102 299 00	Belt tensioner M 63A 03027 >> M 63A 05020 >> See technical information Service Group 1 KD-NR. 1373 19/09		1	
2	N 910 766 01	Pan-head screw M 8 X 30		3	
3	955 147 151 00	Bracket		1	I0AB
(3)	955 147 151 10	Bracket		1	I0AW
4	N 911 519 01	Fit bolt M 8 X 28		2	
5	N 106 730 01	Pan-head screw M 8 X 40		3	
6	955 147 501 01	Dowel sleeve 11,15 X 6,5		2	
(6)	958 147 501 00	Dowel sleeve 11,15 X 6,5		2	
7	955 102 276 00	Deflection roller with Fastening screw M >> 638 08942		1	
(7)	955 102 119 00	Deflection roller with Fastening screw M 638 08943 >> 63A 03026 M >> 63A 05019 See technical information Service Group 1 KD-NR. 1373 19/09		1	
(7)	955 102 276 00	Deflection roller with Fastening screw M 63A 03027 >> M 63A 05020 >> See technical information Service Group 1 KD-NR. 1373 19/09		1	
8	955 102 933 00	Poly-rib belt 7DPK 24,92 X 2074 MM		1	
9		Generator See illustrations 9/02/05		1	

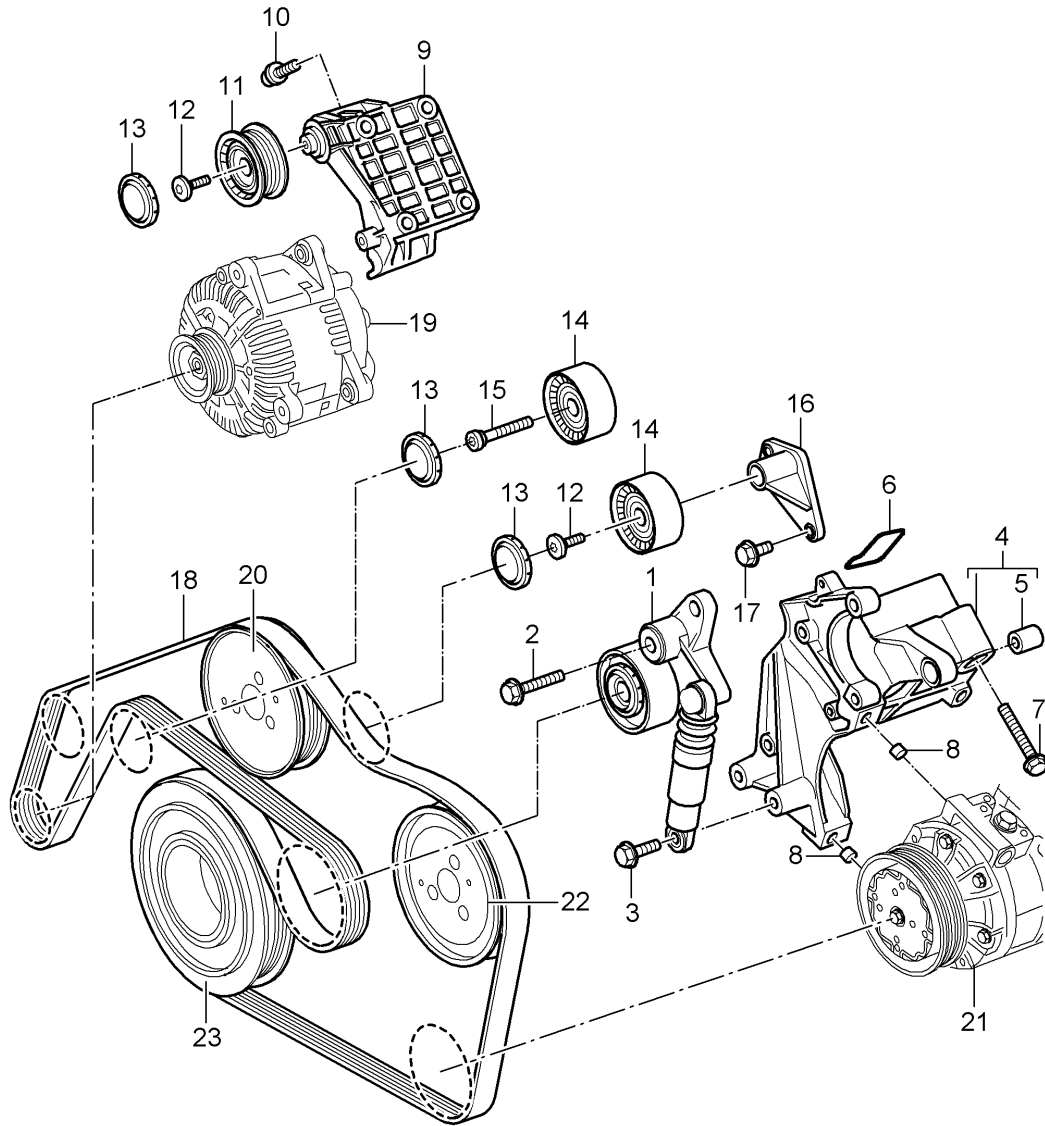
Model: 9PA108

Model life 2007>>2010

Pos	Part Number	Description	Remark	Qty	Model
10		Pulley Water pump See illustrations 1/05/05		1	
11		Compressor Air conditioner See illustrations 8/13/70		1	
12		Pulley Power-steering pump Tandem pump See illustrations 4/03/03		1	
13		Vibration damper Crankshaft See group 1/02/02		1	

Model: 9PA108

Model life 2007>>2010



Model: 9PA108 Model life 2007>>2010

Pos	Part Number	Description	Remark	Qty	Model
1	955 102 361 10	Belt tensioner Belt drive Belt tensioner Only together with Crankcase 955.101.011.01 And Hexagon-head bolt M 10 N .105.797.02		1	M05.9D
(1)	958 102 361 00	Belt tensioner Only together with Crankcase 958.101.011.00 And Hexagon-head bolt M 11 WHT.004.920		1	
2	N 105 797 02	Hexagon-head bolt AM 10 X 76 Only together with Crankcase 955.101.011.01 And Belt tensioner 955.102.361.10		1	
(2)	WHT 004 920	Hexagon-head bolt M 11 X 72 Only together with Crankcase 958.101.011.00 And Belt tensioner 958.102.361.00		1	
3	N 904 400 03	Combination screw M 8 X 35		1	
4	955 147 151 20	Bracket Power-steering pump Compressor		1	
5	955 147 410 00	Bush 8,4 X 18 X 19,5		1	
6	955 147 661 00	Gasket		1	
7	N 102 862 05	Hexagon-head bolt AM 10 X 60		4	
8	955 147 501 10	Dowel sleeve 11,15 X 6,5		2	
9	955 603 252 00	Bracket Generator	-09	1	
(9)	955 603 252 01	Bracket Generator	10-	1	
10	N 910 264 02	Pan-head screw M 10 X 35	-09	4	
(10)	N 910 413 01	Pan-head screw M 10 X 30	10-	4	
11	955 102 118 00	Deflection roller		1	
(11)	955 102 118 01	Deflection roller		1	
12	N 907 663 02	Fit bolt M 8 X 10 X 25		2	
13	955 102 839 00	Protection cap		3	
(13)	955 102 839 01	Protection cap		3	
14	955 102 119 20	Deflection roller		2	
(14)	955 102 119 21	Deflection roller		2	
15	N 911 241 01	Fit bolt		1	

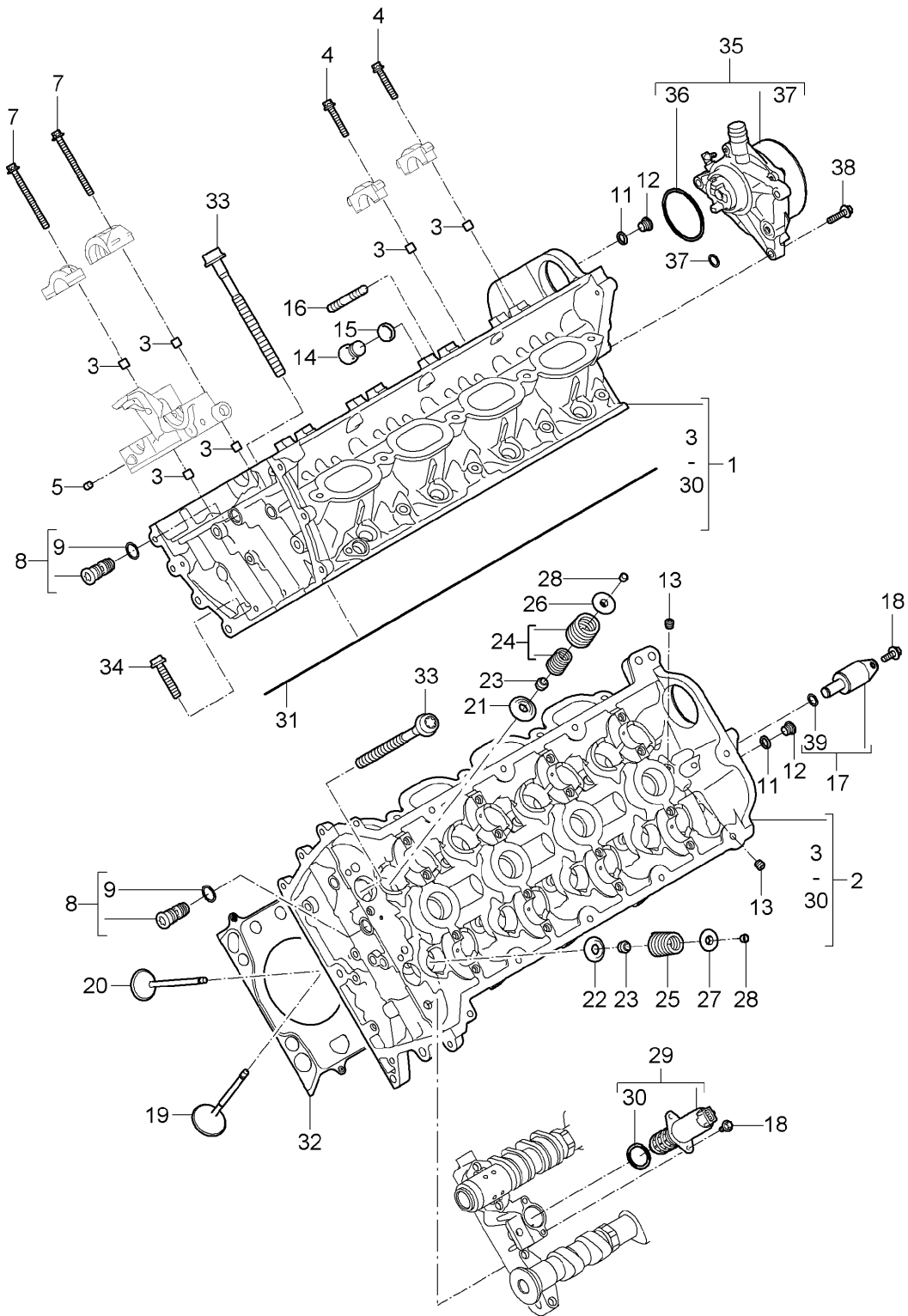
Model: 9PA108

Model life 2007>>2010

Pos	Part Number	Description	Remark	Qty	Model
16	955 102 423 00	M 8 X 16,9 X 65 Support		1	
17	N 105 454 02	Deflection roller Combination screw		3	
18	955 102 934 00	M 8 X 25 Poly-rib belt		1	
(18)	958 102 216 00	6 PK 21,18 X 2480 Poly-rib belt		1	
19		6 PK 21,18 X 2480 Generator		1	
20		See illustrations 9/02/05 Pulley		1	
21		Water pump See illustrations 1/05/07 Compressor		1	
22		Air conditioner See illustrations 8/13/70 Pulley		1	
23		Power-steering pump See illustrations 4/03/03 Vibration damper		1	
		Crankshaft See illustrations 1/02/20			

Model: 9PA108

Model life 2007>>2010



Model: 9PA108 Model life 2007>>2010

Pos	Part Number	Description	Remark	Qty	Model
		Cylinder head Vacuum pump			M48.01/51
1	948 104 015 03	Cylinder head with Spark plug Cylinders 1 - 4		1	M48.01
(1)	948 104 015 04	Cylinder head with Spark plug Cylinders 1 - 4		1	M48.01
(1)	948 104 015 05	Cylinder head with Spark plug Cylinders 1 - 4		1	M48.01
(1)	948 104 015 06	Cylinder head with Spark plug Cylinders 1 - 4		1	M48.01
(1)	948 104 015 53	Cylinder head with Spark plug Cylinders 1 - 4		1	M48.51
(1)	948 104 015 54	Cylinder head with Spark plug Cylinders 1 - 4		1	M48.51
(1)	948 104 015 55	Cylinder head with Spark plug Cylinders 1 - 4		1	M48.51
(1)	948 104 015 56	Cylinder head with Spark plug Cylinders 1 - 4		1	M48.51
2	948 104 016 03	Cylinder head with Spark plug Cylinders 5 - 8		1	M48.01
(2)	948 104 016 04	Cylinder head with Spark plug Cylinders 5 - 8		1	M48.01
(2)	948 104 016 05	Cylinder head with Spark plug Cylinders 5 - 8		1	M48.01
(2)	948 104 016 06	Cylinder head with Spark plug Cylinders 5 - 8		1	M48.01
(2)	948 104 016 53	Cylinder head with Spark plug Cylinders 5 - 8		1	M48.51
(2)	948 104 016 54	Cylinder head with Spark plug Cylinders 5 - 8		1	M48.51
(2)	948 104 016 55	Cylinder head with Spark plug Cylinders 5 - 8		1	M48.51
(2)	948 104 016 56	Cylinder head with Spark plug Cylinders 5 - 8		1	M48.51

Model: 9PA108 Model life 2007>>2010

Pos	Part Number	Description	Remark	Qty	Model
		with Spark plug Cylinders 5 - 8			
3	944 104 361 00	Dowel sleeve		44	
4	999 073 363 01	Torx screw M 6 X 35		32	
5	999 501 023 30	Stopper 6,7		2	
7	900 385 027 01	Torx screw BM 6 X 70		8	
8	948 104 250 01	Restrictor		2	
9	999 707 577 40	O-ring 10,0 X 2,5		2	
11	900 123 144 30	Sealing ring A 10 X 13,5		2	
12	900 219 023 01	Screw plug M 10 X 1		2	
13	900 063 010 00	Screw plug M 8 X 1		4	
14	900 219 024 01	Screw plug M 14 X 1,5		2	M48.01
15	900 123 007 30	Sealing ring A 14 X 18		2	M48.01
16	900 191 003 01	Threaded bolt MFS 8 X 33		24	M48.01
(16)	900 191 003 02	Threaded bolt MFS 8 X 33		24	M48.01
(16)	999 060 002 01	Threaded bolt MFS 8 X 33		24	M48.01
(16)	900 191 002 02	Threaded bolt MFS 8 X 40 M >> 9 01688 M >> T 9 01787 M >> S 9 00561		24	M48.51
(16)	900 191 005 01	Threaded bolt MFS 8 X 42 M 9 01689 >> M T 9 01788 >> M S 9 00562 >>		24	M48.51
(16)	999 060 001 01	Threaded bolt MFS 8 X 42		24	M48.51
17	948 105 308 02	Actuator Valve		2	
(17)	948 105 308 03	Actuator Valve		2	
18	900 385 112 01	Torx screw BM 5 X 12		8	
19	948 105 321 02	Intake valve		16	
20	948 105 322 02	Exhaust valve		16	M48.01
(20)	948 105 322 52	Exhaust valve		16	M48.51
21	948 105 151 01	Concave washer Lower Intake		16	
22	948 105 153 01	Concave washer Lower Exhaust		16	M48.01
(22)	948 105 153 51	Concave washer Lower Exhaust		16	M48.51
23	996 105 115 52	Valve stem seal		32	
24	948 105 094 00	Set of valve springs Intake		16	
(24)	948 105 094 02	Set of valve springs		16	

Model: 9PA108 Model life 2007>>2010

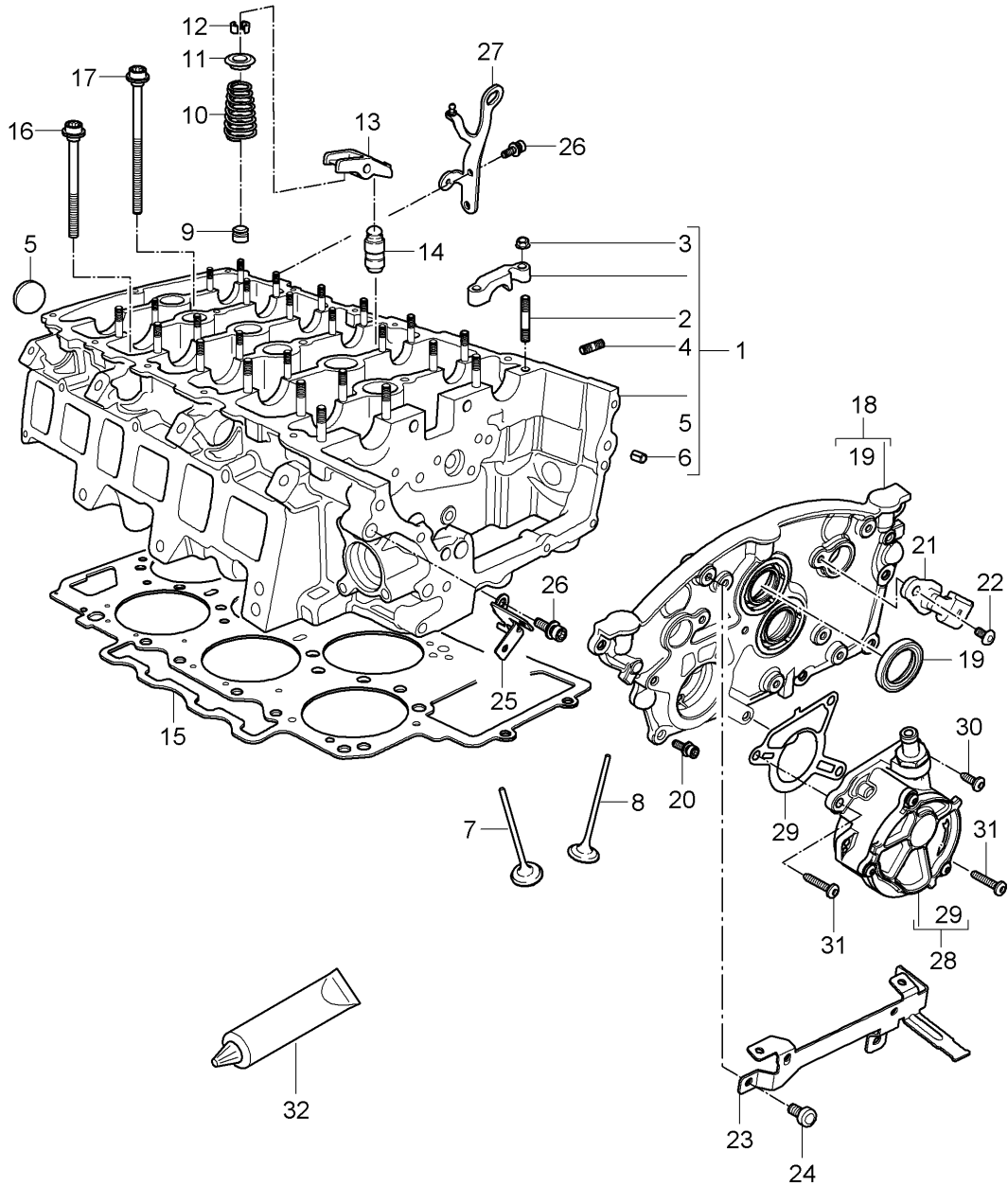
Pos	Part Number	Description	Remark	Qty	Model
25	948 105 420 01	Intake Valve spring		16	M48.01
(25)	948 105 420 02	Exhaust Valve spring		16	M48.01
(25)	948 105 095 50	Exhaust Set of valve springs		16	M48.51
(25)	948 105 095 52	Exhaust Set of valve springs		16	M48.51
26	948 105 150 01	Concave washer Upper		16	
27	996 105 121 54	Intake Concave washer Upper		16	M48.01
(27)	948 105 152 51	Exhaust Concave washer Upper		16	M48.51
28	996 105 123 52	Exhaust Valve collet		64	
29	948 105 304 04	Actuator Camshaft		2	
(29)	948 105 304 05	Actuator Camshaft		2	
(29)	948 105 304 06	Actuator Camshaft		2	
(29)	948 105 304 07	Actuator Camshaft		2	
30	999 707 446 40	O-ring 18 X 2,5		2	
31	948 104 173 02	Cylinder head gasket Cylinders 1 - 4		1	
(31)	948 104 173 03	Cylinder head gasket Cylinders 1 - 4		1	
(31)	948 104 173 04	Cylinder head gasket Cylinders 1 - 4		1	
(31)	948 104 173 05	Cylinder head gasket Cylinders 1 - 4		1	
32	948 104 174 02	Cylinder head gasket Cylinders 5 - 8		1	
(32)	948 104 174 03	Cylinder head gasket Cylinders 5 - 8		1	
(32)	948 104 174 04	Cylinder head gasket Cylinders 5 - 8		1	
(32)	948 104 174 05	Cylinder head gasket Cylinders 5 - 8		1	
33	948 104 181 10	Pan-head screw M 11 X 1,5 X 140		20	
34	999 219 044 01	Pan-head screw M 8 X 40		1	
35	948 110 050 03	Vacuum pump		1	
(35)	948 110 050 04	Vacuum pump		1	
(35)	948 110 050 05	Vacuum pump		1	
(35)	948 110 050 06	Vacuum pump		1	
36	999 707 581 40	O-ring 54 X 3		1	
		M >> 9 05540			M48.01
		M >> G 9 04964			M48.01
					IE0W
		M >> 9 01688			M48.51
		M >> T 9 01787			M48.51
					IE8A
		M >> S 9 00561			M48.51
					IE81

Model: 9PA108 Model life 2007>>2010

Pos	Part Number	Description	Remark	Qty	Model
(36)	999 707 581 41	O-ring 54 X 3 M 9 05541 >> M G 9 04965 >> M 9 01689 >> M T 9 01788 >> M S 9 00562 >>		1	M48.01 M48.01 IEOW M48.51 M48.51 IE8A M48.51 IE81
37	999 707 582 40	O-ring 13 X 3 M >> 9 05540 M >> G 9 04964 M >> 9 01688 M >> T 9 01787 M >> S 9 00561		1	M48.01 M48.01 IEOW M48.51 M48.51 IE8A M48.51 IE81
(37)	999 707 582 41	O-ring 13 X 3 M 9 05541 >> M G 9 04965 >> M 9 01689 >> M T 9 01788 >> M S 9 00562 >>		1	M48.01 M48.01 IEOW M48.51 M48.51 IE8A M48.51 IE81
38	900 385 072 01	Torx screw M 6 X 25		3	
39	999 701 582 40	O-ring 11,5 X 1,8		2	

Model: 9PA108

Model life 2007>>2010



Model: 9PA108

Model life 2007>>2010

Pos	Part Number	Description	Remark	Qty	Model
		Cylinder head Vacuum pump			M55.01
1	955 104 901 10	Cylinder head without Valves		1	
2	955 104 397 00	Stud M 7 X 45		28	
3	N 902 790 06	Hexagon nut M 7		28	
4	N 044 408 7	Stud M 8 X 25		12	
5	N 908 982 02	Lid B 30		1	
6	N 903 327 01	Roll pin 9 X 11,8		4	
7	955 105 601 00	Intake valve Short		6	
(7)	955 105 601 10	Intake valve Long		6	
8	955 105 312 00	Exhaust valve Short		6	
(8)	955 105 312 10	Exhaust valve Long		6	
9	996 105 115 52	Valve stem seal		24	
-	000 043 204 46	Sleeve for Repair		1	
10	955 105 119 00	Valve stem seal		24	
11	955 105 641 00	Valve spring		24	
12	955 105 651 00	Concave washer		24	
13	955 105 651 00	Valve collet		48	
14	955 105 417 10	Valve lever		24	
14	955 105 423 01	Differential housing Hydraulic		24	
15	955 104 171 00	Cylinder head gasket		1	
(15)	955 104 171 01	Cylinder head gasket		1	
16	WHT 000 497 A	Pan-head screw M 9 X 111		13	
(16)	WHT 005 465	Pan-head screw M 9 X 111		13	
17	WHT 000 789 A	Pan-head screw M 9 X 141		7	
(17)	WHT 005 466	Pan-head screw M 9 X 141		7	
18	955 104 122 10	Control box cover		1	
(18)	958 104 122 00	Control box cover		1	
19	955 104 091 10	Gasket		2	
20	N 101 244 08	Torx screw M 6 X 20		6	
21	955 606 106 10	Pulse sender Camshaft		2	
22	N 911 322 01	Oval-head screw M 6 X 16		2	
(22)	N 104 514 05	Round head screw M 6 X 16		2	
23	955 607 501 00	Support		1	
24	N 103 352 06	Round head screw M 6 X 12		2	
25	955 607 502 00	Support		1	
26	N 910 842 01	Screw M 8 X 25		3	
27	955 104 305 00	Shackle for transportation		1	
28	955 110 050 02	Vacuum pump		1	

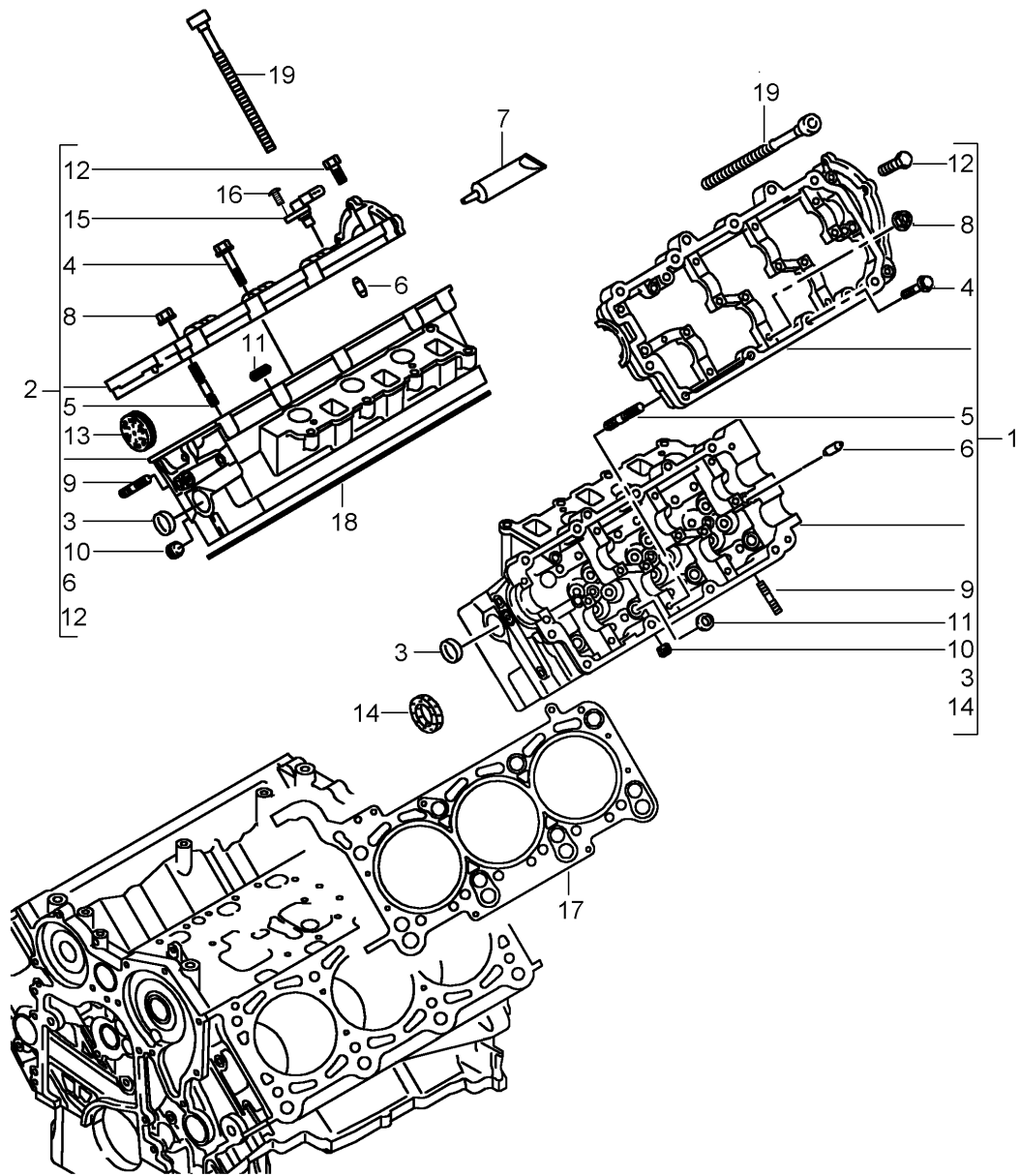
Model: 9PA108

Model life 2007>>2010

Pos	Part Number	Description	Remark	Qty	Model
(28)	955 110 050 03	M >> 638 28868 Vacuum pump		1	
29	955 110 581 00	M 638 28869 >> Gasket		1	
30	N 101 243 06	Oval-head screw M 6 X 20		1	
31	N 105 821 03	Oval-head screw M 6 X 40		2	
32	000 043 300 39	Sealing compound 1 tube 50 ml. for Control box cover Cylinder head		X	
(32)	000 043 207 54	Sealing compound 1 tube 125 GR. for Control box cover Valve cover		X	

Model: 9PA108

Model life 2007>>2010



Model: 9PA108

Model life 2007>>2010

Pos	Part Number	Description	Remark	Qty	Model
1	955 104 016 00	Cylinder head Cylinder head Complete Cyl. 4 - 6		1	M05.9D
(1)	955 104 016 01	Cylinder head Complete Cyl. 4 - 6		1	
(1)	955 104 016 02	Cylinder head Complete Cyl. 4 - 6		1	
(1)	955 104 016 03	Cylinder head Complete Cyl. 4 - 6		1	
2	955 104 015 00	Cylinder head Complete Cyl. 1 - 3		1	
(2)	955 104 015 01	Cylinder head Complete Cyl. 1 - 3		1	
(2)	955 104 015 02	Cylinder head Complete Cyl. 1 - 3		1	
(2)	955 104 015 03	Cylinder head Complete Cyl. 1 - 3		1	
3	N 011 908 5	Lid 28		4	
4	N 102 056 04	Hexagon-head bolt M 6 X 32		24	
5	955 104 399 00	Stud M 6 X 49 Only together with Cylinder head 059.103.063.ES/FB 059.103.064.CS/EJ		12	
(5)	N 911 642 01	Threaded bolt M 6 X 50 Only together with Cylinder head 059.103.063.GH 059.103.064.GA		12	
6	955 104 251 00	Dowel sleeve 8 M 6 X 32		4	
7	000 043 207 49	Sealing compound 1 tube 80 ML		X	
(7)	958 101 902 00	Sealing compound 80 ML		X	
8	N 904 465 02	Hexagon nut M 6		12	
9	N 044 441 5	Stud M 8 X 40		12	
10	N 102 833 04	Screw plug M 8 X 1		2	
11	955 104 377 00	Washer 12,6 X 22,4 X 4,5		16	
12	N 911 315 01	Screw plug M 10 X 1 X 8		2	
13	955 104 113 00	Lid		1	
14	955 104 185 00	Shaft sealing ring		1	
15	955 606 106 20	Pulse sender Camshaft		1	
(15)	958 606 106 00	Pulse sender		1	

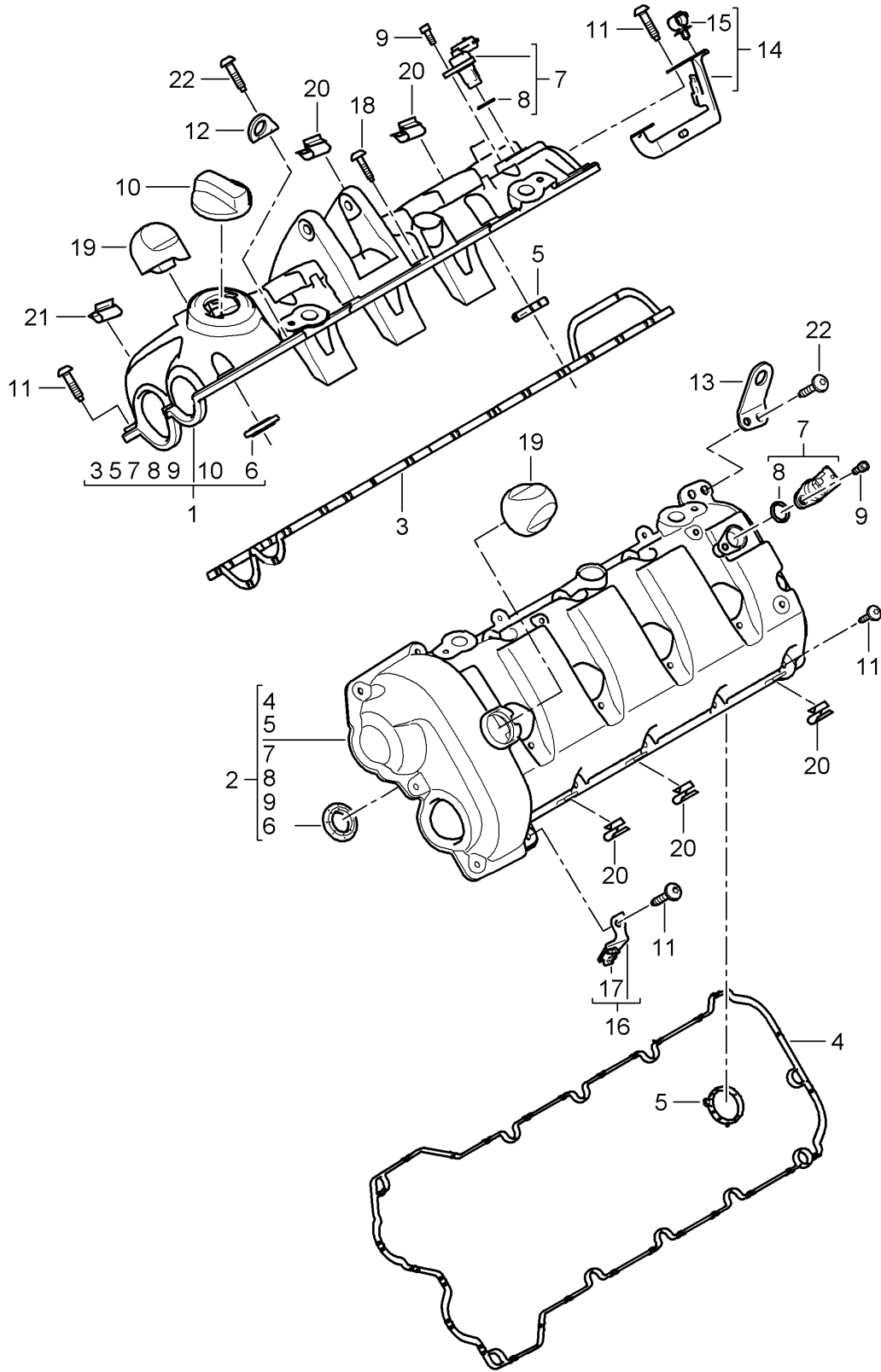
Model: 9PA108

Model life 2007>>2010

Pos	Part Number	Description	Remark	Qty	Model
(15)	958 606 106 01	Camshaft Pulse sender		1	
16	N 101 961 03	Camshaft Oval-head screw M 6 X 18		1	
17	955 104 174 00	Cylinder head gasket 1,1 MM 1 LOCH		X	
(17)	955 104 174 01	Cylinder head gasket 1,1 MM 1 Loch		X	
(17)	955 104 174 02	Cylinder head gasket 1,1 MM 1 LOCH		X	
(17)	955 104 174 10	Cylinder head gasket 1,15 MM 2 LOECHER		X	
(17)	955 104 174 11	Cylinder head gasket 1,15 MM 2 Loecher		X	
(17)	955 104 174 12	Cylinder head gasket 1,15 MM 2 LOECHER		X	
(17)	955 104 174 20	Cylinder head gasket 1,2 MM 3 LOECHER		X	
(17)	955 104 174 21	Cylinder head gasket 1,2 MM 3 Loecher		X	
(17)	955 104 174 22	Cylinder head gasket 1,2 MM 3 LOECHER		X	
18	955 104 173 00	Cylinder head gasket 1,1 MM 1 LOCH		X	
(18)	955 104 173 01	Cylinder head gasket 1,1 MM 1 Loch		X	
(18)	955 104 173 02	Cylinder head gasket 1,1 MM 1 LOCH		X	
(18)	955 104 173 10	Cylinder head gasket 1,15 MM 2 LOECHER		X	
(18)	955 104 173 11	Cylinder head gasket 1,15 MM 2 Loecher		X	
(18)	955 104 173 12	Cylinder head gasket 1,15 MM 2 LOECHER		X	
(18)	955 104 173 20	Cylinder head gasket 1,2 MM 3 LOECHER		X	
(18)	955 104 173 21	Cylinder head gasket 1,2 MM 3 Loecher		X	
(18)	955 104 173 22	Cylinder head gasket 1,2 MM 3 LOECHER		X	
19	955 104 181 00	Pan-head screw M 12 X 1,5 X 159,5		16	

Model: 9PA108

Model life 2007>>2010



Model: 9PA108 Model life 2007>>2010

Pos	Part Number	Description	Remark	Qty	Model
1	948 105 135 02	Valve cover Valve cover Cylinders 1 - 4 M >> 9 05540 M >> G 9 04964 M >> 9 01688 M >> T 9 01787 M >> S 9 00561		1	M48.01/51 M48.01 IE0A M48.01 IE0W M48.51 IE0A M48.51 IE8A M48.51 IE81
(1)	948 105 135 03	Valve cover Cylinders 1 - 4 M 9 05541 >> M G 9 04965 >> M 9 01689 >> M T 9 01788 >> M S 9 00562 >>		1	M48.01 IE0A M48.01 IE0W M48.51 IE0A M48.51 IE8A M48.51 IE81
2	948 105 136 03	Valve cover Cylinders 5 - 8 M >> 9 05540 M >> G 9 04964 M >> 9 01688 M >> T 9 01787 M >> S 9 00561		1	M48.01 IE0A M48.01 IE0W M48.51 IE0A M48.51 IE8A M48.51 IE81
(2)	948 105 136 04	Valve cover Cylinders 5 - 8 M 9 05541 >> M G 9 04965 >> M 9 01689 >> M T 9 01788 >> M S 9 00562 >>		1	M48.01 IE0A M48.01 IE0W M48.51 IE0A M48.51 IE8A M48.51 IE81
3	948 105 935 01	Gasket Cylinders 1 - 4		1	
4	948 105 936 01	Gasket Cylinders 5 - 8		1	
5	948 105 937 02	Gasket Inner		8	
6	948 105 938 00	Gasket Actuator Camshaft		2	
7	997 606 106 01	Hall sender		2	
(7)	948 606 106 00	Hall sender		2	
8	999 707 404 40	O-ring 17,05 X 1,78		2	
9	900 387 264 01	Pan-head screw		2	

Model: 9PA108 Model life 2007>>2010

Pos	Part Number	Description	Remark	Qty	Model
		M 6 X 16			M48.01
		M >> 9 05540			IE0A
		M >> G 9 04964			M48.01
					IE0W
		M >> 9 01688			M48.51
					IE0A
		M >> T 9 01787			M48.51
					IE8A
		M >> S 9 00561			M48.51
					IE81
(9)	999 073 903 30	Oval-head screw		2	
		M 6 X 20			
(9)	999 073 903 31	Oval-head screw		2	
		M 6 X 20			
		M 9 05541 >>			M48.01
					IE0A
		M G 9 04965 >>			M48.01
					IE0W
		M 9 01689 >>			M48.51
					IE0A
		M T 9 01788 >>			M48.51
					IE8A
		M S 9 00562 >>			M48.51
					IE81
10	955 104 485 00	Lid		1	
11	999 073 341 01	Round head screw		24	
		M 6 X 30			
		M >> 9 05540			M48.01
					IE0A
		M >> G 9 04964			M48.01
					IE0W
		M >> 9 01688			M48.51
					IE0A
		M >> T 9 01787			M48.51
					IE8A
		M >> S 9 00561			M48.51
					IE81
(11)	999 073 905 30	Oval-head screw		10	
		M 6 X 30			
(11)	999 073 905 31	Cylinders 1 - 4		10	
		Oval-head screw			
		M 6 X 30			
		Cylinders 1 - 4			
		M 9 05541 >>			M48.01
					IE0A
		M G 9 04965 >>			M48.01
					IE0W
		M 9 01689 >>			M48.51
					IE0A
		M T 9 01788 >>			M48.51
					IE8A
		M S 9 00562 >>			M48.51
					IE81
(11)	999 073 905 30	Oval-head screw		13	
		M 6 X 30			
(11)	999 073 905 31	Cylinders 5 - 8		13	
		Oval-head screw			
		M 6 X 30			
		Cylinders 5 - 8			
		M 9 05541 >>			M48.01
					IE0A
		M G 9 04965 >>			M48.01

Model: 9PA108 Model life 2007>>2010

Pos	Part Number	Description	Remark	Qty	Model
		M 9 01689 >>			IEOW M48.51
		M T 9 01788 >>			IE0A M48.51
		M S 9 00562 >>			IE8A M48.51
12	948 104 305 00	Shackle for transportation		1	IE81
(12)	948 104 305 20	Shackle for transportation		1	
13	948 104 306 00	Shackle for transportation		1	
(13)	948 104 306 20	Shackle for transportation		1	
14	948 607 136 01	Support		1	
15	999 507 603 40	Cable holder		1	
16	948 606 151 00	Support		1	
17	999 507 808 09	Cable holder		1	
18	999 073 377 01	Round head screw M 8 X 35 Cylinders 1 - 4 M >> 9 05540		2	
		M >> G 9 04964			M48.01 IE0A
		M >> 9 01688			M48.01 IEOW
		M >> T 9 01787			M48.51 IE0A
		M >> S 9 00561			M48.51 IE8A
(18)	999 073 908 30	Oval-head screw M 8 X 35 Cylinders 1 - 4		3	M48.51 IE0A
(18)	999 073 908 31	Oval-head screw M 8 X 35 Cylinders 1 - 4 M 9 05541 >>		3	M48.01 IE0A
		M G 9 04965 >>			M48.01 IEOW
		M 9 01689 >>			M48.51 IE0A
		M T 9 01788 >>			M48.51 IE8A
		M S 9 00562 >>			M48.51 IE81
19	948 607 240 00	Cap M >> 9 05540		2	M48.01 IE0A
		M >> G 9 04964			M48.01 IEOW
		M >> 9 01688			M48.51 IE0A
		M >> T 9 01787			M48.51 IE8A
		M >> S 9 00561			M48.51 IE81
(19)	948 607 241 00	Cap M 9 05541 >>		2	M48.01 IE0A
		M G 9 04965 >>			M48.01 IEOW
		M 9 01689 >>			M48.51 IE0A
		M T 9 01788 >>			M48.51

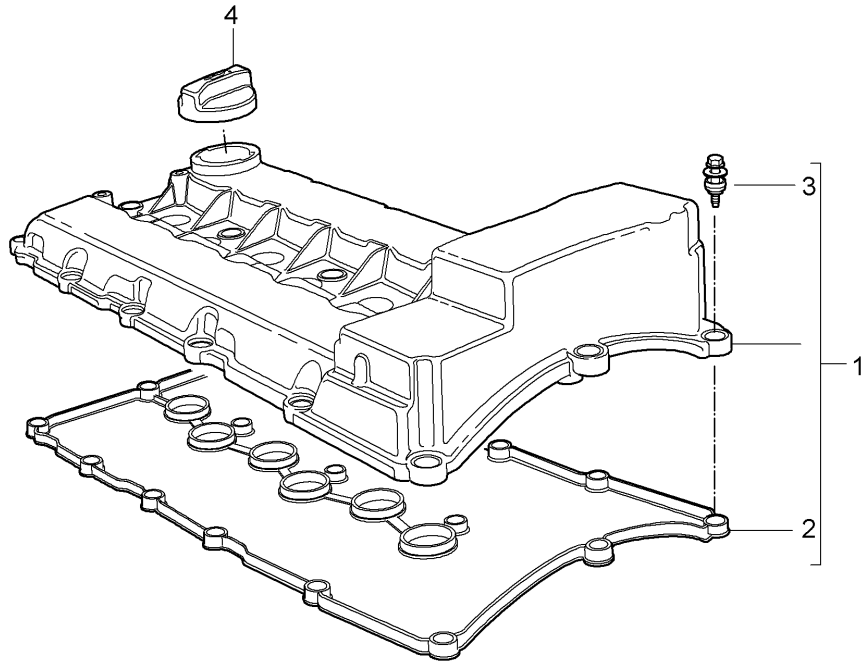
Model: 9PA108

Model life 2007>>2010

Pos	Part Number	Description	Remark	Qty	Model
		M S 9 00562 >>			IE8A M48.51
20	999 652 326 03	Cable clamp 3,5 - 4,0		5	IE81 M48.01
(20)		Cable clamp 3,5 - 4,0		2	M48.51
21	999 507 798 09	Cable clamp 5,1		1	M48.01
22	999 073 377 01	Round head screw M 8 X 35 M >> 9 05540		4	M48.01 IE0A M48.01 IE0W M48.51 IE0A M48.51 IE8A M48.51 IE81
(22)	900 385 042 01	Torx screw M 8 X 35 M 9 05541 >>		4	M48.01 IE0A M48.01 IE0W M48.51 IE0A M48.51 IE8A M48.51 IE81
		M >> G 9 04964			M48.01 IE0A M48.01 IE0W M48.51 IE0A M48.51 IE8A M48.51 IE81
		M >> 9 01688			M48.51 IE0A M48.51 IE8A M48.51 IE81
		M >> T 9 01787			M48.51 IE8A M48.51 IE81
		M >> S 9 00561			M48.51 IE81
		M G 9 04965 >>			M48.01 IE0A M48.01 IE0W M48.51 IE0A M48.51 IE8A M48.51 IE81
		M 9 01689 >>			M48.51 IE0A M48.51 IE8A M48.51 IE81
		M T 9 01788 >>			M48.51 IE8A M48.51 IE81
		M S 9 00562 >>			M48.51 IE81

Model: 9PA108

Model life 2007>>2010



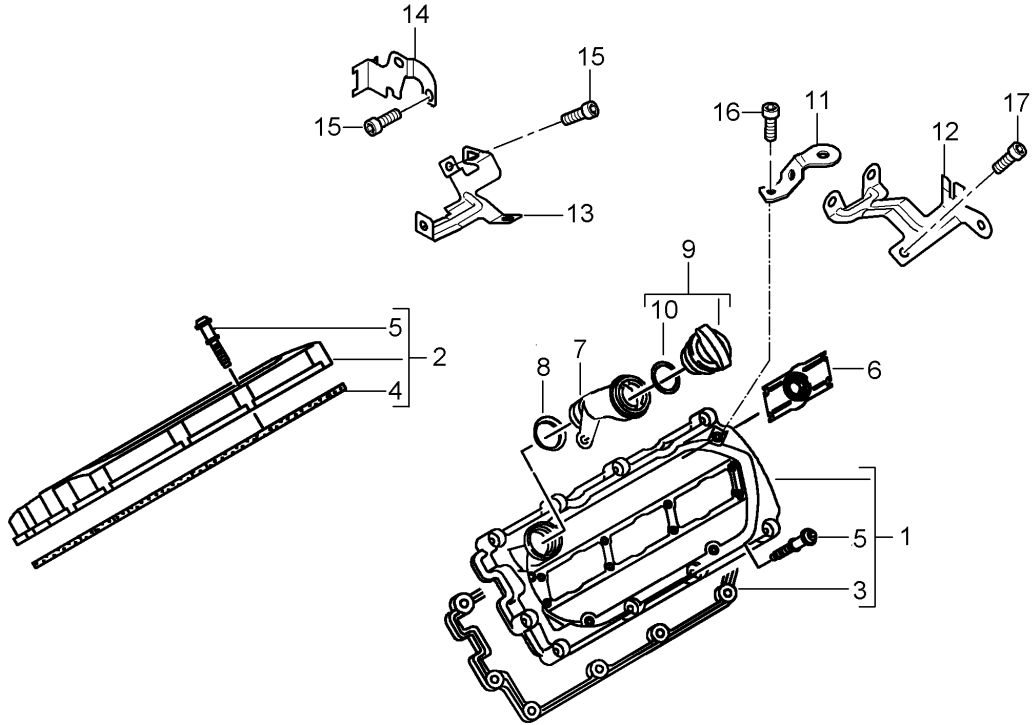
Model: 9PA108

Model life 2007>>2010

Pos	Part Number	Description	Remark	Qty	Model
		Valve cover			M55.01
1	955 105 135 00	Valve cover		1	
(1)	955 105 135 01	Valve cover		1	
(1)	958 105 135 30	Valve cover		1	
(1)	958 105 135 31	Valve cover		1	
2	955 105 231 00	Gasket		1	
(2)	955 105 231 01	Gasket		1	
3	955 105 343 00	Hexagon-head bolt with Guide sleeve		17	
4	955 104 485 00	Lid		1	

Model: 9PA108

Model life 2007>>2010

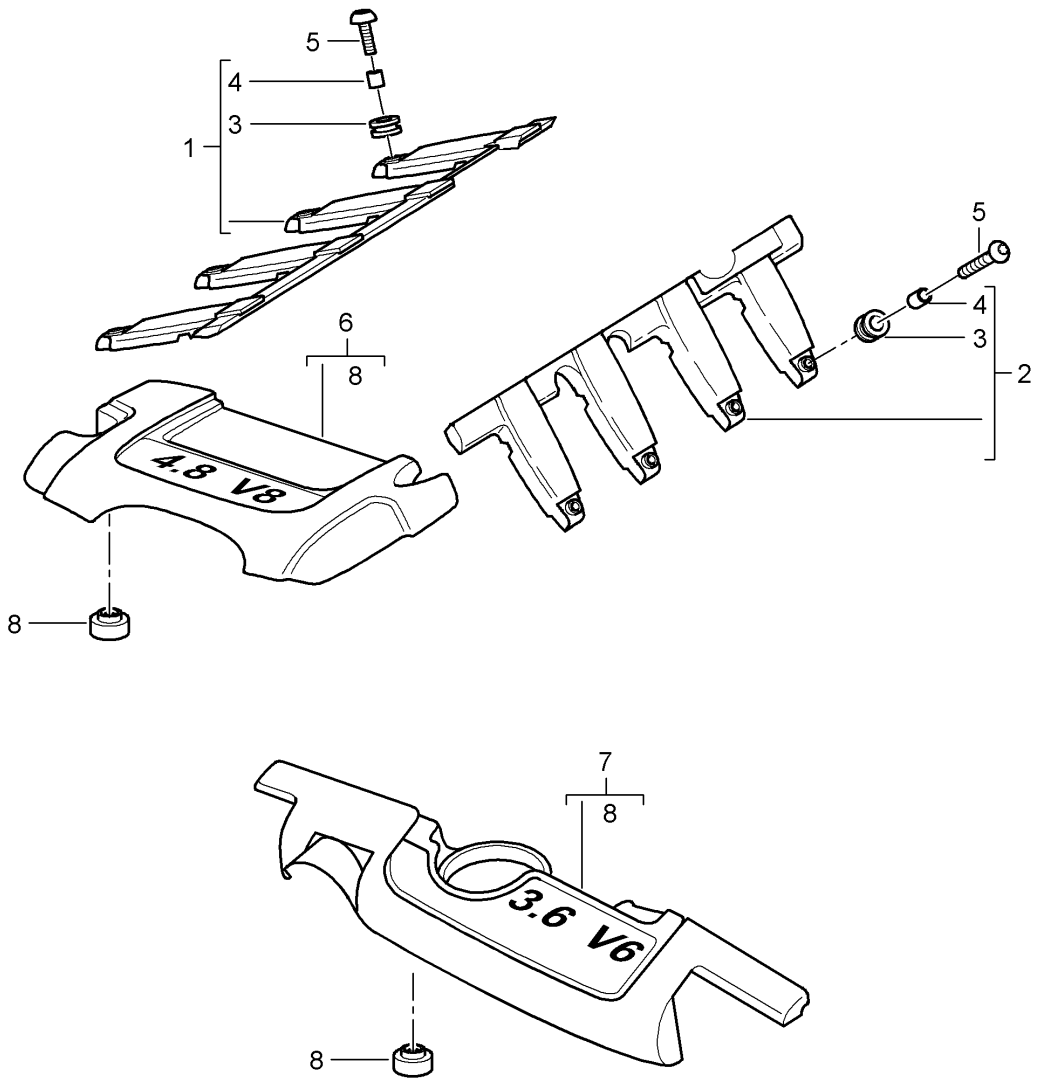


Model: 9PA108 Model life 2007>>2010

Pos	Part Number	Description	Remark	Qty	Model
1	955 105 135 10	Valve cover Valve cover Cyl. 4 - 6		1	M05.9D
(1)	955 105 135 11	Valve cover Valve cover Cyl. 4 - 6		1	
2	955 105 136 10	Valve cover Valve cover Cyl. 1 - 3		1	
(2)	955 105 136 11	Valve cover Valve cover Cyl. 1 - 3		1	
3	955 105 231 10	Gasket Gasket Cyl. 4 - 6		1	
4	955 105 232 10	Gasket Gasket Cyl. 1 - 3		1	
5	955 105 343 10	Round head screw with Guide sleeve		18	
6		Lid See illustrations 1/07/08		6	
7	955 107 115 00	Filler neck Engine oil		1	
8	955 107 287 00	Sealing ring		1	
9	955 104 485 10	Lid Information available		1	
(9)	958 104 485 00	Lid Information available		1	
(9)	958 104 485 10	Lid		1	
10	955 107 336 00	Gasket		1	
(10)	958 104 536 00	Gasket		1	
11	955 606 845 00	Support		1	
12	955 606 846 00	Support		1	
13	955 606 502 00	Support		1	
14	955 606 503 00	Support		1	
15	N 103 352 06	Round head screw M 6 X 12		2	
16	N 101 703 02	Oval-head screw M 6 X 10		1	
17	N 103 469 04	Pan-head screw M 6 X 12		1	

Model: 9PA108

Model life 2007>>2010

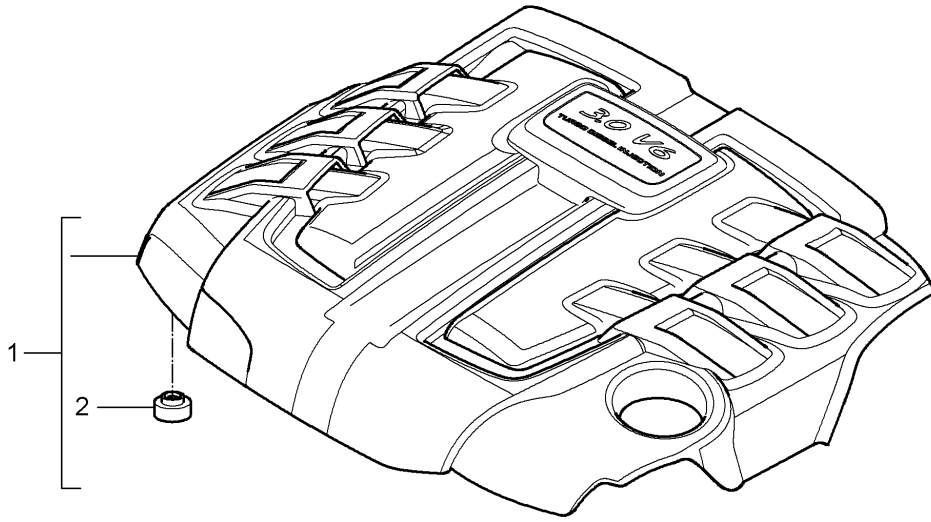


Model: 9PA108 Model life 2007>>2010

Pos	Part Number	Description	Remark	Qty	Model
1	955 105 141 10	Engine cover Cover Ignition coil Cylinders 1 - 4 Silver	-08	1	M48.01/51 M55.01 M48.01/51
(1)		Cover	08	1	M48.51 IE81
(1)	955 105 141 11	Ignition coil Cylinders 1 - 4 Silver Cover	09-	1	M48.01/51
(1)	955 105 141 10	Ignition coil Cylinders 1 - 4 Black Cover	09-	1	M48.51 IE81 IE8A
2	955 105 142 10	Ignition coil Cylinders 1 - 4 Silver Cover	-08	1	M48.01/51
(2)		Ignition coil Cylinders 5 - 8 Silver Cover	08	1	M48.51 IE81
(2)	955 105 142 11	Ignition coil Cylinders 5 - 8 Silver Cover	09-	1	M48.01/51
(2)	955 105 142 10	Ignition coil Cylinders 5 - 8 Black Cover	09-	1	M48.51 IE81 IE8A
3	955 110 638 00	Ignition coil Cylinders 5 - 8 Silver Grommet		8	M48.01/51
4	955 110 825 00	Sleeve		8	M48.01/51
5	955 105 255 00	Torx screw M 5 X 16	-08	8	M48.01/51
(5)	WHT 003 425	Torx screw M 5 X 16	09-	8	M48.01/51
6	955 110 213 20	Engine cover Silver	-08	1	M48.01/51
(6)	955 110 213 21	Engine cover Black	09-	1	M48.01/51
(6)	955 110 213 50	Engine cover	08	1	M48.51 IE81
(6)		Engine cover	09-	1	M48.51 IE81 IE8A
7	955 110 213 30	Engine cover		1	M55.01
(7)	955 110 213 31	Engine cover Silver	-08	1	M55.01
(7)	955 110 213 32	Engine cover Black	09-	1	M55.01
8	955 110 236 10	Ball socket		2	M48.01/51
(8)		Ball socket		5	M55.01

Model: 9PA108

Model life 2007>>2010



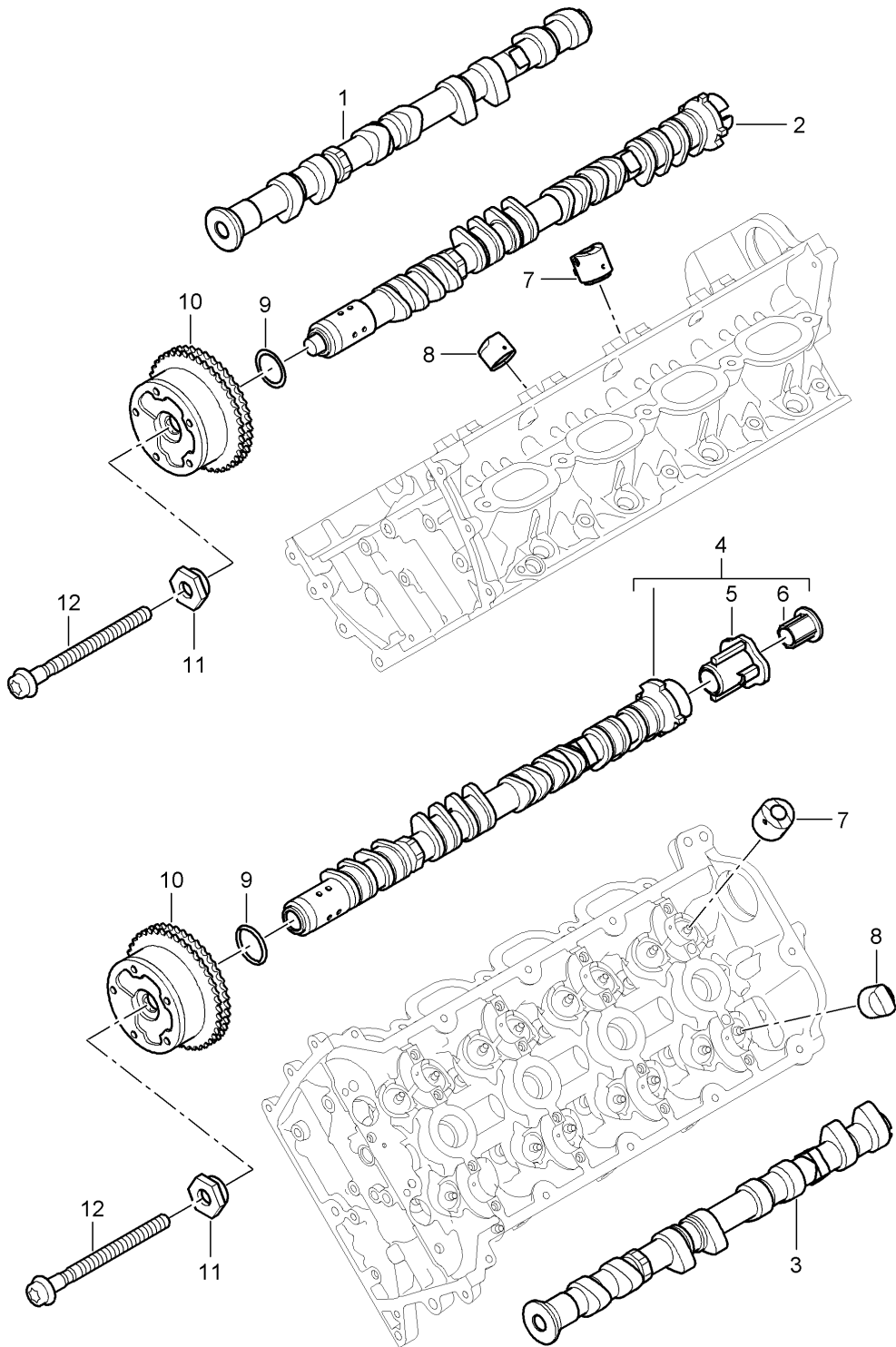
Model: 9PA108

Model life 2007>>2010

Pos	Part Number	Description	Remark	Qty	Model
1	955 110 213 40	Engine cover		1	M05.9D
2	955 110 236 20	Ball socket		4	

Model: 9PA108

Model life 2007>>2010



Model: 9PA108 Model life 2007>>2010

Pos	Part Number	Description	Remark	Qty	Model
1	948 105 242 03	Camshaft Camshaft Exhaust Cylinders 1 - 4 M >> 9 05540 M >> G 9 04964 M >> 9 01688 M >> T 9 01787 M >> S 9 00561		1	M48.01/51 M48.01 M48.01 IEOW M48.51 M48.51 IE8A M48.51 IE81
(1)	948 105 242 20	Camshaft Exhaust Cylinders 1 - 4 M 9 05541 >> M G 9 04965 >> M 9 01689 >> M T 9 01788 >> M S 9 00562 >>		1	M48.01 M48.01 IEOW M48.51 M48.51 IE8A M48.51 IE81
(1)	948 105 242 21	Camshaft Exhaust Cylinders 1 - 4 M 9 05541 >> M G 9 04965 >> M 9 01689 >> M T 9 01788 >> M S 9 00562 >>		1	M48.01 M48.01 IEOW M48.51 M48.51 IE8A M48.51 IE81 M48.01
2	948 105 041 03	Camshaft Intake Cylinders 1 - 4 M >> 9 05540 M >> G 9 04964		1	M48.01
(2)	948 105 041 04	Camshaft Intake Cylinders 1 - 4 M 9 05541 >> M G 9 04965 >>		1	M48.01
(2)	948 105 041 53	Camshaft Intake Cylinders 1 - 4 M >> 9 01688 M >> T 9 01787 M >> S 9 00561		1	M48.51
(2)	948 105 041 54	Camshaft Intake Cylinders 1 - 4 M 9 01689 >> M T 9 01788 >> M S 9 00562 >>		1	M48.51
3	948 105 244 03	Camshaft Exhaust Cylinders 5 - 8 M >> 9 05540 M >> G 9 04964 M >> 9 01688		1	M48.01 M48.01 IEOW M48.51

Model: 9PA108 Model life 2007>>2010

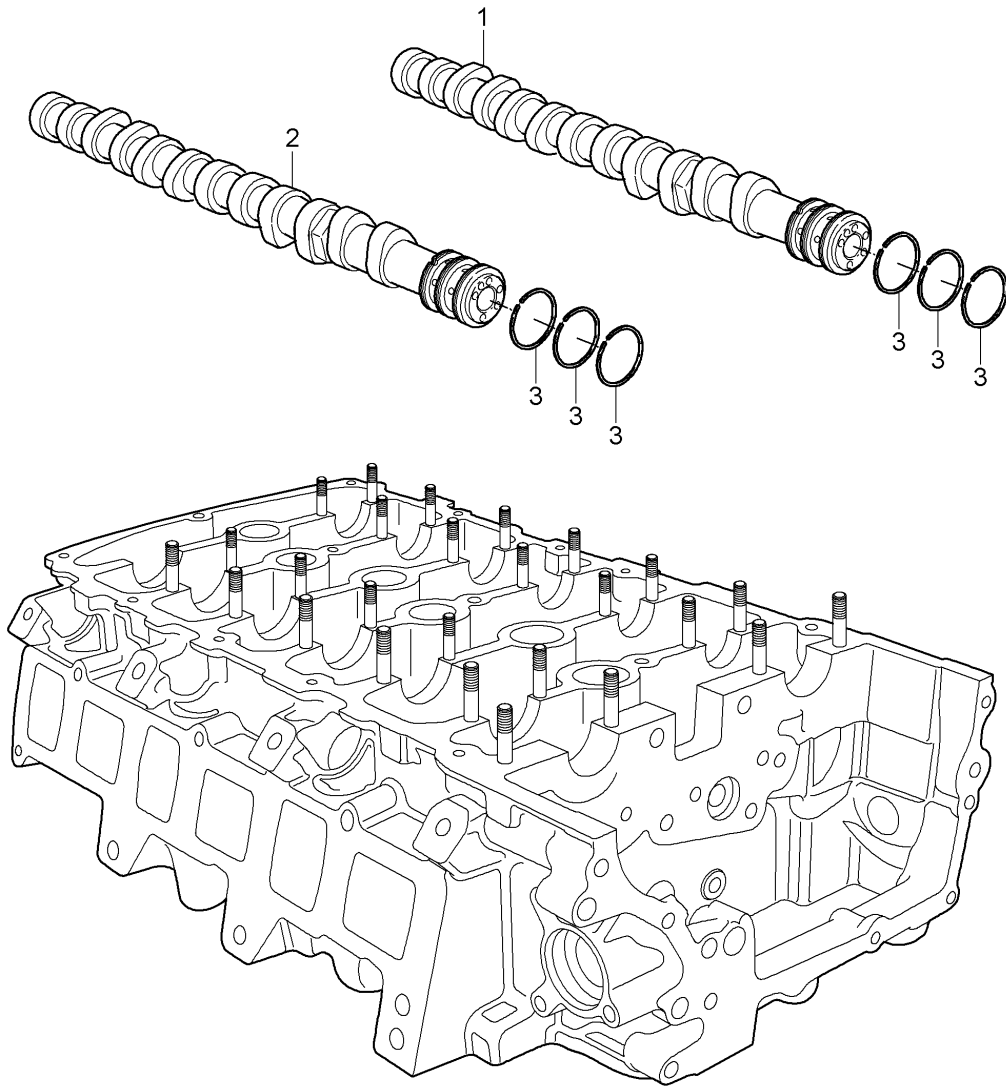
Pos	Part Number	Description	Remark	Qty	Model
(3)	948 105 244 20	M >> T 9 01787 M >> S 9 00561 Camshaft Exhaust Cylinders 5 - 8 M 9 05541 >> M G 9 04965 >> M 9 01689 >> M T 9 01788 >> M S 9 00562 >>		1	M48.51 IE8A M48.51 IE81 M48.01 M48.01 IEOW M48.51 M48.51 IE8A M48.51 IE81
(3)	948 105 244 21	Camshaft Exhaust Cylinders 5 - 8 M 9 05541 >> M G 9 04965 >> M 9 01689 >> M T 9 01788 >> M S 9 00562 >>		1	M48.01 M48.01 IEOW M48.51 M48.51 IE8A M48.51 IE81
4	948 105 043 03	Camshaft Intake Cylinders 5 - 8 M >> 9 05540 M >> G 9 04964		1	M48.01
(4)	948 105 043 04	Camshaft Intake Cylinders 5 - 8		1	M48.01
(4)	948 105 043 05	Camshaft Intake Cylinders 5 - 8		1	M48.01
(4)	948 105 043 53	Camshaft Intake Cylinders 5 - 8 M >> 9 01688 M >> T 9 01787 M >> S 9 00561		1	M48.51
(4)	948 105 043 54	Camshaft Intake Cylinders 5 - 8		1	M48.51
(4)	948 105 043 55	Camshaft Intake Cylinders 5 - 8		1	M48.51
5	948 105 113 01	Clutch high-pressure pump		1	
(5)	948 105 113 02	Clutch high-pressure pump		1	
6	948 105 114 00	Stopper Clutch high-pressure pump		1	
7	948 105 070 04	Hydraulic valve tappet Intake		16	
(7)	948 105 070 05	Hydraulic valve tappet Intake		16	
(7)	9A1 105 070 03	Hydraulic valve tappet Intake		16	
(7)	9A1 105 070 04	Hydraulic valve tappet		16	

Model: 9PA108 Model life 2007>>2010

Pos	Part Number	Description	Remark	Qty	Model
8	948 105 071 02	Intake Hydraulic valve tappet		16	
(8)	948 105 071 03	Exhaust Hydraulic valve tappet		16	
(8)	9A1 105 071 00	Exhaust Hydraulic valve tappet		16	
9	996 105 203 00	Washer		2	
10	948 105 051 13	Camshaft adjuster		2	
(10)	948 105 051 14	Camshaft adjuster		2	
11	948 105 218 01	Sleeve		2	
		M >> A 08634			M48.01
		M >> T A 02603			M48.51
(11)	9A1 105 245 00	Sleeve		2	
		M A 08635 >>			M48.01
		M T A 02604 >>			M48.51
12	948 104 181 01	Screw		2	
		M 12 X 1,5 X 140			M48.01
		M >> 9 05540			M48.01
		M >> G 9 04964			IE0W
		M >> 9 01688			M48.51
		M >> T 9 01787			M48.51
		M >> S 9 00561			IE8A
					M48.51
					IE81
(12)	948 105 254 00	Outer hexagon round screw		2	
		M 12 X 1,5 X 110			M48.01
		M 9 05541 >>			M48.01
		M G 9 04965 >>			IE0W
		M 9 01689 >>			M48.51
		M T 9 01788 >>			M48.51
		M S 9 00562 >>			IE8A
					M48.51
					IE81

Model: 9PA108

Model life 2007>>2010



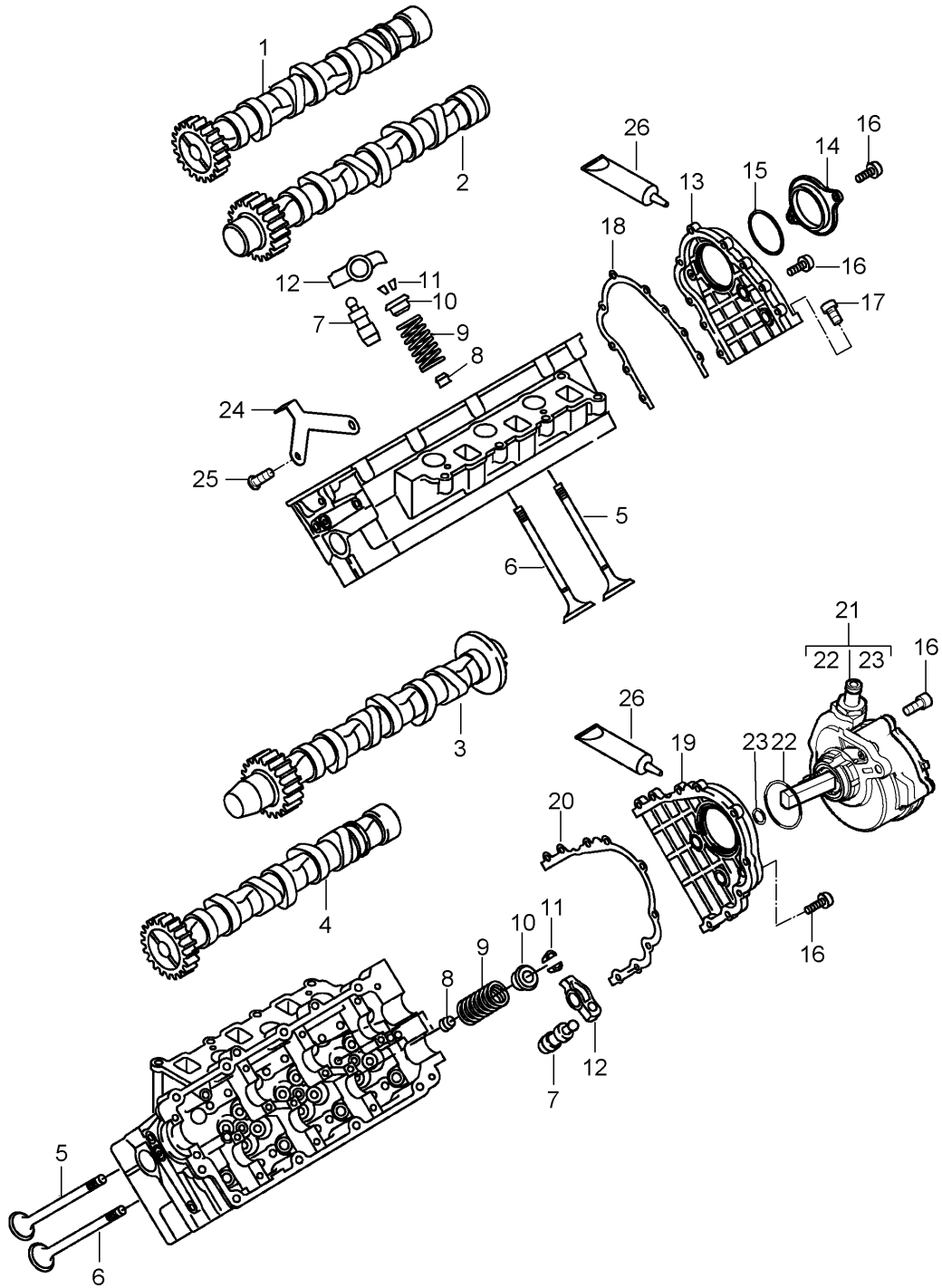
Model: 9PA108

Model life 2007>>2010

Pos	Part Number	Description	Remark	Qty	Model
1	955 105 242 00	Camshaft Camshaft Exhaust M >> 639 10538 M >> 639 10017		1	M55.01
(1)	955 105 242 01	Camshaft Exhaust M 639 10539 >> M 639 10018 >>		1	
2	955 105 241 00	Camshaft Intake M >> 639 10538 M >> 639 10017		1	
(2)	955 105 241 01	Camshaft Intake M 639 10539 >> M 639 10018 >>		1	
3	955 105 345 01	Sealing ring 40 X 1,5		6	

Model: 9PA108

Model life 2007>>2010



Model: 9PA108 Model life 2007>>2010

Pos	Part Number	Description	Remark	Qty	Model
		Camshaft Valves Vacuum pump			M05.9D
1	955 105 041 00	Camshaft Intake Cyl. 1 - 3		1	
2	955 105 242 10	Camshaft Exhaust Cyl. 1 - 3		1	
3	955 105 043 00	Camshaft Intake Cyl. 4 - 6		1	
4	955 105 244 10	Camshaft Exhaust Cyl. 4 - 6		1	
5	955 105 601 20	Intake valve		12	
6	955 105 312 20	Exhaust valve		12	
7	955 105 423 10	Differential housing Hydraulic		24	
(7)	958 105 423 10	Differential housing Hydraulic		24	
8	955 105 115 10	Valve stem seal 6 MM		24	
		Use also: 955.105.501.00		x	
-	955 105 501 00	Sleeve for Repair Valve stem seal 6 X 20		x	
9	955 105 119 10	Valve spring		24	
10	955 105 641 10	Concave washer Upper		24	
11	955 105 651 20	Valve collet		48	
12	955 105 417 20	Valve lever		24	
13	955 105 130 00	Cover Cyl. 1 - 3		1	
14	955 105 153 00	Lid Cyl. 1 - 3		1	
15	WHT 001 801	O-ring 63 X 2,5		1	
16	N 101 243 06	Oval-head screw M 6 X 20		22	
17	N 101 562 06	Oval-head screw M 6 X 30		4	
18	955 105 292 00	Gasket Cyl. 1 - 3		1	
19	955 105 129 00	Cover Cyl. 4 - 6		1	
20	955 105 291 00	Gasket Cyl. 4 - 6		1	
21	955 110 050 10	Vacuum pump		1	
(21)	955 110 050 11	Vacuum pump		1	
22	WHT 001 801	O-ring 63 X 2,5		1	
23	955 110 117 00	O-ring 4,7 X 1,5		1	
24	955 110 764 00	Support		1	
25	N 104 056 04	Oval-head screw M 6 X 14		2	
26	000 043 207 49	Sealing compound 1 tube 80 ML		X	

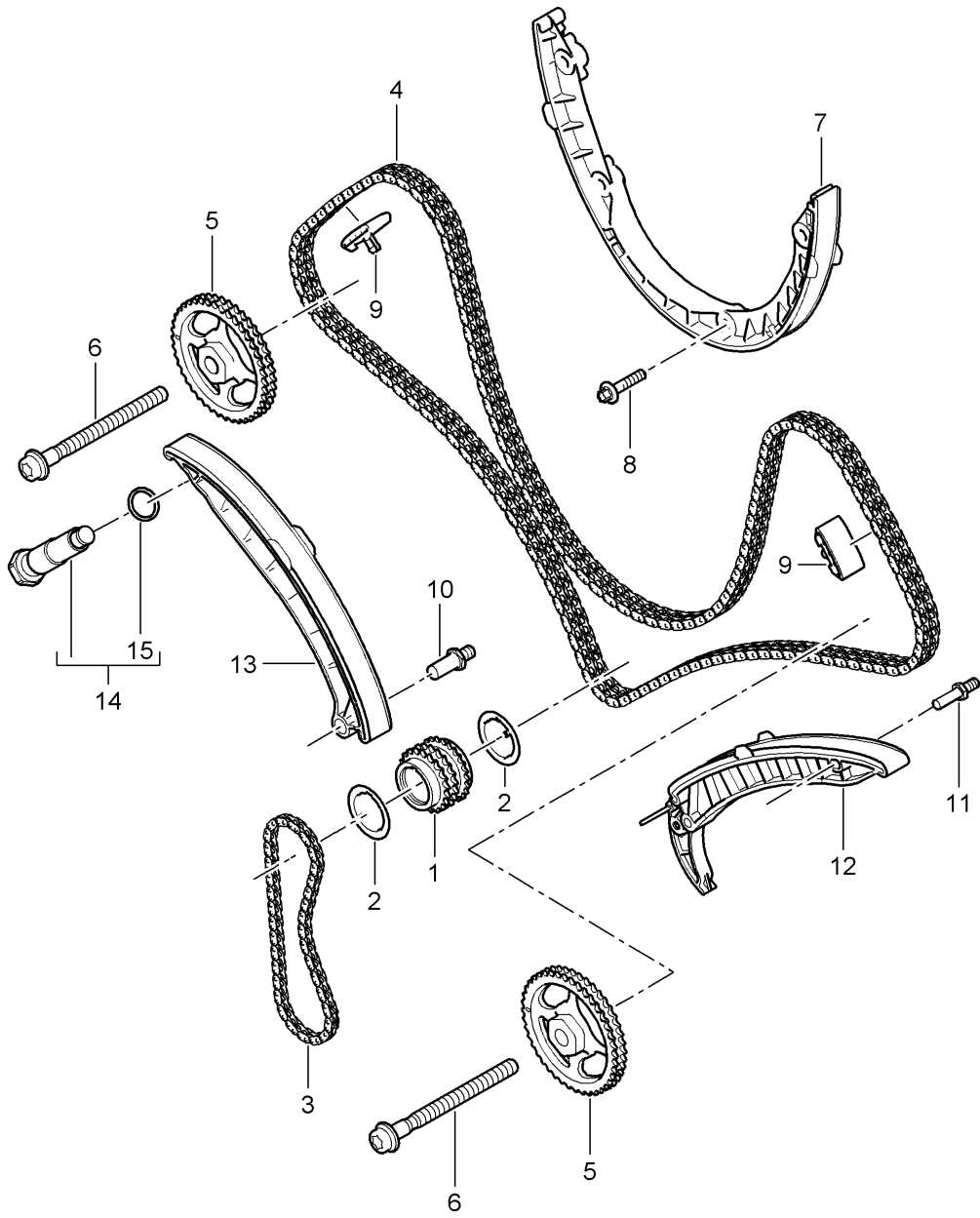
Model: 9PA108

Model life 2007>>2010

Pos	Part Number	Description	Remark	Qty	Model
(26)	958 101 902 00	Sealing compound 80 ML		X	

Model: 9PA108

Model life 2007>>2010



Model: 9PA108 Model life 2007>>2010

Pos	Part Number	Description	Remark	Qty	Model
1	948 102 231 11	Valve control Sprocket Crankshaft		1	M48.01/51
2	948 102 230 00	Washer		2	
3		Chain Oil pump See illustrations 1/04/00		1	
4	948 105 169 10	Chain		1	
5	948 105 181 11	Sprocket Camshaft Exhaust		2	
6	948 104 181 01	Screw M 12 X 1,5 X 140 M >> 9 05540 M >> G 9 04964 M >> 9 01688 M >> T 9 01787 M >> S 9 00561		2	M48.01 M48.01 IEOW M48.51 M48.51 IE8A M48.51 IE81
(6)	948 105 254 00	Outer hexagon round screw M 12 X 1,5 X 110 M 9 05541 >> M G 9 04965 >> M 9 01689 >> M T 9 01788 >> M S 9 00562 >>		2	M48.01 M48.01 IEOW M48.51 M48.51 IE8A M48.51 IE81
7	948 105 023 12	Guide rail		1	
8	900 385 042 01	Torx screw BM 8 X 35		4	
9	948 105 166 12	Guide rail		2	
10	999 015 022 01	Threaded bolt M 10 X 25		1	
11	999 015 021 01	Threaded bolt M 8 X 25		2	
12	948 105 068 11	Guide rail Camshaft Crankshaft		1	
13	948 105 065 10	Tensioner blade		1	
14	948 105 180 10	Chain adjuster M >> 9 05540 M >> G 9 04964 M >> 9 01688 M >> T 9 01787 M >> S 9 00561		1	M48.01 M48.01 IEOW M48.51 M48.51 IE8A M48.51 IE81
(14)	948 105 180 11	Chain adjuster M 9 05541 >> M G 9 04965 >> M 9 01689 >> M T 9 01788 >> M S 9 00562 >>		1	M48.01 M48.01 IEOW M48.51 M48.51 IE8A M48.51 IE81
15	900 123 118 30	Sealing ring		1	

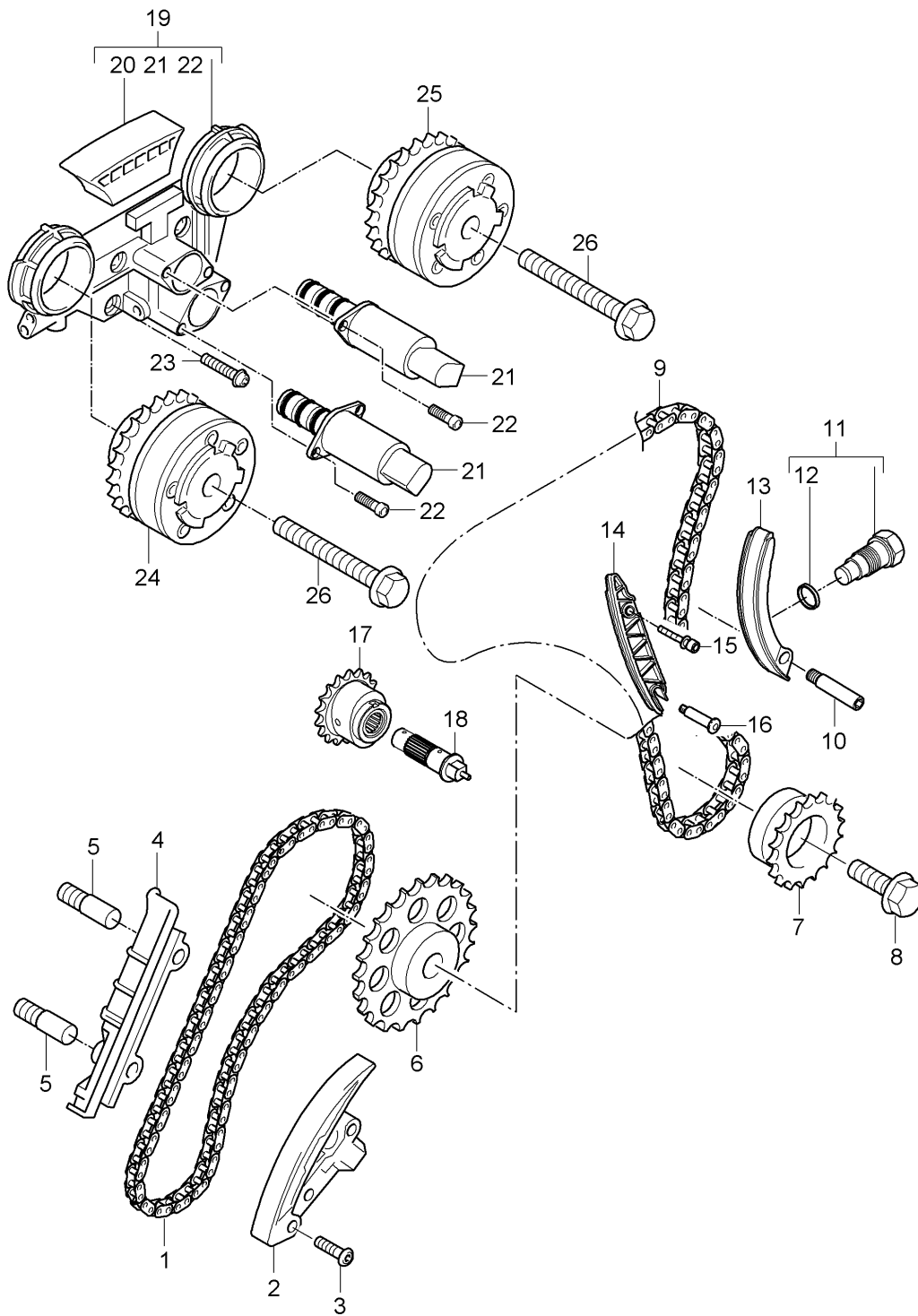
Model: 9PA108

Model life 2007>>2010

Pos	Part Number	Description	Remark	Qty	Model
		A 22 X 27			

Model: 9PA108

Model life 2007>>2010



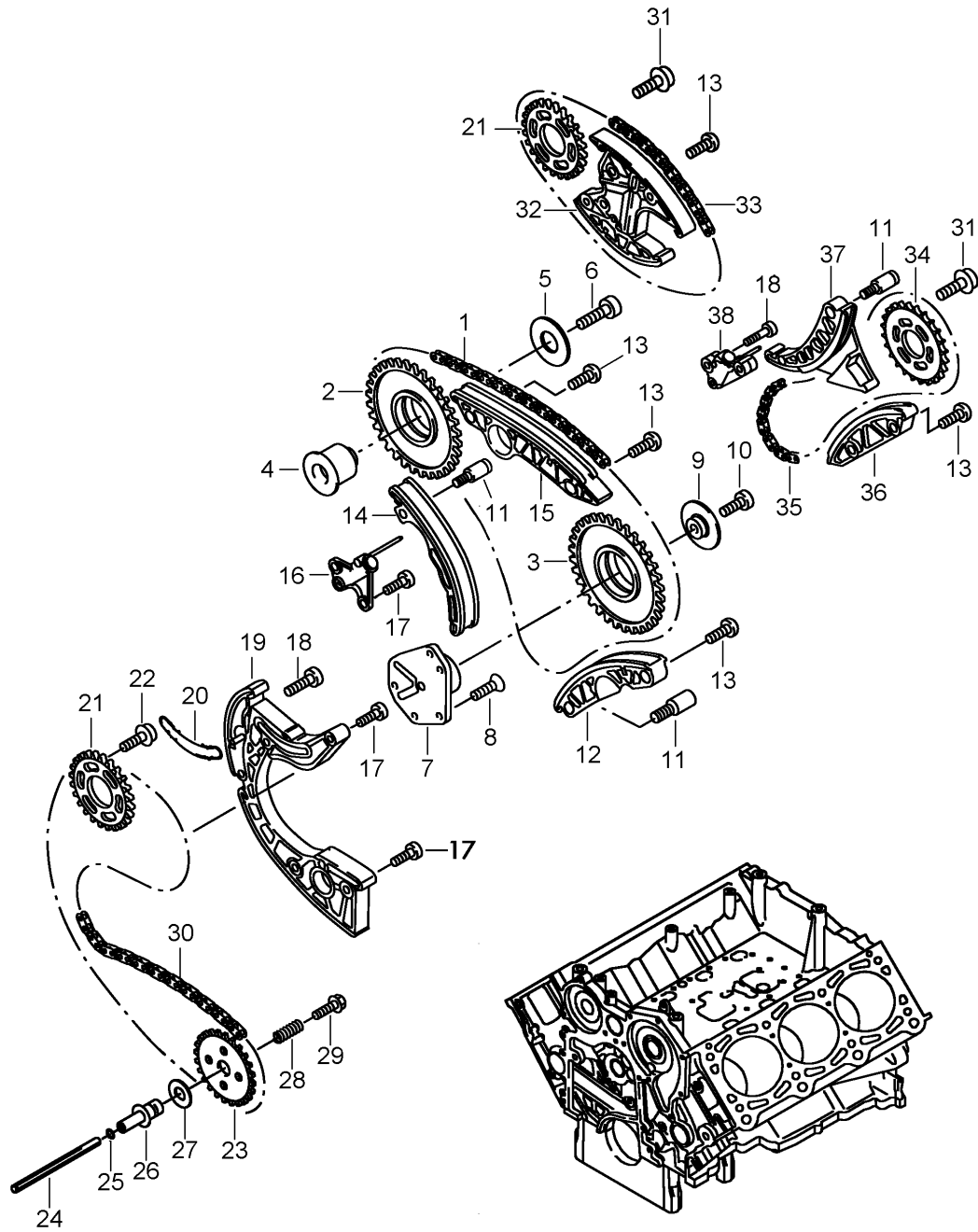
Model: 9PA108

Model life 2007>>2010

Pos	Part Number	Description	Remark	Qty	Model
		Valve control			M55.01
1	955 105 465 01	Timing chain		1	
2	955 105 467 00	Chain adjuster		1	
3	N 909 238 01	Oval-head screw M 6 X 24		2	
4	955 105 469 00	Guide rail		1	
5	955 105 471 00	Bolt		2	
6	955 105 221 00	Sprocket		1	
7	955 105 570 01	Sprocket		1	
8	N 104 044 04	Hexagon-head bolt M 10 X 40		1	
9	955 105 169 00	Timing chain		1	
10	955 105 511 00	Bolt		1	
11	955 105 507 02	Chain adjuster		1	
12	N 013 827 1	Sealing ring A 22 X 27		1	
13	955 105 065 00	Tensioner blade		1	
(13)	955 105 065 01	Tensioner blade		1	
14	955 105 066 00	Guide rail		1	
15	N 106 139 01	Combination screw M 8 X 45		2	
16	955 105 515 00	Bolt		1	
17	955 105 232 00	Sprocket		1	
(17)	955 105 232 01	Sprocket		1	
18	955 105 107 00	Drive shaft M >> 638 28868		1	
(18)	955 105 107 01	Drive shaft M 638 28869 >>		1	
19	955 105 215 00	Timing chain housing with Control valve		1	
(19)	955 105 215 01	Timing chain housing with Control valve		1	
20	955 105 514 00	Guide rail		1	
21	955 105 303 00	Control valve		2	
(21)	955 105 303 01	Control valve		2	
22	N 904 552 05	Oval-head screw M 4 X 10		4	
23	N 909 658 02	Pan-head screw M 6 X 30		4	
24	955 105 051 00	Camshaft adjuster Intake		1	
(24)	955 105 051 01	Camshaft adjuster Intake		1	
25	955 105 052 00	Camshaft adjuster Exhaust		1	
(25)	955 105 052 01	Camshaft adjuster Exhaust		1	
26	N 911 180 01	Hexagon-head bolt M 12 X 1,5 X 85		2	

Model: 9PA108

Model life 2007>>2010

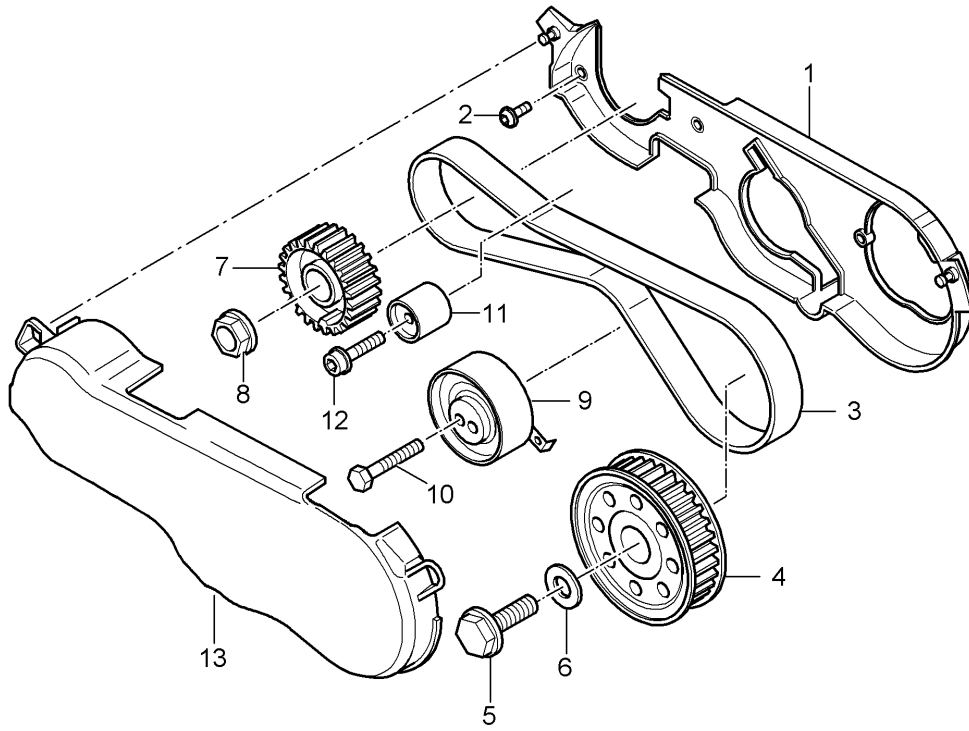


Model: 9PA108 Model life 2007>>2010

Pos	Part Number	Description	Remark	Qty	Model
		Valve control			M05.9D
1	955 105 169 10	Timing chain		1	
2	955 105 077 00	Sprocket		1	
		Z = 19			
3	955 105 077 10	Sprocket		1	
		Z = 28			
4	955 105 224 00	Bearing pin		1	
5	WHT 000 124	Washer		1	
		18 X 50 X 2,23			
6	N 106 609 01	Pan-head screw		1	
		M 10 X 40			
7	955 105 334 00	Bearing pin		1	
8	N 909 549 05	Countersunk-head screw		3	
		M 6 X 18			
9	955 105 435 00	Thrust washer		1	
10	N 104 514 09	Pan-head screw		1	
		M 6 X 16			
11	WHT 000 265	Pan-head screw		3	
		M 6 X 35			
12	955 105 469 10	Guide rail		1	
13	N 101 562 05	Oval-head screw		8	
		M 6 X 30			
14	955 105 065 10	Guide rail		1	
15	955 105 514 10	Guide rail		1	
16	955 105 567 00	Chain adjuster		1	
17	N 101 243 06	Oval-head screw		5	
		M 6 X 20			
18	N 105 540 05	Oval-head screw		3	
		M 6 X 35			
19	955 105 507 10	Chain adjuster		1	
20	955 105 139 00	Gasket		1	
(20)	955 105 139 01	Gasket		1	
21	955 105 222 00	Sprocket		2	
		Z = 25			
22	N 910 488 02	Pan-head screw		3	
		M 8 X 20			
23	955 107 114 00	Sprocket		1	
		Z = 25			
		Oil pump			
24	955 107 320 00	Drive shaft		1	
		Oil pump			
25	N 900 154 01	Circlip		1	
		8			
26	955 105 341 00	Drive shaft		1	
		When required order also:			
		955.107.320.00		1	
		N .900.154.01		1	
27	955 105 537 00	Thrust washer		1	
28	955 105 481 00	Compression spring		1	
29	N 908 932 02	Hexagon-head bolt		1	
		M 10 X 20			
30	955 105 465 10	Timing chain		1	
31	N 910 522 01	Pan-head screw		10	
		M 8 X 12			
32	955 105 218 00	Chain adjuster		1	
33	955 105 229 00	Timing chain		1	
34	955 105 223 00	Sprocket		1	
		Z = 35			
35	955 105 229 10	Timing chain		1	
36	955 105 513 10	Guide rail		1	
37	955 105 510 00	Tensioner blade		1	
(37)	955 105 510 01	Tensioner blade		1	
38	955 105 217 00	Chain adjuster		1	

Model: 9PA108

Model life 2007>>2010



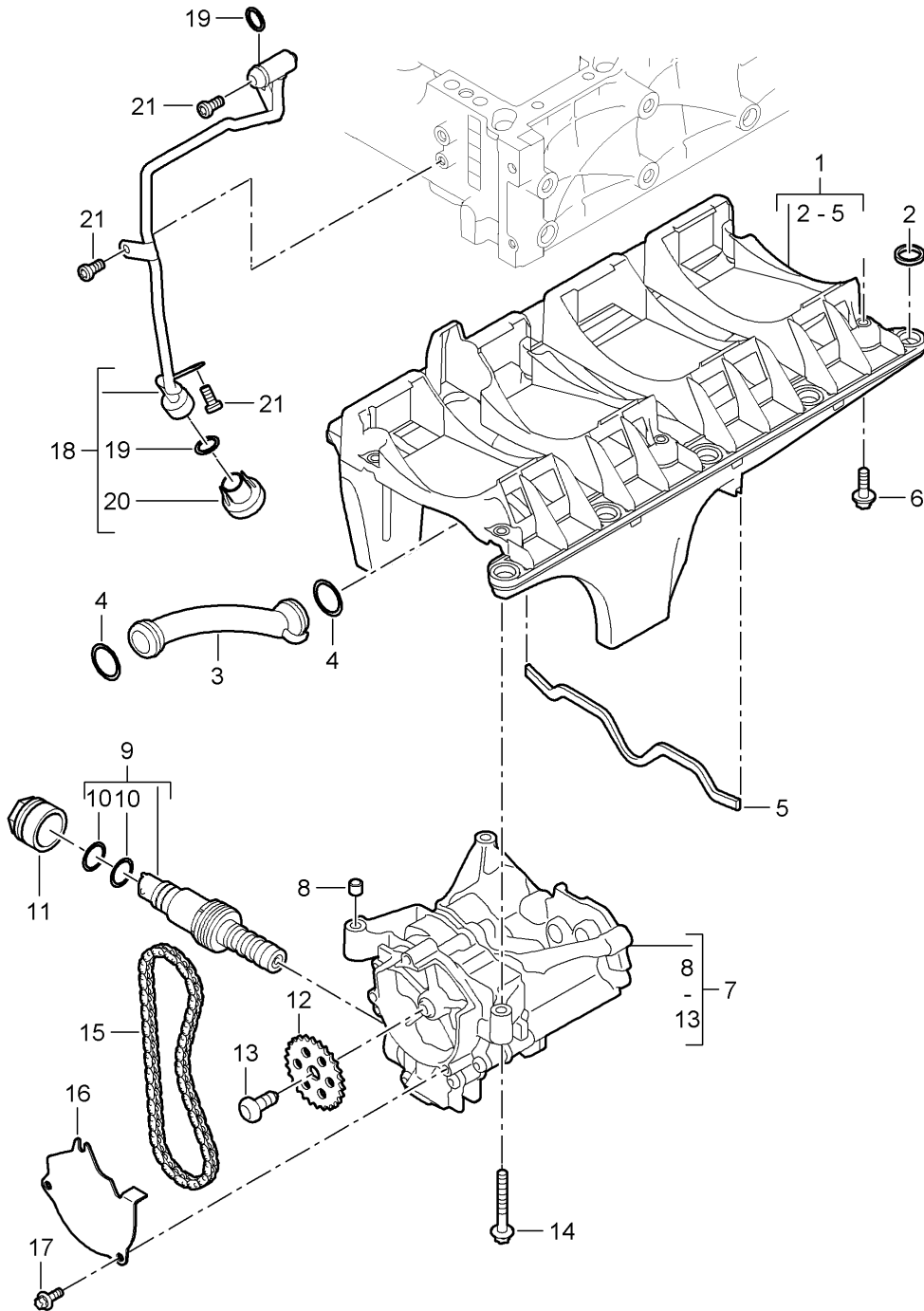
Model: 9PA108

Model life 2007>>2010

Pos	Part Number	Description	Remark	Qty	Model
		Toothed belt			M05.9D
		Cover for toothed belt			
1	955 105 033 00	Toothed belt covering		1	
2	N 104 514 05	Round head screw		4	
		M 6 X 16			
3	955 102 219 00	Toothed belt		1	
4	955 105 151 00	Toothed belt pulley		1	
5	N 902 562 02	Hexagon-head bolt		1	
		M 10 X 1,25 X 30			
6	N 909 717 02	Washer		1	
		10,5 X 30 X 4			
7		Toothed belt pulley		1	
		See illustrations			
		1/07/09			
8		Hexagon nut		1	
		See illustrations			
		1/07/09			
9	955 105 243 00	Tensioning roller		1	
10	N 900 637 06	Hexagon-head bolt		1	
		M 8 X 50			
11	955 105 244 00	Deflection roller		1	
(11)	955 105 244 01	Deflection roller		1	
12	N 910 266 02	Pan-head screw		1	
		M 8 X 35			
13	955 105 035 00	Cover for toothed belt		1	

Model: 9PA108

Model life 2007>>2010



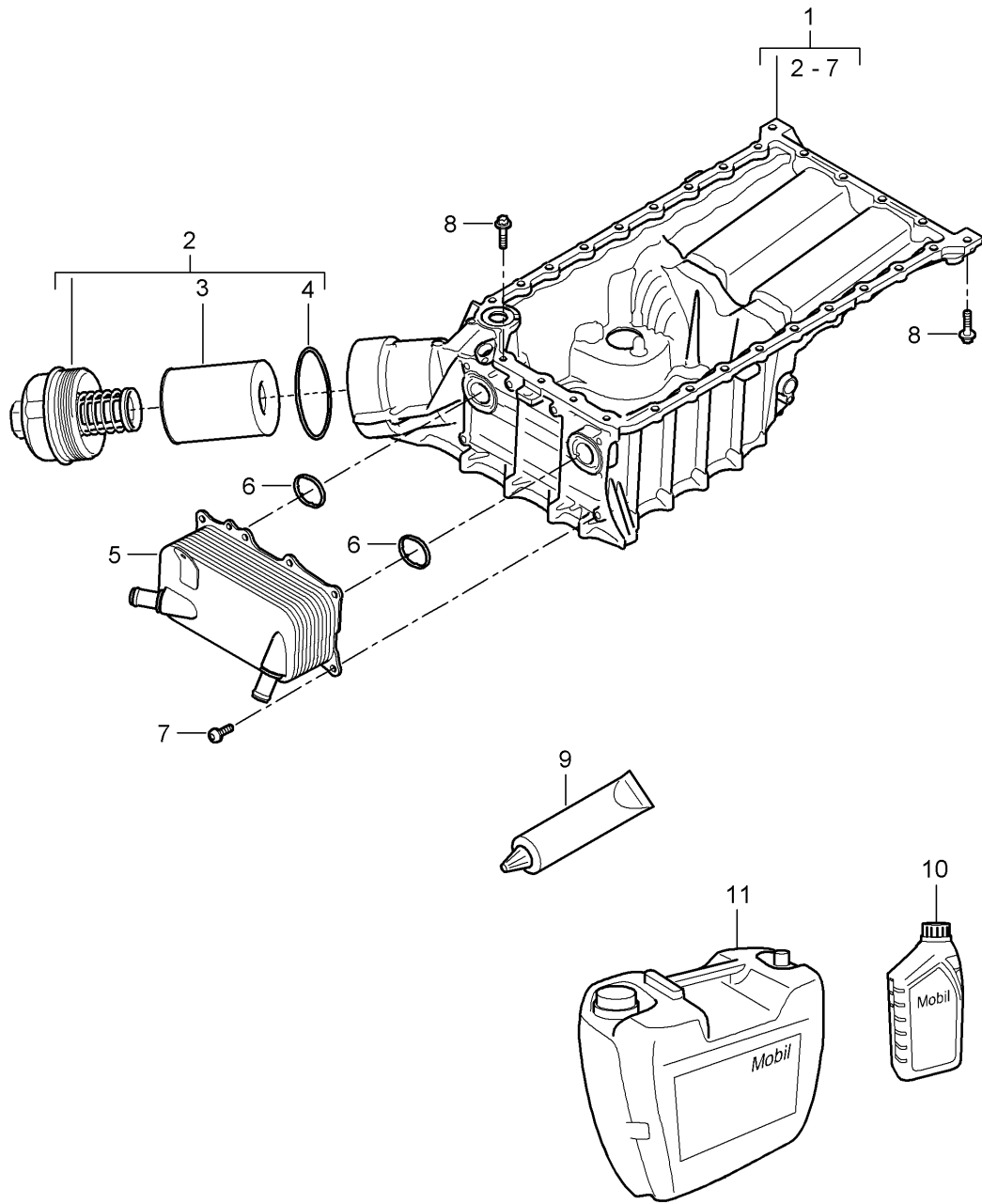
Model: 9PA108

Model life 2007>>2010

Pos	Part Number	Description	Remark	Qty	Model
		Oil return circuit			M48.01/51
		Oil pump			
		Vent line			
1	948 107 085 01	Oil return circuit		1	
(1)	948 107 085 02	Oil return circuit		1	
2	948 107 286 00	Gasket		9	
		Oil return circuit			
3	948 107 285 01	Joining socket		1	
		Intake manifold			
4	999 707 496 40	O-ring		2	
		23 X 3			
5	948 107 287 00	Gasket		1	
		Bulkhead			
6	900 385 019 01	Torx screw		6	
		BM 6 X 20			
7	948 107 013 01	Oil pump		1	M48.01
		M >> 838 07293			
(7)	948 107 013 02	Oil pump		1	M48.01
		M 838 07294 >>			
(7)	948 107 013 03	Oil pump		1	M48.01
(7)	948 107 013 04	Oil pump		1	M48.01
(7)	948 107 013 05	Oil pump		1	M48.01
(7)	948 107 013 51	Oil pump		1	M48.51
		M >> 848 05084			
(7)	948 107 013 52	Oil pump		1	M48.51
		M 848 05085 >>			
(7)	948 107 013 53	Oil pump		1	M48.51
(7)	948 107 013 54	Oil pump		1	M48.51
(7)	948 107 013 55	Oil pump		1	M48.51
8	996 106 103 50	Dowel sleeve		2	
		8,2 X 7			
9	948 107 113 01	Solenoid valve		1	
(9)	948 107 113 02	Solenoid valve		1	
(9)	948 107 113 10	Solenoid valve		1	
(9)	948 107 113 11	Solenoid valve		1	
10	999 707 567 40	O-ring		2	
		17 X 3			
11	999 261 023 01	Union nut		1	
		M 36 X 1,5			
		M >> 838 07293			
		M >> 848 05084			
(11)	999 261 024 01	Union nut		1	
		M 36 X 1,0			
		M 838 07294 >>			
		M 848 05085 >>			
12	948 107 114 00	Sprocket		1	
(12)	948 107 114 01	Sprocket		1	
13	999 073 380 01	Torx screw		1	
		M 8 X 22			
14	900 385 125 01	Torx screw		3	
		BM 6 X 45			
15	948 107 252 11	Chain		1	
(15)	948 107 252 12	Chain		1	
16	948 107 254 01	Cover		1	
17	900 385 009 01	Torx screw		3	
		BM 6 X 16			
18	948 105 207 03	Vent line		1	
19	999 707 568 40	O-ring		2	
		12 X 3			
20	948 105 307 01	Check valve		1	
21	999 073 189 01	Round head screw		3	
		M 6 X 12			

Model: 9PA108

Model life 2007>>2010



Model: 9PA108 Model life 2007>>2010

Pos	Part Number	Description	Remark	Qty	Model
		Oil-conducting housing			M48.01/51
		Oil filter			
		Heat exchanger			
1	948 107 071 02	Oil-conducting housing		1	M48.01
(1)	948 107 071 03	Oil-conducting housing		1	M48.01
		M >> 9 05540			
		M >> G 9 04964			
(1)	948 107 071 04	Oil-conducting housing		1	M48.01
		M 9 05541 >>			
		M G 9 04965 >>			
(1)	948 107 071 52	Oil-conducting housing		1	M48.51
(1)	948 107 071 53	Oil-conducting housing		1	M48.51
		M >> 9 01688			
		M >> T 9 01787			
		M >> S 9 00561			
(1)	948 107 071 54	Oil-conducting housing		1	M48.51
		M 9 01689 >>			
		M T 9 01788 >>			
		M S 9 00562 >>			
2	948 107 022 00	Oil filter		1	
3	948 107 222 00	Filter element		1	
		Use also:			
		948.107.322.00		1	
4	948 107 322 00	Sealing ring		1	
5	948 107 271 02	Heat exchanger		1	
(5)	948 107 271 03	Heat exchanger		1	
6	948 107 175 00	Gasket		2	
7	999 073 416 01	Combination screw		6	
		M 6 X 20			
8	900 385 072 01	Torx screw		29	
		BM 6 X 25			
		M >> 9 05540			M48.01
		M >> G 9 04964			M48.01
					IEOW
		M >> 9 01688			M48.51
		M >> T 9 01787			M48.51
					IE8A
		M >> S 9 00561			M48.51
					IE81
(8)	999 073 905 30	Oval-head screw		29	
		M 6 X 30			
		M 9 05541 >>			M48.01
		M G 9 04965 >>			M48.01
					IEOW
		M 9 01689 >>			M48.51
		M T 9 01788 >>			M48.51
					IE8A
		M S 9 00562 >>			M48.51
					IE81
9	000 043 204 58	Sealing compound		X	
		1 tube			
		30 Gr.			
		M >> 9 05540			M48.01
		M >> G 9 04964			M48.01
					IEOW
		M >> 9 01688			M48.51
		M >> T 9 01787			M48.51
					IE8A
		M >> S 9 00561			M48.51
					IE81
(9)	999 915 573 43	Sealing compound		X	
		1 tube			
		75 ml			

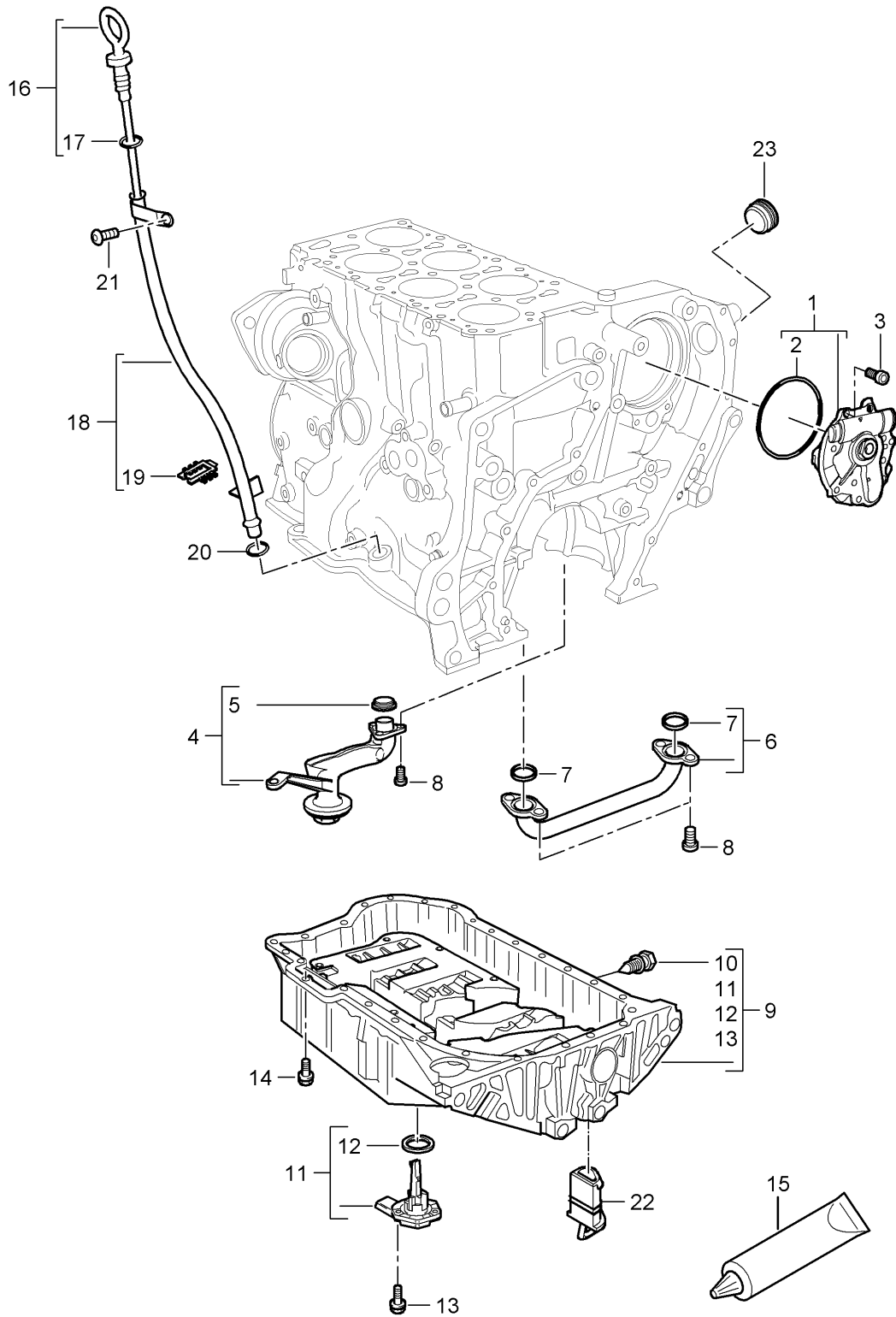
Model: 9PA108

Model life 2007>>2010

Pos	Part Number	Description	Remark	Qty	Model
		M 9 05541 >> M G 9 04965 >> M 9 01689 >> M T 9 01788 >> M S 9 00562 >>			M48.01 M48.01 IE0W M48.51 M48.51 IE8A M48.51 IE81
10	000 043 301 19	Engine oil EXXON MOBIL 1 0W-40 1 LITER Container Information available		X	
11	000 043 301 21	Engine oil EXXON MOBIL 1 0W-40 20 LITER Container Information available		X	

Model: 9PA108

Model life 2007>>2010



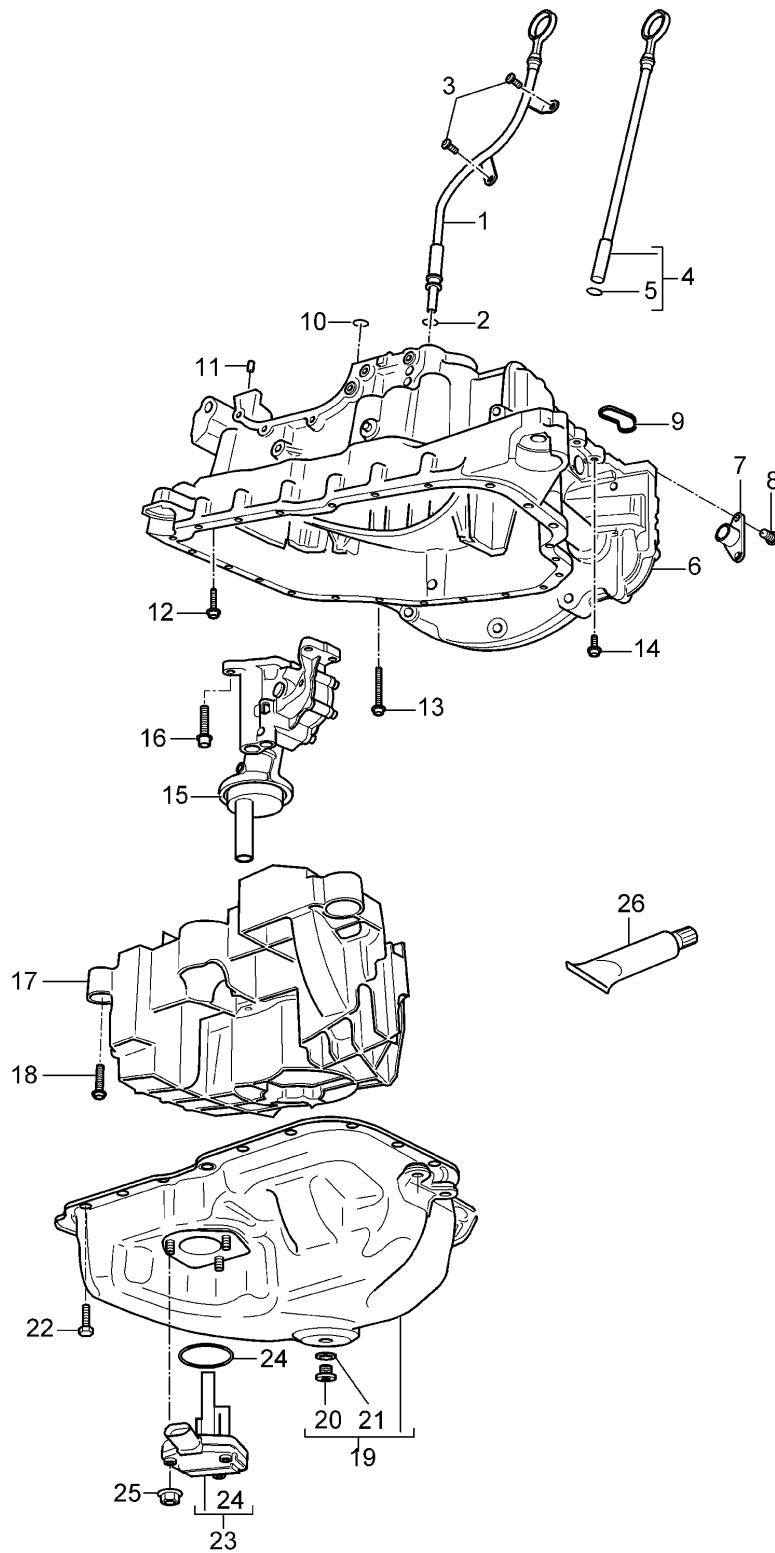
Model: 9PA108

Model life 2007>>2010

Pos	Part Number	Description	Remark	Qty	Model
		Oil pump Suction tube Oil level dipstick Oil pan			M55.01
1	955 107 013 00	Oil pump		1	
(1)	955 107 013 01	Oil pump		1	
2	WHT 002 780	O-ring 82,22 X 2,62		1	
3	N 102 278 01	Hexagon socket head bolt M 6 X 20		6	
4	955 107 030 00	Suction tube		1	
5	955 107 567 00	Sealing ring		1	
6	955 107 031 00	Oil tube		1	
7	955 107 444 00	Sealing ring		2	
8	N 100 292 05	Torx screw M 6 X 15		8	
9	955 107 055 01	Oil pan with Oil-level sender		1	
10	N 911 014 01	Drain plug with Captive washer M 14 X 1,5 X 22		1	
11	948 606 140 00	Oil-level sender		1	
12	948 606 240 00	Gasket		1	
13	N 104 720 03	Pan-head screw M 6 X 28		3	
14	N 106 211 01	Combination screw M 6 X 20		25	
15	000 043 300 39	Sealing compound 1 tube 50 ml. for Oil pan		X	
16	955 107 068 00	Oil level dipstick		1	
17	N 908 138 02	O-ring 5 X 1,9		1	
18	955 107 066 00	Guide tube		1	
19	955 612 530 00	Support for Connector housing		1	
20	N 900 672 02	O-ring 9,5 X 2,5		1	
21	N 909 899 01	Oval-head screw K 6 X 18		1	
22	955 101 731 00	Cap Seal		3	
23	WHT 000 914	Engine and transmission Screw plug M 36 X 1,5		1	

Model: 9PA108

Model life 2007>>2010

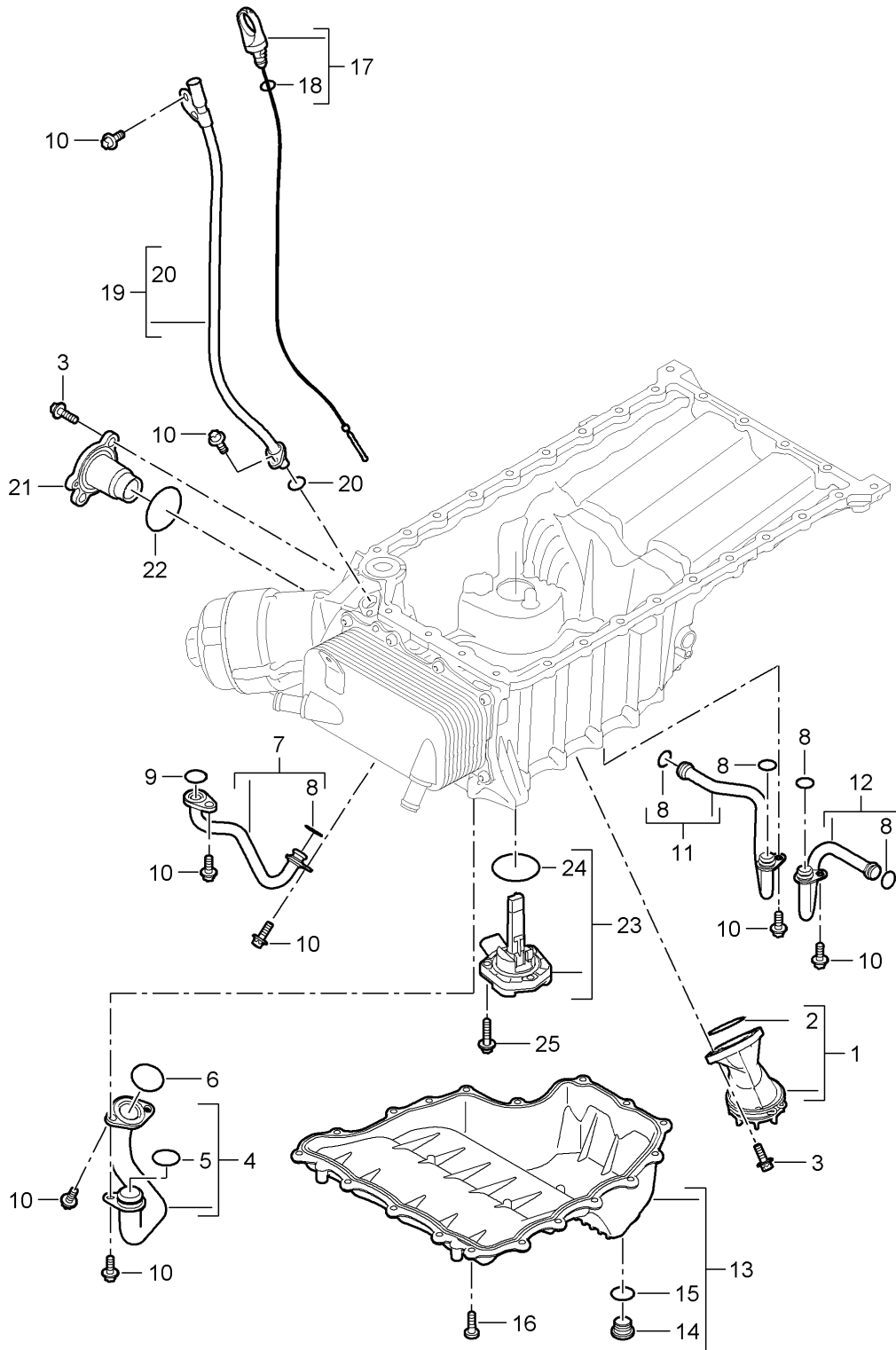


Model: 9PA108 Model life 2007>>2010

Pos	Part Number	Description	Remark	Qty	Model
		Oil level dipstick			M05.9D
		Oil-conducting housing			
		Oil pump			
		Oil pan			
1	955 107 066 10	Guide tube		1	
		Use also:			
		955.107.427.00		1	
2	955 107 427 00	Round seal		1	
		12 X 2			
3	N 104 056 04	Oval-head screw		2	
		M 6 X 14			
4	955 107 068 10	Oil level dipstick		1	
5	N 908 138 02	O-ring		1	
		5 X 1,9			
6	955 107 071 00	Oil-conducting housing		1	
7	955 105 361 00	Mounting plate		1	
8	N 907 809 04	Oval-head screw		2	
		M 6 X 16			
9	955 107 609 00	Gasket		1	
10	955 107 609 10	Gasket		1	
11	955 102 277 00	Roll pin		6	
		6,2 X 22			
12	N 908 539 03	Pan-head screw		8	
		M 7 X 50			
13	N 910 094 02	Pan-head screw		3	
		M 7 X 105 X 39			
14	N 908 538 02	Pan-head screw		3	
		M 7 X 20			
15	955 107 013 10	Oil pump		1	
16	N 106 128 01	Pan-head screw		3	
		M 8 X 30			
17	955 107 138 00	Insert for oil sump		1	
18	N 910 717 01	Round head screw		4	
		M 6 X 25			
19	955 107 055 10	Oil pan		1	
20	N 016 027 6	Screw plug		1	
		M 14 X 1,5			
21	N 013 815 7	Sealing ring		1	
		14 X 20			
22	N 010 217 25	Hexagon-head bolt		23	
		M 6 X 20			
23	948 606 150 00	Oil-level sender		1	
24	948 606 240 00	Gasket		1	
25	N 015 082 13	Hexagon nut		3	
		M 6			
26	N 013 832 6	Sealing ring		1	
		18 X 22			
27	N 016 029 3	Screw plug		1	
		M 18 X 1,5			
28	000 043 207 49	Sealing compound		X	
		1 tube			
		80 ML			
(28)	958 101 902 00	Sealing compound		X	
		80 ML			

Model: 9PA108

Model life 2007>>2010

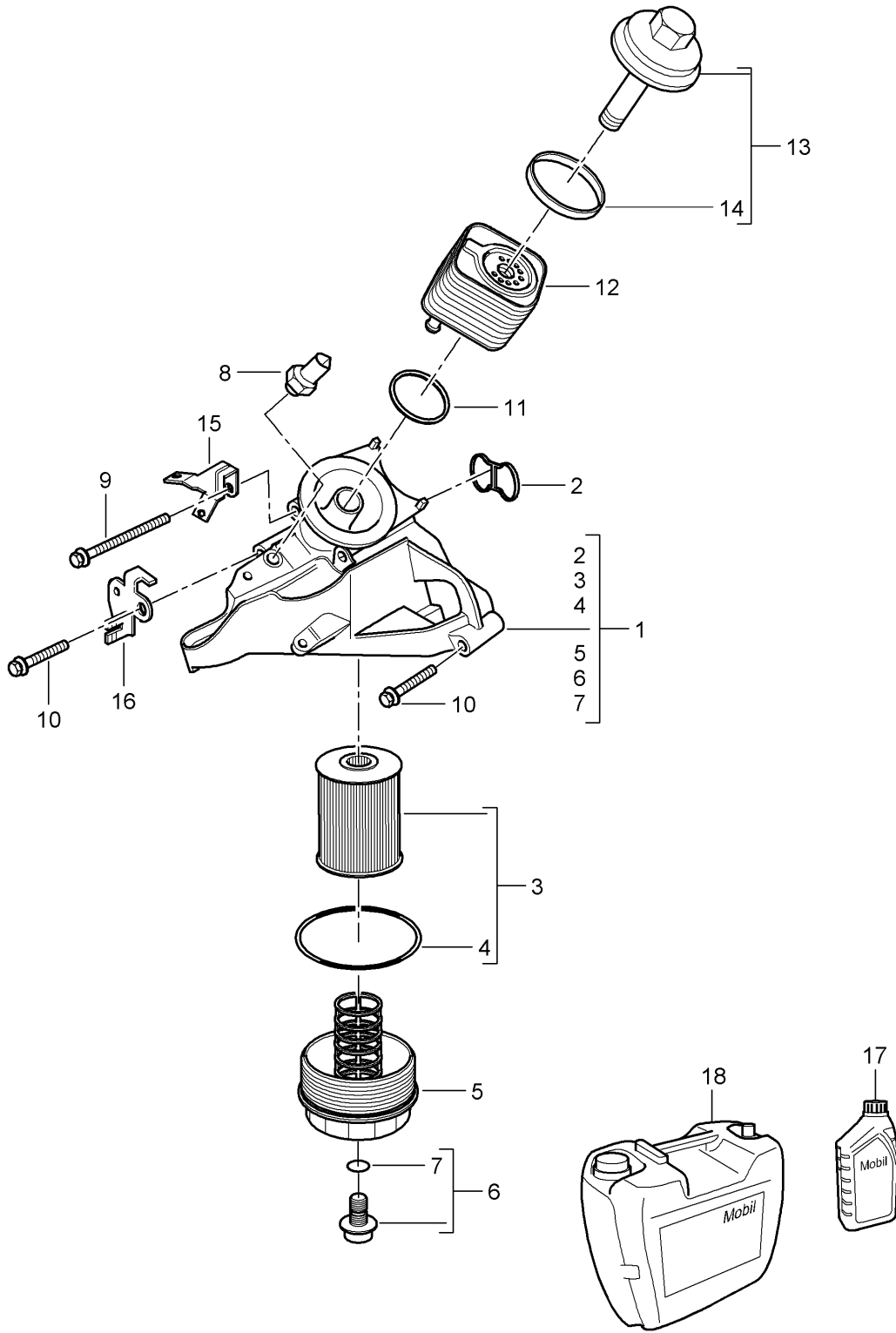


Model: 9PA108 Model life 2007>>2010

Pos	Part Number	Description	Remark	Qty	Model
		Suction tube			M48.01/51
		Oil level dipstick			
		Oil pan			
1	948 107 030 01	Suction tube		1	
(1)	948 107 030 02	Suction tube		1	
2	999 707 530 40	O-ring		1	
		34,52 X 3,53			
3	900 385 019 01	Torx screw		4	
		M 6 X 20			
4	948 107 031 01	Oil tube		1	
5	999 707 585 40	O-ring		1	
		22 X 3			
6	999 707 547 40	O-ring		1	
		28 X 3			
7	948 107 033 01	Oil pipe		1	
8	999 707 603 40	O-ring		1	M48.01
		10 X 3			
(8)		O-ring		5	M48.51
		10 X 3			
9	999 707 567 40	O-ring		1	
		17 X 3			
10	900 385 009 01	Torx screw		7	M48.01
		M 6 X 16			
(10)		Torx screw		9	M48.51
		M 6 X 16			
11	948 107 037 51	Oil pipe		1	M48.51
		Turbocharger			
12	948 107 038 51	Cylinders 1 - 4		1	M48.51
		Oil pipe			
		Turbocharger			
		Cylinders 5 - 8			
13	948 107 055 01	Oil pan		1	
14	900 219 020 31	Screw plug		1	
		M 18 X 1,5			
15	900 123 106 30	Sealing ring		1	
		A 18 X 24			
16	999 073 195 01	Round head screw		18	
		M 6 X 20			
(16)	999 073 344 01	Round head screw		18	
		M 6 X 20			
17	948 107 068 01	Oil level dipstick		1	
18	999 707 402 40	O-ring		1	
		8,0 X 2,0			
19	948 107 066 01	Guide tube		1	
20	999 707 360 40	O-ring		1	
		11,2 X 2,65			
21	948 107 313 01	Flange		1	
(21)	948 107 313 02	Flange		1	
(21)	948 107 313 20	Flange		1	
22	999 707 570 40	O-ring		1	
		44,0 X 3,0			
23	948 606 150 00	Oil-level sender		1	
24	948 606 240 00	Gasket		1	
25	900 385 072 01	Torx screw		3	
		BM 6 X 25			

Model: 9PA108

Model life 2007>>2010



Model: 9PA108 Model life 2007>>2010

Pos	Part Number	Description	Remark	Qty	Model
		Oil filter Bracket			M55.01
1	955 107 403 01	Oil cooler Bracket with		1	
(1)	955 107 403 02	Oil filter Bracket with		1	
2	955 107 111 00	Oil filter Gasket		1	
3	955 107 561 00	Filter element with		1	
4	955 107 313 00	Sealing ring		1	
5	955 107 433 00	Sealing ring Housing		1	
(5)	955 107 433 01	Filter element Housing		1	
6	955 107 434 00	Filter element Screw plug with		1	
(6)	WHT 000 897 A	Sealing ring Screw plug with		1	
7	N 904 054 02	Sealing ring O-ring		1	
8	955 606 091 01	11 X 2,5 Oil pressure switch		1	
(8)	955 606 091 02	Oil pressure switch		1	
-	N 013 811 5	Sealing ring 10 X 13,5 for		1	
9	N 100 362 03	Oil pressure switch Combination screw		3	
10	N 902 120 04	M 8 X 105 Combination screw		2	
11	955 107 070 01	M 8 X 65 Sealing ring		1	
12	955 107 021 00	Oil cooler		1	
(12)	955 107 021 01	Oil cooler		1	
(12)	955 107 021 02	Oil cooler		1	
(12)	955 107 021 03	Oil cooler		1	
13	955 107 061 01	Lid with		1	
14	955 107 172 00	Gasket		1	
15	955 607 208 30	Gasket		1	
16	955 607 208 40	Support		1	
17	000 043 301 16	Support Engine oil EXXON MOBIL 1 ESP FORMULA 5W-30 1 LITER Container	-(CN)	X	
(17)	000 043 301 19	Information available Engine oil EXXON MOBIL 1 0W-40 1 LITER Container	(CN)	X	
18	000 043 301 17	Information available Engine oil EXXON MOBIL 1 ESP FORMULA 5W-30 20 LITER Container	-(CN)	X	

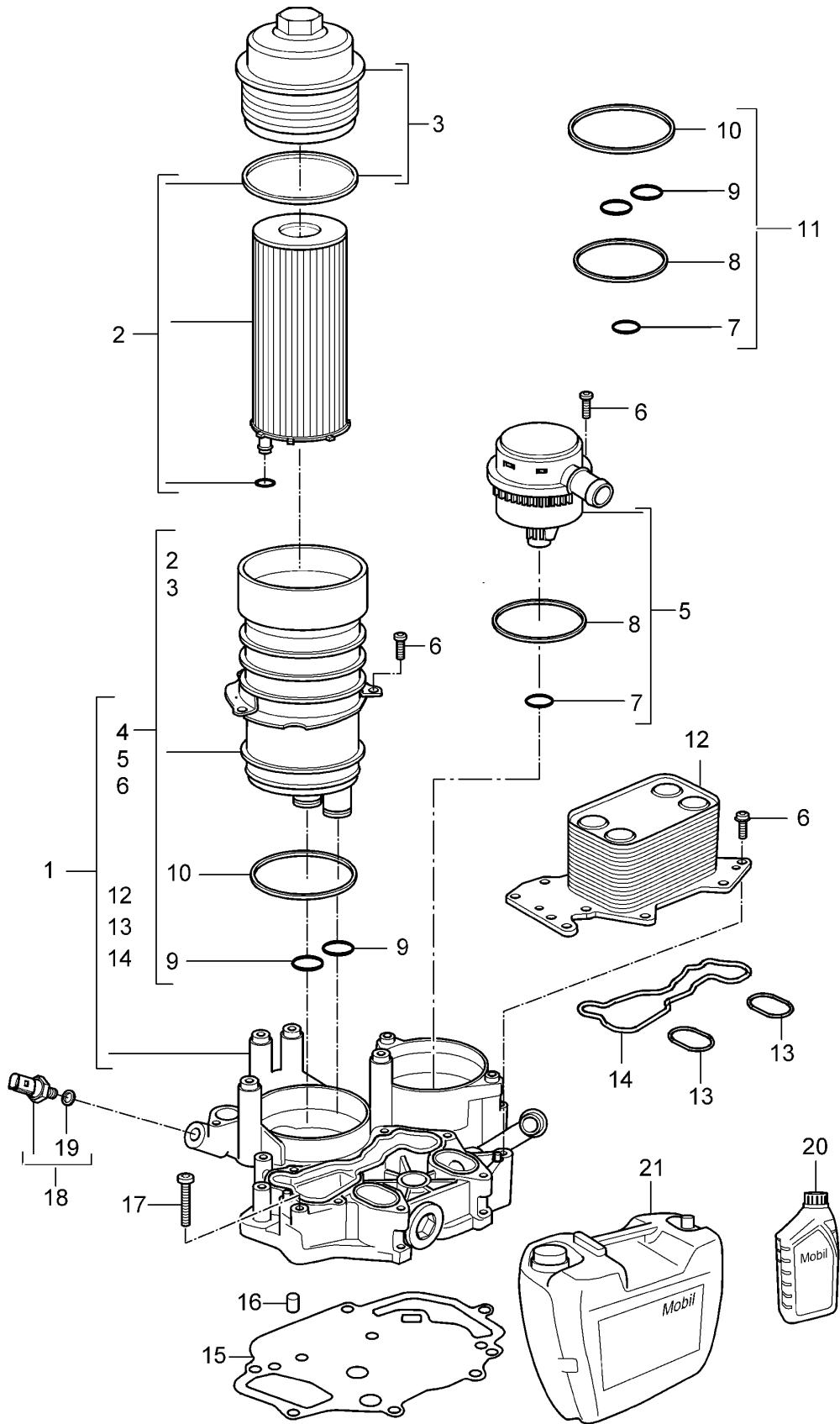
Model: 9PA108

Model life 2007>>2010

Pos	Part Number	Description	Remark	Qty	Model
(18)	000 043 301 21	Information available Engine oil EXXON MOBIL 1 0W-40 20 LITER Container Information available	(CN)	X	

Model: 9PA108

Model life 2007>>2010



Model: 9PA108 Model life 2007>>2010

Pos	Part Number	Description	Remark	Qty	Model
		Oil filter Bracket Oil cooler Bracket Oil filter Complete		1	M05.9D
(1)	955 107 010 01	Bracket Oil filter Complete		1	
2	955 107 222 00	Filter element with Gasket		1	
3	955 107 122 00	Lid		1	
4	955 107 073 00	Oil tank Complete		1	
5	955 107 040 00	Oil separator with Gasket		1	
(5)	955 107 040 01	Oil separator with Gasket		1	
6	N 101 243 06	Oval-head screw M 6 X 20		10	
7		Gasket Oil separator Use Pos.11		1	
8		Gasket Oil separator Use Pos.11		1	
9		Gasket Oil tank Use Pos.11		2	
10		Gasket Oil tank Use Pos.11		1	
11	955 107 901 00	Gasket set Oil separator Oil tank		1	
(11)	955 107 901 01	Gasket set Oil separator Oil tank		1	
12	955 107 271 00	Oil cooler		1	
13	955 107 175 00	Sealing ring		2	
14	955 107 176 00	Gasket		1	
15	955 107 111 20	Gasket		1	
16	N 106 678 01	Straight pin 6 H 8 X 16		1	
17	N 106 165 01	Oval-head screw M 6 X 56		8	
18	955 606 091 10	Oil pressure switch		1	
19	N 013 811 5	Sealing ring 10 X 13,5		1	
20	000 043 301 16	Engine oil EXXON MOBIL 1 ESP FORMULA 5W-30 1 LITER Container Information available		X	
21	000 043 301 17	Engine oil		X	

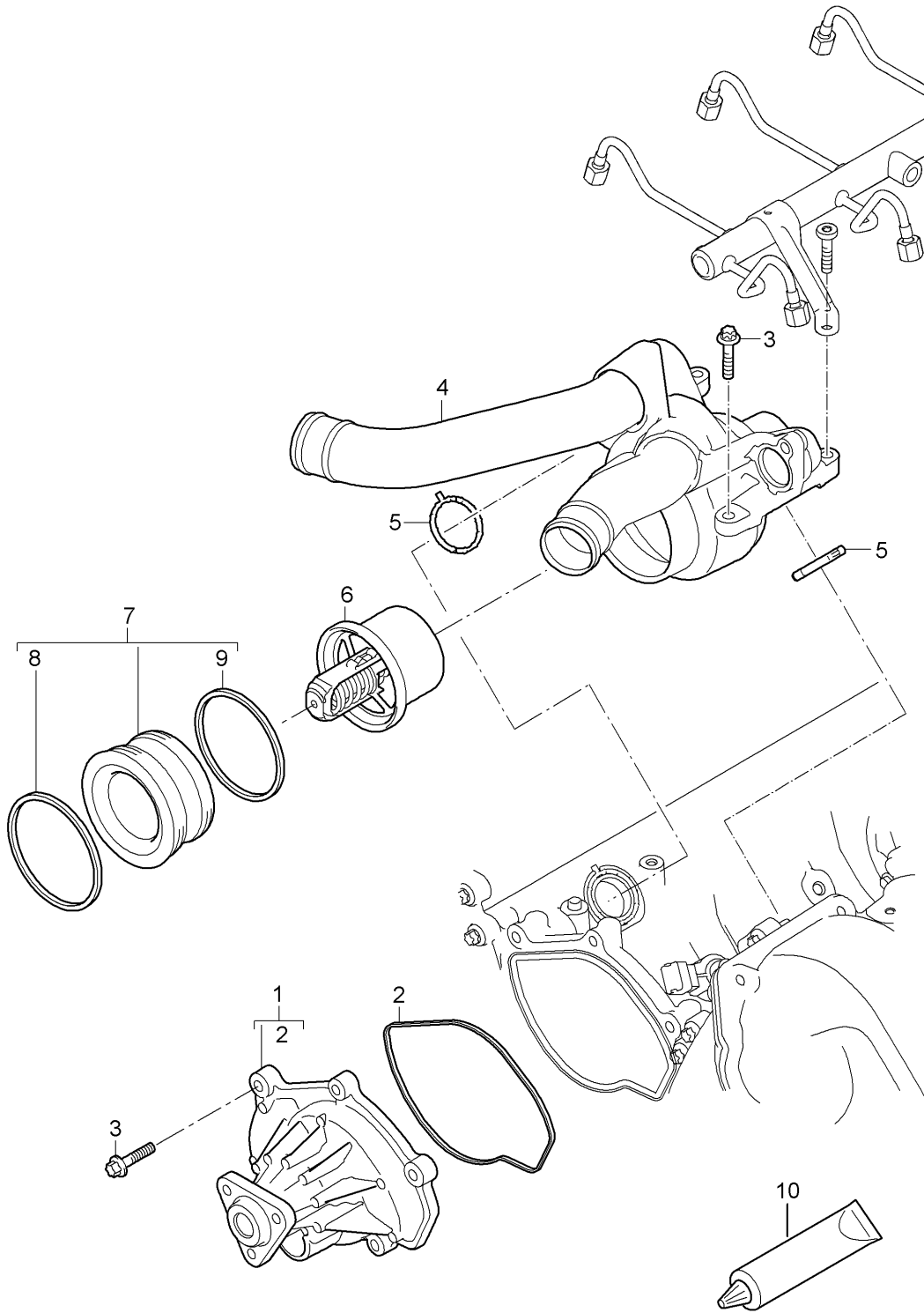
Model: 9PA108

Model life 2007>>2010

Pos	Part Number	Description	Remark	Qty	Model
		EXXON MOBIL 1 ESP FORMULA 5W-30 20 LITER Container Information available			

Model: 9PA108

Model life 2007>>2010



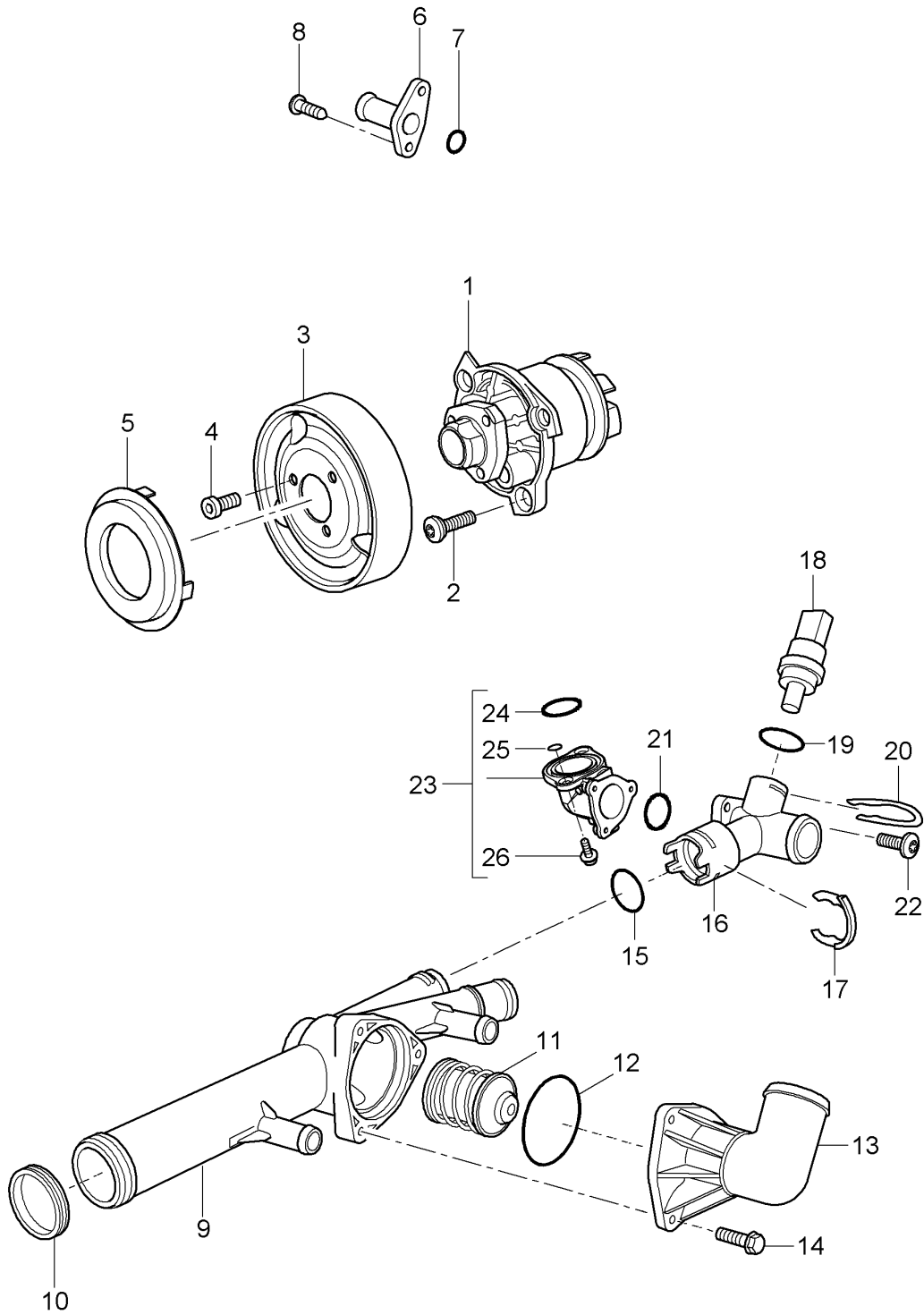
Model: 9PA108

Model life 2007>>2010

Pos	Part Number	Description	Remark	Qty	Model
		Water pump Thermostat housing			M48.01/51
1	948 106 033 01	Water pump		1	
2	948 106 533 00	Gasket		1	
3	900 385 072 01	Torx screw BM 6 X 25		8	
4	948 106 060 05	Thermostat housing Use also: 948.106.124.02 948.106.707.00 000.043.205.93		1 2 2 1	
5	948 106 124 01	Gasket		2	
(5)	948 106 124 02	Gasket		2	
6	948 106 125 01	Thermostat insert		1	
7	948 106 101 01	Intake socket		1	
(7)	948 106 101 02	Intake socket		1	
(7)	948 106 101 03	Intake socket Use also: 000.043.205.93		1 1	
8	948 106 510 00	Sealing ring 66,4 X 6,3		1	
(8)	999 707 649 40	O-ring 62,86 X 5,33		1	
(8)	000 043 301 23	O-ring 62,86 X 5,33		1	
(8)	948 106 707 00	O-ring 62,86 X 5,33		1	
9	948 106 511 00	Sealing ring 63,8 X 6,3		1	
(9)	999 707 649 40	O-ring 62,86 X 5,33		1	
(9)	000 043 301 23	O-ring 62,86 X 5,33		1	
(9)	948 106 707 00	O-ring 62,86 X 5,33		1	
10	000 043 205 93	Grease 1 100-gramme tube To Use for Sealing ring Intake socket		X	

Model: 9PA108

Model life 2007>>2010



Model: 9PA108

Model life 2007>>2010

Pos	Part Number	Description	Remark	Qty	Model
		Water pump Thermostat housing			M55.01
1	955 106 033 00	Water pump with Gasket		1	
2	N 105 268 02	Oval-head screw M 6 X 18		3	
3	955 106 031 01	Pulley M >> 638 08942		1	
(3)	955 106 091 00	Pulley M 638 08943 >> 63A 03026 M >> 63A 05019 See technical information Service Group 1 KD-NR. 1373 19/09		1	
(3)	955 106 031 01	Pulley M 63A 03027 >> M 63A 05020 >> See technical information Service Group 1 KD-NR. 1373 19/09		1	
4	N 905 442 03	Pan-head screw M 8 X 11 M >> 638 08942		3	
(4)	N 911 361 01	Pan-head screw M 8 X 14 M 638 08943 >> 63A 03026 M >> 63A 05019 See technical information Service Group 1 KD-NR. 1373 19/09		3	
(4)	N 905 442 03	Pan-head screw M 8 X 11 M 63A 03027 >> M 63A 05020 >> See technical information Service Group 1 KD-NR. 1373 19/09		3	
5	955 106 419 00	Cover Pulley	-08	1	
6	955 106 231 00	Flange socket		1	
7	955 106 431 00	Sealing ring		1	
8	N 910 717 01	Round head screw M 6 X 25		2	
9	955 106 060 00	Thermostat housing		1	
10	955 106 124 00	Sealing ring 37,5 X 4,0		1	
(10)	WHT 005 190	O-ring 37,5 X 3,9		1	
11	955 106 126 00	Thermostat insert		1	
12	WHT 000 863	Sealing ring 56,2 X 3,0		1	
13	955 106 131 00	Lid Thermostat insert		1	
14	N 905 330 03	Hexagon-head bolt		3	

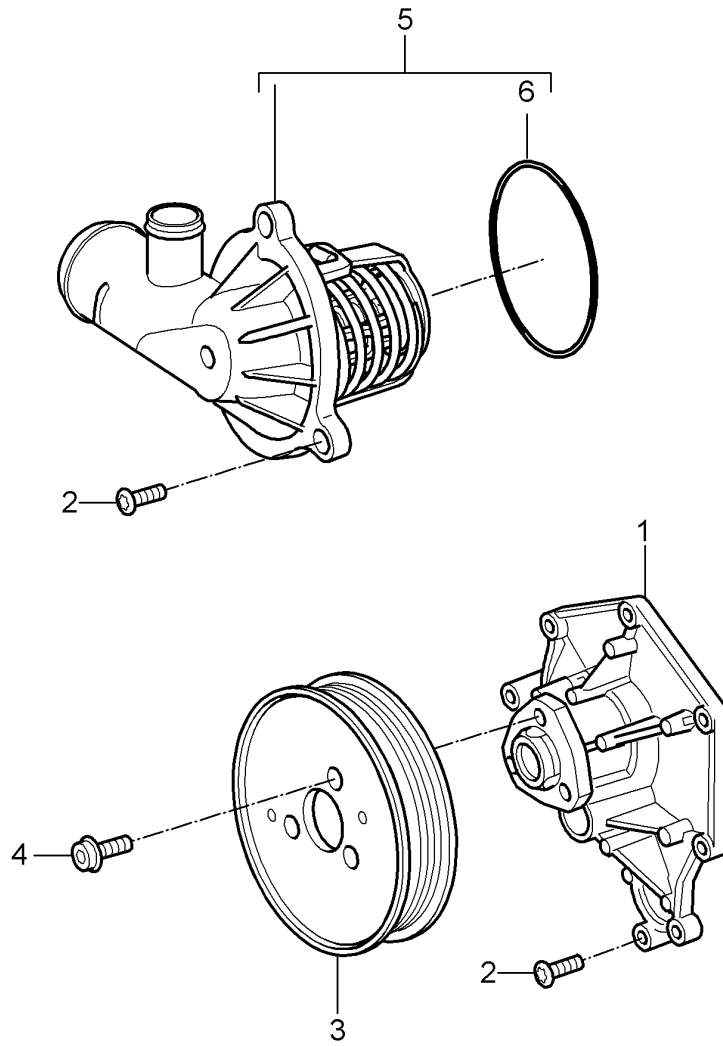
Model: 9PA108

Model life 2007>>2010

Pos	Part Number	Description	Remark	Qty	Model
15	WHT 000 862	M 6 X 20 Sealing ring 29 X 3,5		1	
16	955 106 132 00	Cooling water socket		1	
17	955 106 344 00	Retainer spring		1	
18	955 106 125 01	Temperature sensor		1	
19	N 903 168 01	O-ring 19,6 X 3,65		1	
20	955 106 143 00	Retainer spring		1	
21	955 106 509 00	Sealing ring		1	
22	N 910 541 01	Oval-head screw		3	
23	955 106 134 00	M 6 X 25 Cooling water socket Cylinder head		1	
24	955 106 511 00	Sealing ring		1	
25	955 106 586 00	O-ring 7 X 2		2	
26	N 902 929 03	Pan-head screw M 8 X 25		2	

Model: 9PA108

Model life 2007>>2010



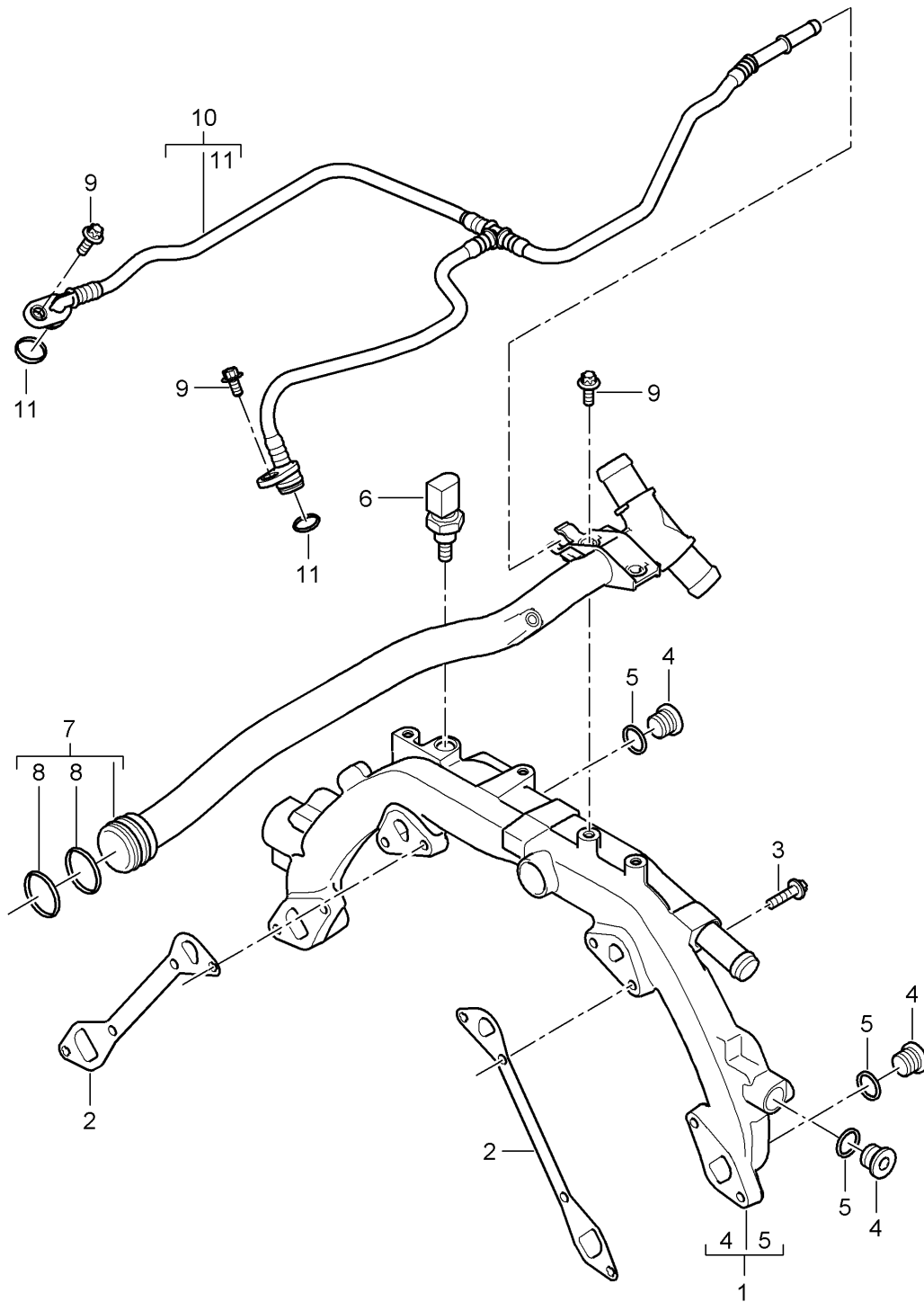
Model: 9PA108

Model life 2007>>2010

Pos	Part Number	Description	Remark	Qty	Model
1	955 106 033 10	Water pump Thermostat housing		1	M05.9D
(1)	955 106 033 11	Water pump with Gasket		1	
(1)	958 106 033 20	Water pump with Gasket		1	
2	N 101 961 05	Oval-head screw M 6 X 18		10	
3	955 106 091 10	Pulley		1	
(3)	958 106 091 10	Pulley		1	
4	N 910 522 01	Pan-head screw M 8 X 12		3	
5	955 106 032 00	Thermostat housing with Thermostat insert		1	
6	955 106 123 00	Gasket 75,6 X 3,1		1	

Model: 9PA108

Model life 2007>>2010

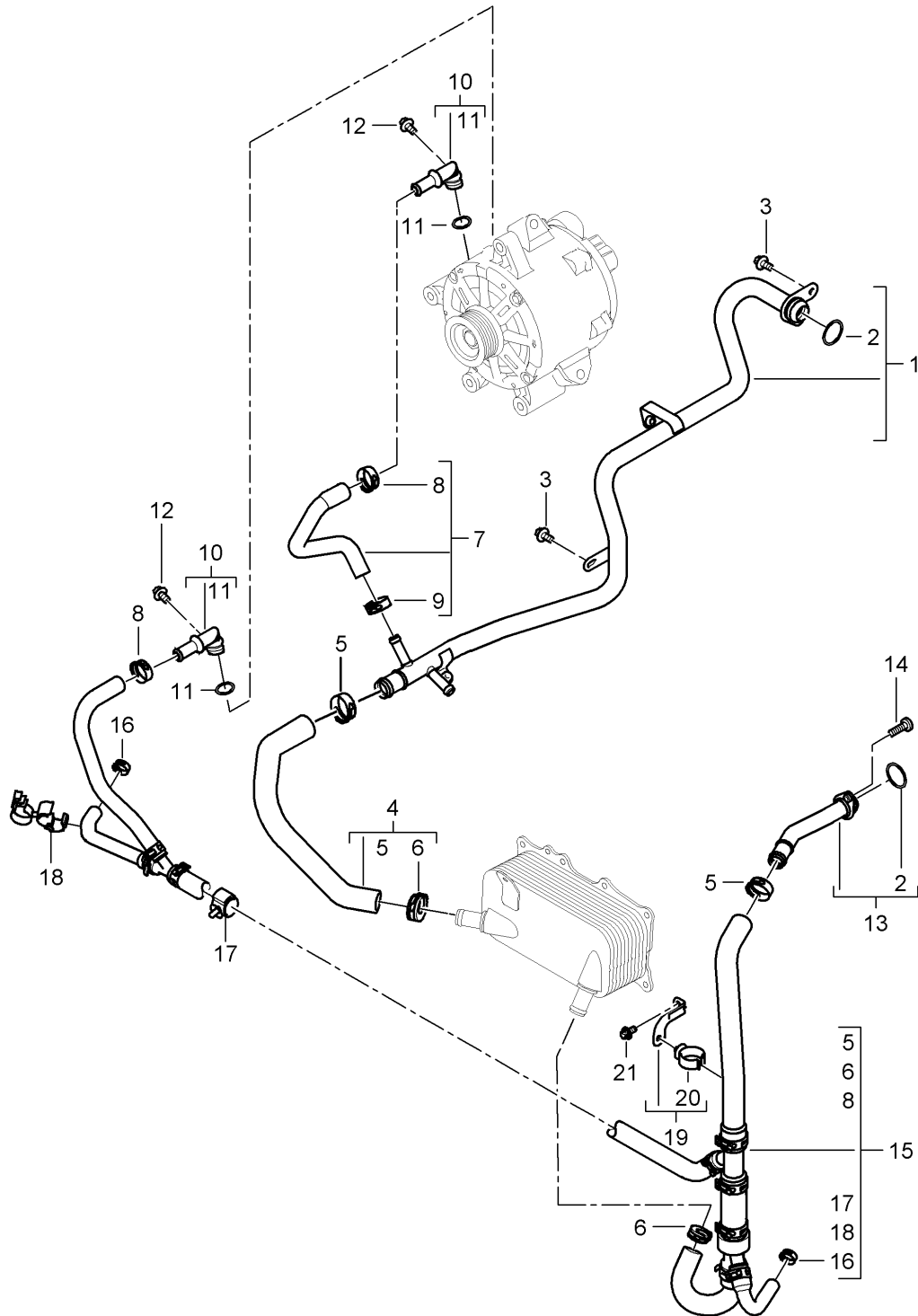


Model: 9PA108 Model life 2007>>2010

Pos	Part Number	Description	Remark	Qty	Model
1	948 106 061 03	Water cooling 1 Distributor tube		1	M48.01/51
(1)	948 106 061 04	Distributor tube		1	
(1)	948 106 061 06	Distributor tube Only Valid for Cayenne turbo Deleted		1	
(1)	948 106 061 07	Screw plug Lateral Distributor tube When required order also: 958.106.322.10 Only Valid for Cayenne turbo Deleted		1	
2	948 106 154 01	Screw plug Lateral Gasket		2	
3	900 385 072 01	Torx screw BM 6 X 25		8	
4	900 219 004 01	Screw plug M 16 X 1,5		3	M48.01
(4)		Screw plug M 16 X 1,5		2	M48.51
5	900 123 131 30	Sealing ring A 16 X 20		3	M48.01
(5)		Sealing ring A 16 X 20		2	M48.51
6	997 606 420 00	Temperature sensor		1	
7	948 106 069 03	Cooling water tube Heating		1	
(7)	948 106 069 10	Cooling water tube Heating		1	
8	999 707 518 41	O-ring 28 X 3		2	
9	900 385 009 01	Torx screw BM 6 X 16		4	
10	948 106 026 03	Vent line		1	
(10)	948 106 026 04	Vent line		1	
11	999 707 586 40	O-ring 11 X 2,5		2	

Model: 9PA108

Model life 2007>>2010



Model: 9PA108

Model life 2007>>2010

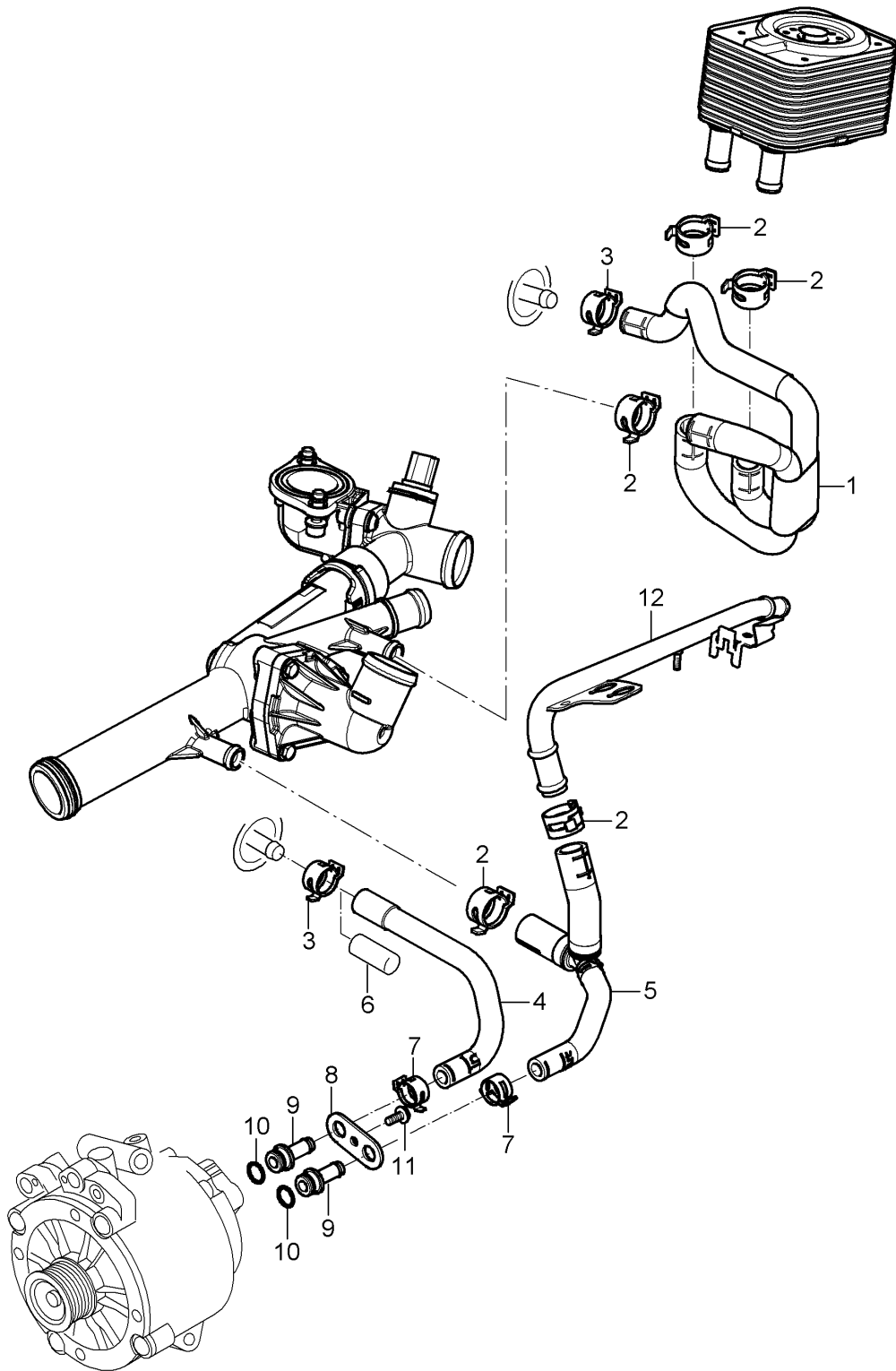
Pos	Part Number	Description	Remark	Qty	Model
1	948 106 022 52	Water cooling 2 Cooling water tube Supply		1	M48.01/51 M48.51
(1)	948 106 022 02	Cooling water tube Supply		1	M48.01
2	999 701 825 40	O-ring 19,6 X 3,53		2	
3	900 385 041 01	Torx screw BM 6 X 12		2	
4	948 106 457 01	Water hose Supply		1	
(4)	948 106 457 02	Water hose Supply		1	
5	999 512 658 09	Hose clamp 27 X 12		2	
6	999 512 656 09	Hose clamp 25 X 12		2	
7	948 106 355 05	Water hose Supply		1	
(7)	948 106 355 06	Water hose Supply		1	
8	999 512 652 09	Hose clamp 19 X 12		2	
9	999 512 686 09	Hose clamp 17 X 12		1	
10	948 106 462 00	Connection piece Generator		2	
11	999 707 514 40	O-ring 12,37 X 2,62		2	
12	900 385 009 01	Torx screw BM 6 X 16		2	
13	948 106 421 04	Cooling water tube Return line		1	
14	999 073 195 01	Round head screw M 6 X 20		1	
(14)	999 073 344 01	Round head screw M 6 X 20		1	
15	948 106 051 51	Water hose Complete Return line		1	M48.51
(15)	948 106 051 01	Water hose Complete Return line		1	M48.01
16	999 512 686 09	Hose clamp B 17 X 12		2	M48.51
17	999 507 793 40	Hose holder		1	M48.51
(17)	999 507 127 40	Hose holder		1	M48.01
18	999 507 860 40	Hose holder		1	M48.51
19	955 106 503 00	Support Only together with Hexagon-head bolt N .101.563.07		1	
(19)	7PP 121 232	Support Only together with Oval-head screw 999.073.902.31		1	
(19)	7PP 121 224	Support Only together with Oval-head screw 999.073.902.31		1	
20	999 511 244 40	Cable holder Only together with Support		1	

Model: 9PA108 Model life 2007>>2010

Pos	Part Number	Description	Remark	Qty	Model
(20)	N 105 769 01	955.106.503.00 Or 7PP.121.232 Hose holder Only together with Support 7PP.121.224		1	
21	N 101 563 07	Hexagon-head bolt M 6 X 12 M >> 9 05540 M >> G 9 04964 M >> 9 01688 M >> T 9 01787 M >> S 9 00561		1	M48.01 M48.01 IE0W M48.51 M48.51 IE8A M48.51 IE81
(21)	999 073 902 30	Oval-head screw Aluminium M 6 X 16		1	
(21)	999 073 902 31	Oval-head screw Aluminium M 6 X 16		1	

Model: 9PA108

Model life 2007>>2010



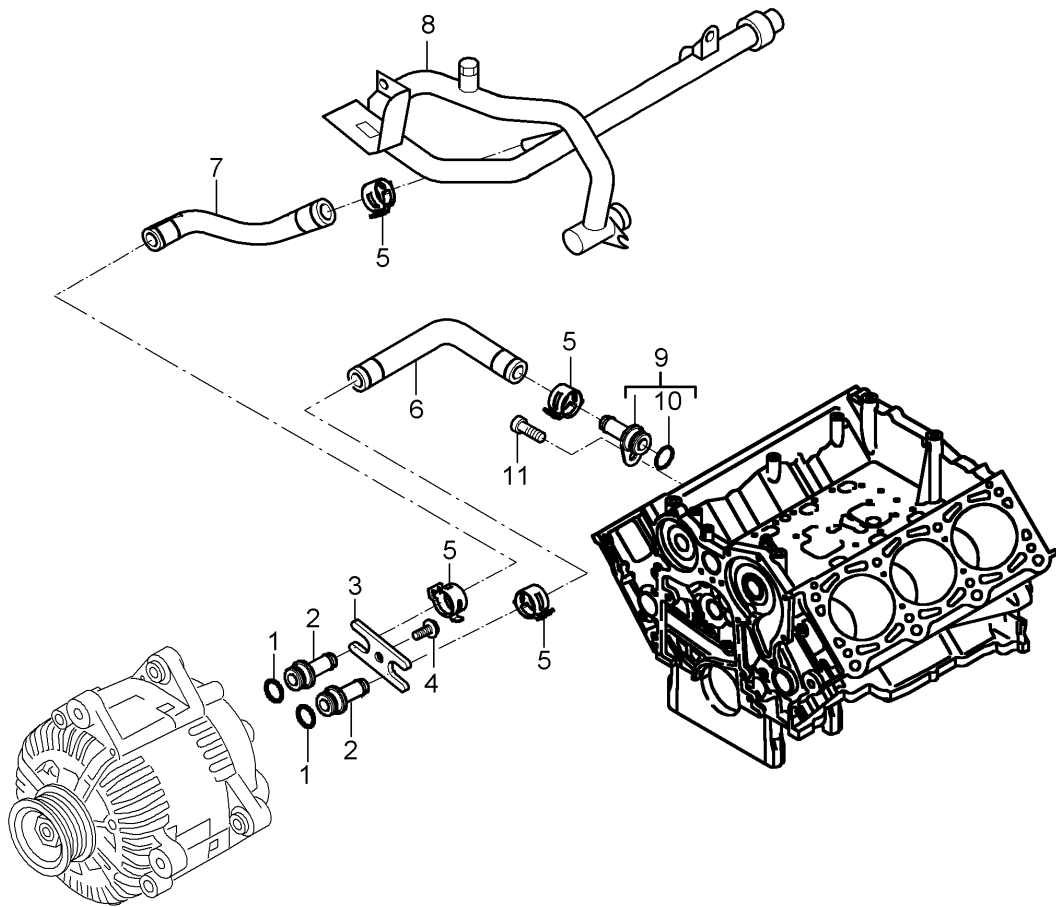
Model: 9PA108

Model life 2007>>2010

Pos	Part Number	Description	Remark	Qty	Model
		Water cooling 2			M55.01
1	955 106 052 00	Water hose		1	
2	N 906 869 01	Hose clamp B 23 X 12		5	
3	N 909 264 01	Hose clamp B 19 X 12		2	
4	955 106 356 10	Water hose	-09	1	I8GH
5	955 106 355 10	Water hose	-09	1	I8GH
(5)	955 106 355 20	Water hose	-09	1	I8GV
(5)		Water hose	10-	1	
6	955 106 099 00	Stopper Crankcase	-09	1	I8GV
(6)	955 106 099 01	Stopper Crankcase	10-	1	
7	N 907 702 01	Hose clamp B 17 X 12	-09	2	I8GH
8	955 106 361 00	Retaining bracket	-09	1	I8GH
(8)	955 106 361 10	Retaining bracket	-09	1	I8GH
9	955 106 362 02	Adapter	-09	2	I8GH
10	N 907 834 02	O-ring 13,1 X 1,6	-09	2	I8GH
11	N 106 137 01	Pan-head screw M 6 X 28	-09	1	I8GH
12		Water tube See illustrations 1/05/35		1	

Model: 9PA108

Model life 2007>>2010



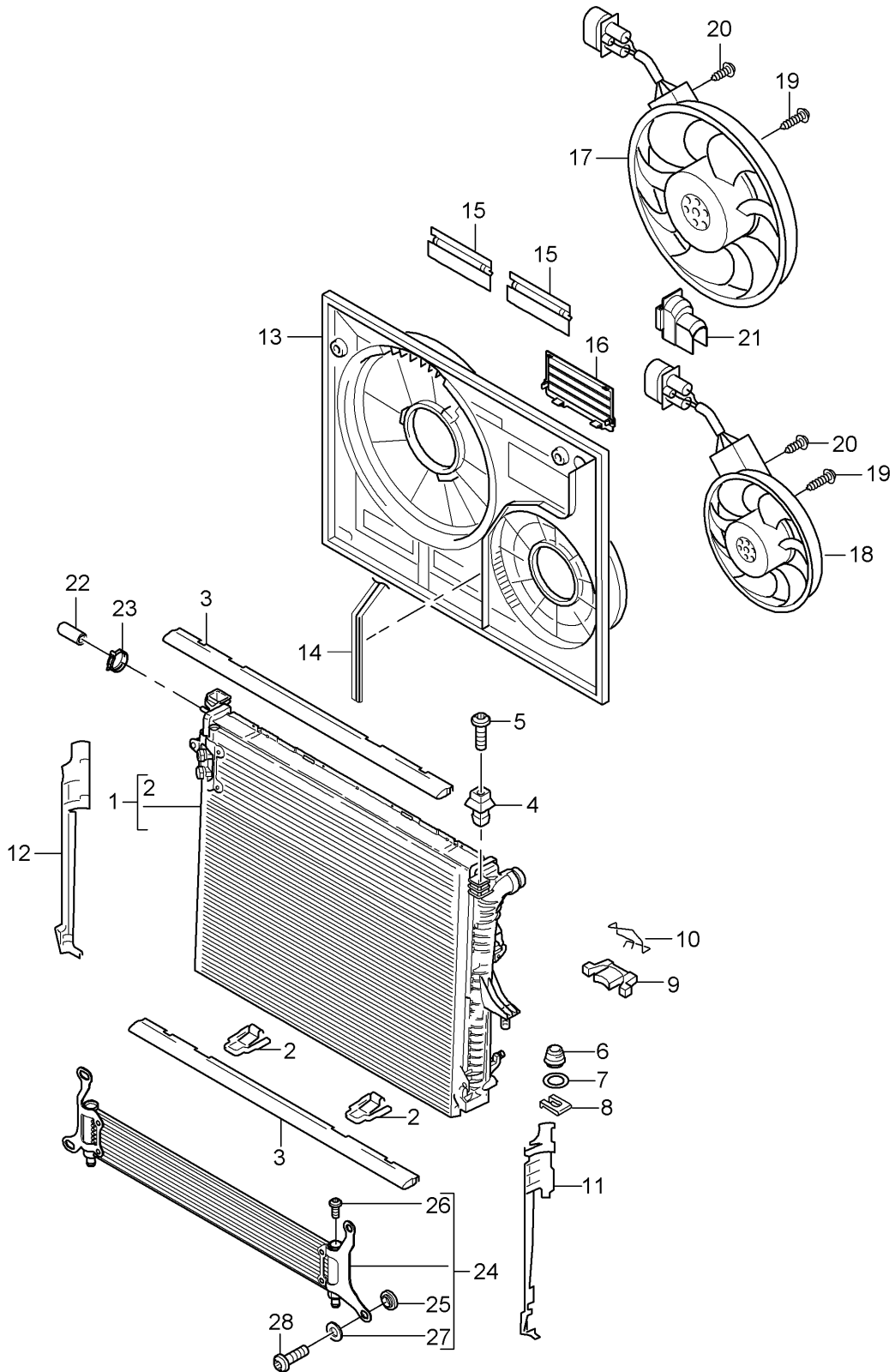
Model: 9PA108

Model life 2007>>2010

Pos	Part Number	Description	Remark	Qty	Model
1	N 907 834 02	Water cooling 2 O-ring 13,1 X 1,6	-09	2	M05.9D
2	955 106 362 02	Adapter	-09	2	
3	955 106 361 10	Retaining bracket	-09	1	
4	N 101 562 06	Oval-head screw M 6 X 30	-09	1	
5	N 907 702 01	Hose clamp B 17 X 12	-09	4	
6	955 106 355 30	Water hose Supply	-09	1	
7	955 106 356 30	Water hose Return line	-09	1	
8		Water tube See illustrations 1/05/42		1	
9	955 106 155 00	Adapter Crankcase	-09	1	
(9)	955 106 155 01	Lid Crankcase	10-	1	
10	N 910 084 01	O-ring 19,6 X 3		1	
11	N 101 703 02	Oval-head screw M 6 X 10		1	

Model: 9PA108

Model life 2007>>2010



Model: 9PA108

Model life 2007>>2010

Pos	Part Number	Description	Remark	Qty	Model
1 (1)	955 106 142 01	Water cooling 3 Radiator Radiator Radiator Use also: 955.106.599.00 N .906.867.01		1 1 1 1	ID50
2	955 106 079 00	Support		2	
3	955 106 379 00	Piping		2	
4	955 106 191 00	Buffer		2	
5	N 910 252 01	Tapping screw 6.0 X 30		2	
6	955 106 175 00	Rubber mounting		2	
7	N 904 485 01	Washer 16.2 X 34.2 X 3.0		2	
8	955 106 174 00	Clamp		2	
9	955 106 176 00	Support Rubber mounting		2	
10	955 106 173 00	Clamp Support		2	
11 (11)	955 106 346 01	Seal	/L	1	ID5V/D5X
(11)		Seal	/L	1	ID50
(11)	955 106 346 10	Seal	/L	1	ID5Z
12	955 106 347 01	Seal	/R	1	
13 (13)	955 106 258 10	Cooling air duct		1	ID5X
(13)		Cooling air duct		1	ID5V/0Y1/0Y3
(13)	955 106 258 00	Cooling air duct		1	ID5V/0Y2
(13)		Cooling air duct		1	ID5Z
(13)		Cooling air duct		1	ID50
14	955 106 271 00	Piping Cooling air duct		1	
15	955 106 259 00	Flap Lower		2	
16	955 106 259 10	Flap Upper		1	
17	955 624 136 00	Fan - DC -		1	ID5X
(17)	955 624 136 01	Fan - DC -		1	ID5X
(17)	955 624 136 00	Fan - DC -		1	ID5V/0Y1/0Y3
(17)	955 624 136 01	Fan - DC -		1	ID5V/0Y1/0Y3
(17)	955 624 135 00	Fan - EC -		1	ID5V/0Y2
(17)		Fan - EC -		1	ID5Z
(17)		Fan - EC -		1	ID50
18	955 624 134 00	Fan - DC -		1	
(18)	955 624 134 01	Fan - DC -		1	
19	955 106 953 10	Screw M 5 X 16		6	ID5X
(19)		Screw M 5 X 16		6	ID5V/0Y1/0Y3
(19)		Screw M 5 X 16		3	ID5V/0Y2
(19)		Screw M 5 X 16		3	ID5Z
(19)		Screw M 5 X 16		3	ID50

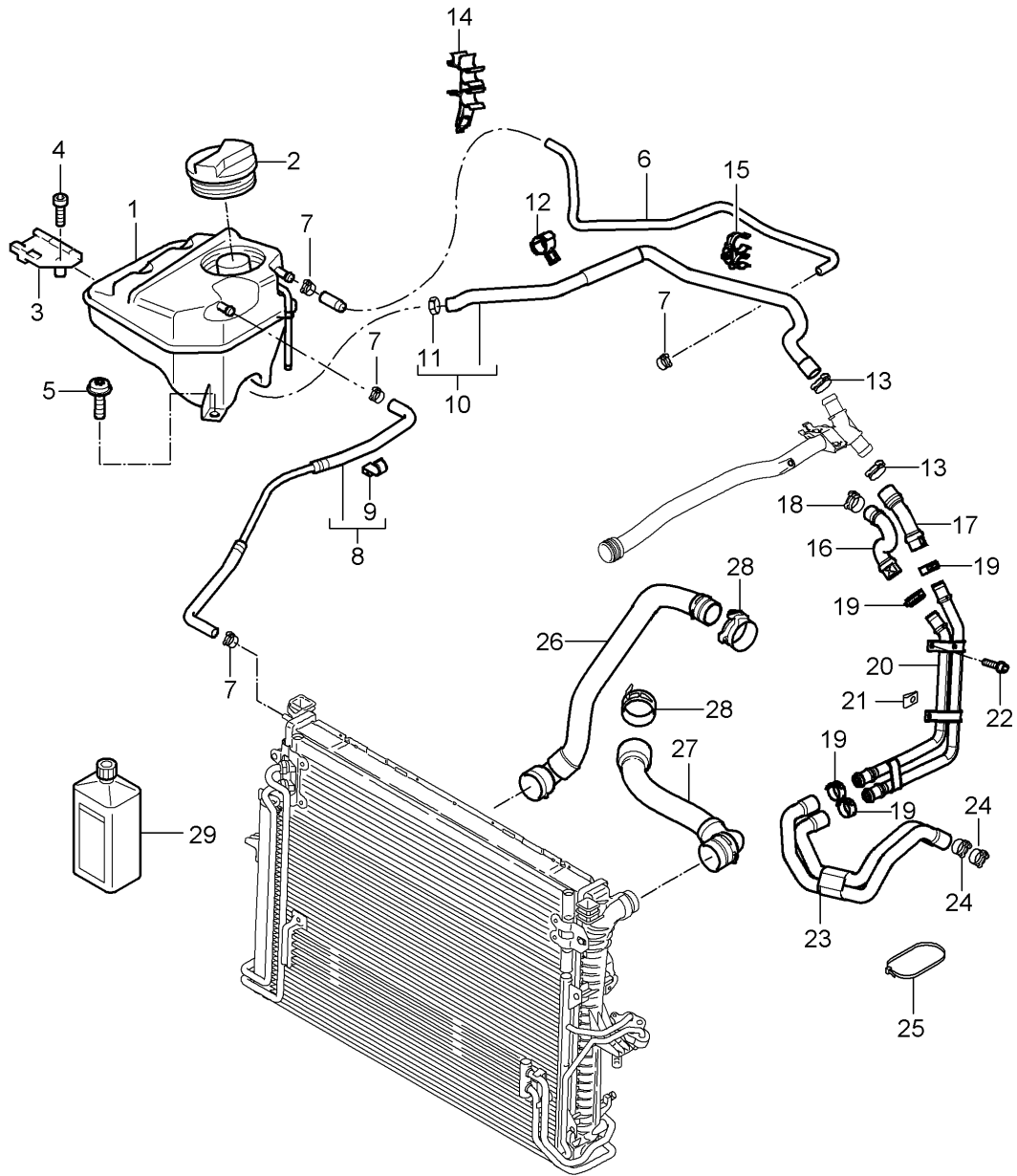
Model: 9PA108

Model life 2007>>2010

Pos	Part Number	Description	Remark	Qty	Model
(19)	955 106 953 00	Screw M 5 X 12		3	ID5V/0Y2
(19)		Screw M 5 X 12		3	ID5Z
(19)		Screw M 5 X 12		3	ID50
20	955 106 953 20	Screw 4 X 25		8	ID5X
(20)		Screw 4 X 25		8	ID5V/0Y1/0Y3
(20)		Screw 4 X 25		4	ID5V/0Y2
(20)		Screw 4 X 25		4	ID5Z
(20)		Screw 4 X 25		4	ID50
21	955 504 750 00	Cover Connector		1	
22	955 106 599 00	Electric fan Stopper Connection piece		1	ID50
23	N 906 867 01	Radiator Hose clamp B 14 X 12		1	ID50
24	955 106 212 00	Radiator		1	ID50
25	867 129 669	Grommet		4	ID50
26	955 106 354 00	Drain plug		1	ID50
27	6N0 129 734	Spacer		4	ID50
28	N 910 252 01	Tapping screw 6 X 30		4	ID50

Model: 9PA108

Model life 2007>>2010



Model: 9PA108 Model life 2007>>2010

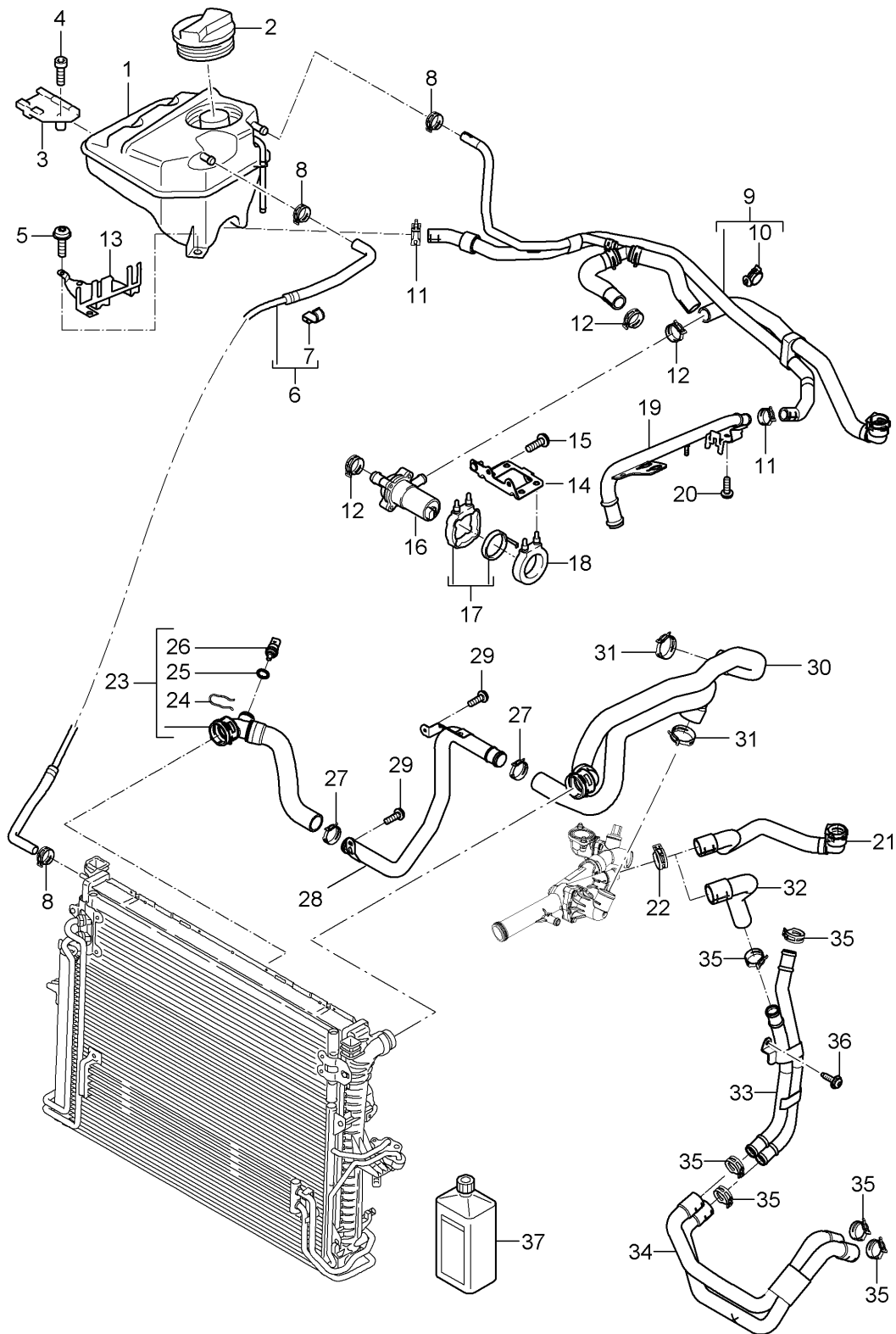
Pos	Part Number	Description	Remark	Qty	Model
		Water cooling 4			ID5V/D5Z
		Water reservoir			
1	955 106 147 22	Water reservoir		1	
(1)	955 106 147 23	Water reservoir		1	
2	955 106 447 20	Lid		1	
3	955 106 405 01	Support		1	
4	N 101 244 08	Torx screw		1	
		M 6 X 20			
5	N 908 913 02	Combination screw		1	
		M 6 X 20			
6	955 106 251 00	Breather hose		1	
7	N 906 867 01	Hose clamp		4	
		B 14 X 12			
8	955 106 277 10	Water hose		1	
9	955 106 525 00	Hose holder		1	
10	955 106 261 00	Water hose		1	
11	955 106 410 00	Hose clamp		1	
12	955 106 527 00	Support		1	
13	955 512 405 00	Clip		2	
14	955 110 325 00	Line bracket		1	
15	955 106 510 00	Line bracket		1	
16	955 106 322 10	Water hose		1	
		Only together with			
		Distributor tube			
		948.106.061.06			
(16)	958 106 322 10	Water hose		1	
		Only together with			
		Distributor tube			
		948.106.061.07			
17	955 106 323 10	Water hose		1	
18	955 512 407 00	Clip		1	
19	N 906 870 01	Hose clamp		4	
		B 27 x 12			
20	955 106 310 00	Cooling water tube		1	
21	955 971 847 00	Cable clamp		1	
22	N 910 073 01	Pan-head screw		2	
		M 6 X 15			
23	955 106 073 00	Water hose		1	
24	N 906 870 01	Hose clamp		2	
		B 27 X 12			
25	955 106 409 00	Tie-wrap		1	
26	955 106 632 00	Water hose		1	ID5V/0Y1/0Y3
		Supply			
(26)	955 106 632 10	Water hose		1	ID5V/0Y2
		Supply			
(26)		Water hose		1	ID5Z
		Supply			
27	955 106 633 00	Water hose		1	
		Return line			
28	N 909 265 01	Hose clamp		2	
		B 47 X 12			
29	000 043 301 03	Antifreeze		X	
		1 LITER			
		Container			
(29)	000 043 301 47	Antifreeze		X	
		1 LTR.			
		Container			
(29)	000 043 301 04	Antifreeze		X	
		20 LITER			
		Container			
(29)	000 043 301 48	Antifreeze		X	
		20 LTR.			
		Container			

Model: 9PA108 **Model life 2007>>2010**

Pos	Part Number	Description	Remark	Qty	Model
(29)	000 043 204 39	Cleaning agent 20 LITER Container See technical information Service Group 1 KD-NR.1901 8/08		X	

Model: 9PA108

Model life 2007>>2010



Model: 9PA108 Model life 2007>>2010

Pos	Part Number	Description	Remark	Qty	Model
		Water cooling 4			ID5X
		Water reservoir			
1	955 106 147 22	Water reservoir		1	
(1)	955 106 147 23	Water reservoir		1	
2	955 106 447 20	Lid		1	
3	955 106 405 01	Support		1	
4	N 101 244 08	Torx screw		1	
		M 6 X 20			
5	N 908 913 02	Combination screw		1	
		M 6 X 20			
6	955 106 277 20	Water hose		1	
7	955 106 525 00	Hose holder		1	
8	N 906 867 01	Hose clamp		3	
		B 14 X 12			
9	955 106 061 00	Water hose		1	I9AB/9AD
		Complete			
(9)	955 106 061 10	Water hose		1	I9AH
		Complete			
(9)		Water hose		1	I7VE/7VL
		Complete			
10	N 104 244 01	Support		1	
		C 8 X 23			
11	N 906 555 01	Hose clamp		2	
		A 23 X 12			
12	N 906 870 01	Hose clamp		3	
		B 27 X 12			
13		Support		1	
		Oxygen sensor			
		See illustrations			
		2/02/10			
14	955 106 470 30	Support		1	
		Appendix			
		Water pump			
15	N 107 188 01	Hexagon-head bolt		2	
		M 6 X 16			
16	955 106 561 01	Water pump		1	
		Appendix			
17	955 106 209 00	Rubber mounting		1	
		with			
		Locking lug			
18	955 106 209 10	Rubber mounting		1	
19	955 106 022 30	Water tube		1	
20	N 909 899 01	Oval-head screw		1	
		KA 6 X 18			
21	955 106 062 00	Water hose		1	I9AB/9AD
22	N 906 871 01	Hose clamp		1	
		B 32 X 12			
23	955 106 632 20	Water hose		1	
24	955 106 143 00	Retainer spring		1	
25	N 903 168 01	O-ring		1	
		19,6 X 3,65			
26	955 106 125 01	Temperature sensor		1	
27	N 906 872 01	Hose clamp		2	
		B 40 X 12			
28	955 106 165 00	Water tube		1	
29	N 907 315 03	Oval-head screw		2	
		6 X 25			
30	955 106 633 20	Water hose		1	
		Complete			
31	N 909 265 01	Hose clamp		2	
		B 47 X 12			
32	955 106 062 10	Water hose		1	I9AH
(32)		Water hose		1	I7VE/7VL

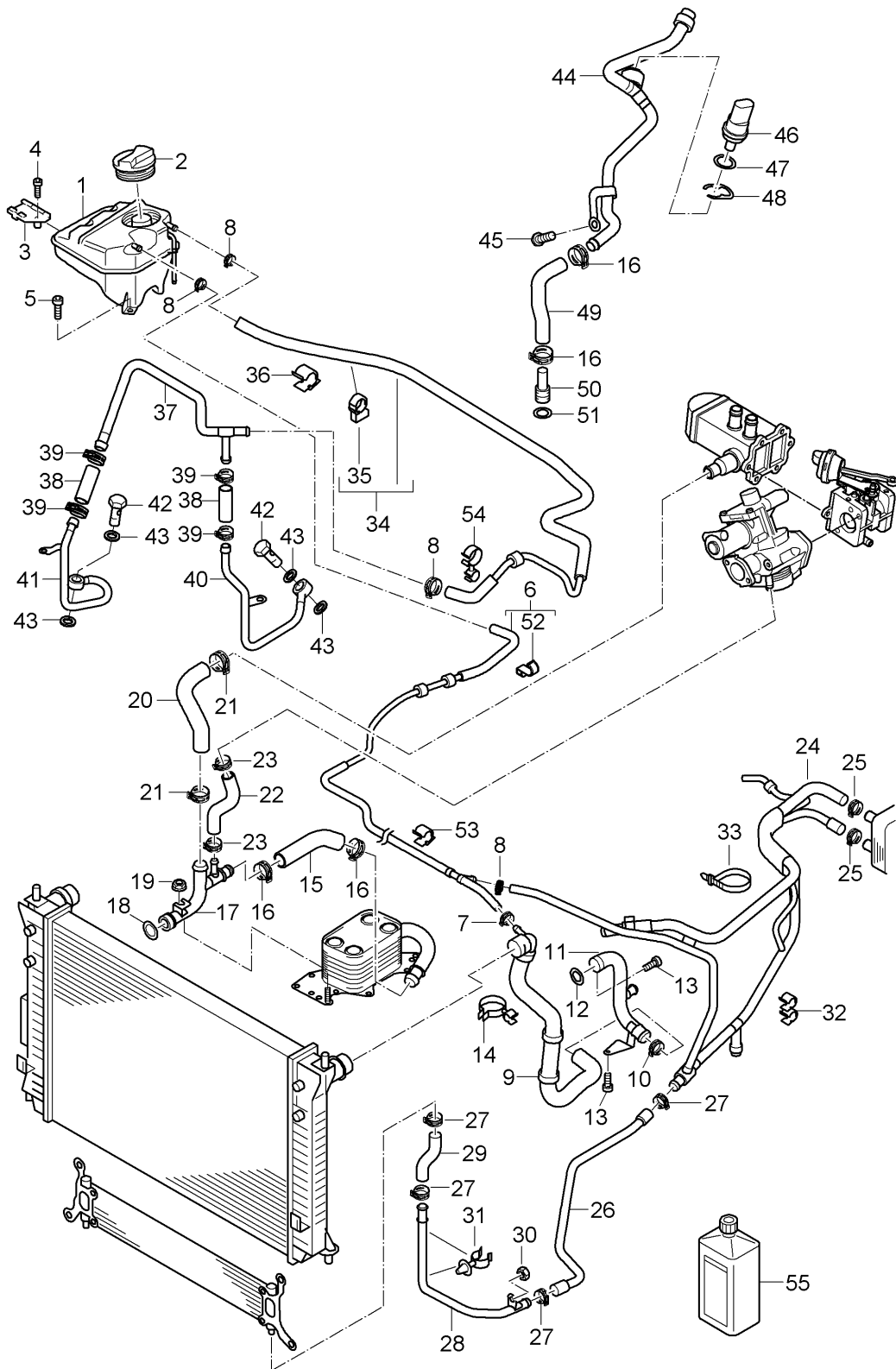
Model: 9PA108

Model life 2007>>2010

Pos	Part Number	Description	Remark	Qty	Model
33	955 106 066 10	Cooling water tube		1	I9AH
(33)		Cooling water tube		1	I7VE/7VL
34	955 106 074 00	Water hose		1	I9AH
(34)		Water hose		1	I7VE/7VL
35	N 906 870 01	Hose clamp		6	I9AH
		B 27 X 12			
(35)		Hose clamp		6	I7VE/7VL
		B 27 X 12			
36	N 910 073 01	Pan-head screw		2	I9AH
		M 6 X 15			
(36)		Pan-head screw		2	I7VE/7VL
		M 6 X 15			
37	000 043 301 12	Antifreeze		X	
		1 LITER			
		Container			
(37)	000 043 301 47	Antifreeze		X	
		1 LITER			
		Container			
(37)	000 043 301 13	Antifreeze		X	
		20 LITER			
		Container			
(37)	000 043 301 48	Antifreeze		X	
		20 LITER			
		Container			
(37)	000 043 204 39	Cleaning agent		X	
		20 LITER			
		Container			
		See technical information			
		Service			
		Group 1			
		KD-NR.1901			
		8/08			

Model: 9PA108

Model life 2007>>2010



Model: 9PA108 Model life 2007>>2010

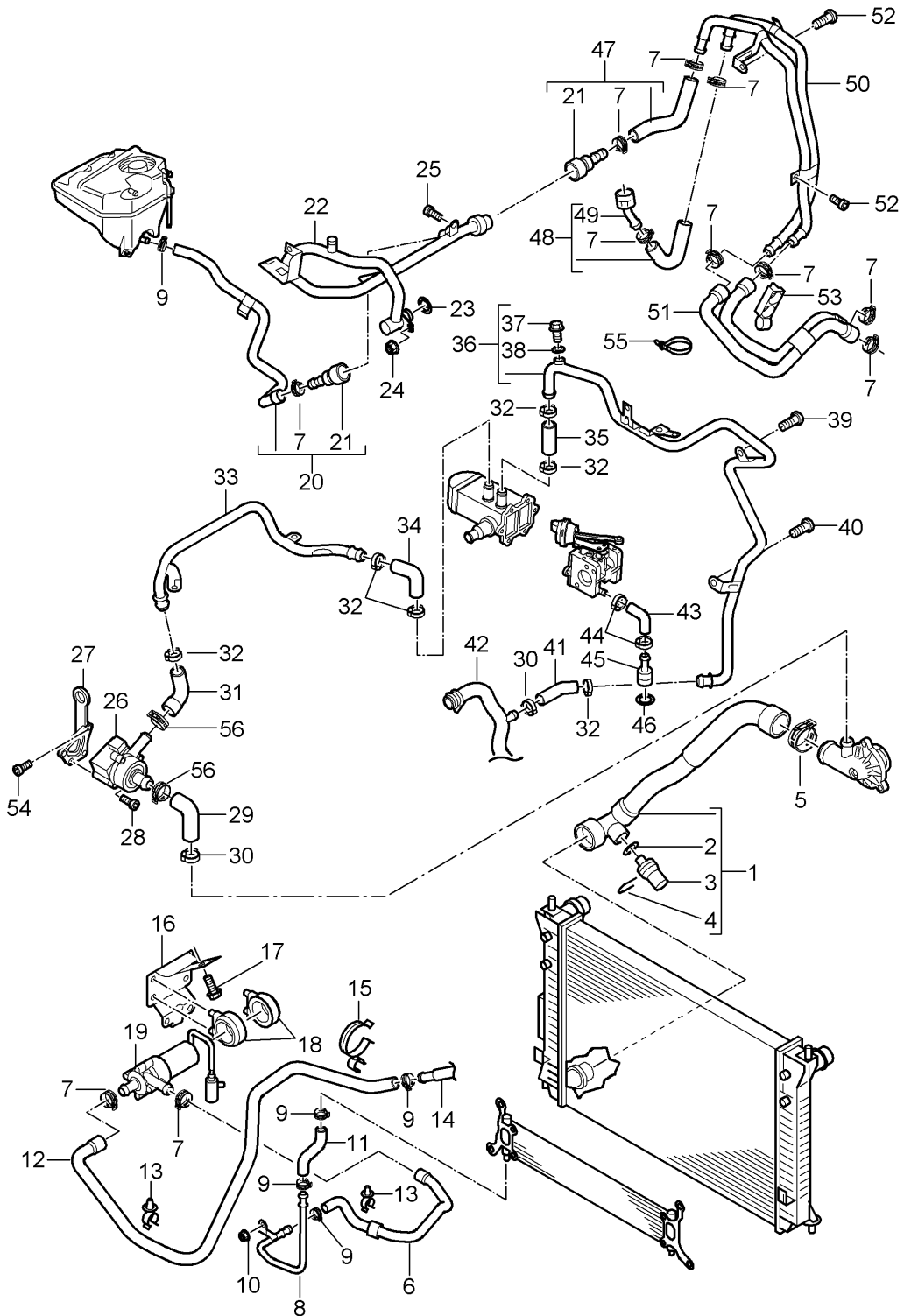
Pos	Part Number	Description	Remark	Qty	Model
		Water cooling 4			ID50
		Water reservoir			
		Flow-side cooling			
1	955 106 147 22	Water reservoir		1	
(1)	955 106 147 23	Water reservoir		1	
2	955 106 447 20	Lid		1	
3	955 106 405 01	Support		1	
4	N 101 244 08	Torx screw M 6 X 20		1	
5	N 908 913 02	Combination screw M 6 X 20		1	
6	955 106 277 30	Water hose		1	
(6)	955 106 277 31	Water hose		1	
7	N 907 702 01	Hose clamp B 17 X 12		1	
8	N 906 867 01	Hose clamp B 14 X 12		4	
9	955 106 632 30	Water hose		1	
10	N 906 872 01	Hose clamp B 40 X 12		1	
11	955 106 071 00	Cooling water tube		1	
12	N 902 753 02	O-ring 32 X 3		1	
13	N 104 514 05	Round head screw M 6 X 16		3	
14	N 106 668 01	Hose holder 14 - 22 / 19 - 33		1	
(14)	N 106 668 02	Hose holder 14 - 22 / 19 - 33		1	
15	955 106 373 00	Water hose		1	
16	N 102 020 01	Hose clamp 24,1 X 7 X 0,6		4	
17	955 106 063 00	Cooling water tube		1	
18	N 903 653 04	O-ring 20 X 3		1	
19	N 904 880 05	Hexagon nut M 6		1	
20	955 106 103 00	Water hose		1	
21	N 904 095 01	Hose clamp 28,6 X 7 X 0,6		2	
22	955 106 104 00	Water hose		1	
23	N 102 334 01	Hose clamp 16,2 X 7 X 0,6		2	
24	955 106 396 00	Water hose		1	
25	N 909 264 01	Hose clamp B 19 X 12		2	
26	955 106 396 10	Water hose		1	
27	N 906 869 01	Hose clamp B 23 X 12		4	
28	955 106 265 00	Cooling water tube		1	
29	955 106 396 20	Water hose		1	
30	N 011 006 36	Hexagon nut M 6		1	
31	955 628 261 00	Hose holder 13 - 16 X 6,5		2	
32	955 106 422 00	Line bracket		1	
33	955 606 838 00	Tie-wrap 4,5 X 200		1	
34	955 106 061 20	Water hose		1	
35	955 110 423 00	Line bracket		1	
36	N 908 493 01	Clip 13 X 18 X 0,5		1	
37	955 106 286 00	Water hose		1	

Model: 9PA108 Model life 2007>>2010

Pos	Part Number	Description	Remark	Qty	Model
38	955 106 255 00	Water hose		2	
39	N 102 334 01	Hose clamp 16,2 X 7 X 0,6		4	
40	955 106 398 00	Cooling water tube		1	
41	955 106 399 00	Cooling water tube		1	
42	N 910 438 01	Banjo bolt 8		2	
43	N 013 807 6	Sealing ring A 8 X 11,5		4	
44	955 106 465 00	Cooling water tube Heating		1	
45	N 104 056 04	Oval-head screw M 6 X 14		1	
46	955 106 125 01	Temperature sensor		1	
47	N 903 168 01	O-ring 19,6 X 3,65		1	
48	955 106 143 00	Retainer spring		1	
49	955 106 473 00	Water hose Heating		1	
50	955 106 133 10	Adapter Heating		1	
51	N 908 091 02	O-ring 16 X 2		1	
52	955 106 525 00	Hose holder		1	
53	955 106 495 10	Clamp		4	
54	955 106 694 00	Line bracket		1	
55	000 043 301 12	Antifreeze 1 LITER Container		X	
(55)	000 043 301 47	Antifreeze 1 LITER Container		X	
(55)	000 043 301 13	Antifreeze 20 LITER Container		X	
(55)	000 043 301 48	Antifreeze 20 LITER Container		X	
(55)	000 043 204 39	Cleaning agent 20 LITER Container See technical information Service Group 1 KD-NR.1901 8/08		X	

Model: 9PA108

Model life 2007>>2010



Model: 9PA108 Model life 2007>>2010

Pos	Part Number	Description	Remark	Qty	Model
		Water cooling 4 Return-side cooling			ID50
1	955 106 633 30	Water hose		1	
2	N 903 168 01	O-ring 19,6 X 3,6		1	
3	955 106 125 01	Temperature sensor		1	
4	955 106 143 00	Retainer spring		1	
5	N 909 265 01	Hose clamp B 47 X 12		1	
6	955 106 358 00	Water hose		1	
7	N 906 870 01	Hose clamp B 27 X 12		11	
8	955 106 266 00	Cooling water tube		1	
9	N 906 869 01	Hose clamp B 23 X 12		5	
10	N 011 006 36	Hexagon nut M 6		1	
11	955 106 396 30	Water hose		1	
12	955 106 359 00	Water hose		1	
13	955 628 261 00	Hose holder 13 - 16 X 6,5		2	
14		Water hose See illustrations 1/05/40 Pos.24		1	
15	N 106 894 01	Support A 14-22 X C01-48		1	
16	955 106 579 00	Support		1	
17	N 019 526 9	Water pump Hexagon-head bolt M 8 X 22		1	
18	955 106 209 00	Rubber mounting		2	
19	955 106 561 10	Water pump Appendix		1	
20	955 106 261 10	Water hose		1	
21	955 106 291 00	Adapter		2	
22	955 106 475 00	Cooling water tube	-09	1	
(22)	955 106 475 01	Cooling water tube	10-	1	
(22)	955 106 475 02	Cooling water tube	10-	1	
23	N 904 650 03	O-ring 23 X 2,6		1	
24	N 904 880 05	Hexagon nut M 6		1	
25	N 101 703 02	Oval-head screw M 6 X 10		1	
26	955 106 312 00	Water pump Appendix		1	
27	955 104 305 20	Information available Shackle for transportation Information available		1	
28	WHT 002 306	Round head screw 3,5 X 12		3	
29	955 106 302 00	Water hose		1	
30	N 904 095 01	Hose clamp 28,6 X 0,6 X 7		2	
31	955 106 304 00	Water hose		1	
32	N 102 020 01	Hose clamp 24,1 X 7 X 0,6		6	
33	955 106 564 00	Cooling water tube		1	
34	955 106 305 00	Water hose		1	
35	955 106 306 00	Water hose		1	
36	955 106 507 00	Cooling water tube		1	
37	N 904 832 04	Hexagon-head bolt		1	

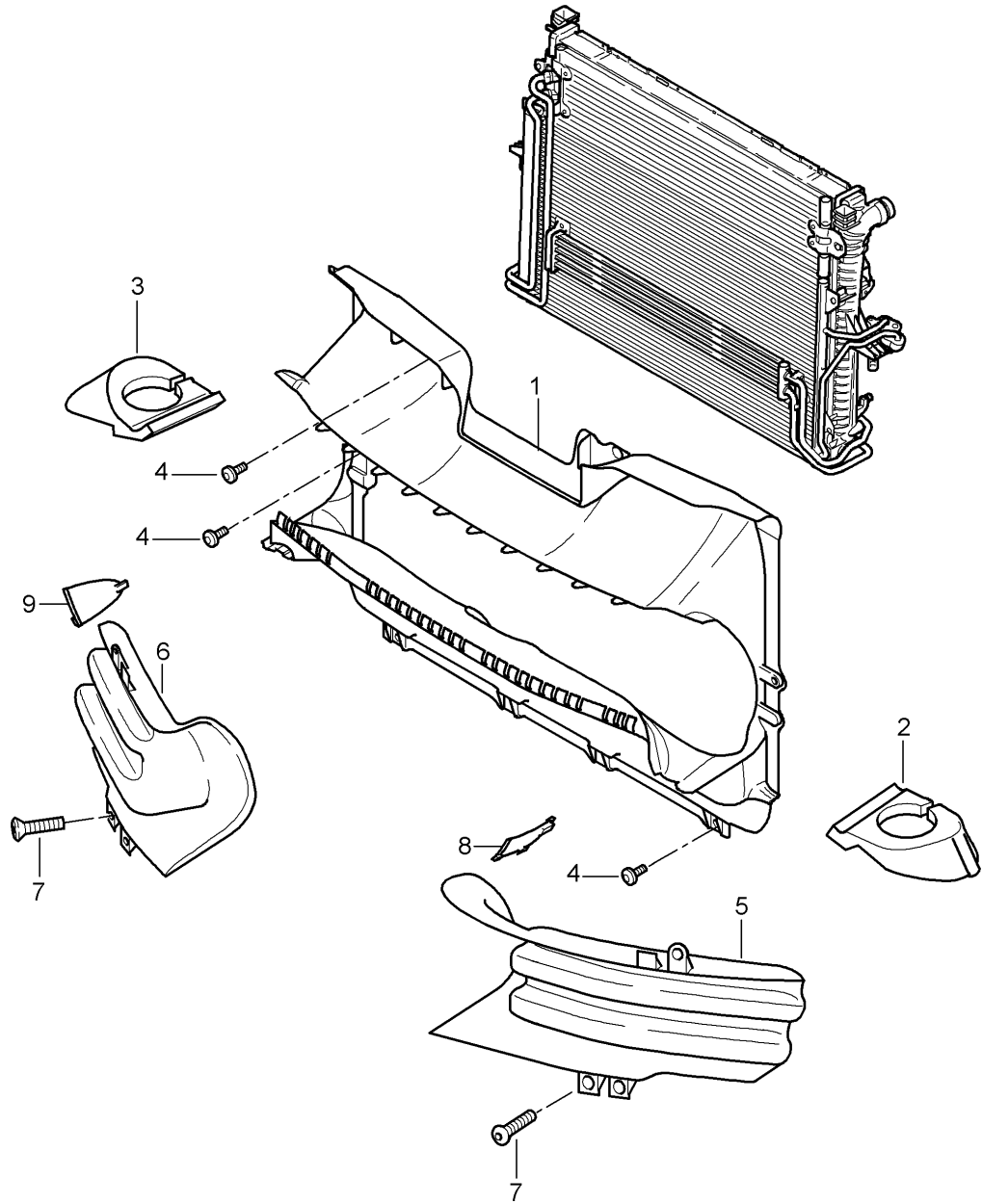
Model: 9PA108

Model life 2007>>2010

Pos	Part Number	Description	Remark	Qty	Model
38	N 013 804 2	M 6 X 8 Sealing ring		1	
39	N 106 320 02	A 6 X 10 Oval-head screw		1	
40	N 101 703 02	M 6 X 16 Oval-head screw		1	
41	955 106 307 00	M 6 X 10 Water hose with Check valve		1	
42		Cooling water tube See illustrations 1/05/40 Pos.11		1	
43	955 106 308 00	Water hose		1	
44	N 102 334 01	Hose clamp 16,2 X 7 X 0,6		2	
45	955 106 218 00	Adapter		1	
46	N 904 520 03	O-ring 11 X 3		1	
47	955 106 573 00	Water hose		1	
48	955 106 574 00	Water hose		1	
49	955 106 291 10	Adapter		1	
50	955 106 310 10	Cooling water tube		1	
51	955 106 074 10	Water hose		1	
52	N 910 073 01	Pan-head screw M 6 X 15		2	
53	955 106 629 00	Hose holder		1	
54	N 105 173 04	Pan-head screw M 8 X 22		2	
55	N 909 377 02	Tie-wrap 4,6 X 193		1	
56	N 906 870 01	Hose clamp B 27 X 12		2	

Model: 9PA108

Model life 2007>>2010



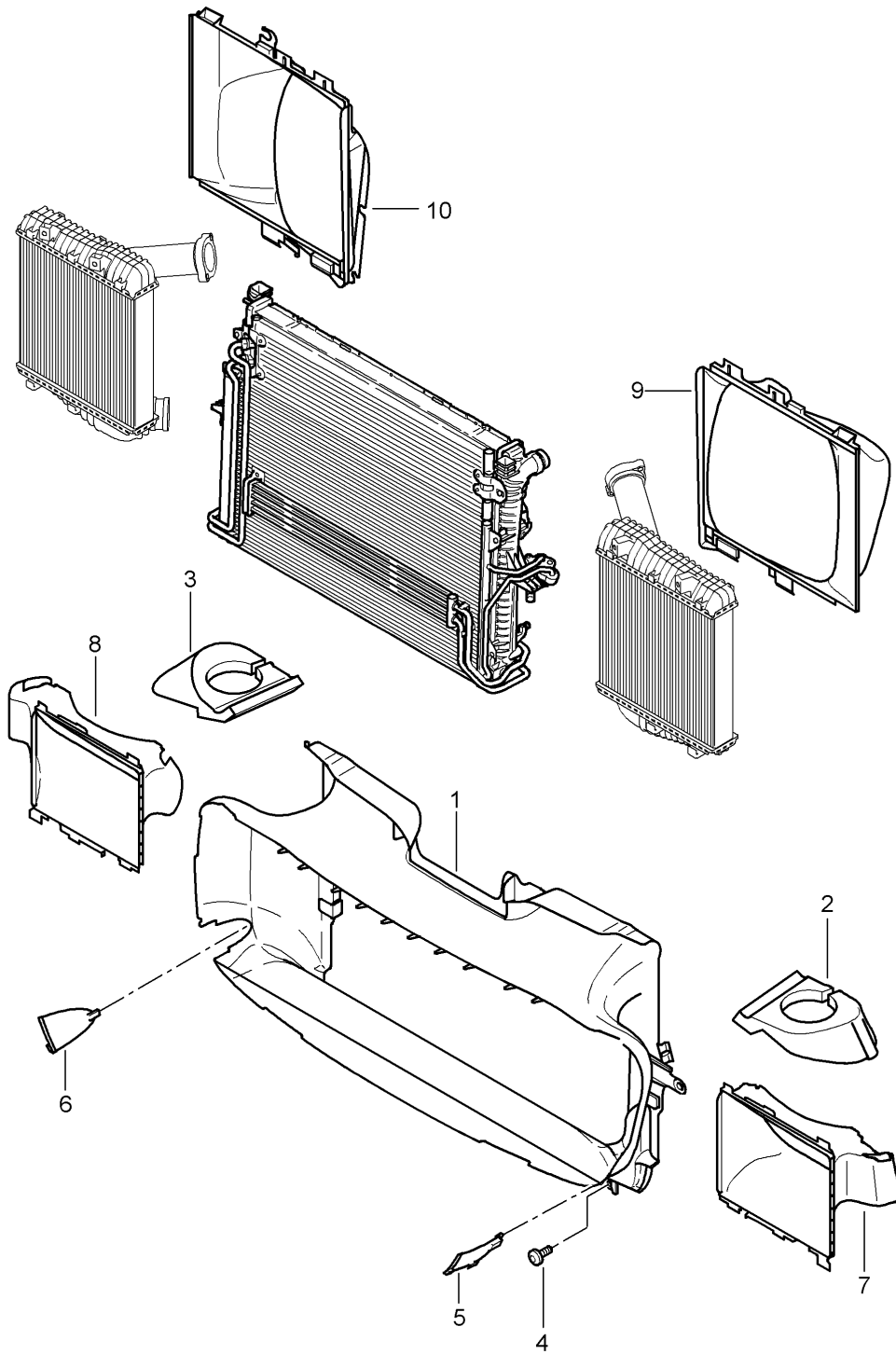
Model: 9PA108

Model life 2007>>2010

Pos	Part Number	Description	Remark	Qty	Model
1	955 575 325 00	Cooling air duct Air guide Front		1	ID5V/D5X ID5V/D5X
(1)		Air guide Front		1	ID5V/E2D
(1)	955 575 325 50	Air guide Front		1	ID5V/E0W/E1T
2	955 110 145 00	Boot	/L	1	ID5V/D5X
(2)	955 110 145 50	Boot	/L	1	ID5V/E0W/E1T
3	955 110 146 00	Boot	/R	1	ID5V
(3)	955 110 146 50	Boot	/R	1	ID5V/E0W/E1T
(3)	955 110 146 10	Boot	/R	1	ID5X
4	N 910 343 01	Oval-head screw M 6 X 20		6	
5	955 575 333 10	Air guide Lateral	/L	1	
6	955 575 334 10	Air guide Lateral	/R	1	
7	N 908 082 01	Oval-head screw 6 X 18,5		2	
8	955 575 423 50	Lid Air guide Front	/L	1	ID5V/E0W/E1T
9	955 575 424 50	Lid Air guide Front	/R	1	ID5V/E0W/E1T

Model: 9PA108

Model life 2007>>2010



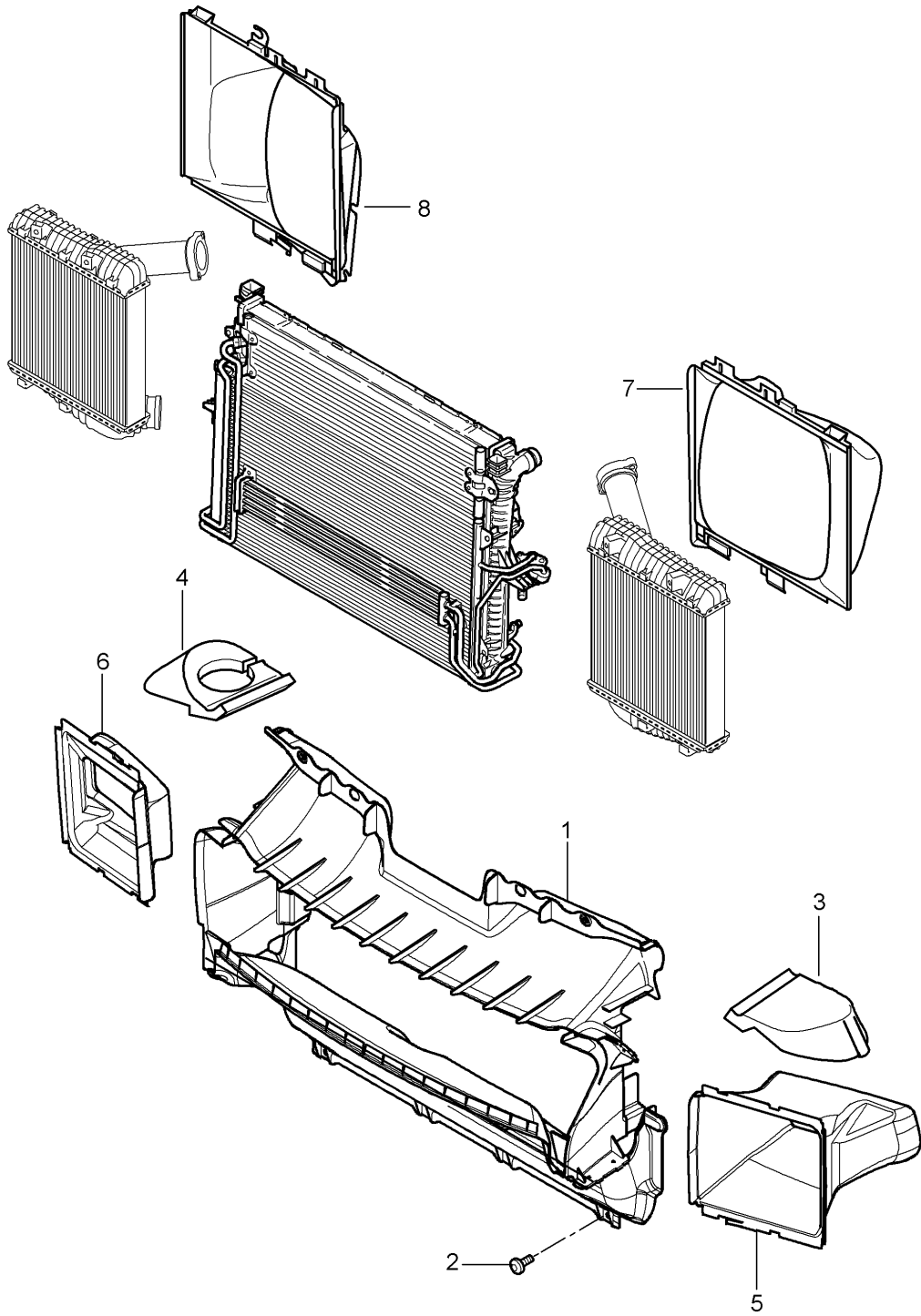
Model: 9PA108

Model life 2007>>2010

Pos	Part Number	Description	Remark	Qty	Model
1	955 575 325 50	Cooling air duct Air guide Front		1	ID5Z
2	955 110 145 50	Boot	/L	1	
3	955 110 146 50	Boot	/R	1	
4	N 910 343 01	Oval-head screw 6 X 20		6	
5	955 575 423 50	Lid	/L	1	
6	955 575 424 50	Lid	/R	1	
7	955 575 571 50	Air guide	/L	1	
8	955 575 572 50	Air guide	/R	1	
9	955 575 339 50	Air guide	/L	1	
10	955 575 340 50	Air guide	/R	1	

Model: 9PA108

Model life 2007>>2010



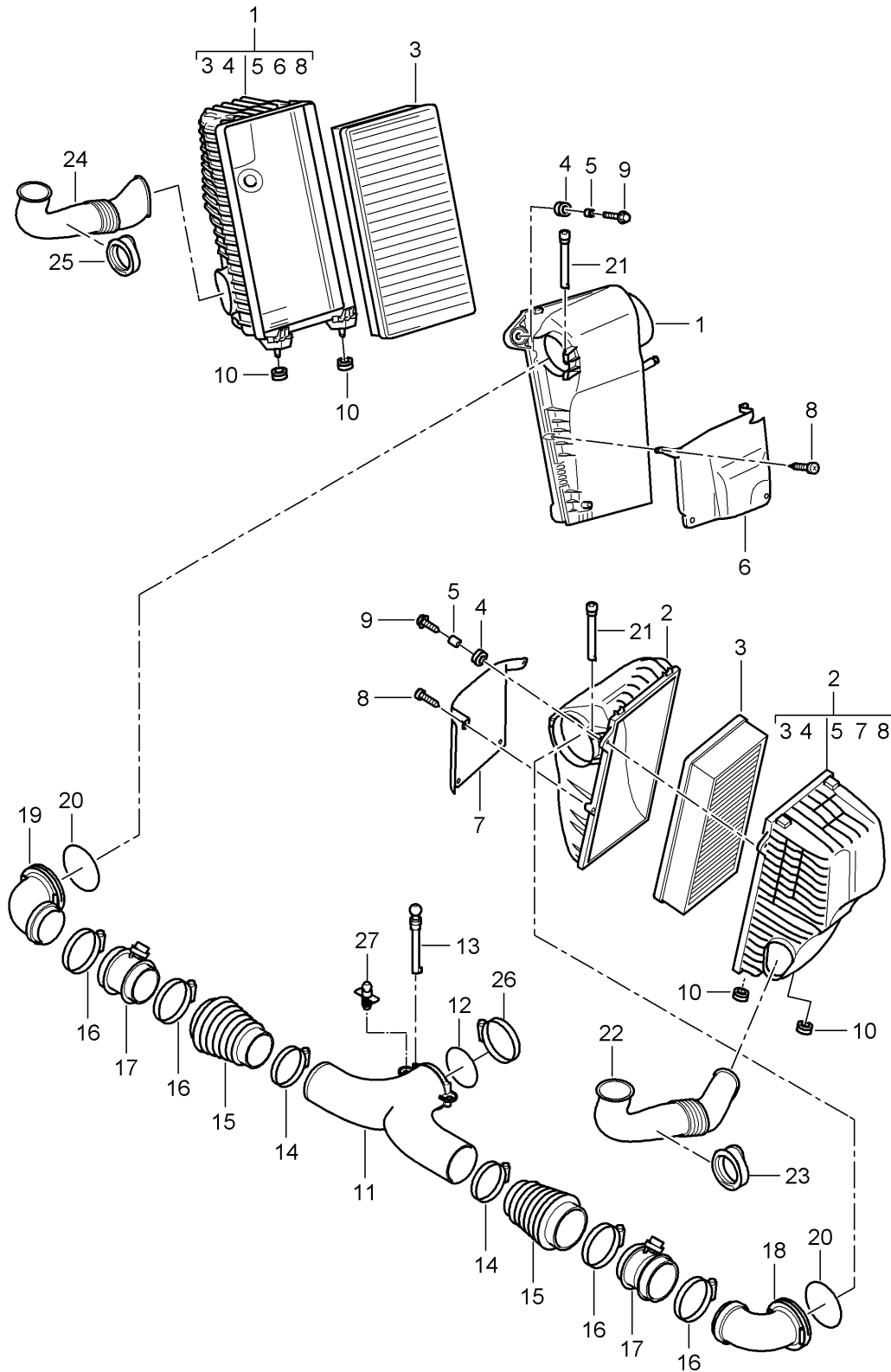
Model: 9PA108

Model life 2007>>2010

Pos	Part Number	Description	Remark	Qty	Model
1	955 575 325 60	Cooling air duct Air guide Front		1	ID50
2	N 910 343 01	Oval-head screw 6 X 20		4	
3	955 110 145 60	Boot	/L	1	
4	955 110 146 00	Boot	/R	1	
5	955 575 571 60	Air guide	/L	1	
6	955 575 572 60	Air guide	/R	1	
7	955 575 339 00	Air guide	/L	1	
8	955 575 340 00	Air guide	/R	1	

Model: 9PA108

Model life 2007>>2010



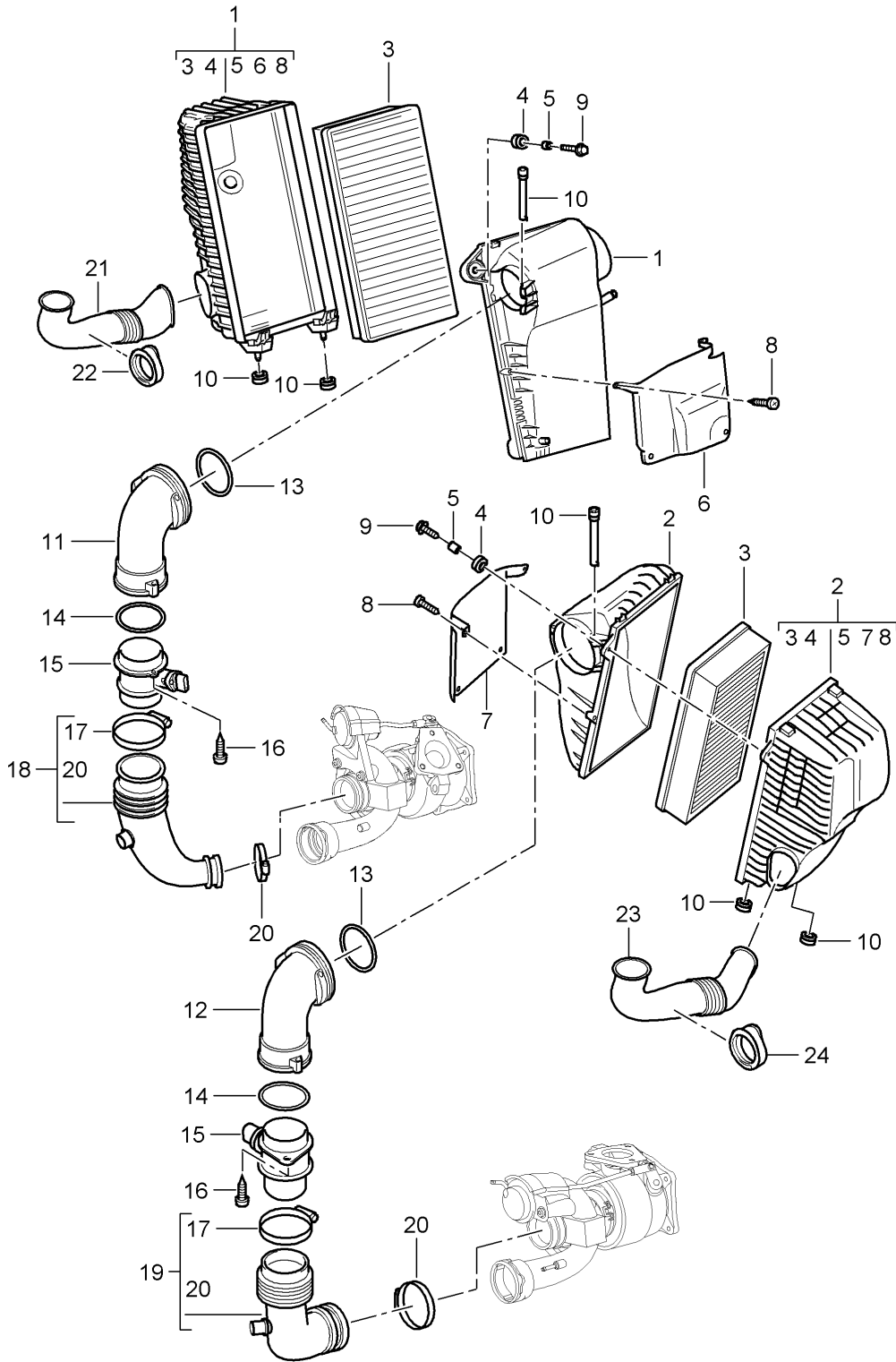
Model: 9PA108

Model life 2007>>2010

Pos	Part Number	Description	Remark	Qty	Model
		Air cleaner system			ID5V
1	955 110 022 10	Air cleaner	/R	1	I1L0
(1)	955 110 022 00	Air cleaner	/R	1	I1L2
2	955 110 021 10	Air cleaner	/L	1	I1L0
(2)	955 110 021 00	Air cleaner	/L	1	I1L2
3	955 110 131 00	Air cleaner cartridge		2	I1L0
(3)	955 110 131 10	Air cleaner cartridge		2	I1L2
4	955 110 669 00	Grommet		2	
5	955 110 734 00	Spacer sleeve		2	
6	955 110 208 00	Heat shield	/R	1	
7	955 110 207 00	Heat shield	/L	1	
8	N 909 855 01	Oval-head screw KA 50 X 12		8	
9	N 101 602 05	Screw M 6 X 25		2	
10	955 110 669 00	Grommet		4	
11	955 110 046 10	Intake distributor		1	-IE0W/-IE1T -IE2D
(11)	955 110 046 20	Intake distributor Use also: 955.110.725.00		1	IE0W/E1T/E2D
12	N 910 171 01	Round seal 87 X 4		1	IE0A
13	955 110 671 00	Bolt Locking device		2	IE0A
(13)	955 110 671 01	Bolt Locking device		2	IE0A
14	N 024 523 2	Hose clamp A-50-70 X 13 X 0,5		2	
15	955 110 191 10	Bellows		2	
16	N 024 526 4	Hose clamp A-70-90 X 13 X 0,5		4	
17	955 606 123 40	Mass air flow meter		2	
18	955 110 533 20	Intake manifold	/L	1	
19	955 110 534 20	Intake manifold	/R	1	
20	N 909 643 01	O-ring 91 X 6		2	
21	955 110 269 00	Bolt Locking device		4	
22	955 110 103 10	Intake manifold	/L	1	
23	955 110 347 10	Support ring	/L	1	
24	955 110 104 00	Intake manifold	/R	1	
25	955 110 348 00	Support ring	/R	1	
26	N 024 508 5	Hose clamp A 80 - 100		1	IE0W/E1T/E2D
27	955 110 725 00	Bolt		2	IE0W/E1T/E2D

Model: 9PA108

Model life 2007>>2010



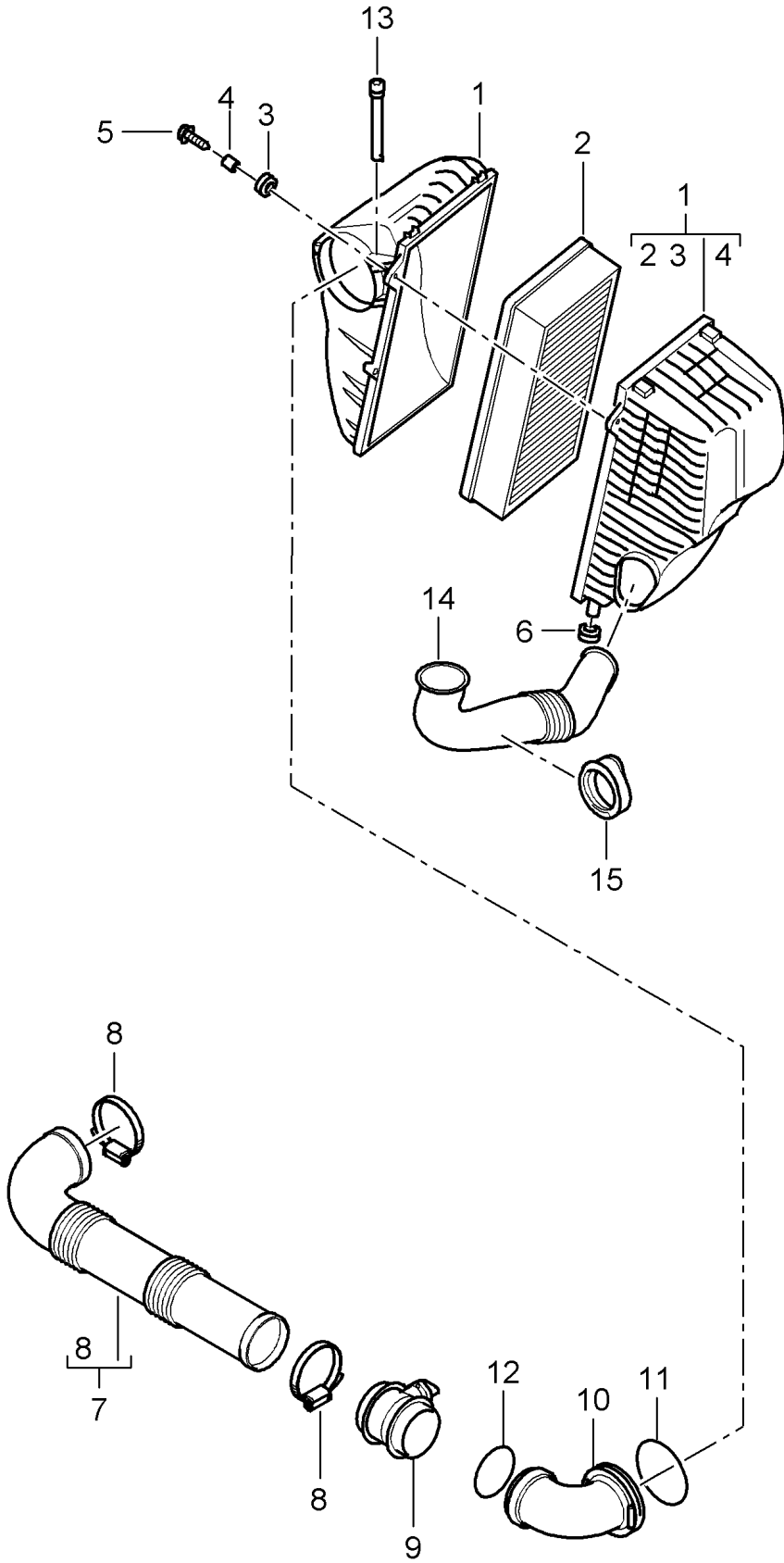
Model: 9PA108

Model life 2007>>2010

Pos	Part Number	Description	Remark	Qty	Model
		Air cleaner system			ID5Z
1	955 110 022 55	Air cleaner	/R	1	I1L0
(1)	955 110 022 50	Air cleaner	/R	1	I1L2
2	955 110 021 55	Air cleaner	/L	1	I1L0
(2)	955 110 021 50	Air cleaner	/L	1	I1L2
3	955 110 131 00	Air cleaner cartridge		2	I1L0
(3)	955 110 131 10	Air cleaner cartridge		2	I1L2
4	955 110 669 00	Grommet		2	
5	955 110 734 00	Spacer sleeve		2	
6	955 110 208 00	Heat shield	/R	1	
7	955 110 207 00	Heat shield	/L	1	
8	N 909 855 01	Oval-head screw KA 50 X 12		8	
9	N 101 602 05	Screw M 6 X 25		2	
10	955 110 269 00	Bolt Locking device		4	
11	955 110 102 00	Intake manifold	/R	1	
12	955 110 101 00	Intake manifold	/L	1	
13	N 909 643 01	O-ring 91 X 6		2	
14	955 110 646 10	Round seal 79 X 6		2	
15	997 606 125 00	Mass air flow meter		2	
16	N 104 197 02	Oval-head sheetmetal screw 6 X 22		4	
17	N 024 526 4	Hose clamp A-70-90 X 13 X 0.5		2	
18	955 110 222 30	Suction hose	/R	1	
(18)	958 110 156 50	Intake pipe	/R	1	
19	955 110 221 30	Suction hose	/L	1	
(19)	958 110 155 50	Intake pipe	/L	1	
20	N 024 523 2	Hose clamp A-50-70 X 13 X 0.5		2	
21	955 110 104 00	Intake manifold	/R	1	
22	955 110 348 00	Support ring	/R	1	
23	955 110 103 10	Intake manifold	/L	1	
24	955 110 347 10	Support ring	/L	1	

Model: 9PA108

Model life 2007>>2010



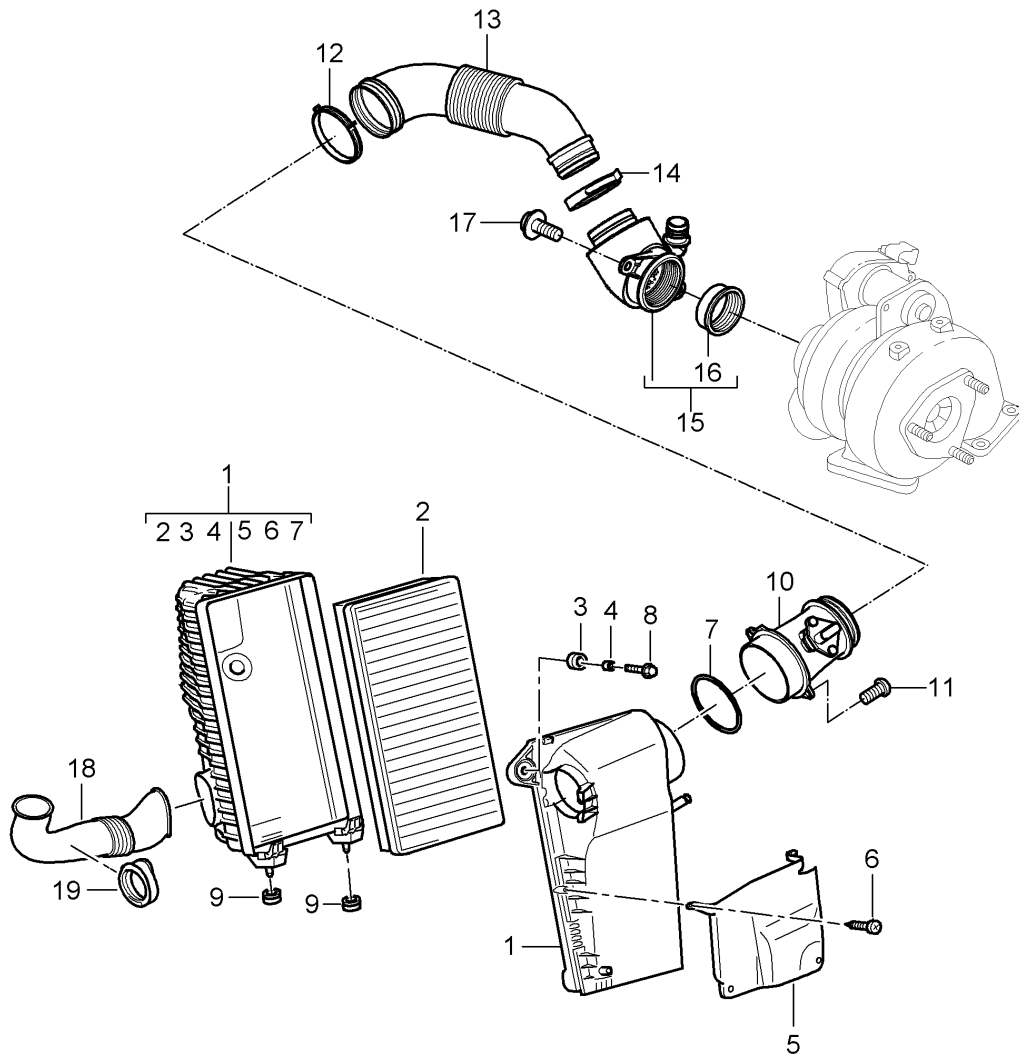
Model: 9PA108

Model life 2007>>2010

Pos	Part Number	Description	Remark	Qty	Model
		Air cleaner system Simple			ID5X
1	955 110 021 30	Air cleaner		1	I1L0
(1)	955 110 021 20	Air cleaner		1	I1L2
2	955 110 131 00	Air cleaner cartridge		1	I1L0
(2)	955 110 131 10	Air cleaner cartridge		1	I1L2
3	955 110 669 00	Grommet		1	
4	955 110 734 00	Spacer sleeve		1	
5	N 101 602 05	Screw M 6 X 25		1	
6	955 110 669 00	Grommet		2	
7	955 110 223 00	Connecting tube		1	
8	N 024 518 4	Hose clamp A-70-90 X 9 X 0,5		2	
9	955 606 123 35	Mass air flow meter		1	
10	955 110 533 10	Intake manifold		1	
11	N 909 643 01	O-ring 91 X 6		1	
12	N 909 219 01	O-ring 85 X 6		1	
13	955 110 269 00	Bolt Locking device		2	
14	955 110 103 10	Intake manifold		1	
15	955 110 347 10	Support ring		1	

Model: 9PA108

Model life 2007>>2010



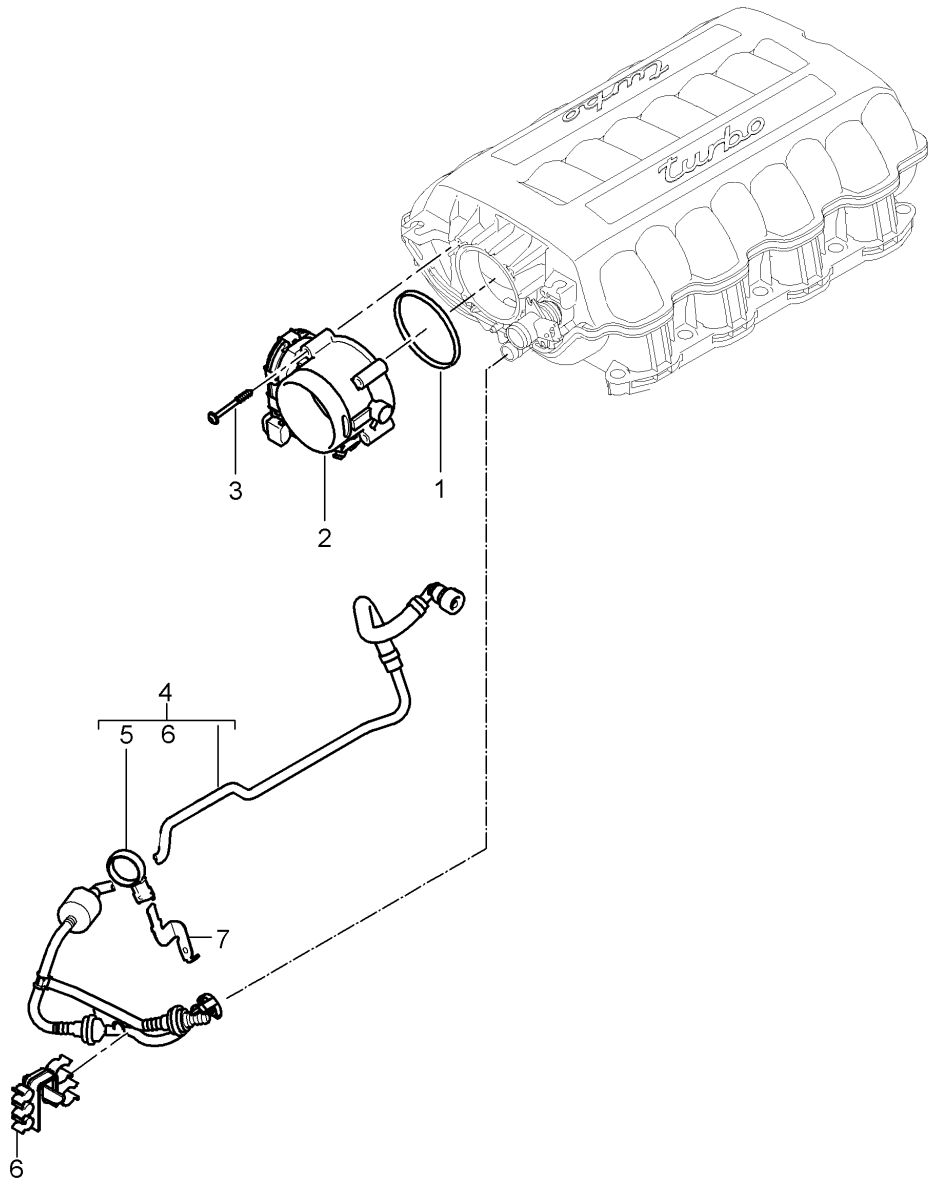
Model: 9PA108

Model life 2007>>2010

Pos	Part Number	Description	Remark	Qty	Model
		Air cleaner system Simple			ID50
1	955 110 022 20	Air cleaner		1	I1L0
(1)	955 110 022 30	Air cleaner		1	I1L2
2	955 110 131 00	Air cleaner cartridge		1	I1L0
(2)	955 110 131 10	Air cleaner cartridge		1	I1L2
3	955 110 669 00	Grommet		1	
4	955 110 734 00	Spacer sleeve		1	
5	955 110 208 00	Heat shield		1	
6	N 909 855 01	Oval-head screw KA 50 X 12		4	
7	N 909 643 01	O-ring 91 X 6		1	
8	N 101 602 05	Screw M 6 X 25		1	
9	955 110 669 00	Grommet		2	
10	955 606 123 60	Mass air flow meter		1	
11	N 104 197 02	Oval-head sheetmetal screw 6 X 22		2	
12	N 906 564 01	Hose clamp A 80 X 12		1	
13	955 110 324 00	Suction hose		1	
14	N 907 816 01	Hose clamp A 60 X 12		1	
15	955 110 055 10	Pulsation damper		1	
(15)	955 110 055 11	Pulsation damper		1	
16	958 110 493 00	Gasket		1	
(16)	958 110 493 01	Gasket		1	
17	N 909 589 02	Combination screw M 6 X 16		2	
18	955 110 104 00	Intake manifold		1	
19	955 110 348 00	Support ring		1	

Model: 9PA108

Model life 2007>>2010

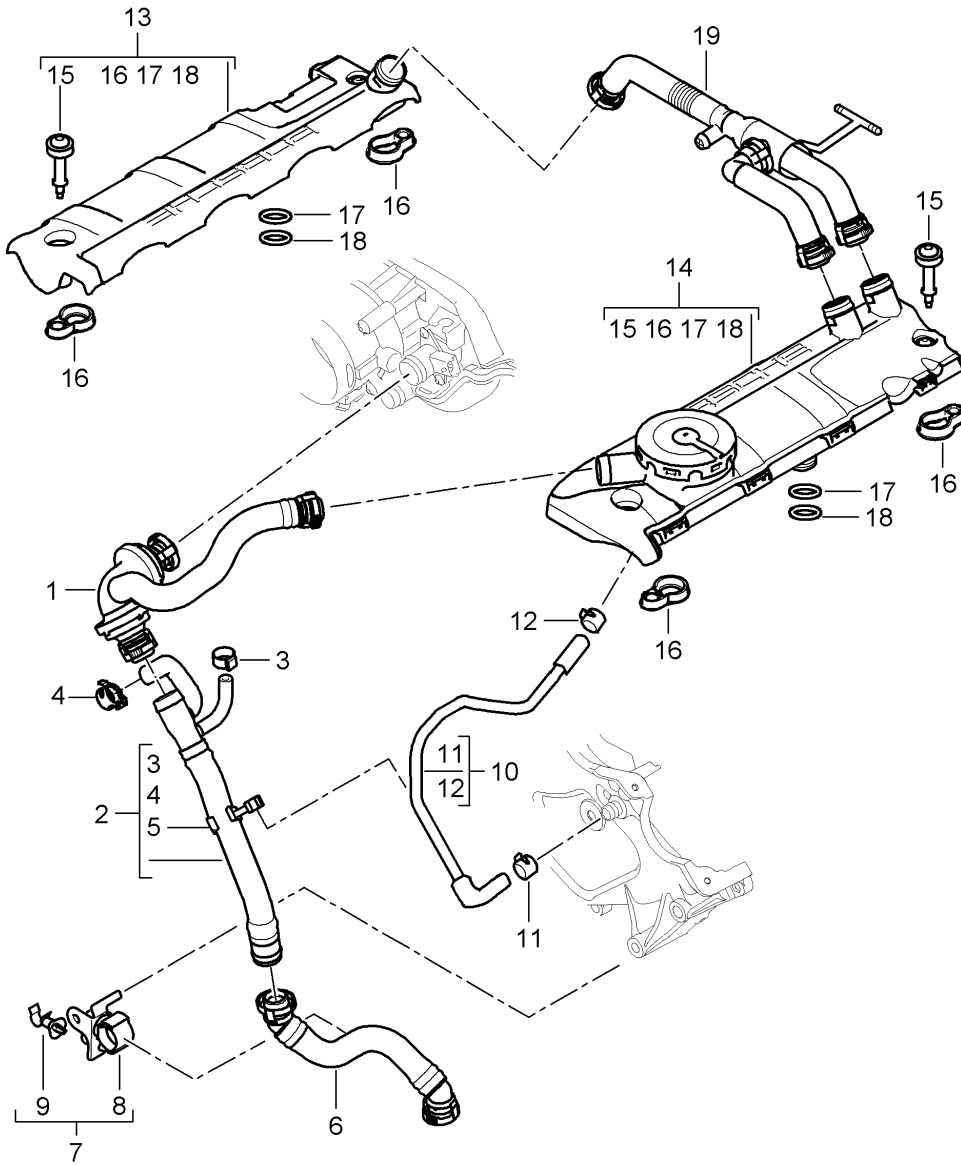


Model: 9PA108 Model life 2007>>2010

Pos	Part Number	Description	Remark	Qty	Model
		Throttle body			M48.01/51
1	948 110 144 02	Tank ventilation		1	M48.01/51
		Gasket			IE0A
(1)	948 110 144 20	Gasket		1	M48.01
					IE0W/E1T/E2D
(1)		Gasket		1	M48.51
					IE8A/E81
2	948 605 115 03	Throttle body		1	M48.01/51
					IE0A
(2)	997 605 116 01	Throttle body		1	M48.01
					IE0W/E1T/E2D
(2)	948 605 116 00	Throttle body		1	M48.51
					IE8A/E81
3	999 919 005 01	Oval-head screw		4	M48.01
		6 X 50			
(3)		Oval-head screw		4	M48.51
					IE0A
		6 X 50			
(3)	948 110 411 00	Oval-head screw		4	M48.51
					IE8A/E81
		6 X 60			
4	948 110 020 52	Vent line		1	M48.51
		Tank ventilation			
(4)	948 110 020 54	Vent line		1	M48.51
		Tank ventilation			
(4)	948 110 020 02	Vent line		1	M48.01
		Tank ventilation			
(4)	948 110 020 03	Vent line		1	M48.01
		Tank ventilation			
5	948 110 221 00	Support ring		1	
6	948 110 030 50	Line bracket		1	M48.51
		Tank ventilation			
7	948 110 027 50	Support		1	
		Vent line			
		Mount			
		Control box cover			
(7)	948 110 027 51	Support		1	
		Vent line			
		Mount			
		Control box cover			

Model: 9PA108

Model life 2007>>2010



Model: 9PA108

Model life 2007>>2010

Pos	Part Number	Description	Remark	Qty	Model
		Crankcase			M48.01/51
		Bleeding			
1	948 107 229 51	Check valve		1	M48.51
(1)	948 107 247 02	Vent line		1	M48.01
		Crankcase			
2	948 107 249 53	Vent line		1	M48.51
		Crankcase			
3	999 512 688 00	Hose clamp		1	M48.51
		10,5 X 11,5			
4	999 512 651 09	Hose clamp		1	M48.51
		B 15 X 12			
5	999 507 108 40	Line bracket		1	M48.51
		24,5 X 10,5			
6	955 107 251 50	Vent line		1	M48.51
		Crankcase			
7	948 107 029 52	Support		1	M48.51
		Vent line			
(7)	948 107 029 53	Support		1	M48.51
		Vent line			
8	999 507 370 40	Hose holder		1	M48.51
		23 - A			
9	999 507 611 40	Hose holder		1	M48.51
		6,0 - 6,5			
10	948 105 245 51	Vent line		1	M48.51
(10)	948 105 245 04	Vent line		1	M48.01
11	999 512 654 09	Hose clamp		1	
		B 21 X 12			
12	999 512 652 09	Hose clamp		1	M48.51
		B 19 X 12			
13	948 107 235 52	Air/oil separator	-08	1	M48.51 IE0A
		Cylinders 1 - 4			
		Silver			
(13)		Air/oil separator	08	1	M48.51 IE81
		Cylinders 1 - 4			
		Silver			
(13)	948 107 235 53	Air/oil separator	09-	1	M48.51 IE0A
		Cylinders 1 - 4			
		Black			
(13)	948 107 235 52	Air/oil separator	09-	1	M48.51 IE8A/E81
		Cylinders 1 - 4			
		Silver			
(13)	948 107 235 01	Air/oil separator	-08	1	M48.01
		Cylinders 1 - 4			
		Silver			
(13)	948 107 235 02	Air/oil separator	09-	1	M48.01
		Cylinders 1 - 4			
		Black			
14	948 107 236 52	Air/oil separator	-08	1	M48.51 IE0A
		Cylinders 5 - 8			
		Silver			
(14)		Air/oil separator	08	1	M48.51 IE81
		Cylinders 5 - 8			
		Silver			
(14)	948 107 236 53	Air/oil separator	09-	1	M48.51 IE0A
		Cylinders 5 - 8			
		Black			

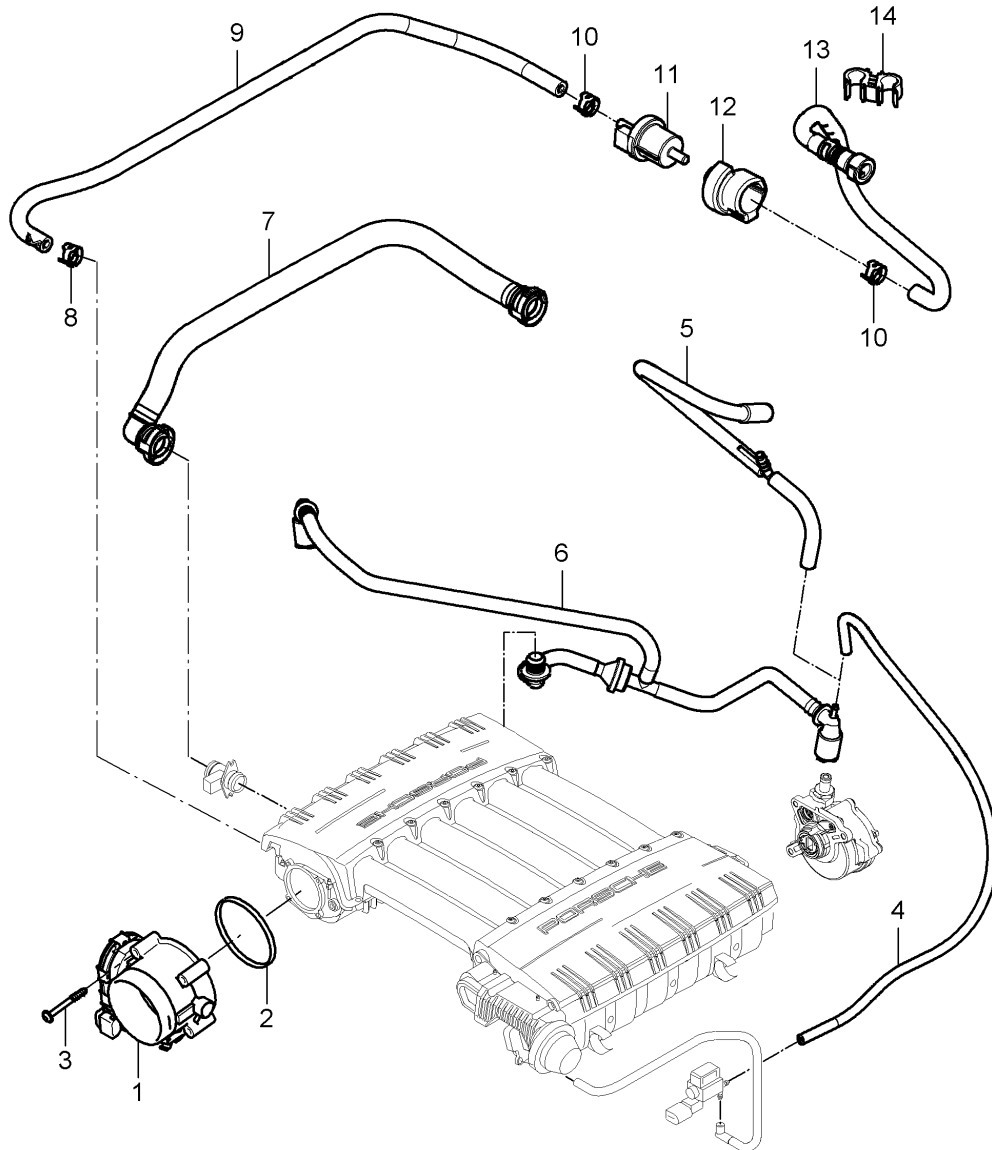
Model: 9PA108

Model life 2007>>2010

Pos	Part Number	Description	Remark	Qty	Model
(14)	948 107 236 52	Air/oil separator Cylinders 5 - 8 Silver	09-	1	M48.51 IE8A/E81
(14)	948 107 236 01	Air/oil separator Cylinders 5 - 8 Silver	-08	1	M48.01
(14)	948 107 236 02	Air/oil separator Cylinders 5 - 8 Silver	-08	1	M48.01
(14)	948 107 236 03	Air/oil separator Cylinders 5 - 8 Black	09-	1	M48.01
15	948 107 435 50	Fastening part		4	M48.51
(15)	948 107 435 00	Fastening part		4	M48.01
16	948 107 437 50	Gasket		4	M48.51
(16)	948 107 437 00	Gasket		4	M48.01
17	948 107 439 50	O-ring 20 X 4		2	M48.51
(17)	948 107 439 00	O-ring 20 X 3,8		2	M48.01
18	948 107 439 60	O-ring 20 X 4		2	M48.51
(18)	948 107 439 10	O-ring 20 X 3,8		2	M48.01
19	948 107 245 53	Vent line		1	M48.51
(19)	948 107 245 02	Vent line		1	M48.01

Model: 9PA108

Model life 2007>>2010



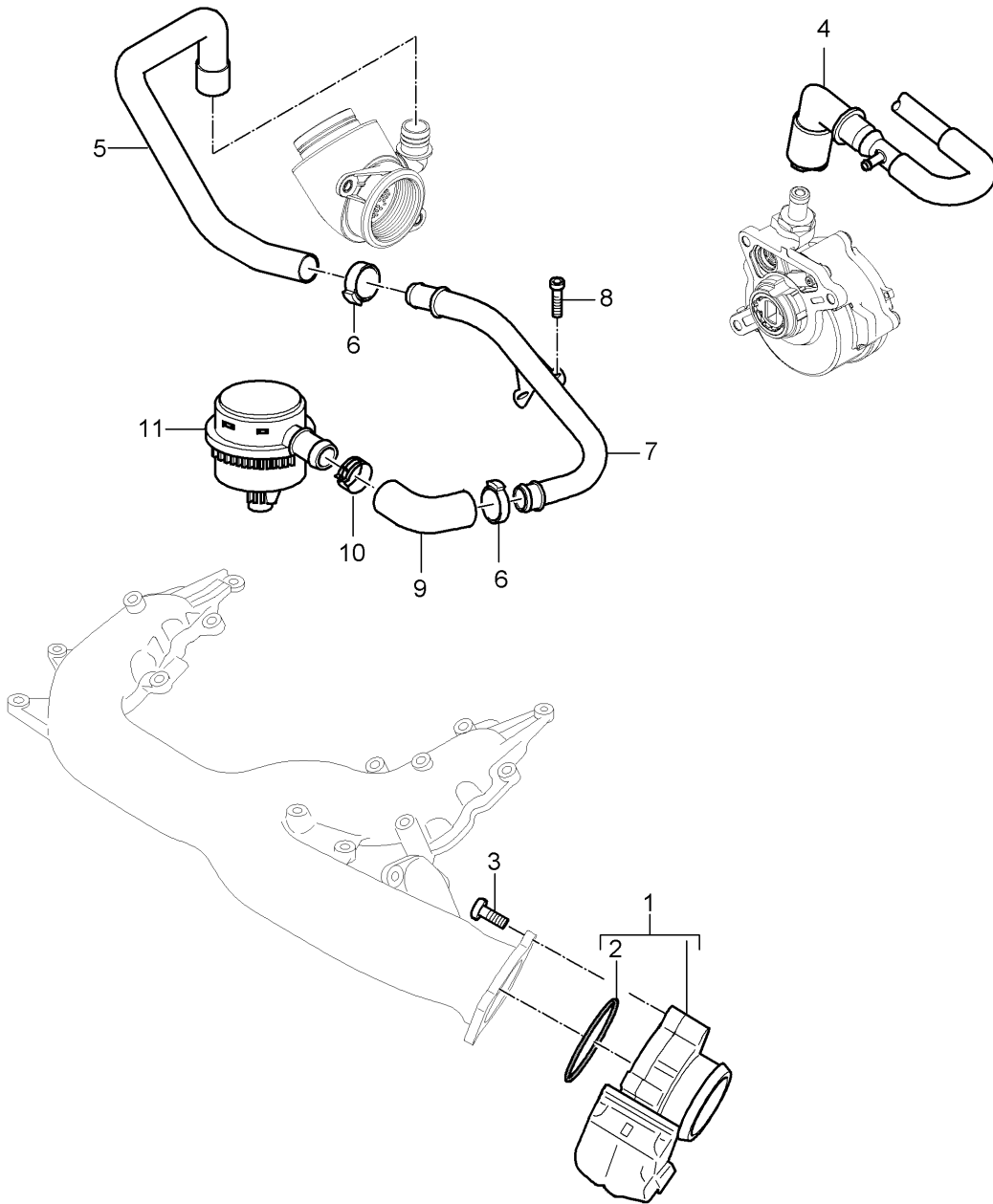
Model: 9PA108

Model life 2007>>2010

Pos	Part Number	Description	Remark	Qty	Model
		Throttle body Tank ventilation Vent line Crankcase			M55.01
1	997 605 115 01	Throttle body		1	
2	997 110 319 00	Gasket		1	
3	999 919 005 01	Oval-head screw 6 X 50		4	
4	955 110 358 00	Vacuum line		1	
6		Vacuum line See illustrations 6/04/00 Pos.12		1	
7	955 107 247 00	Vent line Crankcase		1	
8	999 512 651 09	Hose clamp B 15 X 12		1	
9	955 110 220 00	Connecting hose		1	
10	N 906 867 01	Hose clamp B 14 X 12		2	
11	955 605 241 00	Valve		1	
12	955 110 321 00	Support ring		1	
13	955 110 225 00	Connecting hose		1	
14	955 110 423 00	Line bracket		1	

Model: 9PA108

Model life 2007>>2010

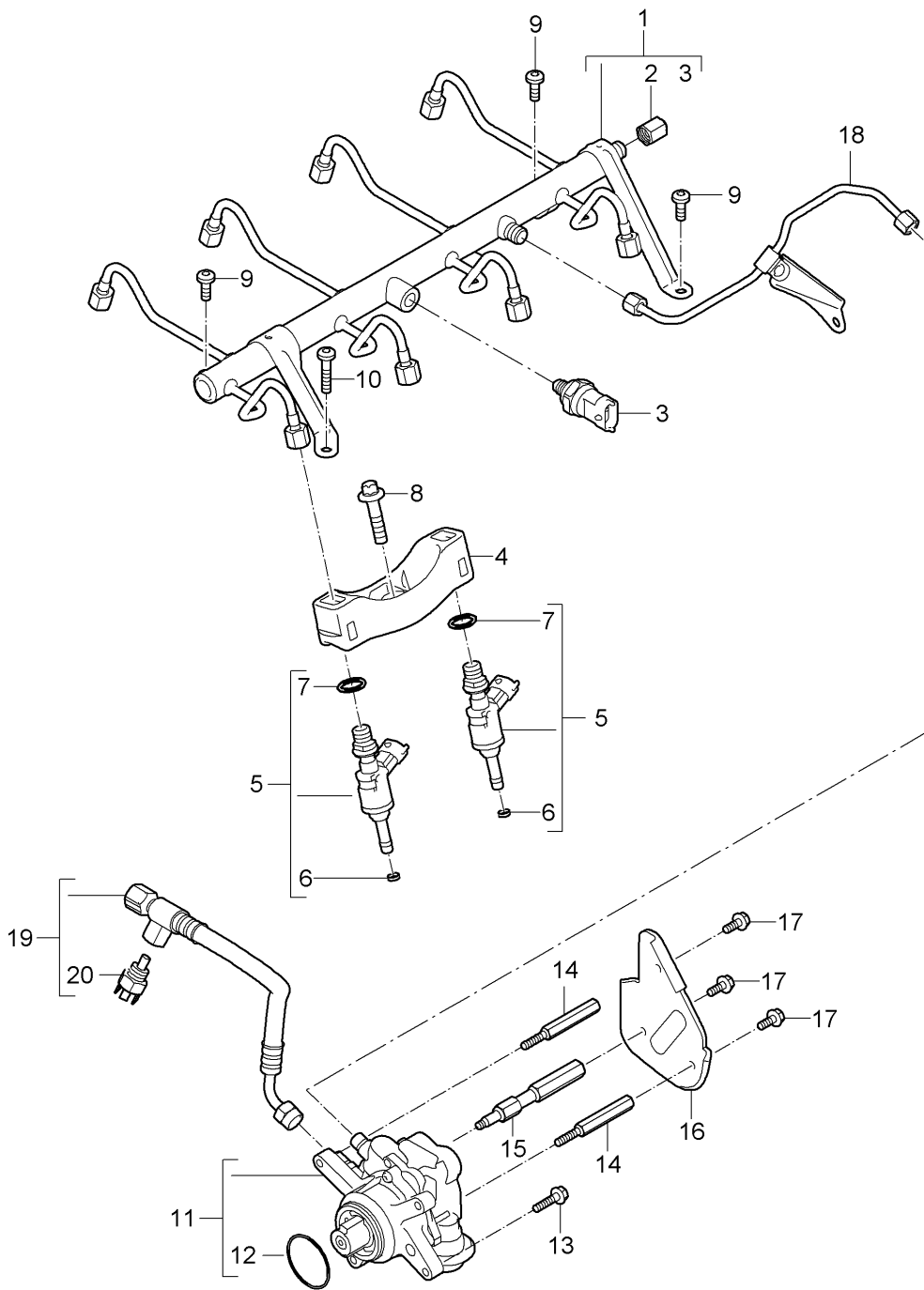


Model: 9PA108 Model life 2007>>2010

Pos	Part Number	Description	Remark	Qty	Model
		Throttle body Vent line Crankcase			M05.9D
1	955 605 115 20	Throttle body		1	
(1)	955 605 115 21	Throttle body		1	
(1)	955 605 115 22	Throttle body		1	
2	955 110 144 00	Gasket		1	
3	N 910 717 01	Round head screw M 6 X 25		3	
4		Vacuum line See illustrations 6/04/00 Pos.12		1	
5	955 107 221 01	Breather hose		1	
6	N 904 119 01	Hose clamp 27,1 X 7 X 0,6		2	
(6)	999 512 455 00	Hose clamp 27,1 X 7 X 0,6		2	
7	955 107 227 00	Breather pipe		1	
8	N 101 148 07	Combination screw M 6 X 15		2	
9	955 107 493 00	Air hose		1	
10	N 906 870 01	Hose clamp B 27 X 12		1	
11		Oil separator See illustrations 1/04/20		1	

Model: 9PA108

Model life 2007>>2010



Model: 9PA108

Model life 2007>>2010

Pos	Part Number	Description	Remark	Qty	Model
		Fuel collection pipe high-pressure injector high-pressure pump			M48.01/51
1	948 110 115 02	Fuel collection pipe		1	M48.01
(1)	948 110 115 03	Fuel collection pipe		1	M48.01
(1)	948 110 115 04	Fuel collection pipe		1	M48.01
(1)	948 110 115 05	Fuel collection pipe		1	M48.01
(1)	948 110 115 06	Fuel collection pipe		1	M48.01
(1)	948 110 115 07	Fuel collection pipe		1	M48.01
(1)	948 110 115 52	Fuel collection pipe		1	M48.51
(1)	948 110 115 53	Fuel collection pipe		1	M48.51
(1)	948 110 115 54	Fuel collection pipe		1	M48.51
(1)	948 110 115 55	Fuel collection pipe		1	M48.51
(1)	948 110 115 56	Fuel collection pipe		1	M48.51
(1)	948 110 115 57	Fuel collection pipe		1	M48.51
2	948 110 225 00	Stopper		1	
3	948 606 230 00	Pressure sensor		1	
(3)	948 606 230 01	Pressure sensor		1	
(3)	948 606 230 02	Pressure sensor		1	
(3)	948 606 230 03	Pressure sensor		1	
-	999 653 067 40	Connector for Pressure sensor		1	
4	948 110 515 01	Support		4	
5	948 605 230 01	high-pressure injector		8	M48.01 IE0A
		Identification Blue M >> 838 12236 nach Aufbrauch 948.110.128.30 / AX Use See technical information Service Group 2 KD-NR.2440 30/07		4	
(5)	948 605 230 AX	high-pressure injector		8	M48.01 IE0A
		Identification Blue M >> 838 12236 nach Aufbrauch 948.110.128.AX Use See technical information Service Group 2 KD-NR.2440 30/07		4	
(5)	948 605 230 02	high-pressure injector		8	M48.01
		Identification Blue M 838 12237 >> 9 01856 M 858 00501 >> G 9 01962 nach Aufbrauch 948.110.128.30 / AX Use See technical information Service Group 2 KD-NR.2440 30/07		4	IE0A IE0W

Model: 9PA108 Model life 2007>>2010

Pos	Part Number	Description	Remark	Qty	Model
(5)	948 605 230 BX	high-pressure injector Identification Blue M 838 12237 >> 9 01856 M 858 00501 >> G 9 01962 nach Aufbrauch 948.110.128.AX Use See technical information Service Group 2 KD-NR.2440 30/07		8	M48.01 IE0A IEOW
(5)	948 110 128 20	high-pressure injector Identification Blue See technical information Service Group 2 KD-NR.2440 30/07 M 9 01857 >> M G 9 01963 >> Information available		4	
(5)	948 110 128 20	high-pressure injector Identification Blue See technical information Service Group 2 KD-NR.2440 30/07 M 9 01857 >> M G 9 01963 >> Information available		8	M48.01 IE0A IEOW IEOW
(5)	948 110 128 X	high-pressure injector Identification Blue See technical information Service Group 2 KD-NR.2440 30/07 M 9 01857 >> M G 9 01963 >> Information available		8	M48.01 IE0A IEOW IEOW
(5)	948 110 128 22	high-pressure injector Identification Blue Information available		8	M48.01
(5)	948 110 128 HX	high-pressure injector Identification Blue Information available		8	M48.01
(5)	948 110 128 23	high-pressure injector Identification Blue Information available		8	M48.01
(5)	948 110 128 MX	high-pressure injector Identification Blue Information available		8	M48.01
(5)	948 110 128 30	high-pressure injector Identification Blue See technical information Service Group 2 KD-NR.2440 30/07 M 9 01857 >> M G 9 01963 >> Information available		8	M48.01 IE0A IEOW IEOW
(5)	948 110 128 AX	high-pressure injector		8	M48.01

Model: 9PA108 Model life 2007>>2010

Pos	Part Number	Description	Remark	Qty	Model
(5)	948 110 128 32	Identification Blue See technical information Service Group 2 KD-NR.2440 30/07 M 9 01857 >> M G 9 01963 >> Information available high-pressure injector		8	IE0A IE0W IE0W M48.01
(5)	948 110 128 JX	Identification Blue Information available high-pressure injector		8	M48.01
(5)	948 110 128 33	Identification Blue Information available high-pressure injector		8	M48.01
(5)	948 110 128 NX	Identification Blue Information available high-pressure injector		8	M48.01
(5)	948 605 231 01	Identification Yellow M >> 848 06031 nach Aufbrauch 948.110.128.80 / CX Use See technical information Service Group 2 KD-NR.2440 30/07		4	M48.51
(5)	948 605 231 AX	high-pressure injector Identification Yellow M >> 848 06031 nach Aufbrauch 948.110.128.CX Use See technical information Service Group 2 KD-NR.2440 30/07		8	M48.51
(5)	948 605 231 02	high-pressure injector Identification Yellow M 848 06032 >> T 9 00754 nach Aufbrauch 948.110.128.80 / CX Use See technical information Service Group 2 KD-NR.2440 30/07		8	M48.51
(5)	948 605 231 BX	high-pressure injector Identification Yellow M 848 06032 >> T 9 00754 nach Aufbrauch 948.110.128.80 / CX Use See technical information Service Group 2 KD-NR.2440 30/07		4	M48.51
(5)	948 605 231 BX	high-pressure injector		8	M48.51

Model: 9PA108

Model life 2007>>2010

Pos	Part Number	Description	Remark	Qty	Model
		Identification Yellow M 848 06032 >> T 9 00754 nach Aufbrauch 948.110.128.CX Use See technical information Service Group 2 KD-NR.2440 30/07		4	
(5)	948 110 128 70	high-pressure injector Identification Yellow See technical information Service Group 2 KD-NR.2440 30/07		8	M48.51
(5)	948 110 128 BX	high-pressure injector Identification Yellow See technical information Service Group 2 KD-NR.2440 30/07 M T 9 00755 >> Information available		8	M48.51
(5)	948 110 128 72	high-pressure injector Identification Yellow Information available		8	M48.51
(5)	948 110 128 KX	high-pressure injector Identification Yellow Information available		8	M48.51
(5)	948 110 128 73	high-pressure injector Identification Yellow Information available		8	M48.51
(5)	948 110 128 PX	high-pressure injector Identification Yellow Information available		8	M48.51
(5)	948 110 128 80	high-pressure injector Identification Yellow See technical information Service Group 2 KD-NR.2440 30/07 M T 9 00755 >> Information available		8	M48.51
(5)	948 110 128 CX	high-pressure injector Identification Yellow See technical information Service Group 2		8	M48.51

Model: 9PA108

Model life 2007>>2010

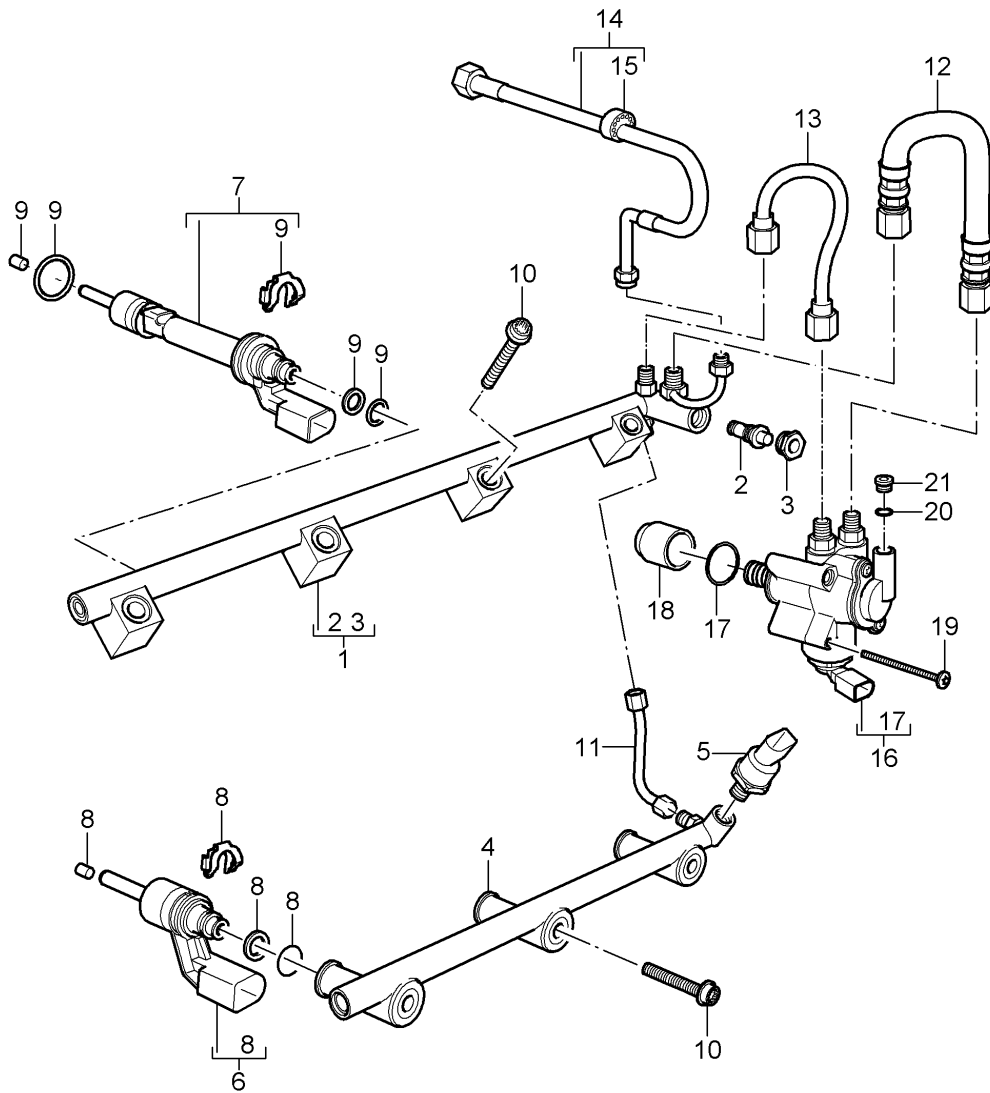
Pos	Part Number	Description	Remark	Qty	Model
(5)	948 110 128 82	KD-NR.2440 30/07 M T 9 00755 >> Information available high-pressure injector Identification Yellow		8	M48.51
(5)	948 110 128 LX	Information available high-pressure injector Identification Yellow		8	M48.51
(5)	948 110 128 83	Information available high-pressure injector Identification Yellow		8	M48.51
(5)	948 110 128 QX	Information available high-pressure injector Identification Yellow		8	M48.51
6	999 704 020 90	Information available Sealing ring 6,3 X 2,8		8	
7	999 707 606 40	O-ring 12 X 3		8	
8	900 385 116 01	Torx screw BM 8 X 30		4	
9	999 073 103 02	Round head screw M 6 X 16		3	
10	999 073 102 02	Round head screw M 6 X 25		1	
11	948 110 315 02	high-pressure pump M >> 9 07800		1	M48.01
(11)	948 110 315 BX	M >> G 9 07095 high-pressure pump M >> 9 07800		1	M48.01
(11)	948 110 315 03	M >> G 9 07095 high-pressure pump M 9 07801 >>		1	M48.01
(11)	948 110 315 CX	M G 9 07096 >> G A 09204 high-pressure pump M 9 07801 >>		1	M48.01
(11)	948 110 315 04	M G 9 07096 >> G A 09204 high-pressure pump M G A 09205 >>		1	M48.01
(11)	948 110 315 DX	high-pressure pump M G A 09205 >>		1	M48.01
(11)	948 110 315 05	high-pressure pump		1	M48.01
(11)	948 110 315 EX	high-pressure pump		1	M48.01
(11)	948 110 315 06	high-pressure pump		1	M48.01
(11)	948 110 315 FX	high-pressure pump		1	M48.01
(11)	948 110 315 07	high-pressure pump		1	M48.01
(11)	948 110 315 GX	high-pressure pump		1	M48.01
(11)	948 110 315 52	high-pressure pump		1	M48.51
(11)	948 110 315 2X	high-pressure pump		1	M48.51
(11)	948 110 315 53	high-pressure pump		1	M48.51
(11)	948 110 315 3X	high-pressure pump		1	M48.51
(11)	948 110 315 54	high-pressure pump		1	M48.51
(11)	948 110 315 4X	high-pressure pump		1	M48.51
12	948 110 615 00	O-ring 45,7 X 2,62		1	
13	900 378 013 01	Hexagon-head bolt AM 6 X 25		1	
14	948 110 417 01	Screw socket		2	

Model: 9PA108 Model life 2007>>2010

Pos	Part Number	Description	Remark	Qty	Model
(14)	948 110 417 02	M 6 Screw socket		2	
15	948 110 419 02	M 6 Screw socket		1	
16	955 110 415 00	M 8 Protective plate		1	M48.01
(16)	955 110 415 50	Protective plate		1	M48.51
17	N 106 533 02	Hexagon-head bolt M 6 X 20		3	
18	948 110 125 01	Fuel line		1	M48.01
(18)	948 110 125 10	Fuel line		1	M48.01
(18)	948 110 125 51	Fuel line		1	M48.51
(18)	948 110 125 60	Fuel line		1	M48.51
19	948 110 235 01	Fuel line with Sensor		1	
(19)	948 110 235 00	Fuel line without Sensor for vehicles up to M >> 838 20207 M >> 858 01039 M >> 848 09397 Use also: Piwis tester Software Update V19.020		1	M48.01 M48.01 IEOW M48.51
(19)	948 110 235 02	Fuel line without Sensor for vehicles up to M >> 838 20207 M >> 858 01039 M >> 848 09397 Use also: Piwis tester Software Update V19.020		1	M48.01 M48.01 IEOW M48.51
20	948 606 221 00	Sensor M >> 838 20207 M >> 858 01039 M >> 848 09397		1	M48.01 M48.01 IEOW M48.51

Model: 9PA108

Model life 2007>>2010

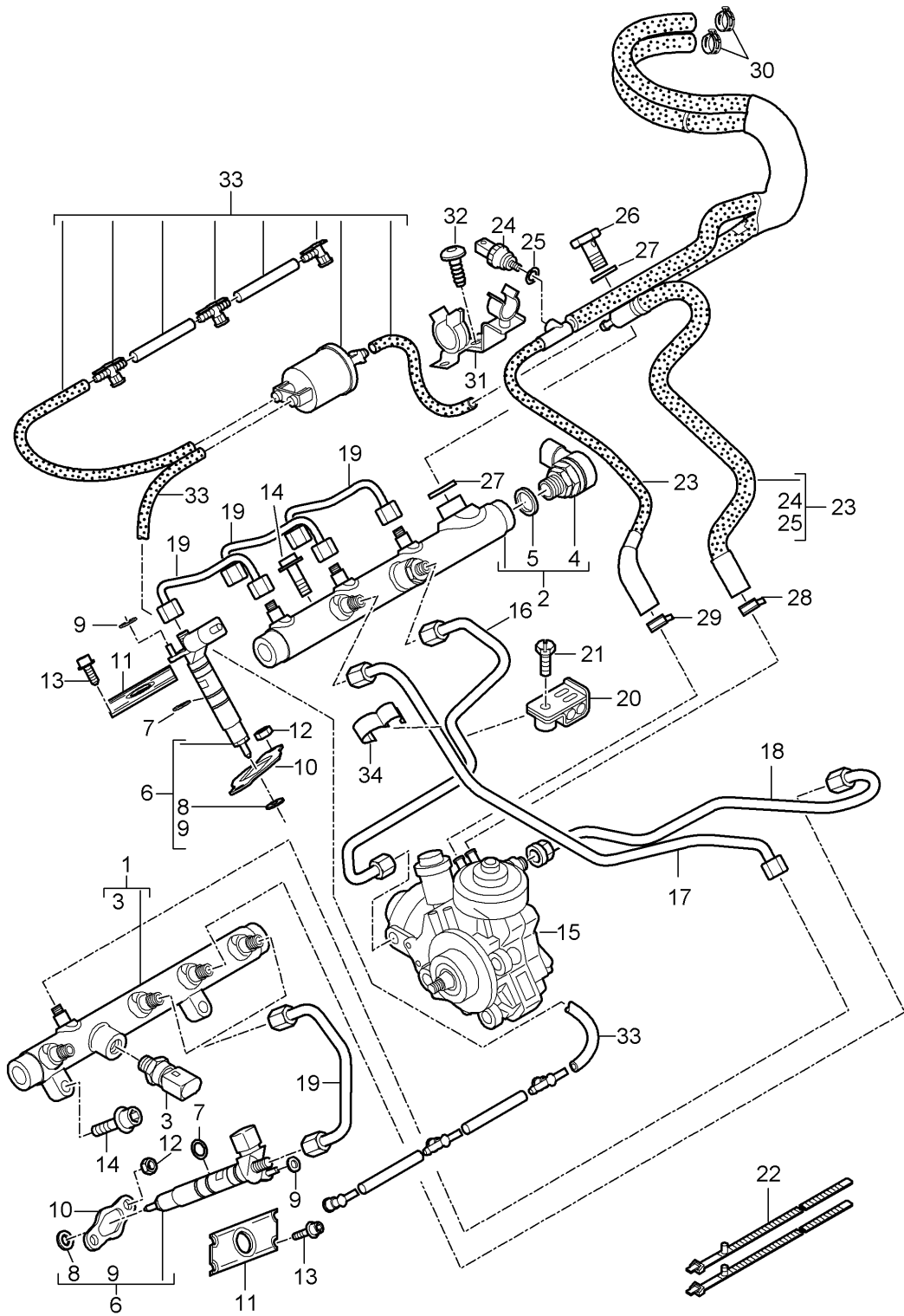


Model: 9PA108 Model life 2007>>2010

Pos	Part Number	Description	Remark	Qty	Model
		Fuel collection pipe high-pressure injector high-pressure pump			M55.01
1	955 110 115 00	Fuel collection pipe Upper		1	
2	955 110 217 00	Pressure valve		1	
(2)	958 110 217 00	Pressure valve		1	
3	WHT 000 435	Banjo bolt M 16 X 1		1	
4	955 110 115 10	Fuel collection pipe Lower		1	
5	955 606 230 00	Pressure sensor		1	
(5)	955 606 230 01	Pressure sensor		1	
(5)	958 606 230 20	Pressure sensor		1	
6	955 605 232 00	high-pressure injector Lower		3	
7	955 605 233 00	high-pressure injector Upper		3	
8	955 110 910 00	Gasket set high-pressure injector Lower		3	
9	955 110 911 00	Gasket set high-pressure injector Upper		3	
10	N 105 449 03	Pan-head screw M 8 X 55		7	
11	955 110 314 00	Fuel line		1	
12	955 110 125 00	Fuel line		1	
13	955 110 126 00	Fuel line		1	
14	955 110 235 00	Fuel line		1	
(14)	955 110 235 01	Fuel line		1	
15	955 110 722 30	Spacer ring		1	
16	955 110 316 00	high-pressure pump M >> 638 08942		1	
(16)	955 110 316 01	high-pressure pump M 638 08943 >> 638 24762		1	
(16)	955 110 316 00	high-pressure pump M 638 24763 >>		1	
17	955 110 615 00	O-ring 31,5 X 2		1	
(17)	WHT 005 184	O-ring 31 X 2		1	
18	955 110 301 00	Cam follower		1	
19	N 106 221 01	Oval-head screw AM 6 X 65		3	
20	N 013 806 4	Sealing ring A 10 X 14 M 638 08943 >> 638 24762		1	
21	N 911 194 01	Screw plug M 10 X 1 X 10 M 638 08943 >> 638 24762		1	

Model: 9PA108

Model life 2007>>2010



Model: 9PA108 Model life 2007>>2010

Pos	Part Number	Description	Remark	Qty	Model
		Fuel collection pipe			M05.9D
		Fuel line			
1	955 110 115 40	high-pressure injector		1	
		Fuel collection pipe			
2	955 110 116 40	Left		1	
		Fuel collection pipe			
		Right			
3	955 606 230 40	Pressure sensor		1	
4	955 606 240 00	Pressure regulator		1	
		Use also:			
		955.110.319.00		1	
5	955 110 319 00	O-ring		1	
6	955 110 035 00	high-pressure injector	-09	6	
		Complete			
(6)	955 110 035 01	high-pressure injector	10-	6	
		Complete			
7	WHT 000 884	O-ring		6	
		16,2 X 1,5			
8	955 110 519 00	Sealing ring		6	
		high-pressure injector			
9	955 110 619 00	O-ring		6	
		2,8 X 1,5			
(9)	WHT 007 480	O-ring		6	
		2,8 X 1,5			
10	955 110 216 00	Tensioning plate		6	
11	955 105 313 00	Lid		6	
(11)	955 105 313 01	Lid		6	
(11)	955 105 313 02	Lid		6	
12	N 904 465 02	Hexagon nut		12	
		M 6			
13	N 904 275 02	Pan-head screw		16	
		M 5 X 12			
14	N 107 059 01	Pan-head screw		4	
		M 8 X 60			
15		high-pressure pump		1	
		See illustrations			
		1/07/09			
16	955 110 320 00	Fuel line		1	
17	955 110 330 00	Fuel line		1	
18	955 110 340 00	Fuel line		1	
19	955 110 241 00	Fuel line		6	
20	955 110 411 00	Support		2	
		Fuel line			
21	N 104 514 05	Round head screw		2	
		M 6 X 16			
22	955 111 820 00	Tie-wrap		x	
23	955 110 030 00	Fuel line		1	
		Set			
		To			
		Use			
		for			
		high-pressure pump			
		955.110.316.20			
		059.130.755.AH			
		958.110.316.20			
		059.130.755.BB			
(23)	955 110 030 01	Fuel line		1	
		Set			
		To			
		Use			
		for			
		high-pressure pump			
		958.110.316.21			

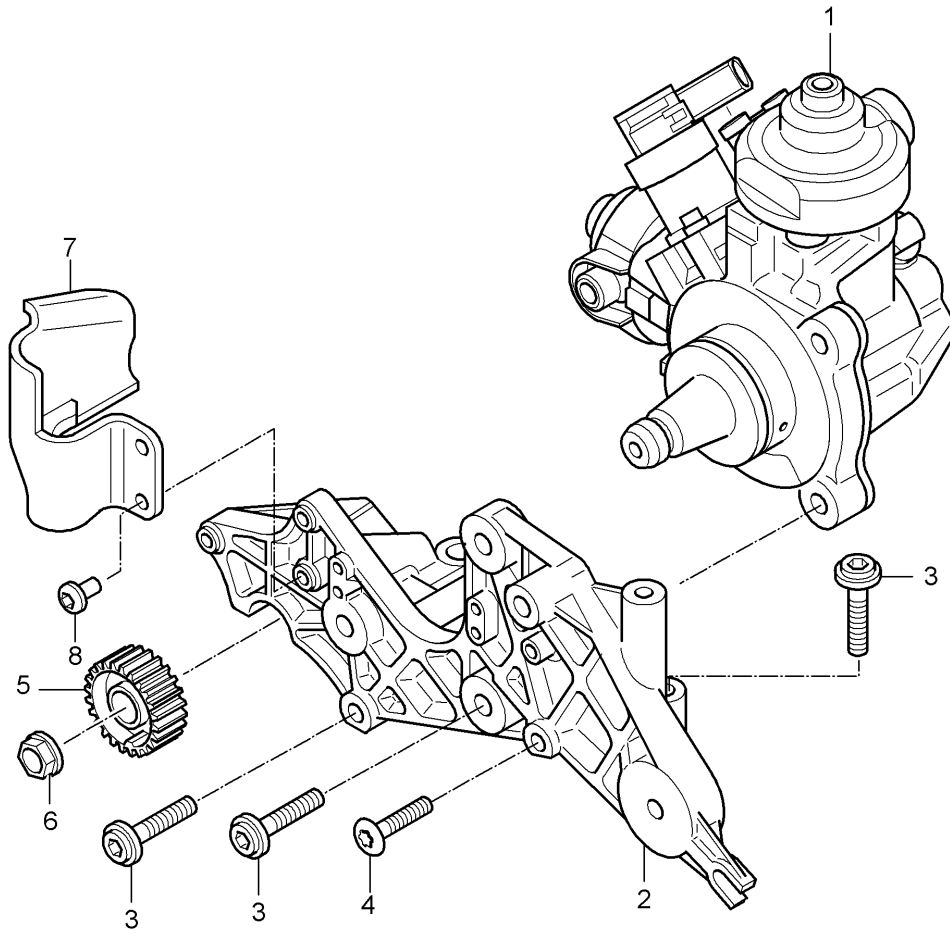
Model: 9PA108

Model life 2007>>2010

Pos	Part Number	Description	Remark	Qty	Model
24	955 606 221 00	059.130.755.BD Temperature sensor		1	
25	WHT 002 287 C	O-ring 5,6 X 2		1	
26	N 021 071 7	Banjo bolt 8		1	
27	N 013 813 3	Sealing ring A 12 X 17		2	
28	N 907 702 01	Hose clamp B 17 X 12		1	
29	N 909 264 01	Hose clamp B 19 X 12		1	
30	955 201 479 00	Hose clamp 16 X 12		2	
31	955 110 531 00	Support Fuel line		1	
(31)	955 110 531 01	Support Fuel line		1	
32	N 103 352 06	Round head screw M 6 X 12		2	
33	955 110 218 00	Fuel hose Complete		1	
(33)	955 110 218 01	Fuel hose Complete		1	
34	955 111 694 10	Clip 6 - 7 / 8 - 9		4	

Model: 9PA108

Model life 2007>>2010



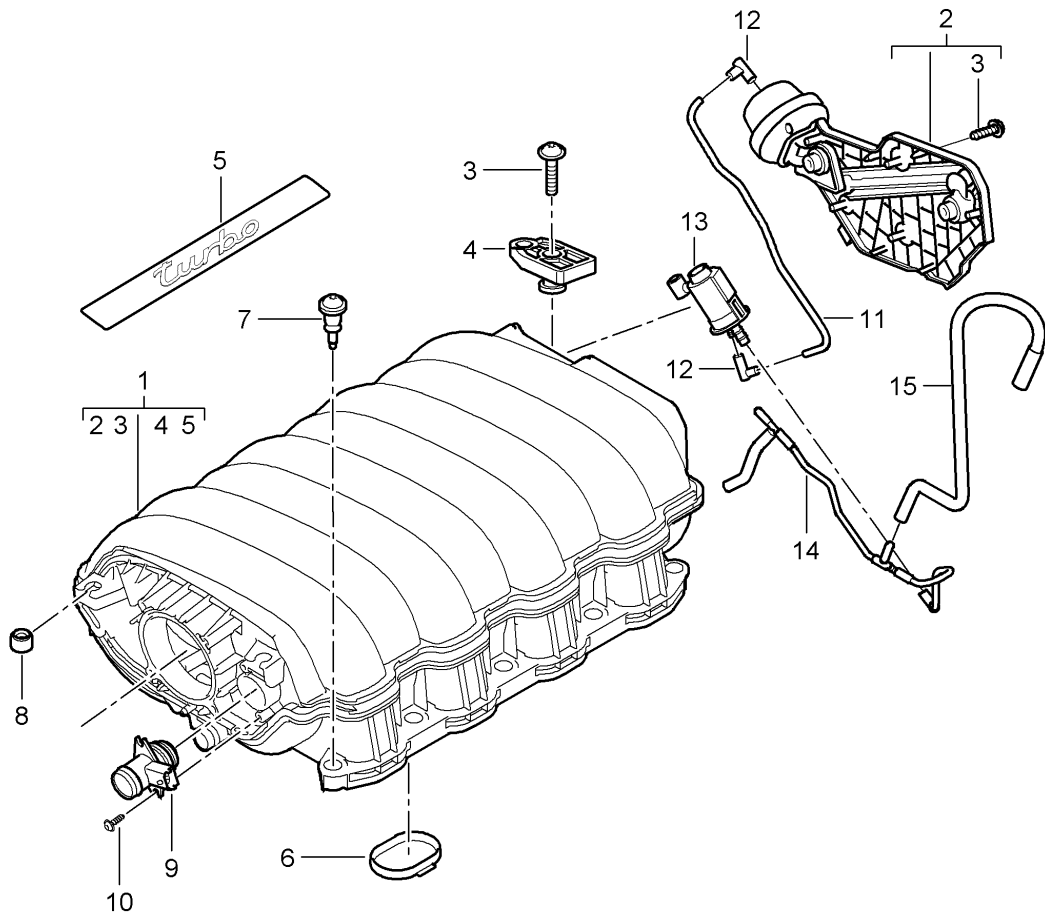
Model: 9PA108

Model life 2007>>2010

Pos	Part Number	Description	Remark	Qty	Model
1	955 110 316 20	high-pressure pump high-pressure pump Only together with Fuel line Set 955.110.030.00 059.130.300.DF		1	M05.9D
(1)	958 110 316 21	high-pressure pump Only together with Fuel line Set 955.110.030.01 059.130.300.EH		1	
(1)	958 110 316 22	high-pressure pump Only together with Fuel line Set 955.110.030.01 059.130.300.EH		1	
2	955 110 150 00	Bracket		1	
3	N 910 266 02	Pan-head screw M 8 X 35		6	
4	N 910 680 01	Oval-head screw M 6 X 28		1	
5	955 110 111 00	Toothed belt pulley		1	
6	WHT 002 244	Hexagon nut M 18 X 1,5		1	
7	955 110 380 00	Protective plate		1	
8	N 104 514 05	Round head screw M 6 X 16		3	

Model: 9PA108

Model life 2007>>2010



Model: 9PA108 Model life 2007>>2010

Pos	Part Number	Description	Remark	Qty	Model
1	948 110 016 02	Intake distributor		1	M48.01/51
(1)	948 110 016 03	Intake distributor		1	M48.01 IE0A
(1)	948 110 016 04	Intake distributor		1	M48.01 IE0A
(1)	948 110 016 05	Intake distributor		1	M48.01 IE0A
(1)	948 110 016 20	Intake distributor		1	M48.01 IE0W
(1)	948 110 016 21	Intake distributor		1	M48.01 IE0W
(1)	948 110 016 22	Intake distributor		1	M48.01 IE0W/E1T/E2D
(1)	948 110 016 23	Intake distributor		1	M48.01 IE0W/E1T/E2D
(1)	948 110 016 52	Intake distributor		1	M48.51 IE0A
(1)	948 110 016 53	Intake distributor		1	M48.51 IE0A
(1)	948 110 016 54	Intake distributor		1	M48.51 IE0A
(1)	948 110 016 60	Intake distributor		1	M48.51 IE8A/E81
(1)	948 110 016 61	Intake distributor		1	M48.51 IE8A/E81
(1)	948 110 016 62	Intake distributor		1	M48.51 IE8A/E81
2	948 110 116 02	Repair kit		1	M48.01
(2)	948 110 116 20	Actuator		1	M48.01
3	999 919 006 01	Repair kit		1	M48.01
(3)	999 919 006 01	Actuator		1	M48.01
(3)	999 919 006 01	Oval-head screw		5	M48.01
(3)	999 919 006 01	5 X 16		5	M48.01
(3)	999 919 006 01	M >> 9 05540		5	M48.01
(3)	999 919 006 01	M >> G 9 04964		5	M48.01
(3)	999 919 006 01	Oval-head screw		6	M48.01
(3)	999 919 006 01	5 X 16		6	M48.01
(3)	999 919 006 01	M 9 05541 >>		6	M48.01
(3)	999 919 006 01	M G 9 04965 >>		6	M48.01
(3)	999 919 006 01	Oval-head screw		1	M48.51
(3)	999 919 006 01	5 X 16		1	M48.51
(3)	999 919 006 01	M 9 01689 >>		1	M48.51
(3)	999 919 006 01	M T 9 02243 >>		1	M48.51
(3)	999 919 006 01	M S 9 00562 >>		1	M48.51
4	948 110 256 00	Lid		1	M48.01
(4)	948 110 256 00	with		1	M48.01
(4)	948 110 256 00	O-ring		1	M48.01
(4)	948 110 256 00	M 9 06822 >>		1	M48.01
(4)	948 110 256 00	M G 9 06076 >>		1	M48.01
(4)	948 110 256 00	M 9 01689 >>		1	M48.01
(4)	948 110 256 00	M T 9 02243 >>		1	M48.01
(4)	948 110 256 00	M S 9 00562 >>		1	M48.01
5	948 110 216 70	Cover		1	M48.51
(5)	948 110 216 70	Plastic material		1	M48.51
(5)	948 110 216 70	Cover		1	M48.51
(5)	948 110 216 00	Cover		1	M48.51

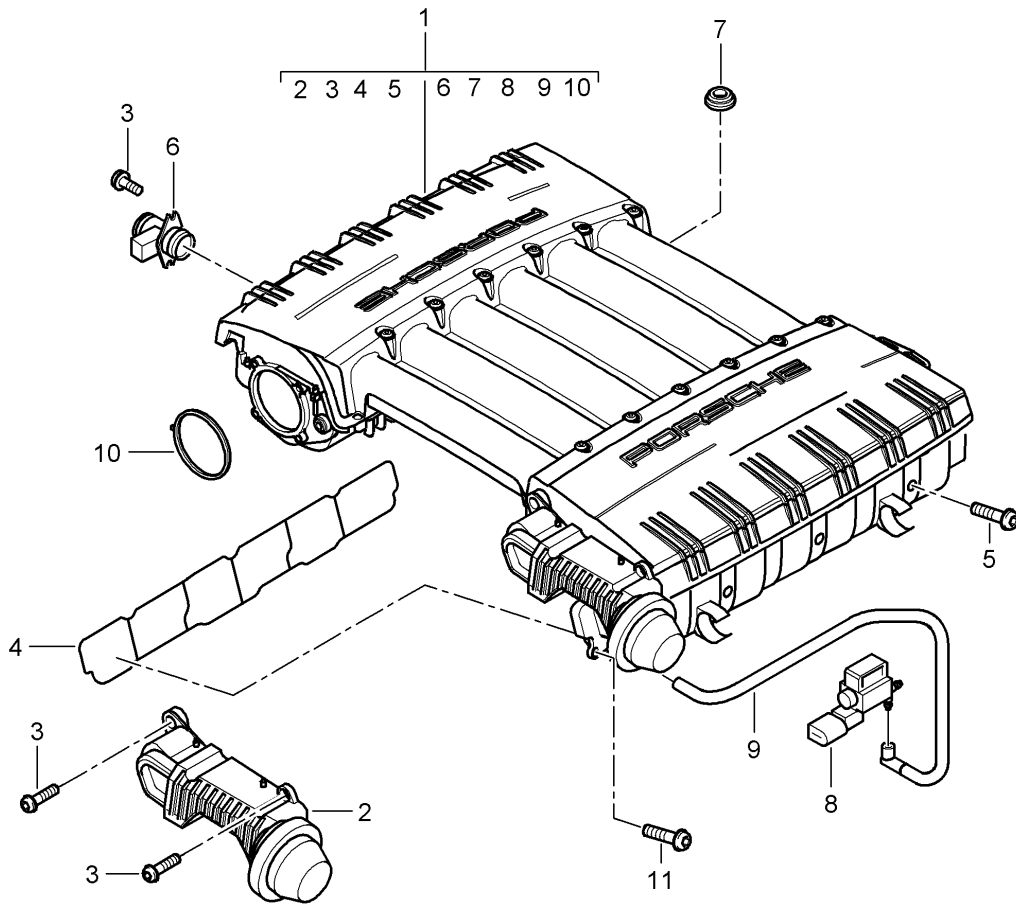
Model: 9PA108

Model life 2007>>2010

Pos	Part Number	Description	Remark	Qty	Model
		Carbon			IE8A/E81
6	948 110 146 01	Gasket		8	
7	948 110 142 01	Fastening part		10	
(7)	948 110 142 02	Fastening part		10	
8	955 110 236 00	Ball socket		2	
9	948 605 139 00	T-socket		1	
		Heated			
10	999 919 006 01	Oval-head screw		2	
		5 X 16			
11	948 110 136 00	Pipe		1	M48.01
12	948 110 126 00	Connecting piece		2	M48.01
13	996 605 123 01	Change-over valve		1	M48.01
		Electric			
14	948 110 358 00	Vacuum line		1	M48.01

Model: 9PA108

Model life 2007>>2010

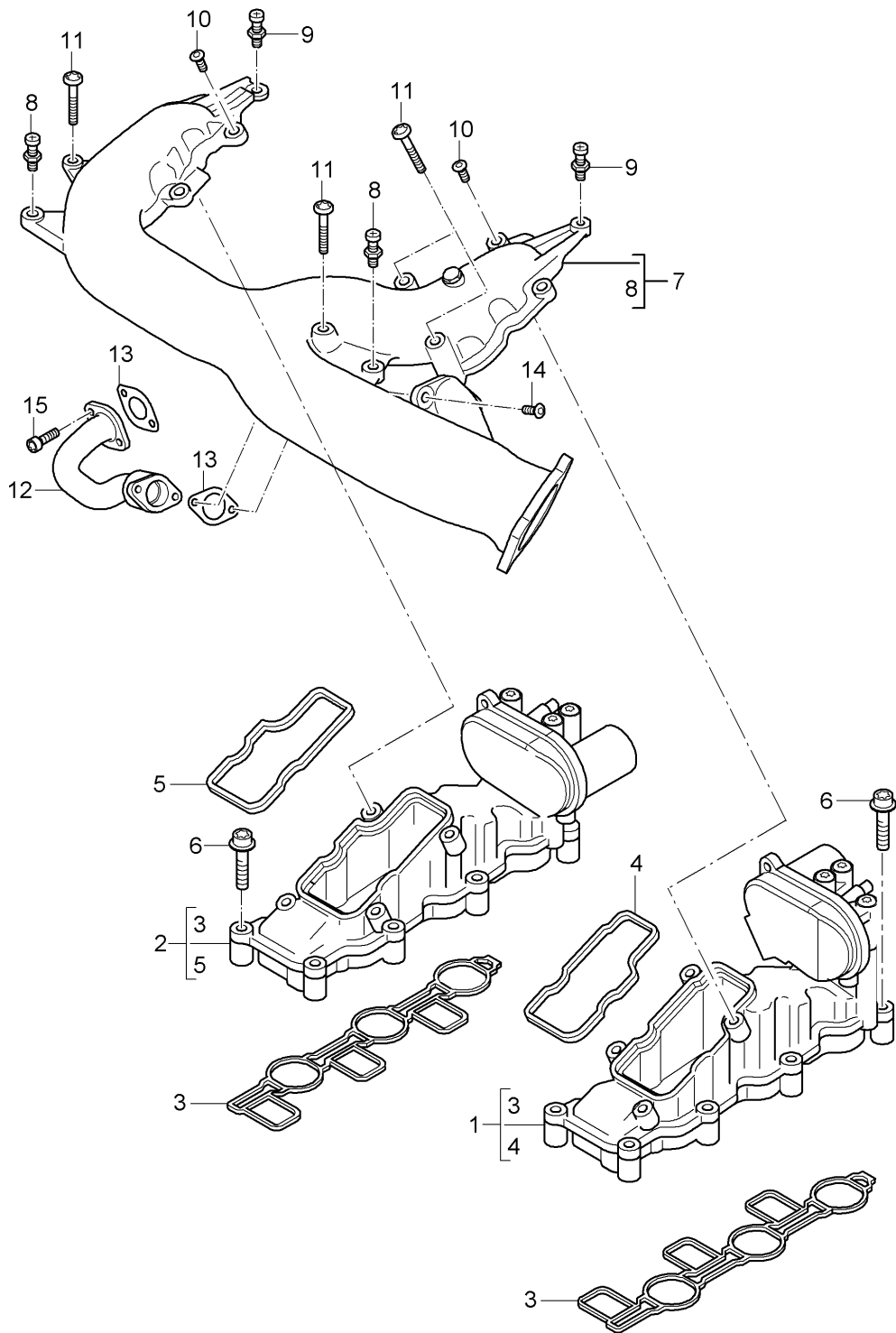


Model: 9PA108 Model life 2007>>2010

Pos	Part Number	Description	Remark	Qty	Model
1	955 110 006 00	Intake manifold Intake manifold Black/Silver		1	M55.01
(1)	955 110 006 01	Intake manifold Black/black		1	
2	955 110 116 00	Actuator		1	
3	999 919 006 01	Oval-head screw 5 X 16		5	
4	955 110 147 00	Gasket		1	
5	N 910 972 01	Round head screw M 6 X 35 See technical manual Group 2 24-46		3	
6	948 605 139 00	T-socket Heated		1	
7	955 355 448 00	Sealing plug		1	
8	955 605 123 30	Change-over valve		1	
9	955 110 136 00	Vacuum line		1	
10		Gasket Throttle body See illustrations 1/07/02		1	
11	N 910 972 01	Round head screw M 6 X 35		1	

Model: 9PA108

Model life 2007>>2010



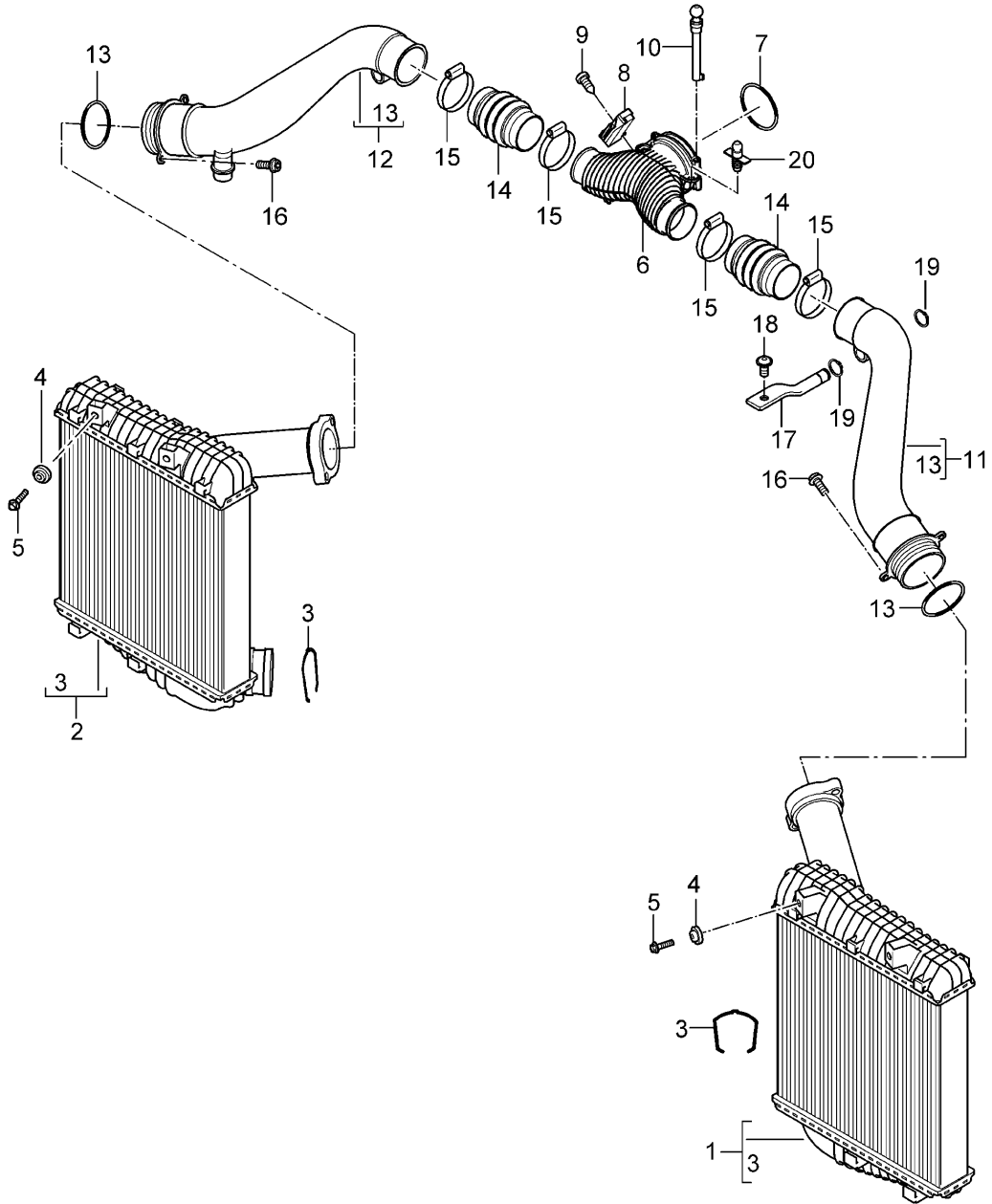
Model: 9PA108

Model life 2007>>2010

Pos	Part Number	Description	Remark	Qty	Model
		Intake manifold Pressure pipe			M05.9D
1	955 110 011 01	Intake manifold	/L	1	
(1)	955 110 011 02	Intake manifold	/L	1	
(1)	955 110 011 03	Intake manifold	/L	1	
(1)	955 110 011 04	Intake manifold	/L	1	
(1)	955 110 011 05	Intake manifold	/L	1	
2	955 110 012 01	Intake manifold	/R	1	
(2)	955 110 012 02	Intake manifold	/R	1	
(2)	955 110 012 05	Intake manifold	/R	1	
(2)	955 110 012 06	Intake manifold	/R	1	
3	955 110 247 00	Gasket		2	
4	955 110 147 10	Gasket	/L	1	
5	955 110 148 10	Gasket	/R	1	
6	N 103 008 05	Pan-head screw AM 6 X 45		16	
7	955 110 062 00	Pressure pipe		1	
8	WHT 000 351	Ball pin		2	
9	WHT 000 508	Ball pin		2	
10	N 910 540 01	Combination screw M 6 X 22		5	
11	N 106 268 01	Oval-head screw AM 6 X 70		4	
12	955 111 053 00	Connecting tube		1	
13	955 111 149 00	Gasket		2	
14	N 101 243 06	Oval-head screw M 6 X 20		2	
15	N 106 131 01	Pan-head screw M 6 X 20		2	

Model: 9PA108

Model life 2007>>2010

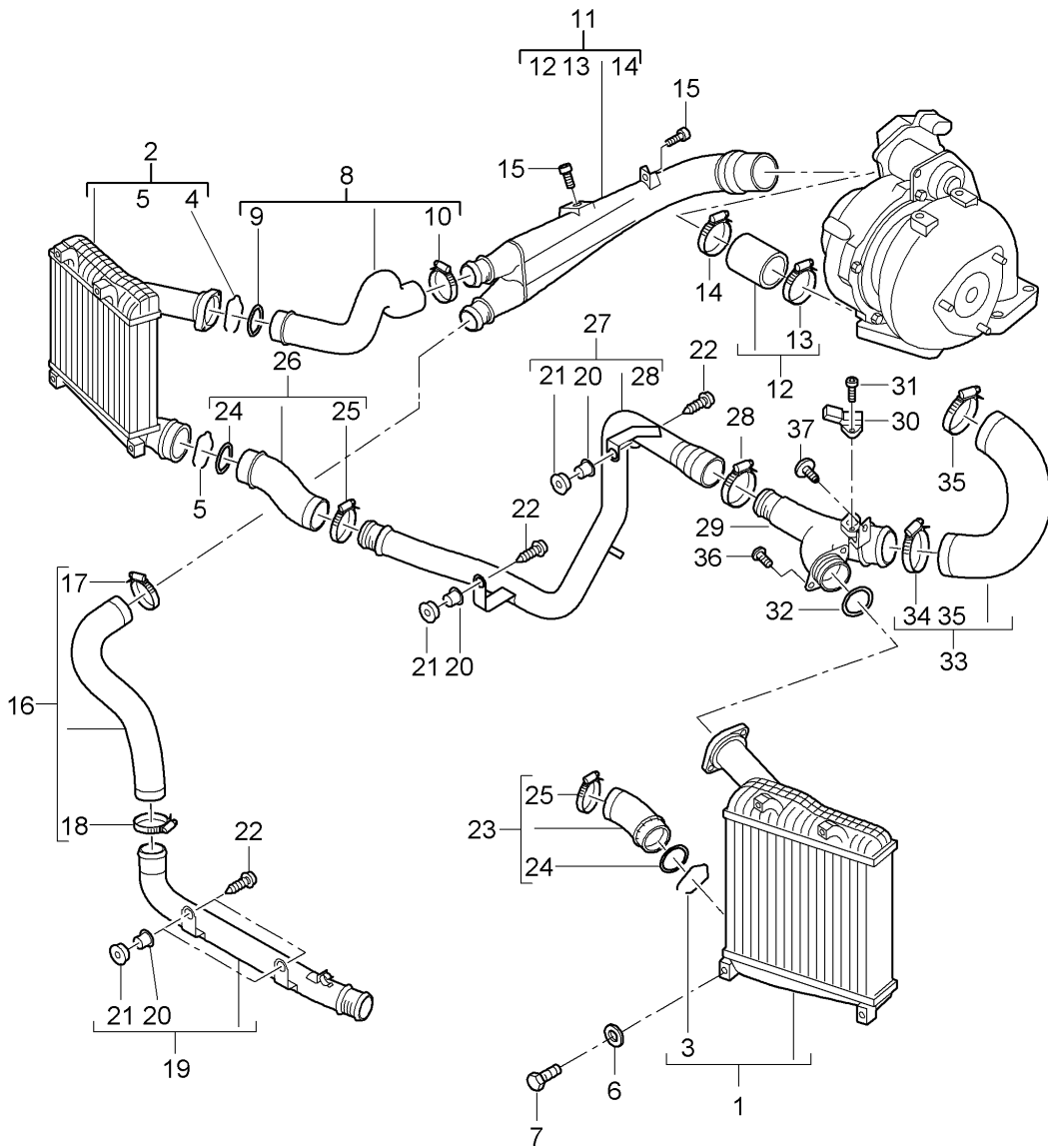


Model: 9PA108 Model life 2007>>2010

Pos	Part Number	Description	Remark	Qty	Model
		Charge air cooler Pressure pipe			ID5Z
1	955 110 639 00	Charge air cooler	/L	1	
(1)	955 110 639 01	Charge air cooler	/L	1	
2	955 110 640 00	Charge air cooler	/R	1	
(2)	955 110 640 01	Charge air cooler	/R	1	
3	955 110 513 00	Retainer spring		1	
4	955 110 268 01	Spacer sleeve		6	
5	N 910 538 01	Hexagon-head bolt M 6 X 20		6	
6	955 110 646 50	Pressure pipe		1	IE0A
(6)	955 110 646 60	Pressure pipe Use also: 955.110.725.00		1	IE8A/E81
(6)	955 110 646 61	Pressure pipe Use also: 955.110.725.00		2	
		Pressure pipe		1	IE8A/E81
7	N 910 171 01	Round seal 87 X 4		1	IE0A
(7)	WHT 003 803	O-ring 90 X 5		1	IE8A/E81
8	996 606 180 00	Sensor		1	
9	N 106 839 01	Boost pressure Oval-head screw 6 X 12		1	
10	955 110 671 00	Bolt Locking device		2	IE0A
(10)	955 110 671 01	Bolt Locking device		2	IE0A
11	955 110 623 01	Pressure pipe	/L	1	
12	955 110 624 10	Pressure pipe	/R	1	
13	WHT 001 018	O-ring 57 X 4		2	
14	955 110 107 00	Bellows		2	
(14)	955 110 107 02	Bellows		2	
15	N 105 188 01	Hose clamp 40 - 60 X 12	-08	4	
(15)	N 106 198 01	Hose clamp 45 - 65 X 12	09-	4	
16	N 103 231 03	Pan-head screw M 6 X 20		4	
17	955 110 383 00	Support for Pressure pipe		2	
18	N 906 462 01	Oval-head screw M 6 X 12		2	
19	900 041 004 01	Circlip 10 X 1		4	
20	955 110 725 00	Bolt		2	IE8A/E81

Model: 9PA108

Model life 2007>>2010



Model: 9PA108 Model life 2007>>2010

Pos	Part Number	Description	Remark	Qty	Model
		Charge air cooler Pressure pipe			ID50
1	955 110 639 10	Charge air cooler	/L	1	
2	955 110 640 10	Charge air cooler	/R	1	
(2)	958 110 640 10	Charge air cooler	/R	1	
3	955 110 513 10	Retainer spring		1	
4	955 110 513 20	Retainer spring		1	
5	955 106 802 00	Retainer spring		1	
		Only together with Charge air cooler 955.110.640.10 7L6.145.804.A			
(5)	955 110 513 10	Retainer spring		1	
		Only together with Charge air cooler 958.110.640.10 7P0.145.804.A			
6	955 110 268 01	Spacer sleeve		6	
7	N 910 538 01	Hexagon-head bolt M 6 X 20		6	
8	955 110 738 00	Pressure hose		1	
9	955 110 517 00	Sealing ring		1	
10	N 105 188 01	Hose clamp 40 - 60 X 12		1	
11	955 110 741 00	Pressure pipe		1	
(11)	958 110 741 10	Pressure pipe		1	
12	955 110 832 00	Pressure hose		1	
(12)	958 110 832 10	Pressure hose		1	
13	N 107 350 01	Hose clamp B 50 - 70 X 12 for Pressure hose 955.110.832.00		1	
(13)	N 107 357 01	Hose clamp C 50 - 70 X 12 for Pressure hose 958.110.832.10		1	
14	N 106 198 01	Hose clamp A 45 - 65 X 12		1	
15	N 103 352 02	Oval-head screw M 6 X 12		2	
16	955 110 737 00	Pressure hose		1	
(16)	955 110 737 01	Pressure hose		1	
17	N 105 188 01	Hose clamp 40 - 60 X 12 F >>9PALA 25281		1	
(17)	N 107 355 01	Hose clamp 40 - 60 X 12 F 9PALA 25282>>		1	
18	N 106 198 01	Hose clamp A 45 - 65 X 12 F >>9PALA 25281		1	
(18)	N 107 356 01	Hose clamp 45 - 65 X 12 F 9PALA 25282>>		1	
19	955 110 790 00	Pressure pipe		1	
20	6N0 129 734	Spacer		2	
(20)	955 106 662 00	Sleeve		2	
21	867 129 669	Grommet		2	
22	N 907 315 03	Oval-head screw 6 X 25		4	
23	955 110 843 00	Pressure hose		1	

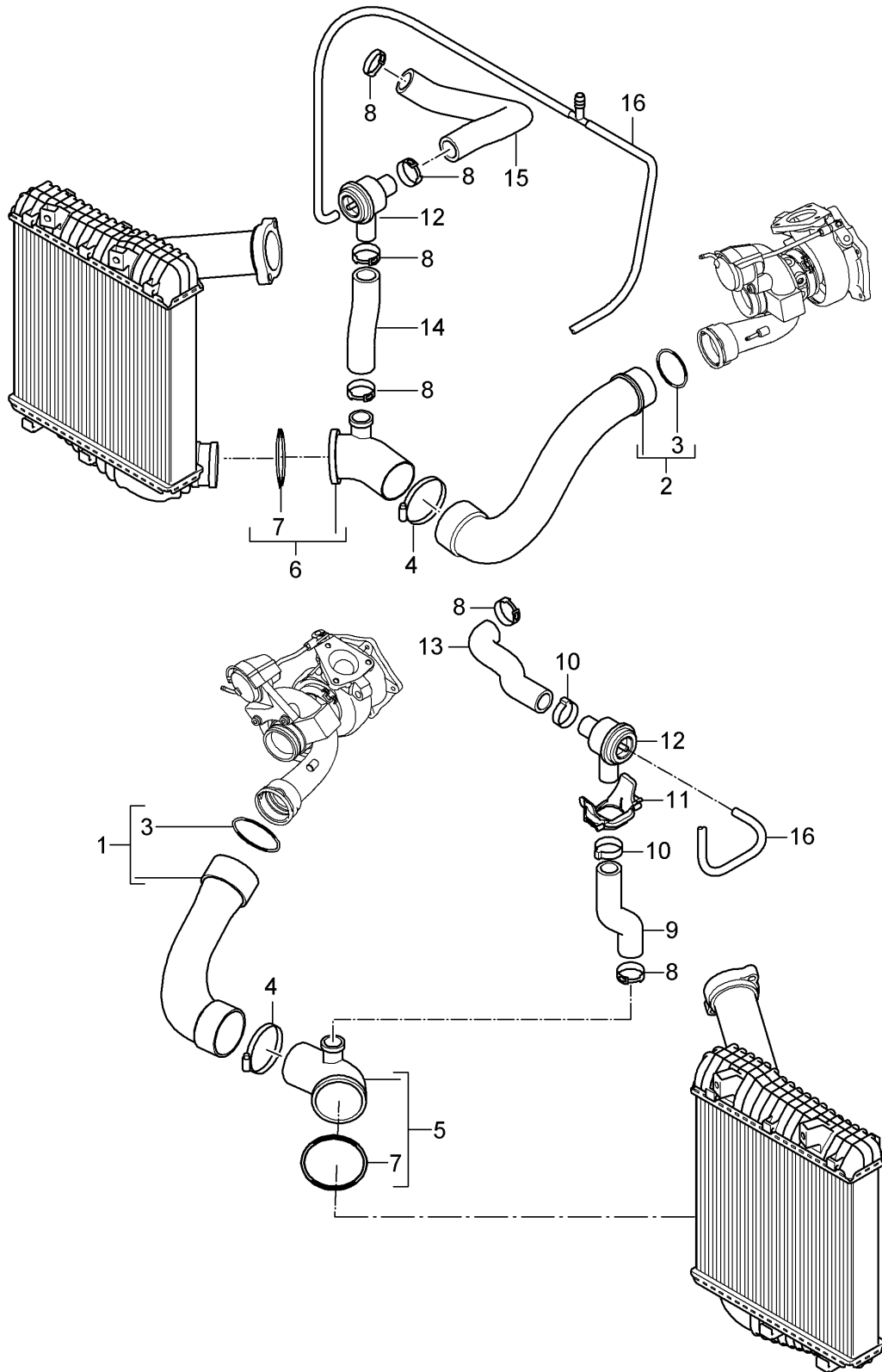
Model: 9PA108

Model life 2007>>2010

Pos	Part Number	Description	Remark	Qty	Model
24	955 110 517 10	Sealing ring		2	
25	N 106 198 01	Hose clamp A 45 - 65 X 12		2	
26	955 110 708 00	Pressure hose		1	
27	955 110 795 00	Pressure pipe		1	
28	N 105 444 01	Hose clamp 60 - 80 X 12		1	
29	955 110 796 00	Pressure pipe		1	
30	955 606 180 10	Pressure sensor		1	
31	N 902 886 06	Oval-head screw 5 X 17		2	
32	WHT 003 156	O-ring 57 X 3,5		1	
33	955 110 772 00	Pressure hose		1	
(33)	955 110 772 01	Pressure hose		1	
34	N 105 444 01	Hose clamp 60 - 80 X 12		1	
35	N 107 352 01	Hose clamp 60 - 80 X 12		1	
36	N 101 244 08	Torx screw M 6 X 20		2	
37	N 909 004 01	Oval-head screw M 6 X 20		1	

Model: 9PA108

Model life 2007>>2010



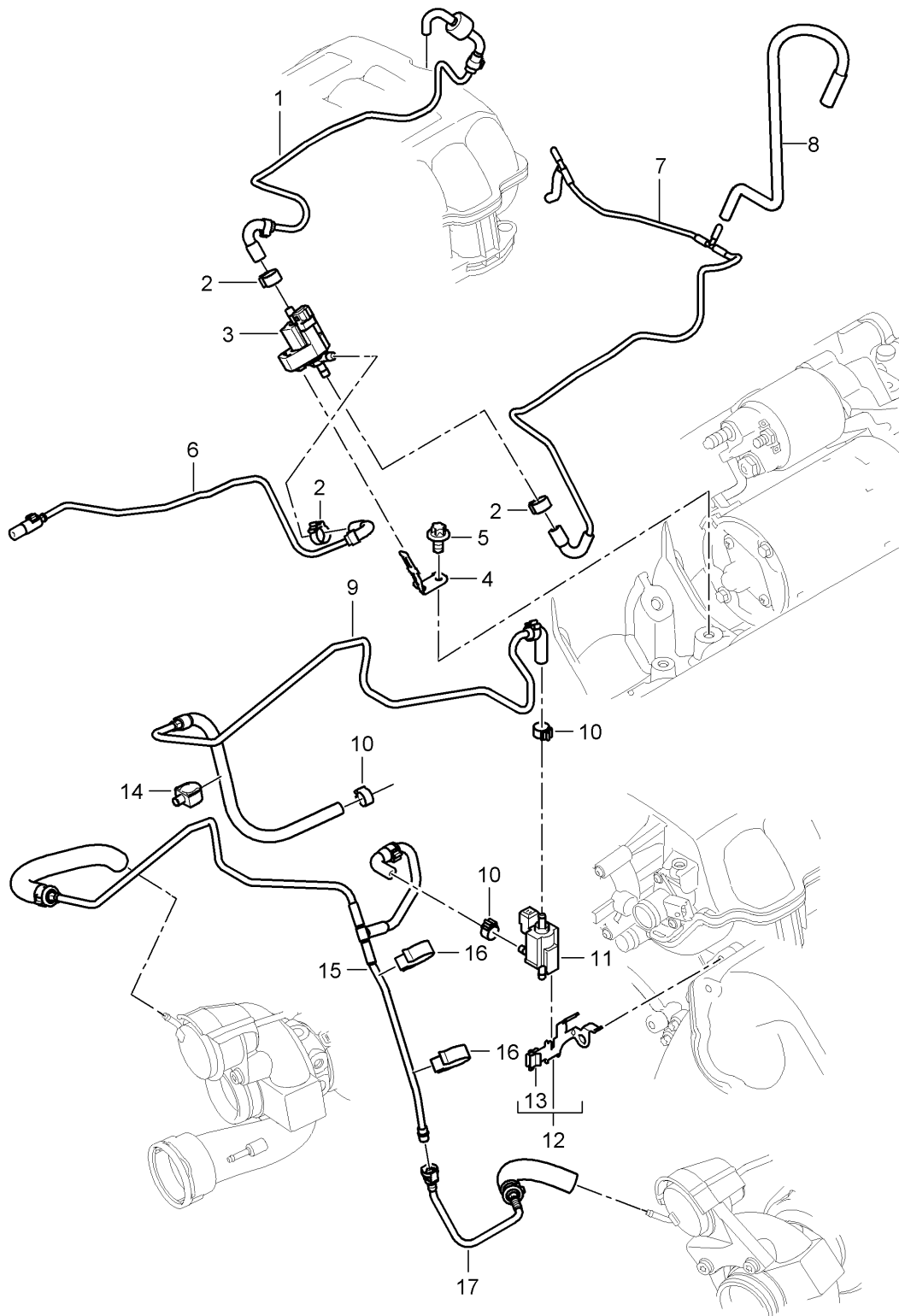
Model: 9PA108

Model life 2007>>2010

Pos	Part Number	Description	Remark	Qty	Model
		Supercharging 1			ID5Z
		Pressure pipe			
1	955 110 837 10	Pressure hose	/L	1	
2	955 110 838 10	Pressure hose	/R	1	
3	955 110 720 00	Round seal 43,95 X 3,5		2	
4	N 909 509 01	Hose clamp A 50-70 X 9,0		2	
5	955 110 367 10	Pressure pipe	/L	1	
6	955 110 368 10	Pressure pipe	/R	1	
7	955 110 722 00	Sealing ring 53,95 X 3,55		2	
8	955 110 917 00	Hose clamp B 34 X 12		6	
9	955 110 743 30	Hose		1	
10	N 102 077 01	Hose clamp A 34,6 X 7 X 0,6		2	
11	955 110 263 00	Support		1	
12	955 110 710 01	Shut-off valve		2	
13	955 110 743 20	Hose		1	
14	955 110 742 00	Hose		1	
15	955 110 742 10	Hose		1	
16	955 110 693 10	Air hose		1	

Model: 9PA108

Model life 2007>>2010



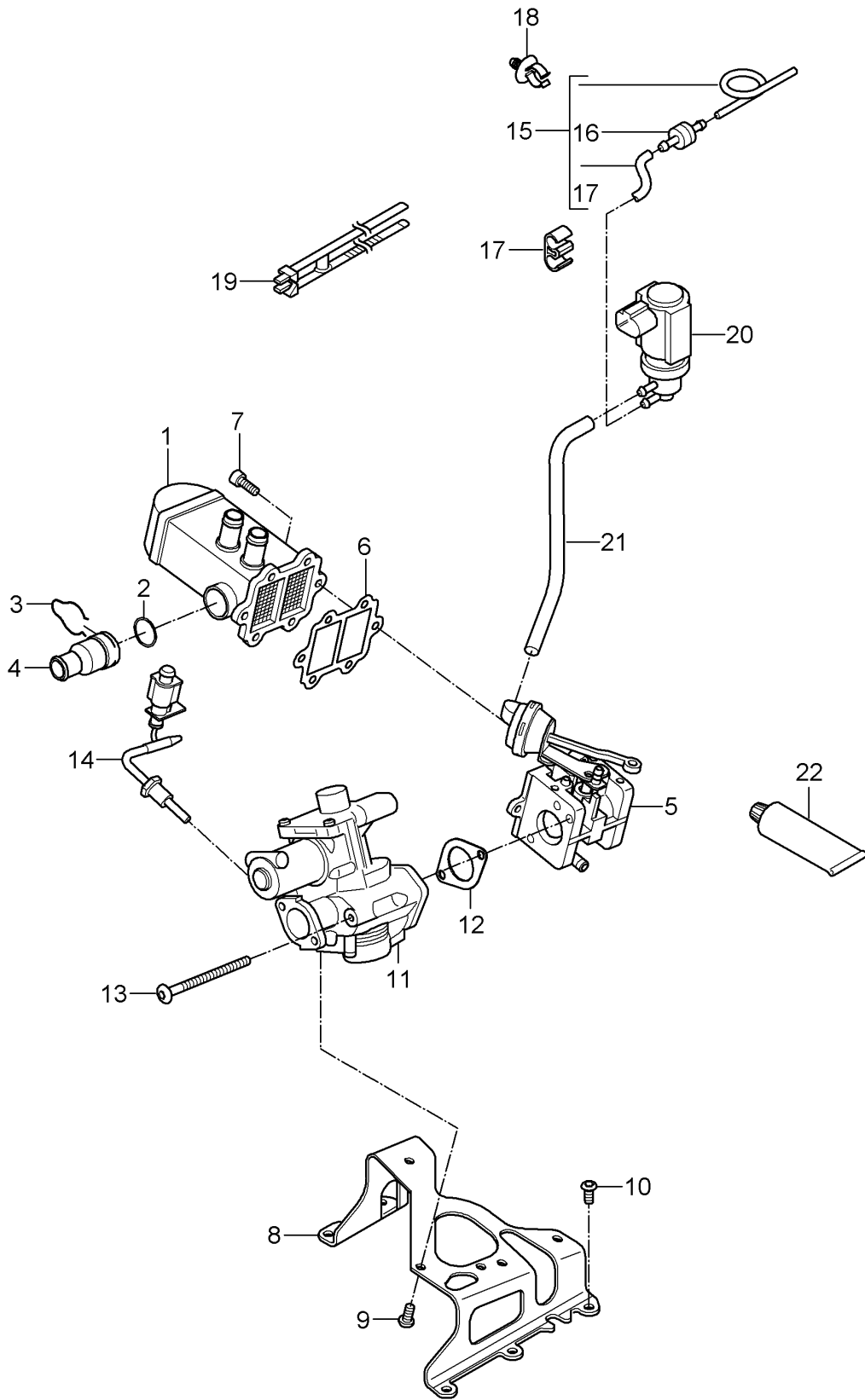
Model: 9PA108

Model life 2007>>2010

Pos	Part Number	Description	Remark	Qty	Model
		Supercharging 2			M48.51
		Control line			
		Pressure line			
1	948 110 324 53	Pressure line		1	
2	999 512 689 00	Hose clamp		3	
		12,5 - 14,0			
3	948 605 125 01	Change-over valve		1	
(3)	996 605 165 00	Change-over valve		1	
		without			
		Rubber holder			
-	948 605 167 01	Rubber holder		1	
		for			
		Change-over valve			
4	948 110 360 51	Support		1	
5	900 385 041 01	Torx screw		1	
		BM 6 X 12			
(5)	999 073 189 01	Round head screw		1	
		M 6 X 12			
6	948 110 394 52	Control line		1	
7	948 110 358 52	Vacuum line		1	
9	948 110 240 54	Pressure line		1	
10	999 512 688 00	Hose clamp		3	
		10,5 - 11,5			
11	996 605 155 00	Cycle valve		1	
12	948 110 370 51	Support		1	
13	955 971 847 00	Cable clamp		1	
14	999 507 813 40	Cable holder		1	
		11,5 - 12,7			
15	948 110 666 54	Control line		1	
16	999 507 800 40	Hose holder		2	
		6,5 / 24,5			
17	948 110 668 53	Control line		1	
(17)	948 110 668 54	Control line		1	
(17)	948 110 668 55	Control line		1	

Model: 9PA108

Model life 2007>>2010



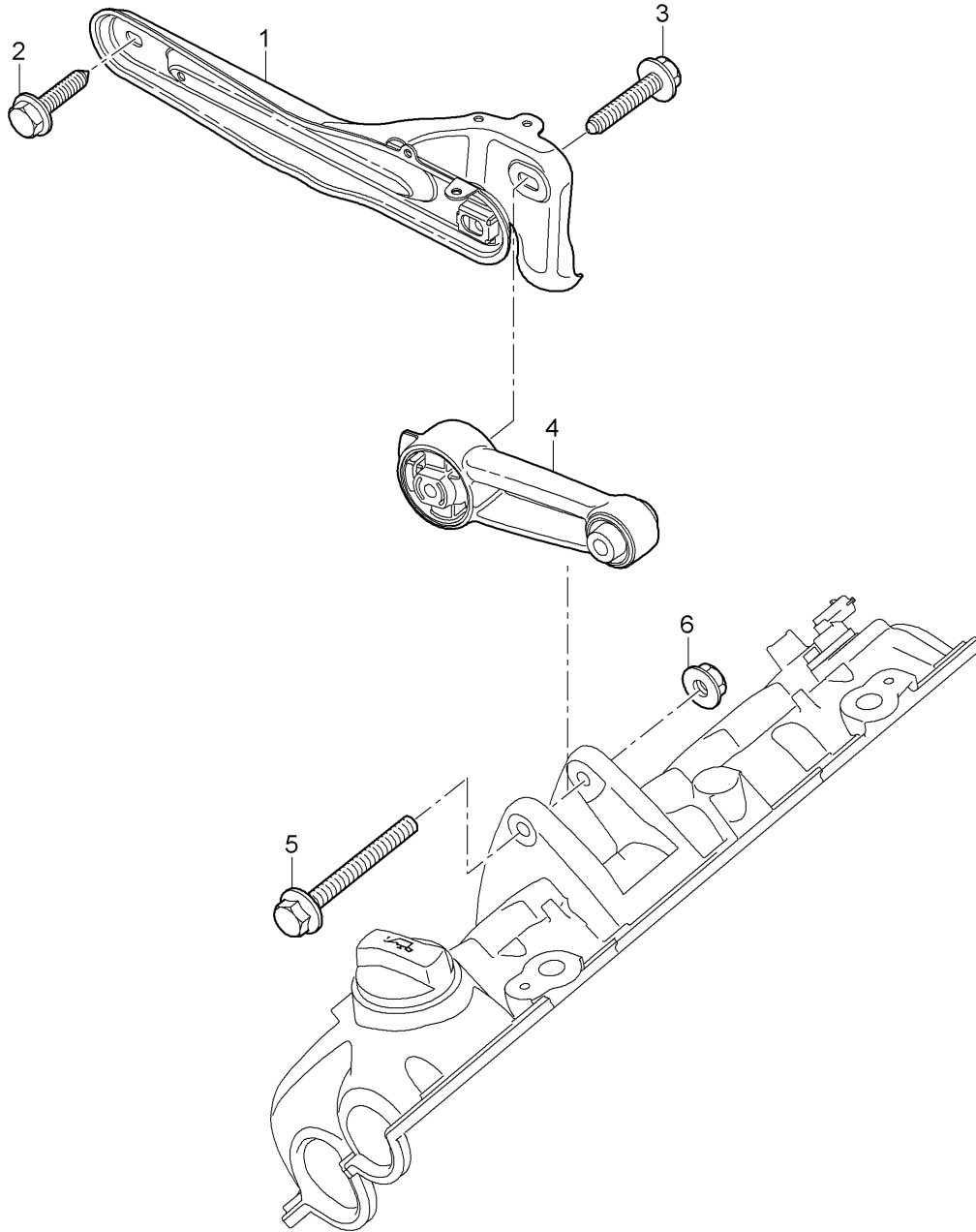
Model: 9PA108

Model life 2007>>2010

Pos	Part Number	Description	Remark	Qty	Model
		Exhaust gas recirculation Vacuum system			M05.9D
1	955 111 011 00	Heat dissipator		1	
(1)	955 111 112 00	Exhaust gas recirculation Heat dissipator		1	
2	WHT 003 368	Exhaust gas recirculation O-ring 26 X 2		1	
3	955 111 342 00	Retainer spring		1	
4	955 106 313 00	Thermostat		1	
(4)	955 106 313 01	Thermostat		1	
5	955 111 063 00	Governor		1	
6	955 111 147 00	Exhaust gas recirculation Gasket		1	
7	N 106 131 01	Pan-head screw M 6 X 20		6	
8	955 111 135 00	Support		1	
9	N 010 215 33	Hexagon-head bolt M 6 X 15		3	
10	N 100 292 06	Oval-head screw M 6 X 15		5	
11	955 111 051 00	Egr valve		1	
(11)	955 111 051 01	Egr valve		1	
12	955 107 120 00	Gasket		1	
13	N 104 251 03	Oval-head screw BM 8 X 100 X 41		2	
14	955 606 688 00	Temperature sensor Exhaust gas		1	
15	955 111 551 00	Vacuum line		1	
16	955 606 291 00	Check valve		1	
17	955 111 694 00	Clip		X	
18	955 111 531 00	Support		1	
19	955 111 820 00	Tie-wrap		X	
20	955 605 283 10	Change-over valve		1	
21	955 111 552 00	Vacuum line		1	
22	000 043 207 47	Grease 1 tube 170 Gr.		X	

Model: 9PA108

Model life 2007>>2010



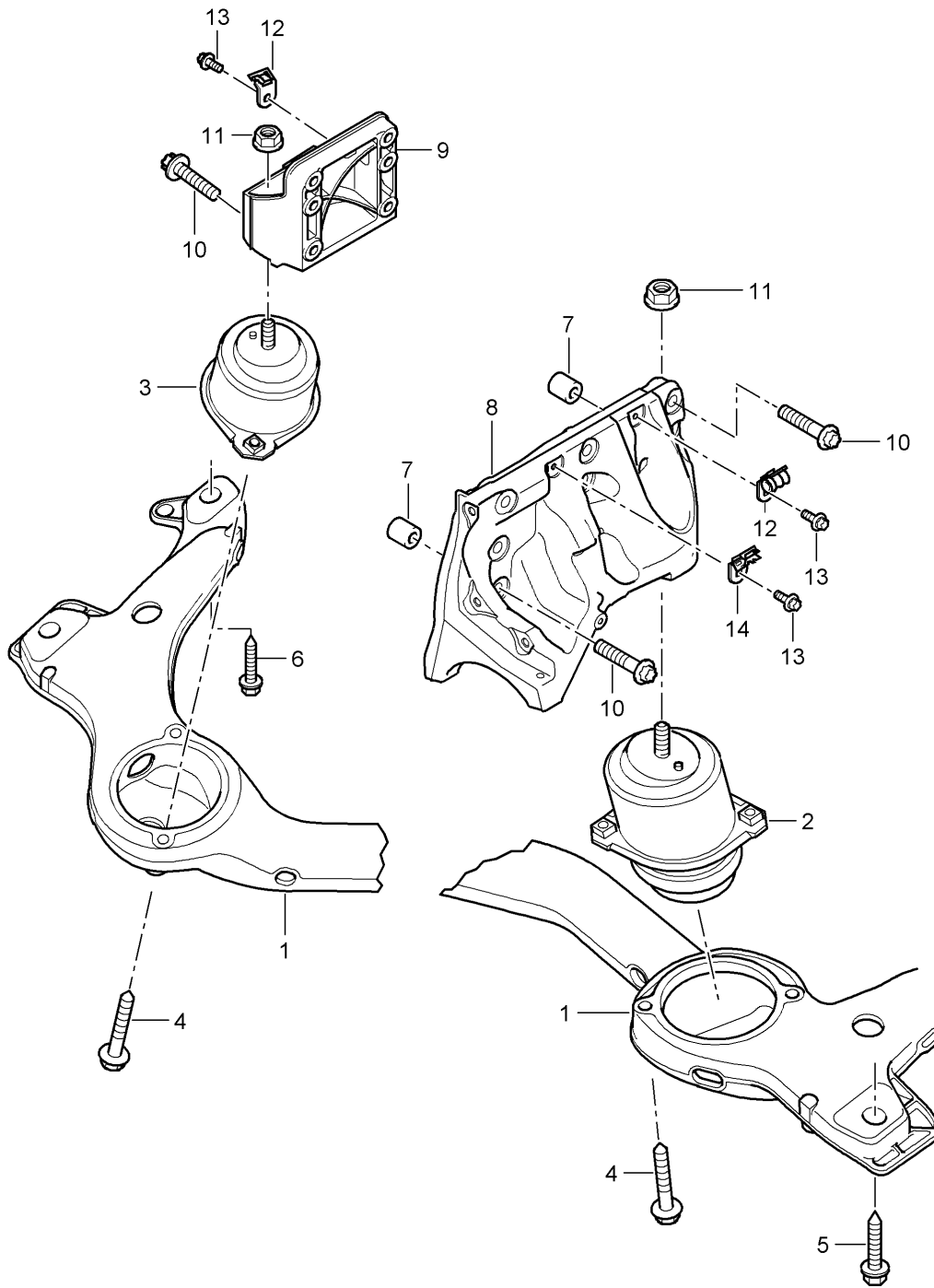
Model: 9PA108

Model life 2007>>2010

Pos	Part Number	Description	Remark	Qty	Model
		Engine suspension Upper			ID5V/D5Z
1	955 375 112 10	Bracket		1	
2	N 908 932 02	Hexagon-head bolt M 10 X 20		1	
3	N 102 902 06	Hexagon-head bolt AM 10 X 70		1	
4	955 375 101 12	Bracket		1	
(4)	955 375 101 13	Bracket		1	
5	N 102 961 05	Hexagon-head bolt AM 10 X 90		1	
6	N 102 861 10	Hexagon nut M 10		1	

Model: 9PA108

Model life 2007>>2010

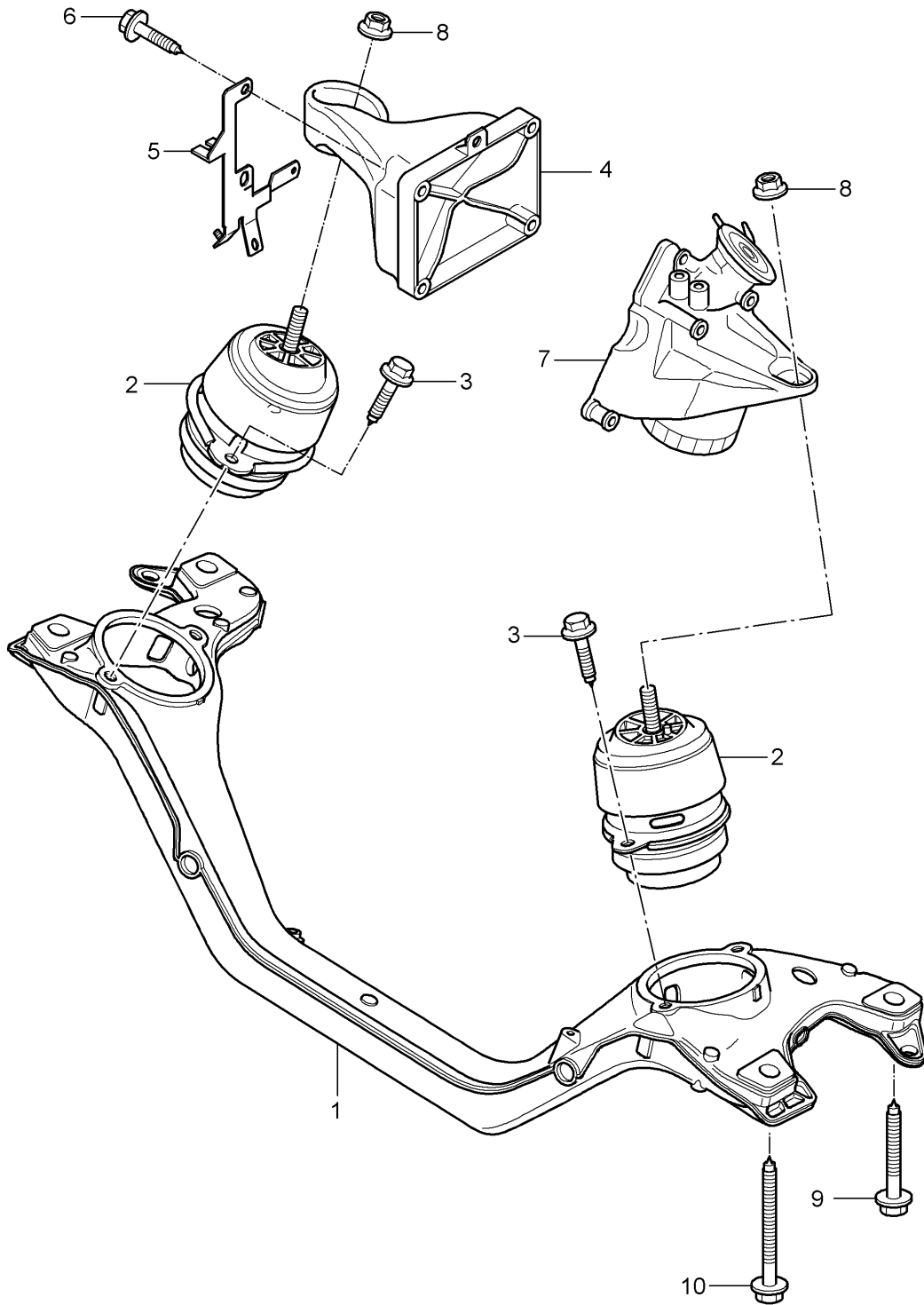


Model: 9PA108 Model life 2007>>2010

Pos	Part Number	Description	Remark	Qty	Model
		Engine suspension Lower			M48.01/51
1	948 375 309 03	Engine carrier		1	
(1)	948 375 309 04	Engine carrier		1	
(1)	958 375 309 30	Engine carrier		1	
2	948 375 049 01	Engine mounting	/L	1	
3	948 375 050 01	Engine mounting	/R	1	
4	900 378 004 01	Hexagon-head bolt BM 10 x 65		4	
5		See illustrations 4/01/00 Pos.3		2	
6	N 910 144 02	Combination screw AM 14 X 1,5 X 100		2	
7	999 095 066 00	Dowel sleeve 14 X 15		2	
8	948 102 215 01	Bracket		1	
(8)	948 102 015 00	Bracket with Dowel sleeve		1	
9	948 115 201 03	Bracket		1	
10	900 385 011 01	Torx screw BM 10 X 45 M >> 9 05540 M >> G 9 04964 M >> 9 01688 M >> T 9 01787 M >> S 9 00561		15	M48.01 M48.01 IEOW M48.51 M48.51 IE8A M48.51 IE81
(10)	999 073 460 01	Round head screw M 10 X 45 M 9 05541 >> M G 9 04965 >> M 9 01689 >> M T 9 01788 >> M S 9 00562 >>		15	M48.01 M48.01 IEOW M48.51 M48.51 IE8A M48.51 IE81
11	999 084 445 01	Lock nut M 12 X 1,5		2	
12	948 606 113 02	Support Line Oxygen sensor		2	M48.01
-	999 651 392 07	Cable holder 9,5 - 10,5		2	M48.01
13	900 385 041 01	Torx screw BM 6 X 12		3	M48.01
14	948 606 161 00	Support Line Oxygen sensor		1	M48.01
-	999 507 808 09	Cable holder 6,0		1	M48.01

Model: 9PA108

Model life 2007>>2010



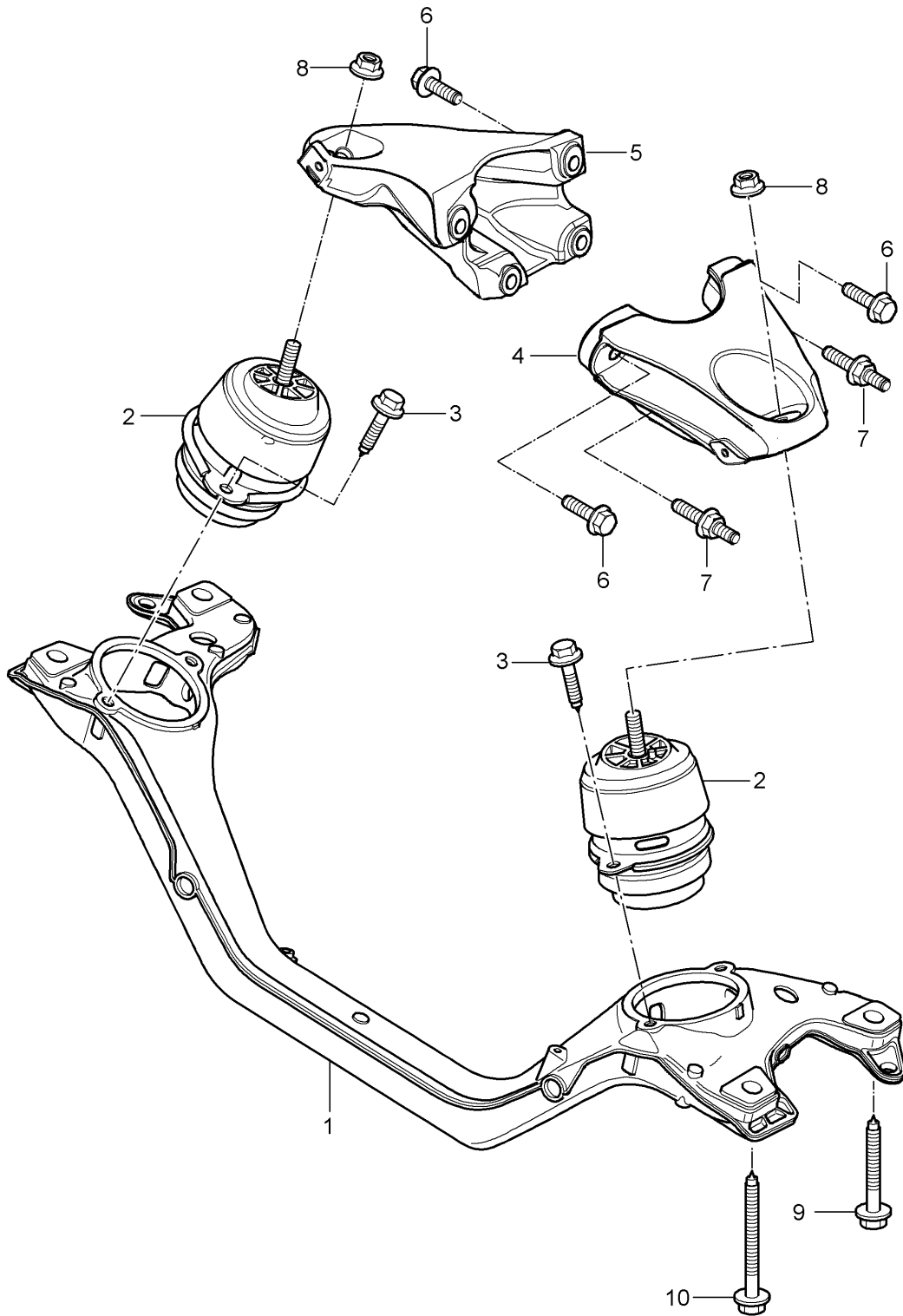
Model: 9PA108

Model life 2007>>2010

Pos	Part Number	Description	Remark	Qty	Model
		Engine suspension Lower			M55.01
1	955 375 309 01	Engine carrier		1	
2	955 375 049 00	Hydraulic mount		2	
3	N 105 167 02	Hexagon-head bolt AM 10 X 55		4	
4	955 115 201 00	Engine bracket		1	
5	955 607 208 10	Support F >>9P9LA 03156		1	
(5)	955 607 208 11	Support F 9P9LA 03157>>		1	
6	N 909 784 04	Hexagon-head bolt M 10 X 35		4	
7		See illustrations 1/04/15		1	
8	N 104 029 04	Hexagon nut M 12 X 1,5		2	
9	N 910 144 02	Combination screw AM 14 X 1,5 X 100		2	
10		See illustrations 4/01/00 POS.3		2	

Model: 9PA108

Model life 2007>>2010



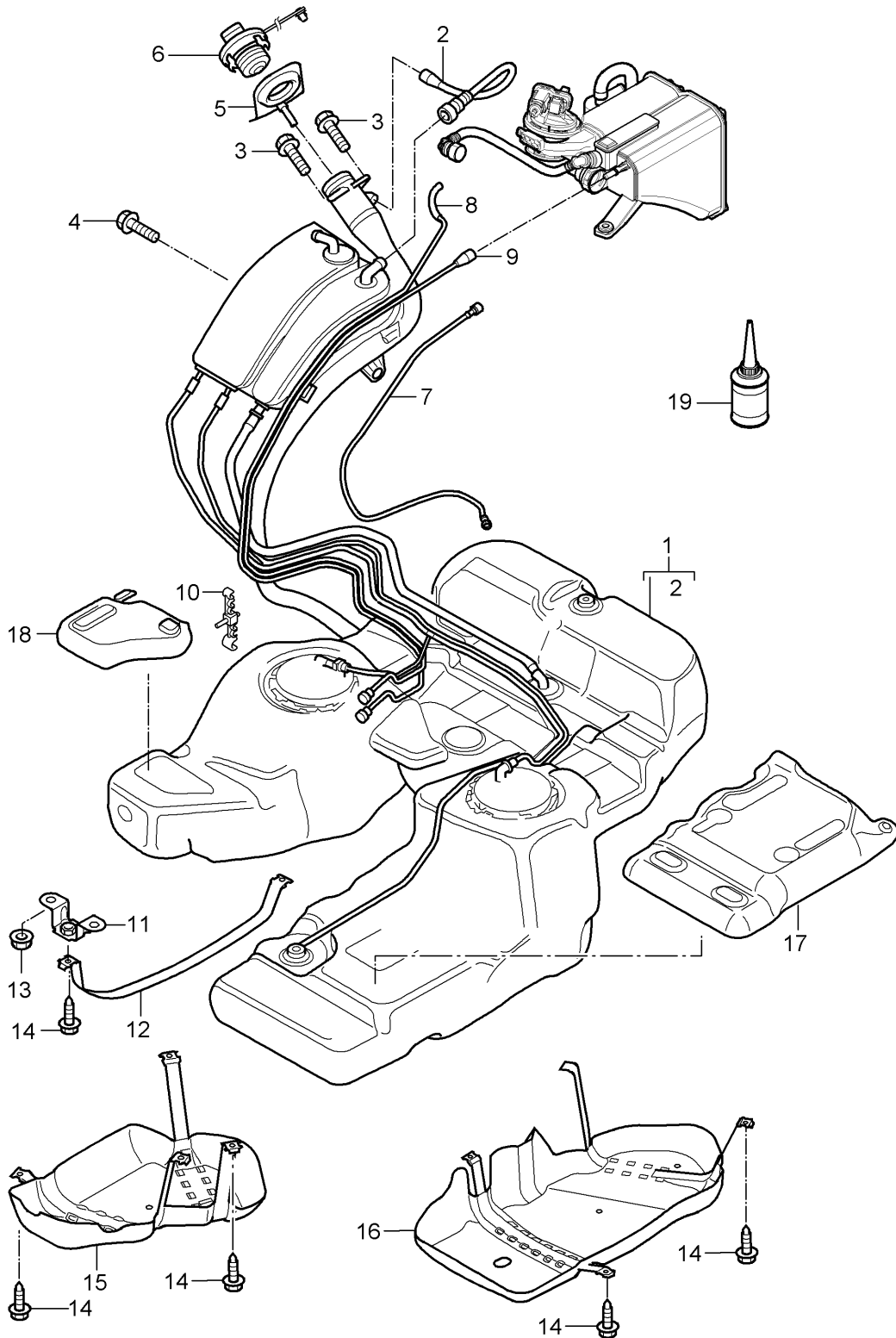
Model: 9PA108

Model life 2007>>2010

Pos	Part Number	Description	Remark	Qty	Model
		Engine suspension Lower			M05.9D
1	955 375 309 10	Engine carrier		1	
(1)	958 375 309 00	Engine carrier		1	
2	955 375 049 10	Hydraulic mount		2	
3	N 105 167 02	Hexagon-head bolt AM 10 X 55		4	
4	955 102 215 00	Engine bracket		1	
5	955 115 201 10	Engine bracket		1	
(5)	955 115 201 11	Engine bracket		1	
(5)	958 115 201 40	Engine bracket		1	
6	N 104 043 06	Hexagon-head bolt M 10 X 30		6	
7	N 910 941 01	Stud M 10 X 30 / M 8 X 12		2	
8	N 104 029 04	Hexagon nut M 12 X 1,5		2	
9	N 910 144 02	Combination screw AM 14 X 1,5 X 100		2	
10		See illustrations 4/01/00 POS.3		2	

Model: 9PA108

Model life 2007>>2010

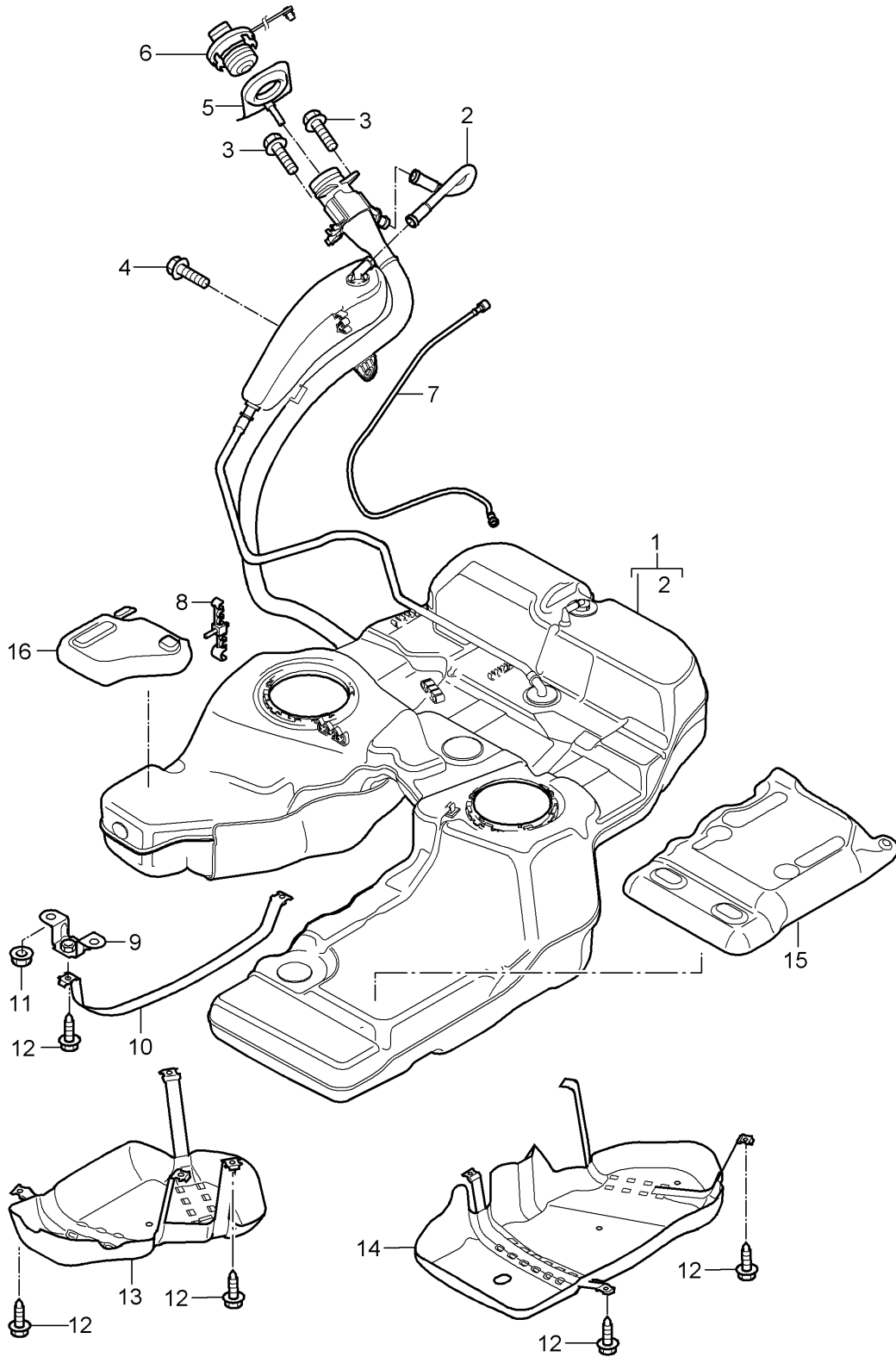


Model: 9PA108 Model life 2007>>2010

Pos	Part Number	Description	Remark	Qty	Model
		Fuel tank with Accessories			
1	955 201 075 04	Fuel tank		1	I2G1
(1)	955 201 075 27	Fuel tank	(BR)	1	I2G6
2	955 201 266 00	Breather pipe		1	I2G1
(2)		Breather pipe	(BR)	1	I2G6
3	N 100 092 07	Combination screw M 6 X 20		3	
4	N 910 345 01	Combination screw M 6 x 20		1	
5	955 201 251 00	Filler neck		1	
6	955 201 241 12	Lid with Retaining strap		1	I2G1
(6)	955 201 241 13	Lid with Retaining strap		1	I2G1
(6)	955 201 241 12	Lid with Retaining strap	(BR)	1	I2G6
(6)	955 201 241 13	Lid with Retaining strap	(BR)	1	I2G6
7	955 201 255 04	Breather pipe		1	
9	955 201 851 00	Purge-air line		1	
10	955 201 897 00	Fixing clip		1	
11	955 201 751 01	Support		2	
12	955 201 107 00	Restraining strap Centre		1	
13	N 023 003 14	Hexagon nut M 8		4	
14	N 019 530 8	Hexagon-head bolt M 8 X 25		10	
15	955 201 331 00	Cover with Restraining strap		1	I6EA/6EP/6EQ
(15)	955 201 331 10	Cover with Restraining strap		1	I6EB/6ES
16	955 201 332 01	Cover with Restraining strap		1	I6EA/6EP/6EQ
(16)	955 201 332 10	Cover with Restraining strap		1	I6EB/6ES
17	955 201 333 00	Cover Upper left		1	
18	955 201 334 00	Cover Upper right		1	
19	000 043 206 89	Additive Fuel 100 ML Container		X	
(19)	000 043 209 02	Additive Fuel 100 ML Container		X	

Model: 9PA108

Model life 2007>>2010



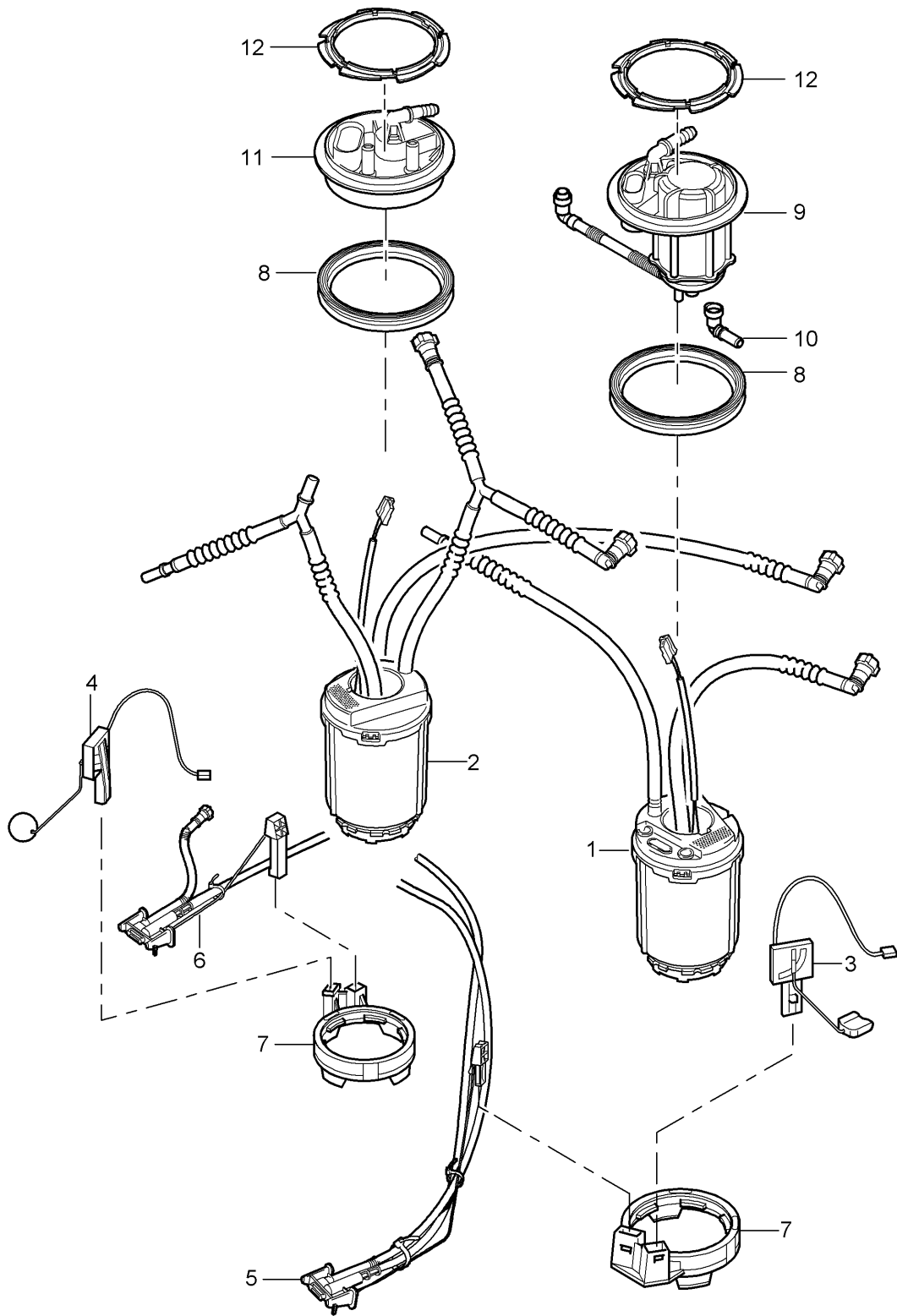
Model: 9PA108

Model life 2007>>2010

Pos	Part Number	Description	Remark	Qty	Model
		Fuel tank with Accessories			ID50
1	955 201 075 40	Fuel tank		1	
2	955 201 266 00	Breather pipe		1	
3	N 100 092 07	Combination screw M 6 X 20		2	
4	N 910 345 01	Combination screw M 6 x 20		1	
5	955 201 251 00	Filler neck		1	
6	955 201 241 40	Lid with Retaining strap		1	
(6)	955 201 241 41	Lid with Retaining strap		1	
7	955 201 255 04	Breather pipe		1	
8	955 201 897 00	Fixing clip		1	
9	955 201 751 01	Support		2	
10	955 201 107 00	Restraining strap Centre		1	
11	N 023 003 14	Hexagon nut M 8		4	
12	N 019 530 8	Hexagon-head bolt M 8 X 25		10	
13	955 201 331 00	Cover with Restraining strap		1	I6EA/6EP/6EQ
14	955 201 332 01	Cover with Restraining strap		1	I6EA/6EP/6EQ
15	955 201 333 00	Cover Upper left		1	
16	955 201 334 00	Cover Upper right		1	

Model: 9PA108

Model life 2007>>2010



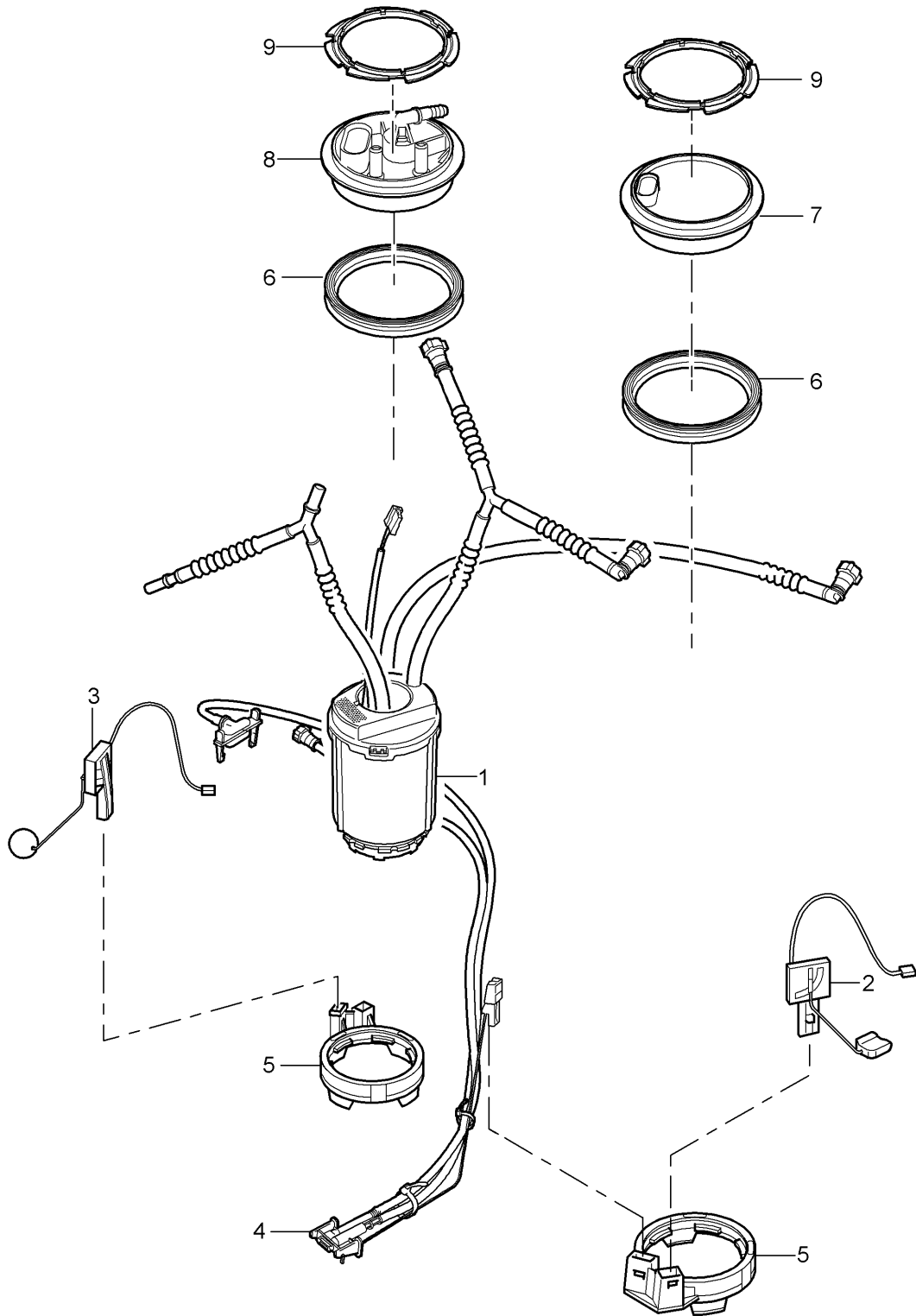
Model: 9PA108

Model life 2007>>2010

Pos	Part Number	Description	Remark	Qty	Model
1	955 620 131 00	Fuel tank Fuel pump Venturi tube			
(1)	955 620 931 01	Fuel pump	/L	1	
		Fuel pump	/L	1	
		Use also: 955.620.911.00		1	
(1)	955 620 131 20	Fuel pump	/L (BR)	1	I2G6
		Use also: 955.620.911.00		1	
2	955 620 132 10	Fuel pump	/R	1	
(2)	955 620 932 01	Fuel pump	/R	1	
(2)	955 620 132 30	Fuel pump	/R (BR)	1	I2G6
3	955 620 805 00	Sender	/L	1	
		Fuel-level indicator			
4	955 620 806 01	Sender	/R	1	
		Fuel-level indicator			
5	955 620 231 00	Venturi tube	/L	1	
6	955 620 232 10	Venturi tube	/R	1	
7		Catch		2	
		Fuel pump			
		Not available			
		Fuel tank			
		Use			
8	955 201 133 01	Sealing ring		2	
9	955 620 421 00	Flange	/L	1	
		with			
		Fuel filter			
		Use also: 955.620.911.00		1	
		Information available			
10	955 620 911 00	Angled pipe		1	
		See technical information			
		Service			
		Group 2			
		KD-NR.2066			
		13/10			
(10)	955 620 911 01	Angled pipe		1	
		See technical information			
		Service			
		Group 2			
		KD-NR.2066			
		13/10			
11	955 620 422 10	Flange	/R	1	
		with			
		Pressure regulator			
(11)	955 620 422 20	Flange	/R	1	I7VE/7VL
		with			
		Pressure regulator			
12	955 201 623 01	Union nut		2	

Model: 9PA108

Model life 2007>>2010



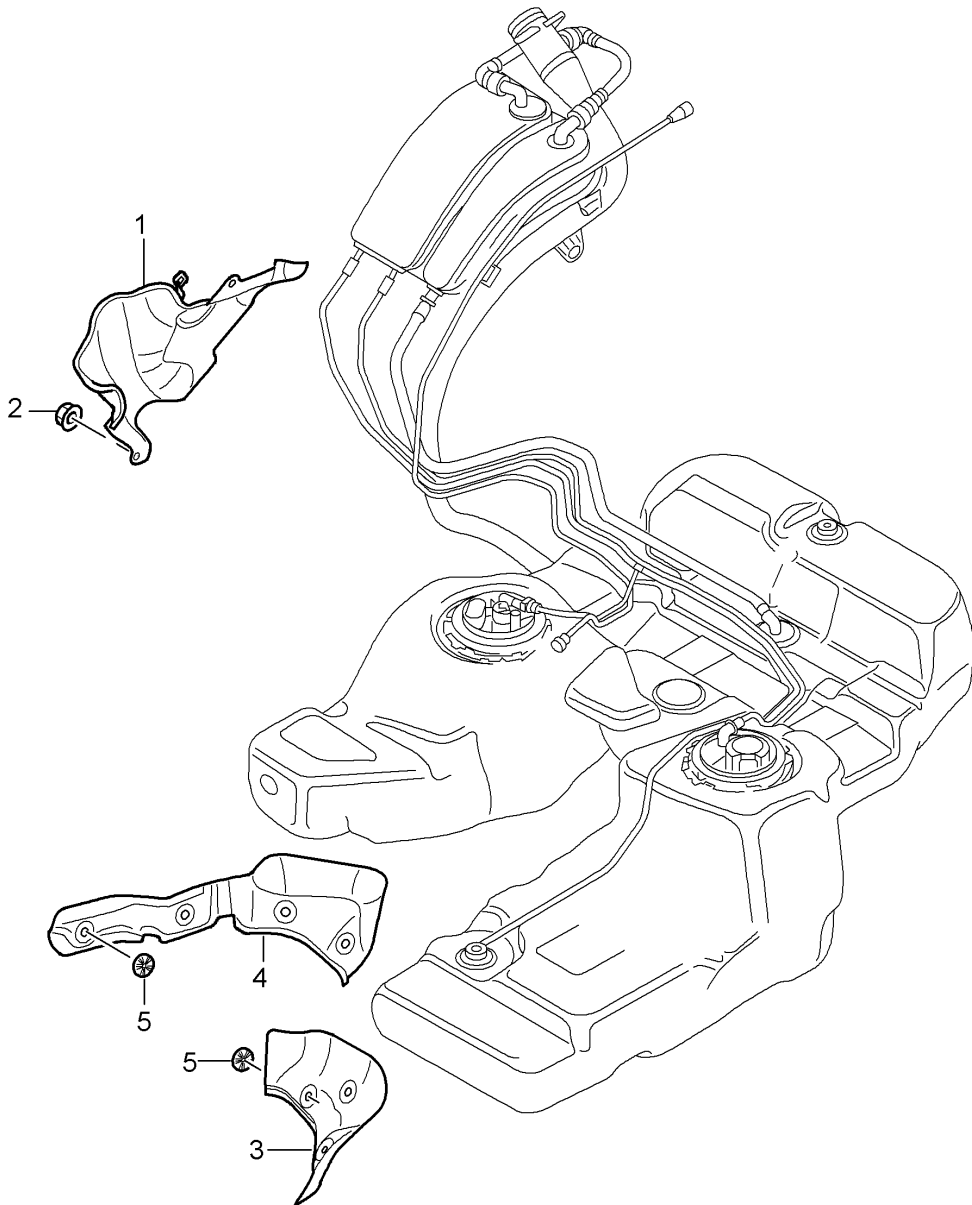
Model: 9PA108

Model life 2007>>2010

Pos	Part Number	Description	Remark	Qty	Model
		Fuel tank Fuel pump Venturi tube			ID50
1	955 620 132 40	Fuel pump	/R	1	
2	955 620 805 00	Sender Fuel-level indicator	/L	1	
3	955 620 806 01	Sender Fuel-level indicator	/R	1	
4	955 620 231 40	Venturi tube	/L	1	
5		Catch Fuel pump Not available		2	
6	955 201 133 10	Fuel tank Use Sealing ring		2	
7	955 620 421 40	Flange	/L	1	
8	955 620 422 40	Flange	/R	1	
9	955 201 623 01	Union nut		2	

Model: 9PA108

Model life 2007>>2010



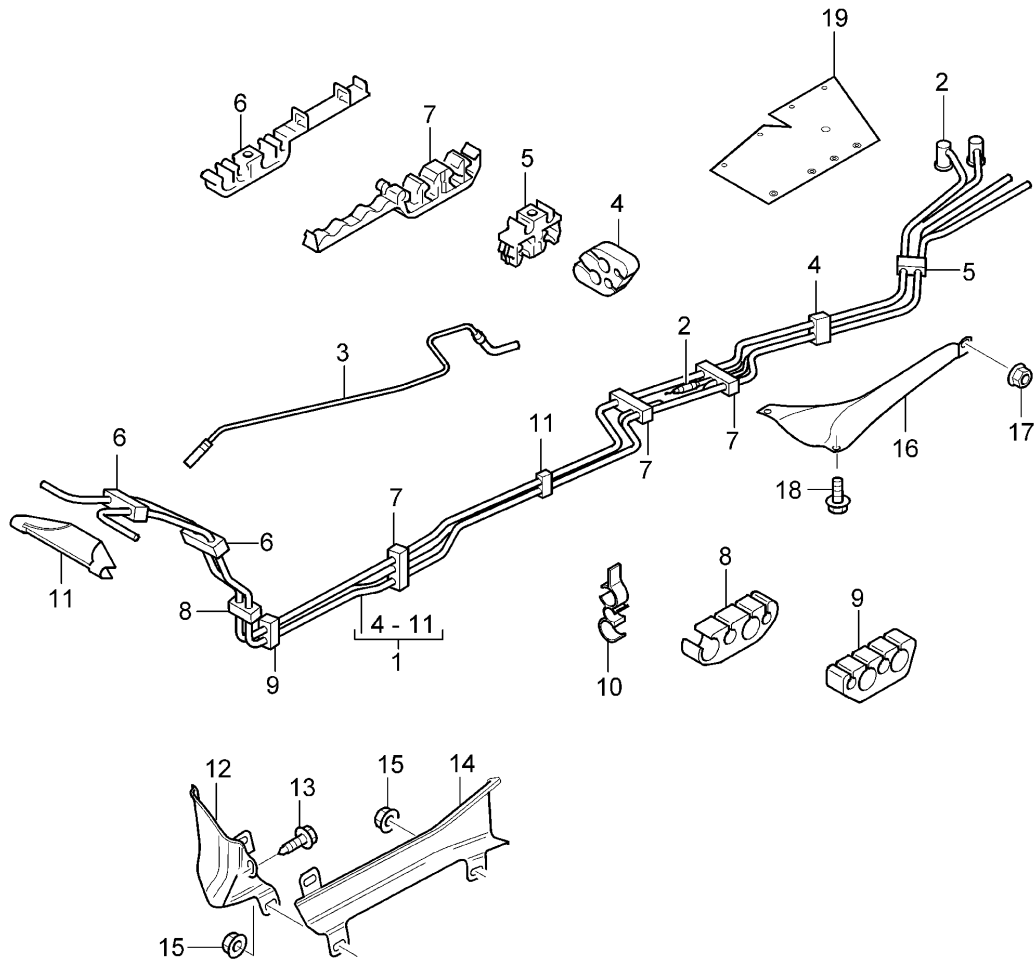
Model: 9PA108

Model life 2007>>2010

Pos	Part Number	Description	Remark	Qty	Model
1	955 201 206 02	Fuel tank Accessories Protective plate		1	
2	N 904 560 02	Hexagon nut M 6		3	
3	955 201 209 00	Heat shield Left		1	
4	955 201 210 10	Heat shield Right		1	
5	N 903 350 05	Clamping washer 5 X 30		7	

Model: 9PA108

Model life 2007>>2010



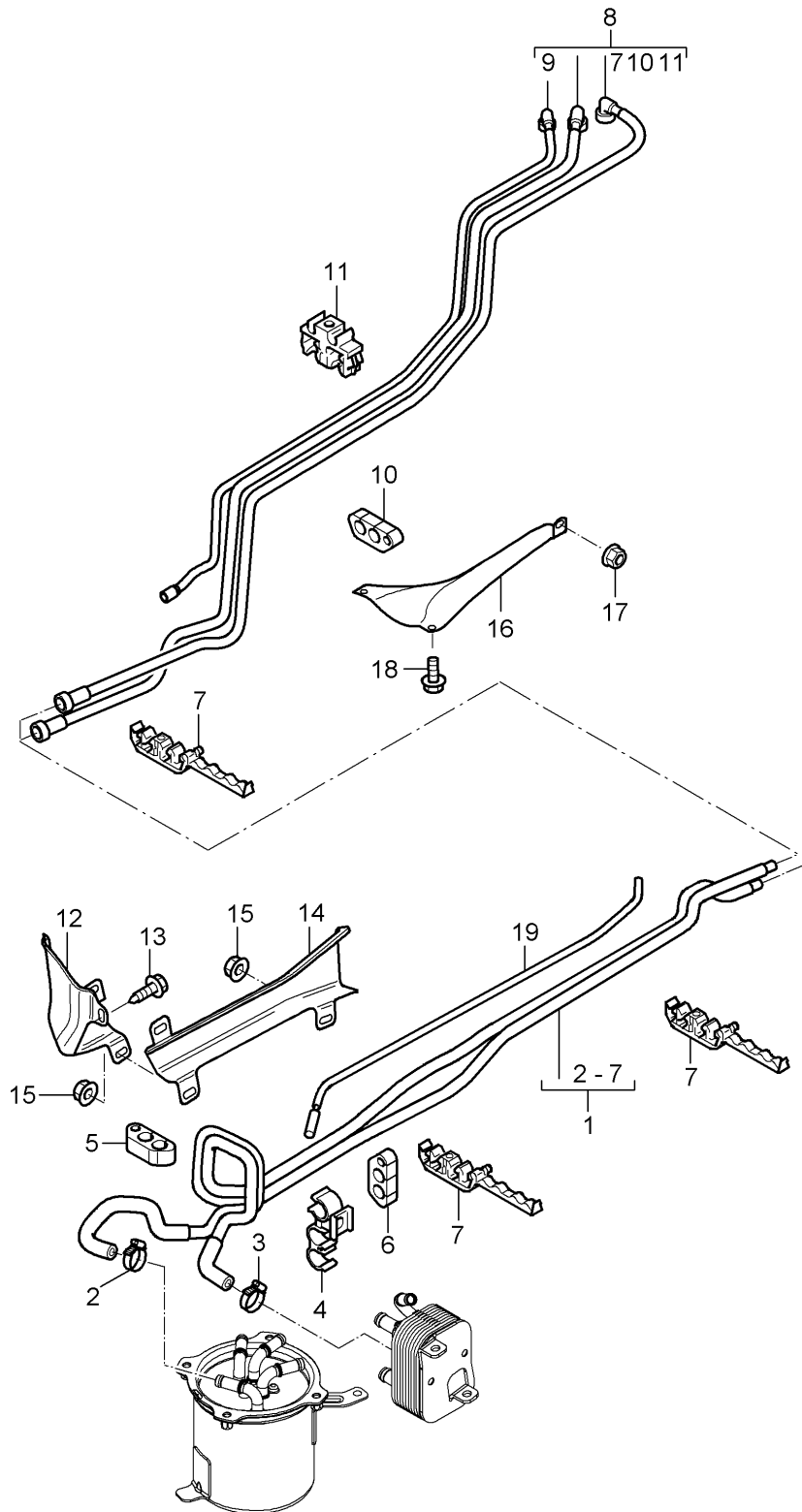
Model: 9PA108

Model life 2007>>2010

Pos	Part Number	Description	Remark	Qty	Model
1	955 201 080 05	Fuel system Fuel line Underbody Fuel line 1 set		1	I2G1
(1)	955 201 080 06	Fuel line 1 set		1	I2G1
(1)	955 201 080 05	Fuel line 1 set	(BR)	1	I2G6
(1)	955 201 080 06	Fuel line 1 set	(BR)	1	I2G6
2	955 201 355 01	Fuel line		1	I7VE/7VL
-	N 101 981 01	Auxiliary heater Hose clamp 11,8 x 5 x 0,5 Mount		1	I7VE/7VL
3		Fuel line Fuel pump Fuel line Auxiliary heater See illustrations 8/13/80		1	I7VE/7VL
4	955 201 561 00	Line bracket		1	
5	955 201 401 00	Retaining clip		1	
6	955 201 402 01	Line bracket		2	
7	955 201 449 01	Line bracket		3	
(7)	955 201 449 02	Line bracket		3	
8	955 201 531 00	Support		1	
9	955 201 532 00	Support		1	
10	955 201 562 00	Line bracket		1	
11	955 201 450 00	Fastening clamp		1	
12	955 201 205 10	Protective plate	-08	1	ID5X
(12)	955 201 205 11	Protective plate	09-	1	ID5X
(12)	955 201 205 20	Protective plate	-08	1	ID5V/D5Z
(12)	955 201 205 21	Protective plate	09-	1	ID5V/D5Z
13	N 100 092 07	Combination screw M 6 X 20		1	
14	955 201 207 00	Protective plate		1	
15	N 908 786 02	Nut M 6		3	
16	955 201 208 02	Protective plate		1	
17	N 902 891 05	Hexagon nut M 8		1	
18	N 100 091 10	Combination screw M 6 X 12		2	
19	955 201 963 00	Heat protection Fuel line		1	ID5X

Model: 9PA108

Model life 2007>>2010

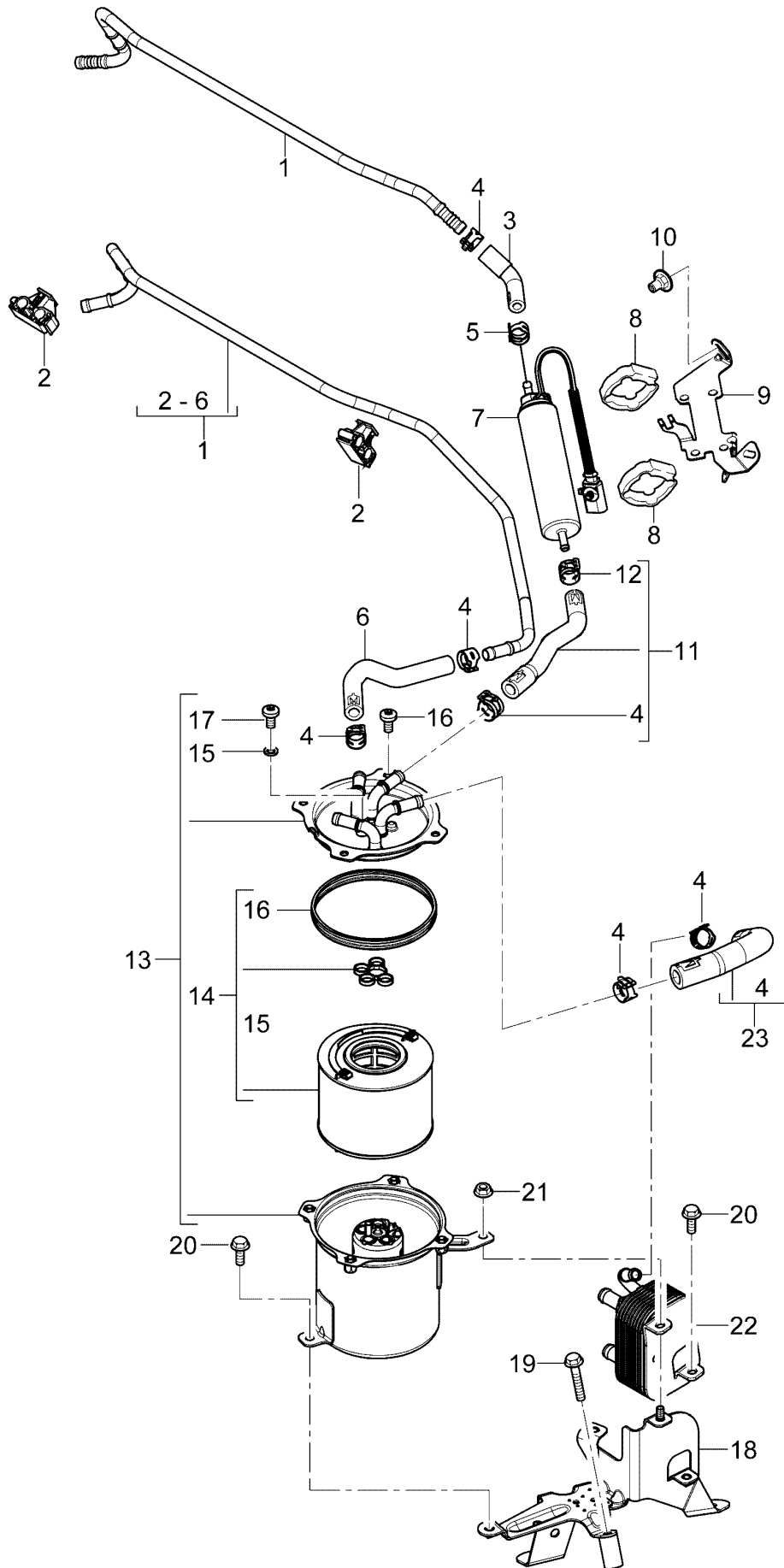


Model: 9PA108 Model life 2007>>2010

Pos	Part Number	Description	Remark	Qty	Model
		Fuel system			ID50
		Fuel line			
		Underbody			
1	955 201 080 30	Fuel line		1	
		1 set			
2	955 201 479 00	Hose clamp		1	
		16 X 12			
3	N 907 702 01	Hose clamp		1	
		B 17 X 12			
4	955 201 233 00	Line bracket		1	
5	955 201 631 00	Line bracket		1	
6	955 201 632 00	Line bracket		1	
7	955 201 449 02	Line bracket		3	
8	955 201 082 30	Fuel line		1	
		1 set			
9	955 201 355 01	Fuel line		1	
10	955 201 561 10	Line bracket		1	
11	955 201 401 00	Retaining clip		1	
12	955 201 205 00	Protective plate		1	
13	N 100 092 07	Combination screw		1	
		M 6 X 20			
14	955 201 207 00	Protective plate		1	
15	N 908 786 02	Nut		3	
		M 6			
16	955 201 208 02	Protective plate		1	
17	N 902 891 05	Hexagon nut		1	
		M 8			
18	N 100 091 10	Combination screw		2	
		M 6 X 12			
19		Fuel line		1	
		Auxiliary heater			
		See illustrations			
		8/13/80			

Model: 9PA108

Model life 2007>>2010



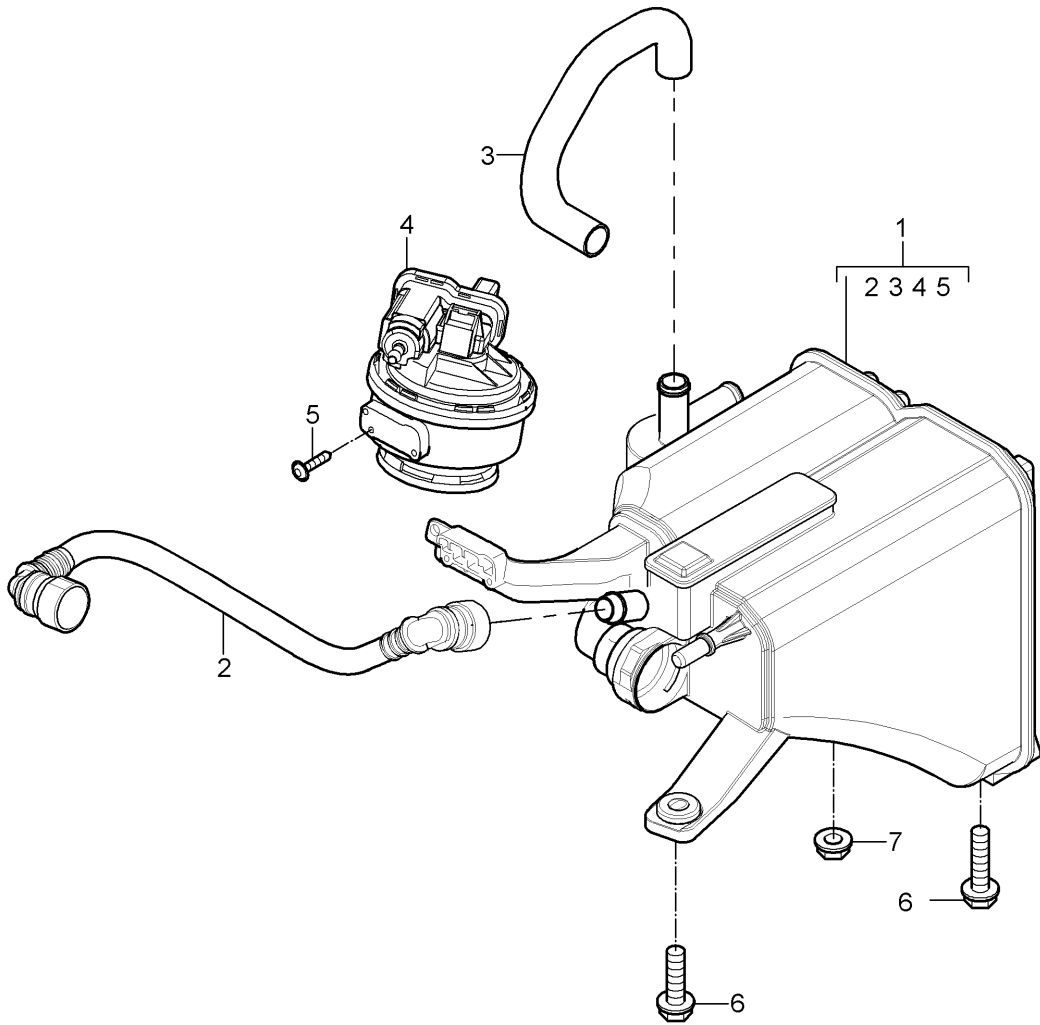
Model: 9PA108

Model life 2007>>2010

Pos	Part Number	Description	Remark	Qty	Model
		Fuel system			ID50
		Fuel line			
		Fuel filter			
		Fuel cooler			
1	955 110 038 00	Fuel line		1	
		1 set			
2	955 110 233 01	Line bracket		2	
3	955 110 395 00	Fuel hose		1	
		Supply			
4	955 201 479 00	Hose clamp		6	
		16 X 12			
5	N 909 865 01	Hose clamp		1	
		B 14,5 X 12			
6	955 110 395 10	Fuel hose		1	
		Return line			
(6)	955 110 395 11	Fuel hose		1	
		Return line			
7	955 620 089 01	Fuel pump		1	
8	955 106 209 10	Rubber mounting		2	
9	955 606 407 00	Support		1	
		Fuel pump			
10	955 111 548 03	Speed nut		3	
		4,2			
11	955 110 395 20	Fuel hose		1	
		Supply			
(11)	955 110 395 21	Fuel hose		1	
		Supply			
12	N 906 867 01	Hose clamp		1	
		B 14 X 12			
13	955 110 041 00	Fuel filter		1	
		Complete			
14	955 110 134 00	Filter element		1	
		with			
		Gasket			
15	955 110 113 00	Sealing ring		1	
		A 6,2 X 9,7			
16	955 110 313 00	Gasket		1	
17	N 103 352 06	Round head screw		5	
		M 6 X 12			
18	955 110 224 00	Support		1	
		Fuel filter			
19	N 101 161 03	Combination screw		1	
		M 6 X 55			
20	N 904 407 06	Hexagon-head bolt		3	
		M 6 X 15			
21	N 015 082 13	Hexagon nut		1	
		M 6			
22	955 201 091 04	Fuel cooler		1	
23	955 110 395 30	Fuel hose		1	
		Return line			

Model: 9PA108

Model life 2007>>2010



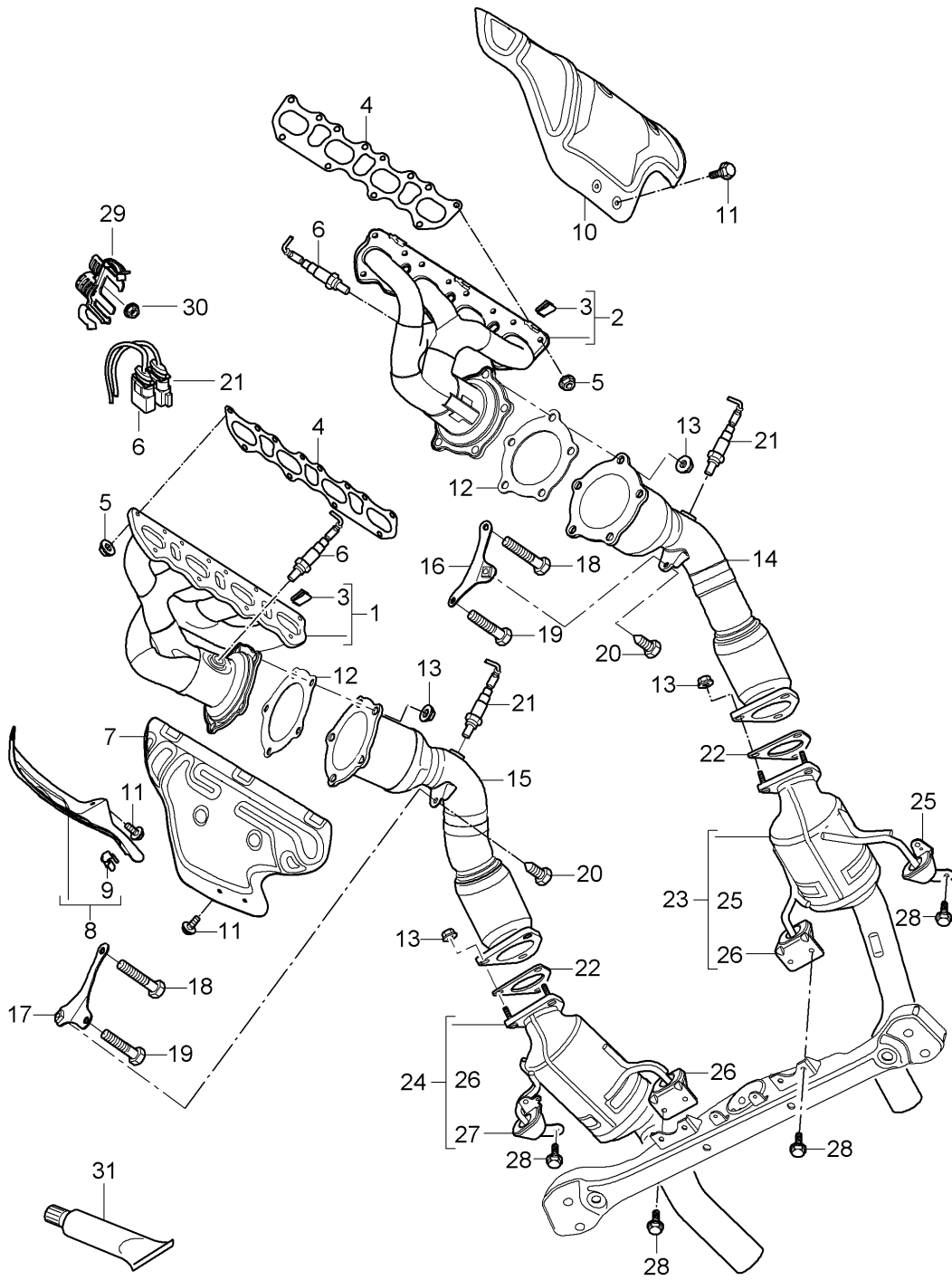
Model: 9PA108

Model life 2007>>2010

Pos	Part Number	Description	Remark	Qty	Model
1	955 201 081 14	Carbon canister Carbon canister Ready for installation		1	I2G1
1		Carbon canister Ready for installation	(BR)	1	I2G6
2	955 201 254 00	Pressure line		1	
3	955 201 255 12	Breather hose		1	I2G1
3		Breather hose	(BR)	1	I2G6
6	N 105 284 02	Hexagon-head bolt M 6 X 30		2	
7	N 904 560 02	Hexagon nut M 6		1	

Model: 9PA108

Model life 2007>>2010



Model: 9PA108 Model life 2007>>2010

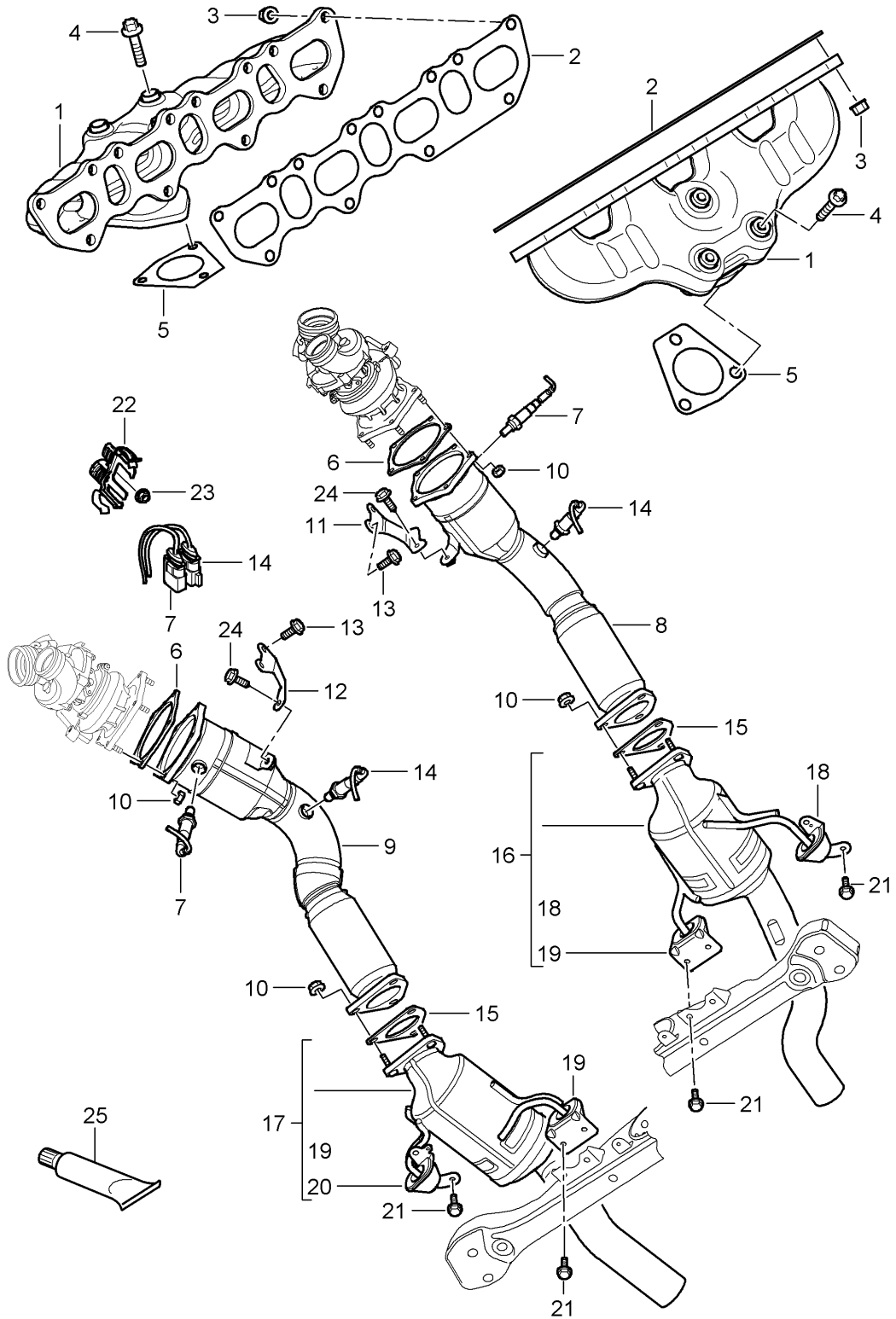
Pos	Part Number	Description	Remark	Qty	Model
		Exhaust system			ID5V
		Exhaust manifold			
		Catalytic converter			
1	948 111 129 00	Exhaust manifold Cylinders 1 - 4		1	
2	948 111 130 00	Exhaust manifold Cylinders 5 - 8		1	
3	948 111 213 00	Clamp		6	
4	948 111 181 01	Gasket		2	
		Exhaust manifold			
5	999 084 642 02	Hexagon nut M 8		24	
6	948 606 131 00	Oxygen sensor in front of Catalytic converter		2	
(6)	948 606 131 01	Oxygen sensor in front of Catalytic converter		2	
(6)	948 606 131 02	Oxygen sensor in front of Catalytic converter		2	
7	955 111 212 00	Heat shield Exhaust manifold Cylinders 1 - 4		1	
(7)	955 111 212 01	Heat shield Exhaust manifold Cylinders 1 - 4		1	
8	955 111 242 00	Heat shield Exhaust manifold Generator		1	
9	955 111 513 00	Clamp		1	
10	955 111 213 00	Heat shield Exhaust manifold Cylinders 5 - 8		1	
(10)	955 111 213 01	Heat shield Exhaust manifold Cylinders 5 - 8		1	
11	N 101 563 07	Hexagon-head bolt M 6 X 12		6	
12	955 111 113 60	Gasket		2	
13	N 908 946 02	Hexagon nut M 8		16	
14	955 113 021 30	Exhaust pipe with Catalytic converter Cylinders 5 - 8		1	
(14)	955 113 021 31	Exhaust pipe with Catalytic converter Cylinders 5 - 8		1	
(14)	955 113 021 CX	Exhaust pipe with Catalytic converter Cylinders 5 - 8		1	
15	955 113 022 30	Exhaust pipe with Catalytic converter Cylinders 1 - 4		1	
(15)	955 113 022 31	Exhaust pipe with Catalytic converter Cylinders 1 - 4		1	
(15)	955 113 022 CX	Exhaust pipe		1	

Model: 9PA108 Model life 2007>>2010

Pos	Part Number	Description	Remark	Qty	Model
		with Catalytic converter Cylinders 1 - 4			
16	955 111 161 30	Support	/L	1	
17	955 111 162 30	Support	/R	1	
18	WHT 002 782	Hexagon-head bolt AM 12 X 1,5 X 75		2	
19	N 910 181 02	Hexagon-head bolt AM 12 X 1,5 X 70		2	
20	N 019 530 7	Hexagon-head bolt M 8 X 25		2	
21	955 606 178 00	Oxygen sensor After Catalytic converter		2	
22	955 111 113 10	Gasket		2	
23	955 113 023 40	Catalytic converter	/L	1	
23	955 113 023 EX	Catalytic converter	/L	1	
24	955 113 024 40	Catalytic converter	/R	1	
24	955 113 024 DX	Catalytic converter	/R	1	
25	955 111 227 10	Support	/L	1	
26	955 111 227 20	Support		2	
27	955 111 228 00	Support	/R	1	
28	N 908 797 02	Hexagon-head bolt M 8 X 25		8	
29	955 606 114 20	Support Connector Oxygen sensor		2	
30	N 100 151 01	Plenum panel Hexagon nut A 5		2	
31	000 043 207 07	Grease for oxygen sensor		1	

Model: 9PA108

Model life 2007>>2010



Model: 9PA108 Model life 2007>>2010

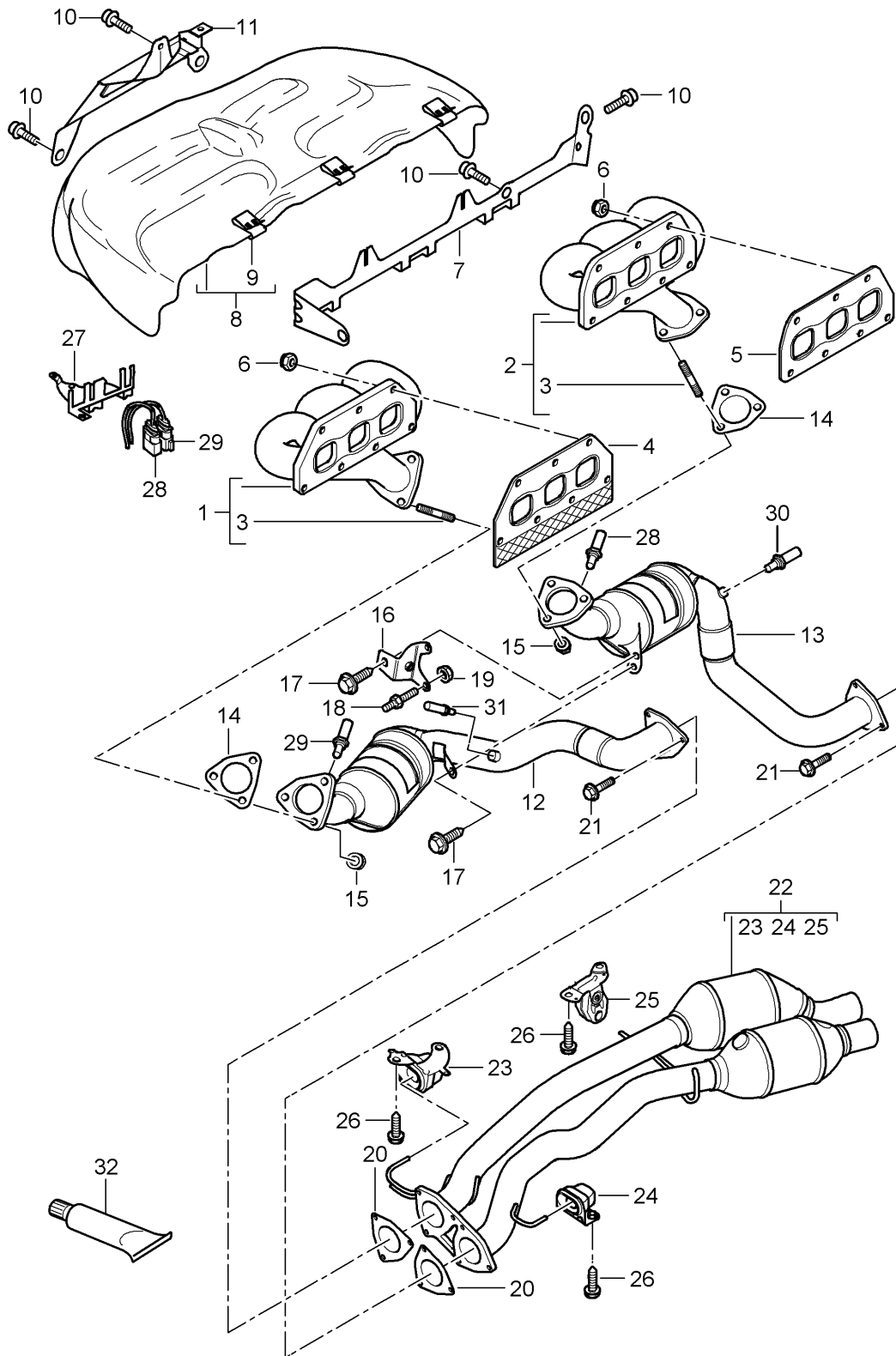
Pos	Part Number	Description	Remark	Qty	Model
		Exhaust system			ID5Z
		Exhaust manifold			
		Catalytic converter			
1	948 111 129 51	Exhaust manifold		2	
2	948 111 181 01	Gasket		2	
		Exhaust manifold			
3	999 084 642 02	Hexagon nut		24	
		M 8			
4	999 073 271 01	Torx screw		6	
		BM 8 X 75			
5	948 123 203 52	Gasket		2	
		Turbocharger			
6	955 111 113 20	Gasket		2	
		Exhaust pipe			
7	955 606 168 00	Oxygen sensor		2	
		in front of			
		Catalytic converter			
(7)	955 606 168 01	Oxygen sensor		2	
		in front of			
		Catalytic converter			
8	955 113 021 40	Exhaust pipe		1	
		with			
		Catalytic converter			
		Cylinders 5 - 8			
(8)	955 113 021 50	Exhaust pipe		1	
		with			
		Catalytic converter			
		Cylinders 5 - 8			
(8)	955 113 021 DX	Exhaust pipe		1	
		with			
		Catalytic converter			
		Cylinders 5 - 8			
9	955 113 022 40	Exhaust pipe		1	
		with			
		Catalytic converter			
		Cylinders 1 - 4			
(9)	955 113 022 50	Exhaust pipe		1	
		with			
		Catalytic converter			
		Cylinders 1 - 4			
(9)	955 113 022 DX	Exhaust pipe		1	
		with			
		Catalytic converter			
		Cylinders 1 - 4			
10	N 908 946 02	Hexagon nut		16	
		M 8			
11	955 111 161 20	Support	/L	1	
		M >> 9 01688			
		M >> T 9 01787			
		M >> S 9 00561			
(11)	955 111 161 10	Support	/L	1	
		M 9 01689 >>			
		M T 9 01788 >>			
		M S 9 00562 >>			
12	955 111 162 20	Support	/R	1	
		M >> 9 01688			
		M >> T 9 01787			
		M >> S 9 00561			
(12)	955 111 162 00	Support	/R	1	
		M 9 01689 >>			
		M T 9 01788 >>			
		M S 9 00562 >>			
13	N 101 559 06	Hexagon-head bolt		4	

Model: 9PA108 Model life 2007>>2010

Pos	Part Number	Description	Remark	Qty	Model
(13)	N 107 141 01	M 8 X 20 M >> 9 01688 M >> T 9 01787 M >> S 9 00561 Hexagon-head bolt		4	
14	955 606 178 00	M 10 X 25 M 9 01689 >> M T 9 01788 >> M S 9 00562 >> Oxygen sensor After Catalytic converter		2	
15	955 111 113 10	Gasket		2	
16	955 113 023 50	Catalytic converter	/L	1	
16	955 113 023 FX	Catalytic converter	/L	1	
17	955 113 024 50	Catalytic converter	/R	1	
17	955 113 024 EX	Catalytic converter	/R	1	
18	955 111 227 10	Support	/L	1	
19	955 111 227 20	Support		2	
20	955 111 228 00	Support	/R	1	
21	N 908 797 02	Hexagon-head bolt M 8 X 25		8	
22	955 606 114 20	Support Connector Oxygen sensor Plenum panel		2	
23	N 100 151 01	Hexagon nut A 5		2	
24	N 019 530 7	Hexagon-head bolt M 8 X 25		2	
25	000 043 207 07	Grease for oxygen sensor		1	

Model: 9PA108

Model life 2007>>2010



Model: 9PA108 Model life 2007>>2010

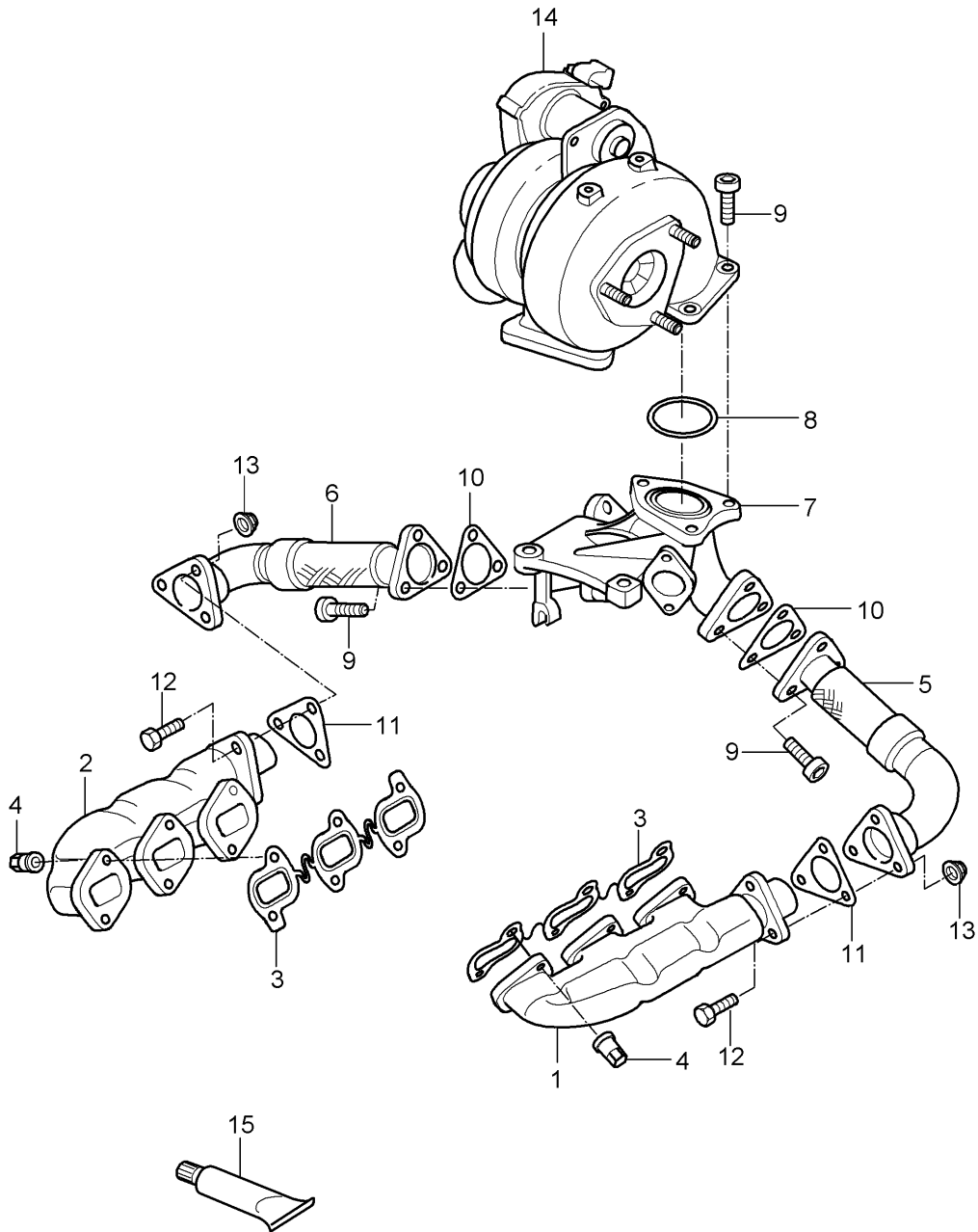
Pos	Part Number	Description	Remark	Qty	Model
		Exhaust system			ID5X
		Exhaust manifold			
		Catalytic converter			
1	955 111 019 00	Exhaust manifold		1	
		Cyl. 1 - 3			
2	955 111 020 00	Exhaust manifold		1	
		Cyl. 4 - 6			
3	N 044 517 7	Stud		6	
		M 10 X 25			
4	955 111 171 00	Gasket		1	
		Cyl. 1 - 3			
5	955 111 172 00	Gasket		1	
		Cyl. 4 - 6			
6	N 908 946 01	Hexagon nut		14	
		M 8			
7	955 110 228 10	Support		1	
8	955 111 215 00	Heat shield		1	
9	955 111 513 10	Clamp		3	
10	N 106 649 01	Screw		7	
		M 8 X 16			
11	955 111 149 10	Support		1	
12	955 113 033 01	Exhaust pipe	-09	1	I0GG/0GU
		with			
		Catalytic converter			
		Cyl. 1 - 3			
(12)	955 113 033 02	Exhaust pipe	10-	1	I0GG/0GU
		with			
		Catalytic converter			
		Cyl. 1 - 3			
(12)	955 113 033 AX	Exhaust pipe	10-	1	I0GG/0GU
		with			
		Catalytic converter			
		Cyl. 1 - 3			
12	955 113 033 01	Exhaust pipe	(MEX) -09	1	I0GG
		with			
		Catalytic converter			
		Cyl. 1 - 3			
(12)	955 113 033 02	Exhaust pipe	(MEX) 10-	1	I0GG
		with			
		Catalytic converter			
		Cyl. 1 - 3			
13	955 113 034 01	Exhaust pipe	-09	1	I0GG/0GU
		with			
		Catalytic converter			
		Cyl. 4 - 6			
(13)	955 113 034 02	Exhaust pipe	10-	1	I0GG/0GU
		with			
		Catalytic converter			
		Cyl. 4 - 6			
(13)	955 113 034 AX	Exhaust pipe	10-	1	I0GG/0GU
		with			
		Catalytic converter			
		Cyl. 4 - 6			
13	955 113 034 01	Exhaust pipe	(MEX) -09	1	I0GG
		with			
		Catalytic converter			
		Cyl. 4 - 6			
(13)	955 113 034 02	Exhaust pipe	(MEX) 10-	1	I0GG
		with			
		Catalytic converter			
		Cyl. 4 - 6			
(13)	955 113 034 AX	Exhaust pipe	(MEX) 10-	1	I0GG
		with			

Model: 9PA108 Model life 2007>>2010

Pos	Part Number	Description	Remark	Qty	Model
		Catalytic converter Cyl. 4 - 6			
14	955 111 113 40	Gasket		2	
15	N 102 090 07	Lock nut M 10		6	
16	955 111 047 00	Support panel	-09	1	
(16)	955 111 047 01	Support panel	10-	1	
17	N 019 530 7	Hexagon-head bolt M 8 X 25		2	
18		Screw See illustrations 3/20/05		2	
19	N 908 946 02	Hexagon nut M 8	-09	2	
20	955 111 113 50	Gasket		2	
21	N 101 281 10	Hexagon-head bolt M 8 X 30		6	
22	955 113 023 30	Catalytic converter		1	
(22)	955 113 023 31	Catalytic converter		1	
(22)	955 113 023 DX	Catalytic converter		1	
23	955 111 228 00	Support		1	
24	955 111 227 20	Support		1	
25	955 111 227 30	Support		1	
26	N 908 797 02	Hexagon-head bolt M 8 X 25		6	
27	955 606 114 30	Support Connector		1	
28	955 606 129 30	Oxygen sensor Oxygen sensor in front of Catalytic converter Cyl. 4 - 6		1	
29	955 606 128 30	Oxygen sensor in front of Catalytic converter Cyl. 1 - 3		1	
30	955 606 137 30	Oxygen sensor After Catalytic converter Cyl. 4 - 6		1	
31	955 606 136 30	Oxygen sensor After Catalytic converter Cyl. 1 - 3		1	
32	000 043 207 07	Grease for oxygen sensor		1	

Model: 9PA108

Model life 2007>>2010



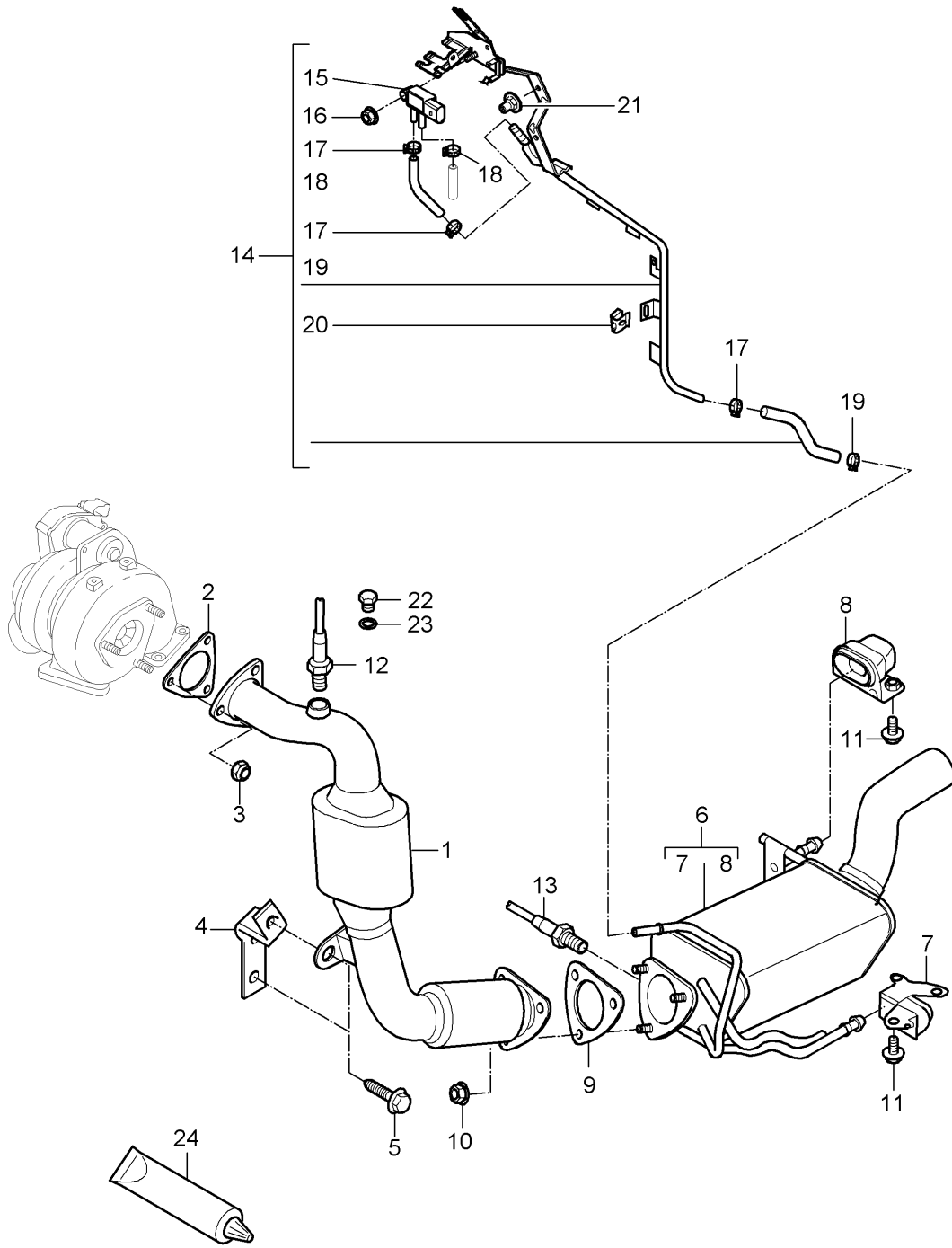
Model: 9PA108

Model life 2007>>2010

Pos	Part Number	Description	Remark	Qty	Model
		Exhaust system			M05.9D
		Exhaust manifold			
1	955 111 019 10	Exhaust manifold	/L	1	
(1)	958 111 019 00	Exhaust manifold	/L	1	
2	955 111 020 10	Exhaust manifold	/R	1	
(2)	958 111 020 00	Exhaust manifold	/R	1	
3	955 111 171 10	Gasket		2	
4	955 111 529 00	Hexagon nut		12	
		M 8			
5	955 111 089 00	Exhaust pipe	/L	1	
(5)	958 111 089 00	Exhaust pipe	/L	1	
6	955 111 090 00	Exhaust pipe	/R	1	
(6)	958 111 090 00	Exhaust pipe	/R	1	
7	955 111 079 00	Connecting piece		1	
8	955 111 205 00	Sealing ring		1	
9	N 910 461 01	Pan-head screw		9	
		M 8 X 22			
10	955 111 113 70	Gasket		2	
11	955 111 113 90	Gasket		2	
12	N 010 244 26	Hexagon-head bolt		6	
		M 8 X 30			
13	N 911 308 01	Hexagon nut		6	
		M 8			
14		Turbocharger		1	
		See illustrations			
		2/02/40			
15	000 043 207 47	Grease		1	
		1 tube			
		170 Gr.			

Model: 9PA108

Model life 2007>>2010



Model: 9PA108

Model life 2007>>2010

Pos	Part Number	Description	Remark	Qty	Model
		Exhaust system			ID50
		Exhaust pipe			
		with			
		Catalytic converter			
		Diesel particle filter			
		Control line			
1	955 113 037 00	Exhaust pipe		1	I7GG
		with			
		Catalytic converter			
1	955 113 037 AX	Exhaust pipe		1	I7GG
		with			
		Catalytic converter			
(1)	955 113 037 10	Exhaust pipe		1	I0GZ
		with			
		Catalytic converter			
		Order also:			
		N .029.704.2		1	
		N .013.832.6		1	
2	955 111 113 80	Gasket		1	
3	N 908 946 01	Hexagon nut		3	
		M 8			
4	955 111 047 10	Support panel		1	
5	N 019 533 10	Hexagon-head bolt		3	
		M 8 X 20			
6	955 113 023 60	Diesel particle filter		1	I7GG
6	955 113 023 GX	Diesel particle filter		1	I7GG
(6)	955 113 023 70	Catalytic converter		1	I0GZ
7	955 111 228 10	Support		1	
8	955 111 228 20	Support		1	
9	955 111 113 10	Gasket		1	
10	N 908 946 02	Hexagon nut		3	
		M 8			
11	N 908 797 02	Hexagon-head bolt		3	
		M 8 X 25			
12	955 606 168 10	Oxygen sensor		1	I7GG
(12)	955 606 168 20	Oxygen sensor		1	I7GG
13	955 606 288 00	Temperature sensor		1	I7GG
		Exhaust gas			
14	955 111 060 00	Control line		1	I7GG
(14)	955 111 060 01	Control line		1	I7GG
(14)	955 111 649 00	Support		1	I0GZ
		Connector			
		Temperature sensor			
15	955 606 151 00	Pressure sensor		1	I7GG
(15)	958 606 151 10	Pressure sensor		1	I7GG
16	N 023 002 12	Hexagon nut		1	I7GG
		M 6			
17	N 906 867 01	Hose clamp		3	I7GG
		B 14 X 12			
18	955 111 483 00	Clamp		1	I7GG
		B 11,5 X 8			
19	N 907 702 01	Hose clamp		1	I7GG
		B 17 X 12			
20	955 606 525 00	Cable terminal		4	I7GG
21	955 111 548 03	Speed nut		3	I7GG
		4,2			
(21)		Speed nut		2	I0GZ
		4,2			
22	N 029 704 2	Screw plug		1	I0GZ
		M 18 X 1,5			
23	N 013 832 6	Sealing ring		1	I0GZ
		A 18 X 22			
24	000 043 207 47	Grease		1	

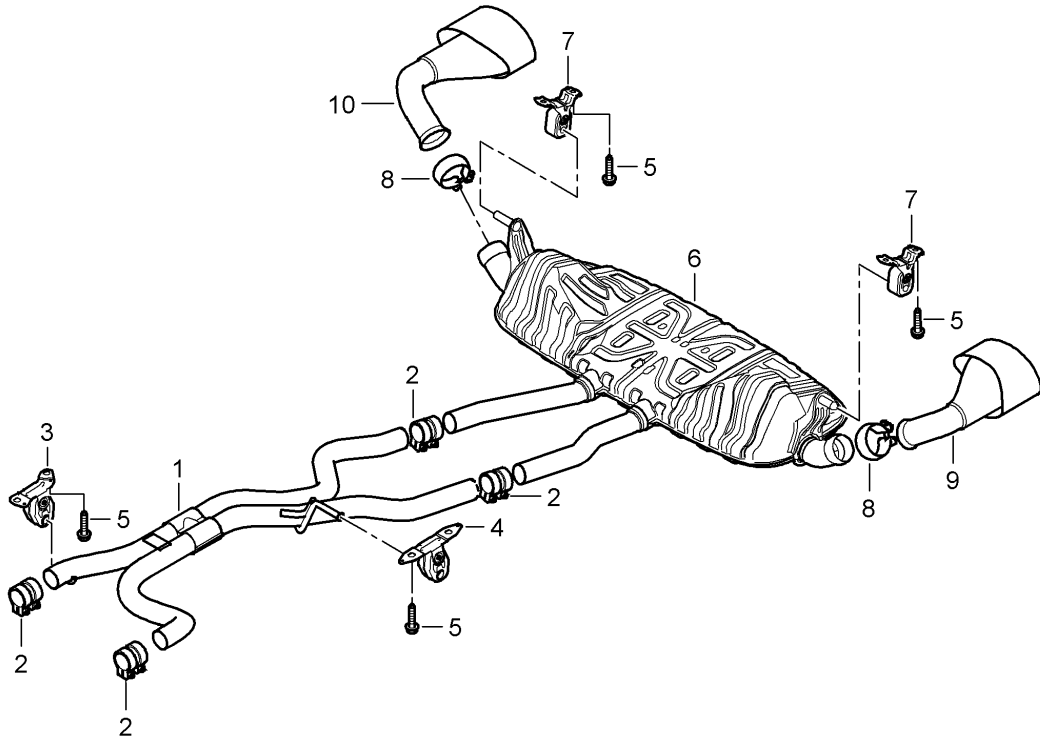
Model: 9PA108

Model life 2007>>2010

Pos	Part Number	Description	Remark	Qty	Model
		1 tube 170 Gr.			

Model: 9PA108

Model life 2007>>2010



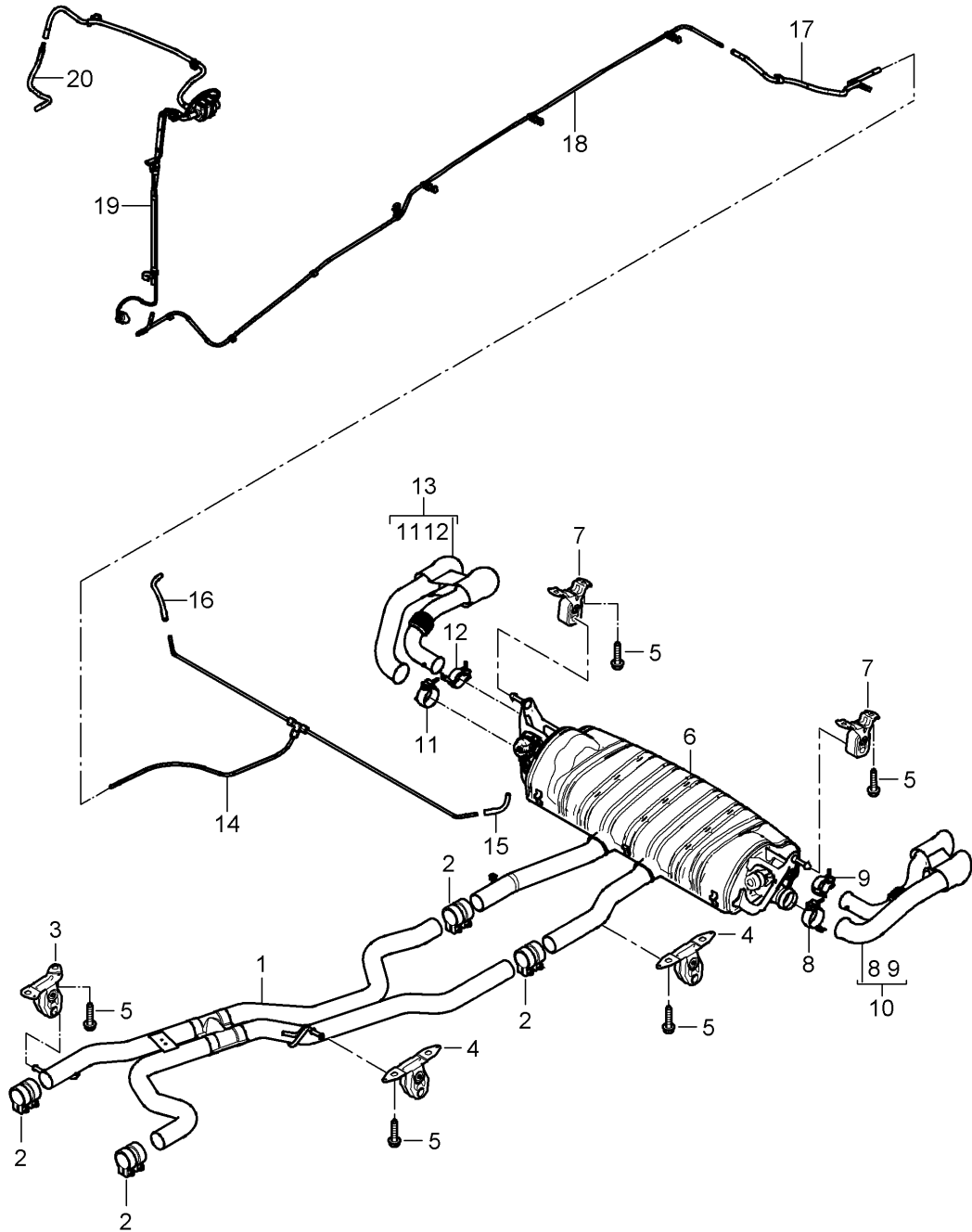
Model: 9PA108

Model life 2007>>2010

Pos	Part Number	Description	Remark	Qty	Model
		Exhaust system			ID5V/0P0/0P3
		Front muffler			
		Rear muffler			
		Tail pipe			
1	955 111 096 40	Front muffler		1	
2	955 111 220 12	Clamping sleeve		4	
3	955 111 227 30	Support		1	
		with			
		Rubber			
4	955 111 227 40	Support		1	
		with			
		Rubber			
5	N 908 797 02	Hexagon-head bolt		8	
		M 8 X 25			
6	955 111 121 60	Rear muffler		1	
6		Rear muffler	(CN) (MEX)	1	
7	955 111 227 50	Support		2	
		with			
		Rubber			
8	955 111 108 30	Clamp		2	
9	955 111 251 40	Tail pipe	/L	1	I0P0
(9)	955 111 251 71	Tail pipe	/L	1	I0P3
10	955 111 252 40	Tail pipe	/R	1	I0P0
(10)	955 111 252 71	Tail pipe	/R	1	I0P3

Model: 9PA108

Model life 2007>>2010



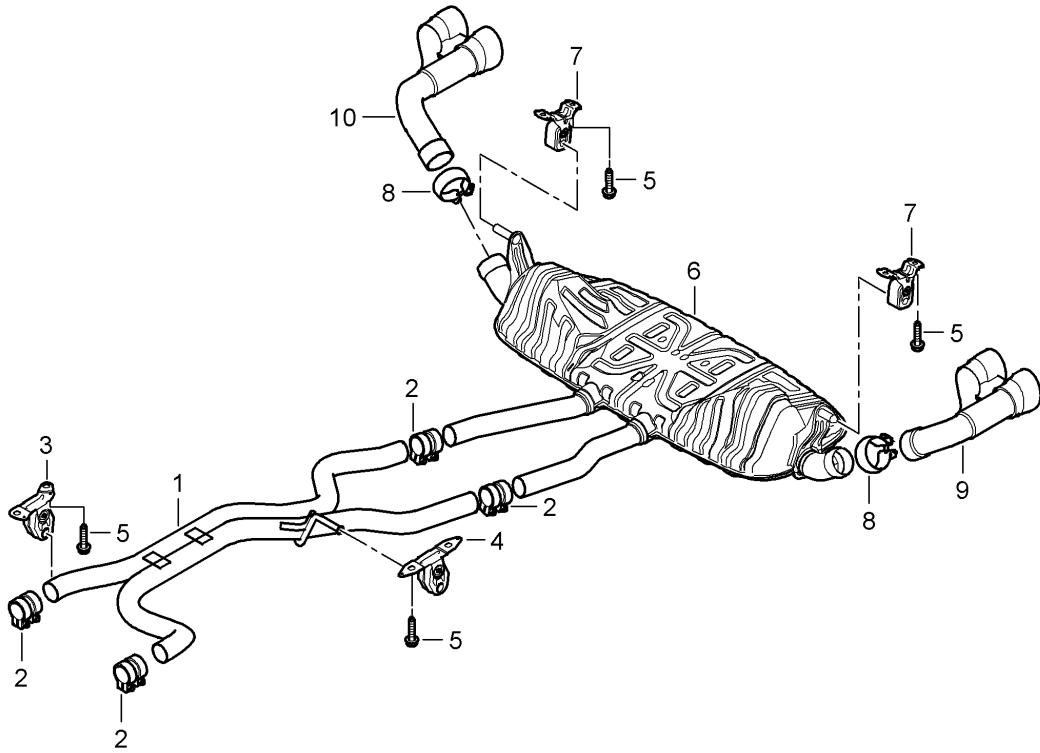
Model: 9PA108

Model life 2007>>2010

Pos	Part Number	Description	Remark	Qty	Model
		Exhaust system Sport version Front muffler Rear muffler Tail pipe			ID5V/0P8
1	955 111 096 40	Front muffler		1	
2	955 111 220 12	Clamping sleeve		4	
3	955 111 227 30	Support with Rubber		1	
4	955 111 227 40	Support with Rubber		1	
5	N 908 797 02	Hexagon-head bolt M 8 X 25		8	
6	955 111 121 80	Rear muffler		1	
7	955 111 227 50	Support with Rubber		2	
8	955 111 108 50	Clamp 60 MM	/L	1	
9	955 111 108 40	Clamp 50 MM	/L	1	
10	955 111 251 60	Tail pipe	/L	1	
11	955 111 108 70	Clamp 60 MM	/R	1	
12	955 111 108 60	Clamp 50 MM	/R	1	
13	955 111 252 60	Tail pipe	/R	1	
14	955 111 160 40	Control line Complete		1	
15	955 111 709 00	Vacuum hose	/L	1	
16	955 111 710 00	Vacuum hose	/R	1	
17	955 111 160 30	Vacuum line Rear axle		1	
18	955 111 160 20	Vacuum line Door sill		1	
19	955 111 160 10	Vacuum line Wheel housing		1	
20	955 111 160 00	Vacuum line Engine compartment		1	

Model: 9PA108

Model life 2007>>2010

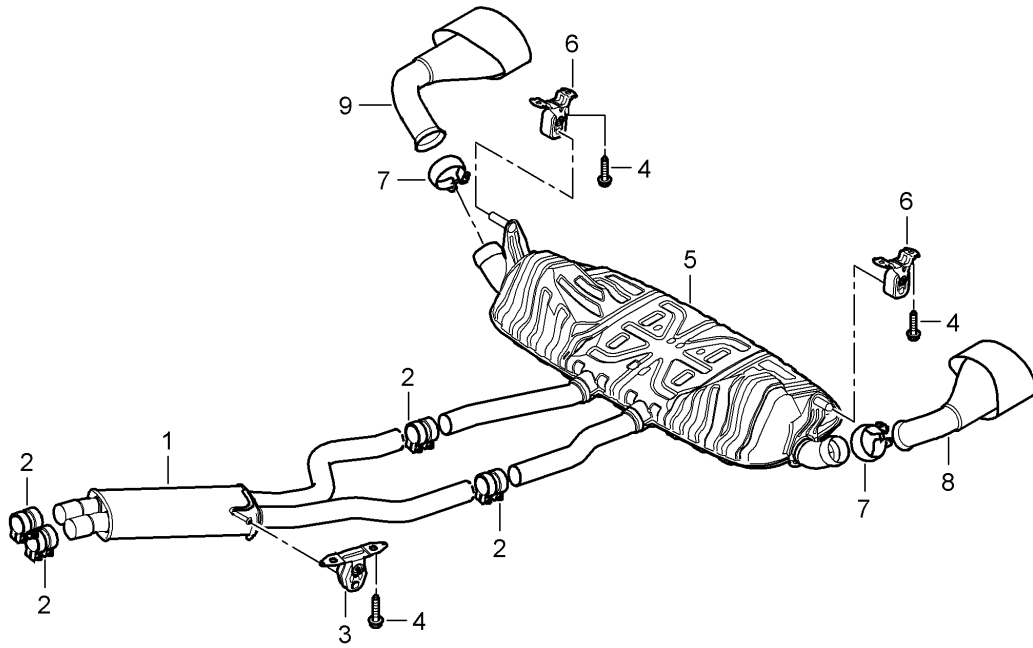


Model: 9PA108 Model life 2007>>2010

Pos	Part Number	Description	Remark	Qty	Model
		Exhaust system			ID5Z/0P0/0P3
		Front muffler			
		Rear muffler			
		Tail pipe			
1	955 111 096 50	Front muffler		1	
2	955 111 220 21	Clamping sleeve		4	
3	955 111 227 30	Support with Rubber		1	
4	955 111 227 40	Support with Rubber		1	
5	N 908 797 02	Hexagon-head bolt M 8 X 25		8	
6	955 111 121 70	Rear muffler		1	
7	955 111 227 50	Support with Rubber		2	
8	955 111 108 30	Clamp		2	
9	955 111 251 50	Tail pipe	/L	1	I0P0
(9)	955 111 251 71	Tail pipe	/L	1	I0P3
10	955 111 252 50	Tail pipe	/R	1	I0P0
(10)	955 111 252 71	Tail pipe	/R	1	I0P3

Model: 9PA108

Model life 2007>>2010



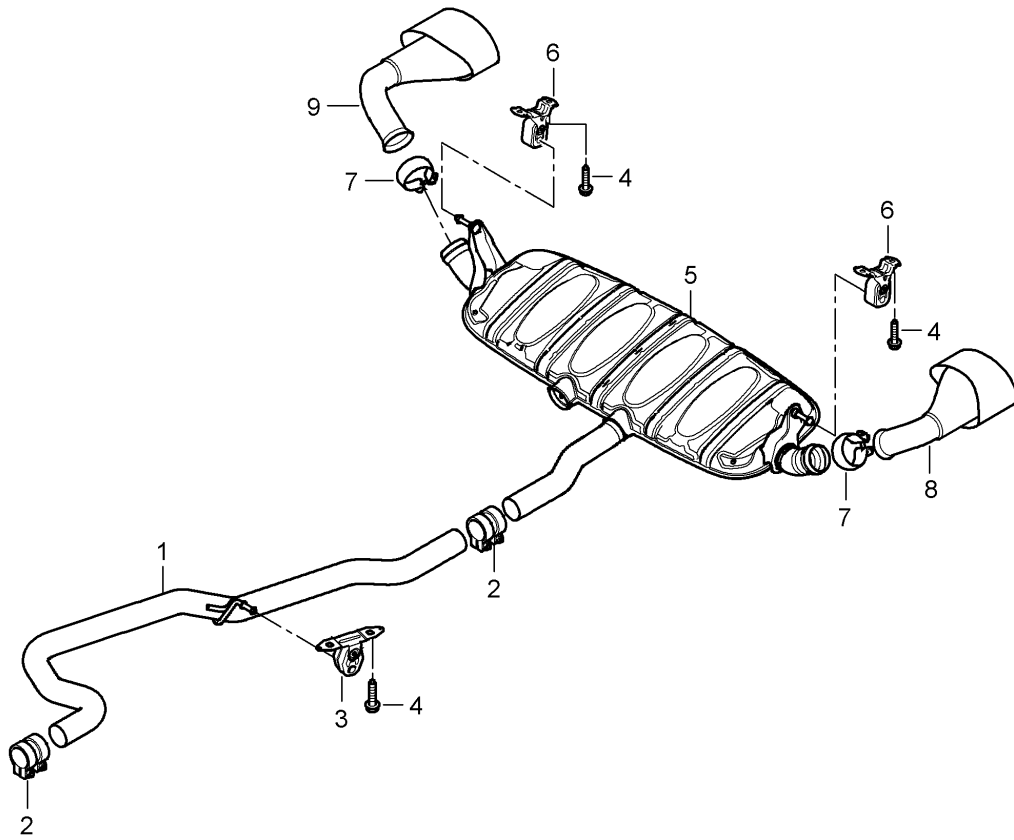
Model: 9PA108

Model life 2007>>2010

Pos	Part Number	Description	Remark	Qty	Model
		Exhaust system			ID5X/0P0/0P3
		Front muffler			
		Rear muffler			
		Tail pipe			
1	955 111 096 30	Front muffler		1	
2	955 111 220 30	Clamping sleeve		4	
3	955 111 227 40	Support		1	
		with			
		Rubber			
4	N 908 797 02	Hexagon-head bolt		6	
		M 8 X 25			
5	955 111 121 50	Rear muffler		1	
6	955 111 227 50	Support		2	
		with			
		Rubber			
7	955 111 108 30	Clamp		2	
8	955 111 251 30	Tail pipe	/L	1	I0P0
(8)	955 111 251 71	Tail pipe	/L	1	I0P3
9	955 111 252 30	Tail pipe	/R	1	I0P0
(9)	955 111 252 71	Tail pipe	/R	1	I0P3

Model: 9PA108

Model life 2007>>2010



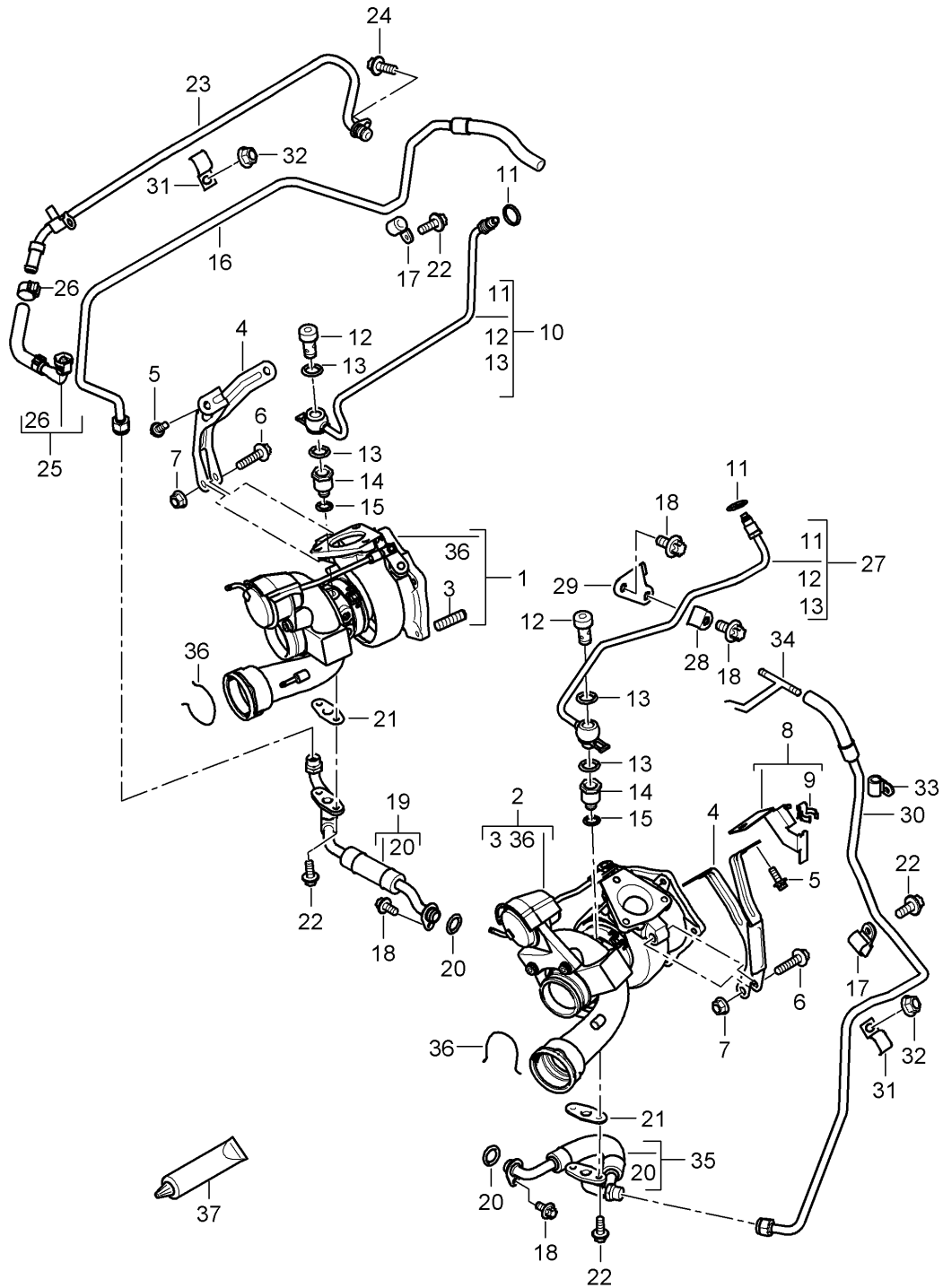
Model: 9PA108

Model life 2007>>2010

Pos	Part Number	Description	Remark	Qty	Model
		Exhaust system			ID50/0P0/0P3
		Exhaust pipe			
		Rear muffler			
		Tail pipe			
1	955 111 096 60	Exhaust pipe		1	
2	955 111 220 21	Clamping sleeve		1	
3	955 111 227 40	Support		1	
		with			
		Rubber			
4	N 908 797 02	Hexagon-head bolt		6	
		M 8 X 25			
5	955 111 121 90	Rear muffler		1	
6	955 111 227 50	Support		2	
		with			
		Rubber			
7	955 111 108 30	Clamp		2	
8	955 111 251 30	Tail pipe	/L	1	I0P0
(8)	955 111 251 71	Tail pipe	/L	1	I0P3
9	955 111 252 30	Tail pipe	/R	1	I0P0
(9)	955 111 252 71	Tail pipe	/R	1	I0P3

Model: 9PA108

Model life 2007>>2010



Model: 9PA108 Model life 2007>>2010

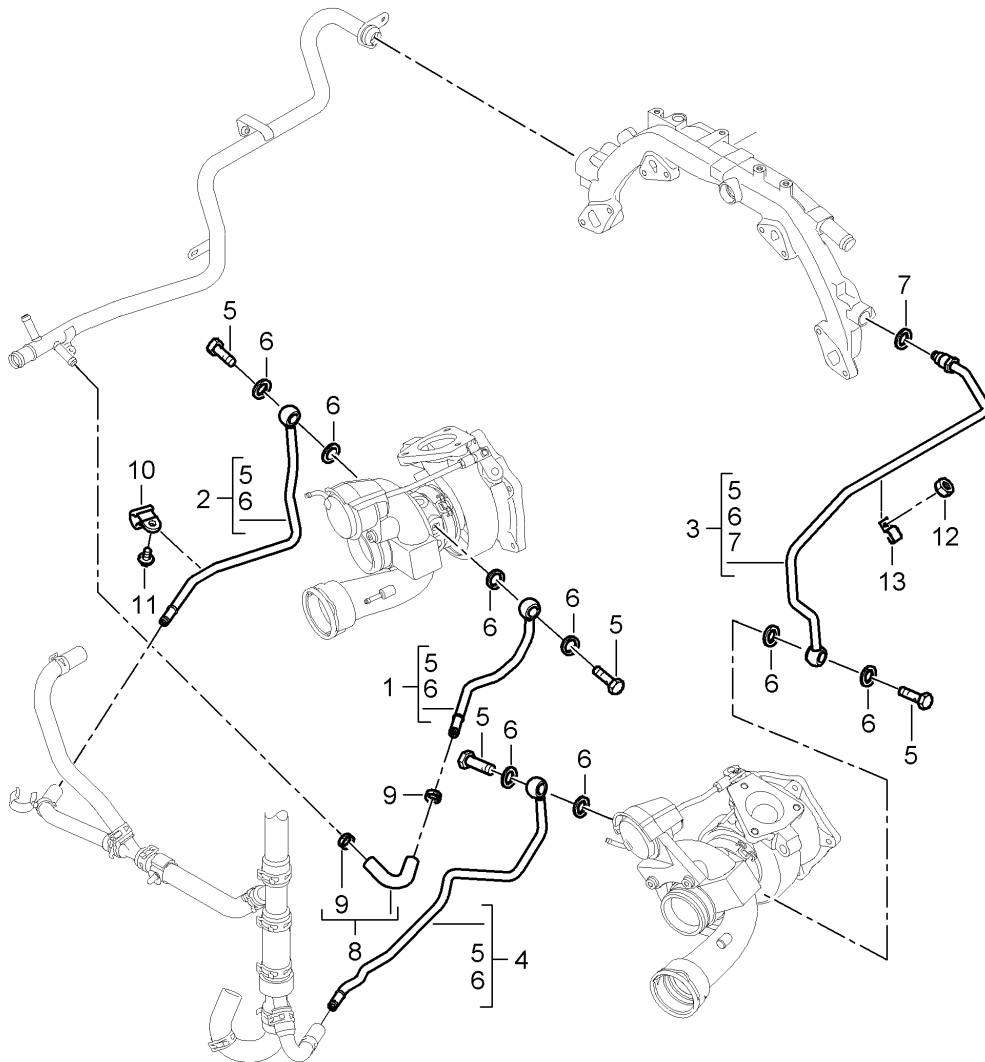
Pos	Part Number	Description	Remark	Qty	Model
		Turbocharger Oil pipe for Turbocharger			M48.51
1	948 123 025 52	Turbocharger Cylinders 1 - 4		1	
(1)	948 123 025 53	Turbocharger Cylinders 1 - 4		1	
(1)	948 123 025 54	Turbocharger Cylinders 1 - 4		1	
2	948 123 026 52	Turbocharger Cylinders 5 - 8		1	
(2)	948 123 026 53	Turbocharger Cylinders 5 - 8		1	
(2)	948 123 026 54	Turbocharger Cylinders 5 - 8		1	
3	948 123 323 50	Stud		10	
4	948 123 121 50	Bracket Turbocharger		2	
5	900 385 001 01	Torx screw BM 8 X 20		4	
(5)	900 385 044 01	Torx screw BM 8 X 16		4	
6	900 385 035 01	Torx screw BM 8 X 40		2	
7	999 084 642 02	Hexagon nut M 8		2	
8	948 606 117 00	Support Line	/L	1	
(8)	948 606 118 00	Oxygen sensor Support Line	/R	1	
9	999 651 392 07	Oxygen sensor Cable holder 9,5 - 10,5		2	
10	948 107 086 51	Pressure line Cylinders 1 - 4		1	
(10)	948 107 086 52	Pressure line Cylinders 1 - 4		1	
11	999 707 763 40	O-ring 5,8 X 1,7		2	
12	948 107 011 52	Check valve		2	
13	900 123 131 30	Sealing ring A 16 X 20		4	
(13)	900 123 018 20	Sealing ring A 16 X 20		4	
14	999 136 053 02	Connection piece M 12 X 1,5		2	
15	900 123 005 30	Sealing ring A 12 X 16		2	
(15)	900 123 005 20	Sealing ring A 12 X 16		2	
16	948 107 090 52	Vent line Cylinders 1 - 4		1	
(16)	948 107 090 53	Vent line Cylinders 1 - 4		1	
17	999 511 116 03	Clamp 10 X 15		2	
18	900 385 041 01	Torx screw BM 6 X 12		4	
19	948 107 088 54	Oil pipe Cylinders 1 - 4		1	
20	999 707 568 40	O-ring		2	

Model: 9PA108 Model life 2007>>2010

Pos	Part Number	Description	Remark	Qty	Model
21	948 107 123 50	12 X 3 Gasket		2	
22	900 385 009 01	Torx screw BM 6 X 16		6	
23	948 107 260 51	Ventilation pipe		1	
24	900 385 041 01	Torx screw BM 6 X 12		1	
25	955 107 265 50	Vent hose		1	
26	N 907 702 01	Hose clamp B 17 X 12		1	
27	948 107 087 51	Pressure line Cylinders 5 - 8		1	
(27)	948 107 087 52	Pressure line Cylinders 5 - 8		1	
28	999 511 741 00	Clamp 8 X 15		1	
29	948 107 209 51	Support		1	
(29)	948 107 209 52	Support		1	
30	948 107 091 52	Vent line Cylinders 5 - 8		1	
(30)	948 107 091 53	Vent line Cylinders 5 - 8		1	
31	999 511 253 00	Clamp 10 - 10 X 15		2	
32	900 377 010 01	Hexagon nut M 6		2	
33	N 020 651 5	Clip 10 X 15		1	
(33)	N 020 651 7	Clip 10 X 15		1	
34		Vent line See illustrations 1/07/01 POS.19		1	
35	948 107 089 53	Oil pipe Cylinders 5 - 8		1	
36	948 123 324 50	Retainer spring		2	
37	000 043 206 95	Grease 1 tube 10 Gr. Microgleit LP 475 for Stud Turbocharger		X	

Model: 9PA108

Model life 2007>>2010



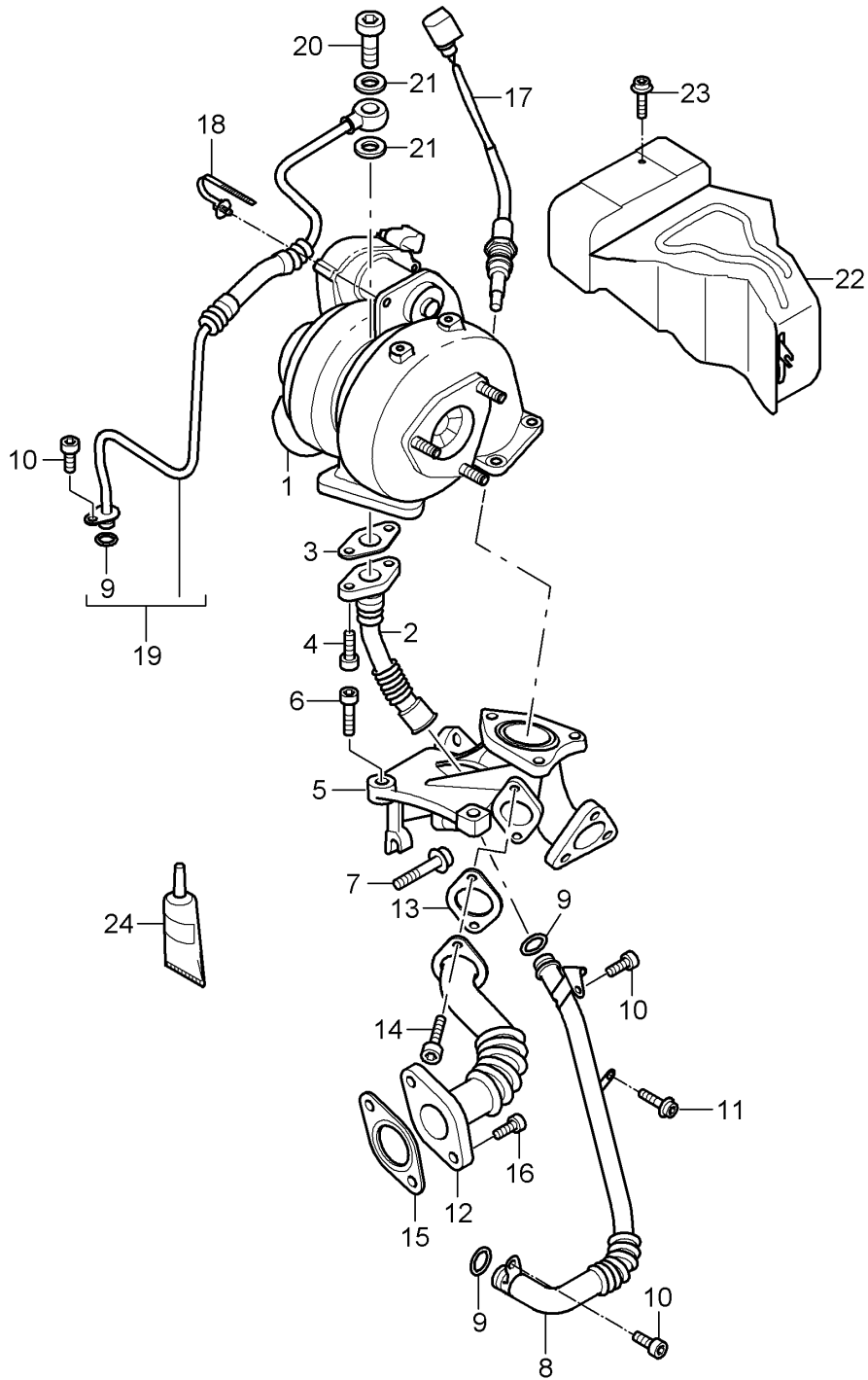
Model: 9PA108

Model life 2007>>2010

Pos	Part Number	Description	Remark	Qty	Model
		Turbocharger Water cooling			M48.51
1	948 106 027 52	Cooling water tube Supply Cylinders 1 - 4		1	
(1)	948 106 027 53	Cooling water tube Supply Cylinders 1 - 4		1	
2	948 106 235 51	Cooling water tube Return line Cylinders 1 - 4		1	
(2)	948 106 235 52	Cooling water tube Return line Cylinders 1 - 4		1	
3	948 106 237 53	Cooling water tube Supply Cylinders 5 - 8		1	
(3)	948 106 237 54	Cooling water tube Supply Cylinders 5 - 8		1	
(3)	948 106 237 55	Cooling water tube Supply Cylinders 5 - 8		1	
4	948 106 239 52	Cooling water tube Return line Cylinders 5 - 8		1	
(4)	948 106 239 53	Cooling water tube Return line Cylinders 5 - 8		1	
5	999 134 047 01	Banjo bolt M 12 X 1,25 X 24		4	
6	900 123 005 30	Sealing ring A 12 X 16		8	
(6)	900 123 005 20	Sealing ring A 12 X 16		8	
7	999 707 503 40	Sealing ring 7,8 X 1,7		1	
8	948 106 383 50	Water hose		1	
9	999 512 686 09	Hose clamp B 17 X 12		2	
10	999 511 116 03	Clamp 10 X 15		1	
11	900 385 041 01	Torx screw BM 6 X 12		1	
12	900 377 010 01	Hexagon nut M 6		1	
13	999 511 253 00	Clamp 10 - 10 X 15		1	

Model: 9PA108

Model life 2007>>2010

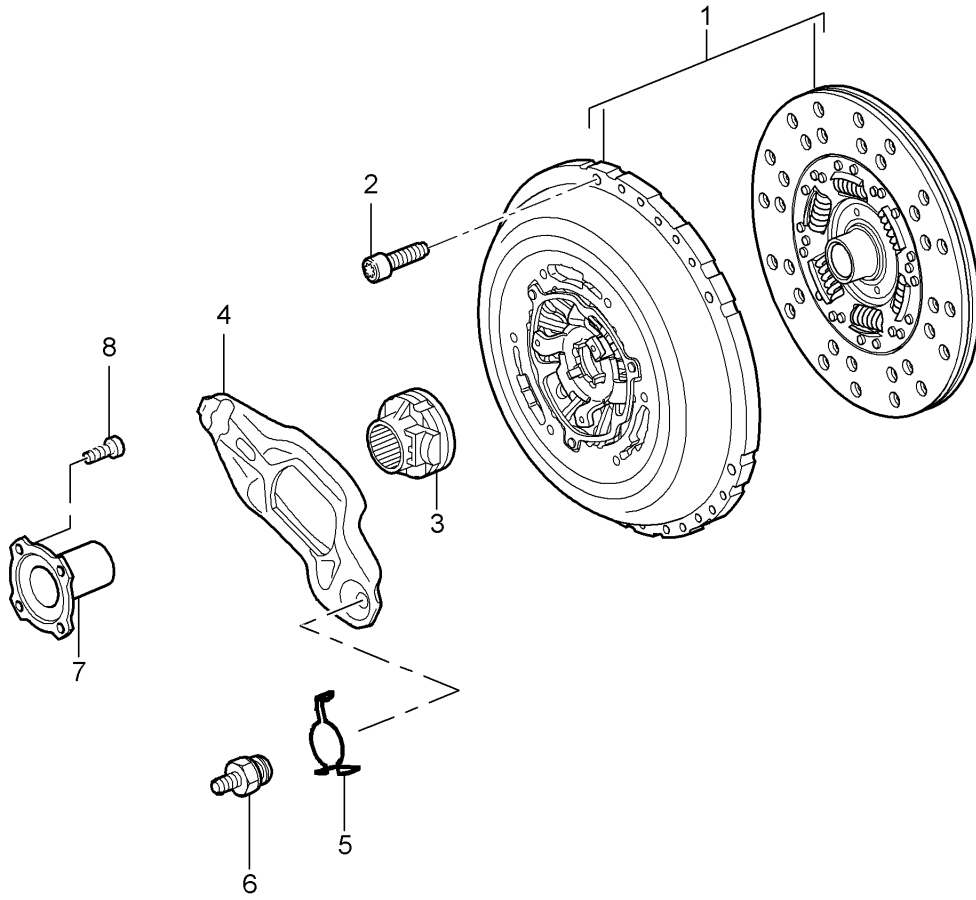


Model: 9PA108 Model life 2007>>2010

Pos	Part Number	Description	Remark	Qty	Model
		Turbocharger			M05.9D
		Oil pipe			
1	955 123 025 00	Turbocharger		1	
2	955 107 088 00	Oil pipe		1	
		Return line			
3	955 107 123 00	Gasket		1	
4	N 104 514 05	Round head screw		2	
		M 6 X 16			
5		Connecting piece		1	
		See illustrations			
		2/02/12			
6	N 105 521 02	Pan-head screw		2	
		M 8 X 28			
7	N 105 449 03	Pan-head screw		1	
		M 8 X 55			
8	955 107 089 00	Oil pipe		1	
		Return line			
(8)	955 107 089 01	Oil pipe		1	
		Return line			
9	955 107 124 00	Round seal		3	
		15 X 2,5			
10	N 104 056 04	Oval-head screw		3	
		M 6 X 14			
11	N 101 703 02	Oval-head screw		1	
		M 6 X 10			
12	955 107 525 00	Connecting tube		1	
13	955 107 358 00	Gasket		1	
(13)	958 107 358 00	Gasket		1	
14	N 106 174 01	Pan-head screw		2	
		M 6 X 16			
(14)	N 911 962 01	Pan-head screw		2	
		M 6 X 16			
15	955 107 120 00	Gasket		1	
16	N 910 215 01	Pan-head screw		2	
		M 8 X 25			
17	955 606 688 10	Temperature sensor		1	
		Exhaust gas			
18	955 606 838 00	Tie-wrap		1	
		4,5 X 200			
19	955 107 087 00	Oil pipe		1	
		Supply			
20	955 107 148 00	Banjo bolt		1	
		M 10 X 1			
21	N 013 811 5	Sealing ring		2	
		A 10 X 13,5			
22	955 123 325 00	Heat shield		1	
		Turbocharger			
23	N 103 352 06	Round head screw		3	
		M 6 X 12			
24	000 043 207 47	Grease		x	
		1 tube			
		170 Gr.			

Model: 9PA108

Model life 2007>>2010

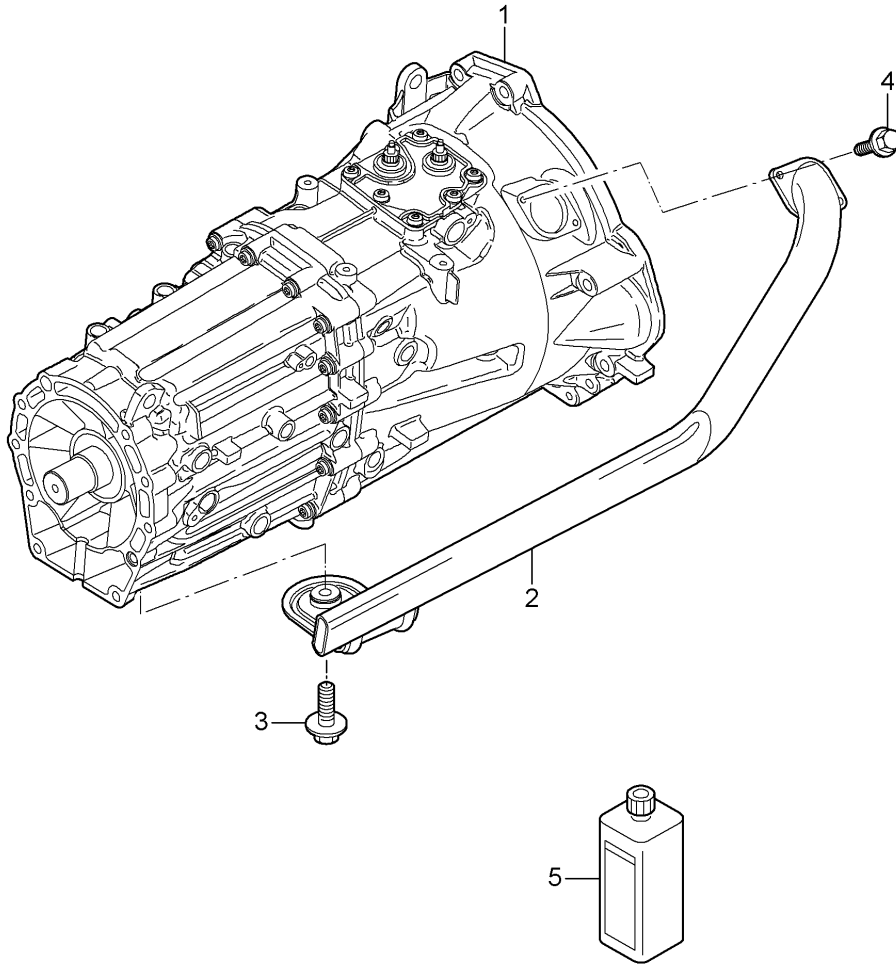


Model: 9PA108 Model life 2007>>2010

Pos	Part Number	Description	Remark	Qty	Model
1	955 116 015 01	Clutch Repair kit Comprising: Drive plate Pressure plate		1	IGOL M48.01
(1)	955 116 915 01	Repair kit Comprising: Drive plate Pressure plate		1	M55.01
2	N 911 361 02	Pan-head screw M 8 X 14 M >> 639 10538 M >> G 9 05538 See workshop manual Group 3 Document 305019		6	
(2)	999 073 458 01	Screw BM 8 X 16 M 639 10539 >> M G 9 05539 >> See workshop manual Group 3 Document 305019		6	
3	955 116 080 00	Clutch release bearing		1	
4	955 116 719 00	Clutch release lever		1	
5	012 141 741	Retainer spring		1	
6	955 116 716 00	Ball pin		1	
7	955 301 181 00	Guide tube		1	
8	N 910 905 01	Torx screw M 6 X 12		4	

Model: 9PA108

Model life 2007>>2010

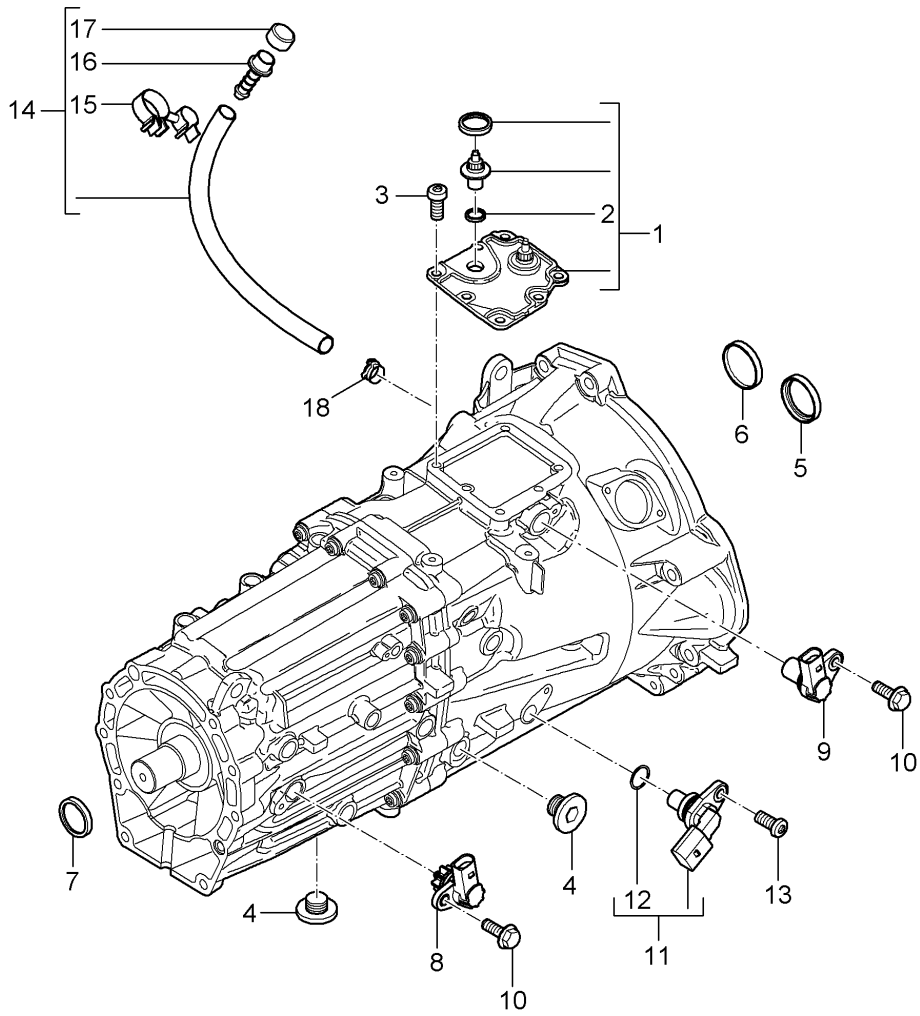


Model: 9PA108 Model life 2007>>2010

Pos	Part Number	Description	Remark	Qty	Model
		Replacement transmission Manual transmission Ready for installation			IG0L
1	955 300 010 22	Replacement transmission Classification letter HPD		1	ID5V
1	955 300 010 1X	Replacement transmission Classification letter HPD		1	ID5V
(1)	955 300 010 23	Replacement transmission Classification letter HPC		1	ID5X
(1)	955 300 010 2X	Replacement transmission Classification letter HPC		1	ID5X
2	955 116 047 00	Air guide		1	ID5V
3	N 105 653 02	Combination screw M 10 X 45		1	ID5V
4	N 100 829 11	Combination screw M 6 X 16		2	ID5V
5	000 043 300 38	Transmission oil Container 1 LITER		X	

Model: 9PA108

Model life 2007>>2010



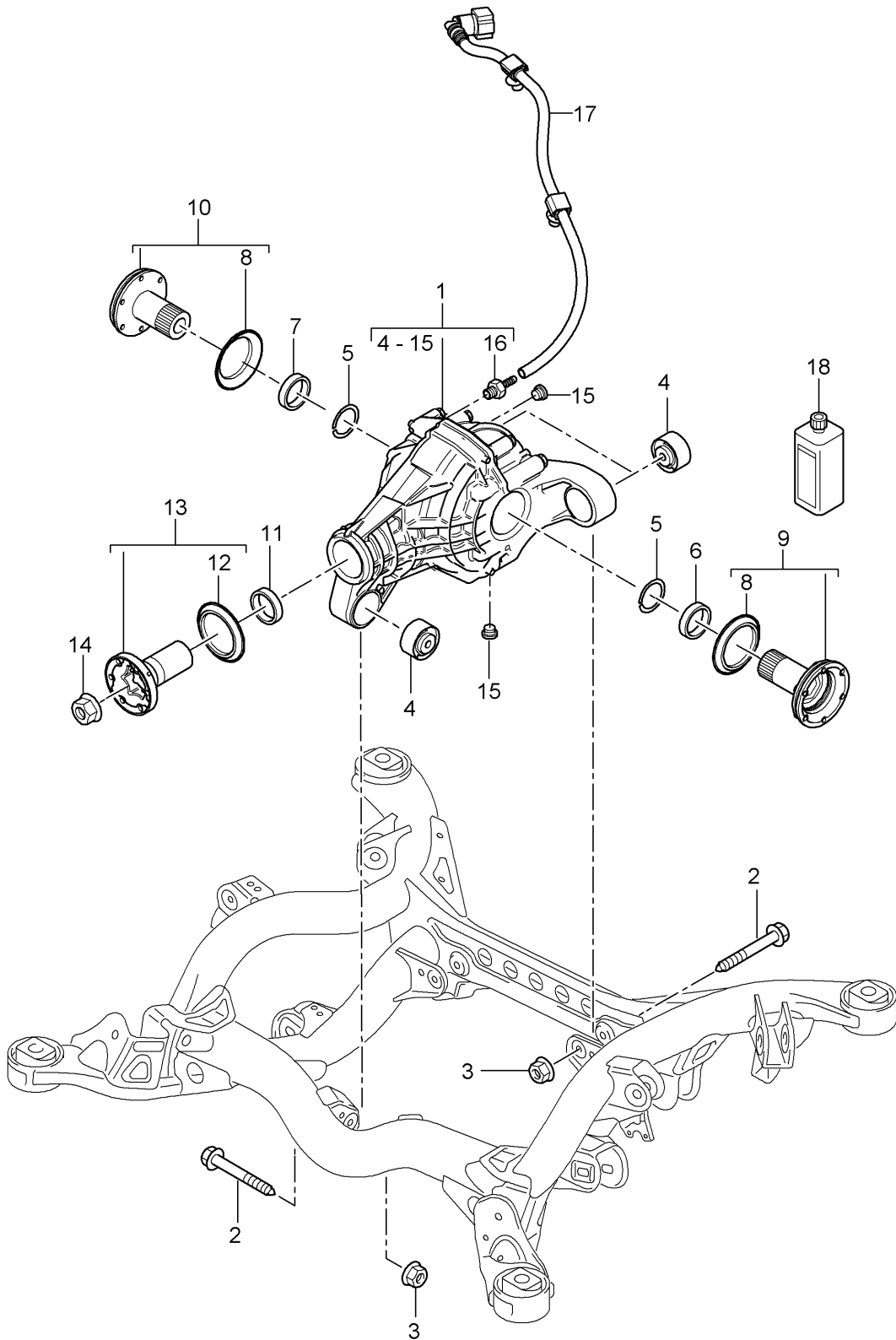
Model: 9PA108

Model life 2007>>2010

Pos	Part Number	Description	Remark	Qty	Model
		Replacement transmission Manual transmission Single parts			IG0L
1	955 301 230 10	Switching module		1	
2	955 301 227 00	Shaft sealing ring 15 X 21 X 7		1	
3	N 910 903 01	Pan-head screw M 8 X 28		7	
-	000 043 010 00	Loctite 574 50 ML. Surface sealing		X	
4	WHT 000 514	Switching module Screw plug M 18 X 1,5		2	
5	955 301 109 00	Radial shaft seal 39,9 X 70 X 9 for Drive shaft		1	
6	955 301 125 00	Lid		1	
7	955 301 189 00	Radial shaft seal 41 X 72 X 9 for Output shaft		1	
8	955 606 420 00	Back-up light switch		1	
9	955 606 827 00	Switch Idle speed		1	
10	N 901 678 05	Hexagon-head bolt M 7 X 1,25 X 19		2	
11	955 606 601 05	Pulse sender		1	ID5V
12	955 606 701 00	O-ring 18,1 X 1,6		1	ID5V
13	N 104 514 05	Round head screw M 6 X 16		1	ID5V
14	955 301 047 00	Bleeder 1360 MM It is necessary to rework 230 MM Use also: N .105.679.01		1	
15	N 105 679 01	Support A01-13 X C05-22		1	
16	955 301 090 00	Connection piece		1	
17	014 301 485	Cap		1	
18	N 906 867 01	Hose clamp B 14 X 12		1	

Model: 9PA108

Model life 2007>>2010



Model: 9PA108

Model life 2007>>2010

Pos	Part Number	Description	Remark	Qty	Model
		Rear axle differential Ready for installation without Limited-slip differential			I1Y0
1	955 332 010 10	Rear axle differential Ready for installation I = 3,55 Classification letter JVR		1	ID5V/G0L
1	955 332 010 TX	Rear axle differential Ready for installation I = 3,55 Classification letter JVR		1	ID5V/G0L
(1)	955 332 010 03	Rear axle differential Ready for installation I = 3,55 Classification letter JVS		1	ID5V/G0R
(1)	955 332 010 LX	Rear axle differential Ready for installation I = 3,55 Classification letter JVS		1	ID5V/G0R
(1)	955 332 010 53	Rear axle differential Ready for installation I = 3,27 Classification letter JLP		1	ID5Z
(1)	955 332 010 NX	Rear axle differential Ready for installation I = 3,27 Classification letter JLP		1	ID5Z
(1)	955 332 010 21	Rear axle differential Ready for installation I = 4,3 Classification letter HMB		1	ID5X/G0R
(1)	955 332 010 KX	Rear axle differential Ready for installation I = 4,3 Classification letter HMB		1	ID5X/G0R
(1)	955 332 010 31	Rear axle differential Ready for installation I = 3,7 Classification letter HMA		1	ID5X/G0L
(1)	955 332 010 VX	Rear axle differential Ready for installation I = 3,7 Classification letter HMA		1	ID5X/G0L
(1)	955 332 010 01	Rear axle differential Ready for installation I = 4,1 Classification letter GLU		1	ID5V/E0W/G0L
(1)	955 332 010 AX	Rear axle differential Ready for installation I = 4,1 Classification letter		1	ID5V/E0W/G0L

Model: 9PA108

Model life 2007>>2010

Pos	Part Number	Description	Remark	Qty	Model
(1)	955 332 010 02	GLU Rear axle differential Ready for installation I = 4,1 Classification letter HUC		1	ID5V/E0W/G0R
(1)	955 332 010 BX	Rear axle differential Ready for installation I = 4,1 Classification letter HUC		1	ID5V/E0W/G0R
(1)	955 332 010 01	Rear axle differential Ready for installation I = 4,1 Classification letter GLU		1	ID5V/E2D/G0L
(1)	955 332 010 AX	Rear axle differential Ready for installation I = 4,1 Classification letter GLU		1	ID5V/E2D/G0L
(1)	955 332 010 02	Rear axle differential Ready for installation I = 4,1 Classification letter HUC		1	ID5V/E2D/G0R
(1)	955 332 010 BX	Rear axle differential Ready for installation I = 4,1 Classification letter HUC		1	ID5V/E2D/G0R
(1)	955 332 010 40	Rear axle differential Ready for installation I = 3,9 Classification letter FKU		1	ID50/G0R
(1)	955 332 010 WX	Rear axle differential Ready for installation I = 3,9 Classification letter FKU		1	ID50/G0R
2	N 102 112 02	Hexagon-head bolt AM 12 X 1,5 X 90		3	
3	N 104 029 04	Hexagon nut M 12 X 1,5		3	
4	955 332 337 00	Rubber mounting		3	ID5V/D5X
(4)		Rubber mounting		3	ID50
(4)	955 332 337 10	Rubber mounting		3	ID5Z
5	955 332 125 00	Circlip		2	
6	955 332 596 10	Shaft sealing ring 72 X 50 X 9		1	
7	955 332 596 00	Shaft sealing ring 82 X 50 X 9		1	
8	955 332 375 00	Protective ring		2	
9	955 332 283 20	Output flange Long 152,5 MM		1	ID5V/G0L
9		Output flange Long 152,5 MM		1	ID5Z
(9)	955 332 284 20	Output flange Short 142 MM		1	ID5V/G0R

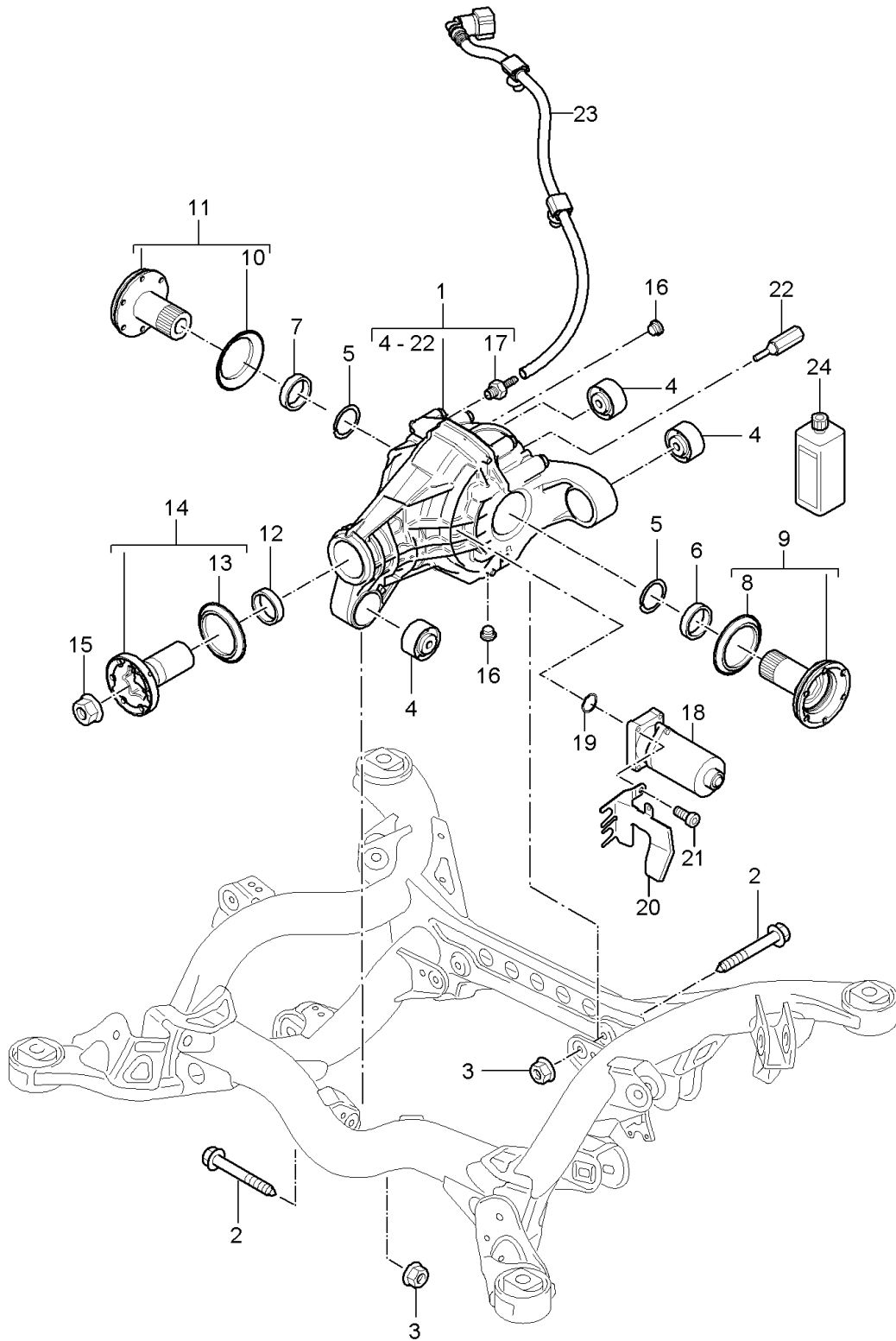
Model: 9PA108

Model life 2007>>2010

Pos	Part Number	Description	Remark	Qty	Model
(9)		Output flange Short 142 MM		1	ID5X
(9)		Output flange Short 142 MM		1	ID50
10	955 332 283 20	Output flange Long 152,5 MM		1	ID5V/G0L
10		Output flange Long 152,5 MM		1	ID5Z
(10)	955 332 284 20	Output flange Short 142 MM		1	ID5V/G0R
(10)		Output flange Short 142 MM		1	ID5X
(10)		Output flange Short 142 MM		1	ID50
11	955 332 596 20	Shaft sealing ring 80 x 55 x 8		1	
12	955 332 375 20	Protective ring		1	
13	955 332 127 00	Drive flange		1	
14	955 332 427 00	Collar nut M 22 X 1,5		1	
15	955 332 057 00	Screw plug M 16 X 1,5		2	
16	955 332 065 20	Breather adapter		1	
17	955 201 255 05	Breather pipe		1	
18	000 043 205 30	Transmission oil 75 W 90 1 LITER Container		X	

Model: 9PA108

Model life 2007>>2010



Model: 9PA108

Model life 2007>>2010

Pos	Part Number	Description	Remark	Qty	Model
		Rear axle differential Ready for installation with Limited-slip differential Electric			I1Y1
1	955 332 020 02	Rear axle differential Ready for installation I = 3,55 Classification letter JVX		1	ID5V
(1)	955 332 020 MX	Rear axle differential Ready for installation I = 3,55 Classification letter JVX		1	ID5V
(1)	955 332 020 01	Rear axle differential Ready for installation I = 4,1 Classification letter HLX		1	ID5V/E2D
(1)	955 332 020 AX	Rear axle differential Ready for installation I = 4,1 Classification letter HLX		1	ID5V/E2D
(1)	955 332 020 53	Rear axle differential Ready for installation I = 3,27 Classification letter KFJ		1	ID5Z
(1)	955 332 020 SX	Rear axle differential Ready for installation I = 3,27 Classification letter KFJ		1	ID5Z
(1)	955 332 020 22	Rear axle differential Ready for installation I = 3,7 Classification letter JVU		1	ID5X/G0L
(1)	955 332 020 PX	Rear axle differential Ready for installation I = 3,7 Classification letter JVU		1	ID5X/G0L
(1)	955 332 020 31	Rear axle differential Ready for installation I = 4,3 Classification letter JVV		1	ID5X/G0R
(1)	955 332 020 RX	Rear axle differential Ready for installation I = 4,3 Classification letter JVV		1	ID5X/G0R
(1)	955 332 020 40	Rear axle differential Ready for installation I = 3,9 Classification letter HLW		1	ID50/G0R
(1)	955 332 020 TX	Rear axle differential Ready for installation I = 3,9		1	ID50/G0R

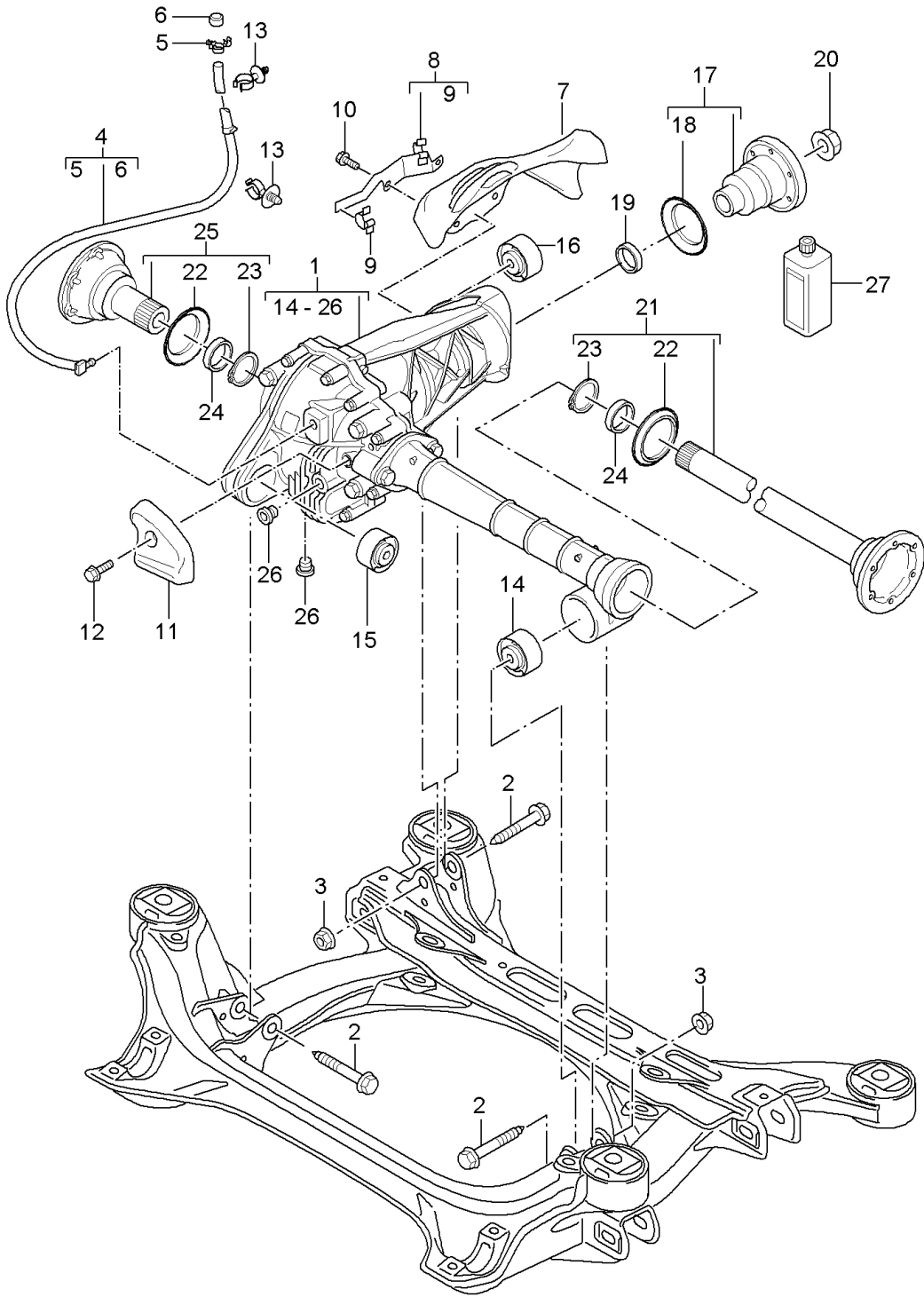
Model: 9PA108

Model life 2007>>2010

Pos	Part Number	Description	Remark	Qty	Model
		Classification letter HLW			
2	N 102 112 02	Hexagon-head bolt AM 12 X 1,5 X 90		3	
3	N 104 029 04	Hexagon nut M 12 X 1,5		3	
4	955 332 337 00	Rubber mounting		3	ID5V/D5X
(4)		Rubber mounting		3	ID50
(4)	955 332 337 10	Rubber mounting		3	ID5Z
5	955 332 125 00	Circlip		2	
6	955 332 596 30	Shaft sealing ring 100 X 80 X 10		1	
7	955 332 596 00	Shaft sealing ring 82 X 50 X 9		1	
8	955 332 375 10	Protective ring		1	
9	955 332 284 30	Output flange		1	
10	955 332 375 00	Protective ring		1	
11	955 332 283 30	Output flange		1	
12	955 332 596 20	Shaft sealing ring 80 X 55 X 8		1	
13	955 332 375 20	Protective ring		1	
14	955 332 127 00	Drive flange		1	
15	955 332 427 00	Collar nut M 22 X 1,5		1	
16	955 332 057 00	Screw plug M 16 X 1,5		2	
17	955 332 065 20	Breather adapter		1	
18	955 624 904 01	Electric motor for limited-slip differential		1	
		Use also: 955.332.649.00		1	
19	955 332 649 00	O-ring 25 X 2		1	
20	955 332 037 00	Retaining bracket		1	
21	955 332 147 00	Pan-head screw M 6 X 30		4	
22	955 332 169 00	Damper with O-ring		1	
23	955 201 255 05	Breather pipe		1	
24	000 043 300 37	Transmission oil 75 W 90 1 LITER		X	ID5V/D5X/D5Z
(24)		Container Transmission oil 75 W 90 1 LITER Container Workshop manual Attention		X	ID50

Model: 9PA108

Model life 2007>>2010



Model: 9PA108

Model life 2007>>2010

Pos	Part Number	Description	Remark	Qty	Model
1	955 349 010 10	Front-axle final drive Ready for installation Front-axle final drive Ready for installation I = 3,55 Classification letter JVM		1	ID5V/E0A
1	955 349 010 BX	Front-axle final drive Ready for installation I = 3,55 Classification letter JVM		1	ID5V/E0A
(1)	955 349 010 52	Front-axle final drive Ready for installation I = 3,27 Classification letter KHJ		1	ID5Z
(1)	955 349 010 CX	Front-axle final drive Ready for installation I = 3,27 Classification letter KHJ		1	ID5Z
(1)	955 349 010 21	Front-axle final drive Ready for installation I = 4,3 Classification letter JTJ		1	ID5X/G0R
(1)	955 349 010 DX	Front-axle final drive Ready for installation I = 4,3 Classification letter JTJ		1	ID5X/G0R
(1)	955 349 010 01	Front-axle final drive Ready for installation I = 3,7 Classification letter JTE		1	ID5X/G0L
(1)	955 349 010 FX	Front-axle final drive Ready for installation I = 3,7 Classification letter JTE		1	ID5X/G0L
(1)	955 349 010 02	Front-axle final drive Ready for installation I = 4,1 Classification letter KBS		1	ID5V/E0W/E1T IE2D
(1)	955 349 010 AX	Front-axle final drive Ready for installation I = 4,1 Classification letter KBS		1	ID5V/E0W/E1T IE2D
(1)	955 349 010 40	Front-axle final drive Ready for installation I = 3,9 Classification letter JTG		1	ID50/G0R
(1)	955 349 010 GX	Front-axle final drive Ready for installation I = 3,9 Classification letter		1	ID50/G0R

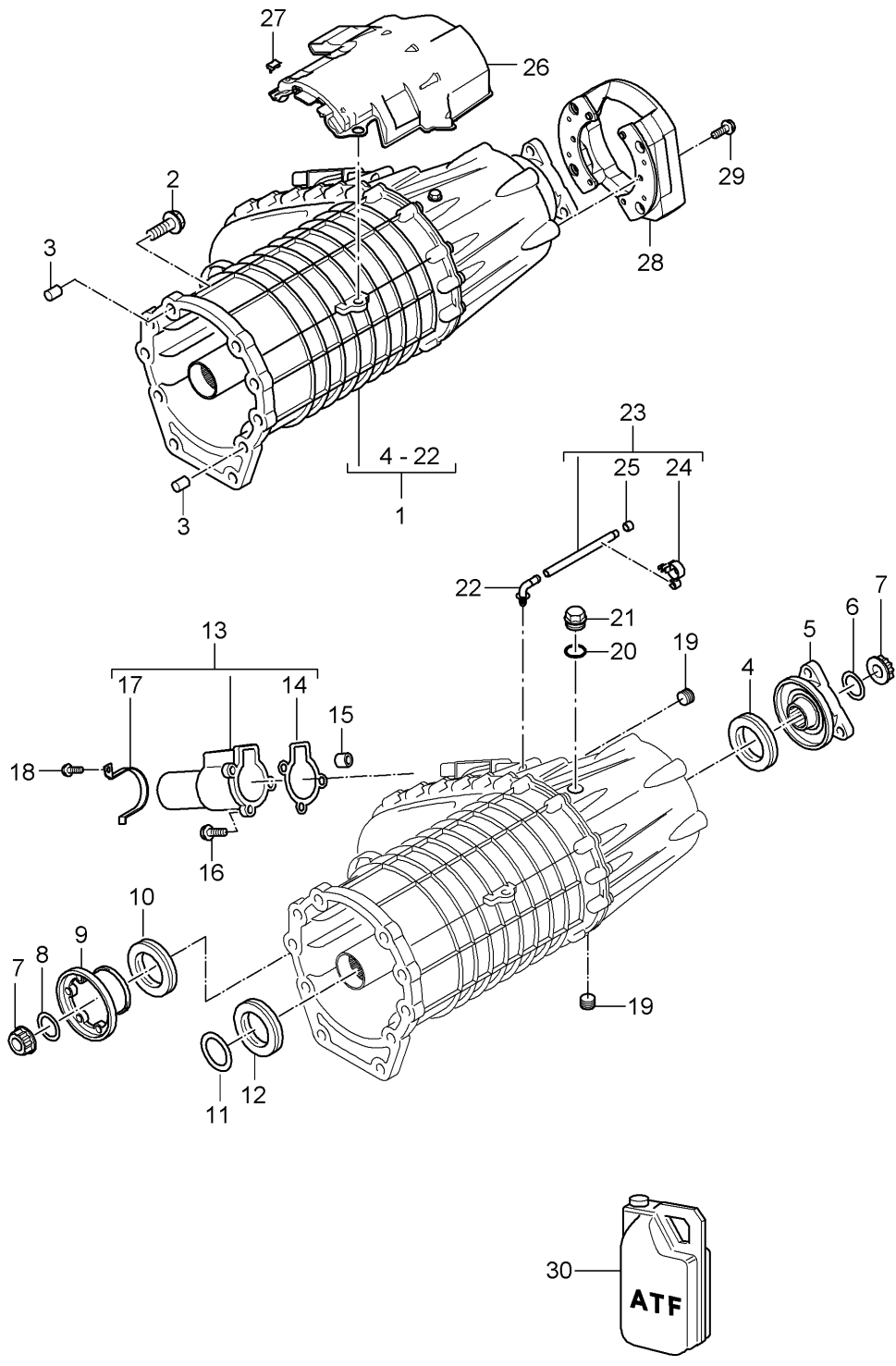
Model: 9PA108

Model life 2007>>2010

Pos	Part Number	Description	Remark	Qty	Model
2	N 102 112 02	JTG Hexagon-head bolt AM 12 X 1,5 X 90		3	
3	N 104 029 04	Hexagon nut M 12 X 1,5		2	
4	955 349 047 01	Vent line		1	ID5V/D5Z
(4)	955 349 047 02	Vent line		1	ID5X
(4)	955 349 047 03	Vent line		1	ID50
5	N 105 280 02	Hose holder		1	ID50
(5)	N 104 265 01	Hose holder		1	ID50
6	014 301 485	Cap		1	
-	955 301 565 01	Clip Vent line		1	ID5V/D5Z
7	955 349 445 00	Heat shield		1	I0AB
(7)	955 349 445 01	Heat shield		1	I0AW
8	955 349 447 01	Support		1	ID5V/D5Z
(8)	955 349 447 02	Support		1	ID50
9	955 349 543 03	Fixing clip		2	ID5V/D5Z
(9)	955 349 543 04	Fixing clip		2	ID50
10	N 106 533 01	Hexagon-head bolt M 6 X 20		3	-ID50
(10)		Hexagon-head bolt M6 X 20		2	ID50
11	955 349 346 00	Heat shield		1	ID5V/D5Z
12	N 106 507 01	Pan-head screw M 6 X 12		1	ID5V/D5Z
13	N 104 705 01	Hose holder A02-13 X C13-6,5		2	ID5X
14	955 349 337 00	Rubber mounting		1	ID5V/D5X
(14)	955 332 337 10	Rubber mounting		1	ID5Z
(14)	955 349 337 00	Rubber mounting		1	ID50
15		Rubber mounting		1	ID5V/D5X
(15)	955 332 337 10	Rubber mounting		1	ID5Z
(15)	955 349 337 00	Rubber mounting		1	ID50
16		Rubber mounting		1	ID5V/D5X
(16)	955 332 337 10	Rubber mounting		1	ID5Z
(16)		Rubber mounting		1	ID50
17	955 349 127 00	Drive flange		1	
18	955 332 375 20	Protective ring		1	
19	955 349 189 00	Shaft sealing ring 80 X 50		1	
20	955 332 427 00	Collar nut M 22 X 1,5		1	
21	955 349 271 20	Output flange		1	
22	955 332 375 30	Protective ring		2	
23	955 349 413 00	Circlip		2	
24	955 349 189 10	Shaft sealing ring		2	
25	955 349 272 20	Output flange		1	
26	955 332 057 00	Screw plug M 16 X 1,5		2	
27	000 043 205 30	Transmission oil 75 W 90 1 LITER Container		X	

Model: 9PA108

Model life 2007>>2010



Model: 9PA108

Model life 2007>>2010

Pos	Part Number	Description	Remark	Qty	Model
1	955 341 040 53	Transfer box Ready for installation		1	ID5V/G0R
(1)	955 341 040 JX	Transfer box Ready for installation Classification letter JXX		1	ID5V/G0R
(1)	955 341 040 55	Transfer box Ready for installation Classification letter LLD		1	ID5V/G0R
(1)	955 341 040 KX	Transfer box Ready for installation Classification letter LLD		1	ID5V/G0R
(1)	955 341 040 03	Transfer box Ready for installation Classification letter JXL		1	ID5V/G0L
(1)	955 341 040 DX	Transfer box Ready for installation Classification letter JXL		1	ID5V/G0L
(1)	955 341 040 05	Transfer box Ready for installation Classification letter LLE		1	ID5V/G0L
(1)	955 341 040 LX	Transfer box Ready for installation Classification letter LLE		1	ID5V/G0L
(1)	955 341 040 53	Transfer box Ready for installation Classification letter JXX		1	ID5Z
(1)	955 341 040 JX	Transfer box Ready for installation Classification letter JXX		1	ID5Z
(1)	955 341 040 55	Transfer box Ready for installation Classification letter LLD		1	ID5Z
(1)	955 341 040 KX	Transfer box Ready for installation Classification letter LLD		1	ID5Z
(1)	955 341 040 22	Transfer box Ready for installation Classification letter JXM		1	ID5X/G0L
(1)	955 341 040 8X	Transfer box Ready for installation Classification letter JXM		1	ID5X/G0L
(1)	955 341 040 24	Transfer box Ready for installation Classification letter LLG		1	ID5X/G0L
(1)	955 341 040 MX	Transfer box		1	ID5X/G0L

Model: 9PA108

Model life 2007>>2010

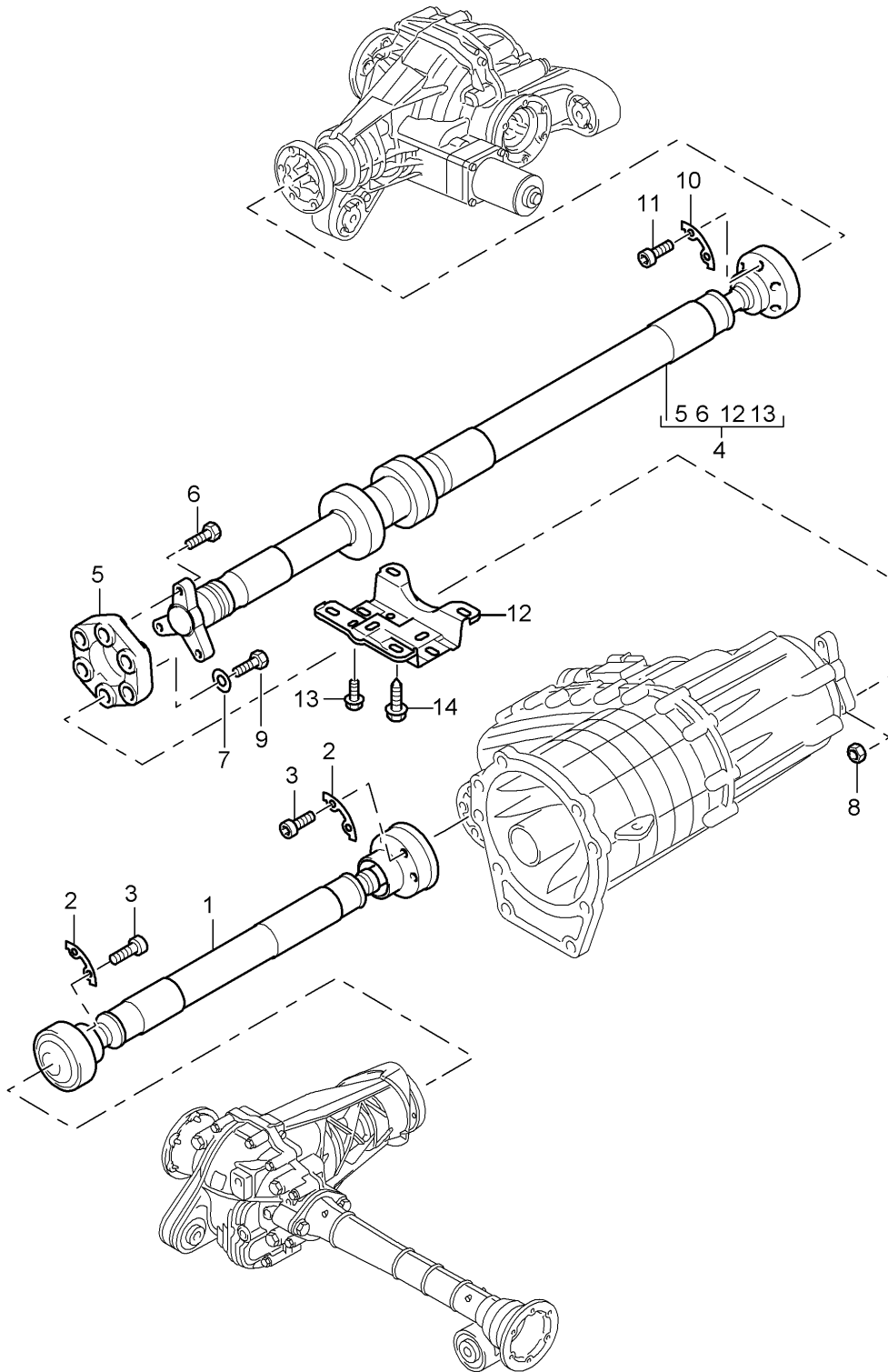
Pos	Part Number	Description	Remark	Qty	Model
(1)	955 341 040 12	Ready for installation Classification letter LLG Transfer box		1	ID5X/G0R
(1)	955 341 040 7X	Ready for installation Classification letter JXN Transfer box		1	ID5X/G0R
(1)	955 341 040 14	Ready for installation Classification letter JXN Transfer box		1	ID5X/G0R
(1)	955 341 040 NX	Ready for installation Classification letter LLH Transfer box		1	ID5X/G0R
(1)	955 341 040 30	Ready for installation Classification letter LLH Transfer box		1	ID50/G0R
(1)	955 341 040 PX	Ready for installation Classification letter LLF Transfer box		1	ID50/G0R
2	N 103 145 05	Hexagon-head bolt AM 10 X 50		10	
3	955 341 139 01	Dowel sleeve 14,57 X 10,5		2	
4	955 321 199 00	Radial shaft seal 90 X 52 X 15		1	
5	955 341 271 10	Output flange		1	
6	955 341 323 00	Round seal 29,74 X 3,53		1	
7	WHT 000 204 A	Lock nut M 30 X 2		2	
8	955 301 323 00	Round seal 37,69 X 3,53		1	
9	955 341 271 00	Output flange		1	
10	955 321 199 21	Radial shaft seal 80 X 60 X 15		1	
11	955 341 323 10	Round seal 41,3 X 3,1		1	
12	955 321 199 10	Radial shaft seal 71 X 50 X 10		1	
13	955 624 601 01	Electric motor See technical information Service Group 3 KD-NR. 3978 19/10		1	
14	955 341 131 01	Gasket Electric motor		1	
15	955 341 992 00	Dowel sleeve		3	
16	N 105 184 03	Pan-head screw M 8 X 30		3	
17		Support Electric motor		1	
18	N 905 330 05	Not available Hexagon-head bolt M 6 X 20		2	

Model: 9PA108 Model life 2007>>2010

Pos	Part Number	Description	Remark	Qty	Model
19	955 301 115 01	Screw plug 17,5 X 12		1	
20	N 013 816 5	Sealing ring A 18 X 24		1	
21	N 029 704 2	Screw plug M 18 X 1,5 X 12		1	
22	955 301 474 01	Breather pipe		1	
23	955 301 047 01	Bleeder		1	ID5X/G0R
(23)		Bleeder It is necessary to rework Deleted		1	ID5V/D5Z/G0R
(23)		Support Bleeder It is necessary to rework Deleted		1	ID50/G0R
(23)	955 301 047 00	Support Use also: N .107.548.01 Bleeder 1360 MM It is necessary to rework 1270 MM		1	
24	N 103 283 01	Support A1 - 13 X C05 - 25		1	ID5X/G0R
(24)		Support A1 -13 X C05 - 25		1	ID5V/D5X/G0L
(24)	N 107 548 01	Support A08 - 13,5 X C12 - 13,5		1	ID50/G0R
25	014 301 485	Cap		1	
-	955 301 565 01	Clip Bleeder		x	
26	955 341 235 00	Heat shield Transfer box Not for Cayenne GTS Cayenne Kit Cayenne Turbo S		1	ID5V/D5X/D5Z
27	955 341 236 00	Fixing clip Heat shield		4	ID5V/D5X/D5Z
28	955 341 581 04	Vibration damper		1	ID50
29	N 900 639 05	Hexagon-head bolt M 8 X 18		6	ID50
30	000 043 301 36	Transmission oil ATF 1 LITER Container		X	
(30)	000 043 305 63	Transmission oil ATF 850 ML Container		X	

Model: 9PA108

Model life 2007>>2010

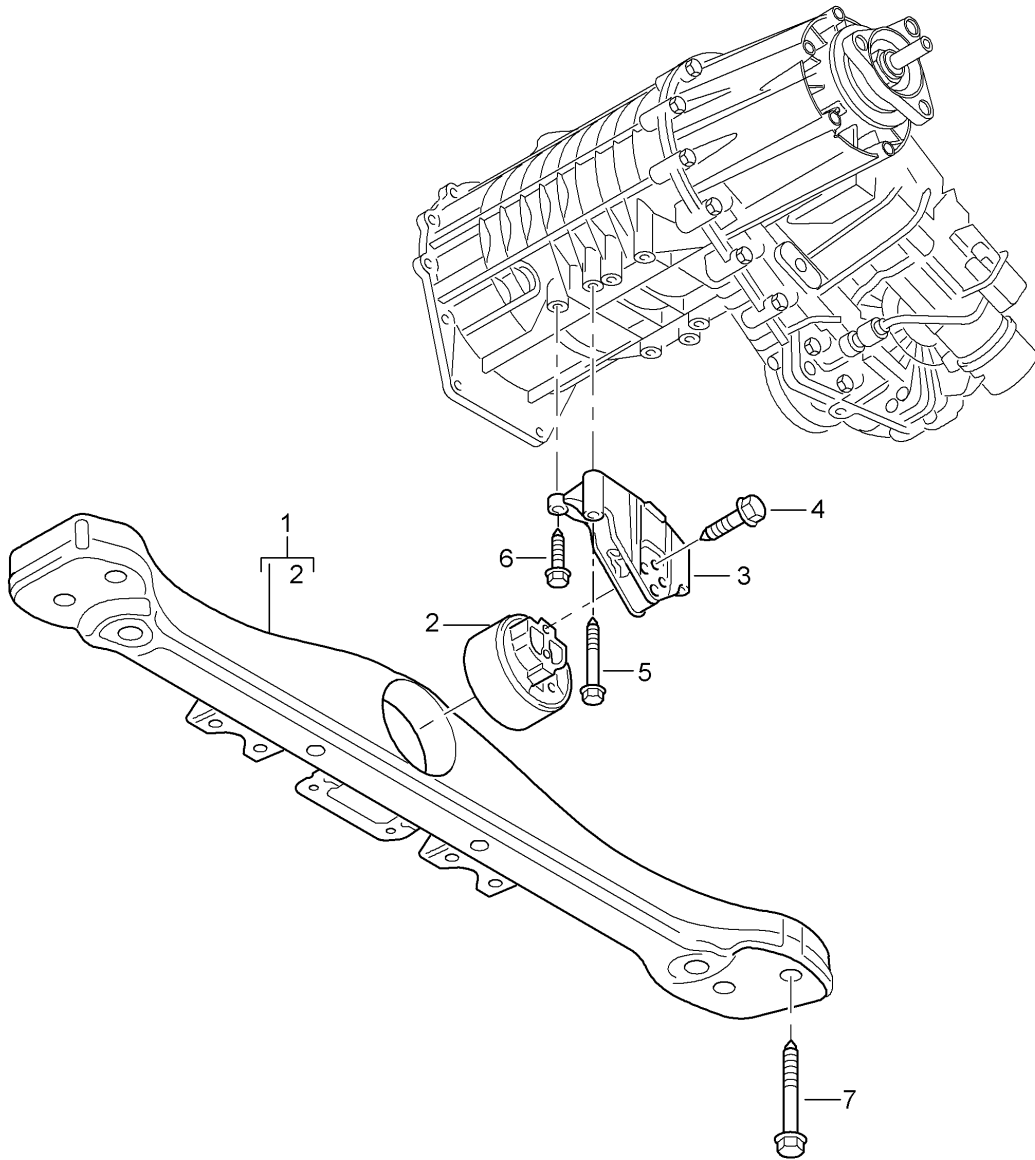


Model: 9PA108 Model life 2007>>2010

Pos	Part Number	Description	Remark	Qty	Model
1	955 421 020 03	Cardan shaft		1	ID5V/D5X/D5Z
(1)	955 421 020 04	Cardan shaft		1	ID5V/D5X/D5Z
(1)	955 421 020 30	Cardan shaft		1	ID50
(1)	955 421 020 31	Cardan shaft		1	ID50
2	955 349 191 21	Plate		6	
3	N 909 417 03	Pan-head screw M 10 X 45		12	
4	955 421 020 13	Cardan shaft		1	ID5V/D5X
(4)		Cardan shaft		1	ID5Z/E0A
(4)	955 421 020 14	Cardan shaft		1	ID5V/D5X
(4)		Cardan shaft		1	ID5Z/E0A
(4)		Cardan shaft		1	ID50
(4)	955 421 020 15	Cardan shaft		1	ID5V/D5X
(4)		Cardan shaft		1	ID5Z/E0A
(4)		Cardan shaft		1	ID50
(4)	955 421 020 24	Cardan shaft		1	ID5Z/E8A/E81
(4)	955 421 020 25	Cardan shaft		1	ID5Z/E8A/E81
5	955 421 010 00	Articulated piece Not available To Use Cardan shaft See workshop manual Group 3 Document 393519		1	
6	N 101 713 03	Hexagon-head bolt M 12 X 1,5 X 70 Not available To Use Cardan shaft See workshop manual Group 3 Document 393519		3	
7	N 011 531 19	Washer A 13		3	
8	N 100 289 10	Hexagon nut M 12 X 1,5		3	
9	N 105 262 02	Hexagon-head bolt M 12 X 1,5 X 65		3	
10	955 349 191 21	Plate		3	
11	N 909 417 03	Pan-head screw M 10 X 45		6	
12	955 349 340 00	Support		1	
13	N 104 032 03	Hexagon-head bolt M 8 X 16		2	
14	N 106 978 01	Hexagon-head bolt M 10 x 30		6	

Model: 9PA108

Model life 2007>>2010



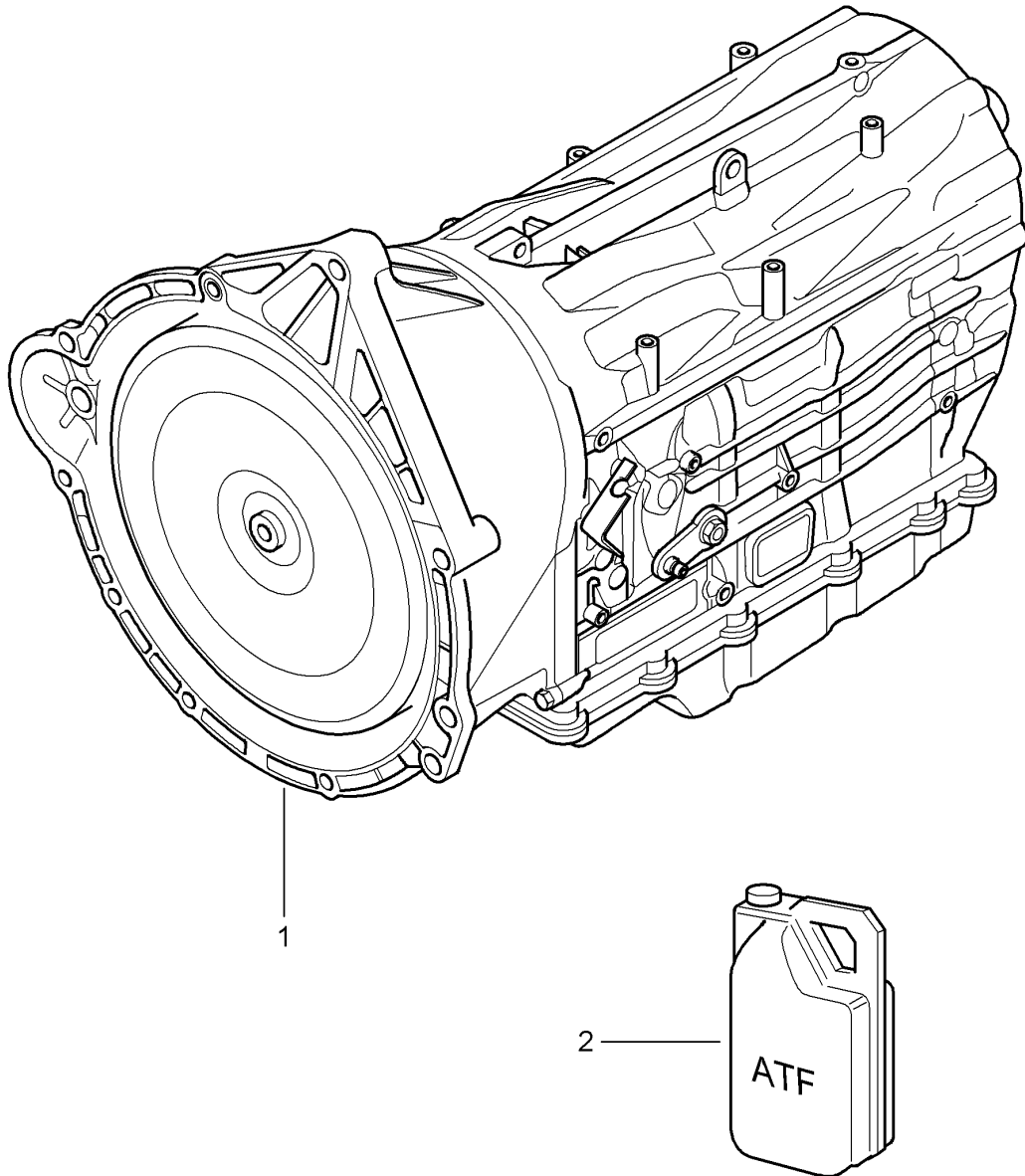
Model: 9PA108

Model life 2007>>2010

Pos	Part Number	Description	Remark	Qty	Model
		Transfer box			
		Transmission suspension			
1	955 341 225 00	Transmission carrier		1	ID5V/D5Z
(1)	955 341 225 10	Transmission carrier		1	ID5X
(1)	955 341 225 20	Transmission carrier		1	ID50
(1)	958 341 225 30	Transmission carrier		1	ID50
2	955 375 057 30	Transmission mounting		1	ID5V/D5Z
(2)	955 375 057 20	Transmission mounting		1	ID5X
(2)		Transmission mounting		1	ID50
3	955 341 649 03	Transmission bracket		1	ID5V/D5Z
(3)	955 341 649 02	Transmission bracket		1	ID5X
(3)	955 341 649 10	Transmission bracket		1	ID50
4	N 105 167 02	Hexagon-head bolt M 10 X 55		2	
5	N 100 155 07	Hexagon-head bolt BM 8 X 70		2	
6	N 019 503 8	Hexagon-head bolt M 8 X 35		2	
7	N 909 913 02	Hexagon-head bolt AM 10 X 80		4	

Model: 9PA108

Model life 2007>>2010



Model: 9PA108 Model life 2007>>2010

Pos	Part Number	Description	Remark	Qty	Model
		Tiptronic			IG0R
1	955 300 011 03	Replacement transmission		1	ID5X
(1)	955 300 012 X	Replacement transmission Classification letter JSN		1	ID5X
(1)	955 300 011 04	Replacement transmission Classification letter		1	ID5X
(1)	955 300 012 DX	Replacement transmission Classification letter KML		1	ID5X
(1)	955 300 011 40	Replacement transmission Classification letter KMB		1	ID50
(1)	955 300 012 GX	Replacement transmission Classification letter KMB		1	ID50
(1)	955 300 011 28	Replacement transmission Classification letter JFD		1	ID5V
(1)	955 300 012 AX	Replacement transmission Classification letter JFD		1	ID5V
(1)	955 300 011 29	Replacement transmission Classification letter KQW		1	ID5V
(1)	955 300 012 CX	Replacement transmission Classification letter KQW		1	ID5V
(1)	955 300 011 30	Replacement transmission Classification letter KMM for vehicles up to F >>9P8LA 52982 F >>9P8LA 73576 F >>9P8LA 52988 F >>9P8LA 73577 Use also: 955.618.121.05 955.618.121.12		1	ID5V ID5V/E0A ID5V/E0W ID5V
(1)	955 300 012 EX	Replacement transmission Classification letter KMM for vehicles up to F >>9P8LA 52982 F >>9P8LA 73576 F >>9P8LA 52988 F >>9P8LA 73577 Use also: 955.618.121.05 955.618.121.12		1	ID5V/E0A ID5V/E0W ID5Z
(1)	955 300 011 52	Replacement transmission Classification letter JFE		1	ID5Z
(1)	955 300 012 BX	Replacement transmission Classification letter JFE		1	ID5Z
(1)	955 300 011 53	Replacement transmission Classification letter KMN		1	ID5Z

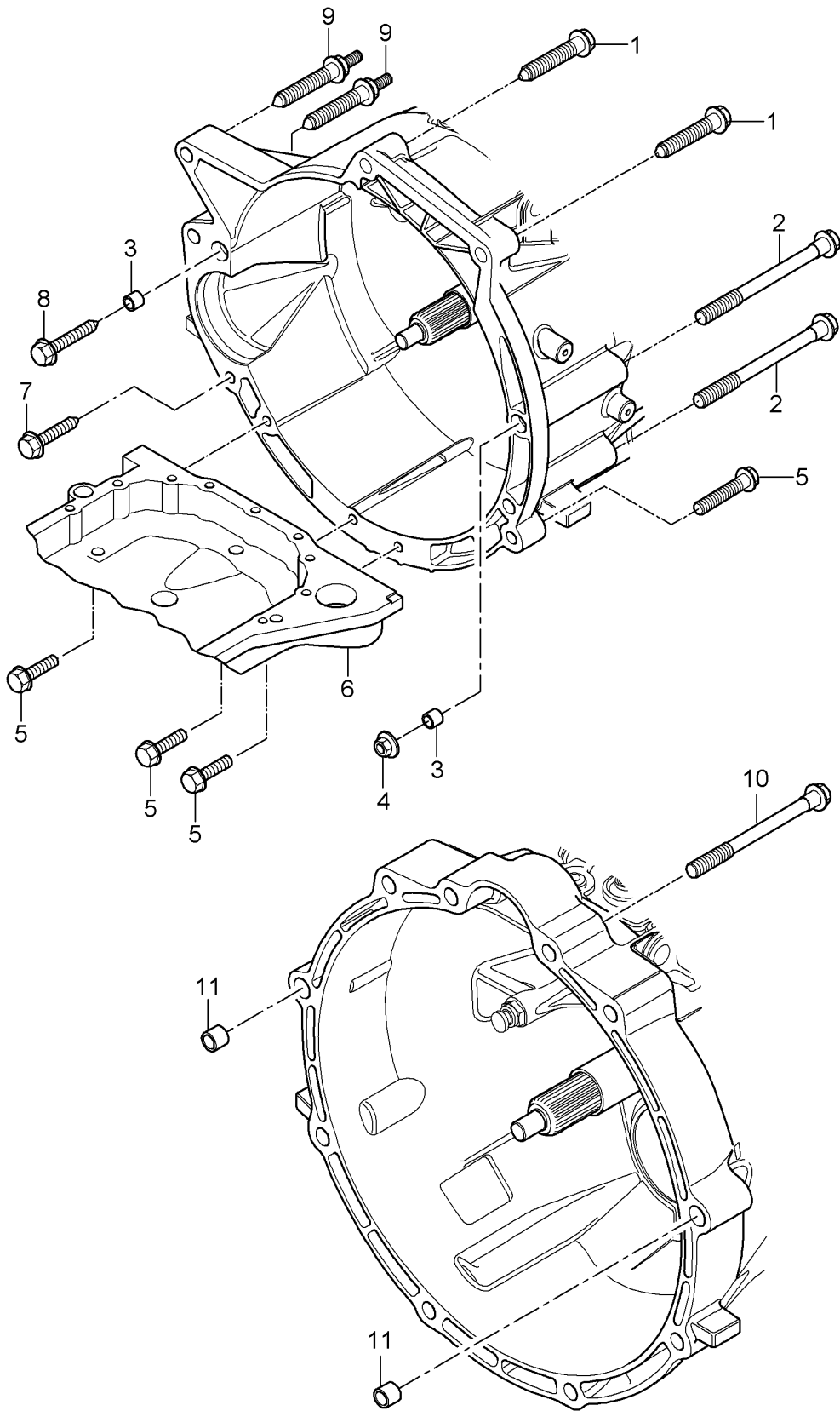
Model: 9PA108

Model life 2007>>2010

Pos	Part Number	Description	Remark	Qty	Model
(1)	955 300 012 FX	for vehicles up to F >>9P8LA 96403 F >>9P8LA 96436 Use also: 955.618.122.05 955.618.122.12 Replacement transmission Classification letter KMN		1	ID5Z/E0A ID5Z/E8A/E81 ID5Z
2	000 043 205 28	for vehicles up to F >>9P8LA 96403 F >>9P8LA 96436 Use also: 955.618.122.05 955.618.122.12 Transmission oil ATF 1 LTR. Container		X	ID5Z/E0A ID5Z/E8A/E81
(2)	958 300 901 00	Transmission oil ATF 1 LTR. Container		X	
(2)	000 043 205 29	Transmission oil ATF 20 LTR. Container		X	

Model: 9PA108

Model life 2007>>2010

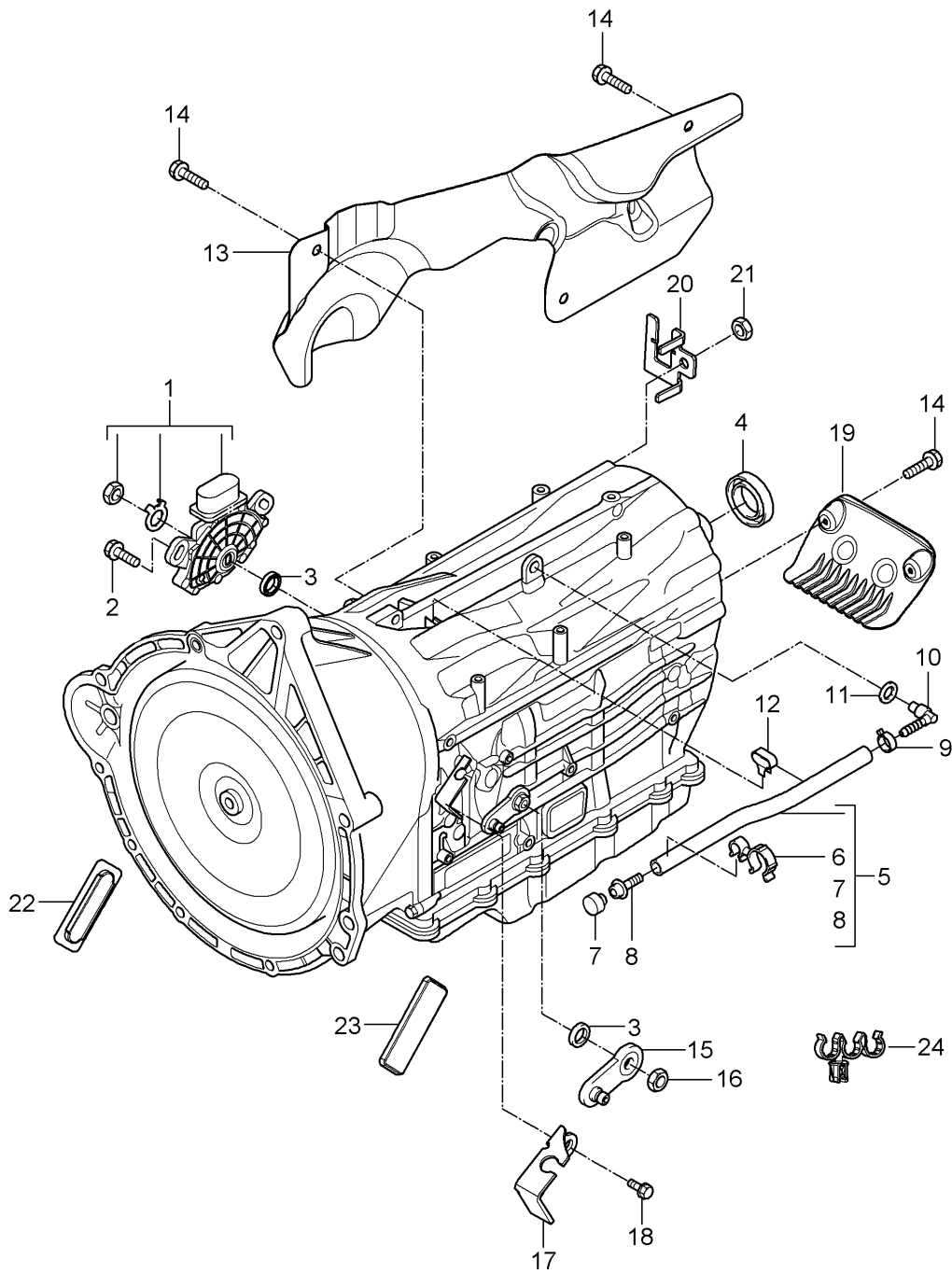


Model: 9PA108 Model life 2007>>2010

Pos	Part Number	Description	Remark	Qty	Model
		Threaded joint Engine Transmission for Cayenne			
1	N 102 171 03	Hexagon-head bolt BM 12 X 60 X 48		3	ID5X
(1)	N 911 063 01	Hexagon-head bolt M 12 X 80		2	ID50
2	N 105 923 02	Hexagon-head bolt BM 12 X 140 X 49		2	ID5X
(2)	N 910 301 02	Hexagon-head bolt M 12 X 70		1	ID50
3		Dowel sleeve See illustrations 1/01/40 Pos.16		2	ID5X
3		Dowel sleeve See illustrations 1/01/50 Pos.		2	ID50
4	N 104 748 03	Collar nut M 12 X 1,5		1	ID5X
5	N 103 145 05	Hexagon-head bolt AM 10 X 50		4	ID5X
(5)	N 911 063 01	Hexagon-head bolt M 12 X 80		1	ID50
(5)	N 102 902 06	Hexagon-head bolt M 10 X 70		3	ID50
6		Oil pan See illustrations 1/04/05 Pos.9		1	ID5X
(6)		Oil pan See illustrations 1/04/07 Pos.		1	ID50
7		Mount Starter See illustrations 9/02/05 Pos.2		1	
8	N 104 091 04	Hexagon-head bolt AM 12 X 70		1	ID5X
(8)	N 911 063 01	Hexagon-head bolt M 12 X 80		1	ID50
9	N 907 682 02	Stud AM 12 X 60 / M 8 X 16	-09	2	ID5X
(9)	N 102 171 03	Hexagon-head bolt BM 12 X 60 X 48 for Cayenne S And Cayenne turbo	10-	2	ID5X
10	N 910 181 02	Hexagon-head bolt AM 12 X 1,5 X 70		8	ID5V
(10)		Hexagon-head bolt AM 12 X 1,5 X 70		10	ID5Z
(10)	WHT 002 782	Hexagon-head bolt AM 12 X 1,5 X 75		2	ID5V
11		See illustrations 1/01/30 Pos.8		2	

Model: 9PA108

Model life 2007>>2010



Model: 9PA108 Model life 2007>>2010

Pos	Part Number	Description	Remark	Qty	Model
		Tiptronic Selector switch Accessories			IG0R
1	955 325 612 01	Selector switch		1	
2	WHT 000 325 A	Hexagon-head bolt M 6 X 20		2	
3	955 321 199 30	Radial shaft seal 11 X 22 X 7		2	
4	955 321 189 00	Radial shaft seal 41 X 72 X 11		1	
5	955 301 047 00	Bleeder 1360 MM It is necessary to rework 445 MM 540 MM Use also: N .105.679.01		1	ID5X ID5V/D5Z
6	N 103 283 01	Support A01-13 X C05-25		1	ID5V/D5Z
(6)	N 105 679 01	Support A01-13 X C05-22		1	ID5X ID5V/D5Z
7	014 301 485	Cap		1	
8	955 301 090 00	Connection piece		1	
9	955 317 063 01	Clip		1	
10	955 301 381 00	Connection piece		1	
11	955 301 577 00	O-ring 8,2 X 1,9		1	
12	955 301 565 01	Clip		1	
13	955 301 328 01	Heat shield Right	/R	1	
(13)	955 301 327 20	Heat shield Left	/L	1	ID50
14	N 100 829 11	Combination screw M 6 X 16		5	-ID50
(14)	N 100 091 10	Combination screw M 6 X 12 Mount Heat shield Left		4	ID50
15	955 301 266 20	Selector lever		1	-ID50
(15)	955 301 266 30	Selector lever		1	ID50
16	N 902 891 05	Hexagon nut		1	
17	955 301 165 20	Support		1	-ID50
(17)	955 301 165 30	Support		1	ID50
18	900 378 017 01	Hexagon-head bolt M 8 X 20		2	
19	955 301 307 00	Heat shield		1	ID5V/D5Z
20	955 301 502 00	Support for Wiring harness		1	
21	N 011 006 32	Hexagon nut M 6		1	
22	955 301 210 00	Lid Right	/R	1	ID5V/D5Z
(22)	955 301 212 10	Lid Right	/R	1	ID5X
(22)	955 301 212 20	Lid Right	/R	1	ID50
23	955 301 210 00	Lid Left	/L	1	ID5V/D5Z
(23)	955 301 212 00	Lid Left	/L	1	ID5X
24	955 301 351 00	Support		1	ID5V/D5Z

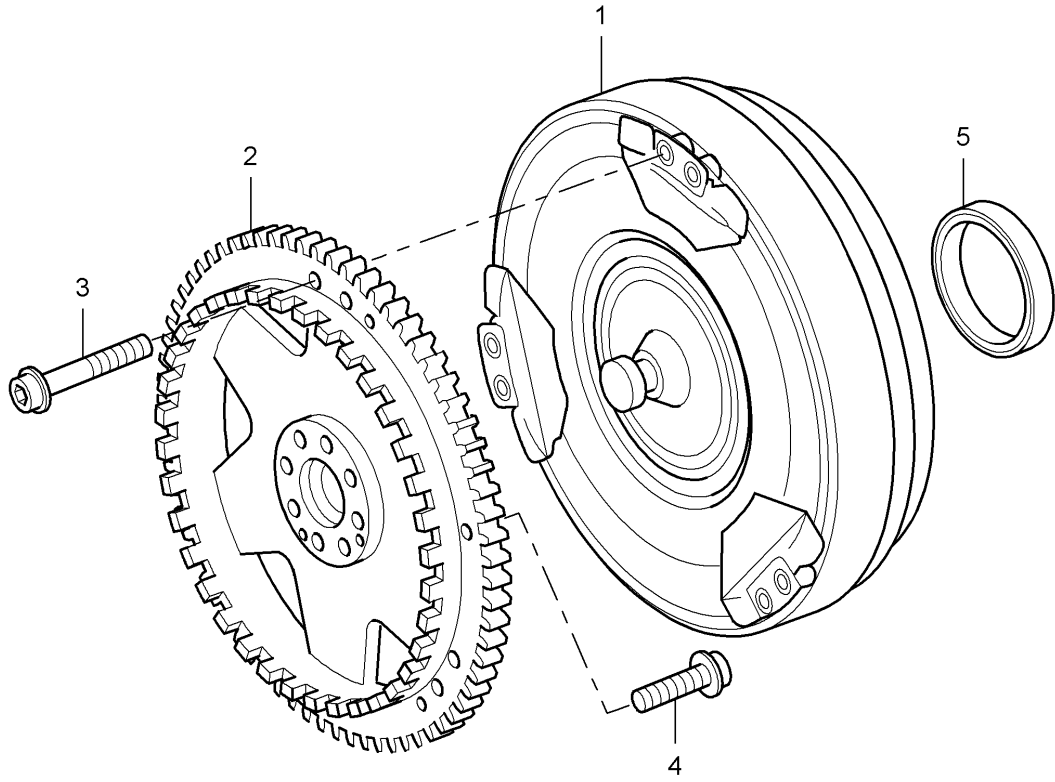
Model: 9PA108

Model life 2007>>2010

Pos	Part Number	Description	Remark	Qty	Model
		Bleeding			

Model: 9PA108

Model life 2007>>2010

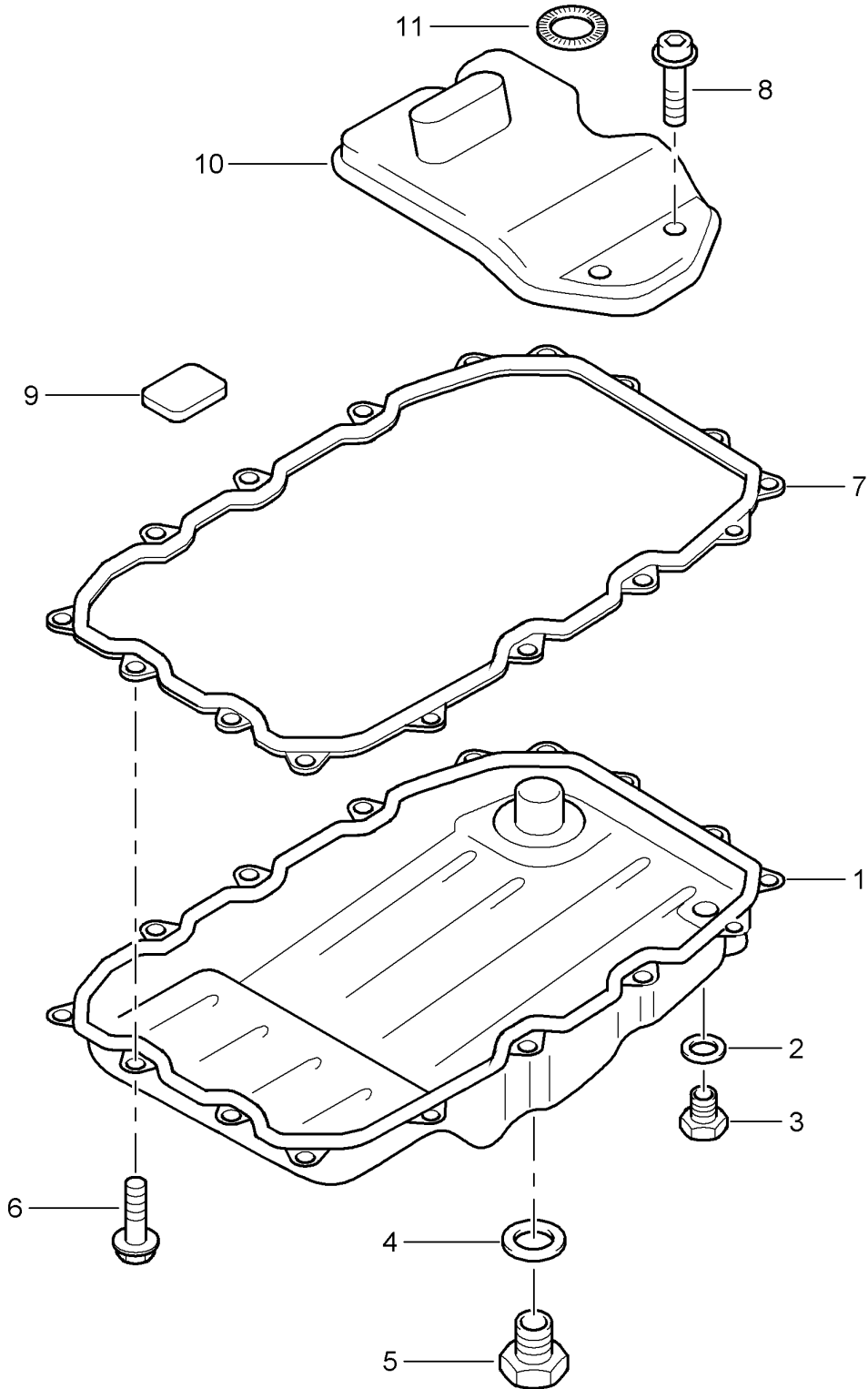


Model: 9PA108 Model life 2007>>2010

Pos	Part Number	Description	Remark	Qty	Model
		Tiptronic			IG0R
		Torque converter			
		Drive plate			
1	955 316 001 03	Torque converter		1	ID5V
(1)	955 316 001 52	Torque converter		1	ID5Z
(1)	955 316 001 21	Torque converter		1	ID5X
(1)	955 316 001 40	Torque converter		1	ID50
2	955 116 075 52	Drive plate		1	ID5V/D5Z
(2)	958 102 327 00	Drive plate		1	ID5V/D5Z
(2)		Drive plate		1	ID5X
		See illustrations			
		1/02/10			
(2)		Drive plate		1	ID50
		See illustrations			
		1/02/20			
3	N 910 425 01	Pan-head screw		6	ID5V/D5Z
		M 10 X 1 X 23			
(3)	N 906 916 01	Pan-head screw		3	ID5X
		M 10 X 1 X 17			
(3)		Pan-head screw		6	ID50
		M 10 X 1 X 17			
4	N 909 869 01	Pan-head screw		10	ID5V/D5Z
		M 10 X 1 X 22			
(4)		Pan-head screw		10	ID5X
		M 10 X 1 X 19			
		See illustrations			
		1/02/10			
(4)		Pan-head screw		10	ID50
		M 10 X 1 X 19			
		See illustrations			
		1/02/20			
5	955 321 243 02	Radial shaft seal		1	
		43,65 x 62,1 x 7,7			

Model: 9PA108

Model life 2007>>2010



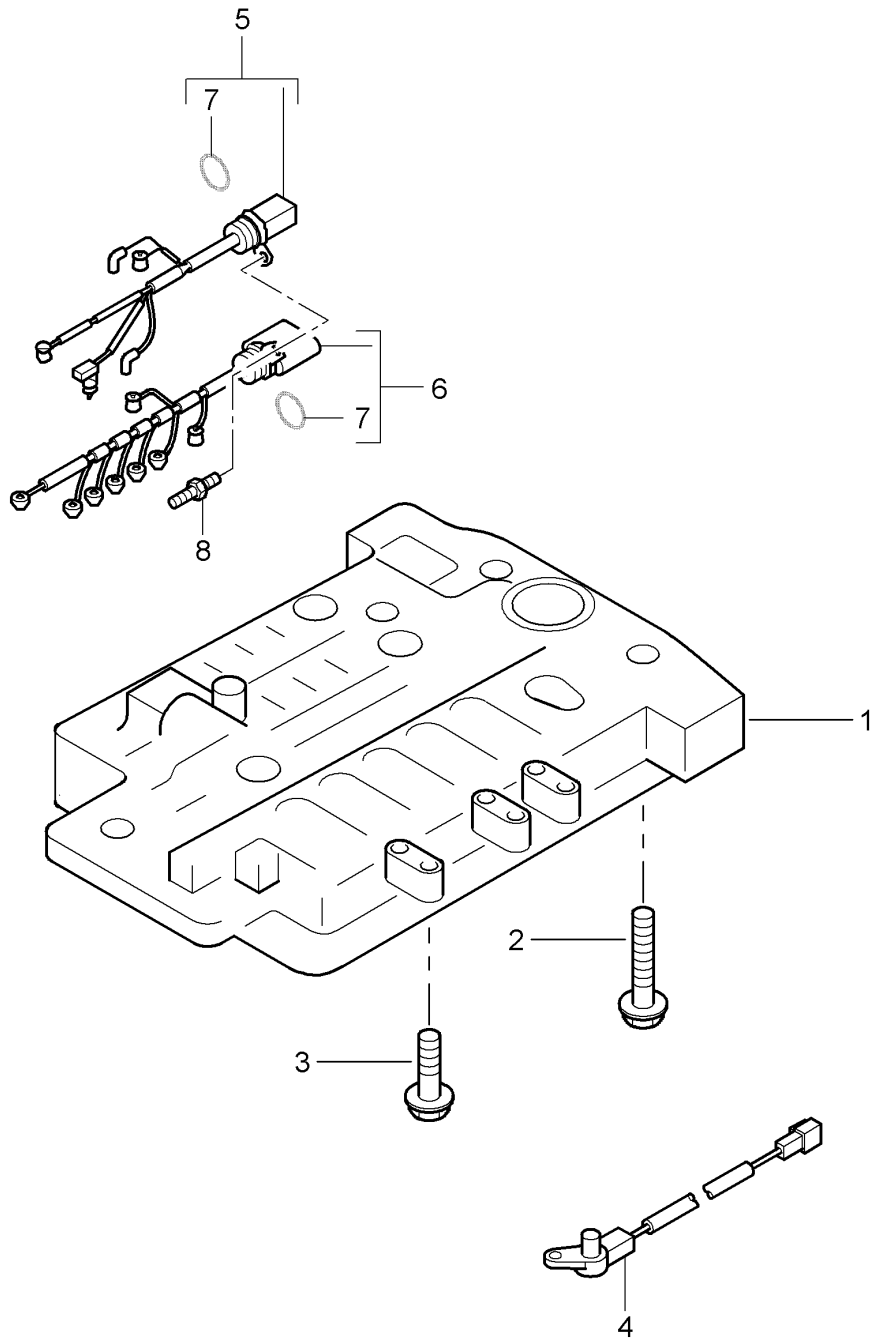
Model: 9PA108

Model life 2007>>2010

Pos	Part Number	Description	Remark	Qty	Model
		Tiptronic			IGOR
		Oil filter			
1	955 321 025 01	Oil pan		1	
2	955 321 181 01	Oil pan		1	
		Sealing ring			
		16,7 X 11,9			
3	WHT 000 206 A	Drain plug		1	
		M 10 X 9			
4	955 321 379 00	Sealing ring		1	
5	WHT 000 323 A	Screw plug		1	
		M 24 X 1,5 X 14			
6	WHT 000 326 A	Hexagon-head bolt		16	
		M 6 X 25			
7	955 397 016 00	Oil sump gasket		1	
8	WHT 000 322	Hexagon-head bolt		3	
		M 6 X 12			
9	955 321 368 00	Magnet		1	
		for			
		Oil pan			
10	955 307 403 01	Oil filter		1	
11	955 325 443 00	Gasket		1	

Model: 9PA108

Model life 2007>>2010



Model: 9PA108 Model life 2007>>2010

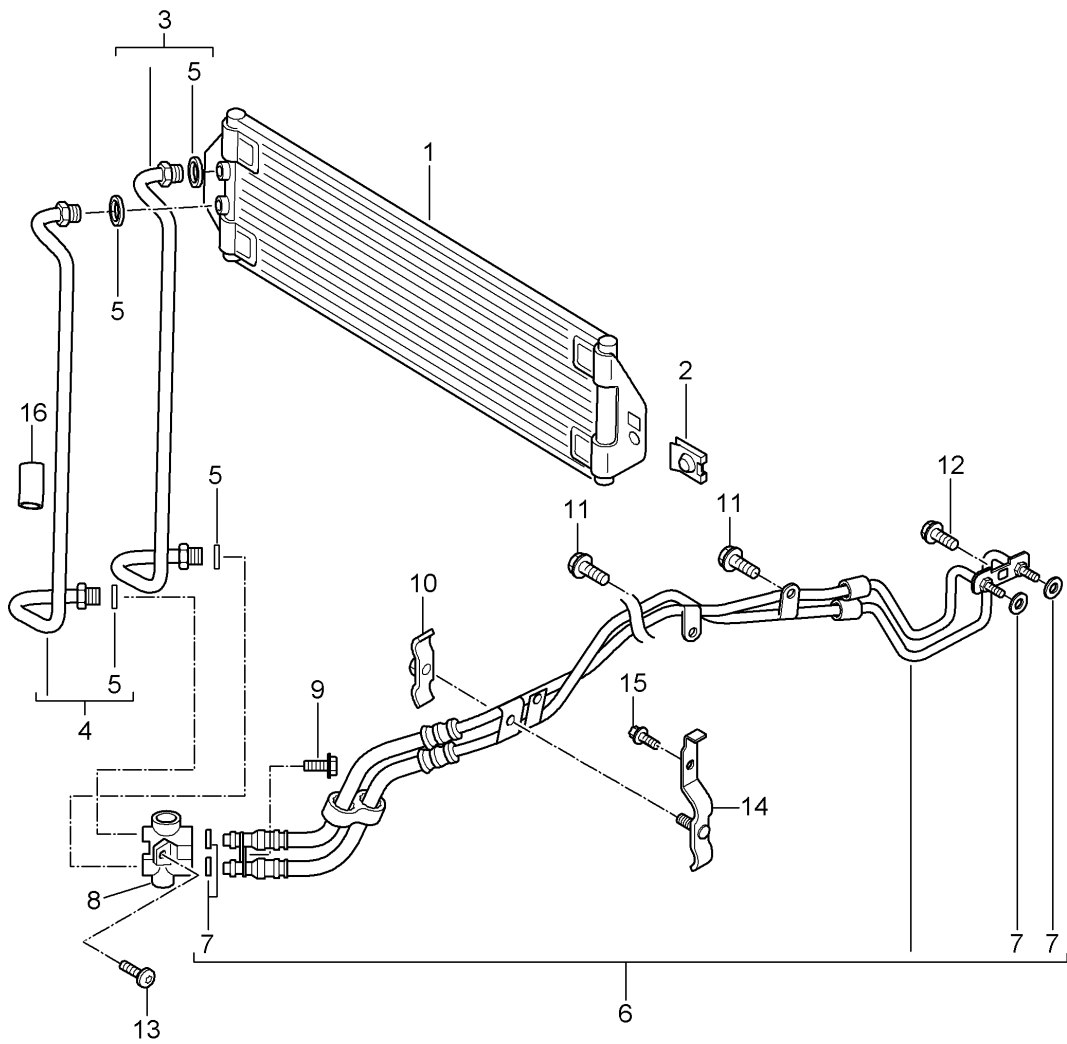
Pos	Part Number	Description	Remark	Qty	Model
1	955 325 039 12	Tiptronic Switch unit Switch unit for Transmission Classification letter JSN F >>9P8LA 26516 F >>9P8LA 26515		1	IG0R ID5X
(1)	955 325 039 13	Switch unit for Transmission Classification letter KML F 9P8LA 26517>> F 9P8LA 26516>>		1	ID5X
(1)	955 325 039 20	Switch unit for Transmission Classification letter KMB		1	ID50
(1)	955 325 039 15	Switch unit for Transmission Classification letter JFD / KQW F >>9P8LA 52982 F >>9P8LA 73576 F >>9P8LA 52988 F >>9P8LA 73577		1	ID5V
(1)	955 325 039 20	Switch unit for Transmission Classification letter KMM F 9P8LA 52983>> F 9P8LA 73577>> F 9P8LA 52989>> F 9P8LA 73578>>		1	ID5V
(1)	955 325 039 51	Switch unit for Transmission Classification letter JFE F >>9P8LA 96403 F >>9P8LA 96436		1	ID5Z
(1)	955 325 039 52	Switch unit for Transmission Classification letter KMN F 9P8LA 96404>> F 9P8LA 96437>>		1	ID5Z
2	WHT 000 321	Hexagon-head bolt M 6 X 40		3	
3	WHT 000 324	Hexagon-head bolt M 6 X 28		11	
4	955 606 321 01	Inductive transmitter for Output speed F >>9P8LA 26516 F >>9P8LA 26515 F >>9P8LA 52982		1	

Model: 9PA108 Model life 2007>>2010

Pos	Part Number	Description	Remark	Qty	Model
(4)	955 606 321 02	F >>9P8LA 73576 F >>9P8LA 52988 F >>9P8LA 73577 F >>9P8LA 96403 F >>9P8LA 96436 Inductive transmitter for Output speed F 9P8LA 26517>> F 9P8LA 26516>> F 9P8LA 52983>> F 9P8LA 73577>> F 9P8LA 52989>> F 9P8LA 73578>> F 9P8LA 96404>> F 9P8LA 96437>>		1	
5	955 325 363 02	Wiring harness 6-pole F >>9P8LA 26516 F >>9P8LA 26515 F >>9P8LA 52982 F >>9P8LA 73576 F >>9P8LA 52988 F >>9P8LA 73577 F >>9P8LA 96403 F >>9P8LA 96436		1	
(5)	955 325 363 03	Wiring harness 6-pole F 9P8LA 26517>> F 9P8LA 26516>> F 9P8LA 52983>> F 9P8LA 73577>> F 9P8LA 52989>> F 9P8LA 73578>> F 9P8LA 96404>> F 9P8LA 96437>>		1	
6	955 325 363 12	Wiring harness 14-pole		1	
7	955 325 364 00	Sealing ring 21,8 X 2,4		2	
8	WHT 000 320 A	Hexagon-head bolt M 6 X 18 / M 6 X 10		1	

Model: 9PA108

Model life 2007>>2010



Model: 9PA108 Model life 2007>>2010

Pos	Part Number	Description	Remark	Qty	Model
		Tiptronic			IG0R
(1)	955 307 017 02	Atf cooler		1	ID5V/D5X
		Atf lines			
		Atf cooler			
1	955 307 017 00	Complete		1	ID5V/D5X
		Atf cooler			
		Only together with			
		Oil pipe			
		955.307.172.02			
		955.307.171.02			
		See technical information			
		Service			
		Group 3			
		KD-NR.3860			
		76 / 09			
		F >>9PALA 51583			
(1)	955 307 017 03	Atf cooler		1	ID5V ID5V/D5X
		Only together with			
		Oil pipe			
		955.307.172.03			
		955.307.171.03			
		See technical information			
		Service			
		Group 3			
		KD-NR.3860			
		76 / 09			
		F 9PALA 51584>>			
(1)	955 307 017 01	Atf cooler		1	ID5V
(1)	955 307 017 00	Atf cooler		1	ID5Z ID50
		Only together with			
		Oil pipe			
		955.307.172.01			
		955.307.171.01			
		See technical information			
		Service			
		Group 3			
		KD-NR.3860			
		76 / 09			
(1)	955 307 017 03	Atf cooler		1	ID50
		Only together with			
		Oil pipe			
		955.307.172.04			
		955.307.171.04			
		See technical information			
		Service			
		Group 3			
		KD-NR.3860			
		76 / 09			
2	N 012 648 3	Lock washer		2	
		8			
3	955 307 172 02	Oil pipe		1	ID5V/D5X
		Return line			
		Only together with			
		Atf cooler			
		955.307.017.00			
		See technical information			
		Service			
		Group 3			
		KD-NR.3860			
		76 / 09			
		F >>9PALA 51583			
(3)	955 307 172 06	Oil pipe		1	ID5V ID5V/D5X
		Return line			

Model: 9PA108 Model life 2007>>2010

Pos	Part Number	Description	Remark	Qty	Model
(3)	955 307 172 03	Only together with Atf cooler 955.307.017.00 See technical information Service Group 3 KD-NR.3860 76 / 09 F >>9PALA 51583 Oil pipe Return line with Combination screw Only together with Atf cooler 955.307.017.03 See technical information Service Group 3 KD-NR.3860 76 / 09 F 9PALA 51584>>		1	ID5V ID5V/D5X
(3)	955 307 172 07	Oil pipe Return line with Combination screw Only together with Atf cooler 955.307.017.03 See technical information Service Group 3 KD-NR.3860 76 / 09 F 9PALA 51584>>		1	ID5V ID5V/D5X
(3)	955 307 172 50	Oil pipe Return line		1	ID5V ID5Z
(3)	955 307 172 01	Oil pipe Return line Only together with Atf cooler 955.307.017.00 See technical information Service Group 3 KD-NR.3860 76 / 09 F 9PALA 51584>>		1	ID50
(3)	955 307 172 04	Oil pipe Return line with Combination screw Only together with Atf cooler 955.307.017.03 See technical information Service Group 3 KD-NR.3860 76 / 09		1	ID50
(3)	955 307 172 08	Oil pipe Return line with Combination screw		1	ID50

Model: 9PA108 Model life 2007>>2010

Pos	Part Number	Description	Remark	Qty	Model
4	955 307 171 02	Only together with Atf cooler 955.307.017.03 See technical information Service Group 3 KD-NR.3860 76 / 09 Oil pipe Supply		1	ID5V/D5X
(4)	955 307 171 06	Only together with Atf cooler 955.307.017.00 See technical information Service Group 3 KD-NR.3860 76 / 09 F >>9PALA 51583 Oil pipe Supply		1	ID5V ID5V/D5X
(4)	955 307 171 03	Only together with Atf cooler 955.307.017.00 See technical information Service Group 3 KD-NR.3860 76 / 09 F >>9PALA 51583 Oil pipe Supply		1	ID5V ID5V/D5X
(4)	955 307 171 07	with Combination screw Only together with Atf cooler 955.307.017.03 See technical information Service Group 3 KD-NR.3860 76 / 09 F 9PALA 51584>> Oil pipe Supply		1	ID5V ID5V/D5X
(4)	955 307 171 50	with Combination screw Only together with Atf cooler 955.307.017.03 See technical information Service Group 3 KD-NR.3860 76 / 09 F 9PALA 51584>> Oil pipe Supply		1	ID5V ID5Z
(4)	955 307 171 01	with Combination screw Only together with Atf cooler 955.307.017.00 See technical information Service Group 3 KD-NR.3860 76 / 09 F 9PALA 51584>> Oil pipe Supply		1	ID50

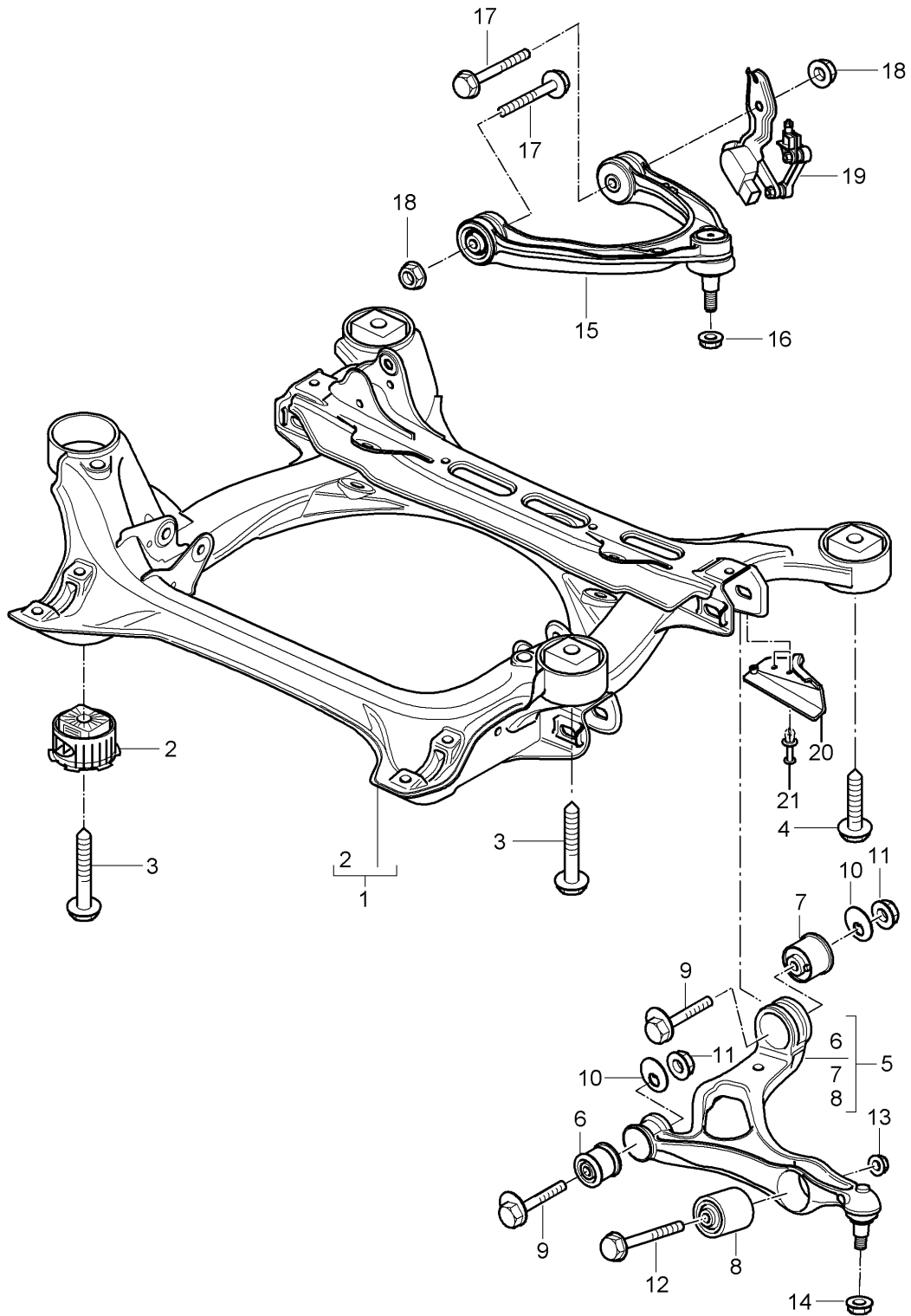
Model: 9PA108

Model life 2007>>2010

Pos	Part Number	Description	Remark	Qty	Model
(4)	955 307 171 04	See technical information Service Group 3 KD-NR.3860 76 / 09 Oil pipe Supply with Combination screw Only together with Atf cooler 955.307.017.03 See technical information		1	ID50
(4)	955 307 171 08	See technical information Service Group 3 KD-NR.3860 76 / 09 Oil pipe Supply with Combination screw Only together with Atf cooler 955.307.017.03 See technical information		1	ID50
5	955 307 292 00	O-ring 11.1 X 1,78		4	
6	955 307 073 21	Oil pipe Complete		1	ID5X
(6)	955 307 801 50	Oil pipe Supply		1	ID5V/D5Z
(6)	955 307 801 51	Oil pipe Return line		1	ID5V/D5Z
(6)	955 307 073 30	Oil pipe Complete		1	ID50
7	N 906 660 01	O-ring 11,5 X 3		4	
8	955 307 027 01	Thermostat		1	ID5V/D5X
(8)	955 307 027 02	Thermostat		1	ID5Z
(8)	955 307 027 01	Thermostat		1	ID50
9	N 908 424 02	Combination screw M 6 X 22		1	
10	955 307 211 01	Support		1	ID5V/D5Z
11	N 100 829 11	Combination screw M 6 X 16		2	ID5X
11		Combination screw M 6 X 16		2	ID50
(11)		Combination screw M 6 X 16		1	ID5V/D5Z
12	N 105 454 02	Combination screw M 8 X 25		1	
13	N 104 514 04	Lens-head screw M 6 X 16		1	
14	948 307 147 11	Support		1	ID5V/D5Z
15	900 385 041 01	Torx screw BM 6 X 12		1	ID5V/D5Z
16	N 107 225 01	Spacer		1	ID50

Model: 9PA108

Model life 2007>>2010



Model: 9PA108 Model life 2007>>2010

Pos	Part Number	Description	Remark	Qty	Model
1	955 341 030 18	Suspension subframe Wishbone Headlight levelling system Self-levelling sensor		1	I1BA/1BW I1BH/1BK I0AB
(1)	955 341 030 19	Suspension subframe F >>9P8LA 51871 F >>9P8LA 71822 F >>9P8LA 95514		1	I0AB
(1)	955 341 030 20	Suspension subframe F 9P8LA 51872>> F 9P8LA 71823>> F 9P8LA 95515>>		1	I0AB
(1)	955 341 030 21	Suspension subframe F 9P8LA 51872>> F 9P8LA 71823>> F 9P8LA 95515>>		1	I0AB
(1)	955 341 030 30	Suspension subframe F >>9P8LA 51871 F >>9P8LA 71822 F >>9P8LA 95514		1	I0AW
(1)	955 341 030 31	Suspension subframe F 9P8LA 51872>> F 9P8LA 71823>> F 9P8LA 95515>>		1	I0AW
(1)	958 341 030 00	Suspension subframe F 9P8LA 51872>> F 9P8LA 71823>> F 9P8LA 95515>>		1	I0AW
2	955 341 133 01	Bonded rubber mounting		4	
3	N 909 987 02	Hexagon-head bolt M 14 X 1,5 X 150		2	
4	N 910 093 02	Hexagon-head bolt M 14 X 1,5 X 120		2	
5	955 341 017 33	Wishbone Lower	/L -08	1	I1LK
(5)		Wishbone Lower F >>9P8LA 34847	/L	1	IB0A/B0D/B0E I1LL IB0L/B0N/B0R IB0W/B1C/B1D IB1P/B1Q/B2G IB0M/1LL
(5)	955 341 017 61	Wishbone Lower F >>9P8LA 34847	/L	1	IB0M/1LL
(5)		Wishbone Lower F 9P8LA 34848>>	/L -08	1	I1LL
(5)		Wishbone Lower	/L -08	1	I1LP
(5)		Wishbone Lower	/L -08	1	IE0W/1LM
(5)		Wishbone Lower	/L -08	1	IE81/1LH
(5)		Wishbone Lower	/L 09-	1	
(5)	955 341 018 33	Wishbone Lower	/R -08	1	I1LK
(5)		Wishbone Lower	/R	1	IB0A/B0D/B0E I1LL IB0L/B0N/B0R

Model: 9PA108 Model life 2007>>2010

Pos	Part Number	Description	Remark	Qty	Model
(5)	955 341 018 61	F >>9P8LA 34847 Wishbone Lower	/R	1	IB0W/B1C/B1D IB1P/B1Q/B2G IB0M/1LL
(5)		F >>9P8LA 34847 Wishbone Lower	/R -08	1	I1LL
(5)		F 9P8LA 34848>> Wishbone Lower	/R -08	1	I1LP
(5)		Wishbone Lower	/R -08	1	IE0W/1LM
(5)		Wishbone Lower	/R -08	1	IE81/1LH
(5)		Wishbone Lower	/R 09-	1	
6	955 341 588 10	Link bearing		2	
7	955 341 242 04	Hydraulic mount Use for 955.341.017./018.33	-08	2	I1LK
(7)		Hydraulic mount F >>9P8LA 34847 Use for 955.341.017./018.33		2	IB0D/B0E/1LL IB0L/B0N/B0R IB0W/B1C/B1D IB1P/B1Q/B2G
(7)	955 341 242 61	Hydraulic mount F >>9P8LA 34847 Use for 955.341.017./18.61		2	IB0M/1LL
(7)		Hydraulic mount F 9P8LA 34848>> Use for 955.341.017./018.61	-08	2	I1LL
(7)		Hydraulic mount Use for 955.341.017./018.61	-08	2	I1LP
(7)		Hydraulic mount Use for 955.341.017./018.61	-08	2	IE0W/1LM
(7)		Hydraulic mount Use for 955.341.017./018.61	-08	2	IE81/1LH
(7)		Hydraulic mount Use for 955.341.017./018.61	09-	2	
8	955 343 243 01	Suspension strut mounting		2	
9	WHT 001 833	Eccentric screw M 14 X 1,5 X 102		4	
10	WHT 001 796 A	Eccentric washer		4	
11	WHT 001 938	Lock nut M 14 X 1,5		4	
12	N 105 326 02	Hexagon-head bolt M 14 X 1,5 X 102		2	
13	N 103 353 04	Hexagon nut M 14 X 1,5		2	
14	N 909 771 01	Hexagon nut		2	

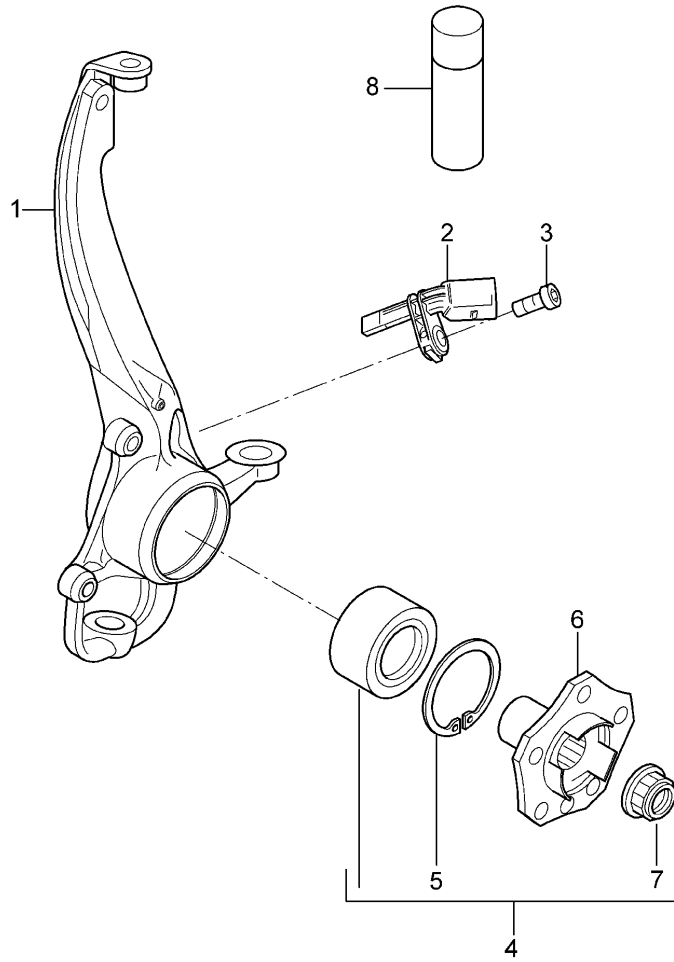
Model: 9PA108

Model life 2007>>2010

Pos	Part Number	Description	Remark	Qty	Model
15	955 341 027 02	M 14 X 1,5 Wishbone Upper		2	
16	N 909 413 01	Hexagon nut M 12 X 1,5		2	
17	N 102 902 06	Hexagon-head bolt M 10 X 70		4	
18	N 102 861 10	Hexagon nut M 10		4	
19	955 341 075 21	Self-levelling sensor with Linkage Attention see Technical manual 947801	/L	1	I1BA/1BW/8Q3
(19)		Self-levelling sensor with Linkage	/L	1	I1BK
(19)		Self-levelling sensor with Linkage beachten see Technical manual 947801	/L	1	I1BH
(19)	955 341 076 21	Self-levelling sensor with Linkage	/R	1	I1BK
(19)		Self-levelling sensor with Linkage	/R	1	I1BH
20	955 341 483 00	Spoiler F 9P8LA 51872>> F 9P8LA 71823>> F 9P8LA 95515>>	/L	1	ID5V/D5Z
(20)	955 341 484 00	Spoiler F 9P8LA 51872>> F 9P8LA 71823>> F 9P8LA 95515>>	/R	1	ID5V/D5Z
21	N 107 009 01	Expansion rivet BD 4,5 X 11,5 F 9P8LA 51872>> F 9P8LA 71823>> F 9P8LA 95515>>		4	ID5V/D5Z

Model: 9PA108

Model life 2007>>2010



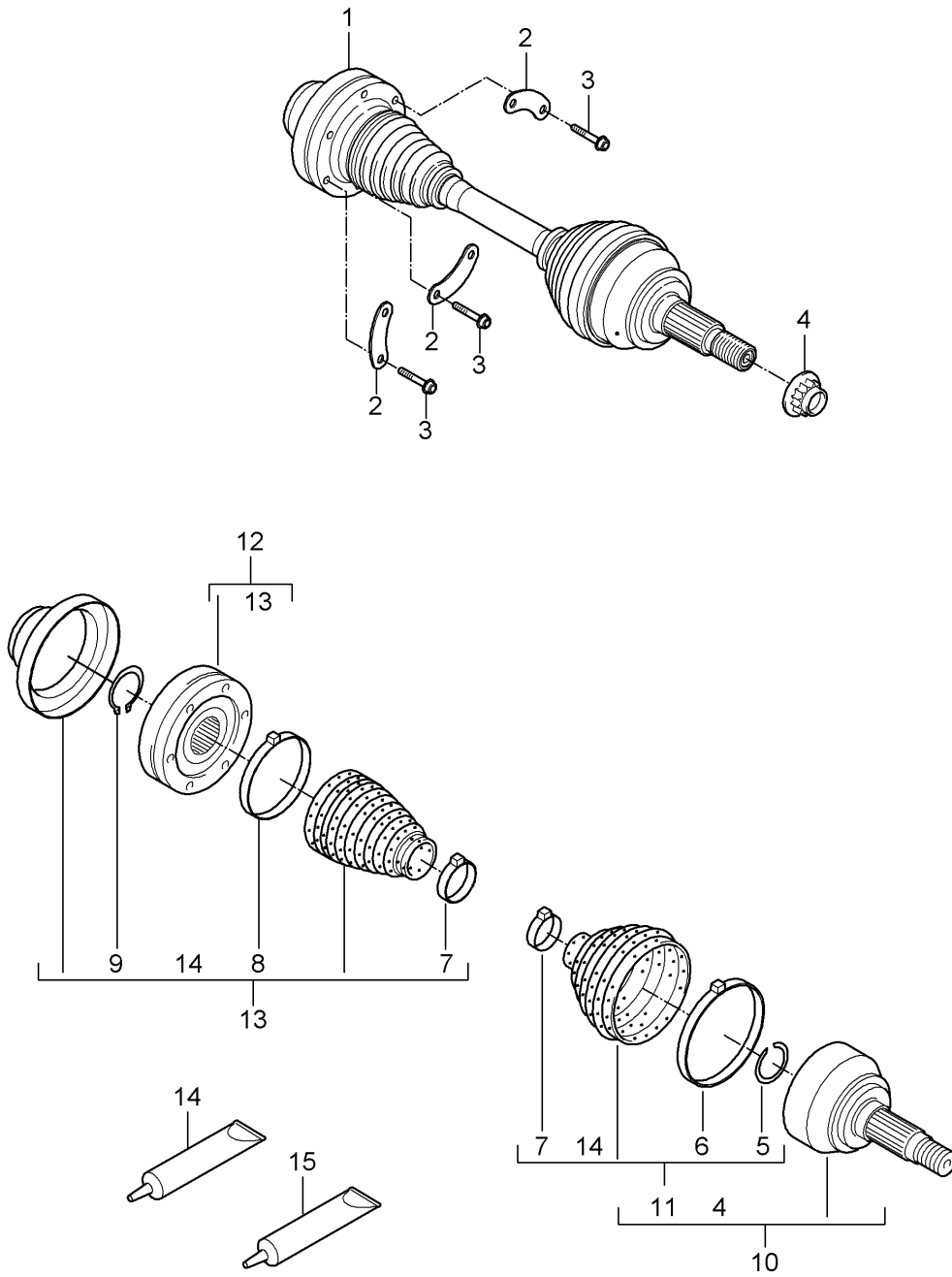
Model: 9PA108

Model life 2007>>2010

Pos	Part Number	Description	Remark	Qty	Model
		Pivot bearing Wheel hub			
1	955 341 155 10	Pivot bearing	/L	1	
(1)	955 341 156 10	Pivot bearing	/R	1	
2	955 606 405 11	Speed sensor	/L	1	
2	955 606 405 12	Speed sensor	/L	1	
(2)	955 606 406 11	Speed sensor	/R	1	
3	N 014 740 11	Pan-head screw M 6 X 16		2	
4	955 341 901 00	Repair kit Angular-contact bearing Use also: N .105.234.02 for Mount Drive shaft		2	
5	N 105 320 01	Circlip 95 X 3		2	
6	955 341 605 11	Wheel hub		2	
7	955 341 640 00	Lock nut M 24		2	
8	000 043 204 21	Grease Spraying can 25 ML		1	
8	G 052 778 A2	Grease Spraying can 25 ML		1	

Model: 9PA108

Model life 2007>>2010



Model: 9PA108 Model life 2007>>2010

Pos	Part Number	Description	Remark	Qty	Model
1	955 349 038 12	Drive shaft see Quick Information: 14/08 Drive shaft F >>9P9LA 11921 F >>9P9LA 20134 F >>9PALA 30060 F >>9P9LA 46803 F >>9P9LA 66198 F >>9P9LA 83403		2	
(1)	955 349 038 13	Drive shaft F 9P9LA 11922>> F 9P9LA 20135>> F 9PALA 30061>> F 9P9LA 46804>> F 9P9LA 66199>> F 9P9LA 83404>>		2	
2	955 349 191 11	Plate		6	
3	N 105 234 02	Pan-head screw AM 10 X 52		12	
4	955 341 640 00	Lock nut M 24 X 1,5		2	
5	N 909 908 01	Circlip 27,5 X 2 F >>9P9LA 11921 F >>9P9LA 20134 F >>9PALA 30060 F >>9P9LA 46803 F >>9P9LA 66198 F >>9P9LA 83403		2	
(5)	N 910 923 01	Circlip 29,5 X 2 F 9P9LA 11922>> F 9P9LA 20135>> F 9PALA 30061>> F 9P9LA 46804>> F 9P9LA 66199>> F 9P9LA 83404>>		2	
6	N 910 235 01	Clamp 104,5 X 10 X 1		2	
7	N 908 240 01	Clamp 34,5 X 10 X 0,8		4	
8	N 106 015 01	Clamp 74,5 X 10 X 1		2	
9	N 012 374 1	Circlip 28 X 1,5		2	
10	955 349 901 02	Repair kit Joint flange F >>9P9LA 11921 F >>9P9LA 20134 F >>9PALA 30060 F >>9P9LA 46803 F >>9P9LA 66198 F >>9P9LA 83403		2	
(10)	955 349 901 03	Repair kit Joint flange F 9P9LA 11922>> F 9P9LA 20135>> F 9PALA 30061>> F 9P9LA 46804>> F 9P9LA 66199>> F 9P9LA 83404>>		2	
11	955 349 904 00	Repair kit		2	

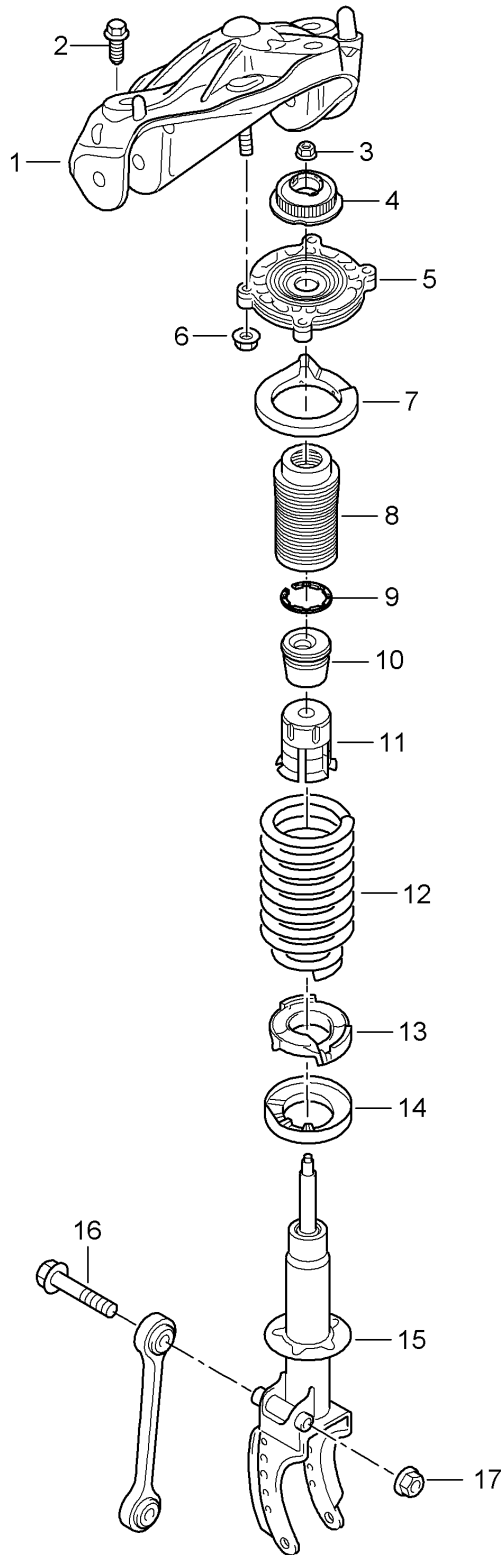
Model: 9PA108

Model life 2007>>2010

Pos	Part Number	Description	Remark	Qty	Model
12	955 349 902 01	Dust bellows Repair kit Joint		2	
13	955 349 903 01	Repair kit Dust bellows		2	
14	955 349 110 00	Grease Drive shaft 1 tube 120 GR.		X	
15	000 043 020 00	Optimoly 1 100-gramme tube		X	
(15)	000 043 205 36	Sealing compound Drive shaft 1 100-gramme tube		X	

Model: 9PA108

Model life 2007>>2010



Model: 9PA108 Model life 2007>>2010

Pos	Part Number	Description	Remark	Qty	Model
		suspension			I1BA/1BH/1BW
		Shock absorber strut			
		Bearing bracket			
1	955 343 015 21	Bearing bracket		2	
2	N 910 400 02	Combination screw		6	
		AM 10 X 37			
3	N 909 664 02	Hexagon nut		2	
		M 12 X 1,5			
4	955 343 018 00	Supporting mount		2	I1BA
(4)	955 333 019 00	Supporting mount		2	I1BW
(4)		Supporting mount		2	I1BH
5	955 343 071 10	Concave support		2	
6	N 104 355 06	Hexagon nut		8	
		M 8			
7	955 343 528 00	Concave washer		2	
		Upper			
8	955 343 505 00	Boot		2	I1BA/1BW
(8)	955 343 505 20	Boot		2	I1BH
9	955 343 535 00	Retaining ring		2	I1BH
10	955 343 301 00	Rubber stop		2	I1BA/1BW
(10)	955 343 301 30	Rubber stop		2	I1BH
11	955 343 503 10	Cap		2	I1BA/1BW
12	955 343 533 10	Coil spring		1	ID5X/0JA/1BA
		1 set			
	955 343 533 10 504	Identification			
		Pure white			
		Deer Brown			
(12)	955 343 533 11	Coil spring		1	ID5X/0JA/1BA
		1 set			
	955 343 533 11 504	Identification			
		Azure Blue			
		Pale orange			
(12)	955 343 533 20	Coil spring	-09	1	ID5X/0JB/0JC I0JD/0JE/1BA
		1 set			
	955 343 533 20 504	Identification			
		Pure white			
		Deer Brown			
(12)	955 343 533 21	Coil spring	10-	1	ID5X/0JB/0JC I0JD/0JE/1BA
		1 set			
	955 343 533 21 504	Identification			
		Azure Blue			
		Pale orange			
(12)	955 343 533 20	Coil spring	-09	1	ID50/0JB/0JC I0JD/1BA
		1 set			
	955 343 533 20 504	Identification			
		Pure white			
		Deer Brown			
(12)	955 343 533 21	Coil spring	10-	1	ID50/0JB/0JC I0JD/1BA
		1 set			
	955 343 533 21 504	Identification			
		Azure Blue			
		Pale orange			
		Pale orange			
		Pale orange			

Model: 9PA108 Model life 2007>>2010

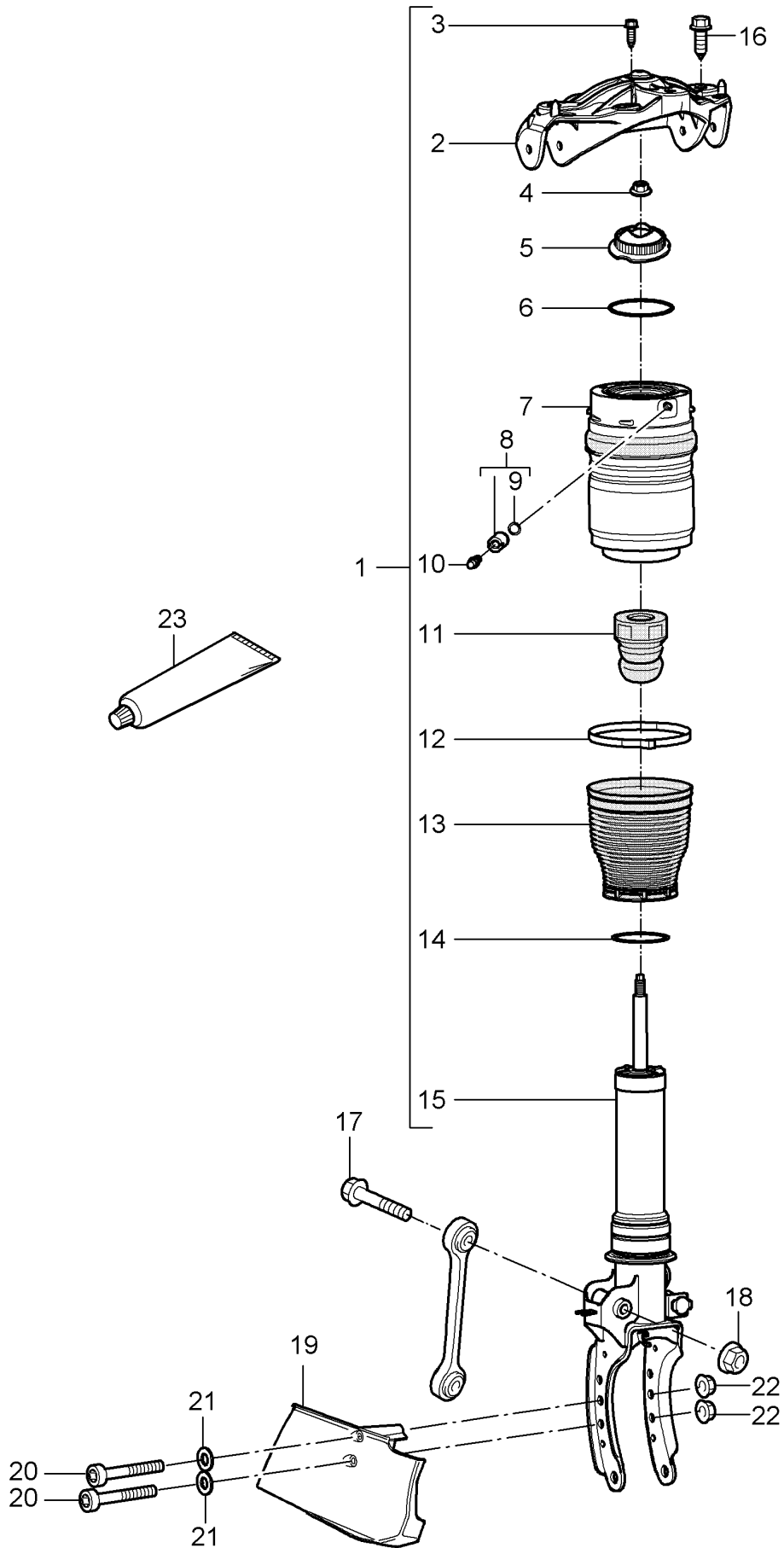
Pos	Part Number	Description	Remark	Qty	Model
(12)	955 343 533 30	Coil spring 1 set	-09	1	ID5X/0JA/1BW
	955 343 533 30 504	Identification Pure white Yellow-green			
(12)	955 343 533 31	Coil spring 1 set	10-	1	ID5X/0JA/1BW
	955 343 533 31 504	Identification Azure Blue Yellow			
(12)	955 343 533 40	Coil spring 1 set	-09	1	ID5X/0JB/0JC I0JD/0JE/1BW
	955 343 533 40 504	Identification Pure white Yellow-green Yellow-green			
(12)	955 343 533 41	Coil spring 1 set	10-	1	ID5X/0JB/0JC I0JD/0JE/1BW
	955 343 533 41 504	Identification Azure Blue Yellow Yellow			
(12)	955 343 533 50	Coil spring 1 set	-09	1	ID5V/0JC/0JD I0JE/0JF/1BA
	955 343 533 50 504	Identification Pure white Opal Green			
(12)	955 343 533 51	Coil spring 1 set	10-	1	ID5V/0JC/0JD I0JE/0JF/1BA
	955 343 533 51 504	Identification Azure Blue Fire Red			
(12)	955 343 533 60	Coil spring 1 set	-09	1	ID5V/0JG/1BA
	955 343 533 60 504	Identification Pure white Opal Green Opal Green			
(12)	955 343 533 61	Coil spring 1 set	10-	1	ID5V/0JG/1BA
	955 343 533 61 504	Identification Azure Blue Fire Red Fire Red			
(12)	955 343 533 70	Coil spring 1 set	-09	1	ID5V/0JC/0JD I0JE/0JF/1BW
	955 343 533 70 504	Identification Pure white Fire Red			
(12)	955 343 533 71	Coil spring 1 set	10-	1	ID5V/0JC/0JD I0JE/0JF/1BW
	955 343 533 71 504	Identification Azure Blue Yellow Yellow Yellow			
(12)	955 343 533 80	Coil spring	-09	1	ID5V/0JG/1BW

Model: 9PA108 Model life 2007>>2010

Pos	Part Number	Description	Remark	Qty	Model
	955 343 533 80 504	1 set Identification Pure white Fire Red Fire Red			
(12)	955 343 533 81	Coil spring	10-	1	ID5V/0JG/1BW
	955 343 533 81 504	1 set Identification Azure Blue Pale orange			
(12)	955 343 533 90	Coil spring		1	ID5V/0JC/0JD I0JE/0JF/1BH
	955 343 533 90 504	1 set Identification Zinc Yellow			
(12)	955 343 533 95	Coil spring		1	ID5V/0JG/1BH
	955 343 533 95 504	1 set Identification Zinc Yellow Zinc Yellow			
(12)	955 343 534 00	Coil spring		1	ID50/0JE/0JF I0JG/1BA
	955 343 534 00 504	1 set Identification Pure white Opal Green Opal Green Opal Green			
13	955 343 527 00	Concave washer Lower		2	I1BA/1BW
(13)	955 343 528 00	Concave washer Lower		2	I1BH
14	955 343 525 00	Compensating plate Lower Black		2	I1BA/1BW
(14)	955 343 525 30	Compensating plate Lower Black		2	I1BH
(14)	955 343 525 10	Compensating plate Lower Blue		2	I1BA/1BW
(14)	955 343 525 40	Compensating plate Lower Blue		2	I1BH
(14)	955 343 525 20	Compensating plate Lower Beige		2	I1BA/1BW
(14)	955 343 525 50	Compensating plate Lower Beige		2	I1BH
15	955 343 043 40	Shock absorber	/L	1	ID5V/D5X/1BA
(15)		Shock absorber	/L	1	ID50/1BA
(15)	955 343 043 50	Shock absorber	/L	1	ID5V/D5X/1BW
(15)	955 343 043 70	Shock absorber	/L	1	ID5V/1BH
(15)	955 343 044 40	Shock absorber	/R	1	ID5V/D5X/1BA
(15)		Shock absorber	/R	1	ID50/1BA
(15)	955 343 044 50	Shock absorber	/R	1	ID5V/D5X/1BW
(15)	955 343 044 70	Shock absorber	/R	1	ID5V/1BH
16	N 105 760 02	Hexagon-head bolt M 12 X 1,5 X 125		2	
17	N 104 029 04	Hexagon nut M 12 X 1,5		2	

Model: 9PA108

Model life 2007>>2010



Model: 9PA108

Model life 2007>>2010

Pos	Part Number	Description	Remark	Qty	Model
		suspension			I1BK
1	955 358 039 00	Spring strut Spring strut Complete See workshop manual Group 4 43-01IN00	/L	1	ID5X
(1)	955 358 039 01	Spring strut Complete See workshop manual Group 4 43-01IN00	/L	1	ID5X
(1)		Spring strut Complete See workshop manual Group 4 43-01IN00	/L	1	ID50
(1)	955 358 039 10	Spring strut Complete See workshop manual Group 4 43-01IN00	/L	1	ID5V/D5Z
(1)	955 358 039 11	Spring strut Complete See workshop manual Group 4 43-01IN00	/L	1	ID5V/D5Z
(1)	955 358 040 00	Spring strut Complete See workshop manual Group 4 43-01IN00	/R	1	ID5X
(1)	955 358 040 01	Spring strut Complete See workshop manual Group 4 43-01IN00	/R	1	ID5X
(1)		Spring strut Complete See workshop manual Group 4 43-01IN00	/R	1	ID50
(1)	955 358 040 10	Spring strut Complete See workshop manual Group 4 43-01IN00	/R	1	ID5V/D5Z
(1)	955 358 040 11	Spring strut Complete See workshop manual Group 4 43-01IN00	/R	1	ID5V/D5Z
2	955 343 015 31	Bearing bracket		2	
3	N 101 277 07	Hexagon-head bolt M 8 X 26		8	
4	N 909 664 02	Hexagon nut M 12 X 1,5		2	
5	955 343 018 10	Supporting mount		2	
6	N 910 956 01	O-ring 96 x 4		2	
7	955 358 403 20	Air spring	/L -08	1	ID5X
(7)	955 358 403 21	Air spring	/L 09-	1	ID5X
(7)		Air spring	/L	1	ID50

Model: 9PA108 Model life 2007>>2010

Pos	Part Number	Description	Remark	Qty	Model
(7)	955 358 403 30	Air spring	/L	1	ID5V/D5Z
(7)	955 358 403 31	Air spring	/L	1	ID5V/D5Z
(7)	955 358 404 20	Air spring	/R -08	1	ID5X
(7)	955 358 404 21	Air spring	/R 09-	1	ID5X
(7)		Air spring	/R	1	ID50
(7)	955 358 404 30	Air spring	/R	1	ID5V/D5Z
(7)	955 358 404 31	Air spring	/R	1	ID5V/D5Z
8	955 358 720 00	Pressure holding valve with Sealing ring See workshop manual Group 4 43-36		2	
(8)	955 358 720 02	Pressure holding valve with Sealing ring See workshop manual Group 4 43-36		2	
-	N 904 142 01	Screw plug M 10 X 1 See workshop manual Group 4 43-36		X	
-	000 043 300 57	Cleaning agent See workshop manual Group 4 43-36		X	
-	000 043 300 58	Preservative See workshop manual Group 4 43-36		X	
9	955 358 722 00	Sealing ring 8 x 1,5		2	
10	955 358 541 00	Push-on connector Air tube		2	
11	955 343 301 10	Rubber stop		2	
12	955 358 725 00	Clamp		2	
13	955 343 505 10	Bellows		2	
14	N 904 324 02	O-ring 70 x 4		2	
15	955 343 043 60	Shock absorber	/L	1	
(15)	955 343 044 60	Shock absorber	/R	1	
16	N 910 400 02	Combination screw AM 10 x 37		6	
17	N 105 760 02	Hexagon-head bolt M 12 X 1,5 X 125		2	
18	N 104 029 04	Hexagon nut M 12 X 1,5		2	
19	955 351 117 00	Air guide	/L -08	1	I1LP
19		Air guide	/L -08	1	IE81/1LH
(19)		Air guide	/L 09-	1	I1LH/1LX
(19)	955 351 118 00	Air guide	/R -08	1	I1LP
(19)		Air guide	/R -08	1	IE81/1LH
(19)		Air guide	/R 09-	1	I1LH/1LX
20	N 105 475 02	Torx screw BM 6 X 80 X 37	-08	4	I1LP
(20)		Torx screw BM 6 X 80 X 37	-08	4	IE81/1LH
(20)		Torx screw BM 6 X 80 X 37	09-	4	I1LH/1LX
21	N 104 048 06	Washer 6,4 X 12 X 1,6	-08	4	I1LP

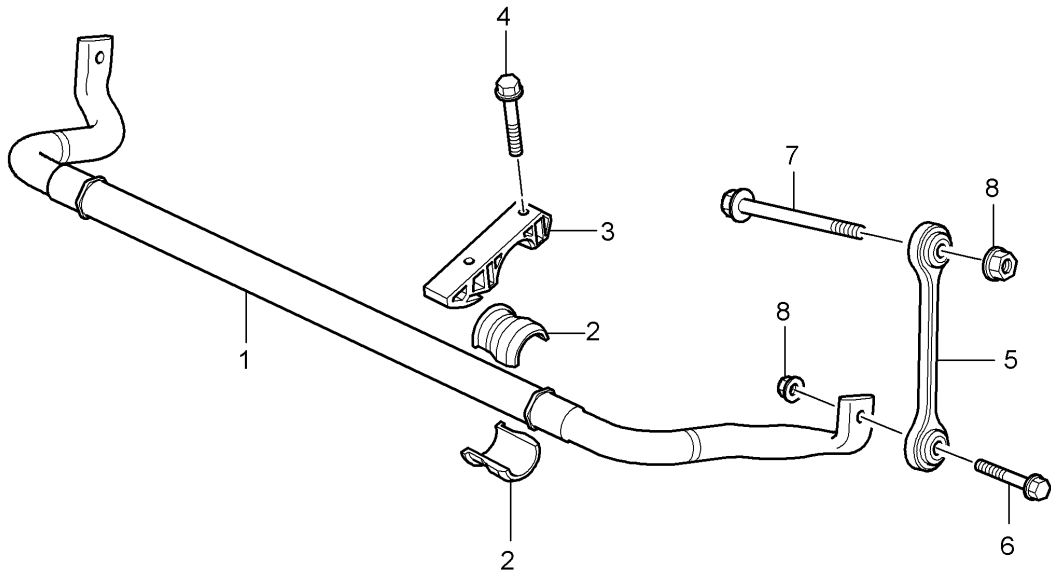
Model: 9PA108

Model life 2007>>2010

Pos	Part Number	Description	Remark	Qty	Model
(21)		Washer 6,4 X 12 X 1,6	-08	4	IE81/1LH
(21)		Washer 6,4 X 12 X 1,6	09-	4	I1LH/1LX
22	N 102 058 02	Hexagon nut M 6	-08	4	I1LP
(22)		Hexagon nut M 6	-08	4	IE81/1LH
(22)		Hexagon nut M 6	09-	4	I1LH/1LX
23	000 043 204 68	Grease Syntheso Glep 1 1 50-g tube		1	

Model: 9PA108

Model life 2007>>2010



Model: 9PA108

Model life 2007>>2010

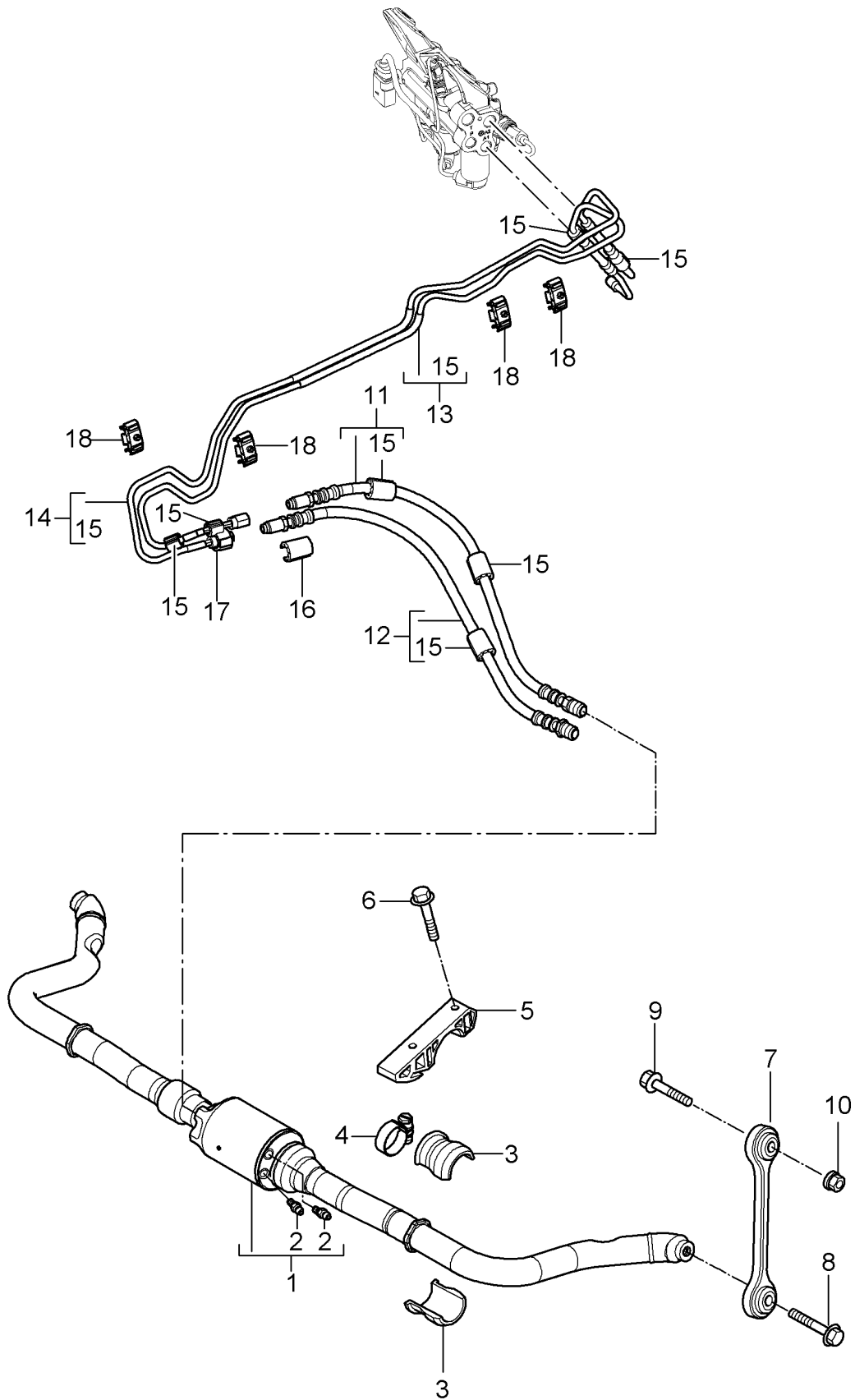
Pos	Part Number	Description	Remark	Qty	Model
1	955 343 701 50	Stabiliser Stabiliser 37,00 MM Identification Yellow	-(CN) -(RUS)	1	I0AB ID5V/D5Z/1BK
(1)	955 343 701 51	Stabiliser 37,00 MM Identification Yellow	(CN) (RUS)	1	ID5V/D5Z/1BK
(1)	955 343 701 60	with Stabiliser mounting Stabiliser 38,00 MM Identification Orange		1	ID5V/E0W/E1T I1BK
(1)	955 343 701 70	Stabiliser 38,00 MM Identification Orange	-(CN) -(RUS)	1	ID5X/1BA/1BK
(1)	955 343 701 70	Stabiliser 38,00 MM Identification Green	-(CN) -(RUS)	1	ID5X/1BW
(1)	955 343 701 71	Stabiliser 38,00 MM Identification Green	(CN) (RUS)	1	ID5X/1BW
(1)	955 343 701 70	with Stabiliser mounting Stabiliser 38,00 MM Identification Green	-(CN) -(RUS)	1	ID5V/1BA/1BW
(1)	955 343 701 71	Stabiliser 38,00 MM Identification Green	(CN) (RUS)	1	ID5V/1BA/1BW
(1)	955 343 701 70	with Stabiliser mounting Stabiliser 38,00 MM Identification Green	-(CN) -(RUS)	1	ID50
(1)	955 343 701 71	Stabiliser 38,00 MM Identification Green	(CN) (RUS)	1	ID50
(1)	955 343 701 80	with Stabiliser mounting Stabiliser 38,00 MM Identification Brown	-(CN) -(RUS)	1	ID5V/1BH
(1)	955 343 701 81	Stabiliser 38,00 MM Identification Brown	(CN) (RUS)	1	ID5V/1BH
2	955 343 792 50	with Stabiliser mounting Stabiliser mounting 35,90 MM Identification	-(CN) -(RUS)	4	ID5V/D5Z/1BK

Model: 9PA108 Model life 2007>>2010

Pos	Part Number	Description	Remark	Qty	Model
(2)	955 343 792 61	Yellow Stabiliser mounting 36,80 MM Identification Orange Green Brown	-(CN) -(RUS)	4	ID5V/E0W/E1T I1BK
(2)		Stabiliser mounting 36,80 MM Identification Orange Green Brown	-(CN) -(RUS)	4	ID5X
(2)		Stabiliser mounting 36,80 MM Identification Orange Green Brown	-(CN) -(RUS)	4	ID5V/1BA/1BW
(2)		Stabiliser mounting 36,80 MM Identification Orange Green Brown	-(CN) -(RUS)	4	ID50
(2)		Stabiliser mounting 36,80 MM Orange Green Brown	-(CN) -(RUS)	4	ID5V/1BH
3	955 343 777 11	Clip		2	
4	N 104 253 02	Hexagon-head bolt M 10 X 62 X 45		4	
5	955 343 069 00	Stabiliser mounting		2	
6	N 105 668 03	Hexagon-head bolt M 12 X 1,5 X 60		2	
7	N 105 760 02	Hexagon-head bolt M 12 X 1,5 X 125		2	
8	N 104 029 04	Hexagon nut M 12 X 1,5		4	

Model: 9PA108

Model life 2007>>2010



Model: 9PA108 Model life 2007>>2010

Pos	Part Number	Description	Remark	Qty	Model
1	955 343 703 00	Stabiliser Stabiliser with Ventilation valve		1	IOAW
(1)	955 343 703 01	Stabiliser without Ventilation valve		1	
(1)	958 343 703 00	Stabiliser without Ventilation valve		1	
2	955 343 902 00	Ventilation valve		2	
3	955 343 793 00	Stabiliser mounting		4	
4	N 107 168 01	Hose clamp B1 55 X 20		2	
5	955 343 777 11	Clip		2	
6	N 104 253 02	Hexagon-head bolt M 10 X 62 X 45		4	
7	955 343 069 10	Stabiliser mounting		2	
8	N 106 121 02	Hexagon-head bolt M 12 X 1,5 X 50		2	
9	N 105 760 02	Hexagon-head bolt M 12 X 1,5 X 125		2	
10	N 104 029 04	Hexagon nut M 12 X 1,5		2	
11	955 359 111 00	Hose line		1	
(11)	955 359 111 01	Hose line		1	
(11)	955 359 111 02	Hose line		1	
(11)	955 359 111 03	Hose line		1	
12	955 359 112 00	Hose line with Shrink-fit hose Identification Green Use also: N .107.225.01		1	
(12)	955 359 112 01	Hose line with Shrink-fit hose Identification Green Use also: N .107.225.01		1	
(12)	955 359 112 02	Hose line with Shrink-fit hose Identification Green Use also: N .107.225.01		1	
(12)	955 359 112 03	Hose line with Shrink-fit hose Identification Green Use also: N .107.623.01		1	
13	955 359 113 00	Hose line		1	
(13)	955 359 113 01	Hose line		1	
14	955 359 114 00	Hose line		1	
(14)	955 359 114 01	Hose line		1	
15	N 107 225 01	Spacer 10,5 MM for		7	

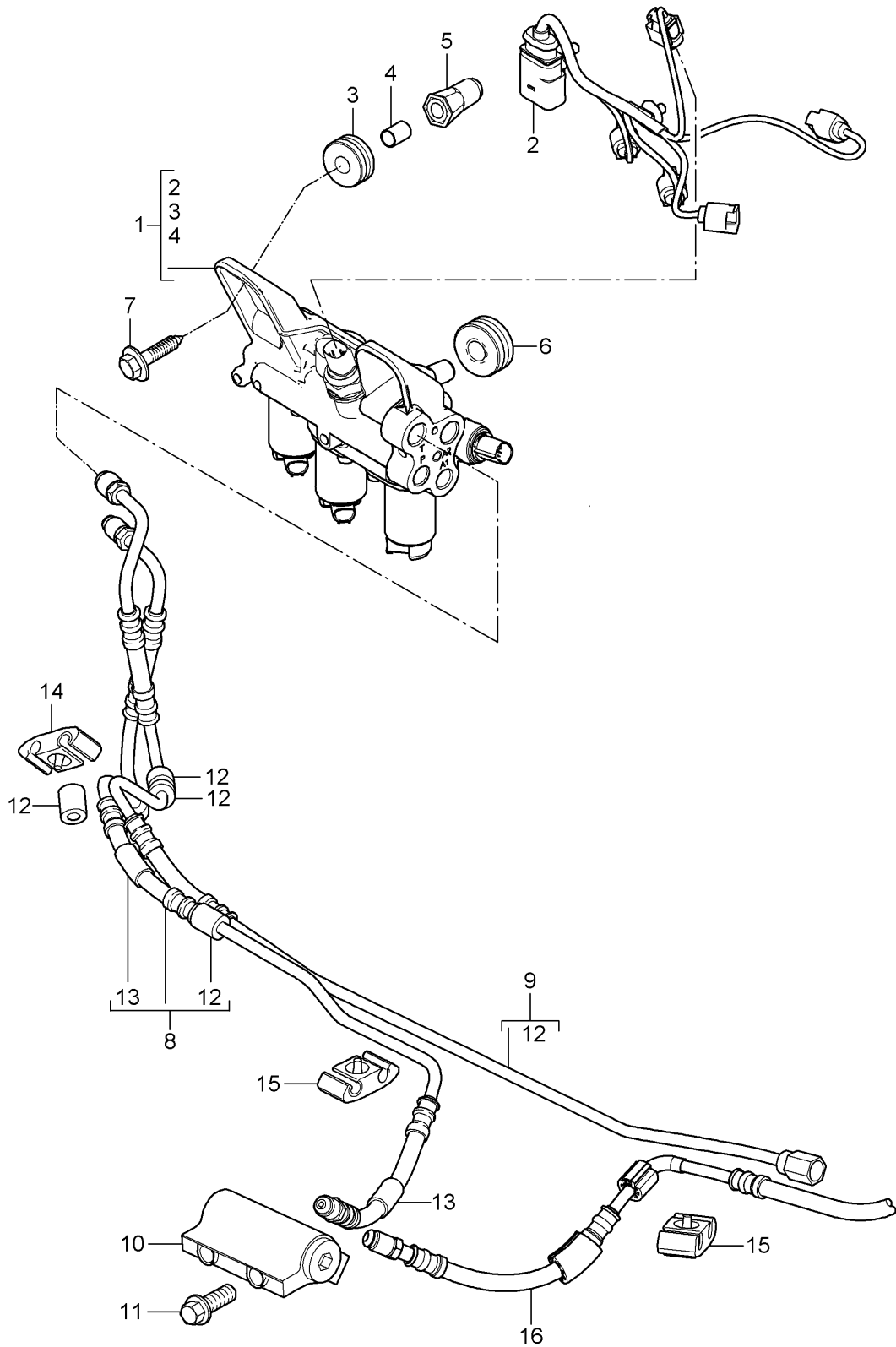
Model: 9PA108

Model life 2007>>2010

Pos	Part Number	Description	Remark	Qty	Model
(15)	N 107 623 01	Hose line without Shrink-fit hose Spacer 11,5 MM for Hose line with Shrink-fit hose		7	
16	N 107 225 01	Spacer		1	
17	N 107 278 01	Spacer		1	
18	955 359 510 00	Line bracket		4	

Model: 9PA108

Model life 2007>>2010

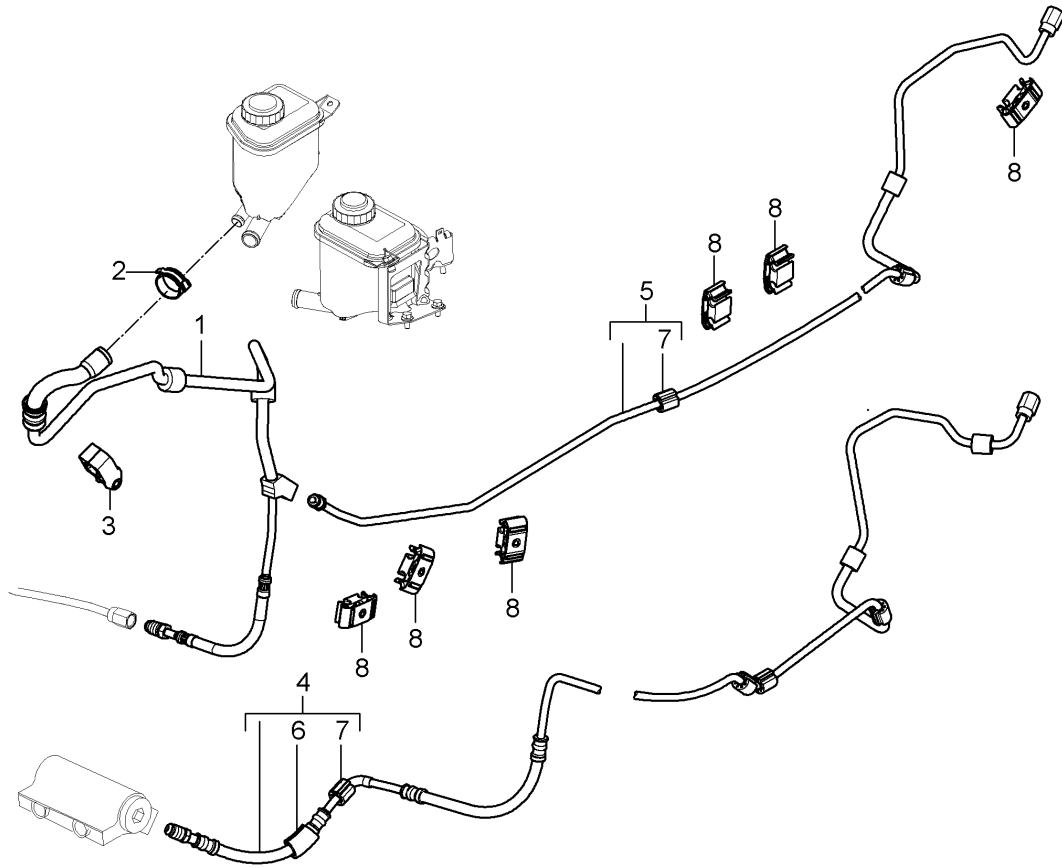


Model: 9PA108 Model life 2007>>2010

Pos	Part Number	Description	Remark	Qty	Model
		Stabiliser			IOAW
		Valve block			
		Distributor			
		Pressure line			
1	955 359 030 00	Valve block		1	
(1)	955 359 030 01	Valve block		1	
2	955 612 214 00	Wiring harness		1	
3	964 356 635 00	Rubber mounting		2	
4	955 343 633 00	Bearing sleeve		2	
5	N 902 631 04	Blind rivet nut M 6		2	
6	964 356 635 00	Rubber mounting		1	
7	N 106 998 01	Hexagon-head bolt M 6 X 35		2	
8	955 359 115 00	Pressure line	-08	1	
(8)	955 359 115 01	Pressure line	09-	1	
8	955 359 115 00	Pressure line without Shrink-fit hose Use also: N .107.225.01	-08	1	
(8)	955 359 115 01	Pressure line without Shrink-fit hose Use also: N .107.225.01		1	
(8)	955 359 115 02	Pressure line with Shrink-fit hose Use also: N .107.623.01		1	
9	955 359 116 00	Return line	-08	1	
(9)	955 359 116 01	Return line	09-	1	
(9)	955 359 116 02	Return line	09-	1	
10	955 359 231 00	Distributor To Use 955.359.231.01 955.359.125.02 955.359.125.12	-08	1	
(10)	955 359 231 01	Distributor	09-	1	ID5X ID5V/D5Z
11	N 904 407 06	Hexagon-head bolt M 6 X 15		2	
12	N 107 224 01	Spacer		4	
13	N 107 225 01	Spacer 10,5 MM for Pressure line without Shrink-fit hose		2	
(13)	N 107 623 01	Spacer 11,5 MM for Pressure line with Shrink-fit hose		2	
14	955 359 510 00	Line bracket		1	
15	955 359 513 00	Line bracket		2	
16		Pressure line See illustrations 4/02/08		1	

Model: 9PA108

Model life 2007>>2010



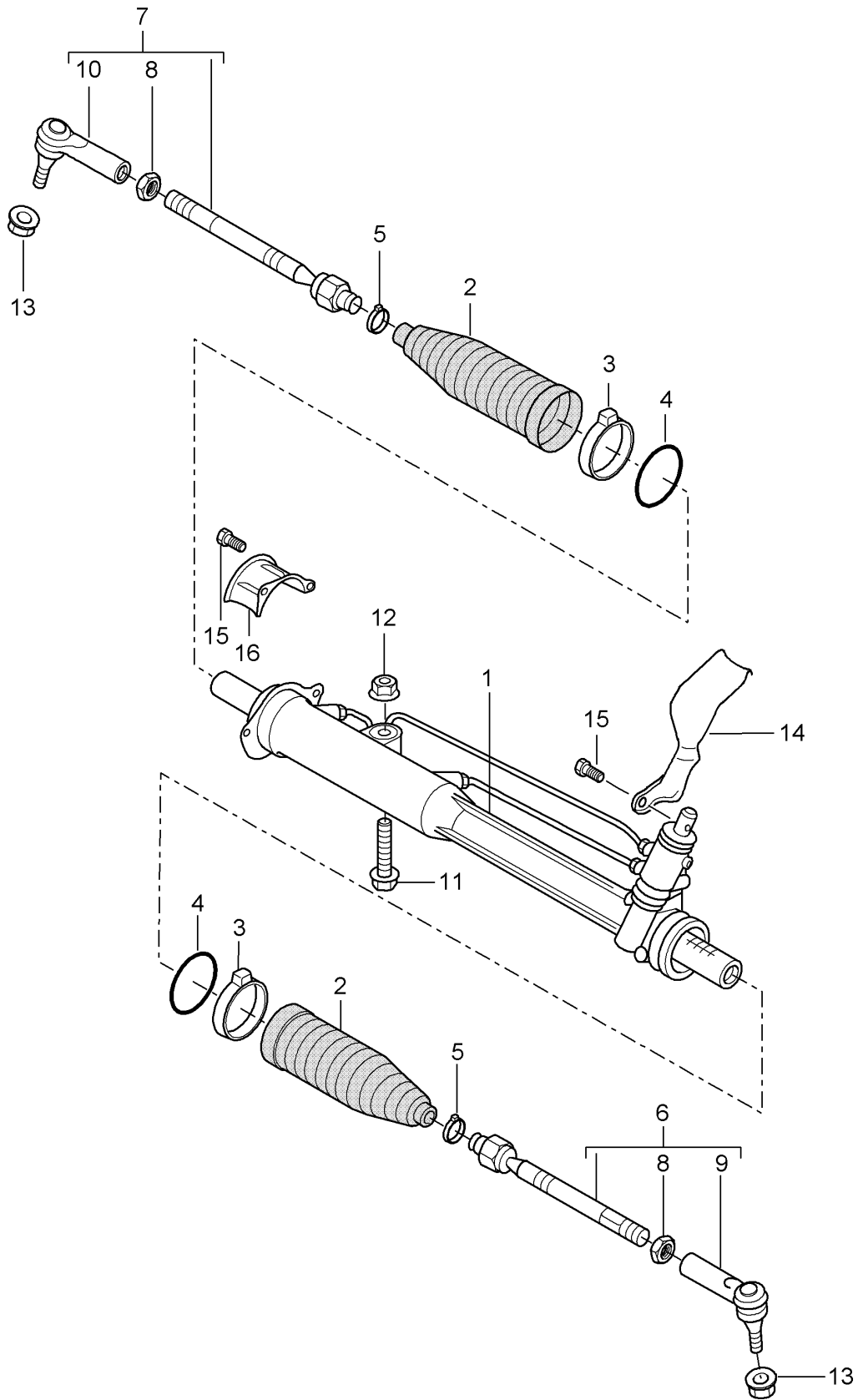
Model: 9PA108

Model life 2007>>2010

Pos	Part Number	Description	Remark	Qty	Model
		Stabiliser			IOAW
		Pressure line			
		Return line			
		Underbody			
1	955 359 117 00	Return line		1	
1	955 359 117 01	Return line		1	
2	955 347 569 00	Hose clamp		1	
		21 X 12			
3	955 359 509 00	Line bracket		1	
4	955 359 119 00	Pressure line		1	
(4)	955 359 119 01	Pressure line		1	
5	955 359 120 00	Return line		1	
(5)	955 359 120 01	Return line		1	
6	N 107 225 01	Spacer		1	
7	N 107 224 01	Spacer		15	
8	955 359 510 00	Line bracket		6	

Model: 9PA108

Model life 2007>>2010



Model: 9PA108 Model life 2007>>2010

Pos	Part Number	Description	Remark	Qty	Model
1	955 347 011 14	Power steering Steering gear Steering parts Steering gear	/LL -08	1	IL0L/1N1
(1)	955 347 011 20	Power steering Steering gear	/LL 09-	1	IL0L/1N1
(1)	955 347 011 21	Power steering Steering gear	/LL 09-	1	IL0L/1N1
(1)	955 347 011 AX	Power steering Steering gear	/LL 09-	1	IL0L/1N1
(1)	955 347 011 17	Power steering Steering gear	/LL -08	1	IL0L/1N3
(1)	955 347 011 30	Servotronic Steering gear	/LL 09-	1	IL0L/1N3
(1)	955 347 012 16	Servotronic Steering gear	/RL -08	1	IL0R/1N1
(1)	955 347 012 20	Power steering Steering gear	/RL 09-	1	IL0R/1N1
(1)	955 347 012 21	Power steering Steering gear	/RL 09-	1	IL0R/1N1
(1)	955 347 012 AX	Power steering Steering gear	/RL 09-	1	IL0R/1N1
(1)	955 347 012 19	Power steering Steering gear	/RL -08	1	IL0R/1N3
(1)	955 347 012 30	Servotronic Steering gear	/RL 09-	1	IL0R/1N3
(1)	955 347 012 31	Servotronic Steering gear	/RL 09-	1	IL0R/1N3
(1)	955 347 012 BX	Servotronic Steering gear	/RL 09-	1	IL0R/1N3
2	955 347 191 10	Bellows		2	
3	N 105 517 01	Hose clamp		2	
4	N 901 809 02	O-ring		2	
5	955 347 645 00	Clip		2	
6	955 347 031 22	Tie rod with Ball joint	/L -08	1	
(6)		Tie rod with Ball joint	/L 09-	1	ID5V/D5X
(6)		Tie rod with Ball joint	/L 09-	1	ID50
(6)	955 347 031 50	Tie rod with Ball joint	/L -08	1	IE81
(6)		Tie rod with Ball joint	/L 09-	1	ID5Z
7	955 347 032 22	Tie rod with Ball joint	/R -08	1	
(7)		Tie rod with Ball joint	/R 09-	1	ID5V/D5X
(7)		Tie rod with Ball joint	/R 09-	1	ID50
(7)	955 347 032 50	Tie rod with Ball joint	/R -08	1	IE81
(7)		Tie rod with Ball joint	/R 09-	1	ID5Z

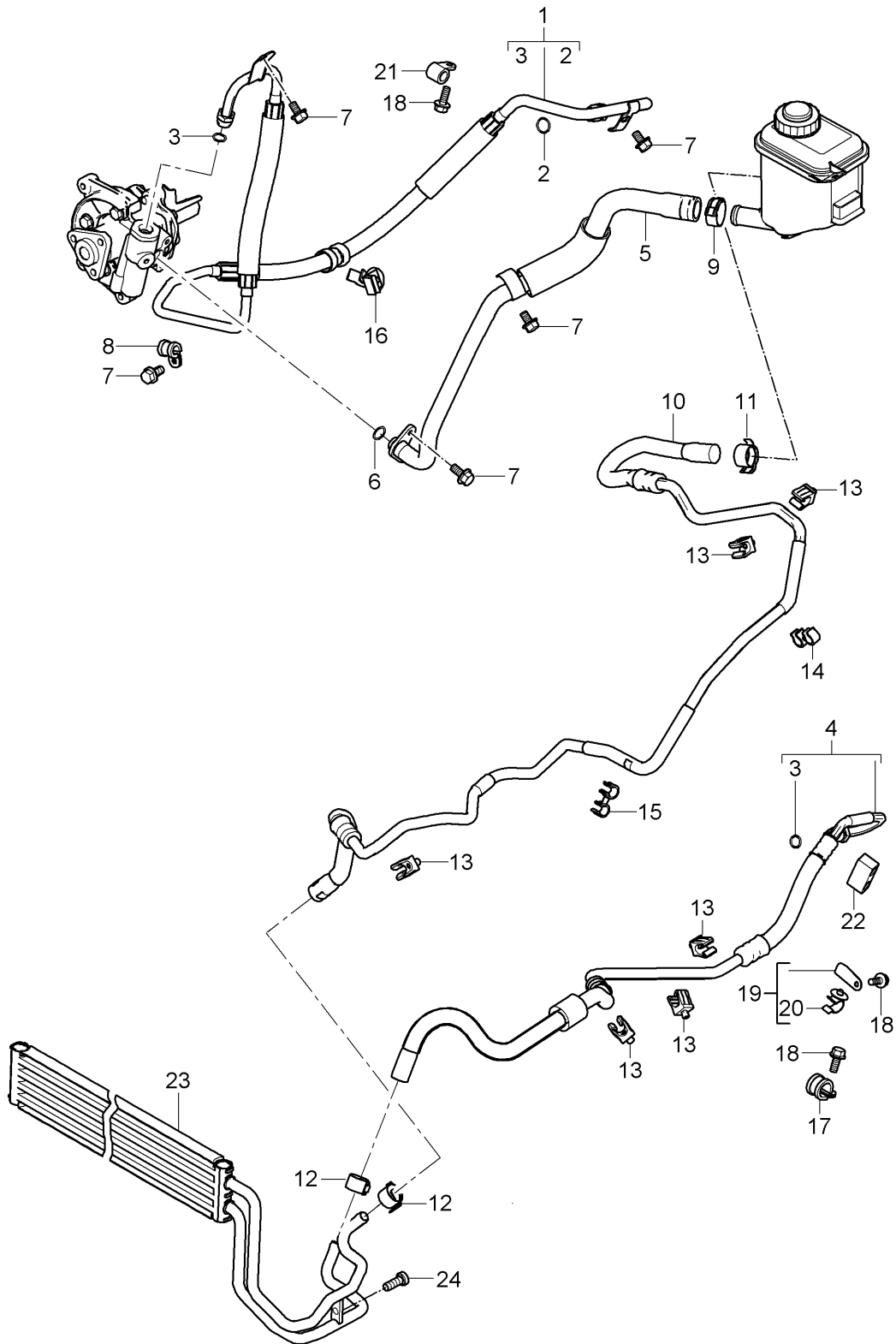
Model: 9PA108

Model life 2007>>2010

Pos	Part Number	Description	Remark	Qty	Model
8	N 011 164 18	with Ball joint			
		Hexagon nut	-08	2	
(8)		M 16 X 1,5			
		Hexagon nut	09-	2	ID5V/D5X
		M 16 X 1,5			
(8)		Hexagon nut	09-	2	ID50
		M 16 X 1,5			
(8)	955 347 341 00	Hexagon nut	-08	2	IE81
		M 16 X 1,5			
(8)		Hexagon nut	09-	2	ID5Z
		M 16 X 1,5			
9	955 347 131 22	Ball joint	/L	1	
10	955 347 132 22	Ball joint	/R	1	
11	N 104 280 02	Hexagon-head bolt		2	
		M 12 X 1,5 X 80			
12	N 104 029 04	Hexagon nut		2	
		M 12 X 1,5			
13	N 909 771 01	Hexagon nut		2	
		M 14 X 1,5			
14	955 347 201 01	Heat protection	/LL	1	ID5V/D5Z/L0L
(14)		Heat protection	/LL 09-	1	ID50/L0L
(14)	955 347 202 10	Heat protection	/RL	1	IL0R
15	N 106 532 01	Hexagon-head bolt		4	
		M 6 X 16			
16	955 347 203 00	Heat protection		1	
		Bellows			

Model: 9PA108

Model life 2007>>2010



Model: 9PA108 Model life 2007>>2010

Pos	Part Number	Description	Remark	Qty	Model
		Power steering Lines Oil cooler Differing parts for -PDCC- See illustrations 4/03/10			ID5V/D5Z
1	955 347 451 20	Pressure line Steering gear	/LL	1	IL0L/0AB
(1)	955 347 452 20	Power-steering pump Pressure line Steering gear Power-steering pump	/RL	1	IL0R/0AB
2	955 347 542 00	O-ring 9,25 X 1,78		1	I0AB
3	955 347 543 00	O-ring 7,65 X 1,63		1	I0AB
4	955 347 449 00	Return line Steering gear	/LL	1	IL0L
(4)	955 347 450 10	Oil cooler Return line Steering gear	/RL	1	IL0R
5	955 347 442 10	Oil cooler Intake pipe Oil tank Power-steering pump		1	I0AB
6	N 909 816 01	O-ring 15,8 X 2,4		1	I0AB
7	N 101 563 07	Hexagon-head bolt M 6 X 12		6	I0AB
8	N 020 651 5	Clip 10 X 15	-08	1	
(8)	N 020 651 7	Clip 10 X 15	09-	1	
9	N 906 870 01	Hose clamp B 27 X 12		1	
10	955 347 439 10	Return line Oil tank Oil cooler		1	
11	955 347 569 00	Hose clamp 21 X 12		1	
12	N 909 264 01	Hose clamp B 19 X 12		2	
13	N 909 435 01	Hose holder 12 MM		6	
14	955 347 575 00	Line bracket Return line Refrigerant line		1	
15	955 347 577 00	Line bracket Return line Refrigerant line		1	
16	955 347 576 00	Line bracket Pressure line Front-axle final drive	/LL	1	IL0L/0AB
(16)	N 106 367 01	Hose holder Pressure line Front-axle final drive	/RL	1	IL0R/0AB
17	N 020 640 5	Clamp 18 X 15	/RL	1	IL0R
18	N 904 407 06	Hexagon-head bolt M 6 X 15	/RL	3	IL0R
19	955 347 423 00	Support	/RL	1	IL0R

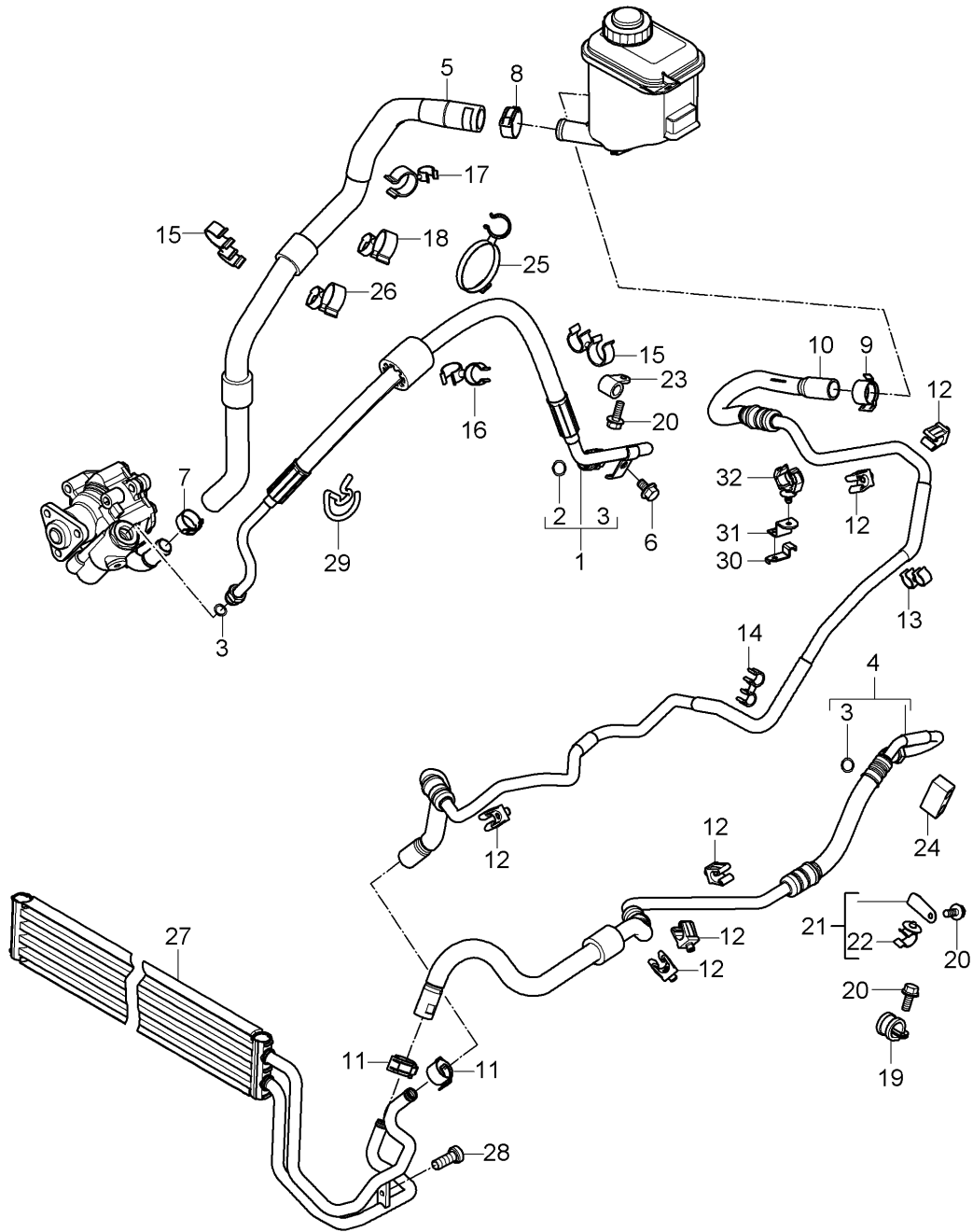
Model: 9PA108

Model life 2007>>2010

Pos	Part Number	Description	Remark	Qty	Model
20	N 106 491 01	Hose holder	/RL	1	IL0R
21	N 020 601 4	Clamp 12 X 15	/RL -08	1	IL0R
(21)	N 020 601 5	Clamp 12 X 15	/RL 09-	1	IL0R
22	N 107 197 01	Line bracket C 12 X 12	/RL	1	IL0R
23	955 347 069 03	Oil cooler Power steering		1	
24	N 104 514 04	Lens-head screw M 6 X 16		1	

Model: 9PA108

Model life 2007>>2010



Model: 9PA108

Model life 2007>>2010

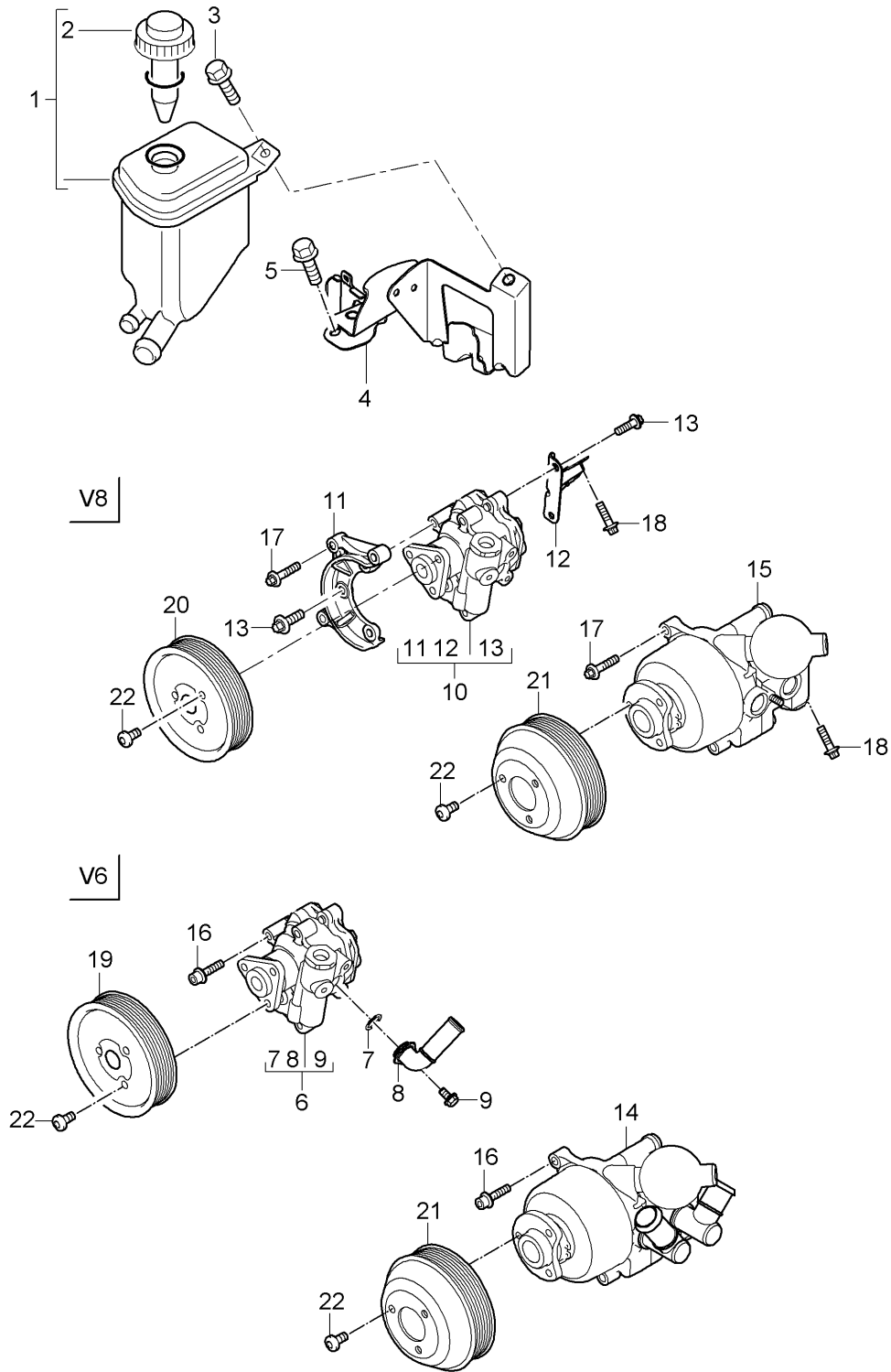
Pos	Part Number	Description	Remark	Qty	Model
		Power steering Lines Oil cooler Differing parts for -PDCC- See illustrations 4/03/15			ID5X/D50
1	955 347 451 12	Pressure line Steering gear Power-steering pump	/LL	1	IL0L/0AB
(1)	955 347 452 30	Pressure line Steering gear Power-steering pump	/RL	1	IL0R/0AB
(1)	955 347 451 70	Pressure line Steering gear Power-steering pump	/LL	1	ID50/L0L/0AB
(1)	955 347 452 70	Pressure line Steering gear Power-steering pump	/RL	1	ID50/L0R/0AB
2	955 347 542 00	O-ring 9,25 X 1,78		1	I0AB
3	955 347 543 00	O-ring 7,65 X 1,63		1	I0AB
(3)	WHT 002 666	Sealing ring 9,8 X 2,5		1	ID50/0AB
-	N 107 188 01	Hexagon-head bolt M 6 X 16 Mount Pressure line Steering gear Power-steering pump		2	ID50/0AB
4	955 347 449 00	Return line Steering gear Oil cooler	/LL	1	IL0L
(4)	955 347 449 10	Return line Steering gear Oil cooler	/LL	1	ID50/L0L/0AB
(4)	955 347 450 10	Return line Steering gear Oil cooler	/RL	1	IL0R
(4)	955 347 450 20	Return line Steering gear Oil cooler	/RL	1	ID50/L0R/0AB
5	955 347 443 03	Suction hose Oil tank Power-steering pump		1	I0AB
(5)	955 347 443 20	Suction hose Oil tank Power-steering pump		1	ID50/0AB
6	N 101 563 07	Hexagon-head bolt M 6 X 12	/LL	1	IL0L/0AB
7	N 906 869 01	Hose clamp B 23 X 12		1	I0AB
8	N 906 870 01	Hose clamp B 27 X 12		1	
9	955 347 569 00	Hose clamp 21 X 12		1	
(9)	N 909 264 01	Hose clamp 19 X 12		1	ID50/0AB
10	955 347 439 10	Return line Oil tank Oil cooler		1	

Model: 9PA108 Model life 2007>>2010

Pos	Part Number	Description	Remark	Qty	Model
(10)	955 347 439 20	Return line Oil tank Oil cooler		1	ID50/0AB
11	N 909 264 01	Hose clamp B 19 X 12		2	
12	N 909 435 01	Hose holder 12 MM		6	
13	955 347 575 00	Line bracket Return line Refrigerant line		1	I9AH
14	955 347 577 00	Line bracket Return line Refrigerant line		1	I9AH
15	N 104 421 01	Support	/LL	2	IL0L/0AB
(15)	N 909 435 01	Hose holder 12 MM	/RL	1	ID50/L0R/0AB
16	N 104 711 01	Support	/LL	1	IL0L/0AB
17	N 102 752 01	Line bracket		1	I0AB/9AB/9AD
18	N 106 816 01	Hose holder		1	I9AH
19	N 020 640 5	Clamp 18 X 15	/RL	1	IL0R
(19)	N 020 651 7	Clip 10 X 15	/RL	1	ID50/L0R/0AB
20	N 904 407 06	Hexagon-head bolt M 6 X 15	/RL	3	IL0R
21	955 347 423 00	Support	/RL	1	IL0R
22	N 106 491 01	Hose holder	/RL	1	IL0R
22	N 106 368 01	Hose holder	/RL	1	ID50/L0R/0AB
23	N 020 601 4	Clamp 12 X 15	/RL -08	1	IL0R
(23)	N 020 601 5	Clamp 12 X 15	/RL 09-	1	IL0R
24	N 107 197 01	Line bracket C 12 X 12	/RL	1	IL0R
25	N 106 367 01	Hose holder	/RL	1	IL0R
26	N 106 842 01	Line bracket	/RL	1	IL0R
27	955 347 069 03	Oil cooler Power steering		1	ID5X
(27)	955 347 069 10	Oil cooler Power steering		1	ID50
28	N 104 514 04	Lens-head screw M 6 X 16		1	
29	955 347 526 00	Support		1	ID50/0AB
30	955 106 479 00	Support		1	ID50/0AB
31	955 347 464 00	Support		1	ID50/0AB
32	955 347 687 00	Line bracket		1	ID50/0AB

Model: 9PA108

Model life 2007>>2010

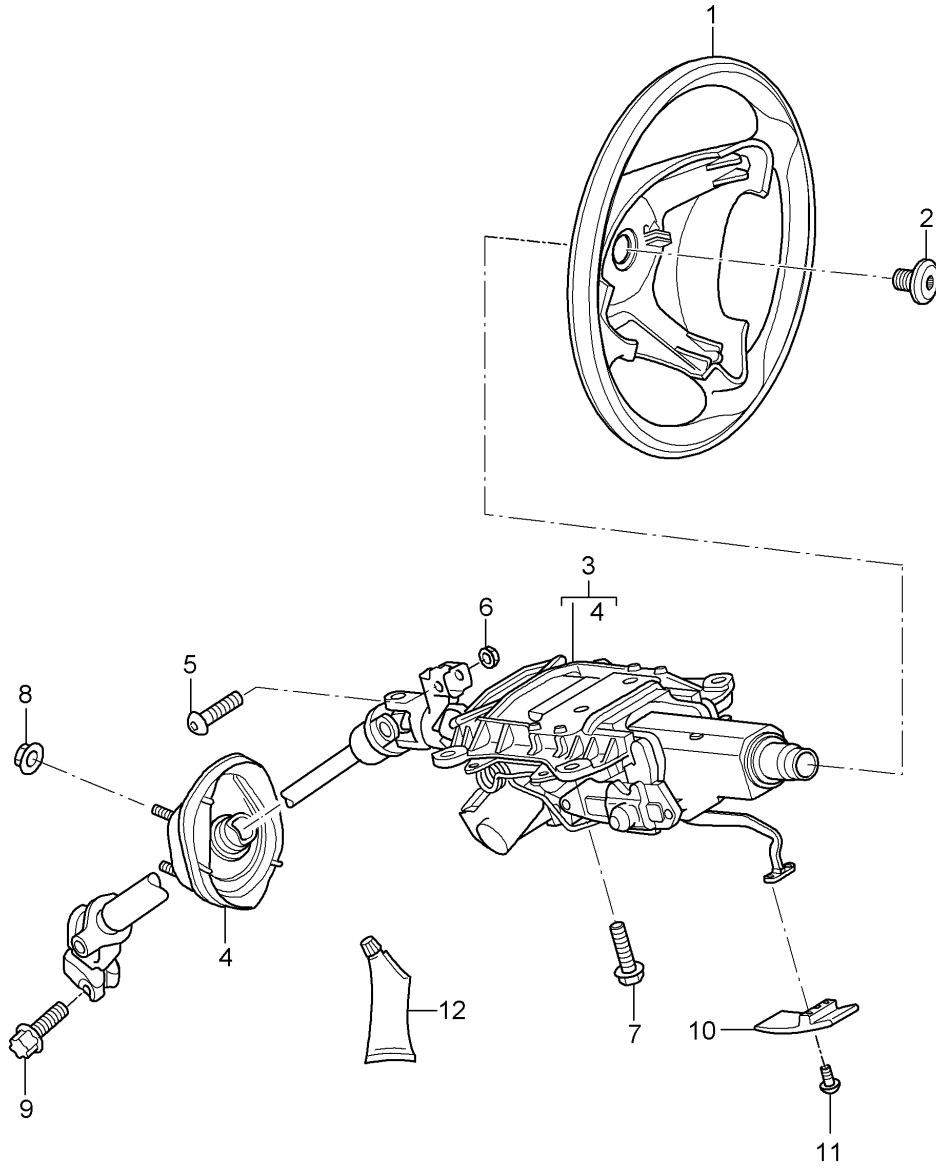


Model: 9PA108 Model life 2007>>2010

Pos	Part Number	Description	Remark	Qty	Model
1	955 314 015 20	Power steering Power-steering pump Tandem pump Oil tank		1	I0AB I0AW -ID50
(1)	955 314 015 30	Power steering Oil tank		1	ID50
2	955 314 145 00	Power steering Threaded cover Oil tank		1	
3	N 101 563 10	Hexagon-head bolt M 6 X 12		1	
4	955 314 210 20	Support		1	
5	N 101 563 07	Hexagon-head bolt M 6 X 12		3	
6	955 314 050 04	Power-steering pump	-08	1	ID5X/0AB
(6)	955 314 050 05	Power-steering pump	09-	1	ID5X/0AB
(6)	955 314 050 20	Power-steering pump		1	ID50
7	N 909 816 01	O-ring 15,8 X 2,4		1	ID5X/0AB
8	955 314 157 00	Intake connection		1	ID5X/0AB
9	N 101 563 07	Hexagon-head bolt M 6 X 12		1	ID5X/0AB
10	955 314 050 10	Power-steering pump	-08	1	ID5V/D5Z/0AB
(10)	955 314 050 11	Power-steering pump	09-	1	ID5V/D5Z/0AB
11	955 314 431 00	Adapter		1	ID5V/D5Z/0AB
12	955 314 363 00	Support	-08	1	ID5V/D5Z/0AB
12	955 314 363 01	Support	-08	1	ID5V/D5Z/0AB
(12)		Support	09-	1	ID5V/D5Z/0AB
13	900 385 098 01	Torx screw BM 8 X 25		5	ID5V/D5Z/0AB
14	955 314 022 00	Tandem pump		1	ID5X/0AW
(14)	955 314 022 01	Tandem pump		1	ID5X/0AW
15	955 314 022 11	Tandem pump F >>9P8LA 53012 F >>9P8LA 73883 F >>9P8LA 96526		1	ID5V/D5Z/0AW
(15)	955 314 022 12	Tandem pump F 9P8LA 53013>> F 9P8LA 73884>> F 9P8LA 96527>>		1	ID5V/D5Z/0AW
16	N 106 730 01	Pan-head screw M 8 X 40		3	ID5X
(16)	N 911 287 01	Pan-head screw M 8 X 32		3	ID50
17	900 385 042 01	Torx screw BM 8 X 35		3	ID5V/D5Z
18	900 385 001 01	Torx screw BM 8 X 20		1	ID5V/D5Z
19	955 147 219 00	Pulley		1	ID5X/0AB
(19)	955 147 219 10	Pulley		1	ID50
20	948 147 019 01	Pulley		1	ID5V/D5Z/0AB
21	955 147 219 20	Pulley		1	I0AW
22	999 073 104 01	Torx screw M 8 X 16		3	-ID50
(22)	N 910 522 01	Pan-head screw M 8 X 12		3	ID50
-	000 043 206 56	Pentosin CHF 202 1 LITER		X	

Model: 9PA108

Model life 2007>>2010



Model: 9PA108 Model life 2007>>2010

Pos	Part Number	Description	Remark	Qty	Model
1	955 347 804 01	Steering wheels Steering column Steering shaft Steering wheel Leather		1	I2PM
	955 347 804 01 5Z3	Black			
	955 347 804 01 6P1	Stone grey			
	955 347 804 01 6Q2	Havanna			
	955 347 804 01 4P8	Sand Beige			
(1)	955 347 804 90	Steering wheel Leather	08	1	IEOW/2PM
	955 347 804 90 5Z3	Black			
	955 347 804 90 6P1	Stone grey			
	955 347 804 90 6Q2	Havanna			
	955 347 804 90 4P8	Sand Beige			
(1)	955 347 804 90	Steering wheel Leather	09-	1	I1MV
	955 347 804 90 5Z3	Black			
	955 347 804 90 6P1	Stone grey			
	955 347 804 90 6Q2	Havanna			
	955 347 804 90 4P8	Sand Beige			
(1)	955 347 804 11	Steering wheel Leather		1	I2PH
	955 347 804 11 5Z3	Black			
	955 347 804 11 6P1	Stone grey			
	955 347 804 11 6Q2	Havanna			
	955 347 804 11 4P8	Sand Beige			
(1)	955 347 804 70	Steering wheel Leather Heated	08	1	IEOW/2PH
	955 347 804 70 5Z3	Black			
	955 347 804 70 6P1	Stone grey			
	955 347 804 70 6Q2	Havanna			
	955 347 804 70 4P8	Sand Beige			
(1)	955 347 804 70	Steering wheel Leather Heated	09-	1	I1MW
	955 347 804 70 5Z3	Black			
	955 347 804 70 6P1	Stone grey			
	955 347 804 70 6Q2	Havanna			
	955 347 804 70 4P8	Sand Beige			
(1)	955 347 805 00	Steering wheel Leather two-colour Heated	09-	1	I1MD
	955 347 805 00 ZMA	Black/Havanna			
	955 347 805 00 ZMB	Black/Steel Grey			
(1)	955 347 804 21	Steering wheel Leather Multi-function	-08	1	I2PM/4LB/4LC
	955 347 804 21 5Z3	Black			
	955 347 804 21 6P1	Stone grey			
	955 347 804 21 6Q2	Havanna			
	955 347 804 21 4P8	Sand Beige			
(1)	955 347 804 21	Steering wheel Leather Multi-function	09-	1	I2PM/4LC
	955 347 804 21 5Z3	Black			
	955 347 804 21 6P1	Stone grey			
	955 347 804 21 6Q2	Havanna			
	955 347 804 21 4P8	Sand Beige			
(1)	955 347 804 95	Steering wheel	08	1	I2PM/4LB/4LC

Model: 9PA108 Model life 2007>>2010

Pos	Part Number	Description	Remark	Qty	Model
		Leather Multi-function			IEOW
	955 347 804 95 5Z3	Black			
	955 347 804 95 6P1	Stone grey			
	955 347 804 95 6Q2	Havanna			
	955 347 804 95 4P8	Sand Beige			
(1)	955 347 804 95	Steering wheel Leather Multi-function	09-	1	I1MV/4LC
	955 347 804 95 5Z3	Black			
	955 347 804 95 6P1	Stone grey			
	955 347 804 95 6Q2	Havanna			
	955 347 804 95 4P8	Sand Beige			
(1)	955 347 805 10	Steering wheel Leather two-colour Heated Multi-function	09-	1	I1MD/4LC
	955 347 805 10 ZMA	Black/Havanna			
	955 347 805 10 ZMB	Black/Steel Grey			
(1)	955 347 804 31	Steering wheel Leather Heated Multi-function	-08	1	I2PH/4LB/4LC
	955 347 804 31 5Z3	Black			
	955 347 804 31 6P1	Stone grey			
	955 347 804 31 6Q2	Havanna			
	955 347 804 31 4P8	Sand Beige			
(1)	955 347 804 31	Steering wheel Leather Heated Multi-function	09-	1	I2PH/4LC
	955 347 804 31 5Z3	Black			
	955 347 804 31 6P1	Stone grey			
	955 347 804 31 6Q2	Havanna			
	955 347 804 31 4P8	Sand Beige			
(1)	955 347 804 80	Steering wheel Leather Heated Multi-function	08	1	I2PH/4LB/4LC IEOW
	955 347 804 80 5Z3	Black			
	955 347 804 80 6P1	Stone grey			
	955 347 804 80 6Q2	Havanna			
	955 347 804 80 4P8	Sand Beige			
(1)	955 347 804 81	Steering wheel Leather Heated Multi-function	08	1	I2PH/4LB/4LC IEOW
	955 347 804 81 5Z3	Black			
	955 347 804 81 6P1	Stone grey			
	955 347 804 81 6Q2	Havanna			
	955 347 804 81 4P8	Sand Beige			
(1)	955 347 804 80	Steering wheel Leather Heated Multi-function	09-	1	I1MW/4LC
	955 347 804 80 5Z3	Black			
	955 347 804 80 6P1	Stone grey			
	955 347 804 80 6Q2	Havanna			
	955 347 804 80 4P8	Sand Beige			

Model: 9PA108 Model life 2007>>2010

Pos	Part Number	Description	Remark	Qty	Model
(1)	955 347 804 81	Steering wheel Leather Heated Multi-function	09-	1	I1MW/4LC
	955 347 804 81 5Z3	Black			
	955 347 804 81 6P1	Stone grey			
	955 347 804 81 6Q2	Havanna			
	955 347 804 81 4P8	Sand Beige			
(1)	955 347 804 41	Steering wheel Rootwood Dark Multi-function	-08	1	I1XJ/4LB/4LC
	955 347 804 41 PBA	Black			
	955 347 804 41 PBB	Stone grey			
	955 347 804 41 PBD	Havanna			
	955 347 804 41 TXB	Sand Beige			
(1)	955 347 804 41	Steering wheel Rootwood Dark Multi-function	09-	1	I1XJ/4LC
	955 347 804 41 PBA	Black			
	955 347 804 41 PBB	Stone grey			
	955 347 804 41 PBD	Havanna			
	955 347 804 41 TXB	Sand Beige			
(1)	955 347 804 51	Steering wheel Olive grain Light Multi-function	-08	1	I1XK/4LB/4LC
	955 347 804 51 PBE	Black			
	955 347 804 51 PBF	Stone grey			
	955 347 804 51 PBH	Havanna			
	955 347 804 51 TXA	Sand Beige			
(1)	955 347 804 51	Steering wheel Olive grain Light Multi-function	09-	1	I1XK/4LC
	955 347 804 51 PBE	Black			
	955 347 804 51 PBF	Stone grey			
	955 347 804 51 PBH	Havanna			
	955 347 804 51 TXA	Sand Beige			
(1)	955 347 805 22	Steering wheel Alcantara Heated Multi-function		1	I2PR/4LC/6FI
	955 347 805 22 5E6	Black			
(1)	955 347 805 20	Steering wheel Alcantara Multi-function		1	I2PW/4LC/6FI
	955 347 805 20 5E6	Black			
(1)	955 347 805 23	Steering wheel Alcantara Heated		1	I2PR/4LA/6FI
	955 347 805 23 5E6	Black			
(1)	955 347 805 21	Steering wheel Alcantara		1	I2PW/4LA/6FI
	955 347 805 21 5E6	Black			
(1)	955 347 805 26	Steering wheel Alcantara Heated Multi-function		1	I2PR/4LC/6FM I6FP
	955 347 805 26 5E6	Black			
(1)	955 347 805 24	Steering wheel		1	I2PW/4LC/6FM

Model: 9PA108 Model life 2007>>2010

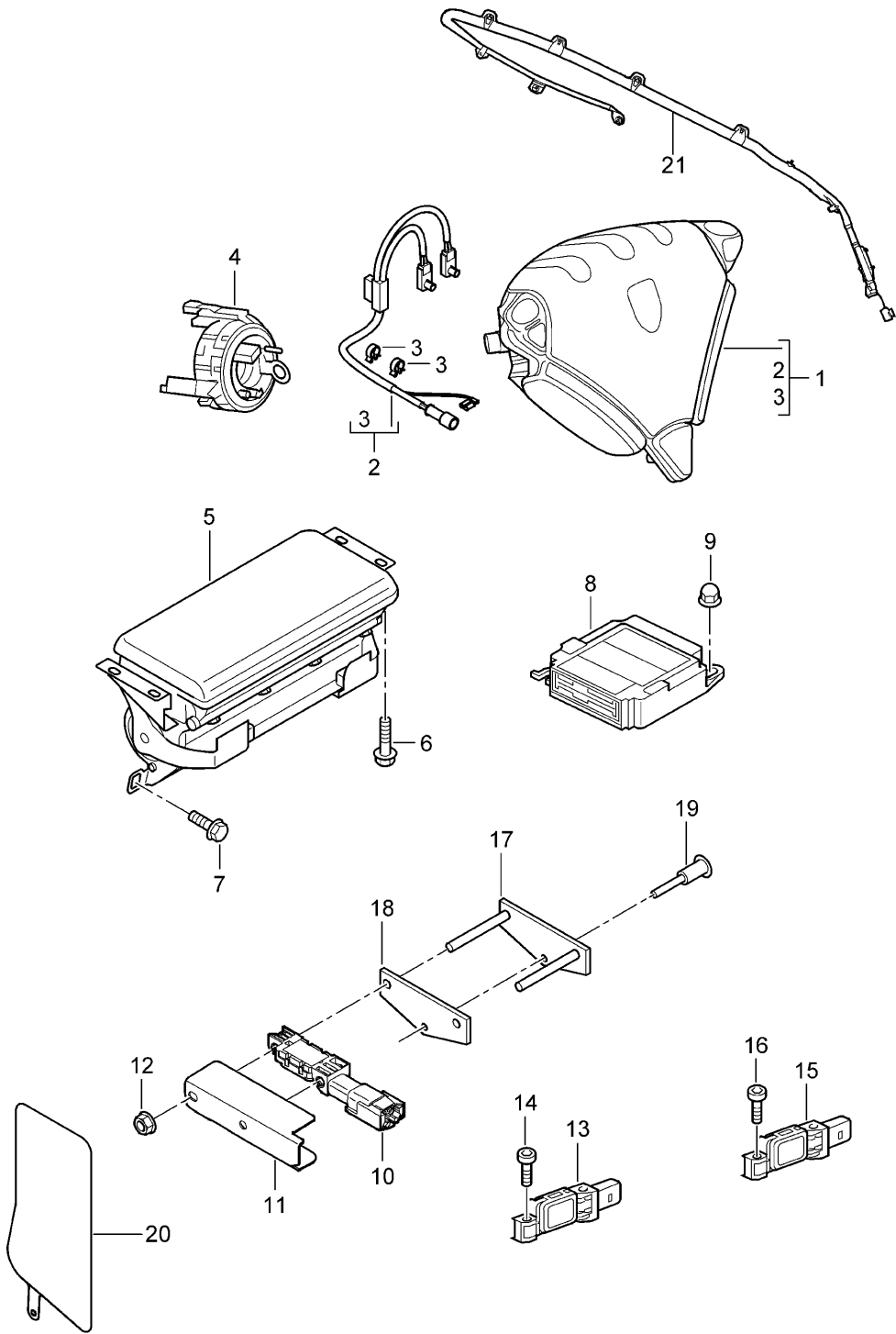
Pos	Part Number	Description	Remark	Qty	Model
		Alcantara Multi-function			I6FP
(1)	955 347 805 24 5E6 955 347 805 27	Black Steering wheel		1	I2PR/4LA/6FM I6FP
(1)	955 347 805 27 5E6 955 347 805 25	Alcantara Heated Black Steering wheel		1	I2PW/4LA/6FM I6FP
2	955 347 805 25 5E6 N 910 207 01	Alcantara Black Screw		1	
3	955 347 007 08	M 18 X 1,5 X 26 Steering column Complete with Steering shaft	/LL -08	1	IL0L/2C5
(3)	955 347 007 09	Steering column	/LL 09-	1	ID5V/D5X/D5Z IL0L/2C5
(3)		Complete with Steering shaft Steering column Complete with Steering shaft	/LL 09-	1	ID50/L0L/2C5
(3)	955 347 007 17	Steering column Complete with Steering shaft	/LL -08	1	IL0L/2C4
(3)	955 347 007 18	Steering column	/LL 09-	1	ID5V/D5X/D5Z IL0L/2C4
(3)	955 347 007 19	Complete with Steering shaft Steering column	/LL 09-	1	ID5V/D5X/D5Z IL0L/2C4
(3)	955 347 007 20	Complete with Steering shaft Steering column	/LL 09-	1	ID5V/D5X/D5Z IL0L/2C4
(3)	955 347 007 18	Complete with Steering shaft Steering column Complete with Steering shaft	/LL 09-	1	ID50/L0L/2C4
(3)	955 347 007 19	Steering column Complete with Steering shaft	/LL 09-	1	ID50/L0L/2C4
(3)	955 347 007 20	Complete with Steering shaft Steering column Complete with Steering shaft Vehicle Ident. No. Indicate	/LL 09-	1	ID50/L0L/2C4
(3)	955 347 007 20	Complete with Steering shaft Vehicle Ident. No. Indicate			

Model: 9PA108 Model life 2007>>2010

Pos	Part Number	Description	Remark	Qty	Model
(3)	955 347 008 08	Steering column Complete with Steering shaft	/RL -08	1	IL0R/2C5
(3)	955 347 008 09	Steering column Complete with Steering shaft	/RL 09-	1	ID5V/D5X/D5Z IL0R/2C5
(3)		Steering column Complete with Steering shaft	/RL 09-	1	ID50/L0R/2C5
(3)	955 347 008 17	Steering column Complete with Steering shaft	/RL -08	1	IL0R/2C4
(3)	955 347 008 18	Steering column Complete with Steering shaft	/RL 09-	1	ID5V/D5X/D5Z IL0R/2C4
(3)	955 347 008 19	Steering column Complete with Steering shaft	/RL 09-	1	ID5V/D5X/D5Z IL0R/2C4
(3)	955 347 008 20	Steering column Complete with Steering shaft	/RL 09-	1	ID5V/D5X/D5Z IL0R/2C4
(3)	955 347 008 18	Steering column Complete with Steering shaft	/RL 09-	1	ID50/L0R/2C4
(3)	955 347 008 19	Steering column Complete with Steering shaft	/RL 09-	1	ID50/L0R/2C4
(3)	955 347 008 20	Steering column Complete with Steering shaft	/RL 09-	1	ID50/L0R/2C4
4	955 347 037 03	Sealing sleeve		1	
5	N 909 890 02	Fit bolt M 8 X 10 X 45		1	
6	N 023 003 13	Hexagon nut M 8		1	
7	N 906 823 02	Hexagon-head bolt M 8 X 28		4	
8	N 908 877 02	Hexagon nut M 6		3	
9	WHT 002 446	Torx screw M 10 X 35		1	
10	955 347 234 20	Handle		1	I2C5
11	N 104 066 02	Oval-head screw M 5 X 8		2	
12	000 043 205 44	Grease 1 tube 10 GR.		X	

Model: 9PA108

Model life 2007>>2010



Model: 9PA108 Model life 2007>>2010

Pos	Part Number	Description	Remark	Qty	Model
1	955 803 074 02	Airbag Airbag unit	-08	1	IG0L/2PM/4N1
	955 803 074 02 2Y7	Plastic material Black			
	955 803 074 02 2Z1	Stone grey			
	955 803 074 02 3U9	Havanna			
(1)	955 803 074 03	Airbag unit	-08	1	IG0L/2PM/4N1
	955 803 074 03 2Y7	Plastic material Black			
	955 803 074 03 2Z1	Stone grey			
	955 803 074 03 3U9	Havanna			
(1)	955 803 074 02	Airbag unit	09-	1	IG0L/1MV/2PM I4N1
	955 803 074 02 2Y7	Plastic material Black			
	955 803 074 02 2Z1	Stone grey			
	955 803 074 02 3U9	Havanna			
(1)	955 803 074 03	Airbag unit	09-	1	IG0L/1MV/2PM I4N1
	955 803 074 03 2Y7	Plastic material Black			
	955 803 074 03 2Z1	Stone grey			
	955 803 074 03 3U9	Havanna			
(1)	955 803 074 02	Airbag unit	09-	1	IG0L/2PW/4N1
	955 803 074 02 2Y7	Plastic material Black			
(1)	955 803 074 12	Airbag unit	-08	1	IG0R/2PM/4N1
	955 803 074 12 2Y7	Plastic material Black			
	955 803 074 12 2Z1	Stone grey			
	955 803 074 12 3U9	Havanna			
(1)	955 803 074 12	Airbag unit	09-	1	IG0R/1MV/2PM I4N1
	955 803 074 12 2Y7	Plastic material Black			
	955 803 074 12 2Z1	Stone grey			
	955 803 074 12 3U9	Havanna			
(1)	955 803 074 12	Airbag unit	09-	1	IG0R/2PW/4N1
	955 803 074 12 2Y7	Plastic material Black			
(1)	955 803 074 22	Airbag unit	-08	1	IG0L/2PH/4N1
	955 803 074 22 2Y7	Plastic material Black			
	955 803 074 22 2Z1	Stone grey			
	955 803 074 22 3U9	Havanna			
(1)	955 803 074 23	Airbag unit	-08	1	IG0L/2PH/4N1
	955 803 074 23 2Y7	Plastic material Black			
	955 803 074 23 2Z1	Stone grey			
	955 803 074 23 3U9	Havanna			
(1)	955 803 074 22	Airbag unit	09-	1	IG0L/1MW/2PH I4N1
	955 803 074 22 2Y7	Plastic material Black			
	955 803 074 22 2Z1	Stone grey			
	955 803 074 22 3U9	Havanna			
(1)	955 803 074 23	Airbag unit	09-	1	IG0L/1MW/2PH I4N1
	955 803 074 23 2Y7	Plastic material Black			
	955 803 074 23 2Z1	Stone grey			
	955 803 074 23 3U9	Havanna			
(1)	955 803 074 22	Airbag unit	09-	1	IG0L/2PR/4N1

Model: 9PA108 Model life 2007>>2010

Pos	Part Number	Description	Remark	Qty	Model
(1)	955 803 074 22 2Y7	Plastic material Black	09-	1	IG0L/2PR/4N1
(1)	955 803 074 23 2Y7	Airbag unit Plastic material Black	-08	1	IG0R/2PH/4N1
(1)	955 803 074 32 2Y7	Airbag unit Plastic material Black	09-	1	IG0R/1MW/2PH I4N1
(1)	955 803 074 32 2Z1	Stone grey			
(1)	955 803 074 32 3U9	Havanna			
(1)	955 803 074 32	Airbag unit Plastic material Black	09-	1	IG0R/2PR/4N1
(1)	955 803 074 32 2Z1	Stone grey			
(1)	955 803 074 32 3U9	Havanna			
(1)	955 803 074 32	Airbag unit Plastic material Black	-08	1	IG0L/2PM/4N8
(1)	955 803 075 02	Airbag unit Leather Black			
(1)	955 803 075 02 5Z3	Stone grey			
(1)	955 803 075 02 6P1	Havanna			
(1)	955 803 075 02 6Q2	Sand Beige			
(1)	955 803 075 02 4P8	Airbag unit Leather Black	-08	1	IG0L/2PM/4N8
(1)	955 803 075 03 5Z3	Stone grey			
(1)	955 803 075 03 6P1	Havanna			
(1)	955 803 075 03 6Q2	Sand Beige			
(1)	955 803 075 02	Airbag unit Leather Black	09-	1	IG0L/1MV/2PM I4N8
(1)	955 803 075 02 5Z3	Stone grey			
(1)	955 803 075 02 6P1	Havanna			
(1)	955 803 075 02 6Q2	Sand Beige			
(1)	955 803 075 02 4P8	Airbag unit Leather Black	09-	1	IG0L/1MV/2PM I4N8
(1)	955 803 075 03 5Z3	Stone grey			
(1)	955 803 075 03 6P1	Havanna			
(1)	955 803 075 03 6Q2	Sand Beige			
(1)	955 803 075 02	Airbag unit Leather Black	09-	1	IG0L/2PW/4N8
(1)	955 803 075 02 5Z3	Stone grey			
(1)	955 803 075 12	Airbag unit Leather Black	-08	1	IG0R/2PM/4N8
(1)	955 803 075 12 5Z3	Stone grey			
(1)	955 803 075 12 6P1	Havanna			
(1)	955 803 075 12 6Q2	Sand Beige			
(1)	955 803 075 12 4P8	Airbag unit Leather Black	-08	1	IG0R/2PM/4N8
(1)	955 803 075 13 5Z3	Stone grey			
(1)	955 803 075 13 6P1	Havanna			
(1)	955 803 075 13 6Q2	Sand Beige			
(1)	955 803 075 13 4P8	Airbag unit Leather Black	09-	1	IG0R/1MV/2PM I4N8
(1)	955 803 075 12 5Z3	Stone grey			
(1)	955 803 075 12 6P1	Havanna			

Model: 9PA108 Model life 2007>>2010

Pos	Part Number	Description	Remark	Qty	Model
(1)	955 803 075 12 6Q2	Havanna	09-	1	IG0R/1MV/2PM I4N8
	955 803 075 12 4P8	Sand Beige			
	955 803 075 13	Airbag unit			
(1)		Leather	09-	1	IG0R/2PW/4N8
	955 803 075 13 5Z3	Black			
	955 803 075 13 6P1	Stone grey			
	955 803 075 13 6Q2	Havanna			
	955 803 075 13 4P8	Sand Beige			
(1)	955 803 075 12	Airbag unit	08-	1	IG0L/2PH/4N8
		Leather			
(1)	955 803 075 12 5Z3	Black	08-	1	IG0L/2PH/4N8
	955 803 075 22	Airbag unit			
(1)		Leather	08-	1	IG0L/2PH/4N8
	955 803 075 22 5Z3	Black			
	955 803 075 22 6P1	Stone grey			
	955 803 075 22 6Q2	Havanna			
	955 803 075 22 4P8	Sand Beige			
	955 803 075 23	Airbag unit			
		Leather			
(1)	955 803 075 23 5Z3	Black	09-	1	IG0L/1MW/2PH I4N8
	955 803 075 23 6P1	Stone grey			
	955 803 075 23 6Q2	Havanna			
	955 803 075 22	Airbag unit			
(1)		Leather	09-	1	IG0L/1MW/2PH I4N8
	955 803 075 22 5Z3	Black			
	955 803 075 22 6P1	Stone grey			
	955 803 075 22 6Q2	Havanna			
	955 803 075 22 4P8	Sand Beige			
(1)	955 803 075 23	Airbag unit	09-	1	IG0L/1MW/2PH I4N8
		Leather			
(1)	955 803 075 23 5Z3	Black	09-	1	IG0L/2PR/4N8
	955 803 075 23 6P1	Stone grey			
	955 803 075 23 6Q2	Havanna			
(1)	955 803 075 22	Airbag unit	-08	1	IG0R/2PH/4N8
		Leather			
(1)	955 803 075 22 5Z3	Black	-08	1	IG0R/2PH/4N8
	955 803 075 32	Airbag unit			
		Leather			
	955 803 075 32 5Z3	Black			
	955 803 075 32 6P1	Stone grey			
(1)	955 803 075 32 6Q2	Havanna	-08	1	IG0R/2PH/4N8
	955 803 075 32 4P8	Sand Beige			
	955 803 075 33	Airbag unit			
		Leather			
(1)	955 803 075 33 5Z3	Black	09-	1	IG0R/1MD/1MW I2PH/4N3/4N8
	955 803 075 33 6P1	Stone grey			
	955 803 075 33 6Q2	Havanna			
	955 803 075 33 4P8	Sand Beige			
	955 803 075 32	Airbag unit			
(1)		Leather	09-	1	IG0R/1MD/1MW I2PH/4N3/4N8
	955 803 075 32 5Z3	Black			
	955 803 075 32 6P1	Stone grey			
	955 803 075 32 6Q2	Havanna			
	955 803 075 32 4P8	Sand Beige			
(1)	955 803 075 33	Airbag unit	09-	1	IG0R/1MD/1MW I2PH/4N3/4N8
		Leather			
(1)	955 803 075 33 5Z3	Black	09-	1	IG0R/1MD/1MW I2PH/4N3/4N8
	955 803 075 33 6P1	Stone grey			
	955 803 075 33	Airbag unit			

Model: 9PA108 Model life 2007>>2010

Pos	Part Number	Description	Remark	Qty	Model
(1)	955 803 075 33 6Q2 955 803 075 33 4P8 955 803 075 32	Havanna Sand Beige Airbag unit	09-	1	IG0R/2PR/4N3 I4N8
(1)	955 803 075 32 5Z3 955 803 076 03	Leather Black Airbag unit	-08	1	IG0L/1XJ/1XK I2PM/4LB/4N1
(1)	955 803 076 03 2Y7 955 803 076 03 2Z1 955 803 076 03 3U9 955 803 076 04	Plastic material Multi-function Radio Black Stone grey Havanna Airbag unit	-08	1	IG0L/1XJ/1XK I2PM/4LB/4N1
(1)	955 803 076 04 2Y7 955 803 076 04 2Z1 955 803 076 04 3U9 955 803 076 13	Plastic material Multi-function Radio Black Stone grey Havanna Airbag unit	-08	1	IG0R/1XJ/1XK I2PM/4LB/4N1
(1)	955 803 076 13 2Y7 955 803 076 13 2Z1 955 803 076 13 3U9 955 803 076 14	Plastic material Multi-function Radio Black Stone grey Havanna Airbag unit	-08	1	IG0R/1XJ/1XK I2PM/4LB/4N1
(1)	955 803 076 14 2Y7 955 803 076 14 2Z1 955 803 076 14 3U9 955 803 076 23	Plastic material Multi-function Radio Black Stone grey Havanna Airbag unit	-08	1	IG0L/2PH/4LB I4N1
(1)	955 803 076 23 2Y7 955 803 076 23 2Z1 955 803 076 23 3U9 955 803 076 24	Plastic material Multi-function Radio Black Stone grey Havanna Airbag unit	-08	1	IG0L/2PH/4LB I4N1
(1)	955 803 076 24 2Y7 955 803 076 24 2Z1 955 803 076 24 3U9 955 803 076 33	Plastic material Multi-function Radio Black Stone grey Havanna Airbag unit	-08	1	IG0R/2PH/4LB I4N1
(1)	955 803 076 33 2Y7 955 803 076 33 2Z1 955 803 076 33 3U9 955 803 076 34	Plastic material Multi-function Radio Black Stone grey Havanna Airbag unit	-08	1	IG0R/2PH/4LB I4N1

Model: 9PA108 Model life 2007>>2010

Pos	Part Number	Description	Remark	Qty	Model
		Plastic material Multi-function Radio			I4N1
	955 803 076 34 2Y7	Black			
	955 803 076 34 2Z1	Stone grey			
	955 803 076 34 3U9	Havanna			
(1)	955 803 077 04	Airbag unit	-08	1	IG0L/1XJ/1XK I2PM/4LC/4N1
		Plastic material Multi-function Radio Telephone			
	955 803 077 04 2Y7	Black			
	955 803 077 04 2Z1	Stone grey			
	955 803 077 04 3U9	Havanna			
(1)	955 803 077 05	Airbag unit	-08	1	IG0L/1XJ/1XK I2PM/4LC/4N1
		Plastic material Multi-function Radio Telephone			
	955 803 077 05 2Y7	Black			
	955 803 077 05 2Z1	Stone grey			
	955 803 077 05 3U9	Havanna			
(1)	955 803 077 04	Airbag unit	09-	1	IG0L/1MV/1XJ I1XK/2PM/4LC I4N1
		Plastic material Multi-function Radio Telephone			
	955 803 077 04 2Y7	Black			
	955 803 077 04 2Z1	Stone grey			
	955 803 077 04 3U9	Havanna			
(1)	955 803 077 05	Airbag unit	09-	1	IG0L/1MV/1XJ I1XK/2PM/4LC I4N1
		Plastic material Multi-function Radio Telephone			
	955 803 077 05 2Y7	Black			
	955 803 077 05 2Z1	Stone grey			
	955 803 077 05 3U9	Havanna			
(1)	955 803 077 04	Airbag unit	09-	1	IG0L/2PW/4LC I4N1
		Plastic material Multi-function Radio Telephone			
	955 803 077 04 2Y7	Black			
(1)	955 803 077 05	Airbag unit	09-	1	IG0L/2PW/4LC I4N1
		Plastic material Multi-function Radio Telephone			
	955 803 077 05 2Y7	Black			
(1)	955 803 077 14	Airbag unit	-08	1	IG0R/1XJ/1XK I2PM/4LC/4N1
		Plastic material Multi-function			

Model: 9PA108

Model life 2007>>2010

Pos	Part Number	Description	Remark	Qty	Model
(1)	955 803 077 14 2Y7 955 803 077 14 2Z1 955 803 077 14 3U9 955 803 077 14	Radio Telephone Black Stone grey Havanna Airbag unit	09-	1	IG0R/1MV/1XJ I1XK/2PM/4LC I4N1
(1)	955 803 077 14 2Y7 955 803 077 14 2Z1 955 803 077 14 3U9 955 803 077 14	Plastic material Multi-function Radio Telephone Black Stone grey Havanna Airbag unit	09-	1	IG0R/2PW/4LC I4N1
(1)	955 803 077 14 2Y7 955 803 077 24	Plastic material Multi-function Radio Telephone Black Airbag unit	-08	1	IG0L/2PH/4LC I4N1
(1)	955 803 077 24 2Y7 955 803 077 24 2Z1 955 803 077 24 3U9 955 803 077 25	Plastic material Multi-function Radio Telephone Black Stone grey Havanna Airbag unit	-08	1	IG0L/2PH/4LC I4N1
(1)	955 803 077 25 2Y7 955 803 077 25 2Z1 955 803 077 24	Plastic material Multi-function Radio Telephone Black Stone grey Airbag unit	09-	1	IG0L/1MW/2PH I4LC/4N1
(1)	955 803 077 24 2Y7 955 803 077 24 2Z1 955 803 077 24 3U9 955 803 077 24	Plastic material Multi-function Radio Telephone Black Stone grey Havanna Airbag unit	09-	1	IG0L/2PR/4LC I4N1
(1)	955 803 077 24 2Y7 955 803 077 34	Plastic material Multi-function Radio Telephone Black Airbag unit	-08	1	IG0R/2PH/4LC I4N1
	955 803 077 34 2Y7 955 803 077 34 2Z1	Plastic material Multi-function Radio Telephone Black Stone grey			

Model: 9PA108 Model life 2007>>2010

Pos	Part Number	Description	Remark	Qty	Model
(1)	955 803 077 34 3U9 955 803 077 35	Havanna Airbag unit Plastic material Multi-function Radio Telephone	-08	1	IG0R/2PH/4LC I4N1
(1)	955 803 077 35 2Y7 955 803 077 35 2Z1 955 803 077 35 3U9 955 803 077 34	Black Stone grey Havanna Airbag unit Plastic material Multi-function Radio Telephone	09-	1	IG0R/1MW/2PH I4LC/4N1
(1)	955 803 077 34 2Y7 955 803 077 34 2Z1 955 803 077 34 3U9 955 803 077 35	Black Stone grey Havanna Airbag unit Plastic material Multi-function Radio Telephone	09-	1	IG0R/1MW/2PH I4LC/4N1
(1)	955 803 077 35 2Y7 955 803 077 35 2Z1 955 803 077 35 3U9 955 803 077 34	Black Stone grey Havanna Airbag unit Plastic material Multi-function Radio Telephone	09-	1	IG0R/2PR/4LC I4N1
(1)	955 803 077 34 2Y7 955 803 077 35	Black Airbag unit Plastic material Multi-function Radio Telephone	09-	1	IG0R/2PR/4LC I4N1
(1)	955 803 077 35 2Y7 955 803 078 03	Black Airbag unit Leather Multi-function Radio	-08	1	IG0L/1XJ/1XK I2PM/4LB/4N8
(1)	955 803 078 03 5Z3 955 803 078 03 6P1 955 803 078 03 6Q2 955 803 078 03 4P8 955 803 078 05	Black Stone grey Havanna Sand Beige Airbag unit Leather Multi-function Radio	-08	1	IG0L/1XJ/1XK I2PM/4LB/4N8
(1)	955 803 078 05 4P8 955 803 078 13	Sand Beige Airbag unit Leather Multi-function Radio	-08	1	IG0R/1XJ/1XK I2PM/4LB/4N8
	955 803 078 13 5Z3	Black			

Model: 9PA108 Model life 2007>>2010

Pos	Part Number	Description	Remark	Qty	Model
(1)	955 803 078 13 6P1	Stone grey	-08	1	IG0R/1XJ/1XK I2PM/4LB/4N8
	955 803 078 13 6Q2	Havanna			
	955 803 078 13 4P8	Sand Beige			
	955 803 078 14	Airbag unit			
(1)		Leather	-08	1	IG0L/2PH/4LB I4N8
		Multi-function			
		Radio			
	955 803 078 14 5Z3	Black			
(1)	955 803 078 14 6P1	Stone grey	-08	1	IG0L/2PH/4LB I4N8
	955 803 078 14 6Q2	Havanna			
	955 803 078 14 4P8	Sand Beige			
	955 803 078 23	Airbag unit			
(1)		Leather	-08	1	IG0L/2PH/4LB I4N8
		Multi-function			
		Radio			
	955 803 078 23 5Z3	Black			
(1)	955 803 078 23 6P1	Stone grey	-08	1	IG0L/2PH/4LB I4N8
	955 803 078 23 6Q2	Havanna			
	955 803 078 23 4P8	Sand Beige			
	955 803 078 24	Airbag unit			
(1)		Leather	-08	1	IG0R/2PH/4LB I4N8
		Multi-function			
		Radio			
	955 803 078 24 5Z3	Black			
(1)	955 803 078 24 6Q2	Havanna	-08	1	IG0R/2PH/4LB I4N8
	955 803 078 24 4P8	Sand Beige			
	955 803 078 33	Airbag unit			
		Leather			
(1)		Multi-function	-08	1	IG0R/2PH/4LB I4N8
		Radio			
	955 803 078 33 5Z3	Black			
	955 803 078 33 6P1	Stone grey			
(1)	955 803 078 33 6Q2	Havanna	-08	1	IG0L/2PH/4LB I4N8
	955 803 078 33 4P8	Sand Beige			
	955 803 078 34	Airbag unit			
		Leather			
(1)		Multi-function	-08	1	IG0L/1XJ/1XK I2PM/4LC/4N8
		Radio			
		Telephone			
	955 803 078 34 5Z3	Black			
(1)	955 803 078 34 6P1	Stone grey	-08	1	IG0L/1XJ/1XK I2PM/4LC/4N8
	955 803 078 34 6Q2	Havanna			
	955 803 078 34 4P8	Sand Beige			
	955 803 079 04	Airbag unit			
(1)		Leather	-08	1	IG0L/1XJ/1XK I2PM/4LC/4N8
		Multi-function			
		Radio			
		Telephone			
(1)	955 803 079 04 5Z3	Black	-08	1	IG0L/1XJ/1XK I2PM/4LC/4N8
	955 803 079 04 6P1	Stone grey			
	955 803 079 04 6Q2	Havanna			
	955 803 079 04 4P8	Sand Beige			
(1)	955 803 079 06	Airbag unit	-08	1	IG0L/1XJ/1XK I2PM/4LC/4N8
		Leather			
		Multi-function			
		Radio			
		Telephone			

Model: 9PA108 Model life 2007>>2010

Pos	Part Number	Description	Remark	Qty	Model
(1)	955 803 079 06 5Z3	Black	-08	1	IG0L/1XJ/1XK I2PM/4LC/4N8
	955 803 079 06 4P8	Sand Beige			
	955 803 079 05	Airbag unit			
(1)	955 803 079 05 6Q2	Leather Multi-function Radio Telephone Havanna	09-	1	IG0L/1MV/1XJ I1XK/2PM/4LC I4N8
	955 803 079 04	Airbag unit			
		Leather Multi-function Radio Telephone			
(1)	955 803 079 04 5Z3	Black	09-	1	IG0L/1MV/1XJ I1XK/2PM/4LC I4N8
	955 803 079 04 6P1	Stone grey			
	955 803 079 04 6Q2	Havanna			
	955 803 079 04 4P8	Sand Beige			
	955 803 079 06	Airbag unit			
(1)	955 803 079 06 5Z3	Black	09-	1	IG0L/1MV/1XJ I1XK/2PM/4LC I4N8
	955 803 079 06 4P8	Sand Beige			
	955 803 079 05	Airbag unit			
(1)	955 803 079 05 6Q2	Leather Multi-function Radio Telephone Havanna	09-	1	IG0L/2PW/4LC I4N8
	955 803 079 04	Airbag unit			
		Leather Multi-function Radio Telephone			
(1)	955 803 079 04 5Z3	Black	09-	1	IG0L/2PW/4LC I4N8
	955 803 079 06	Airbag unit			
		Leather Multi-function Radio Telephone			
(1)	955 803 079 06 5Z3	Black	-08	1	IG0R/1XJ/1XK I2PM/4LC/4N8
	955 803 079 14	Airbag unit			
		Leather Multi-function Radio Telephone			
(1)	955 803 079 14 5Z3	Black	09-	1	IG0R/1MV/1XJ I1XK/2PM/4LC
	955 803 079 14 6P1	Stone grey			
	955 803 079 14 6Q2	Havanna			
	955 803 079 14 4P8	Sand Beige			
	955 803 079 14	Airbag unit			

Model: 9PA108 Model life 2007>>2010

Pos	Part Number	Description	Remark	Qty	Model
		Leather Multi-function Radio Telephone			I4N3/4N8
	955 803 079 14 5Z3	Black			
	955 803 079 14 6P1	Stone grey			
	955 803 079 14 6Q2	Havanna			
	955 803 079 14 4P8	Sand Beige			
(1)	955 803 079 14	Airbag unit	09-	1	IG0R/2PW/4LC I4N3/4N8
		Leather Multi-function Radio Telephone			
	955 803 079 14 5Z3	Black			
(1)	955 803 079 24	Airbag unit	-08	1	IG0L/2PH/4LC I4N8
		Leather Multi-function Radio Telephone			
	955 803 079 24 5Z3	Black			
	955 803 079 24 6P1	Stone grey			
	955 803 079 24 6Q2	Havanna			
	955 803 079 24 4P8	Sand Beige			
(1)	955 803 079 25	Airbag unit	-08	1	IG0L/2PH/4LC I4N8
		Leather Multi-function Radio Telephone			
	955 803 079 25 5Z3	Black			
	955 803 079 25 6Q2	Havanna			
(1)	955 803 079 24	Airbag unit	09-	1	IG0L/1MW/2PH I4LC/4N8
		Leather Multi-function Radio Telephone			
	955 803 079 24 5Z3	Black			
	955 803 079 24 6P1	Stone grey			
	955 803 079 24 6Q2	Havanna			
	955 803 079 24 4P8	Sand Beige			
(1)	955 803 079 25	Airbag unit	09-	1	IG0L/1MW/2PH I4LC/4N8
		Leather Multi-function Radio Telephone			
	955 803 079 25 5Z3	Black			
	955 803 079 25 6Q2	Havanna			
(1)	955 803 079 24	Airbag unit	09-	1	IG0L/2PR/4LC I4N8
		Leather Multi-function Radio Telephone			
	955 803 079 24 5Z3	Black			
(1)	955 803 079 34	Airbag unit	-08	1	IG0R/2PH/4LC I4N8
		Leather Multi-function			

Model: 9PA108 Model life 2007>>2010

Pos	Part Number	Description	Remark	Qty	Model
(1)	955 803 079 34 5Z3	Radio Telephone Black	09-	1	IG0R/1MD/1MW I2PH/4LC/4N3 I4N8
	955 803 079 34 6P1	Stone grey			
	955 803 079 34 6Q2	Havanna			
	955 803 079 34 4P8	Sand Beige			
	955 803 079 34	Airbag unit			
(1)	955 803 079 34 5Z3	Leather Multi-function Radio Telephone Black	09-	1	IG0R/2PR/4LC I4N3/4N8
	955 803 079 34 6P1	Stone grey			
	955 803 079 34 6Q2	Havanna			
	955 803 079 34 4P8	Sand Beige			
	955 803 079 34	Airbag unit			
2	955 803 079 34 5Z3	Black	-08	1	IG0L/2PM
(2)	955 612 672 00	Wiring harness	09-	1	IG0L/1MV/2PM I2PW
	955 612 670 00	Wiring harness	-08	1	IG0R/2PM
(2)		Wiring harness	09-	1	IG0R/1MV/2PM I2PW
(2)		Wiring harness	-08	1	I1XJ/1XK/2PM IG0L/4LB/4LC IG0R
(2)		Wiring harness	09-	1	IG0L/G0R/1MV I1XJ/1XK/2PM I2PW/4LC
(2)	955 612 673 00	Wiring harness	-08	1	IG0L/2PH
(2)		Wiring harness	09-	1	IG0L/1MD/1MW I2PH/2PR
(2)	955 612 671 00	Wiring harness	-08	1	IG0R/2PH
(2)		Wiring harness	09-	1	IG0R/1MD/1MW I2PH/2PR
(2)		Wiring harness	-08	1	I2PH/4LB/4LC IG0L/G0R
(2)		Wiring harness	09-	1	IG0L/G0R/1MD I1MW/2PH/2PR I4LC
3	955 803 521 00	Clip		2	
(4)	955 652 211 01	Wiring harness Spring		1	IG0L/1MV/2PM I2PW
(4)	955 652 211 02	with Steering-angle sensor Spring		1	IG0L/1MV/2PM I2PW
(4)	955 652 211 11	with Steering-angle sensor Spring	-08	1	IG0R/2PM
(4)		with Steering-angle sensor Spring	09-	1	IG0R/1MV/2PM I2PW
		with			

Model: 9PA108

Model life 2007>>2010

Pos	Part Number	Description	Remark	Qty	Model
(4)	955 652 211 12	Steering-angle sensor Spring	10-	1	IG0R/1MV/2PM I2PW
(4)	955 652 211 21	with Steering-angle sensor Spring	-08	1	I2PH
(4)		with Steering-angle sensor Spring	09-	1	I1MD/1MW/2PH I2PR
(4)	955 652 211 22	with Steering-angle sensor Spring	09-	1	I1MD/1MW/2PH I2PR
(4)	955 652 211 11	with Steering-angle sensor Spring	-08	1	I1XJ/1XK/2PM I4LB/4LC
(4)		with Steering-angle sensor Spring	09-	1	I1MV/1XJ/1XK I2PM/2PW/4LC
(4)	955 652 211 12	with Steering-angle sensor Spring	10-	1	I1MV/1XJ/1XK I2PM/2PW/4LC
(4)	955 652 211 21	with Steering-angle sensor Spring	-08	1	I2PH/4LB/4LC
(4)		with Steering-angle sensor Spring	09-	1	I1MD/1MW/2PH I2PR/4LC
(4)	955 652 211 22	with Steering-angle sensor Spring	09-	1	I1MD/1MW/2PH I2PR/4LC
5	955 803 071 01	Airbag unit Passenger's side F >>9P8LA 00838 F >>9P8LA 30724 F >>9P8LA 80658		1	
(5)	955 803 071 02	Airbag unit Passenger's side F 9P8LA 00839>>9P8LA 18169 F 9P8LA 30725>>9P8LA 48433 F 9P8LA 80659>>9P8LA 93488		1	
(5)	955 803 071 03	Airbag unit Passenger's side F 9P8LA 18170>> F 9P8LA 48434>> F 9P8LA 70079>> F 9P8LA 93489>>	-09	1	
(5)	955 803 071 04	Airbag unit Passenger's side	10-	1	
6	N 101 586 05	Hexagon-head bolt M 6 X 20		4	
7	N 901 671 04	Combination screw M 6 X 15		2	
8	955 618 219 10	Control unit Airbag		1	

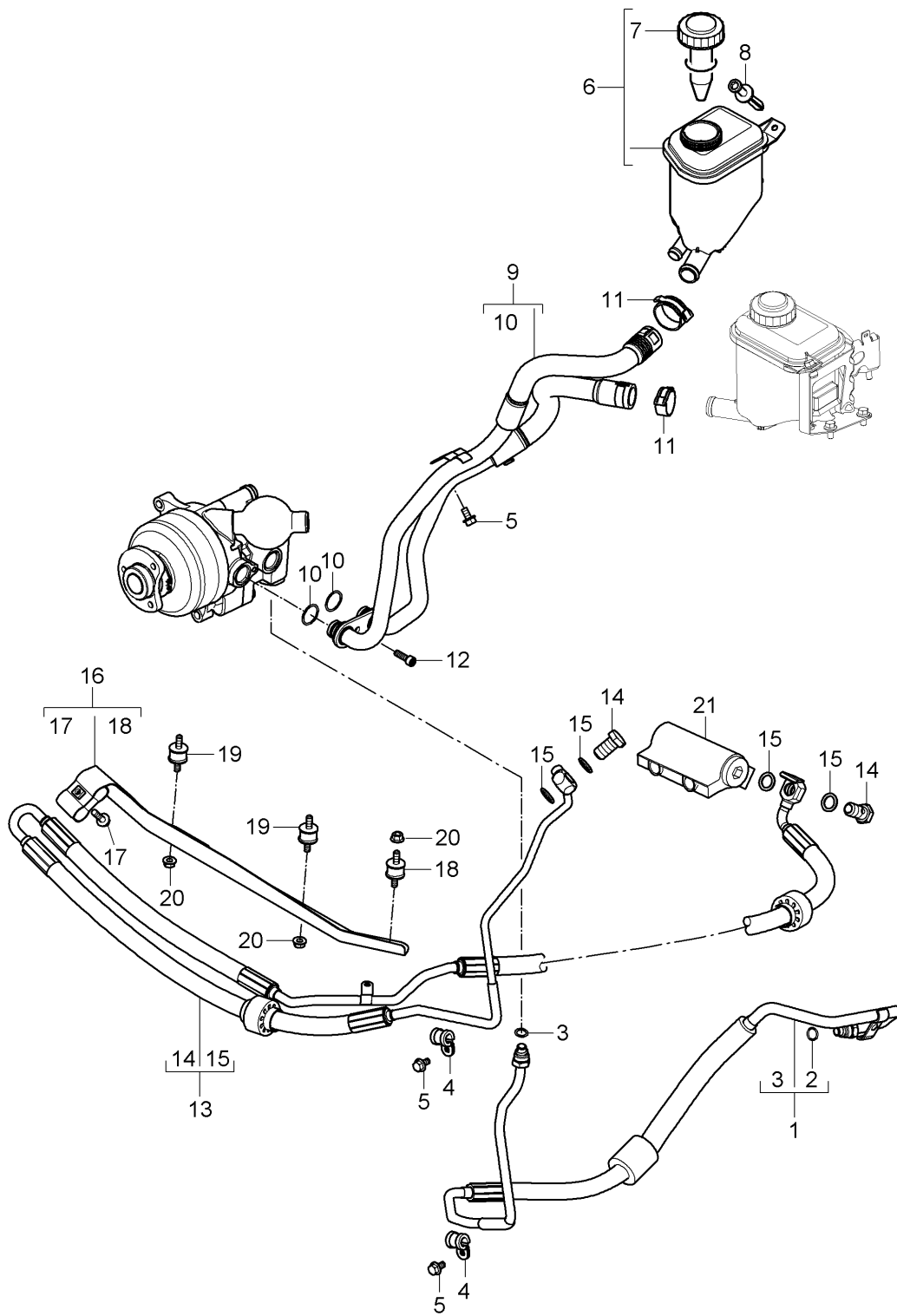
Model: 9PA108

Model life 2007>>2010

Pos	Part Number	Description	Remark	Qty	Model
(8)	955 618 219 11	Control unit Airbag		1	
9	955 618 419 21	Cap nut M 6		3	
10	955 618 220 12	Front sensor Airbag		2	
12	N 015 082 10	Hexagon nut M 6		4	
13	955 618 221 01	Sensor Side airbag		2	
14	N 906 381 04	B-pillar Lens-head screw		4	
15	955 618 222 31	M 6 X 12 Sensor Side airbag		2	
16	N 105 181 02	C-pillar Torx screw		4	
17	955 618 542 10	M 6 X 40 Support		2	
18	955 618 543 00	Support		2	
19	N 016 199 2	Blind rivet 3,2 X 10		2	
20		Side airbag See illustrations 8/17/20		X	
21		Head airbag See illustrations 8/07/30		X	

Model: 9PA108

Model life 2007>>2010



Model: 9PA108 Model life 2007>>2010

Pos	Part Number	Description	Remark	Qty	Model
		Power steering Lines Oil tank Parts not listed See illustrations 4/03/01			ID5V/D5Z/0AW I0AW
1	955 347 451 30	Pressure line	/LL	1	IL0L
(1)	955 347 452 40	Steering gear Tandem pump	/RL	1	IL0R
-	N 107 278 01	Pressure line Spacer for	/RL	1	ID5Z/L0R
2	955 347 542 00	Pressure line O-ring 9,25 X 1,78		1	
3	955 347 543 00	O-ring 7,65 X 1,63		1	
4	N 020 651 5	Clip 10 X 15	-08	2	
(4)	N 020 651 7	Clip 10 X 15	09-	2	
5	N 101 563 07	Hexagon-head bolt M 6 X 12		3	
6	955 314 015 20	Oil tank		1	
7	955 314 145 00	Threaded cover		1	
8	955 359 740 00	Expansion rivet		1	
9	955 359 118 50	Intake pipe Complete Oil tank Tandem pump F >>9P8LA 53012 F >>9P8LA 73883 F >>9P8LA 96526		1	
(9)	955 359 118 52	Intake pipe Complete Oil tank Tandem pump F 9P8LA 53013>> F 9P8LA 73884>> F 9P8LA 96527>>	-09	1	
(9)	955 359 118 51	Intake pipe Complete Oil tank Tandem pump	10-	1	
10	WHT 003 695	O-ring 16 X 2		2	
11	N 906 870 01	Hose clamp B 27 X 12		2	
12	N 908 424 02	Combination screw M 6 X 22 F >>9P8LA 53012 F >>9P8LA 73883 F >>9P8LA 96526		1	
(12)	N 022 148 12	Lock nut M 6 F 9P8LA 53013>> F 9P8LA 73884>> F 9P8LA 96527>>		1	
13	955 359 125 10	Pressure line Tandem pump Distributor		1	

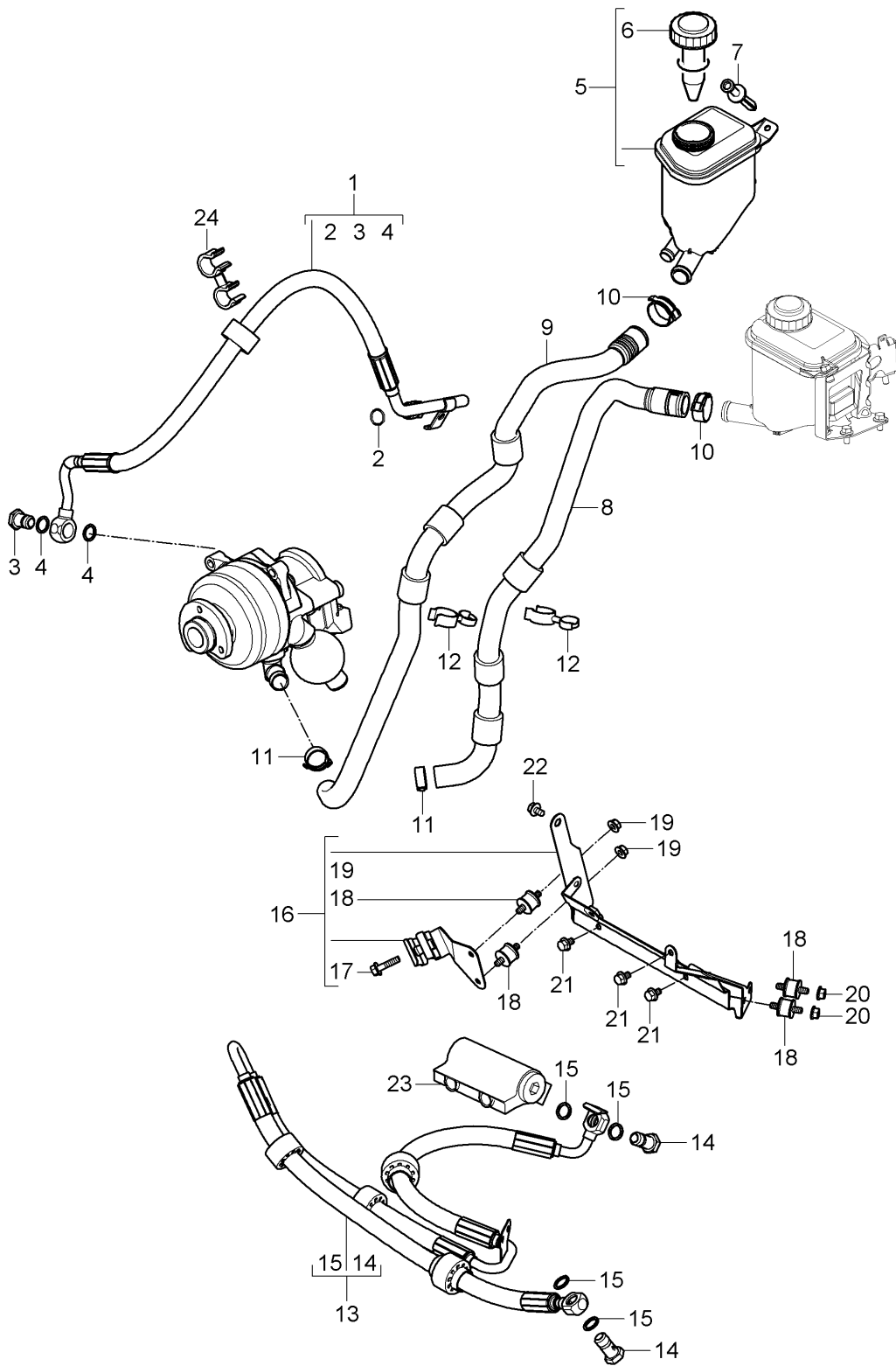
Model: 9PA108

Model life 2007>>2010

Pos	Part Number	Description	Remark	Qty	Model
(13)	955 359 125 11	Pressure line Tandem pump Distributor	-08	1	
(13)	955 359 125 12	Pressure line Tandem pump Distributor	09	1	
(13)	955 359 125 13	Pressure line Tandem pump Distributor	10-	1	
14	N 021 074 7	Banjo bolt M 14 X 1,5		2	
15	N 013 849 4	Sealing ring A 14 X 20		4	
(15)	N 013 849 5	Sealing ring A 14 X 20		4	
16	955 359 310 10	Support		1	
17	N 102 856 02	Hexagon-head bolt M 6 X 25		1	
18	955 343 638 10	Bonded rubber buffer		1	
19		Bonded rubber buffer		2	
20	N 015 082 13	Hexagon nut M 6		3	
21		Distributor See illustrations 4/02/07		1	

Model: 9PA108

Model life 2007>>2010



Model: 9PA108 Model life 2007>>2010

Pos	Part Number	Description	Remark	Qty	Model
		Power steering Lines Oil tank Parts not listed See illustrations 4/03/02			ID5X/0AW I0AW
1	955 347 451 40	Pressure line Steering gear Tandem pump	/LL	1	IL0L
(1)	955 347 452 50	Pressure line Steering gear Tandem pump	/RL	1	IL0R
2	955 347 542 00	O-ring 9,25 X 1,78		1	
3	WHT 001 878	Banjo bolt M 16 X 1,5		1	
4	N 013 848 6	Sealing ring A 16 X 22		2	
5	955 314 015 20	Oil tank		1	
6	955 314 145 00	Threaded cover		1	
7	955 359 740 00	Expansion rivet		1	
8	955 347 443 10	Suction hose Oil tank		1	
9	955 359 118 00	Power steering Tandem pump Suction hose Oil tank		1	
		-PDCC-			
10	N 906 870 01	Tandem pump Hose clamp B 27 X 12		2	
11	999 512 656 09	Hose clamp B 25 X 12		2	
12	N 106 816 01	Hose holder Suction hose Refrigerant line		2	
13	955 359 125 00	Pressure line Tandem pump Distributor		1	
(13)	955 359 125 01	Pressure line Tandem pump Distributor	-08	1	
(13)	955 359 125 02	Pressure line Tandem pump Distributor	09	1	
(13)	955 359 125 03	Pressure line Tandem pump Distributor Information available	10-	1	
14	N 021 074 7	Banjo bolt M 14 X 1,5		2	
15	N 013 849 4	Sealing ring A 14 X 20		4	
(15)	N 013 849 5	Sealing ring A 14 X 20		4	
16	955 359 310 00	Support		1	
17	N 102 856 02	Hexagon-head bolt M 6 X 25		1	
18	955 343 638 10	Bonded rubber buffer		4	
19	N 015 082 13	Hexagon nut M 6		2	
20		Hexagon nut M 6		2	

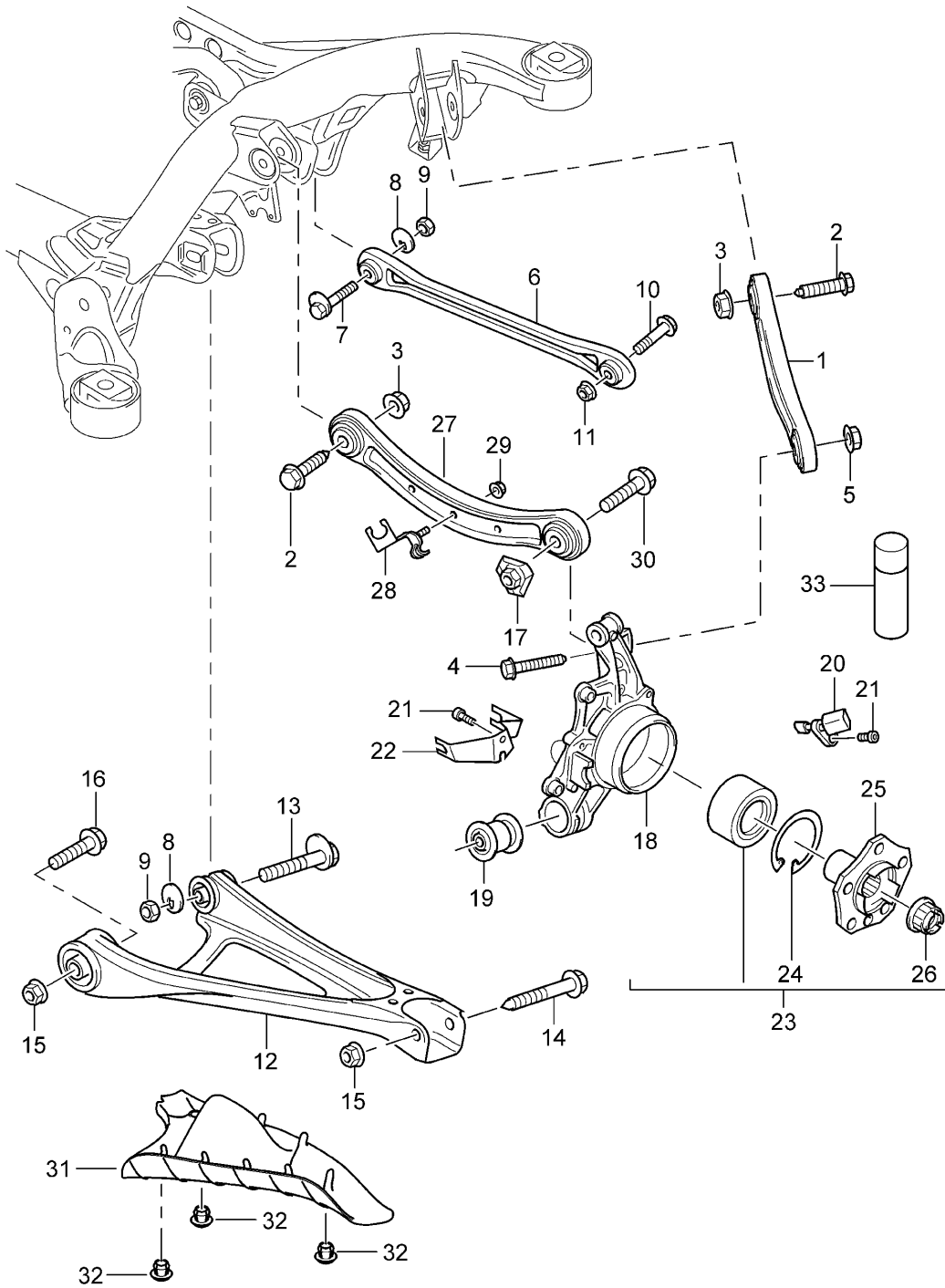
Model: 9PA108

Model life 2007>>2010

Pos	Part Number	Description	Remark	Qty	Model
21	N 101 563 07	Hexagon-head bolt M 6 X 12		3	
22		Hexagon-head bolt M 6 X 12		1	IG0L
23		Distributor See illustrations 4/02/07		1	
24	N 104 421 01	Support A01-18 X C01-22 Pressure line Wiring harness Engine	/LL	1	IL0L

Model: 9PA108

Model life 2007>>2010



Model: 9PA108 Model life 2007>>2010

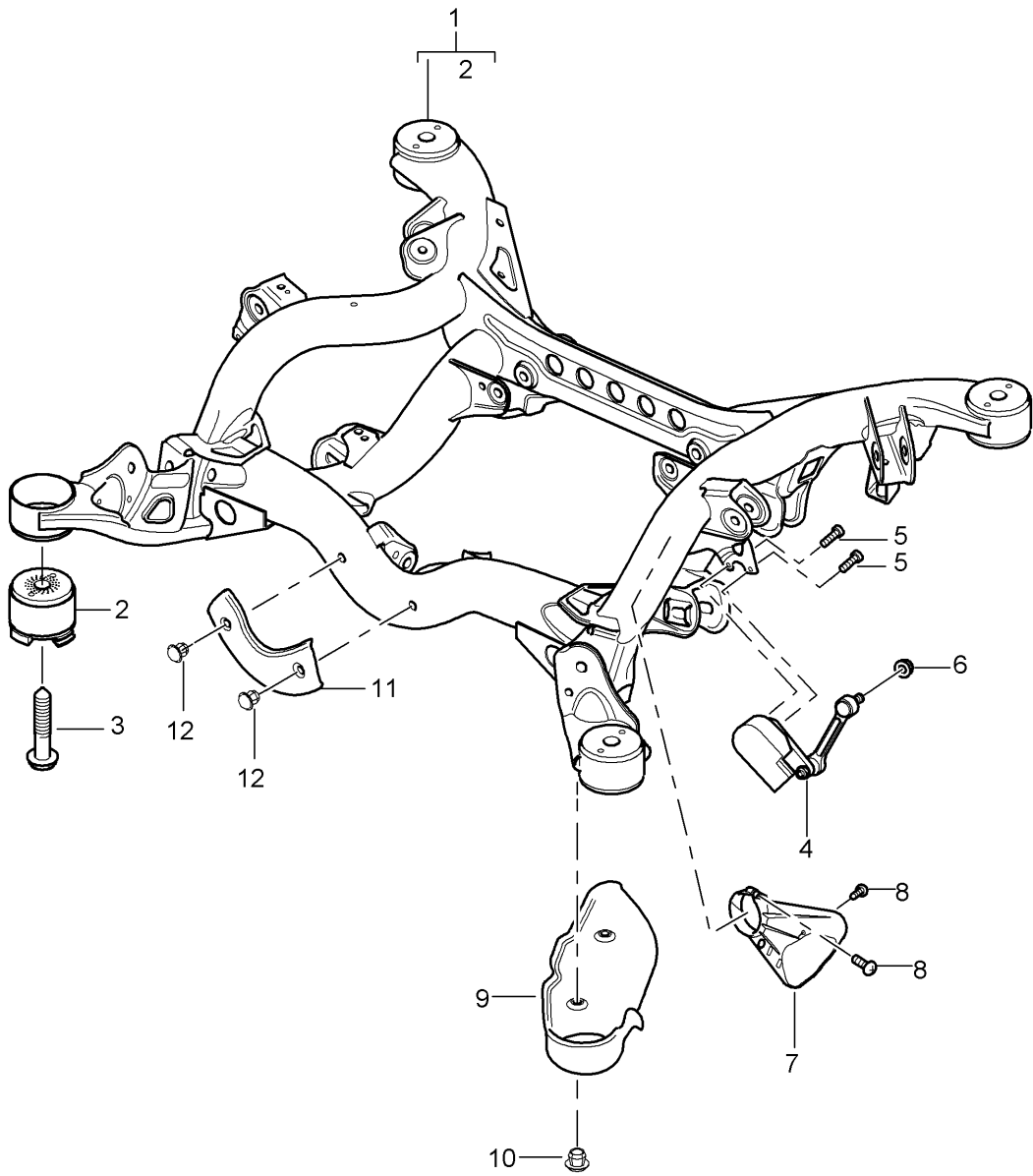
Pos	Part Number	Description	Remark	Qty	Model
1	955 331 049 00	Rear axle Wheel carrier Wishbone Track rod Wheel hub Stone guard Wishbone	/L	1	
(1)	955 331 050 00	Upper Rear Wishbone Upper Rear	/R	1	
2	N 105 524 02	Hexagon-head bolt M 12 X 1,5 X 70		4	
3	N 104 029 04	Hexagon nut M 12 X 1,5		4	
4	N 105 869 02	Hexagon-head bolt M 16 X 1,5 X 110		2	
(4)	WHT 005 459	Hexagon-head bolt M 16 X 1,5 X 110		2	
5	N 910 204 02	Combined nut M 16 X 1,5		2	
6	955 331 045 32	Track rod		2	
7	WHT 001 834	Eccentric screw M 14 X 1,5 X 82		2	
8	WHT 001 796 A	Eccentric washer		4	
9	WHT 001 938	Lock nut M 14 X 1,5		4	
10	N 910 205 02	Combination screw M 16 X 1,5 X 125		2	
11	N 105 868 02	Hexagon nut M 16 X 1,5		2	
12	955 331 017 11	Wishbone Lower	/L	1	
(12)	955 331 018 11	Wishbone Lower	/R	1	
13	WHT 001 833	Eccentric screw M 14 X 1,5 X 102		2	
14	N 105 230 02	Hexagon-head bolt M 14 X 1,5 X 100		2	
15	N 103 353 04	Hexagon nut M 14 X 1,5		4	
16	N 105 326 02	Hexagon-head bolt BM 14 X 1,5 X 102		2	
17	WHT 001 872	Combined nut M 14 X 1,5		2	
18	955 331 611 20	Wheel carrier	/L	1	
(18)	955 331 612 20	Wheel carrier	/R	1	
19	955 341 588 10	Link bearing		2	
20	955 606 405 11	Speed sensor	/L	1	
20	955 606 405 12	Speed sensor	/L	1	
(20)	955 606 406 11	Speed sensor	/R	1	
21	N 014 740 11	Pan-head screw M 6 X 16		4	
22	955 331 321 10	Support	/L	1	
(22)	955 331 322 30	Support	/R	1	
23	955 341 901 00	Repair kit Angular-contact bearing Use also: N .105.234.02 for Mount Drive shaft		2 6	

Model: 9PA108 Model life 2007>>2010

Pos	Part Number	Description	Remark	Qty	Model
24	N 105 320 01	Circlip 95 X 3		2	
25	955 341 605 11	Wheel hub		2	
26	955 341 640 00	Lock nut M 24		2	
27	955 331 047 10	Wishbone Upper Front		2	
28	955 331 322 40	Support for Line Speed sensor		2	
29	N 023 002 12	Hexagon nut M 6		2	
30	N 105 326 02	Hexagon-head bolt BM 14 X 1,5 X 102		2	
31	955 331 315 02	Stone guard	/L	1	I6EB/6ES
(31)	955 331 316 02	Stone guard	/R	1	I6EB/6ES
32	N 106 085 01	Expansion rivet		6	I6EB/6ES
33	000 043 204 21	Grease Spraying can 25 ML		1	
33	G 052 778 A2	Grease Spraying can 25 ML		1	

Model: 9PA108

Model life 2007>>2010

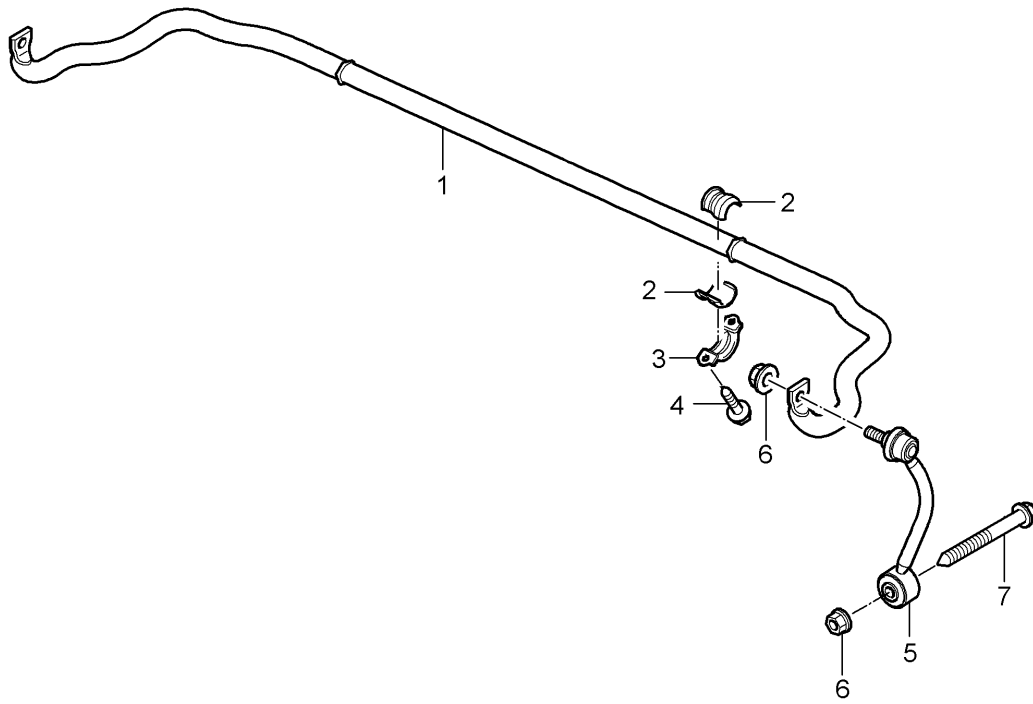


Model: 9PA108 Model life 2007>>2010

Pos	Part Number	Description	Remark	Qty	Model
		Rear axle Suspension subframe Headlight levelling system Self-levelling sensor Stone guard			I1BA/1BW/8Q3 I1BH/1BK
1	955 331 031 00	Suspension subframe	-09	1	I0AB
(1)	955 331 031 20	Suspension subframe	-09	1	I0AB
(1)	955 331 031 01	Suspension subframe	10-	1	I0AB
(1)	955 331 031 20	Suspension subframe	10-	1	I0AB
(1)	955 331 031 10	Suspension subframe		1	I0AW
(1)	955 331 031 11	Suspension subframe		1	I0AW
(1)	955 331 031 20	Suspension subframe		1	I0AW
2	955 331 135 00	Hydraulic mount		4	
(2)	955 331 135 01	Hydraulic mount		4	
3	N 909 987 02	Hexagon-head bolt M 14 X 1,5 X 150		4	
(3)	N 909 763 02	Hexagon-head bolt M 14 X 1,5 X 135 Only for Repair Threaded bush Use See workshop manual Group 5 Document 518941		4	
4	955 331 077 21	Self-levelling sensor with Linkage	/L	1	I1BA/1BW/8Q3
(4)		Self-levelling sensor with Linkage		2	I1BK
(4)		Self-levelling sensor with Linkage		2	I1BH
5	N 104 343 01	Pan-head screw M 5 X 10		2	I1BA/1BW/8Q3
(5)		Pan-head screw M 5 X 10		4	I1BK
(5)		Pan-head screw M 5 X 10		4	I1BH
6	N 023 002 12	Hexagon nut M 6		1	I1BA/1BW/8Q3
(6)		Hexagon nut M 6		2	I1BK
(6)		Hexagon nut M 6		2	I1BH
7	955 331 325 01	Stone guard	/L	1	I6EB/6ES
(7)		Stone guard	/L	1	I1Y1
(7)	955 331 326 01	Stone guard	/R	1	I6EB/6ES
8	N 106 115 02	Oval-head screw 4 X 25		4	I6EB/6ES
(8)		Oval-head screw 4 X 25		2	I1Y1
9	955 331 313 01	Stone guard	/L	1	I6EB/6ES
(9)	955 331 314 01	Stone guard	/R	1	I6EB/6ES
10	N 106 084 01	Expansion rivet		4	I6EB/6ES
11	955 331 317 01	Stone guard		1	I6EB/6ES
12	N 106 085 01	Expansion rivet		2	I6EB/6ES

Model: 9PA108

Model life 2007>>2010



Model: 9PA108 Model life 2007>>2010

Pos	Part Number	Description	Remark	Qty	Model
1	955 333 701 00	Stabiliser Stabiliser 25,00 MM Identification Green		1	I0AB ID5V/1BA/1BW
(1)	958 333 701 00	Stabiliser 25,00 MM Identification Green		1	ID5V/1BA/1BW
(1)	955 333 701 00	Stabiliser 25,00 MM Identification Green		1	ID5X/1BK
(1)	958 333 701 00	Stabiliser 25,00 MM Identification Green		1	ID5X/1BK
(1)	955 333 701 00	Stabiliser 25,00 MM Identification Green		1	ID50/1BK
(1)	958 333 701 00	Stabiliser 25,00 MM Identification Green		1	ID50/1BK
(1)	955 333 701 20	Stabiliser 24,60 MM Identification Lilac		1	ID5X/1BA/1BW
(1)		Stabiliser 24,60 MM Identification Lilac		1	ID50/1BA/1BW
(1)		Stabiliser 24,60 MM Identification Lilac		1	ID5V/1BH
(1)	955 333 701 30	Stabiliser 25,60 MM Identification Yellow		1	ID5V/D5Z/1BK
2	955 333 792 40	Stabiliser mounting 24,10 MM Identification Green		4	ID5V/1BA/1BW
(2)		Stabiliser mounting 24,10 MM Identification Green		4	ID5X/1BK
(2)		Stabiliser mounting 24,10 MM Identification Green		4	ID50/1BK
(2)	955 333 792 50	Stabiliser mounting 23,70 MM Identification Lilac		4	ID5X/1BA/1BW
(2)		Stabiliser mounting 23,70 MM Identification Lilac		4	ID50/1BA/1BW
(2)		Stabiliser mounting 23,70 MM Identification Lilac		4	ID5V/1BH

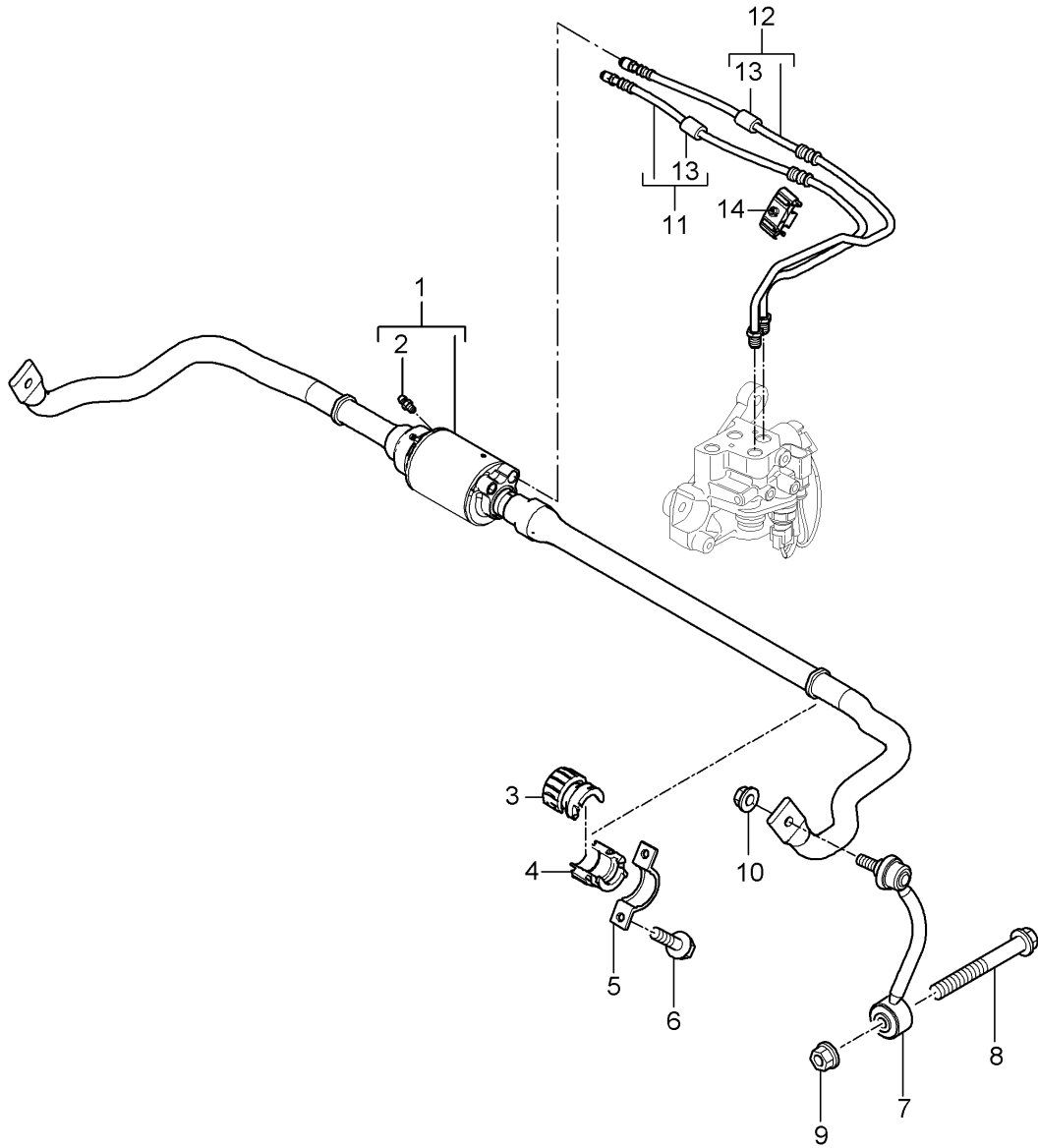
Model: 9PA108

Model life 2007>>2010

Pos	Part Number	Description	Remark	Qty	Model
(2)	955 333 792 30	Identification Lilac Stabiliser mounting 24,70 MM Identification Yellow		4	ID5V/D5Z/1BK
3	955 333 777 01	Clip		2	
4	N 106 978 01	Hexagon-head bolt M 10 X 30		4	
5	955 333 069 21	Stabiliser mounting	/L	1	
(5)	955 333 070 21	Stabiliser mounting	/R	1	
6	N 104 029 04	Hexagon nut M 12 X 1,5		4	
7	N 105 924 02	Hexagon-head bolt M 12 X 1,5 X 120		2	

Model: 9PA108

Model life 2007>>2010



Model: 9PA108 Model life 2007>>2010

Pos	Part Number	Description	Remark	Qty	Model
		Stabiliser Hose line			IOAW
1	955 333 703 00	Stabiliser with Ventilation valve		1	
(1)	955 333 703 01	Stabiliser without Ventilation valve		1	
(1)	958 333 703 00	Stabiliser without Ventilation valve		1	
2	955 343 902 00	Ventilation valve		2	
3	955 333 793 00	Stabiliser mounting Upper part		2	
4	955 333 794 00	Stabiliser mounting Lower part		2	
5	955 333 777 01	Clip		2	
6	N 106 978 01	Hexagon-head bolt M 10 X 30		4	
7	955 333 069 11	Stabiliser mounting F >>9PALA 60912	/L	1	
(7)	955 333 069 21	Stabiliser mounting F 9PALA 60913>>	/L	1	
(7)	955 333 070 11	Stabiliser mounting F >>9PALA 60912	/R	1	
(7)	955 333 070 21	Stabiliser mounting F 9PALA 60913>>	/R	1	
8	N 105 924 02	Hexagon-head bolt M 12 X 1,5 X 120		2	
9	N 104 029 04	Hexagon nut M 12 X 1,5		2	
10	WHT 003 218	Combined nut M 12 X 1,5 Only together with Stabiliser mounting 955.333.069.11 955.333.070.11		2	
(10)	N 104 029 04	Hexagon nut M 12 X 1,5 Only together with Stabiliser mounting 955.333.069.21 955.333.070.21 F 9PALA 60913>>		2	
11	955 359 121 00	Hose line	-08	1	
11	955 359 121 01	Hose line without Shrink-fit hose		1	
(11)	955 359 121 02	Use also: N .107.225.01 Hose line with Shrink-fit hose		1	
12	955 359 122 00	Use also: N .107.623.01 Hose line	-08	1	
12	955 359 122 01	Hose line without Shrink-fit hose		1	
(12)	955 359 122 02	Use also: N .107.225.01 Hose line		1	

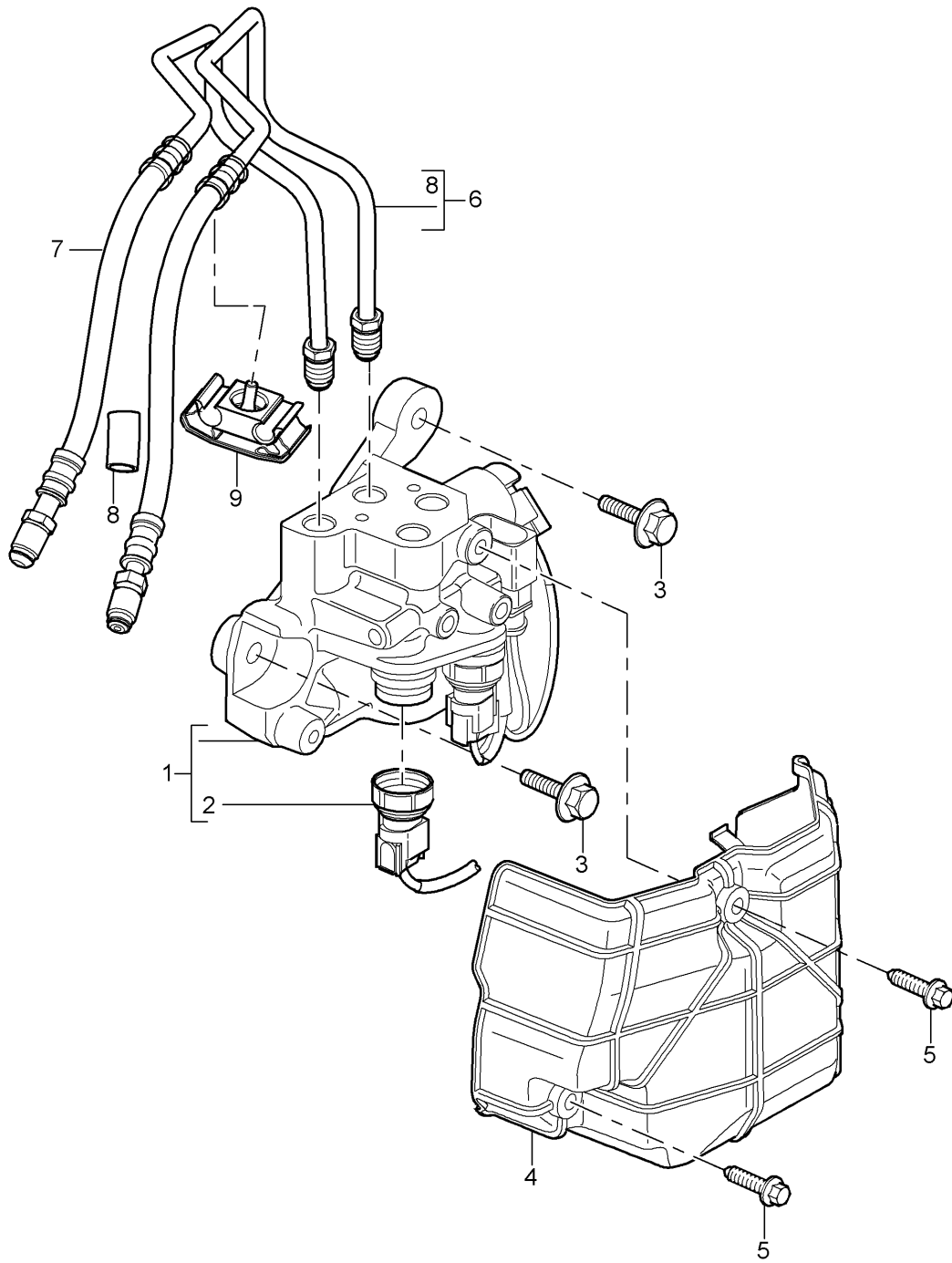
Model: 9PA108

Model life 2007>>2010

Pos	Part Number	Description	Remark	Qty	Model
13	N 107 225 01	with Shrink-fit hose Use also: N .107.623.01 Spacer 10,5 MM for Hose line without		2	
(13)	N 107 623 01	Shrink-fit hose Spacer 11,5 MM for Hose line with		2	
14	955 359 513 00	Shrink-fit hose Line bracket		1	

Model: 9PA108

Model life 2007>>2010

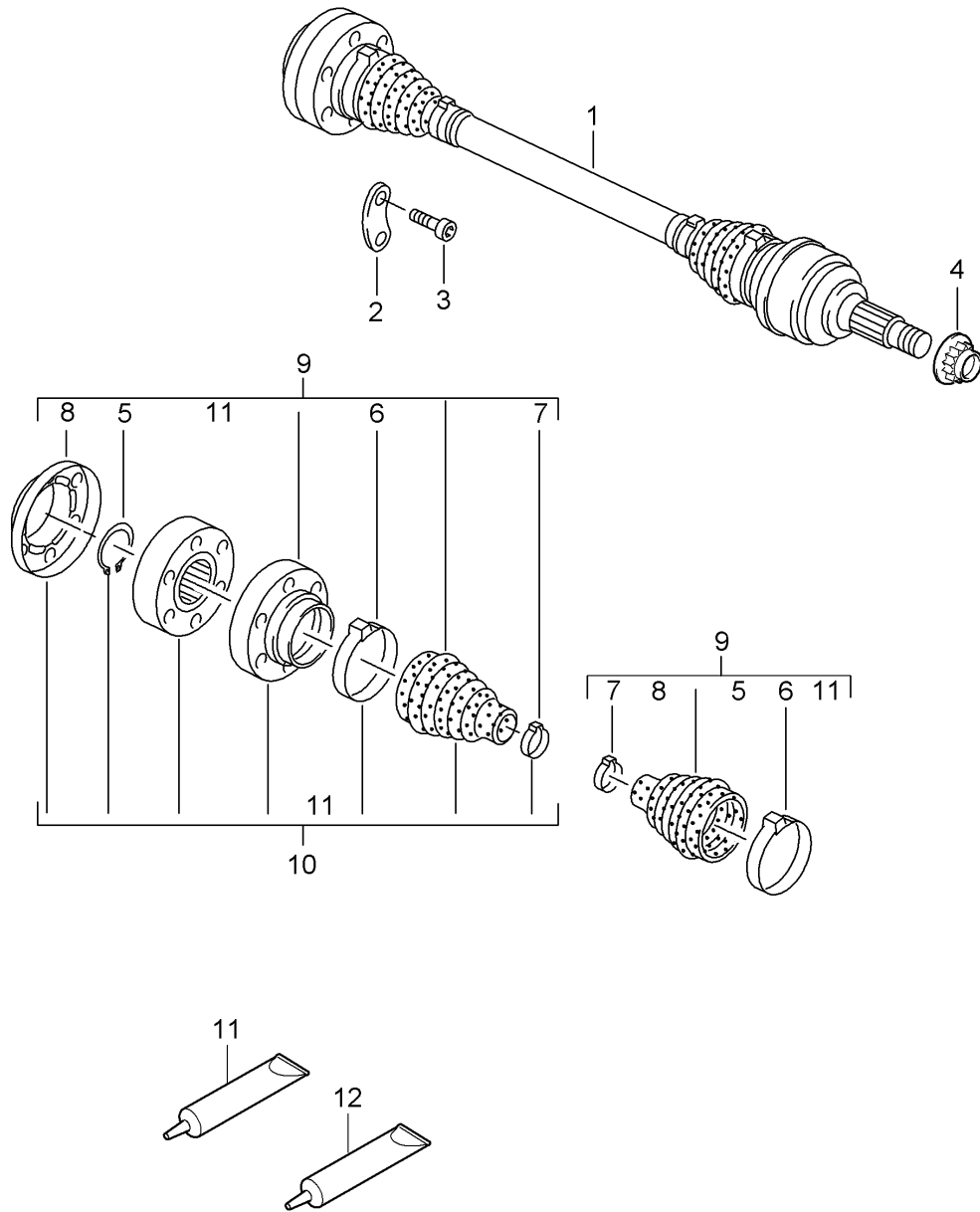


Model: 9PA108 Model life 2007>>2010

Pos	Part Number	Description	Remark	Qty	Model
		Stabiliser Valve block Pressure line Return line			IOAW
1	955 359 040 00	Valve block		1	
(1)	955 359 040 01	Valve block		1	
(1)	958 359 040 00	Valve block		1	
2	955 612 215 00	Wiring harness		1	
3	N 101 560 09	Hexagon-head bolt M 8 X 25		2	
4	955 359 325 00	Cover		1	
5	N 101 602 05	Screw M 6 X 25		2	
6	955 359 123 00	Pressure line without Shrink-fit hose Use also: N .107.225.01	-08	1	
(6)	955 359 123 01	Pressure line without Shrink-fit hose Use also: N .107.225.01	09-	1	
(6)	955 359 123 02	Pressure line with Shrink-fit hose Use also: N .107.623.01	09-	1	
7	955 359 124 00	Return line	08-	1	
(7)	955 359 124 01	Return line	09-	1	
8	N 107 225 01	Spacer 10,5 MM for Pressure line without Shrink-fit hose		2	
(8)	N 107 623 01	Spacer 11,5 MM for Pressure line with Shrink-fit hose		2	
9	955 359 513 00	Line bracket		1	

Model: 9PA108

Model life 2007>>2010



Model: 9PA108 Model life 2007>>2010

Pos	Part Number	Description	Remark	Qty	Model
1	955 332 024 01	Drive shaft		2	ID5X
1		Drive shaft		2	ID50
(1)		Drive shaft		2	ID5V/G0R
(1)	955 332 024 11	Drive shaft		2	ID5X/1Y1
(1)		Drive shaft		2	ID50/1Y1
(1)		Drive shaft		2	ID5V/G0L
(1)		Drive shaft		2	ID5V/1Y1
(1)		Drive shaft		2	ID5Z
2	955 332 191 31	Plate		6	ID5X
2		Plate		6	ID50
(2)		Plate		6	ID5V/G0R
(2)	955 332 191 21	Plate		6	ID5X/1Y1
(2)		Plate		6	ID50/1Y1
(2)		Plate		6	ID5V/G0L
(2)		Plate		6	ID5V/1Y1
(2)		Plate		6	ID5Z
3	N 105 234 02	Pan-head screw AM 10 X 52		12	
4	955 341 640 00	Lock nut M 24 X 1,5		2	
5	N 012 374 1	Circlip 28 X 1,5		2	ID5X
(5)		Circlip 28 X 1,5		2	ID50
(5)		Circlip 28 X 1,5		2	ID5V/G0R
(5)	N 012 375 1	Circlip 30 X 1,5		2	ID5X/1Y1
(5)		Circlip 30 X 1,5		2	ID50/1Y1
(5)		Circlip 30 X 1,5		2	ID5V/G0L
(5)		Circlip 30 X 1,5		2	ID5V/1Y1
(5)		Circlip 30 X 1,5		2	ID5Z
6	N 909 906 01	Clamp 69 X 10 X 1		4	ID5X
(6)		Clamp 69 X 10 X 1		4	ID50
(6)		Clamp 69 X 10 X 1		4	ID5V/G0R
(6)	N 909 473 01	Clamp 75 X 10 X 1		4	ID5X/1Y1
(6)		Clamp 75 X 10 X 1		4	ID50/1Y1
(6)		Clamp 75 X 10 X 1		4	ID5V/G0L
(6)		Clamp 75 X 10 X 1		4	ID5V/1Y1
(6)		Clamp 75 X 10 X 1		4	ID5Z
7	N 908 240 01	Clamp 34,5 X 10 X 0,8		4	ID5X
(7)		Clamp 34,5 X 10 X 0,8		4	ID50
(7)		Clamp 34,5 X 10 X 0,8		4	ID5V/G0R
(7)	N 909 342 01	Clamp 37,5 X 10 X 0,8		4	ID5X/1Y1
(7)		Clamp 37,5 X 10 X 0,8		4	ID50/1Y1

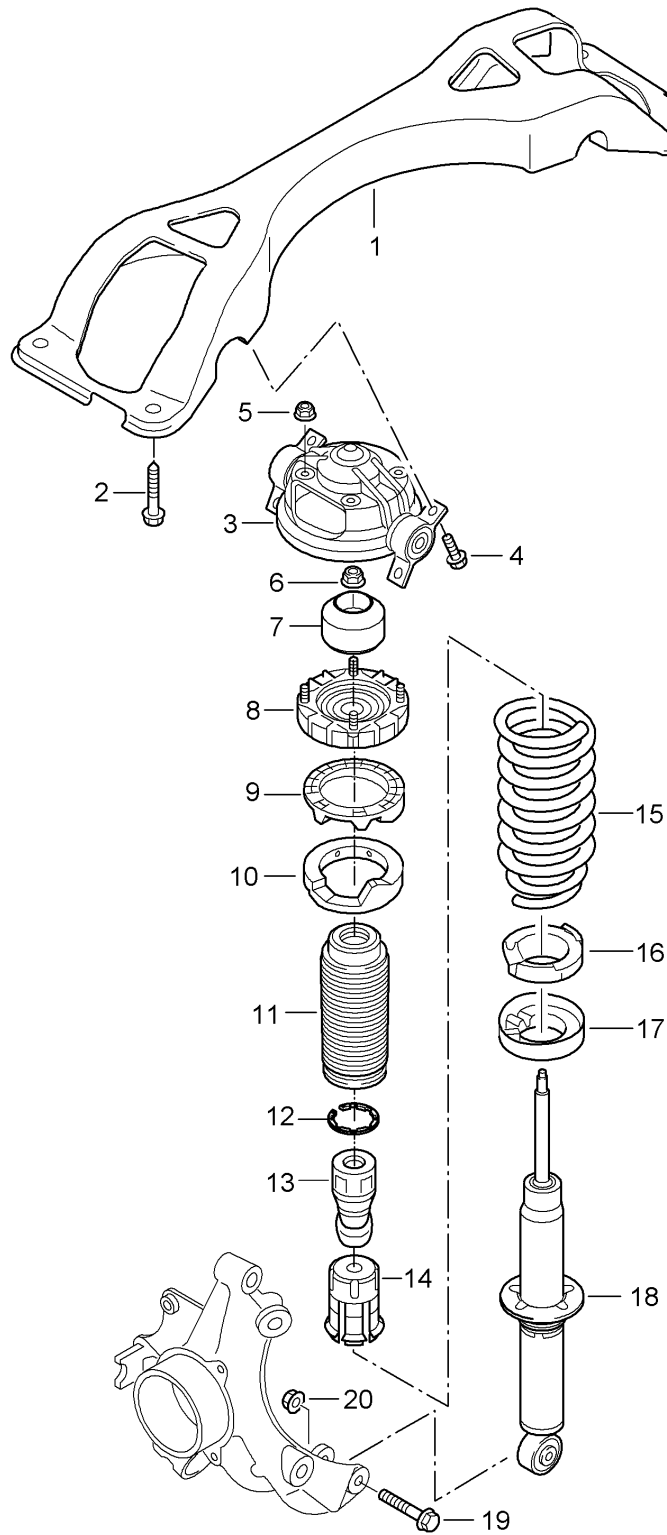
Model: 9PA108

Model life 2007>>2010

Pos	Part Number	Description	Remark	Qty	Model
(7)		Clamp 37,5 X 10 X 0,8		4	ID5V/G0L
(7)		Clamp 37,5 X 10 X 0,8		4	ID5V/1Y1
(7)		Clamp 37,5 X 10 X 0,8		4	ID5Z
8		Lid		X	
9	955 332 901 00	Repair kit Dust bellows		4	ID5X
(9)		Repair kit Dust bellows		4	ID50
(9)		Repair kit Dust bellows		4	ID5V/G0R
(9)	955 332 901 10	Repair kit Dust bellows		4	ID5X/1Y1
(9)		Repair kit Dust bellows		4	ID50/1Y1
(9)		Repair kit Dust bellows		4	ID5V/G0L
(9)		Repair kit Dust bellows		4	ID5V/1Y1
(9)		Repair kit Dust bellows		4	ID5Z
10	955 332 902 00	Repair kit Joint		2	ID5X
(10)		Repair kit Joint		2	ID50
(10)		Repair kit Joint		2	ID5V/G0R
(10)	955 332 902 10	Repair kit Joint		2	ID5X/1Y1
(10)		Repair kit Joint		2	ID50/1Y1
(10)		Repair kit Joint		2	ID5V/G0L
(10)		Repair kit Joint		2	ID5V/1Y1
(10)		Repair kit Joint		2	ID5Z
11	955 349 110 00	Grease Drive shaft 1 tube 120 GR.		X	
12	000 043 020 00	Optimoly 1 100-gramme tube		X	
(12)	000 043 205 36	Sealing compound Drive shaft 1 100-gramme tube		X	

Model: 9PA108

Model life 2007>>2010



Model: 9PA108 Model life 2007>>2010

Pos	Part Number	Description	Remark	Qty	Model
		suspension			I1BA/1BH/1BW
		Cross member			
		Shock absorber strut			
1	955 333 321 20	Cross member		1	
2	N 105 056 02	Hexagon-head bolt		4	
		AM 12 X 1,5 X 80			
3	955 333 015 20	Bearing bracket		2	
(3)	955 333 015 30	Bearing bracket		2	
4	N 908 476 02	Hexagon-head bolt		8	
		M 10 X 25			
5	N 104 355 06	Hexagon nut		8	
		M 8			
6	N 909 664 02	Hexagon nut		2	
		M 12 X 1,5			
7	955 333 019 00	Supporting mount		2	
8	955 333 071 00	Concave support		2	
9	955 333 524 00	Base		2	
		Upper			
10	955 333 504 00	Concave washer		2	
		Upper			
11	955 343 505 00	Boot		2	I1BA/1BW
(11)	955 343 505 20	Boot		2	I1BH
12	955 343 535 00	Retaining ring		2	I1BH
13	955 333 105 20	Rubber stop		2	I1BA/1BW
(13)	955 333 105 40	Rubber stop		2	I1BH
14	955 343 503 10	Cap		2	I1BA/1BW
15	955 333 531 10	Coil spring		1	ID5X/0YA/0YB I1BA
		1 set			
	955 333 531 10 504	Identification			
		White Green			
		Yellow			
(15)	955 333 531 10	Coil spring		1	ID50/0YA/0YB I1BA
		1 set			
	955 333 531 10 504	Identification			
		White Green			
		Yellow			
(15)	955 333 531 10	Coil spring		1	I0YA/0YB/1BW
		1 set			
	955 333 531 10 504	Identification			
		White Green			
		Yellow			
(15)	955 333 531 11	Coil spring		1	ID5X/0YC/0YD I0YE/0YF/1BA
		1 set			
	955 333 531 11 504	Identification			
		White Green			
		Yellow			
		Yellow			
(15)	955 333 531 11	Coil spring		1	ID50/0YC/0YD I0YE/0YF/1BA
		1 set			
	955 333 531 11 504	Identification			
		White Green			
		Yellow			
		Yellow			
(15)	955 333 531 11	Coil spring		1	I0YC/0YD/0YE I0YF/1BW
		1 set			
	955 333 531 11 504	Identification			
		White Green			
		Yellow			

Model: 9PA108

Model life 2007>>2010

Pos	Part Number	Description	Remark	Qty	Model
(15)	955 333 531 12	Yellow Coil spring		1	ID5V/0YA/0YB I1BA
	955 333 531 12 504	1 set Identification			
		White Green Pale orange			
(15)	955 333 531 13	Coil spring		1	ID5V/0YC/0YD I0YE/0YF/1BA
	955 333 531 13 504	1 set Identification			
		White Green Pale orange Pale orange			
(15)	955 333 531 20	Coil spring	-09	1	ID5V/0YA/0YB I1BH
	955 333 531 20 504	1 set Identification			
		Pure white			
(15)	955 333 531 21	Coil spring	10-	1	ID5V/0YA/0YB I1BH
	955 333 531 21 504	1 set Identification			
		Squirrel Grey			
(15)	955 333 531 30	Coil spring	-09	1	ID5V/0YC/0YD I0YE/0YF/1BH
	955 333 531 30 504	1 set Identification			
		Pure white Pure white			
(15)	955 333 531 31	Coil spring	10-	1	ID5V/0YC/0YD I0YE/0YF/1BH
	955 333 531 31 504	1 set Identification			
		Squirrel Grey Squirrel Grey			
16	955 343 527 00	Concave washer Lower		2	I1BA/1BW
(16)	955 343 528 00	Concave washer Lower		2	I1BH
17	955 343 525 00	Compensating plate Lower		2	I1BA/1BW
		Black			
(17)	955 343 525 10	Compensating plate Lower		2	I1BA/1BW
		Blue			
(17)	955 343 525 20	Compensating plate Lower		2	I1BA/1BW
		Beige			
(17)	955 343 525 50	Compensating plate Lower		2	I1BH
		Beige			
18	955 333 051 30	Shock absorber		2	ID5X/1BA
(18)	955 333 051 31	Shock absorber		2	ID5X/1BA
(18)		Shock absorber		2	ID50/1BA
(18)	955 333 051 40	Shock absorber		2	ID5V/1BA
(18)	955 333 051 41	Shock absorber		2	ID5V/1BA
18	955 333 051 50	Shock absorber		2	ID5V/D5X/1BW
(18)	955 333 051 51	Shock absorber		2	ID5V/D5X/1BW
(18)	955 333 051 70	Shock absorber	/L	1	ID5V/1BH
(18)	955 333 052 70	Shock absorber	/R	1	ID5V/1BH
19	N 105 924 02	Hexagon-head bolt M 12 X 1,5 X 120		2	

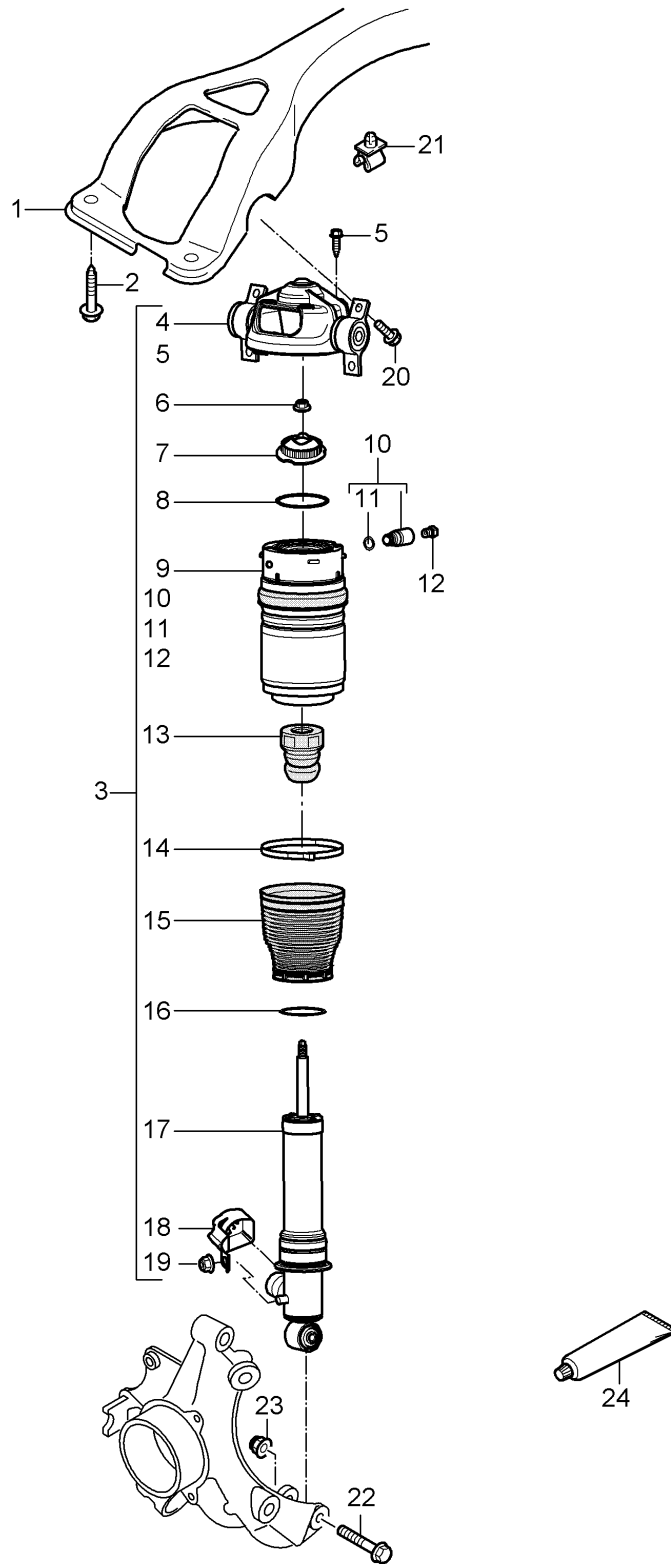
Model: 9PA108

Model life 2007>>2010

Pos	Part Number	Description	Remark	Qty	Model
20	N 104 029 04	Hexagon nut M 12 X 1,5		2	

Model: 9PA108

Model life 2007>>2010



Model: 9PA108 Model life 2007>>2010

Pos	Part Number	Description	Remark	Qty	Model
		suspension			I1BK
		Cross member			
1	955 333 321 20	Spring strut		1	
2	N 105 056 02	Cross member		4	
		Hexagon-head bolt			
		AM 12 X 1,5 X 80			
3	955 358 019 00	Spring strut	/L -08	1	ID5X
		Complete			
		See workshop manual			
		Group 4			
		43-01IN00			
(3)	955 358 019 01	Spring strut	/L 09-	1	ID5X/1BK
		Complete			
		See workshop manual			
		Group 4			
		43-01IN00			
(3)		Spring strut	/L	1	ID50/1BK
		Complete			
		See workshop manual			
		Group 4			
		43-01IN00			
(3)	955 358 019 10	Spring strut	/L	1	ID5V/D5Z
		Complete			
		See workshop manual			
		Group 4			
		43-01IN00			
(3)	955 358 019 11	Spring strut	/L	1	ID5V/D5Z
		Complete			
		See workshop manual			
		Group 4			
		43-01IN00			
(3)	955 358 019 20	Spring strut	/L	1	ID5V/E0W/E1T
		Complete			
		See workshop manual			
		Group 4			
		43-01IN00			
(3)	955 358 019 21	Spring strut	/L	1	ID5V/E0W/E1T
		Complete			
		See workshop manual			
		Group 4			
		43-01IN00			
(3)	955 358 020 00	Spring strut	/R	1	ID5X
		Complete			
		See workshop manual			
		Group 4			
		43-01IN00			
(3)	955 358 020 01	Spring strut	/R	1	ID5X/1BK
		Complete			
		See workshop manual			
		Group 4			
		43-01IN00			
(3)	955 358 020 02	Spring strut	/R	1	ID5X/1BK
		Complete			
		See workshop manual			
		Group 4			
		43-01IN00			
(3)	955 358 020 01	Spring strut	/R	1	ID50/1BK
		Complete			
		See workshop manual			
		Group 4			
		43-01IN00			
(3)	955 358 020 02	Spring strut	/R	1	ID50/1BK
		Complete			

Model: 9PA108

Model life 2007>>2010

Pos	Part Number	Description	Remark	Qty	Model
(3)	955 358 020 10	See workshop manual Group 4 43-01IN00 Spring strut Complete	/R	1	ID5V/D5Z
(3)	955 358 020 11	See workshop manual Group 4 43-01IN00 Spring strut Complete	/R	1	ID5V/D5Z
(3)	955 358 020 12	See workshop manual Group 4 43-01IN00 Spring strut Complete	/R	1	ID5V/D5Z
(3)	955 358 020 20	See workshop manual Group 4 43-01IN00 Spring strut Complete	/R	1	ID5V/E0W/E1T
(3)	955 358 020 21	See workshop manual Group 4 43-01IN00 Spring strut Complete	/R	1	ID5V/E0W/E1T
4	955 333 015 30	Bearing bracket		2	
5	N 101 277 07	Hexagon-head bolt M 8 x 26		8	
6	N 909 664 02	Hexagon nut M 12 x 1,5		2	
7	955 343 018 10	Supporting mount		2	
8	N 910 956 01	O-ring 96 x 4		2	
9	955 358 503 20	Air spring		2	ID5X
(9)	955 358 503 21	Air spring		2	ID5X/1BK
(9)	955 358 503 30	Air spring		2	ID50/1BK
(9)	955 358 503 31	Air spring		2	ID5V/D5Z
(9)	955 358 503 32	Air spring		2	ID5V/D5Z
(9)	955 358 503 40	Air spring		2	ID5V/E0W/E1T
(9)	955 358 503 41	Air spring		2	ID5V/E0W/E1T
10	955 358 730 00	Pressure holding valve with Sealing ring		2	
(10)	955 358 730 02	Pressure holding valve with Sealing ring		2	
11	955 358 722 00	Sealing ring 8 x 1,5		2	
12	955 358 541 00	Push-on connector Lines		2	
13	955 333 105 30	Rubber stop		2	
(13)	955 343 301 10	Rubber stop		2	ID5V/E0W/E1T
14	955 358 725 00	Clamp		2	
15	955 343 505 10	Bellows		2	
16	N 904 324 02	O-ring 70 x 4		2	
17	955 333 051 60	Shock absorber	/L	1	
(17)	955 333 052 60	Shock absorber	/R	1	
18	955 333 421 01	Protection cap	/L	1	

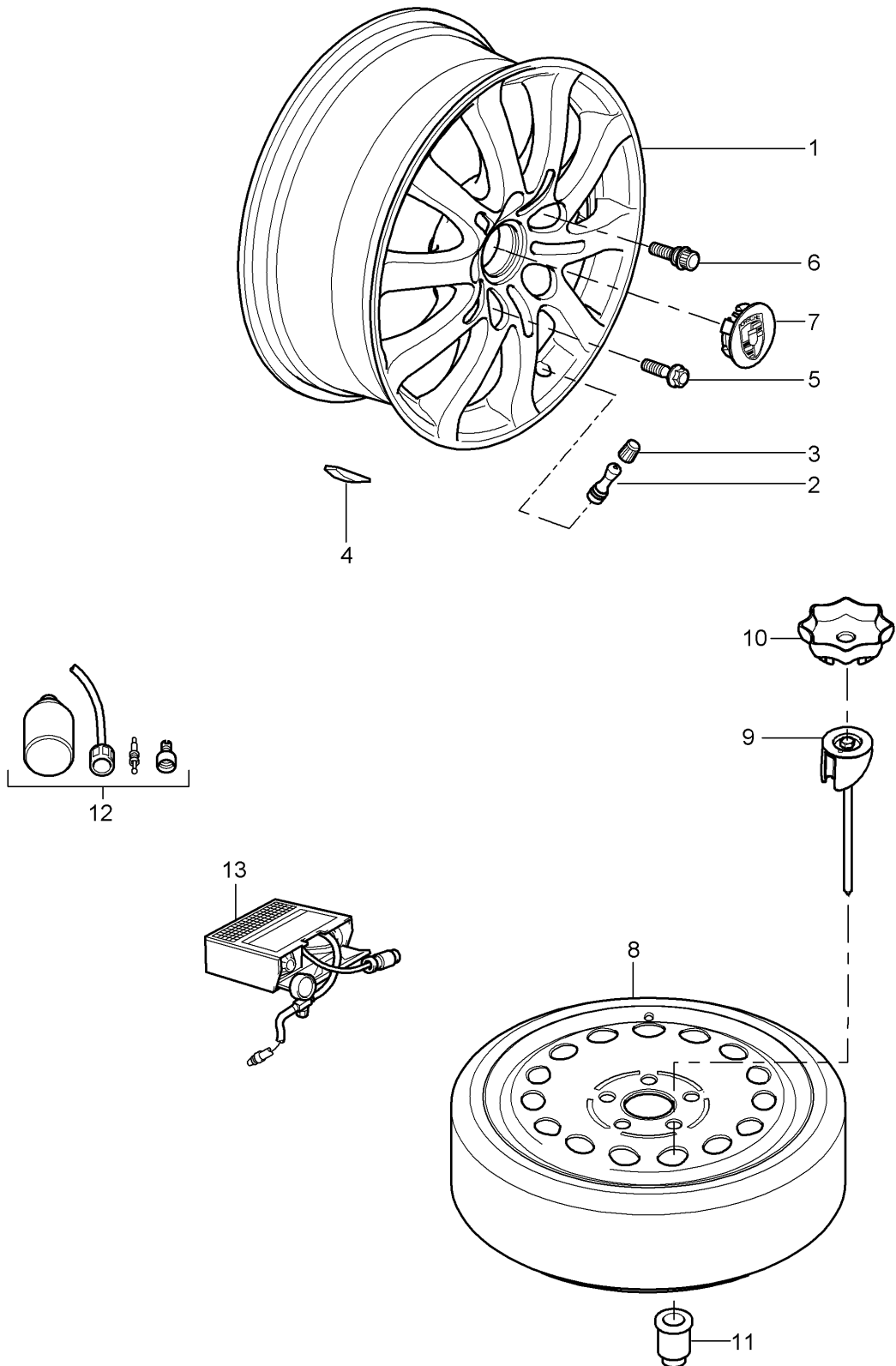
Model: 9PA108

Model life 2007>>2010

Pos	Part Number	Description	Remark	Qty	Model
(18)	955 333 422 01	Protection cap	/R	1	
19	N 023 002 12	Hexagon nut M 6		2	
20	N 908 476 02	Hexagon-head bolt M 10 X 25		8	
21	955 511 645 00	Clip		4	
22	N 105 924 02	Hexagon-head bolt M 12 X 1,5 X 120		2	
23	N 104 029 04	Hexagon nut M 12 X 1,5		2	
24	000 043 204 68	Grease Syntheso Glep 1 1 50-g tube		1	

Model: 9PA108

Model life 2007>>2010



Model: 9PA108

Model life 2007>>2010

Pos	Part Number	Description	Remark	Qty	Model
1	955 362 126 01	Wheels Disc wheel 7,5 J X 17 ET 53		4	ICJ1
	955 362 126 01 9A1	Silver			
1	955 362 126 01	Disc wheel 7,5 J X 17 ET 53		5	ICJ1/1G3
	955 362 126 01 9A1	Silver			
(1)	955 362 138 30	Disc wheel 9 J X 19 ET 60		4	ICJ3/D5X
	955 362 138 30 9A1	Silver			
		Information available			
(1)	955 362 138 30	Disc wheel 9 J X 19 ET 60		4	ICJ3/D50
	955 362 138 30 9A1	Silver			
		Information available			
(1)	955 362 138 30	Disc wheel 9 J X 19 ET 60		5	ICJ3/D5X/1G3
	955 362 138 30 9A1	Silver			
		Information available			
(1)	955 362 138 30	Disc wheel 9 J X 19 ET 60		5	ICJ3/D50/1G3
	955 362 138 30 9A1	Silver			
		Information available			
(1)	955 362 140 70	Disc wheel 9 J X 20 ET 60		4	ICS5/D5X
	955 362 140 70 9A1	Silver			
		Information available			
(1)	955 362 140 70	Disc wheel 9 J X 20 ET 60		4	ICS5/D50
	955 362 140 70 9A1	Silver			
		Information available			
(1)	955 362 140 70	Disc wheel 9 J X 20 ET 60		5	ICS5/D5X/1G3
	955 362 140 70 9A1	Silver			
		Information available			
(1)	955 362 140 70	Disc wheel 9 J X 20 ET 60		5	ICS5/D50/1G3
	955 362 140 70 9A1	Silver			
		Information available			
(1)	955 362 136 40	Disc wheel 8 J X 18 ET 57		4	IC2R
	955 362 136 40 9A1	Silver			
(1)	955 362 136 40	Disc wheel 8 J X 18 ET 57		5	IC2R/1G3
	955 362 136 40 9A1	Silver			
(1)	955 362 136 40	Disc wheel 8 J X 18 ET 57		4	IC2R/E2D
	955 362 136 40 9A1	Silver			
(1)	955 362 136 40	Disc wheel 8 J X 18		5	IC2R/E2D/1G3

Model: 9PA108 Model life 2007>>2010

Pos	Part Number	Description	Remark	Qty	Model
(1)	955 362 136 40 9A1 955 362 136 40	ET 57 Silver Disc wheel 8 J X 18 ET 57 It is necessary to rework Paint		4	IC2R/E2D/6FM
(1)	955 362 136 40 9A1 955 362 136 40	Silver Disc wheel 8 J X 18 ET 57 It is necessary to rework Paint		5	IC2R/E2D/1G3 I6FM
(1)	955 362 136 40 9A1 955 362 136 40	Silver Disc wheel 8 J X 18 ET 57 It is necessary to rework Paint		4	IC2R/E2D/6FI
(1)	955 362 136 40 9A1 955 362 136 40	Silver Disc wheel 8 J X 18 ET 57 It is necessary to rework Paint		5	IC2R/E2D/1G3 I6FI
(1)	955 362 136 40 9A1 955 362 136 40	Silver Disc wheel 8 J X 18 ET 57 It is necessary to rework Paint		4	IC2R/E2D/6FP
(1)	955 362 136 40 9A1 955 362 136 40	Silver Disc wheel 8 J X 18 ET 57 It is necessary to rework Paint		5	IC2R/E2D/1G3 I6FP
(1)	955 362 136 40 9A1 955 362 136 50	Silver Disc wheel 8 J X 18 ET 57		4	ICD3
(1)	955 362 136 50 9A1 955 362 136 50	Silver Disc wheel 8 J X 18 ET 57		5	ICD3/1G3
(1)	955 362 136 50 9A1 955 362 138 20	Silver Disc wheel 9 J x 19 ET 60		4	ICJ3/D5V/D5Z
(1)	955 362 138 20 9A1 955 362 138 20	Silver Information available Disc wheel 9 J x 19 ET 60		5	ICJ3/D5V/D5Z I1G3
(1)	955 362 138 20 9A1 955 362 140 80	Silver Information available Disc wheel 9 J X 20 ET 60		4	ICS5/D5V/D5Z

Model: 9PA108 Model life 2007>>2010

Pos	Part Number	Description	Remark	Qty	Model
(1)	955 362 140 80 9A1	Silver Information available Disc wheel		5	ICS5/D5V/D5Z 1IG3
		9 J X 20 ET 60			
(1)	955 362 140 80 9A1	Silver Information available Disc wheel	/V	2	ICY3
		9 J X 20 ET 60			
(1)	955 362 140 90 9A1	Silver Disc wheel	/V	2	ICY4
		9 J X 20 ET 60 It is necessary to rework Paint			
(1)	955 362 140 90 9A1	Silver Disc wheel	/H	2	ICY3
		10 J X 20 ET 55			
(1)	955 362 142 00 9A1	Silver Disc wheel	/H	2	ICY4
		10 J X 20 ET 55 It is necessary to rework Paint			
(1)	955 362 142 00 9A1	Silver Disc wheel		4	ICY2
		10 J X 21 ET 50			
(1)	955 362 156 00 9A1	Silver Disc wheel		5	ICY2/1G3
		10 J X 21 ET 50			
(1)	955 362 156 00 9A1	Silver Disc wheel	/V	2	IC9N
		10 J X 21 ET 50			
(1)	955 362 158 00 9A1	Silver Disc wheel	/V	2	IC9S
		10 J X 21 ET 50 It is necessary to rework Paint			
(1)	955 362 158 00 9A1	Silver Disc wheel	/V	2	IC4I/C4P/E2D
		10 J X 21 ET 50 It is necessary to rework Paint			
(1)	955 362 158 00 9A1	Silver Disc wheel	/H	2	IC9N
		10 J X 21 ET 45			
(1)	955 362 162 00 9A1	Silver Disc wheel	/H	2	IC9S
		10 J X 21 ET 45 It is necessary to rework Paint			
(1)	955 362 162 00 9A1	Silver Disc wheel	/H	2	IC4I/C4P/E2D
		10 J X 21 ET 45			

Model: 9PA108

Model life 2007>>2010

Pos	Part Number	Description	Remark	Qty	Model
		10 J X 21 ET 45 It is necessary to rework Paint			
	955 362 162 00 9A1	Silver			
2	900 265 001 50	Rubber valve		4	
2	900 265 001 51	Rubber valve		4	
2	311 601 361	Rubber valve		4	
(2)	900 265 001 50	Rubber valve		5	I1G3
(2)	900 265 001 51	Rubber valve		5	I1G3
(2)	311 601 361	Rubber valve		5	I1G3
(2)		Valve		4	I7K3/7K4
		Tyre pressure monitoring See illustrations 6/01/05			
3	955 361 163 00	Cap		4	
(3)		Cap		5	I1G3
4	997 361 405 00	Balance stick-on weight 5 G.		X	
(4)	997 361 410 00	Balance stick-on weight 10 G.		X	
(4)	997 361 415 00	Balance stick-on weight 15 G.		X	
(4)	997 361 420 00	Balance stick-on weight 20 G.		X	
(4)	997 361 425 00	Balance stick-on weight 25 G.		X	
(4)	997 361 430 00	Balance stick-on weight 30 G.		X	
(4)	997 361 435 00	Balance stick-on weight 35 G.		X	
(4)	997 361 440 00	Balance stick-on weight 40 G.		X	
(4)	997 361 445 00	Balance stick-on weight 45 G.		X	
(4)	997 361 450 00	Balance stick-on weight 50 G.		X	
(4)	997 361 455 00	Balance stick-on weight 55 G.		X	
(4)	997 361 460 00	Balance stick-on weight 60 G.		X	
5	WHT 001 693	Wheel bolt		16	
5		Wheel bolt		20	I1G3
6	955 361 057 10	Wheel bolt Anti-theft protection 1 set Comprising: Wheel bolt Adapter		1	
(6)	955 361 057 20	Wheel bolt Anti-theft protection 1 set Comprising: Wheel bolt Adapter	(GB)	1	IB0N
(6)	955 361 057 30	Wheel bolt Anti-theft protection 1 set Comprising: Wheel bolt Adapter	(GB)	1	IB0N/1G3
(6)	955 361 957 10	Wheel bolt Adapter Wheel bolt Anti-theft protection		5 1 1	

Model: 9PA108 Model life 2007>>2010

Pos	Part Number	Description	Remark	Qty	Model
		1 set Comprising: Wheel bolt Adapter Note coding		1 1	
	955 361 957 10 050	Coding			
	955 361 957 10 051	Coding			
	955 361 957 10 052	Coding			
	955 361 957 10 053	Coding			
	955 361 957 10 054	Coding			
	955 361 957 10 055	Coding			
	955 361 957 10 056	Coding			
	955 361 957 10 057	Coding			
	955 361 957 10 058	Coding			
	955 361 957 10 059	Coding			
	955 361 957 10 060	Coding			
	955 361 957 10 061	Coding			
	955 361 957 10 062	Coding			
	955 361 957 10 063	Coding			
	955 361 957 10 064	Coding			
	955 361 957 10 065	Coding			
	955 361 957 10 066	Coding			
	955 361 957 10 067	Coding			
	955 361 957 10 068	Coding			
	955 361 957 10 069	Coding			
(6)	955 361 957 20	Wheel bolt Anti-theft protection 1 set Comprising: Wheel bolt Adapter Note coding	(GB)	1	IB0N
	955 361 957 20 070	Coding			
	955 361 957 20 071	Coding			
	955 361 957 20 072	Coding			
	955 361 957 20 073	Coding			
	955 361 957 20 074	Coding			
	955 361 957 20 075	Coding			
	955 361 957 20 076	Coding			
	955 361 957 20 077	Coding			
	955 361 957 20 078	Coding			
	955 361 957 20 079	Coding			
	955 361 957 20 080	Coding			
	955 361 957 20 081	Coding			
	955 361 957 20 082	Coding			
	955 361 957 20 083	Coding			
	955 361 957 20 084	Coding			
	955 361 957 20 085	Coding			
	955 361 957 20 086	Coding			
	955 361 957 20 087	Coding			
	955 361 957 20 088	Coding			
	955 361 957 20 089	Coding			
(6)	955 361 209 00	Adapter for Wheel bolt Anti-theft protection Note coding	(GB)	1	IB0N
	955 361 209 00 070	Coding			
	955 361 209 00 071	Coding			
	955 361 209 00 072	Coding			
	955 361 209 00 073	Coding			
	955 361 209 00 074	Coding			
	955 361 209 00 075	Coding			

Model: 9PA108 Model life 2007>>2010

Pos	Part Number	Description	Remark	Qty	Model
	955 361 209 00 076	Coding			
	955 361 209 00 077	Coding			
	955 361 209 00 078	Coding			
	955 361 209 00 079	Coding			
	955 361 209 00 080	Coding			
	955 361 209 00 081	Coding			
7	955 361 303 00	Hub cap Round Concave Crest Black		4	ICD3/CJ1/C2R
	955 361 303 00 9A1	Silver			
7	955 361 303 00	Hub cap Round Concave Crest Black		4	ICY2/CY3
	955 361 303 00 9A1	Silver			
7	955 361 303 00	Hub cap Round Concave Crest Black		5	ICD3/CJ1/C2R I1G3
	955 361 303 00 9A1	Silver			
(7)	955 361 303 02	Hub cap Star shaped Crest Black		4	ICJ3/CS5
	955 361 303 02 9A1	Silver			
(7)	955 361 303 02	Hub cap Star shaped Crest Black		5	ICJ3/CS5/I1G3
	955 361 303 02 9A1	Silver			
(7)	955 361 303 05	Hub cap Round Concave Crest Coloured		4	ICD3/CJ1/C2R
	955 361 303 05 9A1	Silver			
(7)	955 361 303 05	Hub cap Round Concave Crest Coloured		4	ICY2/CY3/CY4
	955 361 303 05 9A1	Silver			
(7)	955 361 303 05	Hub cap Round Concave Crest Coloured		4	IC9N
	955 361 303 05 9A1	Silver			
(7)	955 361 303 05	Hub cap Round Concave Crest Coloured		5	ICD3/CJ1/C2R I1G3
	955 361 303 05 9A1	Silver			
(7)	955 361 303 20	Hub cap Round Concave		4	IC9S

Model: 9PA108 Model life 2007>>2010

Pos	Part Number	Description	Remark	Qty	Model
(7)	955 361 303 20 9A1 955 361 303 20	Crest Coloured It is necessary to rework Paint Silver Hub cap Round Concave Crest Coloured It is necessary to rework Paint Silver Hub cap		4	IC4I/C4P
(7)	955 361 303 20 9A1 955 361 303 20	Hub cap Round Concave Crest Coloured It is necessary to rework Paint Silver Hub cap		4	IC2R/E2D/6FI I6FP
(7)	955 361 303 20 9A1 955 361 303 20	Hub cap Round Concave Crest Coloured It is necessary to rework Paint Silver Hub cap		5	IC2R/E2D/1G3 I6FI/6FP
(7)	955 361 303 20 9A1 955 361 303 20	Hub cap Round Concave Crest Coloured It is necessary to rework Paint Silver Hub cap		4	ICD3/CJ1/CY2 ICY3/CY4/C2R IC9N
(7)	955 361 303 20 9A1 955 361 303 20	Hub cap Round Concave Crest Coloured Silver Hub cap		5	ICD3/CJ1/CY2 ICY3/CY4/C2R IC9N/1G3
(7)	955 361 303 20 9A1 955 361 303 20	Hub cap Round Concave Crest Coloured Silver Hub cap		4	ICD3/CY2/E2D
(7)	955 361 303 20 9A1 955 361 303 20	Hub cap Round Concave Crest Coloured It is necessary to rework Paint Silver Hub cap		4	IC2R/E2D/6FI I6FM/6FP

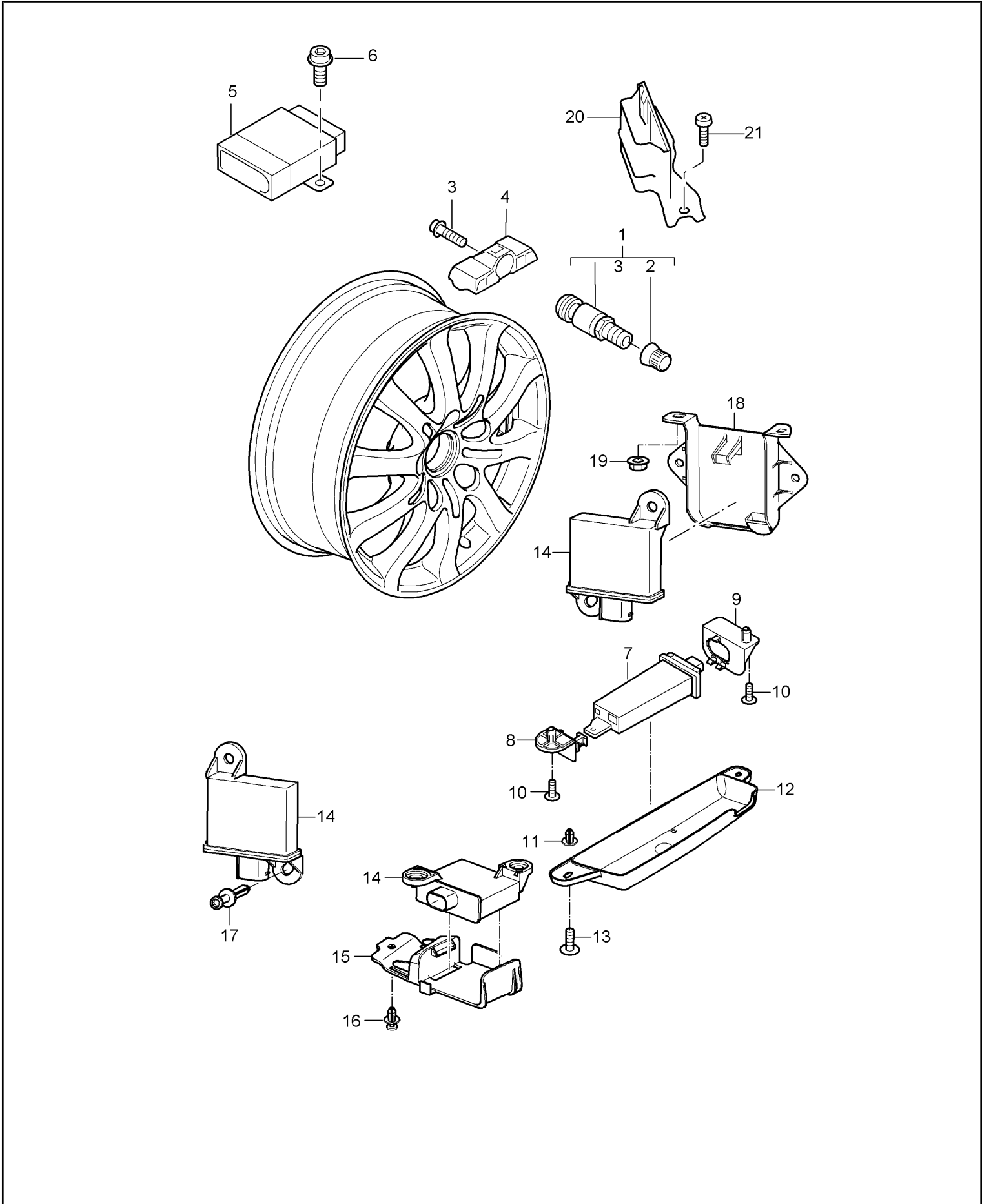
Model: 9PA108

Model life 2007>>2010

Pos	Part Number	Description	Remark	Qty	Model
(7)	955 361 303 20 9A1 955 361 303 20	Silver Hub cap Round Concave Crest Coloured It is necessary to rework Paint		5	ICD3/CY2/E2D I1G3
(7)	955 361 303 20 9A1 955 361 303 20	Silver Hub cap Round Concave Crest Coloured It is necessary to rework Paint		5	IC2R/E2D/1G3 I6FI/6FM/6FP
(7)	955 361 303 20 9A1 955 361 303 30	Silver Hub cap Star shaped Crest Coloured		4	ICJ3/CS5
(7)	955 361 303 30 9A1 955 361 303 30	Silver Hub cap Star shaped Crest Coloured		5	ICJ3/CS5/1G3
8	955 361 303 30 9A1 955 362 050 11	Silver Emergency wheel with collapsible tire 6,5 J X 18 ET 53		1	I1G1
8	955 362 050 12	Emergency wheel with collapsible tire 6,5 J X 18 ET 53		1	I1G1
(8)	955 362 050 20	Emergency wheel with collapsible tire 6,5 B X 19 ET 43,5	09-	1	I1G4
9	955 362 533 11	Fastening part		1	I1G1
(9)	955 362 533 20	Fastening part	09-	1	I1G4
10	955 362 645 10	Handle	-08	1	I1G1
(10)		Handle	09-	1	I1G1/1G4
11	N 904 085 04	Blind rivet nut AM 8	-08	1	I1G1
(11)		Blind rivet nut AM 8	09-	1	I1G1/1G4
12	955 722 631 00	Bottle of tyre sealant with Sealing compound		1	I1G8
12	4L0 012 619 A	Bottle of tyre sealant with Sealing compound		1	I1G8
13	955 652 053 01	Compressor		1	I1BA/1BW/1G1 I1G6/1G8

Model: 9PA108

Model life 2007>>2010

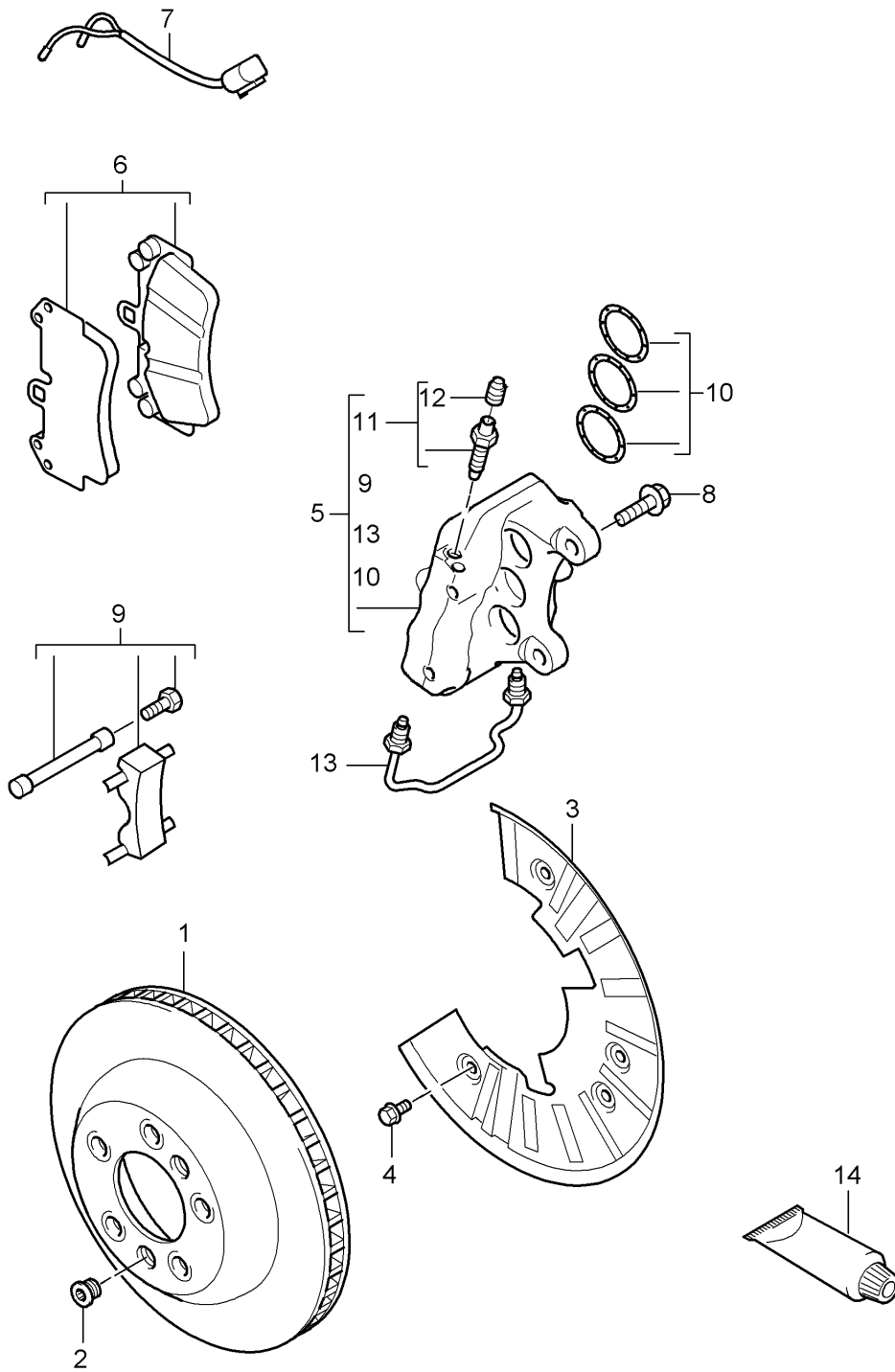


Model: 9PA108 Model life 2007>>2010

Pos	Part Number	Description	Remark	Qty	Model
1	955 361 053 00	Tyre pressure monitoring Valve Aluminium		4	I7K3/7K4
(1)	9P1 601 361 A	Valve Aluminium		4	
2	N 908 729 01	Cap		4	
3	4D0 601 365	Fastening screw		4	
4	955 606 021 00	Sensor Use also: 955.361.053.00		4	I7K3
(4)	955 606 021 01	Sensor Use also: 955.361.053.00		X 4	I7K3
(4)	955 606 023 00	Sensor Use also: 955.361.053.00		X 4	I7K4
(4)	955 606 023 01	Sensor Use also: 955.361.053.00		X 4	I7K4
(4)	7PP 907 275 G	Sensor Use also: 955.361.053.00		X 4	I7K4
5	955 618 103 00	Information available Control unit		1	
6	N 102 480 03	Tyre pressure monitoring Pan-head screw M 6 X 14		2	
7	955 606 101 00	Antenna		1	I7K3
(7)	955 606 103 00	Antenna		1	I7K4
8	955 606 225 00	Clip		1	
9	955 606 427 00	Support		1	
10	955 606 226 00	Fastening screw		2	
11	WHT 002 110	Expander nut 6,0		2	IVR1/6EP/6ES
12	955 606 520 00	Cap		1	IVR1/6EP/6ES
13	N 908 082 01	Oval-head screw 6 X 18,5		2	IVR1/6EP/6ES
14	955 618 113 00	transmitter		4	
15	955 606 141 00	Support Front	/L	1	
16	999 591 941 40	Expansion rivet		1	
17	955 606 428 00	Expansion rivet		2	
18	955 606 131 00	Support Rear		2	
19	N 904 953 01	Hexagon nut D 5		4	
20	955 618 165 00	Support Control unit	/RL	1	IL0R
-	999 591 941 40	Tyre pressure monitoring Expansion rivet Mount	/RL	1	IL0R
21	955 423 157 10	Control unit Tyre pressure monitoring Screw DG 6 X 18	/RL	1	IL0R

Model: 9PA108

Model life 2007>>2010



Model: 9PA108 Model life 2007>>2010

Pos	Part Number	Description	Remark	Qty	Model
1	955 351 401 41	Disc brake Front axle Brake disc Use also: N .906.854.03	/L	1	I1LK
(1)	955 351 402 41	Brake disc Use also: N .906.854.03	/R	1	I1LK
(1)	955 351 401 51	Brake disc Use also: N .906.854.03	/L	1	I1LL
(1)	955 351 402 51	Brake disc Use also: N .906.854.03	/R	1	I1LL
(1)	955 351 403 00	Brake disc Use also: N .906.854.03	-08	2	I1LP
(1)	955 351 401 51	Brake disc Use also: N .906.854.03	/L	1	IEOW/1LM
(1)	955 351 402 51	Brake disc Use also: N .906.854.03	/R	1	IEOW/1LM
(1)	955 351 401 61	Brake disc Use also: N .906.854.03	/L -08	1	IE81/1LH
(1)	955 351 402 61	Brake disc Use also: N .906.854.03	/R -08	1	IE81/1LH
(1)	955 351 401 61	Brake disc Use also: N .906.854.03	/L 09-	1	I1LH
(1)	955 351 402 61	Brake disc Use also: N .906.854.03	/R 09-	1	I1LH
(1)	955 351 031 00	Brake disc Use also: N .906.854.03	/L 09-	1	I1LX
(1)	958 351 031 50	Attention TI 4651 Brake disc Use also: N .906.854.03	/L 09-	1	I1LX
(1)	955 351 032 00	Attention TI 4651 Brake disc Use also: N .906.854.03	/R 09-	1	I1LX
(1)	958 351 032 50	Attention TI 4651 Brake disc Use also: N .906.854.03	/R 09-	1	I1LX
2	N 910 282 02	Fit bolt M 12 X 1,5 X 19,3		2	
3	955 351 801 20	Cover plate		2	I1LK/1LL
(3)	955 351 801 51	Cover plate	-08	2	I1LP
(3)	955 351 801 20	Cover plate		2	IEOW/1LM
(3)	955 351 801 51	Cover plate	-08	2	IE81/1LH
(3)	955 351 801 51	Cover plate	09-	2	I1LH
(3)	955 351 801 60	Cover plate	/L 09-	1	I1LX

Model: 9PA108 Model life 2007>>2010

Pos	Part Number	Description	Remark	Qty	Model
(3)	955 351 802 60	Cover plate	/R 09-	1	I1LX
4	N 010 237 14	Hexagon-head bolt M 8 X 12		6	
5	955 351 421 33	Fixed calliper without pad Black Anodised Use also: N .906.854.03	/L	1	I1LK
(5)	955 351 422 33	Fixed calliper without pad Black Anodised Use also: N .906.854.03	/R	2 1	I1LK
(5)	955 351 421 53	Fixed calliper without pad Silver Lacquered Use also: N .906.854.03	/L	2 1	I1LL
(5)	955 351 422 53	Fixed calliper without pad Silver Lacquered Use also: N .906.854.03	/R	2 1	I1LL
(5)	955 351 421 70	Fixed calliper without pad Red Lacquered Use also: N .906.854.03	/L -08	2 1	I1LP
(5)	955 351 422 70	Fixed calliper without pad Red Lacquered Use also: N .906.854.03 955.351.959.10	/R -08	2 1 1	I1LP
(5)	955 351 421 22	Fixed calliper without pad Red Lacquered Use also: N .906.854.03 955.351.959.10	/L	2 1 1	IE0W/1LM
(5)	955 351 422 22	Fixed calliper without pad Red Lacquered Use also: N .906.854.03	/R	2 1	IE0W/1LM
(5)	955 351 421 61	Fixed calliper without pad Red Lacquered Use also: N .906.854.03	/L -08	2 1	IE81/1LH
(5)	955 351 422 61	Fixed calliper without pad Red Lacquered	/R -08	2 1	IE81/1LH

Model: 9PA108 Model life 2007>>2010

Pos	Part Number	Description	Remark	Qty	Model
(5)	955 351 421 61	Use also: N .906.854.03 Fixed calliper without pad Red Lacquered Use also: N .906.854.03	/L 09-	2 1	I1LH
(5)	955 351 422 61	Fixed calliper without pad Red Lacquered Use also: N .906.854.03	/R 09-	2 1	I1LH
(5)	955 351 421 80	Fixed calliper without pad Yellow Lacquered Use also: N .906.854.03	/L 09-	2 1	I1LX
(5)	955 351 422 80	Fixed calliper without pad Yellow Lacquered Use also: N .906.854.03 955.351.959.10	/R 09-	2 1 1	I1LX
6	955 351 939 04	Brake pad repair set Comprising: Brake pad Use also: Mounting parts		1 1 4	I1LK
(6)	955 351 939 05	Brake pad repair set Comprising: Brake pad Use also: Mounting parts		1 4	I1LK
(6)	955 351 939 14	Brake pad repair set Comprising: Brake pad Use also: Mounting parts	-09	1 4	I1LL
(6)	955 351 939 15	Brake pad repair set Comprising: Brake pad Use also: Mounting parts	10-	1 4	I1LL
(6)	955 351 939 61	Brake pad repair set Comprising: Brake pad Use also: N .906.854.03 955.351.959.10		1 4 4 2	I1LP
(6)	955 351 939 62	Brake pad repair set Comprising: Brake pad Use also: N .906.854.03 955.351.959.10 955.351.933.00	-08	1 4 4 2 2	I1LP
(6)	955 351 939 14	Brake pad repair set Comprising:	-09	1	IE0W/1LM

Model: 9PA108 Model life 2007>>2010

Pos	Part Number	Description	Remark	Qty	Model
		Brake pad		4	
		Use also:			
(6)	955 351 939 15	Mounting parts Brake pad repair set	10-	1	IE0W/1LM
		Comprising:			
		Brake pad		4	
		Use also:			
(6)	955 351 939 50	Mounting parts Brake pad repair set	-08	1	IE81/1LH
		Comprising:			
		Brake pad		4	
		Use also:			
(6)	955 351 939 51	Mounting parts Brake pad repair set	-08	1	IE81/1LH
		Comprising:			
		Brake pad		4	
		Use also:			
(6)	955 351 939 50	Mounting parts Brake pad repair set	09	1	I1LH
		Comprising:			
		Brake pad		4	
		Use also:			
(6)	955 351 939 51	Mounting parts Brake pad repair set	10-	1	I1LH
		Comprising:			
		Brake pad		4	
		Use also:			
(6)	955 351 939 70	Mounting parts Brake pad repair set	09-	1	I1LX
		Comprising:			
		Brake pad		4	
		Use also:			
		N .906.854.03		4	
		955.351.959.10		2	
		955.351.933.00		2	
7	955 612 365 00	Warning contact		2	I1LK/1LL
(7)	955 612 365 60	Warning contact	-08	2	I1LP
		When required order also:			
		955.351.933.00		2	
(7)	955 612 365 00	Warning contact		2	IE0W/1LM
(7)	955 612 365 50	Warning contact	-08	2	IE81/1LH
(7)		Warning contact	09-	2	I1LH
(7)	955 612 365 80	Warning contact	09-	2	I1LX
		When required order also:			
		955.351.933.00		2	
(7)	955 612 365 81	Warning contact	09-	2	I1LX
		When required order also:			
		955.351.933.00		2	
-	944 612 627 00	Line bracket for Warning contact	-08	2	I1LP
-		Line bracket for Warning contact	-08	2	IE81/1LH
-		Line bracket for Warning contact	09-	2	I1LH
8	N 906 854 03	Hexagon-head bolt M 16 X 1,5 X 48		4	
9	955 351 959 00	Repair kit Mounting parts Comprising:		1	I1LK/1LL
		Tension strut		2	

Model: 9PA108 Model life 2007>>2010

Pos	Part Number	Description	Remark	Qty	Model
(9)	955 351 959 10	Spring Locking screw Repair kit	-08	2 2 2	I1LP
(9)		Spring Comprising: Spring for Fixed calliper		2 1	
(9)		Repair kit Spring Comprising: Spring for Fixed calliper	09-	2 2	I1LX
(9)	955 351 933 00	Support Cable guide Brake pad wear indicator	-08	2 1	I1LP
(9)		Fixed calliper Support Cable guide Brake pad wear indicator	09-	2	I1LX
(9)	955 351 959 00	Fixed calliper Repair kit Mounting parts Comprising: Tension strut Spring		1 2 2	IEOW/1LM
(9)	955 351 959 50	Locking screw Repair kit Mounting parts Comprising: Tension strut Spring	-08	2 2 2	IE81/1LH
(9)		Locking screw Repair kit Mounting parts Comprising: Tension strut Spring	09-	1 2 2	I1LH
10	955 351 915 01	Locking screw Repair kit Protection caps 34/36/38 MM for Fixed calliper		2 2 2	I1LK
(10)	955 351 915 10	Repair kit Protection caps 30/34/38 MM for Fixed calliper		1 2	I1LL
(10)	955 351 915 20	Repair kit Protection caps 36 MM for Fixed calliper	-08	1 2	I1LP
(10)		Repair kit Protection caps 36 MM for Fixed calliper	09-	1 2	I1LX
(10)	955 351 915 10	Repair kit Protection caps 30/34/38 MM		1 2	IEOW/1LM

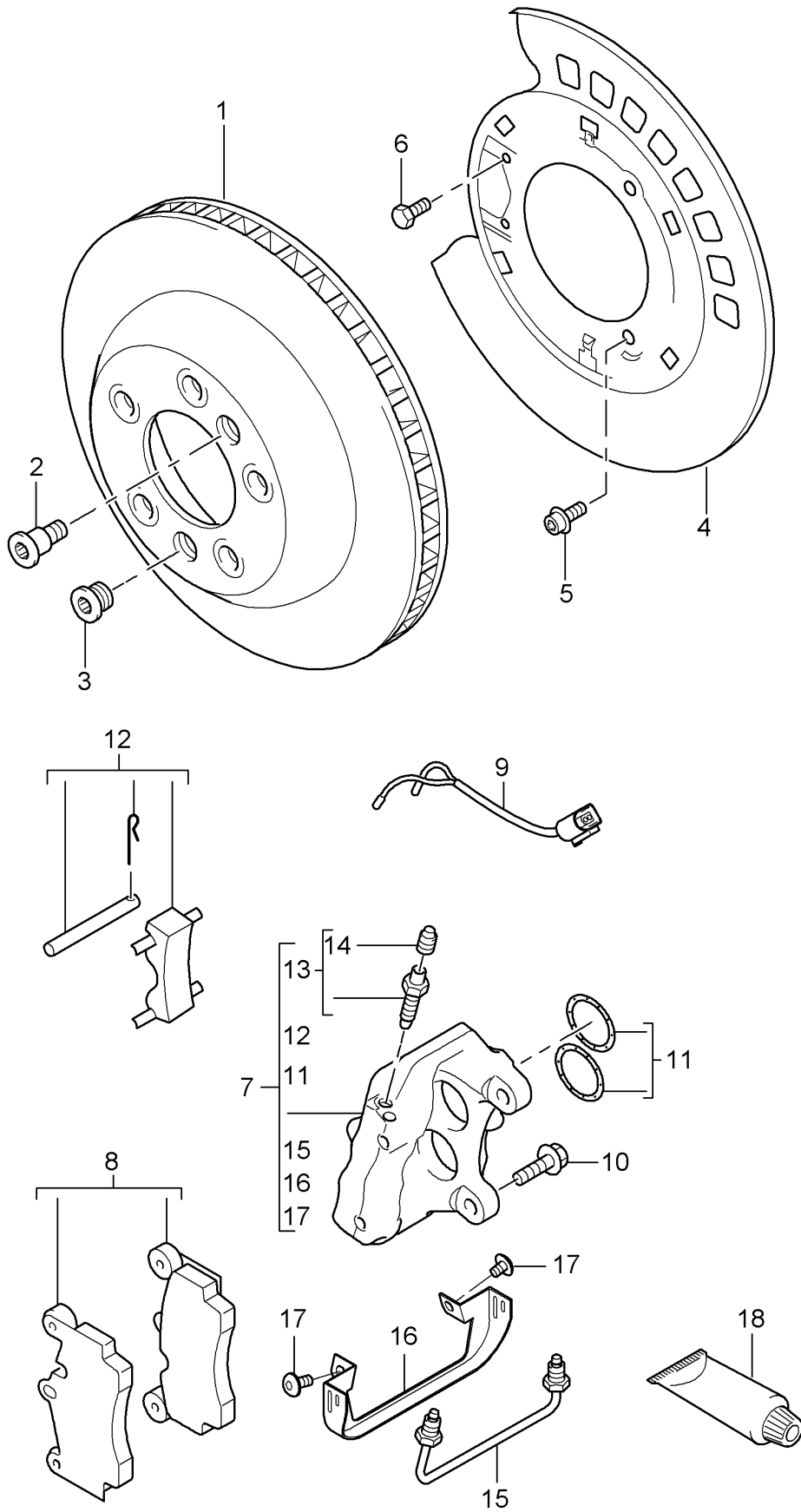
Model: 9PA108

Model life 2007>>2010

Pos	Part Number	Description	Remark	Qty	Model
(10)	955 351 915 50	for Fixed calliper Repair kit Protection caps 32/36/38 MM	-08	1 2	IE81/1LH
(10)		for Fixed calliper Repair kit Protection caps 32/36/38 MM	09-	1 2	I1LH
11	930 351 919 00	for Fixed calliper Ventilation valve with Dust boot		1 4	
12	930 351 927 00	Dust boot		4	
12	930 351 927 01	Dust boot		4	
13	955 351 961 00	Connecting line		2	I1LK
(13)	955 351 961 10	Connecting line		2	I1LL
(13)	955 351 961 20	Connecting line	-08	2	I1LP
(13)	955 351 961 10	Connecting line		2	IE0W/1LM
(13)	955 351 961 50	Connecting line	-08	2	IE81/1LH
(13)		Connecting line	09-	2	I1LH
(13)	970 351 961 10	Connecting line	/L 09-	1	I1LX
(13)	970 351 962 10	Connecting line	/R 09-	1	I1LX
14	000 043 117 00	Brake cylinder paste 1 50-g tube		X	
(14)	000 043 020 00	Optimoly 1 100-gramme tube		X	

Model: 9PA108

Model life 2007>>2010



Model: 9PA108 Model life 2007>>2010

Pos	Part Number	Description	Remark	Qty	Model
1	955 352 401 31	Disc brake Rear axle Brake disc Use also: N .105.556.02		2	I1KW/1KY
(1)	955 352 403 00	Brake disc Use also: N .105.556.02		4	
(1)	955 352 403 00	Brake disc Use also: N .105.556.02		2	I1KP
(1)	955 352 401 31	Brake disc Use also: N .105.556.02		4	
(1)	955 352 401 31	Brake disc Use also: N .105.556.02		2	IEOW/1KZ
(1)	955 352 031 00	Brake disc Use also: N .105.556.02	/L 09-	4	
(1)	955 352 031 00	Brake disc Use also: N .105.556.02		1	I2EH
(1)	955 352 032 00	Brake disc Use also: N .105.556.02	/R 09-	2	
(1)	955 352 032 00	Brake disc Use also: N .105.556.02		1	I2EH
2	N 910 282 02	Fit bolt M 12 X 1,5 X 19,3		2	
3	N 910 380 02	Screw plug M 12 X 1,5 X 5,0		2	
4	955 352 801 20	Brake mounting plate	/L	1	I1KW/1KY
(4)	955 352 802 20	Brake mounting plate	/R	1	I1KW/1KY
(4)	955 352 801 60	Brake mounting plate	/L	1	I1KP
(4)	955 352 802 60	Brake mounting plate	/R	1	I1KP
(4)	955 352 801 20	Brake mounting plate	/L	1	IEOW/1KZ
(4)	955 352 802 20	Brake mounting plate	/R	1	IEOW/1KZ
(4)	955 352 801 70	Brake mounting plate	/L 09-	1	I2EH
(4)	955 352 802 70	Brake mounting plate	/R 09-	1	I2EH
5	N 105 724 03	Pan-head screw M 8 X 16		4	
6	N 909 768 02	Hexagon-head bolt M 6 X 12		4	
7	955 352 421 32	Fixed calliper without pad Black Anodised Use also: N .105.556.02	/L	1	I1KW
(7)	955 352 422 32	Fixed calliper without pad Black Anodised Use also: N .105.556.02	/R	2	
(7)	955 352 422 32	Fixed calliper without pad Black Anodised Use also: N .105.556.02		1	I1KW
(7)	955 352 421 42	Fixed calliper without pad Silver Lacquered Use also: N .105.556.02	/L	2	
(7)	955 352 421 42	Fixed calliper without pad Silver Lacquered Use also: N .105.556.02		1	I1KY
(7)	955 352 422 42	Fixed calliper without pad Silver Lacquered Use also: N .105.556.02	/R	2	
(7)	955 352 422 42	Fixed calliper without pad Silver Lacquered Use also: N .105.556.02		1	I1KY
(7)	955 352 421 70	Fixed calliper without pad Red Lacquered Use also: N .105.556.02	/L	2	
(7)	955 352 421 70	Fixed calliper without pad Red Lacquered Use also: N .105.556.02		1	I1KP
(7)	955 352 421 70	Fixed calliper without pad Red Lacquered Use also: N .105.556.02		2	

Model: 9PA108 Model life 2007>>2010

Pos	Part Number	Description	Remark	Qty	Model
(7)	955 352 422 70	955.352.959.10 Fixed calliper without pad Red Lacquered Use also: N .105.556.02	/R	1	I1KP
(7)	955 352 421 51	955.352.959.10 Fixed calliper without pad Red Lacquered Use also: N .105.556.02	/L	1	IEOW/1KZ
(7)	955 352 422 51	955.352.959.10 Fixed calliper without pad Red Lacquered Use also: N .105.556.02	/R	1	IEOW/1KZ
(7)	955 352 421 80	955.352.959.10 Fixed calliper without pad Yellow Lacquered Use also: N .105.556.02	/L 09-	1	I2EH
(7)	955 352 422 80	955.352.959.10 Fixed calliper without pad Yellow Lacquered Use also: N .105.556.02	/R 09-	1	I2EH
(8)	955 352 939 02	N .105.556.02 Brake pad repair set Comprising: Brake pad Use also: Mounting parts		2 1 4	I1KW/1KY
(8)	955 352 939 03	N .105.556.02 Brake pad repair set Comprising: Brake pad Use also: Mounting parts		1 4	I1KW/1KY
(8)	955 352 939 61	N .105.556.02 Brake pad repair set Comprising: Brake pad Use also: Mounting parts		1 4	I1KP
(8)	955 352 939 62	955.352.959.10 Brake pad repair set Comprising: Brake pad Use also: N .105.556.02	-09	2 1 4	I1KP
(8)	955 352 939 63	955.352.959.10 Brake pad repair set Comprising: Brake pad Use also: N .105.556.02	10-	2 1 4	I1KP
(8)	955 352 939 64	955.352.959.10 Brake pad repair set Comprising: Brake pad	10-	2 1 4	I1KP

Model: 9PA108

Model life 2007>>2010

Pos	Part Number	Description	Remark	Qty	Model
(8)	955 352 939 02	Use also: N .105.556.02 955.352.959.10 Brake pad repair set Comprising: Brake pad		4 2 1 4	IEOW/1KZ
(8)	955 352 939 03	Use also: Mounting parts Brake pad repair set Comprising: Brake pad		1 4	IEOW/1KZ
(8)	955 352 939 70	Use also: Mounting parts Brake pad repair set Comprising: Brake pad	09-	1 4	I2EH
9	955 612 365 30	Use also: N .105.556.02 970.352.959.00 Warning contact		4 2 2	I1KW/1KY
(9)	955 612 365 70	Warning contact		2	I1KP
(9)	955 612 365 30	Warning contact		2	IEOW/1KZ
(9)	955 612 365 70	Warning contact	09-	2	I2EH
10	N 105 556 02	Pan-head screw M 14 X 1,5 X 40		4	
11	955 352 915 00	Repair kit Protection caps 28/30 MM for Fixed calliper		2 1	I1KW/1KY
(11)	955 352 915 10	Repair kit Protection caps 30/30 MM for Fixed calliper		2 1	I1KP
(11)	955 352 915 00	Repair kit Protection caps 28/30 MM for Fixed calliper		2 1	IEOW/1KZ
(11)	996 351 915 00	Repair kit Protection caps 32 MM for Fixed calliper	09-	2 1	I2EH
12	955 352 960 00	Repair kit Mounting parts Retaining pin		1 1 2	I1KW/1KY
(12)	955 352 959 10	Spring		2	I1KP
(12)	955 352 960 00	Repair kit Mounting parts Retaining pin		1 2 2	IEOW/1KZ
(12)	970 352 959 00	Spring	09-	2	I2EH
13	930 351 919 00	Retaining spring Spring Ventilation valve with Dust boot		2 2 4	
14	930 351 927 00	Dust boot		4	
14	930 351 927 01	Dust boot		4	
15	955 352 961 20	Connecting line		2	I1KW/1KY

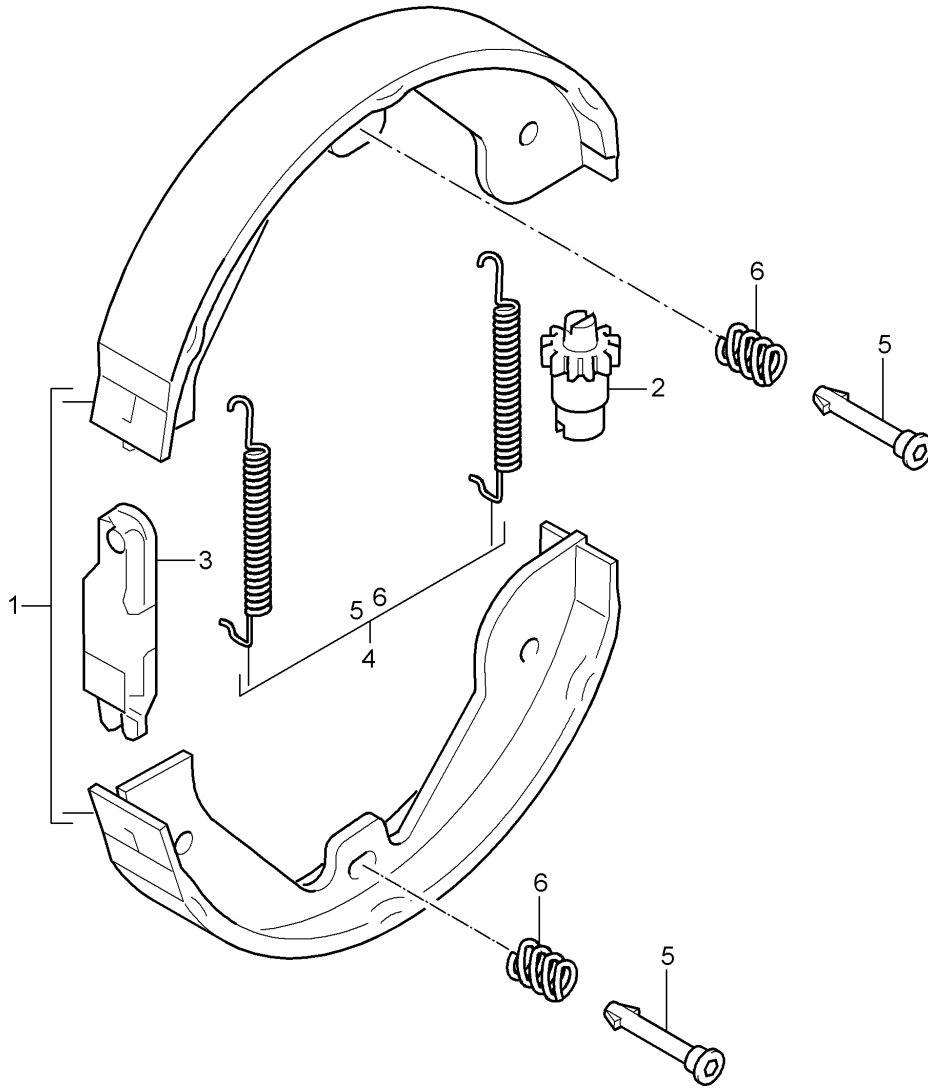
Model: 9PA108

Model life 2007>>2010

Pos	Part Number	Description	Remark	Qty	Model
(15)		Connecting line		2	IE0W/1KZ
(15)	970 352 961 00	Connecting line	09-	2	I2EH
16	955 352 963 00	Protective plate		2	I1KW/1KY
(16)		Connecting line		2	IE0W/1KZ
(16)		Protective plate		2	IE0W/1KZ
(16)		Connecting line		2	IE0W/1KZ
17	N 104 056 04	Oval-head screw M 6 X 14		4	I1KW/1KY
(17)		Oval-head screw M 6 X 14		4	IE0W/1KZ
18	000 043 117 00	Brake cylinder paste 1 50-g tube		X	
(18)	000 043 020 00	Optimoly 1 100-gramme tube		X	

Model: 9PA108

Model life 2007>>2010



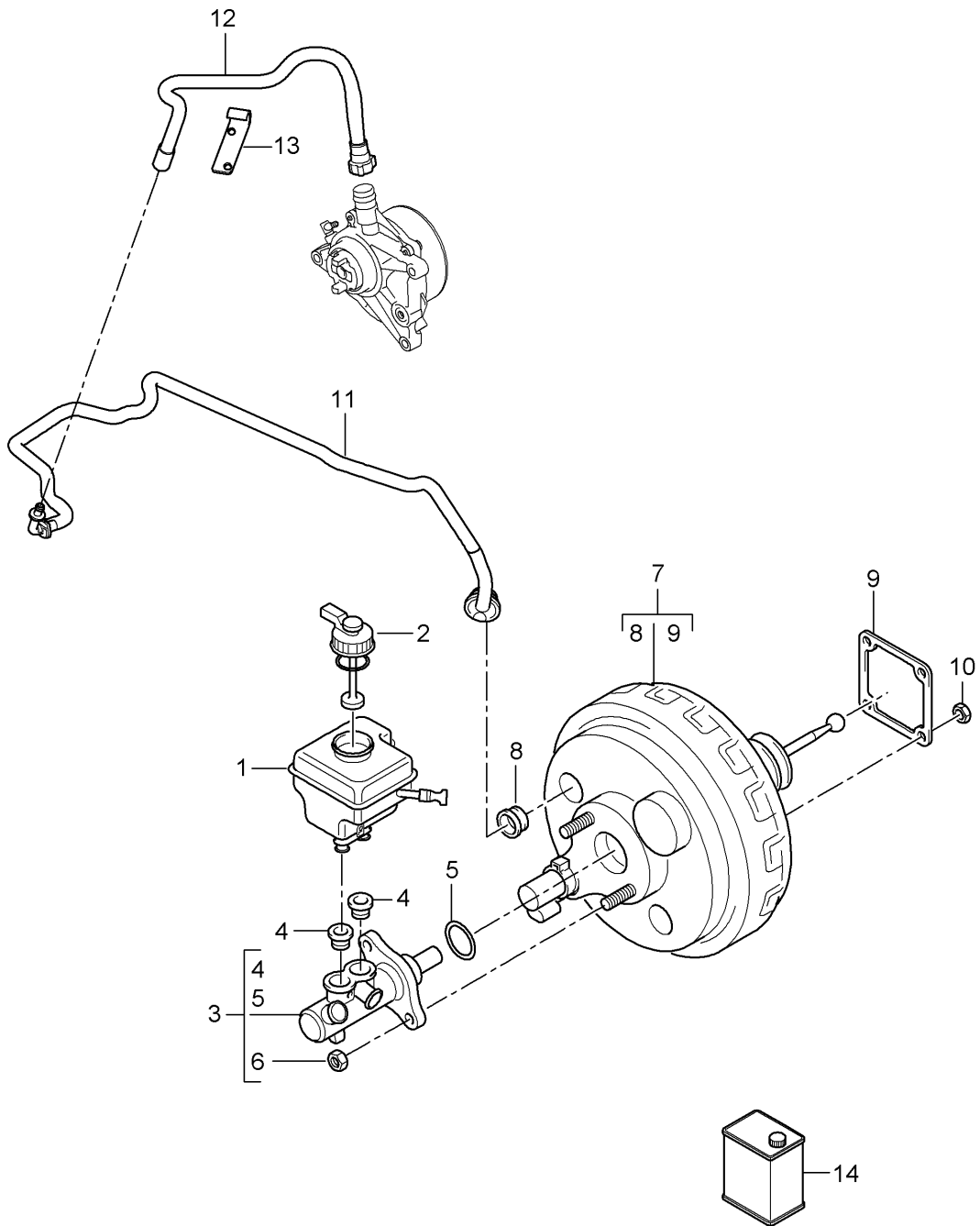
Model: 9PA108

Model life 2007>>2010

Pos	Part Number	Description	Remark	Qty	Model
1	955 352 925 00	Foot-operat. parking brake Brake shoe Repair kit Comprising: Brake shoe Use also: Mounting parts		1 4	
2	955 352 098 00	Adjusting nut Complete		2	
3	955 352 073 00	Expanding-lock Complete		2	
4	955 352 945 01	Repair kit Mount Brake shoe Comprising: Tension spring Long Tension spring Short Roll pin Compression spring		2 1 1 2 2	
5	955 352 959 01	Roll pin		4	
6	955 352 957 00	Compression spring		4	

Model: 9PA108

Model life 2007>>2010

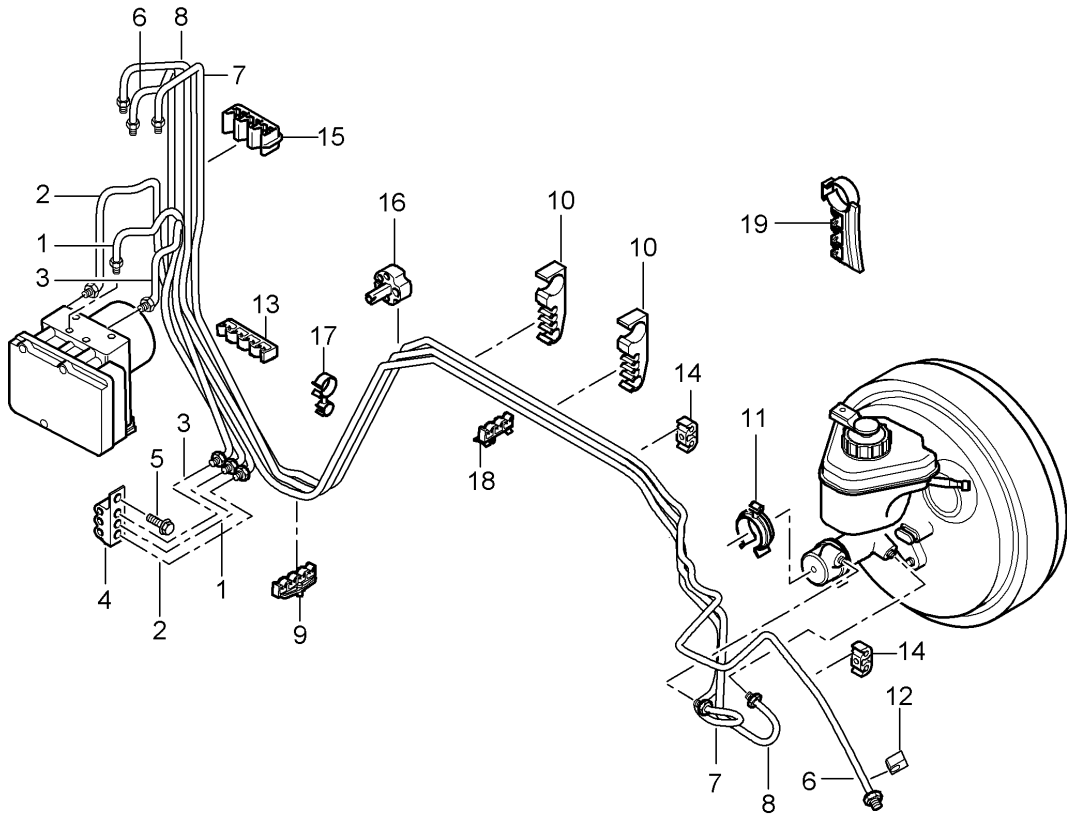


Model: 9PA108 Model life 2007>>2010

Pos	Part Number	Description	Remark	Qty	Model
		Brake master cylinder			
		Brake booster			
		Vacuum line			
1	955 355 113 00	Brake fluid reservoir		1	
2	955 355 351 00	Lid		1	
3	955 355 015 10	Brake master cylinder	/LL	1	IL0L
(3)	955 355 015 20	Brake master cylinder	/LL	1	IL0L
(3)	955 355 016 10	Brake master cylinder	/RL	1	IL0R
(3)	955 355 016 20	Brake master cylinder	/RL	1	IL0R
4	993 355 922 01	Rubber seal		2	
5	955 355 912 00	Sealing ring		1	
6	N 900 744 04	Lock nut		2	
		M 8			
7	955 355 923 10	Brake booster	/LL	1	ID5V/D5X/L0L
(7)		Brake booster	/LL	1	ID50/L0L
(7)	955 355 923 20	Brake booster	/LL -08	1	ID5Z/L0L
(7)	955 355 923 21	Brake booster	/LL 09-	1	ID5Z/L0L
(7)	955 355 924 10	Brake booster	/RL	1	ID5V/D5X/L0R
(7)		Brake booster	/RL	1	ID50/L0R
(7)	955 355 924 20	Brake booster	/RL -08	1	ID5Z/L0R
(7)	955 355 924 21	Brake booster	/RL 09-	1	ID5Z/L0R
8	955 355 921 00	Rubber seal		1	
9	955 355 901 00	Gasket		1	
(9)	955 355 901 01	Gasket		1	
10	N 023 003 14	Hexagon nut		4	
		M 8			
11	955 355 577 03	Vacuum line	/LL	1	IL0L
(11)	955 355 577 04	Vacuum line	/LL	1	IL0L
(11)	955 355 578 05	Vacuum line	/RL	1	IL0R
12	955 355 579 30	Vacuum line		1	ID5V/D5Z
(12)	955 355 579 40	Vacuum line		1	ID5X
(12)	955 355 579 41	Vacuum line		1	ID5X
(12)	955 355 579 60	Vacuum line		1	ID50
13	955 355 797 00	Support		1	ID50
14	000 043 203 66	Brake fluid SUPER DOT 4 1 LTR. Container		X	

Model: 9PA108

Model life 2007>>2010

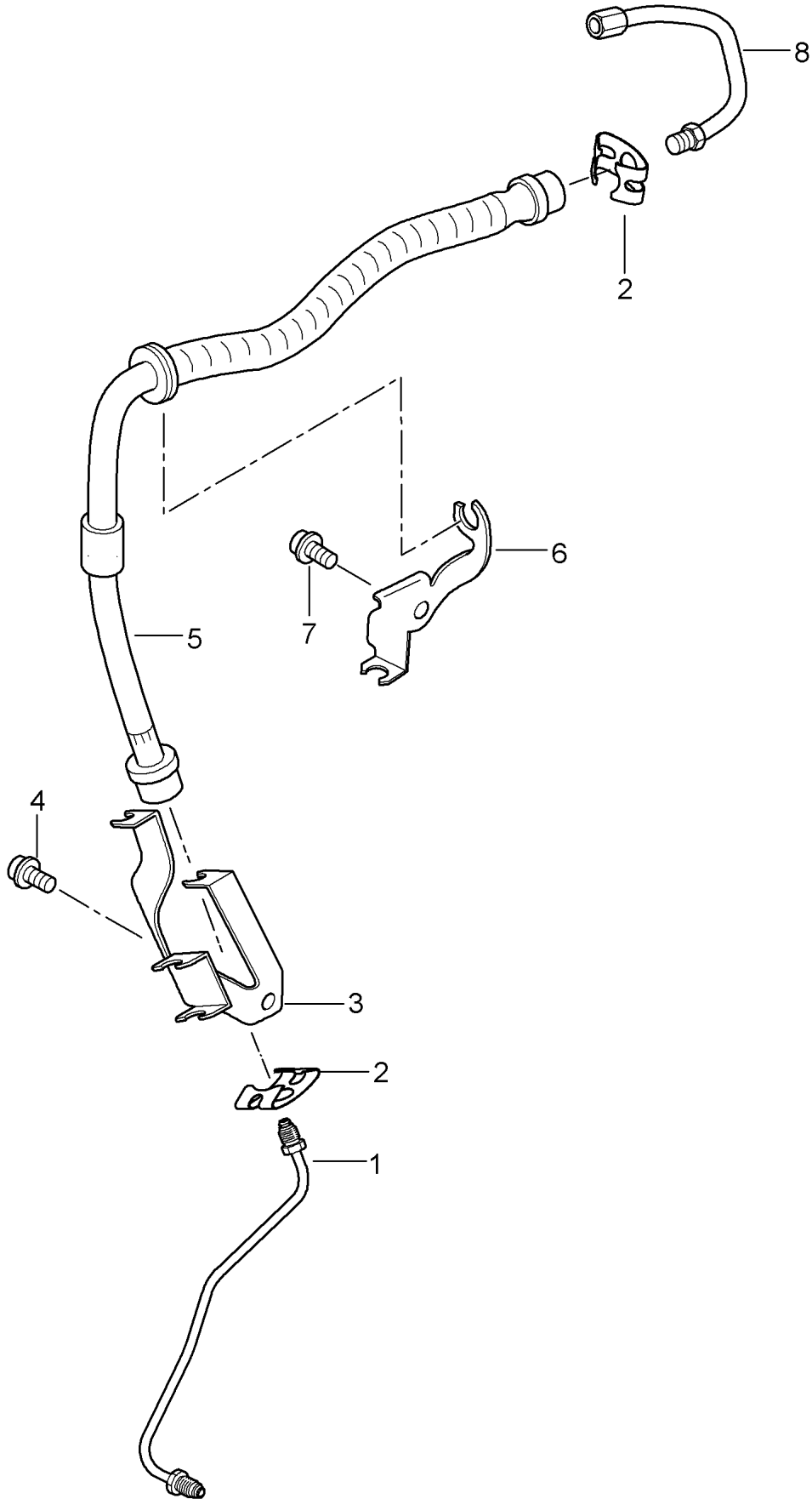


Model: 9PA108 Model life 2007>>2010

Pos	Part Number	Description	Remark	Qty	Model
		Brake lines			
		Body front section			
1	955 355 316 20	Pressure line		1	
(1)	955 355 316 21	Pressure line	/LL	1	ILOL
(1)	955 355 316 30	Pressure line	/RL	1	ILOR
2	955 355 315 20	Pressure line	/LL	1	ILOL
(2)	955 355 315 30	Pressure line	/RL	1	ILOR
3	955 355 327 20	Pressure line		1	
(3)	955 355 327 21	Pressure line	/LL	1	ILOL
(3)	955 355 327 30	Pressure line	/RL	1	ILOR
4	955 355 650 30	Intermediate piece		1	
(4)	955 355 650 31	Intermediate piece		1	
5	N 101 586 05	Hexagon-head bolt M 6 X 20		1	
6	955 355 325 50	Pressure line	/LL	1	ILOL
(6)	955 355 325 51	Pressure line	/LL	1	ILOL
(6)	955 355 325 52	Pressure line	/LL	1	ILOL
(6)	955 355 326 50	Pressure line	/RL	1	ILOR
(6)	955 355 326 51	Pressure line	/RL -08	1	ILOR
(6)	955 355 326 52	Pressure line	/RL 09-	1	ILOR
(6)	955 355 326 53	Pressure line	/RL	1	ILOR
7	955 355 309 40	Pressure line	/LL	1	ILOL
(7)	955 355 309 41	Pressure line	/LL	1	ILOL
(7)	955 355 309 42	Pressure line	/LL	1	ILOL
(7)	955 355 310 40	Pressure line	/RL	1	ILOR
8	955 355 313 40	Pressure line	/LL	1	ILOL
(8)	955 355 313 41	Pressure line	/LL	1	ILOL
(8)	955 355 314 40	Pressure line	/RL	1	ILOR
9	955 355 540 40	Line bracket	/LL	1	ILOL
(9)		Line bracket	/RL	1	ILOR/1BK
10	955 355 541 10	Support		2	
11	N 105 993 01	Support		1	
12	999 651 331 40	Cable holder	/LL	1	ILOL
13	955 355 540 00	Support		1	
14	955 355 543 00	Support	/RL	2	ILOR
15	955 355 542 10	Support	/RL	1	ILOR
16	955 355 550 00	Connection piece	/RL	1	ILOR
17	955 355 532 00	Line bracket		1	
		Pressure line			
		Vacuum line			
18	955 355 542 30	Line bracket	/LL	1	ILOL
19	955 355 540 31	Line bracket	/LL	1	ILOL

Model: 9PA108

Model life 2007>>2010

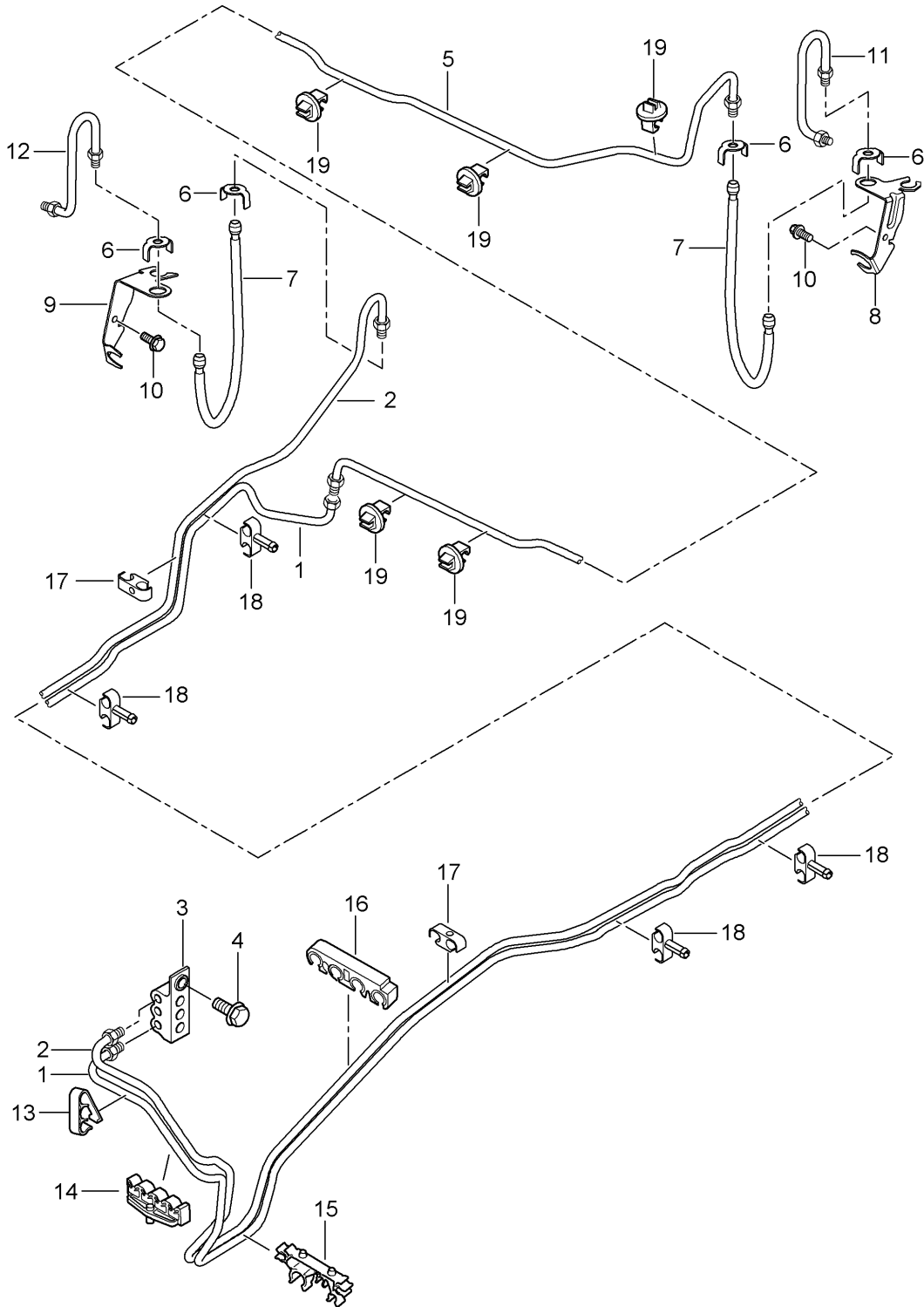


Model: 9PA108 Model life 2007>>2010

Pos	Part Number	Description	Remark	Qty	Model
		Brake lines			
		Front axle			
1	955 355 581 01	Brake line	/L	1	
(1)	955 355 581 50	Brake line	/L -08	1	IE81/1LH
(1)		Brake line	/L 09-	1	I1LH
(1)	955 355 582 01	Brake line	/R	1	
(1)	955 355 582 50	Brake line	/R -08	1	IE81/1LH
(1)		Brake line	/R 09-	1	I1LH
2	955 355 325 00	Retainer spring		4	
3	955 355 501 10	Support	/L	1	
(3)	955 355 501 50	Support	/L -08	1	I1LP
(3)		Support	/L 09-	1	I1LX
(3)	955 355 502 10	Support	/R	1	
(3)	955 355 502 50	Support	/R -08	1	I1LP
(3)		Support	/R 09-	1	I1LX
4	N 903 086 07	Pan-head screw		2	
		M 8 X 14			
5	955 355 139 13	Brake hose		2	
5	955 355 139 14	Brake hose		2	
(5)	955 355 139 20	Brake hose	-08	2	I1LP
(5)	955 355 139 21	Brake hose	-08	2	I1LP
(5)	955 355 139 30	Brake hose	09-	2	I1LX
(5)	955 355 139 31	Brake hose	09-	2	I1LX
6	955 355 503 10	Support	/L	1	
(6)	955 355 504 10	Support	/R	1	
7	N 103 352 06	Round head screw		2	
		M 6 X 12			
(8)	955 355 175 22	Brake line	/L	1	
(8)	955 355 176 12	Brake line	/R	1	

Model: 9PA108

Model life 2007>>2010



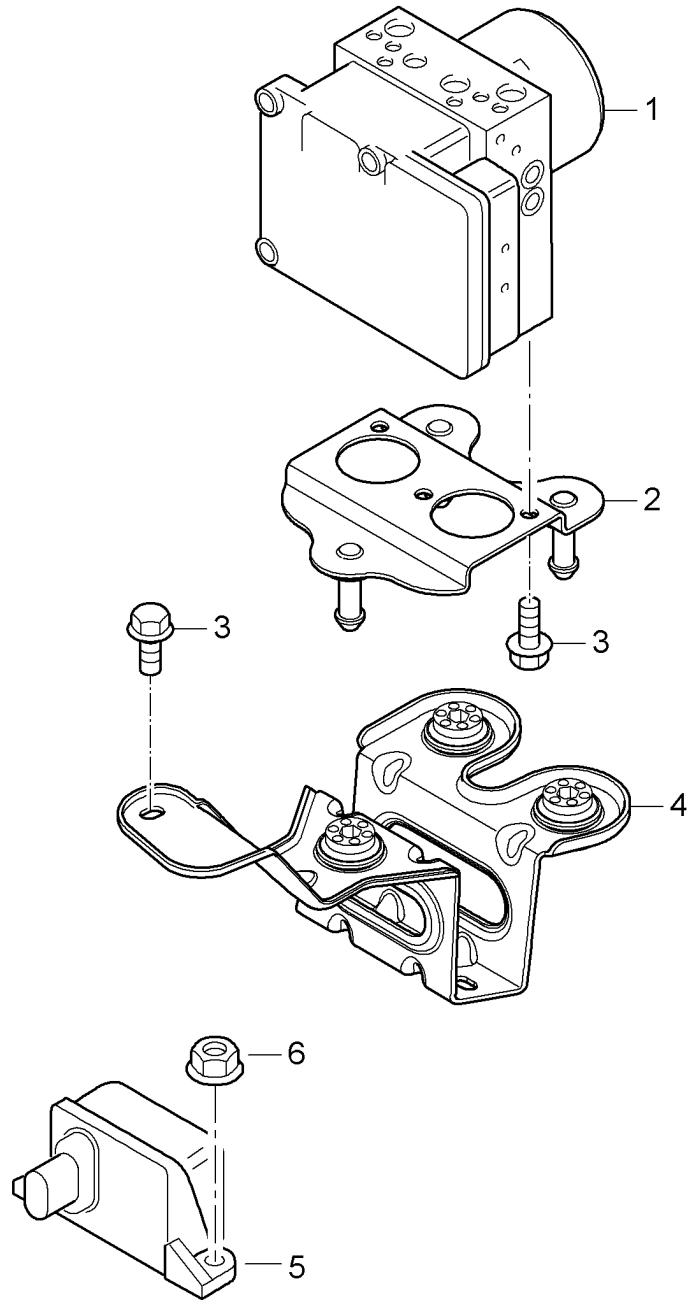
Model: 9PA108

Model life 2007>>2010

Pos	Part Number	Description	Remark	Qty	Model
		Brake lines			
		Underbody			
		Rear axle			
1	955 355 177 12	Brake line	/L	1	I0AB/0BB
(1)	955 355 177 20	Brake line	/L	1	I0AW
2	955 355 178 11	Brake line	/R	1	I0AB/0BB
(2)	955 355 178 20	Brake line	/R	1	I0AW
3	955 355 650 30	Intermediate piece		1	
(3)	955 355 650 31	Intermediate piece		1	
4	N 101 586 05	Hexagon-head bolt		1	
		M 6 X 20			
5	955 355 189 13	Brake line	/L	1	
6	955 355 325 00	Retainer spring		4	
7	955 355 060 01	Brake hose		2	
(7)	958 355 060 00	Brake hose		2	
8	955 355 505 10	Support	/L	1	
9	955 355 506 10	Support	/R	1	
10	N 101 563 07	Hexagon-head bolt		2	
		M 6 X 12			
11	955 355 583 01	Brake line	/L	1	
12	955 355 584 01	Brake line	/R	1	
13	955 355 548 01	Line bracket		1	
14	955 355 540 40	Line bracket		1	
15	955 355 545 10	Support		1	
16	955 355 543 20	Support		1	
17	955 355 543 00	Support		2	
18	955 355 546 01	Support		4	
19	955 355 547 20	Line bracket		5	

Model: 9PA108

Model life 2007>>2010

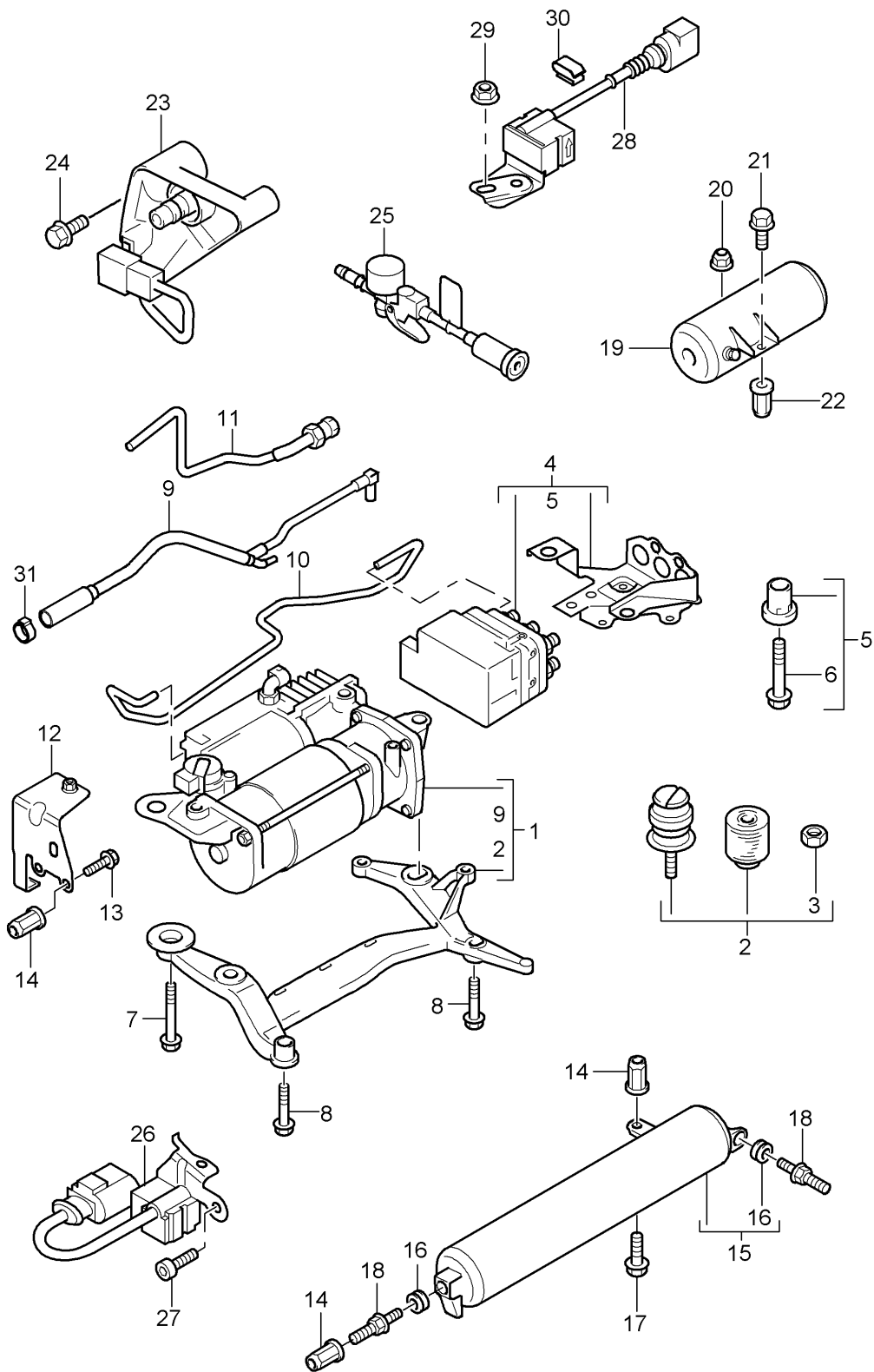


Model: 9PA108 Model life 2007>>2010

Pos	Part Number	Description	Remark	Qty	Model
1	955 355 955 10	Hydraulic unit Anti-lock brake system Control		1	
(1)	955 355 955 11	Hydraulic unit F >>9P8LA 18169 F >>9P8LA 48433 F >>9P8LA 93488	-08	1	
(1)	955 355 955 12	Hydraulic unit F 9P8LA 18170>> F 9P8LA 48434>> F 9P8LA 70079>> F 9P8LA 93489>>	09-	1	ID5V/D5X/D5Z
(1)	955 355 955 20	Hydraulic unit		1	ID50
(1)		Hydraulic unit		1	IE2D
2	955 355 233 00	Support		1	
3	N 902 452 05	Hexagon-head bolt M 6 X 10		6	
4	955 355 033 00	Support		1	
(4)	955 355 033 01	Support		1	
5	955 606 145 10	Sensor		1	
(5)	958 606 145 00	Sensor		1	
6	N 015 082 10	Hexagon nut M 6		2	

Model: 9PA108

Model life 2007>>2010



Model: 9PA108 Model life 2007>>2010

Pos	Part Number	Description	Remark	Qty	Model
		Level adjustment Compressor Pressure accumulator Acceleration sensor			I1BK
1	955 358 901 01	Compressor with Bracket		1	
(1)	955 358 901 02	F >>9P8LA 35908 Compressor with Bracket	-08	1	
(1)	955 358 901 03	F 9P8LA 35909>> Compressor with Bracket		1	
(1)	955 358 901 04	Compressor with Bracket	09-	1	
-	955 358 901 20	Line Set Compressor		1	
2	955 358 902 01	Level adjustment Set of fastening parts for Compressor		1	
(2)	955 358 902 03	Set of fastening parts for Compressor		1	
3	N 023 002 12	Hexagon nut M 6		2	
4	955 358 903 00	Control mechanism with Support		1	
-	955 358 541 00	Push-on connector Control mechanism Line		6	
5	955 358 904 00	Set of fastening parts for Control mechanism		1	
6	N 106 554 01	Hexagon-head bolt M 6 X 40		3	
7	N 103 183 02	Hexagon-head bolt M 8 X 70 X 41		1	
8	N 105 728 02	Hexagon-head bolt AM 8 X 50		2	
9		Intake pipe Compressor Not available Pos. 1 Use		1	
10	955 358 050 00	Pressure line Compressor Control mechanism		1	
11	955 358 055 00	Pressure line Compressor Air tube Air connection		1	
(11)	955 358 055 01	F >>9P8LA 35908 When required order also: Pressure line Compressor Air tube Air connection		1	

Model: 9PA108 Model life 2007>>2010

Pos	Part Number	Description	Remark	Qty	Model
-	955 358 725 01	F 9P8LA 35909>> When required order also: Angled pipe Compressor Air tube Air connection		1	
12	955 358 210 01	Support		1	
13	N 909 210 02	Hexagon-head bolt M 8 X 22		3	
14	N 904 085 04	Blind rivet nut M 8		5	
15	955 358 043 00	Pressure accumulator Front		1	
(15)	955 358 043 01	Pressure accumulator Front		1	
-	955 358 540 00	Push-on connector Pressure accumulator Line		1	
16	955 358 320 00	Rubber mounting		2	
17	N 104 032 03	Hexagon-head bolt M 8 X 16		1	
18	WHT 001 832	Hexagon-head bolt M 8		2	
19	955 358 044 00	Pressure accumulator Rear		1	
(19)	955 358 044 01	Pressure accumulator Rear		1	
-	955 358 540 00	Push-on connector Pressure accumulator Line		1	
20	N 023 002 12	Hexagon nut M 6		1	
21	N 103 389 03	Hexagon-head bolt M 6 X 16		1	
22	N 106 185 01	Blind rivet nut M 6		1	
23	955 358 275 00	Air connection		1	
24	N 103 389 03	Hexagon-head bolt M 6 X 16		1	
25	955 358 710 02	Hose with Bag		1	
26	955 606 077 02	Acceleration sensor Body Front	/L	1	
(26)	955 606 078 02	Acceleration sensor Body Front	/R	1	
27	N 014 701 11	Pan-head screw M 6 x 12		2	
28	955 606 079 01	Acceleration sensor Body Rear Centre		1	
29	N 015 082 10	Hexagon nut M 6		1	
30	955 606 302 00	Clip for Cable		1	
31		Acceleration sensor Hose clamp See illustrations 6/06/05		1	

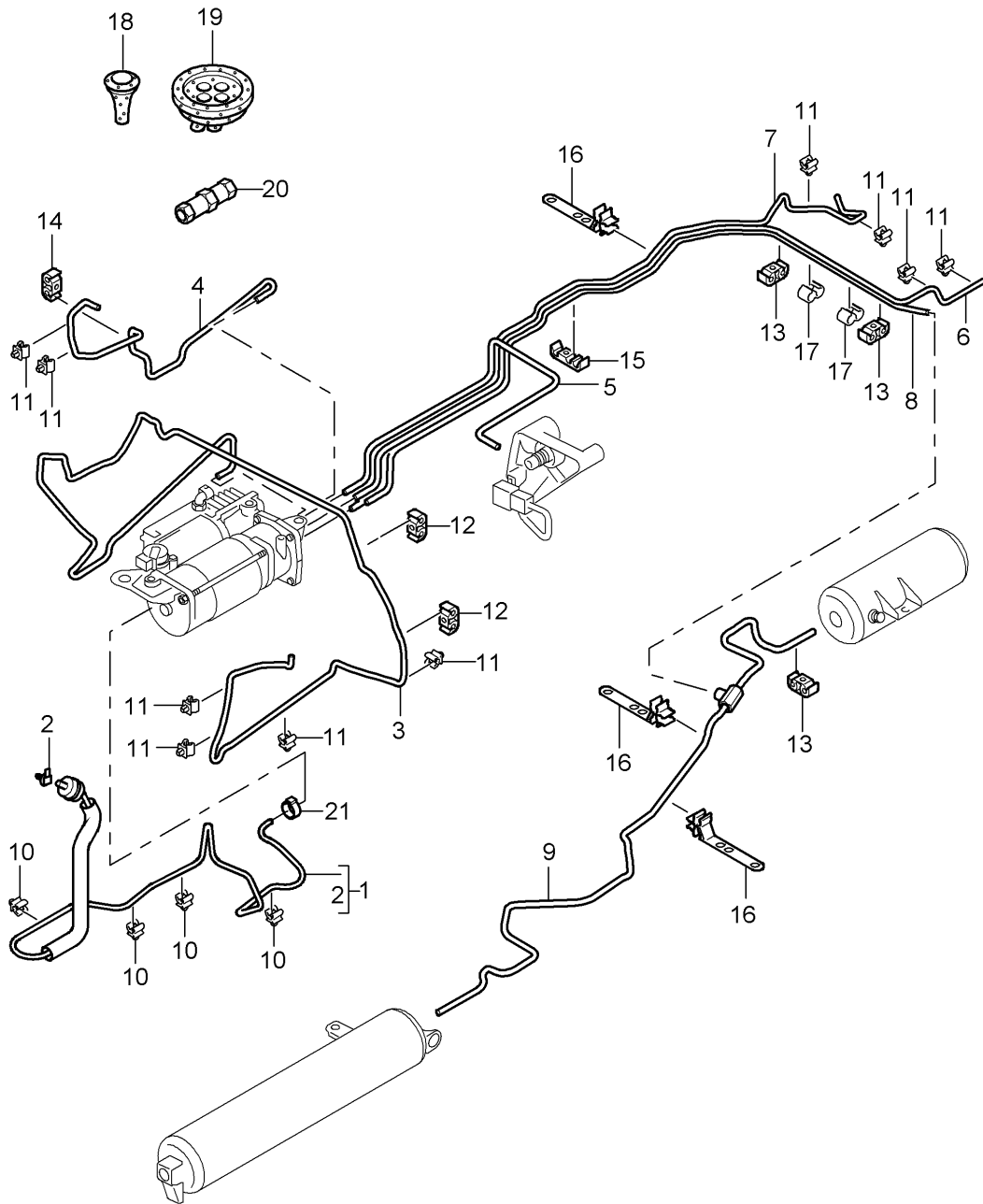
Model: 9PA108

Model life 2007>>2010

Pos	Part Number	Description	Remark	Qty	Model
		Pos. 21 F 9P8LA 35909>>			

Model: 9PA108

Model life 2007>>2010



Model: 9PA108 Model life 2007>>2010

Pos	Part Number	Description	Remark	Qty	Model
		Level adjustment Lines			I1BK
1	955 358 045 10	Intake pipe		1	ID5X
		Air cleaner			
		Compressor			
(1)	955 358 045 11	Intake pipe		1	ID5X
		Air cleaner			
		Compressor			
(1)	955 358 045 20	Intake pipe		1	ID5V/D5Z
		Air cleaner			
		Compressor			
(1)		Intake pipe		1	ID50
		Air cleaner			
		Compressor			
2	955 358 521 00	Fixing clip		1	ID5X
3	955 358 051 01	Air tube	/LL /L	1	IL0L
		Violet			
		Front			
		Left			
		Information available			
(3)	955 358 052 01	Air tube	/RL /L	1	IL0R
		Violet			
		Front			
		Left			
		Information available			
4	955 358 054 10	Air tube	/R	1	
		Green			
		Front			
		Right			
		Information available			
5	955 358 056 00	Air tube		1	
		Brown			
		Air connection			
6	955 358 061 00	Air tube	/L	1	
		Red			
		Rear			
		Left			
7	955 358 062 00	Air tube	/R	1	
		Yellow			
		Rear			
		Right			
8	955 358 066 00	Air tube		1	
		Blue			
		Compressor			
9	955 358 067 00	Air tube		1	
		Blue			
		Pressure accumulator			
-	955 358 541 00	Push-on connector		1	
		Air tube			
		Pressure accumulator			
10	N 909 435 01	Hose holder		4	
		12 MM			
11	955 511 645 00	Clip		10	
(12)	955 355 543 00	Support	/LL	1	IL0L
12		Support	/RL	2	IL0R
13		Support		3	
14	955 610 232 00	Support		1	
15	955 355 543 10	Support		1	
16	955 358 546 00	Support		3	
17	955 358 547 00	Support		2	
18	955 358 548 00	Grommet		X	
19	955 358 549 00	Grommet		X	
20	955 358 910 00	Push-on connector		X	

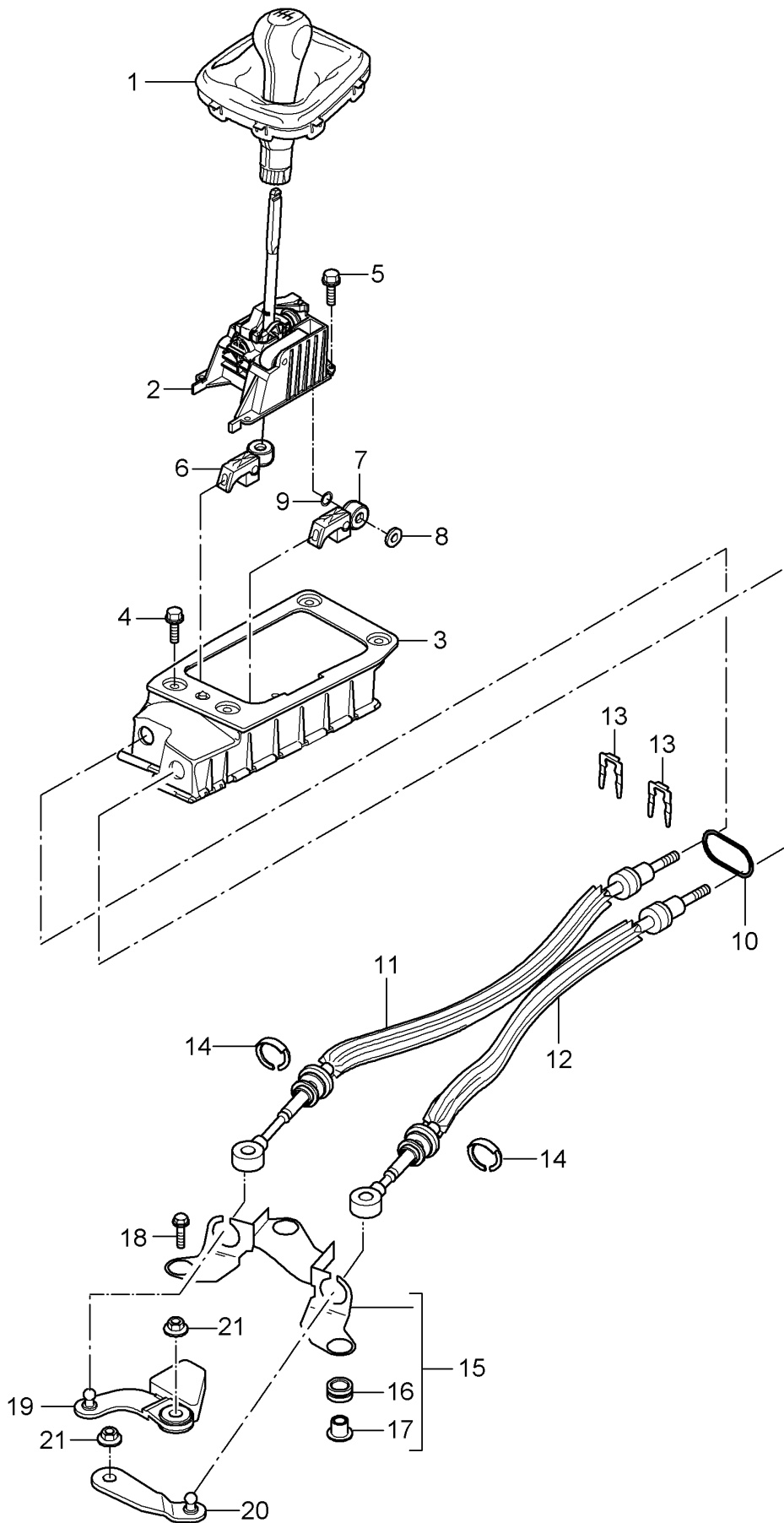
Model: 9PA108

Model life 2007>>2010

Pos	Part Number	Description	Remark	Qty	Model
21	999 512 457 00	Repair kit Air tube Clamp 21 X 7 X 0,6 F 9P8LA 35909>>		1	

Model: 9PA108

Model life 2007>>2010



Model: 9PA108 Model life 2007>>2010

Pos	Part Number	Description	Remark	Qty	Model
		Transmission control			IG0L
		Manual transmission			
1	955 424 075 00	Gearshift knob		1	ID5V/D5X
		Leather			
	955 424 075 00 PCN	Black			
		Silver mat chrome			
	955 424 075 00 PCP	Stone grey			
		Silver mat chrome			
	955 424 075 00 PCQ	Havanna			
		Silver mat chrome			
	955 424 075 00 RLU	Sand Beige			
		Silver mat chrome			
	955 424 075 00 WPJ	Chestnut brown			
		Silver mat chrome			
(1)	955 424 075 10	Gearshift knob		1	ID5V/E0W
		Alcantara			
	955 424 075 10 XVJ	Black			
	955 424 075 10 XVK	Sand Beige			
	955 424 075 10 XVL	Steel grey			
(1)	955 424 075 10	Gearshift knob		1	ID5V/E2D
		Alcantara			
	955 424 075 10 XVJ	Black			
	955 424 075 10 XVK	Sand Beige			
	955 424 075 10 XVL	Steel grey			
2	955 424 010 00	Gearshift bracket		1	
3	955 424 031 00	Mounting piece		1	
		Gearshift bracket			
4	N 019 530 7	Hexagon-head bolt		4	
		M 8 X 25			
5	955 424 335 00	Locking screw		4	
		M 6 X 30			
6	955 424 145 00	Fastening part		1	
		for			
		Cable			
		Adjustable			
7	955 424 147 00	Fastening part		1	
		for			
		Cable			
		Adjustable			
8	WHT 002 082	Spacer		1	ID5X
		12,5 X 28			
9	WHT 001 825	O-ring		1	ID5X
		19 X 1,5			
10	WHT 001 826	O-ring		1	ID5X
		25 X 3			
11	955 424 041 02	Cable		1	ID5V
(11)	955 424 041 12	Cable		1	ID5X
12	955 424 042 02	Cable		1	ID5V
(12)	955 424 042 12	Cable		1	ID5X
13	955 424 241 00	Securing clip		2	
14	955 424 411 01	Securing clip		2	
15	955 424 160 01	Support		1	
16	955 424 711 00	Rubber mounting		3	
		for			
		Support			
17	955 424 710 01	Bush		3	
		for			
		Support			
18	N 101 069 05	Combination screw		3	
		M 8 X 32			
19	955 424 150 01	Gearshift lever		1	
20	955 424 155 01	Selector lever		1	
21	N 907 611 02	Lock nut		2	

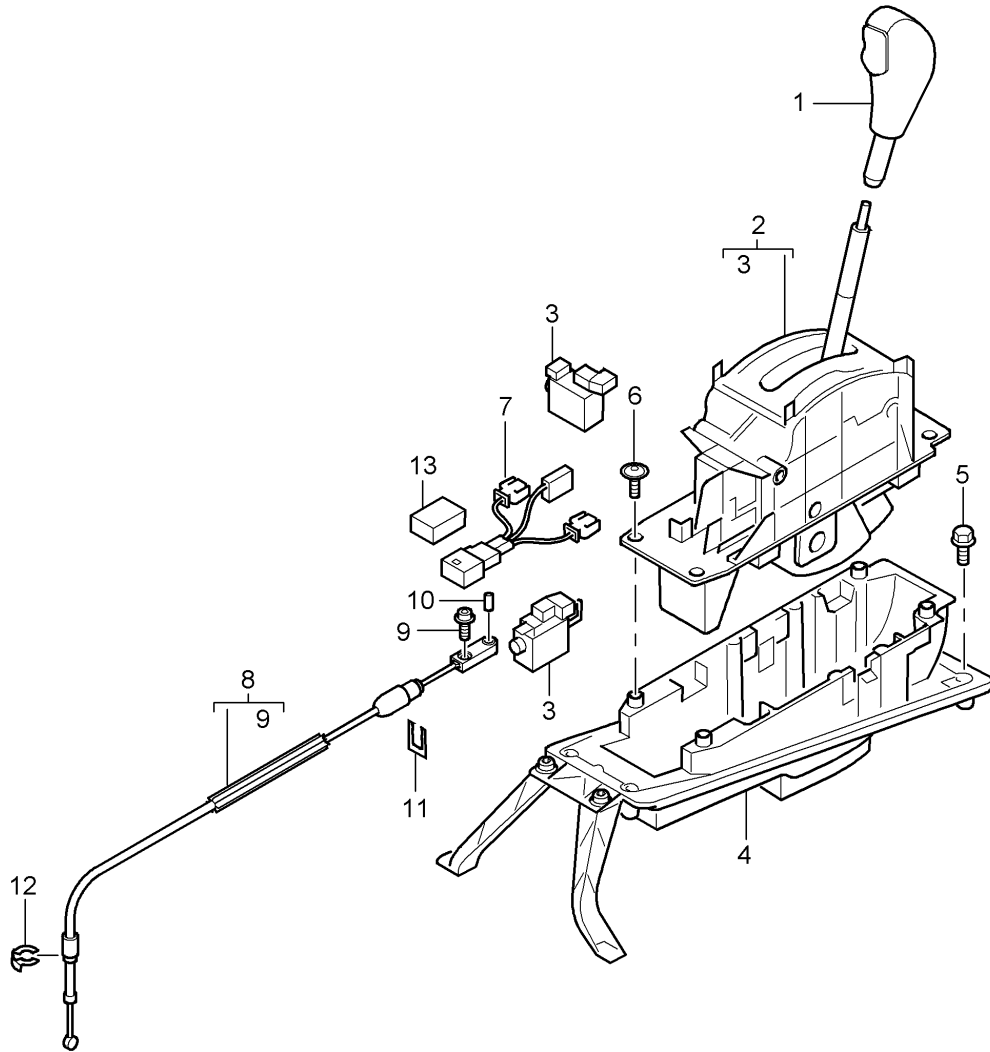
Model: 9PA108

Model life 2007>>2010

Pos	Part Number	Description	Remark	Qty	Model
		M 8			

Model: 9PA108

Model life 2007>>2010

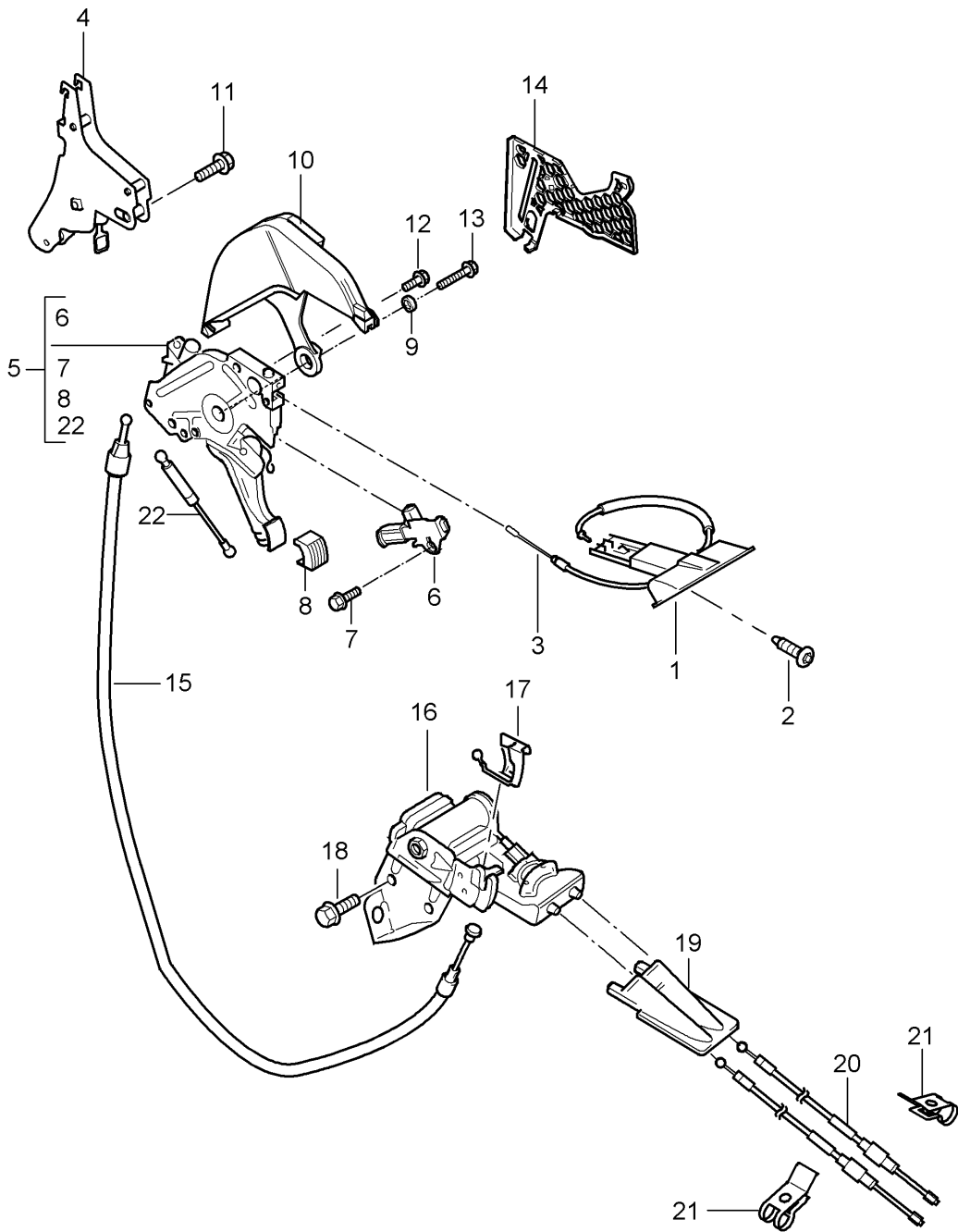


Model: 9PA108 Model life 2007>>2010

Pos	Part Number	Description	Remark	Qty	Model
		Selector lever			IG0R
1	955 426 069 00	Tiptronic		1	I6Q2
		Gearshift knob			
		Leather			
	955 426 069 00 PCS	Black			
		Satin aluminium			
	955 426 069 00 PCT	Stone grey			
		Satin aluminium			
	955 426 069 00 PCU	Havanna			
		Satin aluminium			
	955 426 069 00 RLT	Sand Beige			
		Satin aluminium			
	955 426 069 00 WPK	Chestnut brown			
		Satin aluminium			
(1)	955 426 069 10	Selector knob		1	I6Q8
	955 426 069 10 4X2	Rootwood			
		Dark			
(1)	955 426 069 30	Selector knob		1	I7F7
	955 426 069 30 4V8	Olive grain			
		Light			
2	955 426 011 01	Selector lever		1	
		with			
		Housing			
3	955 624 170 01	Electromagnet		2	
4	955 426 031 00	Mounting piece		1	
5	N 019 530 7	Hexagon-head bolt		4	
		M 8 X 25			
6	999 919 204 09	Oval-head screw		4	
		7 X 22			
7	955 613 043 00	Microswitch		1	
8	955 426 033 01	Cable		1	ID5X
(8)	955 426 033 11	Cable		1	ID5V/D5Z
(8)	955 426 033 20	Cable		1	ID50
9	WHT 000 140 A	Pan-head screw		1	
		M 6 X 12			
10	955 426 149 00	Bolt		1	
11	955 426 335 00	Securing clip		1	
12	N 012 322 5	Lock washer		1	
13	955 426 240 00	Protective tube		1	
		Connector			
		Microswitch			

Model: 9PA108

Model life 2007>>2010



Model: 9PA108

Model life 2007>>2010

Pos	Part Number	Description	Remark	Qty	Model
1	955 424 153 01	Foot-operat. parking brake Actuator Release		1	
	955 424 153 01 A03	Foot-operat. parking brake Black			
	955 424 153 01 7BA	Foot-operat. parking brake Steel grey			
	955 424 153 01 5Z1	Foot-operat. parking brake Sand Beige			
2	N 906 986 01	Tapping screw ST 4,2 X 16		1	
-	N 906 988 01	Speed nut ST 4,2 X 16 X 12		1	
3	955 424 140 02	Cable Release	/LL	1	IL0L
(3)	955 424 140 11	Cable Release	/RL	1	IL0R
4	955 423 462 00	Support Foot-operat. parking brake	/RL	1	IL0R
-	955 355 580 00	Edge protection for Support Foot-operat. parking brake	/RL	1	IL0R
5	955 423 052 06	Foot-operat. parking brake		1	IG0R
(5)	955 423 052 14	Foot-operat. parking brake		1	IG0L
6	955 613 112 00	Contact switch		1	IG0R
(6)	955 613 112 12	Contact switch		1	IG0L
7	N 102 156 03	Combination screw M 5 X 8		1	IG0R
(7)	N 010 264 9	Hexagon-head bolt M 5 X 20		1	IG0L
8	955 423 214 00	Pedal cap		1	
9	955 423 605 00	Spacer	/LL	1	IL0L
10	955 423 409 00	Cover Upper Foot-operat. parking brake	/LL	1	IL0L
(10)	955 423 410 00	Cover Upper Foot-operat. parking brake	/RL	1	IL0R
11	N 104 544 04	Hexagon-head bolt AM 8 X 55	/RL	1	IL0R
12	N 104 032 03	Hexagon-head bolt M 8 X 16		1	
13	N 103 156 05	Hexagon-head bolt AM 8 X 40		1	
14	955 423 524 01	Cover Lateral Foot-operat. parking brake	/LL	1	IL0L
15	955 423 141 01	Cable Foot-operat. parking brake	/LL	1	IL0L
(15)	955 423 141 11	Front Cable Foot-operat. parking brake	/RL	1	IL0R
16	955 424 161 00	Bracket Complete Foot-operat. parking brake	/LL	1	IL0L
(16)	955 424 162 00	Bracket Complete Foot-operat. parking brake	/RL	1	IL0R
17	955 424 165 00	Securing clip		1	
18	N 104 032 03	Hexagon-head bolt M 8 X 16		4	
19	955 424 721 10	Guide Cable		1	

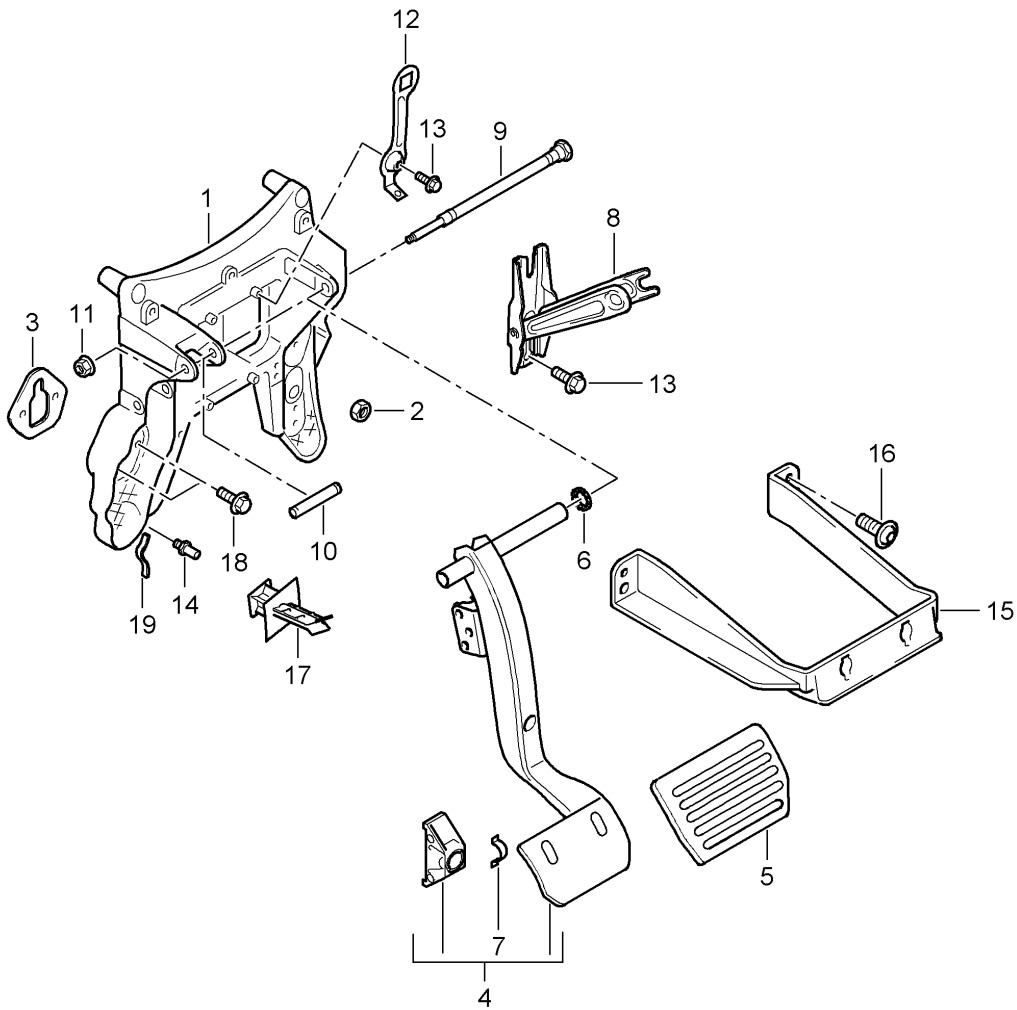
Model: 9PA108

Model life 2007>>2010

Pos	Part Number	Description	Remark	Qty	Model
20	955 424 141 10	Cable Foot-operat. parking brake Rear		2	
(20)	955 424 141 11	Cable Foot-operat. parking brake Rear		2	
21	955 424 521 01	Fixing clip Cable Rear		2	
22	955 423 389 00	Shock absorber Foot-operat. parking brake		1	
-	000 043 204 21	Grease Spraying can 25 ML for Cable Foot-operat. parking brake Rear		X	
-	G 052 778 A2	Grease Spraying can 25 ML for Cable Foot-operat. parking brake Rear		X	

Model: 9PA108

Model life 2007>>2010

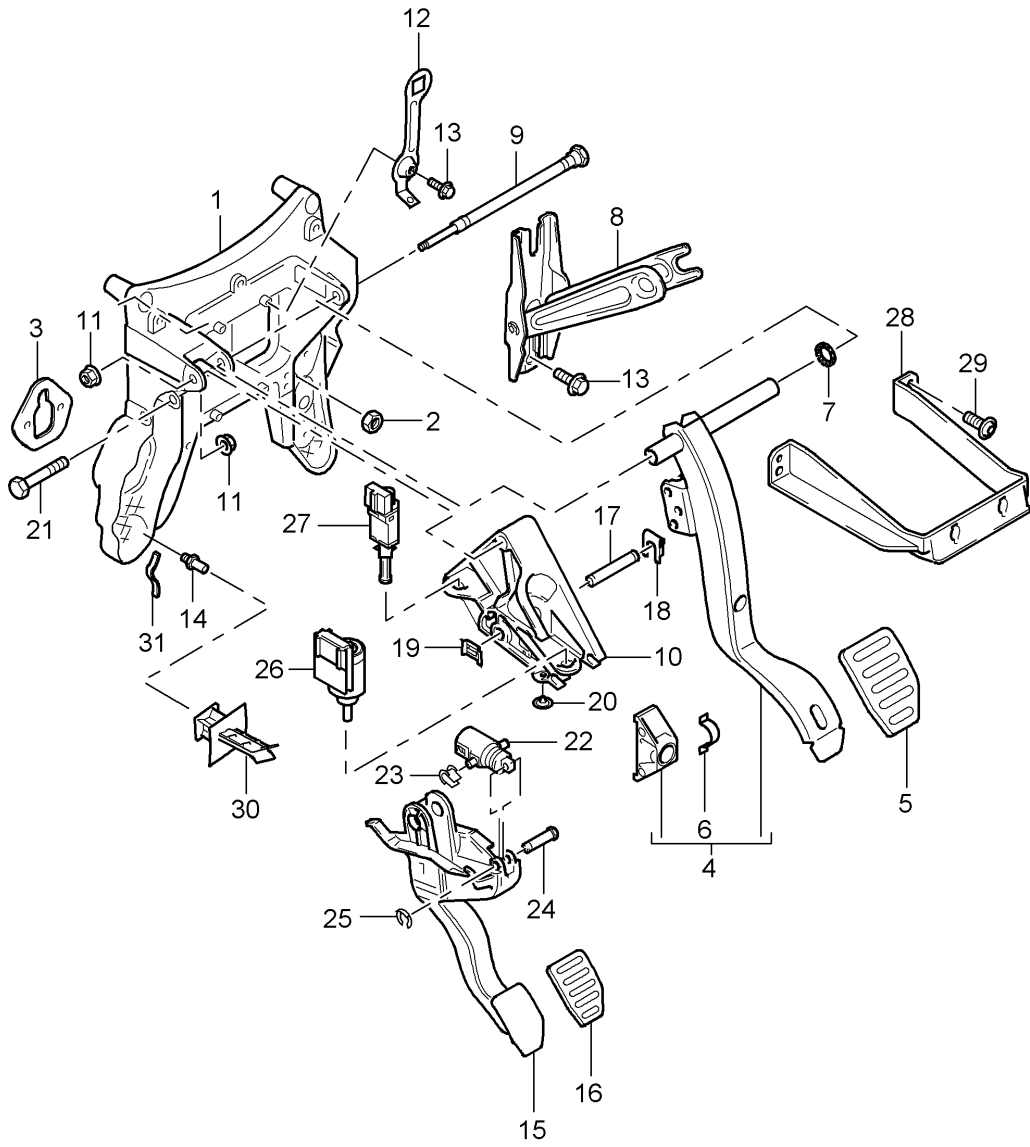


Model: 9PA108 Model life 2007>>2010

Pos	Part Number	Description	Remark	Qty	Model
		Pedals			
		Tiptronic			IG0R
1	955 423 065 00	Bearing bracket	/LL	1	IL0L
(1)	955 423 066 10	Bearing bracket	/RL	1	IL0R
2		See illustrations		4	
		6/04/00			
		POS.10			
3	955 423 368 01	Gasket		1	
4	955 423 093 01	Brake pedal	/LL -08	1	IL0L
(4)	955 423 093 02	Brake pedal	/LL 09-	1	IL0L
(4)	955 423 094 11	Brake pedal	/RL	1	IL0R
(4)	955 423 094 12	Brake pedal	/RL	1	IL0R
5	955 423 212 00	Pedal cap		1	ID5X
(5)		Pedal cap		1	ID50
(5)	955 423 212 10	Pedal cap		1	ID5V/D5Z
6	955 423 371 00	Cup spring		1	
		To			
		Use			
		Brake pedal			
		955.423.093.02	/LL	1	IL0L
		955.423.094.12	/RL	1	IL0R
		Bearing pin			
		WHT.002.278		1	
7	955 423 341 00	Bearing shell		1	
8	955 423 165 10	Bracket	/LL -08	1	IL0L
		Upper			
(8)	955 423 165 11	Bracket	/LL 09-	1	IL0L
		Upper			
(8)	955 423 166 20	Bracket	/RL -08	1	IL0R
		Upper			
(8)	955 423 166 21	Bracket	/RL 09-	1	IL0R
		Upper			
9	WHT 002 278	Bearing pin		1	
10	955 423 381 00	Spacer tube		1	
11	N 023 003 13	Hexagon nut		1	
		M 8			
12	955 423 175 00	Support	/LL	1	IL0L
(12)	955 423 176 10	Support	/RL	1	IL0R
13	955 423 158 00	Fastening screw		3	
14	955 423 159 00	Stud	/LL	1	IL0L
15	955 613 545 02	Clip		1	
16	955 423 157 10	Screw		2	
17	955 573 318 00	Fastening angle	/LL	1	IL0L
18	N 102 856 01	Hexagon-head bolt		2	
		M 6 X 25			
19	955 423 594 00	Edge protection	/RL	1	IL0R
		Bearing bracket			

Model: 9PA108

Model life 2007>>2010

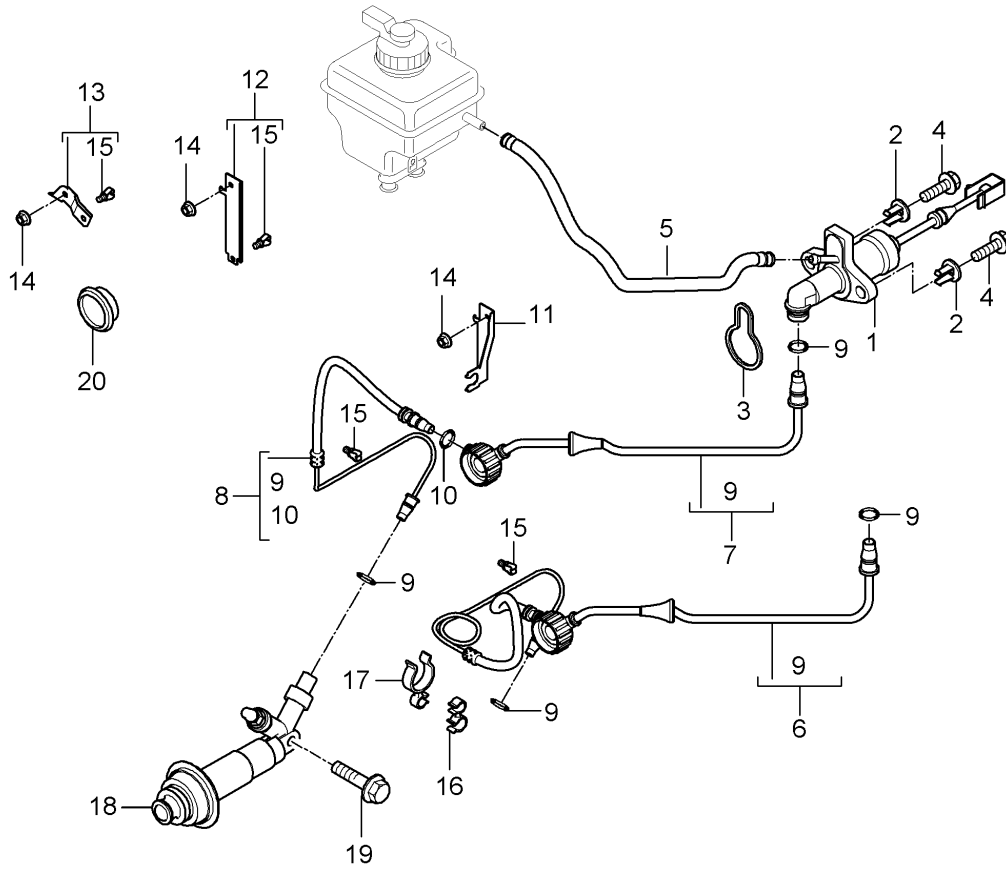


Model: 9PA108 Model life 2007>>2010

Pos	Part Number	Description	Remark	Qty	Model
		Pedals			
		Manual transmission			IG0L
1	955 423 063 00	Bearing bracket	/LL	1	IL0L
(1)	955 423 064 10	Bearing bracket	/RL	1	IL0R
2		See illustrations		4	
		6/04/00			
		Pos.12			
3	955 423 368 01	Gasket		1	
4	955 423 091 01	Brake pedal	/LL	1	IL0L
(4)	955 423 091 02	Brake pedal	/LL	1	IL0L
(4)	955 423 092 11	Brake pedal	/RL	1	IL0R
(4)	955 423 092 12	Brake pedal	/RL	1	IL0R
5	955 423 211 00	Pedal cap		1	ID5X
(5)	955 423 211 10	Pedal cap		1	ID5V
6	955 423 341 00	Bearing shell		1	
7	955 423 371 00	Cup spring		1	
		To			
		Use			
		Brake pedal			
		955.423.091.02	/LL	1	IL0L
		955.423.092.12	/RL	1	IL0R
		Bearing pin			
		WHT.002.278		1	
8	955 423 165 10	Bracket	/LL -08	1	IL0L
		Upper			
(8)	955 423 165 11	Bracket	/LL 09-	1	IL0L
		Upper			
(8)	955 423 166 20	Bracket	/RL -08	1	IL0R
		Upper			
(8)	955 423 166 21	Bracket	/RL 09-	1	IL0R
		Upper			
9	WHT 002 278	Bearing pin		1	
10	955 423 030 00	Bearing bracket		1	
		Clutch pedal			
11	N 023 003 14	Hexagon nut		2	
		M 8			
12	955 423 175 00	Support	/LL	1	IL0L
(12)	955 423 176 10	Support	/RL	1	IL0R
13	955 423 158 00	Fastening screw		3	
14	955 423 159 00	Stud	/LL	1	IL0L
15	955 423 139 00	Clutch pedal	/LL	1	IL0L
(15)	955 423 140 10	Clutch pedal	/RL	1	IL0R
16	955 423 213 00	Pedal cap		1	ID5X
(16)	955 423 213 10	Pedal cap		1	ID5V
17	WHT 002 280	Bearing pin		1	
18	N 902 362 01	Lock washer		1	
19	955 423 577 00	Lock		1	
20	955 423 720 00	Rubber stop		2	
21	N 010 370 16	Hexagon-head bolt		1	
		M 8 X 70			
22	955 423 081 12	Clutch power spring		1	ID5X
(22)	955 423 081 20	Clutch power spring		1	ID5V
23	955 423 581 00	Bearing shell		2	
24	WHT 002 279	Bolt		1	
25	999 166 022 02	Kl-lock		1	
26	955 613 111 02	Switch		1	
27	955 613 113 01	Switch		1	
28	955 613 545 02	Clip		1	
29	955 423 157 10	Screw		2	
30	955 573 318 00	Fastening angle	/LL	1	IL0L
31	955 423 594 00	Edge protection	/RL	1	IL0R
		Bearing bracket			

Model: 9PA108

Model life 2007>>2010

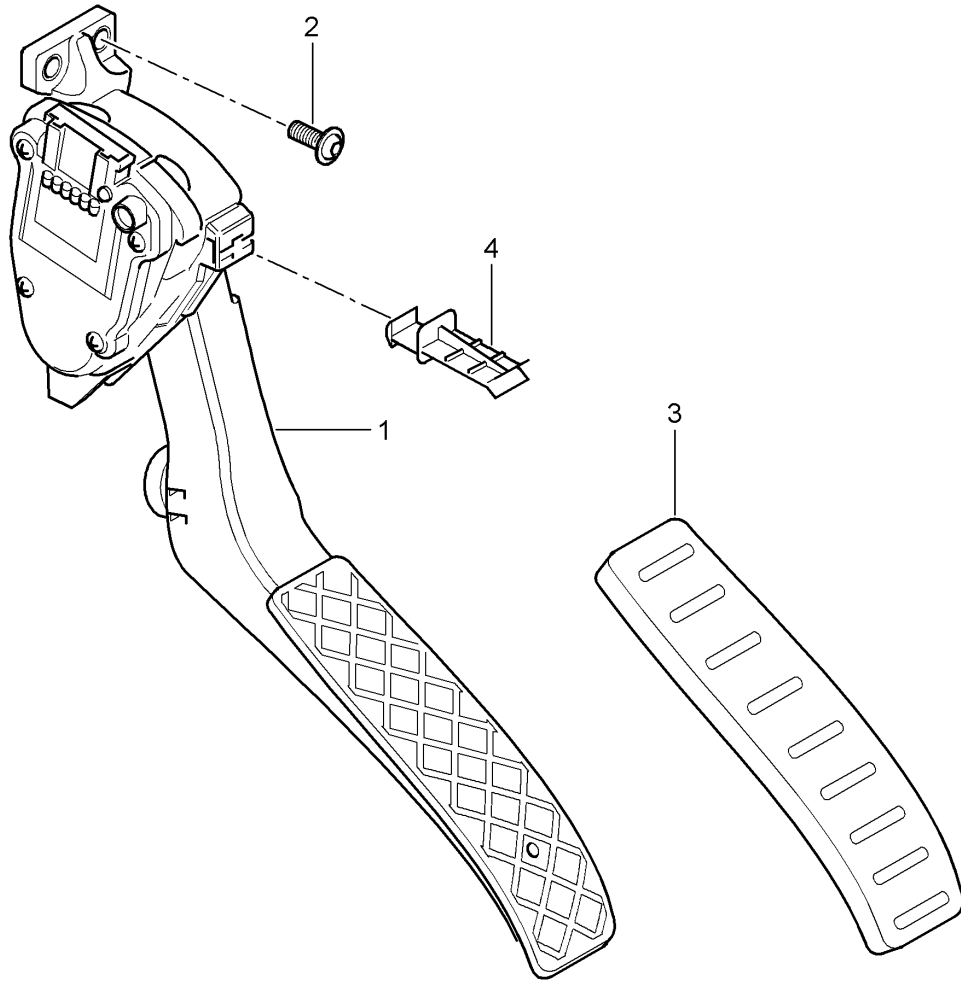


Model: 9PA108 Model life 2007>>2010

Pos	Part Number	Description	Remark	Qty	Model
		clutch actuation			IG0L
		Clutch master cylinder			
		Clutch pipeline			
1	955 423 171 01	Clutch master cylinder	-08	1	
(1)	955 423 171 02	Clutch master cylinder	09-	1	
2	955 423 670 00	Fixing clip		2	
3	955 423 312 01	Gasket		1	
4	N 102 856 01	Hexagon-head bolt M 6 X 25		2	
5	955 423 137 00	Line	/LL	1	IL0L
(5)	955 423 138 00	Line	/RL	1	IL0R
6	955 423 107 20	Clutch pipeline	/LL	1	ID5X/L0L
(6)	955 423 108 02	Clutch pipeline	/RL -08	1	ID5X/L0R
(6)	955 423 108 03	Clutch pipeline	/RL 09	1	ID5X/L0R
(6)	955 423 108 04	Clutch pipeline	/RL 10-	1	ID5X/L0R
7	955 423 107 10	Clutch pipeline	/LL	1	ID5V/L0L
(7)	955 423 108 11	Clutch pipeline	/RL -08	1	ID5V/L0R
(7)	955 423 108 12	Clutch pipeline	/RL 09	1	ID5V/L0R
(7)	955 423 108 13	Clutch pipeline	/RL 10-	1	ID5V/L0R
8	955 423 109 20	Clutch pipeline	/LL	1	ID5V/L0L
(8)	955 423 110 10	Clutch pipeline	/RL	1	ID5V/L0R
9	955 423 224 00	Sealing ring		X	
		Clutch pipeline			
10	955 423 225 00	Sealing ring		X	
		Clutch pipeline			
11	955 423 351 00	Support	/LL	1	IL0L
		Clutch pipeline			
12	955 423 361 00	Support	/RL	1	IL0R
		Clutch pipeline			
13	955 423 362 00	Support	/RL	1	IL0R
		Clutch pipeline			
14		See illustrations		X	
		8/13/90			
		Pos.8			
15	N 910 523 01	Support		3	
		6			
16	N 102 627 01	Line bracket	/RL	1	ID5X/L0R/9AB I9AD
		A01-11 X C01-14			
17	955 423 775 00	Line bracket	/RL	1	ID5X/L0R/9AH
(17)		Line bracket	/RL	1	ID5X/L0R/7VE I7VL
18	955 116 237 01	Clutch operating cylinder		1	
19	N 101 560 09	Hexagon-head bolt M 8 X 25		1	
20	N 101 245 01	Stopper		1	IG0L
(20)		Stopper		2	IG0R

Model: 9PA108

Model life 2007>>2010



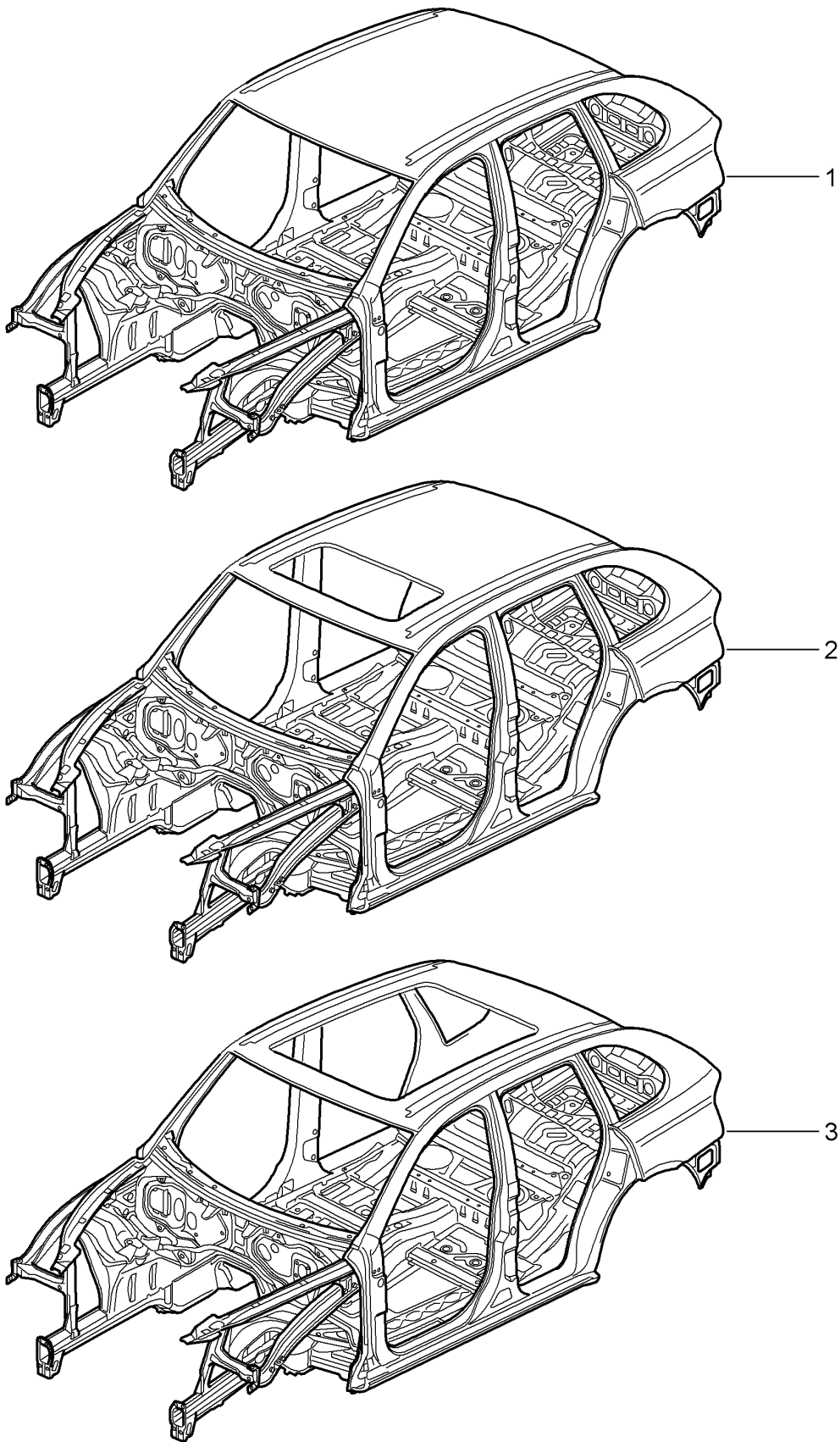
Model: 9PA108

Model life 2007>>2010

Pos	Part Number	Description	Remark	Qty	Model
		Pedals			
		Accelerator control			
1	955 423 021 40	Accelerator control	/LL	1	IG0L/L0L
(1)	955 423 022 50	Accelerator control	/RL	1	IG0L/L0R
1	955 423 023 40	Accelerator control	/LL	1	IG0R/L0L
(1)	955 423 024 50	Accelerator control	/RL	1	IG0R/L0R
2	955 423 157 10	Screw		3	
		DG 6 X 18			
3	955 423 210 00	Pedal cap		1	ID5X
(3)		Pedal cap		1	ID50
(3)	955 423 210 10	Pedal cap		1	ID5V/D5Z
4	955 573 317 00	Fastening angle		1	

Model: 9PA108

Model life 2007>>2010



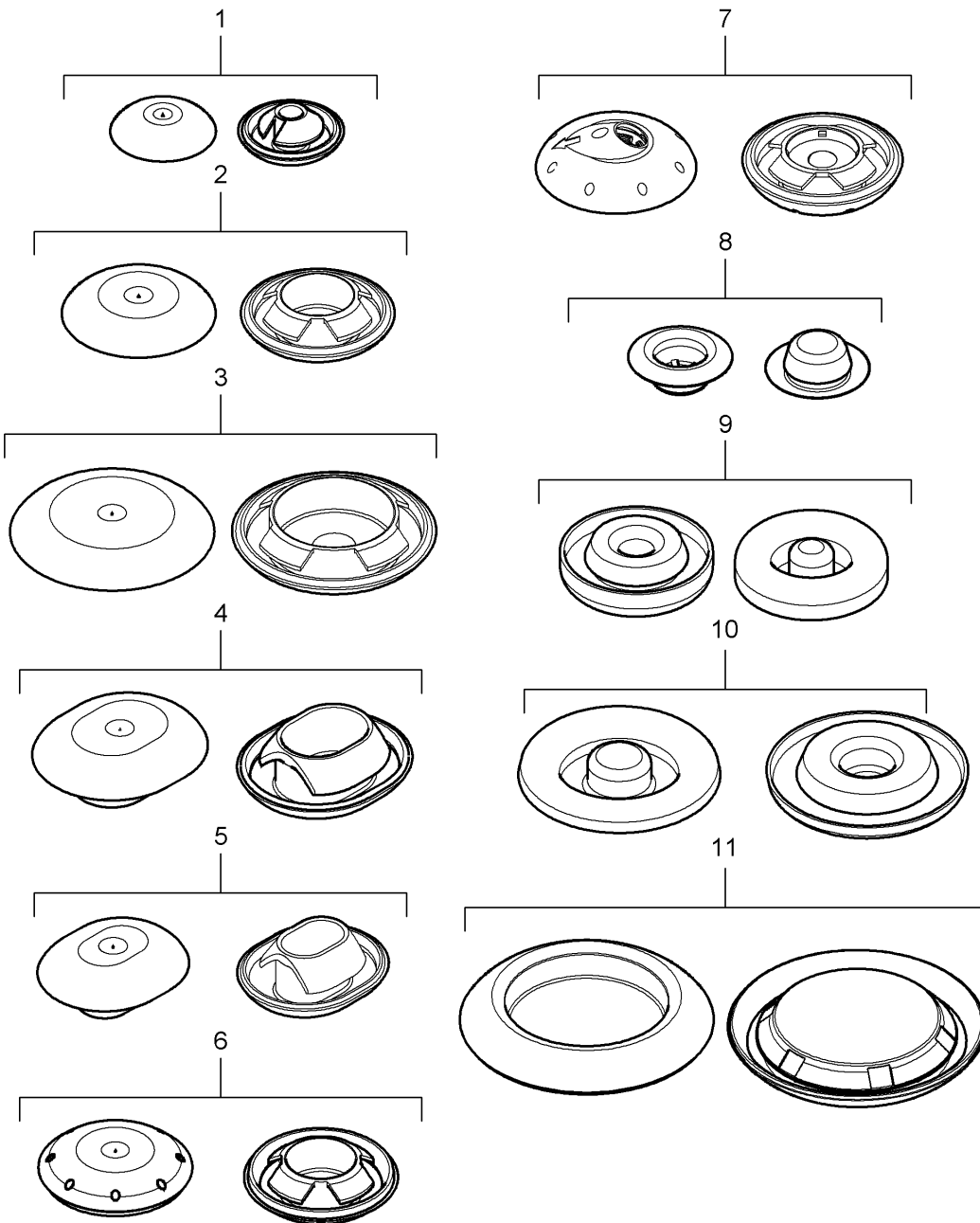
Model: 9PA108

Model life 2007>>2010

Pos	Part Number	Description	Remark	Qty	Model
		Body in white Prime coated Sealed with Underbody protection without Doors/lids/wings BodysHELLs can only only available from current Model year available The data required for your order Can be found on the Vehicle data carrier Please indicate this data in your order Vehicle data carrier Vehicle Ident. No. Order type Country equipment Optional extras Additional applications			
A		Vehicle data carrier			
B		Vehicle Ident. No.			
C		Order type			
D		Country equipment			
E		Optional extras			
F		Additional applications			
1	955 500 900 00	Body in white		1	
	955 500 900 00 GRV	Prime coated			
2	955 500 900 01	Body in white		1	I3FE
	955 500 900 01 GRV	Prime coated			
3	955 500 900 02	Body in white		1	I3FU
	955 500 900 02 GRV	Prime coated			

Model: 9PA108

Model life 2007>>2010



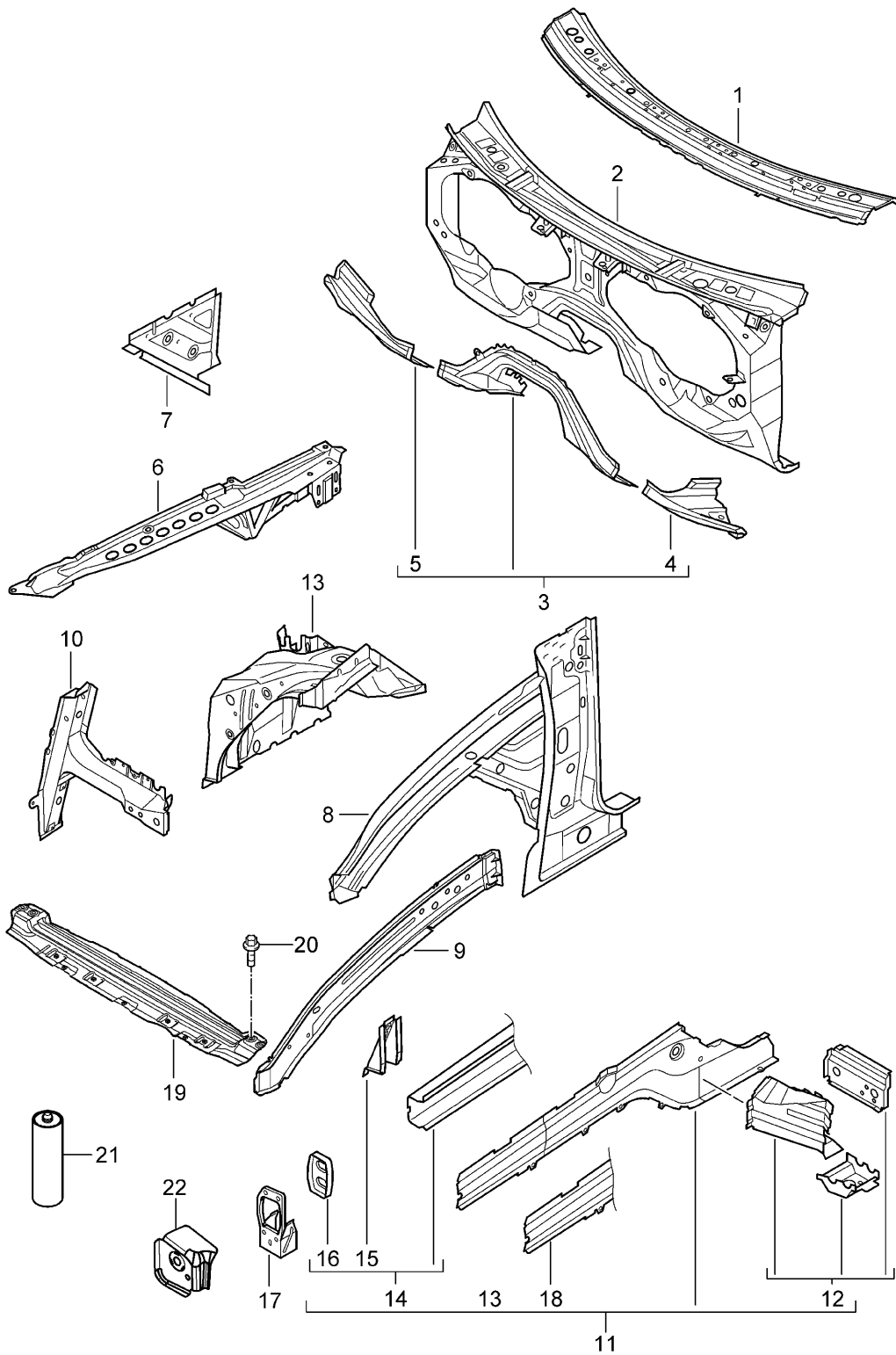
Model: 9PA108

Model life 2007>>2010

Pos	Part Number	Description	Remark	Qty	Model
		Stopper See workshop manual			
1	955 504 281 00	Stopper 10 mm		1	
2	955 504 182 00	Stopper 20 mm		1	
3	955 504 183 00	Stopper 30 mm		1	
4	955 504 184 00	Stopper 20 x 25		1	
5	955 504 185 00	Stopper 15 x 20		1	
6	955 504 187 00	Stopper 20 mm		1	
7	955 512 188 00	Water drain valve 20 mm		1	
8	999 703 462 40	Lid 10 mm		1	
9	N 102 267 01	Stopper 20 mm		1	
(9)	958 504 183 00	Stopper 20 mm		1	
10	N 102 265 01	Stopper 30 mm		1	
(10)	958 504 185 00	Stopper 40 mm		1	
11	955 511 196 00	Stopper 15 mm		1	

Model: 9PA108

Model life 2007>>2010



Model: 9PA108 Model life 2007>>2010

Pos	Part Number	Description	Remark	Qty	Model
1	955 502 713 01	Body front section Single parts Cowl Use also: 000.043.207.67		1 1	
2	955 502 713 01 GRV 955 502 147 01	Prime coated Firewall Use also: 000.043.207.67		1 1	
-	955 502 147 01 GRV 000 043 206 82	Prime coated Sealing compound See technical manual		X	
3	955 502 469 01	Cross member Use also: 000.043.207.67		1 1	
4	955 502 469 01 GRV 955 502 273 00	Prime coated Cross member Use also: 000.043.207.67	/L	1 1	
5	955 502 273 00 GRV 955 502 274 01	Prime coated Cross member Use also: 000.043.207.67	/R	1 1	
6	955 502 274 01 GRV 955 501 091 02	Prime coated Bracket Use also: 000.043.207.67	/L	1 1	
(6)	955 501 091 02 GRV 955 501 092 02	Prime coated Bracket Use also: 000.043.207.67	/R	1 1	
7	955 501 092 02 GRV 955 501 361 01	Prime coated Closing element Use also: 000.043.207.67	/L	1 1	
(7)	955 501 361 01 GRV 955 501 362 01	Prime coated Closing element Use also: 000.043.207.67	/R	1 1	
8	955 501 362 01 GRV 955 501 191 03	Prime coated A-pillar Use also: 000.043.207.67 000.043.305.51	/L	1 1 1	
(8)	955 501 191 03 GRV 955 501 192 03	Prime coated A-pillar Use also: 000.043.207.67 000.043.305.51	/R	1 1 1	
9	955 501 192 03 GRV 955 501 111 03	Prime coated Side member Use also: 000.043.207.67 000.043.305.51	/L	1 1 1	
(9)	955 501 111 03 GRV 955 501 112 03	Prime coated Side member Use also: 000.043.207.67 000.043.305.51	/R	1 1 1	
10	955 501 112 03 GRV 955 501 457 03	Prime coated Support Use also: 000.043.207.67	/L	1 1	

Model: 9PA108 Model life 2007>>2010

Pos	Part Number	Description	Remark	Qty	Model
(10)	955 501 457 03 GRV	Prime coated			
	955 501 458 04	Support	/R	1	
11		Use also: 000.043.207.67		1	
	955 501 458 04 GRV	Prime coated			
	955 501 991 04	Side member	/L	1	
		Use also: 000.043.207.67 000.043.305.51		2 2	
(11)	955 501 991 04 GRV	Prime coated			
	955 501 992 03	Side member	/R	1	
12		Use also: 000.043.207.67 000.043.305.51		2 2	
	955 501 992 03 GRV	Prime coated			
	955 501 975 00	Gusset plate	/L	1	
(12)		Use also: 000.043.207.67 000.043.305.51		1 1	
	955 501 975 00 GRV	Prime coated			
	955 501 976 01	Gusset plate	/R	1	
		Use also: 000.043.207.67 000.043.305.51		1 1	
13	955 501 976 01 GRV	Prime coated			
	955 501 941 04	Mounting	/L	1	
(13)		Use also: 000.043.207.67		1	
	955 501 941 04 GRV	Prime coated			
	955 501 942 04	Mounting	/R	1	
14		Use also: 000.043.207.67		1	
	955 501 942 04 GRV	Prime coated			
	955 501 905 03	Side member	/L	1	
(14)		Use also: 000.043.207.67		1	
	955 501 905 03 GRV	Prime coated			
	955 501 906 02	Side member	/R	1	
15		Use also: 000.043.207.67		1	
	955 501 906 02 GRV	Prime coated			
(15)	955 501 669 00	Bracket	/L	1	
	955 501 669 00 GRV	Prime coated			
16	955 501 670 00	Bracket	/R	1	
	955 501 670 00 GRV	Prime coated			
(16)	955 501 409 00	Separator	/L	1	
	955 501 409 00 GRV	Prime coated			
17	955 501 410 00	Separator	/R	1	
	955 501 410 00 GRV	Prime coated			
(17)	955 501 377 00	Mounting	/L	1	
	955 501 377 00 GRV	Prime coated			
	955 501 378 00	Mounting	/R	1	
18	955 501 378 00 GRV	Prime coated			
	955 501 907 01	Side member	/L	1	
(18)		Use also: 000.043.305.51		1	
	955 501 907 01 GRV	Prime coated			
	955 501 908 01	Side member	/R	1	
		Use also: 000.043.305.51		1	
	955 501 908 01 GRV	Prime coated			

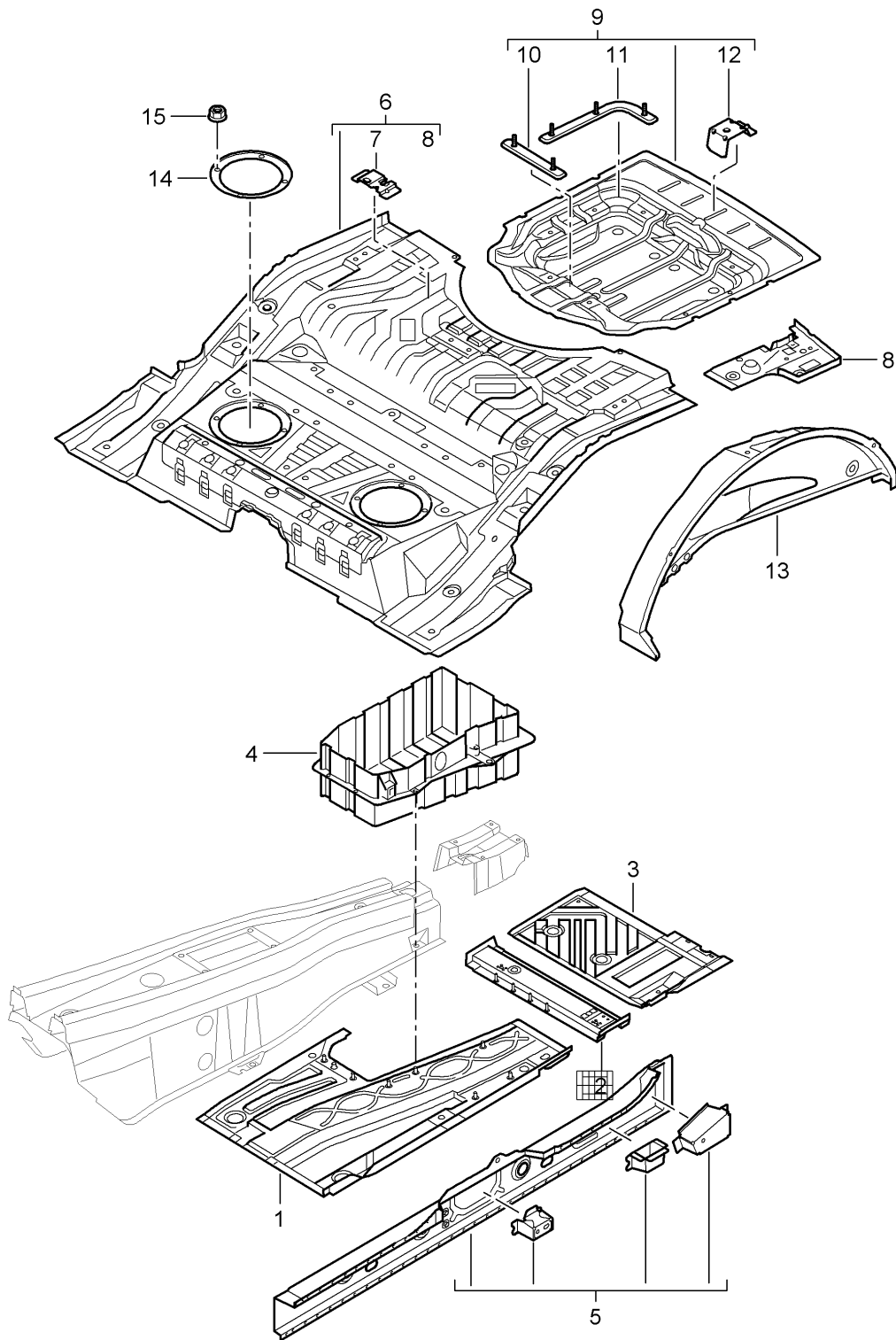
Model: 9PA108

Model life 2007>>2010

Pos	Part Number	Description	Remark	Qty	Model
19	955 505 549 00	Cross member		1	
	955 505 549 00 GRV	Prime coated			
20	N 104 032 03	Hexagon-head bolt		4	
		M 8 X 16			
21	000 043 204 85	Cavity preservation		X	
		400 ML			
22	955 501 199 00	Support	/R	1	
	955 501 199 00 GRV	Prime coated			

Model: 9PA108

Model life 2007>>2010



Model: 9PA108 Model life 2007>>2010

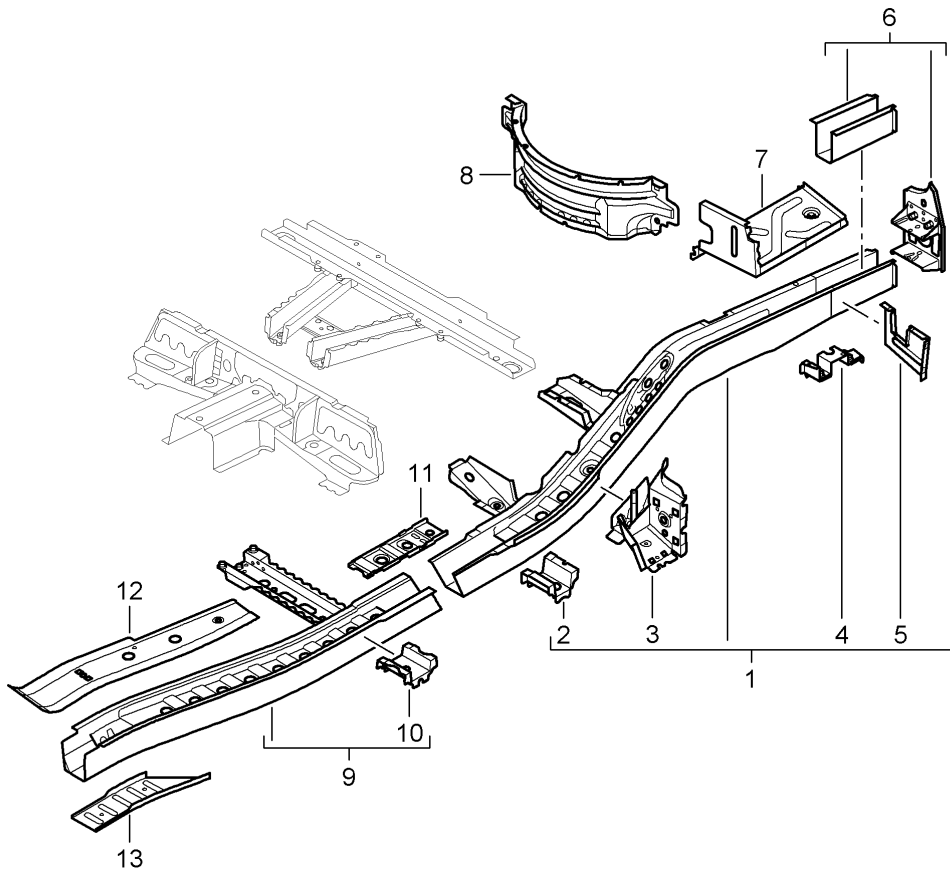
Pos	Part Number	Description	Remark	Qty	Model
1	955 502 015 00	Floor Floorpan	/L	1	
		Use also: 000.043.207.67		1	
(1)	955 502 015 00 GRV	Prime coated			
	955 502 016 00	Floorpan	/R	1	
		Use also: 000.043.207.67		1	
	955 502 016 00 GRV	Prime coated			
2	955 502 301 00	Seat support	/L	1	
		Use also: 000.043.207.67 000.043.305.51		1 1	
(2)	955 502 301 00 GRV	Prime coated			
	955 502 302 00	Seat support	/R	1	
		Use also: 000.043.207.67 000.043.305.51		1 1	
	955 502 302 00 GRV	Prime coated			
3	955 502 205 00	Floorpan	/L	1	
		Use also: 000.043.207.67		1	
(3)	955 502 205 00 GRV	Prime coated			
	955 502 206 00	Floorpan	/R	1	
		Use also: 000.043.207.67		1	
	955 502 206 00 GRV	Prime coated			
4		Battery box See illustrations 9/02/05		1	
5	955 502 251 01	Door sill	/L	1	
		Use also: 000.043.207.67 000.043.305.51		1 1	
(5)	955 502 251 01 GRV	Prime coated			
	955 502 252 01	Door sill	/R	1	
		Use also: 000.043.207.67 000.043.305.51		1 1	
-	955 502 252 01 GRV	Prime coated			
	955 504 187 00	Stopper 20 MM		X	
6	955 501 011 00	Floorpan		1	
		Use also: 000.043.207.67		2	
	955 501 011 00 GRV	Prime coated			
7	955 502 755 00	Support	/L	1	
(7)	955 502 755 00 GRV	Prime coated			
	955 502 756 00	Support	/R	1	
	955 502 756 00 GRV	Prime coated			
8	955 501 569 00	Floor section	/L	1	
		Use also: 000.043.207.67		1	
(8)	955 501 569 00 GRV	Prime coated			
	955 501 570 00	Floor section	/R	1	
		Use also: 000.043.207.67		1	
	955 501 570 00 GRV	Prime coated			
9	955 501 261 00	Spare-wheel well		1	
		Use also: 000.043.207.67		2	
	955 501 261 00 GRV	Prime coated			
10	955 502 373 00	Support		1	

Model: 9PA108 Model life 2007>>2010

Pos	Part Number	Description	Remark	Qty	Model
11	955 502 373 00 GRV	Prime coated			
	955 502 367 00	Support	/L	1	
	955 502 367 00 GRV	Prime coated			
(11)	955 502 368 00	Support	/R	1	
	955 502 368 00 GRV	Prime coated			
12	955 502 717 00	Support		1	
	955 502 717 00 GRV	Prime coated			
13	955 502 425 00	Wheel housing	/L	1	
		Use also:			
		000.043.207.67		1	
	955 502 425 00 GRV	Prime coated			
(13)	955 502 426 00	Wheel housing	/R	1	
		Use also:			
		000.043.207.67		1	
	955 502 426 00 GRV	Prime coated			
-	000 043 204 85	Cavity preservation		X	
		400 ML			
14	955 501 959 00	Lid		2	
		Sender			
		Fuel tank			
15	N 904 560 02	Hexagon nut		8	
		M 6			

Model: 9PA108

Model life 2007>>2010



Model: 9PA108 Model life 2007>>2010

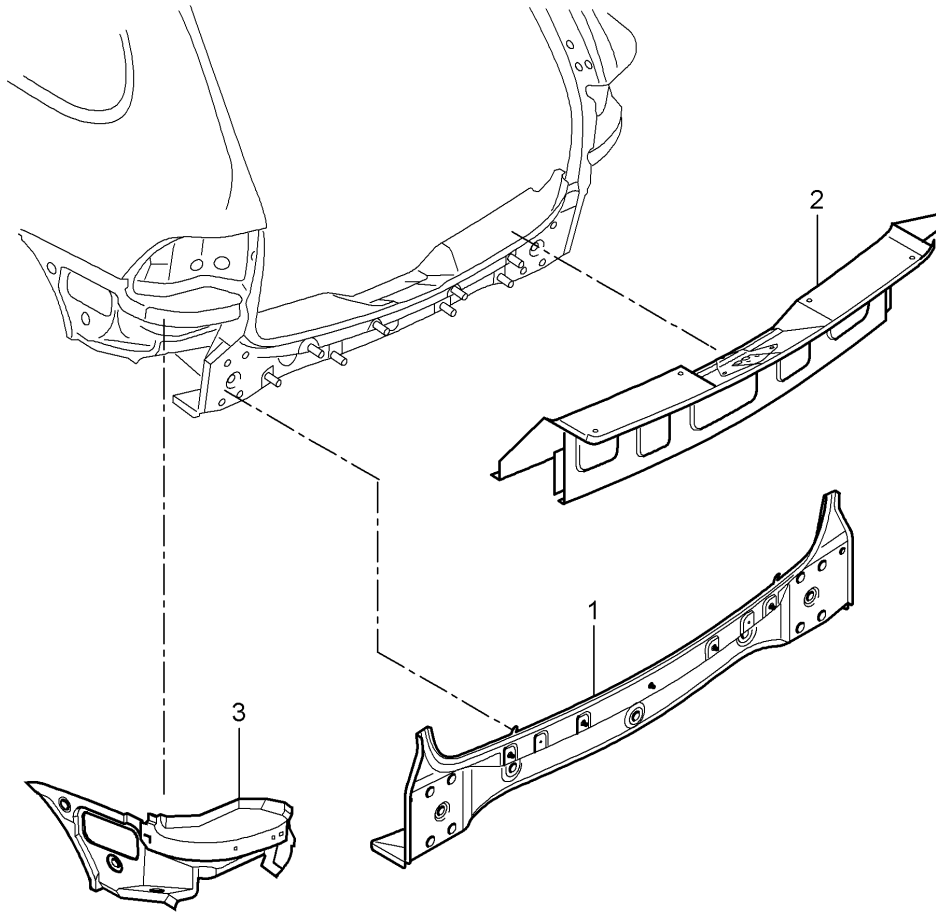
Pos	Part Number	Description	Remark	Qty	Model
1	955 501 401 02	Frame	/L	1	
		Side member		2	
		Use also: 000.043.207.67 000.043.305.51		2	
(1)	955 501 401 02 GRV 955 501 402 02	Prime coated	/R	1	
		Side member		2	
		Use also: 000.043.207.67 000.043.305.51		2	
2	955 501 402 02 GRV 955 501 227 00	Prime coated	/L	1	
		Mounting		1	
		Use also: 000.043.207.67		1	
(2)	955 501 227 00 GRV 955 501 228 00	Prime coated	/R	1	
		Mounting		1	
		Use also: 000.043.207.67		1	
3	955 501 228 00 GRV 955 501 717 00	Prime coated	/L	1	
		Closing element		1	
		Use also: 000.043.207.67		1	
(3)	955 501 717 00 GRV 955 501 718 00	Prime coated	/R	1	
		Closing element		1	
		Use also: 000.043.207.67		1	
4	955 501 718 00 GRV 955 501 381 00	Prime coated	/L	1	
		Support		1	
		Use also: 000.043.207.67		1	
(4)	955 501 381 00 GRV 955 501 382 00	Prime coated	/R	1	
		Support		1	
		Use also: 000.043.207.67		1	
5	955 501 382 00 GRV 955 501 537 00	Prime coated	/L	1	
		Closing element		1	
		Use also: 000.043.207.67		1	
(5)	955 501 537 00 GRV 955 501 538 00	Prime coated	/R	1	
		Closing element		1	
		Use also: 000.043.207.67		1	
6	955 501 538 00 GRV 955 501 933 00	Prime coated	/L	1	
		Side member		1	
		Use also: 000.043.207.67 000.043.305.51		1	
(6)	955 501 933 00 GRV 955 501 934 00	Prime coated	/R	1	
		Side member		1	
		Use also: 000.043.207.67 000.043.305.51		1	
7	955 501 934 00 GRV 955 501 089 00	Prime coated	/L	1	
		Floor section		1	
		Use also: 000.043.207.67		1	
(7)	955 501 089 00 GRV 955 501 090 00	Prime coated	/R	1	
		Floor section		1	
		Use also: 000.043.207.67		1	
8	955 501 090 00 GRV 955 501 533 00	Prime coated		1	
		Cross member		1	
		Use also:			

Model: 9PA108 Model life 2007>>2010

Pos	Part Number	Description	Remark	Qty	Model
		000.043.207.67		1	
9	955 501 533 00 GRV	Prime coated			
	955 501 019 00	Side member	/L	1	
		Use also:			
		000.043.207.67		2	
		000.043.305.51		2	
(9)	955 501 019 00 GRV	Prime coated			
	955 501 020 00	Side member	/R	1	
		Use also:			
		000.043.207.67		2	
		000.043.305.51		2	
10	955 501 020 00 GRV	Prime coated			
	955 501 757 00	Extension		2	
		Use also:			
		000.043.207.67		1	
11	955 501 757 00 GRV	Prime coated			
	955 502 699 00	Reinforcement		2	
		Use also:			
		000.043.207.67		1	
12	955 502 699 00 GRV	Prime coated			
	955 502 075 00	Reinforcement	/L	1	
		Use also:			
		000.043.207.67		1	
		000.043.305.51		1	
(12)	955 502 075 00 GRV	Prime coated			
	955 502 076 00	Reinforcement	/R	1	
		Use also:			
		000.043.207.67		1	
		000.043.305.51		1	
13	955 502 076 00 GRV	Prime coated			
	955 502 871 00	Reinforcement	/L	1	
(13)	955 502 871 00 GRV	Prime coated			
	955 502 872 00	Reinforcement	/R	1	
	955 502 872 00 GRV	Prime coated			
-	000 043 204 85	Cavity preservation 400 ML		X	

Model: 9PA108

Model life 2007>>2010

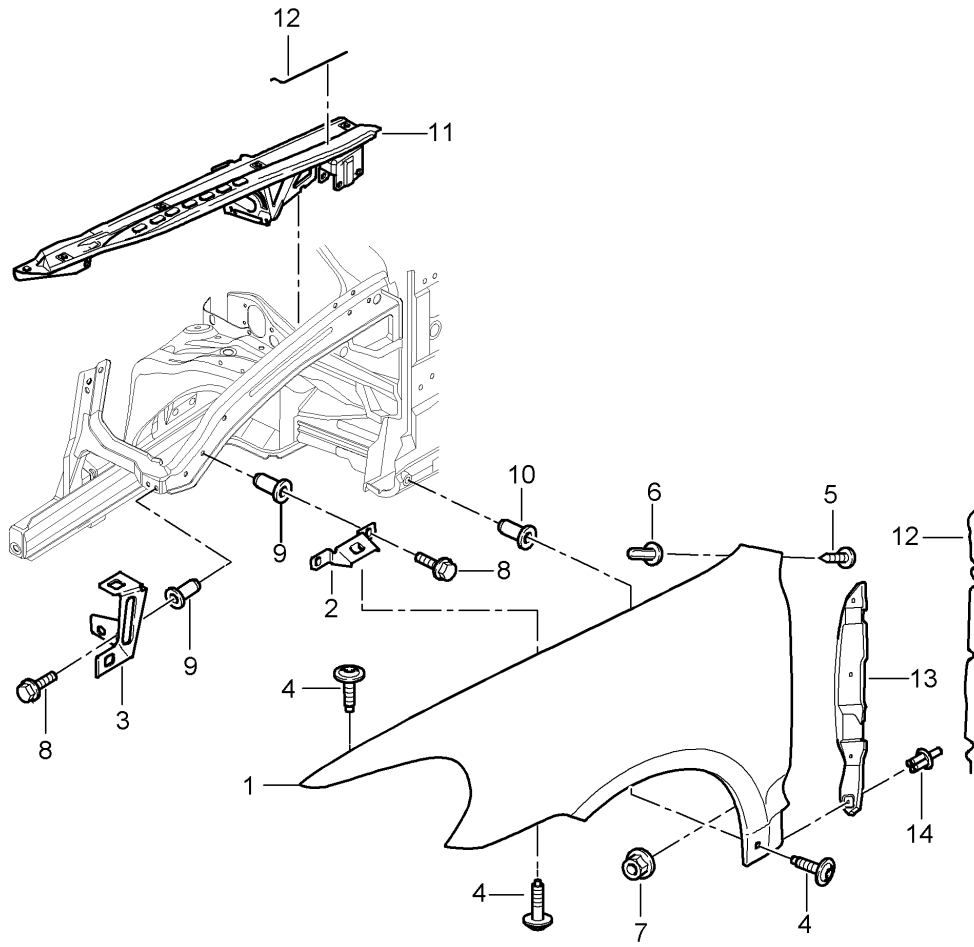


Model: 9PA108 Model life 2007>>2010

Pos	Part Number	Description	Remark	Qty	Model
1	955 501 303 01	Rear end Terminal piece		1	
	955 501 303 01 GRV	Prime coated			
2	955 501 311 02	Lock carrier		1	
	955 501 311 02 GRV	Prime coated			
3	955 502 745 00	Support	/L	1	
		Use also:			
		000.043.207.67		1	
		000.043.305.51		1	
	955 502 745 00 GRV	Prime coated			
(3)	955 502 746 00	Support	/R	1	
		Use also:			
		000.043.207.67		1	
		000.043.305.51		1	
	955 502 746 00 GRV	Prime coated			
-	000 043 204 85	Cavity preservation 400 ML		X	
-	955 504 187 00	Stopper 20 MM		X	
-	955 512 188 00	Water drain valve 20 MM		X	
-	955 504 182 00	Stopper 20 MM		X	

Model: 9PA108

Model life 2007>>2010

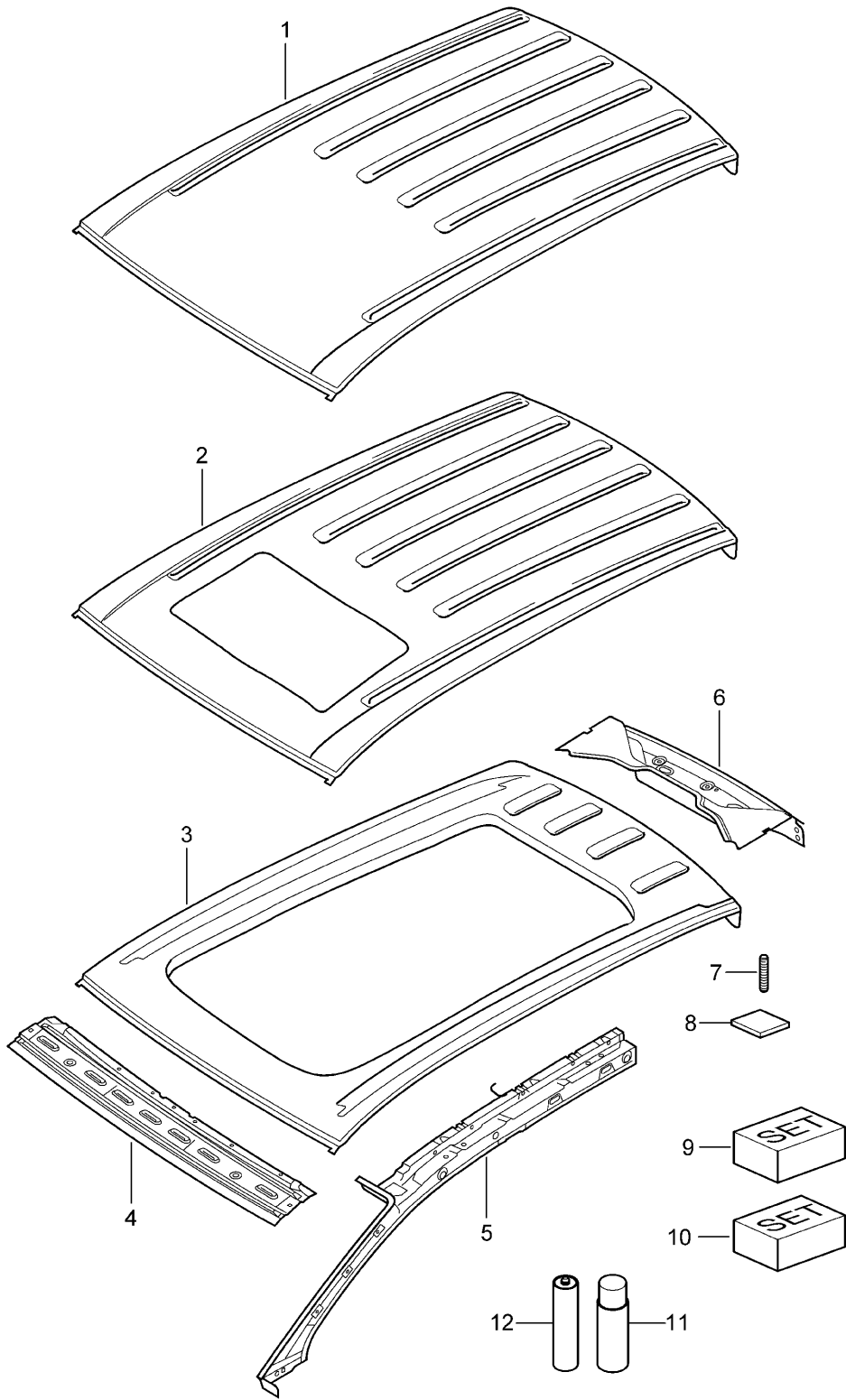


Model: 9PA108 Model life 2007>>2010

Pos	Part Number	Description	Remark	Qty	Model
1	955 503 031 02	Wing		1	
	955 503 031 02 GRV	Wing	/L	1	
(1)	955 503 032 02	Prime coated		1	
	955 503 032 02 GRV	Wing	/R	1	
2	955 503 161 00	Prime coated		2	
	955 503 161 00 GRV	Support		2	
3	955 501 609 01	Support		1	
	955 501 609 01 GRV	Support	/L	1	
(3)	955 501 610 01	Prime coated		1	
	955 501 610 01 GRV	Support	/R	1	
4	N 910 432 01	Prime coated		16	
		Lens-head screw		16	
5	N 906 381 01	M 6 X 14		X	
		Torx screw		X	
6	N 908 051 02	M 6 X 12		X	
		Blind rivet nut		X	
7	N 908 877 02	M 6		X	
		Hexagon nut		X	
(8)	N 901 671 04	M 6		X	
		Combination screw		X	
9	N 909 350 02	M 6 X 15		X	
		Blind rivet nut		X	
10	N 908 051 02	M6/0,75-3,50-AV		X	
		Blind rivet nut		X	
11		M6/0,80-3,00-BV			
		Wing strut			
		See illustrations			
12		8/01/10		1	
		POS.6		1	
		Seal		1	
		See technical manual			
13	N 906 487 02	Tapping screw		8	
		ST 4,8 X 16		8	
13	955 504 777 01	Cover	/L	1	
	955 504 777 01 01C	Satin black		1	
(13)	955 504 778 01	Cover	/R	1	
	955 504 778 01 01C	Satin black		1	
14	N 038 501 2	Expansion rivet		8	
		A 6 X 12		8	

Model: 9PA108

Model life 2007>>2010

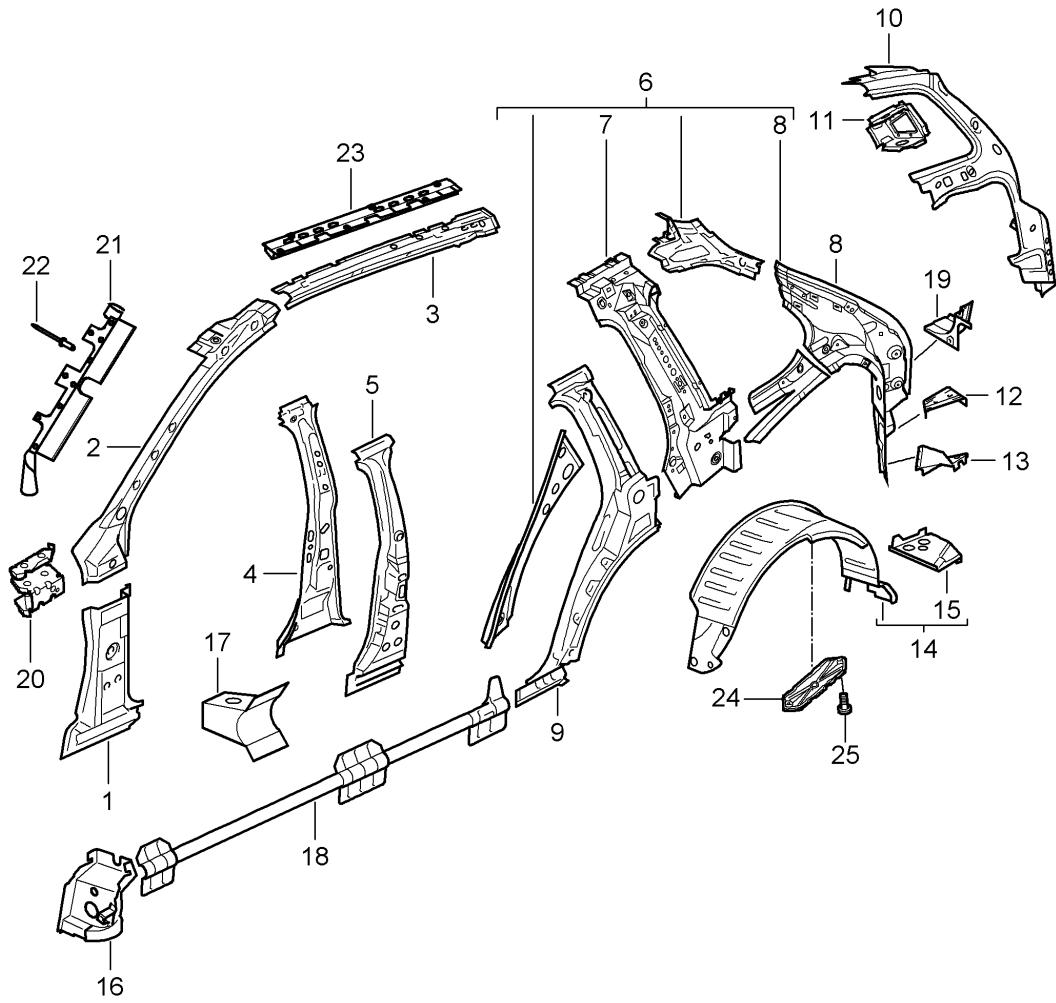


Model: 9PA108 Model life 2007>>2010

Pos	Part Number	Description	Remark	Qty	Model
1	955 503 101 00	Roof Cowl Roof Use also: 000.043.305.35 000.043.305.65		1 1 2	
2	955 503 101 00 GRV 955 503 101 01	Prime coated Roof for sliding roof Use also: 000.043.305.35 000.043.305.65		1 1 2	
3	955 503 101 01 GRV 955 503 101 02	Prime coated Roof Glass roof Use also: 000.043.305.35 000.043.305.65		1 1 2	I3FU
4	955 503 101 02 GRV 955 502 122 01	Prime coated Cross member Use also: 000.043.305.65 000.043.305.51		1 1 1	
5	955 502 122 01 GRV 955 502 287 00	Prime coated Cross member Use also: 000.043.305.65 000.043.305.51	/L	1 1 1	
(5)	955 502 287 00 GRV 955 502 288 00	Prime coated Cross member Use also: 000.043.305.65 000.043.305.51	/R	1 1 1	
6	955 502 288 00 GRV 955 502 161 02	Prime coated Roof frame Use also: 000.043.305.51		1 1	
7	955 502 161 02 GRV N 901 692 01	Prime coated Threaded bolt PS-CT 5X9		4	
8	000 043 300 98	Connection piece See workshop manual Group 51		3	
9	D 180 003 M2	Adhesive set		X	
10	000 043 205 37	Outer roof panel Mixing tube		X	
11	000 043 204 85	Supplement set Cavity preservation 400 ML		X	
11		Cavity preservation 400 ML		X	
12	000 043 305 32	Sealing compound 310 ML		X	

Model: 9PA108

Model life 2007>>2010



Model: 9PA108 Model life 2007>>2010

Pos	Part Number	Description	Remark	Qty	Model
1	955 502 203 00	Side section Inner Reinforcement	/L	1	
		Use also: 000.043.305.51		1	
(1)	955 502 203 00 GRV	Prime coated			
	955 502 204 00	Reinforcement	/R	1	
		Use also: 000.043.305.51		1	
	955 502 204 00 GRV	Prime coated			
2	955 502 193 01	Reinforcement	/L	1	
		Use also: 000.043.305.51		1	
(2)	955 502 193 01 GRV	Prime coated			
	955 502 194 01	Reinforcement	/R	1	
		Use also: 000.043.305.51		1	
	955 502 194 01 GRV	Prime coated			
3	955 502 249 00	Reinforcement	/L	1	
		Use also: 000.043.305.51		1	
(3)	955 502 249 00 GRV	Prime coated			
	955 502 250 01	Reinforcement	/R	1	
		Use also: 000.043.305.51		1	
	955 502 250 01 GRV	Prime coated			
4	955 502 443 02	B-pillar Inner	/L	1	
		Use also: 000.043.305.51		1	
(4)	955 502 443 02 GRV	Prime coated			
	955 502 444 03	B-pillar Inner	/R	1	
		Use also: 000.043.305.51		1	
	955 502 444 03 GRV	Prime coated			
5	955 502 607 00	B-pillar Inner	/L	1	
		Use also: 000.043.305.51		1	
(5)	955 502 607 00 GRV	Prime coated			
	955 502 608 00	B-pillar Inner	/R	1	
		Use also: 000.043.305.51		1	
	955 502 608 00 GRV	Prime coated			
6	955 502 403 03	Side section	/L	1	
		Use also: 000.043.305.51		3	
(6)	955 502 403 03 GRV	Prime coated			
	955 502 404 04	Side section	/R	1	
		Use also: 000.043.305.51		3	
	955 502 404 04 GRV	Prime coated			
7	955 502 545 00	C-pillar Inner	/L	1	
		Use also: 000.043.305.51		1	
(7)	955 502 545 00 GRV	Prime coated			
	955 502 546 00	C-pillar Inner	/R	1	
		Use also: 000.043.305.51		1	

Model: 9PA108 Model life 2007>>2010

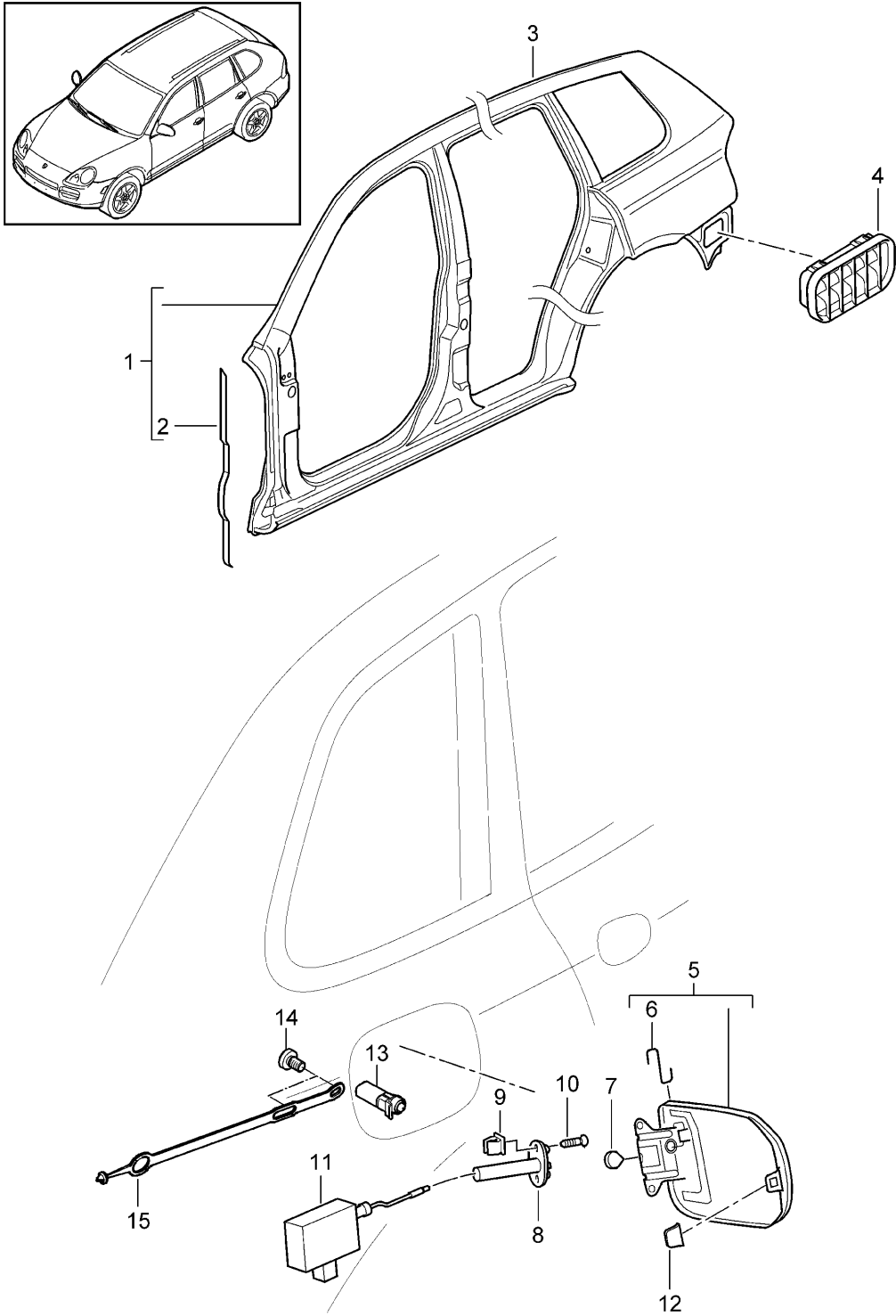
Pos	Part Number	Description	Remark	Qty	Model
8	955 502 546 00 GRV	Prime coated			
	955 502 289 02	D-pillar Inner Use also: 000.043.305.51	/L	1	
(8)	955 502 289 02 GRV	Prime coated			
	955 502 290 02	D-pillar Inner Use also: 000.043.305.51	/R	1	
9	955 502 290 02 GRV	Prime coated			
	955 502 263 00	C-pillar Outer Use also: 000.043.305.51	/L	1	
(9)	955 502 263 00 GRV	Prime coated			
	955 502 264 00	C-pillar Outer Use also: 000.043.305.51	/R	1	
10	955 502 264 00 GRV	Prime coated			
	955 502 299 01	D-pillar Outer Use also: 000.043.305.51	/L	1	
(10)	955 502 299 01 GRV	Prime coated			
	955 502 300 00	D-pillar Outer Use also: 000.043.305.51	/R	1	
11	955 502 300 00 GRV	Prime coated			
	955 502 549 01	Reinforcement		1	
12	955 502 549 01 GRV	Prime coated			
	955 502 259 00	Corner piece D-pillar Use also: 000.043.305.51	/L	1	
(12)	955 502 259 00 GRV	Prime coated			
	955 502 260 00	Corner piece D-pillar Use also: 000.043.305.51	/R	1	
13	955 502 260 00 GRV	Prime coated			
	955 502 677 01	Corner piece Use also: 000.043.305.51	/L	1	
(13)	955 502 677 01 GRV	Prime coated			
	955 502 678 01	Corner piece Use also: 000.043.305.51	/R	1	
14	955 502 678 01 GRV	Prime coated			
	955 502 409 02	Wheel housing Use also: 000.043.207.67 000.043.305.51	/L	1	
(14)	955 502 409 02 GRV	Prime coated			
	955 502 410 02	Wheel housing Use also: 000.043.207.67 000.043.305.51	/R	1	
15	955 502 410 02 GRV	Prime coated			
	955 502 307 02	Corner piece Use also:	/L	1	

Model: 9PA108 Model life 2007>>2010

Pos	Part Number	Description	Remark	Qty	Model
		000.043.207.67		1	
(15)	955 502 307 02 GRV	Prime coated			
	955 502 308 00	Corner piece	/R	1	
		Use also:			
		000.043.207.67		1	
16	955 502 308 00 GRV	Prime coated			
	955 502 221 01	Closing element	/L	1	
		Use also:			
		000.043.207.67		1	
		000.043.305.51		1	
(16)	955 502 221 01 GRV	Prime coated			
	955 502 222 00	Closing element	/R	1	
		Use also:			
		000.043.207.67		1	
		000.043.305.51		1	
17	955 502 222 00 GRV	Prime coated			
	955 502 693 00	Support		2	
		Use also:			
		000.043.305.51		1	
18	955 502 693 00 GRV	Prime coated			
	955 502 839 01	Reinforcement	/L	1	
		Use also:			
		000.043.305.51		2	
(18)	955 502 839 01 GRV	Prime coated			
	955 502 840 01	Reinforcement	/R	1	
		Use also:			
		000.043.305.51		2	
19	955 502 840 01 GRV	Prime coated			
	955 502 505 00	Gusset plate	/L	1	
		Use also:			
		000.043.305.51		1	
(19)	955 502 505 00 GRV	Prime coated			
	955 502 506 00	Gusset plate	/R	1	
		Use also:			
		000.043.305.51		1	
-	955 502 506 00 GRV	Prime coated			
	000 043 204 85	Cavity preservation		X	
		400 ML			
20	955 502 623 01	Hinge reinforcement	/L	1	
		A-pillar			
		Use also:			
		000.043.305.51		1	
(20)	955 502 623 01 GRV	Prime coated			
	955 502 624 01	Hinge reinforcement	/R	1	
		A-pillar			
		Use also:			
		000.043.305.51		1	
21	955 502 624 01 GRV	Prime coated			
	955 503 561 00	Deformation element	/L	1	
		A-pillar			
		Use also:			
		N .906.948.02		6	
(21)	955 503 561 00 GRV	Prime coated			
	955 503 562 00	Deformation element	/R	1	
		A-pillar			
		Use also:			
		N .906.948.02		6	
24	955 503 562 00 GRV	Prime coated			
	955 572 077 00	Joint flange		1	I9AB/9AD
25	N 102 070 02	Torx screw		2	
		M6 X 15			

Model: 9PA108

Model life 2007>>2010

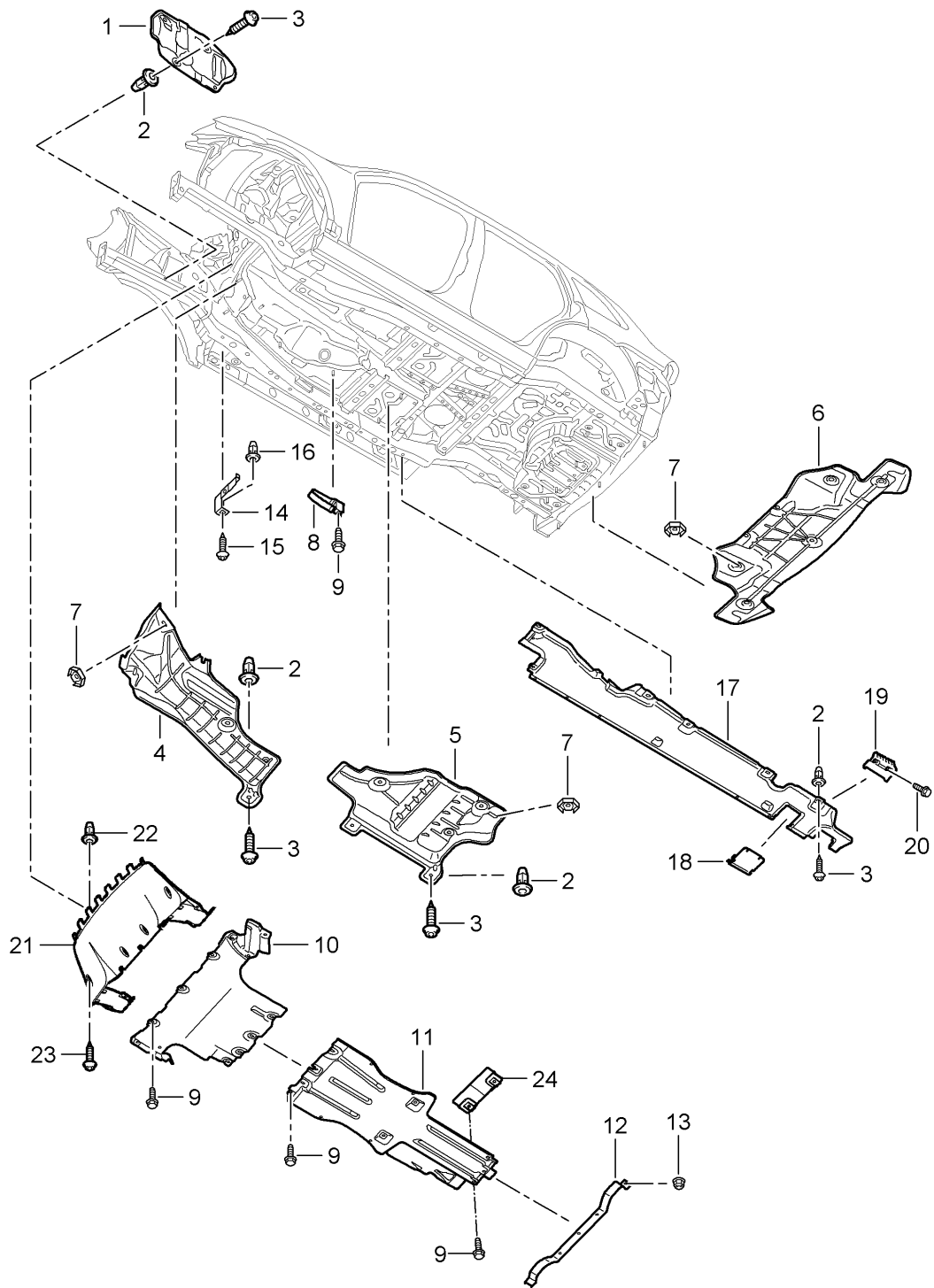


Model: 9PA108 Model life 2007>>2010

Pos	Part Number	Description	Remark	Qty	Model
1	955 503 935 01	Side section Outer	/L	1	
		Use also: 000.043.305.51		1	
(1)	955 503 935 01 GRV	Prime coated			
	955 503 936 01	Side section	/R	1	
		Use also: 000.043.305.51		1	
	955 503 936 01 GRV	Prime coated			
2	955 502 573 01	Rail	/L	1	
	955 502 573 01 GRV	Prime coated			
(2)	955 502 574 01	Rail	/R	1	
	955 502 574 01 GRV	Prime coated			
3	955 503 943 01	Side section	/L	1	
		Use also: 000.043.305.51		1	
	955 503 943 01 GRV	Prime coated			
(3)	955 503 944 00	Side section	/R	1	
		Use also: 000.043.305.51		1	
	955 503 944 00 GRV	Prime coated			
4	955 504 181 02	Frame		2	
5	955 504 133 03	Fuel filler flap		1	
	955 504 133 03 GRV	Prime coated			
6	955 504 131 00	Spring		1	
7	N 903 598 01	Rubber stop		1	
8	955 504 899 02	Guide sleeve		1	
9	999 591 762 40	Special nut		2	
10	900 145 041 07	Tapping screw ST 3,5 X 16		2	
11	955 624 773 02	Actuator		1	
-	000 043 204 85	Cavity preservation 400 ML		X	
12	955 504 910 00	Guide for Fuel filler flap		1	
13	955 504 986 00	Opener		1	
13	955 504 986 01	Opener for Fuel filler flap		1	
14	N 101 703 01	Round head screw M6 X 10		2	
15	955 504 165 00	Emergency operation Fuel filler flap		1	

Model: 9PA108

Model life 2007>>2010



Model: 9PA108 Model life 2007>>2010

Pos	Part Number	Description	Remark	Qty	Model
1	955 504 615 01	Lining Underbody Heat protection	/L	1	
(1)	955 504 616 01	Heat protection	/R	1	
2	N 910 190 01	Engine compartment Expander nut D-7 X 20		X	
3	N 908 082 01	Oval-head screw M6 X 18,5		X	
4	955 504 661 01	Heat protection	/L	1	
(4)	955 504 662 01	Heat protection	/R	1	
5	955 504 681 02	Tunnel Front Heat protection		1	
6	955 504 711 03	Tunnel Centre Heat protection for		1	
7	N 906 431 01	Rear muffler Speed nut		X	
8	955 504 263 00	Clip Heat shield Rear		2	
9	N 910 345 01	Combination screw M6 X 20		X	
10	955 504 285 01	Underbody protection Front		1	I6EA/6EQ I6ET
(10)	955 504 235 01	Underbody protection Front		1	I6EP/6ES I6GE/6GF
11	955 504 231 01	Underbody protection		1	ID5X
(11)		Underbody protection		1	ID5V/G0R
(11)	955 504 231 02	Underbody protection		1	ID5V/G0L
(11)	955 504 231 03	Underbody protection Rear		1	ID5Z
(11)	955 504 231 04	Underbody protection		1	ID5V/E0W/E2D IG0L
(11)	955 504 231 05	Rear Underbody protection		1	ID5V/E0W/E2D IG0R
(11)	955 504 231 06	Rear Underbody protection		1	ID50
12	955 504 955 00	Bracket		1	IG0R
12	955 504 955 01	Bracket Rear		1	IG0L
13	N 908 877 01	Hexagon nut M6		2	
14	955 504 241 00	Support	/L	1	
(14)	955 504 242 00	Support	/R	1	
15	N 909 210 01	Hexagon-head bolt		1	
16	N 904 085 02	Blind rivet nut M8/0,5-3,0		1	
17	955 504 211 01	Lining Underbody	/L	1	
(17)	955 504 212 01	Lining Underbody	/R	1	
18	955 504 271 00	Cover Jacking point	/L	1	
(18)	955 504 272 00	Cover Jacking point	/R	1	
19	955 504 123 01	Mounting plate Jacking point		2	

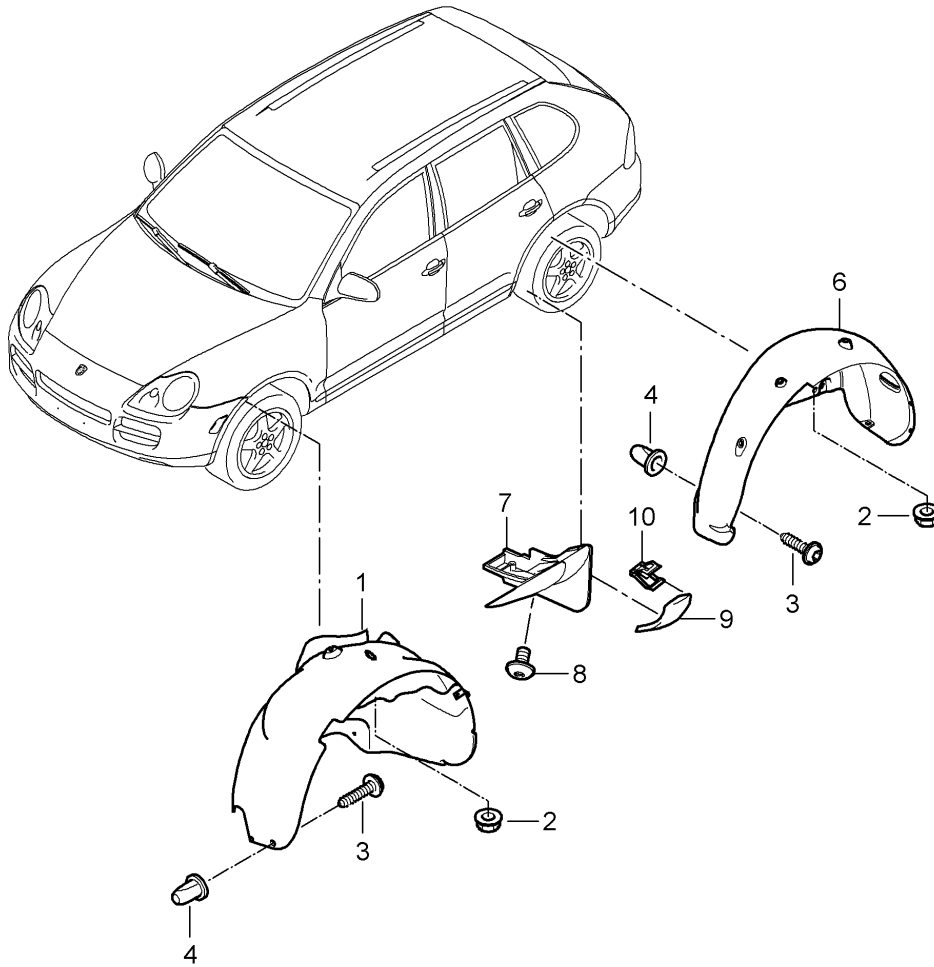
Model: 9PA108

Model life 2007>>2010

Pos	Part Number	Description	Remark	Qty	Model
20	N 904 121 02	Combination screw M6 X 25 Mounting plate Jack		4	
21	955 504 901 00 955 504 901 00 9B9	Front spoiler Satin black		1	
22	N 908 338 01	Expander nut 4,8 X 12,0		X	
23	N 906 487 01	Tapping screw ST 4,8 X 16		X	
24	955 504 199 00	Support Transmission carrier		1	

Model: 9PA108

Model life 2007>>2010



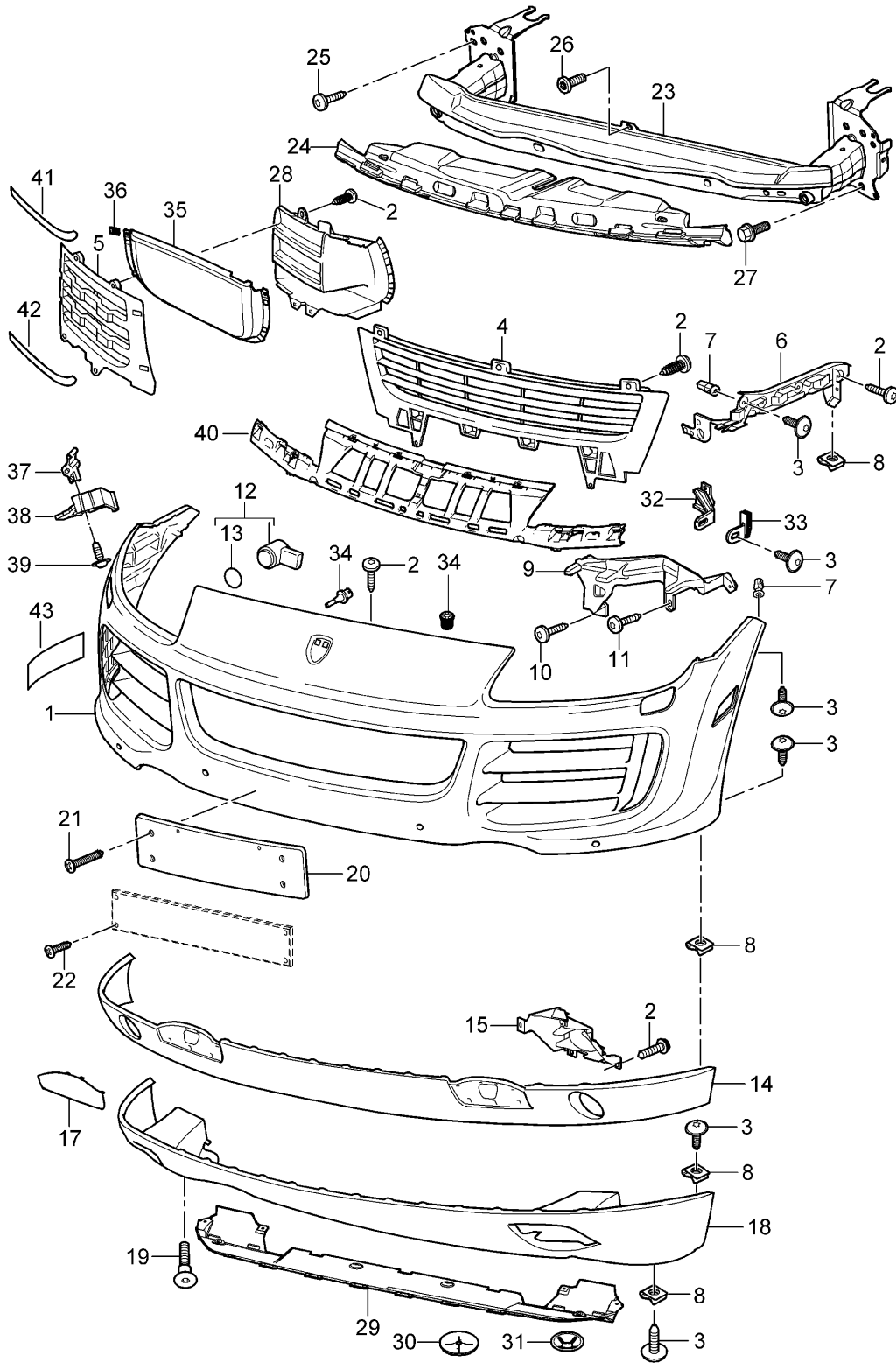
Model: 9PA108

Model life 2007>>2010

Pos	Part Number	Description	Remark	Qty	Model
		Lining			
1	955 504 961 04	Wheel housing			
(1)	955 504 962 04	Wheel-housing liner	/L	1	ID5V/D5X
		Wheel-housing liner	/R	1	ID5V/D5X
		Front			
(1)	955 504 961 05	Wheel-housing liner	/L	1	ID5Z/D50
(1)	955 504 962 05	Wheel-housing liner	/R	1	ID5Z/D50
		Front			
2	N 903 521 01	Plastic nut		X	
		B 5			
3	N 906 487 01	Tapping screw		X	
		ST4,8 X 16			
4	N 103 180 01	Expander nut		X	
		4,8 X 15,5			
6	955 504 971 04	Wheel-housing liner	/L	1	
(6)	955 504 972 04	Wheel-housing liner	/R	1	
		Rear			
7	955 505 547 01	Spoiler	/L	1	
(7)	955 505 548 01	Spoiler	/R	1	
8	N 907 750 01	Tapping screw		X	
		st 4,8 x 16			
-	955 505 343 00	Support	/L	1	
		Spoiler			
	955 505 343 00 GRV	Prime coated			
-	955 505 344 00	Support	/R	1	
		Spoiler			
	955 505 344 00 GRV	Prime coated			
9	955 504 167 00	Cover	/L	1	
(9)	955 504 168 00	Cover	/R	1	
10	955 504 137 00	Clamp		4	

Model: 9PA108

Model life 2007>>2010



Model: 9PA108 Model life 2007>>2010

Pos	Part Number	Description	Remark	Qty	Model
1	955 505 311 10	Lining Front Lining		1	ID5V/D5X/D50 IE0A/7X0/7X9 I8X0
1	955 505 311 10 G2X 955 505 311 10	Prime coated Lining		1	ID5V/E2D/7X0 I7X9/8X0
(1)	955 505 311 10 G2X 955 505 311 11	Prime coated Lining		1	ID5V/D5X/D50 IE0A/7X2/7X8 I8X0
(1)	955 505 311 11 G2X 955 505 311 11	Prime coated Lining		1	ID5V/E2D/7X2 I7X8/8X0
(1)	955 505 311 11 G2X 955 505 311 12	Prime coated Lining		1	ID5V/D5X/D50 IE0A/7X0/7X9 I8X1
(1)	955 505 311 12 G2X 955 505 311 12	Prime coated Lining		1	ID5V/E2D/7X0 I7X9/8X1
(1)	955 505 311 12 G2X 955 505 311 13	Prime coated Lining		1	ID5V/D5X/D50 IE0A/7X2/7X8 I8X1
(1)	955 505 311 13 G2X 955 505 311 13	Prime coated Lining		1	ID5V/E2D/7X2 I7X8/8X1
(1)	955 505 311 13 G2X 955 505 311 14	Prime coated Lining		1	ID5V/E0W/E1T I7X2/7X8/8X1
(1)	955 505 311 14 G2X 955 505 311 14	Prime coated Lining		1	ID5Z/E0A/E8A IE81
(1)	955 505 311 14 G2X 955 505 311 14	Prime coated Lining		1	ID5V/D5X/D50 IE0A
(1)	955 505 311 14 G2X 955 505 311 14	Prime coated Lining		1	ID5V/E2D
(1)	955 505 311 14 G2X 955 505 311 15	Prime coated Lining		1	ID5V/E0W/E1T I7X0/7X9/8X1
(1)	955 505 311 15 G2X 955 505 311 16	Prime coated Lining		1	ID5V/E0W/E1T I7X2/7X8/8X0
(1)	955 505 311 16 G2X 955 505 311 17	Prime coated Lining		1	ID5V/E0W/E1T I7X0/7X9/8X0
2	955 505 311 17 G2X N 908 082 01	Prime coated Oval-head screw		X	
3	N 907 750 01	Tapping screw 6,0 X 18		X	
4	955 505 683 10	ST 4,8 X 16 Ventilation grille		1	ID5V/D5X/D50
(4)	955 505 683 10 9B9 955 505 683 11	Satin black Ventilation grille		1	ID5Z
(4)	955 505 683 11 9B9 955 505 683 11	Centre Satin black Ventilation grille		1	IE0W
(5)	955 505 683 11 9B9 955 505 681 10	Centre Satin black Ventilation grille	/L	1	ID5V/D5X

Model: 9PA108 Model life 2007>>2010

Pos	Part Number	Description	Remark	Qty	Model
	955 505 681 10 9B9	Satin black			
(5)	955 505 681 13	Ventilation grille	/L	1	ID50
	955 505 681 13 9B9	Satin black			
(5)	955 505 681 12	Ventilation grille	/L	1	IE0W
	955 505 681 12 9B9	Satin black			
(5)	955 505 681 12	Ventilation grille	/L	1	ID5Z
	955 505 681 12 9B9	Satin black			
5	955 505 682 10	Ventilation grille	/R	1	ID5V/D5X
	955 505 682 10 9B9	Satin black			
(5)	955 505 682 13	Ventilation grille	/R	1	ID50
	955 505 682 13 9B9	Satin black			
(5)	955 505 682 12	Ventilation grille	/R	1	IE0W
	955 505 682 12 9B9	Satin black			
(5)	955 505 682 12	Ventilation grille	/R	1	ID5Z
	955 505 682 12 9B9	Satin black			
6	955 505 049 10	Guide rail	/L	1	
(6)	955 505 050 10	Guide rail	/R	1	
7	955 505 966 00	Expander nut		X	
8	N 900 942 02	Speed nut		X	
		ST 4,8 X 16,5 X 11			
9	955 505 889 00	Guide	/L	1	
(9)	955 505 890 00	Guide	/R	1	
10	N 907 750 01	Tapping screw		X	
		ST 4,8 X 16			
11	N 910 343 01	Oval-head screw		X	
		6,0 X 20			
12	955 606 275 03	Sensor		6	I7X2/7X8
13	955 606 659 01	Ring		6	I7X2/7X8
14	955 505 061 10	Front spoiler		1	
		Upper part			
	955 505 061 10 G2X	Prime coated			
15	955 505 593 10	Support	/L	1	
(15)	955 505 594 10	Support	/R	1	
		Fog headlamp			
(17)	955 505 155 10	Cap	/L	1	I2JB/2JL
	955 505 155 10 G2X	Prime coated			
17	955 505 156 10	Cap	/R	1	I2JB/2JL
	955 505 156 10 G2X	Prime coated			
(17)	955 505 155 11	Cap	/L	1	I2JC/2JX
(17)	955 505 156 11	Cap	/R	1	I2JC/2JX
		Stainless steel			
18	955 505 513 10	Front spoiler		1	I2D0/2D3
(18)	955 505 513 11	Front spoiler		1	I2D1/2D2/2D4
		Lower part			
	955 505 513 11 G2X	Prime coated			
19	6N0 807 199	Screw		X	
		M6			
20	955 701 105 06	Bracket		1	ID5V/D5X/6W1
	955 701 105 06 G2X	Prime coated			
(20)	955 701 105 11	Bracket		1	ID5V/D5X/6W2
	955 701 105 11 01C	Satin black			
(20)	955 701 105 08	Bracket		1	ID5Z/E0W/6W2
	955 701 105 08 01C	Satin black			
(20)	955 701 105 07	Bracket		1	ID5Z/E0W/6W1
	955 701 105 07 01C	Satin black			
(21)	N 905 624 01	Oval-head sheetmetal screw		2	ID5V/D5X/6W2
		Support			
		3,5 X 10,0-Q			
(21)	N 911 235 01	Oval-head screw		X	ID5V/D5X/6W1
22	N 106 568 02	Oval-head sheetmetal screw		X	
		Number plate			
		ST 4,8 X 9,5			
(22)	N 038 549 4	Expansion rivet		2	

Model: 9PA108 Model life 2007>>2010

Pos	Part Number	Description	Remark	Qty	Model
		8,0 x 12,0			
23	955 505 109 00	Bumper reinforcement		1	
24	955 505 550 10	Plastic foam strip		1	
24	955 505 550 11	Plastic foam strip		1	
25	7L6 807 199	Screw 6 X 20		X	
26	N 103 469 02	Torx screw M6		X	
27	N 105 956 01	Combination screw M10 X 35		X	
28		Air guide See illustrations 1/05/45		1 1	
29	955 505 900 11	Front spoiler Upper part Stainless steel		1	I2JC/2JX
30	N 911 381 01	Clamping washer Large		13	
31	N 901 162 02	Clamping washer Small		2	
32	955 505 055 00	Support	/L	1	
(32)	955 505 056 00	Support	/R	1	
33	955 505 997 00	Support	/L /R	2	
34	955 641 379 00	Temperature sensor		1	
35	955 505 823 00	Cover Air inlet	/L	1	IE0W
(35)	955 505 824 00	Cover Air inlet	/R	1	IE0W
36	955 505 887 00	Stopper		2	
37	955 505 850 00	Cover		2	IE0W
38	955 505 850 20	Mounting plate		2	IE0W
39	N 908 082 01	Oval-head screw W/o headlight washer system		10	IE0W
40	955 505 915 10	Cover strip		1	ID5V/D5Z/E0A IE0W/E1T
(40)	955 505 915 20	Cover strip		1	ID5V/D5X/D50 IE0A/E2D
41	955 505 853 00	Decorative film for Disc Upper left	/L	1	IE2D
	955 505 853 00 8C6	Orange			
	955 505 853 00 M7W	Meteor Grey Metallic			
	955 505 853 00 A7W	Silver metallic			
(41)	955 505 854 00	Decorative film for Disc Upper right	/R	1	IE2D
	955 505 854 00 8C6	Orange			
	955 505 854 00 M7W	Meteor Grey Metallic			
	955 505 854 00 A7W	Silver metallic			
42	955 505 855 00	Decorative film for Disc Lower Left	/L	1	IE2D
	955 505 855 00 8C6	Orange			
	955 505 855 00 M7W	Meteor Grey Metallic			
	955 505 855 00 A7W	Silver metallic			
(42)	955 505 856 00	Decorative film for Disc Lower	/R	1	IE2D

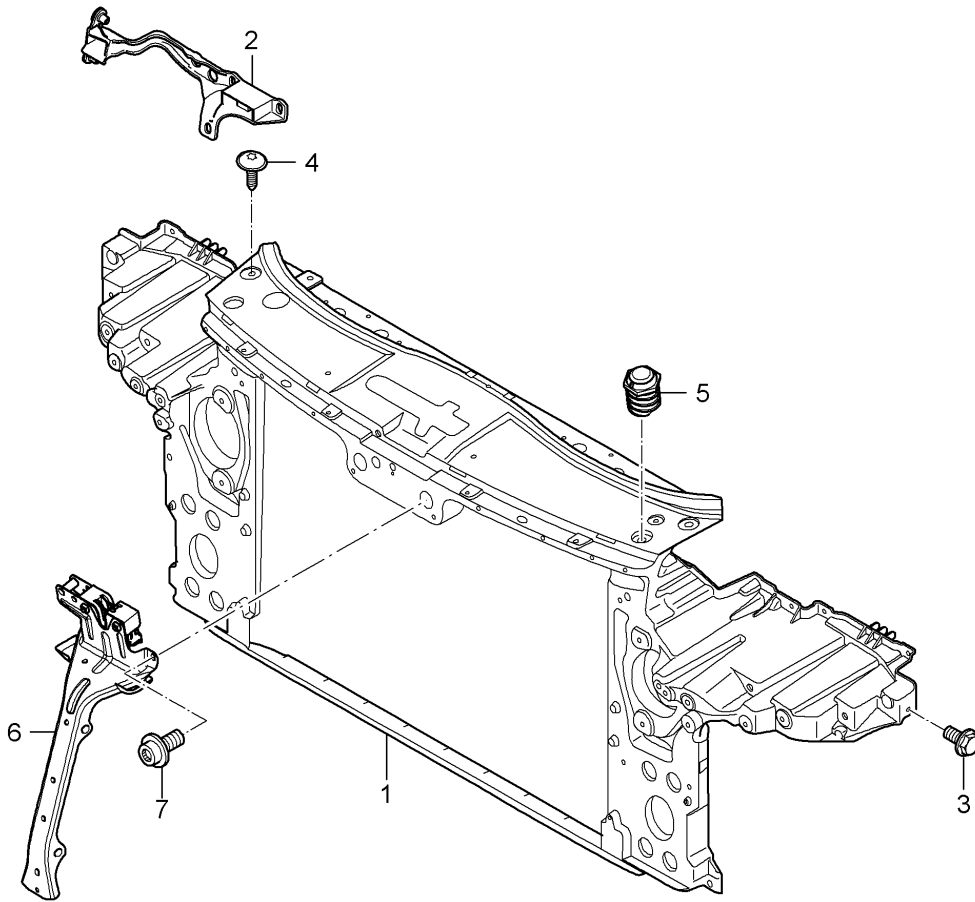
Model: 9PA108

Model life 2007>>2010

Pos	Part Number	Description	Remark	Qty	Model
43	955 505 856 00 8C6	Right Orange	/L	1	IE2D
	955 505 856 00 M7W	Meteor Grey Metallic			
	955 505 856 00 A7W	Silver metallic			
	955 505 857 00	Decorative film Front apron Lateral Left			
(43)	955 505 857 00 8C6	Orange	/R	1	IE2D
	955 505 857 00 M7W	Meteor Grey Metallic			
	955 505 857 00 A7W	Silver metallic			
	955 505 858 00	Decorative film Front apron Lateral Right			
	955 505 858 00 8C6	Orange			
	955 505 858 00 M7W	Meteor Grey Metallic			
	955 505 858 00 A7W	Silver metallic			

Model: 9PA108

Model life 2007>>2010



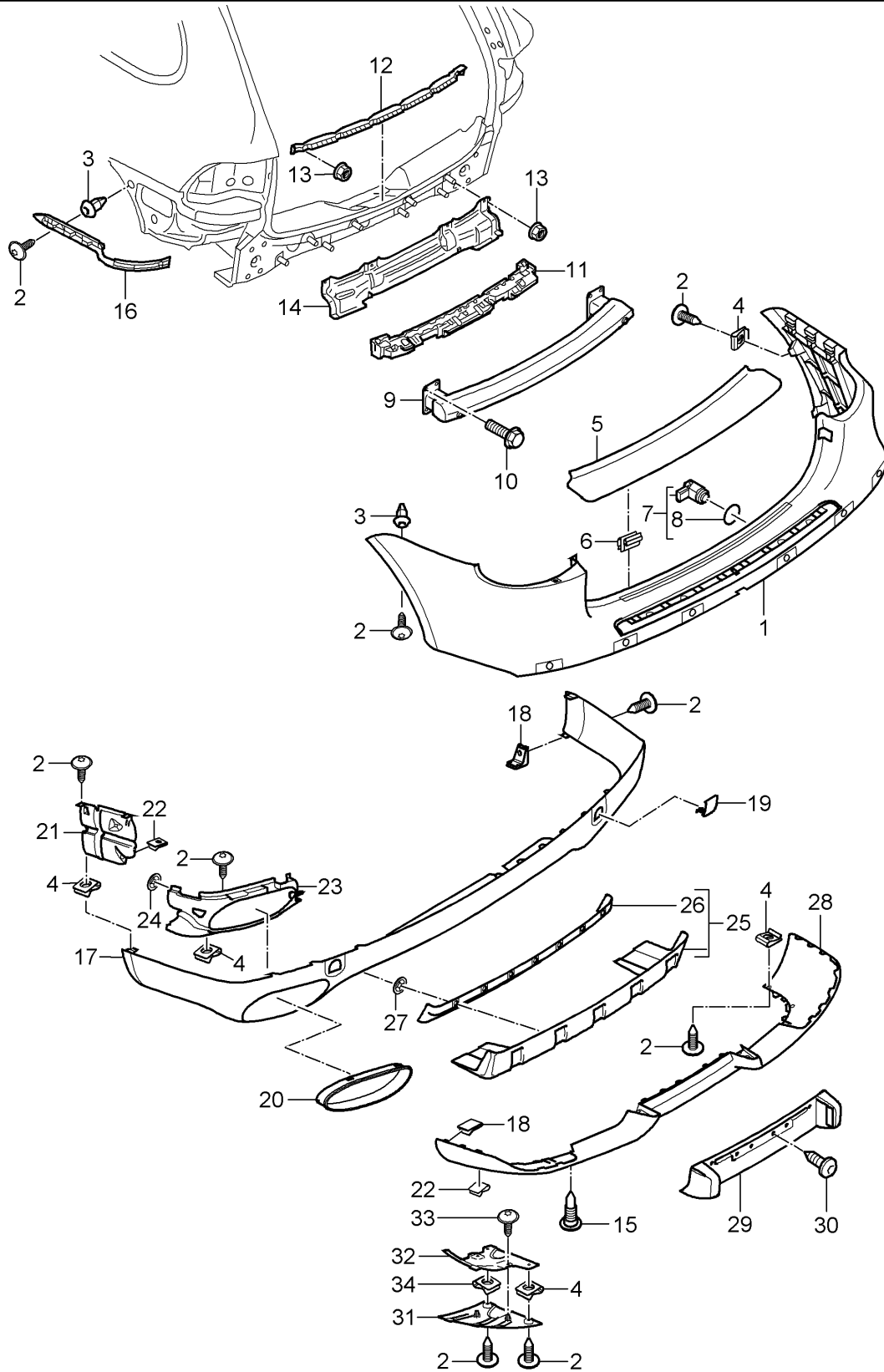
Model: 9PA108

Model life 2007>>2010

Pos	Part Number	Description	Remark	Qty	Model
		Bracket			
		Radiator			
1	955 505 594 02	Bracket		1	
(2)	955 505 733 00	Support		1	
2	955 505 734 00	Support		1	
3	N 908 463 01	Combination screw		X	
4	N 910 145 01	Screw		X	
5	955 511 500 00	Rubber buffer		2	
6	955 505 799 01	Bracket		1	
7	N 105 918 01	Torx screw		3	
		M6 X 12			

Model: 9PA108

Model life 2007>>2010



Model: 9PA108 Model life 2007>>2010

Pos	Part Number	Description	Remark	Qty	Model
1	955 505 411 10	Lining Rear		1	I1G1/1G4/1G8 I7X0/7X9
(1)	955 505 411 10 G2X	Prime coated			
	955 505 411 11	Lining		1	I1G1/1G4/1G8 I7X2/7X8
(1)	955 505 411 11 G2X	Prime coated			
	955 505 411 12	Lining		1	I1G3/7X0/7X9
(1)	955 505 411 12 G2X	Prime coated			
	955 505 411 13	Lining		1	I1G3/7X8
(1)	955 505 411 13 G2X	Prime coated			
	955 505 411 13	Lining		1	I1G3/7X2
	955 505 411 13 G2X	Prime coated			
2	N 907 750 01	Tapping screw ST 4,8 X 16		X	
3	WHT 001 829	Special nut		X	
4	N 015 437 4	Speed nut ST 4,8 X 16,5 X 11		X	
5	955 505 787 10	Cover		1	I1G1/1G4/1G8
(5)	955 505 787 11	Cover		1	I1G3
6	955 505 807 00	Clamp		X	
7	955 606 275 03	Sensor ParkAssist		6	I7X2/7X8
8	955 606 659 01	Ring		6	I7X2/7X8
9	955 505 313 10	Bumper reinforcement		1	I1D0/1G1/1G6
-	955 505 859 00	Decorative film Left for Rear apron	/1	1	IE2D
-	955 505 859 00 8C6	Orange			
	955 505 859 00	Decorative film Left for Rear apron	/1	1	IE2D
-	955 505 859 00 M7W	Meteor Grey Metallic			
	955 505 859 00	Decorative film Left for Rear apron	/1	1	IE2D
-	955 505 859 00 A7W	Silver metallic			
	955 505 860 50	Decorative film Right for Rear apron	/R	1	IE2D
-	955 505 860 50 8C6	Orange			
	955 505 860 50	Decorative film Right for Rear apron	/R	1	IE2D
-	955 505 860 50 M7W	Meteor Grey Metallic			
	955 505 860 50	Decorative film Right for Rear apron	/R	1	IE2D
	955 505 860 50 A7W	Silver metallic			
9	955 505 313 10	Bumper reinforcement		1	I1D0/1G1/1G6
(9)	955 505 313 11	Bumper reinforcement		1	I1D0/1D7/1D8 I1G1/1G8/6P1
(9)	955 505 313 12	Bumper reinforcement		1	I1D0/1D7 I1D8/1G3
10	N 911 038 02	Spare wheel Outer Hexagon-head bolt		8	

Model: 9PA108

Model life 2007>>2010

Pos	Part Number	Description	Remark	Qty	Model
11	955 505 252 03	M12 X 1,5 X 50 Foam part		1	I1D0/1D7/1D8 I1G1/1G8
(11)	955 505 252 04	Foam part		1	I1D0/1D7 I1D8/1G3
12	955 505 863 02	Attachment strip Centre		1	
13	N 902 158 04	Hexagon nut M6		X	
14	955 505 587 03	Cover		1	
15	6N0 807 199	Screw M6		X	
16	955 505 393 02	Retaining strip	/L	1	
(16)	955 505 394 02	Retaining strip	/R	1	
17	955 505 521 07	Spoiler		1	ID5V/D5X/D5Z I0P3/0P8
	955 505 521 07 G2X	Prime coated			
(17)	955 505 521 07	Spoiler		1	ID5Z/0P0
	955 505 521 07 G2X	Prime coated			
(17)	955 505 521 07	Spoiler		1	ID50/0P3
	955 505 521 07 G2X	Prime coated			
(17)	955 505 521 12	Spoiler		1	ID5V/D5X/D50 I0P0
	955 505 521 12 G2X	Upper part Prime coated			
18	955 505 535 00	Retaining clip		2	
(19)	955 505 449 10	Cap	/L	1	
	955 505 449 10 G2X	Prime coated			
19	955 505 450 10	Cap	/R	1	
	955 505 450 10 G2X	Towing lug Prime coated			
20	955 505 837 01	Cover	/L	1	ID5V/D5X/D50 I0P0
	955 505 837 01 U90	Titanium metallic			
(20)	955 505 838 01	Cover	/R	1	ID5V/D5X/D50 I0P0
	955 505 838 01 U90	Titanium metallic			
(20)	955 505 837 00	Cover	/L	1	ID5Z/0P0
	955 505 837 00 U90	Titanium metallic			
(20)	955 505 838 00	Cover	/R	1	ID5Z/0P0
	955 505 838 00 U90	Titanium metallic			
(20)	955 505 837 00	Cover	/L	1	I0P3/0P8
	955 505 837 00 U90	Titanium metallic			
(20)	955 505 838 00	Cover	/R	1	I0P3/0P8
	955 505 838 00 U90	Exhaust system Titanium metallic			
(21)	955 505 515 10	Heat protection	/L	1	
21	955 505 516 10	Heat protection	/R	1	
22	955 505 180 00	Clamp		X	
23	955 505 961 01	Frame	/L	1	ID5V/D5X/D50 I0P0
(23)	955 505 962 01	Frame	/R	1	ID5V/D5X/D50 I0P0
(23)	955 505 961 00	Frame	/L	1	ID5Z/0P0
(23)	955 505 962 00	Frame	/R	1	ID5Z/0P0
(23)	955 505 961 00	Frame	/L	1	I0P3/0P8
(23)	955 505 962 00	Frame	/R	1	I0P3/0P8
	955 505 962 00	Heat protection			
24	N 106 120 02	Washer 5,3x15x1		1	IB0R/6GA
25	955 505 834 00	Cover		1	I1G1/1G8 I2JL/2JX
26	955 505 255 00	Spacer		1	I1G1/1G8

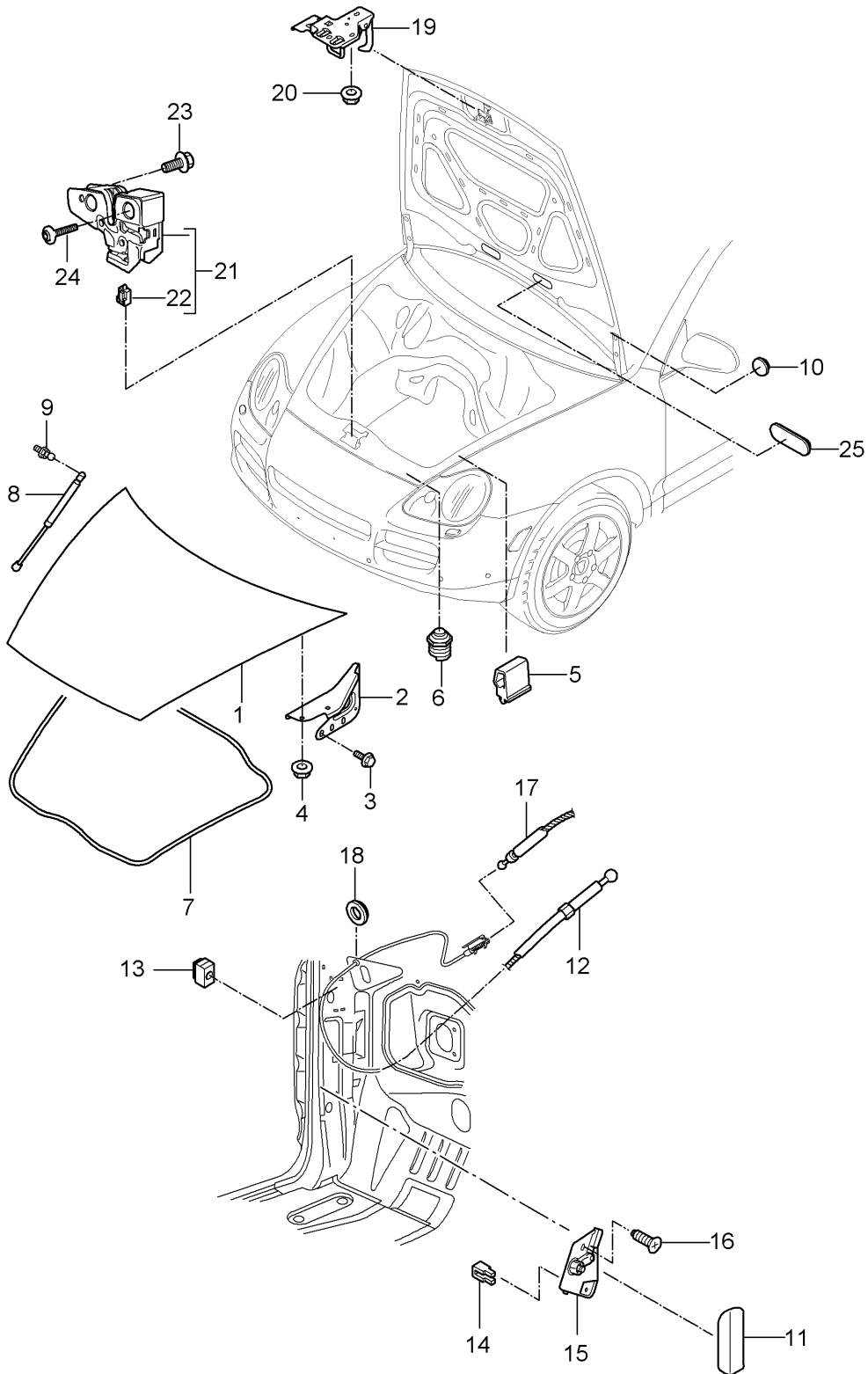
Model: 9PA108

Model life 2007>>2010

Pos	Part Number	Description	Remark	Qty	Model
27	N 901 162 02	Cover Clamping washer 4,0 X 11,8		X	I2JL/2JX
28	955 505 875 10	Spoiler		1	I2D0/2D3
(28)	955 505 875 11	Spoiler Lower part		1	I2D1/2D2/2D4
	955 505 875 11 G2X	Prime coated			
29	955 505 847 00	Support		1	I1G3/6P1
30	N 910 907 01	Screw 5,0 X 20		X	
31	955 505 085 00	Cover	/L	1	
(31)	955 505 086 00	Cover	/R	1	
32	955 505 747 00	Heat protection	/L	1	
(32)	955 505 748 00	Heat protection Cover	/R	1	
33	N 908 298 02	Tapping screw 5,0 X 14,5		X	
34	N 900 942 01	Speed nut		X	

Model: 9PA108

Model life 2007>>2010

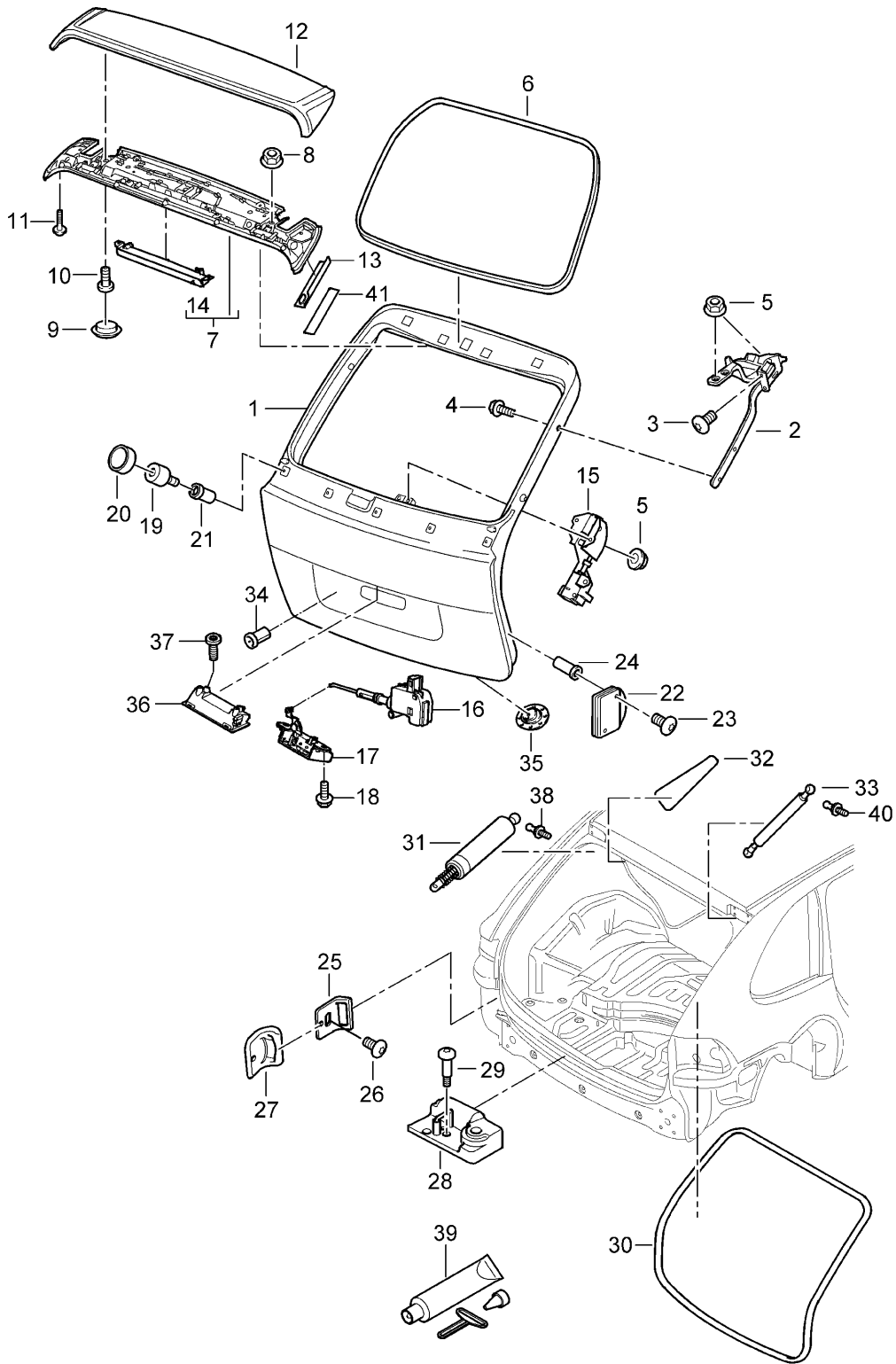


Model: 9PA108 Model life 2007>>2010

Pos	Part Number	Description	Remark	Qty	Model
1	955 511 011 00	Lid Front		1	ID5V/D5X
(1)	955 511 011 00 GRV	Lid Prime coated		1	ID5Z
	955 511 011 02	Lid		1	
	955 511 011 02 GRV	Prime coated		1	
2	955 511 301 00	Hinge	/L	1	
(2)	955 511 302 00	Hinge	/R	1	
3	N 908 079 02	Combination screw M8 X 20		4	
4	N 905 115 05	Combined nut M 8		4	
5	955 511 493 00	Guide piece		2	
6	955 511 500 00	Rubber buffer		2	
7	955 511 707 01	Gasket		1	
8	955 511 359 00	Damper		1	
9	955 511 439 00	Ball pin M8		1	
10	N 909 087 01	Stopper A12,5 X 3		2	
11	955 511 533 00	Actuating lever	/LL	1	IL0L
	955 511 533 00 01C	Satin black			
	955 511 533 00 6C6	Sand Beige			
	955 511 533 00 6H8	Palmgreen			
	955 511 533 00 7A8	Steel grey			
(11)	955 511 533 01	Actuating lever	/RL	1	IL0R
	955 511 533 01 01C	Satin black			
	955 511 533 01 6C6	Sand Beige			
	955 511 533 01 6H8	Palmgreen			
	955 511 533 01 7A8	Steel grey			
12	955 511 535 01	Bowden cable Rear		1	
13	955 511 645 00	Clip Bowden cable		2	
14	N 909 946 01	Expander nut 4,8 X 10 Bearing bracket		2	
15	955 511 633 03	Bearing bracket	/LL	1	IL0L
(15)	955 511 633 04	Bearing bracket	/RL	1	IL0R
16	N 905 488 03	Oval-head sheetmetal screw ST 4,8 X 19		2	
17	955 511 531 00	Bowden cable	/LL	1	IL0L
17	955 511 530 00	Bowden cable Emergency operation	/LL	1	IL0L
(17)	955 511 531 01	Bowden cable	/RL	1	IL0R
(17)	955 511 530 10	Bowden cable Emergency operation Front	/RL	1	IL0R
18	955 511 196 00	Stopper		3	
19	955 511 480 01	Hook		1	
20	N 908 877 02	Hexagon nut M6		3	
21	955 511 509 02	Lid lock		1	
22	955 624 236 01	Microswitch		1	
23	N 910 664 01	Combination screw M 6 X 40		2	
24	N 100 829 08	Combination screw M 6 X 16		1	
25	955 511 440 00	Lid		2	

Model: 9PA108

Model life 2007>>2010



Model: 9PA108 Model life 2007>>2010

Pos	Part Number	Description	Remark	Qty	Model
1	955 512 011 10	Rear lid		1	I6P1
	955 512 011 10 GRV	Prime coated			
(1)	955 512 011 11	Rear lid		1	I6P2
	955 512 011 11 GRV	Prime coated			
(2)	955 512 301 01	Hinge	/L	1	I4E0
(2)	955 512 301 02	Hinge	/L	1	I4E7
2	955 512 302 00	Hinge	/R	1	
3	N 908 962 01	Lens-head screw M 8 X 20		8	
4	N 909 891 02	Pan-head screw M 8 X 16		4	
5	N 902 158 04	Hexagon nut M 6		X	
6	955 512 521 01	Gasket		1	
7	955 512 933 03	Rear window		1	
8	N 911 488 01	Rear spoiler		X	
9	955 512 975 00	Combined nut		3	
	955 512 975 00 01C	Cap			
10	WHT 001 984	Satin black Round head screw M 6 X 16		X	
11	N 909 868 02	Tapping screw ST 4,2 X 13		2	
12	955 512 939 05	Rear spoiler		1	I2D0/2D3/2D4
	955 512 939 05 G2X	Prime coated			
(12)	955 512 939 06	Rear spoiler		1	I2D1/2D2
	955 512 939 06 G2X	Prime coated			
(12)	955 512 939 06	Rear spoiler		1	
	955 512 939 06 G2X	Prime coated			
(13)	955 512 965 03	Gasket	/L	1	
13	955 512 966 03	Gasket	/R	1	
14		Rear spoiler Brake light See illustrations 9/05/05		1	
15	955 512 506 03	Lock		1	
16	955 512 761 00	Rear window Actuator Lock		1	
17	955 512 505 02	Rear lid Lock upper part		1	
18	N 906 405 02	Rear lid Round head screw M 8 X 22		2	
19	955 512 471 01	Buffer		2	
20		Rear window Cap Buffer See illustrations 8/07/35		2	
21	N 908 051 02	Blind rivet nut M6		2	
22	955 512 679 00	Guide wedge		2	
23	N 910 505 01	Screw M 6 X 28		4	
24	N 909 182 01	Blind rivet nut M 6		4	
25	955 512 683 00	Guide		2	
26	N 906 381 03	Round head screw M 6 X 12		2	
27	955 512 681 01	Rubber stop		2	
28	955 512 511 01	Lock lower part		1	IGY1

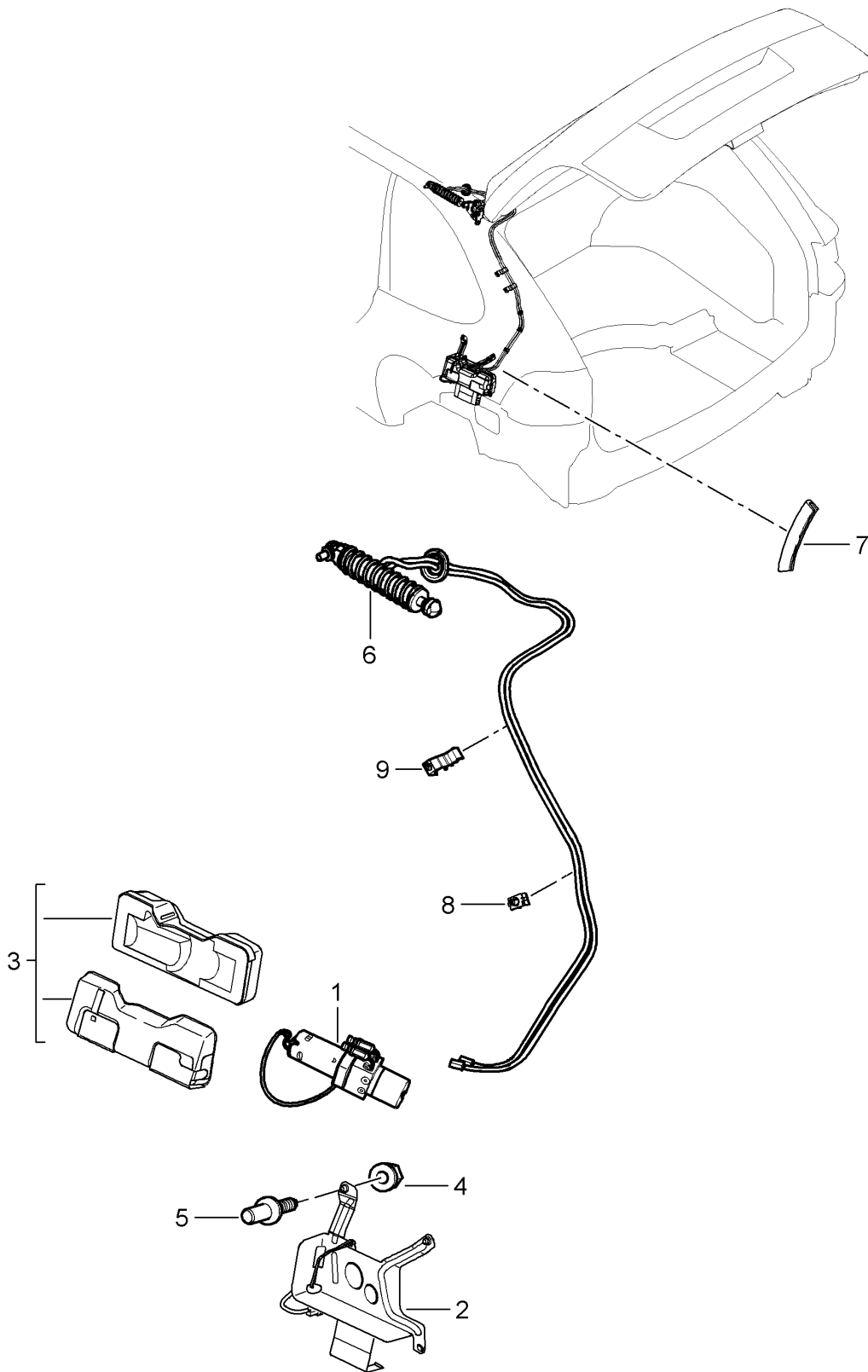
Model: 9PA108

Model life 2007>>2010

Pos	Part Number	Description	Remark	Qty	Model
29	N 908 047 02	Countersunk-head screw M 8 X 22		2	IGY1
30	955 512 705 00	Gasket Rear lid		1	
31	955 512 550 04	Gas-pressure spring	/R	1	
(31)	955 512 550 05	Gas-pressure spring Rear lid	/L	1	
32	955 512 583 02	Trim cover	/L	1	
(32)	955 512 584 02	Trim cover Damper	/R	1	
33	955 512 528 00	Gas-pressure spring Rear window		2	
34	N 907 667 02	Blind rivet nut M 6 Number plate		X	
35	955 512 188 00	Water drain valve		2	
36	955 613 271 01	Tip switch Rear lid		1	
37	N 104 840 02	Round head screw M5 X 7,0		2	
38	WHT 001 333	Ball pin M 8/13 X 16		X	
39	000 043 204 38	Sealing compound		X	
40	N 909 662 02	Ball pin M 8/10 X 13		X	
41	955 512 472 00	Set Protective film Rear spoiler	/L /R	1	I2D0/2D3 I2D0/2D3
(41)	955 512 472 01	Set Protective film Rear spoiler	/L /R	1 1	I2D1/2D2 I2D1/2D2

Model: 9PA108

Model life 2007>>2010

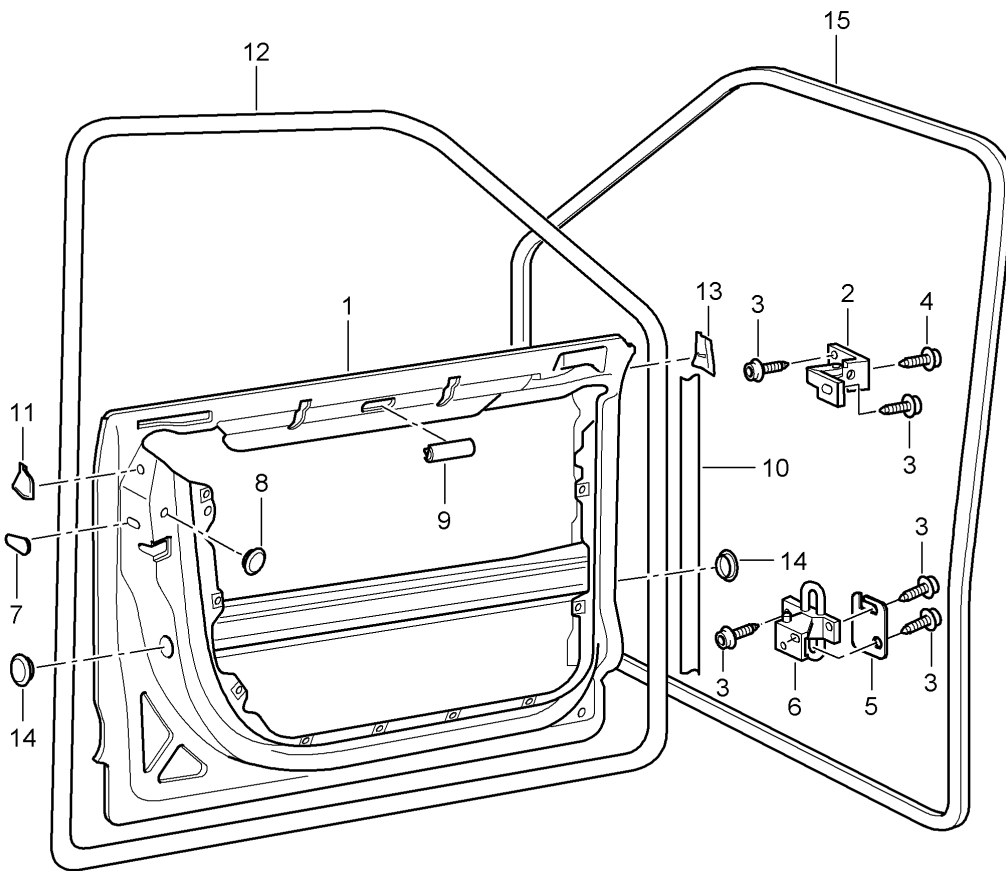


Model: 9PA108 Model life 2007>>2010

Pos	Part Number	Description	Remark	Qty	Model
		Rear lid			I4E7
		Powerlift			
1	955 512 449 00	Pump		1	
2	955 512 389 00	Support		1	
3	955 512 830 00	Sound absorber		1	
-	000 043 207 22	Velcro strip 30 x 1050 mm		1	
4	N 904 465 04	Hexagon nut M 6		3	
5	N 908 971 01	Blind rivet screw M 6 X 6,5		3	
6	955 512 383 00	Cylinder		1	
-	WHT 001 670	Rear lid Ball pin M 10		X	
7	955 512 869 00	Piping		1	
8	N 106 948 01	Support		X	
9	955 512 200 00	Support		X	
-	000 043 207 15	Refilling bottle Comprising: Oil And Screw plug		1	

Model: 9PA108

Model life 2007>>2010



Model: 9PA108 Model life 2007>>2010

Pos	Part Number	Description	Remark	Qty	Model
		Bare door shell Front Gaskets			
1	955 531 011 06	Bare door shell	/L	1	
	955 531 011 06 GRV	Prime coated			
(1)	955 531 012 07	Bare door shell	/R	1	
	955 531 012 07 GRV	Prime coated			
(2)	955 531 401 01	Hinge Upper	/L	1	
(2)	955 531 401 02	Hinge Upper	/L	1	
2	955 531 402 01	Hinge Upper	/R	1	
2	955 531 402 02	Hinge Upper	/R	1	
3	N 908 232 05	Pan-head screw M 8 X 28		12	
3	N 908 232 03	Pan-head screw M 8 X 28		12	
4	N 907 870 01	Pan-head screw M 8 X 22		2	
5	955 531 483 00	Washer Hinge Lower Repair work See technical manual	/L /R	X	
(6)	955 531 411 01	Hinge Lower	/L	1	
6	955 531 412 01	Hinge Lower	/R	1	
7	955 531 111 00	Stopper 16/12		2	
8	955 531 112 00	Stopper 16		2	
9	955 531 311 00	Rubber stop		2	
(10)	955 537 717 01	Door seal Front	/L	1	
10	955 537 718 01	Door seal Front	/R	1	
(11)	955 531 915 01	Cover	/L	1	
	955 531 915 01 B41	Satin black			
(11)	955 531 915 02	Cover	/L	1	
	955 531 915 02 B41	Satin black			
11	955 531 916 01	Cover	/R	1	
	955 531 916 01 B41	Satin black			
11	955 531 916 02	Cover	/R	1	
	955 531 916 02 B41	Satin black			
12	955 537 911 02	Door seal Outer		2	
(13)	955 531 865 00	Cover	/L	1	
	955 531 865 00 01C	Black			
(13)	955 531 865 02	Cover	/L	1	
	955 531 865 02 01C	Black			
13	955 531 866 00	Cover	/R	1	
	955 531 866 00 01C	Black			
13	955 531 866 02	Cover	/R	1	
	955 531 866 02 01C	Black			
14	955 531 935 00	Cap 30		4	
15	955 537 365 02	Door seal Inner		2	
16	N 904 030 03	Cap 13 X 14		2	

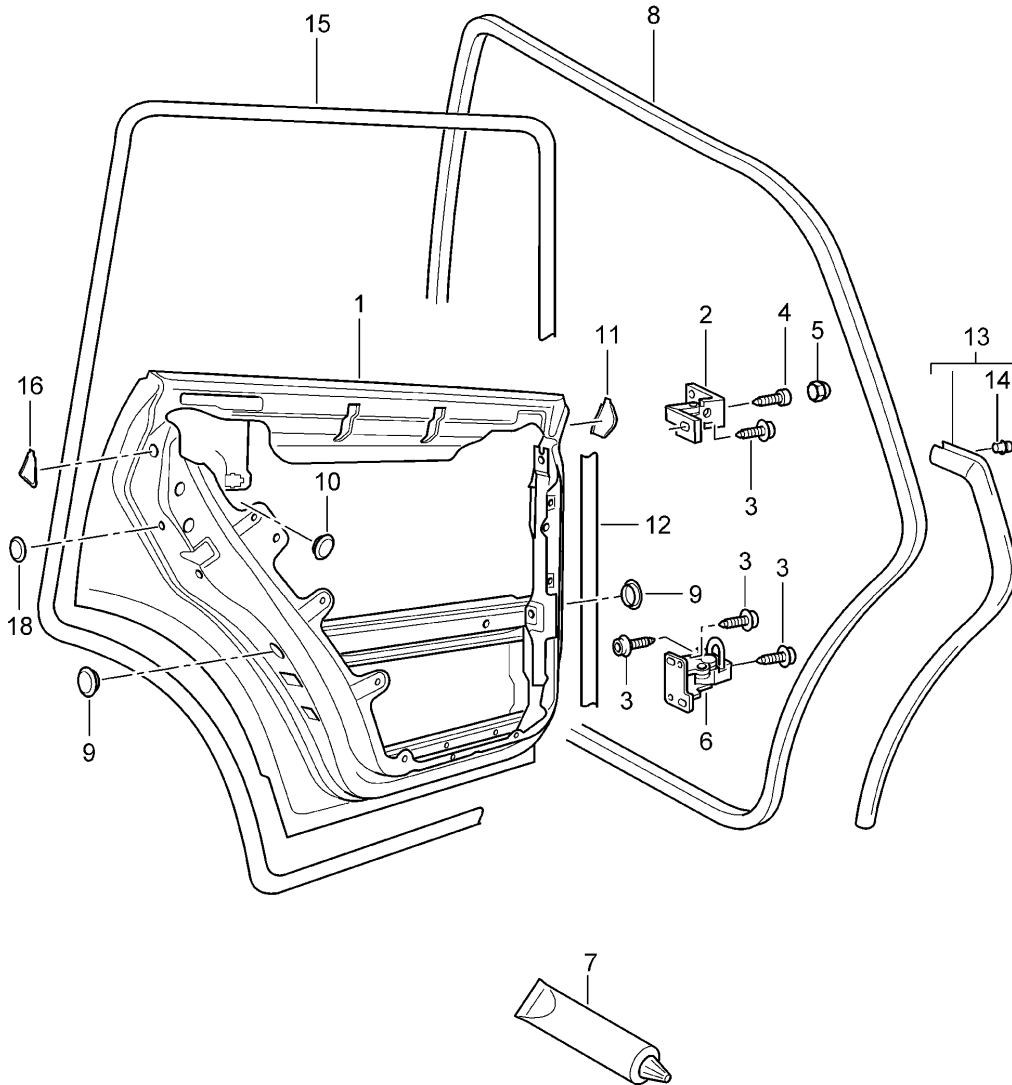
Model: 9PA108

Model life 2007>>2010

Pos	Part Number	Description	Remark	Qty	Model
17	000 043 206 35	Grease Door arrester 10 GR.		X	
17	000 043 300 13	Grease Door arrester 80 GR.		1	

Model: 9PA108

Model life 2007>>2010

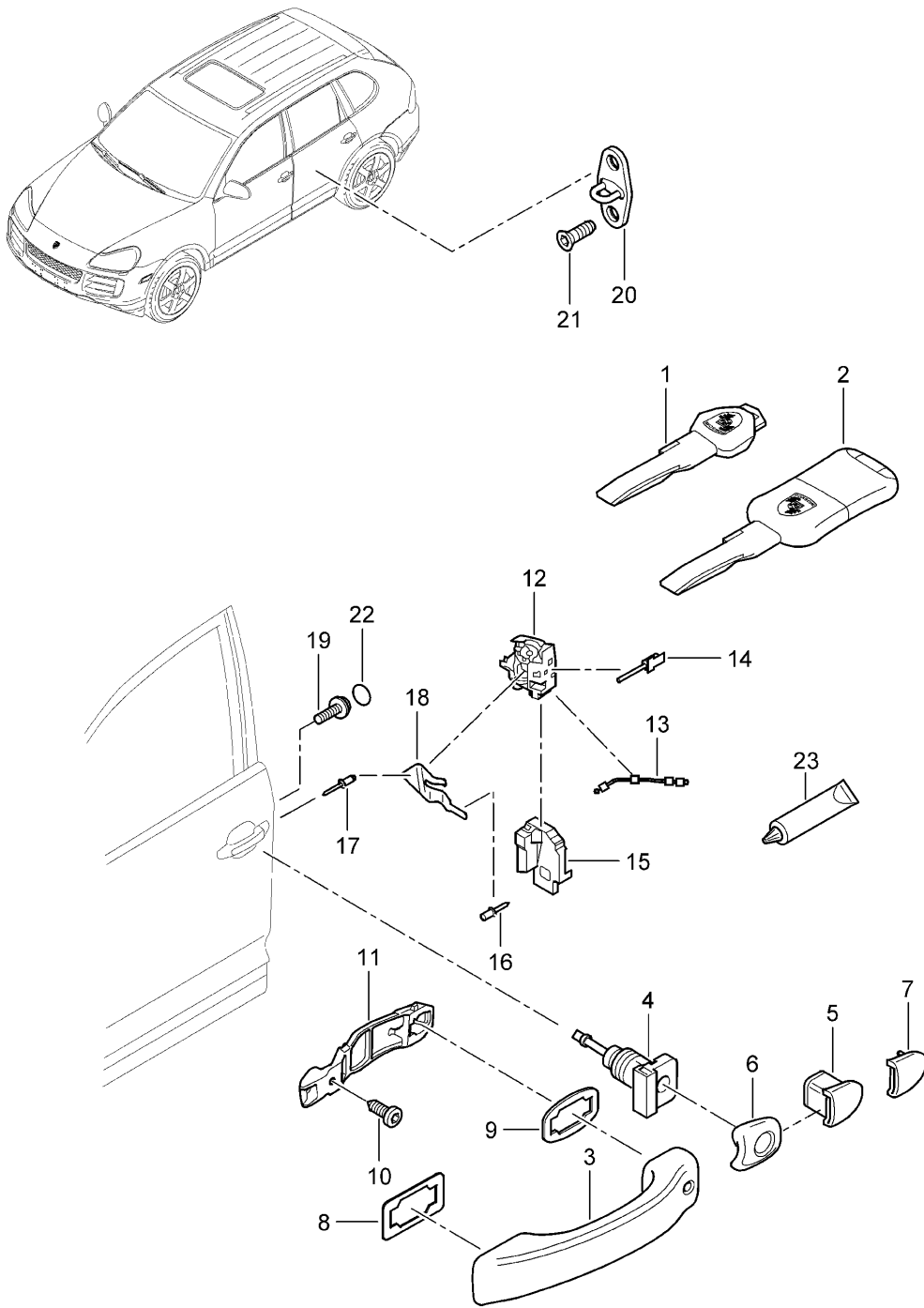


Model: 9PA108 Model life 2007>>2010

Pos	Part Number	Description	Remark	Qty	Model
		Door in white			
		Rear			
		Gaskets			
1	955 533 011 05	Bare door shell	/L	1	
	955 533 011 05 GRV	Prime coated			
1	955 533 011 06	Bare door shell	/L	1	
	955 533 011 06 GRV	Prime coated			
(1)	955 533 012 05	Bare door shell	/R	1	
	955 533 012 05 GRV	Prime coated			
(1)	955 533 012 06	Bare door shell	/R	1	
	955 533 012 06 GRV	Prime coated			
(2)	955 533 401 01	Hinge	/L	1	
		Upper			
2	955 533 402 01	Hinge	/R	1	
		Upper			
3	N 908 232 05	Pan-head screw		10	
		M 8 X 28			
4	N 907 870 01	Pan-head screw		4	
		M 8 X 22			
5	N 904 030 03	Cap		2	
		13 X 14			
(6)	955 533 411 01	Hinge	/L	1	
		Lower			
6	955 533 412 01	Hinge	/R	1	
		Lower			
7	000 043 206 35	Grease		X	
		Door arrester			
		10 GR.			
7	000 043 300 13	Grease		1	
		Door arrester			
		80 GR.			
8	955 539 367 02	Door seal		2	
		Outer			
9	955 531 935 00	Cap		4	
		30			
10	955 531 112 00	Stopper		2	
		16			
(11)	955 531 349 00	Cover	/L	1	
11	955 531 350 00	Cover	/R	1	
(12)	955 533 717 00	Door seal	/L	1	
		Front			
12	955 533 718 00	Door seal	/R	1	
		Front			
(13)	955 533 761 01	Door seal	/L	1	
		Outer			
		Rear			
13	955 533 762 01	Door seal	/R	1	
		Outer			
		Rear			
14	955 533 723 00	Clip		2	
15	955 533 911 02	Door seal		2	
		Outer			
(16)	955 533 915 00	Cover	/L	1	
	955 533 915 00 B41	Satin black			
16	955 533 916 00	Cover	/R	1	
	955 533 916 00 B41	Satin black			
18	955 531 111 10	Cap		2	
		16			

Model: 9PA108

Model life 2007>>2010



Model: 9PA108 Model life 2007>>2010

Pos	Part Number	Description	Remark	Qty	Model
1	955 538 916 00	Door handle Door lock Front Emergency key State lock number Information available		1	
2		Handheld transmitter See illustrations 9/01/04		1	
3	955 531 030 00	Door handle		X	-IQJ4/I4F2 I4F6
	955 531 030 00 G2X	Prime coated Satin aluminium			
(3)	955 531 030 01	Door handle		X	IQJ4/4F2/4F6
	955 531 030 01 G2X	Prime coated Black			
(3)	955 531 032 00	Door handle		X	-IQJ4/I4K0 I4K3
	955 531 032 00 G2X	Prime coated Satin aluminium			
(3)	955 531 032 01	Door handle		X	IQJ4/4K0/4K3
	955 531 032 01 G2X	Prime coated Black			
4	955 531 034 01	Lock cylinder Driver's door Vehicle Ident. No. Indicate	/LL	1	IL0L
(4)	955 531 035 01	Lock cylinder Driver's door Vehicle Ident. No. Indicate	/RL	1	IL0R
(5)	955 531 036 01	Housing Passenger's side		1	
6	955 531 037 00	Cap		1	
	955 531 037 00 4W9	Satin aluminium			
	955 531 037 00 VV1	Black Housing Driver's door			
7	955 531 038 00	Cap		1	
	955 531 038 00 4W9	Satin aluminium			
	955 531 038 00 VV1	Black Housing Passenger's door			
8	955 531 039 00	Desk pad Door handle Front		1	
9	955 531 040 00	Desk pad Door handle Rear		1	
10	N 908 976 02	Oval-head screw for Supporting bow		1	
11	955 531 041 02	Supporting bow	/RL /L	1	IL0R
(11)	955 531 042 02	Supporting bow Door handle	/LL /R	1	IL0L
(11)	955 531 043 02	Supporting bow	/LL /L	1	IL0L
(11)	955 531 044 02	Supporting bow Door handle	/RL /R	1	IL0R
12	955 531 015 00	Door lock	/LL /L	1	IL0L/4K3
(12)	955 531 016 00	Door lock	/LL /R	1	IL0L/4K3
(12)	955 531 015 01	Door lock	/LL /L	1	IL0L/4K0
(12)	955 531 016 01	Door lock	/LL /R	1	IL0L/4K0
(12)	955 531 015 02	Door lock	/LL /L	1	IL0L/4F2

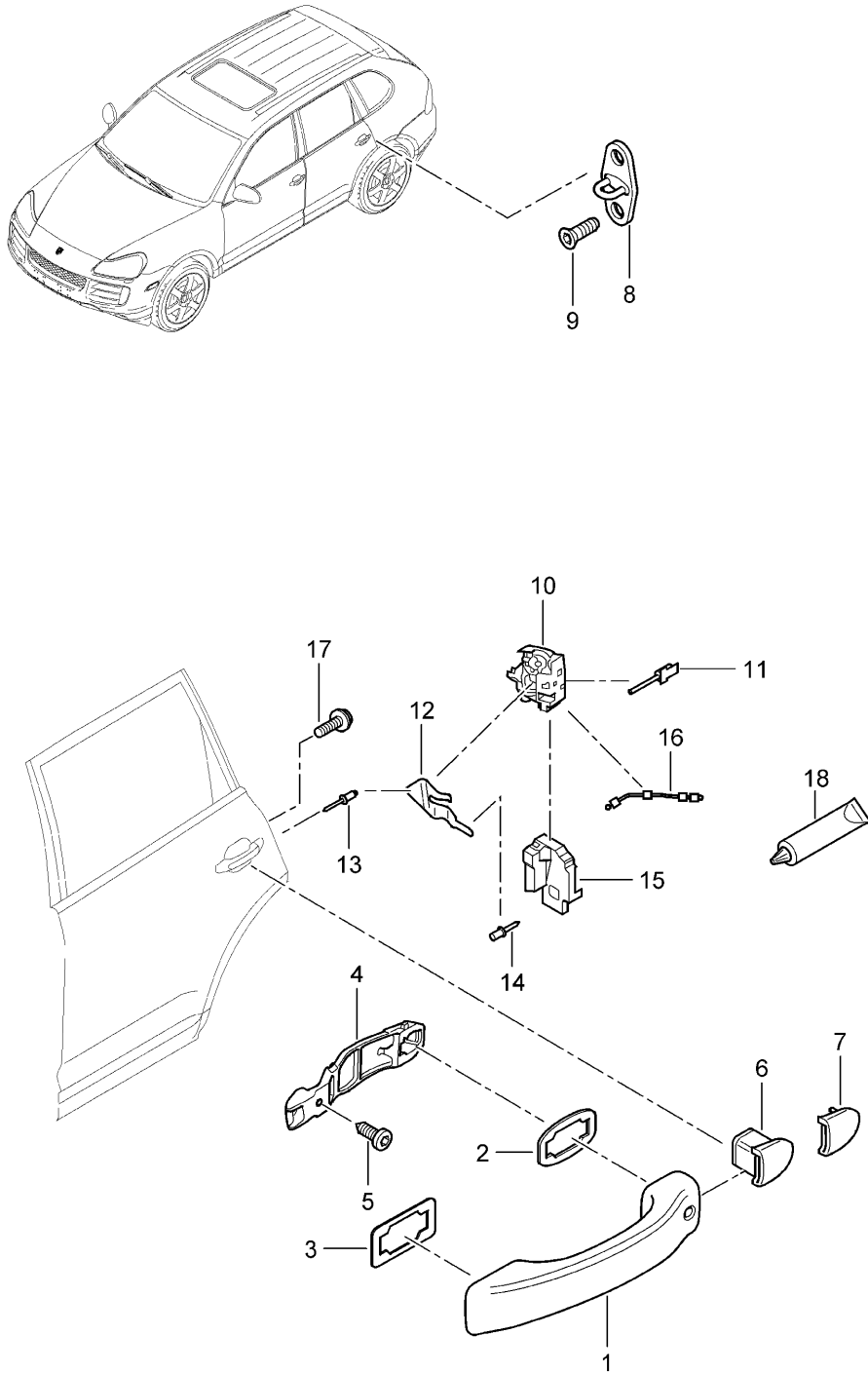
Model: 9PA108

Model life 2007>>2010

Pos	Part Number	Description	Remark	Qty	Model
(12)	955 531 016 02	Door lock	/LL /R	1	IL0L/4F2
(12)	955 531 015 03	Door lock		1	I4F6
(12)	955 531 016 03	Door lock	/LL /R	1	IL0L/4F6
(12)	955 531 015 04	Door lock	/RL /L	1	IL0R/4K3
(12)	955 531 016 04	Door lock	/RL /R	1	IL0R/4K3
(12)	955 531 015 05	Door lock	/RL /L	1	IL0R/4F2
(12)	955 531 016 05	Door lock	/RL /R	1	IL0R/4F2
13	955 531 024 00	Bowden cable Door opener Inner To		1	
14	955 531 069 00	Door lock Traction Door handle Outer To	/L	1	
(14)	955 531 070 00	Door lock Traction Door handle Outer To	/R	1	
15	955 531 089 01	Door lock Cover	/L	1	
(15)	955 531 090 01	Door lock Cover	/R	1	
16	N 908 258 01	Blind rivet A4 X 13		1	
17	N 907 657 01	Blind rivet A4,8 X 15		1	
18	955 533 867 00	Retaining bracket	/L	1	
(18)	955 533 868 00	Retaining bracket for	/R	1	
19	N 908 005 01	Door lock Oval-head screw for		2	
20	3B0 837 033 P	Door lock Door lock striker		1	
21	N 908 047 02	Countersunk-head screw M8 X 22		2	
22	955 531 935 00	Cap		2	
23	000 043 206 17	Grease 10 GRAMM 1 tube Door handle Lock cylinder		X	

Model: 9PA108

Model life 2007>>2010



Model: 9PA108 Model life 2007>>2010

Pos	Part Number	Description	Remark	Qty	Model
1	955 532 010 00 955 532 010 00 G2X	Door handle Door lock Rear Door handle Prime coated Satin aluminium		X	I4F2/4F6
(1)	955 532 010 01 955 532 010 01 G2X	Door handle Prime coated Black		X	IQJ4/4F2/4F6
(1)	955 531 032 00 955 531 032 00 G2X	Door handle Prime coated Satin aluminium		X	I4K0/4K3
(1)	955 531 032 01 955 531 032 01 G2X	Door handle Prime coated Black		X	IQJ4/4K0/4K3
2	955 531 040 00	Desk pad Rear		1	
3	955 531 039 00	Desk pad Front		1	
4	955 532 885 02	Supporting bow	/L	1	
(4)	955 532 886 02	Supporting bow Door handle	/R	1	
5	N 908 976 02	Oval-head screw for Supporting bow		1	
(6)	955 531 036 01	Housing		1	
7	955 531 038 00 955 531 038 00 4W9 955 531 038 00 VV1	Cap Satin aluminium Black		1	
8	3B0 837 033 P	Door lock striker		1	
9	N 908 047 02	Countersunk-head screw M8 X 22		2	
10	955 532 015 00	Door lock	/L	1	I4K3
(10)	955 532 016 00	Door lock	/R	1	I4K3
(10)	955 532 015 01	Door lock	/L	1	I4K0
(10)	955 532 016 01	Door lock	/R	1	I4K0
(10)	955 532 015 02	Door lock	/L	1	I4F2
(10)	955 532 016 02	Door lock	/R	1	I4F2
(10)	955 532 015 03	Door lock	/L	1	I4F6
(10)	955 532 016 03	Door lock	/R	1	I4F6
11	955 533 059 00	Traction Door handle Outer To	/L	1	
(11)	955 533 060 00	Door lock Traction Door handle Outer To	/R	1	
12	955 533 867 00	Door lock Retaining bracket	/L	1	
(12)	955 533 868 00	Retaining bracket	/R	1	
13	N 907 657 01	Blind rivet A4 X 15		1	
14	N 908 258 01	Blind rivet A4 X 13		1	
15	955 533 089 02	Covering for lock	/L	1	
(15)	955 533 090 02	Covering for lock Door lock	/R	1	
16	955 533 085 00	Bowden cable Door opener Inner To		1	

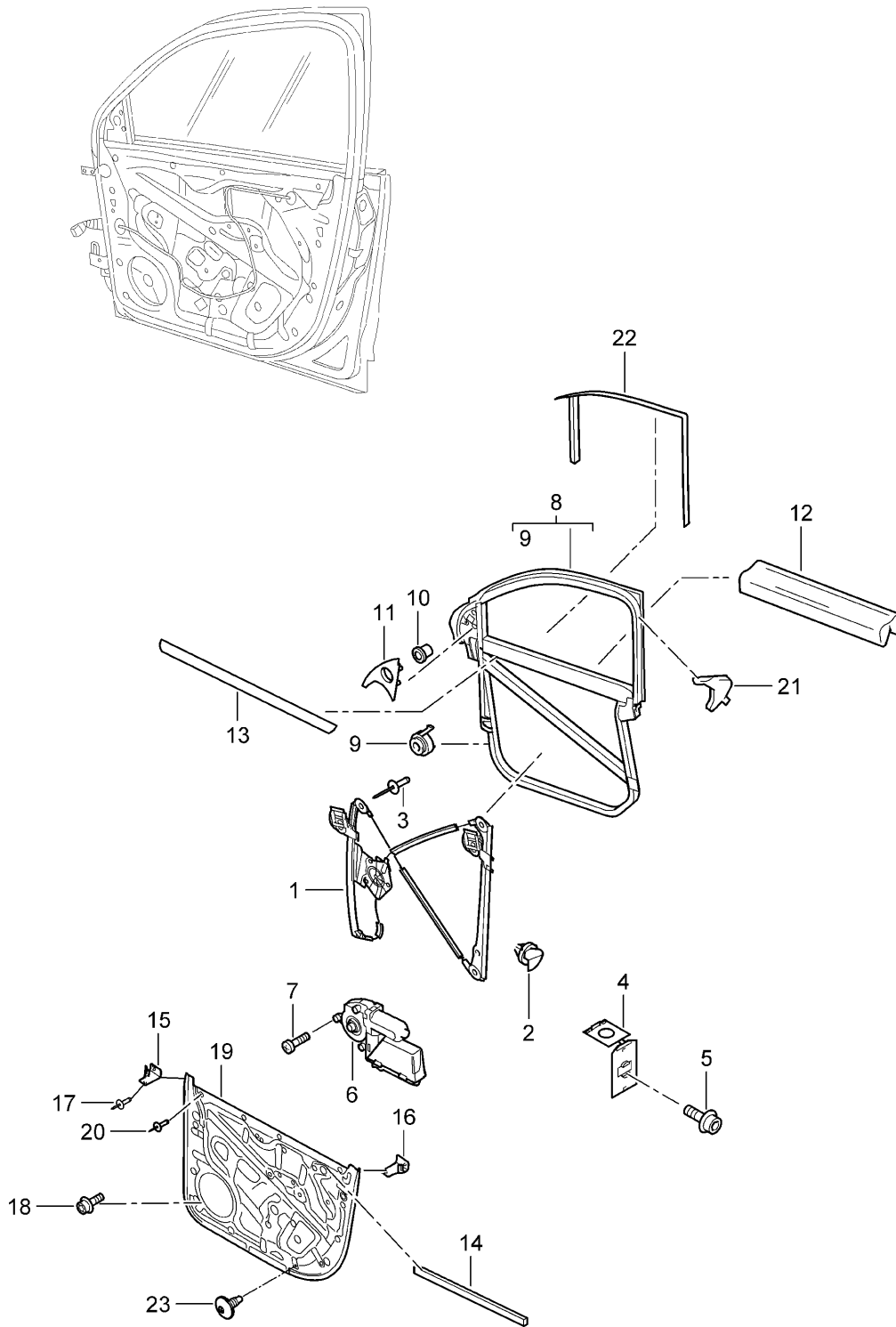
Model: 9PA108

Model life 2007>>2010

Pos	Part Number	Description	Remark	Qty	Model
17	N 908 005 01	Door lock Oval-head screw		2	
18	000 043 206 17	Door lock Grease 10 GRAMM 1 tube Door handle Lock cylinder		X	

Model: 9PA108

Model life 2007>>2010



Model: 9PA108

Model life 2007>>2010

Pos	Part Number	Description	Remark	Qty	Model
1	955 542 461 04	Power windows Front			
(1)	955 542 462 04	Power windows Information available	/L	1	
		Power windows Information available	/R	1	
2	955 542 200 00	Clip		2	
3	N 907 764 02	Blind rivet A4 X 20		4	
4	955 542 421 00	Support for Power windows		2	-IQL3/-IQL5
4	955 542 421 01	Support for Power windows		2	IQL3/QL5
5	955 533 692 00	Screw Plastic material M6 X 14		2	
6	955 624 701 02	Control unit Power windows	/LL /L	1	IL0L
(6)	955 624 702 02	Control unit Power windows	/LL /R	1	IL0L
(6)	955 624 702 03	Control unit Power windows	/RL /L	1	IL0R
(6)	955 624 701 03	Control unit Power windows	/RL /R	1	IL0R
7	955 533 691 10	Repair kit Screw Washer for window opener Engine		1	
8	955 531 353 02	Door frame	/L	1	
(8)	955 531 354 02	Door frame	/R	1	
9	955 531 346 01	Compensating socket for Door frame		3	
10	955 533 837 00	Grommet for Trim cover		1	
11		Trim cover See illustrations 8/07/10		1	
12	955 531 477 00	Sealing for door slot Outer	/L	1	
(12)	955 531 478 00	Sealing for door slot Outer	/R	1	
13	955 531 471 00	Sealing for door slot Inner	/L	1	
(13)	955 531 472 00	Sealing for door slot Inner	/R	1	
14	955 531 735 00	Plastic foam strip		1	
15	955 531 901 01	Cover	/L	1	
(15)	955 531 902 01	A-pillar Cover	/R	1	
16	955 533 801 02	A-pillar Cover	/L	1	
(16)	955 533 802 02	B-pillar Cover	/R	1	
17	N 909 311 02	Blind rivet A3,2 X 8		2	
18	955 531 643 00	Pan-head screw M8 X 42,5		4	

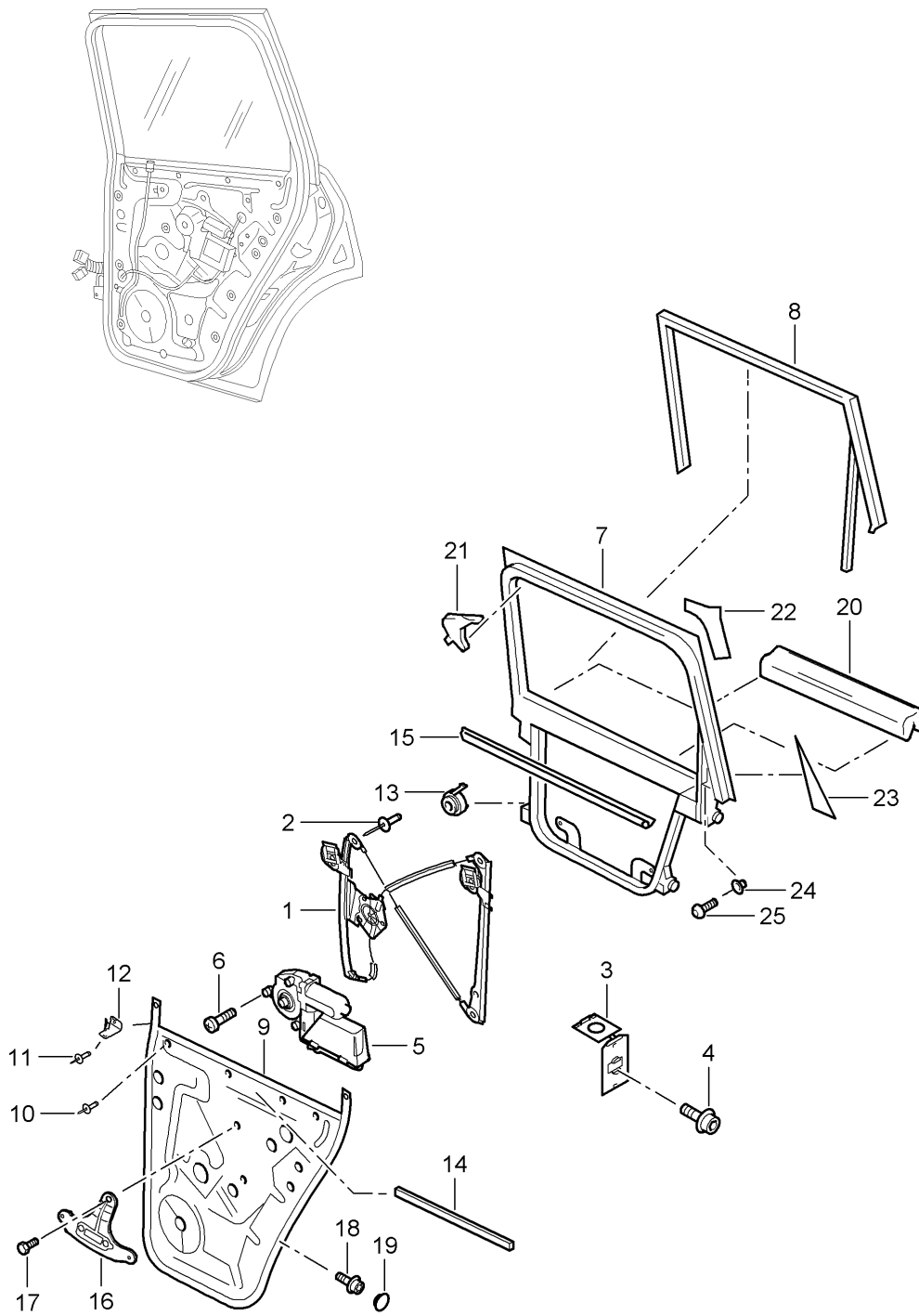
Model: 9PA108

Model life 2007>>2010

Pos	Part Number	Description	Remark	Qty	Model
18	WHT 001 886	Pan-head screw M8 X 42,5		4	
(19)	955 531 729 06	Bracket	/L	1	
(19)	955 531 730 06	Bracket	/R	1	
20	N 910 177 01	Blind rivet A4,8 X 7		4	
21	955 531 457 01	Cover Window guide	/L	1	
(21)	955 531 458 01	Cover Window guide	/R	1	
22	955 531 431 01	Window guide	/L	1	
(22)	955 531 432 01	Window guide	/R	1	
23	N 910 113 01	Screw for Bracket		X	

Model: 9PA108

Model life 2007>>2010



Model: 9PA108

Model life 2007>>2010

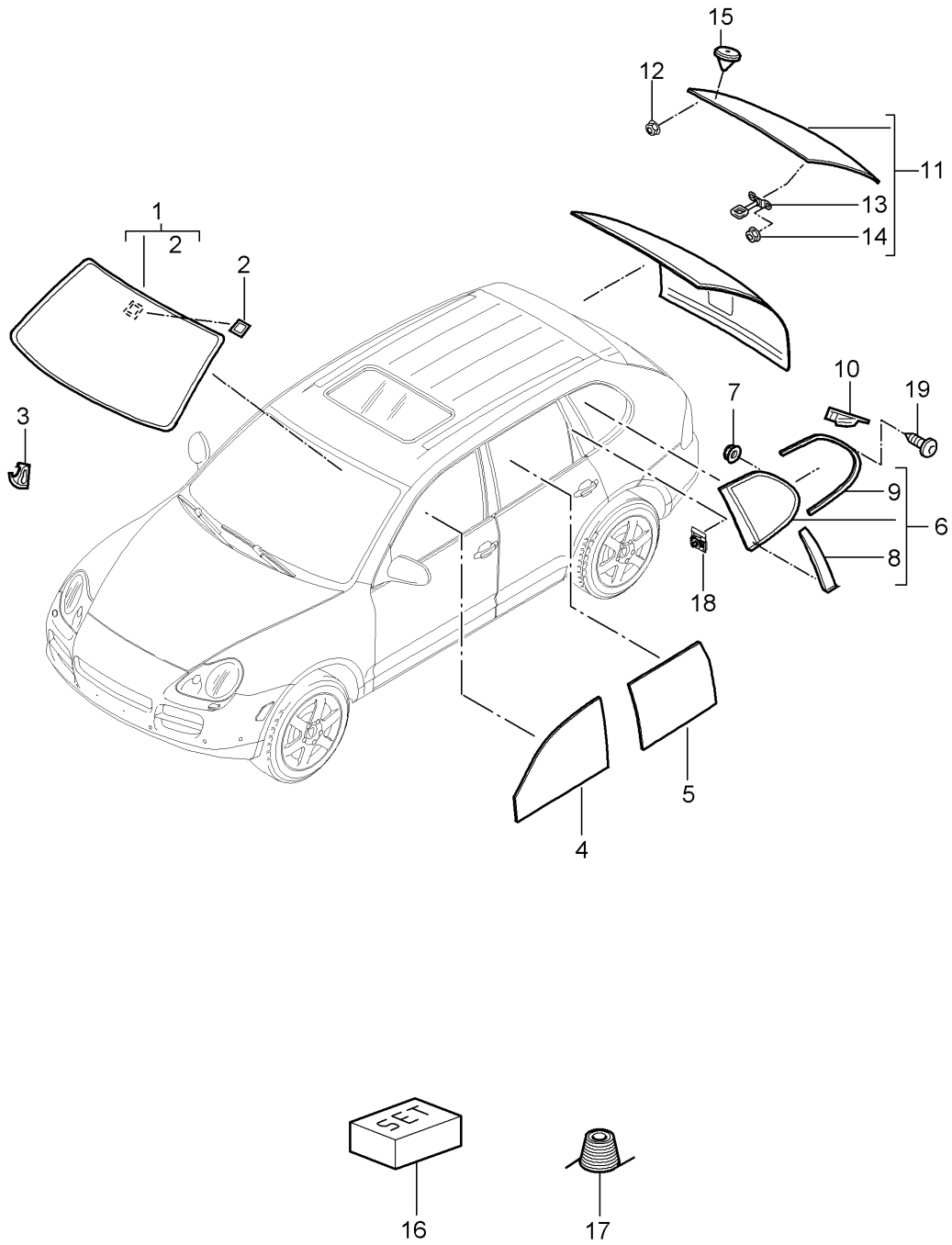
Pos	Part Number	Description	Remark	Qty	Model
		Power windows Rear			
1	955 533 461 03	Power windows	/L	1	
(1)	955 533 462 03	Information available Power windows	/R	1	
		Information available			
2	N 907 764 02	Blind rivet A4,8 X 20		4	
3	955 542 421 00	Support for window opener		1	-IQL3/-IQL5
3	955 542 421 01	Support for window opener		1	IQL3/QL5
4	955 533 692 00	Screw Plastic material M6 X 14		2	
5	955 624 703 01	Control unit	/L	1	
(5)	955 624 704 01	Power windows Control unit	/R	1	
		Power windows			
6	955 533 691 10	Repair kit Screw Washer for window opener Engine		1	
7	955 533 353 07	Door frame	/L	1	I3Y0
(7)	955 533 354 07	Door frame	/R	1	I3Y0
(7)	955 533 353 06	Door frame	/L	1	I3Y4
(7)	955 533 354 06	Door frame	/R	1	I3Y4
8	955 533 431 00	Window guide	/L	1	-IQL6
(8)	955 533 432 00	Window guide	/R	1	-IQL6
(8)	955 533 431 01	Window guide	/L	1	IQL6
(8)	955 533 432 01	Window guide	/R	1	IQL6
(9)	955 533 729 02	Bracket	/L	1	
(9)	955 533 730 02	Bracket	/R	1	
10	N 910 177 01	Blind rivet A4,8 X 7		2	
11	N 909 311 02	Blind rivet A3,2 X 8		2	
12	955 533 801 00	Cover	/L	1	
(12)	955 533 802 00	Cover	/R	1	
13	955 531 346 00	Compensating socket for Bracket		3	
14	955 531 735 00	Plastic foam strip		1	
15	955 533 471 00	Sealing rubber	/L	1	
(15)	955 533 472 00	Sealing rubber Inner	/R	1	
16	955 533 361 01	Bracket		1	
17	N 902 452 04	Hexagon-head bolt M6 X 10		3	
18	955 531 643 00	Pan-head screw M8 X 42,5		4	
18	WHT 001 886	Pan-head screw M8 X 42,5		4	
19	955 531 935 00	Cap		2	
20	955 533 477 00	Sealing for door slot	/L	1	
(20)	955 533 478 00	Sealing for door slot Door channel Outer	/R	1	
21	955 533 151 00	Cover	/L	1	
	955 533 151 00 B41	Satin black B-pillar			
(21)	955 533 152 00	Cover	/R	1	

Model: 9PA108 Model life 2007>>2010

Pos	Part Number	Description	Remark	Qty	Model
	955 533 152 00 B41	Satin black B-pillar			
22	955 533 527 00	Cover	/L	1	
	955 533 527 00 B41	Satin black C-pillar			
(22)	955 533 528 00	Cover	/R	1	
	955 533 528 00 B41	Satin black C-pillar			
23	955 533 267 03	Cover Outer	/L	1	IQJ2/QJ5
	955 533 267 03 4W9	Gloss black			
23	955 533 267 05	Cover Outer	/L	1	IQJ4
	955 533 267 05 XX2	Black mat			
(23)	955 533 268 03	Cover Outer	/R	1	IQJ2/QJ5
	955 533 268 03 4W9	Gloss black			
(23)	955 533 268 05	Cover Outer	/R	1	IQJ4
	955 533 268 05 XX2	Black mat			
24	955 533 837 00	Grommet for Mount Cover		1	
25	N 910 017 01	Screw M5 X 14		1	
-	955 533 739 00	Foam part	/L	1	
-	955 533 740 00	Foam part	/R	1	

Model: 9PA108

Model life 2007>>2010



Model: 9PA108 Model life 2007>>2010

Pos	Part Number	Description	Remark	Qty	Model
1	955 541 111 10	window glazing Windscreen		1	I4GF
(1)	955 541 111 11	Windscreen		1	I4GY
(1)	955 541 111 12	Windscreen	09-	1	I0F9/4GF
(1)	955 541 111 13	Windscreen	09-	1	I0F9/4GY
3	955 541 530 00	Spacer Windscreen		2	
4	955 542 511 10	Door window glass	/L	1	IQL3/QL5
(4)	955 542 511 12	Door window glass Front	/L	1	IQL6
(4)	955 542 512 10	Door window glass	/R	1	IQL3/QL5
(4)	955 542 512 12	Door window glass Front	/R	1	IQL6
5	955 542 611 10	Door window glass	/L	1	IQL3
(5)	955 542 611 11	Door window glass	/L	1	IQL5
(5)	955 542 611 05	Door window glass Rear	/L	1	IQL6
(5)	955 542 612 10	Door window glass	/R	1	IQL3
(5)	955 542 612 11	Door window glass	/R	1	IQL5
(5)	955 542 612 05	Door window glass Rear	/R	1	IQL6
6	955 543 111 19	Side window	/L /H	1	IQJ2/QL3 IQV0/QV4/QV8
(6)	955 543 112 19	Side window	/R /H	1	IQJ2/QL3 IQV0/QV4/QV8
(6)	955 543 111 23	Side window	/L /H	1	IQJ4/QL3 IQV0/QV4/QV8
(6)	955 543 112 23	Side window	/R /H	1	IQJ4/QL3 IQV0/QV4/QV8
(6)	955 543 111 21	Side window	/L /H	1	IQJ2/QL3 IQV1/8L6
(6)	955 543 112 21	Side window	/R /H	1	IQJ2/QL3 IQV1/8L6
(6)	955 543 111 22	Side window	/L /H	1	IQJ4/QL3 IQV1/8L6
(6)	955 543 112 22	Side window	/R /H	1	IQJ4/QL3 IQV1/8L6
(6)	955 543 111 20	Side window	/L /H	1	IQJ2/QL5 IQV0/QV4/QV8
(6)	955 543 112 20	Side window	/R /H	1	IQJ2/QV4 IQV0/QV4/QV8
(6)	955 543 111 24	Side window	/L /H	1	IQJ4/QL5 IQV0/QV4/QV8
(6)	955 543 112 24	Side window	/R /H	1	IQJ4/QL5 IQV0/QV4/QV8
(6)	955 543 111 25	Side window	/L /H	1	IQJ2/QL5 IQV1/8L6
(6)		Side window	/L /H	1	IQJ2/QL5 IQV0/7Q4/8L6
(6)	955 543 112 25	Side window	/R /H	1	IQJ2/QL5 IQV1/8L6
(6)		Side window	/R /H	1	IQJ2/QL5 IQV0/7Q4/8L6
(6)	955 543 111 26	Side window	/L /H	1	IQJ4/QL5 IQV1/8L6
(6)	955 543 112 26	Side window	/R /H	1	IQJ4/QL5 IQV1/8L6
(6)	955 543 111 18	Side window	/L /H	1	IQJ2/QL6 IQV0/QV4/QV8
(6)	955 543 112 18	Side window	/R /H	1	IQJ2/QL6 IQV0/QV4/QV8
(6)	955 543 112 33	Side window	/R /H	1	IQJ2/QL6 IQV0/QV4/QV8

Model: 9PA108 Model life 2007>>2010

Pos	Part Number	Description	Remark	Qty	Model
(6)	955 543 111 27	Side window	/L /H	1	IQJ4/QL6 IQV0/QV4/QV8
(6)	955 543 112 27	Side window	/R /H	1	IQJ4/QL6 IQV0/QV4/QV8
(6)	955 543 111 28	Side window	/L /H	1	IQJ2/QL6 IQV1/8L6
(6)	955 543 112 28	Side window	/R /H	1	IQJ2/QL6 IQV1/8L6
(6)	955 543 111 29	Side window	/L /H	1	IQJ4/QL6 IQV1/8L6
(6)	955 543 112 29	Side window	/R /H	1	IQJ4/QL6 IQV1/8L6
7	N 908 802 04	Hexagon nut		14	
8	955 543 381 00	Cover	/L	1	IQJ2
		C-pillar			
	955 543 381 00 4W9	Satin aluminium			
	955 543 381 00 XX2	Black mat			
	955 543 381 00 D7Z	Titanium			
(8)	955 543 381 00	Cover	/L	1	IQJ4
		C-pillar			
	955 543 381 00 4W9	Satin aluminium			
	955 543 381 00 XX2	Black mat			
	955 543 381 00 D7Z	Titanium			
(8)	955 543 382 00	Cover	/R	1	IQJ2
		C-pillar			
	955 543 382 00 4W9	Satin aluminium			
	955 543 382 00 XX2	Black mat			
	955 543 382 00 D7Z	Titanium			
(8)	955 543 382 00	Cover	/R	1	IQJ4
		C-pillar			
	955 543 382 00 4W9	Satin aluminium			
	955 543 382 00 XX2	Black mat			
	955 543 382 00 D7Z	Titanium			
9	955 559 195 00	Moulding	/L	1	IQJ2
	955 559 195 00 4W9	Satin aluminium			
	955 559 195 00 XX2	Black mat			
(9)	955 559 195 00	Moulding	/L	1	IQJ4
	955 559 195 00 4W9	Satin aluminium			
	955 559 195 00 XX2	Black mat			
(9)	955 559 196 00	Moulding	/R	1	IQJ2
	955 559 196 00 4W9	Satin aluminium			
	955 559 196 00 XX2	Black mat			
(9)	955 559 196 00	Moulding	/R	1	IQJ4
	955 559 196 00 4W9	Satin aluminium			
	955 559 196 00 XX2	Black mat			
10	955 543 519 00	Clip	/L	1	
(10)	955 543 520 00	Clip	/R	1	
(11)	955 545 011 12	Rear window		1	IQL3/8ZM
(11)	955 545 011 20	Rear window		1	IQL3/8ZM
(11)	955 545 011 13	Rear window		1	IQL5/8ZM
(11)	955 545 011 21	Rear window		1	IQL5/8ZM
(11)	955 545 011 14	Rear window		1	IQL6/8ZM
(11)	955 545 011 22	Rear window		1	IQL6/8ZM
(11)	955 545 011 15	Rear window		1	IQL3/8L6
(11)	955 545 011 23	Rear window		1	IQL3/8L6
(11)	955 545 011 16	Rear window		1	IQL5/8L6
(11)	955 545 011 24	Rear window		1	IQL5/8L6
(11)	955 545 011 17	Rear window		1	IQL6/8L6
(11)	955 545 011 25	Rear window		1	IQL6/8L6
12	N 903 484 11	Combined nut		4	
		M 8			
		Hinge			
		Rear window			

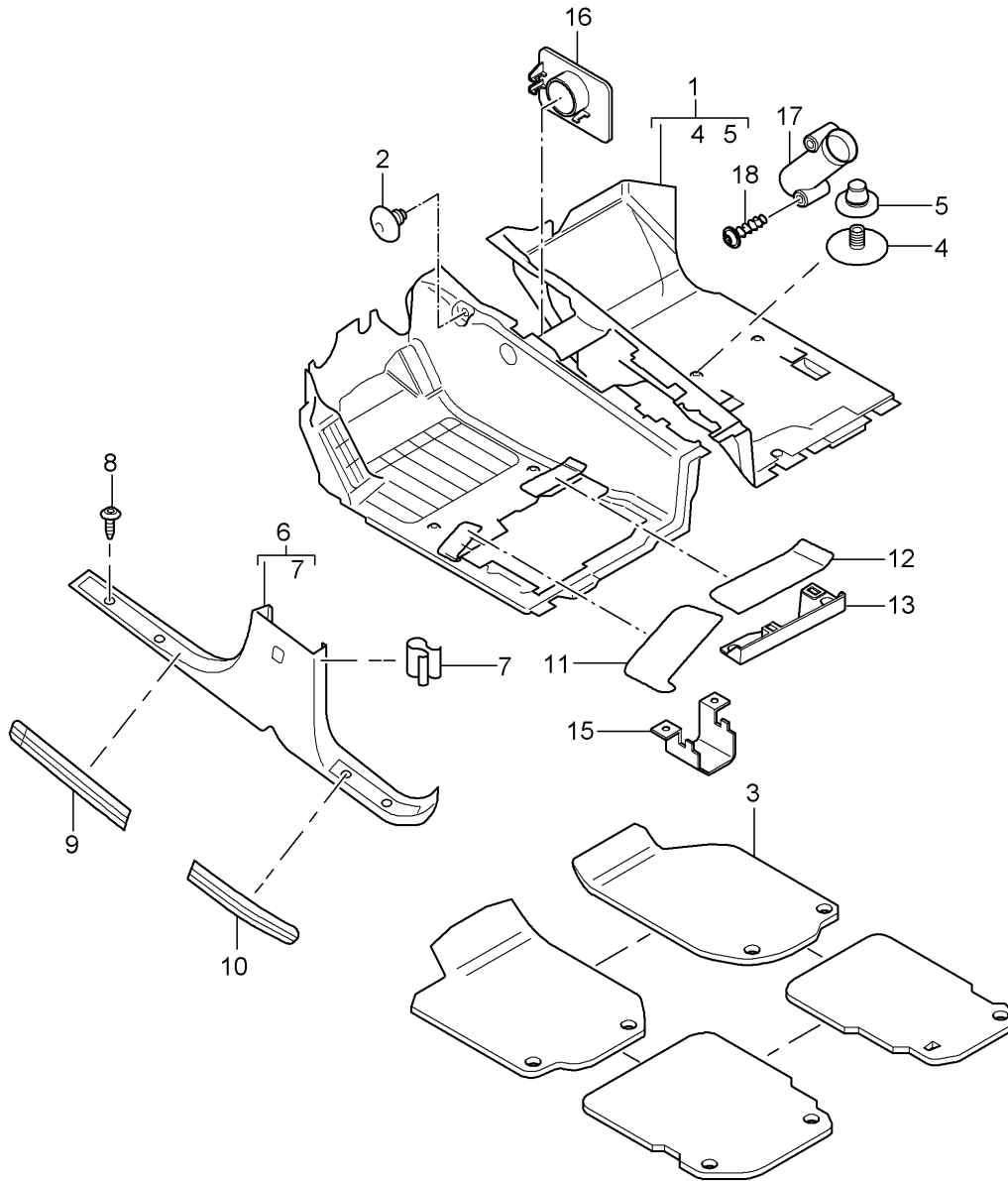
Model: 9PA108

Model life 2007>>2010

Pos	Part Number	Description	Remark	Qty	Model
13	955 545 532 01	Lock lower part		1	
14	N 902 158 04	Hexagon nut		2	
		Lock lower part			
15	955 545 540 00	Grommet		2	
16	000 043 300 94	Adhesive set		1	
		TEROSTAT 8593			
17	000 043 300 96	Wire		X	
18	955 543 573 00	Clip		X	
		Lining			
		C-pillar			
19	900 143 065 07	Tapping screw		7	
		2,9 X 9,5			
19	900 073 003 01	Tapping screw		7	
		2,9 X 9,5			
-	000 043 205 37	Mixing tube		X	
		Supplement set			

Model: 9PA108

Model life 2007>>2010



Model: 9PA108 Model life 2007>>2010

Pos	Part Number	Description	Remark	Qty	Model
1	955 551 021 07	Carpet Front Accessories Carpet	/LL	1	ID5X/L0L/3ME I9AB/9AD
		Front Tufting velour			
	955 551 021 07 7H1	Black			
	955 551 021 07 7J2	Steel grey			
	955 551 021 07 7K3	Sand Beige			
	955 551 021 07 AV1	Chestnut brown	09-		
(1)	955 551 021 08	Carpet	/LL	1	ID5V/D5Z/L0L I3ME/9AB/9AD
		Front Tufting velour			
	955 551 021 08 7H1	Black			
	955 551 021 08 7J2	Steel grey			
	955 551 021 08 7K3	Sand Beige			
	955 551 021 08 AV1	Chestnut brown	09-		
(1)	955 551 021 08	Carpet	/LL 09-	1	ID50/L0L/3ME I9AB/9AD
		Front Tufting velour			
	955 551 021 08 7H1	Black			
	955 551 021 08 7J2	Steel grey			
	955 551 021 08 7K3	Sand Beige			
	955 551 021 08 AV1	Chestnut brown			
(1)	955 551 023 07	Carpet	/LL	1	ID5X/L0L/3ME I9AH
		Front Tufting velour			
	955 551 023 07 7H1	Black			
	955 551 023 07 7J2	Steel grey			
	955 551 023 07 7K3	Sand Beige			
	955 551 023 07 AV1	Chestnut brown	09-		
(1)	955 551 023 08	Carpet	/LL	1	ID5V/D5Z/L0L I3ME/9AH
		Front Tufting velour			
	955 551 023 08 7H1	Black			
	955 551 023 08 7J2	Steel grey			
	955 551 023 08 7K3	Sand Beige			
	955 551 023 08 AV1	Chestnut brown	09-		
(1)	955 551 023 08	Carpet	/LL 09-	1	ID50/L0L/3ME I9AH
		Front Tufting velour			
	955 551 023 08 7H1	Black			
	955 551 023 08 7J2	Steel grey			
	955 551 023 08 7K3	Sand Beige			
	955 551 023 08 AV1	Chestnut brown			
(1)	955 551 025 07	Carpet	/RL	1	ID5X/L0R/3ME I9AB/9AD
		Front Tufting velour			
	955 551 025 07 7H1	Black			
	955 551 025 07 7J2	Steel grey			
	955 551 025 07 7K3	Sand Beige			
	955 551 025 07 AV1	Chestnut brown	09-		
(1)	955 551 025 08	Carpet	/RL	1	ID5V/D5Z/L0R I3ME/9AB/9AD
		Front Tufting velour			

Model: 9PA108 Model life 2007>>2010

Pos	Part Number	Description	Remark	Qty	Model
(1)	955 551 025 08 7H1	Black	09- /RL 09-	1	ID50/L0R/3ME I9AB/9AD
	955 551 025 08 7J2	Steel grey			
	955 551 025 08 7K3	Sand Beige			
	955 551 025 08 AV1	Chestnut brown			
	955 551 025 08	Carpet			
(1)		Front Tufting velour	/RL	1	ID5X/L0R/3ME I9AH
	955 551 025 08 7H1	Black			
	955 551 025 08 7J2	Steel grey			
	955 551 025 08 7K3	Sand Beige			
	955 551 025 08 AV1	Chestnut brown			
(1)	955 551 027 07	Carpet	09- /RL	1	ID5V/D5Z/L0R I3ME/9AH
		Front Tufting velour			
	955 551 027 07 7H1	Black			
	955 551 027 07 7J2	Steel grey			
	955 551 027 07 7K3	Sand Beige			
(1)	955 551 027 07 AV1	Chestnut brown	09- /RL 09-	1	ID50/L0R/3ME I9AH
	955 551 027 08	Carpet			
		Front Tufting velour			
	955 551 027 08 7H1	Black			
	955 551 027 08 7J2	Steel grey			
(1)	955 551 027 08 7K3	Sand Beige	/LL -08	1	ID5X/L0L/3MT I9AB/9AD
	955 551 027 08 AV1	Chestnut brown			
	955 551 027 08	Carpet			
	955 551 027 08 7H1	Black			
	955 551 027 08 7J2	Steel grey			
1	955 551 027 08 7K3	Sand Beige	/LL -08	1	ID5V/D5Z/L0L I3MT/9AB/9AD
	955 551 027 08 AV1	Chestnut brown			
	955 551 029 07	Carpet			
		Front Perlon velour			
	955 551 029 07 L63	Chestnut brown			
1	955 551 029 07 8B2	Black	/LL -08	1	ID5X/L0L/3MT I9AH
	955 551 029 07 8C3	Steel grey			
	955 551 029 07 8D4	Sand Beige			
	955 551 029 08	Carpet			
		Front Perlon velour			
(1)	955 551 029 08 L63	Chestnut brown	/LL -08	1	ID5V/D5Z/L0L I3MT/9AH
	955 551 029 08 8B2	Black			
	955 551 029 08 8C3	Steel grey			
	955 551 029 08 8D4	Sand Beige			
	955 551 031 07	Carpet			
(1)		Front Perlon velour	/LL -08	1	ID5X/L0L/3MT I9AH
	955 551 031 07 L63	Chestnut brown			
	955 551 031 07 8B2	Black			
	955 551 031 07 8C3	Steel grey			
	955 551 031 07 8D4	Sand Beige			
(1)	955 551 031 08	Carpet	/LL -08	1	ID5V/D5Z/L0L I3MT/9AH
		Front			

Model: 9PA108 Model life 2007>>2010

Pos	Part Number	Description	Remark	Qty	Model
(1)	955 551 031 08 L63	Perlon velour Chestnut brown	/RL -08	1	ID5X/L0R/3MT I9AB/9AD
	955 551 031 08 8B2	Black			
	955 551 031 08 8C3	Steel grey			
	955 551 031 08 8D4	Sand Beige			
	955 551 030 07	Carpet			
(1)		Front Perlon velour Chestnut brown	/RL -08	1	ID5V/D5Z/L0R I3MT/9AB/9AD
	955 551 030 07 L63	Black			
	955 551 030 07 8B2	Steel grey			
	955 551 030 07 8C3	Sand Beige			
	955 551 030 07 8D4	Carpet			
(1)		Front Perlon velour Chestnut brown	/RL -08	1	ID5X/L0R/3MT I9AH
	955 551 030 08 L63	Black			
	955 551 030 08 8B2	Steel grey			
	955 551 030 08 8C3	Sand Beige			
	955 551 032 07	Carpet			
(1)		Front Perlon velour Chestnut brown	/RL -08	1	ID5V/D5Z/L0R I3MT/9AH
	955 551 032 07 L63	Black			
	955 551 032 07 8B2	Steel grey			
	955 551 032 07 8C3	Sand Beige			
	955 551 032 07 8D4	Carpet			
2		Front Perlon velour Chestnut brown		2	
	955 551 032 08 L63	Black			
	955 551 032 08 8B2	Steel grey			
	955 551 032 08 8C3	Sand Beige			
	955 551 032 08 8D4	Carpet			
3	N 906 246 01	Push button		2	
4		Floor mats		1	
		Set			
		See illustrations 8/07/00			
	955 551 227 02	Tequipment catalogue Support Carpet		4	
5	955 551 229 02	Cap		4	
	955 551 229 02 9B9	Satin black			
	955 551 229 02 6C6	Sand Beige			
	955 551 229 02 7A8	Steel grey			
	955 551 229 02 K40	Chestnut brown			
6	955 551 379 02	Scuff plate Inner	/L	1	I7AC/7AK/7AL
	955 551 379 02 9B9	Satin black			
	955 551 379 02 7A8	Steel grey			
	955 551 379 02 6C6	Sand Beige			
	955 551 381 02	Scuff plate Inner	/L -08	1	I7AH/7AU
6		Front Perlon velour Chestnut brown	/L 08-	1	I7AH/7AU
	955 551 381 02 9B9	Steel grey			
	955 551 381 02 7A8	Sand Beige			
	955 551 381 02 6C6	Scuff plate Inner			
	955 551 381 03	Satin black			

Model: 9PA108 Model life 2007>>2010

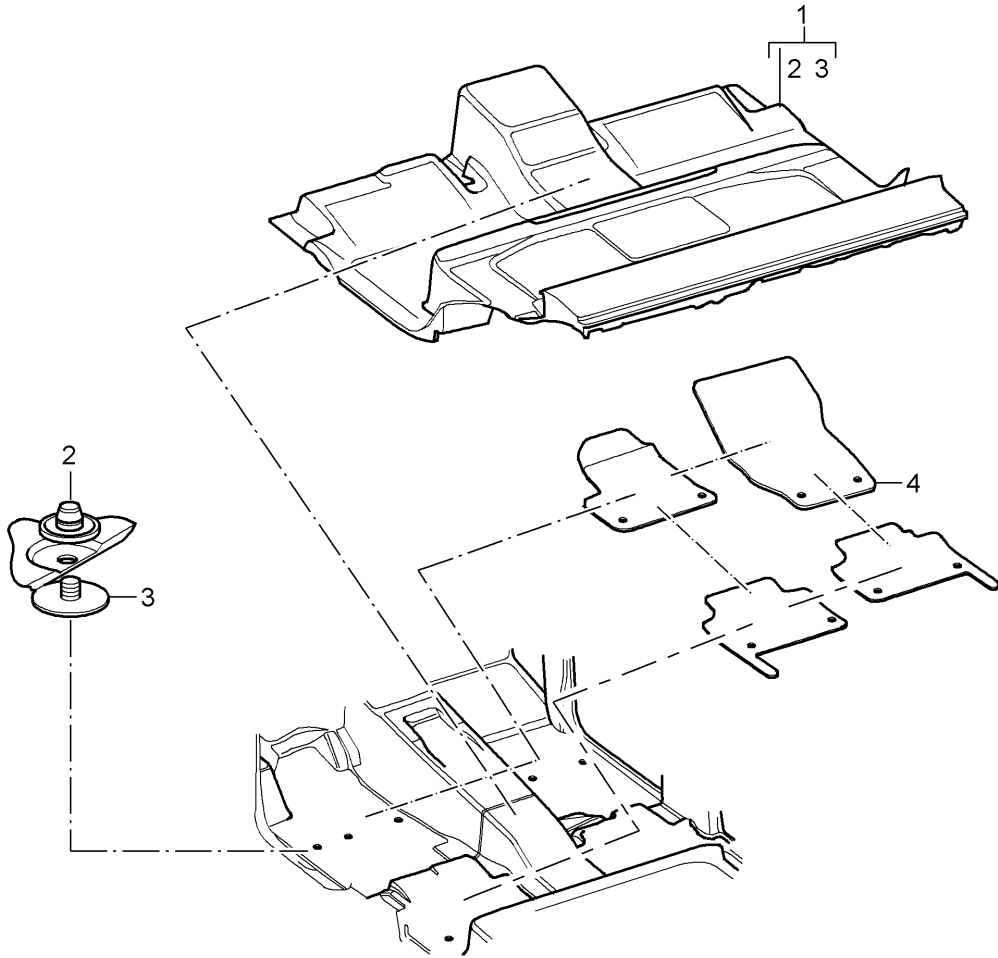
Pos	Part Number	Description	Remark	Qty	Model
(6)	955 551 381 03 7A8	Steel grey			
	955 551 381 03 6C6	Sand Beige			
	955 551 380 02	Scuff plate	/R	1	
		Inner			
	955 551 380 02 9B9	Satin black			
7	955 551 380 02 7A8	Steel grey			
	955 551 380 02 6C6	Sand Beige			
8	955 551 276 00	Clip		7	
9	N 104 472 01	Lens-head screw		4	
		Mount			
		Scuff plate			
	955 551 655 01	Cover	/L	1	I7M0
		Scuff plate			
(9)		Front			
	955 551 655 01 9B9	Satin black			
	955 551 655 01 6C6	Sand Beige			
	955 551 655 01 7A8	Steel grey			
	955 551 656 01	Cover	/R	1	I7M0
9		Scuff plate			
		Front			
	955 551 656 01 9B9	Satin black			
	955 551 656 01 6C6	Sand Beige			
	955 551 656 01 7A8	Steel grey			
9	955 551 657 01	Cover	/L	1	I7M1
		Scuff plate			
(9)		Front			
	955 551 657 01 4P7	Stainless steel			
	955 551 658 01	Cover	/R	1	I7M1
9		Scuff plate			
		Front			
	955 551 658 01 4P7	Stainless steel			
9	955 551 657 10	Cover	/L 08-	1	IE0W/7M1
		Scuff plate			
(9)		Front			
	955 551 657 10 4P7	Stainless steel			
	955 551 658 10	Cover	/R 08-	1	IE0W/7M1
(9)		Scuff plate			
		Front			
	955 551 658 10 4P7	Stainless steel			
(9)	955 551 657 11	Cover	/L 09-	1	IE2D/7M1
		Scuff plate			
(9)		Front			
	955 551 657 11 4P7	Stainless steel			
	955 551 658 11	Cover	/R 09-	1	IE2D/7M1
9		Scuff plate			
		Front			
	955 551 658 11 4P7	Stainless steel			
(9)	955 551 663 01	Cover	/L 09-	1	IE8A/7M1
		Scuff plate			
		Front			
(9)	955 551 663 01 6M7	Stainless steel			
	955 551 664 01	Cover	/R 09-	1	IE8A/7M1
		Scuff plate			
(9)		Front			
	955 551 664 01 6M7	Stainless steel			
	955 551 663 10	Cover	/L 10-	1	IE1T/7M1
(9)		Scuff plate			
		Front			
	955 551 663 10 4P7	Stainless steel			
(9)	955 551 664 10	Cover	/R 10-	1	IE1T/7M1
		Scuff plate			
		Front			
	955 551 664 10 4P7	Stainless steel			

Model: 9PA108 Model life 2007>>2010

Pos	Part Number	Description	Remark	Qty	Model
10	955 551 659 01	Cover Scuff plate Rear	/L	1	I7M0
	955 551 659 01 9B9	Satin black			
	955 551 659 01 6C6	Sand Beige			
	955 551 659 01 7A8	Steel grey			
(10)	955 551 660 01	Cover Scuff plate Rear	/R	1	I7M0
	955 551 660 01 9B9	Satin black			
	955 551 660 01 6C6	Sand Beige			
	955 551 660 01 7A8	Steel grey			
10	955 551 661 01	Cover Scuff plate Rear	/L	1	I7M1
	955 551 661 01 4P7	Stainless steel			
(10)	955 551 662 01	Cover Scuff plate Rear	/R	1	I7M1
	955 551 662 01 4P7	Stainless steel			
11	955 551 357 00	Cover Carpet Front		1	
	955 551 357 00 9B9	Satin black			
	955 551 357 00 6C6	Sand Beige			
	955 551 357 00 7A8	Steel grey			
	955 551 357 00 K40	Chestnut brown			
12	955 551 298 00	Cover Carpet Front		1	
	955 551 298 00 9B9	Satin black			
	955 551 298 00 6C6	Sand Beige			
	955 551 298 00 7A8	Steel grey			
	955 551 298 00 K40	Chestnut brown			
-	955 555 279 00	Fixing clip Cover Carpet		2	
13	955 551 456 00	Rail for Cover		1	
15	955 551 499 00	Fastening part Cover Carpet		1	
16	955 551 285 00	Frame for Adjusting screw Retaining frame	/L	1	
(16)	955 551 286 00	Frame for Adjusting screw Retaining frame	/R	1	
17	955 551 852 00	Support Warning light		1	IB0L
18	999 919 254 01	Oval-head screw 4,0 X 36,5		2	IB0L

Model: 9PA108

Model life 2007>>2010



Model: 9PA108 Model life 2007>>2010

Pos	Part Number	Description	Remark	Qty	Model
1	955 551 175 02	Carpet Rear Accessories Carpet Rear Valid up to: F >>9P8LA 10004 F >>9P8LA 40005 F >>9P8LA 90018 Tufting velour		1	I3ME/9AB/9AD
(1)	955 551 175 02 7H1 955 551 175 02 7J2 955 551 175 02 7K3 955 551 176 02	Black Steel grey Sand Beige Carpet Rear Valid up to: F >>9P8LA 10004 F >>9P8LA 40005 F >>9P8LA 90018 Tufting velour		1	I3ME/9AH
(1)	955 551 176 02 7H1 955 551 176 02 7J2 955 551 176 02 7K3 955 551 175 04 955 551 176 04	Black Steel grey Sand Beige Carpet Rear Valid from: F 9P8LA 10005>> F 9P8LA 40006>> F 9P8LA 90019>> F 9P8LA 70061>> Tufting velour	09-	1	I3ME/9AB/9AD
(1)	955 551 175 04 7H1 955 551 175 04 7J2 955 551 175 04 7K3 955 551 175 04 AV1 955 551 176 04	Black Steel grey Sand Beige Chestnut brown Carpet Rear Valid from: F 9P8LA 10005>> F 9P8LA 40006>> F 9P8LA 90019>> F 9P8LA 70061>> Tufting velour	09-	1	I3ME/9AH
(1)	955 551 176 04 7H1 955 551 176 04 7J2 955 551 176 04 7K3 955 551 176 04 AV1 955 551 171 05	Black Steel grey Sand Beige Chestnut brown Carpet Carpet Rear Valid up to: F >>9P8LA 01047 Pearl velour	09-	1	I3MT/9AB/9AD
(1)	955 551 171 05 L63 955 551 171 05 8B2 955 551 171 05 8C3 955 551 171 05 8D4 955 551 173 06	Chestnut brown Black Steel grey Sand Beige Carpet Carpet Rear Valid up to: F >>9P8LA 01047 Pearl velour		1	I3MT/9AH

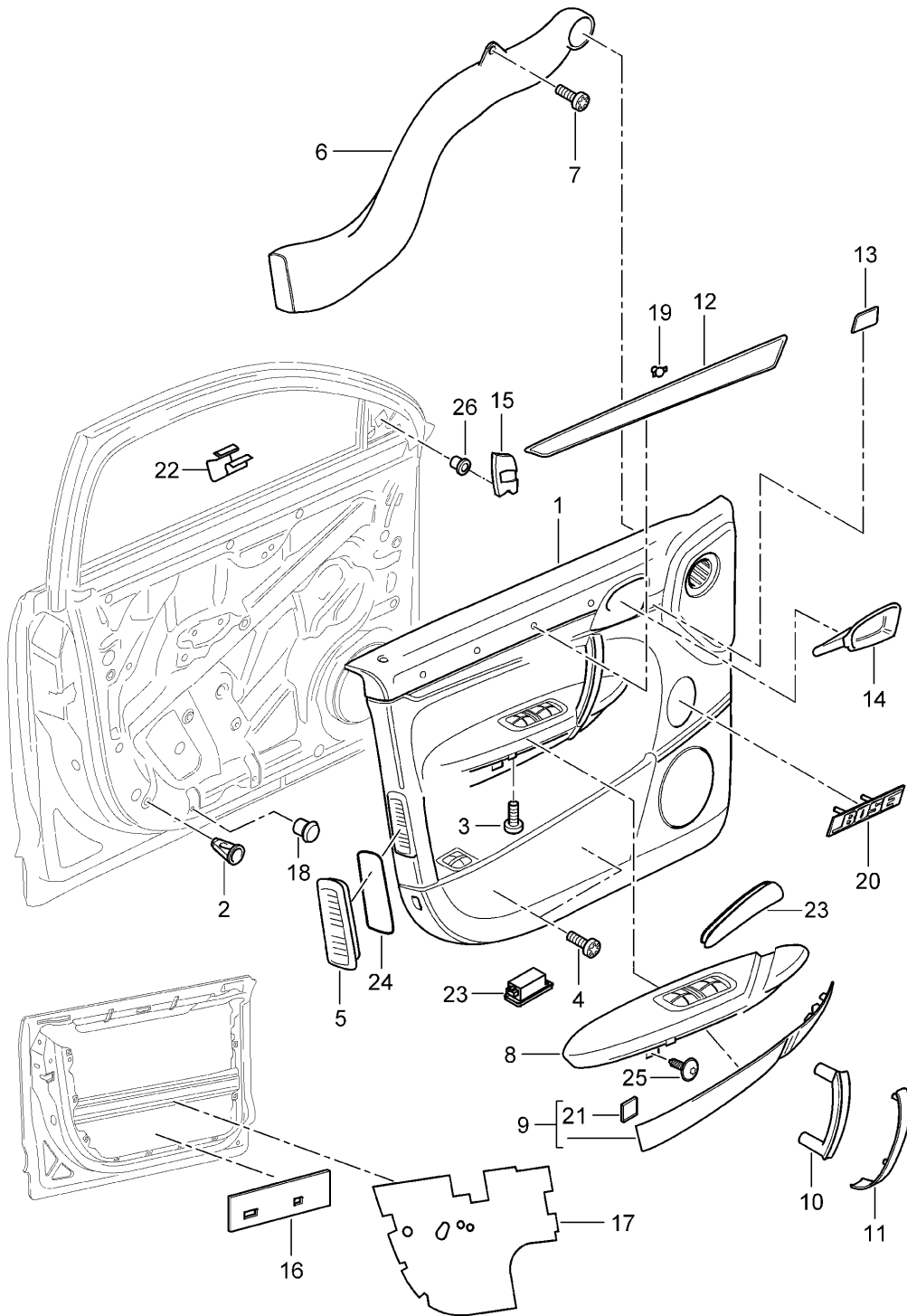
Model: 9PA108

Model life 2007>>2010

Pos	Part Number	Description	Remark	Qty	Model
1	955 551 173 06 L63	Chestnut brown	-08	1	I3MT/9AB/9AD
	955 551 173 06 8B2	Black			
	955 551 173 06 8C3	Steel grey			
	955 551 173 06 8D4	Sand Beige			
	955 551 171 07	Carpet			
		Carpet			
		Rear			
		Valid from:			
		F 9P8LA 01048>>			
		F 9P8LA 70061>>			
		Perlon velour			
(1)	955 551 171 07 L63	Chestnut brown	-08	1	I3MT/9AH
	955 551 171 07 8B2	Black			
	955 551 171 07 8C3	Steel grey			
	955 551 171 07 8D4	Sand Beige			
	955 551 173 08	Carpet			
		Carpet			
		Rear			
		Valid from:			
		F 9P8LA 01048>>			
		F 9P8LA 70061>>			
		Perlon velour			
2	955 551 173 08 L63	Chestnut brown		4	
	955 551 173 08 8B2	Black			
	955 551 173 08 8C3	Steel grey			
	955 551 173 08 8D4	Sand Beige			
	955 551 229 02	Cap			
		Carpet			
	955 551 229 02 9B9	Satin black			
	955 551 229 02 6C6	Sand Beige			
	955 551 229 02 7A8	Steel grey			
	955 551 229 02 K40	Chestnut brown			
(3)	955 551 227 02	Support		4	
		Carpet			
4		Floor mats		1	
		Set			
		See illustrations			
		8/07/00			
		Tequipment catalogue			

Model: 9PA108

Model life 2007>>2010



Model: 9PA108 Model life 2007>>2010

Pos	Part Number	Description	Remark	Qty	Model
1	955 555 123 04	Door trim panel with Insulation Front		1	IL0L/3LD/4E0 I9AB/9AD
	955 555 123 04 PBJ	Leatherette Black			
	955 555 123 04 PBK	Stone grey/steel grey			
	955 555 123 04 PBL	Havanna/sand beige			
(1)	955 555 123 05	Door trim panel	/LL /L	1	IL0L/3LD/4E7 I9AB/9AD
	955 555 123 05 PBJ	Leatherette Black			
	955 555 123 05 PBK	Stone grey/steel grey			
	955 555 123 05 PBL	Havanna/sand beige			
(1)	955 555 124 03	Door trim panel	/LL /R	1	IL0L/3LD/9AB I9AD
	955 555 124 03 PBJ	Leatherette Black			
	955 555 124 03 PBK	Stone grey/steel grey			
	955 555 124 03 PBL	Havanna/sand beige			
1	955 555 125 04	Door trim panel	/LL /L	1	IL0L/3LD/4E0 I9AH
	955 555 125 04 PBJ	Leatherette Black/black			
	955 555 125 04 PBK	Stone grey/steel grey			
	955 555 125 04 PBL	Havanna/sand beige			
1	955 555 125 05	Door trim panel	/LL /L	1	IL0L/3LD/4E7 I9AH
	955 555 125 05 PBJ	Leatherette Black			
	955 555 125 05 PBK	Stone grey/steel grey			
	955 555 125 05 PBL	Havanna/sand beige			
(1)	955 555 126 03	Door trim panel	/LL /R	1	IL0L/3LD/9AH
	955 555 126 03 PBJ	Leatherette Black/black			
	955 555 126 03 PBK	Stone grey/steel grey			
	955 555 126 03 PBL	Havanna/sand beige			
1	955 555 127 03	Door trim panel	/RL /L	1	IL0R/3LD/9AB I9AD
	955 555 127 03 PBJ	Leatherette Black/black			
	955 555 127 03 PBK	Stone grey/steel grey			
	955 555 127 03 PBL	Havanna/sand beige			
(1)	955 555 128 04	Door trim panel	/RL /R	1	IL0R/3LD/4E0 I9AB/9AD
	955 555 128 04 PBJ	Leatherette Black/black			
	955 555 128 04 PBK	Stone grey/steel grey			
	955 555 128 04 PBL	Havanna/sand beige			
(1)	955 555 128 05	Door trim panel	/RL /R	1	IL0R/3LD/4E7 I9AB/9AD
	955 555 128 05 PBJ	Leatherette Black			
	955 555 128 05 PBK	Stone grey/steel grey			
	955 555 128 05 PBL	Havanna/sand beige			
1	955 555 129 03	Door trim panel	/RL /L	1	IL0R/3LD/9AH
	955 555 129 03 PBJ	Leatherette Black/black			
	955 555 129 03 PBK	Stone grey/steel grey			
	955 555 129 03 PBL	Havanna/sand beige			
(1)	955 555 130 04	Door trim panel	/RL /R	1	IL0R/3LD/4E0 I9AH
	955 555 130 04 PBJ	Leatherette Black/black			
	955 555 130 04 PBK	Stone grey/steel grey			

Model: 9PA108 Model life 2007>>2010

Pos	Part Number	Description	Remark	Qty	Model
(1)	955 555 130 04 PBL	Havanna/sand beige			
	955 555 130 05	Door trim panel	/RL /R	1	IL0R/3LD/4E7 I9AH
		Leatherette			
	955 555 130 05 PBJ	Black			
	955 555 130 05 PBK	Stone grey/steel grey			
	955 555 130 05 PBL	Havanna/sand beige			
1	955 555 111 05	Door trim panel	/LL /L -08	1	IL0L/3LH/4E0 I9AB/9AD
		Leather			
	955 555 111 05 PBS	Black			
	955 555 111 05 PBT	Stone grey/steel grey			
	955 555 111 05 PBU	Havanna/sand beige			
	955 555 111 05 RKR	Sand beige/sand beige			
(1)	955 555 111 06	Door trim panel	/LL /L -08	1	IL0L/3LH/4E7 I9AB/9AD
		Leather			
	955 555 111 06 PBS	Black			
	955 555 111 06 PBT	Stone grey/steel grey			
	955 555 111 06 PBU	Havanna/sand beige			
	955 555 111 06 RKR	Sand beige/sand beige			
(1)	955 555 112 04	Door trim panel	/LL /R -08	1	IL0L/3LH/9AB I9AD
		Leather			
	955 555 112 04 PBS	Black			
	955 555 112 04 PBT	Stone grey/steel grey			
	955 555 112 04 PBU	Havanna/sand beige			
	955 555 112 04 RKR	Sand beige/sand beige			
1	955 555 111 07	Door trim panel	/LL /L 09-	1	IL0L/3LH/4E0 I9AB/9AD
		Leather			
	955 555 111 07 ZPT	Black			
	955 555 111 07 ZPU	Stone grey/steel grey			
	955 555 111 07 ZPV	Havanna/sand beige			
	955 555 111 07 ZPW	Sand beige/sand beige			
(1)	955 555 111 08	Door trim panel	/LL /L 09-	1	IL0L/3LH/4E7 I9AB/9AD
		Leather			
	955 555 111 08 ZPT	Black			
	955 555 111 08 ZPU	Stone grey/steel grey			
	955 555 111 08 ZPV	Havanna/sand beige			
	955 555 111 08 ZPW	Sand beige/sand beige			
(1)	955 555 112 05	Door trim panel	/LL /R 09-	1	IL0L/3LH/9AB I9AD
		Leather			
	955 555 112 05 ZPT	Black			
	955 555 112 05 ZPU	Stone grey/steel grey			
	955 555 112 05 ZPV	Havanna/sand beige			
	955 555 112 05 ZPW	Sand beige/sand beige			
1	955 555 115 05	Door trim panel	/LL /L -08	1	IL0L/3LH/4E0 I9AH
		Leather			
	955 555 115 05 PBS	Black			
	955 555 115 05 PBT	Stone grey/steel grey			
	955 555 115 05 PBU	Havanna/sand beige			
	955 555 115 05 RKR	Sand beige/sand beige			
(1)	955 555 115 06	Door trim panel	/LL /L -08	1	IL0L/3LH/4E7 I9AH
		Leather			
	955 555 115 06 PBS	Black			
	955 555 115 06 PBT	Stone grey/steel grey			
	955 555 115 06 PBU	Havanna/sand beige			
	955 555 115 06 RKR	Sand beige/sand beige			

Model: 9PA108 Model life 2007>>2010

Pos	Part Number	Description	Remark	Qty	Model
(1)	955 555 116 04	Door trim panel Leather	/LL /R -08	1	IL0L/3LH/9AH
	955 555 116 04 PBS	Black			
	955 555 116 04 PBT	Stone grey/steel grey			
	955 555 116 04 PBU	Havanna/sand beige			
	955 555 116 04 RKR	Sand beige/sand beige			
1	955 555 115 07	Door trim panel Leather	/LL /L 09-	1	IL0L/3LH/4E0 I9AH
	955 555 115 07 ZPT	Black			
	955 555 115 07 ZPU	Stone grey/steel grey			
	955 555 115 07 ZPV	Havanna/sand beige			
	955 555 115 07 ZPW	Sand beige/sand beige			
(1)	955 555 115 08	Door trim panel Leather	/LL /L 09-	1	IL0L/3LH/4E7 I9AH
	955 555 115 08 ZPT	Black			
	955 555 115 08 ZPU	Stone grey/steel grey			
	955 555 115 08 ZPV	Havanna/sand beige			
	955 555 115 08 ZPW	Sand beige/sand beige			
(1)	955 555 116 05	Door trim panel Leather	/LL /R 09-	1	IL0L/3LH/9AH
	955 555 116 05 ZPT	Black			
	955 555 116 05 ZPU	Stone grey/steel grey			
	955 555 116 05 ZPV	Havanna/sand beige			
	955 555 116 05 ZPW	Sand beige/sand beige			
1	955 555 117 04	Door trim panel Leather	/RL /L -08	1	IL0R/3LH/9AB I9AD
	955 555 117 04 PBS	Black			
	955 555 117 04 PBT	Stone grey/steel grey			
	955 555 117 04 PBU	Havanna/sand beige			
	955 555 117 04 RKR	Sand beige/sand beige			
(1)	955 555 118 05	Door trim panel Leather	/RL /R -08	1	IL0R/3LH/4E0 I9AB/9AD
	955 555 118 05 PBS	Black			
	955 555 118 05 PBT	Stone grey/steel grey			
	955 555 118 05 PBU	Havanna/sand beige			
	955 555 118 05 RKR	Sand beige/sand beige			
(1)	955 555 118 06	Door trim panel Leather	/RL /R -08	1	IL0R/3LH/4E7 I9AB/9AD
	955 555 118 06 PBS	Black			
	955 555 118 06 PBT	Stone grey/steel grey			
	955 555 118 06 PBU	Havanna/sand beige			
	955 555 118 06 RKR	Sand beige/sand beige			
1	955 555 117 05	Door trim panel Leather	/RL /L 09-	1	IL0R/3LH/9AB I9AD
	955 555 117 05 ZPT	Black			
	955 555 117 05 ZPU	Stone grey/steel grey			
	955 555 117 05 ZPV	Havanna/sand beige			
	955 555 117 05 ZPW	Sand beige/sand beige			
(1)	955 555 118 07	Door trim panel Leather	/RL /R 09-	1	IL0R/3LH/4E0 I9AB/9AD
	955 555 118 07 ZPT	Black			
	955 555 118 07 ZPU	Stone grey/steel grey			
	955 555 118 07 ZPV	Havanna/sand beige			
	955 555 118 07 ZPW	Sand beige/sand beige			
(1)	955 555 118 08	Door trim panel Leather	/RL /R 09-	1	IL0R/3LH/4E7 I9AB/9AD
	955 555 118 08 ZPT	Black			
	955 555 118 08 ZPU	Stone grey/steel grey			
	955 555 118 08 ZPV	Havanna/sand beige			
	955 555 118 08 ZPW	Sand beige/sand beige			

Model: 9PA108 Model life 2007>>2010

Pos	Part Number	Description	Remark	Qty	Model
		Leather			
	955 555 118 08 ZPT	Black			
	955 555 118 08 ZPU	Stone grey/steel grey			
	955 555 118 08 ZPV	Havanna/sand beige			
	955 555 118 08 ZPW	Sand beige/sand beige			
1	955 555 119 04	Door trim panel	/RL /L -08	1	IL0R/3LH/9AH
		Leather			
	955 555 119 04 PBS	Black			
	955 555 119 04 PBT	Stone grey/steel grey			
	955 555 119 04 PBU	Havanna/sand beige			
	955 555 119 04 RKR	Sand beige/sand beige			
(1)	955 555 120 05	Door trim panel	/RL /R -08	1	IL0R/3LH/4E0 I9AH
		Leather			
	955 555 120 05 PBS	Black			
	955 555 120 05 PBT	Stone grey/steel grey			
	955 555 120 05 PBU	Havanna/sand beige			
	955 555 120 05 RKR	Sand beige/sand beige			
(1)	955 555 120 06	Door trim panel	/RL /R -08	1	IL0R/3LH/4E7 I9AH
		Leather			
	955 555 120 06 PBS	Black			
	955 555 120 06 PBT	Stone grey/steel grey			
	955 555 120 06 PBU	Havanna/sand beige			
	955 555 120 06 RKR	Sand beige/sand beige			
1	955 555 119 05	Door trim panel	/RL /L 09-	1	IL0R/3LH/9AH
		Leather			
	955 555 119 05 ZPT	Black			
	955 555 119 05 ZPU	Stone grey/steel grey			
	955 555 119 05 ZPV	Havanna/sand beige			
	955 555 119 05 ZPW	Sand beige/sand beige			
(1)	955 555 120 07	Door trim panel	/RL /R 09-	1	IL0R/3LH/4E0 I9AH
		Leather			
	955 555 120 07 ZPT	Black			
	955 555 120 07 ZPU	Stone grey/steel grey			
	955 555 120 07 ZPV	Havanna/sand beige			
	955 555 120 07 ZPW	Sand beige/sand beige			
(1)	955 555 120 08	Door trim panel	/RL /R 09-	1	IL0R/3LH/4E7 I9AH
		Leather			
	955 555 120 08 ZPT	Black			
	955 555 120 08 ZPU	Stone grey/steel grey			
	955 555 120 08 ZPV	Havanna/sand beige			
	955 555 120 08 ZPW	Sand beige/sand beige			
1	955 555 131 10	Door trim panel	/LL /L -08	1	IL0L/3LM/4E0 I9AB/9AD
		Leather/ Nature			
	955 555 131 10 WPH	Chestnut brown			
(1)	955 555 131 11	Door trim panel	/LL /L -08	1	IL0L/3LM/4E7 I9AB/9AD
		Leather/ Nature			
	955 555 131 11 WPH	Chestnut brown			
(1)	955 555 132 10	Door trim panel	/LL /R -08	1	IL0L/3LM/9AB I9AD
		Leather/ Nature			
	955 555 132 10 WPH	Chestnut brown			
1	955 555 131 12	Door trim panel	/LL /L 09-	1	IL0L/3LM/4E0 I9AB/9AD
		Leather/ Nature			

Model: 9PA108 Model life 2007>>2010

Pos	Part Number	Description	Remark	Qty	Model
(1)	955 555 131 12 ZPR 955 555 131 13	Nature Chestnut brown Door trim panel	/LL /L 09-	1	IL0L/3LM/4E7 I9AB/9AD
(1)	955 555 131 13 ZPR 955 555 132 11	Leather/ Nature Chestnut brown Door trim panel	/LL /R 09-	1	IL0L/3LM/9AB I9AD
1	955 555 132 11 ZPR 955 555 133 10	Leather/ Nature Chestnut brown Door trim panel	/LL /L -08	1	IL0L/3LM/4E0 I9AH
(1)	955 555 133 10 WPH 955 555 133 11	Leather/ Nature Chestnut brown Door trim panel	/LL /L -08	1	IL0L/3LM/4E7 I9AH
(1)	955 555 133 11 WPH 955 555 134 10	Leather/ Nature Chestnut brown Door trim panel	/LL /R -08	1	IL0L/3LM/9AH
1	955 555 134 10 WPH 955 555 133 12	Leather/ Nature Chestnut brown Door trim panel	/LL /L 09-	1	IL0L/3LM/4E0 I9AH
(1)	955 555 133 12 ZPR 955 555 133 13	Leather/ Nature Chestnut brown Door trim panel	/LL /L 09-	1	IL0L/3LM/4E7 I9AH
(1)	955 555 133 13 ZPR 955 555 134 11	Leather/ Nature Chestnut brown Door trim panel	/LL /L 09-	1	IL0L/3LM/9AH
1	955 555 134 11 ZPR 955 555 135 10	Leather/ Nature Chestnut brown Door trim panel	/RL /L -08	1	IL0R/3LM/9AB I9AD
(1)	955 555 135 10 WPH 955 555 136 10	Leather/ Nature Chestnut brown Door trim panel	/RL /R -08	1	IL0R/3LM/4E0 I9AB/9AD
(1)	955 555 136 10 WPH 955 555 136 11	Leather/ Nature Chestnut brown Door trim panel	/RL /R -08	1	IL0R/3LM/4E7 I9AB/9AD
1	955 555 136 11 WPH 955 555 135 11	Leather/ Nature Chestnut brown Door trim panel	/RL /L 09-	1	IL0R/3LM/9AB I9AD
(1)	955 555 135 11 ZPR 955 555 136 12	Leather/ Nature Chestnut brown Door trim panel	/RL /R 09-	1	IL0R/3LM/4E0 I9AB/9AD
		Leather/			

Model: 9PA108 Model life 2007>>2010

Pos	Part Number	Description	Remark	Qty	Model
(1)	955 555 136 12 ZPR 955 555 136 13	Nature Chestnut brown Door trim panel	/RL /R 09-	1	IL0R/3LM/4E7 I9AB/9AD
1	955 555 136 13 ZPR 955 555 137 10	Leather/ Nature Chestnut brown Door trim panel	/RL /L -08	1	IL0R/9AH
(1)	955 555 137 10 WPH 955 555 138 10	Leather/ Nature Chestnut brown Door trim panel	/RL /R -08	1	IL0R/3LM/4E0 I9AH
(1)	955 555 138 10 WPH 955 555 138 11	Leather/ Nature Chestnut brown Door trim panel	/RL /R -08	1	IL0R/3LM/4E7 I9AH
1	955 555 138 11 WPH 955 555 137 11	Leather/ Nature Chestnut brown Door trim panel	/RL /L 09-	1	IL0R/3LM/9AH
(1)	955 555 137 11 ZPR 955 555 138 12	Leather/ Nature Chestnut brown Door trim panel	/RL /R 09-	1	IL0R/3LM/4E0 I9AH
(1)	955 555 138 12 ZPR 955 555 138 13	Leather/ Nature Chestnut brown Door trim panel	/RL /R 09-	1	IL0R/3LM/4E7 I9AH
1	955 555 138 13 ZPR 955 555 131 20	Leather/ Nature Chestnut brown Door trim panel	/LL /L 08	1	IL0L/3LS/4E0 I9AB/9AD
(1)	955 555 131 20 XKU 955 555 131 20 XKV 955 555 131 20 XKW 955 555 131 20 XPV 955 555 131 21	Leather/ Alcantara Black Sand beige/sand beige Steel grey/steel grey Havanna/sand beige Door trim panel	/LL /L 08	1	IL0L/3LS/4E7 I9AB/9AD
(1)	955 555 131 21 XKU 955 555 131 21 XKV 955 555 131 21 XKW 955 555 131 21 XPV 955 555 132 20	Leather/ Alcantara Black Sand beige/sand beige Steel grey/steel grey Havanna/sand beige Door trim panel	/LL /R 08	1	IL0L/3LS/4E0 I4E7/9AB/9AD
1	955 555 132 20 XKU 955 555 132 20 XKV 955 555 132 20 XKW 955 555 132 20 XPV 955 555 131 22	Leather/ Alcantara Black Sand beige/sand beige Steel grey/steel grey Havanna/sand beige Door trim panel	/LL /L 09-	1	IL0L/3LS/4E0 I9AB/9AD
		Leather/ Alcantara			

Model: 9PA108 Model life 2007>>2010

Pos	Part Number	Description	Remark	Qty	Model
(1)	955 555 131 22 XKU	Black			
	955 555 131 22 XKV	Sand beige/sand beige			
	955 555 131 22 XKW	Steel grey/steel grey			
	955 555 131 22 XPV	Havanna/sand beige			
	955 555 131 22 L0C	Black/Guards Red			
(1)	955 555 131 23	Door trim panel	/LL /L 09-	1	IL0L/3LS/4E7 I9AB/9AD
		Leather/ Alcantara			
	955 555 131 23 XKU	Black			
	955 555 131 23 XKV	Sand beige/sand beige			
	955 555 131 23 XKW	Steel grey/steel grey			
	955 555 131 23 XPV	Havanna/sand beige			
	955 555 131 23 L0C	Black/Guards Red			
	955 555 132 21	Door trim panel	/LL /R 09-	1	IL0L/3LS/4E0 I4E7/9AB/9AD
		Leather/ Alcantara			
	955 555 132 21 XKU	Black			
1	955 555 132 21 XKV	Sand beige/sand beige			
	955 555 132 21 XKW	Steel grey/steel grey			
	955 555 132 21 XPV	Havanna/sand beige			
	955 555 132 21 L0C	Black/Guards Red			
	955 555 133 20	Door trim panel	/LL /L 08	1	IL0L/3LS/4E0 I9AH
		Leather/ Alcantara			
	955 555 133 20 XKU	Black			
	955 555 133 20 XKV	Sand beige/sand beige			
	955 555 133 20 XKW	Steel grey/steel grey			
	955 555 133 20 XPV	Havanna/sand beige			
1	955 555 133 21	Door trim panel	/LL /L 08	1	IL0L/3LS/4E7 I9AH
		Leather/ Alcantara			
	955 555 133 21 XKU	Black			
	955 555 133 21 XKV	Sand beige/sand beige			
	955 555 133 21 XKW	Steel grey/steel grey			
	955 555 133 21 XPV	Havanna/sand beige			
	955 555 134 20	Door trim panel	/LL /R 08	1	IL0L/3LS/4E0 I4E7/9AH
		Leather/ Alcantara			
	955 555 134 20 XKU	Black			
	955 555 134 20 XKV	Sand beige/sand beige			
1	955 555 134 20 XKW	Steel grey/steel grey			
	955 555 134 20 XPV	Havanna/sand beige			
	955 555 133 22	Door trim panel	/LL /L 09-	1	IL0L/3LS/4E0 I9AH
		Leather/ Alcantara			
	955 555 133 22 XKU	Black			
	955 555 133 22 XKV	Sand beige/sand beige			
	955 555 133 22 XKW	Steel grey/steel grey			
	955 555 133 22 XPV	Havanna/sand beige			
	955 555 133 22 L0C	Black/Guards Red			
	955 555 133 23	Door trim panel	/LL /L 09-	1	IL0L/3LS/4E7 I9AH
(1)		Leather/ Alcantara			
	955 555 133 23 XKU	Black			
	955 555 133 23 XKV	Sand beige/sand beige			
	955 555 133 23 XKW	Steel grey/steel grey			

Model: 9PA108 Model life 2007>>2010

Pos	Part Number	Description	Remark	Qty	Model
(1)	955 555 133 23 XPV	Havanna/sand beige		1	IL0L/3LS/4E0 I4E7/9AH
	955 555 133 23 L0C	Black/Guards Red			
	955 555 134 21	Door trim panel	/LL /R 09-		
		Leather/ Alcantara			
	955 555 134 21 XKU	Black			
	955 555 134 21 XKV	Sand beige/sand beige			
	955 555 134 21 XKW	Steel grey/steel grey			
	955 555 134 21 XPV	Havanna/sand beige			
	955 555 134 21 L0C	Black/Guards Red			
	1	955 555 135 20	Door trim panel		
		Leather/ Alcantara			
	955 555 135 20 XKU	Black			
	955 555 135 20 XKV	Sand beige/sand beige			
	955 555 135 20 XKW	Steel grey/steel grey			
	955 555 135 20 XPV	Havanna/sand beige			
(1)	955 555 136 20	Door trim panel	/RL /R 08	1	IL0R/3LS/4E0 I9AB/9AD
		Leather/ Alcantara			
	955 555 136 20 XKU	Black			
	955 555 136 20 XKV	Sand beige/sand beige			
	955 555 136 20 XKW	Steel grey/steel grey			
	955 555 136 20 XPV	Havanna/sand beige			
(1)	955 555 136 21	Door trim panel	/RL /R 08	1	IL0R/3LS/4E7 I9AB/9AD
		Leather/ Alcantara			
	955 555 136 21 XKU	Black			
	955 555 136 21 XKV	Sand beige/sand beige			
	955 555 136 21 XKW	Steel grey/steel grey			
	955 555 136 21 XPV	Havanna/sand beige			
1	955 555 135 21	Door trim panel	/RL /L 09-	1	IL0R/3LS/4E0 I4E7/9AB/9AD
		Leather/ Alcantara			
	955 555 135 21 XKU	Black			
	955 555 135 21 XKV	Sand beige/sand beige			
	955 555 135 21 XKW	Steel grey/steel grey			
	955 555 135 21 XPV	Havanna/sand beige			
	955 555 135 21 L0C	Black/Guards Red			
(1)	955 555 136 22	Door trim panel	/RL /R 09-	1	IL0R/3LS/4E0 I9AB/9AD
		Leather/ Alcantara			
	955 555 136 22 XKU	Black			
	955 555 136 22 XKV	Sand beige/sand beige			
	955 555 136 22 XKW	Steel grey/steel grey			
	955 555 136 22 XPV	Havanna/sand beige			
	955 555 136 22 L0C	Black/Guards Red			
(1)	955 555 136 23	Door trim panel	/RL /R 09-	1	IL0R/3LS/4E7 I9AB/9AD
		Leather/ Alcantara			
	955 555 136 23 XKU	Black			
	955 555 136 23 XKV	Sand beige/sand beige			
	955 555 136 23 XKW	Steel grey/steel grey			
	955 555 136 23 XPV	Havanna/sand beige			
	955 555 136 23 L0C	Black/Guards Red			
1	955 555 137 20	Door trim panel	/RL /L 08	1	IL0R/3LS/4E0

Model: 9PA108 Model life 2007>>2010

Pos	Part Number	Description	Remark	Qty	Model
		Leather/ Alcantara			I4E7/9AH
	955 555 137 20 XKU	Black			
	955 555 137 20 XKV	Sand beige/sand beige			
	955 555 137 20 XKW	Steel grey/steel grey			
	955 555 137 20 XPV	Havanna/sand beige			
(1)	955 555 138 20	Door trim panel	/RL /R 08	1	IL0R/3LS/4E0 I9AH
		Leather/ Alcantara			
	955 555 138 20 XKU	Black			
	955 555 138 20 XKV	Sand beige/sand beige			
	955 555 138 20 XKW	Steel grey/steel grey			
	955 555 138 20 XPV	Havanna/sand beige			
(1)	955 555 138 21	Door trim panel	/RL /R 08	1	IL0R/3LS/4E7 I9AH
		Leather/ Alcantara			
	955 555 138 21 XKU	Black			
	955 555 138 21 XKV	Sand beige/sand beige			
	955 555 138 21 XKW	Steel grey/steel grey			
	955 555 138 21 XPV	Havanna/sand beige			
1	955 555 137 21	Door trim panel	/RL /L 09-	1	IL0R/3LS/4E0 I4E7/9AH
		Leather/ Alcantara			
	955 555 137 21 XKU	Black			
	955 555 137 21 XKV	Sand beige/sand beige			
	955 555 137 21 XKW	Steel grey/steel grey			
	955 555 137 21 XPV	Havanna/sand beige			
	955 555 137 21 L0C	Black/Guards Red			
(1)	955 555 138 22	Door trim panel	/RL /R 09-	1	IL0R/3LS/4E0 I9AH
		Leather/ Alcantara			
	955 555 138 22 XKU	Black			
	955 555 138 22 XKV	Sand beige/sand beige			
	955 555 138 22 XKW	Steel grey/steel grey			
	955 555 138 22 XPV	Havanna/sand beige			
	955 555 138 22 L0C	Black/Guards Red			
(1)	955 555 138 23	Door trim panel	/RL /R 09-	1	IL0R/3LS/4E7 I9AH
		Leather/ Alcantara			
	955 555 138 23 XKU	Black			
	955 555 138 23 XKV	Sand beige/sand beige			
	955 555 138 23 XKW	Steel grey/steel grey			
	955 555 138 23 XPV	Havanna/sand beige			
	955 555 138 23 L0C	Black/Guards Red			
1	955 555 131 30	Door trim panel	/LL /L 09-	1	IL0L/3LT/4E0 I9AB/9AD
		Leather/ two-colour			
	955 555 131 30 ZJA	Black/Havanna			
	955 555 131 30 ZJC	Black/Steel Grey			
(1)	955 555 131 31	Door trim panel	/LL /L 09-	1	IL0L/3LT/4E7 I9AB/9AD
		Leather/ two-colour			
	955 555 131 31 ZJA	Black/Havanna			
	955 555 131 31 ZJC	Black/Steel Grey			
(1)	955 555 132 30	Door trim panel	/LL /R 09-	1	IL0L/3LT/9AB

Model: 9PA108 Model life 2007>>2010

Pos	Part Number	Description	Remark	Qty	Model
		Leather/ two-colour			I9AD
	955 555 132 30 ZJA	Black/Havanna			
	955 555 132 30 ZJC	Black/Steel Grey			
1	955 555 133 30	Door trim panel	/LL /L 09-	1	ILOL/3LT/4E0 I9AH
		Leather/ two-colour			
	955 555 133 30 ZJA	Black/Havanna			
	955 555 133 30 ZJC	Black/Steel Grey			
(1)	955 555 133 31	Door trim panel	/LL /L 09-	1	ILOL/3LT/4E7 I9AH
		Leather/ two-colour			
	955 555 133 31 ZJA	Black/Havanna			
	955 555 133 31 ZJC	Black/Steel Grey			
(1)	955 555 134 30	Door trim panel	/LL /R 09-	1	ILOL/3LT/9AH
		Leather/ two-colour			
	955 555 134 30 ZJA	Black/Havanna			
	955 555 134 30 ZJC	Black/Steel Grey			
1	955 555 135 30	Door trim panel	/RL /L 09-	1	ILOL/3LT/9AB I9AD
		Leather/ two-colour			
	955 555 135 30 ZJA	Black/Havanna			
	955 555 135 30 ZJC	Black/Steel Grey			
(1)	955 555 136 30	Door trim panel	/RL /R 09-	1	ILOL/3LT/4E0 I9AB/9AD
		Leather/ two-colour			
	955 555 136 30 ZJA	Black/Havanna			
	955 555 136 30 ZJC	Black/Steel Grey			
(1)	955 555 136 31	Door trim panel	/RL /R 09-	1	ILOL/3LT/4E7 I9AB/9AD
		Leather/ two-colour			
	955 555 136 31 ZJA	Black/Havanna			
	955 555 136 31 ZJC	Black/Steel Grey			
1	955 555 137 30	Door trim panel	/RL /L 09-	1	ILOL/3LT/9AH
		Leather/ two-colour			
	955 555 137 30 ZJA	Black/Havanna			
	955 555 137 30 ZJC	Black/Steel Grey			
1	955 555 138 30	Door trim panel	/RL /R 09-	1	ILOL/3LT/4E0 I9AH
		Leather/ two-colour			
	955 555 138 30 ZJA	Black/Havanna			
	955 555 138 30 ZJC	Black/Steel Grey			
(1)	955 555 138 31	Door trim panel	/RL /R 09-	1	ILOL/3LT/4E7 I9AH
		Leather/ two-colour			
	955 555 138 31 ZJA	Black/Havanna			
	955 555 138 31 ZJC	Black/Steel Grey			
2	955 555 243 00	Fixing clip		6	
3	N 103 346 04	Door trim panel Screw M 6 X 20 Mount Door trim panel		4	

Model: 9PA108 Model life 2007>>2010

Pos	Part Number	Description	Remark	Qty	Model
4	N 907 397 04	Tapping screw 5 X 22 Mount Door trim panel Lower		2	
5	955 555 885 01	Ventilation grille Lateral	/L	1	I9AB/9AD
(5)	955 555 885 01 9B9	Satin black			
	955 555 886 01	Ventilation grille Lateral	/R	1	I9AB/9AD
	955 555 886 01 9B9	Satin black			
6	955 555 463 00	Air duct	/L	1	I9AB/9AD
(6)	955 555 464 00	Air duct	/R	1	I9AB/9AD
7	N 903 474 06	Combination screw 4,0 X 12 Mount Air duct		X	
8	955 555 229 00	Armrest	/LL /L	1	IL0L/3LD
	955 555 229 00 A08	Black			
	955 555 229 00 T25	Sand Beige			
	955 555 229 00 6E1	Steel grey			
(8)	955 555 230 00	Armrest	/LL /R	1	IL0L/3LD
	955 555 230 00 A08	Black			
	955 555 230 00 T25	Sand Beige			
	955 555 230 00 6E1	Steel grey			
8	955 555 231 00	Armrest	/RL /L	1	IL0R/3LD
	955 555 231 00 A08	Black			
	955 555 231 00 T25	Sand Beige			
	955 555 231 00 6E1	Steel grey			
(8)	955 555 232 00	Armrest	/RL /R	1	IL0R/3LD
	955 555 232 00 A08	Black			
	955 555 232 00 T25	Sand Beige			
	955 555 232 00 6E1	Steel grey			
8	955 555 233 00	Armrest	/LL /L	1	IL0L/3LH/3LS I3LT
	955 555 233 00 6B7	Leather Steel grey			
	955 555 233 00 8G1	Sand Beige			
	955 555 233 00 8YR	Black			
(8)	955 555 234 00	Armrest	/LL /R	1	IL0L/3LH/3LS I3LT
	955 555 234 00 6B7	Leather Steel grey			
	955 555 234 00 8G1	Sand Beige			
	955 555 234 00 8YR	Black			
8	955 555 235 00	Armrest	/RL /L	1	IL0R/3LH/3LS I3LT
	955 555 235 00 6B7	Leather Steel grey			
	955 555 235 00 8G1	Sand Beige			
	955 555 235 00 8YR	Black			
(8)	955 555 236 00	Armrest	/RL /R	1	IL0R/3LH/3LS I3LT
	955 555 236 00 6B7	Leather Steel grey			
	955 555 236 00 8G1	Sand Beige			
	955 555 236 00 8YR	Black			
8	955 555 233 10	Armrest Leather/ Nature	/LL /L	1	IL0L/3LM
	955 555 233 10 J69	Chestnut brown			
(8)	955 555 234 10	Armrest Leather/	/LL /R	1	IL0L/3LM

Model: 9PA108 Model life 2007>>2010

Pos	Part Number	Description	Remark	Qty	Model
8	955 555 234 10 J69	Nature Chestnut brown	/RL /L	1	IL0R/3LM
	955 555 235 10	Armrest Leather/ Nature			
(8)	955 555 235 10 J69	Chestnut brown	/RL /R	1	IL0R/3LM
	955 555 236 10	Armrest Leather/ Nature			
9	955 555 236 10 J69	Chestnut brown	/L	1	I3LM
	955 555 225 10	Trim cover Armrest			
9	955 555 225 10 J69	Chestnut brown	/L	1	I3LM
	955 555 226 10	Trim cover Armrest			
9	955 555 226 10 J69	Chestnut brown	/L	1	I3LD/3LH/3LS I3LT
	955 555 227 00	Trim cover			
(9)	955 555 227 00 5Q2	Armrest Black	/R	1	I3LD/3LH/3LS I3LT
	955 555 227 00 5R3	Steel grey			
	955 555 227 00 5S4	Sand Beige			
	955 555 228 00	Trim cover			
	955 555 228 00 5Q2	Armrest Black			
10	955 555 228 00 5R3	Steel grey	/L	1	I3LH/3LT
	955 555 228 00 5S4	Sand Beige			
	955 555 259 00	Handle Leather			
	955 555 259 00 6B7	Steel grey			
	955 555 259 00 8G1	Sand Beige			
(10)	955 555 259 00 8YR	Black	/R	1	I3LH/3LT
	955 555 260 00	Handle Leather			
	955 555 260 00 6B7	Steel grey			
10	955 555 260 00 8G1	Sand Beige	/L	1	I3LM
	955 555 260 00 8YR	Black			
	955 555 259 10	Handle Leather/ Nature			
(10)	955 555 259 10 J69	Chestnut brown	/R	1	I3LM
	955 555 260 10	Handle Leather/ Nature			
10	955 555 260 10 J69	Chestnut brown	/L	1	I3LD
	955 555 261 00	Handle			
	955 555 261 00 A08	Black			
	955 555 261 00 T25	Sand Beige			
(10)	955 555 261 00 6E1	Steel grey	/R	1	I3LD
	955 555 262 00	Handle			
	955 555 262 00 A08	Black			
10	955 555 262 00 T25	Sand Beige	/L 08	1	I3LS
	955 555 262 00 6E1	Steel grey			
	955 555 263 00	Handle Alcantara			
(10)	955 555 263 00 6B7	Steel grey	/R 08	1	I3LS
	955 555 263 00 8G1	Sand Beige			
	955 555 263 00 8YR	Black			
	955 555 264 00	Handle Alcantara			
	955 555 264 00 6B7	Steel grey			
	955 555 264 00 8G1	Sand Beige			

Model: 9PA108 Model life 2007>>2010

Pos	Part Number	Description	Remark	Qty	Model
11	955 555 264 00 8YR	Black			
	955 555 537 00	Trim cover	/L	1	I3LD
		Handle			
	955 555 537 00 A08	Black			
	955 555 537 00 T25	Sand Beige			
	955 555 537 00 6E1	Steel grey			
(11)	955 555 538 00	Trim cover	/R	1	I3LD
		Handle			
	955 555 538 00 A08	Black			
	955 555 538 00 T25	Sand Beige			
	955 555 538 00 6E1	Steel grey			
11	955 555 539 01	Trim cover	/L	1	I3LH/3LS/3LT
		Handle			
		Leather			
	955 555 539 01 6B7	Steel grey			
	955 555 539 01 8G1	Sand Beige			
	955 555 539 01 8YR	Black			
(11)	955 555 540 01	Trim cover	/R	1	I3LH/3LS/3LT
		Handle			
		Leather			
	955 555 540 01 6B7	Steel grey			
	955 555 540 01 8G1	Sand Beige			
	955 555 540 01 8YR	Black			
11	955 555 539 10	Trim cover	/L	1	I3LM
		Handle			
		Leather/			
		Nature			
	955 555 539 10 J69	Chestnut brown			
(11)	955 555 540 10	Trim cover	/R	1	I3LM
		Handle			
		Leather/			
		Nature			
	955 555 540 10 J69	Chestnut brown			
12	955 555 087 00	Moulding	/L -09	1	I5MA
		Long			
		Plastic material			
		Lacquered			
	955 555 087 00 5X2	Silver mat chrome			
12	955 555 087 00	Moulding	/L 09-	1	I5MA/6FA
		Long			
		Plastic material			
		Lacquered			
	955 555 087 00 5X2	Silver mat chrome			
12	955 555 087 00	Moulding	/L 09-	1	IE2D/5MA/6FI
		Long			
		Plastic material			
		Lacquered			
	955 555 087 00 8C6	Orange			
(12)	955 555 088 00	Moulding	/R -09	1	I5MA
		Long			
		Plastic material			
		Lacquered			
	955 555 088 00 5X2	Silver mat chrome			
(12)	955 555 088 00	Moulding	/R 09-	1	I5MA/6FA
		Long			
		Plastic material			
		Lacquered			
	955 555 088 00 5X2	Silver mat chrome			
(12)	955 555 088 00	Moulding	/R 09-	1	IE2D/5MA/6FI
		Long			
		Plastic material			
		Lacquered			
	955 555 088 00 8C6	Orange			

Model: 9PA108 Model life 2007>>2010

Pos	Part Number	Description	Remark	Qty	Model
12	955 555 089 00	Moulding Long	/L	1	I5TE
	955 555 089 00 62W	Satin aluminium Matte			
(12)	955 555 090 00	Moulding Long	/R	1	I5TE
	955 555 090 00 62W	Satin aluminium Matte			
12	955 555 091 00	Moulding Long	/L -08	1	I5MG
	955 555 091 00 4X2	Rootwood			
12	955 555 091 01	Moulding Long	/L 09-	1	I5MG
	955 555 091 01 4X2	Rootwood			
(12)	955 555 092 00	Moulding Long	/R -08	1	I5MG
	955 555 092 00 4X2	Rootwood			
(12)	955 555 092 01	Moulding Long	/R 09-	1	I5MG
	955 555 092 01 4X2	Rootwood			
12	955 555 093 00	Moulding Long	/L -08	1	I5TF
	955 555 093 00 4V8	High-gloss olive ash burl			
12	955 555 093 01	Moulding Long	/L 09-	1	I5TF
	955 555 093 01 4V8	High-gloss olive ash burl			
(12)	955 555 094 00	Moulding Long	/R -08	1	I5TF
	955 555 094 00 4V8	High-gloss olive ash burl			
(12)	955 555 094 01	Moulding Long	/R 09-	1	I5TF
	955 555 094 01 4V8	High-gloss olive ash burl			
12	955 555 063 00	Moulding Long	/L -08	1	I5TK
	955 555 063 00 9Z4	Super-matt olive ash burl			
(12)	955 555 064 00	Moulding Long	/R -08	1	I5TK
	955 555 064 00 9Z4	Super-matt olive ash burl			
12	955 555 063 02	Moulding Long Carbon	/L 09-	1	I5MH
	955 555 063 02 CS3	Black			
(12)	955 555 064 02	Moulding Long Carbon	/R 09-	1	I5MH
	955 555 064 02 CS3	Black			
13	955 555 095 00	Moulding Short Plastic material Lacquered	/L -09	1	I5MA
	955 555 095 00 5X2	Silver mat chrome			
13	955 555 095 00	Moulding Short Plastic material Lacquered	/L 09-	1	I5MA/6FA
	955 555 095 00 5X2	Silver mat chrome			
13	955 555 095 00	Moulding Short Plastic material Lacquered	/L 09-	1	IE2D/5MA/6FI
	955 555 095 00 8C6	Orange			
(13)	955 555 096 00	Moulding Short	/R -09	1	I5MA

Model: 9PA108 Model life 2007>>2010

Pos	Part Number	Description	Remark	Qty	Model
(13)	955 555 096 00 5X2 955 555 096 00	Plastic material Lacquered Silver mat chrome Moulding Short	/R 09-	1	I5MA/6FA
(13)	955 555 096 00 5X2 955 555 096 00	Plastic material Lacquered Silver mat chrome Moulding Short	/R 09-	1	IE2D/5MA/6FI
13	955 555 096 00 8C6 955 555 097 00	Plastic material Lacquered Orange Moulding Short	/L	1	I5TE
(13)	955 555 097 00 62W 955 555 098 00	Satin aluminium Matte Moulding Short	/R	1	I5TE
13	955 555 098 00 62W 955 555 099 00	Satin aluminium Matte Moulding Short	/L -08	1	I5MG
13	955 555 099 00 4X2 955 555 099 01	Rootwood Moulding Short	/L 09-	1	I5MG
(13)	955 555 099 01 4X2 955 555 100 00	Rootwood Moulding Short	/R -08	1	I5MG
(13)	955 555 100 00 4X2 955 555 100 01	Rootwood Moulding Short	/R 09-	1	I5MG
13	955 555 100 01 4X2 955 555 101 01	Rootwood Moulding Short Wood	/L	1	I5TF
(13)	955 555 101 01 4V8 955 555 102 01	High-gloss olive ash burl Moulding Short Wood	/R	1	I5TF
13	955 555 102 01 4V8 955 555 203 00	High-gloss olive ash burl Moulding Short	/L -08	1	I5TK
(13)	955 555 203 00 9Z4 955 555 204 00	Super-matt olive ash burl Moulding Short	/R -08	1	I5TK
13	955 555 204 00 9Z4 955 555 203 02	Super-matt olive ash burl Moulding Short Carbon	/L 09-	1	I5MH
(13)	955 555 203 02 CS3 955 555 204 02	Black Moulding Short Carbon	/R 09-	1	I5MH
14	955 555 204 02 CS3 955 555 113 00	Black Inner door release Complete	/L	1	
(14)	955 555 113 00 A03 955 555 113 00 5V7 955 555 113 00 5Y9 955 555 113 00 5Z1 955 555 114 00	Black Stone grey Havanna Sand Beige Inner door release Complete	/R	1	

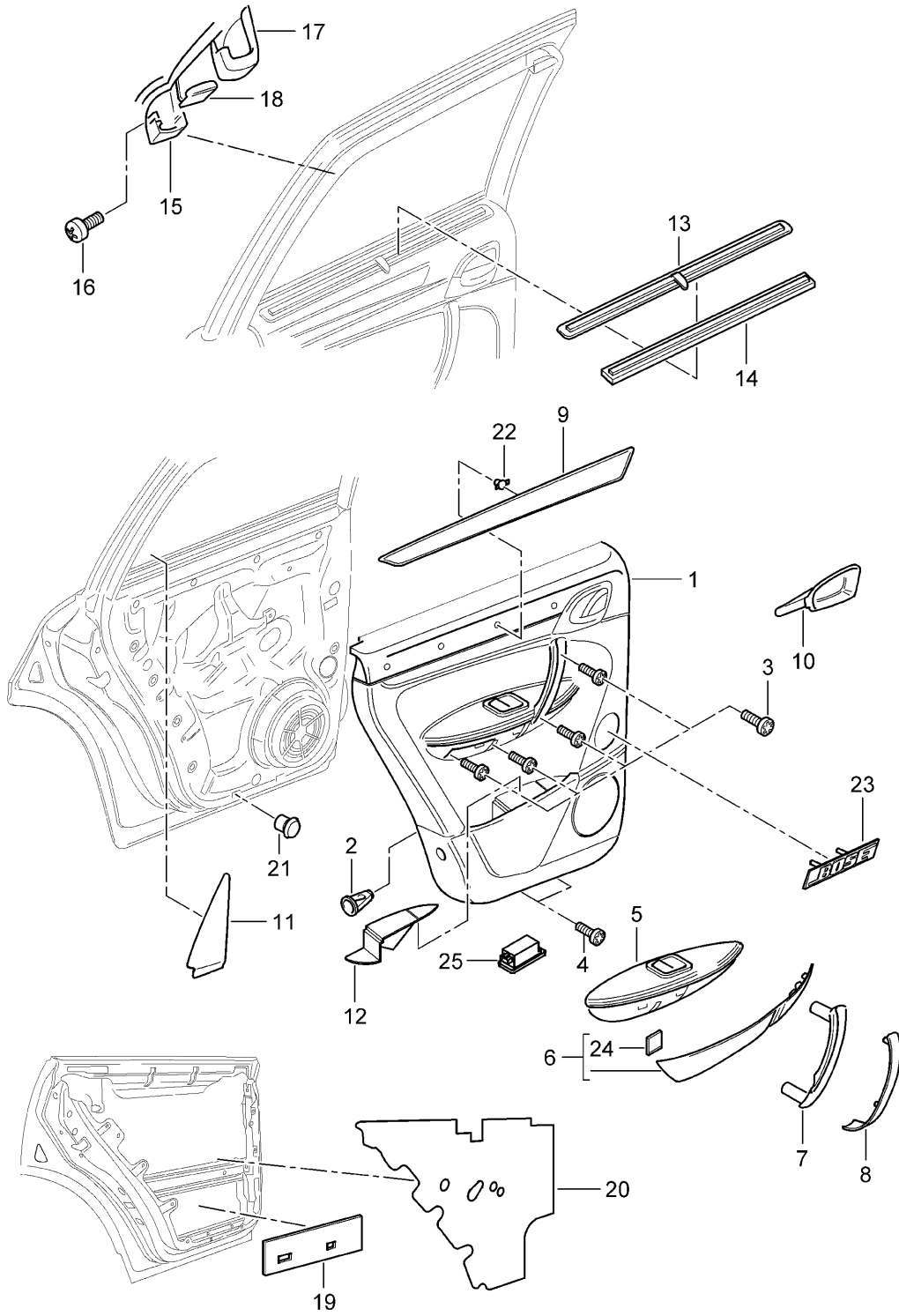
Model: 9PA108

Model life 2007>>2010

Pos	Part Number	Description	Remark	Qty	Model
	955 555 114 00 A03	Black			
	955 555 114 00 5V7	Stone grey			
	955 555 114 00 5Y9	Havanna			
	955 555 114 00 5Z1	Sand Beige			
(15)	955 555 103 03	Cover	/LL /L	1	IL0L
		Mirror changeover switch			
	955 555 103 03 6N3	Black mat			
(15)	955 555 104 03	Cover	/LL /R	1	IL0L
		Mirror changeover switch			
	955 555 104 03 6N3	Black mat			
(15)	955 555 105 03	Cover	/RL /L	1	IL0R
		Mirror changeover switch			
	955 555 105 03 6N3	Black mat			
(15)	955 555 106 03	Cover	/RL /R	1	IL0R
		Mirror changeover switch			
	955 555 106 03 6N3	Black mat			
16	955 556 821 01	Insulation		2	
		Door			
17	955 556 879 01	Insulation	/L	1	
(17)	955 556 880 01	Insulation	/R	1	
18	N 105 168 01	Expander nut		2	
		Door trim panel			
19	955 555 033 00	Fixing clip		5	
		Moulding			
20	955 645 511 00	Logo		1	I9VL
		Bose			
21	N 907 468 01	Clamp		7	
22	955 555 059 00	Clamp		6	I3LD
23		Light		X	I9MB
		Door			
		See illustrations			
		9/03/04			
24	955 555 271 00	Sealing ring		1	I9AB/9AD
		3,5 X 80			
		for			
		Ventilation grille			
24	955 555 271 01	Sealing ring		1	I9AB/9AD
		4,5 X 80			
		for			
		Ventilation grille			
		Service solution			
25	N 906 487 02	Tapping screw		11	
		4,8 X 16			
		for			
		Mount			
		Armrest			
26	955 533 837 00	Grommet		1	
		Mount			
		Cover			
		Mirror changeover switch			

Model: 9PA108

Model life 2007>>2010



Model: 9PA108 Model life 2007>>2010

Pos	Part Number	Description	Remark	Qty	Model
1	955 555 141 04	Door trim panel with Insulation Rear	/L	1	I3LD/3Y0/9JA
	955 555 141 04 PBJ	Black			
	955 555 141 04 PBK	Stone grey/steel grey			
	955 555 141 04 PBL	Havanna/sand beige			
(1)	955 555 142 04	Door trim panel Leatherette	/R	1	I3LD/3Y0/9JA
	955 555 142 04 PBJ	Black			
	955 555 142 04 PBK	Stone grey/steel grey			
	955 555 142 04 PBL	Havanna/sand beige			
1	955 555 143 04	Door trim panel Leatherette	/L	1	I3LD/3Y4/9JA
	955 555 143 04 PBJ	Black			
	955 555 143 04 PBK	Stone grey/steel grey			
	955 555 143 04 PBL	Havanna/sand beige			
(1)	955 555 144 04	Door trim panel Leatherette	/R	1	I3LD/3Y4/9JA
	955 555 144 04 PBJ	Black			
	955 555 144 04 PBK	Stone grey/steel grey			
	955 555 144 04 PBL	Havanna/sand beige			
1	955 555 145 04	Door trim panel Leatherette	/L	1	I3LD/3Y0/9JB
	955 555 145 04 PBJ	Black			
	955 555 145 04 PBK	Stone grey/steel grey			
	955 555 145 04 PBL	Havanna/sand beige			
(1)	955 555 146 04	Door trim panel Leatherette	/R	1	I3LD/3Y0/9JB
	955 555 146 04 PBJ	Black			
	955 555 146 04 PBK	Stone grey/steel grey			
	955 555 146 04 PBL	Havanna/sand beige			
1	955 555 147 04	Door trim panel Leatherette	/L	1	I3LD/3Y4/9JB
	955 555 147 04 PBJ	Black			
	955 555 147 04 PBK	Stone grey/steel grey			
	955 555 147 04 PBL	Havanna/sand beige			
(1)	955 555 148 04	Door trim panel Leatherette	/R	1	I3LD/3Y4/9JB
	955 555 148 04 PBJ	Black			
	955 555 148 04 PBK	Stone grey/steel grey			
	955 555 148 04 PBL	Havanna/sand beige			
1	955 555 151 11	Door trim panel Leather/ Nature	/L -08	1	I3LM/3Y0/9JA
(1)	955 555 151 11 WPH	Chestnut brown			
	955 555 152 11	Door trim panel Leather/ Nature	/R -08	1	I3LM/3Y0/9JA
	955 555 152 11 WPH	Chestnut brown			
1	955 555 151 12	Door trim panel Leather/ Nature	/L 09-	1	I3LM/3Y0/9JA
(1)	955 555 151 12 ZPR	Chestnut brown			
	955 555 152 12	Door trim panel Leather/ Nature	/R 09-	1	I3LM/3Y0/9JA
	955 555 152 12 ZPR	Chestnut brown			
1	955 555 153 11	Door trim panel Leather/ Nature	/L -08	1	I3LM/3Y4/9JA

Model: 9PA108 Model life 2007>>2010

Pos	Part Number	Description	Remark	Qty	Model
(1)	955 555 153 11 WPH	Chestnut brown			
	955 555 154 11	Door trim panel	/R -08	1	I3LM/3Y4/9JA
		Leather/ Nature			
1	955 555 154 11 WPH	Chestnut brown			
	955 555 153 12	Door trim panel	/L 09-	1	I3LM/3Y4/9JA
		Leather/ Nature			
1	955 555 153 12 ZPR	Chestnut brown			
	955 555 154 12	Door trim panel	/R 09-	1	I3LM/3Y4/9JA
		Leather/ Nature			
1	955 555 154 12 ZPR	Chestnut brown			
	955 555 155 11	Door trim panel	/L -08	1	I3LM/3Y0/9JB
		Leather/ Nature			
(1)	955 555 155 11 WPH	Chestnut brown			
	955 555 156 11	Door trim panel	/R -08	1	I3LM/3Y0/9JB
		Leather/ Nature			
1	955 555 156 11 WPH	Chestnut brown			
	955 555 155 12	Door trim panel	/L 09-	1	I3LM/3Y0/9JB
		Leather/ Nature			
(1)	955 555 155 12 ZPR	Chestnut brown			
	955 555 156 12	Door trim panel	/R 09-	1	I3LM/3Y0/9JB
		Leather/ Nature			
1	955 555 156 12 ZPR	Chestnut brown			
	955 555 159 11	Door trim panel	/L -08	1	I3LM/3Y4/9JB
		Leather/ Nature			
(1)	955 555 159 11 WPH	Chestnut brown			
	955 555 160 11	Door trim panel	/R -08	1	I3LM/3Y4/9JB
		Leather/ Nature			
1	955 555 160 11 WPH	Chestnut brown			
	955 555 159 12	Door trim panel	/L 09-	1	I3LM/3Y4/9JB
		Leather/ Nature			
1	955 555 159 12 ZPR	Chestnut brown			
	955 555 160 12	Door trim panel	/R 09-	1	I3LM/3Y4/9JB
		Leather/ Nature			
1	955 555 160 12 ZPR	Chestnut brown			
	955 555 163 05	Door trim panel	/L -08	1	I3LH/3Y0/9JA
		Leather			
	955 555 163 05 PBS	Black			
	955 555 163 05 PBT	Stone grey/steel grey			
	955 555 163 05 PBU	Havanna/sand beige			
	955 555 163 05 RKR	Sand beige/sand beige			
(1)	955 555 164 05	Door trim panel	/R -08	1	I3LH/3Y0/9JA
		Leather			
	955 555 164 05 PBS	Black			
	955 555 164 05 PBT	Stone grey/steel grey			
	955 555 164 05 PBU	Havanna/sand beige			
	955 555 164 05 RKR	Sand beige/sand beige			
1	955 555 163 06	Door trim panel	/L 09-	1	I3LH/3Y0/9JA
		Leather			
	955 555 163 06 ZPT	Black			
	955 555 163 06 ZPU	Stone grey/steel grey			
	955 555 163 06 ZPV	Havanna/sand beige			
	955 555 163 06 ZPW	Sand beige/sand beige			

Model: 9PA108 Model life 2007>>2010

Pos	Part Number	Description	Remark	Qty	Model
(1)	955 555 164 06	Door trim panel Leather	/R 09-	1	I3LH/3Y0/9JA
	955 555 164 06 ZPT	Black			
	955 555 164 06 ZPU	Stone grey/steel grey			
	955 555 164 06 ZPV	Havanna/sand beige			
	955 555 164 06 ZPW	Sand beige/sand beige			
1	955 555 167 04	Door trim panel Leather	/L -08	1	I3LH/3Y4/9JA
	955 555 167 04 PBS	Black			
	955 555 167 04 PBT	Stone grey/steel grey			
	955 555 167 04 PBU	Havanna/sand beige			
	955 555 167 04 RKR	Sand beige/sand beige			
(1)	955 555 168 04	Door trim panel Leather	/R -08	1	I3LH/3Y4/9JA
	955 555 168 04 PBS	Black			
	955 555 168 04 PBT	Stone grey/steel grey			
	955 555 168 04 PBU	Havanna/sand beige			
	955 555 168 04 RKR	Sand beige/sand beige			
1	955 555 167 05	Door trim panel Leather	/L 09-	1	I3LH/3Y4/9JA
	955 555 167 05 ZPT	Black			
	955 555 167 05 ZPU	Stone grey/steel grey			
	955 555 167 05 ZPV	Havanna/sand beige			
	955 555 167 05 ZPW	Sand beige/sand beige			
(1)	955 555 168 05	Door trim panel Leather	/R 09-	1	I3LH/3Y4/9JA
	955 555 168 05 ZPT	Black			
	955 555 168 05 ZPU	Stone grey/steel grey			
	955 555 168 05 ZPV	Havanna/sand beige			
	955 555 168 05 ZPW	Sand beige/sand beige			
1	955 555 169 05	Door trim panel Leather	/L -08	1	I3LH/3Y0/9JB
	955 555 169 05 PBS	Black			
	955 555 169 05 PBT	Stone grey/steel grey			
	955 555 169 05 PBU	Havanna/sand beige			
	955 555 169 05 RKR	Sand beige/sand beige			
(1)	955 555 170 05	Door trim panel Leather	/R -08	1	I3LH/3Y0/9JB
	955 555 170 05 PBS	Black			
	955 555 170 05 PBT	Stone grey/steel grey			
	955 555 170 05 PBU	Havanna/sand beige			
	955 555 170 05 RKR	Sand beige/sand beige			
1	955 555 169 06	Door trim panel Leather	/L 09-	1	I3LH/3Y0/9JB
	955 555 169 06 ZPT	Black			
	955 555 169 06 ZPU	Stone grey/steel grey			
	955 555 169 06 ZPV	Havanna/sand beige			
	955 555 169 06 ZPW	Sand beige/sand beige			
(1)	955 555 170 06	Door trim panel Leather	/R 09-	1	I3LH/3Y0/9JB
	955 555 170 06 ZPT	Black			
	955 555 170 06 ZPU	Stone grey/steel grey			
	955 555 170 06 ZPV	Havanna/sand beige			
	955 555 170 06 ZPW	Sand beige/sand beige			
1	955 555 171 04	Door trim panel Leather	/L -08	1	I3LH/3Y4/9JB
	955 555 171 04 PBS	Black			
	955 555 171 04 PBT	Stone grey/steel grey			
	955 555 171 04 PBU	Havanna/sand beige			
	955 555 171 04 RKR	Sand beige/sand beige			
(1)	955 555 172 04	Door trim panel Leather	/R -08	1	I3LH/3Y4/9JB
	955 555 172 04 PBS	Black			

Model: 9PA108 Model life 2007>>2010

Pos	Part Number	Description	Remark	Qty	Model
1	955 555 172 04 PBT	Stone grey/steel grey			
	955 555 172 04 PBU	Havanna/sand beige			
	955 555 172 04 RKR	Sand beige/sand beige			
	955 555 171 05	Door trim panel Leather	/L 09-	1	I3LH/3Y4/9JB
	955 555 171 05 ZPT	Black			
(1)	955 555 171 05 ZPU	Stone grey/steel grey			
	955 555 171 05 ZPV	Havanna/sand beige			
	955 555 171 05 ZPW	Sand beige/sand beige			
	955 555 172 05	Door trim panel Leather	/R 09-	1	I3LH/3Y4/9JB
	955 555 172 05 ZPT	Black			
(1)	955 555 172 05 ZPU	Stone grey/steel grey			
	955 555 172 05 ZPV	Havanna/sand beige			
	955 555 172 05 ZPW	Sand beige/sand beige			
	955 555 163 10	Door trim panel Leather/ Alcantara	/L 08	1	I3LS/3Y0/9JA
	955 555 163 10 XKU	Black			
(1)	955 555 163 10 XKV	Sand beige/sand beige			
	955 555 163 10 XKW	Steel grey/steel grey			
	955 555 163 10 XPV	Havanna/sand beige			
	955 555 164 10	Door trim panel Leather/ Alcantara	/R 08	1	I3LS/3Y0/9JA
	955 555 164 10 XKU	Black			
1	955 555 164 10 XKV	Sand beige/sand beige			
	955 555 164 10 XKW	Steel grey/steel grey			
	955 555 164 10 XPV	Havanna/sand beige			
	955 555 163 11	Door trim panel Leather/ Alcantara	/L 09-	1	I3LS/3Y0/9JA
	955 555 163 11 XKU	Black			
(1)	955 555 163 11 XKV	Sand beige/sand beige			
	955 555 163 11 XKW	Steel grey/steel grey			
	955 555 163 11 XPV	Havanna/sand beige			
	955 555 163 11 L0C	Black/Guards Red			
	955 555 164 11	Door trim panel Leather/ Alcantara	/R 09-	1	I3LS/3Y0/9JA
(1)	955 555 164 11 XKU	Black			
	955 555 164 11 XKV	Sand beige/sand beige			
	955 555 164 11 XKW	Steel grey/steel grey			
	955 555 164 11 XPV	Havanna/sand beige			
	955 555 164 11 L0C	Black/Guards Red			
(1)	955 555 167 10	Door trim panel Leather/ Alcantara	/L 08	1	I3LS/3Y4/9JA
	955 555 167 10 XKU	Black			
	955 555 167 10 XKV	Sand beige/sand beige			
	955 555 167 10 XKW	Steel grey/steel grey			
	955 555 167 10 XPV	Havanna/sand beige			
(1)	955 555 168 10	Door trim panel Leather/ Alcantara	/R 08	1	I3LS/3Y4/9JA
	955 555 168 10 XKU	Black			
	955 555 168 10 XKV	Sand beige/sand beige			
	955 555 168 10 XKW	Steel grey/steel grey			
	955 555 168 10 XPV	Havanna/sand beige			
1	955 555 167 11	Door trim panel Leather/ Alcantara	/L 09-	1	I3LS/3Y4/9JA
	955 555 167 11 XKU	Black			

Model: 9PA108 Model life 2007>>2010

Pos	Part Number	Description	Remark	Qty	Model
(1)	955 555 167 11 XKV	Sand beige/sand beige			
	955 555 167 11 XKW	Steel grey/steel grey			
	955 555 167 11 XPV	Havanna/sand beige			
	955 555 167 11 L0C	Black/Guards Red			
	955 555 168 11	Door trim panel Leather/ Alcantara	/R 09-	1	I3LS/3Y4/9JA
(1)	955 555 168 11 XKU	Black			
	955 555 168 11 XKV	Sand beige/sand beige			
	955 555 168 11 XKW	Steel grey/steel grey			
	955 555 168 11 XPV	Havanna/sand beige			
	955 555 168 11 L0C	Black/Guards Red			
(1)	955 555 169 10	Door trim panel Leather/ Alcantara	/L 08	1	I3LS/3Y0/9JB
	955 555 169 10 XKU	Black			
	955 555 169 10 XKV	Sand beige/sand beige			
	955 555 169 10 XKW	Steel grey/steel grey			
	955 555 169 10 XPV	Havanna/sand beige			
(1)	955 555 170 10	Door trim panel Leather/ Alcantara	/R 08	1	I3LS/3Y0/9JB
	955 555 170 10 XKU	Black			
	955 555 170 10 XKV	Sand beige/sand beige			
	955 555 170 10 XKW	Steel grey/steel grey			
	955 555 170 10 XPV	Havanna/sand beige			
1	955 555 169 11	Door trim panel Leather/ Alcantara	/L 09-	1	I3LS/3Y0/9JB
	955 555 169 11 XKU	Black			
	955 555 169 11 XKV	Sand beige/sand beige			
	955 555 169 11 XKW	Steel grey/steel grey			
	955 555 169 11 XPV	Havanna/sand beige			
(1)	955 555 170 11	Door trim panel Leather/ Alcantara	/R 09-	1	I3LS/3Y0/9JB
	955 555 170 11 XKU	Black			
	955 555 170 11 XKV	Sand beige/sand beige			
	955 555 170 11 XKW	Steel grey/steel grey			
	955 555 170 11 XPV	Havanna/sand beige			
(1)	955 555 171 10	Door trim panel Leather/ Alcantara	/L 08	1	I3LS/3Y4/9JB
	955 555 171 10 XKU	Black			
	955 555 171 10 XKV	Sand beige/sand beige			
	955 555 171 10 XKW	Steel grey/steel grey			
	955 555 171 10 XPV	Havanna/sand beige			
(1)	955 555 172 10	Door trim panel Leather/ Alcantara	/R 08	1	I3LS/3Y4/9JB
	955 555 172 10 XKU	Black			
	955 555 172 10 XKV	Sand beige/sand beige			
	955 555 172 10 XKW	Steel grey/steel grey			
	955 555 172 10 XPV	Havanna/sand beige			
1	955 555 171 11	Door trim panel Leather/ Alcantara	/L 09-	1	I3LS/3Y4/9JB
	955 555 171 11 XKU	Black			
	955 555 171 11 XKV	Sand beige/sand beige			
	955 555 171 11 XKW	Steel grey/steel grey			
	955 555 171 11 XPV	Havanna/sand beige			

Model: 9PA108 Model life 2007>>2010

Pos	Part Number	Description	Remark	Qty	Model
(1)	955 555 171 11 L0C	Black/Guards Red			
	955 555 172 11	Door trim panel	/R 09-	1	I3LS/3Y4/9JB
		Leather/ Alcantara			
	955 555 172 11 XKU	Black			
	955 555 172 11 XKV	Sand beige/sand beige			
	955 555 172 11 XKW	Steel grey/steel grey			
	955 555 172 11 XPV	Havanna/sand beige			
(1)	955 555 172 11 L0C	Black/Guards Red			
	955 555 163 20	Door trim panel	/L 09-	1	I3LT/3Y0/9JA
		Leather/ two-colour			
	955 555 163 20 ZJA	Black/Havanna			
	955 555 163 20 ZJC	Black/Steel Grey			
(1)	955 555 164 20	Door trim panel	/R 09-	1	I3LT/3Y0/9JA
		Leather/ two-colour			
	955 555 164 20 ZJA	Black/Havanna			
	955 555 164 20 ZJC	Black/Steel Grey			
(1)	955 555 167 20	Door trim panel	/L 09-	1	I3LT/3Y4/9JA
		Leather/ two-colour			
	955 555 167 20 ZJA	Black/Havanna			
	955 555 167 20 ZJC	Black/Steel Grey			
(1)	955 555 168 20	Door trim panel	/R 09-	1	I3LT/3Y4/9JA
		Leather/ two-colour			
	955 555 168 20 ZJA	Black/Havanna			
	955 555 168 20 ZJC	Black/Steel Grey			
(1)	955 555 169 20	Door trim panel	/L 09-	1	I3LT/3Y0/9JB
		Leather/ two-colour			
	955 555 169 20 ZJA	Black/Havanna			
	955 555 169 20 ZJC	Black/Steel Grey			
(1)	955 555 170 20	Door trim panel	/R 09-	1	I3LT/3Y0/9JB
		Leather/ two-colour			
	955 555 170 20 ZJA	Black/Havanna			
	955 555 170 20 ZJC	Black/Steel Grey			
(1)	955 555 171 20	Door trim panel	/L 09-	1	I3LT/3Y4/9JB
		Leather/ two-colour			
	955 555 171 20 ZJA	Black/Havanna			
	955 555 171 20 ZJC	Black/Steel Grey			
(1)	955 555 172 20	Door trim panel	/R 09-	1	I3LT/3Y4/9JB
		Leather/ two-colour			
	955 555 172 20 ZJA	Black/Havanna			
	955 555 172 20 ZJC	Black/Steel Grey			
2	955 555 243 00	Fixing clip		7	
3	N 103 346 04	Door trim panel Screw M 6 X 20 Mount		4	
4	N 907 397 04	Door trim panel Tapping screw M 5 X 22 Mount		2	
5	955 555 173 00	Door trim panel Lower Armrest	/L	1	I3LD
	955 555 173 00 A08	Black			
	955 555 173 00 T25	Sand Beige			

Model: 9PA108 Model life 2007>>2010

Pos	Part Number	Description	Remark	Qty	Model
(5)	955 555 173 00 6E1	Steel grey			
	955 555 174 00	Armrest	/R	1	I3LD
	955 555 174 00 A08	Black			
	955 555 174 00 T25	Sand Beige			
	955 555 174 00 6E1	Steel grey			
5	955 555 175 00	Armrest	/L	1	I3LH/3LS/3LT
		Leather			
	955 555 175 00 6B7	Steel grey			
	955 555 175 00 8G1	Sand Beige			
	955 555 175 00 8YR	Black			
(5)	955 555 176 00	Armrest	/R	1	I3LH/3LS/3LT
		Leather			
	955 555 176 00 6B7	Steel grey			
	955 555 176 00 8G1	Sand Beige			
	955 555 176 00 8YR	Black			
5	955 555 175 10	Armrest	/L	1	I3LM
		Leather/ Nature			
(5)	955 555 175 10 J69	Chestnut brown			
	955 555 176 10	Armrest	/R	1	I3LM
		Leather/ Nature			
	955 555 176 10 J69	Chestnut brown			
-	N 906 487 02	Tapping screw 4,8 X 16 for Mount		7	
6	955 555 177 00	Armrest Trim cover	/L	1	I3LD/3LH/3LS I3LT/9WC
		Armrest			
	955 555 177 00 5Q2	Black			
	955 555 177 00 5R3	Steel grey			
	955 555 177 00 5S4	Sand Beige			
(6)	955 555 178 00	Trim cover	/R	1	I3LD/3LH/3LS I3LT/9WC
		Armrest			
	955 555 178 00 5Q2	Black			
	955 555 178 00 5R3	Steel grey			
	955 555 178 00 5S4	Sand Beige			
6	955 555 177 01	Trim cover	/L	1	I3LD/3LH/3LS I3LT/9WM
		Armrest			
	955 555 177 01 5Q2	Black			
	955 555 177 01 5R3	Steel grey			
	955 555 177 01 5S4	Sand Beige			
(6)	955 555 178 01	Trim cover	/R	1	I3LD/3LH/3LS I3LT/9WM
		Armrest			
	955 555 178 01 5Q2	Black			
	955 555 178 01 5R3	Steel grey			
	955 555 178 01 5S4	Sand Beige			
6	955 555 179 10	Trim cover	/L	1	I3LM/9WC
		Armrest			
	955 555 179 10 J69	Chestnut brown			
(6)	955 555 180 10	Trim cover	/R	1	I3LM/9WC
		Armrest			
	955 555 180 10 J69	Chestnut brown			
(6)	955 555 179 11	Trim cover	/L	1	I3LM/9WM
		Armrest			
	955 555 179 11 J69	Chestnut brown			
(6)	955 555 180 11	Trim cover	/R	1	I3LM/9WM
		Armrest			

Model: 9PA108 Model life 2007>>2010

Pos	Part Number	Description	Remark	Qty	Model
7	955 555 180 11 J69	Chestnut brown			
	955 555 259 00	Handle Leather	/L	1	I3LH/3LT
	955 555 259 00 6B7	Steel grey			
	955 555 259 00 8G1	Sand Beige			
(7)	955 555 259 00 8YR	Black			
	955 555 260 00	Handle Leather	/R	1	I3LH/3LT
	955 555 260 00 6B7	Steel grey			
	955 555 260 00 8G1	Sand Beige			
7	955 555 260 00 8YR	Black			
	955 555 259 10	Handle Leather/ Nature	/L	1	I3LM
	955 555 259 10 J69	Chestnut brown			
(7)	955 555 260 10	Handle Leather/ Nature	/R	1	I3LM
	955 555 260 10 J69	Chestnut brown			
	955 555 261 00	Handle	/L	1	I3LD
7	955 555 261 00 A08	Black			
	955 555 261 00 T25	Sand Beige			
	955 555 261 00 6E1	Steel grey			
	955 555 262 00	Handle	/R	1	I3LD
	955 555 262 00 A08	Black			
7	955 555 262 00 T25	Sand Beige			
	955 555 262 00 6E1	Steel grey			
	955 555 263 00	Handle Alcantara	/L 08-	1	I3LS
	955 555 263 00 6B7	Steel grey			
	955 555 263 00 8G1	Sand Beige			
(7)	955 555 263 00 8YR	Black			
	955 555 264 00	Handle Alcantara	/L 08-	1	I3LS
	955 555 264 00 6B7	Steel grey			
8	955 555 264 00 8G1	Sand Beige			
	955 555 264 00 8YR	Black			
	955 555 537 00	Trim cover Handle	/L	1	I3LD
(8)	955 555 537 00 A08	Black			
	955 555 537 00 T25	Sand Beige			
	955 555 537 00 6E1	Steel grey			
	955 555 538 00	Trim cover Handle	/R	1	I3LD
	955 555 538 00 A08	Black			
8	955 555 538 00 T25	Sand Beige			
	955 555 538 00 6E1	Steel grey			
	955 555 539 01	Trim cover Handle Leather	/L	1	I3LH/3LS/3LT
(8)	955 555 539 01 6B7	Steel grey			
	955 555 539 01 8G1	Sand Beige			
	955 555 539 01 8YR	Black			
	955 555 540 01	Trim cover Handle Leather	/R	1	I3LH/3LS/3LT
	955 555 540 01 6B7	Steel grey			
8	955 555 540 01 8G1	Sand Beige			
	955 555 540 01 8YR	Black			
	955 555 539 10	Trim cover Handle Leather/ Nature	/L	1	I3LM

Model: 9PA108 Model life 2007>>2010

Pos	Part Number	Description	Remark	Qty	Model
(8)	955 555 539 10 J69 955 555 540 10	Chestnut brown Trim cover Handle Leather/ Nature	/R	1	I3LM
9	955 555 540 10 J69 955 555 087 00	Chestnut brown Moulding Plastic material Lacquered	/L -09	1	I5MA
9	955 555 087 00 5X2 955 555 087 00	Silver mat chrome Moulding Plastic material Lacquered	-09 /L 09-	1	I5MA/6FA
9	955 555 087 00 5X2 955 555 087 00	Silver mat chrome Moulding Plastic material Lacquered	/L 09-	1	IE2D/5MA/6FI
(9)	955 555 087 00 8C6 955 555 088 00	Orange Moulding Plastic material Lacquered	09- /R -09	1	I5MA
(9)	955 555 088 00 5X2 955 555 088 00	Silver mat chrome Moulding Plastic material Lacquered	-09 /R 09-	1	I5MA/6FA
(9)	955 555 088 00 5X2 955 555 088 00	Silver mat chrome Moulding Plastic material Lacquered	/R 09-	1	IE2D/5MA/6FI
9	955 555 088 00 8C6 955 555 089 00	Orange Moulding	09- /L	1	I5TE
(9)	955 555 089 00 62W 955 555 090 00	Satin aluminium Matte Moulding	/R	1	I5TE
9	955 555 090 00 62W 955 555 091 00	Satin aluminium Matte Moulding	/L -08	1	I5MG
9	955 555 091 00 4X2 955 555 091 01	Rootwood Moulding	/L 09-	1	I5MG
(9)	955 555 091 01 4X2 955 555 092 00	Rootwood Moulding	/R -08	1	I5MG
(9)	955 555 092 00 4X2 955 555 092 01	Rootwood Moulding	/R 09-	1	I5MG
9	955 555 092 01 4X2 955 555 093 00	Rootwood Moulding	/L -08	1	I5TF
9	955 555 093 00 4V8 955 555 093 01	High-gloss olive ash burl Moulding	/L 09-	1	I5TF
(9)	955 555 093 01 4V8 955 555 094 00	High-gloss olive ash burl Moulding	/R -08	1	I5TF
(9)	955 555 094 00 4V8 955 555 094 01	High-gloss olive ash burl Moulding	/R 09-	1	I5TF
9	955 555 094 01 4V8 955 555 063 00	High-gloss olive ash burl Moulding	/L -08	1	I5TK
(9)	955 555 063 00 9Z4 955 555 064 00	Super-matt olive ash burl Moulding	/R -08	1	I5TK
9	955 555 064 00 9Z4 955 555 063 02	Super-matt olive ash burl Moulding	/L 09-	1	I5MH
(9)	955 555 063 02 CS3 955 555 064 02	Carbon Black Moulding	/R 09-	1	I5MH
10	955 555 064 02 CS3 955 555 113 00	Black Inner door release	/L	1	

Model: 9PA108 Model life 2007>>2010

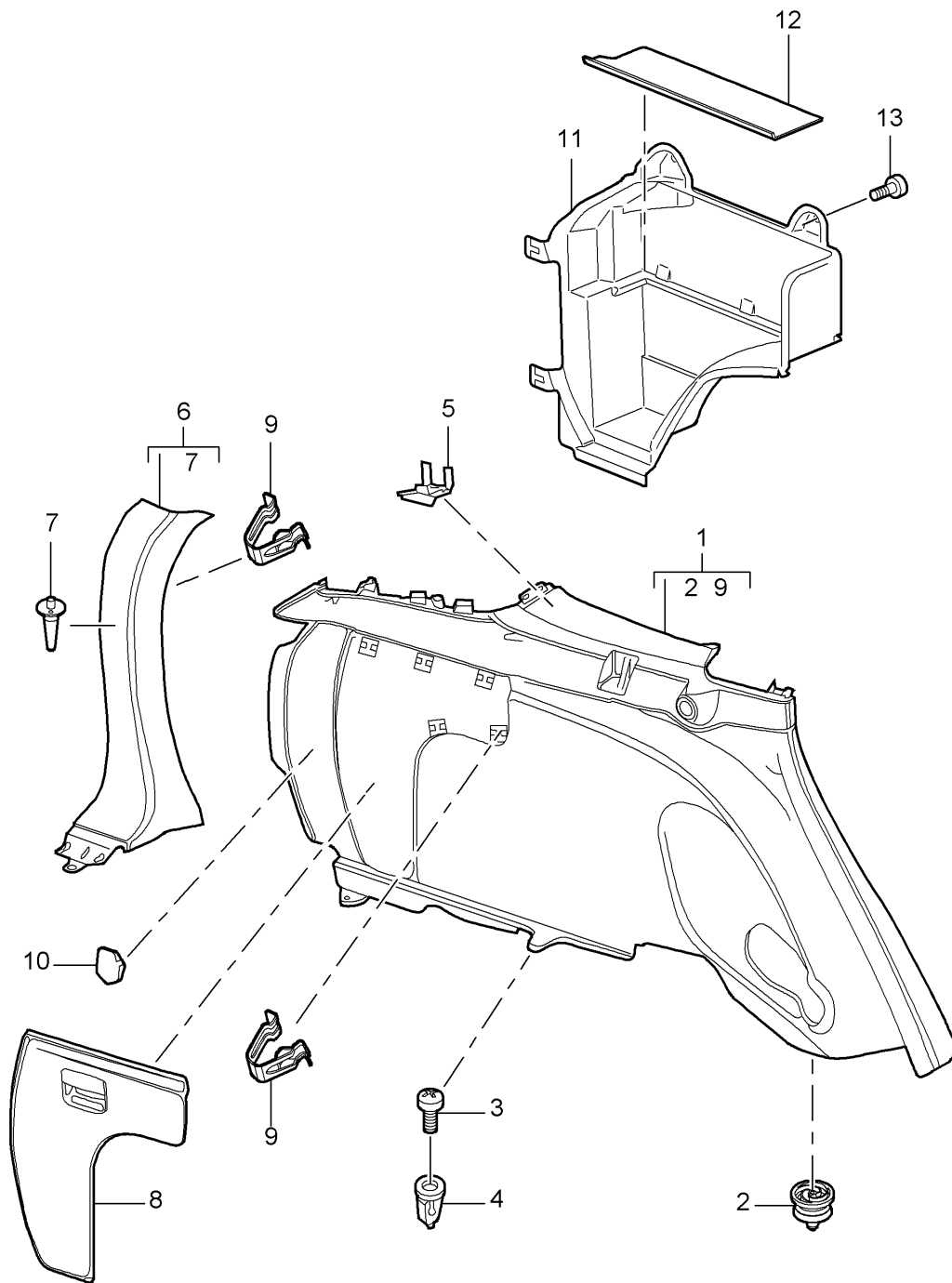
Pos	Part Number	Description	Remark	Qty	Model
		Complete			
	955 555 113 00 A03	Black			
	955 555 113 00 5V7	Stone grey			
	955 555 113 00 5Y9	Havanna			
	955 555 113 00 5Z1	Sand Beige			
(10)	955 555 114 00	Inner door release	/R	1	
		Complete			
	955 555 114 00 A03	Black			
	955 555 114 00 5V7	Stone grey			
	955 555 114 00 5Y9	Havanna			
	955 555 114 00 5Z1	Sand Beige			
11	955 555 883 03	Cover	/L	1	
(11)	955 555 884 03	Cover	/R	1	
12	955 555 851 00	Ashtray	/L	1	I9JB
	955 555 851 00 A03	Black			
	955 555 851 00 7BA	Steel grey			
	955 555 851 00 5Z1	Sand Beige			
	955 555 851 00 L58	Chestnut brown			
(12)	955 555 852 00	Ashtray	/R	1	I9JB
	955 555 852 00 A03	Black			
	955 555 852 00 7BA	Steel grey			
	955 555 852 00 5Z1	Sand Beige			
	955 555 852 00 L58	Chestnut brown			
13	955 731 317 02	Shade	/L	1	I3Y4
		Door window glass			
	955 731 317 02 3W4	Black			
(13)	955 731 318 02	Shade	/R	1	I3Y4
		Door window glass			
	955 731 318 02 3W4	Black			
14	955 731 319 00	Cover	/L	1	I3Y4
		Shade			
		Lacquered			
	955 731 319 00 A03	Black			
	955 731 319 00 5V7	Stone grey			
	955 731 319 00 5Y9	Havanna			
	955 731 319 00 5Z1	Sand Beige			
(14)	955 731 320 00	Cover	/R	1	I3Y4
		Shade			
		Lacquered			
	955 731 320 00 A03	Black			
	955 731 320 00 5V7	Stone grey			
	955 731 320 00 5Y9	Havanna			
	955 731 320 00 5Z1	Sand Beige			
15	955 731 321 00	Support	/L	1	I3Y4
		Shade			
		Front			
	955 731 321 00 9B9	Satin black			
(15)	955 731 322 00	Support	/R	1	I3Y4
		Shade			
		Front			
	955 731 322 00 9B9	Satin black			
(15)	955 731 323 00	Support	/L	1	I3Y4
		Shade			
		Rear			
	955 731 323 00 9B9	Satin black			
(15)	955 731 324 00	Support	/R	1	I3Y4
		Shade			
		Rear			
	955 731 324 00 9B9	Satin black			
16	N 104 472 01	Lens-head screw		4	
		ST 4,8 X 13			
17	955 731 325 01	Cap	/L	1	I3Y4
		Support			

Model: 9PA108 Model life 2007>>2010

Pos	Part Number	Description	Remark	Qty	Model
(17)	955 731 325 01 9B9 955 731 326 01	Front Satin black Cap Support Front	/R	1	I3Y4
(17)	955 731 326 01 9B9 955 731 327 01	Satin black Cap Support Rear	/L	1	I3Y4
(17)	955 731 327 01 9B9 955 731 328 01	Satin black Cap Support Rear	/R	1	I3Y4
18	955 731 328 01 9B9 955 731 330 00	Satin black Plate Shade		2	I3Y4
19	955 731 330 00 9B9 955 556 821 01	Satin black Insulation Door		2	
(20)	955 556 881 01 955 556 882 01	Insulation Insulation	/L /R	1 1	
21	N 105 168 01	Expander nut Door trim panel		2	
22	955 555 033 00	Fixing clip Moulding		4	
23	955 645 511 00	Logo Bose		1	I9VL
24	N 907 468 01	Clamp		7	
25		Light Door See illustrations 9/03/04		X	I9MB

Model: 9PA108

Model life 2007>>2010



Model: 9PA108 Model life 2007>>2010

Pos	Part Number	Description	Remark	Qty	Model
1	955 555 037 02	Side trim panel Rear Accessories	/L -08	1	I3LD/9AB/9AD
	955 555 037 02 PCE	Black/black			
	955 555 037 02 PCF	Stone grey/steel grey			
	955 555 037 02 PCG	Havanna/sand beige			
1	955 555 037 02	Side trim panel Rear Tufting velour	/L 09-	1	I9AB/9AD
	955 555 037 02 PCE	Black/black			
	955 555 037 02 PCF	Stone grey/steel grey			
	955 555 037 02 PCG	Havanna/sand beige			
	955 555 037 02 ZPQ	Chestnut brown	09-		
	955 555 037 02 ZPS	Sand beige/sand beige	09-		
1	955 555 038 02	Side trim panel Rear Tufting velour	/R -08	1	I1D0/1D2/1D6 I1D7/1D8/3LD
	955 555 038 02 PCE	Black/black			
	955 555 038 02 PCF	Stone grey/steel grey			
	955 555 038 02 PCG	Havanna/sand beige			
1	955 555 038 02	Side trim panel Rear Tufting velour	/R 09-	1	I1D0/1D2/1D6 I1D7/1D8
	955 555 038 02 PCE	Black/black			
	955 555 038 02 PCF	Stone grey/steel grey			
	955 555 038 02 PCG	Havanna/sand beige			
	955 555 038 02 ZPQ	Chestnut brown	09-		
	955 555 038 02 ZPS	Sand beige/sand beige	09-		
(1)	955 555 041 01	Side trim panel Rear Tufting velour	/L -08	1	I3LD/9AH
	955 555 041 01 PCE	Black/black			
	955 555 041 01 PCF	Stone grey/steel grey			
	955 555 041 01 PCG	Havanna/sand beige			
(1)	955 555 041 01	Side trim panel Rear Tufting velour	/L 09-	1	I9AH
	955 555 041 01 PCE	Black/black			
	955 555 041 01 PCF	Stone grey/steel grey			
	955 555 041 01 PCG	Havanna/sand beige			
	955 555 041 01 ZPQ	Chestnut brown	09-		
	955 555 041 01 ZPS	Sand beige/sand beige	09-		
(1)	955 555 040 02	Side trim panel Rear Tufting velour	/R -08	1	I1D9/3LD
	955 555 040 02 PCE	Black/black			
	955 555 040 02 PCF	Stone grey/steel grey			
	955 555 040 02 PCG	Havanna/sand beige			
(1)	955 555 040 02	Side trim panel Rear Tufting velour	/R 09-	1	I1D9
	955 555 040 02 PCE	Black/black			
	955 555 040 02 PCF	Stone grey/steel grey			
	955 555 040 02 PCG	Havanna/sand beige			
	955 555 040 02 ZPQ	Chestnut brown	09-		
	955 555 040 02 ZPS	Sand beige/sand beige	09-		
1	955 555 039 02	Side trim panel	/L	1	I3LH/3LM/3LS I3LT/9AB/9AD

Model: 9PA108 Model life 2007>>2010

Pos	Part Number	Description	Remark	Qty	Model																				
(1)	955 555 039 02 PCJ	Rear Pearl velour Black/black	/R	1	I1D0/1D2/1D6 I1D7/1D8/3LH I3LM/3LS/3LT																				
	955 555 039 02 PCK	Stone grey/steel grey																							
	955 555 039 02 PCL	Havanna/sand beige																							
	955 555 039 02 RKS	Sand beige/sand beige																							
	955 555 039 02 WPG	Chestnut brown																							
	955 555 042 02	Side trim panel																							
	955 555 042 02 PCJ	Rear Pearl velour Black/black																							
	955 555 042 02 PCK	Stone grey/steel grey																							
	955 555 042 02 PCL	Havanna/sand beige																							
	955 555 042 02 RKS	Sand beige/sand beige																							
1	955 555 042 02 WPG	Chestnut brown	/L	1	I3LH/3LM/3LS I3LT/9AH																				
	955 555 043 01	Side trim panel																							
	955 555 043 01 PCJ	Rear Pearl velour Black/black																							
	955 555 043 01 PCK	Stone grey/steel grey																							
	955 555 043 01 PCL	Havanna/sand beige																							
	955 555 043 01 RKS	Sand beige/sand beige																							
	955 555 043 01 WPG	Chestnut brown																							
	(1)	955 555 044 02				Side trim panel	/R	1	I1D9/3LH/3LM I3LS/3LT																
		955 555 044 02 PCJ				Rear Pearl velour Black/black																			
		955 555 044 02 PCK				Stone grey/steel grey																			
955 555 044 02 PCL		Havanna/sand beige																							
955 555 044 02 RKS		Sand beige/sand beige																							
955 555 044 02 WPG		Chestnut brown																							
2		955 555 245 00	Clip for Mount		X																				
		3	N 908 195 01							Side trim panel Lens-head screw ST 4,8 X 13 Mount		4													
			4							N 105 168 01				Side trim panel Expander nut F 5X 14,4 Mount		4									
										(4)				N 909 274 01				Side trim panel Side member Expander nut CST 4,8 X 10 Mount		4					
	5						955 555 387 00	Side trim panel C-pillar Clamp for Mount						2											
							6	955 555 447 03														Side trim panel Border strip Side trim panel	/L	1	
								955 555 447 03 9B9														Rear Satin black			
								955 555 447 03 6C6														Sand Beige			
								955 555 447 03 7A8														Steel grey			

Model: 9PA108 Model life 2007>>2010

Pos	Part Number	Description	Remark	Qty	Model
6	955 555 447 04	Border strip Side trim panel Rear	/L 07-	1	
	955 555 447 04 9B9	Satin black			
	955 555 447 04 6C6	Sand Beige			
	955 555 447 04 7A8	Steel grey			
(6)	955 555 448 03	Border strip Side trim panel Rear	/R	1	
	955 555 448 03 9B9	Satin black			
	955 555 448 03 6C6	Sand Beige			
	955 555 448 03 7A8	Steel grey			
(6)	955 555 448 04	Border strip Side trim panel Rear	/R	1	
	955 555 448 04 9B9	Satin black			
	955 555 448 04 6C6	Sand Beige			
	955 555 448 04 7A8	Steel grey			
7	955 555 276 00	Clip Mount for Border strip Rear		3	
8	955 555 461 00	Lid Side trim panel Tufting velour	/L -08	1	I3LD/9AB/9AD
	955 555 461 00 7H1	Black			
	955 555 461 00 7J2	Steel grey			
	955 555 461 00 7K3	Sand Beige			
(8)	955 555 462 01	Lid Side trim panel Tufting velour	/R -08	1	I3LD
	955 555 462 01 7H1	Black			
	955 555 462 01 7J2	Steel grey			
	955 555 462 01 7K3	Sand Beige			
(8)	955 555 461 00	Lid Side trim panel	/L 09-	1	I9AB/9AD
	955 555 461 00 PCE	Black/black			
	955 555 461 00 PCF	Stone grey/steel grey			
	955 555 461 00 PCG	Havanna/sand beige			
	955 555 461 00 ZPQ	Chestnut brown			
	955 555 461 00 ZPS	Sand beige/sand beige			
(8)	955 555 462 01	Lid Side trim panel	/R 09-	1	
	955 555 462 01 PCE	Black/black			
	955 555 462 01 PCF	Stone grey/steel grey			
	955 555 462 01 PCG	Havanna/sand beige			
	955 555 462 01 ZPQ	Chestnut brown			
	955 555 462 01 ZPS	Sand beige/sand beige			
8	955 555 471 00	Lid Side trim panel Pearl velour	/L -08	1	I3LH/3LM/3LS I3LT/9AB/9AD
	955 555 471 00 L63	Chestnut brown			
	955 555 471 00 8B2	Black			
	955 555 471 00 8C3	Steel grey			
	955 555 471 00 8D4	Sand Beige			
(8)	955 555 472 01	Lid Side trim panel Pearl velour	/R -08	1	I3LH/3LM/3LS I3LT
	955 555 472 01 L63	Chestnut brown			
	955 555 472 01 8B2	Black			

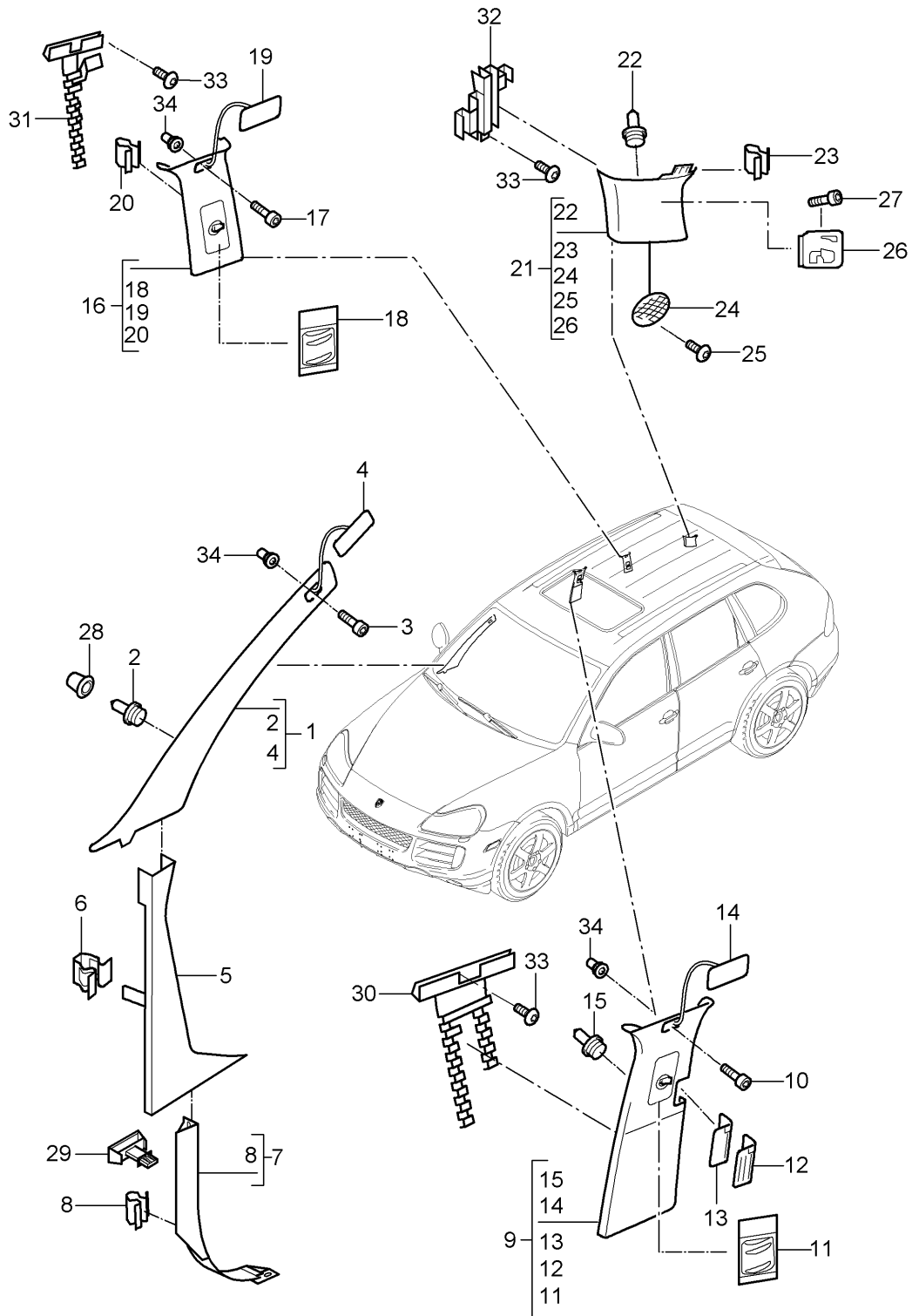
Model: 9PA108

Model life 2007>>2010

Pos	Part Number	Description	Remark	Qty	Model
9	955 555 472 01 8C3	Steel grey		5	I9AB/9AD
	955 555 472 01 8D4	Sand Beige			
	955 555 388 00	Clamp			
		Side trim panel			
		Mount			
		Lid			
(9)	955 555 389 00	Clamp		5	I9AH
		Side trim panel			
		Mount			
		Lid			
10		Plug socket		1	
		Side trim panel			
		See illustrations			
		9/03/05			
11	955 555 705 00	Package box	/L	1	I9AB/9AD
		Side trim panel			
12	955 555 652 00	Insert		1	I9AB/9AD
		Package box			
13	N 906 841 02	Oval-head screw		2	
		M 6 X 20			
		for			
		Mount			
		Package box			
(13)	N 106 185 01	Blind rivet nut		2	
		M 6/0,5 - 3,0			
		for			
		Mount			
		Package box			

Model: 9PA108

Model life 2007>>2010



Model: 9PA108 Model life 2007>>2010

Pos	Part Number	Description	Remark	Qty	Model
1	955 555 181 03	Linings A-pillar Until D-pillar Lining	/L	1	ID5V/D5X/D5Z I6NJ/6NL/6NQ
(1)	955 555 181 03 K90 955 555 181 03 6K1 955 555 181 03 6L2 955 555 182 03	A-pillar Upper Cloth Black Black Sand Beige Steel grey Lining	/R	1	ID5V/D5X/D5Z I6NJ/6NL/6NQ
(1)	955 555 182 03 K90 955 555 182 03 6K1 955 555 182 03 6L2 955 555 181 04	A-pillar Upper Cloth Black Black Sand Beige Steel grey Lining	/L 09-	1	ID50/6NJ/6NL I6NQ
(1)	955 555 181 04 K90 955 555 181 04 6K1 955 555 181 04 6L2 955 555 182 04	A-pillar Upper Cloth Black Black Sand Beige Steel grey Lining	/R 09-	1	ID50/6NJ/6NL I6NQ
1	955 555 182 04 K90 955 555 182 04 6K1 955 555 182 04 6L2 955 555 183 04	A-pillar Upper Cloth Black Black Sand Beige Steel grey Lining	/L	1	ID5V/D5X/D5Z I6NA/6NF/6NN
(1)	955 555 183 04 5E5 955 555 183 04 5E6 955 555 183 04 5G6 955 555 184 04	A-pillar Upper Alcantara Steel grey Black Sand Beige Lining	/R	1	ID5V/D5X/D5Z I6NA/6NF/6NN
(1)	955 555 184 04 5E5 955 555 184 04 5E6 955 555 184 04 5G6 955 555 183 05	A-pillar Upper Alcantara Steel grey Black Sand Beige Lining	/L 09-	1	ID50/6NA/6NF I6NN
	955 555 183 05 5E5 955 555 183 05 5E6	A-pillar Upper Alcantara Steel grey Black			

Model: 9PA108 Model life 2007>>2010

Pos	Part Number	Description	Remark	Qty	Model
(1)	955 555 183 05 5G6 955 555 184 05	Sand Beige Lining	/R 09-	1	ID50/6NA/6NF I6NN
		A-pillar Upper Alcantara			
	955 555 184 05 5E5	Steel grey			
	955 555 184 05 5E6	Black			
2	955 555 184 05 5G6 955 555 333 00	Sand Beige Clip		2	
		Mount Lining			
		A-pillar Upper			
3	N 106 768 01	Screw M 5 X 25		2	
		Mount A-pillar Upper			
4	955 555 437 00	Sticker		2	
		Airbag			
	955 555 437 00 9B9	Satin black			
	955 555 437 00 6C6	Sand Beige			
	955 555 437 00 7A8	Steel grey			
5	955 555 239 00	Lining	/L	1	
		A-pillar Centre			
	955 555 239 00 9B9	Satin black			
	955 555 239 00 6C6	Sand Beige			
	955 555 239 00 7A8	Steel grey			
(5)	955 555 240 00	Lining	/R	1	
		A-pillar Centre			
	955 555 240 00 9B9	Satin black			
	955 555 240 00 6C6	Sand Beige			
	955 555 240 00 7A8	Steel grey			
6	955 552 208 00	Clamp		2	
		Mount A-pillar Centre			
7	955 555 485 00	Lining	/LL /L	1	IL0L
		A-pillar Lower			
	955 555 485 00 9B9	Satin black			
	955 555 485 00 6C6	Sand Beige			
	955 555 485 00 7A8	Steel grey			
(7)	955 555 486 00	Lining	/LL /R	1	IL0L
		A-pillar Lower			
	955 555 486 00 9B9	Satin black			
	955 555 486 00 6C6	Sand Beige			
	955 555 486 00 7A8	Steel grey			
(7)	955 555 487 00	Lining	/RL /L	1	IL0R
		A-pillar Lower			
	955 555 487 00 9B9	Satin black			
	955 555 487 00 7A8	Steel grey			
	955 555 487 00 6C6	Sand Beige			
(7)	955 555 488 00	Lining	/RL /R	1	IL0R
		A-pillar Lower			
	955 555 488 00 9B9	Satin black			
	955 555 488 00 7A8	Steel grey			

Model: 9PA108 Model life 2007>>2010

Pos	Part Number	Description	Remark	Qty	Model
8	955 555 488 00 6C6	Sand Beige		2	
(9)	955 555 279 00	Fixing clip		1	
	955 555 185 04	Lining	/L	1	I 3QT/6NJ/6NL I 6NQ/9AB/9AD
		B-pillar			
		Cloth			
	955 555 185 04 QGA	Satin black/steel grey			
	955 555 185 04 QGB	Steel grey/steel grey			
	955 555 185 04 QGC	Sand beige/sand beige			
	955 555 185 04 WPR	Satin black/black			
(9)	955 555 186 04	Lining	/R	1	I 3QT/6NJ/6NL I 6NQ/9AB/9AD
		B-pillar			
		Cloth			
	955 555 186 04 QGA	Satin black/steel grey			
	955 555 186 04 QGB	Steel grey/steel grey			
	955 555 186 04 QGC	Sand beige/sand beige			
	955 555 186 04 WPR	Satin black/black			
9	955 555 187 03	Lining	/L	1	I 3QT/6NJ/6NL I 6NQ/9AH
		B-pillar			
		Cloth			
	955 555 187 03 QGA	Satin black/steel grey			
	955 555 187 03 QGB	Steel grey/steel grey			
	955 555 187 03 QGC	Sand beige/sand beige			
	955 555 187 03 WPR	Satin black/black			
(9)	955 555 188 03	Lining	/R	1	I 3QT/6NJ/6NL I 6NQ/9AH
		B-pillar			
		Cloth			
	955 555 188 03 QGA	Satin black/steel grey			
	955 555 188 03 QGB	Steel grey/steel grey			
	955 555 188 03 QGC	Sand beige/sand beige			
	955 555 188 03 WPR	Satin black/black			
(9)	955 555 189 04	Lining	/L	1	I 4QF/6NJ/6NL I 6NQ/9AB/9AD
		B-pillar			
		Cloth			
	955 555 189 04 QGA	Satin black/steel grey			
	955 555 189 04 QGB	Steel grey/steel grey			
	955 555 189 04 QGC	Sand beige/sand beige			
	955 555 189 04 WPR	Satin black/black			
(9)	955 555 190 04	Lining	/R	1	I 4QF/6NJ/6NL I 6NQ/9AB/9AD
		B-pillar			
		Cloth			
	955 555 190 04 QGA	Satin black/steel grey			
	955 555 190 04 QGB	Steel grey/steel grey			
	955 555 190 04 QGC	Sand beige/sand beige			
	955 555 190 04 WPR	Satin black/black			
9	955 555 191 03	Lining	/L	1	I 4QF/6NJ/6NL I 6NQ/9AH
		B-pillar			
		Cloth			
	955 555 191 03 QGA	Satin black/steel grey			
	955 555 191 03 QGB	Steel grey/steel grey			
	955 555 191 03 QGC	Sand beige/sand beige			
	955 555 191 03 WPR	Satin black/black			
(9)	955 555 192 03	Lining	/R	1	I 4QF/6NJ/6NL I 6NQ/9AH
		B-pillar			
		Cloth			
	955 555 192 03 QGA	Satin black/steel grey			

Model: 9PA108 Model life 2007>>2010

Pos	Part Number	Description	Remark	Qty	Model
9	955 555 192 03 QGB	Steel grey/steel grey	/L	1	I3QT/6NA/6NF I6NN/9AB/9AD
	955 555 192 03 QGC	Sand beige/sand beige			
	955 555 192 03 WPR	Satin black/black			
	955 555 193 04	Lining			
		B-pillar Alcantara			
	955 555 193 04 QGE	Satin black/black			
	955 555 193 04 QGF	Steel grey/steel grey			
(9)	955 555 193 04 QGG	Sand beige/sand beige	/R	1	I3QT/6NA/6NF I6NN/9AB/9AD
	955 555 194 04	Lining			
		B-pillar Alcantara			
	955 555 194 04 QGE	Satin black/black			
	955 555 194 04 QGF	Steel grey/steel grey			
	955 555 194 04 QGG	Sand beige/sand beige			
9	955 555 195 03	Lining	/L	1	I3QT/6NA/6NF I6NN/9AH
		B-pillar Alcantara			
	955 555 195 03 QGE	Satin black/black			
	955 555 195 03 QGF	Steel grey/steel grey			
(9)	955 555 195 03 QGG	Sand beige/sand beige	/R	1	I3QT/6NA/6NF I6NN/9AH
	955 555 196 03	Lining			
		B-pillar Alcantara			
	955 555 196 03 QGE	Satin black/black			
	955 555 196 03 QGF	Steel grey/steel grey			
	955 555 196 03 QGG	Sand beige/sand beige			
9	955 555 197 04	Lining	/L	1	I4QF/6NA/6NF I6NN/9AB/9AD
		B-pillar Alcantara			
	955 555 197 04 QGE	Satin black/black			
	955 555 197 04 QGF	Steel grey/steel grey			
(9)	955 555 197 04 QGG	Sand beige/sand beige	/R	1	I4QF/6NA/6NF I6NN/9AB/9AD
	955 555 198 04	Lining			
		B-pillar Alcantara			
	955 555 198 04 QGE	Satin black/black			
	955 555 198 04 QGF	Steel grey/steel grey			
	955 555 198 04 QGG	Sand beige/sand beige			
9	955 555 199 03	Lining	/L	1	I4QF/6NA/6NF I6NN/9AH
		B-pillar Alcantara			
	955 555 199 03 QGE	Satin black/black			
	955 555 199 03 QGF	Steel grey/steel grey			
(9)	955 555 199 03 QGG	Sand beige/sand beige	/R	1	I4QF/6NA/6NF I6NN/9AH
	955 555 200 03	Lining			
		B-pillar Alcantara			
	955 555 200 03 QGE	Satin black/black			
	955 555 200 03 QGF	Steel grey/steel grey			
	955 555 200 03 QGG	Sand beige/sand beige			
10	N 106 768 01	Screw M 5 X 25 Mount B-pillar		2	

Model: 9PA108 Model life 2007>>2010

Pos	Part Number	Description	Remark	Qty	Model
11	955 555 311 02	Slide Lining B-pillar Upper	/L	1	I3QT
	955 555 311 02 9B9	Satin black			
	955 555 311 02 6C6	Sand Beige			
	955 555 311 02 7A8	Steel grey			
(11)	955 555 312 02	Slide Lining B-pillar Upper	/R	1	I3QT
	955 555 312 02 9B9	Satin black			
	955 555 312 02 6C6	Sand Beige			
	955 555 312 02 7A8	Steel grey			
11	955 555 313 02	Slide Lining B-pillar Upper	/L	1	I4QF
	955 555 313 02 9B9	Satin black			
	955 555 313 02 6C6	Sand Beige			
	955 555 313 02 7A8	Steel grey			
(11)	955 555 314 02	Slide Lining B-pillar Upper	/R	1	I4QF
	955 555 314 02 9B9	Satin black			
	955 555 314 02 6C6	Sand Beige			
	955 555 314 02 7A8	Steel grey			
12	955 555 209 00	Side vent Lining B-pillar Upper	/L	1	I9AH
	955 555 209 00 5Z1	Sand Beige			
	955 555 209 00 6N3	Black mat			
	955 555 209 00 7BA	Steel grey			
(12)	955 555 210 00	Side vent Lining B-pillar Upper	/R	1	I9AH
	955 555 210 00 5Z1	Sand Beige			
	955 555 210 00 6N3	Black mat			
	955 555 210 00 7BA	Steel grey			
(12)	955 555 215 00	Side vent Lining B-pillar Upper	/L	1	I9AB/9AD
	955 555 215 00 5Z1	Sand Beige			
	955 555 215 00 6N3	Black mat			
	955 555 215 00 7BA	Steel grey			
(12)	955 555 216 00	Side vent Lining B-pillar Upper	/R	1	I9AB/9AD
	955 555 216 00 5Z1	Sand Beige			
	955 555 216 00 6N3	Black mat			
	955 555 216 00 7BA	Steel grey			
13	955 555 297 00	Gasket Air inlet Lining B-pillar	/L	1	I9AB/9AD
	955 555 297 00 9B9	Satin black			
	955 555 297 00 6C6	Sand Beige			
	955 555 297 00 7A8	Steel grey			

Model: 9PA108 Model life 2007>>2010

Pos	Part Number	Description	Remark	Qty	Model
(13)	955 555 298 00	Gasket Air inlet Lining B-pillar	/R	1	I9AB/9AD
	955 555 298 00 9B9	Satin black			
	955 555 298 00 6C6	Sand Beige			
	955 555 298 00 7A8	Steel grey			
14	955 555 437 00	Sticker Airbag		2	
	955 555 437 00 9B9	Satin black			
	955 555 437 00 6C6	Sand Beige			
	955 555 437 00 7A8	Steel grey			
15	955 555 276 00	Clip Mount Lining B-pillar		8	
16	955 555 221 03	Lining C-pillar Upper Cloth	/L	1	I6NJ/6NL/6NQ
	955 555 221 03 K90	Black			
	955 555 221 03 6K1	Sand Beige			
	955 555 221 03 6L2	Steel grey			
(16)	955 555 222 03	Lining C-pillar Upper Cloth	/R	1	I6NJ/6NL/6NQ
	955 555 222 03 K90	Black			
	955 555 222 03 6K1	Sand Beige			
	955 555 222 03 6L2	Steel grey			
16	955 555 223 03	Lining C-pillar Upper Alcantara	/L	1	I6NA/6NF/6NN
	955 555 223 03 5E5	Steel grey			
	955 555 223 03 5E6	Black			
	955 555 223 03 5G6	Sand Beige			
(16)	955 555 224 03	Lining C-pillar Upper Alcantara	/R	1	I6NA/6NF/6NN
	955 555 224 03 5E5	Steel grey			
	955 555 224 03 5E6	Black			
	955 555 224 03 5G6	Sand Beige			
17	N 106 768 01	Screw M 5 X 25 Mount C-pillar Upper		2	
18	955 555 315 02	Slide Lining C-pillar Upper	/L	1	
	955 555 315 02 9B9	Satin black			
	955 555 315 02 6C6	Sand Beige			
	955 555 315 02 7A8	Steel grey			
(18)	955 555 316 02	Slide Lining C-pillar Upper	/R	1	
	955 555 316 02 9B9	Satin black			
	955 555 316 02 6C6	Sand Beige			
	955 555 316 02 7A8	Steel grey			

Model: 9PA108 Model life 2007>>2010

Pos	Part Number	Description	Remark	Qty	Model
19	955 555 437 00	Sticker Airbag		2	
	955 555 437 00 9B9	Satin black			
	955 555 437 00 6C6	Sand Beige			
	955 555 437 00 7A8	Steel grey			
20	955 555 277 00	Clip Mount Lining C-pillar Upper		2	
21	955 555 251 04	Lining D-pillar Alcantara	/L	1	I 6NA/6NF/6NN I 8RV
	955 555 251 04 5E5	Steel grey			
	955 555 251 04 5E6	Black			
	955 555 251 04 5G6	Sand Beige			
(21)	955 555 252 04	Lining D-pillar Alcantara	/R	1	I 6NA/6NF/6NN I 8RV
	955 555 252 04 5E5	Steel grey			
	955 555 252 04 5E6	Black			
	955 555 252 04 5G6	Sand Beige			
21	955 555 253 04	Lining D-pillar Alcantara	/L	1	I 6NA/6NF/6NN I 9VL
	955 555 253 04 5E5	Steel grey			
	955 555 253 04 5E6	Black			
	955 555 253 04 5G6	Sand Beige			
(21)	955 555 254 04	Lining D-pillar Alcantara	/R	1	I 6NA/6NF/6NN I 9VL
	955 555 254 04 5E5	Steel grey			
	955 555 254 04 5E6	Black			
	955 555 254 04 5G6	Sand Beige			
21	955 555 255 04	Lining D-pillar Cloth	/L	1	I 6NJ/6NL/6NQ I 8RV
	955 555 255 04 K90	Black			
	955 555 255 04 6K1	Sand Beige			
	955 555 255 04 6L2	Steel grey			
(21)	955 555 256 04	Lining D-pillar Cloth	/R	1	I 6NJ/6NL/6NQ I 8RV
	955 555 256 04 K90	Black			
	955 555 256 04 6K1	Sand Beige			
	955 555 256 04 6L2	Steel grey			
21	955 555 257 04	Lining D-pillar Cloth	/L	1	I 6NJ/6NL/6NQ I 9VL
	955 555 257 04 K90	Black			
	955 555 257 04 6K1	Sand Beige			
	955 555 257 04 6L2	Steel grey			
(21)	955 555 258 04	Lining D-pillar Cloth	/R	1	I 6NJ/6NL/6NQ I 9VL

Model: 9PA108 Model life 2007>>2010

Pos	Part Number	Description	Remark	Qty	Model
22	955 555 258 04 K90	Black		7	
	955 555 258 04 6K1	Sand Beige			
	955 555 258 04 6L2	Steel grey			
	955 555 276 00	Clip Mount Lining D-pillar			
23	955 555 277 00	Clip Mount Lining D-pillar		4	
24	955 555 149 00	Loudspeaker grille Lining D-pillar	/L	1	I9VL
	955 555 149 00 7BA	Steel grey			
(24)	955 555 149 00 5Z1	Sand Beige		1	I9VL
	955 555 149 00 6N3	Black mat			
	955 555 150 00	Loudspeaker grille Lining D-pillar	/R		
	955 555 150 00 7BA	Steel grey			
25	955 555 150 00 5Z1	Sand Beige		4	I9VL
	955 555 150 00 6N3	Black mat			
	N 106 021 01	Oval-head screw 4,0 X 10 Mount Loudspeaker grille			
26	955 555 687 02	Eye D-pillar for Luggage net	/L	1	
	955 555 687 02 9B9	Satin black			
(26)	955 555 687 02 6C6	Sand Beige		1	I9VL
	955 555 687 02 7A8	Steel grey			
	955 555 688 02	Eye D-pillar for Luggage net	/R		
	955 555 688 02 9B9	Satin black			
27	955 555 688 02 6C6	Sand Beige		2	I9VL
	955 555 688 02 7A8	Steel grey			
	N 908 429 03	Screw M 6 X 12 Mount Eye for Luggage net			
28	955 555 334 00	Bush Lining A-pillar		4	
29	955 551 787 01	Retaining clip A-pillar Lower		2	
30	955 555 771 00	Deformation element B-pillar	/L	1	I3FA/3FE
(30)	955 555 772 00	Deformation element B-pillar	/R	1	I3FA/3FE
(30)	955 555 773 00	Deformation element B-pillar	/L	1	I3FU
(30)	955 555 774 00	Deformation element B-pillar	/R	1	I3FU
31	955 555 775 00	Deformation element C-pillar	/L	1	I3FA/3FE

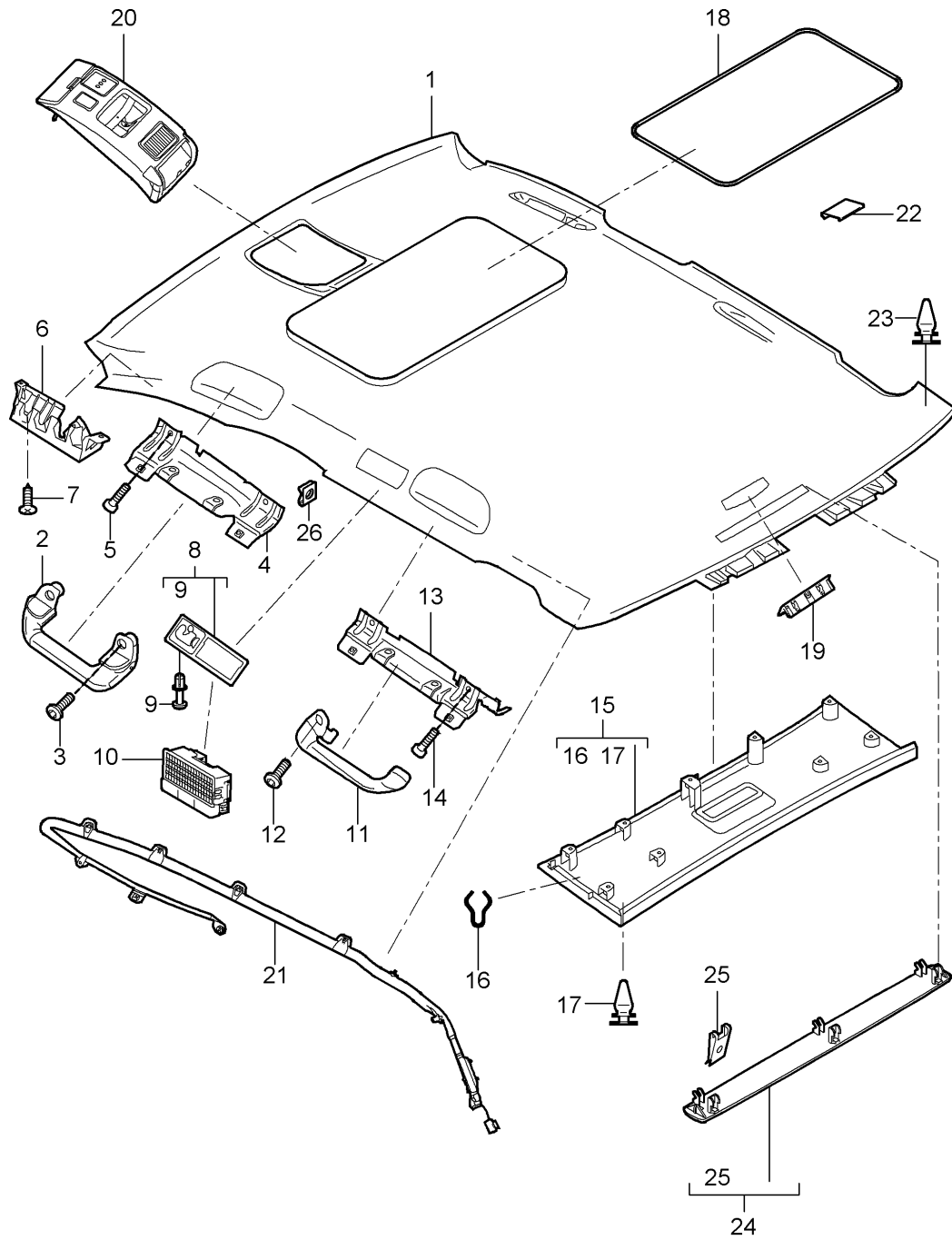
Model: 9PA108

Model life 2007>>2010

Pos	Part Number	Description	Remark	Qty	Model
(31)	955 555 776 00	Deformation element C-pillar	/R	1	I3FA/3FE
(31)	955 555 777 00	Deformation element C-pillar	/L	1	I3FU
(31)	955 555 778 00	Deformation element C-pillar	/R	1	I3FU
32	955 555 779 00	Deformation element D-pillar	/L	1	
(32)	955 555 780 00	Deformation element D-pillar	/R	1	
33	N 908 195 01	Lens-head screw ST 4,8 X 13		X	
34	N 911 215 01	Blind rivet nut M5		X	

Model: 9PA108

Model life 2007>>2010



Model: 9PA108

Model life 2007>>2010

Pos	Part Number	Description	Remark	Qty	Model
(1)	955 555 011 01	Rooflining Accessories Rooflining		1	I3FA/6NJ/7X0 I7X9
	955 555 011 01 K90	Cloth Black			
	955 555 011 01 6K1	Sand Beige			
	955 555 011 01 6L2	Steel grey			
(1)	955 555 012 01	Rooflining		1	I3FA/6NJ/7X2 I7X8
	955 555 012 01 K90	Cloth Black			
	955 555 012 01 6K1	Sand Beige			
	955 555 012 01 6L2	Steel grey			
(1)	955 555 013 01	Rooflining		1	I3FE/7X0/7X9
	955 555 013 01 K90	Cloth Black			
	955 555 013 01 6K1	Sand Beige			
	955 555 013 01 6L2	Steel grey			
(1)	955 555 014 01	Rooflining		1	I3FE/7X2/7X8
	955 555 014 01 K90	Cloth Black			
	955 555 014 01 6K1	Sand Beige			
	955 555 014 01 6L2	Steel grey			
(1)	955 555 015 01	Rooflining		1	I3FU/6NJ/7X0 I7X9
	955 555 015 01 K90	Cloth Black			
	955 555 015 01 6K1	Sand Beige			
	955 555 015 01 6L2	Steel grey			
(1)	955 555 016 01	Rooflining		1	I3FU/6NJ/7X2 I7X8
	955 555 016 01 K90	Cloth Black			
	955 555 016 01 6K1	Sand Beige			
	955 555 016 01 6L2	Steel grey			
(1)	955 555 017 01	Rooflining		1	I3FA/6NN/7X0 I7X9
	955 555 017 01 5E5	Alcantara Steel grey			
	955 555 017 01 5E6	Black			
	955 555 017 01 5G6	Sand Beige			
(1)	955 555 018 01	Rooflining		1	I3FA/6NN/7X2 I7X8
	955 555 018 01 5E5	Alcantara Steel grey			
	955 555 018 01 5E6	Black			
	955 555 018 01 5G6	Sand Beige			
(1)	955 555 019 01	Rooflining		1	I3FE/7X0/7X9
	955 555 019 01 5E5	Alcantara Steel grey			
	955 555 019 01 5E6	Black			
	955 555 019 01 5G6	Sand Beige			
(1)	955 555 020 01	Rooflining		1	I3FE/7X2/7X8
	955 555 020 01 5E5	Alcantara Steel grey			
	955 555 020 01 5E6	Black			
	955 555 020 01 5G6	Sand Beige			
(1)	955 555 021 01	Rooflining		1	I3FU/6NN/7X0 I7X9
	955 555 021 01 5E5	Alcantara Steel grey			
	955 555 021 01 5E6	Black			

Model: 9PA108 Model life 2007>>2010

Pos	Part Number	Description	Remark	Qty	Model
(1)	955 555 021 01 5G6 955 555 022 01	Sand Beige Rooflining		1	I3FU/6NN/7X2 I7X8
		Alcantara			
	955 555 022 01 5E5	Steel grey			
	955 555 022 01 5E6	Black			
	955 555 022 01 5G6	Sand Beige			
2	955 555 607 00	Grab handle Front	/L	1	
	955 555 607 00 9B9	Satin black			
	955 555 607 00 6C6	Sand Beige			
	955 555 607 00 7A8	Steel grey			
(2)	955 555 608 00	Grab handle Front	/R	1	
	955 555 608 00 9B9	Satin black			
	955 555 608 00 6C6	Sand Beige			
	955 555 608 00 7A8	Steel grey			
3	N 105 963 02	Screw M 5 X 25		4	
4	955 555 421 00	Support Front	/L	1	I3FA/3FE
(4)	955 555 422 00	Support Front	/R	1	I3FA/3FE
(4)	955 555 423 00	Support Front	/L	1	I3FU
(4)	955 555 424 00	Support Front	/R	1	I3FU
5	N 104 514 04	Lens-head screw M 6 X 16		8	
6	955 555 695 00	Deformation element Front	/L	1	I3FE/3FU
(6)	955 555 696 00	Deformation element Front	/R	1	I3FE/3FU
6	955 555 697 00	Deformation element Front	/L	1	I3FA
(6)	955 555 698 00	Deformation element Front	/R	1	I3FA
7	N 102 473 02	Oval-head sheetmetal screw ST 4,8 X 16		4	
8	955 555 677 00	Eye	/L	1	I3FA/3FE
	955 555 677 00 9B9	Satin black			
	955 555 677 00 6C6	Sand Beige			
	955 555 677 00 7A8	Steel grey			
(8)	955 555 678 00	Eye	/R	1	I3FA/3FE
	955 555 678 00 9B9	Satin black			
	955 555 678 00 6C6	Sand Beige			
	955 555 678 00 7A8	Steel grey			
(8)	955 555 781 00	Eye	/L	1	I3FU
	955 555 781 00 9B9	Satin black			
	955 555 781 00 6C6	Sand Beige			
	955 555 781 00 7A8	Steel grey			
(8)	955 555 782 00	Eye	/R	1	I3FU
	955 555 782 00 9B9	Satin black			
	955 555 782 00 6C6	Sand Beige			
	955 555 782 00 7A8	Steel grey			
9	955 555 784 00	Expansion rivet Mount		1	
10		Eye Reading light Rear See illustrations 9/03/04		1	
11	955 555 605 00	Grab handle	/L	1	

Model: 9PA108 Model life 2007>>2010

Pos	Part Number	Description	Remark	Qty	Model
		Rear			
	955 555 605 00 9B9	Satin black			
	955 555 605 00 6C6	Sand Beige			
	955 555 605 00 7A8	Steel grey			
(11)	955 555 606 00	Grab handle	/R	1	
		Rear			
	955 555 606 00 9B9	Satin black			
	955 555 606 00 6C6	Sand Beige			
	955 555 606 00 7A8	Steel grey			
12	N 105 963 02	Screw		4	
		M 5 X 25			
13	955 555 425 01	Support	/L	1	I3FA/3FE
		Rear			
(13)	955 555 426 01	Support	/R	1	I3FA/3FE
		Rear			
(13)	955 555 427 00	Support	/L	1	I3FU
		Rear			
(13)	955 555 428 00	Support	/R	1	I3FU
		Rear			
14	N 104 514 04	Lens-head screw		8	
		M 6 X 16			
15	955 555 617 02	Border strip		1	I6NJ/6NL/6NQ
		Rear			
		Cloth			
	955 555 617 02 K90	Black			
	955 555 617 02 6K1	Sand Beige			
	955 555 617 02 6L2	Steel grey			
(15)	955 555 618 03	Border strip		1	I6NA/6NF/6NN
		Rear			
		Alcantara			
	955 555 618 03 5E5	Steel grey			
	955 555 618 03 5E6	Black			
	955 555 618 03 5G6	Sand Beige			
16	955 555 277 00	Clip		2	
17	955 551 276 00	Clip		9	
18	955 555 561 00	Covering frame		1	I3FE
	955 555 561 00 01C	Satin black			
(18)	955 555 563 01	Covering frame		2	I3FU
	955 555 563 01 A03	Black			
19		ParkAssist		1	
		Rear			
		See illustrations			
		9/06/00			
20		Bracket		1	
		Roof			
		See illustrations			
		9/03/06			
21	955 803 069 02	Airbag unit	/L	1	
21	955 803 070 02	Airbag unit	/R	1	
-	N 908 074 07	Oval-head screw		X	
		M 5 X 18			
		for			
		Mount			
		Airbag unit			
(22)	955 555 525 02	Clamp		15	I3FE
22	955 555 615 00	Clamp		2	I3FU
		Covering frame			
23	955 555 663 00	Clip		2	
		Mount			
		Rooflining			
24	955 555 071 00	Cover		1	I3FU
		Control part			
	955 555 071 00 9B9	Satin black			

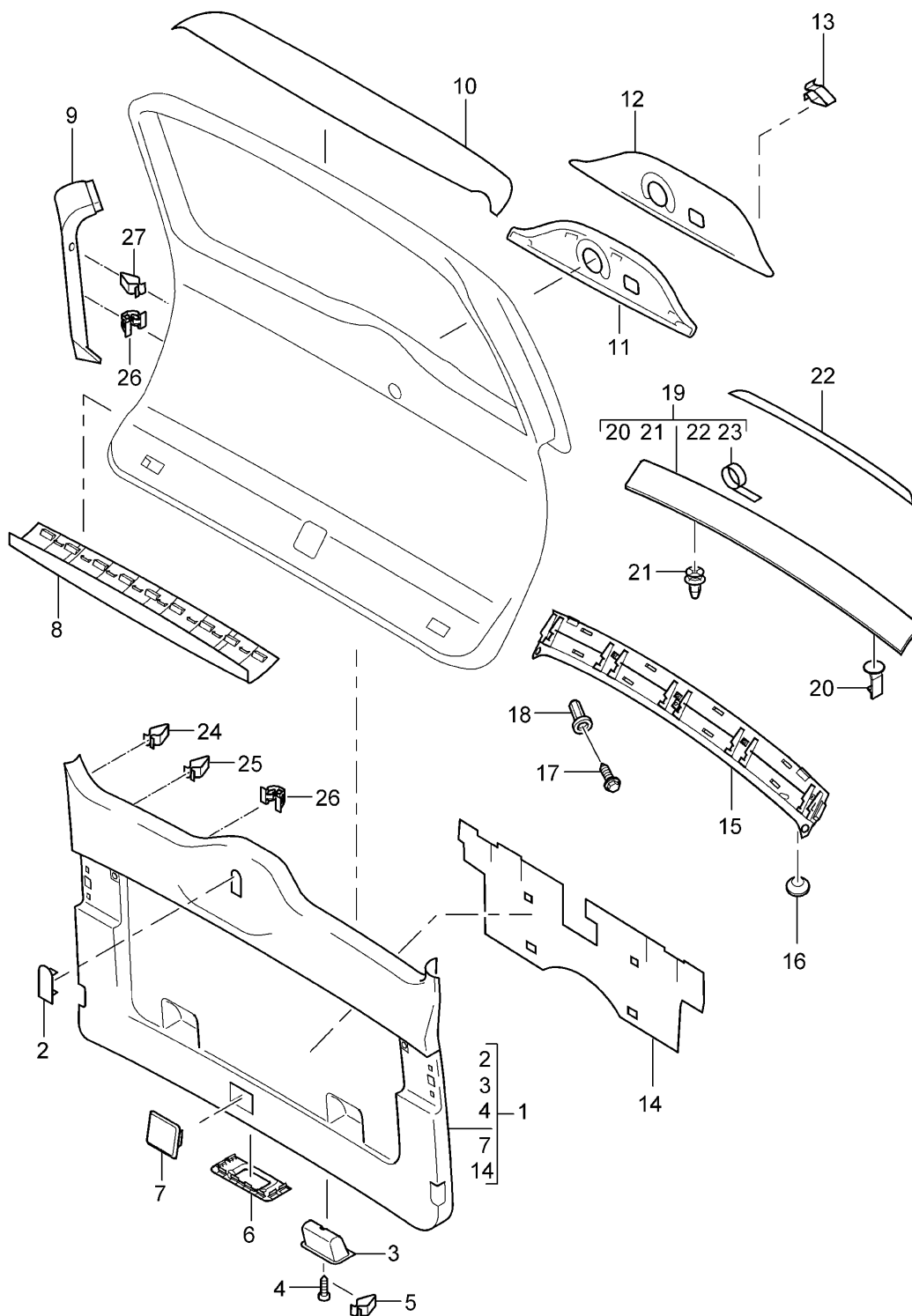
Model: 9PA108

Model life 2007>>2010

Pos	Part Number	Description	Remark	Qty	Model
25	955 555 071 00 6C6	Sand Beige		1	I3FU
	955 555 071 00 7A8	Steel grey			
	955 555 283 01	Clamp for Mount Cover Control part			
26	955 555 633 00	Clamp Mount Rooflining		23	I3FU

Model: 9PA108

Model life 2007>>2010



Model: 9PA108

Model life 2007>>2010

Pos	Part Number	Description	Remark	Qty	Model
1	955 555 602 01	Linings Rear lid Lining Rear lid Tufting velour	-08	1	I3LD/4E0
	955 555 602 01 PCE	Black/black			
	955 555 602 01 PCF	Stone grey/steel grey			
	955 555 602 01 PCG	Havanna/sand beige			
1	955 555 602 02	Lining Rear lid Tufting velour	-08	1	I3LD/4E7
	955 555 602 02 PCE	Black/black			
	955 555 602 02 PCF	Stone grey/steel grey			
	955 555 602 02 PCG	Havanna/sand beige			
1	955 555 602 01	Lining	09-	1	I4E0
	955 555 602 01 PCE	Black/black			
	955 555 602 01 PCF	Stone grey/steel grey			
	955 555 602 01 PCG	Havanna/sand beige			
	955 555 602 01 ZPQ	Chestnut brown			
	955 555 602 01 ZPS	Sand beige/sand beige			
1	955 555 602 02	Lining Rear lid	09-	1	I4E7
	955 555 602 02 PCE	Black/black			
	955 555 602 02 PCF	Stone grey/steel grey			
	955 555 602 02 PCG	Havanna/sand beige			
	955 555 602 02 ZPQ	Chestnut brown			
	955 555 602 02 ZPS	Sand beige/sand beige			
(1)	955 555 603 01	Lining Rear lid Pearl velour	-08	1	I3LH/3LM/3LS I4E0
	955 555 603 01 PCJ	Black/black			
	955 555 603 01 PCK	Stone grey/steel grey			
	955 555 603 01 PCL	Havanna/sand beige			
	955 555 603 01 RKS	Sand beige/sand beige			
	955 555 603 01 WPG	Chestnut brown			
(1)	955 555 603 02	Lining Rear lid Pearl velour	-08	1	I3LH/3LM/3LS I4E7
	955 555 603 02 PCJ	Black/black			
	955 555 603 02 PCK	Stone grey/steel grey			
	955 555 603 02 PCL	Havanna/sand beige			
	955 555 603 02 RKS	Sand beige/sand beige			
	955 555 603 02 WPG	Chestnut brown			
2	955 555 140 00	Cap Emergency operation		1	
	955 555 140 00 A03	Black			
	955 555 140 00 5V7	Stone grey			
	955 555 140 00 5Y9	Havanna			
	955 555 140 00 5Z1	Sand Beige			
3	955 555 593 00	Finger plate		1	
	955 555 593 00 9B9	Satin black			
4	N 104 571 01	Combination screw ST 4,2 X 13,0 Mount		3	
		Finger plate			
5	N 905 410 01	Expander nut CST 4,2 X 7,3 Mount		3	
		Finger plate			
6	955 555 520 00	Covering for lock Rear lid lock		1	

Model: 9PA108 Model life 2007>>2010

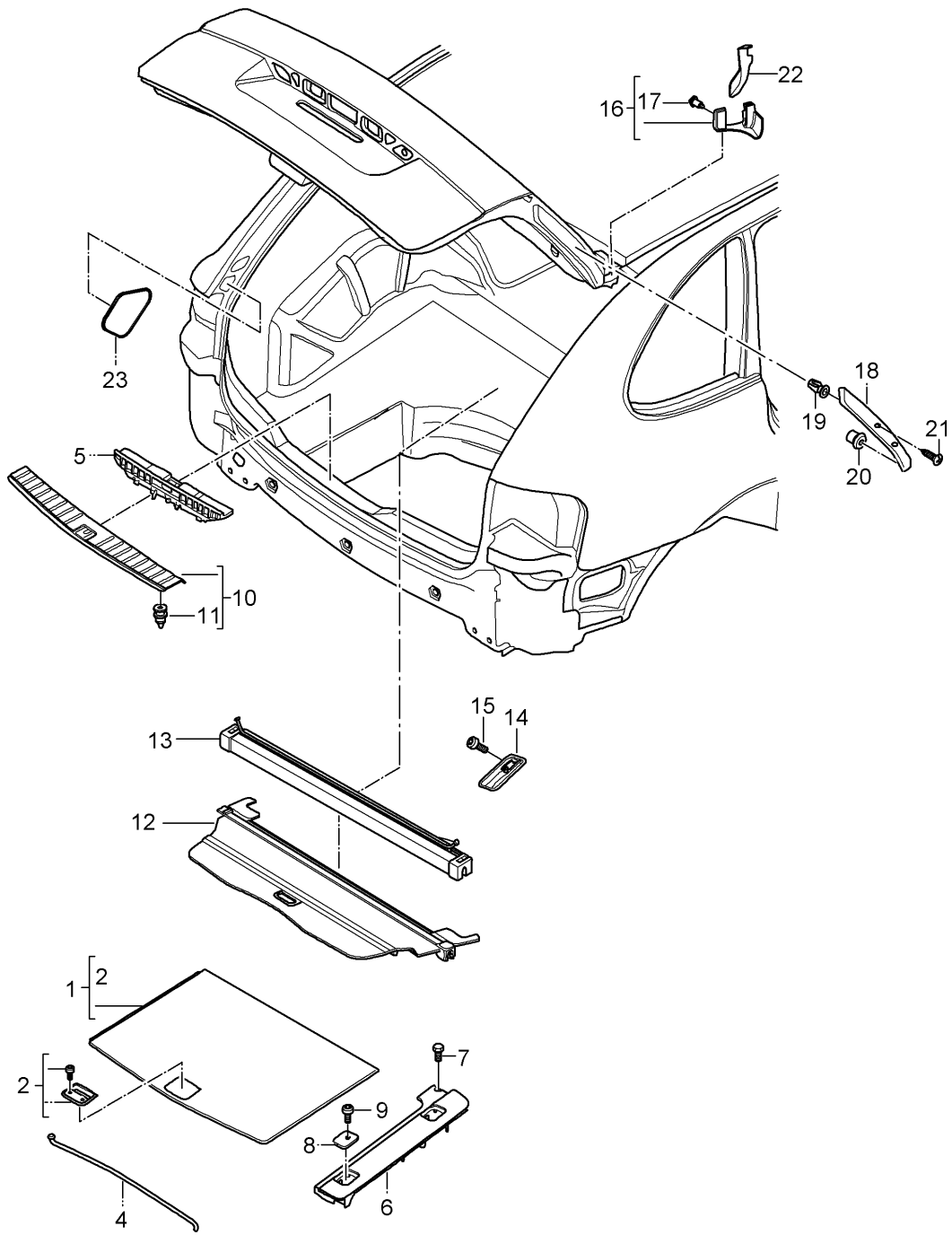
Pos	Part Number	Description	Remark	Qty	Model
7	955 555 520 00 9B9	Satin black		1	
	955 555 747 00	Lid			
		Emergency operation			
	955 555 747 00 9B9	Satin black			
8	955 555 747 00 6C6	Sand Beige		1	
	955 555 747 00 7A8	Steel grey			
	955 555 685 01	Lining			
		Rear lid			
		Upper			
		Inner			
9	955 555 685 01 A03	Black		1	
	955 555 685 01 7BA	Steel grey			
	955 555 685 01 5Z1	Sand Beige			
	955 555 671 01	Lining	/L		
		Rear lid			
		Lateral			
(9)	955 555 671 01 A03	Black		1	
	955 555 671 01 7BA	Steel grey			
	955 555 671 01 5Z1	Sand Beige			
	955 555 672 01	Lining	/R		
		Rear lid			
		Lateral			
10	955 555 672 01 A03	Black		1	
	955 555 672 01 7BA	Steel grey			
	955 555 672 01 5Z1	Sand Beige			
	955 555 609 02	Lining			
11		Rear lid		1	
		Upper			
		Outer			
	955 555 609 02 9B9	Satin black			
	955 555 827 00	Cover			
		Wiper motor			
12	955 555 827 00 A03	Black		1	
	955 555 827 00 5V7	Stone grey			
	955 555 827 00 5Y9	Havanna			
	955 555 827 00 5Z1	Sand Beige			
	955 555 829 00	Trim cover			
		Rear window wiper			
13	955 555 829 00 A03	Black		2	
	955 555 829 00 5V7	Stone grey			
	955 555 829 00 5Y9	Havanna			
	955 555 829 00 5Z1	Sand Beige			
	955 555 646 00	Fixing clip			
14		Cover		1	
		Wiper motor			
15	955 556 591 00	Insulation		1	
		Rear lid			
(15)	955 555 843 03	Support		1	I7X0/7X2
		Moulding			
	955 555 843 03 9B9	Satin black			
	955 555 844 00	Support			
16		Moulding		1	I7X8/7X9
	955 555 844 00 9B9	Satin black			
17	955 559 363 01	Cap		2	
		for			
18		Rear window		5	
	955 559 363 01 9B9	Satin black			
17	N 908 479 03	Hexagon-head bolt		5	
		M 6 X 15			
18	N 908 051 02	Blind rivet nut		5	
		for			

Model: 9PA108 Model life 2007>>2010

Pos	Part Number	Description	Remark	Qty	Model
19	955 555 365 01	Support Moulding Rear lid Moulding		1	I1G1/1G8/7X0 I7X2
(19)	955 555 366 01	Rear lid High gloss Black Moulding		1	I1G3/7X0/7X2
(19)	955 555 367 00	Rear lid High gloss Black Moulding		1	I7X8/7X9
20	955 555 825 00	Rear lid Complete High gloss Black Clip	/L	1	I7X0/7X2
(20)	955 555 826 00	Anti-theft protection Moulding Rear lid Clip	/R	1	I7X0/7X2
21	955 555 794 00	Anti-theft protection Moulding Rear lid Clip		6	
(22)	955 555 910 01	Mount Moulding Rear lid Moulding		1	IQJ4/7X0/7X2 I7X8/7X9
23	955 555 045 00	Upper part High gloss Black Adhesive tape		2	I7X2/7X8/7X9
24	955 555 278 00	Double sided Clip		8	
25	955 555 279 00	Mount Rear lid Fixing clip		3	
26	955 555 208 00	Mount Rear lid Clamp		4	
27	955 555 276 00	Mount Rear lid Clip for Mount Lining Rear lid Lateral		2	

Model: 9PA108

Model life 2007>>2010



Model: 9PA108 Model life 2007>>2010

Pos	Part Number	Description	Remark	Qty	Model
1	955 551 146 01	Linings Luggage compartment Accessories Spare wheel covering	-08	1	I3GE/3GN/3ME I9AB/9AD
	955 551 146 01 7H1	Tufting velour Black			
	955 551 146 01 7J2	Steel grey			
	955 551 146 01 7K3	Sand Beige			
	955 551 146 01 AV1	Chestnut brown			
(1)	955 551 148 01	Spare wheel covering	-08	1	I3GE/3GN/3ME I9AH
	955 551 148 01 7H1	Tufting velour Black			
	955 551 148 01 7J2	Steel grey			
	955 551 148 01 7K3	Sand Beige			
	955 551 148 01 AV1	Chestnut brown			
(1)	955 551 146 02	Spare wheel covering	09-	1	I1G1/1G3/1G8 I3GE/3GN/3ME I9AB/9AD
	955 551 146 02 7H1	Tufting velour Black			
	955 551 146 02 7J2	Steel grey			
	955 551 146 02 7K3	Sand Beige			
	955 551 146 02 AV1	Chestnut brown			
(1)	955 551 146 03	Spare wheel covering	09-	1	I1G4/3GE/3GN I3ME/9AB/9AD
	955 551 146 03 7H1	Tufting velour Black			
	955 551 146 03 7J2	Steel grey			
	955 551 146 03 7K3	Sand Beige			
	955 551 146 03 AV1	Chestnut brown			
(1)	955 551 148 02	Spare wheel covering	09-	1	I1G1/1G3/1G8 I3GE/3GN/3ME I9AH
	955 551 148 02 7H1	Tufting velour Black			
	955 551 148 02 7J2	Steel grey			
	955 551 148 02 7K3	Sand Beige			
	955 551 148 02 AV1	Chestnut brown			
(1)	955 551 148 03	Spare wheel covering	09-	1	I1G4/3GE/3GN I3ME/9AH
	955 551 148 03 7H1	Tufting velour Black			
	955 551 148 03 7J2	Steel grey			
	955 551 148 03 7K3	Sand Beige			
	955 551 148 03 AV1	Chestnut brown			
(1)	955 551 147 01	Spare wheel covering	-08	1	I3GE/3GN/3MT I9AB/9AD
	955 551 147 01 L63	Pearl velour Chestnut brown			
	955 551 147 01 8B2	Black			
	955 551 147 01 8C3	Steel grey			
	955 551 147 01 8D4	Sand Beige			
(1)	955 551 149 01	Spare wheel covering	-08	1	I3GE/3GN/3MT I9AH
	955 551 149 01 L63	Pearl velour Chestnut brown			
	955 551 149 01 8B2	Black			
	955 551 149 01 8C3	Steel grey			
	955 551 149 01 8D4	Sand Beige			
2	955 551 115 00	Handle Spare wheel covering		1	

Model: 9PA108 Model life 2007>>2010

Pos	Part Number	Description	Remark	Qty	Model
4	955 551 115 00 9B9	Complete Satin black		1	I1G1/1G3/1G8
	955 551 115 00 6C6	Sand Beige			
	955 551 115 00 7A8	Steel grey			
	955 551 195 00	Hood stay for Spare wheel covering			
5	955 551 225 01	Support for Locking device		1	
6	955 551 527 00	Spare wheel covering Base	/L	1	I3GE/3ME/9AB I9AD
		Luggage compartment Tufting velour			
(6)	955 551 527 00 7H1	Black		1	I3GE/3ME/9AH
	955 551 527 00 7J2	Steel grey			
	955 551 527 00 7K3	Sand Beige			
	955 551 527 00 AV1	Chestnut brown	09-		
	955 551 531 00	Base	/L		
(6)	955 551 531 00 7H1	Black		1	I3GE/3ME
	955 551 531 00 7J2	Steel grey			
	955 551 531 00 7K3	Sand Beige			
	955 551 531 00 AV1	Chestnut brown	09-		
	955 551 528 00	Base	/R		
(6)	955 551 528 00 7H1	Black		1	I3GE/3MT/9AB I9AD
	955 551 528 00 7J2	Steel grey			
	955 551 528 00 7K3	Sand Beige			
	955 551 528 00 AV1	Chestnut brown	09-		
	955 551 529 00	Base	/L -08		
(6)	955 551 529 00 L63	Luggage compartment Pearl velour Chestnut brown		1	I3GE/3MT/9AH
	955 551 529 00 8B2	Black			
	955 551 529 00 8C3	Steel grey			
	955 551 529 00 8D4	Sand Beige			
	955 551 533 00	Base	/L -08		
(6)	955 551 533 00 L63	Luggage compartment Pearl velour Chestnut brown		1	I3GE/3MT
	955 551 533 00 8B2	Black			
	955 551 533 00 8C3	Steel grey			
	955 551 533 00 8D4	Sand Beige			
	955 551 530 00	Base	/R -08		
7	955 551 530 00 L63	Luggage compartment Pearl velour Chestnut brown		2	
	955 551 530 00 8B2	Black			
	955 551 530 00 8C3	Steel grey			
	955 551 530 00 8D4	Sand Beige			
	N 090 232 4	Combination screw M 6 X 10 Mount Base			
8	955 551 203 00	Luggage compartment Eye		4	I3GE
	955 551 203 00 2ZZ	Luggage compartment Chrome			

Model: 9PA108 Model life 2007>>2010

Pos	Part Number	Description	Remark	Qty	Model
9	N 105 559 02	Countersunk-head screw M 6 X 40 Mount Eye Luggage compartment		8	
10	955 551 459 03	Cover Lock carrier		1	
	955 551 459 03 6M7	Stainless steel			
11	955 551 689 02	Fixing clip for Cover Lock carrier		4	
12	955 551 773 05	Luggage compartment cover		1	I3CX
	955 551 773 05 6R5	Havanna			
	955 551 773 05 6S4	Stone grey			
	955 551 773 05 9ET	Black			
	955 551 773 05 4R9	Sand Beige			
(12)	955 551 774 00	Luggage compartment cover		1	I3CA
	955 551 774 00 6R5	Havanna			
	955 551 774 00 6S4	Stone grey			
	955 551 774 00 9ET	Black			
	955 551 774 00 4R9	Sand Beige			
13	955 551 691 03	Net Luggage compartment		1	I3CX
	955 551 691 03 3W4	Black			
14	955 551 812 00	Mounting piece Net		2	
15	N 106 068 02	Countersunk-head screw M6 X 25 for Mount Mounting piece Net		4	
16	955 551 627 01	Lining Hinge Cover	/L	1	
	955 551 627 01 9B9	Satin black			
(16)	955 551 628 00	Lining Hinge Cover	/R	1	
	955 551 628 00 9B9	Satin black			
17	955 551 207 00	Fixing clip Lining Hinge Cover		2	
	955 551 207 00 9B9	Satin black			
18	955 551 711 01	Lining Hinge Cable cover	/L	1	
	955 551 711 01 9B9	Satin black			
(18)	955 551 712 01	Lining Hinge Cable cover	/R	1	
	955 551 712 01 9B9	Satin black			
19	N 105 168 01	Expander nut F 5 X 14,4 Mount Cable cover Outer		4	
20	955 551 741 01	Clamping piece for Cable cover Outer		2	

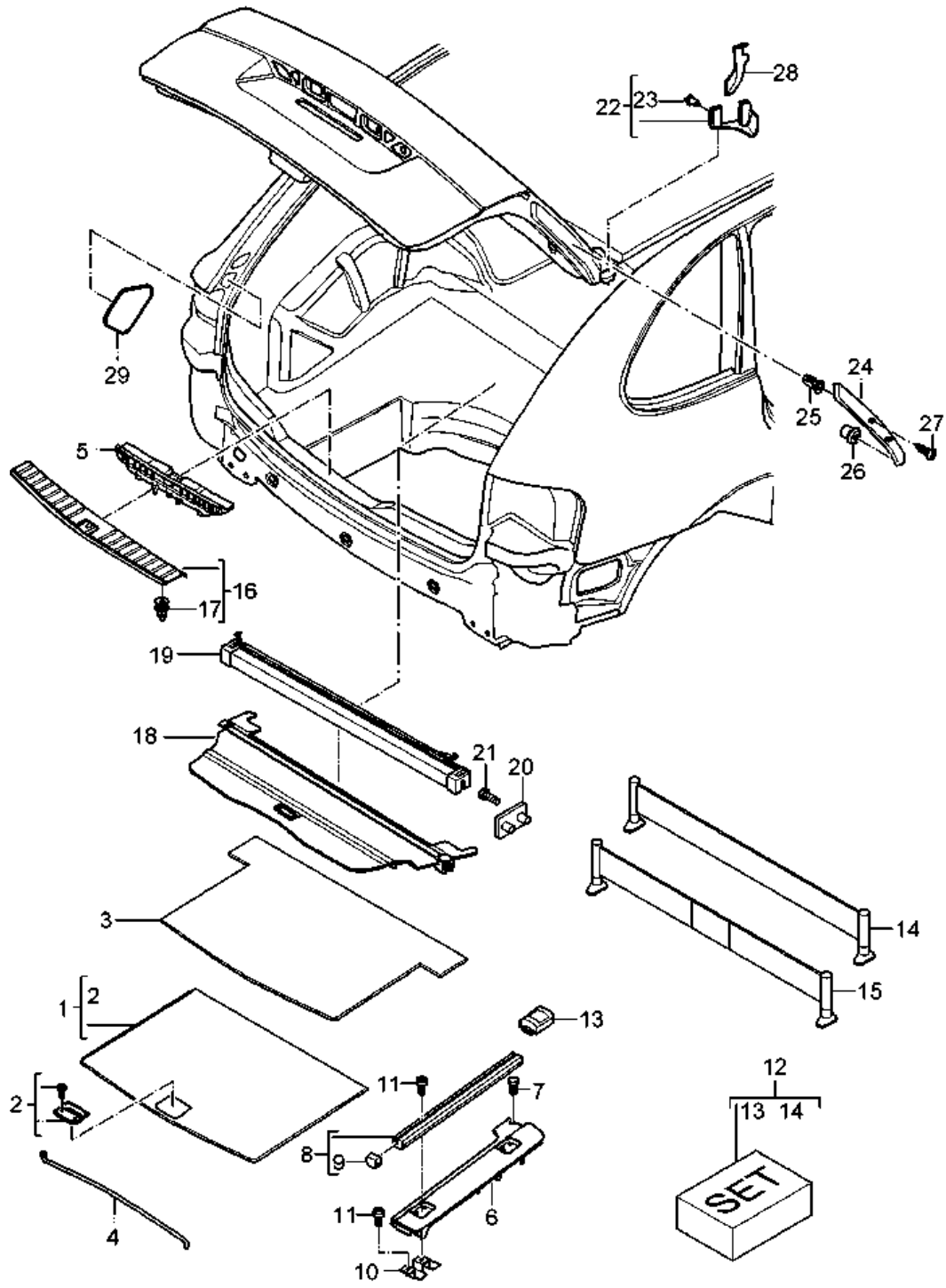
Model: 9PA108

Model life 2007>>2010

Pos	Part Number	Description	Remark	Qty	Model
21	N 104 472 01	Lens-head screw ST 4,8 X13 Mount Cable cover Outer		4	
22	955 551 713 00	Lining Hinge Cable cover Inner	/L	1	
(22)	955 551 713 00 9B9 955 551 714 00	Satin black Lining Hinge Cable cover Inner	/R	1	
23	955 551 714 00 9B9 955 551 353 01	Satin black Cover Sealing channel		1	I1G1/1G8
(23)	955 551 353 01 9B9 955 551 335 01	Satin black Adhesive plate		3	I1G1/1G8

Model: 9PA108

Model life 2007>>2010



Model: 9PA108 Model life 2007>>2010

Pos	Part Number	Description	Remark	Qty	Model
1	955 551 146 01	Linings Luggage compartment Accessories with Loadspace system Spare wheel covering	-08	1	I3GE/3GN/3ME I9AB/9AD
	955 551 146 01 7H1	Tufting velour Black			
	955 551 146 01 7J2	Steel grey			
	955 551 146 01 7K3	Sand Beige			
(1)	955 551 148 01	Spare wheel covering	-08	1	I3GE/3GN/3ME I9AH
	955 551 148 01 7H1	Tufting velour Black			
	955 551 148 01 7J2	Steel grey			
	955 551 148 01 7K3	Sand Beige			
(1)	955 551 146 02	Spare wheel covering	09-	1	I1G1/1G3/1G8 I3GE/3GN/3ME I9AB/9AD
	955 551 146 02 7H1	Tufting velour Black			
	955 551 146 02 7J2	Steel grey			
	955 551 146 02 7K3	Sand Beige			
	955 551 146 02 AV1	Chestnut brown			
(1)	955 551 146 03	Spare wheel covering	09-	1	I1G4/3GE/3GN I3ME/9AB/9AD
	955 551 146 03 7H1	Tufting velour Black			
	955 551 146 03 7J2	Steel grey			
	955 551 146 03 7K3	Sand Beige			
	955 551 146 03 AV1	Chestnut brown			
(1)	955 551 148 02	Spare wheel covering	09-	1	I1G1/1G3/1G8 I3GE/3GN/3ME I9AH
	955 551 148 02 7H1	Tufting velour Black			
	955 551 148 02 7J2	Steel grey			
	955 551 148 02 7K3	Sand Beige			
	955 551 148 02 AV1	Chestnut brown			
(1)	955 551 148 03	Spare wheel covering	09-	1	I1G4/3GE/3GN I3ME/9AH
	955 551 148 03 7H1	Tufting velour Black			
	955 551 148 03 7J2	Steel grey			
	955 551 148 03 7K3	Sand Beige			
	955 551 148 03 AV1	Chestnut brown			
(1)	955 551 147 01	Spare wheel covering	-08	1	I3GE/3GN/3MT I9AB/9AD
	955 551 147 01 L63	Pearl velour Chestnut brown			
	955 551 147 01 8B2	Black			
	955 551 147 01 8C3	Steel grey			
	955 551 147 01 8D4	Sand Beige			
(1)	955 551 149 01	Spare wheel covering	-08	1	I3GE/3GN/3MT I9AH
	955 551 149 01 L63	Pearl velour Chestnut brown			
	955 551 149 01 8B2	Black			
	955 551 149 01 8C3	Steel grey			
	955 551 149 01 8D4	Sand Beige			
2	955 551 115 00	Handle Spare wheel covering		1	

Model: 9PA108 Model life 2007>>2010

Pos	Part Number	Description	Remark	Qty	Model
		Complete			
	955 551 115 00 9B9	Satin black			
	955 551 115 00 6C6	Sand Beige			
	955 551 115 00 7A8	Steel grey			
3	955 551 145 00	Insert Carpet	-08	1	I3GN
	955 551 145 00 L63	Chestnut brown			
	955 551 145 00 8B2	Black			
	955 551 145 00 8C3	Steel grey			
	955 551 145 00 8D4	Sand Beige			
3	955 551 145 02	Insert Carpet	09	1	I3GN
	955 551 145 02 CR1	Steel grey			
	955 551 145 02 CS2	Sand Beige			
	955 551 145 02 CT3	Chestnut brown			
	955 551 145 02 CU4	Black			
3	955 551 145 02	Insert Carpet	10-	1	IE0A/E0W/E2D IE8A/E81/3GN
	955 551 145 02 CR1	Steel grey			
	955 551 145 02 CS2	Sand Beige			
	955 551 145 02 CT3	Chestnut brown			
	955 551 145 02 CU4	Black			
3	955 551 146 00	Insert Carpet	10-	1	IE1T/3GN
	955 551 146 00 L0D	Black			
4	955 551 195 00	Hood stay for Spare wheel covering		1	I1G1/1G3/1G8
5	955 551 225 01	Support for Locking device		1	
6	955 551 527 03	Spare wheel covering Base	/L	1	I3GN/3ME/9AB I9AD
		Luggage compartment Tufting velour			
	955 551 527 03 7H1	Black			
	955 551 527 03 7J2	Steel grey			
	955 551 527 03 7K3	Sand Beige			
	955 551 527 03 AV1	Chestnut brown	09-		
(6)	955 551 531 03	Base Luggage compartment Tufting velour	/L	1	I3GN/3ME/9AH
	955 551 531 03 7H1	Black			
	955 551 531 03 7J2	Steel grey			
	955 551 531 03 7K3	Sand Beige			
	955 551 531 03 AV1	Chestnut brown	09-		
(6)	955 551 528 04	Base Luggage compartment Tufting velour	/R	1	I3GN/3ME
	955 551 528 04 7H1	Black			
	955 551 528 04 7J2	Steel grey			
	955 551 528 04 7K3	Sand Beige			
	955 551 528 04 AV1	Chestnut brown	09-		
(6)	955 551 529 03	Base Luggage compartment Pearl velour	/L -08	1	I3GN/3MT/9AB I9AD
	955 551 529 03 L63	Chestnut brown			
	955 551 529 03 8B2	Black			
	955 551 529 03 8C3	Steel grey			
	955 551 529 03 8D4	Sand Beige			

Model: 9PA108 Model life 2007>>2010

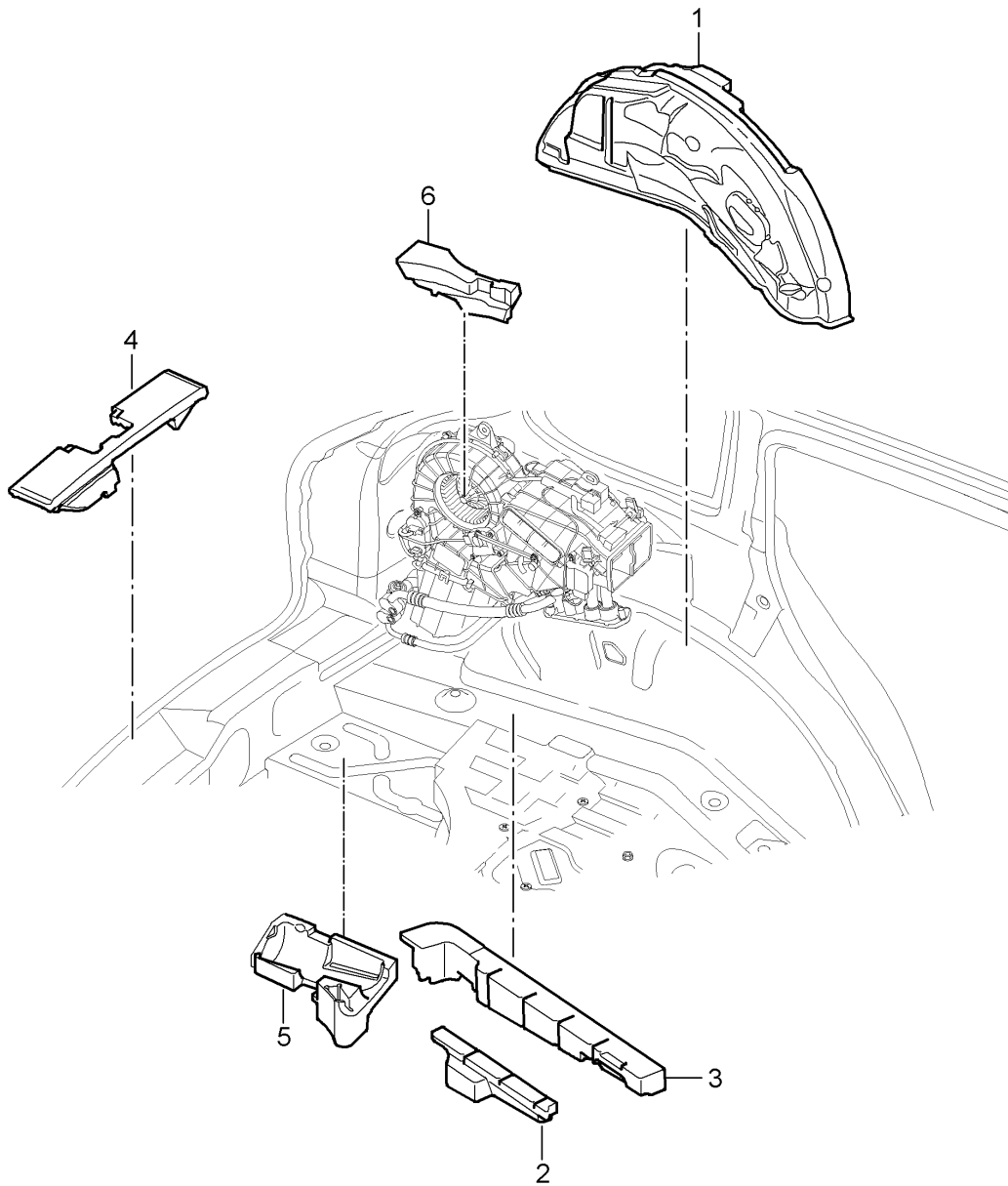
Pos	Part Number	Description	Remark	Qty	Model
(6)	955 551 533 03	Base Luggage compartment Pearl velour	/L -08	1	I3GN/3MT/9AH
	955 551 533 03 L63	Chestnut brown			
	955 551 533 03 8B2	Black			
	955 551 533 03 8C3	Steel grey			
	955 551 533 03 8D4	Sand Beige			
(6)	955 551 530 04	Base Luggage compartment Pearl velour	/R -08	1	I3GN/3MT
	955 551 530 04 L63	Chestnut brown			
	955 551 530 04 8B2	Black			
	955 551 530 04 8C3	Steel grey			
	955 551 530 04 8D4	Sand Beige			
7	N 090 232 4	Combination screw M 6 X 10 Mount Base Luggage compartment		2	
8	955 551 555 01	Retaining strip	/L	14	I3GN
(8)	955 551 556 01	Retaining strip Loadspace system	/R	14	I3GN
9	955 551 509 00	Cap Retaining strip Front	/L	1	I3GN
	955 551 509 00 01C	Satin black			
(9)	955 551 510 00	Cap Retaining strip Front	/R	18	I3GN
	955 551 510 00 01C	Satin black			
(9)	955 551 521 01	Cap Retaining strip Rear	/L	1	I3GN
	955 551 521 01 01C	Satin black			
(9)	955 551 522 01	Cap Retaining strip Rear	/R	1	I3GN
	955 551 522 01 01C	Satin black			
10	955 551 615 00	Support Retaining strip		2	I3GN
11	N 106 174 02	Pan-head screw M6 X 16		X	I3GN
12	955 551 504 00	Bag Loadspace system		1	I3GN
13	955 551 539 00	Eye Luggage compartment		4	I3GN
14	955 551 378 01	Shade		1	I3GN
15	955 551 377 01	Telescopic rod		1	I3GN
16	955 551 459 03	Cover Lock carrier		1	
	955 551 459 03 6M7	Stainless steel			
17	955 551 689 02	Fixing clip for Cover Lock carrier		4	
18	955 551 773 05	Luggage compartment cover		1	I3CX
	955 551 773 05 6R5	Havanna			
	955 551 773 05 6S4	Stone grey			
	955 551 773 05 9ET	Black			
	955 551 773 05 4R9	Sand Beige			
(18)	955 551 774 00	Luggage compartment cover		1	I3CA
	955 551 774 00 6R5	Havanna			
	955 551 774 00 6S4	Stone grey			

Model: 9PA108 Model life 2007>>2010

Pos	Part Number	Description	Remark	Qty	Model
19	955 551 774 00 9ET	Black		1	I3CX
	955 551 774 00 4R9	Sand Beige			
	955 551 691 03	Net			
20	955 551 691 03 3W4	Luggage compartment		2	
	955 551 812 00	Black			
21	N 106 068 02	Mounting piece		4	
		Net			
		Countersunk-head screw			
22	955 551 627 01	M6 X 25		1	
		for			
		Mount			
(22)	955 551 627 01 9B9	Mounting piece	/L	1	
		Net			
		Lining			
23	955 551 628 00	Hinge	/R	2	
		Cover			
		Satin black			
24	955 551 207 00	Fixing clip		1	
		Lining			
		Hinge			
(24)	955 551 207 00 9B9	Cover	/L	1	
		Satin black			
		Lining			
25	955 551 711 01	Hinge	/R	4	
		Cable cover			
		Satin black			
26	955 551 712 01	Expander nut		2	
		F 5 X 14,4			
		Mount			
27	955 551 712 01 9B9	Cable cover		1	
		Outer			
		Clamping piece			
28	955 551 741 01	for		4	
		Cable cover			
		Outer			
(28)	N 104 472 01	Lens-head screw	/L	1	
		ST 4,8 X13			
		Mount			
29	955 551 713 00	Cable cover	/R	1	
		Outer			
		Lining			
(29)	955 551 713 00 9B9	Hinge		1	
		Cable cover			
		Inner			
30	955 551 714 00	Satin black		1	I1G1/1G8
		Lining			
		Hinge			
(30)	955 551 714 00 9B9	Cable cover		3	I1G1/1G8
		Inner			
		Satin black			
31	955 551 353 01	Cover		1	I1G1/1G8
		Sealing channel			
(31)	955 551 353 01 9B9	Satin black		3	I1G1/1G8
		Adhesive plate			

Model: 9PA108

Model life 2007>>2010



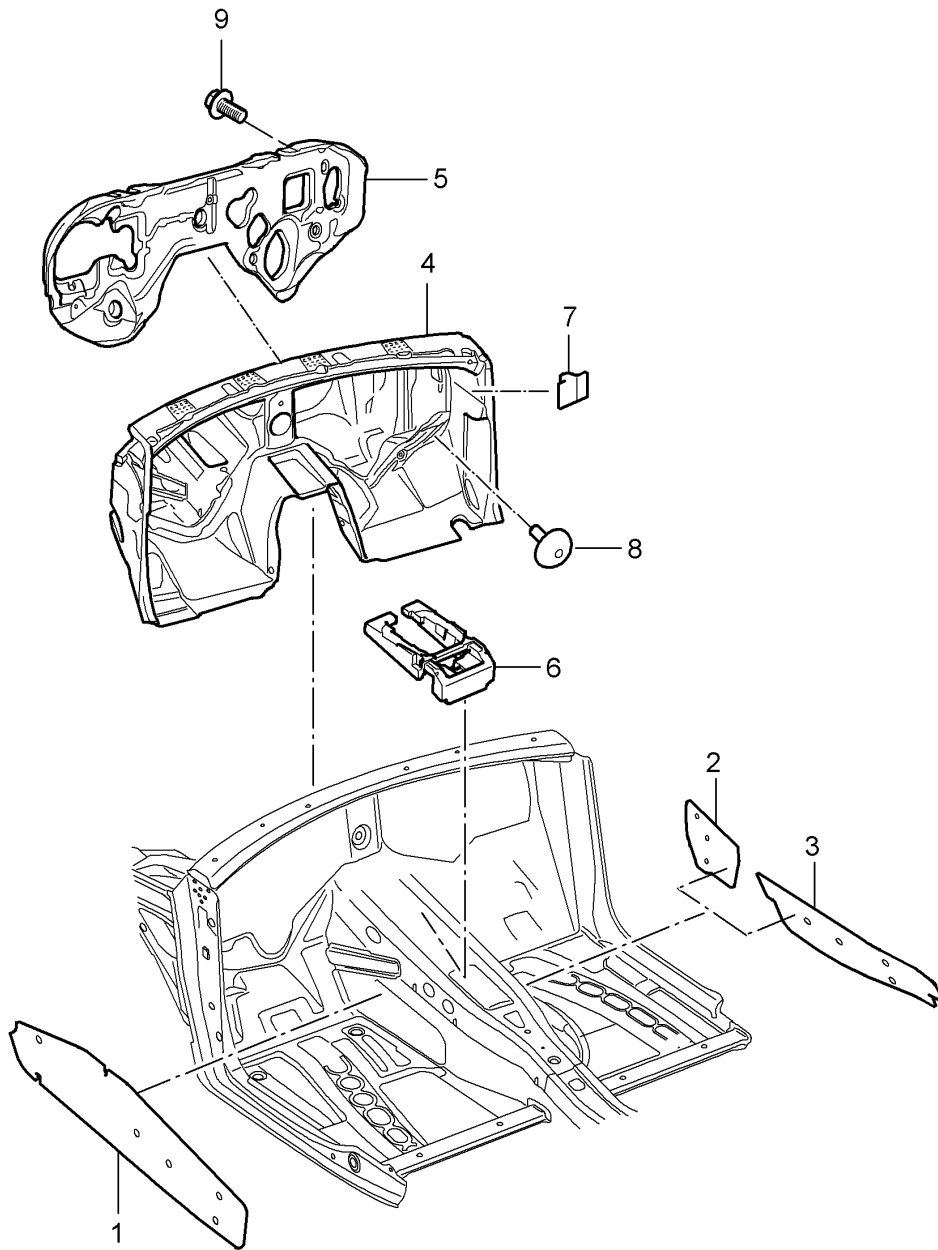
Model: 9PA108

Model life 2007>>2010

Pos	Part Number	Description	Remark	Qty	Model
1	955 556 607 03	Sound absorber Luggage compartment Insulation	/L	1	I9AH
(1)	955 556 611 02	Wheel housing Insulation	/L	1	I9AB/9AD
(1)	955 556 608 02	Wheel housing Insulation	/R	1	I3W4/3W7
2	955 556 743 01	Wheel housing Insulation Luggage compartment Floor	/L	1	I3GE
(2)	955 556 744 01	Inner Insulation Luggage compartment Floor	/R	1	I3GE
3	955 556 801 01	Inner Insulation Luggage compartment Floor	/L	1	I3GE
(3)	955 556 802 01	Outer Insulation Luggage compartment Floor	/R	1	I3GE
(3)	955 556 421 00	Outer Insulation Luggage compartment Floor		1	I3GN
4	955 556 809 00	Outer Insulation Cross member		1	
5	955 556 895 02	Insulation Spare-wheel well	/L	1	
6	955 556 233 01	Insulation for Heat exchanger	/L	1	I9AH

Model: 9PA108

Model life 2007>>2010

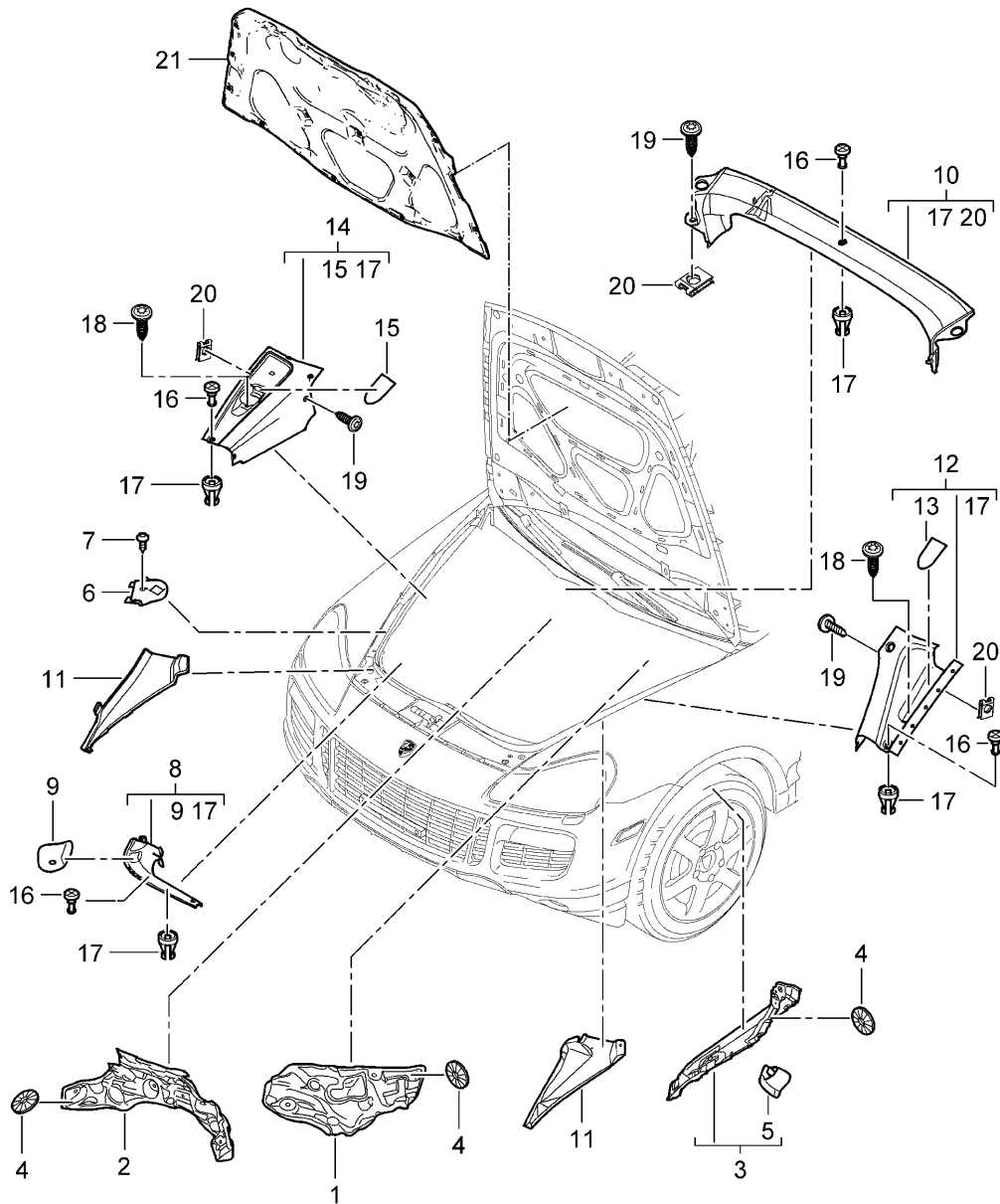


Model: 9PA108 Model life 2007>>2010

Pos	Part Number	Description	Remark	Qty	Model
1	955 556 815 00	Sound absorber Passenger compartment Sound absorber Tunnel	/L	1	
2	955 556 816 00	Sound absorber Tunnel Front	/R	1	
3	955 556 818 00	Sound absorber Tunnel Rear	/R	1	
(4)	955 556 623 02	Insulation Firewall	/LL	1	IL0L
(4)	955 556 624 02	Insulation Firewall	/RL	1	IL0R
5	955 556 595 01	Insulation with Assembly Plate	/LL	1	IL0L
(5)	955 556 596 01	Insulation with Assembly Plate	/RL	1	IL0R
6	955 556 531 01	Insulation Shift gate		1	IG0L
(6)	955 556 532 01	Insulation Shift gate		1	IG0R
7	955 556 761 00	Support Insulation		X	
8	955 556 761 00 01C	Satin black		X	
	955 556 760 00	Clip Mount Insulation Firewall			
9	955 556 760 00 01C N 905 483 05	Satin black Hexagon-head bolt M 8 x 20 for Mount Insulation Assembly Plate		X	

Model: 9PA108

Model life 2007>>2010



Model: 9PA108

Model life 2007>>2010

Pos	Part Number	Description	Remark	Qty	Model
1	955 556 715 01	Sound absorber Lining Engine compartment Insulation Plenum panel	/L	1	
(1)	955 556 716 00	Engine compartment Insulation Plenum panel	/R	1	
2	955 556 720 01	Engine compartment Insulation Plenum panel		1	
3	955 556 725 02	Engine compartment Centre Insulation	/L	1	-ID5V/-ID5X -ID5Z/-ID50
(3)	955 556 726 00	Tunnel Engine compartment Insulation	/R	1	ID5V/D5Z/D50
(3)	955 556 726 01	Tunnel Engine compartment Insulation	/R	1	ID5X
4	N 903 350 05	Tunnel Engine compartment Clamping washer 5 X 30 Mount Insulation		X	
5	955 556 761 00	Engine compartment Support Insulation		X	
6	955 556 761 00 01C 955 504 115 00	Satin black Support	/L	1	
(6)	955 504 116 00	Cover Support Cover	/R	1	
7	N 909 855 01	Oval-head screw 5 X 12 Mount Support Cover		1	
8	955 504 283 00	Engine compartment Cover	/L	1	ID5V/D5X
8	955 504 283 00 9B9 955 504 285 00	Front Satin black Cover	/L	1	ID5Z
(8)	955 504 285 00 9B9 955 504 284 00	Front Satin black Cover	/R	1	ID5V
(8)	955 504 284 00 9B9 955 504 286 00	Front Satin black Cover	/R	1	ID5X/D5Z
9	955 504 286 00 9B9 955 504 311 00	Front Satin black Lid	/L	1	ID5V/D5X
(9)	955 504 312 00	Lateral Adjustment Headlamp Lid	/R	1	ID5V
(9)	955 504 313 00	Lateral Adjustment Headlamp Lid	/L	1	ID5Z

Model: 9PA108 Model life 2007>>2010

Pos	Part Number	Description	Remark	Qty	Model
(9)	955 504 314 00	Adjustment Headlamp Lid Lateral Adjustment Headlamp	/R	1	ID5X/D5Z
10	955 504 503 01	Cover Rear Centre		1	
10	955 504 503 01 01C	Satin black			
10	955 504 503 02	Cover Rear Centre		1	
10	955 504 503 02 01C	Satin black			
(10)	955 504 503 03	Cover Rear Centre		1	ID50
11	955 504 503 03 9B9	Satin black			
11	955 504 331 01	Cover Front Lateral	/L	1	
(11)	955 504 331 01 01C	Satin black			
(11)	955 504 332 01	Cover Front Lateral	/R	1	
12	955 504 332 01 01C	Satin black			
12	955 504 441 02	Cover Rear	/L	1	ID5V/D5Z/0AB
(12)	955 504 441 02 01C	Satin black			
(12)	955 504 445 01	Cover Rear	/L	1	ID5X/0AB
(12)	955 504 445 01 01C	Satin black			
(12)	955 504 445 01	Cover Rear	/L	1	I0AW
(12)	955 504 445 01 01C	Satin black			
(12)	955 504 445 02	Cover Rear	/L 09-	1	ID50
13	955 504 445 02 9B9	Satin black			
13	955 504 099 01	Cover Rear for Oil tank Power steering	/L	1	
14	955 504 099 01 01C	Satin black			
14	955 504 442 02	Cover Rear	/R	1	ID5X
(14)	955 504 442 02 01C	Satin black			
(14)	955 504 444 02	Cover Rear	/R	1	ID5V/D5Z
(14)	955 504 444 02 01C	Satin black			
(14)	955 504 444 03	Cover Rear	/R 09-	1	ID50
15	955 504 444 03 9B9	Satin black			
15	955 504 100 00	Cover Rear for Filling container Coolant	/R	1	
16	955 504 100 00 01C	Satin black			
16	955 572 710 00	Fastening plug Mount Cover		X	
17	N 908 475 01	Spring clamp		X	

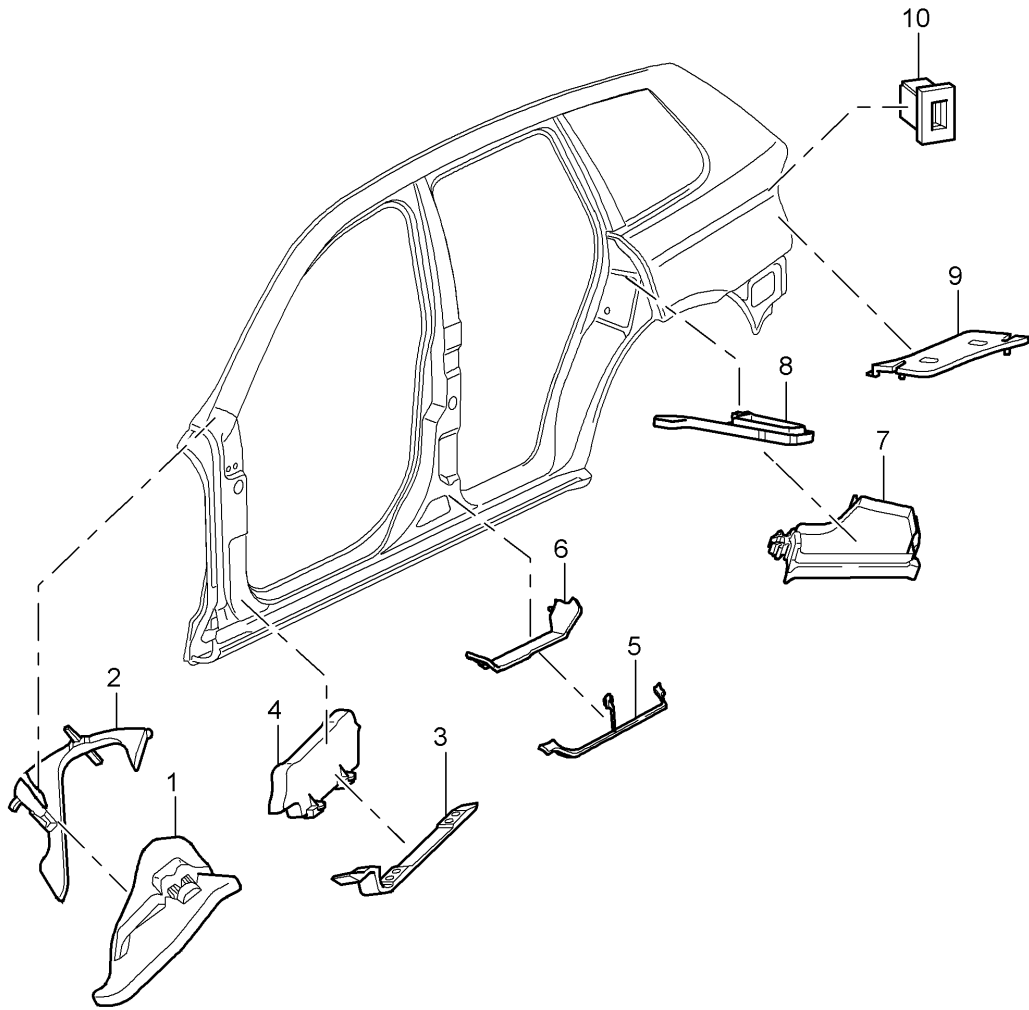
Model: 9PA108

Model life 2007>>2010

Pos	Part Number	Description	Remark	Qty	Model
18	N 906 986 06	12 X 10,4 Mount Cover Tapping screw 4,2 X 16		1	
19	N 906 487 01	Tapping screw 4,8 X 16 Mount Cover		X	
20	N 900 942 01	Speed nut 16,5 X 10,4 Mount Cover		X	
21	955 556 711 00	Insulation Bonnet		1	ID50

Model: 9PA108

Model life 2007>>2010



Model: 9PA108 Model life 2007>>2010

Pos	Part Number	Description	Remark	Qty	Model
1	955 556 425 01	Sound absorber A-pillar Until D-pillar Sound absorber A-pillar Upper Inner	/L	1	
(1)	955 556 426 01	Sound absorber A-pillar Upper Inner	/R	1	
2	955 556 427 00	Sound absorber A-pillar Upper Outer	/L	1	
(2)	955 556 428 00	Sound absorber A-pillar Upper Outer	/R	1	
3	955 556 429 01	Sound absorber A-pillar Lower Outer		2	
4	955 556 431 01	Sound absorber A-pillar Lower Inner	/L	1	
(4)	955 556 432 01	Sound absorber A-pillar Lower Inner	/R	1	
5	955 556 433 01	Sound absorber B-pillar Lower Outer	/L	1	
(5)	955 556 434 01	Sound absorber B-pillar Lower Outer	/R	1	
6	955 556 435 01	Sound absorber B-pillar Lower Inner	/L	1	
(6)	955 556 436 01	Sound absorber B-pillar Lower Inner	/R	1	
7	955 556 441 00	Sound absorber C-pillar Lower Inner	/L	1	
(7)	955 556 442 00	Sound absorber C-pillar Lower Inner	/R	1	
(8)	955 556 444 00	Sound absorber C-pillar Lower Outer	/R	1	
9	955 556 449 00	Sound absorber D-pillar Lower	/L	1	

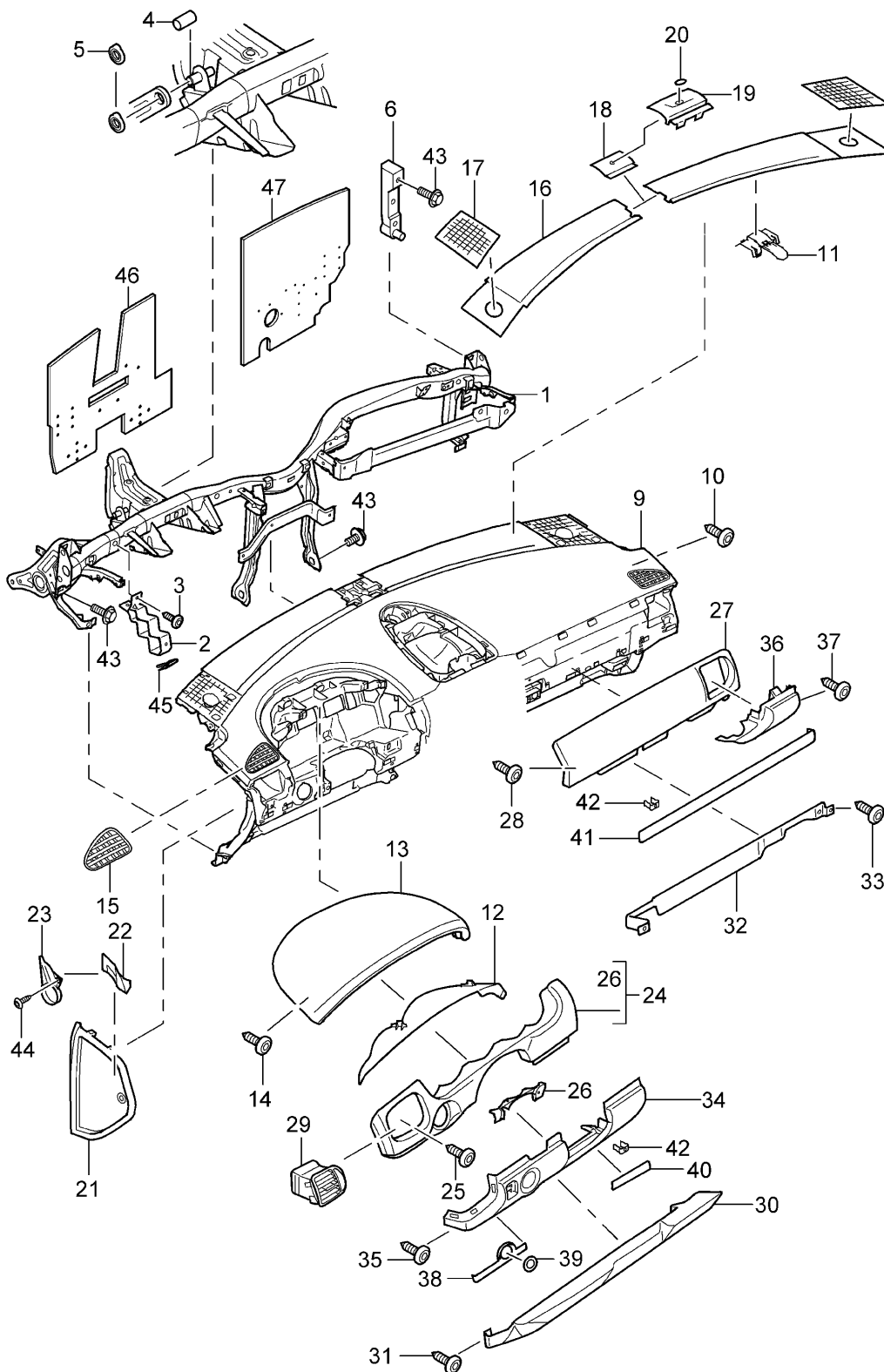
Model: 9PA108

Model life 2007>>2010

Pos	Part Number	Description	Remark	Qty	Model
(9)	955 556 450 00	Sound absorber D-pillar Lower	/R	1	
10	955 556 807 00	Insulation D-pillar		2	

Model: 9PA108

Model life 2007>>2010



Model: 9PA108 Model life 2007>>2010

Pos	Part Number	Description	Remark	Qty	Model
1	955 552 061 04	Dashboard trim Accessories Retaining frame for Dashboard	/LL -08	1	IL0L
1	955 552 061 05	Retaining frame for Dashboard	/LL 09-	1	IL0L
(1)	955 552 061 05 GRV 955 552 062 05	Coated Retaining frame for Dashboard	/RL -08	1	IL0R
(1)	955 552 062 06	Retaining frame for Dashboard	/RL 09-	1	IL0R
4	955 552 062 06 GRV 955 552 049 00	Coated Bearing sleeve for Retaining frame		1	
5	N 905 770 01	Clamping washer 12 X 25,5 Retaining frame		1	
6	955 552 051 01	Mounting for Retaining frame	/L	1	
(6)	955 552 051 01 GRV 955 552 052 01	Coated Mounting for Retaining frame	/R	1	
9	955 552 052 01 GRV 955 552 109 04	Coated Dashboard trim Leatherette	/LL	1	IL0L/4N1
(9)	955 552 109 04 6B9 955 552 109 04 6D5 955 552 109 04 6E7 955 552 110 04	Black Stone grey Havanna Dashboard trim Leatherette	/RL	1	IL0R/4N1
9	955 552 101 04	Dashboard trim Leather	/LL	1	IL0L/4N3/4N8
(9)	955 552 101 04 A11 955 552 101 04 5X6 955 552 101 04 7A3 955 552 101 04 8G2 955 552 101 04 L0C 955 552 102 04	Black Stone grey Havanna Sand Beige Black/Guards Red Dashboard trim Leather	10- /RL	1	IL0R/4N3/4N8
10	N 906 986 01	Black Stone grey Havanna Sand Beige Black/Guards Red Tapping screw ST 4,2 X 16 Mount	10-	9	
11	955 552 054 00	Dashboard trim Clamp Cowl for Mount Dashboard trim		4	

Model: 9PA108 Model life 2007>>2010

Pos	Part Number	Description	Remark	Qty	Model
12	955 552 065 00	Dashboard trim Upper Lacquered	/LL	1	IL0L
(12)	955 552 065 00 6N3 955 552 066 00	Black mat Dashboard trim Upper Lacquered	/RL	1	IL0R
13	955 552 066 00 6N3 955 552 293 01	Black mat Instrument box Leatherette	/LL	1	IL0L/4N1
(13)	955 552 293 01 6B9 955 552 293 01 6D5 955 552 293 01 6E7 955 552 294 01	Black Stone grey Havanna Instrument box Leatherette	/RL	1	IL0R/4N1
13	955 552 294 01 6B9 955 552 294 01 6D5 955 552 294 01 6E7 955 552 295 01	Black Stone grey Havanna Instrument box Leather	/LL	1	IL0L/4N8
(13)	955 552 295 01 A11 955 552 295 01 5X6 955 552 295 01 7A3 955 552 295 01 8G2 955 552 295 01 L0C 955 552 296 01	Black Stone grey Havanna Sand Beige Black/Guards Red Instrument box Leather	10- /RL	1	IL0R/4N8
13	955 552 296 01 A11 955 552 296 01 5X6 955 552 296 01 7A3 955 552 296 01 8G2 955 552 296 01 L0C 955 552 295 10	Black Stone grey Havanna Sand Beige Black/Guards Red Instrument box Leather/ two-colour	10- /LL 09-	1	IL0L/4N3
(13)	955 552 295 10 ZJE 955 552 295 10 ZJF 955 552 296 10	Black/Havanna Black/Steel Grey Instrument box Leather/ two-colour	/RL 09-	1	IL0R/4N3
14	955 552 296 10 ZJE 955 552 296 10 ZJF N 906 986 01	Black/Havanna Black/Steel Grey Tapping screw ST 4,2 X 16 Mounting Instrument box		4	
15	955 552 219 00	Air vent Dashboard trim Lateral upper Lacquered	/L	1	
(15)	955 552 219 00 A03 955 552 219 00 5V7 955 552 219 00 5Y9 955 552 219 00 5Z1 955 552 220 00	Black Stone grey Havanna Sand Beige Air vent Dashboard trim Lateral upper Lacquered	/R	1	
16	955 552 220 00 A03 955 552 220 00 5V7 955 552 220 00 5Y9 955 552 220 00 5Z1 955 552 185 01	Black Stone grey Havanna Sand Beige Defroster trim	/L	1	

Model: 9PA108 Model life 2007>>2010

Pos	Part Number	Description	Remark	Qty	Model
		Front Lacquered			
	955 552 185 01 A03	Black			
	955 552 185 01 5V7	Stone grey			
	955 552 185 01 5Y9	Havanna			
	955 552 185 01 5Z1	Sand Beige			
(16)	955 552 186 01	Defroster trim	/R	1	
		Front Lacquered			
	955 552 186 01 A03	Black			
	955 552 186 01 5V7	Stone grey			
	955 552 186 01 5Y9	Havanna			
	955 552 186 01 5Z1	Sand Beige			
17	955 552 793 00	Loudspeaker grille	/L	1	
		Lacquered			
	955 552 793 00 A03	Black			
	955 552 793 00 5V7	Stone grey			
	955 552 793 00 5Y9	Havanna			
	955 552 793 00 5Z1	Sand Beige			
(17)	955 552 794 00	Loudspeaker grille	/R	1	
		Lacquered			
	955 552 794 00 A03	Black			
	955 552 794 00 5V7	Stone grey			
	955 552 794 00 5Y9	Havanna			
	955 552 794 00 5Z1	Sand Beige			
18	955 552 073 00	Cover		1	I7X0/7X9/9AB
		Centre Defroster trim Lacquered			
	955 552 073 00 A03	Black			
	955 552 073 00 5V7	Stone grey			
	955 552 073 00 5Y9	Havanna			
	955 552 073 00 5Z1	Sand Beige			
(18)	955 552 074 01	Cover		1	I7X0/7X9/9AD I9AH
		Centre Defroster trim Lacquered			
	955 552 074 01 A03	Black			
	955 552 074 01 5V7	Stone grey			
	955 552 074 01 5Y9	Havanna			
	955 552 074 01 5Z1	Sand Beige			
19	955 552 655 01	Housing		1	I7X2/7X8
		ParkAssist Lacquered			
	955 552 655 01 A03	Black			
	955 552 655 01 5V7	Stone grey			
	955 552 655 01 5Y9	Havanna			
	955 552 655 01 5Z1	Sand Beige			
20	955 552 187 00	Cover		1	I7X2/9AB
	955 552 187 00 9B9	Satin black			
21	955 552 175 02	Closing element	/LL /L	1	I10L/4UE/9AB I9AD
		Lateral			
	955 552 175 02 A03	Black			
	955 552 175 02 5Z1	Sand Beige			
	955 552 175 02 7BA	Steel grey			
21	955 552 175 02	Closing element	/L	1	I4UB/4UD/9AB I9AD
		Lateral			
	955 552 175 02 A03	Black			
	955 552 175 02 5Z1	Sand Beige			
	955 552 175 02 7BA	Steel grey			

Model: 9PA108 Model life 2007>>2010

Pos	Part Number	Description	Remark	Qty	Model
(21)	955 552 176 02	Closing element	/RL /R	1	IL0R/4UE/9AB I9AD
		Lateral			
	955 552 176 02 A03	Black			
	955 552 176 02 5Z1	Sand Beige			
	955 552 176 02 7BA	Steel grey			
(21)	955 552 176 02	Closing element	/R	1	I4UB/4UD/9AB I9AD
		Lateral			
	955 552 176 02 A03	Black			
	955 552 176 02 5Z1	Sand Beige			
	955 552 176 02 7BA	Steel grey			
(21)	955 552 179 01	Closing element	/RL /L	1	IL0R/4UE/9AB I9AD
		Lateral			
	955 552 179 01 A03	Black			
	955 552 179 01 5Z1	Sand Beige			
	955 552 179 01 7BA	Steel grey			
(21)	955 552 180 02	Closing element	/LL /R	1	IL0L/4UE/9AB I9AD
		Lateral			
	955 552 180 02 A03	Black			
	955 552 180 02 7BA	Steel grey			
	955 552 180 02 5Z1	Sand Beige			
(21)	955 552 175 03	Closing element	/LL /L	1	IL0L/4UE/9AH
		Lateral			
	955 552 175 03 A03	Black			
	955 552 175 03 5Z1	Sand Beige			
	955 552 175 03 7BA	Steel grey			
(21)	955 552 175 03	Closing element	/L	1	I4UB/4UD/9AH
		Lateral			
	955 552 175 03 A03	Black			
	955 552 175 03 5Z1	Sand Beige			
	955 552 175 03 7BA	Steel grey			
(21)	955 552 176 03	Closing element	/RL /R	1	IL0R/4UE/9AH
		Lateral			
	955 552 176 03 A03	Black			
	955 552 176 03 5Z1	Sand Beige			
	955 552 176 03 7BA	Steel grey			
(21)	955 552 176 03	Closing element	/R	1	I4UB/4UD/9AH
		Lateral			
	955 552 176 03 A03	Black			
	955 552 176 03 5Z1	Sand Beige			
	955 552 176 03 7BA	Steel grey			
(21)	955 552 181 01	Closing element	/RL /L	1	IL0R/4UE/9AH
		Lateral			
	955 552 181 01 A03	Black			
	955 552 181 01 5Z1	Sand Beige			
	955 552 181 01 7BA	Steel grey			
(21)	955 552 182 02	Closing element	/LL /R	1	IL0L/4UE/9AH
		Lateral			
	955 552 182 02 A03	Black			
	955 552 182 02 5Z1	Sand Beige			
	955 552 182 02 7BA	Steel grey			
22	955 552 013 00	Cover	/L	1	I9AH
		Dashboard trim			
		Lateral			
(22)	955 552 014 00	Cover	/R	1	I9AH
		Dashboard trim			
		Lateral			
23	955 552 015 00	Air duct	/L	1	I9AB/9AD
		Dashboard trim			
		Lateral			

Model: 9PA108 Model life 2007>>2010

Pos	Part Number	Description	Remark	Qty	Model
(23)	955 552 016 00	Air duct Dashboard trim	/R	1	I9AB/9AD
24	955 552 565 00	Lateral Cover	/LL	1	IL0L/4N1
	955 552 565 00 6B9	Black			
	955 552 565 00 6D5	Stone grey			
	955 552 565 00 6E7	Havanna			
(24)	955 552 566 00	Driver's side Cover	/RL	1	IL0R/4N1
	955 552 566 00 6B9	Black			
	955 552 566 00 6D5	Stone grey			
	955 552 566 00 6E7	Havanna			
24	955 552 567 01	Driver's side Cover	/LL	1	IL0L/4N8
		Leather			
	955 552 567 01 A11	Black			
	955 552 567 01 5X6	Stone grey			
	955 552 567 01 7A3	Havanna			
	955 552 567 01 8G2	Sand Beige			
	955 552 567 01 L0C	Black/Guards Red	10-		
(24)	955 552 568 01	Driver's side Cover	/RL	1	IL0R/4N8
		Leather			
	955 552 568 01 A11	Black			
	955 552 568 01 5X6	Stone grey			
	955 552 568 01 7A3	Havanna			
	955 552 568 01 8G2	Sand Beige			
	955 552 568 01 L0C	Black/Guards Red	10-		
24	955 552 567 10	Driver's side Cover	/LL 09-	1	IL0L/4N3
		Leather/ two-colour			
	955 552 567 10 ZJE	Black/Havanna			
	955 552 567 10 ZJF	Black/Steel Grey			
(24)	955 552 568 10	Driver's side Cover	/RL 09-	1	IL0R/4N3
		Leather/ two-colour			
	955 552 568 10 ZJE	Black/Havanna			
	955 552 568 10 ZJF	Black/Steel Grey			
25	N 906 986 01	Tapping screw ST 4,2 X 16 Mount Cover		3	
		Driver's side			
26	955 552 569 00	Trim cover Dashboard trim Lacquered	/LL	1	IL0L
	955 552 569 00 A03	Black			
	955 552 569 00 5V7	Stone grey			
	955 552 569 00 5Y9	Havanna			
	955 552 569 00 5Z1	Sand Beige			
(26)	955 552 570 00	Trim cover Dashboard trim Lacquered	/RL	1	IL0R
	955 552 570 00 A03	Black			
	955 552 570 00 5V7	Stone grey			
	955 552 570 00 5Y9	Havanna			
	955 552 570 00 5Z1	Sand Beige			
27	955 552 561 00	Passenger's side Cover	/LL	1	IL0L/4N1
	955 552 561 00 6B9	Black			

Model: 9PA108 Model life 2007>>2010

Pos	Part Number	Description	Remark	Qty	Model
	955 552 561 00 6D5	Stone grey			
	955 552 561 00 6E7	Havanna			
(27)	955 552 562 00	Cover Passenger's side	/RL	1	IL0R/4N1
	955 552 562 00 6B9	Black			
	955 552 562 00 6D5	Stone grey			
	955 552 562 00 6E7	Havanna			
27	955 552 563 01	Cover Passenger's side Leather	/LL	1	IL0L/4N8
	955 552 563 01 A11	Black			
	955 552 563 01 5X6	Stone grey			
	955 552 563 01 7A3	Havanna			
	955 552 563 01 8G2	Sand Beige			
	955 552 563 01 L0C	Black/Guards Red	10-		
(27)	955 552 564 01	Cover Passenger's side Leather	/RL	1	IL0R/4N8
	955 552 564 01 A11	Black			
	955 552 564 01 5X6	Stone grey			
	955 552 564 01 7A3	Havanna			
	955 552 564 01 8G2	Sand Beige			
	955 552 564 01 L0C	Black/Guards Red	10-		
27	955 552 563 10	Cover Passenger's side two-colour	/LL 09-	1	IL0L/4N3
	955 552 563 10 ZJE	Black/Havanna			
	955 552 563 10 ZJF	Black/Steel Grey			
(27)	955 552 564 10	Cover Passenger's side two-colour	/RL 09-	1	IL0R/4N3
	955 552 564 10 ZJE	Black/Havanna			
	955 552 564 10 ZJF	Black/Steel Grey			
28	N 906 986 01	Tapping screw ST 4,2 X 16 Mount Cover Passenger's side		6	
29	955 552 225 02	Side vent Lacquered	/L	1	
	955 552 225 02 A03	Black			
	955 552 225 02 5V7	Stone grey			
	955 552 225 02 5Y9	Havanna			
	955 552 225 02 5Z1	Sand Beige			
(29)	955 552 228 02	Side vent Lacquered	/R	1	
	955 552 228 02 A03	Black			
	955 552 228 02 5V7	Stone grey			
	955 552 228 02 5Y9	Havanna			
	955 552 228 02 5Z1	Sand Beige			
32	955 552 048 01	Reinforcement for Knee protection trim Passenger's side Lower	/LL	1	IL0L
34	955 552 503 01	Lining Driver's side Lower Leatherette	/LL	1	IL0L/3D1/3D3 I3D5/4N1
	955 552 503 01 5Q2	Black			
	955 552 503 01 5R3	Steel grey			
	955 552 503 01 5S4	Sand Beige			

Model: 9PA108 Model life 2007>>2010

Pos	Part Number	Description	Remark	Qty	Model
(34)	955 552 504 01	Lining Driver's side Lower Leatherette	/RL	1	IL0R/3D1/3D3 I3D5/4N1
	955 552 504 01 5Q2	Black			
	955 552 504 01 5R3	Steel grey			
	955 552 504 01 5S4	Sand Beige			
34	955 552 505 01	Lining Driver's side Lower Leather	/LL -08	1	IL0L/3D1/3D3 I3D8/4N8
	955 552 505 01 6B7	Steel grey			
	955 552 505 01 8G1	Sand Beige			
	955 552 505 01 8YR	Black			
34	955 552 505 01	Lining Driver's side Lower Leather	/LL -08	1	IL0L/3D3/3D5 I3D8/4N8
	955 552 505 01 6B7	Steel grey			
	955 552 505 01 8G1	Sand Beige			
	955 552 505 01 8YR	Black			
34	955 552 505 01	Lining Driver's side Lower Leather	/LL 09-	1	IL0L/3D5/3D8 I4N8
	955 552 505 01 6B7	Steel grey			
	955 552 505 01 8G1	Sand Beige			
	955 552 505 01 8YR	Black			
34	955 552 505 01	Lining Driver's side Lower Leather	/LL 09-	1	IL0L/3D5/3D8 I4N3
	955 552 505 01 6B7	Steel grey			
	955 552 505 01 8G1	Sand Beige			
	955 552 505 01 8YR	Black			
(34)	955 552 506 01	Lining Driver's side Lower Leather	/RL -08	1	IL0R/3D1/3D3 I3D8/4N8
	955 552 506 01 6B7	Steel grey			
	955 552 506 01 8G1	Sand Beige			
	955 552 506 01 8YR	Black			
(34)	955 552 506 01	Lining Driver's side Lower Leather	/RL -08	1	IL0R/3D3/3D5 I3D8/4N8
	955 552 506 01 6B7	Steel grey			
	955 552 506 01 8G1	Sand Beige			
	955 552 506 01 8YR	Black			
(34)	955 552 506 01	Lining Driver's side Lower Leather	/RL 09-	1	IL0R/3D5/3D8 I4N8
	955 552 506 01 6B7	Steel grey			
	955 552 506 01 8G1	Sand Beige			

Model: 9PA108 Model life 2007>>2010

Pos	Part Number	Description	Remark	Qty	Model
(34)	955 552 506 01 8YR 955 552 506 01	Black Lining Driver's side Lower Leather	/RL 09-	1	IL0R/3D5/3D8 I4N3
	955 552 506 01 6B7 955 552 506 01 8G1 955 552 506 01 8YR	Steel grey Sand Beige Black			
34	955 552 507 00	Lining Driver's side Lower Leather/ Nature	/LL	1	IL0L/3D4/4N8
(34)	955 552 507 00 J69 955 552 508 00	Chestnut brown Lining Driver's side Lower Leather/ Nature	/RL	1	IL0R/3D4/4N8
35	955 552 508 00 J69 N 906 986 01	Chestnut brown Tapping screw ST 4,2 X 16 Mount Lining Driver's side Lower		7	
36	955 552 511 01	Lining Passenger's side Lower Leatherette	/LL	1	IL0L/3D1/3D3 I3D5/4N1
(36)	955 552 511 01 5Q2 955 552 511 01 5R3 955 552 511 01 5S4 955 552 512 01	Black Steel grey Sand Beige Lining Passenger's side Lower Leatherette	/RL	1	IL0R/3D1/3D3 I3D5/4N1
36	955 552 512 01 5Q2 955 552 512 01 5R3 955 552 512 01 5S4 955 552 513 01	Black Steel grey Sand Beige Lining Passenger's side Lower Leather	/LL -08	1	IL0L/3D1/3D3 I3D8/4N8
36	955 552 513 01 6B7 955 552 513 01 8G1 955 552 513 01 8YR 955 552 513 01	Steel grey Sand Beige Black Lining Passenger's side Lower Leather	/LL -08	1	IL0L/3D3/3D5 I3D8/4N8
36	955 552 513 01 6B7 955 552 513 01 8G1 955 552 513 01 8YR 955 552 513 01	Steel grey Sand Beige Black Lining Passenger's side Lower	/LL 09-	1	IL0L/3D5/3D8 I4N3/4N8

Model: 9PA108 Model life 2007>>2010

Pos	Part Number	Description	Remark	Qty	Model
(36)	955 552 513 01 6B7	Leather Steel grey	/RL -08	1	IL0R/3D1/3D3 I3D8/4N8
	955 552 513 01 8G1	Sand Beige			
	955 552 513 01 8YR	Black			
	955 552 514 01	Lining Passenger's side Lower Leather			
(36)	955 552 514 01 6B7	Steel grey	/RL -08	1	IL0R/3D3/3D5 I3D8/4N8
	955 552 514 01 8G1	Sand Beige			
	955 552 514 01 8YR	Black			
	955 552 514 01	Lining Passenger's side Lower Leather			
(36)	955 552 514 01 6B7	Steel grey	/RL 09-	1	IL0R/3D5/3D8 I4N8
	955 552 514 01 8G1	Sand Beige			
	955 552 514 01 8YR	Black			
	955 552 514 01	Lining Passenger's side Lower Leather			
(36)	955 552 514 01 6B7	Steel grey	/RL 09-	1	IL0R/3D5/3D8 I4N3
	955 552 514 01 8G1	Sand Beige			
	955 552 514 01 8YR	Black			
	955 552 514 01	Lining Passenger's side Lower Leather			
36	955 552 514 01 6B7	Steel grey	/LL	1	IL0L/3D4/4N8
	955 552 514 01 8G1	Sand Beige			
	955 552 514 01 8YR	Black			
	955 552 515 00	Lining Passenger's side Lower Leather/ Nature			
(36)	955 552 515 00 J69	Chestnut brown	/RL	1	IL0R/3D4/4N8
	955 552 516 00	Lining Passenger's side Lower Leather/ Nature			
37	955 552 516 00 J69	Chestnut brown		3	
	N 906 986 01	Tapping screw ST 4,2 X 16 Mount Lining Passenger's side Lower			
38	955 552 667 00	Cover	/LL	1	IL0L/5MA
		Ignition starter lock Silver mat chrome			
38	955 552 667 00 QHA	Black	/LL 09-	1	IL0L/5MA/6FA
	955 552 667 00 QHB	Stone grey			
	955 552 667 00 QHC	Havanna			
	955 552 667 00 RKT	Sand Beige			
	955 552 667 00	Cover Ignition starter lock			

Model: 9PA108 Model life 2007>>2010

Pos	Part Number	Description	Remark	Qty	Model
		Silver mat chrome			
	955 552 667 00 QHA	Black			
	955 552 667 00 QHB	Stone grey			
	955 552 667 00 QHC	Havanna			
	955 552 667 00 RKT	Sand Beige			
38	955 552 667 00	Cover	/LL 09-	1	IE2D/L0L/5MA I6FI
		Ignition starter lock			
		Black			
	955 552 667 00 FZR	Orange			
(38)	955 552 668 00	Cover	/RL	1	IL0R/5MA
		Ignition starter lock			
		Silver mat chrome			
	955 552 668 00 QHA	Black			
	955 552 668 00 QHB	Stone grey			
	955 552 668 00 QHC	Havanna			
	955 552 668 00 RKT	Sand Beige			
(38)	955 552 668 00	Cover	/RL 09-	1	IL0R/5MA/6FA
		Ignition starter lock			
		Silver mat chrome			
	955 552 668 00 QHA	Black			
	955 552 668 00 QHB	Stone grey			
	955 552 668 00 QHC	Havanna			
	955 552 668 00 RKT	Sand Beige			
(38)	955 552 668 00	Cover	/RL 09-	1	IE2D/L0R/5MA I6FI
		Ignition starter lock			
		Black			
	955 552 668 00 FZR	Orange			
38	955 552 669 00	Cover	/LL	1	IL0L/5TE
		Ignition starter lock			
		Satin aluminium			
	955 552 669 00 TLP	Black			
	955 552 669 00 TLQ	Stone grey			
	955 552 669 00 TLR	Havanna			
	955 552 669 00 TLT	Sand Beige			
(38)	955 552 670 00	Cover	/RL	1	IL0R/5TE
		Ignition starter lock			
		Satin aluminium			
	955 552 670 00 TLP	Black			
	955 552 670 00 TLQ	Stone grey			
	955 552 670 00 TLR	Havanna			
	955 552 670 00 TLT	Sand Beige			
38	955 552 671 00	Cover	/LL	1	IL0L/5TF
		Ignition starter lock			
		Olive grain			
	955 552 671 00 QHN	Black			
	955 552 671 00 QHP	Stone grey			
	955 552 671 00 QHQ	Havanna			
	955 552 671 00 RKV	Sand Beige			
(38)	955 552 672 00	Cover	/RL	1	IL0R/5TF
		Ignition starter lock			
		Olive grain			
	955 552 672 00 QHN	Black			
	955 552 672 00 QHP	Stone grey			
	955 552 672 00 QHQ	Havanna			
	955 552 672 00 RKV	Sand Beige			
38	955 552 673 00	Cover	/LL	1	IL0L/5MG
		Ignition starter lock			
		Rootwood			
	955 552 673 00 QHJ	Black			
	955 552 673 00 QHK	Stone grey			
	955 552 673 00 QHL	Havanna			

Model: 9PA108 Model life 2007>>2010

Pos	Part Number	Description	Remark	Qty	Model
(38)	955 552 673 00 RKW	Sand Beige			
	955 552 674 00	Cover	/RL	1	IL0R/5MG
		Ignition starter lock			
		Rootwood			
	955 552 674 00 QHJ	Black			
	955 552 674 00 QHK	Stone grey			
	955 552 674 00 QHL	Havanna			
	955 552 674 00 RKW	Sand Beige			
38	955 552 675 00	Cover	/LL -08	1	IL0L/5TK
		Ignition starter lock			
		Ash wood			
	955 552 675 00 RWE	Black			
	955 552 675 00 RWF	Stone grey			
	955 552 675 00 RWG	Havanna			
	955 552 675 00 RWM	Sand Beige			
(38)	955 552 676 00	Cover	/RL -08	1	IL0R/5TK
		Ignition starter lock			
		Ash wood			
	955 552 676 00 RWE	Black			
	955 552 676 00 RWF	Stone grey			
	955 552 676 00 RWG	Havanna			
	955 552 676 00 RWM	Sand Beige			
38	955 552 675 01	Cover	/LL 09-	1	IL0L/5MH
		Ignition starter lock			
		Carbon			
	955 552 675 01 CHF	Black			
	955 552 675 01 WNM	Sand Beige			
(38)	955 552 676 01	Cover	/RL 09-	1	IL0R/5MH
		Ignition starter lock			
		Carbon			
	955 552 676 01 CHF	Black			
	955 552 676 01 WNM	Sand Beige			
39	955 552 677 00	Rosette		1	
		Ignition starter lock			
	955 552 677 00 9B9	Satin black			
40	955 552 427 00	Moulding	/LL	1	IL0L/5MA
		Driver's side			
		Plastic material			
	955 552 427 00 5X2	Silver mat chrome			
40	955 552 427 00	Moulding	/LL 09-	1	IL0L/5MA/6FA
		Driver's side			
		Plastic material			
	955 552 427 00 5X2	Silver mat chrome			
40	955 552 427 00	Moulding	/LL 09-	1	IE2D/L0L/5MA I6FI
		Driver's side			
		Plastic material			
	955 552 427 00 8C6	Orange			
(40)	955 552 428 00	Moulding	/RL	1	IL0R/5MA
		Driver's side			
		Plastic material			
	955 552 428 00 5X2	Silver mat chrome			
(40)	955 552 428 00	Moulding	/RL 09-	1	IL0R/5MA/6FA
		Driver's side			
		Plastic material			
	955 552 428 00 5X2	Silver mat chrome			
(40)	955 552 428 00	Moulding	/RL 09-	1	IE2D/L0R/5MA I6FI
		Driver's side			
		Plastic material			
	955 552 428 00 8C6	Orange			
40	955 552 429 00	Moulding	/LL	1	IL0L/5TE
		Driver's side			

Model: 9PA108 Model life 2007>>2010

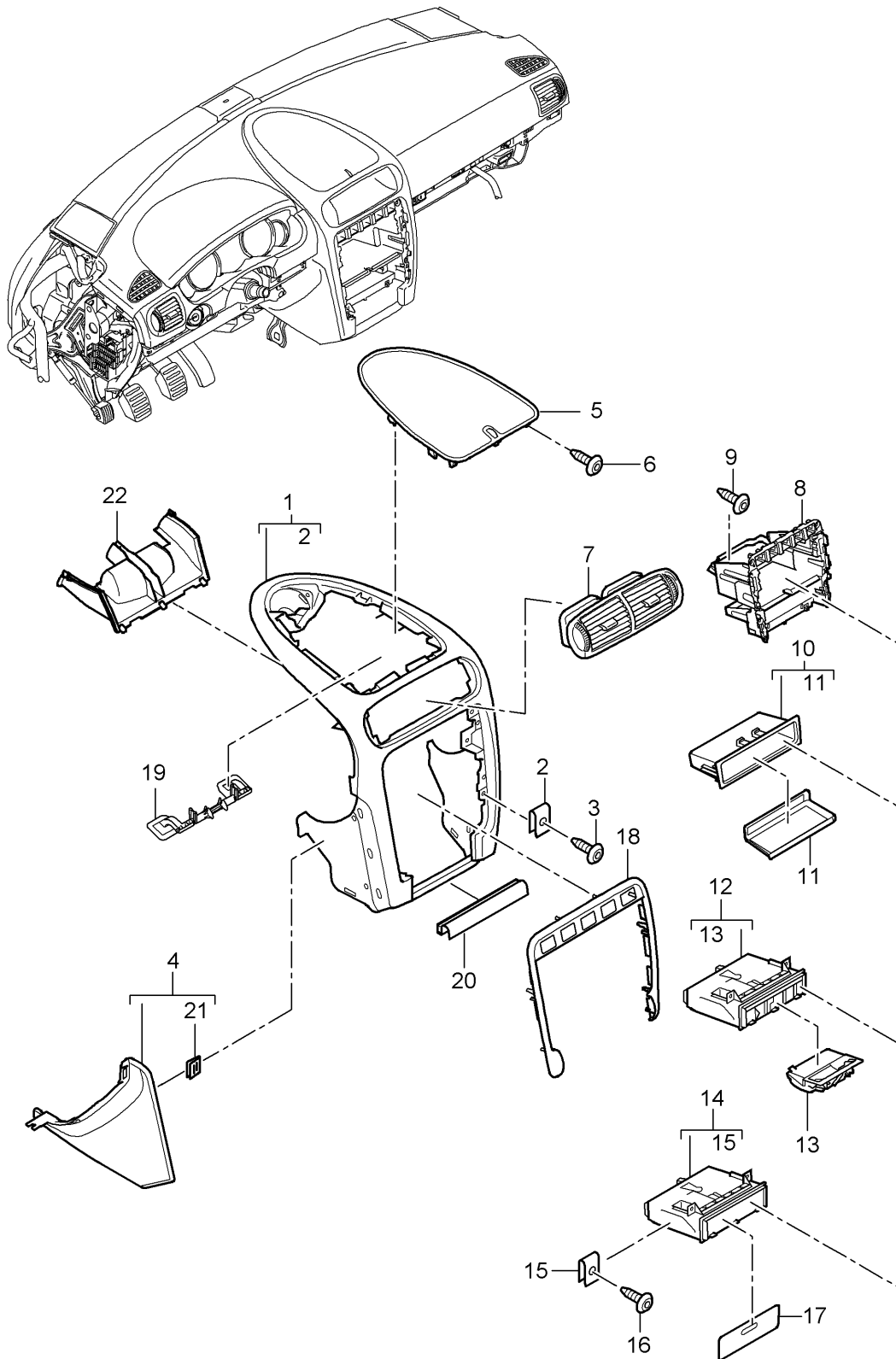
Pos	Part Number	Description	Remark	Qty	Model
(40)	955 552 429 00 62W 955 552 430 00	Satin aluminium Moulding Driver's side	/RL	1	IL0R/5TE
40	955 552 430 00 62W 955 552 431 01	Satin aluminium Moulding Driver's side Wood	/LL	1	IL0L/5TF
(40)	955 552 431 01 4V8 955 552 432 01	High-gloss olive ash burl Moulding Driver's side Wood	/RL	1	IL0R/5TF
40	955 552 432 01 4V8 955 552 433 00	High-gloss olive ash burl Moulding Driver's side	/LL -08	1	IL0L/5MG
40	955 552 433 00 4X2 955 552 433 01	Rootwood Moulding Driver's side	/LL 09-	1	IL0L/5MG
(40)	955 552 433 01 4X2 955 552 434 00	Rootwood Moulding Driver's side	/RL -08	1	IL0R/5MG
(40)	955 552 434 00 4X2 955 552 434 01	Rootwood Moulding Driver's side	/RL 09-	1	IL0R/5MG
40	955 552 434 01 4X2 955 552 425 00	Rootwood Moulding Driver's side	/LL -08	1	IL0L/5TK
(40)	955 552 425 00 9Z4 955 552 426 00	Super-matt olive ash burl Moulding Driver's side	/RL -08	1	IL0R/5TK
40	955 552 426 00 9Z4 955 552 425 02	Super-matt olive ash burl Moulding Driver's side Carbon	/LL 09-	1	IL0L/5MH
40	955 552 425 02 CS3 955 552 426 02	Black Moulding Driver's side Carbon	/RL 09-	1	IL0R/5MH
41	955 552 426 02 CS3 955 552 435 00	Black Moulding Passenger's side Plastic material	/LL	1	IL0L/5MA
41	955 552 435 00 5X2 955 552 435 00	Silver mat chrome Moulding Passenger's side Plastic material	/LL 09-	1	IL0L/5MA/6FA
41	955 552 435 00 5X2 955 552 435 00	Silver mat chrome Moulding Passenger's side Plastic material	/LL 09-	1	IE2D/L0L/5MA I6FI
(41)	955 552 435 00 8C6 955 552 436 00	Orange Moulding Passenger's side Plastic material	/RL	1	IL0R/5MA
(41)	955 552 436 00 5X2 955 552 436 00	Silver mat chrome Moulding Passenger's side Plastic material	/RL 09-	1	IL0R/5MA/6FA
(41)	955 552 436 00 5X2 955 552 436 00	Silver mat chrome Moulding Passenger's side Plastic material	/RL 09-	1	IE2D/L0R/5MA I6FI

Model: 9PA108 Model life 2007>>2010

Pos	Part Number	Description	Remark	Qty	Model
41	955 552 436 00 8C6 955 552 443 00	Orange Moulding Passenger's side	/LL	1	IL0L/5TE
(41)	955 552 443 00 62W 955 552 444 00	Satin aluminium Moulding Passenger's side	/RL	1	IL0R/5TE
41	955 552 444 00 62W 955 552 445 01	Satin aluminium Moulding Passenger's side	/LL	1	IL0L/5TF
(41)	955 552 445 01 4V8 955 552 446 01	Wood High-gloss olive ash burl Moulding Passenger's side	/RL	1	IL0R/5TF
41	955 552 446 01 4V8 955 552 447 00	High-gloss olive ash burl Moulding Passenger's side	/LL -08	1	IL0L/5MG
41	955 552 447 00 4X2 955 552 447 01	Rootwood Moulding Passenger's side	/LL 09-	1	IL0L/5MG
(41)	955 552 447 01 4X2 955 552 448 00	Rootwood Moulding Passenger's side	/RL -08	1	IL0R/5MG
(41)	955 552 448 00 4X2 955 552 448 01	Rootwood Moulding Passenger's side	/RL 09-	1	IL0R/5MG
41	955 552 448 01 4X2 955 552 451 00	Rootwood Moulding Passenger's side	/LL -08	1	IL0L/5TK
(41)	955 552 451 00 9Z4 955 552 452 00	Super-matt olive ash burl Moulding Passenger's side	/RL -08	1	IL0R/5TK
41	955 552 452 00 9Z4 955 552 451 02	Super-matt olive ash burl Moulding Passenger's side	/LL 09-	1	IL0L/5MH
(41)	955 552 451 02 CS3 955 552 452 02	Carbon Black Moulding Passenger's side	/RL 09-	1	IL0R/5MH
42	955 552 452 02 CS3 955 552 107 00	Black Fixing clip for Moulding		X	
43	N 909 192 02	Driver's side Passenger's side Hexagon-head bolt M 8 X 20 Mount		X	
44	N 102 473 02	Retaining frame Oval-head sheetmetal screw 4,2 X 16 Mount		2	I9AB/9AD
46	955 552 939 00	Air duct Lateral Sound absorber Assembly frame	/L	1	ID50
47	955 552 938 00	Sound absorber Assembly frame	/R	1	ID50

Model: 9PA108

Model life 2007>>2010



Model: 9PA108 Model life 2007>>2010

Pos	Part Number	Description	Remark	Qty	Model
1	955 552 086 01	Dashboard trim Centre part Accessories Centre part		1	I4N1
	955 552 086 01 6B9	Black			
	955 552 086 01 6D5	Stone grey			
	955 552 086 01 6E7	Havanna			
(1)	955 552 087 01	Dashboard trim Centre part Leather		1	I4N8
	955 552 087 01 A11	Black			
	955 552 087 01 5X6	Stone grey			
	955 552 087 01 7A3	Havanna			
	955 552 087 01 8G2	Sand Beige			
(1)	955 552 087 01 L0C	Black/Guards Red	10- 09-	1	I4N3
	955 552 088 00	Centre part Dashboard trim Leather/ two-colour			
	955 552 088 00 ZJE	Black/Havanna			
	955 552 088 00 ZJF	Black/Steel Grey			
2	N 906 988 01	Speed nut ST 4,2 X 16 X 12 Mount		10	
3	N 906 986 01	Centre part Tapping screw ST 4,2 X 16 Mount		2	
4	955 552 113 01	Centre part Cover	/L	1	I3D1/3D5/4N1
	955 552 113 01 5Q2	Black			
	955 552 113 01 5R3	Steel grey			
	955 552 113 01 5S4	Sand Beige			
(4)	955 552 114 01	Centre part Cover Leatherette	/R	1	I3D1/3D5/4N1
	955 552 114 01 5Q2	Black			
	955 552 114 01 5R3	Steel grey			
	955 552 114 01 5S4	Sand Beige			
4	955 552 115 02	Centre part Cover	/L -08	1	I3D1/3D3/3D5 I3D8/4N8
	955 552 115 02 8YR	Black			
	955 552 115 02 6B7	Steel grey			
	955 552 115 02 8G1	Sand Beige			
4	955 552 115 02	Centre part Cover	/L 09-	1	I3D3/3D5/3D8 I4N3/4N8
	955 552 115 02 8YR	Black			
	955 552 115 02 6B7	Steel grey			
	955 552 115 02 8G1	Sand Beige			
(4)	955 552 116 02	Centre part Cover	/R -08	1	I3D1/3D3/3D5 I3D8/4N8
	955 552 116 02 8YR	Black			
	955 552 116 02 6B7	Steel grey			
	955 552 116 02 8G1	Sand Beige			
	955 552 116 02 8YR	Black			
	955 552 116 02 6B7	Steel grey			
	955 552 116 02 8G1	Sand Beige			

Model: 9PA108 Model life 2007>>2010

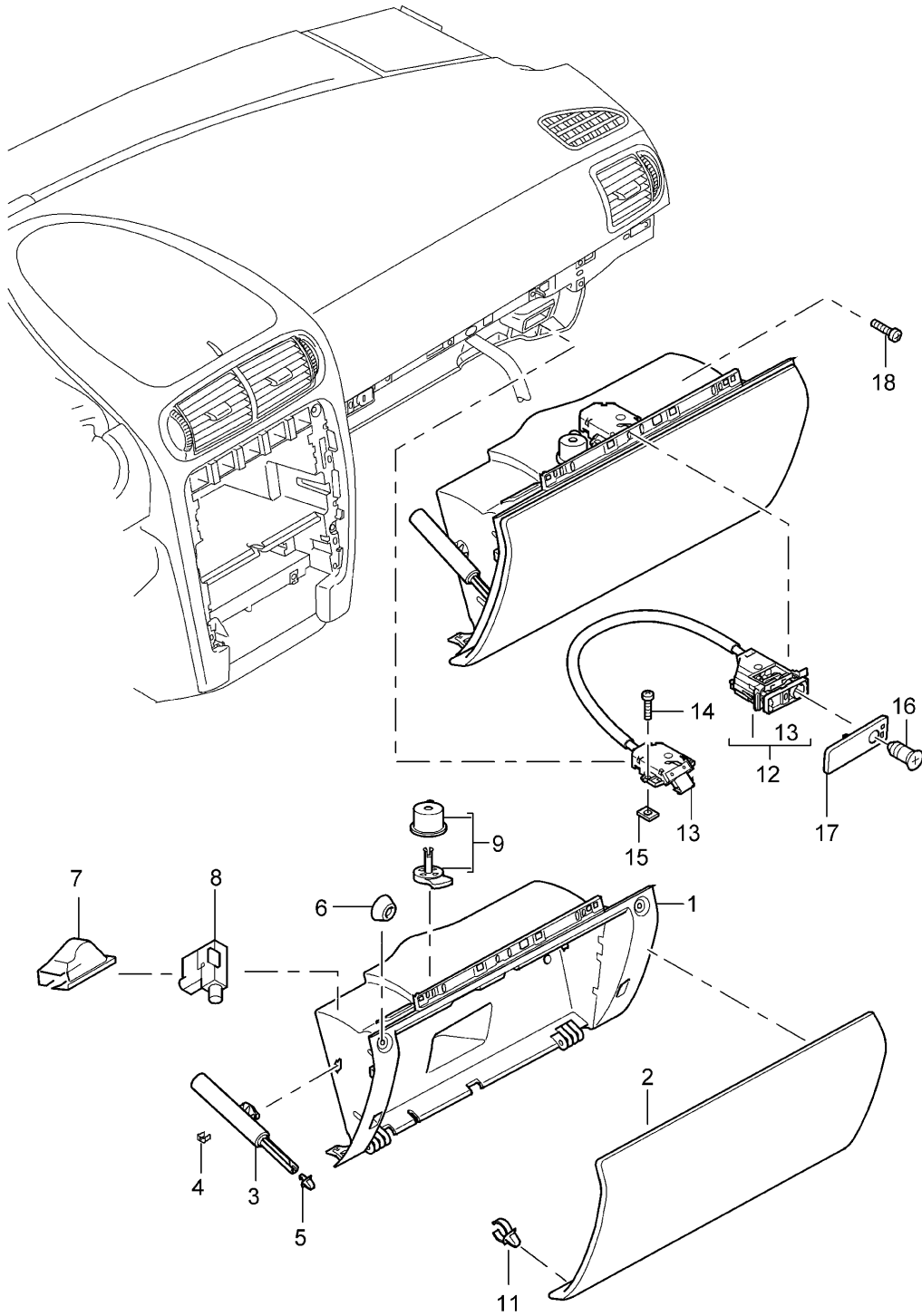
Pos	Part Number	Description	Remark	Qty	Model
(4)	955 552 116 02	Cover Centre part Leather	/R 09-	1	I3D3/3D5/3D8 I4N3/4N8
	955 552 116 02 8YR	Black			
	955 552 116 02 6B7	Steel grey			
	955 552 116 02 8G1	Sand Beige			
4	955 552 115 03	Cover Centre part Leather/ Nature	/L	1	I3D4/4N8
	955 552 115 03 J69	Chestnut brown			
(4)	955 552 116 03	Cover Centre part Leather/ Nature	/R	1	I3D4/4N8
	955 552 116 03 J69	Chestnut brown			
5	955 552 189 00	Cover Centre part Upper Lacquered		1	
	955 552 189 00 5V7	Stone grey			
	955 552 189 00 5Y9	Havanna			
	955 552 189 00 A03	Black			
	955 552 189 00 5Z1	Sand Beige			
6	N 906 986 01	Tapping screw ST 4,2 X 16 Mount Cover Centre part		2	
7	955 552 263 03	Centre nozzle Lacquered		1	
	955 552 263 03 A03	Black			
	955 552 263 03 5V7	Stone grey			
	955 552 263 03 5Y9	Havanna			
	955 552 263 03 5Z1	Sand Beige			
(8)	955 552 093 04	Package box Dashboard trim Centre part	-08	1	
(8)		Package box Dashboard trim Centre part	09-	1	I7Q0/7Q2/7T1 I7T7
(8)	955 552 093 05	Package box Dashboard trim Centre part	09-	1	I7Q4
9	N 906 986 01	Tapping screw ST 4,2 X16 Mount Package box Centre part		8	
10	955 552 243 01	Package box Centre part	-08	1	I7Q0/8DU
	955 552 243 01 A03	Black			
11	955 552 244 00	Mat for Package box	-08	1	I7Q0/8DU
12	955 552 245 02	Ashtray Dashboard trim Centre part		1	I9JB
13	955 552 246 00	Insert Ashtray Dashboard trim		1	I9JB

Model: 9PA108 Model life 2007>>2010

Pos	Part Number	Description	Remark	Qty	Model
14	955 552 247 01	Centre part Shelf Dashboard trim Centre part Lacquered		1	I9JA
15	955 552 247 01 A03 N 906 988 01	Black Speed nut ST 4,2 X 16 X 12 Mount Ashtray Shelf		2	
16	N 906 986 01	Tapping screw ST 4,2 X 16 Mount Ashtray Shelf		2	
17	955 552 248 00	Cover Ashtray Shelf Lacquered		1	I4N1
(17)	955 552 248 00 A03 955 552 248 00 5V7 955 552 248 00 5Y9 955 552 249 00	Black Stone grey Havanna Cover Ashtray Shelf Lacquered		1	I4N3/4N8
(18)	955 552 249 00 A03 955 552 249 00 5V7 955 552 249 00 5Y9 955 552 249 00 5Z1 955 552 380 00	Black Stone grey Havanna Sand Beige Cover Centre part Lacquered		1	I4A0/5MA
(18)	955 552 380 00 A03 955 552 381 00	Black Cover		1	I4A0/5MG/5MH I5TE/5TF
(18)	955 552 381 00 62W 955 552 382 00	Centre part Satin aluminium Cover		1	I4A3/4A4/5MA
(18)	955 552 382 00 A03 955 552 383 01	Centre part Lacquered Black Cover		1	I4A3/4A4/5MG I5MH/5TE/5TF
19	955 552 383 01 62W 955 552 222 00	Centre part Satin aluminium Flap Movable Centre part		1	
20	955 552 517 00	Upper Cover strip		1	
21	955 552 137 00	Centre part Clamp for Cover		4	
22	955 552 235 01	Centre part Cover Air guide		1	I9AB/9AD
(22)	955 552 236 00	Centre part Cover Air guide Centre part		1	I9AH

Model: 9PA108

Model life 2007>>2010



Model: 9PA108 Model life 2007>>2010

Pos	Part Number	Description	Remark	Qty	Model
(1)	955 552 118 01	Glove compartment Frame Tray Glove compartment		1	
	955 552 118 01 A03	Black			
2	955 552 120 00	Glove compartment cover with Flap Leatherette		1	I3D1/4N1
	955 552 120 00 5Q2	Black			
	955 552 120 00 5R3	Steel grey			
	955 552 120 00 5S4	Sand Beige			
(2)	955 552 120 00	Glove compartment cover with Flap Leatherette		1	I3D3/4N1
	955 552 120 00 5Q2	Black			
	955 552 120 00 5R3	Steel grey			
	955 552 120 00 5S4	Sand Beige			
(2)	955 552 121 00	Glove compartment cover	-08	1	I3D1/3D3/3D5 I3D8/4N8
	955 552 121 00 6B7	Steel grey			
	955 552 121 00 8G1	Sand Beige			
	955 552 121 00 8YR	Black			
(2)	955 552 121 00	Glove compartment cover with Flap	09-	1	I3D3/3D5/3D8 I4N3/4N8
	955 552 121 00 6B7	Steel grey			
	955 552 121 00 8G1	Sand Beige			
	955 552 121 00 8YR	Black			
(2)	955 552 121 10	Glove compartment cover with Flap		1	I3D4/4N8
	955 552 121 10 J69	Chestnut brown			
3	955 552 122 00	Damper Glove compartment		2	
4	955 552 107 00	Fixing clip Damper		2	
5	955 552 123 00	Stop Damper		2	
6	955 552 124 00	Buffer Glove compartment		2	
7		Glove compartment light See illustrations 9/03/04		1	
8		Contact switch for Glove compartment light See illustrations 9/03/04		1	
9	955 570 701 00	Air vent Glove compartment Lower		1	
11	955 552 126 00	Support Fountain pen Glove compartment cover		1	
12	955 552 127 01	Housing Glove compartment lock		1	
13	955 552 128 00	Catch Glove compartment		1	
14	N 906 986 01	Tapping screw ST 4,2 X 16		2	

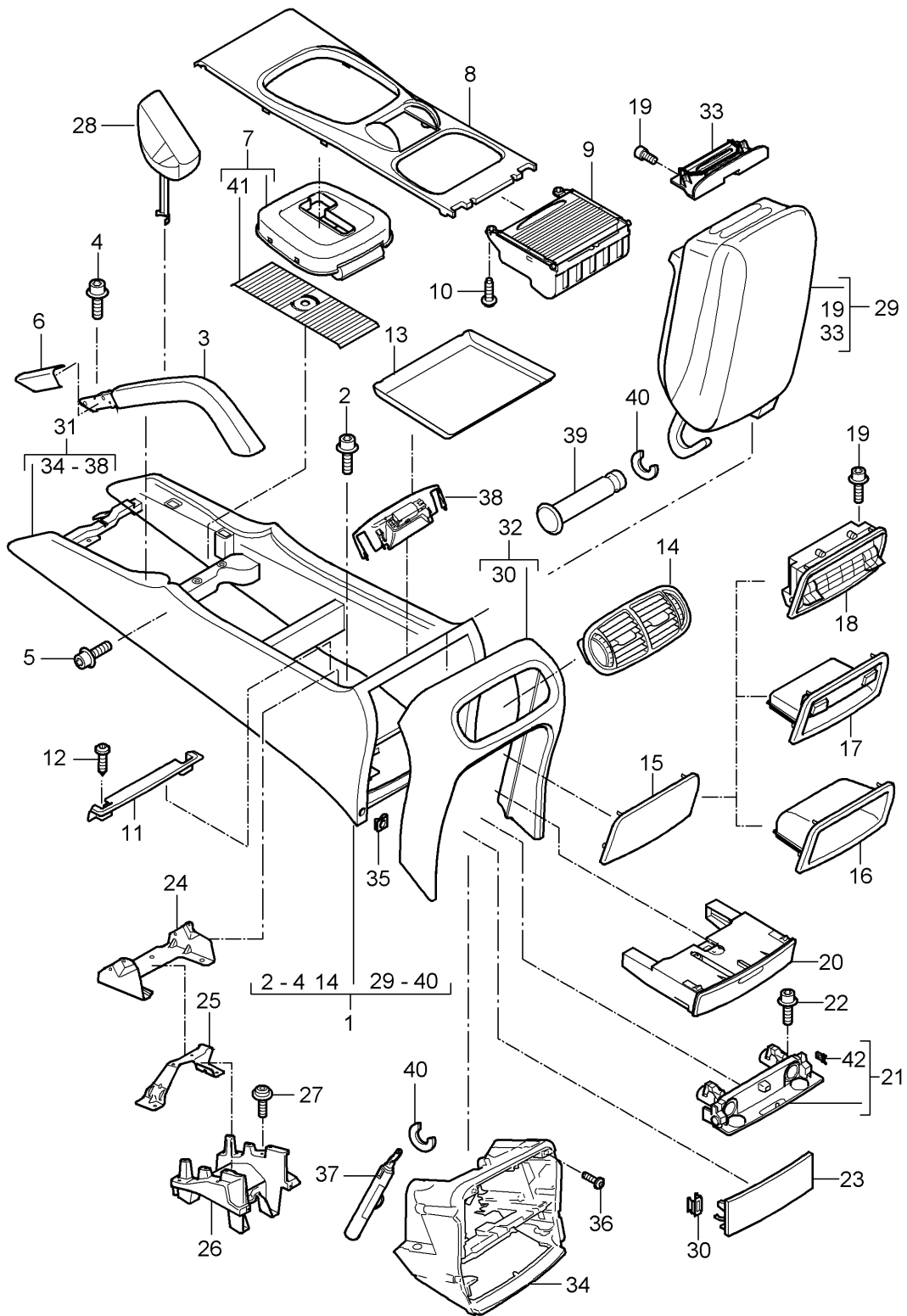
Model: 9PA108

Model life 2007>>2010

Pos	Part Number	Description	Remark	Qty	Model
15	N 906 988 01	Mount Catch Speed nut Mount 4,2 X 16 X12		2	
16	996 552 915 01	Catch Lock cylinder Glove compartment Vehicle Ident. No.		1	
17	955 552 449 00	Indicate Cover Glove compartment lock Plastic material Lacquered		1	I5MA
(17)	955 552 449 00 5X2 955 552 450 00	Silver mat chrome Cover	-08	1	I5MG/5TE/5TF I5TK
(17)	955 552 450 00 62W 955 552 450 00	Glove compartment lock Satin aluminium Cover	09-	1	I5MG/5MH/5TE I5TF
18	955 552 450 00 62W N 906 986 01	Glove compartment lock Satin aluminium Tapping screw ST 4,2 X 16 Mount Glove compartment		7	

Model: 9PA108

Model life 2007>>2010



Model: 9PA108 Model life 2007>>2010

Pos	Part Number	Description	Remark	Qty	Model
1	955 552 201 05	Centre console Centre console	-08	1	I3D1/6E3/9AH I9W0/9W1/9ZF I9ZT
		Front Leatherette			
	955 552 201 05 5Q2	Black			
	955 552 201 05 5R3	Steel grey			
	955 552 201 05 5S4	Sand Beige			
(1)	955 552 205 04	Centre console		1	I3D1/6E3/9AB I9AD/9W0/9W1 I9ZF/9ZT
		Front Leatherette			
	955 552 205 04 5Q2	Black			
	955 552 205 04 5R3	Steel grey			
	955 552 205 04 5S4	Sand Beige			
(1)	955 552 204 06	Centre console		1	I3D1/6E3/9AH I9ZP
		Front Leatherette			
	955 552 204 06 5Q2	Black			
	955 552 204 06 5R3	Steel grey			
	955 552 204 06 5S4	Sand Beige			
(1)	955 552 202 05	Centre console		1	I3D1/6E3/9AB I9AD/9ZP
		Front Leatherette			
	955 552 202 05 5Q2	Black			
	955 552 202 05 5R3	Steel grey			
	955 552 202 05 5S4	Sand Beige			
(1)	955 552 206 04	Centre console		1	I3D3/6E7/9AB I9AD/9W0/9W1 I9ZF/9ZT
		Front Partial leather			
	955 552 206 04 5Q2	Black			
	955 552 206 04 5R3	Steel grey			
	955 552 206 04 5S4	Sand Beige			
(1)	955 552 206 04	Centre console	08	1	IE0W/3D3/6E7 I9AB/9AD/9W0 I9W1/9ZF/9ZT
		Front Partial leather			
	955 552 206 04 5Q2	Black			
	955 552 206 04 5R3	Steel grey			
	955 552 206 04 5S4	Sand Beige			
(1)	955 552 207 05	Centre console		1	I3D3/6E7/9AH I9W0/9W1/9ZF I9ZT
		Front Partial leather			
	955 552 207 05 5Q2	Black			
	955 552 207 05 5R3	Steel grey			
	955 552 207 05 5S4	Sand Beige			
(1)	955 552 207 05	Centre console	08	1	IE0W/3D3/6E7 I9AH/9W0/9W1 I9ZF/9ZT
		Front Partial leather			
	955 552 207 05 5Q2	Black			
	955 552 207 05 5R3	Steel grey			
	955 552 207 05 5S4	Sand Beige			

Model: 9PA108 Model life 2007>>2010

Pos	Part Number	Description	Remark	Qty	Model
(1)	955 552 209 05	Centre console Front Partial leather		1	I3D3/6E7/9AB I9AD/9ZP
	955 552 209 05 5Q2	Black			
	955 552 209 05 5R3	Steel grey			
	955 552 209 05 5S4	Sand Beige			
(1)	955 552 209 05	Centre console Front Partial leather	08	1	IE0W/3D3/6E7 I9AB/9AD/9ZP
	955 552 209 05 5Q2	Black			
	955 552 209 05 5R3	Steel grey			
	955 552 209 05 5S4	Sand Beige			
(1)	955 552 210 06	Centre console Front Partial leather		1	I3D3/6E7/9AH I9ZP
	955 552 210 06 5Q2	Black			
	955 552 210 06 5R3	Steel grey			
	955 552 210 06 5S4	Sand Beige			
(1)	955 552 210 06	Centre console Front Partial leather	08	1	IE0W/3D3/6E7 I9AH/9ZP
	955 552 210 06 5Q2	Black			
	955 552 210 06 5R3	Steel grey			
	955 552 210 06 5S4	Sand Beige			
(1)	955 552 211 04	Centre console Front Leather		1	I3D8/6E6/9AB I9AD/9W0/9W1 I9ZF/9ZT
	955 552 211 04 6B7	Steel grey			
	955 552 211 04 8G1	Sand Beige			
	955 552 211 04 8YR	Black			
(1)	955 552 212 05	Centre console Front Leather		1	I3D8/6E6/9AH I9W0/9W1/9ZF I9ZT
	955 552 212 05 6B7	Steel grey			
	955 552 212 05 8G1	Sand Beige			
	955 552 212 05 8YR	Black			
(1)	955 552 213 05	Centre console Front Leather		1	I3D8/6E6/9AB I9AD/9ZP
	955 552 213 05 6B7	Steel grey			
	955 552 213 05 8G1	Sand Beige			
	955 552 213 05 8YR	Black			
(1)	955 552 214 06	Centre console Front Leather		1	I3D8/6E6/9AH I9ZP
	955 552 214 06 6B7	Steel grey			
	955 552 214 06 8G1	Sand Beige			
	955 552 214 06 8YR	Black			
(1)	955 552 215 01	Centre console Front Leather/		1	I3D4/9AB/9AD I9W0/9W1/9ZF I9ZT

Model: 9PA108 Model life 2007>>2010

Pos	Part Number	Description	Remark	Qty	Model
(1)	955 552 215 01 J69 955 552 216 01	Nature Chestnut brown Centre console		1	I3D4/9AH/9W0 I9W1/9ZF/9ZT
(1)	955 552 216 01 J69 955 552 217 01	Front Leather/ Nature Chestnut brown Centre console		1	I3D4/9AB/9AD I9ZP
(1)	955 552 217 01 J69 955 552 218 01	Front Leather/ Nature Chestnut brown Centre console		1	I3D4/9AH/9ZP
1	955 552 218 01 J69 955 552 215 10	Front Leather/ Nature Chestnut brown Centre console	08	1	IE0W/3D5/6E4 I9AB/9AD/9W0 I9W1/9ZF/9ZT
(1)	955 552 215 10 5E5 955 552 215 10 5E6 955 552 215 10 5G6 955 552 216 10	Front Alcantara Steel grey Black Sand Beige Centre console	08	1	IE0W/3D5/6E4 I9AH/9W0/9W1 I9ZF/9ZT
(1)	955 552 216 10 5E5 955 552 216 10 5E6 955 552 216 10 5G6 955 552 217 10	Front Alcantara Steel grey Black Sand Beige Centre console	08	1	IE0W/3D5/6E4 I9AB/9AD/9ZP
(1)	955 552 217 10 5E5 955 552 217 10 5E6 955 552 217 10 5G6 955 552 218 10	Front Alcantara Steel grey Black Sand Beige Centre console	08	1	IE0W/6E4 I9AH/9ZP
2	955 552 218 10 5E5 955 552 218 10 5E6 955 552 218 10 5G6 N 103 472 04	Front Alcantara Steel grey Black Sand Beige Combination screw Mount Centre console		18	
(3)	955 552 645 01 955 552 645 01 6B7 955 552 645 01 8G1 955 552 645 01 8YR	Front Leather Grab handle Centre console Leather Steel grey Sand Beige Black	/L	1	I3D8
(3)	955 552 646 01 955 552 646 01 6B7	Grab handle Centre console Leather Steel grey	/R	1	I3D8

Model: 9PA108

Model life 2007>>2010

Pos	Part Number	Description	Remark	Qty	Model
(3)	955 552 646 01 8G1	Sand Beige			
	955 552 646 01 8YR	Black			
	955 552 647 01	Grab handle Centre console Leatherette	/L	1	I3D1/3D3
(3)	955 552 647 01 A08	Black			
	955 552 647 01 T25	Sand Beige			
	955 552 647 01 6E1	Steel grey			
(3)	955 552 648 01	Grab handle Centre console Leatherette	/R	1	I3D1/3D3
	955 552 648 01 A08	Black			
	955 552 648 01 T25	Sand Beige			
(3)	955 552 648 01 6E1	Steel grey			
	955 552 649 00	Grab handle Centre console Leather/ Nature	/L	1	I3D4
	955 552 649 00 J69	Chestnut brown			
(3)	955 552 650 00	Grab handle Centre console Leather/ Nature	/R	1	I3D4
	955 552 650 00 J69	Chestnut brown			
4	N 103 472 04	Combination screw M 6 X 25 Mount Grab handle Front		2	
5	N 101 112 03	Pan-head screw M 8 X 85 Mount Grab handle Rear		2	
6	955 552 633 01	Cap Grab handle Centre console Lacquered	/L	1	
	955 552 633 01 A03	Black			
	955 552 633 01 7BA	Steel grey			
(6)	955 552 633 01 L58	Chestnut brown			
	955 552 633 01 5Z1	Sand Beige			
	955 552 634 01	Cap Grab handle Centre console Lacquered	/R	1	
7	955 552 634 01 A03	Black			
	955 552 634 01 7BA	Steel grey			
	955 552 634 01 L58	Chestnut brown			
(7)	955 552 634 01 5Z1	Sand Beige			
	955 552 261 01	Shift gate	/LL	1	IG0R/L0L
	955 552 261 01 62W	Satin aluminium			
(7)	955 552 262 01	Shift gate	/RL	1	IG0R/L0R
	955 552 262 01 62W	Satin aluminium			
8	955 552 279 03	Trim cover Lacquered		1	ID5X/5MA
	955 552 279 03 A03	Black			
	955 552 279 03 7BA	Steel grey			
(8)	955 552 279 03 L58	Chestnut brown			
	955 552 279 03 5Z1	Sand Beige			
	955 552 280 03	Trim cover Lacquered		1	ID5V/D5Z/5MA I5TE

Model: 9PA108 Model life 2007>>2010

Pos	Part Number	Description	Remark	Qty	Model
	955 552 280 03 A03	Black			
	955 552 280 03 7BA	Steel grey			
	955 552 280 03 L58	Chestnut brown			
	955 552 280 03 5Z1	Sand Beige			
(8)	955 552 292 02	Trim cover Centre console		1	I5TF
	955 552 292 02 4V8	High-gloss olive ash burl			
(8)	955 552 297 02	Trim cover Centre console		1	I5MG
	955 552 297 02 4X2	Rootwood			
(8)	955 552 301 02	Trim cover Centre console		1	I5TK
	955 552 301 02 9Z4	Super-matt olive ash burl			
9	955 552 283 02	Support Beverages Lacquered		1	I3D5/5MA/5TE
	955 552 283 02 L58	Chestnut brown			
	955 552 283 02 A03	Black			
	955 552 283 02 7BA	Steel grey			
	955 552 283 02 5Z1	Sand Beige			
(9)	955 552 284 02	Support Beverages		1	I5TF
	955 552 284 02 4V8	High-gloss olive ash burl			
(9)	955 552 285 02	Support Beverages		1	I5MG
	955 552 285 02 4X2	Rootwood			
(9)	955 552 290 02	Support Beverages		1	I5TK
	955 552 290 02 9Z4	Super-matt olive ash burl			
-	955 552 105 00	Heat shield		1	
10	N 106 514 01	Combination screw M 4 X 10 Mount Beverages Support		2	
11	955 552 083 00	Cover Closing element Lacquered		1	
	955 552 083 00 A03	Black			
12	000 043 205 85	Hexagon socket head bolt M 4 X 10 Mount Cover Closing element		2	
13	955 552 328 00	Mat		1	
14	955 552 203 02	Centre nozzle Lacquered		1	
	955 552 203 02 A03	Black			
	955 552 203 02 7BA	Steel grey			
	955 552 203 02 5Z1	Sand Beige			
15	955 552 338 00	Trim cover Centre console Rear Lacquered		1	ID5X/4A0/4A3 I5MA/9AB/9AD
	955 552 338 00 A03	Black			
	955 552 338 00 7BA	Steel grey			
	955 552 338 00 L58	Chestnut brown			
	955 552 338 00 5Z1	Sand Beige			
16	955 552 438 01	Tray Centre console Rear		1	ID5V/4A0 I4A3/5MA I9AB/9AD

Model: 9PA108 Model life 2007>>2010

Pos	Part Number	Description	Remark	Qty	Model
(16)	955 552 438 01 A03 955 552 340 01	Lacquered Black Tray		1	I4A0/4A3 I5MG/9AB/9AD
(16)	955 552 340 01 62W 955 552 340 01	Centre console Satin aluminium Tray		1	I4A0/4A3 I5TE/9AB/9AD
(16)	955 552 340 01 62W 955 552 340 01	Centre console Satin aluminium Tray		1	I4A0/4A3 I5TF/9AB/9AD
(16)	955 552 340 01 62W 955 552 340 01	Centre console Satin aluminium Tray		1	I4A0/4A3 I5TK/9AB/9AD
17	955 552 340 01 62W 955 552 148 00	Centre console Satin aluminium Cover		1	I4A4/5MA I9AB/9AD
(17)	955 552 148 00 A03 955 552 149 00	Seat heater Lacquered Black Cover		1	I4A4/5MG I9AB/9AD
(17)	955 552 149 00 62W 955 552 149 00	Seat heater Satin aluminium Cover		1	I4A4/5TE I9AB/9AD
(17)	955 552 149 00 62W 955 552 149 00	Seat heater Satin aluminium Cover		1	I4A4/5TF I9AB/9AD
(17)	955 552 149 00 62W 955 552 149 00	Seat heater Satin aluminium Cover		1	I4A4/5TK I9AB/9AD
18	955 552 149 00 62W 955 552 153 00	Seat heater Satin aluminium Cover		1	I5MA/9AH
(18)	955 552 153 00 A03 955 552 154 00	Centre console Lacquered Black Cover		1	I5MG/9AH
(18)	955 552 154 00 62W 955 552 154 00	Control part Air conditioner Satin aluminium Cover		1	I5TE/9AH
(18)	955 552 154 00 62W 955 552 154 00	Control part Air conditioner Satin aluminium Cover		1	I5TF/9AH
(18)	955 552 154 00 62W 955 552 154 00	Control part Air conditioner Satin aluminium Cover		1	I5TK/9AH
19	955 552 154 00 62W N 104 561 01	Control part Air conditioner Satin aluminium Pan-head screw		2	
(20)	955 552 286 03	M 4 X 10 Support Beverages		1	I5MA/5TE

Model: 9PA108 Model life 2007>>2010

Pos	Part Number	Description	Remark	Qty	Model
		Rear Lacquered			
	955 552 286 03 A03	Black			
	955 552 286 03 7BA	Steel grey			
	955 552 286 03 L58	Chestnut brown			
	955 552 286 03 5Z1	Sand Beige			
(20)	955 552 287 03	Support		1	I5MG
		Beverages			
		Rear			
	955 552 287 03 4X2	Rootwood			
(20)	955 552 288 03	Support		1	I5TF
		Beverages			
		Rear			
	955 552 288 03 4V8	High-gloss olive ash burl			
(20)	955 552 298 02	Support		1	I5TK
		Beverages			
	955 552 298 02 9Z4	Super-matt olive ash burl			
21	955 552 160 01	Cover		1	I5MA/5TE/7B6 I7B7
		Connector housing			
		2			
		Hole			
		Lacquered			
		Valid up to:			
		F >>9P8LA 18170			
		F >>9P8LA 48440			
		F >>9P8LA 93520			
	955 552 160 01 A03	Black			
	955 552 160 01 7BA	Steel grey			
	955 552 160 01 L58	Chestnut brown			
	955 552 160 01 5Z1	Sand Beige			
(21)	955 552 161 01	Cover		1	I5MA/5TE/7B2 I7B3
		Connector housing			
		1			
		Hole			
		Lacquered			
		Valid up to:			
		F >>9P8LA 18170			
		F >>9P8LA 48440			
		F >>9P8LA 93520			
	955 552 161 01 A03	Black			
	955 552 161 01 7BA	Steel grey			
	955 552 161 01 L58	Chestnut brown			
	955 552 161 01 5Z1	Sand Beige			
(21)	955 552 162 00	Cover		1	I5TF/7B6/7B7
		Connector housing			
		2			
		Hole			
		Valid up to:			
		F >>9P8LA 18170			
		F >>9P8LA 48440			
		F >>9P8LA 93520			
	955 552 162 00 4V8	High-gloss olive ash burl			
(21)	955 552 163 00	Cover		1	I5TF/7B2/7B3
		Connector housing			
		1			
		Hole			
		Valid up to:			
		F >>9P8LA 18170			
		F >>9P8LA 48440			
		F >>9P8LA 93520			
	955 552 163 00 4V8	High-gloss olive ash burl			

Model: 9PA108 Model life 2007>>2010

Pos	Part Number	Description	Remark	Qty	Model
(21)	955 552 164 00	Cover Connector housing 2 Hole Valid up to: F >>9P8LA 18170 F >>9P8LA 48440 F >>9P8LA 93520		1	I5MG/7B6/7B7
(21)	955 552 164 00 4X2 955 552 165 00	Rootwood Cover Connector housing 1 Hole Valid up to: F >>9P8LA 18170 F >>9P8LA 48440 F >>9P8LA 93520		1	I5MG/7B2/7B3
(21)	955 552 165 00 4X2 955 552 169 00	Rootwood Cover Connector housing 2 Hole Valid up to: F >>9P8LA 18170 F >>9P8LA 48440 F >>9P8LA 93520		1	I5TK/7B6/7B7
(21)	955 552 169 00 9Z4 955 552 170 00	Super-matt olive ash burl Cover Connector housing 1 Hole Valid up to: F >>9P8LA 18170 F >>9P8LA 48440 F >>9P8LA 93520		1	I5TK/7B2/7B3
(21)	955 552 170 00 9Z4 955 552 160 02	Super-matt olive ash burl Cover Connector housing 2 Hole Valid from: F 9P8LA 18171>> F 9P8LA 48441>> F 9P8LA 93521>> Lacquered		1	I5MA/7B6/7B7 I9JA/9JB
(21)	955 552 160 02 A03 955 552 161 02	Black Cover Connector housing 1 Hole Valid from: F 9P8LA 18171>> F 9P8LA 48441>> F 9P8LA 93521>> Lacquered		1	I5MA/7B2/7B3 I9JA/9JB
(21)	955 552 161 02 A03 955 552 162 01	Black Cover Connector housing 2		1	I5MG/5TE/5TF I5TK/7B6/7B7 I9JA/9JB

Model: 9PA108 Model life 2007>>2010

Pos	Part Number	Description	Remark	Qty	Model
(21)	955 552 162 01 4W9 955 552 163 01	Hole Valid from: F 9P8LA 18171>> F 9P8LA 48441>> F 9P8LA 93521>> Satin aluminium Cover		1	I5MG/5TE/5TF I5TK/7B2/7B3 I9JA/9JB
22	955 552 163 01 4W9 N 904 552 05	Connector housing 1 Hole Valid from: F 9P8LA 18171>> F 9P8LA 48441>> F 9P8LA 93521>> Satin aluminium Oval-head screw M 4 X 10 Mount Cover Connector housing Cover		2	
23	955 552 166 00	Lacquered Black Steel grey Chestnut brown Sand Beige Cover		1	I5MA/5TE I9AB/9AD
(23)	955 552 166 00 A03 955 552 166 00 7BA 955 552 166 00 L58 955 552 166 00 5Z1 955 552 167 00	Rootwood Cover		1	I5MG/9AB/9AD
(23)	955 552 168 00	High-gloss olive ash burl Cover		1	I5TF/9AB/9AD
(23)	955 552 171 00	Super-matt olive ash burl Cover		1	I5TK/9AB/9AD
24	955 552 849 00	Support Front		1	
25	955 552 253 00	Support Centre		1	
26	955 552 345 00	Support Rear		1	
27	N 103 472 04	Combination screw M 6 X 25		X	
28	955 552 715 01	Support Mobile phone Complete	/LL	1	I10L/9ZF/9ZT
(28)	955 552 716 01	Support Mobile phone Complete	/RL	1	I10R/9ZF/9ZT
29	955 552 307 01	Armrest Centre console Leatherette Black Steel grey Sand Beige		1	I6E3/9W0 I9W1/9ZF/9ZT
(29)	955 552 307 01 5Q2 955 552 307 01 5R3 955 552 307 01 5S4 955 552 308 01	Armrest Centre console Leatherette Black Steel grey Sand Beige		1	I6E3/9ZH/9ZP
29	955 552 308 01 5Q2 955 552 308 01 5R3 955 552 308 01 5S4 955 552 309 01	Armrest		1	I6E6/9W0

Model: 9PA108 Model life 2007>>2010

Pos	Part Number	Description	Remark	Qty	Model
		Centre console Plain leather			I9W1/9ZF/9ZT
	955 552 309 01 6B7	Steel grey			
	955 552 309 01 8G1	Sand Beige			
	955 552 309 01 8YR	Black			
(29)	955 552 310 01	Armrest		1	I6E6/9ZH/9ZP
		Centre console Plain leather			
	955 552 310 01 6B7	Steel grey			
	955 552 310 01 8G1	Sand Beige			
	955 552 310 01 8YR	Black			
29	955 552 311 01	Armrest		1	I6E7/9W0 I9W1/9ZF/9ZT
		Centre console Leather Embossed			
	955 552 311 01 A08	Black			
	955 552 311 01 T25	Sand Beige			
	955 552 311 01 6E1	Steel grey			
29	955 552 311 01	Armrest	08	1	IE0W/6E7/9W0 I9W1/9ZF/9ZT
		Centre console Leather Embossed			
	955 552 311 01 A08	Black			
	955 552 311 01 T25	Sand Beige			
	955 552 311 01 6E1	Steel grey			
(29)	955 552 312 01	Armrest		1	I6E7/9ZH/9ZP
		Centre console Leather Embossed			
	955 552 312 01 A08	Black			
	955 552 312 01 T25	Sand Beige			
	955 552 312 01 6E1	Steel grey			
(29)	955 552 312 01	Armrest	08	1	IE0W/6E7/9ZP
		Centre console Leather Embossed			
	955 552 312 01 A08	Black			
	955 552 312 01 T25	Sand Beige			
	955 552 312 01 6E1	Steel grey			
29	955 552 313 00	Armrest		1	I6E2/9W0/9W1 I9ZF/9ZT
		Centre console Leather/ Nature			
	955 552 313 00 J69	Chestnut brown			
(29)	955 552 314 00	Armrest		1	I6E2/9ZH/9ZP
		Centre console Leather/ Nature			
	955 552 314 00 J69	Chestnut brown			
29	955 552 315 00	Armrest	08	1	IE0W/6E4/9W0 I9W1/9ZF/9ZT
		Centre console Alcantara			
	955 552 315 00 5E5	Steel grey			
	955 552 315 00 5E6	Black			
	955 552 315 00 5G6	Sand Beige			
(29)	955 552 316 00	Armrest	08	1	IE0W/6E4/9ZP
		Centre console Alcantara			

Model: 9PA108 Model life 2007>>2010

Pos	Part Number	Description	Remark	Qty	Model
30	955 552 316 00 5E5	Steel grey			
	955 552 316 00 5E6	Black			
	955 552 316 00 5G6	Sand Beige			
	955 552 107 00	Fixing clip		X	
31	955 552 321 01	Centre console		1	I3D1/3D3 I9AB/9AD
	955 552 321 01 5Q2	Black			
31	955 552 321 01 5R3	Steel grey			
	955 552 321 01 5S4	Sand Beige			
	955 552 321 01	Centre console	08	1	IE0W/3D1/3D3 I9AB/9AD
	955 552 321 01 5Q2	Black			
(31)	955 552 321 01 5R3	Steel grey			
	955 552 321 01 5S4	Sand Beige			
	955 552 322 01	Centre console		1	I3D1/3D3/9AH
	955 552 322 01 5Q2	Black			
(31)	955 552 322 01 5R3	Steel grey			
	955 552 322 01 5S4	Sand Beige			
	955 552 322 01	Centre console	08	1	IE0W/3D1/3D3 I9AH
	955 552 322 01 5Q2	Black			
(31)	955 552 322 01 5R3	Steel grey			
	955 552 322 01 5S4	Sand Beige			
	955 552 323 01	Centre console		1	I3D8/9AB/9AD
	955 552 323 01 5Q2	Black			
(31)	955 552 323 01 5R3	Steel grey			
	955 552 323 01 5S4	Sand Beige			
	955 552 323 01	Centre console			
	955 552 323 01 6B7	Steel grey			
(31)	955 552 323 01 8G1	Sand Beige			
	955 552 323 01 8YR	Black			
	955 552 324 01	Centre console		1	I3D8/9AH
	955 552 324 01 6B7	Steel grey			
(31)	955 552 324 01 8G1	Sand Beige			
	955 552 324 01 8YR	Black			
	955 552 325 01	Centre console		1	I3D4/9AB/9AD
	955 552 325 01 J69	Chestnut brown			
(31)	955 552 326 01	Centre console		1	I3D4/9AH
	955 552 326 01 J69	Chestnut brown			
(31)	955 552 326 01	Centre console	08	1	IE0W/3D5/9AB I9AD
	955 552 325 10	Alcantara			
	955 552 325 10 5E5	Steel grey			
	955 552 325 10 5E6	Black			
(31)	955 552 325 10 5G6	Sand Beige			
	955 552 326 10	Centre console	08	1	IE0W/3D5/9AH
	955 552 326 10 5E5	Steel grey			
	955 552 326 10 5E6	Black			
32	955 552 326 10 5G6	Sand Beige			
	955 552 497 00	Cap		1	I3D1/3D3/9AB I9AD
	955 552 497 00 5Q2	Centre console			
	955 552 497 00 5Q2	Black			
32	955 552 497 00 5R3	Steel grey			
	955 552 497 00 5S4	Sand Beige			
	955 552 497 00	Cap	08	1	IE0W/3D1/3D3 I9AB/9AD
	955 552 497 00 5Q2	Centre console			
	955 552 497 00 5Q2	Black			

Model: 9PA108 Model life 2007>>2010

Pos	Part Number	Description	Remark	Qty	Model
(32)	955 552 497 00 5R3	Steel grey		1	I3D1/3D3/9AH
	955 552 497 00 5S4	Sand Beige			
(32)	955 552 498 00	Cap Centre console	08	1	IE0W/3D1/3D3 I9AH
	955 552 498 00 5Q2	Black			
(32)	955 552 498 00 5R3	Steel grey		1	I3D8/9AB/9AD
	955 552 498 00 5S4	Sand Beige			
(32)	955 552 498 00	Cap Centre console		1	I3D8/9AH
	955 552 498 00 5Q2	Black			
(32)	955 552 499 00 6B7	Steel grey		1	I3D4/9AB/9AD
	955 552 499 00 8G1	Sand Beige			
(32)	955 552 499 00 8YR	Black		1	I3D4/9AH
	955 552 500 00	Cap Centre console			
(32)	955 552 500 00 6B7	Steel grey		1	I3D4/9AB/9AD
	955 552 500 00 8G1	Sand Beige			
(32)	955 552 501 00	Cap Centre console		1	I3D4/9AH
	955 552 501 00 J69	Chestnut brown			
32	955 552 502 00	Cap Centre console	GTS 08	1	IE0W/3D5/9AB I9AD
	955 552 502 00 J69	Chestnut brown			
(32)	955 552 501 10 6B7	Steel grey		1	IE0W/3D5/9AH
	955 552 501 10 8G1	Sand Beige			
(32)	955 552 501 10 8YR	Black		1	IE0W/3D5/9AH
	955 552 502 10	Cap Centre console			
33	955 552 502 10 6B7	Steel grey		1	
	955 552 502 10 8G1	Sand Beige			
34	955 552 502 10 8YR	Black		1	I9AB/9AD
	955 552 698 00	Release Armrest			
(34)	955 552 698 00 A03	Black		1	I9AH
	955 552 698 00 7BA	Steel grey			
35	955 552 698 00 L58	Chestnut brown		1	
	955 552 698 00 5Z1	Sand Beige			
36	955 552 089 00	Bracket Cap		1	
	955 552 090 00	Bracket Cap			
37	N 906 988 01	Speed nut ST 4,2 X 16 X 12		X	
38	N 906 986 01	Tapping screw ST 4,2 X 16		X	
39	955 552 861 00	Damper Centre console		2	
40	955 552 591 00	Cover		1	

Model: 9PA108

Model life 2007>>2010

Pos	Part Number	Description	Remark	Qty	Model
39	N 911 382 01	for Illumination Centre console Hinge bolt		2	
40	N 012 325 7	Centre console Lock washer		2	
41	955 552 265 00	Shade Cover		1	IGOR
42	955 553 901 00	Shift gate Damper Insert Connector housing Valid up to: F >>9P8LA 18170 F >>9P8LA 48440 F >>9P8LA 93520		1	

Model: 9PA108 Model life 2007>>2010

Pos	Part Number	Description	Remark	Qty	Model
1	955 553 211 00	Centre console Centre console	09-	1	IUF0/3D1/6E3 I9AB/9AD/9W0 I9W1
		Front Leatherette			
	955 553 211 00 5Q2	Black			
	955 553 211 00 5R3	Steel grey			
	955 553 211 00 5S4	Sand Beige			
(1)	955 553 211 01	Centre console		1	IUF0/3D1/6E3 I9AH/9W0/9W1
		Front Leatherette			
	955 553 211 01 5Q2	Black			
	955 553 211 01 5R3	Steel grey			
	955 553 211 01 5S4	Sand Beige			
(1)	955 553 211 02	Centre console		1	IUF0/3D1/6E3 I9AB/9AD/9ZP
		Front Leatherette			
	955 553 211 02 5Q2	Black			
	955 553 211 02 5R3	Steel grey			
	955 553 211 02 5S4	Sand Beige			
(1)	955 553 211 03	Centre console		1	IUF0/3D1/6E3 I9AH/9ZP
		Front Leatherette			
	955 553 211 03 5Q2	Black			
	955 553 211 03 5R3	Steel grey			
	955 553 211 03 5S4	Sand Beige			
(1)	955 553 211 04	Centre console		1	IUF0/3D1/6E3 I9AB/9AD/9W5
		Front Leatherette			
	955 553 211 04 5Q2	Black			
	955 553 211 04 5R3	Steel grey			
	955 553 211 04 5S4	Sand Beige			
(1)	955 553 211 05	Centre console		1	IUF0/3D1/6E3 I9AH/9W5
		Front Leatherette			
	955 553 211 05 5Q2	Black			
	955 553 211 05 5R3	Steel grey			
	955 553 211 05 5S4	Sand Beige			
(1)	955 553 211 06	Centre console		1	IUF1/3D1/6E3 I9AB/9AD/9W0 I9W1
		Front Leatherette			
	955 553 211 06 5Q2	Black			
	955 553 211 06 5R3	Steel grey			
	955 553 211 06 5S4	Sand Beige			
(1)	955 553 211 07	Centre console		1	IUF1/3D1/6E3 I9AH/9W0/9W1
		Front Leatherette			
	955 553 211 07 5Q2	Black			
	955 553 211 07 5R3	Steel grey			
	955 553 211 07 5S4	Sand Beige			
(1)	955 553 211 08	Centre console		1	IUF1/3D1/6E3 I9AB/9AD/9ZP
		Front Leatherette			

Model: 9PA108 Model life 2007>>2010

Pos	Part Number	Description	Remark	Qty	Model
(1)	955 553 211 08 5Q2	Black		1	IUF1/3D1/6E3 I9AH/9ZP
	955 553 211 08 5R3	Steel grey			
	955 553 211 08 5S4	Sand Beige			
	955 553 211 09	Centre console			
		Front Leatherette			
(1)	955 553 211 09 5Q2	Black		1	IUF1/3D1/6E3 I9AB/9AD/9W5
	955 553 211 09 5R3	Steel grey			
	955 553 211 09 5S4	Sand Beige			
	955 553 211 10	Centre console			
		Front Leatherette			
(1)	955 553 211 10 5Q2	Black		1	IUF1/3D1/6E3 I9AH/9W5
	955 553 211 10 5R3	Steel grey			
	955 553 211 10 5S4	Sand Beige			
	955 553 211 11	Centre console			
		Front Leatherette			
(1)	955 553 211 11 5Q2	Black		1	IUF0/3D3/6E7 I9AB/9AD/9W0 I9W1
	955 553 211 11 5R3	Steel grey			
	955 553 211 11 5S4	Sand Beige			
	955 553 212 00	Centre console			
		Front Partial leather			
(1)	955 553 212 00 5Q2	Black		1	GTS IE0W/UF0/3D3 I6E7/9AB/9AD I9W0/9W1
	955 553 212 00 5R3	Steel grey			
	955 553 212 00 5S4	Sand Beige			
	955 553 212 00	Centre console			
		Front Partial leather			
(1)	955 553 212 00 5Q2	Black		1	IUF0/3D3/6E7 I9AH/9W0/9W1
	955 553 212 00 5R3	Steel grey			
	955 553 212 00 5S4	Sand Beige			
	955 553 212 01	Centre console			
		Front Partial leather			
(1)	955 553 212 01 5Q2	Black		1	GTS IE0W/UF0/3D3 I6E7/9AH/9W0 I9W1
	955 553 212 01 5R3	Steel grey			
	955 553 212 01 5S4	Sand Beige			
	955 553 212 01	Centre console			
		Front Partial leather			
(1)	955 553 212 01 5Q2	Black		1	IUF0/3D3/6E7 I9AB/9AD/9ZP
	955 553 212 01 5R3	Steel grey			
	955 553 212 01 5S4	Sand Beige			
	955 553 212 02	Centre console			
		Front Partial leather			
(1)	955 553 212 02 5Q2	Black		1	IUF0/3D3/6E7 I9AB/9AD/9ZP
	955 553 212 02 5R3	Steel grey			

Model: 9PA108 Model life 2007>>2010

Pos	Part Number	Description	Remark	Qty	Model
(1)	955 553 212 02 5S4 955 553 212 02	Sand Beige Centre console Front Partial leather		1	GTS IE0W/UF0/3D3 I6E7/9AB/9AD I9ZP
(1)	955 553 212 02 5Q2 955 553 212 02 5R3 955 553 212 02 5S4 955 553 212 03	Black Steel grey Sand Beige Centre console Front Partial leather		1	IUF0/3D3/6E7 I9AH/9ZP
(1)	955 553 212 03 5Q2 955 553 212 03 5R3 955 553 212 03 5S4 955 553 212 03	Black Steel grey Sand Beige Centre console Front Partial leather		1	GTS IE0W/UF0/3D3 I6E7/9AH/9ZP
(1)	955 553 212 03 5Q2 955 553 212 03 5R3 955 553 212 03 5S4 955 553 212 04	Black Steel grey Sand Beige Centre console Front Partial leather		1	IUF0/3D3/6E7 I9AB/9AD/9W5
(1)	955 553 212 04 5Q2 955 553 212 04 5R3 955 553 212 04 5S4 955 553 212 04	Black Steel grey Sand Beige Centre console Front Partial leather		1	GTS IE0W/UF0/3D3 I6E7/9AB/9AD I9W5
(1)	955 553 212 04 5Q2 955 553 212 04 5R3 955 553 212 04 5S4 955 553 212 05	Black Steel grey Sand Beige Centre console Front Partial leather		1	IUF0/3D3/6E7 I9AH/9W5
(1)	955 553 212 05 5Q2 955 553 212 05 5R3 955 553 212 05 5S4 955 553 212 05	Black Steel grey Sand Beige Centre console Front Partial leather		1	GTS IE0W/UF0/3D3 I6E7/9AH/9W5
(1)	955 553 212 05 5Q2 955 553 212 05 5R3 955 553 212 05 5S4 955 553 212 06	Black Steel grey Sand Beige Centre console Front Partial leather		1	IUF1/3D3/6E7 I9AB/9AD/9W0 I9W1
(1)	955 553 212 06 5Q2 955 553 212 06 5R3	Black Steel grey			

Model: 9PA108 Model life 2007>>2010

Pos	Part Number	Description	Remark	Qty	Model
(1)	955 553 212 06 5S4 955 553 212 06	Sand Beige Centre console Front Partial leather		1	GTS IE0W/UF1/3D3 I6E7/9AB/9AD I9W0/9W1
(1)	955 553 212 06 5Q2 955 553 212 06 5R3 955 553 212 06 5S4 955 553 212 07	Black Steel grey Sand Beige Centre console Front Partial leather		1	IUF1/3D3/6E7 I9AH/9W0/9W1
(1)	955 553 212 07 5Q2 955 553 212 07 5R3 955 553 212 07 5S4 955 553 212 07	Black Steel grey Sand Beige Centre console Front Partial leather		1	GTS IE0W/UF1/3D3 I6E7/9AH/9W0 I9W1
(1)	955 553 212 07 5Q2 955 553 212 07 5R3 955 553 212 07 5S4 955 553 212 08	Black Steel grey Sand Beige Centre console Front Partial leather		1	IUF1/3D3/6E7 I9AB/9AD/9ZP
(1)	955 553 212 08 5Q2 955 553 212 08 5R3 955 553 212 08 5S4 955 553 212 08	Black Steel grey Sand Beige Centre console Front Partial leather		1	GTS IE0W/UF1/3D3 I6E7/9AB/9AD I9ZP
(1)	955 553 212 08 5Q2 955 553 212 08 5R3 955 553 212 08 5S4 955 553 212 09	Black Steel grey Sand Beige Centre console Front Partial leather		1	IUF1/3D3/6E7 I9AH/9ZP
(1)	955 553 212 09 5Q2 955 553 212 09 5R3 955 553 212 09 5S4 955 553 212 09	Black Steel grey Sand Beige Centre console Front Partial leather		1	GTS IE0W/UF1/3D3 I6E7/9AH/9ZP
(1)	955 553 212 09 5Q2 955 553 212 09 5R3 955 553 212 09 5S4 955 553 212 10	Black Steel grey Sand Beige Centre console Front Partial leather		1	IUF1/3D3/6E7 I9AB/9AD/9W5
(1)	955 553 212 10 5Q2 955 553 212 10 5R3	Black Steel grey			

Model: 9PA108 Model life 2007>>2010

Pos	Part Number	Description	Remark	Qty	Model
(1)	955 553 212 10 5S4 955 553 212 10	Sand Beige Centre console		1	GTS IE0W/UF1/3D3 I6E7/9AB/9AD I9W5
		Front Partial leather			
	955 553 212 10 5Q2	Black			
	955 553 212 10 5R3	Steel grey			
	955 553 212 10 5S4	Sand Beige			
(1)	955 553 212 11	Centre console		1	IUF1/3D3/6E7 I9AH/9W5
		Front Partial leather			
	955 553 212 11 5Q2	Black			
	955 553 212 11 5R3	Steel grey			
	955 553 212 11 5S4	Sand Beige			
(1)	955 553 212 11	Centre console		1	GTS IE0W/UF1/3D3 I6E7/9AH/9W5
		Front Partial leather			
	955 553 212 11 5Q2	Black			
	955 553 212 11 5R3	Steel grey			
	955 553 212 11 5S4	Sand Beige			
(1)	955 553 213 00	Centre console		1	IUF0/3D8/6E6 I9AB/9AD/9W0 I9W1
		Front Leather			
	955 553 213 00 6B7	Steel grey			
	955 553 213 00 8G1	Sand Beige			
	955 553 213 00 8YR	Black			
(1)	955 553 213 01	Centre console		1	IUF0/3D8/6E6 I9AH/9W0/9W1
		Front Leather			
	955 553 213 01 6B7	Steel grey			
	955 553 213 01 8G1	Sand Beige			
	955 553 213 01 8YR	Black			
(1)	955 553 213 02	Centre console		1	IUF0/3D8/6E6 I9AB/9AD/9ZP
		Front Leather			
	955 553 213 02 6B7	Steel grey			
	955 553 213 02 8G1	Sand Beige			
	955 553 213 02 8YR	Black			
(1)	955 553 213 03	Centre console		1	IUF0/3D8/6E6 I9AH/9ZP
		Front Leather			
	955 553 213 03 6B7	Steel grey			
	955 553 213 03 8G1	Sand Beige			
	955 553 213 03 8YR	Black			
(1)	955 553 213 04	Centre console		1	IUF0/3D8/6E6 I9AB/9AD/9W5
		Front Leather			
	955 553 213 04 6B7	Steel grey			
	955 553 213 04 8G1	Sand Beige			
	955 553 213 04 8YR	Black			
(1)	955 553 213 05	Centre console		1	IUF0/3D8/6E6 I9AH/9W5

Model: 9PA108 Model life 2007>>2010

Pos	Part Number	Description	Remark	Qty	Model
(1)	955 553 213 05 6B7	Front Leather Steel grey		1	IUF1/3D8/6E6 I9AB/9AD/9W0 I9W1
	955 553 213 05 8G1	Sand Beige			
	955 553 213 05 8YR	Black			
	955 553 213 06	Centre console			
(1)	955 553 213 06 6B7	Front Leather Steel grey		1	IUF1/3D8/6E6 I9AH/9W0/9W1
	955 553 213 06 8G1	Sand Beige			
	955 553 213 06 8YR	Black			
	955 553 213 07	Centre console			
(1)	955 553 213 07 6B7	Front Leather Steel grey		1	IUF1/3D8/6E6 I9AB/9AD/9ZP
	955 553 213 07 8G1	Sand Beige			
	955 553 213 07 8YR	Black			
	955 553 213 08	Centre console			
(1)	955 553 213 08 6B7	Front Leather Steel grey		1	IUF1/3D8/6E6 I9AH/9ZP
	955 553 213 08 8G1	Sand Beige			
	955 553 213 08 8YR	Black			
	955 553 213 09	Centre console			
(1)	955 553 213 09 6B7	Front Leather Steel grey		1	IUF1/3D8/6E6 I9AB/9AD/9W5
	955 553 213 09 8G1	Sand Beige			
	955 553 213 09 8YR	Black			
	955 553 213 10	Centre console			
(1)	955 553 213 10 6B7	Front Leather Steel grey		1	IUF1/3D8/6E6 I9AH/9W5
	955 553 213 10 8G1	Sand Beige			
	955 553 213 10 8YR	Black			
	955 553 213 11	Centre console			
(1)	955 553 213 11 6B7	Front Leather Steel grey		1	IUF0/3D4/6E2 I9AB/9AD/9W0 I9W1
	955 553 213 11 8G1	Sand Beige			
	955 553 213 11 8YR	Black			
	955 553 214 00	Centre console			
(1)	955 553 214 00 J69	Front Leather/ Nature Chestnut brown		1	IUF0/3D4/6E2 I9AH/9W0/9W1
	955 553 214 01	Centre console			
(1)	955 553 214 01 J69	Front Leather/ Nature Chestnut brown		1	IUF0/3D4/6E2 I9AB/9AD/9ZP
	955 553 214 02	Centre console			

Model: 9PA108 Model life 2007>>2010

Pos	Part Number	Description	Remark	Qty	Model
(1)	955 553 214 02 J69 955 553 214 03	Front Leather/ Nature Chestnut brown Centre console		1	IUF0/3D4/6E2 I9AH/9ZP
(1)	955 553 214 03 J69 955 553 214 04	Front Leather/ Nature Chestnut brown Centre console		1	IUF0/3D4/6E2 I9AB/9AD/9W5
(1)	955 553 214 04 J69 955 553 214 05	Front Leather/ Nature Chestnut brown Centre console		1	IUF0/3D4/6E2 I9AH/9W5
(1)	955 553 214 05 J69 955 553 214 06	Front Leather/ Nature Chestnut brown Centre console		1	IUF1/3D4/6E2 I9AB/9AD/9W0 I9W1
(1)	955 553 214 06 J69 955 553 214 07	Front Leather/ Nature Chestnut brown Centre console		1	IUF1/3D4/6E2 I9AH/9W0/9W1
(1)	955 553 214 07 J69 955 553 214 08	Front Leather/ Nature Chestnut brown Centre console		1	IUF1/3D4/6E2 I9AB/9AD/9ZP
(1)	955 553 214 08 J69 955 553 214 09	Front Leather/ Nature Chestnut brown Centre console		1	IUF1/3D4/6E2 I9AH/9ZP
(1)	955 553 214 09 J69 955 553 214 10	Front Leather/ Nature Chestnut brown Centre console		1	IUF1/3D4/6E2 I9AB/9W5
(1)	955 553 214 10 J69 955 553 214 11	Front Leather/ Nature Chestnut brown Centre console		1	IUF1/3D4/6E2 I9AH/9W5
1	955 553 214 11 J69 955 553 215 00	Front Leather/ Nature Chestnut brown Centre console		1	IE0W/E1T/E2D IUF0/3D5/6E4 I9AB/9AD/9W0 I9W1

Model: 9PA108 Model life 2007>>2010

Pos	Part Number	Description	Remark	Qty	Model
(1)		Front Alcantara		1	IE0W/E1T/E2D IUF0/3D5/6E4 I9AH/9W0/9W1
		955 553 215 00 5E5 Steel grey			
		955 553 215 00 5E6 Black			
		955 553 215 00 5G6 Sand Beige			
(1)	955 553 215 01	Centre console			
(1)		Front Alcantara		1	IE0W/E1T/E2D IUF0/3D5/6E4 I9AB/9AD/9ZP
		955 553 215 01 5E5 Steel grey			
		955 553 215 01 5E6 Black			
		955 553 215 01 5G6 Sand Beige			
(1)	955 553 215 02	Centre console			
(1)		Front Alcantara		1	IE0W/E1T/E2D IUF0/3D5/6E4 I9AH/9ZP
		955 553 215 02 5E5 Steel grey			
		955 553 215 02 5E6 Black			
		955 553 215 02 5G6 Sand Beige			
(1)	955 553 215 03	Centre console			
(1)		Front Alcantara		1	IE0W/E1T/E2D IUF0/3D5/6E4 I9AB/9AD/9W5
		955 553 215 03 5E5 Steel grey			
		955 553 215 03 5E6 Black			
		955 553 215 03 5G6 Sand Beige			
(1)	955 553 215 04	Centre console			
(1)		Front Alcantara		1	IE0W/E1T/E2D IUF0/3D5/6E4 I9AH/9W5
		955 553 215 04 5E5 Steel grey			
		955 553 215 04 5E6 Black			
		955 553 215 04 5G6 Sand Beige			
(1)	955 553 215 05	Centre console			
(1)		Front Alcantara		1	IE0W/E1T/E2D IUF1/3D5/6E4 I9AB/9AD/9W0 I9W1
		955 553 215 05 5E5 Steel grey			
		955 553 215 05 5E6 Black			
		955 553 215 05 5G6 Sand Beige			
(1)	955 553 215 06	Centre console			
(1)		Front Alcantara		1	IE0W/E1T/E2D IUF1/3D5/6E4 I9AH/9W0/9W1
		955 553 215 06 5E5 Steel grey			
		955 553 215 06 5E6 Black			
		955 553 215 06 5G6 Sand Beige			
(1)	955 553 215 07	Centre console			
(1)		Front Alcantara		1	IE0W/E1T/E2D
		955 553 215 07 5E5 Steel grey			
		955 553 215 07 5E6 Black			
		955 553 215 07 5G6 Sand Beige			
(1)	955 553 215 08	Centre console			

Model: 9PA108 Model life 2007>>2010

Pos	Part Number	Description	Remark	Qty	Model
		Front Alcantara			IUF1/3D5/6E4 I9AB/9AD/9ZP
	955 553 215 08 5E5	Steel grey			
	955 553 215 08 5E6	Black			
	955 553 215 08 5G6	Sand Beige			
(1)	955 553 215 09	Centre console		1	IE0W/E1T/E2D IUF1/3D5/6E4 I9AH/9ZP
		Front Alcantara			
	955 553 215 09 5E5	Steel grey			
	955 553 215 09 5E6	Black			
	955 553 215 09 5G6	Sand Beige			
(1)	955 553 215 10	Centre console		1	IE0W/E1T/E2D IUF1/3D5/6E4 I9AB/9AD/9W5
		Front Alcantara			
	955 553 215 10 5E5	Steel grey			
	955 553 215 10 5E6	Black			
	955 553 215 10 5G6	Sand Beige			
(1)	955 553 215 11	Centre console		1	IE0W/E1T/E2D IUF1/3D5/9AH I9W5
		Front Alcantara			
	955 553 215 11 5E5	Steel grey			
	955 553 215 11 5E6	Black			
	955 553 215 11 5G6	Sand Beige			
2	N 103 472 04	Combination screw		18	
		Mount Centre console			
		Front			
(3)	955 552 645 01	Grab handle Centre console Leather	/L	1	I3D5/3D8
	955 552 645 01 6B7	Steel grey			
	955 552 645 01 8G1	Sand Beige			
	955 552 645 01 8YR	Black			
(3)	955 552 646 01	Grab handle Centre console Leather	/R	1	I3D5/3D8
	955 552 646 01 6B7	Steel grey			
	955 552 646 01 8G1	Sand Beige			
	955 552 646 01 8YR	Black			
(3)	955 552 647 01	Grab handle Centre console Leatherette	/L	1	I3D1/3D3
	955 552 647 01 A08	Black			
	955 552 647 01 T25	Sand Beige			
	955 552 647 01 6E1	Steel grey			
(3)	955 552 648 01	Grab handle Centre console Leatherette	/R	1	I3D1/3D3
	955 552 648 01 A08	Black			
	955 552 648 01 T25	Sand Beige			
	955 552 648 01 6E1	Steel grey			
(3)	955 552 649 00	Grab handle Centre console Leather/ Nature	/L	1	I3D4

Model: 9PA108 Model life 2007>>2010

Pos	Part Number	Description	Remark	Qty	Model
(3)	955 552 649 00 J69 955 552 650 00	Chestnut brown Grab handle Centre console Leather/ Nature	/R	1	I3D4
4	955 552 650 00 J69 N 103 472 04	Chestnut brown Combination screw M 6 X 25 Mount Grab handle Front		2	
5	N 101 112 03	Pan-head screw M 8 X 85 Mount Grab handle Rear		2	
6	955 552 633 01	Cap Grab handle Centre console Lacquered	/L	1	
(6)	955 552 633 01 A03 955 552 633 01 7BA 955 552 633 01 L58 955 552 633 01 5Z1 955 552 634 01	Black Steel grey Chestnut brown Sand Beige Cap Grab handle Centre console Lacquered	/R	1	
7	955 552 634 01 A03 955 552 634 01 7BA 955 552 634 01 L58 955 552 634 01 5Z1 955 552 261 01 955 552 261 01 62W	Black Steel grey Chestnut brown Sand Beige Shift gate Satin aluminium	/LL	1	IG0R/L0L
(7)	955 552 262 01 955 552 262 01 62W	Shift gate Satin aluminium	/RL	1	IG0R/L0R
8	955 552 279 03 955 552 279 03 A03 955 552 279 03 7BA 955 552 279 03 L58 955 552 279 03 5Z1 955 552 280 03	Trim cover Lacquered Black Steel grey Chestnut brown Sand Beige Trim cover		1	ID5X/5MA ID5V/D5Z/5MA I5MH/5TE
(8)	955 552 280 03 A03 955 552 280 03 7BA 955 552 280 03 L58 955 552 280 03 5Z1 955 552 292 02	Lacquered Black Steel grey Chestnut brown Sand Beige Trim cover Centre console		1	I5TF
(8)	955 552 292 02 4V8 955 552 297 02	High-gloss olive ash burl Trim cover Centre console		1	I5MG
9	955 552 297 02 4X2 955 552 283 02	Rootwood Support Beverages Lacquered		1	I3D5/5MA/5MH I5TE
	955 552 283 02 L58 955 552 283 02 A03 955 552 283 02 7BA 955 552 283 02 5Z1	Chestnut brown Black Steel grey Sand Beige			

Model: 9PA108 Model life 2007>>2010

Pos	Part Number	Description	Remark	Qty	Model
(9)	955 552 284 02	Support Beverages		1	I5TF
	955 552 284 02 4V8	High-gloss olive ash burl			
(9)	955 552 285 02	Support Beverages		1	I5MG
	955 552 285 02 4X2	Rootwood			
-	955 552 105 00	Heat shield		1	
10	N 106 514 01	Combination screw M 4 X 10 Mount Beverages		2	
		Support			
11	955 552 083 00	Cover Closing element Lacquered		1	
	955 552 083 00 A03	Black			
12	000 043 205 85	Hexagon socket head bolt M 4 X 10 Mount Cover Closing element		2	
13	955 552 328 00	Mat		1	IUF0
(13)	955 553 329 00	Mat	09-	1	IUF1
14	955 552 203 02	Centre nozzle Lacquered		1	
	955 552 203 02 A03	Black			
	955 552 203 02 7BA	Steel grey			
	955 552 203 02 5Z1	Sand Beige			
15	955 552 338 00	Trim cover		1	ID5X/4A0/4A3 I5MA/9AB/9AD
		Centre console Rear Lacquered			
	955 552 338 00 A03	Black			
	955 552 338 00 7BA	Steel grey			
	955 552 338 00 L58	Chestnut brown			
	955 552 338 00 5Z1	Sand Beige			
15	955 552 338 00	Trim cover		1	ID50/4A0/4A3 I5MA/9AB/9AD
		Centre console Rear Lacquered			
	955 552 338 00 A03	Black			
	955 552 338 00 7BA	Steel grey			
	955 552 338 00 L58	Chestnut brown			
	955 552 338 00 5Z1	Sand Beige			
16	955 552 438 01	Tray		1	ID5V/4A0/4A3 I5MA/9AB/9AD
		Centre console Rear Lacquered			
	955 552 438 01 A03	Black			
(16)	955 552 340 01	Tray		1	I4A0/4A3/5MG I9AB/9AD
		Centre console			
	955 552 340 01 62W	Satin aluminium			
(16)	955 552 340 01	Tray		1	I4A0/4A3/5MH I5TE/9AB/9AD
		Centre console			
	955 552 340 01 62W	Satin aluminium			
(16)	955 552 340 01	Tray		1	I4A0/4A3/5TF I9AB/9AD
		Centre console			

Model: 9PA108 Model life 2007>>2010

Pos	Part Number	Description	Remark	Qty	Model
17	955 552 340 01 62W 955 552 148 00	Satin aluminium Cover		1	I4A4/5MA/9AB I9AD
(17)	955 552 148 00 A03 955 552 149 00	Seat heater Lacquered Black Cover		1	I4A4/5MG/9AB I9AD
(17)	955 552 149 00 62W 955 552 149 00	Seat heater Satin aluminium Cover		1	I4A4/5MH/5TE I9AB/9AD
(17)	955 552 149 00 62W 955 552 149 00	Seat heater Satin aluminium Cover		1	I4A4/5TF/9AB I9AD
18	955 552 149 00 62W 955 552 153 00	Seat heater Satin aluminium Cover		1	I5MA/9AH
(18)	955 552 153 00 A03 955 552 154 00	Centre console Lacquered Black Cover		1	I5MG/9AH
(18)	955 552 154 00 62W 955 552 154 00	Control part Air conditioner Satin aluminium Cover		1	I5MH/5TE/9AH
(18)	955 552 154 00 62W 955 552 154 00	Control part Air conditioner Satin aluminium Cover		1	I5TF/9AH
19	955 552 154 00 62W N 104 561 01	Control part Air conditioner Satin aluminium Pan-head screw		2	
(20)	955 552 286 03	M 4 X 10 Support Beverages Rear Lacquered		1	I5MA/5MH/5TE
(20)	955 552 286 03 A03 955 552 286 03 7BA 955 552 286 03 L58 955 552 286 03 5Z1 955 552 287 03	Black Steel grey Chestnut brown Sand Beige Support Beverages Rear		1	I5MG
(20)	955 552 287 03 4X2 955 552 288 03	Rootwood Support Beverages Rear		1	I5TF
(21)	955 552 288 03 4V8 955 552 160 02	High-gloss olive ash burl Cover		1	I5MA/7B6/7B7 I9JA/9JB
(21)	955 552 160 02 A03 955 552 161 02	Connector housing 2 Hole Lacquered Black Cover		1	I5MA/7B2/7B3 I9JA/9JB
		Connector housing 1			

Model: 9PA108 Model life 2007>>2010

Pos	Part Number	Description	Remark	Qty	Model
(21)	955 552 161 02 A03 955 552 162 01	Hole Lacquered Black Cover		1	I5MG/5MH/5TE I5TF/7B6/7B7 I9JA/9JB
(21)	955 552 162 01 4W9 955 552 163 01	Connector housing 2 Hole Satin aluminium Cover		1	I5MG/5MH/5TE I5TF/7B2/7B3 I9JA/9JB
22	955 552 163 01 4W9 N 904 552 05	Connector housing 1 Hole Satin aluminium Oval-head screw M 4 X 10 Mount Cover Connector housing Cover		2	
23	955 552 166 00	Lacquered Black Steel grey Chestnut brown Sand Beige Cover		1	I5MA/5MH/5TE I9AB/9AD
(23)	955 552 166 00 A03 955 552 166 00 7BA 955 552 166 00 L58 955 552 166 00 5Z1 955 552 167 00	Rootwood Cover		1	I5MG/9AB/9AD
(23)	955 552 168 00 955 552 168 00 4V8	High-gloss olive ash burl Support		1	I5TF/9AB/9AD
24	955 552 849 00	Support Front		1	
25	955 552 253 00	Support Centre		1	
26	955 552 345 00	Support Rear		1	
27	N 103 472 04	Combination screw M 6 X 25		X	
29	955 553 307 00	Armrest Centre console Leatherette		1	I6E3/9W0/9W1
(29)	955 553 307 00 5Q2 955 553 307 00 5R3 955 553 307 00 5S4 955 553 307 01	Black Steel grey Sand Beige Armrest Centre console Leatherette		1	I6E3/9ZP
(29)	955 553 307 01 5Q2 955 553 307 01 5R3 955 553 307 01 5S4 955 553 307 02	Black Steel grey Sand Beige Armrest Centre console Leatherette		1	I6E3/9W5
29	955 553 307 02 5Q2 955 553 307 02 5R3 955 553 307 02 5S4 955 553 308 00	Black Steel grey Sand Beige Armrest Centre console Plain leather		1	I6E6/9W0/9W1
	955 553 308 00 6B7	Steel grey			

Model: 9PA108 Model life 2007>>2010

Pos	Part Number	Description	Remark	Qty	Model
(29)	955 553 308 00 8G1	Sand Beige		1	I6E6/9ZP
	955 553 308 00 8YR	Black			
	955 553 308 01	Armrest			
		Centre console Plain leather			
(29)	955 553 308 01 6B7	Steel grey		1	I6E6/9W5
	955 553 308 01 8G1	Sand Beige			
	955 553 308 01 8YR	Black			
	955 553 308 02	Armrest			
29		Centre console Plain leather		1	I6E7/9W0/9W1
	955 553 308 02 6B7	Steel grey			
	955 553 308 02 8G1	Sand Beige			
	955 553 308 02 8YR	Black			
(29)	955 553 309 00	Armrest		1	GTS IE0W/6E7/9W0 I9W1
		Centre console Leather Embossed			
	955 553 309 00 A08	Black			
	955 553 309 00 T25	Sand Beige			
(29)	955 553 309 00 6E1	Steel grey		1	I6E7/9ZP
	955 553 309 01	Armrest			
		Centre console Leather Embossed			
	955 553 309 01 A08	Black			
(29)	955 553 309 01 T25	Sand Beige		1	GTS IE0W/6E7/9ZP
	955 553 309 01 6E1	Steel grey			
	955 553 309 01	Armrest			
		Centre console Leather Embossed			
(29)	955 553 309 01 A08	Black		1	I6E7/9W5
	955 553 309 01 T25	Sand Beige			
	955 553 309 01 6E1	Steel grey			
	955 553 309 02	Armrest			
(29)		Centre console Leather Embossed		1	GTS IE0W/6E7/9W5
	955 553 309 02 A08	Black			
	955 553 309 02 T25	Sand Beige			
	955 553 309 02 6E1	Steel grey			
(29)	955 553 309 02	Armrest		1	I6E2/9W0/9W1
		Centre console Leather/ Embossed			
	955 553 309 02 A08	Black			
	955 553 309 02 T25	Sand Beige			
(29)	955 553 309 02 6E1	Steel grey		1	I6E2/9W0/9W1
	955 553 310 00	Armrest			
		Centre console Leather/			

Model: 9PA108 Model life 2007>>2010

Pos	Part Number	Description	Remark	Qty	Model
(29)	955 553 310 00 J69	Nature Chestnut brown		1	I6E2/9ZP
	955 553 310 01	Armrest Centre console Leather/ Nature			
(29)	955 553 310 01 J69	Chestnut brown		1	I6E2/9W5
	955 553 310 02	Armrest Centre console Leather/ Nature			
(29)	955 553 310 02 J69	Chestnut brown		1	GTS IE0W/E1T/6E4 I9W0/9W1
	955 553 311 00	Armrest Centre console Alcantara			
	955 553 311 00 5E5	Steel grey			
	955 553 311 00 5E6	Black			
	955 553 311 00 5G6	Sand Beige			
(29)	955 553 311 01	Armrest Centre console Alcantara		1	GTS IE0W/E1T/6E4 I9ZP
	955 553 311 01 5E5	Steel grey			
	955 553 311 01 5E6	Black			
	955 553 311 01 5G6	Sand Beige			
(29)	955 553 311 02	Armrest Centre console Alcantara		1	GTS IE0W/E1T/6E4 I9W5
	955 553 311 02 5E5	Steel grey			
	955 553 311 02 5E6	Black			
	955 553 311 02 5G6	Sand Beige			
30	955 552 107 00	Fixing clip		X	
31	955 553 243 00	Centre console Centre console		1	IUF0/3D1/3D3 I9AB/9AD
	955 553 243 00 5Q2	Black			
	955 553 243 00 5R3	Steel grey			
	955 553 243 00 5S4	Sand Beige			
31	955 553 243 00	Centre console		1	GTS IE0W/UF0/3D1 I3D3/9AB/9AD
	955 553 243 00 5Q2	Black			
	955 553 243 00 5R3	Steel grey			
	955 553 243 00 5S4	Sand Beige			
(31)	955 553 243 01	Centre console		1	IUF0/3D1/3D3 I9AH
	955 553 243 01 5Q2	Black			
	955 553 243 01 5R3	Steel grey			
	955 553 243 01 5S4	Sand Beige			
(31)	955 553 243 01	Centre console		1	GTS IE0W/UF0/3D1 I3D3/9AH
	955 553 243 01 5Q2	Black			
	955 553 243 01 5R3	Steel grey			
	955 553 243 01 5S4	Sand Beige			
(31)	955 553 243 02	Centre console		1	IUF1/3D1/3D3 I9AB/9AD
	955 553 243 02 5Q2	Black			

Model: 9PA108 Model life 2007>>2010

Pos	Part Number	Description	Remark	Qty	Model
(31)	955 553 243 02 5R3	Steel grey		1	GTS IE0W/UF1/3D1 I3D3/9AB/9AD
	955 553 243 02 5S4	Sand Beige			
	955 553 243 02	Centre console			
(31)	955 553 243 02 5Q2	Black		1	IUF1/3D1/3D3 I9AH
	955 553 243 02 5R3	Steel grey			
	955 553 243 02 5S4	Sand Beige			
	955 553 243 03	Centre console			
(31)	955 553 243 03 5Q2	Black		1	GTS IE0W/UF1/3D1 I3D3/9AH
	955 553 243 03 5R3	Steel grey			
	955 553 243 03 5S4	Sand Beige			
	955 553 243 03	Centre console			
(31)	955 553 243 03 5Q2	Black		1	IUF0/3D8/9AB I9AD
	955 553 243 03 5R3	Steel grey			
	955 553 243 03 5S4	Sand Beige			
	955 553 244 00	Centre console			
(31)	955 553 244 00 6B7	Leather		1	IUF0/3D8/9AH
	955 553 244 00 8G1	Steel grey			
	955 553 244 00 8YR	Sand Beige			
	955 553 244 01	Black			
(31)	955 553 244 01 6B7	Centre console		1	IUF1/3D8/9AB I9AD
	955 553 244 01 8G1	Leather			
	955 553 244 01 8YR	Steel grey			
	955 553 244 02	Sand Beige			
(31)	955 553 244 02 6B7	Black		1	IUF1/3D8/9AH
	955 553 244 02 8G1	Centre console			
	955 553 244 02 8YR	Leather			
	955 553 244 03	Steel grey			
(31)	955 553 244 03 6B7	Sand Beige		1	IUF0/3D4/9AB I9AD
	955 553 244 03 8G1	Black			
	955 553 244 03 8YR	Centre console			
	955 553 245 00	Leather/			
(31)	955 553 245 00 J69	Nature		1	IUF0/3D4/9AH
	955 553 245 01	Chestnut brown			
(31)	955 553 245 01 J69	Centre console		1	IUF1/3D4/9AB I9AD
	955 553 245 02	Leather/			
(31)	955 553 245 02 J69	Nature		1	IUF1/3D4/9AH
	955 553 245 03	Chestnut brown			
(31)	955 553 245 03 J69	Centre console		1	IE0W/E1T/E2D IUF0/3D5/9AB I9AD
	955 553 246 00	Leather/			
		Nature			
		Alcantara			

Model: 9PA108 Model life 2007>>2010

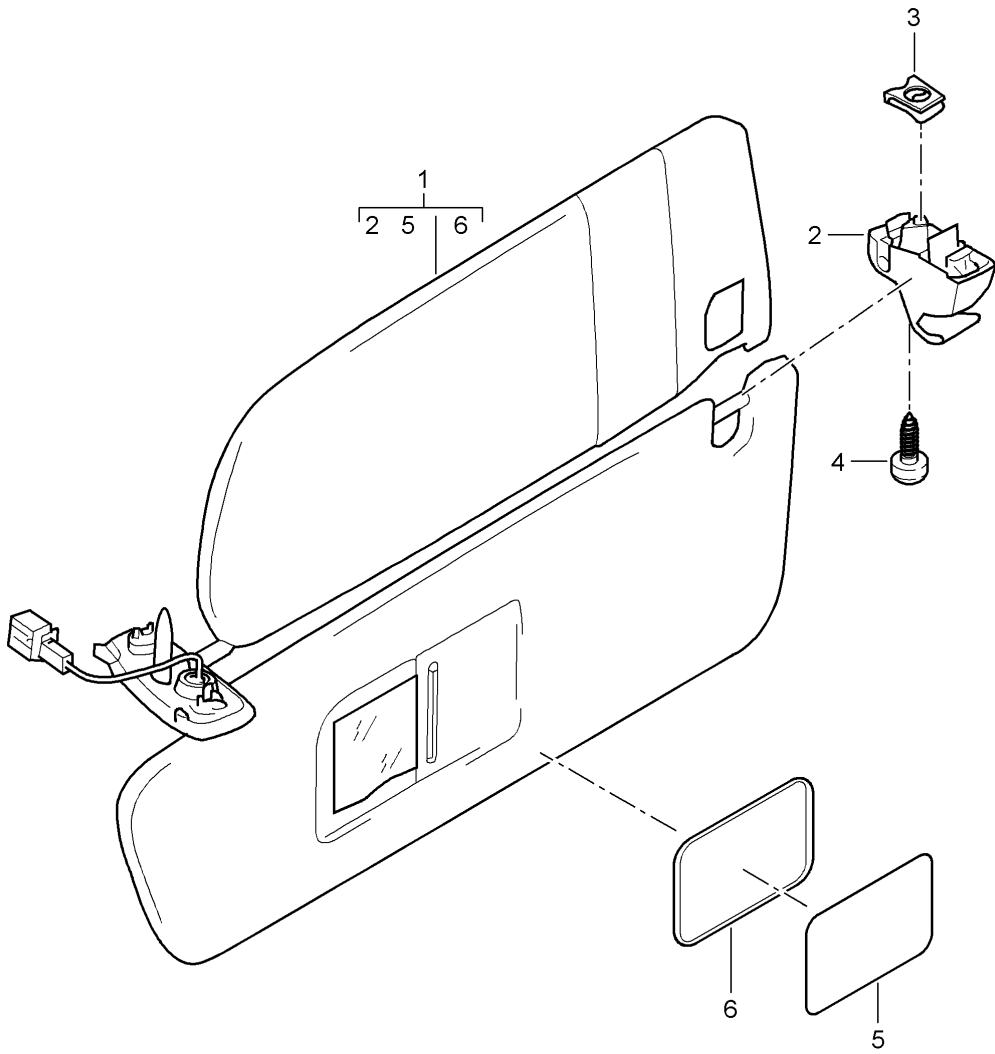
Pos	Part Number	Description	Remark	Qty	Model
(31)	955 553 246 00 5E5	Steel grey		1	IE0W/E1T/E2D IUF0/3D5/9AH
	955 553 246 00 5E6	Black			
	955 553 246 00 5G6	Sand Beige			
	955 553 246 01	Centre console			
(31)		Alcantara		1	IE0W/E1T/E2D IUF1/3D5/9AB I9AD
	955 553 246 01 5E5	Steel grey			
	955 553 246 01 5E6	Black			
	955 553 246 01 5G6	Sand Beige			
(31)	955 553 246 02	Centre console		1	IE0W/E1T/UF1 I3D5/9AH
		Alcantara			
	955 553 246 02 5E5	Steel grey			
	955 553 246 02 5E6	Black			
(31)	955 553 246 02 5G6	Sand Beige		1	IE0W/E1T/UF1 I3D5/9AH
	955 553 246 02 5G6	Sand Beige			
	955 553 246 02 5G6	Sand Beige			
	955 553 246 03	Centre console			
32		Alcantara		1	I3D1/3D3/9AB I9AD
	955 553 246 03 5E5	Steel grey			
	955 553 246 03 5E6	Black			
	955 553 246 03 5G6	Sand Beige			
32	955 552 497 00	Cap		1	GTS IE0W/3D1/3D3 I9AB/9AD
		Centre console			
	955 552 497 00 5Q2	Black			
	955 552 497 00 5R3	Steel grey			
(32)	955 552 497 00 5S4	Sand Beige		1	I3D1/3D3/9AH
	955 552 497 00	Cap			
		Centre console			
	955 552 498 00 5Q2	Black			
(32)	955 552 498 00 5R3	Steel grey		1	GTS IE0W/3D1/3D3 I9AH
	955 552 498 00 5S4	Sand Beige			
	955 552 498 00	Cap			
		Centre console			
(32)	955 552 498 00 5Q2	Black		1	I3D8/9AB/9AD
	955 552 498 00 5R3	Steel grey			
	955 552 498 00 5S4	Sand Beige			
	955 552 499 00	Cap			
(32)		Centre console		1	I3D8/9AH
		Leather			
	955 552 499 00 6B7	Steel grey			
	955 552 499 00 8G1	Sand Beige			
(32)	955 552 499 00 8YR	Black		1	I3D8/9AH
	955 552 500 00	Cap			
		Centre console			
		Leather			
(32)	955 552 500 00 6B7	Steel grey		1	I3D4/9AB/9AD
	955 552 500 00 8G1	Sand Beige			
	955 552 500 00 8YR	Black			
	955 552 501 00	Cap			
	Centre console				
	Leather/ Nature				

Model: 9PA108 Model life 2007>>2010

Pos	Part Number	Description	Remark	Qty	Model
(32)	955 552 501 00 J69 955 552 502 00	Chestnut brown Cap Centre console Leather/ Nature		1	I3D4/9AH
32	955 552 502 00 J69 955 552 501 10	Chestnut brown Cap	GTS	1	IE0W/E1T/3D5 I9AB/9AD
	955 552 501 10 6B7	Centre console Steel grey			
	955 552 501 10 8G1	Sand Beige			
	955 552 501 10 8YR	Black			
(32)	955 552 502 10	Cap	GTS	1	IE0W/E1T/3D5 I9AH
	955 552 502 10 6B7	Centre console Steel grey			
	955 552 502 10 8G1	Sand Beige			
	955 552 502 10 8YR	Black			
33	955 552 698 00	Release Armrest		1	
	955 552 698 00 A03	Black			
	955 552 698 00 7BA	Steel grey			
	955 552 698 00 L58	Chestnut brown			
	955 552 698 00 5Z1	Sand Beige			
34	955 552 089 00	Bracket Cap		1	I9AB/9AD
(34)	955 552 090 00	Bracket Cap		1	I9AH
35	N 906 988 01	Speed nut ST 4,2 X 16 X 12		X	
36	N 906 986 01	Tapping screw ST 4,2 X 16		X	
37	955 552 861 00	Damper		2	
38	955 552 591 00	Centre console Cover for Illumination		1	
39	N 911 382 01	Centre console Hinge bolt Centre console		2	
40	N 012 325 7	Lock washer		2	
41	955 552 265 00	Shade Cover Shift gate		1	IG0R

Model: 9PA108

Model life 2007>>2010



Model: 9PA108 Model life 2007>>2010

Pos	Part Number	Description	Remark	Qty	Model
1	955 731 135 03	Sun visors Sun visor Leatherette	/L	1	I3FA/3FE/6NJ
	955 731 135 03 A12	Black			
	955 731 135 03 7E3	Sand Beige			
	955 731 135 03 7V4	Steel grey			
1	955 731 136 03	Sun visor Leatherette	/R	1	I3FA/3FE/6NJ
	955 731 136 03 A12	Black			
	955 731 136 03 7E3	Sand Beige			
	955 731 136 03 7V4	Steel grey			
(1)	955 731 141 02	Sun visor Leatherette	/L	1	I3FU/6NJ
	955 731 141 02 A12	Black			
	955 731 141 02 7E3	Sand Beige			
	955 731 141 02 7V4	Steel grey			
(1)	955 731 142 02	Sun visor Leatherette	/R	1	I3FU/6NJ
	955 731 142 02 A12	Black			
	955 731 142 02 7E3	Sand Beige			
	955 731 142 02 7V4	Steel grey			
(1)	955 731 147 03	Sun visor Alcantara	/L	1	I3FA/3FE/6NN
	955 731 147 03 5E5	Steel grey			
	955 731 147 03 5E6	Black			
	955 731 147 03 5G6	Sand Beige			
(1)	955 731 148 03	Sun visor Alcantara	/R	1	I3FA/3FE/6NN
	955 731 148 03 5E5	Steel grey			
	955 731 148 03 5E6	Black			
	955 731 148 03 5G6	Sand Beige			
1	955 731 153 01	Sun visor Alcantara	/L	1	I3FU/6NN
	955 731 153 01 5E5	Steel grey			
	955 731 153 01 5E6	Black			
	955 731 153 01 5G6	Sand Beige			
(1)	955 731 154 01	Sun visor Alcantara	/R	1	I3FU/6NN
	955 731 154 01 5E5	Steel grey			
	955 731 154 01 5E6	Black			
	955 731 154 01 5G6	Sand Beige			
2	955 731 827 00	Mounting Sun visor	/L	1	I3FA/3FE
	955 731 827 00 9B9	Satin black			
	955 731 827 00 6C6	Sand Beige			
	955 731 827 00 7A8	Steel grey			
(2)	955 731 828 00	Mounting Sun visor	/R	1	I3FA/3FE
	955 731 828 00 9B9	Satin black			
	955 731 828 00 6C6	Sand Beige			
	955 731 828 00 7A8	Steel grey			
(2)	955 731 829 00	Mounting Sun visor	/L	1	I3FU
	955 731 829 00 9B9	Satin black			
	955 731 829 00 6C6	Sand Beige			
	955 731 829 00 7A8	Steel grey			
(2)	955 731 830 00	Mounting Sun visor	/R	1	I3FU
	955 731 830 00 9B9	Satin black			
	955 731 830 00 6C6	Sand Beige			
	955 731 830 00 7A8	Steel grey			
3	N 907 798 02	Speed nut for		X	

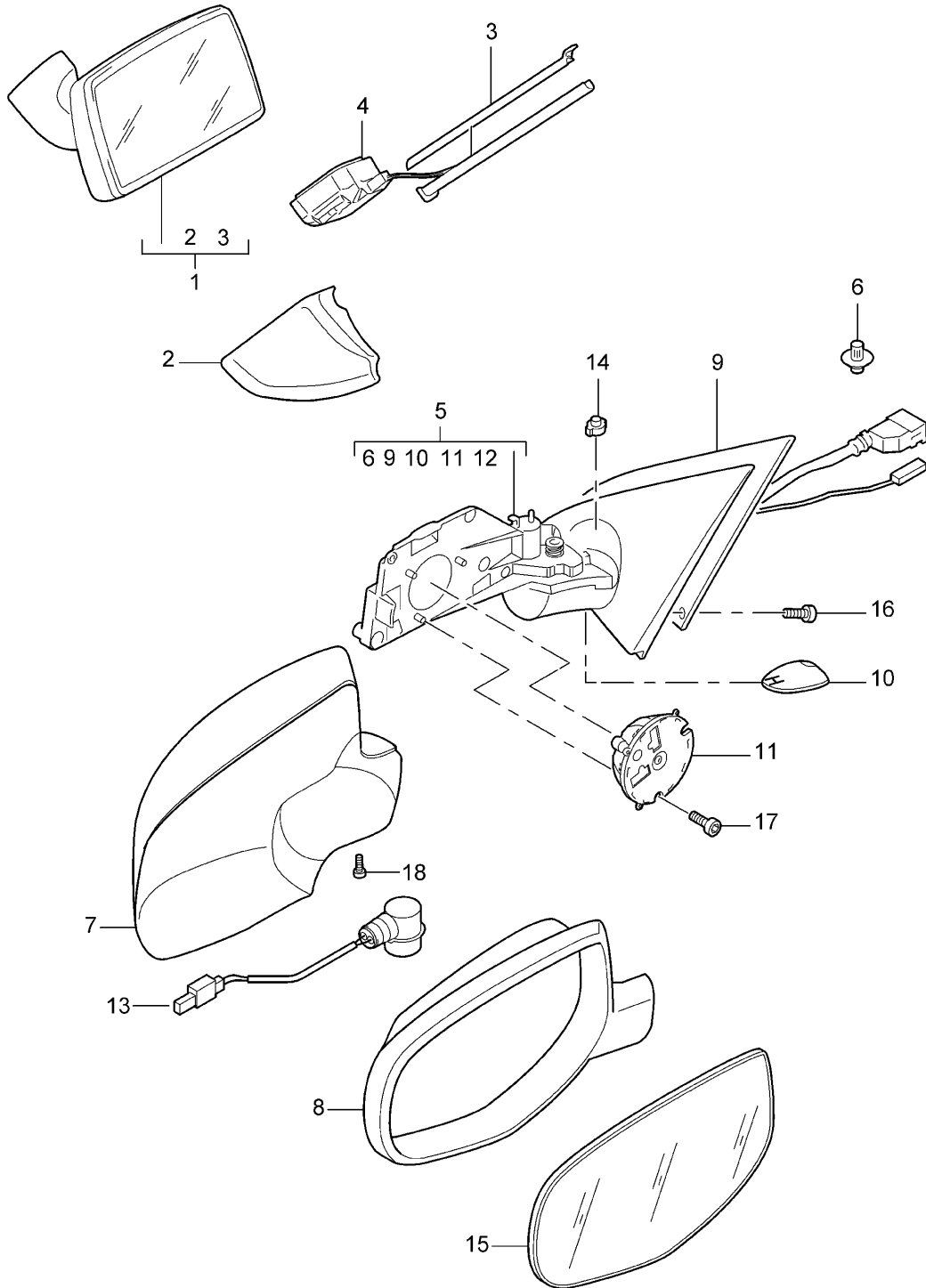
Model: 9PA108

Model life 2007>>2010

Pos	Part Number	Description	Remark	Qty	Model
4	N 105 665 01	Mounting Sun visor Tapping screw ST 4,8 X 25 for Mount		X	
5	955 731 567 01	Mounting Sun visor Vanity mirror		1	
6	955 731 643 01	Frame Vanity mirror		1	

Model: 9PA108

Model life 2007>>2010



Model: 9PA108 Model life 2007>>2010

Pos	Part Number	Description	Remark	Qty	Model
1	955 731 512 04	Rear-view mirror Door mirror Accessories Interior mirror		1	I4L2/5RQ/5RR I5RT/5RV/5SG I5SJ/5SL
(1)	955 731 512 04 01C	Manually Dimmable Satin black			
(1)	955 731 513 01	Interior mirror		1	I4L2/5RP/5SG I5SJ/5SL
(1)	955 731 513 01 01C	Manually Dimmable Satin black			
(1)	955 731 513 01	Interior mirror		1	I4L2/5RQ/5RR I5RT/5RV/5SL I5SU
(1)	955 731 513 01 01C	Manually Dimmable Satin black			
(1)	955 731 514 01	Interior mirror		1	I4L6
(1)	955 731 514 01 01C	Automatic Dimmable Satin black			
2	955 731 517 00	Cap	/L	1	I4L2/4L6
(2)	955 731 517 00 01C	Rear-view mirror Satin black			
(2)	955 731 518 00	Cap	/R	1	I4L2/4L6
(2)	955 731 518 00 01C	Rear-view mirror Satin black			
3	955 731 519 00	Cover		1	I4L2/4L6
(3)	955 731 519 00 01C	Rear-view mirror Upper part Satin black			
(3)	955 731 520 00	Cover		1	I4L2/4L6
4	955 731 520 00 01C	Rear-view mirror Lower part Satin black			
4	955 731 520 00 01C	Rain sensor		1	
4	955 731 520 00 01C	Rear-view mirror See illustrations 9/04/00			
5	955 731 221 02	Mirror base	/LL /L	1	ILOL/6XP/9TH
(5)	955 731 221 02 01C	Door mirror Satin black			
(5)	955 731 222 02	Mirror base	/LL /R	1	ILOL/6XP/9TH
(5)	955 731 222 02 01C	Door mirror Satin black			
(5)	955 731 242 00	Mirror base	/LL /R	1	ILOL/5RP/6XP I9TH
(5)	955 731 242 00 01C	Door mirror Satin black			
5	955 731 223 02	Mirror base	/LL /L	1	ILOL/6XP/9TF
(5)	955 731 223 02 01C	Door mirror Satin black			
(5)	955 731 224 02	Mirror base	/LL /R	1	ILOL/6XP/9TF
(5)	955 731 224 02 01C	Door mirror Satin black			
(5)	955 731 244 00	Mirror base	/LL /R	1	ILOL/5RP/6XP I9TF
(5)	955 731 244 00 01C	Door mirror Satin black			
5	955 731 225 02	Mirror base	/LL /L	1	ILOL/6XQ

Model: 9PA108 Model life 2007>>2010

Pos	Part Number	Description	Remark	Qty	Model
(5)	955 731 225 02 01C 955 731 226 02	Door mirror Satin black Mirror base	/LL /R	1	IL0L/6XQ
(5)	955 731 226 02 01C 955 731 246 00	Door mirror Satin black Mirror base	/LL /R	1	IL0L/5RP/6XQ
5	955 731 246 00 01C 955 731 227 02	Door mirror Satin black Mirror base	/LL /L	1	IL0L/6XW
(5)	955 731 227 02 01C 955 731 228 02	Door mirror Satin black Mirror base	/LL /R	1	IL0L/6XW
5	955 731 228 02 01C 955 731 229 02	Door mirror Satin black Mirror base	/LL /L	1	IL0L/6XT
(5)	955 731 229 02 01C 955 731 230 02	Door mirror Satin black Mirror base	/LL /R	1	IL0L/6XT
(5)	955 731 230 02 01C 955 731 231 02	Door mirror Satin black Mirror base	/RL /L	1	IL0R/6XP/9TH
(5)	955 731 231 02 01C 955 731 241 00	Door mirror Satin black Mirror base	/RL /L	1	IL0R/5SU/6XP I9TH
(5)	955 731 241 00 01C 955 731 232 02	Door mirror Satin black Mirror base	/RL /R	1	IL0R/6XP/9TH
(5)	955 731 232 02 01C 955 731 233 02	Door mirror Satin black Mirror base	/RL /L	1	IL0R/6XP/9TF
(5)	955 731 233 02 01C 955 731 243 00	Door mirror Satin black Mirror base	/RL /L	1	IL0R/5SU/6XP I9TF
(5)	955 731 243 00 01C 955 731 234 02	Door mirror Satin black Mirror base	/RL /R	1	IL0R/6XP/9TF
(5)	955 731 234 02 01C 955 731 235 02	Door mirror Satin black Mirror base	/RL /L	1	IL0R/6XQ
(5)	955 731 235 02 01C 955 731 245 00	Door mirror Satin black Mirror base	/RL /L	1	IL0R/5SU/6XQ
(5)	955 731 245 00 01C 955 731 236 02	Door mirror Satin black Mirror base	/RL /R	1	IL0R/6XQ
(5)	955 731 236 02 01C 955 731 237 02	Door mirror Satin black Mirror base	/RL /L	1	IL0R/6XW
(5)	955 731 237 02 01C 955 731 238 02	Door mirror Satin black Mirror base	/RL /R	1	IL0R/6XW
(5)	955 731 238 02 01C 955 731 239 02	Door mirror Satin black Mirror base	/RL /L	1	IL0R/6XT
(5)	955 731 239 02 01C 955 731 240 02	Door mirror Satin black Mirror base	/RL /R	1	IL0R/6XT
6	955 731 240 02 01C 955 731 843 00	Door mirror Satin black Cable holder Wiring harness		2	

Model: 9PA108 Model life 2007>>2010

Pos	Part Number	Description	Remark	Qty	Model
7	955 731 625 00	Mirror base Mirror housing Door mirror	/L	1	I9TH
(7)	955 731 625 00 G2X 955 731 626 00	Prime coated Mirror housing Door mirror	/R	1	I9TH
(7)	955 731 626 00 G2X 955 731 627 00	Prime coated Mirror housing Door mirror	/L	1	I9TF
(7)	955 731 627 00 G2X 955 731 628 00	Prime coated Mirror housing Door mirror	/R	1	I9TF
8	955 731 628 00 G2X 955 731 523 01	Prime coated Frame Door mirror Mirror housing	/L	1	
(8)	955 731 523 01 G2X 955 731 524 01	Prime coated Frame Door mirror Mirror housing	/R	1	
9	955 731 524 01 G2X 955 731 833 02	Prime coated Insulation Mirror base	/L	1	
(9)	955 731 834 02	Insulation Mirror base	/R	1	
10	955 731 085 01	Cap Mirror base		1	I5SG/5SJ/5SL
(10)	955 731 085 01 G2X	Prime coated Retaining frame Camera See illustrations 9/11/00		1	I5RP/5SU
11	955 624 047 01	Adjusting motor		2	I6XP/6XW
(11)	955 624 048 01	Adjusting motor		2	I6XQ/6XT
12	N 903 539 01	Screw M 3 x 10		7	
13		Light Door mirror See illustrations 9/03/04		1	
14	955 731 215 00	Clip		2	
15	955 731 037 02	Mirror base Mirror glass Plane	/L	1	I5SG/6XP/6XQ
(15)	955 731 043 02	Mirror glass Plane	/L	1	I5SG/6XT/6XW
(15)	955 731 039 02	Mirror glass Aspherical	/L	1	I5SL/6XP/6XQ
(15)	955 731 045 02	Mirror glass Aspherical	/L	1	I5SL/6XT/6XW
(15)	955 731 041 02	Mirror glass	/L	1	I5SJ/6XP/6XQ
(15)		Mirror glass	/L	1	I5SU/6XP/6XQ
(15)	955 731 047 02	Mirror glass	/L	1	I5SJ/6XT/6XW
(15)		Mirror glass Convex	/L	1	I5SU/6XT/6XW
(15)	955 731 052 02	Mirror glass	/R	1	I5RV/6XP/6XQ
(15)	955 731 056 02	Mirror glass Aspherical	/R	1	I5RV/6XT/6XW
(15)	955 731 038 02	Mirror glass	/R	1	I5RQ/6XP/6XQ
(15)		Mirror glass	/R	1	I5RP/6XP/6XQ
(15)	955 731 046 02	Mirror glass	/R	1	I5RQ/6XT/6XW
(15)		Mirror glass Convex	/R	1	I5RP/6XT/6XW

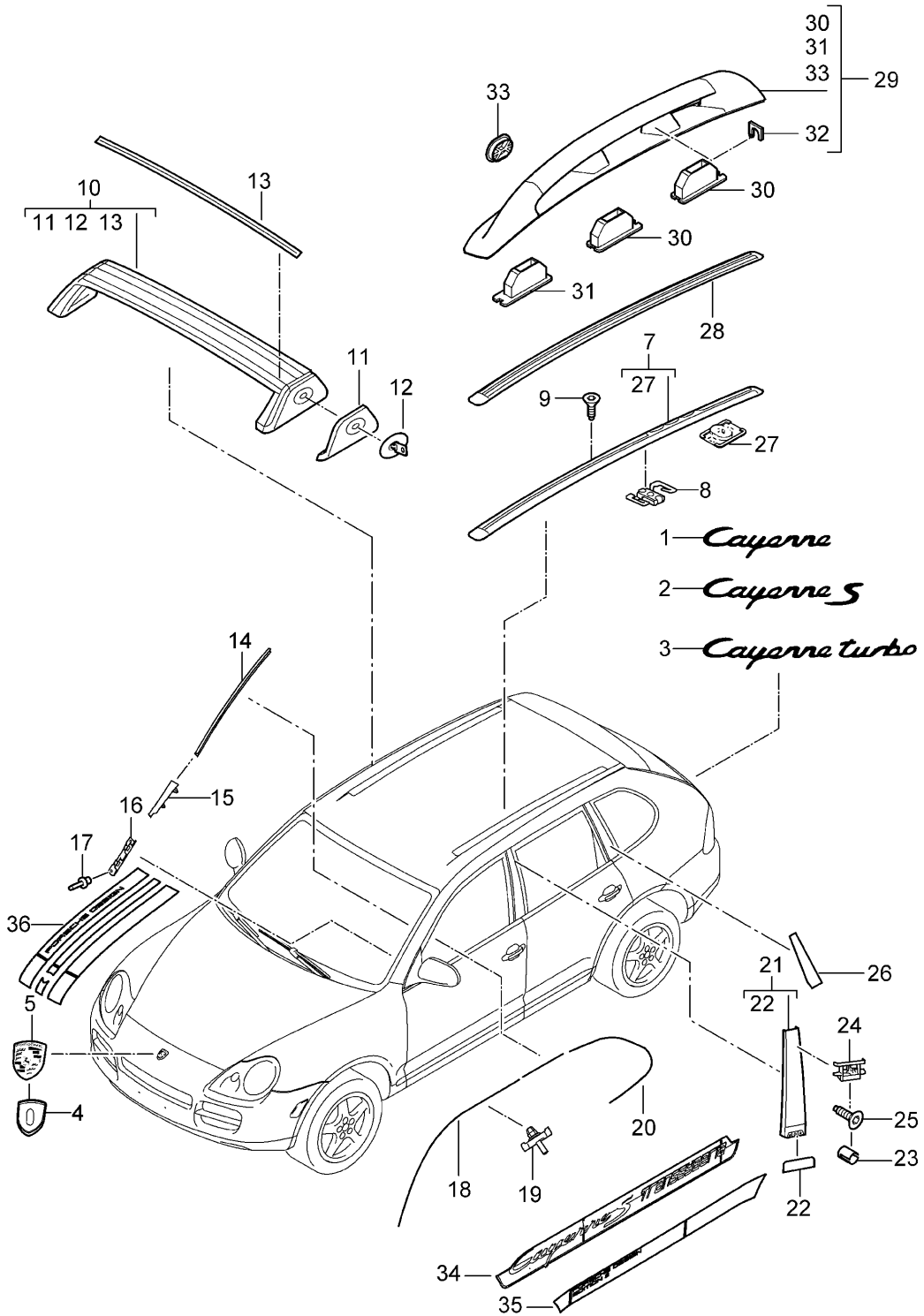
Model: 9PA108

Model life 2007>>2010

Pos	Part Number	Description	Remark	Qty	Model
(15)	955 731 042 02	Mirror glass Convex	/R	1	(SA) I5RT I6XP/6XQ
(15)	955 731 044 02	Mirror glass Convex	/R	1	(SA) I5RT I6XT/6XW
16	N 908 163 01	Oval-head screw M 6 X 18 for Mount		3	
17	000 043 983 00	Mirror base Lens-head screw M 3 X 16 for Adjusting motor		8	
18	000 043 400 19	Hexagon socket head bolt M 3 X 25 POS 7		X	

Model: 9PA108

Model life 2007>>2010



Model: 9PA108 Model life 2007>>2010

Pos	Part Number	Description	Remark	Qty	Model
1	955 559 237 00	Insignias Decorative fittings Upper Outer Logo Cayenne		1	ID5X/0NB
	955 559 237 00 03C	Rally black			
2	955 559 037 01	Logo Cayenne S		1	ID5V/0NB
	955 559 037 01 4W9	Satin aluminium			
3	955 559 038 01	Logo Cayenne turbo		1	ID5Z/0NB
	955 559 038 01 4W9	Satin aluminium			
(3)	955 559 039 00	Logo Cayenne GTS	GTS 09-	1	ID5V/E0W/0NB
	955 559 039 00 4W9	Satin aluminium			
(3)	955 559 040 00	Logo Cayenne GTS	GTS	1	ID5V/E0W/E1T I0NB
	955 559 040 00 4W9	Satin aluminium			
	955 559 040 00 03C	Rally Black/Red			
(3)	955 559 039 00	Logo Cayenne Cayenne Turbo S	Turbo S 09-	1	ID5Z/E8A/0NB
4	955 559 795 00	Mounting plate Porsche crest		1	
5	955 559 600 00	Porsche crest		1	
5	955 559 600 01	Porsche crest		1	
5	955 559 600 02	Porsche crest		1	
7	955 559 151 01	Guide rail	/L	1	ID5Z/QJ4/3FA I3FE
7		Guide rail	/L	1	ID5V/D5X/3FA I3FE
(7)	955 559 152 01	Guide rail	/R	1	ID5Z/QJ4/3FA I3FE
(7)		Guide rail	/R	1	ID5V/D5X/3FA I3FE
7	955 559 153 01	Guide rail	/L	1	ID5Z/QJ2/3FA I3FE
(7)	955 559 154 01	Guide rail	/R	1	ID5Z/QJ2/3FA I3FE
(7)	955 559 155 03	Guide rail	/L	1	ID5Z/QJ4/3FU
(7)		Guide rail	/L	1	ID5V/D5X/3FU
(7)	955 559 156 03	Guide rail	/R	1	ID5Z/QJ4/3FU
(7)		Guide rail	/R	1	ID5V/D5X/3FU
(7)	955 559 157 03	Guide rail	/L	1	ID5Z/QJ2/3FU
(7)	955 559 158 03	Guide rail	/R	1	ID5Z/QJ2/3FU
8	955 559 091 00	Nut Mount		8	
9	955 559 139 00	Guide rail Screw plug Mount		X	ID5Z/QJ4/3FU
9		Guide rail Screw plug Mount		X	ID5V/D5X/3FU
9		Guide rail Screw plug		X	ID5Z/QJ4/3FA I3FE
9		Mount Guide rail Screw plug		X	ID5V/D5X/3FA

Model: 9PA108 Model life 2007>>2010

Pos	Part Number	Description	Remark	Qty	Model
		Mount			I3FE
(9)	955 559 140 00	Guide rail Screw plug		X	ID5Z/QJ2/3FU
(9)		Mount Guide rail Screw plug		X	ID5Z/QJ2/3FA I3FE
10		Mount Guide rail Roof rack Front and rear See illustrations 8/01/02		2	I3S8
11	955 801 225 01	Tequipment catalogue Cap	/L	2	I3S8
(11)	955 801 226 00	Outer Silver Cap	/R	2	I3S8
12	955 538 050 00	Outer Silver Set of locks		2	I3S8
13	955 801 385 00	Roof rack Front and rear Protective rubber		2	I3S8
14	955 559 327 00	Roof rack Front and rear			
(14)	955 559 327 00 03C	Water drain strip	/L	1	
	955 559 328 00	Rally black			
(14)	955 559 328 00 03C	Water drain strip	/R	1	
	955 559 328 00 03C	Rally black			
15	955 559 587 00	Support	/L	1	
	955 559 587 00 03C	Water drain strip Rally black			
(15)	955 559 588 00	Support	/R	1	
	955 559 588 00 03C	Water drain strip Rally black			
16	955 559 707 00	Retaining clip for		8	
17	N 907 878 02	Water drain strip Rivet AK 3,2 X 6,5		16	
		Mount for			
18	955 559 485 00	Retaining clip Water drain strip	/L	1	IQJ2
	955 559 485 00 4W9	Roof edge strip Front			
(18)	955 559 486 00	Satin aluminium	/R	1	IQJ2
	955 559 486 00 4W9	Roof edge strip Front			
18	955 559 485 00	Satin aluminium	/L	1	IQJ4
	955 559 485 00 XX2	Roof edge strip Front			
(18)	955 559 486 00	Black mat	/R	1	IQJ4
	955 559 486 00 XX2	Roof edge strip Front			
19	955 559 585 00	Black mat Clip		28	
		Mount			
20		Roof edge strip Front Moulding		1	

Model: 9PA108

Model life 2007>>2010

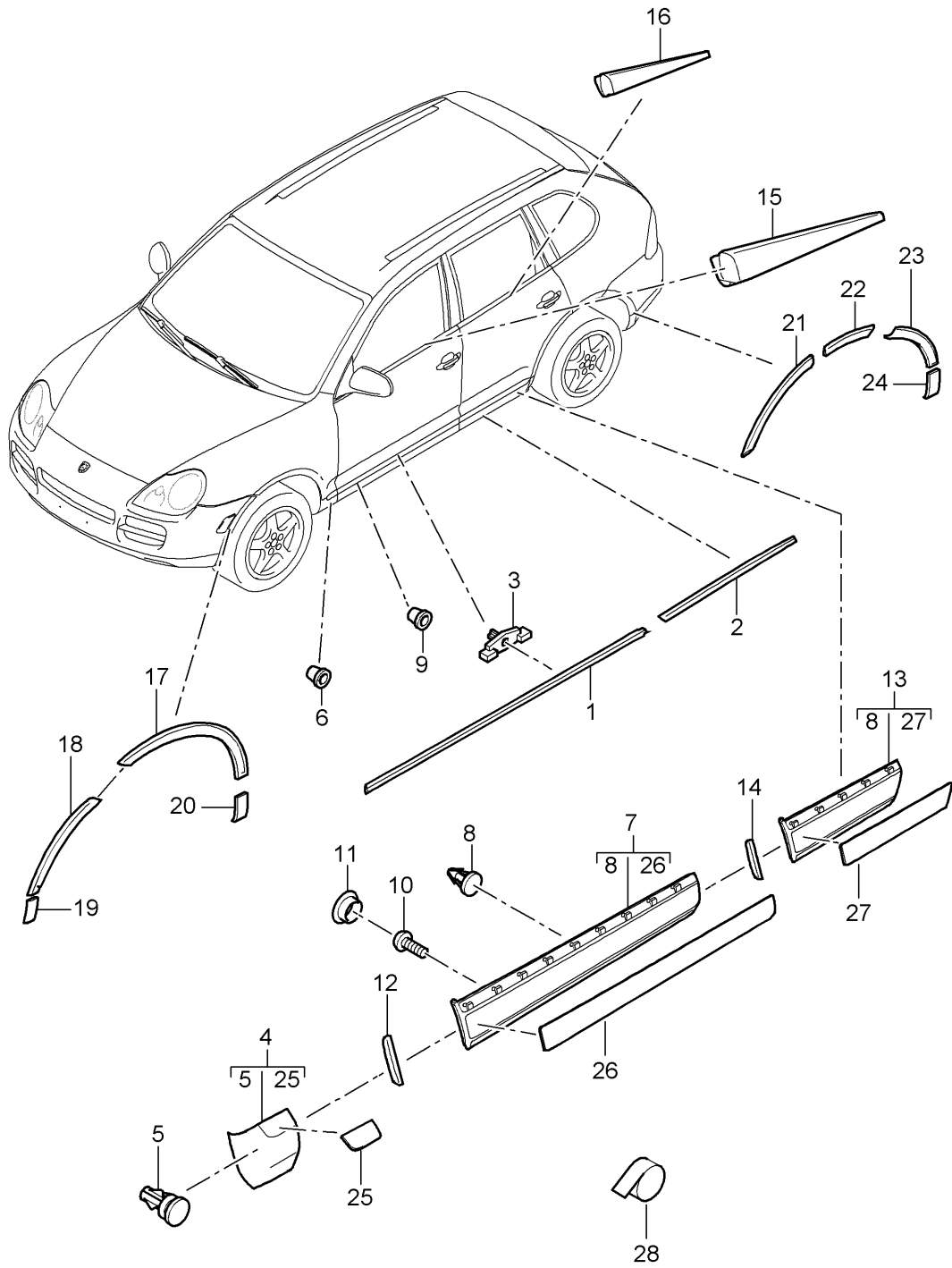
Pos	Part Number	Description	Remark	Qty	Model
21	955 559 317 01	Side window glass Rear See illustrations 8/05/00 Cover	/L	1	IQJ2
(21)	955 559 317 01 4W9	Satin aluminium			
	955 559 318 01	Cover	/R	1	IQJ2
	955 559 318 01 4W9	B-pillar Satin aluminium			
21	955 559 319 00	Cover	/L	1	IQJ4
	955 559 319 00 XX2	B-pillar Black mat			
(21)	955 559 320 00	Cover	/R	1	IQJ4
	955 559 320 00 XX2	B-pillar Black mat			
22	955 559 455 00	Cap	/L	1	
	955 559 455 00 B41	Cover B-pillar Satin black			
(22)	955 559 456 00	Cap	/R	1	
	955 559 456 00 B41	Cover B-pillar Satin black			
23	N 904 325 02	Expander nut DST 4,2 X 1,7 for Mount Cover		8	
24	955 559 337 00	B-pillar Support	/L	1	
	955 559 337 00 B41	Cover B-pillar Satin black			
(24)	955 559 338 00	Support	/R	1	
	955 559 338 00 B41	Cover B-pillar Satin black			
25	N 909 868 02	Tapping screw ST 4,2 X 13 for Mount Cover		8	
26		B-pillar Cover C-pillar See illustrations 8/05/00		1	
27	955 559 089 00	Desk pad		6	
28	955 559 465 00	Guide rail Protective strip		4	
	955 559 465 00 4W9	Roof Satin aluminium			
	955 559 465 00 XX2	Black mat			
29	955 559 021 02	Roof rail	/L	1	
	955 559 021 02 4W9	Complete Satin aluminium			
	955 559 021 02 XX2	Black mat			
(29)	955 559 022 02	Roof rail	/R	1	
	955 559 022 02 4W9	Complete Satin aluminium			
	955 559 022 02 XX2	Black mat			
30	955 559 377 00	Bracket	/L	1	

Model: 9PA108 Model life 2007>>2010

Pos	Part Number	Description	Remark	Qty	Model
30		Front Bracket	/R	1	
30		Centre Bracket	/R	1	
31	955 559 378 00	Rear Bracket	/L	1	
31		Centre Bracket	/L	1	
31		Rear Bracket	/R	1	
32	955 559 381 01	Front Threaded pin M 10 for Fixing device		3	
33	955 559 339 00	Bracket Stopper		1	
		Front Satin aluminium			
	955 559 339 00 4W9				
	955 559 339 00 XX2	Black mat			
(33)	955 559 341 00	Stopper		1	
		Centre Satin aluminium			
	955 559 341 00 4W9				
	955 559 341 00 XX2	Black mat			
(33)	955 559 340 00	Stopper		1	
		Rear Satin aluminium			
	955 559 340 00 4W9				
	955 559 340 00 XX2	Black mat			
34	955 559 435 01	Logo	/L	1	IE2D
		Doors Transsyberia			
	955 559 435 01 8C6	Orange			I6FI
	955 559 435 01 M7W	Meteor Grey Metallic			I6FP
	955 559 435 01 A7W	Crystal silver metallic			I6FM
(34)	955 559 436 01	Logo	/R	1	IE2D
		Doors Transsyberia			
	955 559 436 01 8C6	Orange			I6FI
	955 559 436 01 M7W	Meteor Grey Metallic			I6FP
	955 559 436 01 A7W	Crystal silver metallic			I6FM
35	955 559 757 00	Logo	/L	1	IE1T
		Complete for Lateral			
(35)	955 559 758 00	Left Logo	/R	1	IE1T
		Complete for Lateral			
36	955 559 770 00	Right Logo		1	IE1T
		Lid Front			

Model: 9PA108

Model life 2007>>2010



Model: 9PA108 Model life 2007>>2010

Pos	Part Number	Description	Remark	Qty	Model
		Decorative fittings			
		Lower			
		Outer			
1	955 559 303 01	Door sill rail	/L	1	
		Front			
	955 559 303 01 01C	Satin black			
(1)	955 559 304 00	Door sill rail	/R	1	
		Front			
	955 559 304 00 01C	Satin black			
2	955 559 305 00	Door sill rail	/L	1	
		Rear			
	955 559 305 00 01C	Satin black			
(2)	955 559 306 00	Door sill rail	/R	1	
		Rear			
	955 559 306 00 01C	Satin black			
3	955 559 547 00	Clip		16	
		Mount			
		Door sill rail			
		Front and rear			
4	955 559 641 02	Cover	/L	1	IQJ2
		Wing			
	955 559 641 02 G2X	Prime coated			
(4)	955 559 642 02	Cover	/R	1	IQJ2
		Wing			
	955 559 642 02 G2X	Prime coated			
4	955 559 647 02	Cover	/L	1	IQJ4
		Wing			
	955 559 647 02 G2X	Prime coated			
(4)	955 559 648 02	Cover	/R	1	IQJ4
		Wing			
	955 559 648 02 G2X	Prime coated			
5	955 559 719 00	Clip		X	
6	955 559 586 00	Grommet		8	
		Mount			
		Cover			
		Wing			
7	955 559 665 01	Strip	/L	1	IQJ2
		Door			
		Front			
	955 559 665 01 G2X	Prime coated			
		Silver			
(7)	955 559 666 01	Strip	/R	1	IQJ2
		Door			
		Front			
	955 559 666 01 G2X	Prime coated			
		Silver			
7	955 559 673 01	Strip	/L	1	IQJ4
		Door			
		Front			
	955 559 673 01 G2X	Prime coated			
		Black			
(7)	955 559 674 01	Strip	/R	1	IQJ4
		Door			
		Front			
	955 559 674 01 G2X	Prime coated			
		Black			
8	955 559 069 00	Clip		X	
9	955 559 586 00	Grommet		24	
		Mount			
		Strip			
		Door seal			
		Front and rear			
10	N 906 448 05	Screw		4	

Model: 9PA108 Model life 2007>>2010

Pos	Part Number	Description	Remark	Qty	Model
11	955 559 108 00	M 5 X 9,0 Mount Strip Door seal Front and rear Stopper for Strip Door seal Front and rear		4	
12	955 559 189 00	Cover Front	/L	1	
	955 559 189 00 B41	Satin black	-07		
	955 559 189 00 9B9	Satin black	08-		
(12)	955 559 190 00	Cover Front	/R	1	
	955 559 190 00 B41	Satin black	-07		
	955 559 190 00 9B9	Satin black	08-		
13	955 559 681 01	Strip	/L	1	IQJ2/2D1/2D3 I2D4
		Door Rear			
	955 559 681 01 G2X	Prime coated			
(13)	955 559 682 01	Strip	/R	1	IQJ2/2D1/2D3 I2D4
		Door Rear			
	955 559 682 01 G2X	Prime coated			
(13)	955 559 681 02	Strip	/L	1	IQJ2/2D0/2D2
		Door Rear			
	955 559 681 02 G2X	Prime coated			
(13)	955 559 682 02	Strip	/R	1	IQJ2/2D0/2D2
		Door Rear			
	955 559 682 02 G2X	Prime coated			
13	955 559 687 01	Strip	/L	1	IQJ4/2D1/2D3 I2D4
		Door Rear			
	955 559 687 01 G2X	Prime coated			
(13)	955 559 688 01	Strip	/R	1	IQJ4/2D1/2D3 I2D4
		Door Rear			
	955 559 688 01 G2X	Prime coated			
(13)	955 559 687 02	Strip	/L	1	IQJ4/2D0/2D2
		Door Rear			
	955 559 687 02 G2X	Prime coated			
(13)	955 559 688 02	Strip	/R	1	IQJ4/2D0/2D2
		Door Rear			
	955 559 688 02 G2X	Prime coated			
14	955 559 191 00	Cover Rear	/L	1	
	955 559 191 00 B41	Satin black	-07		
		Satin black	08-		
(14)	955 559 192 00	Cover Rear	/R	1	
	955 559 192 00 B41	Satin black	-07		
		Satin black	08-		
15	955 559 475 01	Cover	/L	1	IQJ2

Model: 9PA108 Model life 2007>>2010

Pos	Part Number	Description	Remark	Qty	Model
(15)	955 559 475 01 4W9	Side window Front Satin aluminium	/R	1	IQJ2
	955 559 476 01	Cover Side window Front Satin aluminium			
15	955 559 476 01 4W9	Cover	/L	1	IQJ4
	955 559 479 00	Side window Front Black mat			
15	955 559 479 00 XX2	Cover	/R	1	IQJ4
	955 559 480 00	Side window Front Black mat			
16	955 559 480 00 XX2	Cover	/L	1	IQJ2
	955 559 477 01	Side window Rear Satin aluminium			
(16)	955 559 477 01 4W9	Cover	/R	1	IQJ2
	955 559 478 01	Side window Rear Satin aluminium			
16	955 559 478 01 4W9	Cover	/L	1	IQJ4
	955 559 481 00	Side window Rear Black mat			
(16)	955 559 481 00 XX2	Cover	/R	1	IQJ4
	955 559 482 00	Side window Rear Black mat			
17	955 559 482 00 XX2	Wheel cover	/L	1	
	955 559 717 02	Wing Front Black			
(17)	955 559 717 02 7E9	Prime coated	/R	1	I6GE/6GF/6GG I6GH/6GJ/6GK
	955 559 717 02 G2X	Wheel cover Wing Front Black			
18	955 559 718 02	Prime coated	/L	1	I6GE/6GF/6GG I6GH/6GJ/6GK
	955 559 727 01	Wheel cover Bumper Front Black			
(18)	955 559 727 01 7E9	Prime coated	/R	1	I6GF/6GG I6GH/6GJ
	955 559 727 01 G2X	Wheel cover Bumper Front Black			
(18)	955 559 728 01	Prime coated	/R	1	I6GF/6GG I6GH/6GJ
	955 559 728 01 7E9	Wheel cover Bumper Front Prime coated			
19	955 559 728 01 G2X	Wheel cover	/L	1	I6GH/6GJ
	955 559 851 00	Spoiler Front Black			
19	955 559 851 00 7E9	Prime coated	/R	1	I6GE/6GF/6GG I6GH/6GJ/6GK I6GE/6GF/6GG
	955 559 851 00 G2X	Wheel cover Spoiler Front			
19	955 559 852 00	Wheel cover Spoiler Front	/R	1	

Model: 9PA108 Model life 2007>>2010

Pos	Part Number	Description	Remark	Qty	Model
19	955 559 852 00 7E9	Black	/R	1	I6GE/6GF/6GG
	955 559 852 00 G2X	Prime coated			
	955 559 852 01	Wheel cover Spoiler Front			
19	955 559 852 01 7E9	Black	/R	1	I6GH/6GJ/6GK
	955 559 852 01 G2X	Prime coated			
	955 559 852 00	Wheel cover Spoiler Front			
19	955 559 852 00 7E9	Black	/R	1	I6GH/6GJ/6GK
	955 559 852 00 G2X	Prime coated			
	955 559 852 01	Wheel cover Spoiler Front			
20	955 559 852 01 7E9	Black	/L	1	I6GE/6GF/6GG
	955 559 852 01 G2X	Prime coated			
	955 559 731 01	Wheel cover Wing Lower			
(20)	955 559 731 01 7E9	Black	/R	1	I6GE/6GF/6GG I6GH/6GJ/6GK
	955 559 731 01 G2X	Prime coated			
	955 559 732 01	Wheel cover Wing Lower			
(20)	955 559 732 01 7E9	Black	/R	1	I6GE/6GF/6GG
	955 559 732 01 G2X	Prime coated			
	955 559 732 02	Wheel cover Wing Lower			
(20)	955 559 732 02 7E9	Black	/R	1	I6GH/6GJ/6GK
	955 559 732 02 G2X	Prime coated			
	955 559 732 01	Wheel cover Wing Lower			
(20)	955 559 732 01 7E9	Black	/R	1	I6GH/6GJ/6GK
	955 559 732 01 G2X	Prime coated			
	955 559 732 02	Wheel cover Wing Lower			
21	955 559 732 02 7E9	Black	/L	1	I2D0/2D2
	955 559 732 02 G2X	Prime coated			
	955 559 737 01	Wheel cover Door Rear			
(21)	955 559 737 01 7E9	Black	/R	1	I6GE/6GF/6GG I6GH/6GJ/6GK
	955 559 737 01 G2X	Prime coated			
	955 559 738 01	Wheel cover Door Rear			
(21)	955 559 738 01 7E9	Black	/R	1	I6GE/6GF/6GG I6GH/6GJ/6GK
	955 559 738 01 G2X	Prime coated			
	955 559 738 02	Wheel cover Door Rear			
(21)	955 559 738 02 G2X	Prime coated	/L	1	I6GH/6GJ/6GK I2D1/2D3/2D4
	955 559 739 00	Wheel cover Door Rear			
	955 559 739 00 7E9	Black			
(21)	955 559 739 00 G2X	Prime coated	/R	1	I6GE/6GF/6GG I6GH/6GJ/6GK
	955 559 740 00	Wheel cover Door			
	955 559 740 00	Wheel cover Door			

Model: 9PA108 Model life 2007>>2010

Pos	Part Number	Description	Remark	Qty	Model
22	955 559 740 00 7E9	Rear Black	/L	1	I6GE/6GF/6GG I6GH/6GJ/6GK
	955 559 740 00 G2X	Prime coated			
	955 559 721 01	Wheel cover Side section Rear			
(22)	955 559 721 01 7E9	Rear Black	/R	1	I6GE/6GF/6GG I6GH/6GJ/6GK
	955 559 721 01 G2X	Prime coated			
	955 559 722 01	Wheel cover Side section Rear			
23	955 559 722 01 7E9	Rear Black	/L	1	I6GE/6GF/6GG I6GH/6GJ/6GK I6GF/6GG
	955 559 722 01 G2X	Prime coated			
	955 559 747 01	Wheel cover Bumper Rear			
23	955 559 747 01 7E9	Rear Black	/L	1	I6GF/6GG
	955 559 747 01 G2X	Prime coated			
	955 559 747 02	Wheel cover Bumper Rear			
23	955 559 747 02 G2X	Rear Prime coated	/L	1	I6GH/6GJ
	955 559 747 01	Wheel cover Bumper Rear			
	955 559 747 01 7E9	Rear Black			
23	955 559 747 01 G2X	Rear Prime coated	/L	1	I6GH/6GJ
	955 559 747 02	Wheel cover Bumper Rear			
	955 559 747 02 G2X	Rear Prime coated			
(23)	955 559 747 03	Wheel cover Bumper Rear	/L	1	I6GH/6GJ
	955 559 747 03 7E9	Rear Black			
	955 559 747 03 G2X	Prime coated			
(23)	955 559 748 01	Wheel cover Bumper Rear	/R	1	I6GF/6GG
	955 559 748 01 7E9	Rear Black			
	955 559 748 01 G2X	Prime coated			
(23)	955 559 748 02	Wheel cover Bumper Rear	/R	1	I6GF/6GG
	955 559 748 02 G2X	Prime coated			
	955 559 748 03	Wheel cover Bumper Rear			
(23)	955 559 748 03 7E9	Rear Black	/R	1	I6GH/6GJ
	955 559 748 03 G2X	Prime coated			
	955 559 748 01	Wheel cover Bumper Rear			
(23)	955 559 748 01 7E9	Rear Black	/R	1	I6GH/6GJ
	955 559 748 01 G2X	Prime coated			
	955 559 748 02	Wheel cover Bumper Rear			
(23)	955 559 748 02 G2X	Rear Prime coated	/L (AUS)	1	I6GE
	955 559 749 02	Wheel cover Bumper Rear			
	955 559 749 02 7E9	Rear Black			

Model: 9PA108 Model life 2007>>2010

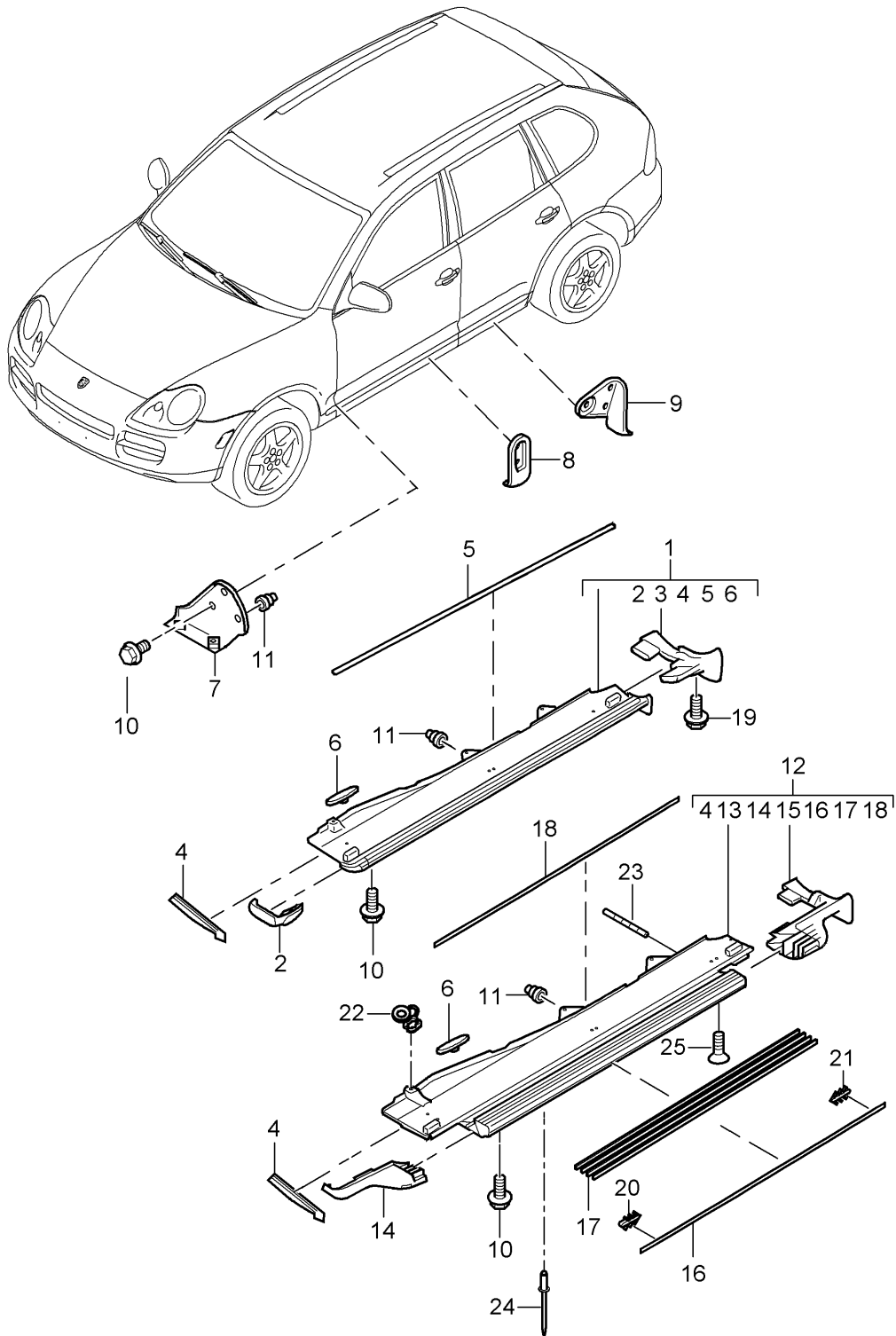
Pos	Part Number	Description	Remark	Qty	Model
(23)	955 559 749 02 G2X 955 559 750 02	Prime coated Wheel cover Bumper Rear	/R (AUS)	1	I6GK
(23)	955 559 750 02 7E9 955 559 750 02 G2X 955 559 751 01	Black Prime coated Wheel cover Bumper Rear	/L (AUS)	1	I6GE I6GK I6GA I2D2/2D3
(23)	955 559 751 01 7E9 955 559 751 01 G2X 955 559 752 00	Black Prime coated Wheel cover Bumper Rear	/R (AUS)	1	I6GE I6GK I6GA I2D0
(23)	955 559 752 00 7E9 955 559 752 00 G2X 955 559 752 01	Black Prime coated Wheel cover Bumper Rear	/R (AUS)	1	I6GA I2D2/2D3
(23)	955 559 752 01 7E9 955 559 752 01 G2X 955 559 752 00	Black Prime coated Wheel cover Bumper Rear	/R (AUS)	1	I6GE I6GK I6GA I2D1/2D2/2D3
24	955 559 752 00 7E9 955 559 752 00 G2X 955 559 815 00	Black Prime coated Wheel cover Spoiler Rear	/L	1	
(24)	955 559 815 00 7E9 955 559 815 00 G2X 955 559 816 00	Black Prime coated Wheel cover Spoiler Rear	/R	1	I6GE/6GF/6GG I6GH/6GJ/6GK
(24)	955 559 816 00 7E9 955 559 816 00 G2X 955 559 819 00	Black Prime coated Wheel cover Spoiler Rear	/L (AUS)	1	I6GE/6GF/6GG I6GH/6GJ/6GK
(24)	955 559 819 00 7E9 955 559 819 00 G2X 955 559 820 00	Black Prime coated Wheel cover Spoiler Rear	/R (AUS)	1	I6GE I6GK
-	955 559 820 00 7E9 955 559 820 00 G2X	Black Prime coated Use also: 000.043.985.00			I6GE I6GK
-	N 909 530 03	Screw for Wheel cover Spoiler	(AUS)	1	
-	N 106 120 02	Washer for Wheel cover Spoiler	(AUS)	1	
25	955 559 457 03	Moulding Cover Wing	/L	1	I6GK

Model: 9PA108 Model life 2007>>2010

Pos	Part Number	Description	Remark	Qty	Model
(25)	955 559 457 03 4W9 955 559 458 03	Satin aluminium Moulding Cover Wing	/R	1	IQJ2
25	955 559 458 03 4W9 955 559 459 02	Satin aluminium Moulding Cover Wing	/L	1	IQJ4
(25)	955 559 459 02 XX2 955 559 460 02	Black mat Moulding Cover Wing	/R	1	IQJ4
26	955 559 460 02 XX2 955 559 283 02	Black mat Moulding Door Front	/L	1	IQJ2
(26)	955 559 283 02 4W9 955 559 284 02	Satin aluminium Moulding Door Front	/R	1	IQJ2
26	955 559 284 02 4W9 955 559 287 01	Satin aluminium Moulding Door Front	/L	1	IQJ4
(26)	955 559 287 01 XX2 955 559 288 01	Black mat Moulding Door Front	/R	1	IQJ4
27	955 559 288 01 XX2 955 559 285 02	Black mat Moulding Door Rear	/L	1	IQJ2
(27)	955 559 285 02 4W9 955 559 286 02	Satin aluminium Moulding Door Rear	/R	1	IQJ2
27	955 559 286 02 4W9 955 559 289 01	Satin aluminium Moulding Door Rear	/L	1	IQJ4
(27)	955 559 289 01 XX2 955 559 290 01	Black mat Moulding Door Rear	/R	1	IQJ4
28	955 559 290 01 XX2 000 043 206 04	Black mat Adhesive tape Mount Moulding		1	
28	000 043 305 30	Adhesive tape Mount Moulding		1	
(28)	000 043 985 00	Adhesive tape Mount Wheel cover		1	

Model: 9PA108

Model life 2007>>2010



Model: 9PA108 Model life 2007>>2010

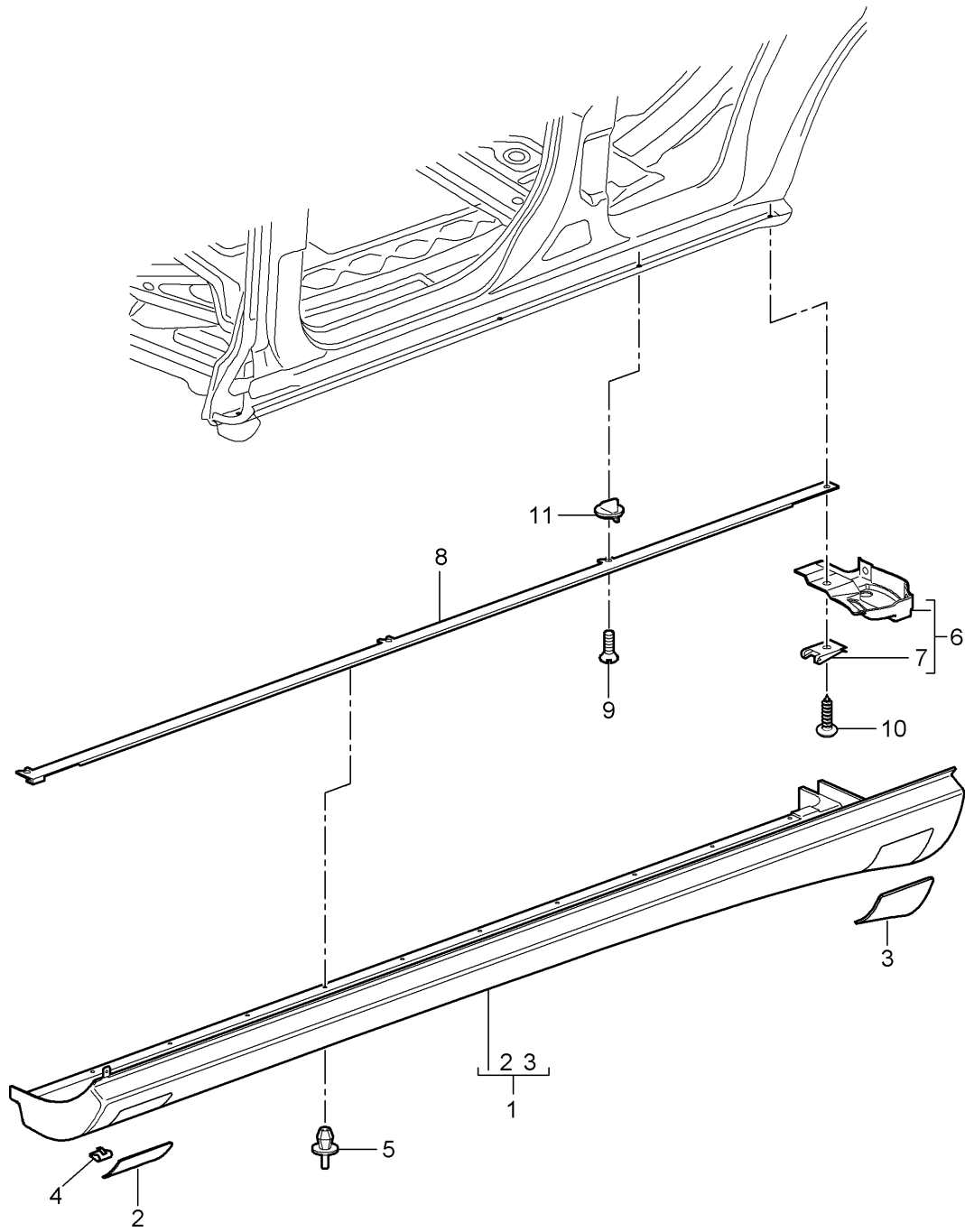
Pos	Part Number	Description	Remark	Qty	Model
1	955 559 553 04	Linings Accessories Door sill Door sill rail	/L	1	I2D0/2D2 I6EP/6ES
(1)	955 559 553 04 4W9	Complete Satin aluminium			
	955 559 554 04	Rockrails	/R	1	I2D0/2D2 I6EP/6ES
	955 559 554 04 4W9	Complete Satin aluminium			
2	955 559 691 00	Cover	/L	1	I2D0/2D2 I6EP/6ES
	955 559 691 00 01C	Door sill Front Satin black			
(2)	955 559 692 00	Cover	/R	1	I2D0/2D2 I6EP/6ES
	955 559 692 00 01C	Door sill Front Satin black			
3	955 559 697 03	Cover	/L	1	I2D0/2D2 I6EP/6ES
	955 559 697 03 01C	Rear Satin black			
(3)	955 559 698 03	Cover	/R	1	I2D0/2D2 I6EP/6ES
	955 559 698 03 01C	Door sill Rear Satin black			
4	955 559 711 00	End piece	/L	1	
	955 559 711 00 01C	Front Satin black			
(4)	955 559 712 00	End piece	/R	1	
	955 559 712 00 01C	Front Satin black			
5	955 559 860 00	Gasket		1	I2D0/2D2 I6EP/6ES
	955 559 860 00 01C	Door sill Satin black			
6	955 559 817 00	Spacer		11	
7	955 559 487 00	Support	/L	1	
	955 559 488 00	Front Support	/R	1	
8	955 559 467 00	Front Support		2	
9	955 559 489 00	Centre Support	/L	1	
(9)	955 559 490 00	Rear Support	/R	1	
10	N 909 210 02	Rear Hexagon-head bolt		X	
11	N 904 085 04	M 8 X 22 Blind rivet nut		X	
12	955 559 847 02	M 8 Running board	/L	1	IVR1
	955 559 847 02 4W9	Satin aluminium			
(12)	955 559 848 02	Running board	/R	1	IVR1
	955 559 848 02 4W9	Satin aluminium			
13	955 559 619 01	Running board	/L	1	IVR1
	955 559 619 01 4W9	Satin aluminium			
(13)	955 559 620 01	Running board	/R	1	IVR1
	955 559 620 01 4W9	Satin aluminium			

Model: 9PA108 Model life 2007>>2010

Pos	Part Number	Description	Remark	Qty	Model
14	955 559 693 00	Cover Impact protection Front	/L	1	IVR1
	955 559 693 00 01C	Satin black			
(14)	955 559 694 00	Cover Impact protection Front	/R	1	IVR1
	955 559 694 00 01C	Satin black			
15	955 559 703 01	Cover Impact protection Rear	/L	1	IVR1
	955 559 703 01 01C	Satin black			
(15)	955 559 704 01	Cover Impact protection Rear	/R	1	IVR1
	955 559 704 01 01C	Satin black			
16	955 559 589 00	Protective strip Impact protection Black		1	IVR1
17	955 559 859 00	Profile strip Impact protection Black		1	IVR1
18	955 559 862 00	Gasket Impact protection Black		1	IVR1
19	N 908 794 02	Oval-head screw 5 X 16		2	
20	955 559 590 00	Expanding spring	/V	1	
21	955 559 591 00	Expanding spring	/H	1	
22	955 559 630 00	Spacer ring		1	
23	955 559 640 00	Bolt		2	
24	955 559 850 00	Rivet Set		1	
25	955 559 840 00	Screw		4	

Model: 9PA108

Model life 2007>>2010

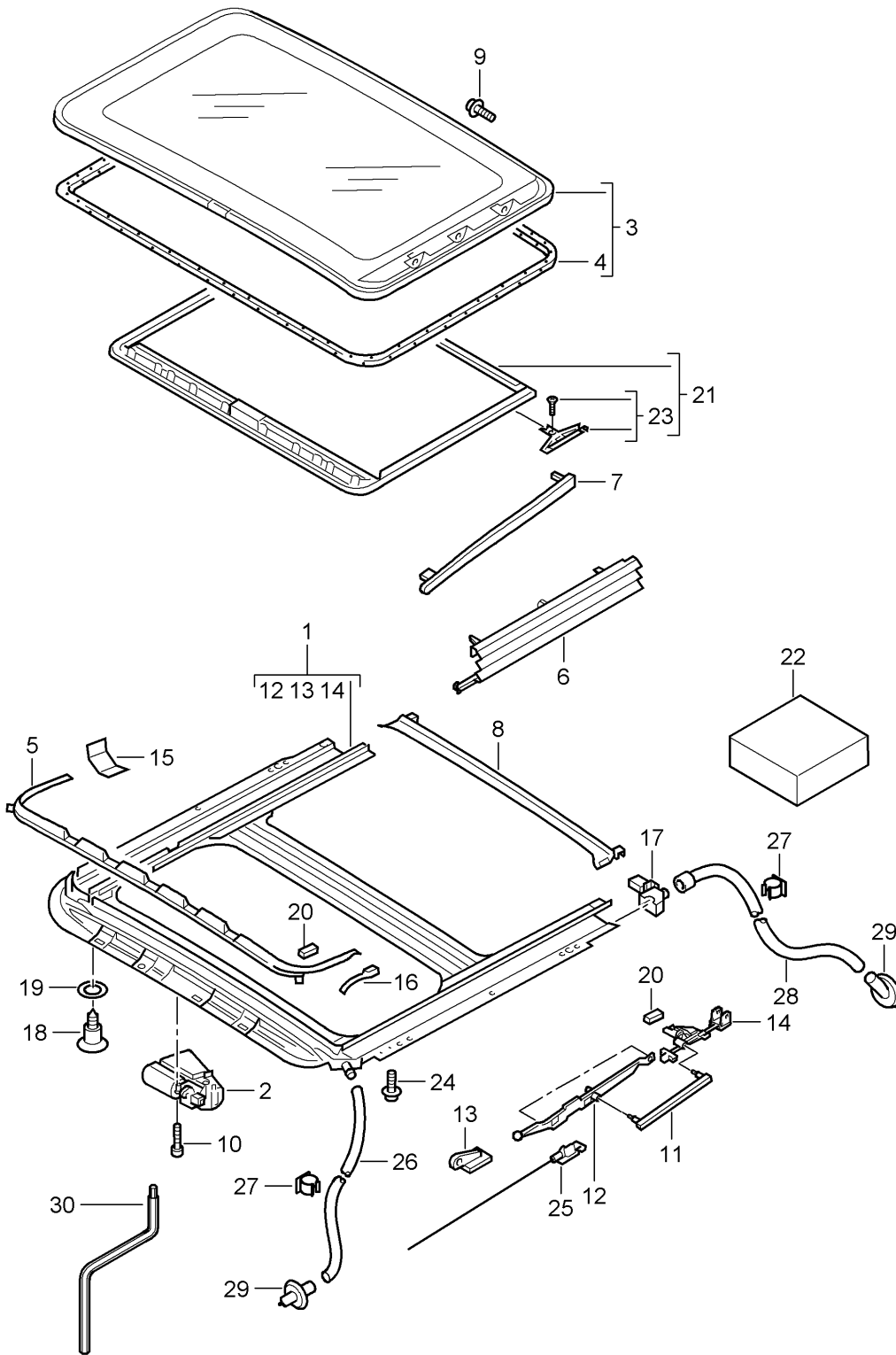


Model: 9PA108 Model life 2007>>2010

Pos	Part Number	Description	Remark	Qty	Model
1	955 559 887 01	Linings Accessories Door sill Sill cover Complete	/L	1	I2D1/2D3/2D4
(1)	955 559 887 01 G2X 955 559 888 01	Prime coated Sill cover Complete	/R	1	I2D1/2D3/2D4
-	955 559 888 01 G2X 000 043 207 55	Prime coated Adhesive tape Double sided for Sill cover	/R	1	
2	955 559 827 00	Flap Jack Front	/L	1	I2D1/2D3/2D4
(2)	955 559 827 00 G2X 955 559 828 00	Prime coated Flap Jack Front	/R	1	I2D1/2D3/2D4
3	955 559 828 00 G2X 955 559 837 00	Prime coated Flap Jack Rear	/L	1	I2D1/2D3/2D4
(3)	955 559 837 00 G2X 955 559 838 00	Prime coated Flap Jack Rear	/R	1	I2D1/2D3/2D4
4	955 559 838 00 G2X 3D0 857 340	Prime coated Retaining clip Flap		4	
5	N 909 275 01	Jacking point Expansion rivet 8,0 X 3,5		10	I2D1/2D3/2D4
6	955 559 603 01	Support Sill cover	/L	1	I2D1/2D3/2D4
6	955 559 604 01	Support Sill cover	/R	1	I2D1/2D3/2D4
7	N 908 343 01	Speed nut 4,8		2	
8	955 559 883 01	Retaining strip Sill cover	/L	1	I2D1/2D3/2D4
8	955 559 883 02	Retaining strip Sill cover	/L	1	I2D1/2D3/2D4
(8)	955 559 884 01	Retaining strip Sill cover	/R	1	I2D1/2D3/2D4
(8)	955 559 884 02	Retaining strip Sill cover	/R	1	I2D1/2D3/2D4
9	N 104 485 04	Countersunk-head screw M 6 X 16		3	I2D1/2D3/2D4
10	N 910 447 01	Tapping screw 4,8 X 13		2	I2D1/2D3/2D4
11	955 559 821 00	Fixing clip Sill cover		3	I2D1/2D3/2D4

Model: 9PA108

Model life 2007>>2010



Model: 9PA108 Model life 2007>>2010

Pos	Part Number	Description	Remark	Qty	Model
1	955 564 025 00	Sunroof Frame Complete		1	
2	955 564 001 10	Driving mechanism		1	
3	955 564 002 10	Glass roof		1	
(3)	955 564 002 20	Glass roof		1	
4	955 564 003 00	Gasket		1	
(4)	955 564 003 01	Gasket		1	
5	955 564 004 10	Air deflector		1	
6	955 564 005 00	Bellows	/L	1	
(6)	955 564 006 00	Bellows	/R	1	
7	955 564 007 00	Filler piece		2	
8	955 564 008 00	Water drain strip		1	
9	955 564 009 10	Pan-head screw Glass roof M5		6	
10	955 564 010 00	Fastening screw Driving mechanism		1	
11	955 564 011 00	Connection piece		1	
12	955 564 012 10	Gate guide	/R	1	
(12)	955 564 013 10	Gate guide	/L	1	
13	955 564 014 00	Guide	/R	1	
(13)	955 564 015 00	Guide	/L	1	
14	955 564 016 00	Locking segment	/R	1	
(14)	955 564 017 00	Locking segment	/L	1	
15	955 564 018 00	Parts kit Air deflector		1	
16	955 564 019 00	Leaf spring		1	
17	955 564 020 00	Parts kit Corner piece		1	
18	955 564 021 00	Clamping screw		4	
19	955 564 022 00	Washer		1	
20	955 564 023 00	Damper		1	
20	955 564 023 01	Damper		1	
21	955 564 024 01	Roofliner frame		1	
	955 564 024 01 6L2	Steel grey			
	955 564 024 01 6K1	Sand Beige			
	955 564 024 01 K90	Black			
(21)	955 564 024 01	Roofliner frame Alcantara		1	
	955 564 024 01 5E6	Black			
	955 564 024 01 5E5	Steel grey			
	955 564 024 01 5G6	Sand Beige			
22	955 564 026 00	Sealing cord		1	
23	955 564 027 00	Slide		1	
24	N 907 498 03	Screw Lateral M6		6	
25	955 564 029 00	Guide with Cable		2	
(26)	955 564 031 00	Water drain hose Front	/L	1	
26	955 562 201 02	Water drain hose Front	/L	1	
(26)	955 564 030 00	Water drain hose Front	/R	1	
(26)	955 562 202 02	Water drain hose Front	/R	1	
27	955 628 260 00	Hose holder		X	
28	955 564 032 00	Water drain hose Rear	/L	1	
(28)	955 564 038 00	Water drain hose	/R	1	

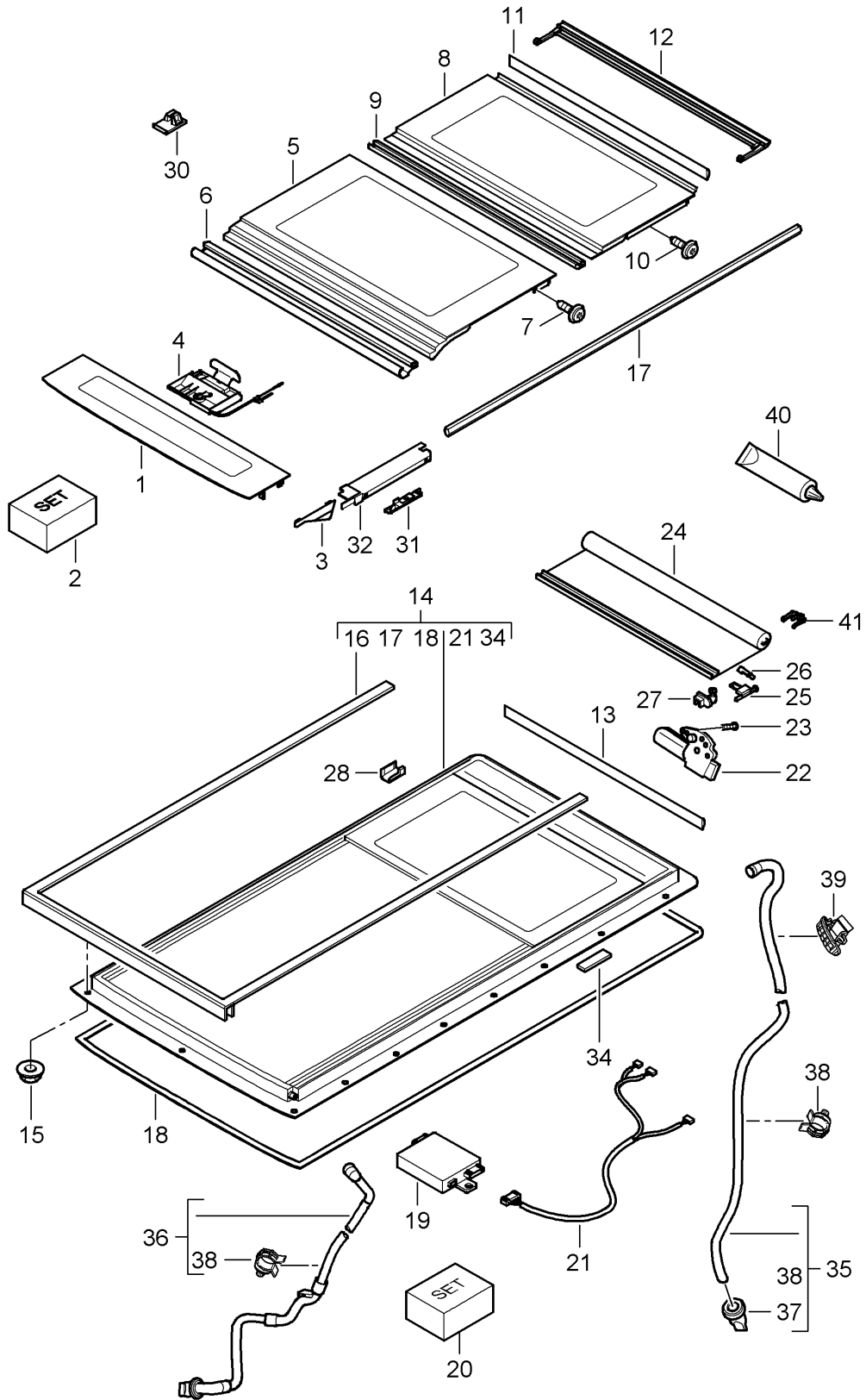
Model: 9PA108

Model life 2007>>2010

Pos	Part Number	Description	Remark	Qty	Model
29	955 564 035 00	Rear Water drain sleeve		2	
30	955 564 036 00	Tool		1	
-	000 043 207 56	Emergency operation Grease 50 ml Polylub GLY 151		1	

Model: 9PA108

Model life 2007>>2010



Model: 9PA108

Model life 2007>>2010

Pos	Part Number	Description	Remark	Qty	Model
		Glass roof			I3FU
1	955 562 004 00	Air deflector		1	
2	955 562 916 00	Set of fastening parts		1	
		Air deflector			
3	955 562 906 00	Cover	/L /R	1	
		Air deflector			
-	955 562 900 01	Gate guide		1	
		Air deflector			
4	955 562 907 00	Cassette	/L /R	1	
5	955 564 002 00	Glass roof		1	
		Front			
6	955 562 913 00	Gasket		1	
7	955 562 721 00	Screw		6	
		M5 X 12,5			
8	955 562 056 00	Lid		1	
		Centre			
9	955 562 914 00	Gasket		1	
10	955 562 722 01	Screw		6	
11	955 562 915 00	Gasket		1	
12	955 562 519 00	Water drain tube		1	
13	955 562 439 00	Gasket		1	
14	955 562 450 00	Frame		1	
		with			
		Lid			
		Fixed			
		Use also:			
		000.043.206.76		1	
15	N 908 786 01	Nut		X	
		M6			
16	955 562 423 00	Gasket		1	
		Outer			
17	955 562 440 00	Gasket		1	
		Inner			
18	955 562 459 00	Gasket		1	
		All the way round			
		Use also:			
		000.043.206.76		1	
-	000 043 206 76	Sealing compound		1	
19	955 618 485 01	Control unit		1	
20	955 562 912 00	Set of fastening parts		1	
		Control unit			
21	955 612 025 01	Wiring harness		1	
22	955 624 713 00	Driving mechanism		3	
23	955 562 912 00	Set of fastening parts		6	
		M5 X 30			
24	955 562 716 01	Shade		1	
	955 562 716 01 3H0	Sand Beige			
	955 562 716 01 2G0	Steel grey			
	955 562 716 01 1F0	Black			
(24)	955 562 716 00	Shade		1	
	955 562 716 00 3Y7	Palmgreen			
-	955 562 115 00	Stop	/L /R	1	
		Shade			
25	955 562 908 00	Sliding piece	/L /R	1	
		Shade			
26	955 562 919 00	Pressure piece	/L	1	
(26)	955 562 918 00	Pressure piece	/R	1	
27	955 562 909 00	Corner piece	/L /R	1	
28	955 562 413 00	Locking segment		4	
30	955 562 903 00	Driving mechanism	/L /R	1	
		Gate guide			
31	955 562 904 00	Hinge	/L /R	1	
		Air deflector			

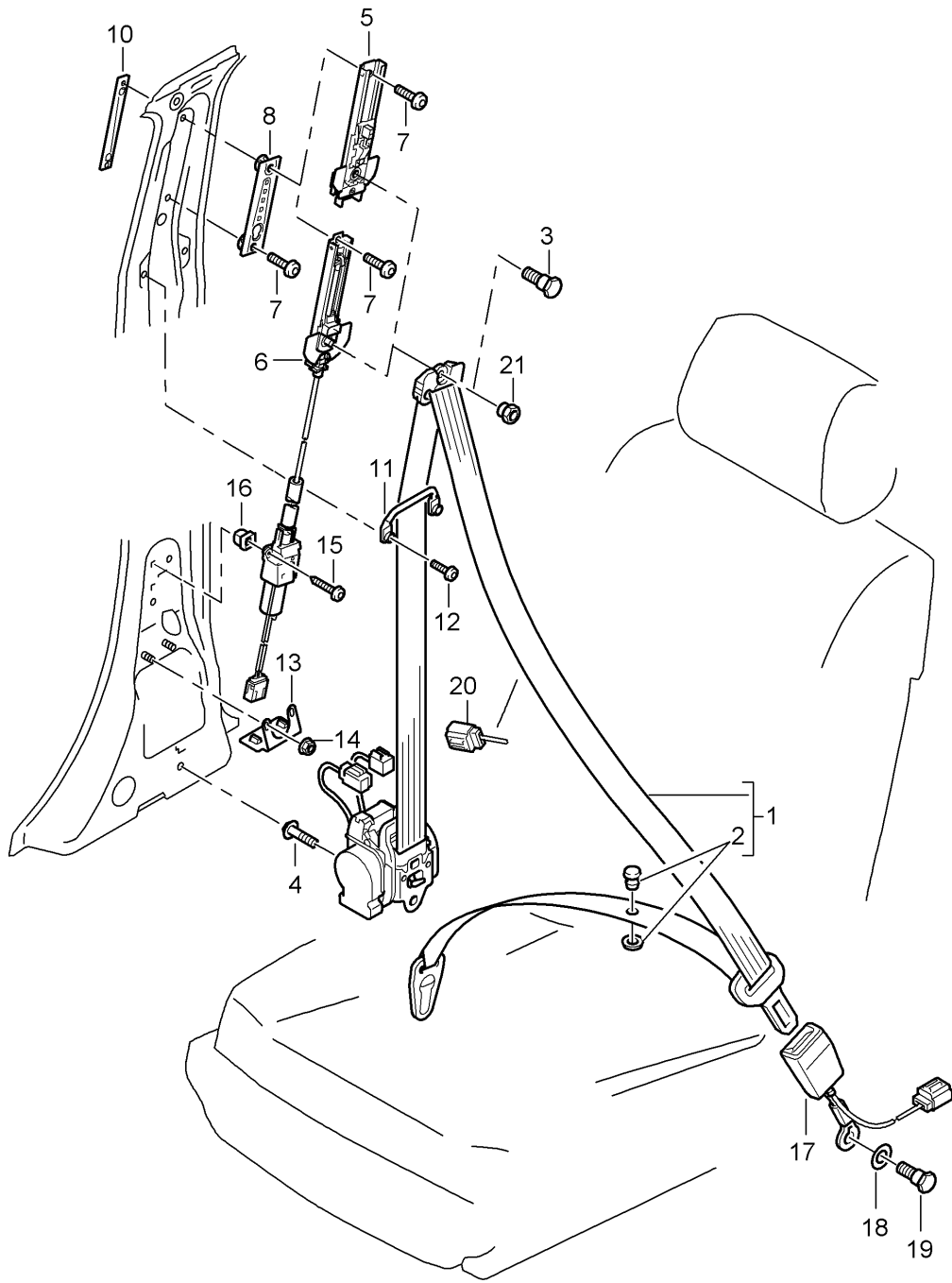
Model: 9PA108

Model life 2007>>2010

Pos	Part Number	Description	Remark	Qty	Model
32	955 562 910 00	Cover Hinge	/L /R	1	
34	955 562 917 00	Set Sealing strip		1	
-	000 043 300 49	Activator 113 ML		1	
35	955 562 029 00	Water drain hose	/L	1	
(35)	955 562 030 00	Water drain hose Rear	/R	1	
36	955 562 201 03	Water drain hose Front		1	
(36)	955 562 202 03	Water drain hose Front		1	
37	955 564 035 00	Water drain sleeve		2	
38	955 628 260 00	Hose holder		X	
39	N 904 761 01	Tie-wrap		X	
40	000 043 207 56	Grease 50 ml Polylub GLY 151		1	
41	955 562 115 00	Stop Shade	/L /R	1	

Model: 9PA108

Model life 2007>>2010

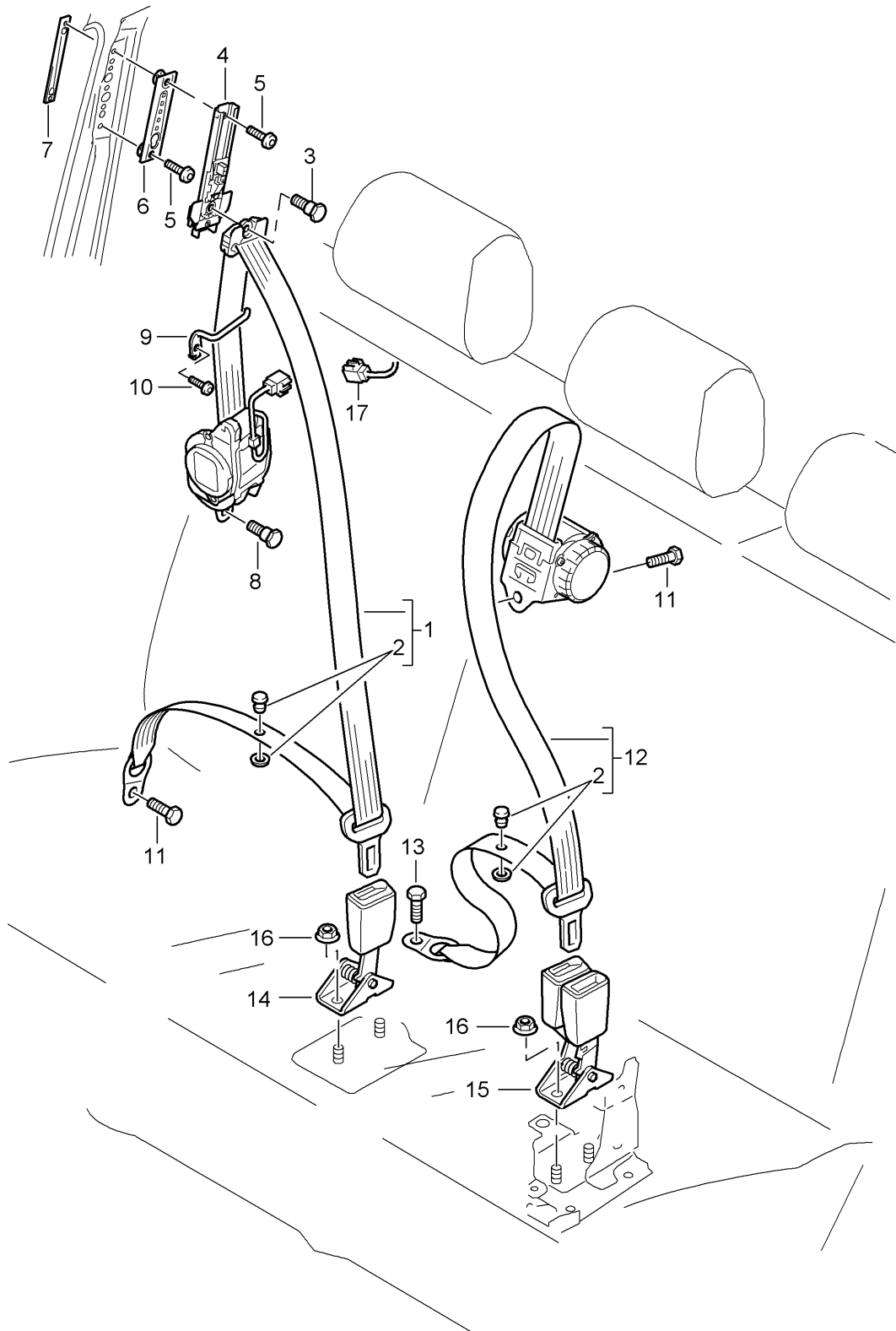


Model: 9PA108 Model life 2007>>2010

Pos	Part Number	Description	Remark	Qty	Model
1	955 803 001 20	Seat belt Front		1	
	955 803 001 20 HCP	Black	/LL /L		IL0L
	955 803 001 20 YKQ	Guards red			IFZ0
	955 803 001 20 YKR	Silver			IFZ1
	955 803 001 20 YKU	Sand Beige			IFZ2
	955 803 001 20 FZC	Orange			IFZ3
(1)	955 803 002 20	Seat belt	/LL /R	1	IE2D/FZ4
	955 803 002 20 HCP	Black			IL0L
	955 803 002 20 YKQ	Guards red			IFZ0
	955 803 002 20 YKR	Silver			IFZ1
	955 803 002 20 YKU	Sand Beige			IFZ2
	955 803 002 20 FZC	Orange			IFZ3
(1)	955 803 001 20	Seat belt	/RL /L	1	IE2D/FZ4
	955 803 001 20 HCP	Black			IL0R
	955 803 001 20 YKQ	Guards red			IFZ0
	955 803 001 20 YKR	Silver			IFZ1
	955 803 001 20 YKU	Sand Beige			IFZ2
	955 803 001 20 FZC	Orange			IFZ3
(1)	955 803 002 20	Seat belt	/RL /R	1	IE2D/FZ4
	955 803 002 20 HCP	Black			IL0R
	955 803 002 20 YKQ	Guards red			IFZ0
	955 803 002 20 YKR	Silver			IFZ1
	955 803 002 20 YKU	Sand Beige			IFZ2
	955 803 002 20 FZC	Orange			IFZ3
-	955 803 012 00	Guide		2	IE2D/FZ4
2	955 803 056 01	Knob		1	
	955 803 056 01 HCP	Black			
3	WHT 001 279	Hexagon-head bolt		2	
4	3B0 857 799	Hexagon-head bolt		2	
5	955 803 003 01	Mounting Height adjustment Mechanical		2	
6	955 803 008 02	Elect. vertical adjustment		2	I4QF
7	N 014 717 6	Pan-head screw		2	
8	955 803 058 02	Bracket		2	-I4QF
(8)	955 803 009 02	Bracket		2	I4QF
10	955 803 059 01	Fastening angle		2	
11	955 803 012 00	Guide		2	
12	N 102 913 02	Pan-head screw		2	
13	955 803 013 00	Retaining bracket	/L	2	
(13)	955 803 014 00	Retaining bracket	/R	2	
14	N 015 082 5	Hexagon nut		2	
15	900 143 047 07	Tapping screw		2	
15	900 073 007 01	Tapping screw		2	
16	955 803 115 00	Nut		2	
17	955 803 017 00	Seat-belt buckle	/L	1	
	955 803 017 00 HCP	Black			
17	955 803 017 01	Seat-belt buckle	/L	1	
	955 803 017 01 HCP	Black			
(17)	955 803 016 00	Seat-belt buckle	/R	1	
	955 803 016 00 HCP	Black			
(17)	955 803 016 01	Seat-belt buckle	/R	1	
	955 803 016 01 HCP	Black			
18	N 905 013 01	Spring washer		2	
19	N 989 235 01	Hexagon-head bolt		2	
20	955 612 904 10	Cable		2	
21	N 910 106 01	Nut		2	I4QF
21	WHT 004 771	Nut		2	I4QF

Model: 9PA108

Model life 2007>>2010

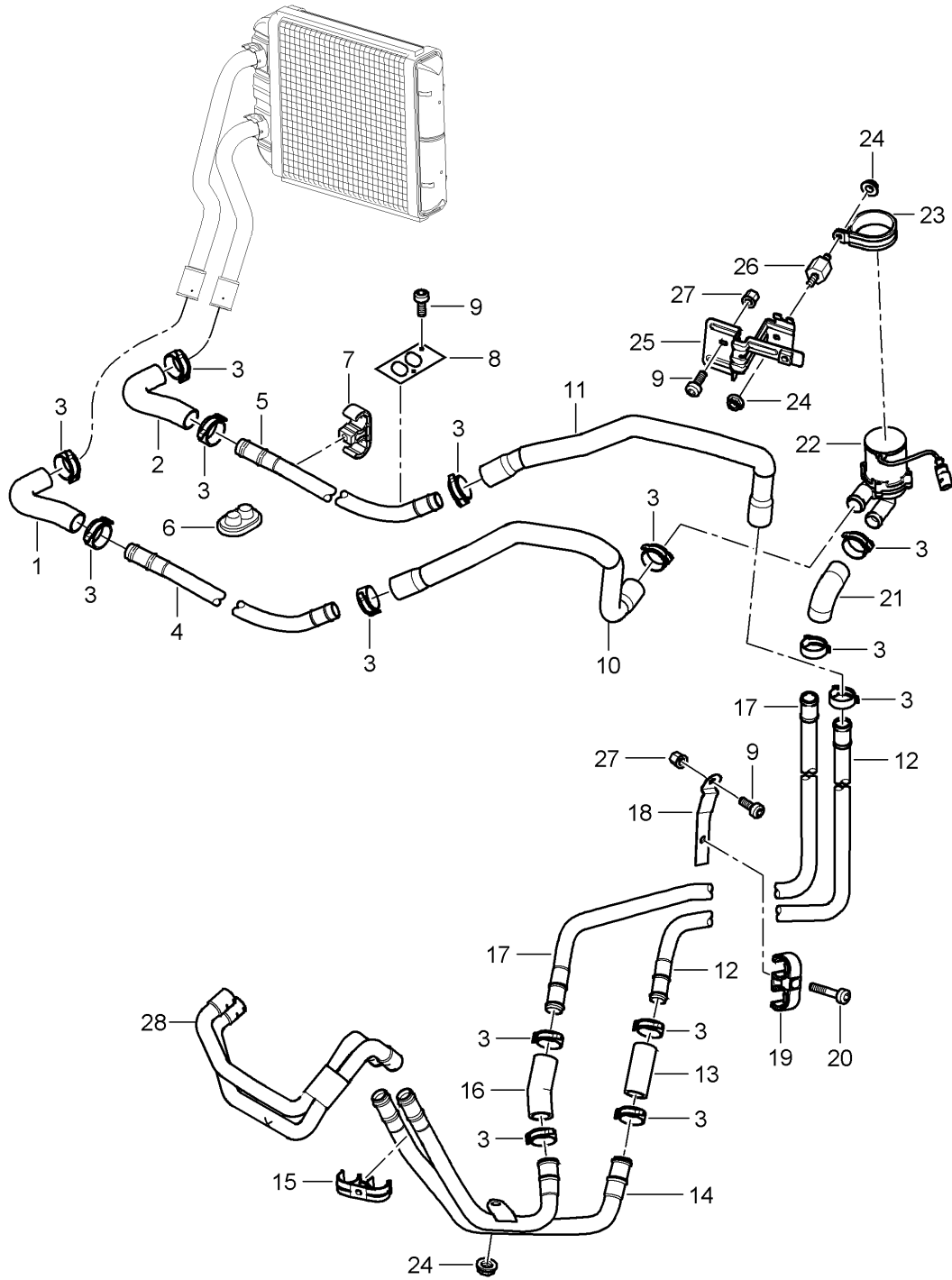


Model: 9PA108 Model life 2007>>2010

Pos	Part Number	Description	Remark	Qty	Model
1	955 803 050 10	Seat belt Rear			
	955 803 050 10 HCP	Black	/R	1	IFZ0
	955 803 050 10 YKQ	Guards red			IFZ1
	955 803 050 10 YKR	Silver			IFZ2
	955 803 050 10 YKU	Sand Beige			IFZ3
	955 803 050 10 FZC	Orange			IE2D/FZ4
(1)	955 803 051 10	Seat belt	/L	1	
	955 803 051 10 HCP	Black			IFZ0
	955 803 051 10 YKQ	Guards red			IFZ1
	955 803 051 10 YKR	Silver			IFZ2
	955 803 051 10 YKU	Sand Beige			IFZ3
	955 803 051 10 FZC	Orange			IE2D/FZ4
2	955 803 056 01	Knob		X	
	955 803 056 01 HCP	Black			
3	N 989 242 01	Hexagon-head bolt		2	
4	955 803 003 00	Mounting		2	
5	N 014 717 6	Pan-head screw		4	
6	955 803 058 00	Bracket		2	
7	955 803 059 01	Fastening angle		2	
8	3B0 857 799	Hexagon-head bolt		2	
9	955 803 061 00	Reverse lever	/L	1	
(9)	955 803 060 00	Reverse lever	/R	1	
10	N 102 913 02	Pan-head screw		2	
11	N 989 077 01	Hexagon-head bolt		3	
12	955 803 053 10	Seat belt		1	-IQ1J
	955 803 053 10 HCP	Black			IFZ0
	955 803 053 10 YKQ	Guards red			IFZ1
	955 803 053 10 YKR	Silver			IFZ2
	955 803 053 10 YKU	Sand Beige			IFZ3
(12)	955 803 053 12	Seat belt		1	IQ1J
	955 803 053 12 HCP	Black			IFZ0
	955 803 053 12 YKQ	Guards red			IFZ1
	955 803 053 12 YKR	Silver			IFZ2
	955 803 053 12 YKU	Sand Beige			IFZ3
	955 803 053 12 FZC	Orange			IE2D/FZ4
13	N 904 411 02	Pan-head screw		1	
14	955 803 055 00	Seat-belt buckle	/R	1	
	955 803 055 00 HCP	Black			
14	955 803 055 10	Seat-belt buckle	/R	1	
	955 803 055 10 HCP	Black			
15	955 803 054 00	Seat-belt buckle		1	
	955 803 054 00 HCP	Black			
15	955 803 054 10	Seat-belt buckle		1	
	955 803 054 10 HCP	Black			
16	N 989 234 01	Hexagon nut		4	
17	955 612 904 10	Cable for Seat-belt tensioner		3	

Model: 9PA108

Model life 2007>>2010



Model: 9PA108 Model life 2007>>2010

Pos	Part Number	Description	Remark	Qty	Model
		Heating Feed line Return line			ID5V/D5X/D5Z
(1)	955 572 982 00	Heater hose	/LL	1	ID5X/L0L
(1)	955 572 581 01	Heater hose	/RL	1	IL0R
1	955 572 581 00	Heater hose Heat exchanger		1	ID5V/D5Z
(2)	955 572 981 00	Heater hose	/LL	1	ID5X/L0L
(2)	955 572 983 00	Heater hose	/LL	1	ID5V/D5Z/L0L
3	N 906 870 01	Hose clamp B 27 X 12		X	
(4)	955 572 925 08	Hot air duct	/LL	1	ID5X/L0L
4	955 572 680 01	Hot air duct	/RL	1	ID5X/L0R
(4)	955 572 682 00	Hot air duct	/LL	1	ID5V/D5Z/L0L
(4)	955 572 682 01	Hot air duct Heat exchanger	/RL	1	ID5V/D5Z/L0R
(5)	955 572 926 04	Hot air duct	/LL	1	ID5X/L0L
(5)	955 572 681 01	Hot air duct	/RL	1	ID5X/L0R
5	955 572 683 00	Hot air duct	/LL	1	ID5V/D5Z/L0L
(5)	955 572 683 01	Hot air duct Heat exchanger	/RL	1	ID5V/D5Z/L0R
6	955 572 781 01	Grommet		1	ID5X
(6)	955 572 781 00	Grommet		1	ID5V/D5Z
7	955 572 055 00	Clip		X	
(7)	955 572 145 00	Clip	/RL	1	ID5V/D5Z/L0R
8	955 572 758 00	Hot air duct Sealing strip	/LL	1	ID5V/D5Z/L0L
9	N 104 514 04	Wheel housing Lens-head screw M 6 X 16		2	
10	955 572 784 05	Heater hose		1	ID5V/D5Z
11	955 572 994 00	Pump Heater hose		1	
12	955 572 926 00	Heat exchanger Hot air duct Heat exchanger		1	ID5V/D5Z
13	955 572 784 00	Heater hose		1	
14	955 572 698 00	Heating tube Engine		1	ID5V/D5Z
14	955 572 698 02	Heating tube Engine		1	ID5V/D5Z
15	955 572 055 01	Clip		X	
16	955 572 589 00	Heater hose		1	
17	955 572 925 00	Hot air duct Pump		1	ID5V/D5Z
18	955 572 823 01	Support Heating tube		1	
19	955 572 055 01	Clip		X	
20	N 106 209 01	Pan-head screw M6 X 30		X	
21	955 572 791 05	Heater hose Water pump		1	ID5V/D5Z
22	958 572 150 09	Water pump		1	
23	N 909 423 01	Clip 48 X 15		1	
24	N 015 082 10	Hexagon nut M 6		1	
25	955 572 545 00	Support Water pump		1	
25	955 572 545 01	Support Water pump		1	
26	955 572 567 00	Rubber buffer		1	
27	N 902 631 04	Blind rivet nut		X	

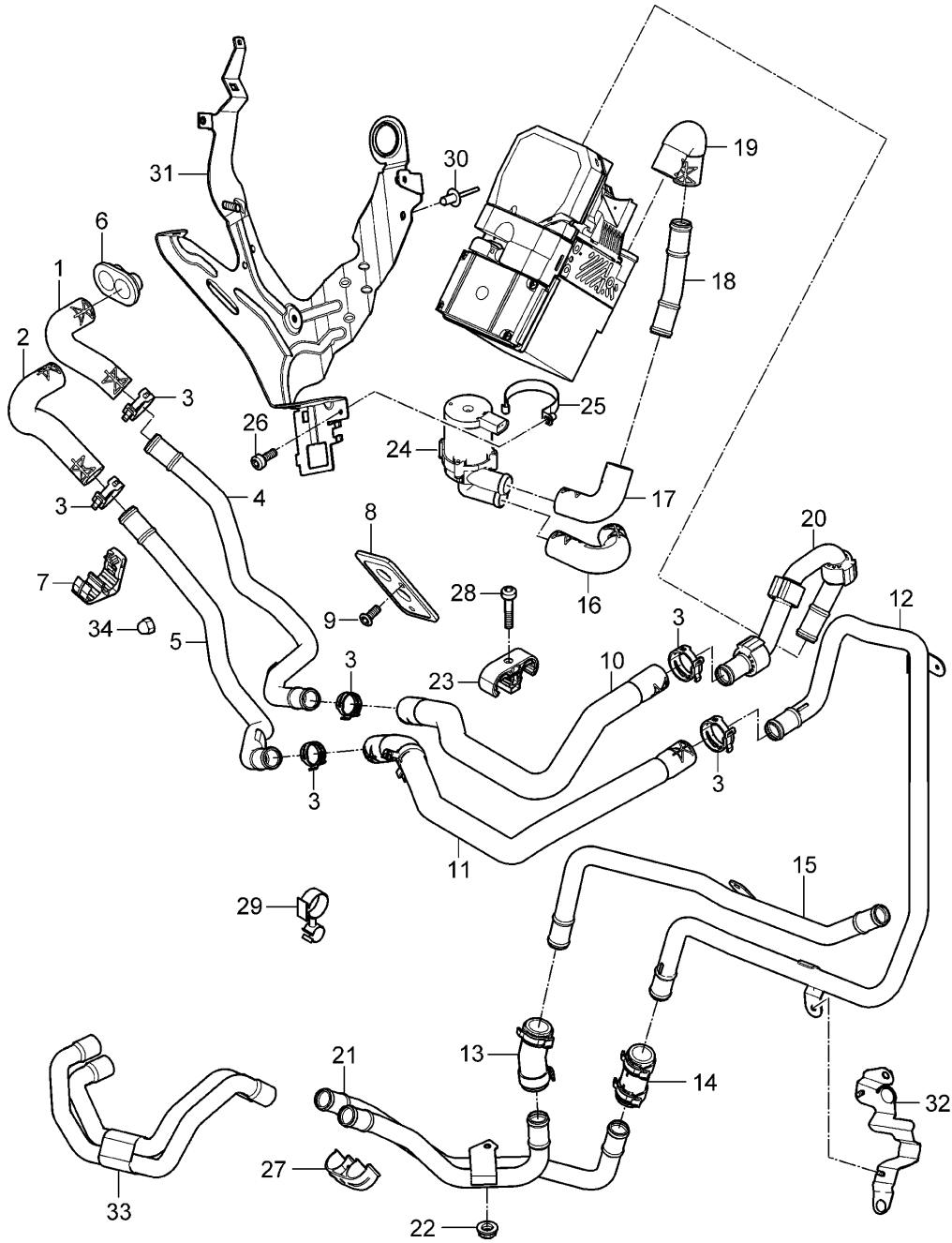
Model: 9PA108

Model life 2007>>2010

Pos	Part Number	Description	Remark	Qty	Model
28		M6 Water hose Engine See illustrations 1/05/30 - 35		1	

Model: 9PA108

Model life 2007>>2010



Model: 9PA108

Model life 2007>>2010

Pos	Part Number	Description	Remark	Qty	Model
		Heating Feed line Return line Diesel			-I9AH/I9M5
1	955 572 581 00	Heater hose Heat exchanger Input		1	
2	955 572 983 00	Heater hose Heat exchanger Output		1	
3	N 906 870 01	Hose clamp B 27 X 12		X	
4	955 572 682 00	Hot air duct Heat exchanger Input	/LL	1	IL0L
(4)	955 572 682 01	Hot air duct Heat exchanger Input	/RL	1	IL0R
5	955 572 683 00	Hot air duct Output	/LL	1	IL0L
(5)	955 572 683 01	Hot air duct Heat exchanger Output	/RL	1	IL0R
6	955 572 781 00	Grommet		1	
7	955 572 145 00	Clip Hot air duct	/RL	1	IL0R
8	955 572 758 00	Sealing strip Wheel housing	/LL	1	IL0L
9	N 104 514 04	Lens-head screw M 6 X 16		2	
10	955 572 159 86	Heater hose Heat exchanger Input		1	
11	955 572 191 96	Heater hose Heat exchanger Output		1	
12	955 572 926 10	Hot air duct Heat exchanger Output		1	
13	955 572 784 00	Heater hose		1	
14	955 572 589 00	Heater hose		1	
15	955 572 925 01	Hot air duct Return line		1	
16	955 572 587 02	Water pump housing Heater hose Water pump housing		1	
17	955 572 791 05	Heater hose Auxiliary heater		1	
18	955 572 857 00	Hot air duct Auxiliary heater		1	
19	955 572 588 02	Heater hose Auxiliary heater		1	
20	955 572 888 00	Hot air duct for Heat exchanger		1	
21	955 572 698 00	Heating tube Water pump housing		1	
21	955 572 698 02	Heating tube Water pump housing		1	
22	N 015 082 10	Hexagon nut M 6		1	
23	955 572 055 03	Clip		1	
24	958 572 150 09	Water pump		1	

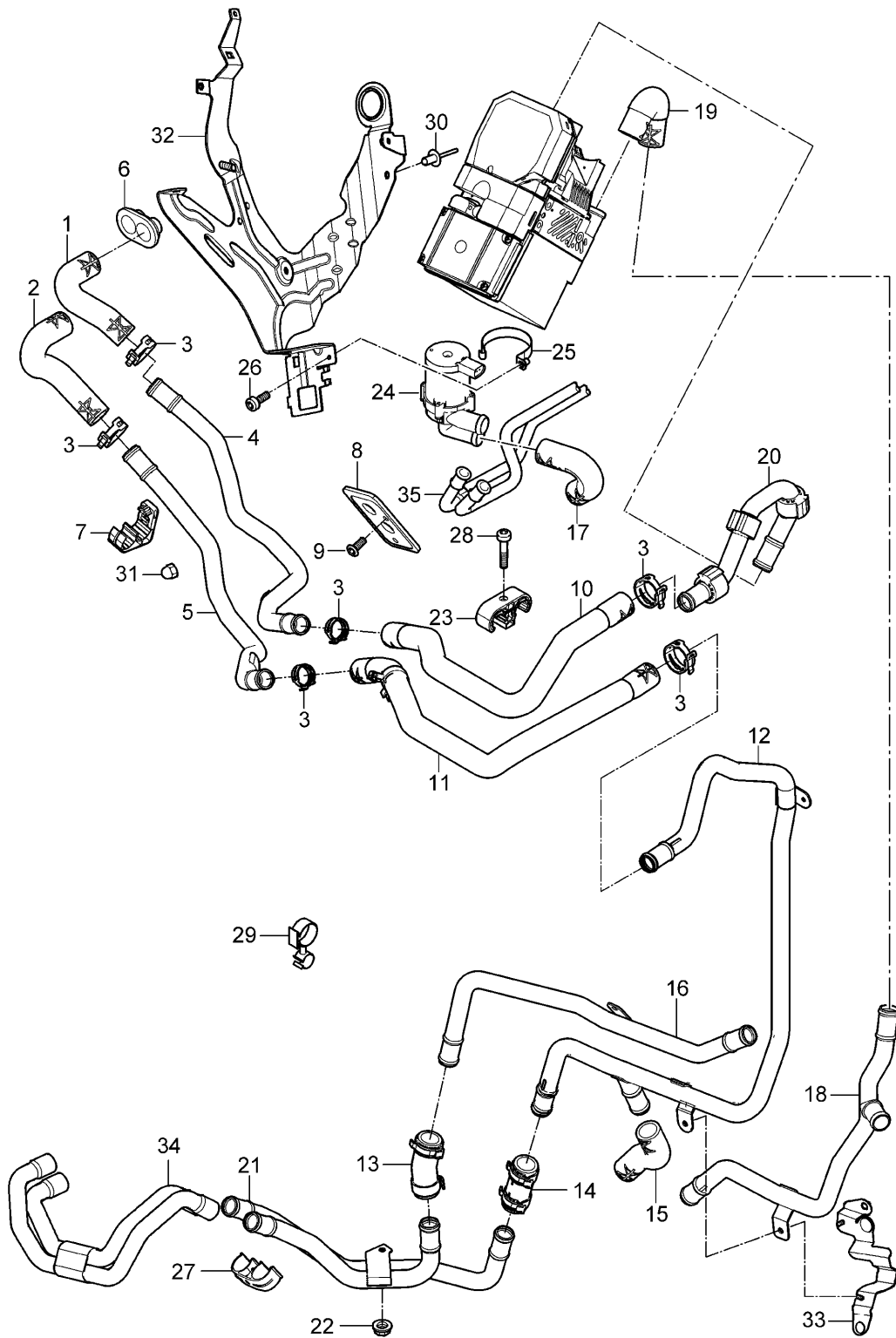
Model: 9PA108

Model life 2007>>2010

Pos	Part Number	Description	Remark	Qty	Model
25	955 572 703 00	Clip		1	
26	N 106 209 01	Pan-head screw M 4GFX16		1	
27	955 572 398 00	Clip		X	
28	N 106 209 01	Pan-head screw M6 X 30		X	
29	N 104 227 01	Hose holder Fuel line Wheel housing Water hose		1	
30	N 902 876 01	Blind rivet		1	
31		Support Heater See illustrations 8/13/85		1	
32		Support Exhaust pipe See illustrations 8/13/85 - 15		1	
33		Water hose Engine See illustrations 1/05/30 - 35		1	
34	N 904 502 01	Protection cap	/RL	1	ILOR

Model: 9PA108

Model life 2007>>2010



Model: 9PA108 Model life 2007>>2010

Pos	Part Number	Description	Remark	Qty	Model
		Heating Feed line Return line Diesel			I9AH/9M5
1	955 572 581 00	Heater hose Heat exchanger Input		1	
2	955 572 983 00	Heater hose Heat exchanger Output	/LL	1	IL0L
(2)	955 572 581 01	Heater hose Heat exchanger Output	/RL	1	IL0R
3	N 906 870 01	Hose clamp B 27 X 12		X	
4	955 572 682 00	Hot air duct Heat exchanger Input	/LL	1	IL0L
(4)	955 572 682 01	Hot air duct Heat exchanger Input	/RL	1	IL0R
5	955 572 683 00	Hot air duct Heat exchanger Output	/LL	1	IL0L
(5)	955 572 683 01	Hot air duct Heat exchanger Output	/RL	1	IL0R
6	955 572 781 00	Grommet		1	
7	955 572 145 00	Clip	/RL	1	IL0R
8	955 572 758 00	Hot air duct Sealing strip Wheel housing	/LL	1	IL0L
9	N 104 514 04	Lens-head screw M 6 X 16		2	
10	955 572 159 86	Heater hose Heat exchanger Input		1	
11	955 572 191 96	Heater hose Heat exchanger Output		1	
12	955 572 926 20	Hot air duct Heat exchanger Output		1	
13	955 572 784 00	Heater hose		1	
14	955 572 589 00	Heater hose		1	
15	955 572 793 00	Heater hose		1	
16	955 572 925 01	Hot air duct Return line Water pump housing		1	
17	955 572 587 02	Heater hose Water pump housing		1	
18	955 572 912 00	Hot air duct Pump To Auxiliary heater Rear		1	
19	955 572 588 02	Heater hose Auxiliary heater		1	
20	955 572 888 00	Hot air duct for Heat exchanger		1	
21	955 572 698 00	Heating tube Water pump housing		1	

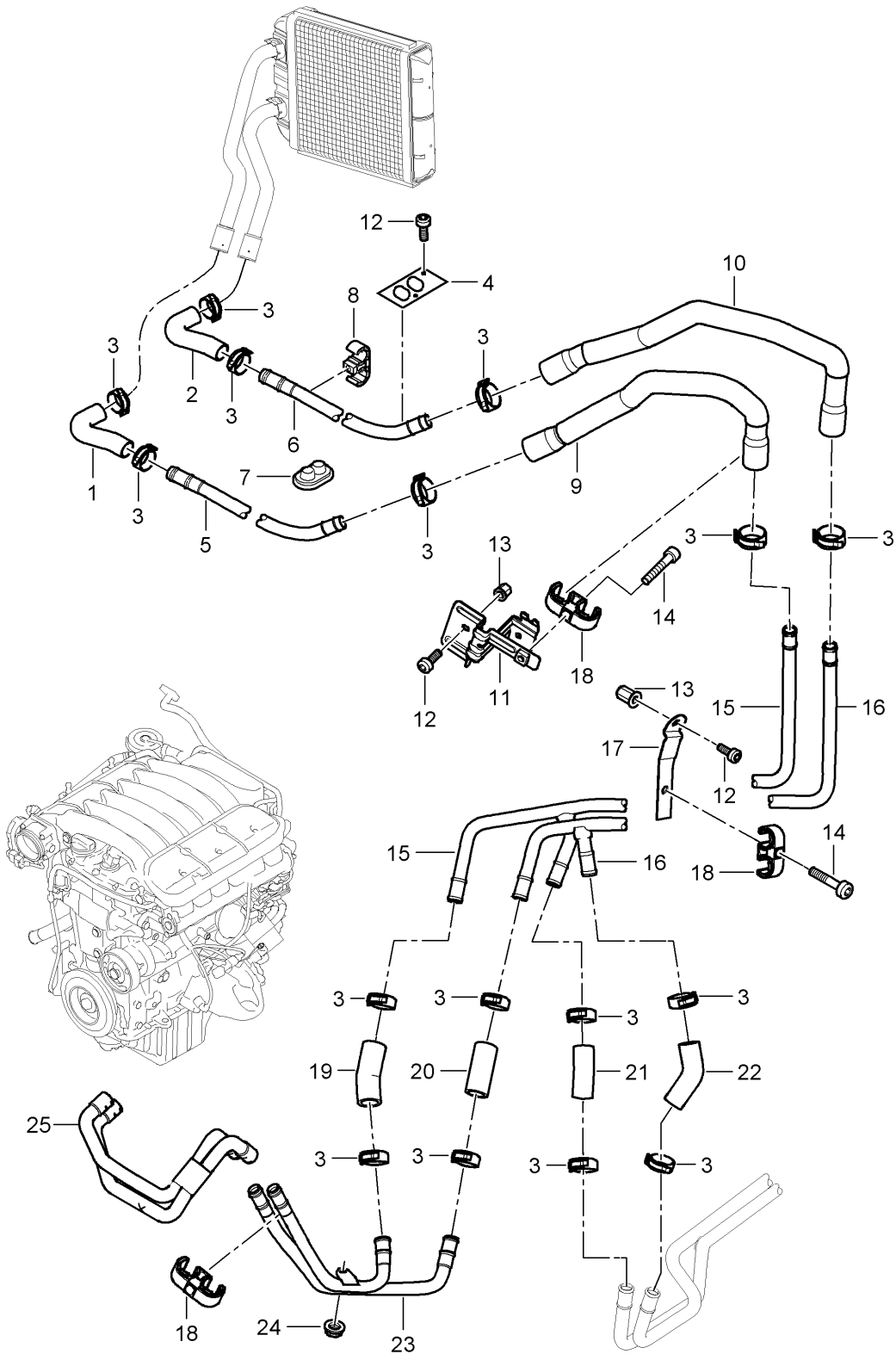
Model: 9PA108

Model life 2007>>2010

Pos	Part Number	Description	Remark	Qty	Model
21	955 572 698 02	Heating tube Water pump housing		1	
22	N 015 082 10	Hexagon nut M 6		1	
23	955 572 055 03	Clip		1	
24	958 572 150 09	Water pump		1	
25	955 572 703 00	Clip		1	
26	N 106 209 01	Pan-head screw M 4GFX16		1	
27	955 572 398 00	Clip		X	
28	N 106 209 01	Pan-head screw M6 X 30		X	
29	N 104 227 01	Hose holder Fuel line Wheel housing Water hose		1	
30	N 902 876 01	Blind rivet		1	
31	N 904 502 01	Protection cap	/RL	1	IL0R
32		Support Heater See illustrations 8/13/85		1	
33		Support Exhaust pipe See illustrations 8/13/85 - 15		1	
34		Water hose Engine See illustrations 1/05/30 - 35		1	
35		Hot air duct Auxiliary air conditioner Rear See illustrations 8/13/25		1	

Model: 9PA108

Model life 2007>>2010



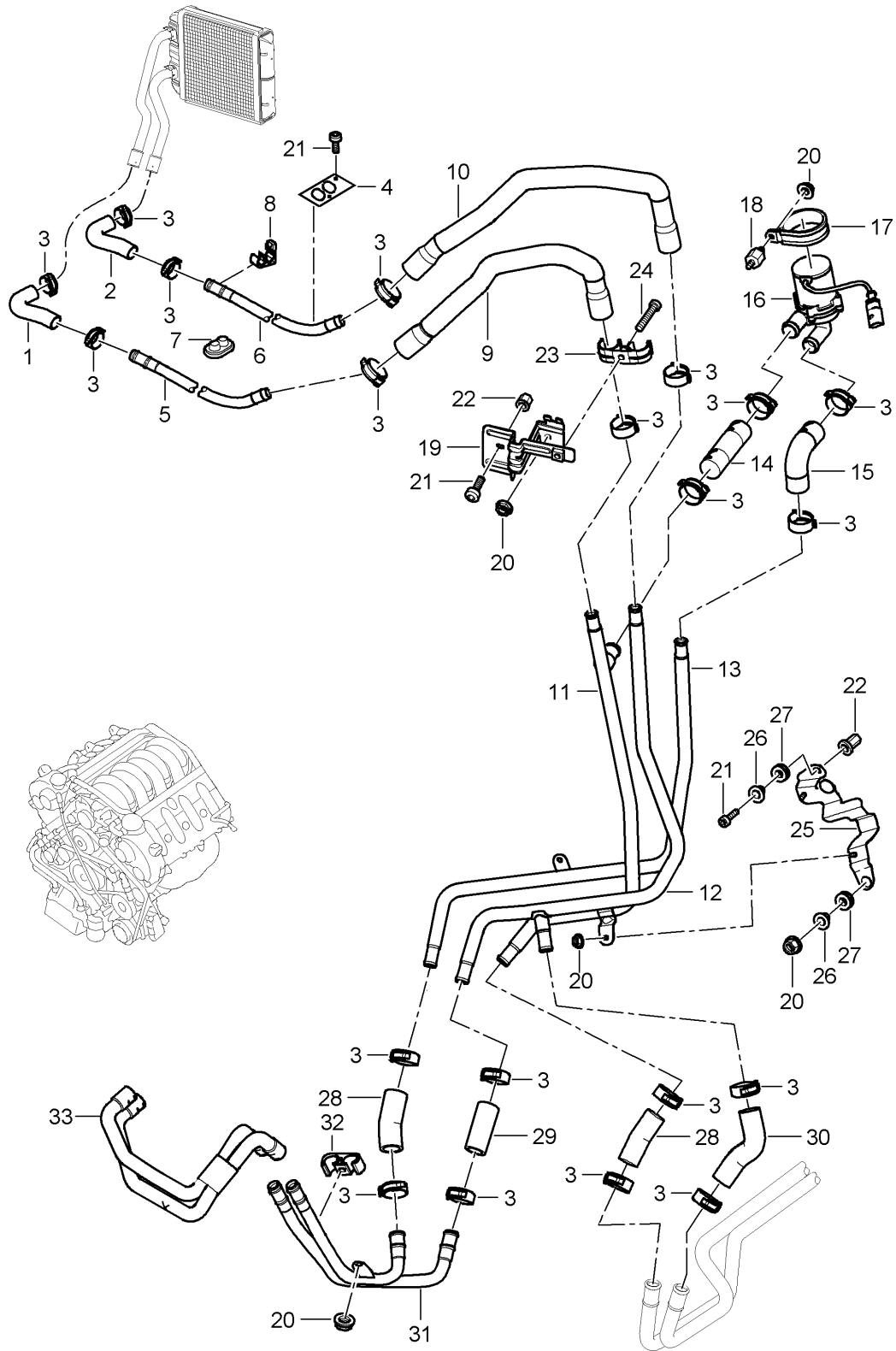
Model: 9PA108

Model life 2007>>2010

Pos	Part Number	Description	Remark	Qty	Model
		Heating with Auxiliary air conditioner Feed line Return line			ID5X/9AH
1	955 572 982 00	Heater hose	/LL	1	IL0L
(1)	955 572 581 01	Heat exchanger			
		Heater hose	/RL	1	IL0R
2	955 572 981 00	Heat exchanger			
		Heater hose	/LL	1	IL0L
(2)	955 572 581 00	Heat exchanger			
		Heater hose	/RL	1	IL0R
3	N 906 870 01	Hose clamp B 27 X 12		X	
4	955 572 758 00	Sealing strip		1	
5	955 572 682 00	Hot air duct	/LL	1	IL0L
(5)	955 572 682 01	Hot air duct	/RL	1	IL0R
6	955 572 683 00	Hot air duct	/LL	1	IL0L
(6)	955 572 683 01	Hot air duct	/RL	1	IL0R
7	955 572 781 01	Grommet		1	
8	955 572 145 00	Clip	/RL	2	IL0R
9	955 572 374 00	Heater hose		1	
10	955 572 994 00	Heater hose		1	
11	955 572 545 00	Support		1	
12	N 104 514 04	Lens-head screw M6 X 16		X	
13	N 902 631 01	Blind rivet nut M6		X	
14	N 106 209 01	Pan-head screw M6 X 30		X	
15	955 572 925 05	Hot air duct		1	
16	955 572 926 02	Hot air duct		1	
17	955 572 823 01	Support		1	
18	955 572 055 01	Hot air duct		1	
19	955 572 589 00	Clip		1	
20	955 572 784 00	Heater hose		1	
21	955 572 583 00	Heater hose		1	
22	955 572 584 00	Heater hose		1	
23	955 572 698 00	Heating tube		1	
23	955 572 698 02	Heating tube Engine		1	
(24)	N 015 082 9	Hexagon nut M 6		X	
25		Water hose Engine See illustrations 1/05/35		1	

Model: 9PA108

Model life 2007>>2010



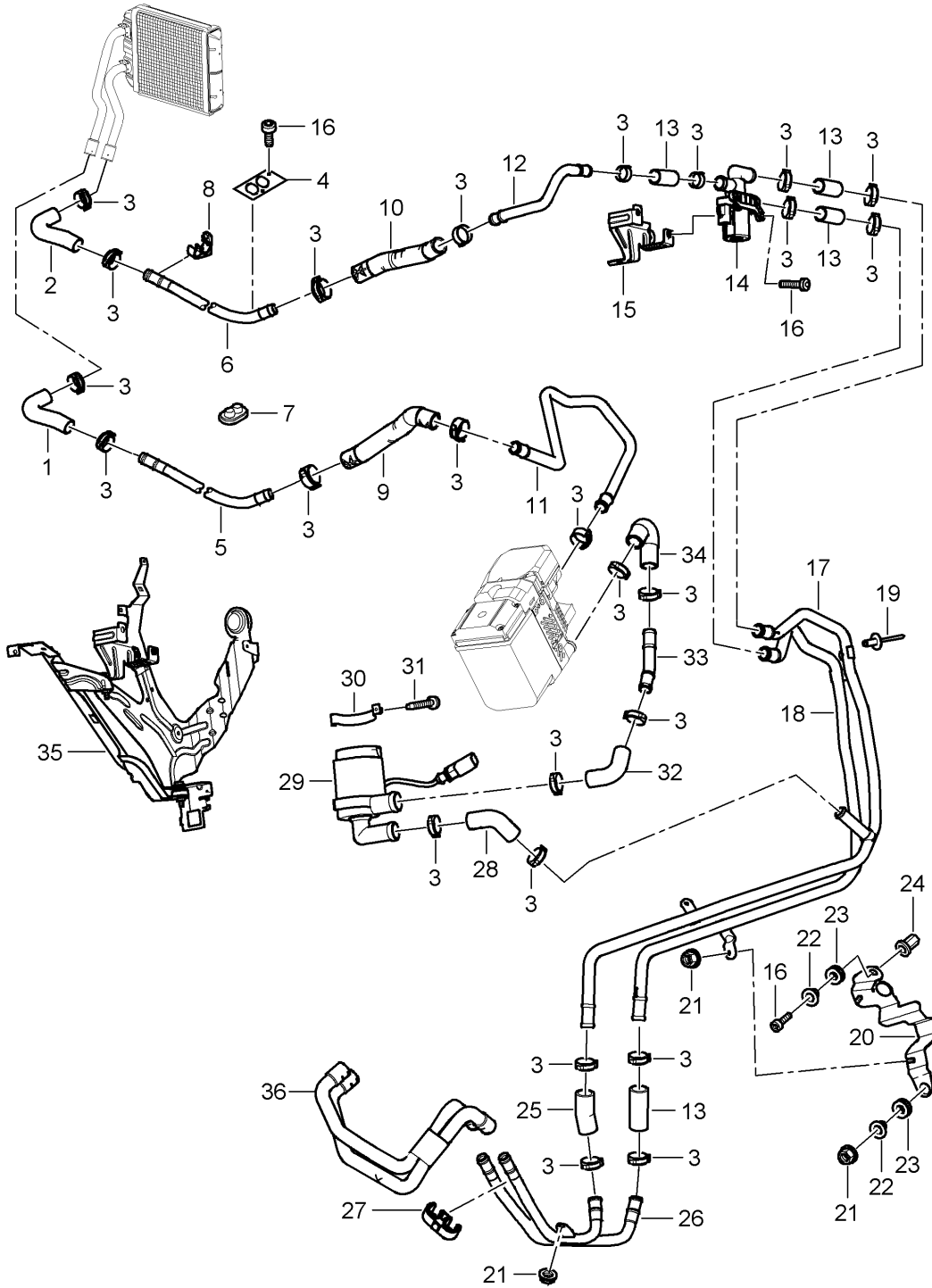
Model: 9PA108

Model life 2007>>2010

Pos	Part Number	Description	Remark	Qty	Model
		Heating with Auxiliary air conditioner			ID5V/D5Z/9AH
1	955 572 581 00	Feed line			
(1)	955 572 581 01	Return line			
		Heater hose	/LL	1	IL0L
		Heater hose	/RL	1	IL0R
		Heat exchanger			
2	955 572 983 00	Heater hose	/LL	1	IL0L
(2)	955 572 581 00	Heater hose	/RL	1	IL0R
		Heat exchanger			
3	N 906 870 01	Hose clamp B 27 X 12		X	
4	955 572 758 00	Sealing strip		1	
5	955 572 682 00	Hot air duct	/LL	1	IL0L
(5)	955 572 682 01	Hot air duct	/RL	1	IL0R
		Supply			
6	955 572 683 00	Hot air duct	/LL	1	IL0L
(6)	955 572 683 01	Hot air duct	/RL	1	IL0R
		Return line			
7	955 572 781 00	Grommet		1	
8	955 572 145 00	Clip	/RL	1	IL0R
9	955 572 374 00	Heater hose		1	
10	955 572 994 00	Heater hose		1	
11	955 572 858 00	Hot air duct		1	
12	955 572 926 05	Hot air duct		1	
13	955 572 925 07	Hot air duct		1	
14	955 572 373 00	Heater hose		1	
15	955 572 791 05	Heater hose		1	
16	955 572 150 06	Water pump		1	
17	N 909 423 01	Clip		1	
18	955 572 567 00	Rubber buffer		1	
19	955 572 545 01	Support		1	
		Water pump			
20	N 015 082 9	Hexagon nut M6		X	
21	N 104 514 04	Lens-head screw M6 X 16		X	
22	N 902 631 04	Blind rivet nut M6		X	
23	955 572 055 01	Clip		X	
24	N 106 209 01	Pan-head screw M6 X 30		X	
25	955 572 950 01	Support		1	
		Hot air duct			
26	955 572 121 00	Bush		2	
27	955 572 095 00	Rubber sleeve		2	
28	955 572 589 00	Heater hose		2	
29	955 572 784 00	Heater hose		1	
30	955 572 793 00	Heater hose		1	
31	955 572 698 01	Heating tube		1	
32	955 572 055 03	Clip		1	
33		Water hose		1	
		Engine			
		See illustrations 1/05/30			

Model: 9PA108

Model life 2007>>2010



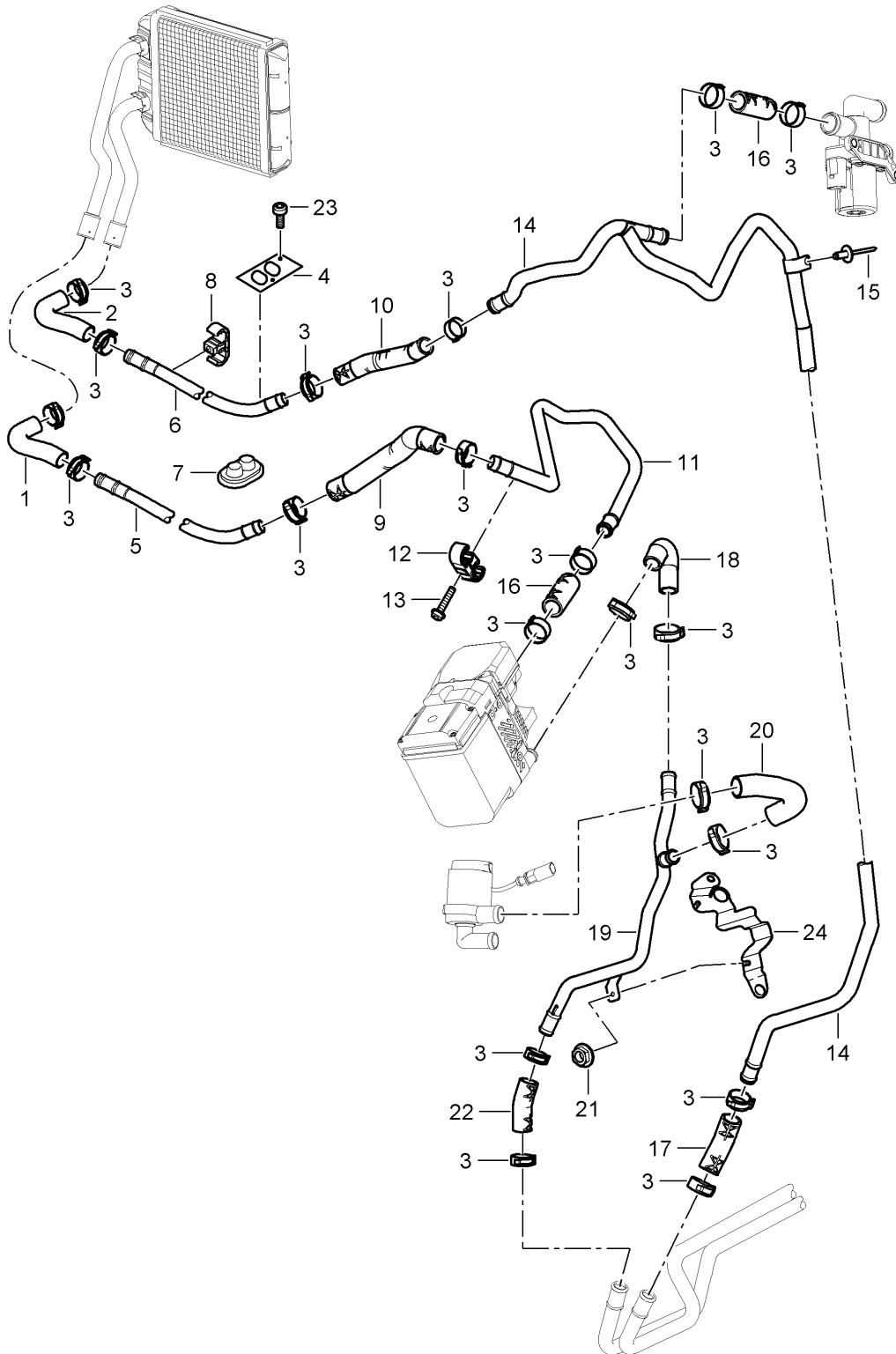
Model: 9PA108

Model life 2007>>2010

Pos	Part Number	Description	Remark	Qty	Model
		Heating with Auxiliary heater Feed line Return line			I7VE/7VL
1	955 572 581 00	Heater hose	/LL	1	IL0L
(1)	955 572 581 01	Heater hose	/RL	1	IL0R
		Heat exchanger			
2	955 572 983 00	Heater hose	/LL	1	IL0L
(2)	955 572 581 00	Heater hose	/RL	1	IL0R
		Heat exchanger			
3	N 906 870 01	Hose clamp B 27 X 12		X	
4	955 572 758 00	Sealing strip		1	
5	955 572 682 00	Hot air duct	/LL	1	IL0L
(5)	955 572 682 01	Hot air duct	/RL	1	IL0R
6	955 572 683 00	Hot air duct	/LL	1	IL0L
(6)	955 572 683 01	Hot air duct	/RL	1	IL0R
7	955 572 781 00	Grommet		1	
(8)	955 572 055 03	Clip	/RL	1	ID5X/L0R
8	955 572 145 00	Clip	/RL	1	ID5V/D5Z/L0R
9	955 572 785 01	Heater hose		1	
10	955 572 786 02	Heater hose		1	
11	955 572 690 01	Hot air duct		1	
12	955 572 690 02	Hot air duct		1	
13	955 572 784 00	Heater hose		4	
14	955 572 824 03	Valve		1	
15	955 572 826 01	Support Solenoid valve		1	
16	N 104 514 04	Lens-head screw M6 X 16		X	
17	955 572 925 06	Hot air duct		1	
18	955 572 926 03	Hot air duct		1	
19	N 902 876 01	Blind rivet A 4,8 X 10		2	
20	955 572 950 01	Support Hot air duct		1	
21	N 015 082 9	Hexagon nut M6		X	
22	955 572 121 00	Bush		2	
23	955 572 095 00	Rubber sleeve		2	
24	N 902 631 01	Blind rivet nut M6		X	
25	955 572 589 00	Heater hose		1	
26	955 572 698 01	Heating tube		1	
27	955 572 055 03	Clip		X	
28	955 572 585 03	Heater hose		1	
29	958 572 150 09	Water pump		1	
30	955 572 703 00	Clip		1	
31	N 909 117 01	Screw		1	
32	955 572 791 05	Heater hose		1	
33	955 572 857 00	Hot air duct		1	
34	955 572 588 02	Heater hose		1	
35		Support See illustrations 8/13/85		1	
36		Water hose Engine See illustrations 1/05/30 - 35		1	

Model: 9PA108

Model life 2007>>2010



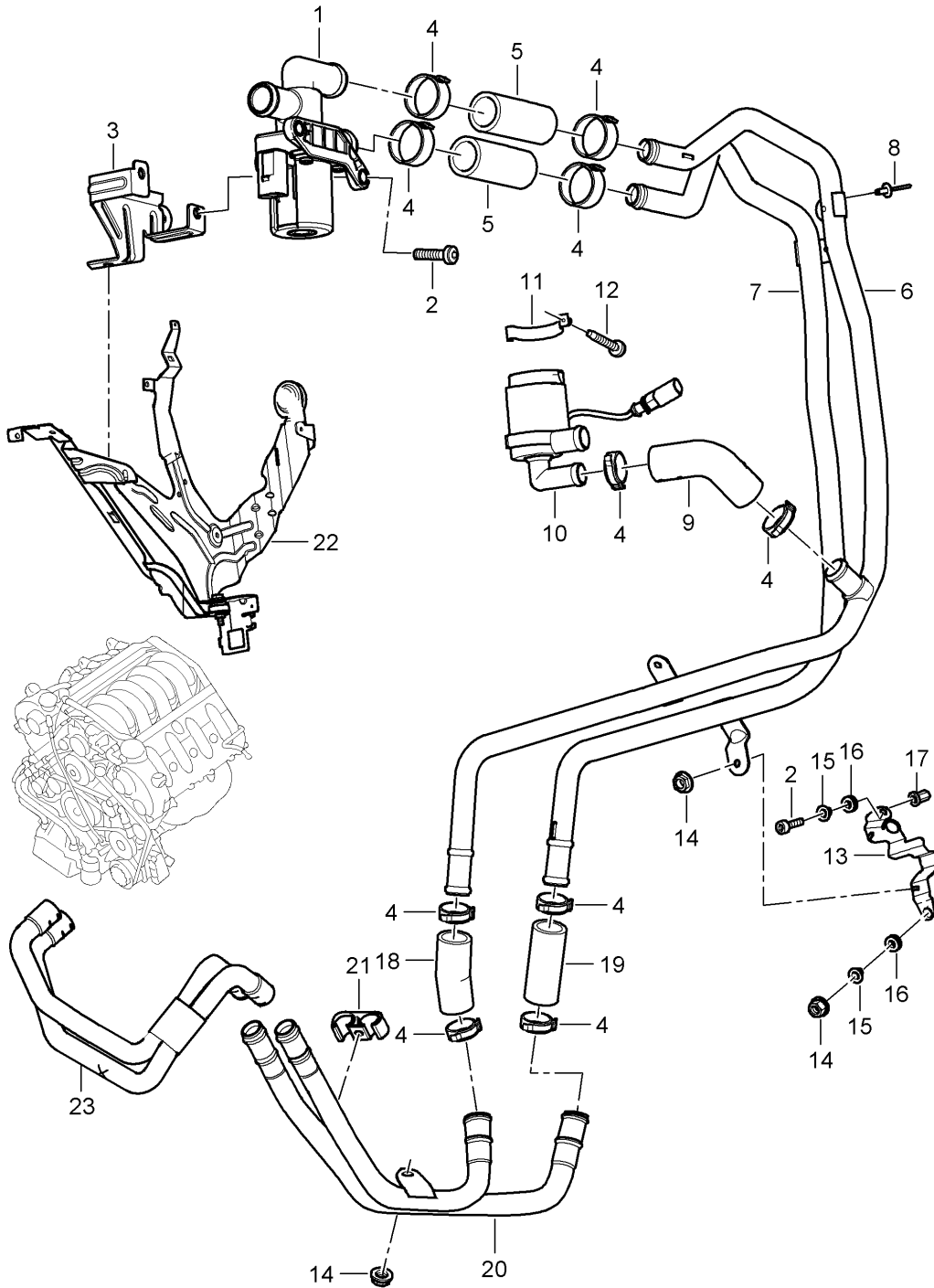
Model: 9PA108

Model life 2007>>2010

Pos	Part Number	Description	Remark	Qty	Model
		Heating with Auxiliary air conditioner And Auxiliary heater Feed line Return line Heat exchanger Until Hot air duct Rear			I7VE/7VL/9AH
1	955 572 581 00	Heater hose	/LL	1	IL0L
(1)	955 572 581 01	Heater hose	/RL	1	IL0R
		Heat exchanger			
2	955 572 983 00	Heater hose	/LL	1	IL0L
(2)	955 572 581 00	Heater hose	/RL	1	IL0R
		Heat exchanger			
3	N 906 870 01	Hose clamp B 27 X 12		X	
4	955 572 758 00	Sealing strip		1	
5	955 572 682 00	Hot air duct	/LL	1	IL0L
(5)	955 572 682 01	Hot air duct	/RL	1	IL0R
6	955 572 683 00	Hot air duct	/LL	1	IL0L
(6)	955 572 683 01	Hot air duct	/RL	1	IL0R
7	955 572 781 00	Grommet		1	
8	955 572 055 03	Clip	/RL	1	ID5X/L0R
(8)	955 572 145 00	Clip	/RL	1	ID5V/D5Z/L0R
9	955 572 785 01	Heater hose		1	
10	955 572 786 02	Heater hose		1	
11	955 572 690 01	Hot air duct		1	
12	955 572 055 01	Clip		X	
13	N 106 209 01	Pan-head screw M6 X 30		X	
14	955 572 927 01	Hot air duct		1	
15	N 902 876 01	Blind rivet A4,8 X 10		2	
16	955 572 784 00	Heater hose		2	
17	955 572 371 00	Heater hose		1	
18	955 572 588 02	Heater hose		1	
19	955 572 912 00	Hot air duct		1	
20	955 572 587 02	Heater hose		1	
21	N 015 082 9	Hexagon nut M6		X	
22	955 572 589 00	Heater hose		1	
23	N 104 514 04	Lens-head screw M6 X 16		X	
24	955 572 950 00	Support		X	

Model: 9PA108

Model life 2007>>2010

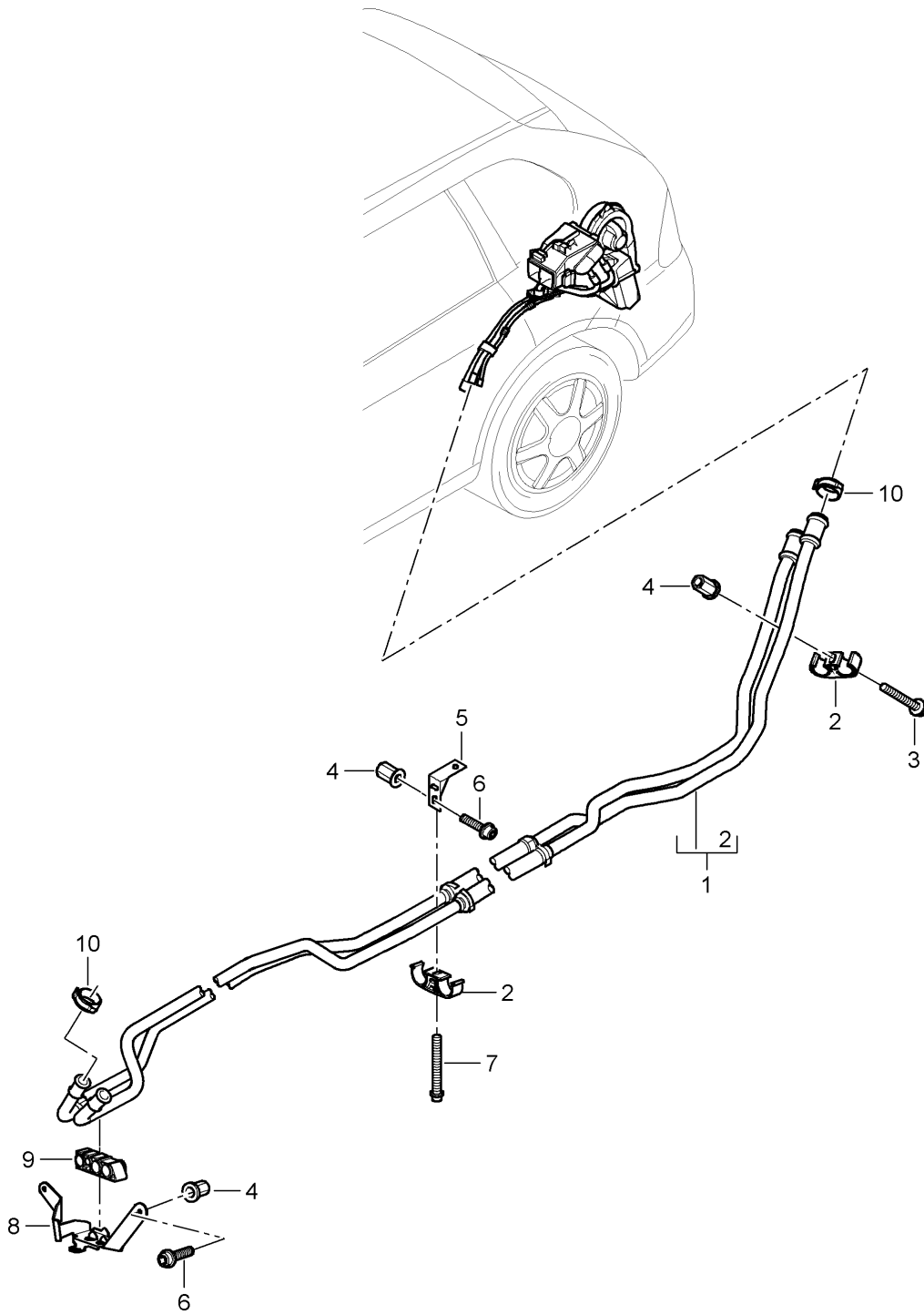


Model: 9PA108 Model life 2007>>2010

Pos	Part Number	Description	Remark	Qty	Model
		Heating with Auxiliary air conditioner And Auxiliary heater Feed line Return line Valve Until Engine Valve		1	I7VE/7VL/9AH
1	955 572 824 03			1	
2	N 104 514 04	Lens-head screw M6 X 16		X	
3	955 572 826 01	Support		1	
4	N 906 870 01	Hose clamp B 27 X 12		X	
5	955 572 784 00	Heater hose		2	
6	955 572 925 06	Hot air duct		1	
7	955 572 926 03	Hot air duct		1	
8	N 902 876 01	Blind rivet A 4,8 X 10		2	
9	955 572 585 03	Heater hose		1	
10	955 572 150 05	Water pump		1	
11	955 572 703 00	Clip		1	
12	N 909 117 01	Screw M4 X 16		1	
13	955 572 950 01	Support		1	
14	N 015 082 9	Hexagon nut M6		X	
15	955 572 121 00	Bush		2	
16	955 572 095 00	Rubber sleeve		2	
17	N 902 631 04	Blind rivet nut M6		X	
18	955 572 589 00	Heater hose		1	
19	955 572 784 00	Heater hose		1	
20	955 572 698 00	Heating tube		1	
20	955 572 698 02	Heating tube		1	
21	955 572 055 03	Clip		X	
22		Support See illustrations 8/13/85		X	
23		Water hose Engine See illustrations 1/05/30 - 35		1	

Model: 9PA108

Model life 2007>>2010



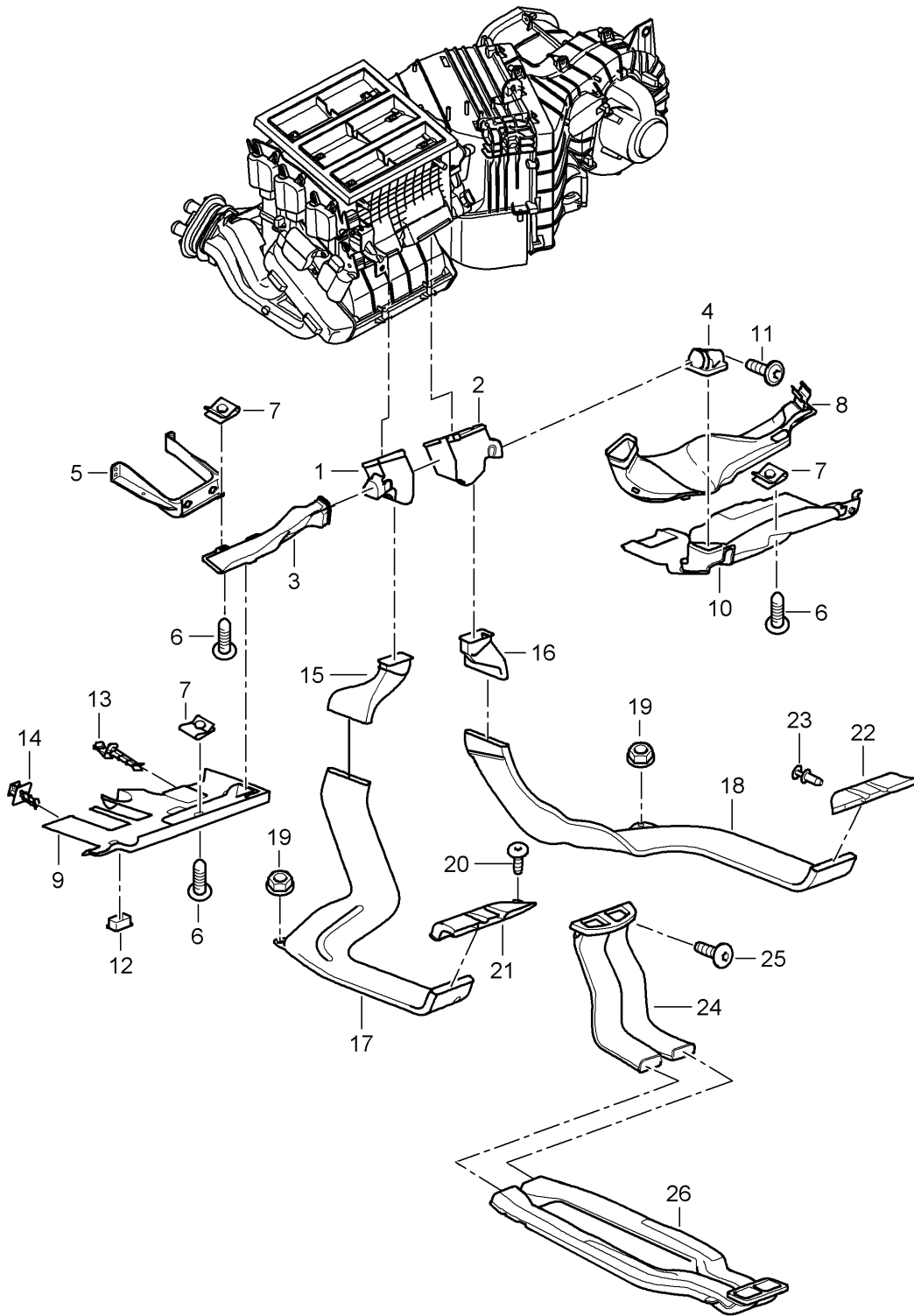
Model: 9PA108

Model life 2007>>2010

Pos	Part Number	Description	Remark	Qty	Model
		Hot air duct Auxiliary air conditioner Rear			I9AH
1	955 572 885 00	Hot air duct		1	
2	955 572 787 00	Clip		2	
3	N 105 084 02	Hexagon socket head bolt M6 X 35		1	
4	N 902 631 04	Blind rivet nut M6		X	
5	955 572 495 00	Support		2	
6	N 104 514 04	Lens-head screw M6 X 16		X	
7	N 104 677 02	Hexagon socket head bolt M6 X 70		2	
8	955 573 605 00	Support		1	
9	955 572 757 05	Spacer		1	
10	N 906 870 01	Hose clamp		X	

Model: 9PA108

Model life 2007>>2010



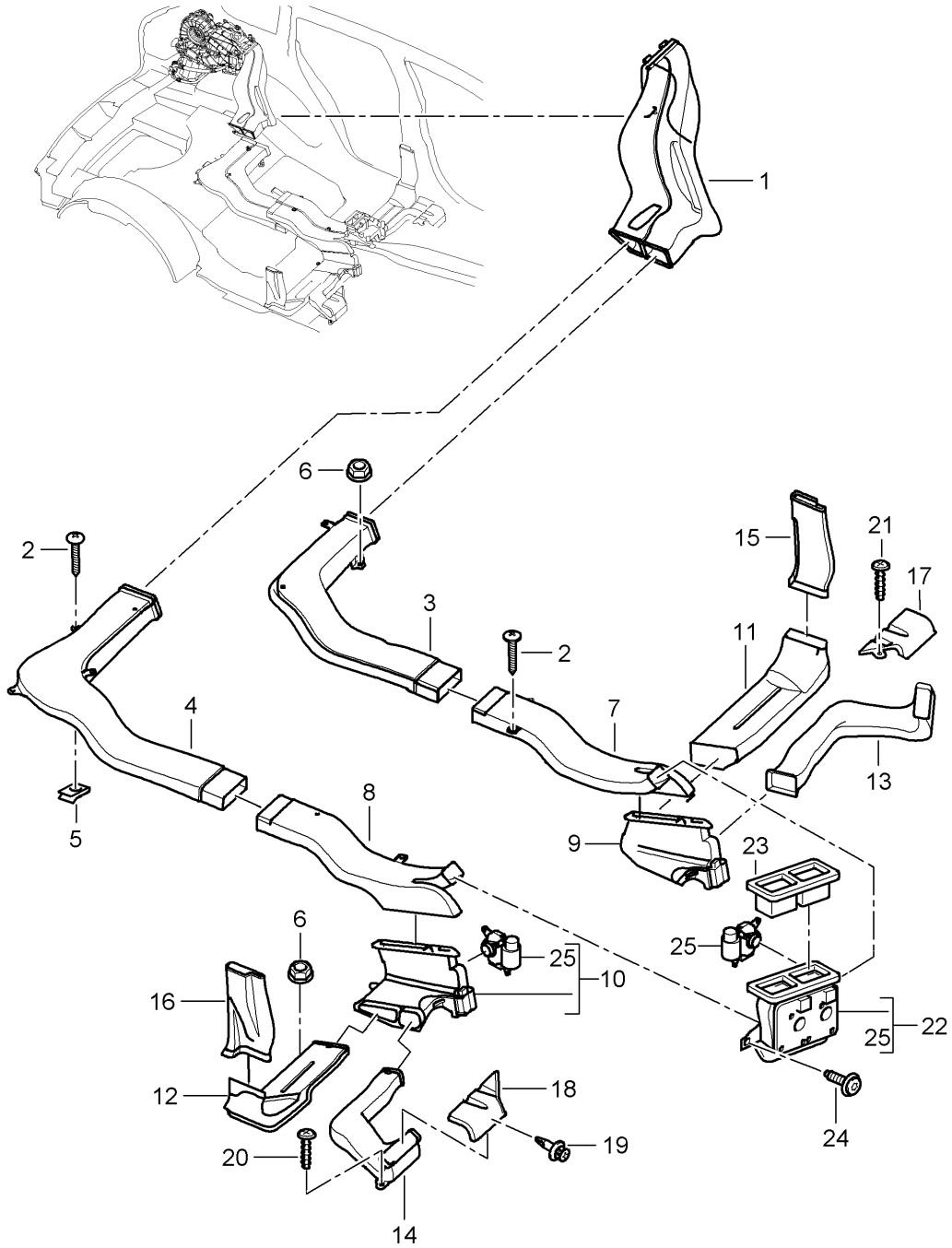
Model: 9PA108

Model life 2007>>2010

Pos	Part Number	Description	Remark	Qty	Model
		Air distributor			
1	955 573 383 00	Housing	/LL /L	1	IL0L/9AB
(1)	955 573 385 00	Housing	/LL /L	1	IL0L/9AD
(1)	955 573 387 00	Housing	/LL /L	1	IL0L/9AH
(1)	955 573 303 00	Housing	/RL /L	1	IL0R/9AB
(1)	955 573 381 00	Housing	/RL /L	1	IL0R/9AD
(1)	955 573 301 00	Housing	/RL /L	1	IL0R/9AH
2	955 573 384 00	Housing	/LL /R	1	IL0L/9AB
(2)	955 573 386 00	Housing	/LL /R	1	IL0L/9AD
(2)	955 573 388 00	Housing	/LL /R	1	IL0L/9AH
(2)	955 573 303 00	Housing	/RL /L	1	IL0R/9AB
(2)	955 573 381 00	Housing	/RL /L	1	IL0R/9AD
(2)	955 573 301 00	Housing	/RL /L	1	IL0R/9AH
3	955 573 305 02	Intermediate piece	/LL /L	1	IL0L
(3)	955 573 305 01	Intermediate piece	/RL /L	1	IL0R
4	955 573 306 02	Intermediate piece	/LL /R	1	IL0L
(4)	955 573 306 01	Intermediate piece	/RL /R	1	IL0R
5	955 613 545 02	Clip		1	
		Intermediate piece			
6	N 906 986 01	Tapping screw		X	
		ST 4,2 X 16			
(7)	955 552 137 00	Clamp		X	
7	N 906 988 01	Speed nut		X	
		ST 4,2 X 16			
8	955 573 306 11	Air guide	/LL /R	1	IL0L
9	955 573 308 09	Footwell outlet vent	/LL /L	1	IL0L
(9)	955 573 308 10	Footwell outlet vent	/RL /L	1	IL0R
10	955 573 308 03	Footwell outlet vent	/LL /R	1	IL0L
(10)	955 573 308 01	Footwell outlet vent	/RL /R	1	IL0R
11	N 908 494 01	Tapping screw		X	
		3,5 X 13			
11	N 908 494 02	Tapping screw		X	
		3,5 X 13			
12	955 612 161 00	Cover		1	
		Mounting			
		Diagnostic connector			
	955 612 161 00 01C	Satin black			
13	955 573 317 00	Fastening angle		2	
14	955 573 318 00	Fastening angle		2	
15	955 573 309 01	Intermediate piece	/L	1	
16	955 573 409 00	Intermediate piece	/R	1	
17	955 573 311 00	Air guide	/L	1	
18	955 573 310 01	Air guide	/R	1	
19	N 907 579 01	Nut		X	
20	N 906 487 02	Tapping screw		X	
21	955 573 313 01	Footwell outlet vent	/L	1	
22	955 573 314 03	Footwell outlet vent	/R	1	
23	N 905 584 01	Expansion rivet		1	
24	955 573 315 00	Air duct		1	
25	N 104 648 02	Oval-head screw		X	
26	955 573 316 01	Air duct		1	I9AB/9AD

Model: 9PA108

Model life 2007>>2010



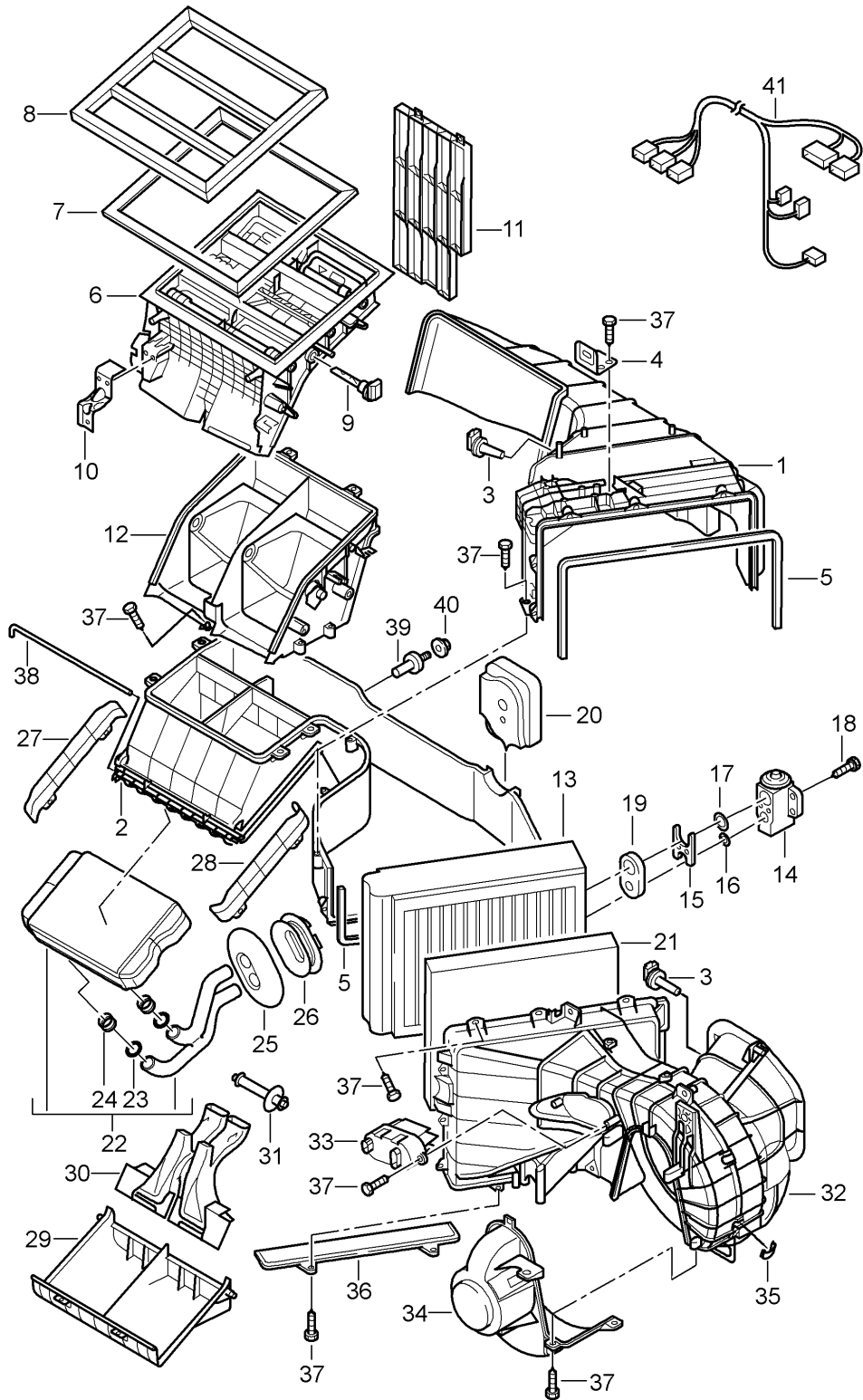
Model: 9PA108

Model life 2007>>2010

Pos	Part Number	Description	Remark	Qty	Model
		Air distributor Auxiliary air conditioner			I9AH
1	955 573 333 00	Air duct		1	
2	N 013 958 1	Air conditioner Oval-head sheetmetal screw		X	
3	955 573 329 00	Air duct	/L	1	
4	955 573 330 00	Air duct	/R	1	
5	N 900 488 02	Speed nut ST 3,5 X 9,55 X 8,25		X	
6	N 907 579 01	Nut T5 22 X 11		X	
7	955 573 327 00	Air duct	/L	1	
8	955 573 328 00	Air duct	/R	1	
9	955 573 325 00	Air distributor with Electric motor	/L	1	
10	955 573 326 00	Air distributor with Electric motor	/R	1	
11	955 573 321 01	Air duct	/L	1	
12	955 573 322 01	Air duct	/R	1	
13	955 573 323 00	Air duct	/L	1	
14	955 573 324 01	Air duct	/R	1	
15	955 573 319 00	Air duct	/L	1	
16	955 573 320 00	Air duct	/R	1	
17	955 573 313 01	Footwell outlet vent	/L	1	
18	955 573 314 03	Footwell outlet vent	/R	1	
19	N 905 584 01	Expansion rivet B 8,0 X 14,0		1	
20	N 104 648 02	Oval-head screw 4,0 X 12		X	
21	N 906 487 02	Tapping screw 4,8 X 16		X	
22	955 573 332 03	Distributor housing with Electric motor		1	
23	955 573 331 00	Adapter Distributor housing		1	
24	N 907 357 01	Screw Distributor housing		X	
25	955 624 920 00	Electric motor		X	

Model: 9PA108

Model life 2007>>2010



Model: 9PA108 Model life 2007>>2010

Pos	Part Number	Description	Remark	Qty	Model
		Air conditioner			
		Front			
		Single parts			
1	955 572 300 00	Housing	/LL	1	IL0L
(1)	955 572 301 00	Housing	/RL	1	IL0R
2	955 572 302 00	Housing	/LL	1	IL0L
(2)	955 572 303 00	Housing	/RL	1	IL0R
3	955 572 304 00	Temperature sensor VALEO		1	I9AD/9AH
(3)	955 572 304 10	Temperature sensor After Evaporator HELLA		1	I9AB/9AD/9AH
4	955 572 305 00	Support		1	
5	955 572 306 00	Sealing cord		1	
6	955 572 307 01	Air distributor	/LL	1	IL0L/9AB
(6)	955 572 307 02	Air distributor	/RL	1	IL0R/9AB
(6)	955 572 308 01	Air distributor	/LL	1	IL0L/9AD
(6)	955 572 308 02	Air distributor	/RL	1	IL0R/9AD
(6)	955 572 309 01	Air distributor	/LL	1	IL0L/9AH
(6)	955 572 309 02	Air distributor	/RL	1	IL0R/9AH
7	955 572 310 10	Gasket		1	
8	955 572 310 01	Gasket		1	
9	955 572 311 00	Temperature sensor		2	I9AD/9AH
10	955 572 312 00	Support		1	
11	955 572 313 00	Air guide	/LL	1	IL0L
(11)	955 572 314 00	Air guide	/RL	1	IL0R
12	955 572 315 00	Distributor housing		1	I9AB
(12)	955 572 316 00	Distributor housing		1	I9AD/9AH
13	955 572 317 10	Evaporator	/LL	1	IL0L
(13)	955 572 318 10	Evaporator	/RL	1	IL0R
14	955 572 319 02	Expansion valve		1	
15	955 572 064 00	Support		1	
16	955 572 324 00	Round seal 10,8 X 1,82		1	
17	955 572 325 10	Sealing ring 16,7 X 1,82		1	
18	N 104 763 01	Pan-head screw M5 X 40		X	
19	955 572 347 00	Gasket		1	
20	955 572 321 00	Gasket	/LL	1	IL0L
(20)	955 572 322 00	Gasket	/RL	1	IL0R
21	955 572 219 10	Particle filter		1	
22	955 572 326 00	Heat exchanger	/LL	1	IL0L
(22)	955 572 327 00	Heat exchanger	/RL	1	IL0R
23	N 909 732 01	O-ring		2	
24	955 572 328 00	Clamping spring		2	
25	955 572 349 01	Gasket		1	
26	955 572 350 00	Grommet		1	
27	955 572 329 00	Cover	/LL	1	IL0L
(27)	955 572 330 00	Cover	/RL	1	IL0R
28	955 572 331 00	Cover		1	
29	955 572 332 01	Lid		1	
30	955 572 320 00	Air guide		1	
31	955 572 333 01	Water drain sleeve		1	
32	955 572 336 00	Housing	/LL	1	IL0L/9AB
(32)	955 572 337 00	Housing	/RL	1	IL0R/9AB
(32)	955 572 338 00	Housing	/LL	1	IL0L/9AD/9AH
(32)	955 572 339 00	Housing	/RL	1	IL0R/9AD/9AH
33	955 572 341 01	Regulator		1	
34	955 572 342 01	Blower	/LL	1	IL0L
(34)	955 572 343 01	Blower	/RL	1	IL0R
35	955 572 344 00	Clamp		12	

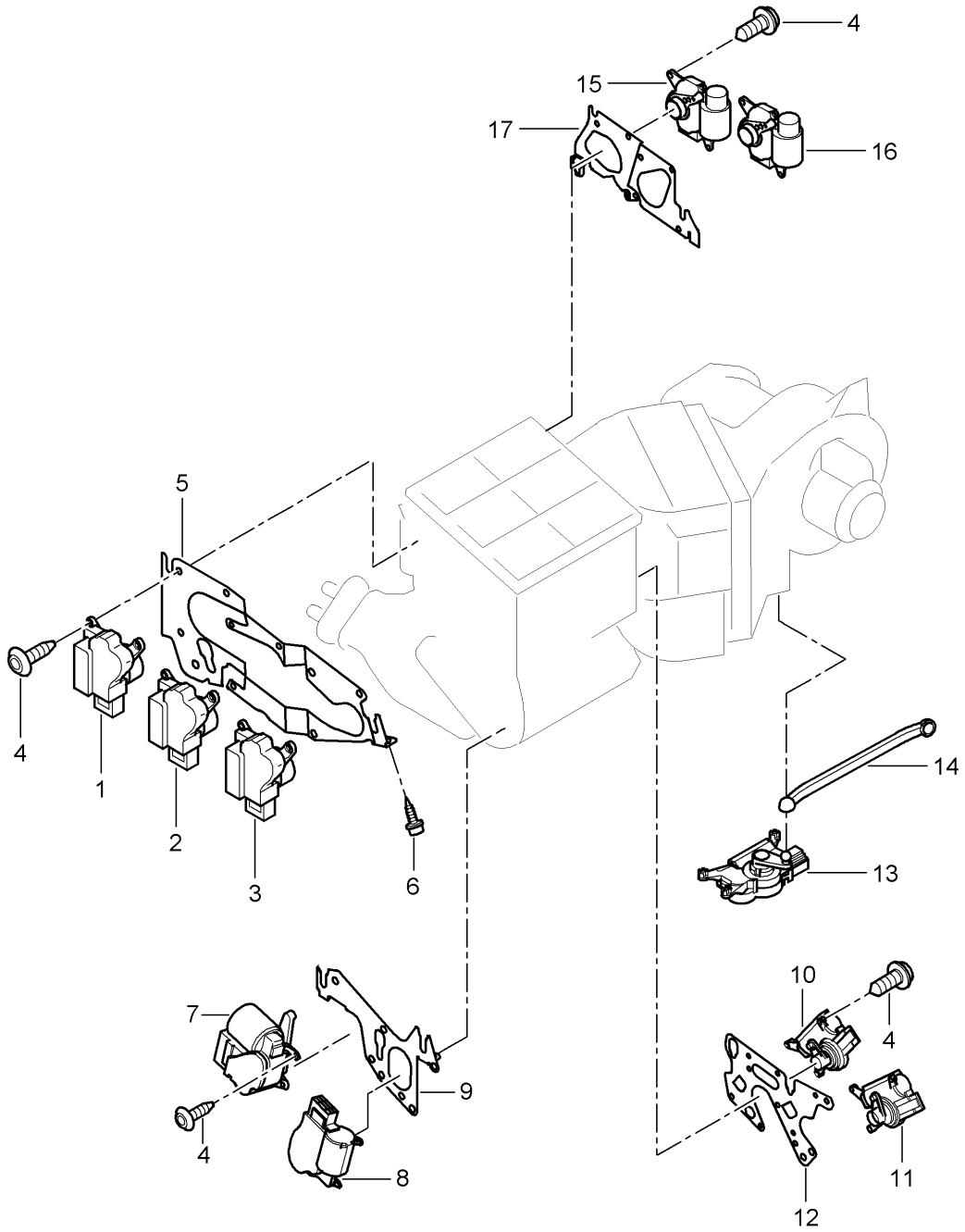
Model: 9PA108

Model life 2007>>2010

Pos	Part Number	Description	Remark	Qty	Model
36	955 572 345 00	Lid		1	
37	N 104 241 02	Hexagon-head tapping screw M4 X 16		X	
38	955 572 346 00	Guiding rod		1	
39	955 572 348 00	Rubber mounting		1	
40	N 902 173 03	Hexagon nut		2	
41	955 612 350 01	Wiring harness	/LL	1	IL0L/9AD
(41)	955 612 351 01	Wiring harness	/RL	1	IL0R/9AD
(41)	955 612 352 01	Wiring harness	/LL	1	IL0L/9AH
(41)	955 612 353 01	Wiring harness	/RL	1	IL0R/9AH

Model: 9PA108

Model life 2007>>2010



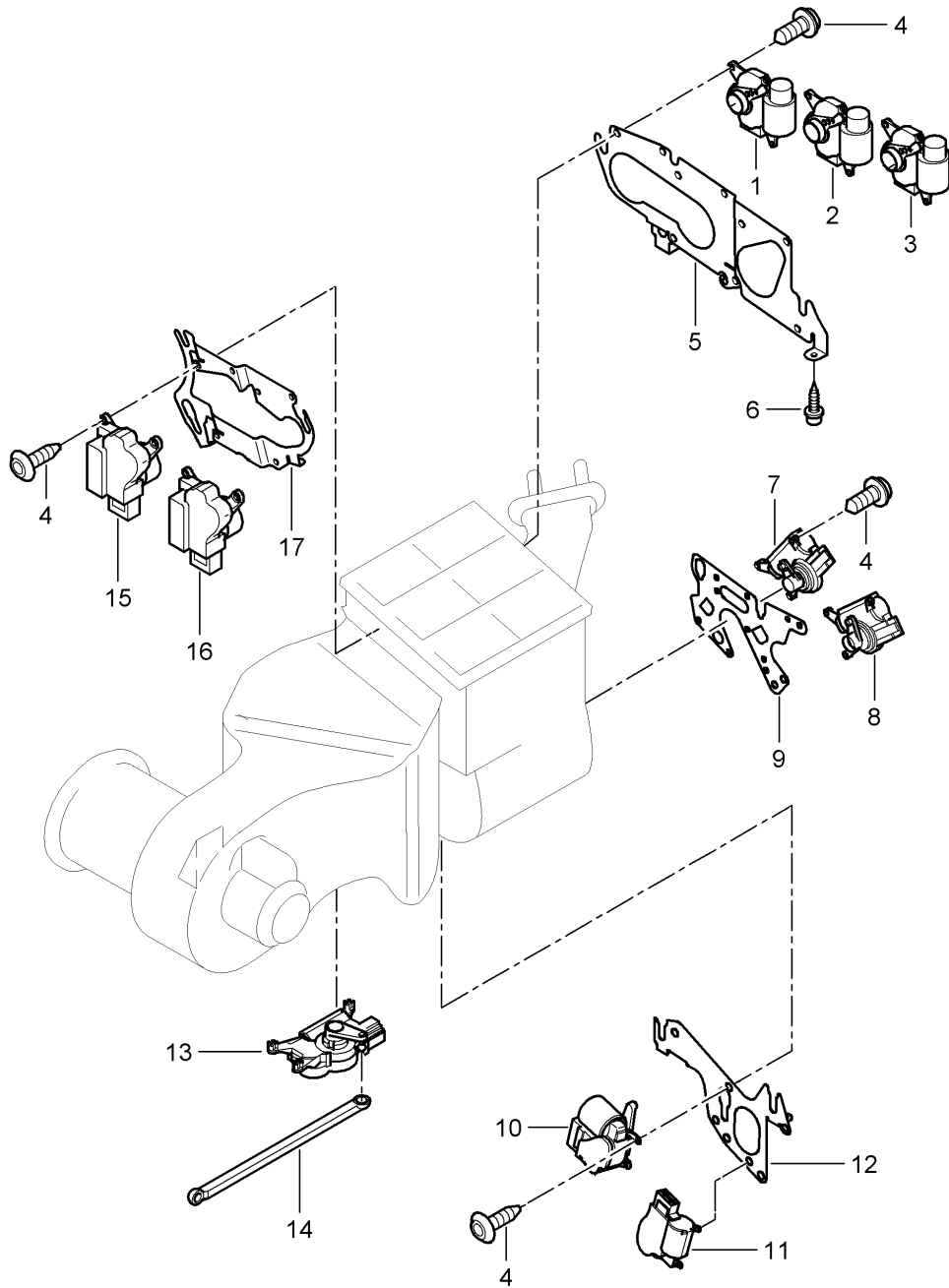
Model: 9PA108

Model life 2007>>2010

Pos	Part Number	Description	Remark	Qty	Model
		Electric motor Air conditioner Left-hand drive Front			ILOL
1	955 624 901 01	Electric motor		1	
		Defroster flap			
2	955 624 905 01	Electric motor		1	
		Air exhaust Lateral Left			
3	955 624 902 01	Electric motor		1	I9AD/9AH
		Air exhaust Centre Left			
4	N 106 216 01	Round head screw M4 X 12		X	
5	955 624 123 00	Retainer plate		1	
6	N 104 241 02	Hexagon-head tapping screw M4 X 16		X	
7	955 624 907 01	Electric motor Temperature mixing flap Left		1	I9AD/9AH
8	955 624 906 01	Electric motor Footwell flap Left		1	I9AD/9AH
9	955 624 123 02	Retainer plate		1	I9AD/9AH
10	955 624 908 01	Electric motor Temperature mixing flap Right		1	I9AD/9AH
11	955 624 909 01	Electric motor Footwell flap Right		1	I9AH
12	955 624 123 04	Retainer plate		1	
13	955 624 910 01	Electric motor		1	I9AB
(13)	955 624 915 01	Electric motor Fresh-air intake system		1	I9AD/9AH
14	955 572 901 00	Connecting rod		1	
15	955 624 913 01	Electric motor Air exhaust Lateral Right		1	I9AH
16	955 624 912 01	Electric motor Air exhaust Centre Right		1	I9AH
17	955 624 123 05	Retainer plate		1	I9AH

Model: 9PA108

Model life 2007>>2010



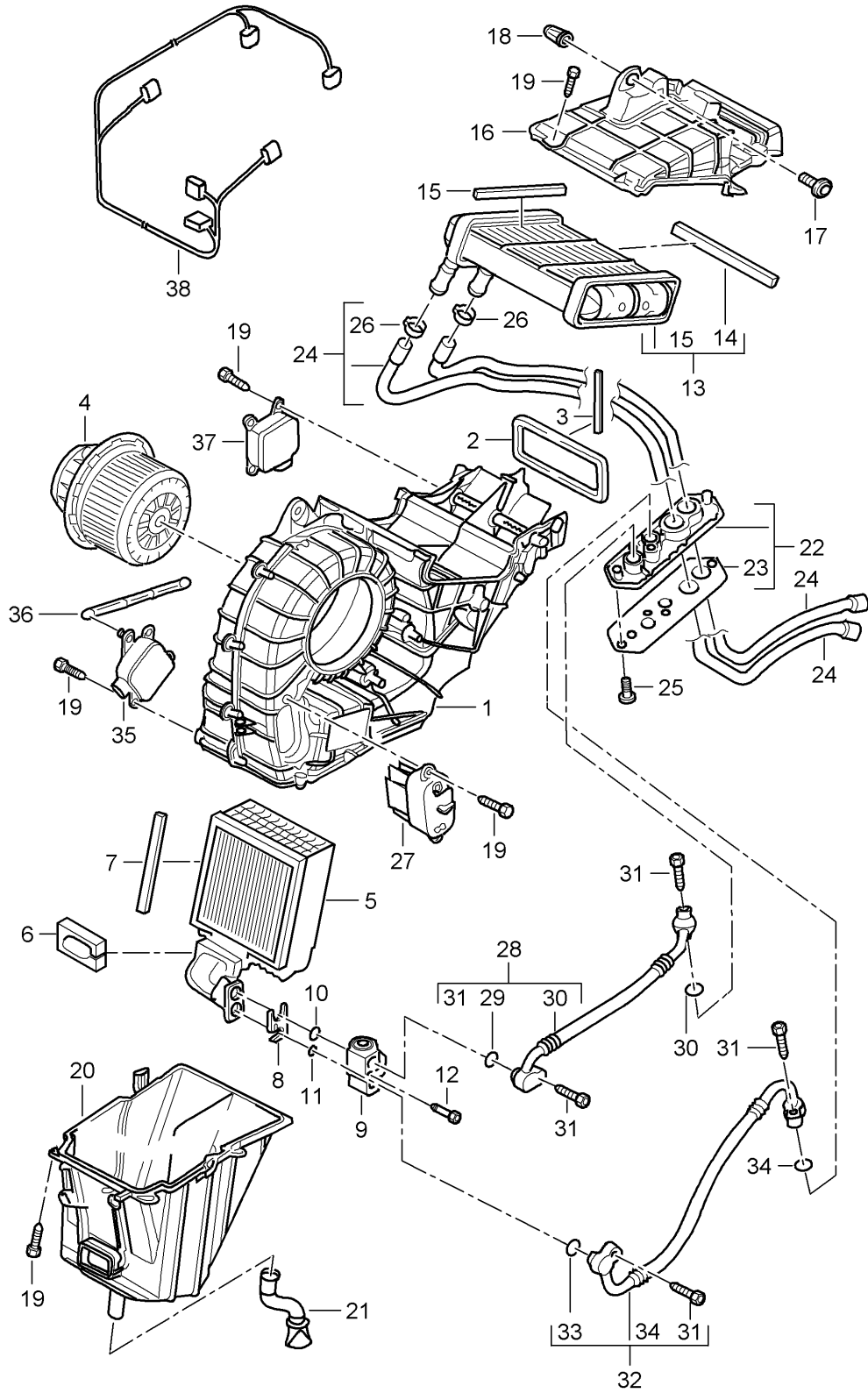
Model: 9PA108

Model life 2007>>2010

Pos	Part Number	Description	Remark	Qty	Model
		Electric motor Air conditioner Front			IL0R
1	955 624 911 01	Right-hand drive Electric motor Defroster flap Right		1	
2	955 624 913 01	Electric motor Air exhaust Lateral Right		1	I9AH
3	955 624 912 01	Electric motor Air exhaust Centre Right		1	I9AH
4	N 106 216 01	Round head screw M4 X 12		X	
5	955 624 123 01	Retainer plate		1	
6	N 104 241 02	Hexagon-head tapping screw M4 X 16		X	
7	955 624 908 01	Electric motor Temperature mixing flap Right		1 1	I9AD/9AH
8	955 624 909 01	Electric motor Footwell flap Right		1	I9AH
9	955 624 123 04	Retainer plate		1	I9AD/9AH
10	955 624 907 01	Electric motor Temperature mixing flap Left		1	I9AD/9AH
11	955 624 906 01	Electric motor Footwell flap Left		1	I9AD/9AH
12	955 624 123 02	Retainer plate		1	I9AD/9AH
13	955 624 914 01	Electric motor		1	I9AB
(13)	955 624 903 01	Electric motor Fresh-air intake system		1	I9AD/9AH
14	955 572 901 00	Connecting rod		1	
15	955 624 905 01	Electric motor Air exhaust Lateral Left		1	
16	955 624 902 01	Electric motor Air exhaust Centre Left		1	I9AD/9AH
17	955 624 123 03	Retainer plate		1	

Model: 9PA108

Model life 2007>>2010



Model: 9PA108 Model life 2007>>2010

Pos	Part Number	Description	Remark	Qty	Model
		Air conditioner			I9AH
		Rear			
		Single parts			
1	955 572 060 00	Housing		1	
2	955 572 092 00	Gasket		1	
		Air exhaust			
3	955 572 093 00	Gasket		1	
		Centre web			
4	955 572 061 00	Blower		1	
5	955 572 062 01	Evaporator		1	
6	955 572 063 00	Gasket		1	
7	955 572 066 00	Gasket		1	
8	955 572 064 00	Support		1	
		Expansion valve			
9	955 572 319 10	Expansion valve		1	
10	955 572 325 10	Sealing ring		1	
		Exhaust			
11	955 572 324 00	Round seal		3	
		Intake			
12	N 104 763 01	Pan-head screw		2	
		M5 X 40			
13	955 572 070 01	Heat exchanger		1	
14	955 572 071 00	Gasket		1	
15	955 572 072 00	Gasket		1	
16	955 572 073 00	Lid		1	
17	N 906 841 04	Oval-head screw		X	
		M6 X 20			
18	N 106 185 01	Blind rivet nut		X	
		M6			
19	N 104 241 02	Hexagon-head tapping screw		X	
		4 X 16			
20	955 572 074 00	Housing		1	
21	955 572 091 00	Water drain sleeve		1	
22	955 572 076 00	Plate		1	
23	955 572 190 00	Gasket		1	
		Plate			
24	N 102 070 02	Torx screw		X	
		M6 X 15			
25	955 572 078 01	Water hose		1	
		Supply			
		Return line			
26	N 105 587 01	Hose clamp		2	
27	955 572 341 01	Regulator		1	
28	955 572 080 01	Refrigerant hose		1	
29	955 572 082 00	Round seal		X	
		14,3 X 2,4			
30	955 573 103 00	O-ring		X	
		13,7 X 2,5			
(30)	955 573 749 02	Round seal		X	
		13,7 X 2,5			
31	N 104 144 02	Pan-head screw		X	
		M8 X 28			
32	955 572 081 00	Refrigerant hose		1	
33	955 572 324 00	Round seal		X	
		10,8 X 1,82			
(33)	955 573 749 04	O-ring		X	
		10.8 X 1,82			
34	955 572 110 00	O-ring		X	
		9,5 X 2,5			
(35)	955 572 083 01	Electric motor	/L	1	
35	955 572 084 01	Electric motor	/R	1	
		Temperature valve			
36	955 572 069 00	Guiding rod		1	

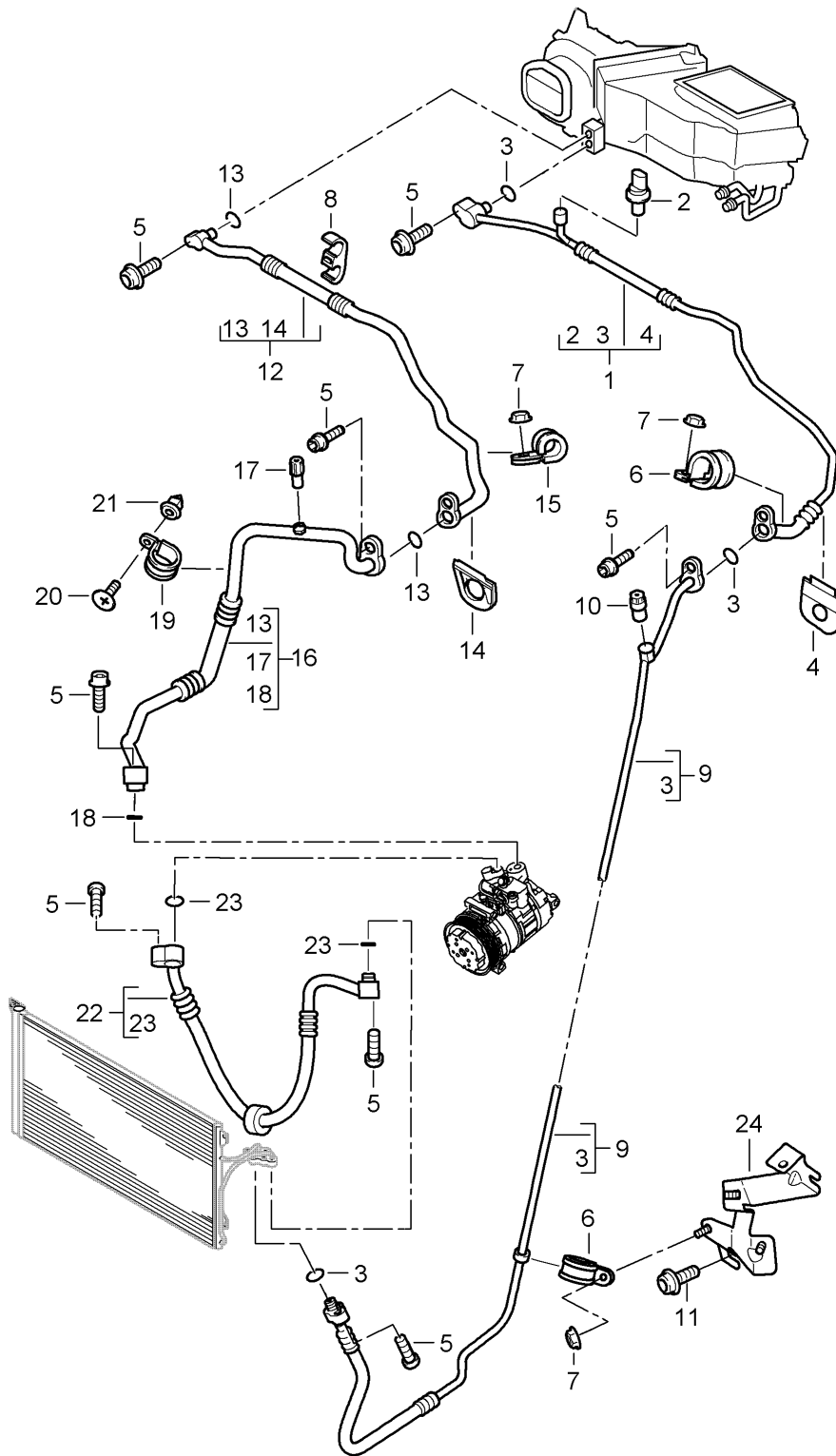
Model: 9PA108

Model life 2007>>2010

Pos	Part Number	Description	Remark	Qty	Model
(37)	955 572 085 01	Electric motor	/L	1	
37	955 572 085 03	Electric motor	/R	1	
		Air distributor			
38	955 612 354 00	Wiring harness		1	

Model: 9PA108

Model life 2007>>2010



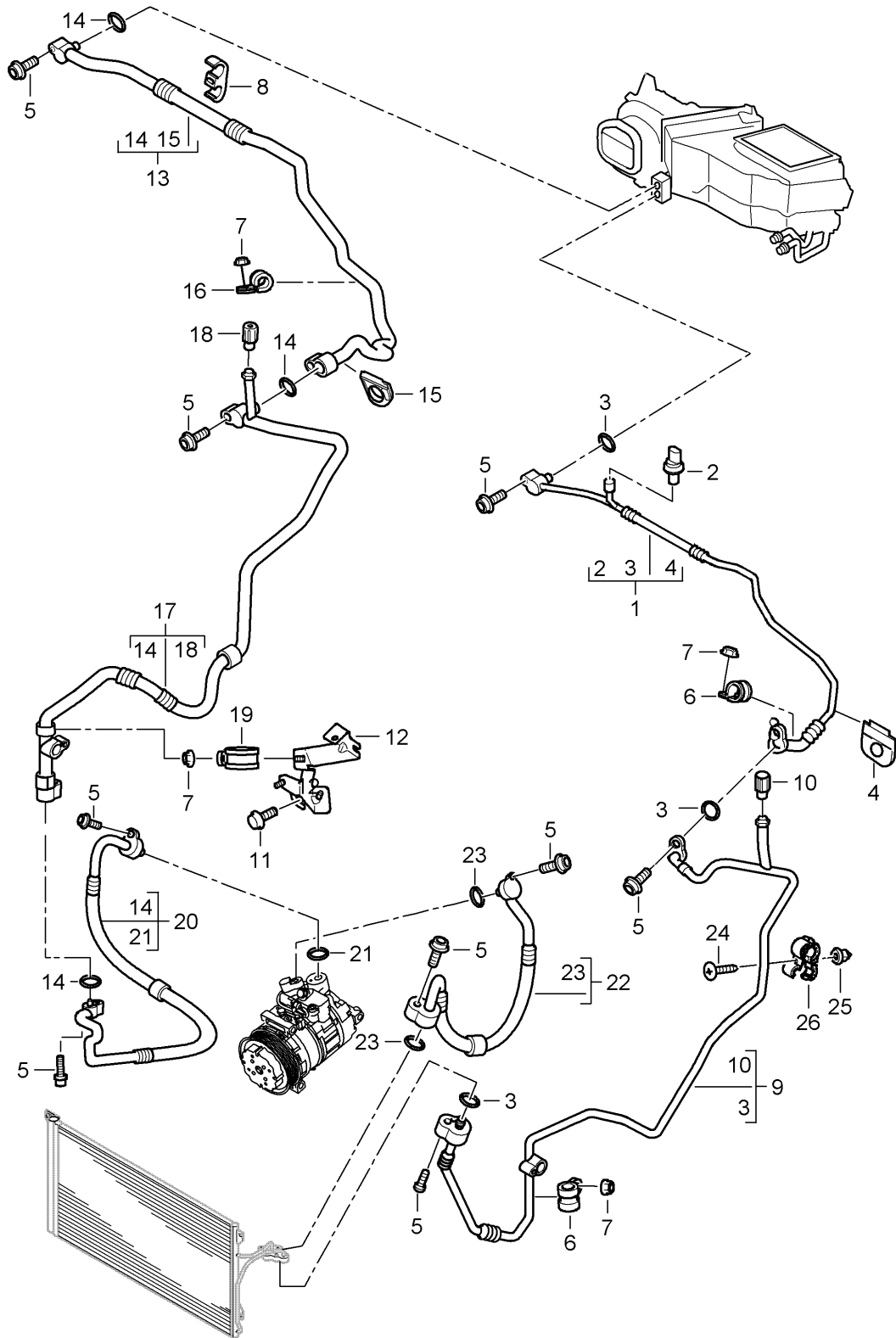
Model: 9PA108

Model life 2007>>2010

Pos	Part Number	Description	Remark	Qty	Model
		Refrigerant circuit Front			ID5X/9AB/9AD
1	955 573 741 03	Pressure line	/LL	1	IL0L
1	955 573 741 05	Pressure line	/LL	1	IL0L
		Connection point			
		Expansion valve			
(1)	955 573 741 06	Pressure line	/RL	1	IL0R
		Connection point			
		Expansion valve			
2	955 613 137 01	Pressure sensor		1	
(2)	955 613 137 02	Pressure sensor		1	
3	955 573 749 00	Round seal		X	
		9,5 X 2,5			
4	955 573 668 01	Grommet		1	
		Pressure line			
5	N 104 144 02	Pan-head screw		X	
		M8 X 28			
6	N 020 651 7	Clip		X	
		10 X 15			
7	N 015 082 5	Hexagon nut		X	
		M6			
8	955 573 759 00	Support	/LL	1	IL0L
9	955 573 750 00	Pressure line		1	
10	955 573 100 00	Valve		1	
		with			
		Cap			
11	N 104 514 04	Lens-head screw		1	
		M6 X 16			
12	955 573 743 02	Intake pipe	/LL	1	IL0L
(12)	955 573 743 03	Intake pipe	/RL	1	IL0R
13	955 573 749 02	Round seal		X	
		13,7 X 2,5			
14	955 572 780 00	Grommet		1	
		Intake pipe			
15	N 020 640 5	Clamp		X	
		D1 - 18 X 15			
16	955 573 744 00	Intake pipe		1	
17	955 573 101 00	Valve		1	
		with			
		Cap			
18	955 573 109 00	O-ring		X	
		23,8 X 2,4			
19	N 020 647 3	Clamp		X	
		D1 - 24 X 15			
20	N 908 494 01	Tapping screw		X	
		3,5 X 13			
20	N 908 494 02	Tapping screw		X	
		ST 3,5 X 13			
21	N 105 168 01	Expander nut		1	
		F 5,0 X 14,4			
22	955 573 721 00	Pressure line		1	
23	955 573 749 01	Round seal		X	
		11,0 X 2,5			
24	955 573 891 01	Support		X	

Model: 9PA108

Model life 2007>>2010



Model: 9PA108

Model life 2007>>2010

Pos	Part Number	Description	Remark	Qty	Model
		Refrigerant circuit			ID5X/9AH
		Front			
		with			
		Auxiliary air conditioner			
1	955 573 741 03	Pressure line	/LL	1	IL0L
(1)	955 573 741 04	Pressure line	/RL	1	IL0R
		Connection point			
		Expansion valve			
2	955 613 137 01	Pressure sensor		1	
(2)	955 613 137 02	Pressure sensor		1	
3	955 573 749 00	Round seal		X	
		9,5 X 2,5			
4	955 573 668 01	Grommet		1	
		Pressure line			
5	N 104 144 02	Pan-head screw		X	
		M8 X 28			
6	N 020 651 7	Clip		X	
		10 X 15			
7	N 015 082 5	Hexagon nut		X	
		M6			
8	955 573 759 00	Support	/LL	1	IL0L
9	955 573 750 02	Pressure line		1	
		Connection point			
		Condenser			
10	955 573 100 00	Valve		1	
		with			
		Cap			
11	N 104 514 04	Lens-head screw		1	
		M6 X 16			
12	955 573 891 01	Support		1	
13	955 573 743 02	Intake pipe	/LL	1	IL0L
(13)	955 573 743 03	Intake pipe	/RL	1	IL0R
14	955 573 749 02	Round seal		X	
		13,7 X 2,5			
15	955 572 780 00	Grommet		1	
		Intake pipe			
16	N 020 640 5	Clamp		X	
		D1 - 18 X 15			
(17)	955 573 017 00	Intake pipe		1	I9AB/9AD
17	955 573 017 01	Intake pipe		1	I9AH
18	955 573 101 00	Valve		1	
		with			
		Cap			
19	N 020 647 3	Clamp		X	
		D1 - 24 X 15			
20	955 573 744 02	Intake pipe		1	
(20)		Intake pipe		1	
		Connection point			
		Compressor			
21	955 573 109 00	O-ring		X	
		23,8 X 2,4			
22	955 573 721 00	Pressure line		1	
(22)	955 573 721 02	Pressure line		1	
		Compressor			
		Condenser			
23	955 572 094 00	O-ring		X	
		11,0 X 2,5			
23	955 573 749 01	Round seal		X	
		11,0 X 2,5			
24	N 908 494 01	Tapping screw		X	
		3,5 X 13			
24	N 908 494 02	Tapping screw		X	
		ST 3,5 X 13			

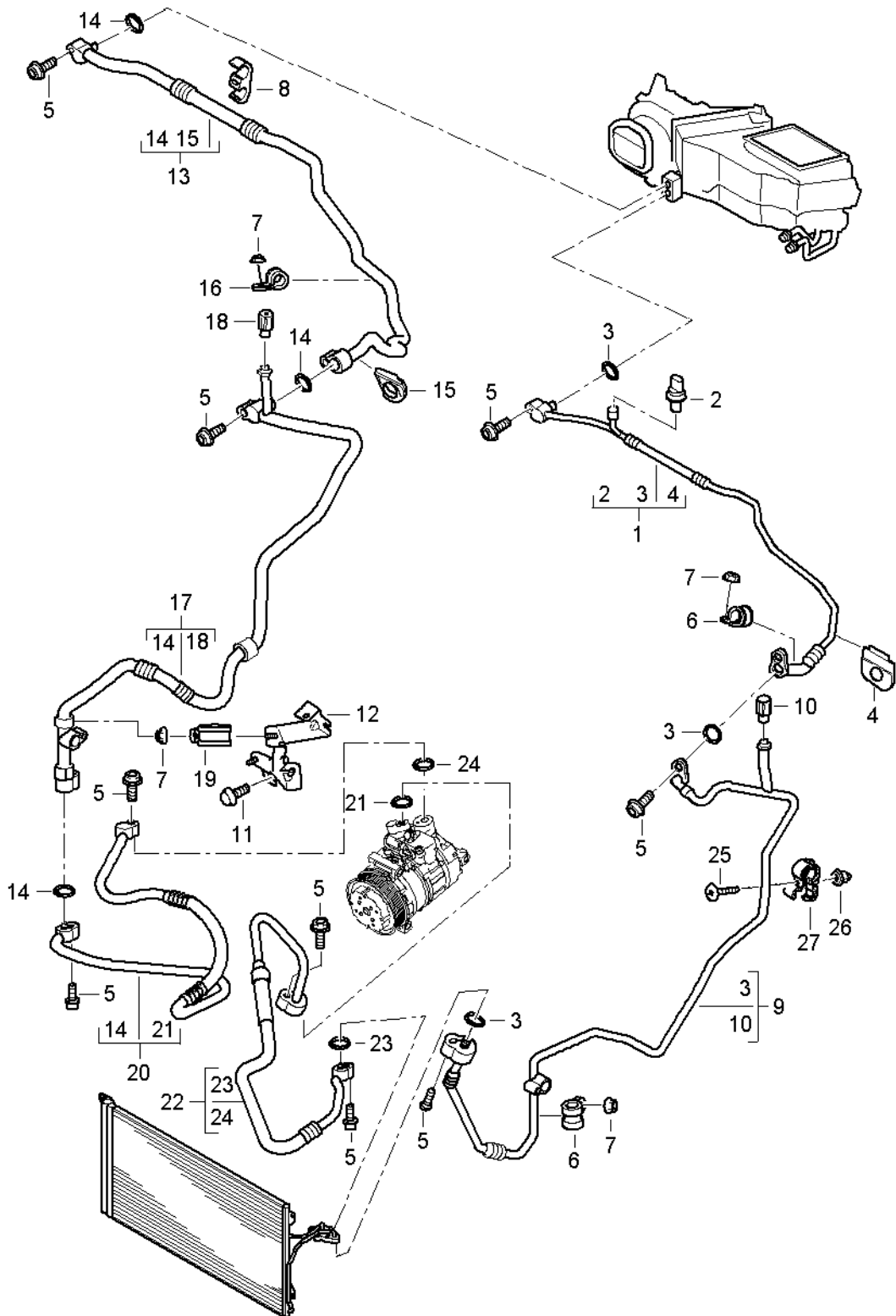
Model: 9PA108

Model life 2007>>2010

Pos	Part Number	Description	Remark	Qty	Model
25	N 105 168 01	Expander nut F 5,0 X 14,4		1	
26	955 573 104 00	Dual clip Side member		X	

Model: 9PA108

Model life 2007>>2010



Model: 9PA108 Model life 2007>>2010

Pos	Part Number	Description	Remark	Qty	Model
		Refrigerant circuit			ID5V/D5Z/D50
		Front			I9AB/9AD/9AH
1	955 573 741 03	Pressure line	/LL	1	IL0L
1	955 573 741 05	Pressure line	/LL	1	IL0L
(1)	955 573 741 06	Pressure line	/RL	1	IL0R
		Connection point			
		Expansion valve			
(1)	955 573 741 10	Pressure line	/LL	1	ID50/L0L
		Connection point			
		Expansion valve			
(1)	955 573 741 11	Pressure line	/RL	1	ID50/L0R
		Connection point			
		Expansion valve			
2	955 613 137 01	Pressure sensor		1	
		SIEHE			
		Technical information			
		Group 8			
		NUMMER 4/09			
(2)	955 613 137 02	Pressure sensor		1	
3	955 573 749 00	Round seal		X	
		9,5 X 2,5			
4	955 573 668 01	Grommet		1	
		Pressure line			
5	N 104 144 02	Pan-head screw		X	
		M8 X 28			
6	N 020 651 7	Clip		X	
		10 X 15			
7	N 015 082 5	Hexagon nut		X	
		M6			
8	955 573 759 00	Support	/LL	1	IL0L
9	955 573 750 02	Pressure line		1	ID5V/D5Z/9AH
		Condenser			
9	955 573 750 05	Pressure line		1	ID5V/D5Z/9AH
		Condenser			
(9)	955 573 750 01	Pressure line		1	ID5V/D5Z/9AB
					I9AD
(9)	955 573 750 04	Pressure line		1	ID5V/D5Z/9AB
					I9AD
(9)	958 573 750 00	Pressure line		1	ID50
10	955 573 100 00	Valve		1	
		with			
		Cap			
11	N 104 514 04	Lens-head screw		1	
		M6 X 16			
12	955 573 891 01	Support		1	
13	955 573 743 02	Intake pipe	/LL	1	-ID50/IL0L
(13)	955 573 743 04	Intake pipe	/LL	1	-ID50/IL0L
(13)	955 573 743 03	Intake pipe	/RL	1	-ID50/IL0R
(13)	955 573 743 10	Intake pipe		1	ID50
		Connection point			
		Expansion valve			
14	955 573 749 02	Round seal		X	
		13,7 X 2,5			
15	955 572 780 00	Grommet		1	
		Intake pipe			
16	N 020 640 5	Clamp		X	
		D1 - 18 X 15			
(17)	955 573 017 00	Intake pipe		1	ID5V/D5Z/9AB
					I9AD
(17)	955 573 017 02	Intake pipe		1	ID5V/D5Z/9AB
					I9AD
17	955 573 017 01	Intake pipe		1	ID5V/D5Z/9AH
(17)	955 573 017 03	Intake pipe		1	ID5V/D5Z/9AH

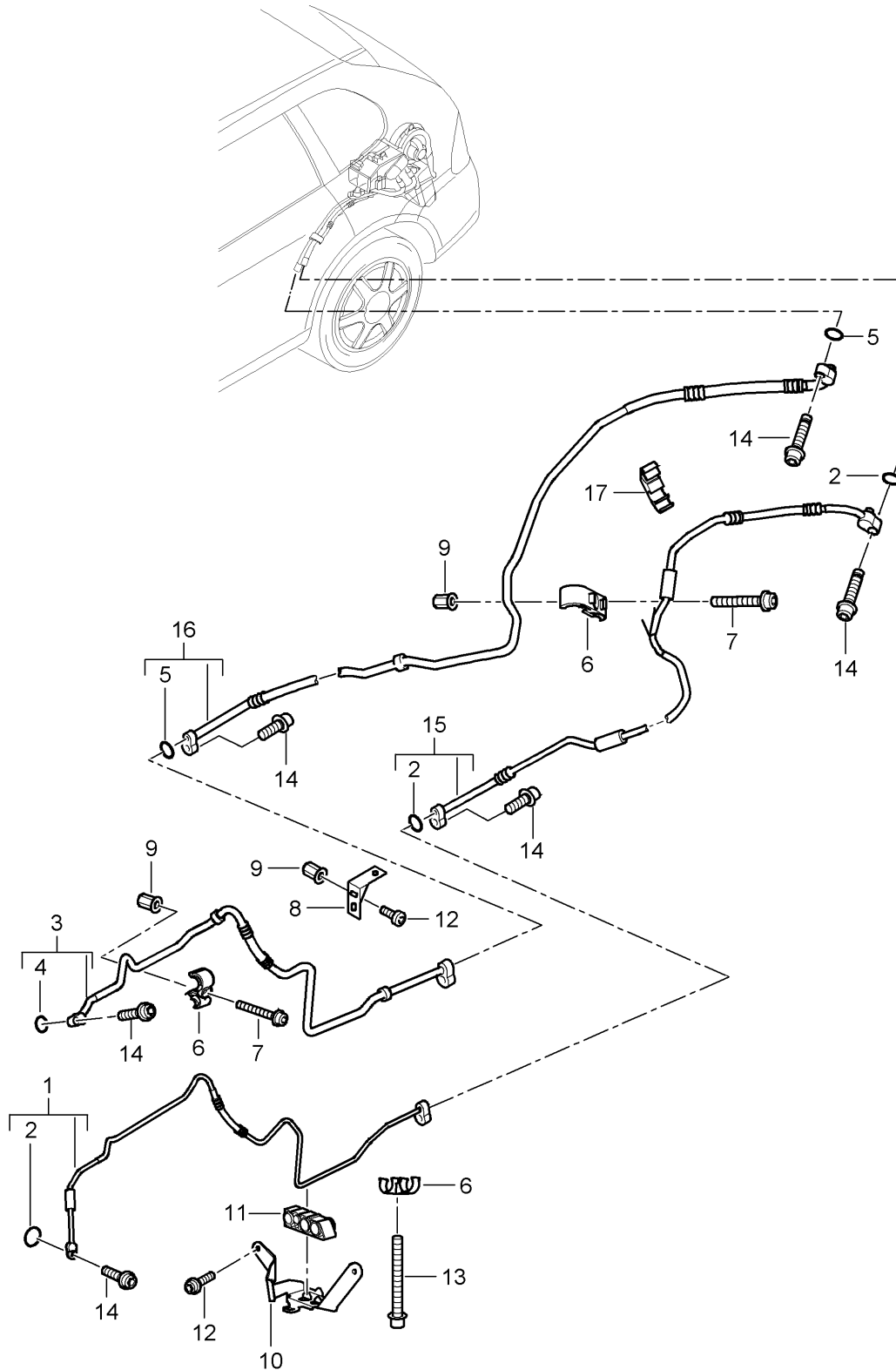
Model: 9PA108

Model life 2007>>2010

Pos	Part Number	Description	Remark	Qty	Model
(17)	955 573 017 10	Compressor Intake pipe		1	ID50/9AH
(17)	955 573 017 11	Compressor Intake pipe		1	ID50/9AB/9AD
(17)	955 573 017 20	Compressor Intake pipe		1	ID50
18	955 573 101 00	Valve with Cap		1	
19	N 020 647 3	Clamp D1 - 24 X 15		X	
20	955 573 744 20	Intake pipe		1	ID50
(20)	955 573 744 05	Compressor Intake pipe		1	-ID50
(20)	955 573 744 06	Compressor Intake pipe		1	-ID50
21	955 573 749 04	Compressor O-ring 10,8 X 1,8		X	
22	955 573 721 01	Pressure line		1	
(22)	955 573 721 10	Pressure line Compressor Condenser		1	ID50
23	955 572 094 00	O-ring 11,0 X 2,5		X	
23	955 573 749 01	Round seal 11,0 X 2,5		X	
24	955 573 109 00	O-ring 23,8 X 2,4		X	
25	N 908 494 01	Tapping screw 3,5 X 13		X	
25	N 908 494 02	Tapping screw ST 3,5 X 13		X	
26	N 105 168 01	Expander nut F 5,0 X 14,4		1	
27	955 573 104 00	Dual clip Side member		X	

Model: 9PA108

Model life 2007>>2010



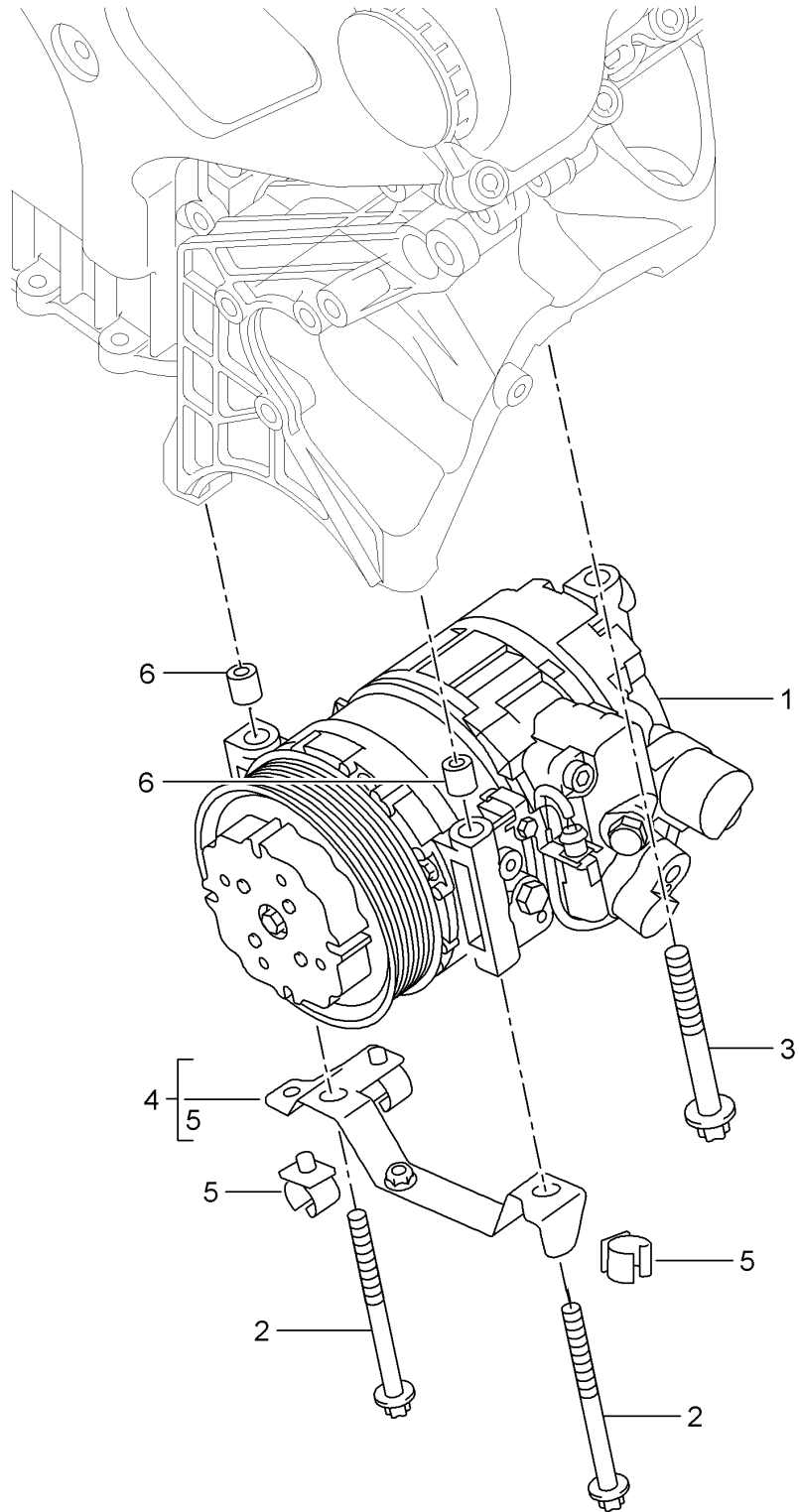
Model: 9PA108

Model life 2007>>2010

Pos	Part Number	Description	Remark	Qty	Model
		Refrigerant circuit Auxiliary air conditioner Rear			I9AH
(1)	955 573 722 01	Pressure line		1	
(1)	955 573 722 02	Pressure line		1	
2	955 573 749 00	Round seal		X	
(3)	955 573 729 03	Intake pipe		1	
4	955 573 749 01	Round seal		X	
5	955 572 094 00	O-ring 11,0 X 2,5		X	
5	955 573 749 02	Round seal		X	
6	955 572 180 00	Dual clip		X	
7	N 105 084 02	Hexagon socket head bolt M6 X 35		4	
8	955 572 495 00	Support		2	
9	N 902 631 04	Blind rivet nut M6		X	
10	955 573 605 00	Support		1	
11	955 572 757 05	Spacer		1	
12	N 104 514 04	Lens-head screw M6 X 16		2	
13	N 104 677 02	Hexagon socket head bolt M6 X 70		2	
14	N 104 144 02	Pan-head screw M8 X 28		2	
15	955 573 725 00	Pressure line		1	
16	955 573 727 00	Intake pipe		1	
17	955 573 763 00	Spacer		1	

Model: 9PA108

Model life 2007>>2010



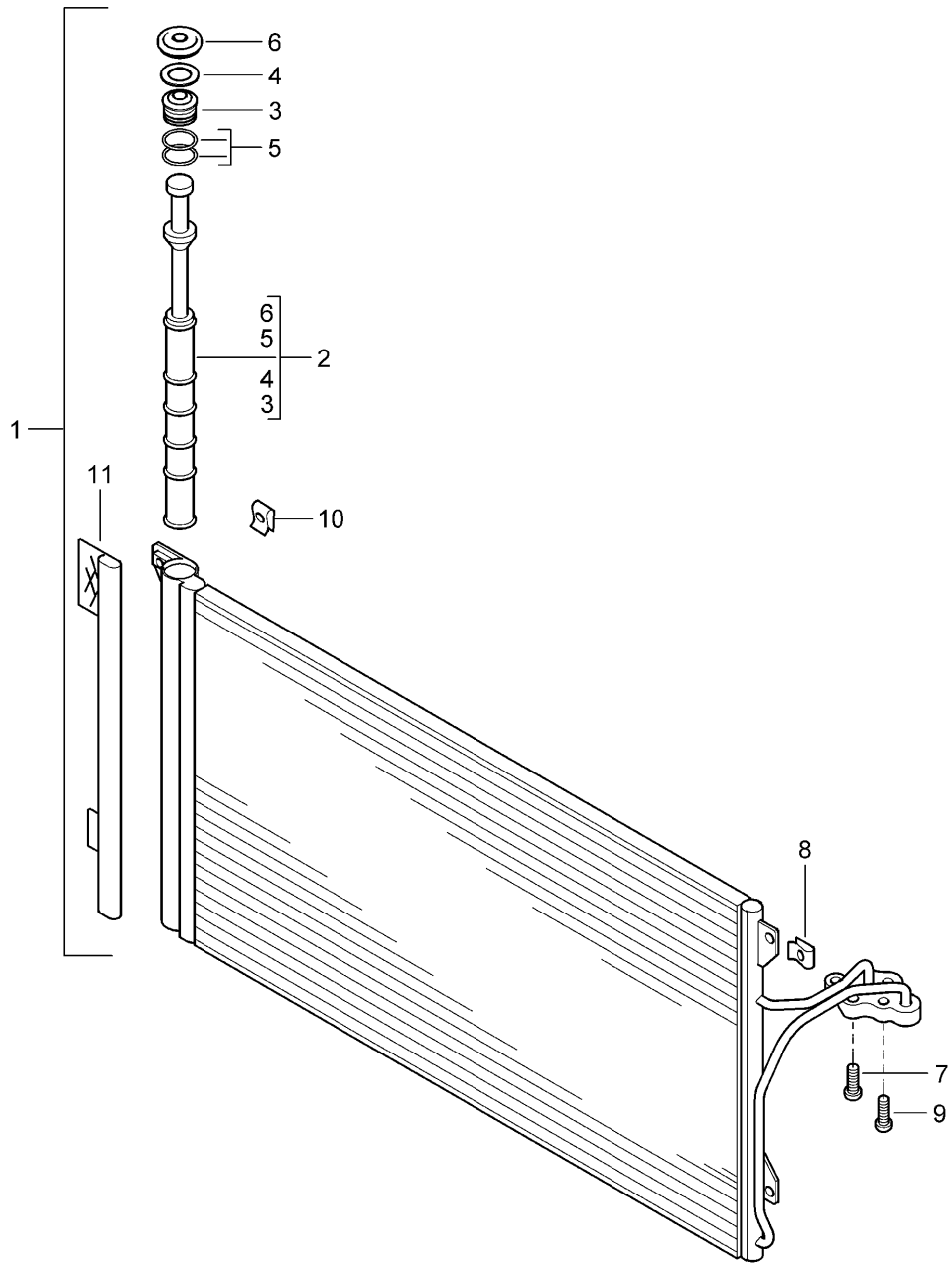
Model: 9PA108

Model life 2007>>2010

Pos	Part Number	Description	Remark	Qty	Model
		Compressor			
		Air conditioner			
1	955 126 011 04	Compressor		1	ID5X
1	955 126 011 DX	Compressor		1	ID5X
(1)	955 126 011 10	Compressor		1	ID5V/D5Z
(1)	955 126 011 1X	Compressor		1	ID5V/D5Z
(1)	955 126 011 12	Compressor		1	ID50
2	N 907 075 02	Combination screw M 8 X 100		2	
3	N 106 727 01	Hexagon-head bolt M 10 X 100		1	
4	955 126 012 00	Support	/LL	1	ID5X/L0L
(4)	955 126 012 10	Support	/RL	1	ID5X/L0R
(4)	955 126 012 11	Support		1	ID5V/D5Z
5	4D0 616 823	Clamp		1	ID5X
(5)		Clamp		4	ID5V/D5Z
6	955 147 501 01	Dowel sleeve 6,5 X 11,15		2	ID5X
(6)	955 126 501 02	Dowel sleeve 11M6 X 10		2	ID5V/D5Z
-	000 043 200 04	Oil for Compressor 250 ml		1	

Model: 9PA108

Model life 2007>>2010



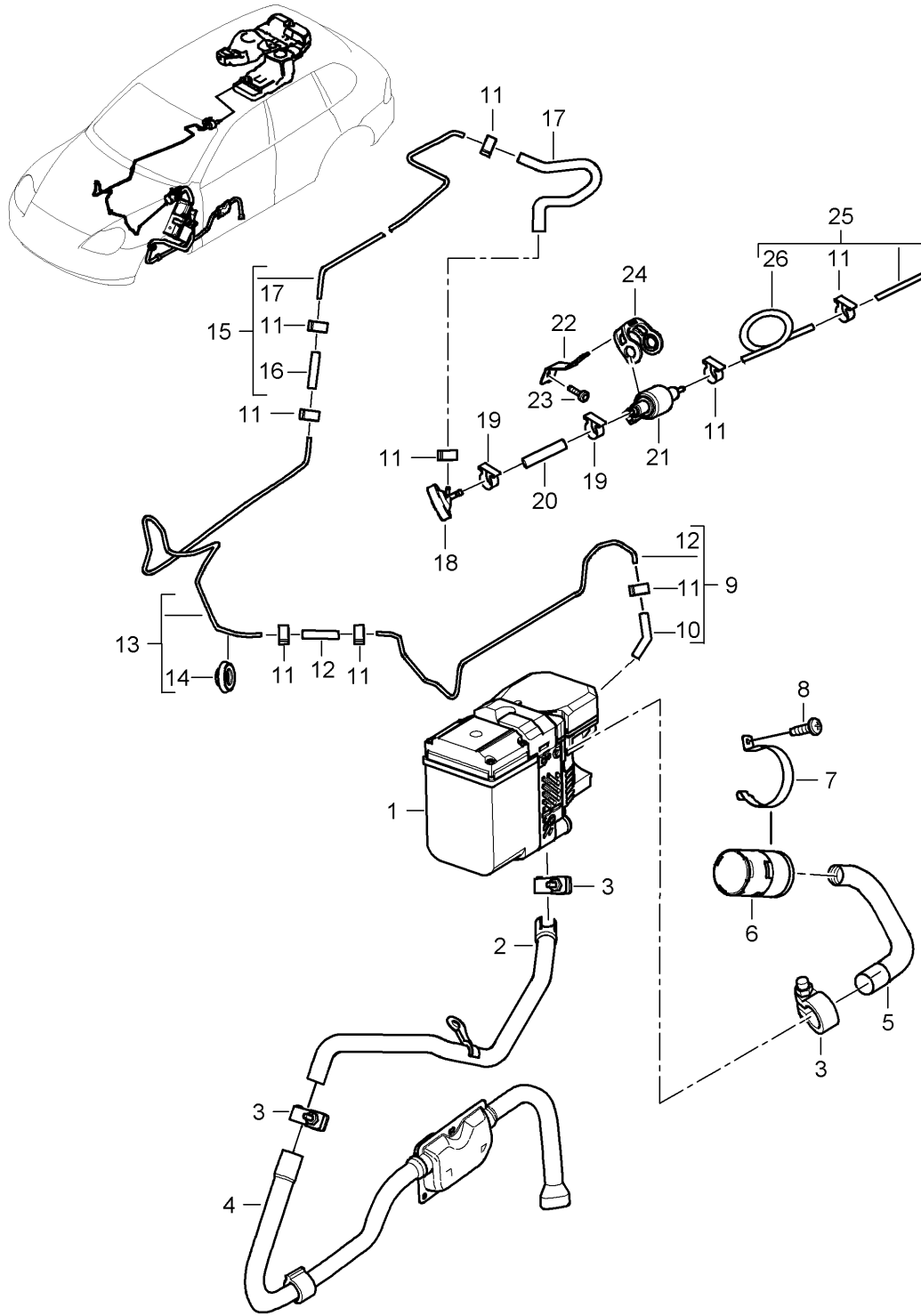
Model: 9PA108

Model life 2007>>2010

Pos	Part Number	Description	Remark	Qty	Model
		Condenser			
		Air conditioner			
1	955 573 111 05	Condenser		1	-ID50
1	955 573 111 04	Condenser		1	ID50
2	955 573 143 01	Desiccator		1	
3	955 573 115 00	Cap		1	
4	N 909 939 01	Circlip		1	
5	N 909 870 01	O-ring		1	
6	955 573 116 00	Cover		1	
7	N 104 514 04	Lens-head screw		2	
		M 6 X 16			
8	999 166 034 02	Sl-lock		2	
9	N 104 144 02	Pan-head screw		X	
		M 8 X 28			
10	N 902 547 01	Lock washer		4	
(11)	955 573 117 00	Sealing strip	/L	1	
11	955 573 118 00	Sealing strip	/R	1	

Model: 9PA108

Model life 2007>>2010



Model: 9PA108

Model life 2007>>2010

Pos	Part Number	Description	Remark	Qty	Model
		Auxiliary heater Support See illustrations 8/13/85			
1	955 572 801 04	Auxiliary heater		1	-ID50/-I9M5
(1)	955 572 801 10	Auxiliary heater		1	ID50/9M5
(1)	955 572 801 20	Auxiliary heater		1	-I9M5/ID50
2	955 572 806 02	Exhaust pipe		1	
3	N 106 182 01	Clip 22 X 15		X	
4	955 572 807 02	Exhaust silencer		1	
5	955 572 811 02	Intake manifold		1	
6	955 572 812 00	Muffler		1	
7	955 572 597 00	Clip Muffler		1	
8	N 909 117 01	Screw M 4 X 16		1	
9	955 572 490 00	Fuel line Heater Wheel housing		1	
10	955 572 514 00	Moulded hose		1	
11	N 101 981 01	Hose clamp		X	
12	955 572 517 00	Fuel hose		X	
13	955 572 492 00	Fuel line Tunnel		1	
14	311 949 149 B	Grommet		1	
15	955 201 355 12	Fuel line Pump		1	
16	955 572 815 00	Fuel hose		1	
17	955 572 513 00	Hose Damper		1	
18	955 572 618 00	Damper		1	
19	N 102 035 01	Clip 11,3 X 5 X 0,5		1	
20	955 572 238 00	Hose		1	
21	955 572 820 01	Fuel pump		1	
22	955 572 829 00	Support Fuel pump		1	
23	N 106 507 01	Pan-head screw M6 X 12		1	
24	955 572 947 00	Rubber holder		1	
25	955 201 355 01	Fuel pump Fuel line Pump		1	
26	955 572 757 00	Fuel tank Hose		1	

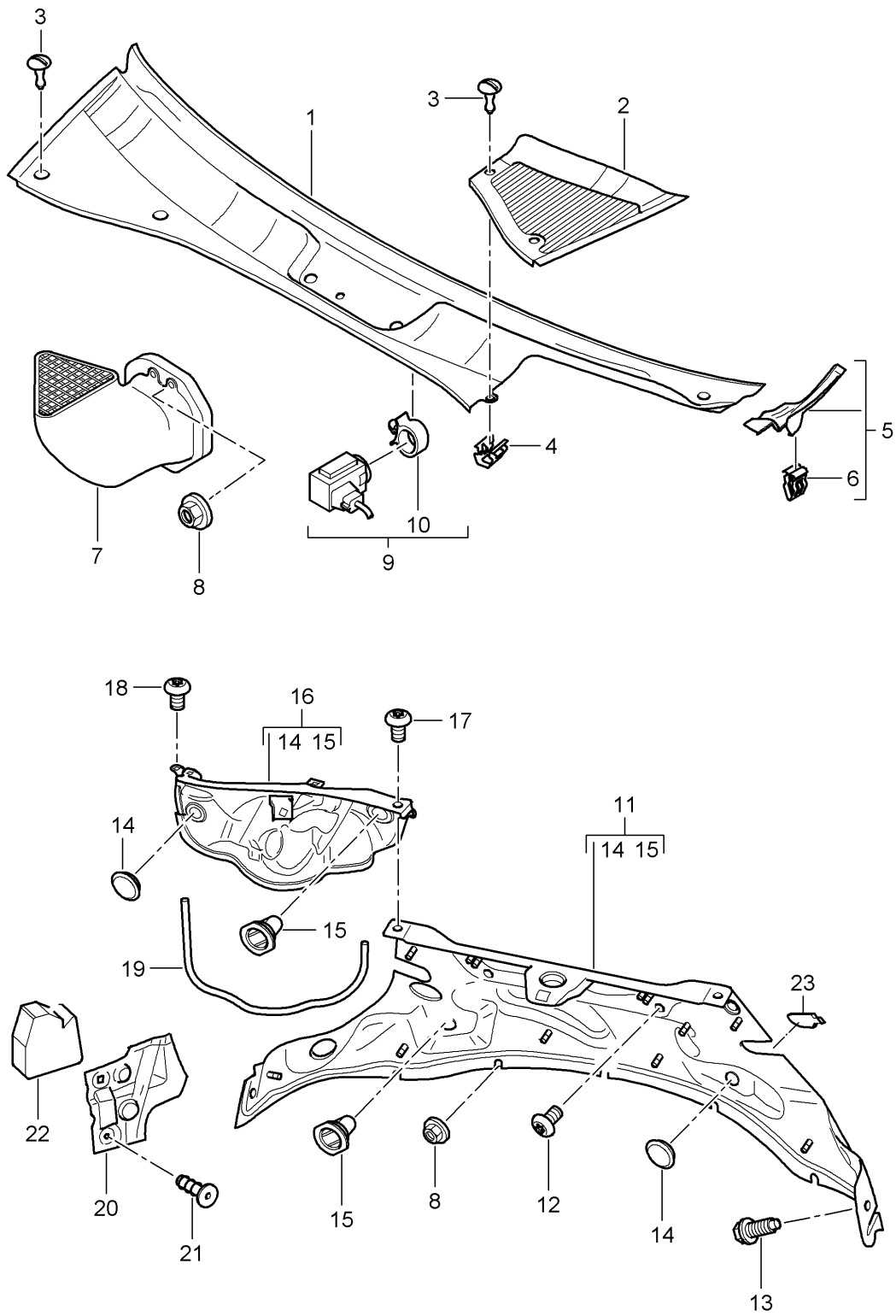
Model: 9PA108

Model life 2007>>2010

Pos	Part Number	Description	Remark	Qty	Model
1	955 572 803 02	Support Auxiliary heater		1	
2	955 572 802 00	Support Heater		3	
3	955 572 802 00	Hexagon-head bolt M6 X 18		1	
4	955 572 261 00	Rubber mounting		2	
5	955 572 788 00	Clip		1	
6	955 572 805 01	Support		2	
7	955 572 833 00	Bonded rubber mounting		9	
8	N 015 082 10	Hexagon nut M 6		2	
9	N 902 631 04	Blind rivet nut M6		2	
10	N 104 514 04	Lens-head screw M6 X 16		X	
11	955 572 055 01	Clip		1	
12	N 106 209 01	Pan-head screw M6 X 30		1	
13	955 572 826 01	Support Valve		1	
14	955 572 808 02	Support Exhaust system		1	
15	955 572 809 00	Support Exhaust system		1	
16	955 572 950 01	Support Exhaust pipe		X	
17	955 572 095 00	Rubber sleeve		X	
18	955 572 121 00	Bush		1	
19	955 572 828 00	Bearing Exhaust pipe		X	
19	955 572 827 01	Bush			

Model: 9PA108

Model life 2007>>2010

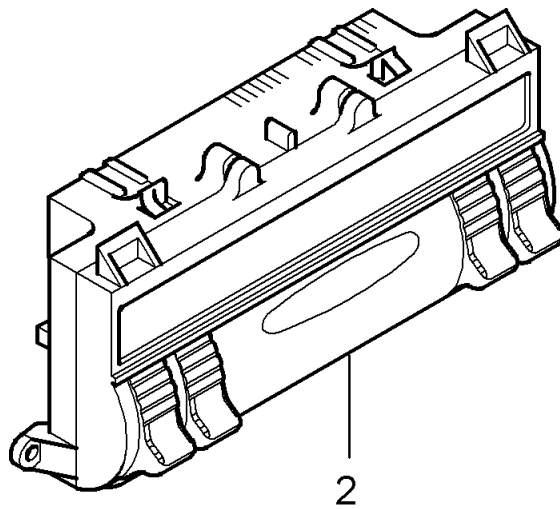
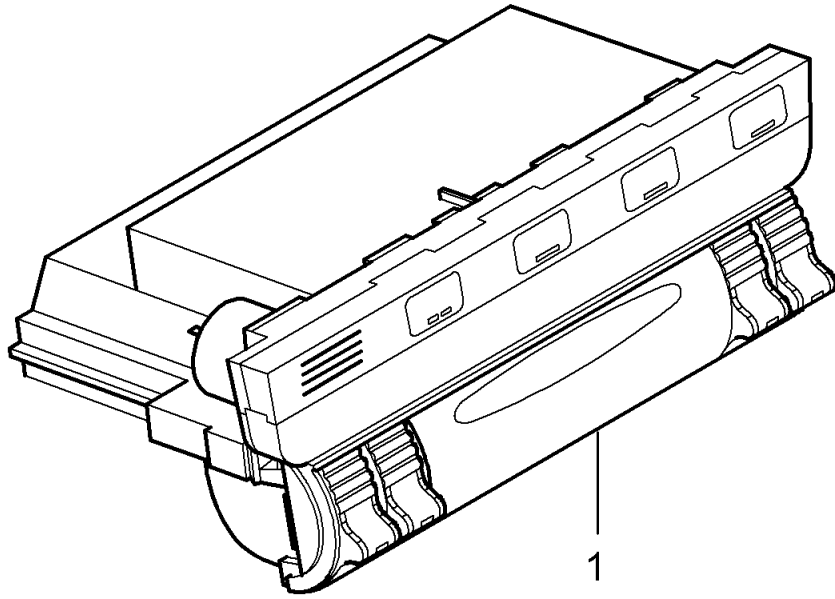


Model: 9PA108 Model life 2007>>2010

Pos	Part Number	Description	Remark	Qty	Model
		Cover			
		Plenum panel			
		Fresh-air intake system			
1	955 572 563 04	Cover	/LL	1	IL0L
	955 572 563 04 01C	Satin black			
(1)	955 572 564 05	Cover	/RL	1	IL0R
		Plenum panel			
	955 572 564 05 01C	Satin black			
2	955 572 729 00	Flap	/LL /L	1	IL0L
	955 572 729 00 01C	Satin black			
(2)	955 572 729 01	Flap	/RL /L	1	IL0R
	955 572 729 01 01C	Satin black			
(2)	955 572 730 00	Flap	/RL /R	1	IL0R
	955 572 730 00 01C	Satin black			
3	955 572 710 00	Fastening plug		4	
4	955 572 711 00	Clamp		X	
5	955 572 569 01	Cover	/L	1	
(5)	955 572 568 01	Cover	/R	1	
6	955 572 712 00	Clamp		X	
7	955 572 029 00	Housing	/LL	1	IL0L
(7)	955 572 030 00	Housing	/RL	1	IL0R
		Fresh-air intake system			
8	N 015 082 10	Hexagon nut		2	
		M 6			
9	955 618 550 02	Sensor		1	I9AD/9AH
10	955 618 556 00	Clip		1	
11	955 572 570 03	Plenum panel		1	-ID50
		Firewall			
11	955 572 570 04	Plenum panel		1	ID50
		Firewall			
12	955 628 035 00	Screw		2	
		M6 X 10			
13	N 101 563 02	Hexagon-head bolt		2	
		M6 X 12			
14	N 020 024 01	Stopper		X	
15	955 572 598 00	Stopper		X	
(16)	955 572 573 02	Plenum panel	/L	1	-ID50
(16)	955 572 573 03	Plenum panel	/L	1	ID50
16	955 572 571 02	Plenum panel	/R	1	-ID50
(16)	955 572 571 03	Plenum panel	/R	1	ID50
17	N 906 381 04	Lens-head screw		X	
		M6 X 12			
18	N 105 918 01	Torx screw		X	
		M6 X 12			
(19)	955 572 573 00	Gasket	/L	1	
19	955 572 574 00	Gasket	/R	1	
20	955 572 575 00	Cover	/L	1	
(20)	955 572 576 00	Cover	/R	1	
		Plenum panel			
		Lateral			
21	N 905 841 01	Stopper		X	
22	955 572 531 00	Gasket		2	
23	958 572 908 00	Stopper		X	
	958 572 908 00 9B9	Satin black			

Model: 9PA108

Model life 2007>>2010



Model: 9PA108

Model life 2007>>2010

Pos	Part Number	Description	Remark	Qty	Model
1	955 653 101 21	Control part Cayenne Control part		1	ID5X/D50 I5MA/9AB/9M0 I9M5
(1)	955 653 102 21	Control mechanism Front Black Control part		1	I5MA/7VE/7VL I9AB
(1)	955 653 103 21	Control mechanism Of Black Control part		1	I5MA/9AD/9M0 I9M5
(1)	955 653 103 31	Control mechanism Front Black Control part		1	I5MG/5MH/5TE I5TF/9AD/9M0 I9M5
(1)	955 653 104 21	Control mechanism Front Metallic Control part		1	I5MA/7VE/7VL I9AD
(1)	955 653 105 21	Control mechanism Front Black Control part		1	I5MA/9AH/9M0 I9M5
(1)	955 653 106 21	Control mechanism Of Black Control part		1	I5MA/7VE/7VL I9AH
(1)	955 653 104 31	Control mechanism Front Black Control part		1	I5MG/5MH/5TE I5TF/7VE/7VL I9AD
(1)	955 653 113 21	Control mechanism Front Metallic Control part		1	I5MG/5MH/5TE I5TF/9AH/9M0 I9M5
(1)	955 653 114 21	Control mechanism Front Metallic Control part		1	I5MG/5MH/5TE I5TF/7VE/7VL I9AH
(1)	955 653 115 21	Control mechanism Front Metallic Control part		1	I5MG/5MH/5TE I5TF/9AB/9M0 I9M5
(1)	955 653 116 21	Control mechanism Front Metallic Control part		1	I5MG/5MH/5TE

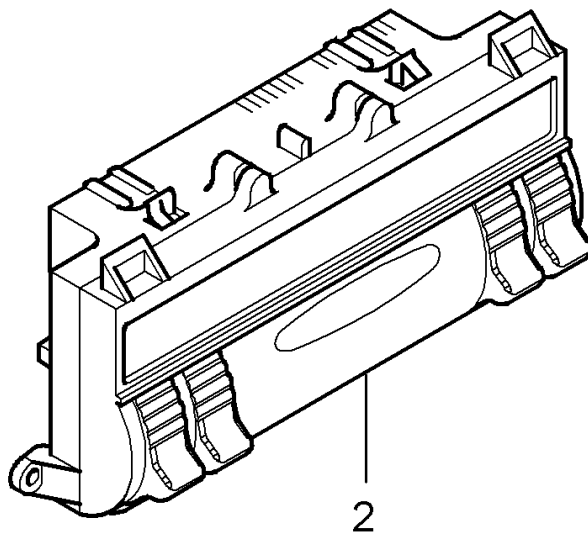
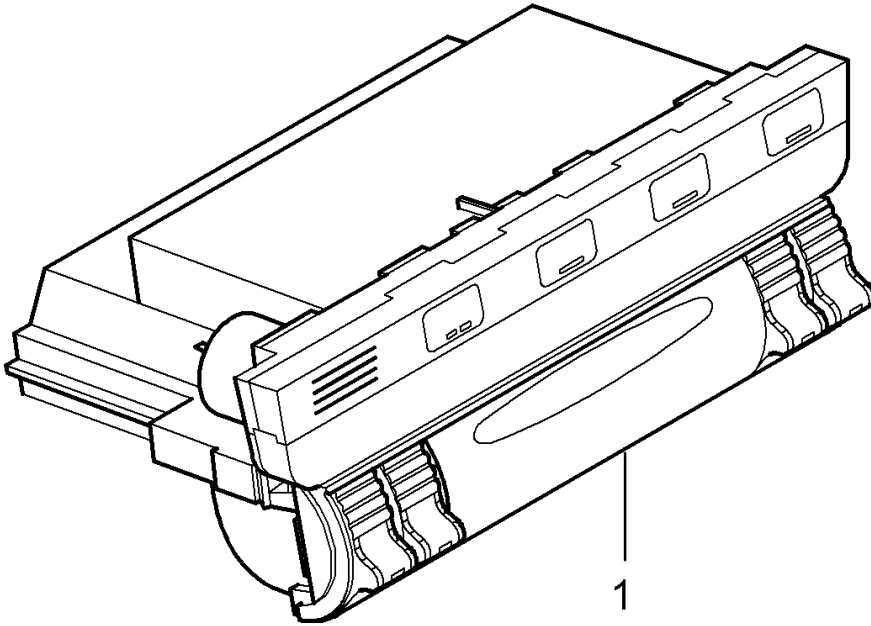
Model: 9PA108

Model life 2007>>2010

Pos	Part Number	Description	Remark	Qty	Model
					I5TF/7VE/7VL I9AB
2	955 653 201 11	Control mechanism Front Metallic Control part		1	I4A0/4A3/5MA I9AH
(2)	955 653 202 11	Air conditioner Control part		1	I4A4/5MA/9AH
(2)	955 653 203 12	Air conditioner Control part		1	I4A0/4A3/5MG I5MH/5TE/5TF I9AH
(2)	955 653 204 11	Air conditioner Control part Air conditioner		1	I4A4/5MG/5MH I5TE/5TF/9AH

Model: 9PA108

Model life 2007>>2010

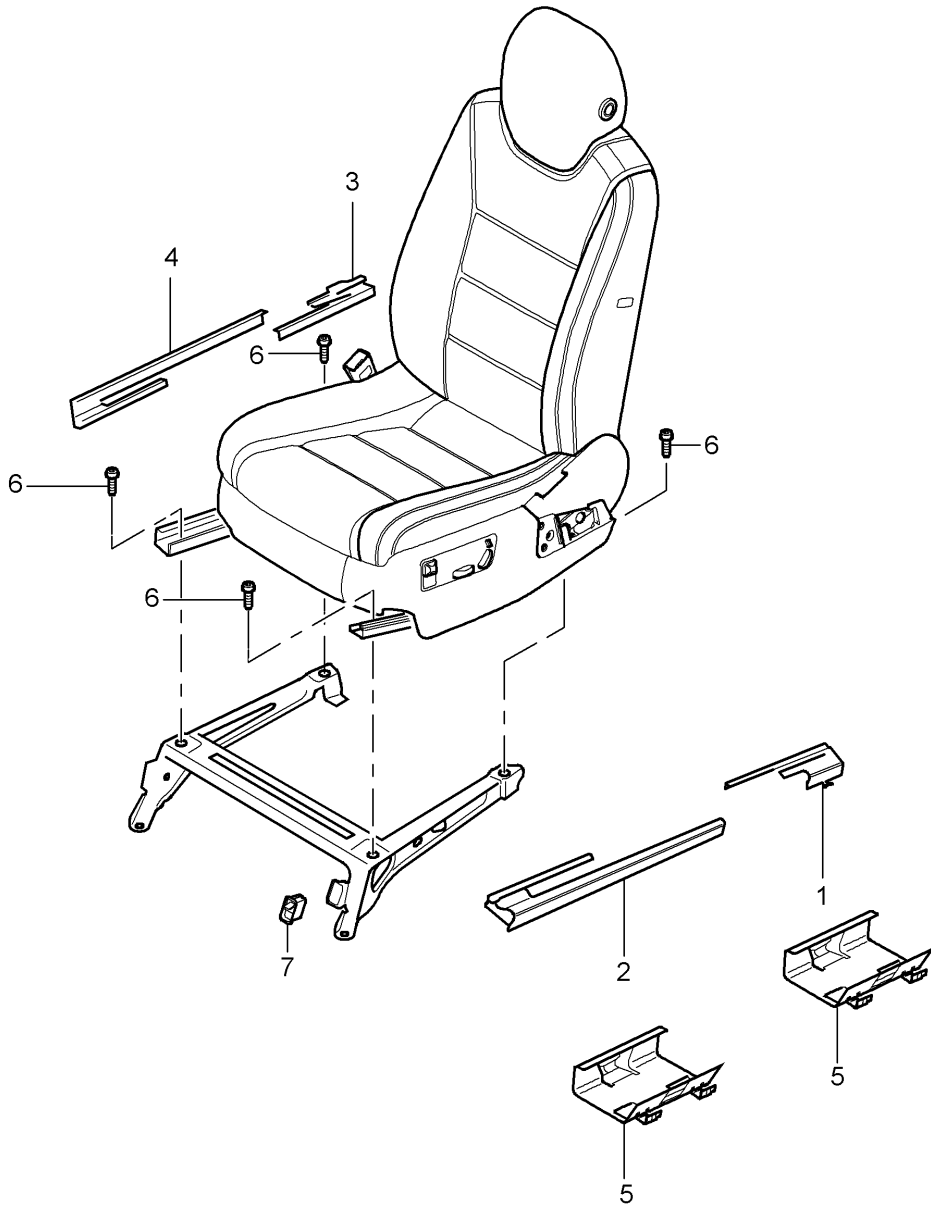


Model: 9PA108 Model life 2007>>2010

Pos	Part Number	Description	Remark	Qty	Model
		Control part Cayenne S Cayenne turbo			ID5V/D5Z
(1)	955 653 104 30	Control part		1	I7VE/7VL/9AD
(1)	955 653 104 80	Control part		1	IE0W/7VE/7VL I9AD
(1)	955 653 113 20	Control part		1	I9AH
(1)	955 653 113 80	Control part		1	IE0W/9AH
(1)	955 653 114 20	Control part		1	I7VE/7VL/9AH
(1)	955 653 114 80	Control part		1	IE0W/7VE/7VL I9AH
(1)	955 653 103 30	Control part		1	I9AD/9M0
1	955 653 103 31	Control part		1	I5MG/5MH/5TE I5TF/9AD/9M0 I9M5
(1)	955 653 103 80	Control part		1	IE0W/9AD
(2)	955 653 203 10	Control part		1	I4A3
(2)	955 653 203 11	Control part		1	IE0W
(2)	955 653 204 10	Control part		1	I4A4/9AH

Model: 9PA108

Model life 2007>>2010



Model: 9PA108 Model life 2007>>2010

Pos	Part Number	Description	Remark	Qty	Model
1	955 521 337 01	Front seat Front seat Complete Not available Cover	/L /R	1	I3L4/3L5/3PN I4UB/4UD/4UE
(1)	955 521 337 01 01C 955 521 337 01 6C6 955 521 337 01 7A8 955 521 337 01 K40 955 521 356 00	Seat rail Front seat Satin black Sand Beige Steel grey Chestnut brown Cover	08-	1	I3L4/3L5/3PN I4UQ
2	955 521 356 00 01C 955 521 356 00 6C6 955 521 356 00 7A8 955 521 356 00 K40 955 521 332 04	Seat rail Front seat Satin black Sand Beige Steel grey Chestnut brown Cover	08- /L	1	I3L4/3L5/3PN
(2)	955 521 332 04 9B9 955 521 332 04 6C6 955 521 332 04 7A8 955 521 332 04 K40 955 521 342 04	Seat rail Driver's side Satin black Sand Beige Steel grey Chestnut brown Cover	08- /L	1	I3L4/3L5/3PN I4UQ
(2)	955 521 342 04 01C 955 521 342 04 6C6 955 521 342 04 7A8 955 521 342 04 K40 955 521 343 00	Seat rail Passenger's side Satin black Sand Beige Steel grey Chestnut brown Cover	08- /L	1	I3L4/3L5/3PN
3	955 521 343 00 9B9 955 521 343 00 6C6 955 521 343 00 7A8 955 521 343 00 K40 955 521 338 01	Seat rail Passenger's side Satin black Sand Beige Steel grey Chestnut brown Cover	08- /L /R	1	I3L4/3L5/3PN I3PN
(3)	955 521 338 01 01C 955 521 338 01 6C6 955 521 338 01 7A8 955 521 338 01 K40 955 521 358 00	Seat rail Front seat Satin black Sand Beige Steel grey Chestnut brown Cover	08-	1	I3L4/3L5/3PN I4UQ
4	955 521 358 00 01C 955 521 358 00 6C6 955 521 358 00 7A8 955 521 358 00 K40 955 521 351 03	Seat rail Front seat Satin black Sand Beige Steel grey Chestnut brown Cap	08- /R	1	I3L4/3L5/3PN
	955 521 351 03 9B9 955 521 351 03 6C6	Seat rail Driver's side Satin black Sand Beige			

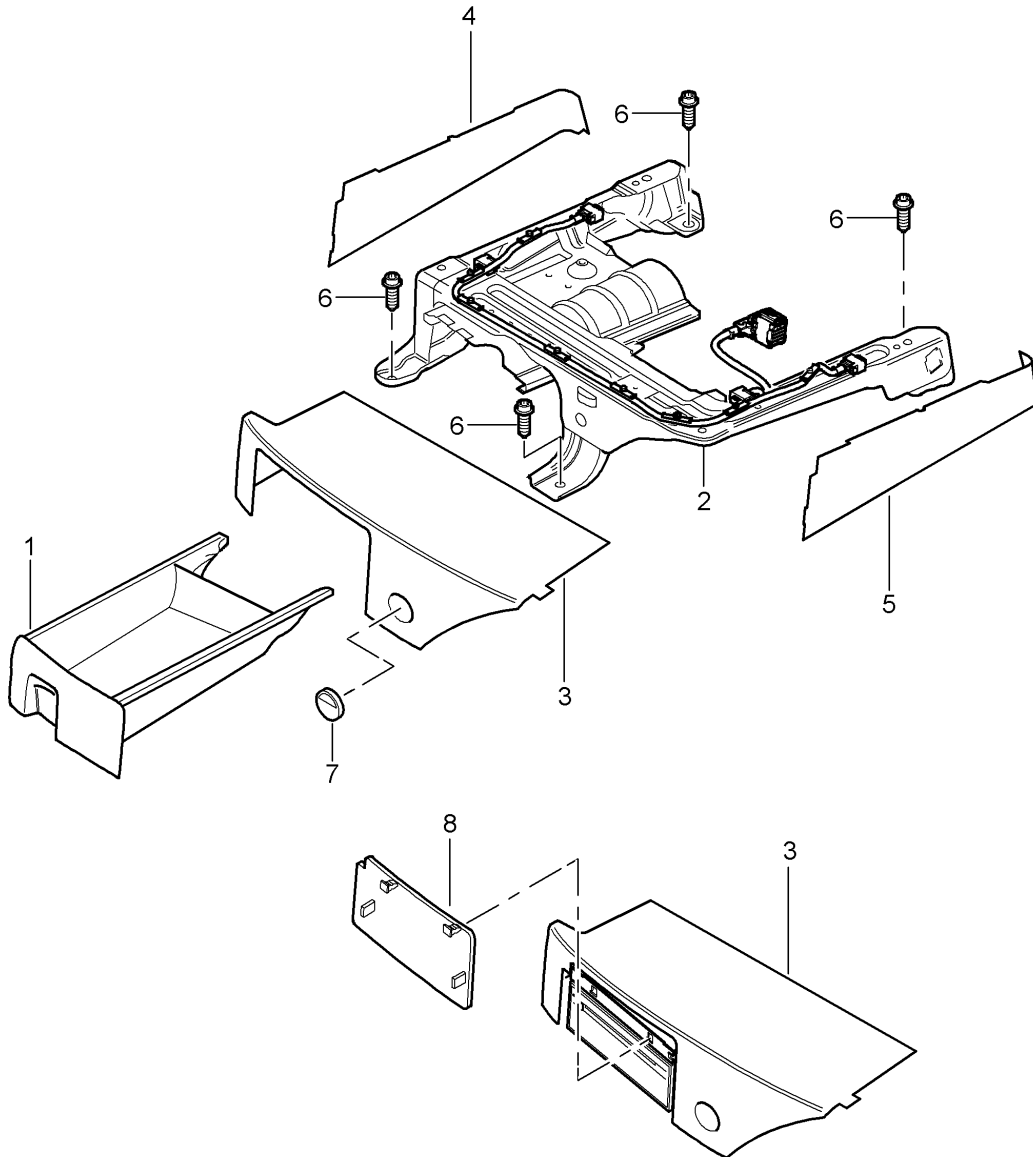
Model: 9PA108

Model life 2007>>2010

Pos	Part Number	Description	Remark	Qty	Model	
(4)	955 521 351 03 7A8	Steel grey	08- /R	1	I3L4/3L5/3PN I4UQ	
	955 521 351 03 K40	Chestnut brown				
	955 521 355 04	Cover				
		Seat rail Passenger's side				
(4)	955 521 355 04 01C	Satin black	08- /R	1	I3L4/3L5/3PN	
	955 521 355 04 6C6	Sand Beige				
	955 521 355 04 7A8	Steel grey				
	955 521 355 04 K40	Chestnut brown				
5	955 521 464 00	Cover	08-	4	I3L4/3L5/3PN	
		Seat rail Passenger's side				
	955 521 464 00 01C	Satin black				
	955 521 464 00 6C6	Sand Beige				
6	N 909 650 01	955 521 464 00 7A8	08-	4	I3L4/3L5/3PN	
		955 521 464 00 K40				Chestnut brown
		955 521 353 00				Clamp
						Seat rail
(6)	N 909 650 02	Screw	08-	4	I3L4/3L5/3PN	
		M 10 X 30				
		Seat rail				
		Screw				
7	955 521 370 00	M 10 X 30	08-	2	I3L4/3L5/3PN	
		Seat rail				
		Fixing clip				

Model: 9PA108

Model life 2007>>2010



Model: 9PA108 Model life 2007>>2010

Pos	Part Number	Description	Remark	Qty	Model
1	955 521 400 02	Frame Lining Drawer Passenger's side without Fire extinguisher	-08	1	I4UB/4UD/4UE I8DQ/8DR/8DV I6A0/8YZ
	955 521 400 02 9B9	Satin black			
	955 521 400 02 6C6	Sand Beige			
	955 521 400 02 7A8	Steel grey			
	955 521 400 02 K40	Chestnut brown			
1	955 521 400 02	Drawer Passenger's side without Fire extinguisher	09-	1	I4UD/4UE/6A0 I6A7/7T7
	955 521 400 02 9B9	Satin black			
	955 521 400 02 6C6	Sand Beige			
	955 521 400 02 7A8	Steel grey			
	955 521 400 02 K40	Chestnut brown			
(1)	955 521 401 03	Drawer Passenger's side without Fire extinguisher	09-	1	I4UD/4UE/6A5 I7T7
	955 521 401 03 9B9	Satin black			
	955 521 401 03 6C6	Sand Beige			
	955 521 401 03 7A8	Steel grey			
	955 521 401 03 K40	Chestnut brown			
(1)	955 521 401 03	Drawer Passenger's side with Fire extinguisher	-08	1	I4UB/4UD/4UE I6A4/6A5
	955 521 401 03 9B9	Satin black			
	955 521 401 03 6C6	Sand Beige			
	955 521 401 03 7A8	Steel grey			
	955 521 401 03 K40	Chestnut brown			
(1)	955 521 402 02	Drawer Passenger's side with Fire extinguisher		1	I4UQ/6A5
	955 521 402 02 01C	Satin black			
	955 521 402 02 6C6	Sand Beige			
	955 521 402 02 7A8	Steel grey			
	955 521 402 02 K40	Chestnut brown			
(1)	955 521 404 02	Drawer Passenger's side without Fire extinguisher		1	I4UQ/6A0/8DU
	955 521 404 02 9B9	Satin black			
	955 521 404 02 6C6	Sand Beige			
	955 521 404 02 7A8	Steel grey			
	955 521 404 02 K40	Chestnut brown			
	955 521 404 02 6H8	Palmgreen			
2	955 521 410 02	Frame Seat Passenger's side	/R	1	I4UB/4UD/4UE
(2)	955 521 411 01	Frame Seat Driver's side	/L	1	
3	955 521 418 00	Lining Frame Tufting velour	/R	1	I3L4/3L5/3PN I3ME/4UQ

Model: 9PA108

Model life 2007>>2010

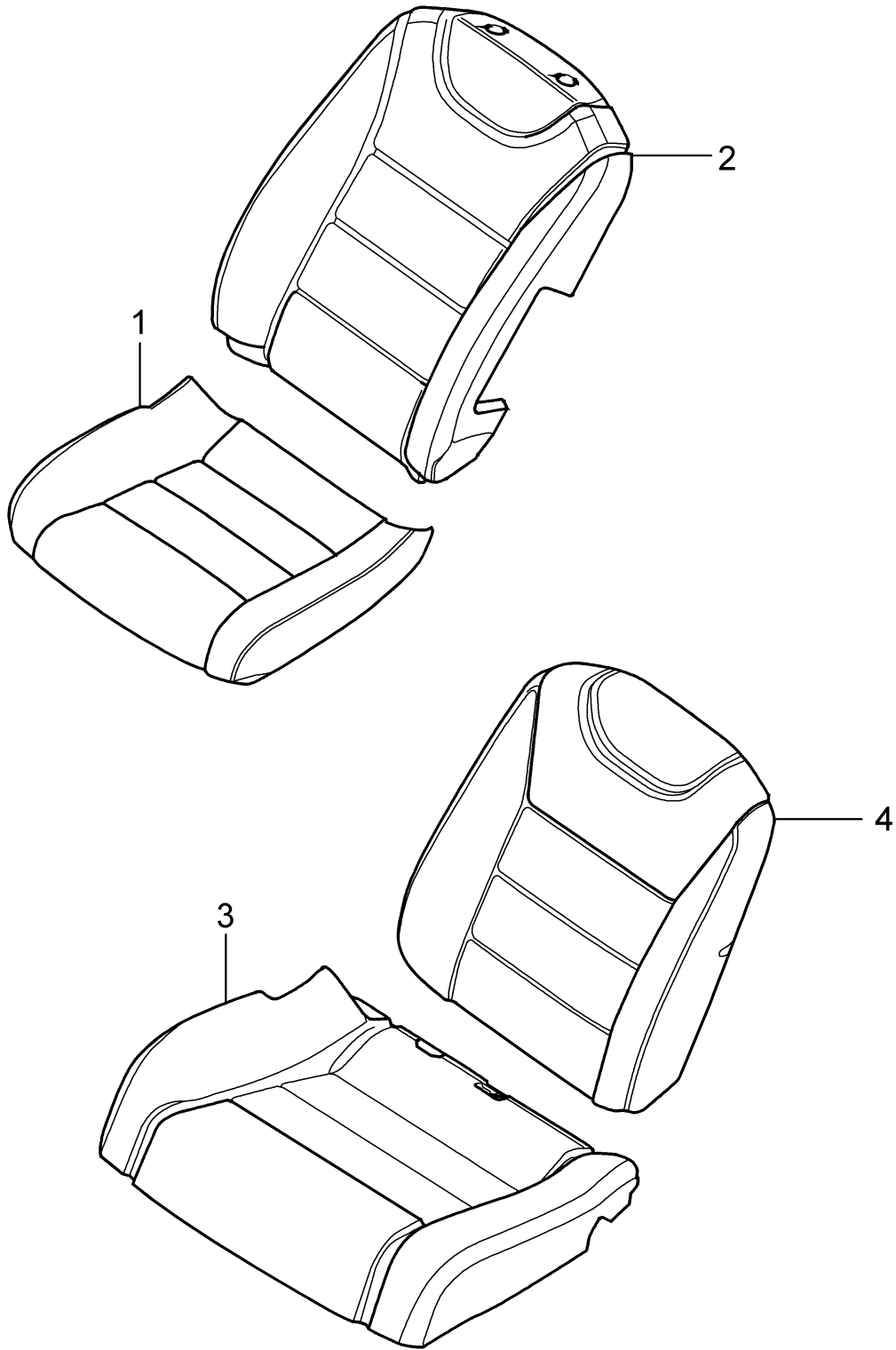
Pos	Part Number	Description	Remark	Qty	Model
(3)	955 521 418 00 7H1	Black	/R	1	I3L4/3L5/3PN I3ME/4UB/4UD I4UE
	955 521 418 00 7K3	Sand Beige			
	955 521 418 00 7J2	Steel grey			
	955 521 416 02	Lining Frame			
(3)	955 521 416 02 7H1	Tufting velour Black	09- /L	1	I3L4/3L5 I3MT/3PN
	955 521 416 02 7K3	Sand Beige			
	955 521 416 02 7J2	Steel grey			
	955 521 416 02 AV1	Chestnut brown			
(3)	955 521 417 03	Lining Frame	/L	1	I3L4/3L5 I3ME/3PN
	955 521 417 03 8B2	Black			
	955 521 417 03 8D4	Sand Beige			
	955 521 417 03 8C3	Steel grey			
(3)	955 521 417 03 L63	Chestnut brown	/L	1	I3L4/3L5 I3ME/3PN
	955 521 419 02	Lining Frame			
	955 521 419 02 7H1	Black			
	955 521 419 02 7J2	Steel grey			
(3)	955 521 419 02 7K3	Sand Beige	09- /R	1	I3L4/3L5/3PN I3MT/4UB/4UD I4UE
	955 521 419 02 AV1	Chestnut brown			
	955 521 420 02	Lining Frame			
	955 521 420 02 8B2	Black			
(3)	955 521 420 02 8C3	Steel grey	/R	1	I3L4/3L5/3PN I3MT/4UQ
	955 521 420 02 8D4	Sand Beige			
	955 521 420 02 L63	Chestnut brown			
	955 521 422 00	Lining Frame			
4	955 521 422 00 8B2	Black	/R	1	I3L4/3L5/3PN I3MT/4UB/4UD I4UE
	955 521 422 00 8C3	Steel grey			
	955 521 422 00 8D4	Sand Beige			
	955 521 432 01	Lining Frame Passenger's side Pearl velour			
(4)	955 521 432 01 8B2	Black	/R	1	I3L4/3L5/3PN I3MT/4UQ
	955 521 432 01 8C3	Steel grey			
	955 521 432 01 8D4	Sand Beige			
	955 521 436 00	Lining Frame Passenger's side Pearl velour			
(4)	955 521 436 00 8B2	Black	/R	1	I3L4/3L5/3PN I3ME/4UB/4UD I4UE
	955 521 436 00 8C3	Steel grey			
	955 521 436 00 8D4	Sand Beige			
	955 521 434 01	Lining Frame Passenger's side Tufting velour			
(4)	955 521 434 01 7H1	Black	/R	1	I3L4/3L5/3PN I3ME/4UQ
	955 521 434 01 7J2	Steel grey			
	955 521 434 01 7K3	Sand Beige			
	955 521 438 00	Lining Frame Passenger's side Tufting velour			
	955 521 438 00 7H1	Black			
	955 521 438 00 7J2	Steel grey			
	955 521 438 00 7K3	Sand Beige			

Model: 9PA108 Model life 2007>>2010

Pos	Part Number	Description	Remark	Qty	Model
5	955 521 443 01	Lining Frame Driver's side		1	I3L4/3L5 I3MT/3PN
	955 521 443 01 8B2	Black			
	955 521 443 01 8C3	Steel grey			
	955 521 443 01 8D4	Sand Beige			
	955 521 443 01 L63	Chestnut brown			
(5)	955 521 445 01	Lining Frame Driver's side		1	I3L4/3L5 I3ME/3PN
	955 521 445 01 7H1	Black			
	955 521 445 01 7J2	Steel grey			
	955 521 445 01 7K3	Sand Beige			
	955 521 445 01 AV1	Chestnut brown	09-		
6	N 910 192 02	Screw Mount Frame M 10 x 25		4	
7	955 521 480 00	Cap Lining Seat		1	
	955 521 480 00 01C	Satin black			
	955 521 480 00 6C6	Sand Beige			
	955 521 480 00 7A8	Steel grey			
	955 521 480 00 K40	Chestnut brown			
8	955 521 550 00	Cover DVD device	-08	1	I4UB/8DQ/8DV I4UD/4UE
	955 521 550 00 01C	Satin black			
	955 521 550 00 6C6	Sand Beige			
	955 521 550 00 7A8	Steel grey			
	955 521 550 00 K40	Chestnut brown			
8	955 521 550 00	Cover DVD device	09-	1	I4UB/7T7 I4UD/4UE
	955 521 550 00 01C	Satin black			
	955 521 550 00 6C6	Sand Beige			
	955 521 550 00 7A8	Steel grey			
	955 521 550 00 K40	Chestnut brown			
(8)	955 521 551 01	Cover DVD device	-08	1	I4UQ/8DQ/8DV
	955 521 551 01 01C	Satin black			
	955 521 551 01 6C6	Sand Beige			
	955 521 551 01 7A8	Steel grey			
	955 521 551 01 K40	Chestnut brown			

Model: 9PA108

Model life 2007>>2010



Model: 9PA108 Model life 2007>>2010

Pos	Part Number	Description	Remark	Qty	Model
1	955 521 141 08	Cover Foam part Front seat	/L	1	IN1P/Q2J/4A0
(1)	955 521 141 08 WAG	Chestnut brown			
(1)	955 521 142 08	Cover Comfort seat without heating	/R	1	IN1P/Q2J/4A0
(1)	955 521 142 08 WAG	Chestnut brown			
(1)	955 521 141 05	Cover Comfort seat without heating	/L	1	IN1X/Q2J/4A0
	955 521 141 05 PBW	Sand Beige			
	955 521 141 05 PBX	Steel grey			
	955 521 141 05 PBY	Black			
(1)	955 521 142 05	Cover Comfort seat without heating	/R	1	IN1X/Q2J/4A0
	955 521 142 05 PBW	Sand Beige			
	955 521 142 05 PBX	Steel grey			
	955 521 142 05 PBY	Black			
(1)	955 521 165 05	Cover Comfort seat with heating	/L	1	IN1X/4A3/4A4 IQ2J
	955 521 165 05 PBW	Sand Beige			
	955 521 165 05 PBX	Steel grey			
	955 521 165 05 PBY	Black			
(1)	955 521 164 05	Cover Comfort seat with heating	/R	1	IN1X/4A3/4A4 IQ2J
	955 521 164 05 PBW	Sand Beige			
	955 521 164 05 PBX	Steel grey			
	955 521 164 05 PBY	Black			
(1)	955 521 153 05	Cover Comfort seat without heating	/L	1	IN7F/Q2J/4A0
	955 521 153 05 PBW	Sand Beige			
	955 521 153 05 PBX	Steel grey			
	955 521 153 05 PBY	Black			
(1)	955 521 144 05	Cover Comfort seat without heating	/R	1	IN7F/Q2J/4A0
	955 521 144 05 PBW	Sand Beige			
	955 521 144 05 PBX	Steel grey			
	955 521 144 05 PBY	Black			
(1)	955 521 167 05	Cover Comfort seat with heating	/L	1	IN7F/4A3/4A4
	955 521 167 05 PBW	Sand Beige			
	955 521 167 05 PBX	Steel grey			
	955 521 167 05 PBY	Black			
(1)	955 521 166 05	Cover Comfort seat with heating	/R	1	IN7F/4A3/4A4
	955 521 166 05 PBW	Sand Beige			
	955 521 166 05 PBX	Steel grey			
	955 521 166 05 PBY	Black			
(1)	955 521 161 06	Cover Sports seat with heating	/L	1	IN5U/Q1D/4A3 I4A4

Model: 9PA108 Model life 2007>>2010

Pos	Part Number	Description	Remark	Qty	Model
(1)	955 521 161 06 PCA	Sand Beige	/R	1	IN5U/Q1D/4A3 I4A4
	955 521 161 06 PCB	Steel grey			
	955 521 161 06 PCC	Black			
	955 521 146 06	Cover			
(1)		Sports seat with heating	/L	1	IN5U/Q1D/4A0
	955 521 146 06 PCA	Sand Beige			
	955 521 146 06 PCB	Steel grey			
	955 521 146 06 PCC	Black			
(1)	955 521 149 00	Cover	/R	1	IN5U/Q1D/4A0
		Sports seat without heating			
	955 521 149 00 PCA	Sand Beige			
	955 521 149 00 PCB	Steel grey			
(1)	955 521 149 00 PCC	Black	/L	1	IN5U/Q2J/4A0
	955 521 148 00	Cover			
		Sports seat without heating			
	955 521 148 00 PCA	Sand Beige			
(1)	955 521 148 00 PCB	Steel grey	/R	1	IN5U/Q2J/4A0
	955 521 148 00 PCC	Black			
	955 521 151 05	Cover			
		Comfort seat without heating			
(1)	955 521 151 05 PCA	Sand Beige	/L	1	IN5U/Q2J/4A0
	955 521 151 05 PCB	Steel grey			
	955 521 151 05 PCC	Black			
	955 521 152 05	Cover			
(1)		Comfort seat without heating	/R	1	IN5U/4A3/4A4
	955 521 152 05 PCA	Sand Beige			
	955 521 152 05 PCB	Steel grey			
	955 521 152 05 PCC	Black			
(1)	955 521 168 05	Cover	/L	1	IN5U/4A3/4A4
		Comfort seat with heating			
	955 521 168 05 PCA	Sand Beige			
	955 521 168 05 PCB	Steel grey			
(1)	955 521 168 05 PCC	Black	/R	1	IN5U/4A3/4A4
	955 521 169 05	Cover			
		Comfort seat with heating			
	955 521 169 05 PCA	Sand Beige			
(1)	955 521 169 05 PCB	Steel grey	/L	1	IN7D/Q2J/4A0
	955 521 169 05 PCC	Black			
	955 521 163 05	Cover			
		Comfort seat without heating			
(1)	955 521 163 05 PCA	Sand Beige	/R	1	IN7D/Q2J/4A0
	955 521 163 05 PCB	Steel grey			
	955 521 163 05 PCC	Black			
	955 521 162 05	Cover			
(1)		Comfort seat without heating	/L	1	IN7D/4A3/4A4
	955 521 162 05 PCA	Sand Beige			
	955 521 162 05 PCB	Steel grey			
	955 521 162 05 PCC	Black			
(1)	955 521 155 05	Cover	/R	1	IN7D/4A3/4A4
		Comfort seat with heating			
	955 521 155 05 PCA	Sand Beige			
	955 521 155 05 PCB	Steel grey			

Model: 9PA108 Model life 2007>>2010

Pos	Part Number	Description	Remark	Qty	Model
(1)	955 521 155 05 PCC 955 521 154 05	Black Cover Comfort seat with heating	/R	1	IN7D/4A3/4A4
	955 521 154 05 PCA	Sand Beige			
	955 521 154 05 PCB	Steel grey			
	955 521 154 05 PCC	Black			
(1)	955 521 153 08	Cover Comfort seat without heating	/L	1	IN5Y/Q2J/4A0
	955 521 153 08 WAG	Chestnut brown			
(1)	955 521 144 08	Cover Comfort seat without heating	/R	1	IN5Y/Q2J/4A0
	955 521 144 08 WAG	Chestnut brown			
(1)	955 521 169 08	Cover Comfort seat with heating	/L	1	IN5Y/4A3/4A4
	955 521 169 08 WAG	Chestnut brown			
(1)	955 521 168 08	Cover Comfort seat with heating	/R	1	IN5Y/4A3/4A4
	955 521 168 08 WAG	Chestnut brown			
(1)	955 521 149 08	Cover Seat surface Sports seat without heating	/L	1	IN1P/Q1D/4A0
	955 521 149 08 WAG	Chestnut brown			
(1)	955 521 148 08	Cover Seat surface Sports seat without heating	/R	1	IN1P/Q1D/4A0
	955 521 148 08 WAG	Chestnut brown			
(1)	955 521 161 09	Cover Sports seat Seat surface with heating	/L	1	IN1P/Q1D/4A3 I4A4
	955 521 161 09 WAG	Chestnut brown			
(1)	955 521 146 09	Cover Sports seat Seat surface with heating	/R	1	IN1P/Q1D/4A3 I4A4
	955 521 146 09 WAG	Chestnut brown			
(1)	955 521 155 08	Cover Comfort seat Seat surface with heating	/L	1	IN1P/4A3/4A4
	955 521 155 08 WAG	Chestnut brown			
(1)	955 521 154 08	Cover Comfort seat Seat surface with heating	/R	1	IN1P/4A3/4A4
	955 521 154 08 WAG	Chestnut brown			
(1)	955 521 143 01	Cover Sports seat Alcantara without heating	/L 08-	1	IN2S/Q1J/4A0
	955 521 143 01 XKR	Black			
	955 521 143 01 XKS	Sand Beige			
	955 521 143 01 XKT	Steel grey			
		Information available			

Model: 9PA108 Model life 2007>>2010

Pos	Part Number	Description	Remark	Qty	Model
(1)	955 521 144 11	Cover Sports seat Alcantara without heating	/R 08-	1	IN2S/Q1J/4A0
	955 521 144 11 XKR	Black			
	955 521 144 11 XKS	Sand Beige			
	955 521 144 11 XKT	Steel grey Information available			
(1)	955 521 145 11	Cover Sports seat Alcantara with heating	/L 08-	1	IN2S/Q1J/4A3 I4A4
	955 521 145 11 XKR	Black			
	955 521 145 11 XKS	Sand Beige			
	955 521 145 11 XKT	Steel grey Information available			
(1)	955 521 146 11	Cover Sports seat Alcantara with heating	/R 08-	1	IN2S/Q1J/4A3 I4A4
	955 521 146 11 XKR	Black			
	955 521 146 11 XKS	Sand Beige			
	955 521 146 11 XKT	Steel grey Information available			
(1)	955 521 147 00	Cover Sports seat without heating	/L 09-	1	IN1P/Q1J/4A0
	955 521 147 00 WAG	Chestnut brown Information available			
(1)	955 521 138 00	Cover Sports seat without heating	/L 09-	1	IN1P/Q1J/4A0
	955 521 138 00 WAG	Chestnut brown Information available			
(1)	955 521 150 00	Cover Sports seat with heating	/L 09-	1	IN1P/Q1J/4A3 I4A4
	955 521 150 00 WAG	Chestnut brown Information available			
(1)	955 521 156 00	Cover Sports seat with heating	/R 09-	1	IN1P/Q1J/4A3 I4A4
	955 521 156 00 WAG	Chestnut brown Information available			
(1)	955 521 157 00	Cover without heating Sports seat Turbo	/L 09-	1	IN1M/Q1J/4A0
	955 521 157 00 ZBX	Black/Havanna			
	955 521 157 00 ZBY	Black/Steel Grey Information available			
(1)	955 521 158 00	Cover without heating Sports seat Turbo	/R 09-	1	IN1M/Q1J/4A0
	955 521 158 00 ZBX	Black/Havanna			
	955 521 158 00 ZBY	Black/Steel Grey Information available			
(1)	955 521 159 00	Cover	/L 09-	1	IN1M/Q1J/4A3

Model: 9PA108 Model life 2007>>2010

Pos	Part Number	Description	Remark	Qty	Model
		with heating Sports seat Turbo			I4A4
	955 521 159 00 ZBX	Black/Havanna			
	955 521 159 00 ZBY	Black/Steel Grey			
(1)	955 521 160 00	Information available Cover	/R 09-	1	IN1M/Q1J/4A3 I4A4
		with heating Sports seat Turbo			
	955 521 160 00 ZBX	Black/Havanna			
	955 521 160 00 ZBY	Black/Steel Grey			
2	955 521 171 08	Information available Backrest cover	/L	1	IN1P/Q2J/4A0
		without heating			
(2)	955 521 171 08 WAG	Chestnut brown			
(2)	955 521 170 08	Backrest cover	/R	1	IN1P/Q2J/4A0
		without heating			
(2)	955 521 170 08 WAG	Chestnut brown			
(2)	955 521 178 08	Backrest cover	/L	1	IN1P/4A3/4A4
		Comfort seat			
		with heating			
(2)	955 521 178 08 WAG	Chestnut brown			
(2)	955 521 186 08	Backrest cover	/R	1	IN1P/4A3/4A4
		Comfort seat			
		with heating			
(2)	955 521 186 08 WAG	Chestnut brown			
(2)	955 521 191 08	Backrest cover	/L	1	IN1P/Q1D/4A0
		without heating			
		Sports seat			
(2)	955 521 191 08 WAG	Chestnut brown			
(2)	955 521 192 08	Backrest cover	/R	1	IN1P/Q1D/4A0
		without heating			
		Sports seat			
(2)	955 521 192 08 WAG	Chestnut brown			
(2)	955 521 173 09	Backrest cover	/L	1	IN1P/Q1D/4A3 I4A4
		Sports seat			
		with heating			
(2)	955 521 173 09 WAG	Chestnut brown			
(2)	955 521 172 09	Backrest cover	/R	1	IN1P/Q1D/4A3 I4A4
		Sports seat			
		with heating			
(2)	955 521 172 09 WAG	Chestnut brown			
(2)	955 521 175 06	Cover	/L	1	IN1X/Q2J/4A0
		Comfort seat			
		without heating			
	955 521 175 06 PBW	Sand Beige			
	955 521 175 06 PBX	Steel grey			
	955 521 175 06 PBY	Black			
(2)	955 521 181 06	Cover	/R	1	IN1X/Q2J/4A0
		Comfort seat			
		without heating			
	955 521 181 06 PBW	Sand Beige			
	955 521 181 06 PBX	Steel grey			
	955 521 181 06 PBY	Black			
(2)	955 521 171 06	Cover	/L	1	IN7F/Q2J/4A0
		Comfort seat			
		without heating			
	955 521 171 06 PBW	Sand Beige			

Model: 9PA108 Model life 2007>>2010

Pos	Part Number	Description	Remark	Qty	Model
(2)	955 521 171 06 PBX	Steel grey	/R	1	IN7F/Q2J/4A0
	955 521 171 06 PBY	Black			
	955 521 170 06	Cover Comfort seat without heating			
(2)	955 521 170 06 PBW	Sand Beige	/L	1	IN5U/Q2J/4A0
	955 521 170 06 PBX	Steel grey			
	955 521 170 06 PBY	Black			
(2)	955 521 176 06	Cover Comfort seat without heating	/R	1	IN5U/Q2J/4A0
	955 521 176 06 PCA	Sand Beige			
	955 521 176 06 PCB	Steel grey			
(2)	955 521 176 06 PCC	Black	/L	1	IN7D/Q2J/4A0
	955 521 182 06	Cover Comfort seat without heating			
	955 521 182 06 PCA	Sand Beige			
(2)	955 521 182 06 PCB	Steel grey	/R	1	IN7D/Q2J/4A0
	955 521 182 06 PCC	Black			
	955 521 177 06	Cover Comfort seat without heating			
(2)	955 521 177 06 PCA	Sand Beige	/L	1	IN5U/Q1D/4A3 I4A4
	955 521 177 06 PCB	Steel grey			
	955 521 177 06 PCC	Black			
(2)	955 521 174 06	Cover Comfort seat without heating	/R	1	IN5U/Q1D/4A3 I4A4
	955 521 174 06 PCA	Sand Beige			
	955 521 174 06 PCB	Steel grey			
(2)	955 521 174 06 PCC	Black	/L	1	IN5U/Q1D/4A0
	955 521 173 07	Backrest cover Sports seat with heating			
	955 521 173 07 PCA	Sand Beige			
(2)	955 521 173 07 PCB	Steel grey	/R	1	IN5U/Q1D/4A3 I4A4
	955 521 173 07 PCC	Black			
	955 521 172 07	Backrest cover Sports seat with heating			
(2)	955 521 172 07 PCA	Sand Beige	/L	1	IN5U/Q1D/4A0
	955 521 172 07 PCB	Steel grey			
	955 521 172 07 PCC	Black			
(2)	955 521 191 06	Cover Sports seat without heating	/R	1	IN5U/Q1D/4A0
	955 521 191 06 PCA	Sand Beige			
	955 521 191 06 PCB	Steel grey			
(2)	955 521 191 06 PCC	Black	/L	1	IN7D/4A3/4A4
	955 521 192 06	Cover Sports seat without heating			
	955 521 192 06 PCA	Sand Beige			
(2)	955 521 192 06 PCB	Steel grey	/R	1	IN5U/Q1D/4A0
	955 521 192 06 PCC	Black			
	955 521 187 07	Cover Comfort seat with heating			
(2)	955 521 187 07 PCA	Sand Beige	/L	1	IN7D/4A3/4A4
	955 521 187 07 PCB	Steel grey			

Model: 9PA108

Model life 2007>>2010

Pos	Part Number	Description	Remark	Qty	Model
(2)	955 521 187 07 PCC 955 521 185 07	Black Cover Comfort seat with heating	/R	1	IN7D/4A3/4A4
	955 521 185 07 PCA	Sand Beige			
	955 521 185 07 PCB	Steel grey			
(2)	955 521 185 07 PCC 955 521 178 07	Black Cover Comfort seat with heating	/L	1	IN5U/4A3/4A4
	955 521 178 07 PCA	Sand Beige			
	955 521 178 07 PCB	Steel grey			
	955 521 178 07 PCC	Black			
(2)	955 521 186 07	Cover Comfort seat with heating	/R	1	IN5U/4A3/4A4
	955 521 186 07 PCA	Sand Beige			
	955 521 186 07 PCB	Steel grey			
	955 521 186 07 PCC	Black			
(2)	955 521 179 07	Cover Comfort seat with heating	/L	1	IN1X/4A3/4A4
	955 521 179 07 PBW	Sand Beige			
	955 521 179 07 PBX	Steel grey			
	955 521 179 07 PBY	Black			
(2)	955 521 183 07	Cover Comfort seat with heating	/R	1	IN1X/4A3/4A4
	955 521 183 07 PBW	Sand Beige			
	955 521 183 07 PBX	Steel grey			
	955 521 183 07 PBY	Black			
(2)	955 521 180 07	Cover Comfort seat with heating	/L	1	IN7F/4A3/4A4
	955 521 180 07 PBW	Sand Beige			
	955 521 180 07 PBX	Steel grey			
	955 521 180 07 PBY	Black			
(2)	955 521 184 07	Cover Comfort seat with heating	/R	1	IN7F/4A3/4A4
	955 521 184 07 PBW	Sand Beige			
	955 521 184 07 PBX	Steel grey			
	955 521 184 07 PBY	Black			
(2)	955 521 171 09	Backrest cover Comfort seat without heating	/L	1	IN5Y/Q2J/4A0
	955 521 171 09 WAG	Chestnut brown			
(2)	955 521 170 09	Backrest cover Comfort seat without heating	/R	1	IN5Y/Q2J/4A0
	955 521 170 09 WAG	Chestnut brown			
(2)	955 521 171 10	Backrest cover Comfort seat with heating	/L	1	IN5Y/4A3/4A4
	955 521 171 10 WAG	Chestnut brown			
(2)	955 521 170 10	Backrest cover Comfort seat with heating	/R	1	IN5Y/4A3/4A4
	955 521 170 10 WAG	Chestnut brown			
(2)	955 521 193 01	Backrest cover Sports seat Alcantara without heating	/L 08-	1	IN2S/Q1J/4A0

Model: 9PA108 Model life 2007>>2010

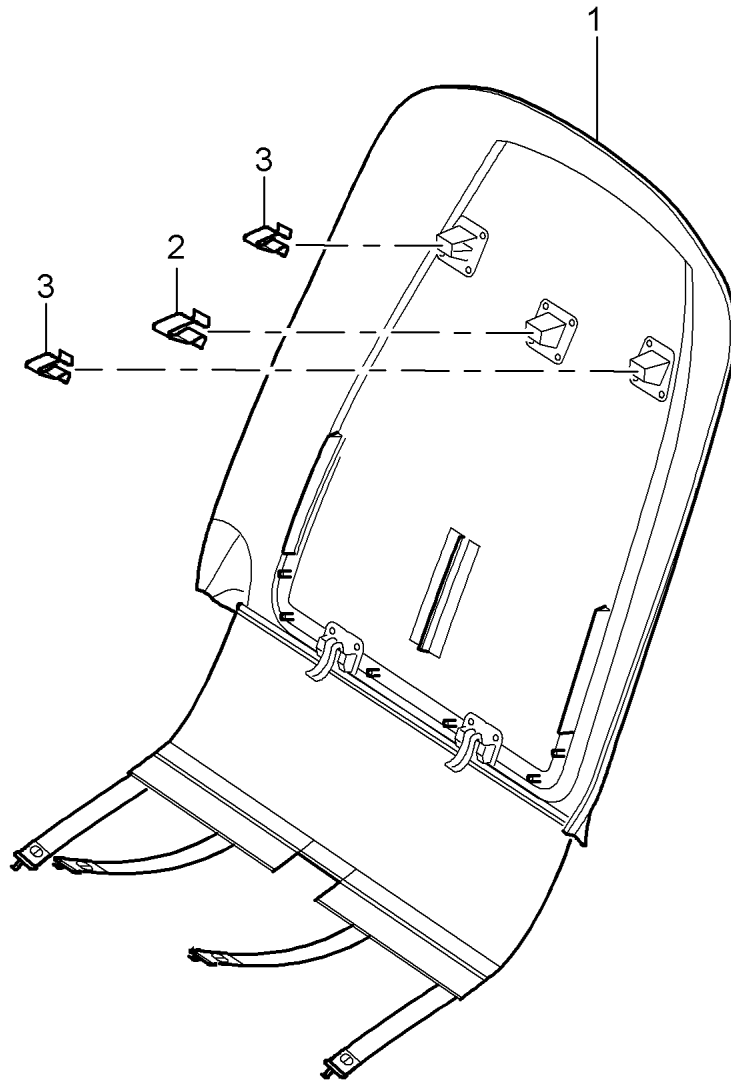
Pos	Part Number	Description	Remark	Qty	Model
(2)	955 521 193 01 XKR	Black	/R 08-	1	IN2S/Q1J/4A0
	955 521 193 01 XKS	Sand Beige			
	955 521 193 01 XKT	Steel grey			
	955 521 194 01	Backrest cover Sports seat Alcantara without heating			
(2)	955 521 194 01 XKR	Black	/L 08-	1	IN2S/Q1J/4A3 I4A4 IEOW
	955 521 194 01 XKS	Sand Beige			
	955 521 194 01 XKT	Steel grey			
	955 521 195 01	Backrest cover Sports seat Alcantara with heating			
(2)	955 521 195 01 XKR	Black	/R 08-	1	IN2S/Q1J/4A3 I4A4 IEOW
	955 521 195 01 XKS	Sand Beige			
	955 521 195 01 XKT	Steel grey			
	955 521 196 01	Backrest cover Sports seat Alcantara with heating			
(2)	955 521 196 01 XKR	Black	/R 08-	1	IN1M/Q1J/4A3 I4A4
	955 521 196 01 XKS	Sand Beige			
	955 521 196 01 XKT	Steel grey			
	955 521 197 00	Backrest cover Sports seat two-colour with heating			
(2)	955 521 197 00 ZBX	Black/Havanna	/L 08-	1	IN1M/Q1J/4A3 I4A4
	955 521 197 00 ZBY	Black/Steel Grey			
	955 521 198 00	Backrest cover Sports seat two-colour with heating			
	955 521 198 00 ZBX	Black/Havanna			
(2)	955 521 198 00 ZBY	Black/Steel Grey	/L 08-	1	IN1M/Q1J/4A0
	955 521 199 00	Backrest cover Sports seat two-colour without heating			
	955 521 199 00 ZBX	Black/Havanna			
	955 521 199 00 ZBY	Black/Steel Grey			
(2)	955 521 200 00	Backrest cover Sports seat two-colour without heating	/R 08-	1	IN1M/Q1J/4A0
	955 521 200 00 ZBX	Black/Havanna			
	955 521 200 00 ZBY	Black/Steel Grey			
	955 521 201 00	Backrest cover Sports seat			
(2)	955 521 201 00 WAG	Chestnut brown	/R 08-	1	IN1P/Q1J/4A0
	955 521 202 00	Backrest cover Sports seat			
(2)	955 521 202 00 WAG	Chestnut brown	/L 08-	1	IN1P/Q1J/4A3 I4A4
	955 521 203 00	Backrest cover Sports seat			
(2)	955 521 203 00 WAG	Chestnut brown	/R 08-	1	IN1P/Q1J/4A0
	955 521 204 00	Backrest cover			

Model: 9PA108 Model life 2007>>2010

Pos	Part Number	Description	Remark	Qty	Model
		Sports seat			IN1P/Q1J/4A3 I4A4
	955 521 204 00 WAG	Chestnut brown			
3	955 521 523 01	Foam part	/L	1	IQ1D
(3)	955 521 524 01	Foam part	/R	1	IQ1D
		Seat cushion			
		Sports seat			
(3)	955 521 529 00	Foam part	/L 08-	1	IQ1J
(3)	955 521 530 00	Foam part	/R 08-	1	IQ1J
		Seat cushion			
		Sports seat			
(3)	955 521 527 01	Foam part	/L	1	IQ2J
(3)	955 521 528 01	Foam part	/R	1	IQ2J
		Seat cushion			
		Comfort seat			
4	955 521 575 03	Foam part	/L	1	IQ1D
(4)	955 521 576 03	Foam part	/R	1	IQ1D
		Backrest			
		Sports seat			
(4)	955 521 579 01	Foam part	/L	1	IQ2J/9WC
(4)	955 521 580 01	Foam part	/R	1	IQ2J/9WC
		Backrest			
		Comfort seat			
(4)	955 521 581 00	Foam part	/L 08-	1	IQ2J/9WM
(4)	955 521 582 00	Foam part	/R 08-	1	IQ2J/9WM
		Backrest			
		Comfort seat			
(4)	955 521 583 00	Foam part	/L 08-	1	IQ1J/9WC
(4)	955 521 584 00	Foam part	/R 08-	1	IQ1J/9WC
		Backrest			
		Sports seat			
(4)	955 521 585 00	Foam part	/L 08-	1	IQ1J/9WM
(4)	955 521 586 00	Foam part	/R 08-	1	IQ1J/9WM
		Backrest			
		Sports seat			

Model: 9PA108

Model life 2007>>2010

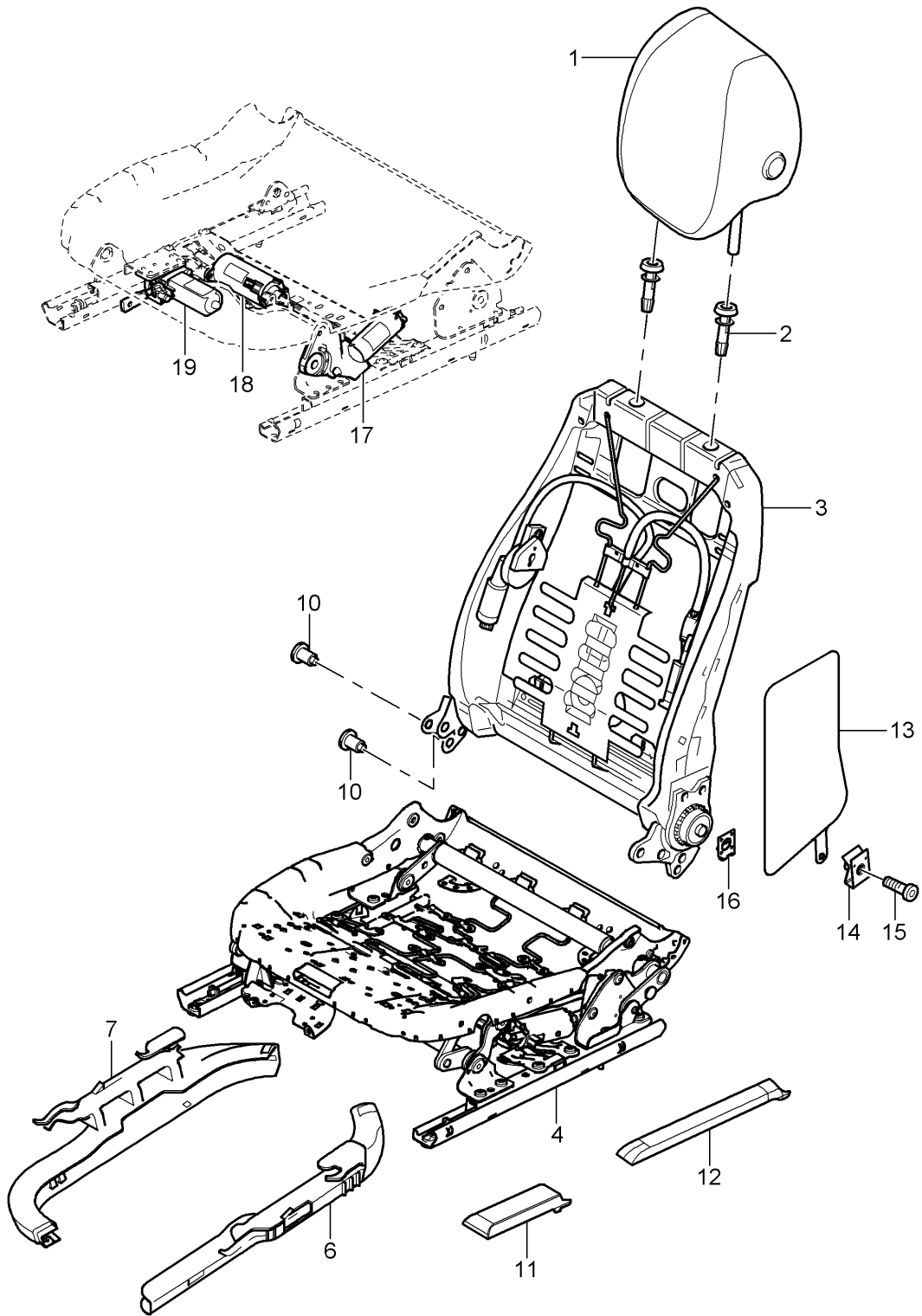


Model: 9PA108 Model life 2007>>2010

Pos	Part Number	Description	Remark	Qty	Model
1	955 521 081 02	Cover Backrest shell	/L /R -07	1	IQ2J
	955 521 081 02 5Q2	Black			
	955 521 081 02 5R3	Steel grey			
	955 521 081 02 5S4	Sand Beige			
	955 521 081 02 K68	Chestnut brown			
(1)	955 521 081 03	Cover Backrest shell	/L /R 08-	1	IQ1J/Q2J
	955 521 081 03 5Q2	Black			
	955 521 081 03 5R3	Steel grey			
	955 521 081 03 5S4	Sand Beige			
	955 521 081 03 K68	Chestnut brown			
	955 521 081 03 5Y5	Palmgreen			
(1)	955 521 087 02	Cover Backrest shell	/L /R -07	1	IQ1D
	955 521 087 02 5Q2	Black			
	955 521 087 02 5R3	Steel grey			
	955 521 087 02 5S4	Sand Beige			
	955 521 087 02 K68	Chestnut brown			
(1)	955 521 087 03	Cover Backrest shell	/L /R 08-	1	IQ1D
	955 521 087 03 5Q2	Black			
	955 521 087 03 5R3	Steel grey			
	955 521 087 03 5S4	Sand Beige			
	955 521 087 03 K68	Chestnut brown			
	955 521 087 03 5Y5	Palmgreen			
2	000 043 207 17	Clamp Centre		1	
3	000 043 207 18	Backrest shell Clamp Outer Backrest shell		2	

Model: 9PA108

Model life 2007>>2010



Model: 9PA108 Model life 2007>>2010

Pos	Part Number	Description	Remark	Qty	Model
1	955 521 815 06	Backrest frame	/L	1	IN1X/N7F/3J4
		Seat frame			
		Head rest			
	955 521 815 06 SXG	Black/black			
	955 521 815 06 SXH	Steel grey/steel grey			
	955 521 815 06 SXJ	Sand beige/sand beige			
(1)	955 521 816 06	Head rest	/R	1	IN1X/N7F/3J4
	955 521 816 06 SXG	Black/black			
	955 521 816 06 SXH	Steel grey/steel grey			
	955 521 816 06 SXJ	Sand beige/sand beige			
(1)	955 521 819 00	Head rest	/L	1	IN1X/N7F/3J7
	955 521 819 00 SXG	Black/black			
	955 521 819 00 SXH	Steel grey/steel grey			
	955 521 819 00 SXJ	Sand beige/sand beige			
(1)	955 521 820 00	Head rest	/R	1	IN1X/N7F/3J7
		Porsche crest			
	955 521 820 00 SXG	Black/black			
	955 521 820 00 SXH	Steel grey/steel grey			
	955 521 820 00 SXJ	Sand beige/sand beige			
(1)	955 521 817 06	Head rest	/L	1	IN1M/N2S/N5U IN7D/3J4
	955 521 817 06 SXL	Black/black			
	955 521 817 06 SXM	Steel grey/steel grey			
	955 521 817 06 SXN	Sand beige/sand beige			
(1)	955 521 818 06	Head rest	/R	1	IN1M/N2S/N5U IN7D/3J4
	955 521 818 06 SXL	Black/black			
	955 521 818 06 SXM	Steel grey/steel grey			
	955 521 818 06 SXN	Sand beige/sand beige			
(1)	955 521 821 00	Head rest	/L	1	IN1M/N2S/N5U IN7D/3J7
	955 521 821 00 SXL	Black/black			
	955 521 821 00 SXM	Steel grey/steel grey			
	955 521 821 00 SXN	Sand beige/sand beige			
		Porsche crest			
(1)	955 521 822 00	Head rest	/R	1	IN1M/N2S/N5U IN7D/3J7
		Porsche crest			
	955 521 822 00 SXL	Black/black			
	955 521 822 00 SXM	Steel grey/steel grey			
	955 521 822 00 SXN	Sand beige/sand beige			
(1)	955 521 823 00	Head rest	/L	1	IN1P/N5Y/3J4
	955 521 823 00 WAG	Chestnut brown			
(1)	955 521 824 00	Head rest	/R	1	IN1P/N5Y/3J4
	955 521 824 00 WAG	Chestnut brown			
(1)	955 521 823 10	Head rest	/L	1	IN1P/N5Y/3J7
		Porsche crest			
	955 521 823 10 WAG	Chestnut brown			
(1)	955 521 824 10	Head rest	/R	1	IN1P/N5Y/3J7
		Porsche crest			
	955 521 824 10 WAG	Chestnut brown			
2	955 521 825 01	Guide sleeve		1	
		Head rest without Key			
	955 521 825 01 9B9	Satin black			
	955 521 825 01 6C6	Sand Beige			
	955 521 825 01 7A8	Steel grey			
	955 521 825 01 K40	Chestnut brown			
(2)	955 521 826 01	Guide sleeve		1	
		Head rest with Key			

Model: 9PA108 Model life 2007>>2010

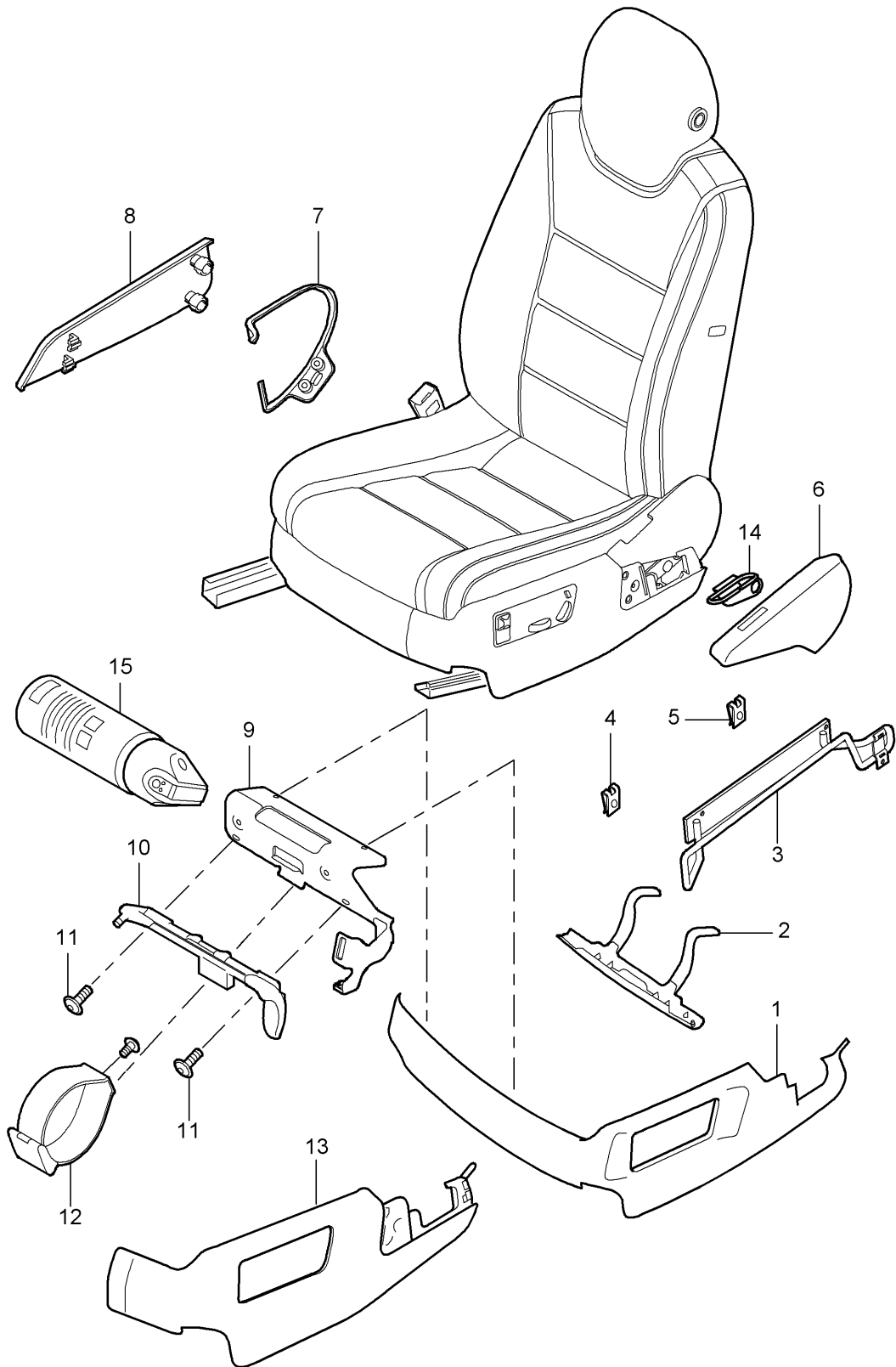
Pos	Part Number	Description	Remark	Qty	Model
	955 521 826 01 9B9	Satin black			
	955 521 826 01 6C6	Sand Beige			
	955 521 826 01 7A8	Steel grey			
	955 521 826 01 K40	Chestnut brown			
3	955 521 835 01	Backrest frame	/L	1	IL0R/3L4
(3)		Backrest frame	/L	1	I3L5
		Electric			
(3)	955 521 836 01	Backrest frame	/R	1	IL0L/3L4
(3)		Backrest frame	/R	1	I3L5
		Electric			
(3)	955 521 841 02	Backrest frame	/L	1	IL0L/3L4
(3)		Backrest frame	/L	1	I3PN
		Electric			
(3)	955 521 842 02	Backrest frame	/RL /R	1	IL0R/3L4
(3)		Electric			
		Backrest frame	/R	1	I3PN
		Electric			
(3)	955 521 842 03	Backrest frame	/R	1	IQ2J/3PN
		Electric			
(3)	955 521 843 00	Backrest frame	/L 08-	1	IQ1J/3PN
		Electric			
(3)	955 521 844 00	Backrest frame	/R 08-	1	IQ1J/3PN
		Electric			
4	955 521 851 06	Seat frame	/L	1	I3PN
		Electric			
		Memory			
4		Seat frame	/LL /L	1	IL0L/3L4
		Electric			
		Memory			
(4)	955 521 852 06	Seat frame	/R	1	I3PN/4UD/4UE
(4)		Seat frame	/RL /R	1	I4UQ
		Electric			IL0R/3L4
		Memory			
(4)	955 521 853 06	Seat frame	/L	1	I3L5
(4)		Electric			
(4)		Seat frame	/RL /L	1	IL0R/3L4
		Electric			
(4)	955 521 854 06	Seat frame	/R	1	I3L5/4UD/4UE
(4)		Seat frame	/RL /R	1	I4UQ
		Electric			IL0R/3L4/4UD
		Electric			I4UE
		Electric			I4UQ
6	955 521 911 00	Cable guide	/L	1	
7	955 521 913 01	Cable guide	/R	1	I3L4/3L5/3PN
10	N 910 146 01	Fit bolt		4	
		Mount			
		Backrest			
11	955 521 887 04	Cover	/L	1	I3L4/3L5/3PN
		Spiral			
		Seat adjuster			
	955 521 887 04 9B9	Satin black			
	955 521 887 04 6C6	Sand Beige			
	955 521 887 04 7A8	Steel grey			
	955 521 887 04 K40	Chestnut brown			
(11)	955 521 888 04	Cover	/R	1	I3L4/3L5/3PN
		Spiral			
		Seat adjuster			
	955 521 888 04 9B9	Satin black			
	955 521 888 04 6C6	Sand Beige			
	955 521 888 04 7A8	Steel grey			
	955 521 888 04 K40	Chestnut brown			
12	955 521 889 01	Cover	/R	1	I3L4/3L5/3PN

Model: 9PA108 Model life 2007>>2010

Pos	Part Number	Description	Remark	Qty	Model
		Spiral			
		Seat adjuster			
		Long			
	955 521 889 01 9B9	Satin black			
	955 521 889 01 6C6	Sand Beige			
	955 521 889 01 7A8	Steel grey			
	955 521 889 01 K40	Chestnut brown			
13	955 521 901 04	Side airbag	/L -08	1	
(13)	955 521 901 05	Side airbag	/L -09	1	
(13)	955 521 901 06	Side airbag	/L 10-	1	
(13)	955 521 902 05	Side airbag	/R -09	1	I4UB/4UD/4UE I4UQ
(13)	955 521 902 06	Side airbag	/R 10-	1	I4UB/4UD/4UE I4UQ
(13)	955 521 903 01	Side airbag	/R -09	1	
(13)	955 521 903 02	Side airbag	/R 10-	1	
14	N 903 682 03	Speed nut		1	
		Mount			
		Airbag			
15	N 106 094 01	Screw		1	
		Mount			
		Airbag			
16	955 521 860 00	Clip		1	
		Securing clip			
		Backrest			
17	955 624 322 00	Electric motor	/R	1	
		Seat adjuster			
		Height adjustment			
(17)	955 624 321 00	Electric motor	/L	1	
		Seat adjuster			
		Height adjustment			
18	955 624 325 00	Electric motor	/L	1	
		Seat adjuster			
		Lengthways			
(18)	955 624 326 00	Electric motor	/R	1	
		Seat adjuster			
		Lengthways			
19	955 624 324 00	Electric motor	/R	1	
		Seat adjuster			
		Tilt angle			
(19)	955 624 323 00	Electric motor	/L	1	
		Seat adjuster			
		Tilt angle			

Model: 9PA108

Model life 2007>>2010



Model: 9PA108 Model life 2007>>2010

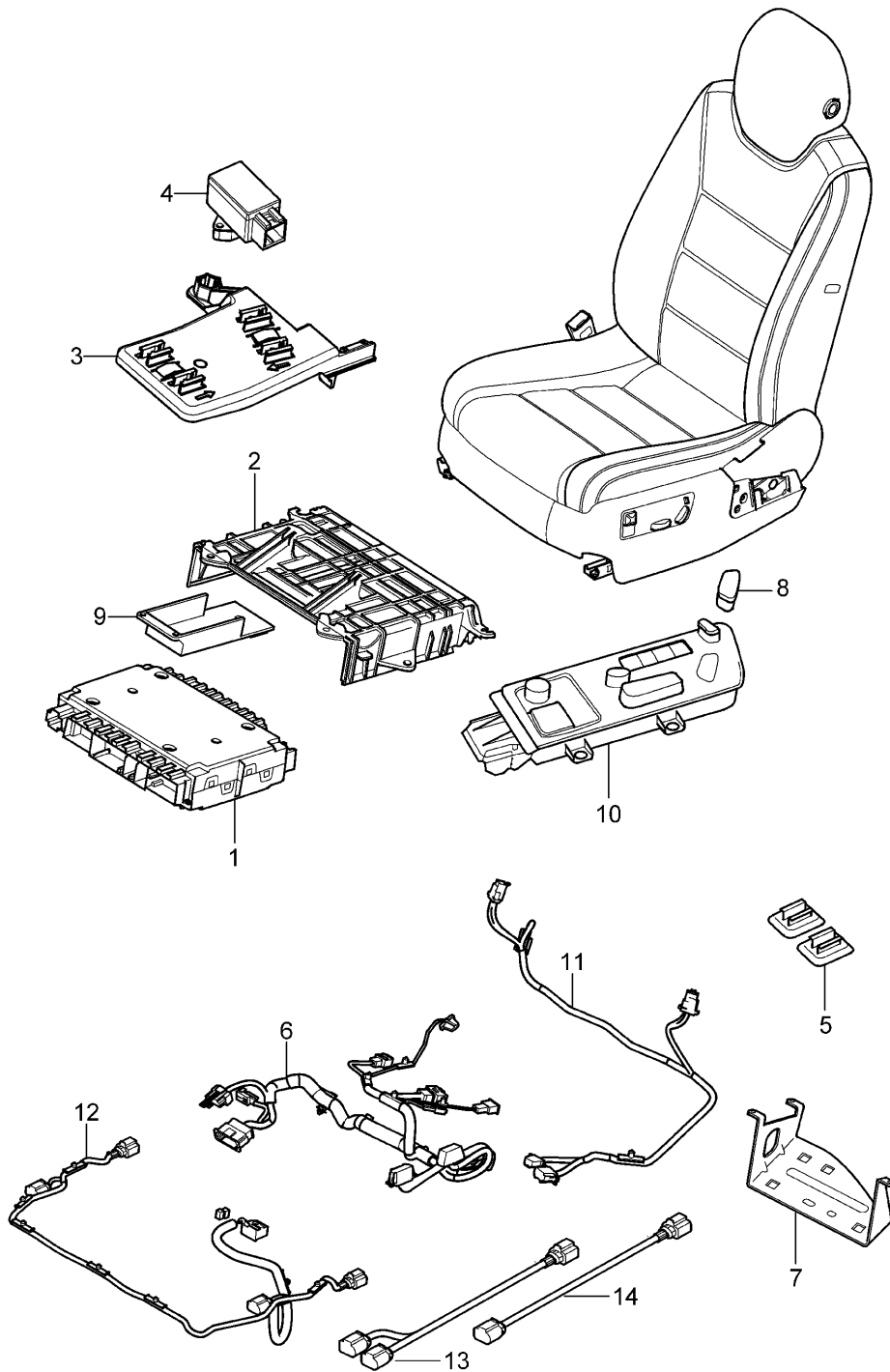
Pos	Part Number	Description	Remark	Qty	Model
1	955 521 317 07	Linings Cover Front seat Cover Driver's side	/L 07-	1	I3L4/3L5/3PN I6A0/6A4/6A5
	955 521 317 07 K40	Chestnut brown			
	955 521 317 07 9B9	Satin black			
	955 521 317 07 6C6	Sand Beige			
	955 521 317 07 7A8	Steel grey			
(1)	955 521 318 07	Cover Passenger's side Front seat	/R	1	I3L4/3L5/3PN
	955 521 318 07 K40	Chestnut brown			
	955 521 318 07 9B9	Satin black			
	955 521 318 07 6C6	Sand Beige			
	955 521 318 07 7A8	Steel grey			
2	955 521 225 00	Support Cover Front		1	I6A0/6A4/6A5
-	N 902 876 01	Blind rivet Support Front		4	
3	955 521 327 01	Support Cover Lateral	/L	1	I3L4/3L5/3PN
(3)	955 521 327 02	Support Cover Lateral	/R	1	I3L4/3L5/3PN
4	N 903 682 03	Speed nut M 5		1	
5	N 910 558 02	Speed nut Support Cover M 5		1	I3L4/3L5/3PN
6	955 521 383 00	Cover Backrest Driver's side	/L	1	I3L4/3L5/3PN
	955 521 383 00 K40	Chestnut brown			
	955 521 383 00 01C	Satin black			
	955 521 383 00 6C6	Sand Beige			
	955 521 383 00 7A8	Steel grey			
(6)	955 521 387 00	Cover Backrest Tunnel Passenger's side	/L	1	
	955 521 387 00 K40	Chestnut brown			
	955 521 387 00 6C6	Sand Beige			
	955 521 387 00 7A8	Steel grey			
	955 521 387 00 01C	Satin black			
7	955 521 386 00	Cover Backrest Passenger's side	/R	1	I3L4/3L5/3PN
	955 521 386 00 01C	Satin black			
	955 521 386 00 K40	Chestnut brown			
	955 521 386 00 6C6	Sand Beige			
	955 521 386 00 7A8	Steel grey			
(7)	955 521 380 00	Cover Backrest Driver's side	/R	1	
	955 521 380 00 K40	Chestnut brown			
	955 521 380 00 01C	Satin black			
	955 521 380 00 6C6	Sand Beige			
	955 521 380 00 7A8	Steel grey			

Model: 9PA108 Model life 2007>>2010

Pos	Part Number	Description	Remark	Qty	Model
8	955 521 347 00	Cap Belt	/L	1	I3L4/3L5/3PN
	955 521 347 00 01C	Satin black			
	955 521 347 00 K40	Chestnut brown			
	955 521 347 00 6C6	Sand Beige			
	955 521 347 00 7A8	Steel grey			
(8)	955 521 348 00	Cap Belt	/R	1	I3L4/3L5/3PN
	955 521 348 00 K40	Chestnut brown			
	955 521 348 00 01C	Satin black			
	955 521 348 00 6C6	Sand Beige			
	955 521 348 00 7A8	Steel grey			
9	955 521 390 01	Support Cover Front		1	I6A7
10	955 521 392 00	Mounting Fire extinguisher		1	I6A7
11	N 907 809 01	Round head screw Mount Support		2	I6A7
12	955 521 394 03	Fire extinguisher Restraining strap		1	I6A7
13	955 521 319 07	Fire extinguisher Cover	/L	1	I3L4/3L5/3PN I6A7
		Driver's side Front seat			
	955 521 319 07 K40	Chestnut brown			
	955 521 319 07 9B9	Satin black			
	955 521 319 07 6C6	Sand Beige			
	955 521 319 07 7A8	Steel grey			
14	955 521 311 00	Belt hook Guide	/L	1	I3L4/3L5/3PN
(14)	955 521 312 00	Belt Belt hook Guide	/R	1	I3L4/3L5/3PN
15	955 860 277 00	Belt Fire extinguisher Information available Information available		1	

Model: 9PA108

Model life 2007>>2010



Model: 9PA108 Model life 2007>>2010

Pos	Part Number	Description	Remark	Qty	Model
1	955 618 750 03	Switch Seat adjuster Wiring harnesses Control unit Seat occupancy detection		1	I4UQ
(1)	955 618 740 00	Passenger's side Control unit Seating position control		1	I3L4/3PN
2	955 521 683 00	Support Control unit Seat occupancy detection		1	I4UQ
3	955 521 732 00	Support Control unit Heating		1	IL0L/4A3/4A4
4	955 618 742 03	Control unit Seat heater	-07	1	I4A3/4A4
(4)	955 618 742 04	Control unit Seat heater	08-	1	I4A3/4A4
5	955 618 735 00	Adapter plug Control unit		1	IG0L
6	955 612 754 04	Wiring harness Seat adjuster Memory	/L	1	IL0L/4A0 I3L4/3PN
(6)	955 612 754 05	Wiring harness Seat adjuster Memory	/L	1	IL0L/4A0 I3L4/3PN
(6)	955 612 755 04	Wiring harness Seat adjuster Memory		1	IL0L/3L4/3PN I4A3/4A4
(6)	955 612 755 05	Wiring harness Seat adjuster Memory		1	IL0L/3L4/3PN I4A3/4A4
(6)	955 612 756 02	Wiring harness Seat adjuster Backrest		1	I3PN/4UB/4UD IL0L/3L4/4UE
(6)	955 612 756 03	Wiring harness Seat adjuster Backrest		1	I3PN/4UB/4UD IL0L/3L4/4UE
(6)	955 612 757 04	Wiring harness Seat adjuster		1	IL0L/3PN/4A0
(6)	955 612 757 05	Wiring harness Seat adjuster		1	IL0L/3PN/4A0
(6)	955 612 758 04	Wiring harness Seat adjuster		1	IL0L/3PN/4A3 I4A4
(6)	955 612 758 05	Wiring harness Seat adjuster		1	IL0L/3PN/4A3 I4A4
(6)	955 612 761 04	Wiring harness Seat adjuster Seat surface		1	IL0R/3L4/4A3 I3L5/4A4
(6)	955 612 761 05	Wiring harness Seat adjuster Seat surface		1	IL0R/3L4/4A3 I3L5/4A4
(6)	955 612 763 04	Wiring harness Seat adjuster	/L /R	1	IL0R/3L4 I3L5/4A0
(6)	955 612 763 05	Wiring harness Seat adjuster	/L /R	1	IL0R/3L4 I3L5/4A0
(6)	955 612 764 04	Wiring harness Seat adjuster	/L /R	1	IL0L/3L4/4A3 I3L5/4A4
(6)	955 612 764 05	Wiring harness Seat adjuster	/L /R	1	IL0L/3L4/4A3 I3L5/4A4
(6)	955 612 766 04	Wiring harness Seat adjuster	/L /R	1	IL0L/3L4 I3L5/4A0
(6)	955 612 766 05	Wiring harness	/L /R	1	IL0L/3L4

Model: 9PA108 Model life 2007>>2010

Pos	Part Number	Description	Remark	Qty	Model
(6)	955 612 771 03	Seat adjuster Wiring harness		1	I3L5/4A0 IL0R/3PN/4A0
(6)	955 612 771 04	Seat adjuster Wiring harness		1	IL0R/3PN/4A0
(6)	955 612 773 03	Seat adjuster Wiring harness	/L	1	IL0R/3PN I4A3/4A4
(6)	955 612 773 04	Seat adjuster Wiring harness	/L	1	IL0R/3PN I4A3/4A4
(6)	955 612 772 03	Seat adjuster Wiring harness	/R	1	IL0R/3L4/3PN I4A3/4A4
(6)	955 612 772 04	Seat adjuster Wiring harness	/R	1	IL0R/3L4/3PN I4A3/4A4
(6)	955 612 774 03	Seat adjuster Wiring harness	/R	1	IL0R/3L4/3PN I4A0
(6)	955 612 774 04	Seat adjuster Wiring harness	/R	1	IL0R/3L4/3PN I4A0
7	955 521 665 05	Seat adjuster Retaining bracket Push-on connector Electric		1	I3L4/3L5/3PN
(7)	955 521 668 05	Seat adjuster Retaining bracket Push-on connector Electric		1	I3L4/3L5
8	955 613 713 10	Knob Adjustment Lumbar		1	
9	955 613 713 10 01C 955 521 731 00	Satin black Cover Control unit Seat occupancy detection		1	I4UQ
10	955 613 713 00	Switch Seat adjuster	/L	1	I3L5 IL0L/L0R/3L4
(10)	955 613 713 00 01C 955 613 714 00	Satin black Switch Seat adjuster	/R	1	I3L5 IL0R/3L4
(10)	955 613 714 00 01C 955 613 714 00	Satin black Switch Seat adjuster	/R	1	IL0L/3L4
(10)	955 613 714 00 01C 955 613 715 00	Satin black Switch Seat adjuster Memory	/L	1	I3PN
(10)	955 613 715 00 01C 955 613 716 00	Satin black Switch Seat adjuster Memory	/R	1	I3PN
(10)	955 613 716 00 01C 955 613 717 00	Satin black Switch Seat adjuster	/LL /L	1	IL0L/3L4
(10)	955 613 717 00 01C 955 613 718 00	Satin black Switch Seat adjuster	/RL /R	1	IL0R/3L4
11	955 613 718 00 01C 955 612 768 02	Satin black Wiring harness Backrest	/R /L	1	IL0R/3L4/3L5
(11)	955 612 768 06	Wiring harness Backrest	/R	1	I3PN/4UB/4UD IL0R/3L4/4UE
12	955 612 779 00	Wiring harness Seat occupancy detection		1	IL0L/4UQ
13	955 612 762 00	Wiring harness Adapter plug Side airbag	/R	1	

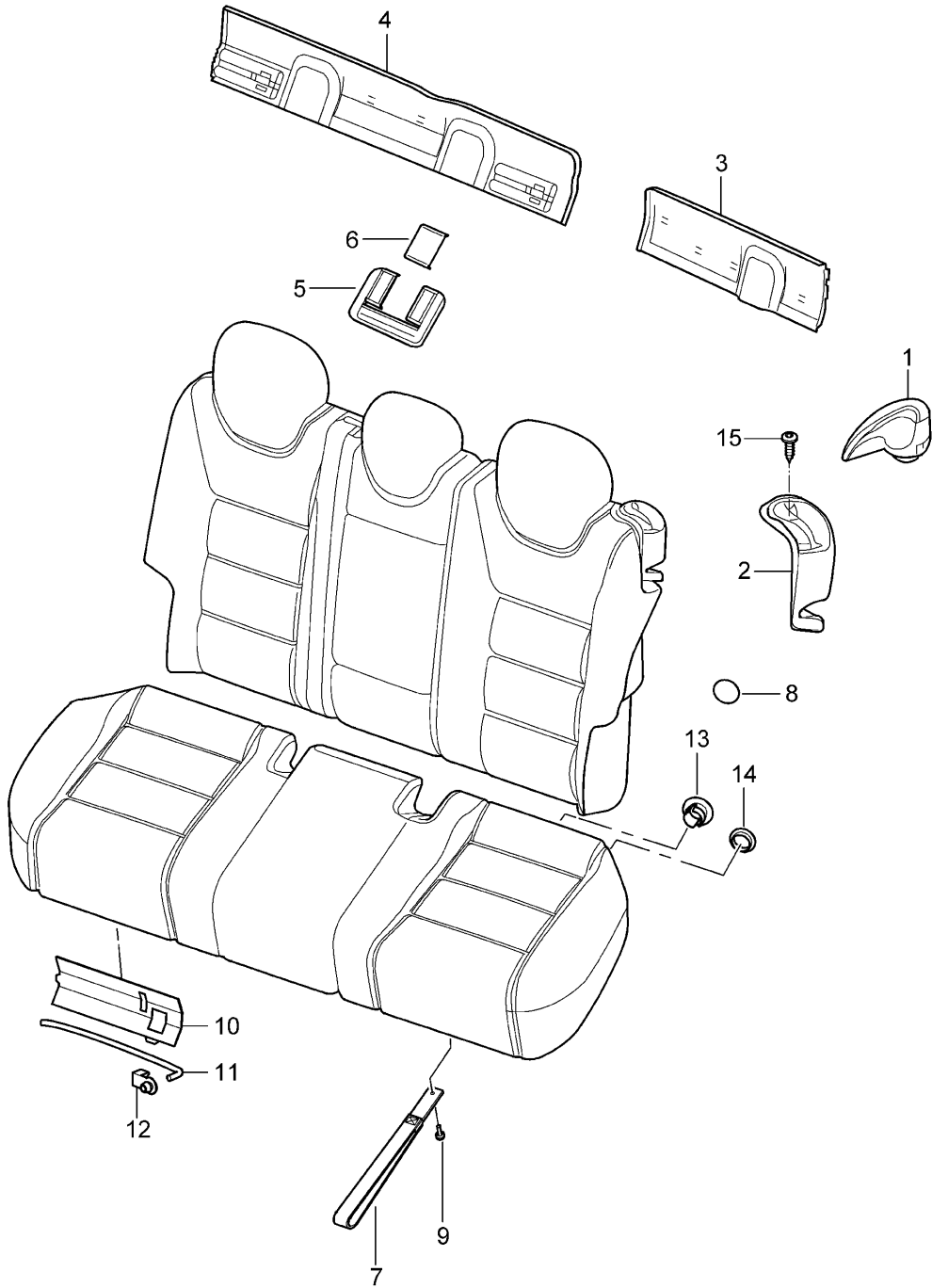
Model: 9PA108

Model life 2007>>2010

Pos	Part Number	Description	Remark	Qty	Model
(13)	955 612 765 00	Wiring harness Adapter plug Side airbag	/L	1	
(13)	955 612 767 00	Wiring harness Adapter plug Side airbag		1	IL0L
14	955 612 770 00	Wiring harness Backrest Video Audio	08-	1	IL0R/9WM
(14)	955 612 769 00	Wiring harness Backrest Video Audio	08-	1	IL0R/9WM

Model: 9PA108

Model life 2007>>2010



Model: 9PA108 Model life 2007>>2010

Pos	Part Number	Description	Remark	Qty	Model
1	955 522 651 09	Back seat backrest	/L	1	
		Accessories			
		Actuating lever			
		Backrest locking lever			
(1)	955 522 651 09 9B9	Satin black	/R	1	
		955 522 651 09 6C6 Sand Beige			
		955 522 651 09 7A8 Steel grey			
		Actuating lever			
(1)	955 522 652 09	Backrest locking lever	/R	1	
		955 522 652 09 9B9 Satin black			
		955 522 652 09 6C6 Sand Beige			
		955 522 652 09 7A8 Steel grey			
2	955 522 673 09	Cover	/L	1	
		Actuating lever			
		955 522 673 09 9B9 Satin black			
		955 522 673 09 6C6 Sand Beige			
(2)	955 522 673 09 7A8	Steel grey	/R	1	
		955 522 672 09			
		Cover			
		Actuating lever			
3	955 522 672 09 9B9	Satin black	/L	1	
		955 522 672 09 6C6 Sand Beige			
		955 522 672 09 7A8 Steel grey			
		955 522 681 00			
4	955 522 681 00 9B9	Cover	/R	1	
		Upper part			
		Backrest			
		955 522 681 00 6C6 Sand Beige			
5	955 522 681 00 7A8	Steel grey	/R	1	
		955 522 680 00			
		Cover			
		Upper part			
6	955 522 680 00 01C	Backrest	/R	1	
		955 522 680 00 6C6 Sand Beige			
		955 522 680 00 7A8 Steel grey			
		955 522 661 00			
7	955 522 661 00	Cover	/R	1	
		Frame			
		Seat belt			
		955 522 661 00 K40 Chestnut brown			
8	955 522 661 00 01C	Satin black	/R	1	
		955 522 661 00 6C6 Sand Beige			
		955 522 661 00 7A8 Steel grey			
		955 522 660 00			
(8)	955 522 660 00	Cover	/R	1	
		Frame			
		Seat belt			
		955 522 660 00 K40 Chestnut brown			
(8)	955 522 660 00 01C	Satin black	/R	1	
		955 522 660 00 6C6 Sand Beige			
		955 522 660 00 7A8 Steel grey			
		955 522 694 01			
(8)	955 522 694 01	Button	/R	4	
		Upper part			
		955 522 694 01 71N Anthracite			
		955 522 695 00			
(8)	955 522 695 00	Button	/R	4	
		Lower part			
		955 522 695 00 71N Anthracite			
		958 521 761 11			
(8)	958 521 761 11	Repair kit	/R	4	
		Knob			
		Child car seat			
		Identification			
9	958 521 761 11 95R	Grey	/R	1	
		N 902 876 01			
(10)	955 522 670 00	Blind rivet	/L	2	
		955 522 670 02			
(10)	955 522 670 00	Traction noose	/L	1	
		955 522 670 02			
(10)	955 522 670 00	Trim cover	/L	1	
		955 522 670 02			
(10)	955 522 670 00	Trim cover	/R	1	
		955 522 670 02			

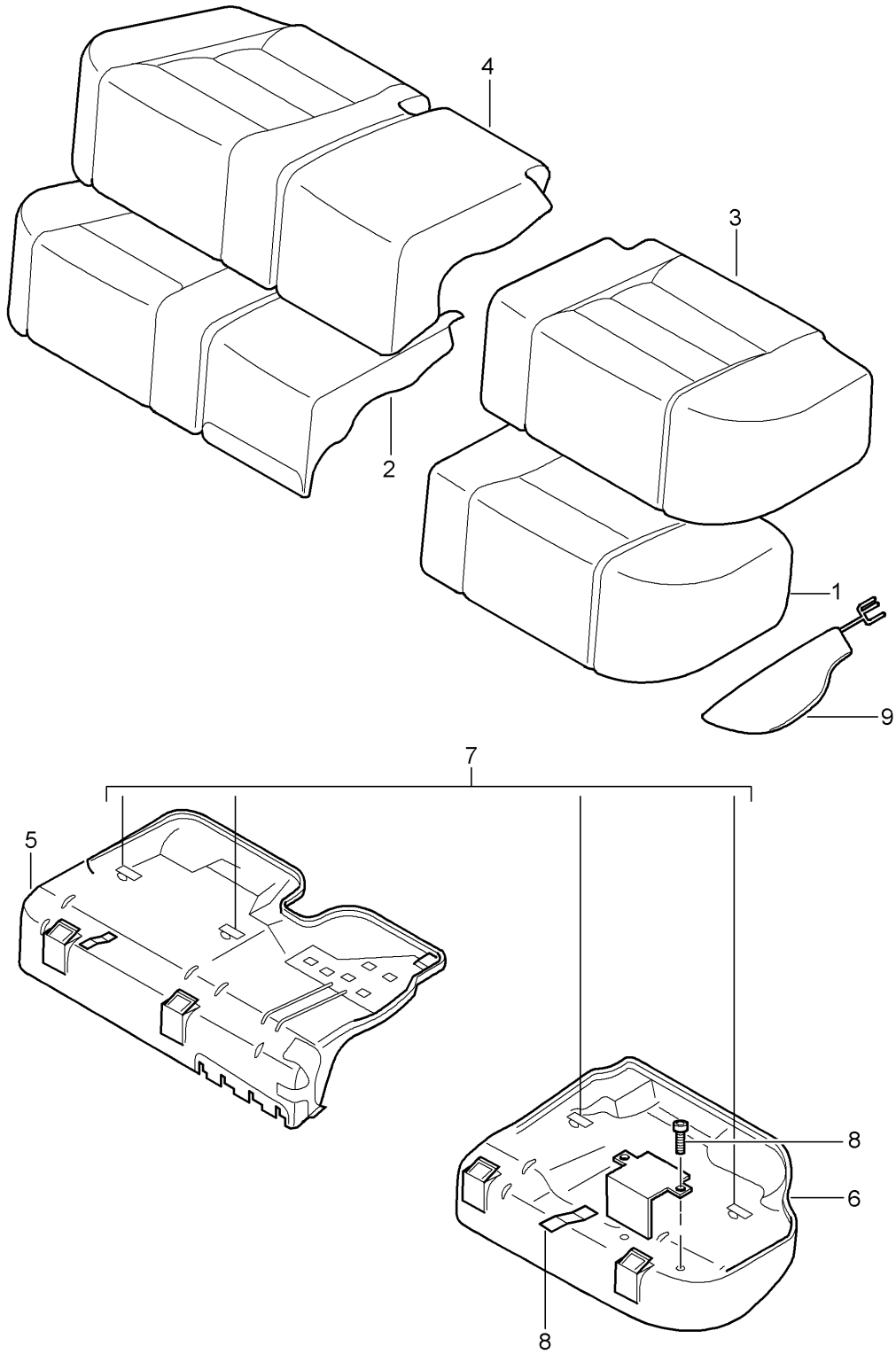
Model: 9PA108

Model life 2007>>2010

Pos	Part Number	Description	Remark	Qty	Model
11	955 522 670 04	Release Pull-type release		1	
12	955 522 670 06	Seat cushion Fixing clip		1	
13	955 522 697 01	Release Flat connector		1	IQA0
		Upper part Mounting			
14	955 522 697 01 B41	Black		1	
	955 522 698 01	Circlip Lower part Mounting			
		Head rest			
14	955 522 698 01 B41	Black		1	
	955 522 698 00	Circlip Lower part Mounting			
		Head rest			
15	N 106 166 01	Countersunk-head screw Mount Cover Actuating lever		1	

Model: 9PA108

Model life 2007>>2010



Model: 9PA108 Model life 2007>>2010

Pos	Part Number	Description	Remark	Qty	Model
1	955 522 055 01	Foam part Seat surface Cover	/L	1	IQ1D
(1)	955 522 161 01	Foam part Seat cushion	/L	1	IQ2J
2	955 522 160 01	Foam part Seat cushion	/R	1	IQ2J/9AB/9AD
(2)	955 522 162 01	Foam part Seat cushion	/R	1	IQ2J/9AH
(2)	955 522 040 01	Foam part Seat cushion	/R	1	IQ1D
(2)	955 522 042 01	Foam part Seat cushion	/R	1	IQ1D/9AH
3	955 522 317 07	Cover for cushion Comfort seat	/L	1	IN1X/4A0/4A3
	955 522 317 07 PBW	Sand Beige			
	955 522 317 07 PBX	Steel grey			
	955 522 317 07 PBY	Black			
(3)	955 522 303 07	Cover for cushion Comfort seat	/L	1	/74A3 IN7F/4A0
	955 522 303 07 PBW	Sand Beige			
	955 522 303 07 PBX	Steel grey			
	955 522 303 07 PBY	Black			
(3)	955 522 315 07	Cover for cushion Comfort seat	/L	1	IN5U/4A0/4A3
	955 522 315 07 PCA	Sand Beige			
	955 522 315 07 PCB	Steel grey			
	955 522 315 07 PCC	Black			
(3)	955 522 311 07	Cover for cushion Comfort seat	/L	1	IN7D/4A0/4A3
	955 522 311 07 PCA	Sand Beige			
	955 522 311 07 PCB	Steel grey			
	955 522 311 07 PCC	Black			
(3)	955 522 301 08	Cover for cushion Comfort seat	/L	1	IN1P/4A0/4A3
	955 522 301 08 WAG	Chestnut brown			
(3)	955 522 303 01	Cover for cushion Comfort seat	/L	1	IN5Y/4A0/4A3
	955 522 303 01 WAG	Chestnut brown			
(3)	955 522 305 07	Cover for cushion Comfort seat	/L	1	IN7F/4A4
	955 522 305 07 PBW	Sand Beige			
	955 522 305 07 PBX	Steel grey			
	955 522 305 07 PBY	Black			
(3)	955 522 313 07	Cover for cushion Comfort seat	/L	1	IN7D/4A4
	955 522 313 07 PCA	Sand Beige			
	955 522 313 07 PCB	Steel grey			
	955 522 313 07 PCC	Black			
(3)	955 522 309 07	Cover for cushion Comfort seat	/L	1	IN5U/4A4
	955 522 309 07 PCA	Sand Beige			
	955 522 309 07 PCB	Steel grey			
	955 522 309 07 PCC	Black			
(3)	955 522 301 07	Cover for cushion Comfort seat	/L	1	IN1X/4A4
	955 522 301 07 PBW	Sand Beige			
	955 522 301 07 PBX	Steel grey			
	955 522 301 07 PBY	Black			
(3)	955 522 303 08	Cover for cushion	/L	1	IN1P/4A4

Model: 9PA108 Model life 2007>>2010

Pos	Part Number	Description	Remark	Qty	Model
(3)	955 522 303 08 WAG	Comfort seat Chestnut brown	/L	1	IN5Y/4A4
	955 522 303 09	Cover for cushion			
(3)	955 522 303 09 WAG	Comfort seat Chestnut brown	/L	1	IN5U/4A0/4A3
	955 522 319 07	Cover for cushion			
(3)	955 522 319 07 PCA	Sports seat Sand Beige	/L	1	IN1P/4A0/4A3
	955 522 319 07 PCB	without heating Steel grey			
	955 522 319 07 PCC	Black			
	955 522 309 08	Cover for cushion			
(3)	955 522 309 08 WAG	Sports seat Chestnut brown	/L	1	IN5U/Q1D/4A4
	955 522 307 07	Cover for cushion			
	955 522 307 07 PCA	Sports seat Sand Beige			
	955 522 307 07 PCB	Steel grey			
(3)	955 522 307 07 PCC	Black	/L	1	IN1P/Q1D/4A4
	955 522 329 08	Cover for cushion			
	955 522 329 08 WAG	Sports seat Chestnut brown			
	955 522 334 06	Cover for cushion			
4	955 522 334 06 PBW	Comfort seat Sand Beige	/R	1	IN1X/4A0/4A3 I9AB/9AD
	955 522 334 06 PBX	Steel grey			
	955 522 334 06 PBY	Black			
	955 522 302 06	Cover for cushion			
(4)	955 522 302 06 PBW	Comfort seat Sand Beige	/R	1	IN1X/4A0/4A3 I9AH
	955 522 302 06 PBX	Steel grey			
	955 522 302 06 PBY	Black			
	955 522 306 06	Cover for cushion			
(4)	955 522 306 06 PBW	Comfort seat Sand Beige	/R	1	IN7F/4A0/4A3 I9AB/9AD
	955 522 306 06 PBX	Steel grey			
	955 522 306 06 PBY	Black			
	955 522 310 06	Cover for cushion			
(4)	955 522 310 06 PBW	Comfort seat Sand Beige	/R	1	IN7F/4A0/4A3 I9AH
	955 522 310 06 PBX	Steel grey			
	955 522 310 06 PBY	Black			
	955 522 312 06	Cover for cushion			
(4)	955 522 312 06 PBW	Comfort seat Sand Beige	/R	1	IN7F/4A4/9AH
	955 522 312 06 PBX	Steel grey			
	955 522 312 06 PBY	Black			
	955 522 332 06	Cover for cushion			
(4)	955 522 332 06 PCA	Comfort seat Sand Beige	/R	1	IN5U/4A0/4A3 I9AB/9AD
	955 522 332 06 PCB	Steel grey			
	955 522 332 06 PCC	Black			
	955 522 320 06	Cover for cushion			
(4)	955 522 320 06 PCA	Comfort seat Sand Beige	/R	1	IN5U/4A0/4A3 I9AH
	955 522 320 06 PCB	Steel grey			
	955 522 320 06 PCC	Black			
	955 522 300 06	Cover for cushion			
(4)	955 522 300 06 PBW	Comfort seat Sand beige/sand beige	/R	1	IN1X/4A0/4A3 I9AB/9AD
	955 522 300 06 PBX	Steel grey/steel grey			
	955 522 300 06 PBY	Black-black			
	955 522 300 06 WRN	Black/grey			

Model: 9PA108

Model life 2007>>2010

Pos	Part Number	Description	Remark	Qty	Model
(4)	955 522 300 06 WRP	Black/sand beige			
	955 522 328 06	Cover for cushion	/R	1	IN7D/4A0/4A3
		Comfort seat			I9AH
	955 522 328 06 PCA	Sand Beige			
	955 522 328 06 PCB	Steel grey			
	955 522 328 06 PCC	Black			
(4)	955 522 302 09	Cover for cushion	/R	1	IN1P/4A0/4A3
		Comfort seat			I9AB/9AD
	955 522 302 09 WAG	Chestnut brown			
(4)	955 522 304 02	Cover for cushion	/R	1	IN1P/4A0/4A3
		Comfort seat			I9AH
	955 522 304 02 WAG	Chestnut brown			
(4)	955 522 304 03	Cover for cushion	/R	1	IN5Y/4A0/4A3
		Comfort seat			I9AB/9AD
	955 522 304 03 WAG	Chestnut brown			
(4)	955 522 304 04	Cover for cushion	/R	1	IN5Y/4A0/4A3
		Comfort seat			I9AH
	955 522 304 04 WAG	Chestnut brown			
(4)	955 522 308 06	Cover for cushion	/R	1	IN7F/4A4
		Comfort seat			I9AB/9AD
	955 522 308 06 PBW	Sand Beige			
	955 522 308 06 PBX	Steel grey			
	955 522 308 06 PBY	Black			
(4)	955 522 326 06	Cover for cushion	/R	1	IN7D/4A4
		Comfort seat			I9AB/9AD
	955 522 326 06 PCA	Sand Beige			
	955 522 326 06 PCB	Steel grey			
	955 522 326 06 PCC	Black			
(4)	955 522 330 06	Cover for cushion	/R	1	IN7D/4A4/9AH
		Comfort seat			
	955 522 330 06 PCA	Sand Beige			
	955 522 330 06 PCB	Steel grey			
	955 522 330 06 PCC	Black			
(4)	955 522 318 06	Cover for cushion	/R	1	IN5U/4A4
		Comfort seat			I9AB/9AD
	955 522 318 06 PCA	Sand Beige			
	955 522 318 06 PCB	Steel grey			
	955 522 318 06 PCC	Black			
(4)	955 522 322 06	Cover for cushion	/R	1	IN5U/4A4/9AH
		Comfort seat			
	955 522 322 06 PCA	Sand Beige			
	955 522 322 06 PCB	Steel grey			
	955 522 322 06 PCC	Black			
(4)	955 522 324 06	Cover for cushion	/R	1	IN7D/4A0
		Comfort seat			I4A3/9AB/9AD
	955 522 324 06 PCA	Sand Beige			
	955 522 324 06 PCB	Steel grey			
	955 522 324 06 PCC	Black			
(4)	955 522 304 06	Cover for cushion	/R	1	IN1X/4A4/9AH
		Comfort seat			
	955 522 304 06 PBW	Sand Beige			
	955 522 304 06 PBX	Steel grey			
	955 522 304 06 PBY	Black			
(4)	955 522 308 02	Cover for cushion	/R	1	IN1P/4A4
		Comfort seat			I9AB/9AD
	955 522 308 02 WAG	Chestnut brown			
(4)	955 522 308 03	Cover for cushion	/R	1	IN1P/4A4/9AH
		Comfort seat			
	955 522 308 03 WAG	Chestnut brown			
(4)	955 522 308 04	Cover for cushion	/R	1	IN5Y/4A4
		Comfort seat			I9AB/9AD
	955 522 308 04 WAG	Chestnut brown			
(4)	955 522 308 09	Cover for cushion	/R	1	IN5Y/4A4/9AH

Model: 9PA108 Model life 2007>>2010

Pos	Part Number	Description	Remark	Qty	Model
(4)	955 522 308 09 WAG	Comfort seat Chestnut brown			
	955 522 338 06	Cover for cushion Sports seat	/R	1	IN5U/4A0/4A3 I9AB/9AD
(4)	955 522 338 06 PCA	Sand Beige			
	955 522 338 06 PCB	Steel grey			
	955 522 338 06 PCC	Black			
	955 522 336 06	Cover for cushion Sports seat	/R	1	IN5U/9AH I4A0/4A3
(4)	955 522 336 06 PCA	Sand Beige			
	955 522 336 06 PCB	Steel grey			
	955 522 336 06 PCC	Black			
	955 522 336 08	Cover for cushion Sports seat	/R	1	IN1P/4A0/4A3 I9AB/9AD
(4)	955 522 336 08 WAG	Chestnut brown			
	955 522 338 08	Cover for cushion Sports seat	/R	1	IN1P/4A0/4A3 I9AH
(4)	955 522 338 08 WAG	Chestnut brown			
	955 522 314 06	Cover for cushion Sports seat	/R	1	IN5U/Q1D/4A4 I9AB/9AD
	955 522 314 06 PCA	Sand Beige			
	955 522 314 06 PCB	Steel grey			
(4)	955 522 314 06 PCC	Black			
	955 522 316 06	Cover for cushion Sports seat	/R	1	IN5U/4A4/9AH
	955 522 316 06 PCA	Sand Beige			
	955 522 316 06 PCB	Steel grey			
(4)	955 522 316 06 PCC	Black			
	955 522 334 08	Cover for cushion Sports seat	/R	1	IN1P/Q1D/4A4 I9AB/9AD
	955 522 334 08 WAG	Chestnut brown			
	955 522 316 07	Cover for cushion Sports seat	/R	1	IN1P/Q1D/4A4 I9AH
5	955 522 316 07 WAG	Chestnut brown			
	955 522 382 05	Seat frame Rear	/R	1	IQA0/9AB/9AD
(5)	955 522 382 06	Seat frame Rear	/R	1	IQA0/9AH
	955 522 385 03	Seat frame Rear	/L	1	IQA0
7	955 522 399 01	Cap Hook		4	
8	N 910 260 03	Screw Mount		8	I3NW
9	955 653 043 00	Seat frame Body in white Heating element Seat side bolster Rear	/L	1	IQ2J/4A4
	955 653 043 01	Heating element Seat side bolster Rear	/L	1	IQ1D/4A4
(9)	955 653 043 02	Heating element Seat side bolster Rear	/L 08-	1	IQ1J/4A4
(9)	955 653 044 00	Heating element Seat side bolster Rear	/R	1	IQ2J/4A4
(9)	955 653 044 01	Heating element Seat side bolster Rear	/R	1	IQ1D/4A4
(9)	955 653 044 02	Heating element Seat side bolster	/R	1	IQ1J/4A4

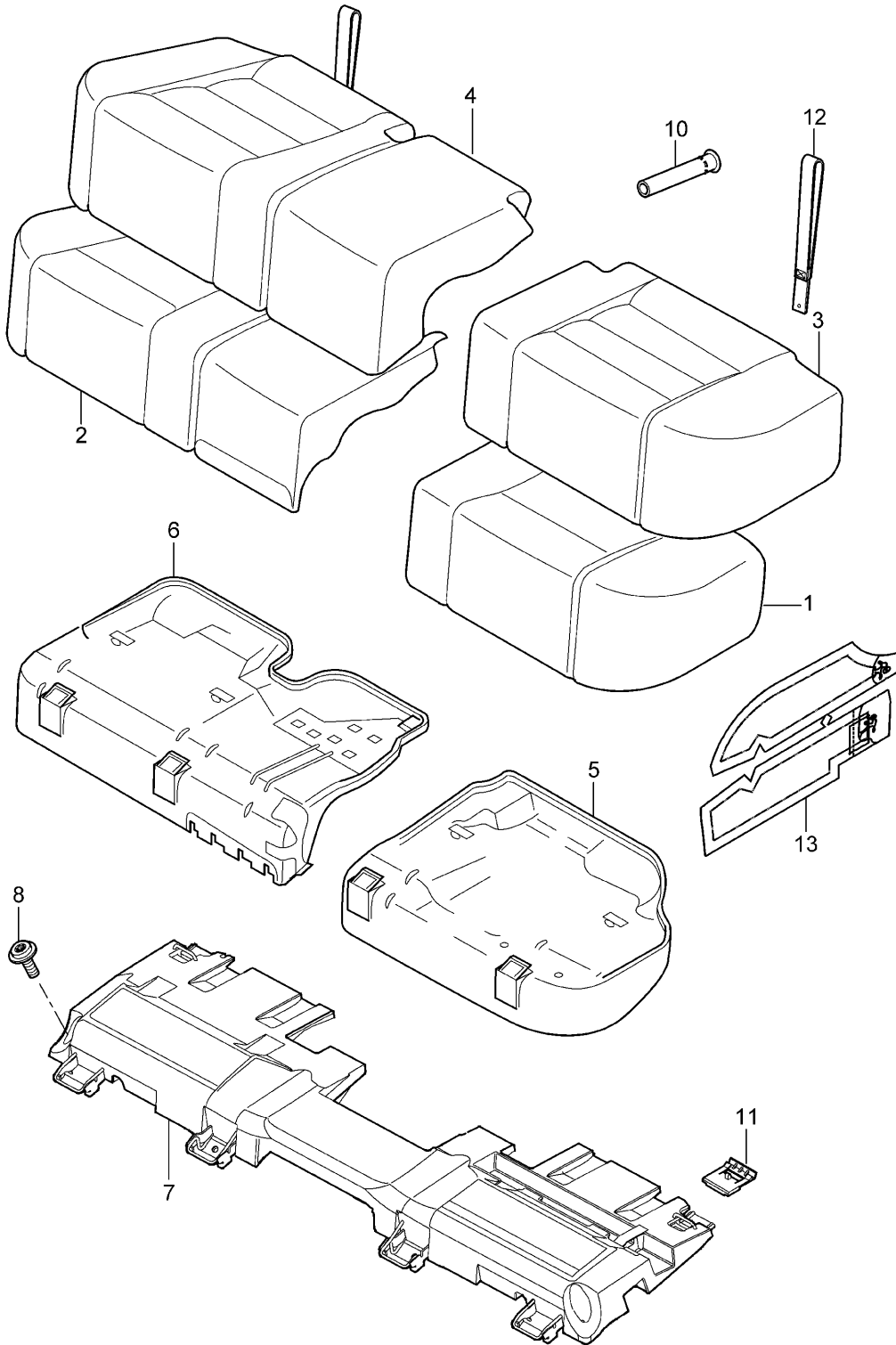
Model: 9PA108

Model life 2007>>2010

Pos	Part Number	Description	Remark	Qty	Model
		Rear			

Model: 9PA108

Model life 2007>>2010



Model: 9PA108 Model life 2007>>2010

Pos	Part Number	Description	Remark	Qty	Model
1	955 522 055 08	Seat Rear Plastic material Seat frame Foam part	/L	1	IQ1D
(1)	955 522 057 00	Seat cushion Foam part	/L 08-	1	IQ1J
(1)	955 522 161 08	Seat cushion Sports seat Foam part	/L	1	IQ2J
2	955 522 164 08	Seat cushion Foam part	/R	1	IQ2J
(2)	955 522 040 08	Seat cushion Foam part	/R	1	IQ1D
(2)	955 522 044 00	Seat cushion Foam part	/R 08-	1	IQ1J
(3)	955 522 317 09	Seat cushion Sports seat Cover for cushion	/L	1	IN1X/Q2J/4A0 I4A3
	955 522 317 09 PBW	Comfort seat Sand beige/sand beige			
	955 522 317 09 PBX	Steel grey/steel grey			
	955 522 317 09 PBY	Black/black			
(3)	955 522 303 11	Cover for cushion	/L	1	IN7F/Q2J/4A0 I4A3
	955 522 303 11 PBW	Comfort seat Sand beige/sand beige			
	955 522 303 11 PBX	Steel grey/steel grey			
	955 522 303 11 PBY	Black/black			
(3)	955 522 315 09	Cover for cushion	/L	1	IN5U/Q2J/4A0 I4A3
	955 522 315 09 PCA	Comfort seat Sand beige/sand beige			
	955 522 315 09 PCB	Steel grey/steel grey			
	955 522 315 09 PCC	Black/black			
(3)	955 522 311 09	Cover for cushion	/L	1	IN7D/Q2J/4A0 I4A3
	955 522 311 09 PCA	Comfort seat Sand beige/sand beige			
	955 522 311 09 PCB	Steel grey/steel grey			
	955 522 311 09 PCC	Black/black			
(3)	955 522 301 10	Cover for cushion	/L	1	IN1P/Q2J/4A0 I4A3
	955 522 301 10 WAG	Comfort seat Chestnut brown			
(3)	955 522 303 14	Cover for cushion	/L	1	IN5Y/Q2J/4A0 I4A3
	955 522 303 14 WAG	Comfort seat Chestnut brown			
(3)	955 522 305 09	Cover for cushion	/L	1	IN7F/Q2J/4A4
	955 522 305 09 PBW	Comfort seat Sand beige/sand beige			
	955 522 305 09 PBX	Steel grey/steel grey			
	955 522 305 09 PBY	Black/black			
(3)	955 522 313 09	Cover for cushion	/L	1	IN7D/Q2J/4A4
	955 522 313 09 PCA	Comfort seat Sand beige/sand beige			
	955 522 313 09 PCB	Steel grey/steel grey			
	955 522 313 09 PCC	Black/black			
(3)	955 522 309 11	Cover for cushion	/L	1	IN5U/Q2J/4A4
	955 522 309 11 PCA	Comfort seat Sand beige/sand beige			

Model: 9PA108 Model life 2007>>2010

Pos	Part Number	Description	Remark	Qty	Model
(3)	955 522 309 11 PCB	Steel grey/steel grey			
	955 522 309 11 PCC	Black/black			
	955 522 301 11	Cover for cushion Comfort seat	/L	1	IN1X/Q2J/4A4
(3)	955 522 301 11 PBW	Sand beige/sand beige			
	955 522 301 11 PBX	Steel grey/steel grey			
	955 522 301 11 PBY	Black/black			
(3)	955 522 303 13	Cover for cushion Comfort seat	/L	1	IN1P/Q2J/4A4
	955 522 303 13 WAG	Chestnut brown			
	955 522 303 15	Cover for cushion Comfort seat	/L	1	IN5Y/Q2J/4A4
(3)	955 522 303 15 WAG	Chestnut brown			
	955 522 309 14	Cover for cushion	/L	1	IN1P/Q1D/4A0 I4A3
	955 522 309 14 WAG	Sports seat Chestnut brown			
(3)	955 522 331 00	Cover for cushion	/L 09-	1	IN1P/Q1D/4A0 I4A3
	955 522 331 00 WAG	Sports seat Chestnut brown			
	955 522 319 09	Cover for cushion	/L	1	IN5U/Q1D/4A0 I4A3
(3)	955 522 319 09 PCA	Sports seat without heating			
	955 522 319 09 PCB	Sand beige/sand beige			
	955 522 319 09 PCC	Steel grey/steel grey			
(3)	955 522 307 10	Cover for cushion Sports seat	/L	1	IN5U/Q1D/4A4
	955 522 307 10 PCA	Sand beige/sand beige			
	955 522 307 10 PCB	Steel grey/steel grey			
(3)	955 522 307 10 PCC	Black/black			
	955 522 329 11	Cover for cushion Sports seat	/L	1	IN1P/Q1D/4A4
	955 522 329 11 WAG	Chestnut brown			
(3)	955 522 333 00	Cover for cushion Sports seat	/L 09-	1	IN1P/Q1J/4A4
	955 522 333 00 WAG	Chestnut brown			
	955 522 327 01	Cover for cushion	/L 08-	1	IN2S/Q1J I4A0/4A3
(3)	955 522 327 01 XKR	Sports seat Alcantara Black			
	955 522 327 01 XKS	Sand Beige			
	955 522 327 01 XKT	Steel grey			
(3)	955 522 329 13	Cover for cushion Sports seat Alcantara with heating	/L 08-	1	IN2S/Q1J/4A4
	955 522 329 13 XKR	Black			
	955 522 329 13 XKS	Sand Beige			
(3)	955 522 329 13 XKT	Steel grey			
	955 522 335 00	Cover for cushion	/L 09-	1	IN1M/Q1J/4A0 I4A3
	955 522 335 00 ZBX	Sports seat two-colour Black/Havanna			
(3)	955 522 335 00 ZBY	Black/Steel Grey			
	955 522 337 00	Cover for cushion Sports seat two-colour	/L 09-	1	IN1M/Q1J/4A4
	955 522 337 00 ZBX	Black/Havanna			

Model: 9PA108

Model life 2007>>2010

Pos	Part Number	Description	Remark	Qty	Model
4	955 522 337 00 ZBY	Black/Steel Grey	/R	1	IN1X/Q2J/4A0 I4A3 I9AB/9AD
	955 522 334 10	Cover for cushion			
		Comfort seat			
	955 522 334 10 PBW	Sand beige/sand beige			
(4)	955 522 334 10 PBX	Steel grey/steel grey	/R	1	IN1X/Q2J/4A0 I4A3 I9AH
	955 522 334 10 PBY	Black/black			
	955 522 302 09	Cover for cushion			
		Comfort seat			
(4)	955 522 302 09 PBW	Sand beige/sand beige	/R	1	IN7F/Q2J/4A0 I4A3 I9AB/9AD
	955 522 302 09 PBX	Steel grey/steel grey			
	955 522 302 09 PBY	Black/black			
	955 522 306 09	Cover for cushion			
(4)	955 522 306 09 PBW	Sand beige/sand beige	/R	1	IN7F/Q2J/4A0 I4A3 I9AH
	955 522 306 09 PBX	Steel grey/steel grey			
	955 522 306 09 PBY	Black/black			
	955 522 310 09	Cover for cushion			
(4)	955 522 310 09 PBW	Sand beige/sand beige	/R	1	IN7F/Q2J/4A0 I4A3/9AH
	955 522 310 09 PBX	Steel grey/steel grey			
	955 522 310 09 PBY	Black/black			
	955 522 312 09	Cover for cushion			
(4)	955 522 312 09 PBW	Sand beige/sand beige	/R	1	IN5U/Q2J/4A0 I4A3 I9AB/9AD
	955 522 312 09 PBX	Steel grey/steel grey			
	955 522 312 09 PBY	Black/black			
	955 522 332 09	Cover for cushion			
(4)	955 522 332 09 PCA	Sand beige/sand beige	/R	1	IN5U/Q2J/4A0 I4A3 I9AH
	955 522 332 09 PCB	Steel grey/steel grey			
	955 522 332 09 PCC	Black/black			
	955 522 320 09	Cover for cushion			
(4)	955 522 320 09 PCA	Sand beige/sand beige	/R	1	IN7D/Q2J/4A0 I4A3/9AH
	955 522 320 09 PCB	Steel grey/steel grey			
	955 522 320 09 PCC	Black/black			
	955 522 328 09	Cover for cushion			
(4)	955 522 328 09 PCA	Sand beige/sand beige	/R	1	IN1P/Q2J/4A0 I4A3 I9AB/9AD
	955 522 328 09 PCB	Steel grey/steel grey			
	955 522 328 09 PCC	Black/black			
	955 522 302 11	Cover for cushion			
(4)	955 522 302 11 WAG	Chestnut brown	/R	1	IN1P/Q2J/4A0 I4A3 I9AH
	955 522 304 11	Cover for cushion			
(4)	955 522 304 11 WAG	Chestnut brown	/R	1	IN5Y/Q2J/4A0 I4A3 I9AB/9AD
	955 522 304 12	Cover for cushion			
(4)	955 522 304 12 WAG	Chestnut brown	/R	1	IN5Y/Q2J/4A0 I4A3 I9AH
	955 522 304 13	Cover for cushion			
	955 522 304 13 WAG	Chestnut brown			

Model: 9PA108 Model life 2007>>2010

Pos	Part Number	Description	Remark	Qty	Model
(4)	955 522 338 10 PCC 955 522 336 10	Black/black Cover for cushion Sports seat	/R	1	IN5U/Q1D/4A0 I4A3 I9AH
	955 522 336 10 PCA 955 522 336 10 PCB 955 522 336 10 PCC	Sand beige/sand beige Steel grey/steel grey Black/black			
(4)	955 522 336 11	Cover for cushion Sports seat	/R	1	IN1P/Q1D/4A0 I4A3 I9AB/9AD
	955 522 336 11 WAG	Chestnut brown			
(4)	955 522 338 11	Cover for cushion Sports seat	/R	1	IN1P/Q1D/4A0 I4A3 I9AH
	955 522 338 11 WAG	Chestnut brown			
(4)	955 522 348 00	Cover for cushion Sports seat	/R 09-	1	IN1P/Q1J/4A0 I4A3/9AB/9AD
	955 522 348 00 WAG	Chestnut brown			
(4)	955 522 352 00	Cover for cushion Sports seat	/R 09-	1	IN1P/Q1J/4A0 I4A3/9AH
	955 522 352 00 WAG	Chestnut brown			
(4)	955 522 314 10	Cover for cushion Sports seat	/R	1	IN5U/Q1D/4A4 I9AB I9AD
	955 522 314 10 PCA 955 522 314 10 PCB 955 522 314 10 PCC	Sand beige/sand beige Steel grey/steel grey Black/black			
(4)	955 522 316 10	Cover for cushion Sports seat	/R	1	IN5U/Q1D/4A4 I9AH
	955 522 316 10 PCA 955 522 316 10 PCB 955 522 316 10 PCC	Sand beige/sand beige Steel grey/steel grey Black/black			
(4)	955 522 334 11	Cover for cushion Sports seat	/R	1	IN1P/Q1D/4A4 I9AB I9AD
	955 522 334 11 WAG	Chestnut brown			
(4)	955 522 316 12	Cover for cushion Sports seat	/R	1	IN1P/Q1D/4A4 I9AH
	955 522 316 12 WAG	Chestnut brown			
(4)	955 522 350 00	Cover for cushion Sports seat	/R	1	IN1P/Q1J/4A4 I9AB/9AD
	955 522 350 00 WAG	Chestnut brown			
(4)	955 522 362 00	Cover for cushion Sports seat	/R	1	IN1P/Q1J/4A4 I9AH
	955 522 362 00 WAG	Chestnut brown			
(4)	955 522 340 01	Cover for cushion Sports seat Alcantara	/R 08-	1	IN2S/Q1D/Q1J I4A0 I4A3/9AB/9AD
	955 522 340 01 XKR 955 522 340 01 XKS 955 522 340 01 XKT	Black Sand Beige Steel grey			
(4)	955 522 342 01	Cover for cushion Sports seat Alcantara	/R 08-	1	IN2S/Q1J/4A4 I9AB/9AD
	955 522 342 01 XKR 955 522 342 01 XKS	Black Sand Beige			

Model: 9PA108

Model life 2007>>2010

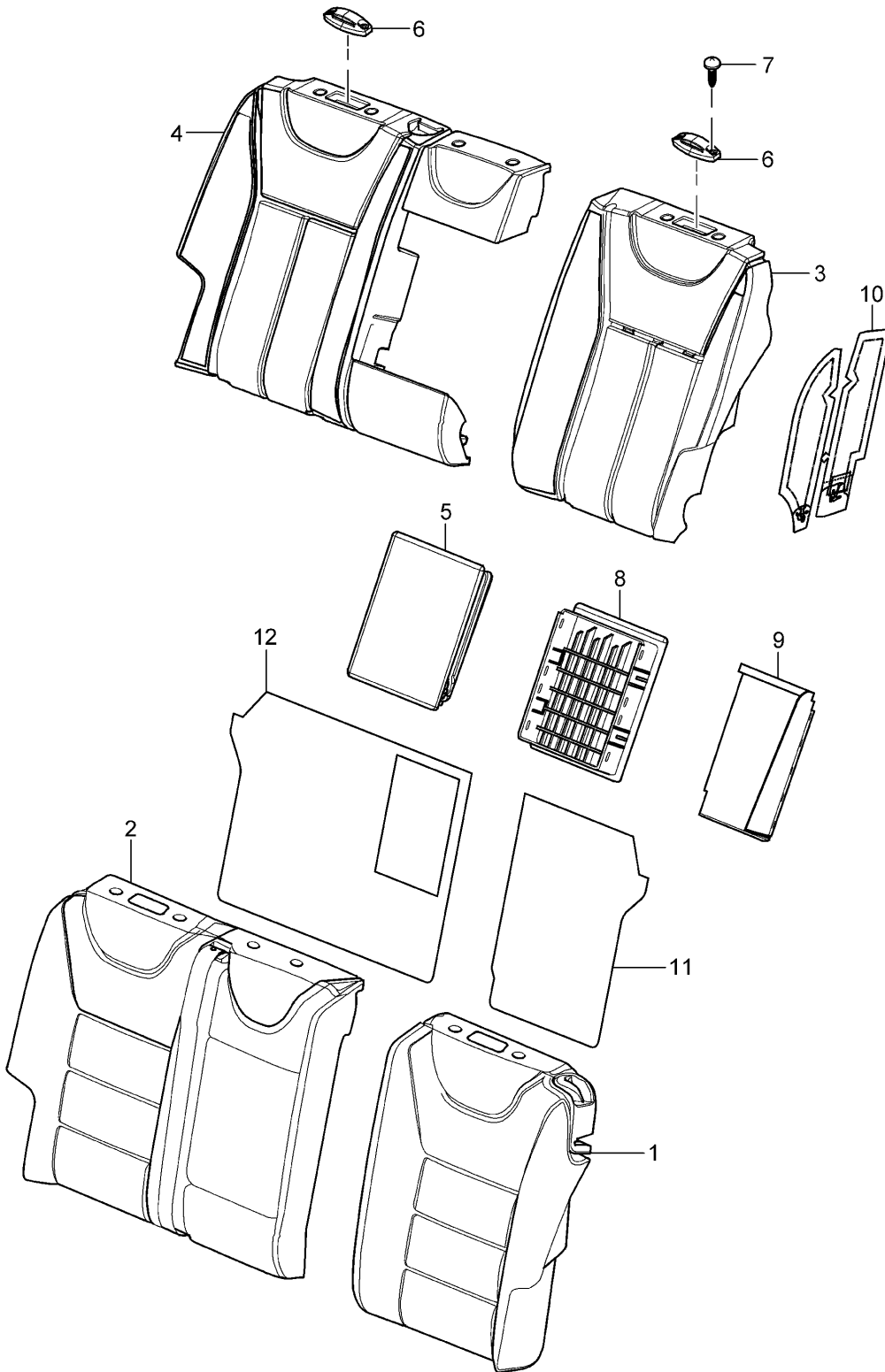
Pos	Part Number	Description	Remark	Qty	Model
(4)	955 522 342 01 XKT 955 522 344 01	Steel grey Cover for cushion Sports seat Alcantara	/R 08-	1	IN2S/Q1J/4A0 I4A3/9AH
	955 522 344 01 XKR	Black			
	955 522 344 01 XKS	Sand Beige			
(4)	955 522 344 01 XKT 955 522 346 01	Steel grey Cover for cushion Sports seat Alcantara	/R 08-	1	IN2S/Q1J I4A4/9AH
	955 522 346 01 XKR	Black			
	955 522 346 01 XKS	Sand Beige			
	955 522 346 01 XKT	Steel grey			
(4)	955 522 364 00	Cover for cushion Sports seat two-colour	/R 09-	1	IN1M/Q1J/4A0 I4A3/9AB/9AD
	955 522 364 00 ZBX	Black/Havanna			
	955 522 364 00 ZBY	Black/Steel Grey			
(4)	955 522 366 00	Cover for cushion Sports seat two-colour	/R 09-	1	IN1M/Q1J/4A4 I9AB/9AD
	955 522 366 00 ZBX	Black/Havanna			
	955 522 366 00 ZBY	Black/Steel Grey			
(4)	955 522 368 00	Cover for cushion Sports seat two-colour	/R 09-	1	IN1M/Q1J/4A0 I4A3/9AH
	955 522 368 00 ZBX	Black/Havanna			
	955 522 368 00 ZBY	Black/Steel Grey			
(4)	955 522 370 00	Cover for cushion Sports seat two-colour	/R 09-	1	IN1M/Q1J/4A4 I9AH
	955 522 370 00 ZBX	Black/Havanna			
	955 522 370 00 ZBY	Black/Steel Grey			
5	955 522 887 00	Bracket Seat cushion	/L	1	IQ1J/3NW
(5)	955 522 885 00	Bracket Seat cushion	/L	1	I3NW
6	955 522 354 00	Bracket Seat cushion	/R	1	IQ1D/Q2J/3NW I9AB/9AD
(6)	955 522 360 00	Bracket	/R	1	IQ1D/Q2J/3NW I9AH
(6)	955 522 358 00	Seat cushion Bracket	/R	1	IQ1J/3NW/9AB I9AD
(6)	955 522 356 00	Seat cushion Bracket	/R	1	IQ1J/3NW/9AH
7	955 522 259 01	Bracket Plastic moulding set		1	IQ1D/Q2J
(7)	955 522 258 00	Bracket Plastic moulding set	08-	1	IQ1J
8	N 910 260 03	Screw Mount		6	I3NW
10	955 522 830 00 955 522 830 00 9B9	Bracket Guide sleeve Head rest Mounting Satin black	/L /R	6	

Model: 9PA108 Model life 2007>>2010

Pos	Part Number	Description	Remark	Qty	Model
11	955 522 227 00	Mounting Hinge Seat		1	I3NW
12	955 522 229 00	Retaining strap Bracket Back seat cushion		1	IQ1J
13	955 653 043 00	Heating element Seat side bolster Rear	/L	1	IQ2J/4A4
(13)	955 653 043 01	Heating element Seat side bolster Rear	/L	1	IQ1D/4A4
(13)	955 653 043 02	Heating element Seat side bolster Rear	/L 08-	1	IQ1J/4A4
(13)	955 653 044 00	Heating element Seat side bolster Rear	/R	1	IQ2J/4A4
(13)	955 653 044 01	Heating element Seat side bolster Rear	/R	1	IQ1D/4A4
(13)	955 653 044 02	Heating element Seat side bolster Rear	/R	1	IQ1J/4A4

Model: 9PA108

Model life 2007>>2010



Model: 9PA108 Model life 2007>>2010

Pos	Part Number	Description	Remark	Qty	Model
1	955 522 011 02	Foam part Back seat backrest Cover Backrest cover Sports seat	/L	1	IN5U/Q1D I4A0/4A3
	955 522 011 02 PCA	Sand beige/sand beige			
	955 522 011 02 PCB	Steel grey/steel grey			
	955 522 011 02 PCC	Black/black			
(1)	955 522 011 03	Backrest cover Sports seat	/L	1	IN1P/4A0/4A3
	955 522 011 03 WAG	Chestnut brown			
(1)	955 522 011 04	Backrest cover Sports seat	/L	1	IN5U/Q1D/4A4
	955 522 011 04 PCA	Sand Beige			
	955 522 011 04 PCB	Steel grey			
	955 522 011 04 PCC	Black			
(1)	955 522 011 06	Backrest cover Sports seat	/L	1	IN1P/Q1D/4A4
	955 522 011 06 WAG	Chestnut brown			
(1)	955 522 011 07	Backrest cover Comfort seat	/L	1	IN1X/4A0/4A3
	955 522 011 07 PBW	Sand beige/sand beige			
	955 522 011 07 PBX	Steel grey/steel grey			
	955 522 011 07 PBY	Black/black			
(1)	955 522 011 08	Backrest cover Comfort seat	/L	1	IN7F/4A0/4A3
	955 522 011 08 PBW	Sand beige/sand beige			
	955 522 011 08 PBX	Steel grey/steel grey			
	955 522 011 08 PBY	Black/black			
(1)	955 522 011 09	Backrest cover Comfort seat	/L	1	IN5U/4A0/4A3
	955 522 011 09 PCA	Sand beige/sand beige			
	955 522 011 09 PCB	Steel grey/steel grey			
	955 522 011 09 PCC	Black/black			
(1)	955 522 013 02	Backrest cover Comfort seat	/L	1	IN7D/4A0/4A3
	955 522 013 02 PCA	Sand beige/sand beige			
	955 522 013 02 PCB	Steel grey/steel grey			
	955 522 013 02 PCC	Black/black			
(1)	955 522 013 03	Backrest cover Comfort seat	/L	1	IN1P/4A0/4A3
	955 522 013 03 WAG	Chestnut brown			
(1)	955 522 013 04	Backrest cover Comfort seat	/L	1	IN5Y/4A0/4A3
	955 522 013 04 WAG	Chestnut brown			
(1)	955 522 013 06	Backrest cover Comfort seat	/L	1	IN1X/4A4
	955 522 013 06 PBW	Sand Beige			
	955 522 013 06 PBX	Steel grey			
	955 522 013 06 PBY	Black			
(1)	955 522 013 07	Backrest cover Comfort seat	/L	1	IN7F/4A4
	955 522 013 07 PBW	Sand Beige			
	955 522 013 07 PBX	Steel grey			
	955 522 013 07 PBY	Black			
(1)	955 522 013 08	Backrest cover Comfort seat	/L	1	IN5U/4A4
	955 522 013 08 PCA	Sand Beige			
	955 522 013 08 PCB	Steel grey			
	955 522 013 08 PCC	Black			
(1)	955 522 013 09	Backrest cover Comfort seat	/L	1	IN7D/4A4
	955 522 013 09 PCA	Sand Beige			

Model: 9PA108

Model life 2007>>2010

Pos	Part Number	Description	Remark	Qty	Model
(1)	955 522 013 09 PCB	Steel grey			
	955 522 013 09 PCC	Black			
(1)	955 522 015 02	Backrest cover Comfort seat	/L	1	IN1P/4A4
	955 522 015 02 WAG	Chestnut brown			
(1)	955 522 015 03	Backrest cover Comfort seat	/L	1	IN5Y/4A4
	955 522 015 03 WAG	Chestnut brown			
(1)	955 522 014 10	Backrest cover Sports seat	/L 08-	1	IN2S/Q1J I4A0/4A3
	955 522 014 10 XKR	Black			
(1)	955 522 014 10 XKS	Sand Beige			
	955 522 014 10 XKT	Steel grey			
(1)	955 522 014 12	Backrest cover Sports seat	/L 08-	1	IN2S/Q1J/4A4 IE0W
	955 522 014 12 XKR	Black			
(1)	955 522 014 12 XKS	Sand Beige			
	955 522 014 12 XKT	Steel grey			
2	955 522 016 02	Backrest cover Sports seat	/R	1	IN5U/4A0/4A3
	955 522 016 02 PCA	Sand beige/sand beige			
(2)	955 522 016 02 PCB	Steel grey/steel grey			
	955 522 016 02 PCC	Black/black			
(2)	955 522 016 04	Backrest cover Sports seat	/R	1	IN1P/4A0/4A3
	955 522 016 04 WAG	Chestnut brown			
(2)	955 522 016 06	Backrest cover Sports seat	/R	1	IN5U/Q1D/4A4
	955 522 016 06 PCA	Sand Beige			
(2)	955 522 016 06 PCB	Steel grey			
	955 522 016 06 PCC	Black			
(2)	955 522 016 08	Backrest cover Sports seat	/R	1	IN1P/Q1D/4A4
	955 522 016 08 WAG	Chestnut brown			
(2)	955 522 018 02	Backrest cover Comfort seat	/R	1	IN1X/4A0/4A3
	955 522 018 02 PBW	Sand beige/sand beige			
(2)	955 522 018 02 PBX	Steel grey/steel grey			
	955 522 018 02 PBY	Black/black			
(2)	955 522 018 04	Backrest cover Comfort seat	/R	1	IN7F/4A0/4A3
	955 522 018 04 PBW	Sand beige/sand beige			
(2)	955 522 018 04 PBX	Steel grey/steel grey			
	955 522 018 04 PBY	Black/black			
(2)	955 522 018 06	Backrest cover Comfort seat	/R	1	IN5U/4A0/4A3
	955 522 018 06 PCA	Sand beige/sand beige			
(2)	955 522 018 06 PCB	Steel grey/steel grey			
	955 522 018 06 PCC	Black/black			
(2)	955 522 018 08	Backrest cover Comfort seat	/R	1	IN7D/4A0/4A3
	955 522 018 08 PCA	Sand beige/sand beige			
(2)	955 522 018 08 PCB	Steel grey/steel grey			
	955 522 018 08 PCC	Black/black			
(2)	955 522 020 02	Backrest cover Comfort seat	/R	1	IN1P/4A0/4A3
	955 522 020 02 WAG	Chestnut brown			
(2)	955 522 020 04	Backrest cover Comfort seat	/R	1	IN5Y/4A0/4A3
	955 522 020 04 WAG	Chestnut brown			
(2)	955 522 020 06	Backrest cover Comfort seat	/R	1	IN7F/Q2J/4A4
	955 522 020 06 PBW	Sand Beige			

Model: 9PA108 Model life 2007>>2010

Pos	Part Number	Description	Remark	Qty	Model
(2)	955 522 020 06 PBX	Steel grey			
	955 522 020 06 PBY	Black			
(2)	955 522 020 08	Backrest cover Comfort seat	/R	1	IN7D/Q2J/4A4
	955 522 020 08 PCA	Sand Beige			
(2)	955 522 020 08 PCB	Steel grey			
	955 522 020 08 PCC	Black			
(2)	955 522 022 02	Backrest cover Comfort seat	/R	1	IN5U/Q2J/4A4
	955 522 022 02 PCA	Sand Beige			
(2)	955 522 022 02 PCB	Steel grey			
	955 522 022 02 PCC	Black			
(2)	955 522 022 04	Backrest cover Comfort seat	/R	1	IN1X/Q2J/4A4
	955 522 022 04 PBW	Sand Beige			
(2)	955 522 022 04 PBX	Steel grey			
	955 522 022 04 PBY	Black			
(2)	955 522 022 06	Backrest cover Comfort seat	/R	1	IN1P/Q2J/4A4
	955 522 022 06 WAG	Chestnut brown			
(2)	955 522 022 08	Backrest cover Comfort seat	/R	1	IN5Y/Q2J/4A4
	955 522 022 08 WAG	Chestnut brown			
(2)	955 522 024 10	Backrest cover Sports seat	/R 08-	1	IN2S/Q1J I4A0/4A3
	955 522 024 10 XKR	Black			
(2)	955 522 024 10 XKS	Sand Beige			
	955 522 024 10 XKT	Steel grey			
(2)	955 522 024 14	Backrest cover Sports seat	/R 08-	1	IN2S/Q1J/4A4 IE0W
	955 522 024 14 XKR	Black			
3	955 522 024 14 XKS	Sand Beige			
	955 522 024 14 XKT	Steel grey			
(3)	955 522 075 02	Foam part Backrest	/L	1	IQ2J
	955 522 077 07	Foam part Backrest	/L	1	IQ1D
4	955 522 076 07	Foam part Backrest	/R	1	IQ2J
	955 522 078 07	Foam part Backrest	/R	1	IQ1D
5	955 522 090 02	Armrest Centre Back seat backrest		1	IN1X/N7F
	955 522 090 02 A08	Black			
(5)	955 522 090 02 T25	Sand Beige			
	955 522 090 02 6E1	Steel grey			
(5)	955 522 091 02	Armrest Centre Back seat backrest		1	IN5U/N7D
	955 522 091 02 6B7	Steel grey			
(5)	955 522 091 02 8G1	Sand Beige			
	955 522 091 02 8YR	Black			
(5)	955 522 092 09	Armrest Centre Back seat backrest		1	IN1P/N5Y
	955 522 092 09 J69	Chestnut brown			
-	955 521 860 00	Clip Mount Armrest		1	
	955 522 080 01	Back seat backrest Support Back seat backrest	-07	1	

Model: 9PA108 Model life 2007>>2010

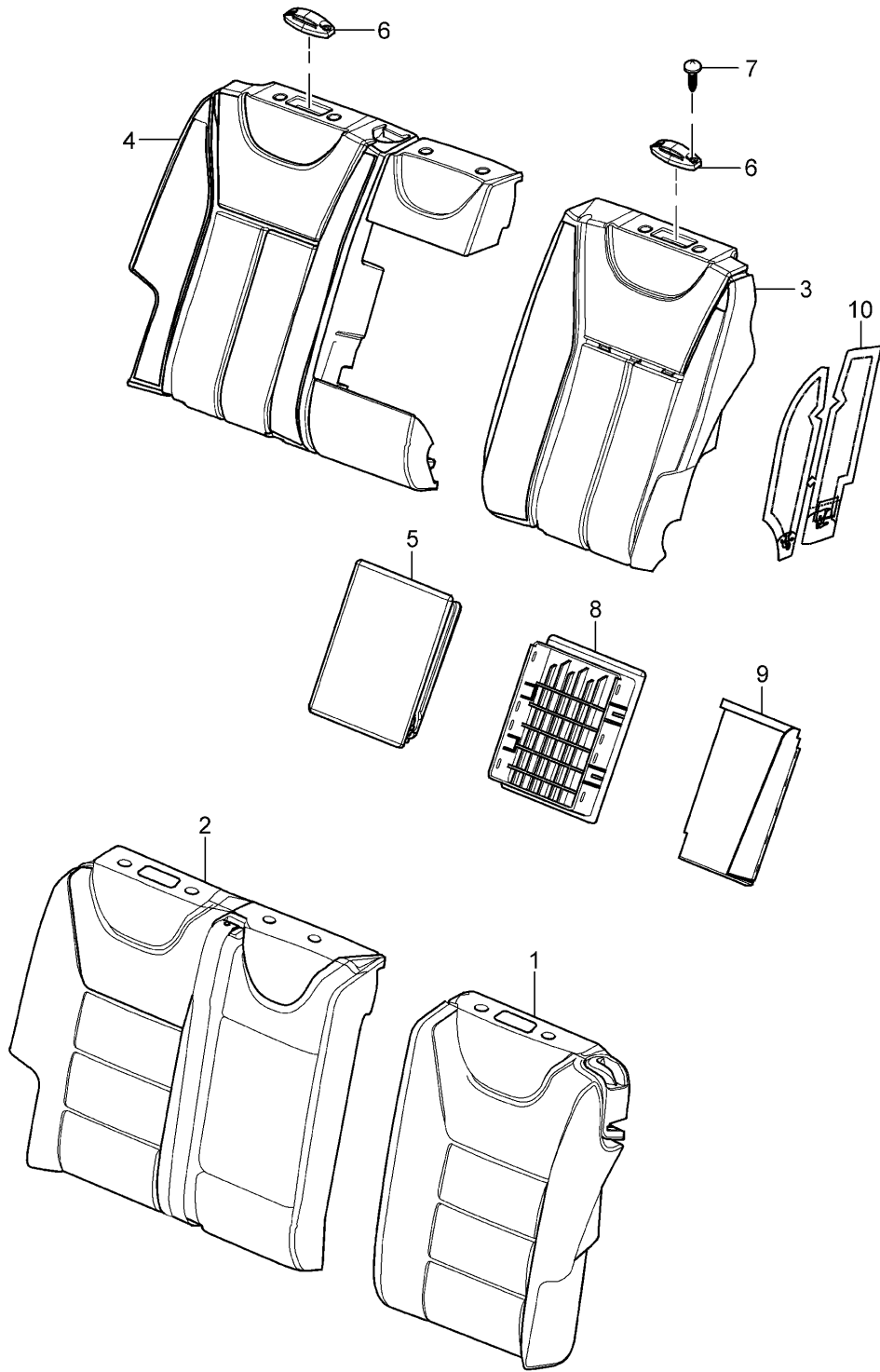
Pos	Part Number	Description	Remark	Qty	Model
(6)	955 522 080 01 K40	Chestnut brown	08-	1	IQ1D/Q2J
	955 522 080 01 6C6	Sand Beige			
	955 522 080 01 7A8	Steel grey			
	955 522 080 01 9B9	Satin black			
	955 522 080 02	Support			
(6)	955 522 080 02 K40	Chestnut brown	08-	1	IQ1J
	955 522 080 02 6C6	Sand Beige			
	955 522 080 02 7A8	Steel grey			
	955 522 080 02 9B9	Satin black			
	955 522 080 03	Support			
7	955 522 080 03 K40	Chestnut brown		2	I3NW
	955 522 080 03 6C6	Sand Beige			
	955 522 080 03 7A8	Steel grey			
	955 522 080 03 9B9	Satin black			
	N 106 573 02	Oval-head sheetmetal screw			
8	955 522 088 00	Mount		1	I3NW/3X0
		Support			
9	955 522 089 00	Lid	07-	1	I3NW/3X0
		without			
10	955 522 089 00 K40	Ski bag		1	I3NW/3X0
		Cover			
		without			
(10)	955 522 089 00 7A8	Ski bag	/L	1	IQ2J/4A4
		Chestnut brown			
		Steel grey			
(10)	955 653 041 00	Heating element	/L	1	IQ1D/4A4
		Backrest side bolster			
		Rear			
(10)	955 653 041 01	Heating element	/L 08-	1	IQ1J/4A4
		Backrest side bolster			
		Rear			
(10)	955 653 041 02	Heating element	/R	1	IQ2J/4A4
		Backrest side bolster			
		Rear			
(10)	955 653 042 00	Heating element	/R	1	IQ1D/4A4
		Backrest side bolster			
		Rear			
(10)	955 653 042 01	Heating element	/R 08-	1	IQ1J/4A4
		Backrest side bolster			
		Rear			
11	955 522 041 00	Back wall lining	/L	1	I3ME/3X0
		without			
		Ski bag			
(11)	955 522 041 00 AV1	Tufting velour		1	I3MT
	955 522 041 00 7H1	Chestnut brown			
	955 522 041 00 7J2	Black			
	955 522 041 00 7K3	Steel grey			
	955 522 043 00	Sand Beige			
(12)	955 522 043 00 L63	Back wall lining	/R	1	I3ME/3X1
		Pearl velour			
		Chestnut brown			
		Black			
		Steel grey			
(12)	955 522 043 00 8B2	Sand Beige		1	I3ME/3X1
		Back wall lining			
		Tufting velour			
		with			
(12)	955 522 038 00	Ski bag		1	I3ME/3X1
		with			

Model: 9PA108 Model life 2007>>2010

Pos	Part Number	Description	Remark	Qty	Model
	955 522 038 00 AV1	Chestnut brown			
	955 522 038 00 7H1	Black			
	955 522 038 00 7J2	Steel grey			
	955 522 038 00 7K3	Sand Beige			
(12)	955 522 044 01	Back wall lining Pearl velour with Ski bag	/R	1	I3MT/3X1
	955 522 044 01 L63	Chestnut brown			
	955 522 044 01 8B2	Black			
	955 522 044 01 8C3	Steel grey			
	955 522 044 01 8D4	Sand Beige			
(12)	955 522 046 01	Back wall lining Tufting velour without Ski bag	/R	1	I3ME/3X0
	955 522 046 01 AV1	Chestnut brown			
	955 522 046 01 7H1	Black			
	955 522 046 01 7J2	Steel grey			
	955 522 046 01 7K3	Sand Beige			
(12)	955 522 048 01	Back wall lining Pearl velour without Ski bag	/R	1	I3MT/3X0
	955 522 048 01 L63	Chestnut brown			
	955 522 048 01 8B2	Black			
	955 522 048 01 8C3	Steel grey			
	955 522 048 01 8D4	Sand Beige			

Model: 9PA108

Model life 2007>>2010



Model: 9PA108 Model life 2007>>2010

Pos	Part Number	Description	Remark	Qty	Model
(1)	955 522 011 07	Back seat backrest with Plastic material Seat frame Cover Foam part Backrest cover Comfort seat	/L	1	IN1X/4A0/4A3
	955 522 011 07 PBW	Sand beige/sand beige			
	955 522 011 07 PBX	Steel grey/steel grey			
	955 522 011 07 PBY	Black/black			
(1)	955 522 011 08	Backrest cover Comfort seat	/L	1	IN7F/4A0/4A3
	955 522 011 08 PBW	Sand beige/sand beige			
	955 522 011 08 PBX	Steel grey/steel grey			
	955 522 011 08 PBY	Black/black			
(1)	955 522 011 09	Backrest cover Comfort seat	/L	1	IN5U/4A0/4A3
	955 522 011 09 PCA	Sand beige/sand beige			
	955 522 011 09 PCB	Steel grey/steel grey			
	955 522 011 09 PCC	Black/black			
(1)	955 522 013 02	Backrest cover Comfort seat	/L	1	IN7D/4A0/4A3
	955 522 013 02 PCA	Sand beige/sand beige			
	955 522 013 02 PCB	Steel grey/steel grey			
	955 522 013 02 PCC	Black/black			
(1)	955 522 013 03	Backrest cover Comfort seat	/L	1	IN1P/4A0/4A3
	955 522 013 03 WAG	Chestnut brown			
(1)	955 522 013 04	Backrest cover Comfort seat	/L	1	IN5Y/4A0/4A3
	955 522 013 04 WAG	Chestnut brown			
(1)	955 522 013 10	Backrest cover Comfort seat	/L	1	IN1X/4A4
	955 522 013 10 PBW	Sand beige/sand beige			
	955 522 013 10 PBX	Steel grey/steel grey			
	955 522 013 10 PBY	Black/black			
(1)	955 522 013 11	Backrest cover Comfort seat	/L	1	IN7F/4A4
	955 522 013 11 PBW	Sand beige/sand beige			
	955 522 013 11 PBX	Steel grey/steel grey			
	955 522 013 11 PBY	Black/black			
(1)	955 522 013 12	Backrest cover Comfort seat	/L	1	IN5U/4A4
	955 522 013 12 PCA	Sand beige/sand beige			
	955 522 013 12 PCB	Steel grey/steel grey			
	955 522 013 12 PCC	Black/black			
(1)	955 522 013 13	Backrest cover Comfort seat	/L	1	IN7D/4A4
	955 522 013 13 PCA	Sand beige/sand beige			
	955 522 013 13 PCB	Steel grey/steel grey			
	955 522 013 13 PCC	Black/black			
(1)	955 522 015 04	Backrest cover Comfort seat	/L	1	IN1P/4A4
	955 522 015 04 WAG	Chestnut brown			
(1)	955 522 015 07	Backrest cover Comfort seat	/L	1	IN5Y/4A4
	955 522 015 07 WAG	Chestnut brown			
(1)	955 522 011 12	Backrest cover Sports seat	/L	1	IN5U/4A4
	955 522 011 12 PCA	Sand beige/sand beige			
	955 522 011 12 PCB	Steel grey/steel grey			
	955 522 011 12 PCC	Black/black			

Model: 9PA108 Model life 2007>>2010

Pos	Part Number	Description	Remark	Qty	Model
(1)	955 522 011 14	Backrest cover Sports seat	/L	1	IN1P/4A4
(1)	955 522 011 14 WAG 955 522 011 02	Chestnut brown Backrest cover Sports seat	/L	1	IN5U/4A0/4A3
(1)	955 522 011 02 PCA 955 522 011 02 PCB 955 522 011 02 PCC 955 522 011 03	Sand beige/sand beige Steel grey/steel grey Black/black Backrest cover Sports seat	/L	1	IN1P/4A0/4A3
2	955 522 011 03 WAG 955 522 022 10	Chestnut brown Backrest cover Comfort seat	/R	1	IN1X/4A4
(2)	955 522 022 10 PBW 955 522 022 10 PBX 955 522 022 10 PBY 955 522 020 10	Sand beige/sand beige Steel grey/steel grey Black/black Backrest cover Comfort seat	/R	1	IN7F/4A4
(2)	955 522 020 10 PBW 955 522 020 10 PBX 955 522 020 10 PBY 955 522 022 12	Sand beige/sand beige Steel grey/steel grey Black/black Backrest cover Comfort seat	/R	1	IN5U/4A4
(2)	955 522 022 12 PCA 955 522 022 12 PCB 955 522 022 12 PCC 955 522 020 12	Sand beige/sand beige Steel grey/steel grey Black/black Backrest cover Comfort seat	/R	1	IN7D/4A4
(2)	955 522 020 12 PCA 955 522 020 12 PCB 955 522 020 12 PCC 955 522 022 14	Sand beige/sand beige Steel grey/steel grey Black/black Backrest cover Comfort seat	/R	1	IN1P/4A4
(2)	955 522 022 14 WAG 955 522 022 16	Chestnut brown Backrest cover Comfort seat	/R	1	IN5Y/4A4
(2)	955 522 022 16 WAG 955 522 018 02	Chestnut brown Backrest cover Comfort seat	/R	1	IN1X/4A0/4A3
(2)	955 522 018 02 PBW 955 522 018 02 PBX 955 522 018 02 PBY 955 522 018 04	Sand beige/sand beige Steel grey/steel grey Black/black Backrest cover Comfort seat	/R	1	IN7F/4A0/4A3
(2)	955 522 018 04 PBW 955 522 018 04 PBX 955 522 018 04 PBY 955 522 018 06	Sand beige/sand beige Steel grey/steel grey Black/black Backrest cover Comfort seat	/R	1	IN5U/4A0/4A3
(2)	955 522 018 06 PCA 955 522 018 06 PCB 955 522 018 06 PCC 955 522 018 08	Sand beige/sand beige Steel grey/steel grey Black/black Backrest cover Comfort seat	/R	1	IN7D/4A0/4A3
(2)	955 522 018 08 PCA 955 522 018 08 PCB 955 522 018 08 PCC 955 522 020 02	Sand beige/sand beige Steel grey/steel grey Black/black Backrest cover Comfort seat	/R	1	IN1P/4A0/4A3
(2)	955 522 020 02 WAG 955 522 020 04	Chestnut brown Backrest cover Comfort seat	/R	1	IN5Y/4A0/4A3
	955 522 020 04 WAG	Chestnut brown			

Model: 9PA108 Model life 2007>>2010

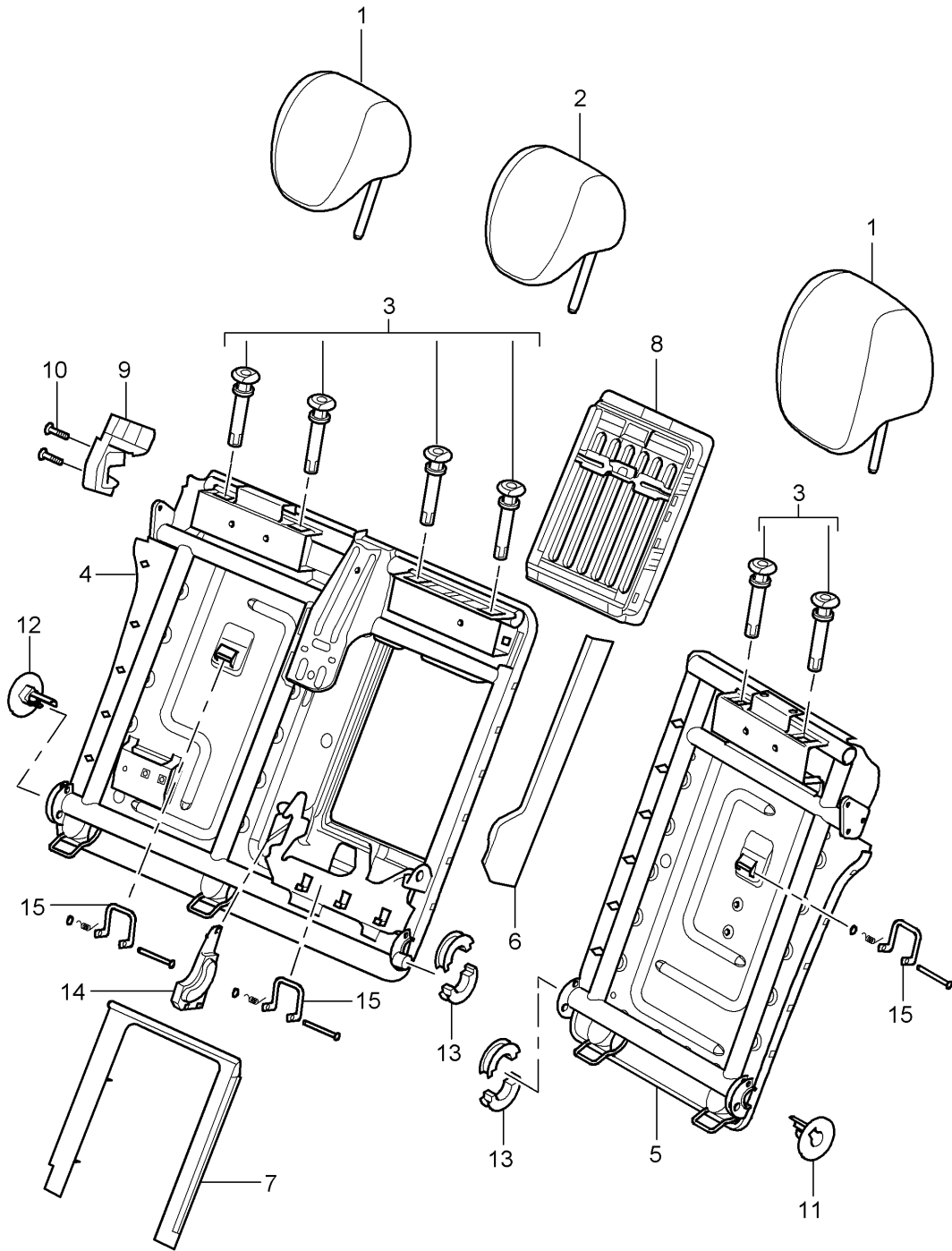
Pos	Part Number	Description	Remark	Qty	Model
(2)	955 522 016 02	Backrest cover Sports seat	/R	1	IN5U/4A0/4A3
	955 522 016 02 PCA	Sand beige/sand beige			
	955 522 016 02 PCB	Steel grey/steel grey			
	955 522 016 02 PCC	Black/black			
(2)	955 522 016 04	Backrest cover Sports seat	/R	1	IN1P/4A0/4A3
	955 522 016 04 WAG	Chestnut brown			
(2)	955 522 016 10	Backrest cover Sports seat	/R	1	IN1P/4A4
	955 522 016 10 PCA	Sand beige/sand beige			
	955 522 016 10 PCB	Steel grey/steel grey			
	955 522 016 10 PCC	Black/black			
(2)	955 522 016 12	Backrest cover Sports seat	/R	1	IN1P/4A4
	955 522 016 12 WAG	Chestnut brown			
3	955 522 075 02	Foam part Backrest Comfort seat	/L	1	IQ2J
(3)	955 522 077 07	Foam part Backrest Sports seat	/L	1	IQ1D
(3)	955 522 079 00	Foam part Backrest Sports seat	/L 08-	1	IQ1J
4	955 522 076 07	Foam part Backrest Comfort seat	/R	1	IQ2J
(4)	955 522 078 07	Foam part Backrest Sports seat	/R	1	IQ1D
(4)	955 522 080 00	Foam part Backrest Sports seat	/R 08-	1	IQ1J
5	955 522 090 03	Armrest Centre Back seat backrest		1	IN1X/N7F
	955 522 090 03 A08	Black			
	955 522 090 03 T25	Sand Beige			
	955 522 090 03 6E1	Steel grey			
(5)	955 522 091 03	Armrest Centre Back seat backrest		1	IN1M/N2S/N5U IN7D
	955 522 091 03 6B7	Steel grey			
	955 522 091 03 8G1	Sand Beige			
	955 522 091 03 8YR	Black			
(5)	955 522 092 09	Armrest Centre Back seat backrest		1	IN1P/N5Y
	955 522 092 09 J69	Chestnut brown			
6	955 522 080 02	Support Back seat backrest		2	IQ1D/Q2J
	955 522 080 02 K40	Chestnut brown			
	955 522 080 02 7A8	Steel grey			
	955 522 080 02 6C6	Sand Beige			
	955 522 080 02 9B9	Satin black			
(6)	955 522 080 03	Support Back seat backrest		2	IQ1J
	955 522 080 03 K40	Chestnut brown			
	955 522 080 03 7A8	Steel grey			
	955 522 080 03 6C6	Sand Beige			
	955 522 080 03 9B9	Satin black			

Model: 9PA108 Model life 2007>>2010

Pos	Part Number	Description	Remark	Qty	Model
7	N 106 573 02	Oval-head sheetmetal screw Mount Support		2	I3NW
8	955 522 088 00	Lid without Ski bag		1	
9	955 522 089 00	Cover without Ski bag		1	I3NW/3X0
	955 522 089 00 K40	Chestnut brown			
	955 522 089 00 7A8	Steel grey			
	955 522 089 00 6C6	Sand Beige			
10	955 653 041 00	Heating element Backrest side bolster Rear	/L	1	IQ2J/4A4
(10)	955 653 041 03	Heating element Backrest side bolster Rear	/L	1	IQ2J/4A4
(10)	955 653 041 01	Heating element Backrest side bolster Rear	/L	1	IQ1D/4A4
(10)	955 653 041 02	Heating element Backrest side bolster Rear	/L 08-	1	IQ1J/4A4
(10)	955 653 042 00	Heating element Backrest side bolster Rear	/R	1	IQ2J/4A4
(10)	955 653 042 03	Heating element Backrest side bolster Rear	/R	1	IQ2J/4A4
(10)	955 653 042 01	Heating element Backrest side bolster Rear	/R	1	IQ1D/4A4
(10)	955 653 042 02	Heating element Backrest side bolster Rear	/R 08-	1	IQ1J/4A4

Model: 9PA108

Model life 2007>>2010



Model: 9PA108 Model life 2007>>2010

Pos	Part Number	Description	Remark	Qty	Model
		Head rest Accessories Backrest frame Ski bag			
1	955 522 811 06	Head rest	/L	1	IN1X/N7F
	955 522 811 06 SXG	Black			
	955 522 811 06 SXH	Steel grey			
	955 522 811 06 SXJ	Sand Beige			
(1)	955 522 812 07	Head rest	/L	1	IN1P/N5Y
	955 522 812 07 WAG	Chestnut brown			
(1)	955 522 813 06	Head rest	/L	1	IN1M/N2S/N5U IN7D
	955 522 813 06 SXL	Black			
	955 522 813 06 SXM	Steel grey			
	955 522 813 06 SXN	Sand Beige			
(1)	955 522 814 06	Head rest	/R	1	IN1M/N2S/N5U IN7D
	955 522 814 06 SXL	Black			
	955 522 814 06 SXM	Steel grey			
	955 522 814 06 SXN	Sand Beige			
(1)	955 522 812 06	Head rest	/R	1	IN1X/N7F
	955 522 812 06 SXG	Black			
	955 522 812 06 SXH	Steel grey			
	955 522 812 06 SXJ	Sand Beige			
(1)	955 522 800 07	Head rest	/R	1	IN1P/N5Y
	955 522 800 07 WAG	Chestnut brown			
2	955 522 818 05	Head rest		1	IN5U/N7D/Q1D IQ2J
		Centre			
	955 522 818 05 SXL	Black			
	955 522 818 05 SXM	Steel grey			
	955 522 818 05 SXN	Sand Beige			
(2)	955 522 816 00	Head rest		1	IN1M/N2S/Q1J
		Centre			
	955 522 816 00 SXL	Black			
	955 522 816 00 SXM	Steel grey			
	955 522 816 00 SXN	Sand Beige			
(2)	955 522 801 07	Head rest		1	IN1P/N5Y/Q1D IQ2J
		Centre			
	955 522 801 07 WAG	Back seat backrest Chestnut brown			
(2)	955 522 817 00	Head rest		1	IN1P/Q1J
		Centre			
	955 522 817 00 WAG	Back seat backrest Chestnut brown			
(2)	955 522 819 05	Head rest		1	IN1X/N7F/Q1D IQ2J
		Centre			
	955 522 819 05 SXG	Black			
	955 522 819 05 SXH	Steel grey			
	955 522 819 05 SXJ	Sand Beige			
3	955 521 825 00	Guide sleeve		1	
		Head rest			
	955 521 825 00 9B9	Satin black			
	955 521 825 00 6C6	Sand Beige			
	955 521 825 00 7A8	Steel grey			
	955 521 825 00 K40	Chestnut brown			
(3)	955 521 826 00	Guide sleeve		1	
		Key			
		Head rest			
	955 521 826 00 6C6	Sand Beige			
	955 521 826 00 7A8	Steel grey			

Model: 9PA108 Model life 2007>>2010

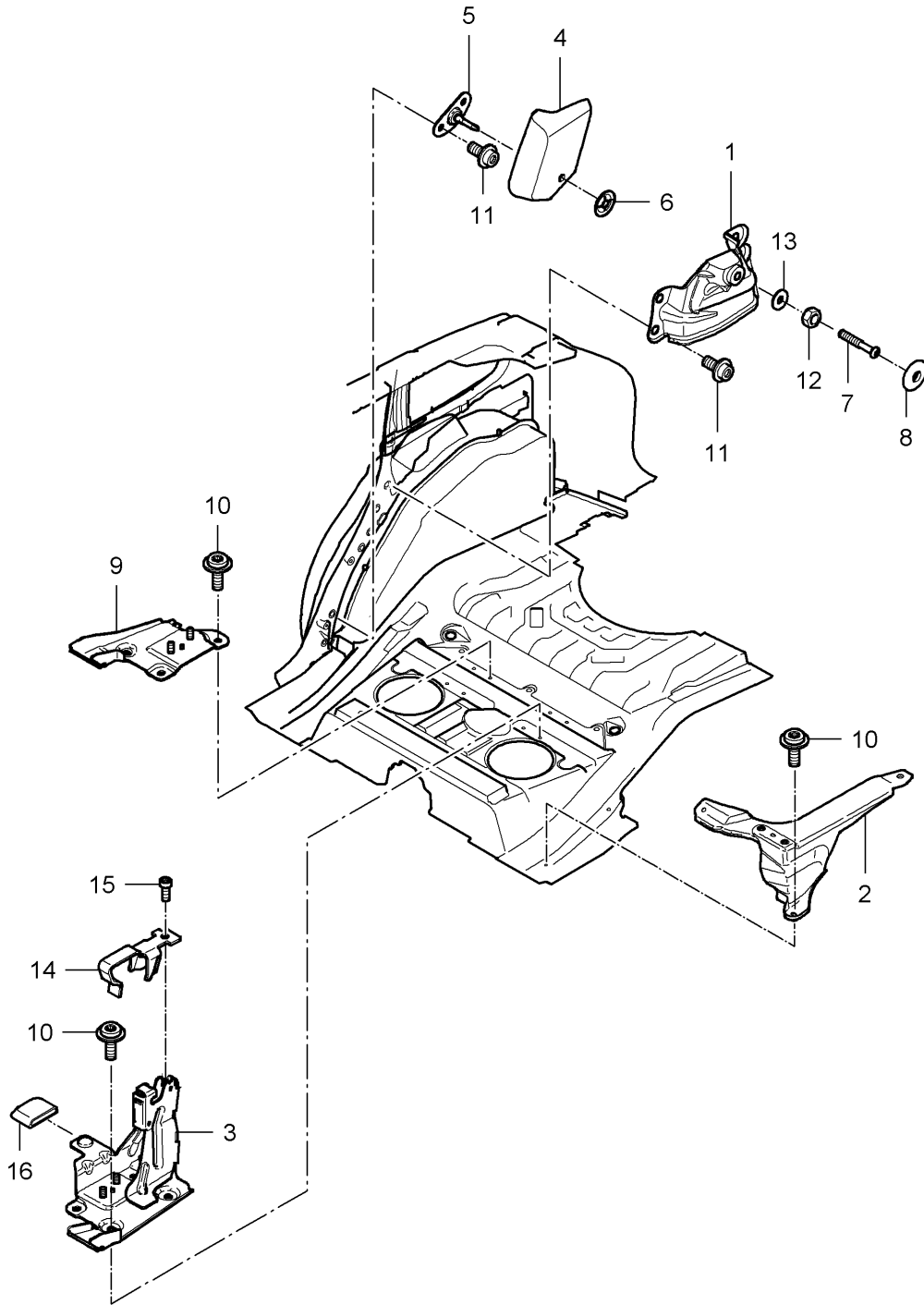
Pos	Part Number	Description	Remark	Qty	Model
(3)	955 521 826 00 K40	Chestnut brown			
	955 521 826 01	Guide sleeve		1	
		Key			
		Head rest			
4	955 521 826 01 9B9	Satin black			
	955 522 875 03	Backrest frame	/R	1	
		Bodyshell			
5	955 522 877 01	Backrest frame	/L	1	
		Bodyshell			
6	955 522 943 01	Cover		1	
		Armrest			
		Back seat backrest			
	955 522 943 01 01C	Satin black			
	955 522 943 01 6C6	Sand Beige			
	955 522 943 01 7A8	Steel grey			
	955 522 943 01 K40	Chestnut brown			
7	955 522 950 01	Frame		1	
		Ski bag			
	955 522 950 01 01C	Satin black			
	955 522 950 01 6C6	Sand Beige			
	955 522 950 01 7A8	Steel grey			
	955 522 950 01 K40	Chestnut brown			
8	955 522 955 01	Ski bag		1	I3MT/3X1
		Velour			
	955 522 955 01 8B2	Black			
	955 522 955 01 8C3	Steel grey			
	955 522 955 01 8D4	Sand Beige			
	955 522 955 01 L63	Chestnut brown			
(8)	955 522 956 01	Ski bag		1	I3ME/3X1
		Tufting velour			
	955 522 956 01 7H1	Black			
	955 522 956 01 7J2	Steel grey			
	955 522 956 01 7K3	Sand Beige			
	955 522 956 01 AV1	Chestnut brown			
9	955 522 931 01	Release	/L -07	1	
		Back seat backrest			
(9)	955 522 931 02	Release	/L 08-	1	
		Back seat backrest			
(9)	955 522 932 01	Release	/R -07	1	
		Back seat backrest			
(9)	955 522 932 02	Release	/R 08-	1	
		Back seat backrest			
10	N 106 101 01	Countersunk-head screw		2	
		Mount			
		Release			
11	955 522 781 00	Bearing sleeve	/L	1	
		Backrest			
		Outer			
12	955 522 782 00	Bearing sleeve	/R	1	
		Backrest			
		Outer			
13	955 522 785 00	Bearing		1	
		Backrest			
		Inner			
14	955 522 787 00	Cap		1	I3NW
		Securing clip			
		Armrest			
15	955 522 789 00	Bracket		3	
		Rear wall			
-	955 522 791 00	Bolt		3	
		Bracket			
-	955 522 793 00	Spring		3	
		Bracket			

Model: 9PA108 Model life 2007>>2010

Pos	Part Number	Description	Remark	Qty	Model
-	955 522 795 00	Washer Bracket		6	

Model: 9PA108

Model life 2007>>2010



Model: 9PA108 Model life 2007>>2010

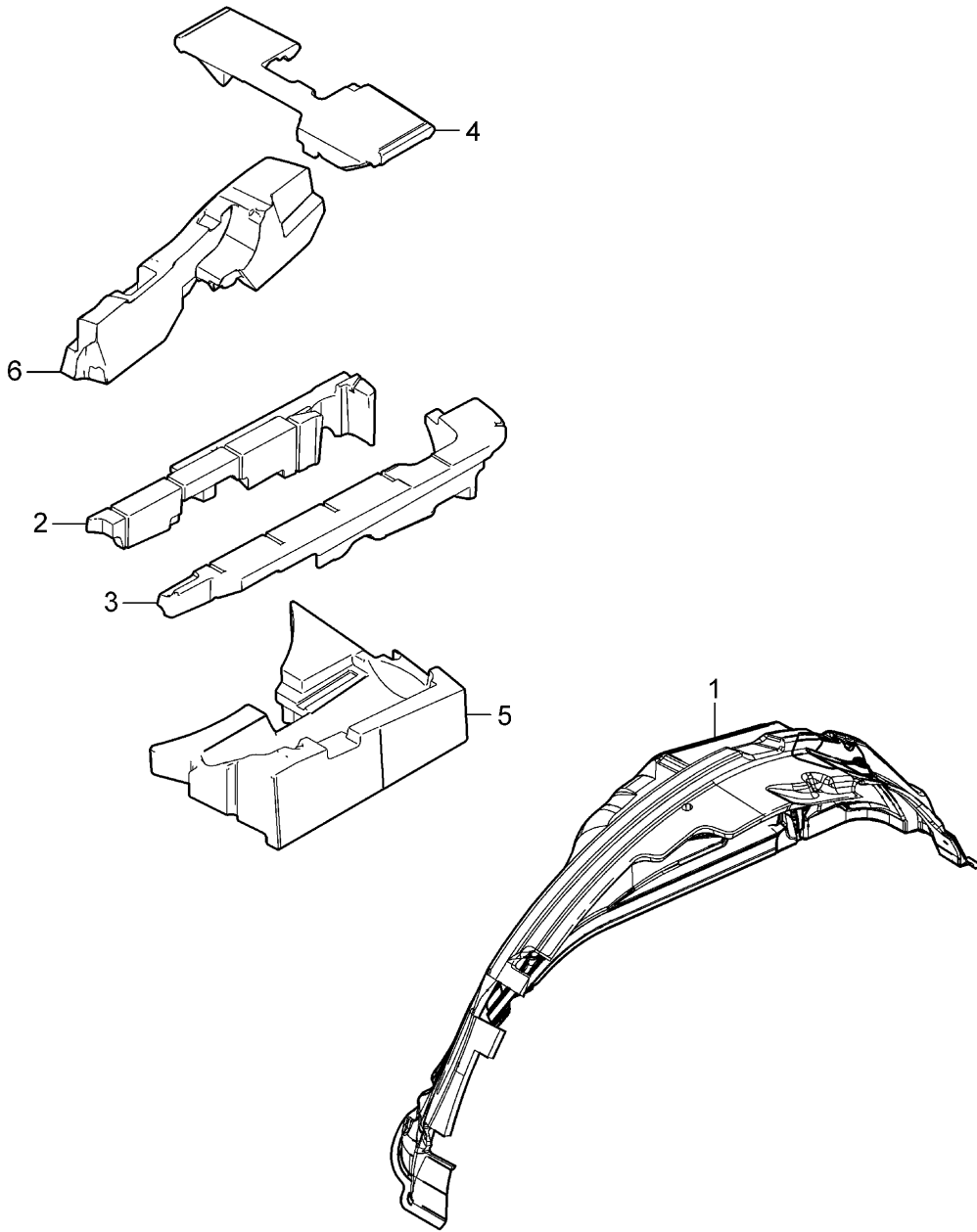
Pos	Part Number	Description	Remark	Qty	Model
1	955 522 701 00	Seat support		1	
(1)	955 522 702 00	Support	/L	1	
		Mounting parts			
		Support	/R	1	
2	955 522 708 00	Back seat backrest		1	I3NW
(2)	955 522 708 02	Bracket	/L	1	I3NW
(2)	955 522 709 02	Bracket	/L	1	I3NW
(2)	955 522 709 04	Bracket	/R	1	I3NW
		Bracket	/R	1	I3NW
3	955 522 712 03	Support		1	I3NW
(3)	955 522 712 05	Support	-08	1	I3NW
		Seat			
		Mittellager Dreierbank			
(3)	955 522 712 06	Support	09-	1	I3NW
		Seat			
		Mittellager Dreierbank			
4	955 522 721 07	Cushion	/L	1	IN1P/N5Y/Q1D IQ2J
		Side section			
		Back seat backrest			
4	955 522 721 07 J69	Chestnut brown		1	IN1P/Q1J
	955 522 727 00	Cushion	/L	1	IN1P/Q1J
		Side section			
		Back seat backrest			
(4)	955 522 727 00 J69	Chestnut brown		1	IN1P/N5Y/Q1D IQ2J
	955 522 722 07	Cushion	/R	1	IN1P/N5Y/Q1D IQ2J
		Side section			
		Back seat backrest			
(4)	955 522 722 07 J69	Chestnut brown		1	IN1P/Q1J
	955 522 728 00	Cushion	/R	1	IN1P/Q1J
		Side section			
		Back seat backrest			
(4)	955 522 728 00 J69	Chestnut brown		1	IN1X/N7F/Q1D IQ2J
	955 522 721 01	Cushion		1	IN1X/N7F/Q1D IQ2J
		Lateral			
		Back seat backrest			
(4)	955 522 721 01 A08	Black		1	IN1X/N7F/Q1D IQ2J
	955 522 721 01 T25	Sand Beige			
	955 522 721 01 6E1	Steel grey			
	955 522 722 01	Cushion		1	IN1X/N7F/Q1D IQ2J
		Lateral			
		Back seat backrest			
(4)	955 522 722 01 A08	Black		1	IN5U/N7D/Q1D IQ2J
	955 522 722 01 T25	Sand Beige			
	955 522 722 01 6E1	Steel grey			
	955 522 723 01	Cushion		1	IN5U/N7D/Q1D IQ2J
		Lateral			
(4)	955 522 723 01 6B7	Steel grey		1	IN5U/N7D/Q1D IQ2J
	955 522 723 01 8G1	Sand Beige			
	955 522 723 01 8YR	Black			
	955 522 724 01	Cushion		1	IN5U/N7D/Q1D IQ2J
		Lateral			
(4)	955 522 724 01 6B7	Steel grey		1	IN2S
	955 522 724 01 8G1	Sand Beige			
	955 522 724 01 8YR	Black			
	955 522 725 00	Cushion	/L 08-	1	IN2S

Model: 9PA108 Model life 2007>>2010

Pos	Part Number	Description	Remark	Qty	Model
		Lateral Sports seat			IN1M/Q1J
	955 522 725 00 J69	Chestnut brown			
	955 522 725 00 6B7	Steel grey			
	955 522 725 00 8G1	Sand Beige			
	955 522 725 00 8YR	Black			
(4)	955 522 726 00	Cushion	/R 08-	1	IN2S
		Lateral Sports seat			IN1M/Q1J
	955 522 726 00 J69	Chestnut brown			
	955 522 726 00 6B7	Steel grey			
	955 522 726 00 8G1	Sand Beige			
	955 522 726 00 8YR	Black			
5	955 522 735 00	Bearing	/L	1	I3NW
(5)	955 522 734 00	Bearing	/R	1	I3NW
		Backrest			
(6)	955 522 741 00	Clamping washer	/L /R	2	
		Mount Padding			
7	955 522 750 00	Lock pin	/L /R	2	
		Locking device			
		Backrest			
8	955 522 755 01	Trim cover	/L /R	2	
		Lock pin Support			
9	955 522 760 01	Bracket		1	I3NW
10	N 910 260 03	Screw		X	
		Mount Bracket			
11	N 907 870 03	Screw		X	
		Mount Support			
12	N 021 281 6	Hexagon nut		2	I3NW
		Lock pin			
13	N 907 771 03	Washer		2	I3NW
		Lock pin			
14	955 522 770 02	Support		1	I3NW
		Bearing bracket			
15	N 103 122 01	Screw		1	
		Support Bearing bracket			
16	955 522 714 00	Buffer		1	
		Support Bearing bracket			

Model: 9PA108

Model life 2007>>2010



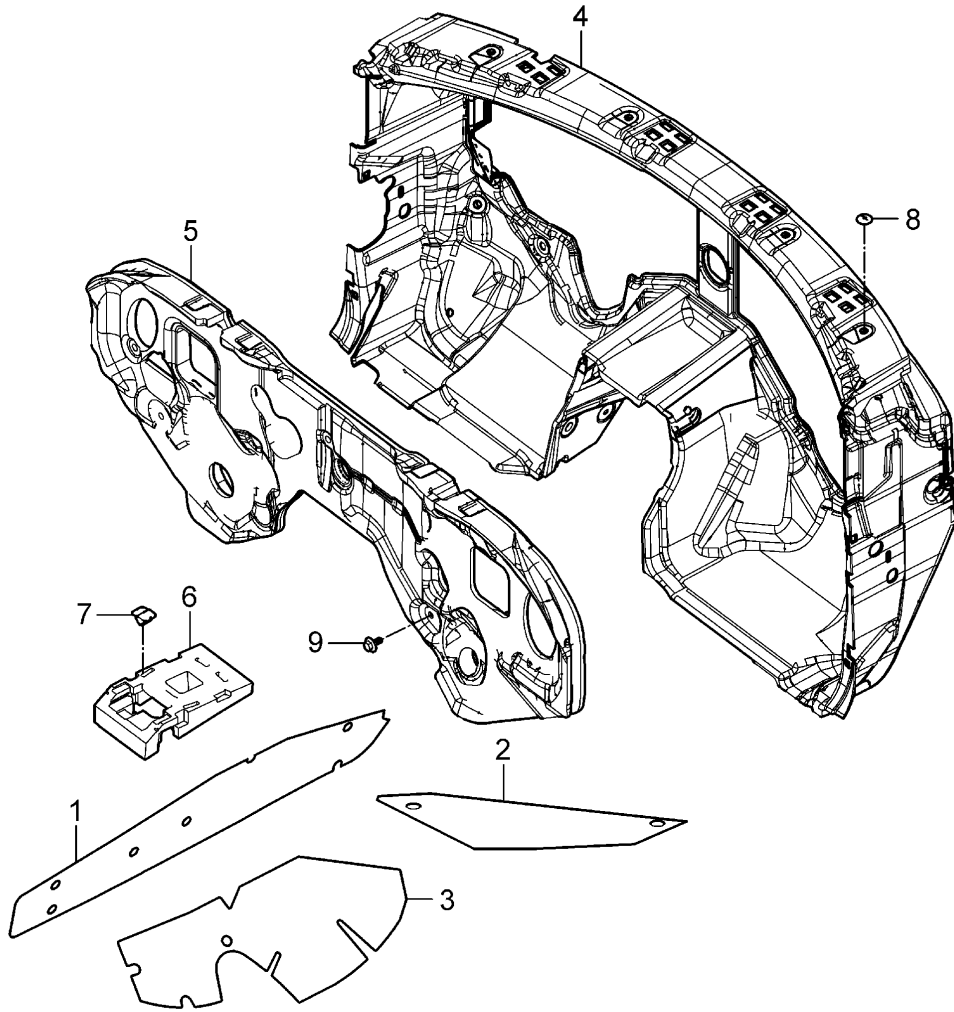
Model: 9PA108

Model life 2007>>2010

Pos	Part Number	Description	Remark	Qty	Model
1	955 556 607 03	Sound absorber Luggage compartment Insulation	/L	1	I9AH
(1)	955 556 611 02	Wheel housing Insulation	/L	1	I9AB/9AD
(1)	955 556 608 02	Wheel housing Insulation	/R	1	I3W4/3W7
2	955 556 743 01	Wheel housing Insulation Luggage compartment Floor	/L	1	I3GE
(2)	955 556 744 01	Inner Insulation Luggage compartment Floor	/R	1	I3GE
3	955 556 801 01	Inner Insulation Luggage compartment Floor	/L	1	I3GE
(3)	955 556 802 01	Outer Insulation Luggage compartment Floor	/R	1	I3GE
(3)	955 556 421 00	Outer Insulation Luggage compartment Floor		1	I3GN
4	955 556 809 00	Outer Insulation Cross member		1	
5	955 556 895 02	Insulation Spare-wheel well	/L	1	
6	955 556 233 01	Insulation for Heat exchanger	/L	1	I9AH

Model: 9PA108

Model life 2007>>2010

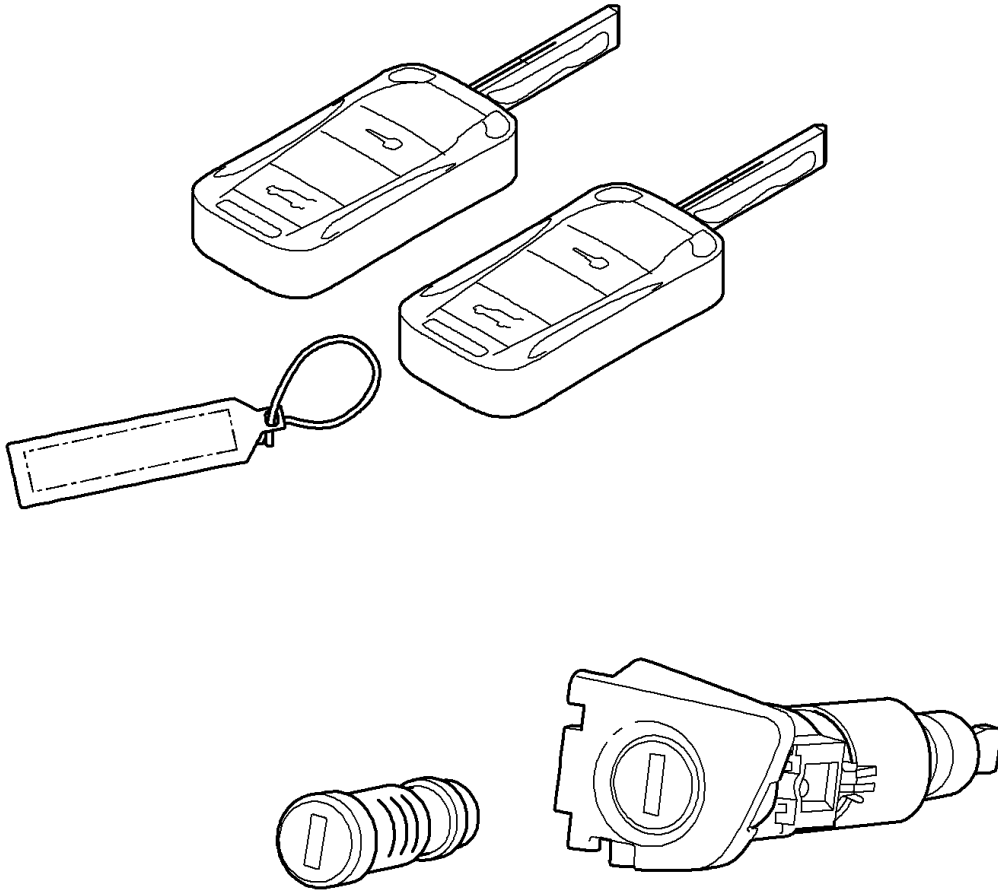


Model: 9PA108 Model life 2007>>2010

Pos	Part Number	Description	Remark	Qty	Model
1	955 556 815 00	Sound absorber Passenger compartment Sound absorber Tunnel	/L	1	
2	955 556 816 00	Sound absorber Tunnel Front	/R	1	
3	955 556 818 00	Sound absorber Tunnel Rear	/R	1	
4	955 556 623 02	Insulation Firewall	/LL	1	IL0L
(4)	955 556 624 02	Insulation Firewall	/RL	1	IL0R
5	955 556 595 01	Insulation with Assembly Plate	/LL	1	IL0L
(5)	955 556 596 01	Insulation with Assembly Plate	/RL	1	IL0R
6	955 556 531 01	Insulation Shift gate		1	IG0L
(6)	955 556 532 01	Insulation Shift gate		1	IG0R
7	955 556 761 00	Support Insulation		X	
8	955 556 761 00 01C	Satin black		X	
	955 556 760 00	Clip Mount Insulation Firewall			
9	955 556 760 00 01C N 905 483 05	Satin black Hexagon-head bolt M 8 x 20 for Mount Insulation Assembly Plate		X	

Model: 9PA108

Model life 2007>>2010



Model: 9PA108 Model life 2007>>2010

Pos	Part Number	Description	Remark	Qty	Model
		Repair kits Set of locks Comprising: Glove compartment lock Lock cylinder Key tag Handheld transmitter			
-	955 538 002 71	Set of locks	/LL	1	IL0L/4K0/4K3 I5D1/5D9
-	955 538 003 18	Set of locks	/LL	1	IL0L/4K0/4K3 I5D1/5D9
-	955 538 002 76	Set of locks	/LL	1	IL0L/4F2/4F6 I5D1/5D9
-	955 538 002 92	Set of locks	/LL	1	IL0L/4F2/4F6 I5D1/5D9
-	955 538 003 22	Set of locks Kessy Vehicle Ident. No. Indicate	/LL	1	IL0L/4F2/4F6 I5D1/5D9
-	955 538 002 97	Set of locks Kessy Vehicle Ident. No. Indicate	/LL	1	Diesel IL0L/4F2/4F6 I5D1/5D9
-	955 538 002 94	Set of locks	/RL	1	IL0R/4F2/4F6 I5D1/5D9
-	955 538 003 24	Set of locks Kessy Vehicle Ident. No. Displays	/RL	1	IL0R/4F2/4F6 I5D1/5D9
-	955 538 002 73	Set of locks	/RL	1	IL0R/1A2/4K0 I4K3 I5D1/5D9
-	955 538 003 20	Set of locks	/RL	1	IL0R/1A2/4K0 I4K3 I5D1/5D9
-	955 538 002 74	Set of locks	/RL	1	IL0R/4K0/4K3 I5D3
-	955 538 003 26	Set of locks	/RL	1	IL0R/4K0/4K3 I5D3
-	955 538 002 75	Set of locks	/LL	1	IL0L/4K0/4K3 I5D3
-	955 538 003 21	Set of locks	/LL	1	IL0L/4K0/4K3 I5D3
-	955 538 002 79	Set of locks	/RL	1	IL0R/4F2/4F6 I5D3
-	955 538 002 95	Set of locks	/RL	1	IL0R/4F2/4F6 I5D3
-	955 538 003 25	Set of locks	/RL	1	IL0R/4F2/4F6 I5D3
-	955 538 002 80	Set of locks	/LL	1	IL0L/4F2/4F6 I5D3
-	955 538 003 27	Set of locks	/LL	1	IL0L/4F2/4F6 I5D3
-	955 538 902 87	Set of locks	/LL	1	Diesel ID50/L0L/4F2 I4F6/5D1/5D9
-	955 538 003 31	Kessy Handheld transmitter 3-part Vehicle Ident. No. Indicate Set of locks	/LL	1	Diesel

Model: 9PA108 Model life 2007>>2010

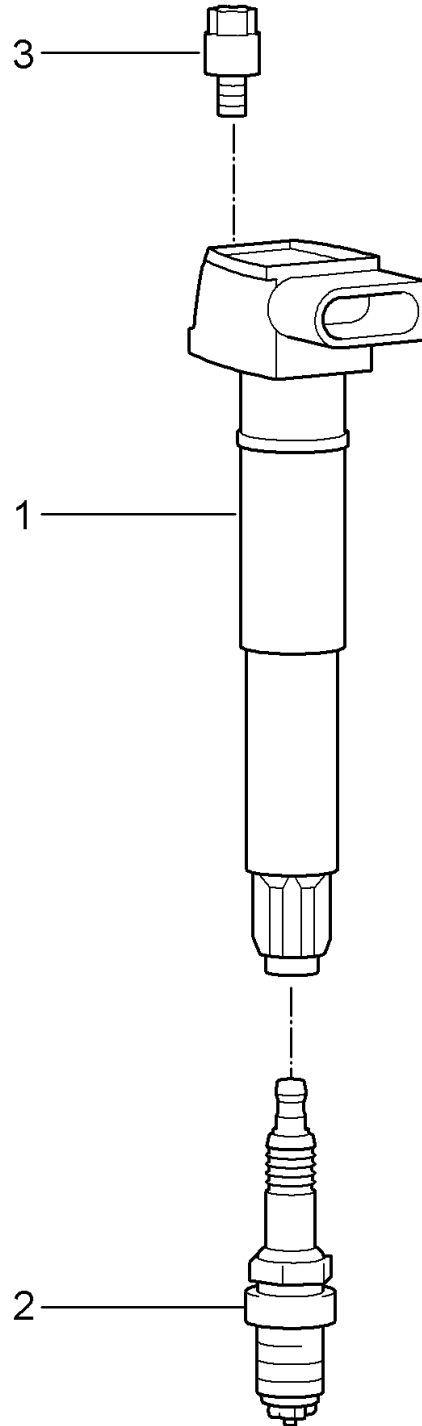
Pos	Part Number	Description	Remark	Qty	Model
-		Kessy Handheld transmitter 3-part Vehicle Ident. No. Indicate Set of locks	/LL	1	ID50/L0L/4F2 I4F6/5D1 Diesel ID50/L0L/4K0 I4K3/5D1
-	955 538 903 29	Basic Handheld transmitter 3-part Vehicle Ident. No. Indicate Set of locks	/LL	1	Diesel ID50/L0L/4F2 I4F6/5D1
-		Kessy Handheld transmitter 3-part Vehicle Ident. No. Indicate Set of locks	/LL	1	Diesel ID50/L0L/4K0 I4K3/5D1
-	955 538 902 88	Basic Handheld transmitter 3-part Vehicle Ident. No. Indicate Set of locks	/RL	1	Diesel ID50/L0R/4F2 I4F6/5D1/5D9
-	955 538 003 32	Kessy Handheld transmitter 3-part Vehicle Ident. No. Indicate Set of locks	/RL	1	Diesel ID50/L0R/4F2 I4F6/5D1
-		Kessy Handheld transmitter 3-part Vehicle Ident. No. Indicate Set of locks	/RL	1	Diesel ID50/L0R/4K0 I4K3/5D1
-	955 538 903 30	Kessy Handheld transmitter 3-part Vehicle Ident. No. Indicate Set of locks	/RL	1	Diesel ID50/L0R/4F2 I4F6/5D1
-		Kessy Handheld transmitter 3-part Vehicle Ident. No. Indicate			

Model: 9PA108 Model life 2007>>2010

Pos	Part Number	Description	Remark	Qty	Model
-		Set of locks Kessy Handheld transmitter 3-part Vehicle Ident. No. Indicate	/RL	1	Diesel ID50/L0R/4K0 I4K3/5D1
-	955 538 902 86	Set of locks Handheld transmitter 3-part Vehicle Ident. No. Indicate	/LL	1	Diesel ID50/L0L/0F9 I4K0/4K3/5D1 I5D9
-	955 538 003 33	Set of locks Handheld transmitter 3-part Vehicle Ident. No. Indicate	/LL	1	Diesel ID50/L0L/0F9 I4K0/4K3/5D1 I5D9

Model: 9PA108

Model life 2007>>2010

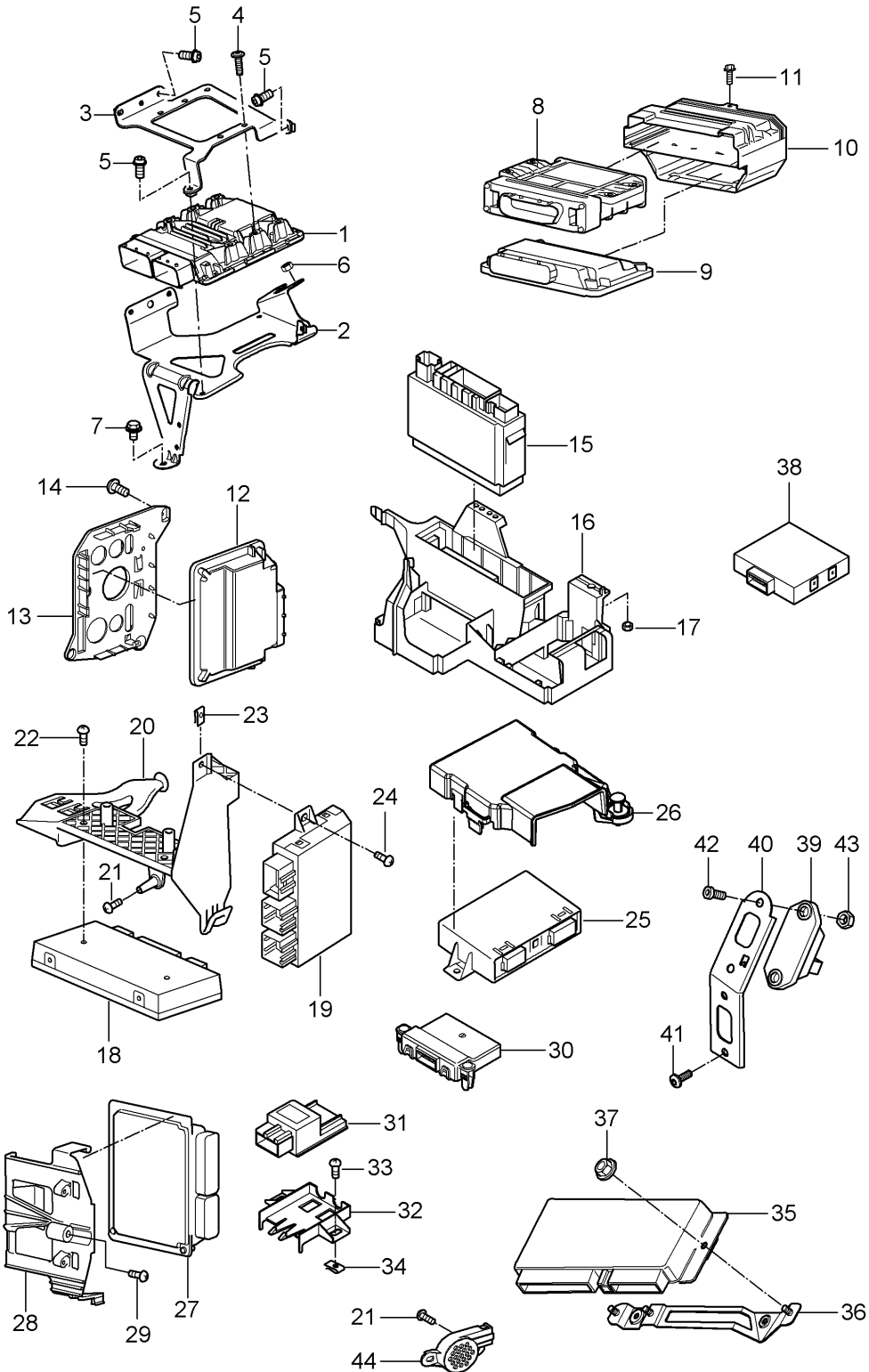


Model: 9PA108 Model life 2007>>2010

Pos	Part Number	Description	Remark	Qty	Model
1	948 602 104 04	Ignition system Ignition coil	-08	8	M48.01 M48.51
1	948 602 104 10	Ignition coil		8	M48.01 M48.51
1	948 602 104 11	Ignition coil		8	M48.01 M48.51
(1)	955 602 101 05	Ignition coil		6	ID5X
2	955 170 220 90	Spark plug ILZKR7A		6	ID5X
2	955 170 320 90	Glow plug		6	ID50
(2)	999 170 122 90	Spark plug FGR 5NQEO M >> 9 05540 M >> G 9 04964		8	M48.01
(2)	999 170 130 90	Spark plug FGR 5NQE M 9 05541 >> M G 9 04965 >>		8	M48.01
(2)	999 170 228 90	Spark plug FR6 NPP		8	M48.51
3	948 105 145 02	Screw M >> 9 05540 M >> G 9 04964		8	M48.01/51
3	948 105 146 00	Screw M 9 05541 >> M G 9 04965 >>		8	M48.01/51

Model: 9PA108

Model life 2007>>2010



Model: 9PA108

Model life 2007>>2010

Pos	Part Number	Description	Remark	Qty	Model
(1)	955 618 603 01	Control units Control unit		1	ID5X
(1)	955 618 603 10	- dme - Control unit		1	ID50/7GG
(1)	955 618 603 20	- dme - See technical information GR. 9 NR. 3/09 KD -NR. 2470 Control unit		1	ID50/0GZ
(1)	955 618 604 03	- dme - See technical information GR. 9 NR. 3/09 KD - NR 2470 Control unit		1	ID5V/D5Z
2	955 618 233 00	Support		1	ID5V/D5Z
3	955 618 234 00	Support		1	ID5V/D5Z
(3)	955 618 133 02	Support		1	ID5X
(3)	955 618 150 00	Support		1	ID50
-	955 618 150 00	Clip		2	ID5X
-	955 618 151 00	Lateral Clip		1	ID5X
4	N 105 215 03	Rear Screw		5	ID5V/D5Z
5	N 102 480 03	M 6 X 16 Pan-head screw		4	ID5V/D5Z
6	N 015 082 9	M 6 X 14 Hexagon nut		2	
7	N 101 563 07	M 6 Hexagon-head bolt		1	
8	955 618 120 03	M 6 X 12 Control unit		1	ID5X/G0R
8	955 618 120 04	Automatic transmission F >>9P8LA 26516 F >>9P8LA 26515 Control unit	-08	1	ID5X/G0R
8	955 618 120 05	Automatic transmission F 9P8LA 26517>> F 9P8LA 26516>> Control unit	-09	1	ID5X/G0R
8	955 618 120 06	Automatic transmission F 9P8LA 26517>> F 9P8LA 26516>> Control unit		1	ID5X/G0R
8	955 618 120 10	Automatic transmission F 9P8LA 26517>> F 9P8LA 26516>> Control unit	09	1	ID50/G0R
8	955 618 120 11	Automatic transmission Control unit	10-	1	ID50/G0R
(8)	955 618 121 03	Automatic transmission Control unit		1	ID5V/G0R
(8)	955 618 121 04	Automatic transmission F >>9P8LA 52982 F >>9P8LA 52988 Control unit	-09	1	ID5V/G0R
(8)	955 618 121 05	Automatic transmission F 9P8LA 52983>> F 9P8LA 52989>> Control unit		1	ID5V/G0R
(8)	955 618 121 05	Automatic transmission F 9P8LA 52983>> F 9P8LA 52989>>		1	ID5V/G0R

Model: 9PA108 Model life 2007>>2010

Pos	Part Number	Description	Remark	Qty	Model
(8)	955 618 121 10	Control unit Automatic transmission F >>9P8LA 73576 F >>9P8LA 73577		1	ID5V/E0W/G0R
(8)	955 618 121 11	Control unit Automatic transmission F 9P8LA 73577>> F 9P8LA 73578>>	-09	1	ID5V/E0W/E2D IG0R
(8)	955 618 121 12	Control unit Automatic transmission	10-	1	ID5V/E0W/E1T IE2D/G0R
(8)	955 618 122 03	Control unit Automatic transmission F >>9P8LA 96403 F >>9P8LA 96436		1	ID5Z/G0R
(8)	955 618 122 04	Control unit Automatic transmission F 9P8LA 96404>> F 9P8LA 96437>>	-09	1	ID5Z/G0R
(8)	955 618 122 05	Control unit Automatic transmission	10-	1	ID5Z/G0R
(8)	955 618 122 10	Control unit Automatic transmission F >>9P8LA 96403 F >>9P8LA 96436		1	IE81/G0R
(8)	955 618 122 11	Control unit Automatic transmission F 9P8LA 96404>> F 9P8LA 96437>>	-09	1	IE81/G0R
(8)	955 618 122 12	Control unit Automatic transmission	10-	1	IE81/G0R
(8)	955 618 122 11	Control unit Automatic transmission	09	1	IE8A/G0R
(8)	955 618 122 12	Control unit Automatic transmission	10-	1	IE8A/G0R
9	955 618 025 02	Control unit Lock control Lengthways	-08	1	IG0R
9	955 618 025 03	Control unit Lock control Lengthways		1	IG0R
(9)	955 618 025 22	Control unit Lock control Lengthways	-08	1	IG0L
(9)	955 618 025 23	Control unit Lock control Lengthways		1	IG0L
10	955 618 129 01	Support		1	
11	N 101 711 05	Hexagon-head bolt M 6 X 16		1	
12	955 618 024 04	Control unit Lock control Transverse		1	I1Y1
13	955 618 130 00	Support		1	I1Y1
14	N 104 734 01	Oval-head screw 6 X 20		3	I1Y1
15	955 618 127 00	Control unit Vehicle electrical system		1	IJ0L/J0Z/J1U
16	955 618 131 01	Support	/LL	1	IL0L
(16)	955 618 132 00	Support	/RL	1	IL0R
17	N 102 058 02	Hexagon nut M 6		1	

Model: 9PA108 Model life 2007>>2010

Pos	Part Number	Description	Remark	Qty	Model
18	955 618 059 01	Control unit Rear end		1	
19	955 618 040 10	Control unit Trailer coupling	08	1	
19	955 618 040 11	Control unit Trailer coupling	08	1	
19	955 618 040 12	Control unit Trailer coupling		1	
20	955 618 137 00	Support		1	
21	N 104 648 02	Oval-head screw 4 X 12		3	
22	N 104 592 01	Pan-head screw M 5 X 12		2	
23	N 904 759 03	Speed nut M 5 X 13,6 X 11,5		1	
24	N 103 383 02	Adjusting screw M 5 X 12		1	
25	955 618 042 01	Control unit ParkAssist		1	
26	955 618 136 00	Support		1	
27	955 618 304 01	Control unit Level adjustment		1	-ID50/I1BK
27		Control unit Level adjustment		1	ID50/1BK
(27)	955 618 304 10	Control unit Level adjustment		1	IE0W/E1T/1BH I1BK
28	955 618 215 00	Support		1	
29	N 104 159 03	Oval-head screw 4 X 12		2	
30	955 610 127 02	Control unit Gateway		1	
31	955 618 045 00	Control unit Reversing camera		1	I7X8/7X9
32	955 618 050 00	Support		1	I7X8/7X9
33	N 908 195 01	Lens-head screw ST 4,8 X 13		2	I7X8/7X9
34	N 106 697 01	Speed nut ST 4,8		2	I7X8/7X9
35	955 618 068 00	Control unit - PDCC -		1	I0AW/1BK
35	955 618 068 01	Control unit - PDCC -		1	I0AW/1BK
35	955 618 068 03	Control unit - PDCC -		1	I0AW/1BK
35	955 618 068 10	Control unit - PDCC -		1	IE0W/0AW/1BK
35	955 618 068 12	Control unit - PDCC -		1	IE0W/0AW/1BK
35		Control unit - PDCC -		1	IE1T/0AW/1BK
36	955 618 070 00	Support		1	I0AW
37	N 015 082 10	Hexagon nut M 6		2	I0AW
38	955 618 080 00	Control unit Rear lid		1	I4E7
-		Support See illustrations 8/03/07		1	I4E7
39	955 618 082 00	Acceleration sensor		1	I4E7
40	955 618 084 00	Support		1	I4E7
41	N 905 988 04	Screw M 6 x 12		2	I4E7

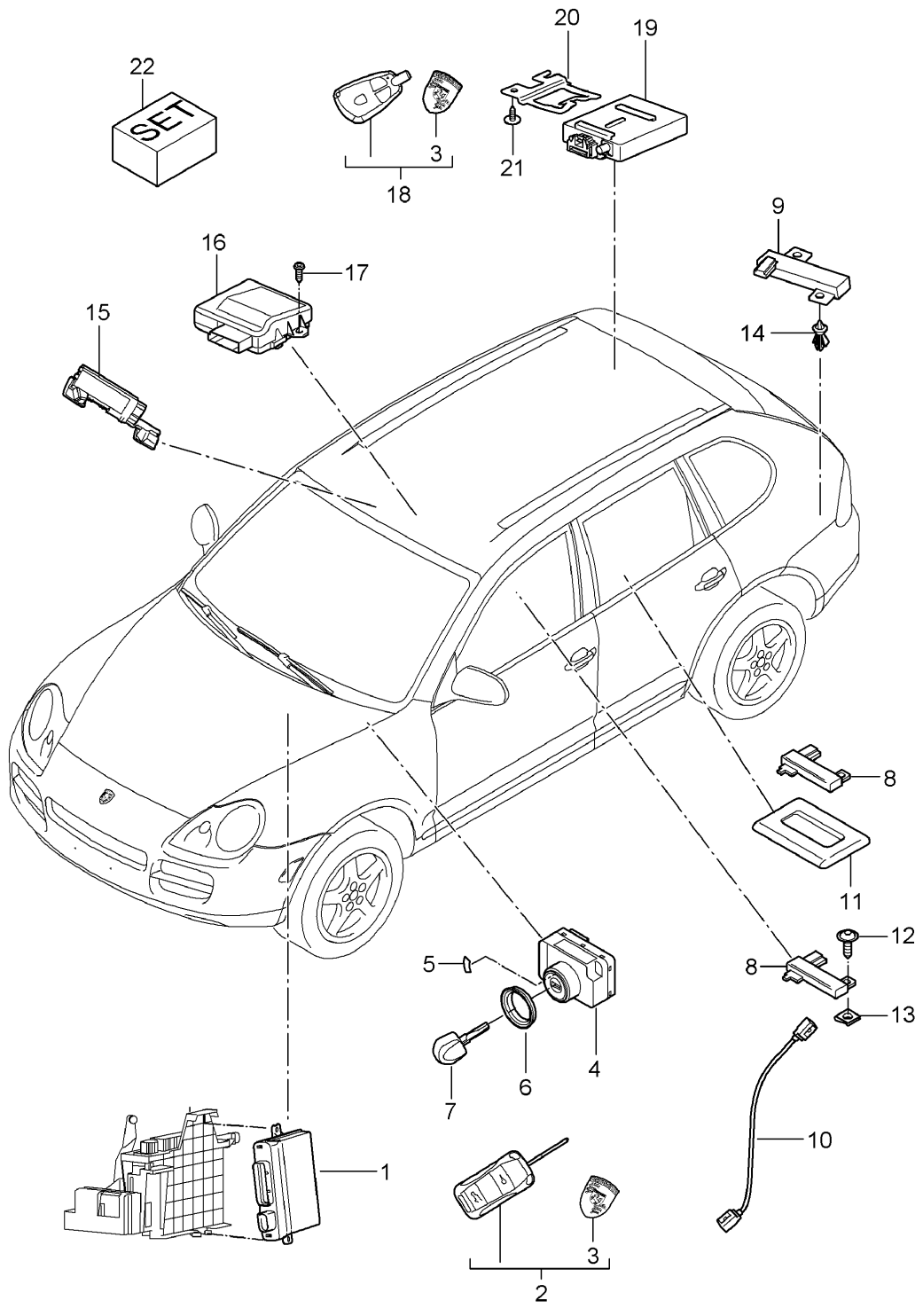
Model: 9PA108

Model life 2007>>2010

Pos	Part Number	Description	Remark	Qty	Model
42	900 119 091 02	Pan-head screw M 6 X 16		2	I4E7
43	900 084 031 02	Hexagon nut M 6		2	I4E7
44	955 641 230 00	Buzzer Warning function Alarm siren Control unit Tilt sensor See illustrations 9/03/00		1	I4E7

Model: 9PA108

Model life 2007>>2010



Model: 9PA108 Model life 2007>>2010

Pos	Part Number	Description	Remark	Qty	Model
(1)	955 618 036 05	Control units Ignition starter switch Garage door opener Receiving part Auxiliary heater Antenna Control unit Immobiliser Central locking system		1	I5D2/5D3
(1)	955 618 035 08	Alarm system Control unit Immobiliser Central locking system Alarm system Support See illustrations 9/01/03		1	I5D1
2	955 637 945 02	Handheld transmitter with stipulated lock number State lock number		1	ID5V/D5X/D5Z I4F6/4K0/5D2
2	955 637 945 02 01C 955 637 945 12	Satin black Handheld transmitter with stipulated lock number State lock number		1	ID5V/D5X/D5Z I4F2/4K3/5D3
(2)	955 637 945 12 01C 955 637 945 22	Satin black Handheld transmitter with stipulated lock number State lock number		1	ID5V/D5X/D5Z I4F2/4K3/5D1
2	955 637 945 22 01C 955 637 945 50	Satin black Handheld transmitter Vehicle Ident. No. Indicate		1	ID50/4F2/5D1 I4K3
-	955 637 945 50 01C 999 611 108 00	Satin black Battery Handheld transmitter		1	
3	996 637 443 00	Crest Coloured for Handheld transmitter		1	
4	955 613 200 20 955 613 200 20 01C	Ignition starter switch Satin black		1	
6	955 613 201 00	Nut		1	
7	955 637 241 01	Control part		1	I4F2/4F6
8	955 647 101 00	Antenna Inner		3	I4F2/4F6
9	955 647 102 00	Antenna Outer		2	I4F2/4F6
10	955 647 210 01	Cable Antenna Control unit Immobiliser To Support Roof		1	
11	955 647 151 00	Support for antenna		1	I4F2/4F6/9AD
(11)	955 647 152 00	Support for antenna		1	I4F2/4F6/9AH
12	N 908 095 01	Combination screw M 5 X 10		2	I4F2/4F6
13	N 904 559 02	Speed nut		2	I4F2/4F6

Model: 9PA108 Model life 2007>>2010

Pos	Part Number	Description	Remark	Qty	Model
14	955 647 153 00	M 5 Clip		2	I1G3/4F2/4F6
15	955 618 210 00	Sensor Interior monitoring		1	I7AH/7AL/7AT
16	955 618 039 01	Control unit Garage door opener		1	IVC1/9MB
17	N 909 151 01	Lens-head screw 2,2 X 8		2	
18	955 646 245 10	Handheld transmitter Auxiliary heater		1	I7VL
-	999 611 105 00	Battery Handheld transmitter Auxiliary heater		2	
19	955 646 247 10	Receiving part Auxiliary heater		1	I7VL
20	955 646 160 00	Support		1	I7VL
21	N 102 473 02	Oval-head sheetmetal screw ST 4,8 X 16 Alarm siren Control unit Tilt sensor See illustrations 9/03/00		2	I7VL
22	000 043 989 72	Control unit Unit Component protection Information available		1	ID5V/D5X/D5Z IL0L/2C5/4F6 I4K0/5D2
(22)	000 043 989 73	Control unit Unit Component protection Information available		1	ID5V/D5X/D5Z IL0L/2C5/4F6 I4K0/5D2
(22)	000 043 989 74	Control unit Unit Component protection Information available		1	ID5V/D5X/D5Z IL0R/2C4/4F2 I4K3/5D1
(22)	000 043 989 75	Control unit Unit Component protection Information available		1	ID5V/D5X/D5Z IL0L/2C4/4F2 I4K0/5D2
(22)	000 043 989 76	Control unit Unit Component protection Information available		1	ID5V/D5X/D5Z IL0L/2C4/4F6 I4K3/5D2
(22)	000 043 989 77	Control unit Unit Component protection Information available		1	ID5V/D5X/D5Z IL0R/2C5/4F2 I4K3/5D1
(22)	000 043 989 78	Control unit Unit Component protection Information available		1	ID5V/D5X/D5Z IL0R/2C5/4F2 I4K3/5D1
		Unit			

Model: 9PA108 Model life 2007>>2010

Pos	Part Number	Description	Remark	Qty	Model
(22)	000 043 989 79	Component protection Information available Control unit Unit		1	ID5V/D5X/D5Z IL0R/2C4/4F2 I4K3/5D1
(22)	000 043 989 80	Component protection Information available Control unit Unit		1	ID5V/D5X/D5Z IL0L/2C5/5D1 I5D9/7GG
(22)	000 043 989 81	Component protection Information available Control unit Unit		1	ID5V/D5X/D5Z IL0R/2C5/5D1 I5D9/7GG
(22)	000 043 989 89	Component protection Information available Control unit Unit		1	IL0L/2C5/4F6 I4K0/5D2/5D3
(22)	000 043 989 92	Component protection Information available Control unit Unit		1	IL0L/2C5/4F2 I4K3/5D1
(22)	000 043 989 95	Component protection Information available Control unit Unit		1	ID5V/D5X/D5Z IL0L/2C4/4F2 I4K3/5D1
(22)	000 043 989 99	Component protection Information available Control unit Unit		1	IL0R/2C5/4F2 I4K3/5D2/5D3
(22)	000 043 990 00	Component protection Information available Control unit Unit		1	IL0L/2C5/4F2 I4K3/5D1
(22)	000 043 990 02	Component protection Information available Control unit Unit		1	IL0L/2C5/4F2 I4K3/5D2/5D3
(22)	000 043 990 10	Component protection Information available Control unit Unit		1	IL0L/2C4/4F2 I4K3/5D1/7GG
(22)	000 043 990 11	Component protection Information available Control unit Unit		1	ID5V/D5X/D5Z IL0L/2C4/4F2 I4K3/5D2/5D3
(22)	000 043 990 13	Component protection Information available Control unit		1	ID5V/D5X/D5Z

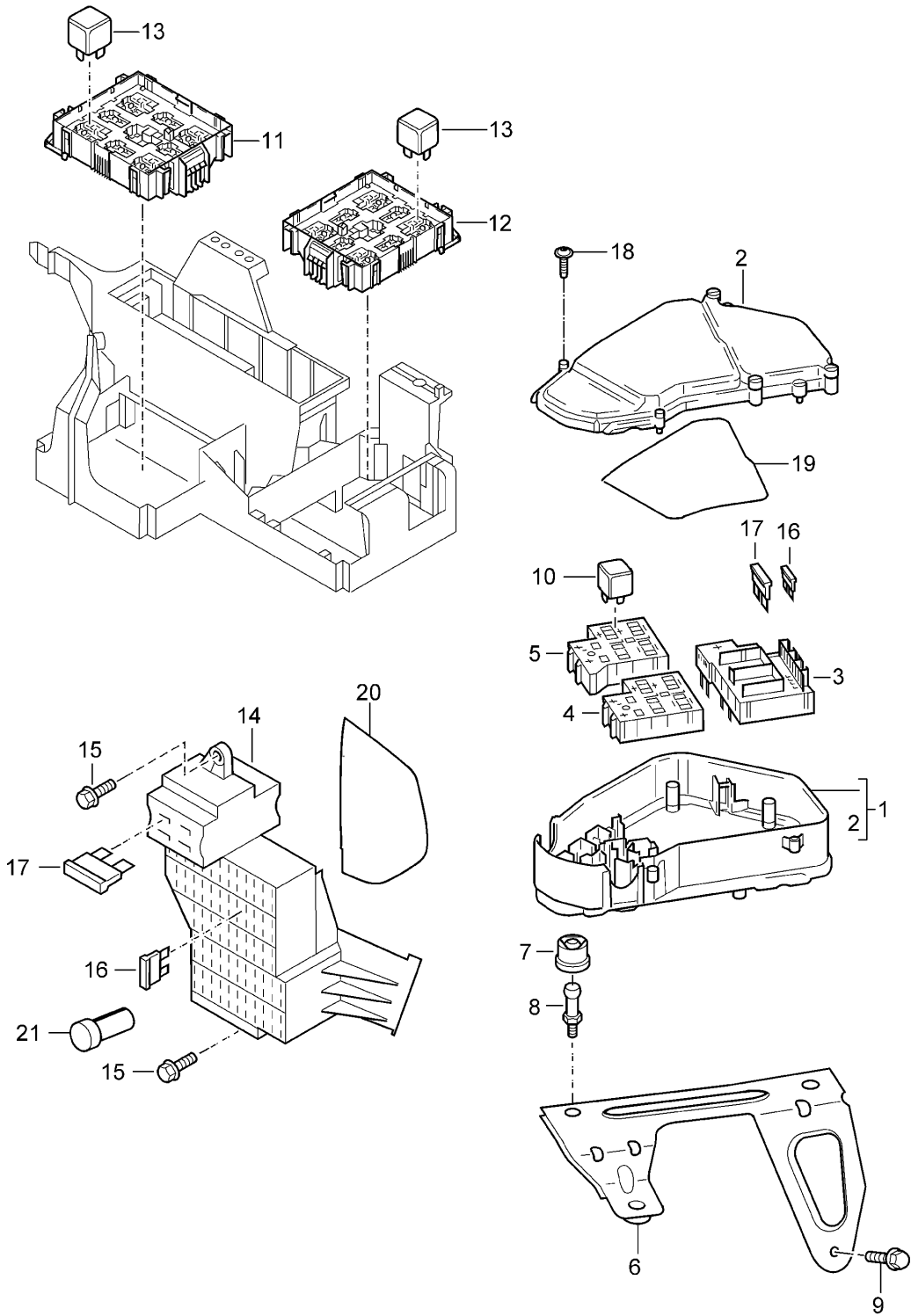
Model: 9PA108

Model life 2007>>2010

Pos	Part Number	Description	Remark	Qty	Model
(22)	000 043 990 16	Unit Component protection Information available Control unit		1	IL0L/2C4/4F6 I4K0/5D2 ID5V/D5X/D5Z IL0L/2C5/4F6 I4K0/5D2
(22)	000 043 990 22	Unit Component protection Control unit		1	IL0L/2C5/4F6 I4K0/5D2/5D3
(22)	000 043 990 23	Unit Component protection Control unit		1	ID5V/D5X/D5Z IL0R/2C4/4F2 I4K3/5D1
(22)	000 043 990 25	Unit Component protection Control unit		1	ID5V/D5X/D5Z IL0R/2C5/4F2 I4K3/5D1
(22)	000 043 990 30	Unit Component protection Control unit		1	ID5V/D5X/D5Z IL0R/2C4/4F2 I4K3/5D2/5D3
		Unit Component protection			

Model: 9PA108

Model life 2007>>2010



Model: 9PA108 Model life 2007>>2010

Pos	Part Number	Description	Remark	Qty	Model
		Central electrical system Fusebox			
1	955 610 105 02	Central electrical system	/LL	1	IL0L
(1)	955 610 106 02	Plenum panel Central electrical system	/RL	1	IL0R
2	955 610 111 01	Plenum panel Lid		1	
3	955 610 219 00	Central electrical system Mounting plate		1	
4	955 610 109 00	Lock Central electrical system Relay carrier 1		1	-ID50
4	955 610 109 10	Central electrical system Relay carrier 1		1	ID50
5	955 610 110 00	Central electrical system Relay carrier 2		1	
6	955 610 150 00	Central electrical system Support		1	
7	955 610 122 00	Rubber bush		3	
8	955 610 153 00	Screw bolt		3	
9	N 103 469 04	Pan-head screw M 6 X 12		1	
10		Relay		X	
(10)	955 618 028 00	Control unit Glow plug		1	ID50
(10)	955 615 029 00	Relay socket/code: Relay	SRT1	1	ID50
(10)	955 615 025 10	Relay socket/code: Relay	S1/2	1	
(10)	999 657 014 90	Relay socket/code: Relay	S1/3	1	ID5X/D5Z
(10)	999 657 015 90	Water pump Relay socket/code: Relay	S1/5	1	ID50
(10)	999 657 014 90	Water pump Relay socket/code: Relay	S1/5	1	
(10)	999 657 015 90	Fuel pump Left Relay socket/code: Relay	S1/6	1	ID50
(10)	141 951 253 B	Pump Fuel cooler Relay socket/code: Relay	S1/6	1	ID50
(10)	999 657 015 90	Fuel pump Relay socket/code: Relay	S2/2	1	ID50
(10)	999 657 014 90	Engine compartment Relay socket/code: Relay	S2/6	1	
(10)	999 657 015 90	Fuel pump Right Relay socket/code: Relay	S19	1	ID50/7VE/7VL
(10)	955 615 027 00	Fuel pump Relay socket/code: Relay	S19	1	
11	955 610 117 00	Starter Relay socket/code: Relay carrier	S20 /LL	1	IL0L
		Left			

Model: 9PA108 Model life 2007>>2010

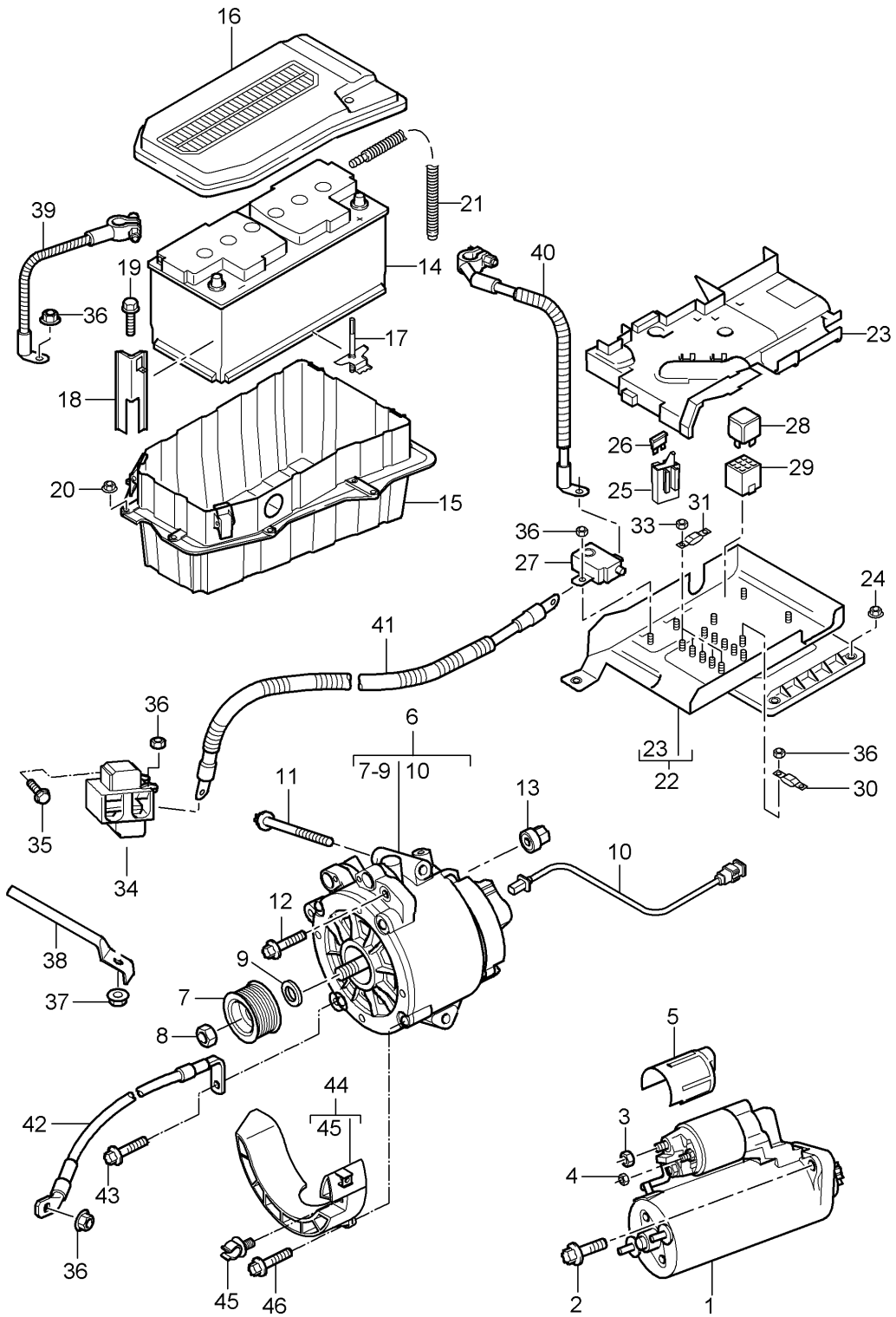
Pos	Part Number	Description	Remark	Qty	Model
(11)		Relay carrier	/RL	1	IL0R
12		Relay carrier	/LL	1	IL0L
13		Right		X	
(13)	955 618 047 03	Relay		1	I1N3
		Control unit			
		Servotronic			
		Relay socket/code:	SL1		
(13)	999 657 014 90	Relay		1	IGY1
		Lock			
		Rear lid			
		Relay socket/code:	SL2		
(13)	955 615 010 01	Relay		1	I1BK
		Compressor			
		Level adjustment			
		Relay socket/code:	SL3		
(13)	999 657 014 90	Relay		1	
		Release			
		Fuel filler flap			
		Relay socket/code:	SL4		
(13)	141 951 253 B	Relay		1	
		Rear window heating			
		Relay socket/code:	SL7		
(13)	999 657 014 90	Relay		1	ID5X
		Water pump			
		Auxiliary heater			
		Relay socket/code:	SL8		
(13)		Relay	/LL	1	IL0L
		Release			
		Spare wheel			
		Relay socket/code:	SR2		
(13)	141 951 253 B	Relay	/LL	1	IL0L/8X1
		Headlight washer system			
		Relay socket/code:	SR7		
(13)	999 657 014 90	Relay	/LL	1	IL0L
		Residual warmth			
		Relay socket/code:	SR8		
(13)	141 951 253 B	Relay	/LL	1	IL0L/8BC/8BZ I8JD
		Headlamp			
		Relay socket/code:	SR9		
(13)	999 657 014 90	Relay	/RL	1	IL0R
		Residual warmth			
		Relay socket/code:	S2/1		
(13)		Relay	/RL	1	IL0R/1G3
		Release			
		Spare wheel			
		Relay socket/code:	S2/2		
(13)	141 951 253 B	Relay	/RL	1	IL0R/8BC/8BZ
		Headlamp			
		Relay socket/code:	S3		
(13)		Relay	/RL	1	IL0R/8X1
		Headlight washer system			
		Relay socket/code:	S6		
		Support			
		Relay carrier			
		Left			
		Right			
		See illustrations			
		9/01/03			
14	955 610 211 00	Fusebox	/LL /L	1	IL0L
14	955 610 211 10	Fusebox	/RL /L	1	IL0R
(14)	955 610 212 00	Fusebox	/R	1	
15	955 610 154 00	Screw		2	

Model: 9PA108 Model life 2007>>2010

Pos	Part Number	Description	Remark	Qty	Model
(15)	N 909 961 02	Upper M 5 X 50 Hexagon-head bolt		2	
16	999 607 082 00	Lower M 5 X 25 Lock		X	
(16)	999 607 083 00	5 A Lock		X	
(16)	999 607 084 00	7,5 A Lock		X	
(16)	999 607 085 00	10 A Lock		X	
(16)	N 017 131 13	15 A Lock		X	
(16)	999 607 087 00	20 A Lock		X	
(16)	999 607 088 00	25 A Lock		X	
17	N 102 519 03	30 A Lock		X	
(17)	999 607 073 00	E30 A Lock		X	
(17)	999 607 077 00	E40 A Lock		X	
18	N 909 722 01	E60 A Lens-head screw 6,0 X 25,0 for Mount		4	
19	955 610 317 00	POS. 2 Assignment sticker Lid		1	
20	955 610 319 00	Central electrical system Assignment sticker	/L	1	
(20)	955 610 320 00	Fusebox Assignment sticker	/R	1	
21	955 610 314 00	Fusebox Tool for Lock		2	

Model: 9PA108

Model life 2007>>2010



Model: 9PA108 Model life 2007>>2010

Pos	Part Number	Description	Remark	Qty	Model
1	948 604 206 00	Starter Generator Battery Power distributor Starter M >> 9 05540 M >> G 9 04964 M >> 9 01688 M >> T 9 01787 M >> S 9 00561		1	ID5V/D5Z ID5V IE0W ID5Z IE8A IE81
1	948 604 206 X	Starter M >> 9 05540 M >> G 9 04964 M >> 9 01688 M >> T 9 01787 M >> S 9 00561		1	ID5V/D5Z ID5V IE0W ID5Z IE8A IE81
1	948 604 206 01	Starter M 9 05541 >> M G 9 04965 >> M 9 01689 >> M T 9 01788 >> M S 9 00562 >>		1	ID5V/D5Z ID5V IE0W ID5Z IE8A IE81
1	948 604 206 AX	Starter M 9 05541 >> M G 9 04965 >> M 9 01689 >> M T 9 01788 >> M S 9 00562 >>		1	ID5V/D5Z ID5V IE0W ID5Z IE8A IE81
(1)	955 604 107 00	Starter		1	ID5X
(1)	955 604 107 X	Starter		1	ID5X
(1)	955 604 107 11	Starter with Safety contact		1	ID5X
(1)	955 604 107 BX	Starter with Safety contact		1	ID5X
(1)	955 604 108 00	Starter		1	ID50
(1)	955 604 108 X	Starter		1	ID50
2	900 385 011 01	Torx screw BM 10 X 45		2	ID5V/D5Z
(2)	N 102 171 03	Hexagon-head bolt BM 12 X 60 X 48		1	ID5X
(2)	N 907 682 02	Stud AM 12 X 60 - M 8 X 16		1	ID5X
(2)	N 102 902 06	Hexagon-head bolt AM 10 X 70		2	ID50
3	900 377 003 01	Hexagon nut M 8		1	
4	900 377 010 02	Hexagon nut M 6 for Starter 948.604.206.00/.01 955.604.107.00		1	
5	948 604 117 01	Heat protection MAGNETSCHALTER M >> 9 05540 M >> G 9 04964 M >> 9 01688 M >> T 9 01787 M >> S 9 00561		1	ID5V/D5Z ID5V IE0W ID5Z IE8A IE81
(5)	948 604 119 00	Heat protection MAGNETSCHALTER		1	ID5V/D5Z

Model: 9PA108 Model life 2007>>2010

Pos	Part Number	Description	Remark	Qty	Model
		M 9 05541 >>			ID5V
		M G 9 04965 >>			IE0W
		M 9 01689 >>			ID5Z
		M T 9 01788 >>			IE8A
		M S 9 00562 >>			IE81
6	948 603 025 00	Generator		1	ID5V/D5Z
6	948 603 025 X	Generator		1	ID5V/D5Z
(6)	948 603 025 03	Generator		1	ID5V/D5Z
(6)	948 603 025 CX	Generator		1	ID5V/D5Z
(6)	955 603 116 00	Generator	-09	1	ID5X/8GH
(6)	955 603 116 X	Generator	-09	1	ID5X/8GH
(6)	955 603 117 00	Generator	-09	1	ID5X/8GV
(6)	955 603 117 X	Generator	-09	1	ID5X/8GV
(6)	955 603 119 00	Generator	10-	1	ID5X/9G1
(6)	955 603 119 X	Generator	10-	1	ID5X/9G1
(6)	955 603 118 00	Generator	-09	1	ID50/8GH
(6)	955 603 118 X	Generator	-09	1	ID50/8GH
(6)	955 603 120 00	Generator	10-	1	ID50/9G1
(6)	955 603 120 X	Generator	10-	1	ID50/9G1
7	948 603 125 00	Pulley		1	ID5V/D5Z
8	948 603 127 00	Hexagon nut M 16 X 1,5		1	ID5V/D5Z
9	948 603 129 00	Spacer		1	ID5V/D5Z
10	948 603 070 00	Wiring harness Generator		1	ID5V/D5Z
11	900 385 014 01	Torx screw BM 8 X 95		2	ID5V/D5Z
(11)	N 106 100 01	Hexagon-head bolt AM 8 X 90		2	ID5X
(11)		Hexagon-head bolt AM 8 X 90		2	ID50
12	900 385 042 01	Torx screw BM 8 X 35		1	ID5V/D5Z
13	999 070 016 00	Cap nut M 8		1	ID5V/D5Z
14	999 611 070 20	Battery 70 AH		1	IJ0L
(14)	999 611 095 20	Battery 95 AH		1	IJ1U
(14)	955 611 110 20	Battery 110 AH		1	IJ0Z
(14)	958 611 110 20	Battery 110 AH		1	IJ0Z
15	955 504 151 00	Battery box		1	
16	955 504 152 00	Cover for housing		1	
17	955 611 209 02	Clamping piece		1	
18	955 611 210 02	Reinforcement bracket Battery		1	
19	N 100 829 08	Combination screw M 6 X 16		1	
20	N 015 082 10	Hexagon nut M 6		X	
21	955 611 311 00	Breather pipe		1	
22	955 610 308 01	Power distributor		1	
23	955 610 309 10	Lid Power distributor		1	
24	N 904 465 04	Hexagon nut M 6		3	
25		Fuse holder		X	
(25)	955 610 207 00	Fuse holder Relay socket/code:	F9	1	
(25)	955 610 209 00	Fuse holder Relay socket/code:	F14	1	

Model: 9PA108 Model life 2007>>2010

Pos	Part Number	Description	Remark	Qty	Model
(25)	955 610 208 00	Fuse holder		1	
26	999 607 082 00	Relay socket/code: Lock 5 A	F14	X	
(26)	999 607 073 00	Lock E 40 A		X	
27	955 611 205 00	Switch unit Battery main switch		1	
28	955 615 027 00	Relay		1	
29	955 610 307 00	Relay carrier		1	
30	N 105 256 07	Lock 250 A		1	
31	N 105 255 08	Lock 150 A		2	
(31)	N 105 255 03	Lock 60 A		2	
(31)	N 105 255 01	Lock 40 A		2	
33	N 011 005 18	Hexagon nut M 5		X	
34	955 611 202 10	Connection point Cable		1	
-	955 611 211 00	Engine compartment Cable guide Cable Starter Generator		1	
35	N 106 131 01	Pan-head screw M 6 X 20		1	
36	N 902 955 02	Hexagon nut M 8		X	
(36)	955 611 206 00	Hexagon nut Terminal clamp		1	
37	N 902 955 02	Emergency starting Hexagon nut M 8		1	
38	955 611 203 00	Cable shoe Ground strap		1	
39	955 611 090 00	Ground strap Battery		1	
40	955 612 090 00	Body Cable Battery		1	IJ0L/J1U
(40)	955 612 090 10	Power distributor Cable Battery		1	IJ0Z
41	955 612 091 10	Power distributor Cable Connection point		1	-ID50
41	955 612 091 20	Engine compartment Cable Power distributor Connection point		1	ID50
42	955 611 195 00	Engine compartment Ground strap Generator		1	ID5V/D5Z
42	958 611 195 00	Body Ground strap Generator		1	ID5V/D5Z
(42)	955 611 196 00	Body Ground strap Engine		1	ID5X

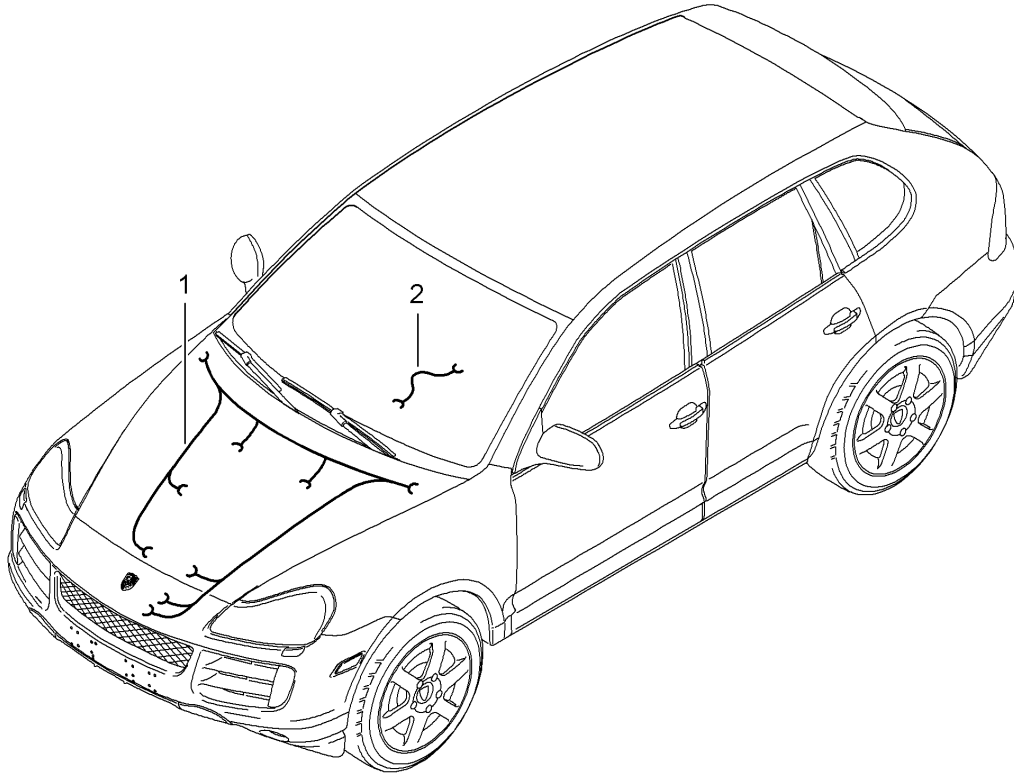
Model: 9PA108

Model life 2007>>2010

Pos	Part Number	Description	Remark	Qty	Model
(42)	958 611 197 00	Body Ground strap Engine		1	ID50
43	N 101 559 06	Body Hexagon-head bolt M 8 X 20		1	ID5V/D5Z
(43)	N 903 516 02	Pan-head screw M 10 X 20		1	ID5X
44	948 115 204 01	Bracket Generator		1	
45	999 507 930 40	Hose holder 23,0		1	
46	900 385 042 01	Torx screw BM 8 X 35 M >> 9 05540 M >> G 9 04964 M >> 9 01688 M >> T 9 01787 M >> S 9 00561		2	ID5V/D5Z ID5V IE0W ID5Z IE8A IE81
46	999 073 908 31	Oval-head screw M 8 X 35 M 9 05541 >> M G 9 04965 >> M 9 01689 >> M T 9 01788 >> M S 9 00562 >>		2	ID5V/D5Z ID5V IE0W ID5Z IE8A IE81

Model: 9PA108

Model life 2007>>2010



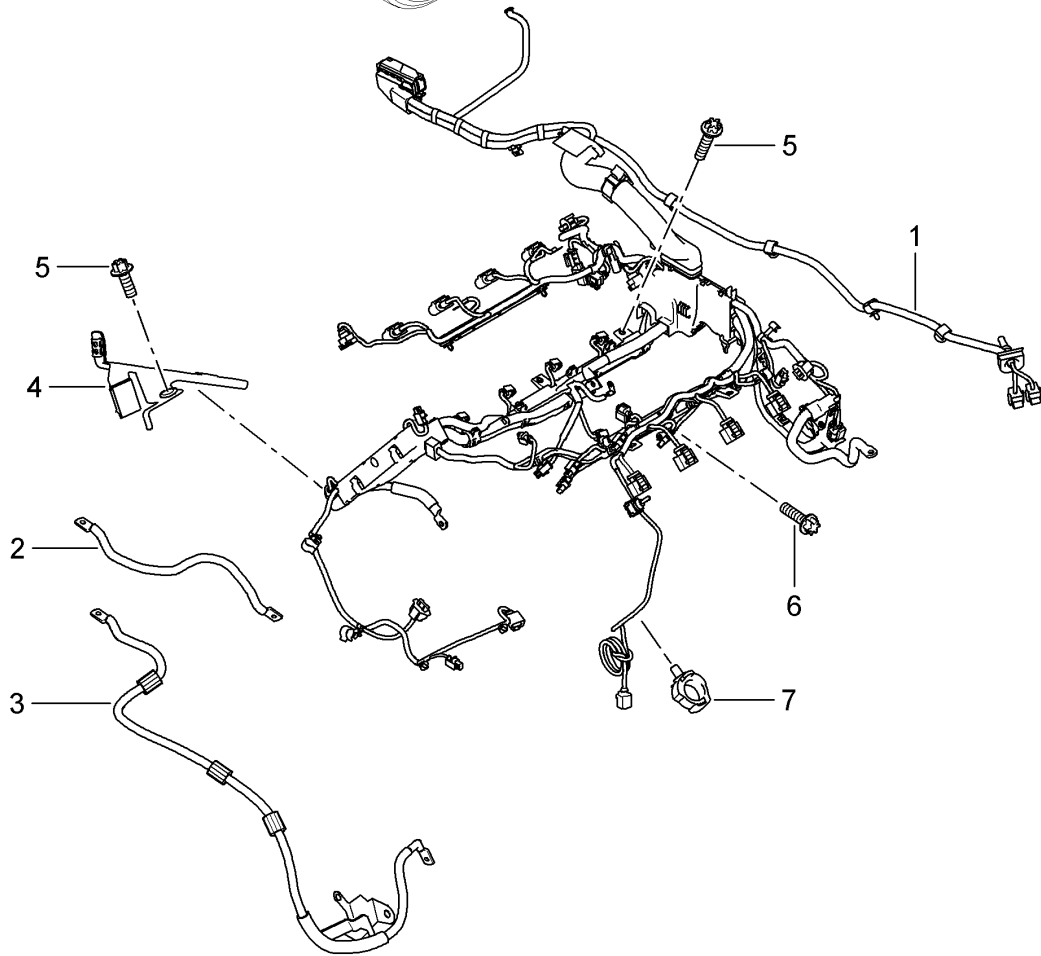
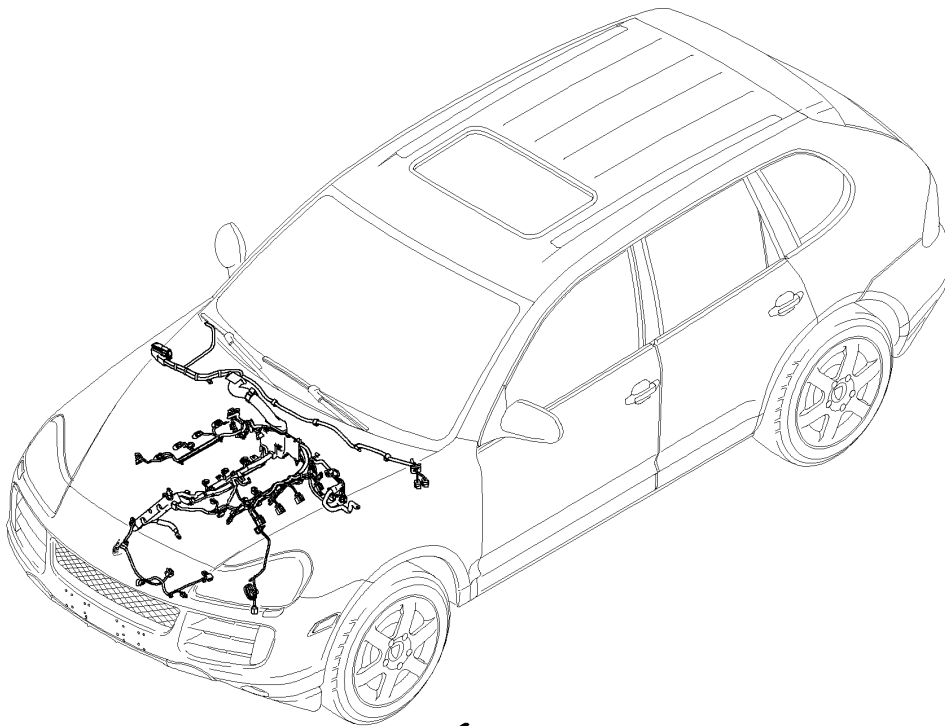
Model: 9PA108

Model life 2007>>2010

Pos	Part Number	Description	Remark	Qty	Model
1	955 612 019 00	Wiring harnesses Engine compartment Transmission Wiring harness	/LL	1	ID5Z/L0L
(1)	955 612 019 10	Engine compartment Wiring harness	/RL	1	ID5Z/L0R
(1)	955 612 019 20	Engine compartment Wiring harness	/LL	1	ID5V/L0L
(1)	955 612 019 30	Engine compartment Wiring harness	/RL	1	ID5V/L0R
(1)	955 612 019 40	Engine compartment Wiring harness	/LL	1	ID5X/L0L
(1)	955 612 019 60	Engine compartment Wiring harness	/LL	1	ID50/L0L/7GG
(1)	955 612 019 65	Engine compartment Wiring harness	/LL	1	ID50/L0L/0GZ
(1)	955 612 019 50	Engine compartment Wiring harness	/RL	1	ID5X/L0R
(1)	955 612 019 70	Engine compartment Wiring harness	/RL	1	ID50/L0R/7GG
(1)	955 612 019 75	Engine compartment Wiring harness	/RL	1	ID50/L0R/0GZ
2	955 612 401 11	Automatic transmission Wiring harness		1	IG0R
(2)	955 612 402 01	Manual transmission Wiring harness		1	IG0L

Model: 9PA108

Model life 2007>>2010



Model: 9PA108

Model life 2007>>2010

Pos	Part Number	Description	Remark	Qty	Model
1	948 607 003 03	Wiring harnesses Engine Wiring harness Engine		1	ID5V
1	948 607 003 04	M >> 838 19927 Wiring harness Engine		1	ID5V ID5V
1	948 607 003 06	M 838 19928 >> Wiring harness Engine		1	ID5V ID5V
(1)	948 607 003 53	M 838 19928 >> Wiring harness Engine		1	ID5V ID5Z
(1)	948 607 003 54	M >> 848 09289 Wiring harness Engine		1	ID5Z ID5Z
(1)	948 607 003 56	M 848 09290 >> Wiring harness Engine		1	ID5Z ID5Z
(1)	955 607 010 30	M 848 09290 >> Wiring harness Engine		1	ID5Z ID5X
(1)	955 607 010 31	Wiring harness Engine for Starter with Safety contact		1	ID5X
(1)	955 607 010 40	Wiring harness Engine	-09	1	ID50/8GH
(1)	955 607 010 45	Wiring harness Engine Information available	10-	1	ID50/9G1
2	955 612 192 00	Cable Generator		1	ID5X
2	948 607 082 01	Positive cable Starter		1	ID5V/D5Z
3	955 612 122 02	Cable Starter	-09	1	ID5X
3	955 612 122 03	Cable Starter	10-	1	ID5X
3	955 612 122 05	Cable Starter Generator	-09	1	ID50/8GH
3	955 612 122 11	Cable Starter Generator	10-	1	ID50/9G1
3	948 607 062 01	Cable Starter Generator		1	ID5V/D5Z
4	948 607 145 00	Heat protection Cable Generator		1	ID5V/D5Z
5	900 385 009 01	Torx screw BM 6 X 16		X	ID5V/D5Z
6	900 385 041 01	Torx screw BM 6 X 12 Mount Ground cable		4	ID5V/D5Z
7	999 507 075 40	Valve cover Cable holder		X	ID5V/D5Z
(7)	955 607 103 50	Cable holder for		1	ID5V/D5Z

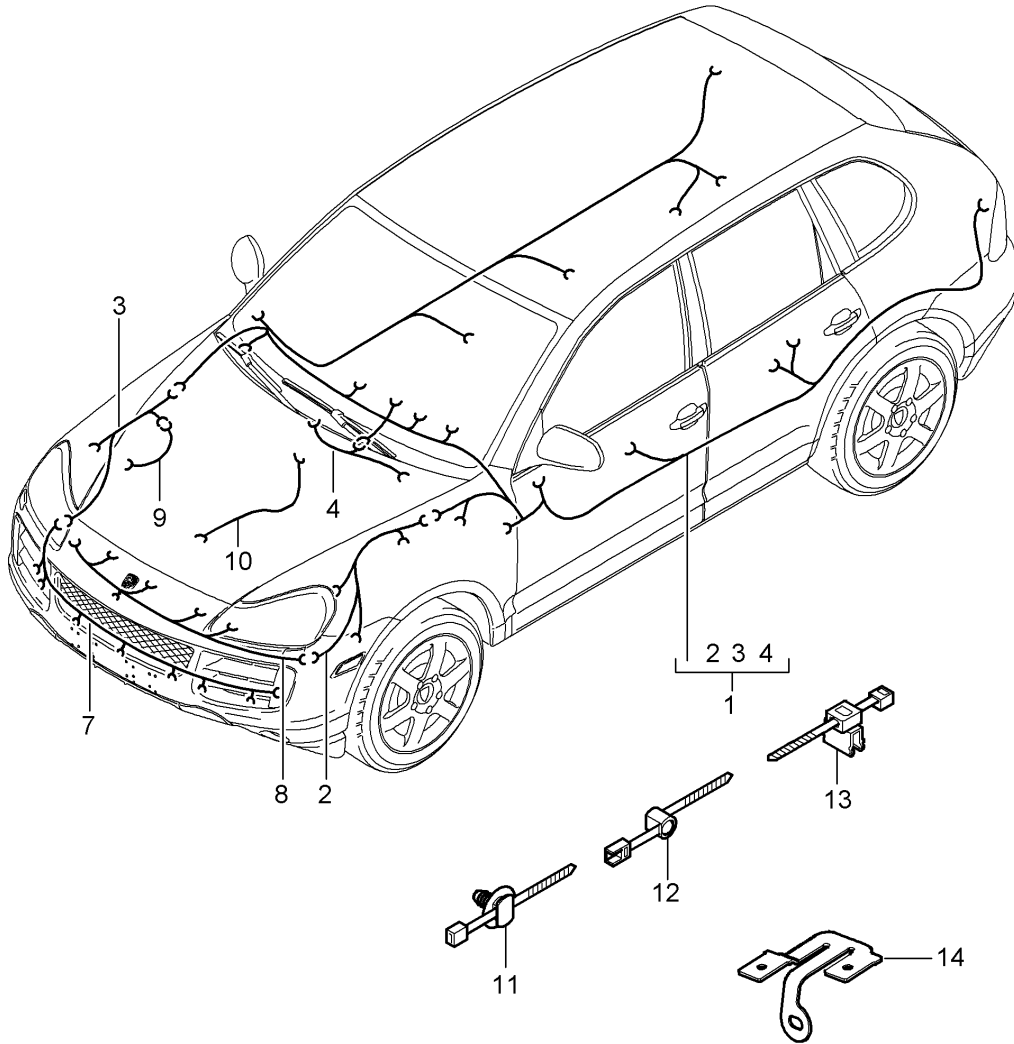
Model: 9PA108

Model life 2007>>2010

Pos	Part Number	Description	Remark	Qty	Model
		Rubber boot Wiring harness Engine Plenum panel			

Model: 9PA108

Model life 2007>>2010



Model: 9PA108 Model life 2007>>2010

Pos	Part Number	Description	Remark	Qty	Model
1	955 612 901 00	Wiring harnesses Passenger compartment Bumper FRONT luggage compartment Anti-lock brake system Brake pad wear indicator Front axle Wiring harness Passenger compartment Vehicle Ident. No.		1	
2	955 612 913 10	Indicate Wiring harness Sub-part Front It is necessary to rework	/L	1	I8BB/8BF/8BR
(2)	955 612 915 10	Wiring harness Sub-part Front It is necessary to rework	/L	1	I8BC/8BZ/8JD
3	955 612 914 10	Wiring harness Sub-part Front It is necessary to rework	/R	1	I8BB/8BF/8BR
(3)	955 612 916 10	Wiring harness Sub-part Front It is necessary to rework	/R	1	I8BC/8BZ/8JD
4	955 612 912 00	Wiring harness Sub-part Brake booster		1	
7	955 612 331 00	Wiring harness Bumper Front		1	ID5Z/7X2/7X8
7		Wiring harness Bumper Front		1	IE0W/7X2/7X8
7		Wiring harness Bumper Front		1	IE1T/7X2/7X8
(7)	955 612 331 10	Wiring harness Bumper Front		1	IE0W/E1T/7X0 I7X9
(7)	955 612 332 00	Wiring harness Bumper Front		1	ID5V/D5X I7X2/7X8
(7)		Wiring harness Bumper Front		1	ID50/7X2/7X8
(7)	955 612 333 00	Wiring harness Bumper Front		1	ID5V/D5X I7X0/7X9
(7)		Wiring harness Bumper Front		1	ID50/7X0/7X9
8	955 612 360 00	Wiring harness		1	ID5Z/E0W/E1T I7AL
(8)	955 612 360 30	FRONT luggage compartment Wiring harness		1	ID5Z/E0W/E1T I7AC/7AH/7AK I7AU

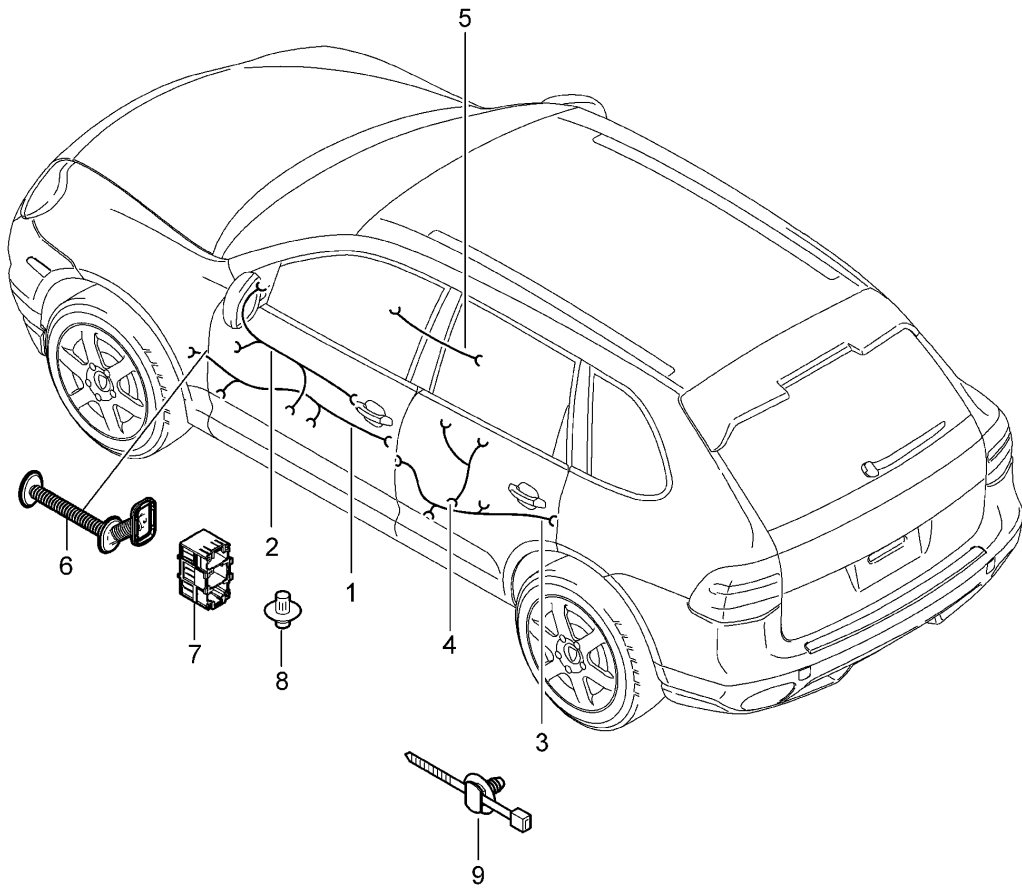
Model: 9PA108

Model life 2007>>2010

Pos	Part Number	Description	Remark	Qty	Model
(8)	955 612 360 10	FRONT luggage compartment Wiring harness		1	ID5V/D5X I7AL
(8)	955 612 360 40	FRONT luggage compartment Wiring harness		1	ID50/7AL
(8)	955 612 360 20	FRONT luggage compartment Wiring harness		1	ID5V/D5X I7AC/7AH/7AK I7AU
(8)	955 612 360 50	FRONT luggage compartment Wiring harness		1	ID50/7AC/7AH I7AK/7AU
9	955 612 321 00	FRONT luggage compartment Wiring harnesses Anti-lock brake system Brake pad wear indicator Front axle Wiring harness	/V	2	I1BA/1BW
(9)	955 612 322 10	Wiring harness	/V	2	I1BH/1BK
-	955 612 330 00	Protection cap Self-levelling sensor		X	
10	955 612 325 11	Wiring harness Bonnet Tie-wrap for Repair work		1	
11	N 906 661 01	Tie-wrap 4,6 X 200		X	
12	N 904 449 01	Tie-wrap 5 X 230		X	
13	955 612 931 00	Cable clamp 193 X 4 - 45		X	
14	955 612 932 00	Cable holder Flat		X	
(14)	955 612 933 00	Cable holder High		X	

Model: 9PA108

Model life 2007>>2010



Model: 9PA108 Model life 2007>>2010

Pos	Part Number	Description	Remark	Qty	Model
1	955 612 610 00	Wiring harnesses Doors Centre console Wiring harness Assembly frame Front	-08	2	I4K0/4K3
1	955 612 610 10	Wiring harness Assembly frame Front	09-	2	I4K0/4K3
(1)	955 612 610 01	Wiring harness Assembly frame Front	-08	2	I4K0/4K3/5RP I5SU
(1)	955 612 610 11	Wiring harness Assembly frame Front	09-	2	I4K0/4K3/5RP I5SU
(1)	955 612 611 00	Wiring harness Assembly frame Front	-08	2	I4F2/4F6
(1)	955 612 611 10	Wiring harness Assembly frame Front	09-	2	I4F2/4F6
(1)	955 612 611 01	Wiring harness Assembly frame Front	-08	2	I4F2/4F6/5RP I5SU
(1)	955 612 611 11	Wiring harness Assembly frame Front	09-	2	I4F2/4F6/5RP I5SU
2	955 612 620 10	Wiring harness Door panel Driver's door		1	I4E0
(2)	955 612 620 20	Wiring harness Door panel Driver's door		1	I4E7
(2)	955 612 621 00	Wiring harness Door panel Passenger's door	-08	1	
(2)	955 612 621 01	Wiring harness Door panel Passenger's door	09-	1	
3	955 612 630 00	Wiring harness Assembly frame Rear	-08	2	I4K0/4K3
3	955 612 630 10	Wiring harness Assembly frame Rear	09-	2	I4K0/4K3
(3)	955 612 631 00	Wiring harness Assembly frame Rear	-08	2	I4F2/4F6
(3)	955 612 631 10	Wiring harness Assembly frame Rear	09-	2	I4F2/4F6
4	955 612 640 00	Wiring harness	-08	2	
4	955 612 640 01	Wiring harness Door panel Rear	09-	2	
5	955 612 645 00	Wiring harness Centre console		1	
6	7L0 971 905	Grommet with		X	

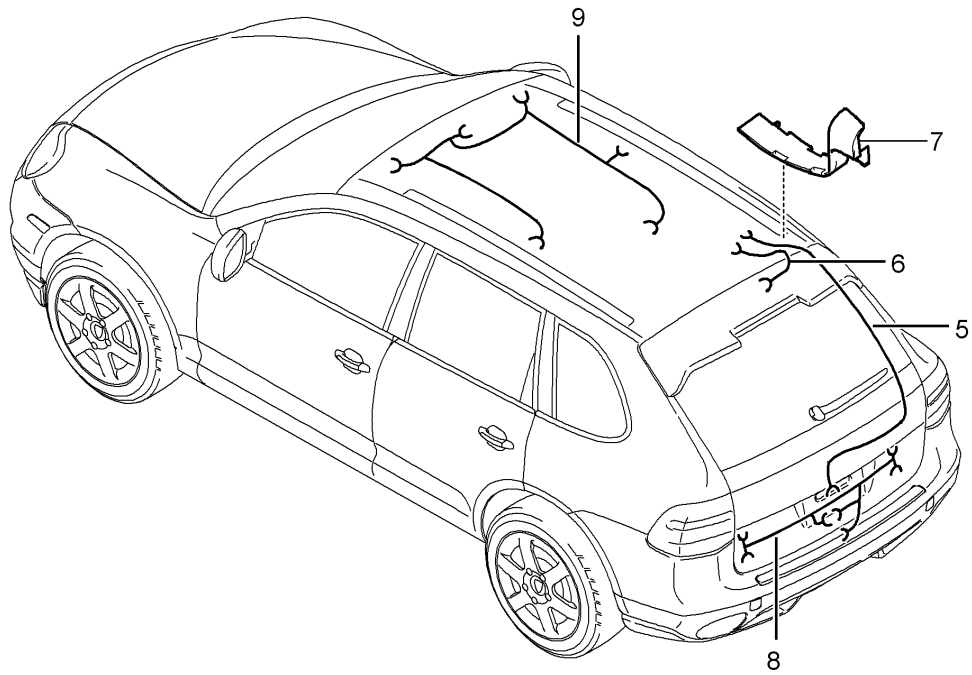
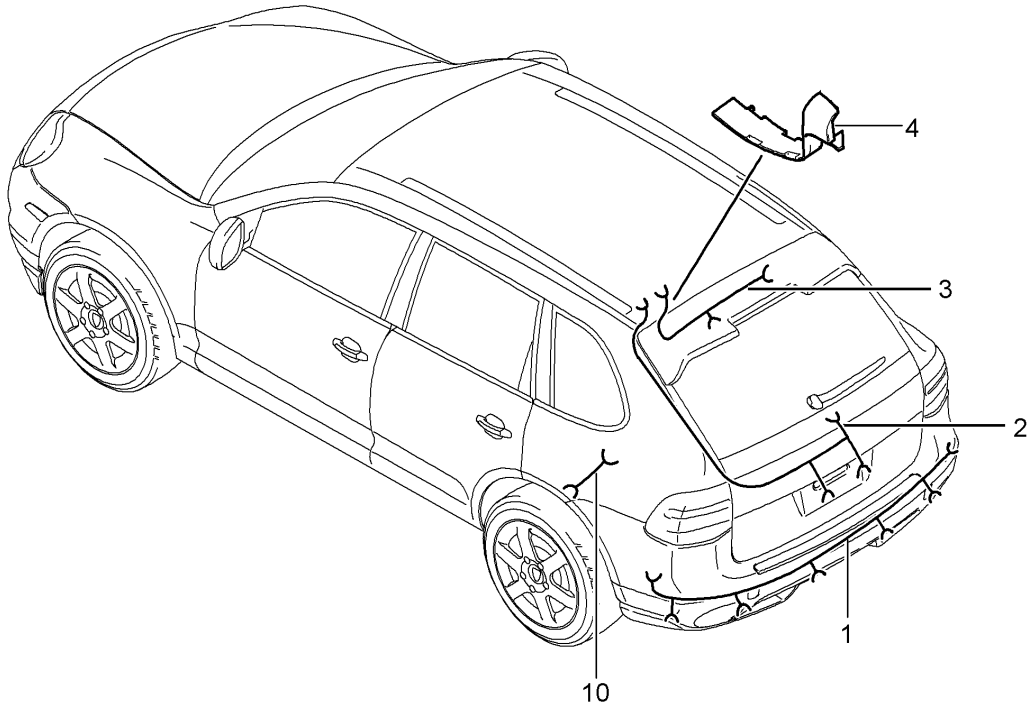
Model: 9PA108

Model life 2007>>2010

Pos	Part Number	Description	Remark	Qty	Model
7	955 612 545 00	Sealing frame Support Connection point Wiring harness Passenger compartment Door		X	
8	955 731 843 00	Cable holder Wiring harness		X	
9		Tie-wrap for Repair work See illustrations 9/02/10			

Model: 9PA108

Model life 2007>>2010



Model: 9PA108 Model life 2007>>2010

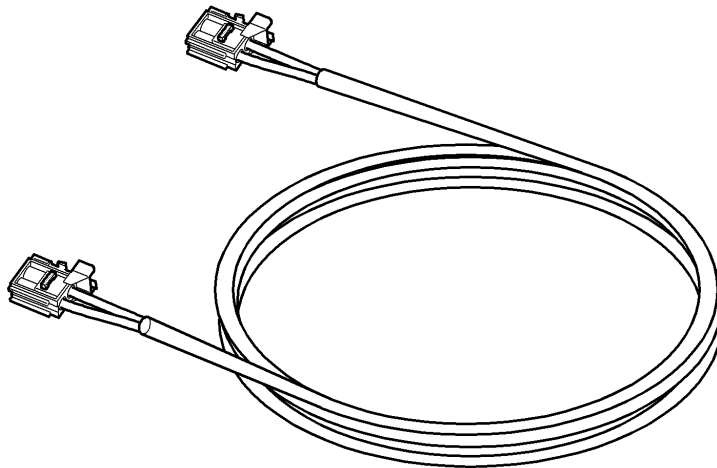
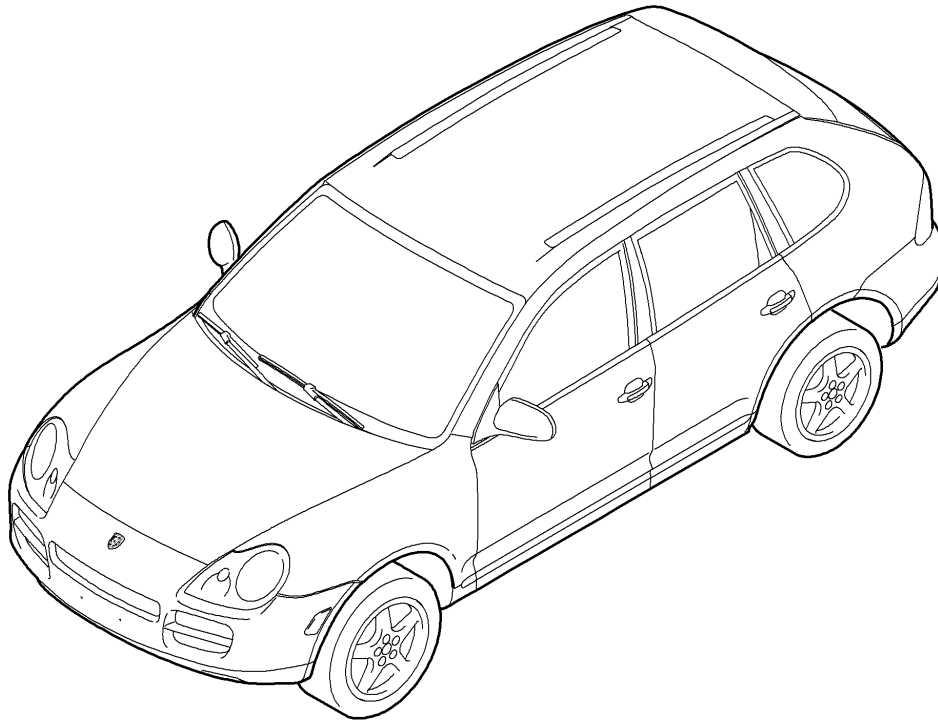
Pos	Part Number	Description	Remark	Qty	Model
		Wiring harnesses Rear end Rooflining Anti-lock brake system Brake pad wear indicator Rear axle			
1	955 612 831 00	Wiring harness Bumper		1	I7X2/7X8
(1)	955 612 832 00	Wiring harness Bumper		1	I7X0/7X9
2	955 612 803 00	Wiring harness Rear lid		1	I4E0
(2)	955 612 803 10	Left Wiring harness Rear lid		1	I4E7
3	955 612 805 02	Left Wiring harness Rear window	-08	1	I7Q2/7T1/7VL I8L6/9W1/9ZF I9ZP
3	955 612 805 10	Left Wiring harness Rear window	09-	1	I9ZP IQV1/7VL/8DQ I8DV I8L6/9W1/9ZF I9ZP
(3)	955 612 815 01	Left Wiring harness Rear window	-08	1	I9ZP IQV1/7Q2/7T1 I7VL/8L6/9W1 I9ZF/9ZP
(3)	955 612 815 10	Left Wiring harness Rear window	09-	1	I9ZF/9ZP I7Q4/7VL/8L6
3	955 612 816 01	Left Wiring harness Rear window	-08	1	I9ZP IQV4/QV8/7VE I7Q2/7T1/8L6 I9W1/9ZF/9ZP
3	955 612 816 10	Left Wiring harness Rear window	09-	1	I9ZP I7VE/8DQ/8DV I8L6/9W1/9W5 IQV4/9ZP
4	955 612 849 00	Left Cable guide Rear lid	-08	1	
4	955 612 849 01	Left Cable guide Rear lid	09-	1	
(4)	955 612 851 00	Left Cable guide Rear window		1	
5	955 612 814 00	Right Wiring harness Rear lid		1	I4E0/7X8/7X9
(5)	955 612 814 10	Right Wiring harness Rear lid		1	I4E7/7X8/7X9
(5)	955 612 814 20	Right Wiring harness Rear lid	09-	1	I4E0/7Q4
(5)	955 612 814 30	Right Wiring harness Rear lid	09-	1	I4E7/7Q4
6	955 612 806 11	Right Wiring harness Rear window	-08	1	I5D1
(6)	955 612 807 11	Right Wiring harness Rear window	-08	1	I5D2/5D3
(6)	955 612 807 20	Right Wiring harness	09-	1	I8L6/8ZM

Model: 9PA108 Model life 2007>>2010

Pos	Part Number	Description	Remark	Qty	Model
7	955 612 850 00	Rear window Right Cable guide Rear lid Right	-08	1	
7	955 612 850 01	Cable guide Rear lid Right	09-	1	
(7)	955 612 852 00	Cable guide Rear window Right		1	
8	955 612 820 00	Wiring harness Lining Rear lid		1	I4E0
(8)	955 612 823 00	Wiring harness Lining Rear lid		1	I4E7
8	955 612 897 00	Wiring harness Rooflining		1	I3FA/7X2/7X8
9	955 612 808 00	Wiring harness Rooflining		1	I3FE/7X1/7X2
(9)	955 612 809 00	Wiring harness Rooflining		1	I3FU/7X1/7X2
(9)	955 612 025 00	Wiring harness Control unit Switch		1	I3FU
(9)	955 612 025 01	Wiring harness Control unit Switch Wiring harnesses Anti-lock brake system Brake pad wear indicator Rear axle		1	I3FU
10	955 612 821 00	Wiring harness	/H	2	I1BA/1BW
(10)	955 612 822 00	Wiring harness Wiring harness Bracket Spare wheel Outer See illustrations 0/02/05 Tie-wrap for Repair work See illustrations 9/02/10	/H	2	I1BH/1BK

Model: 9PA108

Model life 2007>>2010



Model: 9PA108

Model life 2007>>2010

Pos	Part Number	Description	Remark	Qty	Model
-	955 622 300 00	Optical waveguide Optical waveguide Module Radio CD changer	-08	1	I7A2/8DU/8RV
-	955 622 301 00	Optical waveguide Module Radio CD changer Booster		1	I7A2/8DU/9VL
-	955 622 302 00	Optical waveguide Module Control part Navigation system CD changer		1	I8DQ/8DV/8RV IQV0/9ZF/9ZT I9W0
-	955 622 303 00	Optical waveguide Module Control part Navigation system CD changer Booster		1	I8DQ/8DV/9VL IQV0/9ZF/9ZT I9W0
-	955 622 304 00	Optical waveguide Module Control part Navigation system Telephone CD changer		1	I8DQ/8DV/8RV IQV0/9W1/9ZP
-	955 622 305 00	Optical waveguide Module Control part Navigation system Telephone CD changer Booster		1	I8DQ/8DV/9VL IQV0/9W1/9ZP
-	955 622 306 00	Optical waveguide Module Control part Navigation system TV CD changer		1	I7A2/8DV/8RV IQV1/9ZF/9ZT I9W0
-	955 622 307 00	Optical waveguide Module Control part Navigation system CD changer Booster		1	IQV1/8DV/9VL I9W0/9ZF/9ZT
-	955 622 308 00	Optical waveguide Module Control part Navigation system Telephone TV CD changer		1	I8DQ/8DV/9VL IQV1/9W1/9ZP
-	955 622 309 00	Optical waveguide Module Control part Navigation system Telephone TV CD changer Booster		1	IQV1/8DV/9VL I9W1/9ZP
-	999 650 039 40	Connector housing Optical waveguide		X	

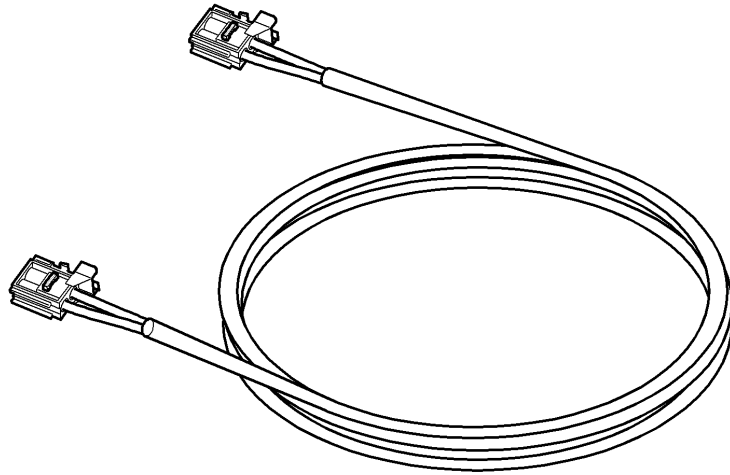
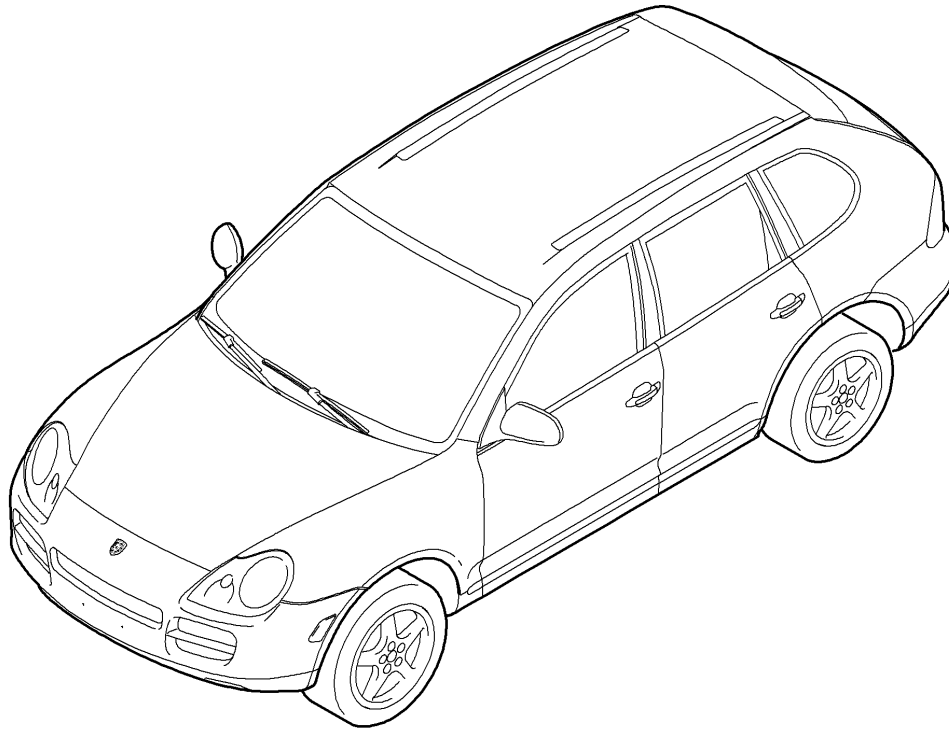
Model: 9PA108

Model life 2007>>2010

Pos	Part Number	Description	Remark	Qty	Model
-	999 650 091 40	Plug bridge Optical waveguide		X	

Model: 9PA108

Model life 2007>>2010



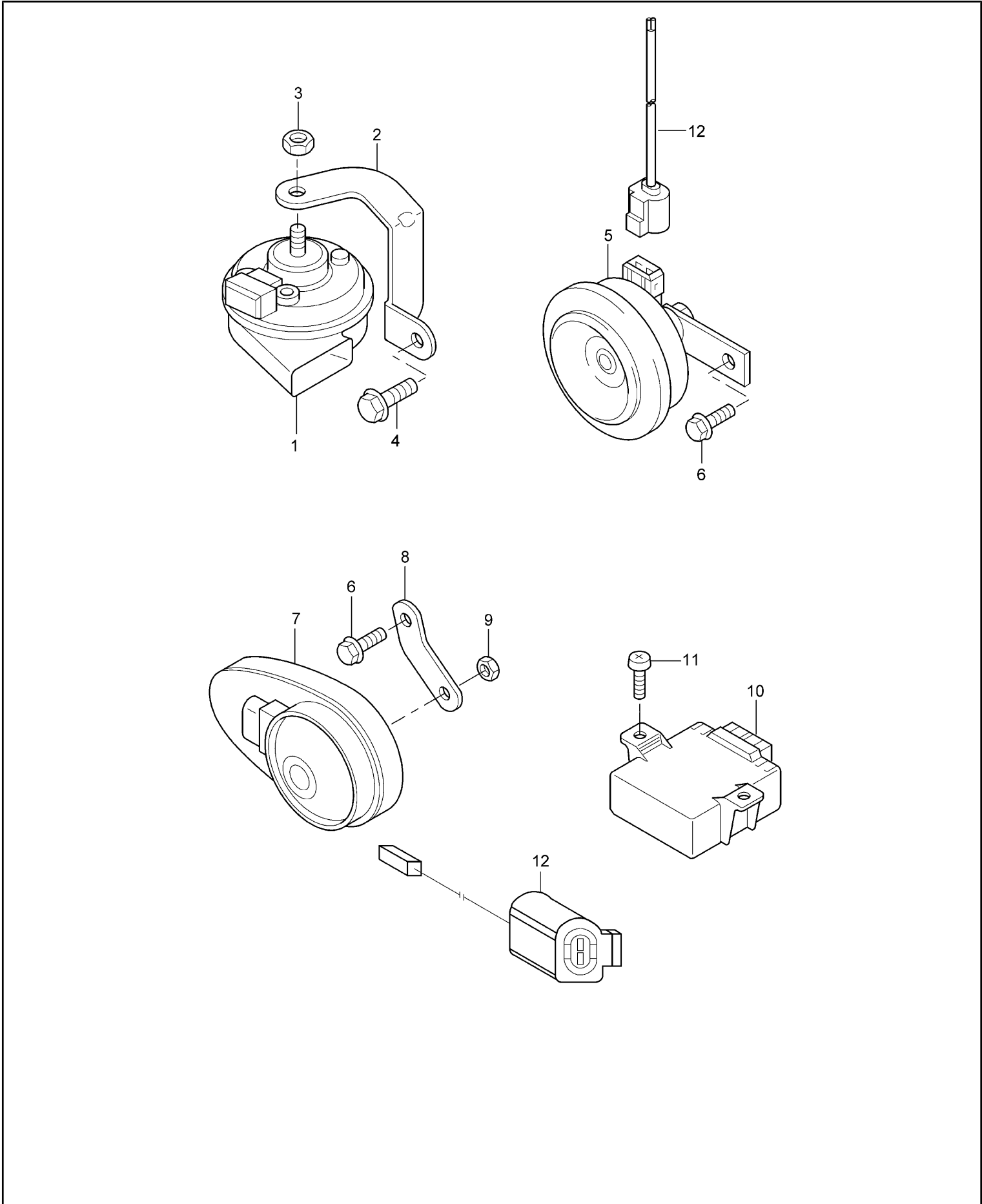
Model: 9PA108

Model life 2007>>2010

Pos	Part Number	Description	Remark	Qty	Model
-	955 622 401 00	Optical waveguide Optical waveguide Module	09-	1	IQV0/QV4/8DQ I8DR/8DV/9VL
-	955 622 402 00	Optical waveguide Module		1	IQV1/8DQ/8DV I8RV
-	955 622 403 00	Optical waveguide Module		1	IQV1/8DQ/8DV I9VL

Model: 9PA108

Model life 2007>>2010

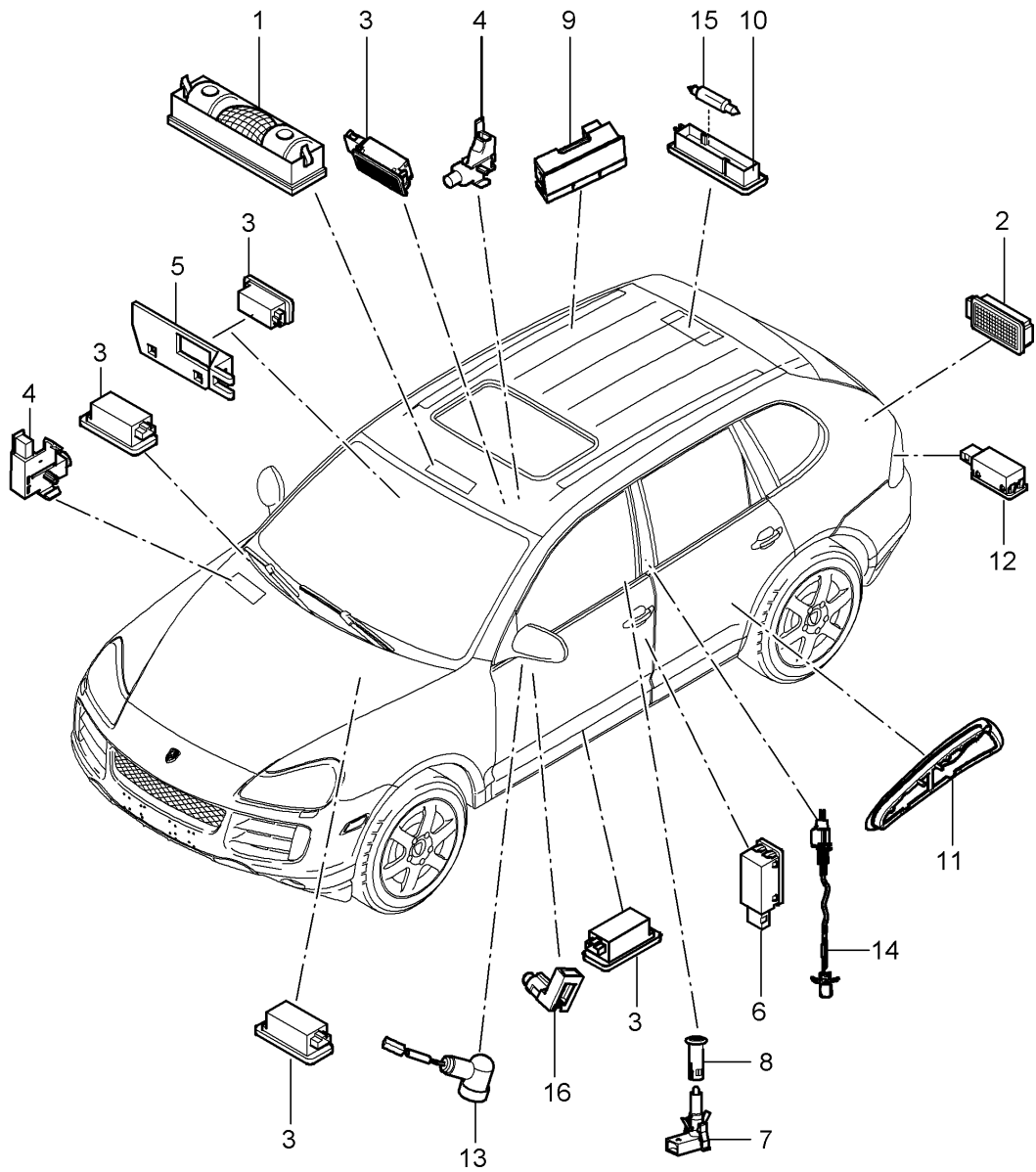


Model: 9PA108 Model life 2007>>2010

Pos	Part Number	Description	Remark	Qty	Model
1	955 635 205 01	Fanfare Horn Alarm siren Fanfare	/L	1	
1	955 635 205 02	Low-pitched Fanfare	/L	1	
(1)	955 635 206 01	Low-pitched Fanfare	/R	1	
(1)	955 635 206 02	High-pitched Fanfare	/R	1	
2	955 635 161 01	High-pitched Support	/L	1	
(2)	955 635 160 00	Support	/R	1	
3	N 011 006 36	Hexagon nut M 6		2	
4	N 019 519 5	Hexagon-head bolt M 8 X 16		2	
5	955 637 117 02	Horn		1	I7AC/7AK
5	9P1 951 101	Horn for Alarm system		1	I7AC/7AK
6	N 102 252 02	When required order also: 9P1.998.003.A Combination screw M 8 X 12		1	
7	955 618 237 01	Alarm siren		1	I7AH/7AL/7AU
8	955 637 150 01	Support		1	
9	N 011 184 10	Clamping nut M 8		1	
10	955 618 265 01	Control unit Tilt sensor		1	I7AK/7AL/7AU
11	N 104 648 02	Oval-head screw 4,0 X 12		2	
12	9P1 998 003 A	Wiring harness Modification kit Horn		1	I7AC/7AK

Model: 9PA108

Model life 2007>>2010



Model: 9PA108 Model life 2007>>2010

Pos	Part Number	Description	Remark	Qty	Model
		Interior lights			
		Luggage compartment lamp			
		Door guard light			
		Footwell light			
		Light			
		Door mirror			
1	955 632 051 00	Interior light		1	
2	955 632 201 00	Light		1	
3	955 632 202 01	Interior light		11	
4	955 613 601 00	Contact switch		2	
		Glove compartment light			
		And			
		Centre console			
5	955 632 240 00	Bracket for light		2	
		Seat			
6	955 632 203 01	Door guard light		4	
7	955 632 218 00	Indicator light		2	
		Red			
		Door			
		Alarm system			
8	955 632 242 00	Sleeve		2	
	955 632 242 00 01C	Satin black			
(9)	955 632 205 00	Reading light	/L	1	
		Rear			
	955 632 205 00 6N3	Black mat			
9	955 632 206 00	Reading light	/R	1	
		Rear			
	955 632 206 00 6N3	Black mat			
10	955 632 207 00	Luggage compartment lamp		1	
11	955 632 211 00	Light	/L	1	I9MB
		Door			
		Front			
		Use also:			
		2 X N.906.487.02			
(11)	955 632 212 00	Light	/R	1	I9MB
		Door			
		Front			
		Use also:			
		2 X N.906.487.02			
(11)	955 632 213 00	Light	/L	1	I9MB
		Door			
		Rear			
		Use also:			
		2 X N.906.487.02			
(11)	955 632 214 00	Light	/R	1	I9MB
		Door			
		Rear			
		Use also:			
		2 X N.906.487.02			
12	955 632 216 01	Door guard light		2	
		Rear lid			
13	955 632 223 00	Light	/L	1	I9TF
		Door mirror			
(13)	955 632 224 00	Light	/R	1	I9TF
		Door mirror			
14	955 632 217 00	Light		2	
		Air vent			
		B-pillar			
15	900 631 106 90	Linolite lamp		1	
		10W			
16	955 632 204 00	Light		4	
		Yellow			
		Finger plate			

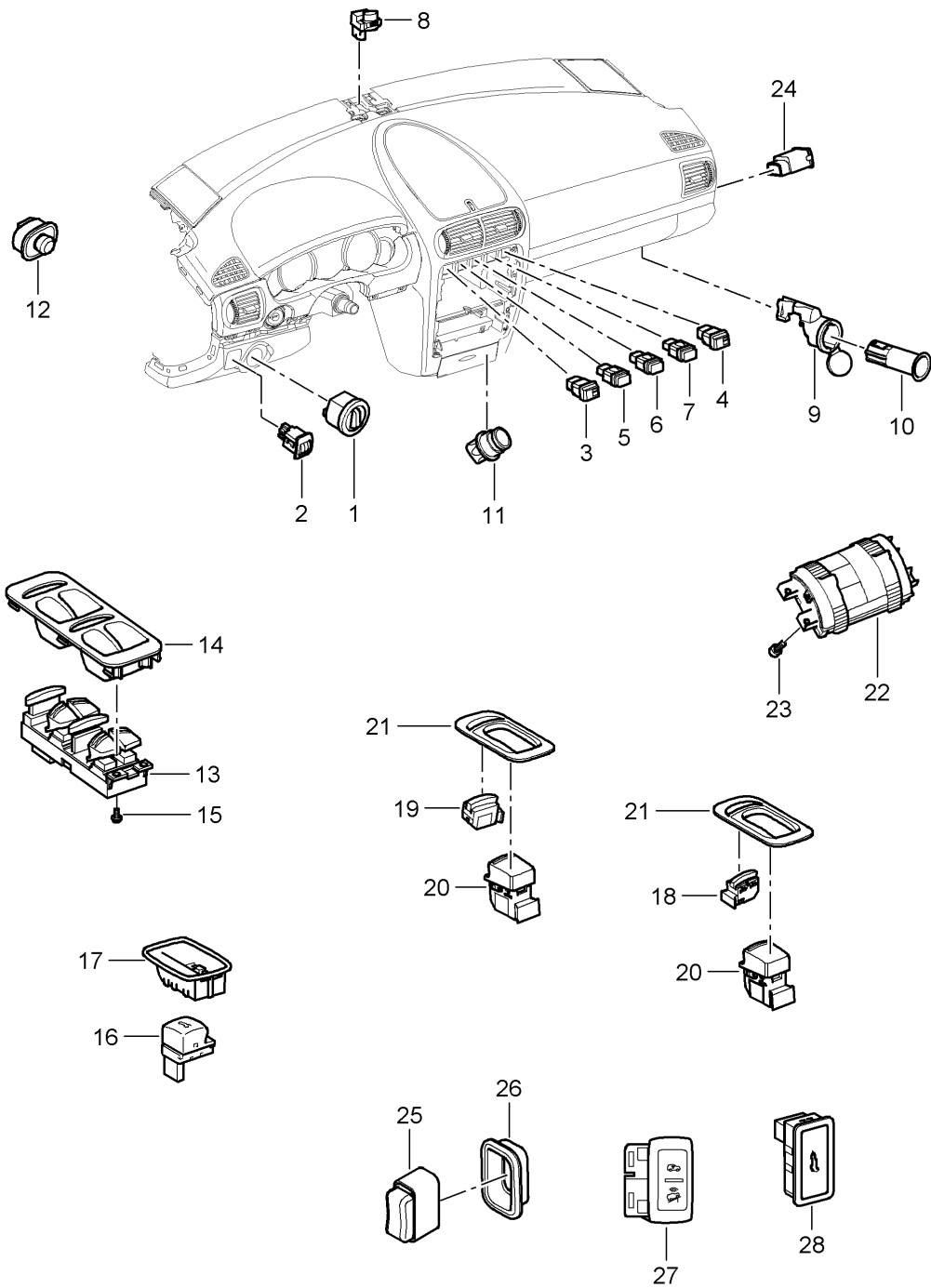
Model: 9PA108

Model life 2007>>2010

Pos	Part Number	Description	Remark	Qty	Model
(16)		Door Light Yellow		2	I9JB

Model: 9PA108

Model life 2007>>2010



Model: 9PA108

Model life 2007>>2010

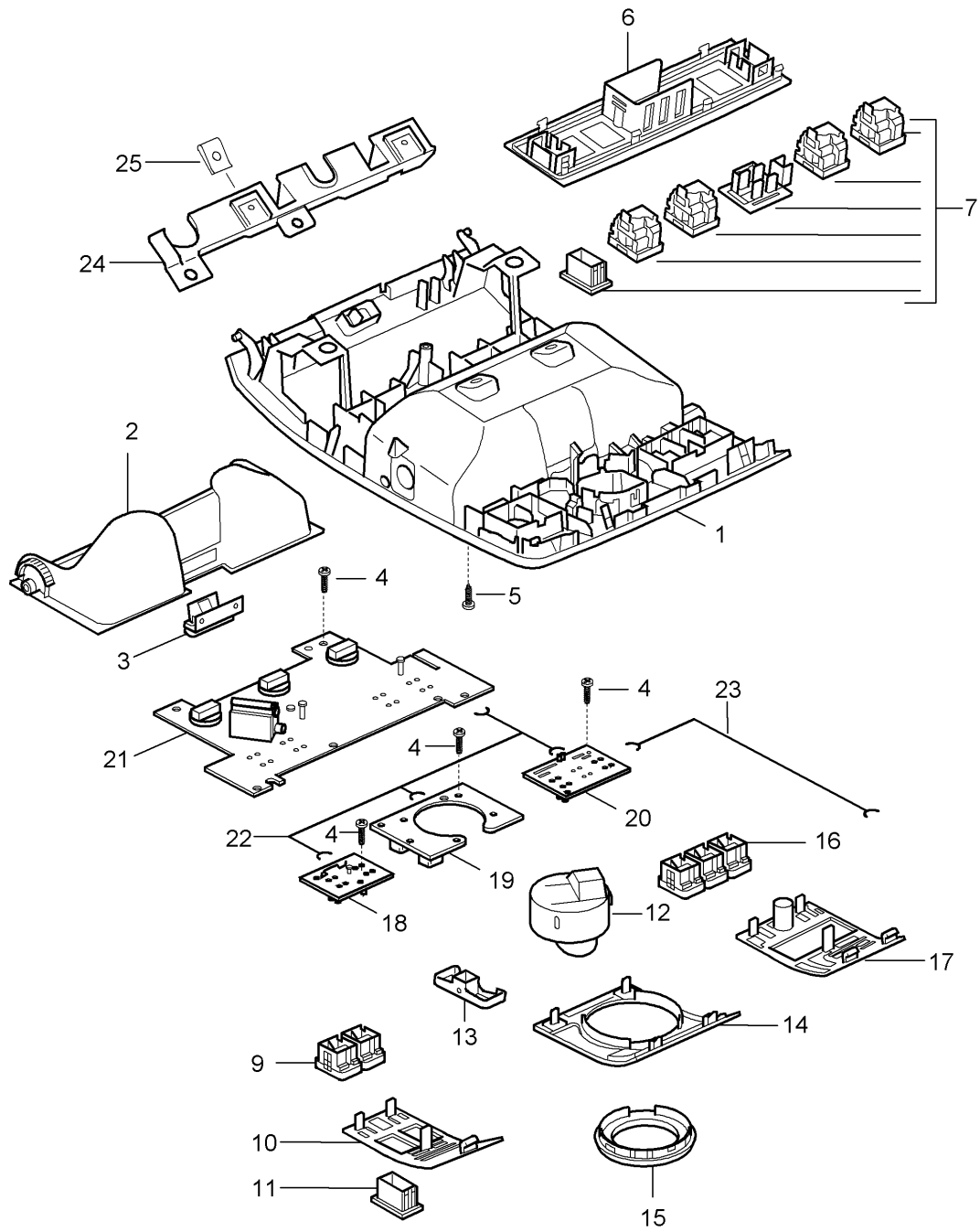
Pos	Part Number	Description	Remark	Qty	Model
1	955 613 235 02	Switch Light switch		1	I8K0/8K1/8K4 I9C8
(1)	955 613 235 02 6N3	Black mat			
	955 613 235 03	Light switch		1	I8K3/8K5/8K8 I8K9
	955 613 235 03 6N3	Black mat			
2	955 613 230 10	Potentiometer		1	I8Q1
	955 613 230 10 6N3	Black mat			
(2)	955 613 231 01	Potentiometer		1	I8Q0/8Q3
	955 613 231 01 6N3	Black mat			
-	955 613 232 00	Spring clip for POS. 2		2	
3	955 613 151 00	Switch Seat heater		1	I4A3
				2	I4A4
	955 613 151 00 6N3	Black mat			
4	955 613 152 00	Switch Seat heater		1	I4A3
				2	I4A4
	955 613 152 00 6N3	Black mat			
5	955 613 153 00	Switch - PSM -		1	
	955 613 153 00 6N3	Black mat			
6	955 613 254 00	Hazard warning light sw.		1	
	955 613 254 00 6N3	Black mat			
7	955 653 252 01	Indicator light		1	I4UE/4UQ
(7)	955 613 425 01	Cover		1	I4UB/4UD
8	955 653 251 00	Sensor		1	I9AD/9AH
9	955 652 104 00	Tensioning sleeve with Illumination And Lid		2	
(9)	955 652 105 00	Tensioning sleeve Centre console with Illumination		2	
(9)	955 652 106 00	Tensioning sleeve Luggage compartment with Lid Repair See workshop manual Kap. 905755		2	
10	955 652 107 00	Plug socket		X	
11	955 652 201 00	Cigarette lighter		2	
	955 652 201 00 01C	Satin black			
12	955 613 154 00	Switch Door mirror		1	
	955 613 154 00 6N3	Black mat			
13	955 613 156 01	Control switch Driver's side		1	
13	955 613 156 02	Control switch Driver's side		1	
14	955 613 251 01	Trim for switch Driver's side		1	
	955 613 251 01 A03	Black			
	955 613 251 01 5Z1	Sand Beige			
	955 613 251 01 7BA	Steel grey			
15	N 903 474 01	Oval-head sheetmetal screw 4 X 12		4	
16	955 613 159 10	Switch Rear lid release		1	I4E7

Model: 9PA108 Model life 2007>>2010

Pos	Part Number	Description	Remark	Qty	Model
17	955 613 159 10 6N3	Black mat			
	955 613 252 10	Trim for switch		1	I4E7
	955 613 252 10 A03	Black			
	955 613 252 10 L58	Chestnut brown			
	955 613 252 10 5Z1	Sand Beige			
	955 613 252 10 7BA	Steel grey			
18	955 613 161 00	Switch	/L	1	
		Central locking system			
	955 613 161 00 6N3	Black mat			
19	955 613 160 00	Switch	/R	2	
		Central locking system			
	955 613 160 00 6N3	Black mat			
20	955 613 162 02	Switch	-08	3	
		Power windows			
	955 613 162 02 6N3	Black mat			
20	955 613 162 03	Switch	09-	3	
		Power windows			
	955 613 162 03 6N3	Black mat			
21	955 613 253 00	Trim for switch	-08	3	
	955 613 253 00 A03	Black			
	955 613 253 00 5Z1	Sand Beige			
	955 613 253 00 7BA	Steel grey			
21	955 613 253 01	Trim for switch	09-	3	
	955 613 253 01 A03	Black			
	955 613 253 01 5Z1	Sand Beige			
	955 613 253 01 7BA	Steel grey			
22	955 613 257 00	Switch		1	I0AW/1BK
		Adjustment suspension			
(22)	955 613 257 20	Switch		1	I0AB/1BA/1BW
		Adjustment suspension			
(22)	955 613 257 50	Switch		1	I0AB/1BK
		Adjustment suspension			
(22)	955 613 257 70	Switch		1	I1BH
		Adjustment suspension			
23	N 104 561 01	Pan-head screw		4	
		M4 X 10			
24	955 613 165 02	Switch		1	
		Airbag			
	955 613 165 02 9B9	Satin black			
25	955 613 164 00	Switch		1	I1D9
		Trailer coupling			
		Electrically adjustable			
	955 613 164 00 6N3	Black mat			
26	955 613 166 00	Trim for switch		1	I1D9
	955 613 166 00 01C	Satin black			
28	955 613 258 00	Switch		1	I4E7
		Rear lid			
	955 613 258 00 A03	Black			
28	955 613 258 01	Switch		1	I4E7
		Rear lid			
	955 613 258 01 A03	Black			

Model: 9PA108

Model life 2007>>2010



Model: 9PA108 Model life 2007>>2010

Pos	Part Number	Description	Remark	Qty	Model
1	955 555 557 01	Bracket Roof Retaining frame		1	
	955 555 557 01 A03	Black			
	955 555 557 01 5Z1	Sand Beige			
	955 555 557 01 7BA	Steel grey			
2	955 552 317 01	Shelf		1	
	955 552 317 01 A03	Black			
3	955 552 318 01	Push-button Shelf		1	
	955 552 318 01 6N3	Black mat			
4	N 909 151 01	Lens-head screw 2,2 X 8		X	
5	N 909 868 02	Tapping screw 4,2 X 13		4	
6	955 613 325 00	Trim for switch		1	
	955 613 325 00 A03	Black			
7	955 613 300 01	Cap with symbol Set		1	
	955 613 300 01 6N3	Black mat			
9	955 613 317 00	Cap with symbol		1	I7X2/7X8/9ZF I9ZH/9ZP/9ZT I9W1
	955 613 317 00 6N3	Black mat			
(9)	955 613 317 10	Cap with symbol		1	I8WU
	955 613 317 10 6N3	Black mat			
10	955 613 327 01	Trim for switch		1	I7X2/7X8/9ZF I9ZH/9ZP/9ZT I9W1
	955 613 327 01 A03	Black			
(10)	955 613 328 00	Trim for switch		1	I7X0/7X9
	955 613 328 00 A03	Black			
11	955 613 329 00	Cover		1	
	955 613 329 00 A03	Black			
12	955 613 310 00	Switch Sunroof	-08	1	I3FE
	955 613 310 00 6N3	Black mat			
(12)	955 613 310 10	Switch Sunroof	09-	1	I3FE
	955 613 310 10 6N3	Black mat			
(12)	955 613 309 01	Switch	-08	1	I3FU
	955 613 309 01 6N3	Black mat			
(12)	955 613 309 10	Switch	09-	1	I3FU
	955 613 309 10 6N3	Black mat			
13	955 613 311 00	Cap with symbol Sunroof		1	I3FU
	955 613 311 00 6N3	Black mat			
14	955 613 330 00	Trim for switch		1	I3FE
	955 613 330 00 A03	Black			
(14)	955 613 331 00	Trim for switch		1	I3FU
	955 613 331 00 A03	Black			
(14)	955 613 333 00	Trim for switch		1	I3FA
	955 613 333 00 A03	Black			
15	955 613 332 01	Headlight unit		1	I3FE
	955 613 332 01 A03	Black			
(15)	955 613 338 00	Headlight unit		1	I3FU
	955 613 338 00 A03	Black			
16	955 613 312 01	Cap with symbol		1	IVC1/VC2/9MB
	955 613 312 01 A03	Black			
17	955 613 334 00	Trim for switch		1	IVC1/VC2/9MB
	955 613 334 00 A03	Black			

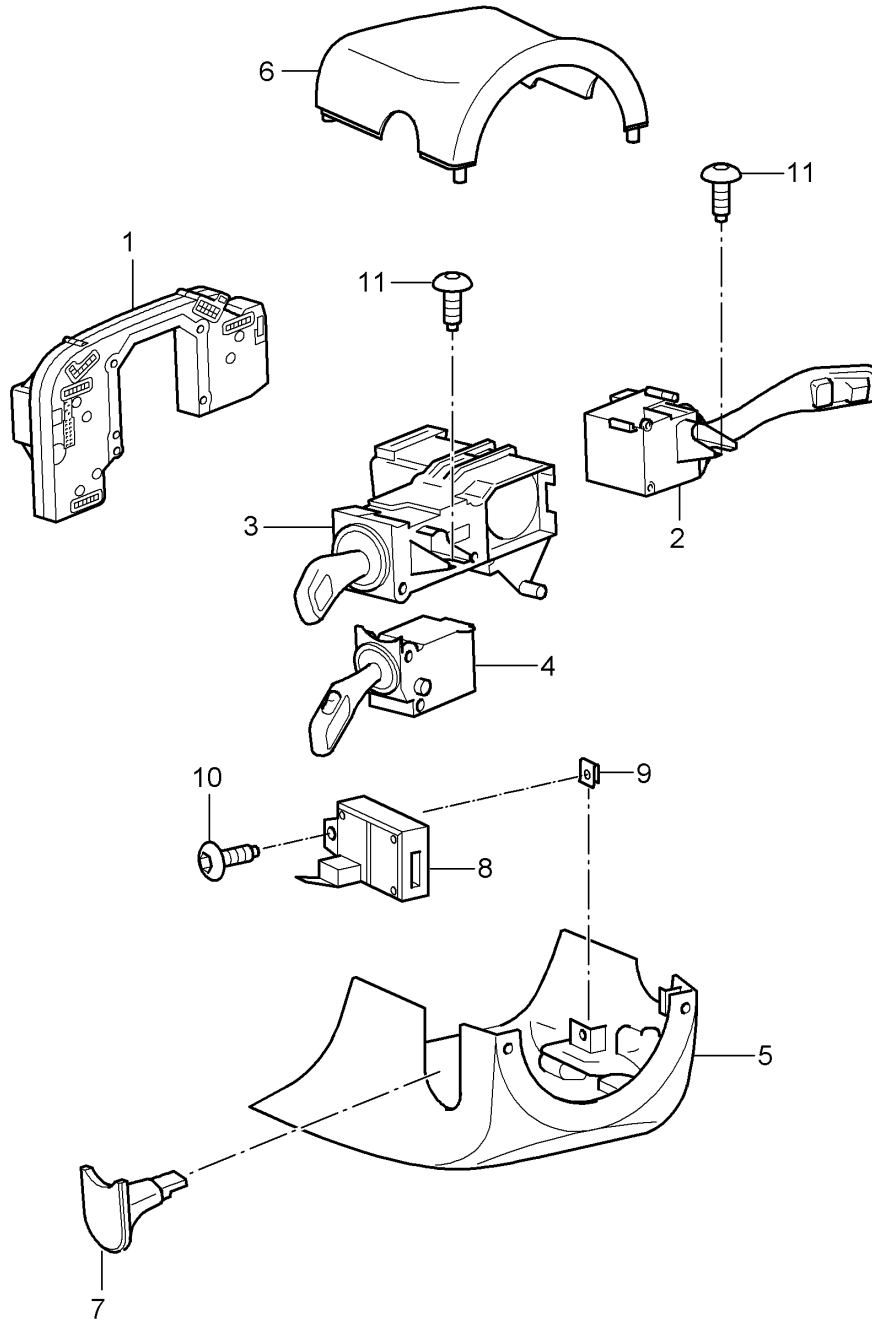
Model: 9PA108

Model life 2007>>2010

Pos	Part Number	Description	Remark	Qty	Model
(17)	955 613 335 00	Trim for switch		1	IVC0
	955 613 335 00 A03	Black			
18	955 613 251 00	Printed circuit board		1	
19	955 943 812 00	Printed circuit board		1	I3FE
(19)	955 943 812 10	Printed circuit board		1	I3FU
20	955 943 812 20	Printed circuit board		1	IVC1/VC2/9MB
21	955 613 250 01	Printed circuit board		1	
22	955 612 501 00	Wiring harness		1	
23	955 612 502 00	Wiring harness		1	IVC1/VC2/9MB
24	955 555 558 00	Mounting piece		1	
		Bracket			
		Roof			
25	N 101 734 01	Speed nut		2	
		4,2 X 9,6			
		Sensor			
		Interior monitoring			
		See illustrations			
		9/01/04			
		Control unit			IVC1/VC2
		See illustrations			
		9/01/04			
		Interior light			
		See illustrations			
		9/03/04			
		Microphone	-08		
		See illustrations			
		9/11/10			
		Microphone	09-		
		See illustrations			
		9/11/11			

Model: 9PA108

Model life 2007>>2010

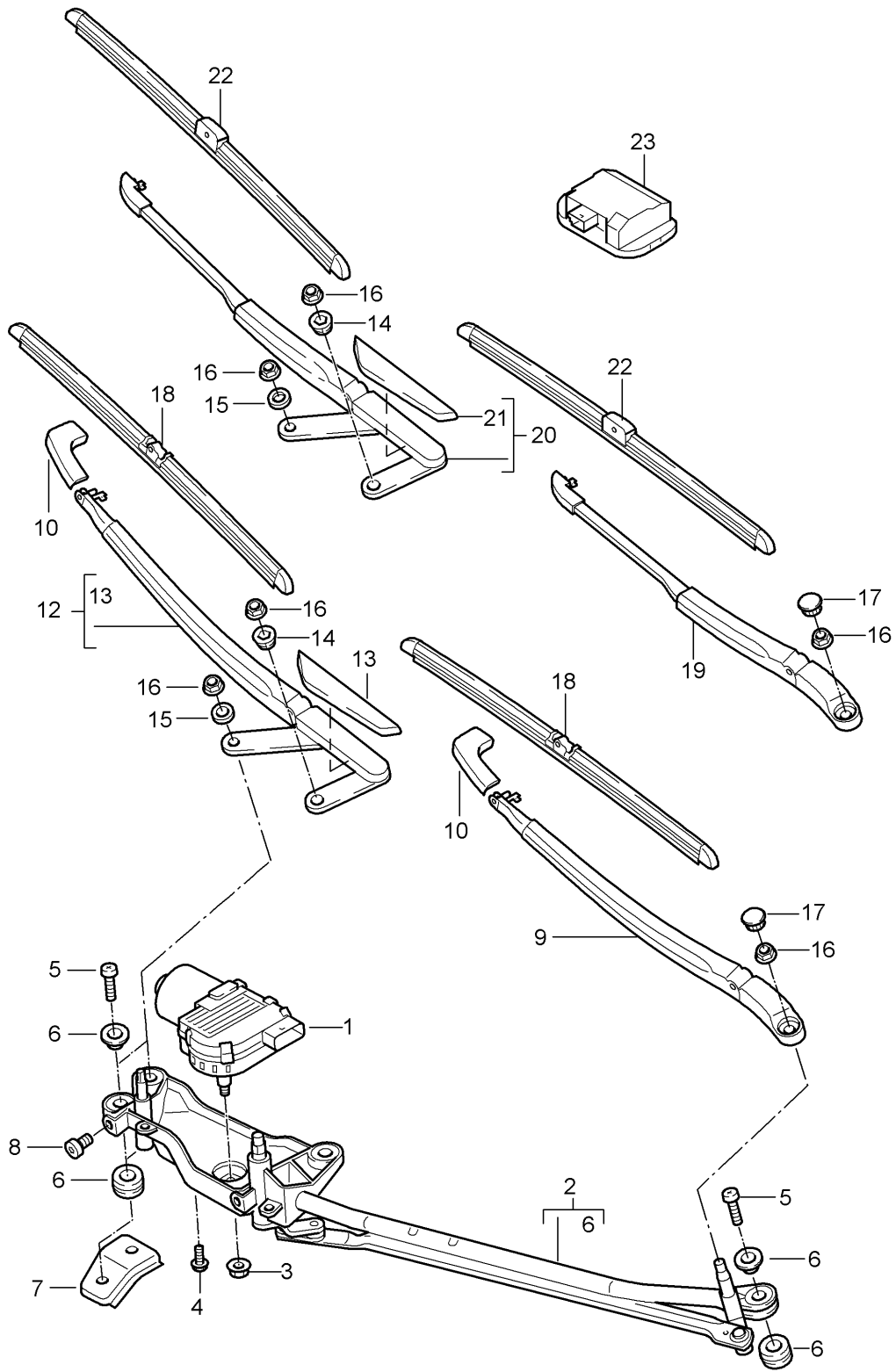


Model: 9PA108 Model life 2007>>2010

Pos	Part Number	Description	Remark	Qty	Model
1	955 613 291 01	Steering column switch Electronic unit		1	I2FV/2PM
(1)	955 613 292 01	Electronic unit		1	I2PH/2PR
2	955 613 244 01	Wiper switch		1	
	955 613 244 01 B41	Satin black			
3	955 613 245 00	Direction indicator switch		1	
	955 613 245 00 B41	Satin black			-IQH1
(3)	955 613 219 00	Direction indicator switch	-09	1	IQH1
	955 613 219 00 B41	Satin black			
(3)	955 613 219 01	Direction indicator switch		1	IQH1
	955 613 219 01 B41	Satin black			
4	955 613 261 00	Switch Cruise control		1	I8T1
	955 613 261 00 B41	Satin black			
-	N 909 068 01	Torx screw M 2,5 X 2,6 X 43,5-D		X	
5	955 552 275 00	Switch housing Lower		1	I2C4
	955 552 275 00 A03	Black			
	955 552 275 00 5V7	Stone grey			
	955 552 275 00 5Y9	Havanna			
	955 552 275 00 5Z1	Sand Beige			
(5)	955 552 276 01	Switch housing Lower		1	I2C5
	955 552 276 01 A03	Black			
	955 552 276 01 5V7	Stone grey			
	955 552 276 01 5Y9	Havanna			
	955 552 276 01 5Z1	Sand Beige			
6	955 552 277 00	Switch housing Upper		1	
	955 552 277 00 A03	Black			
	955 552 277 00 5V7	Stone grey			
	955 552 277 00 5Y9	Havanna			
	955 552 277 00 5Z1	Sand Beige			
7	955 552 278 00	Cover		1	
	955 552 278 00 A03	Black			
	955 552 278 00 5V7	Stone grey			
	955 552 278 00 5Y9	Havanna			
	955 552 278 00 5Z1	Sand Beige			
8	955 613 222 00	Memory switch Steering wheel		1	I2C4
9	N 906 988 01	Speed nut 4,2 X 16 X 12		1	
10	N 906 986 01	Tapping screw 4,2 X 16		1	I2C4
11	N 910 239 01	Oval-head screw 3,5 X 12		2	

Model: 9PA108

Model life 2007>>2010



Model: 9PA108 Model life 2007>>2010

Pos	Part Number	Description	Remark	Qty	Model
		Windscreen wiper system			
		Rain sensor			
1	955 624 105 03	Wiper motor	/LL	1	IL0L
(1)	955 624 105 08	Wiper motor	/RL	1	IL0R
2	955 628 137 11	Crank drive	/LL -08	1	IL0L
2	955 628 137 12	Crank drive	/LL	1	IL0L
(2)	955 628 138 11	Crank drive	/RL -08	1	IL0R
(2)	955 628 138 12	Crank drive	/RL	1	IL0R
3	N 902 291 04	Hexagon nut M 8		1	
4	N 909 434 02	Oval-head screw M 6 X 16		3	
5	N 105 355 02	Pan-head screw M 6 X 30		4	
6	955 628 711 00	Repair kit		1	
		Comprising:			
-		Bush 13,6 MM		2	
-		Bush 6,4 X 13,6 MM		1	
-		Bush 6,4 MM		1	
-		Grommet		4	
7	955 628 717 00	Bracket	/LL	1	IL0L
(7)	955 628 718 00	Bracket	/RL	1	IL0R
8	955 628 035 00	Screw M 6 X 10		2	
9	955 628 028 13	Wiper arm Driver's side F >>9P8LA 10081 F >>9P8LA 40054 F >>9P8LA 90089	/LL	1	IL0L
(9)	955 628 027 13	Wiper arm Driver's side F >>9P8LA 10081 F >>9P8LA 40054 F >>9P8LA 90089	/RL	1	IL0R
10	955 628 306 01	Cover F >>9P8LA 10081 F >>9P8LA 40054 F >>9P8LA 90089	/LL	2	IL0L
(10)	955 628 307 01	Cover F >>9P8LA 10081 F >>9P8LA 40054 F >>9P8LA 90089	/RL	2	IL0R
12	955 628 029 13	Wiper arm Passenger's side F >>9P8LA 10081 F >>9P8LA 40054 F >>9P8LA 90089	/LL	1	IL0L
(12)	955 628 026 13	Wiper arm Passenger's side F >>9P8LA 10081 F >>9P8LA 40054 F >>9P8LA 90089	/RL	1	IL0R
13	955 628 308 02	Cover F >>9P8LA 10081 F >>9P8LA 40054 F >>9P8LA 90089	/LL	1	IL0L
(13)	955 628 309 02	Cover F >>9P8LA 10081 F >>9P8LA 40054 F >>9P8LA 90089	/RL	1	IL0R

Model: 9PA108 Model life 2007>>2010

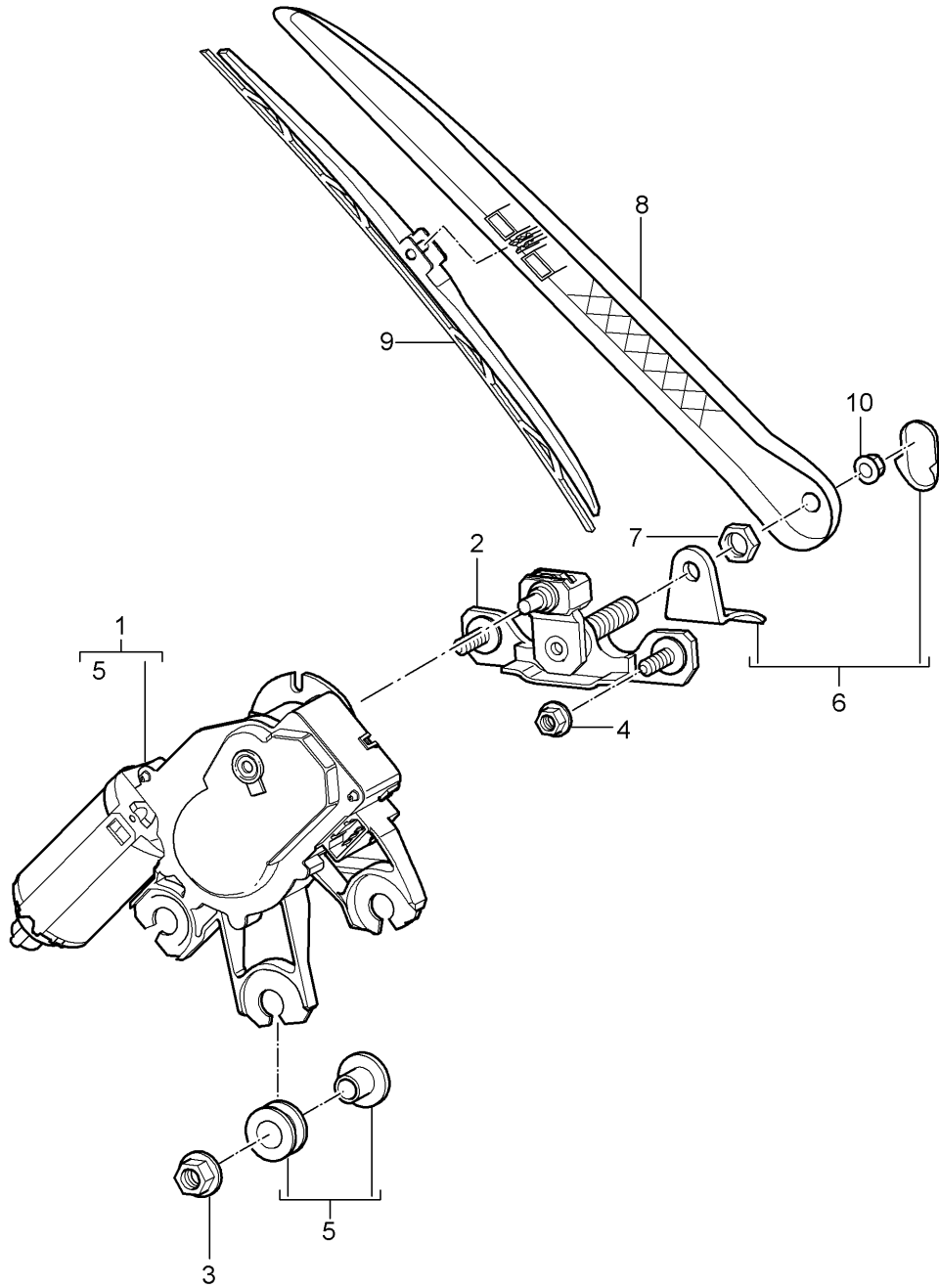
Pos	Part Number	Description	Remark	Qty	Model
14	955 628 313 00	Ring		1	
15	955 628 312 00	Washer		1	
16	N 102 613 05	Hexagon nut M 10		3	
17	955 628 305 01	Cap Driver's side		1	
(17)	955 628 305 02	Cap Passenger's side		2	
18	955 628 939 03	Wiper blade Set Driver's side Passenger's side without Cover When required order also: POS. 10 F >>9P8LA 10081 F >>9P8LA 40054 F >>9P8LA 90089	/LL	1	IL0L
(18)	955 628 941 03	Wiper blade Set Driver's side Passenger's side without Cover When required order also: POS. 10 F >>9P8LA 10081 F >>9P8LA 40054 F >>9P8LA 90089	/RL	1	IL0R
19	955 628 028 21	Wiper arm Driver's side F 9P8LA 10082>> F 9P8LA 40055>> F 9P8LA 70001>> F 9P8LA 90090>>	/LL	1	IL0L
(19)	955 628 027 20	Wiper arm Driver's side F 9P8LA 10082>> F 9P8LA 40055>> F 9P8LA 70001>> F 9P8LA 90090>>	/RL	1	IL0R
(19)	955 628 027 21	Wiper arm Driver's side F 9P8LA 10082>> F 9P8LA 40055>> F 9P8LA 70001>> F 9P8LA 90090>>	/RL	1	IL0R
20	955 628 029 21	Wiper arm Passenger's side F 9P8LA 10082>> F 9P8LA 40055>> F 9P8LA 70001>> F 9P8LA 90090>>	/LL	1	IL0L
(20)	955 628 026 20	Wiper arm Passenger's side F 9P8LA 10082>> F 9P8LA 40055>> F 9P8LA 70001>> F 9P8LA 90090>>	/RL	1	IL0R
(20)	955 628 026 21	Wiper arm Passenger's side F 9P8LA 10082>>	/RL	1	IL0R

Model: 9PA108 Model life 2007>>2010

Pos	Part Number	Description	Remark	Qty	Model
21	955 628 309 10	F 9P8LA 40055>> F 9P8LA 70001>> F 9P8LA 90090>> Cover	/LL	1	IL0L
(21)	955 628 308 10	F 9P8LA 10082>> F 9P8LA 40055>> F 9P8LA 70001>> F 9P8LA 90090>> Cover	/RL	1	IL0R
22	955 628 939 11	F 9P8LA 10082>> F 9P8LA 40055>> F 9P8LA 70001>> F 9P8LA 90090>> Wiper blade Set Driver's side Passenger's side	/LL	1	IL0L
22	955 628 941 11	F 9P8LA 10082>> F 9P8LA 40055>> F 9P8LA 70001>> F 9P8LA 90090>> Wiper blade Set Driver's side Passenger's side	/RL	1	IL0R
23	955 618 518 03	F 9P8LA 10082>> F 9P8LA 40055>> F 9P8LA 70001>> F 9P8LA 90090>> Rain sensor		1	

Model: 9PA108

Model life 2007>>2010



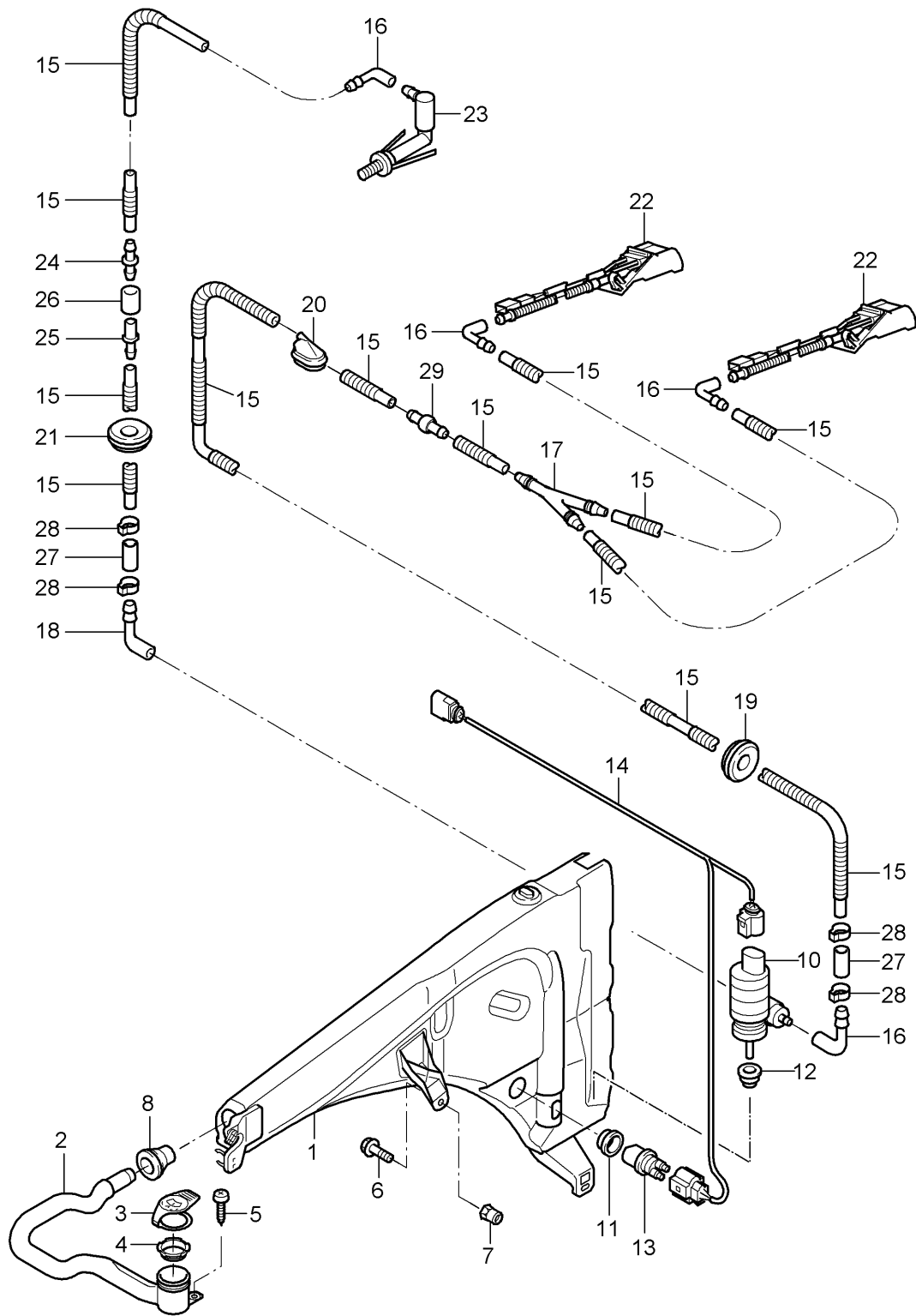
Model: 9PA108

Model life 2007>>2010

Pos	Part Number	Description	Remark	Qty	Model
		Rear window wiper			
1	955 628 080 04	Wiper motor		1	
2	955 628 090 04	Crank drive	-08	1	
2	955 628 090 05	Crank drive		1	
3	N 907 143 03	Hexagon nut M 6		3	
4	N 902 158 04	Hexagon nut M 6		2	
5	955 628 721 00	Repair kit		1	
-		Comprising:			
-		Grommet		3	
-		Bush		3	
6	955 628 320 02	Tip switch Complete		1	IQL3/QL5
6	955 628 321 02	Tip switch Complete		1	IQL6
7	N 021 284 5	Hexagon nut M 18 X 1,5		1	
8	955 628 040 02	Wiper arm		1	
		When required order also:			
		Pos. 6			
9	955 628 050 00	Wiper blade		1	
10	N 011 008 40	Hexagon nut M 8		1	

Model: 9PA108

Model life 2007>>2010

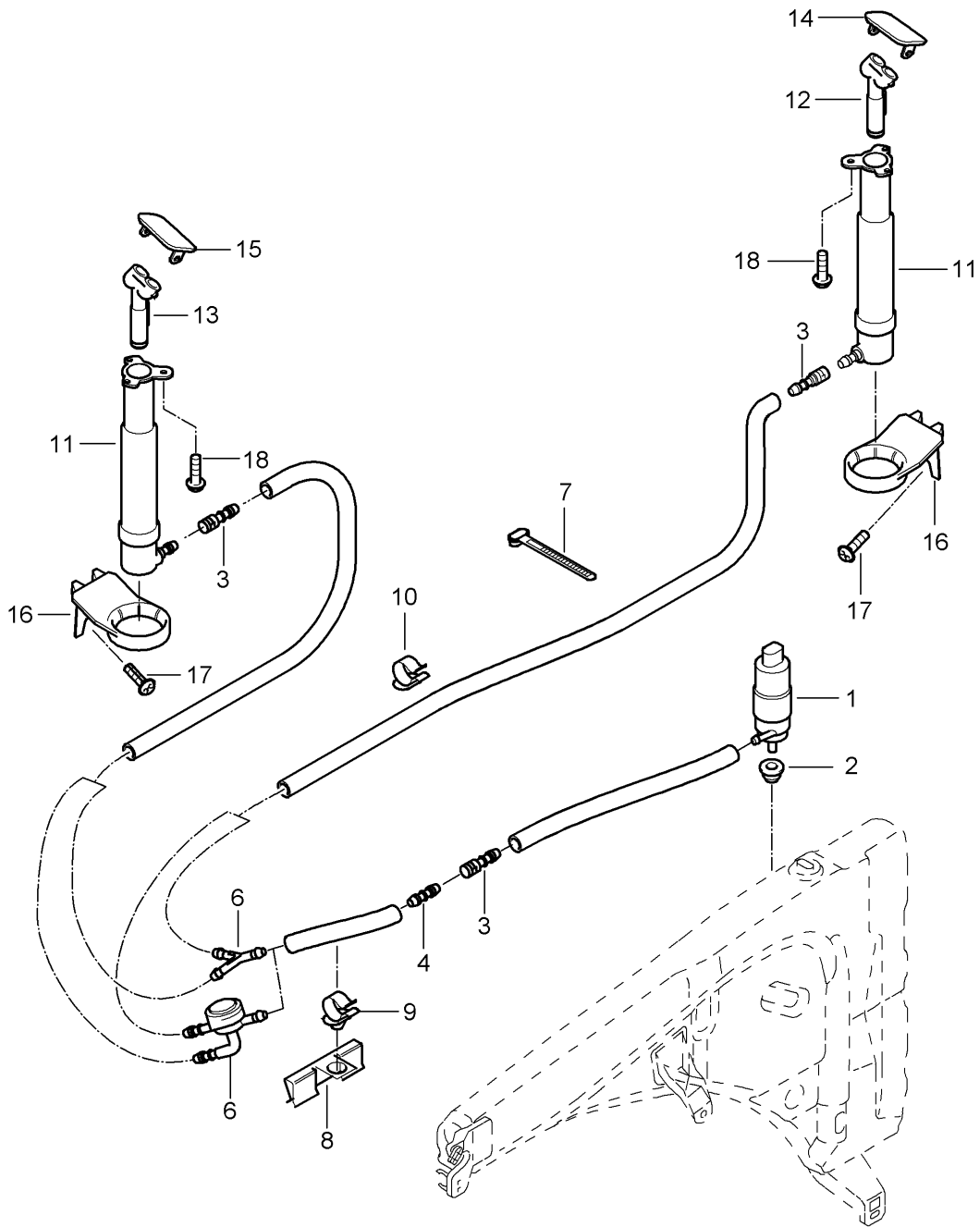


Model: 9PA108 Model life 2007>>2010

Pos	Part Number	Description	Remark	Qty	Model
1	955 528 703 00	Windscreen washer system		1	I8X1
(1)	955 528 704 00	Water reservoir		1	I8X0
2	955 528 605 02	Water reservoir		1	
3	955 528 605 02	Filler neck		1	
3	955 528 607 01	Lid		1	
4	955 528 606 02	Strainer		1	
5	N 906 986 03	Tapping screw		1	
		4,2 X 16			
6	N 908 204 01	Hexagon-head bolt		2	
		M 6 X 16			
7	N 902 631 04	Blind rivet nut		2	
		M 6 / 0,7			
8	955 528 711 01	Gasket		1	
		Filler neck			
10	955 628 172 01	Pump		1	
11	955 528 721 00	Gasket		1	
12	955 628 712 00	Gasket		1	
13	955 628 105 00	Tank gauge switch		1	
14	955 612 700 00	Wiring harness		1	
15	955 628 130 00	Hose		X	
		6,0 X 1,0			
		10000 MM			
16	955 628 200 01	Angled pipe		4	
17	955 628 210 00	Distributing piece		1	
18	955 628 230 01	Angled pipe		1	
19	955 628 250 00	Grommet		1	
20	955 628 251 00	Grommet		1	
21	955 628 252 00	Grommet		1	
22	955 628 077 01	Spray nozzle		2	
		2-jet injector			
(22)	955 628 077 02	Spray nozzle		2	
		3-jet injector			
(22)	955 628 077 03	Spray nozzle		2	
		3-jet injector			
		Information available			
23	955 628 078 01	Spray nozzle		1	
		Rear end			
		Repair kit			
		for			
		Hose			
24	955 628 222 00	Connecting piece		1	
25	955 628 223 00	Connecting piece		1	
26	955 628 224 00	Shrink-fit hose		1	
27	955 628 225 00	Hose		1	
28	N 020 902 2	Tie-wrap		2	
		See technical manual			
		Gr. 9254			
		When required order also:			
29	955 628 270 00	Check valve		1	
-	999 901 017 42	Window cleaner		X	
		250 ML			
		Summer			
-	999 901 033 40	Window cleaner		X	
		1000 ML			
		Winter			

Model: 9PA108

Model life 2007>>2010

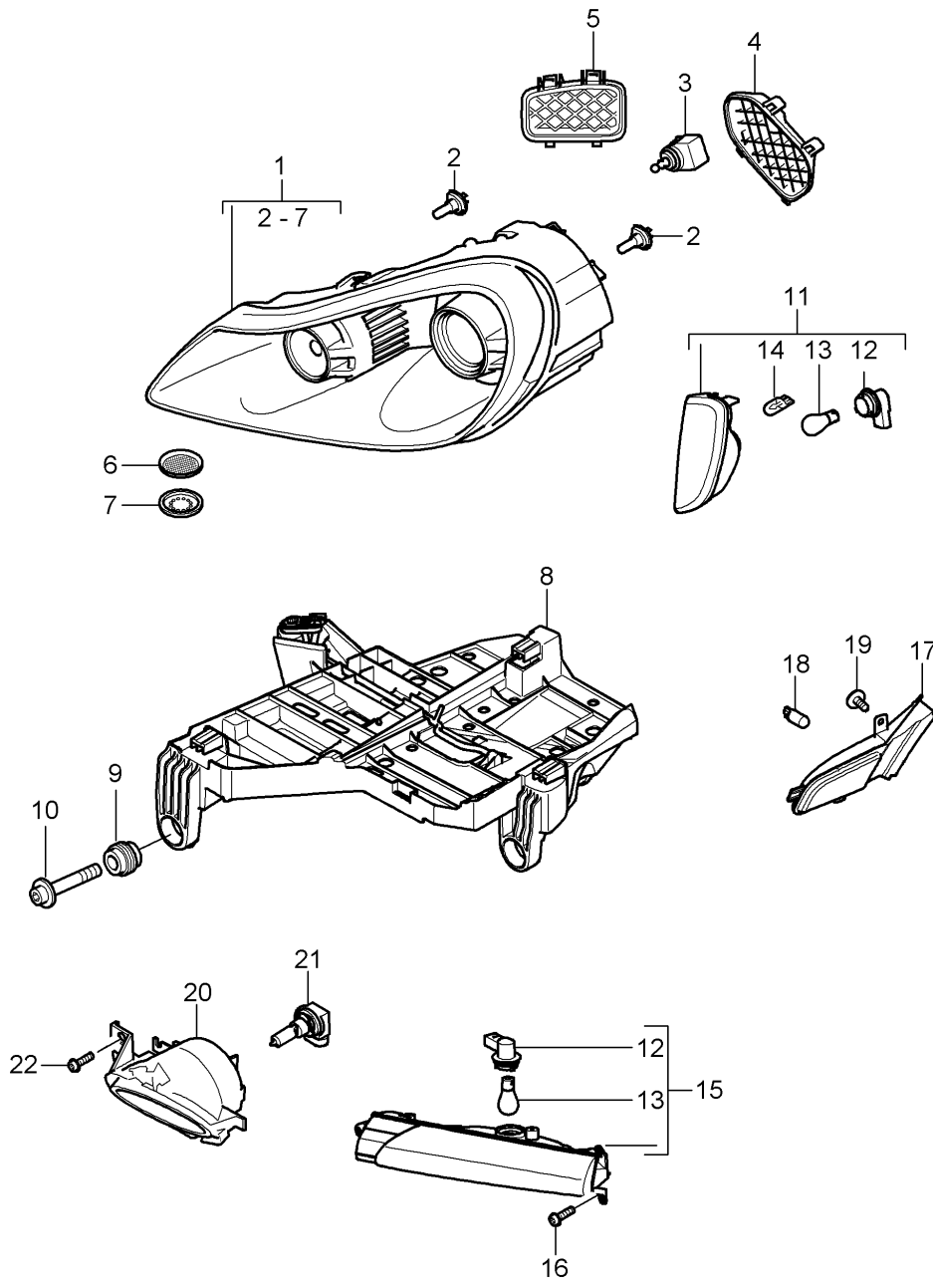


Model: 9PA108 Model life 2007>>2010

Pos	Part Number	Description	Remark	Qty	Model
		Headlight washer system			
1	955 624 502 00	Pump		1	
2	431 955 465 A	Gasket		1	
-	955 628 181 00	Hose		1	
		10 X 3 MM			
		5000 MM			
3	955 628 204 00	Connecting piece		3	
4	955 628 205 00	Connecting piece		1	
6	955 628 160 00	Distributing piece		1	
6	955 628 160 10	Distributing piece		1	
		with			
		Valve			
7	N 900 051 01	Tie-wrap		5	ID5Z
		4,6 X 172			
8	955 628 025 00	Clamp		1	
9	955 628 260 00	Hose holder		1	
10	955 628 260 01	Hose holder		3	ID5V/D5X
11	955 628 180 10	Jet carrier		2	
12	955 628 161 10	Nozzle	/L	1	
13	955 628 162 10	Nozzle	/R	1	
14	955 628 301 11	Trim cover	/L	1	-IE0W/-IE1T ID5V/D5X
	955 628 301 11 G2X	Prime coated			
(14)	955 628 303 11	Trim cover	/L	1	IE0W/E1T
	955 628 303 11 G2X	Prime coated			
(14)	955 628 303 11	Trim cover	/L	1	ID5Z
	955 628 303 11 G2X	Prime coated			
15	955 628 302 11	Trim cover	/R	1	-IE0W/-IE1T ID5V/D5X
	955 628 302 11 G2X	Prime coated			
(15)	955 628 304 11	Trim cover	/R	1	IE0W/E1T
	955 628 304 11 G2X	Prime coated			
(15)	955 628 304 11	Trim cover	/R	1	ID5Z
	955 628 304 11 G2X	Prime coated			
16	955 628 189 00	Support		2	
17	N 908 082 01	Oval-head screw		4	
		6,0 X 18,5			
18	N 905 624 01	Oval-head sheetmetal screw		4	
		3,5 X 10,0			

Model: 9PA108

Model life 2007>>2010



Model: 9PA108

Model life 2007>>2010

Pos	Part Number	Description	Remark	Qty	Model
		Headlamp			
		Direction indicator light			
		Fog headlamp			
1	955 631 173 01	Headlamp	/L	1	I8BB/8BR
1	955 631 173 02	Headlamp	/L	1	I8BB/8BR
(1)	955 631 174 01	Headlamp	/R	1	I8BB/8BR
(1)	955 631 174 02	Headlamp	/R	1	I8BB/8BR
(1)	955 631 173 10	Headlamp	/L	1	I8BF
(1)	955 631 174 10	Headlamp	/R	1	I8BF
(1)	955 631 174 11	Headlamp	/R	1	I8BF
2	999 631 133 91	Halogen bulb		4	
		H 7			
(2)	999 631 144 91	Halogen bulb		2	
		H 11			
3	955 624 219 00	Adjusting motor		2	
		Headlight levelling system			
4	955 631 237 00	Protective cap	/L	1	
(4)	955 631 238 00	Protective cap	/R	1	
5	955 631 241 00	Protective cap	/L	1	
		Appendix			
		High beam			
(5)	955 631 242 00	Protective cap	/R	1	
		Appendix			
		High beam			
6	955 631 254 00	Filter element		2	
7	955 631 255 00	Ventilation component		2	
8	955 631 043 00	Mounting	/L	1	
(8)	955 631 044 00	Mounting	/R	1	
9	955 631 062 03	Tensioner		8	
10	955 631 052 01	Fastening screw		8	
11	955 631 181 02	Direction indicator light	/L	1	ID5V/D5X
11		Direction indicator light	/L	1	ID50
(11)	955 631 182 02	Direction indicator light	/R	1	ID5V/D5X
(11)		Direction indicator light	/R	1	ID50
12	955 631 183 00	Bulb socket		2	
13	900 631 021 90	Bulb		2	
		Direction indicator light			
14	N 017 753 8	Bulb		2	
		W5W Blue Vision			
		Position light			
15	955 631 185 02	Direction indicator light	/L	1	IE0W
(15)	955 631 186 02	Direction indicator light	/R	1	IE0W
16	N 908 082 01	Oval-head screw		6	
		6 x 18			
17	955 631 035 01	Direction indicator light	/L	1	I6GA/8F2
(17)	955 631 035 20	Direction indicator light	/L	1	I6GE/6GF I6GJ/6GK
(17)	955 631 036 01	Direction indicator light	/R	1	I6GA/8F2
(17)	955 631 036 20	Direction indicator light	/R	1	I6GE/6GF I6GJ/6GK
-	958 612 273 00	Wiring harness		1	
		Bulb socket			
		Sub-part			
		It is necessary to rework			
18	999 631 138 90	Bulb		2	
		5 W			
		Yellow			
19	N 908 082 01	Oval-head screw		12	
		6 X 18,5			
20	955 631 165 01	Fog headlamp	/L	1	
(20)	955 631 166 01	Fog headlamp	/R	1	
21	999 631 144 91	Halogen bulb		2	
		H 11			

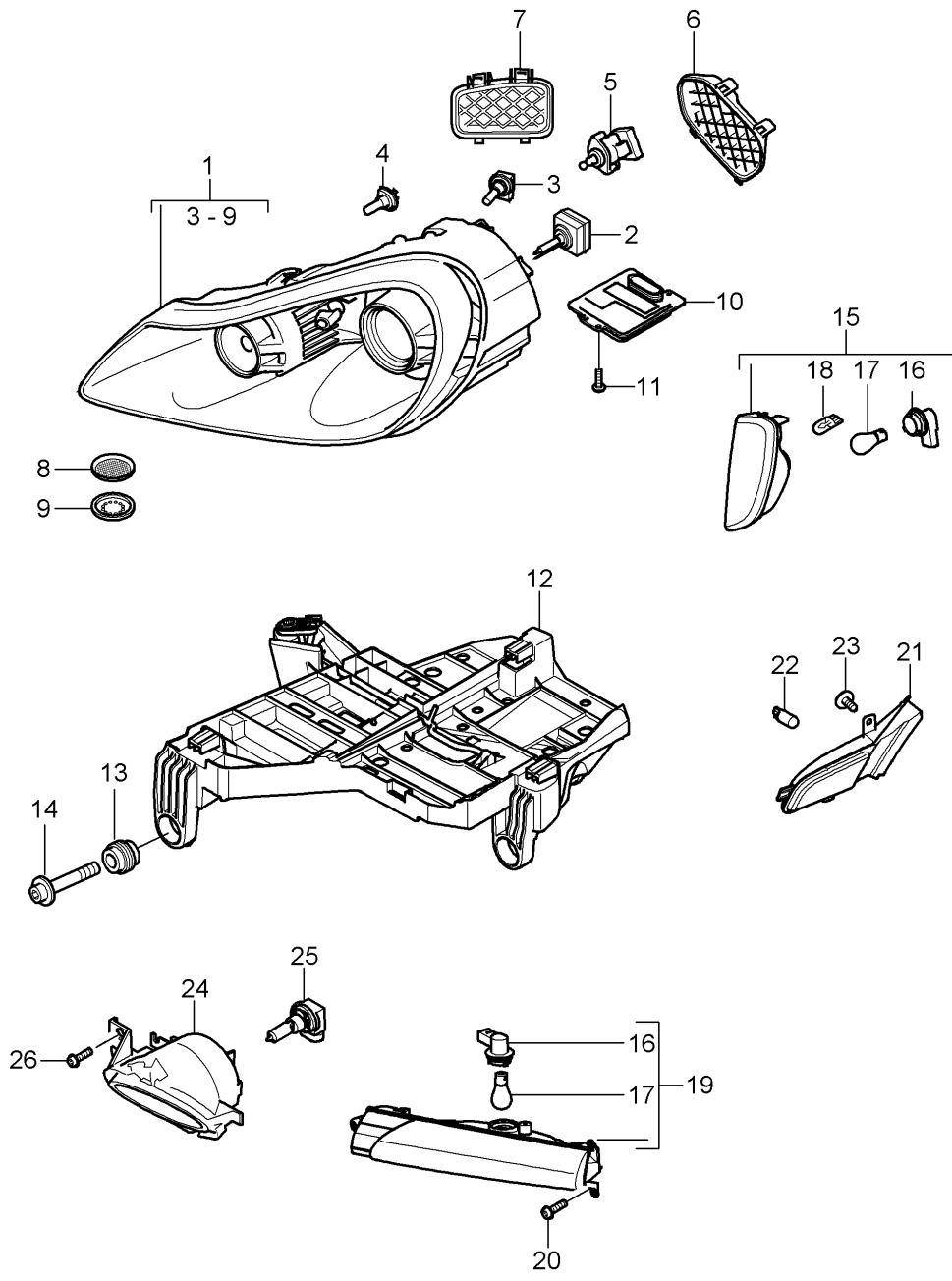
Model: 9PA108

Model life 2007>>2010

Pos	Part Number	Description	Remark	Qty	Model
22	N 908 794 02	Oval-head screw 5 x 16		6	

Model: 9PA108

Model life 2007>>2010



Model: 9PA108 Model life 2007>>2010

Pos	Part Number	Description	Remark	Qty	Model
		Headlamp			I8BC/8BZ/8EE I8EF/8EG/8JD
1	955 631 175 01	Headlamp	/L	1	I8BC
1	955 631 175 30	Headlamp	/L	1	I8EF
(1)	955 631 176 01	Headlamp	/R	1	I8BC
(1)	955 631 176 02	Headlamp	/R	1	I8BC
(1)	955 631 176 30	Headlamp	/R	1	I8EF
(1)	955 631 175 10	Headlamp	/L	1	I8BZ
(1)	955 631 175 40	Headlamp	/L	1	I8EE
(1)	955 631 176 10	Headlamp	/R	1	I8BZ
(1)	955 631 176 40	Headlamp	/R	1	I8EE
2	N 105 661 01	Gas-discharge lamp D1S		2	
-	955 631 199 00	Retaining ring Bulb D1S		2	
3	999 631 144 91	Halogen bulb H 11		2	
4	999 631 133 91	Halogen bulb Appendix High beam H 7		4	
5	955 624 220 00	Adjusting motor Headlight levelling system		2	
6	955 631 237 00	Protective cap	/L	1	
(6)	955 631 238 00	Protective cap	/R	1	
7	955 631 241 00	Protective cap Appendix High beam	/L	1	
(7)	955 631 242 00	Protective cap Appendix High beam	/R	1	
8	955 631 254 00	Filter element		2	
9	955 631 255 00	Ventilation component		2	
10	955 631 194 02	Ignition control unit		2	
11	N 104 159 03	Oval-head screw 4 x 12		X	
12	955 631 043 00	Mounting	/L	1	
(12)	955 631 044 00	Mounting	/R	1	
13	955 631 062 03	Tensioner		8	
14	955 631 052 01	Fastening screw		8	
15	955 631 181 02	Direction indicator light	/L	1	ID5V/D5X
15		Direction indicator light	/L	1	ID50
(15)	955 631 182 02	Direction indicator light	/R	1	ID5V/D5X
(15)		Direction indicator light	/R	1	ID50
16	955 631 183 00	Bulb socket		2	
17	900 631 021 90	Bulb		2	
18	N 017 753 8	Direction indicator light Bulb W5W Blue Vision Position light		2	
19	955 631 185 02	Direction indicator light	/L	1	ID5Z
19		Direction indicator light	/L	1	IE0W
(19)	955 631 186 02	Direction indicator light	/R	1	ID5Z
(19)		Direction indicator light	/R	1	IE0W
20	N 908 082 01	Oval-head screw 6 x 18		6	
21	955 631 035 01	Direction indicator light	/L	1	I6GA/8F2
(21)	955 631 035 20	Direction indicator light	/L	1	I6GE/6GF I6GJ/6GK
(21)	955 631 036 01	Direction indicator light	/R	1	I6GA/8F2

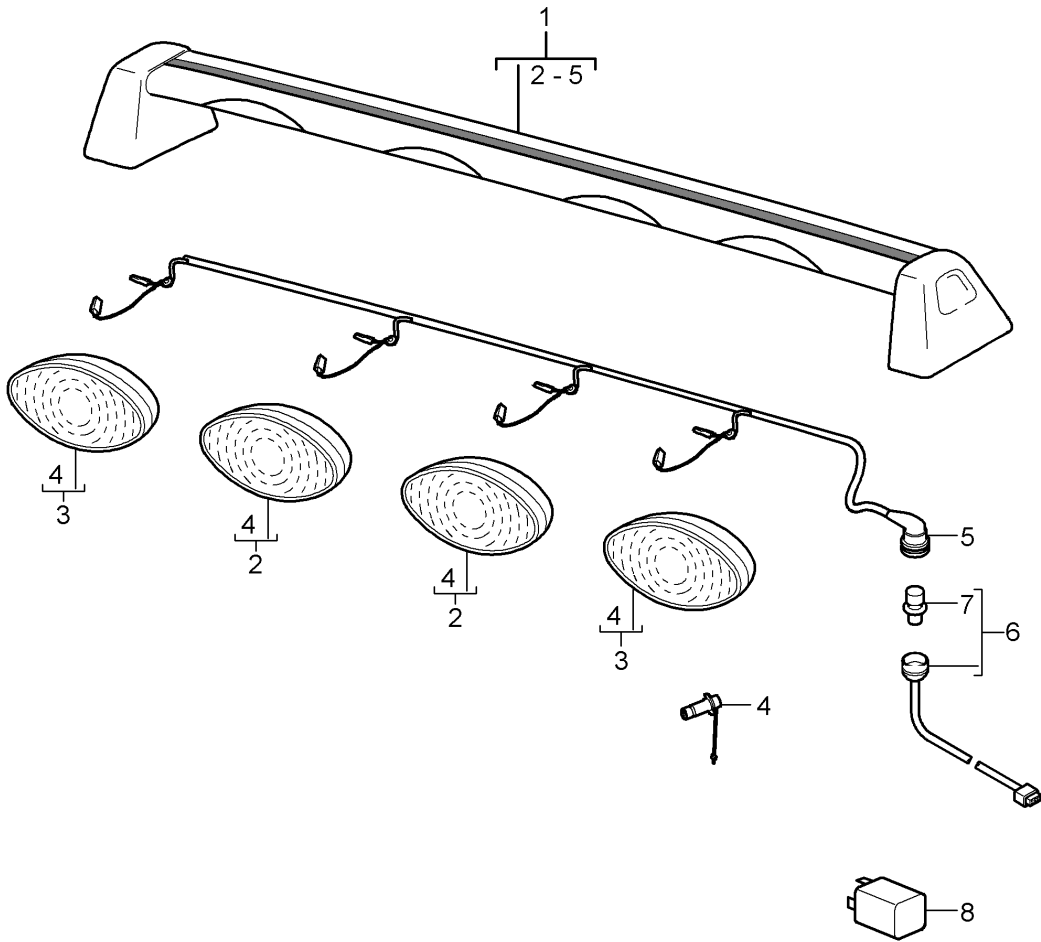
Model: 9PA108

Model life 2007>>2010

Pos	Part Number	Description	Remark	Qty	Model
(21)	955 631 036 20	Direction indicator light	/R	1	I6GE/6GF I6GJ/6GK
-	958 612 273 00	Wiring harness Bulb socket Sub-part It is necessary to rework		1	
22	999 631 138 90	Bulb 5 W Yellow		2	
23	N 908 082 01	Oval-head screw 6 X 18,5		12	
24	955 631 165 01	Fog headlamp	/L	1	
(24)	955 631 166 01	Fog headlamp	/R	1	
25	999 631 144 91	Halogen bulb H 11		2	
26	N 908 794 02	Oval-head screw 5 x 16		6	

Model: 9PA108

Model life 2007>>2010



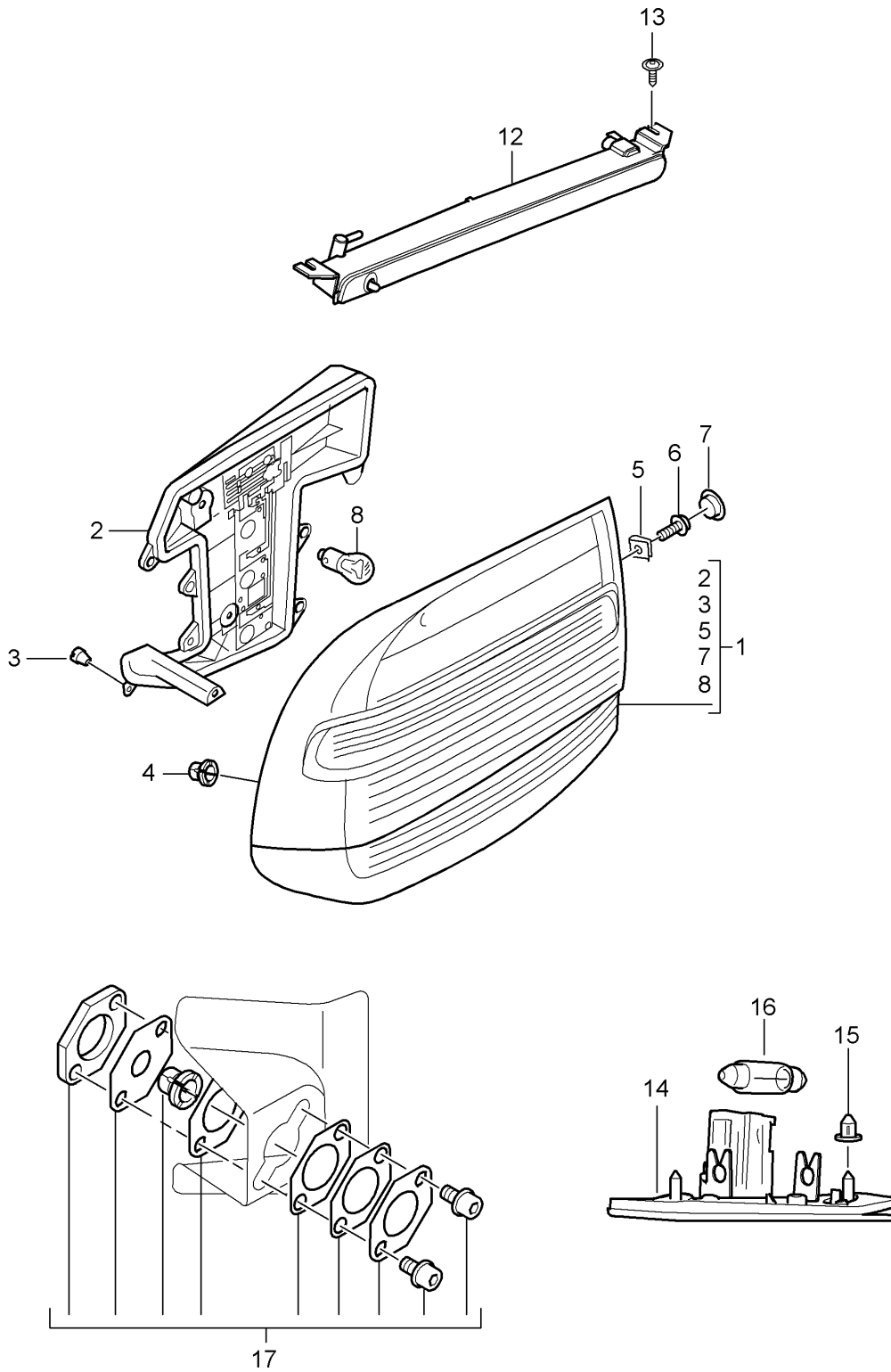
Model: 9PA108

Model life 2007>>2010

Pos	Part Number	Description	Remark	Qty	Model
		Additional headlamp Roof			I8WU
1	955 801 153 00	Bracket Complete		1	
2	955 631 751 00	High-beam headlight 1 set		2	
3	955 631 752 00	Fog headlamp 1 set		2	
4	900 631 126 90	Halogen bulb H 3		4	
5	955 612 079 00	Wiring harness Bracket		1	
6	955 612 075 00	Wiring harness Roof		1	
7	955 612 076 00	Cover Plug socket		1	
8	955 615 413 00	Relay		1	
-		Switch See illustrations 9/03/06 POS. (9)		1	

Model: 9PA108

Model life 2007>>2010



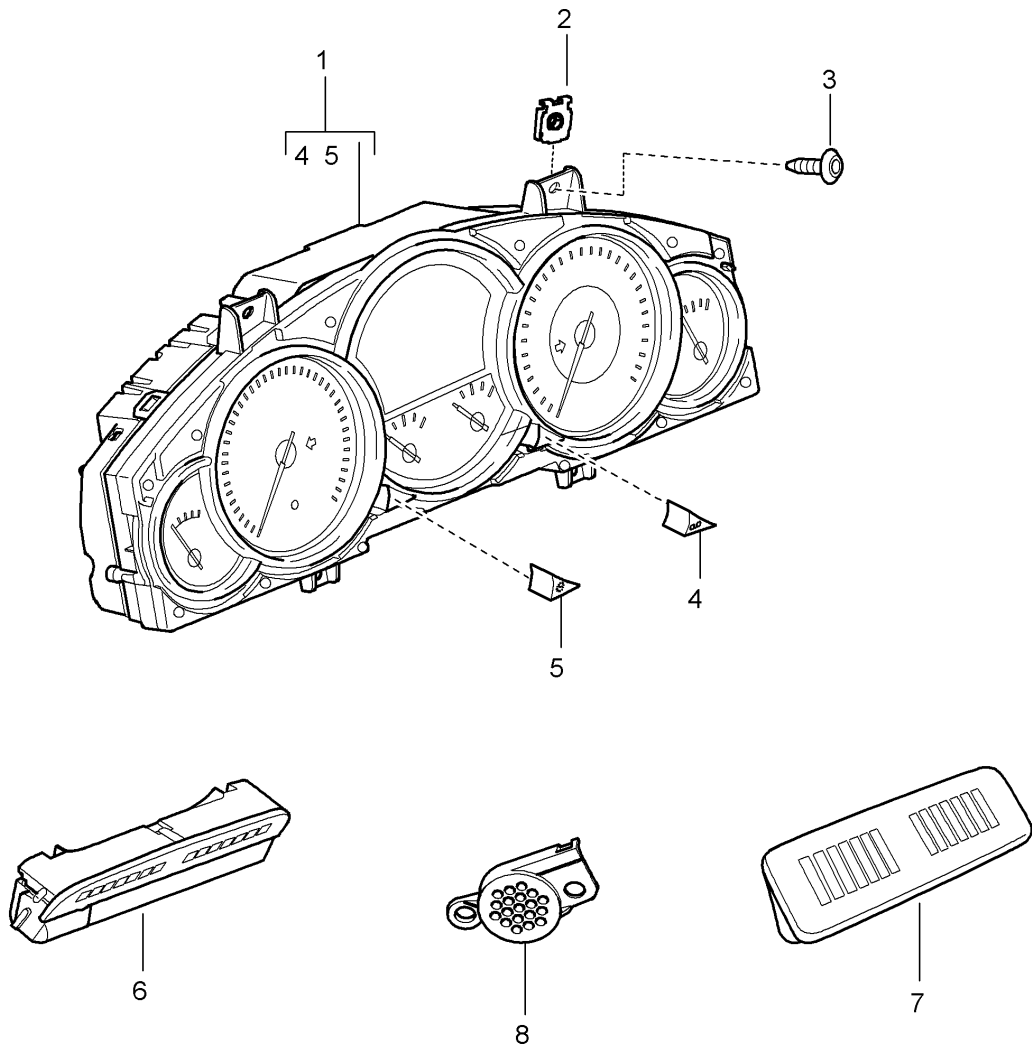
Model: 9PA108

Model life 2007>>2010

Pos	Part Number	Description	Remark	Qty	Model
		Rear light			
		License plate light			
		Additional brake light			
		Repair kit			
		Rear light			
1	955 631 487 01	Tail light housing	/L	1	
(1)	955 631 488 01	Tail light housing	/R	1	
2	955 631 439 00	Bulb holder	/L	1	
(2)	955 631 440 00	Bulb holder	/R	1	
3	N 903 474 06	Combination screw 4 x 12		X	
4	955 631 471 02	Clips nut		2	
5	N 901 686 04	Speed nut M 6 X 23,4 X 16		4	
6	N 101 148 06	Combination screw M 6 X 15		4	
7	955 631 475 00	Cap		4	
8	900 631 127 90	Bulb 21 W		X	
12	955 631 050 02	Additional brake light		1	
13	N 908 401 03	Oval-head screw 4 X 14		2	
14	955 631 620 03	License plate light		2	
14	955 631 620 04	License plate light		2	-I1G3
(14)	997 631 620 01	License plate light		2	I1G3
(14)	997 631 620 02	License plate light		2	I1G3
15	N 908 378 02	Expander nut 3,0 X 11,1		4	
16	900 631 105 90	Bulb 5 W		2	
		Repair kit			
		Rear light			
17	955 631 215 00	Repair kit		1	
		Comprising:			
-		Threaded plate		1	
-		Nut lock		1	
-	955 631 471 02	Clips nut		1	
-		Spacer plate 0,5 MM		2	
-		Spacer plate 1,0 MM		2	
-		Combination screw M 5 X 12		2	

Model: 9PA108

Model life 2007>>2010



Model: 9PA108 Model life 2007>>2010

Pos	Part Number	Description	Remark	Qty	Model
		Instruments Display unit ParkAssist Magnetic-field sensor Compass			
1	955 641 134 00	Instrument cluster	-08	1	ID5X
1	955 641 134 X	Instrument cluster	-08	1	ID5X
1	955 641 134 10	Instrument cluster	09-	1	ID5X
1	955 641 134 AX	Instrument cluster	09-	1	ID5X
(1)	955 641 135 00	Instrument cluster	-08	1	ID5X/U5B
(1)	955 641 135 X	Instrument cluster	-08	1	ID5X/U5B
(1)	955 641 135 10	Instrument cluster	09-	1	ID5X/U5B
(1)	955 641 135 AX	Instrument cluster	09-	1	ID5X/U5B
1	955 641 144 10	Instrument cluster		1	ID50
1	955 641 144 AX	Instrument cluster		1	ID50
(1)	955 641 145 10	Instrument cluster		1	ID50/U5B
(1)	955 641 145 AX	Instrument cluster		1	ID50/U5B
(1)	955 641 234 00	Instrument cluster	-08	1	ID5V
(1)	955 641 234 X	Instrument cluster	-08	1	ID5V
(1)	955 641 234 10	Instrument cluster	09-	1	ID5V
(1)	955 641 234 AX	Instrument cluster	09-	1	ID5V
(1)	955 641 234 20	Instrument cluster	09-	1	ID5V/6FI
(1)	955 641 234 BX	Instrument cluster	09-	1	ID5V/6FI
(1)	955 641 234 30	Instrument cluster	09-	1	ID5V/6FM/6FP
(1)	955 641 234 CX	Instrument cluster	09-	1	ID5V/6FM/6FP
(1)	955 641 234 40	Instrument cluster	10-	1	ID5V/E1T
(1)	955 641 234 DX	Instrument cluster	10-	1	ID5V/E1T
(1)	955 641 235 00	Instrument cluster	-08	1	ID5V/U5B
(1)	955 641 235 X	Instrument cluster	-08	1	ID5V/U5B
(1)	955 641 235 10	Instrument cluster	09-	1	ID5V/U5B
(1)	955 641 235 AX	Instrument cluster	09-	1	ID5V/U5B
(1)	955 641 235 20	Instrument cluster	09-	1	ID5V/U5B/6FI
(1)	955 641 235 BX	Instrument cluster	09-	1	ID5V/U5B/6FI
(1)	955 641 235 30	Instrument cluster	09-	1	ID5V/U5B/6FM I6FP
(1)	955 641 235 CX	Instrument cluster	09-	1	ID5V/U5B/6FM I6FP
(1)	955 641 235 40	Instrument cluster	10-	1	ID5V/E1T/U5B
(1)	955 641 235 DX	Instrument cluster	10-	1	ID5V/E1T/U5B
(1)	955 641 334 00	Instrument cluster	-08	1	ID5Z
(1)	955 641 334 X	Instrument cluster	-08	1	ID5Z
(1)	955 641 334 10	Instrument cluster	09-	1	ID5Z
(1)	955 641 334 AX	Instrument cluster	09-	1	ID5Z
(1)	955 641 334 20	Instrument cluster	09-	1	ID5Z/E8A
(1)	955 641 334 BX	Instrument cluster	09-	1	ID5Z/E8A
(1)	955 641 335 00	Instrument cluster	-08	1	ID5Z/U5B
(1)	955 641 335 X	Instrument cluster	-08	1	ID5Z/U5B
(1)	955 641 335 10	Instrument cluster	09-	1	ID5Z/U5B
(1)	955 641 335 AX	Instrument cluster	09-	1	ID5Z/U5B
(1)	955 641 335 20	Instrument cluster	09-	1	IE8A/U5B
(1)	955 641 335 BX	Instrument cluster	09-	1	IE8A/U5B
2	N 906 987 01	Speed nut 4,2x 16 x 12		4	
3	N 906 986 01	Tapping screw 4,2 X 16		4	
4	955 641 070 00	Knob Actuator Trip meter		1	
5	955 641 070 10	Knob Actuator Clock		1	
6	955 641 222 00	Display unit ParkAssist		1	I7X2/7X8

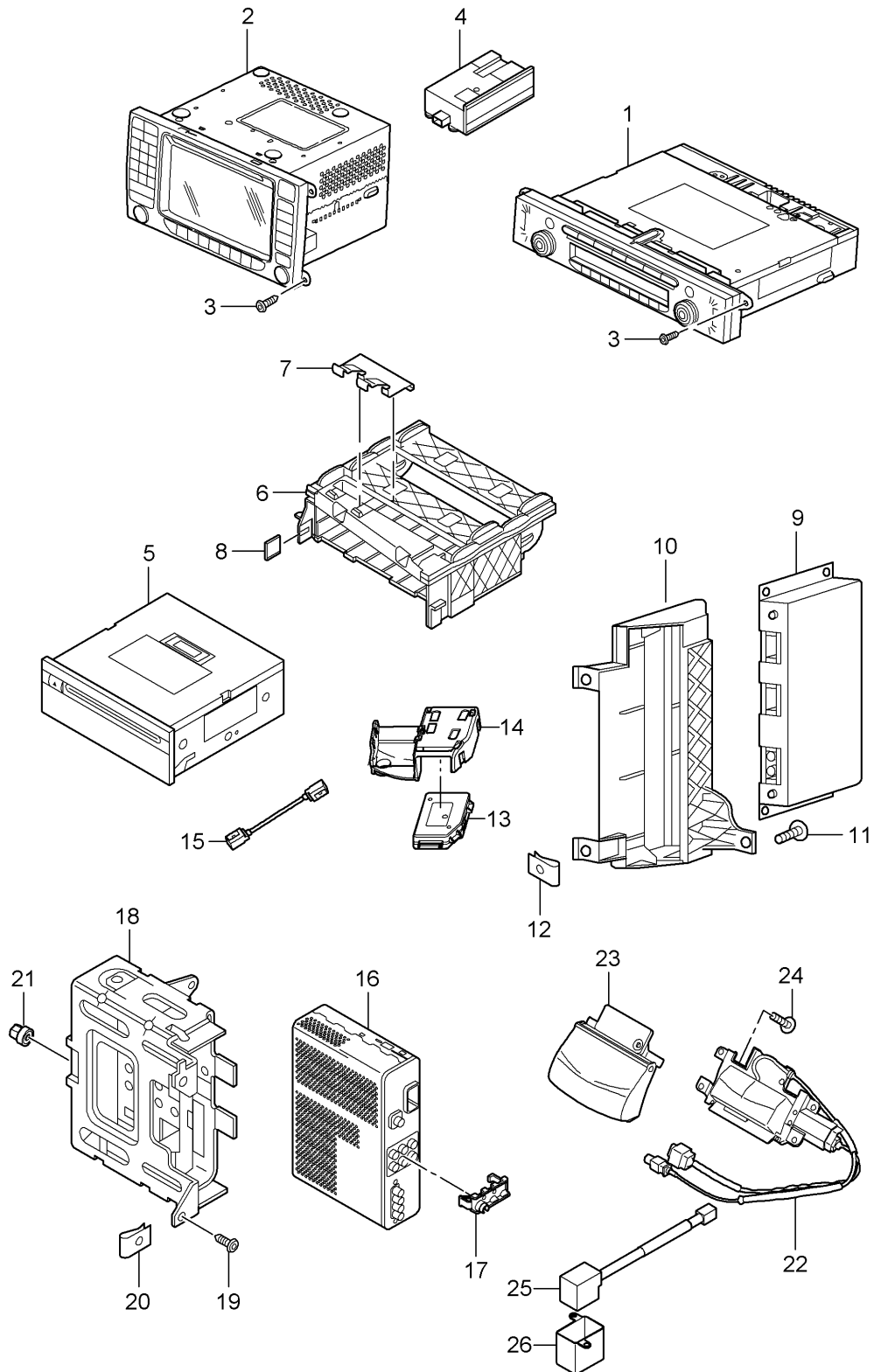
Model: 9PA108

Model life 2007>>2010

Pos	Part Number	Description	Remark	Qty	Model
7	955 641 224 00	Front Display unit ParkAssist Rear		1	I7X2/7X8
	955 641 224 00 A03	Black			
	955 641 224 00 5Y2	Palmgreen			
	955 641 224 00 5Z1	Sand Beige			
	955 641 224 00 7BA	Steel grey			
7	955 641 224 01	Display unit ParkAssist Rear		1	I7X2/7X8
	955 641 224 01 A03	Black			
	955 641 224 01 5Y2	Palmgreen			
	955 641 224 01 5Z1	Sand Beige			
	955 641 224 01 7BA	Steel grey			
8	955 641 230 00	Buzzer ParkAssist Magnetic-field sensor		1	I7X2/7X8

Model: 9PA108

Model life 2007>>2010



Model: 9PA108 Model life 2007>>2010

Pos	Part Number	Description	Remark	Qty	Model
1		Radio Navigation system Receiving part TV Magnetic-field sensor Compass Reversing camera Camera Door mirror Radio See catalogue Tequipment	-08		
2	955 642 210 10	Control part		1	
3	N 105 842 01	Tapping screw 4,2 X 25		X	
4	955 642 130 01	Module Voice activation		1	IQH1
-	955 642 131 01	CD-ROM Voice activation		1	IQH1
5	997 642 157 01	DVD device Navigation system		1	I8DQ/8DV I7Q2/7T1
-	955 642 951 00	Rotary knob Left Control part		1	
-	955 642 952 00	Rotary knob Right Control part		1	
-	955 642 941 00	Cover Drawer SIM card for Control part		1	
-	997 642 255 05	DVD Navigation system F >>9P8LA 10081 F >>9P8LA 40054 F >>9P8LA 90089		1	I7QT
-	997 642 259 04	DVD Navigation system F >>9P8LA 10081 F >>9P8LA 40054 F >>9P8LA 90089		1	I7QV
-	997 642 261 04	DVD Navigation system F >>9P8LA 10081 F >>9P8LA 40054 F >>9P8LA 90089		1	I7QZ
-	997 642 263 04	DVD Navigation system F >>9P8LA 10081 F >>9P8LA 40054 F >>9P8LA 90089		1	I7RA
-	997 642 265 05	DVD Navigation system F >>9P8LA 10081 F >>9P8LA 40054 F >>9P8LA 90089		1	I7RB/7RC/7RD
-	997 642 267 04	DVD Navigation system F >>9P8LA 10081 F >>9P8LA 40054 F >>9P8LA 90089		1	I7RV
-	997 642 255 06	DVD		1	I7QT

Model: 9PA108

Model life 2007>>2010

Pos	Part Number	Description	Remark	Qty	Model
-	997 642 259 05	Navigation system F 9P8LA 10082>> F 9P8LA 40055>> F 9P8LA 90090>> DVD		1	I7QV
-	997 642 261 05	Navigation system F 9P8LA 10082>> F 9P8LA 40055>> F 9P8LA 90090>> DVD		1	I7QZ
-	997 642 263 05	Navigation system F 9P8LA 10082>> F 9P8LA 40055>> F 9P8LA 90090>> DVD		1	I7RA
-	997 642 265 06	Navigation system F 9P8LA 10082>> F 9P8LA 40055>> F 9P8LA 90090>> DVD		1	I7RB/7RC/7RD
-	997 642 267 05	Navigation system F 9P8LA 10082>> F 9P8LA 40055>> F 9P8LA 90090>> DVD		1	I7RV
-	997 642 148 02	CD-ROM Logbook		1	
6	955 642 226 01	Support		1	I8DQ/8DV I7Q2/7T1
7	955 642 228 00	Retaining bracket		1	I8DQ/8DV I7Q2/7T1
8	N 907 468 01	Clamp		2	
13	955 642 023 00	Magnetic-field sensor Compass		1	IQR1/8DU
14	955 642 024 00	Support Compass		1	
15	955 612 124 00	Connecting line		1	
16	955 642 250 00	Magnetic-field sensor Receiving part TV		1	IQV1
17	955 645 295 00	Coding plug		1	
18	955 642 255 00	Support		1	IQV1/8L6
18	955 642 255 10	Support		1	IQV1/8L6
19	N 100 292 06	Oval-head screw M 6 X 15		4	IQV1
20	N 910 234 01	Speed nut M 6 X 24,4 X 13		4	IQV1
21	N 100 151 01	Hexagon nut T 5		1	IQV1
22	955 645 290 00	Reversing camera Module		1	I7X8/7X9
22	955 645 290 X	Reversing camera Module		1	I7X8/7X9
23	955 645 292 01	Trim cover		1	I7X8/7X9
24	955 645 292 01 G2X	Prime coated			
24	955 645 294 00	Combination screw M 4 X 12		4	
25	955 645 291 00	Camera		1	I5RP/5SU

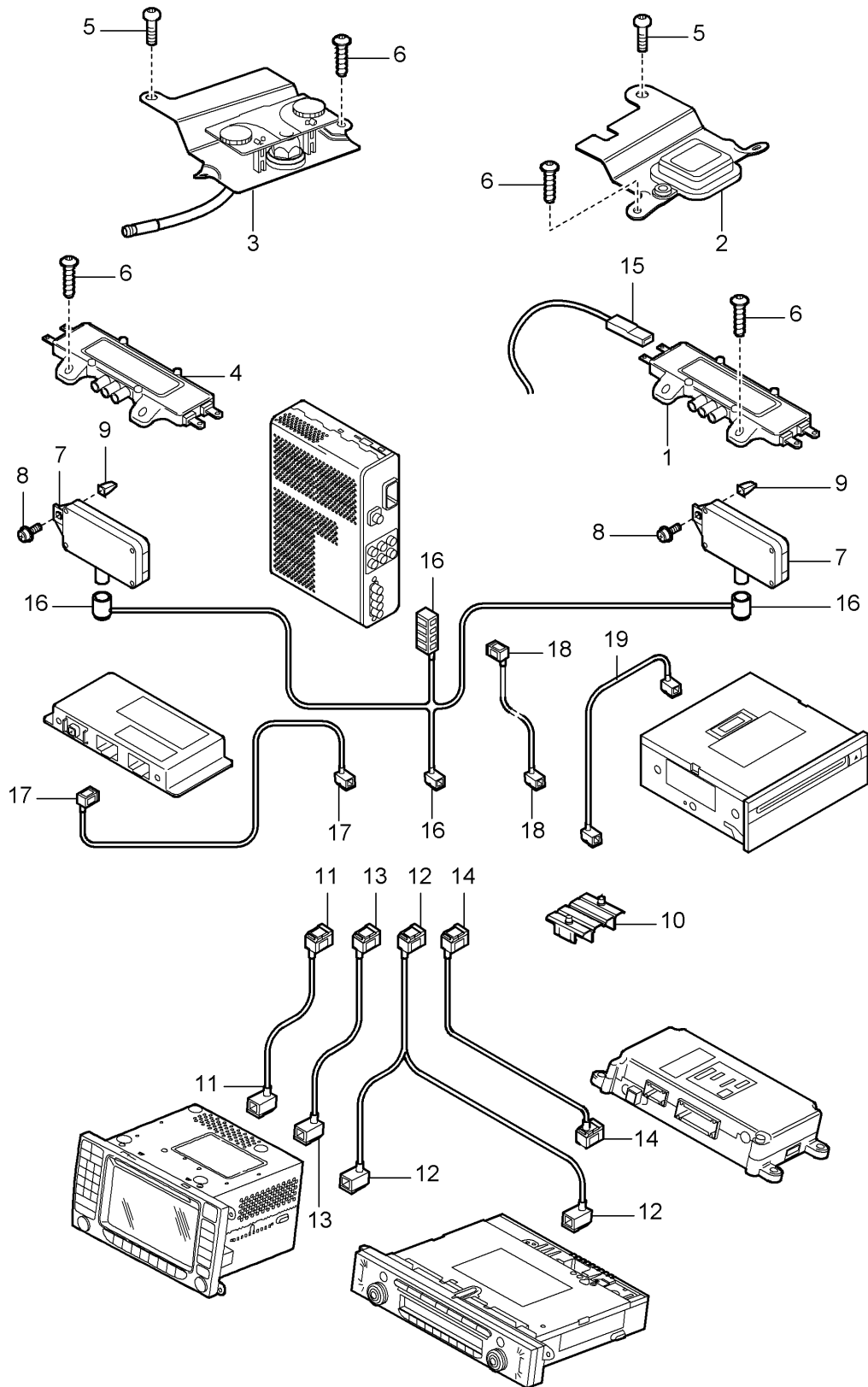
Model: 9PA108

Model life 2007>>2010

Pos	Part Number	Description	Remark	Qty	Model
26	955 645 297 00	Door mirror Retaining frame Camera	/R	1	I5RP
	955 645 297 00 01C	Satin black			
(26)	955 645 298 00	Retaining frame Camera	/L	1	I5SU
	955 645 298 00 01C	Satin black			
-	000 043 400 13	Hexagon socket head bolt 3 X 25 for Retaining frame Camera		2	I5RP/5SU

Model: 9PA108

Model life 2007>>2010



Model: 9PA108

Model life 2007>>2010

Pos	Part Number	Description	Remark	Qty	Model
		Antenna booster	-08		
1	955 647 301 00	Antenna Antenna booster		1	I8ZM
(1)	955 647 302 00	Rear spoiler Right Antenna booster		1	I8L6
2	955 647 107 01	Rear spoiler Right Antenna		1	IQV1/7Q2/7T1
3	955 647 106 00	GPS		1	
3	955 647 106 01	Antenna Telephone		1	
4	955 647 104 00	Antenna Telephone Antenna booster		1	IQV0/QV4
(4)	955 647 114 00	Rear spoiler Left Antenna booster		1	IQV1
5	N 909 446 03	Rear spoiler Left Oval-head screw		2	
6	N 908 401 03	M 5 X 12 Oval-head screw		X	
7	955 647 261 00	4 X 14 Antenna booster	/L	1	IQV1/8L6
(7)	955 647 262 00	TV Antenna booster	/R	1	IQV1/8L6
8	N 104 472 01	TV Lens-head screw		2	IQV1/8L6
9	955 647 269 00	ST 4,8 X 13 Expander nut		2	IQV1/8L6
10	955 647 432 10	Support		2	
11	955 647 208 00	Connecting line Connection point		1	I7Q2/7T1
		To Module Navigation system			
12	955 647 203 01	Connector Blue Connecting line		1	
		Connection point To Radio			
13	955 647 204 01	Connector Black Connecting line		1	I7VE/7VL/8L6
		Connection point To Control part			
(13)	955 647 215 01	Connector Yellow Connecting line		1	
		Connection point To Control part			
(13)	955 647 220 01	Connector Brown Connecting line		1	
		Connection point To Control part			
		Connector Creamy white			

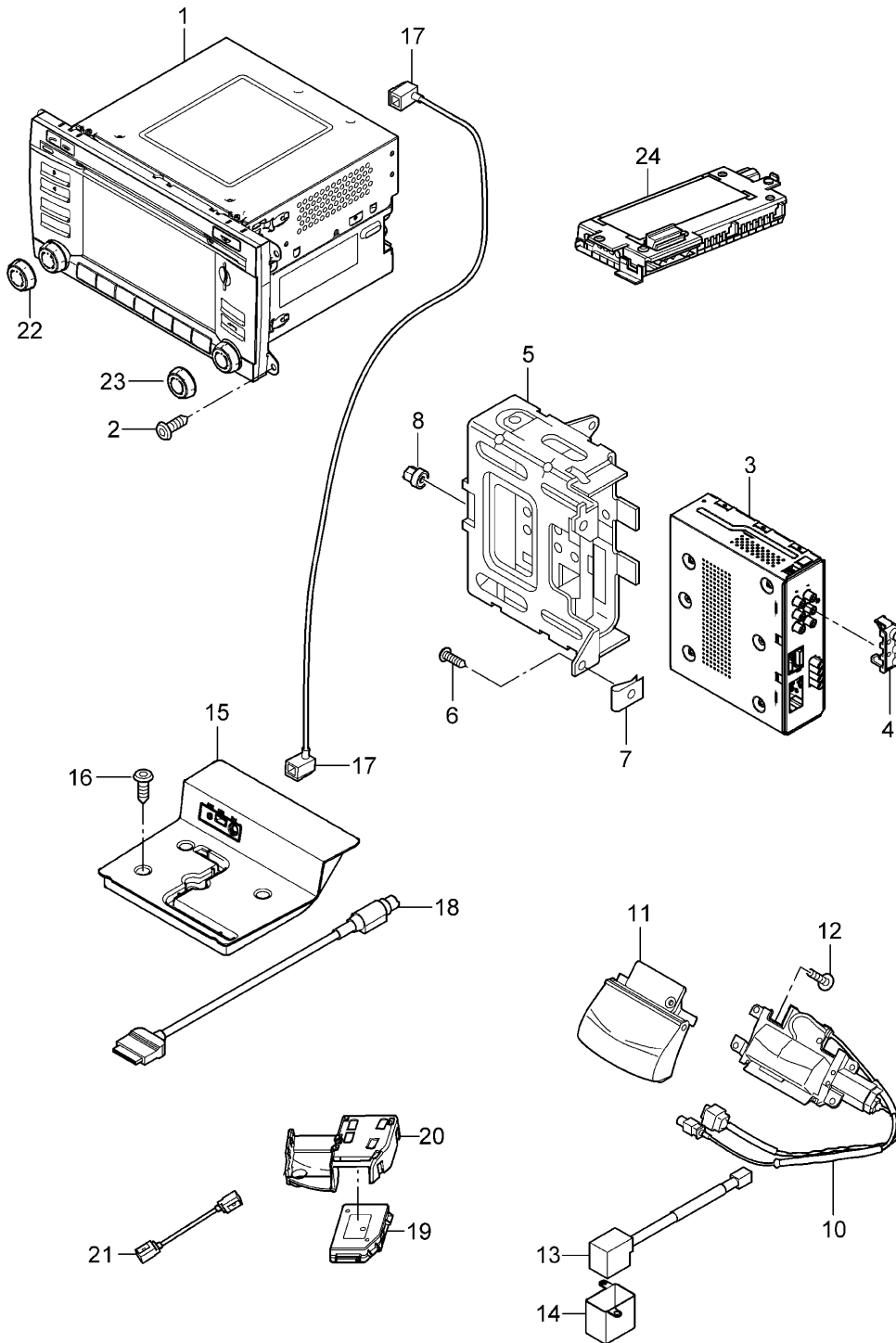
Model: 9PA108

Model life 2007>>2010

Pos	Part Number	Description	Remark	Qty	Model
14	955 647 209 11	for Reversing camera Connecting line Connection point To Control unit Telephone 997.646.208.13 Connector Violet		1	
(14)	955 647 212 01	Connecting line Connection point To Control unit Telephone Connector Violet		1	I9ZF
15	955 647 108 00	Antenna Radio Rear spoiler Right		1	
16	955 647 213 01	Connecting line Receiving part TV To Connection point To Booster TV		1	
18	955 647 217 01	Connecting line Connection point To Receiving part TV Connector Brown		1	
(18)	955 647 218 01	Connecting line Connection point To Receiving part TV Connector Creamy white		1	
19	955 647 219 01	Connecting line Connection point To DVD device Navigation system		1	

Model: 9PA108

Model life 2007>>2010



Model: 9PA108 Model life 2007>>2010

Pos	Part Number	Description	Remark	Qty	Model
		Radio Navigation system Receiving part TV Reversing camera Camera Door mirror Multimedia interface Control part Only in exchange	09-		
1	955 642 970 X	Control part We take back: 955.642.970.00		1	I7T1
1	955 642 972 X	Control part We take back: 955.642.972.00		1	I7D7/7T1
1	955 642 974 X	Control part We take back: 955.642.974.00		1	I7T7
1	955 642 975 X	Control part We take back: 955.642.975.00		1	I7D7/7T7
(1)	955 645 138 00	Radio CDR 30		1	I8DR/8RV/9VL
(1)	955 645 138 X	Radio CDR 30 We take back: 955.645.138.00		1	I8DR/8RV/9VL
(1)	955 645 146 00	Radio CDR 30		1	I7D7/8DR/8RV I9VL
(1)	955 645 146 X	Radio CDR 30 We take back: 955.645.146.00		1	I7D7/8DR/8RV I9VL
(1)	955 645 142 00	Radio CDR 30		1	I8DR/8RV/9VL I9W5
(1)	955 645 142 X	Radio CDR 30 We take back: 955.645.142.00		1	I8DR/8RV/9VL I9W5
(1)	955 645 144 00	Radio CDR 30		1	I7D7/8DR/8RV I9VL/9W5
(1)	955 645 144 X	Radio CDR 30 We take back: 955.645.144.00		1	I7D7/8DR/8RV I9VL/9W5
-	955 642 226 01	Support DVD device		1	I7T7
-	955 642 226 15	Navigation system Support Adapter DVD device		1	I7T7
-	955 642 226 20	Navigation system Reinforcement for Support DVD device		1	I7T7

Model: 9PA108

Model life 2007>>2010

Pos	Part Number	Description	Remark	Qty	Model
-	N 105 696 01	Navigation system Torx screw M 5 X 30		2	I7T7
2	N 105 842 01	Tapping screw 4,2 X 25		1	
-	997 642 271 50	DVD Navigation system for Software 7L5.919.193 See technical information GR. 9 NR. 52/09 KD - NR. 9110		1	I7QT
-	997 642 271 51	DVD Navigation system for Software 7L5.919.193.G See technical information GR. 9 NR. 52/09 KD - NR. 9110		1	I7QT
-	997 642 275 50	DVD Navigation system for Software 7L5.919.193.B See technical information GR. 9 NR. 52/09 KD - NR. 9110		1	I7QV
-	997 642 275 51	DVD Navigation system for Software 7L5.919.193.J See technical information GR. 9 NR. 52/09 KD - NR. 9110		1	I7QV
-	997 642 277 50	DVD Navigation system for Software 7L5.919.193.C See technical information GR. 9 NR. 52/09 KD - NR. 9110		1	I7QZ
-	997 642 277 51	DVD Navigation system for Software 7L5.919.193.K See technical information GR. 9 NR. 52/09 KD - NR. 9110		1	I7QZ
-	997 642 279 50	DVD Navigation system for Software 7L5.919.193.D See technical information GR. 9 NR. 52/09 KD - NR. 9110		1	I7RA
-	997 642 279 51	DVD Navigation system		1	I7RA

Model: 9PA108

Model life 2007>>2010

Pos	Part Number	Description	Remark	Qty	Model
-	997 642 281 50	for Software 7L5.919.193.L See technical information GR. 9 NR. 52/09 KD - NR. 9110 DVD Navigation system		1	I7RB/7RC/7RD
-	997 642 281 51	for Software 7L5.919.193.E See technical information GR. 9 NR. 52/09 KD - NR. 9110 DVD Navigation system		1	I7RB/7RC/7RD
-	997 642 283 50	for Software 7L5.919.193.M See technical information GR. 9 NR. 52/09 KD - NR. 9110 DVD Navigation system		1	I7RV
-	997 642 283 51	for Software 7L5.919.193.F See technical information GR. 9 NR. 52/09 KD - NR. 9110 DVD Navigation system		1	I7RV
-	997 642 148 02	for Software 7L5.919.193.N See technical information GR. 9 NR. 52/09 KD - NR. 9110 CD-ROM Logbook		1	
3	7PP 919 148	Receiving part TV		1	IQV1
3	7PP 919 148 A	Receiving part TV		1	IQV1
4	955 642 295 10	Coding plug		1	IQV1/7X8/7X9
5	955 642 255 10	Support		1	IQV1/8L6
6	N 100 292 06	Oval-head screw M 6 X 15		4	IQV1
7	N 910 234 01	Speed nut M 6 X 24,4 X 13		4	IQV1
8	N 100 151 01	Hexagon nut T 5		1	IQV1
10	955 645 290 00	Reversing camera Module		1	I7X8/7X9
10	955 645 290 X	Reversing camera Module		1	I7X8/7X9
10	955 645 290 1X	Reversing camera Module		1	
11	955 645 292 01	Trim cover		1	I7X8/7X9
12	955 645 292 01 G2X	Prime coated			
12	955 645 294 00	Combination screw M 4 X 12		4	
13	955 645 291 00	Camera		1	I5RP/5SU

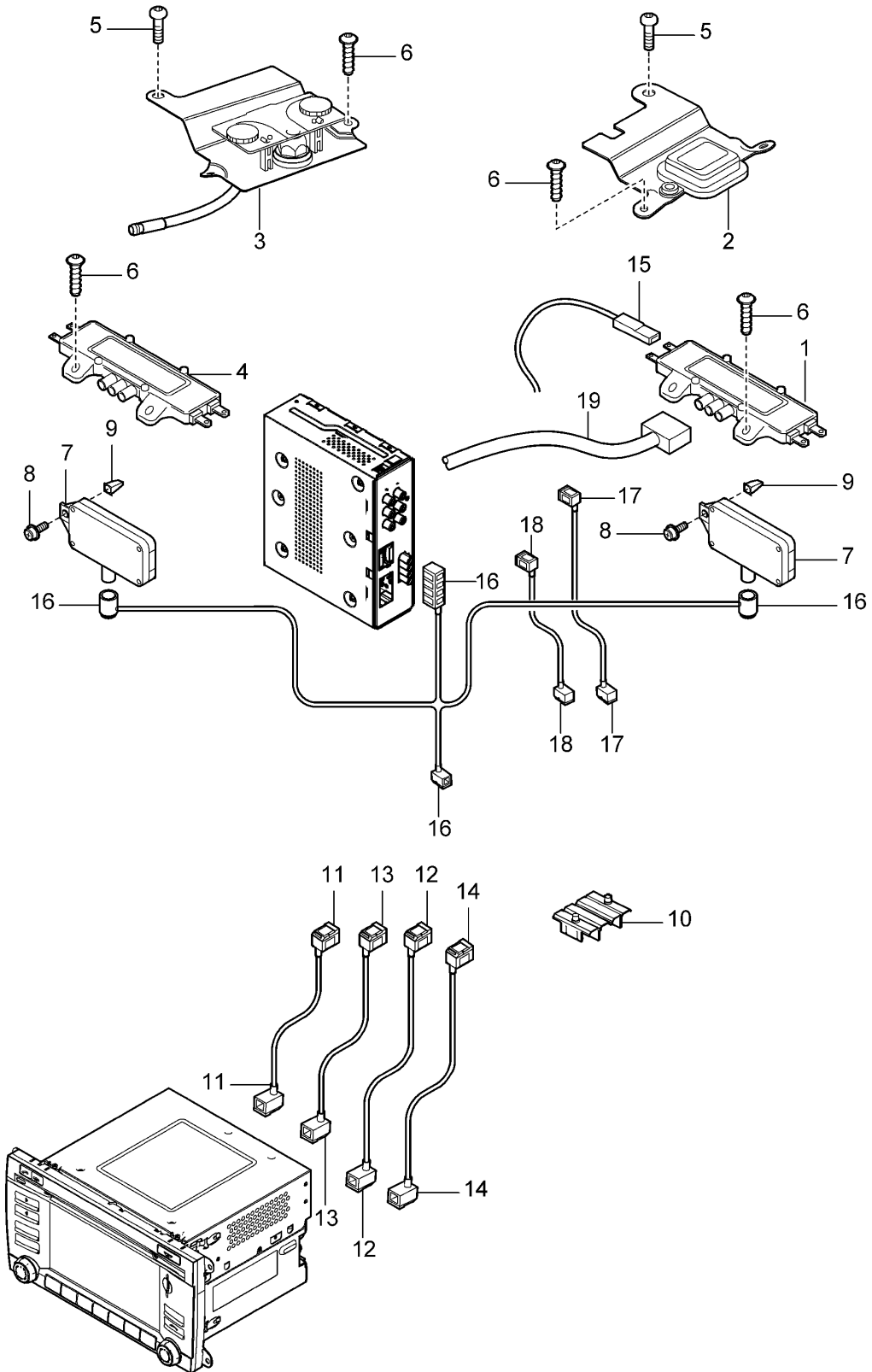
Model: 9PA108

Model life 2007>>2010

Pos	Part Number	Description	Remark	Qty	Model
14	955 645 297 00	Door mirror Retaining frame Camera	/R	1	I5RP
(14)	955 645 297 00 01C 955 645 298 00	Satin black Retaining frame Camera	/L	1	I5SU
-	955 645 298 00 01C 000 043 400 13	Satin black Hexagon socket head bolt 3 X 25 for Retaining frame Camera		2	I5RP/5SU
15	955 642 351 10	Adapter		1	I7Q0/7Q2/7T1 IUF1
(15)	955 642 351 20	Multimedia interface Adapter		1	IUF1/8DR
16	N 908 401 03	Multimedia interface Oval-head screw 4,0 X 14,0		3	IUF1
17	955 612 642 30	Connecting line Multimedia interface		1	IUF1
18	997 612 471 02	Control part Connecting cable iPOD		1	IUF1
19	955 642 023 10	Magnetic-field sensor Compass		1	IQR1/8DR/8YZ
20	955 642 024 00	Support		1	
21	955 612 124 00	Connecting line Magnetic-field sensor		1	
22	997 642 929 00	Rotary knob for	/L	1	I7T1/7T7
23	997 642 930 00	Control part Rotary knob for	/R	1	I7T1/7T7
24		Control part Control unit Telephone See illustrations 9/11/11			

Model: 9PA108

Model life 2007>>2010



Model: 9PA108 Model life 2007>>2010

Pos	Part Number	Description	Remark	Qty	Model
1	955 647 311 00	Antenna booster Antenna Antenna booster	09-	1	IQV0/7Q4/8DR I8ZM
(1)	955 647 312 00	Rear spoiler Right Antenna booster Rear spoiler Right		1	I8DQ/8DV/8L6
2	955 647 107 01	Antenna		1	IQV0/QV1/7Q4 I7T1
3	955 647 106 01	GPS Antenna		1	I9W1/9W5/9ZP
4	955 647 124 00	Telephone Antenna booster		1	IQV0/QV4/8DQ I8DV/8L6
(4)	955 647 134 00	Rear spoiler Left Antenna booster		1	IQV1/8DQ/8DV I8L6
(4)	955 647 136 00	Rear spoiler Left Antenna booster Rear spoiler Left		1	IQV0/7Q4
5	N 909 446 03	Oval-head screw M 5 X 12		2	
6	N 908 401 03	Oval-head screw 4 X 14		X	
(7)	955 647 271 00	Antenna booster	/L	1	IQV0/QV1/7Q4 I8L6
(7)	955 647 272 00	TV Antenna booster TV	/R	1	I8L6 IQV0/QV1/7Q4 I8L6
8	N 104 472 01	Lens-head screw ST 4,8 X 13		2	
9	955 647 269 00	Expander nut		2	
10	955 647 432 10	Support		2	
11	955 647 208 10	Connecting line Connection point To Control part Navigation system Connector Blue		1	I7T1
(11)	955 612 073 25	Connecting line Connection point To Computer Navigation system Connector Blue		1	I7T7
12	955 647 203 01	Connecting line Connection point To Control part Radio Connector Black		1	
13	955 647 209 20	Connecting line Connection point To Control part		1	I9W1/9ZP

Model: 9PA108 Model life 2007>>2010

Pos	Part Number	Description	Remark	Qty	Model
(13)	955 647 219 25	Telephone Connector Violet Connecting line Connection point To Centre console Connector Violet		1	I9W5
14	955 647 218 20	Connecting line Connection point To Control part Connector Creamy white		1	I7X8/7X9
(14)	955 647 212 20	Reversing camera Connecting line Connection point To Control part Connector Brown		1	IQV1
(14)	955 647 212 21	Connecting line Connection point To Control part Connector Brown		1	IQV1
(14)	997 612 047 25	Connecting line - VICS BEACON - Antenna		1	I7Q4
(14)	955 612 072 25	Control part Connecting line Computer Navigation system - IR - Sensor		1	I7T7
(14)	955 612 074 25	Connecting line Control part Computer Navigation system		1	I7T7
15	955 647 108 00	Antenna Radio Rear spoiler Right		1	
16	955 647 213 10	Connecting line Receiving part TV To Connection point To Booster TV		1	IQV1
17	955 647 215 20	Connecting line Connection point To Receiving part TV Connector Brown		1	IQV1
18	955 647 218 01	Connecting line Connection point To		1	IQV1/7X8/7X9

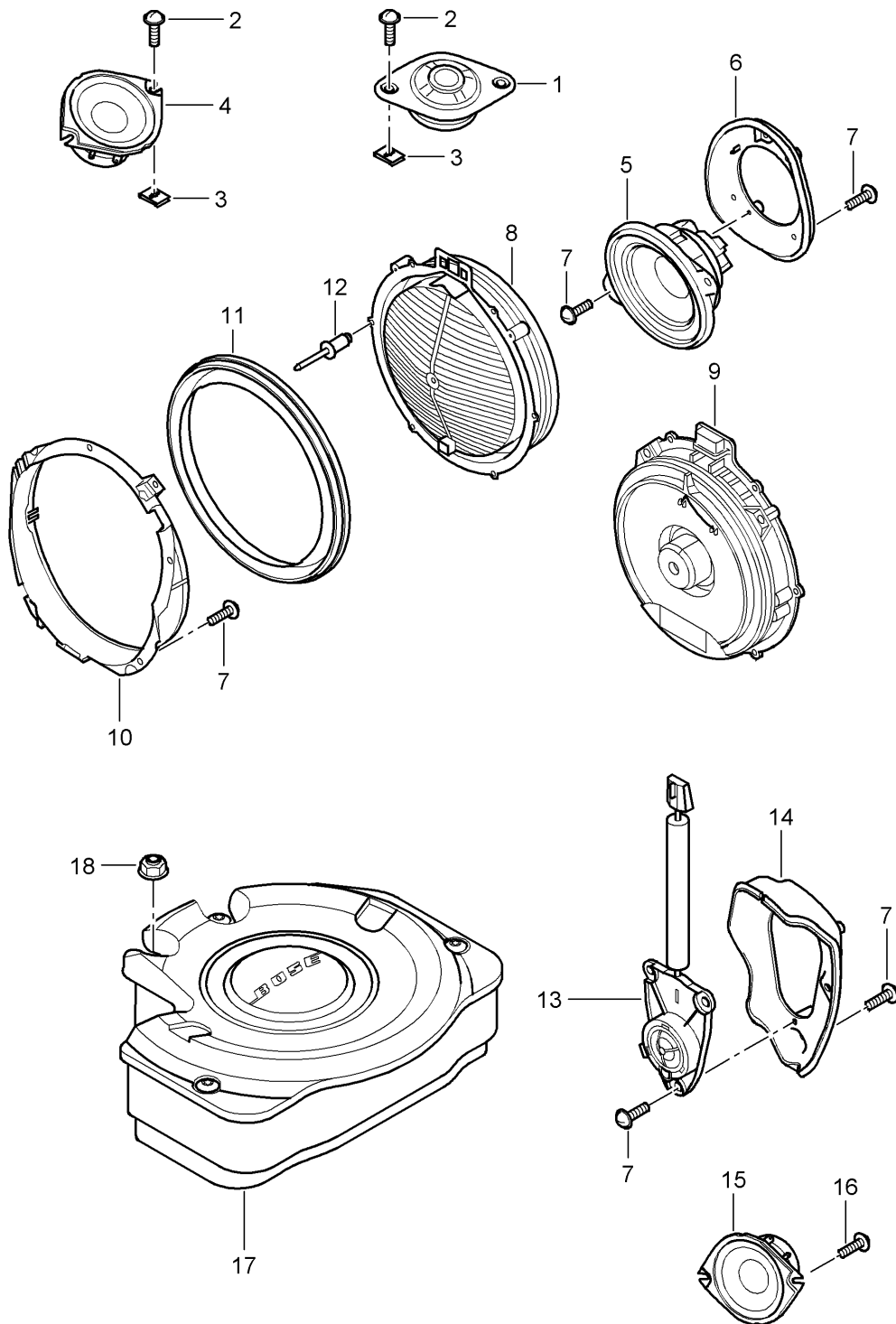
Model: 9PA108

Model life 2007>>2010

Pos	Part Number	Description	Remark	Qty	Model
19	955 035 035 10	Receiving part TV Connector Creamy white Connecting line Rear spoiler Antenna Telephone Mobile phone TV Connector Connection point Bordeaux Red		1	I8L6/8ZM/9W1 I9W5/9ZF/9ZP

Model: 9PA108

Model life 2007>>2010



Model: 9PA108

Model life 2007>>2010

Pos	Part Number	Description	Remark	Qty	Model
1	955 645 040 00	Loudspeaker Tweeter Dashboard	/V	2	I9VL
(1)	955 645 041 00	Tweeter Dashboard	/V	2	I8RV
2	N 906 986 01	Tapping screw 4,2 X 16		X	
3	N 906 988 01	Speed nut 4,2 X 16		X	
4	955 645 030 00	Loudspeaker Dashboard Centre		1	I9VL
4	955 645 034 00	Loudspeaker Dashboard Centre	09-	1	I8RV
5	955 645 031 00	Mid-range loudspeaker Door Front		2	I9VL
(5)	955 645 032 00	Mid-range loudspeaker Door Front		2	I8RV
(6)	955 645 131 00	Adapter	/L	1	
6	955 645 132 00	Adapter	/R	1	
7	N 903 474 06	Combination screw 4,0 X 12		X	
8	955 645 020 01	Woofers with housing Door Front		2	I9VL
(8)	955 645 021 00	Woofers with housing Door Front and rear		4	I8RV
(8)	955 645 022 01	Woofers with housing Door Rear		2	I9VL
9	955 645 023 00	Woofers Door Front		2	I9VL
(9)	955 645 024 00	Woofers Door Rear		2	I9VL
10	955 645 221 00	Mounting Sealing ring Door Front	/L	1	
(10)	955 645 222 00	Mounting Sealing ring Door Front	/R	1	
(10)	955 645 223 00	Mounting Sealing ring Door Rear	/L	1	
(10)	955 645 224 00	Mounting Sealing ring Door Rear	/R	1	
11	955 645 120 00	Sealing ring Woofers		4	
12	N 907 657 01	Blind rivet 4,8 X 15		X	

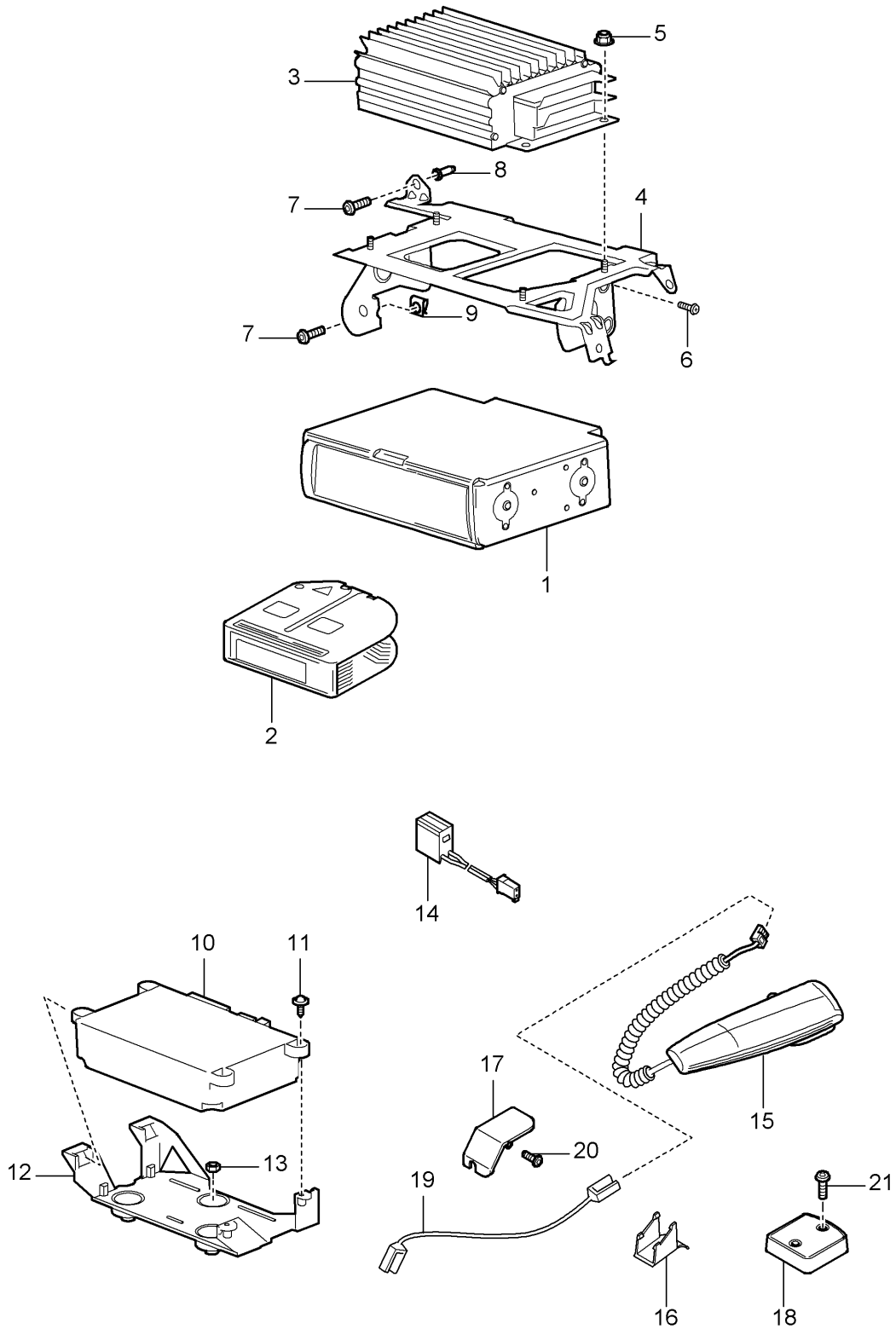
Model: 9PA108

Model life 2007>>2010

Pos	Part Number	Description	Remark	Qty	Model
13	955 645 042 00	Tweeter Door Rear		2	I9VL
(13)	955 645 043 00	Loudspeaker MID-RANGE speaker High-pitched Door Rear		2	I8RV
(14)	955 645 133 00	Adapter	/L	1	
14	955 645 134 00	Adapter	/R	1	
15	955 645 030 00	Loudspeaker D-pillar		2	I9VL
16	N 106 021 01	Oval-head screw 4 X 10		4	I9VL
(17)	955 645 010 00	Subwoofer Spare-wheel well		1	I9VL
18	N 102 058 02	Hexagon nut M 6		4	I9VL

Model: 9PA108

Model life 2007>>2010

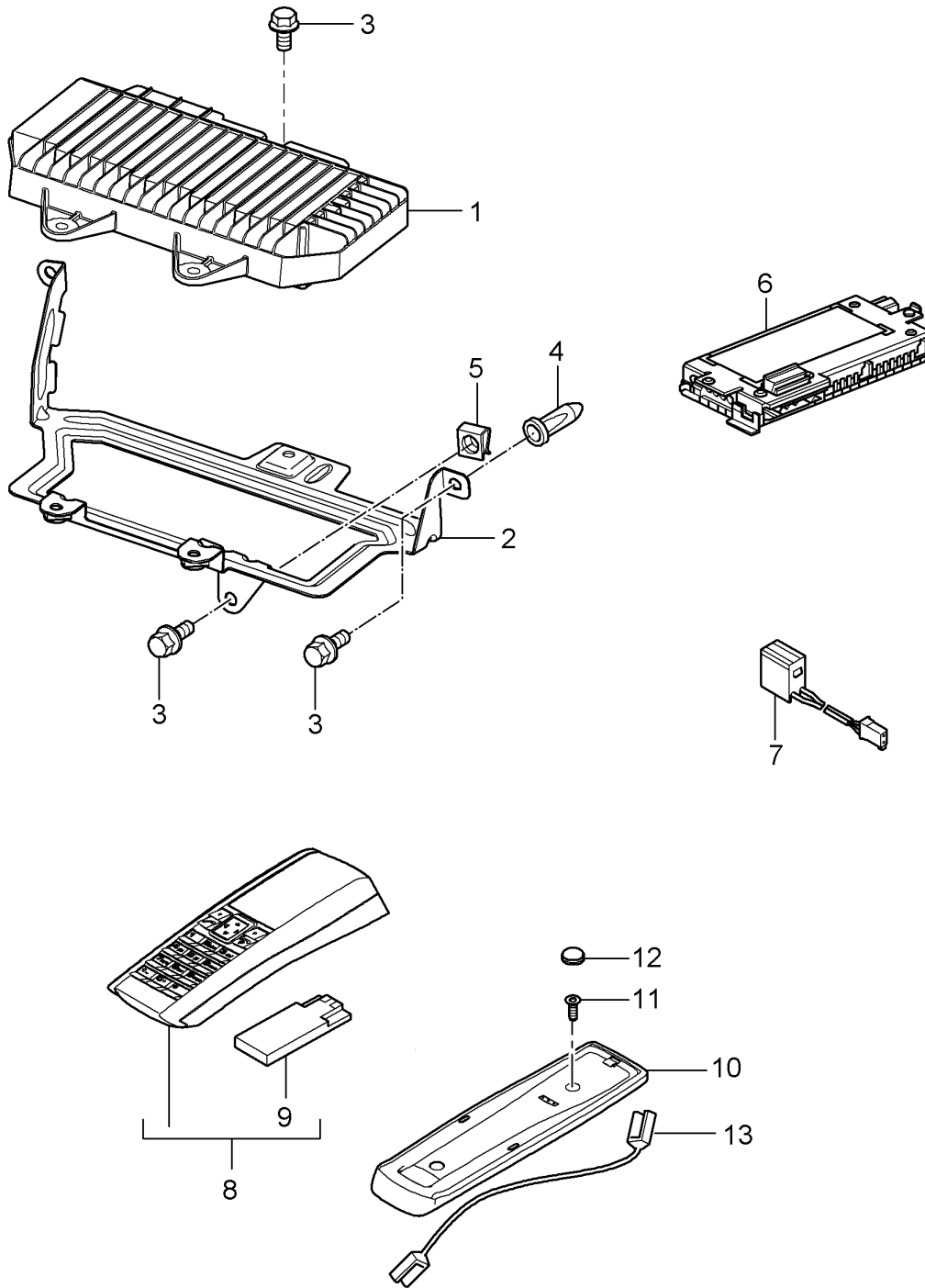


Model: 9PA108 Model life 2007>>2010

Pos	Part Number	Description	Remark	Qty	Model
1	997 645 140 03	Booster CD changer Telephone CD changer CDC 4 Adjustment Installation Attention	-08	1	I7A2
2	996 645 113 00	Magazine for CD changer		1	
3	955 645 301 07	Booster		1	I9VL
4	955 645 220 00	Support CD changer Booster		1	I7A2/9VL
5	N 101 181 05	Hexagon nut M 5		4	I9VL
6	N 906 448 05	Screw M 5 X 9		6	I7A2
7	N 100 292 06	Oval-head screw M 6 X 15		4	
8	N 909 278 01	Blind rivet nut M 6		2	
9	N 910 234 01	Speed nut M 6 X 24,4		1	
10	997 646 209 01	Control unit Telephone		1	
11	N 104 648 02	Oval-head screw 4,0 X 12		2	I9ZP
12	955 642 208 02	Support		1	I9W1/9ZP
13	N 100 151 01	Hexagon nut T 5		3	
14	955 642 310 00	Microphone		1	
15	955 642 212 02	Receiver Telephone		1	I9ZH/9ZP
16	955 642 213 00	Cable guide		1	I9ZH/9ZP
17	955 642 214 00	Cap		1	I9ZH/9ZP
18	955 642 215 00	Connection piece Receiver Telephone		1	I9ZH/9ZP
19	955 612 642 01	Cable		1	I9ZP
20	N 909 067 01	Oval-head screw 2,5 X 18		2	I9ZH/9ZP
21	N 105 357 02	Oval-head screw 3 X 25		2	I9ZH/9ZP

Model: 9PA108

Model life 2007>>2010



Model: 9PA108 Model life 2007>>2010

Pos	Part Number	Description	Remark	Qty	Model
		Booster Telephone	09-		
1	955 645 302 01	Booster		1	I9VL
1	7PP 035 223 P	Booster		1	I9VL
1	7PP 035 223 J	Booster	10-	1	I7Q4/9VL
(1)	955 645 312 01	Booster		1	I8DQ/8DV/8RV
2	955 645 225 00	Support Booster		1	I8DQ/8DV/8RV I9VL
3	N 101 563 07	Hexagon-head bolt M 6 X 12		6	I8DQ/8DV/8RV I9VL
4	N 909 278 01	Blind rivet nut M 6		2	I8DQ/8DV/8RV I9VL
5	N 910 234 01	Speed nut M 6 X 24,4		1	I8DQ/8DV/8RV I9VL
6	997 646 218 01	Control unit Telephone		1	I9W1/9ZP
6	7PP 035 730 A	Control unit Telephone		1	I9W1/9ZP
7	955 642 312 00	Microphone		1	IQH0/7Q4/8RV I9W0
-	955 612 075 75	Connecting line Microphone		1	I7Q4
7	955 642 313 00	Control part Microphone		1	IQH0/QH1/7T7 I8RV/9VL/9W0 I9W1/9W5/9ZP
8	7PP 035 725	Receiver Telephone		1	I7Q0/7Q2/7T1 I9ZP
9	997 646 216 00	Battery		1	
9	997 646 916 00	Battery		1	
10	997 646 214 00	Mounting Receiver		1	
	997 646 214 00 A05	Black mat			
10	955 646 214 00	Mounting Receiver		1	
11	N 911 598 01	Countersunk-head screw 3,0 X 15,0		2	
12	997 646 311 00	Stopper		2	
13	955 612 642 10	Cable		1	I9ZP
(13)	955 612 642 20	Cable		1	I9W5