

Model: 92A 11**Model life 2011>>**

ORDER-INFO

PET CONTAINS THE ORDERING DETAILS FOR ALL MODELS SHOWN IN THE MODEL OVERVIEW.

THE UPDATE SERVICE IS PERFORMED AUTOMATICALLY VIA INTERNET UPDATE.
THE VERSION IS SHOWN IN THE HEADER AS "UPDATE 123/12"

SEATS AND RELATED ITEMS FOR MODELS INTRODUCED BEFORE 1997 ARE SHOWN IN THE STZ CATALOGUE.

SEATS AND RELATED ITEMS FOR MODELS INTRODUCED AFTER 1997 ARE SHOWN IN THE CORRESPONDING VEHICLE CATALOGUES.

ALL ILLUSTRATIONS ARE NON-BINDING.
SUBJECT TO CHANGE.

Model: 92A 11

Model life 2011>>

EXPLANAT.- VIN

EXPLANATION OF THE ABRIDGED VERSION OF THE VEHICLE IDENT. NUMBERS (VIN)
 =====
 USED IN THE CATALOGUE
 =====

DIGIT:		1	2	3	4	5	6	7	8	9	10	11	12	13	14	15	16	17
--------	--	---	---	---	---	---	---	---	---	---	----	----	----	----	----	----	----	----

EXAMPLE:		W	P	0	Z	Z	Z	9	9	Z	5	S	7	0	0	1	2	5
----------	--	---	---	---	---	---	---	---	---	---	---	---	---	---	---	---	---	---

								===		=	=	=						
								!		!	!	!						!

VEHICLE TYPE 1ST+2ND DIGIT-----+										!	!	!						!
----------------------------------	--	--	--	--	--	--	--	--	--	---	---	---	--	--	--	--	--	---

MODEL YEAR-----+										!	!	!						!
------------------	--	--	--	--	--	--	--	--	--	---	---	---	--	--	--	--	--	---

MANUFACTURING LOCATION-----+											!	!						!
------------------------------	--	--	--	--	--	--	--	--	--	--	---	---	--	--	--	--	--	---

VEHICLE TYPE 3RD DIGIT-----+												!						!
------------------------------	--	--	--	--	--	--	--	--	--	--	--	---	--	--	--	--	--	---

SERIAL NUMBER-----+																		!
---------------------	--	--	--	--	--	--	--	--	--	--	--	--	--	--	--	--	--	---

Model: 92A 11

Model life 2011>>

SUMMARY TYPES

VEHICLE TYPE	MY	VIN	ENGINE	TYPE
CAYENNE	11 B	92BLA 00061>20000	M55.02	220 KW
CAYENNE (USA.CDN)	11 B	A2BLA 00061>20000	M55.02	220 KW
CAYENNE S	11 B	92BLA 40061>60000	M48.02	294 KW
CAYENNE S (USA.CDN)	11 B	A2BLA 40061>60000	M48.02	294 KW
CAYENNE TURBO	11 B	92BLA 80061>90000	M48.52	368 KW
CAYENNE TURBO (USA.CDN)	11 B	A2BLA 80061>90000	M48.52	368 KW
CAYENNE DIESEL	11 B	92BLA 20061>40000	M05.9E	176 KW
CAYENNE C33 (CHINA)	11 B	92BLA 60061>70000	M06.EC	245 KW
CAYENNE HYBRID	11 B	92BLA 90061>99999	M06.EC	245 KW
CAYENNE HYBRID (USA.CDN)	11 B	A2BLA 90061>99999	M06.EC	245 KW
CAYENNE	12 C	92CLA 00061>20000	M55.02	220 KW
CAYENNE (USA.CDN)	12 C	A2CLA 00061>20000	M55.02	220 KW
CAYENNE C33 (CHINA)	12 C	92CLA 60061>70000	MCJ.TB	245 KW
CAYENNE S	12 C	92CLA 40061>60000	M48.02	294 KW
CAYENNE S (USA.CDN)	12 C	A2CLA 40061>60000	M48.02	294 KW
CAYENNE TURBO	12 C	92CLA 80061>90000	M48.52	368 KW
CAYENNE TURBO (USA.CDN)	12 C	A2CLA 80061>90000	M48.52	368 KW
CAYENNE DIESEL	12 C	92CLA 20061>40000	MCR.CA	180 KW
CAYENNE HYBRID	12 C	92CLA 90061>99999	MCG.EA	245 KW
CAYENNE HYBRID (USA.CDN)	12 C	A2CLA 90061>99999	MCG.FA	245 KW
CAYENNE	13 D	92DLA 00061>14000	M55.02	220 KW
CAYENNE (USA.CDN)	13 D	A2DLA 00061>14000	M55.02	220 KW
CAYENNE	13 D	92DLA 19001>20000	M55.02	220 KW
CAYENNE (USA.CDN)	13 D	A2DLA 19001>20000	M55.02	220 KW
CAYENNE C33 (CHINA)	13 D	92DLA 47061>69000	MCJ.TB	245 KW
CAYENNE GTS	13 D	92DLA 70061>80000	M48.02	309 KW
CAYENNE GTS (USA.CDN)	13 D	A2DLA 70061>80000	M48.02	309 KW
CAYENNE GTS	13 D	92DLA 45001>47000	M48.02	309 KW
CAYENNE GTS (USA.CDN)	13 D	A2DLA 45001>47000	M48.02	309 KW
CAYENNE S	13 D	92DLA 80061>89000	M48.02	294 KW
CAYENNE S (USA.CDN)	13 D	A2DLA 80061>89000	M48.02	294 KW
CAYENNE TURBO	13 D	92DLA 90061>94000	M48.52	368 KW
CAYENNE TURBO (USA.CDN)	13 D	A2DLA 90061>94000	M48.52	368 KW
CAYENNE DIESEL	13 D	92DLA 20061>45000	MCR.CA	180 KW
CAYENNE DIESEL BIN5 (USA.CDN)	13 D	A2DLA 20061>45000	MCN.RB	176 KW
CAYENNE DIESEL V8	13 D	92DLA 95061>99999	MCU.DB	285 KW
CAYENNE HYBRID	13 D	92DLA 14061>19000	MCG.EA	245 KW
CAYENNE HYBRID (USA.CDN)	13 D	A2DLA 14061>19000	MCG.FA	245 KW
CAYENNE	14 E	92ELA 00061>10000	M55.02	220 KW
CAYENNE (USA.CDN)	14 E	A2ELA 00061>10000	M55.02	220 KW
CAYENNE C33 (CHINA)	14 E	92ELA 10061>30000	MCJ.TB	245 KW
CAYENNE GTS	14 E	92ELA 70061>80000	M48.02	309 KW
CAYENNE GTS (USA.CDN)	14 E	A2ELA 70061>80000	M48.02	309 KW
CAYENNE S	14 E	92ELA 55061>60000	M48.02	294 KW
CAYENNE S (USA.CDN)	14 E	A2ELA 55061>60000	M48.02	294 KW
CAYENNE TURBO	14 E	92ELA 80061>85000	M48.52	368 KW
CAYENNE TURBO (USA.CDN)	14 E	A2ELA 80061>85000	M48.52	368 KW
CAYENNE TURBO S -->05-2013	14 E	92ELA 85061>87000	M48.52	404 KW
CAYENNE TURBO S 05-2013-->	14 E	92ELA 87001>90000	M48.52	404 KW
CAYENNE TURBO S -->05-2013 NAR	14 E	A2ELA 85061>87000	M48.52	404 KW
CAYENNE TURBO S 05-2013--> NAR	14 E	A2ELA 87001>90000	M48.52	404 KW
CAYENNE DIESEL	14 E	92ELA 30061>50000	MCR.CA	180 KW
CAYENNE DIESEL BIN5 (USA.CDN)	14 E	A2ELA 30061>40000	MCN.RB	176 KW

Model: 92A 11**Model life 2011>>**

CAYENNE DIESEL V8	14	E	92ELA	65061>70000	MCU.DB	285	KW
CAYENNE HYBRID	14	E	92ELA	50061>55000	MCG.EA	245	KW
CAYENNE HYBRID (USA.CDN)	14	E	A2ELA	50061>55000	MCG.FA	245	KW

Model: 92A 11

Model life 2011>>

SUMMARY TYPES

VEHICLE TYPE	MY	VIN	ENGINE	TYPE
CAYENNE	14 E	92ELA 90061>99999	M55.02	220 KW
CAYENNE (USA.CDN)	14 E	A2ELA 90061>99999	M55.02	220 KW
CAYENNE C33 (CHINA)	14 E	92ELA 60061>65000	MCJ.T	245 KW
CAYENNE C33 (CHINA)	14 E	92ELA 85061>87000	MCJ.T	245 KW
CAYENNE DIESEL	14 E	92ELA 82061>85000	MCR.CA	180 KW
CAYENNE DIESEL BIN5 (USA, CDN)	14 E	A2ELA 82061>85000	MCN.RB	176 KW
CAYENNE DIESEL V8	14 E	92ELA 52061>55000	MCU.DB	285 KW
CAYENNE C33 (CHINA)	15 F	92FLA 10061>30000	MCJ.T	245 KW
CAYENNE S	15 F	92FLA 55061>65000	MCU.RA	309 KW
CAYENNE S (USA.CDN)	15 F	A2FLA 55061>65000	MCU.RA	309 KW
CAYENNE TURBO	15 F	92FLA 80061>85000	MCF.TB	382 KW
CAYENNE TURBO (USA.CDN)	15 F	A2FLA 80061>85000	MCF.TB	382 KW
CAYENNE DIESEL	15 F	92FLA 30061>50000	3 Mot.	
CAYENNE DIESEL (USA.CDN)	15 F	A2FLA 30061>50000	MCN.RB	176 KW
CAYENNE DIESEL V8	15 F	92FLA 65061>70000	MCU.DC	283 KW
CAYENNE HYBRID	15 F	92FLA 85061>86000	MCG.EA	245 KW
CAYENNE HYBRID (USA.CDN)	15 F	A2FLA 85061>86000	MCG.FA	245 KW
CAYENNE S HYBRID	15 F	92FLA 50061>55000	MCG.EA	245 KW
CAYENNE S HYBRID (USA.CDN)	15 F	A2FLA 50061>55000	MCG.EA	245 KW
CAYENNE S HYBRID (CHINA)	15 F	A2FLA 50061>55000	MCG.EA	245 KW
CAYENNE	16 G	92GLA 00061>08000	MCE.YA	220 KW
CAYENNE	16 G	92GLA 08061>16000	MCE.YA	220 KW
CAYENNE	16 G	92GKA 08061>16000	MCE.YA	220 KW
CAYENNE (USA.CDN)	16 G	A2GLA 00061>08000	MCE.YA	220 KW
CAYENNE (USA.CDN)	16 G	A2GKA 08061>16000	MCE.YA	220 KW
CAYENNE C33 (CHINA)	16 G	92GLA 20061>36000	MCJ.T	245 KW
CAYENNE C33 (CHINA)	16 G	92GKA 20061>36000	MCJ.T	245 KW
CAYENNE DIESEL	16 G	92GLA 40061>58000	3 Mot.	
CAYENNE DIESEL	16 G	92GKA 40061>58000	3 Mot.	
CAYENNE DIESEL (USA.CDN)	16 G	A2GKA 40061>58000	3 Mot.	
CAYENNE DIESEL V8	16 G	92GLA 65061>70000	MCU.DC	283 KW
CAYENNE GTS	16 G	92GLA 70061>75000	MCX.ZA	324 KW
CAYENNE GTS	16 G	92GLA 75061>85000	MCX.ZA	324 KW
CAYENNE GTS (USA.CDN)	16 G	A2GLA 70061>75000	MCX.ZA	324 KW
CAYENNE GTS (USA.CDN)	16 G	A2GLA 75061>85000	MCX.ZA	324 KW
CAYENNE TURBO	16 G	92GLA 80061>85000	MCF.TB	382 KW
CAYENNE TURBO (USA.CDN)	16 G	A2GLA 80061>85000	MCF.TB	382 KW
CAYENNE TURBO S	16 G	92GLA 85061>86000	MCY.XA	419 KW
CAYENNE TURBO S (USA.CDN)	16 G	A2GLA 85061>86000	MCY.XA	419 KW
CAYENNE HYBRID	16 G	92GLA 58061>65000	MCG.EA	245 KW
CAYENNE	16 G	92GLA 16061>20000	MCG.FA	245 KW
CAYENNE HYBRID (USA.CDN)	16 G	A2GLA 16061>20000	MCG.FA	245 KW
CAYENNE	16 G	92GKA 36061>40000	MCE.YA	220 KW
CAYENNE (USA.CDN)	16 G	A2GKA 36061>40000	MCE.YA	220 KW

Model: 92A 11

Model life 2011>>

SUMMARY TYPES

VEHICLE TYPE	MY	VIN	ENGINE TYPE
CAYENNE/ Platinum Edition	17	H 92HKA 80061>99999	MCE.YA 220 KW
CAYENNE (USA.CDN)/ Pl. ED.	17	H A2HKA 80061>99999	MCE.YA 220 KW
CAYENNE C33 (CHN)/ Pl. ED.	17	H 92HKA 80061>99999	MCJ.T 245 KW
CAYENNE C33 (CHN)/ Pl. ED.	17	H 92HLA 00061>28000	
CAYENNE C33 (CHN)/ Pl. ED.	17	H 92HKA 00061>28000	
CAYENNE DIESEL/ Pl. ED.	17	H 92HLA 28061>50000	3 Mot.
CAYENNE DIESEL/ Pl. ED.	17	H 92HKA 28061>50000	3 Mot.
CAYENNE DIESEL (USA,CDN)/P.E.	17	H A2HLA 28061>50000	3 Mot.
CAYENNE DIESEL (USA.CDN)/P.E.	17	H A2HKA 28061>50000	
CAYENNE DIESEL C33 (CHN)	17	H 92HLA 28061>50000	
CAYENNE DIESEL C33 (CHN)	17	H 92HKA 28061>50000	
CAYENNE S	17	H 92HLA 50061>60000	
CAYENNE S (USA.CDN)	17	H A2HLA 50061>60000	
CAYENNE S C33 (CHN)	17	H 92HLA 50061>60000	
CAYENNE S DIESEL	17	H 92HLA 60061>68000	MCU.DC 283 KW
CAYENNE S DIESEL C33 (CHN)	17	H 92HLA 60061>68000	
CAYENNE HYBRID/ Pl. ED.	17	H 92HLA 68061>80000	MCG.EA 245 KW
CAYENNE HYBRID (USA.CDN)/P.E.	17	H A2HLA 68061>80000	
CAYENNE HYBRID C33 (CHN)/P.E.	17	H 92HLA 68061>80000	
CAYENNE GTS	17	H 92HLA 80061>92000	MCX.ZA 324 KW
CAYENNE GTS (CHN)	17	H 92HLA 80061>92000	MCX.ZA 324 KW
CAYENNE GTS (USA.CDN)	17	H A2HLA 80061>92000	MCX.ZA 324 KW
CAYENNE TURBO	17	H 92HLA 92061>97000	MCF.TB 382 KW
CAYENNE TURBO (CHN)	17	H 92HLA 92061>97000	MCF.TB 382 KW
CAYENNE TURBO (USA.CDN)	17	H A2HLA 92061>97000	MCF.TB 382 KW
CAYENNE TURBO S	17	H 92HLA 97061>99999	MCY.XA 419 KW
CAYENNE TURBO S (CHN)	17	H 92HLA 97061>99999	MCY.XA 419 KW
CAYENNE TURBO S (USA.CDN)	17	H A2HLA 97061>99999	MCY.XA 419 KW
CAYENNE/ Platinum Edition	18	J 92JKA 00061>15000	
CAYENNE/ Pl. ED. (USA.CDN)	18	J A2JKA 00061>15000	
CAYENNE/ Pl. ED. (CHN)	18	J 92JKA 00061>15000	
CAYENNE/ Pl. ED. (CHN)	18	J 92JLA 20061>35000	
CAYENNE/ Pl. ED. (CHN)	18	J 92JKA 20061>35000	
CAYENNE DIESEL/ Pl. ED.	18	J 92JLA 40061>55000	
CAYENNE DIESEL/ Pl. ED.	18	J 92JKA 40061>55000	
CAYENNE DIESEL/ Pl. ED. (CHN)	18	J 92JLA 40061>55000	
CAYENNE DIESEL/ Pl. ED. (CHN)	18	J 92JKA 40061>55000	
CAYENNE D/ Pl. ED. (USA, CDN)	18	J A2JLA 40061>55000	
CAYENNE D/ Pl. ED. (USA, CDN)	18	J A2JKA 40061>55000	
CAYENNE S/ Pl. ED.	18	J 92JLA 60061>65000	
CAYENNE S/ Pl. ED. (CHN)	18	J 92JLA 60061>65000	
CAYENNE S/ Pl. ED. (USA, CDN)	18	J A2JLA 60061>65000	
CAYENNE S Diesel/ Pl. ED.	18	J 92JLA 65061>70000	
CAYENNE S Diesel/ Pl.ED.(CHN)	18	J 92JLA 65061>70000	
CAYENNE S Hy/Pl.ED.	18	J 92JLA 70061>80000	
CAYENNE S Hy/Pl.ED. (CHN)	18	J 92JLA 70061>80000	
CAYENNE S Hy/Pl.ED.(USA, CDN)	18	J A2JLA 70061>80000	
CAYENNE GTS	18	J 92JLA 80061>85000	
CAYENNE GTS (CHN)	18	J 92JLA 80061>85000	
CAYENNE GTS (USA.CDN)	18	J A2JLA 80061>85000	
CAYENNE TURBO	18	J 92JLA 85061>90000	
CAYENNE TURBO (CHN)	18	J 92JLA 85061>90000	
CAYENNE TURBO (USA.CDN)	18	J A2JLA 85061>90000	

Model: 92A 11

Model life 2011>>

SUMMARY TYPES

VEHICLE TYPE	MY	VIN	ENGINE TYPE
CAYENNE TURBO S	18 J	92JLA 90061>95000	MCY.XA 419 KW
CAYENNE TURBO S (CHN)	18 J	92JLA 90061>95000	MCY.XA 419 KW
CAYENNE TURBO S (USA.CDN)	18 J	A2JLA 90061>95000	MCY.XA 419 KW

Model: 92A 11

Model life 2011>>

SUMMARY ENGINES

VEHICLE TYPE	ENGINE		MY	ENGINE NO.	TECHNICAL DATA
	TYPE				
CAYENNE	M55.02	11 B ___B	01001>99999	6ZYL/3,6L /220 KW	
CAYENNE S	M48.02	11 B ___B	00501>59999	8ZYL/4,8L /294 KW	
CAYENNE S I1A5	M48.02	11 B _VB	00501>59999	8ZYL/4,8L /294 KW	
CAYENNE TURBO	M48.52	11 B ___B	00501>99999	8ZYL/4,8L /368 KW	
CAYENNE DIESEL	M05.9E	11 B CAS	0001>99999	6ZYL/3,0L /176 KW	
CAYENNE HYBRID	M06.EC	11 B ___B	00501>99999	6ZYL/3,0L /245 KW	
CAYENNE CHINA ID11	M06.EC	11 B ___B	00501>99999	6ZYL/3,0L /245 KW	
CAYENNE	M55.02	12 C ___C	01001>99999	6ZYL/3,6L /220 KW	
CAYENNE S	M48.02	12 C ___C	00501>99999	8ZYL/4,8L /294 KW	
CAYENNE S I1A5	M48.02	12 C _VC	00501>99999	8ZYL/4,8L /294 KW	
CAYENNE TURBO	M48.52	12 C ___C	00501>99999	8ZYL/4,8L /368 KW	
CAYENNE TURBO KIT (IE81)	M48.52	12 C S_C	00501>99999	8ZYL/4,8L /397 KW	
CAYENNE DIESEL	MCR.CA	12 C CRC	0001>99999	6ZYL/3,0L /180 KW	
CAYENNE DIESEL (C33)	MCR.C	12 C CRC	0001>99999	6ZYL/3,0L /180 KW	
CAYENNE DIESEL (C22/C20)	MCR.CB	12 C CRC	0001>99999	6ZYL/3,0L /155 KW	
CAYENNE HYBRID	MCG.EA	12 C CGE	0001>99999	6ZYL/3,0L /245 KW	
CAYENNE HYBRID (C33)	MCG.E	12 C CGE	0001>99999	6ZYL/3,0L /245 KW	
CAYENNE HYBRID I553	MCG.FA	12 C CGF	0001>99999	6ZYL/3,0L /245 KW	
CAYENNE CHINA ID11	MCJ.T	12 C CJT	0001>99999	6ZYL/3,0L /245 KW	
CAYENNE	M55.02	13 D ___D	01001>99999	6ZYL/3,6L /220 KW	
CAYENNE S	M48.02	13 D ___D	00501>99999	8ZYL/4,8L /294 KW	
CAYENNE S I1A5	M48.02	13 D _VD	00501>99999	8ZYL/4,8L /294 KW	
CAYENNE GTS	M48.02	13 D G_D	00501>99999	8ZYL/4,8L /309 KW	
CAYENNE GTS I1A5	M48.02	13 D GVD	00501>99999	8ZYL/4,8L /309 KW	
CAYENNE TURBO	M48.52	13 D ___D	00501>99999	8ZYL/4,8L /368 KW	
CAYENNE TURBO KIT (IE81)	M48.52	13 D S_D	00501>99999	8ZYL/4,8L /397 KW	
CAYENNE DIESEL	MCR.CA	13 D CRC	0001>99999	6ZYL/3,0L /180 KW	
CAYENNE DIESEL (C33)	MCR.C	13 D CRC	0001>99999	6ZYL/3,0L /180 KW	
CAYENNE DIESEL (C22/C20)	MCR.CB	13 D CRC	0001>99999	6ZYL/3,0L /155 KW	
CAYENNE DIESEL (USA.CDN)	MCN.RB	13 D CNR	0001>99999	6ZYL/3,0L /176 KW	
CAYENNE V8 DIESEL (IDD8)	MCU.DB	13 D CUD	0001>99999	8ZYL/4,2L /281 KW	
CAYENNE HYBRID	MCG.EA	13 D CGE	0001>99999	6ZYL/3,0L /245 KW	
CAYENNE HYBRID (C33)	MCG.E	13 D CGE	0001>99999	6ZYL/3,0L /245 KW	
CAYENNE HYBRID I553	MCG.FA	13 D CGF	0001>99999	6ZYL/3,0L /245 KW	
CAYENNE CHINA ID11	MCJ.T	13 D CJT	0001>99999	6ZYL/3,0L /245 KW	
CAYENNE CHINA ID11	MCJ.TB	13 D CJT	0001>99999	6ZYL/3,0L /245 KW	
CAYENNE	M55.02	14 E ___E	01001>99999	6ZYL/3,6L /220 KW	
CAYENNE S	M48.02	14 E ___E	00501>99999	8ZYL/4,8L /294 KW	
CAYENNE S I1A5	M48.02	14 E _VE	00501>99999	8ZYL/4,8L /294 KW	
CAYENNE GTS	M48.02	14 E G_E	00501>99999	8ZYL/4,8L /309 KW	
CAYENNE GTS I1A5	M48.02	14 E GVE	00501>99999	8ZYL/4,8L /309 KW	
CAYENNE TURBO	M48.52	14 E ___E	00501>99999	8ZYL/4,8L /368 KW	
CAYENNE TURBO KIT (IE81)	M48.52	14 E S_E	00501>99999	8ZYL/4,8L /397 KW	
CAYENNE TURBO S (IE8A)	M48.52	14 E T_E	00501>99999	8ZYL/4,8L /404 KW	
CAYENNE DIESEL	MCR.CA	14 E CRC	0001>99999	6ZYL/3,0L /180 KW	
CAYENNE DIESEL (C33)	MCR.C	14 E CRC	0001>99999	6ZYL/3,0L /180 KW	
CAYENNE DIESEL (C22/C20)	MCR.CB	14 E CRC	0001>99999	6ZYL/3,0L /155 KW	
CAYENNE DIESEL (USA.CDN)	MCN.RB	14 E CNR	0001>99999	6ZYL/3,0L /176 KW	
CAYENNE V8 DIESEL (IDD8)	MCU.DB	14 E CUD	0001>99999	8ZYL/4,2L /281 KW	
CAYENNE HYBRID	MCG.EA	14 E CGE	0001>99999	6ZYL/3,0L /245 KW	

Model: 92A 11**Model life 2011>>**

CAYENNE HYBRID (C33)	MCG.E	14	E	CGE	0001>999999	6ZYL/3,0L	/245 KW
CAYENNE HYBRID I553	MCG.FA	14	E	CGF	0001>999999	6ZYL/3,0L	/245 KW
CAYENNE CHINA ID11	MCJ.T	14	E	CJT	0001>999999	6ZYL/3,0L	/245 KW

Model: 92A 11

Model life 2011>>

SUMMARY ENGINES

VEHICLE TYPE	ENGINE		ENGINE NO.	TECHNICAL DATA
	TYPE	MY		
CAYENNE	MCE.YA	15 F	CEY 0001>999999	6ZYL/3,6L /220 KW
CAYENNE V8 TURBO	MCF.TB	15 F	CFT 0501>999999	8ZYL/4,8L /382 KW
CAYENNE V6 TURBO GTS	MCX.ZA	15 F	CXZ 0501>999999	6ZYL/3,6L /324 KW
CAYENNE V6 TURBO	MCU.RA	15 F	CUR 0501>999999	6ZYL/3,6L /309 KW
CAYENNE DIESEL	MCV.VA	15 F	CVV 0001>999999	6ZYL/3,0L /190 KW
CAYENNE DIESEL (C07)	MCV.VB	15 F	CVV 0001>999999	6ZYL/3,0L /184 KW
CAYENNE DIESEL (C22)	MCV.VC	15 F	CVV 0001>999999	6ZYL/3,0L /155 KW
CAYENNE V8 DIESEL (IDD8)	MCU.DC	15 F	CUD 0001>999999	8ZYL/4,2L /283 KW
CAYENNE HYBRID	MCG.EA	15 F	CGE 0001>999999	6ZYL/3,0L /245 KW
CAYENNE HYBRID (C33)	MCG.E	15 F	CGE 0001>999999	6ZYL/3,0L /245 KW
CAYENNE HYBRID I553	MCG.FA	15 F	CGF 0001>999999	6ZYL/3,0L /245 KW
CAYENNE CHINA ID11	MCJ.T	15 F	CJT 0001>999999	6ZYL/3,0L /245 KW
CAYENNE DIESEL (USA.CDN)	MCN.RB	15 F	CNR 0001>999999	6ZYL/3,0L /245 KW
CAYENNE V6 TURBO	MCU.RA	16 G	CUR 0501>999999	6ZYL/3,6L /309 KW
CAYENNE V6 TURBO GTS	MCX.ZA	16 G	CXZ 0501>999999	6ZYL/3,6L /324 KW
CAYENNE V8 TURBO	MCF.TB	16 G	CFT 0501>999999	8ZYL/4,8L /382 KW
CAYENNE V8 TURBO S	MCY.XA	16 G	CYX 0501>999999	8ZYL/4,8L /419 KW
CAYENNE	MCE.YA	16 G	CEY 0001>999999	6ZYL/3,6L /220 KW
CAYENNE DIESEL	MCV.VA	16 G	CVV 0001>999999	6ZYL/3,0L /193 KW
CAYENNE DIESEL (C07)	MCV.VB	16 G	CVV 0001>999999	6ZYL/3,0L /184 KW
CAYENNE DIESEL (C22)	MCV.VC	16 G	CVV 0001>999999	6ZYL/3,0L /155 KW
CAYENNE V8 DIESEL (IDD8)	MCU.DC	16 G	CUD 0001>999999	8ZYL/4,2L /283 KW
CAYENNE HYBRID	MCG.EA	16 G	CGE 0001>999999	6ZYL/3,0L /245 KW
CAYENNE HYBRID (C33)	MCG.E	16 G	CGE 0001>999999	6ZYL/3,0L /245 KW
CAYENNE HYBRID I553	MCG.FA	16 G	CGF 0001>999999	6ZYL/3,0L /245 KW
CAYENNE CHINA ID11	MCJ.T	16 G	CJT 0001>999999	6ZYL/3,0L /245 KW
CAYENNE DIESEL (USA.CDN)	MCN.RB	16 G	CNR 0001>999999	6ZYL/3,0L /245 KW
CAYENNE V6 Bi-TURBO	MCU.RA	17 H	CUR 0501>999999	6ZYL/3,6L /309 KW
CAYENNE V6 Bi-TURBO GTS	MCX.ZA	17 H	CXZ 0501>999999	6ZYL/3,6L /324 KW
CAYENNE V8 Bi-TURBO	MCF.TB	17 H	CFT 0501>999999	8ZYL/4,8L /382 KW
CAYENNE V8 Bi-TURBO S	MCY.XA	17 H	CYX 0501>999999	8ZYL/4,8L /419 KW
CAYENNE	MCE.YA	17 H	CEY 0001>999999	6ZYL/3,6L /220 KW
CAYENNE HYBRID	MCG.EA	17 H	CGE 0001>999999	6ZYL/3,0L /245 KW
CAYENNE HYBRID I553	MCG.FA	17 H	CGF 0001>999999	6ZYL/3,0L /245 KW
CAYENNE HYBRID (C33)	MCG.E	17 H	CGE 0001>999999	6ZYL/3,0L /245 KW
CAYENNE CHN VNM ID11	MCJ.T	17 H	CJT 0001>999999	6ZYL/3,0L /245 KW
CAYENNE DIESEL (USA.CDN)	MCN.RB	17 H	CNR 0001>999999	6ZYL/3,0L /176 KW
CAYENNE DIESEL	MCR.CA	17 H	CRC 0001>999999	6ZYL/3,0L /180 KW
CAYENNE V8 DIESEL (IDD8)	MCU.DC	17 H	CUD 0001>999999	8ZYL/4,2L /283 KW
CAYENNE DIESEL	MCV.VA	17 H	CVV 0001>999999	6ZYL/3,0L /193 KW
CAYENNE DIESEL (C07)	MCV.VB	17 H	CVV 0001>999999	6ZYL/3,0L /184 KW
CAYENNE DIESEL (C22)	MCV.VC	17 H	CVV 0001>999999	6ZYL/3,0L /155 KW

Model: 92A 11

Model life 2011>>

SUMMARY ENGINES

VEHICLE TYPE	ENGINE		MY	ENGINE NO.	TECHNICAL DATA
	TYPE				
CAYENNE V6 Bi-TURBO	MCU.RA		18 J	CUR 0501>999999	6ZYL/3,6L /309 KW
CAYENNE V6 Bi-TURBO C33)	MCU.R		18 J	CUR 0501>999999	6ZYL/3,6L /309 KW
CAYENNE V6 Bi-TURBO GTS	MCX.ZA		18 J	CXZ 0501>999999	6ZYL/3,6L /324 KW
CAYENNE V6 Bi-TURBO GTS C33)	MCX.ZA		18 J	CXZ 0501>999999	6ZYL/3,6L /324 KW
CAYENNE V8 Bi-TURBO	MCF.TB		18 J	CFT 0501>999999	8ZYL/4,8L /382 KW
CAYENNE V8 Bi-TURBO (C33)	MCF.T		18 J	CFT 0501>999999	8ZYL/4,8L /382 KW
CAYENNE V8 Bi-TURBO S	MCY.XA		18 J	CYX 0501>999999	8ZYL/4,8L /419 KW
CAYENNE V8 Bi-TURBO S C33)	MCY.XA		18 J	CYX 0501>999999	8ZYL/4,8L /419 KW
CAYENNE	MCE.YA		18 J	CEY 0001>999999	6ZYL/3,6L /220 KW
CAYENNE HYBRID	MCG.EA		18 J	CGE 0001>999999	6ZYL/3,0L /245 KW
CAYENNE HYBRID I553	MCG.FA		18 J	CGF 0001>999999	6ZYL/3,0L /245 KW
CAYENNE HYBRID (C33)	MCG.E		18 J	CGE 0001>999999	6ZYL/3,0L /245 KW
CAYENNE CHN VNM ID11	MCJ.T		18 J	CJT 0001>999999	6ZYL/3,0L /245 KW
CAYENNE DIESEL (USA.CDN)	MCN.RB		18 J	CNR 0001>999999	6ZYL/3,0L /176 KW
CAYENNE DIESEL	MCR.CA		18 J	CRC 0001>999999	6ZYL/3,0L /180 KW
CAYENNE V8 DIESEL (IDD8)	MCU.DC		18 J	CUD 0001>999999	8ZYL/4,2L /283 KW
CAYENNE DIESEL	MCV.VA		18 J	CVV 0001>999999	6ZYL/3,0L /193 KW
CAYENNE DIESEL (C07)	MCV.VB		18 J	CVV 0001>999999	6ZYL/3,0L /184 KW
CAYENNE DIESEL (C22)	MCV.VC		18 J	CVV 0001>999999	6ZYL/3,0L /155 KW

Model: 92A 11

Model life 2011>>

EXPL. TRANSM. NO.

EXPLANATION OF THE TRANSMISSION-NUMBERS USED IN THE CATALOGUE

=====

DIGIT:	1	2	3	4	5	6	7	8	9	10	11
EXAMPLE:	G	9	7	0	1	1	0	0	5	4	3
	=	=====				=	=====				
	!		!			!			!		!
	!		!			!			!		!
TRANSMISSION TYPE-----+			!			!			!		!
			!			!			!		!
TRANSMISSION VERSION-----+						!			!		!
						!			!		!
INDEX OF VARIANTS-----+									!		!
									!		!
SERIAL NUMBER-----+											!

Model: 92A 11

Model life 2011>>

SUMM. TRANSMISS.

VEHICLE TYPE	TRANSM.		TRANSMISSION NO.	TECHNICAL DATA
	TYPE	MY		
CAYENNE	G55.04	11 B	G5504 0 002001>999999	6-GANG
CAYENNE	A55.04	11 B	A5504 0 002001>999999	8-GANG
CAYENNE S	A48.04	11 B	A4804 0 002001>999999	8-GANG
CAYENNE TURBO	A48.54	11 B	A4854 0 002001>999999	8-GANG
CAYENNE DIESEL	A59.04	11 B	A5904 0 002001>999999	8-GANG
CAYENNE HYBRID	A06.04	11 B	A0604 0 002001>999999	8-GANG
CAYENNE	G55.04	12 C	G5504 0 002001>999999	6-GANG
CAYENNE	A55.04	12 C	A5504 0 002001>999999	8-GANG
CAYENNE (CN)	A06.05	12 C	A0605 0 002001>999999	8-GANG
CAYENNE S	A48.04	12 C	A4804 0 002001>999999	8-GANG
CAYENNE TURBO	A48.54	12 C	A4854 0 002001>999999	8-GANG
CAYENNE DIESEL	A59.04	12 C	A5904 0 002001>999999	8-GANG
CAYENNE HYBRID	A06.04	12 C	A0604 0 002001>999999	8-GANG
CAYENNE	G55.04	13 D	G5504 0 002001>999999	6-GANG
CAYENNE	A55.04	13 D	A5504 0 002001>999999	8-GANG
CAYENNE (CN)	A06.05	13 D	A0605 0 002001>999999	8-GANG
CAYENNE S	A48.04	13 D	A4804 0 002001>999999	8-GANG
CAYENNE TURBO	A48.54	13 D	A4854 0 002001>999999	8-GANG
CAYENNE DIESEL	A59.04	13 D	A5904 0 002001>999999	8-GANG
CAYENNE HYBRID	A06.04	13 D	A0604 0 002001>999999	8-GANG
CAYENNE	G55.04	14 E	G5504 0 002001>999999	6-GANG
CAYENNE	A55.04	14 E	A5504 0 002001>999999	8-GANG
CAYENNE (CN)	A06.05	14 E	A0605 0 002001>999999	8-GANG
CAYENNE S	A48.04	14 E	A4804 0 002001>999999	8-GANG
CAYENNE TURBO	A48.54	14 E	A4854 0 002001>999999	8-GANG
CAYENNE DIESEL	A59.04	14 E	A5904 0 002001>999999	8-GANG
CAYENNE DIESEL V8	A57.04	14 E	A5704 0 002001>999999	8-GANG
CAYENNE HYBRID	A06.04	14 E	A0604 0 002001>999999	8-GANG
CAYENNE	G55.04	15 F	G5504 0 002001>999999	6-GANG
CAYENNE	A55.04	15 F	A5504 0 002001>999999	8-GANG
CAYENNE (CN)	A06.05	15 F	A0605 0 002001>999999	8-GANG
CAYENNE S	A48.04	15 F	A4804 0 002001>999999	8-GANG
CAYENNE TURBO	A48.54	15 F	A4854 0 002001>999999	8-GANG
CAYENNE DIESEL	A59.04	15 F	A5904 0 002001>999999	8-GANG
CAYENNE DIESEL V8	A57.04	15 F	A5704 0 002001>999999	8-GANG
CAYENNE HYBRID	A06.04	15 F	A0604 0 002001>999999	8-GANG
CAYENNE	G55.04	16 G	G5504 0 002001>999999	6-GANG
CAYENNE	A55.04	16 G	A5504 0 002001>999999	8-GANG
CAYENNE (CN)	A06.05	16 G	A0605 0 002001>999999	8-GANG
CAYENNE S	A48.04	16 G	A4804 0 002001>999999	8-GANG
CAYENNE TURBO	A48.54	16 G	A4854 0 002001>999999	8-GANG
CAYENNE DIESEL	A59.04	16 G	A5904 0 002001>999999	8-GANG
CAYENNE DIESEL V8	A57.04	16 G	A5704 0 002001>999999	8-GANG
CAYENNE HYBRID	A06.04	16 G	A0604 0 002001>999999	8-GANG

Model: 92A 11

Model life 2011>>

SUMM. TRANSMISS.

VEHICLE TYPE	TRANSM.		TRANSMISSION NO.	TECHNICAL DATA
	TYPE	MY		
CAYENNE	G55.04	17 H	G5504 0 002001>999999	6-GANG
CAYENNE	A55.04	17 H	A5504 0 002001>999999	8-GANG
CAYENNE (CHN)	A06.05	17 H	A0605 0 002001>999999	8-GANG
CAYENNE S	A48.04	17 H	A4804 0 002001>999999	8-GANG
CAYENNE TURBO	A48.54	17 H	A4854 0 002001>999999	8-GANG
CAYENNE DIESEL	A59.04	17 H	A5904 0 002001>999999	8-GANG
CAYENNE DIESEL V8	A57.04	17 H	A5704 0 002001>999999	8-GANG
CAYENNE HYBRID	A06.04	17 H	A0604 0 002001>999999	8-GANG
CAYENNE	G55.04	18 J	G5504 0 002001>999999	6-GANG
CAYENNE	A55.04	18 J	A5504 0 002001>999999	8-GANG
CAYENNE (CHN)	A06.05	18 J	A0605 0 002001>999999	8-GANG
CAYENNE S	A48.04	18 J	A4804 0 002001>999999	8-GANG
CAYENNE TURBO	A48.54	18 J	A4854 0 002001>999999	8-GANG
CAYENNE DIESEL	A59.04	18 J	A5904 0 002001>999999	8-GANG
CAYENNE DIESEL V8	A57.04	18 J	A5704 0 002001>999999	8-GANG
CAYENNE HYBRID	A06.04	18 J	A0604 0 002001>999999	8-GANG

Model: 92A 11

Model life 2011>>

LEGENDS/NOTICES

LEGENDS AND NOTICES

=====

IN COLUMN -S- STATUS

- N NEW ADDITION
- P PART ALREADY IN PROGRAMME, BUT NEW AT THIS APPLICATION
- W DELETED AT THIS APPLICATION, BUT CONTINUED TO BE CARRIED
- K RACING PART: MARKETED FROM WEISSACH EMW
- A STOCK TO BE USED UP
- U DELETED WITHOUT REPLACEMENT
- * PART ALSO OR ONLY AVAILABLE IN REPAIR KIT
- > ALSO AVAILABLE IN EXCHANGE

IN COLUMN - ILL. -

- 1 IDENTIFICATION NO. IN ILLUSTRATION
- (1) PART ONLY SIMILAR AS ILLUSTRATED
- PART IS NOT ILLUSTRATED

FIG.-NUMBERS FOR WHICH THERE IS SHOWN NO TEXT ARE NOT VALID FOR THIS EDITION OF CATALOGUE

IN COLUMN -PART NUMBER/CODE-

000 000 000 00 PART NUMBER EQUALS ORDERING NO., IF A CODE IS SHOWN, IT WILL HAVE TO BE PART OF ORDERING NUMBER

01C COLOUR CODE

IN COLUMN -TEXT

INSTALLATION WITH ENGINE OR CHASSIS NUMBER-RANGE

EXAMPLE:

M 66W 00389>> FROM ENGINE NO.

Model: 92A 11

Model life 2011>>

F

>>99WS6 00889

UP TO CHASSIS NO.

Model: 92A 11

Model life 2011>>

LEGENDS/NOTICES

IN COLUMN - QU - = NO. OF PIECES

1 NUMBER PER APPLICATION

X NUMBER AS NEEDED

* AVAILABLE ONLY IN RUNNING LENGTHS 1 = 1 METRE

IN COLUMN - MODEL/SYMBOL -

I650 OPTIONAL EQUIPMENT - SEE I-NO. LIST
-I650 COMPONENT NOT VALID FOR THIS I-NO.

-98 LIMITATION OF MODEL YEAR FOR INSTANCE: VALID UP TO
END OF MODEL YEAR 1997

/LL LHD

/RL RHD

-----+
/V FRONT I
I

/H REAR I
I----> APPLIES TO

/L LEFT I DIRECTION OF TRAVEL
I

/R RIGHT I
-----+

WW THE PART CAN BE USED INSTEAD OF THE
PRECEDING ONE.

Model: 92A 11

Model life 2011>>

COUNTRY-EQIPM.

EQUIPMENT BY COUNTRY REGULATIONS

=====

(A)	AUSTRIA
(AG)	ARABIAN GULF STATES
(AUS)	AUSTRALIA
(B)	BELGIUM
(BR)	BRAZIL
(CDN)	CANADA
(CH)	SWITZERLAND
(CN)	PEOPLE'S REPUBLIC OF CHINA
(D)	FEDERAL REPUBLIC OF GERMANY
(DK)	DENMARK
(E)	SPAIN
(F)	FRANCE
(GB)	GREAT BRITAIN
(GR)	GREECE
(HK)	HONGKONG
(I)	ITALY
(J)	JAPAN
(L)	LUXEMBURG
(N)	NORWAY
(NL)	NETHERLANDS
(NZ)	NEW ZEALAND
(P)	PORTUGAL
(ROK)	KOREA
(RC)	TAIWAN
(THA)	THAILAND
(S)	SWEDEN
(SA)	SAUDI ARABIA
(SF)	FINLAND
(USA)	UNITED STATES OF AMERICA

Model: 92A 11

Model life 2011>>

(ZA)

SOUTH AFRICA

Model: 92A 11

Model life 2011>>

NR	Description
IB0A	Component set without country assignment
IB0D	Component set for USA
IB0E	Component set for Canada
IB0L	Component set for Japan
IB0M	Component set for AGCC countries
IB0N	Component set for Great Britain
IB0R	Component set for Australia
IB0W	Component set for California
IB1C	Component set for Mexico
IB1D	Component set for Brazil
IB1P	Component set for China
IB1Q	Component set for Argentina
IB2A	Component set PAP LHD
IB2G	Component set for Thailand
IB2H	Component set for Korea
ICD3	18-inch Turbo wheel-2 (8 X 18 RO 57)
ICJ2	Cayenne S wheel 8x18, wheel offset 57
ICJ3	19-inch (9 X 19) Cayenne Design wheel
ICJ6	18-inch (8 x 18) Cayenne Turbo wheel
ICK0	21" Cayenne Sport Edition wheel (10 x 21)
ICN5	21" Cayenne Sport Edition wheel (10 x 21) in vehicle colour
ICN7	20" Cayenne Sport Design wheel (10 x 20)
ICP5	RS Spyder Design wheel, 9" x 20"
ICP7	19-inch (9 x 19) Cayenne Design wheel painted in body colour
ICQ1	Cayenne Sport Edition 21" (10 x 21) in black
ICS5	20-inch (9X20) Cayenne Sport Design wheel
ICS6	Cayenne Sport Techno wheel 9x20, wheel offset 60
ICT1	Cayenne Sport Techno wheel 9x20, wheel offset 60, wheel spokes painted in exterior colour
ICW3	Cayenne Design wheel 19 " in titanium metallic
ICY2	21-inch Cayenne Sport wheel (10 x 21 RO 50)
ICY3	RS Spyder Design wheel, 20"
ICY4	Cayenne Sport Techno wheel 9"/10" x 20" in vehicle colour
ICY6	RS SportDesign 20" wheel (GTS), Matt Black
ICZ4	21" 911 Turbo Design wheel (10 X 21)
IC1J	Cayenne Rad 18" (8 x 18 ET 53)
IC1Q	18" Cayenne S wheel (8 x 18 RO 53)
IC2R	18-inch Cayenne S wheel-2 (8 x 18 RO 57)
IC2Y	911 Turbo Design wheel, 21", E2 II, Black
IC4I	*
IC4P	21" Cayenne E2 Sport Classic wheel, Black
IC5B	RS Spyder Design wheel, 9.5" x 20"

Model: 92A 11

Model life 2011>>

NR	Description
IC5D	20" RS Spyder Design wheel, Platinum
IC5E	19" RS Sport Classic Tequipment wheel
IC7F	20-inch 911 Turbo Design wheel, Black
IC8K	19" Turbo wheel (8.5 x 19 RO 59)
IC9N	21-inch Cayenne Sportplus wheel (10 x 21)
IC9S	21-inch Cayenne Sportplus wheel, wheel centre in exterior colour
IDD7	6-cylinder diesel engine 3.0 l/190 kW TDI
IDD8	8-cylinder diesel engine 4.2 l KW TDI
IDT1	8-cylinder biturbo engine, 4.8 l 382 kW
IDT5	4.8 litre turbo engine, 8-cylinder
IDU1	6-cylinder turbo engine 3.6 l/294 kW
IDU2	6-cylinder turbo engine, 3.6 l 309 kW
IDU3	3.6 litre turbo engine, 6-cylinder
IDV7	6-cylinder diesel engine 3.0 l/193 kW TDI
ID1V	6-cylinder diesel engine 3.0/155 kW TDI
ID11	6-cylinder petrol engine 3.0/245 kW
ID19	6-cyl. spark-ignition engine, 3.0 l/245 kW (HYBRID)
ID34	6-cyl. spark-ignition engine, 3.6 l/220 kW (E2)
ID43	6-cylinder diesel engine 3.0 l/180 kW TDI
ID50	6-cylinder diesel engine, 3.0 l/176 kW TDI
ID51	6-Zylinder-Dieselmotor 3,0 L/184 KW TDI
ID58	8-cyl. spark-ign. engine, 4.8 l/368 kW biturbo (E2)
ID6V	8-cyl. spark-ignition engine, 4.8 l/294 kW DFI (E2)
IEH1	Charging cable length: standard
IEH2	Charging cable length: 7.5 metres
IER1	Region code "ECE" for radio
IER2	Region code "RoW" for radio
IER3	Region code "USA" for radio
IER4	Region code "Mexico/NAR2" for radio
IER5	Region code Japan for radio
IER6	Region code "China" for radio
IER7	Region code "Korea" for radio
IER8	Region code "Taiwan" for radio
IES1	Charging socket, AC type 1, mode 2-3 (NAR/Japan)
IES3	Charging socket, AC type 2, mode 2-3 (EU)
IES4	Household charging socket, type L
IEV1	Household charging cable, type E/F
IEV2	Household charging cable, type Japan 100V
IEV3	Household charging cable, type J
IEV4	Household charging cable, type G
IEV5	Household charging cable, type B
IEV6	Household charging cable, type K
IEV7	Household charging cable, type I Australia
IEV8	Household charging cable, type M
IEV9	Household charging cable, type I CN China
IE0A	No campaign version, basic equipment

Model: 92A 11

Model life 2011>>

NR	Description
IE0L	Cayenne special model Platinum edition
IE0W	GTS version
IE1T	Sondermodell CAYENNE. Porsche Design Edition 3
IE2D	Special model Transsyberia
IE8A	Turbo S
IE81	Enhanced performance engine
IFI0	*
IFI1	*
IFI2	*
IFI3	*
IFI5	*
IFI7	*
IFZ0	Seat belts in Black
IFZ1	Seat belts in Guards Red
IFZ2	Seat belts in Silver Grey
IFZ3	Seat belts in Sand Beige
IFZ4	Seat belts in Orange
IFZ5	Seat belts in Cognac
IFZ6	Seat belts in Umber
IFZ7	Seat belts in Titanium Blue
IFZ8	Seat belts in Carmine Red
IFZ9	Seat belts in Peridot
IF09	19" Cayenne Design wheel (8.5 x 19)
IGM4	Sound box without deactivation
IGP0	Vehicle without product enhancement
IGP1	Product enhancement E2 II
IGY0	Without electric closing aid for tailgate
IGY1	Power closing mechanism for tailgate
IGZ0	Without closing aid for doors
IGZ2	Closing aid for doors
IG0L	6-speed manual transmission for all-wheel drive vehicle
IG0R	Tiptronic s
IG1G	8-speed auto. transmission for all-wheel drive
IHA8	Tyres 295/35 R21 107 Y
IHD9	Tyres 275/40 R20 106 Y
IHP2	All-season tyres 275/45 R19 108 V
IHQ3	All-season tyres 265/50 R19 110 V
IHQ4	All-season tyres 275/45 R20 110 V
IHS9	Tyres 265/50 R19 110 Y
IHT0	Tyres 275/45 R20 110 Y
IHV7	All-season tyres 235/65 R17 108 V
IH8Z	Tyres 235/65 R17 108 V
IH9K	Tyres 255/55 R18 109 Y
IH9L	Tyres 275/45 R19 108 Y

Model: 92A 11

Model life 2011>>

NR	Description
IH9M	All-season tyre on 18-inch aluminium wheel
IIY1	Model year period from week 22 to week 45
IIY2	Model year period from week 45 to week 22
II8L	Premium radio (2nd gen.)
IJ0B	Battery (92 Ah)Battery (92 Ah)
IJ0L	340 A (70 Ah) battery
IJ0P	Battery (105 Ah)
IJ0Z	520 A (110 Ah) battery
IJ1N	Battery (75 Ah)
IJ1U	450 A (95 Ah) battery
IKB1	Charger, 3.6 kW
IKB2	Charger, 7.2 kW
IKE0	Without theft protection for engine control unit
IKE2	Theft protection for engine control unit
IKK1	Refrigerant R134A
IKK3	Refrigerant R1234YF
IK4H	Closed body
IL0L	Left-hand drive version
IL0R	Right-hand drive version
INJ1	Charging Dock (wall mount)
INJ2	Charging Dock, flush-mounted (wall mount)
INZ0	Without call function
IN0G	Full-leather seat covers, smooth-finish for A/C seat
IN0Q	Seat covers in leather, smooth-finish for A/C seats
IN1A	Seat covers in natural leather for A/C seats
IN1B	Seat covers in full leather, two-colour with air conditioning
IN1D	Seat covers in partial leather (emb.) two-colour
IN1M	Two-colour seat covers in partial leather, smooth-finish
IN1P	Seat covers in partial leather (natural leather, smooth- finish)
IN1X	Part-leather seat covers, grained
IN2S	Seat covers in partial leather ALCANTARA
IN2Z	Two-tone seat covers in partial leather, embossed for Cayenne S special model
IN5U	Part-leather seat covers, smooth leather
IN5Y	Seat covers in partial leather (natural leather, soft ruffled leather)
IN7D	Soft ruffled leather seats in smooth leather
IN7F	Soft ruffled leather seats in embossed leather
IOK3	Hybrid drive system PHEV
IQA0	Without child seat
IQG1	Maintenance interval extension
IQH0	without voice control
IQH1	Voice control system
IQJ2	Aluminium package
IQJ3	Alum. package, Platinum Silver Metallic

Model: 92A 11

Model life 2011>>

NR	Description
IQJ4	Aluminium package, Black
IQJ5	Aluminium package, Titanium-Metallic
IQL3	Tinted glass, green at rear
IQL5	Dark tinted rear privacy glass
IQL6	Heat-insulating glass at rear, metallized
IQR0	without compass
IQR1	With compass
IQR3	Analogue clock on dashboard
IQR4	Sport Chrono package
IQR5	Sport Chrono Package Plus
IQU0	Digital radio reception (DAB)
IQU1	TV reception + digital radio reception (DAB) MIB
IQU8	SAT radio reception, USA
IQV0	Without TV and digital radio reception
IQV1	With TV reception
IQV3	HD radio reception (high-definition)
IQV4	XM satellite radio receiver
IQV5	TV reception and digital radio reception (DAB)
IQV8	HD radio reception and SAT radio XM (SDARS)
IQ1D	Sports seats with expanded memory function in smooth leather
IQ1G	Standard seats (front), 8-way
IQ1J	GTS sports seats front and rear
IQ2J	Comfort seats, front
IQ4P	Sports seat GTS 8-way
IUF0	Without electrical interface
IUF1	Multimedia socket for external source
IUI2	2 X USB/IPOD interface
IUI4	AUX-IN and USB/IPOD electric interface
IUI6	AUX + USB/IPOD electric interface + 2X charging
IUP1	Sport Chrono / compass, Black
IUP3	Sport Chrono / compass, White
IUP4	Sport Chrono / compass, Luxor Beige
IUP5	Sport Chrono / compass, Garnet Red
IUX6	TPM valve, Silver
IUX7	TPM valve, Black
IU00	Cayenne E2 II Turbo wheel, 19" (8.5 x 19, R059)
IU01	911 Turbo Design wheel, 21" E2 II (10 x 21)
IU02	21" Sport Classic wheel
IU5A	Instrument insert, km/h indication, RoW
IU5B	Instrument insert, mph indication, GB
IU5C	Instrument insert, mph indication, USA
IU5D	Instrument insert, km/h indication, Canada
IU5E	Instrument insert, km/h indication, Japan
IU5F	Instrument insert, display km/h, AGCC

Model: 92A 11

Model life 2011>>

NR	Description
IU5G	Instrument insert, km/h indication, Australia
IU97	Cayenne E2 Platinum Sport Edition wheel, 21"
IVC0	Without garage door opener
IVC1	Garage door opener, 433 MHz
IVC2	Garage door opener, 315 MHz
IVR0	Without anti-ram protection measures
IVR1	Side protection, running board
IVR2	Side impact protection measures, off-road
IVR3	Front-end and side protection
IVR4	Front impact protection measures
IVR5	Sill cover with aluminium trim
IVW5	Insulating glass in rear
IV98	Cayenne E2 II wheel, 18" (8 x 18, R053)
IV99	Cayenne S E2 II wheel, 18" (8 x 18, R053)
I0AB	Anti-roll bar, front and rear
I0AC	Anti-roll bar, active body control (pdcc)
I0AG	Anti-roll bar, front, disengageable
I0AW	Front and rear anti-roll bars with active Body control -PDCC-
I0BB	Anti-roll bar, rear
I0BJ	Anti-roll bar, rear, disengageable
I0F5	Diesel fuel system
I0F9	Diesel fuel system, cooled
I0GD	Emissions compliance EU 2, (CN)
I0GG	Emissions compliance EU 4
I0GM	Emissions compliance LEV
I0GU	Emissions compliance EU 2
I0GZ	EU 3 diesel emissions concept with E-OBD
I0JA	Weight class 1, front axle - 1170-1210 kg
I0JB	Weight class 2, front axle - 1211-1226 kg
I0JC	Weight class 3, front axle - 1227-1251 kg
I0JD	Weight class 4, front axle - 1252-1276 kg
I0JE	Weight class 5, front axle - 1277-1292 kg
I0JF	Weight class 6, front axle - 1293-1328 kg
I0JG	Weight class 7, front axle - 1329-1428 kg
I0K0	Without alternative drive system
I0K1	Hybrid drive system
I0K3	Hybrid drive system PHEV
I0M0	Fuel tank, 85 litre
I0M1	Fuel tank, 100 litre
I0NA	Deletion of model designation
I0NB	Logo set in basic version
I0P0	Standard tailpipe
I0P3	Sports tailpipe of polished stainless steel, 4-pipe look
I0P6	Exhaust tailpipe, Black

Model: 92A 11

Model life 2011>>

NR	Description
I0P8	Sports exhaust system
I0P9	Sports exhaust system, Black tailpipe
I0SA	Without special stickers, plates
I0SB	Stickers, plates in German
I0SC	Stickers, plates in English
I0SD	Stickers, plates in Swedish
I0SE	Stickers, plates in Dutch
I0SF	Stickers, plates in Danish
I0SG	Stickers, plates in French
I0SH	Stickers, plates in Portuguese
I0SJ	Stickers, plates in Spanish
I0SK	Stickers, plates in Italian
I0SL	Stickers, plates in Japanese
I0SM	Stickers, plates in Chinese
I0SN	Stickers, plates in Russian
I0SP	Stickers, plates in Finnish
I0SQ	Stickers, plates in Norwegian
I0SS	Stickers, plates in English/French
I0SV	Stickers, plates in Greek
I0SW	Stickers, plates in Arabic
I0YA	Weight class 1, rear axle - 1039-1074 kg
I0YB	Weight class 2, rear axle - 1075-1128 kg
I0YC	Weight class 3, rear axle - 1129-1159 kg
I0YD	Weight class 4, rear axle - 1160-1215 kg
I0YE	Weight class 5, rear axle - 1216-1244 kg
I0YF	Weight class 6, rear axle - 1245-1299 kg
I0YG	Weight class 7, rear axle - 1300-1331 kg
I0YH	Weight class 8, rear axle
I0Y1	Standard climatic zone
I0Y2	Tropical climatic zone
I0Y3	Cold climatic zone
I1A2	Engine variant without reduced compression
I1A5	Engine variant with reduced compression
I1BA	Suspension/dampers, standard
I1BH	Suspension/dampers, standard 2 PASM
I1BK	Air suspension with levelling system and height adjustment (PASM)
I1BS	4-corner air suspension
I1BW	Comfort suspension/damping (steel springs)
I1BZ	Comfort suspension/damping, PASM
I1D0	Without towball
I1D1	Trailer hitch, removable, lockable, ECE R55
I1D2	Detachable trailer coupling
I1D3	Trailer hitch, electrically retractable, ECE R55
I1D6	Trailer coupling without tow ball

Model: 92A 11

Model life 2011>>

NR	Description
I1D7	Preparation for detachable trailer coupling
I1D8	Preparation for detachable trailer coupling "usa"
I1D9	Electric folding trailer coupling
I1E0	Without carbon canister
I1E1	Carbon canister
I1E9	without carbon canister with SCR
I1G1	18-inch collapsible spare wheel
I1G3	High-pressure alloy spare wheel with tyre
I1G4	19" collapsible spare wheel
I1G6	Spare wheel, space saving - 17-inch, radial tyre, compressor, in vehicle
I1G8	Tire Fit, tyre repair set
I1KF	Rear brake discs, disc diameter 18 inches, Black brake callipers, (NAR)
I1KP	Rear disc brakes - disc diameter 18"plus Brake calliper painted red
I1KS	Rear disc brakes, 18", green
I1KT	Rear disc brakes, 18", green (USA)
I1KU	Rear disc brakes - disc diameter 18 inches, brake calliper painted red
I1KW	Rear disc brakes - disc diameter 17 inches, brake calliper painted black
I1KY	Rear disc brakes, 18-inch disc diameter, brake calliper painted silver
I1KZ	Rear disc brakes, 18-inch disc diameter, brake calliper painted black
I1LD	Front disc brake, 18-inch disc diameter, brake calliper painted silver, North America
I1LH	Rear disc brake - disc diameter 19 inches, brake calliper painted red
I1LK	Front disc brake, disc diameter 19 inches, brake calliper painted Green
I1LL	Front disc brake, disc diameter 19 inches, brake calliper painted Green
I1LM	Front disc brake, disc diameter 19 inches, brake calliper painted Black
I1LN	Front disc brake - 18-inch disc diameter, brake calliper painted Black
I1LP	Front disc brakes, disc diameter 19 inches, brake calliper painted Black
I1LT	Front disc brake, 20", yellow/PCCB
I1LU	Front disc brake - 18-inch disc diameter, brake calliper in anodised silver
I1LV	Front disc brake - 20-inch disc diameter

Model: 92A 11

Model life 2011>>

NR	Description
	plus brake calliper painted Yellow (PCCB)
I1LX	Front disc brake - disc diameter 20 inch, brake calliper painted yellow (PCCB)
I1LY	Front disc brake - 19-inch disc diameter, brake calliper painted Yellow (PCCB)
I1L0	Normal air cleaner
I1L1	Air cleaner for dusty countries
I1L2	Equipment for countries with dust-laden air
I1MD	Leather steering wheel for airbag system - 3 spokes, heatable, TWO-COLOUR
I1ML	Sports steering wheel with paddle
I1MV	Lederlenkrad fuer Airbagsystem - 3 Speichen, aufgepolstert
I1MW	Leather steering wheel for airbag system - 3 spokes, padded
I1NE	Wheel centres STANDARD
I1NP	Wheel centres with full-colour Porsche Crest (concave)
I1N1	Power steering
I1N3	Speed-dependent power-assisted steering (servotronic)
I1PC	Wheel bolts with theft protection
I1SA	Without protective plate for engine
I1SB	Protective plate for engine in steel
I1XE	3-spoke multi-function steering wheel, wood, Anthracite Birch with radio controls
I1XG	Multi-function steering wheel, American Walnut, Brown, heated
I1XJ	3-spoke multi-function steering wheel in dark Burr maple wood with radio control element
I1XK	3-spoke multi-function steering wheel in Light Olive wood with radio control element
I1Y0	Ohne Vorder- /Hinterachssperre
I1Y1	Differential lock, rear, centre differential lock
I1ZA	Front disc brake, 18" disc brake, brake calliper painted Green
I1ZB	Front disc brake, 18" disc brake, brake calliper painted Green, North America
I1ZL	Front disc brake, 19-inch disc diameter, brake calliper painted red, North America
I1ZT	Front disc brake, 18-inch disc diameter, brake calliper painted black, North America

Model: 92A 11

Model life 2011>>

NR	Description
I2C4	Steering column, reach + height adjustable with memory
I2C5	Steering column, reach + height adjustable, mechanical
I2D0	Without Aerokit
I2D1	Aerokit, with sill cover
I2D2	Aerokit, without sill cover
I2D3	Sill cover
I2D4	Cayenne GTS aerokit standard spoiler
I2ED	Rear brake discs, disc diameter 20 inches, brake calliper painted Acid Green
I2EE	Rear disc brakes - 18-inch disc diameter, brake calliper in anodised silver
I2EH	Rear disc brakes - disc diameter 19 inch Brake calliper painted yellow (PCCB)
I2EJ	Rear disc brakes, disc diameter 18 inches, Silver brake callipers (NAR)
I2EL	Rear brake discs, disc diameter 18 inches, brake callipers, Red (NAR)
I2FV	3-spoke multi-function steering wheel in light Olive wood , matt, with radio control element
I2FX	3-spoke multi-function steering wheel, wood, Carbon with radio controls
I2G0	Without insert for filling with diesel
I2G1	Insert for fuelling with unleaded petrol
I2G3	Without fuel tank adapter for unleaded petrol
I2G4	Insert for fuelling with unleaded petrol (CARB Diagnosis)
I2G6	Without fuel tank adapter; ethanol fuel
I2G7	Insert for unleaded fuelling in bad fuel region
I2G8	Insert for unleaded fuelling - MAPPS
I2HB	Interior sound measures (shaker)
I2JB	Bumper, standard
I2JC	Comfort bumper, stainless-steel attachment, front apron bottom section
I2JL	Comfort bumper (stainless steel trim at rear)
I2JX	Comfort bumper (stainless steel trim at front + rear)
I2PH	Leather steering wheel for airbag system - 3 spokes, heated
I2PM	Leather steering wheel for airbag system - 3-spoke steering wheel
I2PR	Alcantara steering wheel, 3-spoke, heated, padded
I2PW	Alcantara steering wheel, 3-spoke, padded
I2PX	Sports steering wheel, Alcantara with paddles

Model: 92A 11

Model life 2011>>

NR	Description
I2V5	Fresh-air intake with active carbon filter
I2W0	Tank cap, standard
I2W2	Tank cap in Green (NAR diesel)
I2W6	Fuel tank cap in Aluminium Look
I2X0	Without Tiptronic operation
I2X2	Tiptronic controls on steering wheel
I2ZF	3-sp. multi-funct steering wheel, Alcantara, heated
I2ZH	3-spoke multi-function steering wheel, heated
I2ZM	3-spoke multi-function steering wheel
I2ZU	Multi-function steering wheel, Yachting Mahogany, heated
I3B1	Child seat anchors, USA/Canada requirement
I3B4	Child seat anchors for ISOFIX child seat system, RoW
I3CA	Without bulkhead
I3CX	Net partition
I3D1	Centre console STANDARD (PVC)
I3D3	Centre console MEDIUM, grained leather
I3D4	Centre console in natural leather
I3D5	Centre console Alcantara
I3D6	Centre console in two-colour leather
I3D7	Centre console in two-colour natural leather
I3D8	Centre console Leather, smooth
I3D9	Centre console, standard, two-colour
I3FA	Without roof insert
I3FE	Electric glass slide/tilt sunroof
I3FU	Porsche large roof system
I3F4	Spare wheel with tyre, internal
I3GA	without cargo management
I3GE	Raised loadspace floor
I3GN	Variable luggage-compartment floor concept
I3J4	Head restraints for front seats
I3J7	Headrests for front seats, with embossed crest
I3LD	Door & side trim panel - standard - PAG
I3LE	Door & side trim panel - MEDIUM - PAG
I3LH	Door trim and side wall - all leather -- pillars/ rooflining in Alcantara - PAG
I3LM	Door panel/side trim panel in natural leather
I3LS	Door & side trim panel - Alcantara
I3LT	Door, side trim panel in two-colour natural leather
I3LX	Door/side trim panel in two-colour natural leather
I3L3	Manual height adjustment for both 8-way adjustable front seats
I3L4	Driver memory package
I3L5	Electrical adjustment for both 12-way adjustable front seats
I3ME	Tufted velour carpeting with protective pad

Model: 92A 11

Model life 2011>>

NR	Description
I3MT	Pearl velour carpeting with protective pad
I3NW	Rear seats, split backrest can be folded down
I3PN	12-way electrical adjustment for both front seats + memory
I3QT	3-point automatic seat belts at front with seat-belt pre-tensioners + height adjustment
I3S1	Unpainted roof rails
I3S2	Black roof rails without drip mouldings
I3S4	Preparation for roof rack, black
I3S5	Black roof rails with drip mouldings
I3S7	Roof rails
I3S8	Roof Transport System
I3W4	Acoustic package, standard
I3W7	Extra audio package
I3X0	Without through-loading facility
I3X1	Load-through facility with ski bag
I3Y0	without sun blind
I3Y3	Manual sun blind, rear side window
I3Y4	Roller blind for rear side windows
I3Y7	Roll-up sun blind, side windows, rear, electric
I3Y8	Electric roll-up sunblind for rear side window
I3ZD	3-point automatic seat belt (rear), "NAR"
I3ZU	3-point automatic seat belt (rear), "RoW"
I4AP	Door/side trim panel, standard two-colour
I4AV	Door trim and side wall - smooth-leather insert
I4A0	Without seat heating
I4A3	Heated seats, front
I4A4	Heated seats, front/rear
I4D0	without seat ventilation
I4D1	Seat ventilation for A/C seat front and rear
I4D3	Seat ventilation (front), a/c seat
I4E0	Tailgate release from outside
I4E2	Interior tailgate release, electrical
I4E7	Power closing for rear lid
I4F2	Porsche entry + drive
I4F6	Porsche entry + drive (usa/can)
I4GC	Windscreen in heat-insulating glass, with top tint
I4GF	Windscreen of tinted glass
I4GG	Windscreen, insulating glass with top tint, heated
I4GH	Windscreen, heat-insulating glass with top tint, heated
I4GK	Windscreen, insulating glass with top tint
I4GY	Windscreen of heat-insulating glass
I4KC	Green heat-insulating glass in rear

Model: 92A 11

Model life 2011>>

NR	Description
I4KF	Dark tinted glass in rear
I4K0	Central-locking system with key remote and interior operation
I4K3	Central locking with remote control, inner release and safe lock system
I4LA	no controls on steering wheel
I4LB	3-spoke multi-function steering wheel in leather with radio control element
I4LC	3-spoke multi-function steering wheel in leather with radio and telephone control element
I4L2	Safety interior mirror, manual dimming function
I4L6	Safety interior mirror, automatic dimming function
I4N1	Padded dashboard
I4N3	Switch panel in two-tone leather w. decor. stitching
I4N4	Dashboard in two-colour natural leather
I4N5	Dashboard in natural leather
I4N8	Dashboard in genuine leather
I4N9	Upholstered dashboard, two-colour
I4QF	3-point automatic belts at front with electrical height adjustment and memory
I4QR	3-point automatic seat belt (front), "NAR"
I4UB	Airbag with kneebar
I4UD	Airbag, can not be deactivated on passenger's side
I4UE	Airbags for driver and front-seat passenger; front-seat passenger side can be deactivated
I4UP	Airbag for driver, passenger, with knee airbag, passenger's side, deactivatable
I4UQ	Advanced airbag
I4X3	Front side airbag with head airbag
I4X4	Front and rear side airbag with head airbag
I450	Ceramic brake (PCCB)
I452	Multi-function steering wheel, Sycamore, touch + feel
I5D1	Carrier frequency 433.92 MHz
I5D2	Carrier frequency 315 MHz
I5D3	Carrier frequency 315 MHz with reduced transmission power for Japan
I5D8	Carrier frequency 434 MHz
I5D9	Carrier frequency 433.92 MHz with changed transmission duration
I5J1	Rear spoiler, unpainted
I5J2	Rear spoiler in vehicle colour
I5J8	Rear spoiler in Platinum Silver Metallic
I5MA	Decorative inlays - paint, painted plastic
I5MB	Decorative inlay in Swedish Birch Anthracite
I5MG	Burr maple wood package, dark high gloss
I5MH	Carbon decorative inlays

Model: 92A 11

Model life 2011>>

NR	Description
I5ML	Decorative inlays in Mahogany Yachting
I5MP	Decorative inlays in American Walnut, Brown
I5RK	Door mirror, right, flat
I5RP	Right exterior mirror, convex with camera
I5RQ	Door mirror, right, convex
I5RR	Door mirror, right, convex (US)
I5RT	Door mirror, right, convex (AGCC)
I5RV	Door mirror, right, aspherical
I5SG	Door mirror, left, flat
I5SJ	Door mirror, left, convex
I5SL	Door mirror, left, aspherical
I5SU	Left exterior mirror, convex with camera
I5TE	Aluminium "sport" package
I5TF	"Olive" wood package, light high gloss
I5TK	Decorative inlays, grained olive wood
I5TL	Decorative inlay in Piano Look
I5W0	Roof rail, Titanium-Metallic
I5W1	Silver roof rails plus bars
I5W2	Preparation for roof rack, bright, silver
I5W3	Roof rack black, guide rails bright
I5W4	Black roof rails plus bars
I5XH	Sun visor, illuminated mirror with dual function
I5ZD	Headrests, front and rear, with logo
I5ZF	Headrests for front seats, with embossed crest
I509	Fire extinguisher
I6A0	Without fire extinguisher
I6A4	Preparation for fire extinguisher
I6A5	Fire extinguisher
I6A7	With fire extinguisher
I6DL	Sun visors, mirror (Korea)
I6DQ	Sun visors, mirror (China)
I6EA	Without additional body covers, side stone guards
I6EB	Additional body covers, stone guards and partial cover
I6EC	Underbody protection, rear axle
I6EP	Additional body covers, stone guards, type 1
I6EQ	Additional body covers, stone guards, type 2
I6ES	Additional body covers, stone guards, type 3
I6ET	Additional body covers, stone guards, type 4
I6E2	Front centre armrest in natural leather
I6E3	Centre armrest, front - PVC foam film
I6E4	GTS front centre armrest in natural leather
I6E6	Centre armrest, front - smooth leather
I6E7	Centre armrest, front - grained leather

Model: 92A 11

Model life 2011>>

NR	Description
I6FA	without contrasting colour
I6FB	Door-mirror housing painted in exterior colour
I6FI	Contrasting colour: Orange
I6FJ	Mirror lower shell/base, Black
I6FM	Contrasting colour: Crystal Silver Metallic
I6FP	Contrasting colour: Meteor Grey Metallic
I6FU	Mirror lower shell/base, vehicle colour
I6F0	Without imprint on armrest
I6F6	Porsche Crest on front armrest
I6F8	Model logo on front armrest
I6GA	Without component set
I6GB	Component set - wider wheel arch cover, off-road
I6GE	Component set - wheel arch extensions, extra wide for Australia
I6GF	Component set - wider wheel arch covers
I6GG	Component set for wider wheel arch trim (USA/CAN)
I6GH	Component set for wider wheel arch trim in exterior colour (USA) - 2010, 2011 - worldwide
I6GJ	Component set for wider wheel arch trim in exterior colour (RoW) - 2010, 2011 - worldwide
I6GK	Component set for wider wheel arch trim in exterior colour (AUS)
I6NA	One-piece rooflining in Alcantara, USA
I6NF	One-piece rooflining in Alcantara, Canada
I6NG	Standard roof lining, fabric (Japan)
I6NH	Standard roof lining, Alcantara (Japan)
I6NJ	Standard rooflining, fabric
I6NL	Standard rooflining in fabric, Canada
I6NN	Alcantara rooflining
I6NQ	Roof lining, standard, fabric, USA
I6N1	Mudguards, rear
I6P1	Number-plate holder, rear (ECE)
I6P2	Number-plate holder, rear (USA)
I6P4	Rear number plate bracket (Japan)
I6P5	Rear number plate bracket (China)
I6Q2	Gear selector knob + grip in leather, gear lever in leather/aluminium
I6Q3	Selector lever in Swedish Birch, Anthracite
I6Q4	Selector lever in Carbon
I6Q7	EXC selector lever
I6Q8	Gear lever, wood, dark
I6W1	Number-plate holder, front, large (ECE)
I6W2	Number-plate holder, front, small (RoW)
I6W3	Number-plate holder, front (NAR)

Model: 92A 11

Model life 2011>>

NR	Description
I6W4	Front number plate bracket, Japan
I6W7	Number plate bracket, front, China
I6XP	Door mirrors, electrically retractable, electrically adjustable, separately heated
I6XQ	Exterior mirror with memory function, electr. retractable/adjustable, separately heated
I6XT	Door mirrors, automatically dimmable, electrically retractable/adjustable, separately heated + memory
I6XW	Door mirrors, automatically dimmable, electrically retractable/adjustable, separately heated
I6Y2	Comfort air pressure, 270 km/h
I6Y4	Comfort air pressure, 100 mph
I6Y7	Comfort air pressure, 100 mph USA
I610	DVD navigation, "Europe package"
I611	DVD navigation South Africa
I612	DVD navigation middle east
I613	DVD navigation australia
I614	DVD navigation asia-pacific
I615	DVD navigation system, North America
I616	DVD, Navigation Russia
I656	Steering column with electric reach/height adjustment and memory
I7AC	Alarm system, interior surveillance, alarm horn
I7AH	Alarm system, interior surveillance can be deactivated Backup horn
I7AK	Alarm system, interior surveillance system, anti-towing protection
I7AL	Alarm system, interior surveillance system, backup horn, anti-towing protection
I7AT	Alarm system, interior surveillance, with VTS (Vehicle Tracking System)
I7AU	Alarm system, backup horn, with VTS (Vehicle Tracking System)
I7A0	Without CD autochanger/player
I7A1	Preparation for CD autochanger
I7A2	CD autochanger (6-disc)
I7B2	Five 12-volt plug sockets (USA)
I7B3	Four 12-volt plug sockets (ROW)
I7B6	Six 12-V sockets
I7B7	Five 12-V sockets
I7B8	Seven 12-V sockets
I7D7	Integrated CD/DVD autochanger
I7E0	Without heat accumulator
I7E6	Auxiliary heater
I7F2	Selector lever in Mahogany Yachting
I7F3	Selector lever, American Walnut, Brown
I7F7	Gear lever, wood, light, high gloss

Model: 92A 11

Model life 2011>>

NR	Description
I7GA	LEV 2 emissions concept
I7GB	Emissions concept, ULEV 2
I7GG	EU 4 emissions concept with particle filter
I7GH	EU4 emissions concept without EOBD
I7G1	VTS (Vehicle Tracking System) preparation, without driver card
I7G2	VTS (Vehicle Tracking System) preparation, with driver card
I7G5	Preparation, VTS (Vehicle Tracking System), with driver card, connection to alarm system, re-start inhibitor
I7G9	VTS preparation and Porsche Car Connect (pcc)
I7HI	Emissions concept EU5 Russia
I7I0	VTS security package (incl. PCC) and keypad
I7I2	VTS security package (with PCC)
I7K0	Without Tire Pressure Monitoring (TPM)
I7K3	Tire Pressure Monitoring, 433 MHz
I7K4	Tyre pressure monitoring system 315 MHz
I7K5	315-MHz Tire Pressure Monitoring with reduced transmission power
I7L4	Start/Stop "last mode" with recuperation
I7L6	Start/Stop "default off" mit Rekuperation
I7L7	StopRecuperation without Start/Stop
I7L8	Start/Stop "default on" mit Rekuperation
I7MG	Emissions concept EU 5
I7MJ	Emissions concept EU 5J
I7MM	Emissions concept EU6 Plus
I7MN	EU5 emissions concept for Japan (hybrid)
I7MQ	Emissions concept EU5
I7M0	Door entry guards of plastic from MY 04
I7M1	Door entry guards of stainless steel from MY 04
I7M3	Door entry guards, carbon
I7M7	Door entry guards, stainless steel, illuminated
I7M8	Door entry guards in Carbon, illuminated
I7QT	Navigation "Europe package"
I7QV	Navigation south africa
I7QX	Navigation North America
I7QZ	Navigation middle east
I7Q0	Without navigation unit
I7Q2	PCM navigation module
I7Q4	Navigation system preparation, Japan
I7Q7	PCM incl. navigation & compass display in

Model: 92A 11

Model life 2011>>

NR	Description
	instrument cluster
I7RA	Navigation, Australia
I7RB	Navigation, Hong Kong
I7RC	Navigation, Singapore
I7RD	Navigation Taiwan
I7RG	Navigation China
I7RH	Navigation Middle East
I7RJ	Navigation Australia
I7RM	Navigation Hong Kong
I7RN	Navigation Taiwan
I7RS	Navigation North America
I7RT	Navigation package Europe
I7RV	Navigation Russia
I7RX	Navigation South Africa
I7RY	Navigation Singapore
I7T0	Compass display in instrument cluster
I7T1	Offroad navigation, with course calculator showing latitude and longitude
I7T3	Offroad navigation, with course calculator showing latitude and longitude + COMPASS
I7T4	Navigation module China
I7T7	Navigation system preparation, China
I7UG	Navigation device, High
I7VE	Auxiliary heater with integrated timer.
I7VL	Auxiliary heater with integrated timer and remote control
I7V0	Instrument dials in Black
I7V1	Instrument dials in Guards Red
I7V3	Instrument dials in White
I7V4	Instrument dials in Luxor Beige
I7V5	Instrument dials in Silver
I7V6	Instrument dials in Black/Silver
I7V7	Instrument dials, Garnet Red
I7V8	Instrument dials in Carmine Red
I7X0	Without ParkAssist
I7X1	Ultrasound ParkAssist and reversing camera
I7X2	ParkAssist, front/rear
I7X3	Reversing camera
I7X7	Ultrasound parking aid with camera (LOW)
I7X8	Ultrasound parking aid and reversing camera
I7X9	Reversing camera
I7Y0	Without Lane Change Assist
I7Y1	Lane Change Assist
I7Y6	Lane departure warning (LDW)
I7Y7	Lane Change Assist and Lane departure warning

Model: 92A 11

Model life 2011>>

NR	Description
I70H	Household charging cable, type N Brazil
I70L	Household charging cable, type N ZA South Africa
I70S	Household charging cable, type L, Italy
I71X	Household charging cable, type B, Mexico
I71Y	Household charging cable, type I, China
I73B	Industrial charging cable, NEMA 6-30
I73C	Industrial charging cable, NEMA 6-50
I73D	Industrial charging cable, type NEMA 14-30
I73E	Industrial charging cable, NEMA 14-50
I73F	Industrial charging cable, Japan 200V
I73G	Industrial charging cable, CEE 16A/230V/6H
I73H	Industrial charging cable, CEE 32A/230V/6H
I73J	Industrial charging cable, CEE 16A/400V/6H
I73K	Industrial charging cable, CEE 32A/400V/6H
I73S	Industrial charging cable Japan YP-43
I77J	Navigation software Argentina
I77K	Navigation software Chile
I8AJ	Porsche CDR 31 radio WW
I8A4	Ultrasound parking aid with Real Topview
I8BB	Halogen main headlights, right-hand traffic
I8BC	Main headlights with gas-discharge lamps + direction indicators, XENON, right-hand traffic
I8BE	Main headlight with gas-discharge lamp & direction indicator light, XENON, left-hand traffic
I8BF	Halogen main headlight, left-hand traffic
I8BR	Halogen main headlights, U.S. version with direction indicator and running lights, right-hand traffic
I8BT	Main headlight with gas discharge lamp USA, XENON right-hand traffic, with black interior lining
I8BZ	Main headlights with gas-discharge lamps + direction indicators, XENON, left-hand traffic
I8DQ	Basic radio/PCM terminal, USA, double-DIN colour display
I8DR	Porsche CDR 30 radio WW
I8DU	Porsche CDR 23 radio WW
I8DV	Basic radio/PCM terminal, RoW, double-DIN colour display
I8EA	Xenon USA, right-hand traffic
I8EC	Xenon ECE RHD with daytime running lights
I8ED	Xenon ECE LHD with daytime running lights

Model: 92A 11

Model life 2011>>

NR	Description
I8EE	Xenon, ECE, left-hand traffic (Black)
I8EF	Xenon, ECE, right-hand traffic (Black)
I8EG	Xenon, USA, right-hand traffic (Black)
I8EH	Xenon USA, right-hand traffic with daytime running lights.
I8EX	LED headlights, r-h traffic + dyn. cornering light
I8EY	LED headlights, USA with dynamic cornering light
I8FE	Preparation for second battery
I8F2	Side direction indicator lights
I8F5	Side marker lights and direction indicators
I8GH	190-A generator
I8GR	150-A generator
I8GV	180 A generator
I8G0	without High beam assist
I8G1	PDLs+ High beam assist
I8G2	Dynamic high beam PDLs+
I8IS	LED headlights, l-h traffic + dyn. cornering light
I8JD	Main headlights with gas-discharge lamps U.S. version, XENON RHD
I8JE	Main headlight with gas-discharge lamp ECE, XENON, right-hand traffic.
I8JG	Main headlight with gas discharge lamp ECE, XENON, right-hand traffic with black interior lining
I8JJ	Main headlight with gas-discharge lamp ECE, XENON, left-hand traffic, with black interior lining
I8K0	Without special low beam mode
I8K1	Daytime driving light setting, Scandinavia
I8K3	Daytime driving lights, auxiliary driving lights, RoW, with COMING/LEAVING HOME function
I8K4	Daytime driving light setting, Canada
I8K5	Auxiliary driving lights, USA (NAR)
I8K8	Auxiliary driving lights (RoW)
I8K9	Daytime driving lights, auxiliary driving lights, Canada (NAR), with COMING/LEAVING HOME function
I8L6	Diversity antenna
I8N3	Wipers - variable interval setting with rain sensor
I8Q1	Headlight levelling, manual
I8Q2	Static headlight beam adjustment
I8Q3	Headlight levelling - dynamic
I8RV	10 loudspeakers, passive
I8SA	side tail light standard design
I8SB	side tail light standard design, Black
I8SI	side tail light (USA, Canada), Black

Model: 92A 11

Model life 2011>>

NR	Description
I8SJ	side tail light (USA, Canada)
I8TF	Rear fog light, left and right
I8T1	Cruise control
I8T3	Automatic distance control + cruise control ACC from MY 04
I8WB	Fog lights
I8WH	Street junction light and fog lights
I8WU	Roof-mounted lights
I8X0	Without headlight washer system
I8X1	Headlight cleaning system
I8YZ	Without radio but with preparation for 10 loudspeakers
I8Y1	Standard horns
I8Y2	Horns for extreme driving situations
I8ZM	Antenna in rear spoiler
I9AB	Air conditioning system with mechanical control
I9AD	Climatronic, free of CFCs
I9AH	4-zone air conditioning system
I9G1	220 A generator
I9JA	Non-smoker package
I9JB	Smoker version; ashtrays at front and rear
I9L1	Engine bay lighting
I9MA	Interior lighting in basic equipment package
I9MB	Comfort interior lighting, dimmable, with light strips on door panels
I9M0	Without auxiliary/parking heater
I9M1	Auxiliary water heater with timer
I9M5	Preheater for diesel
I9M9	Auxiliary water heater with timer and remote control
I9NY	Electronic logbook
I9P3	Belt control, visual and acoustic for driver and passenger
I9P7	Belt control, visual and acoustic only for driver
I9Q1	Multi-function display, on-board computer
I9Q6	Traffic sign recognition
I9TF	Courtesy entry and exit lights
I9TH	Safety lights on front and rear doors
I9T1	Heated washer nozzles, front
I9VJ	Top Premium sound systemTop Premium sound system
I9VK	Sound package 1/sound package
I9VL	Sound package 2/High-end sound system
I9WC	Without multimedia in the vehicle rear
I9WM	Preparation for "Rear Seat Entertainment"
I9WU	MIRRORLINK + RSE PREPARATION

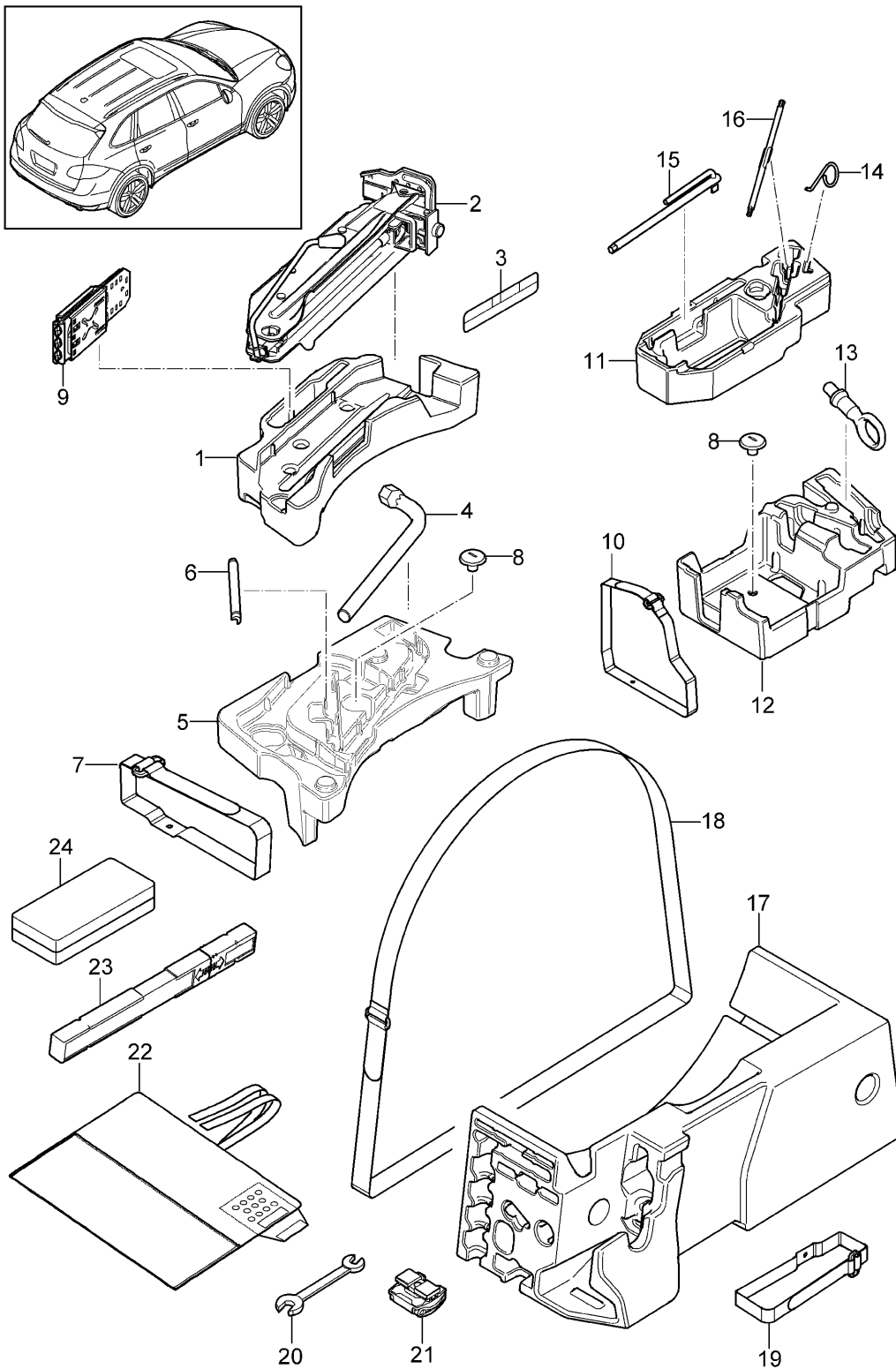
Model: 92A 11

Model life 2011>>

NR	Description
I9W0	Without preparation for installation of car phone
I9W1	Telephone module without passive handset
I9W5	BLUETOOTH mobile phone preparation
I9ZC	Telephone module with connection box
I9ZF	Telephone preparation for VDA mobile phone with hands-free facility
I9ZH	Installation of car phone with emergency-call system - PCM telematics
I9ZK	Telephone module
I9ZP	Telephone module with passive handset
I9ZT	Telephone preparation USA, JAPAN
I9ZX	Mobile phone preparation

Model: 92A 11

Model life 2011>>



Model: 92A 11 Model life 2011>>

Pos	Part Number	Description	Remark	Qty	Model
1	958 721 101 00	Tool Jack Warning triangle First-aid kit Mounting		1	
2	958 721 211 00	Jack		1	-I2D1
2	958 721 211 01	Jack		1	-I2D1
(2)	958 721 211 05	Jack		1	I2D1
(2)	958 721 211 06	Jack		1	I2D1
3	958 701 280 00	Sticker	-15	1	-I2D1/IB1P IB2A/B2H
(3)	958 701 281 00	Jack Sticker	-15	1	IB1P/B2A/B2H I2D1
(3)	958 701 282 00	Jack Sticker	-15	1	-I2D1/IB0M
(3)	958 701 283 00	Jack Sticker	-15	1	IB0M/2D1
(3)	958 701 284 00	Jack Sticker	-15	1	IB0R
(3)	958 701 285 00	Jack Sticker	-15	1	IB0L
4	955 721 135 02	Rim wrench		1	
5	958 721 102 00	Mounting	-14	1	
5	958 721 102 10	Tool Mounting	15-	1	
6	999 571 074 30	Threaded bolt for Wheels		1	
7	958 721 111 00	Retaining strap for cars without Jack		1	
(7)	958 721 111 05	Retaining strap for cars with Jack		1	
8	N 908 713 01	Push button		2	
9	955 721 725 00	Base wedge		2	
10	958 721 111 10	Retaining strap		1	
11	958 721 103 00	Mounting		1	
12	958 721 104 00	Tool Mounting		1	
13	958 721 151 00	Tool Towing lug		1	
14	955 721 153 00	Extractor for Hub cap		1	
15	955 721 135 01	Socket wrench Release		1	
16	955 721 135 04	Headlamp Screwdriver		1	
(16)	958 721 135 05	Screwdriver for Torx screw		1	
17	958 721 105 00	Mounting		1	I0K1/1G4
(17)	958 721 105 01	Tool Mounting Tool		1	I0K1/1G1
18	958 721 111 15	Retaining strap		1	I0K1/1G1/1G4
19	958 721 111 20	Retaining strap		1	I0K1/1G1/1G4
20	955 721 135 03	Double-end spanner		1	

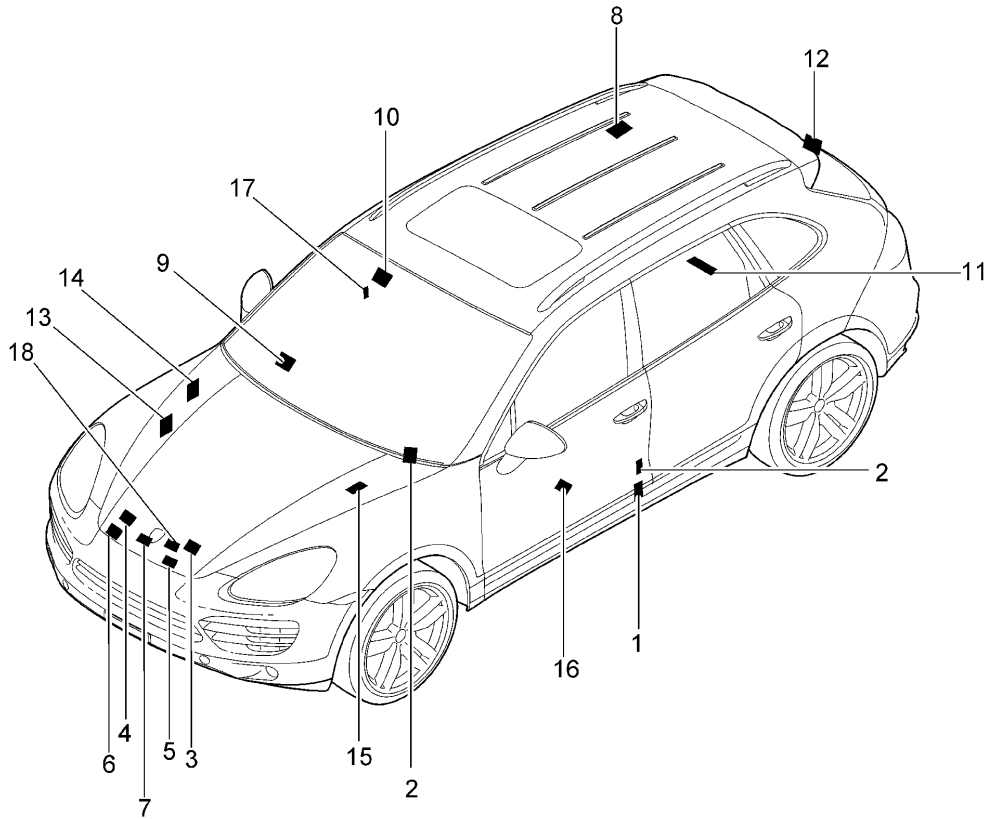
Model: 92A 11

Model life 2011>>

Pos	Part Number	Description	Remark	Qty	Model
21	955 551 539 00	10 X 13 Eye		4	
22	958 721 120 00	Tool bag		1	
23	000 722 722 06	Warning triangle		1	
23	8K0 860 251	Warning triangle		1	
24	7PP 860 282	First-aid kit		1	

Model: 92A 11

Model life 2011>>



Model: 92A 11 Model life 2011>>

Pos	Part Number	Description	Remark	Qty	Model
1	958 701 297 00	Stickers Sticker		1	-ID58/IHA8 IHS9/HT0/H9K I6Y2/6Y4/7K0
1	958 701 298 00	Tyre pressure Sticker		1	-ID58/IHA8 IHS9/HT0/H9K I6Y4/7K3/7K4
1	958 701 299 00	Tyre pressure Sticker		1	-ID58/IHQ3 IHQ4/H9M/6Y2 I6Y4
1	958 701 297 10	Tyre pressure Sticker		1	ID58/HS9/HT0 I6Y2
1	958 701 298 10	Tyre pressure Sticker		1	ID58/HS9/HT0 I6Y4
1	958 701 299 10	Tyre pressure Sticker		1	ID58/HQ3/HQ4 I6Y2/6Y4
1	958 701 299 20	Tyre pressure Sticker		1	ID58/H9L/6Y2
1	958 701 299 30	Tyre pressure Sticker		1	ID58/H9L/6Y4
1	958 701 297 20	Tyre pressure Sticker		1	ID58/HA8/6Y2
1	958 701 298 20	Tyre pressure Sticker		1	ID58/HA8/6Y4
1	958 701 302 70	Tyre pressure Sticker		1	IDD7/DD8/DU2 IDU3/DV7/D1V ID11/D34/D43 ID50 ID51/HQ3/HQ4 IHS9/HT0
1	958 701 302 80	Sticker		1	IDD7/DD8/DU2 IDU3/DV7/D1V ID11/D34/D43 ID50 ID51/HA8
1	958 701 302 90	Tyre pressure Sticker Tyre pressure		1	ID19 IHQ3/HS9/H9K IH9M
1	958 701 303 00	Sticker		1	ID19
1	958 701 303 10	Tyre pressure Sticker Tyre pressure		1	IHA8/HQ4/HT0 IDT1 IHQ3/HQ4/HS9 IHT0
1	958 701 303 20	Sticker		1	IDT1
1	958 701 303 30	Tyre pressure Sticker		1	IHA8 IDT5
1	958 701 303 40	Tyre pressure Sticker		1	IHA8/HQ4/HT0 IDD7/DD8/DU2 IDV7/D1V/D11 ID34/D43/D50 ID51 IH9K/H9M
2	7PP 010 686 F	Tyre pressure Sticker Top speed 240 Km/h	-12	1	
2	7PP 010 831 D	Dashboard Sticker	13-	1	

Model: 92A 11 Model life 2011>>

Pos	Part Number	Description	Remark	Qty	Model
(2)	7PP 010 686 G	Top speed 240 Km/h Dashboard Sticker	-12	1	
(2)	7PP 010 831 G	Top speed 150 MPH / 240 KM/H Dashboard Sticker	(CN)	1	IB1P
(2)	7PP 010 831 E	Top speed 150 MPH / 240 KM/H Dashboard Sticker	13-	1	
4	7PP 010 751 C	Engine specifications Sticker		1	(THA) IB2G
4	7PP 010 001 A	Exhaust gas Sticker		1	(THA) IB2G
5	958 006 150 00	Exhaust gas Diesel Sticker Assembly		1	ID58/D6V IDT1/DT5/DU2 IDU3
5	958 701 739 00	V-belt Warning sign Hybrid		1	ID19
(5)	955 006 675 00	Sticker Motor fan		1	IB0L
6	958 701 141 00	Sticker	-16	1	-IB0L
(6)	958 701 676 25	Air conditioner Sticker	-16	1	IB0L
(6)	9A7 010 014 00	Air conditioner Sticker		1	IB1P
(6)	9A7 010 014 01	Air conditioner Sticker	17-	1	IB1P IB0L
(6)	997 006 544 00	Air conditioner Sticker	17- -12	1	IB1P ID58/D6V
(6)	7PP 010 786 T	Engine oil - MOBILLOEL - Sticker	13-	1	ID58/D6V
(6)	955 006 544 00	Engine oil - MOBILLOEL - Sticker	-12	1	ID43/D50
(6)	7PP 010 786 T	Engine oil - MOBILLOEL - Sticker	13-	1	IDD8/D43/D50
(6)	955 006 544 00	Engine oil - MOBILLOEL - Sticker	-12	1	ID19/D34
(6)	7PP 010 786 T	Engine oil - MOBILLOEL - Sticker	13-	1	ID19/D34
7	7PP 010 714 R	Warning sign Start/Stop		1	I7L4/7L6/7L8
8	958 006 117 30	Sticker		1	IB0M/D19/D34 ID58/D6V
		Type of fuel			

Model: 92A 11 Model life 2011>>

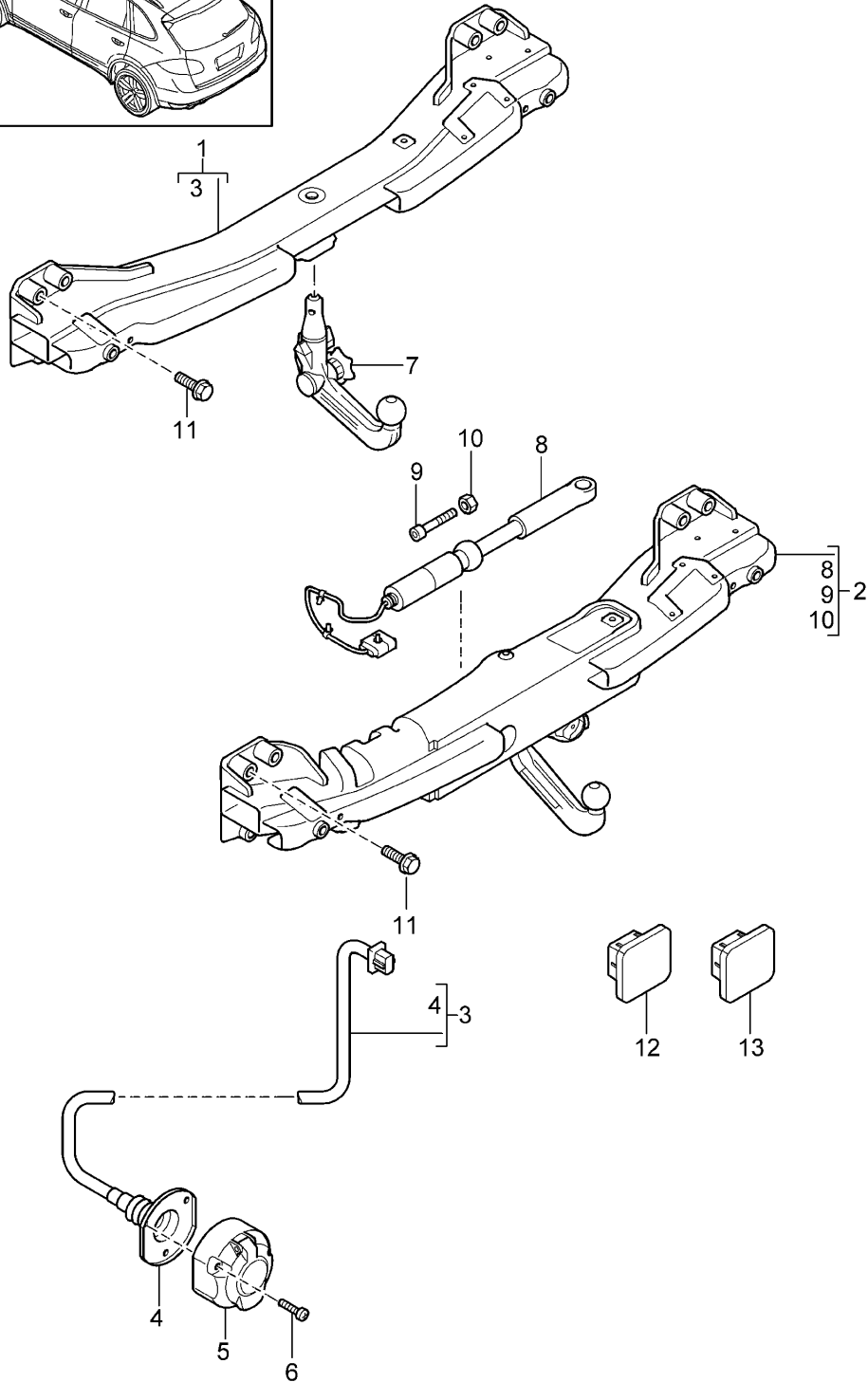
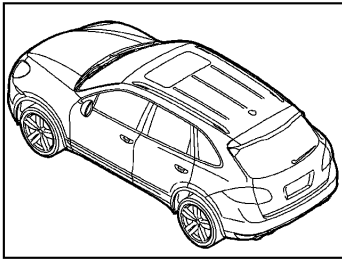
Pos	Part Number	Description	Remark	Qty	Model
8	958 006 117 31	Sticker		1	IB0M/D19/D34 ID58/D6V
8	958 006 117 40	Type of fuel Sticker		1	IB1P/D11/D19 ID34/D58/D6V
(8)	958 006 117 50	Type of fuel Sticker		1	IB0A/B0N/B0R IB1C/B2A/B2G IB2H/D19
(8)	958 006 117 60	Type of fuel Sticker		1	IB0A/B0N/B0R IB1C/B2A/B2G IB2H/D34/D58 ID6V
(8)		Type of fuel Sticker		1	IB0L/D19/D34 ID58/D6V
(8)	955 701 676 10	Type of fuel Sticker		1	IB0L
(8)	955 701 676 15	Fuel filler flap Sticker		1	IB0L
(8)	955 701 676 20	Fuel Sticker		1	ID43/D50
(8)	958 701 676 20	Type of fuel Sticker	-12	1	ID43/D50
(8)	958 701 676 21	Type of fuel "ULTRA LOW SULFUR" Sticker	13-	1	ID43
(8)	958 701 119 00	Type of fuel "ULTRA LOW SULFUR" Sticker		1	-I0SM/I9M1 I9M9
(8)	958 701 119 10	Auxiliary heater Sticker		1	I0SM/9M1
10	955 701 435 00	Auxiliary heater Stickers Airbag Warning sign		1	IB0A/B0D/B0E IB0L/B0N/B1C IB2G/B2H
(10)	955 701 435 10	Airbag Warning sign		1	IB0A/B0D/B0E IB0L/B0N/B1C IB1P/B2A/B2G IB2H
(10)	955 701 435 20	Airbag Warning sign		1	IB0M
(10)	955 701 435 30	Airbag Warning sign		1	IB0R
(10)	958 701 435 00	Airbag Warning sign	(J)	1	I6NG/6NH
11	7PP 010 707 K	Airbag Sticker	-12	1	I1G1/1G4
(11)	958 701 289 00	Emergency wheel Sticker	-12	1	I1G1/1G4
(11)	958 701 289 01	Emergency wheel Russian Sticker	13-	1	I1G1/1G4/1G6
(11)	958 701 680 00	Emergency wheel Warning sign Battery Hybrid German		1	ID19/0SB

Model: 92A 11 Model life 2011>>

Pos	Part Number	Description	Remark	Qty	Model
(11)	958 701 642 00	Warning sign Battery Hybrid French		1	ID19/0SG
(11)	958 701 674 00	Warning sign Battery Hybrid Italian		1	ID19/0SK
(11)	958 701 681 00	Warning sign Battery Hybrid Spanish		1	ID19/0SJ
(11)	958 701 681 10	Warning sign Battery Hybrid Arabic		1	ID19/0SW
(11)	958 701 681 20	Warning sign Battery Hybrid Japanese	-12	1	ID19/0SL
(11)	958 701 681 21	Warning sign Battery Hybrid Japanese	13-	1	ID19/0SL
(11)	958 701 681 30	Warning sign Battery Hybrid Chinese		1	ID19/0SM
12	955 701 675 15	Sticker Import Japan		1	IB0L
13	955 701 160 00	Sticker Window cleaner		1	
14	958 701 675 00	Sticker Expansion tank		1	IB0L
14	955 701 675 00	Sticker Cover Expansion tank		1	IB0L
15	955 701 675 05	Sticker Brake fluid		1	IB0L
16	955 701 673 00	Sticker Battery		1	IB0L
17	958 701 733 00	Sticker Recycling		1	IB0L
17	970 701 523 00	Sticker Recycling		1	IB0L
18	958 010 001 00	Sticker Assembly Poly-rib belt	15-	1	IDT1/DT5/DU2 IDU3

Model: 92A 11

Model life 2011>>



Model: 92A 11

Model life 2011>>

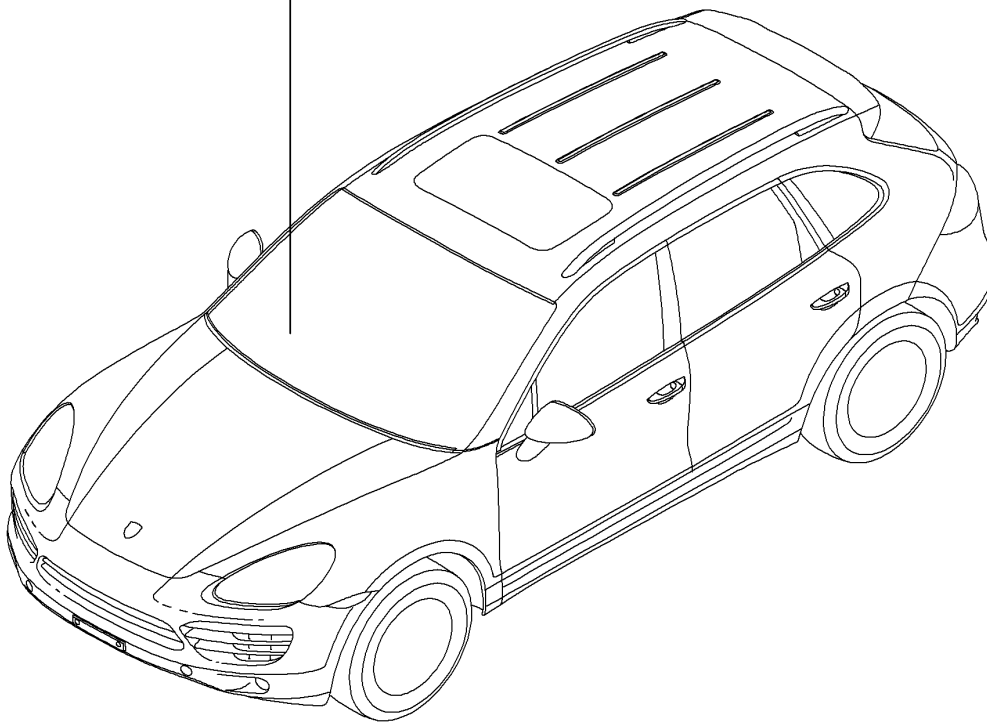
Pos	Part Number	Description	Remark	Qty	Model
1	958 722 003 00	Trailer coupling Trailer coupling with Wiring harness When required order also: POS. 7		1	I1D2
(1)	958 722 003 10	Trailer coupling with Wiring harness When required order also: POS. 7		1	I1D1
(1)	958 722 004 00	Trailer coupling with Wiring harness		1	IB0A/B0D/B0E IB1C/1D6
(1)	958 722 006 00	Trailer coupling with Wiring harness	(AUS)	1	IB0R/1D6
2	958 722 005 00	Trailer coupling with Wiring harness		1	I1D9
(2)	958 722 005 10	Trailer coupling with Wiring harness		1	-ID19/I1D3
(2)	958 722 005 20	Trailer coupling with Wiring harness for Hybrid		1	ID19/1D3
3	958 612 505 00	Wiring harness		1	I1D1/1D2
3	958 612 506 00	Wiring harness		1	IB0A/B0D/B0E IB1C/1D6
(3)	958 612 507 00	Wiring harness		1	I1D3/1D9
(3)	958 612 508 00	Wiring harness	(AUS)	1	IB0R/1D6
4	955 612 520 01	Grommet		1	
5	955 612 533 01	Plug socket		1	I1D1/1D2/1D3 I1D9
(5)	999 650 893 40	Plug socket	(AUS)	1	I1D6
6	N 014 156 5	Oval-head screw M 5 X 30		3	
7	958 722 023 00	Ball head		1	I1D1/1D2
8	958 624 010 00	Electric motor Trailer coupling		1	I1D3/1D9
9	999 218 069 02	Pan-head screw M 5 X 40		3	I1D3/1D9
10	900 910 007 02	Lock nut M 5		3	I1D3/1D9
11	N 910 292 02	Hexagon-head bolt BM 12 x 1,5 x 100		8	
12	955 722 030 00	Cover		1	I1D6
13	955 722 030 10	Cover Trailer coupling		1	I1D2

Model: 92A 11

Model life 2011>>

PROD.NUMMER PROD.NUMBER	888 0815
FIN VIN	WP1ZZZ12345678912
TYP TYPE	9PAAG1
MOTORKB./GETR.KB ENG.CODE/TRANS.CODE	M5502/C7050
VERTRIEBSFARBCODE SALESNO.	G1
AUSSTATTUNGSCODE INTERIOR CODE	AT
FARBCODE COLORCODE	6B8

7P5_010_732.T



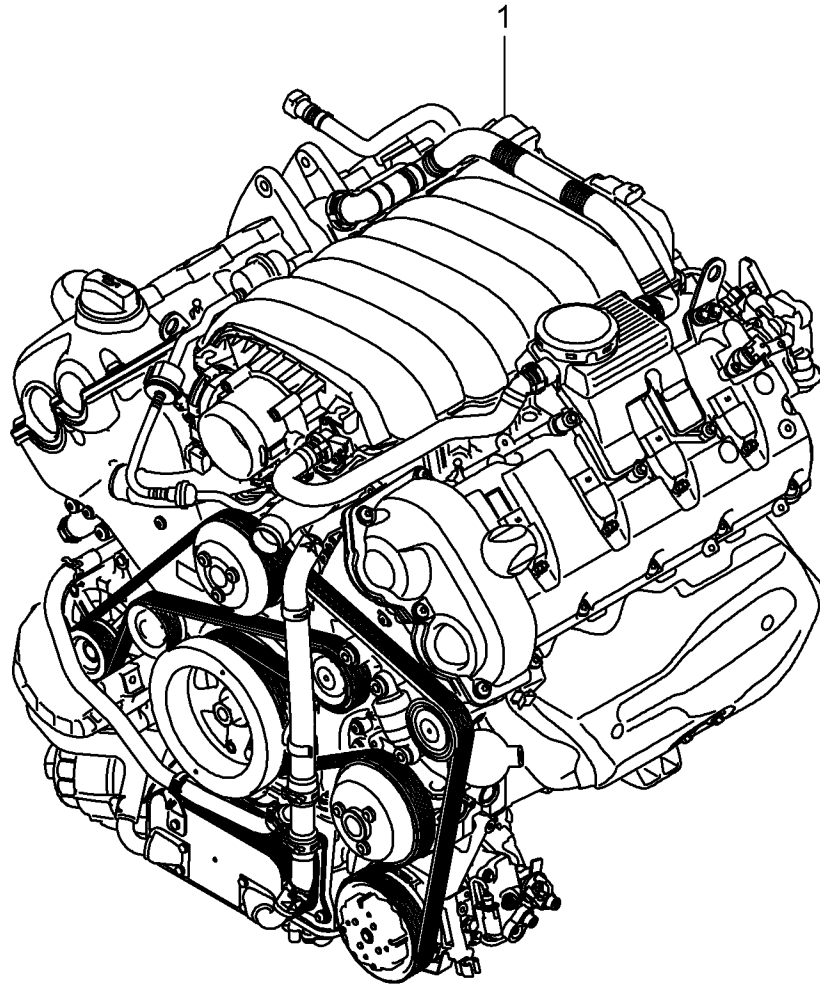
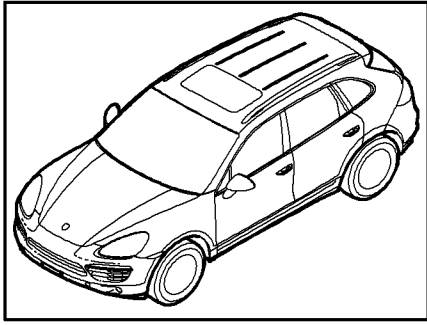
Model: 92A 11

Model life 2011>>

Pos	Part Number	Description	Remark	Qty	Model
		Paint touch-up applicator Lacquers Paint identification label see On-board folder Vehicle data carrier			
-	911 095 932 20	Paint touch-up applicator		X	
	911 095 932 20 041	Black			A 1
	911 095 932 20 R9A	Ivory white			R 6
	911 095 932 20 M1C	Sand Yellow			B 3
	911 095 932 20 C9A	White			0 Q
	911 095 932 20 M3C	Carmine red			0 L
-	911 095 933 20	Paint touch-up applicator Set Comprising: Paint touch-up applicator Primer Paint touch-up applicator Clear lacquer		X	
	911 095 933 20 X7W	Classic Silver Metallic			P 5
	911 095 933 20 C9X	Jet Black Metallic			2 T
	911 095 933 20 M5X	Dark Blue Metallic			N 4
	911 095 933 20 M8U	Umbra Metallic			R 7
	911 095 933 20 Z6H	Jet Green Metallic			J 6
	911 095 933 20 M3T	Auburn Metallic			E 6
	911 095 933 20 M7W	Meteor Grey Metallic			9 Q
	911 095 933 20 M4Z	Amethyst metallic			N 6
	911 095 933 20 2S1	Peridot Metallic			7 L
	911 095 933 20 M8Y	Mahogany Metallic			Y 8
	911 095 933 20 C1Y	Palladium Metallic			4 T
	911 095 933 20 M7U	Rhodium Silver Metallic			S 2
	911 095 933 20 C5M	Moonlight Blue Metallic			C 7
-	911 095 933 21	Paint touch-up applicator Set Comprising: Paint touch-up applicator Primer Paint touch-up applicator Clear lacquer		X	
	911 095 933 21 M4W	Purpurite Metallic			4 H
-	911 095 933 30	Paint touch-up applicator Set Comprising: Paint touch-up applicator Primer filler Paint touch-up applicator Primer Paint touch-up applicator Clear lacquer		X	
	911 095 933 30 S9R	Carrara White metallic			2 Y

Model: 92A 11

Model life 2011>>



Model: 92A 11

Model life 2011>>

Pos	Part Number	Description	Remark	Qty	Model
1	948 100 902 00	Replacement engine without Drive plate Tiptronic without Compressor Replacement engine		1	M48.02/52 M48.02 IE0A/1A2
(1)	948 100 902 X	Not Ready for installation Replacement See technical information Service Group 1 Document 1001 93/10 Replacement engine		1	M48.02 IE0A/1A2
(1)	948 100 902 02	Not Ready for installation Replacement See technical information Service Group 1 Document 1001 93/10 Replacement engine		1	M48.02 IE0A/1A2
(1)	948 100 902 BX	Not Ready for installation See technical information Service Group 1 Document 1001 93/10 Replacement engine		1	M48.02 IE0A/1A2
(1)	948 100 902 04	Not Ready for installation See technical information Service Group 1 Document 1001 93/10 Replacement engine		1	M48.02 IE0A/1A2
(1)	948 100 902 DX	Not Ready for installation See technical information Service Group 1 Document 1001 93/10 Replacement engine		1	M48.02 IE0A/1A2
(1)	948 100 902 06	Not Ready for installation See technical information Service Group 1 Document 1001 93/10 Replacement engine		1	M48.02

Model: 92A 11

Model life 2011>>

Pos	Part Number	Description	Remark	Qty	Model
(1)	948 100 902 FX	Not Ready for installation See technical information Service Group 1 Document 1001 93/10 Replacement engine		1	IE0A/1A2 M48.02 IE0A/1A2
(1)	948 100 902 10	Not Ready for installation See technical information Service Group 1 Document 1001 93/10 Replacement engine		1	M48.02 IE0A/1A2
(1)	948 100 902 KX	Not Ready for installation See technical information Service Group 1 Document 1001 93/10 Replacement engine		1	M48.02 IE0A/1A2
(1)	948 100 902 14	Not Ready for installation See technical information Service Group 1 Document 1001 93/10 Replacement engine		1	M48.02 IE0A/1A2
(1)	948 100 902 PX	Not Ready for installation See technical information Service Group 1 Document 1001 93/10 Up to engine number M >> E 03742 Use also: 958.106.322.10 Replacement engine		1	M48.02 IE0A/1A2
(1)	948 100 903 00	Not Ready for installation See technical information Service Group 1 Document 1001 93/10 Up to engine number M >> E 03742 Use also: 958.106.322.10 Replacement engine		1	M48.02 IE0A/1A2

Model: 92A 11

Model life 2011>>

Pos	Part Number	Description	Remark	Qty	Model
(1)	948 100 903 X	Not Ready for installation See technical information Service Group 1 Document 1001 93/10 Up to engine number M >> E 03742 Use also: 958.106.322.10 Replacement engine		1	M48.02 IE0A/1A2
(1)	948 100 902 08	Not Ready for installation See technical information Service Group 1 Document 1001 93/10 Up to engine number M >> E 03742 Use also: 958.106.322.10 Replacement engine		1	M48.02 IE0W/1A2
(1)	948 100 902 HX	Not Ready for installation Replacement engine		1	M48.02 IE0W/1A2
(1)	948 100 902 12	Not Ready for installation Replacement engine		1	M48.02 IE0W/1A2
(1)	948 100 902 MX	Not Ready for installation Replacement engine		1	M48.02 IE0W/1A2
(1)	948 100 902 16	Not Ready for installation Replacement engine		1	M48.02 IE0W/1A2
(1)	948 100 902 RX	Not Ready for installation Up to engine number M >> G E 03741 Use also: 958.106.322.10 Replacement engine		1	M48.02 IE0W/1A2
(1)	948 100 903 02	Not Ready for installation Up to engine number M >> G E 03741 Use also: 958.106.322.10 Replacement engine		1	M48.02 IE0W/1A2
		Not Ready for installation Up to engine number M >> G E 03741 Use also:			

Model: 92A 11

Model life 2011>>

Pos	Part Number	Description	Remark	Qty	Model
(1)	948 100 903 BX	958.106.322.10 Replacement engine Not Ready for installation Up to engine number M >> G E 03741 Use also: 958.106.322.10		1	M48.02 IE0W/1A2
(1)	948 100 902 01	Replacement engine Not Ready for installation Replacement See technical information Service Group 1 Document 1001 93/10		1	M48.02 IE0A/1A5
(1)	948 100 902 AX	Replacement engine Not Ready for installation Replacement See technical information Service Group 1 Document 1001 93/10		1	M48.02 IE0A/1A5
(1)	948 100 902 03	Replacement engine Not Ready for installation See technical information Service Group 1 Document 1001 93/10		1	M48.02 IE0A/1A5
(1)	948 100 902 CX	Replacement engine Not Ready for installation See technical information Service Group 1 Document 1001 93/10		1	M48.02 IE0A/1A5
(1)	948 100 902 05	Replacement engine Not Ready for installation See technical information Service Group 1 Document 1001 93/10		1	M48.02 IE0A/1A5
(1)	948 100 902 EX	Replacement engine Not Ready for installation See technical information Service Group 1		1	M48.02 IE0A/1A5

Model: 92A 11

Model life 2011>>

Pos	Part Number	Description	Remark	Qty	Model
(1)	948 100 902 07	Document 1001 93/10 Replacement engine Not Ready for installation See technical information Service Group 1 Document 1001 93/10		1	M48.02 IE0A/1A5
(1)	948 100 902 GX	Replacement engine Not Ready for installation See technical information Service Group 1 Document 1001 93/10	-13	1	M48.02 IE0A/1A5
(1)	948 100 902 11	Replacement engine Not Ready for installation See technical information Service Group 1 Document 1001 93/10	14-	1	M48.02 IE0A/1A5
(1)	948 100 902 LX	M >> V E 03768 Replacement engine Not Ready for installation See technical information Service Group 1 Document 1001 93/10	14-	1	M48.02 IE0A/1A5
(1)	948 100 902 15	M >> V E 03768 Replacement engine Not Ready for installation See technical information Service Group 1 Document 1001 93/10	14-	1	M48.02 IE0A/1A5
(1)	948 100 902 QX	M V E 03769 >> Replacement engine Not Ready for installation See technical information Service Group 1 Document 1001 93/10	14-	1	M48.02 IE0A/1A5
(1)	948 100 902 09	M V E 03769 >> Replacement engine Not		1	M48.02 IE0W/1A5

Model: 92A 11

Model life 2011>>

Pos	Part Number	Description	Remark	Qty	Model
(1)	948 100 902 JX	Ready for installation Replacement engine Not Ready for installation	-13	1	M48.02 IE0W/1A5
(1)	948 100 902 13	Replacement engine Not Ready for installation	14-	1	M48.02 IE0W/1A5
(1)	948 100 902 NX	M >> GVE 03746 Replacement engine Not Ready for installation	14-	1	M48.02 IE0W/1A5
(1)	948 100 902 17	M >> GVE 03746 Replacement engine Not Ready for installation	14-	1	M48.02 IE0W/1A5
(1)	948 100 902 SX	M GVE 03747 >> Replacement engine Not Ready for installation	14-	1	M48.02 IE0W/1A5
(1)	948 100 952 00	M GVE 03747 >> Replacement engine Not Ready for installation		1	M48.52 IE0A
(1)	948 100 952 X	Replacement See technical information Service Group 1 Document 1001 93/10 Replacement engine Not Ready for installation		1	M48.52 IE0A
(1)	948 100 952 01	Replacement See technical information Service Group 1 Document 1001 93/10 Replacement engine Not Ready for installation		1	M48.52 IE0A
(1)	948 100 952 AX	Replacement See technical information Service Group 1 Document 1001 93/10 Replacement engine Not Ready for installation		1	M48.52 IE0A

Model: 92A 11

Model life 2011>>

Pos	Part Number	Description	Remark	Qty	Model
(1)	948 100 952 02	Replacement engine Not Ready for installation See technical information Service Group 1 Document 1001 93/10		1	M48.52 IE0A
(1)	948 100 952 BX	Replacement engine Not Ready for installation See technical information Service Group 1 Document 1001 93/10		1	M48.52 IE0A
(1)	948 100 952 04	Replacement engine Not Ready for installation See technical information Service Group 1 Document 1001 93/10		1	M48.52 IE0A
(1)	948 100 952 DX	Replacement engine Not Ready for installation See technical information Service Group 1 Document 1001 93/10		1	M48.52 IE0A
(1)	948 100 952 07	Replacement engine Not Ready for installation See technical information Service Group 1 Document 1001 93/10		1	M48.52 IE0A
(1)	948 100 952 GX	Replacement engine Not Ready for installation See technical information Service Group 1 Document 1001 93/10		1	M48.52 IE0A
(1)	948 100 952 10	Replacement engine Not Ready for installation See technical information Service Group 1 Document 1001 93/10		1	M48.52 IE0A

Model: 92A 11

Model life 2011>>

Pos	Part Number	Description	Remark	Qty	Model
(1)	948 100 952 KX	Up to engine number M >> E 00996 Use also: 958.106.322.10 Replacement engine Not Ready for installation See technical information Service Group 1 Document 1001 93/10 Up to engine number M >> E 00996 Use also: 958.106.322.10 Replacement engine		1	M48.52 IE0A
(1)	948 100 952 13	Not Ready for installation See technical information Service Group 1 Document 1001 93/10 Up to engine number M >> E 00996 Use also: 958.106.322.10 Replacement engine		1	M48.52 IE0A
(1)	948 100 952 NX	Not Ready for installation See technical information Service Group 1 Document 1001 93/10 Up to engine number M >> E 00996 Use also: 958.106.322.10 Replacement engine		1	M48.52 IE0A
(1)	948 100 952 03	Not Ready for installation See technical information Service Group 1 Document 1001 93/10 Up to engine number M >> E 00996 Use also: 958.106.322.10 Replacement engine		1	M48.52 IE81
(1)	948 100 952 CX	Not Ready for installation See technical information Service Group 1 Document 1001 93/10 Up to engine number M >> E 00996 Use also: 958.106.322.10 Replacement engine		1	M48.52 IE81
(1)	948 100 952 05	Not Ready for installation See technical information Service Group 1 Document 1001 93/10 Up to engine number M >> E 00996 Use also: 958.106.322.10 Replacement engine		1	M48.52 IE81
(1)	948 100 952 EX	Not Ready for installation See technical information Service Group 1 Document 1001 93/10 Up to engine number M >> E 00996 Use also: 958.106.322.10 Replacement engine		1	M48.52 IE81
(1)	948 100 952 08	Not Ready for installation See technical information Service Group 1 Document 1001 93/10 Up to engine number M >> E 00996 Use also: 958.106.322.10 Replacement engine		1	M48.52 IE81

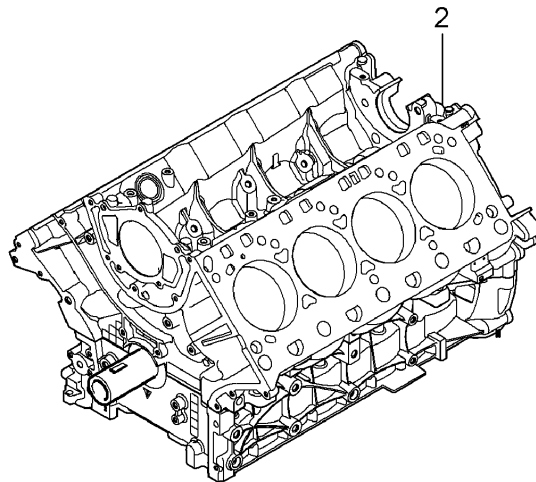
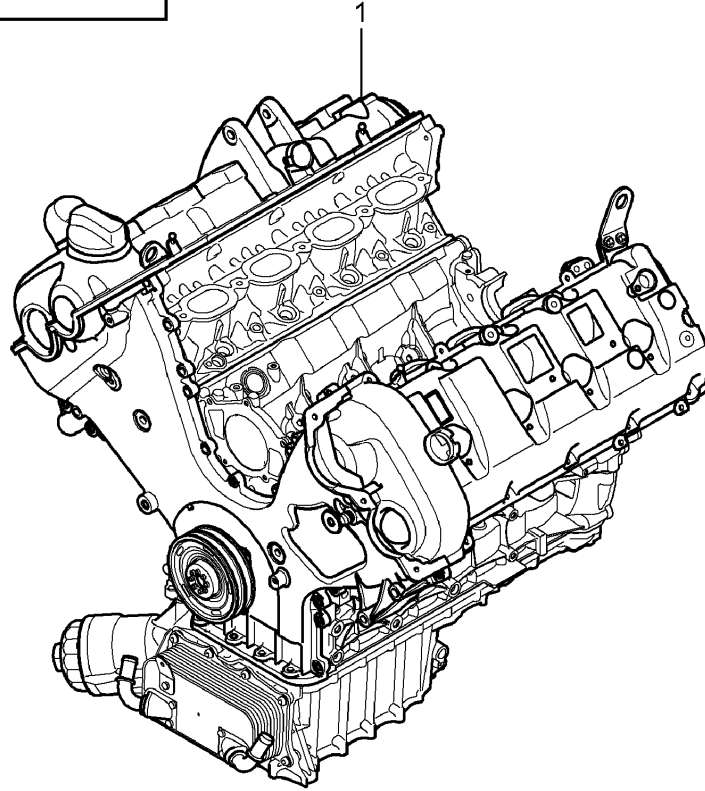
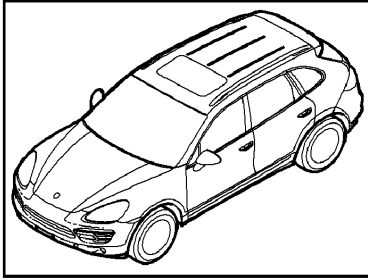
Model: 92A 11

Model life 2011>>

Pos	Part Number	Description	Remark	Qty	Model
(1)	948 100 952 HX	When required order also: 958.106.322.10 Replacement engine Not Ready for installation		1 1	M48.52 IE81
(1)	948 100 952 06	When required order also: 958.106.322.10 Replacement engine Not Ready for installation		1 1	M48.52 IE8A
(1)	948 100 952 FX	Replacement engine Not Ready for installation	-13	1	M48.52 IE8A
(1)	948 100 952 09	Replacement engine Not Ready for installation	14-	1	M48.52 IE8A
(1)	948 100 952 JX	Replacement engine Not Ready for installation	14-	1	M48.52 IE8A

Model: 92A 11

Model life 2011>>



Model: 92A 11 Model life 2011>>

Pos	Part Number	Description	Remark	Qty	Model
(1)	948 100 903 60	Short engine Short engine Short engine Comprising: Valve cover Cylinder head Crank drive Oil pan Valve control Parts kit without Gasket Use also: WHT004966 94811118101 99970758241 99970758141 94811061500 99970150241		1	M48.02/52 M48.02 IE0A/1A2
(1)	948 100 903 PX	Short engine Comprising: Valve cover Cylinder head Crank drive Oil pan Valve control Parts kit without Gasket Use also: WHT004966 94811118101 99970758241 99970758141 94811061500 99970150241		1	M48.02 IE0A/1A2
(1)	948 100 903 62	Short engine Comprising: Valve cover Cylinder head Crank drive Oil pan Valve control Parts kit without Gasket Use also: WHT004966 94811118101 99970758241 99970758141 94811061500 99970150241		1	M48.02 IE0A/1A5
(1)	948 100 903 QX	Short engine Comprising: Valve cover Cylinder head Crank drive Oil pan		1	M48.02 IE0A/1A5

Model: 92A 11 Model life 2011>>

Pos	Part Number	Description	Remark	Qty	Model
(1)	948 100 903 64	Valve control Parts kit without Gasket Use also: WHT004966 94811118101 99970758241 99970758141 94811061500 99970150241 Short engine		10 2 1 1 1 2 1	M48.02 IEOW/1A2
(1)	948 100 903 RX	Comprising: Valve cover Cylinder head Crank drive Oil pan Valve control Parts kit without Gasket Use also: WHT004966 94811118101 99970758241 99970758141 94811061500 99970150241 Short engine		10 2 1 1 1 2 1	M48.02 IEOW/1A2
(1)	948 100 903 66	Comprising: Valve cover Cylinder head Crank drive Oil pan Valve control Parts kit without Gasket Use also: WHT004966 94811118101 99970758241 99970758141 94811061500 99970150241 Short engine		10 2 1 1 1 2 1	M48.02 IEOW/1A5
		Comprising: Valve cover Cylinder head Crank drive Oil pan Valve control Parts kit without Gasket Use also: WHT004966 94811118101 99970758241 99970758141		10 2 1 1	

Model: 92A 11 Model life 2011>>

Pos	Part Number	Description	Remark	Qty	Model
-	948 107 222 00	94810090350/52 948100903TX/UX Use also: 94810593601 94810593800 94810593702 99907390531 99907390831 94810516910 94810502312 94810506811 94810506510 94810518011 94810516612 99901502201 99901502101 Filter element Parts kit for Short engine 94810090350/52 948100903TX/UX Use also: 99970749640 99991557343 99907390531 94810732200 99970760340 99970756740 99970753040 99970754740 99970758540 99970756840 038103196B 94810725212		1 2 8 23 3 1 1 1 1 1 1 2 1 2 1	M48.02
(2)	948 100 952 50	Short engine Comprising: Crankcase Piston with Connecting rod Crankshaft Use also: 94810701362 94811118101 99917022890 WHT004966		2 X 29 1 1 1 1 1 1 1 1 1 1 1 1	M48.52
(2)	948 100 952 TX	Short engine Comprising: Crankcase Piston with Connecting rod Crankshaft Use also: 94810701362 94811118101 99917022890 WHT004966		10 1	M48.52
-	948 101 910 20	Joint flange Parts kit for Short engine		10 1	M48.52

Model: 92A 11

Model life 2011>>

Pos	Part Number	Description	Remark	Qty	Model
-	999 707 763 40	94810095250 948100952TX Use also: 94810653300 94810612402 94810615401 99970758640 99970182540 94810743720 94810743820 99970760640 99970402090 94811014601 O-ring Turbocharger Parts kit for Short engine 94810095250 948100952TX Use also: 90012300520 90012301820 94810712350 99970756840 99970750340 90012300520		1 2 2 2 2 1 1 8 8 8 2 2 4 2 2 1 8 1	M48.52
-	999 707 575 40	O-ring Parts kit for Short engine 94810095250 948100952TX Use also: 99970748140 94810113021 94810112520 94810112720 94810112921 00004320435 94810417305 94810417405 94810418110		1 1 1 1 1 1 X 1 1 20 1	M48.52
-	948 105 935 01	Gasket Parts kit for Short engine 94810095250 948100952TX Use also: 94810593601 94810593800 94810593702 99907390531 99907390831 94810516910 94810502312 94810506811 94810506510 94810518011 94810516612 99901502201 99901502101		1 2 8 23 3 1 1 1 1 1 1 1 1 2 1 2	M48.52

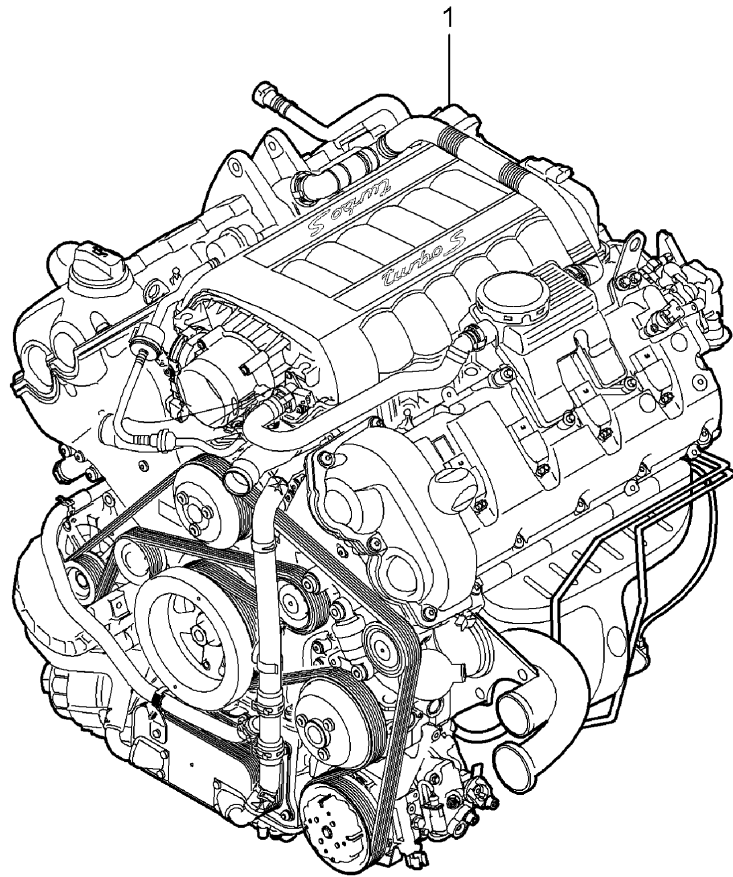
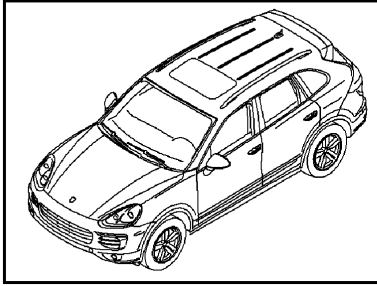
Model: 92A 11

Model life 2011>>

Pos	Part Number	Description	Remark	Qty	Model
-	948 107 222 00	Filter element Parts kit for Short engine 94810095250 948100952TX Use also: 99970749640 99991557343 99907390531 94810732200 99970760340 99970756740 99970753040 99970754740 99970758540 99970756840 038103196B 94810725212		1 2 X 29 1 5 1 1 1 1 1 1 1 1 1	M48.52

Model: 92A 11

Model life 2011>>



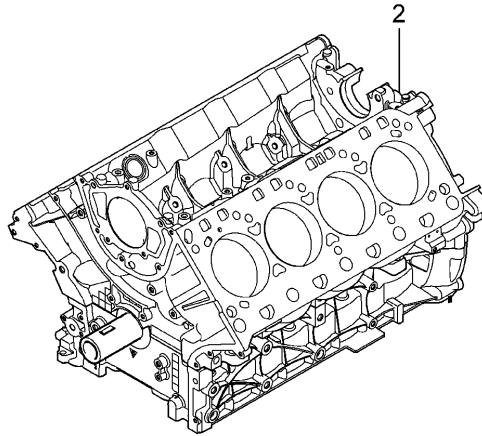
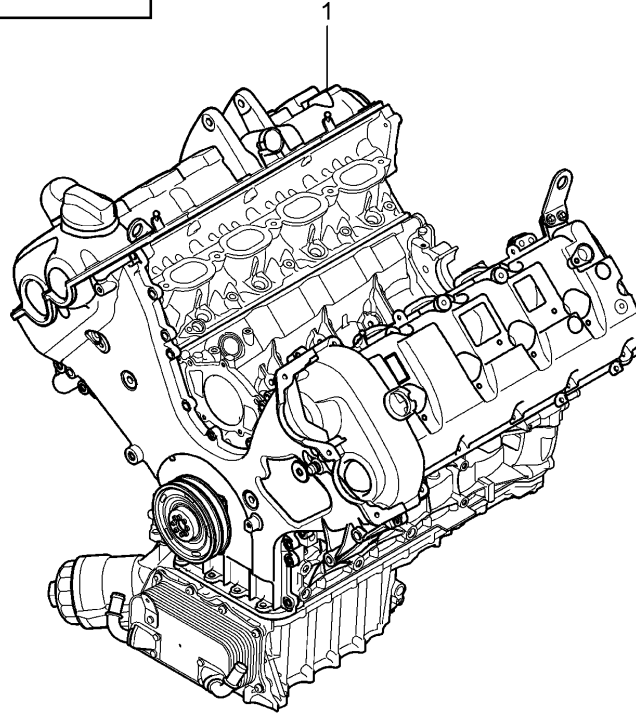
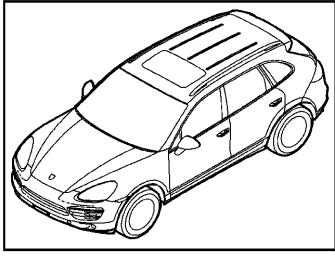
Model: 92A 11

Model life 2011>>

Pos	Part Number	Description	Remark	Qty	Model
		Replacement engine without Drive plate Tiptronic without Compressor			MCF.TB MCY.XA
1	948 100 953 00	Replacement engine Not Ready for installation		1	MCF.TB
(1)	948 100 953 X	Replacement engine Not Ready for installation		1	MCF.TB
(1)	948 100 953 01	Replacement engine Not Ready for installation		1	MCY.XA
(1)	948 100 953 AX	Replacement engine Not Ready for installation		1	MCY.XA

Model: 92A 11

Model life 2011>>



Model: 92A 11

Model life 2011>>

Pos	Part Number	Description	Remark	Qty	Model
(1)	948 100 952 60	Short engine Short engine Short engine Comprising: Valve cover Cylinder head Crank drive Oil pan Valve control Parts kit without Gasket Use also: WHT004966 94811118101 99970758241 99970758141 94811061500 99970150241		1	MCF.TB MCY.XA MCF.TB
(1)	948 100 952 RX	Short engine Comprising: Valve cover Cylinder head Crank drive Oil pan Valve control Parts kit without Gasket Use also: WHT004966 94811118101 99970758241 99970758141 94811061500 99970150241		1	MCF.TB
(1)	948 100 953 65	Short engine Comprising: Valve cover Cylinder head Crank drive Oil pan Valve control Parts kit without Gasket Use also: WHT004966 94811118170 99970758241 99970758141 94811061500 99970150241		1	MCY.XA
(1)	948 100 953 SX	Short engine Comprising: Valve cover Cylinder head Crank drive Oil pan Valve control Parts kit without		1	MCY.XA

Model: 92A 11

Model life 2011>>

Pos	Part Number	Description	Remark	Qty	Model
-	948 106 533 00	Gasket Use also: WHT004966 94811118170 99970758241 99970758141 94811061500 99970150241		10 2 1 1 1 2	
-	999 707 763 40	Gasket Parts kit for Short engine Use also: 94810612402 94810615401 99970758640 99970182540 94810743720 94810743820 99970760640 99970402090 94811014601		1	
-		O-ring Turbocharger Parts kit for Short engine Use also: 90012300520 90012301820 94810712350 99970756840 99970750340 90012300520		2 8 8 8 1 1 8 2	MCF.TB
-		O-ring Turbocharger Parts kit for Short engine Use also: 90012300520 94810712350 99970756840 99970750340 90012300520		2	MCY.XA
2	948 100 952 50	Short engine Comprising: Crankcase Piston with Connecting rod Crankshaft Use also: 94810701362 94811118101 99917022890		8 1 8 1	MCF.TB
(2)	948 100 952 TX	WHT004966 Short engine Comprising: Crankcase Piston with Connecting rod		10 1	MCF.TB

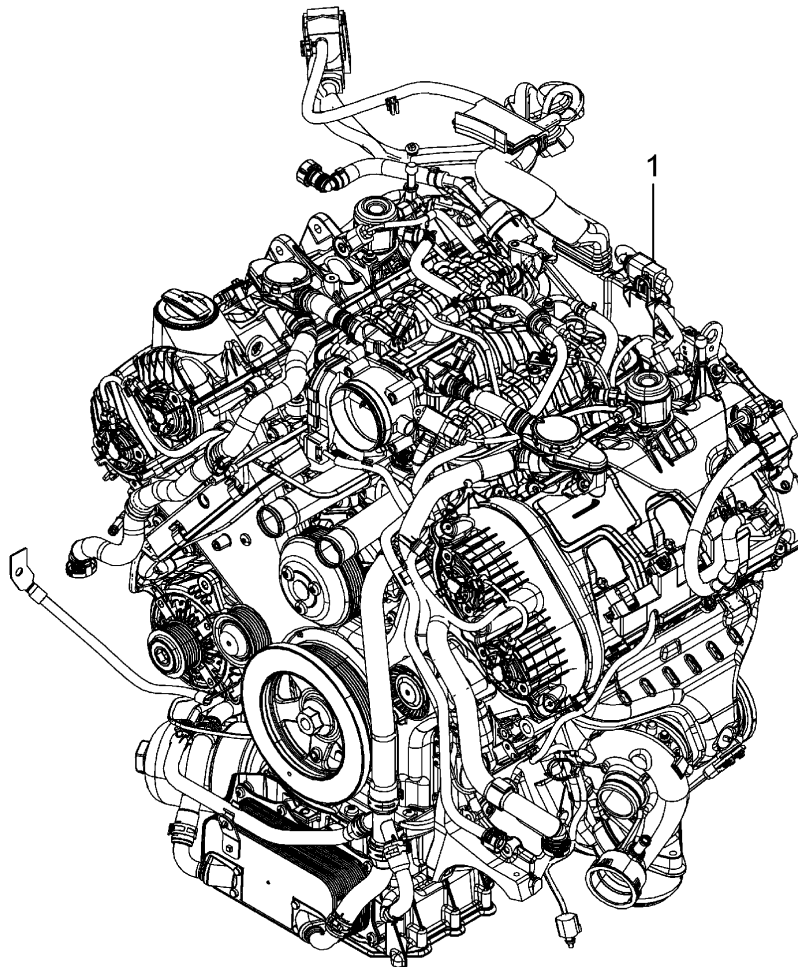
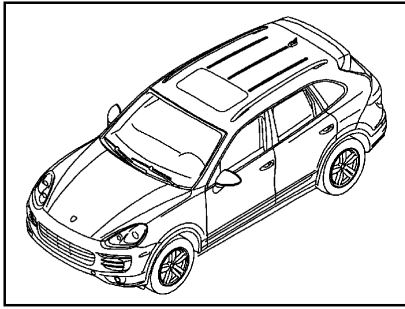
Model: 92A 11

Model life 2011>>

Pos	Part Number	Description	Remark	Qty	Model
(2)	948 100 953 55	Crankshaft Use also: 94810701362 94811118101 99917022890 WHT004966 Short engine Comprising: Crankcase Piston with Connecting rod Crankshaft Use also: 94810701362 94811118170 99917022890 WHT004966		1 2 8 10	MCY.XA
(2)	948 100 953 UX	Short engine Comprising: Crankcase Piston with Connecting rod Crankshaft Use also: 94810701362 94811118170 99917022890 WHT004966		1 2 8 10	MCY.XA
-	948 101 910 20	Joint flange Parts kit for Short engine Use also: 94810653300 94810612402 94810615401 99970758640 99970182540 94810743720 94810743820 99970760640 99970402090 94811014601		1 2 8 10 1	
-	999 707 763 40	O-ring Turbocharger Parts kit for Short engine Use also: 90012300520 90012301820 94810712350 99970756840 99970750340 90012300520		2 2 2 2 2 1 8 8 8	MCF.TB
-		O-ring Turbocharger Parts kit for Short engine Use also:		2 4 2 2 1 8 2	MCY.XA

Model: 92A 11

Model life 2011>>



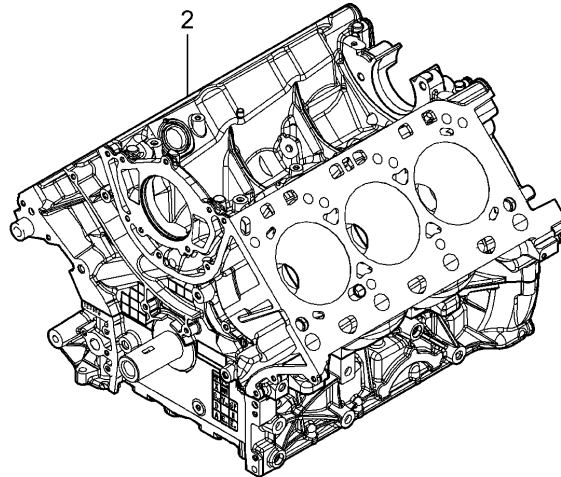
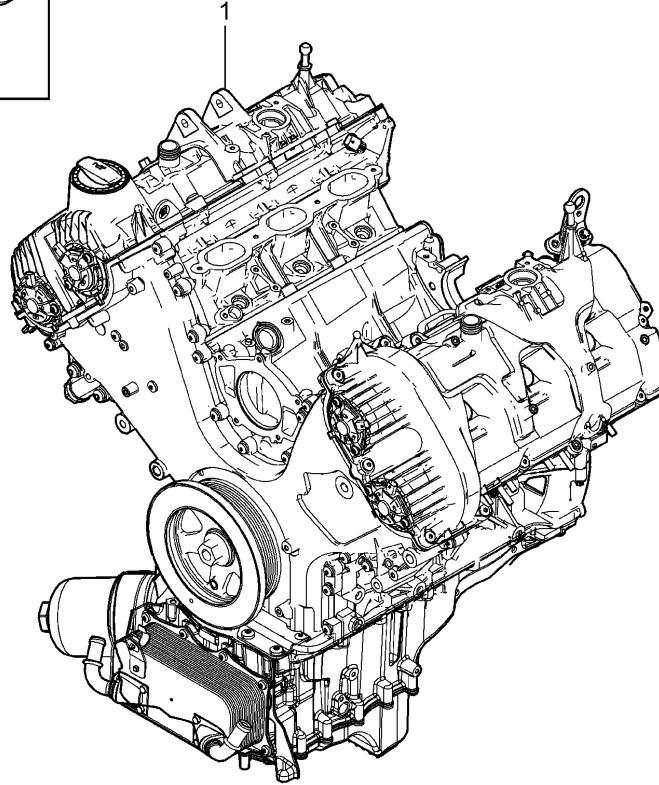
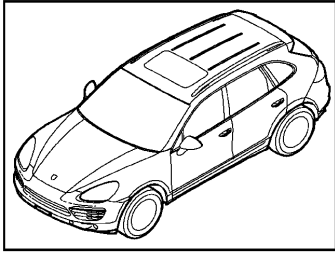
Model: 92A 11

Model life 2011>>

Pos	Part Number	Description	Remark	Qty	Model
		Replacement engine without Drive plate without Compressor			MCU.RA MCX.ZA
1	946 100 955 00	Replacement engine Not Ready for installation for vehicles up to Model year 2016 Short engine Use	17-	1	MCU.RA
1	946 100 955 X	Replacement engine Not Ready for installation for vehicles up to Model year 2016 Short engine Use	17-	1	MCU.RA
(1)	946 100 955 01	Replacement engine Not Ready for installation for vehicles up to Model year 2016 Short engine Use	17-	1	MCX.ZA
(1)	946 100 955 AX	Replacement engine Not Ready for installation for vehicles up to Model year 2016 Short engine Use	17-	1	MCX.ZA

Model: 92A 11

Model life 2011>>



Model: 92A 11 Model life 2011>>

Pos	Part Number	Description	Remark	Qty	Model
1	946 100 955 60	Short engine Short engine Short engine Comprising: Valve cover Cylinder head Crank drive Oil pan Valve control Parts kit without Gaskets Use also: 94611118175 WHT004966 99970758241 99970758141 99970104840 06L109311		1	MCU.RA MCX.ZA
(1)	946 100 955 RX	Short engine Comprising: Valve cover Cylinder head Crank drive Oil pan Valve control Parts kit without Gaskets Use also: 94611118175 WHT004966 99970758241 99970758141 99970104840 06L109311		2 10 1 1 2 2 1	
-	948 106 533 00	Gasket Parts kit for Short engine Use also: 94810612402 94810615401 99970758640 99970182540 99970767740 99970767741 99970118742 94611032831 94611042861 99970118742 94611022860 94611014660		2 10 1 1 2 2 2 2 6 6 6 6 6 6 6	
2	946 100 955 50	Short engine Comprising: Crankcase Piston with Connecting rod Crankshaft Use also: 94610701336		1	

Model: 92A 11 Model life 2011>>

Pos	Part Number	Description	Remark	Qty	Model
(2)	946 100 955 TX	94611118175 99917023390 WHT004966 Short engine Comprising: Crankcase Piston with Connecting rod Crankshaft Use also: 94610701336 94611118175 99917023390 WHT004966		2 6 10 1	
-	948 101 910 20	Joint flange Parts kit for Short engine Use also: 94810653300 94810612402 94810615401 99970758640 99970182540 99970767740 99970767741 94611042861 94611032831 99970118742 94611022860 06L109311 94611014660		1 1 2 2 2 2 2 2 2 6 6 6 6 2 6 6	
-	999 707 575 40	O-ring Parts kit for Short engine Use also: 99970748140 94610113004 94810112520 94810112720 94610112904 00004320993 00004320435 99907391331 99907391431 99907390531 99907390331 94610417302 94610417402 94810418110		1 1 1 1 1 X X 2 9 25 2 1 1 16	
-	946 105 935 65	Gasket Parts kit for Short engine Use also: 94610593665 94610593765 99907390531 99907390831 94610516975 94810502312		1 1 17 7 1 1	

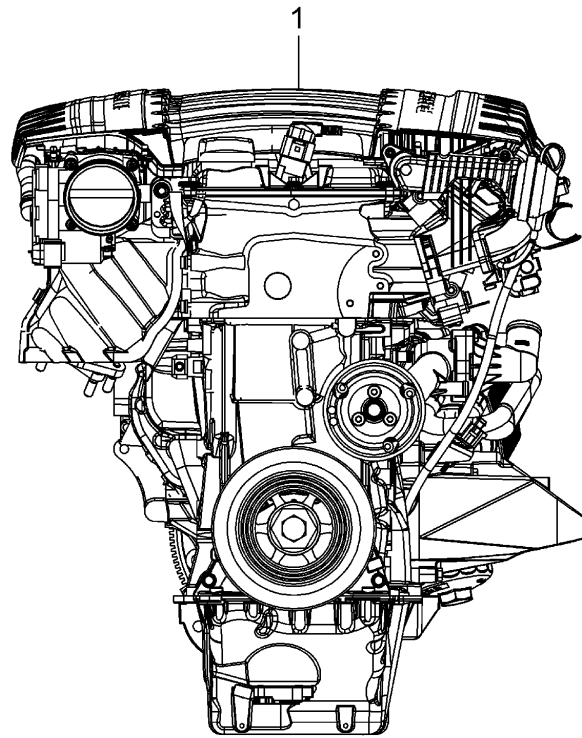
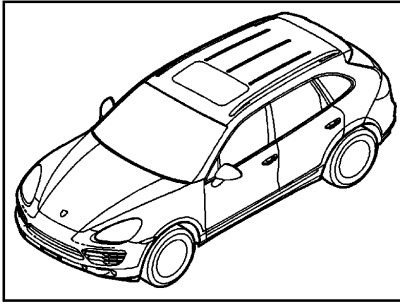
Model: 92A 11

Model life 2011>>

Pos	Part Number	Description	Remark	Qty	Model
-	948 107 222 00	94610506800 94810506510 94610518076 94810516612 99901502201 99901502101 Filter element Parts kit for Short engine Use also: 99991557343 99907390531 94610732275 99970756740 99970754740 99970758540 99970756840 038103196B 94610725275		1 1 1 2 1 2 1 20 1 1 2 1 2 1 1	

Model: 92A 11

Model life 2011>>



Model: 92A 11 Model life 2011>>

Pos	Part Number	Description	Remark	Qty	Model
1	958 100 955 00	Replacement engine		1	MCE.YA M55.02 M55.02 IG0L
(1)	958 100 955 X	Replacement engine Together with Manual transmission Not Ready for installation		1	M55.02 IG0L
(1)	958 100 955 02	Replacement engine Together with Manual transmission Not Ready for installation		1	M55.02 IG0L
(1)	958 100 955 BX	Replacement engine Together with Manual transmission Not Ready for installation		1	M55.02 IG0L
(1)	958 100 955 04	Replacement engine Together with Manual transmission Not Ready for installation		1	M55.02 IG0L
(1)	958 100 955 DX	Replacement engine Together with Manual transmission Not Ready for installation		1	M55.02 IG0L
(1)	958 100 955 06	Replacement engine Together with Manual transmission Not Ready for installation		1	M55.02 IG0L
(1)	958 100 955 FX	Replacement engine Together with Manual transmission Not Ready for installation	13	1	M55.02 IG0L
(1)	958 100 955 08	Replacement engine Together with Manual transmission Not Ready for installation	14	1	M55.02 IG0L
(1)	958 100 955 HX	Replacement engine Together with Manual transmission Not Ready for installation	14	1	M55.02 IG0L
(1)	958 100 955 01	Replacement engine		1	M55.02

Model: 92A 11

Model life 2011>>

Pos	Part Number	Description	Remark	Qty	Model
(1)	958 100 955 AX	Together with Tiptronic Not Ready for installation Replacement engine		1	IG1G M55.02 IG1G
(1)	958 100 955 03	Together with Tiptronic Not Ready for installation Replacement engine		1	M55.02 IG1G
(1)	958 100 955 CX	Together with Tiptronic Not Ready for installation Replacement engine		1	M55.02 IG1G
(1)	958 100 955 05	Together with Tiptronic Not Ready for installation Replacement engine		1	M55.02 IG1G
(1)	958 100 955 EX	Together with Tiptronic Not Ready for installation Replacement engine		1	M55.02 IG1G
(1)	958 100 955 07	Together with Tiptronic Not Ready for installation Replacement engine		1	M55.02 IG1G
(1)	958 100 955 GX	Together with Tiptronic Not Ready for installation Replacement engine		1	M55.02 IG1G
(1)	958 100 955 09	Together with Tiptronic Not Ready for installation Replacement engine		1	M55.02 IG1G
(1)	958 100 955 JX	Together with Tiptronic Not Ready for installation Replacement engine		1	M55.02 IG1G
(1)	958 100 955 10	Together with Tiptronic Not Ready for installation Replacement engine		1	MCE.YA IG1G

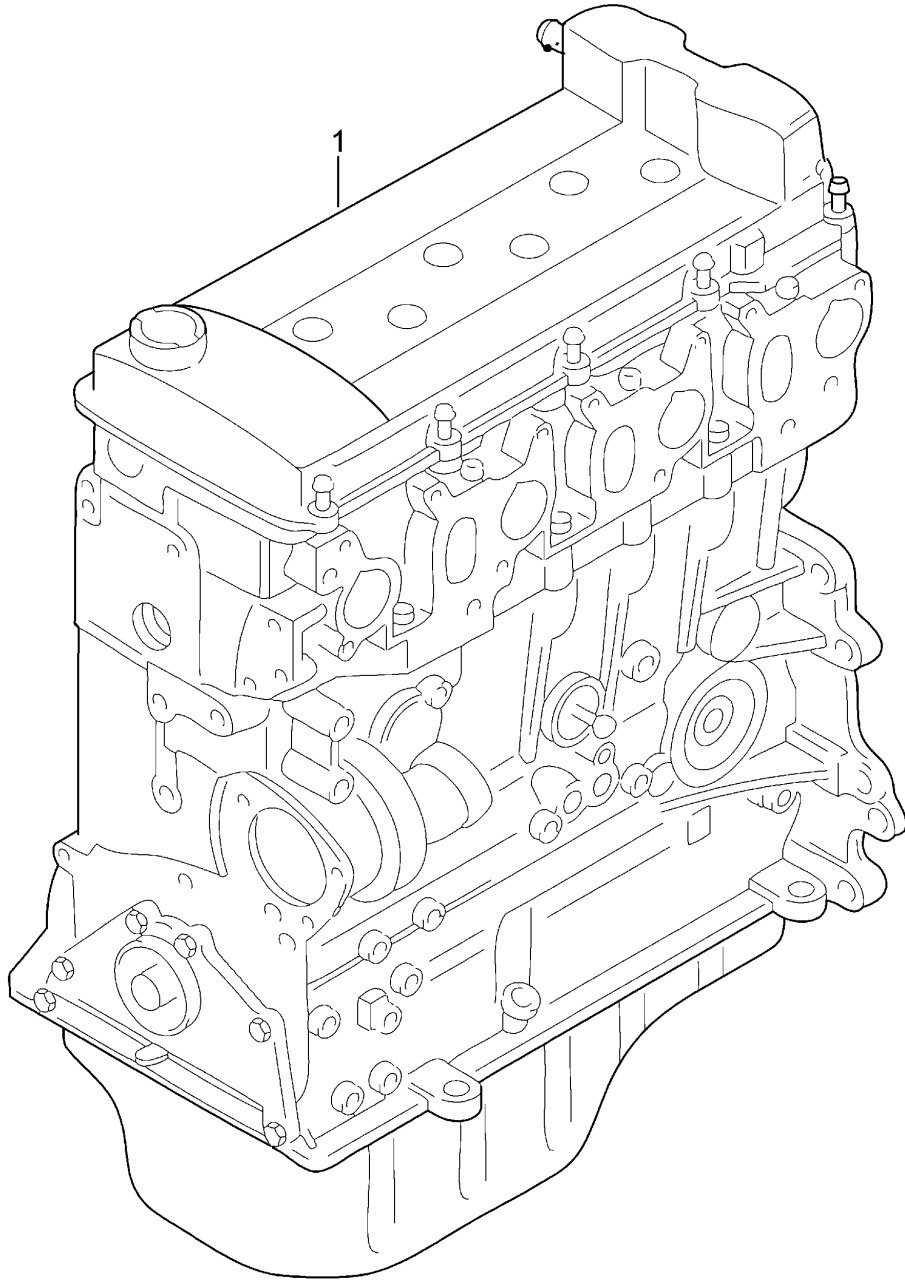
Model: 92A 11

Model life 2011>>

Pos	Part Number	Description	Remark	Qty	Model
(1)	958 100 955 KX	Not Ready for installation Replacement engine Together with Tiptronic Not Ready for installation		1	MCE.YA IG1G

Model: 92A 11

Model life 2011>>

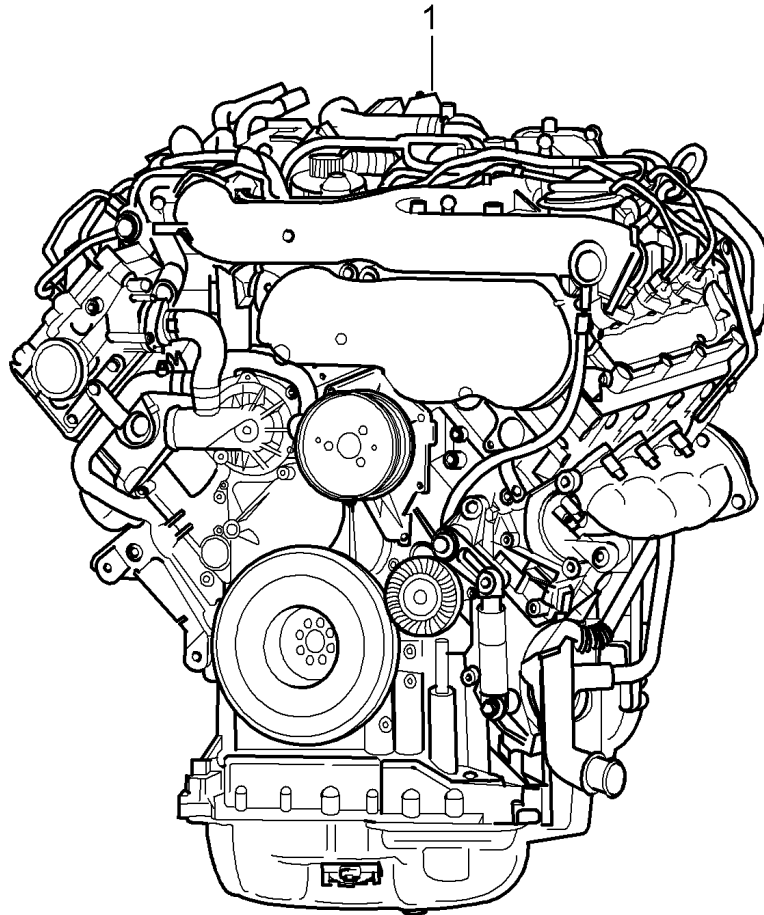
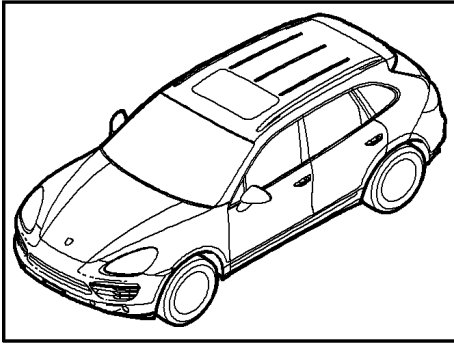


Model: 92A 11 Model life 2011>>

Pos	Part Number	Description	Remark	Qty	Model
1	958 100 937 00	Short engine Comprising: Valve cover Cylinder head Crankcase Crank drive Oil pan Short engine		1	MCE.YA M55.02
(1)	958 100 937 X	Together with Manual transmission Not Ready for installation Short engine		1	M55.02 IG0L
(1)	958 100 937 01	Together with Manual transmission Not Ready for installation Short engine		1	M55.02 IG1G
(1)	958 100 937 AX	Together with Tiptronic Not Ready for installation Short engine		1	M55.02 IG1G
(1)	958 100 937 01	Together with Tiptronic Not Ready for installation Short engine		1	MCE.YA
(1)	958 100 937 AX	Together with Tiptronic Not Ready for installation Short engine		1	MCE.YA

Model: 92A 11

Model life 2011>>



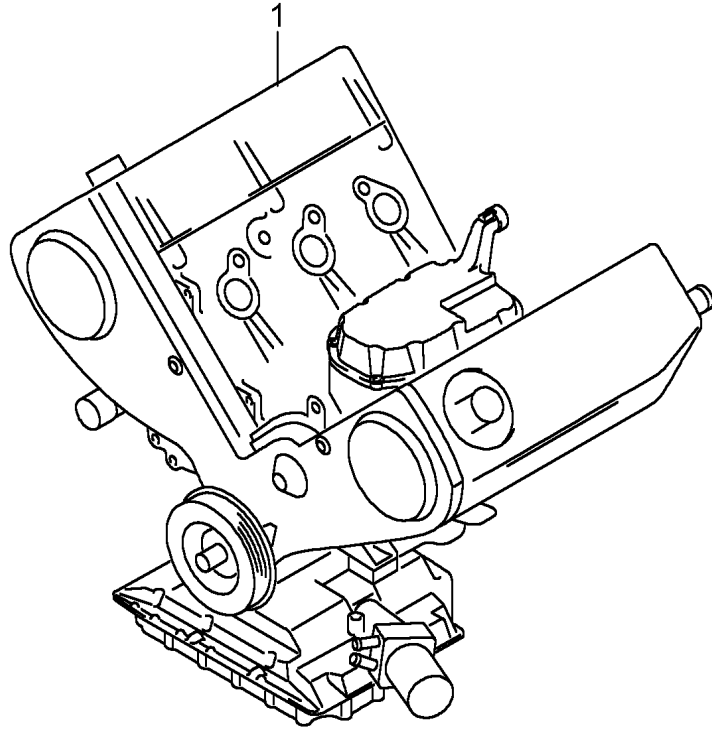
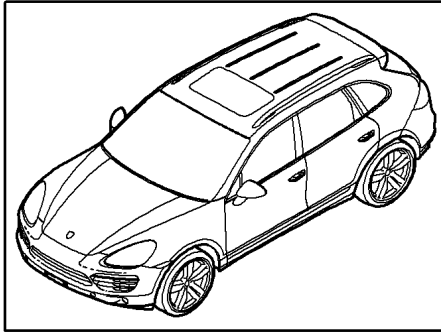
Model: 92A 11

Model life 2011>>

Pos	Part Number	Description	Remark	Qty	Model
1	958 100 959 00	Replacement engine Replacement engine Together with Tiptronic Not Ready for installation		1	M05.9E
(1)	958 100 959 X	Replacement engine Together with Tiptronic Not Ready for installation		1	

Model: 92A 11

Model life 2011>>



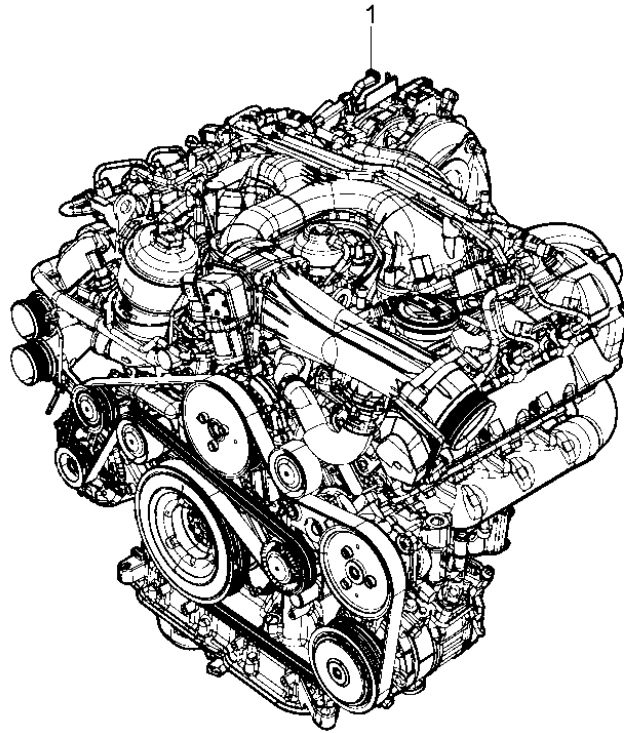
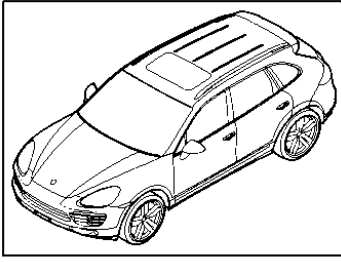
Model: 92A 11

Model life 2011>>

Pos	Part Number	Description	Remark	Qty	Model
1	958 100 933 00	Short engine Comprising: Valve cover Cylinder head Crankcase Crank drive Oil pan		1	M05.9E
(1)	958 100 933 X	Short engine Not Ready for installation Use also: 955.102.329.00 N .013.199.4		1 1 1	M05.9E
(1)	958 100 933 01	Short engine Not Ready for installation Use also: 955.102.329.00 N .013.199.4		1 1 1	M05.9E
(1)	958 100 933 AX	Short engine Not Ready for installation Use also: 955.102.329.00 N .013.199.4		1 1	M05.9E

Model: 92A 11

Model life 2011>>



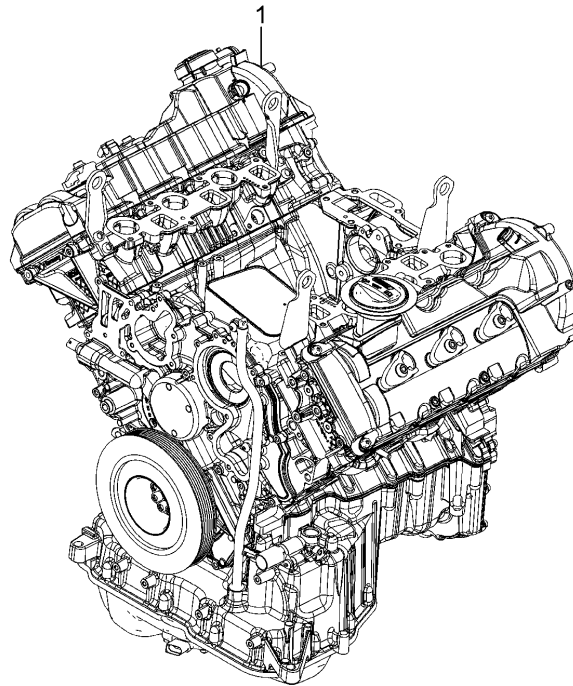
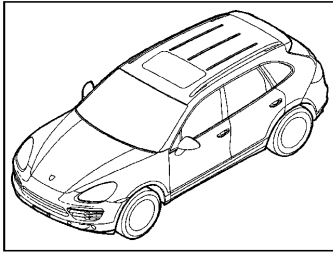
Model: 92A 11

Model life 2011>>

Pos	Part Number	Description	Remark	Qty	Model
		Replacement engine			MCN.RB MCR.CA/CB MCV.VA/VB MCV.VC
1	958 100 959 10	Replacement engine Together with Tiptronic Not Ready for installation		1	MCR.CA/CB
(1)	958 100 959 KX	Replacement engine Together with Tiptronic Not Ready for installation		1	MCR.CA/CB
(1)	958 100 926 10	Replacement engine Together with Tiptronic Not Ready for installation		1	MCV.VA/VB/VC
(1)	958 100 926 KX	Replacement engine Together with Tiptronic Not Ready for installation		1	MCV.VA/VB/VC

Model: 92A 11

Model life 2011>>



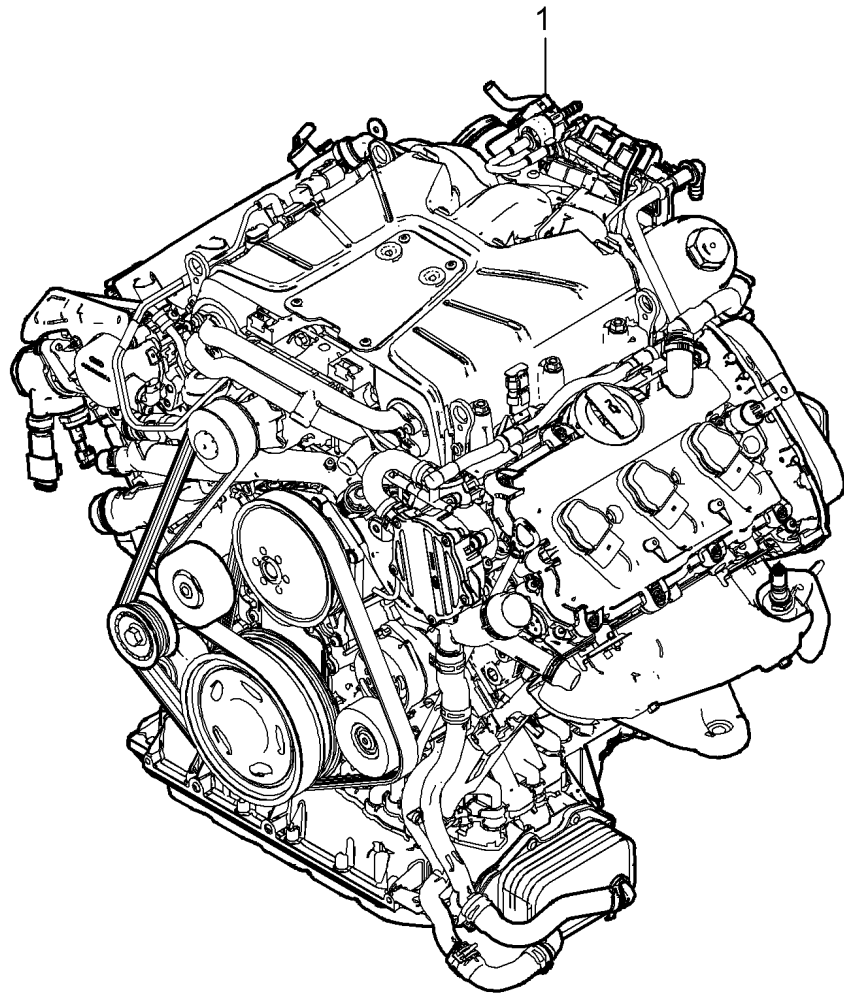
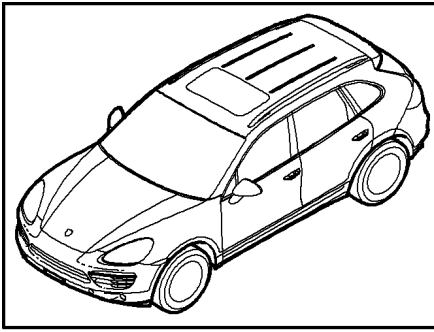
Model: 92A 11

Model life 2011>>

Pos	Part Number	Description	Remark	Qty	Model
		Short engine Comprising: Valve cover Cylinder head Crankcase Crank drive Oil pan			MCN.RB MCR.CA/CB
(1)	958 100 934 00	Short engine Not Ready for installation		1	MCR.CA/CB
		Use also: 955.102.329.00 N .013.199.4 WHT.005.400		1 1 1	
(1)	958 100 934 X	Short engine Not Ready for installation		1	MCR.CA/CB
		Use also: 955.102.329.00 N .013.199.4 WHT.005.400		1 1 1	

Model: 92A 11

Model life 2011>>



Model: 92A 11

Model life 2011>>

Pos	Part Number	Description	Remark	Qty	Model
		Replacement engine			MCG.EA/FA MCJ.T/TB M06.EC ID19
1	958 100 960 00	Replacement engine Together with Tiptronic Not Ready for installation	-(CN)	1	ID19
(1)	958 100 960 X	Replacement engine Together with Tiptronic Not Ready for installation	-(CN)	1	ID19
(1)	958 100 960 04	Replacement engine Together with Tiptronic Not Ready for installation	-(CN)	1	ID19
(1)	958 100 960 DX	Replacement engine Together with Tiptronic Not Ready for installation	-(CN)	1	ID19
(1)	958 100 960 02	Replacement engine Together with Tiptronic Not Ready for installation	(CN)	1	ID19
(1)	958 100 960 BX	Replacement engine Together with Tiptronic Not Ready for installation	(CN)	1	ID19
(1)	958 100 960 06	Replacement engine Together with Tiptronic Not Ready for installation	(CN)	1	ID19
(1)	958 100 960 FX	Replacement engine Together with Tiptronic Not Ready for installation	(CN)	1	ID19
(1)	958 100 960 03	Replacement engine Together with Tiptronic Not Ready for installation	(CN)	1	ID11
(1)	958 100 960 CX	Replacement engine Together with Tiptronic Not Ready for installation	(CN)	1	ID11
(1)	958 100 960 07	Replacement engine Together with Tiptronic Not Ready for installation	(CN) -13	1	ID11
(1)	958 100 960 GX	Replacement engine Together with Tiptronic Not Ready for installation	(CN) -13	1	ID11

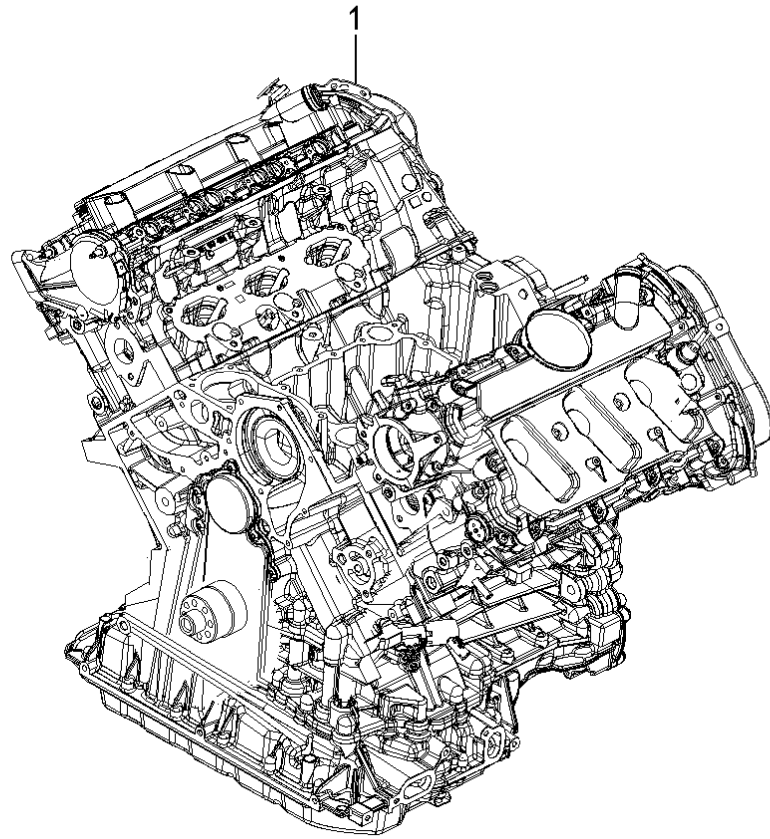
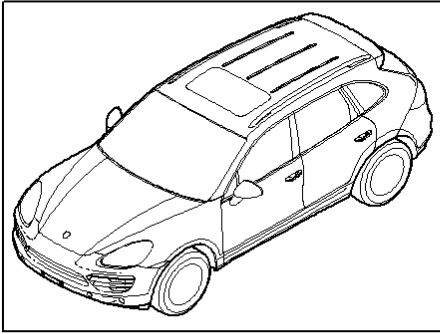
Model: 92A 11

Model life 2011>>

Pos	Part Number	Description	Remark	Qty	Model
(1)	958 100 960 09	Replacement engine Together with Tiptronic Not Ready for installation	14-	1	ID11
(1)	958 100 960 JX	Replacement engine Together with Tiptronic Not Ready for installation	14-	1	ID11

Model: 92A 11

Model life 2011>>



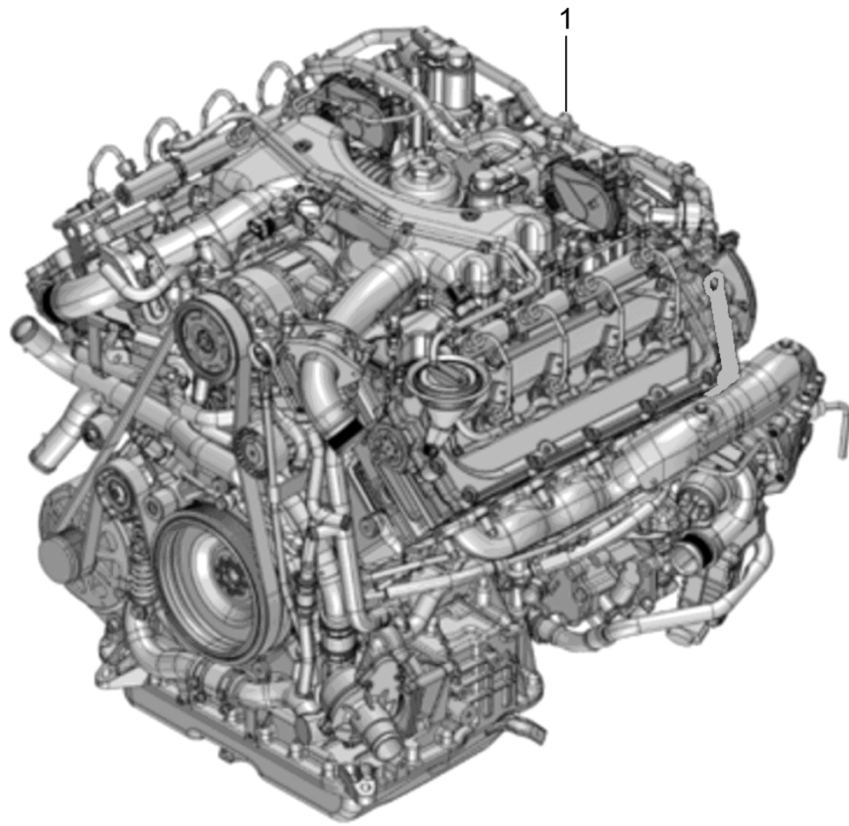
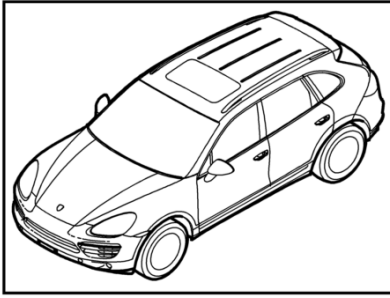
Model: 92A 11

Model life 2011>>

Pos	Part Number	Description	Remark	Qty	Model
		Short engine			MCG.EA/FA MCJ.T M06.EC
(1)	958 100 935 00	Comprising: Valve cover Cylinder head Crankcase Crank drive Oil pan Short engine Not Ready for installation	-(CN)	1	ID19
(1)	958 100 935 X	Use also: 958.102.313.00 Short engine Not Ready for installation	-(CN)	1 1	ID19
(1)	958 100 935 05	Use also: 958.102.313.00 Short engine Not Ready for installation	(CN)	1 1	ID19
(1)	958 100 935 EX	Use also: 958.102.313.00 Short engine Not Ready for installation	(CN)	1 1	ID19
(1)	958 100 935 15	Use also: 958.102.313.00 Short engine Not Ready for installation		1 1	ID11
(1)	958 100 935 QX	Use also: 955.102.329.00 Short engine Not Ready for installation		1 1	ID11
		Use also: 955.102.329.00		1	

Model: 92A 11

Model life 2011>>



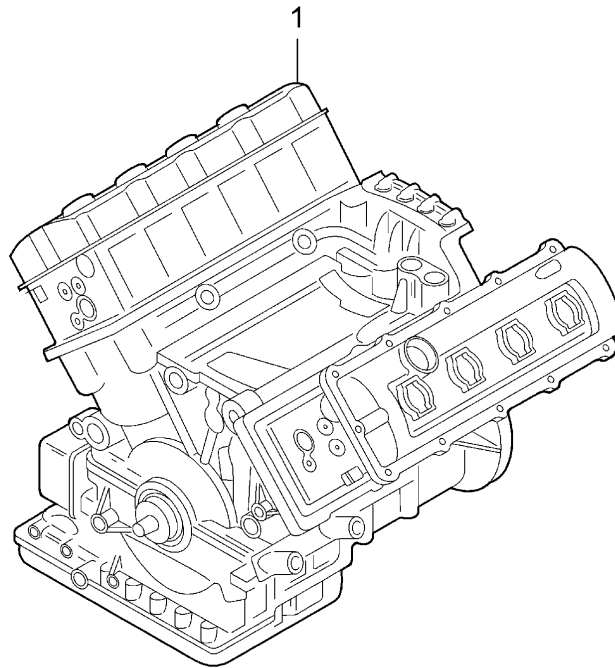
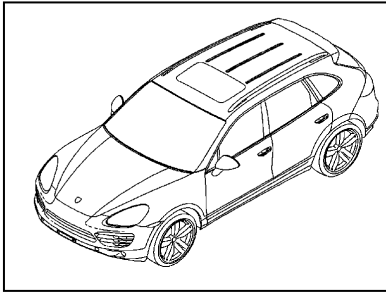
Model: 92A 11

Model life 2011>>

Pos	Part Number	Description	Remark	Qty	Model
1	958 100 957 00	Replacement engine Replacement engine Together with Tiptronic Not Ready for installation		1	MCU.DB/DC MCU.DB
(1)	958 100 957 X	Replacement engine Together with Tiptronic Not Ready for installation		1	MCU.DB
(1)	958 100 957 01	Replacement engine Together with Tiptronic Not Ready for installation	-16	1	MCU.DC IIY1
(1)	958 100 957 AX	Replacement engine Together with Tiptronic Not Ready for installation	-16	1	MCU.DC IIY1
(1)	958 100 957 02	Replacement engine Together with Tiptronic Not Ready for installation	16	1	MCU.DC IIY2
(1)	958 100 957 BX	Replacement engine Together with Tiptronic Not Ready for installation	16	1	MCU.DC IIY2
(1)	958 100 957 02	Replacement engine Together with Tiptronic Not Ready for installation	17-	1	MCU.DC IKK1
(1)	958 100 957 BX	Replacement engine Together with Tiptronic Not Ready for installation	17-	1	MCU.DC IKK1
(1)	958 100 957 03	Replacement engine Together with Tiptronic Not Ready for installation	17-	1	MCU.DC IKK3
(1)	958 100 957 CX	Replacement engine Together with Tiptronic Not Ready for installation	17-	1	MCU.DC IKK3

Model: 92A 11

Model life 2011>>



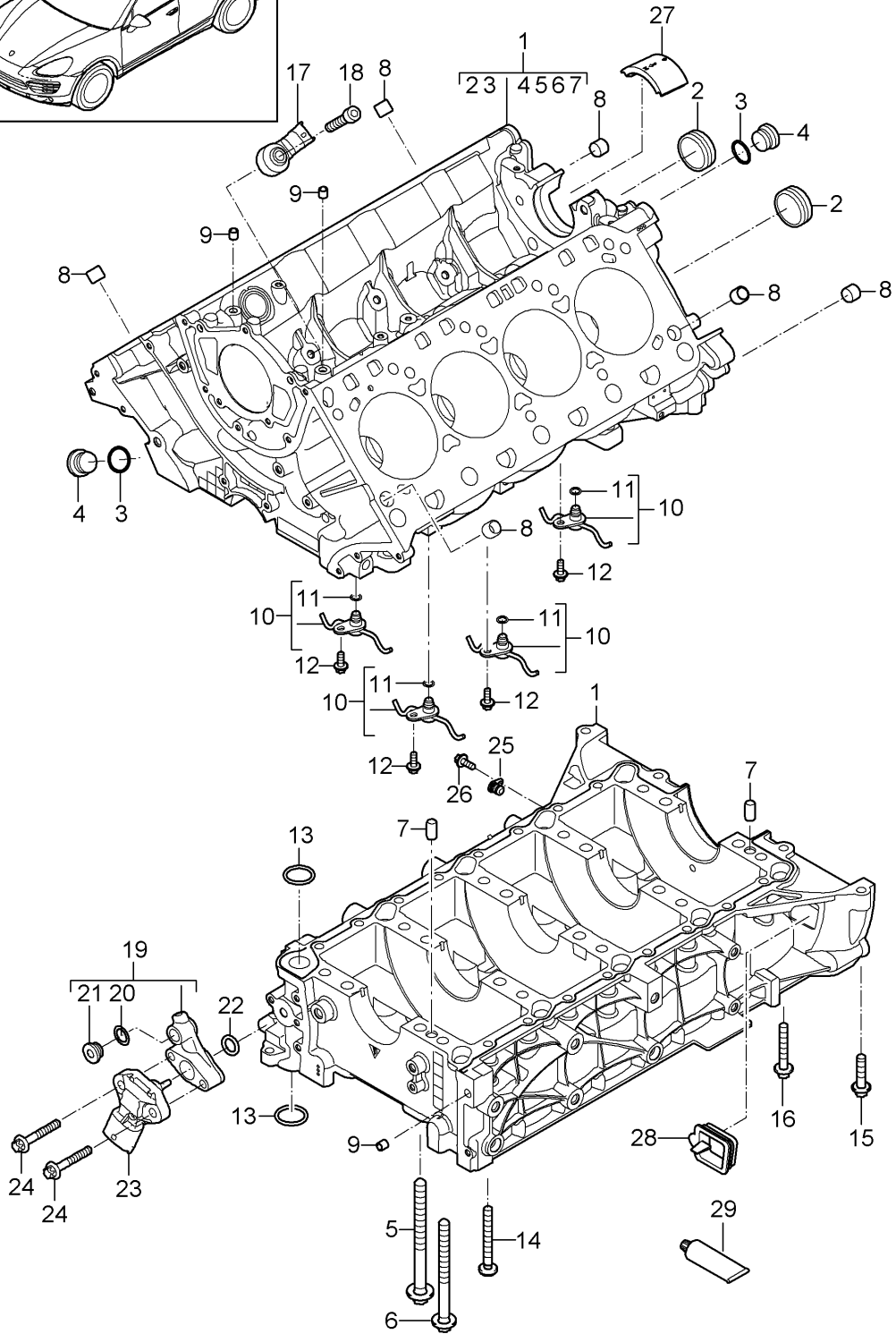
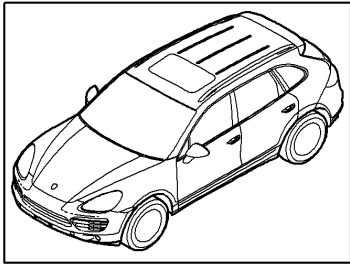
Model: 92A 11

Model life 2011>>

Pos	Part Number	Description	Remark	Qty	Model
1	958 100 931 00	Short engine Comprising: Valve cover Cylinder head Crankcase Crank drive Oil pan		1	MCU . DB / DC
(1)	958 100 931 X	Short engine Together with Tiptronic Not Ready for installation		1	

Model: 92A 11

Model life 2011>>



Model: 92A 11 Model life 2011>>

Pos	Part Number	Description	Remark	Qty	Model
		Crankcase			MCF.TB MCY.XA M48.02/52
1	948 101 001 20	Single parts Crankcase without Piston Use also: 014.301.153.B 996.106.103.50 948.101.017.11 900.385.009.01 999.707.481.40		1	
(1)	948 101 001 21	Piston Crankcase without Piston Use also: 014.301.153.B 996.106.103.50 948.101.017.11 900.385.009.01 999.707.481.40		6 3 4 4 1 8 1	
(1)	948 101 001 22	Piston Crankcase without Piston Use also: 014.301.153.B 996.106.103.50 948.101.017.11 900.385.009.01 999.707.481.40 M >> M C 12136 M >> MVC 12137 M >> M C 05371	-13	1	M48.02 I1A2 M48.02 I1A5 M48.52 M48.02 IE0A/1A2
(1)		Crankcase without Piston Use also: 948.103.058.21 948.103.057.21 014.301.153.B 996.106.103.50 948.101.017.12 900.385.009.01 999.707.481.40 See technical information Service Group 1 Document 1010 25/13 M M C 12137 >>		4 4 6 3 4 4 1	
(1)		Crankcase without Piston Use also: 014.301.153.B 996.106.103.50 948.101.017.12 900.385.009.01 999.707.481.40	-13	1	M48.02 IE0W/1A2
(1)		Piston Crankcase without Piston Use also:	-13	6 3 4 4 1 8 1	M48.02 IE0A/1A5

Model: 92A 11 Model life 2011>>

Pos	Part Number	Description	Remark	Qty	Model
		948.103.058.51		4	
		948.103.057.51		4	
		014.301.153.B		6	
		996.106.103.50		3	
		948.101.017.12		4	
		900.385.009.01		4	
		999.707.481.40		1	
		See technical information			
		Service			
		Group 1			
		Document			
		1010 25/13			
		M V C 12138 >>			
(1)		Crankcase	-13	1	M48.02 IEOW/1A5
		without			
		Piston			
		Use also:			
		014.301.153.B		6	
		996.106.103.50		3	
		948.101.017.12		4	
		900.385.009.01		4	
		999.707.481.40		1	
		Piston		8	
(1)		Crankcase	-13	1	M48.52
		without			
		Piston			
		Use also:			
		948.103.046.71		4	
		948.103.045.71		4	
		014.301.153.B		6	
		996.106.103.50		3	
		948.101.017.12		4	
		900.385.009.01		4	
		999.707.481.40		1	
		See technical information			
		Service			
		Group 1			
		Document			
		1010 25/13			
		M C 05372 >>			
(1)	948 101 001 23	Crankcase	14-	1	
		without			
		Piston			
		Use also:			
		014.301.153.B		4	
		946.101.153.30		2	
		996.106.103.50		3	
		948.101.017.13		4	
		900.385.009.01		4	
		999.707.481.40		1	
		Piston		8	
		See technical information			
		Service			
		Group 1			
		Document			
		1359 24/13			
		And			
		1010 25/13			
(1)	948 101 001 24	Crankcase	14-	1	
		without			
		Piston			
		Use also:			

Model: 92A 11

Model life 2011>>

Pos	Part Number	Description	Remark	Qty	Model
		014.301.153.B		4	
		946.101.153.30		2	
		996.106.103.50		3	
		948.101.017.13		4	MCF.TB
		948.101.017.70		4	M48.02/52
		900.385.009.01		4	MCY.XA
		999.707.481.40		1	
		Piston		8	
		See technical information			
		Service			
		Group 1			
		Document			
		1359 24/13			
		And			
		1010 25/13			
2	948 101 216 00	Lid		2	
3	900 123 118 30	Sealing ring		2	
		A 22 X 27			
4	999 063 024 30	Screw plug		2	
		M 22 X 1,5			
5	948 101 190 01	Screw		10	
		M 11 X 1,5 X 130			
6	948 101 191 01	Screw		10	
		M 10 X 1,5 X 117			
7	999 012 051 00	Straight pin		2	
		BM 10 X 18			
8	014 301 153 B	Dowel sleeve		6	
		13 X 16 X 13,5			
		M >> D 13502			M48.02
		M >> D 03712			M48.52
(8)		Dowel sleeve		4	
		13 X 16 X 13,5			
		Mount			
		Cylinder head			
		M D 13503 >>			M48.02
(8)		M D 03713 >>			M48.52
		Dowel sleeve		4	MCF.TB
					MCY.XA
		13 X 16 X 13,5			
		Mount			
(8)	946 101 153 30	Cylinder head		2	
		Dowel sleeve			
		13 X 16 X 15			
		Mount			
		Transmission			
		See technical information			
		Service			
		Group 1			
		Document			
		1004 34/15			
		M D 13503 >>			M48.02
		M D 03713 >>			M48.52
(8)		Dowel sleeve		2	MCF.TB
					MCY.XA
		13 X 16 X 15			
		Mount			
		Transmission			
		See technical information			
		Service			
		Group 1			
		Document			
		1004 34/15			

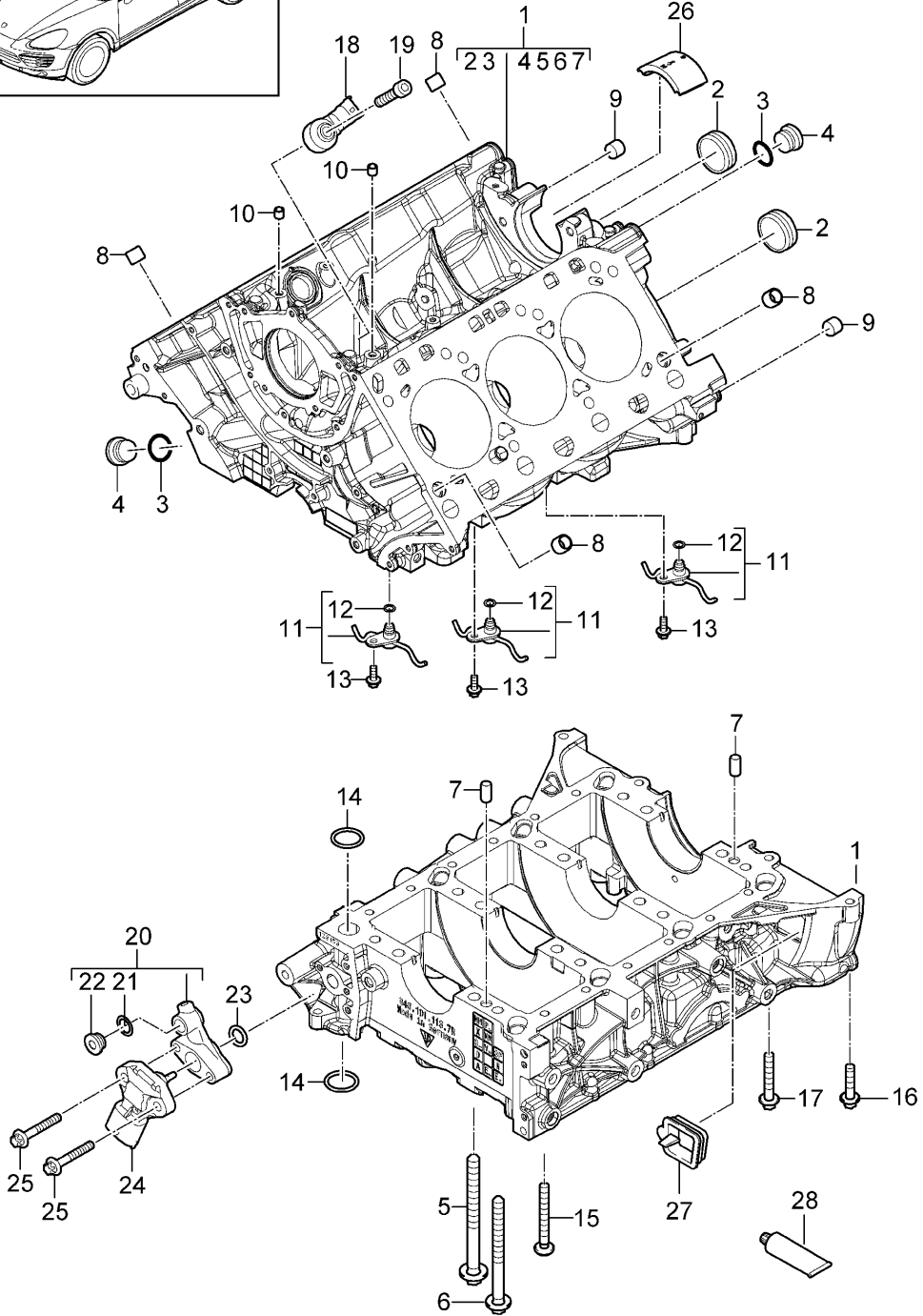
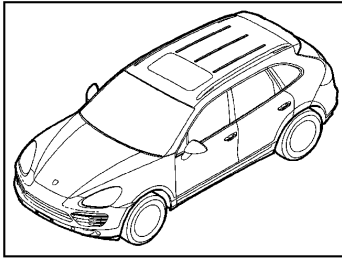
Model: 92A 11

Model life 2011>>

Pos	Part Number	Description	Remark	Qty	Model
(8)	946 101 153 31	M >> CFT003084 Dowel sleeve 13 X 16 X 16,5 Mount Transmission See technical information Service Group 1 Document 1004 34/15 M CFT003085 >> M CYX000501 >>		2	MCF.TB MCY.XA
9	996 106 103 50	Dowel sleeve 8,2 X 7		3	
10	948 101 017 11	Spray nozzle		4	
(10)	948 101 017 12	Spray nozzle		4	
(10)	948 101 017 13	Spray nozzle		4	MCF.TB M48.02/52 MCY.XA
(10)	948 101 017 70	Spray nozzle		4	
11	999 707 509 40	O-ring 8,55 X 2		4	
12	900 385 009 01	Torx screw BM 6 X 16		4	
13	999 707 481 40	O-ring 24 X 3		2	
14	999 073 915 31	Oval-head screw Aluminium M 8 X 70		16	
15	900 385 042 01	Torx screw BM 8 X 35		2	
16	900 385 071 01	Torx screw BM 8 X 50		2	
17	997 606 121 00	Knock sensor Information available		4	
18	900 067 102 02	Pan-head screw M 8 X 35		4	
19	948 107 314 20	Adapter		1	
20	900 123 144 30	Sealing ring A 10 X 13,5		1	
21	900 219 023 01	Screw plug M 10 X 1		1	
22	999 707 575 40	O-ring 20 X 3		1	
23	948 606 213 00	Oil pressure sender		1	
24	900 385 045 01	Torx screw BM 6 X 40		2	
25	948 107 260 00	Lid		1	M48.02
26	900 385 041 01	Torx screw BM 6 X 12		1	M48.02
27	7P5 103 113	Lid		1	
(27)	7PP 103 113	Lid		1	
28	955 301 729 10	Stopper		1	
29	999 915 573 43	Sealing compound 1 tube 75 ml for Crankcase Lower part		X	

Model: 92A 11

Model life 2011>>



Model: 92A 11 Model life 2011>>

Pos	Part Number	Description	Remark	Qty	Model
		Crankcase			MCU.RA MCX.ZA
(1)	946 101 001 61	Single parts Crankcase without Piston Use also: 014.301.153.B 946.101.153.30 996.106.103.50 946.101.017.78 900.385.009.01 999.707.481.40 Piston		1 4 2 2 3 3 2 6	
2	948 101 216 00	Lid		2	
3	900 123 118 30	Sealing ring A 22 X 27		2	
4	999 063 024 30	Screw plug M 22 X 1,5		2	
5	948 101 190 01	Screw M 11 X 1,5 X 130		6	
(5)	948 101 190 40	Screw M 11 X 1,5 X 113,5		2	
6	948 101 191 01	Screw M 10 X 1,5 X 117		6	
(6)	948 101 191 41	Screw M 10 X 1,5 X 107,5		2	
7	999 012 051 00	Straight pin BM 10 X 18		2	
8	014 301 153 B	Dowel sleeve 13 X 16 X 13,5		4	
9	946 101 153 30	Dowel sleeve 13 X 16 X 15 See technical information Service Group 1 Document 1004 34/15 M >> CUR005824 M >> CXZ002134		2	
(9)	946 101 153 31	Dowel sleeve 13 X 16 X 16,5 See technical information Service Group 1 Document 1004 34/15 M CUR005825 >> M CXZ002135 >>		2	
10	996 106 103 50	Dowel sleeve 8,2 X 7		2	
11	946 101 017 78	Spray nozzle		3	
12	999 707 509 40	O-ring 8,55 X 2		3	
13	900 385 009 01	Torx screw BM 6 X 16		3	
14	999 707 481 40	O-ring 24 X 3		2	
15	999 073 915 31	Oval-head screw Aluminium M 8 X 70		12	
16	900 385 042 01	Torx screw BM 8 X 35		2	

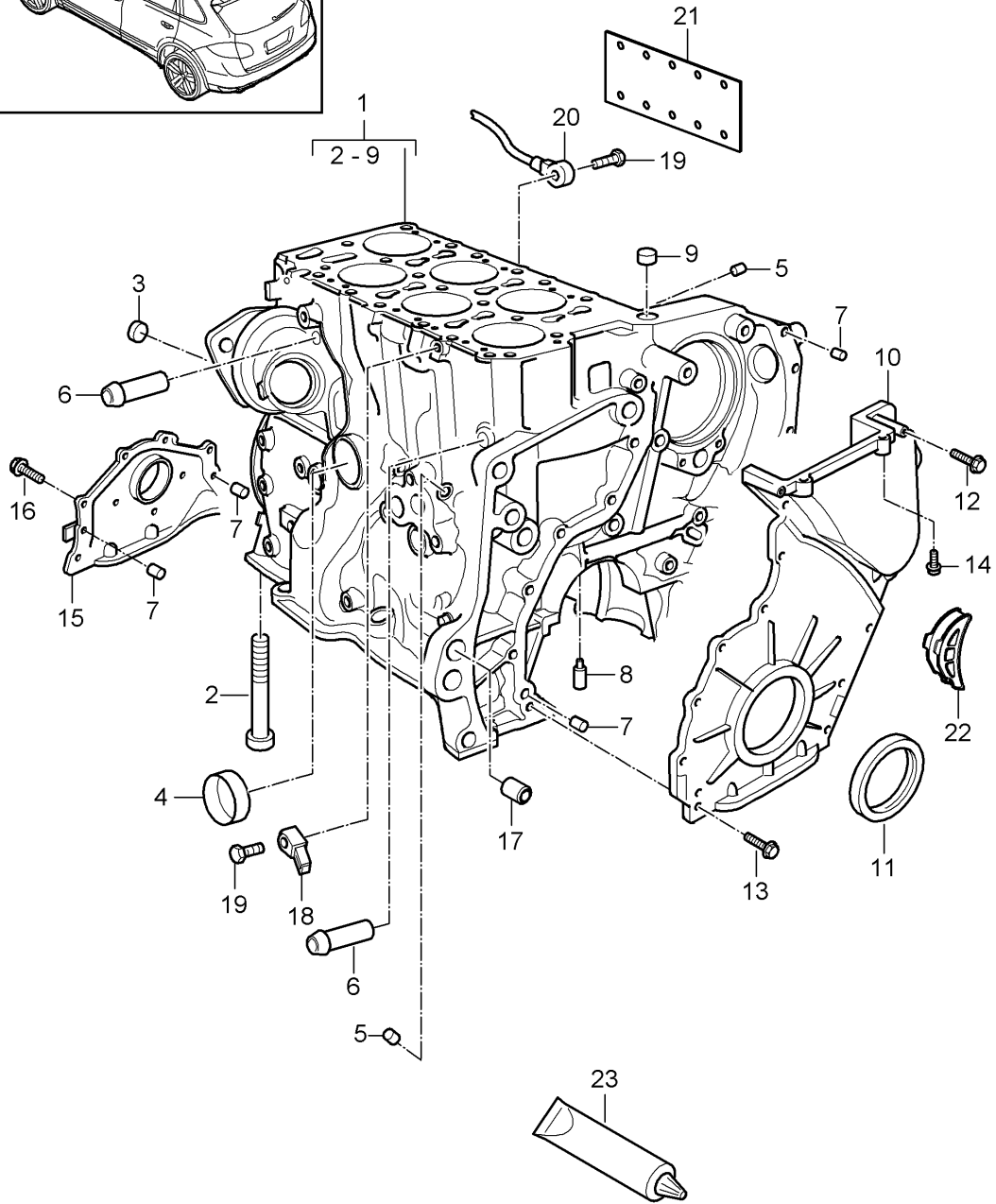
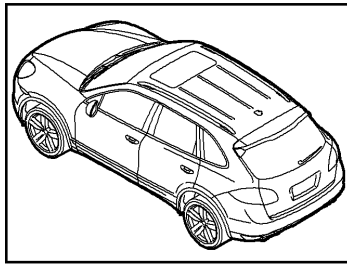
Model: 92A 11

Model life 2011>>

Pos	Part Number	Description	Remark	Qty	Model
17	900 385 071 01	Torx screw BM 8 X 50		2	
18	997 606 121 00	Knock sensor Information available		2	
19	900 067 102 02	Pan-head screw M 8 X 35		2	
20	948 107 314 20	Adapter		1	
21	900 123 144 30	Sealing ring A 10 X 13,5		1	
22	900 219 023 01	Screw plug M 10 X 1		1	
23	999 707 575 40	O-ring 20 X 3		1	
24	948 606 213 00	Oil pressure sender		1	
25	900 385 045 01	Torx screw BM 6 X 40		2	
26	7PP 103 113	Lid		1	
27	955 301 729 10	Stopper		1	
28	999 915 573 43	Sealing compound 1 tube 75 ML for Crankcase Lower part		X	

Model: 92A 11

Model life 2011>>



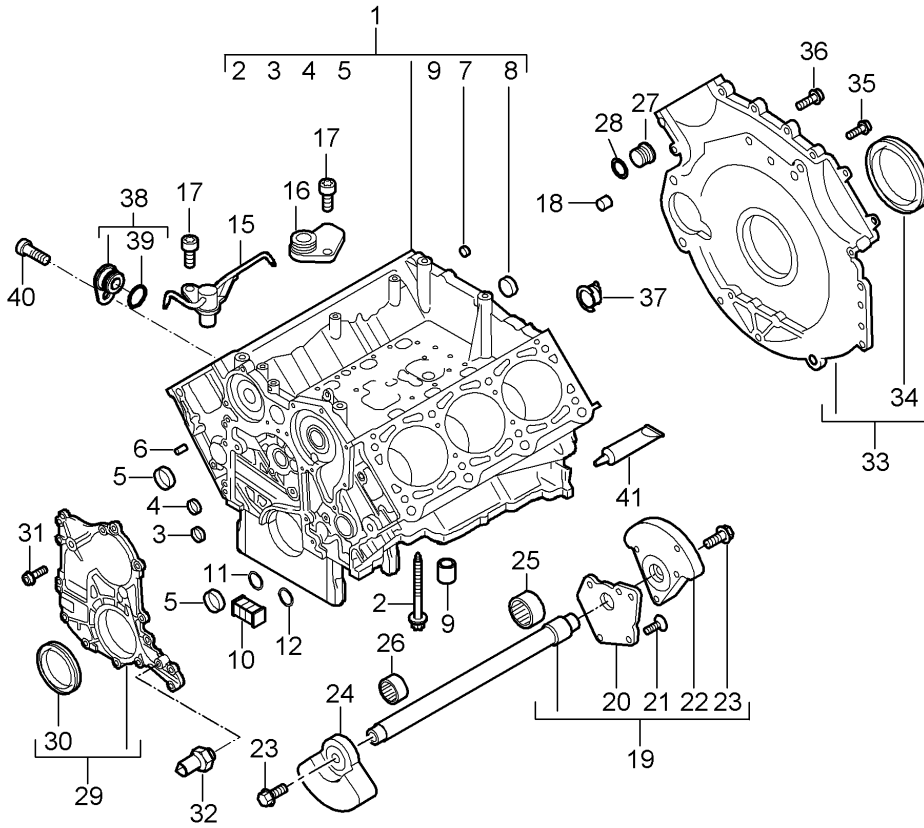
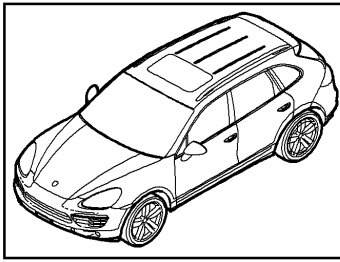
Model: 92A 11

Model life 2011>>

Pos	Part Number	Description	Remark	Qty	Model
		Crankcase			MCE.YA M55.02
1		Single parts Crankcase		1	
2	N 903 658 01	Not available Pan-head screw AM 10 X 78		14	
3	N 102 186 03	Lid 15 MM		2	
4	955 101 215 00	Lid 36,6 MM		1	
5	955 101 115 01	Stopper B 7,3 X 9,3		4	
6	955 101 382 01	Connecting piece		2	
7	N 910 170 01	Straight pin 8 X 18		4	
8	958 101 017 00	Spray nozzle Engine oil		6	
9	N 905 026 01	Dowel sleeve 14 X 12		2	
10	955 101 173 01	Control box cover Rear		1	IG0L
(10)	955 101 173 11	Control box cover Rear		1	IG1G
11	955 101 051 00	Shaft sealing ring 85 X 105 X 11		1	
12	N 101 160 03	Combination screw M 6 X 58		2	
13	N 100 829 11	Combination screw M 6 X 16		14	
14	N 903 559 05	Combination screw M 8 X 30		2	
15	958 101 151 00	Joint flange Front		1	
16	N 100 292 05	Torx screw M 6 X 15		6	
17	955 101 139 01	Dowel sleeve 16 X 13,5		2	
18	955 606 125 00	Knock sensor		1	
19	N 010 272 5	Hexagon-head bolt M 8 X 26		2	
20	955 606 125 21	Knock sensor		1	
21	955 606 461 00	Heat protection		1	
(21)	955 606 461 01	Heat protection		1	
22	955 101 732 00	Cap	-14	1	IG1G/7L7
(22)	958 101 732 00	Cap	-12	1	IG1G/7L4/7L6 I7L8
(22)		Cap	13-	1	IG1G/7L4/7L8
23	000 043 300 39	Sealing compound 1 tube 50 ml. for Joint flange Front And Control box cover Rear		X	
(23)	000 043 210 45	Cleaning agent Container 100 ML. for Joint flange Front		1	

Model: 92A 11

Model life 2011>>



Model: 92A 11

Model life 2011>>

Pos	Part Number	Description	Remark	Qty	Model
		Crankcase Single parts			M05.9E
1	958 101 011 00	Crankcase Use also:		1	
		Piston		6	
(1)	958 101 011 01	Crankcase Use also:		1	
		Piston		6	
2	955 101 190 00	Bearing screw M 11 X 112		16	
3	N 011 903 4	Lid A 16		1	
4	N 011 904 7	Lid 18		1	
5	N 011 908 5	Lid 28		2	
6	N 106 678 01	Straight pin 6 X 16		2	
7	N 910 818 01	Lid 8		3	
8	N 011 914 10	Lid 24		1	
9	955 101 139 10	Dowel sleeve		2	
10	955 101 147 00	Gasket Joint flange Front and rear		4	
11	N 903 649 01	O-ring 7 X 2		1	
12	N 904 054 02	O-ring 11 X 2,5		1	
15	955 101 017 00	Spray nozzle Engine oil		3	
(15)	958 101 017 20	Spray nozzle Engine oil		3	
16	955 101 765 00	Valve		1	
17	N 910 547 01	Fit bolt M 6 X 6 X 12		4	
18	955 101 139 01	Dowel sleeve 16 X 13,5		2	
19	955 101 025 00	Balance shaft		1	
20	955 101 407 00	Lid		1	
21	N 104 560 04	Countersunk-head screw M 6 X 12		4	
22	955 101 331 00	Balance weight Rear		1	
23	N 908 932 02	Hexagon-head bolt M 10 X 20		2	
24	955 101 332 00	Balance weight Front		1	
25	955 101 869 00	Needle-roller bearing Durchm. 25 MM		1	
26	955 101 869 10	Needle-roller bearing Durchm. 22 MM		1	
27	955 101 189 00	Lid 20		1	
28	955 107 124 00	Round seal 15 X 2,5		1	
29	958 101 150 00	Joint flange Front Use also: N .903.649.01 N .904.054.02 000.043.207.49		1 1 X	

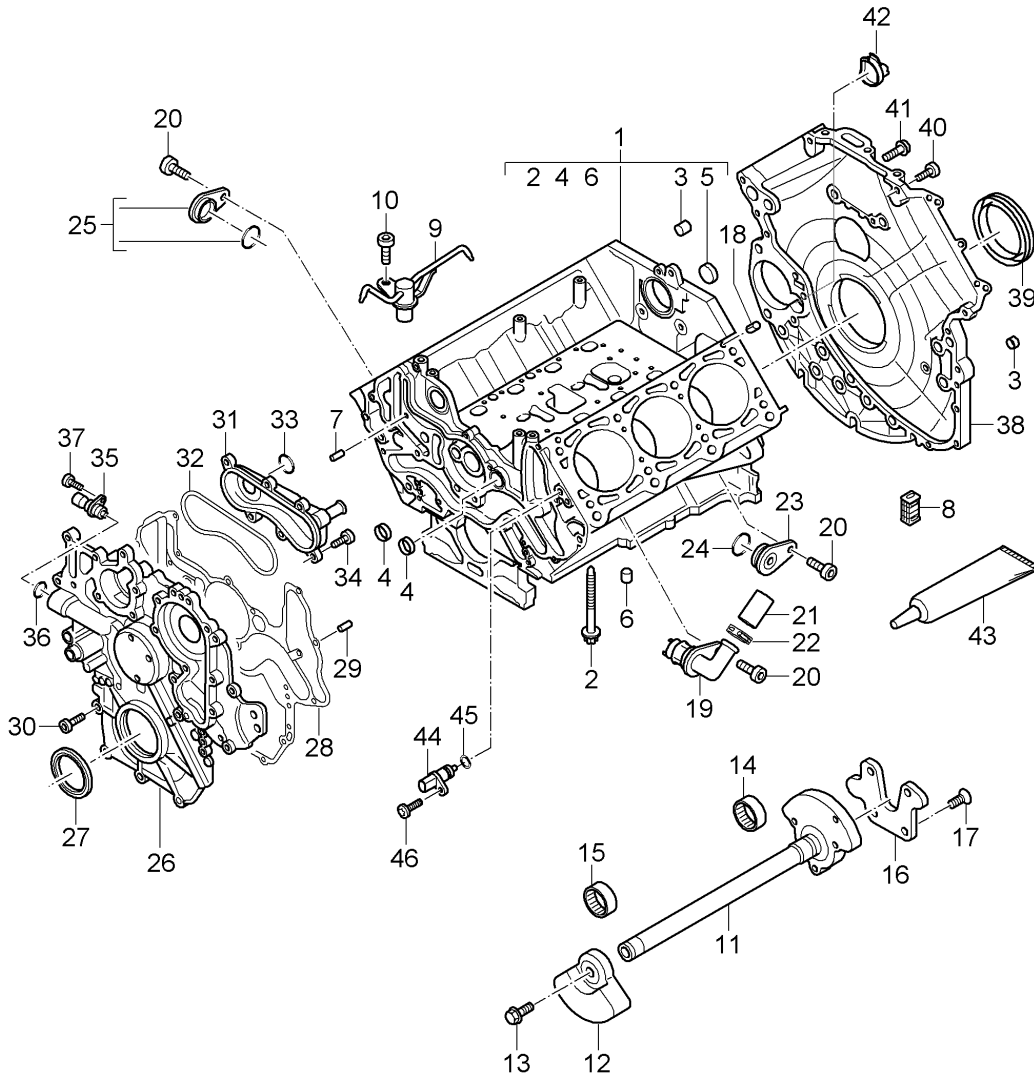
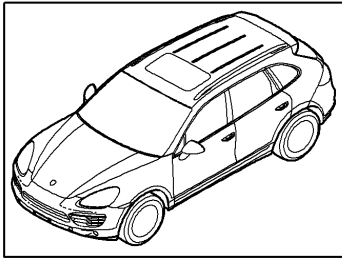
Model: 92A 11

Model life 2011>>

Pos	Part Number	Description	Remark	Qty	Model
30	955 101 052 00	Shaft sealing ring		1	
31	N 101 243 06	Oval-head screw		12	
		M 6 X 20			
(31)	N 910 048 02	Stud		1	
		M 6 X 22 / M 6 X 12			
32	958 606 081 50	Oil pressure switch		1	
(32)	958 606 081 70	Oil pressure switch		1	
33	958 101 071 00	Joint flange		1	
		Rear			
34	955 101 053 00	Shaft sealing ring		1	
35	N 101 562 06	Oval-head screw		21	
		M 6 X 30			
36	N 102 258 02	Pan-head screw		6	
		M 8 X 32			
37	958 101 565 00	Cover		1	
38	955 106 155 01	Lid		1	
		Crankcase			
39	N 910 084 01	O-ring		1	
		19,6 X 3			
40	N 101 703 02	Oval-head screw		1	
		M 6 X 10			
41	000 043 207 49	Sealing compound		X	
		1 tube			
		80 ML			
(41)	958 101 902 00	Sealing compound		X	
		80 ML			

Model: 92A 11

Model life 2011>>



Model: 92A 11

Model life 2011>>

Pos	Part Number	Description	Remark	Qty	Model
		Crankcase			MCN.RB MCR.CA/CB MCV.VA/VB MCV.VC
1	958 101 011 20	Single parts Crankcase		1	
		Use also:			
		Piston		6	
(1)	958 101 011 21	Crankcase		1	
		Use also:			
		Piston		6	
		D >> 15.09.2016			
(1)	958 101 011 22	Crankcase		1	
		Use also:			
		Piston		6	
		D 16.09.2016>>			
2	WHT 003 959	Bearing screw		16	
		M 11 X 1,5 X 107			
3	955 101 139 01	Dowel sleeve		4	
		16 X 13,5			
4	N 011 903 10	Lid		2	
		A 16			
5	N 011 914 10	Lid		2	
		24			
6	955 101 139 10	Dowel sleeve		4	
7	N 106 678 01	Straight pin		2	
		6 X 16			
8	955 101 147 00	Gasket		2	
		Joint flange			
		Rear			
9	958 101 017 30	Spray nozzle		3	
		Engine oil			
10	N 910 547 01	Fit bolt		3	
		M 6 X 6 X 12			
11	958 101 025 10	Balance shaft		1	
(11)	958 101 025 11	Balance shaft		1	
12	955 101 332 00	Balance weight		1	
		Front			
13	N 908 932 02	Hexagon-head bolt		1	
		M 10 X 20			
14	958 101 869 30	Needle-roller bearing		1	
		DURCHM. 25 MM			
		Only			
		for			
		Crankcase			
		059.103.011.ED			
(14)	958 101 869 40	Needle-roller bearing		1	
		DURCHM. 25 MM			
		Only			
		for			
		Crankcase			
		059.103.011.FA			
15	955 101 869 10	Needle-roller bearing		1	
		Durchm. 22 MM			
16	958 101 407 01	Lid		1	
17	N 104 560 04	Countersunk-head screw		4	
		M 6 X 12			
18	955 102 277 00	Roll pin		4	
		6,2 X 22			
19	958 106 155 10	Adapter		1	
20	N 101 703 02	Oval-head screw		3	
		M 6 X 10			
21	958 110 335 10	Cap		1	
		Adapter			

Model: 92A 11 Model life 2011>>

Pos	Part Number	Description	Remark	Qty	Model
22	N 906 869 01	Hose clamp B 23 X 12		1	
(22)	N 102 020 01	Hose clamp 24,1 X 7 X 0,6		1	
23	958 106 155 00	Lid		1	
(23)	958 106 155 01	Lid		1	
24	N 907 834 02	O-ring 13,1 X 1,6		1	
25	958 106 155 20	Lid		1	
26	958 101 150 20	Joint flange Front Use also: WHT.005.400		1	
26	958 101 151 10	Joint flange Front Information available		1	MCR . CA/CB
(26)	958 101 151 11	Joint flange Front Information available	-13	1	MCR . CA/CB
(26)	958 101 151 12	Joint flange Front Information available	14-	1	MCR . CA/CB MCV . VA/VB/VC
-	WHT 005 400	Washer 11 X 67 X 3,5		1	
27	958 101 052 00	Shaft sealing ring		1	
(27)	955 101 052 00	Shaft sealing ring		1	
28	958 101 161 01	Gasket		1	
(28)	958 101 161 02	Gasket Rubber	-13	1	
(28)	958 101 161 03	Gasket Metal	14-	1	
29	N 106 678 01	Straight pin 6 X 16		2	
30	N 911 804 01	Outer hexagon round screw M 6 X 22		22	
31	958 101 525 00	Lid		1	
32	958 101 161 10	Gasket		1	MCR . CA/CB
(32)	958 101 161 11	Gasket		1	MCR . CA/CB MCV . VA/VB/VC
33	N 904 650 04	O-ring 23 X 2,6		1	
34	N 107 002 01	Outer hexagon round screw M 6 X 22		6	
35	958 606 623 20	Temperature sensor		1	
-	958 101 826 02	Sleeve for Temperature sensor		1	
36	WHT 002 287 C	O-ring 5,6 X 2		1	
(36)	N 908 514 01	O-ring 14 X 1,78 Behind Adapter Sleeve Temperature sensor		1	
37	N 104 514 08	Lens-head screw M 6 X 16		1	
38	958 101 071 30	Joint flange Rear Use also: 955.101.147.00		1	
(38)	958 101 071 31	Joint flange 000.043.207.49		2 X 1	

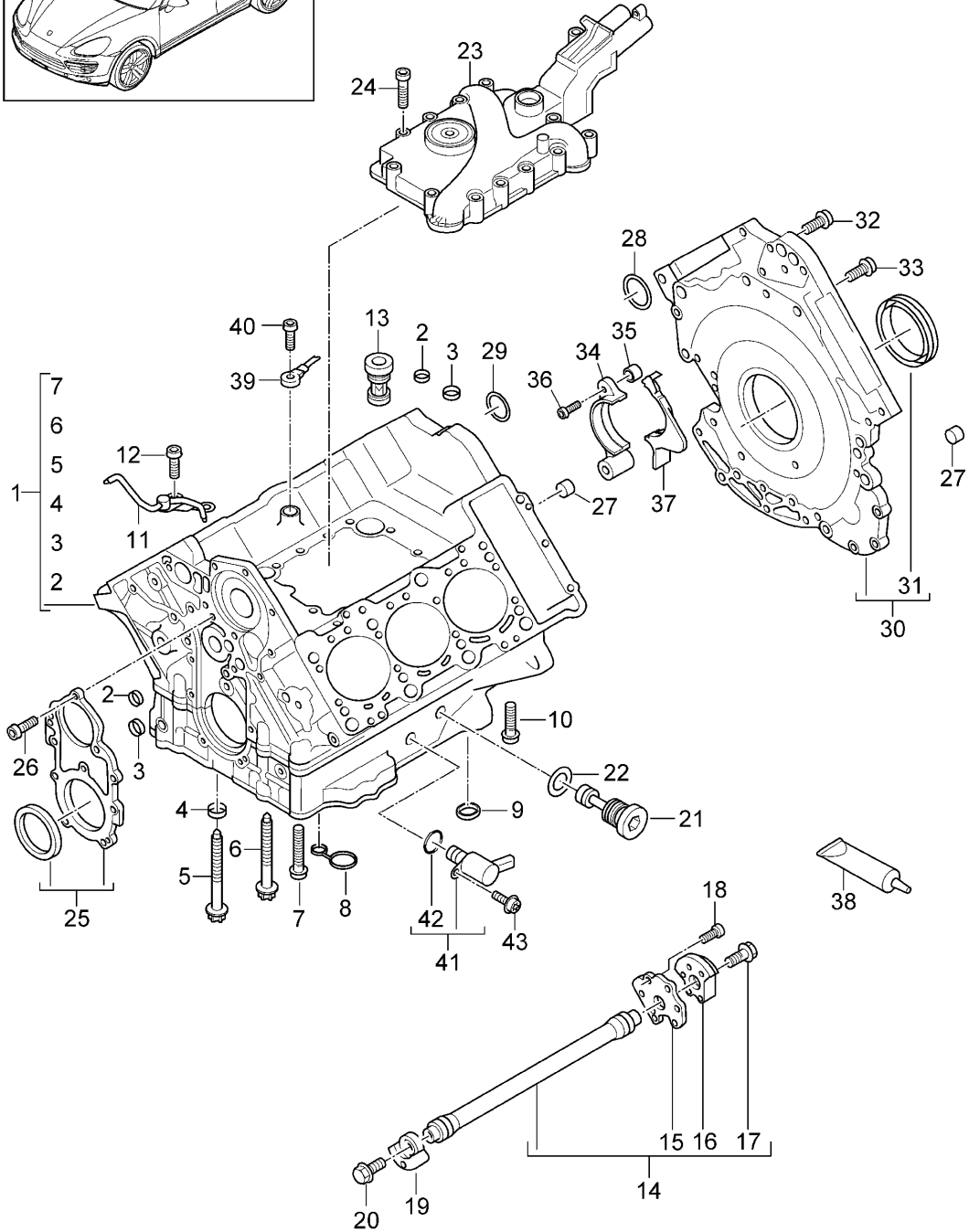
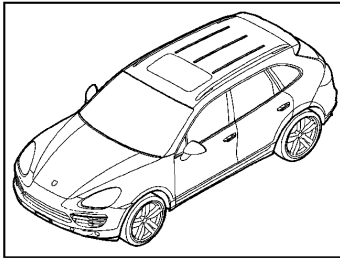
Model: 92A 11

Model life 2011>>

Pos	Part Number	Description	Remark	Qty	Model
		Rear			
		Use also:			
		955.101.147.00		2	
		000.043.300.39		X	
39	958 101 153 00	Shaft sealing ring		1	
(39)	958 101 153 01	Shaft sealing ring		1	
40	N 107 002 01	Outer hexagon round screw		18	
		M 6 X 22			
41	N 107 453 01	Outer hexagon round screw		6	
		M 8 X 30			
42	958 101 565 10	Cover		1	
43	000 043 207 49	Sealing compound		X	
		1 tube			
		80 ML			
(43)	000 043 300 39	Sealing compound		X	
		1 tube			
		50 ML			
44	958 606 623 00	Temperature sensor		1	
		Coolant			
45	WHT 002 287 B	O-ring		1	
		5,6 X 2 -N-			
46	N 101 703 02	Oval-head screw		1	
		M 6 X 10			

Model: 92A 11

Model life 2011>>



Model: 92A 11

Model life 2011>>

Pos	Part Number	Description	Remark	Qty	Model
		Crankcase			MCG.EA/FA MCJ.T M06.EC
1	958 101 011 10	Single parts Crankcase		1	
		Use also:			
		Piston		6	
2	N 011 903 10	Lid		2	
		16			
3	N 011 904 7	Lid		3	
		18			
4	958 107 543 00	Dowel sleeve		4	
		10,4 X 12 X 12			
5	WHT 002 949	12 point socket		8	
		M 10 X 1,5 X 120			
6	WHT 002 671 A	12 point socket		8	
		M 10 X 1,5 X 110			
7	N 910 506 01	Pan-head screw	-12	4	
		M 8 X 85			
(7)	N 911 991 01	Pan-head screw	13-	4	
		M 8 X 85			
8	958 101 581 00	Gasket		1	
9	958 101 582 00	Gasket		1	
10	N 911 389 01	Pan-head screw	-12	2	
		M 8 X 55			
(10)	N 107 418 02	Pan-head screw	13-	2	
		M 8 X 55			
11	958 101 017 10	Spray nozzle		3	
		Engine oil			
12	N 104 514 07	Pan-head screw		3	
		M 6 X 16			
(12)	N 107 512 01	Outer hexagon round screw		3	
		M 6 X 14			
13	958 101 271 00	Restrictor		2	
14	958 101 025 00	Balance shaft		1	
15	958 101 407 00	Lid		1	
16	958 101 331 00	Balance weight		1	
		Rear			
17	N 908 932 02	Hexagon-head bolt		1	
		M 10 X 20			
18	N 104 514 07	Pan-head screw		1	
		M 6 X 16			
19	958 101 332 00	Balance weight		1	
		Front			
20	N 908 932 02	Hexagon-head bolt	-12	1	
		M 10 X 20			
(20)	N 107 682 01	Hexagon-head bolt	13-	1	
		M 10 X 20			
21	WHT 000 399	Screw plug		1	
		M 14 X 1,5			
22	958 107 444 00	O-ring		1	
		16 X 3			
23	958 101 247 00	Cover	-13	1	
		Crankcase			
		Bleeding			
(23)	958 101 247 02	Cover	-13	1	
		Crankcase			
		Bleeding			
(23)	958 101 247 00	Cover	14	1	MCG.EA/FA
		Crankcase			
		Bleeding			
(23)	958 101 247 02	Cover	15-16	1	MCG.EA/FA
		Crankcase			

Model: 92A 11

Model life 2011>>

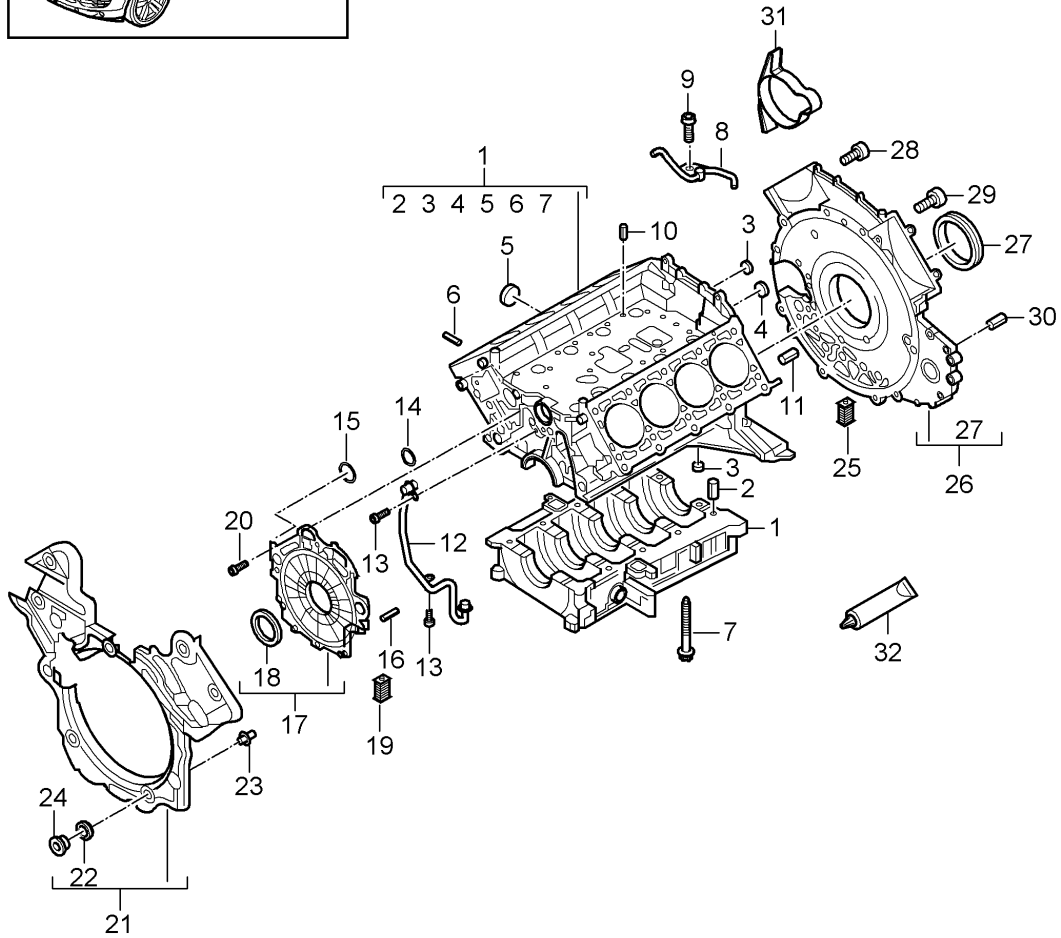
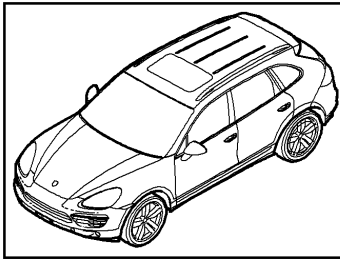
Pos	Part Number	Description	Remark	Qty	Model
(23)	958 101 247 04	Bleeding Cover Crankcase	17-	1	MCG.EA/FA
(23)	958 101 247 01	Bleeding Cover Crankcase	(CN) 14	1	MCJ.T
(23)	958 101 247 03	Bleeding Cover Crankcase	(CN) 15-16	1	MCJ.T
(23)	958 101 247 05	Bleeding Cover Crankcase	17-	1	MCJ.T
24	N 101 562 06	Bleeding Oval-head screw M 6 X 30		14	
(24)	N 101 562 07	Oval-head screw M 6 X 30		14	
25	958 101 150 10	Joint flange Front with Shaft sealing ring Use also: 000.043.300.39		1	
26	N 910 717 01	Round head screw M 6 X 25		X 9	
(26)	N 104 514 05	Round head screw M 6 X 16		9	
27	955 101 139 01	Dowel sleeve 16 X 13,5		3	
28	958 101 583 00	Gasket		1	
29	958 101 584 00	Gasket		2	
30	958 101 071 11	Joint flange Rear Use also: 000.043.207.49		1	MCG.EA/FA
(30)	958 101 071 12	Joint flange Rear Use also: 000.043.300.39		X 1	MCG.EA/FA
(30)	958 101 071 13	Joint flange Rear Use also: 000.043.300.39		X 1	MCG.EA/FA
(30)	958 101 071 21	Joint flange Rear Use also: 000.043.207.49	(CN)	X 1	MCJ.T
(30)	958 101 071 22	Joint flange Rear Use also: 000.043.300.39	(CN)	X 1	MCJ.T
(30)	958 101 071 23	Joint flange Rear Use also: 000.043.300.39		X 1	MCJ.T
31	955 101 053 00	Shaft sealing ring		1	
(31)	958 101 153 20	Shaft sealing ring		1	
32	N 107 503 01	Outer hexagon round screw M 6 X 30		12	
33	N 107 509 01	12 point socket M 8 X 30		8	
(33)	N 107 508 01	12 point socket M 12 X 50		1	MCJ.T

Model: 92A 11 Model life 2011>>

Pos	Part Number	Description	Remark	Qty	Model
34	958 101 479 00	Adapter Starter		1	MCJ.T
35	955 341 139 01	Dowel sleeve		2	MCJ.T
36	N 104 562 01	Pan-head screw M 6 X 25		1	MCJ.T
37	958 101 565 01	Cover Starter	(CN) -14	1	MCJ.T
(37)	958 301 597 00	Cover Starter	15-	1	MCJ.T
38	000 043 207 49	Sealing compound 1 tube 80 ML for Joint flange Front and rear		X	
(38)	958 101 902 00	Sealing compound 80 ML for Joint flange Front and rear	-13	X	
(38)	000 043 300 39	Sealing compound 1 tube 50 ML for Joint flange Front and rear	14-	X	
39	958 606 121 10	Knock sensor	/R	1	
(39)	958 606 121 11	Knock sensor	/R	1	
(39)	958 606 121 20	Knock sensor	/L	1	
(39)	958 606 121 21	Knock sensor	/L	1	
40	N 106 886 01	Pan-head screw M 8 X 32		2	
41	958 107 243 30	Control valve		1	
42	N 910 568 01	O-ring 12 X 2		1	
43	N 104 056 04	Oval-head screw M 6 X 14		1	

Model: 92A 11

Model life 2011>>



Model: 92A 11

Model life 2011>>

Pos	Part Number	Description	Remark	Qty	Model
		Crankcase Single parts			MCU .DB/DC
1		Crankcase Not available		1	
2	955 101 139 10	Dowel sleeve		2	
3	N 011 918 5	Lid 12		5	
4	N 011 901 9	Lid 20		1	
5	N 011 914 10	Lid 24		1	
6	955 102 277 00	Roll pin 6,2 X 22		4	
7	955 101 190 00	Bearing screw M 11 X 112		20	
8	958 101 017 30	Spray nozzle Engine oil		4	
9	N 910 547 01	Fit bolt M 6 X 6 X 12		4	
10	N 106 678 01	Straight pin 6 X 16		2	
11	955 101 139 01	Dowel sleeve 16 X 13,5		2	
12	958 101 688 60	Oil tube		1	
13	N 101 703 02	Oval-head screw M 6 X 10		2	
14	N 910 200 01	O-ring 17,3 X 1,5		1	
15	N 908 950 01	O-ring 8 X 2		1	
16	N 013 210 2	Straight pin 6 X 16		2	
17	958 101 150 30	Joint flange Front Use also: N .910.200.01 N .908.950.01 000.043.300.39		1 1 X	
18	958 101 251 00	Shaft sealing ring 55 X 70 X 8		1	
19	955 101 147 00	Gasket 9,5 X 19,6		1	
(19)	958 101 147 20	Gasket 9,5 X 13,6		1	
(19)	958 101 147 40	Gasket		1	
20	N 101 243 06	Oval-head screw M 6 X 20		16	
21	958 101 326 30	Cover		1	
22	958 105 551 00	Grommet		7	
23	WHT 000 939	Stud M 6 X 6,4 / M 6 X 12		6	
24	WHT 000 750	Collar nut M 6		6	
25	955 101 147 00	Gasket		2	
26	958 101 071 40	Joint flange Rear Use also: 000.043.300.39		1 X	
27	958 101 153 10	Shaft sealing ring		1	
28	N 101 562 06	Oval-head screw M 6 X 30		21	
29	N 910 686 01	Pan-head screw M 8 X 32		6	

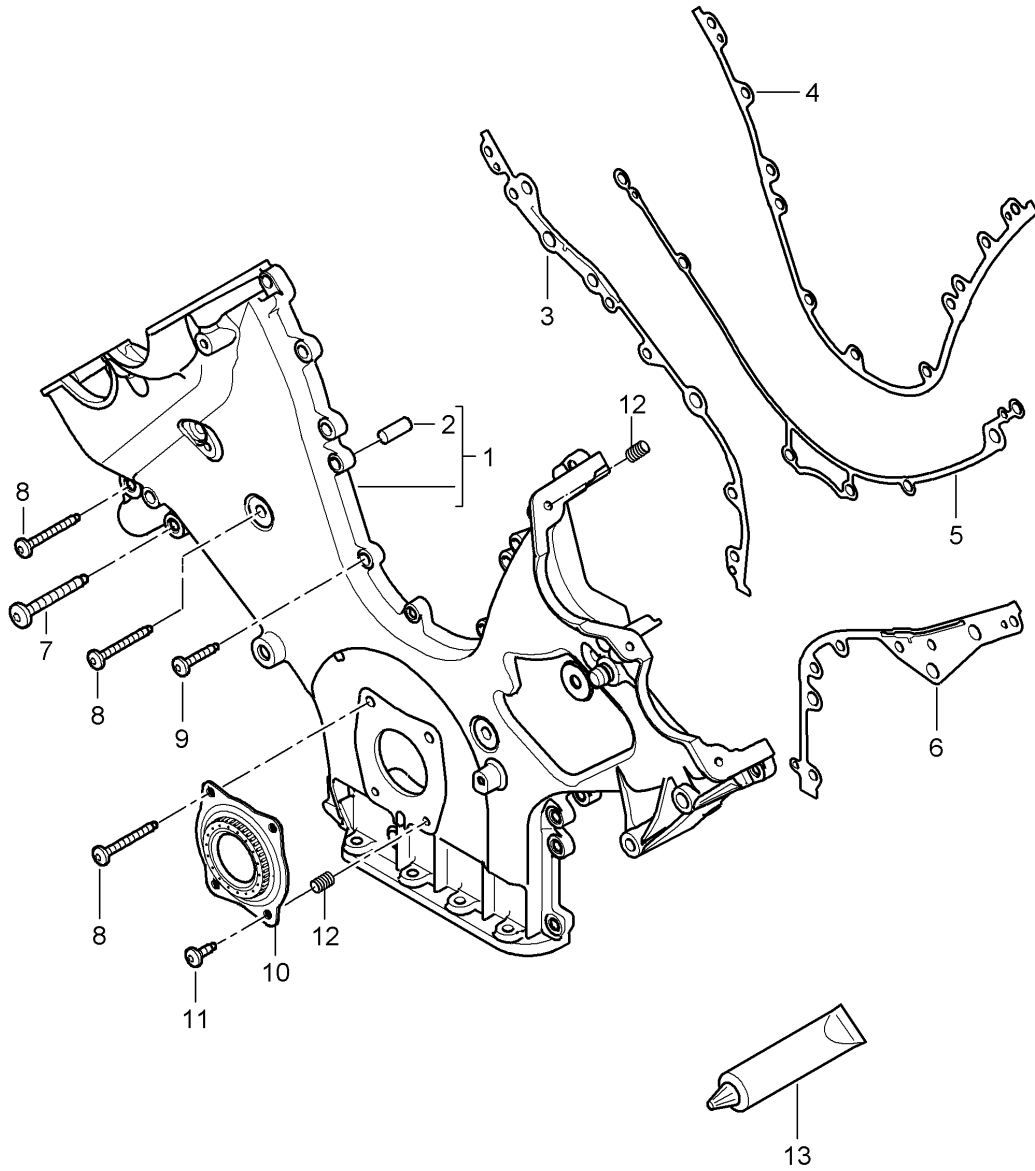
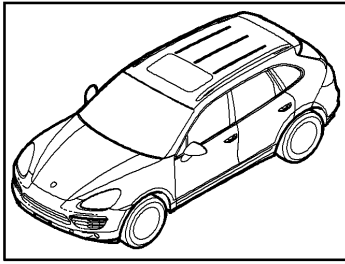
Model: 92A 11

Model life 2011>>

Pos	Part Number	Description	Remark	Qty	Model
30	955 101 139 01	Dowel sleeve 16 X 13,5		2	
31	958 101 565 20	Cover		1	
32	000 043 300 39	Sealing compound 1 tube 50 ML		X	

Model: 92A 11

Model life 2011>>

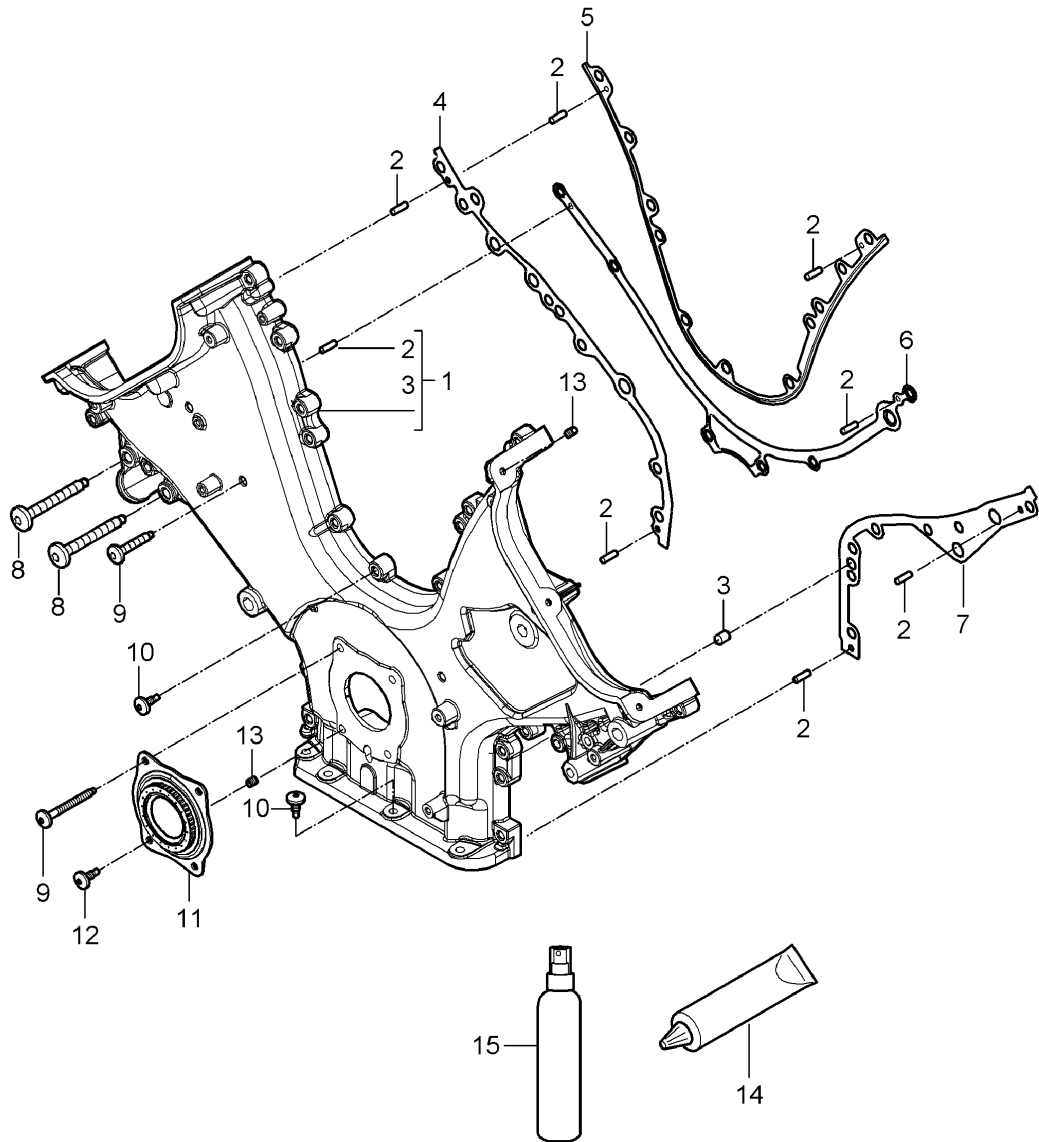
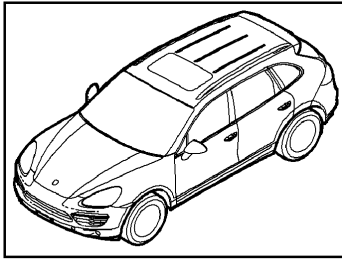


Model: 92A 11 Model life 2011>>

Pos	Part Number	Description	Remark	Qty	Model
		Control box cover			MCF.TB MCY.XA M48.02/52
1	948 101 022 20	Joint flange Control box cover Magnesium		1	
2	900 012 204 30	Straight pin 6 X 16		8	
3	948 101 130 20	Gasket M >> B 05942 M >> B 03714		1	M48.02 M48.52
(3)	948 101 130 21	Gasket M B 05943 >> M B 03715 >>		1	M48.02 M48.52
(3)		Gasket		1	MCF.TB MCY.XA
4	948 101 125 20	Gasket		1	
5	948 101 127 20	Gasket		1	
6	948 101 129 20	Gasket M >> B 05942 M >> B 03714		1	M48.02 M48.52
(6)	948 101 129 21	Gasket M B 05943 >> M B 03715 >>		1	M48.02 M48.52
(6)		Gasket		1	MCF.TB MCY.XA
7	999 073 913 31	Oval-head screw Aluminium M 8 X 55		2	
8	999 073 914 31	Oval-head screw Aluminium M 6 X 55		9	
9	999 073 905 31	Oval-head screw Aluminium M 6 X 30		21	
10	948 101 910 20	Joint flange with Assembly sleeve		1	
11	999 073 903 31	Oval-head screw Aluminium M 6 X 20		2	
12	999 504 084 01	Threaded insert M 6 X 12 for Thread repair		X	
13	000 043 204 35	Control box cover Magnesium Sealing compound 1 tube 50 ML. for Control box cover		X	

Model: 92A 11

Model life 2011>>

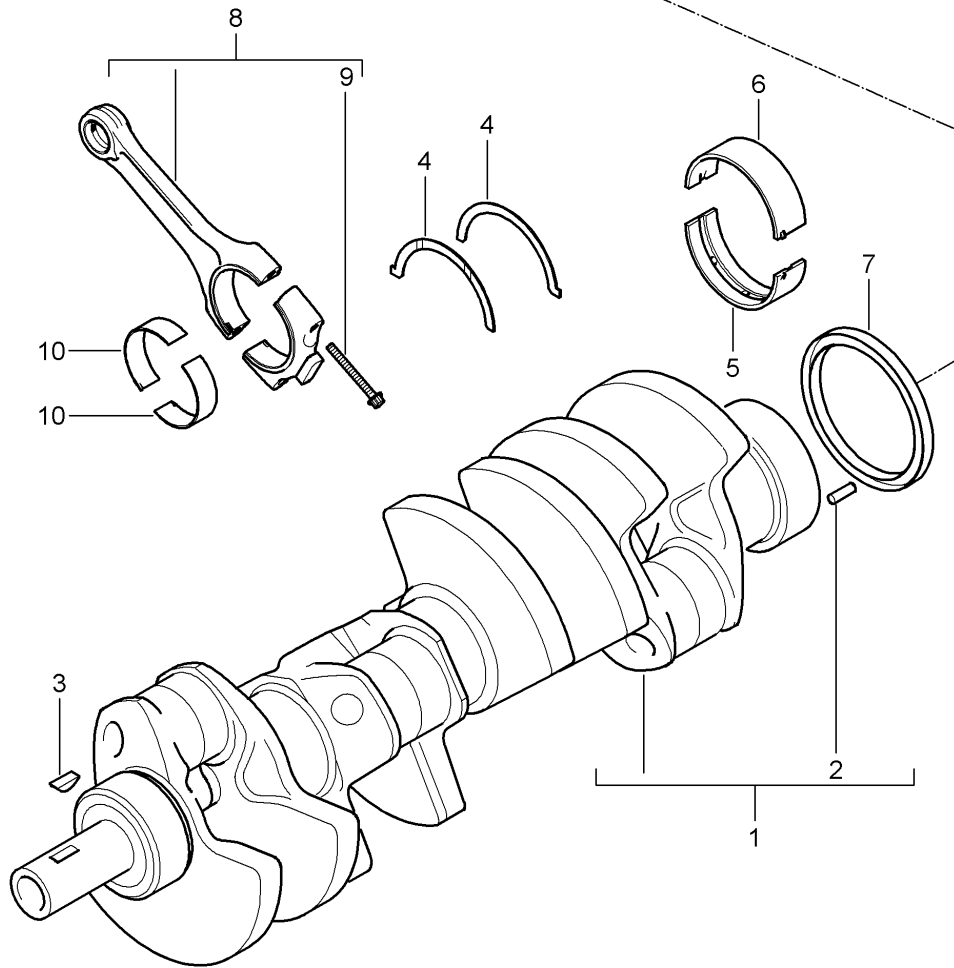
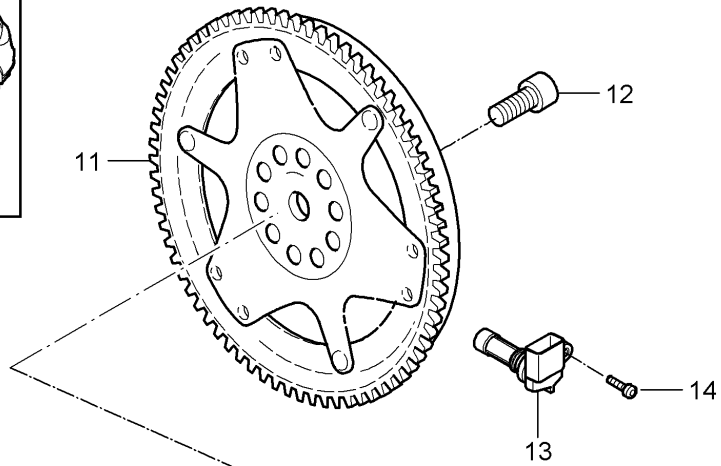
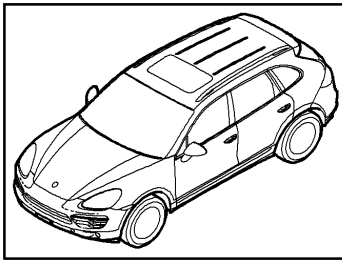


Model: 92A 11 Model life 2011>>

Pos	Part Number	Description	Remark	Qty	Model
		Control box cover			MCU.RA MCX.ZA
1	946 101 022 01	Joint flange Control box cover Magnesium		1	
(1)	946 101 022 02	Control box cover Magnesium Use also: Gaskets		1	
2	900 012 204 30	Straight pin 6 X 16		8	
3	944 104 361 00	Dowel sleeve 8,5 X 8,5		1	
4	946 101 130 03	Gasket M >> CUR003438		1	
(4)	946 101 130 04	Gasket M CUR003439 >> M CXZ000501 >>		1	
5	948 101 125 20	Gasket		1	
6	948 101 127 20	Gasket		1	
7	946 101 129 03	Gasket M >> CUR003438		1	
(7)	946 101 129 04	Gasket M CUR003439 >> M CXZ000501 >>		1	
8	999 073 913 31	Oval-head screw Aluminium M 8 X 55		2	
9	999 073 914 31	Oval-head screw Aluminium M 6 X 55		9	
10	999 073 905 31	Oval-head screw Aluminium M 6 X 30		25	
11	948 101 910 20	Joint flange with Assembly sleeve		1	
12	999 073 903 31	Oval-head screw Aluminium M 6 X 20		2	
13	999 504 084 01	Threaded insert M 6 X 12 for Thread repair		X	
14	000 043 204 35	Control box cover Magnesium Sealing compound 1 tube 50 ML. for		X	
15	000 043 209 93	Control box cover Cleaning agent Corrosion protection Loctite 7515 Atomiser 100 ML for Control box cover		1	

Model: 92A 11

Model life 2011>>



Model: 92A 11 Model life 2011>>

Pos	Part Number	Description	Remark	Qty	Model
		Crankshaft			MCF.TB MCY.XA M48.02/52
1	948 102 011 21	Connecting rod		1	M48.02
(1)	948 102 011 71	Crankshaft		1	MCF.TB MCY.XA M48.52
2	900 302 049 00	Straight pin 6 X 20		1	
3	N 012 713 1	Woodruff key 5,0 X 6,5		1	
4	948 101 215 10	Thrust washer		2	
5	948 101 241 04	Main bearing shell Lower Identification Red M >> E 11424		5	M48.02 IE0A M48.02 IE0W M48.52
(5)	948 101 241 08	Main bearing shell Lower Identification Red M E 11425 >> M G E 11423 >>		5	M48.02 IE0A M48.02 IE0W M48.52
(5)	948 101 241 05	Main bearing shell Lower Identification Yellow M >> E 11424 M >> G E 11422		5	M48.02 IE0A M48.02 IE0W M48.52
(5)	948 101 241 09	Main bearing shell Lower Identification Yellow M E 11425 >> M G E 11423 >>		5	M48.02 IE0A M48.02 IE0W M48.52
(5)	948 101 241 06	Main bearing shell Lower Identification Blue		5	MCF.TB MCY.XA

Model: 92A 11 Model life 2011>>

Pos	Part Number	Description	Remark	Qty	Model
(5)	948 101 241 10	M >> E 11424 M >> G E 11422 M >> E 02254 Main bearing shell Lower Identification Blue M E 11425 >> M G E 11423 >>		5	M48.02 IE0A M48.02 IE0W M48.52
(5)		M E 02255 >> Main bearing shell Lower Identification Blue		5	M48.02 IE0A M48.02 IE0W M48.52 MCF.TB MCY.XA
(5)	948 101 241 07	Main bearing shell Lower Identification Green M >> E 11424 M >> G E 11422		5	M48.02 IE0A M48.02 IE0W M48.52
(5)	948 101 241 11	M >> E 02254 Main bearing shell Lower Identification Green M E 11425 >> M G E 11423 >>		5	M48.02 IE0A M48.02 IE0W M48.52 MCF.TB MCY.XA
(5)		M E 02255 >> Main bearing shell Lower Identification Green		5	M48.02 IE0A M48.02 IE0W M48.52 MCF.TB MCY.XA
6	948 101 242 04	Main bearing shell Upper Identification Red		5	
(6)	948 101 242 08	Main bearing shell Upper Identification Red		5	
(6)	948 101 242 05	Main bearing shell Upper Identification Yellow		5	
(6)	948 101 242 09	Main bearing shell Upper Identification Yellow		5	
(6)	948 101 242 06	Main bearing shell Upper Identification Blue		5	
(6)	948 101 242 10	Main bearing shell		5	

Model: 92A 11 Model life 2011>>

Pos	Part Number	Description	Remark	Qty	Model
(6)	948 101 242 07	Upper Identification Blue Main bearing shell		5	
(6)	948 101 242 11	Upper Identification Green Main bearing shell		5	
7	997 101 212 01	Shaft sealing ring		1	
8	948 103 019 21	Connecting rod Complete		8	M48.02
(8)	948 103 019 22	Connecting rod Complete		8	M48.02
(8)	948 103 010 70	Connecting rod Complete		8	M48.52
(8)	948 103 010 71	M >> E 01145 Connecting rod Complete		8	M48.52
(8)		M E 01146 >> Connecting rod Complete		8	MCF.TB MCY.XA
9	997 103 115 01	Connecting rod bolt		16	
10	948 103 230 23	Connecting-rod bearing Identification		16	M48.02
(10)	948 103 230 26	Red Connecting-rod bearing Identification		16	M48.02
(10)	948 103 230 24	Red Connecting-rod bearing Identification		16	M48.02
(10)	948 103 230 27	Yellow Connecting-rod bearing Identification		16	M48.02
(10)	948 103 230 25	Yellow Connecting-rod bearing Identification		16	M48.02
(10)	948 103 230 28	Blue Connecting-rod bearing Identification		16	M48.02
(10)	948 103 210 10	Blue Connecting-rod bearing Identification		16	M48.52
(10)	948 103 210 13	ROT Connecting-rod bearing Identification		16	M48.52
(10)	948 103 210 11	ROT M >> E 01145 Connecting-rod bearing Identification		16	M48.52
(10)	948 103 210 14	Yellow Connecting-rod bearing Identification		16	M48.52
(10)	948 103 210 12	M >> E 01145 Connecting-rod bearing Identification		16	M48.52
(10)	948 103 210 15	Blue Connecting-rod bearing Identification		16	M48.52

Model: 92A 11 Model life 2011>>

Pos	Part Number	Description	Remark	Qty	Model
(10)	946 103 354 00	Blue M >> E 01145 Conrod bearing shell Upper Identification		8	M48.52
(10)		Red M E 01146 >> Conrod bearing shell Upper Identification		8	MCF.TB MCY.XA
(10)	946 103 354 01	Red Conrod bearing shell Upper Identification		8	M48.52
(10)		Yellow M E 01146 >> Conrod bearing shell Upper Identification		8	MCF.TB MCY.XA
(10)	946 103 354 02	Yellow Conrod bearing shell Upper Identification		8	M48.52
(10)		Blue M E 01146 >> Conrod bearing shell Upper Identification		8	MCF.TB MCY.XA
(10)	946 103 254 00	Blue Conrod bearing shell Lower Identification		8	M48.52
(10)		Red Only together with Connecting rod 948.103.010.71 M E 01146 >> Conrod bearing shell Lower Identification		8	MCF.TB MCY.XA
(10)	946 103 254 01	Red Conrod bearing shell Lower Identification		8	M48.52
(10)		Yellow Only together with Connecting rod 948.103.010.71 M E 01146 >> Conrod bearing shell Lower Identification		8	MCF.TB MCY.XA
(10)	946 103 254 02	Yellow Conrod bearing shell Lower Identification		8	M48.52
(10)		Blue Only together with			

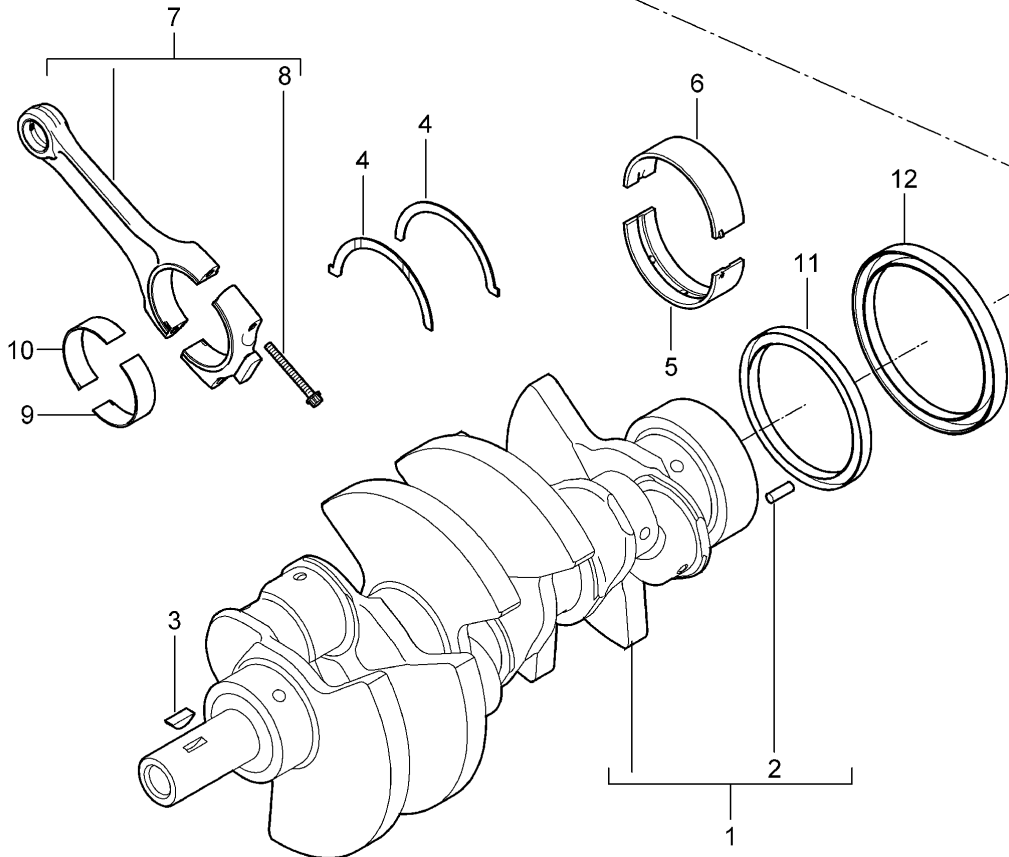
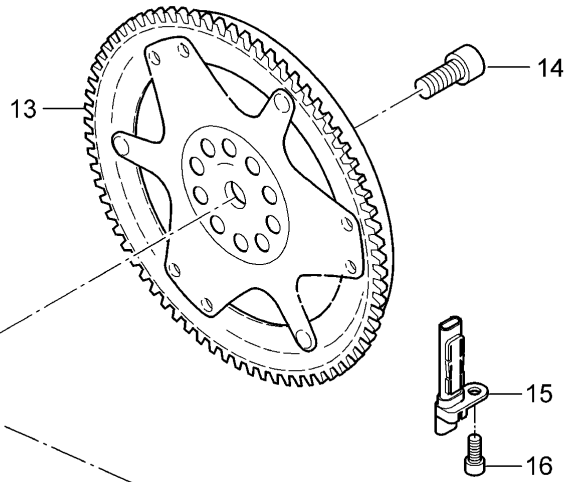
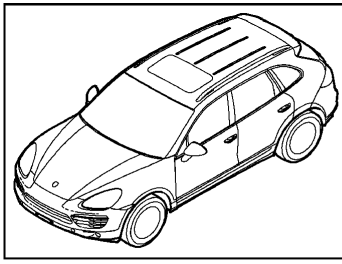
Model: 92A 11

Model life 2011>>

Pos	Part Number	Description	Remark	Qty	Model
(10)		Connecting rod 948.103.010.71 M E 01146 >> Conrod bearing shell		8	MCF.TB MCY.XA
11	958 102 327 00	Lower Identification Blue Drive plate		1	
12	WHT 004 966	Pan-head screw M 10 X 1 X 25 X 17		10	
13	7PP 905 381 A	Inductive transmitter		1	
13	7PP 905 381 B	Inductive transmitter		1	
14	N 014 701 11	Pan-head screw M 6 X 12		1	

Model: 92A 11

Model life 2011>>



Model: 92A 11 Model life 2011>>

Pos	Part Number	Description	Remark	Qty	Model
		Crankshaft			MCU.RA MCX.ZA
1	946 102 011 35	Connecting rod Crankshaft M >> CUR001627		1	
(1)	946 102 011 36	Crankshaft		1	
(1)	946 102 011 37	Crankshaft M CUR001628 >> M CXZ000501 >>		1	
2	900 302 049 00	Straight pin 6 X 20		1	
3	900 118 007 00	Woodruff key 5,0 X 6,5		1	
4	948 101 215 10	Thrust washer		2	
5	948 101 241 08	Main bearing shell Lower Identification Red		4	
(5)	948 101 241 09	Main bearing shell Lower Identification Yellow		4	
(5)	948 101 241 10	Main bearing shell Lower Identification Blue		4	
(5)	948 101 241 11	Main bearing shell Lower Identification Green		4	
(6)	948 101 242 08	Main bearing shell Upper Identification Red		4	
(6)	948 101 242 09	Main bearing shell Upper Identification Yellow		4	
(6)	948 101 242 10	Main bearing shell Upper Identification Blue		4	
(6)	948 101 242 11	Main bearing shell Upper Identification Green		4	
7	946 103 019 36	Connecting rod Complete M >> CUR001627		6	
(7)	946 103 019 37	Connecting rod Complete M CUR001628 >> M CXZ000501 >>		6	
8	997 103 115 01	Connecting rod bolt		12	
9	946 103 254 00	Conrod bearing shell Lower Identification Red		6	
(9)	946 103 254 01	Conrod bearing shell Lower Identification Yellow		6	
(9)	946 103 254 04	Conrod bearing shell		6	

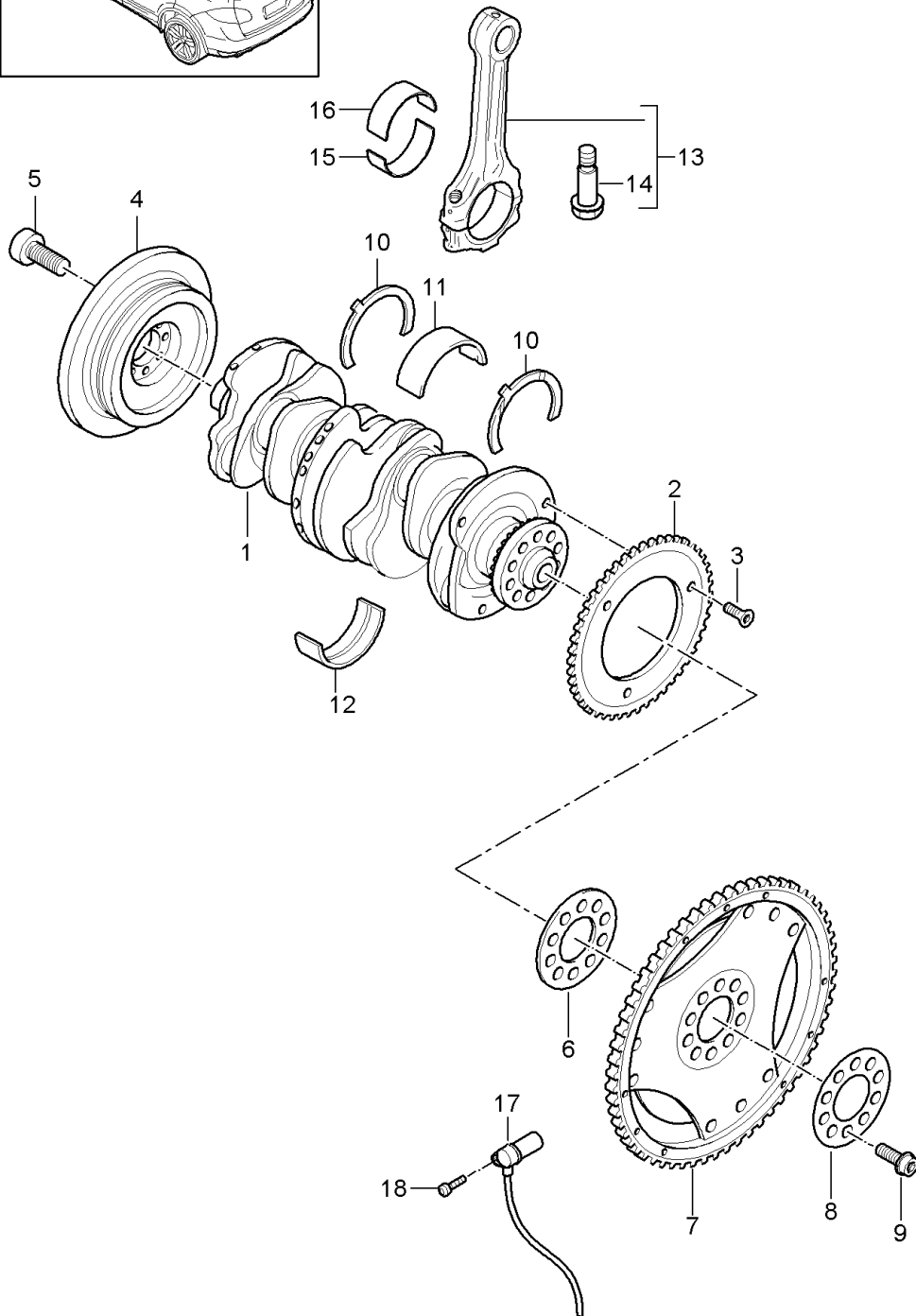
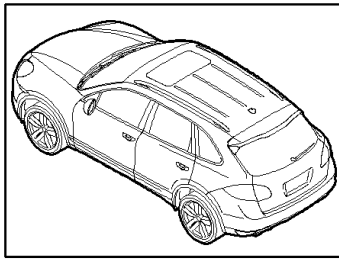
Model: 92A 11

Model life 2011>>

Pos	Part Number	Description	Remark	Qty	Model
(9)	946 103 254 02	Lower Identification Yellow Conrod bearing shell		6	
10	946 103 354 00	Lower Identification Blue Conrod bearing shell		6	
(10)	946 103 354 01	Upper Identification Red Conrod bearing shell		6	
(10)	946 103 354 04	Upper Identification Yellow Conrod bearing shell		6	
(10)	946 103 354 02	Upper Identification Yellow Conrod bearing shell		6	
11	997 101 212 01	Upper Identification Blue Shaft sealing ring		1	
12	946 606 135 00	Carrier disc with magnets		1	
13	958 102 327 40	Drive plate		1	
14	WHT 004 966	Pan-head screw M 10 X 1 X 25 X 17		10	
15	946 606 131 01	Sensor		1	
16	900 385 041 01	Torx screw BM 6 X 12		1	

Model: 92A 11

Model life 2011>>



Model: 92A 11

Model life 2011>>

Pos	Part Number	Description	Remark	Qty	Model
		Crankshaft			MCE.YA M55.02
1	958 102 011 20	Connecting rod Crankshaft See workshop manual Group 1 KD-NR. 134819		1	
(1)	958 102 011 21	Crankshaft See workshop manual Group 1 KD-NR. 134819		1	
2	955 102 189 00	Drive plate		1	
3	955 102 229 00	Inductive transmitter		3	
		Countersunk-head screw M 6 X 13			
4	958 102 241 20	Vibration damper		1	
5	N 911 500 01	Pan-head screw M 10 X 1 X 32		7	
6	955 102 301 00	Washer 0,5 MM		1	IG1G
7	955 102 327 00	Drive plate		1	IG1G/7L7
(7)	958 102 327 20	Drive plate		1	IG1G/7L4/7L6 I7L8
(7)	958 114 012 00	Double-mass flywheel		1	IG0L
8	955 102 303 20	Shim 1,2 MM		X	IG1G
9	N 905 398 01	Pan-head screw M 10 X 1 X 19		10	IG1G
(9)	N 906 651 01	Pan-head screw M 10 X 1 X 29		10	IG0L
10	955 102 635 01	Thrust washer		2	
11	955 102 561 00	Bearing shell Crankshaft Upper Identification Yellow See workshop manual Group 1 KD-NR. 134819		7	
(11)	955 102 561 01	Bearing shell Crankshaft Upper Identification Yellow See workshop manual Group 1 KD-NR. 134819		7	
(11)	955 102 561 02	Bearing shell Crankshaft Upper Identification Blue See workshop manual Group 1 KD-NR. 134819		7	
(11)	955 102 561 03	Bearing shell Crankshaft Upper Identification ROT See workshop manual Group 1 KD-NR. 134819		7	

Model: 92A 11 Model life 2011>>

Pos	Part Number	Description	Remark	Qty	Model
(11)	955 102 561 04	Bearing shell Crankshaft Upper Identification Violet See workshop manual Group 1 KD-NR. 134819		7	
12	955 102 591 00	Bearing shell Crankshaft Lower Identification Yellow		7	
(12)	955 102 591 06	Bearing shell Crankshaft Lower Identification Yellow		7	
(12)	955 102 591 01	Bearing shell Crankshaft Lower Identification Blue		7	
(12)	955 102 591 04	Bearing shell Crankshaft Lower Identification Blue		7	
(12)	955 102 591 02	Bearing shell Crankshaft Lower Identification Red		7	
(12)	955 102 591 05	Bearing shell Crankshaft Lower Identification Red		7	
(12)	955 102 591 03	Bearing shell Crankshaft Lower Identification Violet		7	
(12)	955 102 591 07	Bearing shell Crankshaft Lower Identification Violet		7	
13	955 103 975 01	Connecting rod Set Comprising:		1	
14	955 102 425 01	Connecting rod bolt		6	
15	958 103 210 20	Conrod bearing shell Lower Identification Yellow		12	
16	958 103 210 21	Conrod bearing shell Upper Identification Red		6	
17	958 606 433 00	Pulse sender		1	
18	N 103 352 06	Round head screw		1	

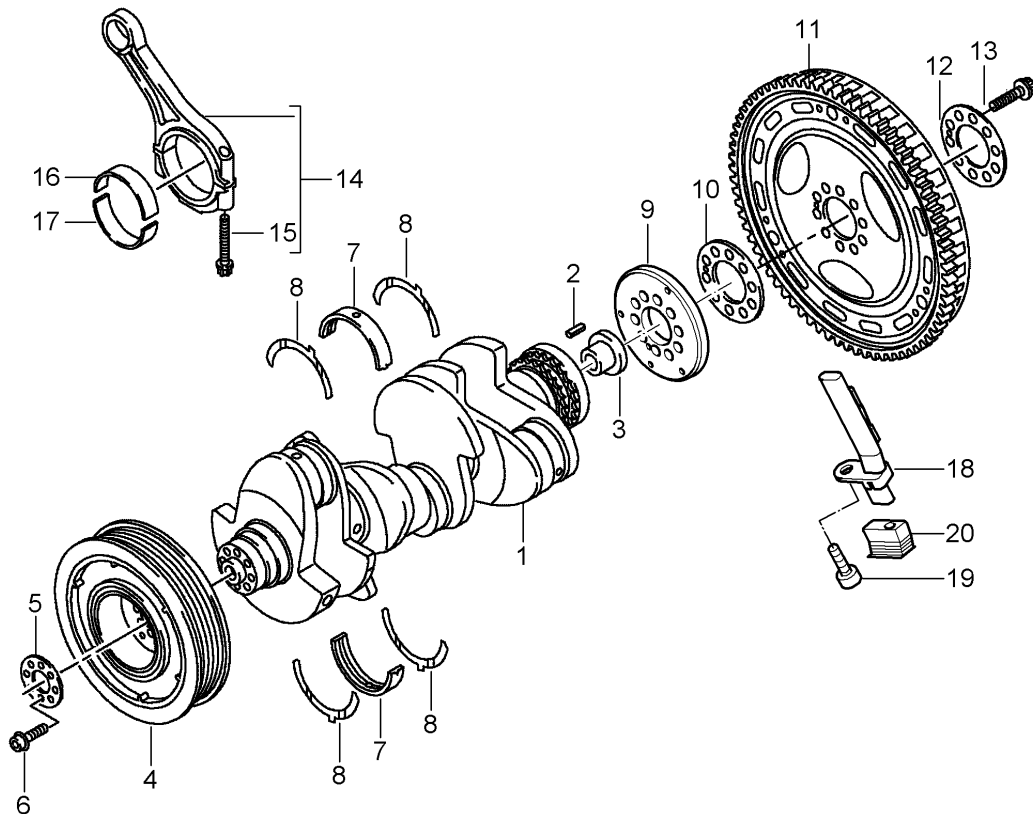
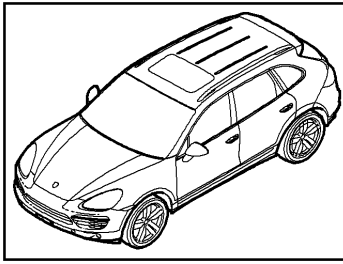
Model: 92A 11

Model life 2011>>

Pos	Part Number	Description	Remark	Qty	Model
		M 6 X 12			

Model: 92A 11

Model life 2011>>



Model: 92A 11

Model life 2011>>

Pos	Part Number	Description	Remark	Qty	Model
		Crankshaft			MCN.RB MCR.CA/CB MCV.VA M05.9E
1	958 102 011 00	Connecting rod Crankshaft		1	MCV.VB/VC M05.9E
		Use also: N .013.199.4		1	
		955.102.329.00		1	
(1)	958 102 011 01	Crankshaft		1	M05.9E
		Use also: N .013.199.4		1	
		955.102.329.00		1	
(1)	958 102 011 30	Crankshaft		1	MCN.RB MCR.CA/CB MCV.VA/VB MCV.VC
		Use also: N .013.199.4		1	
		955.102.329.00		1	
2	N 013 199 4	Straight pin 6 X 14		1	
3	955 102 329 00	Bush		1	
4	958 102 241 00	Vibration damper		1	
(4)	958 102 241 01	Vibration damper		1	
(4)	958 102 241 02	Vibration damper		1	
(4)	958 102 241 03	Vibration damper		1	
5	WHT 003 351	Shim 24,5 X 60,5 X 1,5		1	
6	N 910 059 02	Pan-head screw M 8 X 25		8	
7	955 102 901 00	Bearing set Crankshaft		4	
		Comprising: Bearing shell		1	
		Lower			
		Bearing shell		1	
		Upper			
(7)	958 101 241 10	Main bearing shell Lower		4	
		Identification Blue			
(7)	958 101 241 13	Main bearing shell Lower		4	
		Identification Blue			
(7)	958 101 241 11	Main bearing shell Lower		4	
		Identification Yellow			
(7)	958 101 241 14	Main bearing shell Lower		4	
		Identification Yellow			
(7)	958 101 241 12	Main bearing shell Lower		4	
		Identification Red			
(7)	958 101 241 15	Main bearing shell Lower		4	
		Identification Red			
(7)	958 101 242 10	Main bearing shell Upper		4	

Model: 92A 11 Model life 2011>>

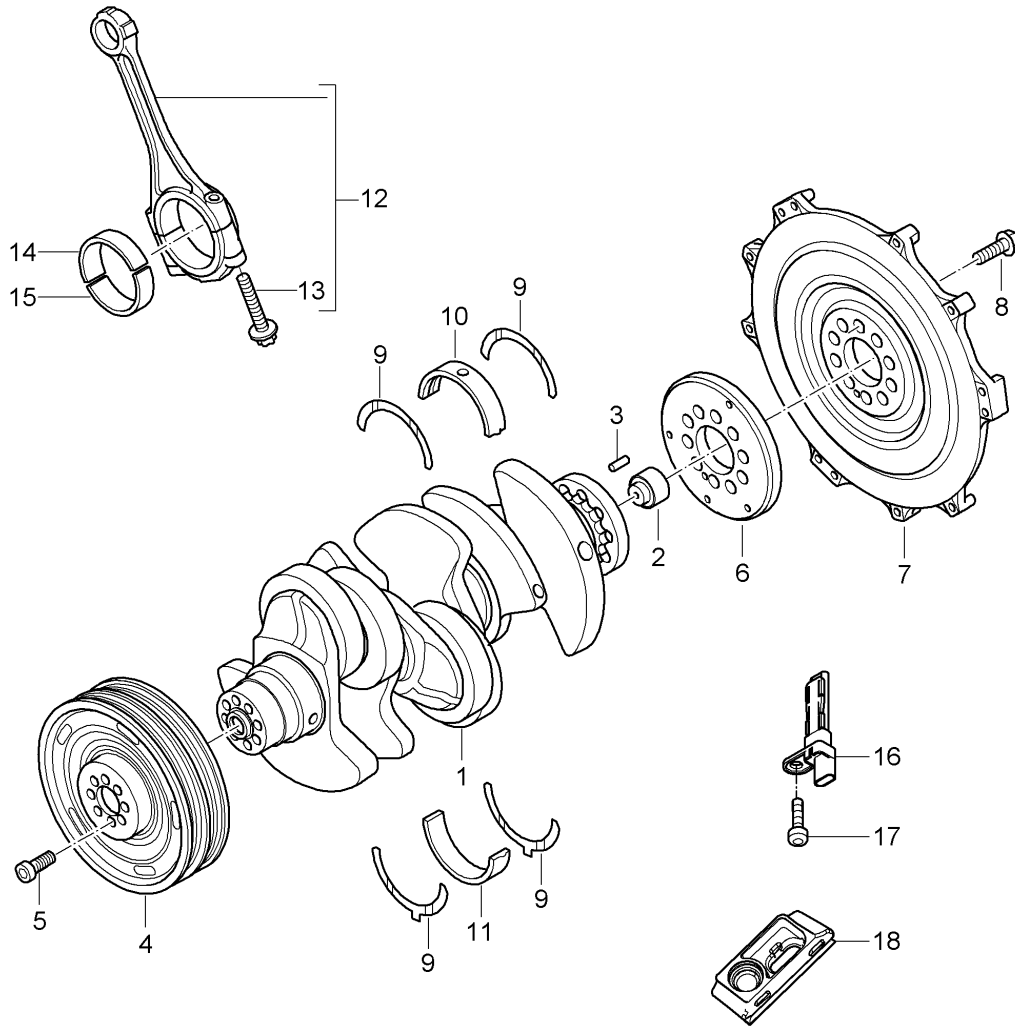
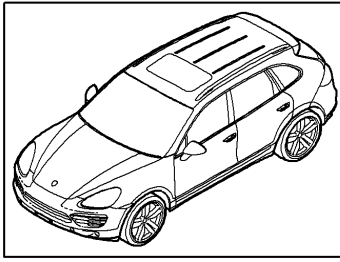
Pos	Part Number	Description	Remark	Qty	Model
(7)	958 101 242 13	Identification Blue Main bearing shell Upper		4	
(7)	958 101 242 11	Identification Blue Main bearing shell Upper		4	
(7)	958 101 242 14	Identification Yellow Main bearing shell Upper		4	
(7)	958 101 242 12	Identification Yellow Main bearing shell Upper		4	
(7)	958 101 242 15	Identification Red Main bearing shell Upper		4	
8	955 102 902 00	Identification Red Thrust washer Set Comprising: Thrust washer Lower Thrust washer Upper		1 2 2	
9	958 102 189 00	Drive plate Pulse sender		1	
10	955 102 303 60	Shim 1,5 MM		1	
11	958 102 327 10	Drive plate		1	
(11)	958 102 327 11	Drive plate		1	
12	955 102 303 60	Shim 1,5 MM		1	
13	N 905 398 01	Pan-head screw M 10 X 1 X 19		10	
14	955 103 975 10	Connecting rod Set Comprising: Connecting rod Only together with Conrod bearing shell 955.103.210.10 955.103.210.20 D >> 21.11.2010		1 6	M05.9E
(14)	958 103 975 10	Connecting rod Set Comprising: Connecting rod Only together with Conrod bearing shell 958.103.210.30 958.103.210.40 D 22.11.2010>>		1 6	M05.9E
(14)	958 103 975 20	Connecting rod Set Comprising: Connecting rod		1 6	MCN.RB MCR.CA/CB MCV.VA/VB MCV.VC

Model: 92A 11 Model life 2011>>

Pos	Part Number	Description	Remark	Qty	Model
15	955 102 425 10	Connecting rod bolt M 8 X 1 X 50		12	
(15)	WHT 006 219	Connecting rod bolt M 8 X 1 X 50		12	
16	955 103 210 10	Conrod bearing shell Upper Identification Yellow Only together with Connecting rod 955.103.975.10 059.105.401.AE D >> 21.11.2010		6	M05.9E
(16)	958 103 210 30	Conrod bearing shell Upper Identification Yellow Only together with Connecting rod 958.103.975.10 059.105.401.AP D 22.11.2010>>		6	M05.9E
(16)		Conrod bearing shell Upper Identification Yellow Only together with Connecting rod 955.103.975.10 059.105.401.AE D >> 21.11.2010		6	MCN.RB MCR.CA/CB MCV.VA/VB MCV.VC
17	955 103 210 20	Conrod bearing shell Lower Identification Yellow Only together with Connecting rod 955.103.975.10		6	M05.9E
(17)	958 103 210 40	Conrod bearing shell Lower Identification Yellow Only together with Connecting rod 958.103.975.10		6	M05.9E
(17)		Conrod bearing shell Lower Identification Yellow Only together with Connecting rod 955.103.975.10 059.105.401.AE D >> 21.11.2010		6	MCN.RB MCR.CA/CB MCV.VA/VB MCV.VC
18	958 606 433 10	Pulse sender		1	
(18)	958 606 433 11	Pulse sender		1	
19	N 104 056 04	Oval-head screw M 6 X 14		1	
20	958 606 576 10	Grommet Pulse sender		1	

Model: 92A 11

Model life 2011>>



Model: 92A 11 Model life 2011>>

Pos	Part Number	Description	Remark	Qty	Model
		Crankshaft			MCG.EA/FA MCJ.T M06.EC
1	958 102 011 10	Connecting rod			
(1)	958 102 011 11	Crankshaft	(CN)	1	ID11
(1)	958 102 021 00	Crankshaft		1	ID11
		Crankshaft with Needle sleeve 958.102.313.00		1	ID19
2	958 102 313 00	Needle sleeve		1	ID19
(2)	955 102 329 00	Bush		1	ID11
3	N 013 199 4	Straight pin 6 X 14		1	
4	958 102 241 10	Vibration damper		1	
(4)	958 102 241 11	Vibration damper		1	
5	N 910 059 02	Pan-head screw M 8 X 25		8	
6	958 102 189 00	Drive plate		1	
		Pulse sender			
7	958 102 269 03	Flywheel		1	ID19
(7)	958 102 327 10	Drive plate		1	ID11
8	N 904 055 02	Hexagon-head bolt M 10 X 1 X 22		10	ID19
(8)	N 905 398 01	Pan-head screw M 10 X 1 X 19	(CN) -12	10	ID11
(8)	N 911 150 01	Pan-head screw M 10 X 1 X 19	13-	10	ID11
9	955 102 902 00	Thrust washer Set		1	
		Comprising: Thrust washer Lower		2	
		Thrust washer Upper		2	
10	958 101 241 00	Main bearing shell Upper Identification Black		4	
(10)	958 101 241 01	Main bearing shell Upper Identification Blue		4	
(10)	958 101 241 02	Main bearing shell Upper Identification Yellow		4	
(10)	958 101 241 03	Main bearing shell Upper Identification Red		4	
11	958 101 242 00	Main bearing shell Lower Identification Black		4	
(11)	958 101 242 01	Main bearing shell Lower Identification Blue		4	
(11)	958 101 242 02	Main bearing shell Lower Identification Yellow		4	

Model: 92A 11 Model life 2011>>

Pos	Part Number	Description	Remark	Qty	Model
(11)	958 101 242 03	Main bearing shell Lower Identification Red		4	
12	958 103 975 00	Connecting rod Set Comprising: Connecting rod		1	
(12)	958 103 975 01	Connecting rod Set Comprising: Connecting rod		6	
		Connecting rod Set Comprising: Connecting rod		1	
13	WHT 002 662	Connecting rod bolt M 9 X 1 X 49 Only together with Connecting rod 06E.105.401.AD		6 12	
(13)	WHT 003 466	Connecting rod bolt M 9 X 49 Only together with Connecting rod 06E.105.401.AF		12	
14	958 103 210 00	Conrod bearing shell Upper Identification Blue 1,401 MM		6	
(14)	958 103 210 03	Conrod bearing shell Upper Identification Blue 1,401 MM		6	
(14)	958 103 210 01	Conrod bearing shell Upper Identification Yellow 1,396 MM		6	
(14)	958 103 210 04	Conrod bearing shell Upper Identification Yellow 1,396 MM		6	
(14)	958 103 210 02	Conrod bearing shell Upper Identification Red 1,391 MM		6	
(14)	958 103 210 05	Conrod bearing shell Upper Identification Red 1,391 MM		6	
15	958 103 210 10	Conrod bearing shell Lower Identification Blue 1,401 MM		6	
(15)	958 103 210 13	Conrod bearing shell Lower Identification Blue 1,401 MM		6	
(15)	958 103 210 11	Conrod bearing shell		6	

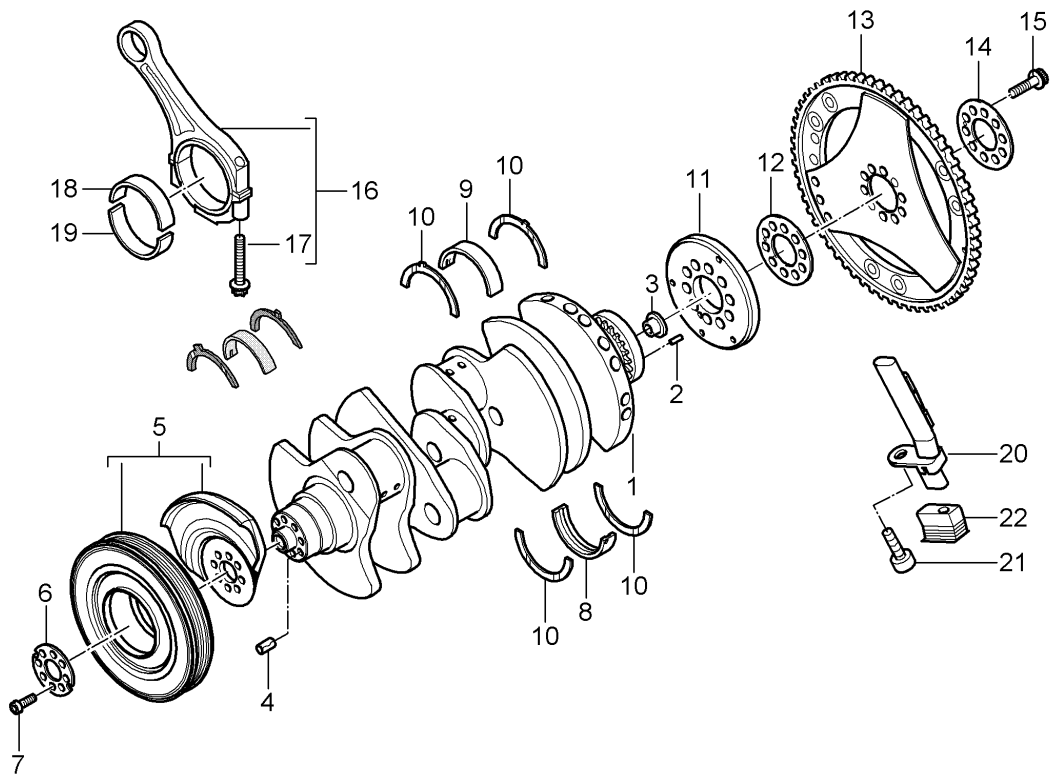
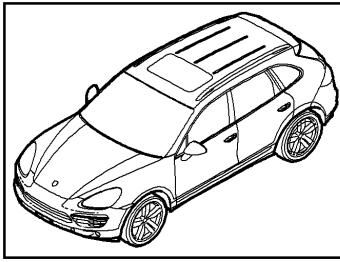
Model: 92A 11

Model life 2011>>

Pos	Part Number	Description	Remark	Qty	Model
(15)	958 103 210 14	Lower Identification Yellow 1,396 MM Conrod bearing shell		6	
(15)	958 103 210 12	Lower Identification Yellow 1,396 MM Conrod bearing shell		6	
(15)	958 103 210 15	Lower Identification Red 1,391 MM Conrod bearing shell		6	
16	958 606 433 10	Lower Identification Red 1,391 MM Pulse sender		1	
(16)	958 606 433 11	Pulse sender		1	
17	N 107 512 01	Outer hexagon round screw M 6 X 14		1	
18	958 301 646 00	Cap		1	

Model: 92A 11

Model life 2011>>



Model: 92A 11

Model life 2011>>

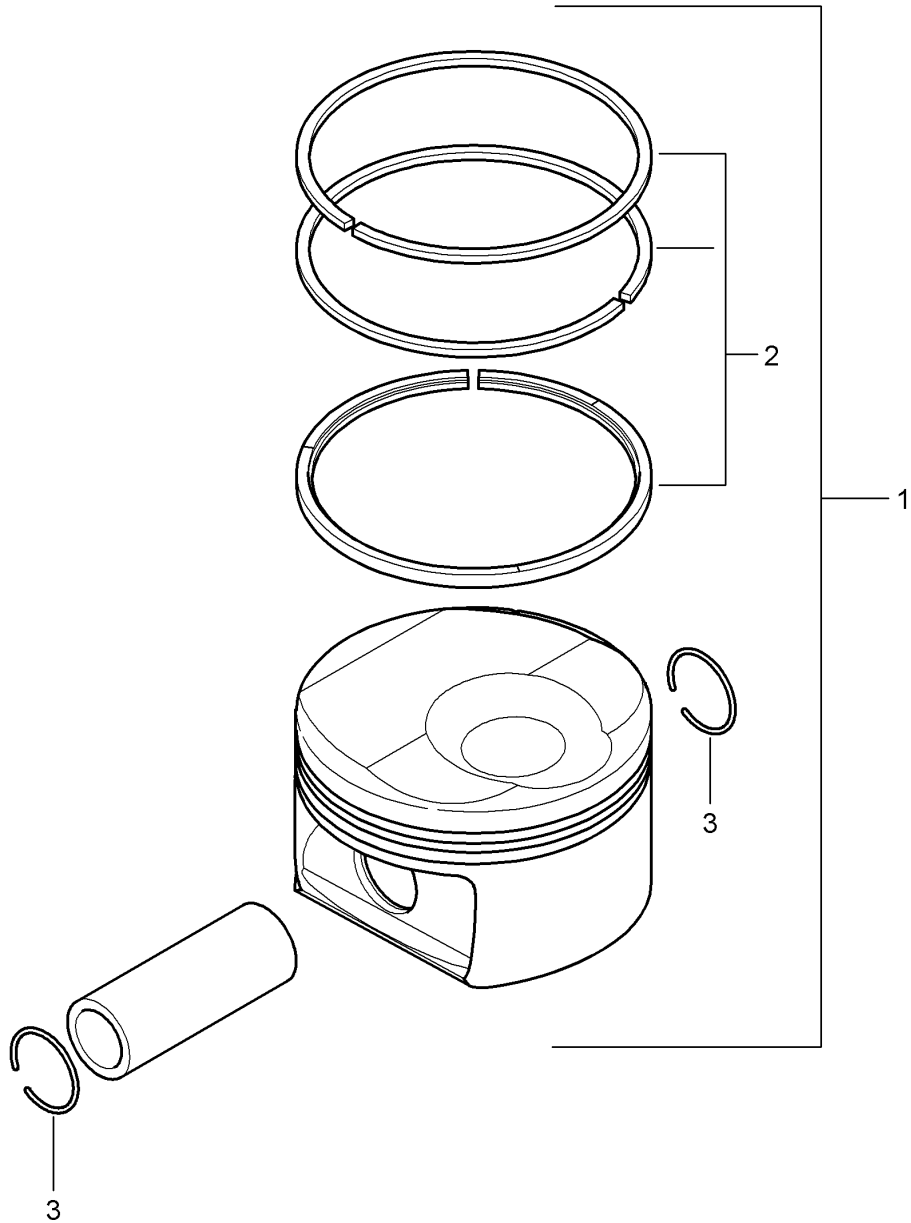
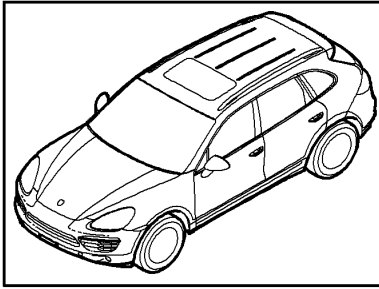
Pos	Part Number	Description	Remark	Qty	Model
		Crankshaft Connecting rod			MCU.DB/DC
1	958 102 011 40	Crankshaft		1	
		Use also:			
		N .013.199.4		1	
		955.102.329.00		1	
(1)	958 102 011 41	Crankshaft		1	
		Use also:			
		N .013.199.4		1	
		955.102.329.00		1	
2	N 013 199 4	Straight pin		1	
		6 X 14			
3	955 102 329 00	Bush		1	
4	958 147 501 00	Dowel sleeve		1	
		11,15 X 6,5			
5	958 102 241 30	Vibration damper		1	
		with			
		Balance weight			
(5)	958 102 241 31	Vibration damper		1	
		with			
		Balance weight			
6	WHT 000 950 B	Shim		1	
		24,5 X 58 X 1,5			
7	N 105 348 03	Pan-head screw		8	
		M 8 X 35			
8	958 101 241 13	Main bearing shell		5	
		Lower			
		Identification			
		Blue			
(8)	958 101 241 14	Main bearing shell		5	
		Lower			
		Identification			
		Yellow			
(8)	958 101 241 15	Main bearing shell		5	
		Lower			
		Identification			
		Red			
9	958 101 242 13	Main bearing shell		4	
		Upper			
		Identification			
		Blue			
(9)	958 101 242 14	Main bearing shell		4	
		Upper			
		Identification			
		Yellow			
(9)	958 101 242 15	Main bearing shell		4	
		Upper			
		Identification			
		Red			
10	955 102 902 00	Thrust washer		1	
		Set			
		Comprising:			
		Thrust washer		2	
		Lower			
		Thrust washer		2	
		Upper			
11	958 102 189 00	Drive plate		1	
		Pulse sender			
12	955 102 303 60	Shim		1	
		1,5 MM			
13	958 102 327 30	Drive plate		1	
14	955 102 303 60	Shim		1	
		1,5 MM			

Model: 92A 11 Model life 2011>>

Pos	Part Number	Description	Remark	Qty	Model
15	N 905 398 01	Pan-head screw M 10 X 1 X 19		10	
16	958 103 975 30	Connecting rod Set Comprising: Connecting rod		1	
17	955 102 425 10	Connecting rod bolt M 8 X 1 X 50		16	
(17)	WHT 006 219	Connecting rod bolt M 8 X 1 X 50		16	
18	958 103 210 30	Conrod bearing shell Upper Identification Yellow		8	
19	958 103 210 40	Conrod bearing shell Lower Identification Yellow		8	
20	958 606 433 10	Pulse sender		1	
(20)	958 606 433 11	Pulse sender		1	
21	N 104 514 08	Lens-head screw M 6 X 16		1	
22	958 606 576 10	Grommet Pulse sender		1	

Model: 92A 11

Model life 2011>>



Model: 92A 11 Model life 2011>>

Pos	Part Number	Description	Remark	Qty	Model
1	948 103 048 24	Piston Piston rings Piston Tolerance range X Identification - 554 - 559 G Cylinders 1 - 4		4	M48.02/52 M48.02 IE0A/1A2
(1)	948 103 048 25	Piston Tolerance range X Identification - 554 - 559 G Cylinders 1 - 4		4	M48.02 IE0A/1A2
(1)	948 103 048 27	Piston Tolerance range X Identification + 560 - 565 G Cylinders 1 - 4		4	M48.02 IE0A/1A2
(1)	948 103 048 28	Piston Tolerance range X Identification - 554 - 559 G Cylinders 1 - 4 See technical information Service Group 1 Document 1010 25/13 M >> C 12136		4	M48.02 IE0A/1A2
(1)	948 103 058 21	Piston Tolerance range X Identification + 560 - 565 G Cylinders 1 - 4 See technical information Service Group 1 Document 1010 25/13 M >> C 12136		4	M48.02 IE0A/1A2
(1)	948 103 058 22	Piston Tolerance range X Identification - 554 - 559 G Cylinders 1 - 4 See technical information Service Group 1 Document 1010 25/13 M C 12137 >>		4	M48.02 IE0A/1A2
		Tolerance range			

Model: 92A 11

Model life 2011>>

Pos	Part Number	Description	Remark	Qty	Model
(1)	948 103 058 21	X Identification + 560 - 565 G Cylinders 1 - 4 See technical information Service Group 1 Document 1010 25/13 M C 12137 >> Piston		4	M48.02 IE0W/1A2
(1)	948 103 058 22	Tolerance range X Identification - 554 - 559 G Cylinders 1 - 4 Piston		4	M48.02 IE0W/1A2
(1)	948 103 048 54	Tolerance range X Identification + 560 - 565 G Cylinders 1 - 4 Piston		4	M48.02 IE0A/1A5
(1)	948 103 048 55	Tolerance range X Identification - 541 - 546 G Cylinders 1 - 4 Piston		4	M48.02 IE0A/1A5
(1)	948 103 048 57	Tolerance range X Identification + 547 - 552 G Cylinders 1 - 4 Piston		4	M48.02 IE0A/1A5
(1)	948 103 048 58	Tolerance range X Identification - 541 - 546 G Cylinders 1 - 4 See technical information Service Group 1 Document 1010 25/13 M >> V C 12137 Piston		4	M48.02 IE0A/1A5
		Tolerance range X Identification +			

Model: 92A 11

Model life 2011>>

Pos	Part Number	Description	Remark	Qty	Model
(1)	948 103 058 51	547 - 552 G Cylinders 1 - 4 See technical information Service Group 1 Document 1010 25/13 M >> V C 12137 Piston Tolerance range X Identification -		4	M48.02 IE0A/1A5
(1)	948 103 058 52	541 - 546 G Cylinders 1 - 4 See technical information Service Group 1 Document 1010 25/13 M V C 12138 >> Piston Tolerance range X Identification +		4	M48.02 IE0A/1A5
(1)	948 103 058 51	547 - 552 G Cylinders 1 - 4 See technical information Service Group 1 Document 1010 25/13 M V C 12138 >> Piston Tolerance range X Identification -		4	M48.02 IE0W/1A5
(1)	948 103 058 52	541 - 546 G Cylinders 1 - 4 Piston Tolerance range X Identification +		4	M48.02 IE0W/1A5
(1)	948 103 047 24	547 - 552 G Cylinders 1 - 4 Piston Tolerance range X Identification -		4	M48.02 IE0A/1A2
(1)	948 103 047 25	554 - 559 G Cylinders 5 - 8 Piston Tolerance range		4	M48.02 IE0A/1A2

Model: 92A 11

Model life 2011>>

Pos	Part Number	Description	Remark	Qty	Model
(1)	948 103 047 27	X Identification + 560 - 565 G Cylinders 5 - 8 Piston Tolerance range X Identification - 554 - 559 G Cylinders 5 - 8 See technical information Service Group 1 Document 1010 25/13 M >> C 12136		4	M48.02 IE0A/1A2
(1)	948 103 047 28	Piston Tolerance range X Identification + 560 - 565 G Cylinders 5 - 8 See technical information Service Group 1 Document 1010 25/13 M >> C 12136		4	M48.02 IE0A/1A2
(1)	948 103 057 21	Piston Tolerance range X Identification - 554 - 559 G Cylinders 5 - 8 See technical information Service Group 1 Document 1010 25/13 M >> C 12136		4	M48.02 IE0A/1A2
(1)	948 103 057 22	Piston Tolerance range X Identification + 560 - 565 G Cylinders 5 - 8 See technical information Service Group 1 Document 1010 25/13 M C 12137 >>		4	M48.02 IE0A/1A2
(1)	948 103 057 21	Piston Tolerance range X Identification + 560 - 565 G Cylinders 5 - 8 See technical information Service Group 1 Document 1010 25/13 M C 12137 >>		4	M48.02 IE0W/1A2

Model: 92A 11 Model life 2011>>

Pos	Part Number	Description	Remark	Qty	Model
(1)	948 103 057 22	Tolerance range X Identification - 554 - 559 G Cylinders 5 - 8 Piston		4	M48.02 IE0W/1A2
(1)	948 103 047 54	Tolerance range X Identification + 560 - 565 G Cylinders 5 - 8 Piston		4	M48.02 IE0A/1A5
(1)	948 103 047 55	Tolerance range X Identification - 541 - 546 G Cylinders 5 - 8 Piston		4	M48.02 IE0A/1A5
(1)	948 103 047 57	Tolerance range X Identification + 547 - 552 G Cylinders 5 - 8 Piston		4	M48.02 IE0A/1A5
(1)	948 103 047 58	Tolerance range X Identification - 541 - 546 G Cylinders 5 - 8 See technical information Service Group 1 Document 1010 25/13 M >> V C 12137 Piston		4	M48.02 IE0A/1A5
(1)	948 103 057 51	Tolerance range X Identification + 547 - 552 G Cylinders 5 - 8 See technical information Service Group 1 Document 1010 25/13 M >> V C 12137 Piston		4	M48.02 IE0A/1A5
		Tolerance range X Identification			

Model: 92A 11

Model life 2011>>

Pos	Part Number	Description	Remark	Qty	Model
(1)	948 103 057 52	- 541 - 546 G Cylinders 5 - 8 See technical information Service Group 1 Document 1010 25/13 M V C 12138 >> Piston Tolerance range X Identification + 547 - 552 G Cylinders 5 - 8 See technical information Service Group 1 Document 1010 25/13 M V C 12138 >> Piston		4	M48.02 IE0A/1A5
(1)	948 103 057 51	Tolerance range X Identification - 541 - 546 G Cylinders 5 - 8 Piston		4	M48.02 IE0W/1A5
(1)	948 103 057 52	Tolerance range X Identification + 547 - 552 G Cylinders 5 - 8 Piston		4	M48.02 IE0W/1A5
(1)	948 103 046 67	Tolerance range X Identification - 561 - 566 G Cylinders 1 - 4 See technical information Service Group 1 Document 1010 25/13 M >> C 05371 Piston		4	M48.52
(1)	948 103 046 68	Tolerance range X Identification + 567 - 572 G Cylinders 1 - 4 See technical information Service Group 1 Document		4	M48.52

Model: 92A 11 Model life 2011>>

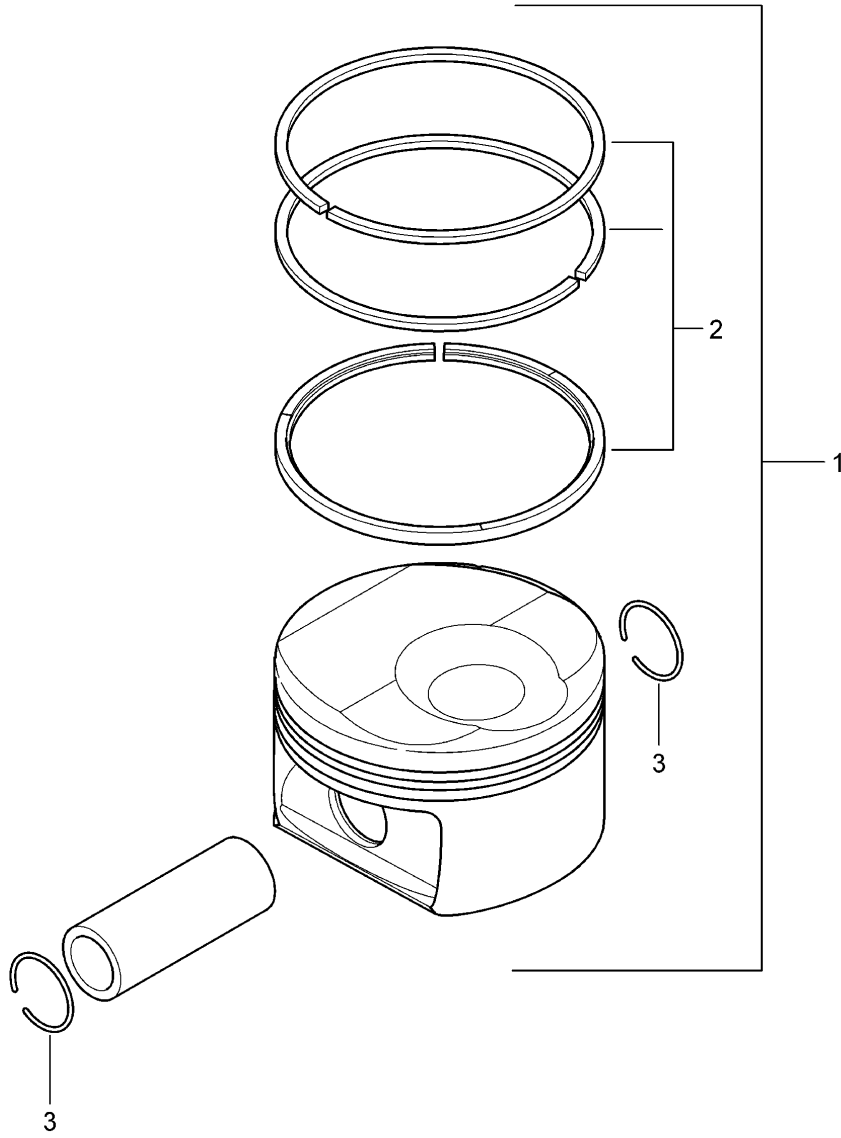
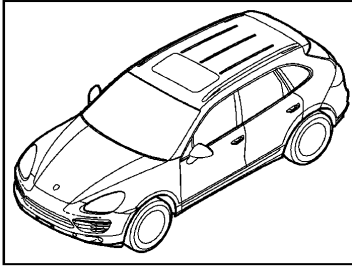
Pos	Part Number	Description	Remark	Qty	Model
(1)	948 103 046 71	1010 25/13 M >> C 05371 Piston Tolerance range X Identification - 561 - 566 G Cylinders 1 - 4 See technical information Service Group 1 Document 1010 25/13		4	M48.52
(1)	948 103 046 72	M C 05372 >> Piston Tolerance range X Identification + 567 - 572 G Cylinders 1 - 4 See technical information Service Group 1 Document 1010 25/13		4	M48.52
(1)	948 103 045 67	M C 05372 >> Piston Tolerance range X Identification - 561 - 566 G Cylinders 5 - 8 See technical information Service Group 1 Document 1010 25/13		4	M48.52
(1)	948 103 045 68	M >> C 05371 Piston Tolerance range X Identification + 567- 572 G Cylinders 5 - 8 See technical information Service Group 1 Document 1010 25/13		4	M48.52
(1)	948 103 045 71	M >> C 05371 Piston Tolerance range X Identification - 561 - 566 G Cylinders 5 - 8 See technical information Service		4	M48.52

Model: 92A 11 Model life 2011>>

Pos	Part Number	Description	Remark	Qty	Model
(1)	948 103 045 72	Group 1 Document 1010 25/13 M C 05372 >> Piston Tolerance range X Identification + 567- 572 G Cylinders 5 - 8 See technical information Service Group 1 Document 1010 25/13 M C 05372 >>		4	M48.52
2	948 103 931 16	Set of piston rings		8	M48.02
(2)	948 103 931 30	Set of piston rings See technical information Service Group 1 Document 1010 25/13 M >> C 12136 M >> V C 12137		8	M48.02 IE0A
(2)	948 103 941 20	Set of piston rings See technical information Service Group 1 Document 1010 25/13 M >> C 12136 M >> V C 12137		8	I1A2 I1A5 M48.02 IE0A
(2)		Set of piston rings See technical information Service Group 1 Document 1010 25/13 M C 12137 >> M V C 12138 >>		8	I1A2 I1A5 M48.02 IE0W
(2)	948 103 931 16	Set of piston rings See technical information Service Group 1 Document 1010 25/13 M >> C 05371		8	M48.52
(2)	948 103 941 21	Set of piston rings See technical information Service Group 1 Document 1010 25/13 M >> C 05371		8	M48.52
3	948 103 341 00	Circlip		16	

Model: 92A 11

Model life 2011>>

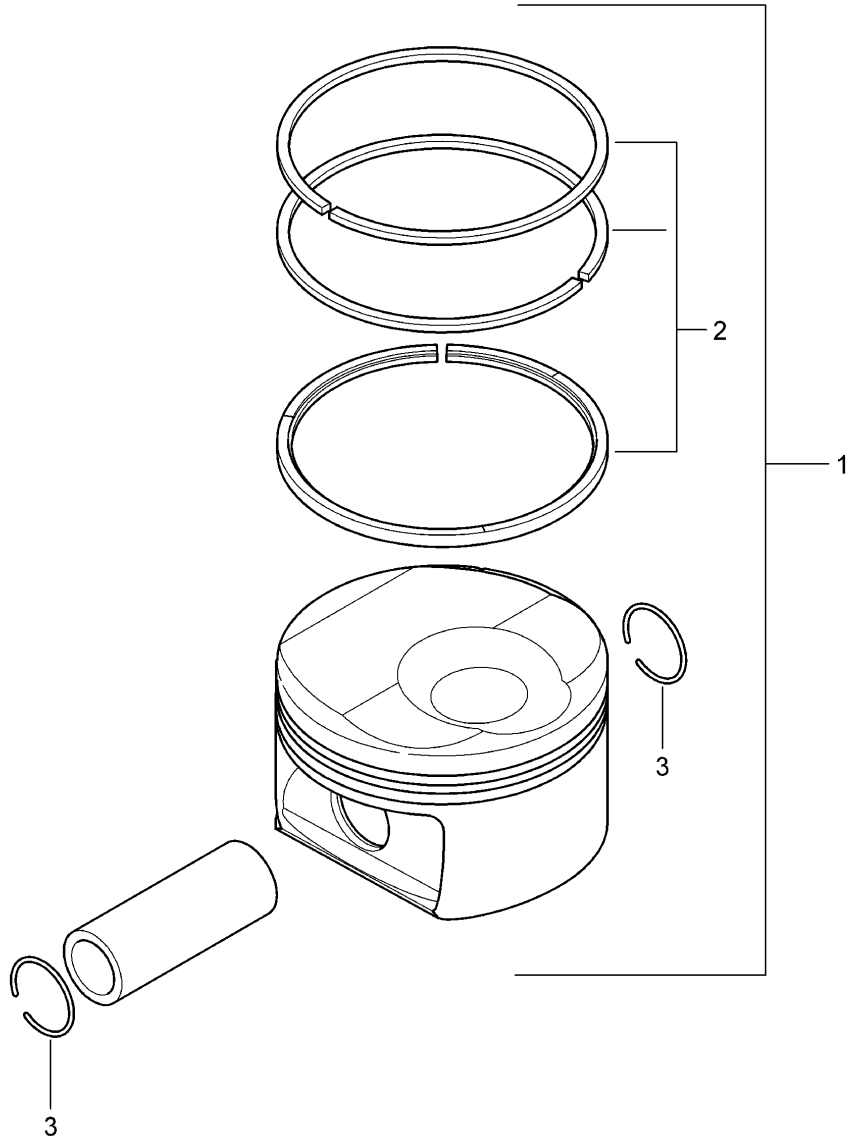
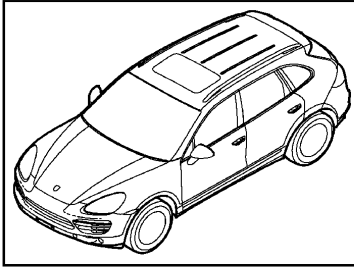


Model: 92A 11 Model life 2011>>

Pos	Part Number	Description	Remark	Qty	Model
1	948 103 046 71	Piston Piston rings Piston Tolerance range X Identification -		4	MCF.TB MCY.XA MCF.TB
(1)	948 103 046 72	561 - 566 G Cylinders 1 - 4 Piston Tolerance range X Identification +		4	MCF.TB
(1)	948 103 045 71	567 - 572 G Cylinders 1 - 4 Piston Tolerance range X Identification -		4	MCF.TB
(1)	948 103 045 72	561 - 566 G Piston Tolerance range X Identification +		4	MCF.TB
(1)	948 103 046 77	567- 572 G Cylinders 5 - 8 Piston Tolerance range X Identification -		4	MCY.XA
(1)	948 103 046 78	561- 566 G Cylinders 1 - 4 Piston Tolerance range X Identification +		4	MCY.XA
(1)	948 103 045 77	567- 572 G Cylinders 1 - 4 Piston Tolerance range X Identification -		4	MCY.XA
(1)	948 103 045 78	561- 566 G Cylinders 5 - 8 Piston Tolerance range X Identification +		4	MCY.XA
2	948 103 941 21	Set of piston rings		8	
3	948 103 341 00	Circlip		16	

Model: 92A 11

Model life 2011>>



Model: 92A 11 Model life 2011>>

Pos	Part Number	Description	Remark	Qty	Model
1	946 103 060 39	Piston Piston rings Piston Tolerance range X Identification - 556 - 561 G Cyl. 1 - 3 M >> CUR001627		3	MCU.RA MCX.ZA
(1)	946 103 060 45	Piston Tolerance range X Identification - 556 - 561 G Cyl. 1 - 3 M >> CUR001627		3	
(1)	946 103 060 51	Piston Tolerance range X Identification - 556 - 561 G Cyl. 1 - 3 M CUR001628 >> CUR005286 M CXZ000501 >> CXZ001019		3	
(1)	946 103 060 40	Piston Tolerance range X Identification + 561 - 566 G Cyl. 1 - 3 M >> CUR001627		3	
(1)	946 103 060 46	Piston Tolerance range X Identification + 561 - 566 G Cyl. 1 - 3 M CUR001628 >> CUR005286 M CXZ000501 >> CXZ001019		3	
(1)	946 103 060 52	Piston Tolerance range X Identification + 561 - 566 G Cyl. 1 - 3 M CUR005287 >> M CXZ001020 >>		3	
(1)	946 103 061 39	Piston Tolerance range X Identification - 556 - 561 G Cyl. 4 - 6 M >> CUR001627		3	

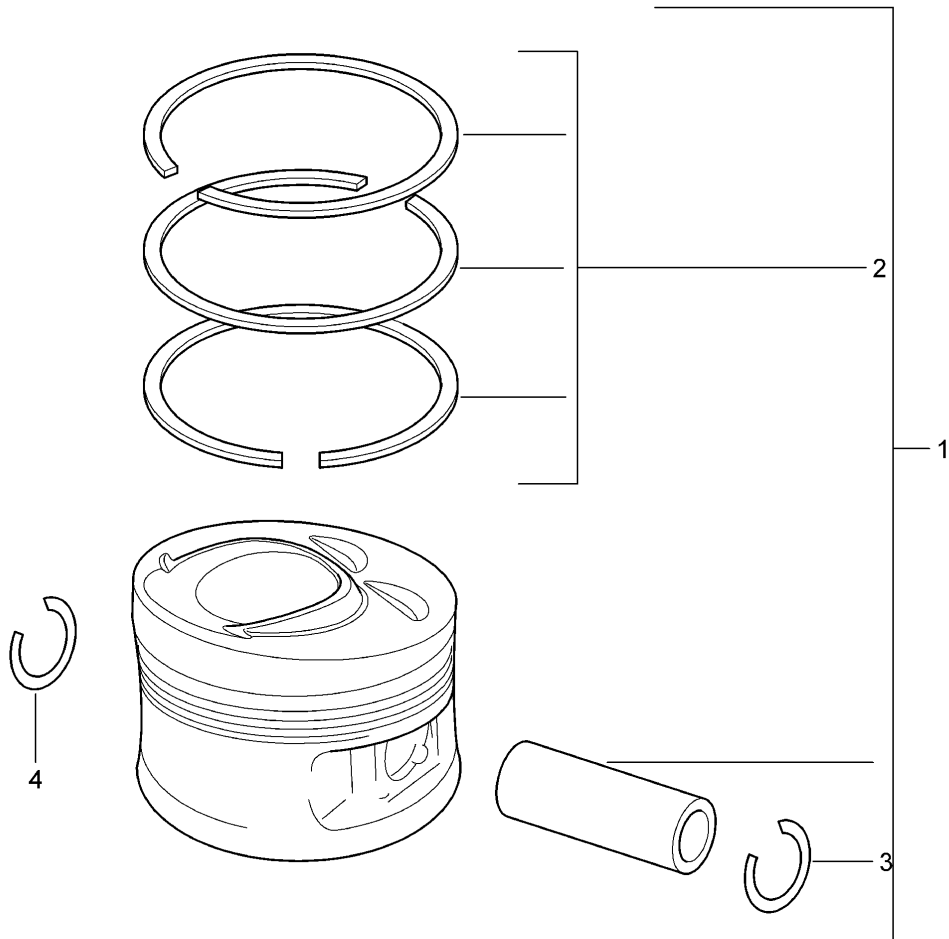
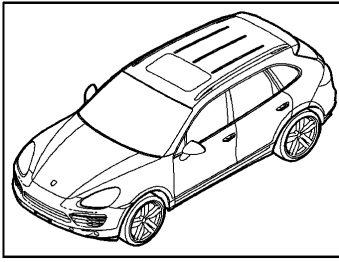
Model: 92A 11

Model life 2011>>

Pos	Part Number	Description	Remark	Qty	Model
(1)	946 103 061 45	Piston Tolerance range X Identification - 556 - 561 G Cyl. 4 - 6 M CUR001628 >> CUR005286 M CXZ000501 >> CXZ001019		3	
(1)	946 103 061 51	Piston Tolerance range X Identification - 556 - 561 G Cyl. 4 - 6 M CUR005287 >> M CXZ001020 >>		3	
(1)	946 103 061 40	Piston Tolerance range X Identification + 561 - 566 G Cyl. 4 - 6 M >> CUR001627		3	
(1)	946 103 061 46	Piston Tolerance range X Identification + 561 - 566 G Cyl. 4 - 6 M CUR001628 >> CUR005286 M CXZ000501 >> CXZ001019		3	
(1)	946 103 061 52	Piston Tolerance range X Identification + 561 - 566 G Cyl. 4 - 6 M CUR005287 >> M CXZ001020 >>		3	
2	946 103 941 00	Set of piston rings M >> CUR001627		6	
(2)	948 103 941 21	Set of piston rings		6	
(2)	946 103 941 40	Set of piston rings M CUR001628 >> M CXZ000501 >>		6	
3	948 103 341 00	Circlip		12	

Model: 92A 11

Model life 2011>>



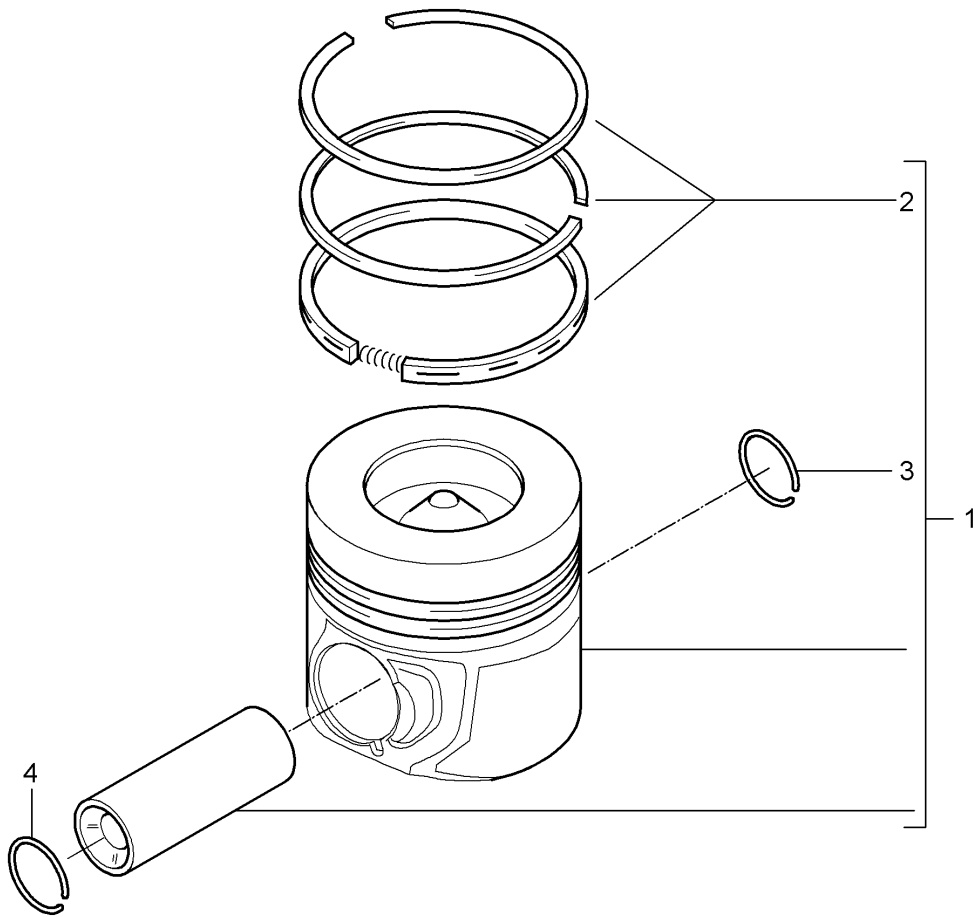
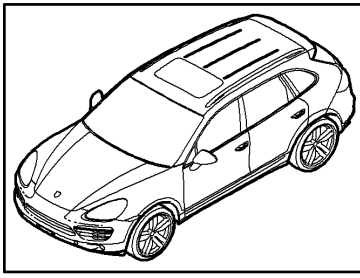
Model: 92A 11

Model life 2011>>

Pos	Part Number	Description	Remark	Qty	Model
		Piston			MCE.YA
1	958 103 032 00	Piston rings Piston Complete Cylinder 1 / 3 / 5		3	M55.02
(1)	958 103 033 00	Piston Complete Cylinder 2 / 4 / 6		3	
2	958 103 926 00	Set of piston rings		6	
3	N 012 273 1	Circlip C 20 X 1,5		6	
4		Circlip C 20 X 1,5		6	

Model: 92A 11

Model life 2011>>

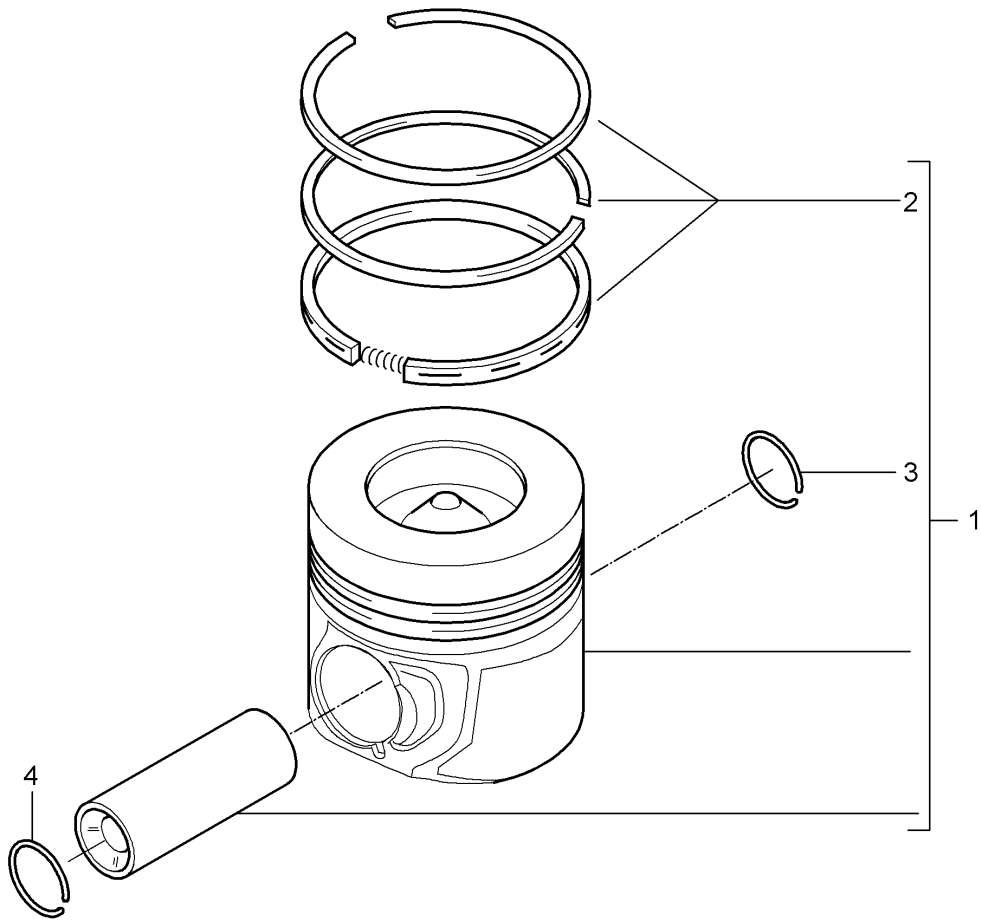
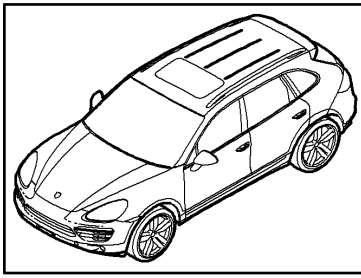


Model: 92A 11 Model life 2011>>

Pos	Part Number	Description	Remark	Qty	Model
		Piston			MCN.RB MCR.CA/CB MCV.VA M05.9E
1	955 103 034 00	Piston rings Piston Complete		6	MCV.VB/VC M05.9E
(1)	958 103 034 00	Piston Complete		6	M05.9E
		Only together with Crankcase 958.101.011.00/01 059.103.011.DM/DN			
(1)	958 103 034 01	Piston Complete		6	M05.9E
		Only together with Crankcase 958.101.011.02 059.103.011.FS			
(1)	958 103 034 10	Piston Complete		6	MCR.CA/CB
(1)	958 103 034 20	Piston		6	MCN.RB MCR.CA/CB MCV.VA/VB MCV.VC
		Complete D >> 15.09.2016			
(1)	958 103 034 21	Piston		6	MCN.RB MCR.CA/CB MCV.VA/VB MCV.VC
		Complete D 16.09.2016>>			
(1)	958 103 034 22	Piston		6	MCN.RB MCR.CA/CB MCV.VA/VB MCV.VC
		Complete D 16.09.2016>>			
2	955 103 927 00	Set of piston rings		6	M05.9E
(2)	958 103 927 00	Set of piston rings		6	MCR.CA/CB
(2)	958 103 927 10	Set of piston rings		6	MCN.RB MCR.CA/CB MCV.VA/VB MCV.VC
		D >> 15.09.2016			
(2)	958 103 927 11	Set of piston rings		6	MCN.RB MCR.CA/CB MCV.VA/VB MCV.VC
		D 16.09.2016>>			
3	955 103 441 00	Circlip 30 X 2		6	
4		Circlip 30 X 2		6	

Model: 92A 11

Model life 2011>>

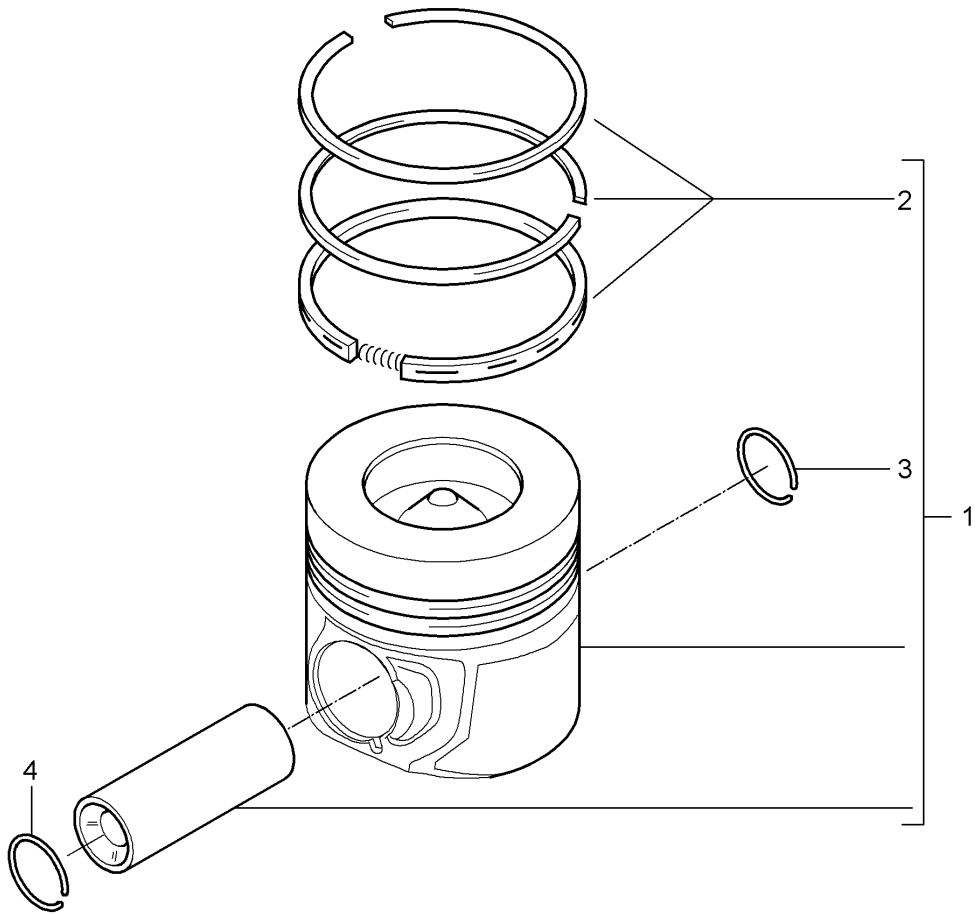
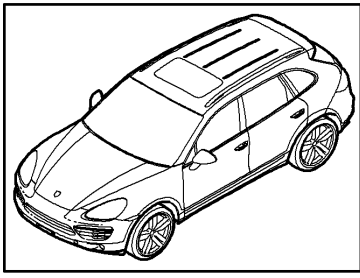


Model: 92A 11 Model life 2011>>

Pos	Part Number	Description	Remark	Qty	Model
		Piston			MCG.EA/FA MCJ.T M06.EC
(1)	958 103 033 10	Piston rings Piston Complete Cyl. 1 - 3		3	ID19
(1)	958 103 033 20	Piston Complete Cyl. 1 - 3	(CN)	3	ID11
(1)	958 103 033 21	Piston Complete Cyl. 1 - 3		3	
1	958 103 032 10	Piston Complete Cyl. 4 - 6		3	ID19
(1)	958 103 032 20	Piston Complete Cyl. 4 - 6	(CN)	3	ID11
(1)	958 103 032 21	Piston Complete Cyl. 4 - 6		3	
2	958 103 926 10	Set of piston rings		6	ID19
(2)	958 103 926 20	Set of piston rings	(CN)	6	ID11
(2)	958 103 926 21	Set of piston rings		6	
3	N 012 278 1	Circlip C 22 X 1,5		6	
4		Circlip C 22 X 1,5		6	

Model: 92A 11

Model life 2011>>



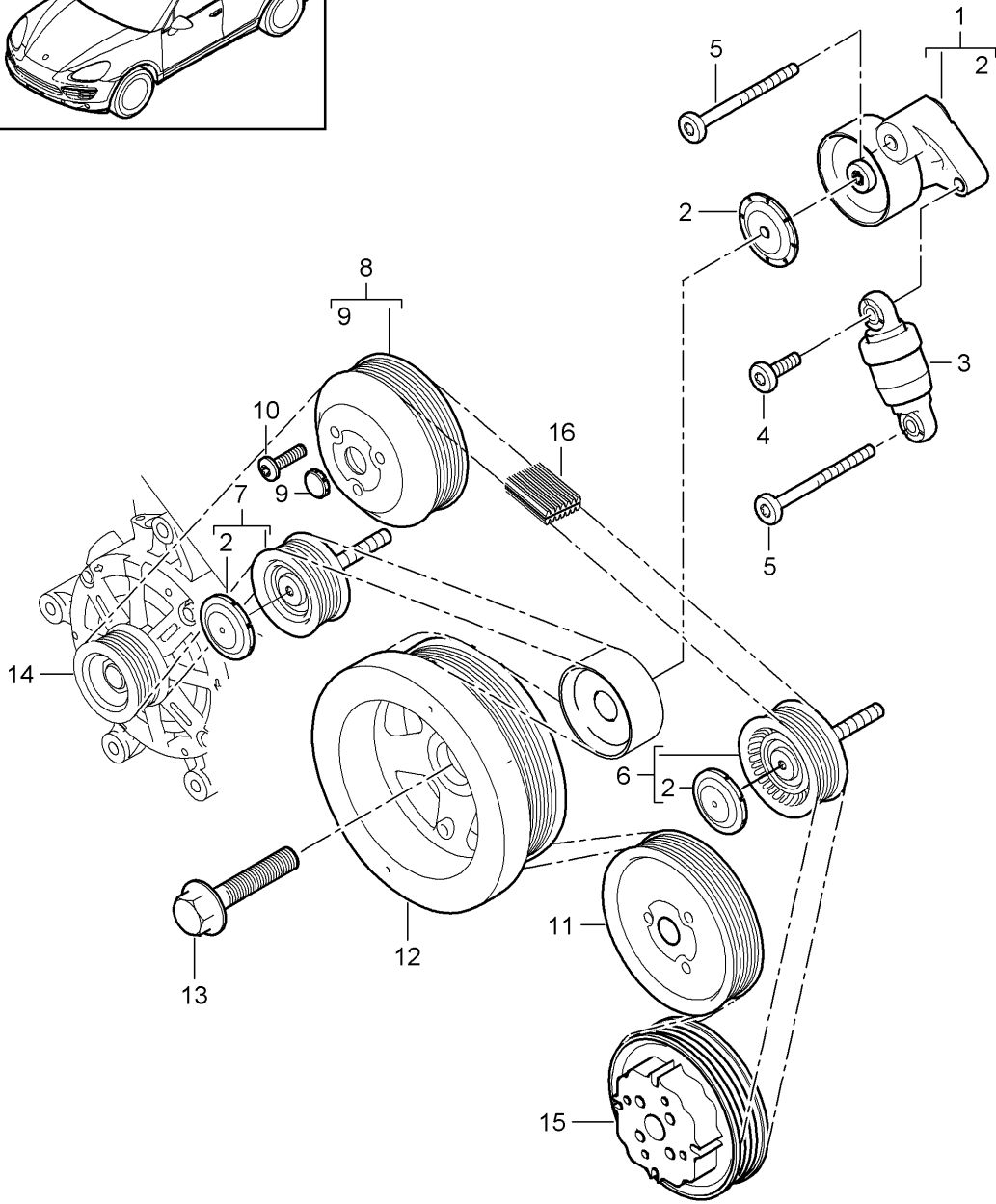
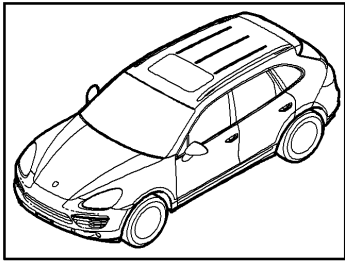
Model: 92A 11

Model life 2011>>

Pos	Part Number	Description	Remark	Qty	Model
1	958 103 034 30	Piston Piston rings Piston Complete		8	MCU . DB / DC
2	958 103 927 20	Set of piston rings		8	
3	958 103 441 10	Circlip C 30 X 2		8	
4		Circlip C 30 X 2		8	

Model: 92A 11

Model life 2011>>



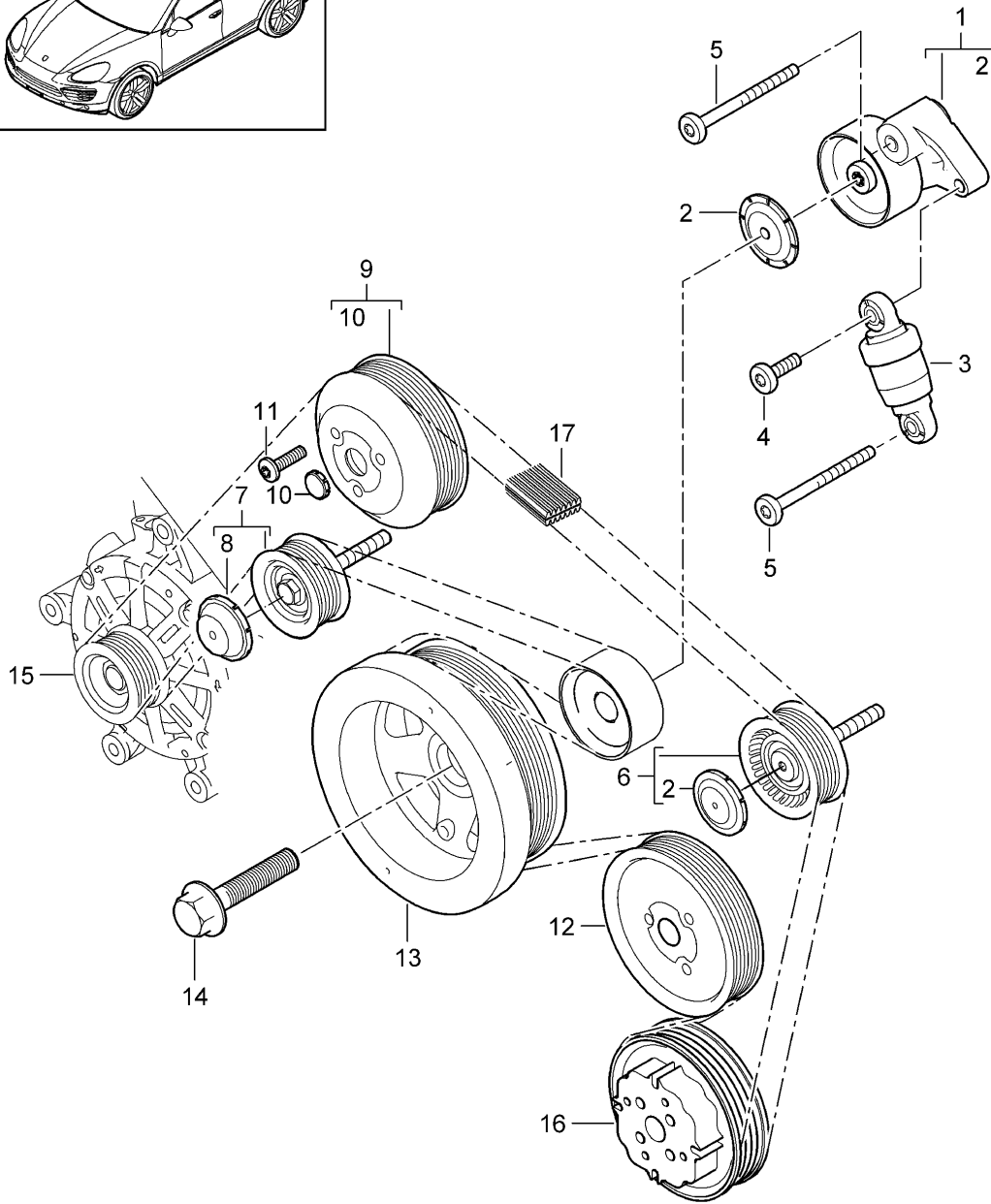
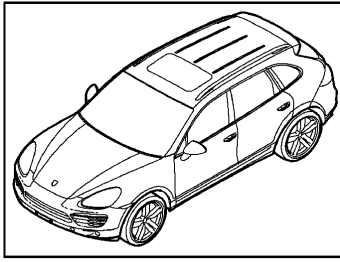
Model: 92A 11

Model life 2011>>

Pos	Part Number	Description	Remark	Qty	Model
		Belt tensioner			MCF.TB MCY.XA M48.02/52
1	948 102 403 22	Belt drive Lever with Tensioning roller		1	
(1)	948 102 403 23	Lever with Tensioning roller		1	
2	948 102 839 00	Protection cap		3	
3	948 102 261 21	Tensioner		1	
4	999 073 246 09	Hydraulic Torx screw		1	
(4)	999 073 246 02	M 8 X 33 Outer hexagon round screw		1	
5	999 073 329 09	M 8 X 33 Torx screw		2	
6	7PP 145 276	M 8 X 96 Deflection roller with Fastening screw		1	
7	948 102 118 20	And Protection cap Deflection roller with Fastening screw		1	
8	948 106 091 00	And Protection cap Pulley		1	
(8)	948 106 091 01	Water pump Pulley		1	
9	948 106 419 00	Water pump Lid		1	
10	999 073 104 01	Torx screw		3	
11		M 8 X 16 Pulley Power-steering pump Tandem pump See illustrations		1	
12	948 102 241 62	4/03/20 Vibration damper		1	
(12)	948 102 241 63	Crankshaft Vibration damper		1	
(12)	948 102 241 64	Crankshaft Vibration damper		1	
13	948 102 202 10	Crankshaft Hexagon-head bolt		1	
14		M 18 X 1,5 X 72,1 Pulley Generator See illustrations		1	
15		9/02/05 Compressor Air conditioner See illustrations		1	
16	955 102 251 00	8/13/70 V-belt		1	
(16)	7PP 903 137	7 DPK 2880 V-belt 7 DPK 2880		1	

Model: 92A 11

Model life 2011>>



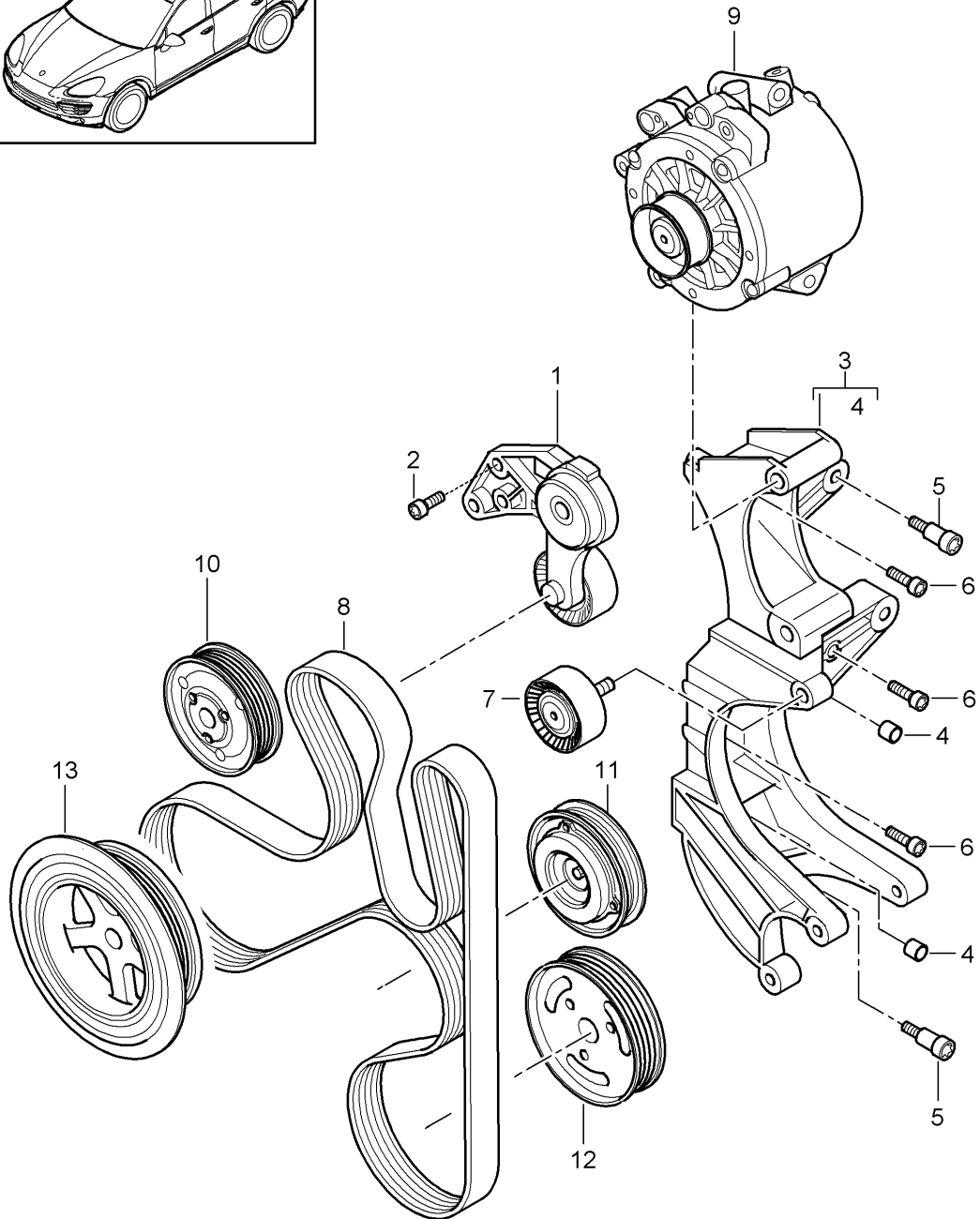
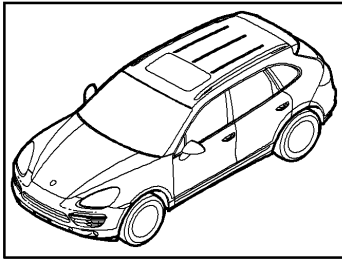
Model: 92A 11

Model life 2011>>

Pos	Part Number	Description	Remark	Qty	Model
		Belt tensioner			MCU.RA MCX.ZA
1	948 102 403 75	Belt drive Lever with Tensioning roller		1	
2	948 102 839 00	Protection cap		2	
3	948 102 261 75	Tensioner Hydraulic		1	
4	999 073 246 09	Torx screw M 8 X 33		1	
(4)	999 073 246 02	Outer hexagon round screw M 8 X 33		1	
5	999 073 329 09	Torx screw M 8 X 96		2	
6	7PP 145 279	Deflection roller with Fastening screw And		1	
7	946 102 118 75	Protection cap Deflection roller with Fastening screw And		1	
(7)	946 102 118 76	Protection cap M >> 0 07314 M >> 0 04888 Deflection roller with Fastening screw And		1	MCU.RA MCX.ZA
8	03F 903 310	Protection cap		1	MCU.RA MCX.ZA
9	946 106 091 75	Pulley Water pump		1	
10	948 106 419 00	Lid		1	
11	999 073 104 01	Torx screw M 8 X 16		3	
12		Pulley Power-steering pump Tandem pump See illustrations 4/03/20		1	
13	946 102 241 75	Vibration damper Crankshaft		1	
14	948 102 202 10	Hexagon-head bolt M 18 X 1,5 X 72,1		1	
15		Pulley Generator See illustrations 9/02/05		1	
16		Compressor Air conditioner See illustrations 8/13/70		1	
17	7PP 903 137 A	V-belt 6 DPK 2880		1	

Model: 92A 11

Model life 2011>>



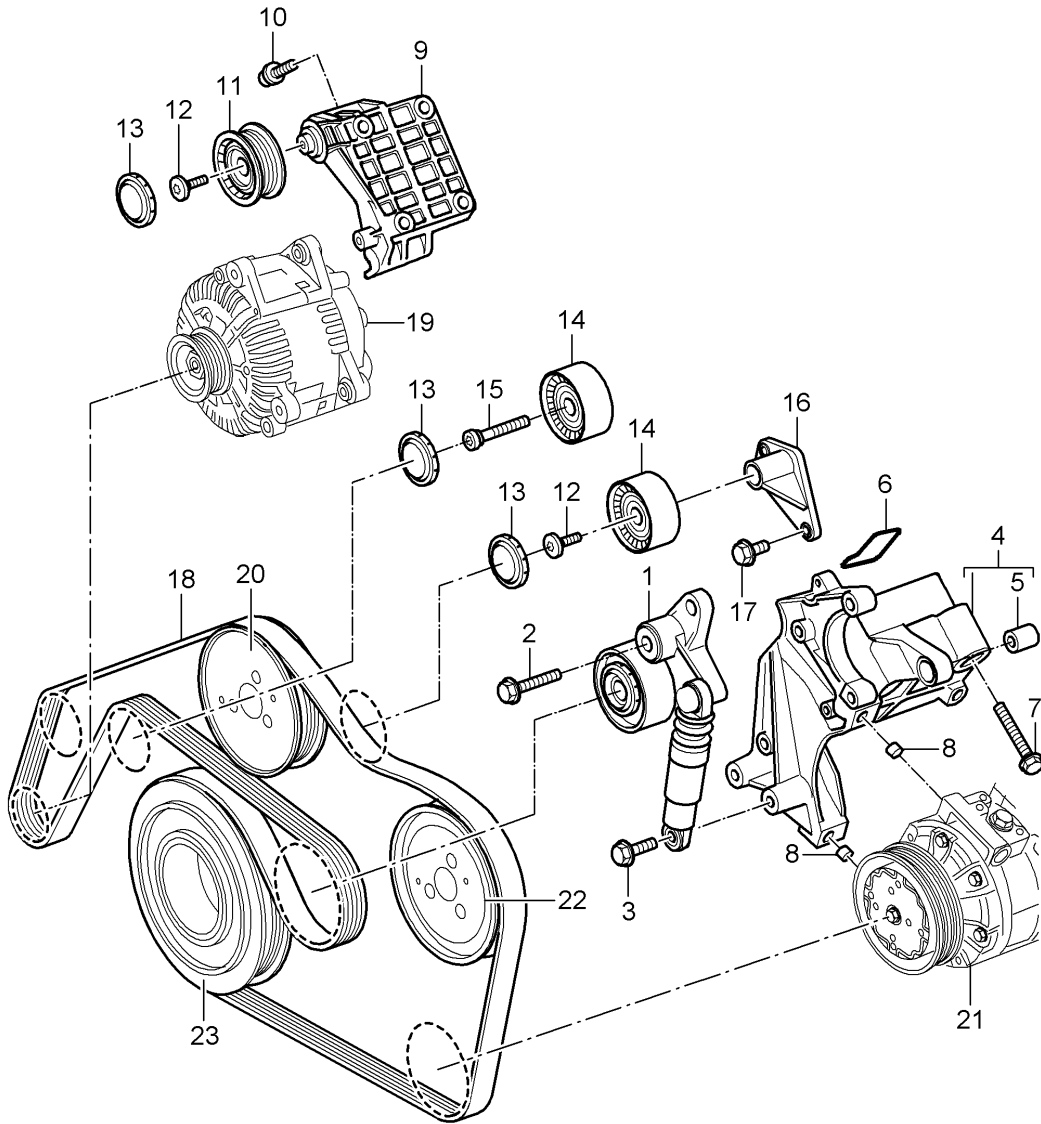
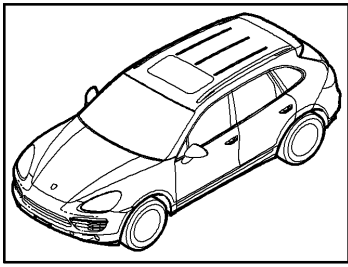
Model: 92A 11

Model life 2011>>

Pos	Part Number	Description	Remark	Qty	Model
		Belt tensioner			MCE.YA M55.02
1	955 102 299 00	Belt drive Belt tensioner M >> B 06770 M >> B 06811		1	
(1)	958 102 361 40	Belt tensioner M B 06771 >> M B 06812 >>	-14	1	
(1)		Belt tensioner	15-	1	
2	N 910 766 01	Pan-head screw M 8 X 30		3	
3	958 147 151 00	Bracket		1	I0AB/OAC
(3)	955 147 151 10	Bracket		1	I0AW
4	955 147 501 01	Dowel sleeve 11,15 X 6,5		2	
(4)	958 147 501 00	Dowel sleeve 11,15 X 6,5		2	
5	N 911 519 01	Fit bolt M 8 X 28		2	
6	N 106 730 01	Pan-head screw M 8 X 40		3	
7	955 102 276 00	Deflection roller with Fastening screw M >> B 06770 M >> B 06811		1	
(7)	955 102 119 00	Deflection roller with Fastening screw M B 06771 >> M B 06812 >>	-14	1	
(7)		Deflection roller with Fastening screw	15-	1	
8	955 102 933 00	Poly-rib belt 7DPK 24,92 X 2074 MM		1	
9		Generator		1	
10		Pulley		1	
11		Water pump Compressor		1	
12		Air conditioner Pulley		1	
13		Power-steering pump Tandem pump Vibration damper Crankshaft		1	

Model: 92A 11

Model life 2011>>



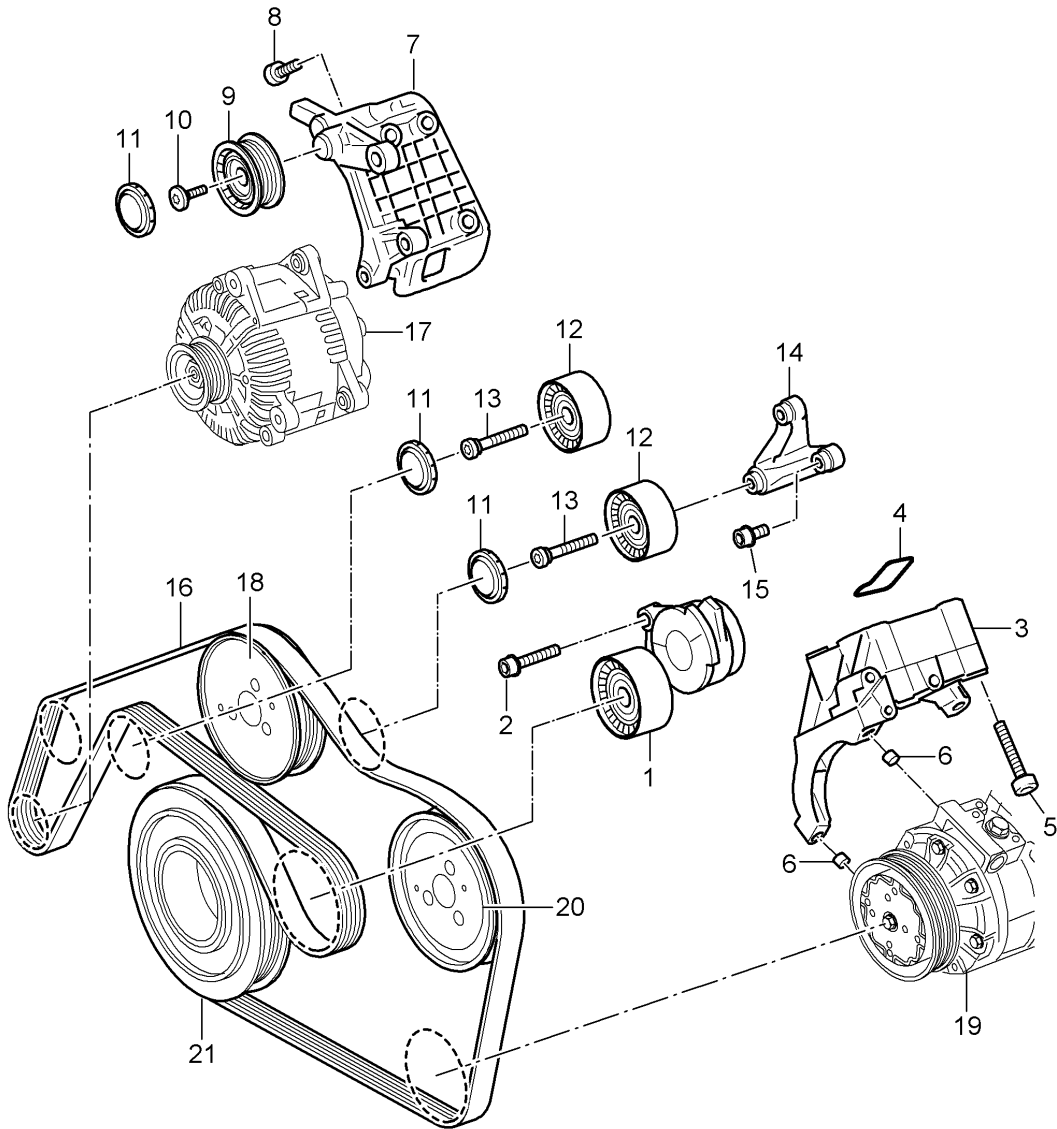
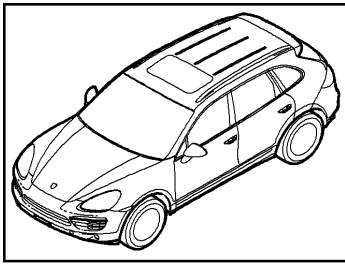
Model: 92A 11

Model life 2011>>

Pos	Part Number	Description	Remark	Qty	Model
		Belt tensioner			M05.9E
		Belt drive			
1	958 102 361 00	Belt tensioner		1	
2	WHT 004 920	Hexagon-head bolt		1	
		M 11 X 72			
3	N 904 400 03	Combination screw		1	
		M 8 X 35			
4	955 147 151 20	Bracket		1	
		Power-steering pump			
		Compressor			
5	955 147 410 00	Bush		1	
		8,4 X 18 X 19,5			
6	955 147 661 00	Gasket		1	
7	N 102 862 05	Hexagon-head bolt		4	
		AM 10 X 60			
8	955 147 501 10	Dowel sleeve		2	
		11,15 X 6,5			
9	955 603 252 01	Bracket		1	
		Generator			
10	N 910 413 01	Pan-head screw		4	
		M 10 X 30			
11	955 102 118 00	Deflection roller		1	
(11)	955 102 118 01	Deflection roller		1	
12	N 907 663 02	Fit bolt		2	
		M 8 X 10 X 25			
13	955 102 839 00	Protection cap		3	
(13)	955 102 839 01	Protection cap		3	
14	955 102 119 20	Deflection roller		2	
(14)	955 102 119 21	Deflection roller		2	
15	N 911 241 01	Fit bolt		1	
		M 8 X 16,9 X 65			
16	955 102 423 00	Support		1	
		Deflection roller			
17	N 105 454 02	Combination screw		3	
		M 8 X 25			
18	958 102 216 00	Poly-rib belt		1	
		6 PK 21,18 X 2480			
19		Generator		1	
		See illustrations			
		9/02/05			
20		Pulley		1	
		Water pump			
		See illustrations			
		1/05/10			
21		Compressor		1	
		Air conditioner			
		See illustrations			
		8/13/70			
22		Pulley		1	
		Power-steering pump			
		See illustrations			
		4/03/20			
23		Vibration damper		1	
		Crankshaft			
		See illustrations			
		1/02/20			

Model: 92A 11

Model life 2011>>



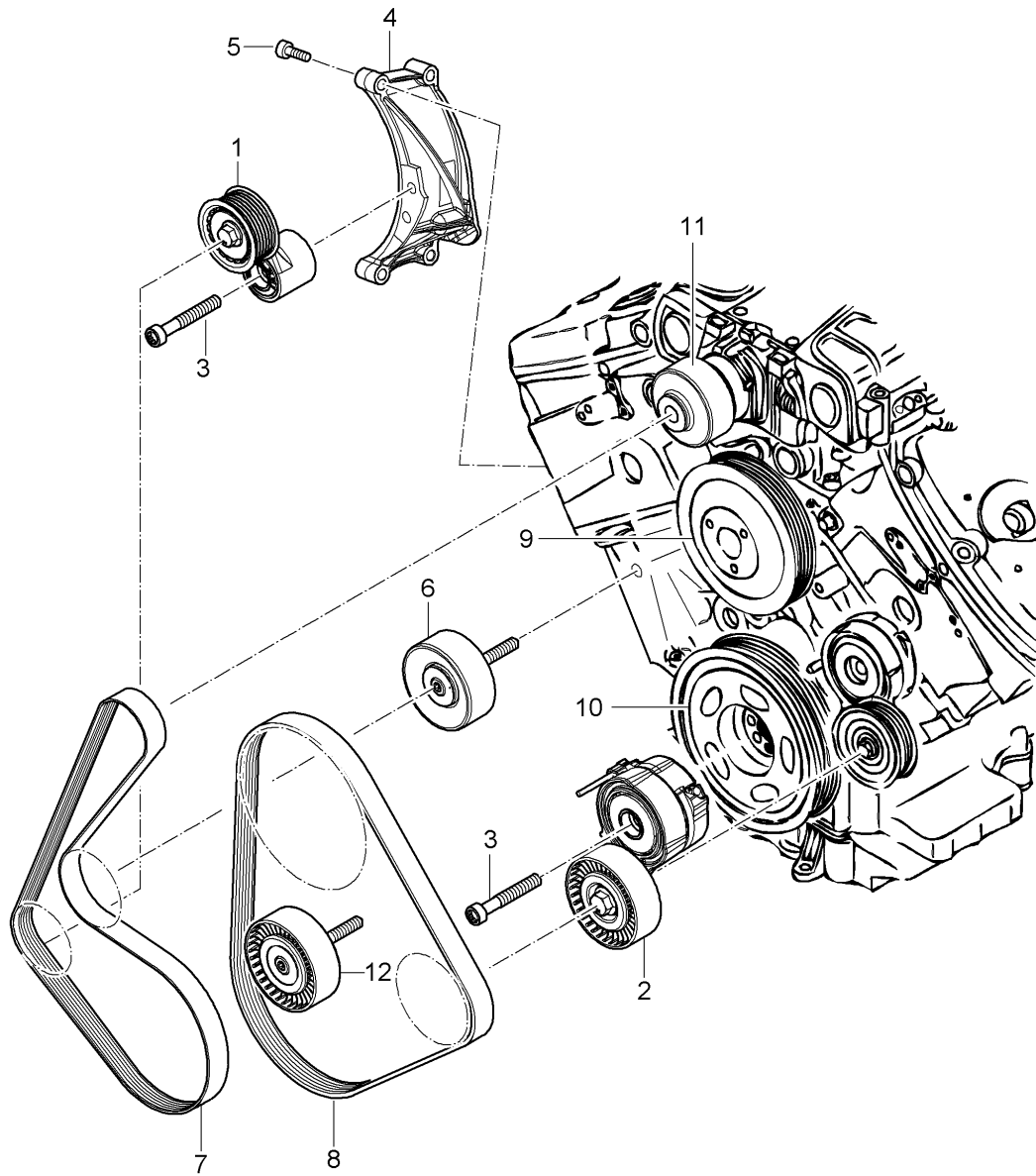
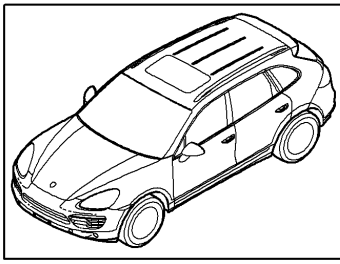
Model: 92A 11

Model life 2011>>

Pos	Part Number	Description	Remark	Qty	Model
		Belt tensioner			MCN.RB MCR.CA/CB MCV.VA/VB MCV.VC
1	958 102 361 50	Belt drive		1	
(1)	958 102 361 51	Belt tensioner		1	
2	N 107 610 01	Pan-head screw M 10 X 48		1	
3	958 147 151 20	Bracket Compressor		1	
(3)	958 147 151 21	Air conditioner Bracket Compressor		1	
4	958 147 661 00	Air conditioner Gasket		1	
5	N 107 156 01	Pan-head screw M 10 X 80		4	
6	958 147 501 00	Dowel sleeve 11,15 X 6,5		2	
7	958 603 252 20	Bracket Generator		1	
8	N 911 831 01	Pan-head screw M 10 X 29		4	
9	955 102 118 01	Deflection roller		1	
10	N 911 857 01	Fit bolt M 8 X 10 X 25		1	
11	955 102 839 00	Protection cap		3	
(11)	955 102 839 01	Protection cap		3	
12	955 102 119 21	Deflection roller		2	
13	N 911 793 01	Fit bolt M 8 X 15 X 82		2	
14	958 102 423 00	Support Deflection roller		1	
15	N 911 046 02	Pan-head screw M 8 X 35		2	
16	958 102 216 10	Poly-rib belt 6 PK 21,36 X 2518		1	
17		Generator See illustrations 9/02/05		1	
18		Pulley Water pump See illustrations 1/05/10		1	
19		Compressor Air conditioner See illustrations 8/13/70		1	
20		Pulley Power-steering pump See illustrations 4/03/20		1	
21		Vibration damper Crankshaft See illustrations 1/02/20		1	

Model: 92A 11

Model life 2011>>



Model: 92A 11

Model life 2011>>

Pos	Part Number	Description	Remark	Qty	Model
		Belt tensioner			MCG.EA/FA MCJ.T M06.EC
1	958 102 361 10	Belt drive		1	
(1)	958 102 361 11	Belt tensioner		1	
2	958 102 361 20	Belt tensioner		1	ID19
(2)	958 102 361 30	Belt tensioner	(CN)	1	ID11
(2)	958 102 361 31	Belt tensioner		1	ID11
3	N 911 894 01	Round head screw M 10 X 60		2	
4	958 603 252 00	Bracket	/R	1	ID19
(4)	958 603 252 10	Bracket	/R	1	ID11
(4)	958 147 151 10	Bracket	/L	1	ID11
(4)	958 102 335 00	Power-steering pump Bracket	/L	1	ID11
5	N 106 139 01	Compressor Air conditioner Combination screw M 8 X 45		4	ID19
(5)	N 106 651 01	Pan-head screw M 8 X 60		4	ID11
(5)	N 106 385 01	Pan-head screw M 8 X 45 Bracket		3	ID11
(5)	N 910 264 03	Power-steering pump Pan-head screw M 10 X 35 Bracket		1	ID11
(5)	N 910 266 02	Power-steering pump Pan-head screw M 8 X 35 Bracket Compressor Air conditioner		3	ID11
6	958 102 118 00	Deflection roller with Fastening screw		1	
(6)	958 102 118 01	Deflection roller with Fastening screw		1	
7	958 102 251 00	Poly-rib belt 24,92 X 1270 MM Driving mechanism		1	
8	958 102 251 10	Compressor Poly-rib belt 21,36 X 963 MM Driving mechanism		1	ID19
(8)	958 102 251 20	Water pump Poly-rib belt 21,36 X 2475 MM Driving mechanism Water pump Power-steering pump Compressor Air conditioner		1	ID11
9		Pulley Water pump See illustrations 1/05/15 Pos.3		1	
10		Vibration damper Crankshaft		1	

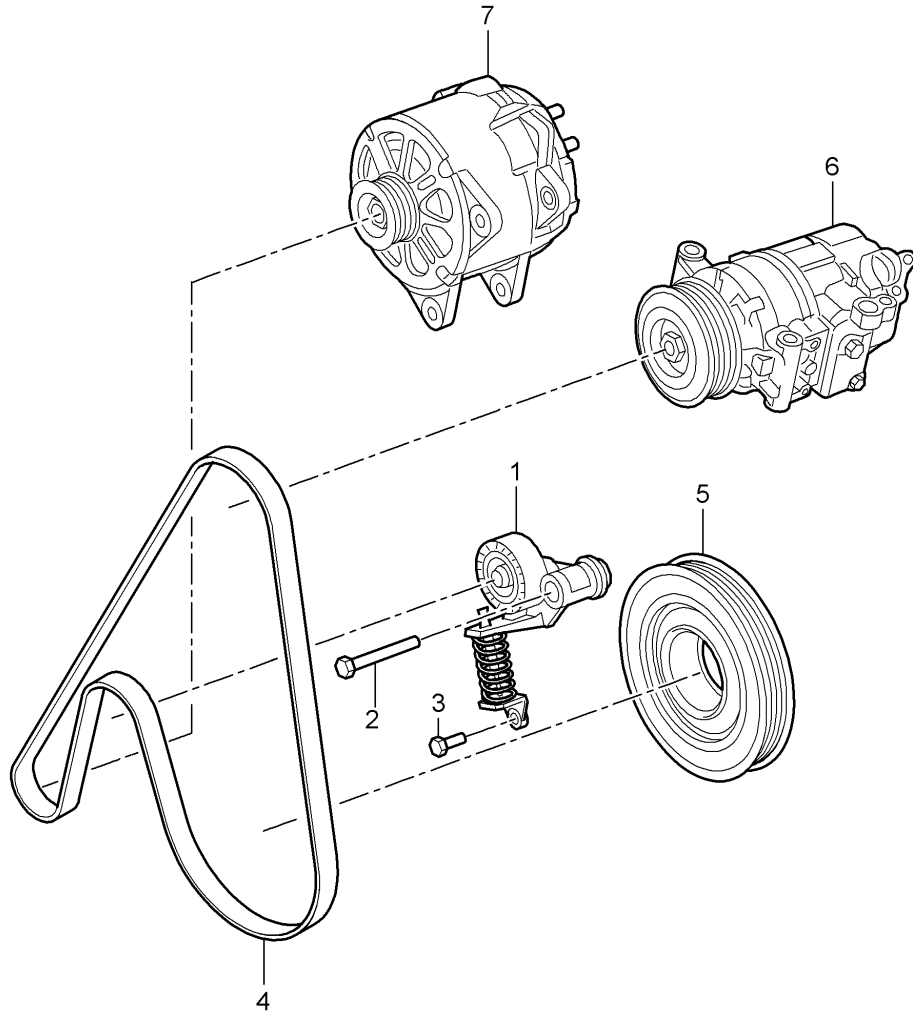
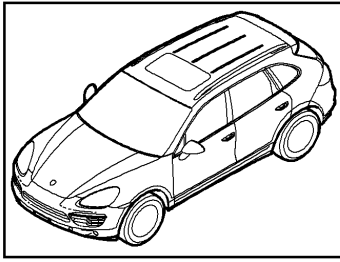
Model: 92A 11

Model life 2011>>

Pos	Part Number	Description	Remark	Qty	Model
11		See illustrations 1/02/30 Pos.3 Pulley Compressor		1	
12	958 102 119 00	See illustrations 1/07/65 Pos.3 Deflection roller with Fastening screw		1	ID11

Model: 92A 11

Model life 2011>>



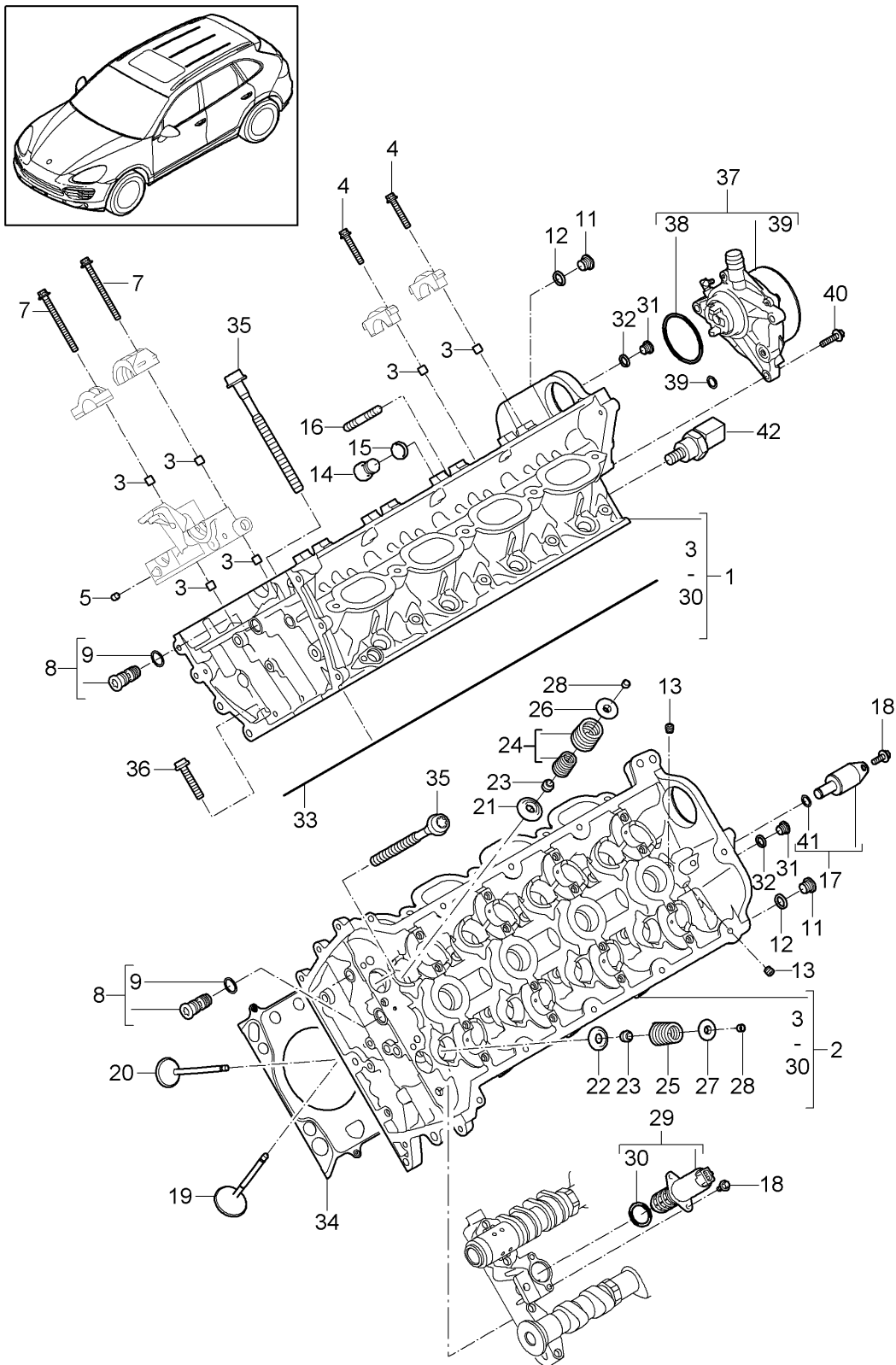
Model: 92A 11

Model life 2011>>

Pos	Part Number	Description	Remark	Qty	Model
		Belt tensioner Belt drive			MCU .DB/DC
1	958 102 361 60	Belt tensioner		1	
2	N 106 828 01	Hexagon-head bolt M 10 X 75		1	
3	N 105 454 02	Combination screw M 8 X 25		1	
4	958 102 251 30	Poly-rib belt 21,18 X 1613 MM		1	
5		Vibration damper Crankshaft See illustrations 1/02/35		1	
6		Compressor Air conditioner See illustrations 8/13/70		1	
7		Generator See illustrations 9/02/05		1	

Model: 92A 11

Model life 2011>>



Model: 92A 11 Model life 2011>>

Pos	Part Number	Description	Remark	Qty	Model
		Cylinder head			MCF.TB MCY.XA M48.02/52
1	948 104 015 21	Vacuum pump Cylinder head with Spark plug Cylinders 1 - 4		1	M48.02
(1)	948 104 015 25	Cylinder head with Spark plug Cylinders 1 - 4		1	M48.02
(1)	948 104 015 26	Cylinder head		1	M48.02 IE0A
(1)	948 104 015 30	with Spark plug Cylinders 1 - 4 Cylinder head		1	M48.02 IE0W
(1)	948 104 015 71	with Spark plug Cylinders 1 - 4 Cylinder head with Spark plug Cylinders 1 - 4		1	M48.52
(1)	948 104 015 75	Cylinder head with Spark plug Cylinders 1 - 4		1	M48.52
(1)	948 104 015 76	Cylinder head		1	MCF.TB MCY.XA M48.52
2	948 104 016 21	with Spark plug Cylinders 1 - 4 Cylinder head with Spark plug Cylinders 5 - 8		1	M48.02
(2)	948 104 016 25	Cylinder head with Spark plug Cylinders 5 - 8		1	M48.02
(2)	948 104 016 26	Cylinder head		1	M48.02 IE0A
(2)	948 104 016 30	with Spark plug Cylinders 5 - 8 Cylinder head		1	M48.02 IE0W
(2)	948 104 016 71	with Spark plug Cylinders 5 - 8 Cylinder head with Spark plug Cylinders 5 - 8		1	M48.52
(2)	948 104 016 75	Cylinder head with Spark plug Cylinders 5 - 8		1	M48.52
(2)	948 104 016 76	Cylinder head		1	MCF.TB

Model: 92A 11 Model life 2011>>

Pos	Part Number	Description	Remark	Qty	Model
		with Spark plug Cylinders 5 - 8			MCY.XA M48.52
3	944 104 361 00	Dowel sleeve		44	
4	999 073 363 01	Torx screw M 6 X 35		32	
5	999 501 023 30	Stopper 6,7		2	
7	900 385 027 01	Torx screw BM 6 X 70		8	
8	948 104 250 01	Restrictor		2	
9	999 707 577 40	O-ring 10,0 X 2,5		2	
11	900 219 006 01	Screw plug M 12 X 1,5		2	
12	900 123 005 30	Sealing ring A 12 X 16		2	
13	900 063 010 00	Screw plug M 8 X 1		4	
14	900 219 024 01	Screw plug M 14 X 1,5		2	M48.02
15	900 123 007 30	Sealing ring A 14 X 18		2	M48.02
16	999 060 002 01	Threaded bolt MFS 8 X 33		24	M48.02
(16)	999 060 001 01	Threaded bolt MFS 8 X 42		24	MCF.TB MCY.XA M48.52
17	948 105 308 02	Actuator Valve		2	
(17)	948 105 308 03	Actuator Valve		2	
18	900 385 112 01	Torx screw BM 5 X 12		8	
19	948 105 321 02	Intake valve		16	
20	948 105 322 02	Exhaust valve		16	M48.02
(20)	948 105 322 52	Exhaust valve		16	MCF.TB MCY.XA M48.52
21	948 105 151 01	Concave washer Lower Intake		16	
22	948 105 153 01	Concave washer Lower Exhaust		16	M48.02
(22)	948 105 153 51	Concave washer Lower Exhaust		16	MCF.TB MCY.XA M48.52
23	996 105 115 52	Valve stem seal		32	
24	948 105 094 02	Set of valve springs Intake		16	-IE0W
(24)	948 105 094 05	Set of valve springs		16	M48.02 IE0W
25	948 105 420 02	Intake Valve spring		16	M48.02
(25)	948 105 095 52	Exhaust Set of valve springs		16	MCF.TB MCY.XA

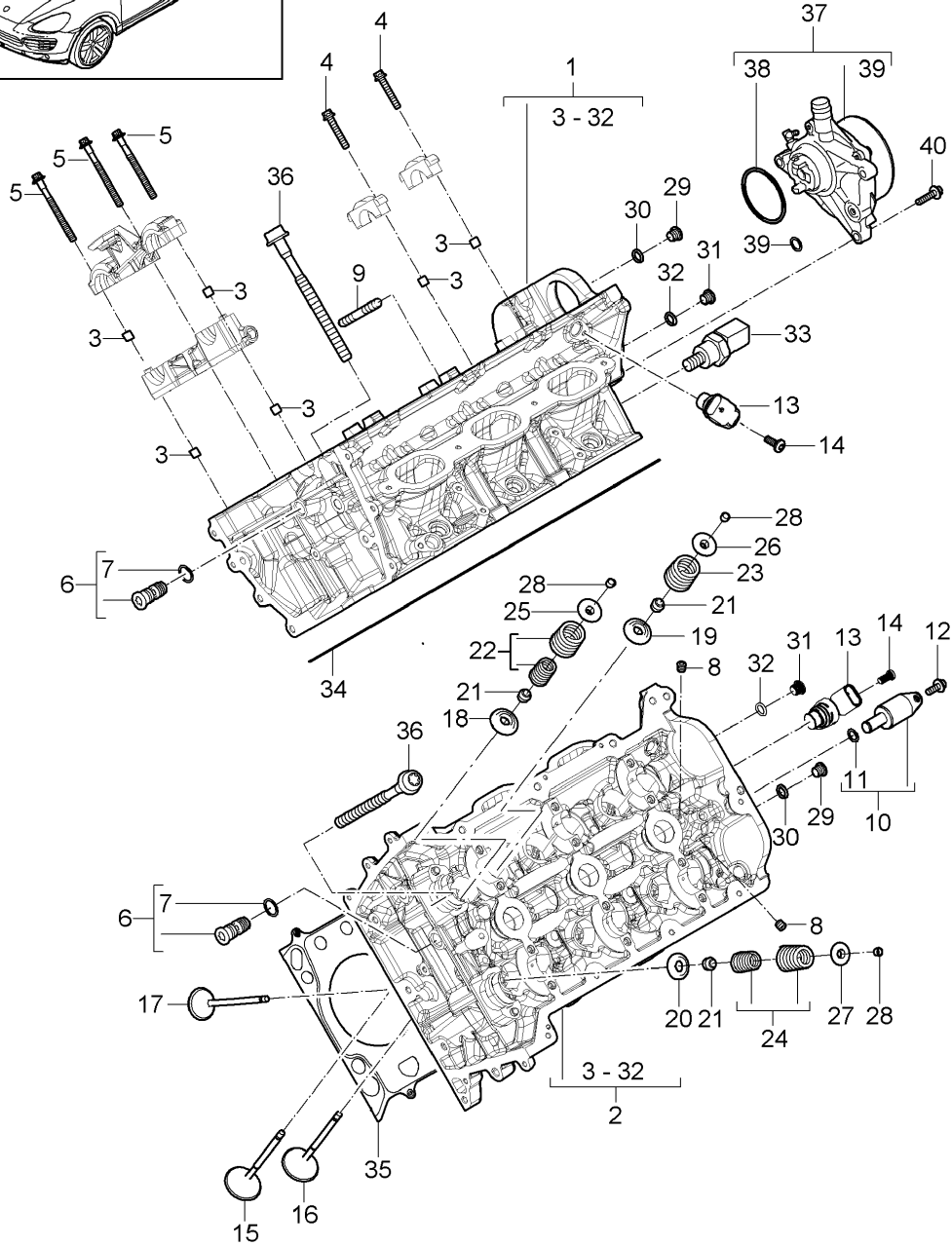
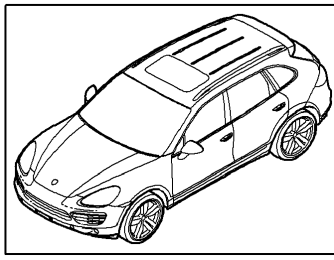
Model: 92A 11

Model life 2011>>

Pos	Part Number	Description	Remark	Qty	Model
		Exhaust			M48.52
26	948 105 150 01	Concave washer Upper Intake		16	
27	996 105 121 54	Concave washer Upper Exhaust		16	M48.02
(27)	948 105 152 51	Concave washer Upper Exhaust		16	MCF.TB MCY.XA M48.52
28	996 105 123 52	Valve collet		64	
29	948 105 304 05	Actuator Camshaft		2	
(29)	948 105 304 06	Actuator Camshaft		2	
(29)	948 105 304 07	Actuator Camshaft		2	
30	999 707 446 40	O-ring 18 X 2,5		2	
31	900 219 023 01	Screw plug M 10 X 1		2	
32	900 123 144 30	Sealing ring A 10 X 13,5		2	
33	948 104 173 04	Cylinder head gasket Cylinders 1 - 4		1	
(33)	948 104 173 05	Cylinder head gasket Cylinders 1 - 4		1	
34	948 104 174 04	Cylinder head gasket Cylinders 5 - 8		1	
(34)	948 104 174 05	Cylinder head gasket Cylinders 5 - 8		1	
35	948 104 181 10	Pan-head screw M 11 X 1,5 X 140		20	
36	999 219 044 01	Pan-head screw M 8 X 40		1	
37	948 110 050 06	Vacuum pump		1	
38	999 707 581 41	O-ring 54 X 3		1	
39	999 707 582 41	O-ring 13 X 3		1	
40	900 385 072 01	Torx screw M 6 X 25		3	
41	999 701 582 40	O-ring 11,5 X 1,8		2	
42	948 606 420 00	Temperature sensor Water cooling		1	

Model: 92A 11

Model life 2011>>



Model: 92A 11 Model life 2011>>

Pos	Part Number	Description	Remark	Qty	Model
		Cylinder head			MCU.RA MCX.ZA
1	946 104 015 79	Vacuum pump Cylinder head with Spark plug Cyl. 1 - 3		1	
2	946 104 016 79	Cylinder head with Spark plug Cyl. 4 - 6		1	
3	944 104 361 00	Dowel sleeve 8,5 X 1 X 8,5		30	
(3)	999 095 071 00	Dowel sleeve 12 X 1 X 10		2	
4	999 073 363 01	Torx screw M 6 X 35		24	
5	900 385 027 01	Torx screw BM 6 X 70		6	
6	948 104 250 01	Restrictor		2	
7	999 707 577 40	O-ring 10,0 X 2,5		2	
8	900 063 010 00	Screw plug M 8 X 1		4	
9	999 060 001 01	Threaded bolt MFS 8 X 42		18	
10	948 105 308 03	Actuator Valve		2	
11	999 701 582 40	O-ring 11,5 X 1,8		2	
12	900 385 112 01	Torx screw BM 5 X 12		4	
13	946 606 106 00	Hall sender		4	
14	999 073 902 31	Oval-head screw Aluminium M 6 X 16		4	
15	948 105 321 02	Intake valve Uncoated LÄNGE 107,7 MM		6	
16	948 105 321 15	Intake valve Coated LÄNGE 112,8 MM		6	
17	948 105 322 52	Exhaust valve		12	
18	948 105 151 01	Concave washer Lower Intake		6	
19	948 105 153 51	Concave washer Lower Intake		6	
20		Concave washer Lower Exhaust		12	
21	996 105 115 52	Valve stem seal		24	
22	948 105 094 02	Set of valve springs Intake		6	
23	946 105 416 00	Valve spring Intake		6	
24	948 105 095 52	Set of valve springs Exhaust		12	
25	948 105 150 01	Concave washer Upper Intake		6	
26	948 105 152 51	Concave washer		6	

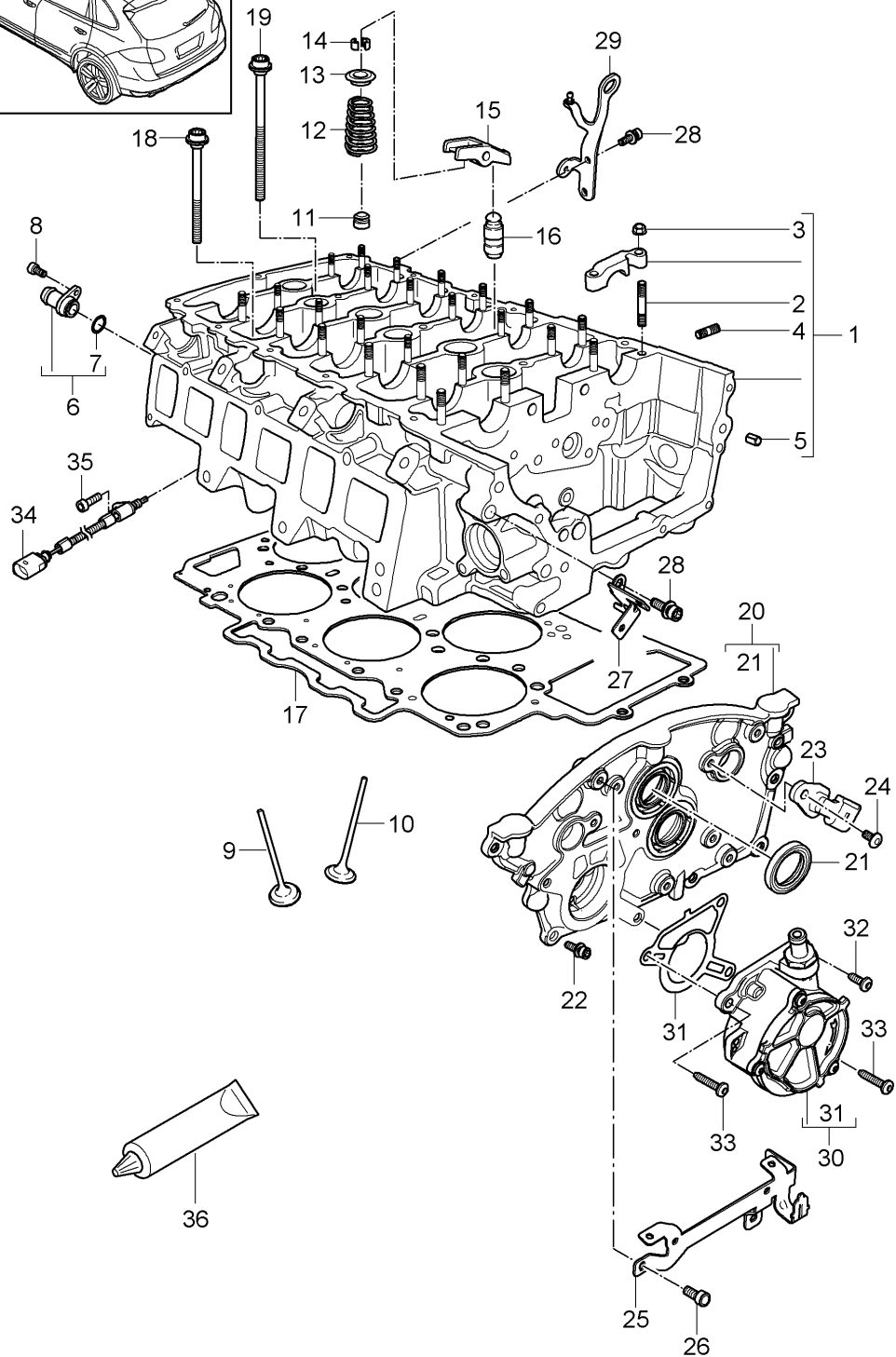
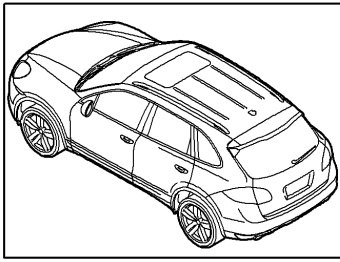
Model: 92A 11

Model life 2011>>

Pos	Part Number	Description	Remark	Qty	Model
27		Upper Intake Concave washer		12	
28	996 105 123 52	Upper Exhaust Valve collet		48	
29	900 219 023 01	Screw plug M 10 X 1		2	
30	900 123 144 30	Sealing ring A 10 X 13,5		2	
31	900 219 006 01	Screw plug M 12 X 1,5		2	
32	900 123 005 30	Sealing ring A 12 X 16		2	
33	948 606 420 00	Temperature sensor Water cooling		1	
34	946 104 173 02	Cylinder head gasket Cyl. 1 - 3		1	
35	946 104 174 02	Cylinder head gasket Cyl. 4 - 6		1	
36	948 104 181 10	Pan-head screw M 11 X 1,5 X 140		16	
37	948 110 050 06	Vacuum pump		1	
38	999 707 581 41	O-ring 54 X 3		1	
39	999 707 582 41	O-ring 13 X 3		1	
40	900 385 072 01	Torx screw M 6 X 25		3	

Model: 92A 11

Model life 2011>>



Model: 92A 11

Model life 2011>>

Pos	Part Number	Description	Remark	Qty	Model
		Cylinder head			MCE.YA M55.02
1	958 104 901 00	Vacuum pump Cylinder head without Valves		1	
2	955 104 397 00	Stud M 7 X 45		28	
3	N 902 790 06	Hexagon nut M 7		28	
4	N 044 408 7	Stud M 8 X 25		12	
5	N 903 327 01	Roll pin 9 X 11,8		4	
6	958 104 265 01	Adapter		1	
7	N 910 697 01	O-ring 26 X 2,5		1	
8	N 910 488 02	Pan-head screw M 8 X 20		1	
9	955 105 601 00	Intake valve Short		6	
(9)	955 105 601 10	Intake valve Long		6	
10	958 105 322 00	Exhaust valve Short		6	
(10)	958 105 322 10	Exhaust valve Long		6	
11	996 105 115 52	Valve stem seal		24	
-	000 043 204 46	Sleeve for Repair		1	
12	958 105 119 00	Valve stem seal		24	
13	955 105 641 00	Valve spring		24	
14	955 105 651 00	Concave washer		48	
15	958 105 417 00	Valve collet		24	
(15)	958 105 417 01	Valve lever		24	
16	955 105 423 01	Valve lever		24	
17	955 104 171 01	Differential housing Hydraulic		24	
18	WHT 000 497 A	Cylinder head gasket		1	
(18)	WHT 005 465	Pan-head screw M 9 X 111		13	
19	WHT 000 789 A	Pan-head screw M 9 X 111		13	
(19)	WHT 005 466	Pan-head screw M 9 X 141		7	
20	955 104 122 10	Pan-head screw M 9 X 141		7	
(20)	958 104 122 00	Control box cover		1	
21	955 104 091 10	Control box cover		1	
22	N 101 244 08	Gasket		2	
23	955 606 106 10	Torx screw M 6 X 20		6	
24	N 911 322 01	Pulse sender		2	
(24)	N 104 514 05	Camshaft Oval-head screw M 6 X 16		2	
25	958 607 501 00	Round head screw M 6 X 16		2	
26	N 103 352 06	Support		1	
27	958 110 502 00	Round head screw M 6 X 12		2	
		Support		1	

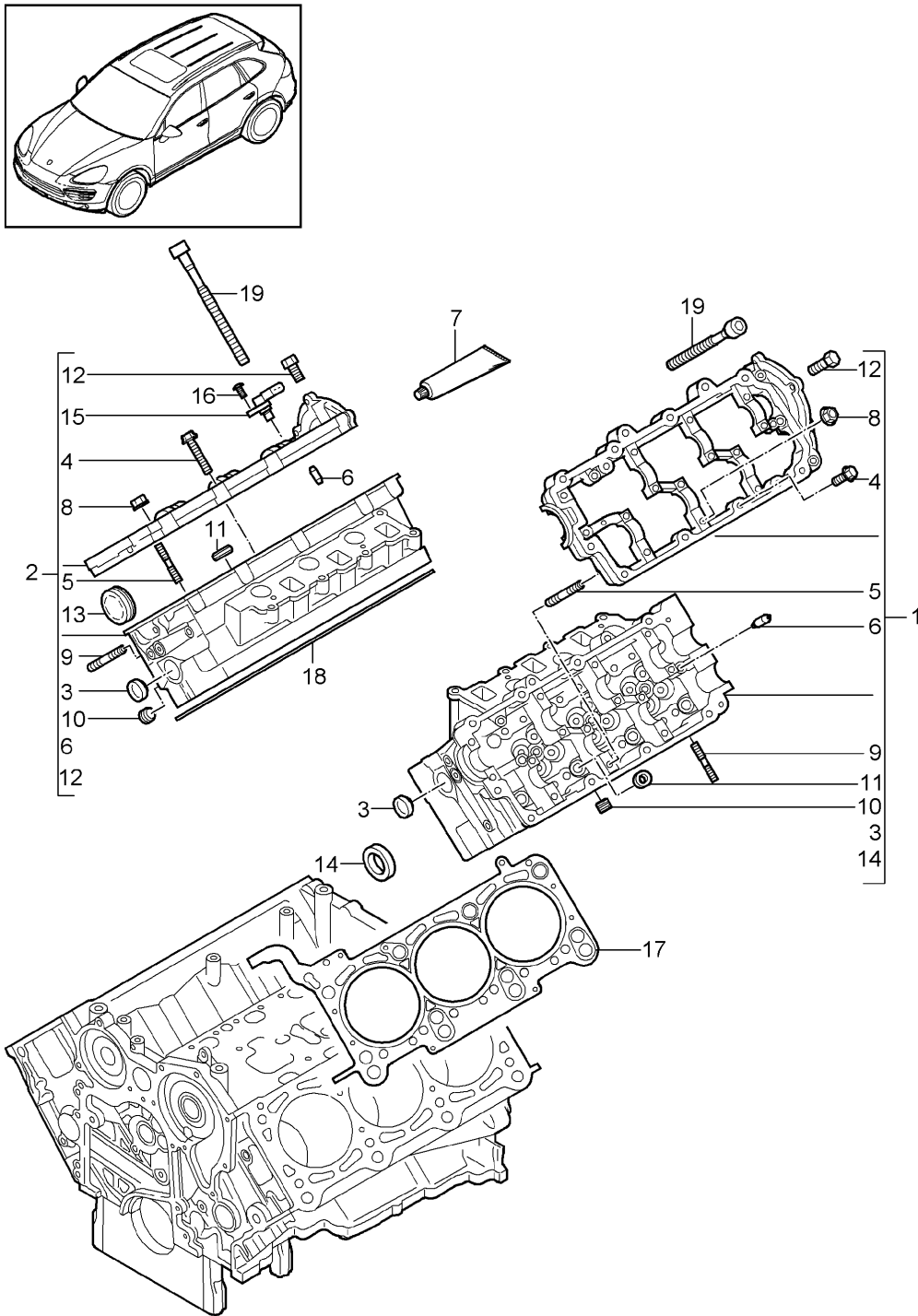
Model: 92A 11

Model life 2011>>

Pos	Part Number	Description	Remark	Qty	Model
(27)	958 110 502 01	Support		1	
(27)	958 110 502 02	Support		1	
28	N 910 842 01	Screw M 8 X 25		3	
29	955 104 305 00	Shackle for transportation		1	
30	955 110 050 03	Vacuum pump		1	
31	955 110 581 00	Gasket		1	
32	N 101 243 06	Oval-head screw M 6 X 20		1	
33	N 105 821 03	Oval-head screw M 6 X 40		2	
34	958 606 135 10	Temperature sensor with Line		1	
(34)	958 606 135 11	Temperature sensor with Line		1	
35	N 102 261 03	Pan-head screw M 6 X 16		1	
36	000 043 300 39	Sealing compound 1 tube 50 ml. for Control box cover Cylinder head		X	
(36)	000 043 207 54	Sealing compound 1 tube 125 GR. for Control box cover Valve cover		X	

Model: 92A 11

Model life 2011>>



Model: 92A 11

Model life 2011>>

Pos	Part Number	Description	Remark	Qty	Model
1	958 104 016 01	Cylinder head Cylinder head Complete Cyl. 4 - 6		1	M05.9E
(1)	958 104 016 02	Cylinder head Complete Cyl. 4 - 6		1	
2	958 104 015 01	Cylinder head Complete Cyl. 1 - 3		1	
(2)	958 104 015 02	Cylinder head Complete Cyl. 1 - 3		1	
3	N 011 908 5	Lid 28		4	
4	N 102 056 04	Hexagon-head bolt M 6 X 32		24	
5	955 104 399 00	Stud M 6 X 49		12	
(5)	N 911 642 01	M >> CAS129565 Threaded bolt M 6 X 50 M CAS129566 >>		12	
6	955 104 251 00	Dowel sleeve 8 M 6 X 32		4	
7	000 043 207 49	Sealing compound 1 tube 80 ML		X	
(7)	958 101 902 00	Sealing compound 80 ML		X	
8	N 904 465 02	Hexagon nut M 6		12	
9	N 044 441 5	Stud M 8 X 40		12	
10	N 102 833 04	Screw plug M 8 X 1		2	
11	955 104 377 00	Washer 12,6 X 22,4 X 4,5		16	
12	N 911 315 01	Screw plug M 10 X 1 X 8		2	
13	955 104 113 00	Lid		1	
14	955 104 185 00	Shaft sealing ring		1	
15	955 606 106 20	Pulse sender Camshaft		1	
(15)	958 606 106 00	Pulse sender Camshaft		1	
(15)	958 606 106 01	Pulse sender Camshaft		1	
16	N 101 961 03	Oval-head screw M 6 X 18		1	
17	955 104 174 00	Cylinder head gasket 1,1 MM 1 LOCH		X	
(17)	955 104 174 02	Cylinder head gasket 1,1 MM 1 LOCH		X	
(17)	955 104 174 10	Cylinder head gasket 1,15 MM 2 LOECHER		X	
(17)	955 104 174 12	Cylinder head gasket 1,15 MM 2 LOECHER		X	
(17)	955 104 174 20	Cylinder head gasket		X	

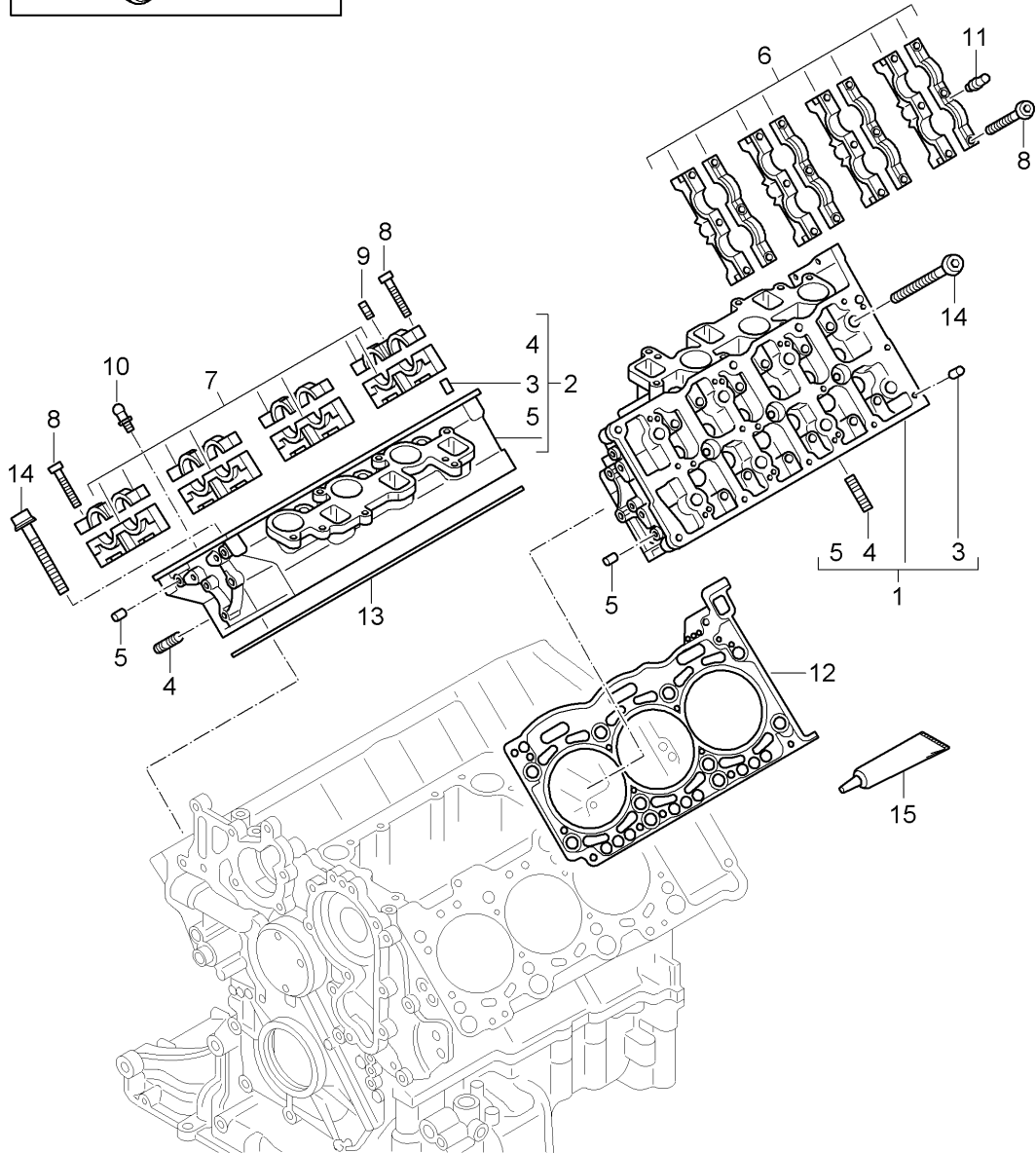
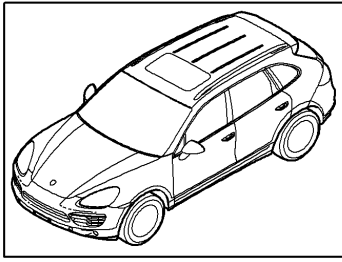
Model: 92A 11

Model life 2011>>

Pos	Part Number	Description	Remark	Qty	Model
(17)	955 104 174 22	1,2 MM 3 LOECHER Cylinder head gasket		X	
18	955 104 173 00	1,2 MM 3 LOECHER Cylinder head gasket		X	
(18)	955 104 173 02	1,1 MM 1 LOCH Cylinder head gasket		X	
(18)	955 104 173 10	1,1 MM 1 LOCH Cylinder head gasket		X	
(18)	955 104 173 12	1,15 MM 2 LOECHER Cylinder head gasket		X	
(18)	955 104 173 20	1,15 MM 2 LOECHER Cylinder head gasket		X	
(18)	955 104 173 22	1,2 MM 3 LOECHER Cylinder head gasket		X	
19	955 104 181 00	1,2 MM 3 LOECHER Pan-head screw M 12 X 1,5 X 159,5		16	

Model: 92A 11

Model life 2011>>



Model: 92A 11 Model life 2011>>

Pos	Part Number	Description	Remark	Qty	Model
		Cylinder head			MCN.RB MCR.CA/CB MCV.VA/VB MCV.VC
1	958 104 016 20	Cylinder head Complete Cyl. 4 - 6		1	
(1)	958 104 016 21	Cylinder head Complete Cyl. 4 - 6		1	
(1)	958 104 016 22	Cylinder head Complete Cyl. 4 - 6		1	
2	958 104 015 20	Cylinder head Complete Cyl. 1 - 3		1	MCR.CA/CB
(2)	958 104 015 21	Cylinder head Complete Cyl. 1 - 3		1	MCR.CA/CB
(2)	958 104 015 22	Cylinder head Complete Cyl. 1 - 3		1	MCR.CA/CB MCV.VA/VB/VC
3	958 104 429 10	Dowel sleeve 8 X 9		4	
4	N 044 408 7	Stud M 8 X 25		16	
5	N 102 833 04	Screw plug M 8 X 1		2	
6	958 104 959 00	D >> 02.11.2016 Housing Set Cyl. 4 - 6		1	
7	958 104 960 00	Housing Set Cyl. 1 - 3		1	
8	N 106 165 01	Oval-head screw M 6 X 56		24	
9	958 104 564 00	Ball head M 5 X 6 Cyl. 1 - 3		2	
10	958 104 564 10	Ball head M 6 X 12 Cyl. 1 - 3		1	
11	958 104 564 00	Ball head M 6 X 12 Cyl. 4 - 6		3	
12	958 104 174 10	Cylinder head gasket 1,58 MM 1 LOCH		X	
(12)	958 104 174 11	Cylinder head gasket 1,58 MM 1 LOCH		X	
(12)	958 104 174 20	Cylinder head gasket 1,63 MM 2 LOECHER		X	
(12)	958 104 174 21	Cylinder head gasket 1,63 MM 2 LOECHER		X	
(12)	958 104 174 30	Cylinder head gasket 1,68 MM 3 LOECHER		X	
(12)	958 104 174 31	Cylinder head gasket		X	

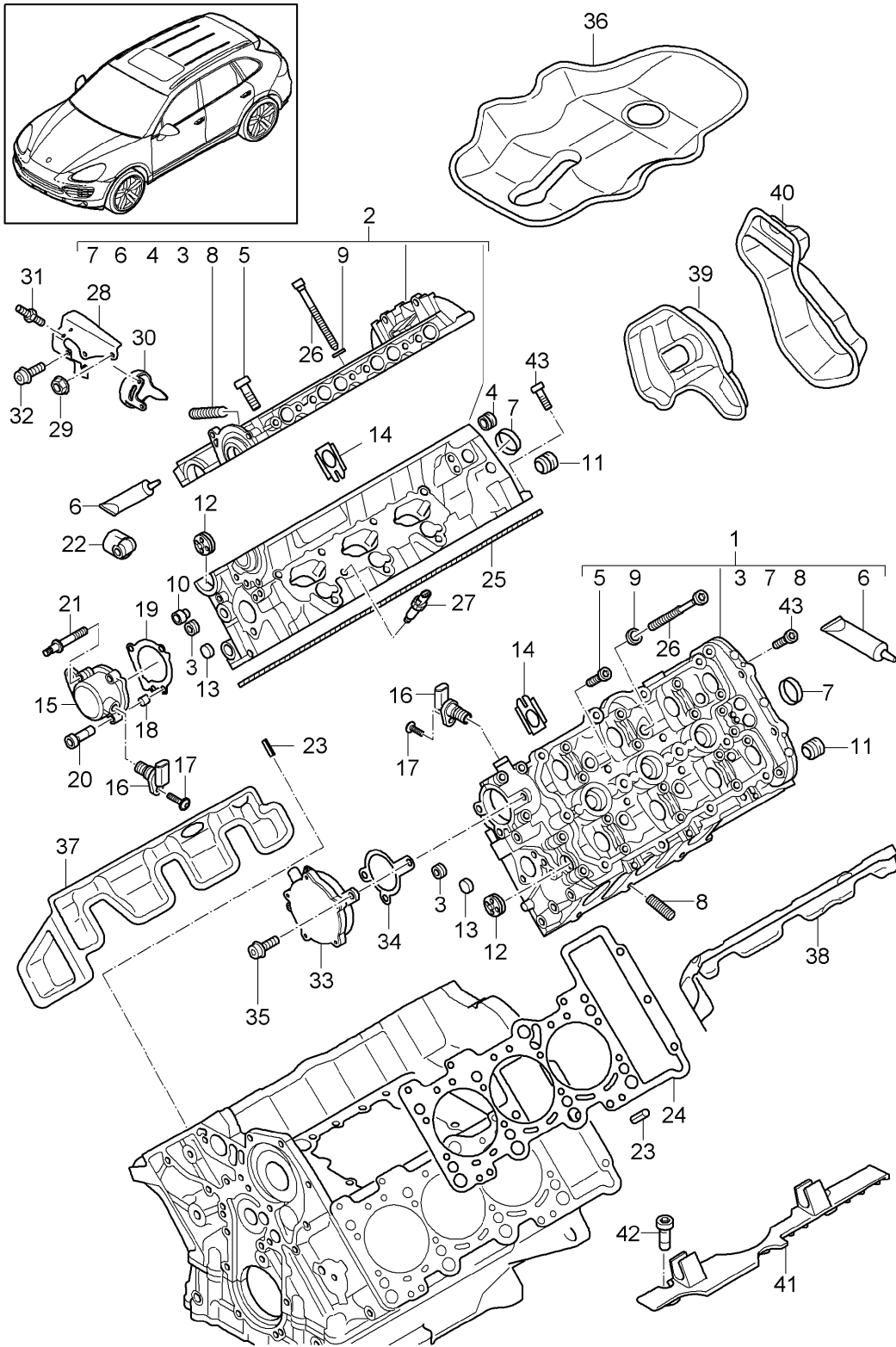
Model: 92A 11

Model life 2011>>

Pos	Part Number	Description	Remark	Qty	Model
13	958 104 173 10	1,68 MM 3 LOECHER Cylinder head gasket		X	
(13)	958 104 173 11	1,58 MM 1 LOCH Cylinder head gasket		X	
(13)	958 104 173 20	1,58 MM 1 LOCH Cylinder head gasket		X	
(13)	958 104 173 21	1,63 MM 2 LOECHER Cylinder head gasket		X	
(13)	958 104 173 30	1,63 MM 2 LOECHER Cylinder head gasket		X	
(13)	958 104 173 31	1,68 MM 3 LOECHER Cylinder head gasket		X	
14	WHT 005 262	Combination screw M 12 X 1,5 X 177		16	
(14)	WHT 005 262 A	Combination screw M 12 X 1,5 X 177		16	
15	000 043 207 49	Sealing compound 1 tube 80 ML		X	
(15)	958 101 902 00	Sealing compound 80 ML	-13	X	
(15)	000 043 300 39	Sealing compound 1 tube 50 ML	14-	X	

Model: 92A 11

Model life 2011>>



Model: 92A 11 Model life 2011>>

Pos	Part Number	Description	Remark	Qty	Model
		Cylinder head			MCG.EA/FA MCJ.T M06.EC
1	958 104 016 10	Cylinder head Complete with Camshaft Cyl. 4 - 6		1	
(1)	958 104 016 11	Cylinder head Complete without Camshaft Cyl. 4 - 6		1	
(1)	958 104 016 12	Cylinder head Complete without Camshaft Cyl. 4 - 6		1	
(1)	958 104 016 13	Cylinder head Complete without Camshaft Cyl. 4 - 6		1	
(1)	958 104 016 14	Cylinder head Complete without Camshaft Cyl. 4 - 6	-16	1	
(1)	958 104 016 15	Cylinder head Complete without Camshaft Cyl. 4 - 6	17-	1	
2	958 104 015 10	Cylinder head Complete with Camshaft Cyl. 1 - 3		1	
(2)	958 104 015 11	Cylinder head Complete without Camshaft Cyl. 1 - 3		1	
(2)	958 104 015 12	Cylinder head Complete without Camshaft Cyl. 1 - 3		1	
(2)	958 104 015 13	Cylinder head Complete without Camshaft Cyl. 1 - 3		1	
(2)	958 104 015 14	Cylinder head Complete without Camshaft Cyl. 1 - 3	-16	1	
(2)	958 104 015 15	Cylinder head Complete without Camshaft Cyl. 1 - 3	17-	1	

Model: 92A 11

Model life 2011>>

Pos	Part Number	Description	Remark	Qty	Model
3	N 029 454 2	Screw plug M 10 X 1		2	
(3)	N 106 303 02	Screw plug M 10 X 1		2	
4	958 105 591 00	Stopper		1	
5	N 911 276 02	Outer hexagon round screw BM 6 X 35 X 16		40	
6	000 043 207 49	Sealing compound 1 tube 80 ML		X	
(6)	958 101 902 00	Sealing compound 80 ML	-13	X	
(6)	000 043 300 39	Sealing compound 1 tube 50 ML	14-	X	
7	955 101 215 00	Lid 36,6		2	
8	N 014 555 5	Stud M 8 X 44		18	
9	958 104 377 00	Washer Only together with Pan-head screw 958.104.181.00		16	
10	958 104 354 00	Spray nozzle		1	
(10)	958 104 354 01	Spray nozzle		1	
11	958 104 476 00	Check valve		2	
12	958 104 513 00	Lid 26		2	
(12)	958 104 513 01	Lid 26		2	
(12)	958 104 513 00	Lid 26		2	
13	N 011 907 8	Lid 14		2	
14	958 104 411 20	Intermediate plate		6	
15	958 104 535 10	Housing cover		1	
16	958 606 106 00	Pulse sender		2	
(16)	958 606 106 01	Pulse sender		2	
17	N 104 514 05	Round head screw M 6 X 16		2	
18	N 910 208 01	Dowel sleeve 8 M 7 X 10		2	
19	958 104 521 10	Gasket		1	
20	N 911 276 02	Outer hexagon round screw M 6 X 35 X 16		1	
21	WHT 003 269	Stud M 6 X 35 X 16 / M 6 X 10		3	
22		Cam follower high-pressure pump See illustrations 1/07/40 Pos.4		1	
23	955 102 277 00	Roll pin 6,2 X 22		2	
24	958 104 174 00	Cylinder head gasket Cyl. 4 - 6		1	
25	958 104 173 00	Cylinder head gasket Cyl. 1 - 3		1	
26	958 104 181 00	Pan-head screw M 10 X 1,5 X 169 X 120 Only together with Washer 958.104.377.00		16	

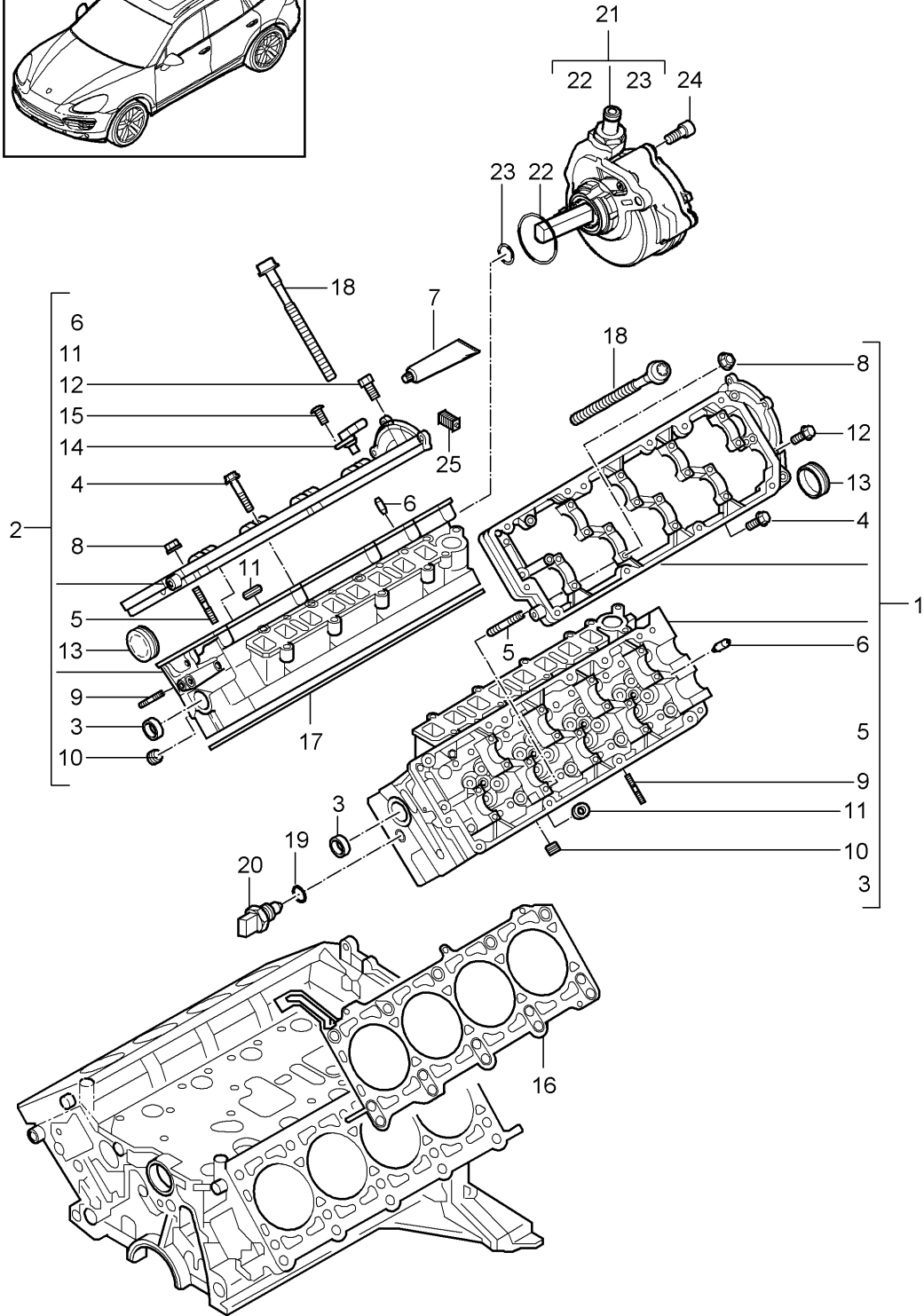
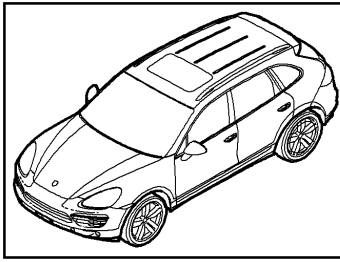
Model: 92A 11

Model life 2011>>

Pos	Part Number	Description	Remark	Qty	Model
(26)	WHT 005 739	D >> 10.07.2011 Pan-head screw BM 10 X 170 X 120 without Washer D 11.07.2011>>		16	
27	958 606 135 01	Temperature sensor		1	
28	958 104 577 03	Heat shield high-pressure pump		1	
29	N 015 082 10	Hexagon nut M 6		3	
30	958 110 581 03	Bracket		1	
(30)	958 110 421 00	Bracket		1	
31	N 910 613 01	Stud M 6 X 10 / M 6 X 10		1	
32	N 902 452 09	Hexagon-head bolt M 6 X 10		1	
33	958 110 050 00	Vacuum pump		1	
(33)	958 110 050 01	Vacuum pump		1	
34	958 110 417 00	Gasket		1	
35	N 101 243 06	Oval-head screw M 6 X 20		3	
(35)	N 101 243 09	Oval-head screw M 6 X 20		3	
36	958 104 677 02	Insulation Centre		1	
37	958 104 678 02	Insulation Right		1	
38	958 104 679 02	Insulation Left		1	
39	958 104 680 02	Insulation Right Rear		1	
(39)	958 104 680 03	Insulation Right Rear		1	
40	958 104 681 02	Insulation Left Rear		1	
(40)	958 104 681 03	Insulation Left Rear		1	
41	958 104 635 03	Cover		1	
42	N 106 225 02	Pan-head screw M 5 X 12		2	
43	N 104 707 05	Lens-head screw M 6 X 50		7	

Model: 92A 11

Model life 2011>>



Model: 92A 11

Model life 2011>>

Pos	Part Number	Description	Remark	Qty	Model
		Cylinder head Vacuum pump			MCU .DB/DC
1	958 104 016 40	Cylinder head Complete		1	
2	958 104 015 40	Cylinders 5 - 8 Cylinder head Complete		1	
3	N 011 908 5	Cylinders 1 - 4 Lid 28		2	
4	N 102 056 04	Hexagon-head bolt M 6 X 32		28	
5	N 911 642 01	Threaded bolt M 6 X 50		16	
6	955 104 251 00	Dowel sleeve 8 M 6 X 32		4	
7	000 043 207 49	Sealing compound 1 tube 80 ML		X	
(7)	000 043 300 39	Sealing compound 1 tube 50 ML		X	
8	N 904 465 02	Hexagon nut M 6		16	
9	N 044 441 5	Stud M 8 X 40		20	
10	N 102 833 04	Screw plug M 8 X 1		2	
11	955 104 377 00	Washer 12,6 X 22,4 X 4,5		20	
12	N 911 315 01	Screw plug M 10 X 1 X 8		2	
13	955 104 113 00	Lid Use also: 000.043.011.00 Loctite 638		2 1	
14	958 606 106 01	Pulse sender Camshaft		1	
15	N 101 961 03	Oval-head screw M 6 X 18		1	
16	958 104 174 40	Cylinder head gasket 1,1 MM 1 LOCH		X	
(16)	958 104 174 41	Cylinder head gasket 1,1 MM 1 LOCH		X	
(16)	958 104 174 50	Cylinder head gasket 1,15 MM 2 LOECHER		X	
(16)	958 104 174 51	Cylinder head gasket 1,15 MM 2 LOECHER		X	
(16)	958 104 174 60	Cylinder head gasket 1,2 MM 3 LOECHER		X	
(16)	958 104 174 61	Cylinder head gasket 1,2 MM 3 LOECHER		X	
17	958 104 173 40	Cylinder head gasket 1,1 MM 1 LOCH		X	
(17)	958 104 173 41	Cylinder head gasket		X	

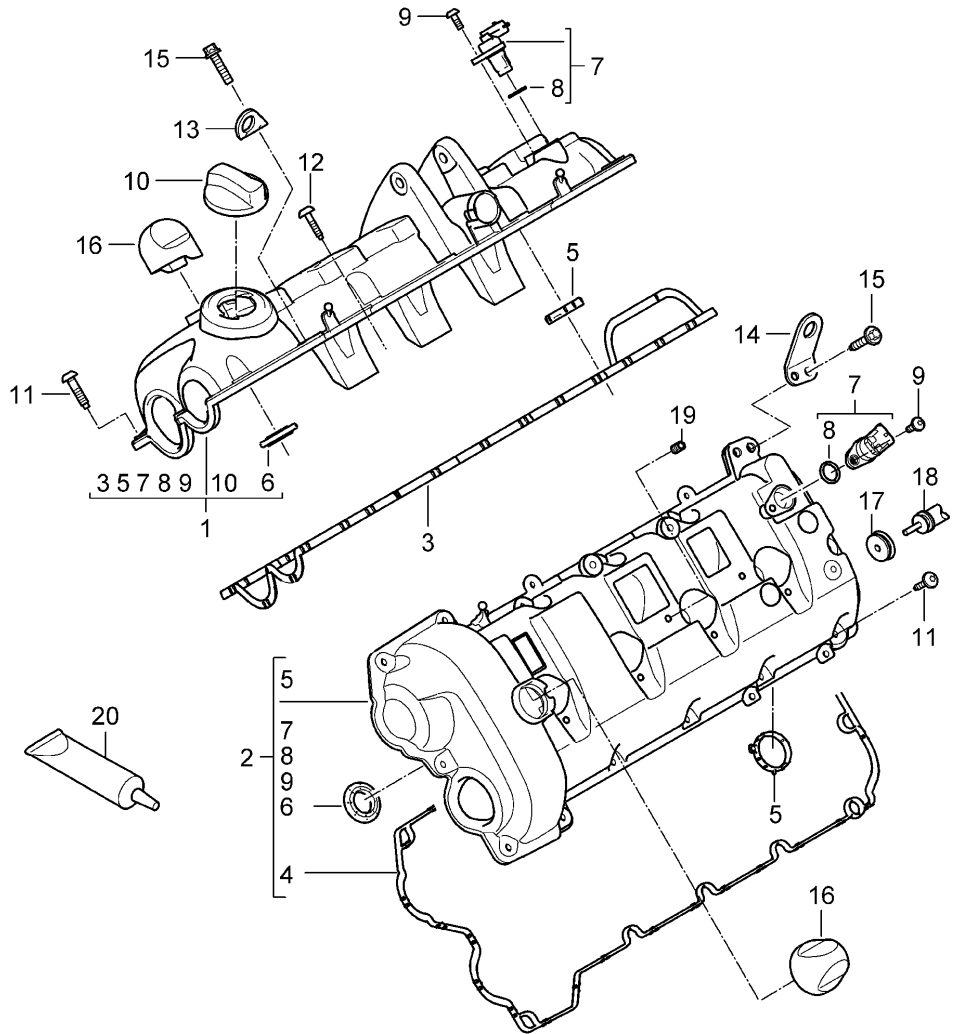
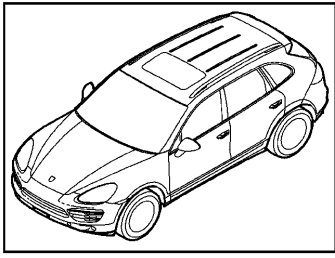
Model: 92A 11

Model life 2011>>

Pos	Part Number	Description	Remark	Qty	Model
(17)	958 104 173 50	1,1 MM 1 LOCH Cylinder head gasket		X	
(17)	958 104 173 51	1,15 MM 2 LOECHER Cylinder head gasket		X	
(17)	958 104 173 60	1,15 MM 2 LOECHER Cylinder head gasket		X	
(17)	958 104 173 61	1,2 MM 3 LOECHER Cylinder head gasket		X	
18	955 104 181 00	Pan-head screw M 12 X 1,5 X 159,5		20	
19	WHT 002 287 B	O-ring 5,6 X 2		1	
20	955 606 221 00	Temperature sensor		1	
21	955 110 050 11	Vacuum pump		1	
22	WHT 001 801	O-ring 63 X 2,5		1	
23	955 110 117 00	O-ring 4,7 X 1,5		1	
24	N 101 243 06	Oval-head screw M 6 X 20		2	
25	958 101 147 70	Gasket		4	

Model: 92A 11

Model life 2011>>



Model: 92A 11

Model life 2011>>

Pos	Part Number	Description	Remark	Qty	Model
		Valve cover			MCF.TB MCY.XA M48.02/52
1	948 105 135 21	Valve cover Cylinders 1 - 4 Use also: 999.073.905.31 999.073.908.31 000.043.305.33		1 10 3 X	
(1)	948 105 135 22	Valve cover Cylinders 1 - 4 Use also: 999.073.905.31 999.073.908.31 000.043.305.33		1 10 3 X	
2	948 105 136 22	Valve cover Cylinders 5 - 8 Use also: 999.073.905.31 000.043.305.33		1 13 X	
(2)	948 105 136 23	Valve cover Cylinders 5 - 8 Use also: 999.073.905.31 000.043.305.33		1 13 X	
3	948 105 935 01	Gasket Cylinders 1 - 4 Use also: 000.043.305.33		1 X	
4	948 105 936 01	Gasket Cylinders 5 - 8 Use also: 000.043.305.33		1 X	
5	948 105 937 02	Gasket Inner Use also: 000.043.305.33		8 X	
6	948 105 938 00	Gasket Actuator Camshaft Use also: 000.043.305.33		2 X	
7	948 606 106 00	Hall sender		2	
8	999 707 404 40	O-ring 17,05 X 1,78		2	
9	999 073 903 31	Oval-head screw M 6 X 20		2	
10	955 104 485 00	Lid		1	
11	999 073 905 31	Oval-head screw Aluminium M 6 X 30		23	
12	999 073 908 31	Oval-head screw Aluminium M 8 X 35		3	
13	948 104 305 20	Shackle for transportation	-14	1	
(13)	948 104 305 21	Shackle for transportation	15-	1	
14	948 104 306 20	Shackle for transportation	-14	1	
(14)	948 104 306 21	Shackle for transportation	15-	1	
15	900 385 042 01	Torx screw M 8 X 35		4	
16	948 607 241 00	Cap		2	
17	993 110 530 01	Grommet Temperature sensor		1	

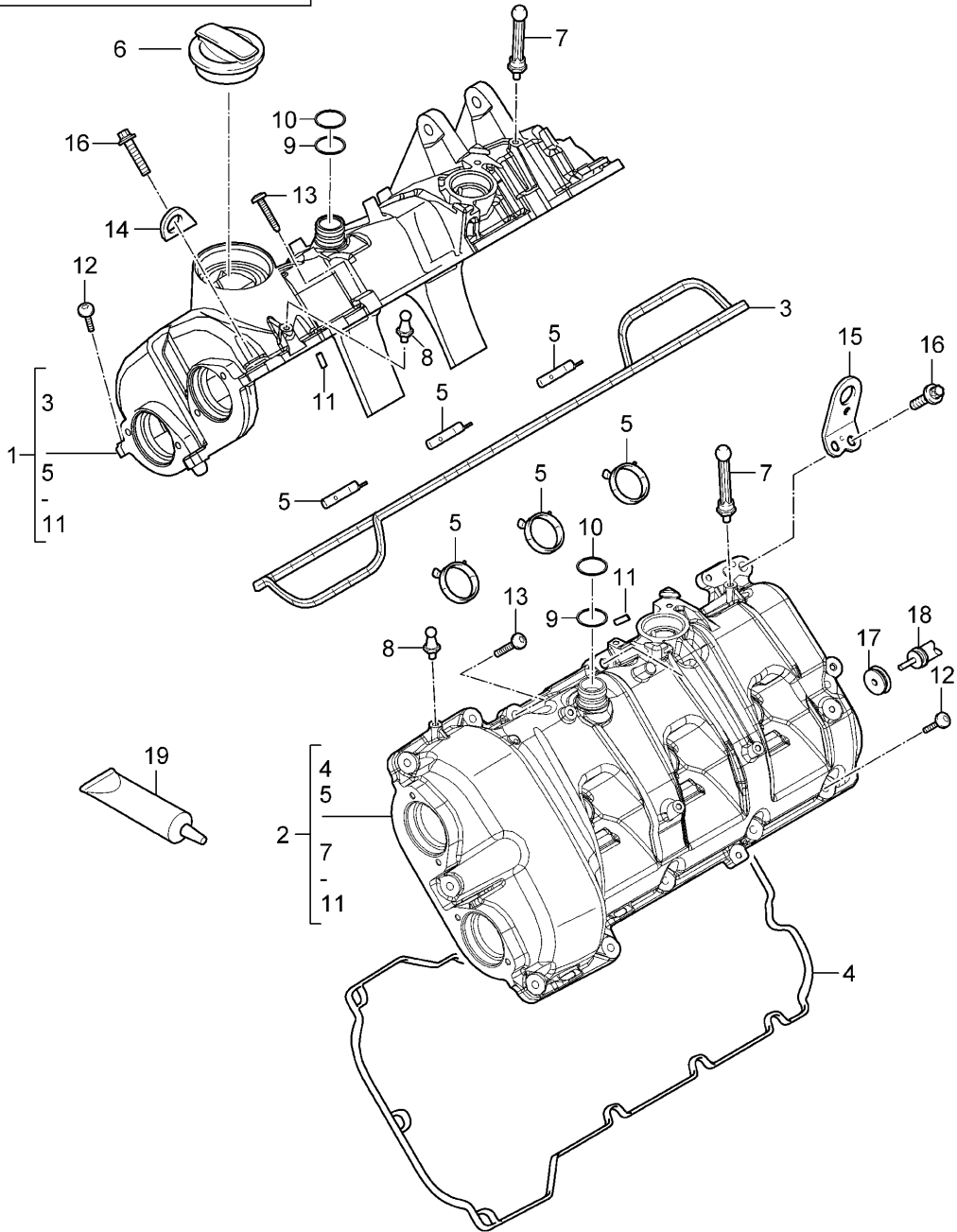
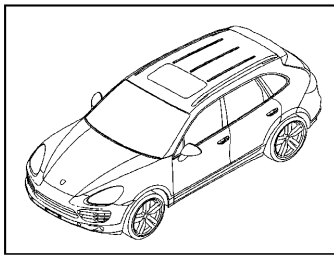
Model: 92A 11

Model life 2011>>

Pos	Part Number	Description	Remark	Qty	Model
18	997 606 213 00	Temperature sensor Engine compartment		1	
19	999 504 084 01	Threaded insert M 6 X 12 for Thread repair Ignition coil Valve cover Magnesium		X	
20	000 043 305 33	Sealing compound 1 tube 75 ML for Valve cover Cylinder head Control box cover		X	

Model: 92A 11

Model life 2011>>



Model: 92A 11 Model life 2011>>

Pos	Part Number	Description	Remark	Qty	Model
		Valve cover			MCU.RA MCX.ZA
1	946 105 135 45	Valve cover Cyl. 1 - 3 Use also: 999.073.905.31 999.073.908.31 000.043.305.33		1 8 4 1	
2	946 105 136 65	Valve cover Cyl. 4 - 6 Use also: 999.073.905.31 999.073.908.31 000.043.305.33	-16	1 9 3 1	
(2)	946 105 136 66	Valve cover Cyl. 4 - 6 Use also: 999.073.905.31 999.073.908.31 000.043.305.33	17-	1 9 3 1	
3	946 105 935 65	Gasket Cyl. 1 - 3 Use also: 999.073.905.31 999.073.908.31 946.105.937.65 000.043.305.33		1 8 4 3 1	
4	946 105 936 65	Gasket Cyl. 4 - 6 Use also: 999.073.905.31 999.073.908.31 946.105.937.65 000.043.305.33		1 9 3 3 1	
5	946 105 937 65	Gasket Inner Cyl. 1 - 3 Use also: 999.073.905.31 999.073.908.31 946.105.935.65 000.043.305.33		3 8 4 1 1	
(5)		Gasket Inner Cyl. 4 - 6 Use also: 999.073.905.31 999.073.908.31 946.105.936.65 000.043.305.33		3 9 3 1 1	
6	958 104 485 10	Lid		1	
7	999 167 056 90	Ball pin 15		2	
8	999 167 055 90	Ball pin 10		2	
9	999 707 677 41	O-ring 22,5 X 2,5		2	
10	999 707 677 40	O-ring 22,5 X 2,5		2	
11	900 302 056 00	Straight pin 4 X 16		4	
12	999 073 905 31	Oval-head screw Aluminium		17	

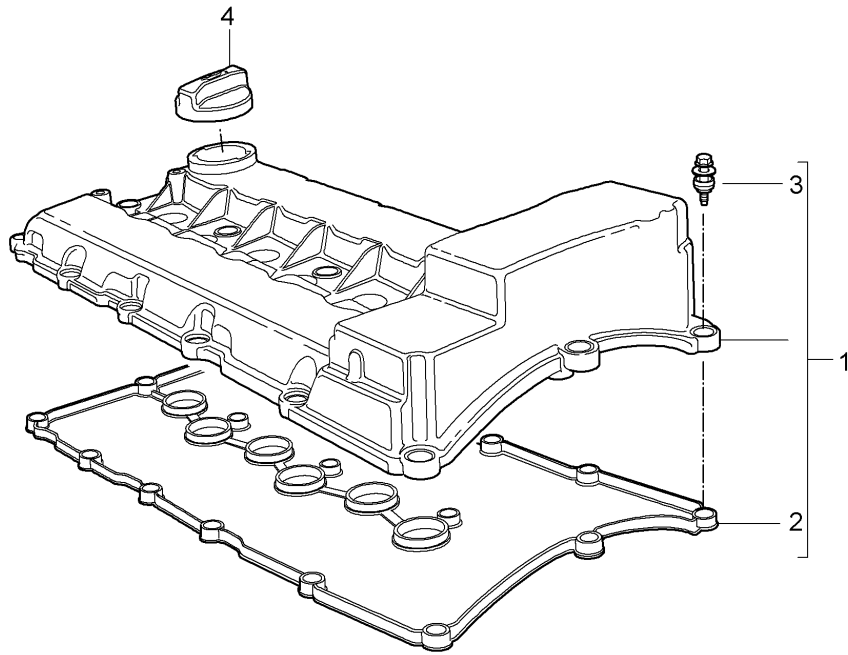
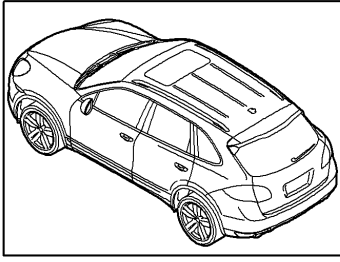
Model: 92A 11

Model life 2011>>

Pos	Part Number	Description	Remark	Qty	Model
13	999 073 908 31	M 6 X 30 Oval-head screw Aluminium		7	
14	948 104 305 21	M 8 X 35 Shackle for transportation		1	
15	946 104 306 00	Shackle for transportation		1	
16	900 385 042 01	Torx screw M 8 X 35		4	
17	993 110 530 01	Grommet Temperature sensor		1	
18	997 606 213 00	Temperature sensor Engine compartment		1	
19	000 043 305 33	Sealing compound 1 tube 75 ML for Valve cover Cylinder head Control box cover		X	

Model: 92A 11

Model life 2011>>



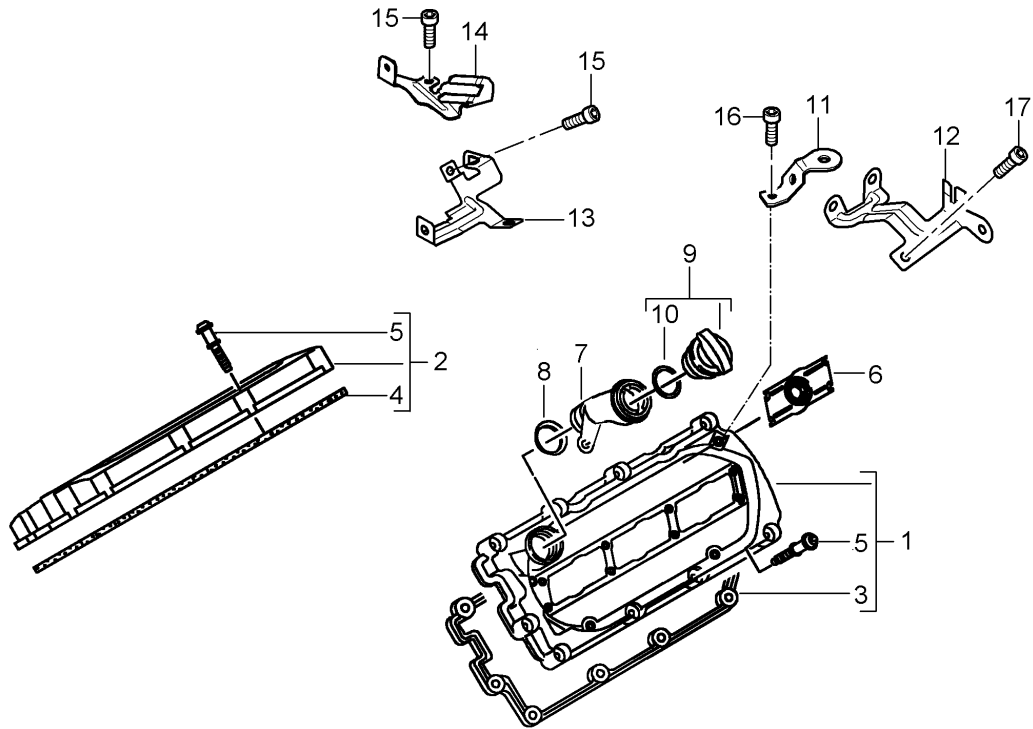
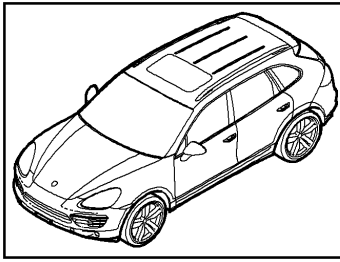
Model: 92A 11

Model life 2011>>

Pos	Part Number	Description	Remark	Qty	Model
		Valve cover			MCE.YA M55.02
1	955 105 135 01	Valve cover		1	
(1)	958 105 135 30	Valve cover		1	
(1)	958 105 135 31	Valve cover		1	
2	955 105 231 00	Gasket		1	
(2)	955 105 231 01	Gasket		1	
3	955 105 343 00	Hexagon-head bolt with Guide sleeve		17	
4	955 104 485 00	Lid		1	

Model: 92A 11

Model life 2011>>

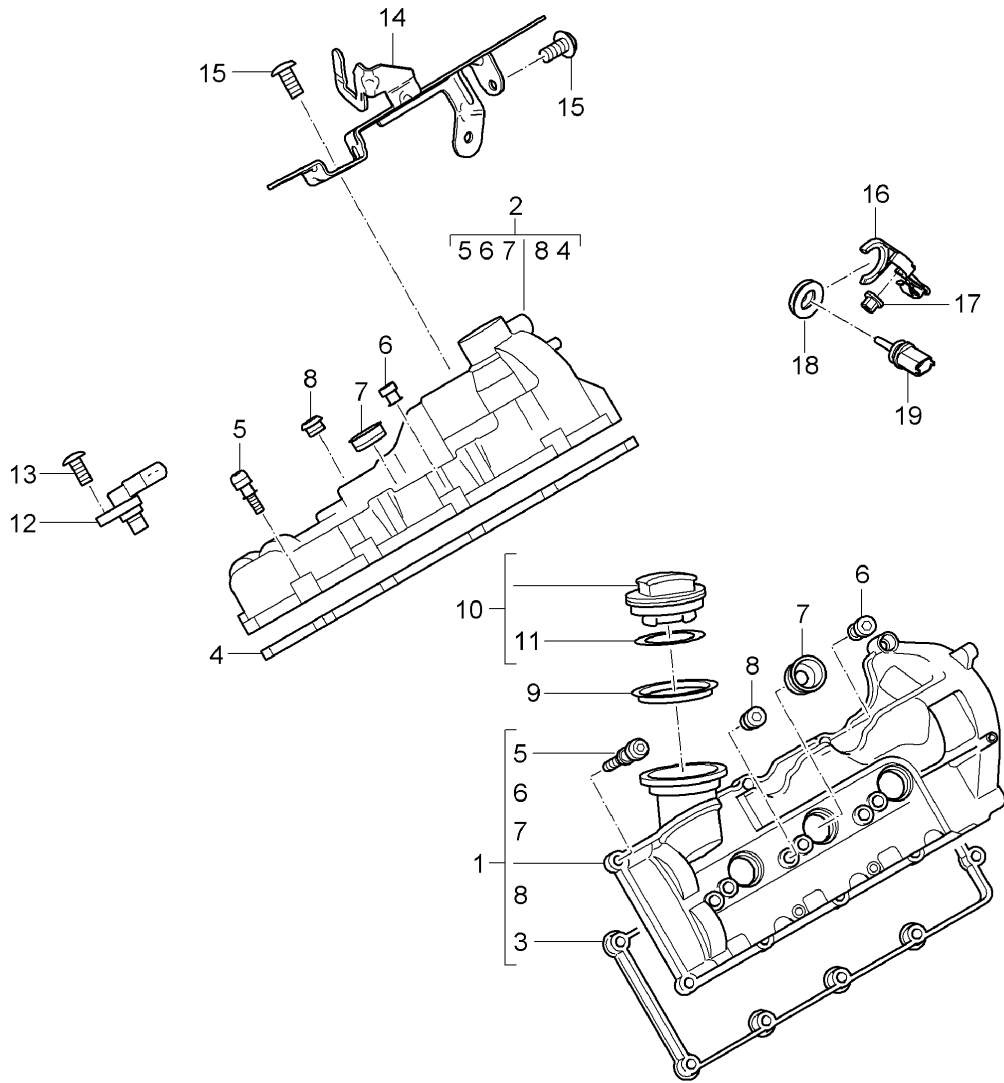
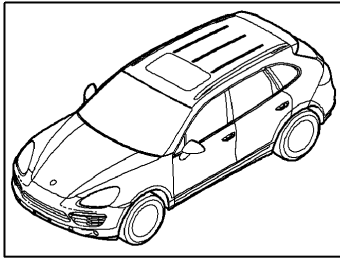


Model: 92A 11 Model life 2011>>

Pos	Part Number	Description	Remark	Qty	Model
1	955 105 135 11	Valve cover Valve cover Cyl. 4 - 6		1	M05.9E
2	955 105 136 11	Valve cover Cyl. 1 - 3		1	
3	955 105 231 10	Gasket Cyl. 4 - 6		1	
4	955 105 232 10	Gasket Cyl. 1 - 3		1	
5	955 105 343 10	Round head screw with Guide sleeve		18	
6		Lid See illustrations 1/07/35 Pos.11		6	
7	955 107 115 00	Filler neck Engine oil		1	
8	955 107 287 00	Sealing ring		1	
9	958 104 485 00	Lid Information available		1	
(9)	958 104 485 10	Lid		1	
10	955 107 336 00	Gasket		1	
(10)	958 104 536 00	Gasket		1	
11	955 606 845 00	Support		1	
12	955 606 846 00	Support		1	
13	955 606 502 00	Support		1	
14	958 606 545 00	Support		1	
15	N 103 352 06	Round head screw M 6 X 12		2	
16	N 101 703 02	Oval-head screw M 6 X 10		1	
17	N 103 469 04	Pan-head screw M 6 X 12		1	

Model: 92A 11

Model life 2011>>



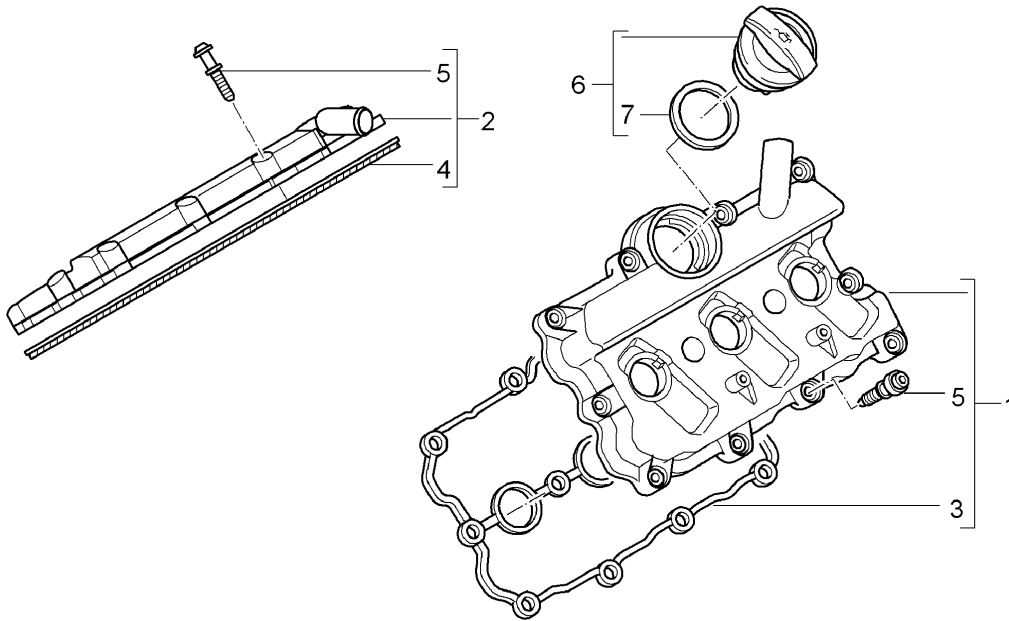
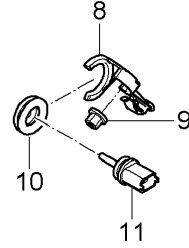
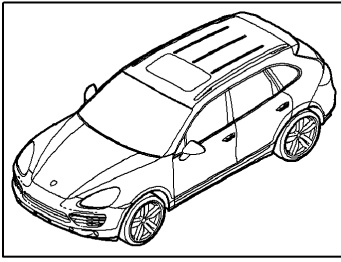
Model: 92A 11

Model life 2011>>

Pos	Part Number	Description	Remark	Qty	Model
		Valve cover			MCN.RB MCR.CA/CB MCV.VA/VB MCV.VC
1	958 105 135 10	Valve cover Cyl. 4 - 6		1	
(1)	958 105 135 11	Valve cover Cyl. 4 - 6		1	
2	958 105 136 10	Valve cover Cyl. 1 - 3		1	
(2)	958 105 136 11	Valve cover Cyl. 1 - 3		1	
3	958 105 231 10	Gasket Cyl. 4 - 6		1	
4	958 105 232 10	Gasket Cyl. 1 - 3		1	
5	958 105 343 00	Fastening part		14	
(5)	958 105 343 01	Fastening part		14	
6	958 105 343 10	Fastening part		4	
7	958 105 585 00	Shaft sealing ring 37 X 13		6	
8	958 105 631 00	Grommet		12	
9	958 107 287 00	Sealing ring		1	
10	958 104 485 00	Lid Information available		1	
(10)	958 104 485 10	Lid		1	
11	955 107 336 00	Gasket		1	
(11)	958 104 536 00	Gasket		1	
12	958 606 106 00	Pulse sender		1	
(12)	958 606 106 01	Pulse sender		1	
13	N 104 056 04	Oval-head screw M 6 X 14		1	
14	958 606 845 10	Support Wiring harness		1	
15	N 103 352 06	Round head screw M 6 X 12		2	
16	958 606 114 50	Support Temperature sensor Engine compartment	15-	1	
17	N 904 953 01	Hexagon nut D5 X 16,5 X 11	15-	1	
18	958 606 530 00	Grommet Temperature sensor	15-	1	
(18)	993 110 530 01	Grommet Temperature sensor	15-	1	
19	958 606 213 00	Temperature sensor Engine compartment	15-	1	
(19)	997 606 213 00	Temperature sensor Engine compartment	15-	1	

Model: 92A 11

Model life 2011>>



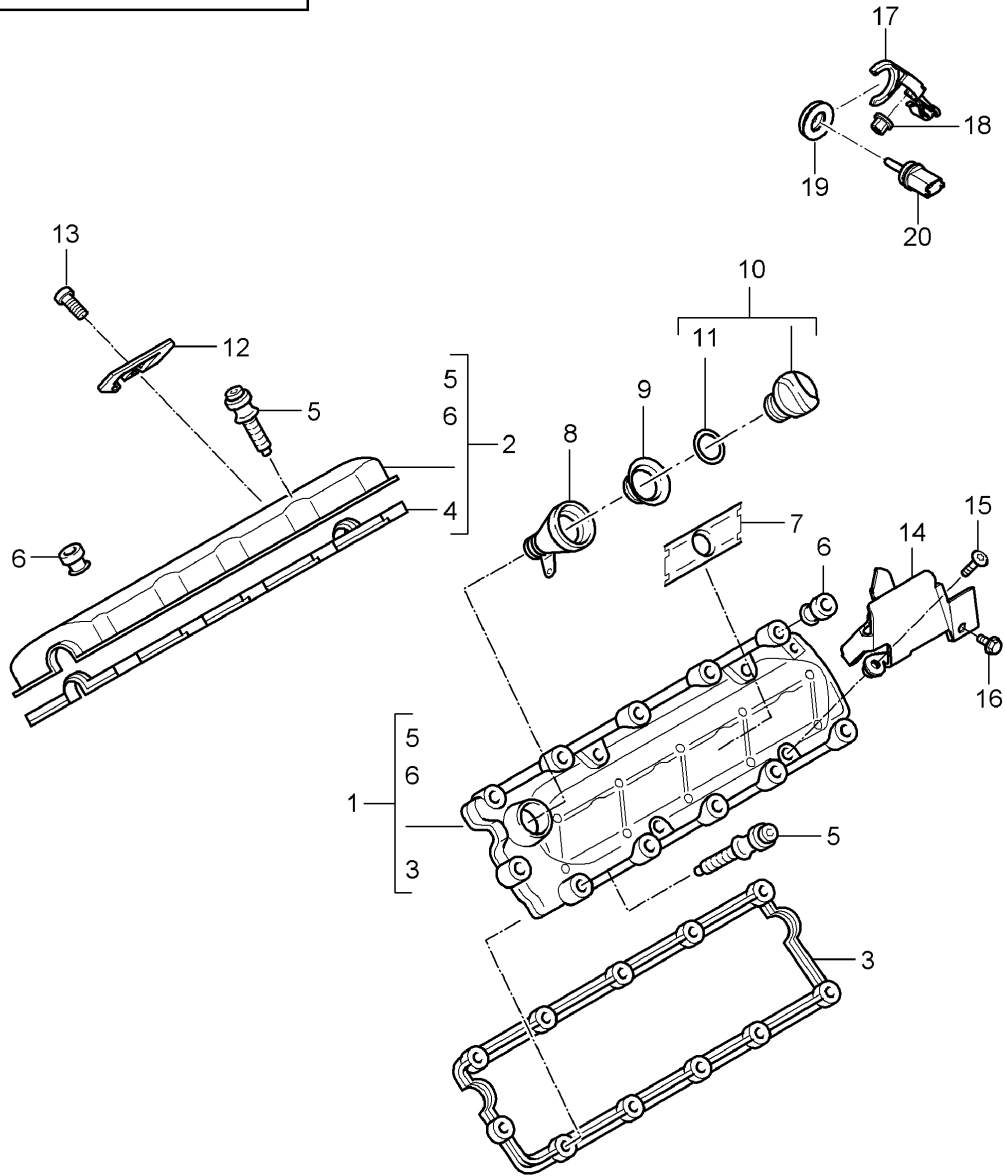
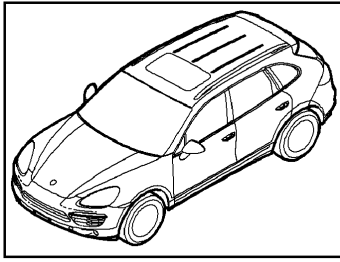
Model: 92A 11

Model life 2011>>

Pos	Part Number	Description	Remark	Qty	Model
		Valve cover			MCG.EA/FA MCJ.T M06.EC
1	958 105 135 00	Valve cover Cyl. 4 - 6		1	
2	958 105 136 00	Valve cover Cyl. 1 - 3		1	
3	958 105 231 00	Gasket Cyl. 4 - 6		1	
(3)	958 105 231 01	Gasket Cyl. 4 - 6		1	
4	958 105 232 00	Gasket Cyl. 1 - 3		1	
(4)	958 105 232 01	Gasket Cyl. 1 - 3		1	
5	955 105 343 10	Round head screw with Guide sleeve		24	
6	958 104 485 00	Lid Information available		1	
(6)	958 104 485 10	Lid		1	
7	955 107 336 00	Gasket		1	
(7)	958 104 536 00	Gasket		1	
8	958 606 114 50	Support Temperature sensor Engine compartment	15-	1	MCG.EA/FA
9	N 904 953 01	Hexagon nut D5 X 16,5 X 11	15-	1	MCG.EA/FA
10	958 606 530 00	Grommet Temperature sensor	15-	1	MCG.EA/FA
(10)	993 110 530 01	Grommet Temperature sensor	15-	1	MCG.EA/FA
11	958 606 213 00	Temperature sensor Engine compartment	15-	1	MCG.EA/FA
(11)	997 606 213 00	Temperature sensor Engine compartment	15-	1	MCG.EA/FA

Model: 92A 11

Model life 2011>>



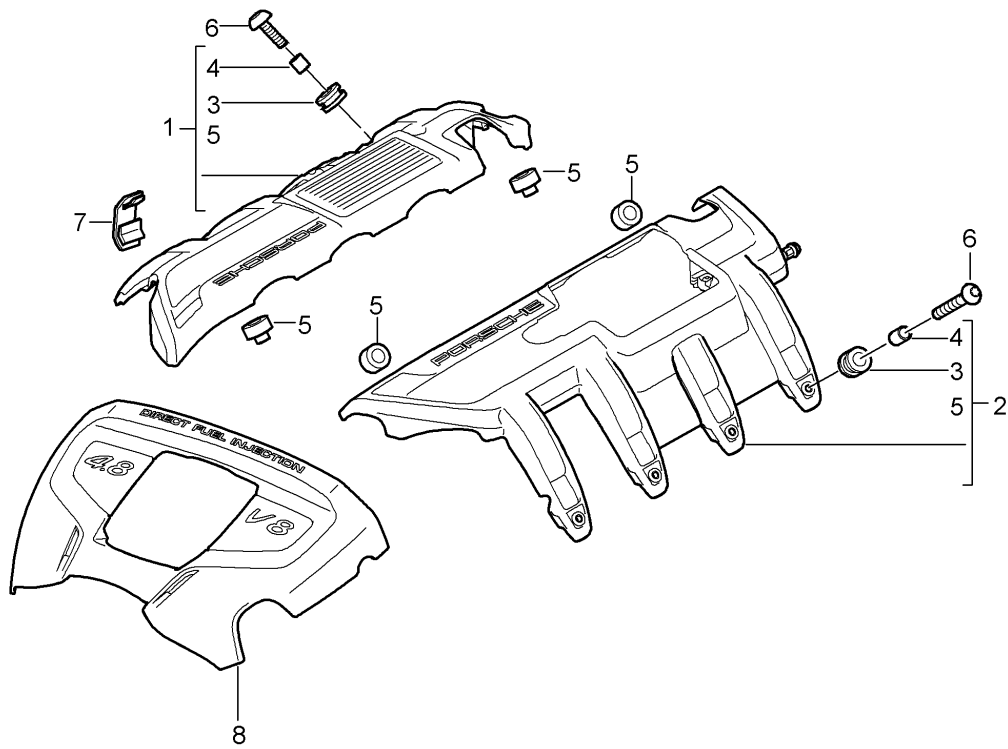
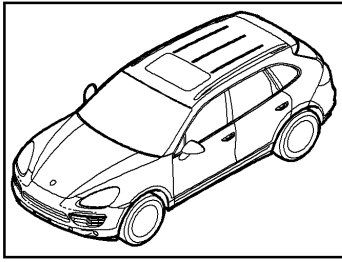
Model: 92A 11

Model life 2011>>

Pos	Part Number	Description	Remark	Qty	Model
1	958 105 135 20	Valve cover Valve cover Cylinders 5 - 8		1	MCU.DB/DC
2	958 105 136 20	Valve cover Cylinders 1 - 4		1	
3	958 105 231 20	Gasket Cylinders 5 - 8		1	
4	958 105 232 20	Gasket Cylinders 1 - 4		1	
5	955 105 343 10	Round head screw with Guide sleeve		22	
6	958 105 343 10	Fastening part		4	
7		Lid See illustrations 1/07/42 POS.11		8	
8	958 107 115 00	Filler neck Engine oil		1	
9	958 107 287 00	Sealing ring		1	
10	958 104 485 10	Lid		1	
11	958 104 536 00	Gasket		1	
12	958 606 845 30	Support		1	
13	N 103 352 06	Round head screw M 6 X 12		1	
14	958 110 729 00	Cover	-16	1	
(14)	958 110 729 01	Cover	17-	1	
15	N 106 610 02	Oval-head screw M 6 X 20		1	
16	N 010 287 12	Hexagon-head bolt M 6 X 16		1	
17	958 606 114 50	Support Temperature sensor Engine compartment		1	MCU.DC
18	N 904 953 01	Hexagon nut D5 X 16,5 X 11		1	MCU.DC
19	958 606 530 00	Grommet Temperature sensor		1	MCU.DC
(19)	993 110 530 01	Grommet Temperature sensor		1	MCU.DC
20	958 606 213 00	Temperature sensor Engine compartment		1	MCU.DC
(20)	997 606 213 00	Temperature sensor Engine compartment		1	MCU.DC

Model: 92A 11

Model life 2011>>



Model: 92A 11 Model life 2011>>

Pos	Part Number	Description	Remark	Qty	Model
1	7PP 103 908	Engine cover Cover Ignition coil Cylinders 1 - 4 without Secondary pump		1	MCF.TB MCY.XA M48.02/52 -I7MG/IE0A
(1)	7PP 103 908 B	Cover Ignition coil Cylinders 1 - 4 without Secondary pump		1	-I7MG/-I7MJ IE0A
(1)	7PP 103 908 C	Use also: 7PP.972.487 Cap Cover Ignition coil Cylinders 1 - 4 without Secondary pump		1	-I7MG/-I7MJ IE0A
(1)		Use also: 7PP.972.487 Cap Cover Ignition coil Cylinders 1 - 4 without Secondary pump		1	MCF.TB -I7MG/-I7MJ -I7MM
(1)	958 110 058 00	Use also: 7PP.972.487 Cap Cover Ignition coil Cylinders 1 - 4 with Secondary pump	-14	1	IE0A/7MG/7MJ
(1)	958 110 058 01	Cover Ignition coil Cylinders 1 - 4 with Secondary pump		1	MCF.TB I7MG/7MJ/7MM
(1)	7PP 103 908 A	Cover Ignition coil Cylinders 1 - 4 without Secondary pump		1	M48.52 -I7MG/-I7MJ IE8A/E81
(1)	7PP 103 908 D	Use also: 7PP.972.487 Cap Cover Ignition coil Cylinders 1 - 4 without		1	MCY.XA -I7MG/-I7MJ -I7MM

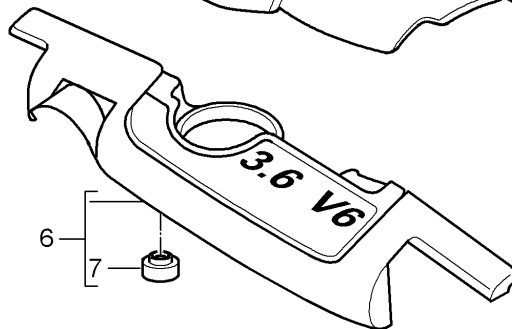
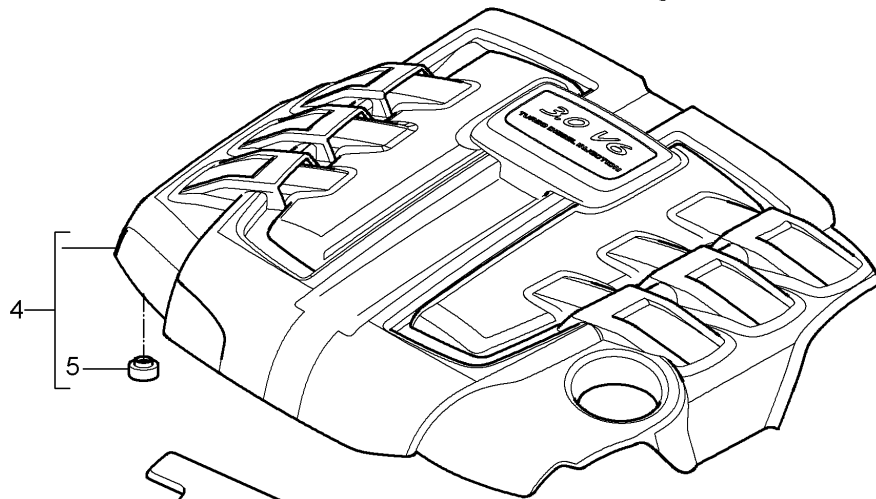
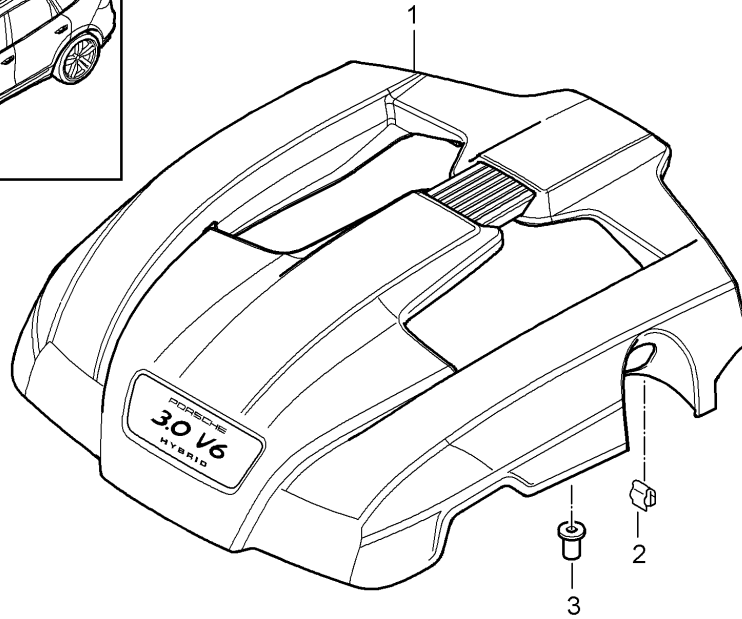
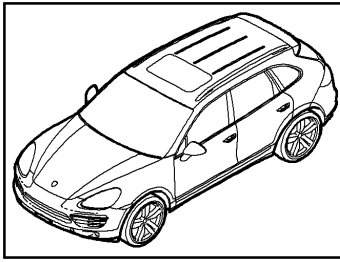
Model: 92A 11

Model life 2011>>

Pos	Part Number	Description	Remark	Qty	Model
(1)	958 110 058 10	Secondary pump Use also: 7PP.972.487 Cap Cover		1 1	M48.52 IE8A/E81/7MG I7MJ
(1)	958 110 058 11	Ignition coil Cylinders 1 - 4 with Secondary pump Cover		1	M48.52 IE8A/E81/7MG I7MJ
(1)		Ignition coil Cylinders 1 - 4 with Secondary pump Cover		1	MCY.XA I7MG/7MJ/7MM
2	7PP 103 907	Ignition coil Cylinders 1 - 4 with Secondary pump Cover	-14	1	IE0A
(2)	7PP 103 907 B	Ignition coil Cylinders 5 - 8 Cover	15-	1	IE0A
(2)	7PP 103 907 A	Ignition coil Cylinders 5 - 8 Cover		1	M48.52 IE8A/E81
(2)	7PP 103 907 C	Ignition coil Cylinders 5 - 8 Cover		1	MCY.XA
3	955 110 638 00	Grommet		8	
4	7L5 103 825 A	Sleeve		8	
5	07C 103 226 A	Ball socket		4	
6	WHT 003 425	Torx screw M 5 X 16		8	
7	7PP 972 487	Cap for Cover Ignition coil Cylinders 1 - 4 without Secondary pump		1	-I7MG/-I7MJ -I7MM
8	7PP 130 114	Engine cover		1	IE0A
(8)	7PP 130 114 A	Engine cover		1	M48.52 IE8A/E81
(8)		Engine cover		1	MCY.XA

Model: 92A 11

Model life 2011>>



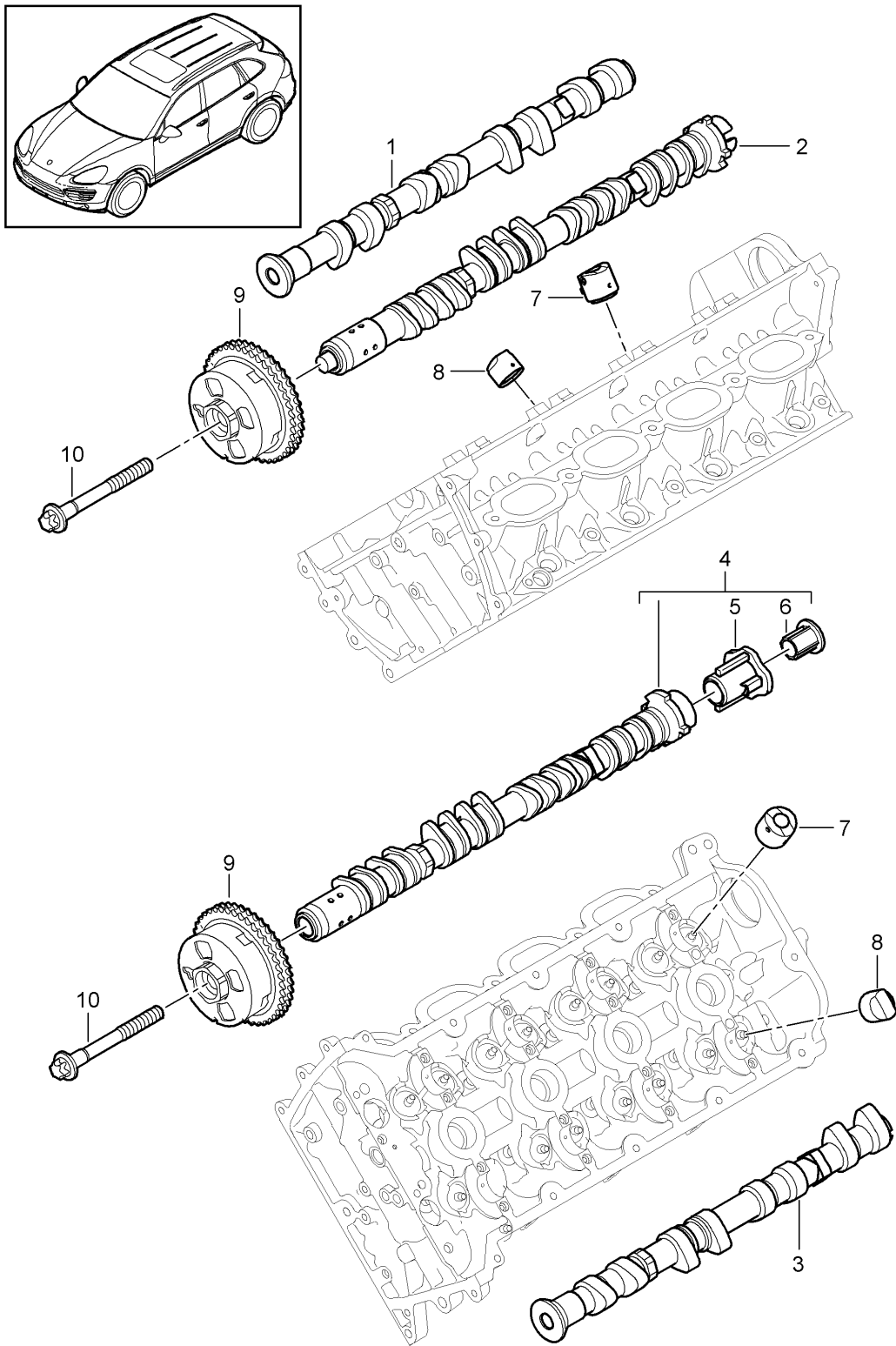
Model: 92A 11

Model life 2011>>

Pos	Part Number	Description	Remark	Qty	Model
		Engine cover			MCG.EA/FA M05.9E M06.EC M55.02 MCJ.T MCN.RB MCR.CA/CB MCU.DB/DC/RA MCV.VA/VB MCE.YA MCV.VC MCX.ZA
1	958 110 213 20	Engine cover	-14	1	MCG.EA/FA M06.EC ID19
(1)	7PP 103 925 E	Engine cover	15-	1	MCG.EA/FA ID19
(1)	958 110 213 30	Engine cover		1	MCJ.T M06.EC ID11
2	N 912 021 01	Cable clamp		4	MCG.EA/FA MCJ.T M06.EC
3		7,5 - 11 X 0,5 Grommet		2	MCG.EA/FA MCJ.T M06.EC
		See illustrations 1/07/65 POS.8			
4	955 110 213 40	Engine cover		1	M05.9E
(4)	7PP 103 925 D	Engine cover		1	MCN.RB MCR.CA/CB
(4)	7PP 103 925 F	Engine cover		1	MCN.RB MCR.CA/CB MCV.VA/VB MCV.VC
(4)	958 110 213 40	Engine cover		1	MCU.DB
(4)	958 110 213 41	Engine cover		1	MCU.DB/DC
(4)	7PP 130 114 E	Engine cover		1	MCU.RA
(4)	958 130 114 20	Engine cover		1	MCU.RA
(4)	7PP 130 114 F	Engine cover		1	MCX.ZA
(4)	958 130 114 30	Engine cover		1	MCX.ZA
5	955 110 236 20	Ball socket		4	MCN.RB MCR.CA/CB MCU.DB M05.9E MCU.DC MCV.VA/VB/VC
(5)	06J 103 226	Ball socket		2	MCU.RA MCX.ZA
(5)	955 110 236 20	Front Ball socket		2	MCU.RA MCX.ZA
6	955 110 213 32	Rear Engine cover		1	MCE.YA M55.02
7	955 110 236 10	Ball socket		5	MCE.YA M55.02

Model: 92A 11

Model life 2011>>



Model: 92A 11 Model life 2011>>

Pos	Part Number	Description	Remark	Qty	Model
		Camshaft			MCF.TB MCY.XA M48.02/52
1	948 105 242 20	Camshaft Exhaust Cylinders 1 - 4		1	
(1)	948 105 242 21	Camshaft Exhaust Cylinders 1 - 4		1	-IEOW
(1)	948 105 242 30	Camshaft		1	M48.02 IEOW
2	948 105 241 20	Exhaust Cylinders 1 - 4 Camshaft		1	M48.02
(2)	948 105 241 21	Intake Cylinders 1 - 4 Camshaft		1	M48.02 -IEOW
(2)	948 105 241 30	Intake Cylinders 1 - 4 Camshaft		1	M48.02 IEOW
(2)	948 105 241 70	Intake Cylinders 1 - 4 Camshaft		1	M48.52
(2)	948 105 241 71	Intake Cylinders 1 - 4 Camshaft		1	MCF.TB MCY.XA M48.52
3	948 105 244 20	Exhaust Cylinders 1 - 4 Camshaft		1	
(3)	948 105 244 21	Exhaust Cylinders 5 - 8 Camshaft		1	-IEOW
(3)	948 105 244 30	Exhaust Cylinders 5 - 8 Camshaft		1	M48.02 IEOW
4	948 105 243 20	Exhaust Cylinders 5 - 8 Camshaft		1	M48.02
(4)	948 105 243 21	Intake Cylinders 5 - 8 Camshaft		1	M48.02 -IEOW
(4)	948 105 243 30	Intake Cylinders 5 - 8 Camshaft		1	M48.02 IEOW
(4)	948 105 243 70	Intake Cylinders 5 - 8 Camshaft		1	M48.52
(4)	948 105 243 71	Intake Cylinders 5 - 8 Camshaft		1	MCF.TB MCY.XA M48.52
5	948 105 113 01	Intake Cylinders 5 - 8 Clutch high-pressure pump		1	

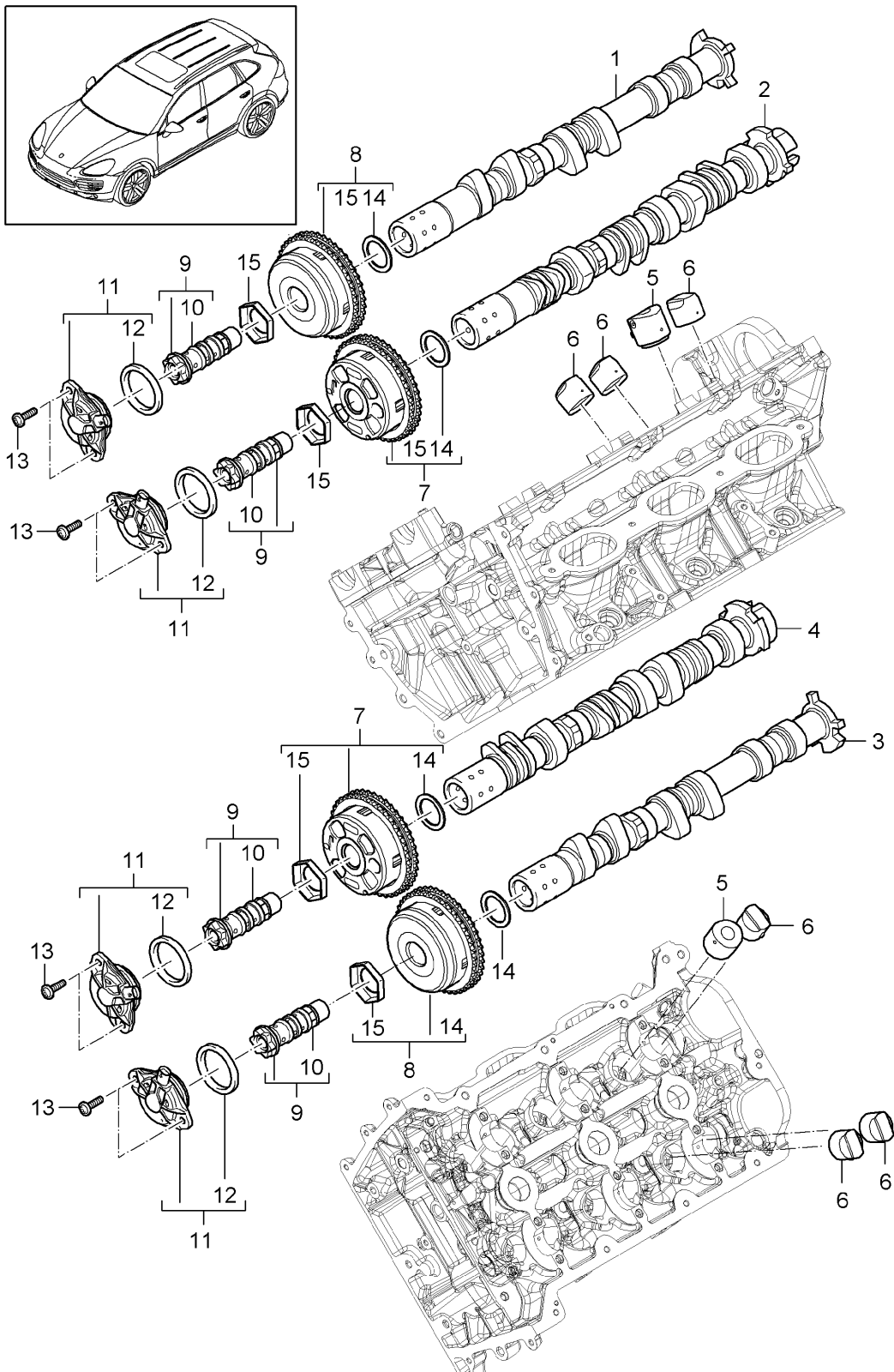
Model: 92A 11

Model life 2011>>

Pos	Part Number	Description	Remark	Qty	Model
(5)	948 105 113 02	Clutch high-pressure pump		1	
6	948 105 114 00	Stopper Clutch high-pressure pump		1	
7	9A1 105 070 03	Hydraulic valve tappet Intake M >> B 08560 M >> V B 08561 M >> B 05499		16	M48.02 I1A2 M48.02 I1A5 M48.52
(7)	9A1 105 070 04	Hydraulic valve tappet Intake M B 08561 >> M V B 08562 >> M B 05500 >>		16	M48.02 I1A2 M48.02 I1A5 M48.52
(7)		Hydraulic valve tappet Intake		16	MCF.TB MCY.XA
8	9A1 105 071 00	Hydraulic valve tappet Exhaust		16	
9	948 105 051 21	Camshaft adjuster		2	
(9)	948 105 051 22	Camshaft adjuster		2	
(9)	948 105 051 23	Camshaft adjuster		2	
10	948 105 254 00	Outer hexagon round screw M 12 X 1,5 X 110		2	

Model: 92A 11

Model life 2011>>

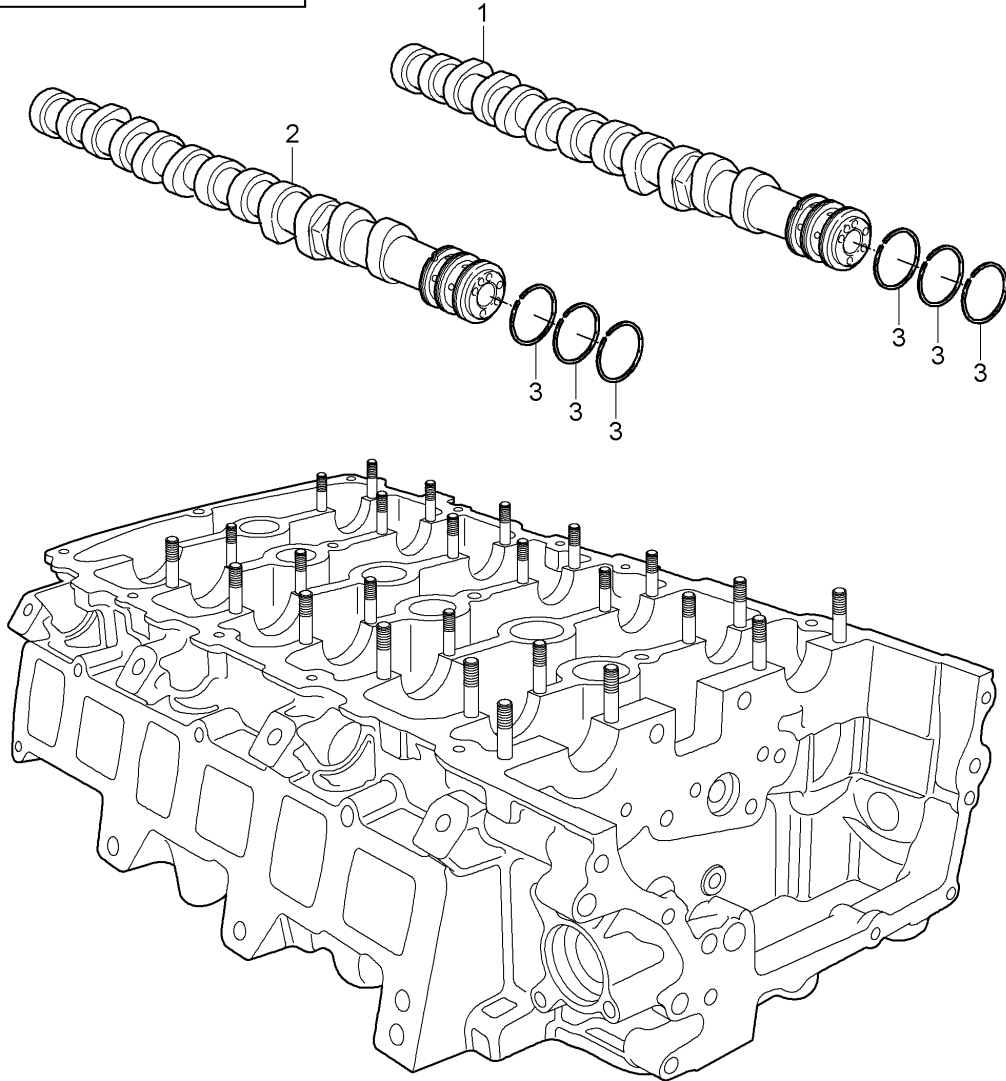
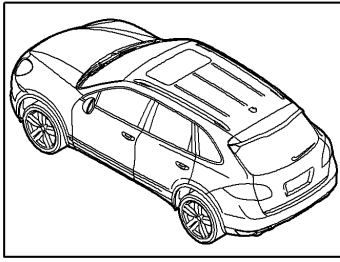


Model: 92A 11 Model life 2011>>

Pos	Part Number	Description	Remark	Qty	Model
		Camshaft			MCU . RA MCX . ZA
1	946 105 242 60	Camshaft Exhaust Cyl. 1 - 3		1	
2	946 105 241 60	Camshaft Intake Cyl. 1 - 3		1	
3	946 105 244 60	Camshaft Exhaust Cyl. 4 - 6		1	
4	946 105 243 60	Camshaft Intake Cyl. 4 - 6		1	
5	9A1 105 070 04	Hydraulic valve tappet		6	
6	9A1 105 071 00	Hydraulic valve tappet		18	
(6)	9A1 105 071 01	Hydraulic valve tappet		18	
7	946 105 051 76	Camshaft adjuster Intake		2	
8	946 105 052 76	Camshaft adjuster Exhaust		2	
9	946 105 054 76	Screw Camshaft adjuster		4	
10	946 105 156 76	Piston ring Screw Single parts Not available		4	
11	946 105 053 77	Actuator Camshaft		4	
(11)	946 105 053 79	Actuator Camshaft		4	
12	999 701 506 41	Sealing ring 51,8 X 42 X 6		4	
13	999 073 103 01	Round head screw M 6 X 16		8	
14	946 105 155 75	Washer		4	
15	946 105 154 75	Sleeve		4	

Model: 92A 11

Model life 2011>>



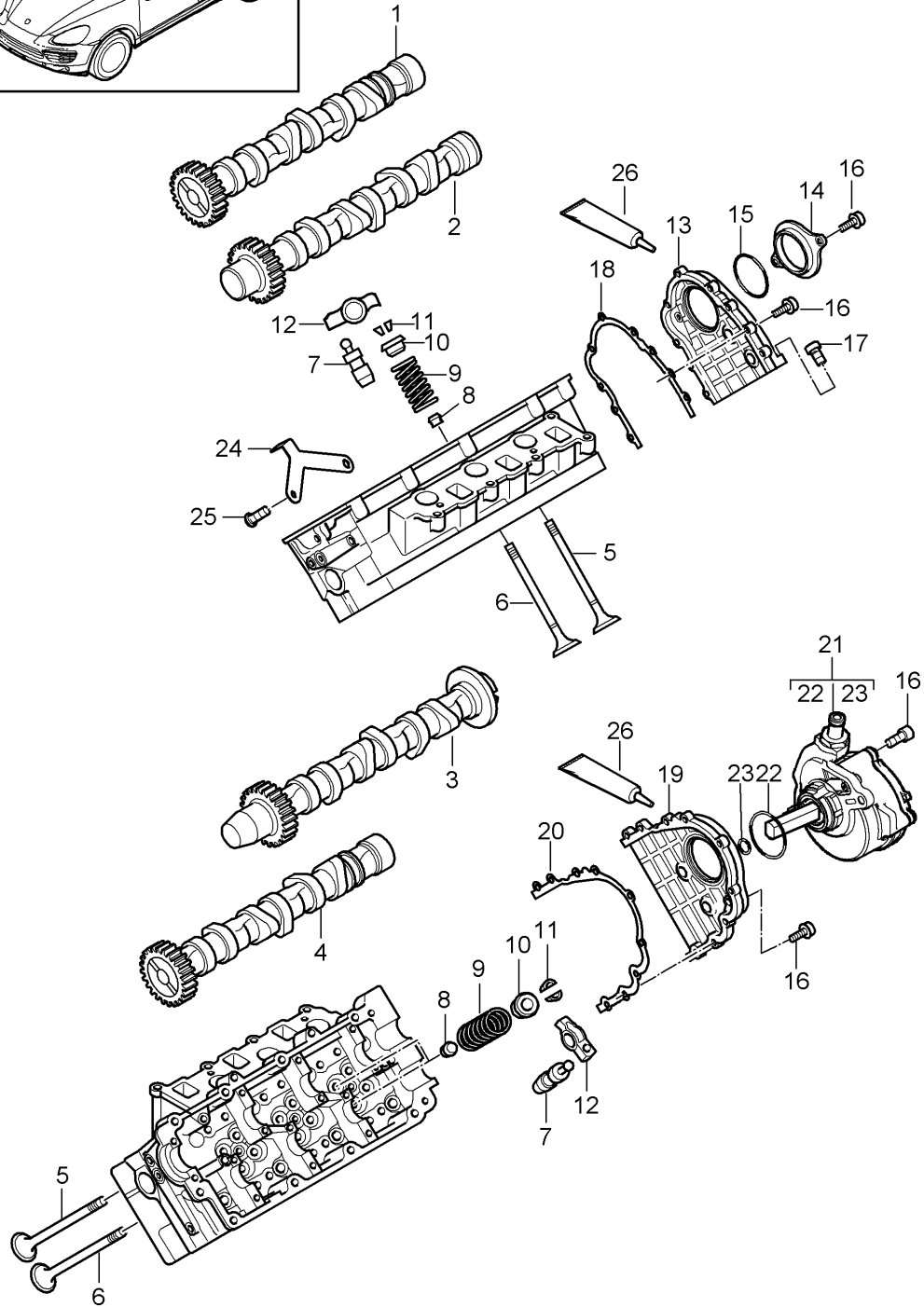
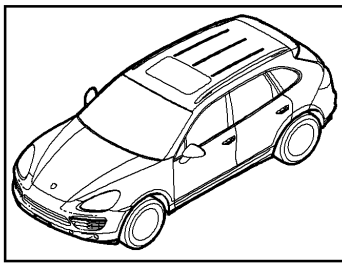
Model: 92A 11

Model life 2011>>

Pos	Part Number	Description	Remark	Qty	Model
		Camshaft			MCE.YA M55.02
1	958 105 242 00	Camshaft Exhaust		1	
2	958 105 241 00	Camshaft Intake		1	
3	955 105 345 01	Sealing ring 40 X 1,5		6	

Model: 92A 11

Model life 2011>>

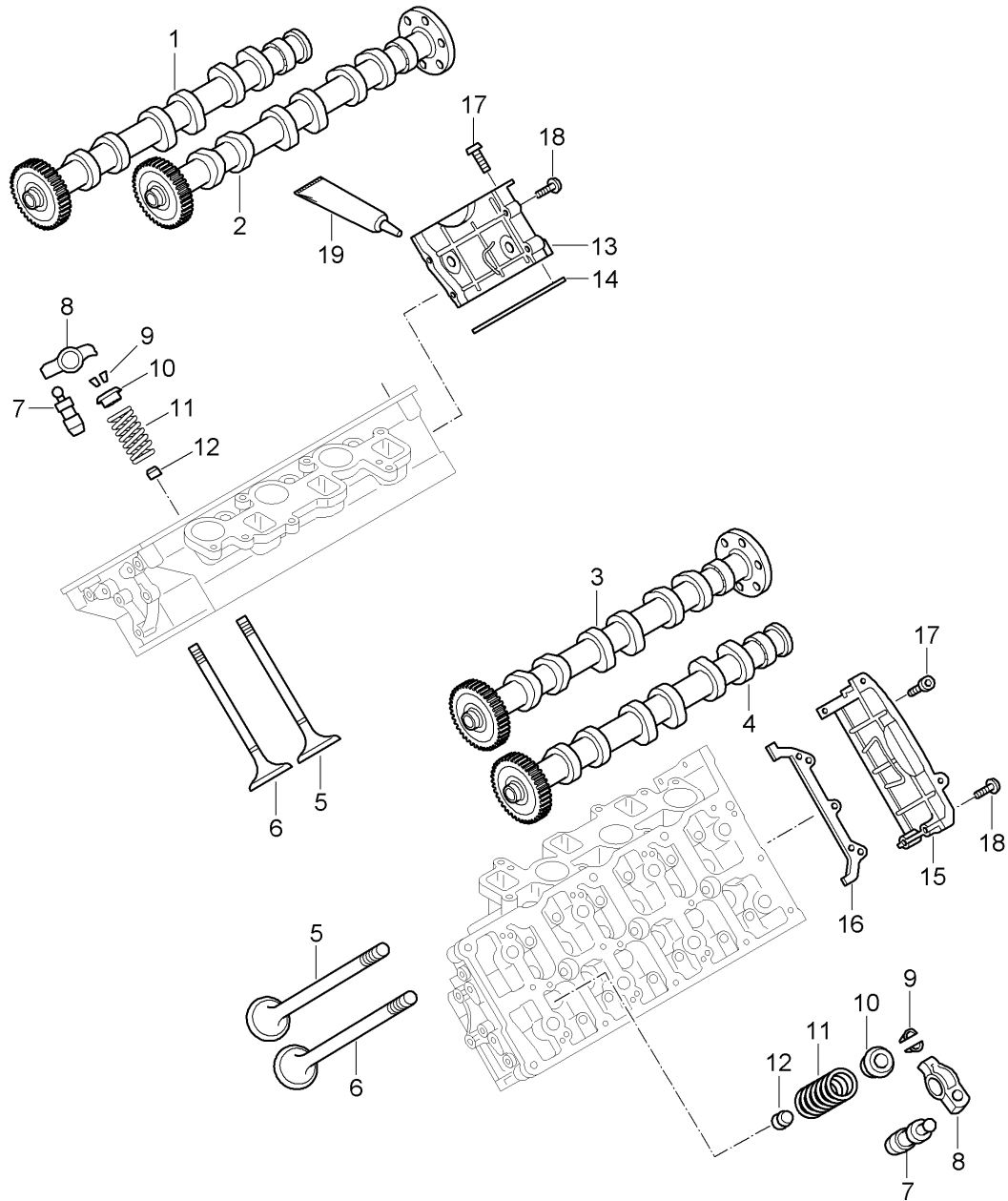
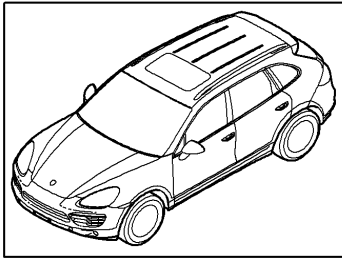


Model: 92A 11 Model life 2011>>

Pos	Part Number	Description	Remark	Qty	Model
		Camshaft Valves Vacuum pump			M05.9E
1	955 105 041 00	Camshaft Intake Cyl. 1 - 3		1	
2	955 105 242 10	Camshaft Exhaust Cyl. 1 - 3		1	
3	955 105 043 00	Camshaft Intake Cyl. 4 - 6		1	
4	955 105 244 10	Camshaft Exhaust Cyl. 4 - 6		1	
5	955 105 601 20	Intake valve		12	
6	955 105 312 20	Exhaust valve		12	
7	958 105 423 10	Differential housing Hydraulic		24	
8	955 105 115 10	Valve stem seal 6 MM		24	
-	955 105 501 00	Use also: 955.105.501.00 Sleeve for Repair Valve stem seal 6 X 20		X X	
9	955 105 119 10	Valve spring		24	
10	955 105 641 10	Concave washer Upper		24	
11	955 105 651 20	Valve collet		48	
12	955 105 417 20	Valve lever		24	
13	955 105 130 00	Cover Cyl. 1 - 3		1	
14	955 105 153 00	Lid Cyl. 1 - 3		1	
15	WHT 001 801	O-ring 63 X 2,5		1	
16	N 101 243 06	Oval-head screw M 6 X 20		22	
17	N 101 562 06	Oval-head screw M 6 X 30		4	
18	955 105 292 00	Gasket Cyl. 1 - 3		1	
19	955 105 129 00	Cover Cyl. 4 - 6		1	
20	955 105 291 00	Gasket Cyl. 4 - 6		1	
21	955 110 050 11	Vacuum pump		1	
22	WHT 001 801	O-ring 63 X 2,5		1	
23	955 110 117 00	O-ring 4,7 X 1,5		1	
24	955 110 764 00	Support		1	
25	N 104 056 04	Oval-head screw M 6 X 14		2	
26	000 043 207 49	Sealing compound 1 tube 80 ML		X	
(26)	958 101 902 00	Sealing compound 80 ML		X	

Model: 92A 11

Model life 2011>>



Model: 92A 11 Model life 2011>>

Pos	Part Number	Description	Remark	Qty	Model
		Camshaft			MCN.RB MCR.CA/CB MCV.VA/VB MCV.VC
1	958 105 042 00	Valves Camshaft		1	MCR.CA/CB
(1)	958 105 042 10	Exhaust Cyl. 1 - 3 Camshaft		1	MCN.RB MCV.VA/VB/VC
2	958 105 041 10	Exhaust Cyl. 1 - 3 Camshaft		1	
(2)	958 105 041 11	Intake Cyl. 1 - 3 Camshaft		1	
3	958 105 044 00	Intake Cyl. 4 - 6 Camshaft		1	
(3)	958 105 044 01	Intake Cyl. 4 - 6 Camshaft		1	
4	958 105 043 10	Exhaust Cyl. 4 - 6 Camshaft		1	MCR.CA/CB
(4)	958 105 043 20	Camshaft		1	MCN.RB MCV.VA/VB/VC
5	955 105 601 20	Exhaust Cyl. 4 - 6 Intake valve		12	
6	958 105 322 30	Exhaust valve		12	
7	958 105 423 10	Differential housing		24	
8	955 105 417 20	Hydraulic Valve lever		24	
9	955 105 651 20	Valve collet		48	
10	955 105 641 10	Concave washer		24	
11	955 105 119 10	Upper Valve spring		24	
12	955 105 115 10	Valve stem seal 6 MM		12	
(12)	958 105 115 20	Intake Use also: 955.105.501.00 Valve stem seal 6 MM		X 12	
-	955 105 501 00	Exhaust Use also: 955.105.501.00 Sleeve for Repair		X X	
13	958 105 130 00	Valve stem seal 6 X 20 Cover Cyl. 1 - 3		1	
(13)	958 105 130 01	Use also: 000.043.207.49 M >> 0 43366 Cover Cyl. 1 - 3	-14	X 1	
		Use also: 000.043.300.39		X	

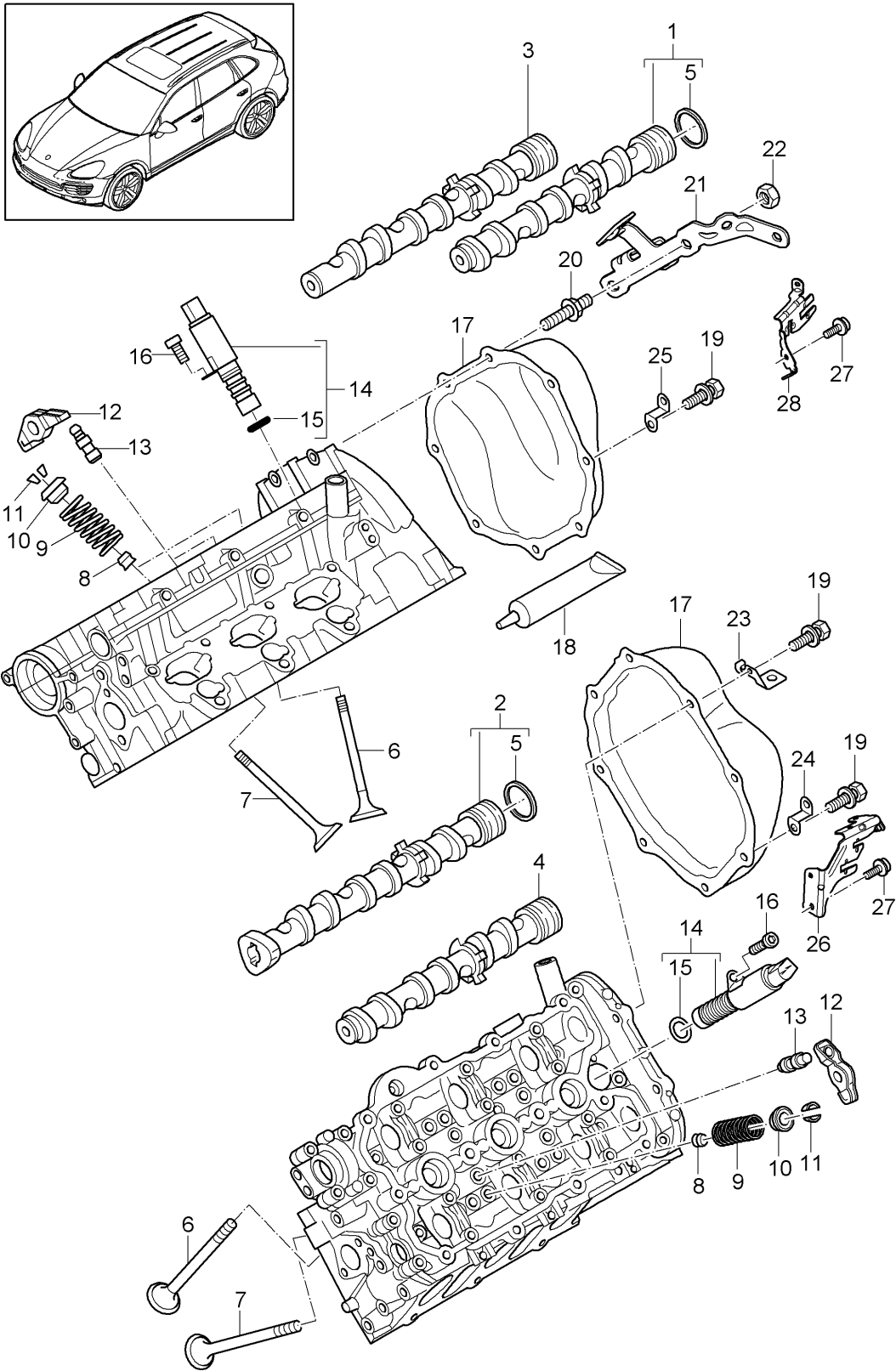
Model: 92A 11

Model life 2011>>

Pos	Part Number	Description	Remark	Qty	Model
(13)		M 0 43367 >> Cover	15-	1	
		Cyl. 1 - 3			
		Use also:			
		000.043.300.39		X	
14	958 105 592 00	Gasket		1	
		Use also:			
		000.043.207.49		X	
		M >> 0 43366			
(14)	958 105 592 02	Gasket	-14	1	
		Use also:			
		000.043.300.39		X	
		M 0 43367 >>			
(14)		Gasket	15-	1	
		Use also:			
		000.043.300.39		X	
15	958 105 129 00	Cover		1	
		Cyl. 4 - 6			
		Use also:			
		000.043.207.49		X	
		M >> 0 43366			
(15)	958 105 129 01	Cover	-14	1	
		Cyl. 4 - 6			
		Use also:			
		000.043.300.39		X	
		M 0 43367 >>			
(15)		Cover	15-	1	
		Cyl. 4 - 6			
		Use also:			
		000.043.300.39		X	
16	958 105 591 10	Gasket		1	
		Use also:			
		000.043.207.49		X	
		M >> 0 43366			
(16)	958 105 591 11	Gasket	-14	1	
		Use also:			
		000.043.300.39		X	
		M 0 43367 >>			
(16)		Gasket	15-	1	
		Use also:			
		000.043.300.39		X	
17	N 101 562 06	Oval-head screw		6	
		M 6 X 30			
		M >> 0 43366			
(17)	N 105 821 03	Oval-head screw	-14	6	
		M 6 X 40			
		M 0 43367 >>			
(17)		Oval-head screw	15-	6	
		M 6 X 40			
18	N 101 243 06	Oval-head screw		8	
		M 6 X 20			
19	000 043 207 49	Sealing compound		X	
		1 tube			
		80 ML			
(19)	958 101 902 00	Sealing compound	-13	X	
		80 ML			
(19)	000 043 300 39	Sealing compound	14-	X	
		1 tube			
		50 ML			

Model: 92A 11

Model life 2011>>



Model: 92A 11 Model life 2011>>

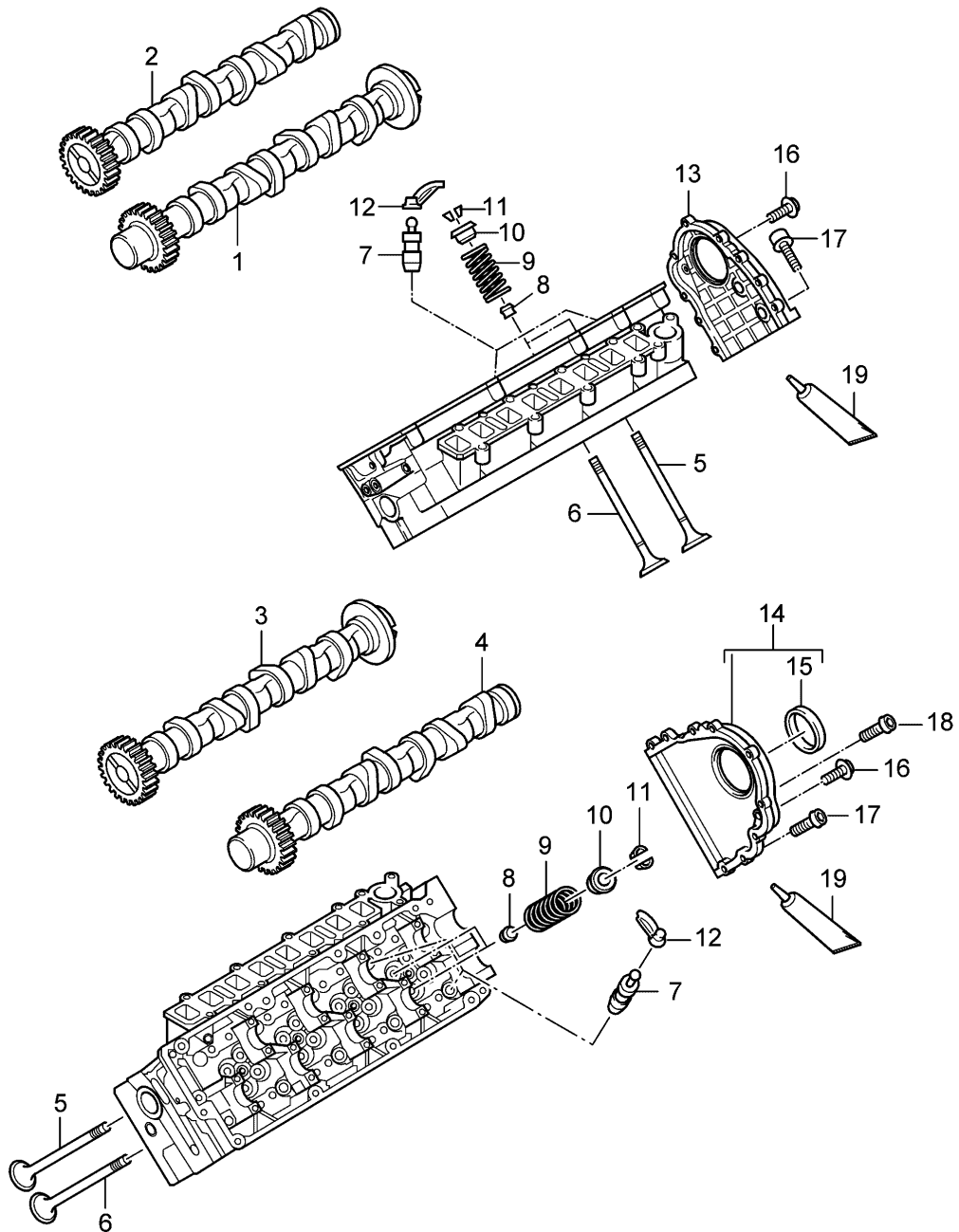
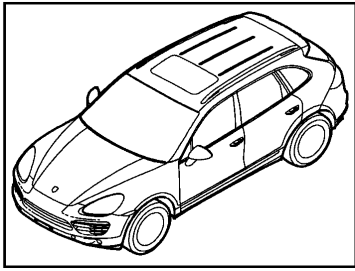
Pos	Part Number	Description	Remark	Qty	Model
		Camshaft			MCG.EA/FA MCJ.T M06.EC
1	958 105 041 00	Valves Camshaft Intake Cyl. 1 - 3		1	
2	958 105 043 00	Camshaft Intake Cyl. 4 - 6		1	
3	958 105 242 10	Camshaft Exhaust Cyl. 1 - 3		1	
4	958 105 244 10	Camshaft Exhaust Cyl. 4 - 6		1	
5	958 105 345 20	Sealing ring		2	
6	958 105 321 00	Intake valve		12	
7	958 105 322 20	Exhaust valve		12	
8	955 105 115 10	Valve stem seal Intake 6 MM		12	
(8)	955 105 675 20	Use also: 955.105.501.00 Valve stem seal Exhaust 6 MM		X 12	
-	955 105 501 00	Use also: 955.105.501.00 Sleeve for Repair Valve stem seal 6 X 20		X X	
9	958 105 119 10	Valve spring		24	
10	958 105 641 00	Concave washer		24	
11	955 105 651 20	Valve collet		48	
12	958 105 417 10	Valve lever		24	
(12)	958 105 417 11	Valve lever		24	
13	958 105 423 20	Differential housing Hydraulic		24	
14	958 105 304 00	Actuator Camshaft		2	M06.EC
(14)		Actuator		2	MCG.EA/FA MCJ.T
(14)	958 105 304 01	Camshaft M >> 1 02073 M >> 0 41375 Actuator		2	MCG.EA MCJ.T MCG.EA/FA MCJ.T
(14)	958 105 304 02	Camshaft M 1 02074 >> M 0 41376 >> Actuator		2	MCG.EA MCJ.T MCG.EA/FA MCJ.T
15	WHT 002 789	Camshaft M 1 02074 >> M 0 41376 >> O-ring		2	MCG.EA MCJ.T
16	N 106 225 03	14,8 X 1,9 Pan-head screw M 5 X 12		2	M06.EC
(16)		Pan-head screw		2	MCG.EA/FA

Model: 92A 11 Model life 2011>>

Pos	Part Number	Description	Remark	Qty	Model
(16)	N 912 111 01	M 5 X 12 M >> 1 02073 M >> 0 41375 Fit bolt		2	MCJ.T MCG.EA MCJ.T MCG.EA/FA MCJ.T
17	958 105 785 00	M 5 X 12 M 1 02074 >> M 0 41376 >> Lid		2	MCG.EA MCJ.T
(17)	958 105 785 01	Lid		2	
18	000 043 207 49	Use also: 000.043.300.39 Sealing compound 1 tube		1 X	
(18)	000 043 300 39	80 ML Sealing compound 1 tube		X	
19	N 100 829 11	50 ML Combination screw M 6 X 16		14	
20	N 910 573 02	Stud		2	
21	958 606 501 20	M 6 X 16 / M 6 X 10 Support		1	
22	N 011 006 32	Hexagon nut M 6		2	
23	958 606 845 00	Support		1	
24	958 111 597 00	Support	/L	1	
25	958 111 598 00	Heat shield Support	/R	1	
26	958 606 301 10	Heat shield Support	/L	1	
27	N 104 514 05	Knock sensor Round head screw M 6 X 16		3	
28	958 606 361 10	Support Knock sensor	/R	1	

Model: 92A 11

Model life 2011>>



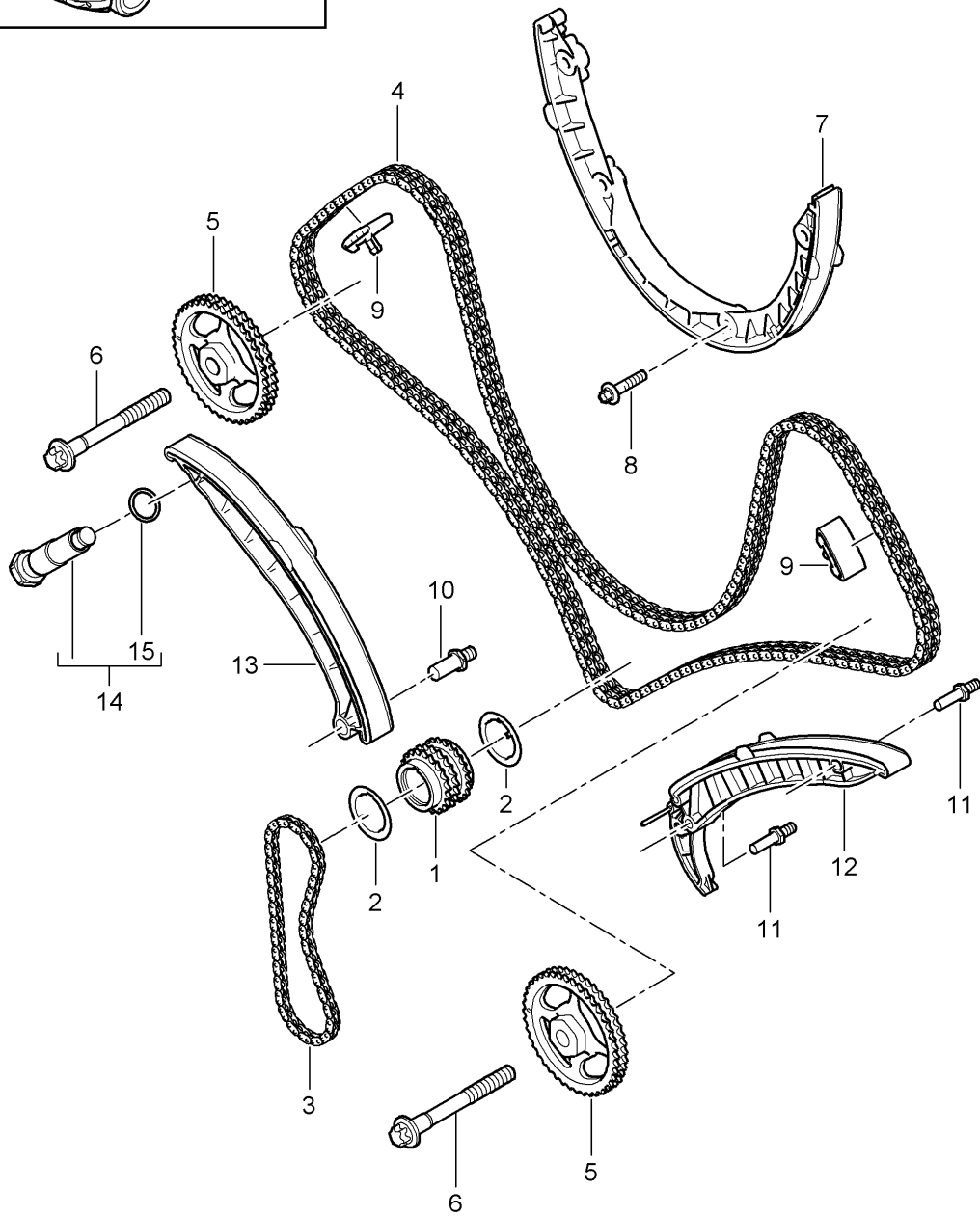
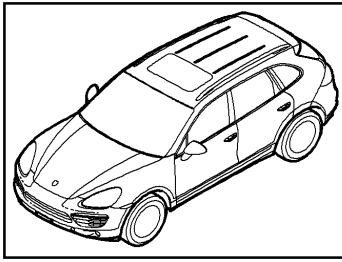
Model: 92A 11

Model life 2011>>

Pos	Part Number	Description	Remark	Qty	Model
		Camshaft Valves			MCU . DB/DC
1	958 105 041 20	Camshaft Intake Cylinders 1 - 4		1	
2	958 105 042 20	Camshaft Exhaust Cylinders 1 - 4		1	
(2)	958 105 042 21	Camshaft Exhaust Cylinders 1 - 4		1	
3	958 105 044 10	Camshaft Intake Cylinders 5 - 8		1	
(3)	958 105 044 11	Camshaft Intake Cylinders 5 - 8		1	
4	958 105 043 30	Camshaft Exhaust Cylinders 5 - 8		1	
5	955 105 601 20	Intake valve		16	
6	958 105 322 40	Exhaust valve		16	
7	958 105 423 10	Differential housing Hydraulic		32	
8	955 105 115 10	Valve stem seal 6 MM		32	
		Use also: 955.105.501.00		X	
-	955 105 501 00	Sleeve for Repair		X	
		Valve stem seal 6 X 20			
9	955 105 119 10	Valve spring		32	
10	955 105 641 10	Concave washer Upper		32	
11	955 105 651 20	Valve collet		64	
12	955 105 417 20	Valve lever		32	
13	958 105 130 10	Cover Cylinders 1 - 4		1	
14	958 105 122 10	Cover Cylinders 5 - 8		1	
15	958 105 586 30	Shaft sealing ring 47 X 10		1	
16	N 101 243 06	Oval-head screw M 6 X 20		18	
17	N 101 174 05	Pan-head screw M 6 X 30		4	
18	N 100 801 05	Pan-head screw M 6 X 25		1	
19	000 043 300 39	Sealing compound 1 tube 50 ML		X	

Model: 92A 11

Model life 2011>>



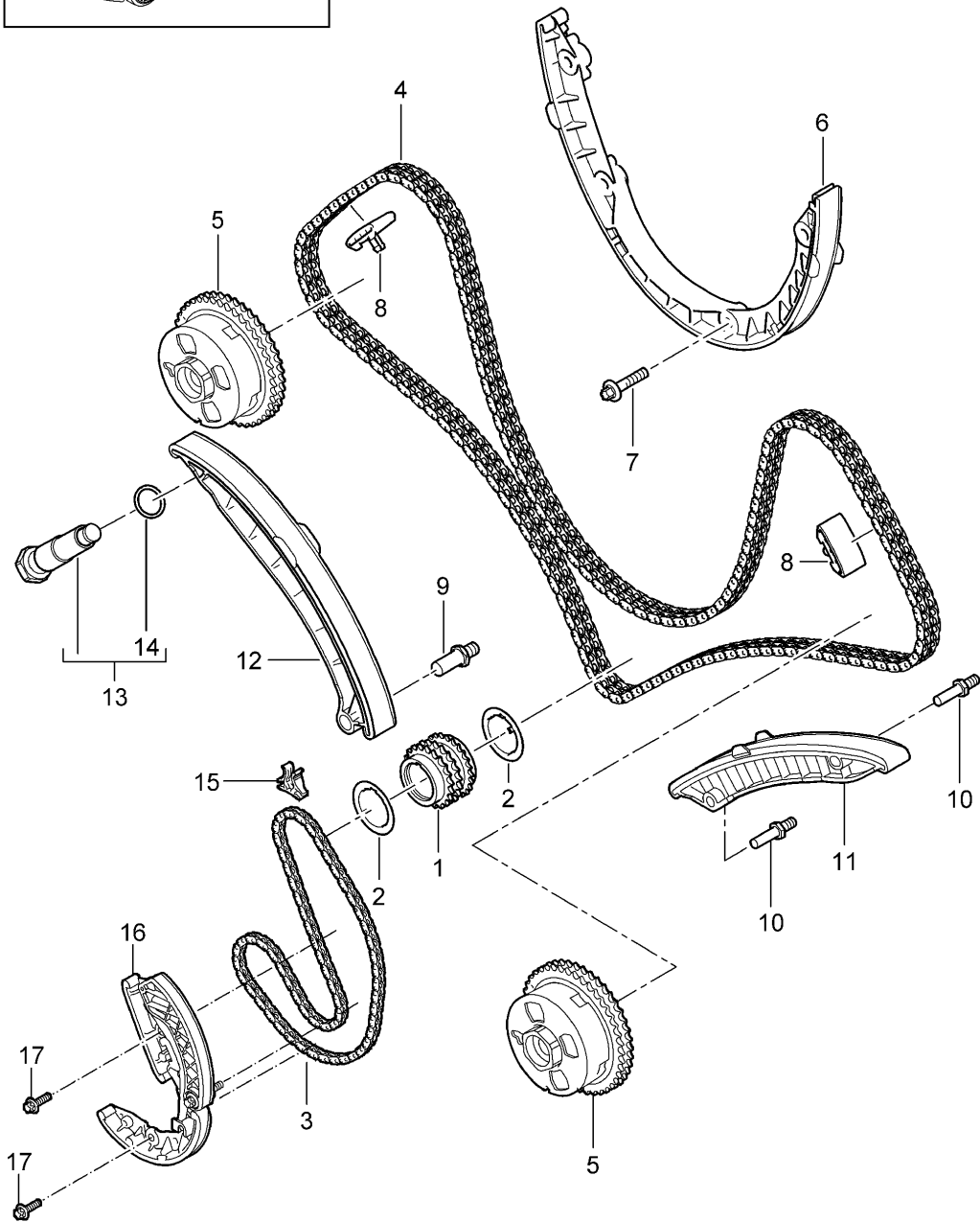
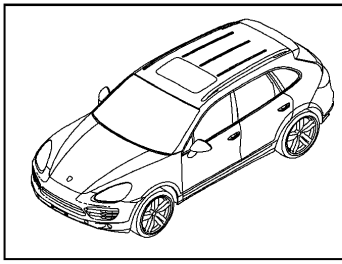
Model: 92A 11

Model life 2011>>

Pos	Part Number	Description	Remark	Qty	Model
		Valve control			MCF.TB MCY.XA M48.02/52
1	948 102 231 11	Sprocket Crankshaft		1	
2	948 102 230 00	Washer		2	
3		Chain Oil pump See illustrations 1/04/00		1	
4	948 105 169 10	Chain		1	
5	948 105 181 11	Sprocket Camshaft Exhaust		2	
6	948 105 254 00	Outer hexagon round screw M 12 X 1,5 X 110		2	
7	948 105 023 12	Guide rail		1	
8	900 385 042 01	Torx screw BM 8 X 35		4	
9	948 105 166 12	Guide rail		2	
10	999 015 022 01	Threaded bolt M 10 X 25		1	
11	999 015 021 01	Threaded bolt M 8 X 25		2	
12	948 105 068 11	Guide rail Camshaft Crankshaft		1	
13	948 105 065 10	Tensioner blade		1	
14	948 105 180 11	Chain adjuster		1	
15	900 123 118 30	Sealing ring A 22 X 27		1	

Model: 92A 11

Model life 2011>>



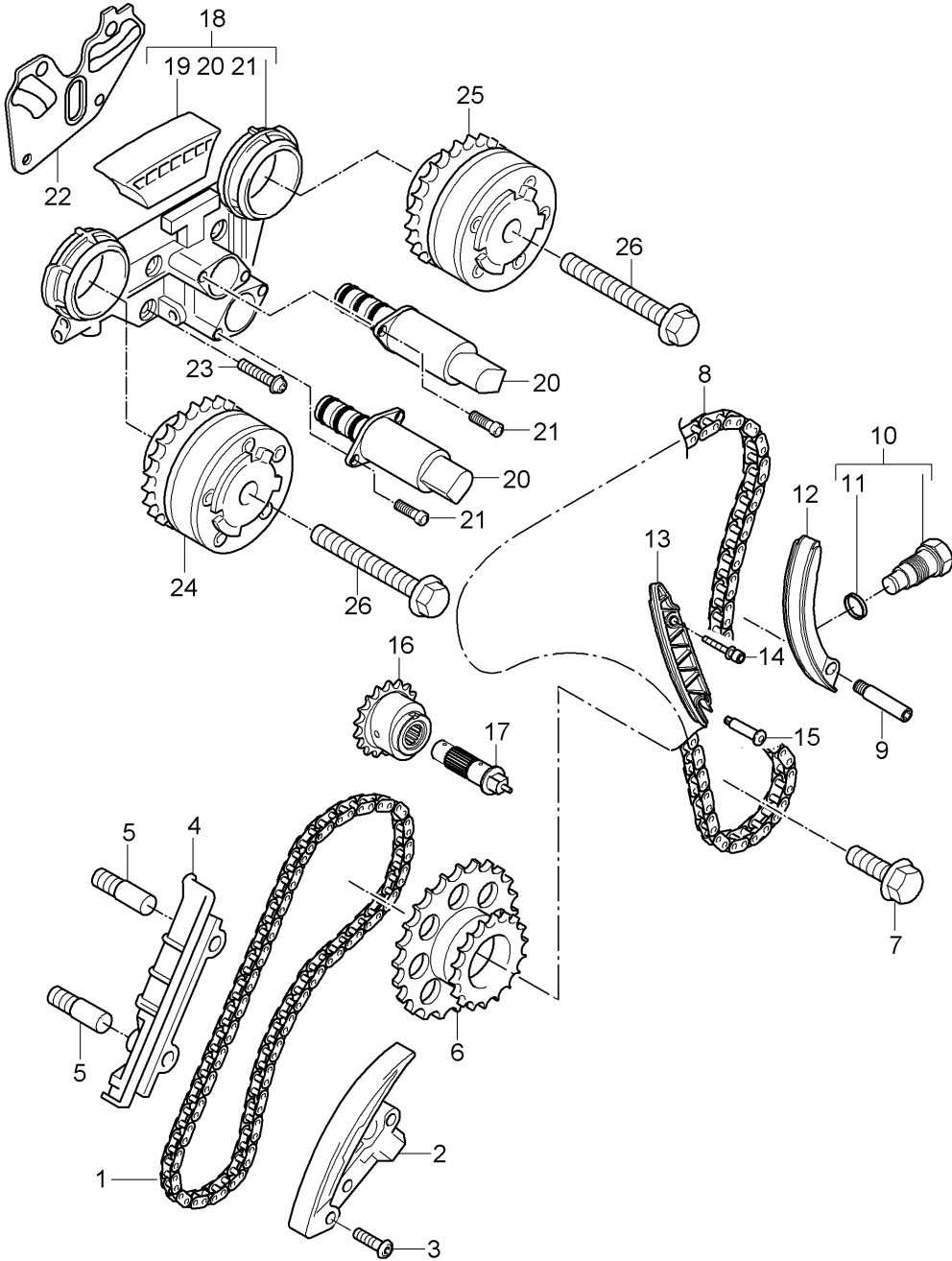
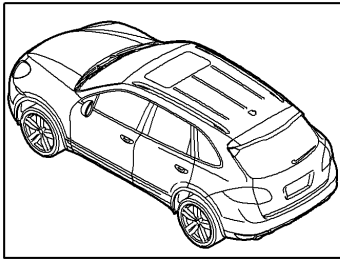
Model: 92A 11

Model life 2011>>

Pos	Part Number	Description	Remark	Qty	Model
		Valve control			MCU.RA MCX.ZA
1	946 102 231 75	Sprocket Crankshaft		1	
2	948 102 230 00	Washer		2	
3	946 107 252 75	Chain Oil pump		1	
4	946 105 169 75	Chain		1	
5		Camshaft adjuster See illustrations 1/03/52		X	
6	948 105 023 12	Guide rail		1	
7	900 385 042 01	Torx screw BM 8 X 35		4	
8	948 105 166 12	Guide rail		2	
9	999 015 022 01	Threaded bolt M 10 X 25		1	
10	999 015 021 01	Threaded bolt M 8 X 25		2	
11	946 105 068 00	Guide rail		1	
12	948 105 065 10	Tensioner blade		1	
13	946 105 180 75	Chain adjuster		1	
(13)	946 105 180 76	Chain adjuster		1	
14	900 123 118 30	Sealing ring A 22 X 27		1	
15	946 107 253 00	Guide piece		1	
16	946 107 258 77	Chain adjuster Oil pump		1	
17	999 073 344 01	Driving mechanism Round head screw M 6 X 20		2	

Model: 92A 11

Model life 2011>>



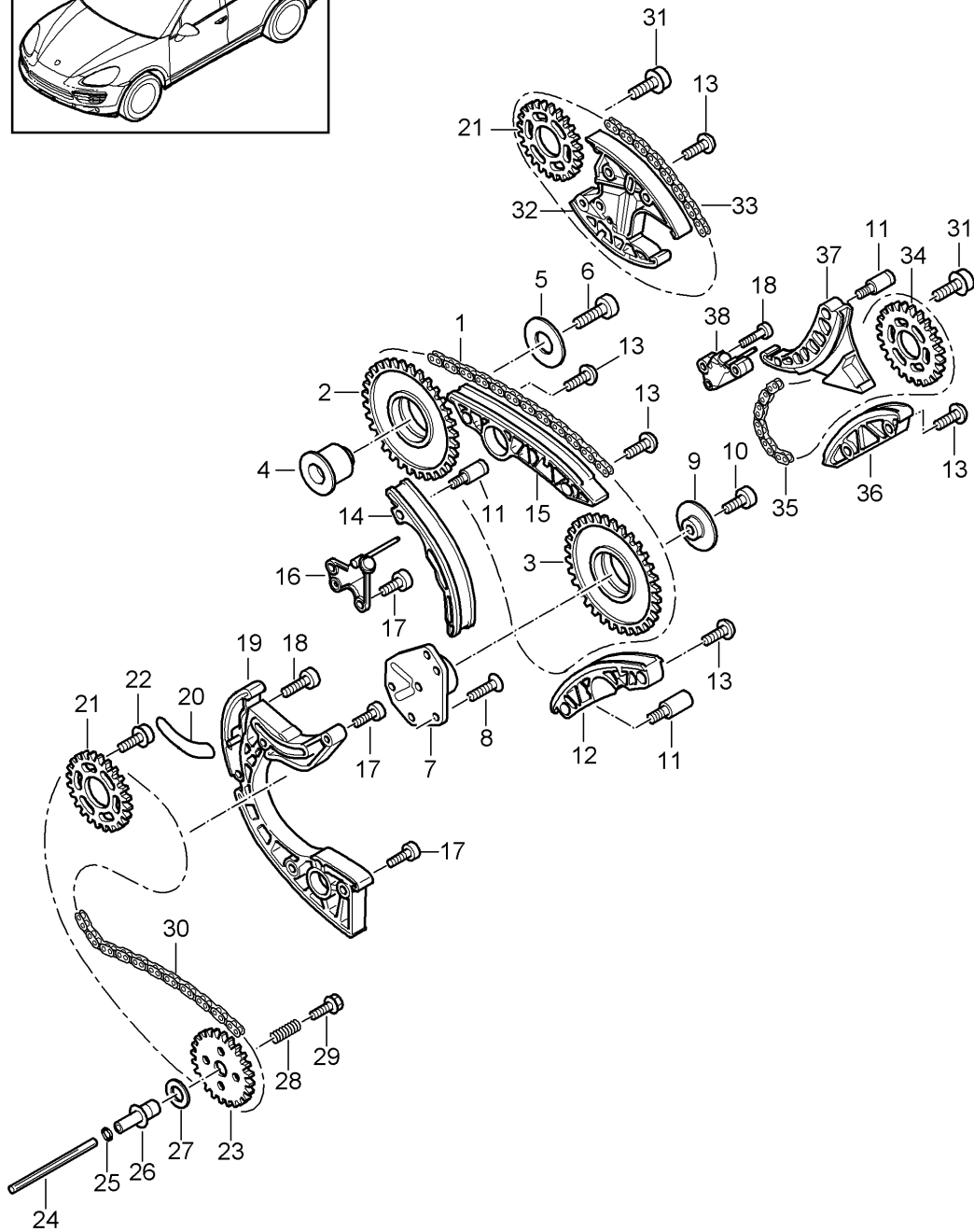
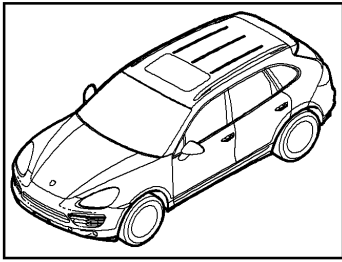
Model: 92A 11

Model life 2011>>

Pos	Part Number	Description	Remark	Qty	Model
		Valve control			MCE.YA M55.02
1	955 105 465 01	Timing chain		1	
2	958 105 467 00	Chain adjuster		1	
3	N 909 238 01	Oval-head screw M 6 X 24		2	
4	955 105 469 00	Guide rail		1	
5	955 105 471 00	Bolt		2	
6	958 105 221 10	Sprocket		1	
7	N 102 038 03	Hexagon-head bolt M 12 X 1,5 X 40		1	
8	955 105 169 00	Timing chain		1	
9	955 105 511 00	Bolt		1	
10	955 105 507 02	Chain adjuster		1	
11	N 013 827 1	Sealing ring A 22 X 27		1	
12	955 105 065 01	Tensioner blade		1	
13	955 105 066 00	Guide rail		1	
14	N 106 139 01	Combination screw M 8 X 45		1	
15	955 105 515 00	Bolt		1	
16	955 105 232 00	Sprocket		1	
17	955 105 107 01	Drive shaft		1	
18	958 105 215 00	Timing chain housing with Control valve		1	
19	955 105 514 00	Guide rail		1	
20	955 105 303 01	Control valve		2	
21	N 904 552 05	Oval-head screw M 4 X 10		4	
22	958 105 540 00	Gasket		1	
23	N 910 970 01	Outer hexagon round screw M 6 X 30		4	
(23)	N 909 658 02	Pan-head screw M 6 X 30		4	
24	955 105 051 01	Camshaft adjuster Intake		1	
25	958 105 052 00	Camshaft adjuster Exhaust		1	
26	N 911 180 01	Hexagon-head bolt M 12 X 1,5 X 85		2	

Model: 92A 11

Model life 2011>>



Model: 92A 11

Model life 2011>>

Pos	Part Number	Description	Remark	Qty	Model
		Valve control			M05.9E
1	955 105 169 10	Timing chain		1	
2	955 105 077 00	Sprocket		1	
		Z = 19			
3	955 105 077 10	Sprocket		1	
		Z = 28			
4	955 105 224 00	Bearing pin		1	
5	WHT 000 124	Washer		1	
		18 X 50 X 2,23			
6	N 106 609 01	Pan-head screw		1	
		M 10 X 40			
7	955 105 334 00	Bearing pin		1	
8	N 909 549 05	Countersunk-head screw		3	
		M 6 X 18			
9	955 105 435 00	Thrust washer		1	
10	N 104 514 09	Pan-head screw		1	
		M 6 X 16			
11	WHT 000 265	Pan-head screw		3	
		M 6 X 35			
12	955 105 469 10	Guide rail		1	
13	N 101 562 05	Oval-head screw		8	
		M 6 X 30			
14	955 105 065 10	Guide rail		1	
15	955 105 514 10	Guide rail		1	
16	955 105 567 00	Chain adjuster		1	
17	N 101 243 06	Oval-head screw		5	
		M 6 X 20			
18	N 105 540 05	Oval-head screw		3	
		M 6 X 35			
19	955 105 507 10	Chain adjuster		1	
20	955 105 139 00	Gasket		1	
(20)	955 105 139 01	Gasket		1	
21	955 105 222 00	Sprocket		2	
		Z = 25			
22	N 910 488 02	Pan-head screw		3	
		M 8 X 20			
23	955 107 114 00	Sprocket		1	
		Z = 25			
		Oil pump			
24	955 107 320 00	Drive shaft		1	
		Oil pump			
25	N 900 154 01	Circlip		1	
		8			
26	955 105 341 00	Drive shaft		1	
		When required order also:			
		955.107.320.00		1	
		N .900.154.01		1	
27	955 105 537 00	Thrust washer		1	
28	955 105 481 00	Compression spring		1	
29	N 908 932 02	Hexagon-head bolt		1	
		M 10 X 20			
30	955 105 465 10	Timing chain		1	
31	N 910 522 01	Pan-head screw		10	
		M 8 X 12			
32	955 105 218 00	Chain adjuster		1	
33	955 105 229 00	Timing chain		1	
34	955 105 223 00	Sprocket		1	
		Z = 35			
35	955 105 229 10	Timing chain		1	
36	955 105 513 10	Guide rail		1	
37	955 105 510 01	Tensioner blade		1	
38	955 105 217 00	Chain adjuster		1	

Model: 92A 11 Model life 2011>>

Pos	Part Number	Description	Remark	Qty	Model
		Valve control			MCN.RB MCR.CA/CB MCV.VA/VB MCV.VC
1	958 105 169 10	Timing chain		1	
(1)	958 105 169 11	Timing chain		1	
2	958 105 065 00	Guide rail		1	
3	958 105 426 00	Guide pin		2	
4	958 105 066 00	Guide rail		1	
5	958 105 426 00	Guide pin		2	
6	958 105 067 00	Guide rail		1	
7	958 105 426 00	Guide pin		1	
8	958 105 426 10	Guide pin		1	
9	958 105 068 00	Guide rail		1	
10	958 105 426 10	Guide pin		1	
11	958 105 467 10	Chain adjuster		1	
(11)	958 105 467 11	Chain adjuster		1	
(11)	958 105 467 12	Chain adjuster		1	
12	N 101 243 06	Oval-head screw M 6 X 20		2	
13	958 105 181 10	Sprocket Camshaft Z = 48		2	
14	N 910 522 01	Pan-head screw M 8 X 12		10	
15	958 101 333 00	Sprocket Balance shaft		1	
16	N 910 488 02	Pan-head screw M 8 X 20		3	
17	958 105 170 00	Timing chain		1	
18	958 105 069 00	Guide rail		1	
19	WHT 005 189	Outer hexagon round screw M 6 X 29,5 with Guide sleeve		1	
20	958 105 507 20	Chain adjuster		1	
(20)	958 105 507 21	Chain adjuster		1	
21	N 101 243 06	Oval-head screw M 6 X 20		6	
22	958 105 535 10	Spacer sleeve 6 X 15,5 X 8		1	
23	N 101 243 06	Oval-head screw M 6 X 20		1	
24	958 107 114 10	Sprocket Oil pump		1	
25	955 105 481 00	Compression spring		1	
26	958 107 320 10	Drive shaft Oil pump		1	
27	N 908 932 02	Hexagon-head bolt M 10 X 20		1	
28	958 105 222 00	Sprocket high-pressure pump Only together with Flange 958.110.541.00 059.130.141.F		1	MCR.CA/CB
(28)	958 105 222 10	Sprocket high-pressure pump Only together with Flange 958.110.541.10 059.130.141.H		1	MCR.CA/CB
(28)	958 105 222 11	Sprocket		1	MCR.CA/CB

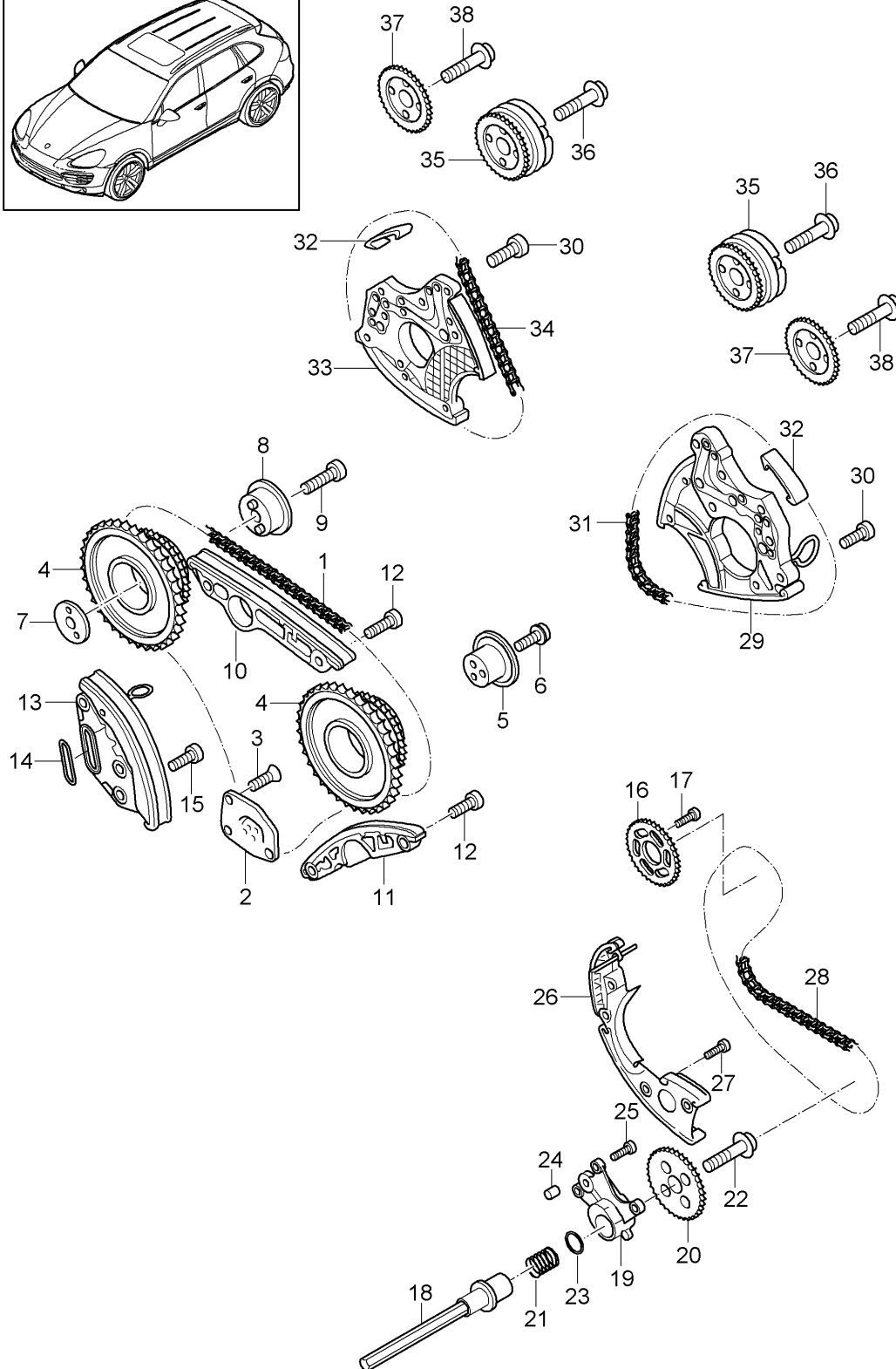
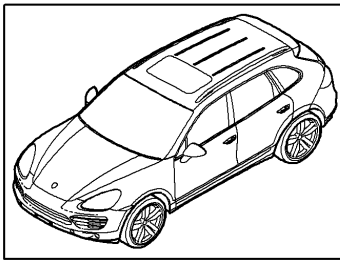
Model: 92A 11

Model life 2011>>

Pos	Part Number	Description	Remark	Qty	Model
(28)		high-pressure pump Only together with Flange 958.110.541.10 059.130.141.H Sprocket		1	MCN.RB MCV.VA/VB/VC
29		high-pressure pump Flange Sprocket high-pressure pump See illustrations 1/07/37 Pos.18		1	

Model: 92A 11

Model life 2011>>



Model: 92A 11

Model life 2011>>

Pos	Part Number	Description	Remark	Qty	Model
		Valve control			MCG.EA/FA MCJ.T M06.EC
1	958 105 169 00	Timing chain		1	
2	958 105 493 00	Plate		1	
3	N 909 549 03	Countersunk-head screw M 6 X 18		3	
4	958 105 077 00	Sprocket		2	
5	958 105 289 00	Bearing pin		1	
6	N 102 855 05	Pan-head screw M 6 X 12		3	
(6)	N 102 855 01	Pan-head screw M 6 X 12		3	
7	958 105 180 20	Thrust washer		1	
8	958 105 220 10	Bearing pin		1	
9	N 106 609 01	Pan-head screw M 10 X 40		1	
(9)	N 106 609 02	Pan-head screw M 10 X 40		1	
10	958 105 514 00	Guide rail		1	
11	958 105 469 00	Guide rail		1	
12	N 911 290 01	Pan-head screw M 7 X 36		4	
13	958 105 507 00	Chain adjuster		1	
(13)	958 105 507 01	Chain adjuster		1	
14	958 105 139 00	Gasket		1	
15	N 101 243 04	Oval-head screw M 6 X 20		3	
16	955 105 222 00	Sprocket		1	
17	N 910 268 02	Pan-head screw M 8 X 20		3	
(17)	N 104 687 03	Lens-head screw M 8 X 20		3	
18	958 107 320 00	Drive shaft Oil pump		1	
(18)	958 107 320 01	Drive shaft Oil pump		1	
19	958 105 360 10	Mounting plate		1	
20	958 107 114 00	Sprocket Oil pump		1	
21	955 105 481 00	Compression spring		1	
22	N 910 737 01	Pan-head screw M 10 X 25		1	
23	N 903 620 01	O-ring 14 X 2		1	
24	N 910 208 01	Dowel sleeve 8 M 7 X 10		2	
25	N 104 134 05	Outer hexagon round screw M 6 X 25		3	
(25)	N 910 717 02	Outer hexagon round screw M 6 X 25		3	
26	958 105 507 10	Chain adjuster		1	
27	N 104 514 07	Pan-head screw M 6 X 16		3	
28	958 105 465 00	Timing chain		1	
29	958 105 217 00	Chain adjuster		1	
(29)	958 105 217 01	Chain adjuster		1	
30	N 101 243 04	Oval-head screw M 6 X 20		8	
31	958 105 465 10	Timing chain		1	
32	958 105 470 00	Guide rail		2	
33	958 105 218 00	Chain adjuster		1	
(33)	958 105 218 01	Chain adjuster		1	

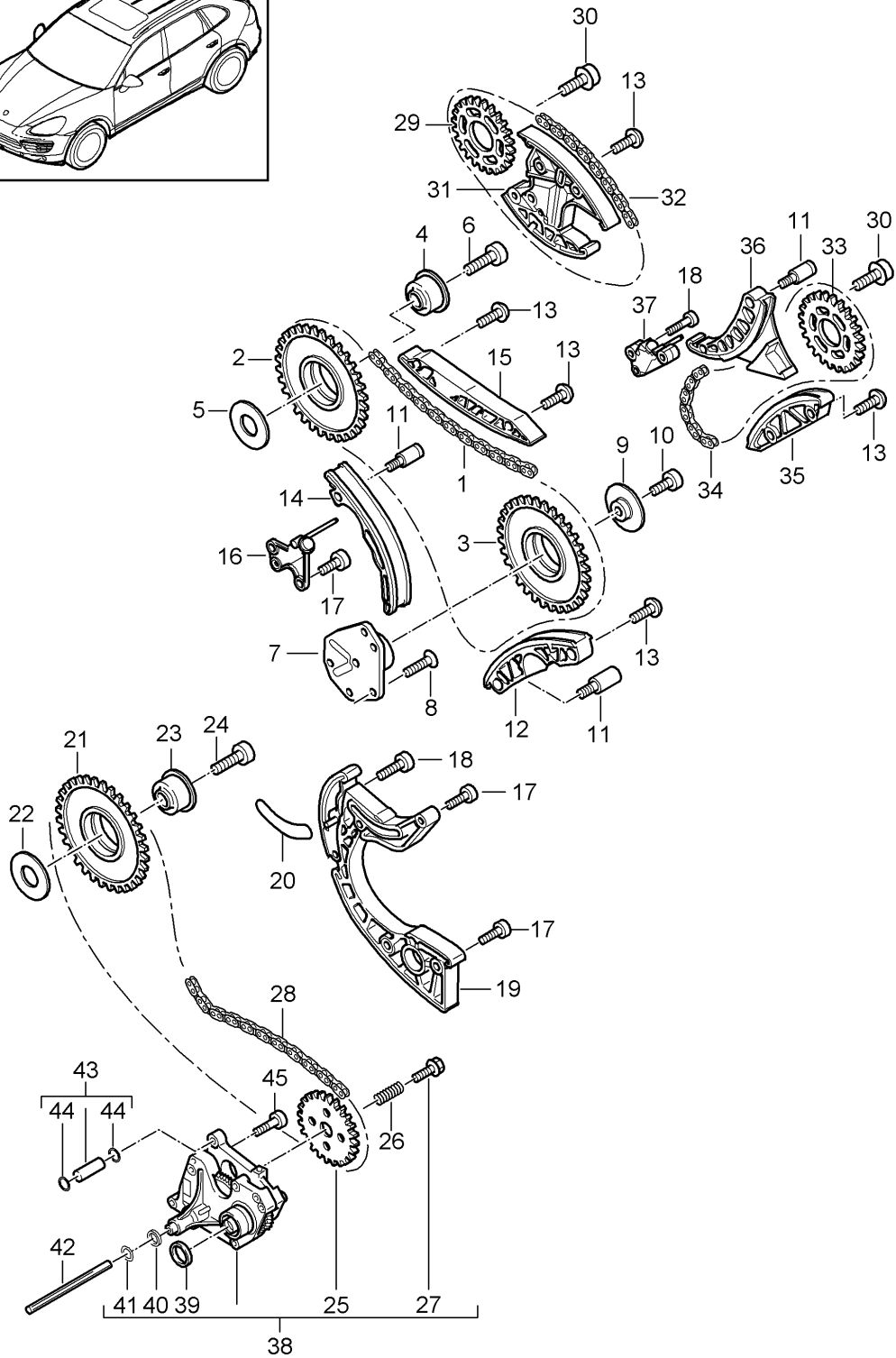
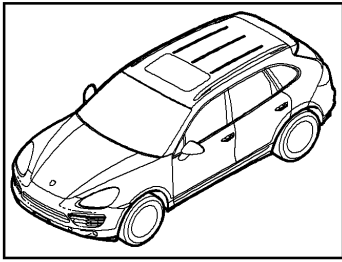
Model: 92A 11

Model life 2011>>

Pos	Part Number	Description	Remark	Qty	Model
34	958 105 465 20	Timing chain		1	
35	958 105 051 00	Camshaft adjuster		2	
(35)	958 105 051 01	Intake Camshaft adjuster		2	
36	N 910 428 02	Intake Pan-head screw BM 12 X 1,25 X 60 X 30		2	
37	958 105 181 00	Sprocket Camshaft		2	
38	N 910 502 01	Pan-head screw M 12 X 1,25 X 30		2	

Model: 92A 11

Model life 2011>>



Model: 92A 11

Model life 2011>>

Pos	Part Number	Description	Remark	Qty	Model
		Valve control			MCU.DB/DC
1	955 105 169 10	Timing chain		1	
2	955 105 077 00	Sprocket		1	
		Z = 19			
3	955 105 077 10	Sprocket		1	
		Z = 28			
4	955 105 224 00	Bearing pin		1	
5	WHT 000 124	Washer		1	
		18 X 50 X 2,23			
6	N 106 609 01	Pan-head screw		1	
		M 10 X 40			
7	955 105 334 00	Bearing pin		1	
8	N 909 549 05	Countersunk-head screw		3	
		M 6 X 18			
9	955 105 435 00	Thrust washer		1	
10	N 104 514 09	Pan-head screw		1	
		M 6 X 16			
11	WHT 000 265	Pan-head screw		3	
		M 6 X 35			
12	955 105 469 10	Guide rail		1	
13	N 101 562 05	Oval-head screw		8	
		M 6 X 30			
14	955 105 065 10	Guide rail		1	
15	958 105 514 10	Guide rail		1	
16	955 105 567 00	Chain adjuster		1	
17	N 101 243 04	Oval-head screw		5	
		M 6 X 20			
18	N 105 540 05	Oval-head screw		3	
		M 6 X 35			
19	955 105 507 10	Chain adjuster		1	
20	955 105 139 01	Gasket		1	
21	958 105 570 00	Sprocket		1	
22	958 105 315 00	Plate		1	
23	958 105 512 00	Bearing pin		1	
24	N 106 609 01	Pan-head screw		1	
		M 10 X 40			
25	955 107 114 00	Sprocket		1	
		Z = 25			
		Oil pump			
26	958 105 481 00	Compression spring		1	
27	N 908 932 02	Hexagon-head bolt		1	
		M 10 X 20			
28	958 105 169 20	Timing chain		1	
29	955 105 222 00	Sprocket		1	
		Z = 25			
30	N 910 522 01	Pan-head screw		10	
		M 8 X 12			
31	955 105 218 00	Chain adjuster		1	
32	955 105 229 00	Timing chain		1	
33	955 105 223 00	Sprocket		1	
		Z = 35			
34	955 105 229 10	Timing chain		1	
35	955 105 513 10	Guide rail		1	
36	955 105 510 01	Tensioner blade		1	
37	955 105 217 00	Chain adjuster		1	
38	958 105 349 00	Mounting plate		1	
39	958 101 551 00	Shaft sealing ring		1	
40	958 105 535 00	Spacer sleeve		1	
41	N 012 416 1	Circlip		1	
		16 X 1			
42	958 107 320 20	Drive shaft		1	
		Oil pump			
43	958 101 688 10	Oil tube		1	

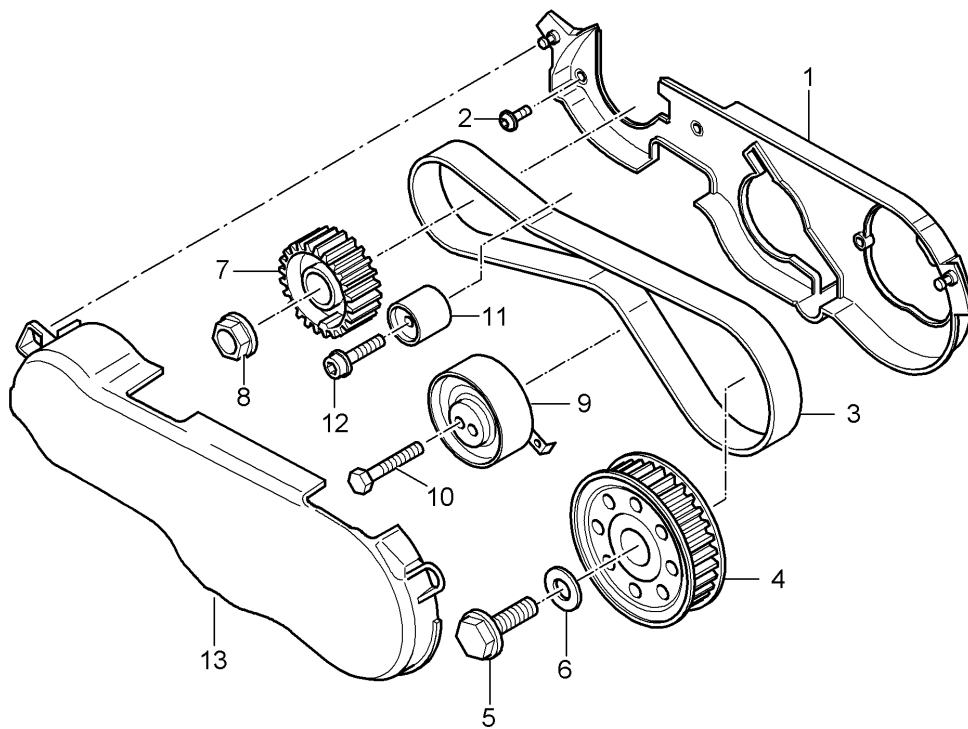
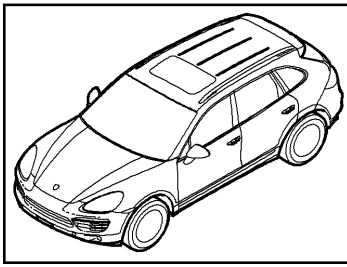
Model: 92A 11

Model life 2011>>

Pos	Part Number	Description	Remark	Qty	Model
44	N 907 408 01	O-ring 7,65 X 1,78		2	
45	N 105 821 03	Oval-head screw M 6 X 40		5	

Model: 92A 11

Model life 2011>>



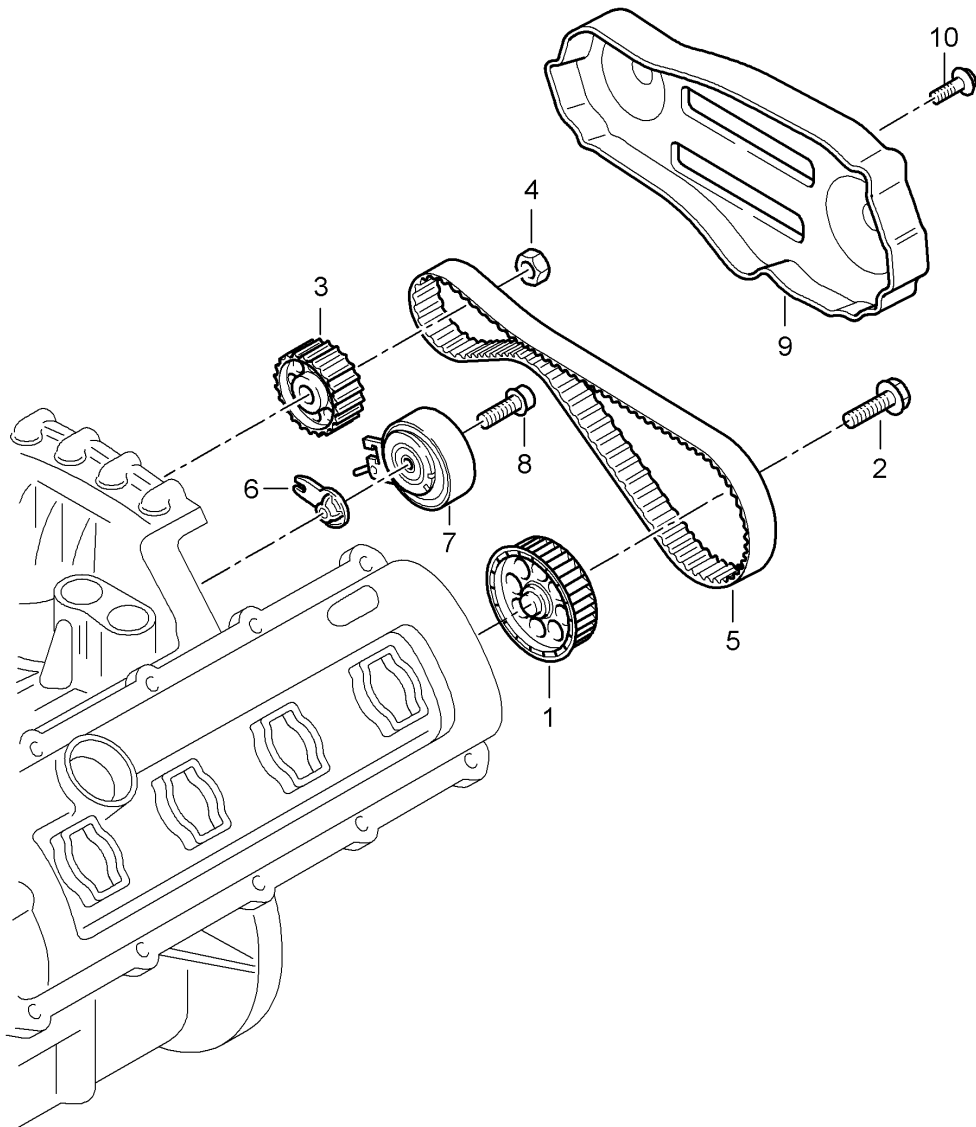
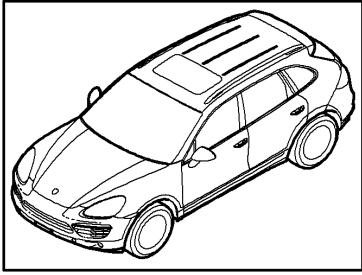
Model: 92A 11

Model life 2011>>

Pos	Part Number	Description	Remark	Qty	Model
		Toothed belt			M05.9E
		Cover for toothed belt			
1	955 105 033 00	Toothed belt covering		1	
2	N 104 514 05	Round head screw M 6 X 16		4	
3	955 102 219 00	Toothed belt		1	
4	955 105 151 00	Toothed belt pulley		1	
5	N 902 562 02	Hexagon-head bolt M 10 X 1,25 X 30		1	
6	N 909 717 02	Washer 10,5 X 30 X 4		1	
7		Toothed belt pulley See illustrations 1/07/45		1	
8		Hexagon nut See illustrations 1/07/45		1	
9	955 105 243 00	Tensioning roller		1	
10	N 900 637 06	Hexagon-head bolt M 8 X 50		1	
11	955 105 244 01	Deflection roller		1	
12	N 910 266 02	Pan-head screw M 8 X 35		1	
13	955 105 035 00	Cover for toothed belt		1	

Model: 92A 11

Model life 2011>>



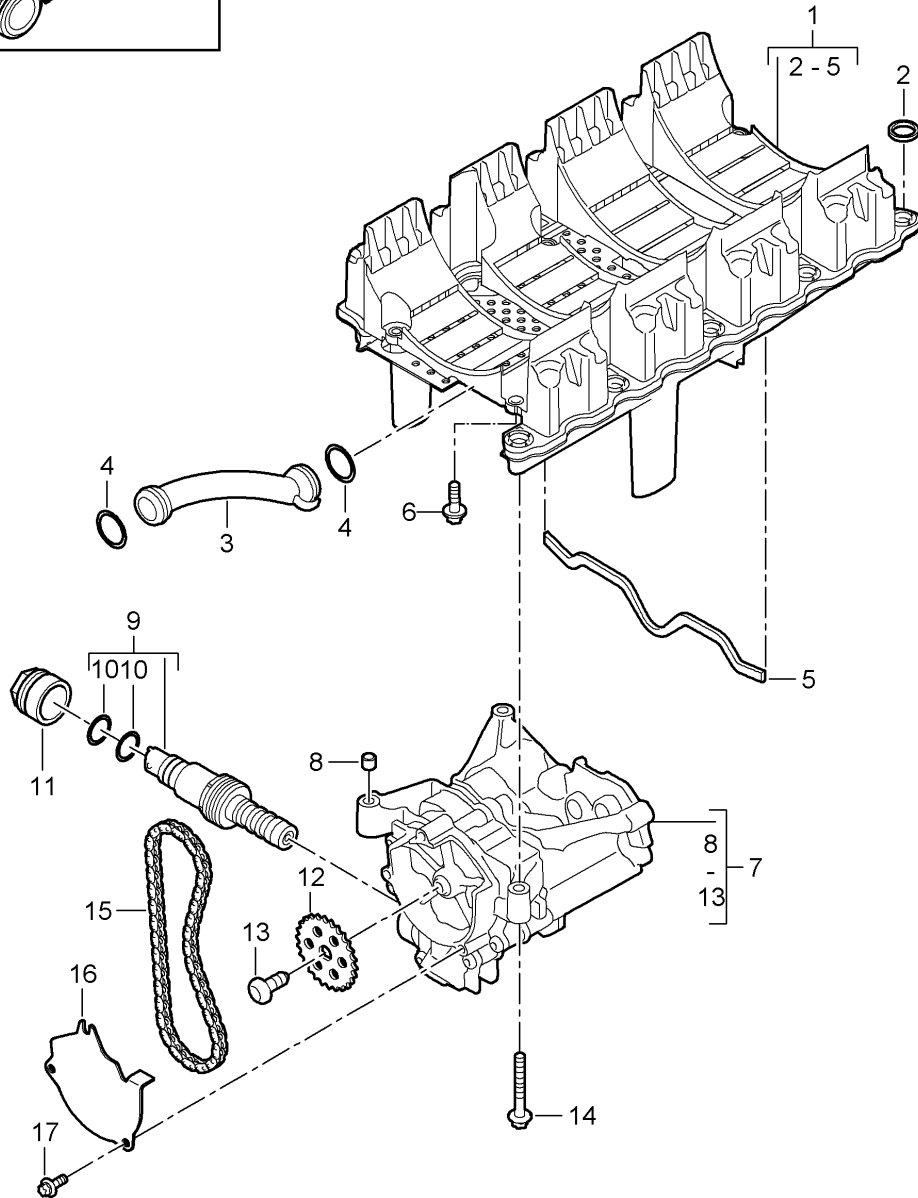
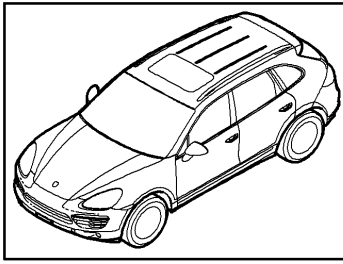
Model: 92A 11

Model life 2011>>

Pos	Part Number	Description	Remark	Qty	Model
		Toothed belt			MCU.DB/DC
		Cover for toothed belt			
1	958 105 151 00	Toothed belt pulley		1	
2	N 106 875 01	Hexagon-head bolt		1	
		M 14 X 1,5 X 72			
3	958 110 111 00	Toothed belt pulley		1	
4	WHT 002 244	Hexagon nut		1	
		M 18 X 1,5			
5	958 105 219 00	Toothed belt		1	
(5)	958 105 219 01	Toothed belt		1	
6	958 105 185 00	Support		1	
		Tensioning roller			
(6)	958 105 185 01	Support		1	
		Tensioning roller			
7	958 105 243 00	Tensioning roller		1	
8	N 106 664 01	Pan-head screw		1	
		M 8 X 75			
9	958 105 035 00	Cover for toothed belt		1	MCU.DB
(9)	958 105 035 01	Cover for toothed belt		1	
10	N 104 056 04	Oval-head screw		2	MCU.DB
		M 6 X 14			
		Only together with			
		Cover for toothed belt			
		958.105.035.00			
		057.109.123.AE			
(10)		Oval-head screw		1	
		M 6 X 14			
		Only together with			
		Cover for toothed belt			
		958.105.035.01			
		057.109.123.AF			
(10)	N 107 002 01	Outer hexagon round screw		1	
		M 6 X 22			
		Only together with			
		Cover for toothed belt			
		958.105.035.01			
		057.109.123.AF			

Model: 92A 11

Model life 2011>>



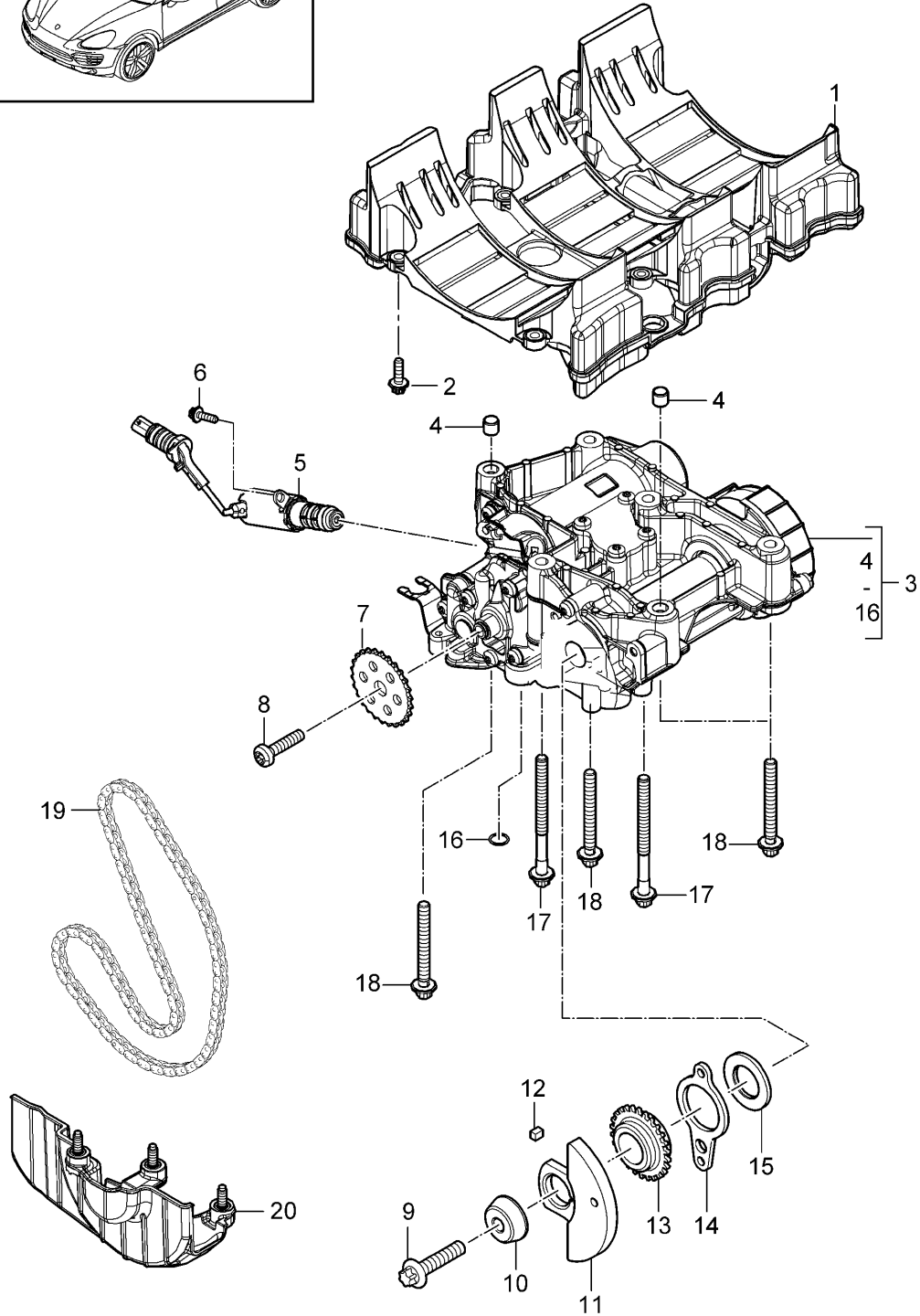
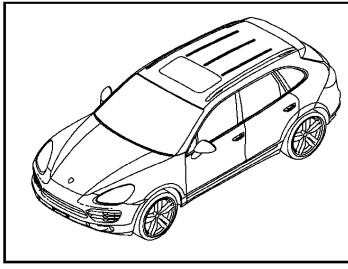
Model: 92A 11

Model life 2011>>

Pos	Part Number	Description	Remark	Qty	Model
		Oil return circuit			MCF.TB MCY.XA M48.02/52
1	948 107 085 11	Oil pump		1	
(1)	948 107 085 12	Oil return circuit		1	
2	948 107 286 11	Oil return circuit		1	
		Gasket		9	
		Oil return circuit			
3	948 107 285 11	Joining socket		1	
		Intake manifold			
4	999 707 496 40	O-ring		2	
		23 X 3			
5	948 107 287 11	Gasket		1	
		Bulkhead			
6	900 385 019 01	Torx screw		6	
		BM 6 X 20			
7	948 107 013 10	Oil pump		1	M48.02
(7)	948 107 013 11	Oil pump		1	M48.02
(7)	948 107 013 12	Oil pump		1	M48.02
(7)	948 107 013 60	Oil pump		1	M48.52
(7)	948 107 013 61	Oil pump		1	M48.52
(7)	948 107 013 62	Oil pump		1	MCF.TB MCY.XA M48.52
8	996 106 103 50	Dowel sleeve		2	
		8,2 X 7			
9	948 107 113 10	Solenoid valve		1	
(9)	948 107 113 11	Solenoid valve		1	
10	999 707 567 40	O-ring		2	
		17 X 3			
11	999 261 024 01	Union nut		1	
		M 36 X 1,0			
12	948 107 114 01	Sprocket		1	
13	999 073 380 01	Torx screw		1	
		M 8 X 22			
14	900 385 125 01	Torx screw		3	
		BM 6 X 45			
15	948 107 252 11	Chain		1	
(15)	948 107 252 12	Chain		1	
16	948 107 254 01	Cover	-13	1	
(16)	948 107 254 02	Cover	14-	1	
17	900 385 009 01	Torx screw		3	
		BM 6 X 16			

Model: 92A 11

Model life 2011>>



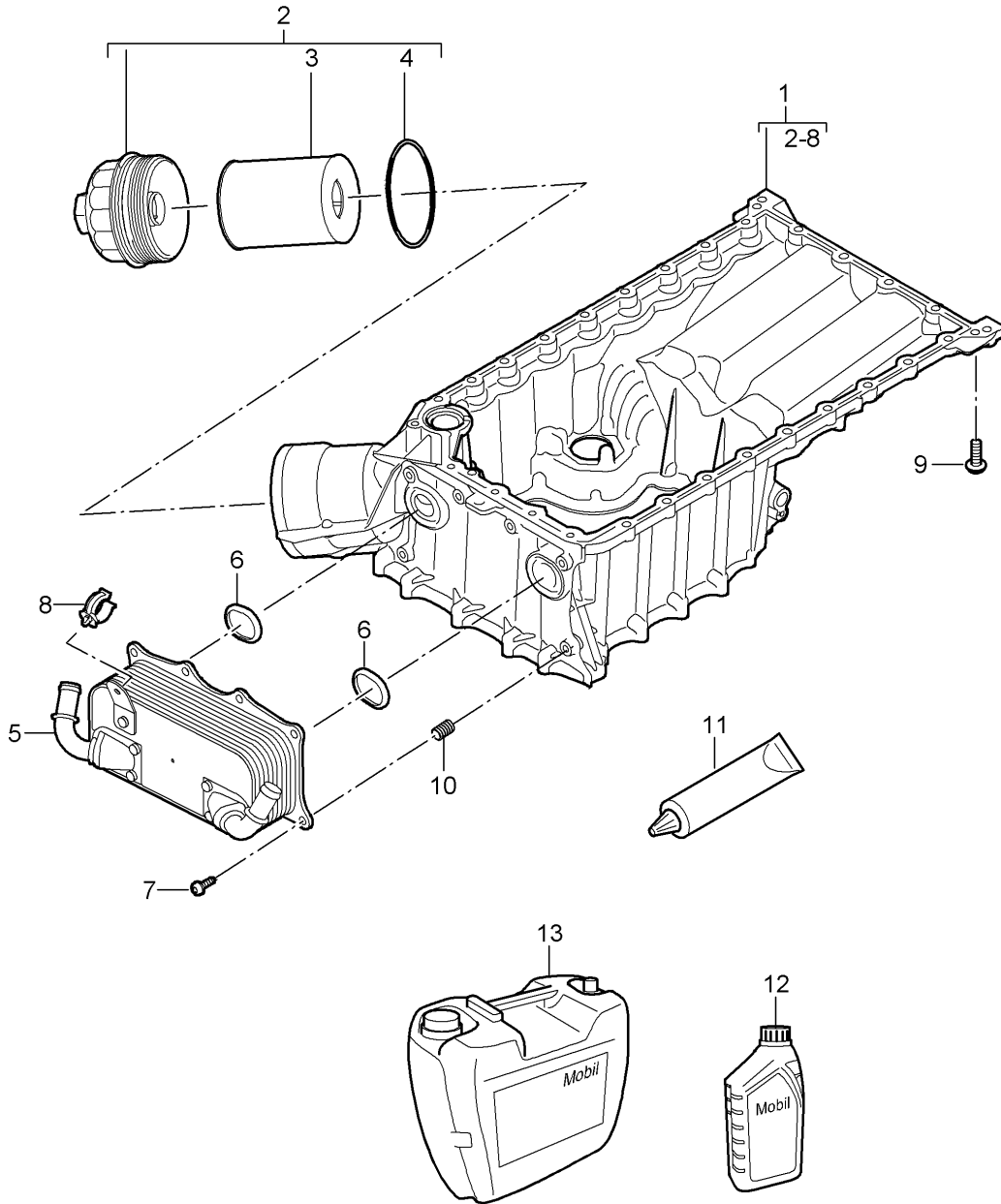
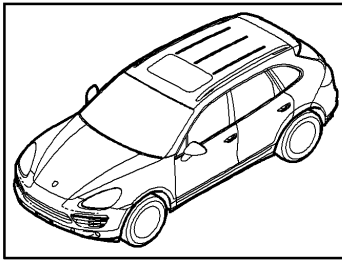
Model: 92A 11

Model life 2011>>

Pos	Part Number	Description	Remark	Qty	Model
		Oil return circuit			MCU.RA MCX.ZA
1	946 107 085 75	Oil pump		1	
2	900 385 019 01	Oil return circuit		6	
		Torx screw			
		BM 6 X 20			
3	946 107 013 35	Oil pump		1	
4	999 095 063 01	Dowel sleeve		2	
		11M6 X 10			
5	946 107 113 60	Solenoid valve		1	
6	999 073 344 01	Round head screw		1	
		M 6 X 20			
7	948 107 114 01	Sprocket		1	
8	946 107 213 20	Pan-head screw		1	
9	900 385 011 01	Torx screw		1	
		BM 10 X 45			
10	946 107 218 35	Cone washer		1	
11	946 107 216 35	Balance weight		1	
12	946 107 217 20	Feather key		1	
13	946 107 114 20	Sprocket		1	
		Balance shaft			
14	946 107 215 60	Lid		1	
15	946 107 214 60	Washer		1	
16	999 701 490 40	O-ring		1	
		11,3 X 3,0			
17	900 385 007 01	Torx screw		2	
		BM 8 X 100			
18	900 385 115 01	Torx screw		4	
		BM 8 X 70			
19		Chain		1	
		Oil pump			
		See illustrations			
		1/03/72			
		POS.3			
20	946 107 254 60	Cover		1	
		with			
		Fastening screw			

Model: 92A 11

Model life 2011>>



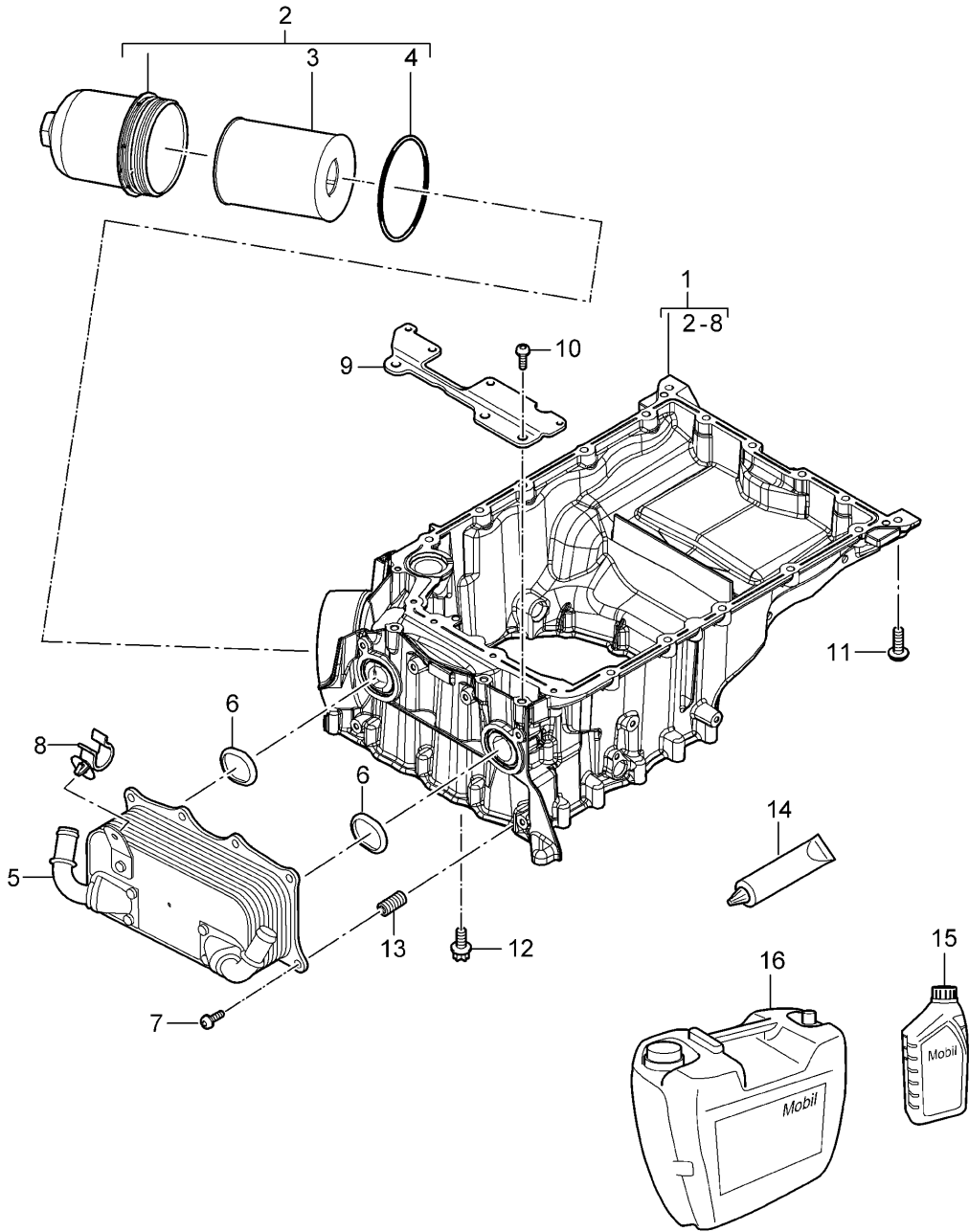
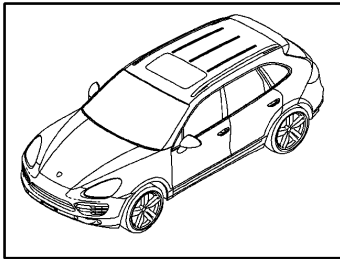
Model: 92A 11

Model life 2011>>

Pos	Part Number	Description	Remark	Qty	Model
		Oil-conducting housing			MCF.TB MCY.XA M48.02/52
1	948 107 071 11	Oil filter Heat exchanger Oil-conducting housing Magnesium		1	M48.02
(1)	948 107 071 12	Oil-conducting housing Magnesium		1	M48.02
(1)	948 107 071 61	Oil-conducting housing Magnesium		1	M48.52
(1)	948 107 071 62	Oil-conducting housing Magnesium		1	MCF.TB MCY.XA M48.52
2	948 107 022 00	Oil filter		1	
3	948 107 222 00	Filter element Use also: 948.107.322.00		1	
4	948 107 322 00	Sealing ring		1	
5	948 107 281 21	Heat exchanger		1	
(5)	948 107 281 22	Heat exchanger		1	
6	948 107 175 20	Gasket		2	
7	999 073 344 01	Round head screw M 6 X 20		6	
(8)	N 106 491 01	Hose holder B 17,5		1	M48.02
8	999 507 793 40	Hose holder		1	MCF.TB MCY.XA M48.52
9	999 073 905 31	23 Oval-head screw Aluminium M 6 X 30		29	
10	999 504 084 01	Threaded insert M 6 X 12 for Thread repair		X	
11	999 915 573 43	Oil-conducting housing Magnesium Sealing compound 1 tube 75 ml		X	
12	000 043 301 19	Engine oil EXXON MOBIL 1 0W-40 1 LITER Container Information available		X	
13	000 043 301 21	Engine oil EXXON MOBIL 1 0W-40 20 LITER Container Information available		X	

Model: 92A 11

Model life 2011>>



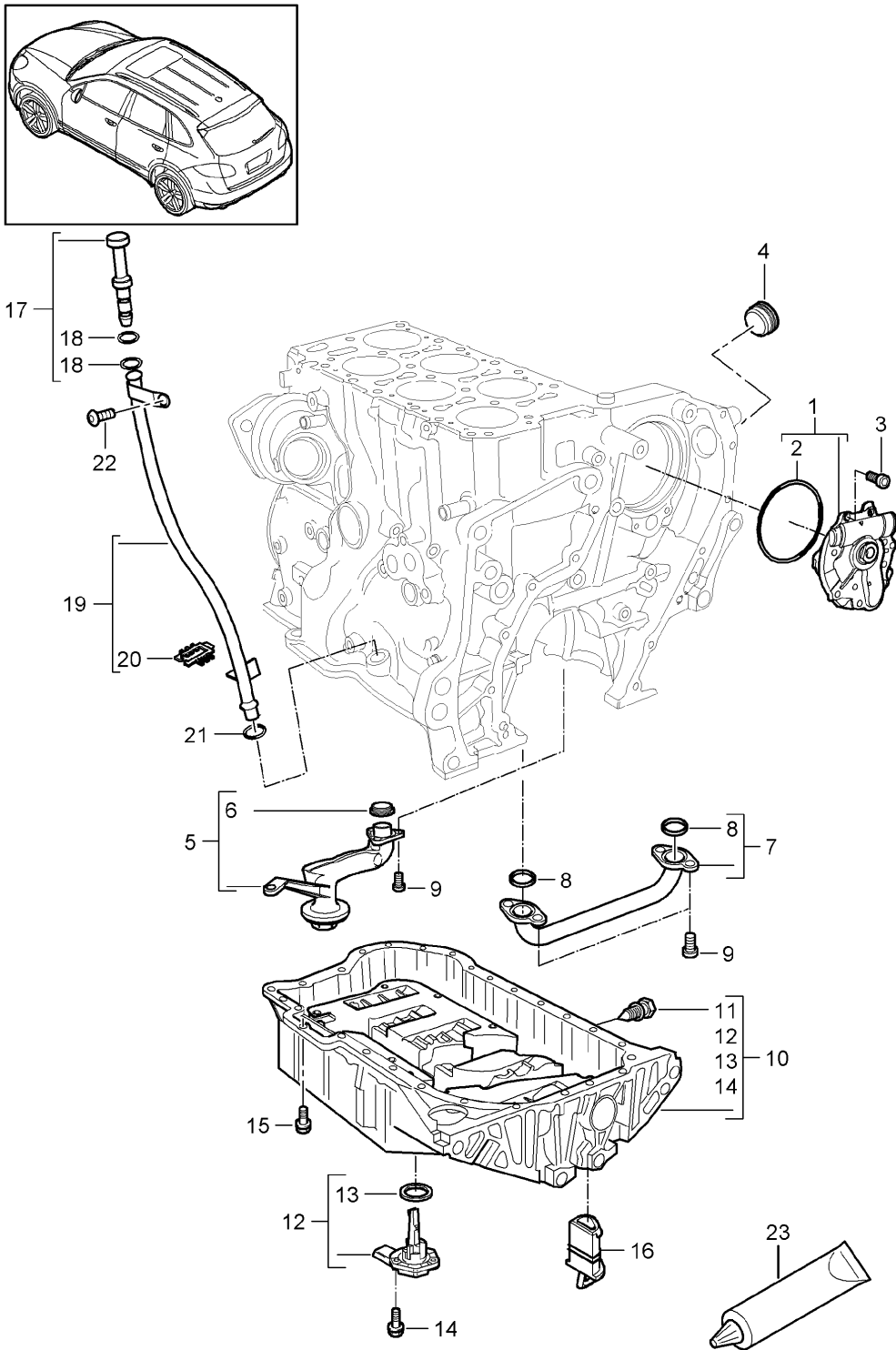
Model: 92A 11

Model life 2011>>

Pos	Part Number	Description	Remark	Qty	Model
		Oil-conducting housing			MCU.RA MCX.ZA
1	946 107 051 51	Oil filter Heat exchanger Oil-conducting housing Magnesium		1	
2	946 107 022 75	Oil filter		1	
3	948 107 222 00	Filter element Use also: 946.107.322.75		1	
4	946 107 322 75	Sealing ring		1	
5	948 107 281 22	Heat exchanger		1	
6	948 107 175 20	Gasket		2	
7	999 073 344 01	Round head screw M 6 X 20		6	
8	N 106 491 01	Hose holder B 17,5		1	
9	946 107 211 75	Support		1	
10	999 073 094 01	Screw M 8 X 20		3	
11	999 073 905 31	Oval-head screw Aluminium M 6 X 30		16	
12	900 385 072 01	Torx screw M 6 X 25		1	
13	999 504 084 01	Threaded insert M 6 X 12 for Thread repair		X	
14	999 915 573 43	Oil-conducting housing Magnesium Sealing compound 1 tube 75 ML		X	
15	000 043 301 19	Engine oil EXXON MOBIL 1 0W-40 1 LITER Container Information available		X	
16	000 043 301 21	Engine oil EXXON MOBIL 1 0W-40 20 LITER Container Information available		X	

Model: 92A 11

Model life 2011>>



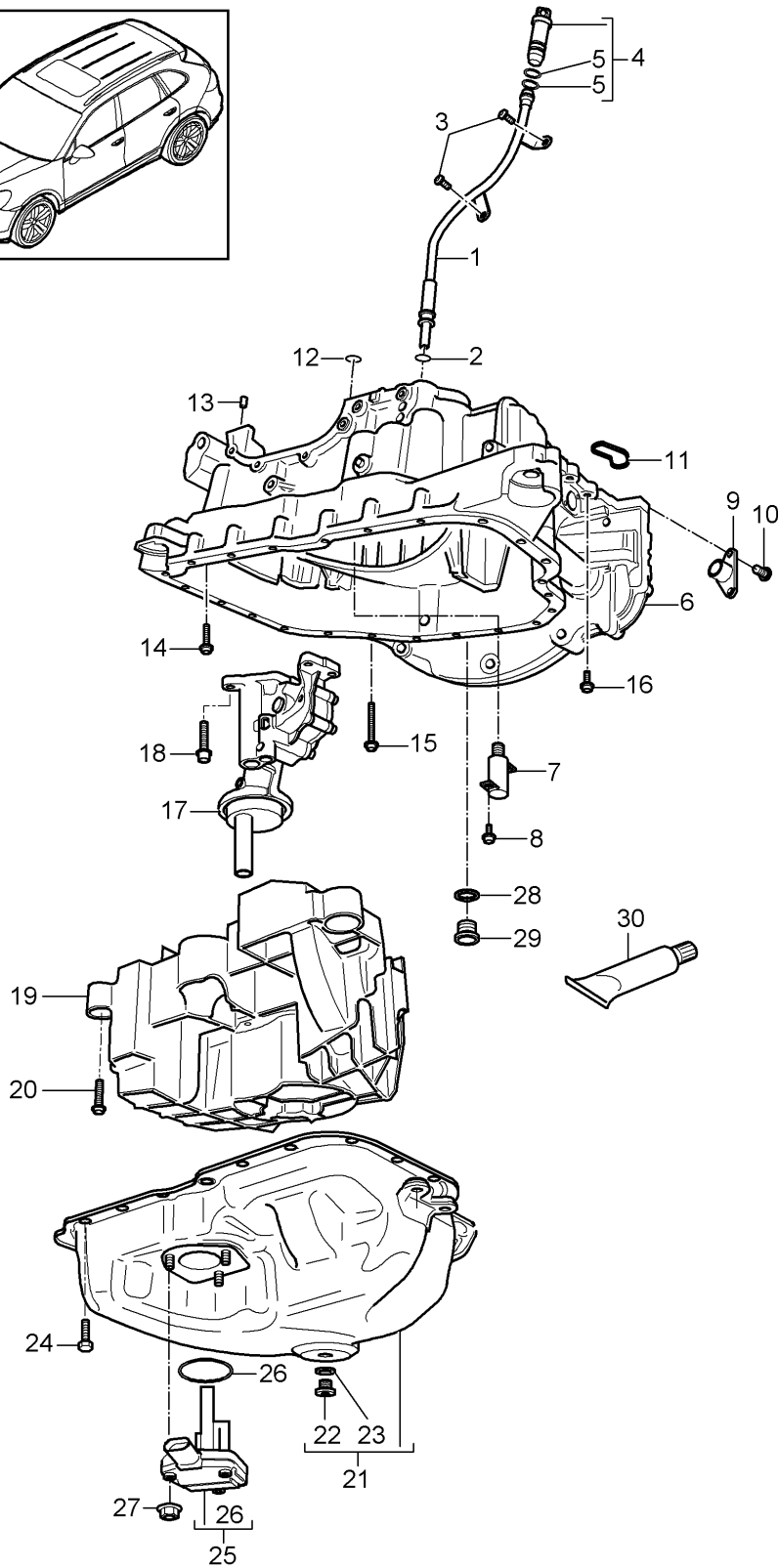
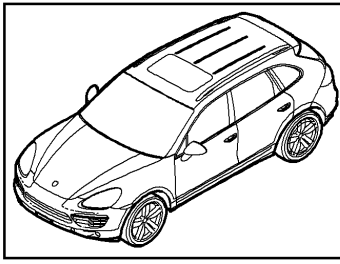
Model: 92A 11

Model life 2011>>

Pos	Part Number	Description	Remark	Qty	Model
		Oil pump			MCE.YA
		Suction tube			M55.02
		Oil pan			
1	958 107 013 10	Oil pump		1	
2	WHT 002 780	O-ring		1	
		82,22 X 2,62			
3	N 102 278 01	Hexagon socket head bolt		6	
		M 6 X 20			
4	WHT 000 914	Screw plug		1	
		M 36 X 1,5			
5	955 107 030 00	Suction tube		1	
6	955 107 567 00	Sealing ring		1	
7	955 107 031 00	Oil tube		1	
8	955 107 444 00	Sealing ring		2	
9	N 100 292 05	Torx screw		8	
		M 6 X 15			
10	958 107 055 00	Oil pan		1	
		with			
		Oil-level sender			
11	N 911 014 01	Drain plug		1	
		with			
		Captive washer			
		M 14 X 1,5 X 22			
12	958 606 160 10	Oil-level sender		1	
(12)	958 606 160 11	Oil-level sender		1	
13	038 103 196 B	Sealing ring		1	
14	N 104 720 03	Pan-head screw		3	
		M 6 X 28			
15	N 106 211 01	Combination screw		25	
		M 6 X 20			
16	955 101 731 00	Cap		3	
		Seal			
		Engine and transmission			
17	958 107 168 20	Stopper		1	
18	N 908 138 02	O-ring		2	
		5 X 1,9			
19	955 107 066 00	Guide tube		1	
20	955 612 530 00	Support		1	
		for			
		Connector housing			
21	N 900 672 02	O-ring		1	
		9,5 X 2,5			
22	N 909 899 01	Oval-head screw		1	
		K 6 X 18			
23	000 043 300 39	Sealing compound		X	
		1 tube			
		50 ml.			
		for			
		Oil pan			

Model: 92A 11

Model life 2011>>



Model: 92A 11 Model life 2011>>

Pos	Part Number	Description	Remark	Qty	Model
		Oil-conducting housing			M05.9E
		Oil pump			
		Oil pan			
1	955 107 066 10	Guide tube		1	
		Use also:			
		955.107.427.00		1	
2	955 107 427 00	Round seal		1	
		12 X 2			
3	N 104 056 04	Oval-head screw		2	
		M 6 X 14			
4	958 107 168 10	Stopper		1	
5	N 908 138 02	O-ring		2	
		5 X 1,9			
6	958 107 071 00	Oil-conducting housing		1	
7	958 107 243 20	Control valve		1	
8	N 101 243 06	Oval-head screw		1	
		M 6 X 20			
9	955 105 361 00	Mounting plate		1	
10	N 907 809 04	Oval-head screw		2	
		M 6 X 16			
11	955 107 609 00	Gasket		1	
12	955 107 609 10	Gasket		1	
13	955 102 277 00	Roll pin		2	
		6,2 X 22			
14	N 908 539 03	Pan-head screw		8	
		M 7 X 50			
15	N 910 094 02	Pan-head screw		3	
		M 7 X 105 X 39			
16	N 908 538 02	Pan-head screw		2	
		M 7 X 20			
17	958 107 013 00	Oil pump		1	
(17)	958 107 013 01	Oil pump		1	
18	N 106 128 01	Pan-head screw		3	
		M 8 X 30			
19	955 107 138 00	Insert for oil sump		1	
20	N 104 134 05	Outer hexagon round screw		4	
		M 6 X 25			
21	955 107 055 10	Oil pan		1	
22	N 016 027 6	Screw plug		1	
		M 14 X 1,5			
23	N 013 815 7	Sealing ring		1	
		14 X 20			
24	N 010 217 25	Hexagon-head bolt		23	
		M 6 X 20			
25	958 606 160 00	Oil-level sender		1	
(25)	958 606 160 01	Oil-level sender		1	
26	038 103 196 B	Sealing ring		1	
27	N 015 082 13	Hexagon nut		3	
		M 6			
28	N 013 832 6	Sealing ring		1	
		18 X 22			
29	N 911 965 01	Screw plug		1	
		M 18 X 1,5			
30	000 043 207 49	Sealing compound		X	
		1 tube			
		80 ML			
(30)	958 101 902 00	Sealing compound		X	
		80 ML			

Model: 92A 11

Model life 2011>>

Pos	Part Number	Description	Remark	Qty	Model
		Oil-conducting housing			MCN.RB MCR.CA/CB MCV.VA/VB MCV.VC
1	958 107 066 10	Oil pump Vacuum pump Oil pan Guide tube		1	
		Use also: 955.107.427.00		1	
2	955 107 427 00	Round seal 12 X 2		1	
3	N 105 540 05	Oval-head screw M6 X 35		1	
4	N 101 243 06	Oval-head screw M6 X 20		1	
5	958 107 168 10	Stopper		1	
6	N 908 138 02	O-ring 5 X 1,9		1	
7	958 107 071 20	Oil-conducting housing		1	
(7)	958 107 071 22	Oil-conducting housing		1	
8	955 102 277 00	Roll pin 6,2 X 22		2	
9	958 107 609 00	Gasket		1	
10	958 107 610 00	Gasket		1	
11	WHT 004 873	Outer hexagon round screw Aluminium M 7 X 40		9	
12	WHT 004 874	Outer hexagon round screw Aluminium M 7 X 105		3	
13	N 013 832 6	Sealing ring 18 X 22		1	
14	N 911 965 01	Screw plug M 18 X 1,5		1	
15	958 107 243 30	Control valve		1	
16	N 910 568 01	O-ring 12 X 2		1	
17	N 101 961 03	Oval-head screw M 6 X 18		1	
18	958 107 013 30	Oil pump with Vacuum pump		1	
(18)	958 107 013 31	Oil pump with Vacuum pump		1	
19		Bush Not available		2	
20	958 107 611 10	Gasket 23,4 X 3,53		1	
21		Intake pipe Not available Use Pos.18		1	
22		Sealing ring Not available Use Pos.18		1	
23		Screw Not available Use Pos.18		1	
24	N 107 453 01	Outer hexagon round screw Aluminium		3	

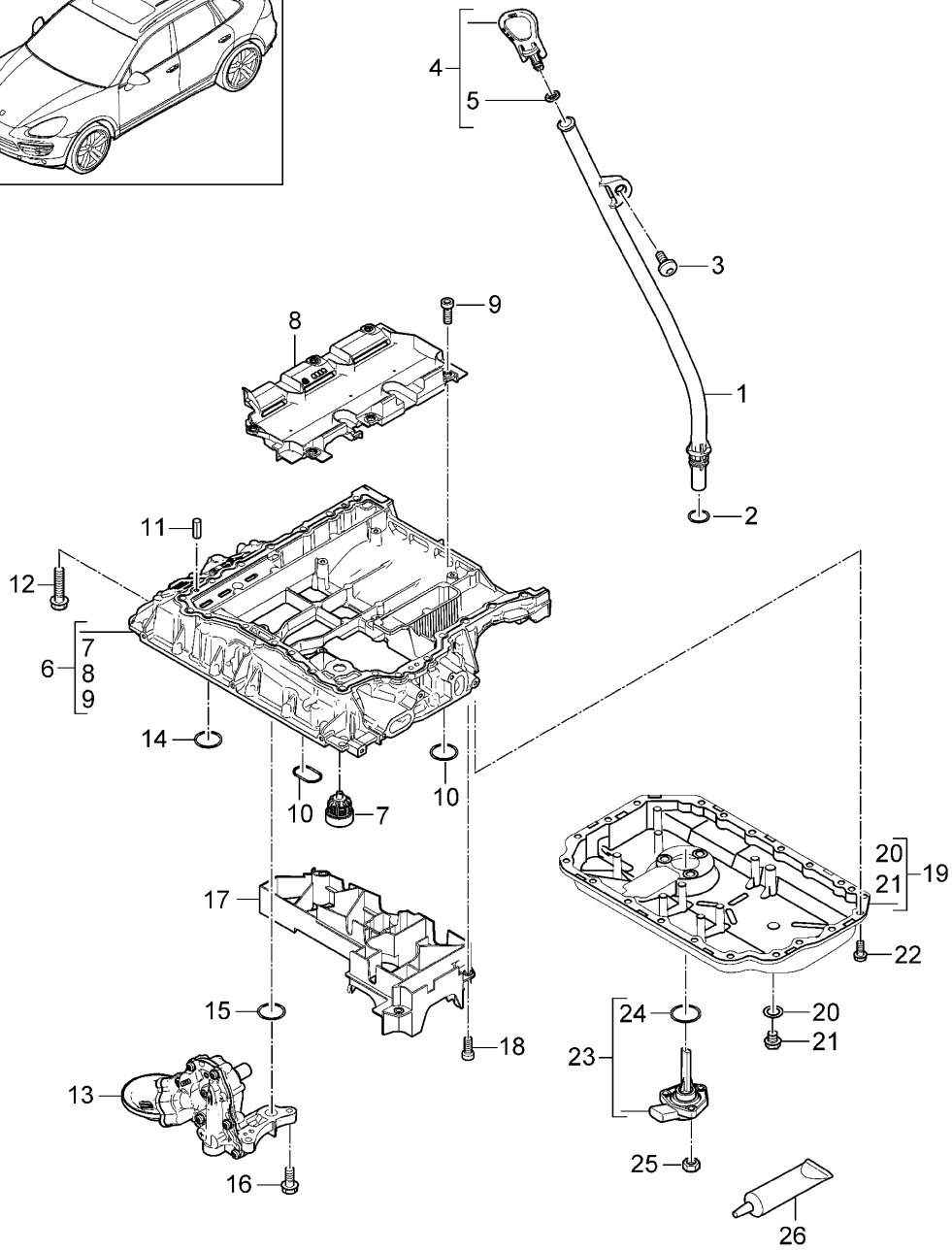
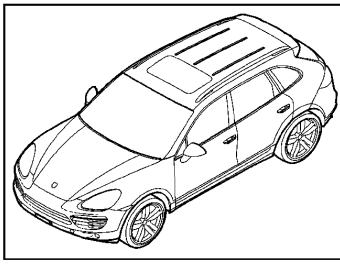
Model: 92A 11

Model life 2011>>

Pos	Part Number	Description	Remark	Qty	Model
25	958 107 031 10	M 8 X 30 Return pipe		1	
26	N 107 451 01	Outer hexagon round screw Aluminium M 6 X 20		2	
27	958 107 138 10	Insert for oil sump		1	
28	N 107 451 01	Outer hexagon round screw Aluminium M 6 X 20		4	
29	958 107 055 20	Oil pan		1	
30	N 016 027 6	Screw plug M 14 X 1,5		1	
(30)	N 911 679 01	Screw plug M 14 X 1,5		1	
31	N 013 815 7	Sealing ring 14 X 20		1	
(31)	N 013 849 8	Sealing ring A 14 X 20		1	
32	N 107 451 01	Outer hexagon round screw Aluminium M 6 X 20		14	
33	958 606 160 20	Oil-level sender		1	
(33)	958 606 160 21	Oil-level sender		1	
34	038 103 196 B	Sealing ring		1	
35	N 015 082 13	Hexagon nut M 6		3	
36	958 107 376 20	Check valve		1	
37		Vacuum line See illustrations 1/08/60 POS.28		1	
38	000 043 207 49	Sealing compound 1 tube 80 ML		X	
(38)	000 043 300 39	Sealing compound 1 tube 50 ML		X	

Model: 92A 11

Model life 2011>>



Model: 92A 11

Model life 2011>>

Pos	Part Number	Description	Remark	Qty	Model
		Oil-conducting housing			MCG.EA/FA MCJ.T M06.EC
1	958 107 066 00	Oil pump Oil pan Guide tube Use also: 955.107.427.00		1	
2	955 107 427 00	Round seal 12 X 2		1	
3	N 101 244 08	Torx screw M 6 X 20		1	
4	958 107 168 00	Stopper		1	
5	N 908 138 02	O-ring 5 X 1,9		1	
6	958 107 071 10	Oil-conducting housing		1	
(6)	958 107 071 11	Oil-conducting housing		1	
(6)	958 107 071 12	Oil-conducting housing		1	
7	958 107 275 10	Check valve		1	
8	958 107 142 00	Bulkhead		1	
9	N 107 500 01	Outer hexagon round screw M 6 X 16		6	
(9)	N 104 514 01	Outer hexagon round screw M 6 X 16		6	
(9)	N 104 514 05	Round head screw M 6 X 16		6	
10	N 909 513 01	O-ring 21 X 2		2	
11	955 102 277 00	Roll pin 6,2 X 22		2	
12	N 107 504 01	Outer hexagon round screw Aluminium M 8 X 25		21	
(12)	N 106 893 02	Pan-head screw M 8 X 25		21	
13	958 107 013 20	Oil pump		1	
(13)	958 107 013 21	Oil pump		1	
14	N 908 091 02	O-ring 16 X 2		1	
15	N 909 513 01	O-ring 21 X 2		1	
16	N 106 128 01	Pan-head screw M 8 X 30		3	
17	958 107 138 00	Insert for oil sump		1	
18	N 107 500 01	Outer hexagon round screw M 6 X 16		5	
(18)	N 103 471 03	Outer hexagon round screw M 6 X 20		5	
19	958 107 055 10	Oil pan		1	
(19)	958 107 055 11	Oil pan		1	
20	N 013 815 7	Sealing ring 14 X 20		1	
21	N 016 027 6	Screw plug M 14 X 1,5		1	
22	N 107 500 01	Outer hexagon round screw M 6 X 16		19	
(22)	N 900 711 02	Hexagon-head bolt M 6 X 18		19	
23	958 606 160 00	Oil-level sender		1	
(23)	958 606 160 01	Oil-level sender		1	
24	038 103 196 B	Sealing ring		1	
25	N 015 082 13	Hexagon nut M 6		3	

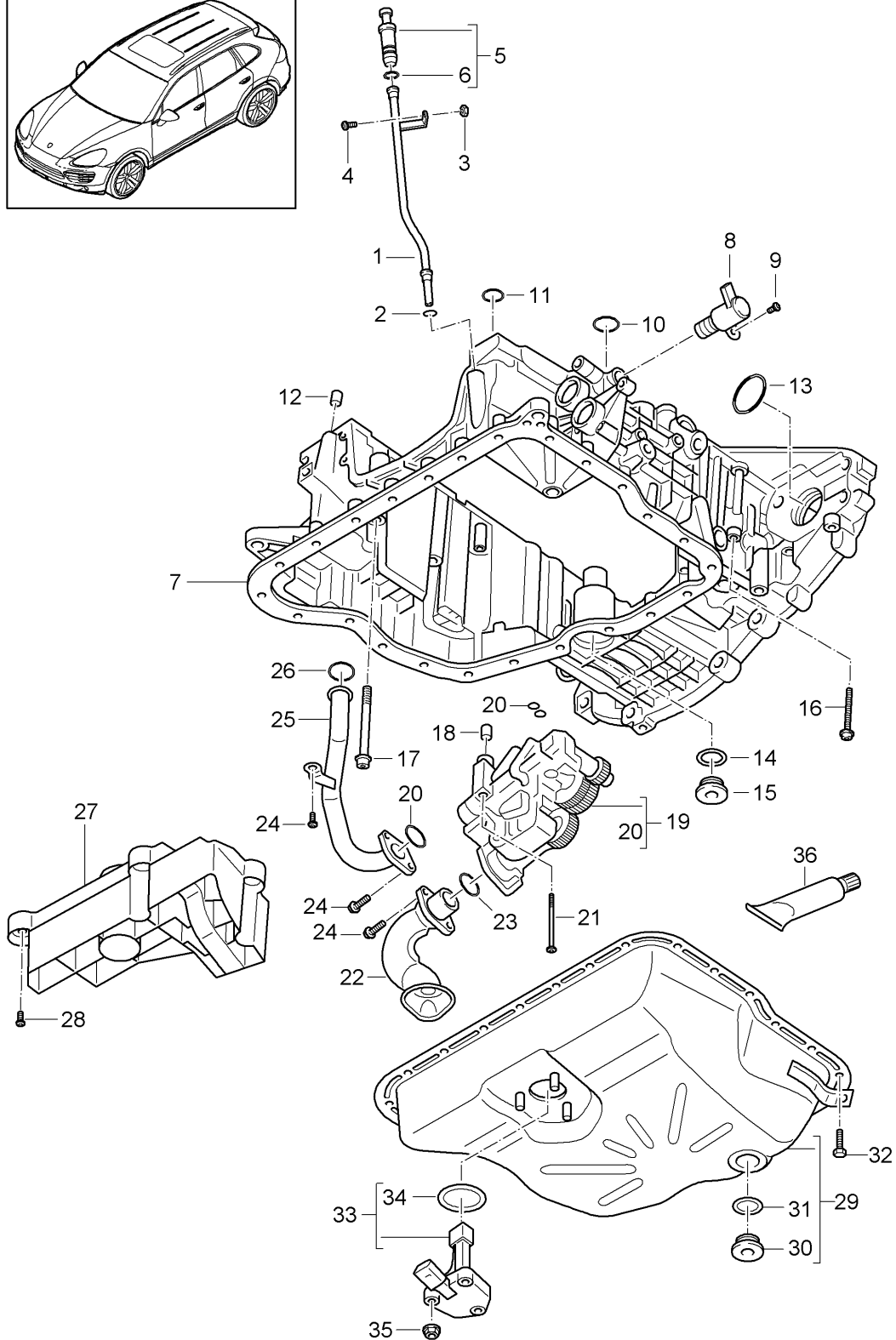
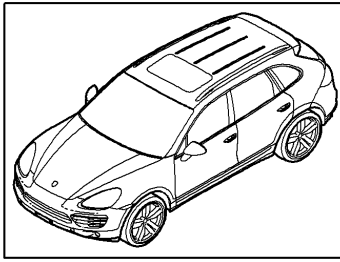
Model: 92A 11

Model life 2011>>

Pos	Part Number	Description	Remark	Qty	Model
26	000 043 207 49	Sealing compound 1 tube 80 ML for Oil-conducting housing And Oil pan		X	
(26)	958 101 902 00	Sealing compound 80 ML for Oil-conducting housing And Oil pan		X	

Model: 92A 11

Model life 2011>>



Model: 92A 11

Model life 2011>>

Pos	Part Number	Description	Remark	Qty	Model
		Oil-conducting housing			MCU.DB/DC
1	958 107 066 20	Oil pump		1	
		Oil pan			
		Guide tube		1	
		Use also:			
		955.107.427.00		1	
(1)	958 107 066 21	Guide tube		1	
		Use also:			
		955.107.427.00		1	
2	955 107 427 00	Round seal		1	
		12 X 2			
3	958 107 283 00	Sleeve		1	
4	N 101 243 06	Oval-head screw		1	
		M 6 X 20			
5	958 107 168 10	Stopper		1	
6	N 908 138 02	O-ring		2	
		5 X 1,9			
7	958 107 071 30	Oil-conducting housing		1	
8	958 107 243 30	Control valve		1	
9	N 104 056 04	Oval-head screw		1	
		M 6 X 14			
10	N 910 085 01	O-ring		1	
		35 X 3			
11	N 909 566 01	O-ring		1	
		20 X 2,5			
12	955 102 277 00	Roll pin		2	
		6,2 X 22			
13	N 903 228 04	O-ring		1	
		42 X 2,5			
14	N 013 816 5	Sealing ring		1	
		A 18 X 24			
15	N 016 029 3	Screw plug		1	
		M 18 X 1,5 X 12			
16	N 908 539 03	Pan-head screw		7	
		M 7 X 50			
17	N 910 094 02	Pan-head screw		9	
		M 7 X 105 X 39			
18	958 101 139 00	Dowel sleeve		2	
		8,2 X 6,5			
19	958 107 013 40	Oil pump		1	
20	958 107 901 00	Gasket set		1	
		Oil pump			
21	N 106 980 01	Torx screw		3	
		AM 6 X 60			
22	958 107 030 00	Intake pipe		1	
23	N 910 697 01	O-ring		1	
		26 X 2,5			
24	N 101 961 03	Oval-head screw		5	
		M 6 X 18			
25	958 107 033 00	Oil pipe		1	
(25)	958 107 033 01	Oil pipe		1	
26	N 909 566 01	O-ring		1	
		20 X 2,5			
27	958 107 138 20	Insert for oil sump		1	
28	N 910 680 01	Oval-head screw		3	
		M 6 X 28			
29	958 107 055 30	Oil pan		1	
30	N 016 027 6	Screw plug		1	
		M 14 X 1,5			
31	N 013 815 7	Sealing ring		1	
		14 X 20			
32	N 900 711 02	Hexagon-head bolt		24	
		M 6 X 18			

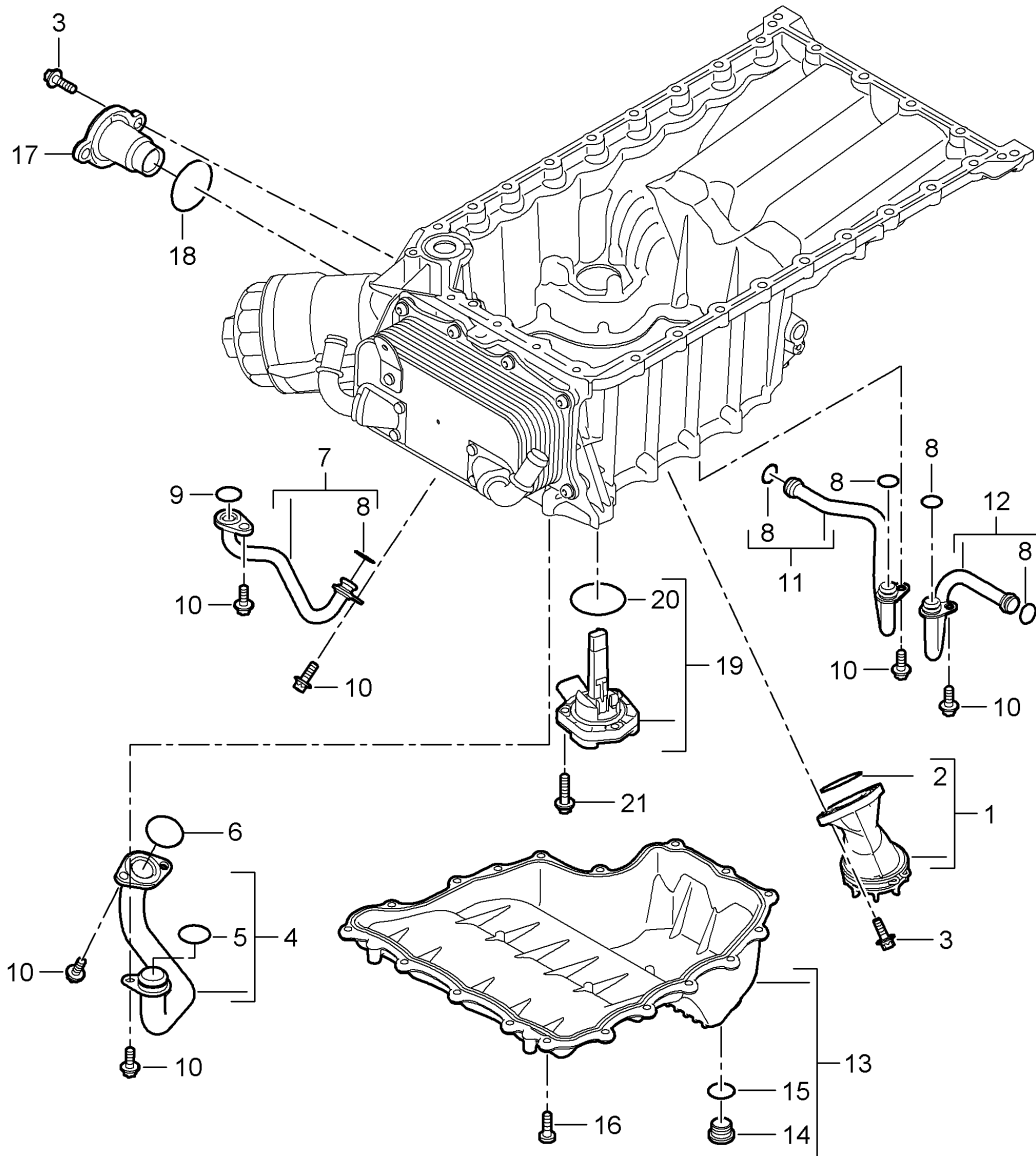
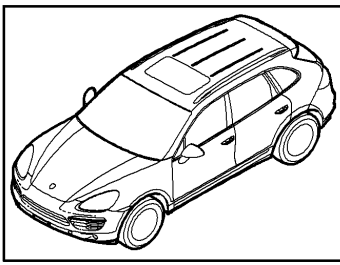
Model: 92A 11

Model life 2011>>

Pos	Part Number	Description	Remark	Qty	Model
33	958 606 160 10	Oil-level sender		1	
(33)	958 606 160 11	Oil-level sender		1	
34	038 103 196 B	Sealing ring		1	
35	N 015 082 13	Hexagon nut M 6		3	
36	000 043 300 39	Sealing compound 1 tube 50 ML		X	

Model: 92A 11

Model life 2011>>



Model: 92A 11 Model life 2011>>

Pos	Part Number	Description	Remark	Qty	Model
		Suction tube			MCF.TB MCY.XA M48.02/52
1	948 107 030 02	Oil pan		1	
2	999 707 530 40	Suction tube		1	
		O-ring			
		34,52 X 3,53			
3	900 385 019 01	Torx screw		4	
		M 6 X 20			
4	948 107 031 10	Oil tube		1	
5	999 707 585 40	O-ring		1	
		22 X 3			
6	999 707 547 40	O-ring		1	
		28 X 3			
7	948 107 033 01	Oil pipe		1	
8	999 707 603 40	O-ring		1	M48.02
		10 X 3			
(8)		O-ring		5	MCF.TB MCY.XA M48.52
		10 X 3			
9	999 707 567 40	O-ring		1	
		17 X 3			
10	900 385 009 01	Torx screw		5	M48.02
		M 6 X 16			
(10)		Torx screw		7	MCF.TB MCY.XA M48.52
		M 6 X 16			
11	948 107 037 51	Oil pipe		1	MCF.TB MCY.XA M48.52
		Turbocharger			
		Cylinders 1 - 4			
12	948 107 038 51	Oil pipe		1	MCF.TB MCY.XA M48.52
		Turbocharger			
		Cylinders 5 - 8			
13	948 107 055 10	Oil pan		1	
14	900 219 020 31	Screw plug		1	
		M 18 X 1,5			
15	900 123 106 30	Sealing ring		1	
		A 18 X 24			
16	999 073 344 01	Round head screw		18	
		M 6 X 20			
17	948 107 313 20	Flange		1	
18	999 707 570 40	O-ring		1	
		44,0 X 3,0			
19	948 606 160 02	Oil-level sender	-13	1	M48.02 I1A2 M48.02 I1A5 M48.52
		M >> B 08343			
		M >> V B 01749			
		M >> B 05356			
(19)	958 606 160 10	Oil-level sender	-13	1	M48.02 I1A2 M48.02 I1A5 M48.52
		M B 08344 >>			
		M V B 01750 >>			
		M B 05357 >>			
(19)	958 606 160 11	Oil-level sender	-13	1	M48.02
		M B 08344 >>			

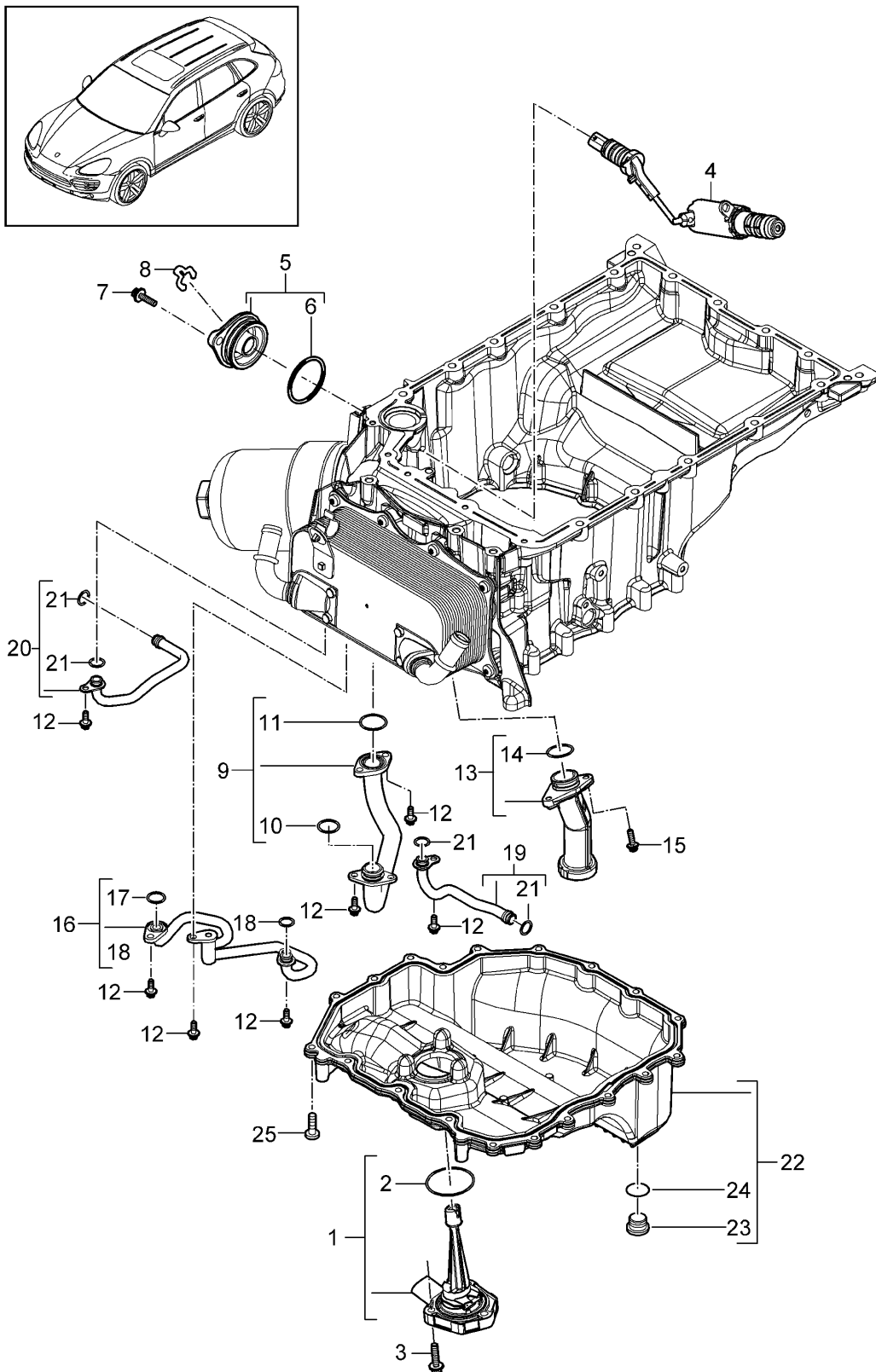
Model: 92A 11

Model life 2011>>

Pos	Part Number	Description	Remark	Qty	Model
		M V B 01750 >>			I1A2
		M B 05357 >>			M48.02
(19)	946 606 170 00	Oil-level sender	14-	1	I1A5
20	038 103 196 B	Sealing ring		1	M48.52
21	900 385 072 01	Torx screw BM 6 X 25		3	

Model: 92A 11

Model life 2011>>



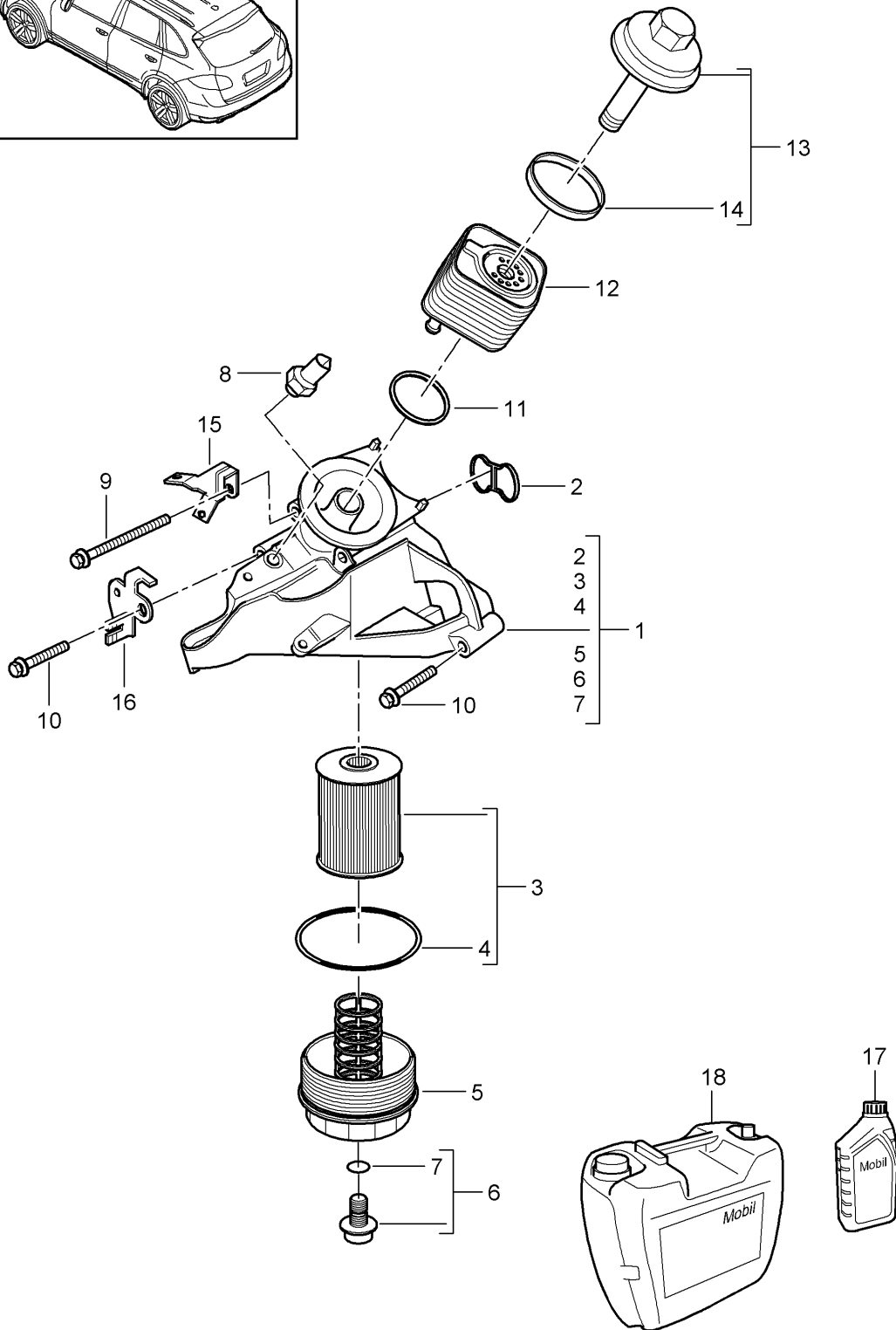
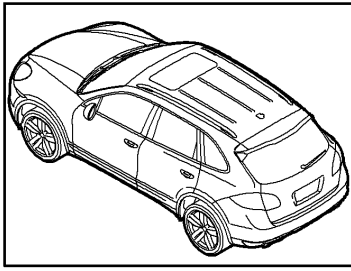
Model: 92A 11

Model life 2011>>

Pos	Part Number	Description	Remark	Qty	Model
		Suction tube			MCU.RA MCX.ZA
1	946 606 170 00	Oil pan		1	
2	038 103 196 B	Oil-level sender		1	
3	900 385 072 01	Sealing ring		1	
4		Torx screw		3	
		BM 6 X 25			
		Solenoid valve		1	
		Oil pump			
		See illustrations			
		1/04/05			
		POS.5			
5	946 107 313 75	Flange		1	
6	999 707 636 40	O-ring		1	
		44 X 3,5			
7	900 385 019 01	Torx screw		2	
		M 6 X 20			
8	946 107 413 60	Safety clip		1	
		Solenoid valve			
9	946 107 031 50	Oil tube		1	
10	999 707 585 40	O-ring		1	
		22 X 3			
11	999 707 547 40	O-ring		1	
		28 X 3			
12	900 385 009 01	Torx screw		9	
		M 6 X 16			
13	946 107 030 50	Suction tube		1	
14	999 707 547 40	O-ring		1	
		28 X 3			
15	900 385 019 01	Torx screw		2	
		M 6 X 20			
16	946 107 033 50	Oil pipe		1	
17	999 707 567 40	O-ring		1	
		17 X 3			
18	999 707 603 40	O-ring		1	
		10 X 3			
19	946 107 037 50	Oil pipe		1	
		Turbocharger			
		Cyl. 4 - 6			
20	946 107 038 50	Oil pipe		1	
		Turbocharger			
		Cyl. 1 - 3			
21	999 707 603 40	O-ring		4	
		10 X 3			
22	946 107 015 51	Oil pan		1	
23	900 219 020 31	Screw plug		1	
		M 18 X 1,5			
24	900 123 106 30	Sealing ring		1	
		A 18 X 24			
25	999 073 344 01	Round head screw		19	
		M 6 X 20			

Model: 92A 11

Model life 2011>>

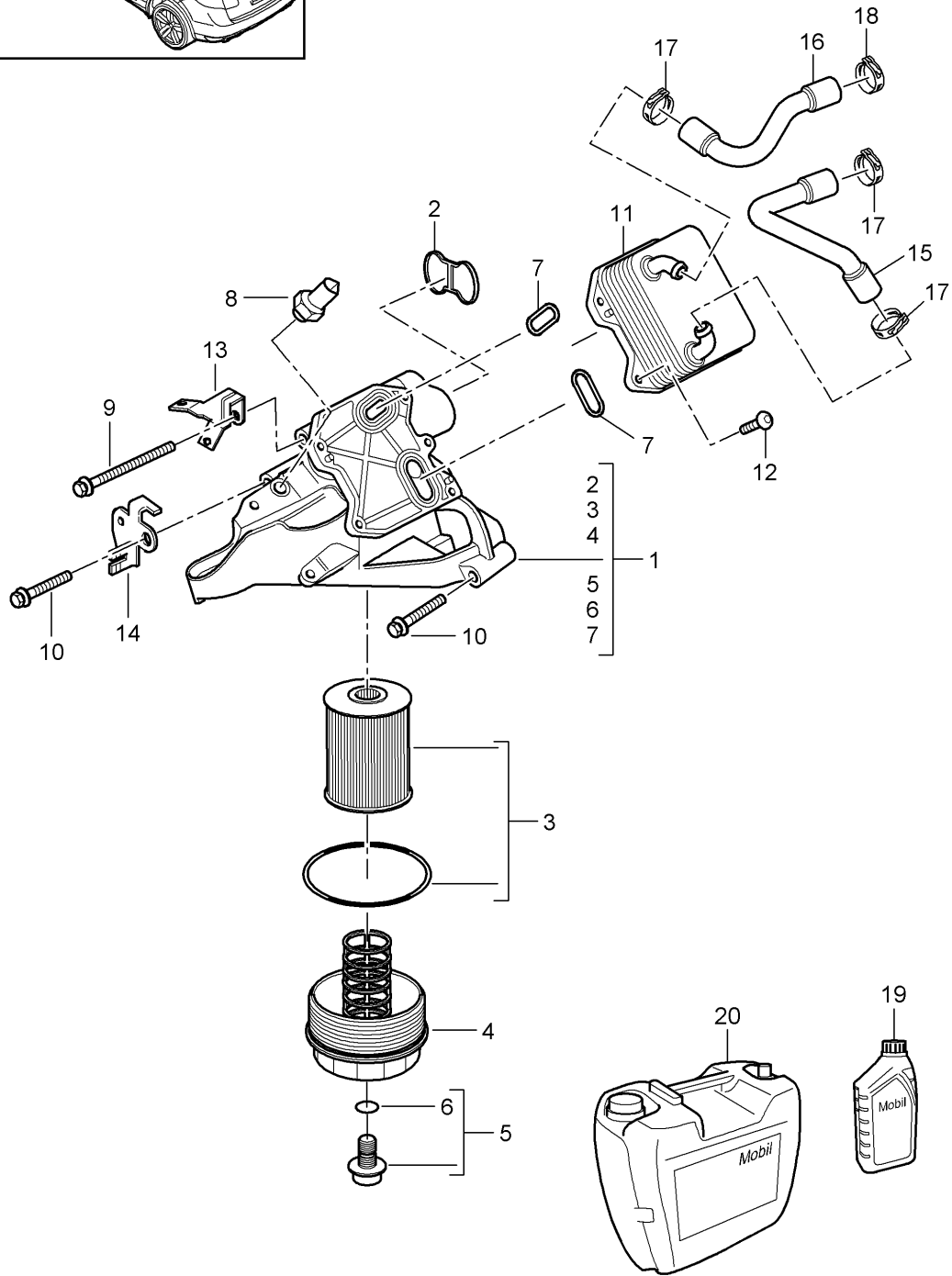
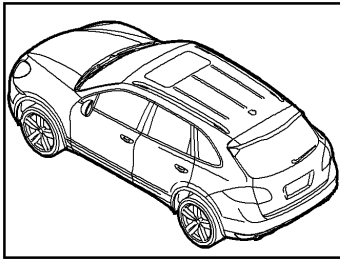


Model: 92A 11 Model life 2011>>

Pos	Part Number	Description	Remark	Qty	Model
		Oil filter Bracket	-11		M55.02
1	955 107 403 02	Oil cooler Bracket with Oil filter		1	
2	955 107 111 00	Gasket		1	
3	955 107 561 00	Filter element with Sealing ring		1	
4	955 107 313 00	Sealing ring		1	
5	955 107 433 01	Housing		1	
6	WHT 000 897 A	Filter element Screw plug with Sealing ring		1	
7	N 904 054 02	O-ring 11 X 2,5		1	
8	955 606 091 02	Oil pressure switch		1	
-	N 013 811 5	Sealing ring 10 X 13,5 for Oil pressure switch		1	
9	N 100 362 03	Combination screw M 8 X 105		3	
10	N 902 120 04	Combination screw M 8 X 65		2	
11	955 107 070 01	Sealing ring		1	
12	955 107 021 03	Oil cooler		1	
13	955 107 061 01	Lid with Gasket		1	
14	955 107 172 00	Gasket		1	
15	955 607 208 30	Support		1	
16	955 607 208 40	Support		1	
17	000 043 301 16	Engine oil EXXON MOBIL 1 ESP FORMULA 5W-30 1 LITER Container Information available	-(CN)	X	
(17)	000 043 301 19	Engine oil EXXON MOBIL 1 0W-40 1 LITER Container Information available	(CN)	X	
18	000 043 301 17	Engine oil EXXON MOBIL 1 ESP FORMULA 5W-30 20 LITER Container Information available	-(CN)	X	
(18)	000 043 301 21	Engine oil EXXON MOBIL 1 0W-40 20 LITER Container Information available	(CN)	X	

Model: 92A 11

Model life 2011>>



Model: 92A 11 Model life 2011>>

Pos	Part Number	Description	Remark	Qty	Model
		Oil filter	12-		MCE.YA M55.02
1	958 107 010 20	Bracket Oil cooler Bracket with Oil filter		1	
2	958 107 111 10	Gasket		1	
3	958 107 222 10	Filter element with O-ring		1	
4	958 107 122 10	Lid		1	
5	WHT 005 237	Screw plug with O-ring		1	
6	N 904 054 02	O-ring 11 X 2,5		1	
7	958 107 175 10	Gasket set		1	
8	955 606 091 02	Oil pressure switch		1	
-	N 013 811 5	Sealing ring 10 X 13,5 for Oil pressure switch		1	
9	N 100 362 03	Combination screw M 8 X 105		3	
10	N 902 120 04	Combination screw M 8 X 65		2	
11	958 107 271 10	Oil cooler		1	
12	N 910 969 01	Outer hexagon round screw M 6 X 22		5	
13	955 607 208 30	Support		1	
14	955 607 208 40	Support		1	
15	958 106 696 40	Water hose		1	
16	958 106 696 50	Thermostat housing Water hose		1	
17	N 906 869 01	Crankcase Hose clamp B 23 X 12		3	
18	N 909 264 01	Hose clamp B 19 X 12		1	
(18)	999 512 652 09	Hose clamp B 19 X 12		1	
19	000 043 301 16	Engine oil EXXON MOBIL 1 ESP FORMULA 5W-30 1 LITER Container Information available	-(CN)	X	
(19)	000 043 301 19	Engine oil EXXON MOBIL 1 0W-40 1 LITER Container Information available	(CN)	X	
20	000 043 301 17	Engine oil EXXON MOBIL 1 ESP FORMULA 5W-30 20 LITER Container Information available	-(CN)	X	
(20)	000 043 301 21	Engine oil EXXON MOBIL 1 0W-40 20 LITER Container	(CN)	X	

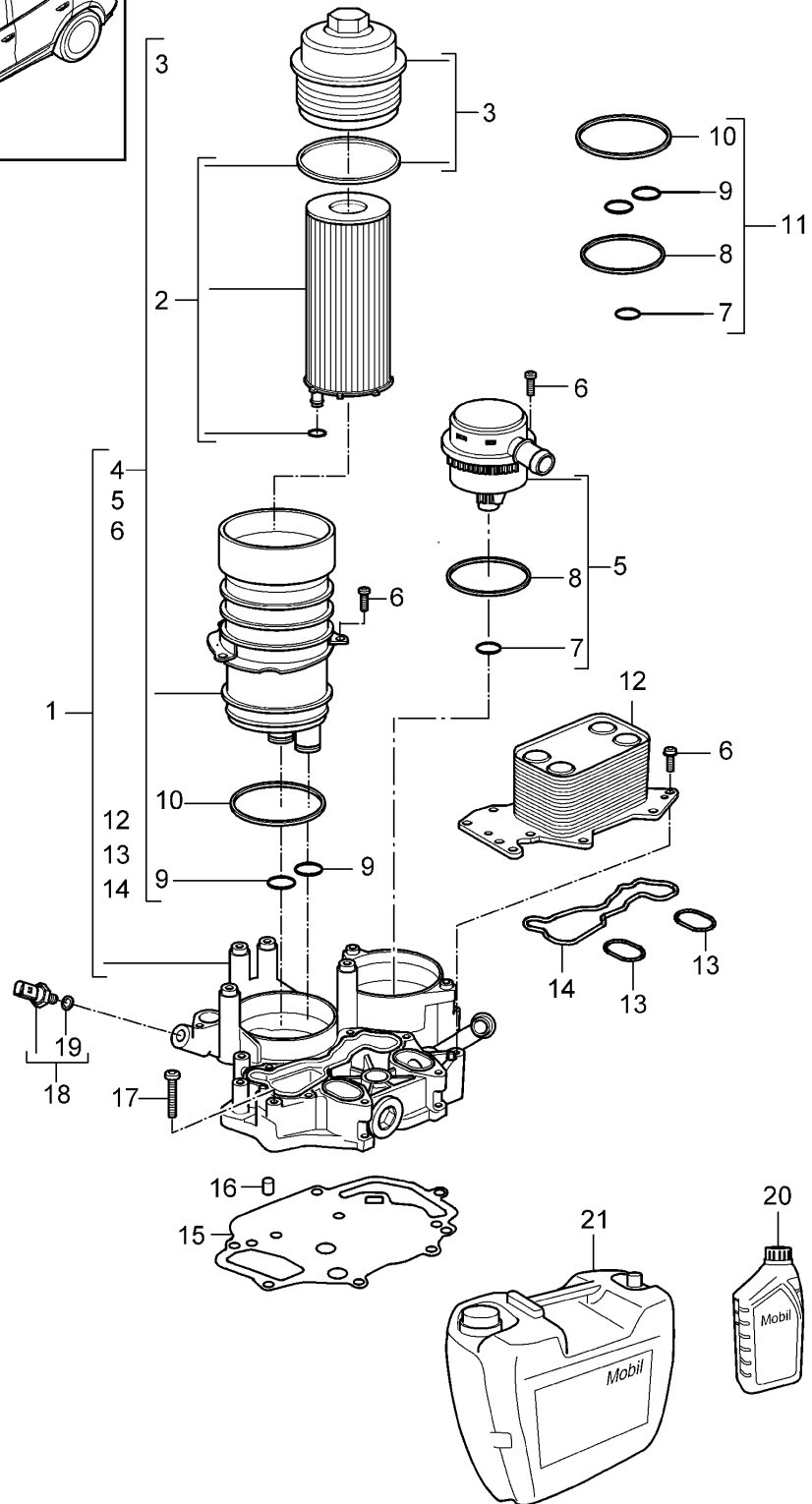
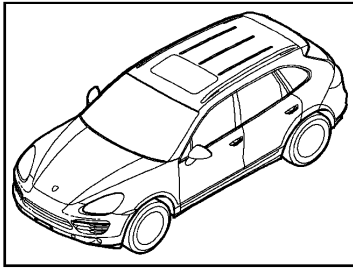
Model: 92A 11

Model life 2011>>

Pos	Part Number	Description	Remark	Qty	Model
		Information available			

Model: 92A 11

Model life 2011>>

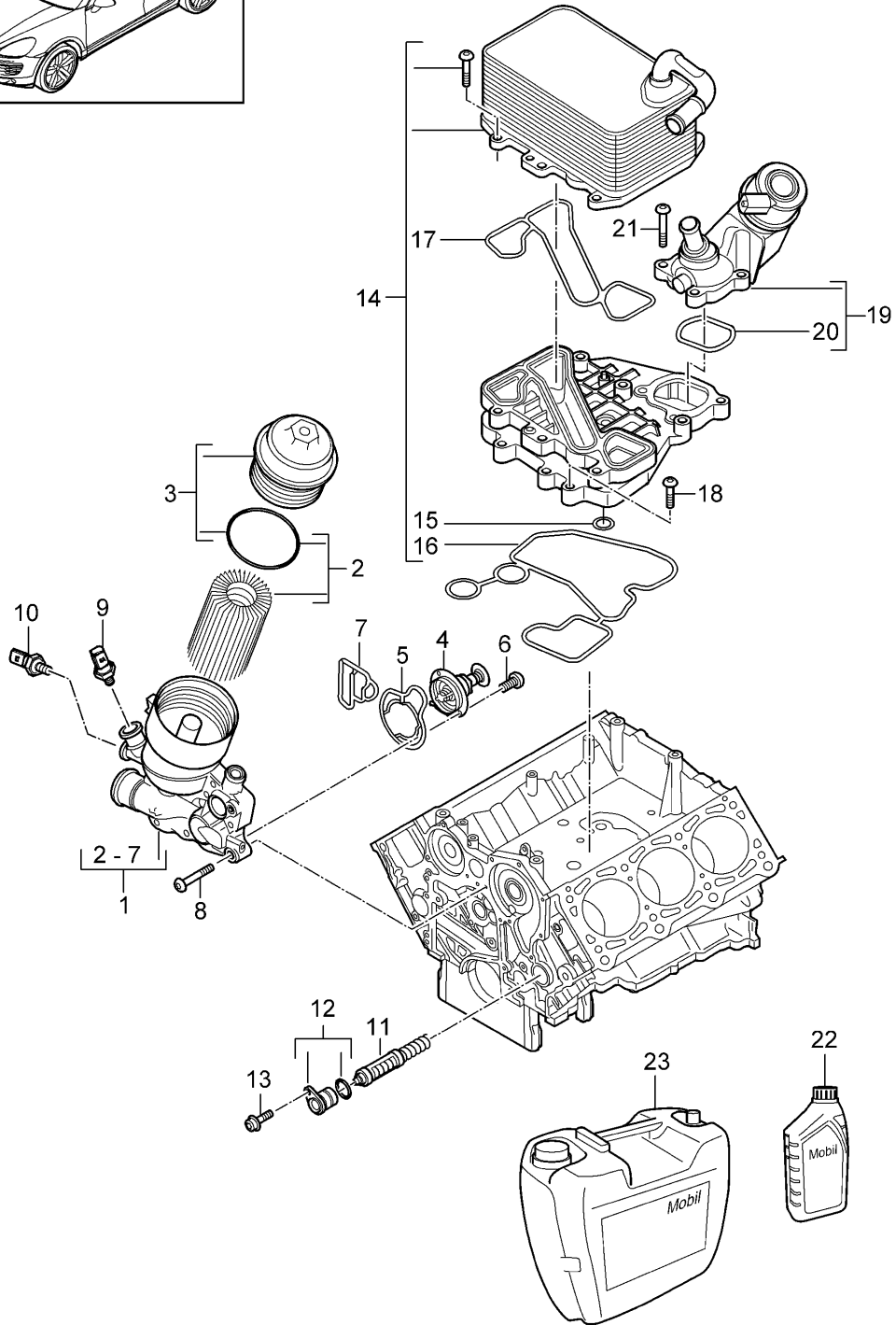
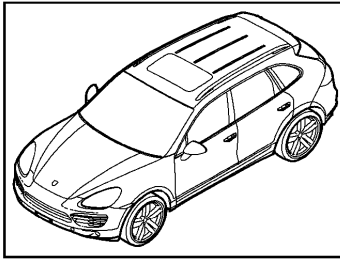


Model: 92A 11 Model life 2011>>

Pos	Part Number	Description	Remark	Qty	Model
		Oil filter Bracket			M05.9E
1	958 107 010 00	Oil cooler Bracket		1	
(1)	958 107 010 01	Oil filter Complete		1	
2	955 107 222 00	Bracket Oil filter Complete		1	
		Filter element with Gasket		1	
3	955 107 122 00	Lid		1	
4	955 107 073 00	Oil tank Complete		1	
5	955 107 040 00	Oil separator with Gasket		1	
6	N 101 243 06	Oval-head screw M 6 X 20		10	
7		Gasket Oil separator Use		1	
8		Pos.11 Gasket Oil separator Use		1	
9		Pos.11 Gasket Oil tank Use		2	
10		Pos.11 Gasket Oil tank Use		1	
11	955 107 901 01	Pos.11 Gasket set Oil separator Oil tank		1	
12	955 107 271 00	Oil cooler		1	
13	955 107 175 00	Sealing ring		2	
14	955 107 176 00	Gasket		1	
15	955 107 111 20	Gasket		1	
16	N 106 678 01	Straight pin 6 H 8 X 16		1	
17	N 106 165 01	Oval-head screw M 6 X 56		8	
18	955 606 091 10	Oil pressure switch		1	
19	N 013 811 5	Sealing ring 10 X 13,5		1	
20	000 043 301 16	Engine oil EXXON MOBIL 1 ESP FORMULA 5W-30 1 LITER Container Information available		X	
21	000 043 301 17	Engine oil EXXON MOBIL 1 ESP FORMULA 5W-30 20 LITER Container Information available		X	

Model: 92A 11

Model life 2011>>



Model: 92A 11

Model life 2011>>

Pos	Part Number	Description	Remark	Qty	Model
		Oil filter			MCN.RB MCR.CA/CB MCV.VA/VB MCV.VC
1	958 107 010 30	Flange Oil cooler Oil filter with Flange And Thermostat insert Water cooling		1	
(1)	958 107 010 31	Oil filter with Flange And Thermostat insert Water cooling		1	
(1)	958 107 010 32	Oil filter with Flange And Thermostat insert Water cooling		1	
2	958 107 222 20	Filter element with Gasket		1	
3	955 107 122 00	Lid		1	
4		Thermostat insert Water cooling		1	
		Not available Use POS.1			
5		Gasket Not available Use POS.1		1	
6		Round head screw Not available Use POS.1		2	
7		Gasket Not available Use POS.1		1	
8	N 105 540 05	Oval-head screw M 6 X 35		7	
(8)	N 104 057 02	Outer hexagon round screw AM 6 X 45		1	
9	958 606 081 60	Oil pressure switch 0,75 - 1,05 BAR		1	
10	958 606 081 70	Oil pressure switch 2,0 - 2,5 BAR		1	
11	958 107 201 20	Thermostat Engine oil cooling		1	
12	958 107 185 30	Lid LÄNGE 26 MM Information available	-14	1	
(12)	958 107 185 40	Lid LÄNGE 28 MM Information available	-14	1	
(12)		Lid Information available	15- 15-	1	
13	N 911 804 01	Outer hexagon round screw		1	

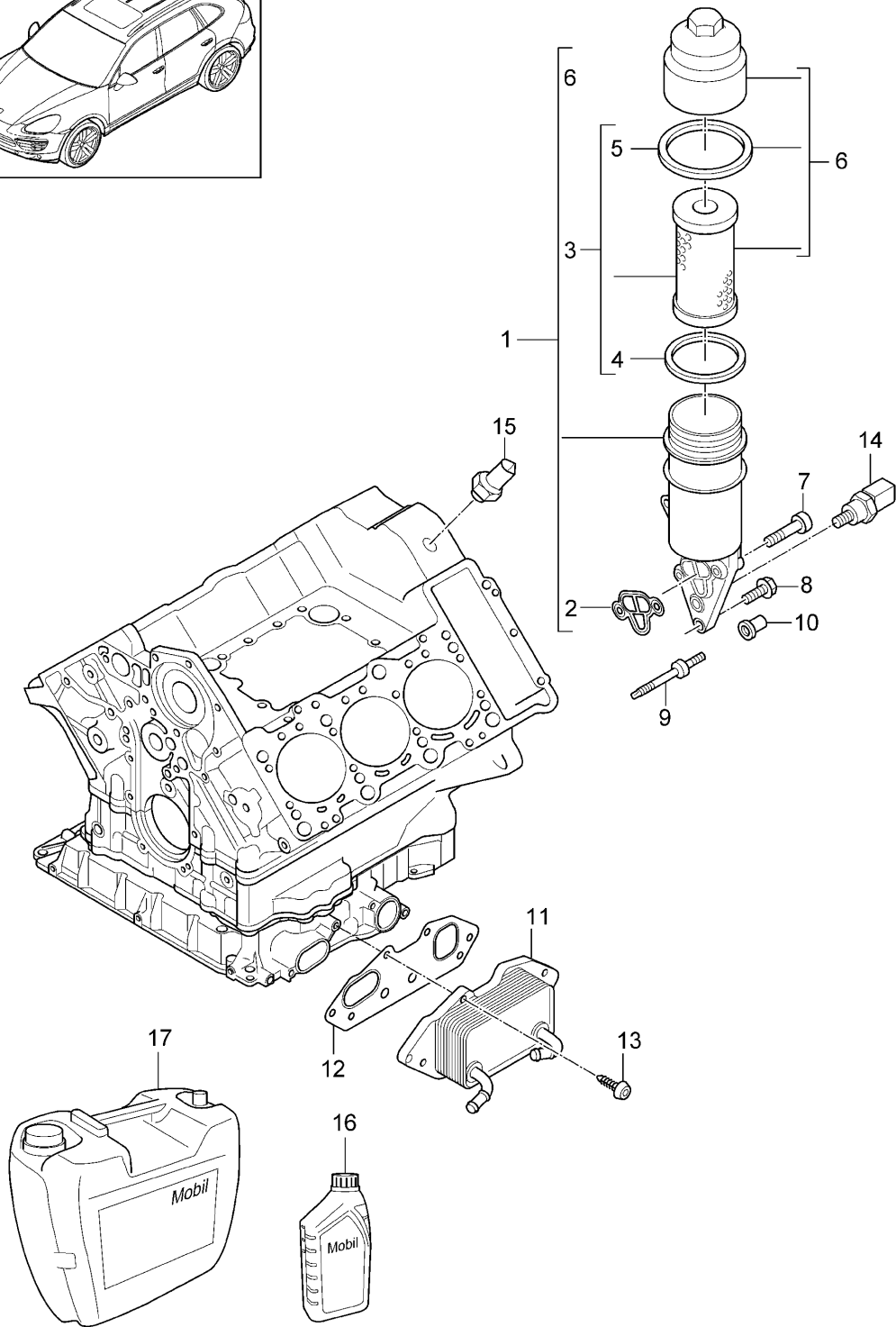
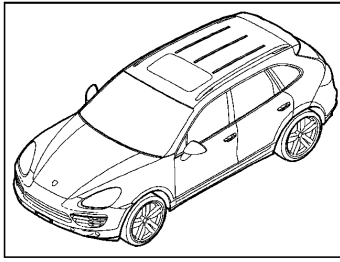
Model: 92A 11

Model life 2011>>

Pos	Part Number	Description	Remark	Qty	Model
14	958 107 271 20	M 6 X 22 Oil cooler Complete		1	
(14)	958 107 271 21	Oil cooler Complete		1	
15	958 107 175 20	Gasket		1	
16	958 107 176 00	Gasket		1	
17	958 107 176 20	Gasket		1	
18	N 107 002 01	Outer hexagon round screw M 6 X 22		4	
19	958 106 737 00	Governor		1	
(19)	958 106 737 01	Governor		1	
(19)	958 106 737 02	Governor		1	
(19)	958 106 737 03	Governor		1	
20	958 106 749 00	Gasket		1	
(20)	958 106 749 02	Gasket		1	
21	N 105 540 05	Oval-head screw M 6 X 35		3	
22	000 043 301 16	Engine oil EXXON MOBIL 1 ESP FORMULA 5W-30 1 LITER Container Information available		X	
23	000 043 301 17	Engine oil EXXON MOBIL 1 ESP FORMULA 5W-30 20 LITER Container Information available		X	

Model: 92A 11

Model life 2011>>



Model: 92A 11 Model life 2011>>

Pos	Part Number	Description	Remark	Qty	Model
		Oil filter			MCG.EA/FA MCJ.T M06.EC
1	958 107 010 10	Bracket		1	
(1)	958 107 010 11	Oil cooler		1	
2	958 107 111 00	Bracket		1	
3	958 107 222 00	Gasket		1	
		Filter element		1	
		with			
		Gasket			
(3)	958 107 222 01	Filter element		1	
		with			
		Gasket			
4	N 910 465 01	O-ring		1	
		73,5 X 2			
5	958 107 322 00	Sealing ring		1	
6	958 107 122 00	Lid		1	
(6)	958 107 122 01	Lid		1	
		with			
		Filter element			
		And			
		Gasket			
7	N 910 528 02	Pan-head screw		2	
		M 7 X 75			
(7)	N 911 997 01	Pan-head screw		2	
		M 7 X 75			
8	N 102 856 02	Hexagon-head bolt		1	
		M 6 X 25			
9	WHT 000 403 A	Stud		1	
		M 7 X 93			
		Use also:			
		WHT.000.404		1	
10	WHT 000 404	Round nut		1	
		M 7			
(10)	WHT 000 404 A	Round nut		1	
		M 7			
11	958 107 271 00	Oil cooler		1	
12	958 107 175 00	Gasket		1	
(12)	958 107 175 01	Gasket		1	
13	N 107 451 01	Outer hexagon round screw		4	
		M 6 X 20			
(13)	N 906 847 07	Oval-head screw		1	
		M 6 X 20			
14	958 606 081 30	Oil pressure switch		1	
		Bracket			
(14)	958 606 081 31	Oil pressure switch		1	
		Bracket			
15	958 606 081 40	Oil pressure switch		1	
		Crankcase			
16	000 043 301 16	Engine oil	-(CN)	X	
		EXXON MOBIL 1 ESP			
		FORMULA 5W-30			
		1 LITER			
		Container			
		Information available			
(16)	000 043 301 19	Engine oil	(CN)	X	
		EXXON MOBIL 1 0W-40			
		1 LITER			
		Container			
		Information available			
17	000 043 301 17	Engine oil	-(CN)	X	
		EXXON MOBIL 1 ESP			

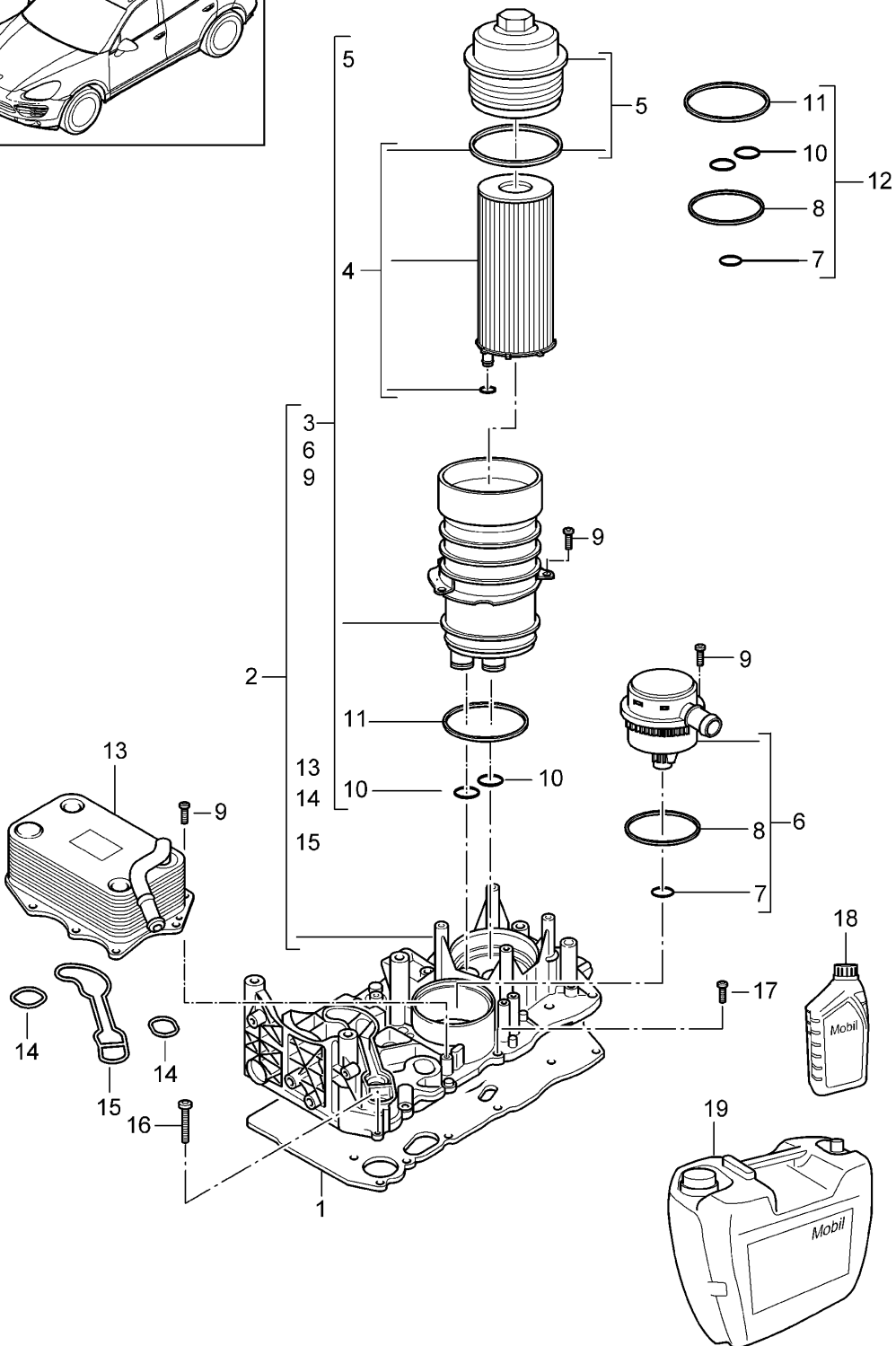
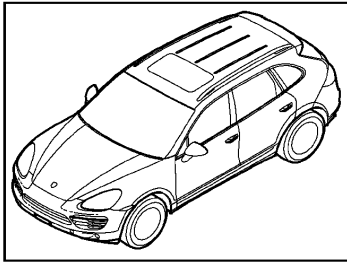
Model: 92A 11

Model life 2011>>

Pos	Part Number	Description	Remark	Qty	Model
(17)	000 043 301 21	FORMULA 5W-30 20 LITER Container Information available Engine oil EXXON MOBIL 1 0W-40 20 LITER Container Information available	(CN)	X	

Model: 92A 11

Model life 2011>>

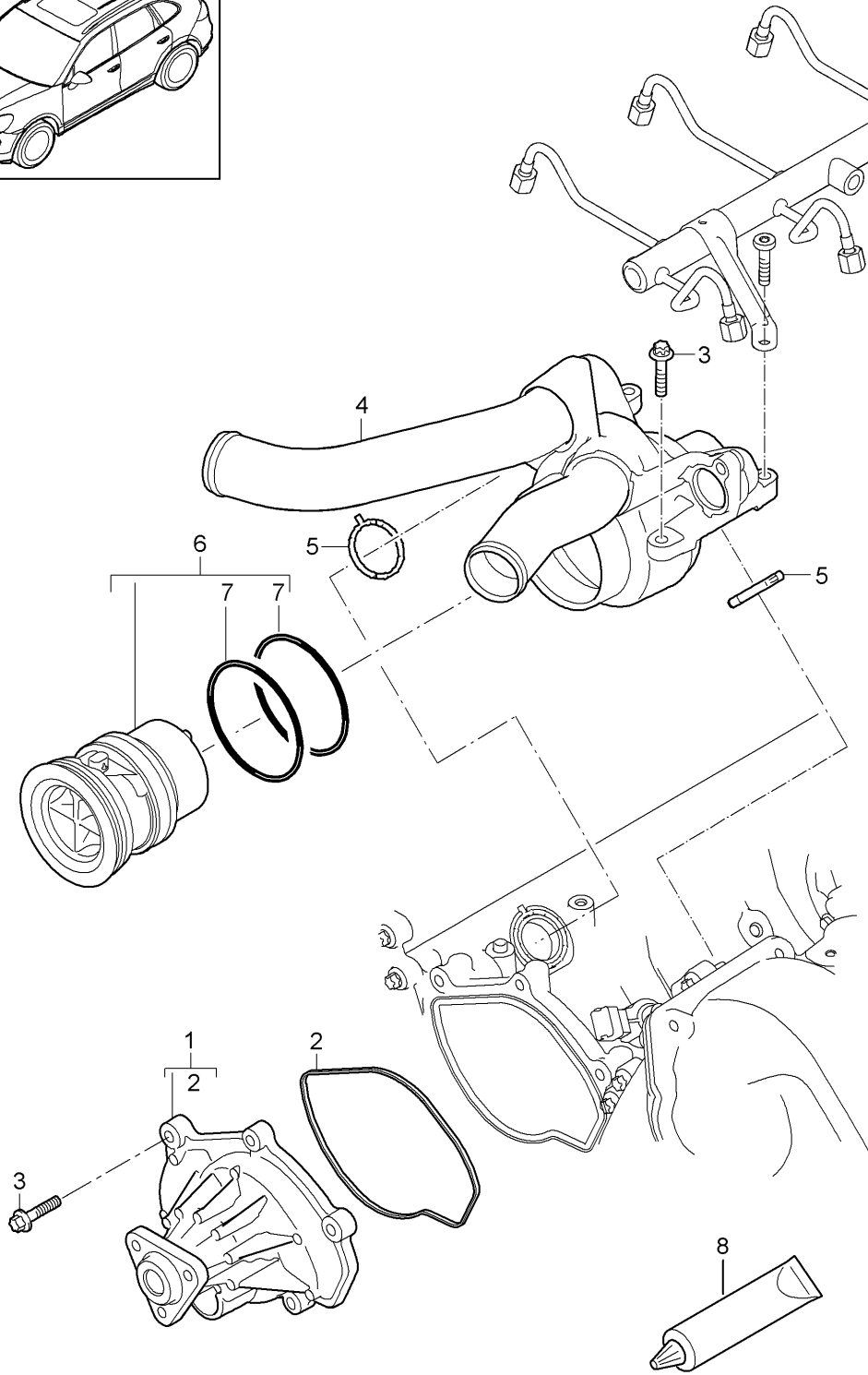
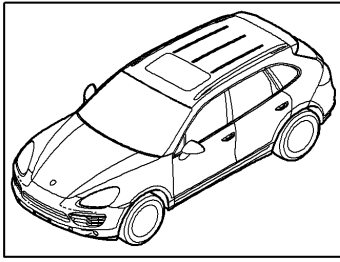


Model: 92A 11 Model life 2011>>

Pos	Part Number	Description	Remark	Qty	Model
		Oil filter Bracket Oil cooler			MCU.DB/DC
1	958 107 111 20	Gasket		1	
2	958 107 010 40	Bracket Oil filter Complete		1	
3	955 107 073 00	Oil tank Complete		1	
4	955 107 222 00	Filter element with Gasket		1	
5	955 107 122 00	Lid		1	
6	958 107 040 00	Oil separator with Gasket		1	
7		Gasket Oil separator Use POS.12		1	
8		Gasket Oil separator Use POS.12		1	
9	N 101 243 06	Oval-head screw M 6 X 20		9	
10		Gasket Oil tank Use POS.12		2	
11		Gasket Oil tank Use POS.12		1	
12	955 107 901 01	Gasket set Oil separator Oil tank		1	
13	958 107 271 30	Oil cooler		1	
14	955 107 175 00	Sealing ring		2	
15	958 107 176 30	Gasket		1	
16	N 104 707 03	Lens-head screw AM 6 X 50		7	
17	N 101 243 06	Oval-head screw M 6 X 20		20	
18	000 043 301 16	Engine oil EXXON MOBIL 1 ESP FORMULA 5W-30 1 LITER Container		X	
19	000 043 301 17	Information available Engine oil EXXON MOBIL 1 ESP FORMULA 5W-30 20 LITER Container Information available		X	

Model: 92A 11

Model life 2011>>



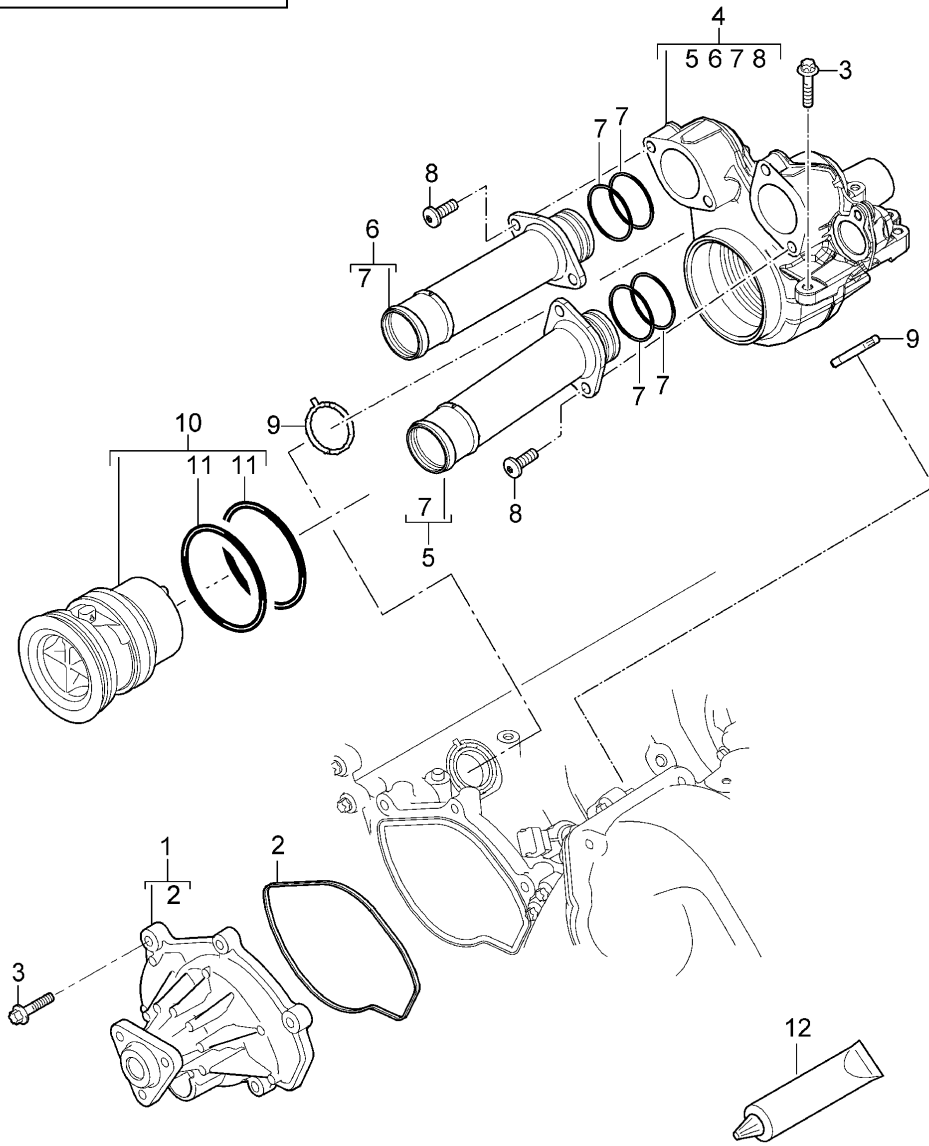
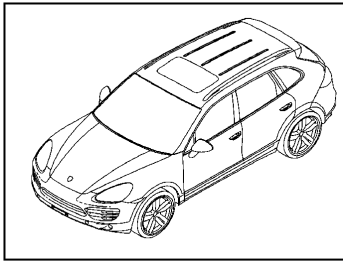
Model: 92A 11

Model life 2011>>

Pos	Part Number	Description	Remark	Qty	Model
		Water pump			MCF.TB MCY.XA M48.02/52
1	948 106 033 01	Thermostat housing Water pump		1	
2	948 106 533 00	Gasket		1	
3	900 385 072 01	Torx screw BM 6 X 25		8	
4	948 106 080 00	Thermostat housing		1	
(4)	948 106 080 02	Thermostat housing Use also: 948.106.124.02 948.106.707.00 000.043.205.93		1 2 2 1	
5	948 106 124 01	Gasket		2	
(5)	948 106 124 02	Gasket		2	
6	948 106 034 00	Thermostat insert		1	
(6)	948 106 034 01	Thermostat insert Use also: 000.043.205.93		1 2	
7	000 043 301 23	O-ring 62,86 X 5,33		2	
(7)	948 106 707 00	O-ring 62,86 X 5,33 Use also: 000.043.205.93		2 1	
8	000 043 205 93	Grease 1 100-gramme tube To Use for O-ring Thermostat insert		X	

Model: 92A 11

Model life 2011>>



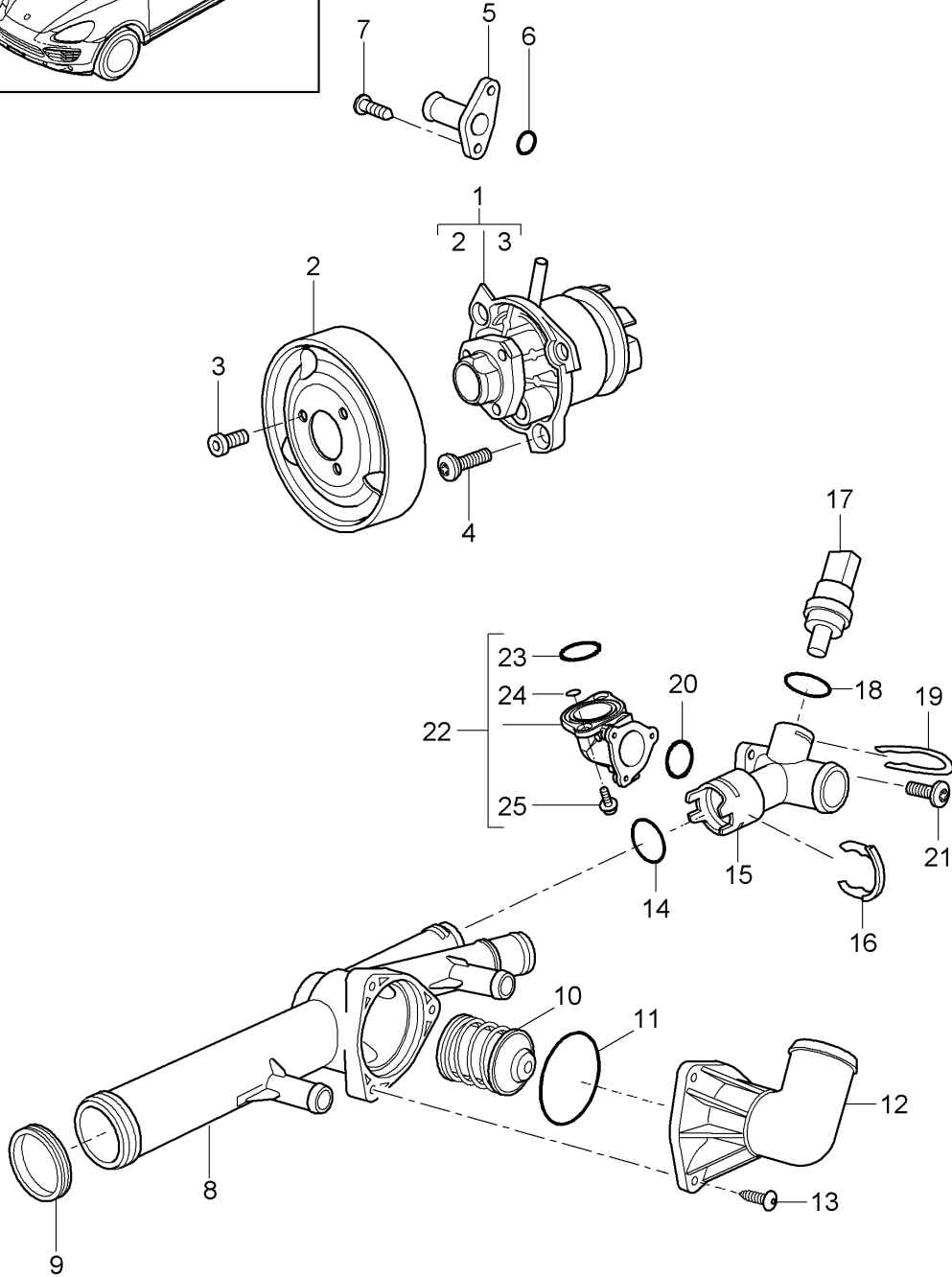
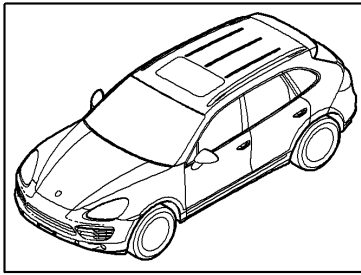
Model: 92A 11

Model life 2011>>

Pos	Part Number	Description	Remark	Qty	Model
		Water pump			MCU . RA MCX . ZA
		Thermostat housing			
1	948 106 033 01	Water pump		1	
2	948 106 533 00	Gasket		1	
3	900 385 072 01	Torx screw BM 6 X 25		9	
4	946 106 080 61	Thermostat housing		1	
5	946 106 260 61	Connecting piece		1	
6	946 106 360 61	Connecting piece		1	
7	999 701 083 40	O-ring 38 X 3		4	
8	999 073 344 01	Round head screw M 6 X 20		4	
9	948 106 124 02	Gasket		2	
10	948 106 034 01	Thermostat insert		1	
11	948 106 707 00	O-ring 62,86 X 5,33		2	
12	000 043 205 93	Grease 1 100-gramme tube To Use for O-ring Thermostat insert		X	

Model: 92A 11

Model life 2011>>



Model: 92A 11 Model life 2011>>

Pos	Part Number	Description	Remark	Qty	Model
		Water pump			MCE.YA M55.02
1	958 106 033 00	Thermostat housing Water pump with Gasket M >> B 06770 M >> B 06811		1	
(1)	958 106 033 01	Water pump with Gasket		1	
(1)	958 106 033 02	Water pump with Gasket M B 06771 >> M B 06812 >>	-14	1	
(1)	958 106 033 03	Water pump with Gasket	15-	1	
2	955 106 031 01	Pulley Only together with Water pump 958.106.033.00 03H.121.008.B M >> B 06770 M >> B 06811		1	
(2)	955 106 091 00	Pulley Only together with Water pump 958.106.033.01/02 03H.121.008.C/E M B 06771 >> M B 06812 >>	-14	1	
(2)		Pulley	15-	1	
3	N 905 442 03	Pan-head screw M 8 X 11 Only together with Pulley 955.106.031.01 M >> B 06770 M >> B 06811		3	
(3)	N 911 361 01	Pan-head screw M 8 X 14 Only together with Pulley 955.106.091.00 M B 06771 >> M B 06812 >>	-14	3	
(3)		Pan-head screw M 8 X 14	15-	3	
4	N 105 268 02	Oval-head screw M 6 X 18		3	
5	955 106 231 00	Flange socket		1	
6	955 106 431 00	Sealing ring		1	
7	N 910 717 01	Round head screw M 6 X 25		2	
8	958 106 060 00	Thermostat housing		1	
9	WHT 005 190	O-ring 37,5 X 3,9		1	
10	958 106 126 00	Thermostat insert		1	
(10)	958 106 126 01	Thermostat insert		1	
11	WHT 000 863	Sealing ring 56,2 X 3,0		1	

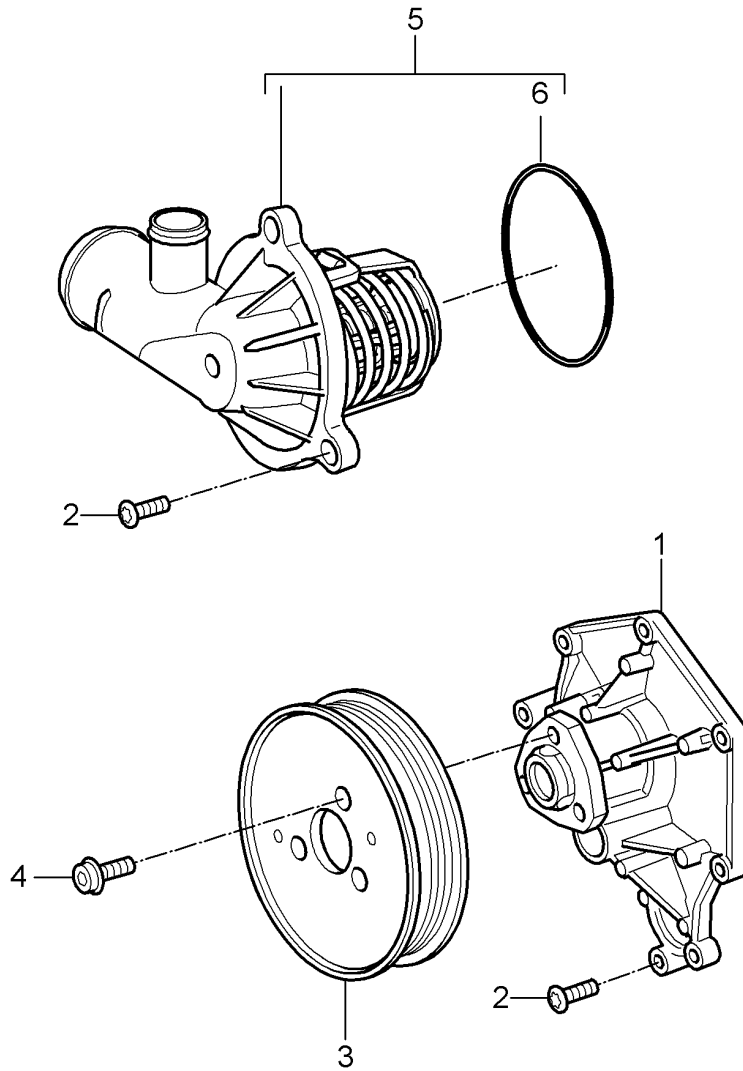
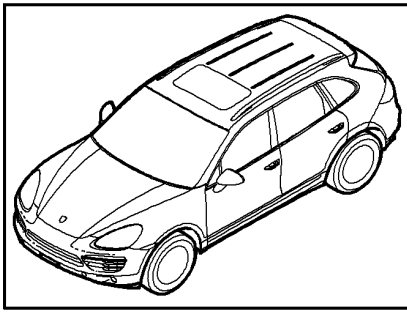
Model: 92A 11

Model life 2011>>

Pos	Part Number	Description	Remark	Qty	Model
12	958 106 131 00	Lid Thermostat insert		1	
13	N 106 112 01	Oval-head sheetmetal screw 6 X 20		3	
14	WHT 000 862	Sealing ring 29 X 3,5		1	
15	955 106 132 00	Cooling water socket		1	
16	955 106 344 00	Retainer spring		1	
17	955 106 125 01	Temperature sensor		1	
18	N 903 168 01	O-ring 19,6 X 3,65		1	
19	955 106 143 00	Retainer spring		1	
20	955 106 509 00	Sealing ring		1	
21	N 910 541 01	Oval-head screw M 6 X 25		3	
22	955 106 134 00	Cooling water socket Cylinder head		1	
23	955 106 511 00	Sealing ring		1	
24	955 106 586 00	O-ring 7 X 2		2	
25	N 902 929 03	Pan-head screw M 8 X 25		2	

Model: 92A 11

Model life 2011>>

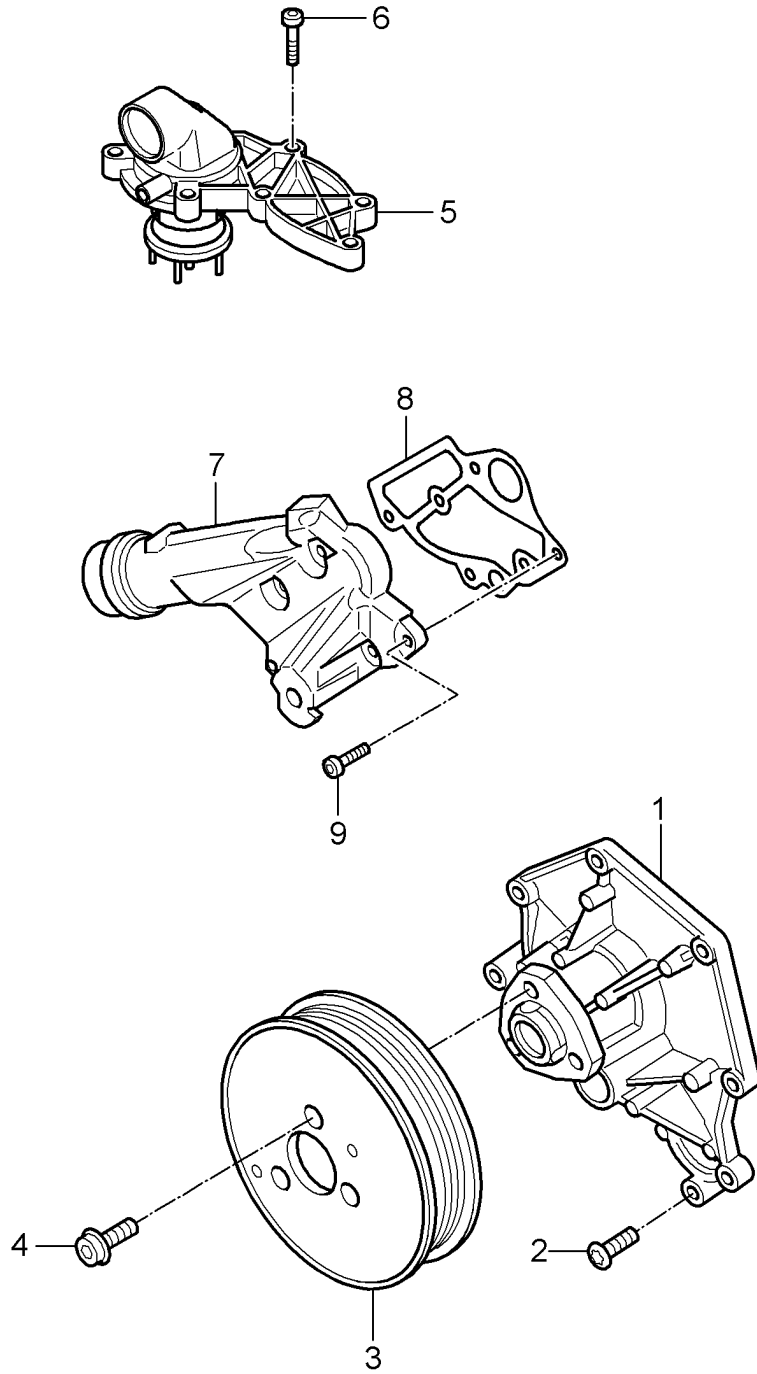
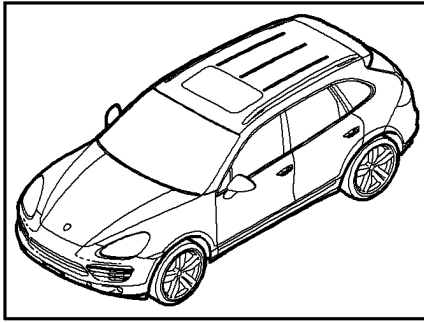


Model: 92A 11 Model life 2011>>

Pos	Part Number	Description	Remark	Qty	Model
		Water pump			MCN.RB MCR.CA/CB MCV.VA M05.9E
1	955 106 033 10	Thermostat housing Water pump with Gasket		1	MCV.VB/VC M05.9E
(1)	958 106 033 20	Water pump with Gasket		1	M05.9E
(1)	958 106 033 30	Water pump with Gasket		1	MCR.CA/CB
(1)	958 106 033 31	Water pump with Gasket		1	MCR.CA/CB MCV.VA/VB/VC
2	N 101 961 05	Oval-head screw M 6 X 18		10	M05.9E
(2)	N 107 002 01	Outer hexagon round screw M 6 X 22 Steel		10	MCR.CA/CB
(2)	N 911 804 01	Outer hexagon round screw M 6 X 22 Aluminium		10	MCR.CA/CB MCV.VA/VB/VC
3	958 106 091 10	Pulley		1	
4	N 910 522 01	Pan-head screw M 8 X 12		3	
5	958 106 032 10	Thermostat housing with Thermostat insert		1	M05.9E
6	955 106 123 00	Gasket 75,6 X 3,1		1	M05.9E

Model: 92A 11

Model life 2011>>

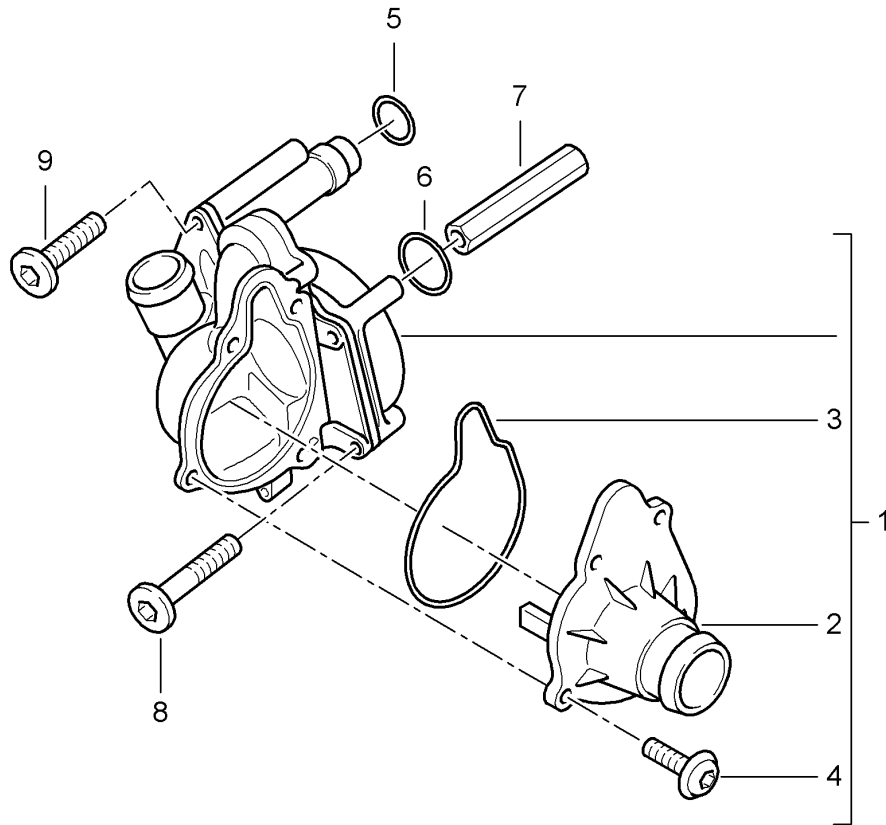
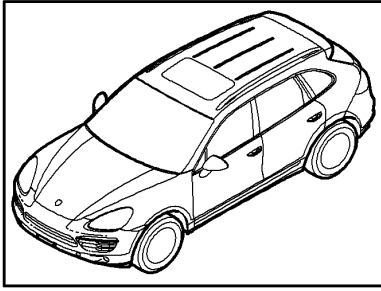


Model: 92A 11 Model life 2011>>

Pos	Part Number	Description	Remark	Qty	Model
		Water pump			MCG.EA/FA MCJ.T M06.EC
1	958 106 033 11	Thermostat housing Water pump with Gasket		1	ID19
(1)	958 106 033 12	Water pump with Gasket		1	ID19
(1)	958 106 033 13	Water pump with Gasket		1	ID19
(1)	958 106 033 20	Water pump with Gasket		1	ID11
2	N 910 717 01	Round head screw M 6 X 25		7	
(2)	N 104 134 05	Outer hexagon round screw M 6 X 25		7	
3	958 106 091 00	Pulley		1	ID19
(3)	958 106 091 20	Pulley	(CN)	1	ID11
(3)	958 106 091 21	Pulley	(CN)	1	ID11
(3)	958 106 091 22	Pulley	(CN)	1	ID11
(3)	958 106 091 23	Pulley	(CN)	1	ID11
4	N 910 522 01	Pan-head screw M 8 X 12		3	
5	958 106 032 00	Thermostat housing with Thermostat insert		1	
(5)	958 106 032 01	Thermostat housing with Thermostat insert		1	
(5)	958 106 032 02	Thermostat housing with Thermostat insert		1	
6	N 910 680 01	Oval-head screw M 6 X 28		7	
7	958 106 231 00	Lid with Adapter		1	
(7)	958 106 231 01	Lid with Adapter	-14	1	
(7)	958 106 231 02	Use also: 958.106.431.00 Lid with Adapter	15-	1	
8	958 106 431 00	Use also: 958.106.431.00 Gasket		1	
9	N 910 717 01	Round head screw M 6 X 25		6	
(9)	N 104 134 05	Outer hexagon round screw M 6 X 25		6	

Model: 92A 11

Model life 2011>>



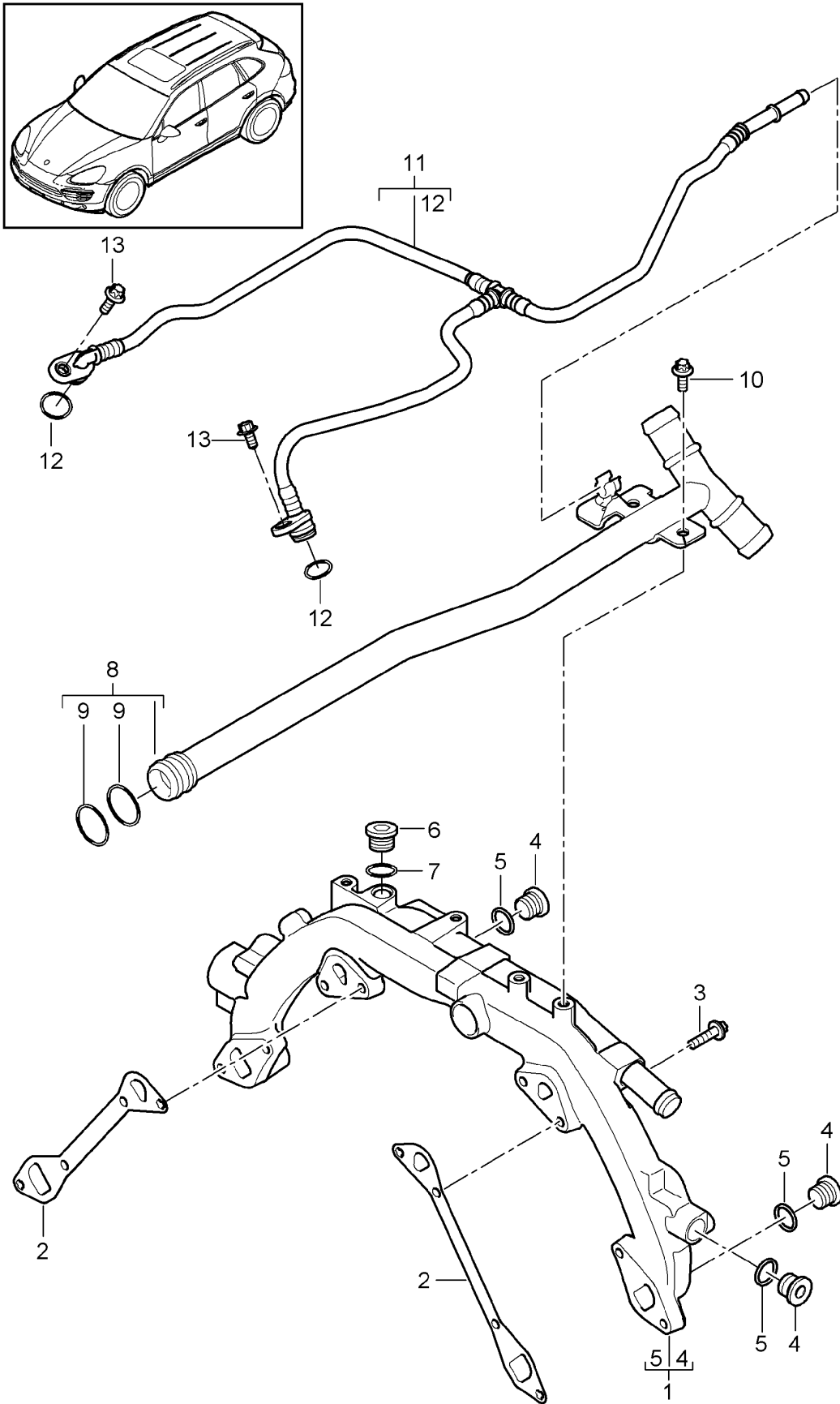
Model: 92A 11

Model life 2011>>

Pos	Part Number	Description	Remark	Qty	Model
1	958 106 033 50	Water pump		1	MCU .DB/DC
(1)	958 106 033 51	Water pump		1	
2	958 106 032 20	Thermostat housing with Thermostat insert		1	
3	958 106 119 20	Gasket		1	
4	N 101 243 06	Oval-head screw M 6 X 20		4	
5	N 910 089 02	O-ring 23 X 5		1	
6	N 908 063 02	O-ring 28 X 3,5		1	
7	958 106 236 40	Drive shaft		1	
8	N 106 465 01	Pan-head screw BM 6 X 102 X 70		2	
9	N 910 975 01	Round head screw M 6 X 85		2	

Model: 92A 11

Model life 2011>>



Model: 92A 11 Model life 2011>>

Pos	Part Number	Description	Remark	Qty	Model
		Water cooling 1			MCF.TB MCY.XA M48.02/52
1	948 106 061 04	Distributor tube without Screw plug M >> B 05683 M >> B 03455		1	M48.02 M48.52
(1)	948 106 061 20	Distributor tube with Screw plug M B 05684 >> E 03741 M B 03456 >> E 00996 Only Valid for Cayenne turbo Deleted Screw plug Lateral Only together with Water hose 955.106.322.10 7L5.121.096.A		1 3	M48.02 M48.52
(1)	948 106 061 21	Distributor tube with Screw plug M E 03742 >> M E 00997 >> Only Valid for Cayenne turbo Deleted Screw plug Lateral for vehicles up to M >> E 03741 M >> E 00996 When required order also: 958.106.322.10 7P5.121.096.A	-14	1 3	M48.02 M48.52
(1)		Distributor tube with Screw plug It is necessary to rework Deleted Screw plug Lateral	15-	1 3	MCF.TB MCY.XA
2	948 106 154 01	Gasket		2	
3	900 385 072 01	Torx screw BM 6 X 25		8	
4	900 219 004 01	Screw plug M 16 X 1,5		3	M48.02
(4)		Screw plug M 16 X 1,5		2	MCF.TB MCY.XA M48.52
5	900 123 131 30	Sealing ring A 16 X 20		3	M48.02
(5)		Sealing ring A 16 X 20		2	MCF.TB MCY.XA M48.52

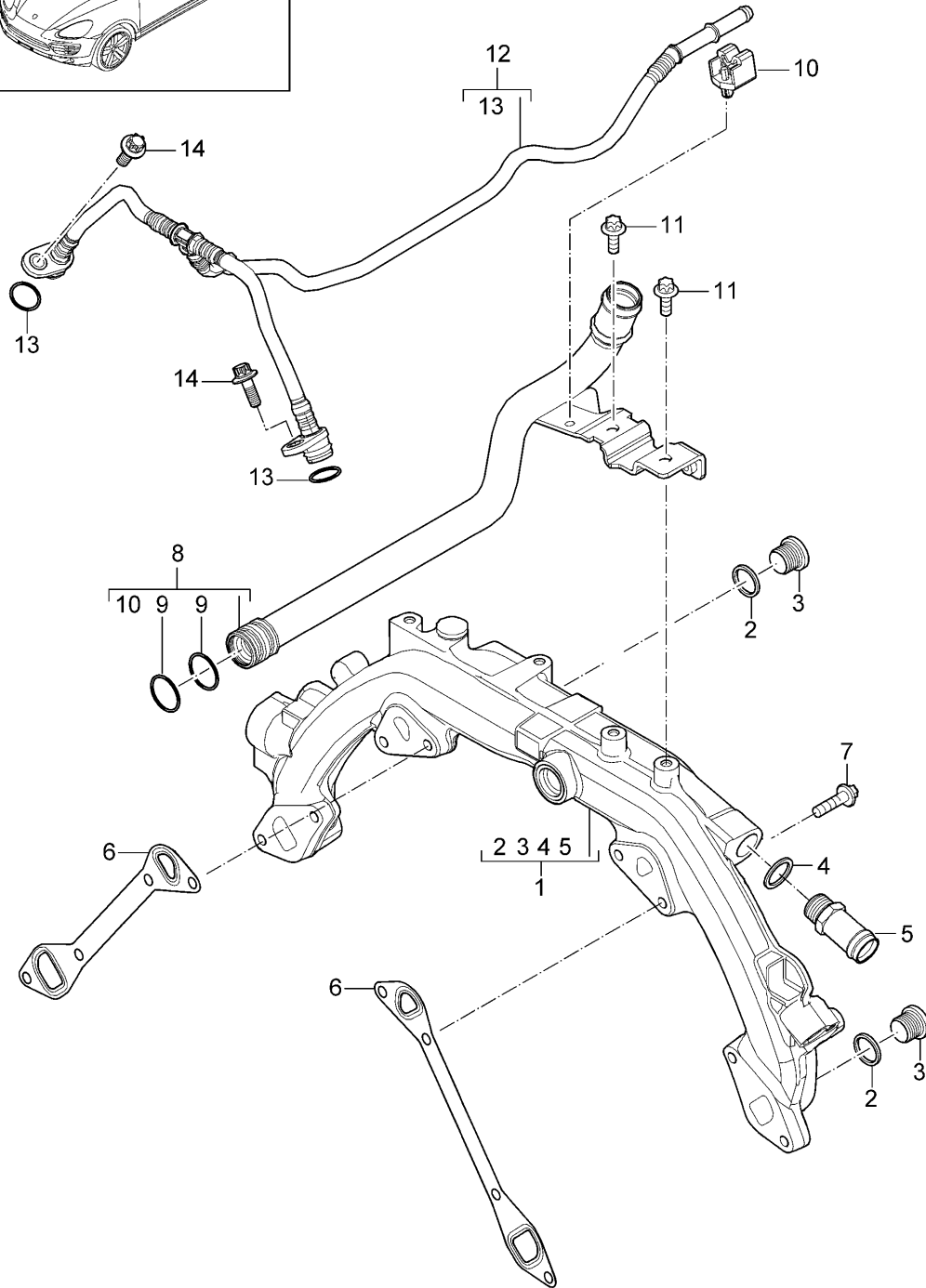
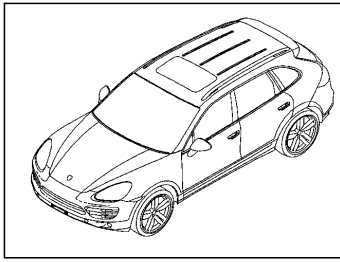
Model: 92A 11

Model life 2011>>

Pos	Part Number	Description	Remark	Qty	Model
6	900 219 002 03	Screw plug M 14 X 1,5 M >> B 05683 M >> B 03455		1	M48.02 M48.52
7	900 123 007 30	Sealing ring A 14 X 18 M >> B 05683 M >> B 03455		1	M48.02 M48.52
8	948 106 069 21	Cooling water tube Heating		1	
9	999 707 477 40	O-ring 19 X 3		2	
10	900 385 041 01	Torx screw BM 6 X 12		2	
11	948 106 026 22	Vent line		1	
12	999 707 586 40	O-ring 11 X 2,5		2	
13	900 385 009 01	Torx screw BM 6 X 16		2	

Model: 92A 11

Model life 2011>>



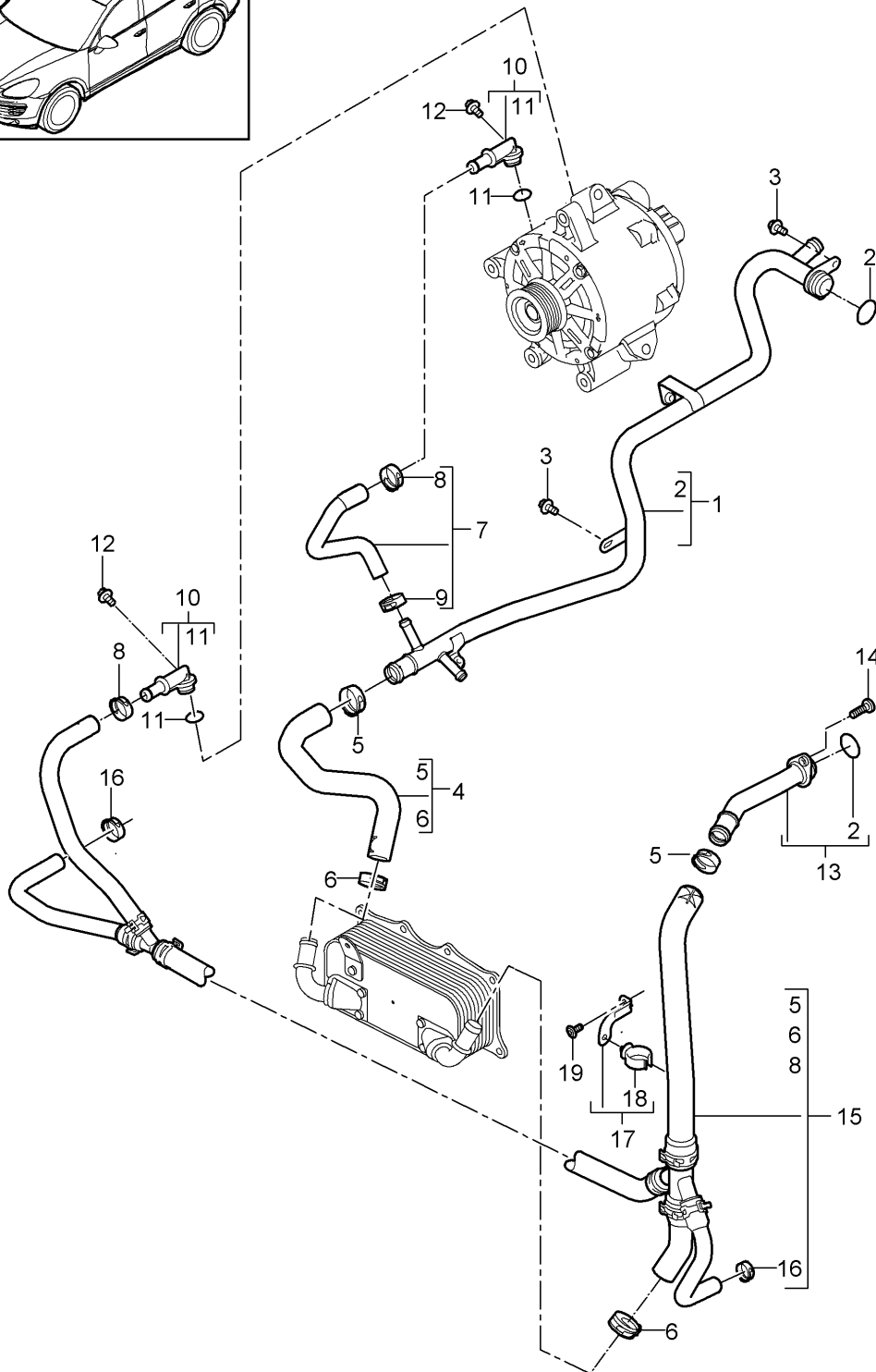
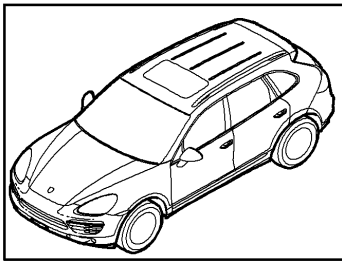
Model: 92A 11

Model life 2011>>

Pos	Part Number	Description	Remark	Qty	Model
		Water cooling 1			MCU.RA MCX.ZA
1	948 106 061 76	Distributor tube		1	
2	900 123 131 30	Sealing ring A 16 X 20		2	
3	900 219 004 01	Screw plug M 16 X 1,5		2	
4	900 123 118 30	Sealing ring A 22 X 27		1	
5	948 106 261 02	Connecting piece M 22 X1,5		1	
6	948 106 154 01	Gasket		2	
7	900 385 072 01	Torx screw BM 6 X 25		8	
8	946 106 069 60	Cooling water tube Heating		1	
9	999 707 477 40	O-ring 19 X 3		2	
10	999 507 886 40	Hose holder 4,8 - 8		1	
11	900 385 041 01	Torx screw BM 6 X 12		2	
12	946 106 026 60	Vent line		1	
13	999 707 586 40	O-ring 11 X 2,5		2	
14	900 385 009 01	Torx screw BM 6 X 16		2	

Model: 92A 11

Model life 2011>>



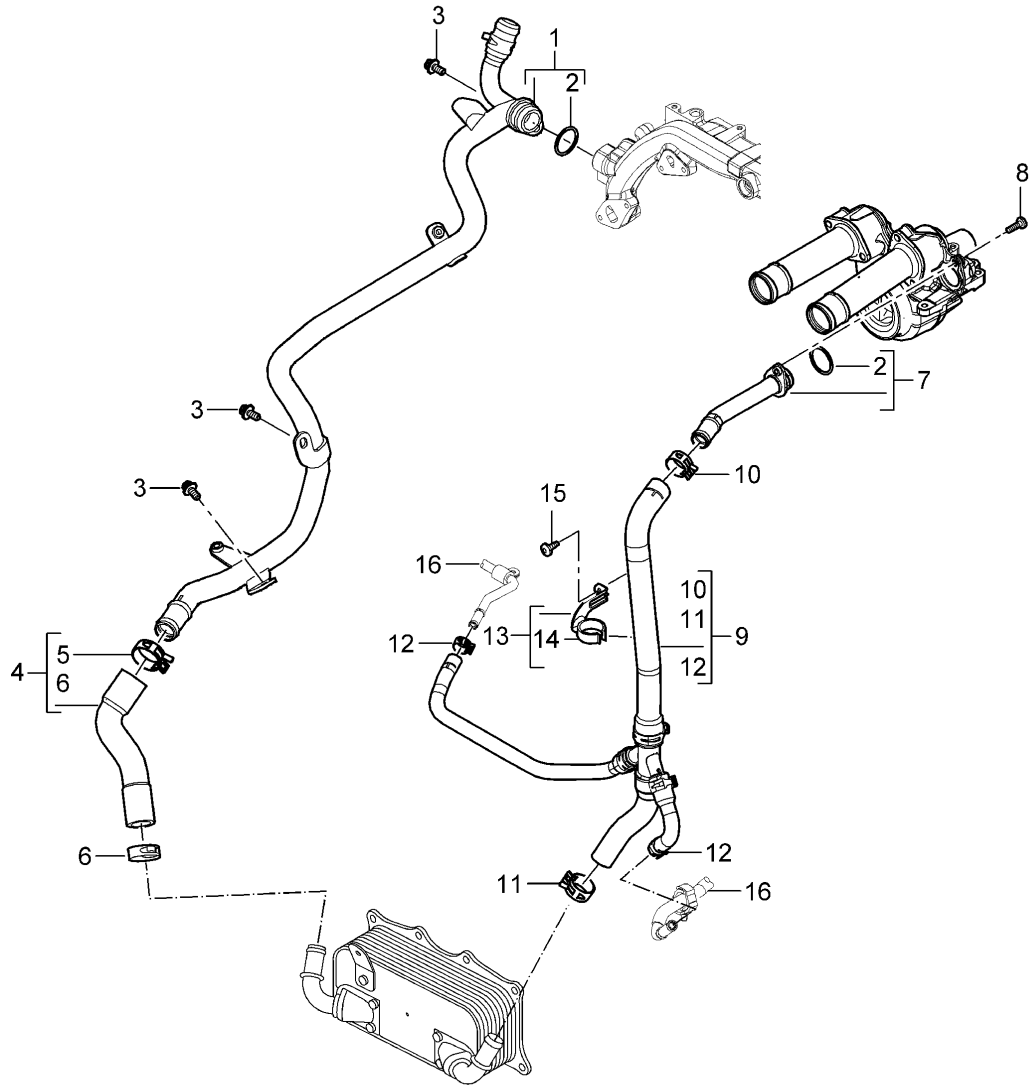
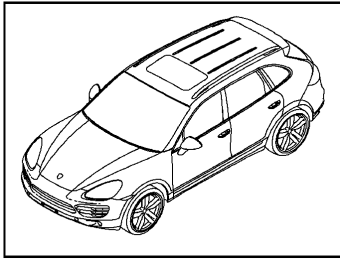
Model: 92A 11

Model life 2011>>

Pos	Part Number	Description	Remark	Qty	Model
		Water cooling 2			MCF.TB MCY.XA M48.02/52
1	948 106 022 60	Cooling water tube		1	MCF.TB M48.52
(1)	948 106 022 80	Cooling water tube		1	MCY.XA
(1)	948 106 022 10	Cooling water tube		1	M48.02
2	999 701 825 40	O-ring 19,6 X 3,53		2	
3	900 385 041 01	Torx screw BM 6 X 12		2	
4	948 106 457 21	Water hose		1	
(4)	948 106 457 22	Water hose		1	
5	999 512 658 09	Hose clamp 27 X 12		2	
6	999 512 656 09	Hose clamp 25 X 12		2	
7	948 106 355 05	Water hose		1	
(7)	948 106 355 06	Water hose		1	
8	999 512 652 09	Hose clamp 19 X 12		2	
9	999 512 686 09	Hose clamp 17 X 12		1	
10	948 106 462 00	Connection piece Generator		2	
11	999 707 514 40	O-ring 12,37 X 2,62		2	
12	900 385 009 01	Torx screw BM 6 X 16		2	
13	948 106 421 10	Cooling water tube Return line		1	
14	999 073 344 01	Round head screw M 6 X 20		1	
15	948 106 051 76	Water hose Complete Return line		1	M48.52
(15)	948 106 051 77	Water hose Complete Return line		1	MCF.TB MCY.XA M48.52
(15)	948 106 051 23	Water hose Complete Return line		1	M48.02
(15)	948 106 051 24	Water hose Complete Return line		1	M48.02
16	999 512 686 09	Hose clamp B 17 X 12		2	MCF.TB MCY.XA M48.52
17	7PP 121 232	Support		1	
(17)	7PP 121 224	Support		1	
(17)	7PP 121 224 A	Support		1	
18	999 511 244 40	Cable holder		1	
(18)	N 105 769 01	Hose holder		1	
19	999 073 902 31	Oval-head screw M 6 X 16		1	

Model: 92A 11

Model life 2011>>



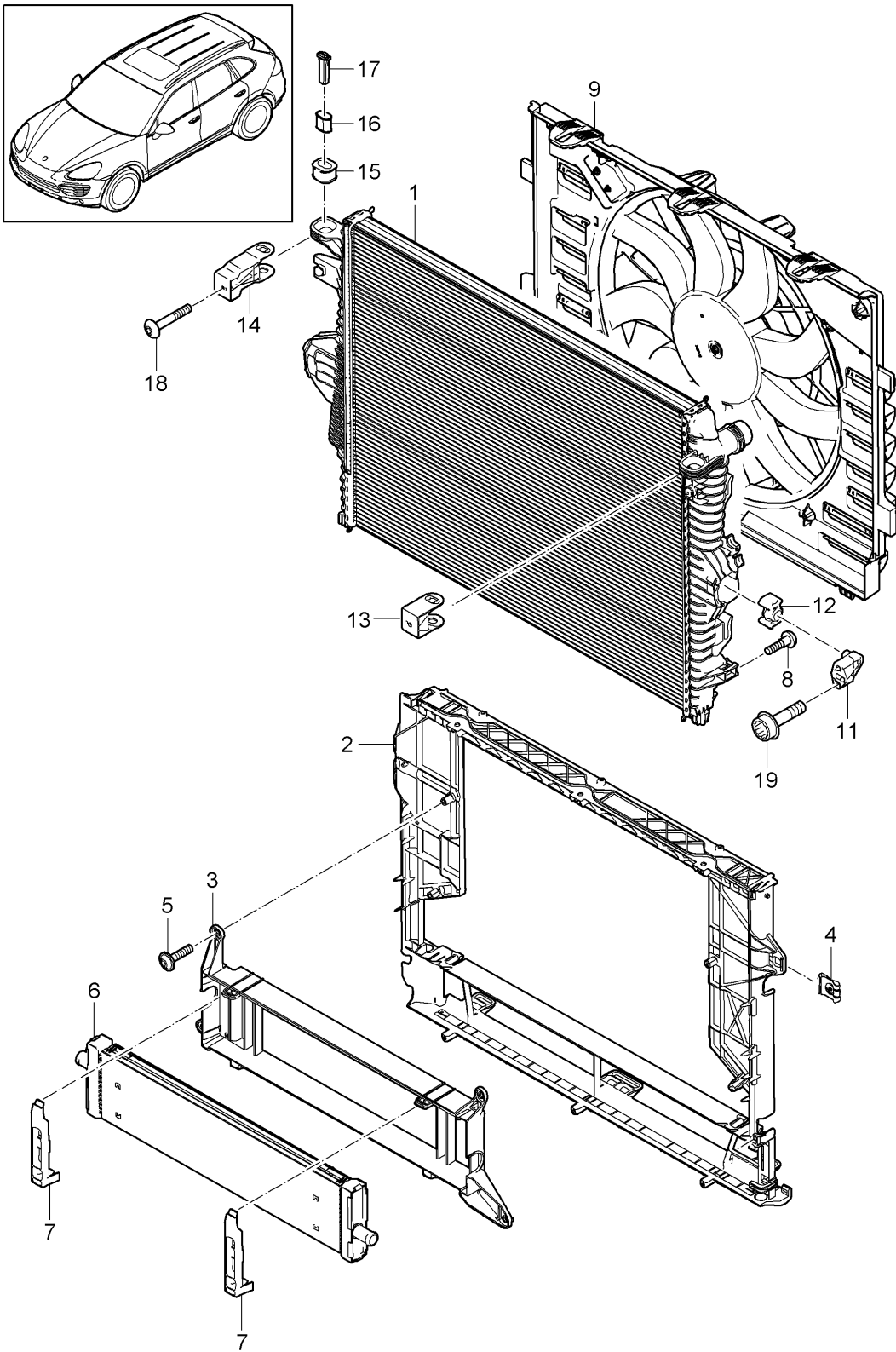
Model: 92A 11

Model life 2011>>

Pos	Part Number	Description	Remark	Qty	Model
		Water cooling 2			MCU.RA MCX.ZA
1	946 106 022 50	Cooling water tube Supply		1	
2	999 701 825 40	O-ring 19,6 X 3,53		2	
3	900 385 041 01	Torx screw BM 6 X 12		3	
4	946 106 457 50	Water hose Supply		1	
5	999 512 658 09	Hose clamp B 27 X 12		1	
6	999 512 656 09	Hose clamp B 25 X 12		1	
7	946 106 421 60	Cooling water tube Return line		1	
8	999 073 344 01	Round head screw M 6 X 20		1	
9	946 106 051 52	Water hose Complete Return line		1	
10	999 512 658 09	Hose clamp B 27 X 12		1	
11	999 512 656 09	Hose clamp B 25 X 12		1	
12	999 512 686 09	Hose clamp B 17 X 12		2	
13	7PP 121 224 A	Support		1	
14	N 105 769 01	Hose holder		1	
15	999 073 902 31	Oval-head screw Aluminium M 6 X 16		1	
16		Return line Turbocharger See illustrations 2/02/67		2	

Model: 92A 11

Model life 2011>>



Model: 92A 11 Model life 2011>>

Pos	Part Number	Description	Remark	Qty	Model
1	958 106 132 00	Water cooling 3 Radiator Radiator		1	IDT1/DT5/D58 ID6V
(1)	958 106 132 10	Radiator		1	ID19
(1)		Radiator		1	IDV7/D1V/D43 ID50/D51
(1)		Radiator		1	ID34
(1)		Radiator		1	ID11
(1)	958 106 132 20	Radiator		1	IDD8
(1)	958 106 132 10	Radiator		1	IDU2/DU3
2	958 106 141 00	Retaining frame		1	-ID19
(2)	958 106 141 01	Retaining frame		1	-ID19
(2)	958 106 141 10	Retaining frame		1	ID19
(2)	958 106 141 11	Retaining frame		1	ID19
3	958 106 141 30	Retaining frame	-14	1	ID19
(3)	958 106 141 40	Retaining frame	15-	1	ID19
4	N 902 362 03	Lock washer B 10 X 0,6		2	
5	N 104 734 02	Lens-head screw 6 X 20	-14	4	ID19
6	958 106 212 10	Radiator	-14	1	ID19
(6)		Radiator	15-	2	ID19
7	958 106 271 00	Support	-14	2	ID19
8	N 101 243 06	Oval-head screw M 6 X 20		2	IG1G
(8)		Oval-head screw M 6 X 20		1	IG0L
9	958 106 061 10	Cooling air duct with Fan		1	ID58/D6V
(9)	958 106 061 11	Cooling air duct with Fan		1	ID58/D6V
(9)	958 106 061 12	Cooling air duct with Fan	-14	1	ID58/D6V
(9)	958 106 061 10	Cooling air duct with Fan		1	ID1V/D50
(9)	958 106 061 11	Cooling air duct with Fan		1	ID1V/D43/D50
(9)	958 106 061 12	Cooling air duct with Fan	-14	1	ID1V/D43/D50
(9)	958 106 061 11	Cooling air duct with Fan		1	ID34/G1G
(9)	958 106 061 12	Cooling air duct with Fan	-14	1	ID34/G1G
(9)	958 106 061 30	Cooling air duct with Fan		1	ID19
(9)	958 106 061 31	Cooling air duct with Fan	-14	1	ID19
(9)		Cooling air duct with Fan		1	ID34/G0L
(9)		Cooling air duct with Fan	(CN) -14	1	ID11

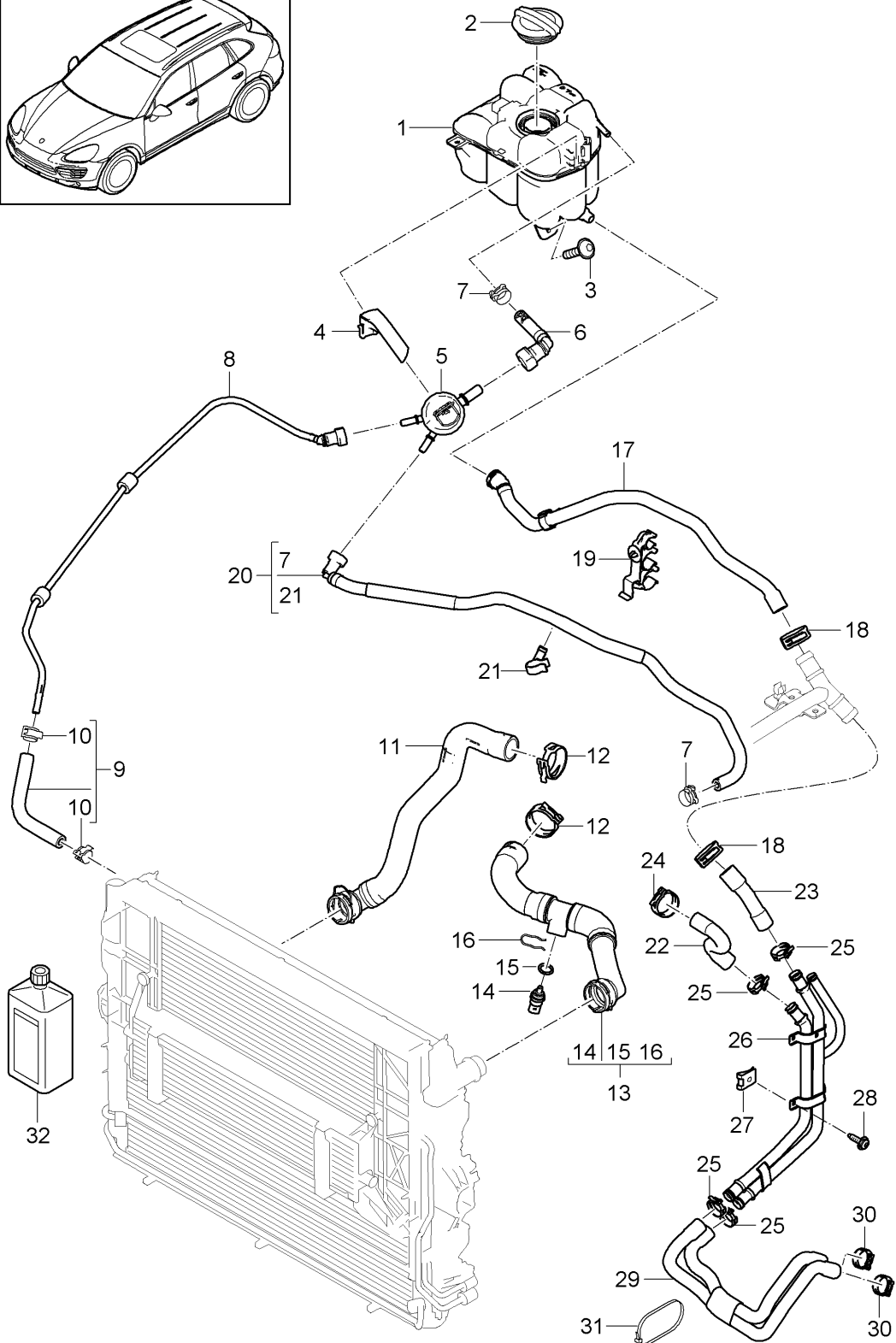
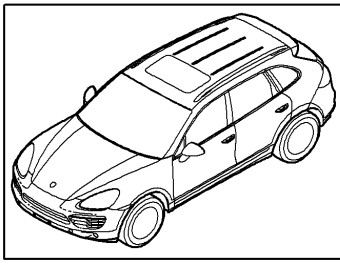
Model: 92A 11

Model life 2011>>

Pos	Part Number	Description	Remark	Qty	Model
(9)	958 106 061 40	Fan Cooling air duct with	15-	1	ID11
(9)	958 106 061 11	Fan Cooling air duct with		1	IDD8
(9)	958 106 061 12	Fan Cooling air duct with	-14	1	IDD8
(9)	958 106 061 20	Fan Cooling air duct with	15-	1	-ID11
11	958 106 660 00	Support Lower		2	
12	7P0 121 275	Rubber mounting Lower		2	
13	958 106 661 01	Support Upper	/L	1	
14	958 106 662 02	Support Upper	/R	1	
15	958 106 651 00	Rubber buffer		2	
16	958 106 665 00	Bearing sleeve		2	
17	958 106 667 00	Fastening clamp		2	
18	WHT 003 956	Round head screw TP 6 X 50		2	
19	N 910 700 01	Pan-head screw M 8 X 30		4	

Model: 92A 11

Model life 2011>>



Model: 92A 11

Model life 2011>>

Pos	Part Number	Description	Remark	Qty	Model
		Water cooling 4			IDT1/DT5/DU2 IDU3/D58/D6V
1	958 106 151 00	Water reservoir		1	
(1)	958 106 151 02	Water reservoir		1	
2	958 106 447 00	Lid		1	
3	N 911 404 01	Outer hexagon round screw M 6 X 20		1	
4	958 106 449 00	Support		1	
		Bleeder valve			
5	7P5 121 671	Bleeder valve		1	
(5)	7P5 121 671 A	Bleeder valve		1	
6	958 106 312 01	Breather hose		1	
7	N 906 867 01	Hose clamp B 14 X 12		2	
8	958 106 310 05	Vent line		1	ID6V/E0A
(8)	958 106 310 40	Vent line		1	ID6V/E0W
(8)	958 106 310 05	Vent line		1	ID58
(8)	958 106 310 50	Vent line		1	IDT1/DT5/DU2 IDU3
9	958 106 311 01	Breather hose		1	ID58/D6V
(9)	958 106 311 40	Breather hose		1	IDT1/DT5
(9)	958 106 311 10	Cooling water tube		1	IDU2/DU3
-	N 908 170 03	Oval-head screw 6 X 17 Mount Cooling water tube		2	IDU2/DU3
10	N 909 865 01	Radiator grille Hose clamp		2	IDT1/DT5/D58 ID6V
(10)	N 906 867 01	B 14,5 X 12 Hose clamp B 14 X 12 Mount POS.8 And POS.13		2	IDU2/DU3
11	958 106 402 00	Water hose		1	IDT1/DT5/D58 ID6V
(11)	958 106 402 70	Supply Water hose Supply with Temperature sensor		1	IDU2/DU3
12	N 909 265 01	Hose clamp		2	IDT1/DT5/D58 ID6V
(12)	999 512 667 09	B 47 X 12 Hose clamp B 44 X 12		2	IDU2/DU3
13	958 106 401 00	Water hose		1	IDT1/DT5/D58 ID6V
(13)	958 106 401 70	Return line Water hose Return line without Temperature sensor		1	IDU2/DU3
14	955 106 125 01	Temperature sensor		1	
15	N 903 168 01	O-ring 19,6 X 3,65		1	
16	955 106 143 00	Retainer spring		1	
17	958 106 261 00	Water hose		1	
(17)	958 106 261 01	Water hose		1	IDT1/DT5/D58 ID6V

Model: 92A 11

Model life 2011>>

Pos	Part Number	Description	Remark	Qty	Model
(17)	958 106 550 50	Water hose See illustrations 3/60/60 POS.19		1	IDU2/DU3
18	955 512 405 00	Clip B 29 X 12		2	IDT1/DT5/D58 ID6V
19	958 106 510 00	Line bracket	-14	1	
(19)	958 106 510 10	Line bracket	15-	1	
20	958 106 422 00	Breather hose		1	IDT1/DT5/D58 ID6V
(20)	958 106 422 10	Breather hose		1	IDU2/DU3
21	N 104 226 01	Support		1	IDT1/DT5/D58 ID6V
22	955 106 322 10	A 03-14 X C 01-16 Water hose Only together with Distributor tube 948.106.061.20 with Connecting piece M >> E 03741 M >> E 00996		1	ID6V ID58
(22)	958 106 322 10	Water hose Only together with Distributor tube 948.106.061.21 with Union M E 03742 >> M E 00997 >>		1	ID6V M48.52 ID58
(22)		Water hose		1	IDT1/DT5/DU2 IDU3
23	958 106 323 00	Water hose		1	IDT1/DT5/D58 ID6V
23		Water hose see POS.17		1	IDU2/DU3
24	955 512 407 00	Clip		1	
25	N 906 870 01	Hose clamp		4	IDT1/DT5/D58 ID6V
(25)		B 27 X 12 Hose clamp		3	IDU2/DU3
26	958 106 360 00	B 27 X 12 Cooling water tube		1	IDT1/DT5/D58 ID6V
(26)	958 106 360 40	Cooling water tube		1	IDU2/DU3
27	955 971 847 00	Cable clamp		1	
28	N 106 320 03	Oval-head screw M 6 X 16		2	
29	958 106 073 00	Water hose		1	
30	N 906 870 01	Hose clamp B 27 X 12		2	
31	955 106 409 00	Tie-wrap		1	
32	000 043 301 03	Antifreeze 1 LTR. Container		X	
(32)	000 043 301 47	Antifreeze 1 LTR. Container		X	
(32)	000 043 301 04	Antifreeze 20 LTR.		X	

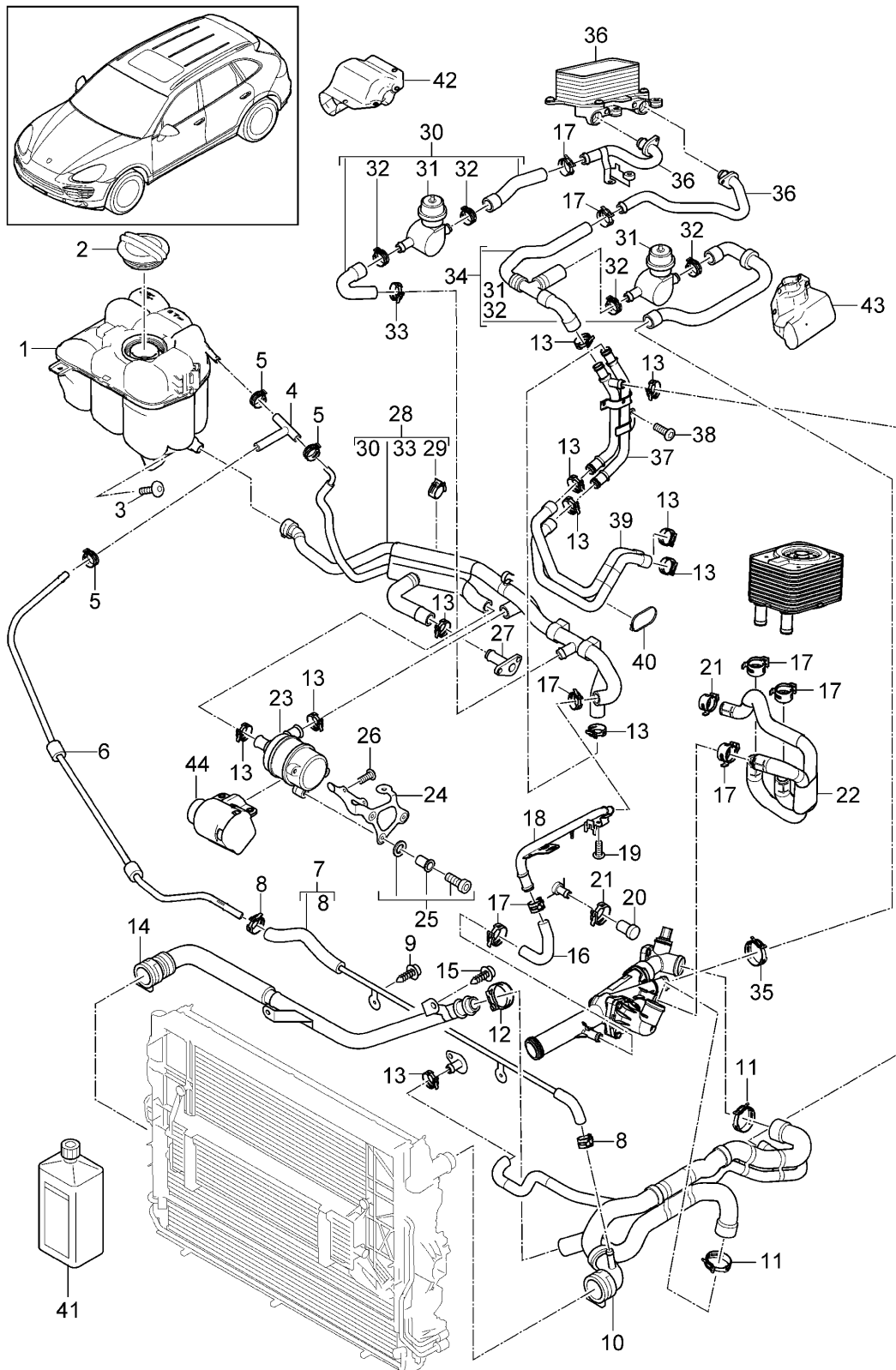
Model: 92A 11

Model life 2011>>

Pos	Part Number	Description	Remark	Qty	Model
(32)	000 043 301 48	Container Antifreeze 20 LTR.		X	
(32)	000 043 204 39	Container Cleaning agent 20 LITER Container		X	

Model: 92A 11

Model life 2011>>



Model: 92A 11 Model life 2011>>

Pos	Part Number	Description	Remark	Qty	Model
		Water cooling 4 Water reservoir			ID34
1	958 106 151 00	Water reservoir		1	
(1)	958 106 151 02	Water reservoir		1	
2	958 106 447 00	Lid		1	
3	N 911 404 01	Outer hexagon round screw M 6 X 20		1	
4	958 106 312 10	T-connecting socket		1	
5	N 906 867 01	Hose clamp B 14 X 12		3	
6	958 106 310 10	Breather pipe	-14	1	
(6)	958 106 310 11	Breather pipe	15-	1	
7	958 106 311 10	Cooling water tube with Water hose		1	
8	N 906 867 01	Hose clamp B 14 X 12		2	
9	N 908 170 03	Oval-head screw 6 X 17		2	
10	958 106 401 10	Water hose Complete		1	
(10)	958 106 401 11	Water hose Complete		1	
11	N 909 265 01	Hose clamp B 47 X 12		2	
12	N 906 872 01	Hose clamp B 40 X 12		1	
(12)	999 512 665 09	Hose clamp B 40 X 12		1	
13	N 906 870 01	Hose clamp B 27 X 12		11	
14	958 106 402 10	Cooling water tube with Water hose D >> 20.11.2016		1	
(14)	958 106 402 11	Cooling water tube with Water hose D 21.11.2016>>		1	
15	N 104 734 01	Oval-head screw 6 X 20		2	
(15)	N 908 170 03	Oval-head screw 6 X 17 D >> 20.11.2016		2	
(15)	N 104 734 02	Lens-head screw TP 6 X 20 D 21.11.2016>>		2	
16	955 106 355 20	Water hose		1	
17	N 906 869 01	Hose clamp B 23 X 12		8	
18	958 106 022 00	Cooling water tube		1	
19	N 909 899 01	Oval-head screw KA 6 X 18		1	
20	955 106 099 01	Stopper Crankcase		1	
21	N 909 264 01	Hose clamp B 19 X 12		2	
22	955 106 052 00	Water hose	-11	1	
(22)	958 106 696 40	Water hose Oil cooler Thermostat housing See illustrations 1/04/65	12-	1	

Model: 92A 11

Model life 2011>>

Pos	Part Number	Description	Remark	Qty	Model
(22)	958 106 696 50	Water hose Oil cooler Crankcase See illustrations 1/04/65	12-	1	
23	958 106 313 00	Water pump Appendix Information available		1	
24	958 106 579 30	Support		1	
25	958 106 901 00	Set of fastening parts Comprising: Rubber mounting Sleeve Outer hexagon round screw		1 3 3 3	
26	N 103 352 07	Round head screw M 6 X 12		2	
(26)	N 103 352 06	Round head screw M 6 X 12		2	
27		Flange socket See illustrations 1/05/05 Pos.5		1	
28	958 106 056 00	Water hose Complete		1	IG1G
(28)	958 106 056 10	Water hose Complete		1	IG0L
29	N 106 600 01	Support A14-22,0 X C13-6,5		1	
30	958 106 549 20	Water hose with Valve When required order also: Heat protection POS.42 See workshop manual Group 8 Document 803655 SY4215		1	IG1G
31	958 572 809 00	Heater valve When required order also: Heat protection POS.42 UND 43 See workshop manual Group 8 Document 803655 SY4215		2	IG1G
(31)		Heater valve When required order also: Heat protection POS.43 See workshop manual Group 8 Document 803655 SY4215		1	IG0L
32	N 906 870 01	Hose clamp B 27 X 12		4	IG1G
(32)		Hose clamp B 27 X 12		2	IG0L
33		Hose clamp B 27 X 12		1	IG1G

Model: 92A 11 Model life 2011>>

Pos	Part Number	Description	Remark	Qty	Model
34	958 106 550 20	Water hose with Valve When required order also: Heat protection POS.43 See workshop manual Group 8 Document 803655 SY4215		1	IG1G
(34)	958 106 550 30	Water hose with Valve When required order also: Heat protection POS.43 See workshop manual Group 8 Document 803655 SY4215		1	IG0L
35	N 906 871 01	Hose clamp B 32 X 12		1	
36		See illustrations 3/60/30 POS.4/11/14			
37	958 106 360 20	Cooling water tube		1	
38	N 106 320 03	Oval-head screw M 6 X 16		2	
39	955 106 074 00	Water hose		1	
40	955 106 409 00	Tie-wrap		1	
41	000 043 301 12	Antifreeze 1 LITER Container		X	
(41)	000 043 301 47	Antifreeze 1 LITER Container		X	
(41)	000 043 305 15	Antifreeze 1 LITER Container		X	
(41)	000 043 301 13	Antifreeze 20 LITER Container		X	
(41)	000 043 301 48	Antifreeze 20 LITER Container		X	
(41)	000 043 305 16	Antifreeze 20 LITER Container		X	
(41)	000 043 204 39	Cleaning agent 20 LITER Container		X	
(42)	958 106 653 10	Heat protection Heater valve See workshop manual Group 8 Document 803655 SY4215	(RUS)	1	I6EA/6EC
(42)		Heat protection Heater valve See workshop manual		1	I6EB

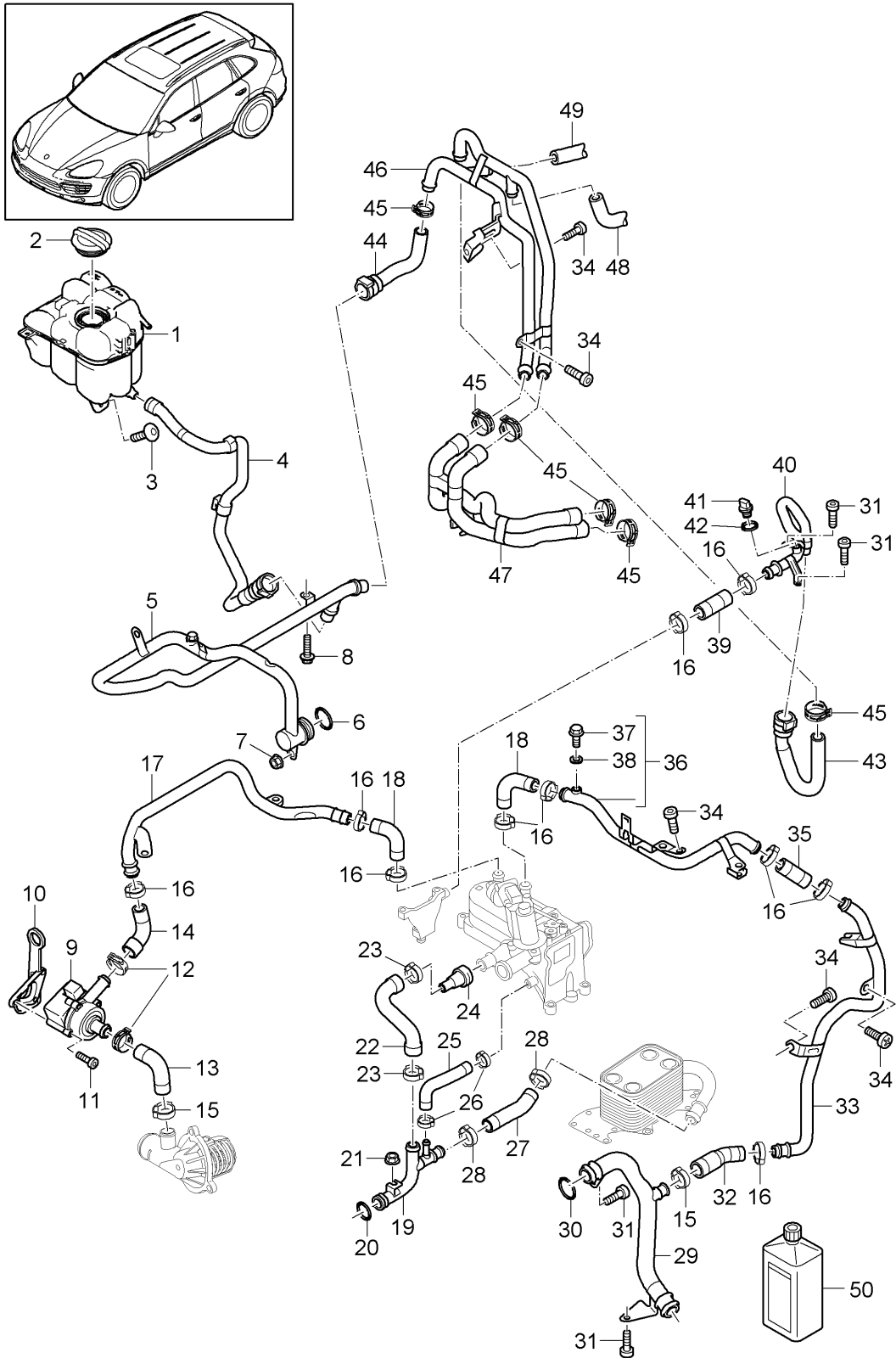
Model: 92A 11

Model life 2011>>

Pos	Part Number	Description	Remark	Qty	Model
(43)	958 106 653 20	Group 8 Document 803655 SY4215 Heat protection Heater valve See workshop manual	(RUS)	1	I6EA/6EC
(43)		Group 8 Document 803655 SY4215 Heat protection See workshop manual		1	I6EB
44	9A7 121 653 00	Group 8 Document 803655 SY4215 Heater valve Heat protection Appendix Water pump		1	

Model: 92A 11

Model life 2011>>



Model: 92A 11

Model life 2011>>

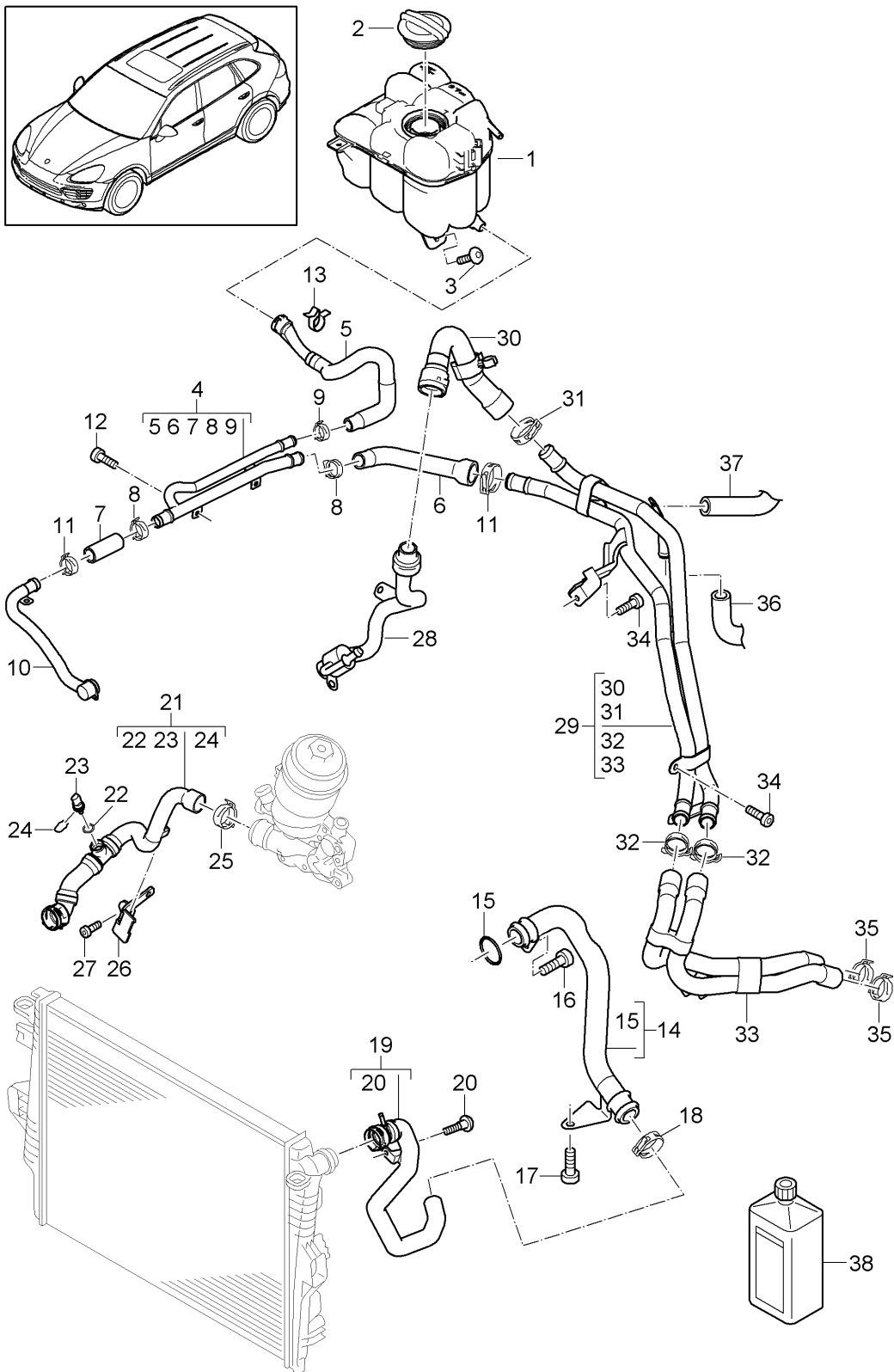
Pos	Part Number	Description	Remark	Qty	Model
		Water cooling 4	-11		ID1V/D50
		Water reservoir			
1	958 106 151 00	Water reservoir		1	
(1)	958 106 151 02	Water reservoir		1	
2	958 106 447 00	Lid		1	
3	N 911 404 01	Outer hexagon round screw M 6 X 20		1	
4	958 106 261 20	Water hose		1	
5	955 106 475 02	Cooling water tube		1	
6	N 904 650 03	O-ring 23 X 2,6		1	
7	N 904 880 05	Hexagon nut M 6		1	
8	N 101 703 02	Oval-head screw M 6 X 10		1	
9	955 106 312 00	Water pump Appendix Only together with Shackle for transportation 955.104.305.20 059.103.392.AC Information available		1	
(9)	958 106 313 00	Water pump Appendix Only together with Shackle for transportation 955.104.305.30 059.103.392.AE Information available		1	
10	955 104 305 20	Shackle for transportation Only together with Water pump 955.106.312.00 059.121.012.A Information available		1	
(10)	955 104 305 30	Shackle for transportation Only together with Water pump 958.106.313.00 059.121.012.B Information available		1	
11	WHT 002 306	Round head screw 3,5 X 12		3	
12	N 906 870 01	Hose clamp B 27 X 12		2	
13	955 106 302 00	Water hose		1	
14	955 106 304 00	Water hose		1	
15	N 904 095 01	Hose clamp 28,6 X 7 X 0,6		2	
16	N 102 020 01	Hose clamp 24,1 X 7 X 0,6		10	
17	958 106 564 00	Cooling water tube		1	
18	958 106 305 00	Water hose		2	
19	955 106 063 00	Cooling water tube		1	
20	N 903 653 04	O-ring 20 X 3		1	
21	N 904 880 05	Hexagon nut M 6		1	
22	958 106 503 00	Water hose		1	
23	N 904 095 01	Hose clamp 28,6 X 7 X 0,6		2	
24	955 106 313 01	Thermostat		1	
25	958 106 504 00	Water hose		1	

Model: 92A 11 Model life 2011>>

Pos	Part Number	Description	Remark	Qty	Model
26	N 102 334 01	Hose clamp 16,2 X 7 X 0,6		2	
27	955 106 373 00	Water hose		1	
28	N 102 020 01	Hose clamp 24,1 X 7 X 0,6		2	
29	955 106 071 00	Cooling water tube Bracket Power-steering pump		1	
30	N 902 753 02	O-ring 32 X 3		1	
31	N 104 514 05	Round head screw M 6 X 16		5	
32	955 106 307 00	Water hose with Check valve		1	
33	958 106 521 00	Cooling water tube		1	
34	N 106 320 02	Oval-head screw M 6 X 16		5	
35	958 106 562 00	Water hose		1	
36	958 106 522 00	Cooling water tube		1	
37	N 904 832 04	Hexagon-head bolt M 6 X 8		1	
38	N 013 804 2	Sealing ring 6 X 10		1	
39	958 106 557 00	Water hose		1	
40	958 106 265 00	Cooling water tube		1	
41	955 606 221 00	Temperature sensor		1	
42	WHT 002 287 B	O-ring 5,6 X 2		1	
43	955 106 574 00	Water hose		1	
44	955 106 573 00	Water hose		1	
45	N 906 870 01	Hose clamp B 27 X 12		6	
46	958 106 360 10	Cooling water tube		1	
47	958 106 073 20	Water hose		1	IL0L/1N1
(47)	958 106 073 30	Water hose		1	IL0L/1N3
(47)	958 106 073 31	Water hose		1	IL0L/1N3
(47)	958 106 073 40	Water hose		1	IL0R
48		Water hose See illustrations 3/60/10 Pos.16		1	
49		Water hose See illustrations 3/60/10 Pos.17		1	
50	000 043 301 12	Antifreeze 1 LITER Container		X	
50	000 043 301 47	Antifreeze 1 LITER Container		X	
(50)	000 043 301 13	Antifreeze 20 LITER Container		X	
(50)	000 043 301 48	Antifreeze 20 LITER Container		X	
(50)	000 043 204 39	Cleaning agent 20 LITER Container		X	

Model: 92A 11

Model life 2011>>



Model: 92A 11

Model life 2011>>

Pos	Part Number	Description	Remark	Qty	Model
		Water cooling 4	12-		IDV7/D1V/D43 ID50/D51
1	958 106 151 00	Water reservoir		1	
(1)	958 106 151 02	Water reservoir		1	
2	958 106 447 00	Lid		1	
3	N 911 404 01	Outer hexagon round screw M 6 X 20		1	
4	958 106 044 00	Cooling water tube with Water hose		1	
5	958 106 452 00	Water hose		1	
6	958 106 573 00	Water hose		1	
7	958 106 430 00	Water hose		1	
8	N 906 870 01	Hose clamp B 27 X 12		2	
9	N 906 869 01	Hose clamp B 23 X 12		1	
10		Cooling water tube See illustrations 1/05/52		1	
11	N 906 870 01	Hose clamp B 27 X 12		2	
12	N 103 352 06	Round head screw M 6 X 12		2	
13	N 909 263 02	Cable holder 22 X 33,5 X 0,6		1	
14	958 106 071 00	Cooling water tube		1	
15	N 902 753 02	O-ring 32 X 3		1	
16	N 104 514 08	Lens-head screw M 6 X 16		1	
(16)	N 104 514 05	Round head screw M 6 X 16		1	
17	N 107 002 01	Outer hexagon round screw M 6 X 22		1	
18	N 906 872 01	Hose clamp B 40 X 12		1	
(18)	999 512 665 09	Hose clamp B 40 X 12		1	
19	958 106 401 40	Water hose	-14	1	ID1V/D43/D50
19		Water hose	15-	1	ID43/D50
(19)	958 106 401 60	Water hose	15-	1	IDV7/D1V/D51
20	958 110 830 10	Spacer sleeve with Screw		1	
21	958 106 402 50	Water hose		1	
22	N 903 168 01	O-ring 19,6 X 3,6		1	
23	955 106 125 01	Temperature sensor		1	
24	955 106 143 00	Retainer spring		1	
25	N 909 265 01	Hose clamp B 47 X 12		1	
26	958 106 569 10	Support		1	
27	N 106 320 03	Oval-head screw M 6 X 16		1	
28		Cooling water tube See illustrations 1/05/52		1	
29	958 106 040 00	Cooling water tube with Water hose	-14	1	ID1V/D43/D50 IL0L/1N1

Model: 92A 11

Model life 2011>>

Pos	Part Number	Description	Remark	Qty	Model
(29)		Cooling water tube	15-	1	ID43/D50/L0L I1N1
(29)	958 106 040 01	with Water hose Cooling water tube	15-	1	IDV7/D1V/D51 IL0L/1N1
(29)	958 106 040 10	with Water hose Cooling water tube	-14	1	ID1V/D43/D50 IL0L/1N3
(29)	958 106 040 11	with Water hose Cooling water tube	15-	1	ID43/D50/L0L I1N3
(29)	958 106 040 12	with Water hose Cooling water tube	15-	1	IDV7/D1V/D51 IL0L/1N3
(29)	958 106 040 20	with Water hose Cooling water tube		1	ID43/L0R
(29)	958 106 040 21	with Water hose Cooling water tube		1	IDV7/L0R
-	N 107 160 01	Clip A 12,5 X 8,4 Mount Injector valve Urea solution		1	IDV7/D1V/D51
30	958 106 420 00	Water hose		1	
31	N 105 587 01	Hose clamp B 27 X 12		1	
32	N 906 870 01	Hose clamp B 27 X 12		2	
33	958 106 073 20	Water hose	-14	1	ID1V/D43/D50 IL0L/1N1
(33)		Water hose	15-	1	ID43/D50/L0L I1N1
(33)	958 106 073 21	Water hose	15-	1	IDV7/D1V/D51 IL0L/1N1
(33)	958 106 073 30	Water hose		1	ID1V/D43/D50 IL0L/1N3
(33)	958 106 073 31	Water hose		1	ID1V/D43/D50 IL0L/1N3
(33)	958 106 073 32	Water hose		1	IDV7/D1V/D51 IL0L/1N3
(33)	958 106 073 40	Water hose		1	ID43/L0R
(33)	958 106 073 41	Water hose		1	IDV7/L0R
34	N 106 320 02	Oval-head screw M 6 X 16		2	
(34)	N 910 967 01	Round head screw M 6 X 22	15-	1	IDV7/D1V/D51
35	N 906 870 01	Hose clamp B 27 X 12		2	
36		Water hose See illustrations 3/60/10 Pos.16		1	
37		Water hose See illustrations 3/60/10		1	

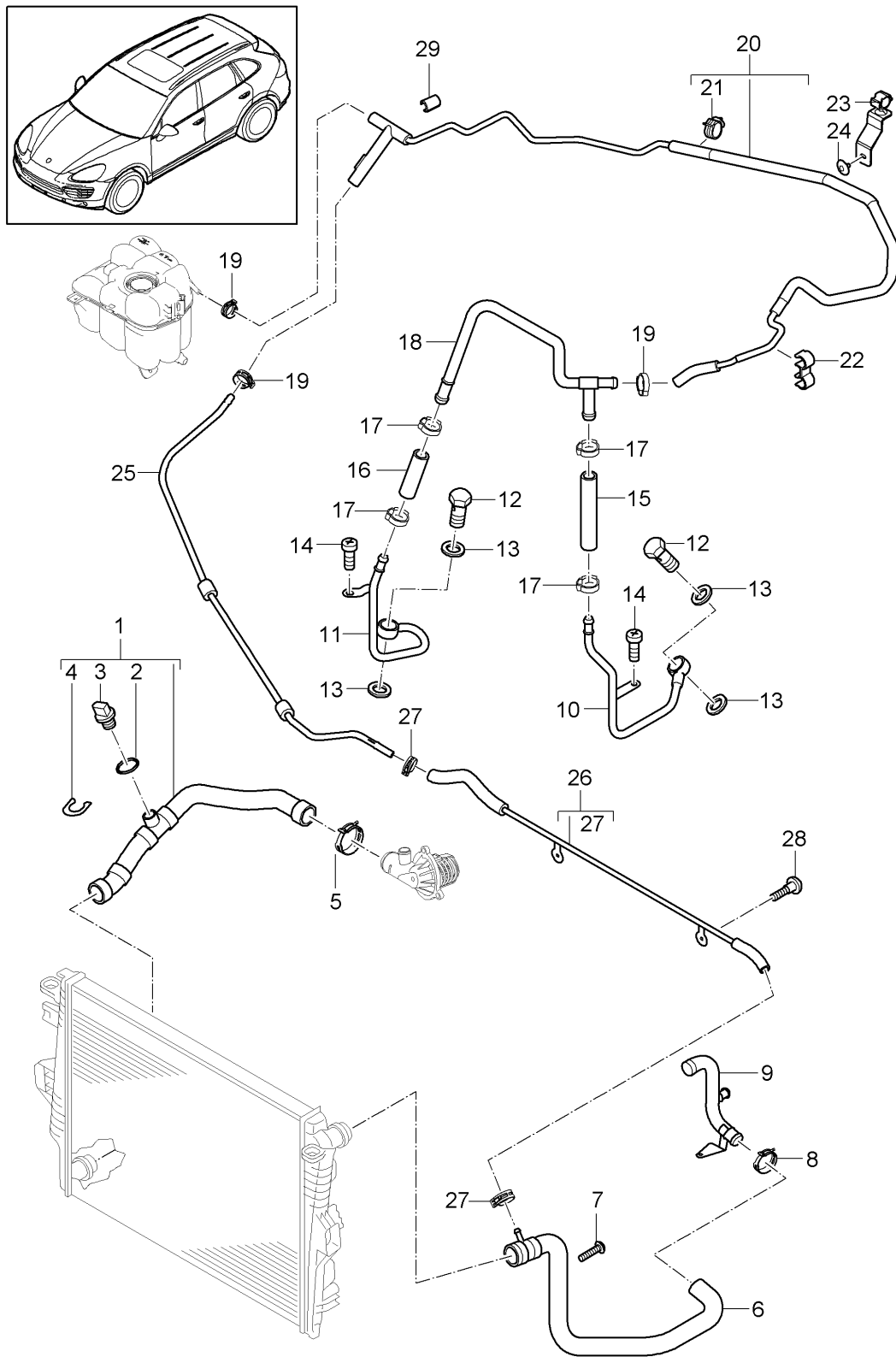
Model: 92A 11

Model life 2011>>

Pos	Part Number	Description	Remark	Qty	Model
38	000 043 301 47	Pos.17 Antifreeze 1 LITER Container		X	
(38)	000 043 301 48	Antifreeze 20 LITER Container		X	
(38)	000 043 204 39	Cleaning agent 20 LITER Container		X	

Model: 92A 11

Model life 2011>>



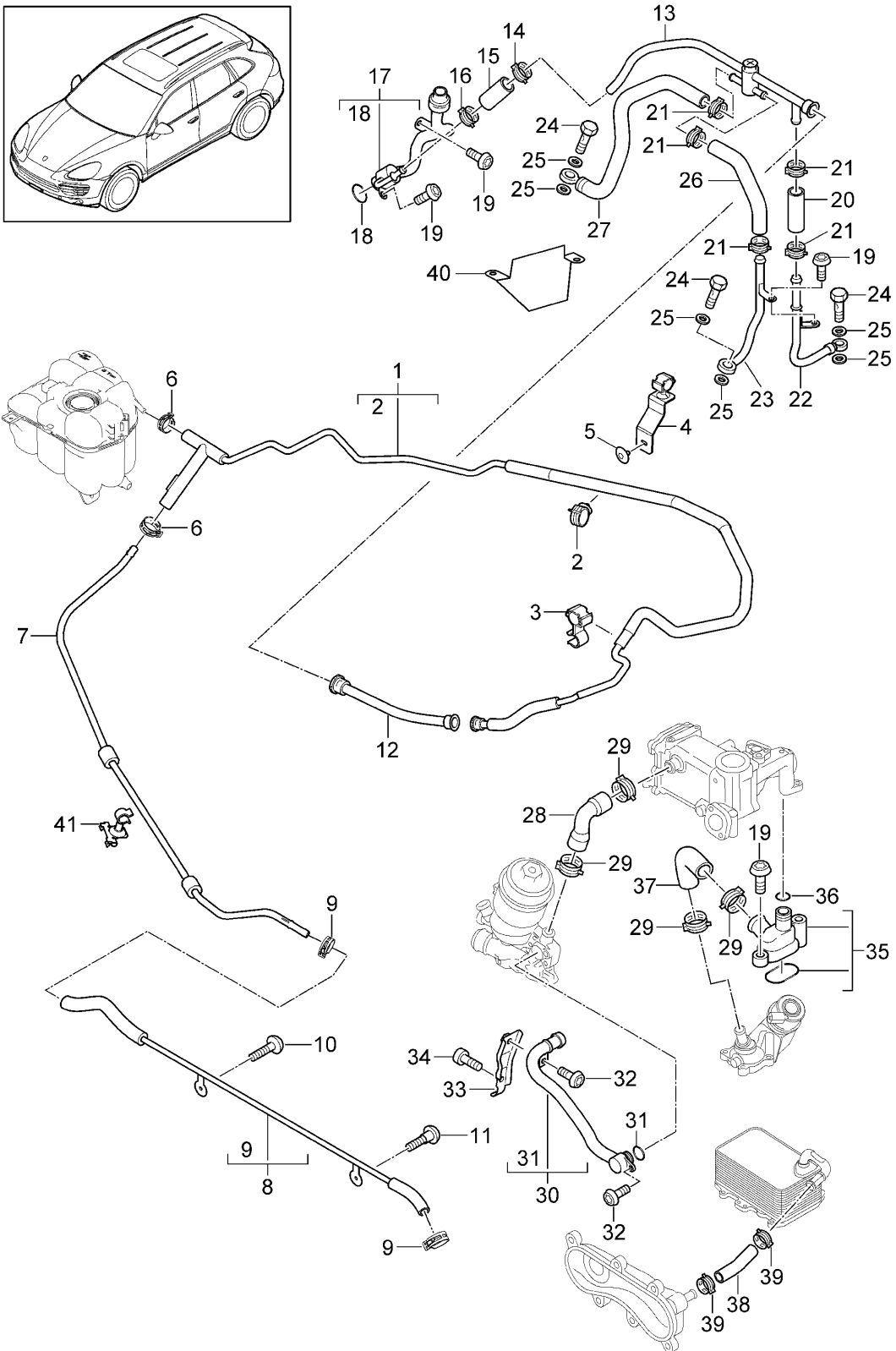
Model: 92A 11

Model life 2011>>

Pos	Part Number	Description	Remark	Qty	Model
		Water cooling 4	-11		ID1V/D50
1	958 106 402 30	Water hose		1	
2	N 903 168 01	O-ring 19,6 X 3,6		1	
3	955 106 125 01	Temperature sensor		1	
4	955 106 143 00	Retainer spring		1	
5	N 909 265 01	Hose clamp B 47 X 12		1	
6	958 106 401 30	Water hose		1	
7	958 110 830 00	Spacer sleeve with Screw		1	
8	N 906 872 01	Hose clamp B 40 X 12		1	
9		Cooling water tube See illustrations 1/05/45 Pos.29		1	
10	958 106 399 00	Cooling water tube		1	
11	958 106 398 00	Cooling water tube		1	
12	N 910 438 01	Banjo bolt 8		2	
13	N 013 807 6	Sealing ring A 8 X 11,5		4	
14	N 102 480 03	Pan-head screw M 6 X 14		2	
15	958 106 255 00	Water hose		1	
16	958 106 256 00	Water hose		1	
17	N 102 334 01	Hose clamp 16,2 X 7 X 0,6		4	
18	958 106 286 00	Cooling water tube		1	
19	N 906 867 01	Hose clamp B 14 X 12		3	
20	958 106 310 30	Vent line		1	
(20)	958 106 310 31	Vent line		1	
21	955 110 423 00	Line bracket 5 X 14		1	
22	N 105 901 01	Support A 01-6 X C28-6		1	
23	958 106 569 00	Support		1	
24	N 907 088 02	Speed nut		1	
25	958 106 310 10	Breather pipe		1	
26	958 106 311 10	Cooling water tube with Water hose		1	
27	N 906 867 01	Hose clamp B 14 X 12		2	
28	N 908 170 03	Oval-head screw 6 X 17		2	
29	N 107 162 01	Spacer ring B 8 X 18 X 20		1	

Model: 92A 11

Model life 2011>>



Model: 92A 11

Model life 2011>>

Pos	Part Number	Description	Remark	Qty	Model
		Water cooling 4	12-		IDV7/D1V/D43 ID50/D51
1	958 106 320 00	Vent line	-12	1	
(1)	958 106 320 01	Vent line		1	
		Use also: 955.110.722.30		1	
(1)	958 106 320 02	Vent line	13-14	1	
(1)	958 106 320 03	Vent line	15-	1	
-	955 110 722 30	Spacer ring for Vent line 958.106.320.01	13	1	
2	955 110 423 00	Line bracket 5 X 14	-12	1	
3	N 107 270 01	Clip 14 X 14		1	
4	958 106 569 00	Support	-12	1	
5	N 907 088 02	Speed nut	-12	1	
(5)		Speed nut	13-	2	
6	N 906 867 01	Hose clamp B 14 X 12		2	
7	958 106 310 10	Breather pipe	-14	1	
(7)	958 106 310 11	Breather pipe	15-	1	
8	958 106 311 10	Cooling water tube with Water hose		1	
9	N 906 867 01	Hose clamp B 14 X 12		2	
10	N 908 170 03	Oval-head screw 6 X 17		1	
11	958 110 830 00	Spacer sleeve with Screw		1	
12	958 106 314 00	Vent line Rear		1	
(12)	958 106 314 01	Vent line Rear		1	
13	958 106 086 00	Cooling water tube		1	
14	N 906 867 01	Hose clamp B 14 X 12		1	
15	958 106 456 00	Water hose		1	
16	N 907 702 01	Hose clamp B 17 X 12		1	
17	958 106 065 00	Cooling water tube		1	
18	N 908 091 02	O-ring 16 X 2		1	
19	N 104 514 08	Lens-head screw M 6 X 16		4	
20	958 106 455 00	Water hose		1	
21	N 906 867 01	Hose clamp B 14 X 12		5	
22	958 106 399 10	Cooling water tube		1	
23	958 106 466 00	Breather pipe		1	
(23)	958 106 466 01	Breather pipe		1	
24	N 910 438 01	Banjo bolt 8		3	
25	N 013 807 6	Sealing ring A 8 X 11,5		6	
26	958 106 453 00	Water hose		1	
(26)	958 106 453 01	Water hose		1	
27	958 106 454 00	Water hose		1	
(27)	958 106 454 01	Water hose		1	
28	958 106 513 00	Water hose		1	

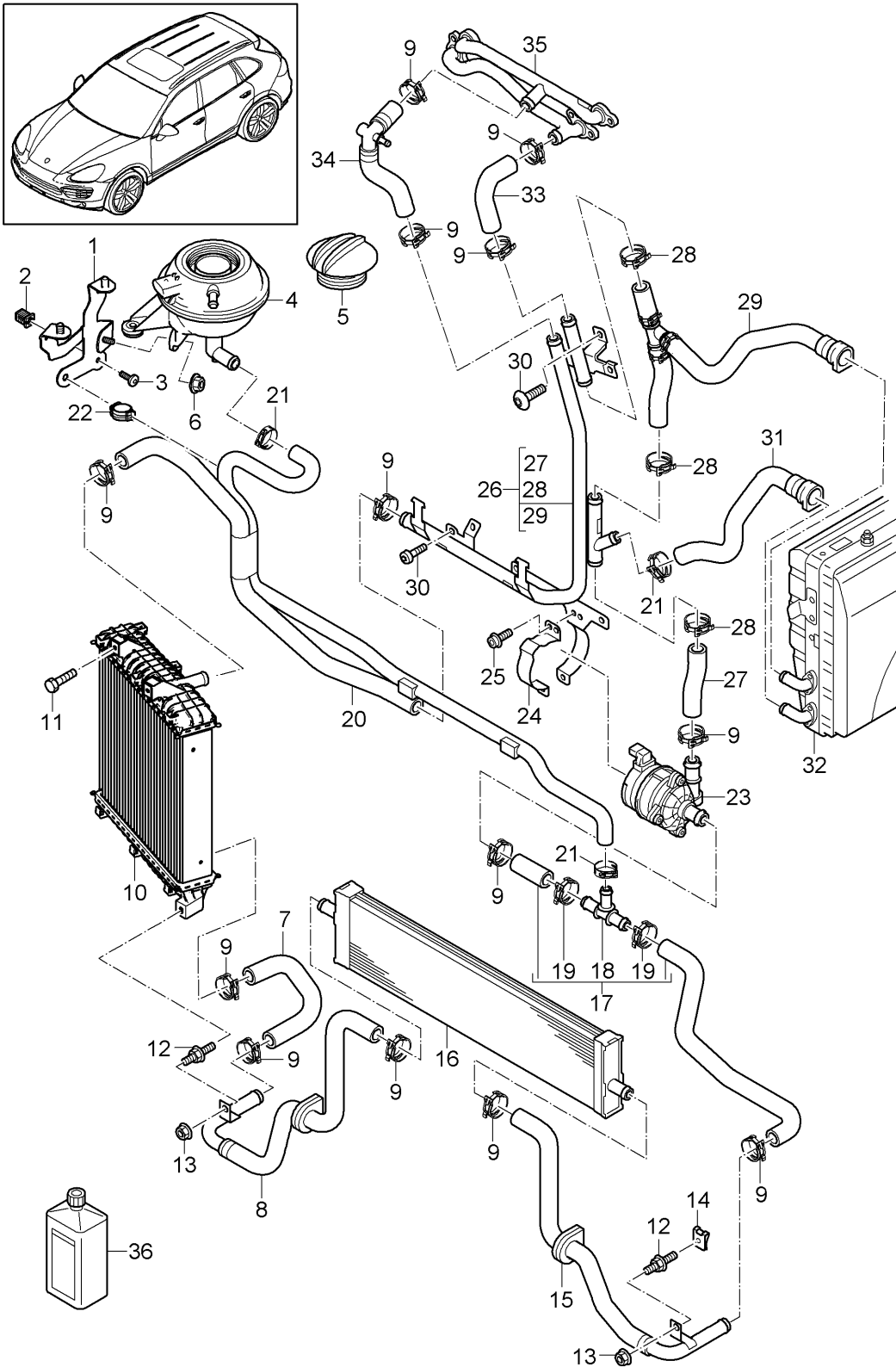
Model: 92A 11

Model life 2011>>

Pos	Part Number	Description	Remark	Qty	Model
29	N 906 870 01	Hose clamp B 27 X 12		4	
30	958 106 375 00	Cooling water tube		1	
31	958 106 537 00	O-ring 19,5 X 3		1	
32	N 104 514 08	Lens-head screw M 6 X 16		2	
(32)	N 104 514 05	Round head screw M 6 X 16		2	
33	958 106 593 00	Support		1	
34	N 106 449 01	Pan-head screw M 8 X 18		1	
35	958 106 506 00	Intermediate flange with Gasket		1	
(35)	958 106 506 01	Intermediate flange with Gasket		1	
(35)	958 106 506 02	Intermediate flange with Gasket		1	
-	958 106 749 05	Gasket Intermediate flange		1	
36	N 908 091 02	O-ring 16 X 2		1	
37	958 106 625 00	Water hose		1	
38	958 106 673 00	Water hose		1	
39	N 906 869 01	Hose clamp B 23 X 12		2	
40	958 106 755 10	Heat protection Vent line		1	ID50
(40)	958 106 755 11	Heat protection Vent line		1	IDV7/D1V/D50 ID51
41	N 108 153 01	Combination holder A 25-6,7 X C 01-8		1	

Model: 92A 11

Model life 2011>>



Model: 92A 11

Model life 2011>>

Pos	Part Number	Description	Remark	Qty	Model
		Water cooling 4	-14		ID19
		Water reservoir			
1	958 106 405 00	Support	-12	1	
(1)	958 106 405 10	Support	13-	1	
2	958 106 577 00	Expander nut		3	
		ST 4,8			
3	N 911 329 01	Outer hexagon round screw		3	
		TP 5 X 16			
(3)	N 909 747 01	Oval-head sheetmetal screw		3	
		TP 5 X 16			
4	958 106 407 00	Water reservoir	-12	1	
(4)	958 106 407 10	Water reservoir	13-	1	
5	958 106 447 00	Lid		1	
6	N 102 058 02	Hexagon nut	-12	1	
		M 6			
7	958 106 251 00	Water hose		1	
8	958 106 270 00	Cooling water tube		1	
9	N 906 870 01	Hose clamp		13	
		B 27 X 12			
10	958 106 212 00	Radiator	/R -12	1	
		Wheel housing			
(10)	958 106 212 50	Radiator	/R 13-	1	
		Wheel housing			
11	N 910 538 01	Hexagon-head bolt		2	
		M 6 X 20			
12	N 911 012 01	Stud		2	
		M 6 X 20 / M 6 X 8			
13	N 023 002 13	Hexagon nut		2	
		M 6			
14	N 906 887 03	Speed nut		1	
		M 6			
15	958 106 269 00	Cooling water tube		1	
16		Radiator		1	
		See illustrations			
		1/05/30			
		Pos.6			
17	958 106 351 00	Water hose		1	
18	N 907 944 01	T-piece		1	
19	N 906 870 01	Hose clamp		2	
		B 27 X 12			
20	958 106 509 00	Water hose	-12	1	
(20)	958 106 509 10	Water hose	13-	1	
21	N 906 869 01	Hose clamp	-12	3	
		B 23 X 12			
(21)		Hose clamp	13-	2	
		B 23 X 12			
22	N 104 244 01	Support		1	
		C 8 X 23			
23	958 606 567 00	Water pump		1	
		Electric			
24	958 106 579 00	Support		1	
25	N 104 514 05	Round head screw		3	
		M 6 X 16			
26	958 106 070 00	Cooling water tube		1	
		with			
		Water hose			
		And			
		Thermostat			
27	958 106 101 00	Water hose		1	
28	N 906 870 01	Hose clamp		3	
		B 27 X 12			
29	958 106 102 00	Water hose		1	
		Complete			

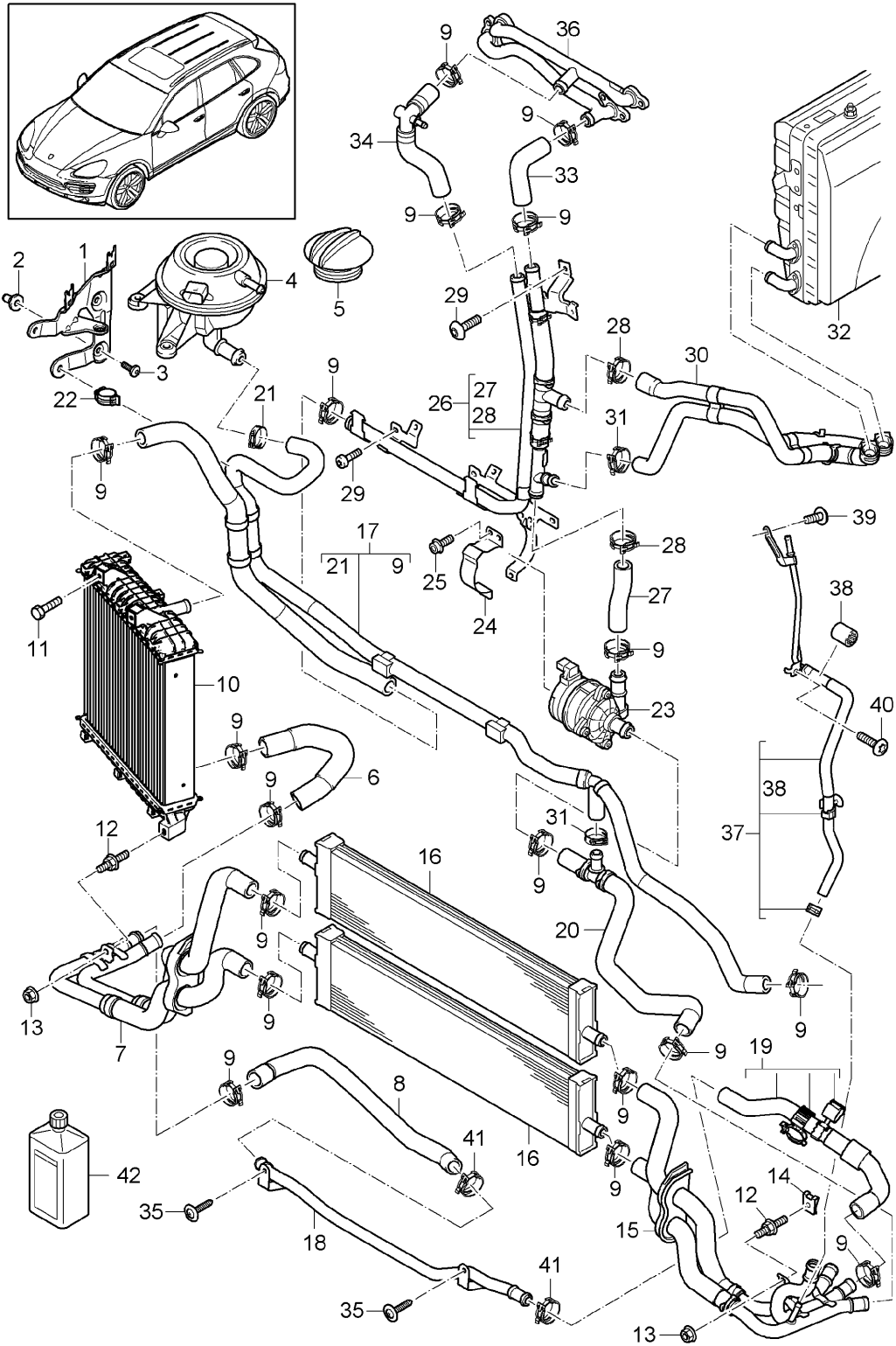
Model: 92A 11

Model life 2011>>

Pos	Part Number	Description	Remark	Qty	Model
30	N 107 500 01	with Thermostat Outer hexagon round screw M 6 X 16		4	
(30)	N 106 320 03	Oval-head screw M 6 X 16		4	
31	958 106 103 00	Water hose		1	
32		Power electronics See illustrations 9/01/20		1	
33	958 106 104 00	Water hose		1	
34	958 106 105 00	Water hose		1	
35		Cooling water tube See illustrations 1/07/65		1	
36	000 043 301 12	Antifreeze 1 LITER Container		X	
(36)	000 043 301 47	Antifreeze 1 LITER Container		X	
(36)	000 043 301 13	Antifreeze 20 LITER Container		X	
(36)	000 043 301 48	Antifreeze 20 LITER Container		X	

Model: 92A 11

Model life 2011>>



Model: 92A 11

Model life 2011>>

Pos	Part Number	Description	Remark	Qty	Model
		Water cooling 4 Water reservoir Support	15-	1	ID19
1	958 106 405 20			1	
2	N 911 613 01	Blind rivet nut M 6		3	
3	N 104 514 05	Round head screw M 6 X 16		3	
4	958 106 407 10	Water reservoir		1	
5	958 106 447 00	Lid		1	
6	958 106 251 02	Water hose		1	
7	958 106 270 01	Cooling water tube		1	
8	958 106 251 01	Water hose		1	
9	N 906 870 01	Hose clamp B 27 X 12		18	
10	958 106 212 50	Radiator Wheel housing	/R	1	
11	N 910 538 01	Hexagon-head bolt M 6 X 20		2	
12	N 911 012 01	Stud M 6 X 20 / M 6 X 8		2	
13	N 023 002 14	Hexagon nut M 6		2	
14	N 906 887 03	Speed nut M 6		1	
15	958 106 269 01	Cooling water tube		1	
16		Radiator See illustrations 1/05/30 POS.6		2	
17	958 106 269 02	Cooling water tube		1	
18	958 106 269 03	Cooling water tube		1	
19	958 106 251 03	Water hose		1	
(19)	958 106 251 05	Water hose		1	
20	958 106 251 04	Water hose		1	
21	N 912 008 01	Hose clamp B 23 X 12		1	
22	N 104 244 01	Support C 8 X 23		1	
23	958 606 567 00	Water pump Electric		1	
24	958 106 579 00	Support		1	
25	N 104 514 05	Round head screw M 6 X 16		3	
26	958 106 070 01	Cooling water tube with Water hose And Thermostat		1	
27	958 106 101 00	Water hose		1	
28	N 906 870 01	Hose clamp B 27 X 12		2	
29	N 106 320 03	Oval-head screw M 6 X 16		4	
30	958 106 103 10	Water hose		1	
31	N 906 869 01	Hose clamp B 23 X 12		2	
32		Power electronics See illustrations 9/01/22		1	
33	958 106 104 00	Water hose		1	
34	958 106 105 00	Water hose		1	
35	N 908 170 03	Oval-head screw		2	
36		Cooling water tube		1	

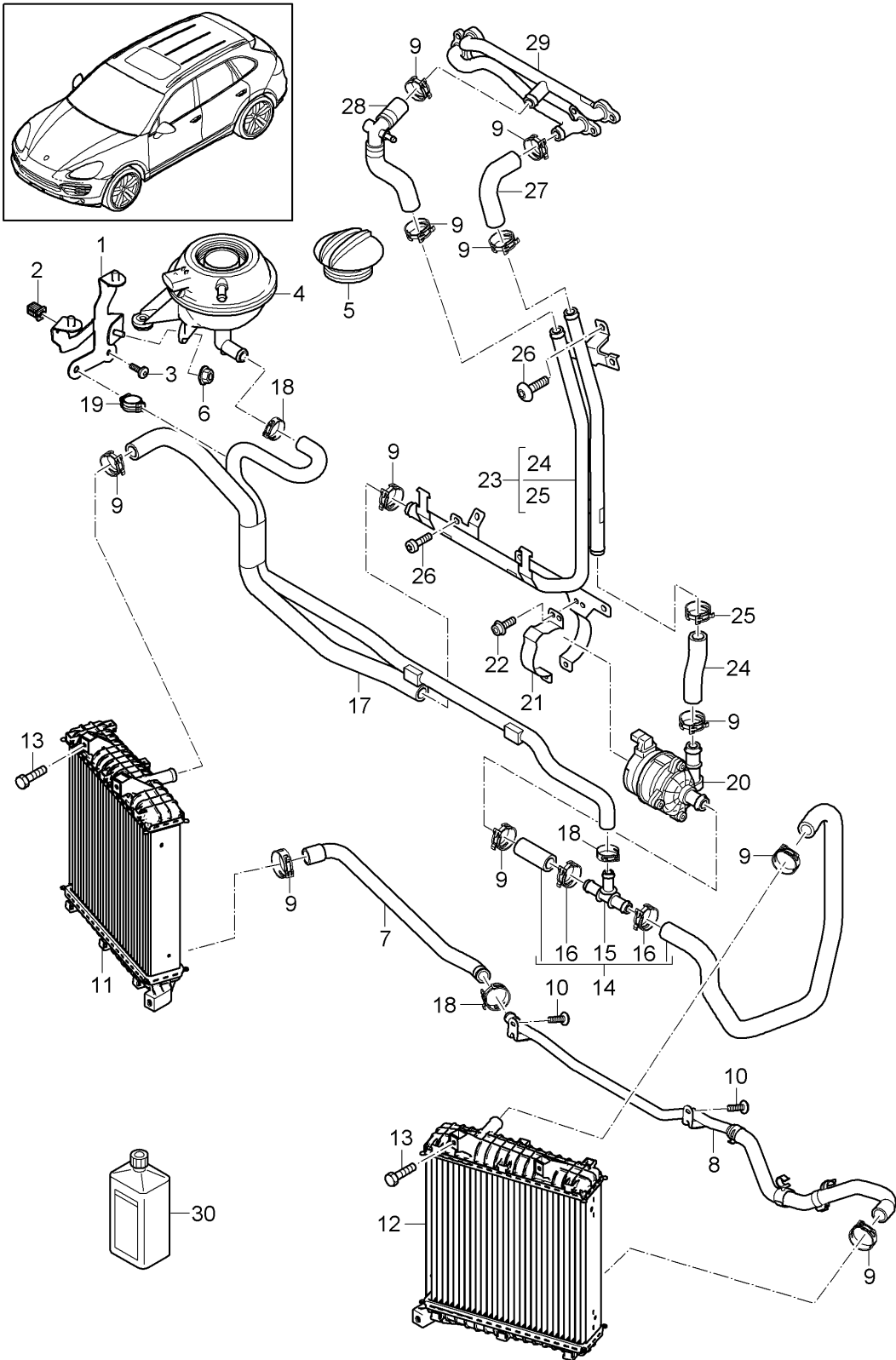
Model: 92A 11

Model life 2011>>

Pos	Part Number	Description	Remark	Qty	Model
		See illustrations 1/07/65			
37	958 106 310 24	Water hose		1	
38	N 105 196 01	Spacer ring 15 X 26 X 30		1	
39	N 908 170 03	Oval-head screw M 6 X 17		1	
40	N 104 734 02	Lens-head screw M 6 X 20		1	
41	999 512 683 09	Hose clamp B 23 X 12		2	
42	000 043 301 47	Antifreeze 1 LITER Container		X	
(42)	000 043 301 48	Antifreeze 20 LITER Container		X	

Model: 92A 11

Model life 2011>>



Model: 92A 11

Model life 2011>>

Pos	Part Number	Description	Remark	Qty	Model
		Water cooling 4 Water reservoir			ID11
1	958 106 405 00	Support	-12	1	
(1)	958 106 405 10	Support	13-	1	
2	958 106 577 00	Expander nut ST 4,8		3	
3	N 911 329 01	Outer hexagon round screw TP 5 X 16		3	
(3)	N 909 747 01	Oval-head sheetmetal screw TP 5 X 16		3	
4	958 106 407 00	Water reservoir	-12	1	
(4)	958 106 407 10	Water reservoir	13-	1	
5	958 106 447 00	Lid		1	
6	N 102 058 02	Hexagon nut M 6	-12	1	
7	958 106 251 10	Water hose		1	
8	958 106 270 10	Cooling water tube		1	
(8)	958 106 270 11	Cooling water tube		1	
9	N 906 870 01	Hose clamp B 27 X 12		11	
10	N 908 170 03	Oval-head screw 6 X 17		2	
11	958 106 212 00	Radiator Wheel housing	/R -12	1	
(11)	958 106 212 50	Radiator Wheel housing	/R 13-	1	
12	958 106 212 40	Radiator Wheel housing	/L -12	1	
(12)	958 106 212 60	Radiator Wheel housing	/L 13-	1	
13	N 910 538 01	Hexagon-head bolt M 6 X 20		6	
14	958 106 351 10	Water hose		1	
(14)	958 106 351 11	Water hose		1	
15	N 907 944 01	T-piece		1	
16	N 906 870 01	Hose clamp B 27 X 12		2	
17	958 106 509 00	Water hose	-12	1	
(17)	958 106 509 10	Water hose	13-	1	
18	N 906 869 01	Hose clamp B 23 X 12	-12	3	
(18)		Hose clamp B 23 X 12	13-	2	
19	N 104 244 01	Support C 8 X 23		1	
20	958 606 567 00	Water pump Electric		1	
21	958 106 579 00	Support		1	
22	N 104 514 05	Round head screw M 6 X 16		3	
23	958 106 070 10	Cooling water tube with Water hose		1	
24	958 106 101 10	Water hose		1	
25	N 906 870 01	Hose clamp B 27 X 12		1	
26	N 107 500 01	Outer hexagon round screw M 6 X 16		4	
(26)	N 106 320 03	Oval-head screw M 6 X 16		4	
27	958 106 104 00	Water hose		1	
28	958 106 105 00	Water hose		1	
29		Cooling water tube		1	

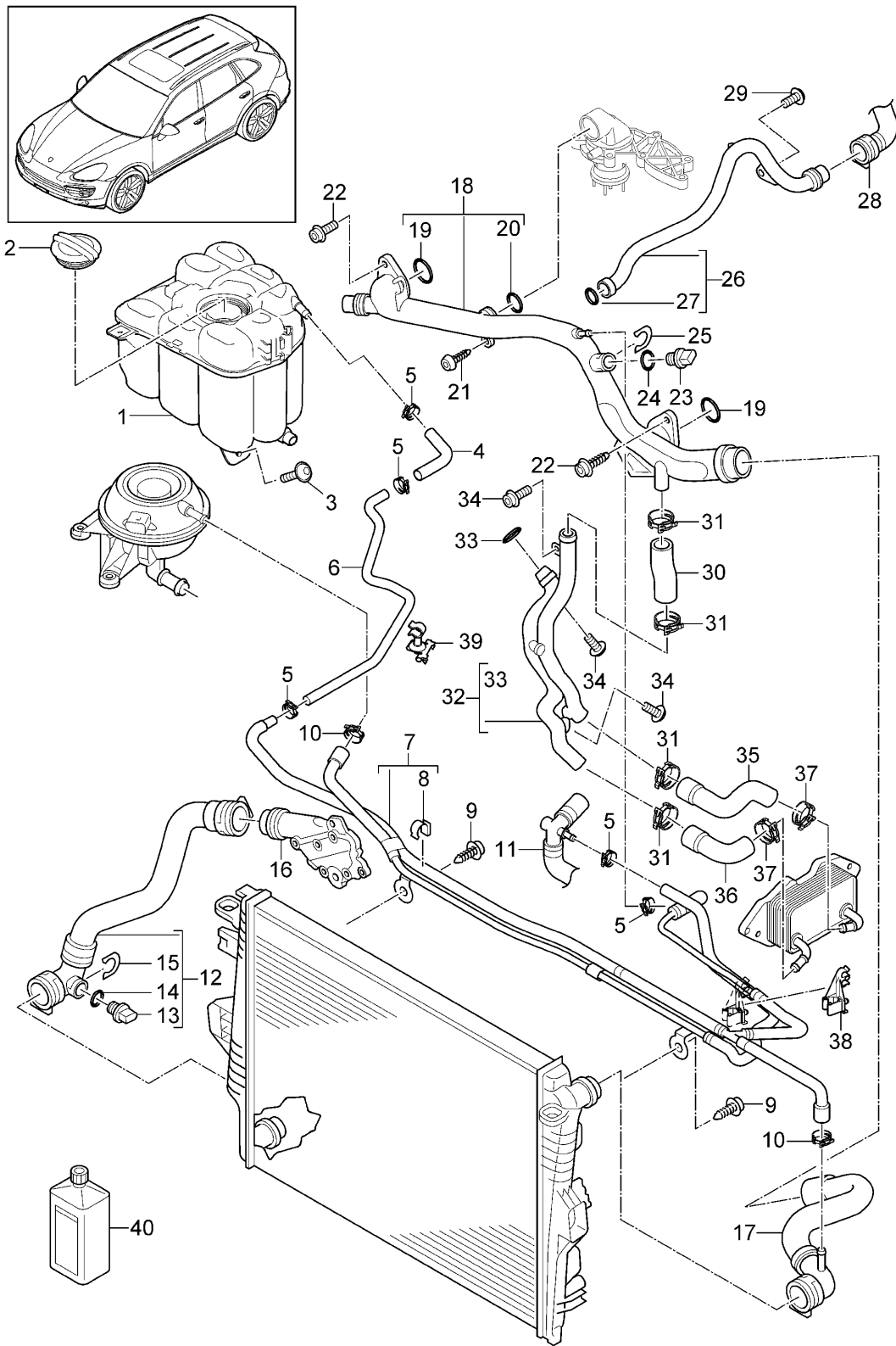
Model: 92A 11

Model life 2011>>

Pos	Part Number	Description	Remark	Qty	Model
		See illustrations			
		1/07/65			
30	000 043 301 12	Antifreeze 1 LITER Container		X	
30	000 043 301 47	Antifreeze 1 LITER Container		X	
(30)	000 043 301 13	Antifreeze 20 LITER Container		X	
(30)	000 043 301 48	Antifreeze 20 LITER Container		X	

Model: 92A 11

Model life 2011>>



Model: 92A 11 Model life 2011>>

Pos	Part Number	Description	Remark	Qty	Model
		Water cooling 4			ID11/D19
		Water reservoir			
1	958 106 151 00	Water reservoir		1	
(1)	958 106 151 02	Water reservoir		1	
2	958 106 447 00	Lid		1	
3	N 911 404 01	Outer hexagon round screw M 6 X 20		1	
4	958 106 359 00	Breather hose		1	
5	N 906 867 01	Hose clamp B 14 X 12		5	
6	958 106 310 10	Breather pipe	-14	1	
(6)	958 106 310 11	Breather pipe	15-	1	
7	958 106 310 20	Water hose Complete		1	
(7)	958 106 310 21	Water hose Complete	-12	1	
(7)	958 106 310 22	Water hose Complete	13-	1	ID11
(7)		Water hose Complete	13-14	1	ID19
(7)	958 106 310 23	Water hose Complete	15-	1	ID19
8	955 110 423 00	Line bracket		4	
-	N 906 867 01	Hose clamp B 14 X 12	15-	4	ID19
9	N 908 170 03	Oval-head screw 6 X 17		2	
10	N 907 702 01	Hose clamp B 17 X 12	-12	2	
(10)		Hose clamp B 17 X 12	13-	1	
(10)	N 906 867 01	Mount Water hose Pos.17 Hose clamp B 14 X 12 Mount	13-	1	
11		Water reservoir Water hose See illustrations 1/05/55 Pos.34		1	ID19
(11)		Water hose See illustrations 1/05/57 POS.28		1	ID11
12	958 106 402 20	Water hose Supply	-14	1	ID19
(12)	958 106 402 21	Water hose Supply	15-	1	ID19
(12)	958 106 402 40	Water hose Supply		1	ID11
13	955 106 125 01	Temperature sensor		1	
14	N 903 168 01	O-ring 19,6 X 3,6		1	
15	955 106 143 00	Retainer spring		1	
16		Adapter See illustrations 1/05/15 Pos.7		1	
17	958 106 401 20	Water hose Return line		1	ID11
(17)		Water hose	-14	1	ID19

Model: 92A 11

Model life 2011>>

Pos	Part Number	Description	Remark	Qty	Model
(17)	958 106 401 21	Return line Water hose	15-	1	ID19
18	958 106 145 01	Return line Cooling water tube		1	ID19
(18)	958 106 145 02	Cooling water tube		1	ID19
(18)	958 106 145 03	Cooling water tube		1	ID19
(18)	958 106 145 10	Cooling water tube	(CN)	1	ID11
(18)	958 106 145 11	Cooling water tube		1	ID11
19	958 106 519 00	Sealing ring 40 X 34,9 X 5,3		2	
20	958 106 520 00	Sealing ring 23 X 28,4 X 4,5		1	
21	N 104 128 04	Tapping screw 5 X 16		1	
22	N 101 244 08	Torx screw M 6 X 20		4	
23	955 106 125 01	Temperature sensor		1	
24	N 903 168 01	O-ring 19,6 X 3,6		1	
25	955 106 143 00	Retainer spring		1	
26	958 106 465 00	Cooling water tube		1	
27	N 903 168 01	O-ring 19,6 X 3,6		1	
28		Water hose See illustrations 1/05/65 Pos.5		1	ID19
(28)		Water hose See illustrations 1/05/67 POS.11		1	ID11
29	N 911 407 01	Lens-head screw M 6 X 18		1	
30	958 106 458 00	Water hose		1	ID19
(30)	958 106 458 10	Water hose		1	ID11
31	N 906 870 01	Hose clamp B 27 X 12		4	
32	958 106 444 00	Cooling water tube		1	ID19
(32)	958 106 444 01	Cooling water tube		1	ID19
(32)	958 106 444 02	Cooling water tube		1	ID19
(32)	958 106 444 10	Cooling water tube	(CN)	1	ID11
(32)	958 106 444 11	Cooling water tube	(CN)	1	ID11
(32)	958 106 444 12	Cooling water tube		1	ID11
33	N 909 250 01	O-ring 17 X 3		1	
34	N 107 451 01	Outer hexagon round screw M 6 X 20		3	
35	958 106 459 00	Water hose		1	
36	958 106 482 00	Water hose		1	
37	N 906 869 01	Hose clamp B 23 X 12		2	
38	958 106 449 10	Support		1	
39	N 108 153 01	Combination holder A 25-6,7 X C 01-8		1	
40	000 043 301 12	Antifreeze 1 LITER Container		X	
(40)	000 043 301 47	Antifreeze 1 LITER Container		X	
(40)	000 043 301 13	Antifreeze 20 LITER Container		X	

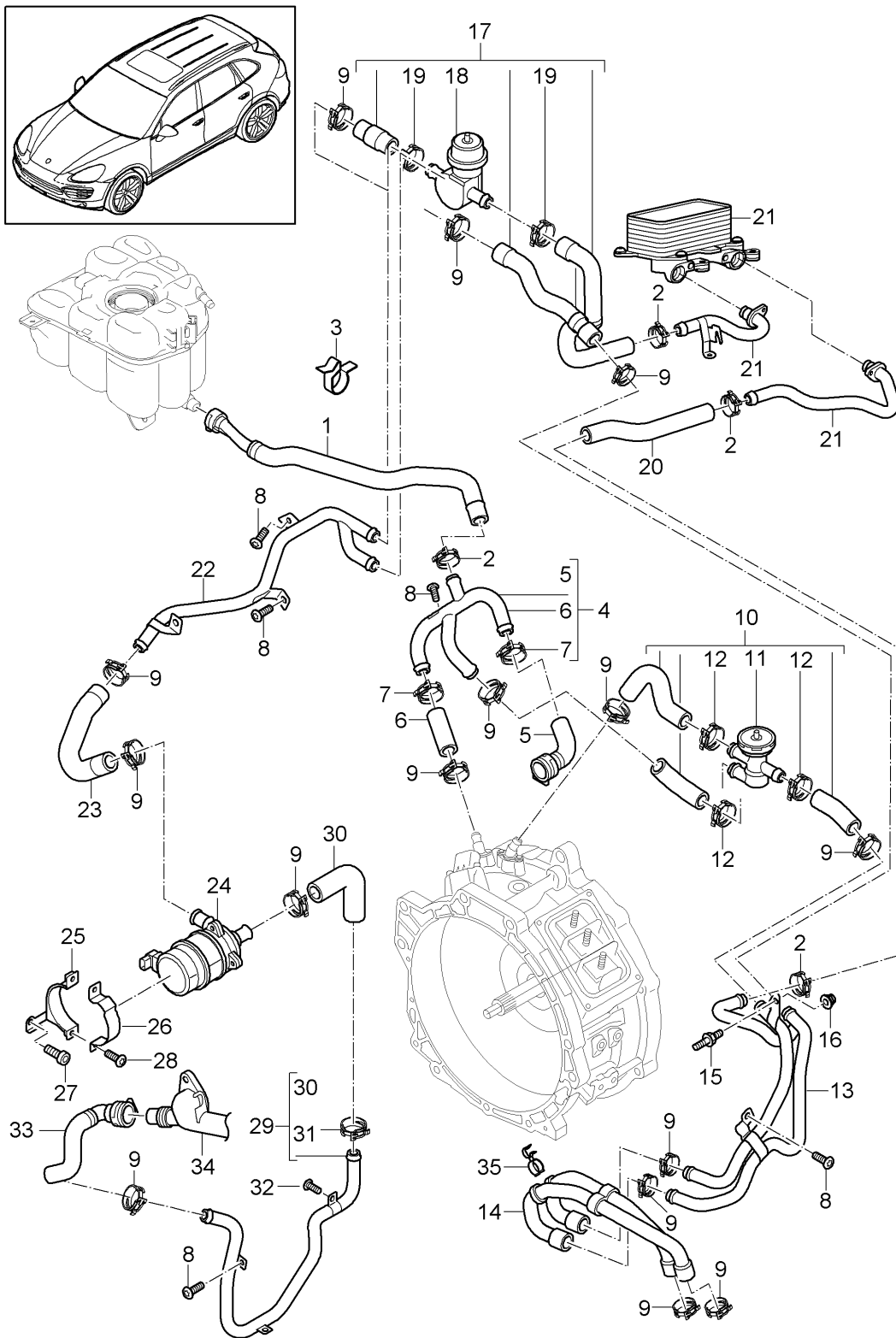
Model: 92A 11

Model life 2011>>

Pos	Part Number	Description	Remark	Qty	Model
(40)	000 043 301 48	Antifreeze 20 LITER Container		X	
(40)	000 043 204 39	Cleaning agent 20 LITER Container		X	

Model: 92A 11

Model life 2011>>



Model: 92A 11

Model life 2011>>

Pos	Part Number	Description	Remark	Qty	Model
		Water cooling 4	-14		ID19
		Electric drive			
1	958 106 261 10	Water hose		1	
2	N 906 869 01	Hose clamp		4	
		B 23 X 12			
3	N 909 263 02	Cable holder		1	
		22 X 33,5 X 0,6			
4	958 106 370 00	Cooling water tube		1	
		with			
		Water hose			
5	958 106 373 00	Water hose		1	
6	958 106 373 10	Water hose		1	
7	N 906 870 01	Hose clamp		2	
		B 27 X 12			
8	N 910 423 01	Oval-head screw		5	
		M 6 X 16			
(8)	N 106 320 03	Oval-head screw		5	
		M 6 X 16			
9	N 906 870 01	Hose clamp		15	
		B 27 X 12			
10	958 106 374 02	Water hose		1	
		with			
		Vacuum valve			
11	958 106 605 00	Vacuum valve		1	
12	N 906 870 01	Hose clamp		3	
		B 27 X 12			
13	958 106 365 00	Cooling water tube		1	
(13)	958 106 365 01	Cooling water tube		1	
14	958 106 073 10	Water hose		1	
15	N 910 824 01	Stud		1	
		M 8 X 25 / M 8 X 12			
16	N 023 003 16	Hexagon nut		1	
		M 8			
17	958 106 356 20	Water hose		1	
		with			
		Heater valve			
18	958 572 809 00	Heater valve		1	
19	N 906 870 01	Hose clamp		2	
		B 27 X 12			
20	958 106 357 10	Water hose		1	
21		See illustrations			
		3/60/20			
		POS.4/11/14			
22	958 106 366 00	Cooling water tube		1	
(22)	958 106 366 01	Cooling water tube		1	
23	958 106 358 00	Water hose		1	
24	958 606 567 00	Water pump		1	
		Electric			
25	958 106 579 10	Support		1	
26	958 106 579 20	Support		1	
27	N 105 242 02	Pan-head screw		1	
		M 10 X 12			
28	N 104 514 05	Round head screw		2	
		M 6 X 16			
29	958 106 371 01	Cooling water tube		1	
		with			
		Water hose			
30	958 106 357 20	Water hose		1	
31	N 906 870 01	Hose clamp		1	
		B 27 X 12			
32	N 107 500 01	Outer hexagon round screw		1	
		M 6 X 16			
(32)	N 106 320 03	Oval-head screw		1	

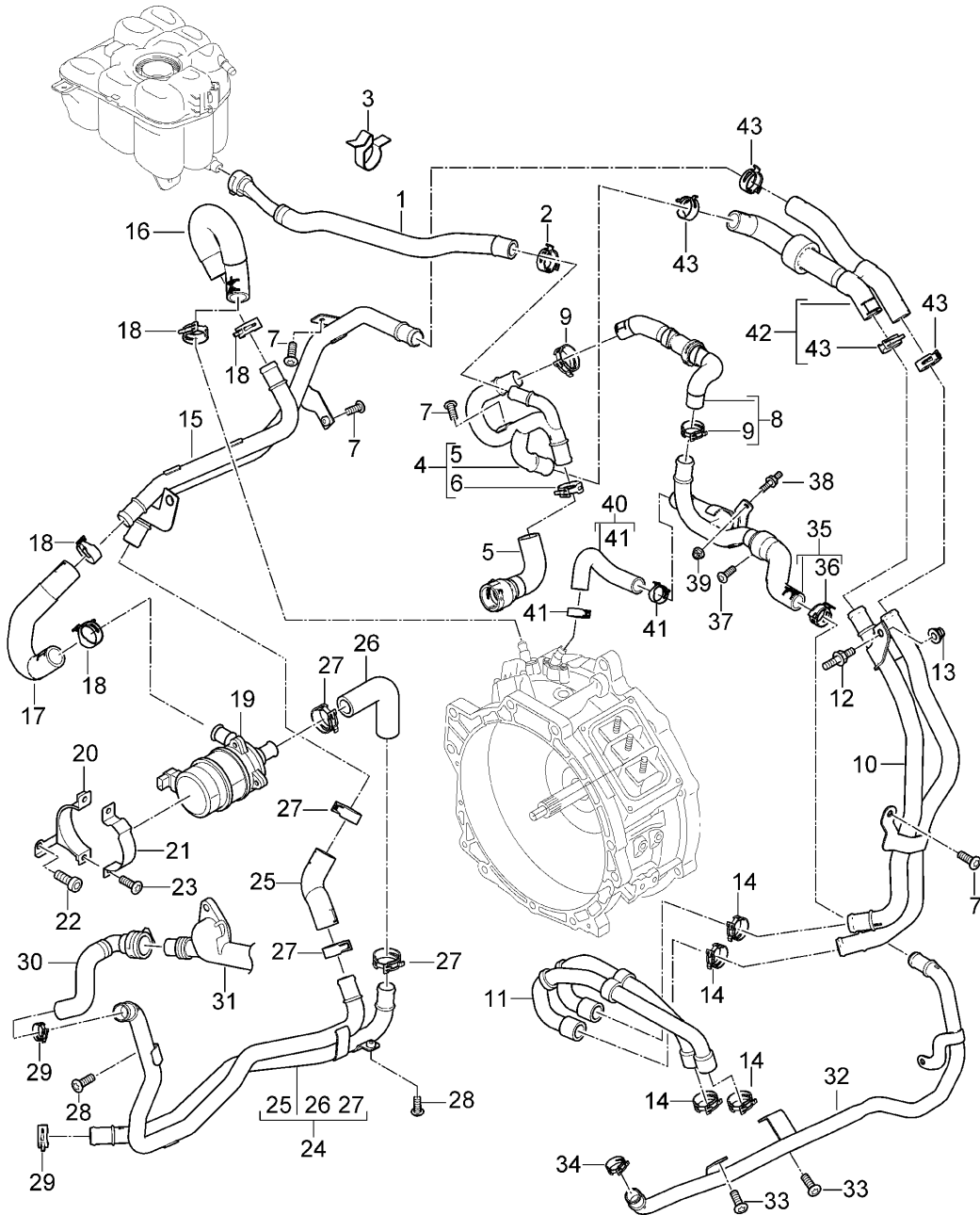
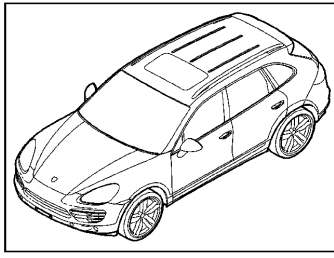
Model: 92A 11

Model life 2011>>

Pos	Part Number	Description	Remark	Qty	Model
33	958 106 356 30	M 6 X 16 Water hose		1	
34		Cooling water tube See illustrations 1/05/60 Pos.18		1	
35	N 107 587 01	Hose holder A 01-10 X A 14-22 Only together with 958.611.235.00 Ground cable	-11	1	

Model: 92A 11

Model life 2011>>



Model: 92A 11

Model life 2011>>

Pos	Part Number	Description	Remark	Qty	Model
		Water cooling 4 Electric drive	15-		ID19
1	958 106 261 10	Water hose		1	
2	N 906 869 01	Hose clamp B 23 X 12		1	
3	N 909 263 02	Cable holder 22 X 33,5 X 0,6		1	
4	958 106 370 20	Cooling water tube with Water hose		1	
5	958 106 373 00	Water hose		1	
6	N 906 870 01	Hose clamp B 27 X 12		1	
7	N 106 320 03	Oval-head screw M 6 X 16		4	
8	958 106 374 10	Water hose with Thermostat		1	
9	N 906 870 01	Hose clamp B 27 X 12		2	
10	958 106 365 20	Cooling water tube		1	
11	958 106 073 10	Water hose		1	
12	N 910 824 01	Stud M 8 X 25 / M 8 X 12		1	
13	N 023 003 16	Hexagon nut M 8		1	
14	N 906 870 01	Hose clamp B 27 X 12		4	
15	958 106 366 10	Cooling water tube		1	
16	958 106 358 20	Water hose		1	
17	958 106 358 10	Water hose		1	
18	N 906 870 01	Hose clamp B 27 X 12		4	
19	958 606 567 00	Water pump Electric		1	
20	958 106 579 10	Support		1	
21	958 106 579 20	Support		1	
22	N 105 242 02	Pan-head screw M 10 X 12		1	
23	N 104 514 05	Round head screw M 6 X 16		2	
24	958 106 371 20	Cooling water tube with Water hose		1	
25	958 106 357 30	Water hose		1	
26	958 106 357 20	Water hose		1	
27	N 906 870 01	Hose clamp B 27 X 12		4	
28	N 106 320 03	Oval-head screw M 6 X 16		2	
29	N 906 870 01	Hose clamp B 27 X 12		2	
30	958 106 356 30	Water hose		1	
31		Cooling water tube See illustrations 1/05/60 POS.18		1	
32	958 106 365 30	Cooling water tube		1	
33	N 102 252 02	Combination screw M 8 X 12		2	
34	999 512 683 09	Hose clamp B 23 X 12		1	
35	958 106 370 30	Cooling water tube		1	

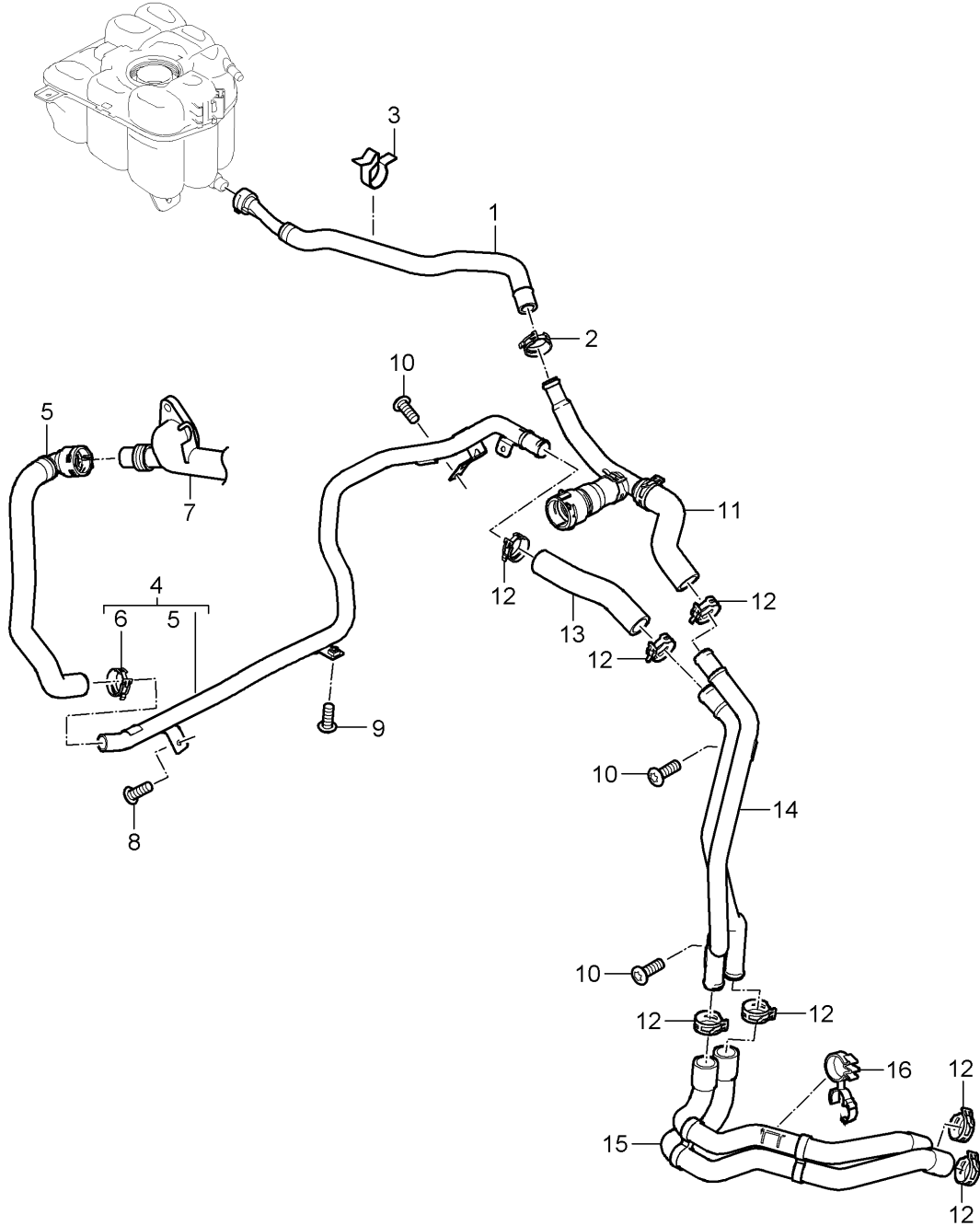
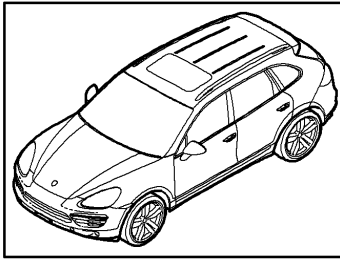
Model: 92A 11

Model life 2011>>

Pos	Part Number	Description	Remark	Qty	Model
36	999 512 683 09	with Water hose		1	
37	N 023 003 16	Hose clamp B 23 X 12		1	
38	N 910 613 01	Hexagon nut M 8		1	
39	N 023 002 14	Stud M 6 X 10 / M 6 X 10		1	
40	958 106 373 20	Hexagon nut M 6		1	
41	N 906 870 01	Water hose		2	
42	958 106 373 30	Hose clamp B 27 X 12		1	
43	N 906 870 01	Water hose Hose clamp B 27 X 12		4	

Model: 92A 11

Model life 2011>>



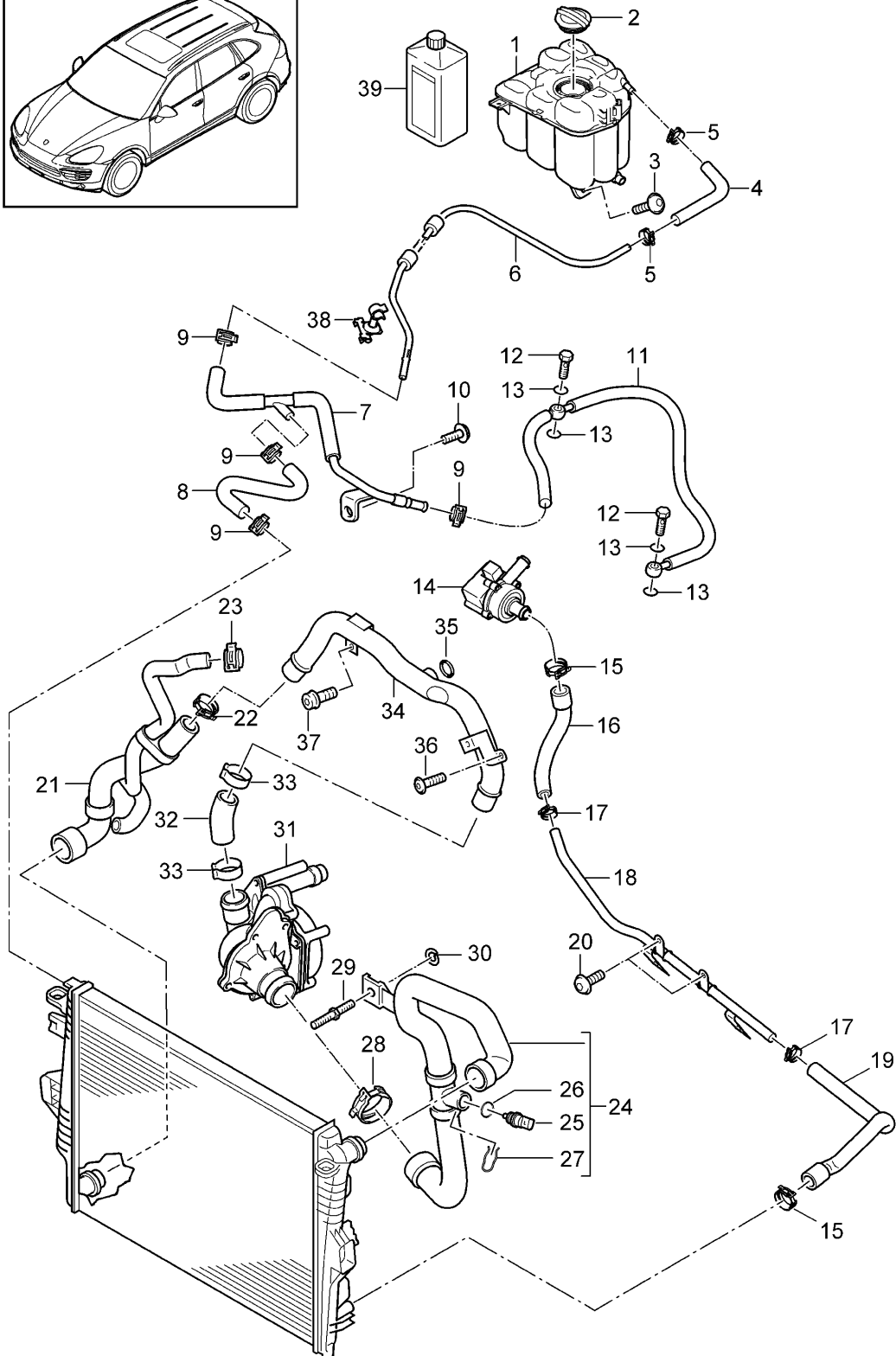
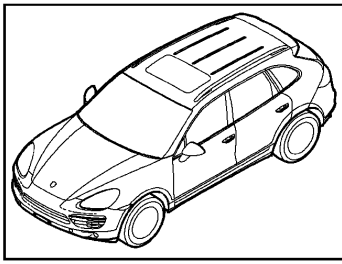
Model: 92A 11

Model life 2011>>

Pos	Part Number	Description	Remark	Qty	Model
		Water cooling 4			ID11
1	958 106 261 10	Water hose		1	
2	N 906 869 01	Hose clamp B 23 X 12		1	
3	N 909 263 02	Cable holder 22 X 33,5 X 0,6		1	
4	958 106 371 10	Cooling water tube with Water hose		1	
5	958 106 356 40	Water hose		1	
6	N 906 870 01	Hose clamp B 27 X 12		1	
7		Cooling water tube See illustrations 1/05/60 Pos.18		1	
8	N 106 320 03	Oval-head screw M 6 X 16		1	
9	N 107 500 01	Outer hexagon round screw M 6 X 16		1	
(9)	N 106 320 03	Oval-head screw M 6 X 16		1	
10	N 104 514 05	Round head screw M 6 X 16		3	
(10)	N 106 320 03	Oval-head screw M 6 X 16		3	
11	958 106 370 10	Cooling water tube with Water hose		1	
12	N 906 870 01	Hose clamp B 27 X 12		7	
13	958 106 322 00	Water hose		1	
14	958 106 365 10	Cooling water tube		1	
15	958 106 073 50	Water hose		1	
(15)	958 106 073 51	Water hose		1	
16	N 104 508 01	Support A 12-16 X C 05-22		1	

Model: 92A 11

Model life 2011>>



Model: 92A 11 Model life 2011>>

Pos	Part Number	Description	Remark	Qty	Model
		Water cooling 4			IDD8
		Water reservoir			
1	958 106 151 00	Water reservoir		1	
(1)	958 106 151 02	Water reservoir		1	
2	958 106 447 00	Lid		1	
3	N 911 404 01	Outer hexagon round screw M 6 X 20		1	
4	958 106 359 00	Breather hose		1	
5	999 512 650 09	Hose clamp B 14 X 12		2	
6	958 106 310 10	Breather pipe	-14	1	
(6)	958 106 310 11	Breather pipe	15-	1	
7	958 106 311 20	Vent line		1	
8	958 106 311 30	Breather hose		1	
9	999 512 650 09	Hose clamp B 14 X 12		4	
10	N 908 170 03	Oval-head screw TP 6 X 17		1	
11	958 106 386 00	Breather hose		1	
12	N 910 438 01	Banjo bolt 8		2	
13	N 013 807 6	Sealing ring A 8 X 11,5		4	
14		Water pump Appendix See illustrations 1/05/75		1	
15	999 512 658 09	Hose clamp B 27 X 12		2	
16	958 106 551 20	Water hose		1	
17	N 906 869 01	Hose clamp B 23 X 12		2	
18	958 106 465 10	Cooling water tube		1	
19	958 106 551 40	Water hose		1	
20	N 104 514 08	Lens-head screw M 6 X 16		2	
21	958 106 402 60	Water hose		1	
22	999 512 665 09	Hose clamp B 40 X 12		1	
23	N 906 869 01	Hose clamp B 23 X 12		1	
24	958 106 401 50	Water hose		1	
25	955 106 125 01	Temperature sensor		1	
26	N 903 168 01	O-ring 19,6 X 3,65		1	
27	955 106 143 00	Retainer spring		1	
28	N 909 265 01	Hose clamp B 47 X 12		1	
29	N 911 006 01	Stud 6 X 19 / M 6 X 19		1	
30	N 909 595 01	Clamping washer 5 X 22		1	
31		Water pump See illustrations 1/05/17 POS.1		1	
32	958 106 406 00	Water hose		1	
33	N 105 573 01	Hose clamp 41 X 7 X 0,6		2	
34	958 106 671 00	Cooling water tube		1	
35	N 907 132 03	O-ring 31 X 3		1	
(35)	N 907 132 02	Sealing ring		1	

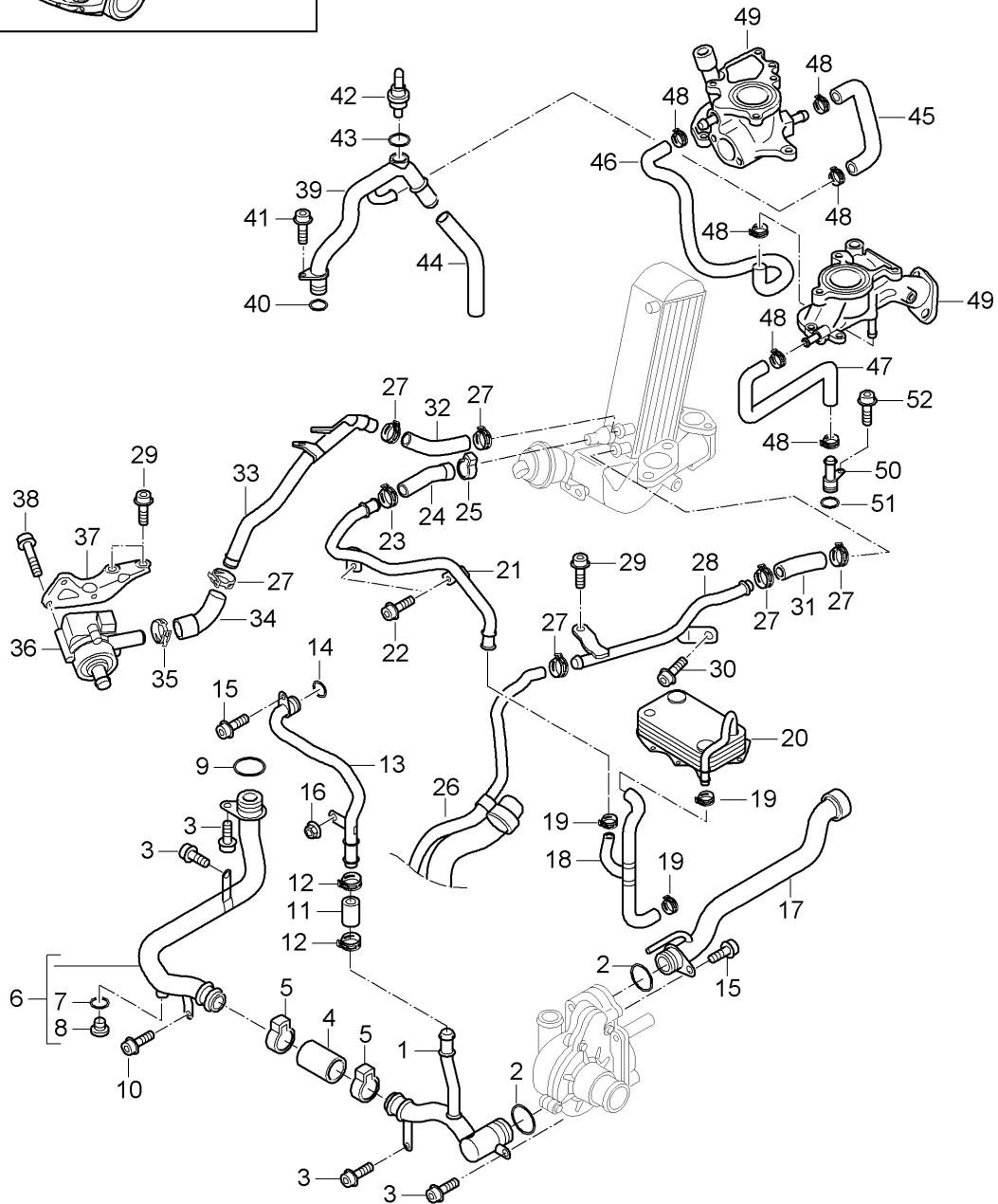
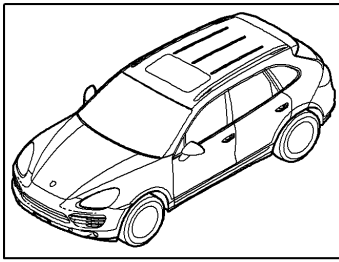
Model: 92A 11

Model life 2011>>

Pos	Part Number	Description	Remark	Qty	Model
36	N 104 514 08	31 X 3 Lens-head screw		1	
37	N 911 361 01	M 6 X 16 Pan-head screw		1	
38	N 108 153 01	M 8 X 14 Combination holder		1	
39	000 043 301 47	A 25-6,7 X C 01-8 Antifreeze 1 LITER Container		X	
(39)	000 043 301 48	Antifreeze 20 LITER Container		X	
(39)	000 043 204 39	Cleaning agent 20 LITER Container		X	

Model: 92A 11

Model life 2011>>



Model: 92A 11

Model life 2011>>

Pos	Part Number	Description	Remark	Qty	Model
		Water cooling 4			IDD8
1	958 106 375 10	Cooling water tube		1	
(1)	958 106 375 11	Cooling water tube		1	
2	N 908 063 02	O-ring 28 X 3,5		2	
3	N 104 056 04	Oval-head screw M 6 X 14		4	
4	958 106 302 00	Water hose		1	
5	N 105 573 01	Hose clamp 41 X 7 X 0,6		2	
6	958 106 376 10	Cooling water tube		1	
7	N 013 811 5	Sealing ring 10 X 13,5		1	
8	N 911 194 01	Screw plug M 10 X 1 X 10		1	
9	N 910 085 01	O-ring 35 X 3		1	
10	N 104 514 08	Lens-head screw M 6 X 16		1	
11	958 106 303 00	Water hose		1	
12	N 906 869 01	Hose clamp B 23 X 12		2	
13	958 106 377 10	Cooling water tube		1	
14	N 910 084 01	O-ring 19,6 X 3		1	
15	N 104 514 08	Lens-head screw M 6 X 16		2	
16	N 015 082 10	Hexagon nut M 6		1	
17	958 106 378 10	Cooling water tube		1	
18	958 106 501 00	Water hose		1	
19	N 906 869 01	Hose clamp B 23 X 12		3	
20		Oil cooler See illustrations 1/04/85 POS.13		1	
21	958 106 379 10	Cooling water tube		1	
22	N 104 514 08	Lens-head screw M 6 X 16		2	
23	N 906 869 01	Hose clamp B 23 X 12		1	
24	958 106 502 00	Water hose		1	
25	N 904 095 01	Hose clamp 28,6 X 7 X 0,6		1	
26		Water hose See illustrations 1/05/70 POS.21		1	
27	N 906 869 01	Hose clamp B 23 X 12		6	
28	958 106 380 10	Cooling water tube		1	
29	N 911 422 01	Pan-head screw M 8 X 28		2	
30	N 104 056 04	Oval-head screw M 6 X 14		1	
31	958 106 505 00	Water hose		1	
32	958 106 507 00	Water hose		1	
33	958 106 381 10	Cooling water tube		1	
34	958 106 508 00	Water hose		1	
35	999 512 658 09	Hose clamp B 27 X 12		1	
36	955 106 312 00	Water pump		1	

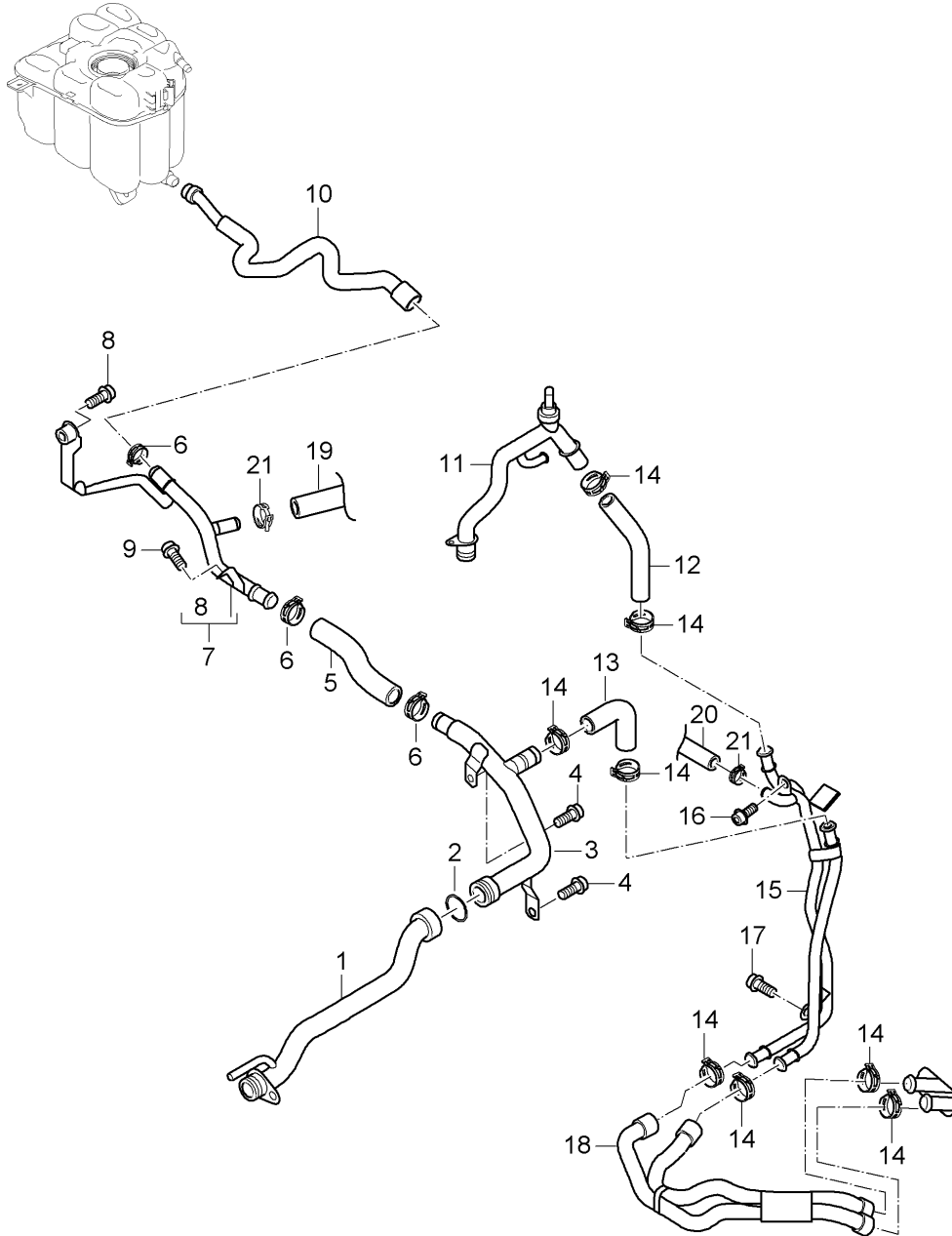
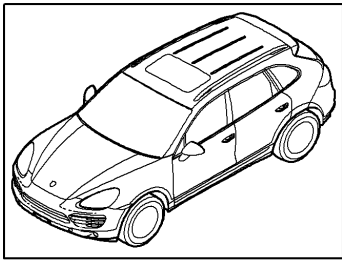
Model: 92A 11

Model life 2011>>

Pos	Part Number	Description	Remark	Qty	Model
		Appendix Information available			
37	958 106 579 40	Support		1	
38	WHT 002 306	Round head screw TP 3,5 X 12		3	
39	958 106 382 10	Cooling water tube		1	
40	N 910 084 01	O-ring 19,6 X 3		1	
41	N 104 514 08	Lens-head screw M 6 X 16		2	
42	955 606 221 00	Temperature sensor		1	
43	WHT 002 287 B	O-ring 5,6 X 2		1	
44		Water hose See illustrations 1/05/80 POS.12		1	
45	958 106 511 00	Water hose		1	
46	958 106 512 00	Water hose		1	
47	958 106 514 00	Water hose		1	
48	999 512 650 09	Hose clamp B 14 X 12		6	
49		Intermediate flange See illustrations 1/08/70 POS.17+18		2	
50	958 106 383 10	Connecting piece		1	
(50)	958 106 383 11	Connecting piece		1	
51	N 904 520 03	O-ring 11 X 3		1	
52	N 104 056 04	Oval-head screw M 6 X 14		1	

Model: 92A 11

Model life 2011>>



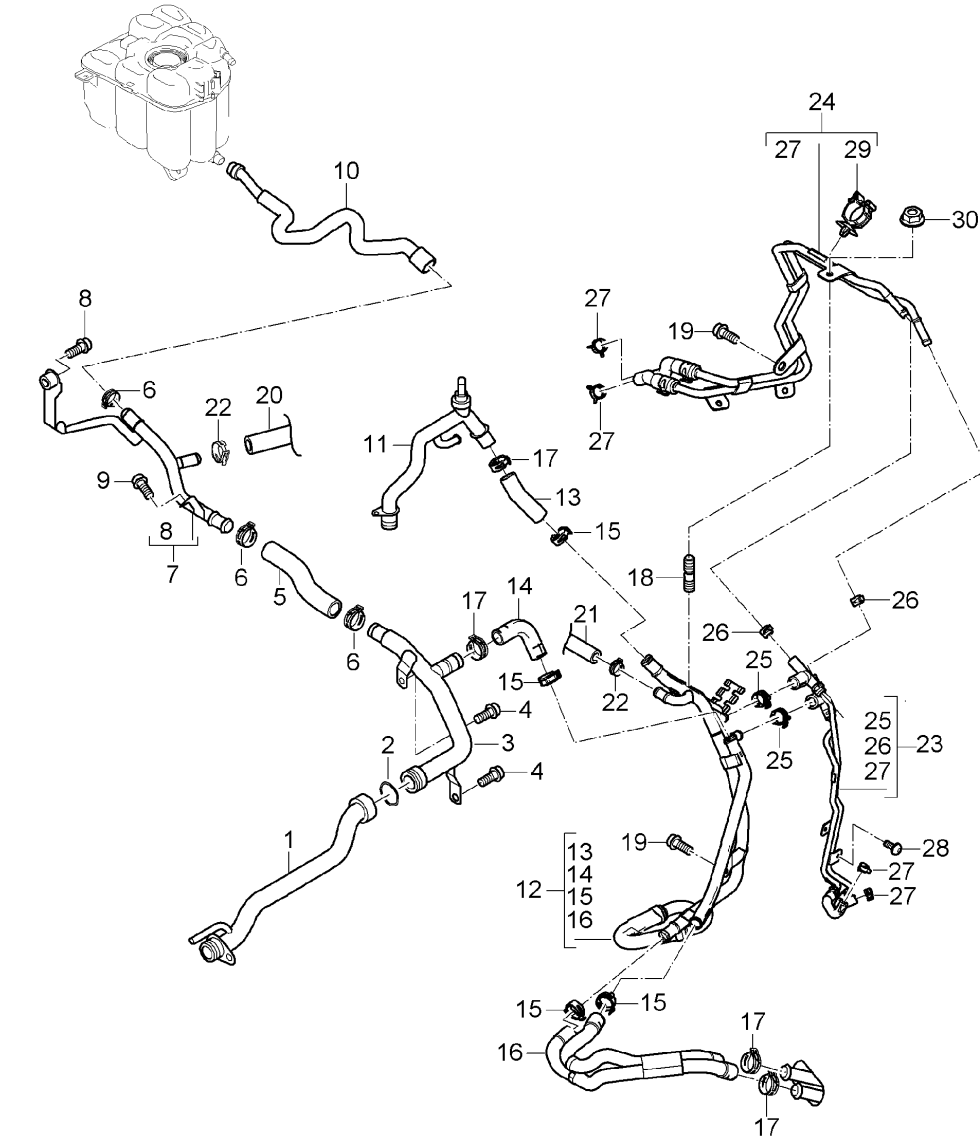
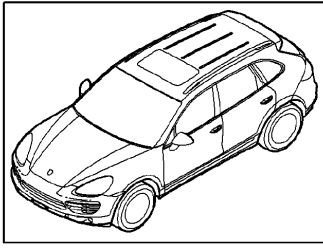
Model: 92A 11

Model life 2011>>

Pos	Part Number	Description	Remark	Qty	Model
1		Water cooling 4 Rear Cooling water tube See illustrations 1/05/75 POS.17		1	IDD8/0GG/7MJ
2	N 908 063 02	O-ring 28 X 3,5		1	
3	958 106 384 10	Cooling water tube		1	
(3)	958 106 384 11	Cooling water tube		1	
4	N 104 056 04	Oval-head screw M 6 X 14		2	
5	958 106 609 00	Water hose		1	
6	999 512 658 09	Hose clamp B 27 X 12		3	
7	958 106 385 10	Cooling water tube		1	
8	N 104 032 03	Hexagon-head bolt M 8 X 16		1	
9	N 102 261 03	Pan-head screw M 6 X 16		1	
10	958 106 261 30	Water hose		1	
11		Cooling water tube See illustrations 1/05/75 POS.39		1	
12	958 106 657 30	Water hose		1	
13	958 106 658 00	Water hose		1	
14	999 512 658 09	Hose clamp B 27 X 12		8	
15	958 106 360 30	Cooling water tube		1	
16	N 106 320 02	Oval-head screw M 6 X 16		1	
17	N 107 371 01	Hexagon-head bolt M 8 X 22		1	
18	958 106 073 60	Water hose		1	IL0L/1N3
(18)	958 106 073 70	Water hose		1	IL0L/1N1
(18)		Water hose		1	IL0R
19		Water hose See illustrations 3/60/50 POS.17		1	
20		Water hose See illustrations 3/60/50 POS.16		1	
21	N 906 869 01	Hose clamp B 23 X 12		2	

Model: 92A 11

Model life 2011>>



Model: 92A 11

Model life 2011>>

Pos	Part Number	Description	Remark	Qty	Model
		Water cooling 4 Rear			IDD8/7MM
1		Cooling water tube See illustrations 1/05/75 POS.17		1	
2	N 908 063 02	O-ring 28 X 3,5		1	
3	958 106 384 11	Cooling water tube		1	
4	N 104 056 04	Oval-head screw M 6 X 14		2	
5	958 106 609 00	Water hose		1	
6	999 512 658 09	Hose clamp B 27 X 12		3	
7	958 106 385 10	Cooling water tube		1	
8	N 104 032 03	Hexagon-head bolt M 8 X 16		1	
9	N 102 261 03	Pan-head screw M 6 X 16		1	
10	958 106 261 30	Water hose		1	
11		Cooling water tube See illustrations 1/05/75 POS.39		1	
12	958 106 070 20	Cooling water tube Complete		1	IL0L/1N1
(12)	958 106 070 30	Cooling water tube Complete		1	IL0L/1N3
(12)	958 106 070 20	Cooling water tube Complete		1	IL0R
13	958 106 657 30	Water hose		1	
14	958 106 658 00	Water hose		1	
15	999 512 658 09	Hose clamp B 27 X 12		4	
16	958 106 073 70	Water hose		1	IL0L/1N1
(16)	958 106 073 60	Water hose		1	IL0L/1N3
(16)	958 106 073 70	Water hose		1	IL0R
17	999 512 658 09	Hose clamp B 27 X 12		4	
18	N 106 320 02	Oval-head screw M 6 X 16		1	
(18)	N 044 421 5	Stud M 6 X 12		1	
19	N 107 371 01	Hexagon-head bolt M 8 X 22		2	
20		Water hose See illustrations 3/60/50 POS.17		1	
21		Water hose See illustrations 3/60/50 POS.16		1	
22	N 906 869 01	Hose clamp B 23 X 12		2	
23	958 106 070 40	Cooling water tube Complete	/L	1	
24	958 106 070 50	Cooling water tube Complete	/R	1	
25	958 106 517 10	Hose clamp B 21 X 12		2	
26	999 512 650 09	Hose clamp B 14 X 12		2	

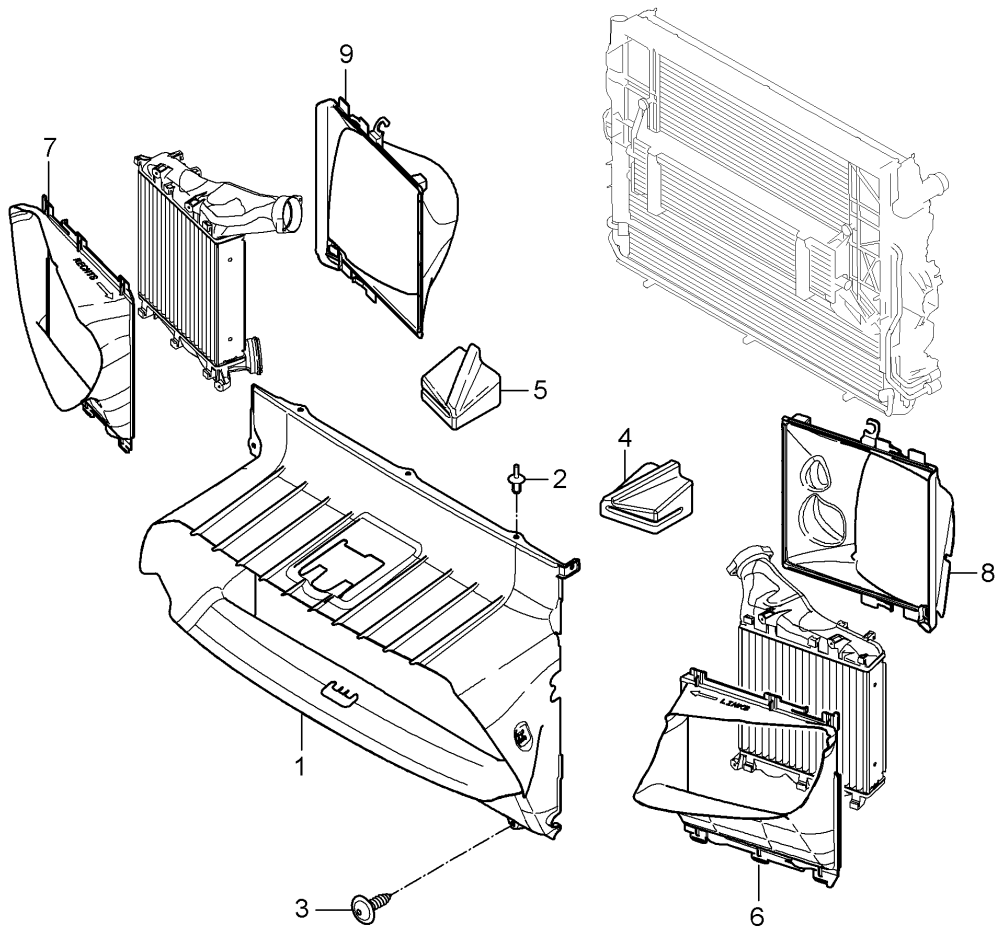
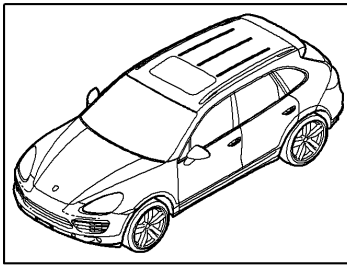
Model: 92A 11

Model life 2011>>

Pos	Part Number	Description	Remark	Qty	Model
27	N 107 160 01	Clip A 12,5 X 8,4		4	
28	N 101 703 02	Oval-head screw M 6 X 10		1	
29	4E0 121 120	Hose holder		1	
30	N 015 082 10	Hexagon nut M 6		1	

Model: 92A 11

Model life 2011>>



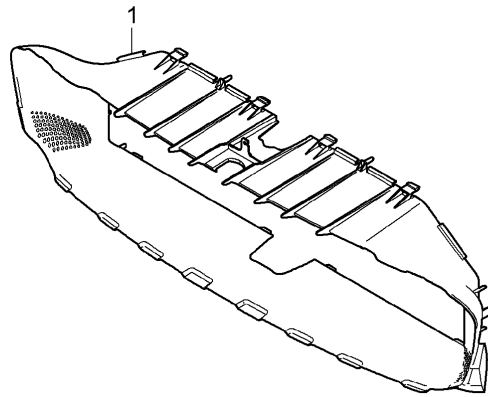
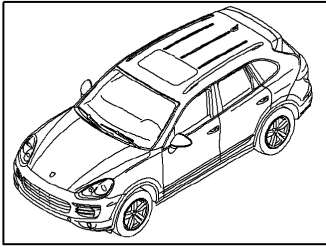
Model: 92A 11

Model life 2011>>

Pos	Part Number	Description	Remark	Qty	Model
1	958 575 323 20	Cooling air duct Air guide	-14	1	-ID19/-ID58 -IE0W
(1)	958 575 323 50	Centre Air guide		1	ID58
(1)		Centre Air guide		1	ID6V/E0W
(1)	958 575 323 30	Centre Air guide		1	ID19
2	WHT 004 750	Expansion rivet		3	
3	N 908 082 01	8,1 X 13 Oval-head screw		3	
4	958 110 563 00	6 X 18,5 Sealing wedge	/L	1	
5	958 110 564 00	Sealing wedge	/R	1	
6	958 575 321 00	Air guide	/L	1	ID58
(6)	958 575 321 10	Air guide	/L	1	ID1V/D43/D50
(6)		Air guide	/L (CN)	1	ID11
(6)	958 575 321 20	Air guide	/L	1	IDD8
7	958 575 322 00	Air guide	/R	1	ID58
(7)	958 575 322 10	Air guide	/R	1	ID1V/D43/D50
(7)		Air guide	/R	1	ID19
(7)		Air guide	/R (CN)	1	ID11
(7)	958 575 322 20	Air guide	/R	1	IDD8
8	958 575 641 20	Air guide	/L	1	ID58
(8)	958 575 641 21	Air guide	/L	1	IDD8/D58
(8)	958 575 641 30	Air guide	/L	1	ID1V/D43/D50
(8)		Air guide	/L (CN) -12	1	ID11
(8)	958 575 641 40	Air guide	/L (CN) 13-	1	ID11
9	958 575 642 20	Air guide	/R	1	ID58
(9)	958 575 642 21	Air guide	/R	1	IDD8/D58
(9)	958 575 642 30	Air guide	/R	1	ID1V/D43/D50
(9)		Air guide	/R -12	1	ID19
(9)	958 575 642 40	Air guide	/R 13-	1	ID19
(9)	958 575 642 30	Air guide	/R (CN) -12	1	ID11
(9)	958 575 642 40	Air guide	/R (CN) 13-	1	ID11

Model: 92A 11

Model life 2011>>



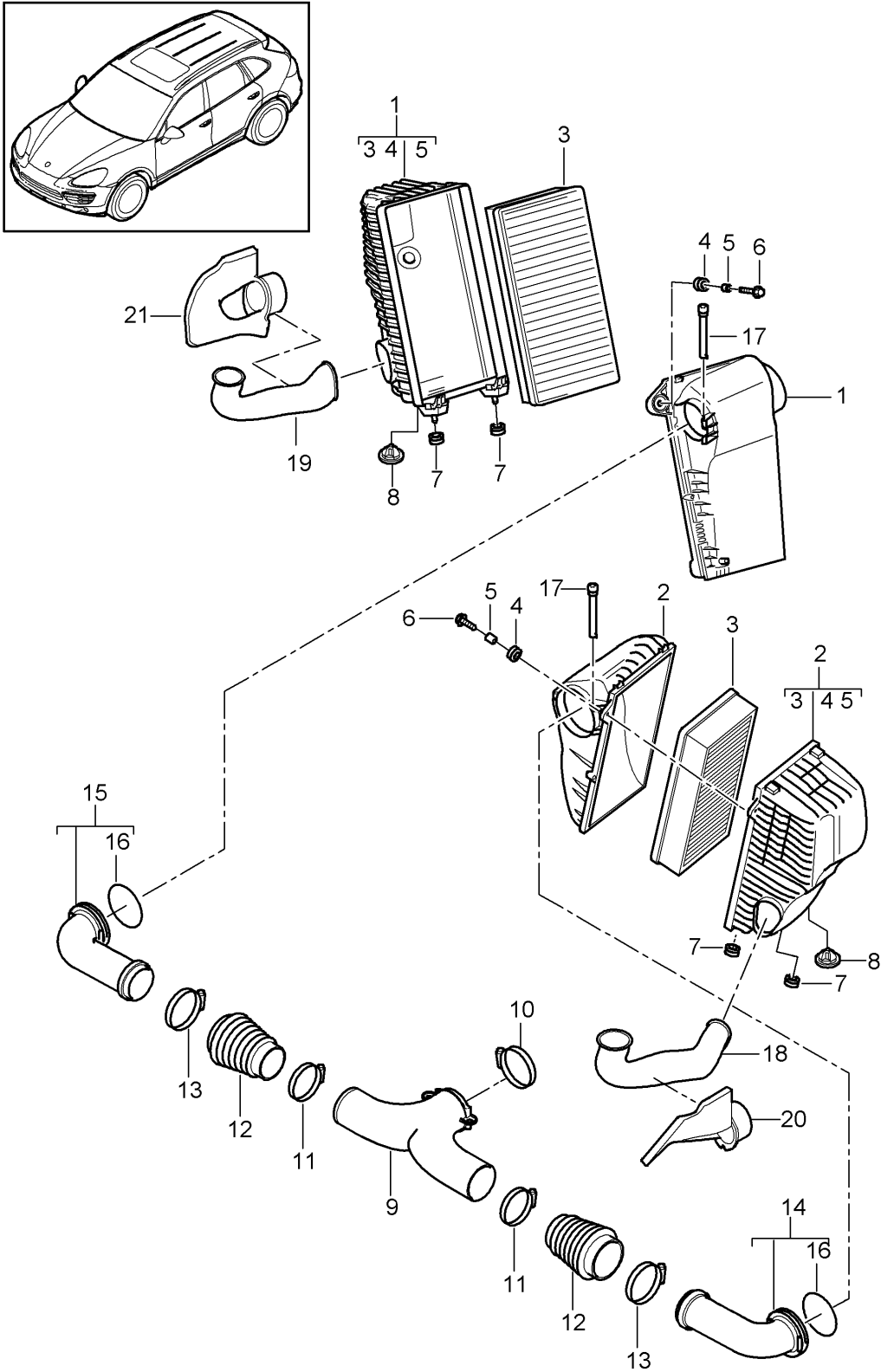
Model: 92A 11

Model life 2011>>

Pos	Part Number	Description	Remark	Qty	Model
1		Cooling air duct Cooling air duct See illustrations 8/02/40	15-		

Model: 92A 11

Model life 2011>>



Model: 92A 11

Model life 2011>>

Pos	Part Number	Description	Remark	Qty	Model
		Air cleaner system			ID6V/E0A
1	958 110 022 00	Air cleaner	/R	1	I1L0
(1)	958 110 022 10	Air cleaner	/R	1	I1L1
2	958 110 021 00	Air cleaner	/L	1	I1L0
(2)	958 110 021 10	Air cleaner	/L	1	I1L1
3	958 110 130 00	Air cleaner cartridge		2	I1L0
(3)	958 110 130 10	Air cleaner cartridge		2	I1L1
4	955 110 669 00	Grommet		2	
5	955 110 734 00	Spacer sleeve		2	
6	N 104 827 01	Hexagon-head bolt AM 6 X 35		2	
7	955 110 669 00	Grommet		4	
8	958 110 834 00	Water drain sleeve		2	
9	955 110 046 20	Intake distributor		1	
10	N 024 508 5	Hose clamp A 80 - 100 X 9 X 0,5		1	
11	N 024 523 2	Hose clamp A 50 - 70 X 13 X 0,5		2	
12	955 110 191 11	Bellows		2	
13	N 911 988 01	Hose clamp A 65 - 85 X 12 X 0,5		2	
14	958 110 113 00	Intake manifold	/L	1	
15	958 110 114 00	Intake manifold	/R	1	
16	N 909 643 01	O-ring 91 X 6		2	
17	955 110 269 00	Bolt Locking device		4	
18	958 110 271 00	Intake manifold	/L	1	
19	958 110 272 00	Intake manifold	/R	1	
20	958 110 251 00	Boot	/L	1	
21	958 110 252 00	Boot	/R	1	

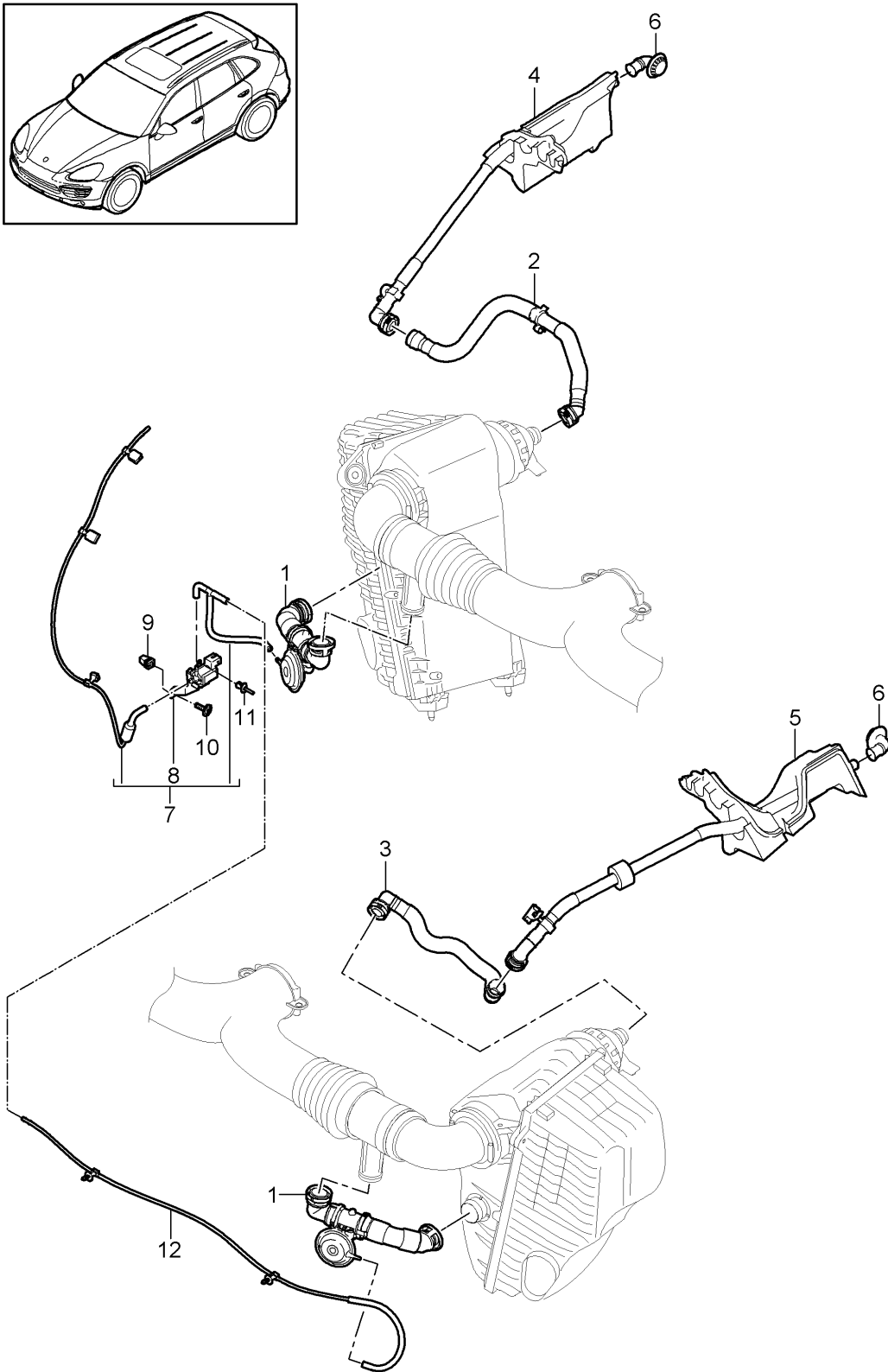
Model: 92A 11

Model life 2011>>

Pos	Part Number	Description	Remark	Qty	Model
		Air cleaner system			ID6V/E0W
1	958 110 022 80	Air cleaner	/R	1	I1L0
(1)	958 110 022 85	Air cleaner	/R	1	I1L1
2	958 110 021 80	Air cleaner	/L	1	I1L0
(2)	958 110 021 85	Air cleaner	/L	1	I1L1
3	958 110 130 00	Air cleaner cartridge		2	I1L0
(3)	958 110 130 10	Air cleaner cartridge		2	I1L1
4	955 110 669 00	Grommet		2	
5	955 110 734 00	Spacer sleeve		2	
6	958 110 504 00	Line		2	
7	N 909 643 01	O-ring 91 X 6		2	
8	N 104 197 02	Oval-head sheetmetal screw 6 X 22		2	
9	N 104 827 01	Hexagon-head bolt AM 6 X 35		2	
10	955 110 669 00	Grommet		4	
11	958 110 834 00	Water drain sleeve		2	
12	955 110 046 20	Intake distributor		1	
13	N 024 508 5	Hose clamp A 80 - 100 X 9 X 0,5		1	
14	N 024 523 2	Hose clamp A 50 - 70 X 13 X 0,5		2	
15	955 110 191 10	Bellows		2	
16	N 024 526 4	Hose clamp A 70 - 90 X 13 X 0,5		4	
17	958 110 638 00	Adapter		2	
18	955 110 533 20	Intake manifold	/L	1	
19	955 110 534 20	Intake manifold	/R	1	
20	WHT 003 227 C	O-ring 91 X 6		2	
21	955 110 269 00	Bolt Locking device		4	
22	958 110 271 00	Intake manifold	/L	1	
23	958 110 272 00	Intake manifold	/R	1	
24	958 110 251 50	Boot	/L	1	
25	958 110 252 50	Boot	/R	1	

Model: 92A 11

Model life 2011>>



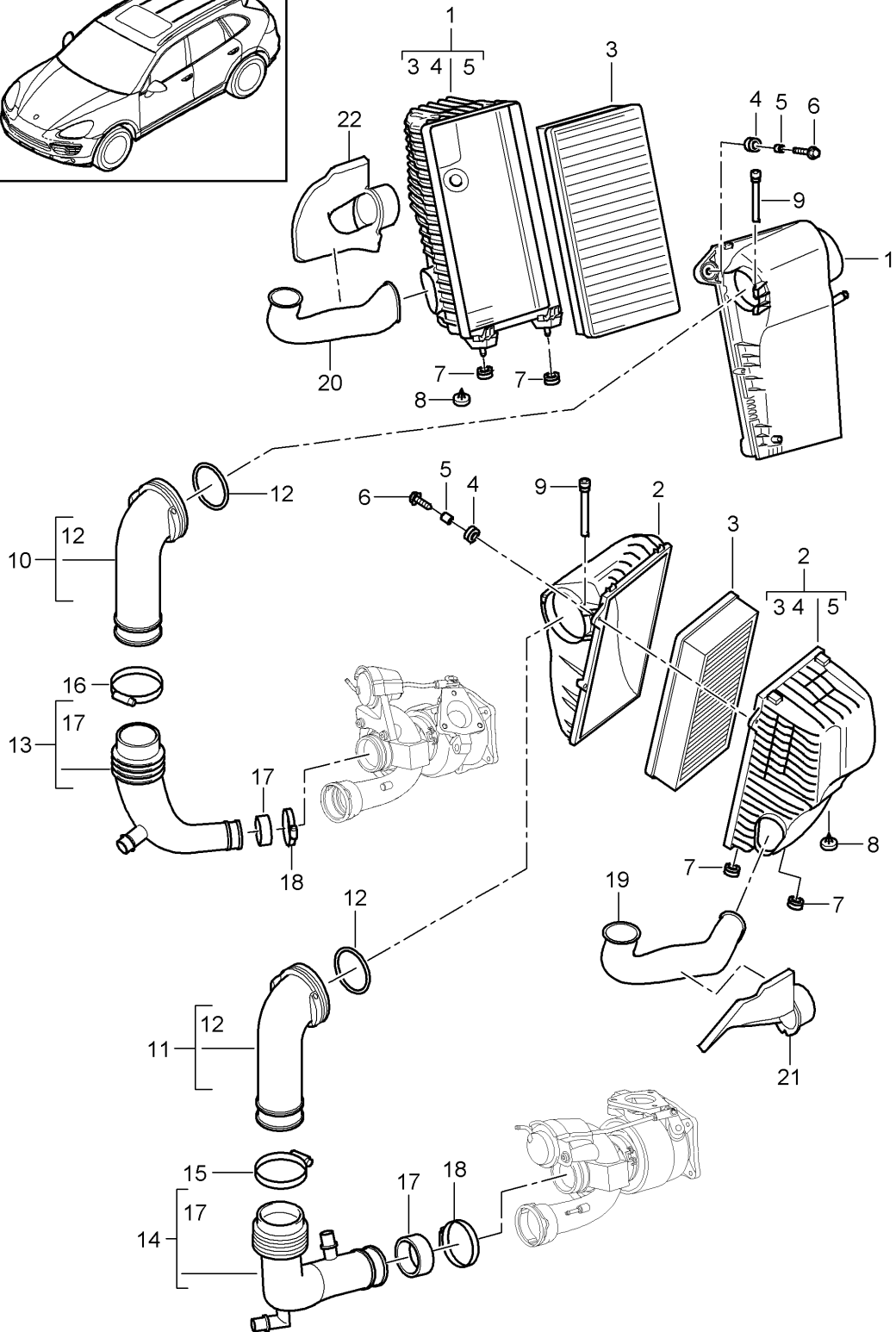
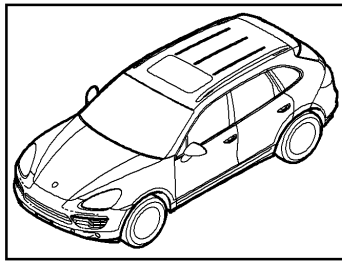
Model: 92A 11

Model life 2011>>

Pos	Part Number	Description	Remark	Qty	Model
		Air cleaner system			ID6V/E0W
		Suction hose			
		Vacuum control			
1	958 110 628 10	Suction hose with Vacuum unit		2	
2	958 110 624 00	Connecting tube	/R	1	
3	958 110 623 00	Connecting tube	/L	1	
(3)	958 110 623 10	Connecting tube	/L	1	
-	N 909 809 01	Hose holder		1	
		Connecting tube			
4	958 572 532 30	Gasket with Connecting tube	/R	1	
5	958 572 531 30	Gasket with Connecting tube	/L	1	
6	958 110 609 00	Grommet		2	
7	958 110 456 00	Vacuum line Complete		1	
8	7PP 906 270	Change-over valve Electric		1	
-	958 110 583 00	Support Change-over valve		1	
9	958 106 577 00	Expander nut ST 4,8		1	
10	N 911 329 01	Outer hexagon round screw TP 5 X 16		1	
11	N 038 501 3	Expansion rivet A 6 X 12		1	
12	958 110 456 10	Vacuum line		1	
(12)	958 110 456 20	Vacuum line		1	

Model: 92A 11

Model life 2011>>



Model: 92A 11 Model life 2011>>

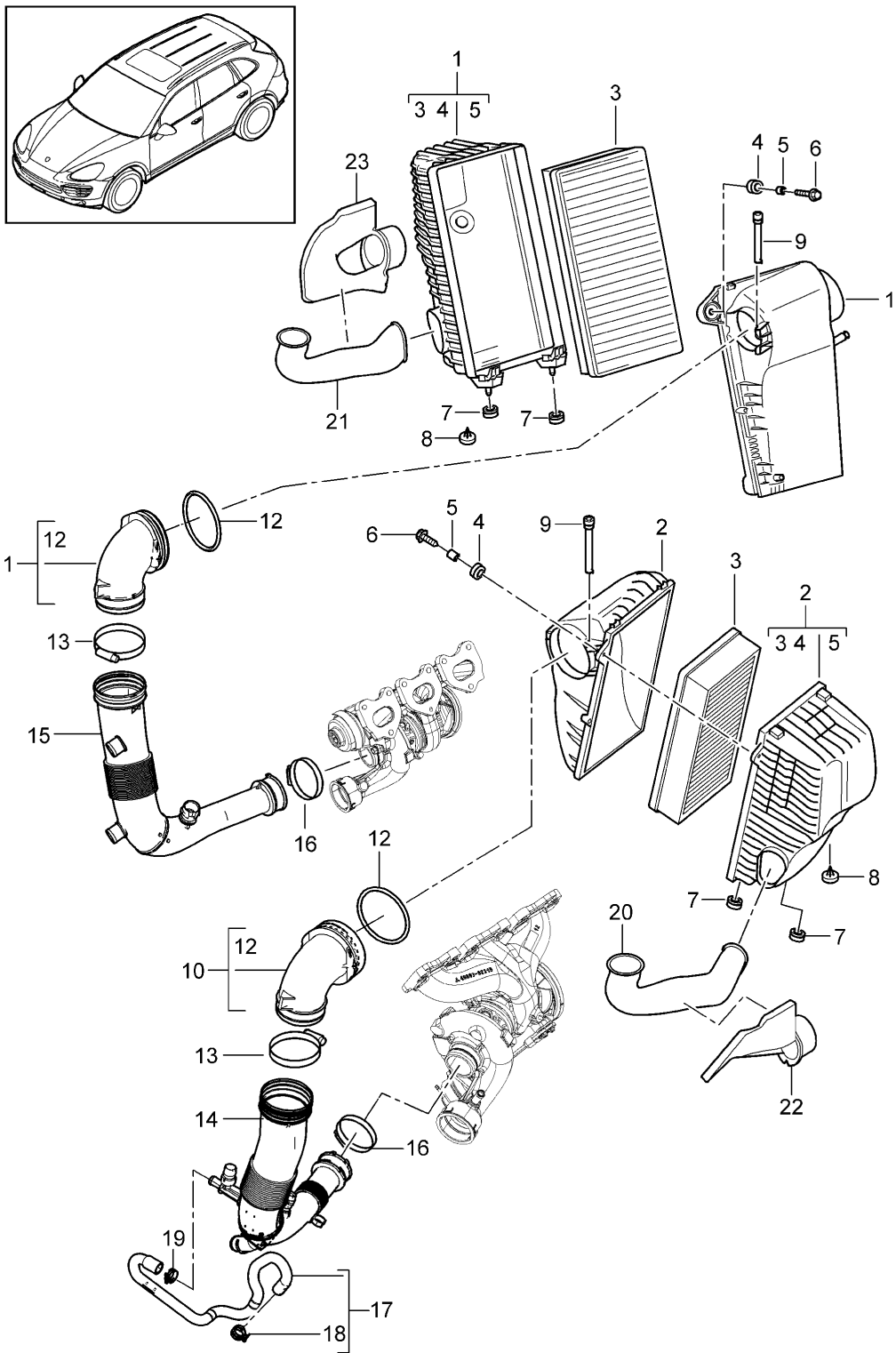
Pos	Part Number	Description	Remark	Qty	Model
1	958 110 022 00	Air cleaner system Air cleaner without Heat shield	/R	1	IDT1/DT5/D58 I1L0
(1)	958 110 022 60	Air cleaner with Heat shield	/R	1	I1L0
(1)	958 110 022 10	Air cleaner without Heat shield	/R	1	I1L1
(1)	958 110 022 70	Air cleaner with Heat shield	/R	1	I1L1
2	958 110 021 00	Air cleaner without Heat shield	/L	1	I1L0
(2)	958 110 021 60	Air cleaner with Heat shield	/L	1	I1L0
(2)	958 110 021 10	Air cleaner without Heat shield	/L	1	I1L1
(2)	958 110 021 70	Air cleaner with Heat shield	/L	1	I1L1
3	958 110 130 00	Air cleaner cartridge		2	I1L0
(3)	958 110 130 10	Air cleaner cartridge		2	I1L1
4	955 110 669 00	Grommet		2	
5	955 110 734 00	Spacer sleeve		2	
6	N 104 827 01	Hexagon-head bolt AM 6 X 35		2	
7	955 110 669 00	Grommet		4	
8	958 110 834 00	Water drain sleeve		2	
9	955 110 269 00	Bolt Locking device		4	
10	958 110 114 50	Intake manifold	/R	1	ID58
(10)	958 110 114 70	Intake manifold	/R	1	IDT1/DT5
11	958 110 113 50	Intake manifold	/L	1	ID58
(11)	958 110 271 10	Intake manifold	/L	1	IDT1/DT5
12	N 909 643 01	O-ring 91 X 6		2	
13	958 110 156 50	Intake pipe Workshop manual Group 2 Document 212419 Attention	/R	1	ID58
(13)	958 110 156 80	Intake pipe with Hose clamp Workshop manual Group 2 Document 212419 Attention	/R	1	IDT1/DT5
14	958 110 155 50	Intake pipe Workshop manual Group 2 Document 212419 Attention	/L	1	ID58
(14)	958 110 155 80	Intake pipe with	/L	1	IDT1/DT5

Model: 92A 11 Model life 2011>>

Pos	Part Number	Description	Remark	Qty	Model
		Hose clamp Workshop manual Group 2 Document 212419 Attention			
15	N 024 526 4	Hose clamp A 70-90 X 13 X 0.5		1	
16	N 911 988 01	Hose clamp A 65-85 X 12 X 0.5		1	ID58
(16)	N 024 526 4	Hose clamp A 70-90 X 13 X 0.5		1	IDT1/DT5
17	958 110 769 00	Grommet Workshop manual Group 2 Document 212419 Attention		2	
18	N 024 523 2	Hose clamp A 50-70 X 13 X 0.5 Workshop manual Group 2 Document 212419 Attention		2	
19	958 110 271 00	Intake manifold	/L	1	ID58
(19)	958 110 271 20	Intake manifold	/L	1	IDT1/DT5
20	958 110 272 00	Intake manifold	/R	1	ID58
(20)	958 110 272 10	Intake manifold	/R	1	IDT1/DT5
21	958 110 251 50	Boot	/L	1	ID58
(21)	958 110 251 60	Boot	/L	1	IDT1/DT5
22	958 110 252 50	Boot	/R	1	ID58
(22)	958 110 252 60	Boot	/R	1	IDT1/DT5

Model: 92A 11

Model life 2011>>



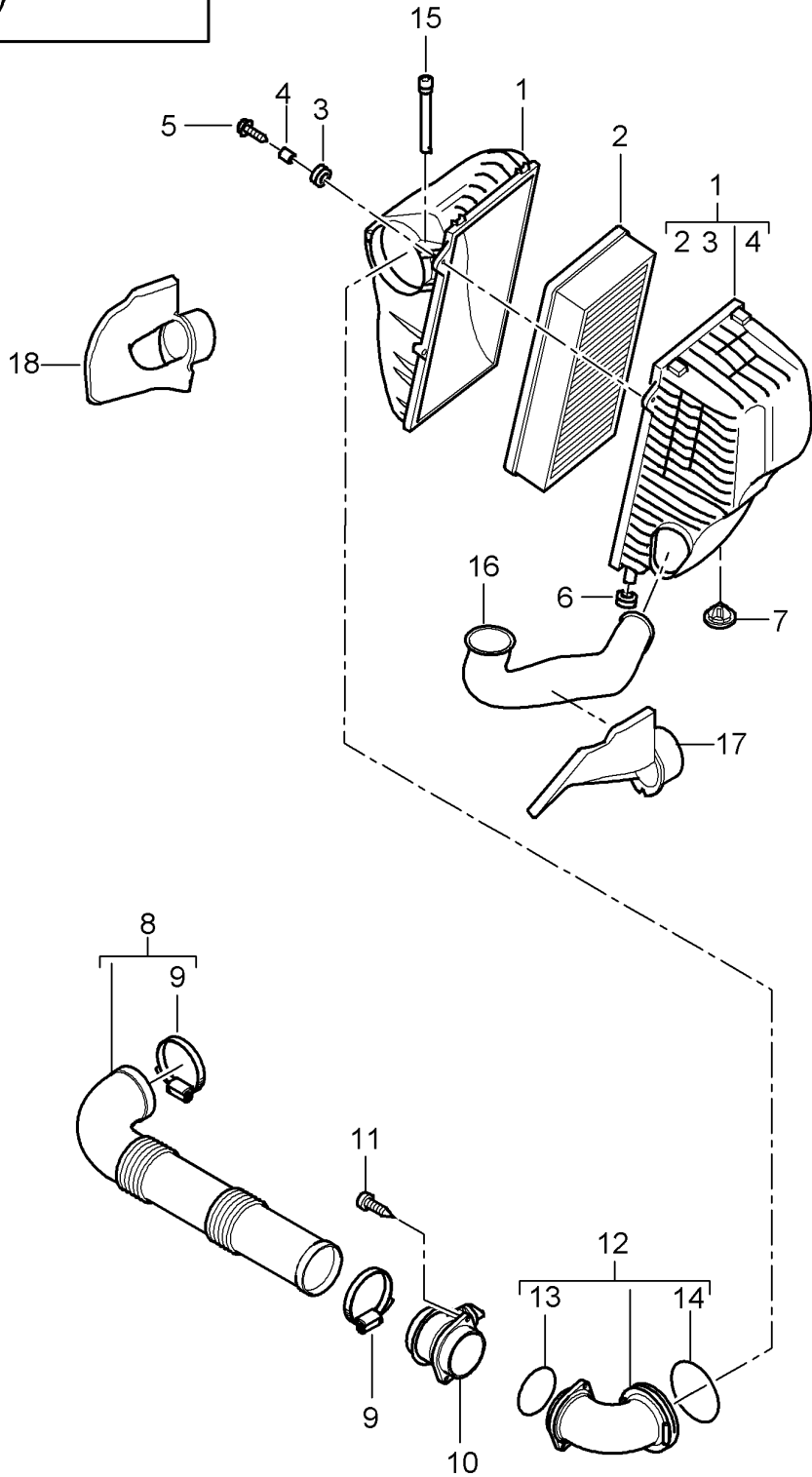
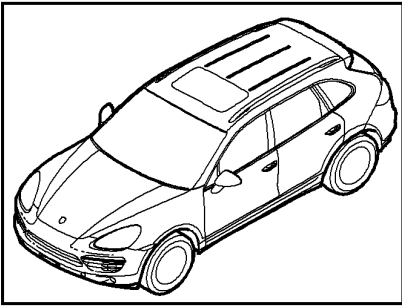
Model: 92A 11

Model life 2011>>

Pos	Part Number	Description	Remark	Qty	Model
1	958 110 022 00	Air cleaner system Air cleaner without Heat shield	/R	1	IDU2/DU3 I1L0
(1)	958 110 022 10	Air cleaner without Heat shield	/R	1	I1L1
2	958 110 021 00	Air cleaner without Heat shield	/L	1	I1L0
(2)	958 110 021 10	Air cleaner without Heat shield	/L	1	I1L1
3	958 110 130 00	Air cleaner cartridge		2	I1L0
(3)	958 110 130 10	Air cleaner cartridge		2	I1L1
4	955 110 669 00	Grommet		2	
5	955 110 734 00	Spacer sleeve		2	
6	N 104 827 01	Hexagon-head bolt AM 6 X 35		2	
7	955 110 669 00	Grommet		4	
8	958 110 834 00	Water drain sleeve		2	
9	955 110 269 00	Bolt Locking device		4	
10	958 110 113 70	Intake manifold	/L	1	
11	958 110 272 20	Intake manifold	/R	1	
12	N 909 643 01	O-ring 91 X 6		2	
14	958 110 155 70	Intake pipe Workshop manual Group 2 Document 212419 Attention	/L	1	
15	958 110 156 70	Intake pipe Workshop manual Group 2 Document 212419 Attention	/R	1	
17	958 110 487 00	Vacuum hose		1	
18	N 912 023 01	Hose clamp D 19 X 12		1	
20	958 110 271 20	Intake manifold	/L	1	
21	958 110 272 10	Intake manifold	/R	1	
22	958 110 251 01	Boot	/L	1	IDU2
(22)	958 110 251 60	Boot	/L	1	IDU3
23	958 110 252 20	Boot	/R	1	IDU2
(23)	958 110 252 60	Boot	/R	1	IDU3

Model: 92A 11

Model life 2011>>



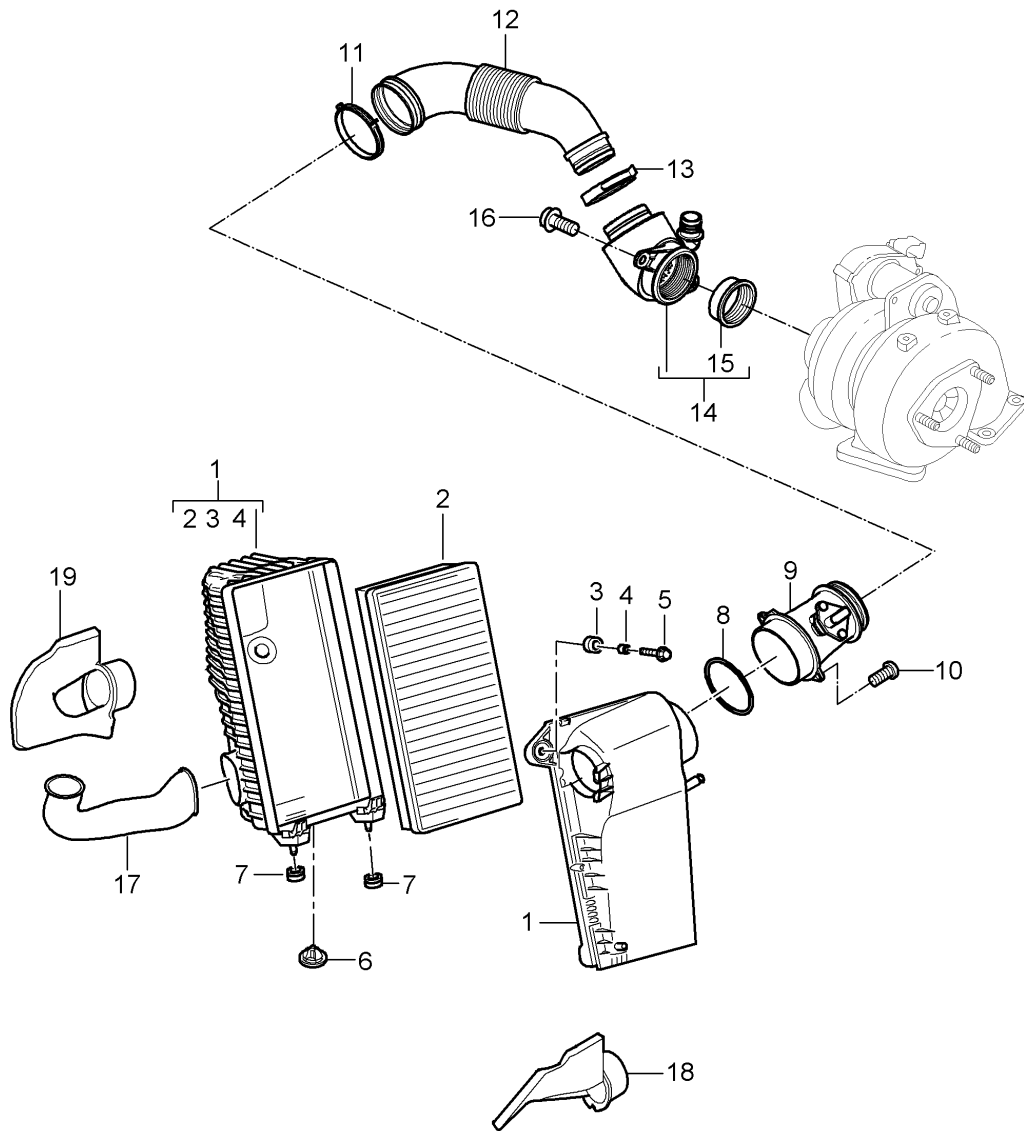
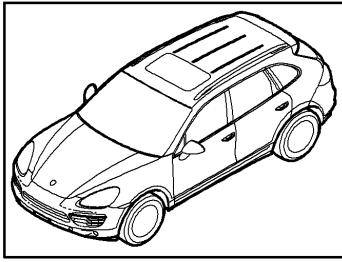
Model: 92A 11

Model life 2011>>

Pos	Part Number	Description	Remark	Qty	Model
		Air cleaner system Simple			ID34
1	958 110 021 00	Air cleaner	/L	1	I1L0
(1)	958 110 021 10	Air cleaner	/L	1	I1L1
2	958 110 130 00	Air cleaner cartridge		1	I1L0
(2)	958 110 130 10	Air cleaner cartridge		1	I1L1
3	955 110 669 00	Grommet		1	
4	955 110 734 00	Spacer sleeve		1	
5	N 104 827 01	Hexagon-head bolt AM 6 X 35		1	
6	955 110 669 00	Grommet		2	
7	958 110 834 00	Water drain sleeve		1	
8	955 110 223 01	Connecting tube		1	
9	N 024 526 4	Hose clamp A-70-90 X 13 X 0.5		2	
10	958 606 125 00	Mass air flow meter		1	
11	N 104 197 02	Oval-head sheetmetal screw 6 X 22		2	
12	958 110 113 10	Intake manifold		1	
13	N 909 219 01	O-ring 85 X 6		1	
14	N 909 643 01	O-ring 91 X 6		1	
15	955 110 269 00	Bolt Locking device		2	
16	958 110 271 00	Intake manifold	-14	1	
(16)	958 110 271 20	Intake manifold	15-	1	
17	958 110 251 00	Boot	/L -14	1	
(17)	958 110 251 01	Boot	/L 15-	1	
18	958 110 252 10	Boot	/R -14	1	
(18)	958 110 252 70	Boot	/R 15-	1	

Model: 92A 11

Model life 2011>>



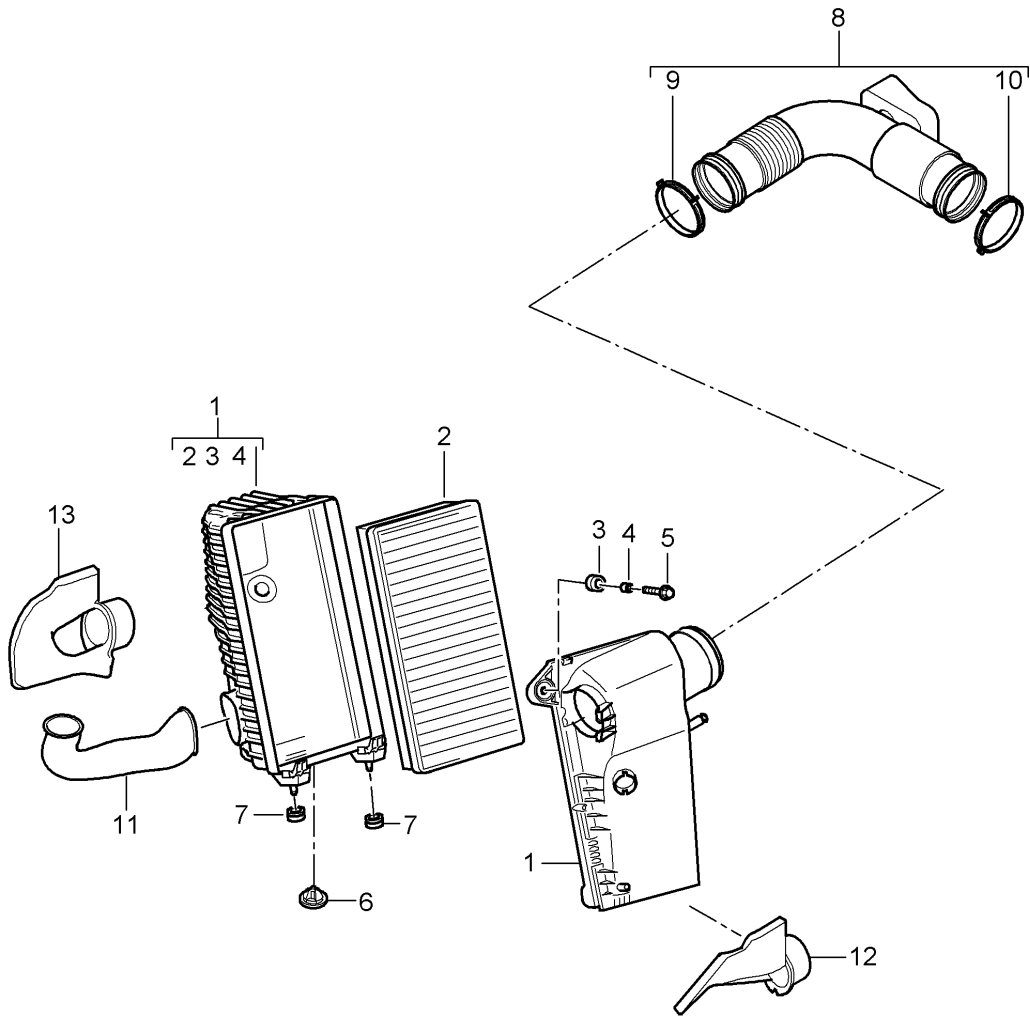
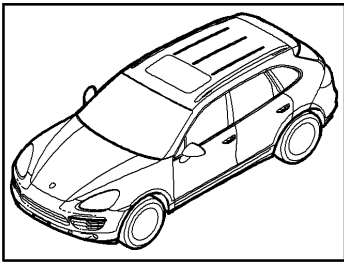
Model: 92A 11

Model life 2011>>

Pos	Part Number	Description	Remark	Qty	Model
		Air cleaner system			IDV7/D1V/D43 ID50/D51
		Simple			
1	958 110 022 40	Air cleaner		1	I1L0
(1)	958 110 022 50	Air cleaner		1	I1L1
2	958 110 130 00	Air cleaner cartridge		1	I1L0
(2)	958 110 130 10	Air cleaner cartridge		1	I1L1
3	955 110 669 00	Grommet		1	
4	955 110 734 00	Spacer sleeve		1	
5	N 104 827 01	Hexagon-head bolt AM 6 X 35		1	
6	958 110 834 00	Water drain sleeve		1	
7	955 110 669 00	Grommet		2	
8	N 909 643 01	O-ring 91 X 6		1	
9	955 606 123 50	Mass air flow meter		1	
10	N 104 197 02	Oval-head sheetmetal screw 6 X 22		2	
11	N 906 564 01	Hose clamp A 80 X 12		1	
12	958 110 324 00	Intake pipe	-11	1	
(12)	958 110 324 30	Intake pipe	12-	1	
13	N 907 816 01	Hose clamp A 60 X 12		1	
14	955 110 055 10	Pulsation damper	-11	1	
(14)	955 110 055 11	Pulsation damper	-11	1	
(14)	958 110 055 00	Pulsation damper	12-	1	
(14)	958 110 055 01	Pulsation damper	12-	1	
15	958 110 493 00	Gasket	-11	1	
(15)	958 110 493 01	Gasket	-11	1	
16	N 102 480 03	Pan-head screw M 6 X 14	-11	2	
(16)	N 107 188 01	Hexagon-head bolt M 6 X 16	12-	2	
17	958 110 272 00	Intake manifold	-14	1	
(17)	958 110 272 10	Intake manifold	15-	1	
18	958 110 251 10	Boot	/L -14	1	
(18)	958 110 251 20	Boot	/L 15-	1	
19	958 110 252 00	Boot	/R -14	1	
(19)	958 110 252 20	Boot	/R 15-	1	

Model: 92A 11

Model life 2011>>



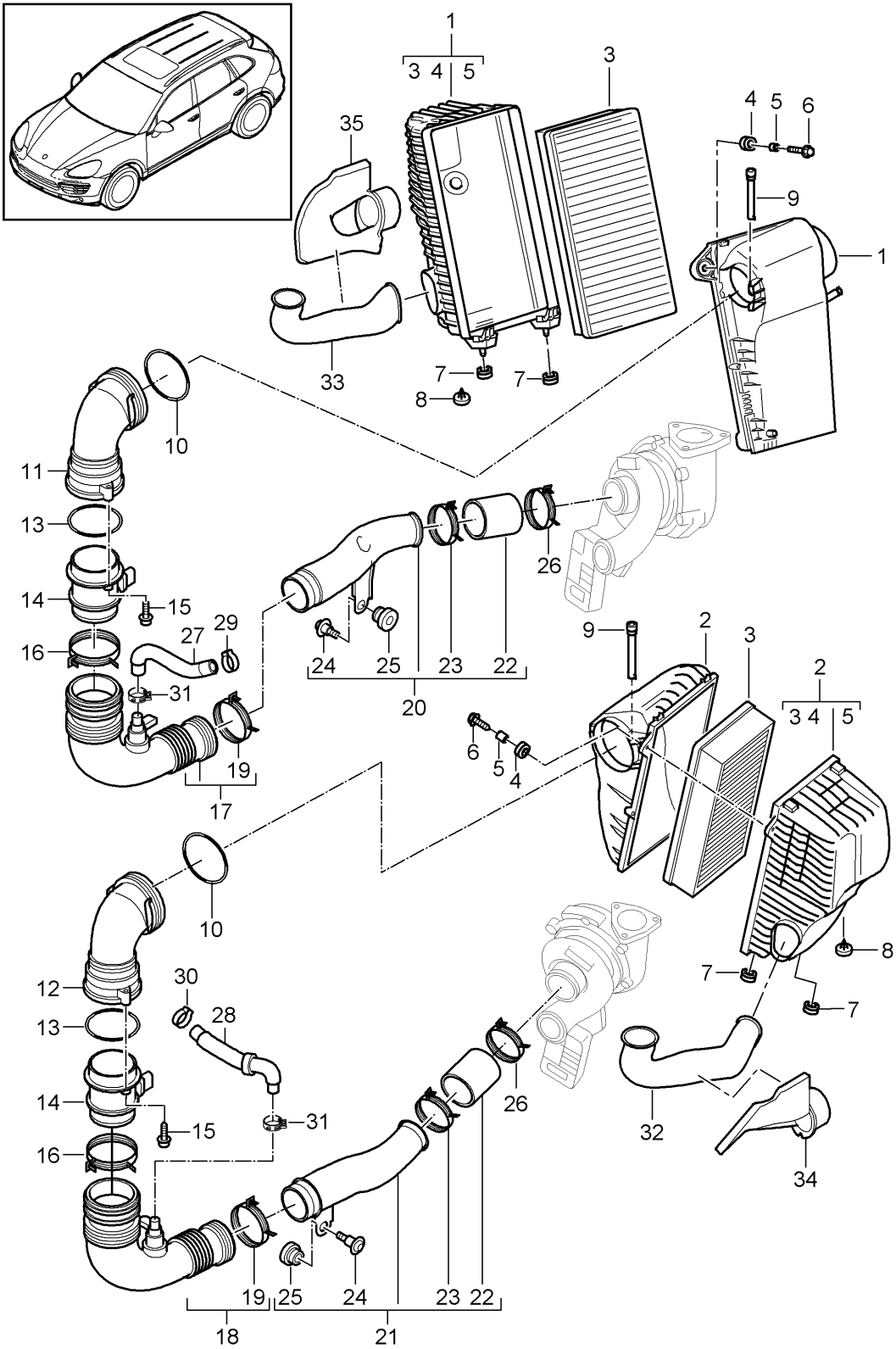
Model: 92A 11

Model life 2011>>

Pos	Part Number	Description	Remark	Qty	Model
		Air cleaner system Simple			ID11/D19
1	958 110 022 20	Air cleaner		1	I1L0
(1)	958 110 022 30	Air cleaner		1	I1L1
2	958 110 130 00	Air cleaner cartridge		1	I1L0
(2)	958 110 130 10	Air cleaner cartridge		1	I1L1
3	955 110 669 00	Grommet		1	
4	955 110 734 00	Spacer sleeve		1	
5	N 104 827 01	Hexagon-head bolt AM 6 X 35		1	
6	958 110 834 00	Water drain sleeve		1	
7	955 110 669 00	Grommet		2	
8	958 110 223 02	Connecting tube		1	
9	N 024 513 3	Hose clamp A 90 - 110 X 9		1	
10	N 024 518 4	Hose clamp A 70 - 90 X 9		1	
11	958 110 272 00	Intake manifold	-14	1	
(11)	958 110 272 10	Intake manifold	15-	1	
12	958 110 251 10	Boot	/L -14	1	
(12)	958 110 251 20	Boot	/L 15-	1	ID19
(12)	958 110 251 40	Boot	/L 15-	1	ID11
13	958 110 252 00	Boot	/R -14	1	
(13)	958 110 252 20	Boot	/R 15-	1	ID19
(13)	958 110 252 30	Boot	/R 15-	1	ID11

Model: 92A 11

Model life 2011>>



Model: 92A 11 Model life 2011>>

Pos	Part Number	Description	Remark	Qty	Model
		Air cleaner system			IDD8
1	958 110 022 00	Air cleaner	/R	1	I1L0
(1)	958 110 022 10	Air cleaner	/R	1	I1L1
2	958 110 021 00	Air cleaner	/L	1	I1L0
(2)	958 110 021 10	Air cleaner	/L	1	I1L1
3	958 110 130 00	Air cleaner cartridge		2	I1L0
(3)	958 110 130 10	Air cleaner cartridge		2	I1L1
4	955 110 669 00	Grommet		2	
5	955 110 734 00	Spacer sleeve		2	
6	N 104 827 01	Hexagon-head bolt AM 6 X 35		2	
7	955 110 669 00	Grommet		4	
8	958 110 834 00	Water drain sleeve		2	
9	955 110 269 00	Bolt		4	
		Locking device			
10	N 909 643 01	O-ring 91 X 6		2	
11	958 110 114 60	Intake manifold	/R	1	
12	958 110 113 60	Intake manifold	/L	1	
13	955 110 646 10	Round seal 79 X 6		2	
14	958 606 125 10	Mass air flow meter		2	
15	N 106 112 01	Oval-head sheetmetal screw TP 6 X 22		4	
16	N 906 565 01	Hose clamp A 85 X 12		2	
17	958 110 156 60	Intake pipe	/R	1	
18	958 110 155 60	Intake pipe	/L	1	
19	N 909 509 01	Hose clamp A 50 - 70 X 9		2	
20	958 110 158 00	Intake manifold	/R	1	
21	958 110 157 00	Intake manifold	/L	1	
22	958 110 628 30	Suction hose		2	
23	N 907 816 01	Hose clamp A 60 X 12		2	
24	958 110 830 10	Spacer sleeve with Screw		2	
25	867 129 669	Grommet		2	
26	N 907 816 01	Hose clamp A 60 X 12		2	
27	958 107 237 00	Breather hose	/R	1	
28	958 110 295 00	Breather hose	/L	1	
29	N 904 095 01	Hose clamp 28,6 X 7		1	
30	N 906 869 01	Hose clamp B 23 X 12		1	
31	N 911 061 01	Hose clamp B 30 X 12		2	
32	958 110 271 00	Intake manifold	/L -14	1	
(32)	958 110 271 20	Intake manifold	/L 15-	1	
33	958 110 272 00	Intake manifold	/R -14	1	
(33)	958 110 272 10	Intake manifold	/R 15-	1	
34	958 110 251 00	Boot	/L -14	1	
(34)	958 110 251 01	Boot	/L 15-	1	
35	958 110 252 00	Boot	/R -14	1	
(35)	958 110 252 20	Boot	/R 15-	1	

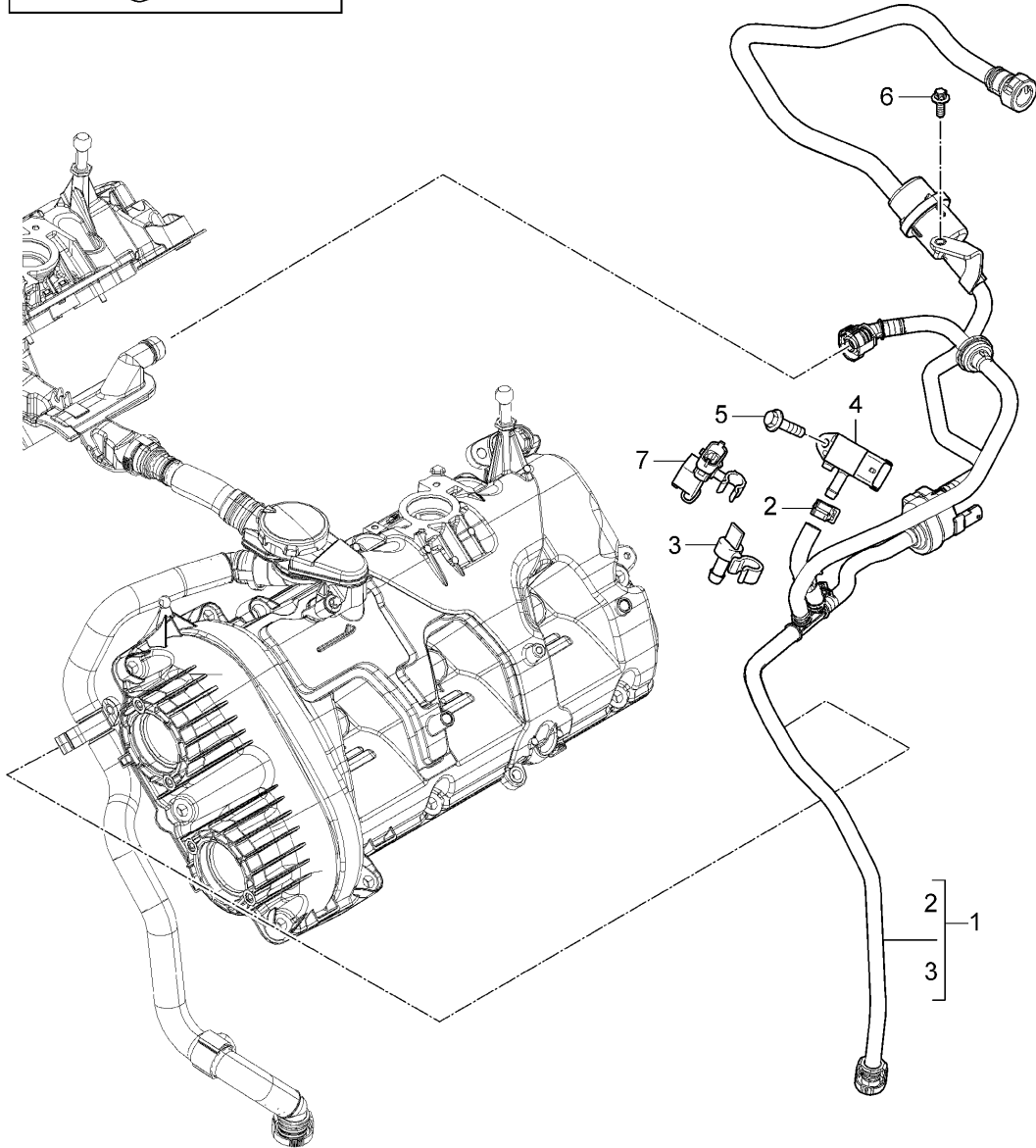
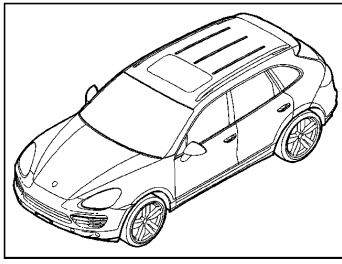
Model: 92A 11

Model life 2011>>

Pos	Part Number	Description	Remark	Qty	Model
		Throttle body			MCF.TB MCY.XA M48.02/52
1	948 110 144 20	Tank ventilation		1	M48.02
(1)	948 110 144 02	Gasket		1	MCF.TB MCY.XA M48.52
		Gasket			
2	997 605 116 01	Throttle body		1	M48.02
(2)	948 605 115 03	Throttle body	-13	1	M48.52
(2)	948 605 115 04	Throttle body	14-	1	MCF.TB MCY.XA M48.52
3	999 919 005 01	Oval-head screw 6 X 50		4	
4	948 110 020 62	Vent line		1	M48.52
		Tank ventilation			
(4)	948 110 020 63	Vent line		1	MCF.TB M48.52
		Tank ventilation			
(4)	948 110 020 12	Vent line		1	M48.02
		Tank ventilation			
(4)	948 110 020 13	Vent line		1	M48.02
		Tank ventilation			
5	948 110 221 00	Support ring		1	
6	948 110 030 50	Line bracket		1	MCF.TB MCY.XA M48.52
-	999 513 075 40	Tank ventilation Tie-wrap 1,5 - 50 Mount Vent line Tank ventilation		1	
7	948 110 027 20	Cable guide Support Vent line Mount Control box cover		1	

Model: 92A 11

Model life 2011>>



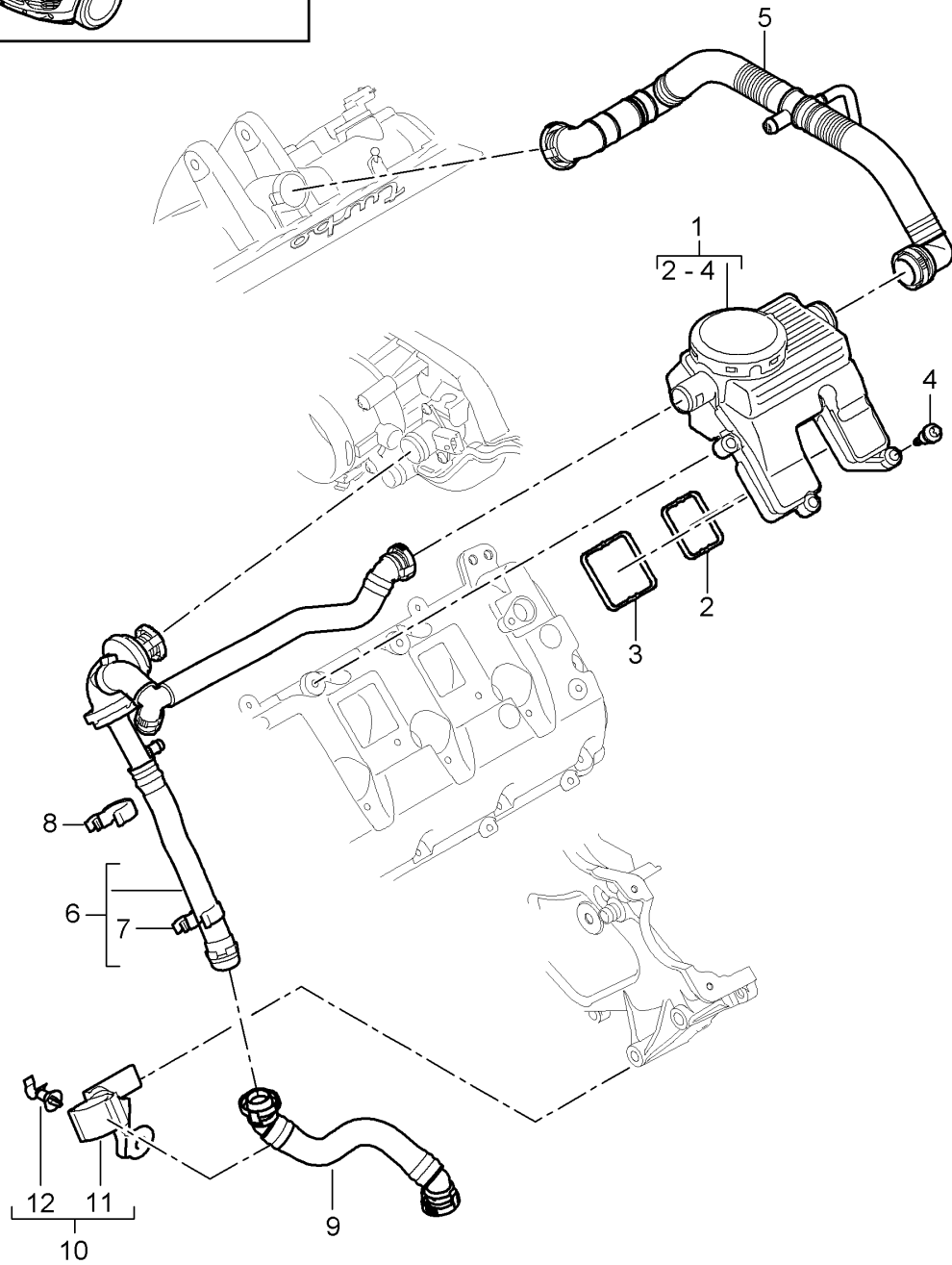
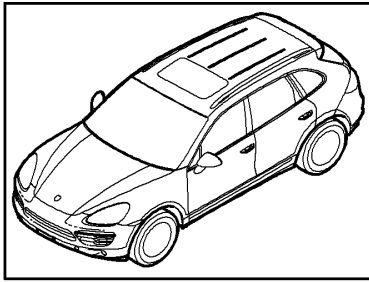
Model: 92A 11

Model life 2011>>

Pos	Part Number	Description	Remark	Qty	Model
		Tank ventilation			MCU.RA MCX.ZA
1	946 110 020 55	Vent line		1	
		Tank ventilation			
2	999 512 596 09	Hose clamp		1	
		A 13 X 12			
3	946 110 220 00	Stopper		1	
6	900 385 009 01	Torx screw		1	
		BM 6 X 16			
7	7PP 971 918 A	Stopper		1	I0GG/7GH/7MJ I7MM
		Catch			
		Connector			
		Wiring harness			

Model: 92A 11

Model life 2011>>



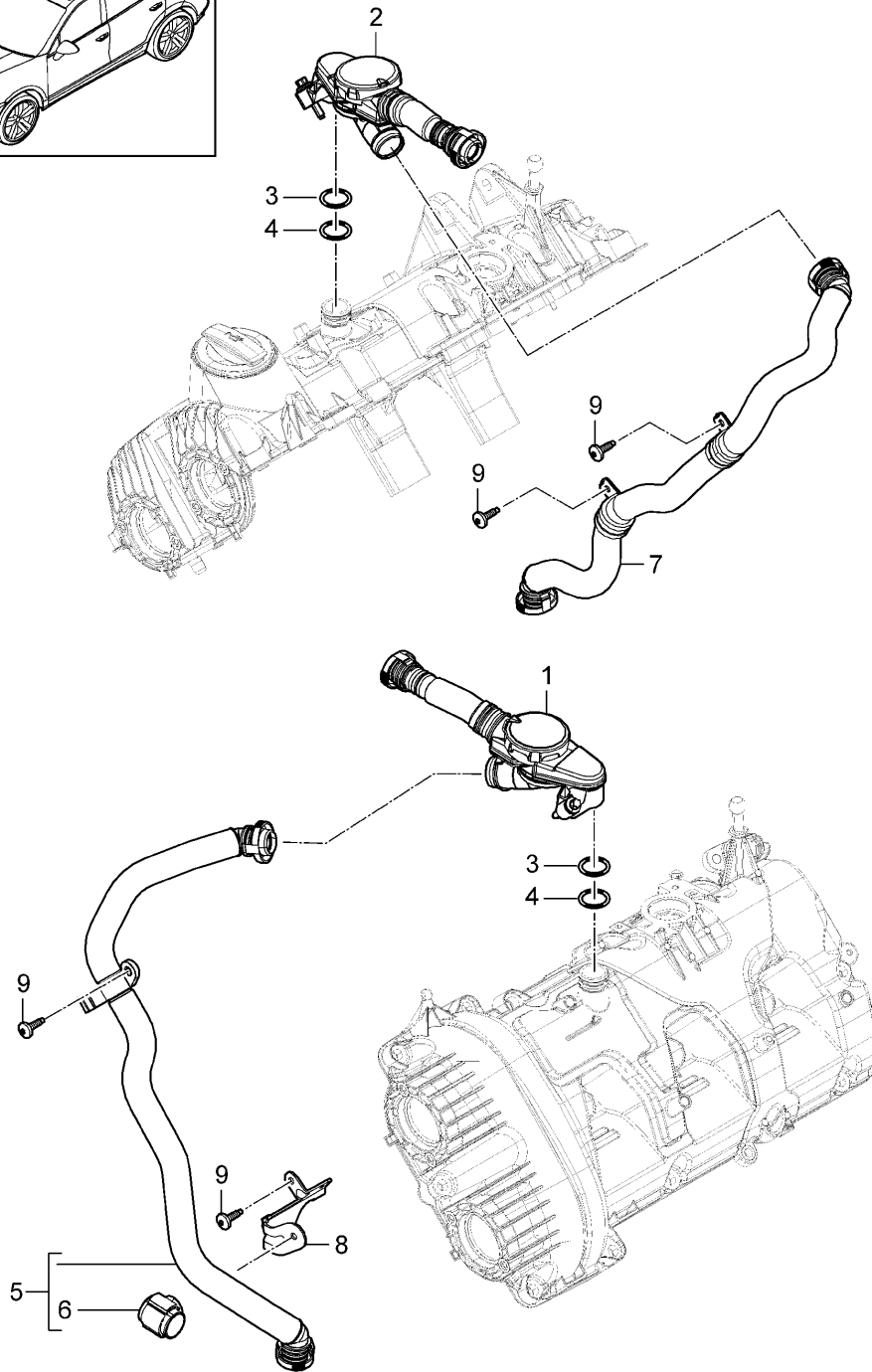
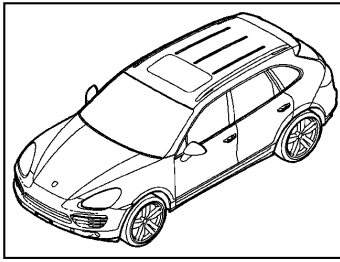
Model: 92A 11

Model life 2011>>

Pos	Part Number	Description	Remark	Qty	Model
		Crankcase			MCF.TB MCY.XA M48.02/52
		Bleeding			
1	948 107 135 20	Air/oil separator		1	
(1)	948 107 135 21	Air/oil separator		1	
(1)	948 107 135 22	Air/oil separator		1	
2	948 107 437 20	Gasket		1	
3	948 107 438 20	Gasket		1	
4	948 107 443 01	Fastening part M 6 X 33		4	
(4)	948 107 443 02	Fastening part M 6 X 33		4	
5	948 107 245 60	Vent line		1	MCF.TB MCY.XA M48.52
(5)	948 107 245 20	Vent line		1	M48.02
6	948 107 229 61	Check valve		1	MCF.TB MCY.XA M48.52
(6)	948 107 247 20	Vent line		1	M48.02
7	999 507 800 40	Hose holder 6,5 X 24,5		1	MCF.TB MCY.XA M48.52
8		Hose holder 6,5 X 24,5		1	M48.52
(8)	999 507 191 40	Hose holder		1	MCF.TB MCY.XA M48.52
9	955 107 251 50	6 X 22 Vent line		1	MCF.TB MCY.XA M48.52
10	948 107 029 60	Crankcase Support		1	MCF.TB MCY.XA M48.52
11	999 507 370 40	Vent line Hose holder		1	MCF.TB MCY.XA M48.52
12	999 507 611 40	23 - A Hose holder		1	MCF.TB MCY.XA M48.52
		6,0 - 6,5			

Model: 92A 11

Model life 2011>>



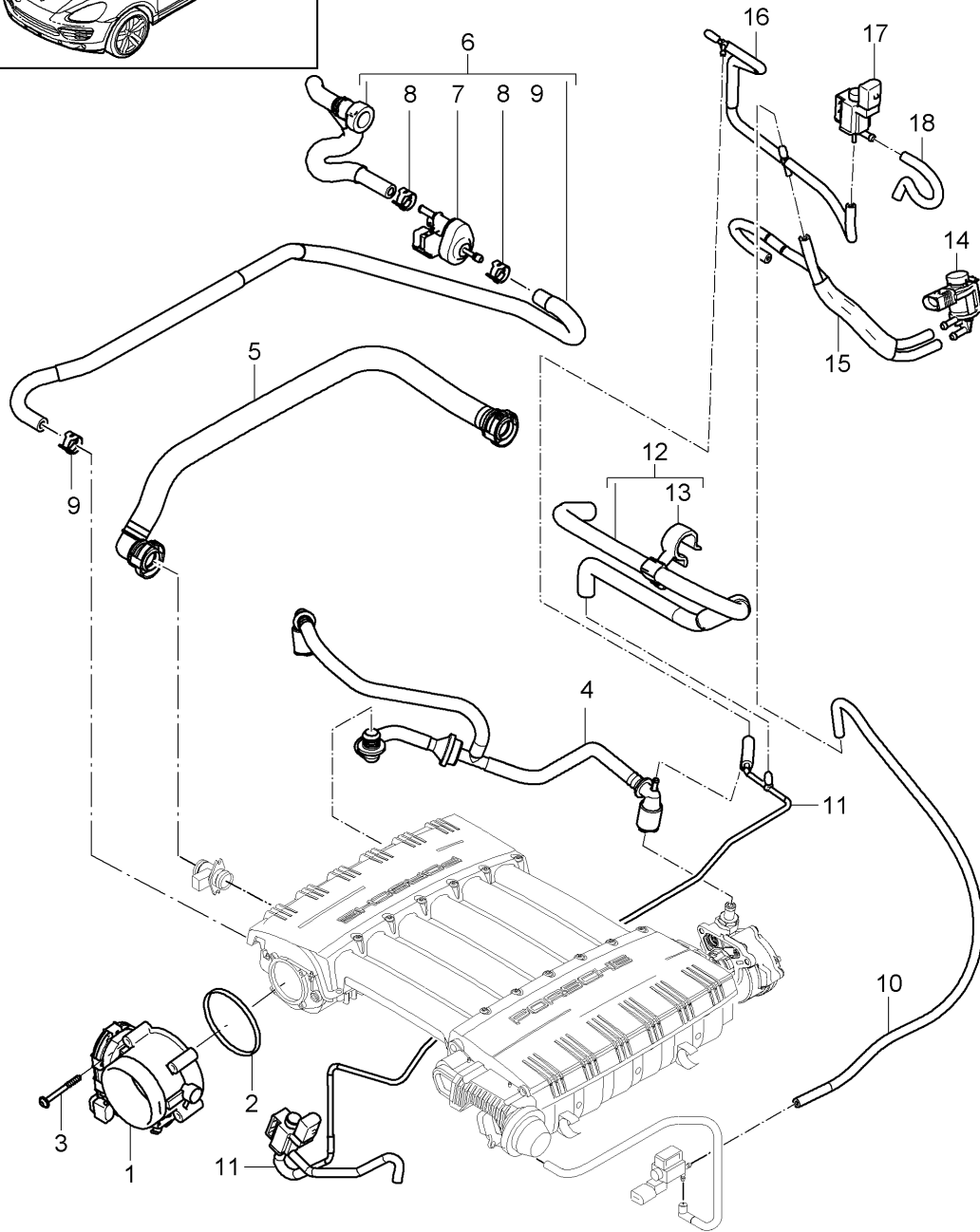
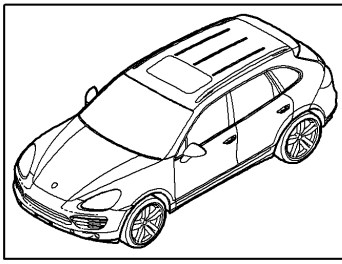
Model: 92A 11

Model life 2011>>

Pos	Part Number	Description	Remark	Qty	Model
		Crankcase			MCU . RA MCX . ZA
1	946 107 230 77	Bleeding Check valve with Fastening part	/L	1	
2	946 107 229 77	Check valve with Fastening part	/R	1	
3	999 707 677 40	O-ring 22,5 X 2,5		2	
4	999 707 677 41	O-ring 22,5 X 2,5		2	
5	946 107 240 51	Vent line	/L	1	
6	999 507 370 40	Hose holder 23		1	
7	946 107 239 51	Vent line	/R	1	
8	946 107 029 76	Support		1	
9	999 073 902 31	Oval-head screw Aluminium M 6 X 16		4	

Model: 92A 11

Model life 2011>>



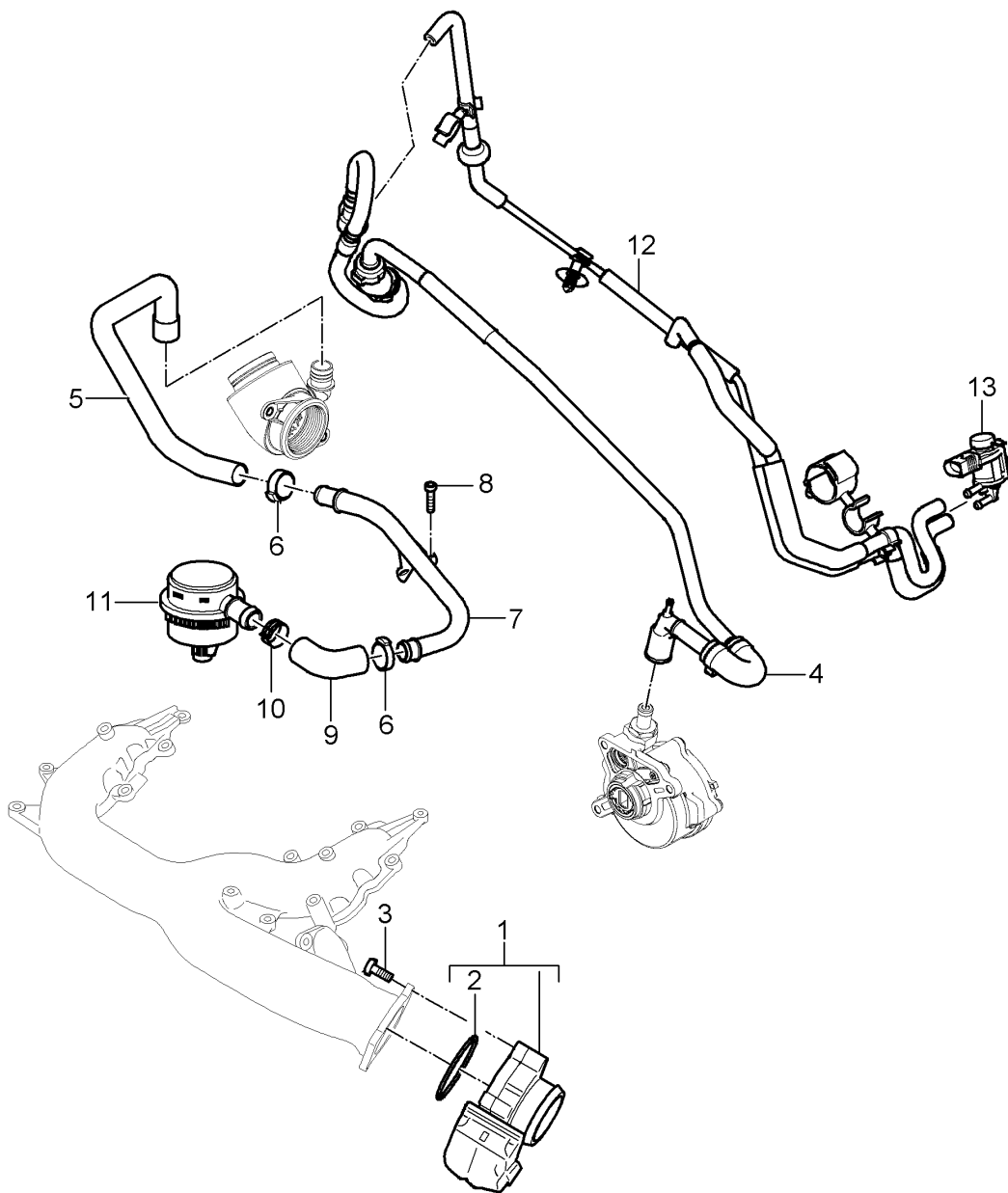
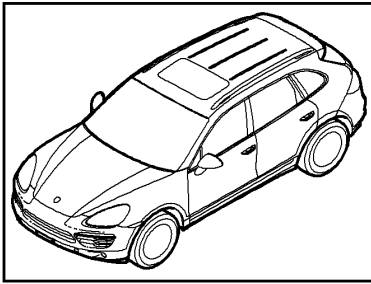
Model: 92A 11

Model life 2011>>

Pos	Part Number	Description	Remark	Qty	Model
		Throttle body			MCE.YA M55.02
		Tank ventilation			
		Vent line			
		Crankcase			
1	997 605 115 01	Throttle body		1	
2	997 110 319 00	Gasket		1	
3	999 919 005 01	Oval-head screw 6 X 50		4	
4		Vacuum line	-14	1	
		See illustrations 6/04/00 POS.16			
(4)		Vacuum line	15-	1	
		See illustrations 6/04/02 POS.13			
5	955 107 247 00	Vent line Crankcase		1	
6	958 110 020 21	Vent line Tank ventilation		1	
7	958 605 241 00	Valve		1	
8	N 906 867 01	Hose clamp B 14 X 12		2	
9	999 512 651 09	Hose clamp B 15 X 12		1	
10	955 110 358 00	Vacuum line		1	
11	958 110 360 00	Vacuum line		1	
14	955 605 283 10	Change-over valve Electric		1	IG1G
15	958 110 350 30	Vacuum line		1	IG1G
16	958 110 351 10	Vacuum line		1	IG1G
(16)	958 110 351 30	Vacuum line		1	IG0L
17	955 605 123 30	Change-over valve Electric		1	
18	958 110 350 40	Vacuum line		1	IG1G
(18)	958 110 350 50	Vacuum line		1	IG0L
(18)	958 110 350 51	Vacuum line		1	IG0L

Model: 92A 11

Model life 2011>>



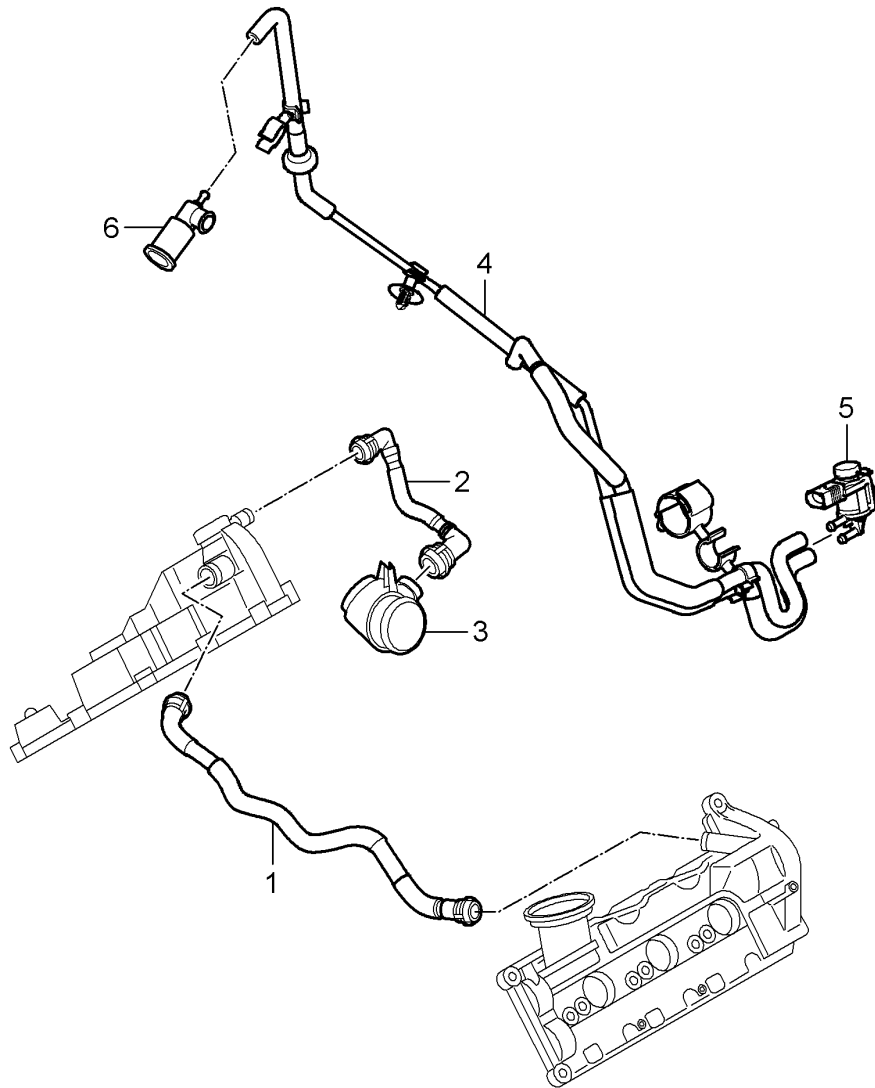
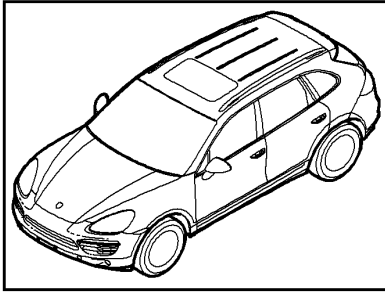
Model: 92A 11

Model life 2011>>

Pos	Part Number	Description	Remark	Qty	Model
		Throttle body			M05.9E
		Vent line			
		Crankcase			
1	955 605 115 21	Throttle body		1	
(1)	955 605 115 22	Throttle body		1	
2	955 110 144 00	Gasket		1	
3	N 910 717 01	Round head screw M 6 X 25		3	
4		Vacuum line See illustrations 6/04/00		1	
5	955 107 221 01	Breather hose		1	
6	999 512 455 00	Hose clamp 27,1 X 7 X 0,6		2	
7	958 107 227 00	Breather pipe		1	
8	N 101 148 07	Combination screw M 6 X 15		2	
9	955 107 493 00	Air hose		1	
10	N 906 870 01	Hose clamp B 27 X 12		1	
11		Oil separator See illustrations 1/04/70		1	
12	958 110 350 70	Vacuum line		1	
13	955 605 283 10	Change-over valve Electric		1	

Model: 92A 11

Model life 2011>>



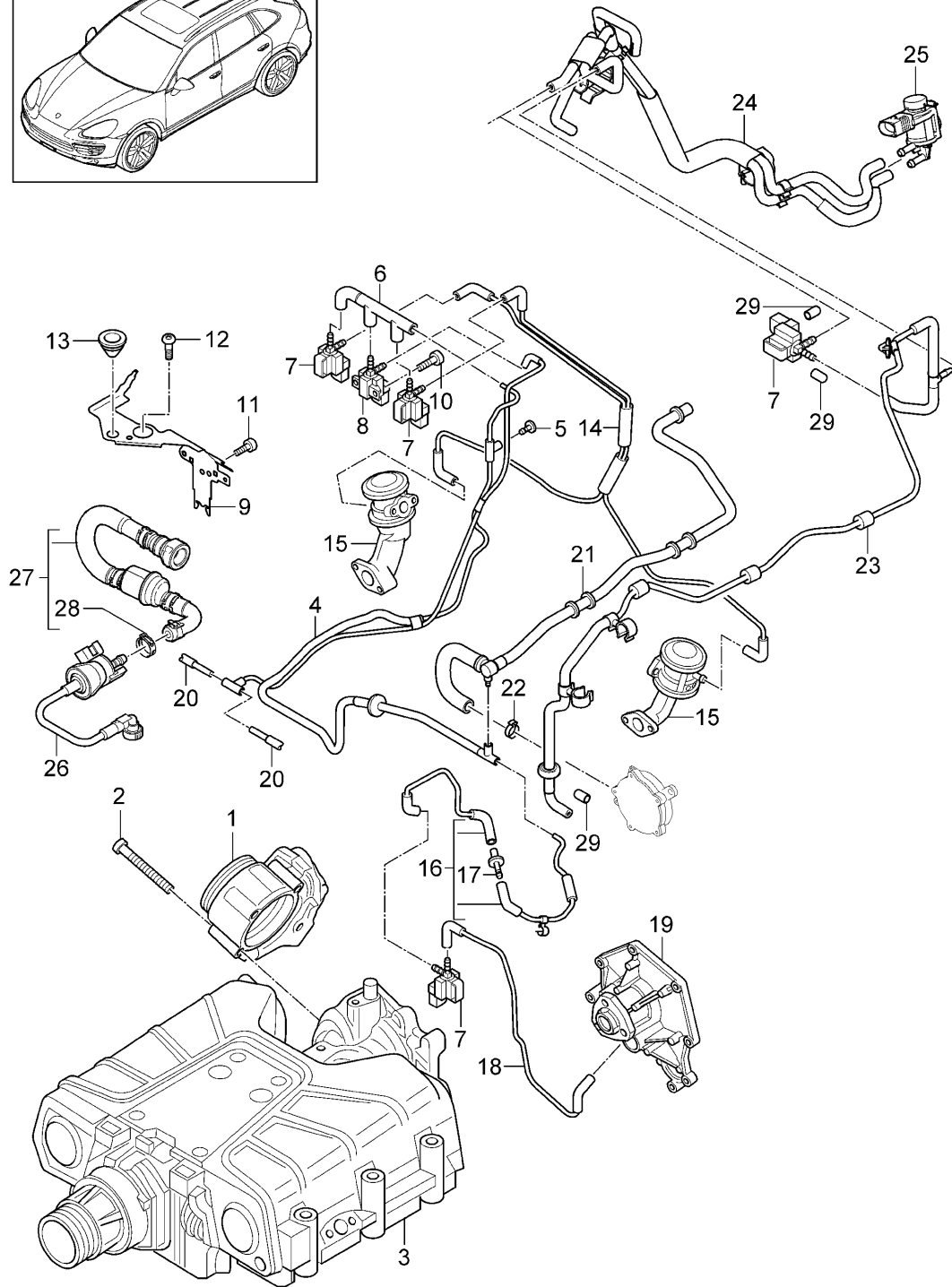
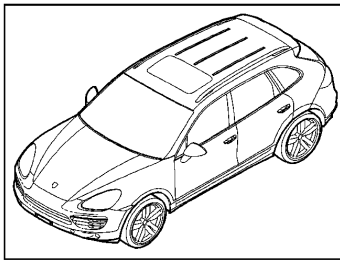
Model: 92A 11

Model life 2011>>

Pos	Part Number	Description	Remark	Qty	Model
		Vent line			MCN.RB
		Crankcase			MCR.CA/CB
1	958 107 209 00	Vent line		1	MCV.VA/VB MCV.VC
2	958 107 221 00	Vent line		1	MCR.CA/CB MCV.VA/VB/VC
3		Pulsation damper See illustrations 1/06/30 Pos.14		1	
4	958 110 350 80	Vacuum line		1	
5	955 605 283 10	Change-over valve Electric		1	
6		Vacuum line See illustrations 6/04/00 Pos.13		1	

Model: 92A 11

Model life 2011>>



Model: 92A 11 Model life 2011>>

Pos	Part Number	Description	Remark	Qty	Model
		Throttle body			MCG.EA/FA MCJ.T M06.EC
		Tank ventilation			
		Vacuum line			
1	958 605 115 30	Throttle body		1	
(1)	958 605 115 31	Throttle body		1	
(1)	958 605 115 32	Throttle body		1	
2	N 106 221 01	Oval-head screw AM 6 X 65		4	
3		Compressor See illustrations 1/07/65 Pos.1		1	
4	958 110 773 00	Vacuum line Complete		1	
5	958 110 777 10	Stopper 4 MM		1	
6	958 110 773 10	Vacuum line		1	
7	955 605 123 30	Change-over valve		4	
8	958 605 123 20	Change-over valve		1	
(8)	958 605 123 21	Change-over valve		1	
9	958 110 520 00	Support		1	
10	N 106 808 01	Round head screw M 5 X 10		2	
11	N 106 225 01	Pan-head screw M 5 X 12		2	
12	N 104 514 04	Lens-head screw M 6 X 16		3	
(12)	N 107 320 01	Torx screw M 6 X 14		3	
13	958 110 673 00	Grommet		1	
14	958 110 773 20	Vacuum line Complete		1	
15		Valve See illustrations 1/08/10 Pos.12 / 13		2	
16	958 110 714 00	Vacuum line		1	ID19
-	N 020 902 2	Tie-wrap 3,6 X 246		1	ID19
17	955 606 291 00	Check valve		1	
18	958 110 714 10	Vacuum line		1	ID19
19		Water pump See illustrations 1/05/15 Pos.1		1	ID19
20		Vacuum hose See illustrations 1/07/40 Pos.30		2	
21	958 110 773 30	Vacuum line Vacuum pump Mechanical	(CN)	1	ID11
21	958 110 773 40	Vacuum line Vacuum pump Mechanical	(CN)	1	ID11
(21)	958 110 773 41	Vacuum line Vacuum pump Mechanical	(CN)	1	ID11
(21)	958 110 773 42	Vacuum line Vacuum pump Mechanical		1	ID11

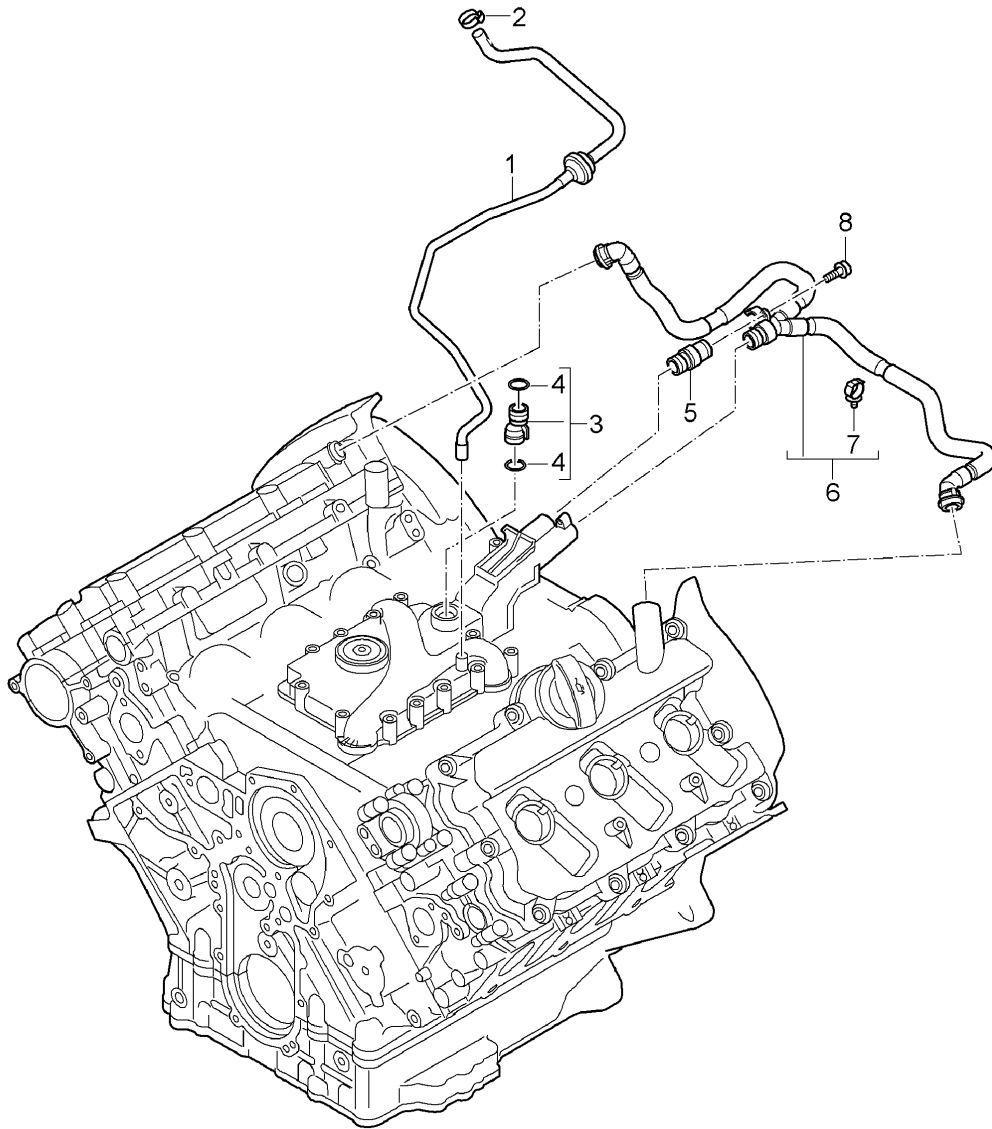
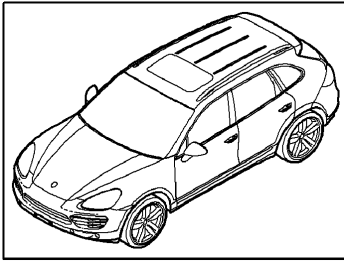
Model: 92A 11

Model life 2011>>

Pos	Part Number	Description	Remark	Qty	Model
(21)		Vacuum line Vacuum pump Mechanical See illustrations 6/04/00 Pos.20		1	ID19
22	999 512 457 00	Clamp 21 X 7 X 0,6		1	ID11
(22)	955 347 569 00	Hose clamp 21 X 12 X 1,3		1	ID19
23	958 110 360 10	Vacuum line	-14	1	ID19
24	958 110 350 60	Vacuum line	-14	1	ID19
25	955 605 283 10	Change-over valve Electric	-14	1	ID19
26	958 110 020 10	Vent line Tank ventilation		1	ID19
(26)	958 110 020 30	Vent line Tank ventilation	(CN)	1	ID11
(26)	958 110 020 31	Vent line Tank ventilation		1	ID11
27	958 110 020 40	Vent line Tank ventilation		1	
28	N 906 867 01	Hose clamp B 14 X 12		1	
29	958 110 369 00	Stopper	15-	3	ID19

Model: 92A 11

Model life 2011>>

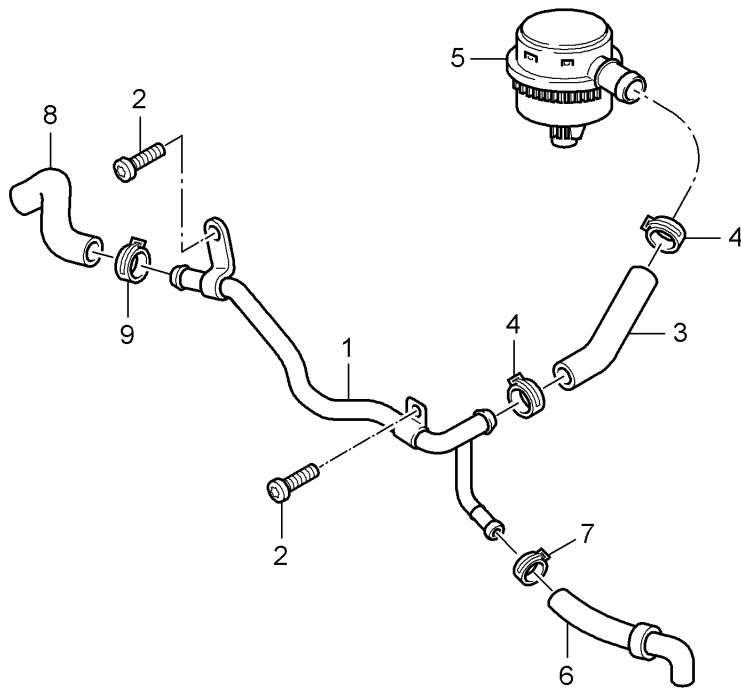
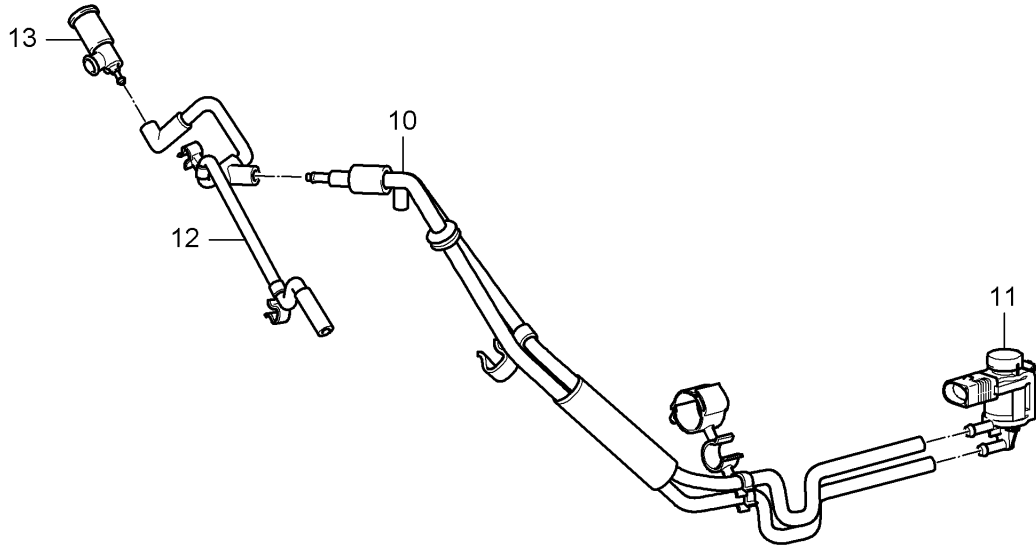
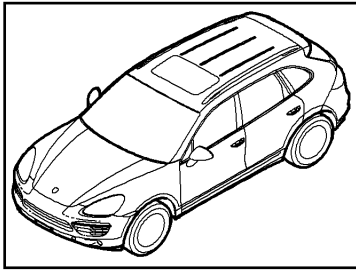


Model: 92A 11 Model life 2011>>

Pos	Part Number	Description	Remark	Qty	Model
		Vent line			MCG.EA/FA MCJ.T M06.EC
1	958 107 207 00	Crankcase			
		Breather pipe		1	
(1)	958 107 207 20	Breather pipe	-16	1	I0GG/7GH/7MG I7MJ/7MN/7MQ
(1)	958 107 207 40	Breather pipe	17-	1	I0GG/7GH/7MG I7MJ/7MN/7MQ
(1)	958 107 207 10	Breather pipe	-16	1	I7GB
(1)	958 107 207 30	Breather pipe	17-	1	I7GB
2	N 102 036 01	Hose clamp		1	
		12,3 X 7 X 0,6			
3	958 107 213 00	Breather pipe		1	
4	WHT 004 793 A	O-ring		2	
		23 X 3			
5	958 107 213 10	Breather adapter		1	I0GG/7GH/7MG I7MJ/7MN/7MQ
(5)	958 107 213 20	Breather adapter		1	I7GB
6	958 107 217 00	Vent line		1	I0GG/7GH/7MG I7MJ/7MN/7MQ
(6)	958 107 217 10	Vent line		1	I7GB
(6)	958 107 217 11	Vent line		1	I7GB
7	955 606 838 00	Tie-wrap		1	
		4,5 X 200			
8	N 104 420 03	Oval-head screw		1	
		5 X 16			

Model: 92A 11

Model life 2011>>



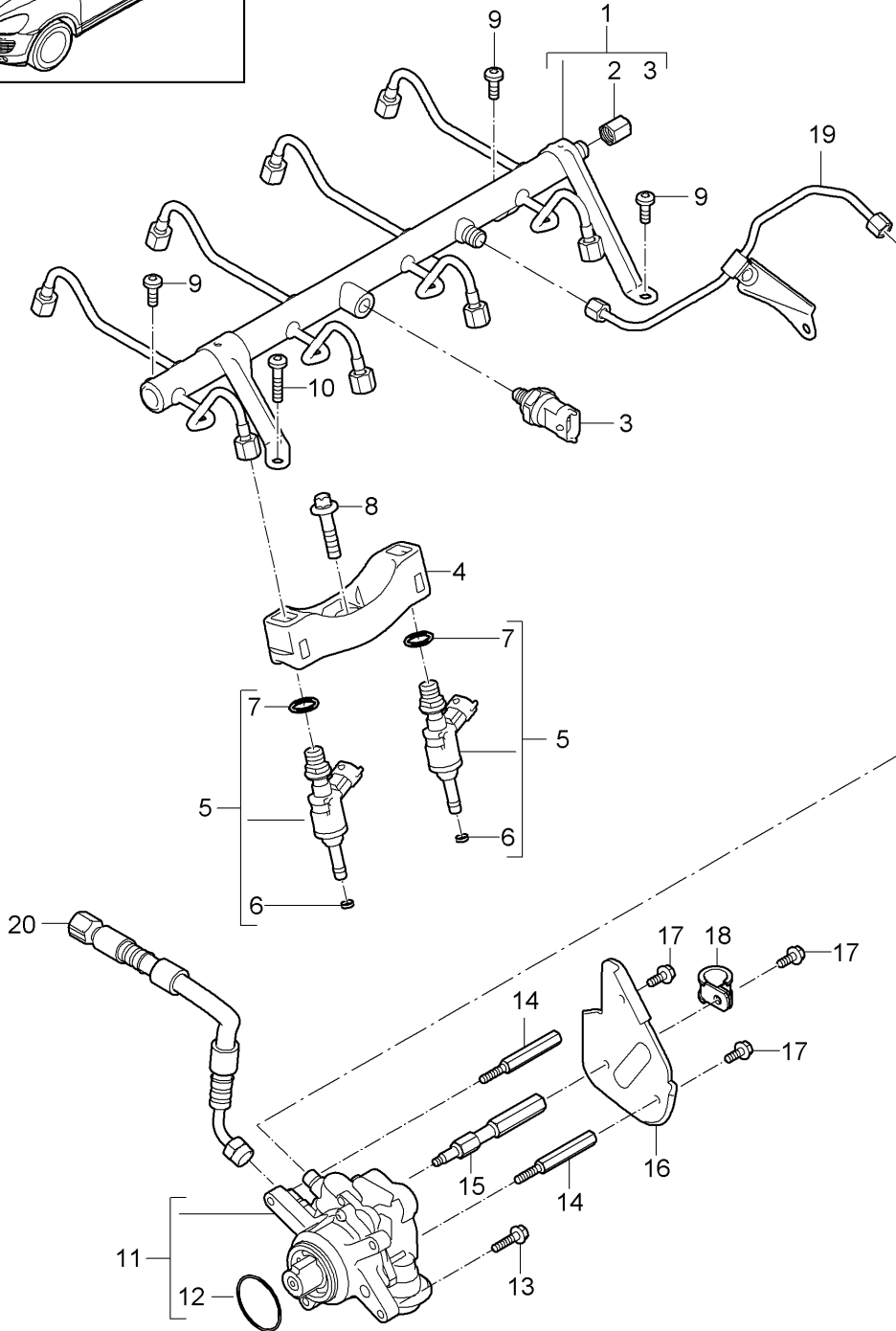
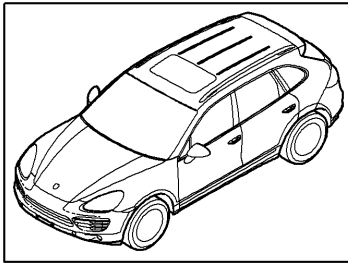
Model: 92A 11

Model life 2011>>

Pos	Part Number	Description	Remark	Qty	Model
		Vent line Crankcase Vacuum line			MCU . DB / DC
1	958 107 227 10	Breather pipe		1	
2	N 104 056 04	Oval-head screw M 6 X 14		2	
3	958 107 493 00	Air hose		1	
4	N 906 870 01	Hose clamp B 27 X 12		2	
5		Oil separator See illustrations 1/04/85 POS.6		1	
6		Breather hose See illustrations 1/06/50 POS.28		1	
7	N 906 869 01	Hose clamp B 23 X 12		1	
8		Breather hose See illustrations 1/06/50 POS.27		1	
9	N 904 095 01	Hose clamp 28,6 X 7 X 0,6		1	
10	958 110 350 90	Vacuum line		1	
11	955 605 283 10	Change-over valve Electric		1	
12	958 110 350 95	Vacuum line		1	
13		Vacuum line See illustrations 6/04/00 POS.13		1	

Model: 92A 11

Model life 2011>>



Model: 92A 11

Model life 2011>>

Pos	Part Number	Description	Remark	Qty	Model
		Fuel collection pipe high-pressure injector high-pressure pump			M48.02/52
1	948 110 115 06	Fuel collection pipe		1	M48.02
(1)	948 110 115 07	Fuel collection pipe		1	M48.02
(1)	948 110 115 56	Fuel collection pipe		1	M48.52
(1)	948 110 115 57	Fuel collection pipe		1	M48.52
2	948 110 225 00	Stopper		1	
3	948 606 230 01	Pressure sensor		1	
(3)	948 606 230 02	Pressure sensor		1	
(3)	948 606 230 03	Pressure sensor		1	
-	999 653 067 40	Connector for Pressure sensor		1	
4	948 110 515 01	Support		4	
5	948 110 128 21	high-pressure injector Identification Blue Information available		8	M48.02
(5)	948 110 128 DX	high-pressure injector Identification Blue Information available		8	M48.02
(5)	948 110 128 22	high-pressure injector Identification Blue Information available		8	M48.02
(5)	948 110 128 HX	high-pressure injector Identification Blue Information available		8	M48.02
(5)	948 110 128 23	high-pressure injector Identification Blue Information available		8	M48.02
(5)	948 110 128 MX	high-pressure injector Identification Blue Information available		8	M48.02
(5)	948 110 128 31	high-pressure injector Identification Blue Information available		8	M48.02
(5)	948 110 128 EX	high-pressure injector Identification Blue Information available		8	M48.02
(5)	948 110 128 32	high-pressure injector Identification Blue Information available		8	M48.02
(5)	948 110 128 JX	high-pressure injector Identification Blue Information available		8	M48.02
(5)	948 110 128 33	high-pressure injector Identification Blue Information available		8	M48.02
(5)	948 110 128 NX	high-pressure injector Identification Blue Information available		8	M48.02

Model: 92A 11

Model life 2011>>

Pos	Part Number	Description	Remark	Qty	Model
(5)	948 110 128 71	high-pressure injector Identification Yellow Information available		8	M48.52
(5)	948 110 128 FX	high-pressure injector Identification Yellow Information available		8	M48.52
(5)	948 110 128 72	high-pressure injector Identification Yellow Information available		8	M48.52
(5)	948 110 128 KX	high-pressure injector Identification Yellow Information available		8	M48.52
(5)	948 110 128 73	high-pressure injector Identification Yellow Information available		8	M48.52
(5)	948 110 128 PX	high-pressure injector Identification Yellow Information available		8	M48.52
(5)	948 110 128 81	high-pressure injector Identification Yellow Information available		8	M48.52
(5)	948 110 128 GX	high-pressure injector Identification Yellow Information available		8	M48.52
(5)	948 110 128 82	high-pressure injector Identification Yellow Information available		8	M48.52
(5)	948 110 128 LX	high-pressure injector Identification Yellow Information available		8	M48.52
(5)	948 110 128 83	high-pressure injector Identification Yellow Information available		8	M48.52
(5)	948 110 128 QX	high-pressure injector Identification Yellow Information available		8	M48.52
6	999 704 020 90	Sealing ring 6,3 X 2,8		8	
7	999 707 606 40	O-ring 12 X 3		8	
8	900 385 116 01	Torx screw BM 8 X 30		4	
9	999 073 103 02	Round head screw M 6 X 16		4	
10	999 073 102 02	Round head screw M 6 X 25		1	
11	948 110 315 23	high-pressure pump		1	M48.02
(11)	948 110 316 EX	high-pressure pump		1	M48.02
(11)	948 110 315 24	high-pressure pump		1	M48.02
(11)	948 110 316 FX	high-pressure pump		1	M48.02
(11)	948 110 315 25	high-pressure pump		1	M48.02

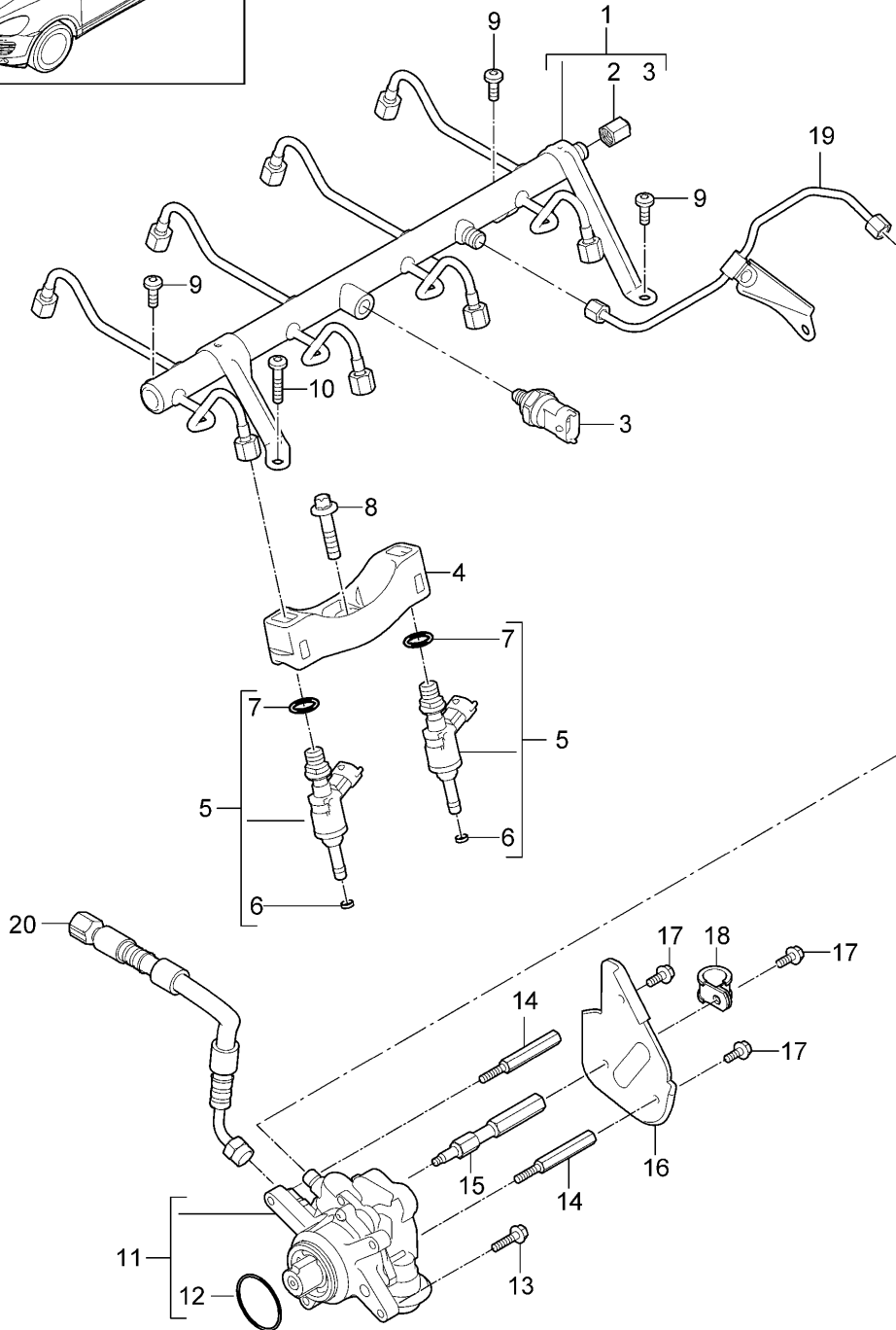
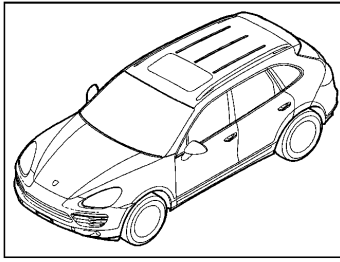
Model: 92A 11

Model life 2011>>

Pos	Part Number	Description	Remark	Qty	Model
(11)	948 110 316 HX	high-pressure pump		1	M48.02
(11)	948 110 315 71	high-pressure pump		1	M48.52
(11)	948 110 316 DX	high-pressure pump		1	M48.52
(11)	948 110 315 72	high-pressure pump		1	M48.52
(11)	948 110 316 GX	high-pressure pump		1	M48.52
(11)	948 110 315 80	high-pressure pump		1	M48.52
(11)	948 110 316 JX	high-pressure pump		1	M48.52
12	948 110 615 00	O-ring 45,7 X 2,62		1	
13	900 378 013 01	Hexagon-head bolt AM 6 X 25		1	
14	948 110 417 02	Screw socket M 6		2	
15	948 110 419 02	Screw socket M 8		1	
16	955 110 415 00	Protective plate		1	M48.02
(16)	955 110 415 50	Protective plate		1	M48.52
17	N 106 533 02	Hexagon-head bolt M 6 X 20		3	
18	N 020 651 7	Clip 10 X 15		1	M48.52
19	948 110 125 10	Fuel line		1	M48.02
(19)	948 110 125 60	Fuel line		1	M48.52
20	948 110 235 12	Fuel line		1	

Model: 92A 11

Model life 2011>>



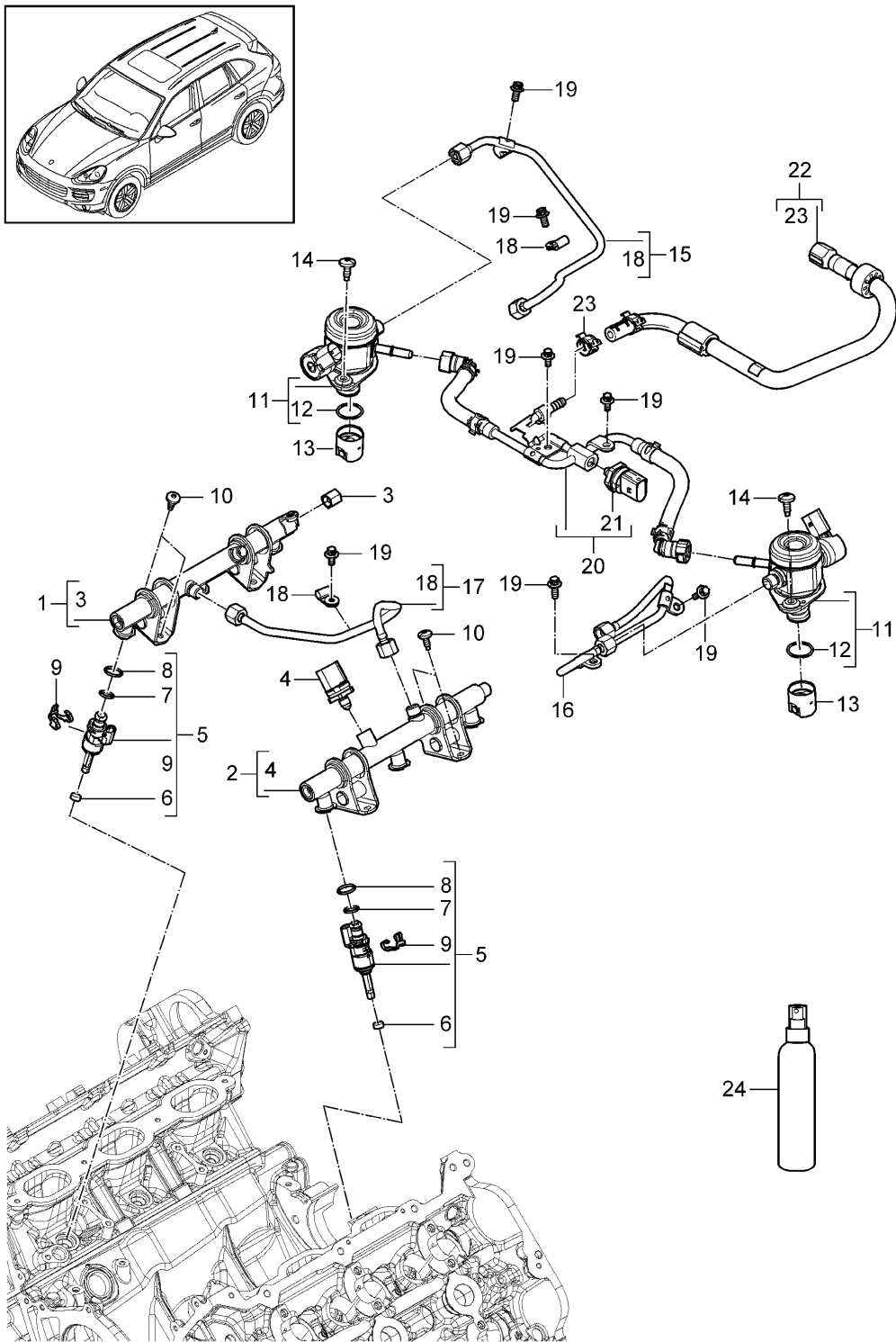
Model: 92A 11

Model life 2011>>

Pos	Part Number	Description	Remark	Qty	Model
		Fuel collection pipe			MCF.TB MCY.XA
		high-pressure injector			
		high-pressure pump			
1	948 110 115 57	Fuel collection pipe		1	
2	948 110 225 00	Stopper		1	
3	948 606 230 02	Pressure sensor		1	
(3)	948 606 230 03	Pressure sensor		1	
-	999 653 067 40	Connector		1	
		for			
		Pressure sensor			
4	948 110 515 01	Support		4	
5	948 110 128 73	high-pressure injector		8	
		Identification			
		Yellow			
		Information available			
(5)	948 110 128 PX	high-pressure injector		8	
		Identification			
		Yellow			
		Information available			
(5)	948 110 128 83	high-pressure injector		8	
		Identification			
		Yellow			
		Information available			
(5)	948 110 128 QX	high-pressure injector		8	
		Identification			
		Yellow			
		Information available			
6	999 704 020 90	Sealing ring		8	
		6,3 X 2,8			
7	999 707 606 40	O-ring		8	
		12 X 3			
8	900 385 116 01	Torx screw		4	
		BM 8 X 30			
9	999 073 103 02	Round head screw		4	
		M 6 X 16			
10	999 073 102 02	Round head screw		1	
		M 6 X 25			
11	948 110 315 80	high-pressure pump		1	
(11)	948 110 316 JX	high-pressure pump		1	
12	948 110 615 00	O-ring		1	
		45,7 X 2,62			
13	900 378 013 01	Hexagon-head bolt		1	
		AM 6 X 25			
14	948 110 417 02	Screw socket		2	
		M 6			
15	948 110 419 02	Screw socket		1	
		M 8			
16	955 110 415 50	Protective plate		1	
17	N 106 533 02	Hexagon-head bolt		3	
		M 6 X 20			
18	N 020 651 7	Clip		1	
		10 X 15			
19	948 110 125 60	Fuel line		1	
20	948 110 235 12	Fuel line		1	

Model: 92A 11

Model life 2011>>

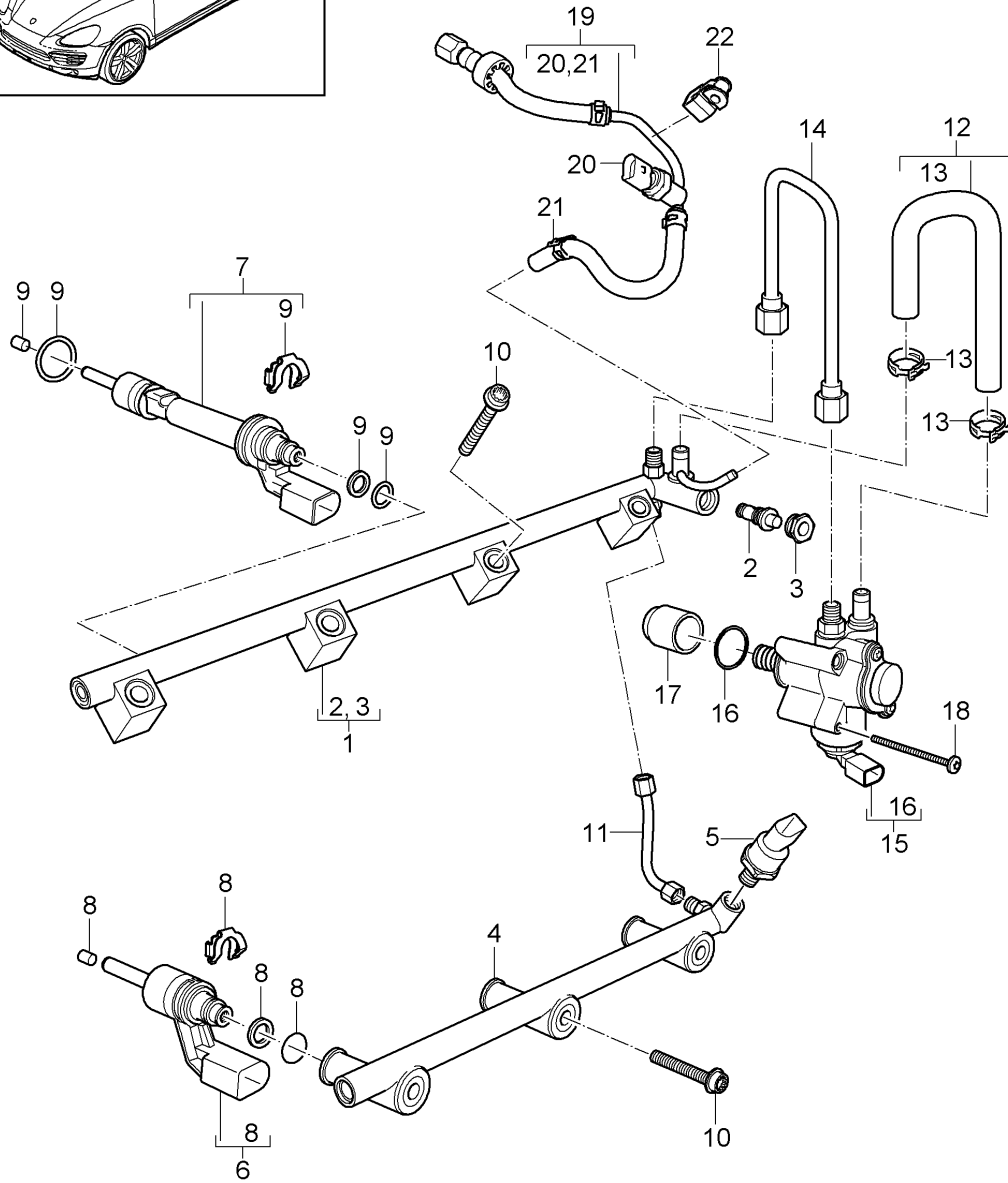
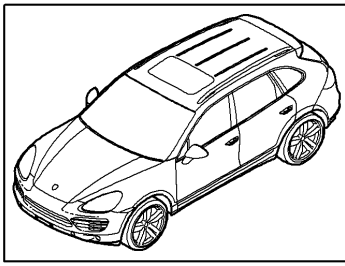


Model: 92A 11 Model life 2011>>

Pos	Part Number	Description	Remark	Qty	Model
		Fuel collection pipe			MCU.RA MCX.ZA
1	946 110 117 00	high-pressure injector high-pressure pump Fuel collection pipe Cyl. 1 - 3		1	
2	946 110 118 00	Fuel collection pipe Cyl. 4 - 6		1	
3	948 110 225 00	Stopper		1	
4	06J 906 051 F	Pressure sensor		1	
5	946 110 128 30	high-pressure injector	-15	6	
(5)	946 110 128 31	high-pressure injector	16	6	
(5)	946 110 128 32	high-pressure injector	17-	6	
6	946 110 428 60	Sealing ring	-15	6	
(6)	946 110 428 61	Sealing ring	16-	6	
7	946 110 328 30	Clamping ring		6	
(7)	946 110 328 31	Clamping ring		6	
8	999 701 187 40	O-ring 5,94 X 13 X 3,53	-15	6	
(8)	999 701 187 42	O-ring 5,94 X 13 X 3,53	16-	6	
9	946 110 228 60	Support		6	
10	900 385 009 01	Torx screw BM 6 X 16		8	
11	946 110 315 61	high-pressure pump		2	
12	999 701 048 40	O-ring 31 X 2		2	
13	06L 109 311	Cam follower		2	
14	900 385 019 01	Torx screw BM 6 X 20		4	
15	946 110 127 03	Fuel line Cyl. 1 - 3		1	
(15)	946 110 127 04	Fuel line Cyl. 1 - 3		1	
16	946 110 131 02	Fuel line Cyl. 4 - 6		1	
(16)	946 110 131 03	Fuel line Cyl. 4 - 6		1	
17	946 110 129 01	Fuel line		1	
(17)	946 110 129 02	Fuel line		1	
18	999 511 741 00	Clamp 8 X 15		2	
19	900 385 009 01	Torx screw BM 6 X 16		7	
20	946 110 235 55	Fuel line	-15	1	
(20)	946 110 235 56	Fuel line	16-	1	
21	06H 906 051 G	Pressure sensor	-15	1	
(21)	06H 906 051 J	Pressure sensor	16-	1	
22	958 110 236 00	Fuel line		1	
23	N 909 865 01	Hose clamp B 14,5 X 12		1	
24	000 043 209 35	Grease MICROGLEIT DF 977S Spraying can 400ML for Fuel line Use		X	

Model: 92A 11

Model life 2011>>



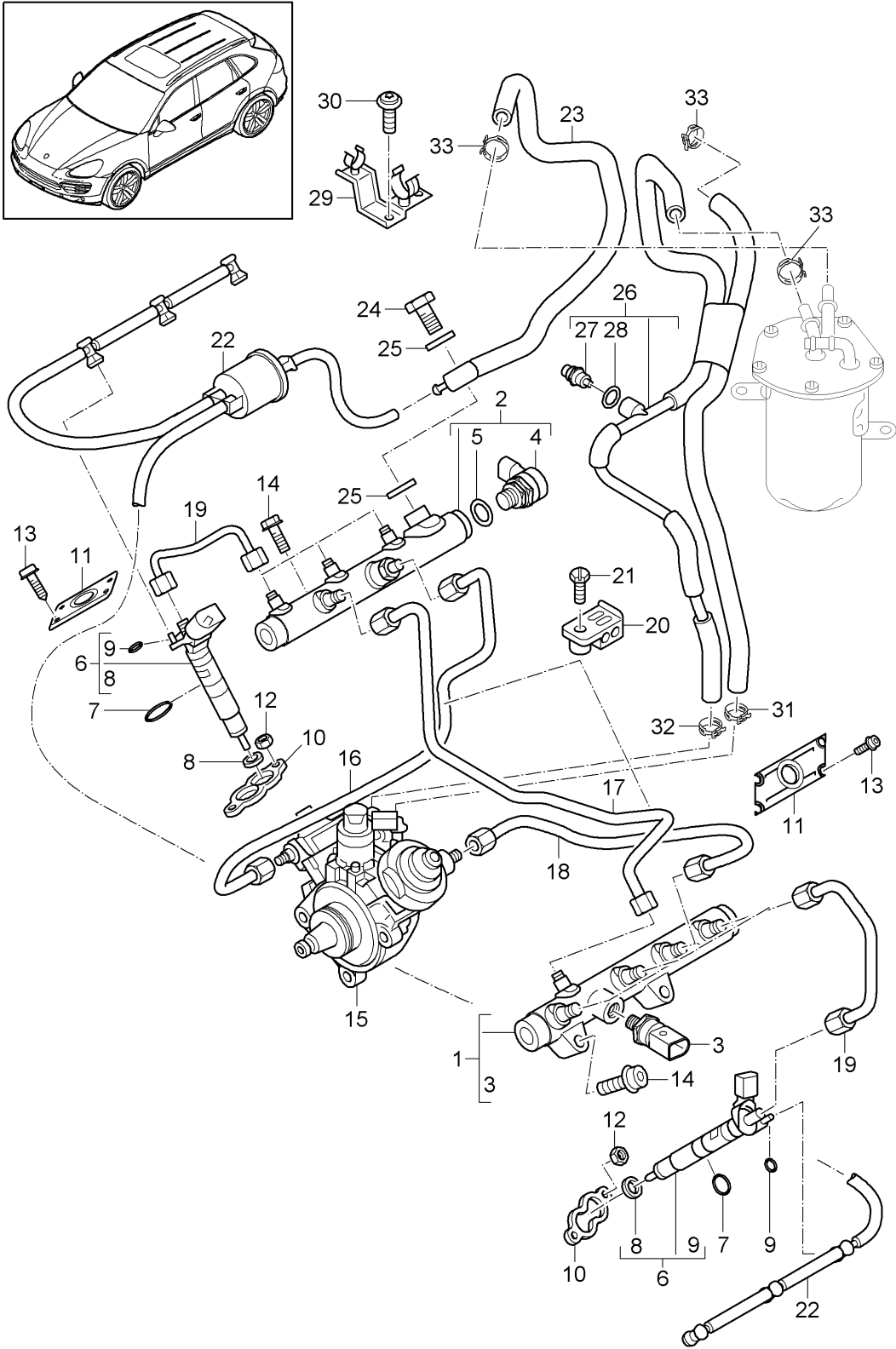
Model: 92A 11

Model life 2011>>

Pos	Part Number	Description	Remark	Qty	Model
		Fuel collection pipe			MCE.YA M55.02
1	958 110 115 20	high-pressure injector high-pressure pump Fuel collection pipe Upper		1	
2	958 110 217 00	Pressure valve		1	
3	WHT 000 435 A	Banjo bolt M 16 X 1		1	
4	958 110 116 20	Fuel collection pipe Lower		1	
5	958 606 230 20	Pressure sensor		1	
6	955 605 232 00	high-pressure injector Lower		3	
7	955 605 233 00	high-pressure injector Upper		3	
8	955 110 910 00	Gasket set high-pressure injector Lower		3	
9	955 110 911 00	Gasket set high-pressure injector Upper		3	
10	N 105 449 03	Pan-head screw M 8 X 55		7	
11	958 110 314 00	Fuel line		1	
12	958 110 125 00	Fuel hose		1	
13	N 909 865 01	Hose clamp B 14,5 X 12		2	
14	958 110 126 00	Fuel line		1	
15	958 110 316 00	high-pressure pump		1	
(15)	958 110 316 01	high-pressure pump		1	
(15)	958 110 316 02	high-pressure pump		1	
16	955 110 615 00	O-ring 31,5 X 2		1	
(16)	WHT 005 184	O-ring 31 X 2		1	
17	955 110 301 00	Cam follower		1	
18	N 106 221 01	Oval-head screw AM 6 X 65		3	
19	958 110 235 04	Fuel line		1	
20	958 606 221 00	Pressure sensor		1	
21	N 909 865 01	Hose clamp B 14,5 X 12		1	
22	958 106 736 00	Line bracket		1	

Model: 92A 11

Model life 2011>>



Model: 92A 11

Model life 2011>>

Pos	Part Number	Description	Remark	Qty	Model
		Fuel collection pipe Fuel line			M05.9E
1	958 110 115 00	high-pressure injector Fuel collection pipe Left		1	
2	958 110 116 00	Fuel collection pipe Right		1	
3	958 606 230 00	Pressure sensor		1	
4	958 606 240 00	Pressure regulator		1	
5	N 904 519 02	O-ring 16 X 1,5		1	
6	955 110 035 01	high-pressure injector Complete		6	
7	WHT 000 884	O-ring 16,2 X 1,5		6	
8	955 110 519 00	Sealing ring high-pressure injector		6	
9	955 110 619 00	O-ring 2,8 X 1,5		6	
(9)	WHT 007 480	O-ring 2,8 X 1,5		6	
10	955 110 216 00	Tensioning plate		6	
11	955 105 313 01	Lid		6	
(11)	955 105 313 02	Lid		6	
12	N 904 465 02	Hexagon nut M 6		12	
13	N 904 275 02	Pan-head screw M 5 X 12		16	
14	N 107 059 01	Pan-head screw M 8 X 60		4	
15		high-pressure pump See illustrations 1/07/45		1	
16	955 110 320 00	Fuel line		1	
17	955 110 330 00	Fuel line		1	
18	955 110 340 00	Fuel line		1	
19	955 110 241 00	Fuel line		6	
20	955 110 411 00	Support Fuel line		2	
21	N 104 514 05	Round head screw M 6 X 16		2	
22	958 110 218 00	Fuel hose Complete		1	
23	958 110 297 00	Fuel line		1	
24	N 021 071 7	Banjo bolt 8		1	
25	N 013 813 3	Sealing ring A 12 X 17		2	
26	958 110 030 03	Fuel line Set To Use for high-pressure pump 958.110.316.20 059.130.755.BB M >> CAS135905		1	
(26)	958 110 030 04	Fuel line Set To Use for high-pressure pump		1	

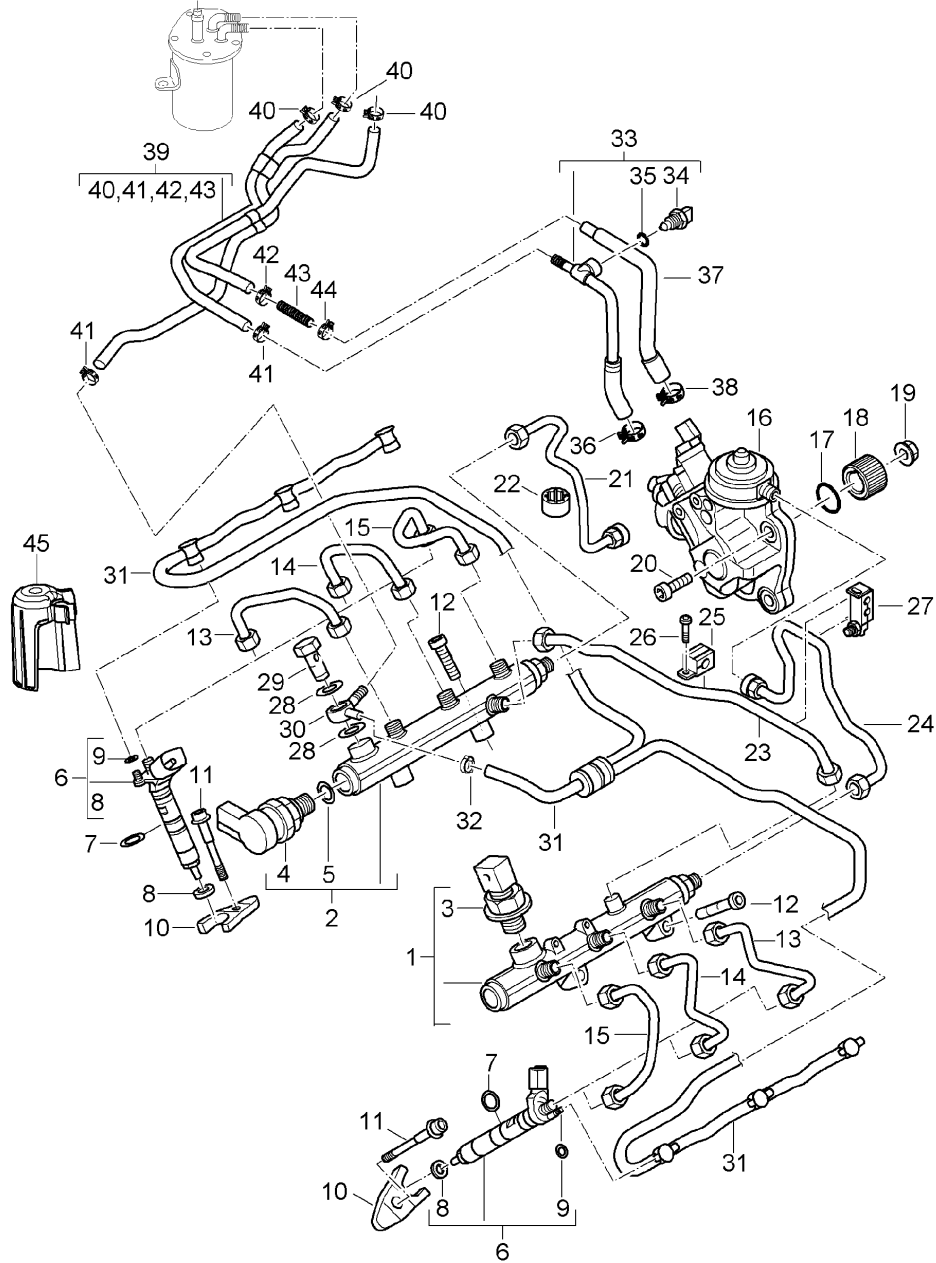
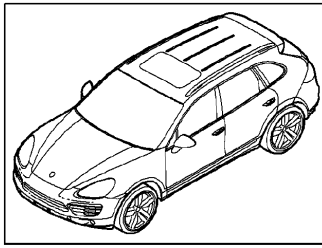
Model: 92A 11

Model life 2011>>

Pos	Part Number	Description	Remark	Qty	Model
		958.110.316.21			
		059.130.755.BD			
		M CAS135906 >>			
27	955 606 221 00	Temperature sensor		1	
28	WHT 002 287 C	O-ring 5,6 X 2		1	
29	955 110 531 01	Support Fuel line		1	
30	N 103 352 06	Round head screw M 6 X 12		2	
31	N 907 702 01	Hose clamp B 17 X 12		1	
32	N 909 264 01	Return line Hose clamp B 19 X 12		1	
33	955 201 479 00	Supply Hose clamp 16 X 12		3	

Model: 92A 11

Model life 2011>>



Model: 92A 11

Model life 2011>>

Pos	Part Number	Description	Remark	Qty	Model
		Fuel collection pipe			MCN.RB MCR.CA/CB MCV.VA/VB MCV.VC
1	958 110 115 30	high-pressure injector high-pressure pump Fuel line Fuel collection pipe Left		1	
2	958 110 116 30	Fuel collection pipe Right		1	
(2)	958 110 116 31	Fuel collection pipe Right		1	
3	958 606 230 30	Pressure sensor		1	
4	958 606 240 10	Pressure regulator		1	
5	955 110 319 00	O-ring		1	
6	958 110 128 10	high-pressure injector Complete		6	MCR.CA/CB
(6)	958 110 128 40	high-pressure injector Complete		6	MCV.VA/VB/VC
7	WHT 000 884	O-ring		6	
8	958 110 519 00	16,2 X 1,5 Sealing ring		6	
9	955 110 619 00	high-pressure injector O-ring		6	
(9)	WHT 007 480	2,8 X 1,5 O-ring		6	
10	958 110 216 00	2,8 X 1,5 Tensioning plate		6	
(10)	958 110 216 01	Tensioning plate		6	
11	WHT 004 923	Pan-head screw		6	
(11)	WHT 004 923 B	M 6 X 93 X 25 Pan-head screw		6	
12	N 910 455 02	M 6 X 93 X 25 Pan-head screw		4	
13	958 110 241 00	M 8 X 65 Fuel line		2	
14	958 110 241 10	Fuel line		2	
15	958 110 241 20	Fuel line		2	
16	958 110 315 00	high-pressure pump		1	MCR.CA/CB
(16)	958 110 315 01	high-pressure pump		1	MCR.CA/CB MCV.VA/VB/VC
17	958 110 615 00	Sealing ring		1	
18	958 110 541 00	Flange Sprocket		1	MCR.CA/CB
(18)	958 110 541 10	Only together with Sprocket 958.105.222.00 059.109.569.F Flange		1	MCR.CA/CB
(18)		Sprocket Only together with Sprocket 958.105.222.10 059.109.569.L Flange		1	MCN.RB MCV.VA/VB/VC
19	WHT 002 244	Sprocket Hexagon nut		1	
20	N 911 873 01	M 18 X 1,5 Pan-head screw		3	
21	958 110 125 20	M 8 X 30 Fuel line		1	
22	N 107 855 01	Spacer		1	

Model: 92A 11

Model life 2011>>

Pos	Part Number	Description	Remark	Qty	Model
		B 5,2 X 18 X 40			
23	958 110 314 10	Fuel line		1	
24	958 110 126 10	Fuel line		1	
25	958 110 410 00	Support		2	
		Fuel line			
26	N 107 214 01	Oval-head screw 6 X 16		2	
27	958 110 411 00	Support		1	
		Fuel line			
28	N 013 813 3	Sealing ring		2	
		A 12 X 17			
29	N 021 071 7	Banjo bolt 8		1	
30	958 110 602 00	Ring fitting		1	
(30)	958 110 602 01	Ring fitting		1	
		Only together with Fuel hose 958.110.218.13		1	
31	958 110 218 10	Fuel hose Complete		1	
(31)	958 110 218 11	Fuel hose Complete		1	
(31)	958 110 218 12	Fuel hose Complete		1	
(31)	958 110 218 13	Fuel hose Complete Only together with Ring fitting 958.110.602.01		1	
32	N 102 313 01	Hose clamp 10,5 X 5 X 0,5		1	
33	958 110 299 00	Fuel line Supply		1	
(33)	958 110 299 01	Fuel line Supply M >> 0 79468		1	MCR . CA / CB
(33)	958 110 299 02	Fuel line Supply M 0 79469 >>	-14	1	MCR . CA / CB
(33)		Fuel line Supply	15-	1	
34	955 606 221 00	Temperature sensor		1	
35	WHT 002 287 C	O-ring 5,6 X 2		1	
36	N 909 264 01	Hose clamp B 19 X 12		1	
(36)	999 512 652 09	Hose clamp B 19 X 12		1	
-	958 606 341 05	Cable guide Wiring harness		1	
-	958 606 341 06	Cable guide Wiring harness		1	
-	958 606 341 07	Cable guide Wiring harness		1	
-	N 107 214 01	Oval-head screw TP 6 X 16		2	
37	958 110 297 10	Fuel line Return line		1	
38	N 907 702 01	Hose clamp B 17 X 12		1	
		Return line			
39	958 110 030 10	Fuel line Set		1	

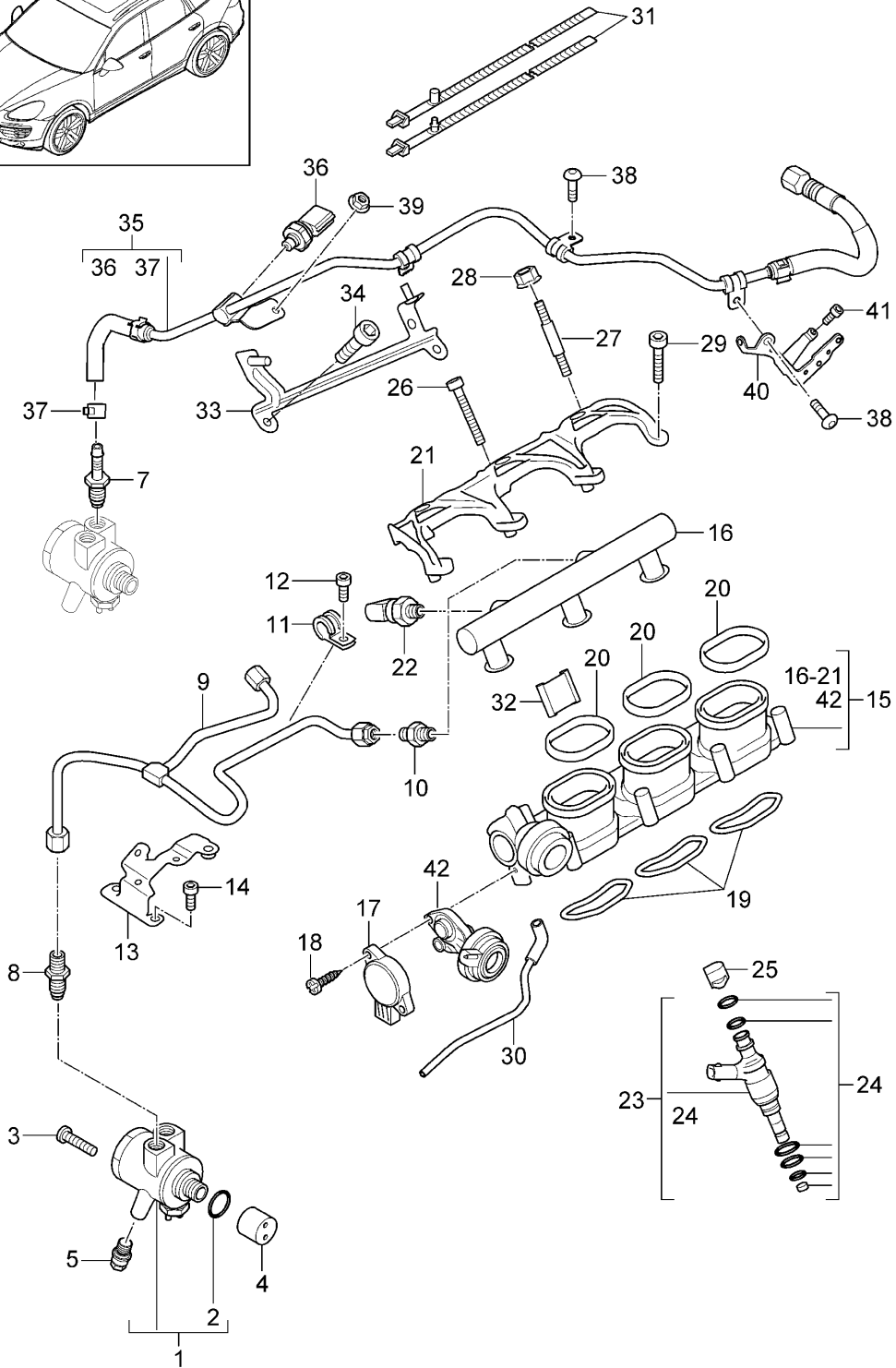
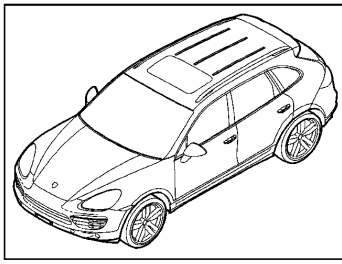
Model: 92A 11

Model life 2011>>

Pos	Part Number	Description	Remark	Qty	Model
40	955 201 479 00	Hose clamp 16 X 12		3	
41	N 909 865 01	Hose clamp B 14,5 X 12		2	
42	N 907 683 01	Hose clamp C 14 X 12		1	
43	958 110 539 00	Double socket		1	
44	N 906 867 01	Hose clamp B 14 X 12		1	
45	958 110 685 10	Protection cap high-pressure injector Cylinder 1		1	
(45)	958 110 685 00	Protection cap high-pressure injector Cylinder 1	-13	1	
(45)	958 110 685 01	Protection cap high-pressure injector Cylinder 1	14-	1	

Model: 92A 11

Model life 2011>>



Model: 92A 11

Model life 2011>>

Pos	Part Number	Description	Remark	Qty	Model
		Fuel collection pipe			MCG.EA/FA MCJ.T M06.EC
1	958 110 316 10	high-pressure injector high-pressure pump high-pressure pump		1	
(1)	958 110 316 11	Order also: 958.110.535.30 high-pressure pump		1	
(1)	958 110 316 12	Order also: 958.110.535.30 high-pressure pump		1	
2	955 110 615 00	Order also: 958.110.535.30 O-ring		1	
(2)	WHT 005 184	31,5 X 2 O-ring		1	
3	N 910 268 02	31 X 2 Pan-head screw		2	
(3)	N 910 488 02	M 8 X 20 Pan-head screw		2	
4	958 105 311 00	M 8 X 20 Cam follower	-13	1	
(4)	06L 109 311	Cam follower	14-	1	
5	958 110 535 30	Shear bolt		1	
7	958 110 365 00	M 10 X 1 X 23,9 Adapter		1	
(7)	958 110 365 01	Adapter		1	
8	958 110 367 00	Adapter		1	
9	958 110 125 10	Fuel line		1	
10	958 110 368 00	Adapter		2	
(10)	958 110 368 01	Adapter		2	
11	958 110 433 00	Support		4	
(11)	N 020 609 6	Clamp		4	
12	N 104 056 04	8 X 15 Oval-head screw		4	
13	958 110 438 00	M 6 X 14 Support		1	
14	N 104 420 03	Oval-head screw		1	
15	958 110 119 00	5 X 16 Intake manifold	/L	1	
(15)	958 110 119 01	with Vacuum timing unit And Fuel collection pipe	/L	1	
(15)	958 110 119 02	Intake manifold with Vacuum timing unit And Fuel collection pipe	/L	1	
(15)	958 110 119 03	Intake manifold with Vacuum timing unit And Fuel collection pipe	/L	1	
(15)	958 110 119 04	Intake manifold with Vacuum timing unit	/L	1	

Model: 92A 11

Model life 2011>>

Pos	Part Number	Description	Remark	Qty	Model
(15)	958 110 120 00	And Fuel collection pipe Intake manifold with Vacuum timing unit	/R	1	
(15)	958 110 120 01	And Fuel collection pipe Intake manifold with Vacuum timing unit	/R	1	
(15)	958 110 120 02	And Fuel collection pipe Intake manifold with Vacuum timing unit	/R	1	
(15)	958 110 120 03	And Fuel collection pipe Intake manifold with Vacuum timing unit	/R	1	
(15)	958 110 120 04	And Fuel collection pipe Intake manifold with Vacuum timing unit	/R	1	
16	958 110 115 10	Fuel collection pipe	/L	1	
(16)	958 110 115 11	Fuel collection pipe	/L	1	
(16)	958 110 116 10	Fuel collection pipe	/R	1	
(16)	958 110 116 11	Fuel collection pipe	/R	1	
17	958 606 386 00	Potentiometer		2	
(17)	958 606 386 01	Potentiometer		2	
(17)	958 606 386 02	Potentiometer		2	
18	N 105 356 03	Oval-head screw TP 3 X 16		4	
19	958 110 247 00	Gasket Lower		6	
20	958 110 147 00	Gasket Upper		6	
21	958 110 340 03	Retaining bar		2	
(21)	958 110 340 04	Retaining bar		2	
22	958 606 230 10	Pressure sensor		1	
23	958 110 128 00	high-pressure injector Use also: 958.110.536.00 958.110.537.00		6 X X	
(23)	958 110 128 01	high-pressure injector Use also: 958.110.536.01 958.110.537.00		6 X X	
24	958 110 901 00	Gasket set		6	
(24)	958 110 901 01	Gasket set		6	
(24)	958 110 901 02	Gasket set		6	
25	958 110 536 00	Support bush Upper		6	
(25)	958 110 536 01	Support bush Upper		6	
(25)	958 110 537 00	Support bush Lower		6	
26	N 106 268 01	Oval-head screw M 6 X 70		2	
27	N 910 638 01	Stud		4	

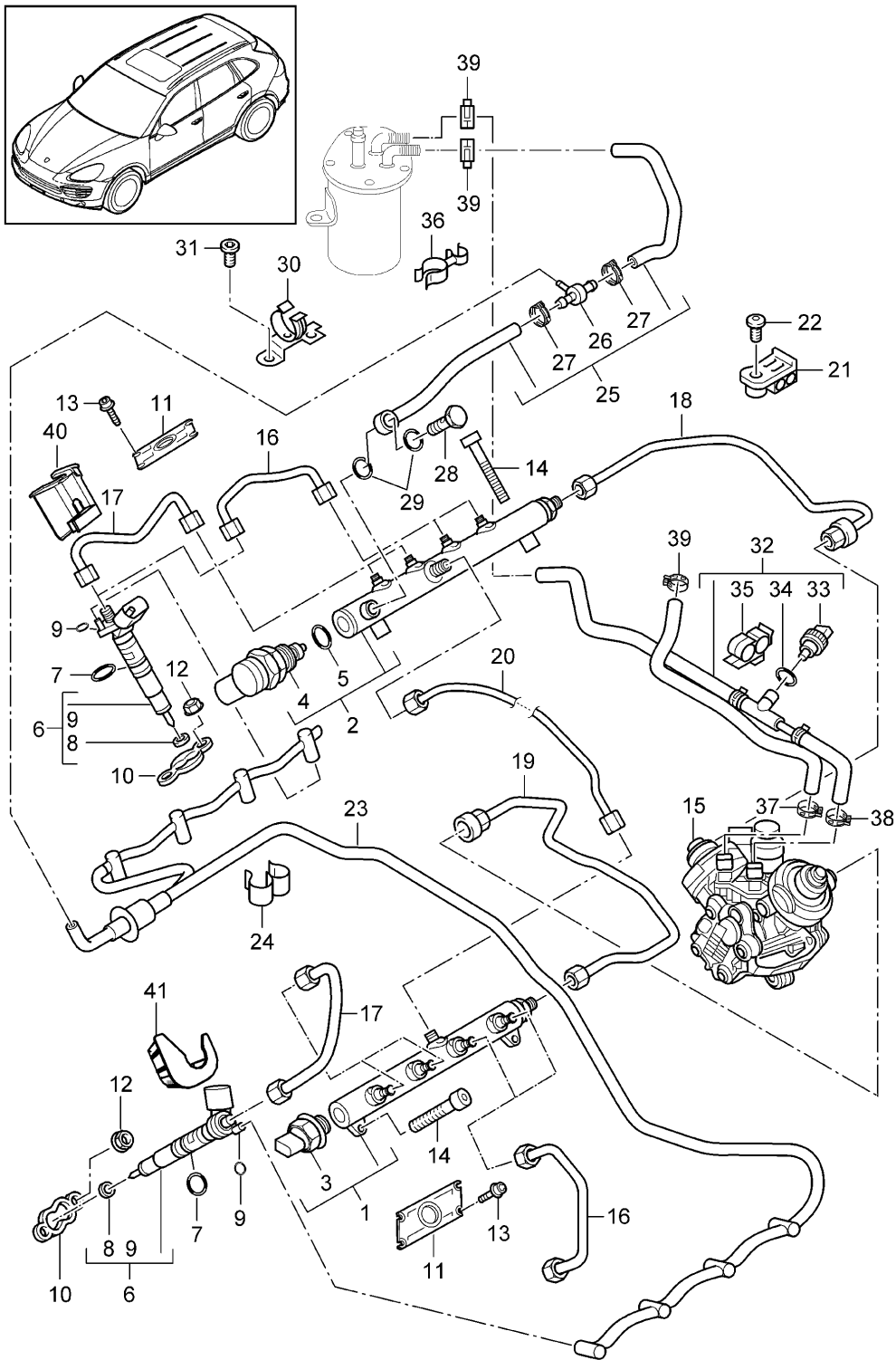
Model: 92A 11

Model life 2011>>

Pos	Part Number	Description	Remark	Qty	Model
28	N 015 082 13	M 6 X 62 Hexagon nut		4	
29	N 107 314 01	M 6 Pan-head screw		4	
30	958 110 791 00	M 6 X 50 Vacuum hose	/L	1	
(30)	958 110 792 00	Vacuum hose	/R	1	
31	955 111 820 00	Tie-wrap		X	
32		Intermediate plate Intake manifold Cylinder head See illustrations 1/03/04 Pos.14			
33	958 110 340 10	Support		1	
34	N 105 864 01	Round head screw M 5 X 10		2	
35	958 110 235 12	Fuel line		1	
36	958 606 221 10	Pressure sensor		1	
37	N 909 865 01	Hose clamp B 14,5 X 12		1	
38	N 101 703 03	Outer hexagon round screw M 6 X 10		2	
39	N 015 082 10	Hexagon nut M 6		2	
40	958 110 438 10	Support Fuel line		1	ID19
(40)	958 110 438 20	Support Fuel line		1	ID11
41	N 106 225 01	Pan-head screw M 5 X 12		1	
42	958 110 959 00	Repair kit Vacuum unit	/L	1	
(42)	958 110 959 01	Repair kit Vacuum unit	/L	1	
(42)	958 110 960 00	Repair kit Vacuum unit	/R	1	
(42)	958 110 960 01	Repair kit Vacuum unit	/R	1	

Model: 92A 11

Model life 2011>>



Model: 92A 11 Model life 2011>>

Pos	Part Number	Description	Remark	Qty	Model
		Fuel collection pipe			MCU.DB/DC
		Fuel line			
1	958 110 115 40	high-pressure injector		1	
		Fuel collection pipe			
		Left			
2	958 110 116 40	Fuel collection pipe		1	
		Right			
3	958 606 230 30	Pressure sensor		1	
4	958 606 240 10	Pressure regulator		1	
5	N 904 519 02	O-ring		1	
		16 X 1,5			
6	958 110 128 30	high-pressure injector		8	
		Complete			
7	WHT 000 884	O-ring		8	
		16,2 X 1,5			
8	958 110 519 00	Sealing ring		8	
		high-pressure injector			
9	955 110 619 00	O-ring		8	
		2,8 X 1,5			
(9)	WHT 007 480	O-ring		8	
		2,8 X 1,5			
10	955 110 216 00	Tensioning plate		8	
11	955 105 313 02	Lid		8	
12	N 904 465 02	Hexagon nut		16	
		M 6			
13	N 904 275 02	Pan-head screw		20	
		M 5 X 12			
14	N 911 047 01	Pan-head screw		4	
		M 8 X 80			
15		high-pressure pump		1	
		See illustrations			
		1/07/47			
		POS.1			
16	958 110 241 30	Fuel line		4	
		Cylinder			
		1-2-7-8			
17	958 110 241 40	Fuel line		4	
		Cylinder			
		3-4-5-6			
18	958 110 125 30	Fuel line		1	
19	958 110 126 20	Fuel line		1	
20	958 110 314 20	Fuel line		1	
21	958 110 410 00	Support		3	
		Fuel line			
22	N 104 056 04	Oval-head screw		3	
		M 6 X 14			
23	958 110 218 20	Fuel hose	-16	1	IIY1
		Complete			
(23)	958 110 218 21	Fuel hose	16-	1	IIY2
		Complete			
24	955 111 694 10	Clip		3	
25	958 110 297 20	Fuel line		1	
26	958 110 561 00	T-piece		1	
27	N 909 865 01	Hose clamp		2	
		B 14,5 X 12			
28	N 021 071 7	Banjo bolt		1	
		8			
29	N 013 813 3	Sealing ring		2	
		A 12 X 17			
30	958 110 531 30	Support		1	
31	N 103 352 06	Round head screw		2	
		M 6 X 12			
32	958 110 030 20	Fuel line		1	

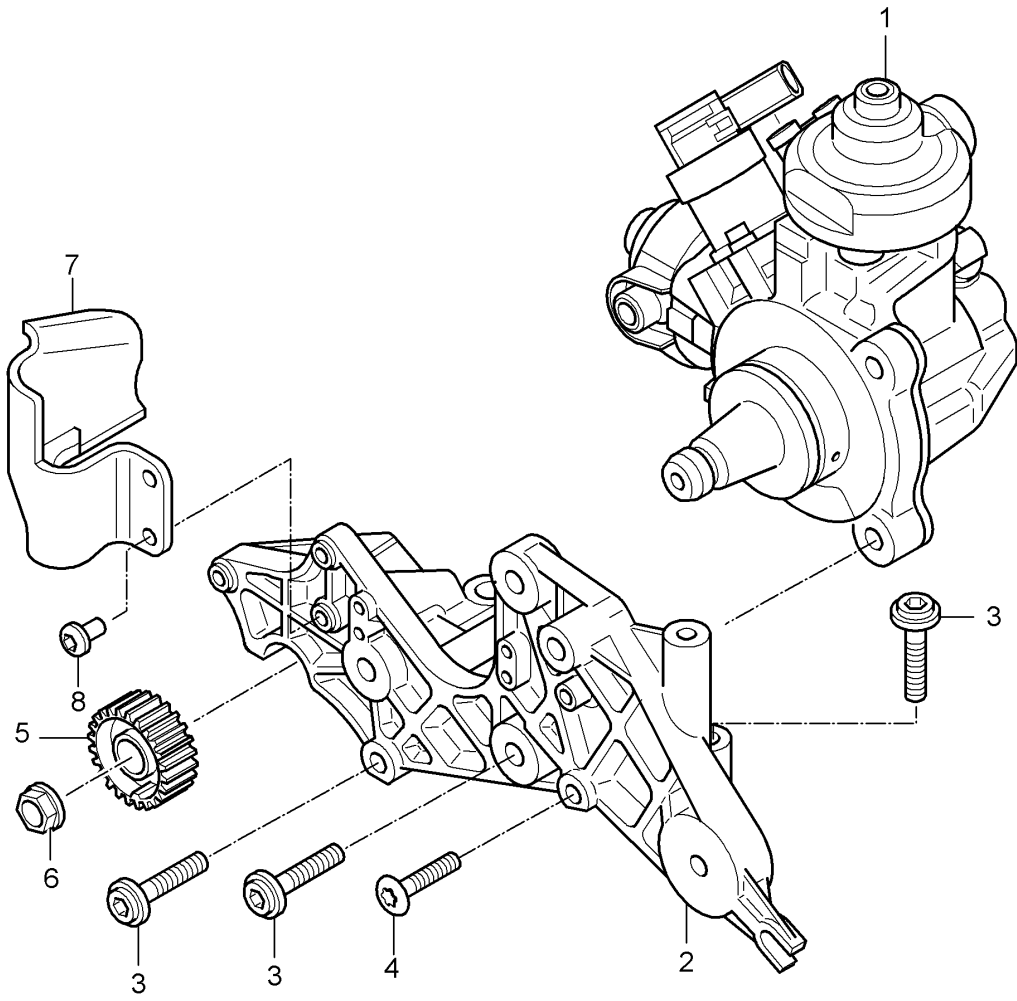
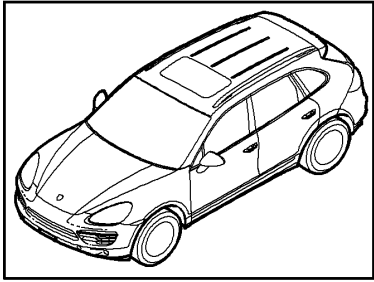
Model: 92A 11

Model life 2011>>

Pos	Part Number	Description	Remark	Qty	Model
		Set			
33	955 606 221 00	Temperature sensor		1	
34	WHT 002 287 C	O-ring 5,6 X 2		1	
35	958 110 694 00	Support		1	
		Fuel line			
36	958 110 694 10	Support		1	
		Fuel line			
37	N 907 702 01	Hose clamp B 17 X 12		1	
		Return line			
38	999 512 652 09	Hose clamp B 19 X 12		1	
		Supply			
39	955 201 479 00	Hose clamp 16 X 12		3	
40	958 110 685 20	Protection cap high-pressure injector Cylinder 1		1	
41	958 110 685 30	Protection cap high-pressure injector Cylinder 5		1	

Model: 92A 11

Model life 2011>>



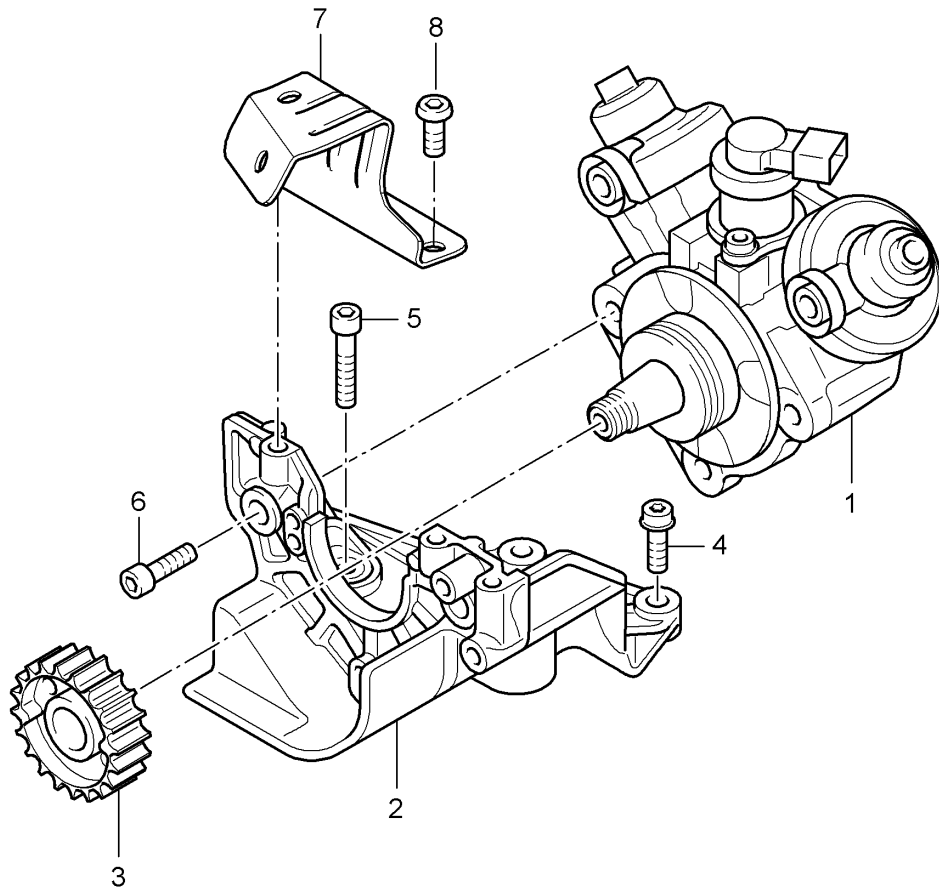
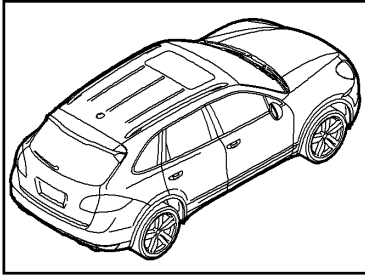
Model: 92A 11

Model life 2011>>

Pos	Part Number	Description	Remark	Qty	Model
1	958 110 316 20	high-pressure pump high-pressure pump Only together with Fuel line Set 958.110.030.03 M >> CAS135905		1	M05.9E
(1)	958 110 316 21	high-pressure pump Only together with Fuel line Set 958.110.030.04		1	
(1)	958 110 316 22	high-pressure pump Only together with Fuel line Set 958.110.030.04 M CAS135906 >>		1	
2	955 110 150 00	Bracket		1	
3	N 910 266 02	Pan-head screw M 8 X 35		6	
4	N 910 680 01	Oval-head screw M 6 X 28		1	
5	955 110 111 00	Toothed belt pulley		1	
6	WHT 002 244	Hexagon nut M 18 X 1,5		1	
7	955 110 380 00	Protective plate		1	
8	N 104 514 05	Round head screw M 6 X 16		3	

Model: 92A 11

Model life 2011>>



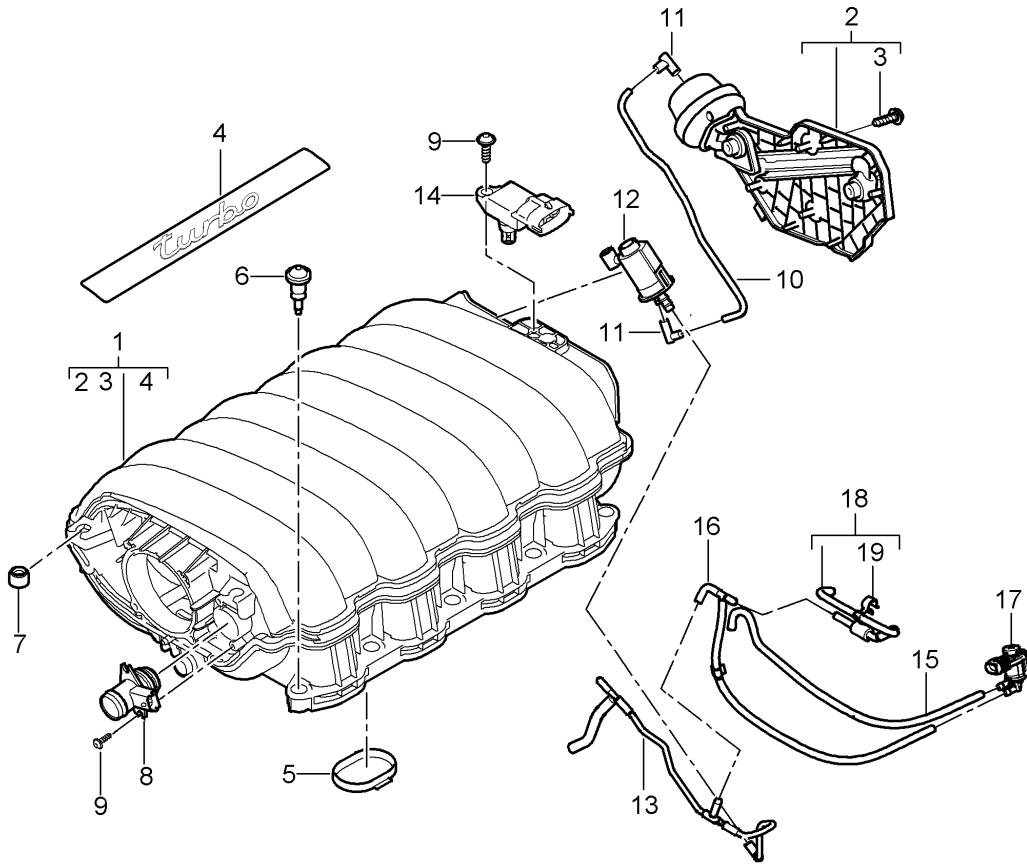
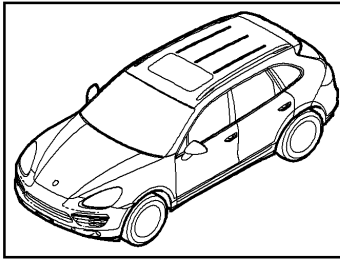
Model: 92A 11

Model life 2011>>

Pos	Part Number	Description	Remark	Qty	Model
1	958 110 316 30	high-pressure pump		1	MCU.DB/DC
2	958 110 150 00	high-pressure pump		1	
3		Bracket		1	
		Toothed belt pulley		1	
		See illustrations			
		1/03/95			
		POS.3			
4	N 106 860 01	Outer hexagon round screw		2	
		M 8 X 20			
5	N 911 047 01	Pan-head screw		2	
		M 8 X 80			
6	N 910 266 02	Pan-head screw		3	
		M 8 X 35			
7	958 606 845 20	Support		1	
8	N 104 056 04	Oval-head screw		2	
		M 6 X 14			

Model: 92A 11

Model life 2011>>

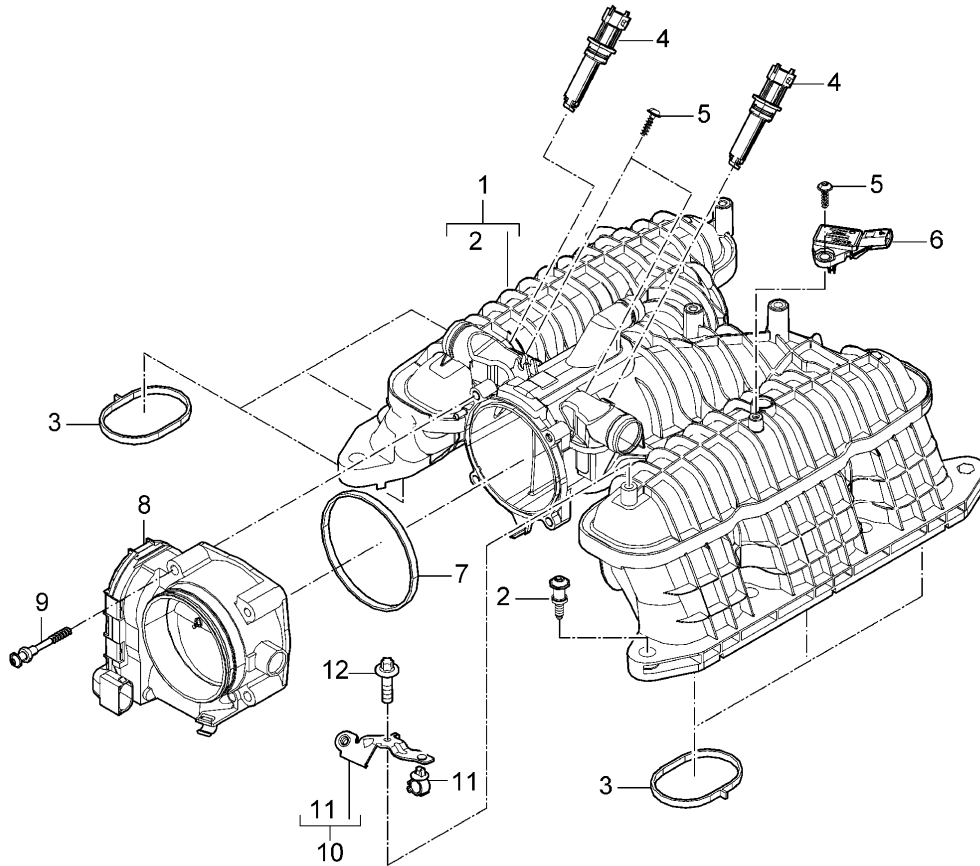
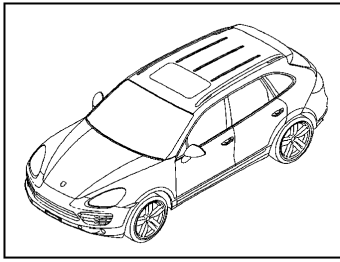


Model: 92A 11 Model life 2011>>

Pos	Part Number	Description	Remark	Qty	Model
		Intake distributor			MCF.TB MCY.XA M48.02/52
1	948 110 016 41	Intake distributor		1	M48.02
(1)	948 110 016 71	Intake distributor		1	M48.52 IE0A
(1)		Intake distributor		1	MCF.TB
(1)	948 110 016 75	Intake distributor		1	M48.52 IE81
(1)	948 110 016 76	Intake distributor		1	M48.52 IE8A
(1)		Intake distributor		1	MCY.XA
2	948 110 116 20	Repair kit		1	M48.02
		Actuator			
3	999 919 006 01	Oval-head screw		5	M48.02
		5 X 16			
4	948 110 216 70	Cover		1	M48.52 IE0A
(4)		Plastic material			
		Logo			
		Turbo			
		Cover		1	MCF.TB
(4)		Plastic material			
		Logo			
		Turbo			
(4)	948 110 216 00	Cover		1	M48.52 IE81
(4)		Carbon			
		Logo			
		Turbo			
		Cover		1	M48.52 IE8A
(4)		Carbon			
		Logo			
		Turbo S			
		Cover		1	MCY.XA
		Carbon			
		Logo			
		Turbo S			
5	948 110 146 01	Gasket		8	
6	948 110 142 02	Fastening part		10	
7	955 110 236 00	Ball socket		2	
8	948 605 139 00	T-socket		1	
		Heated			
9	999 919 006 01	Oval-head screw		3	
		5 X 16			
10	948 110 136 00	Pipe		1	M48.02
11	948 110 126 00	Connecting piece		2	M48.02
12	996 605 123 01	Change-over valve		1	M48.02
(12)	7PP 906 270	Change-over valve		1	M48.02
		Electric			
13	948 110 358 00	Vacuum line		1	M48.02
14	948 606 180 00	Pressure sensor		1	
15	958 110 350 00	Vacuum line		1	
16	958 110 351 00	Vacuum line		1	
17	955 605 283 10	Change-over valve		1	
		Electric			

Model: 92A 11

Model life 2011>>



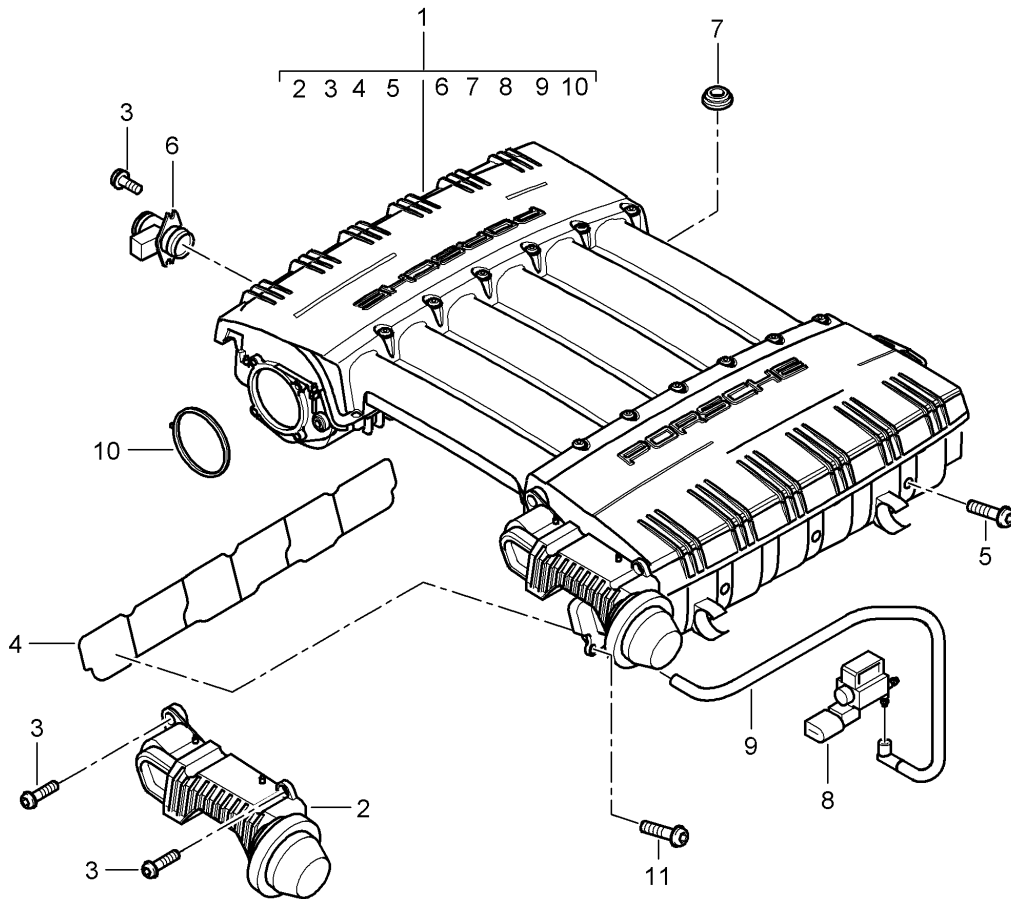
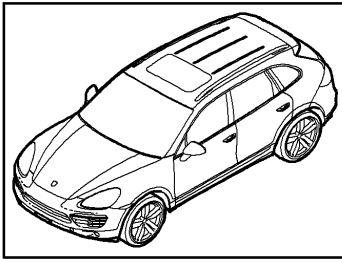
Model: 92A 11

Model life 2011>>

Pos	Part Number	Description	Remark	Qty	Model
		Intake distributor			MCU.RA MCX.ZA
		Throttle body			
1	946 110 016 63	Intake distributor		1	
2	946 110 412 60	Fastening part		8	
3	946 110 146 60	Gasket		6	
4	946 605 139 00	T-socket Heated		2	
5	999 919 006 01	Oval-head screw 5,0 X 16,0		3	
6	06E 906 051 AA	Pressure sensor		1	
7	948 110 144 02	Gasket		1	
8	946 605 115 00	Throttle body		1	
9	946 110 411 60	Oval-head screw 6 X 55		4	
10	946 110 027 77	Support		1	
11	N 103 203 02	Hose holder 13		1	
12	900 385 009 01	Torx screw BM 6 X 16		1	

Model: 92A 11

Model life 2011>>



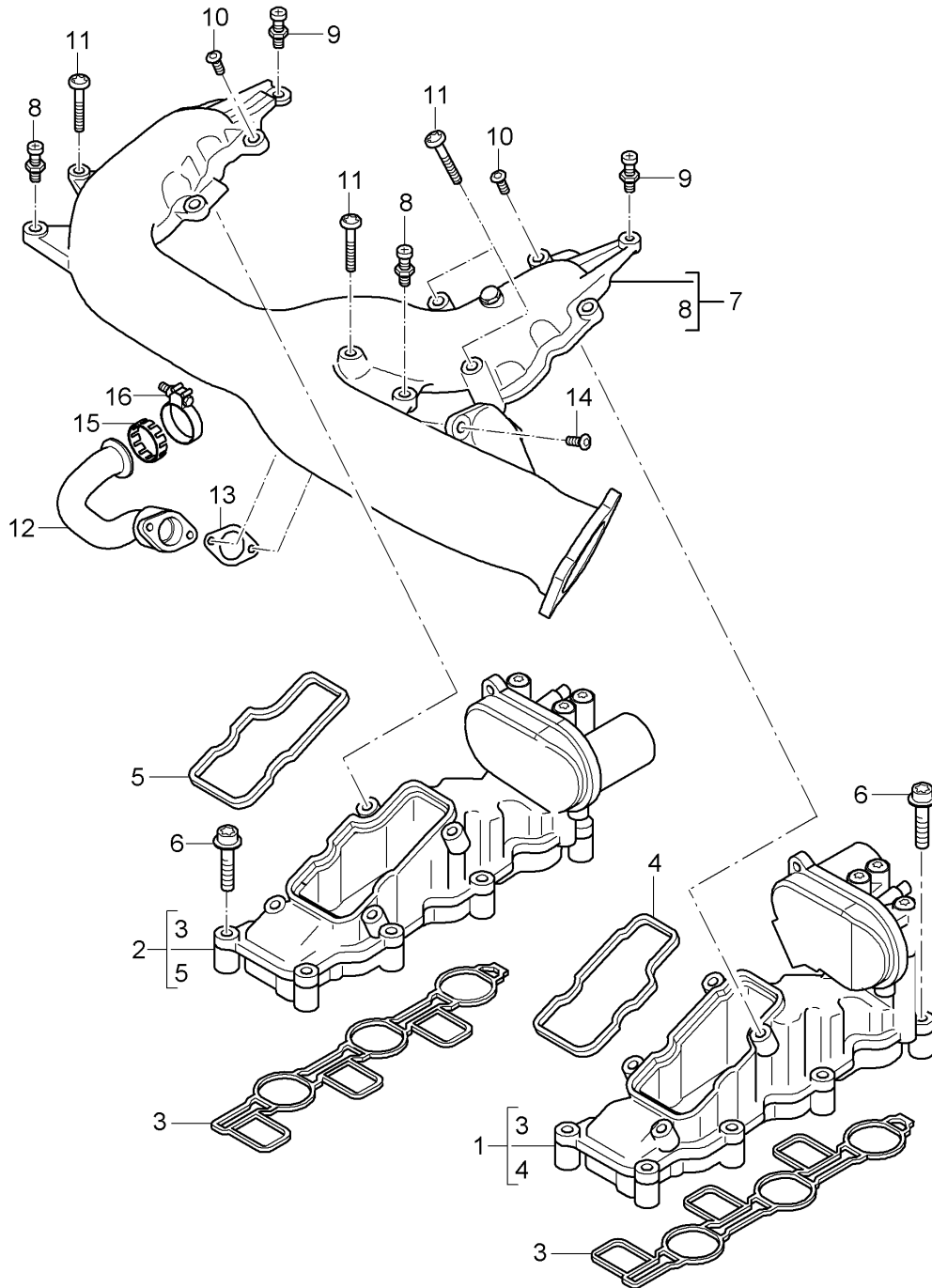
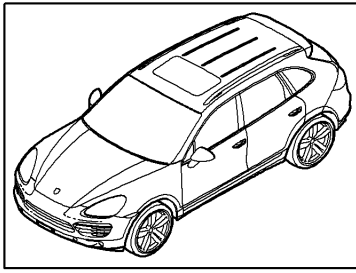
Model: 92A 11

Model life 2011>>

Pos	Part Number	Description	Remark	Qty	Model
		Intake manifold			MCE.YA M55.02
1	955 110 006 01	Intake manifold		1	
2	955 110 116 00	Actuator		1	
3	999 919 006 01	Oval-head screw 5 X 16		5	
4	955 110 147 00	Gasket		1	
5	N 910 972 01	Round head screw M 6 X 35 See technical manual Group 2 24-46		3	
6	948 605 139 00	T-socket Heated		1	
7	955 355 448 00	Sealing plug		1	
8	955 605 123 30	Change-over valve		1	
9	955 110 136 00	Vacuum line		1	
10		Gasket Throttle body See illustrations 1/07/10		1	
11	N 910 972 01	Round head screw M 6 X 35		1	

Model: 92A 11

Model life 2011>>



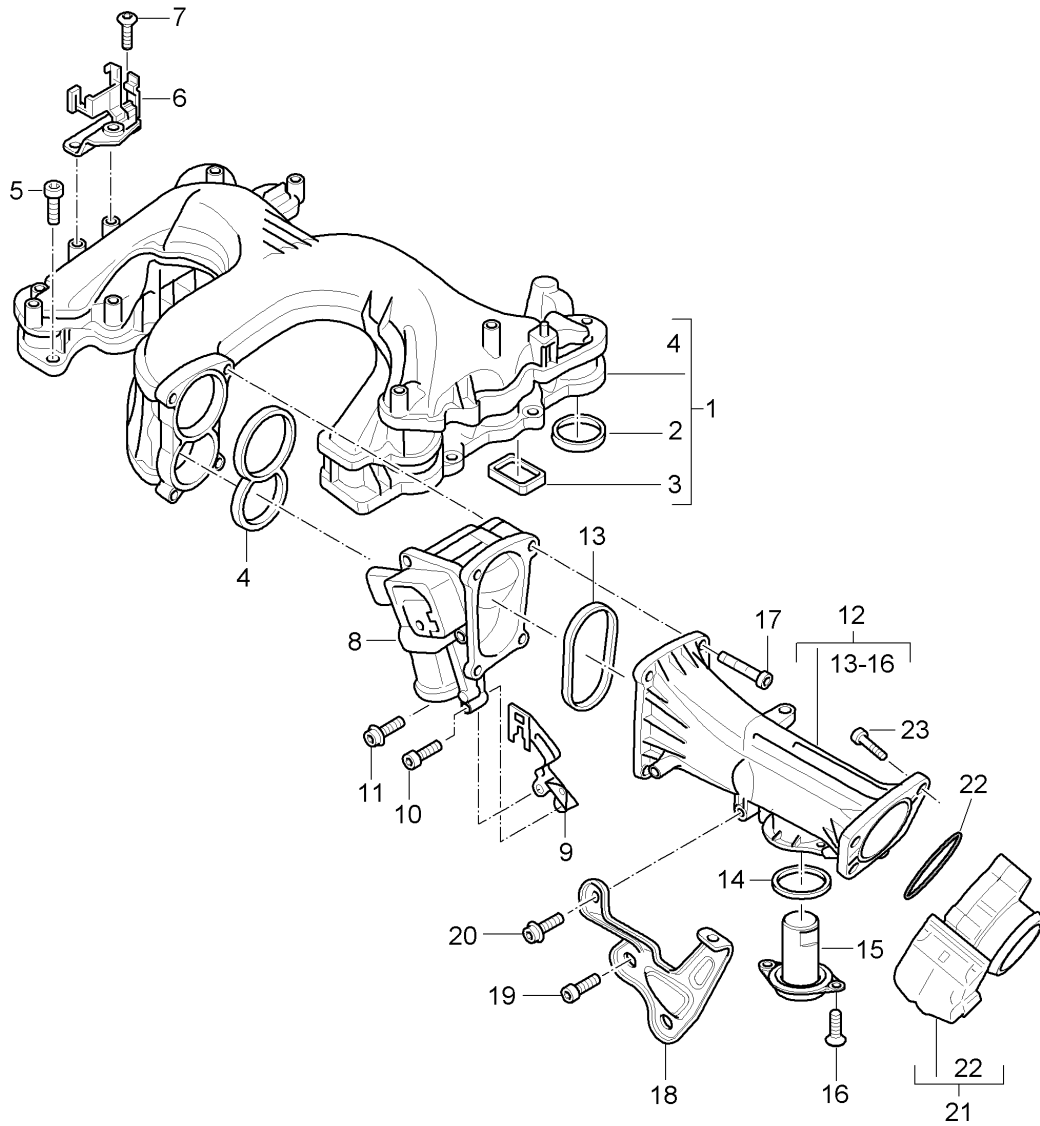
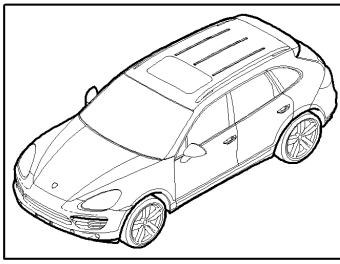
Model: 92A 11

Model life 2011>>

Pos	Part Number	Description	Remark	Qty	Model
		Intake manifold Pressure pipe			M05.9E
1	955 110 011 02	Intake manifold	/L	1	
(1)	955 110 011 03	Intake manifold	/L	1	
(1)	955 110 011 04	Intake manifold	/L	1	
(1)	955 110 011 05	Intake manifold	/L	1	
2	955 110 012 03	Intake manifold	/R	1	
(2)	955 110 012 04	Intake manifold	/R	1	
(2)	955 110 012 10	Intake manifold	/R	1	
3	955 110 247 00	Gasket		2	
4	955 110 147 10	Gasket	/L	1	
5	955 110 148 10	Gasket	/R	1	
6	N 103 008 05	Pan-head screw AM 6 X 45		16	
7	955 110 062 00	Pressure pipe		1	
8	WHT 000 351	Ball pin		2	
9	WHT 003 725	Ball pin		2	
10	N 910 540 01	Combination screw M 6 X 22		5	
11	N 106 268 01	Oval-head screw AM 6 X 70		4	
12	958 111 053 00	Connecting tube		1	
13	955 111 149 00	Gasket		1	
14	N 101 243 06	Oval-head screw M 6 X 20		2	
15	958 111 547 00	Gasket		1	
16	958 111 548 03	Clip		1	

Model: 92A 11

Model life 2011>>



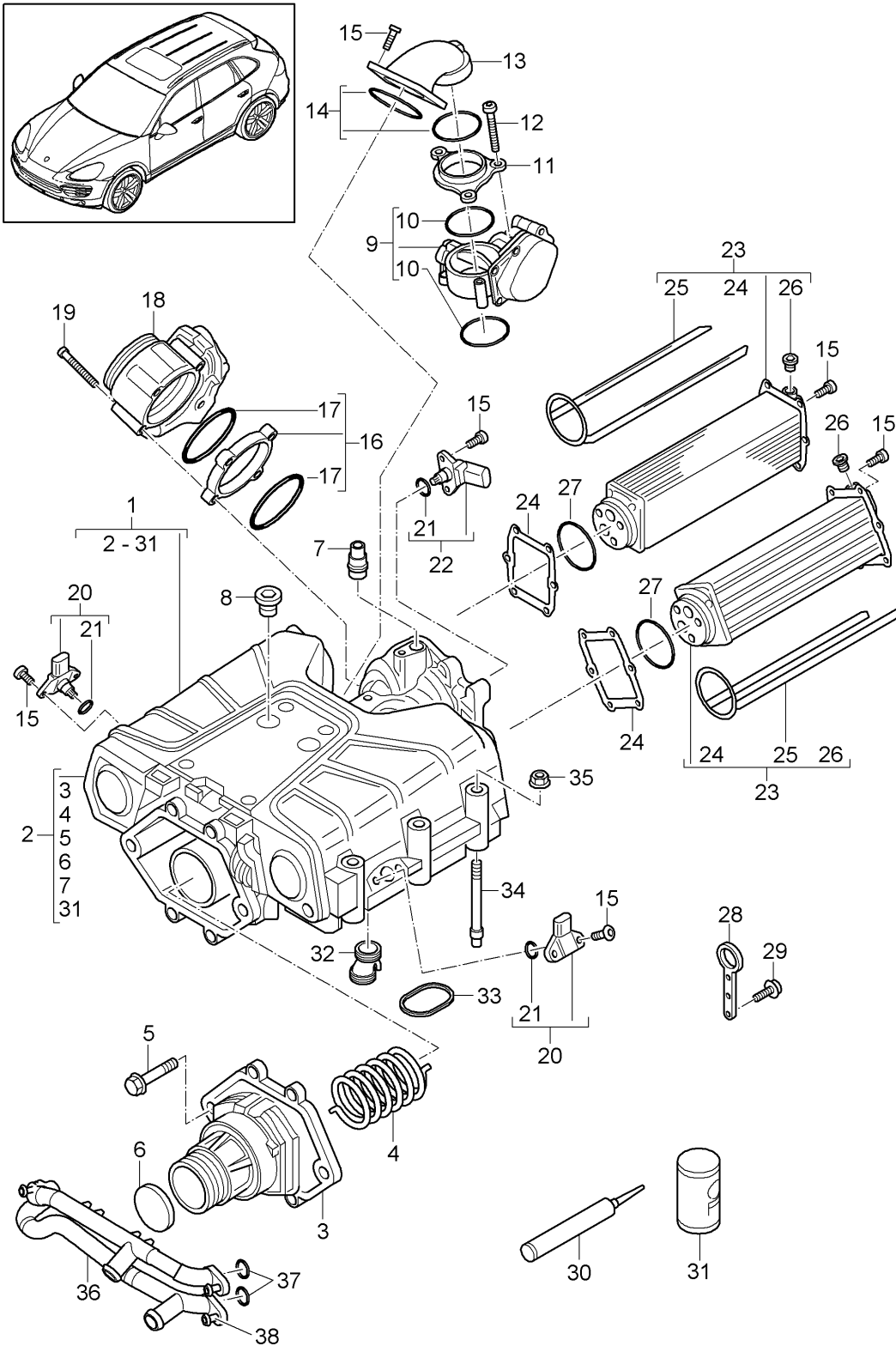
Model: 92A 11

Model life 2011>>

Pos	Part Number	Description	Remark	Qty	Model
		Intake manifold			MCN.RB MCR.CA/CB MCV.VA/VB MCV.VC
		Throttle body			
		Air guide housing			
1	958 110 016 00	Intake manifold		1	
2	958 110 147 10	Gasket		6	
3	958 110 148 00	Gasket		6	
4	958 110 144 00	Gasket		1	
5	WHT 004 917	Outer hexagon round screw M 6 X 28		12	
6	958 606 311 10	Support		1	
7	N 107 214 01	Oval-head screw 6 X 16		2	
8	958 605 115 00	Throttle body		1	
9	958 110 560 00	Support		1	
10	N 910 541 01	Oval-head screw M 6 X 25		1	
11	N 107 214 01	Oval-head screw 6 X 16		2	
12	958 110 065 00	Air guide housing		1	
13	958 110 215 20	Gasket		1	
14	958 111 149 00	Gasket		1	
15	958 111 153 30	Connecting tube		1	
16	N 104 056 04	Oval-head screw M 6 X 14		2	
17	N 104 239 03	Pan-head screw AM 6 X 60		4	
18	958 110 661 00	Support		1	
19	N 104 114 02	Outer hexagon round screw M 6 X 16		2	
20	N 104 056 04	Oval-head screw M 6 X 14		2	
21	958 605 115 10	Throttle body		1	
(21)	958 605 115 11	Throttle body		1	
22	955 110 144 00	Gasket		1	
23	N 911 482 01	Round head screw M 6 X 25		3	

Model: 92A 11

Model life 2011>>



Model: 92A 11

Model life 2011>>

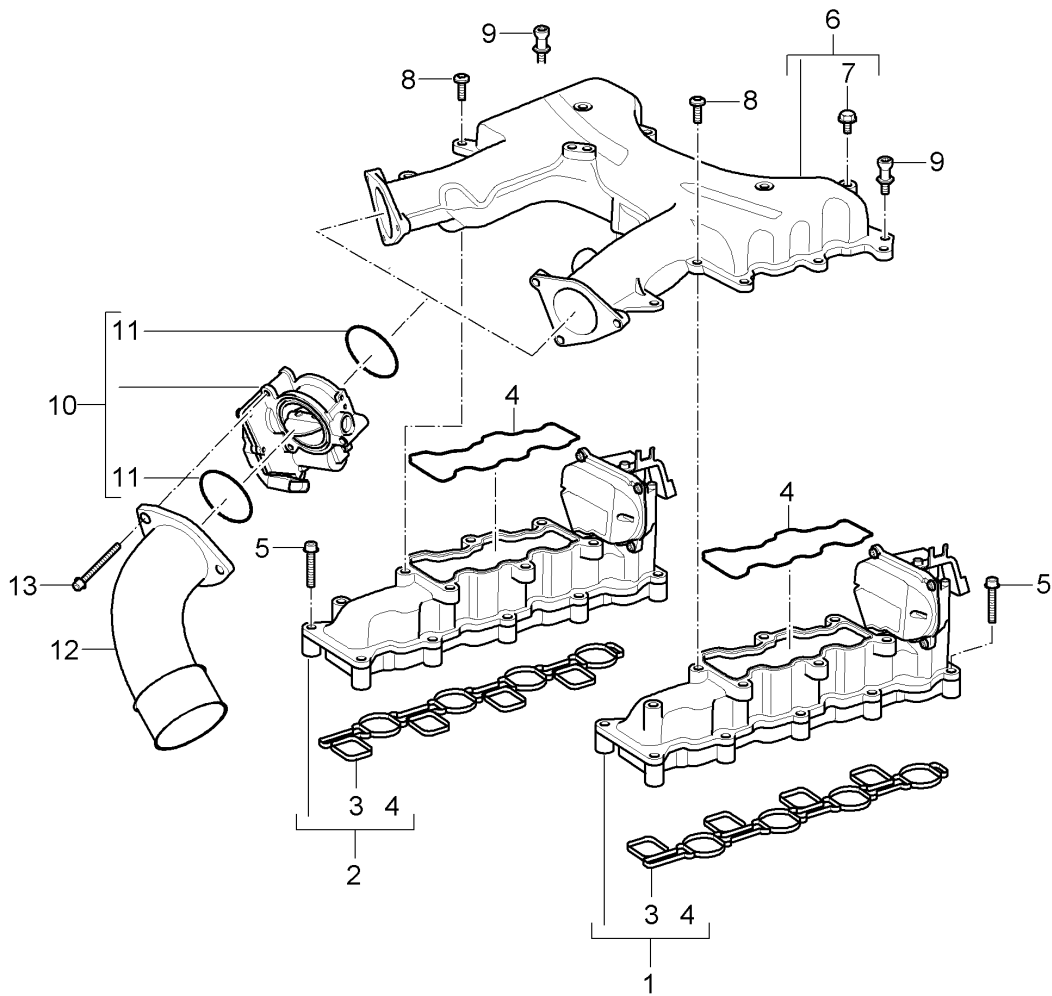
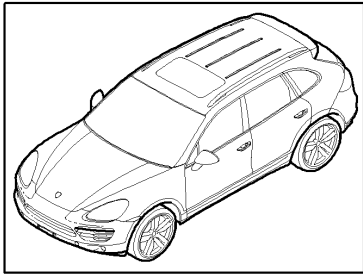
Pos	Part Number	Description	Remark	Qty	Model
		Compressor			MCG.EA/FA MCJ.T M06.EC
1	958 110 061 00	Compressor Complete		1	
(1)	958 110 061 01	Compressor Complete		1	
(1)	958 110 061 02	Compressor Complete		1	
(1)	958 110 061 03	Compressor Complete		1	
(1)	958 110 061 04	Compressor Complete		1	
(1)	958 110 061 05	Compressor Complete		1	
2	958 110 163 00	Compressor Housing without Charge air cooler		1	
3	958 110 607 10	Housing cover with Pulley		1	
4	958 110 635 10	Spring		1	
5	N 106 645 03	Hexagon-head bolt M 8 X 45 Use also: 958.110.503.00 And Securing liquid Loctite 262		8 X	
6	958 110 518 00	Cap		1	
7	958 110 382 10	Connection piece		1	
8	958 110 526 00	Grommet		2	
9	958 110 363 04	Flap-Nozzle		1	
(9)	958 110 363 05	Flap-Nozzle		1	
10	N 905 216 04	O-ring 55 X 3 Only in pairs Use		2	
11	958 110 375 10	Adapter		1	
12	N 104 707 03	Lens-head screw AM 6 X 50		3	
13	958 110 641 02	Connecting piece		1	
14	958 110 912 02	Gasket set Use also: N .905.216.04		1 2	
15	N 104 514 09	Pan-head screw M 6 X 16		22	
16	958 110 375 20	Adapter		1	
(16)	958 110 375 21	Adapter		1	
17	958 110 572 03	O-ring		2	
18		Throttle body See illustrations 1/07/20 Pos.1		1	
19		Oval-head screw See illustrations 1/07/20 Pos.2		4	
20	958 606 180 00	Pressure sensor		2	
21	958 606 549 00	O-ring		3	

Model: 92A 11 Model life 2011>>

Pos	Part Number	Description	Remark	Qty	Model
22	958 606 180 10	7,49 X 2,62 Pressure sensor		1	
23	958 110 621 00	Charge air cooler Use also: 958.110.723.20 N .104.514.09 958.110.061.00 06E.145.601.G Information available		2	
(23)	958 110 621 10	Charge air cooler Use also: 958.110.723.20 N .104.514.09 958.110.061.01 06E.145.601.K Information available		2	
(23)	958 110 621 20	Charge air cooler Use also: 958.110.723.20 N .104.514.09 06E.145.601.L Information available		2	
24	958 110 723 10	Charge air cooler Use also: 958.110.723.20 N .104.514.09 06E.145.601.L Information available Gasket Only in pairs Use		2	
25		Gasket Not available To Use		2	
26	958 110 535 20	Charge air cooler Screw plug		1	
27	958 110 723 20	Gasket 59,92 X 3,53 Only in pairs Use		2	
28	958 104 305 00	Shackle for transportation		4	
29	N 910 268 02	Pan-head screw M 8 X 20		4	
30	958 110 503 00	Sealing compound 1 100-gramme tube		1	
31	958 110 570 00	Oil for Compressor 150 ML		1	
32		Breather pipe See illustrations 1/07/22		1	
33		Pos.3 Gasket See illustrations 1/07/40 Pos.20		6	
34	958 104 539 00	Bolt M 8 X 98		6	
35	N 106 092 03	Hexagon nut M 8		6	
36	958 106 583 10	Cooling water tube		1	
(36)	958 106 583 11	Cooling water tube		1	
37	958 106 619 00	Sealing ring		4	
38	N 106 373 01	Oval-head screw M 5 X 20		6	

Model: 92A 11

Model life 2011>>



Model: 92A 11

Model life 2011>>

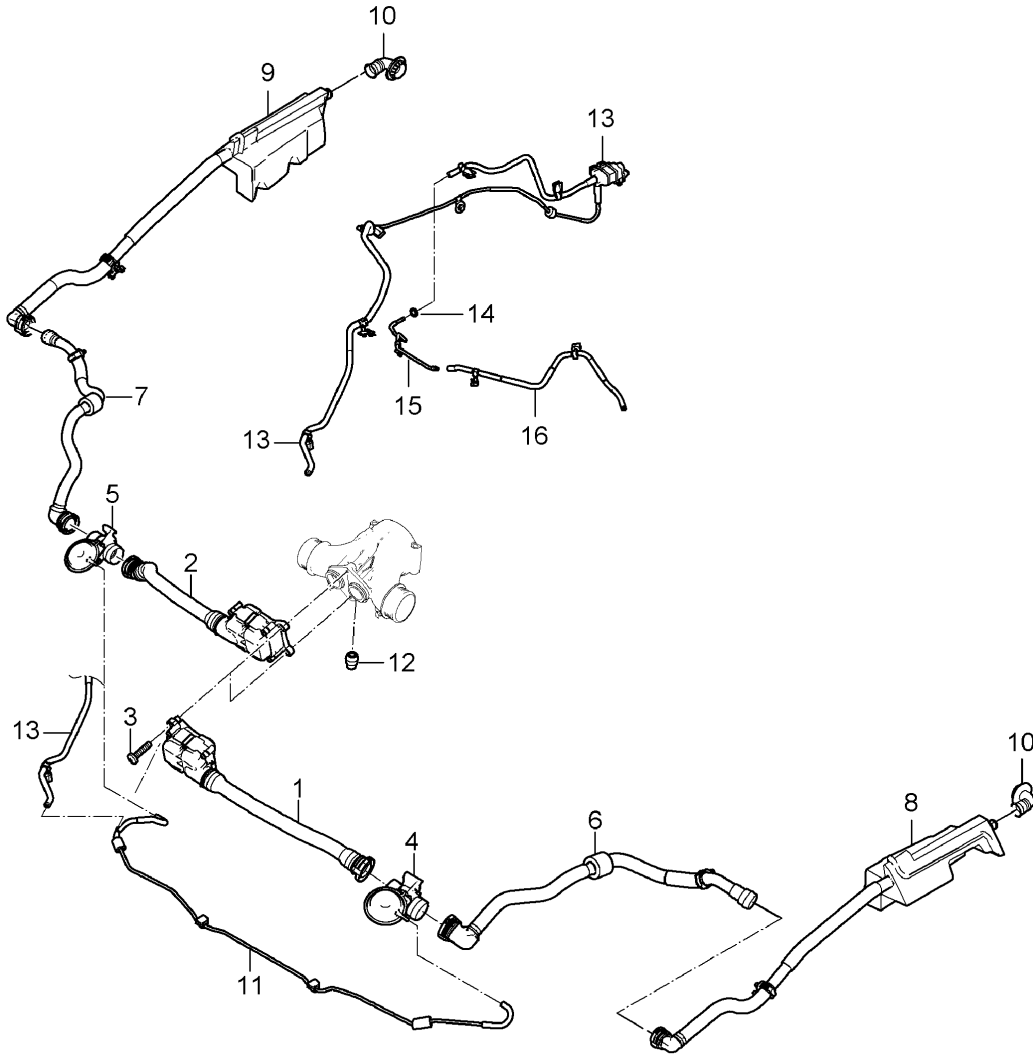
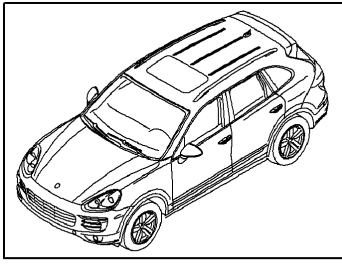
Pos	Part Number	Description	Remark	Qty	Model
		Intake manifold			MCU . DB / DC
		Pressure pipe			
		Throttle body			
1	958 110 011 00	Intake manifold	/L	1	
(1)	958 110 011 01	Intake manifold	/L	1	
(1)	958 110 011 02	Intake manifold	/L	1	
2	958 110 012 00	Intake manifold	/R	1	
(2)	958 110 012 01	Intake manifold	/R	1	
(2)	958 110 012 02	Intake manifold	/R	1	
3	958 110 247 10	Gasket		2	
4	958 110 147 20	Gasket		2	
5	N 103 008 05	Pan-head screw AM 6 X 45		20	
6	958 110 062 00	Pressure pipe		1	
7	N 016 158 1	Screw plug M 8 X 1		1	
8	N 101 243 06	Oval-head screw M 6 X 20		10	
(8)	N 106 221 01	Oval-head screw M 6 X 65		2	
9	WHT 002 377	Ball screw M 6 X 15 X 12		4	
10	958 605 115 20	Throttle body		2	
(10)	958 605 115 21	Throttle body		2	
11	N 905 216 04	O-ring 55 X 3		4	
12	958 110 557 00	Connecting piece	/L	1	
(12)	958 110 558 00	Connecting piece	/R	1	
13	N 101 270 05	Pan-head screw M 6 X 55		6	

Model: 92A 11 Model life 2011>>

Pos	Part Number	Description	Remark	Qty	Model
		Charge air cooler			IDT1/DT5/D58
		Pressure pipe			
1	955 110 639 01	Charge air cooler	/L	1	
2	955 110 640 01	Charge air cooler	/R	1	
3	955 110 513 00	Retainer spring		1	
4	N 910 538 01	Hexagon-head bolt M 6 X 20		6	
5	955 110 646 50	Pressure pipe		1	ID58
(5)		Pressure pipe		1	IDT1/DT5/0P0 IOP3/OP6
(5)	958 110 646 00	Y-piece		1	IDT1/DT5/0P8 IOP9
6	N 910 171 01	Round seal 87 X 4		1	ID58
(6)		Round seal 87 X 4		1	IDT1/DT5/0P0 IOP3/OP6
(6)	999 707 461 40	O-ring 31,42 X 2,62		2	IDT1/DT5/0P8 IOP9
7	996 606 180 00	Sensor Boost pressure		1	
8	N 106 839 01	Oval-head screw 6 X 12		1	ID58
(8)		Oval-head screw 6 X 12		1	IDT1/DT5/0P0 IOP3/OP6
(8)	N 103 352 06	Round head screw M 6 X 12		1	IDT1/DT5/0P8 IOP9
9	955 110 670 00	Bolt Locking device		2	ID58
9		Bolt Locking device		2	IDT1/DT5/0P0 IOP3/OP6
(9)	999 218 102 01	Pan-head screw M 8 X 60		2	IDT1/DT5/0P8 IOP9
10	N 106 198 01	Hose clamp 45 - 65 X 12		4	
11	955 110 107 02	Bellows		2	
12	955 110 623 01	Pressure pipe	/L	1	
13	955 110 624 10	Pressure pipe	/R	1	
14	WHT 001 018	O-ring 57 X 4		2	
15	N 103 231 03	Pan-head screw M 6 X 20		4	
16	958 110 383 00	Support for		2	
17	958 110 830 00	Pressure pipe Spacer sleeve with Screw		2	
18	867 129 669	Grommet		2	
19	900 041 004 01	Circlip 10 X 1		2	

Model: 92A 11

Model life 2011>>



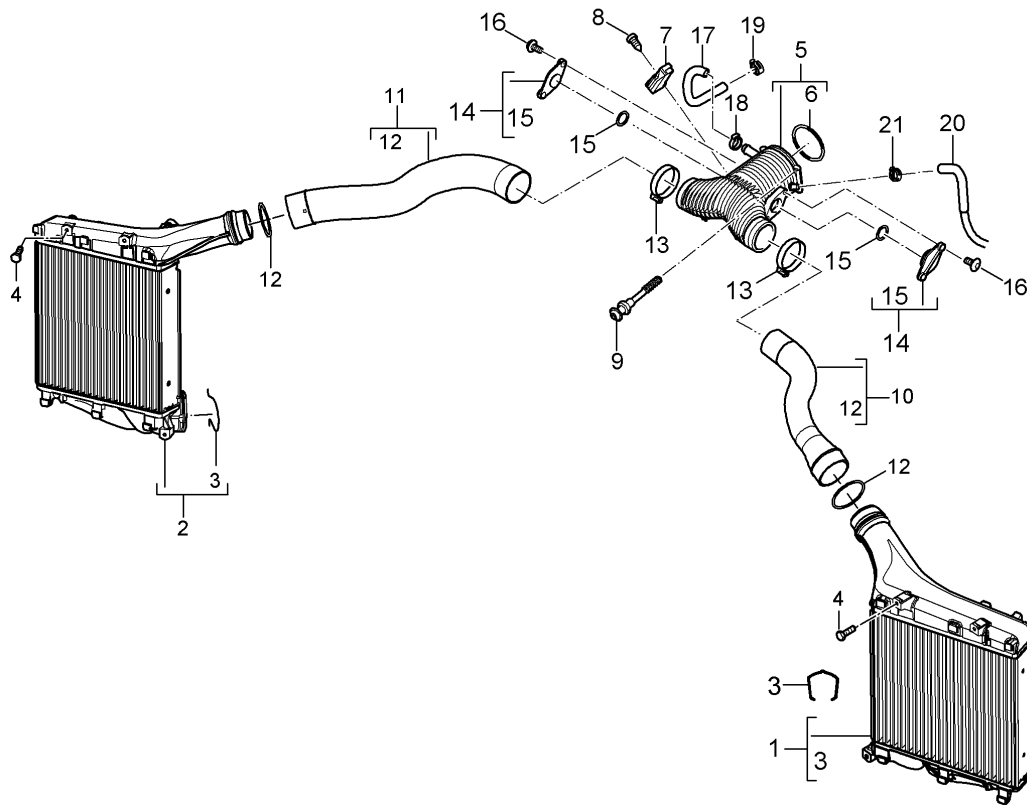
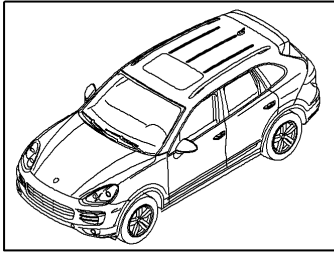
Model: 92A 11

Model life 2011>>

Pos	Part Number	Description	Remark	Qty	Model
		Charge air cooler			MCF.TB MCY.XA IOP8/OP9
1	958 110 541 20	Pressure pipe Intake pipe Housing with Diaphragm	/L	1	
2	958 110 542 20	Housing with Diaphragm	/R	1	
3	N 101 562 06	Oval-head screw M 6 X 30		2	
4	958 110 543 00	Flap with Diaphragm	/L	1	
5	958 110 544 10	Flap with Diaphragm	/R	1	
6	958 110 741 30	Connecting line	/L	1	
7	958 110 742 50	Connecting line	/R	1	
8	958 110 823 00	Connecting tube with Gasket	/L	1	
9	958 110 824 00	Connecting tube with Gasket	/R	1	
10	958 110 609 00	Grommet		2	
11	958 110 458 00	Vacuum line		1	
12	958 110 617 10	Cap Adapter Y-piece		1	
13	958 110 545 10	Vacuum line with Change-over valve		1	
14	WHT 007 767	Rubber sleeve 10 X 6 Information available		1	
15	958 111 160 91	Vacuum line Wheel housing		1	
16	958 110 488 00	Vacuum line Engine compartment Vacuum pump		1	

Model: 92A 11

Model life 2011>>

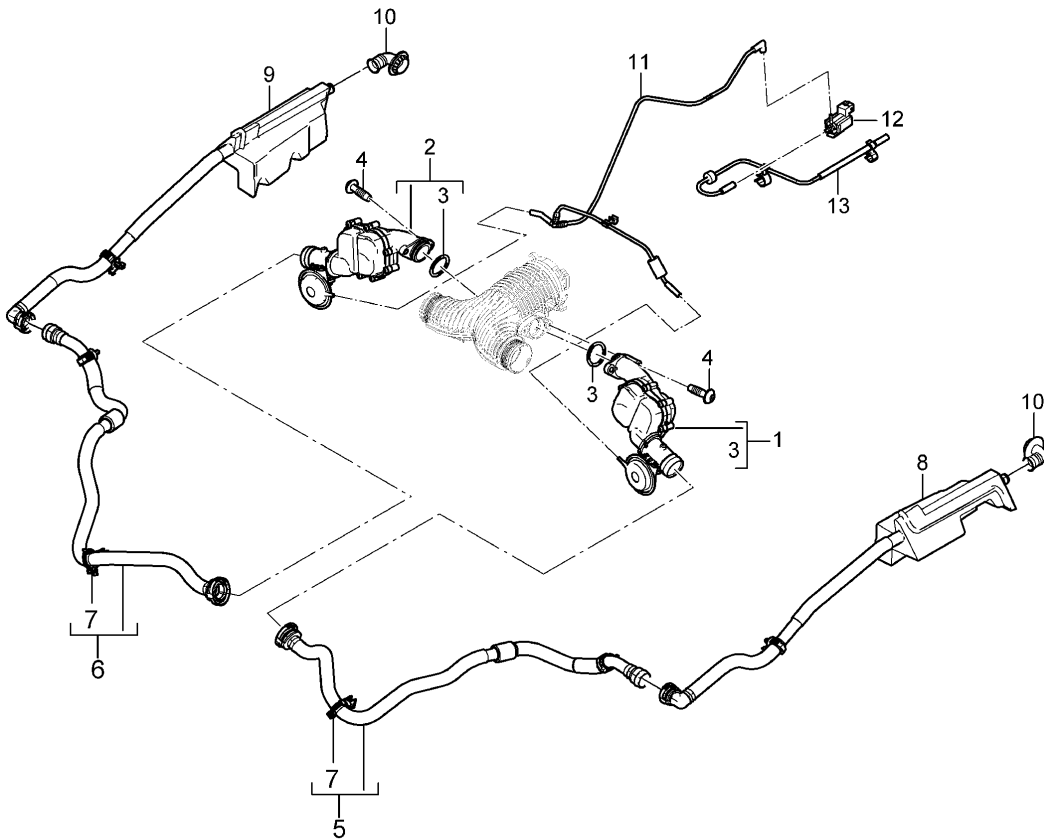
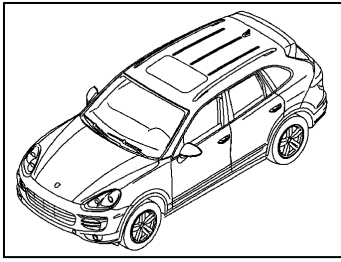


Model: 92A 11 Model life 2011>>

Pos	Part Number	Description	Remark	Qty	Model
		Charge air cooler			MCU.RA MCX.ZA
		Pressure pipe			
1	958 110 639 00	Charge air cooler	/L	1	
2	958 110 640 20	Charge air cooler	/R	1	
3	958 110 513 00	Retainer spring		2	
4	N 910 538 01	Hexagon-head bolt M 6 X 20		6	
5	970 110 140 63	Y-piece		1	
6	999 701 517 40	Throttle body O-ring 82 X 4		1	
7	06E 906 051 AA	Pressure sensor		1	
8	N 106 839 01	Oval-head screw 6 X 12		1	
9		Oval-head screw 6 X 55 See illustrations 1/07/52 POS.9		4	
10	958 110 173 10	Pressure hose	/L	1	
(10)	958 110 173 11	Pressure hose	/L	1	
11	958 110 174 10	Pressure hose	/R	1	
(11)	958 110 174 11	Pressure hose	/R	1	
12		Sealing ring Single parts Not available		2	
13	N 106 198 01	Hose clamp A 45 - 65 X 12		2	
14	7P5 129 954	Lid	-16	2	I0P0/0P3/0P6
(14)		Lid	17-	2	
15	999 707 461 40	O-ring 31,42 X 2,62	-16	2	I0P0/0P3/0P6
15		O-ring 31,42 X 2,62	17-	2	
16	N 104 734 02	Lens-head screw TP 6 X 20	-16	4	I0P0/0P3/0P6
16		Lens-head screw TP 6 X 20	17-	4	
17	970 110 246 60	Vent hose		1	
18	N 101 983 01	Hose clamp 13,3 X 7		1	
19	955 201 479 00	Hose clamp 16 X 12		1	
20		Vent hose See illustrations 2/02/62 POS.18		1	
21	999 512 489 00	Hose clamp 15,3 - 18,5		1	

Model: 92A 11

Model life 2011>>

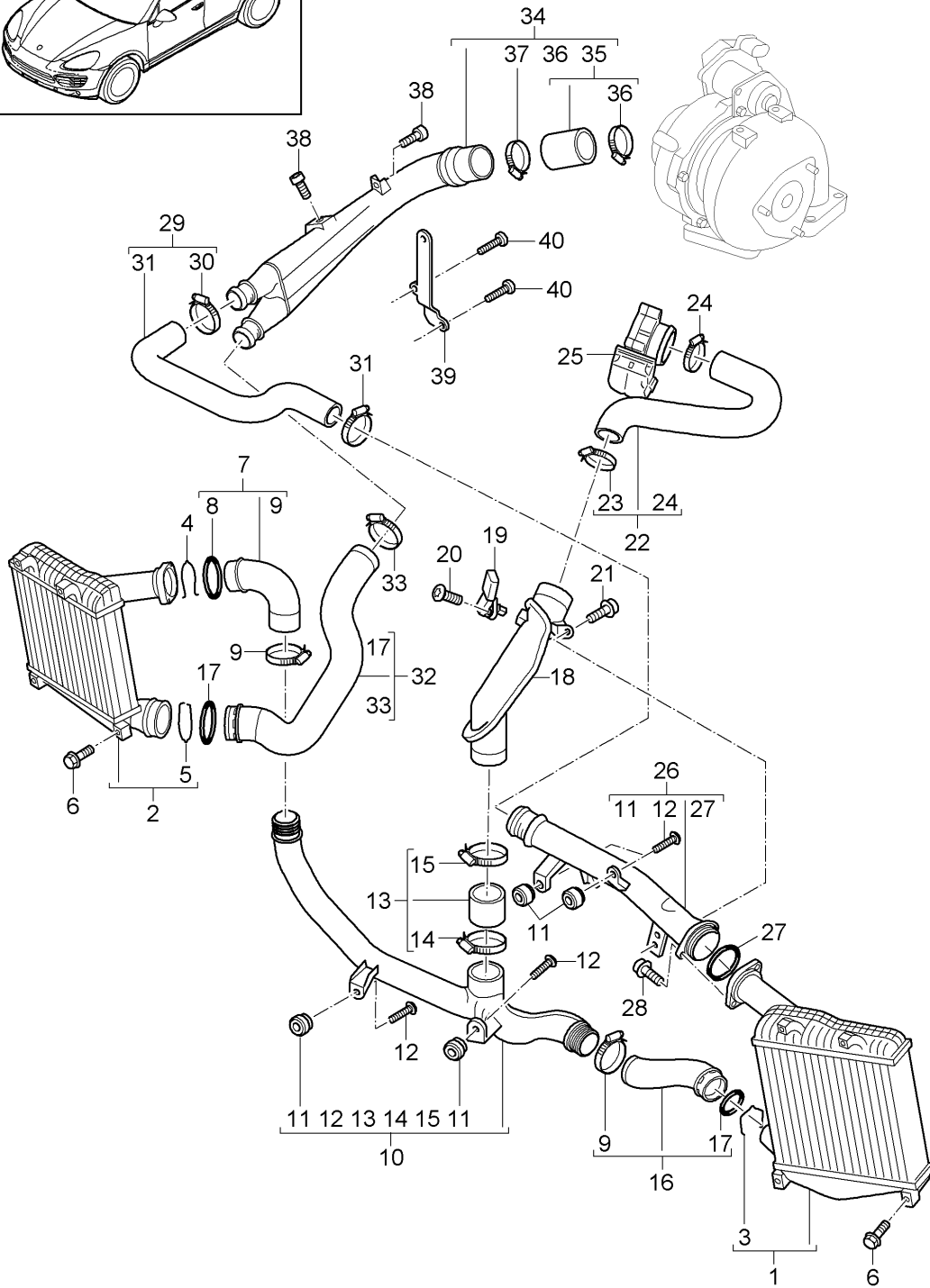
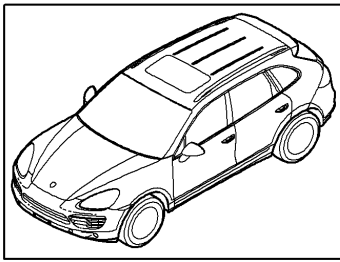


Model: 92A 11 Model life 2011>>

Pos	Part Number	Description	Remark	Qty	Model
		Charge air cooler	-16		MCU.RA MCX.ZA
1	958 110 541 02	Pressure pipe Intake pipe Housing with Diaphragm	/L	1	I0P8/0P9
(1)	958 110 541 03	Housing with Diaphragm	/L	1	I0P8/0P9
2	958 110 542 03	Housing with Diaphragm	/R	1	I0P8/0P9
(2)	958 110 542 04	Housing with Diaphragm	/R	1	I0P8/0P9
3	999 707 461 40	O-ring 31,42 X 2,62		2	I0P8/0P9
4	N 104 734 02	Lens-head screw TP 6 X 20		4	I0P8/0P9
5	958 110 741 02	Connecting line	/L	1	I0P8/0P9
6	958 110 742 01	Connecting line	/R	1	I0P8/0P9
7	N 108 106 01	Hose holder A 23-6 X C 16-16		2	I0P8/0P9
8	958 110 823 00	Connecting tube with Gasket	/L	1	I0P8/0P9
9	958 110 824 00	Connecting tube with Gasket	/R	1	I0P8/0P9
10	958 110 609 00	Grommet		2	I0P8/0P9
11	7P5 129 456 E	Vacuum line		1	I0P8/0P9
12	7PP 906 270	Change-over valve		1	I0P8/0P9
(12)	958 971 918 00	Stopper Catch Connector		1	I0P0/0P3/0P6
13	958 110 545 02	Wiring harness Vacuum line		1	I0P8/0P9

Model: 92A 11

Model life 2011>>



Model: 92A 11

Model life 2011>>

Pos	Part Number	Description	Remark	Qty	Model
		Charge air cooler Pressure pipe			ID1V/D43/D50
1	955 110 639 10	Charge air cooler	/L	1	
2	955 110 640 10	Charge air cooler	/R	1	
(2)	958 110 640 10	Charge air cooler	/R	1	
3	955 110 513 10	Retainer spring		1	
4	955 110 513 20	Retainer spring		1	
5	955 106 802 00	Retainer spring		1	
		Only together with Charge air cooler 955.110.640.10 7L6.145.804.A			
(5)	955 110 513 10	Retainer spring		1	
		Only together with Charge air cooler 958.110.640.10 7P0.145.804.A			
6	N 910 538 01	Hexagon-head bolt M 6 X 20		6	
7	958 110 708 10	Pressure hose		1	
8	955 110 517 00	Sealing ring		1	
9	N 107 349 01	Hose clamp 45 - 65 X 12		2	
10	958 110 790 00	Pressure pipe		1	
11	867 129 669	Grommet		4	
12	958 110 830 00	Spacer sleeve with Screw		4	
13	958 110 709 00	Pressure hose		1	
14	N 105 444 01	Hose clamp 60 - 80 X 12		1	
15	N 107 352 01	Hose clamp 60 - 80 X 12		1	
16	958 110 943 00	Pressure hose		1	
17	955 110 517 10	Sealing ring		2	
18	958 110 770 00	Pressure pipe		1	
19	955 606 180 10	Pressure sensor		1	
20	N 105 072 01	Oval-head screw TP 5 X 20		2	
21	N 909 589 03	Combination screw M 6 X 16		1	
22	958 110 772 10	Pressure hose	-11	1	
(22)	958 110 772 20	Pressure hose	12-	1	
(22)	958 110 772 21	Pressure hose	12-	1	
23	N 105 444 01	Hose clamp 60 - 80 X 12		1	
24	N 107 352 01	Hose clamp 60 - 80 X 12	-11	1	
24	N 105 444 01	Hose clamp 60 - 80 X 12	12-	1	
25		Throttle body See illustrations 1/07/15 Pos.1	-11	1	
25		Throttle body See illustrations 1/07/62 Pos.21	12-	1	
26	958 110 762 10	Pressure pipe		1	
27	WHT 001 018 A	O-ring 57 X 4		1	
28	N 101 244 08	Torx screw M 6 X 20		2	

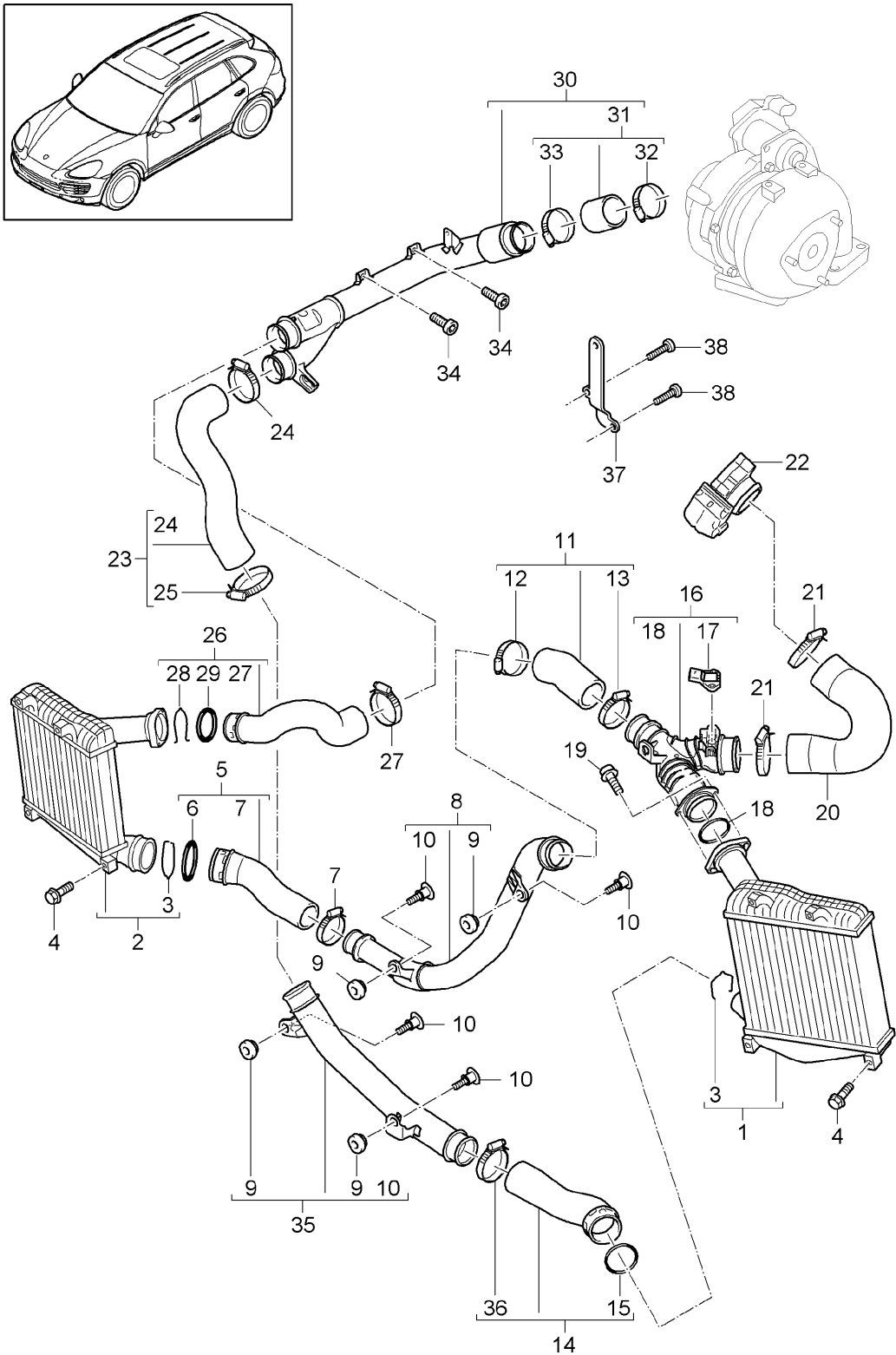
Model: 92A 11

Model life 2011>>

Pos	Part Number	Description	Remark	Qty	Model
29	958 110 737 00	Pressure hose	-11	1	
(29)	958 110 737 10	Pressure hose	12-	1	
(29)	958 110 737 11	Pressure hose	12-	1	
30	N 105 188 01	Hose clamp 40 - 60 X 12	-11	1	
(30)	N 105 189 01	Hose clamp 50 - 70 X 12	12-	1	
31		Hose clamp 50 - 70 X 12		1	
32	958 110 738 00	Pressure hose	-11	1	
(32)	958 110 738 20	Pressure hose	12-	1	
33	N 107 355 01	Hose clamp 40 - 60 X 12	-11	1	
(33)	N 107 350 01	Hose clamp 50 - 70 X 12	12-	1	
34	958 110 741 10	Pressure pipe	-11	1	
(34)	958 110 741 00	Pressure pipe	12-14	1	
(34)	958 110 741 01	Pressure pipe	15-	1	
35	958 110 832 10	Pressure hose	-11	1	
(35)	958 110 832 00	Pressure hose	12-	1	
36	N 107 357 01	Hose clamp 50 - 70 X 12	-11	1	
(36)	N 107 356 01	Hose clamp 45 - 65 X 12	12-	1	
37	N 106 198 01	Hose clamp 45 - 65 X 12	-11	1	
(37)	N 107 349 01	Hose clamp 45 - 65 X 12	12-	1	
38	N 103 352 02	Oval-head screw M 6 X 12		2	
39	958 110 764 40	Support		1	
40	N 101 961 03	Oval-head screw M 6 X 18		2	

Model: 92A 11

Model life 2011>>



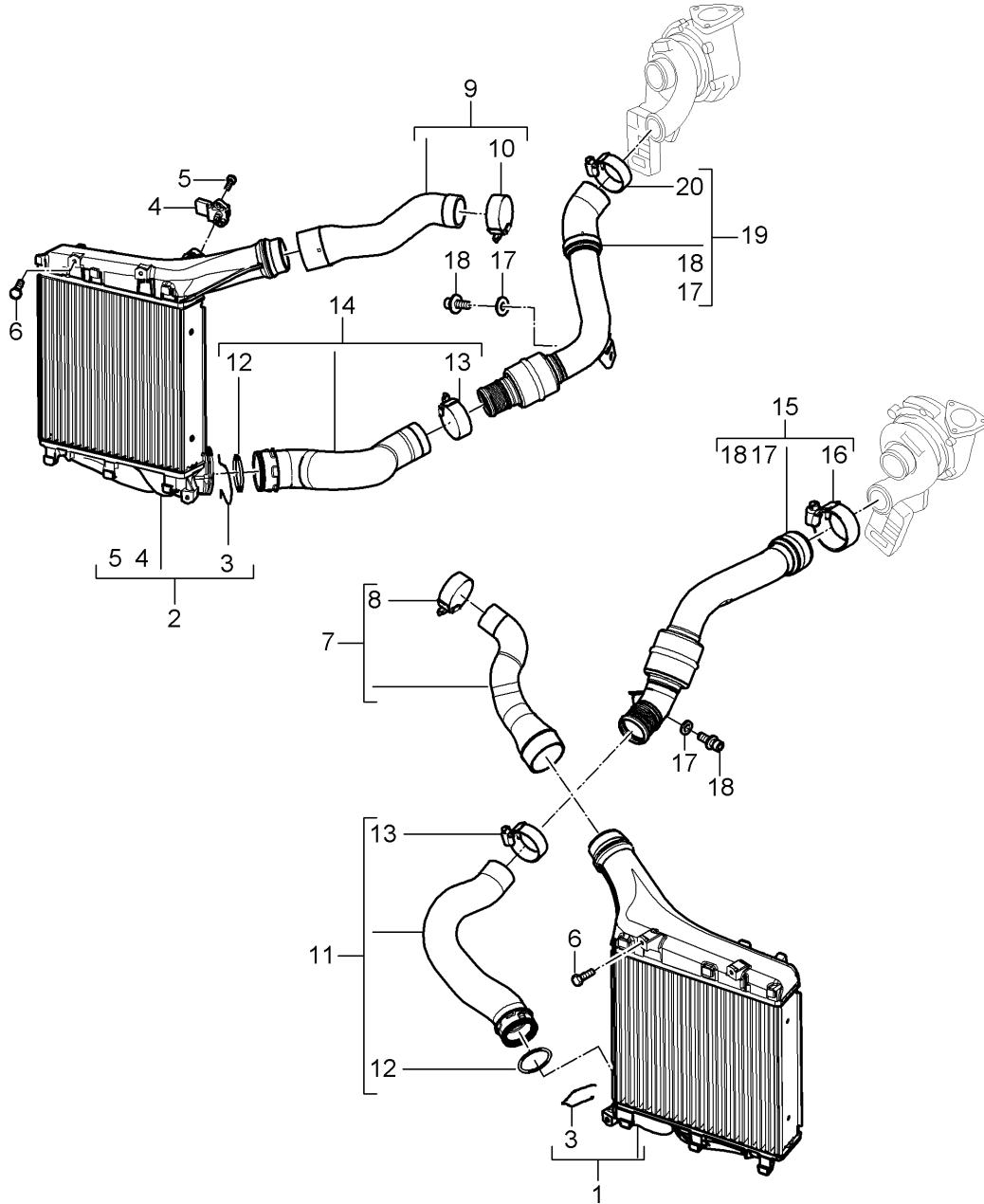
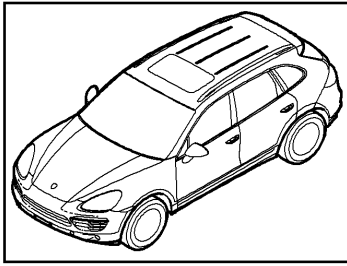
Model: 92A 11

Model life 2011>>

Pos	Part Number	Description	Remark	Qty	Model
		Charge air cooler Pressure pipe			MCV.VA/VB/VC
1	955 110 639 10	Charge air cooler	/L	1	
2	958 110 640 10	Charge air cooler	/R	1	
3	955 110 513 10	Retainer spring		2	
4	N 910 538 01	Hexagon-head bolt M 6 X 20		6	
5	958 110 708 20	Pressure hose		1	
6	955 110 517 10	Sealing ring		1	
7	N 105 188 01	Hose clamp 40 - 60 X 12		1	
8	958 110 790 10	Pressure pipe		1	
9	867 129 669	Grommet		5	
10	958 110 830 00	Spacer sleeve with Screw		5	
11	958 110 709 10	Pressure hose		1	
12	N 105 189 01	Hose clamp 50 - 70 X 12		1	
13		Hose clamp 50 - 70 X 12		1	
14	958 110 943 10	Pressure hose		1	
15	955 110 517 10	Sealing ring		1	
16	958 110 770 10	Pressure pipe		1	
17	03G 906 051 E	Pressure sensor		1	
18	WHT 001 018 A	O-ring 57 X 4		1	
19	N 101 244 08	Torx screw		2	
20	958 110 772 22	Pressure hose		1	
21	N 105 444 01	Hose clamp 60 - 80 X 12		2	
22		Throttle body See illustrations 1/07/62 POS.21		1	
23	958 110 737 12	Pressure hose		1	
24	N 107 350 01	Hose clamp 50 - 70 X 12		1	
25	N 107 357 01	Hose clamp 50 - 70 X 12		1	
26	958 110 738 10	Pressure hose		1	
27	N 107 350 01	Hose clamp 50 - 70 X 12		1	
28	955 110 513 20	Retainer spring		1	
29	955 110 517 00	Sealing ring		1	
30	958 110 741 01	Pressure pipe		1	
31	958 110 832 00	Pressure hose		1	
32	N 107 356 01	Hose clamp 45 - 65 X 12		1	
33	N 107 349 01	Hose clamp 45 - 65 X 12		1	
34	N 103 352 06	Round head screw M 6 X 12		2	
35	958 110 770 20	Pressure pipe		1	
36	N 107 350 01	Hose clamp 50 - 70 X 12		1	
37	958 110 764 40	Support		1	
38	N 101 961 03	Oval-head screw M 6 X 18		2	

Model: 92A 11

Model life 2011>>



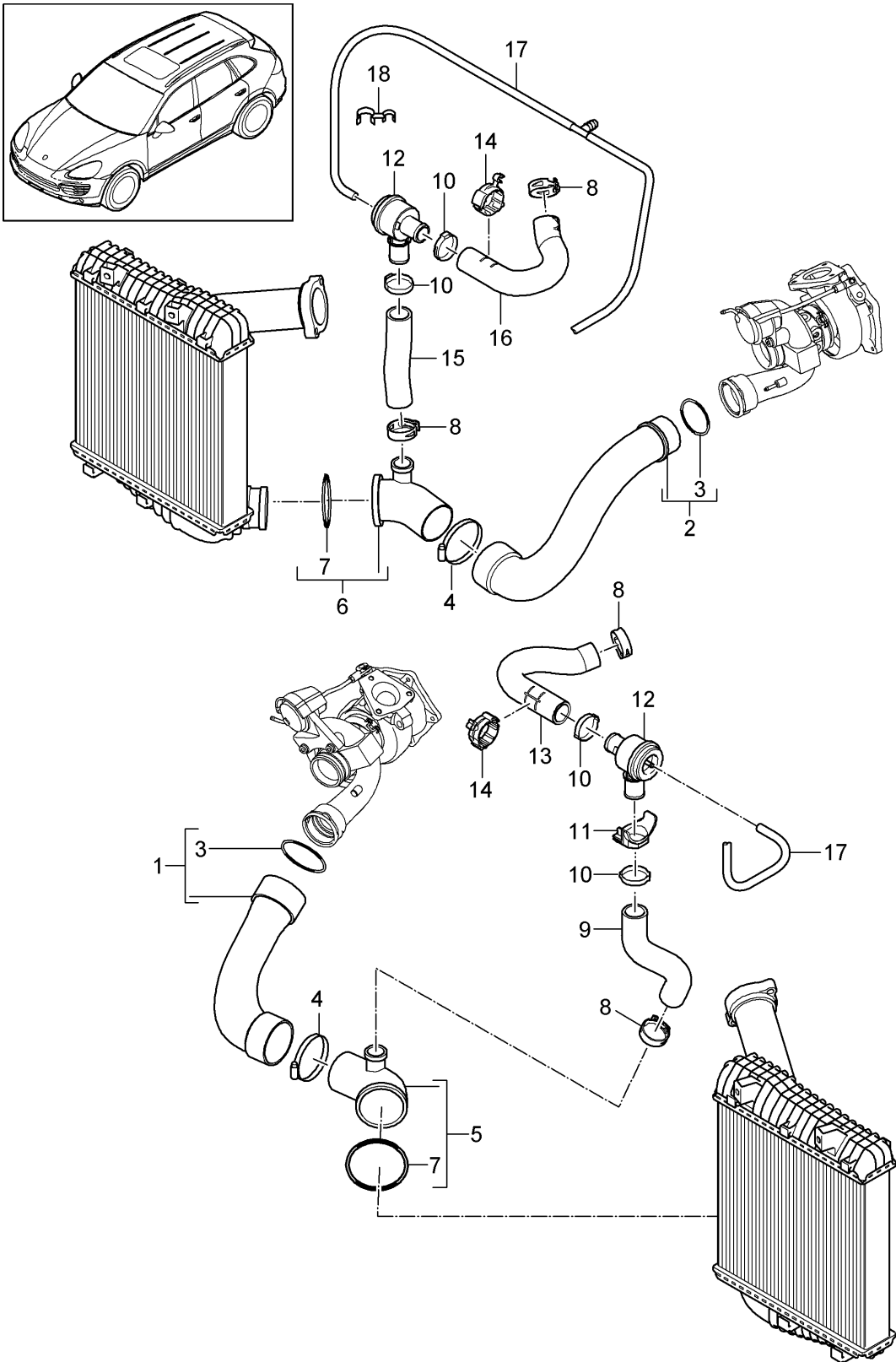
Model: 92A 11

Model life 2011>>

Pos	Part Number	Description	Remark	Qty	Model
		Charge air cooler Pressure pipe			IDD8
1	958 110 639 00	Charge air cooler	/L	1	
2	958 110 640 00	Charge air cooler	/R	1	
3	958 110 513 00	Retainer spring		2	
4	955 606 180 10	Pressure sensor		1	
5	N 107 877 01	Round head screw M 5 X 18		2	
6	N 910 538 01	Hexagon-head bolt M 6 X 20		6	
7	958 110 793 00	Pressure hose	/L	1	
8	N 107 348 01	Hose clamp B 40 - 60 X 12		1	
9	958 110 794 00	Pressure hose	/R	1	
10	N 107 355 01	Hose clamp C 40 - 60 X 12		1	
11	958 110 767 21	Pressure hose	/L	1	
12	955 110 721 00	Round seal 58,05 X 3,55		2	
13	N 107 348 01	Hose clamp B 40 - 60 X 12		2	
14	958 110 768 21	Pressure hose	/R	1	
15	958 110 741 20	Pressure pipe	/L	1	
(15)	958 110 741 21	Pressure pipe	/L	1	
16	N 107 354 01	Hose clamp C 40 - 55 X 12		1	
17	867 129 669	Grommet		2	
18	958 110 830 10	Spacer sleeve with Screw		2	
19	958 110 742 20	Pressure pipe	/R	1	
(19)	958 110 742 21	Pressure pipe	/R	1	
20	N 107 347 01	Hose clamp B 40 - 55 X 12		1	

Model: 92A 11

Model life 2011>>



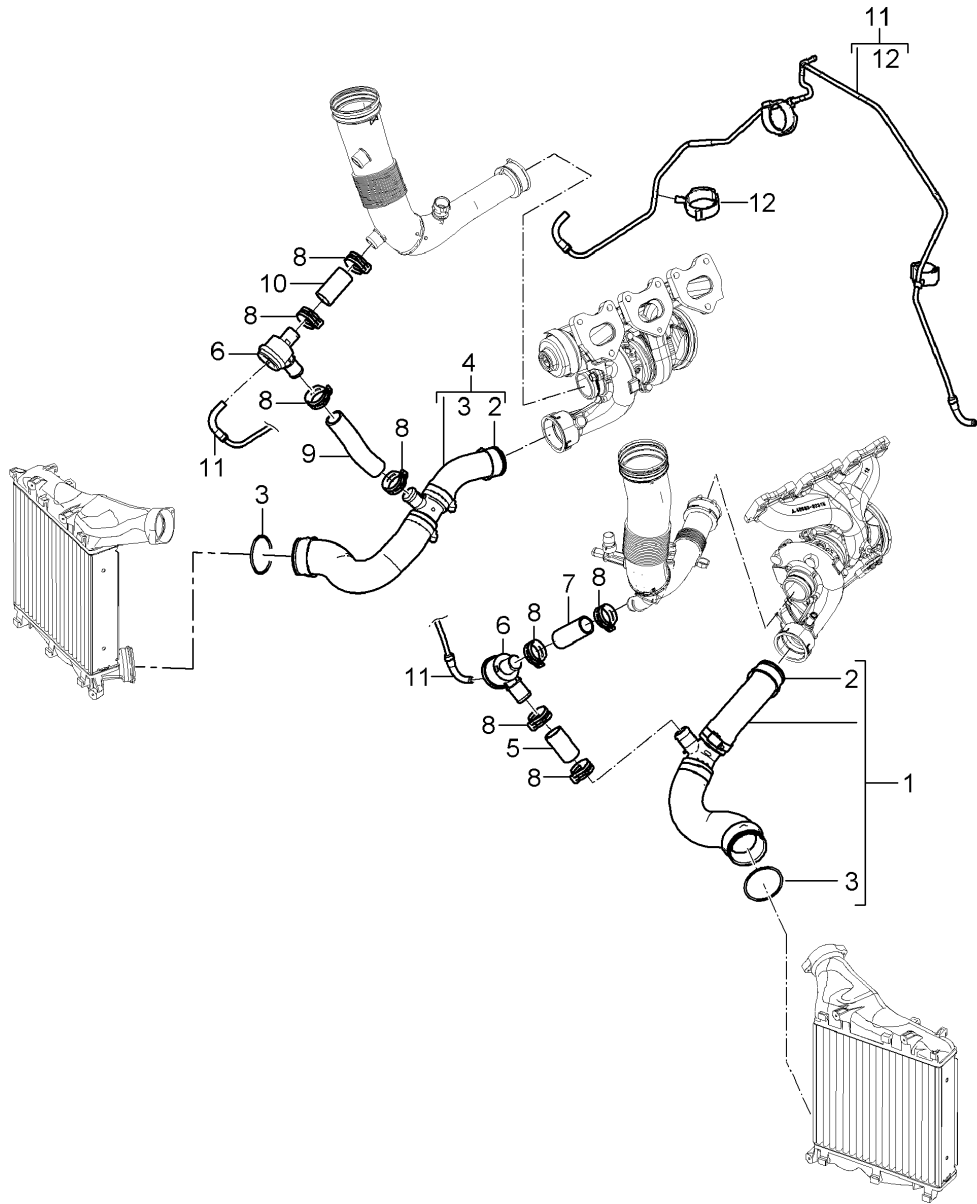
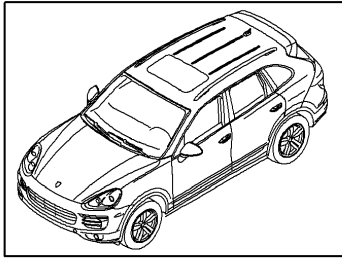
Model: 92A 11

Model life 2011>>

Pos	Part Number	Description	Remark	Qty	Model
		Supercharging 1			IDT1/DT5/D58
		Pressure pipe			
1	955 110 837 10	Pressure hose	/L	1	
2	955 110 838 10	Pressure hose	/R	1	
3	955 110 720 00	Round seal 43,95 X 3,5		2	
4	N 909 509 01	Hose clamp A 50 - 70 X 9,0		2	
5	955 110 367 10	Pressure pipe	/L	1	
6	955 110 368 10	Pressure pipe	/R	1	
7	955 110 722 00	Sealing ring 53,95 X 3,55		2	
8	955 110 917 00	Hose clamp B 34 X 12		4	
9	958 110 743 30	Hose		1	
10	N 102 077 01	Hose clamp 34,6 X 7 X 0,6		4	
11	955 110 263 00	Support		1	
12	955 110 710 01	Shut-off valve		2	
13	958 110 743 20	Hose		1	
14	N 107 647 01	Hose holder A 01-6 X C 19-33		2	
15	958 110 742 00	Hose		1	
16	958 110 742 10	Hose		1	
17	958 110 693 00	Control line		1	ID58
(17)	958 110 693 40	Control line		1	IDT1/DT5
18	N 104 599 01	Hose holder A 01-13 X C 01-8		1	

Model: 92A 11

Model life 2011>>



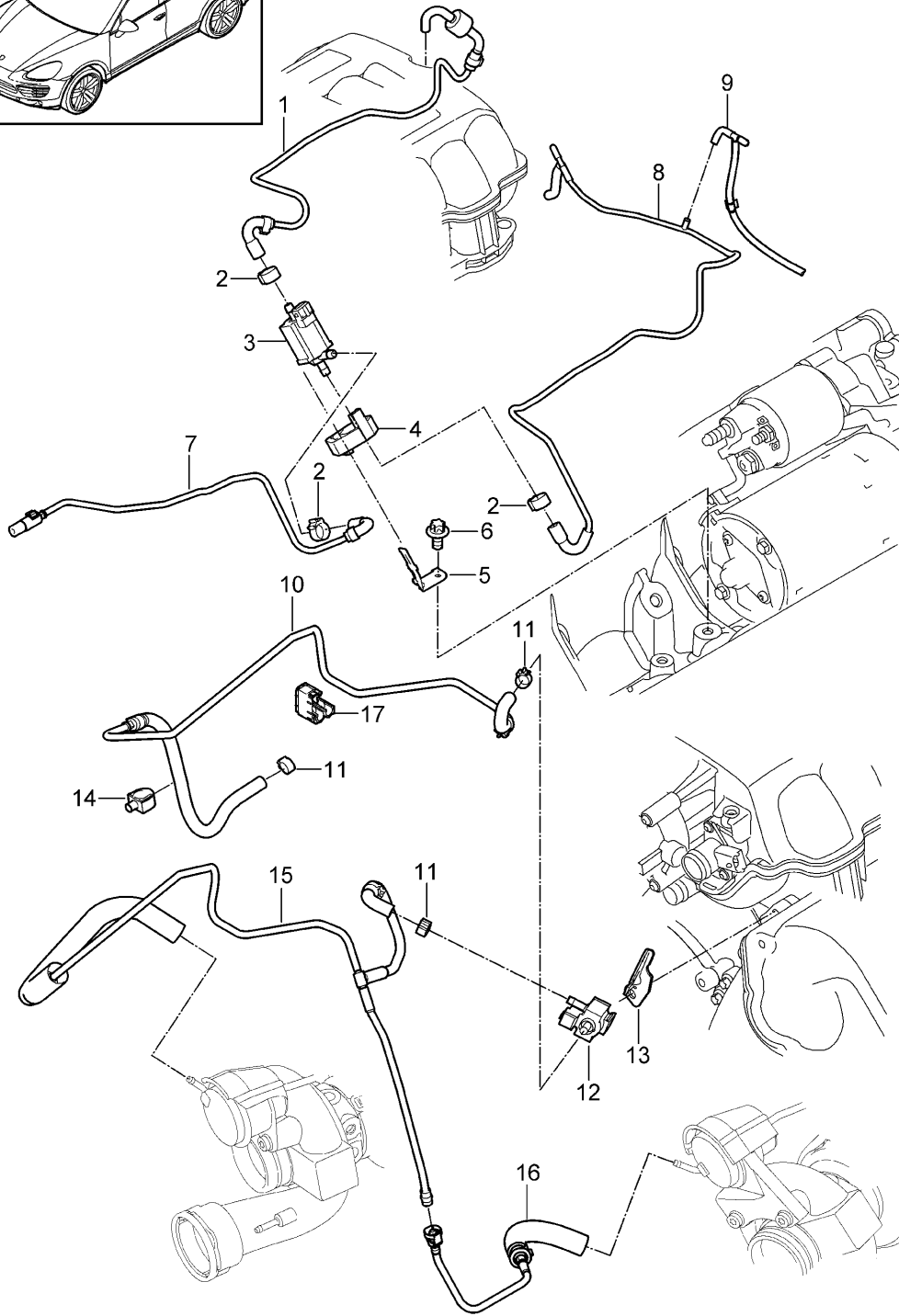
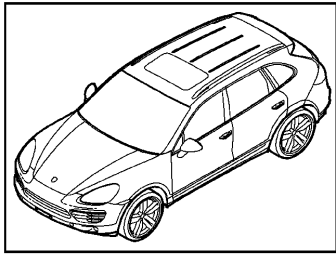
Model: 92A 11

Model life 2011>>

Pos	Part Number	Description	Remark	Qty	Model
		Supercharging 1			MCU.RA MCX.ZA
1	958 110 837 00	Pressure pipe			
2	955 110 721 00	Pressure hose	/L	1	
		Round seal		2	
		58,05 X 3,55			
3	955 110 720 00	Round seal		2	
		43,95 X 3,5			
4	958 110 838 00	Pressure hose	/R	1	
5	958 110 743 40	Hose		1	
6	955 110 710 01	Shut-off valve		2	
7	958 110 742 30	Hose		1	
8	955 110 917 00	Hose clamp		8	
		A 34 X 12			
9	958 110 743 50	Hose		1	
(9)	958 110 743 51	Hose		1	
10	958 110 742 40	Hose		1	
11	958 110 693 30	Control line		1	
(11)	958 110 693 31	Control line		1	
12	999 507 171 40	Line bracket		1	
		6,0 / 39,0			

Model: 92A 11

Model life 2011>>



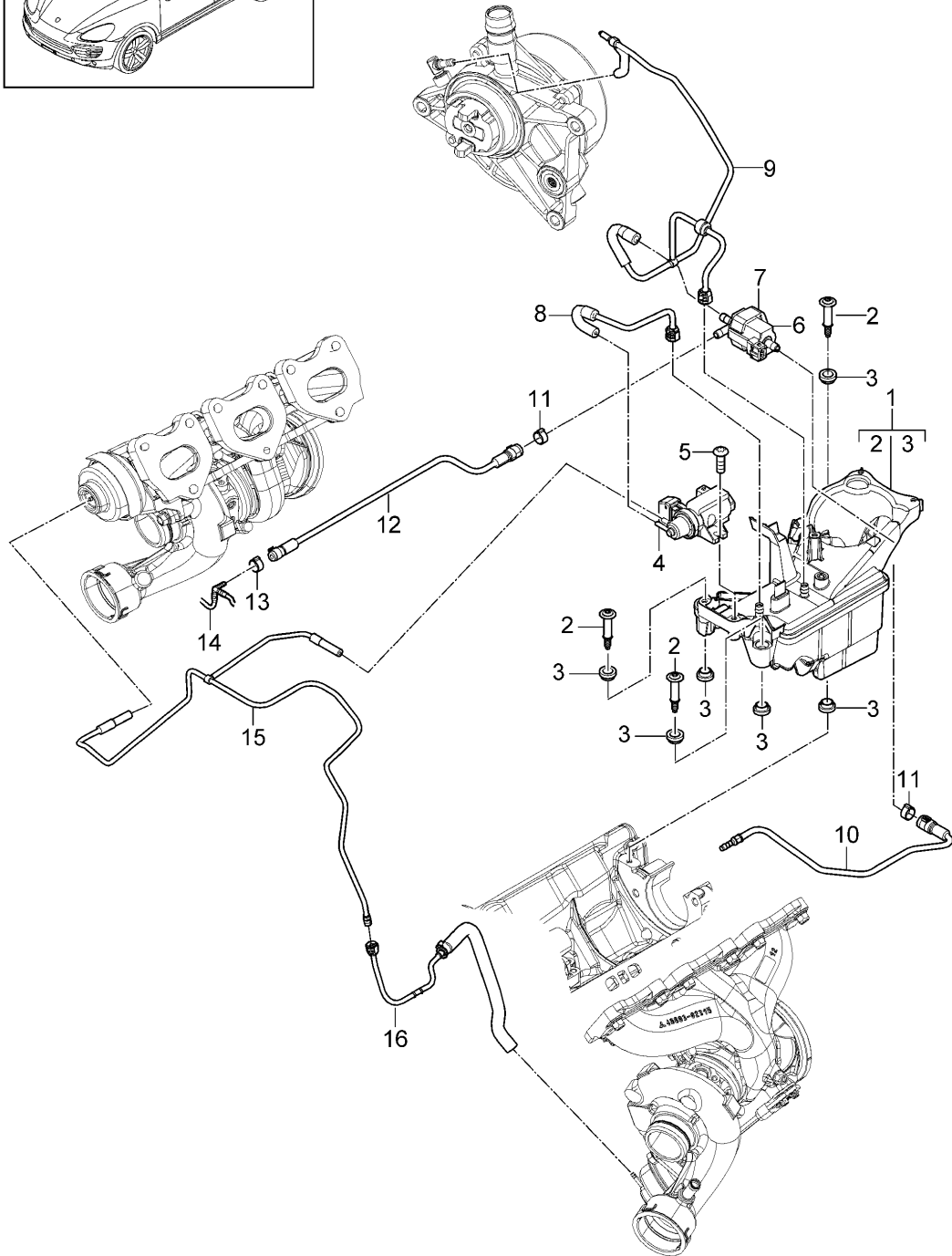
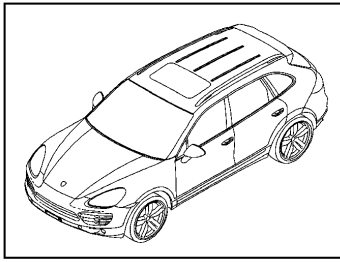
Model: 92A 11

Model life 2011>>

Pos	Part Number	Description	Remark	Qty	Model
		Supercharging 2			MCF.TB MCY.XA M48.52
		Control line			
		Pressure line			
1	948 110 324 53	Pressure line		1	
2	999 512 689 00	Hose clamp		3	
		12,5 - 14,0			
3	996 605 165 00	Change-over valve		1	
		Electric			
(3)	9A1 605 165 00	Change-over valve		1	
		Electric			
4	948 605 167 01	Rubber holder		1	
		for			
		Change-over valve			
5	948 110 360 51	Support	-13	1	
(5)	948 110 360 52	Support	14-	1	
6	900 385 041 01	Torx screw		1	
		BM 6 X 12			
7	948 110 394 52	Control line		1	
8	948 110 358 52	Vacuum line		1	
9		Vacuum line		1	
		See illustrations			
		1/07/50			
		Pos.15			
10	948 110 240 71	Pressure line		1	
11	999 512 688 00	Hose clamp		3	
		10,5 - 11,5			
12	996 605 155 00	Cycle valve		1	
13	948 110 370 71	Support		1	
14	999 507 813 40	Cable holder		1	
		11,5 - 12,7			
15	948 110 666 71	Control line		1	
16	948 110 668 55	Control line		1	
17	958 008 471 00	Line bracket		1	MCF.TB MCY.XA I0P8/0P9
		2 X 6,0			

Model: 92A 11

Model life 2011>>



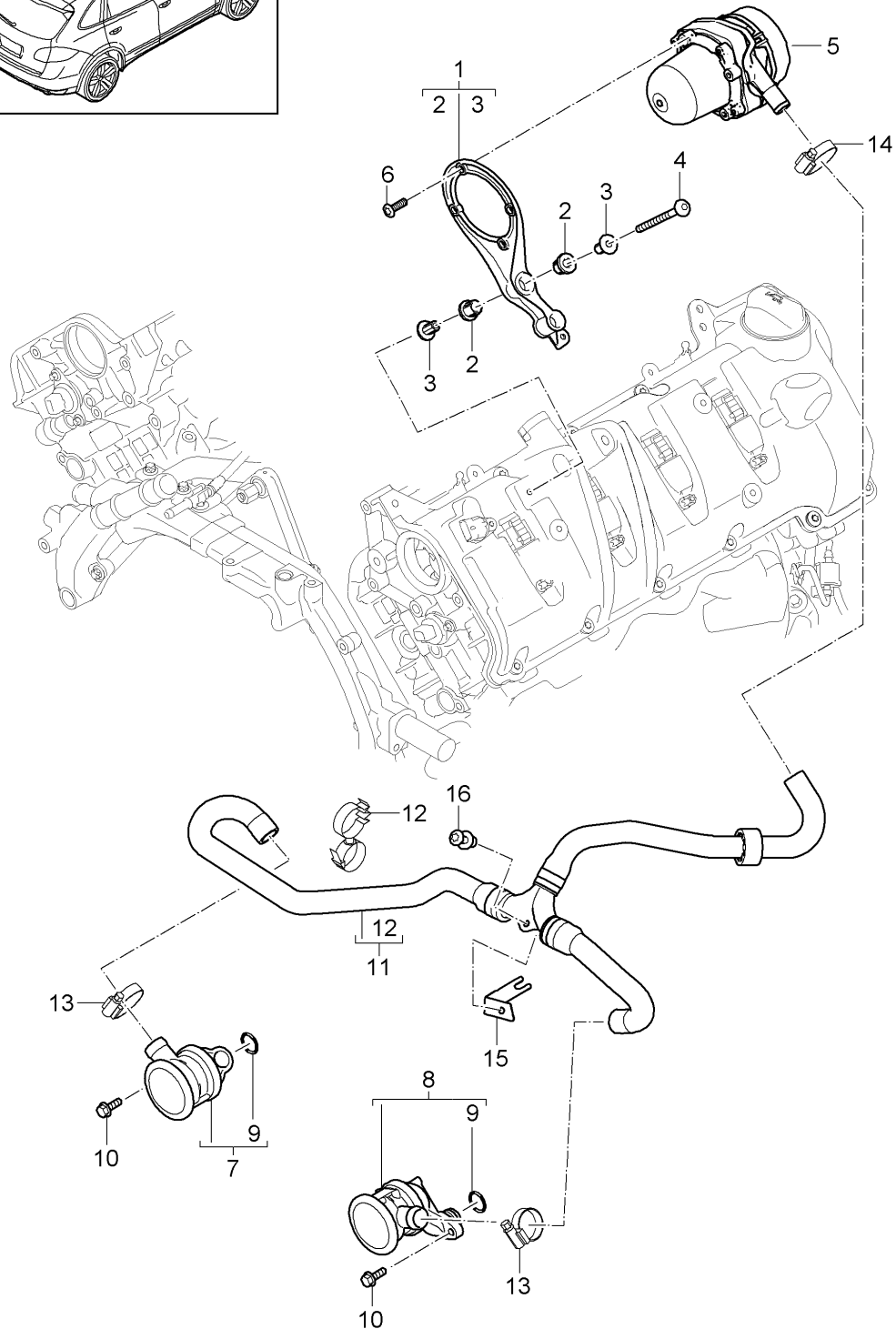
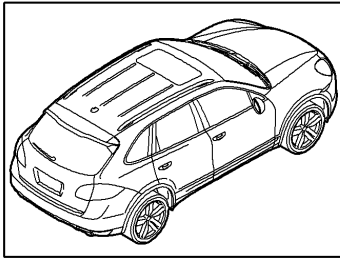
Model: 92A 11

Model life 2011>>

Pos	Part Number	Description	Remark	Qty	Model
		Supercharging 2			MCU . RA MCX . ZA
1	946 110 030 77	Vacuum tank		1	
2	946 110 135 75	Control line		3	
		Pressure line			
		Vacuum tank			
3	946 110 134 75	Fastening part with Guide sleeve		6	
4	946 605 155 00	Rubber bush		1	
5	999 919 283 01	Pressure converter		2	
6	7PP 906 046	Lens-head screw 6 X 18		1	
7	7PP 906 290	Change-over valve Electric		1	
8	946 110 360 76	Rubber holder for Change-over valve		1	
9	946 110 358 77	Vacuum line		1	
10	946 110 324 76	Vacuum line		1	
11	999 512 689 00	Pressure line		2	
12	946 110 394 75	Hose clamp 12,5 - 14		1	
13	955 111 483 00	Control line		1	
14		Clamp B 11,5 X 8,4 Control line See illustrations 1/07/82 POS.11		1	
15	946 110 666 76	Control line		1	
16	946 110 668 75	Control line		1	

Model: 92A 11

Model life 2011>>



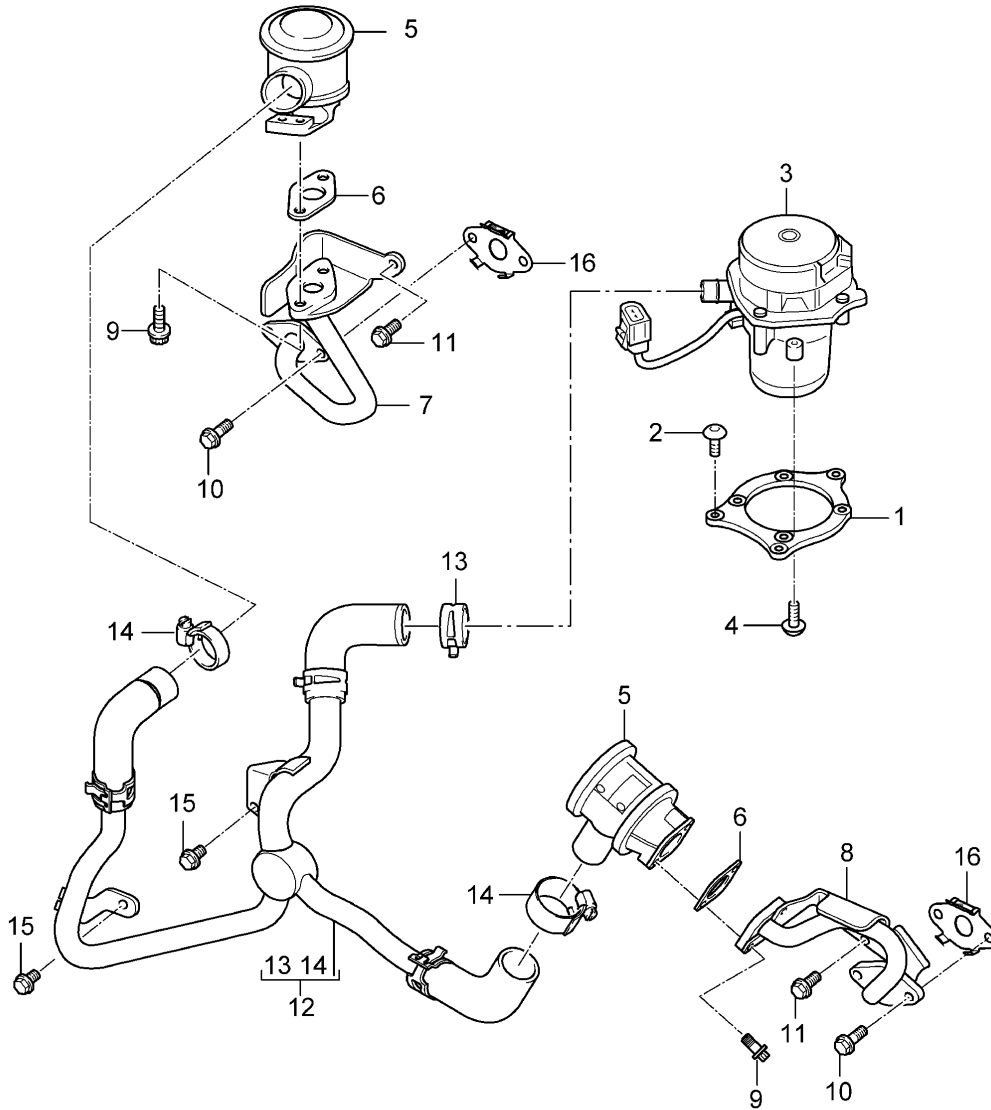
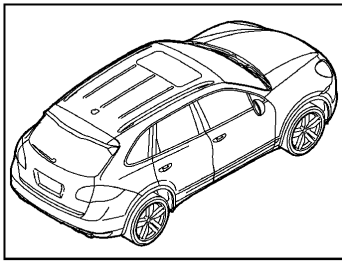
Model: 92A 11

Model life 2011>>

Pos	Part Number	Description	Remark	Qty	Model
		Air injection			MCF.TB MCY.XA M48.02/52 I7MG/7MJ/7MM
1	958 113 101 00	Secondary pump			
(1)	958 113 101 01	Bracket	-12	1	
2	958 113 231 00	Bracket	13-	1	
3	958 113 241 00	Rubber bush		4	
4	958 113 241 00	Sleeve		4	
4	999 073 914 31	Oval-head screw M 6 X 55		2	
5	7PP 959 253	Secondary pump		1	
(5)	7PP 959 253 A	Secondary pump		1	
		Use also: 958.572.830.00		1	
		Clip			
		Connector housing			
(5)	7PP 959 253 B	Secondary pump		1	
		Use also: 958.572.830.00		1	
		N .906.814.01		1	
-	999 507 085 40	Hose holder		1	
		Clip			
		Connector housing			
		Secondary pump			
		F >>92BLA 46627			
		F >>92BLA 83686			
-	958 572 830 00	Clip		1	
		Connector housing			
		Secondary pump			
		F 92BLA 46628>>			
		F 92BLA 83687>>			
-	N 906 814 01	Hose holder	13-	1	
		7,5 - A-			
6	999 073 903 31	Oval-head screw M 6 X 20		4	
7	7PP 131 109 A	Valve	/L	1	
8	7PP 131 109	Valve	/R	1	
9	999 701 502 41	O-ring 15 X 3		2	
10	N 106 533 02	Hexagon-head bolt M 6 X 20		2	
11	958 113 032 02	Connecting line		1	
12	N 104 782 01	Hose holder		1	
		A 05-7 X 140 X C 05-22			
13	N 024 520 3	Hose clamp		2	
		A 20 - 32 X 9			
14	955 512 407 00	Clip		1	
		B 25 X 12			
15	958 113 209 00	Support		1	
16	958 113 307 00	Expansion rivet		1	

Model: 92A 11

Model life 2011>>



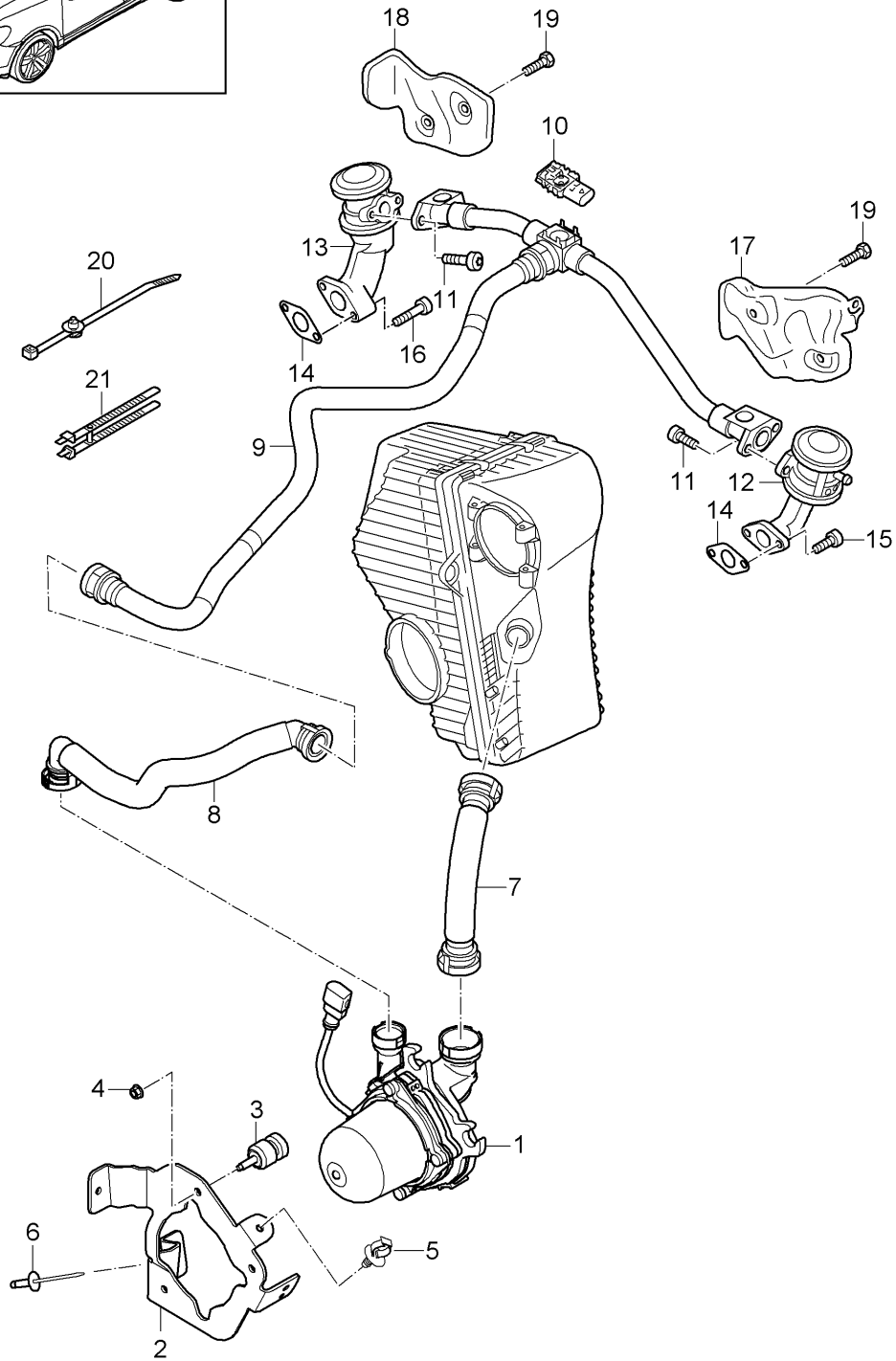
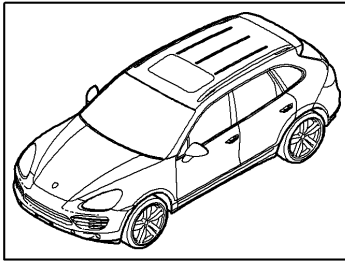
Model: 92A 11

Model life 2011>>

Pos	Part Number	Description	Remark	Qty	Model
		Air injection			MCU.RA MCX.ZA
1	95B 131 337	Secondary pump Support		1	
2	N 104 734 02	Lens-head screw TP 6 X 20		3	
3	95B 959 253	Secondary pump		1	
-	999 507 085 40	Clip Connector housing		1	
4	N 104 514 05	Secondary pump Round head screw M 6 X 16		4	
5	948 113 203 51	Valve		2	
6	993 113 258 51	Gasket		2	
7	970 113 141 61	Pipe	/L	1	
8	970 113 142 61	Pipe	/R	1	
9	900 385 019 01	Torx screw BM 6 X 20		4	
10	N 106 533 02	Hexagon-head bolt M 6 X 20		4	
11	N 107 188 01	Hexagon-head bolt M 6 X 16		2	
12	958 113 032 10	Pipeline Complete		1	
13	999 512 658 09	Hose clamp B 27 X 12		1	
14	999 512 552 01	Hose clamp A 20 - 32		2	
15	N 107 591 01	Hexagon-head bolt M 6 X 12		2	
16	958 113 258 00	Gasket		2	

Model: 92A 11

Model life 2011>>



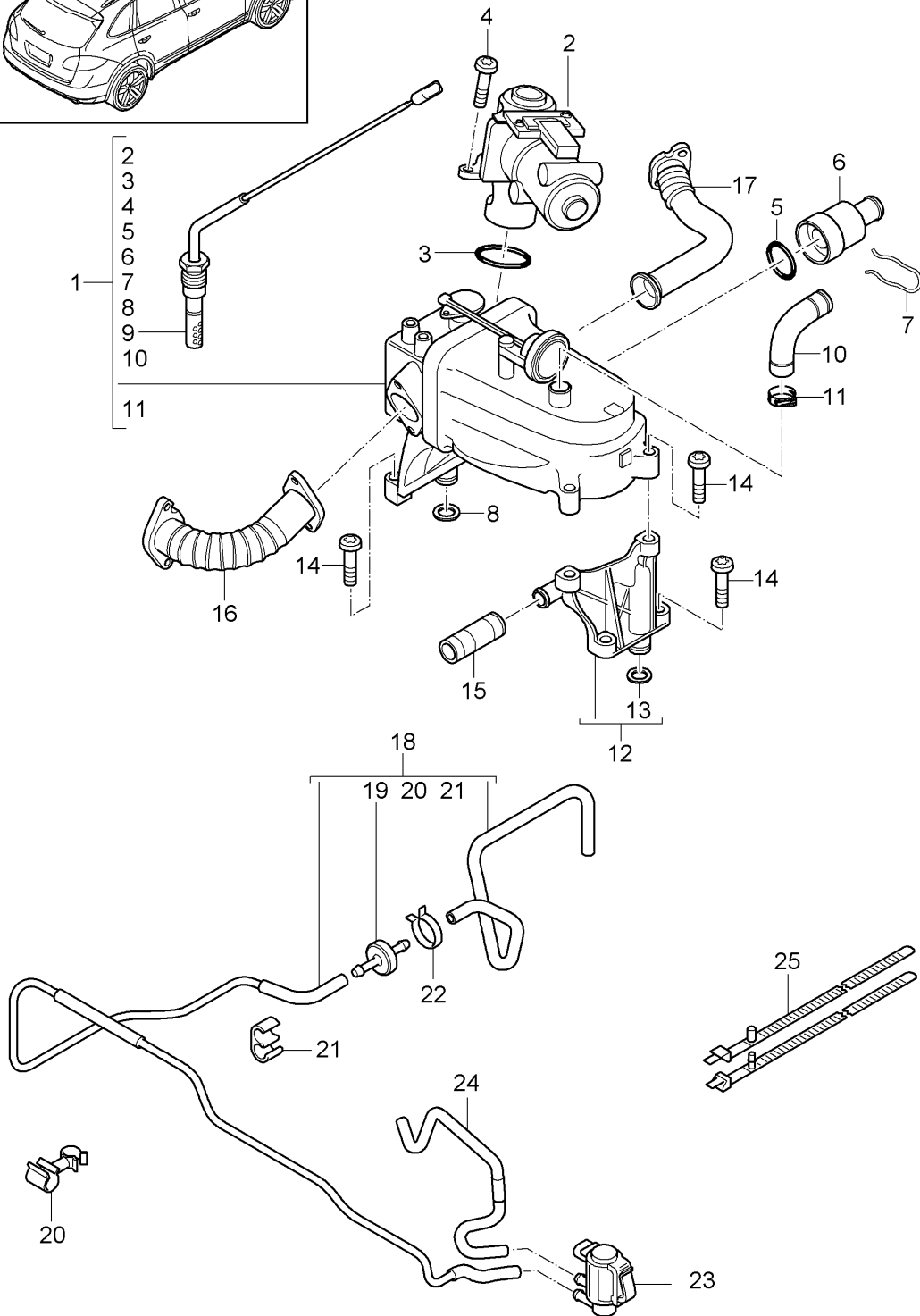
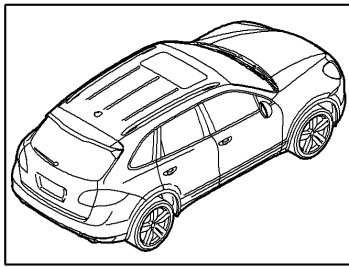
Model: 92A 11

Model life 2011>>

Pos	Part Number	Description	Remark	Qty	Model
		Air injection			MCG.EA/FA MCJ.T M06.EC
1	958 605 104 00	Secondary pump		1	
2	958 605 101 00	Support		1	
3	958 113 231 10	Buffer		3	
4	N 015 082 10	Hexagon nut M 6		3	
5	N 906 814 01	Hose holder 7,5 -A-		1	
6	N 905 352 01	Blind rivet A 6,5 X 14		1	
7	958 113 212 10	Connecting tube		1	
8	958 113 204 00	Pressure line		1	
9	958 113 232 00	Connecting line		1	I0GG/7MG/7MJ I7MN/7MQ
(9)	958 113 232 10	Connecting line		1	I7GB
10	958 606 352 00	Pressure sensor		1	I7GB
(10)	958 606 352 01	Pressure sensor		1	I7GB
11	N 101 243 06	Oval-head screw M 6 X 20		4	
(11)	N 910 991 01	Round head screw M 6 X 20		4	
12	958 113 223 00	Valve		1	
(12)	958 113 223 01	Valve		1	
(12)	958 113 223 02	Valve		1	
13	958 113 224 00	Valve		1	
(13)	958 113 224 01	Valve		1	
(13)	958 113 224 02	Valve		1	
14	958 113 320 00	Gasket		2	
15	N 104 134 05	Outer hexagon round screw M 6 X 25		2	
16	N 910 553 01	Outer hexagon round screw M 6 X 42		2	
17	958 111 443 00	Heat shield		1	
18	958 111 444 00	Heat shield		1	
19	N 101 319 03	Hexagon-head bolt M 6 X 14		6	
20	955 606 838 00	Tie-wrap 4,5 X 200		X	
21	955 111 820 00	Tie-wrap 7 X 213 X 140		X	
22	N 909 809 01	Hose holder		1	

Model: 92A 11

Model life 2011>>



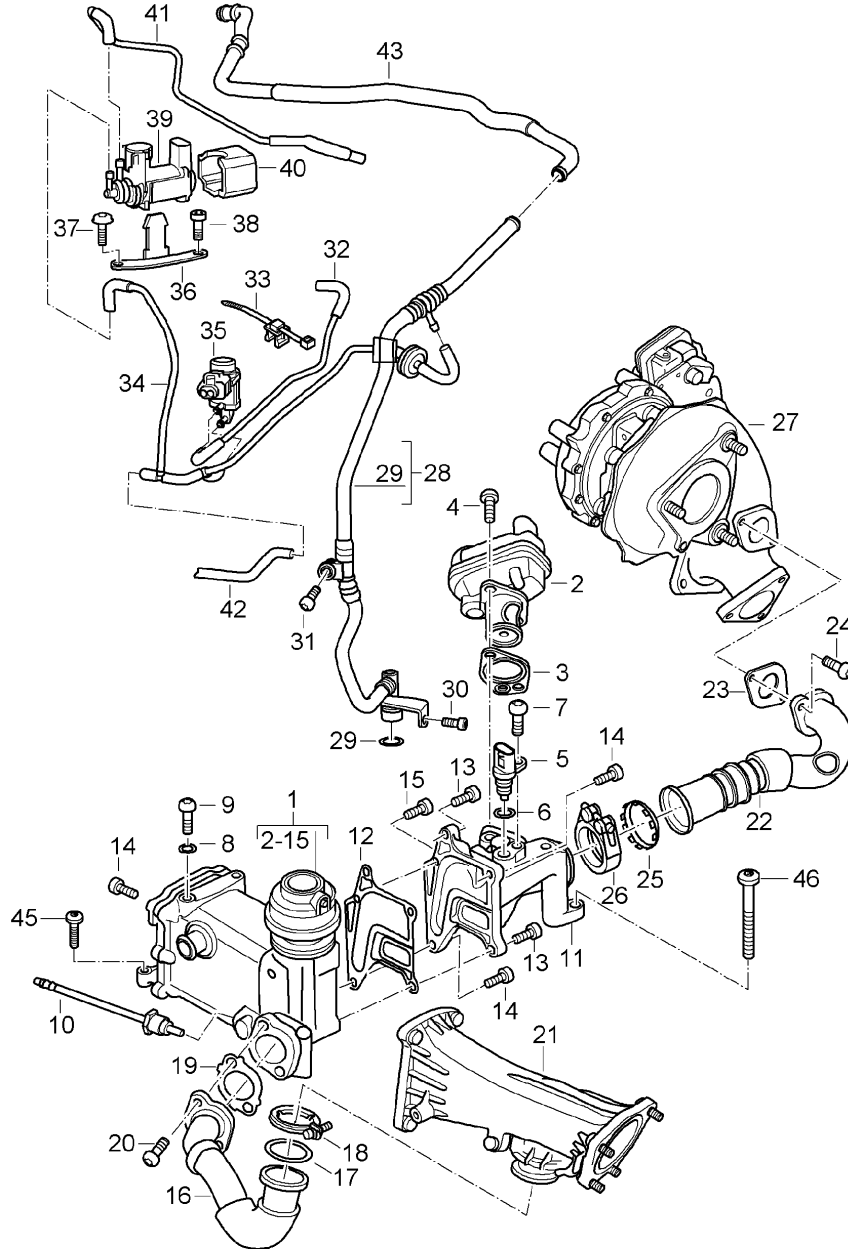
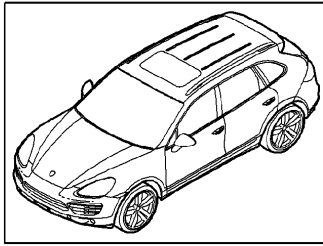
Model: 92A 11

Model life 2011>>

Pos	Part Number	Description	Remark	Qty	Model
		Exhaust gas recirculation Vacuum system			M05.9E
1	958 111 011 00	Heat dissipator		1	
(1)	958 111 011 02	Exhaust gas recirculation Heat dissipator		1	
(1)	958 111 011 03	Exhaust gas recirculation Heat dissipator		1	
(1)	958 111 011 04	Exhaust gas recirculation Heat dissipator		1	
2	958 111 051 00	Exhaust gas recirculation Egr valve		1	
(2)	958 111 051 01	Egr valve		1	
3	N 900 627 02	O-ring 44 X 2,5		1	
4	N 103 346 04	Screw M 6 X 20		3	
5	WHT 003 368	O-ring 26 X 2		1	
6	955 106 313 01	Thermostat		1	
7	955 111 342 00	Retainer spring		1	
8	N 904 520 03	O-ring 11 X 3		1	
9	958 606 688 00	Temperature sensor		1	
10		Exhaust gas Water hose See illustrations 1/05/45 Pos.18		2	
11		Hose clamp See illustrations 1/05/45 Pos.16		2	
12	958 111 425 10	Support		1	
13	N 908 091 02	O-ring 16 X 2		1	
14	N 101 562 06	Oval-head screw M 6 X 30		6	
15		Water hose See illustrations 1/05/45 Pos.39		1	
16		Connecting tube See illustrations 2/02/70 Pos.13		1	
17		Connecting tube See illustrations 1/07/60 Pos.12		1	
18	958 111 551 00	Vacuum line		1	
19	958 606 291 00	Check valve		1	
20	958 111 694 10	Clip		2	
21	955 111 694 00	Clip		1	
22	955 111 531 00	Support		1	
23	955 605 283 10	Change-over valve		1	
24	958 111 552 00	Vacuum line		1	
25	955 111 820 00	Tie-wrap		X	

Model: 92A 11

Model life 2011>>



Model: 92A 11

Model life 2011>>

Pos	Part Number	Description	Remark	Qty	Model
		Exhaust gas recirculation			MCN.RB MCR.CA/CB MCV.VA/VB MCV.VC
1	958 111 011 10	Vacuum system Heat dissipator		1	MCR.CA/CB
(1)	958 111 011 11	Exhaust gas recirculation Heat dissipator		1	MCR.CA/CB
(1)	958 111 011 12	Exhaust gas recirculation Heat dissipator		1	MCR.CA/CB
(1)	958 111 011 13	Exhaust gas recirculation Heat dissipator		1	MCR.CA/CB
(1)	958 111 011 24	Exhaust gas recirculation Heat dissipator		1	MCV.VA/VB/VC
(1)	958 111 011 70	Exhaust gas recirculation Heat dissipator		1	MCV.VA/VB/VC
2	958 111 051 10	Exhaust gas recirculation Egr valve		1	
(2)	958 111 051 11	Egr valve		1	
(2)	958 111 051 30	Egr valve		1	MCR.CA/CB MCV.VA/VB/VC
3	958 111 120 10	Gasket	-13	1	
(3)	958 111 120 11	Gasket	14-	1	
4	N 101 243 06	Oval-head screw M 6 X 20		2	
5	958 606 623 20	Temperature sensor		1	
6	WHT 002 287 B	O-ring 5,6 X 2		1	
7	N 106 507 01	Pan-head screw M 6 X 12		1	
8	N 013 804 2	Sealing ring A 6 X 10		1	
9	N 104 056 04	Oval-head screw M 6 X 14		1	
10	958 606 688 20	Temperature sensor		1	
(10)	958 606 688 21	Temperature sensor		1	
(10)	958 606 688 22	Temperature sensor		1	
11	958 111 223 00	Valve housing		1	MCR.CA/CB
12	958 111 599 00	Gasket		1	MCR.CA/CB
13	N 910 680 01	Oval-head screw M 6 X 28		2	MCR.CA/CB
14	N 104 134 05	Outer hexagon round screw M 6 X 25		7	MCR.CA/CB
15	N 101 243 06	Oval-head screw M 6 X 20		1	MCR.CA/CB
16	958 111 530 00	Connecting tube		1	
17	958 111 547 10	Gasket		1	
18	958 111 725 00	Clip		1	
(18)	1K0 253 725 F	Clip		1	
19	958 107 358 00	Gasket	-14	1	
(19)	958 107 358 10	Gasket	15-	1	
20	N 101 243 06	Oval-head screw M 6 X 20		2	
21		Air guide housing See illustrations 1/07/62 Pos.12		1	
22	958 111 525 00	Connecting tube		1	
23	958 107 358 00	Gasket	-13	1	
(23)	958 107 358 10	Gasket	14-	1	
24	N 911 962 01	Pan-head screw M 6 X 16		2	
25	958 111 547 20	Gasket		1	
26	958 111 548 04	Clip		1	

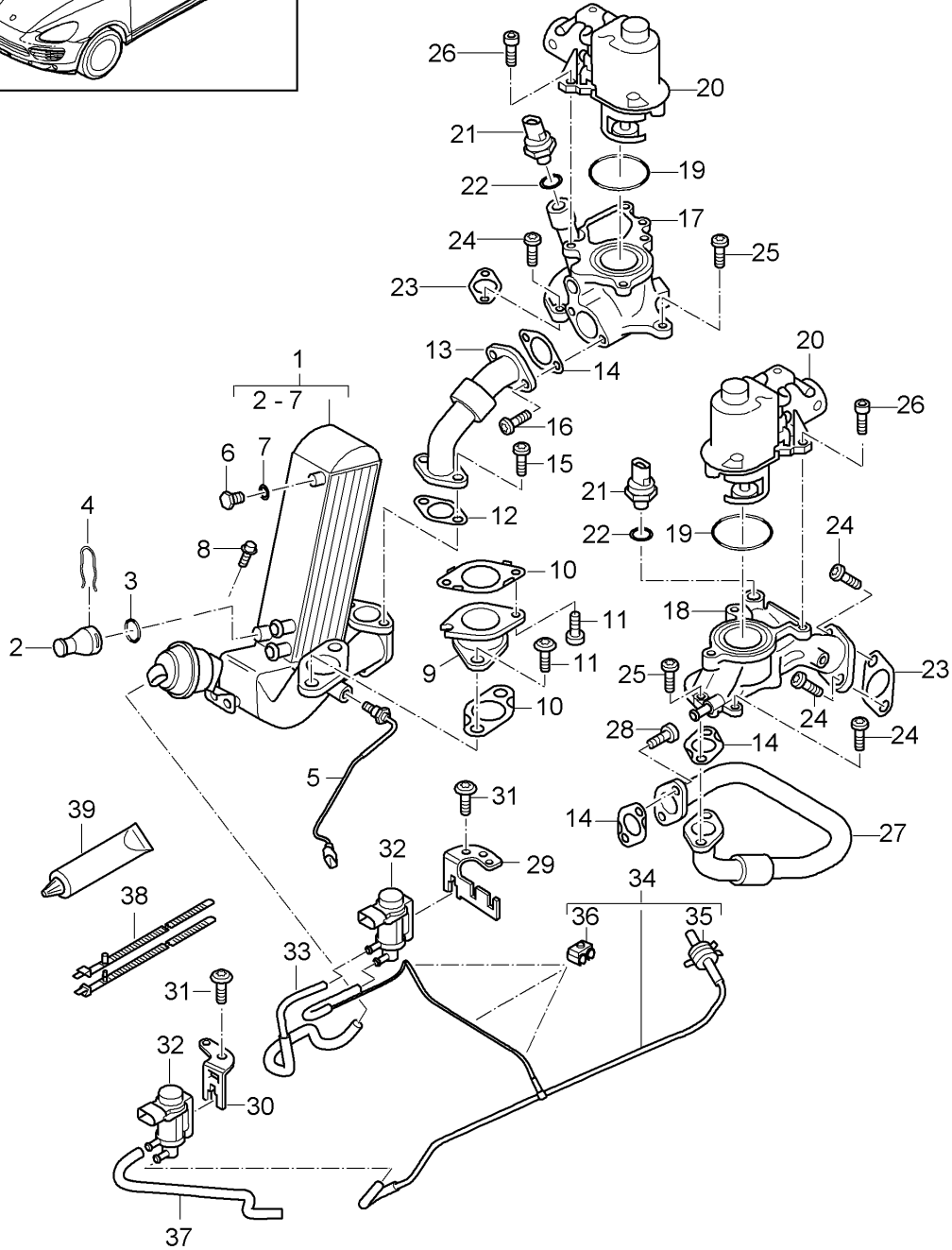
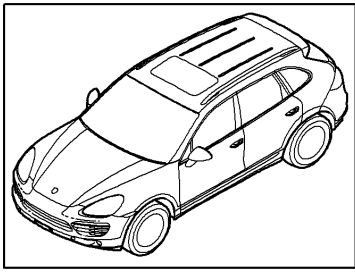
Model: 92A 11

Model life 2011>>

Pos	Part Number	Description	Remark	Qty	Model
(26)	958 111 548 05	Clip		1	
27		Turbocharger See illustrations 2/02/80 Pos.1		1	
28	958 111 556 00	Vacuum line		1	
(28)	958 111 556 01	Vacuum line		1	
(28)	958 111 556 02	Vacuum line		1	
29	N 908 091 02	O-ring 16 X 2		1	
30	N 107 500 01	Outer hexagon round screw M 6 X 16		1	
31	N 105 540 05	Oval-head screw M 6 X 35		1	
32	958 111 492 00	Vacuum line		1	
33	958 606 838 50	Tie-wrap		X	
34	958 111 551 10	Vacuum line		1	
(34)	958 111 551 11	Vacuum line		1	
35	955 605 283 10	Change-over valve		1	
36	958 110 245 20	Support		1	MCR.CA/CB
(36)	958 110 245 40	Support		1	MCN.RB MCV.VA/VB/VC
37	N 107 214 01	Oval-head screw 6 X 16		1	
38	N 104 056 04	Oval-head screw M 6 X 14		1	
39	958 606 627 00	Pressure converter		1	
40	958 606 629 00	Mounting		1	
41	958 111 492 10	Vacuum line		1	
(41)	958 111 492 11	Vacuum line		1	
42		Vacuum line See illustrations 1/09/50 Pos.14		1	I7L4/7L8
43	958 110 080 00	Vacuum line		1	
44		Vacuum line See illustrations 6/04/00 POS.13		1	
45	N 104 134 05	Outer hexagon round screw M 6 X 25		2	
46	N 106 703 01	Outer hexagon round screw AM 6 X 55		2	

Model: 92A 11

Model life 2011>>



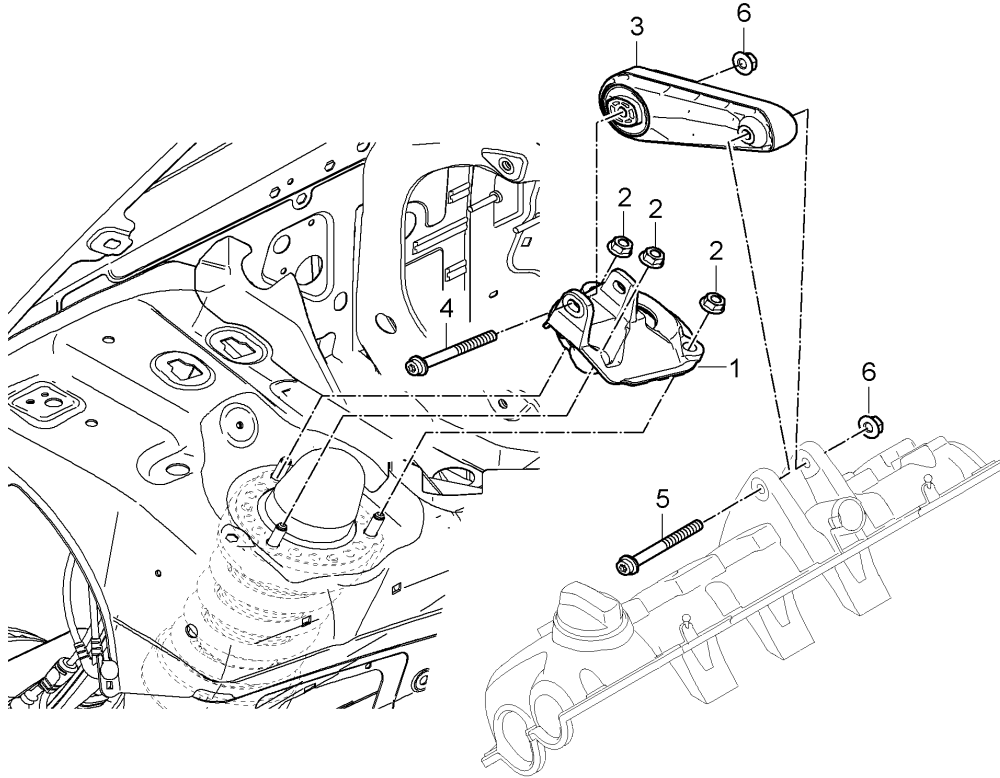
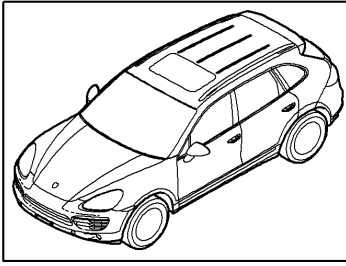
Model: 92A 11

Model life 2011>>

Pos	Part Number	Description	Remark	Qty	Model
		Exhaust gas recirculation Vacuum system			MCU.DB/DC
1	958 111 011 30	Heat dissipator		1	
2	955 106 313 01	Exhaust gas recirculation Thermostat		1	
3	WHT 003 368	O-ring 26 X 2		1	
4	955 111 342 00	Retainer spring		1	
5	958 606 688 40	Temperature sensor		1	
6	N 904 832 04	Exhaust gas Hexagon-head bolt M 6 X 8		1	
7	N 013 804 2	Sealing ring A 6 X 10		1	
8	N 909 506 03	Pan-head screw M 8 X 38		2	
9	958 111 053 10	Connecting tube		1	
10	958 111 120 20	Gasket		1	
11	N 101 243 06	Oval-head screw M 6 X 20		4	
12	958 111 149 10	Gasket		1	
13	958 111 534 00	Connecting tube		1	
14	955 111 149 00	Gasket		3	
15	N 104 056 04	Oval-head screw M 6 X 14		2	
16	N 101 243 06	Oval-head screw M 6 X 20		2	
17	958 111 424 00	Intermediate flange		1	
18	958 111 423 00	Intermediate flange		1	
19	N 900 627 02	O-ring 44 X 2,5		2	
20	958 111 051 20	Egr valve		2	
21	958 111 526 10	Pressure sensor		2	
22	N 013 813 3	Exhaust gas Sealing ring A 12 X 17		2	
23	955 111 149 00	Gasket		2	
24	N 104 057 02	Outer hexagon round screw AM 6 X 45		5	
25	N 104 134 05	Outer hexagon round screw M 6 X 25		3	
26	N 106 536 01	Pan-head screw M 6 X 20		6	
27	958 111 525 10	Connecting tube		1	
28	N 104 056 04	Oval-head screw M 6 X 14		2	
29	958 111 786 00	Support		1	
30	958 111 787 00	Support		1	
31	N 104 056 04	Oval-head screw M 6 X 14		4	
32	955 605 283 10	Change-over valve		2	
33	958 111 552 10	Vacuum line		1	
34	958 111 551 20	Vacuum line		1	
35	955 606 291 00	Check valve		1	
36	955 111 694 00	Clip		3	
37	958 111 552 20	Vacuum line		1	
38	955 111 820 00	Tie-wrap		X	
39	000 043 207 47	Grease 1 tube 170 GR.		1	

Model: 92A 11

Model life 2011>>



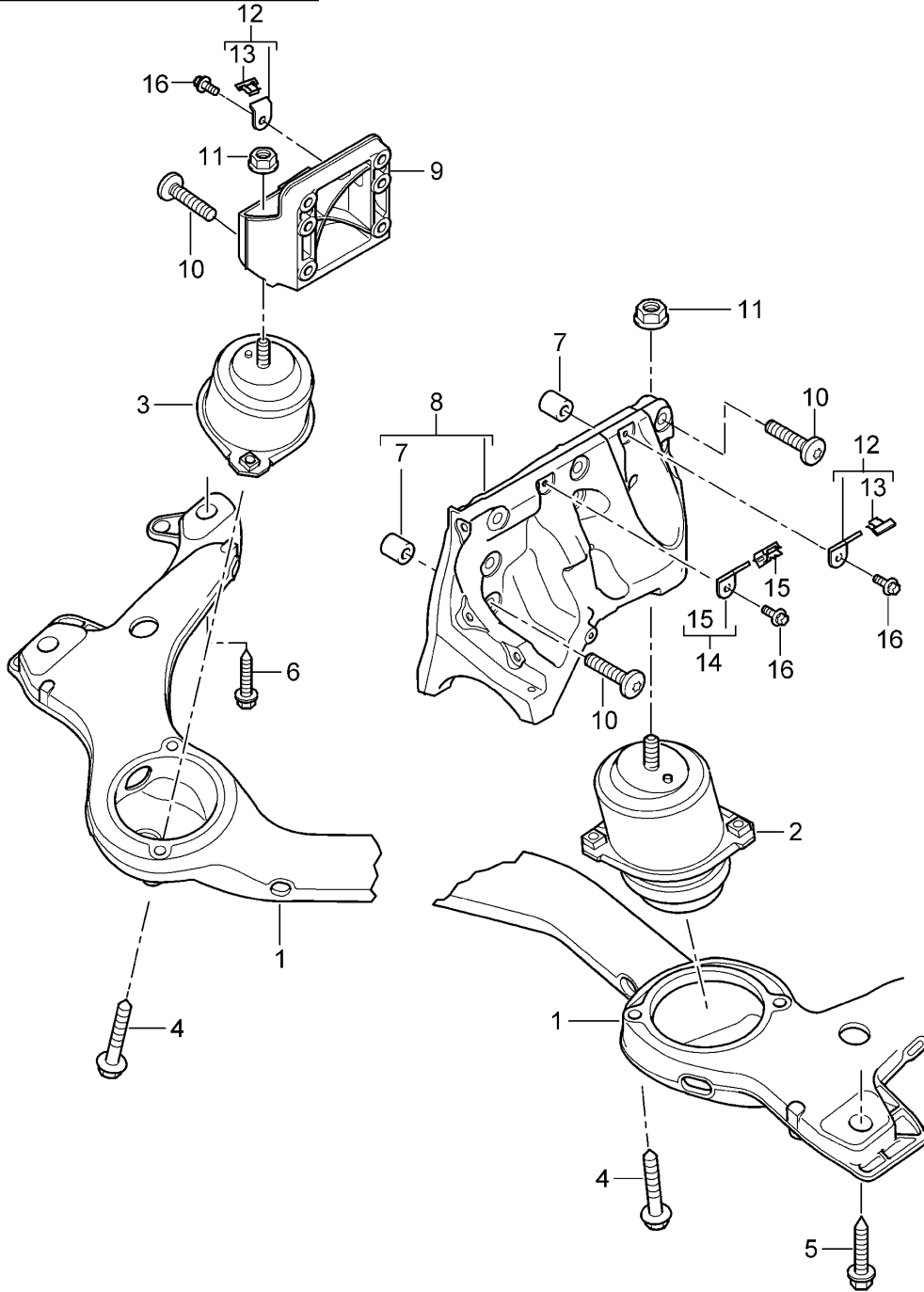
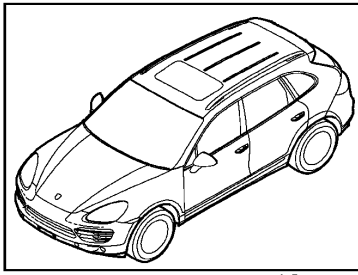
Model: 92A 11

Model life 2011>>

Pos	Part Number	Description	Remark	Qty	Model
		Engine suspension			IDT1/DT5/DU2 IDU3/D58/D6V
1	958 375 112 00	Upper Bracket		1	
(1)	958 375 112 01	Bracket		1	IDT1/DT5/D58 ID6V
(1)	958 375 112 10	Bracket		1	IDU2/DU3
2		Hexagon nut M 10 See illustrations 4/02/00 4/02/05		3	
3	7PP 199 331 A	Bracket Use also: 999.067.802.30 999.067.801.30		1	
4	999 067 802 30	Pan-head screw Aluminium M 10 X 80		1	
(4)	WHT 005 204	Pan-head screw Aluminium M 10 X 80		1	
5	999 067 801 30	Pan-head screw Aluminium M 10 X 90		1	
(5)	WHT 004 595	Pan-head screw Aluminium M 10 X 90		1	
6	WHT 004 635	Hexagon nut M 10		2	

Model: 92A 11

Model life 2011>>



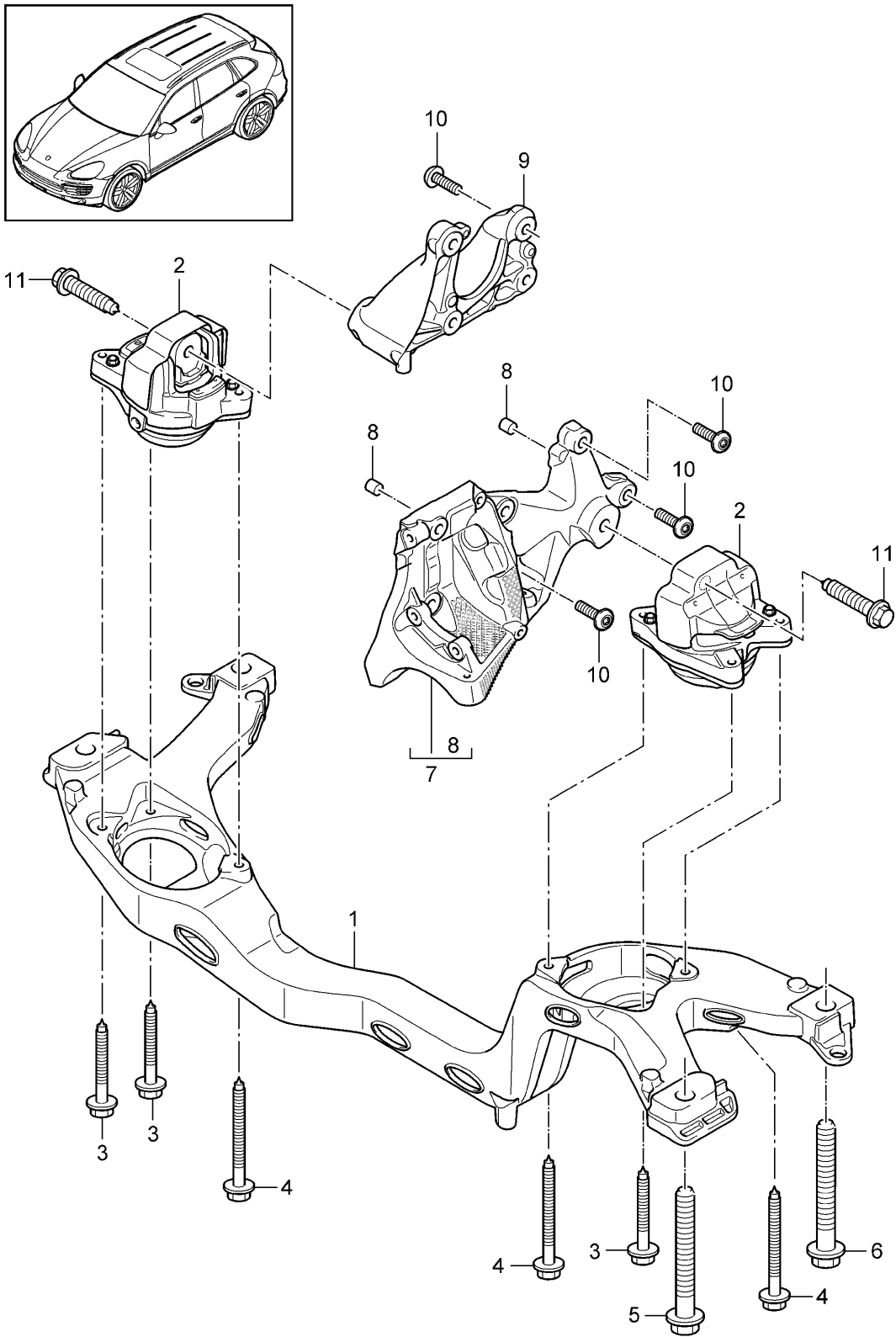
Model: 92A 11

Model life 2011>>

Pos	Part Number	Description	Remark	Qty	Model
		Engine suspension			MCF.TB MCY.XA M48.02/52
		Lower			
1	948 375 309 04	Engine carrier		1	
(1)	958 375 309 30	Engine carrier		1	
2	948 375 049 03	Engine mounting	/L	1	
3	948 375 050 03	Engine mounting	/R	1	
4	900 378 004 01	Hexagon-head bolt BM 10 X 65		4	
5		Hexagon-head bolt See illustrations 4/01/00 Pos.3		2	
6	N 910 144 02	Combination screw AM 14 X 1,5 X 100		2	
7	999 095 066 00	Dowel sleeve 14 X 15		2	
8	948 102 215 01	Bracket		1	
(8)	948 102 015 00	Bracket with Dowel sleeve		1	
9	948 115 201 03	Bracket		1	
10	999 073 460 01	Round head screw M 10 X 45		15	
11	999 084 445 01	Lock nut M 12 X 1,5		2	
12	948 606 113 02	Support Line Oxygen sensor		2	M48.02
13	999 651 392 07	Cable holder 9,5 - 10,5		2	M48.02
14	948 606 161 00	Support Line Oxygen sensor		1	M48.02
15	999 507 808 09	Cable holder 6,0		1	M48.02
16	900 385 041 01	Torx screw BM 6 X 12		3	M48.02

Model: 92A 11

Model life 2011>>



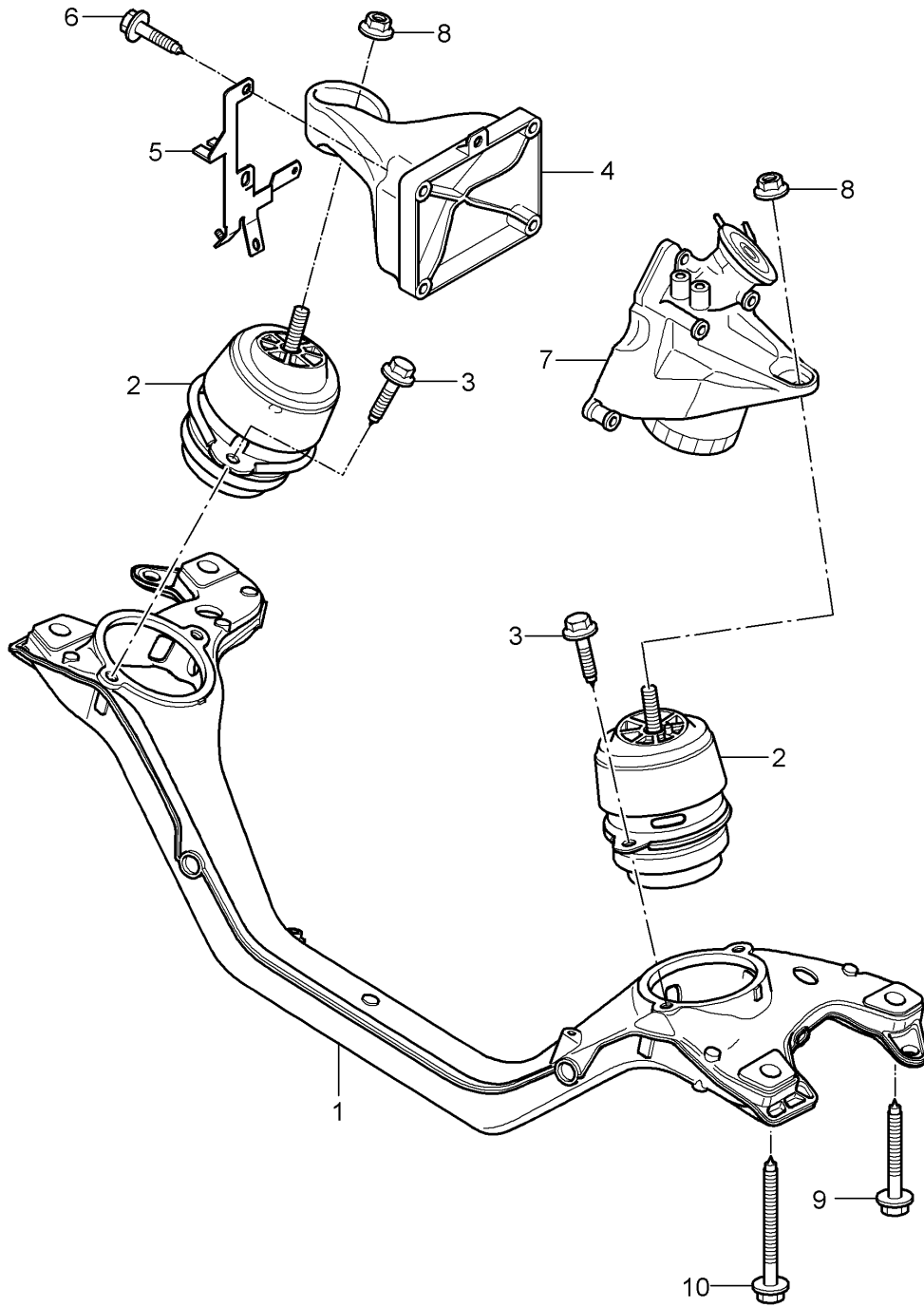
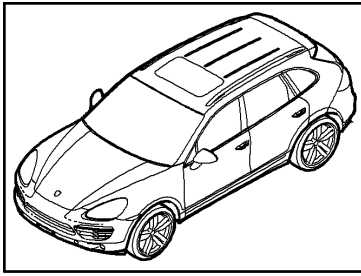
Model: 92A 11

Model life 2011>>

Pos	Part Number	Description	Remark	Qty	Model
		Engine suspension			MCU.RA MCX.ZA
		Lower			
1	958 375 309 40	Engine carrier		1	
2	946 375 058 33	Engine mounting		2	
3	N 106 957 01	Hexagon-head bolt M 8 X 65		3	
4	N 107 765 01	Hexagon-head bolt M 8 X 85		3	
5		Hexagon-head bolt See illustrations 4/01/00 Pos.3		2	
6	N 910 144 02	Combination screw AM 14 X 1,5 X 100		2	
7	946 102 025 51	Bracket		1	
8	999 095 066 00	Dowel sleeve 14 X 15		2	
9	946 115 211 52	Engine carrier		1	
10	999 073 460 01	Round head screw M 10 X 45		10	
11	N 911 489 01	Combination screw M 12 X 1,5 X 60		2	

Model: 92A 11

Model life 2011>>



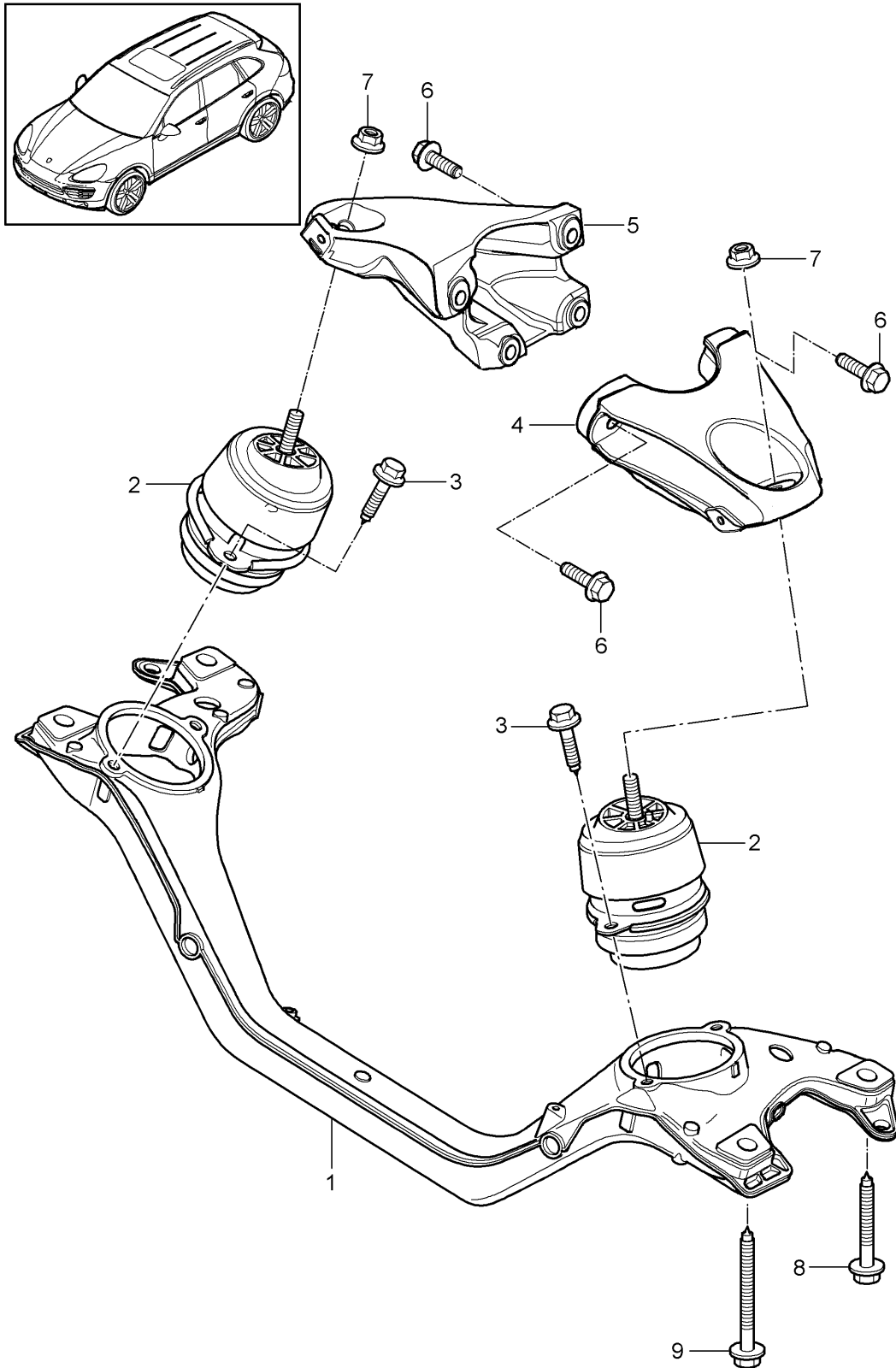
Model: 92A 11

Model life 2011>>

Pos	Part Number	Description	Remark	Qty	Model
		Engine suspension			MCE.YA M55.02
		Lower			
1	958 375 309 10	Engine carrier		1	
2	958 375 049 00	Hydraulic mount		2	
3	N 105 167 02	Hexagon-head bolt AM 10 X 55		4	
4	955 115 201 00	Engine bracket		1	
5	955 607 208 11	Support		1	
6	N 106 296 02	Hexagon-head bolt M 10 X 35		4	
(6)	N 107 642 01	Pan-head screw M 10 X 32		4	
7		See illustrations 1/04/60 POS.1		1	
8	N 104 029 04	Hexagon nut M 12 X 1,5		2	
9	N 910 144 02	Combination screw AM 14 X 1,5 X 100		2	
10		See illustrations 4/01/00 POS.3		2	

Model: 92A 11

Model life 2011>>



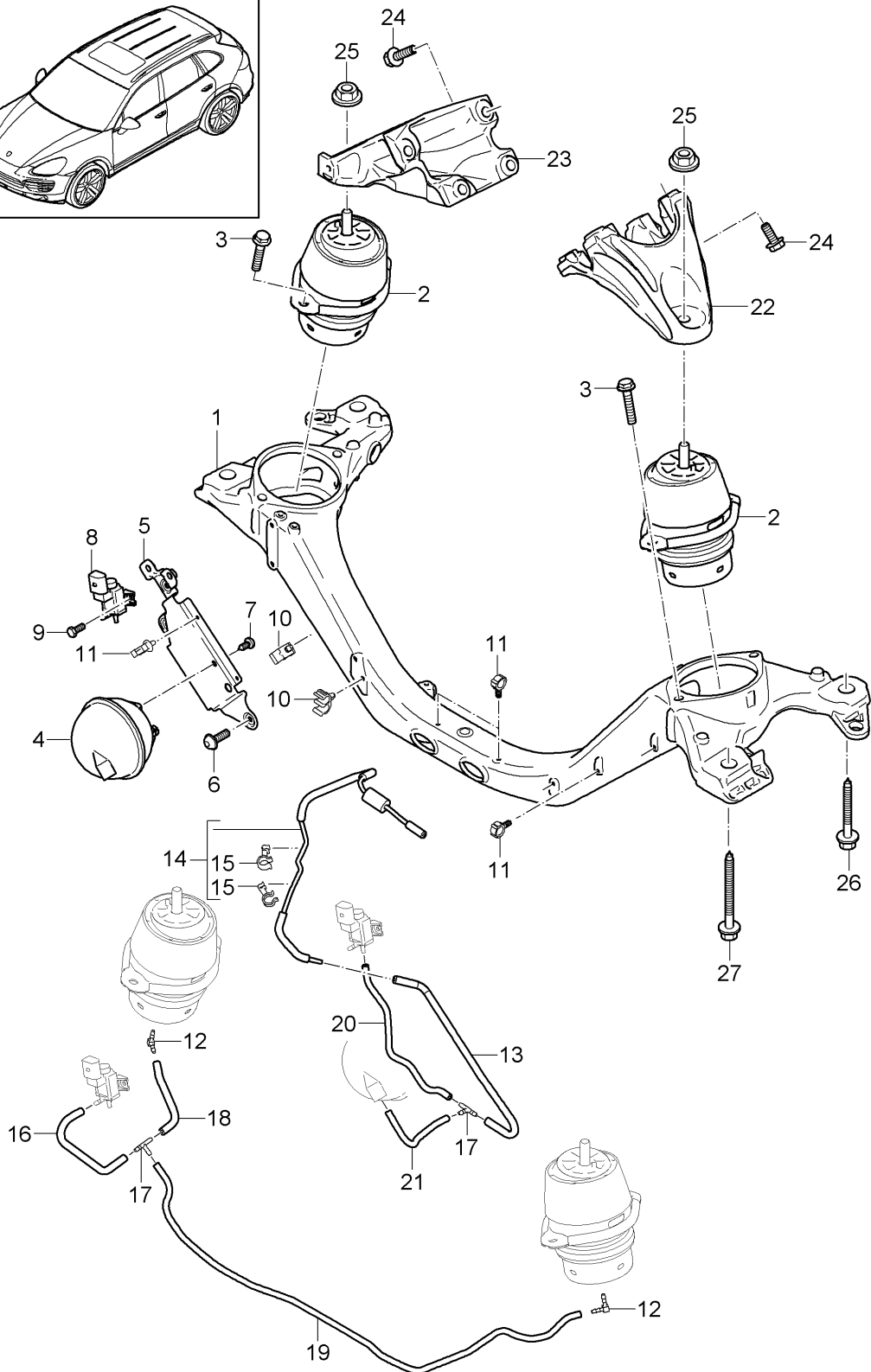
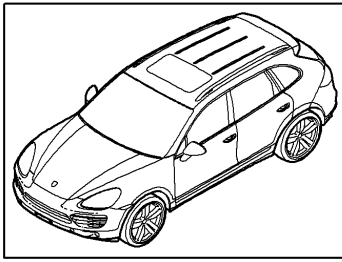
Model: 92A 11

Model life 2011>>

Pos	Part Number	Description	Remark	Qty	Model
		Engine suspension Lower			M05.9E
1	958 375 309 00	Engine carrier		1	
2	958 375 049 40	Hydraulic mount		2	
3	N 105 167 02	Hexagon-head bolt AM 10 X 55		4	
4	955 102 215 00	Engine bracket		1	
5	955 115 201 11	Engine bracket		1	
(5)	958 115 201 40	Engine bracket		1	
6	N 106 296 02	Hexagon-head bolt M 10 X 35		8	
(6)	N 107 642 01	Pan-head screw M 10 X 32		8	
7	N 104 029 04	Hexagon nut M 12 X 1,5		2	
8	N 910 144 02	Combination screw AM 14 X 1,5 X 100		2	
9		See illustrations 4/01/00 POS.3		2	

Model: 92A 11

Model life 2011>>



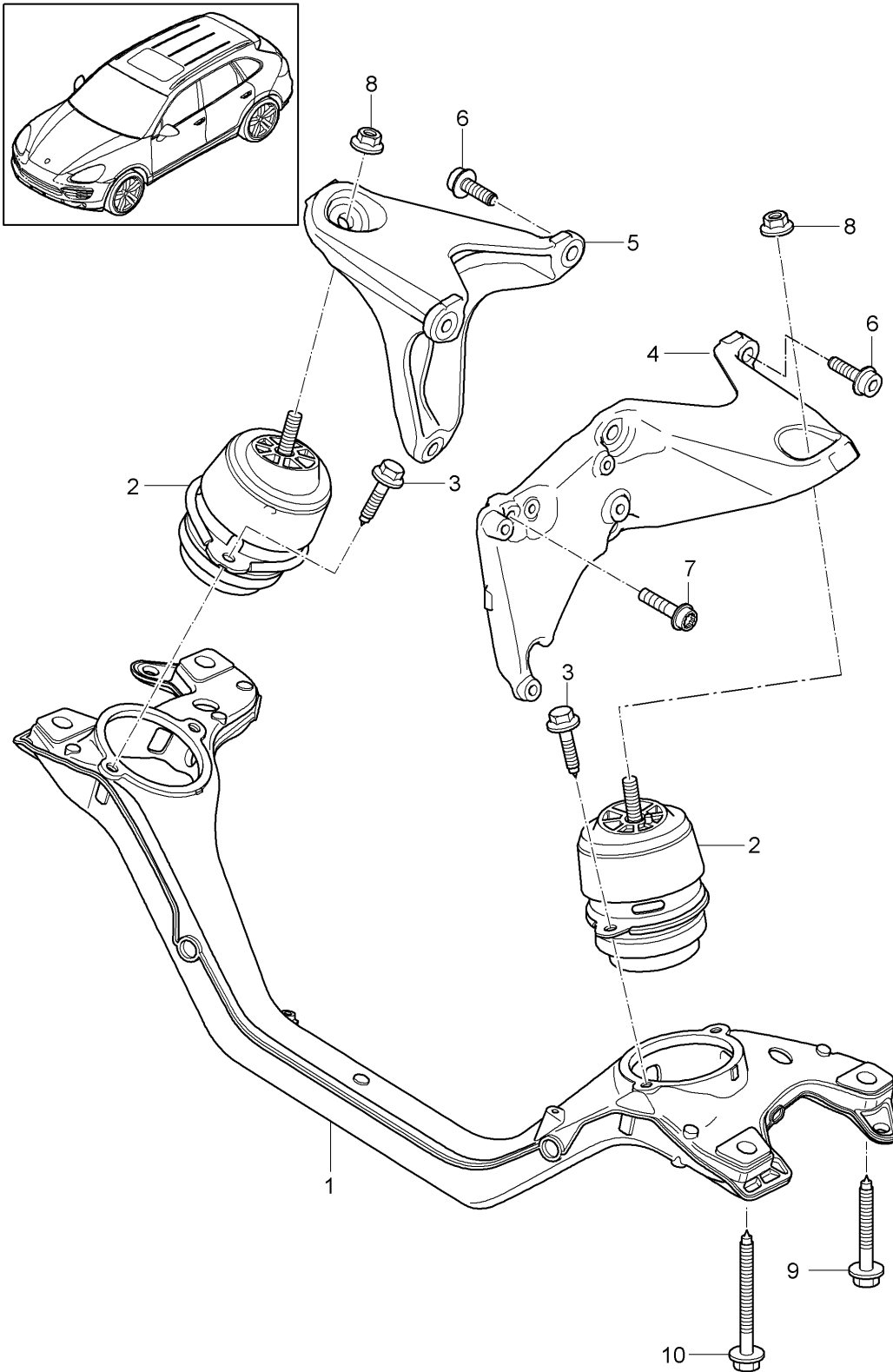
Model: 92A 11

Model life 2011>>

Pos	Part Number	Description	Remark	Qty	Model
		Engine suspension			MCR.CA/CB MCV.VA/VB/VC
1	958 375 309 20	Lower		1	I7L4/7L8
(1)	958 375 309 00	Engine carrier		1	MCR.CA/CB I7L7
2	958 375 049 60	Hydraulic mount		2	I7L4/7L8
(2)	958 375 049 40	Hydraulic mount		2	MCR.CA/CB I7L7
3	N 105 167 02	Hexagon-head bolt AM 10 X 55		4	
4	958 110 807 00	Vacuum reservoir		1	I7L4/7L8
5	958 375 253 00	Support		1	I7L4/7L8
6	N 910 327 02	Lens-head screw M 6 X 20		3	I7L4/7L8
7	N 106 336 03	Oval-head sheetmetal screw ST 4,8 X 13		1	I7L4/7L8
8	958 605 123 40	Change-over valve Electric		1	I7L4/7L8
9	N 010 207 17	Hexagon-head bolt M 5 X 12		2	I7L4/7L8
10	958 375 442 00	Line bracket Double		2	I7L4/7L8
11	958 375 443 00	Line bracket Simple		8	I7L4/7L8
12	958 110 582 00	Angled pipe		2	I7L4/7L8
13	958 375 721 10	Vacuum hose		1	I7L4/7L8
14	958 110 573 20	Vacuum line		1	I7L4/7L8
15	N 107 454 01	Support A01-4,3 X C01-11,5		2	I7L4/7L8
16	958 375 721 00	Vacuum hose		1	I7L4/7L8
17	958 110 637 10	T-piece 4-4-4		2	I7L4/7L8
-	N 020 353 33	Hose 3,5 X 2 Running meter It is necessary to rework Shorten		*	I7L4/7L8
18		90 MM		1	I7L4/7L8
19		770 MM		1	I7L4/7L8
20		240 MM		1	I7L4/7L8
21		150 MM		1	I7L4/7L8
22	958 102 215 20	Engine bracket		1	
23	958 115 201 40	Engine bracket		1	
24	N 107 642 01	Pan-head screw M 10 X 32		8	
25	N 104 029 04	Hexagon nut M 12 X 1,5		2	
26	N 910 144 02	Combination screw AM 14 X 1,5 X 100		2	
27		See illustrations 4/01/00 POS.3		2	

Model: 92A 11

Model life 2011>>



Model: 92A 11

Model life 2011>>

Pos	Part Number	Description	Remark	Qty	Model
		Engine suspension			MCG.EA/FA MCJ.T M06.EC
1	958 375 309 00	Lower Engine carrier		1	
2	958 375 049 10	Hydraulic mount		2	
3	N 105 167 02	Hexagon-head bolt AM 10 X 55		4	
4	958 102 215 00	Engine bracket		1	ID19
(4)	958 102 215 10	Engine bracket		1	ID11
5	958 115 201 00	Engine bracket F >>92BLA 92778 F >>92BLA 92793 F >>92BLA 92775 F >>92BLA 92918	(IND) (MEX) (CN)	1	ID19
(5)	958 115 201 50	Engine bracket F 92BLA 92779>> F 92BLA 92794>> F 92BLA 92776>> F 92BLA 92919>>	(IND) (MEX) (CN)	1	ID19
(5)		Engine bracket		1	ID11
(5)	958 115 201 51	Engine bracket		1	
6	N 903 202 06	Pan-head screw M 10 X 35 F >>92BLA 92778 F >>92BLA 92793 F >>92BLA 92775 F >>92BLA 92918	(IND) (MEX) (CN)	7	ID19
(6)		Pan-head screw M 10 X 35 Mount Engine bracket F 92BLA 92779>> F 92BLA 92794>> F 92BLA 92776>> F 92BLA 92919>>	/L (IND) (MEX) (CN)	4	ID19
(6)	N 106 872 01	Pan-head screw M 10 X 45 Mount Engine bracket F 92BLA 92779>> F 92BLA 92794>> F 92BLA 92776>> F 92BLA 92919>>	/R (IND) (MEX) (CN)	3	ID19
(6)		Pan-head screw M 10 X 45		7	ID11
7	N 910 266 02	Pan-head screw M 8 X 35		2	ID19
8	N 104 029 04	Hexagon nut M 12 X 1,5		2	
9	N 910 144 02	Combination screw AM 14 X 1,5 X 100		2	
10		See illustrations 4/01/00 POS.3		2	

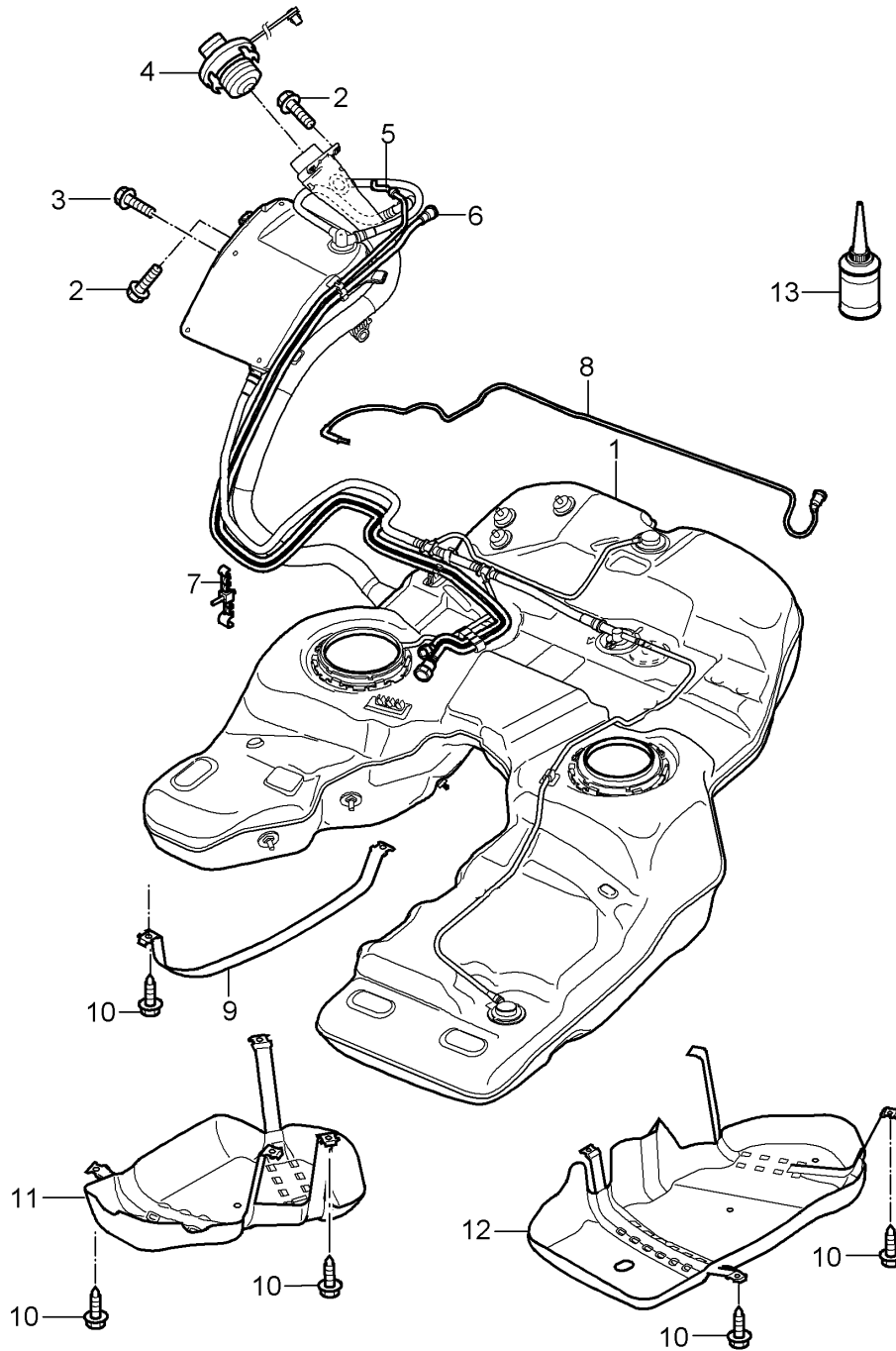
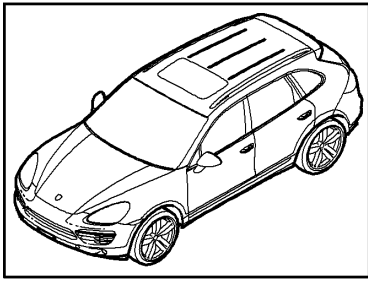
Model: 92A 11

Model life 2011>>

Pos	Part Number	Description	Remark	Qty	Model
		Engine suspension Lower			MCU . DB / DC
1	955 375 309 01	Engine carrier		1	
2	958 375 049 30	Hydraulic mount		2	
3	N 105 167 02	Hexagon-head bolt AM 10 X 55		4	
4	958 102 215 60	Engine bracket	/L	1	
5	958 115 201 20	Engine bracket	/R	1	
6	N 103 145 06	Hexagon-head bolt AM 10 X 50		6	
7	N 104 029 04	Hexagon nut M 12 X 1,5		2	
8	N 910 144 02	Combination screw AM 14 X 1,5 X 100		2	
9		See illustrations 4/01/00 POS.3		2	

Model: 92A 11

Model life 2011>>



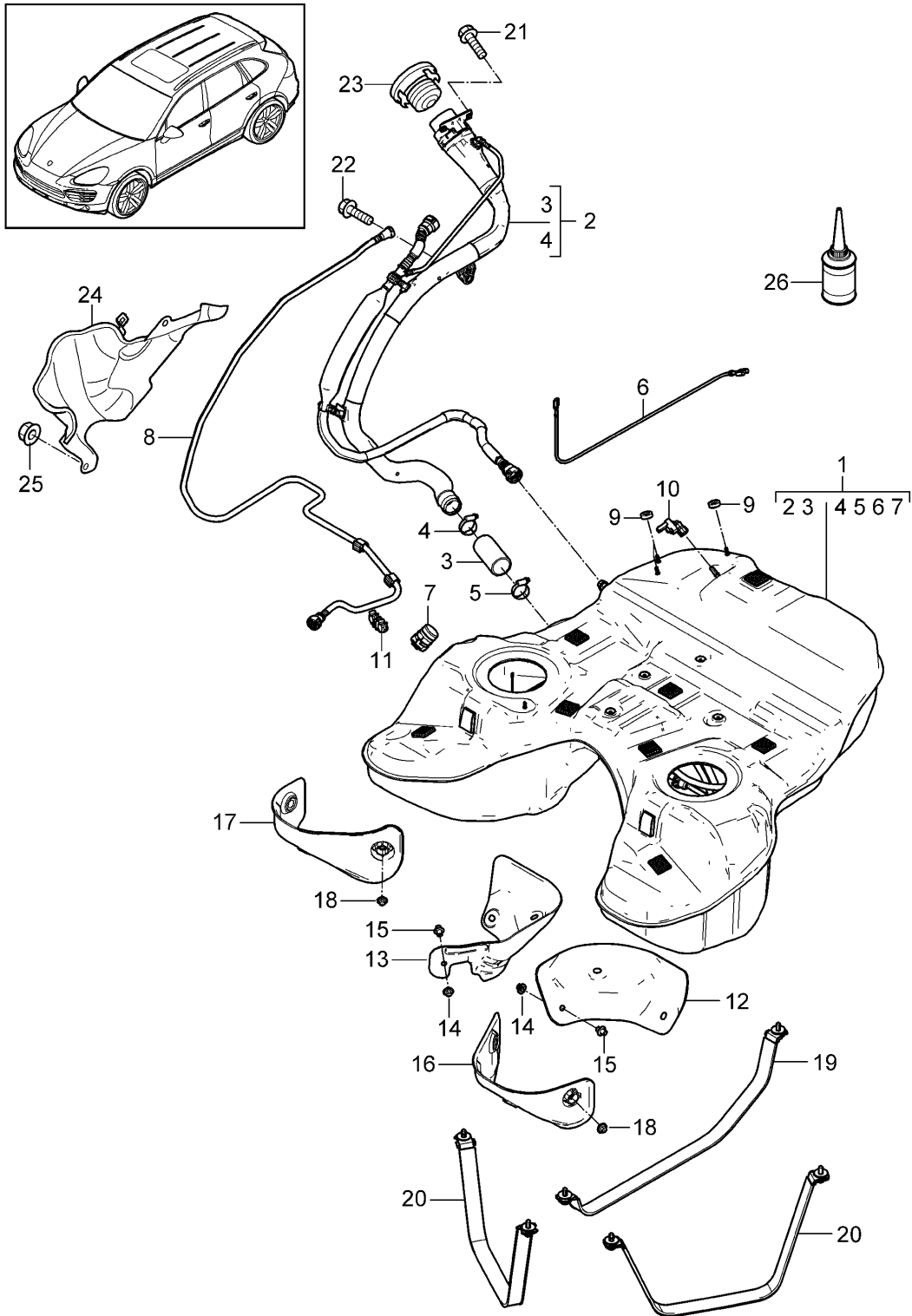
Model: 92A 11

Model life 2011>>

Pos	Part Number	Description	Remark	Qty	Model
		Fuel tank			I0K0/0K1/2G1 I2G3/2G4/2G7 I2G8
1	958 201 021 00	with Accessories Fuel tank		1	I0K0/0M0/2G1 I2G3/2G7/2G8
(1)	958 201 021 10	Fuel tank		1	I0K0/0M1/2G1 I2G3/2G7/2G8
(1)	958 201 021 40	Fuel tank		1	I0K1/0M0/2G1 I2G4/2G7
(1)	958 201 021 50	Fuel tank		1	I0K1/0M1/2G1 I2G4/2G7
2	N 100 092 07	Combination screw M 6 X 20		3	
3	N 910 345 01	Combination screw M 6 x 20		1	
4	958 201 241 20	Lid		1	-I2W6/I2G1 I2G7
(4)	958 201 241 21	with Retaining strap Lid		1	-I2W6/I2G1 I2G7/2G8
(4)	000 044 001 91	with Retaining strap Fuel tank cap	-(ROK)	1	I2G1/2G7/2G8 I2W6
6	958 201 255 00	Aluminium look with Retaining strap Purge-air line		1	I0K0
(6)	958 201 255 10	Purge-air line		1	I0K1
7	958 201 897 00	Fixing clip		1	
8	958 201 355 10	Fuel line		1	I9M1/9M5/9M9
9	955 201 107 00	Auxiliary heater Restraining strap Centre		1	
10	N 019 530 8	Hexagon-head bolt M 8 X 25		10	
11	955 201 331 00	Cover with Restraining strap		1	I6EA
(11)	955 201 331 10	Cover with Restraining strap		1	I6EB/6EC
12	955 201 332 01	Cover with Restraining strap		1	I6EA
(12)	955 201 332 10	Cover with Restraining strap		1	I6EB/6EC
13	000 043 206 89	Restraining strap Additive Fuel 100 ML Container		X	
(13)	000 043 209 02	Additive Fuel 100 ML Container		X	

Model: 92A 11

Model life 2011>>

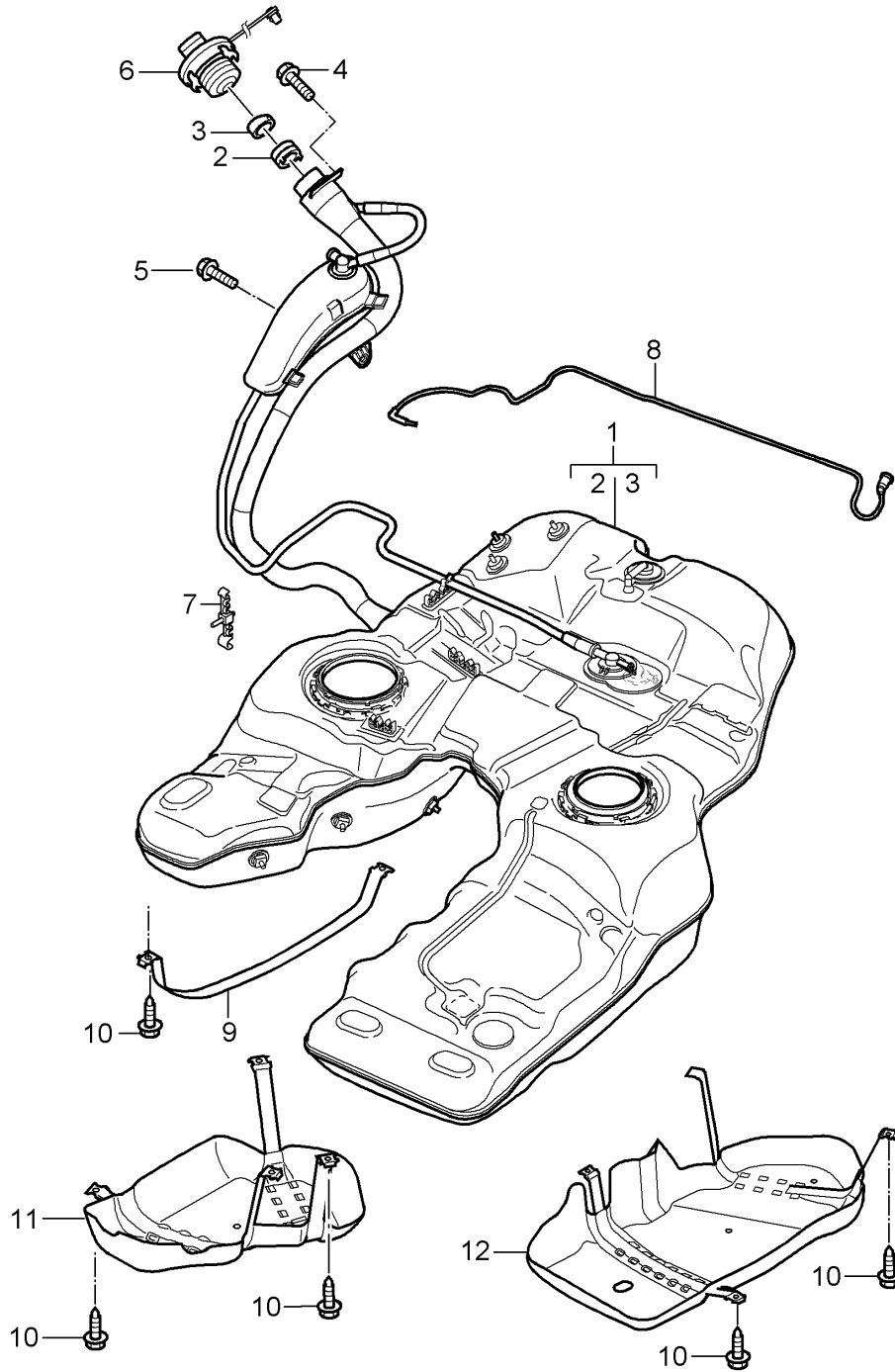
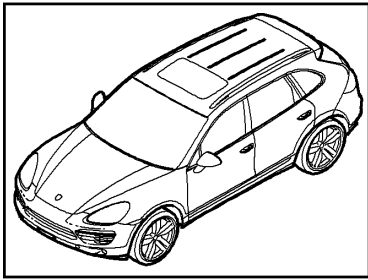


Model: 92A 11 Model life 2011>>

Pos	Part Number	Description	Remark	Qty	Model
		Fuel tank			I0K3/2G1/2G3 I2G4/2G7/2G8
		with			
		Accessories			
1	958 201 023 03	Fuel tank		1	
2	958 201 044 00	Filler neck		1	
3	958 201 812 00	Connecting hose		1	
4	N 911 525 01	Clip		1	
		A 35 - 55 X 9			
5		Clip		1	
		A 35 - 55 X 9			
6	958 201 511 00	Ground cable		1	
7	958 201 530 00	Check valve		1	
8	958 201 255 20	Purge-air line		1	
9	958 201 758 10	Spacer		3	
10	5C0 201 733	Pressure sensor		1	
		Information available			
11	958 201 549 00	Fastening clamp		2	
12	958 201 709 10	Heat protection	/L	1	
13	958 201 710 10	Heat protection	/R	1	
14	958 201 758 00	Spacer		6	
15	958 201 565 10	Fastening part		6	
16	958 201 711 00	Stone guard	/L	1	
		Information available			
(16)	958 201 711 10	Stone guard	/L	1	
		Information available			
17	958 201 712 00	Stone guard	/R	1	
		Information available			
(17)	958 201 712 10	Stone guard	/R	1	
		Information available			
18	N 904 953 01	Hexagon nut		6	
		D 5			
19	958 201 105 02	Restraining strap		1	
		Centre			
		with			
		Fastening screw			
20	958 201 107 02	Restraining strap		2	
		Outer			
		with			
		Fastening screw			
21	N 100 092 07	Combination screw		2	
		M 6 X 20			
22	N 910 345 01	Combination screw		1	
		M 6 X 20			
23	958 201 241 00	Lid		1	-I2W6
		with			
		Retaining strap			
(23)	000 044 001 92	Fuel tank cap		1	I2W6
		Aluminium look			
		with			
		Retaining strap			
24	958 201 399 11	Protective plate		1	
25	N 015 082 10	Hexagon nut		3	
		M 6			
26	000 043 206 89	Additive		X	
		Fuel			
		100 ML			
		Container			
(26)	000 043 209 02	Additive		X	
		Fuel			
		100 ML			
		Container			

Model: 92A 11

Model life 2011>>



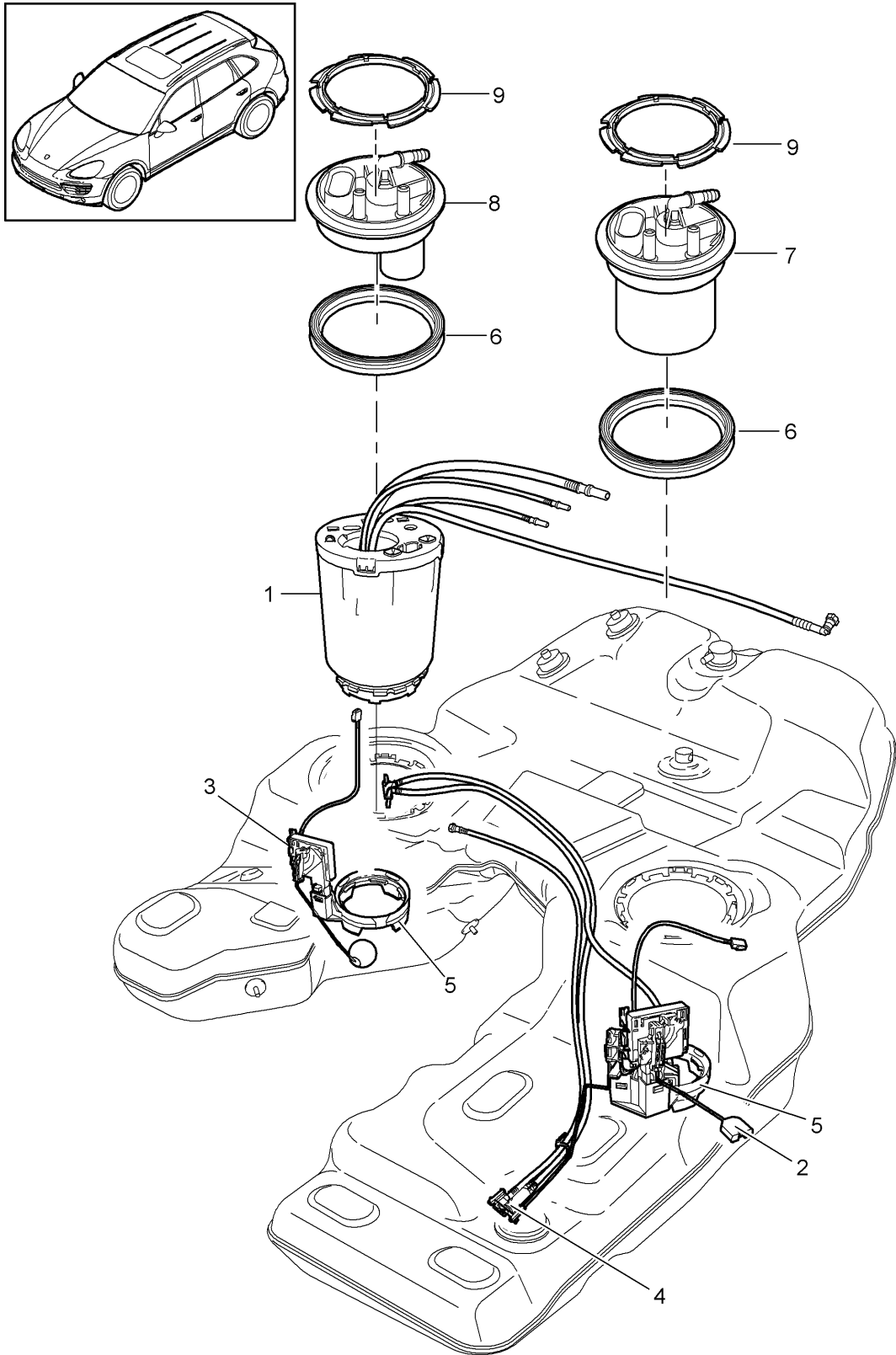
Model: 92A 11

Model life 2011>>

Pos	Part Number	Description	Remark	Qty	Model
		Fuel tank with Accessories			I2G0
1	958 201 021 60	Fuel tank		1	I0M0
(1)	958 201 021 65	Fuel tank		1	I0M0
(1)	958 201 021 70	Fuel tank		1	I0M1
(1)	958 201 021 75	Fuel tank		1	I0M1
2	4H0 201 112 A	Insert Use also: 4H0.201.115.A		1	
3	4H0 201 115 A	Locking device		1	
4	N 100 092 07	Combination screw M 6 X 20		2	
5	N 910 345 01	Combination screw M 6 x 20		1	
6	958 201 241 40	Lid with Retaining strap		1	-I2W6
(6)	958 201 241 42	Lid with Retaining strap	-16	1	-I2W6
(6)		Lid with Retaining strap	17-	1	I2W0
(6)	000 044 001 91	Fuel tank cap Aluminium look with Retaining strap	-(ROK)	1	I2W6
7	958 201 897 00	Fixing clip		1	
8	958 201 355 10	Fuel line Auxiliary heater		1	I9M1/9M5/9M9
9	955 201 107 00	Restraining strap Centre		1	
10	N 019 530 8	Hexagon-head bolt M 8 X 25		10	
11	955 201 331 00	Cover with Restraining strap		1	I6EA
(11)	955 201 331 10	Cover with Restraining strap		1	I6EB/6EC
12	955 201 332 01	Cover with Restraining strap		1	I6EA
(12)	955 201 332 10	Cover with Restraining strap		1	I6EB/6EC

Model: 92A 11

Model life 2011>>



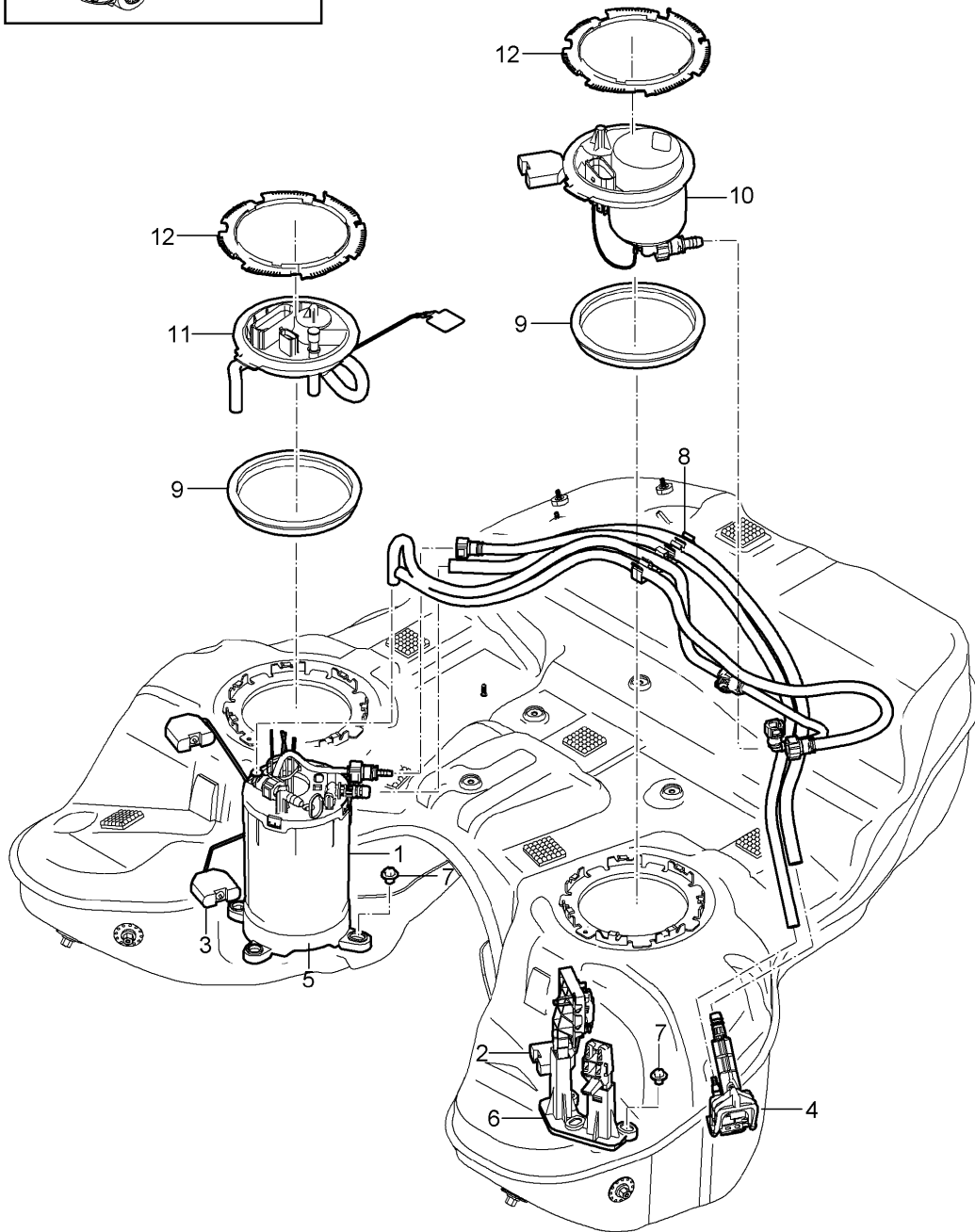
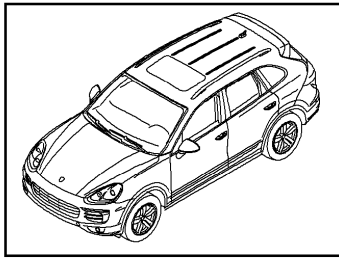
Model: 92A 11

Model life 2011>>

Pos	Part Number	Description	Remark	Qty	Model
		Fuel tank			I0K0/0K1/2G1 I2G3/2G4/2G7 I2G8
1	958 620 132 00	Fuel pump	/R	1	
2	958 620 831 00	Tank gauge	/L	1	
(2)	958 620 831 01	Tank gauge	/L	1	I2G1/2G4/2G7
(2)	958 620 831 10	Tank gauge	/L	1	I2G3/2G8
3	958 620 832 00	Tank gauge	/R	1	
(3)	958 620 832 01	Tank gauge	/R	1	
(3)	958 620 832 02	Tank gauge	/R	1	I2G1/2G4/2G7
(3)	958 620 832 10	Tank gauge	/R	1	I2G3/2G8
4	958 620 113 00	Venturi tube	/L	1	
5		Catch		2	
		Fuel pump			
		Not available			
		Fuel tank			
		Use			
6	955 201 133 01	Sealing ring		2	
7	958 620 421 00	Flange	/L	1	
		with			
		Fuel filter			
		Use also:			
		955.201.133.01		1	
		955.201.623.01		1	
		Information available			
8	958 620 422 00	Flange	/R	1	I0M0/9M0
		with			
		Pressure regulator			
		Use also:			
		955.201.133.01		1	
		955.201.623.01		1	
(8)	958 620 422 10	Flange	/R	1	I0M1/9M0
		with			
		Pressure regulator			
		Use also:			
		955.201.133.01		1	
		955.201.623.01		1	
(8)	958 620 422 20	Flange	/R	1	I0M1/9M1/9M9
		with			
		Pressure regulator			
		Use also:			
		955.201.133.01		1	
		955.201.623.01		1	
9	955 201 623 01	Union nut		2	

Model: 92A 11

Model life 2011>>



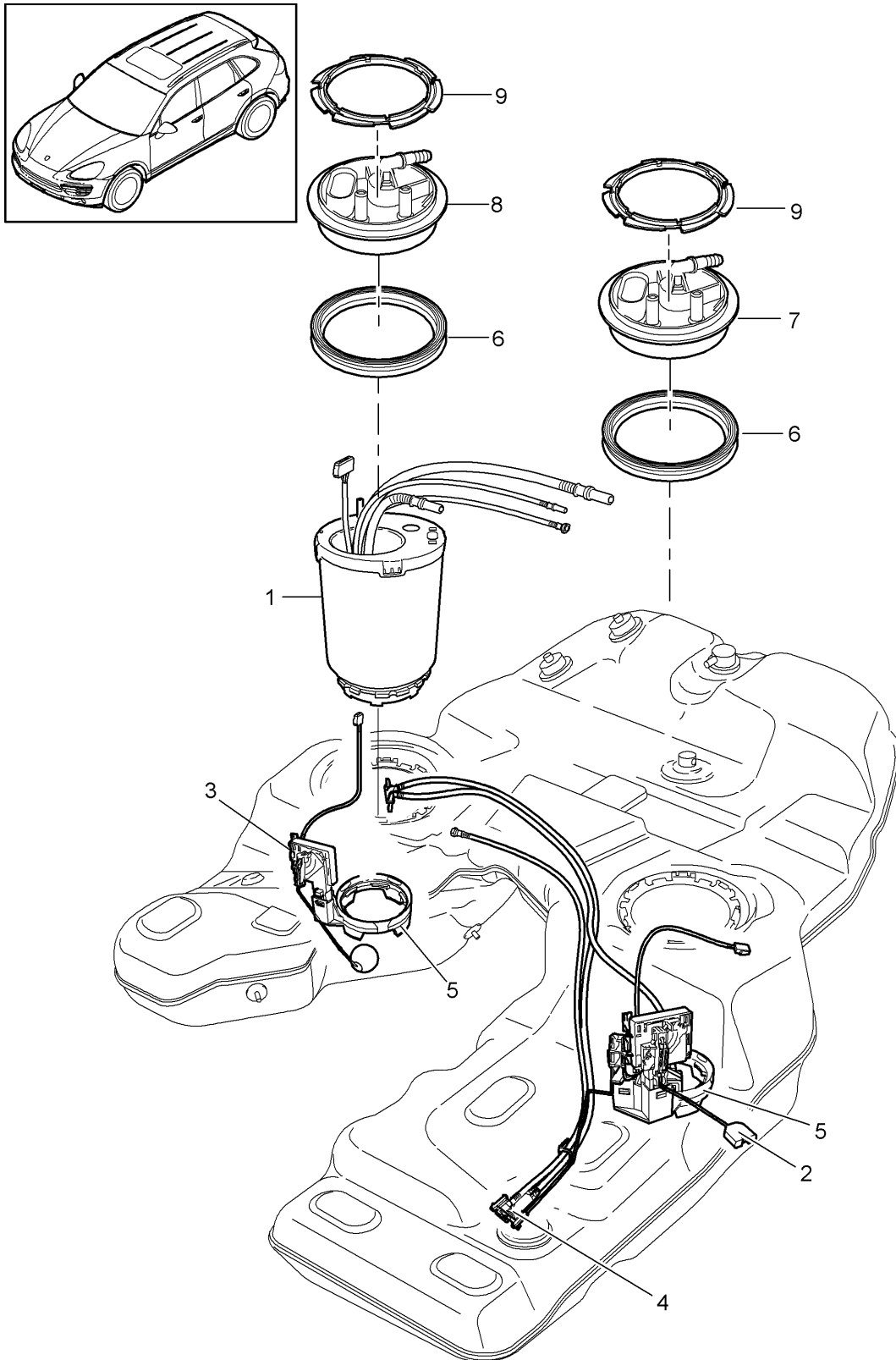
Model: 92A 11

Model life 2011>>

Pos	Part Number	Description	Remark	Qty	Model
		Fuel tank			I0K3/2G1/2G3 I2G4/2G7/2G8
		Fuel pump			
		Venturi tube			
1	958 620 132 20	Fuel pump	/R	1	
2	958 620 831 30	Tank gauge	/L	1	I2G1/2G4/2G7
(2)	958 620 831 40	Tank gauge	/L	1	I2G3/2G8
3	958 620 832 40	Tank gauge	/R	1	I2G1/2G4/2G7
(3)	958 620 832 50	Tank gauge	/R	1	I2G3/2G8
4	958 620 113 20	Venturi tube	/L	1	
5	958 201 877 00	Retaining ring		1	
		Fuel pump			
6	958 201 898 00	Support		1	
		Tank gauge			
7	958 201 565 00	Fastening part		7	
8	958 201 549 10	Fastening clamp		1	
9	1J0 919 133 B	Sealing ring		2	
(9)	9A7 919 133 20	Gasket		2	
10	958 620 421 00	Flange	/L	1	
		with			
		Fuel filter			
		Use also:			
		9A7.919.133.20		1	
		958.201.623.00		1	
		Information available			
11	958 620 422 50	Flange	/R	1	
		with			
		Pressure regulator			
		Use also:			
		9A7.919.133.20		1	
		958.201.623.00		1	
12	958 201 623 00	Union nut		2	

Model: 92A 11

Model life 2011>>



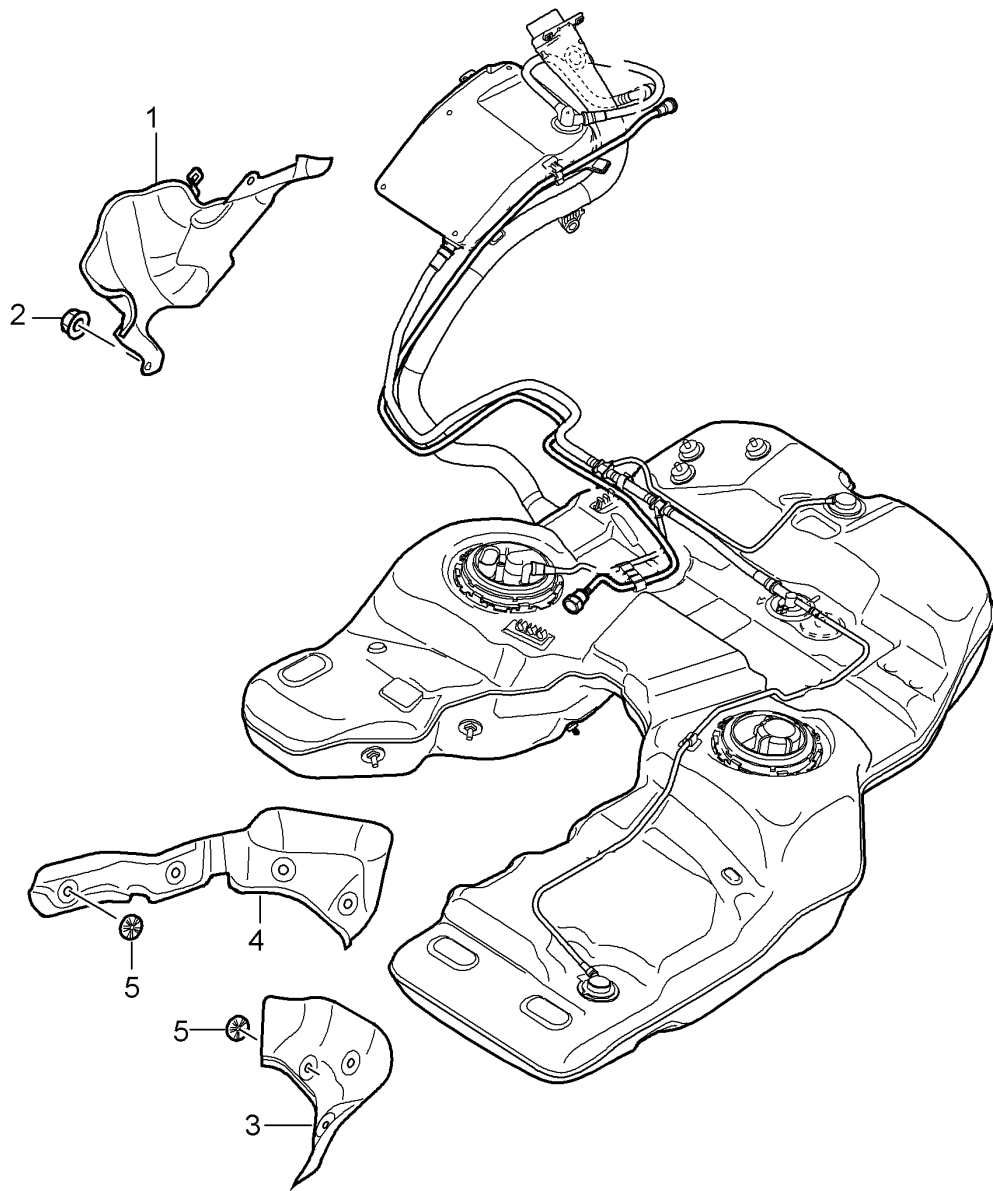
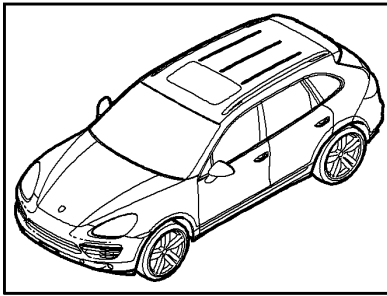
Model: 92A 11

Model life 2011>>

Pos	Part Number	Description	Remark	Qty	Model
		Fuel tank Fuel pump Venturi tube			I2G0
1	958 620 132 10	Fuel pump F >>92BLA 24730	/R	1	
(1)	958 620 132 15	Fuel pump F 92BLA 24731>>	/R -11	1	
(1)	958 620 132 16	Fuel pump	/R 12-	1	
2	958 620 831 00	Tank gauge	/L	1	
3	958 620 832 00	Tank gauge	/R	1	
(3)	958 620 832 01	Tank gauge	/R	1	
4	958 620 113 10	Venturi tube F >>92BLA 24730	/L	1	
(4)	958 620 113 15	Venturi tube F 92BLA 24731>>	/L	1	
5		Catch Fuel pump Not available Fuel tank Use		2	
6	955 201 133 10	Sealing ring		2	
7	955 620 421 40	Flange	/L	1	
8	958 620 422 30	Flange	/R	1	I9M0
(8)	958 620 422 40	Flange	/R	1	I9M1/9M5/9M9
9	955 201 623 01	Union nut		2	

Model: 92A 11

Model life 2011>>



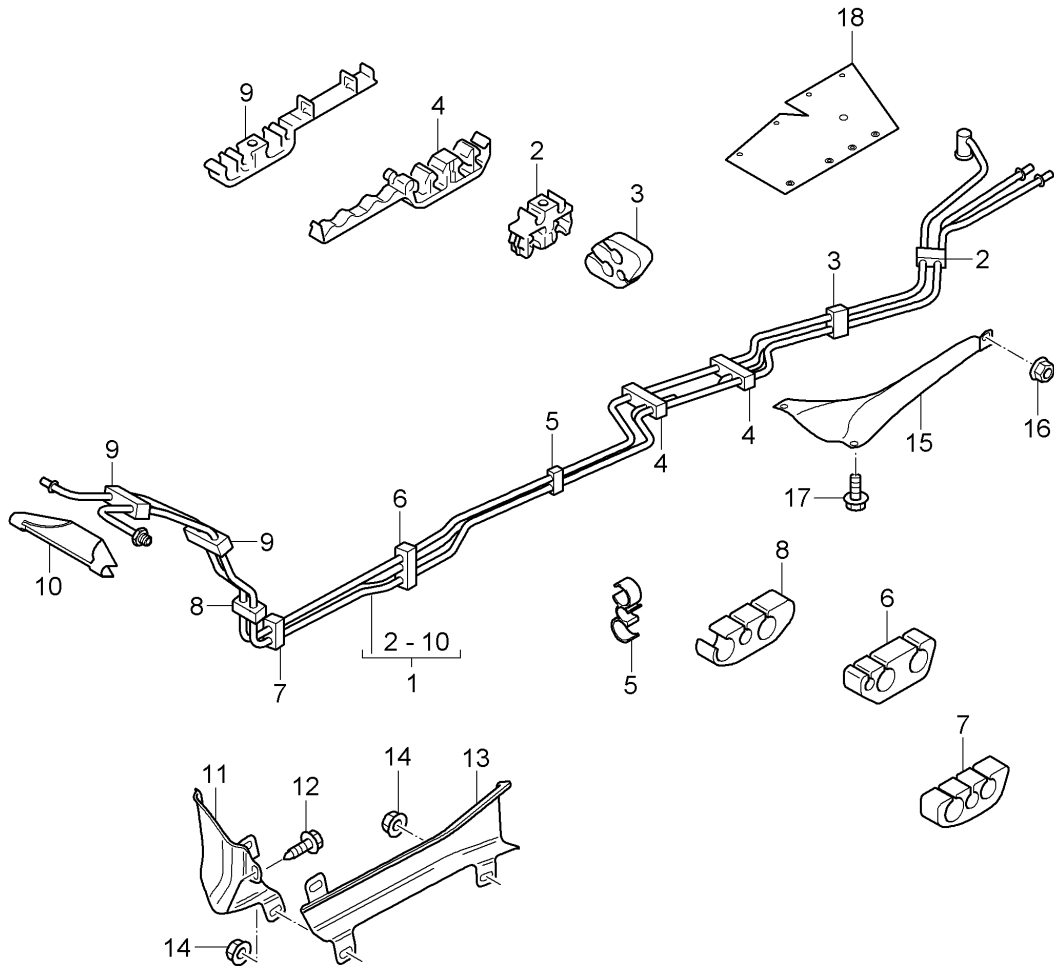
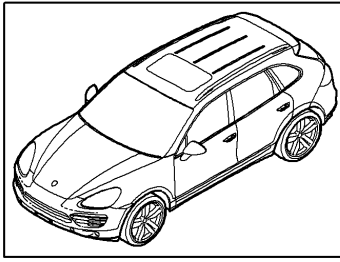
Model: 92A 11

Model life 2011>>

Pos	Part Number	Description	Remark	Qty	Model
		Fuel tank Accessories			I0K0/0K1
1	958 201 399 10	Protective plate		1	
(1)	958 201 399 11	Protective plate		1	
2	N 015 082 10	Hexagon nut M 6		3	
3	955 201 209 00	Heat shield Left		1	I0K0/0K1
4	955 201 210 10	Heat shield Right		1	I0K0/2G1/2G4 I2G7
(4)	955 201 210 00	Heat shield Right		1	I2G0
5	N 903 350 05	Clamping washer 5 X 30		7	

Model: 92A 11

Model life 2011>>



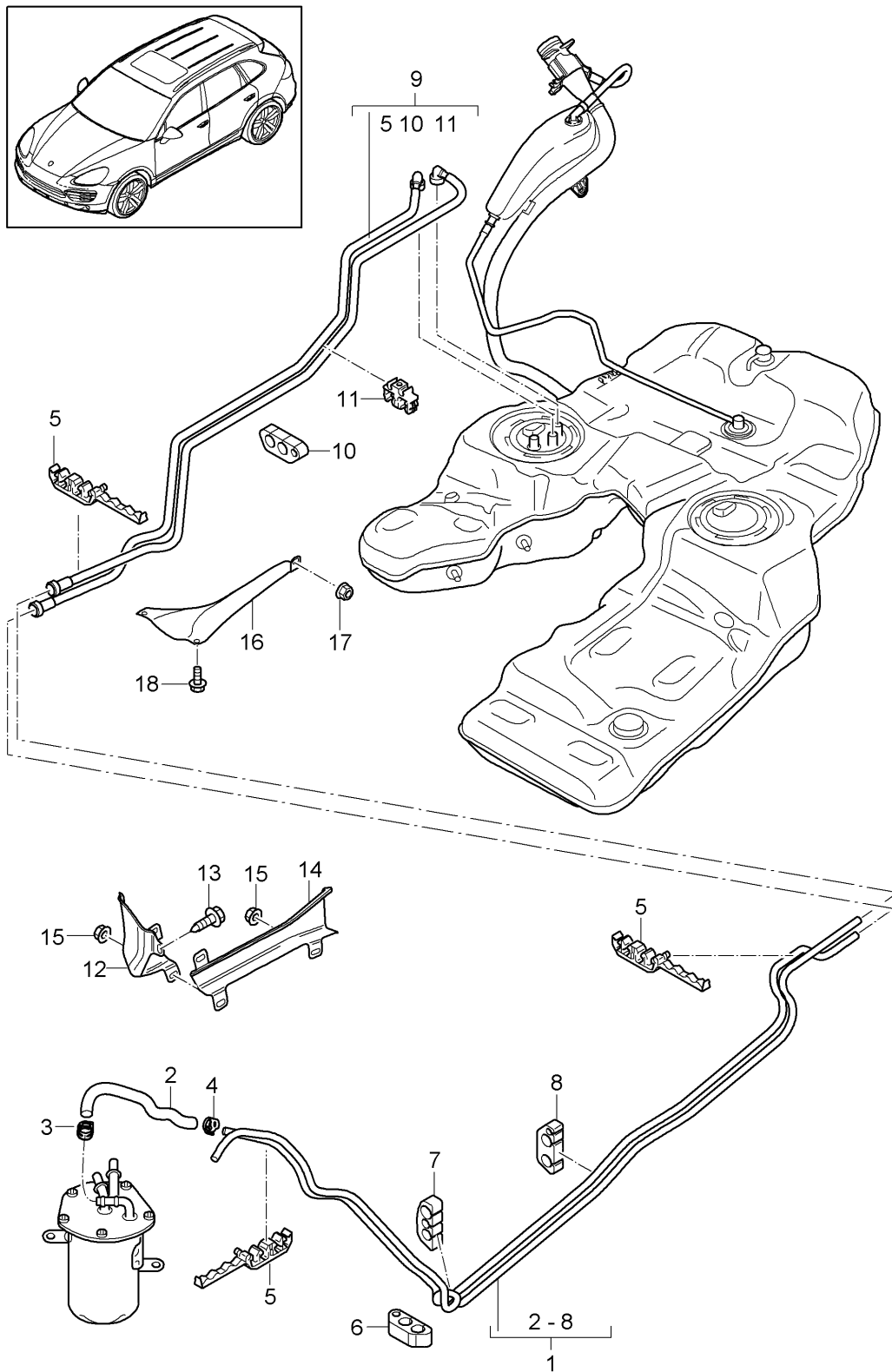
Model: 92A 11

Model life 2011>>

Pos	Part Number	Description	Remark	Qty	Model
		Fuel system			I2G1/2G3/2G4 I2G7/2G8
1	958 201 080 04	Fuel line Underbody		1	I0K0/2G1/2G7
(1)	958 201 080 06	Fuel line 1 set		1	I0K0/2G1/2G7 I2G8
(1)	958 201 080 04	Fuel line 1 set		1	I0K1
(1)	958 201 080 06	Fuel line 1 set		1	I0K1/0K3
2	955 201 401 00	Retaining clip		1	
3	958 201 561 00	Line bracket		1	
4	958 201 449 00	Line bracket		1	
5	958 201 562 00	Line bracket		1	
6	958 201 532 10	Line bracket		1	
7	958 201 532 00	Line bracket		1	
8	958 201 531 00	Line bracket		1	
9	955 201 402 01	Line bracket		2	
10	958 201 450 00	Fastening clamp		1	
11	955 201 205 11	Protective plate		1	IDU2/DU3/D19 ID34
(11)		Protective plate		1	ID11
(11)	955 201 205 21	Protective plate		1	IDT1/DT5/D58 ID6V
12	N 100 092 07	Combination screw M 6 X 20		1	
13	958 201 207 00	Protective plate		1	
14	N 023 002 13	Hexagon nut M 6		3	
15	955 201 208 02	Protective plate		1	
16	N 023 003 11	Hexagon nut M 8		1	
17	N 100 091 10	Combination screw M 6 X 12		2	
18	955 201 963 00	Heat protection Fuel line		1	ID19/D34
(18)		Heat protection Fuel line		1	ID11

Model: 92A 11

Model life 2011>>



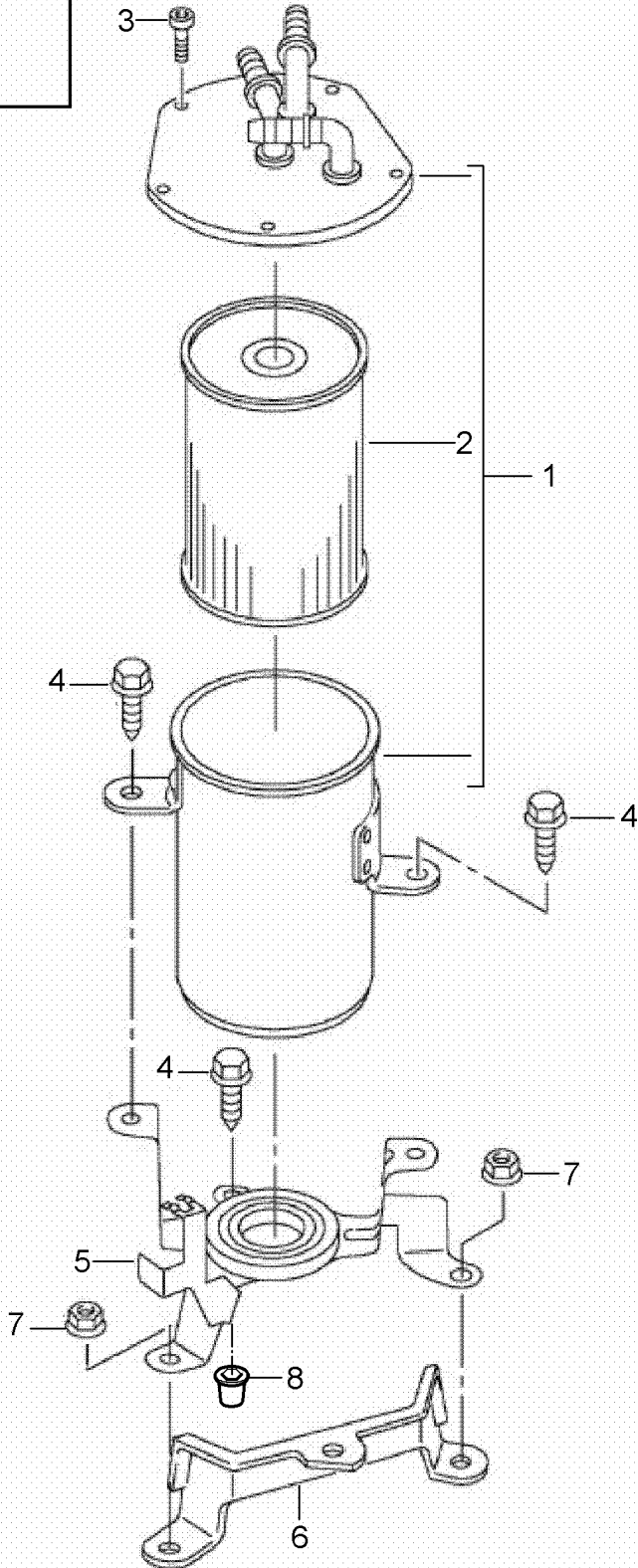
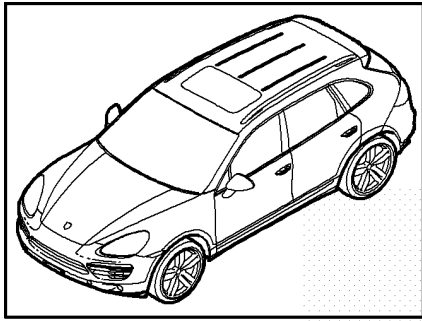
Model: 92A 11

Model life 2011>>

Pos	Part Number	Description	Remark	Qty	Model
		Fuel system			I2G0
		Fuel line			
		Underbody			
1	958 201 080 20	Fuel line		1	
		1 set			
(1)	958 201 080 21	Fuel line		1	
		1 set			
2	958 201 705 10	Fuel hose		1	
3	955 201 479 00	Hose clamp		1	
		16 X 12			
4	N 909 264 01	Hose clamp	-12	1	
		B 19 X 12			
(4)	999 512 652 09	Hose clamp	13-	1	
		B 19 X 12			
5	958 201 449 00	Line bracket		3	
(5)	958 110 722 40	Spacer		1	
		ZC 10 X 20 X 20			
6	955 201 631 00	Line bracket		1	
7	955 201 632 00	Line bracket		1	
8	958 201 632 00	Line bracket		1	
9	958 201 082 20	Fuel line		1	
		1 set			
10	955 201 561 10	Line bracket		1	
11	955 201 401 00	Retaining clip		1	
12	955 201 205 00	Protective plate		1	
13	N 100 092 07	Combination screw		1	
		M 6 X 20			
14	958 201 207 00	Protective plate		1	
15	N 023 002 13	Hexagon nut		3	
		M 6			
16	955 201 208 02	Protective plate		1	
17	N 023 003 11	Hexagon nut		1	
		M 8			
18	N 100 091 10	Combination screw		2	
		M 6 X 12			

Model: 92A 11

Model life 2011>>



Model: 92A 11

Model life 2011>>

Pos	Part Number	Description	Remark	Qty	Model
		Fuel system Fuel line			I2G0
1	958 110 041 00	Fuel filter Fuel filter Complete		1	
2	958 110 134 00	Filter element with Gasket		1	
(2)	958 110 134 10	Filter element with Gasket		1	
3	WHT 001 455	Use also: WHT.001.455 Pan-head screw M 5 X 9		5 5	
4	N 106 532 01	Hexagon-head bolt M6 X 16		3	
5	958 110 224 02	Support		1	
6	958 110 225 01	Support Spring strut		1	
7	N 015 082 10	Hexagon nut M 6		4	
8	N 908 379 01	Blind rivet nut M 6		1	

Model: 92A 11

Model life 2011>>

Pos	Part Number	Description	Remark	Qty	Model
1	958 201 221 00	Carbon canister Carbon canister Ready for installation		1	I0K0/0K1 I0K0/2G1
(1)	958 201 221 01	Carbon canister Ready for installation		1	I0K0/2G1/2G7 I2G8
3	958 201 221 30	Carbon canister Ready for installation		1	I0K1/2G1
(3)	958 201 221 31	Carbon canister Ready for installation		1	I0K1/2G1/2G7
5	N 105 284 02	Hexagon-head bolt M 6 X 30		3	

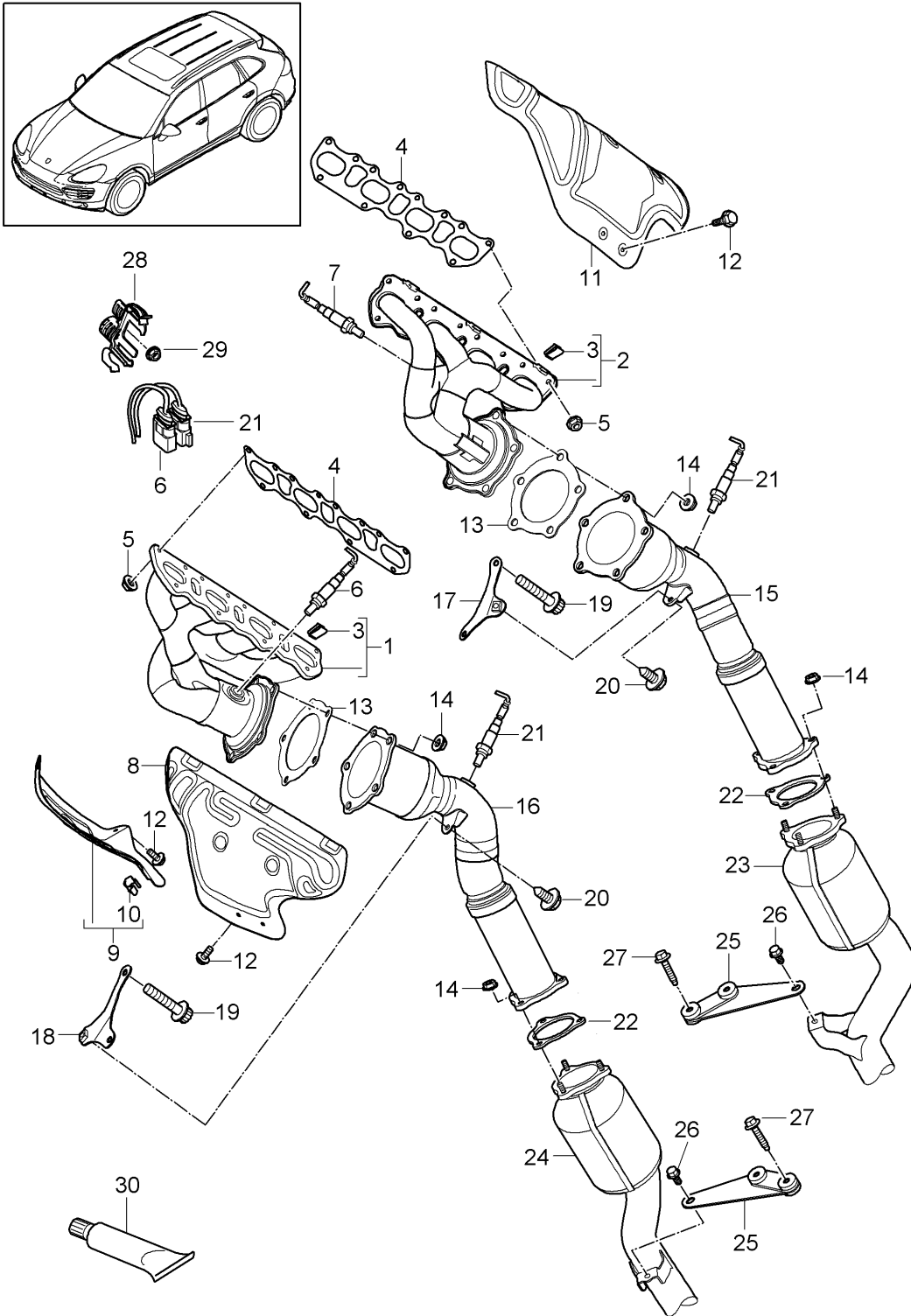
Model: 92A 11

Model life 2011>>

Pos	Part Number	Description	Remark	Qty	Model
1	958 201 221 40	Carbon canister Carbon canister		1	I0K3 I2G1/2G3/2G7 I2G8
2	958 201 256 10	Ready for installation Breather hose		1	I2G1/2G3/2G7 I2G8
4	N 105 284 02	Hexagon-head bolt M 6 X 30		3	
5	N 015 082 10	Hexagon nut M 6		3	
6	958 605 468 00	Support with Bush And Rubber mounting		1	
7	958 201 559 00	Pressure regulator		1	
8	N 101 562 06	Oval-head screw M 6 X 30		2	
9	N 011 666 20	Washer 6,4 X 18 X 1,6		2	
10	N 102 058 02	Hexagon nut M 6		2	
11	958 201 597 00	Vent line		1	

Model: 92A 11

Model life 2011>>



Model: 92A 11 Model life 2011>>

Pos	Part Number	Description	Remark	Qty	Model
		Exhaust system			ID6V
		Exhaust manifold			
		Catalytic converter			
1	948 111 129 00	Exhaust manifold Cylinders 1 - 4		1	
2	948 111 130 00	Exhaust manifold Cylinders 5 - 8		1	
3	948 111 213 00	Clamp		6	
4	948 111 181 01	Gasket		2	
		Exhaust manifold			
5	999 084 642 02	Hexagon nut M 8		24	
6	948 606 134 00	Oxygen sensor in front of Catalytic converter	/R	1	
7	948 606 133 00	Oxygen sensor in front of Catalytic converter	/L	1	
8	955 111 212 01	Heat shield Exhaust manifold Cylinders 1 - 4		1	
9	955 111 242 00	Heat shield Exhaust manifold Generator		1	
10	955 111 513 00	Clamp		1	
11	955 111 213 01	Heat shield Exhaust manifold Cylinders 5 - 8		1	
12	N 101 563 07	Hexagon-head bolt M 6 X 12		6	
13	955 111 113 60	Gasket		2	
14	N 908 946 02	Hexagon nut M 8		16	
15	958 113 021 00	Exhaust pipe with Catalytic converter Cylinders 5 - 8		1	
(15)	958 113 021 01	Exhaust pipe with Catalytic converter Cylinders 5 - 8		1	
(15)	958 113 021 AX	Exhaust pipe with Catalytic converter Cylinders 5 - 8		1	
16	958 113 022 00	Exhaust pipe with Catalytic converter Cylinders 1 - 4		1	
(16)	958 113 022 01	Exhaust pipe with Catalytic converter Cylinders 1 - 4		1	
(16)	958 113 022 AX	Exhaust pipe with Catalytic converter Cylinders 1 - 4		1	
17	955 111 161 30	Support	/L	1	
18	955 111 162 30	Support	/R	1	
19		Outer hexagon round screw M 12 X 1,5 X 70 See illustrations 3/06/00		X	

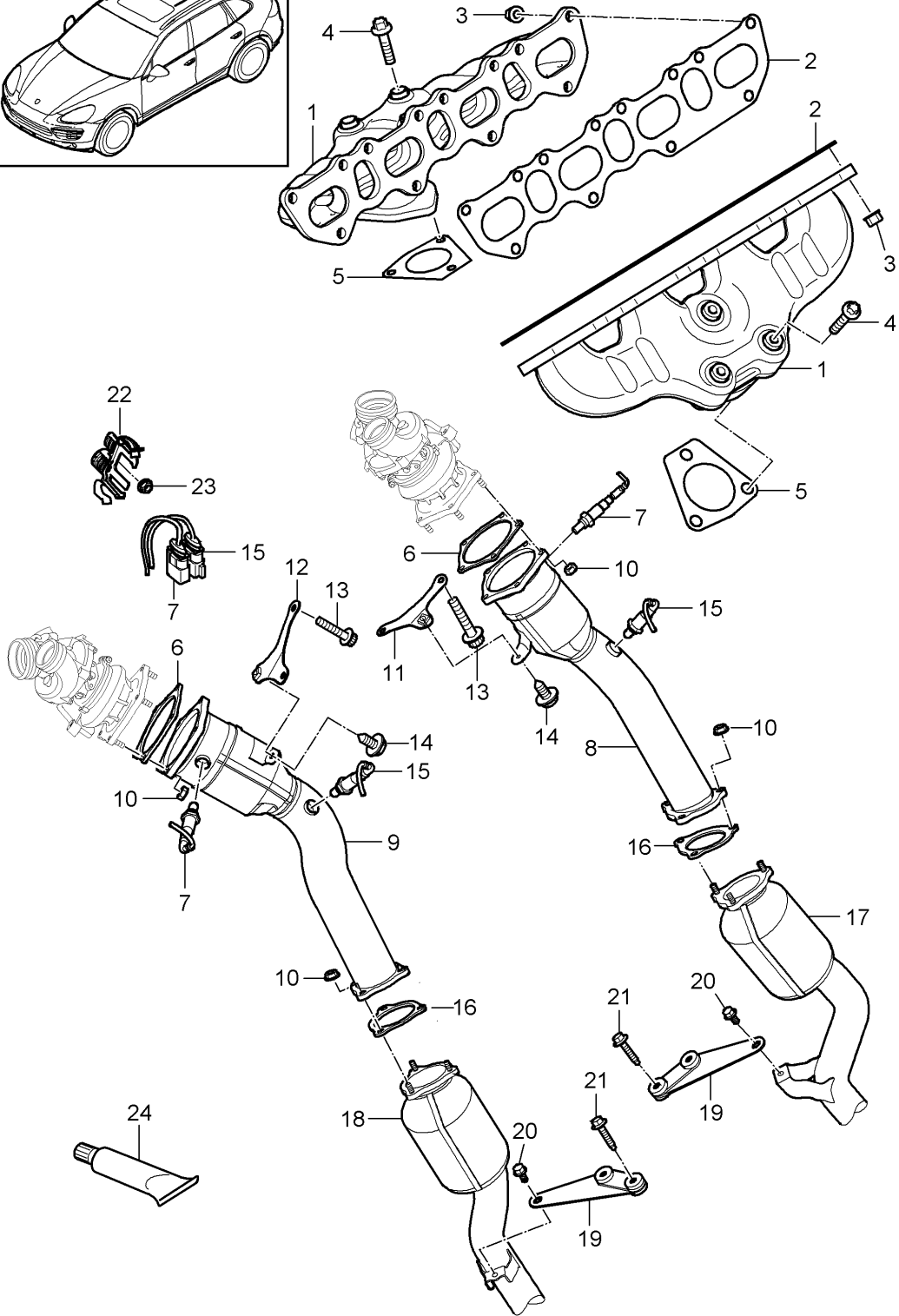
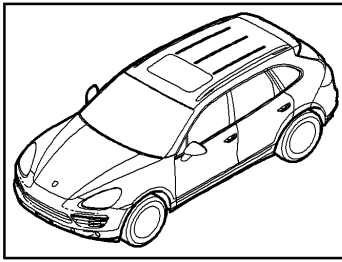
Model: 92A 11

Model life 2011>>

Pos	Part Number	Description	Remark	Qty	Model
20	N 106 531 02	Hexagon-head bolt M 8 X 20		2	
21	958 606 172 00	Oxygen sensor After Catalytic converter		2	
22	958 111 113 00	Gasket		2	
23	958 113 023 00	Catalytic converter	/L	1	
(23)	958 113 023 01	Catalytic converter	/L	1	
(23)	958 113 023 AX	Catalytic converter	/L	1	
24	958 113 024 00	Catalytic converter	/R	1	
(24)	958 113 024 01	Catalytic converter	/R	1	
(24)	958 113 024 AX	Catalytic converter	/R	1	
25	958 111 047 40	Support		2	
26	N 106 531 02	Hexagon-head bolt M 8 X 20		2	
27	N 105 703 02	Hexagon-head bolt AM 8 X 40		4	
28	955 606 114 20	Support Connector Oxygen sensor Plenum panel		2	
29	N 100 151 01	Hexagon nut A 5		2	
30	000 043 207 07	Grease for oxygen sensor		1	

Model: 92A 11

Model life 2011>>



Model: 92A 11

Model life 2011>>

Pos	Part Number	Description	Remark	Qty	Model
		Exhaust system Exhaust manifold Catalytic converter			IDT1/DT5/D58
1	948 111 129 51	Exhaust manifold		2	IDT1/D58
		Use also: 948.111.181.01		X	
(1)		Turbocharger		2	IDT5
		See illustrations 2/02/61 POS.1+2			
2	948 111 181 01	Gasket		2	IDT1/D58
(2)	948 111 181 70	Exhaust manifold Gasket		2	IDT5
3	999 084 642 02	Exhaust manifold Hexagon nut		24	IDT1/D58
(3)		M 8 Hexagon nut		26	IDT5
4	999 073 271 01	M 8 Torx screw		6	IDT1/D58
5	948 123 203 52	BM 8 X 75 Gasket		2	IDT1/D58
6	955 111 113 20	Turbocharger Gasket		2	
7	958 606 172 10	Exhaust pipe Oxygen sensor		2	
(7)	958 606 172 11	in front of Catalytic converter Oxygen sensor		2	
		in front of Catalytic converter			
8	958 113 021 50	Use also: 000.043.207.07 Exhaust pipe		1	
(8)	958 113 021 51	with Catalytic converter Cylinders 5 - 8		1	ID58
(8)	958 113 021 FX	Exhaust pipe with Catalytic converter Cylinders 5 - 8		1	ID58
		Use also: 955.111.113.20		1	
		958.111.113.00		1	
(8)	958 113 027 00	Exhaust pipe with Catalytic converter Cylinders 5 - 8		1	IDT1/DT5
		Use also: 955.111.113.20		1	
		958.111.113.00		1	
(8)	958 113 027 X	Exhaust pipe with Catalytic converter Cylinders 5 - 8		1	IDT1/DT5
		Use also: 955.111.113.20		1	

Model: 92A 11

Model life 2011>>

Pos	Part Number	Description	Remark	Qty	Model
9	958 113 022 50	958.111.113.00 Exhaust pipe with Catalytic converter Cylinders 1 - 4		1 1	
(9)	958 113 022 51	Exhaust pipe with Catalytic converter Cylinders 1 - 4 Use also: 955.111.113.20 958.111.113.00		1 1 1	ID58
(9)	958 113 022 DX	Exhaust pipe with Catalytic converter Cylinders 1 - 4 Use also: 955.111.113.20 958.111.113.00		1 1 1	ID58
(9)	958 113 028 00	Exhaust pipe with Catalytic converter Cylinders 1 - 4 Use also: 955.111.113.20 958.111.113.00		1 1 1	IDT1/DT5
(9)	958 113 028 X	Exhaust pipe with Catalytic converter Cylinders 1 - 4 Use also: 955.111.113.20 958.111.113.00		1 1 1	IDT1/DT5
10	N 908 946 02	Hexagon nut M 8		16	
11	955 111 161 30	Support	/L	1	
12	955 111 162 30	Support	/R	1	
13		Outer hexagon round screw M 12 X 1,5 X 70 See illustrations 3/06/00		X	
14	N 106 531 02	Hexagon-head bolt M 8 X 20		2	
15	958 606 172 00	Oxygen sensor After Catalytic converter Use also: 000.043.207.07		2 1	
16	958 111 113 00	Gasket		2	
17	958 113 023 50	Catalytic converter	/L	1	
(17)	958 113 023 51	Catalytic converter Use also: 958.111.113.00	/L	1 1	ID58
(17)	958 113 023 CX	Catalytic converter Use also: 958.111.113.00	/L	1 1	ID58
(17)	958 113 023 52	Catalytic converter Use also: 958.111.113.00	/L -15	1 1	IDT1
(17)	958 113 029 X	Catalytic converter Use also: 958.111.113.00	/L -15	1 1	IDT1
(17)	958 113 023 53	Catalytic converter	/L 16-	1 1	IDT1/DT5

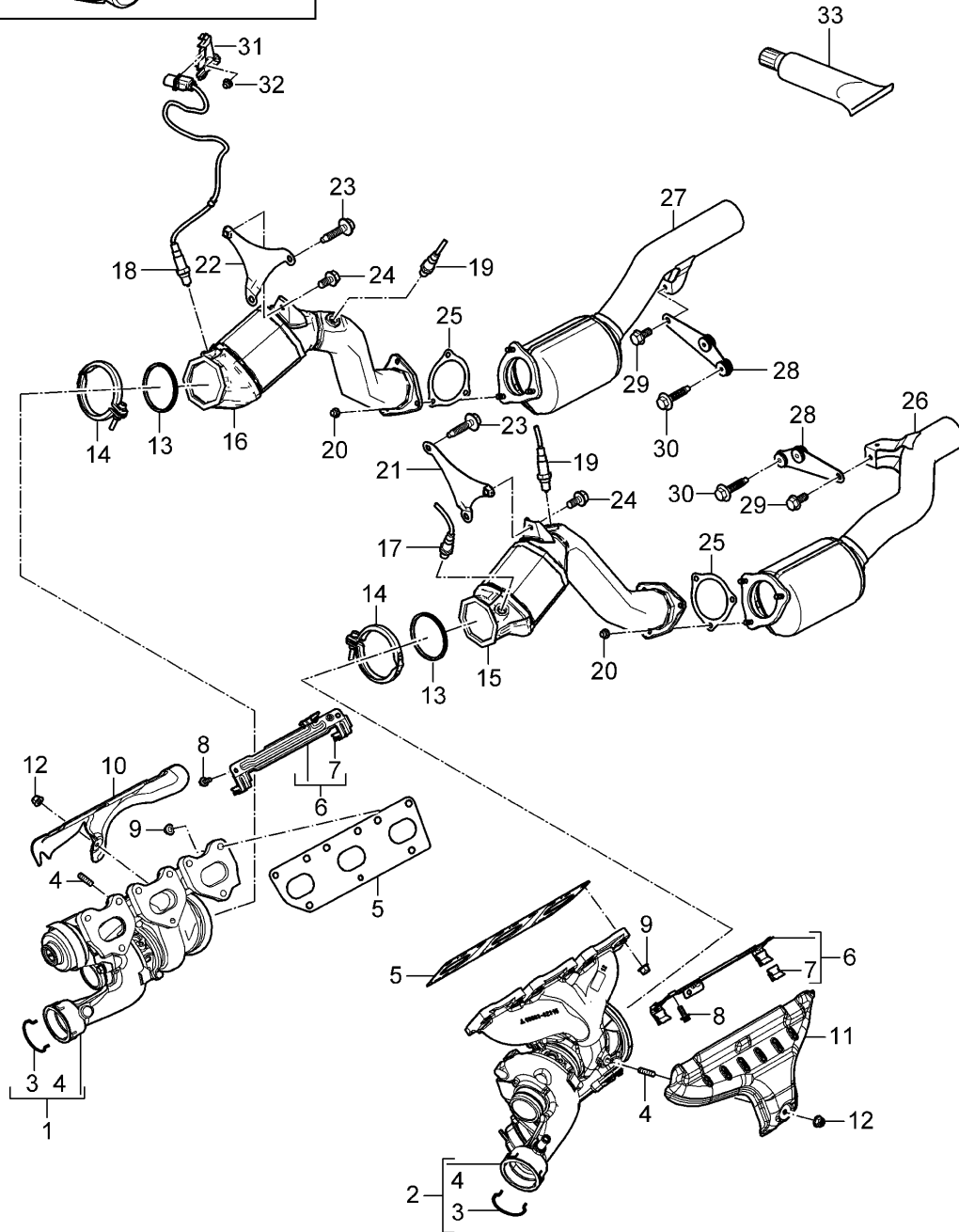
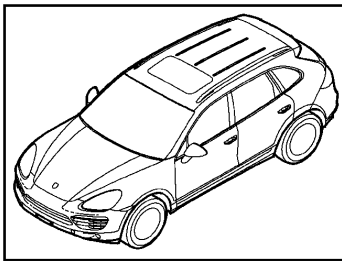
Model: 92A 11

Model life 2011>>

Pos	Part Number	Description	Remark	Qty	Model
(17)	958 113 029 BX	Use also: 958.111.113.00 Catalytic converter	/L 16-	1 1	IDT1/DT5
18	958 113 024 50	Use also: 958.111.113.00 Catalytic converter	/R	1	
(18)	958 113 024 51	Catalytic converter	/R	1	ID58
(18)	958 113 024 BX	Use also: 958.111.113.00 Catalytic converter	/R	1 1	ID58
(18)	958 113 024 52	Use also: 958.111.113.00 Catalytic converter	/R -15	1 1	IDT1
(18)	958 113 030 X	Use also: 958.111.113.00 Catalytic converter	/R -15	1 1	IDT1
(18)	958 113 024 53	Use also: 958.111.113.00 Catalytic converter	/R 16-	1 1	IDT1/DT5
(18)	958 113 030 BX	Use also: 958.111.113.00 Catalytic converter	/R 16-	1 1	IDT1/DT5
19	958 111 047 40	Support		2	
20	N 106 531 02	Hexagon-head bolt M 8 X 20		2	
21	N 105 703 02	Hexagon-head bolt AM 8 X 40		4	
22	955 606 114 20	Support Connector		2	
23	N 100 151 01	Oxygen sensor Plenum panel Hexagon nut A 5		2	
(23)	N 904 953 01	Hexagon nut D 5		2	
24	000 043 207 07	Grease for oxygen sensor		1	

Model: 92A 11

Model life 2011>>



Model: 92A 11 Model life 2011>>

Pos	Part Number	Description	Remark	Qty	Model
		Exhaust system Turbocharger Catalytic converter Oxygen sensor			IDU2/DU3
1	946 123 025 55	Turbocharger Cyl. 1 - 3 Use also: 946.111.181.75 5Q0.253.115.B 5Q0.253.725.C 999.084.642.02		1	
2	946 123 026 55	Turbocharger Cyl. 4 - 6 Use also: 946.111.181.75 5Q0.253.115.B 5Q0.253.725.C 999.084.642.02		1	
3	948 123 324 50	Retainer spring		2	
4	900 402 018 01	Threaded bolt BM 6 X 18,5		2	
5	946 111 181 75	Gasket		2	
6	946 111 420 76	Turbocharger Support		2	
7	948 111 213 00	Heat shield Clamp		4	
8	900 385 041 01	Torx screw BM 6 X 12		4	
9	999 084 642 02	Hexagon nut M 8		18	
10	946 111 337 75	Heat shield Cyl. 1 - 3		1	
11	946 111 338 76	Heat shield Cyl. 4 - 6		1	
12	900 380 015 02	Hexagon nut M 6		2	
13	5Q0 253 115 B	Gasket		2	
14	5Q0 253 725 C	Clip		2	
15	958 113 021 52	Exhaust pipe with Catalytic converter Use also: 5Q0.253.115.B 5Q0.253.725.C 958.111.113.00 N .908.946.02	/L	1	
(15)	958 113 027 AX	Exhaust pipe with Catalytic converter Use also: 5Q0.253.115.B 5Q0.253.725.C 958.111.113.00 N .908.946.02	/L	1	
16	958 113 022 52	Exhaust pipe with Catalytic converter Use also: 5Q0.253.115.B 5Q0.253.725.C 958.111.113.00 N .908.946.02	/R	1	
(16)	958 113 028 AX	Exhaust pipe	/R	1	

Model: 92A 11 Model life 2011>>

Pos	Part Number	Description	Remark	Qty	Model
		with Catalytic converter Use also: 5Q0.253.115.B 5Q0.253.725.C 958.111.113.00 N .908.946.02		1 1 1 3	
17	958 606 172 12	Oxygen sensor in front of Catalytic converter Use also: 000.043.207.07	/L	1	
18	958 606 172 13	Oxygen sensor in front of Catalytic converter Use also: 000.043.207.07	/R	1	
19	958 606 172 14	Oxygen sensor After Catalytic converter Use also: 000.043.207.07		1 2	
20	N 908 946 02	Hexagon nut M 8		1 6	
21	958 111 161 20	Support	/L	1	
22	958 111 162 10	Support	/R	1	
23		Outer hexagon round screw M 12 X 1,5 X 70 See illustrations 3/06/00		X	
24	N 106 531 02	Hexagon-head bolt M 8 X 20		2	
25	958 111 113 00	Gasket		2	
26	958 113 023 52	Catalytic converter	/L	1	
(26)	958 113 029 X	Catalytic converter	/L	1	
(26)	958 113 023 53	Catalytic converter Use also: 958.111.113.00 N .908.946.02	/L	1 3	
(26)	958 113 029 BX	Catalytic converter Use also: 958.111.113.00 N .908.946.02	/L	1 3	
27	958 113 024 52	Catalytic converter	/R	1	
(27)	958 113 030 X	Catalytic converter	/R	1	
(27)	958 113 024 53	Catalytic converter Use also: 958.111.113.00 N .908.946.02	/R	1 3	
(27)	958 113 030 BX	Catalytic converter Use also: 958.111.113.00 N .908.946.02	/R	1 3	
28	958 111 047 40	Support		2	
29	N 106 531 02	Hexagon-head bolt M 8 X 20		2	
30	N 105 703 02	Hexagon-head bolt AM 8 X 40		4	
31	955 606 114 40	Support Connector Oxygen sensor		2	
32	N 904 953 01	Plenum panel Hexagon nut		2	

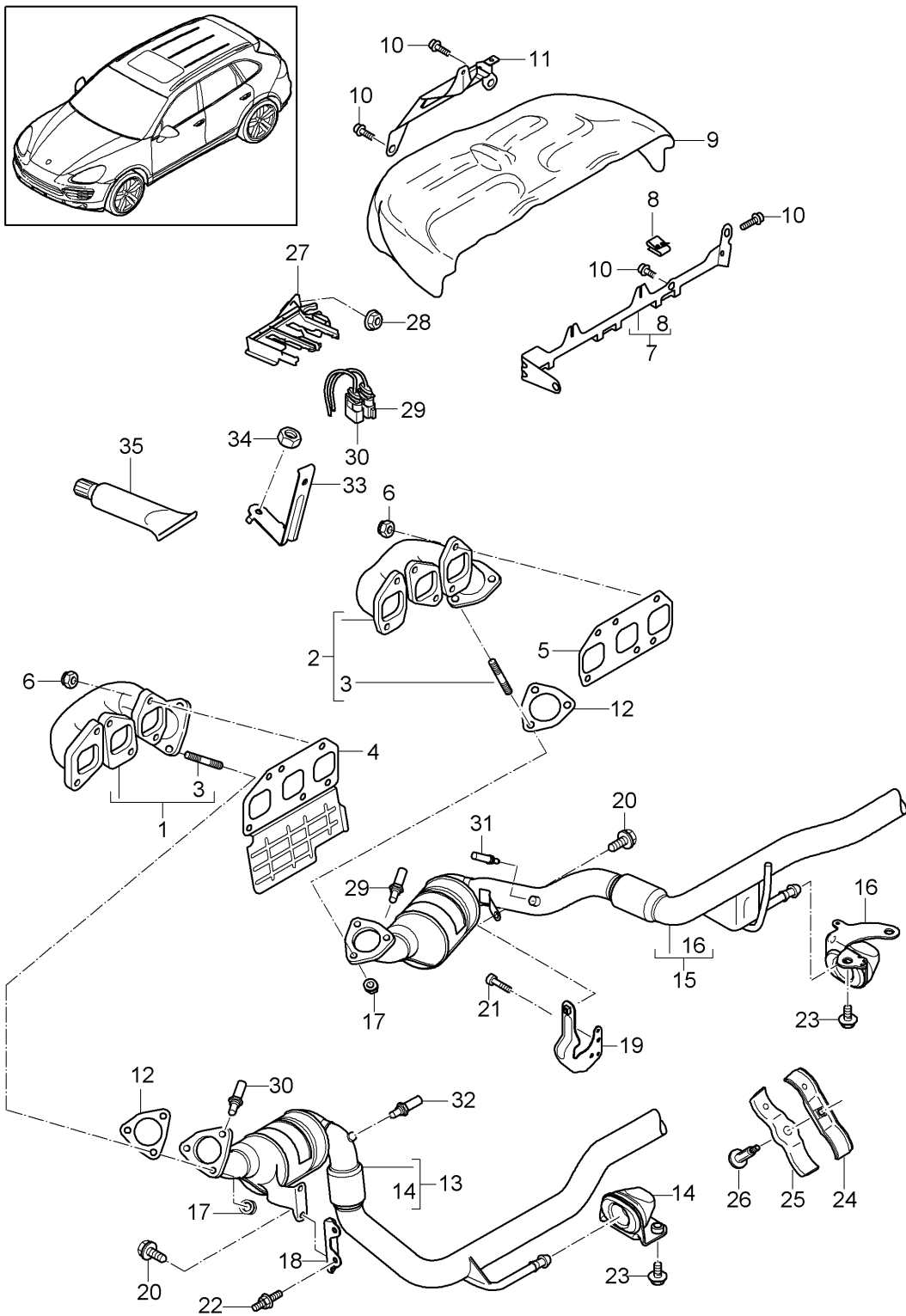
Model: 92A 11

Model life 2011>>

Pos	Part Number	Description	Remark	Qty	Model
33	000 043 207 07	D 5 Grease for oxygen sensor		1	

Model: 92A 11

Model life 2011>>



Model: 92A 11

Model life 2011>>

Pos	Part Number	Description	Remark	Qty	Model
		Exhaust system			ID34
		Exhaust manifold			
		Catalytic converter			
1	958 111 129 00	Exhaust manifold		1	
		Cyl. 1 - 3			
2	958 111 130 00	Exhaust manifold		1	
		Cyl. 4 - 6			
3	N 044 517 7	Stud		6	
		M 10 X 25			
4	958 111 181 00	Gasket		1	
		Cyl. 1 - 3			
5	958 111 182 00	Gasket		1	
		Cyl. 4 - 6			
6	N 908 946 01	Hexagon nut		12	
		M 8			
7	958 110 228 00	Support		1	
8	955 111 513 10	Clamp		3	
9	958 111 215 00	Heat shield		1	
10	N 106 649 01	Screw		7	
		M 8 X 16			
11	958 111 549 00	Support		1	
12	955 111 113 40	Gasket		2	
13	958 113 021 41	Exhaust pipe		1	I0GG/7GH/7MG
		with			
		Catalytic converter			
		Cyl. 1 - 3			
(13)	958 113 021 42	Exhaust pipe		1	I0GG/7GH/7MG I7MJ
		with			
		Catalytic converter			
		Cyl. 1 - 3			
(13)	958 113 021 43	Exhaust pipe		1	I0GG/7GH/7MG I7MJ
		with			
		Catalytic converter			
		Cyl. 1 - 3			
(13)	958 113 021 EX	Exhaust pipe		1	I0GG/7GH/7MG I7MJ
		with			
		Catalytic converter			
		Cyl. 1 - 3			
(13)	958 113 021 61	Exhaust pipe		1	I7GB
		with			
		Catalytic converter			
		Cyl. 1 - 3			
(13)	958 113 021 62	Exhaust pipe		1	I7GB
		with			
		Catalytic converter			
		Cyl. 1 - 3			
(13)	958 113 021 GX	Exhaust pipe		1	I7GB
		with			
		Catalytic converter			
		Cyl. 1 - 3			
14	955 111 227 20	Support		1	
(14)	955 111 228 20	Support		1	
15	958 113 022 40	Exhaust pipe		1	I0GG/7GH/7MG
		with			
		Catalytic converter			
		Cyl. 4 - 6			
(15)	958 113 022 41	Exhaust pipe		1	I0GG/7GH/7MG I7MJ
		with			
		Catalytic converter			

Model: 92A 11

Model life 2011>>

Pos	Part Number	Description	Remark	Qty	Model
(15)	958 113 022 42	Cyl. 4 - 6 Exhaust pipe with Catalytic converter		1	I0GG/7GH/7MG I7MJ
(15)	958 113 022 CX	Cyl. 4 - 6 Exhaust pipe with Catalytic converter		1	I0GG/7GH/7MG I7MJ
(15)	958 113 022 60	Cyl. 4 - 6 Exhaust pipe with Catalytic converter		1	I7GB
(15)	958 113 022 61	Cyl. 4 - 6 Exhaust pipe with Catalytic converter		1	I7GB
(15)	958 113 022 EX	Cyl. 4 - 6 Exhaust pipe with Catalytic converter		1	I7GB
16	955 111 228 00	Support		1	
(16)	958 111 228 00	Support		1	
17	N 102 090 07	Lock nut M 10		6	
18	958 111 161 00	Support Cyl. 1 - 3		1	
19	958 111 161 10	Support Cyl. 4 - 6		1	
-	N 100 091 10	Combination screw M 6 X 12 Mount Support Cyl. 4 - 6 See illustrations 3/60/30 Pos.16		2	IG1G
20	N 106 531 02	Hexagon-head bolt M 8 X 20		3	
21	N 106 648 01	Pan-head screw M 8 X 20		2	
22		Stud See illustrations 3/06/30		X	
23	N 909 210 02	Hexagon-head bolt M 8 X 22		4	
24	958 111 309 00	Support Upper		1	
25	958 111 311 00	Support Lower		1	
26	N 910 949 01	Fit bolt M 8 X 13 X 55		1	
27	958 606 114 10	Support Connector Oxygen sensor		1	
(27)	958 606 114 40	Support Connector Oxygen sensor		1	
28	N 904 953 01	Hexagon nut D 5		1	
29	958 606 129 01	Oxygen sensor		1	

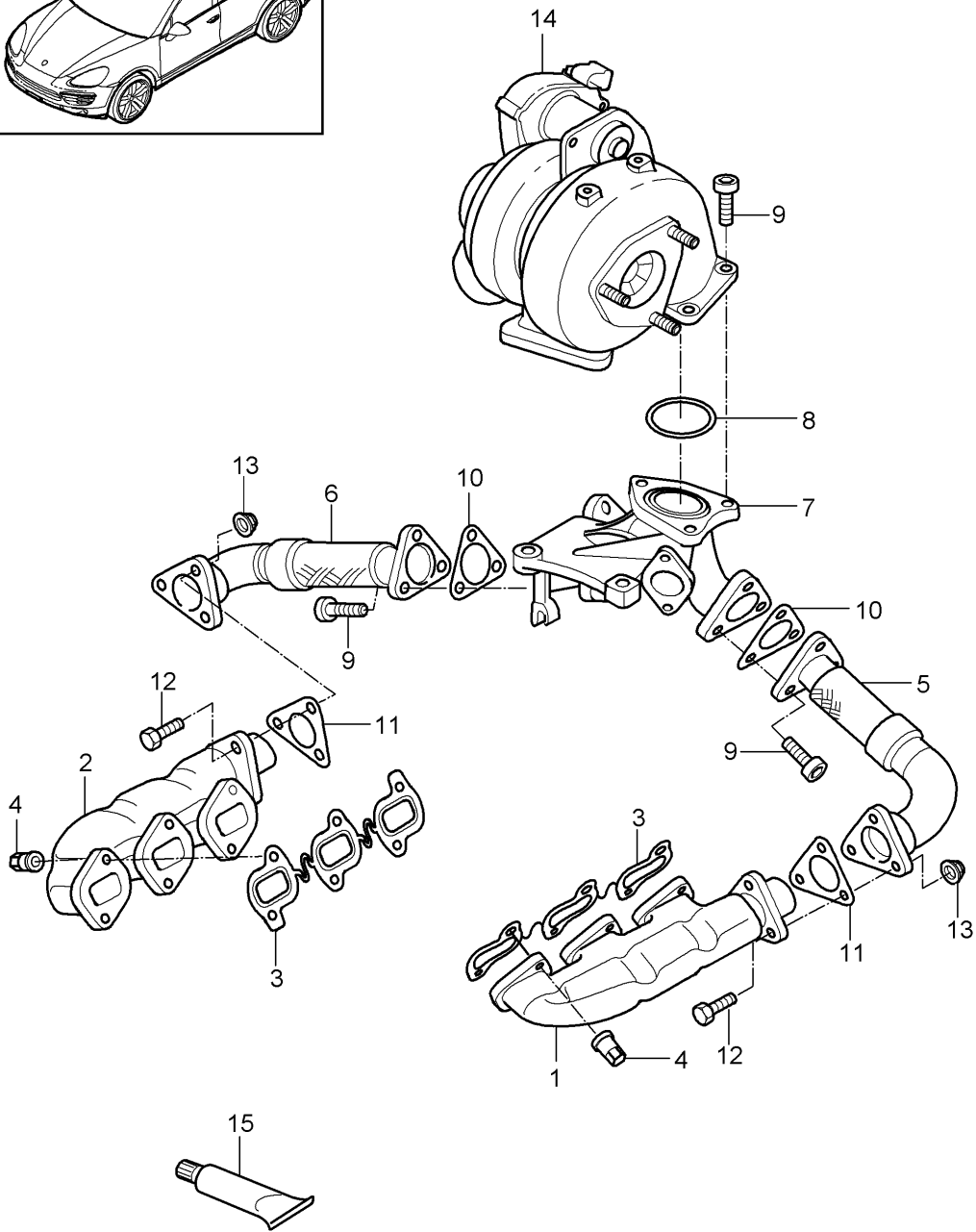
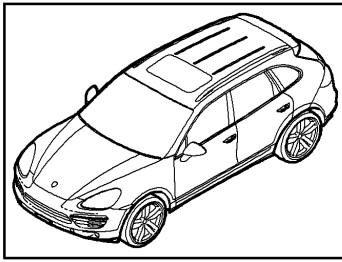
Model: 92A 11

Model life 2011>>

Pos	Part Number	Description	Remark	Qty	Model
30	958 606 128 01	in front of Catalytic converter Cyl. 4 - 6 Oxygen sensor		1	
31	958 606 137 01	in front of Catalytic converter Cyl. 1 - 3 Oxygen sensor		1	I0GG/7GH/7MG I7MJ
(31)	958 606 137 10	After Catalytic converter Cyl. 4 - 6 Oxygen sensor		1	I7GB
32	958 606 136 01	After Catalytic converter Cyl. 4 - 6 Oxygen sensor		1	I0GG/7GH/7MG I7MJ
(32)	958 606 136 10	After Catalytic converter Cyl. 1 - 3 Oxygen sensor		1	I7GB
33	958 606 458 01	After Catalytic converter Cyl. 1 - 3 Support Line		1	
34	N 015 082 10	Oxygen sensor Hexagon nut M 6		1	
35	000 043 207 07	Grease for oxygen sensor		1	

Model: 92A 11

Model life 2011>>



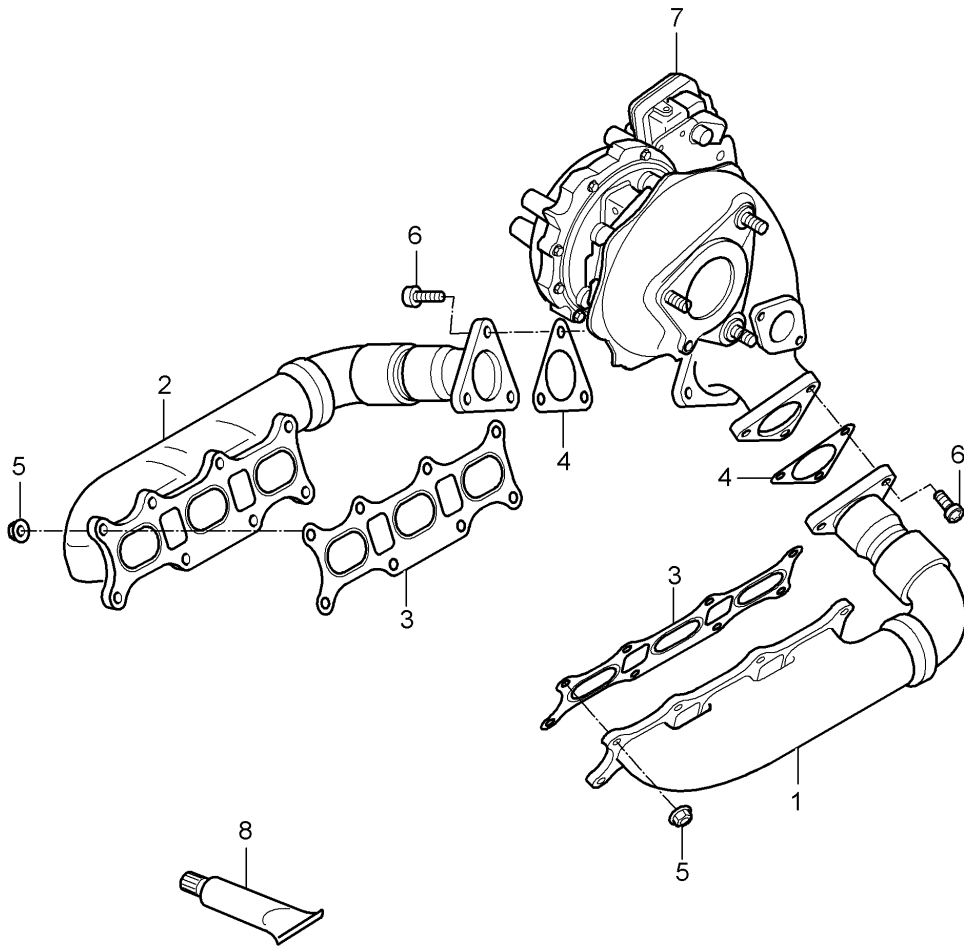
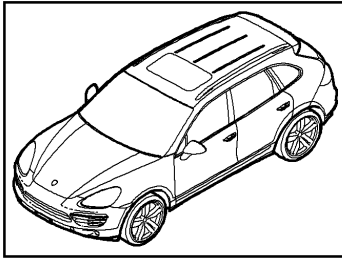
Model: 92A 11

Model life 2011>>

Pos	Part Number	Description	Remark	Qty	Model
		Exhaust system			M05.9E
		Exhaust manifold			
1	958 111 019 00	Exhaust manifold	/L	1	
2	958 111 020 00	Exhaust manifold	/R	1	
3	955 111 171 10	Gasket		2	
4	955 111 529 00	Hexagon nut		12	
		M 8			
5	958 111 089 00	Exhaust pipe	/L	1	
6	958 111 090 00	Exhaust pipe	/R	1	
7	958 111 079 00	Connecting piece		1	
8	955 111 205 00	Sealing ring		1	
9	N 910 461 01	Pan-head screw		9	
		M 8 X 22			
10	955 111 113 70	Gasket		2	
11	955 111 113 90	Gasket		2	
12	N 010 244 26	Hexagon-head bolt		6	
		M 8 X 30			
13	N 911 308 01	Hexagon nut		6	
		M 8			
14		Turbocharger		1	
		See illustrations			
		2/02/70			
15	000 043 207 47	Grease		1	
		1 tube			
		170 Gr.			

Model: 92A 11

Model life 2011>>



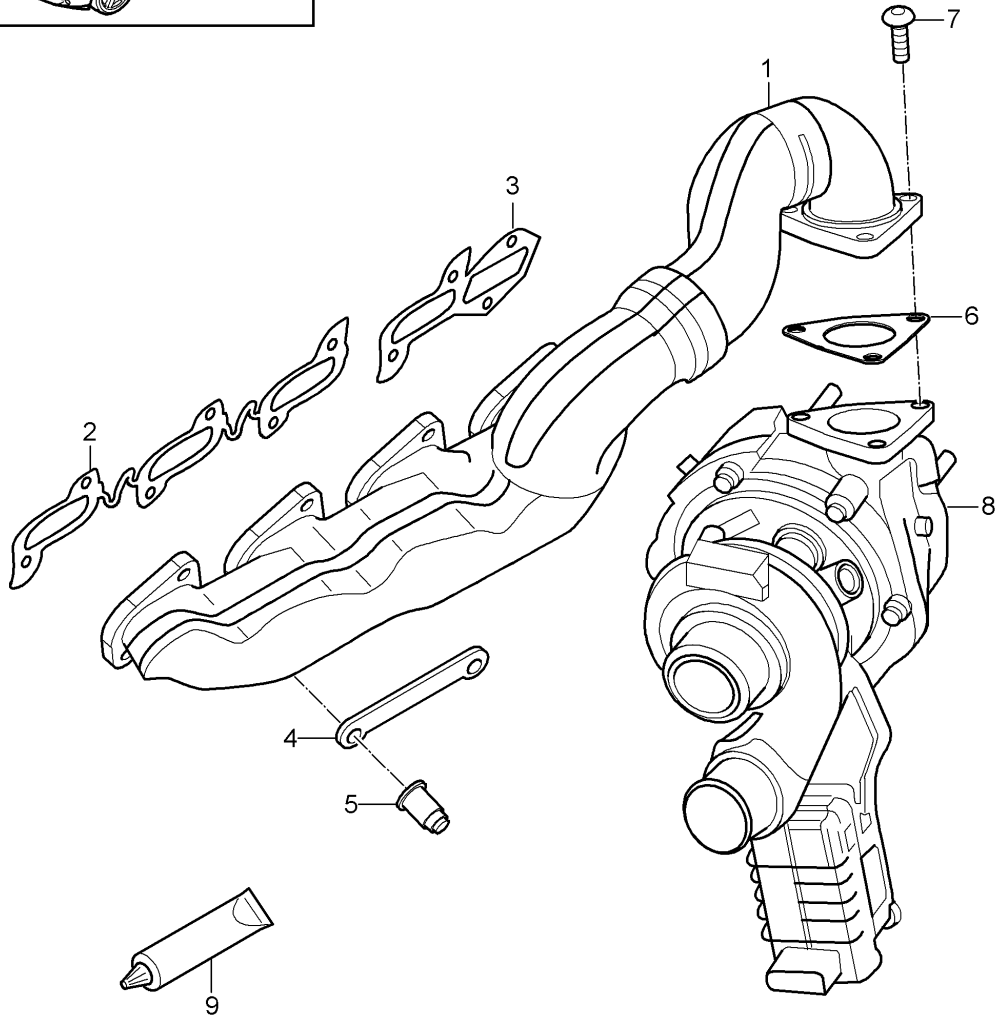
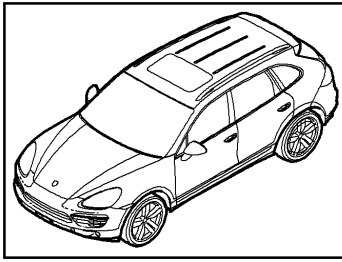
Model: 92A 11

Model life 2011>>

Pos	Part Number	Description	Remark	Qty	Model
		Exhaust system			MCN.RB MCR.CA/CB MCV.VA/VB MCV.VC
1	958 111 129 20	Exhaust manifold	/L	1	
(1)	958 111 129 21	Exhaust manifold	/L	1	
2	958 111 130 20	Exhaust manifold	/R	1	
(2)	958 111 130 21	Exhaust manifold	/R	1	
3	958 111 181 20	Gasket		2	
4	958 111 113 30	Gasket		2	
5	N 908 946 01	Hexagon nut M 8		16	
6	N 911 878 01	Pan-head screw M 8 X 20		6	
7		Turbocharger See illustrations 2/02/80		1	
8	000 043 207 47	Pos.1 Grease 1 tube 170 Gr.		1	

Model: 92A 11

Model life 2011>>



Model: 92A 11

Model life 2011>>

Pos	Part Number	Description	Remark	Qty	Model
		Exhaust system			MCU . DB / DC
		Exhaust manifold			
1	958 111 129 30	Exhaust manifold	/L	1	
(1)	958 111 130 30	Exhaust manifold	/R	1	
2	958 111 181 30	Gasket		2	
3	958 111 181 40	Gasket		2	
4	958 111 115 40	Tab washer		4	
		Front			
(4)	958 111 115 50	Tab washer		2	
		Rear			
		Upper	/L	1	
		Lower	/R	1	
(4)	958 111 115 60	Tab washer		2	
		Rear			
		Upper	/R	1	
		Lower	/L	1	
5	955 111 529 00	Hexagon nut		20	
		M 8			
6	958 111 113 40	Gasket		2	
7	N 910 461 01	Pan-head screw		6	
		M 8 X 22			
8		Turbocharger		2	
		See illustrations			
		2/02/85			
		POS.1			
9	000 043 207 47	Grease		1	
		1 tube			
		170 GR.			

Model: 92A 11

Model life 2011>>

Pos	Part Number	Description	Remark	Qty	Model
		Exhaust system	-14		ID1V/D43/D50
		Exhaust pipe			
		with			
		Catalytic converter			
		Diesel particle filter			
		Control line			
1	958 113 021 20	Exhaust pipe	-11	1	I7MG
		with			
		Catalytic converter			
1	958 113 021 CX	Exhaust pipe	-11	1	I7MG
		with			
		Catalytic converter			
(1)	958 113 025 00	Exhaust pipe	12-	1	I7MJ/7MQ
		with			
		Catalytic converter			
(1)	958 113 025 AX	Exhaust pipe	12-	1	I7MJ/7MQ
		with			
		Catalytic converter			
(1)	958 113 021 30	Exhaust pipe	-11	1	I0GG/0GZ
		with			
		Catalytic converter			
		Order also:			
		N .029.704.2		1	
		N .013.832.6		1	
(1)	958 113 021 DX	Exhaust pipe	-11	1	I0GG/0GZ
		with			
		Catalytic converter			
		Order also:			
		N .029.704.2		1	
		N .013.832.6		1	
(1)	958 113 025 10	Exhaust pipe	12-	1	I0GZ
		with			
		Catalytic converter			
		Order also:			
		N .029.704.2		1	
		N .013.832.6		1	
(1)	958 113 025 BX	Exhaust pipe	12-	1	I0GZ
		with			
		Catalytic converter			
		Order also:			
		N .029.704.2		1	
		N .013.832.6		1	
(1)	958 113 025 20	Exhaust pipe	12-	1	I0GG
		with			
		Catalytic converter			
2	955 111 113 80	Gasket	-11	1	
(2)	958 111 113 20	Gasket	12-	1	
3	N 908 946 02	Hexagon nut		3	
		M 8			
4	958 111 161 00	Support		1	
5	N 106 531 02	Hexagon-head bolt		3	
		M 8 X 20			
(5)	N 107 371 01	Hexagon-head bolt		3	
		M 8 X 22			
6	958 113 023 20	Diesel particle filter		1	I7MG/7MJ/7MQ
6	958 113 023 DX	Diesel particle filter		1	I7MG/7MJ/7MQ
(6)	958 113 023 30	Catalytic converter		1	I0GG/0GZ
(6)	958 113 023 BX	Catalytic converter		1	I0GG/0GZ
(6)	958 113 023 31	Catalytic converter		1	I0GG/0GZ
7	955 111 228 10	Support		1	
8	955 111 228 20	Support		1	
9	955 111 113 10	Gasket		1	
10	N 908 946 02	Hexagon nut		3	

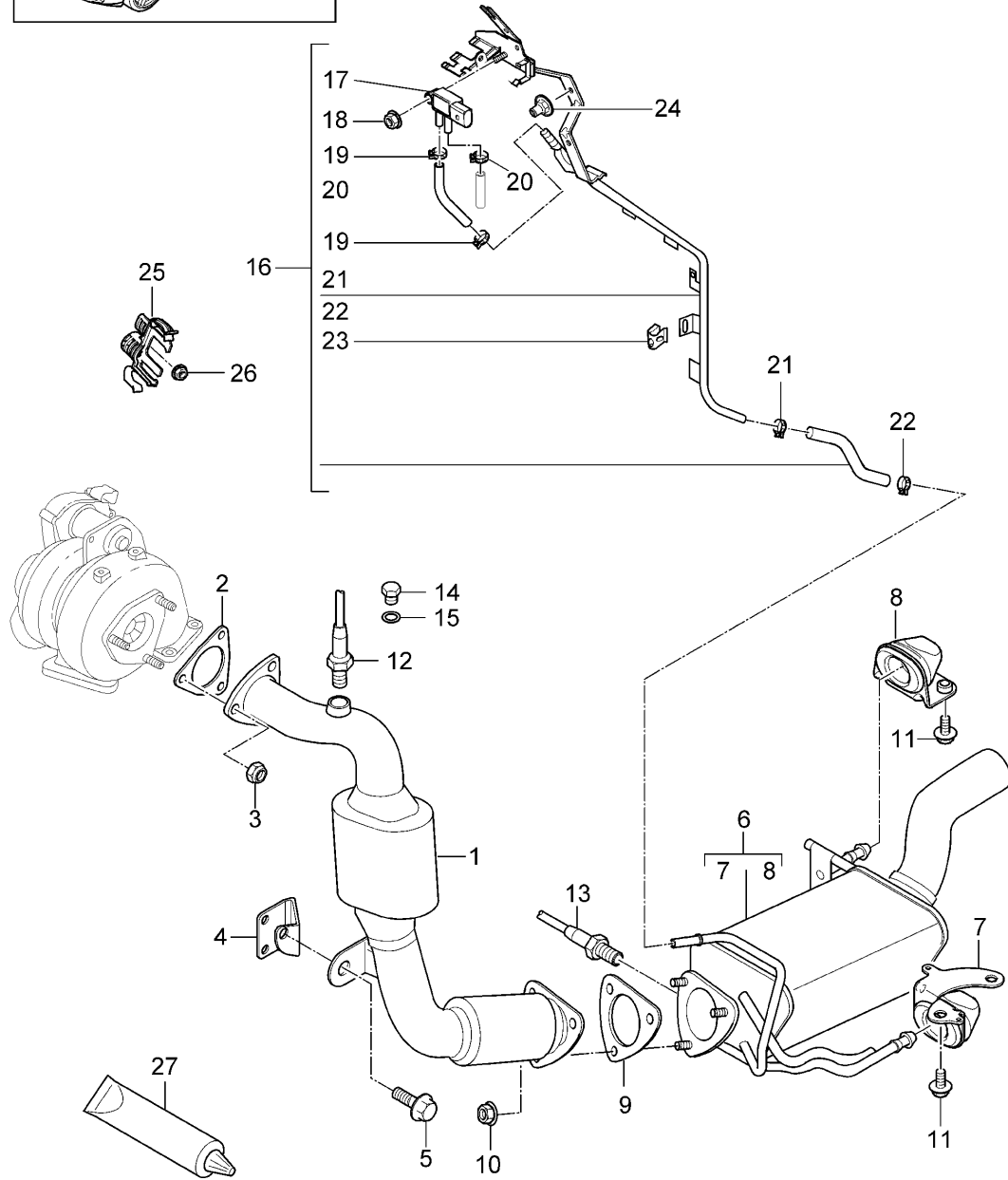
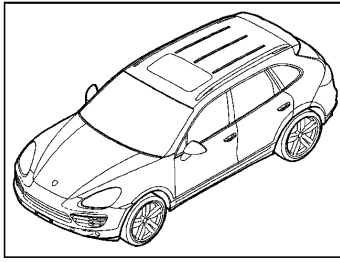
Model: 92A 11

Model life 2011>>

Pos	Part Number	Description	Remark	Qty	Model
11	N 909 210 02	M 8 Hexagon-head bolt		4	
12	958 606 172 20	M 8 X 22 Oxygen sensor		1	I0GG/7MG/7MJ I7MQ
13	958 606 288 01	in front of Catalytic converter Temperature sensor Exhaust gas	-11	1	I7MG
(13)	958 606 288 10	Temperature sensor Exhaust gas	12-	1	I7MJ/7MQ
(13)	958 606 288 20	Temperature sensor Exhaust gas	12-	1	I0GG
14	N 029 704 2	Screw plug M 18 X 1,5		1	I0GZ
15	N 013 832 6	Sealing ring A 18 X 22		1	I0GZ
16	958 111 060 04	Control line		1	I7MG/7MJ/7MQ
17	958 606 151 10	Pressure sensor		1	I7MG/7MJ/7MQ
18	N 023 002 13	Hexagon nut M 6		1	I7MG/7MJ/7MQ
19	958 111 483 10	Clamp B 13,5 X 12		2	I7MG/7MJ/7MQ
20	955 111 483 00	Clamp B 11,5 X 8,4		1	I7MG/7MJ/7MQ
21	N 906 867 01	Hose clamp B 14 X 12		1	I7MG/7MJ/7MQ
22	N 907 702 01	Hose clamp B 17 X 12		1	I7MG/7MJ/7MQ
23	955 606 525 00	Cable terminal		3	I7MG/7MJ/7MQ
24	955 111 548 03	Speed nut 4,2		3	I7MG/7MJ/7MQ
25	955 606 114 20	Support Connector Oxygen sensor Plenum panel		1	I0GG/7MG/7MJ I7MQ
26	N 100 151 01	Hexagon nut		1	I0GG/7MG/7MJ I7MQ
27	000 043 207 47	A 5 Grease 1 tube 170 Gr.		1	

Model: 92A 11

Model life 2011>>



Model: 92A 11

Model life 2011>>

Pos	Part Number	Description	Remark	Qty	Model
		Exhaust system	15-		ID43
		Exhaust pipe with Catalytic converter Diesel particle filter Control line			
1	958 113 025 00	Exhaust pipe with Catalytic converter		1	I7MJ
(1)	958 113 025 AX	Exhaust pipe with Catalytic converter		1	I7MJ
(1)	958 113 025 80	Exhaust pipe with Catalytic converter		1	I7HI
(1)	958 113 025 JX	Exhaust pipe with Catalytic converter		1	I7HI
(1)	958 113 025 10	Exhaust pipe with Catalytic converter		1	I0GZ
(1)	958 113 025 BX	Order also: N .029.704.2 N .013.832.6 Exhaust pipe with Catalytic converter		1 1 1	I0GZ
(1)	958 113 025 20	Order also: N .029.704.2 N .013.832.6 Exhaust pipe with Catalytic converter		1 1 1	I0GG
(1)	958 113 025 HX	Exhaust pipe with Catalytic converter		1	I0GG
2	958 111 113 20	Gasket		1	
3	N 908 946 02	Hexagon nut M 8		3	
4	958 111 161 00	Support		1	
5	N 107 371 01	Hexagon-head bolt M 8 X 22		3	
6	958 113 023 20	Diesel particle filter		1	I7MJ
(6)	958 113 023 DX	Diesel particle filter		1	I7MJ
(6)	958 113 023 25	Diesel particle filter		1	I7HI
(6)	958 113 023 HX	Diesel particle filter		1	I7HI
(6)	958 113 023 31	Catalytic converter		1	I0GG/0GZ
7	955 111 228 10	Support		1	
8	955 111 228 20	Support		1	
9	955 111 113 10	Gasket		1	
10	N 908 946 02	Hexagon nut M 8		3	
11	N 909 210 02	Hexagon-head bolt M 8 X 22		4	
12	958 606 172 20	Oxygen sensor in front of Catalytic converter		1	I0GG/7HI/7MJ
13	958 606 288 10	Temperature sensor Exhaust gas		1	I7HI/7MJ
(13)	958 606 288 20	Temperature sensor Exhaust gas		1	I0GG
14	N 029 704 2	Screw plug M 18 X 1,5		1	I0GZ

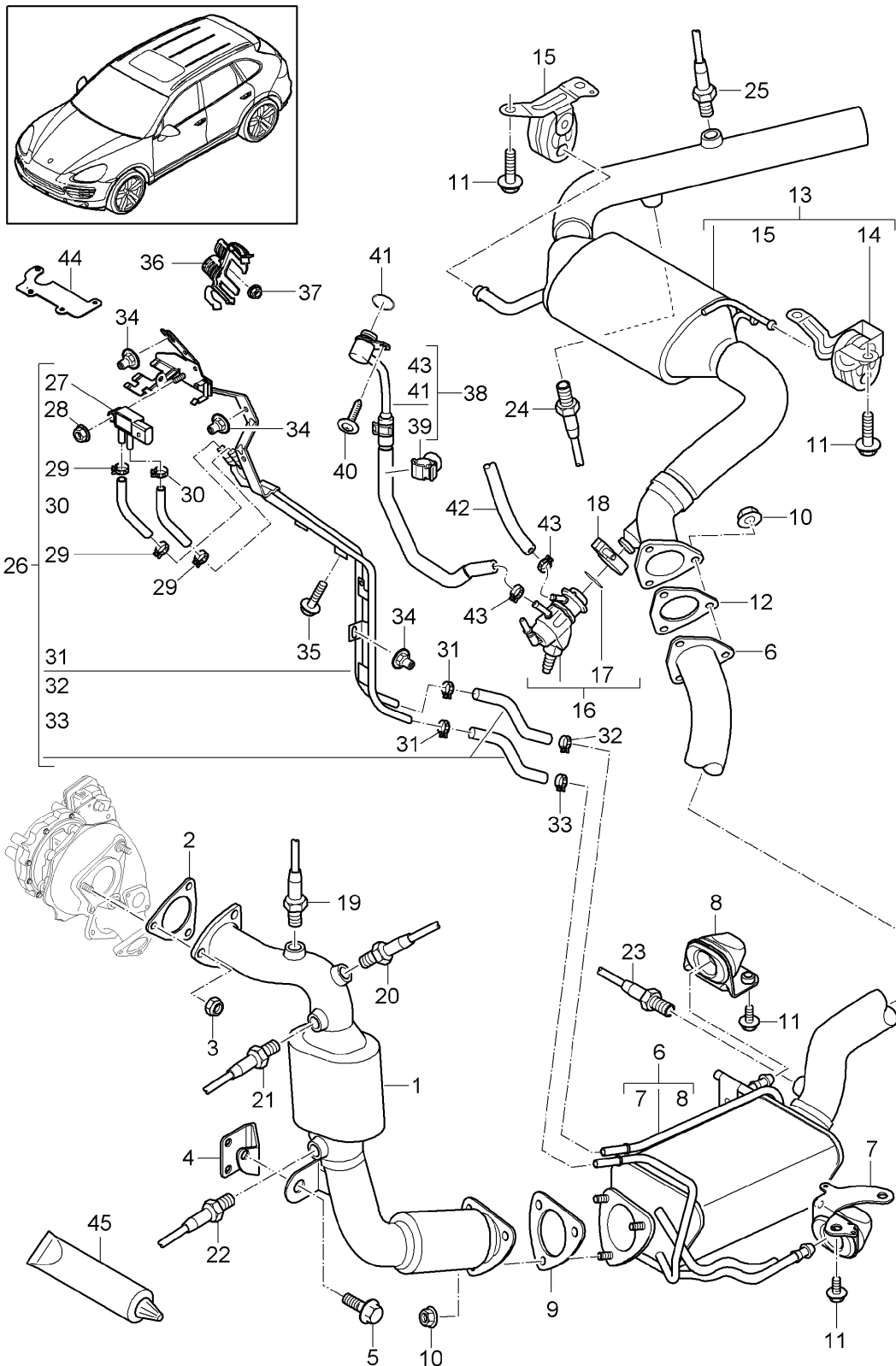
Model: 92A 11

Model life 2011>>

Pos	Part Number	Description	Remark	Qty	Model
15	N 013 832 6	Sealing ring A 18 X 22		1	I0GZ
16	958 111 060 04	Control line		1	I7HI/7MJ
17	958 606 151 10	Pressure sensor		1	I7HI/7MJ
18	N 023 002 13	Hexagon nut M 6		1	I7HI/7MJ
19	958 111 483 10	Clamp B 13,5 X 12		2	I7HI/7MJ
20	955 111 483 00	Clamp B 11,5 X 8,4		1	I7HI/7MJ
21	N 906 867 01	Hose clamp B 14 X 12		1	I7HI/7MJ
22	N 907 702 01	Hose clamp B 17 X 12		1	I7HI/7MJ
23	955 606 525 00	Cable terminal		3	I7MJ
24	955 111 548 03	Speed nut 4,2		3	I7HI/7MJ
25	955 606 114 20	Support Connector Oxygen sensor Plenum panel		1	
26	N 904 953 01	Hexagon nut D 5		1	
27	000 043 207 47	Grease 1 tube 170 Gr.		1	

Model: 92A 11

Model life 2011>>



Model: 92A 11

Model life 2011>>

Pos	Part Number	Description	Remark	Qty	Model
		Exhaust system			MCN.RB MCV.VA/VB/VC
(1)	958 113 025 70	Exhaust pipe with Catalytic converter Diesel particle filter Control line		1	MCV.VA/VB/VC
(1)	958 113 025 FX	Exhaust pipe with Catalytic converter		1	MCV.VA/VB/VC
2	958 111 113 20	Gasket		1	
3	N 908 946 02	Hexagon nut M 8		3	
4	958 111 161 00	Support		1	
5	N 106 531 02	Hexagon-head bolt M 8 X 20		3	
(5)	N 107 371 01	Hexagon-head bolt M 8 X 22		3	
(6)	958 113 023 65	Diesel particle filter		1	MCV.VA/VB/VC
(6)	958 113 023 GX	Diesel particle filter		1	MCV.VA/VB/VC
7	955 111 228 10	Support		1	
8	955 111 228 20	Support		1	
9	955 111 113 10	Gasket		1	
10	N 908 946 02	Hexagon nut M 8		6	
(11)	N 909 210 02	Hexagon-head bolt M 8 X 22		4	MCV.VA/VB/VC
12	955 111 113 30	Gasket		1	
(13)	958 113 025 75	Exhaust pipe with Catalytic converter		1	MCV.VA/VB/VC
(13)	958 113 025 GX	Exhaust pipe with Catalytic converter		1	MCV.VA/VB/VC
14	958 111 152 30	Support		1	
(16)	958 111 413 40	Injector valve Use also: 958.111.625.10		1	MCV.VA/VB/VC
(17)	04L 253 115	Gasket		1	MCV.VA/VB/VC
(18)	958 111 625 10	Clip		1	MCV.VA/VB/VC
19	958 606 172 20	Oxygen sensor in front of Catalytic converter		1	MCV.VA/VB/VC
(20)	958 606 807 02	Control unit with Sensor		1	MCV.VA/VB/VC
-	N 015 082 10	Hexagon nut M 6 Mount		2	
(21)	958 606 288 31	Control unit Temperature sensor		1	MCV.VA/VB/VC
(22)	958 606 288 21	Exhaust gas Temperature sensor		1	MCV.VA/VB/VC
(23)	958 606 288 41	Exhaust gas Temperature sensor		1	MCV.VA/VB/VC
(24)	958 606 807 12	Exhaust gas Control unit with Sensor		1	MCV.VA/VB/VC
-	N 015 082 10	Hexagon nut		2	

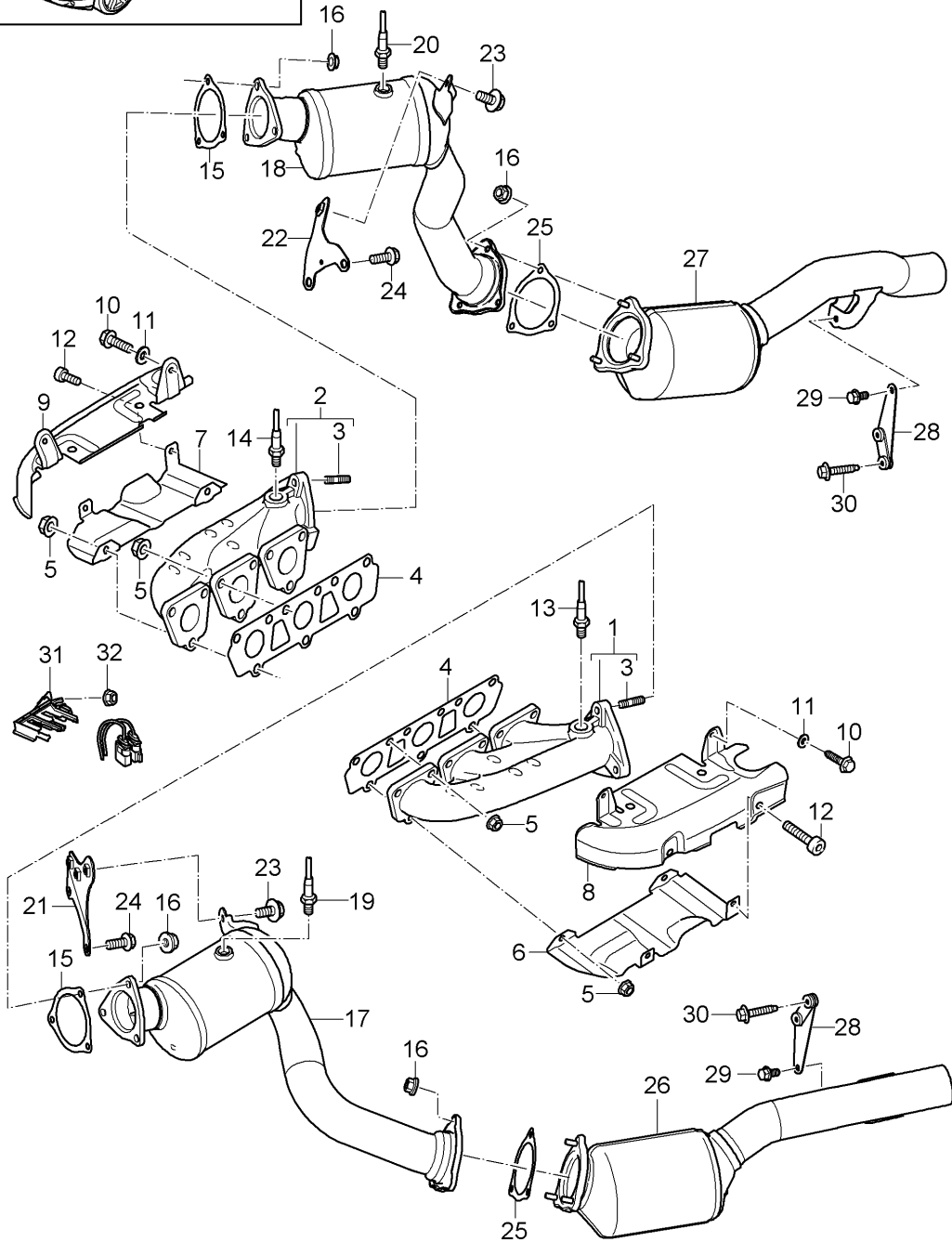
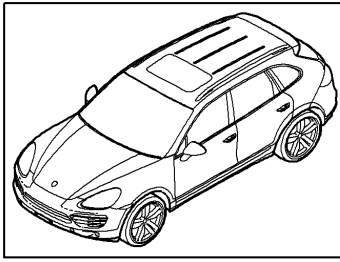
Model: 92A 11

Model life 2011>>

Pos	Part Number	Description	Remark	Qty	Model
-	958 606 407 00	M 6 Mount Control unit Support Mount Control unit		2	
(26)	958 111 060 11	Control line		1	MCV.VA/VB/VC
(27)	958 606 151 11	Pressure sensor		1	MCV.VA/VB/VC
(28)	N 910 969 01	Outer hexagon round screw M 6 X 22		1	MCV.VA/VB/VC
(29)	N 107 694 01	Clamp B 12,5 X 8,4		3	MCV.VA/VB/VC
30	955 111 483 00	Clamp B 11,5 X 8,4		1	
31	N 906 867 01	Hose clamp B 14 X 12		2	
(32)	955 201 479 00	Hose clamp B 16 X 12		1	MCV.VA/VB/VC
(33)	958 111 483 10	Clamp B 13,5 X 12		1	MCV.VA/VB/VC
34	955 111 548 03	Speed nut 4,2		3	
(35)	N 100 092 07	Combination screw M 6 X 20		1	MCV.VA/VB/VC
36	955 606 114 20	Support Connector Oxygen sensor Plenum panel		1	
37	N 100 151 01	Hexagon nut A 5		1	
38	958 106 040 13	Cooling water tube with Water hose		1	MCV.VA/VB/VC
39	N 106 811 01	Hose holder		1	MCV.VA/VB/VC
40	N 101 703 02	Oval-head screw M 6 X 10		1	MCV.VA/VB/VC
41	N 907 834 02	O-ring 13,1 X 1,6		1	MCV.VA/VB/VC
42		Cooling water tube See illustrations 1/05/47 POS.29		1	MCV.VA/VB/VC
43	N 107 160 01	Clip B 12,5 X 8,4		2	MCV.VA/VB/VC
(44)	958 606 461 01	Heat protection for Pressure sensor		1	MCV.VA/VB/VC
45	000 043 207 47	Grease 1 tube 170 GR.		1	

Model: 92A 11

Model life 2011>>



Model: 92A 11

Model life 2011>>

Pos	Part Number	Description	Remark	Qty	Model
		Exhaust system			ID11/D19
		Exhaust manifold			
		Catalytic converter			
1	958 111 129 10	Exhaust manifold		1	
		Cyl. 4 - 6			
(1)	958 111 129 11	Exhaust manifold		1	
		Cyl. 4 - 6			
(1)	958 111 129 12	Exhaust manifold		1	
		Cyl. 4 - 6			
2	958 111 130 10	Exhaust manifold		1	
		Cyl. 1 - 3			
(2)	958 111 130 11	Exhaust manifold		1	
		Cyl. 1 - 3			
(2)	958 111 130 12	Exhaust manifold		1	
		Cyl. 1 - 3			
3	N 911 870 01	Stud		6	
		M 8 X 28			
4	958 111 181 10	Gasket		2	
5	N 902 264 04	Hexagon nut		18	
		M 8			
6	958 111 211 00	Heat shield		1	
		Lower			
(6)	958 111 211 01	Heat shield		1	
		Lower			
7	958 111 212 00	Heat shield		1	
		Lower			
(7)	958 111 212 01	Heat shield		1	
		Lower			
8	958 111 213 00	Heat shield		1	
		Upper			
(8)	958 111 213 01	Heat shield		1	
		Upper			
9	958 111 214 00	Heat shield		1	
		Upper			
(9)	958 111 214 01	Heat shield		1	
		Upper			
10	N 101 319 03	Hexagon-head bolt		4	
		M 6 X 14			
11	WHT 000 286	Washer		4	
		6,4 X 15 X 1,5			
12	N 902 452 09	Hexagon-head bolt		4	
		M 6 X 10			
13	958 606 133 00	Oxygen sensor	/L	1	ID19/0GG/7GH I7MG/7MJ/7MN I7MQ
		in front of Catalytic converter			
(13)	958 606 133 10	Oxygen sensor	/L	1	ID11
		in front of Catalytic converter			
(13)	958 606 133 11	Oxygen sensor	/L	1	ID11
		in front of Catalytic converter			
(13)	958 606 133 20	Oxygen sensor	/L	1	ID19/7GB
		in front of Catalytic converter			
14	958 606 134 00	Oxygen sensor	/R	1	ID19/0GG/7GH I7MG/7MJ/7MN I7MQ
		in front of Catalytic converter			
(14)	958 606 134 10	Oxygen sensor	/R	1	ID11
		in front of			

Model: 92A 11 Model life 2011>>

Pos	Part Number	Description	Remark	Qty	Model
(14)	958 606 134 11	Catalytic converter Oxygen sensor in front of	/R	1	ID11
(14)	958 606 134 20	Catalytic converter Oxygen sensor in front of	/R	1	ID19/7GB
15	958 111 113 10	Catalytic converter Gasket		2	
16	N 908 946 02	Hexagon nut M 8		12	
17	958 113 021 10	Exhaust pipe with Catalytic converter		1	ID19/0GG/7GB I7GH/7MG/7MJ I7MQ
(17)	958 113 021 11	Cyl. 4 - 6 Exhaust pipe with Catalytic converter	-14	1	ID19/0GG/7GB I7GH/7MG/7MJ I7MQ
(17)	958 113 021 BX	Cyl. 4 - 6 Exhaust pipe with Catalytic converter	-14	1	ID19/0GG/7GB I7GH/7MG/7MJ I7MQ
(17)	958 113 021 80	Cyl. 4 - 6 Exhaust pipe with Catalytic converter	-14	1	ID19/7MN
(17)	958 113 027 05	Cyl. 4 - 6 Exhaust pipe with Catalytic converter	15-	1	ID19
(17)	958 113 027 EX	Cyl. 4 - 6 Exhaust pipe with Catalytic converter	15-	1	ID19
(17)	958 113 021 70	Cyl. 4 - 6 Exhaust pipe with Catalytic converter		1	ID11
(17)	958 113 021 71	Cyl. 4 - 6 Exhaust pipe with Catalytic converter		1	ID11
(17)	958 113 021 HX	Cyl. 4 - 6 Exhaust pipe with Catalytic converter		1	ID11
18	958 113 022 10	Cyl. 4 - 6 Exhaust pipe with Catalytic converter		1	ID19/0GG/7GB I7GH/7MG/7MJ I7MQ
(18)	958 113 022 11	Cyl. 1 - 3 Exhaust pipe with Catalytic converter	-14	1	ID19/0GG/7GB I7GH/7MG/7MJ I7MQ

Model: 92A 11 Model life 2011>>

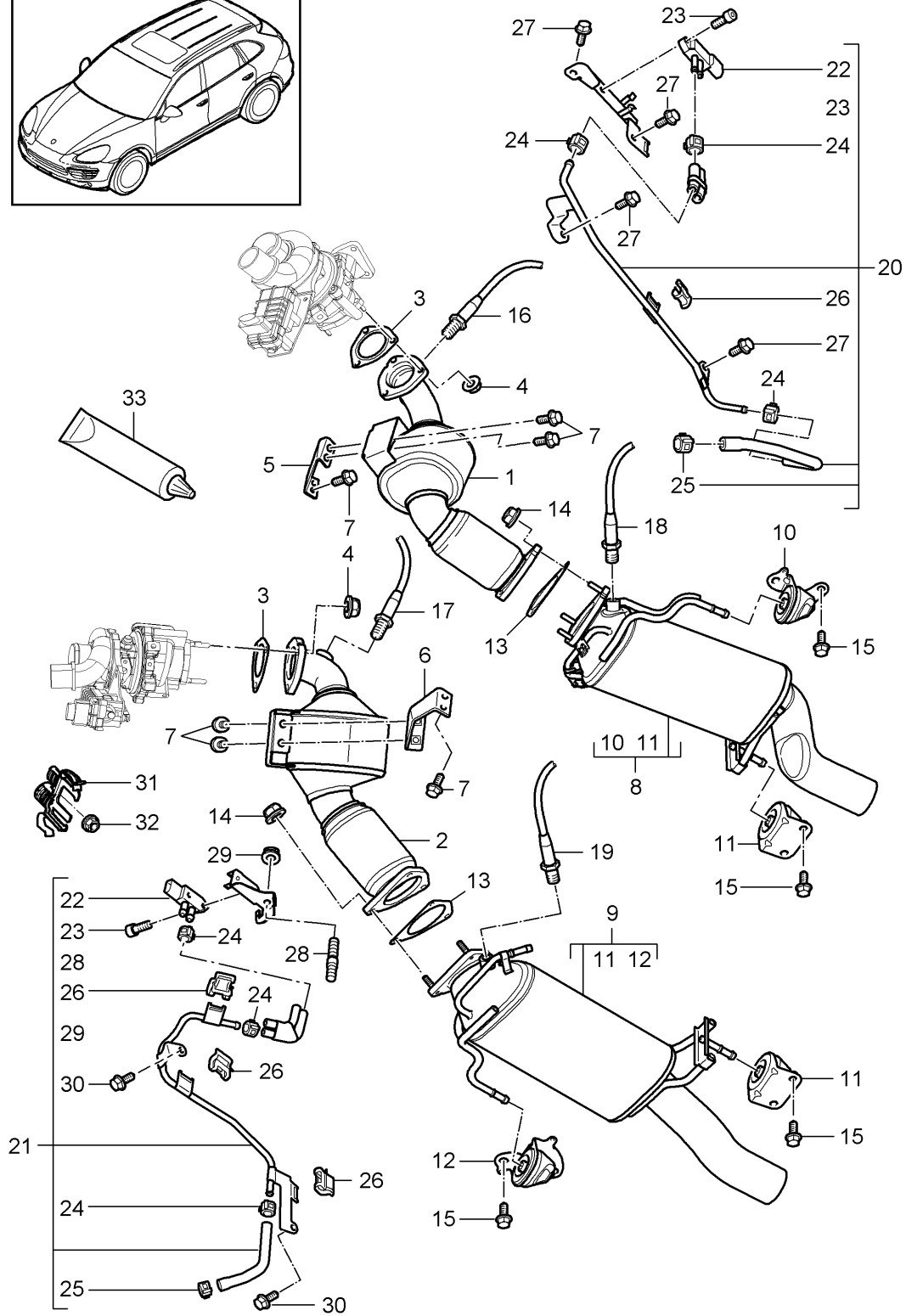
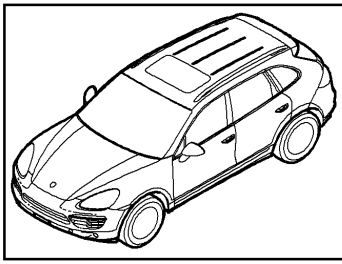
Pos	Part Number	Description	Remark	Qty	Model
(18)	958 113 022 BX	Cyl. 1 - 3 Exhaust pipe with Catalytic converter	-14	1	ID19/0GG/7GB I7GH/7MG/7MJ I7MQ
(18)	958 113 022 80	Cyl. 1 - 3 Exhaust pipe with Catalytic converter	-14	1	ID19/7MN
(18)	958 113 028 05	Cyl. 1 - 3 Exhaust pipe with Catalytic converter	15-	1	ID19
(18)	958 113 028 EX	Cyl. 1 - 3 Exhaust pipe with Catalytic converter	15-	1	ID19
(18)	958 113 022 70	Cyl. 1 - 3 Exhaust pipe with Catalytic converter		1	ID11
(18)	958 113 022 71	Cyl. 1 - 3 Exhaust pipe with Catalytic converter		1	ID11
(18)	958 113 022 FX	Cyl. 1 - 3 Exhaust pipe with Catalytic converter		1	ID11
19	958 606 173 00	Oxygen sensor After Catalytic converter	/L	1	ID19
(19)	958 606 173 10	Oxygen sensor After Catalytic converter	/L	1	ID11
20	958 606 174 00	Oxygen sensor After Catalytic converter	/R	1	ID19
(20)	958 606 174 10	Oxygen sensor After Catalytic converter	/R	1	ID11
21	958 111 047 30	Support		1	ID19
(21)	958 111 047 50	Support		1	ID11
22	958 111 047 20	Support		1	ID19
(22)	958 111 047 60	Support		1	ID11
23	N 106 531 02	Hexagon-head bolt M 8 X 20		2	
24		12 point socket M 12 X 60 See illustrations 3/06/10		X	ID19
(24)	N 911 087 01	Hexagon-head bolt M 6 X 25 Mount Support Left Transmission		3	ID11
(24)	N 106 531 02	Hexagon-head bolt M 8 X 20 Mount Support		2	ID11

Model: 92A 11 Model life 2011>>

Pos	Part Number	Description	Remark	Qty	Model
		Right			
		Transmission			
25	958 111 113 00	Gasket		2	
26	958 113 023 10	Front muffler		1	
		Cyl. 4 - 6			
(26)	958 113 023 11	Front muffler	-14	1	
		Cyl. 4 - 6			
(26)		Front muffler	15-	1	ID11
		Cyl. 4 - 6			
(26)	958 113 029 01	Front muffler	15-	1	ID19
		Cyl. 4 - 6			
(26)	958 113 029 AX	Front muffler	15-	1	ID19
		Cyl. 4 - 6			
27	958 113 024 10	Front muffler		1	
		Cyl. 1 - 3			
(27)	958 113 024 11	Front muffler	-14	1	
		Cyl. 1 - 3			
(27)		Front muffler	15-	1	ID11
		Cyl. 1 - 3			
(27)	958 113 030 01	Front muffler	15-	1	ID19
		Cyl. 1 - 3			
(27)	958 113 030 AX	Front muffler	15-	1	ID19
		Cyl. 1 - 3			
28	958 111 047 40	Support		2	
29	N 106 531 02	Hexagon-head bolt		2	
		M 8 X 20			
30	N 105 703 02	Hexagon-head bolt		4	
		AM 8 X 40			
31	958 606 114 10	Support		1	ID19
		Connector			
		Oxygen sensor			
(31)	958 606 114 40	Support		1	ID19
		Connector			
		Oxygen sensor			
(31)	958 606 114 20	Support		1	ID11
		Connector			
		Oxygen sensor			
32	N 904 953 01	Hexagon nut		1	
		D 5			

Model: 92A 11

Model life 2011>>



Model: 92A 11

Model life 2011>>

Pos	Part Number	Description	Remark	Qty	Model
		Exhaust system			IDD8/0GG/7MJ
		Exhaust pipe			
		with			
		Catalytic converter			
		Diesel particle filter			
		Control line			
1	958 113 025 50	Exhaust pipe	/L	1	I7MJ
		with			
		Catalytic converter			
(1)	958 113 025 KX	Exhaust pipe	/L	1	I7MJ
		with			
		Catalytic converter			
(1)	958 113 025 60	Exhaust pipe	/L	1	I0GG
		with			
		Catalytic converter			
(1)	958 113 025 LX	Exhaust pipe	/L	1	I0GG
		with			
		Catalytic converter			
2	958 113 026 50	Exhaust pipe	/R	1	I7MJ
		with			
		Catalytic converter			
(2)	958 113 026 AX	Exhaust pipe	/R	1	I7MJ
		with			
		Catalytic converter			
(2)	958 113 026 60	Exhaust pipe	/R	1	I0GG
		with			
		Catalytic converter			
(2)	958 113 026 LX	Exhaust pipe	/R	1	I0GG
		with			
		Catalytic converter			
3	958 111 113 50	Gasket		2	
4	N 908 946 02	Hexagon nut		6	
		M 8			
5	958 111 047 70	Support	/L	1	
6	958 111 047 80	Support	/R	1	
7	N 107 371 01	Hexagon-head bolt		8	
		M 8 X 22			
8	958 113 023 70	Diesel particle filter	/L	1	I7MJ
8	958 113 023 FX	Diesel particle filter	/L	1	I7MJ
(8)	958 113 023 80	Catalytic converter	/L	1	I0GG
(8)	958 113 023 JX	Catalytic converter	/L	1	I0GG
9	958 113 024 70	Diesel particle filter	/R	1	I7MJ
9	958 113 024 CX	Diesel particle filter	/R	1	I7MJ
(9)	958 113 024 80	Catalytic converter	/R	1	I0GG
(9)	958 113 024 DX	Catalytic converter	/R	1	I0GG
10	955 111 228 10	Support		1	I7MJ
(10)	958 111 228 60	Support		1	I0GG
11	955 111 228 20	Support		2	I7MJ
12	958 111 228 00	Support		1	I7MJ
(12)	958 111 228 60	Support		1	I0GG
13	955 111 113 10	Gasket		2	
14	N 908 946 02	Hexagon nut		6	
		M 8			
15	N 909 210 02	Hexagon-head bolt		8	I7MJ
		M 8 X 22			
(15)		Hexagon-head bolt		4	I0GG
		M 8 X 22			
16	958 606 129 10	Oxygen sensor	/L	1	
		in front of			
		Catalytic converter			
17	958 606 128 10	Oxygen sensor	/R	1	
		in front of			
		Catalytic converter			

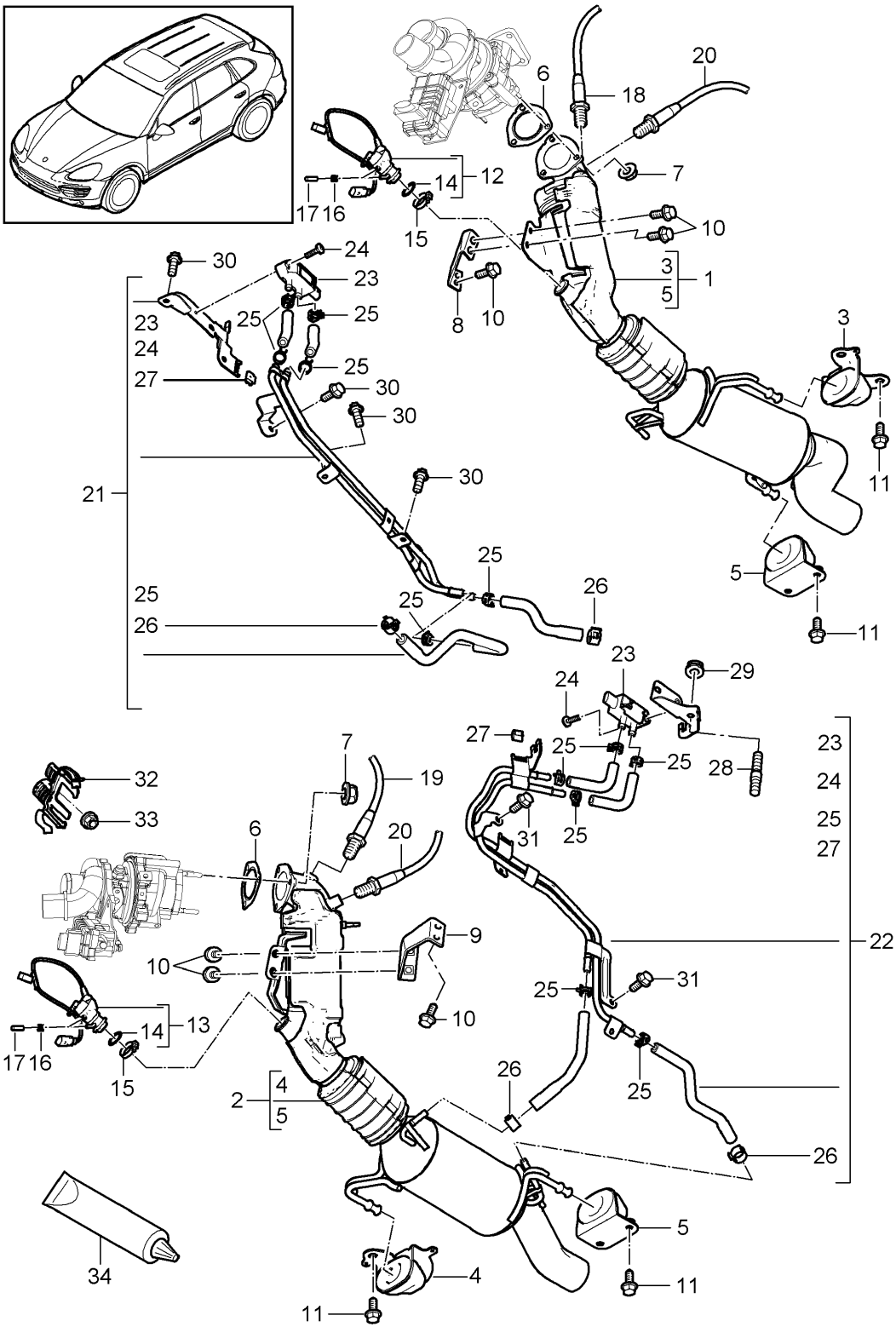
Model: 92A 11

Model life 2011>>

Pos	Part Number	Description	Remark	Qty	Model
18	958 606 288 50	Temperature sensor Exhaust gas	/L	1	I7MJ
19	958 606 288 60	Temperature sensor Exhaust gas	/R	1	I7MJ
20	958 111 060 20	Control line	/L	1	I7MJ
21	958 111 060 30	Control line	/R	1	I7MJ
22	958 606 151 10	Pressure sensor		2	I7MJ
23	N 910 848 01	Pan-head screw M 6 X 18		2	I7MJ
24	958 111 483 10	Clamp B 13,5 X 12		6	I7MJ
25	955 201 479 00	Hose clamp B 16 X 12		2	I7MJ
26	955 606 525 00	Cable terminal	/L	1	I7MJ
(26)	WHT 007 299	Retaining clip	/L	2	I7MJ
(26)	955 606 525 00	Cable terminal	/R	3	I7MJ
(26)	WHT 007 299	Retaining clip	/R	3	I7MJ
27	N 103 210 03	Combination screw M 6 X 16		4	I7MJ
28	N 911 133 01	Stud M 8 X 25 / M 8 X 16		1	I7MJ
29	N 907 611 03	Nut M 8		1	I7MJ
30	N 100 829 11	Combination screw M 6 X 16		2	I7MJ
31	958 606 114 30	Support Connector Oxygen sensor Plenum panel		1	
32	N 100 151 01	Hexagon nut A 5		1	
33	000 043 207 47	Grease 1 tube 170 GR.		1	

Model: 92A 11

Model life 2011>>



Model: 92A 11

Model life 2011>>

Pos	Part Number	Description	Remark	Qty	Model
		Exhaust system Exhaust pipe with Catalytic converter Diesel particle filter Control line			IDD8/7MM
1	958 113 301 01	Exhaust pipe with Diesel particle filter	/L	1	
		Use also: 958.111.113.60		1	
		N .908.946.02		3	
(1)	958 113 301 AX	Exhaust pipe with Diesel particle filter	/L	1	
		Use also: 958.111.113.60		1	
		N .908.946.02		3	
2	958 113 302 02	Exhaust pipe with Diesel particle filter	/R	1	
		Use also: 958.111.113.60		1	
		N .908.946.02		3	
(2)	958 113 302 BX	Exhaust pipe with Diesel particle filter	/R	1	
		Use also: 958.111.113.60		1	
		N .908.946.02		3	
3	955 111 228 10	Support		1	
4	958 111 228 00	Support		1	
5	955 111 228 20	Support		2	
6	958 111 113 60	Gasket		2	
7	N 908 946 02	Hexagon nut M 8		6	
8	958 111 047 70	Support	/L	1	
9	958 111 047 80	Support	/R	1	
10	N 107 371 01	Hexagon-head bolt M 8 X 22		8	
11	N 909 210 02	Hexagon-head bolt M 8 X 22		8	
12	958 111 413 50	Injector valve	/L	1	
		Use also: 958.111.625.10		1	
13	958 111 414 20	Injector valve	/R	1	
		Use also: 958.111.625.10		1	
14	04L 253 115	Gasket		2	
15	958 111 625 10	Clip		2	
16	N 107 160 01	Clip A 12,5 X 8,4		4	
17		Water hose See illustrations 1/05/80		4	
18	958 606 129 10	Oxygen sensor in front of Catalytic converter	/L	1	
		Use also: 000.043.207.47		1	
19	958 606 128 10	Oxygen sensor in front of Catalytic converter	/R	1	

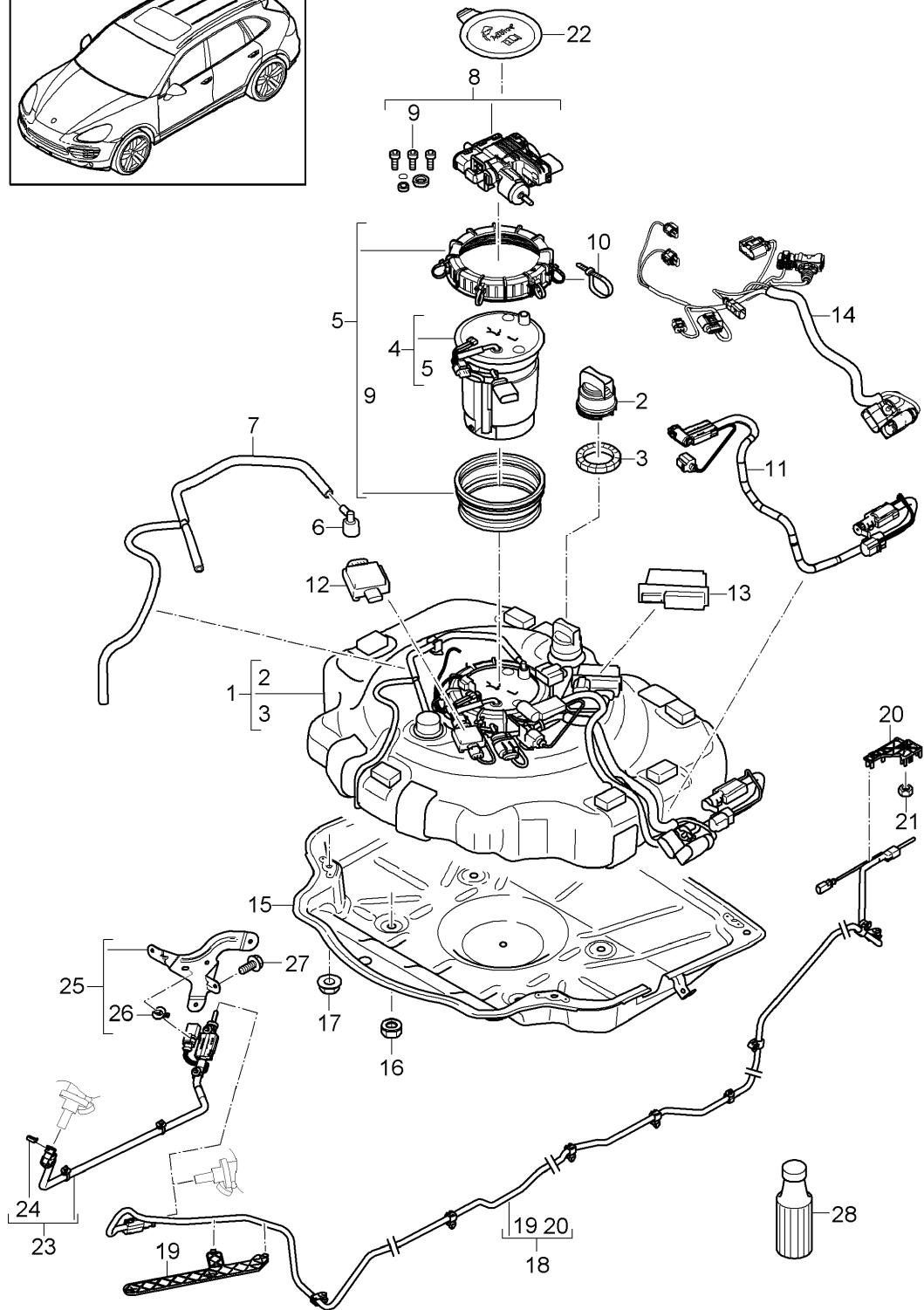
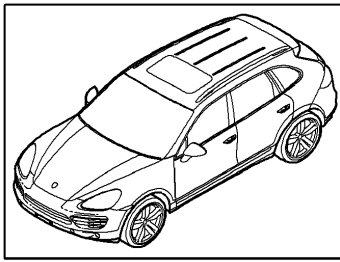
Model: 92A 11

Model life 2011>>

Pos	Part Number	Description	Remark	Qty	Model
20		Use also: 000.043.207.47 Temperature sensor Exhaust gas See illustrations 2/02/95		1 2	
21	958 131 553 00	Control line	/L	1	
22	958 131 552 00	Control line	/R	1	
23	958 906 051 10	Pressure sensor		2	
24	N 910 969 01	Outer hexagon round screw M 6 X 22		2	
25	N 107 694 01	Clamp		12	
26	955 201 479 00	A 13,5 X 8,4 Hose clamp B 16 X 12		4	
27	WHT 007 299	Retaining clip		2	
28	N 911 133 01	Stud M 8 X 25 / M 8 X 16		1	
29	N 907 611 03	Nut M 8		1	
30	N 103 210 03	Combination screw M 6 X 16		4	
31	N 100 829 11	Combination screw M 6 X 16		2	
32	958 606 114 30	Support Connector Oxygen sensor Plenum panel		1	
33	N 904 953 01	Hexagon nut D 5		1	
34	000 043 207 47	Grease 1 tube 170 GR.		1	

Model: 92A 11

Model life 2011>>



Model: 92A 11

Model life 2011>>

Pos	Part Number	Description	Remark	Qty	Model
		Emission control			MCN.RB MCV.VA/VB/VC I1E9
(1)	958 113 078 21	Container Urea solution		1	
2	958 113 380 00	Lid		1	
3	WHT 004 793	Sealing ring		1	
4	958 113 901 00	Repair kit Heater		1	
(4)	958 113 901 01	Repair kit Heater		1	
(4)	958 113 901 02	Repair kit Heater		1	
5	958 113 902 00	Repair kit Catch Heater		1	
6	958 201 485 00	Breather adapter		1	
7		Vent line Not available To Use Container Urea solution		1	
8	958 113 903 00	Repair kit Pump Urea solution		1	
9	958 113 904 00	Gasket set Pump Comprising: Gasket O-ring Washer Pan-head screw		1	
10	958 612 650 00	Tie-wrap with Fixing device		1	
(11)	958 113 783 31	Line Urea solution		1	
12	958 606 651 00	Control unit		1	
13	958 610 629 00	Power electronics		1	
14	958 612 819 10	Wiring harness Container		1	
15	958 113 778 20	Retaining bracket		1	
16	N 905 708 02	Hexagon nut M 6		4	
17	N 106 092 01	Hexagon nut M 8		5	
(18)	958 113 784 31	Line Urea solution	-16	1	IIY1
(18)	958 113 784 33	Line Urea solution	16-	1	IIY2
19	958 113 713 30	Support		1	
20	958 113 713 20	Support		1	
21	N 904 953 01	Hexagon nut D 5		1	
22	958 612 708 30	Stopper Luggage compartment liner		1	
23	958 113 784 00	Line Urea solution	-15	1	
(23)	958 113 784 01	Line Urea solution	16-	1	
24	958 113 845 20	Clip Line		1	

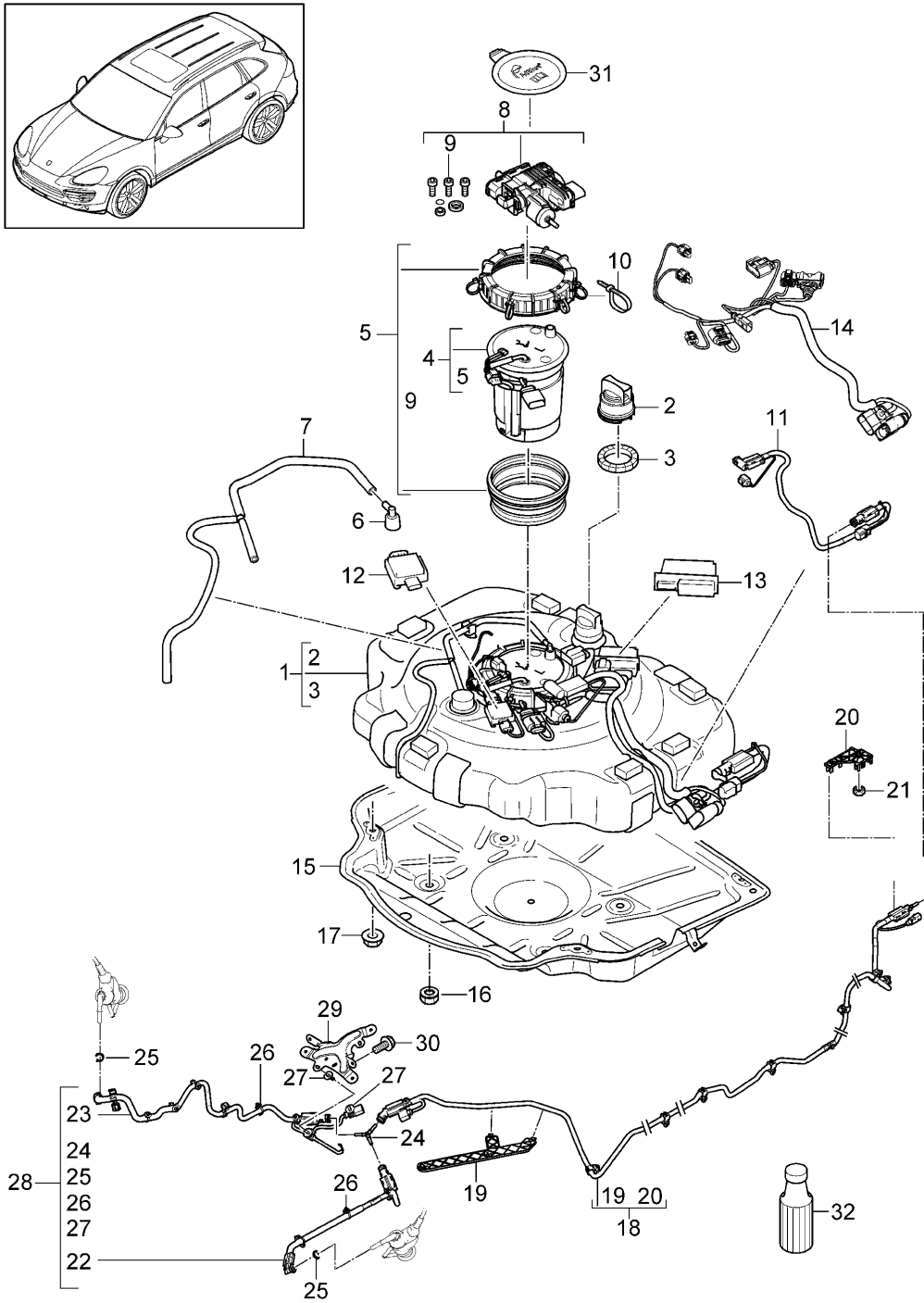
Model: 92A 11

Model life 2011>>

Pos	Part Number	Description	Remark	Qty	Model
25	958 113 561 00	Urea solution Support Line		1	
26	958 572 830 00	Urea solution Clip B 12,2 X 6,2		1	
27	N 103 210 03	Combination screw M 6 X 16		2	
28	958 113 510 00	AdBlue Urea solution Container 1890 ML		1	
(28)	958 113 510 10	AdBlue Urea solution Container 10 LITER Only To Use with Special tools VAS 6542/1 And VAG 1383/1		X	
(28)	9A7 052 910 00	AdBlue Urea solution Container 200 litres		X	

Model: 92A 11

Model life 2011>>



Model: 92A 11 Model life 2011>>

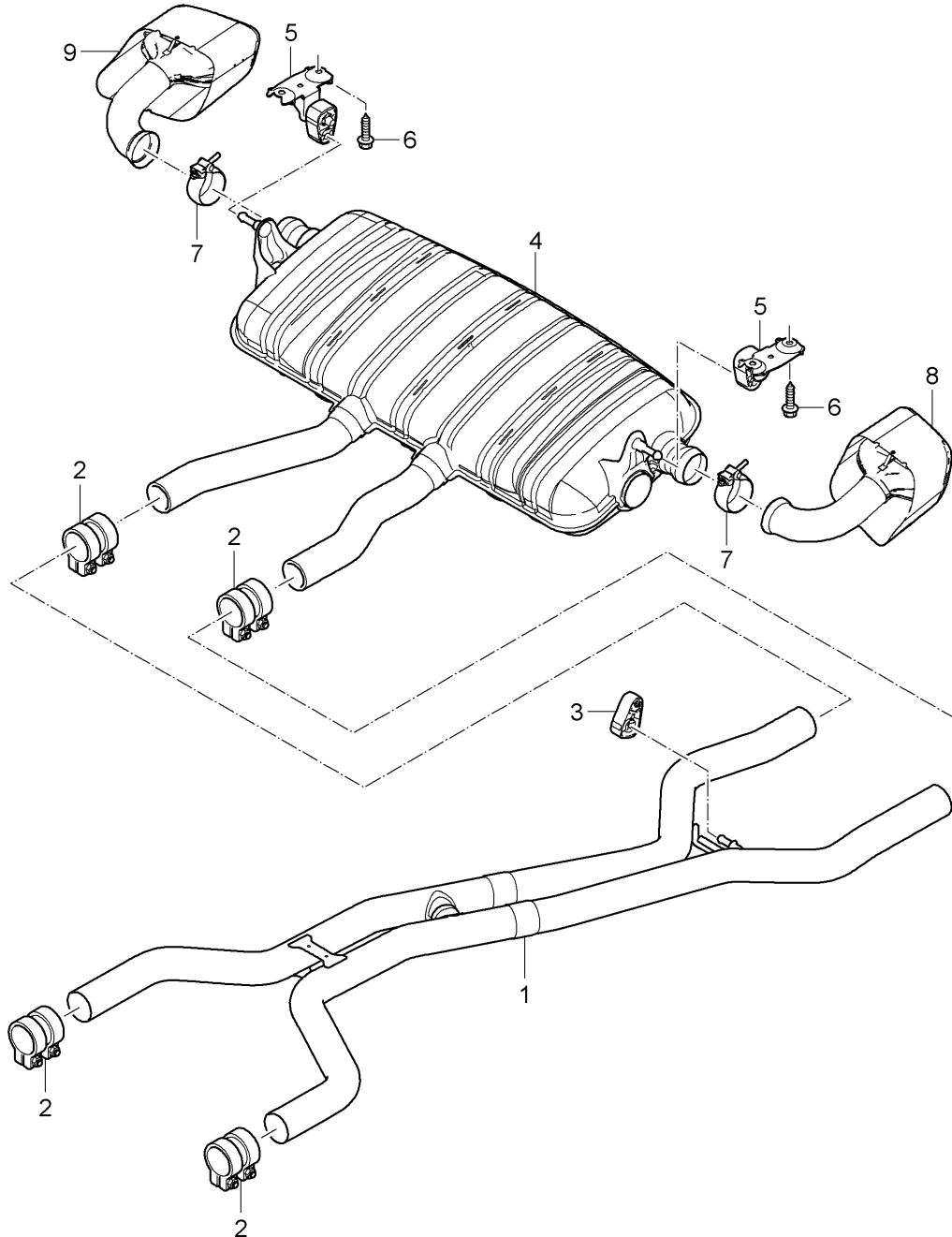
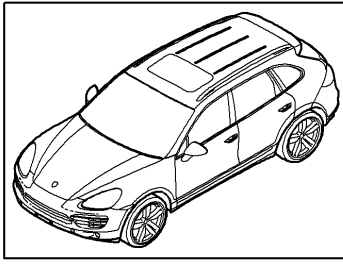
Pos	Part Number	Description	Remark	Qty	Model
1	958 113 078 21	Emission control Container Urea solution		1	IDD8/7MM
2	958 113 380 00	Lid		1	
3	WHT 004 793	Sealing ring		1	
4	958 113 901 01	Repair kit Heater		1	
(4)	958 113 901 02	Repair kit Heater		1	
5	958 113 902 00	Repair kit Catch Heater		1	
6	958 201 485 00	Breather adapter		1	
7		Vent line Not available To Use Container Urea solution		1	
8	958 113 903 00	Repair kit Pump		1	
9	958 113 904 00	Urea solution Gasket set Pump Comprising: Gasket O-ring Washer Pan-head screw		1 1 1 1 1 1 1 3	
10	958 612 650 00	Tie-wrap with Fixing device		1	
11	958 113 783 00	Line Urea solution		1	
12	958 606 651 00	Control unit		1	
13	958 610 629 00	Power electronics		1	
14	958 612 819 10	Wiring harness Container		1	
15	958 113 778 20	Retaining bracket		1	
16	N 905 708 02	Hexagon nut M 6		4	
17	N 106 092 01	Hexagon nut M 8		5	
18	958 113 784 40	Line Urea solution		1	
19	958 113 713 30	Support		1	
20	958 113 713 20	Support		1	
21	N 904 953 01	Hexagon nut D 5		1	
22	958 113 911 00	Line Urea solution Part number Not available To Use POS.28	/L	1	
23	958 113 912 00	Line Urea solution Part number Not available To Use POS.28	/R	1	

Model: 92A 11 Model life 2011>>

Pos	Part Number	Description	Remark	Qty	Model
24	958 113 557 00	Distributor		1	
25	958 113 845 20	Clip Line Urea solution		2	
26	955 606 838 00	Tie-wrap 4,6 X 200		9	
27	958 572 830 00	Clip B 12,2 X 6,2		2	
28	958 113 959 00	Line Complete		1	
29	958 113 561 10	Support Line Urea solution		1	
30	N 103 210 03	Combination screw M 6 X 16		2	
31	958 612 708 30	Stopper Luggage compartment liner		1	
32	958 113 510 00	AdBlue Urea solution Container 1890 ML		1	
(32)	958 113 510 10	AdBlue Urea solution Container 10 LITER Only To Use with Special tools VAS 6542/1 And VAG 1383/1		X	
(32)	9A7 052 910 00	AdBlue Urea solution Container 200 litres		X	

Model: 92A 11

Model life 2011>>



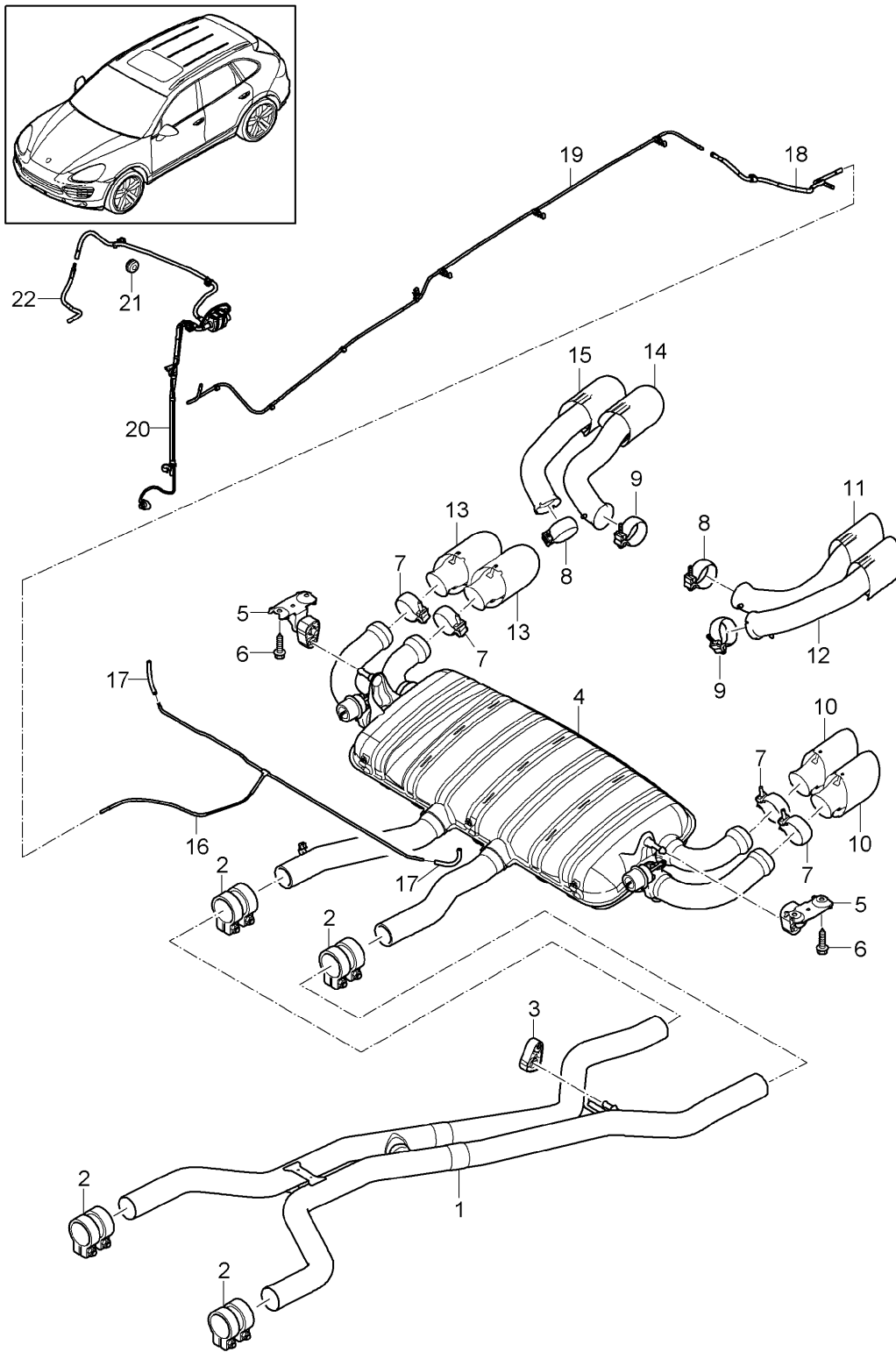
Model: 92A 11

Model life 2011>>

Pos	Part Number	Description	Remark	Qty	Model
		Exhaust system			ID6V/0P0/0P3
		Front muffler			
		Rear muffler			
		Tail pipe			
1	958 111 913 10	Front muffler		1	
2	958 111 220 00	Clamping sleeve		4	
3	958 111 151 00	Rubber holder		1	
4	958 111 910 10	Rear muffler		1	
(4)	958 111 910 11	Rear muffler		1	
5	958 111 150 00	Support		2	
		with			
		Rubber			
6	N 909 210 02	Hexagon-head bolt		4	
		M 8 X 22			
7	958 111 240 00	Clamp		2	
8	958 111 251 00	Tail pipe	/L	1	I0P0
(8)	958 111 251 40	Tail pipe	/L	1	I0P3
9	958 111 252 00	Tail pipe	/R	1	I0P0
(9)	958 111 252 40	Tail pipe	/R	1	I0P3

Model: 92A 11

Model life 2011>>



Model: 92A 11 Model life 2011>>

Pos	Part Number	Description	Remark	Qty	Model
		Exhaust system			ID34/D6V/0P8 I0P9
		Sport version			
		Front muffler			
		Rear muffler			
		Tail pipe			
1	958 111 913 10	Front muffler		1	ID6V
(1)	958 111 913 00	Front muffler		1	ID34
2	958 111 220 00	Clamping sleeve		4	ID6V
(2)	958 111 220 20	Clamping sleeve		4	ID34
3	958 111 151 00	Rubber holder		1	
4	958 111 910 30	Rear muffler		1	ID6V
(4)	958 111 910 31	Rear muffler		1	ID6V
(4)	958 111 910 32	Rear muffler		1	ID6V
(4)	958 111 910 60	Rear muffler	-13	1	ID34
(4)	958 111 910 61	Rear muffler	14	1	ID34
(4)	958 111 912 20	Rear muffler	15-	1	ID34
5	958 111 150 00	Support	-14	2	ID34
		with			
		Rubber			
(5)	958 111 150 10	Support	15-	2	ID34
		with			
		Rubber			
(5)		Support		2	ID6V
		with			
		Rubber			
6	N 909 210 02	Hexagon-head bolt		4	
		M 8 X 22			
7	958 111 240 00	Clamp	-14	4	
8	955 111 108 70	Clamp	/L 15-	1	ID34
		Inner			
(8)		Clamp	/R 15-	1	ID34
		Outer			
9	955 111 108 50	Clamp	/L 15-	1	ID34
		Outer			
(9)		Clamp	/R 15-	1	ID34
		Inner			
10	958 111 251 30	Tail pipe	/L -14	2	I0P8
(10)	958 111 251 80	Tail pipe	/L -14	2	I0P9
11	958 111 251 51	Tail pipe	/L 15-	1	ID34/0P8
		Inner			
(11)	958 111 251 52	Tail pipe	/L 15-	1	ID34/0P9
		Inner			
12	958 111 251 61	Tail pipe	/L 15-	1	ID34/0P8
		Outer			
(12)	958 111 251 62	Tail pipe	/L 15-	1	ID34/0P9
		Outer			
13	958 111 252 30	Tail pipe	/R -14	2	I0P8
(13)	958 111 252 80	Tail pipe	/R -14	2	I0P9
14	958 111 252 51	Tail pipe	/R 15-	1	ID34/0P8
		Inner			
(14)	958 111 252 52	Tail pipe	/R 15-	1	ID34/0P9
		Inner			
15	958 111 252 61	Tail pipe	/R 15-	1	ID34/0P8
		Outer			
(15)	958 111 252 62	Tail pipe	/R 15-	1	ID34/0P9
		Outer			
16	958 111 160 40	Control line		1	
		Complete			
17	958 111 709 00	Vacuum hose		2	
18	958 111 160 30	Vacuum line		1	
		Rear axle			
(18)	958 111 160 31	Vacuum line		1	

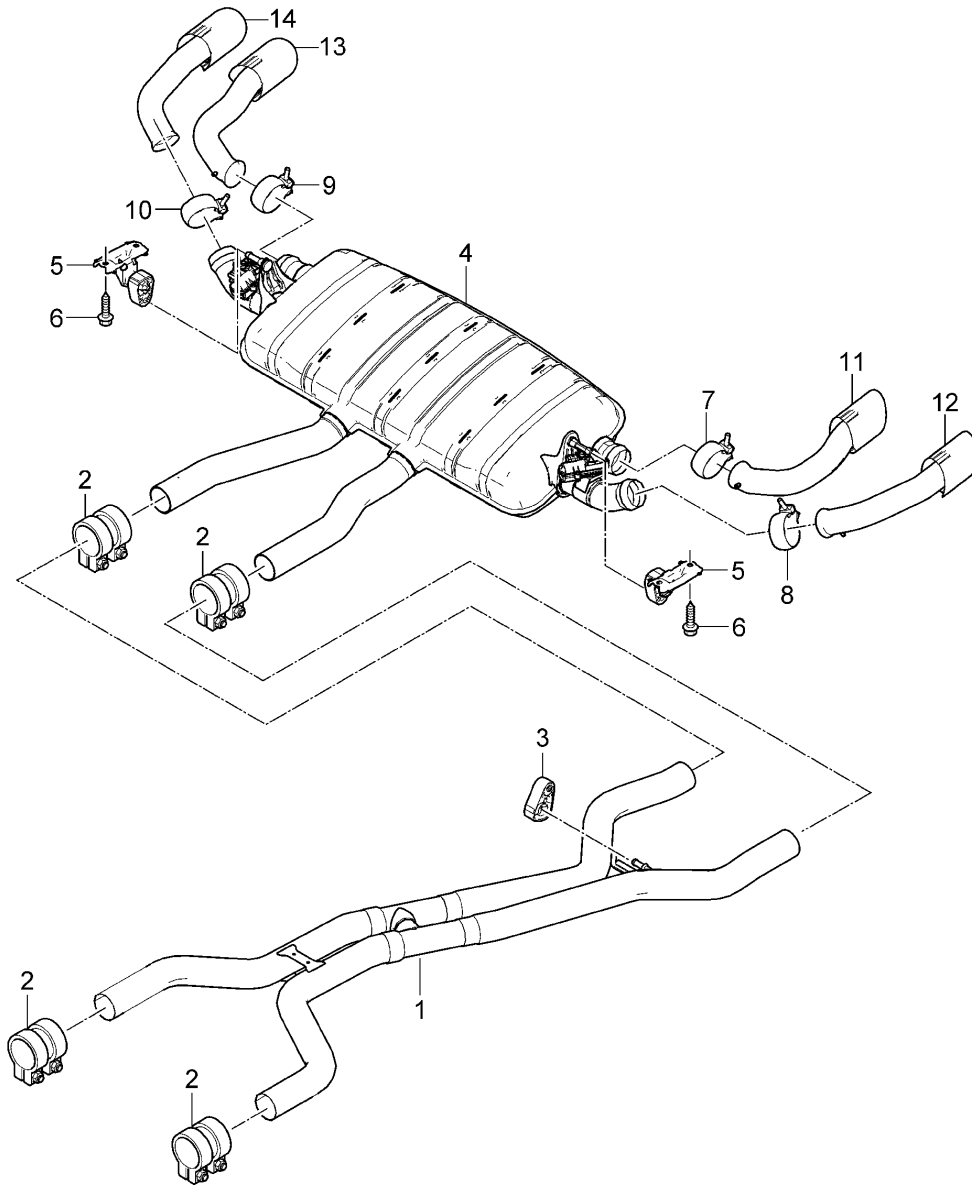
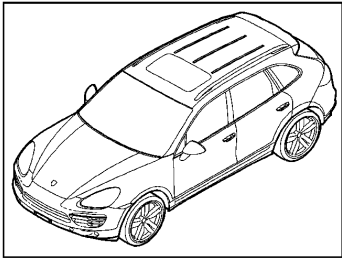
Model: 92A 11

Model life 2011>>

Pos	Part Number	Description	Remark	Qty	Model
19	958 111 160 20	Rear axle Vacuum line		1	
20	958 111 160 10	Door sill Vacuum line		1	
(20)	958 111 160 11	Wheel housing Vacuum line	-14	1	ID34
(20)		Wheel housing Vacuum line		1	ID6V/E0A
(20)	958 111 160 60	Wheel housing Vacuum line		1	ID6V/E0W
(20)	958 111 162 00	Wheel housing Vacuum line	15-	1	ID34
(20)	958 111 160 90	Wheel housing Vacuum line	15-	1	ID34
(20)	958 111 160 91	Connecting line Wheel housing Engine compartment Vacuum line	15-	1	ID34
21	WHT 007 767	Connecting line Wheel housing Engine compartment Rubber sleeve 10 X 6 Connection point	15-	1	ID34
22	958 111 160 02	Connecting line Wheel housing Engine compartment Information available Vacuum line		1	ID6V/E0A
(22)	958 111 160 70	Engine compartment Vacuum line		1	ID6V/E0W
(22)	958 111 160 50	Engine compartment Vacuum line	-14	1	ID34
(22)	958 111 160 80	Engine compartment Vacuum line Engine compartment	15-	1	ID34

Model: 92A 11

Model life 2011>>



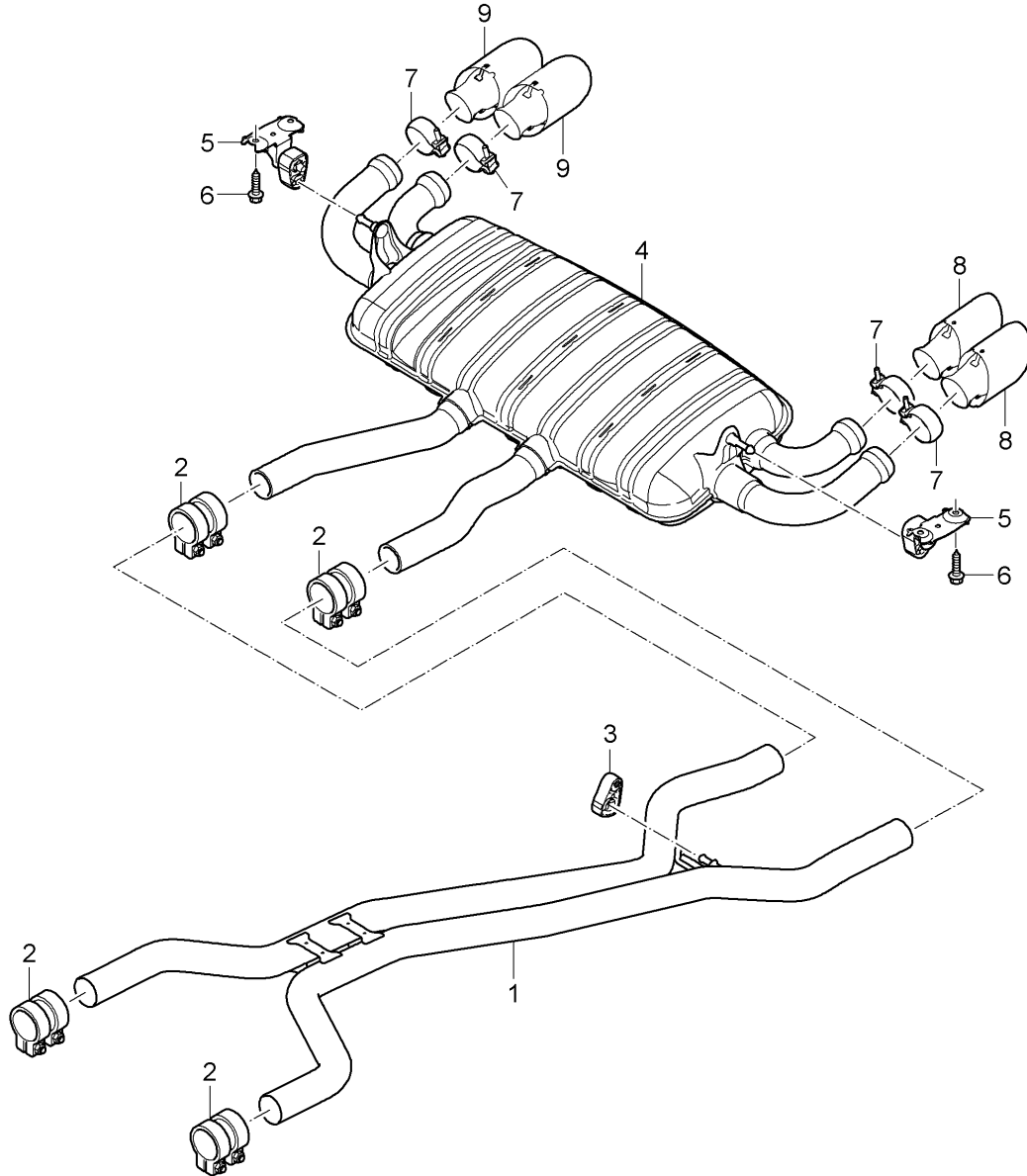
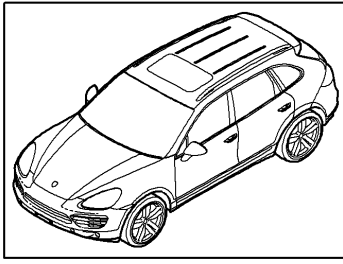
Model: 92A 11

Model life 2011>>

Pos	Part Number	Description	Remark	Qty	Model
		Exhaust system			IDT1/DT5/DU2 IDU3/OP8/OP9
		Sport version			
		Front muffler			
		Rear muffler			
		Tail pipe			
1	958 111 903 21	Front muffler		1	IDU2/DU3
(1)	958 111 913 20	Front muffler		1	IDT1/DT5
2	958 111 220 10	Clamping sleeve		4	
3	958 111 151 00	Rubber holder		1	
4	958 111 912 00	Rear muffler		1	IDU2/DU3
(4)	958 111 912 10	Rear muffler		1	IDT1/DT5
5	958 111 150 10	Support with Rubber		2	
6	N 909 210 02	Hexagon-head bolt M 8 X 22		4	
7	955 111 108 70	Clamp Inner	/L	1	
8	955 111 108 50	Clamp Outer	/L	1	
9		Clamp Inner	/R	1	
10	955 111 108 70	Clamp Outer	/R	1	
11	958 111 251 51	Tail pipe Inner	/L	1	I0P8
(11)	958 111 251 52	Tail pipe Inner	/L	1	I0P9
12	958 111 251 61	Tail pipe Outer	/L	1	I0P8
(12)	958 111 251 62	Tail pipe Outer	/L	1	I0P9
13	958 111 252 51	Tail pipe Inner	/R	1	I0P8
(13)	958 111 252 52	Tail pipe Inner	/R	1	I0P9
14	958 111 252 61	Tail pipe Outer	/R	1	I0P8
(14)	958 111 252 62	Tail pipe Outer	/R	1	I0P9

Model: 92A 11

Model life 2011>>



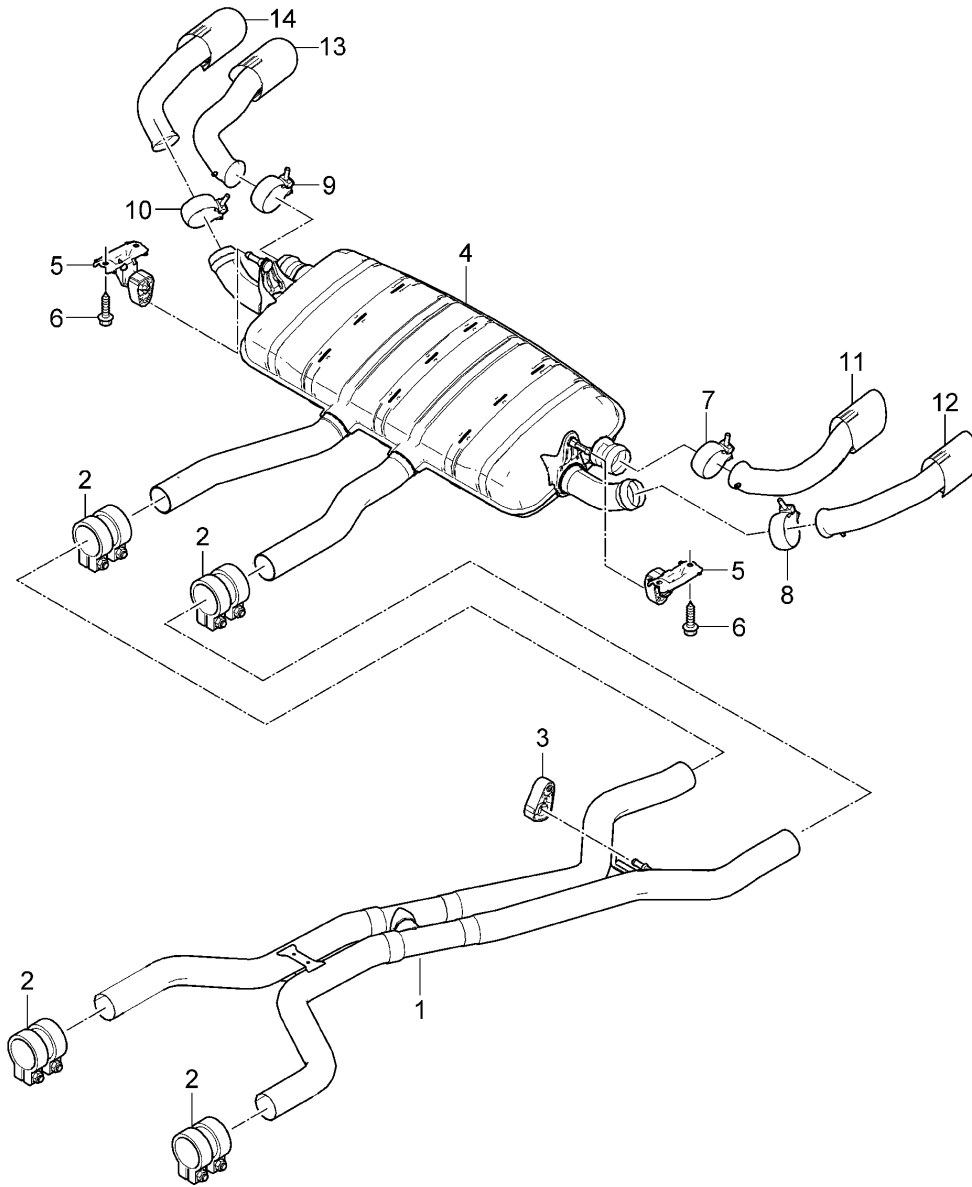
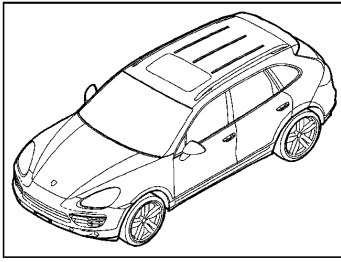
Model: 92A 11

Model life 2011>>

Pos	Part Number	Description	Remark	Qty	Model
		Exhaust system			IDT1/DT5/D58 IOP0/OP3/OP6
		Front muffler			
		Rear muffler			
		Tail pipe			
1	958 111 913 20	Front muffler		1	
2	958 111 220 10	Clamping sleeve		4	
3	958 111 151 00	Rubber holder		1	
4	958 111 910 20	Rear muffler		1	
(4)	958 111 910 21	Rear muffler		1	
(4)	958 111 910 22	Rear muffler	-14	1	
(4)	958 111 910 23	Rear muffler	15-	1	
5	958 111 150 00	Support with Rubber	-14	2	
(5)	958 111 150 10	Support with Rubber	15-	2	
6	N 909 210 02	Hexagon-head bolt M 8 X 22		4	
7	958 111 240 00	Clamp	-14	4	
(7)	955 111 108 70	Clamp Inner	/L 15-	1	
(7)	955 111 108 50	Clamp Outer	/L 15-	1	
(7)		Clamp Inner	/R 15-	1	
(7)	955 111 108 70	Clamp Outer	/R 15-	1	
8	958 111 251 20	Tail pipe	/L -14	2	IOP0
(8)	958 111 251 22	Tail pipe Outer	/L 15-	1	IOP0
(8)	958 111 251 50	Tail pipe Inner	/L -14	1	IOP3
(8)	958 111 251 51	Tail pipe Inner	/L 15-	1	IOP3
(8)	958 111 251 52	Tail pipe Inner	/L 15-	1	IOP6
(8)	958 111 251 21	Tail pipe Inner	/L 15-	1	IOP0
(8)	958 111 251 60	Tail pipe Outer	/L -14	1	IOP3
(8)	958 111 251 61	Tail pipe Outer	/L 15-	1	IOP3
(8)	958 111 251 62	Tail pipe Outer	/L 15-	1	IOP6
9	958 111 252 20	Tail pipe	/R -14	2	IOP0
(9)	958 111 252 22	Tail pipe Outer	/R 15-	1	IOP0
(9)	958 111 252 50	Tail pipe Inner	/R -14	1	IOP3
(9)	958 111 252 51	Tail pipe Inner	/R 15-	1	IOP3
(9)	958 111 252 52	Tail pipe Inner	/R 15-	1	IOP6
(9)	958 111 252 21	Tail pipe Inner	/R 15-	1	IOP0
(9)	958 111 252 60	Tail pipe Outer	/R -14	1	IOP3
(9)	958 111 252 61	Tail pipe Outer	/R 15-	1	IOP3
(9)	958 111 252 62	Tail pipe Outer	/R 15-	1	IOP6

Model: 92A 11

Model life 2011>>



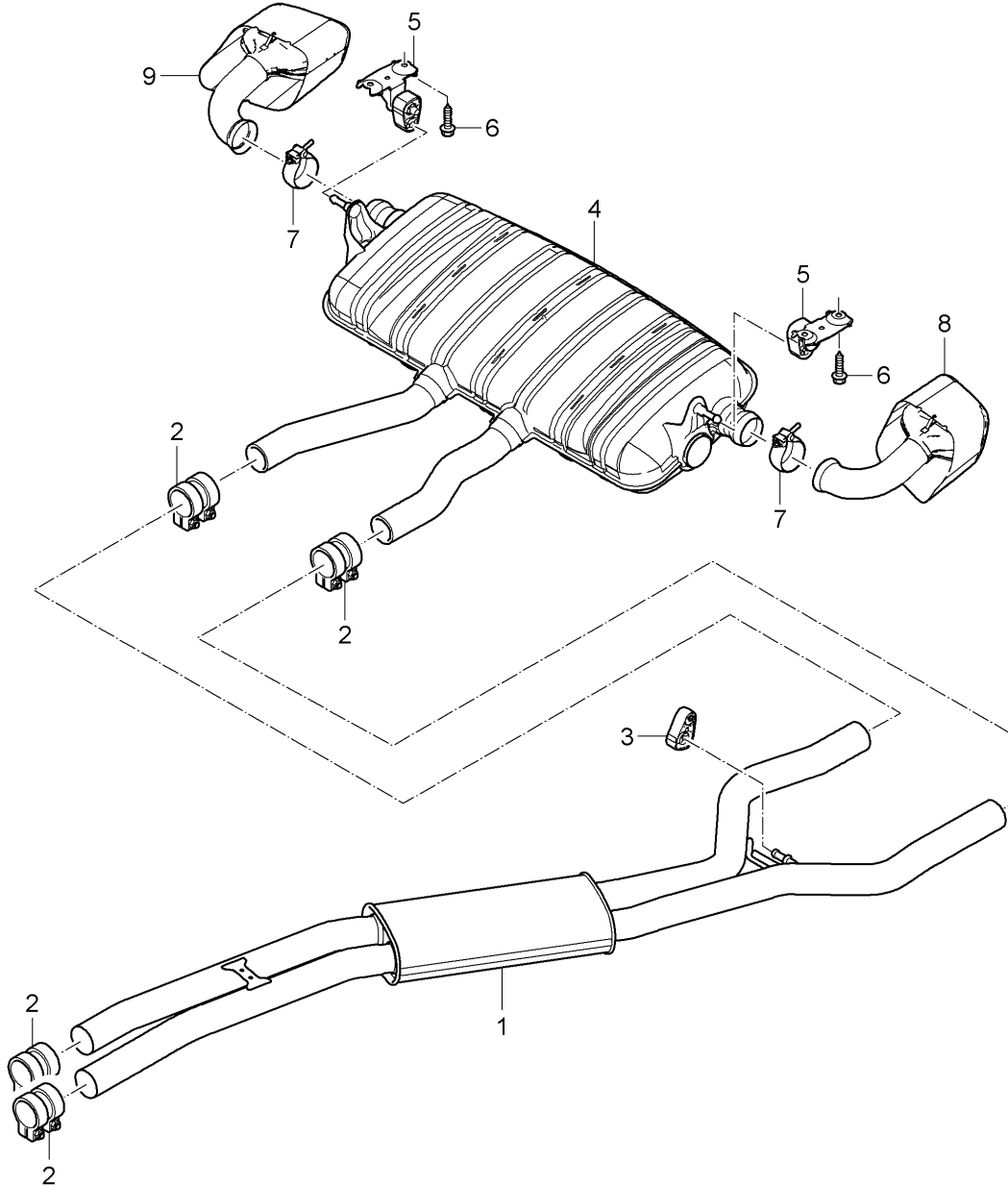
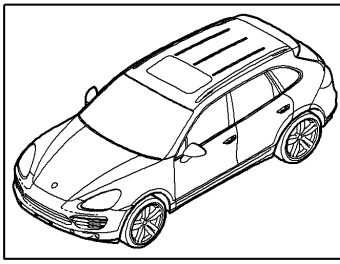
Model: 92A 11

Model life 2011>>

Pos	Part Number	Description	Remark	Qty	Model
		Exhaust system			IDU2/0P0/0P3 I0P6
		Front muffler			
		Rear muffler			
		Tail pipe			
1	958 111 903 21	Front muffler		1	
2	958 111 220 10	Clamping sleeve		4	
3	958 111 151 00	Rubber holder		1	
4	958 111 910 23	Rear muffler		1	
5	958 111 150 10	Support		2	
		with			
		Rubber			
6	N 909 210 02	Hexagon-head bolt		4	
		M 8 X 22			
7	955 111 108 70	Clamp	/L	1	
		Inner			
8	955 111 108 50	Clamp	/L	1	
		Outer			
9		Clamp	/R	1	
		Inner			
10	955 111 108 70	Clamp	/R	1	
		Outer			
11	958 111 251 14	Tail pipe	/L	1	I0P0
		Inner			
(11)	958 111 251 51	Tail pipe	/L	1	I0P3
		Inner			
(11)	958 111 251 52	Tail pipe	/L	1	I0P6
		Inner			
12	958 111 251 15	Tail pipe	/L	1	I0P0
		Outer			
(12)	958 111 251 61	Tail pipe	/L	1	I0P3
		Outer			
(12)	958 111 251 62	Tail pipe	/L	1	I0P6
		Outer			
13	958 111 252 14	Tail pipe	/R	1	I0P0
		Inner			
(13)	958 111 252 51	Tail pipe	/R	1	I0P3
		Inner			
(13)	958 111 252 52	Tail pipe	/R	1	I0P6
		Inner			
14	958 111 252 15	Tail pipe	/R	1	I0P0
		Outer			
(14)	958 111 252 61	Tail pipe	/R	1	I0P3
		Outer			
(14)	958 111 252 62	Tail pipe	/R	1	I0P6
		Outer			

Model: 92A 11

Model life 2011>>



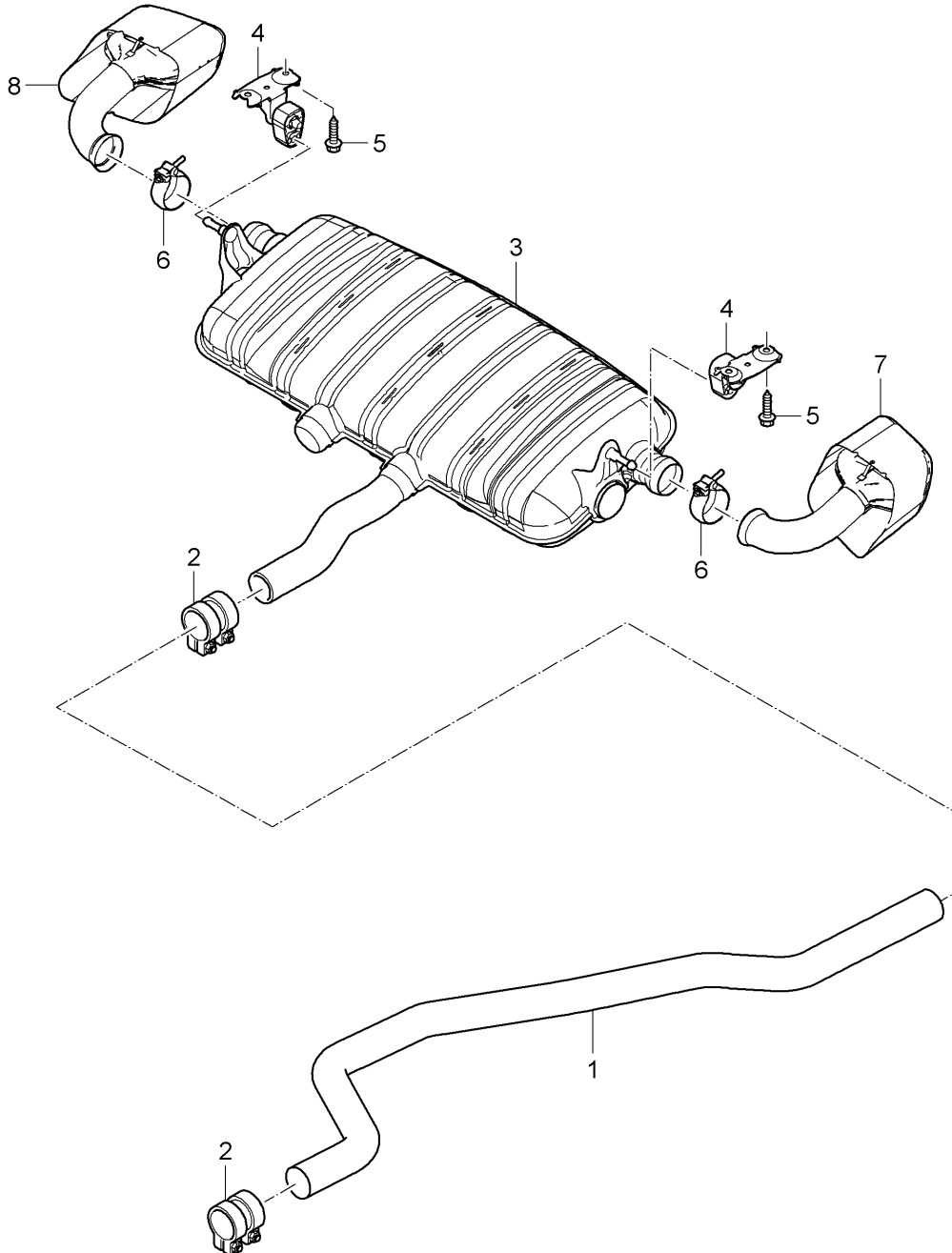
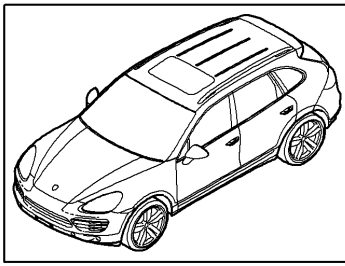
Model: 92A 11

Model life 2011>>

Pos	Part Number	Description	Remark	Qty	Model
		Exhaust system			ID34/OP0/OP3 IOP6
		Front muffler			
		Rear muffler			
		Tail pipe			
1	958 111 913 00	Front muffler		1	
2	958 111 220 20	Clamping sleeve		4	
3	958 111 151 00	Rubber holder		1	
4	958 111 910 00	Rear muffler	-14	1	
(4)	958 111 910 05	Rear muffler	15-	1	
5	958 111 150 00	Support	-14	2	
		with			
		Rubber			
(5)	958 111 150 10	Support	15-	2	
		with			
		Rubber			
6	N 909 210 02	Hexagon-head bolt		4	
		M 8 X 22			
7	958 111 240 00	Clamp	-14	2	
(7)	955 111 108 50	Clamp	/L 15-	1	
(7)	955 111 108 70	Clamp	/R 15-	1	
		Right			
8	958 111 251 00	Tail pipe	/L -14	1	IOP0
(8)	958 111 251 11	Tail pipe	/L 15-	1	IOP0
(8)	958 111 251 40	Tail pipe	/L -14	1	IOP3
(8)	958 111 251 13	Tail pipe	/L 15-	1	IOP3
(8)	958 111 251 12	Tail pipe	/L 15-	1	IOP6
9	958 111 252 00	Tail pipe	/R -14	1	IOP0
(9)	958 111 252 11	Tail pipe	/R 15-	1	IOP0
(9)	958 111 252 40	Tail pipe	/R -14	1	IOP3
(9)	958 111 252 13	Tail pipe	/R 15-	1	IOP3
(9)	958 111 252 12	Tail pipe	/R 15-	1	IOP6

Model: 92A 11

Model life 2011>>



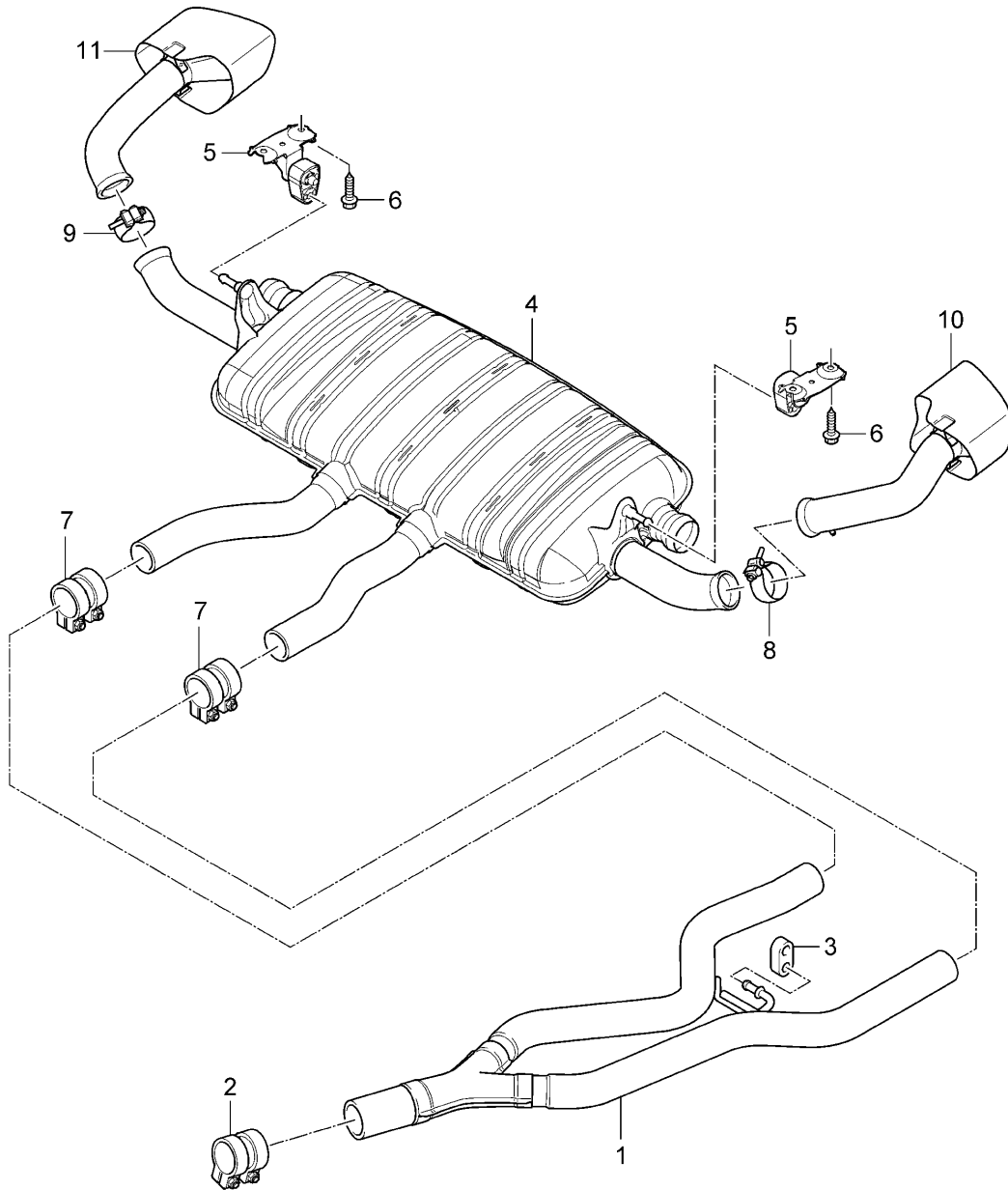
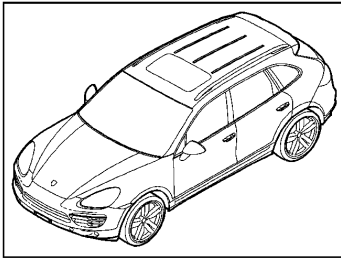
Model: 92A 11

Model life 2011>>

Pos	Part Number	Description	Remark	Qty	Model
		Exhaust system	-14		ID1V/D43/D50 IOP0/OP3
		Exhaust pipe			
		Rear muffler			
		Tail pipe			
1	958 111 903 10	Exhaust pipe		1	
2	958 111 220 10	Clamping sleeve		2	
3	958 111 910 50	Rear muffler		1	
4	958 111 150 00	Support with Rubber		2	
5	N 909 210 02	Hexagon-head bolt M 8 X 22		4	
6	958 111 240 00	Clamp		2	
7	958 111 251 10	Tail pipe	/L	1	IOP0
(7)	958 111 251 70	Tail pipe	/L	1	IOP3
8	958 111 252 10	Tail pipe	/R	1	IOP0
(8)	958 111 252 70	Tail pipe	/R	1	IOP3

Model: 92A 11

Model life 2011>>



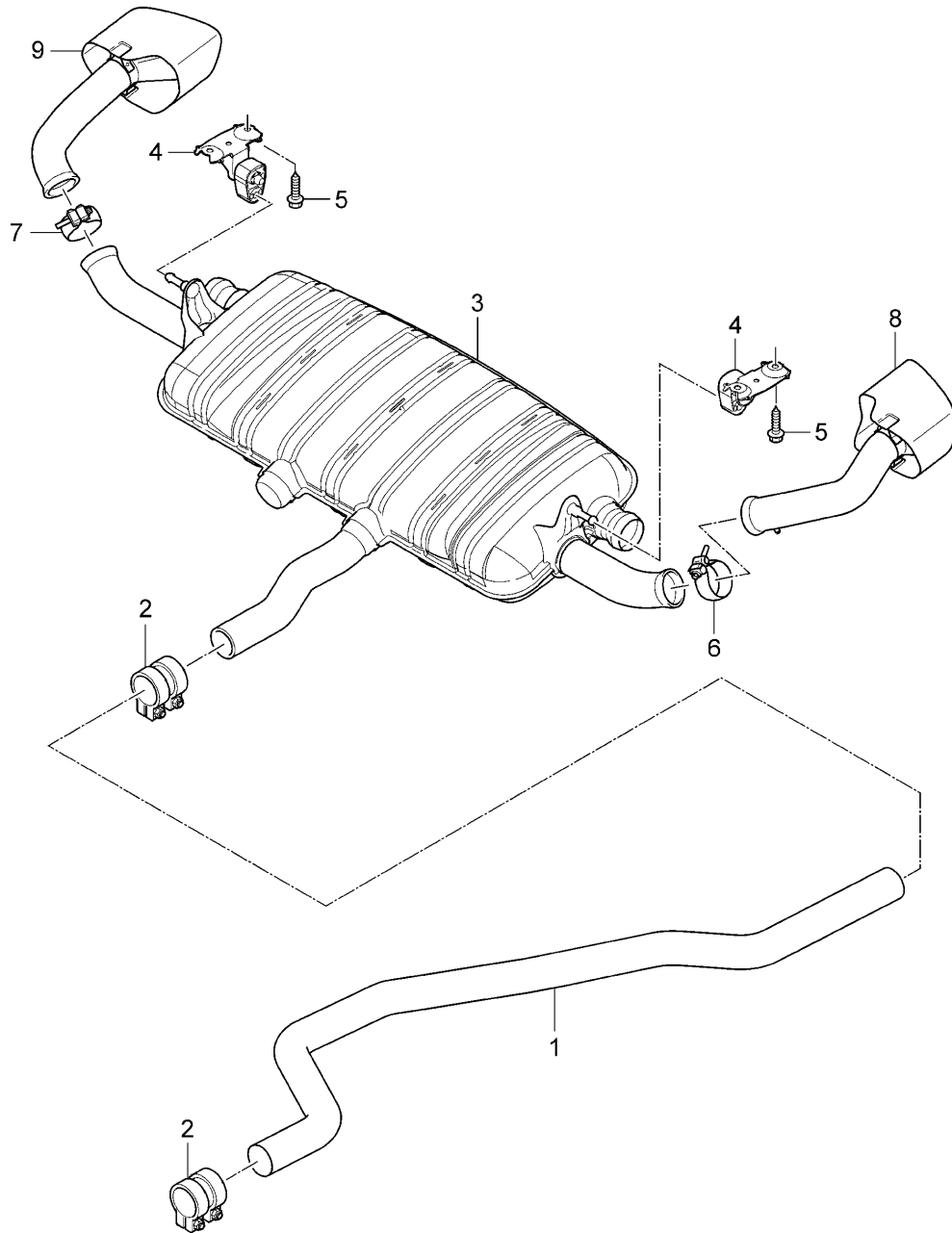
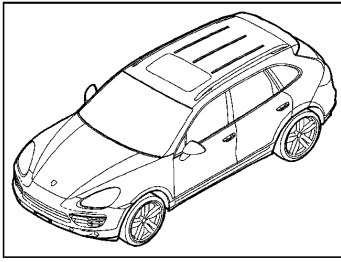
Model: 92A 11

Model life 2011>>

Pos	Part Number	Description	Remark	Qty	Model
		Exhaust system	15-		IDV7/D1V/D51 IOP0/OP3/OP6
		Exhaust pipe			
		Rear muffler			
		Tail pipe			
1	958 111 903 20	Exhaust pipe		1	
2	958 111 220 10	Clamping sleeve		1	
3	958 111 151 00	Rubber holder		1	
4	958 111 910 91	Rear muffler		1	
5	958 111 150 00	Support		2	
		with			
		Rubber			
6	N 909 210 02	Hexagon-head bolt		4	
		M 8 X 22			
7	958 111 220 20	Clamping sleeve		2	
8	955 111 108 50	Clamp		1	
		Left			
9	955 111 108 70	Clamp		1	
		Right			
10	958 111 251 11	Tail pipe	/L	1	IOP0
(10)	958 111 251 12	Tail pipe	/L	1	IOP6
(10)	958 111 251 13	Tail pipe	/L	1	IOP3
11	958 111 252 11	Tail pipe	/R	1	IOP0
(11)	958 111 252 12	Tail pipe	/R	1	IOP6
(11)	958 111 252 13	Tail pipe	/R	1	IOP3

Model: 92A 11

Model life 2011>>



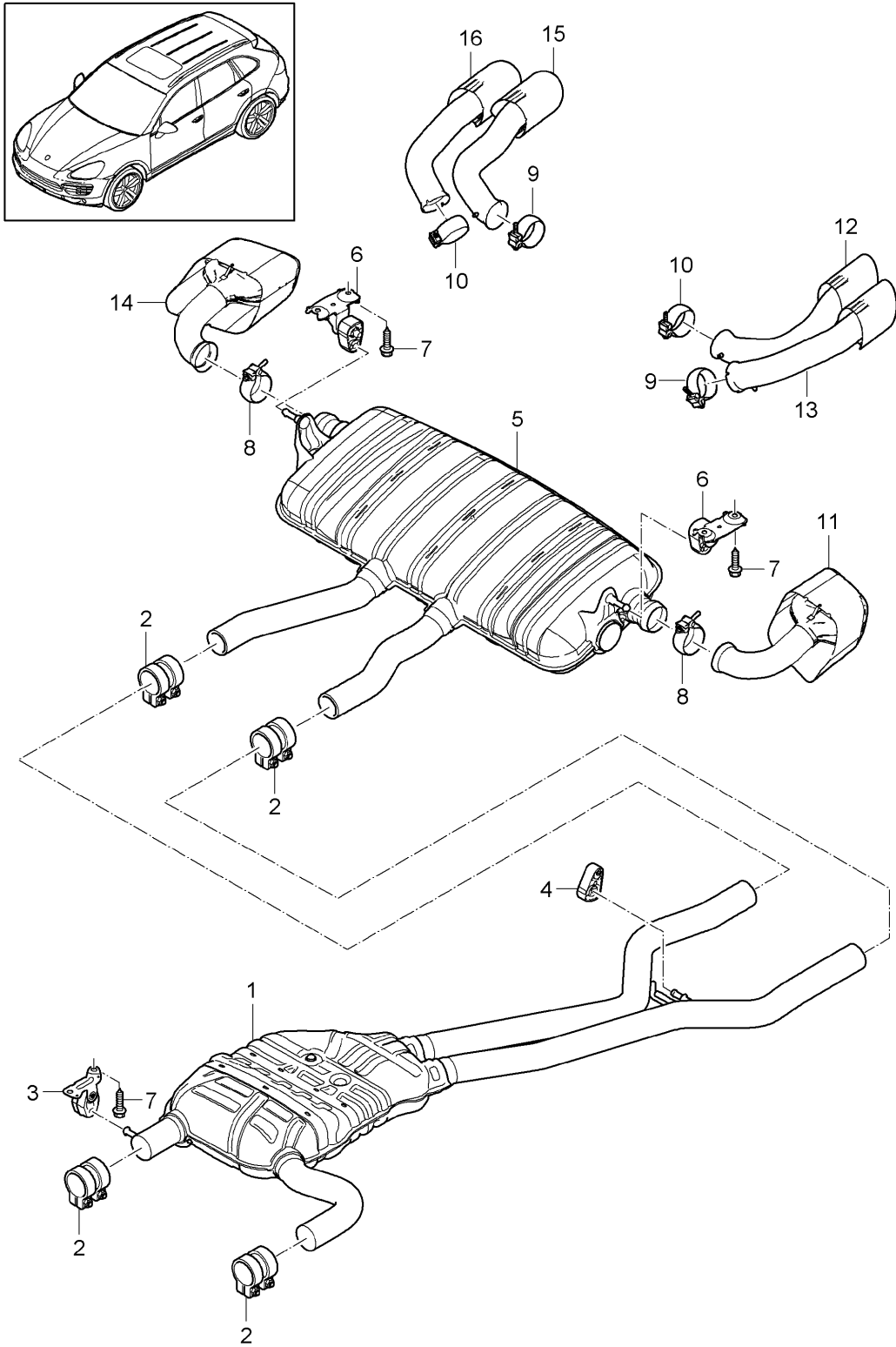
Model: 92A 11

Model life 2011>>

Pos	Part Number	Description	Remark	Qty	Model
		Exhaust system	15-		ID43/0P0/0P3 IOP6
		Exhaust pipe			
		Rear muffler			
		Tail pipe			
1	958 111 903 10	Exhaust pipe		1	
2	958 111 220 10	Clamping sleeve		2	
3	958 111 910 51	Rear muffler		1	
4	958 111 150 10	Support with Rubber		2	
5	N 909 210 02	Hexagon-head bolt M 8 X 22		4	
6	955 111 108 50	Clamp Left		1	
7	955 111 108 70	Clamp Right		1	
8	958 111 251 11	Tail pipe	/L	1	IOP0
(8)	958 111 251 12	Tail pipe	/L	1	IOP6
(8)	958 111 251 13	Tail pipe	/L	1	IOP3
9	958 111 252 11	Tail pipe	/R	1	IOP0
(9)	958 111 252 12	Tail pipe	/R	1	IOP6
(9)	958 111 252 13	Tail pipe	/R	1	IOP3

Model: 92A 11

Model life 2011>>



Model: 92A 11 Model life 2011>>

Pos	Part Number	Description	Remark	Qty	Model
		Exhaust system			ID11/D19/0P0 I0P3/0P6
		Front muffler			
		Rear muffler			
		Tail pipe			
1	958 111 913 50	Front muffler		1	ID19
(1)	958 111 913 51	Front muffler	-14	1	ID19
(1)	958 111 913 61	Front muffler	15-	1	ID19
(1)	958 111 913 50	Front muffler	(CN) -11	1	ID11
(1)	958 111 913 51	Front muffler	(CN) -11	1	ID11
(1)	958 111 913 60	Front muffler	(CN) 12-	1	ID11
(1)	958 111 913 61	Front muffler	12-	1	ID11
2	958 111 220 00	Clamping sleeve 60		4	
(2)	958 111 220 10	Clamping sleeve Rear muffler		2	
3	958 111 152 20	Support with Rubber	-14	1	ID19
(3)	958 111 152 30	Support with Rubber	15-	1	ID19
(3)	958 111 150 20	Support with Rubber	15-	1	ID19
(3)	958 111 152 20	Support with Rubber	(CN) -11	1	ID11
(3)	958 111 152 30	Support with Rubber	(CN) 12-14	1	ID11
(3)	958 111 150 20	Support with Rubber	15-	1	ID11
4	958 111 151 00	Rubber holder		1	
5	958 111 910 40	Rear muffler		1	ID19
(5)	958 111 910 41	Rear muffler	-14	1	ID19
(5)	958 111 910 42	Rear muffler	15-	1	ID19
(5)	958 111 910 40	Rear muffler	(CN)	1	ID11
(5)	958 111 910 41	Rear muffler	(CN) -11	1	ID11
(5)	958 111 910 70	Rear muffler	(CN) 12-	1	ID11
(5)	958 111 910 71	Rear muffler	(CN) 12-	1	ID11
(5)	958 111 910 72	Rear muffler	(CN) 12-14	1	ID11
(5)	958 111 910 73	Rear muffler	15-	1	ID11
6	958 111 150 00	Support with Rubber	-14	2	
(6)	958 111 150 10	Support with Rubber	15-	2	
7	N 909 210 02	Hexagon-head bolt M 8 X 22		6	
8	958 111 240 00	Clamp	-14	2	
(8)	955 111 108 50	Clamp Left	/L 15-	1	ID11
(8)	955 111 108 70	Clamp Right	/R 15-	1	ID11
9	955 111 108 50	Clamp Outer	/L 15-	1	ID19
(9)		Clamp Inner	/R 15-	1	ID19
10	955 111 108 70	Clamp Inner	/L 15-	1	ID19

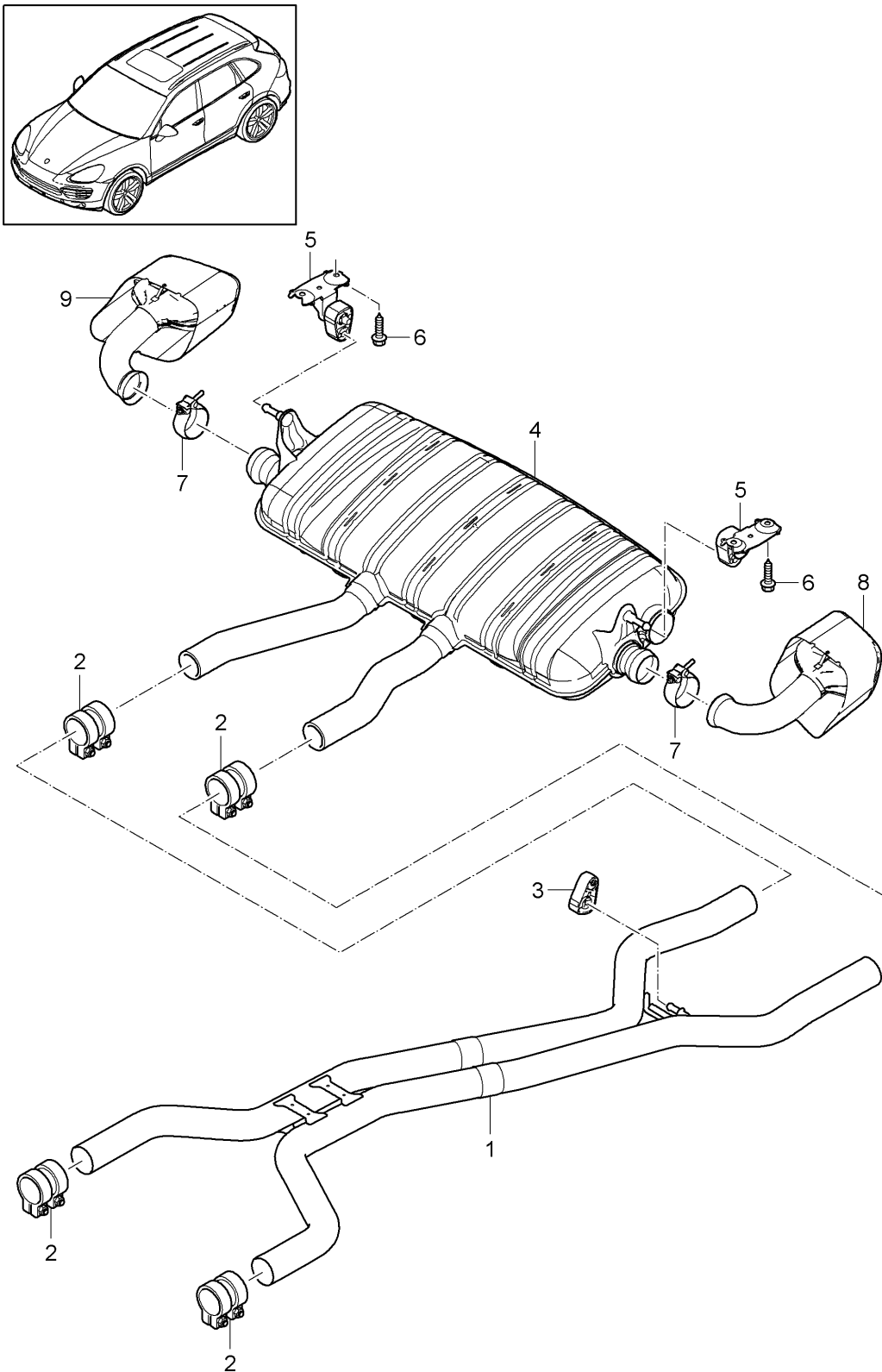
Model: 92A 11

Model life 2011>>

Pos	Part Number	Description	Remark	Qty	Model
(10)		Clamp Outer	/R 15-	1	ID19
11	958 111 251 10	Tail pipe	/L -14	1	ID19/0P0
(11)	958 111 251 70	Tail pipe	/L -14	1	ID19/0P3
(11)	958 111 251 10	Tail pipe	/L (CN) -11	1	ID11/0P0
(11)	958 111 251 00	Tail pipe	/L (CN) 12-14	1	ID11/0P0
(11)	958 111 251 11	Tail pipe	/L 15-	1	ID11/0P0
(11)	958 111 251 40	Tail pipe	/L (CN) -14	1	ID11/0P3
(11)	958 111 251 13	Tail pipe	/L 15-	1	ID11/0P3
(11)	958 111 251 12	Tail pipe	/L 15-	1	ID11/0P6
12	958 111 251 14	Tail pipe Inner	/L 15-	1	ID19/0P0
(12)	958 111 251 51	Tail pipe Inner	/L 15-	1	ID19/0P3
(12)	958 111 251 52	Tail pipe Inner	/L 15-	1	ID19/0P6
13	958 111 251 15	Tail pipe Outer	/L 15-	1	ID19/0P0
(13)	958 111 251 61	Tail pipe Outer	/L 15-	1	ID19/0P3
(13)	958 111 251 62	Tail pipe Outer	/L 15-	1	ID19/0P6
14	958 111 252 10	Tail pipe	/R -14	1	ID19/0P0
(14)	958 111 252 70	Tail pipe	/R -14	1	ID19/0P3
(14)	958 111 252 10	Tail pipe	/R (CN) -11	1	ID11/0P0
(14)	958 111 252 00	Tail pipe	/R (CN) 12-14	1	ID11/0P0
(14)	958 111 252 11	Tail pipe	/R 15-	1	ID11/0P0
(14)	958 111 252 40	Tail pipe	/R (CN) -14	1	ID11/0P3
(14)	958 111 252 13	Tail pipe	/R 15-	1	ID11/0P3
(14)	958 111 252 12	Tail pipe	/R 15-	1	ID11/0P6
15	958 111 252 14	Tail pipe Inner	/R 15-	1	ID19/0P0
(15)	958 111 252 51	Tail pipe Inner	/R 15-	1	ID19/0P3
(15)	958 111 252 52	Tail pipe Inner	/R 15-	1	ID19/0P6
16	958 111 252 15	Tail pipe Outer	/R 15-	1	ID19/0P0
(16)	958 111 252 61	Tail pipe Outer	/R 15-	1	ID19/0P3
(16)	958 111 252 62	Tail pipe Outer	/R 15-	1	ID19/0P6

Model: 92A 11

Model life 2011>>

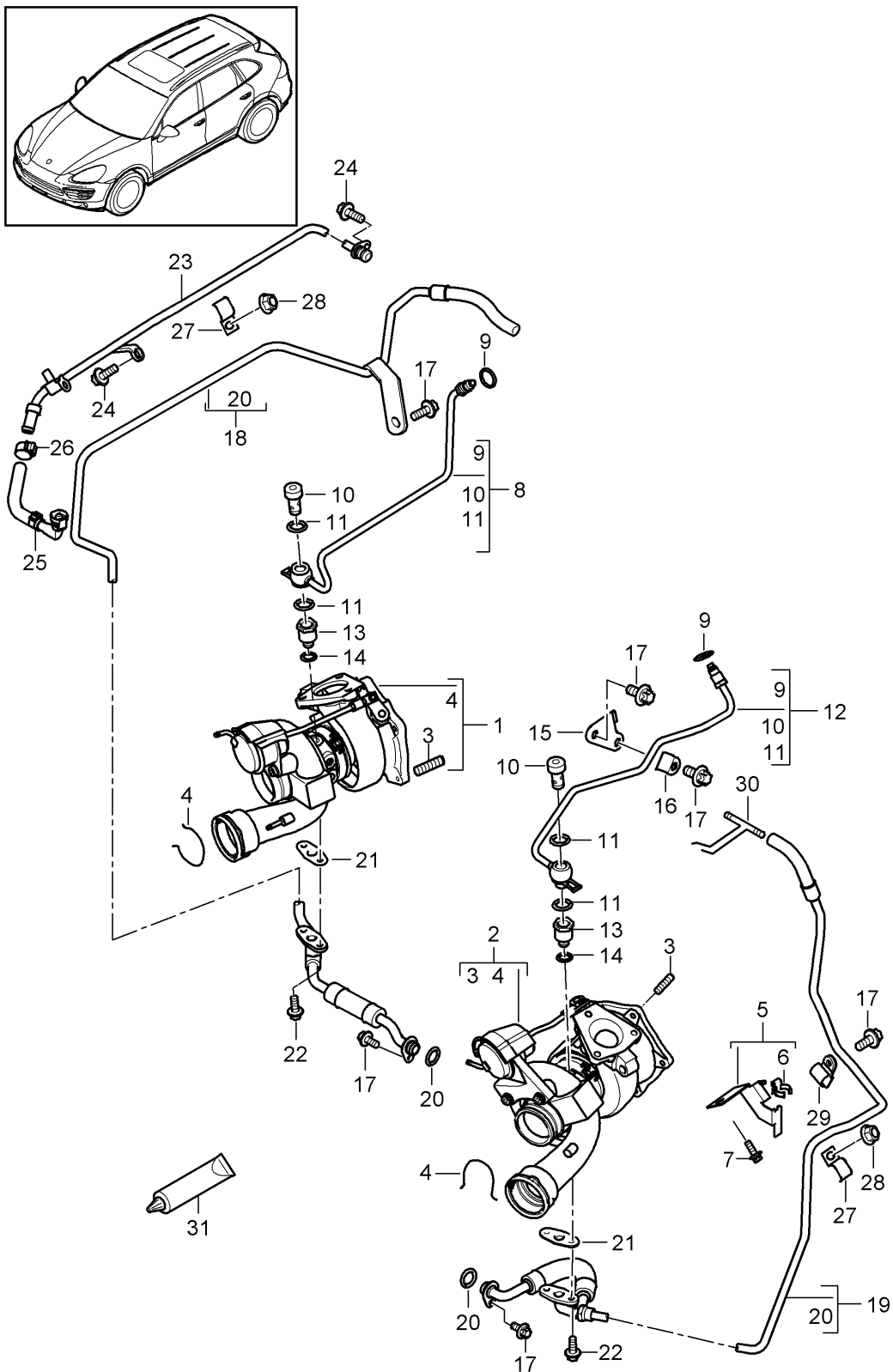


Model: 92A 11 Model life 2011>>

Pos	Part Number	Description	Remark	Qty	Model
		Exhaust system			IDD8/0P0/0P3 I0P6
		Front muffler			
		Rear muffler			
		Tail pipe			
1	958 111 913 70	Front muffler		1	
2	958 111 220 10	Clamping sleeve		4	
3	958 111 151 00	Rubber holder		1	
4	958 111 910 90	Rear muffler	-14	1	
(4)	958 111 910 92	Rear muffler	15-	1	
5	958 111 150 00	Support	-14	2	
		with			
		Rubber			
(5)	958 111 150 10	Support	15-	2	
		with			
		Rubber			
6	N 909 210 02	Hexagon-head bolt		4	
		M 8 X 22			
7	958 111 240 00	Clamp	-14	2	
(7)	955 111 108 50	Clamp	/L 15-	1	
		Outer			
(7)	955 111 108 70	Clamp	/L 15-	1	
		Inner			
(7)	955 111 108 50	Clamp	/R 15-	1	
		Inner			
(7)	955 111 108 70	Clamp	/R 15-	1	
		Outer			
8	958 111 251 10	Tail pipe	/L -14	1	I0P0
(8)	958 111 251 14	Tail pipe	/L 15-	1	I0P0
		Inner			
(8)	958 111 251 15	Tail pipe	/L 15-	1	I0P0
		Outer			
(8)	958 111 251 70	Tail pipe	/L -14	1	I0P3
(8)	958 111 251 51	Tail pipe	/L 15-	1	I0P3
		Inner			
(8)	958 111 251 61	Tail pipe	/L 15-	1	I0P3
		Outer			
(8)	958 111 251 52	Tail pipe	/L 15-	1	I0P6
		Inner			
(8)	958 111 251 62	Tail pipe	/L 15-	1	I0P6
		Outer			
9	958 111 252 10	Tail pipe	/R -14	1	I0P0
(9)	958 111 252 14	Tail pipe	/R 15-	1	I0P0
		Inner			
(9)	958 111 252 15	Tail pipe	/R 15-	1	I0P0
		Outer			
(9)	958 111 252 70	Tail pipe	/R -14	1	I0P3
(9)	958 111 252 51	Tail pipe	/R 15-	1	I0P3
		Inner			
(9)	958 111 252 61	Tail pipe	/R 15-	1	I0P3
		Outer			
(9)	958 111 252 52	Tail pipe	/R 15-	1	I0P6
		Inner			
(9)	958 111 252 62	Tail pipe	/R 15-	1	I0P6
		Outer			

Model: 92A 11

Model life 2011>>



Model: 92A 11 Model life 2011>>

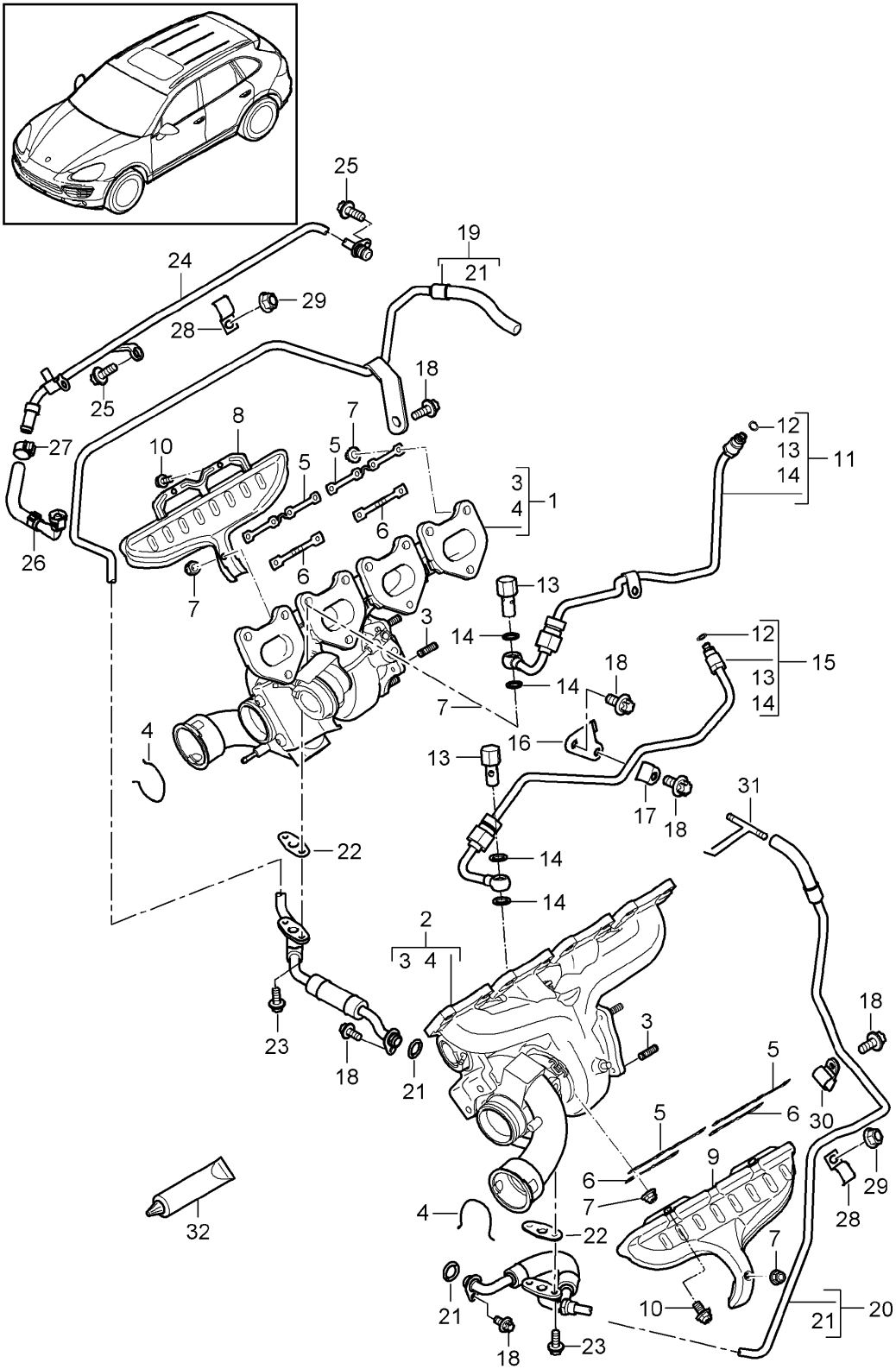
Pos	Part Number	Description	Remark	Qty	Model
		Turbocharger			MCF.TB M48.52
1	948 123 025 53	Oil pipe for Turbocharger		1	IE0A
(1)	948 123 025 54	Turbocharger Cylinders 1 - 4		1	IE0A
(1)	948 123 025 60	Turbocharger Cylinders 1 - 4 See technical information		1	IE81
(1)	948 123 025 61	Service Group 2 55/12 AC 04 Turbocharger Cylinders 1 - 4 See technical information		1	IE81
(1)	948 123 025 54	Service Group 2 55/12 AC 04 Turbocharger Cylinders 1 - 4		1	IE8A/E81
2	948 123 026 53	Turbocharger Cylinders 5 - 8		1	IE0A
(2)	948 123 026 54	Turbocharger Cylinders 5 - 8		1	IE0A
(2)	948 123 026 60	Turbocharger Cylinders 5 - 8 See technical information		1	IE81
(2)	948 123 026 61	Service Group 2 55/12 AC 04 Turbocharger Cylinders 5 - 8 See technical information		1	IE81
(2)	948 123 026 54	Service Group 2 55/12 AC 04 Turbocharger Cylinders 5 - 8		1	IE8A/E81
3	948 123 323 50	Stud		10	
4	948 123 324 50	Retainer spring		2	
5	948 606 117 00	Support Line	/L	1	
(5)	948 606 118 00	Oxygen sensor Support Line	/R	1	
6	999 651 392 07	Oxygen sensor Cable holder 9,5 - 10,5		2	
7	900 385 044 01	Torx screw BM 8 X 16		2	
8	948 107 086 51	Pressure line Cylinders 1 - 4		1	
(8)	948 107 086 52	Pressure line Cylinders 1 - 4		1	
9	999 707 763 40	O-ring 5,8 X 1,7		2	

Model: 92A 11 Model life 2011>>

Pos	Part Number	Description	Remark	Qty	Model
10	948 107 011 52	Check valve		2	
11	900 123 131 30	Sealing ring A 16 X 20		4	
(11)	900 123 018 20	Sealing ring A 16 X 20		4	
12	948 107 087 51	Pressure line Cylinders 5 - 8		1	
(12)	948 107 087 52	Pressure line Cylinders 5 - 8		1	
13	999 136 053 02	Connection piece M 12 X 1,5		2	
14	900 123 005 30	Sealing ring A 12 X 16		2	
(14)	900 123 005 20	Sealing ring A 12 X 16		2	
15	948 107 209 51	Support		1	
(15)	948 107 209 52	Support		1	
16	999 511 741 00	Clamp 8 X 15		1	
17	900 385 041 01	Torx screw BM 6 X 12		6	
18	948 107 092 60	Oil pipe Cylinders 1 - 4		1	
(18)	948 107 092 61	Oil pipe Cylinders 1 - 4		1	
19	948 107 093 60	Oil pipe Cylinders 5 - 8		1	
20	999 707 568 40	O-ring 12 X 3		2	
21	948 107 123 50	Gasket		2	
22	900 385 009 01	Torx screw BM 6 X 16		4	
23	948 107 260 60	Ventilation pipe		1	
24	900 385 044 01	Torx screw BM 8 X 16		2	
25	958 107 265 50	Vent hose		1	I0GG/7GH/7MG I7MJ/7MM
26	N 101 976 01	Hose clamp 19 X 7 X 0,6		1	I0GG/7GH/7MG I7MJ/7MM
27	999 511 253 00	Clamp 10 - 10 X 15		2	
28	900 377 010 01	Hexagon nut M 6		2	
(28)	900 380 015 02	Hexagon nut M 6		2	
29	999 511 116 03	Clamp 10 X 15		1	
30		Vent line See illustrations 1/07/05 POS.5		1	
31	000 043 206 95	Grease 1 tube 10 Gr. Microgleit LP 475 for Stud Turbocharger		X	

Model: 92A 11

Model life 2011>>



Model: 92A 11

Model life 2011>>

Pos	Part Number	Description	Remark	Qty	Model
		Turbocharger Oil pipe for Turbocharger			MCY . XA
1	948 123 025 62	Turbocharger		1	
2	948 123 026 62	Turbocharger Cylinders 1 - 4		1	
3	948 123 323 50	Turbocharger Cylinders 5 - 8		10	
4	948 123 324 50	Stud		2	
5	948 111 401 71	Retainer spring		4	
6	948 111 402 71	Tab washer Upper		4	
7	999 084 642 02	Tab washer Upper		26	
8	948 111 337 60	Hexagon nut M 8		1	
9	948 111 338 60	Heat shield Cylinders 1 - 4		1	
-	999 651 392 07	Heat shield Cylinders 5 - 8		2	
10	900 385 044 01	Cable holder 9,5 - 10,5		4	
11	948 107 086 60	Torx screw BM 8 X 16		1	
12	999 707 763 40	Pressure line Cylinders 1 - 4		2	
13	999 134 022 01	O-ring 5,8 X 1,7		2	
14	900 123 005 20	Banjo bolt 8		4	
15	948 107 087 60	Sealing ring A 12 X 16		1	
16	948 107 209 52	Pressure line Cylinders 5 - 8		1	
17	999 511 741 00	Support		1	
18	900 385 041 01	Clamp 8 X 15		6	
19	948 107 092 61	Torx screw BM 6 X 12		1	
20	948 107 093 60	Oil pipe Cylinders 1 - 4		1	
21	999 707 568 40	Oil pipe Cylinders 5 - 8		2	
22	948 107 123 50	O-ring 12 X 3		2	
23	900 385 009 01	Gasket		4	
24	948 107 260 60	Torx screw BM 6 X 16		1	
25	900 385 044 01	Ventilation pipe		2	
26	958 107 265 50	Torx screw BM 8 X 16		1	
27	N 101 976 01	Vent hose		1	
28	999 511 253 00	Hose clamp 19 X 7 X 0,6		1	
29	900 380 015 02	Clamp 10 - 10 X 15		2	
30	999 511 116 03	Hexagon nut M 6		1	
31		Clamp 10 X 15		1	
		Vent line See illustrations 1/07/05		1	

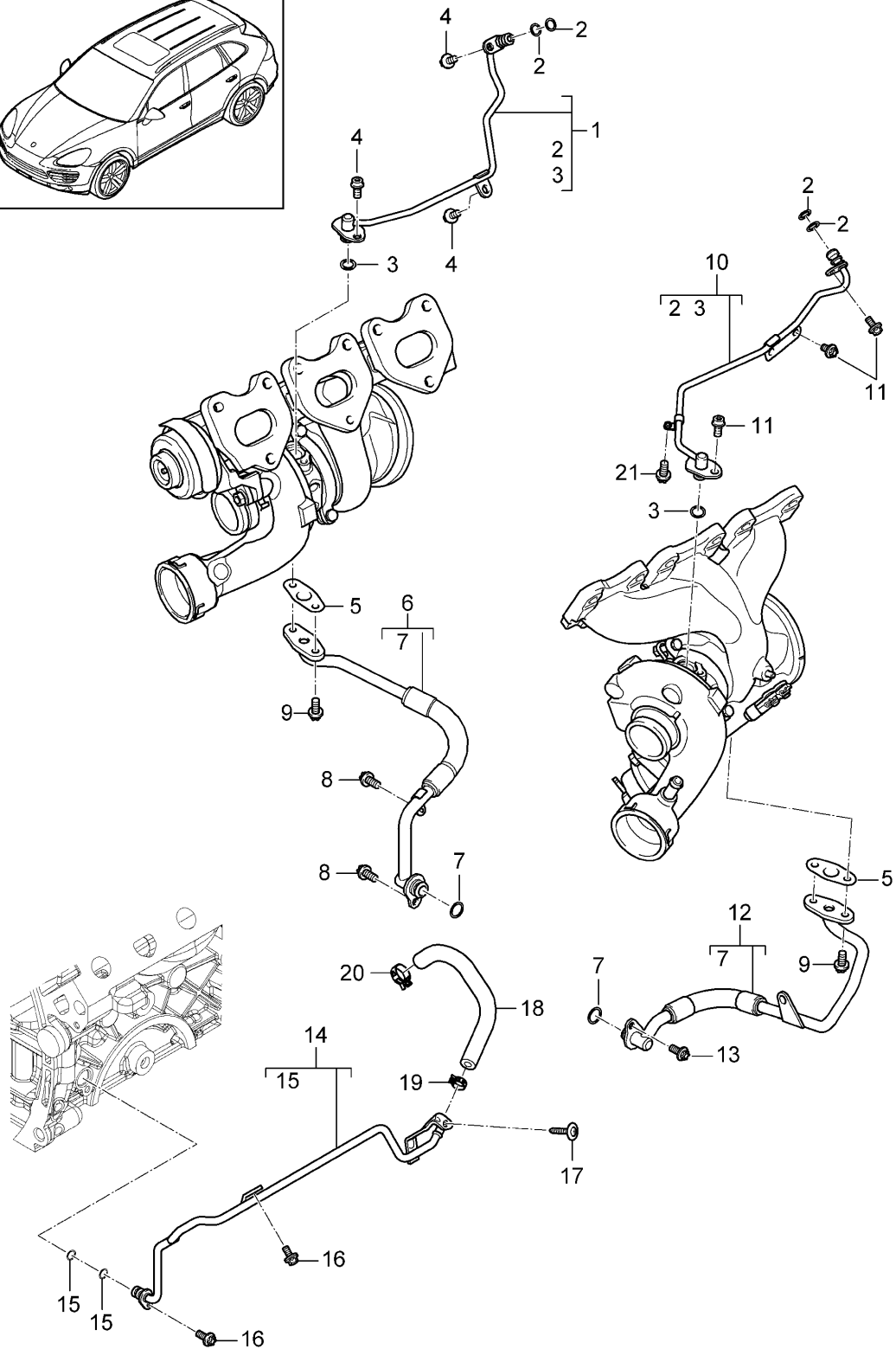
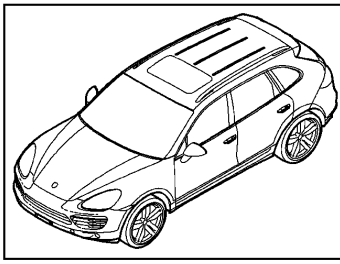
Model: 92A 11

Model life 2011>>

Pos	Part Number	Description	Remark	Qty	Model
32	000 043 206 95	POS.5 Grease 1 tube 10 GR. MICROGLEIT LP 475 for Stud Turbocharger		X	

Model: 92A 11

Model life 2011>>



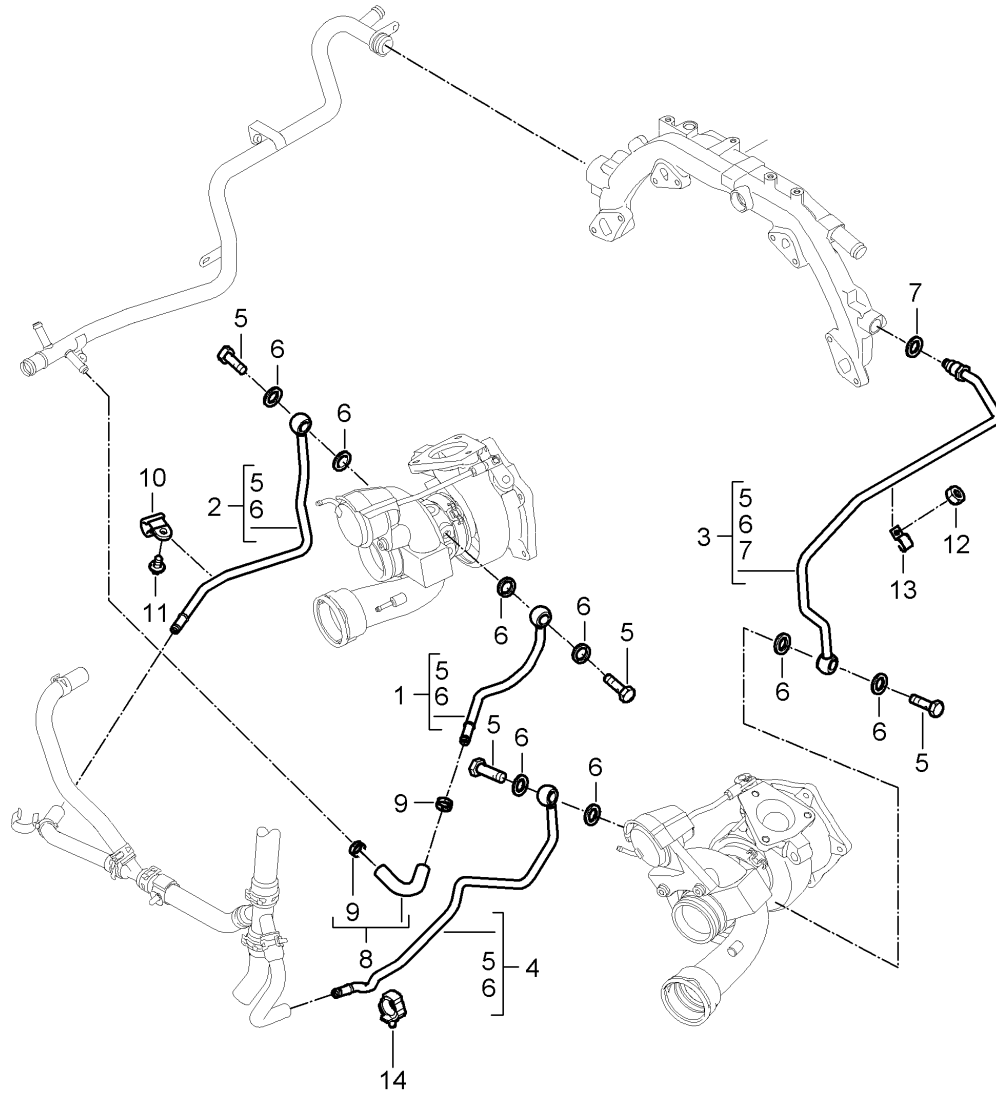
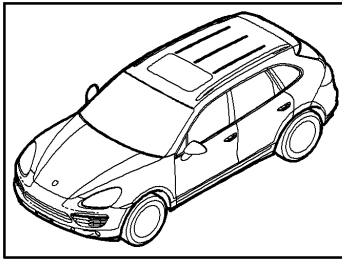
Model: 92A 11

Model life 2011>>

Pos	Part Number	Description	Remark	Qty	Model
		Oil pipe for Turbocharger Pressure line Cyl. 1 - 3		1	MCU.RA MCX.ZA
1	946 107 086 60				
2	999 707 613 40	O-ring 8 X 2,5		4	
3	999 707 603 40	O-ring 10 X 3		2	
4	900 385 041 01	Torx screw BM 6 X 12		3	
5	948 107 123 50	Gasket		2	
6	946 107 088 51	Oil pipe Cyl. 1 - 3		1	
7	999 707 568 40	O-ring 12 X 3		2	
8	900 385 041 01	Torx screw BM 6 X 12		2	
9	999 073 601 01	Round head screw M 6 X 14		4	
10	946 107 087 61	Pressure line Cyl. 4 - 6 M >> CUR005868 M >> CXZ002205		1	
(10)	946 107 087 62	Pressure line Cyl. 4 - 6 M CUR005869 >> CUR016303 M CXZ002206 >> CXZ015237		1	
(10)	946 107 087 64	Pressure line Cyl. 4 - 6 M CUR016304 >> M CXZ015238 >>		1	
11	900 385 041 01	Torx screw BM 6 X 12		3	
12	946 107 089 51	Oil pipe Cyl. 4 - 6		1	
13	900 385 041 01	Torx screw BM 6 X 12		1	
14	946 107 260 61	Ventilation pipe		1	
15	999 707 603 40	O-ring 10 X 3		2	
16	900 385 041 01	Torx screw BM 6 X 12		2	
17	999 073 903 31	Oval-head screw Aluminium M 6 X 20		1	
18	970 110 259 65	Vent hose		1	
(18)	958 110 259 65	Vent hose		1	
19	955 201 479 00	Hose clamp 16		1	
20	999 512 489 00	Hose clamp 15,3 - 18,5		1	
21	999 073 601 01	Round head screw M 6 X 14		1	

Model: 92A 11

Model life 2011>>



Model: 92A 11 Model life 2011>>

Pos	Part Number	Description	Remark	Qty	Model
		Turbocharger			MCF.TB MCY.XA M48.52
1	948 106 027 52	Water cooling Cooling water tube Supply Cylinders 1 - 4		1	
(1)	948 106 027 53	Cooling water tube Supply Cylinders 1 - 4		1	MCF.TB M48.52
(1)	948 106 027 60	Cooling water tube with Water hose Supply Cylinders 1 - 4		1	MCY.XA
2	948 106 235 60	Cooling water tube Return line Cylinders 1 - 4		1	
(2)	948 106 235 61	Cooling water tube Return line Cylinders 1 - 4		1	
3	948 106 237 54	Cooling water tube Supply Cylinders 5 - 8		1	
(3)	948 106 237 55	Cooling water tube Supply Cylinders 5 - 8		1	
4	948 106 239 62	Cooling water tube Return line Cylinders 5 - 8		1	
(4)	948 106 239 63	Cooling water tube Return line Cylinders 5 - 8		1	
5	999 134 047 01	Banjo bolt M 12 X 1,25 X 24		4	
6	900 123 005 30	Sealing ring A 12 X 16		8	
(6)	900 123 005 20	Sealing ring A 12 X 16		8	
7	999 707 503 40	Sealing ring 7,8 X 1,7		1	
8	948 106 383 50	Water hose		1	MCF.TB M48.52
(8)		Water hose Not available Use POS.1		1	MCY.XA
9	999 512 686 09	Hose clamp B 17 X 12		2	
10	999 511 116 03	Clamp 10 X 15		1	
11	900 385 041 01	Torx screw BM 6 X 12		1	
12		Hexagon nut M 6 See illustrations 2/02/60 Or 2/02/61		1	
13		Clamp 10 - 10 X 15 See illustrations		1	

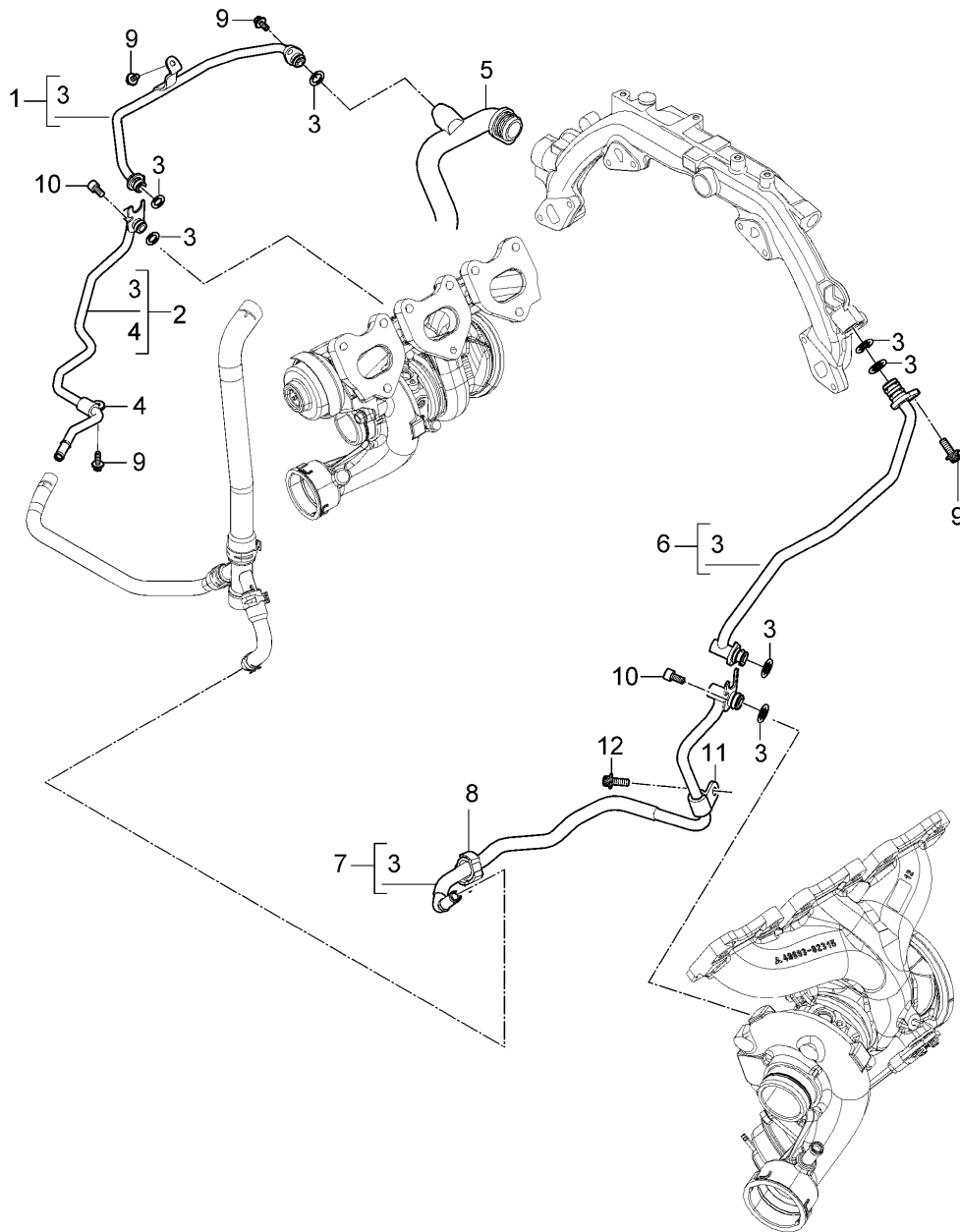
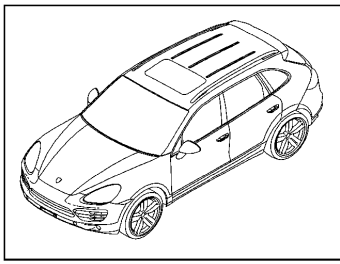
Model: 92A 11

Model life 2011>>

Pos	Part Number	Description	Remark	Qty	Model
14	999 507 075 40	2/02/60 Or 2/02/61 Cable holder 4,0 - 12,0		1	

Model: 92A 11

Model life 2011>>

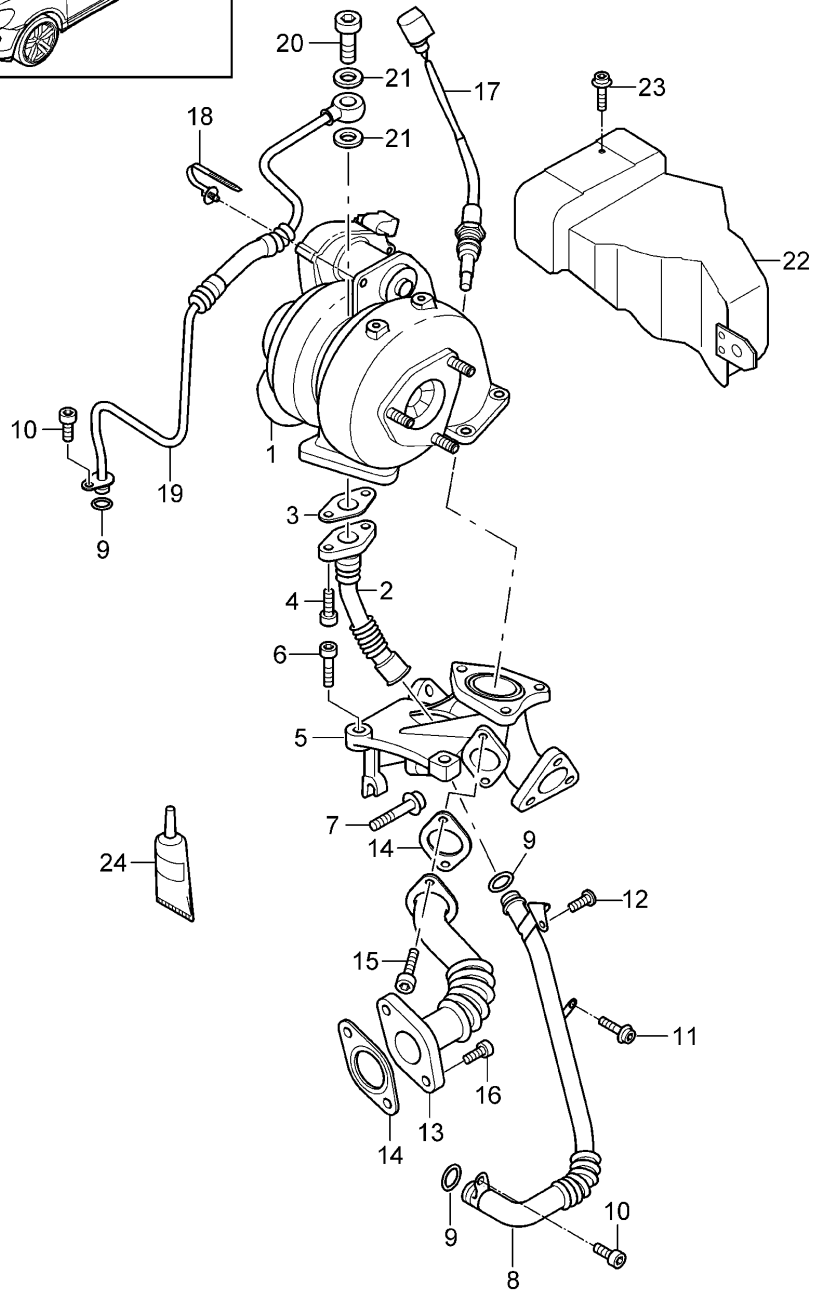
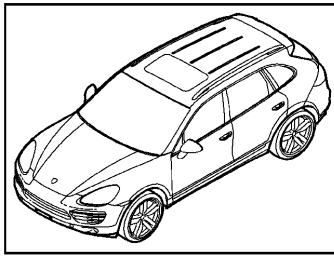


Model: 92A 11 Model life 2011>>

Pos	Part Number	Description	Remark	Qty	Model
		Cooling water tube for Turbocharger			MCU.RA MCX.ZA
1	946 106 027 60	Cooling water tube Supply Cyl. 1 - 3		1	
2	946 106 235 61	Cooling water tube Return line Cyl. 1 - 3		1	
3	999 707 670 40	O-ring 10 X 3		7	
4	999 511 116 03	Clamp 10 X 15		1	
5		Cooling water tube Supply See illustrations 1/05/27 POS.1		1	
6	946 106 237 60	Cooling water tube Supply Cyl. 4 - 6		1	
(6)	946 106 237 61	Cooling water tube Supply Cyl. 4 - 6 M >> CUR016303 M >> CXZ015237		1	
(6)	946 106 237 62	Cooling water tube Supply Cyl. 4 - 6 M CUR016304 >> M CXZ015238 >>		1	
7	946 106 239 60	Cooling water tube Return line Cyl. 4 - 6		1	
8	999 507 075 40	Cable holder 4 - 12		1	
9	900 385 041 01	Torx screw BM 6 X 12		4	
10	N 105 447 03	Pan-head screw M 6 X 10		2	
11	999 511 116 03	Clamp 10 X 15		1	
12	999 073 601 01	Round head screw M 6 X 14		1	

Model: 92A 11

Model life 2011>>



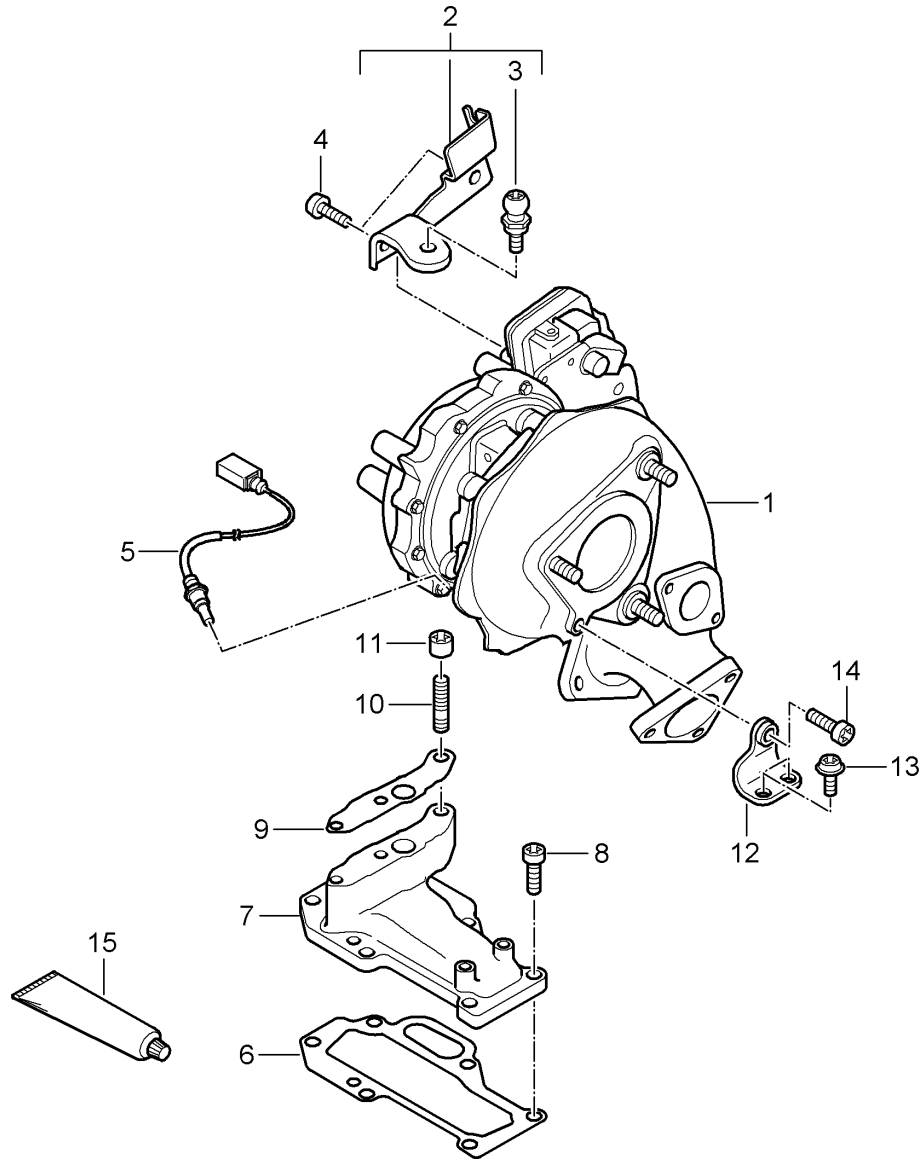
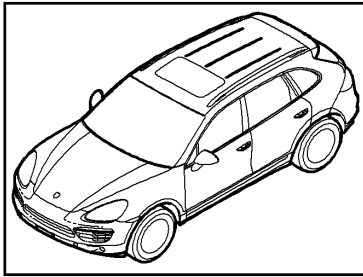
Model: 92A 11

Model life 2011>>

Pos	Part Number	Description	Remark	Qty	Model
		Turbocharger			M05.9E
1	955 123 025 00	Oil pipe		1	
-	N 044 509 3	Turbocharger		3	
		Stud			
		M 8 X 22			
2	955 107 088 00	Oil pipe		1	
		Return line			
3	955 107 123 00	Gasket		1	
4	N 104 514 05	Round head screw		2	
		M 6 X 16			
5		Connecting piece		1	
		See illustrations			
		2/02/15			
6	N 105 521 02	Pan-head screw		2	
		M 8 X 28			
7	N 105 449 03	Pan-head screw		1	
		M 8 X 55			
8	955 107 089 01	Oil pipe		1	
		Return line			
9	955 107 124 00	Round seal		3	
		15 X 2,5			
10	N 104 056 04	Oval-head screw		2	
		M 6 X 14			
11	N 101 703 02	Oval-head screw		1	
		M 6 X 10			
12	N 104 514 05	Round head screw		1	
		M 6 X 16			
13	958 107 525 00	Connecting tube		1	
14	958 107 358 00	Gasket		2	
15	N 911 962 01	Pan-head screw		2	
		M 6 X 16			
16	N 101 243 06	Oval-head screw		2	
		M 6 X 20			
17	955 606 688 10	Temperature sensor		1	
		Exhaust gas			
18	955 606 838 00	Tie-wrap		1	
		4,5 X 200			
19	958 107 087 00	Oil pipe		1	
		Supply			
20	955 107 148 00	Banjo bolt		1	
		M 10 X 1			
21	N 013 811 5	Sealing ring		2	
		A 10 X 13,5			
22	958 123 325 01	Heat shield		1	
		Turbocharger			
23	N 103 352 06	Round head screw		3	
		M 6 X 12			
24	000 043 207 47	Grease		X	
		1 tube			
		170 Gr.			

Model: 92A 11

Model life 2011>>

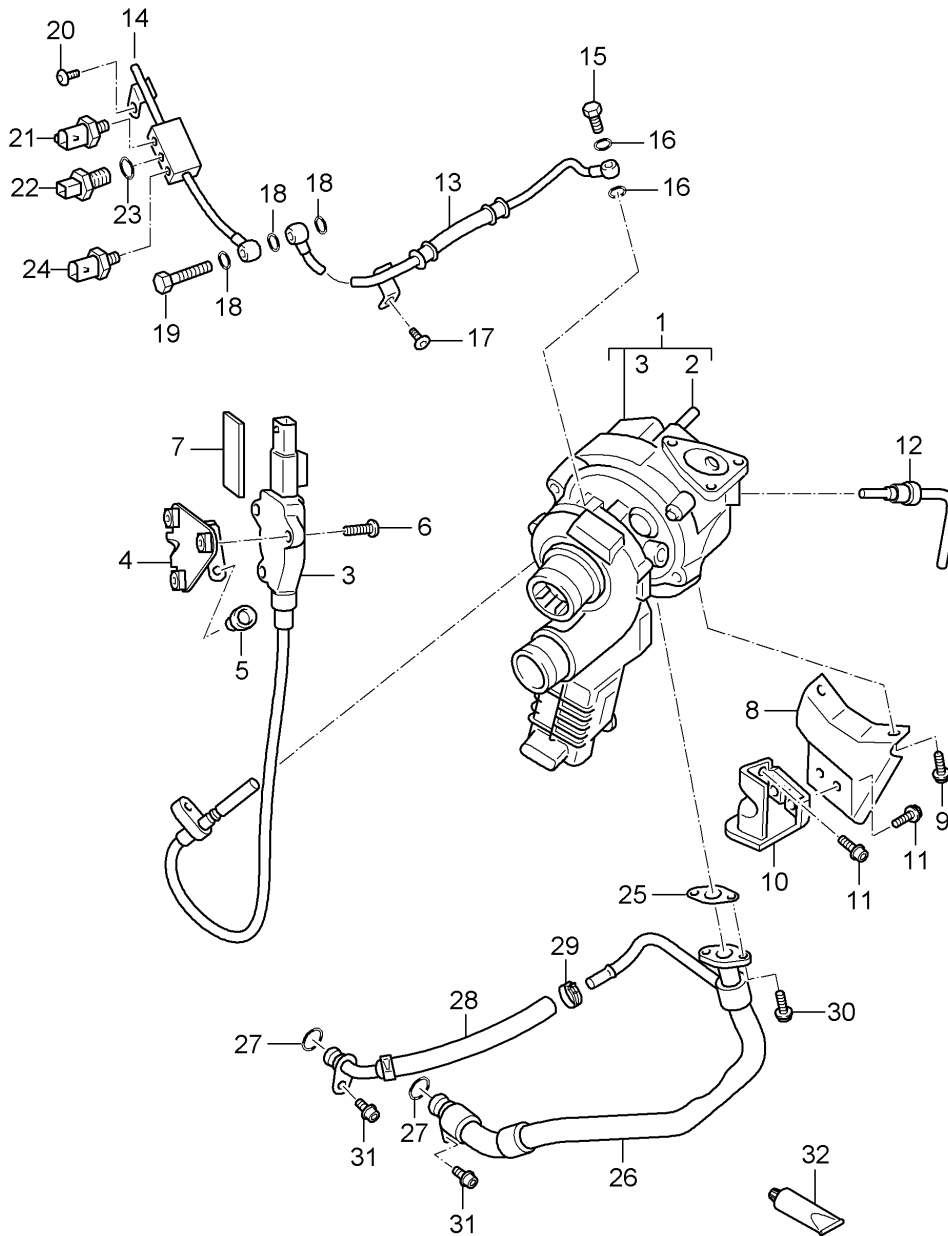
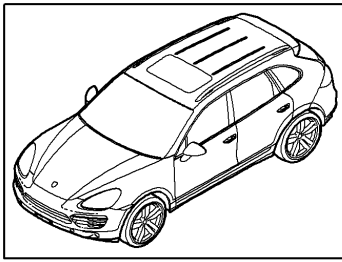


Model: 92A 11 Model life 2011>>

Pos	Part Number	Description	Remark	Qty	Model
		Turbocharger			MCN.RB MCR.CA/CB MCV.VA/VB MCV.VC
1	958 123 025 00	Turbocharger		1	MCR.CA/CB
(1)	958 123 025 11	Turbocharger		1	MCR.CA/CB MCV.VA/VB/VC
(1)	958 123 025 12	Turbocharger		1	MCR.CA/CB MCV.VA/VB/VC
-	N 044 509 3	Stud M 8 X 22		3	
2	958 110 357 00	Support		1	
3	WHT 000 351	Engine cover Ball pin M 6		1	
4	N 104 056 04	Oval-head screw M 6 X 14		2	
5	958 606 688 30	Temperature sensor Turbocharger		1	
(5)	958 606 688 31	Temperature sensor Turbocharger	-14	1	
(5)		Temperature sensor Turbocharger	15-	1	MCR.CA
(5)	958 606 688 70	Temperature sensor Turbocharger	15-	1	MCN.RB MCV.VA/VB/VC
6	958 123 547 00	Turbocharger Gasket		1	
7	958 123 121 00	Support		1	
(7)	958 123 121 01	Support		1	
8	N 910 059 02	Pan-head screw M 8 X 25		6	
9	958 123 557 00	Gasket		1	
(9)	958 123 557 01	Gasket		1	
10	N 044 511 3	Stud M 8 X 18		2	
11	WHT 005 491	Collar nut M 8		2	
12	958 123 122 00	Support		1	
13	N 104 056 04	Oval-head screw M 6 X 14		2	
14	N 910 461 01	Pan-head screw M 8 X 22		1	
15	000 043 207 47	Grease 1 tube 170 Gr.		X	

Model: 92A 11

Model life 2011>>



Model: 92A 11

Model life 2011>>

Pos	Part Number	Description	Remark	Qty	Model
		Turbocharger			MCU .DB/DC
		Oil pipe			
		for			
1	958 123 025 30	Turbocharger	/L	1	
(1)	958 123 026 30	Turbocharger	/R	1	
2	N 910 601 01	Stud		6	
		M 8 X 35			
3	958 606 421 00	Speed sensor		2	
4	958 606 845 40	Support	/L	1	
		Speed sensor			
5	N 105 724 04	Pan-head screw		1	
		M 8 X 16			
6	N 104 301 04	Lens-head screw		6	
		M 5 X 16			
7	958 606 461 10	Heat protection		1	
8	958 123 123 00	Support	/L	1	
(8)	958 123 124 00	Support	/R	1	
9	WHT 006 094	Pan-head screw		4	
		M 8 X 16			
10	958 123 125 00	Support	/L	1	
(10)	958 123 126 00	Support	/R	1	
11	N 106 648 01	Pan-head screw		8	
		M 8 X 20			
12	958 606 688 50	Temperature sensor	/L -14	1	
		Turbocharger			
12	958 606 688 51	Temperature sensor	/L 15-	1	
		Turbocharger			
(12)	958 606 688 60	Temperature sensor	/R -14	1	
		Turbocharger			
(12)	958 606 688 61	Temperature sensor	/R 15-	1	
		Turbocharger			
13	958 107 087 10	Oil pipe	/L	1	
		Supply			
14	958 107 086 10	Oil pipe	/R	1	
		Supply			
15	N 021 075 6	Banjo bolt		2	
		6			
16	N 013 811 5	Sealing ring		4	
		A 10 X 13,5			
17	N 103 352 06	Round head screw		2	
		M 6 X 12			
18	N 013 813 3	Sealing ring		3	
		A 12 X1,5 X 17			
19	WHT 005 817	Banjo bolt		1	
		8,5 X 8			
20	N 104 056 04	Oval-head screw		1	
		M 6 X 14			
21	955 606 091 10	Oil pressure switch		1	
22	955 606 221 00	Temperature sensor		1	
23	WHT 002 287 C	O-ring		1	
		5,6 X 2			
24	958 606 081 70	Oil pressure switch		1	
25	958 107 123 30	Gasket		2	
25	958 107 123 31	Gasket		2	
26	958 107 093 10	Oil pipe	/L	1	
		Return line			
(26)	958 107 092 10	Oil pipe	/R	1	
		Return line			
(26)	958 107 092 11	Oil pipe	/R	1	
		Return line			
27	955 107 124 00	Round seal		4	
		15 X 2,5			

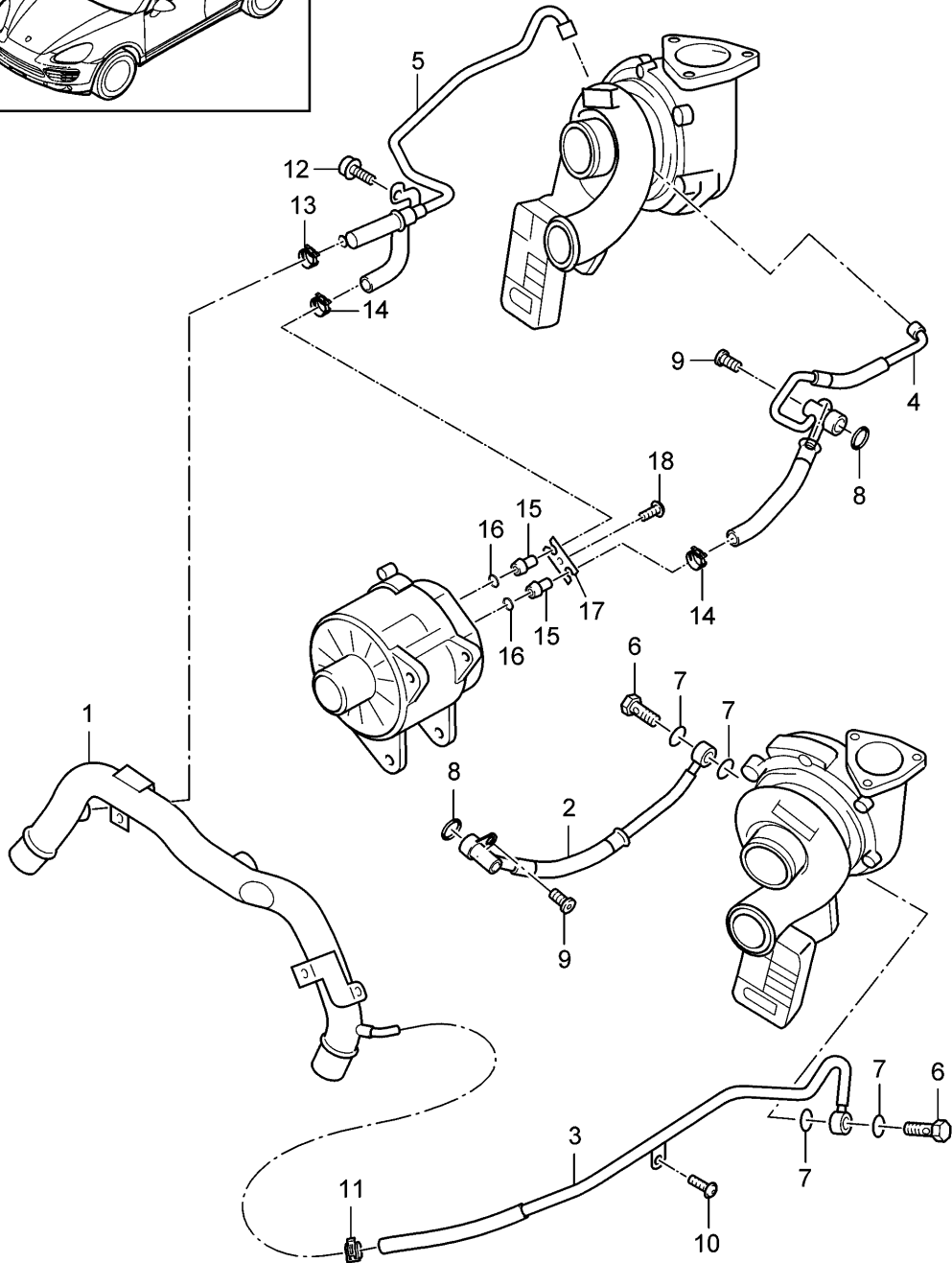
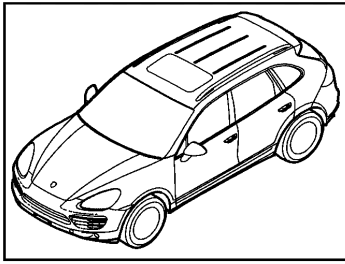
Model: 92A 11

Model life 2011>>

Pos	Part Number	Description	Remark	Qty	Model
28	958 107 095 10	Oil pipe Return line	/L	1	
(28)	958 107 096 10	Oil pipe Return line	/R	1	
29	N 102 555 01	Hose clamp 17,5 X 7 X 0,6		2	
30	N 102 261 03	Pan-head screw M 6 X 16		4	
31	N 104 056 04	Oval-head screw M 6 X 14		4	
32	000 043 207 47	Grease 1 tube 170 GR.		X	

Model: 92A 11

Model life 2011>>



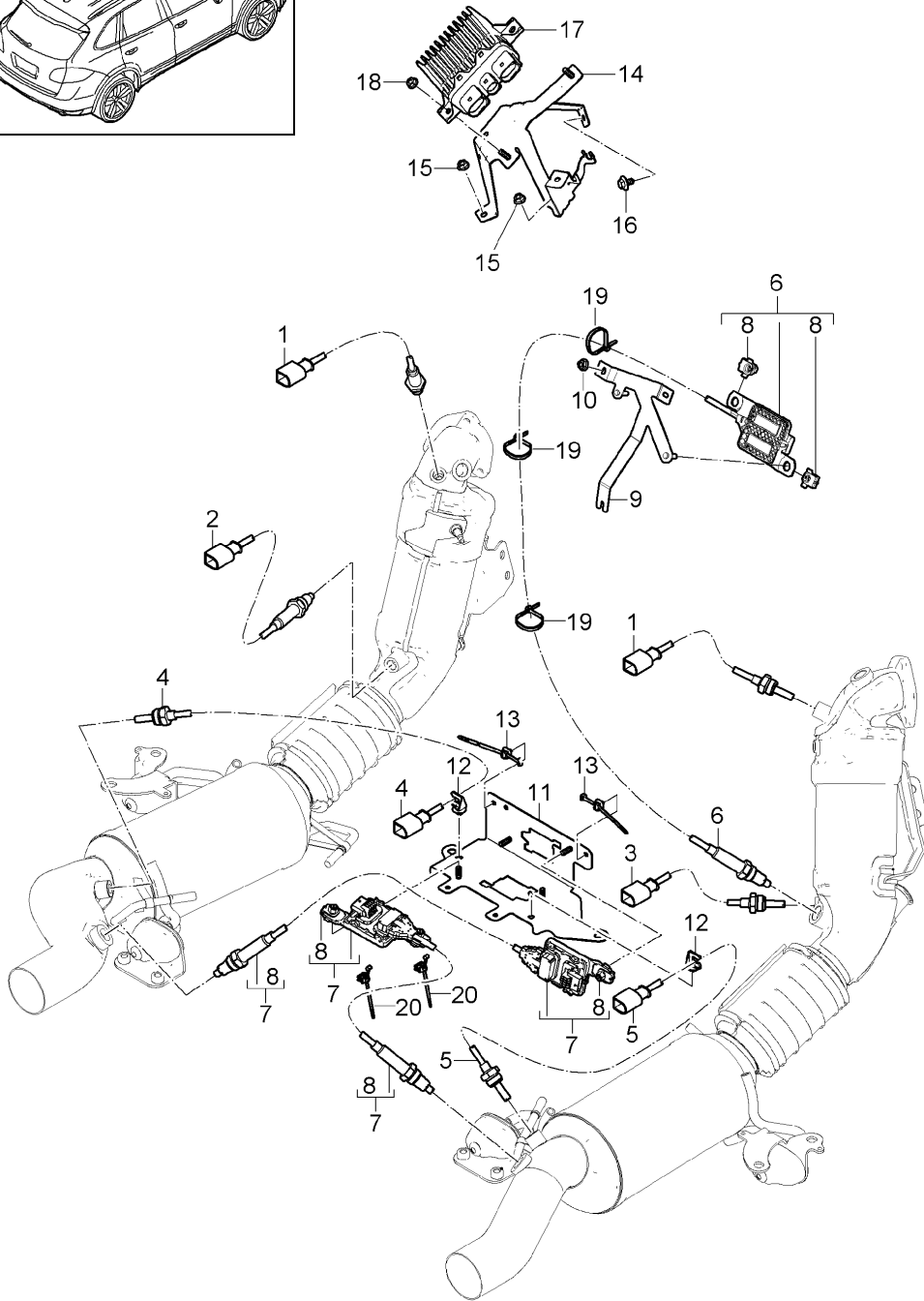
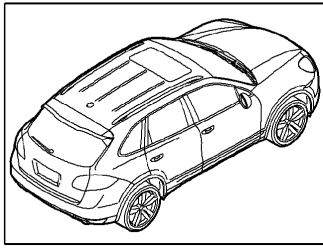
Model: 92A 11

Model life 2011>>

Pos	Part Number	Description	Remark	Qty	Model
		Turbocharger Generator Water cooling			MCU . DB / DC
1		Cooling water tube See illustrations 1/05/70 POS.34		1	
2	958 106 237 00	Cooling water tube Supply Cylinders 5 - 8		1	
3	958 106 239 00	Cooling water tube Return line Cylinders 5 - 8		1	
4	958 106 238 00	Cooling water tube Supply Cylinders 1 - 4		1	
5	958 106 240 00	Cooling water tube Return line Cylinders 1 - 4		1	
6	N 021 074 7	Banjo bolt M 14 X 1,5 X 26		2	
7	N 013 849 5	Sealing ring A 14 X 1,5 X 20		4	
8	N 910 084 01	O-ring 19,6 X 3		2	
9	N 103 352 06	Round head screw M 6 X 12		2	
10	N 104 056 04	Oval-head screw M 6 X 14		1	
11	999 512 650 09	Hose clamp B 14 X 12		1	
12	N 044 727 6	Pan-head screw M 10 X 16		1	
13	999 512 652 09	Hose clamp B 19 X 12		1	
14	999 512 686 09	Hose clamp B 17 X 12		2	
15	955 106 362 02	Adapter		2	
16	N 907 834 02	O-ring 13,1 X 1,6		2	
17	955 106 361 10	Retaining bracket		1	
18	N 101 562 06	Oval-head screw M 6 X 30		2	

Model: 92A 11

Model life 2011>>



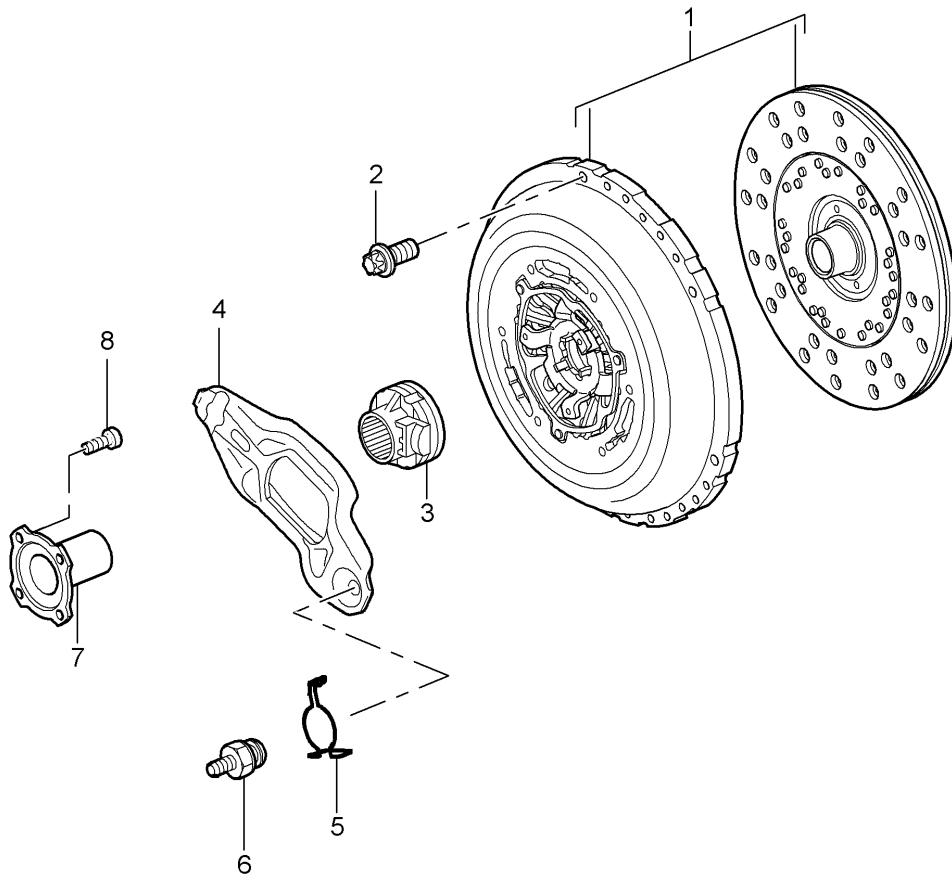
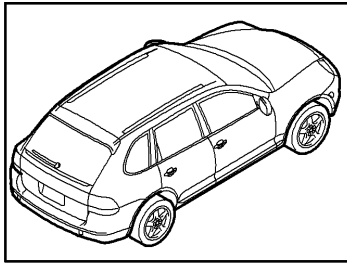
Model: 92A 11

Model life 2011>>

Pos	Part Number	Description	Remark	Qty	Model
		Exhaust system Temperature sensor Sensor Control unit			IDD8/7MM
1	958 606 088 30	Temperature sensor		2	
2	958 606 088 60	Exhaust gas Temperature sensor	/L	1	
3	958 606 088 50	Exhaust gas Temperature sensor	/R	1	
4	958 606 088 80	Exhaust gas Temperature sensor	/L	1	
5	958 606 088 70	Exhaust gas Temperature sensor	/R	1	
6	958 606 807 20	Exhaust gas Control unit	/R	1	
7	958 606 807 30	Control unit with Sensor		2	
8	958 606 407 00	Support Control unit		6	
9	958 606 804 20	Support Control unit		1	
10	955 111 548 03	Speed nut		3	
11	958 606 804 50	4,2 Support Control unit		1	
12	958 606 845 50	Support B 6,8		2	
13	958 606 838 00	Connector housing Cable clamp		2	
14	958 606 804 40	6,5 X 200 Support Control unit		1	
15	N 015 082 10	Hexagon nut M 6		2	
16	N 906 310 03	Hexagon-head bolt M 6 X 12		1	
17	958 618 560 05	Control unit Heating Catalytic converter		1	
18	N 015 082 10	Hexagon nut M 6		2	
19	N 909 377 02	Tie-wrap C 4,6 X 193		3	
20	958 606 838 10	Tie-wrap 1,0 - 45,0 X 193		2	

Model: 92A 11

Model life 2011>>



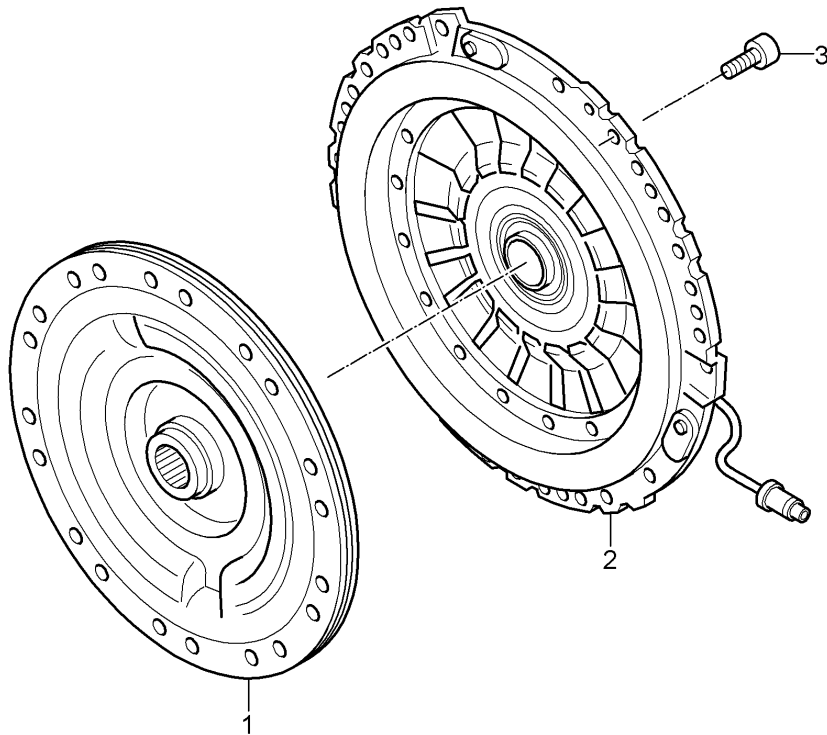
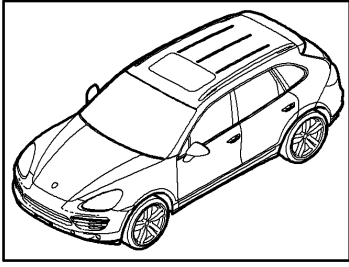
Model: 92A 11

Model life 2011>>

Pos	Part Number	Description	Remark	Qty	Model
(1)	7PP 141 015	Clutch Repair kit Clutch Comprising: Drive plate Pressure plate		1	ID34/G0L
2	WHT 005 505	Outer hexagon round screw BM 8 X 16		6	
3	955 116 080 00	Clutch release bearing		1	
4	955 116 719 00	Clutch release lever		1	
5	012 141 741	Retainer spring		1	
6	955 116 716 00	Ball pin		1	
7	955 301 181 00	Guide tube		1	
8	N 910 905 01	Torx screw M 6 X 12		4	

Model: 92A 11

Model life 2011>>



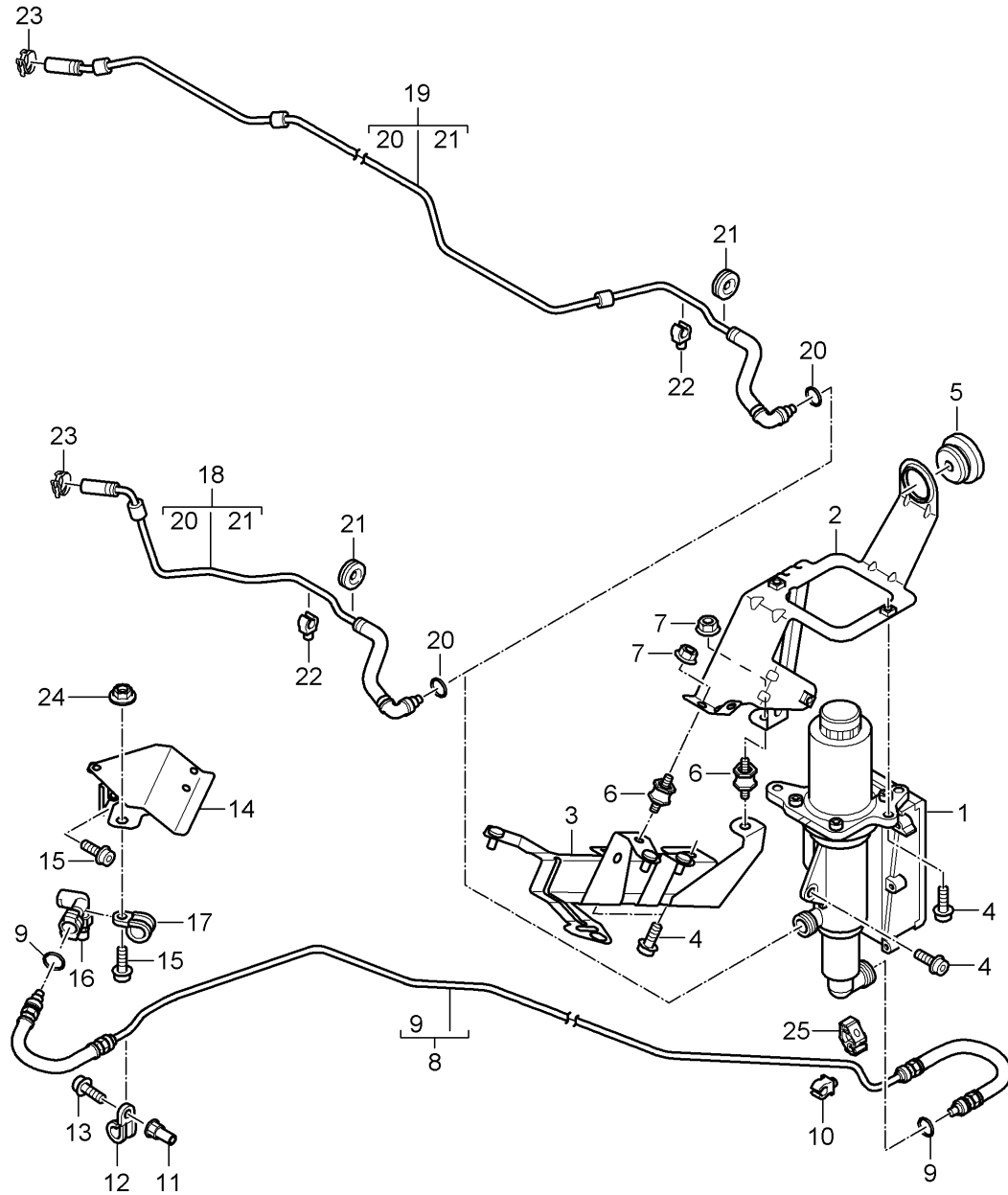
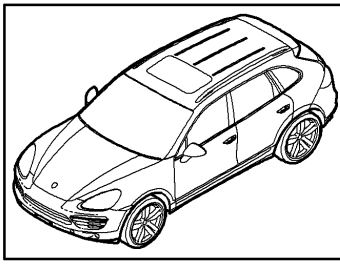
Model: 92A 11

Model life 2011>>

Pos	Part Number	Description	Remark	Qty	Model
		Clutch Hybrid			ID19
1	958 116 013 00	Clutch plate		1	
2	958 116 027 00	Clutch pressure plate with Release module		1	
3	N 911 361 02	Pan-head screw M 8 X 14		9	

Model: 92A 11

Model life 2011>>



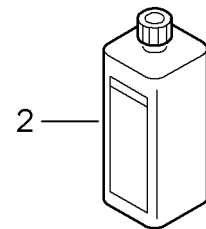
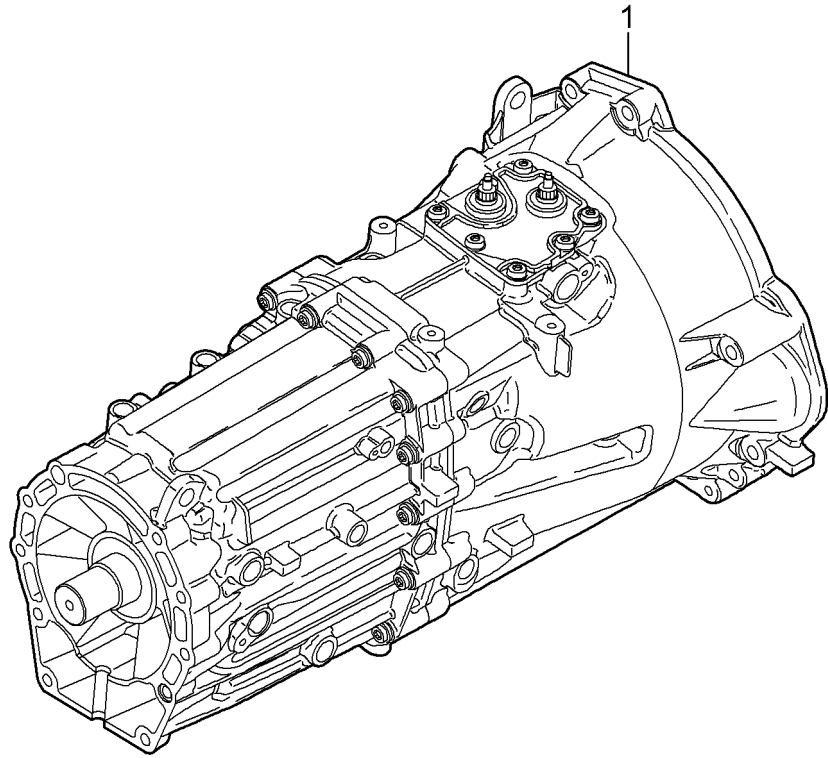
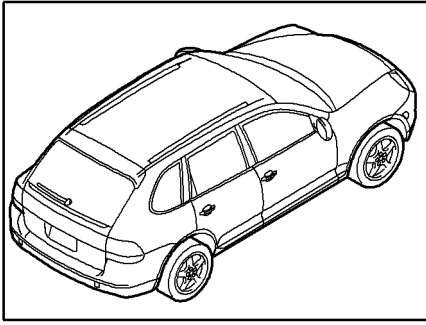
Model: 92A 11

Model life 2011>>

Pos	Part Number	Description	Remark	Qty	Model
		Control mechanism Hydraulic Electric motor			ID19
1	958 116 060 AX	Control mechanism Hydraulic		1	
(1)	958 116 060 BX	Control mechanism Hydraulic		1	
2	958 116 231 04	Support	-14	1	
(2)	958 116 231 10	Support	15-	1	
3	958 116 232 07	Support	-14	1	
(3)	958 116 232 10	Support	15-	1	
4	N 911 266 01	Outer hexagon round screw M 6 X 16		5	
(4)	N 101 961 03	Oval-head screw M 6 X 18		5	
5	955 572 261 00	Rubber mounting		1	
6	958 347 579 00	Bonded rubber buffer		2	
7	N 015 082 10	Hexagon nut M 6		2	
8	958 116 415 01	Pressure line		1	
9	955 423 225 00	Sealing ring		2	
10	N 910 523 01	Support		1	
11	N 106 185 01	Blind rivet nut M 6		1	
12	N 911 711 01	Clip 6 X 15		1	
13	N 911 266 01	Outer hexagon round screw M 6 X 16		1	
(13)	N 910 967 01	Round head screw M 6 X 16		1	
14	958 116 233 02	Support		1	
15	N 911 266 01	Outer hexagon round screw M 6 X 16		3	
(15)	N 910 967 01	Round head screw M 6 X 16		3	
16	958 116 468 00	Bleeder		1	
17	N 020 626 7	Clamp 16 X 15		1	
18	958 116 416 01	Pipeline	/LL	1	IL0L
19	958 116 417 01	Pipeline	/RL	1	IL0R
20	955 423 225 00	Sealing ring		1	
21	111 971 911 A	Grommet		1	
22	N 909 042 01	Line bracket		1	
23	N 906 867 01	Hose clamp B 14 X 12		1	
24	N 015 082 10	Hexagon nut M 6		1	
25	958 423 350 00	Line bracket		1	

Model: 92A 11

Model life 2011>>



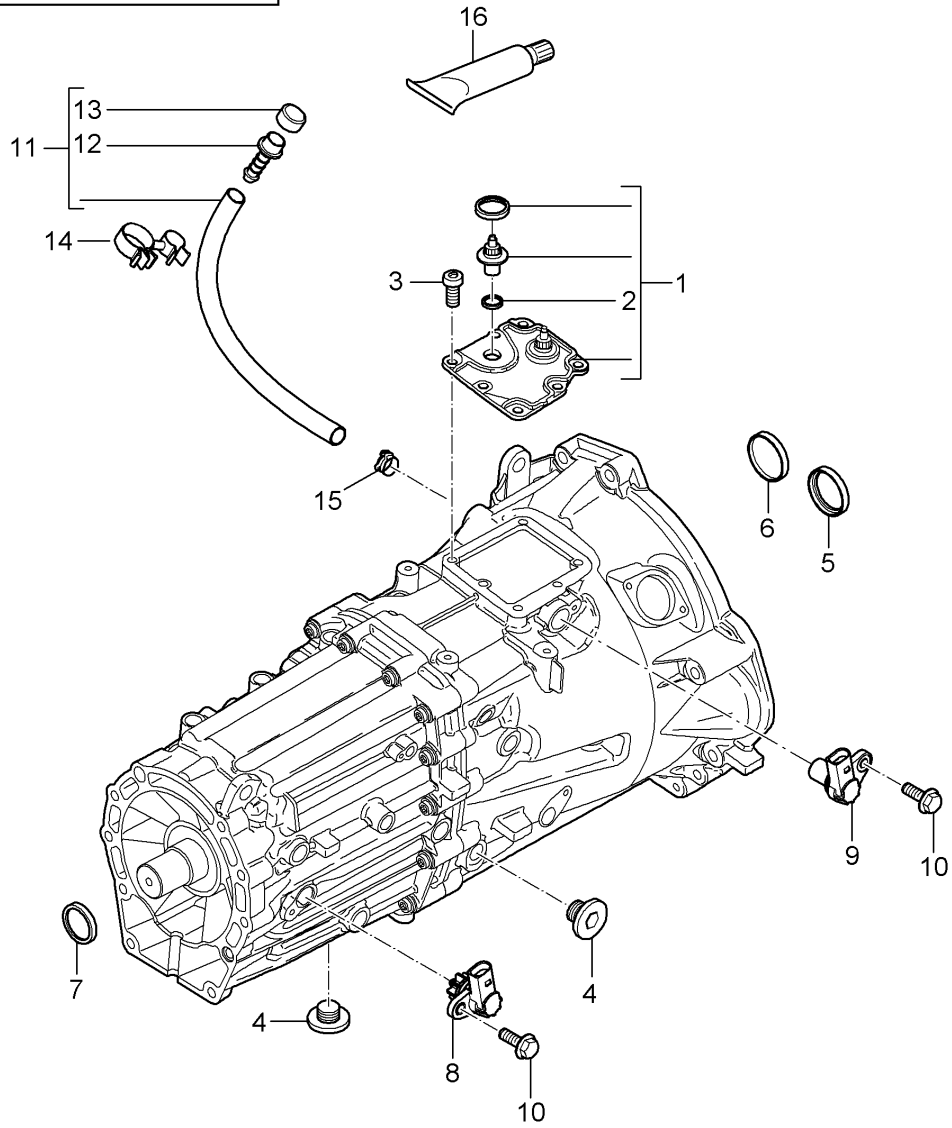
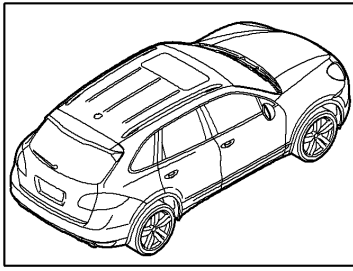
Model: 92A 11

Model life 2011>>

Pos	Part Number	Description	Remark	Qty	Model
1	958 300 010 00	Replacement transmission Manual transmission		1	ID34/G0L
(1)	958 300 010 X	Replacement transmission Classification letter MHF		1	
2	000 043 300 38	Transmission oil Container 1 LITER		X	

Model: 92A 11

Model life 2011>>



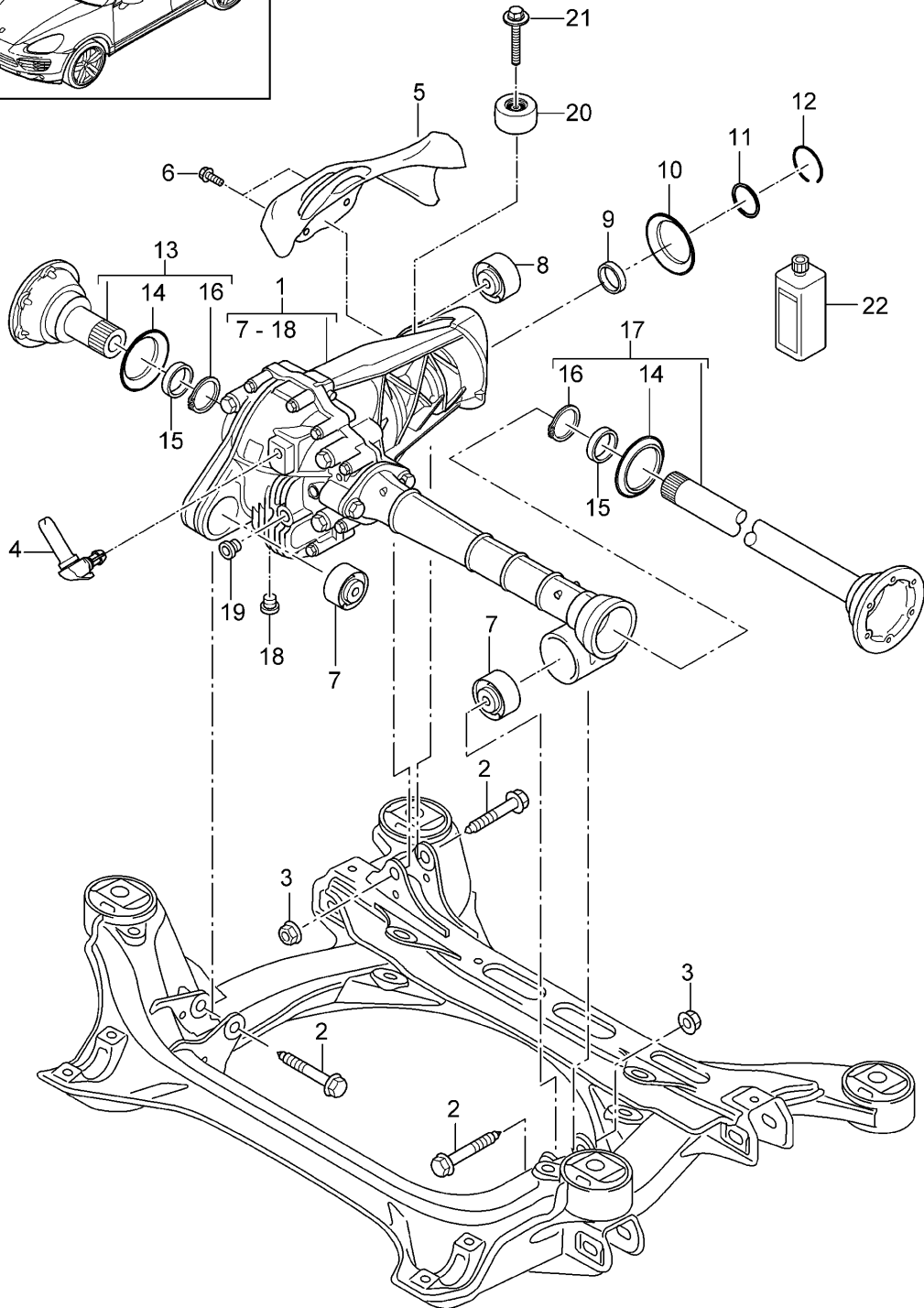
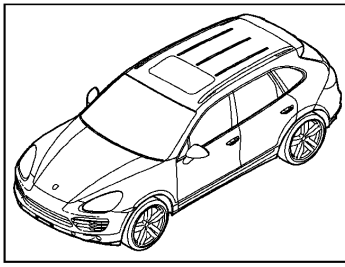
Model: 92A 11

Model life 2011>>

Pos	Part Number	Description	Remark	Qty	Model
		Replacement transmission Manual transmission Single parts			ID34/G0L
1	955 301 230 10	Switching module		1	
2	955 301 227 00	Shaft sealing ring 15 X 21 X 7		1	
3	N 910 903 01	Pan-head screw M 8 X 28		7	
4	WHT 000 514	Screw plug M 18 X 1,5		2	
5	955 301 109 00	Radial shaft seal 39,9 X 70 X 9 for Drive shaft		1	
6	955 301 125 00	Lid		1	
7	955 301 189 00	Radial shaft seal 41 X 72 X 9 for Output shaft		1	
8	955 606 420 00	Back-up light switch		1	
9	955 606 827 00	Switch Idle speed		1	
10	N 901 678 05	Hexagon-head bolt M 7 X 1,25 X 19		2	
11	955 301 047 00	Bleeder 1360 MM It is necessary to rework 230 MM Use also: N .105.679.01		1	
12	955 301 090 00	Connection piece		1	
13	014 301 485	Cap		1	
14	N 105 679 01	Support A01-13 X C05-22		1	
15	N 906 867 01	Hose clamp B 14 X 12		1	
16	000 043 010 00	Loctite 574 50 ML. Surface sealing Switching module		X	

Model: 92A 11

Model life 2011>>



Model: 92A 11 Model life 2011>>

Pos	Part Number	Description	Remark	Qty	Model
1	958 349 011 01	Front-axle final drive Ready for installation		1	ID6V/E0A
(1)	958 349 011 AX	Front-axle final drive Classification letter MYJ		1	ID6V/E0A
(1)	958 349 011 02	Front-axle final drive Classification letter QAK		1	ID6V/E0A
(1)	958 349 011 BX	When required order also: 958.349.451.21 Front-axle final drive Classification letter QAK		1 1	ID6V/E0A
(1)	958 349 011 40	When required order also: 958.349.451.21 Front-axle final drive Classification letter NKK		1 1	ID6V/E0W
(1)	958 349 011 4X	Front-axle final drive Classification letter NKK		1	ID6V/E0W
(1)	958 349 011 41	Front-axle final drive Classification letter QAL		1	ID6V/E0W
(1)	958 349 011 6X	When required order also: 958.349.451.21 Front-axle final drive Classification letter QAL		1 1	ID6V/E0W
(1)	958 349 011 11	When required order also: 958.349.451.21 Front-axle final drive Classification letter MXF		1 1	ID58
(1)	958 349 011 LX	Front-axle final drive Classification letter MXF		1	ID58
(1)	958 349 011 12	Front-axle final drive Classification letter NMJ		1	ID58
(1)	958 349 011 MX	Front-axle final drive Classification letter NMJ		1	ID58
(1)	958 349 011 13	Front-axle final drive Classification letter PXV		1	ID58
(1)	958 349 011 NX	When required order also: 958.349.451.21 Front-axle final drive Classification letter PXV		1 1	ID58
(1)	958 349 011 20	When required order also: 958.349.451.21 Front-axle final drive Classification letter MUN		1 1	ID1V/D43/D50
(1)	958 349 011 2X	Front-axle final drive Classification letter MUN		1	ID1V/D43/D50
(1)	958 349 011 21	Front-axle final drive	-14	1	ID1V/D43/D50

Model: 92A 11

Model life 2011>>

Pos	Part Number	Description	Remark	Qty	Model
(1)	958 349 011 7X	Classification letter PTY Front-axle final drive Classification letter PTY	-14	1	ID1V/D43/D50
(1)	958 349 011 20	Front-axle final drive Classification letter MUN		1	ID19
(1)	958 349 011 2X	Front-axle final drive Classification letter MUN		1	ID19
(1)	958 349 011 21	Front-axle final drive Classification letter PTY		1	ID19
(1)	958 349 011 7X	Only together with Heat protection 958.349.451.21 7P0.521.443.C Front-axle final drive Classification letter PTY		1	ID19
(1)	958 349 011 20	Only together with Heat protection 958.349.451.21 7P0.521.443.C Front-axle final drive Classification letter MUN	(CN)	1	ID11
(1)	958 349 011 2X	Front-axle final drive Classification letter MUN	(CN)	1	ID11
(1)	958 349 011 21	Front-axle final drive Classification letter PTY		1	ID11
(1)	958 349 011 7X	Only together with Heat protection 958.349.451.21 7P0.521.443.C Front-axle final drive Classification letter PTY		1	ID11
(1)	958 349 011 31	Only together with Heat protection 958.349.451.21 7P0.521.443.C Front-axle final drive Classification letter MYK		1	ID34
(1)	958 349 011 3X	Front-axle final drive Classification letter MYK		1	ID34
(1)	958 349 011 32	Front-axle final drive Classification letter QAJ	-14	1	ID34
(1)	958 349 011 8X	When required order also: 958.349.451.21 Front-axle final drive Classification letter QAJ	-14	1	ID34
(1)	958 349 011 50	When required order also: 958.349.451.21 Front-axle final drive Classification letter		1	ID34
(1)	958 349 011 50	Front-axle final drive Classification letter		1	ID34
(1)	958 349 011 50	Front-axle final drive Classification letter		1	IDD8

Model: 92A 11

Model life 2011>>

Pos	Part Number	Description	Remark	Qty	Model
(1)	958 349 011 5X	FHE Front-axle final drive Classification letter		1	IDD8
(1)	958 349 011 51	FHE Front-axle final drive Classification letter		1	IDD8
(1)	958 349 011 9X	QAN When required order also: 958.349.451.21 Front-axle final drive Classification letter		1	IDD8
(1)	958 349 011 00	QAN When required order also: 958.349.451.21 Front-axle final drive Classification letter		1	IDD8
(1)	958 349 012 00	QLU Front-axle final drive Classification letter		1	IDU2
(1)	958 349 012 X	QLU Front-axle final drive Classification letter		1	IDU2
(1)	958 349 012 05	QLU Front-axle final drive Classification letter		1	IDU3
(1)	958 349 012 EX	QPU Front-axle final drive Classification letter		1	IDU3
(1)	958 349 011 14	QPU Front-axle final drive Classification letter		1	IDT1/DT5
(1)	958 349 011 PX	RMD Front-axle final drive Classification letter		1	IDT1/DT5
(1)	958 349 012 10	RMD Front-axle final drive Classification letter	15-	1	IDV7/D1V/D43 ID50/D51
(1)	958 349 012 KX	RCN Front-axle final drive Classification letter	15-	1	IDV7/D1V/D43 ID50/D51
(1)	958 349 012 15	RCN Front-axle final drive Classification letter	15	1	ID34
(1)	958 349 012 QX	QPV Front-axle final drive Classification letter	15	1	ID34
(1)	958 349 012 16	QPV Front-axle final drive Classification letter	16-	1	ID34
(1)	958 349 012 RX	RME Front-axle final drive Classification letter	16-	1	ID34
2	N 102 112 02	RME Hexagon-head bolt AM 12 X 1,5 X 90		3	
3	N 104 029 04	Hexagon nut M 12 X 1,5		2	
4	0BM 301 047	Bleeder valve		1	
5	958 349 451 01	Heat protection		1	ID34/D58/D6V
(5)		Heat protection	(CN)	1	ID11
(5)		Heat protection		1	ID19/L0L
(5)	958 349 451 20	Heat protection	-14	1	-ID1V/-ID43 -ID50
(5)	958 349 451 21	Heat protection	15-	1	-IDV7/-ID1V

Model: 92A 11

Model life 2011>>

Pos	Part Number	Description	Remark	Qty	Model
-	N 910 607 01	Spacer 6,4 X 13 X 5		1	-ID43/-ID50 -ID51 -IDV7/-ID1V -ID43/-ID50 -ID51
-	N 090 242 4	Hexagon-head bolt M 6 X 18		1	-IDV7/-ID1V -ID43/-ID50 -ID51
6	N 100 053 06	Combination screw M 6 X 12		3	-IDV7/-ID1V -ID43/-ID50 -ID51
7	958 349 337 50	Rubber mounting	-14	2	ID34/D58/D6V
(7)	958 349 337 70	Rubber mounting	-14	2	ID1V/D43/D50
(7)		Rubber mounting		2	ID19
(7)		Rubber mounting		2	ID11
(7)		Rubber mounting		2	IDD8
(7)	958 349 337 80	Rubber mounting		2	IDU2/DU3
(7)		Rubber mounting		2	IDT1/DT5
(7)		Rubber mounting	15-	2	IDV7/D1V/D43 ID50/D51
(7)	958 349 337 70	Rubber mounting	15-	2	ID34
(7)	958 349 337 80	Rubber mounting	15-	2	ID34
8	958 349 337 40	Rubber mounting	-14	1	ID34/D58/D6V
(8)	958 349 337 60	Rubber mounting	-14	1	ID1V/D43/D50
(8)		Rubber mounting		1	ID19
(8)		Rubber mounting		1	ID11
(8)		Rubber mounting		1	IDD8
(8)	958 349 337 90	Rubber mounting		1	IDU2/DU3
(8)		Rubber mounting		1	IDT1/DT5
(8)		Rubber mounting	15-	1	IDV7/D1V/D43 ID50/D51
(8)	958 349 337 60	Rubber mounting	15-	1	ID34
(8)	958 349 337 90	Rubber mounting	15-	1	ID34
9	958 349 189 20	Shaft sealing ring		1	
10	958 332 375 40	Protective ring		1	
11	WHT 005 157	O-ring 23,52 X 1,78		1	
12	958 349 490 10	Circlip		1	
13	958 349 272 40	Output flange		1	IDT1/DT5/DU2 IDU3/D34/D58 ID6V
(13)	958 349 272 50	Output flange		1	IDV7/D1V/D43 ID50/D51
(13)		Output flange		1	ID19
(13)		Output flange		1	ID11
(13)	958 349 272 40	Output flange		1	IDD8
14	955 332 375 30	Protective ring		2	IDT1/DT5/DU2 IDU3/D34/D58 ID6V
(14)	955 332 375 00	Protective ring		2	IDV7/D1V/D43 ID50/D51
(14)		Protective ring		2	ID19
(14)		Protective ring		2	ID11
(14)	955 332 375 30	Protective ring		2	IDD8
15	955 349 189 10	Shaft sealing ring		2	
16	958 349 413 10	Circlip		2	
17	958 349 271 40	Output flange		1	IDT1/DT5/DU2 IDU3/D34/D58 ID6V
(17)	958 349 271 50	Output flange		1	IDV7/D1V/D43

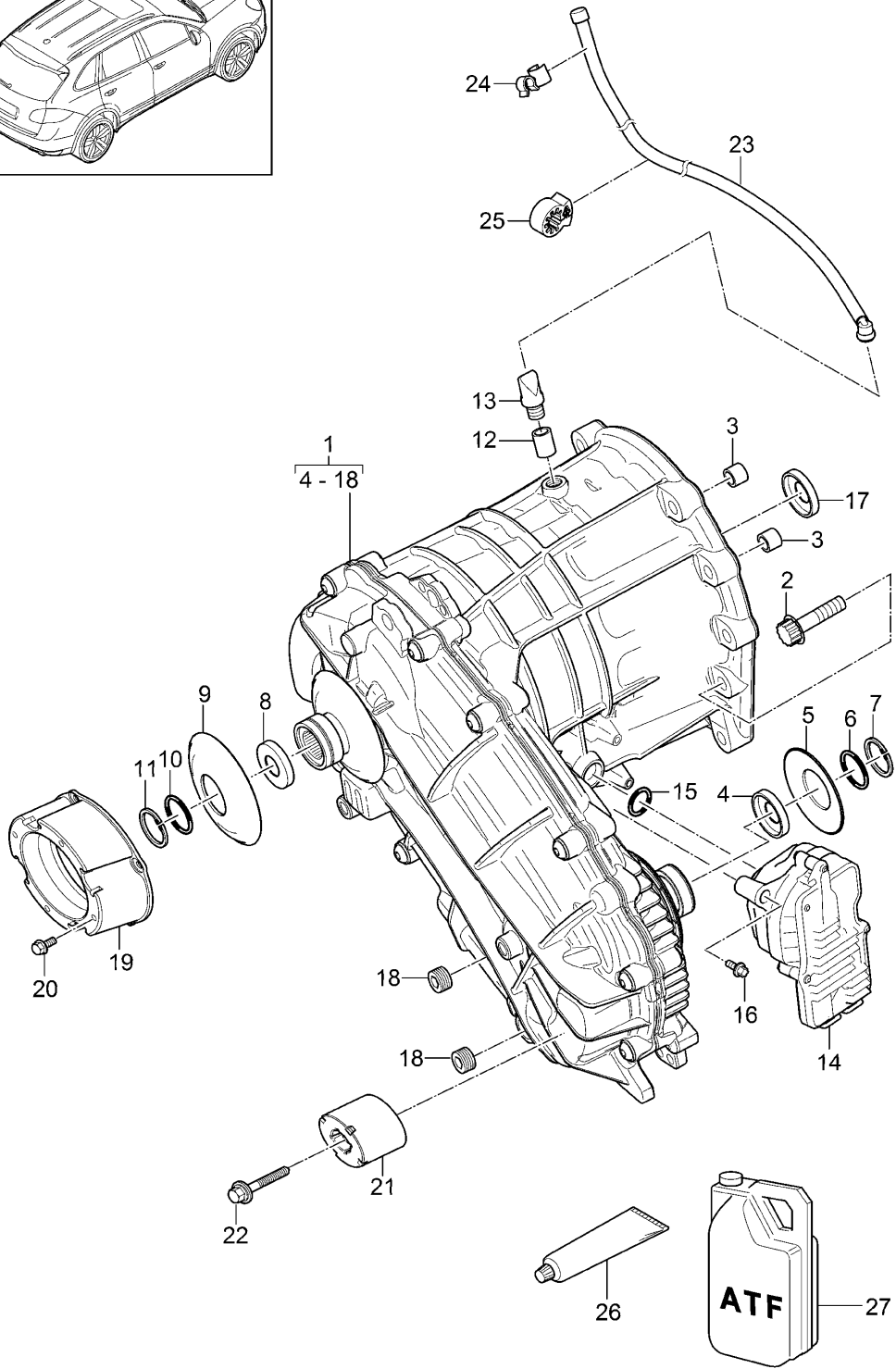
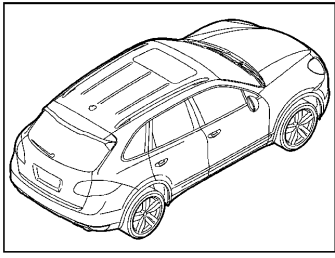
Model: 92A 11

Model life 2011>>

Pos	Part Number	Description	Remark	Qty	Model
(17)		Output flange		1	ID50/D51
(17)		Output flange		1	ID19
(17)	958 349 271 40	Output flange		1	ID11
18	958 349 501 00	Needle-roller bearing		1	IDD8
19	955 332 057 00	Screw plug M 16 X 1,5		2	
20	958 349 307 00	Vibration damper	15-	1	IDV7/D1V/D43
21	N 912 137 01	Combination screw M 10 X 75	15-	1	ID50/D51
22	000 043 205 30	Transmission oil 75 W 90 1 LITER Container		X	IDV7/D1V/D43 ID50/D51

Model: 92A 11

Model life 2011>>



Model: 92A 11

Model life 2011>>

Pos	Part Number	Description	Remark	Qty	Model
		Transfer box			IDD8/DT1/DT5 IDU2/DU3/D34 ID58/D6V
1	958 341 010 01	Ready for installation Transfer box Classification letter NBM		1	ID58/D6V
(1)	958 341 010 AX	Transfer box Classification letter NBM		1	ID58/D6V
(1)	958 341 010 02	Transfer box Classification letter NFB		1	ID58/D6V
(1)	958 341 010 BX	Transfer box Classification letter NFB		1	ID58/D6V
(1)	958 341 010 03	Transfer box Classification letter NUX		1	ID58/D6V
(1)	958 341 010 CX	Transfer box Classification letter NUX		1	ID58/D6V
(1)	958 341 010 04	Transfer box Classification letter PJJ		1	ID58/D6V
(1)	958 341 010 DX	Transfer box Classification letter PJJ		1	ID58/D6V
(1)	958 341 010 05	Transfer box Classification letter PSD		1	ID58/D6V
(1)	958 341 010 EX	Transfer box Classification letter PSD		1	ID58/D6V
(1)	958 341 010 06	Transfer box Classification letter PSJ		1	ID58/D6V
(1)	958 341 010 FX	Transfer box Classification letter PSJ		1	ID58/D6V
(1)	958 341 010 07	Transfer box Classification letter QND		1	ID58/D6V
(1)	958 341 010 GX	Transfer box Classification letter QND		1	ID58/D6V
(1)	958 341 010 08	Transfer box See technical information Service Group 3 Document 3965 96/16		1	ID58/D6V
(1)	958 341 010 HX	Transfer box See technical information Service Group 3 Document 3965 96/16		1	ID58/D6V
(1)	958 341 010 12	Transfer box Classification letter NFC	-14	1	ID34/G0L
(1)	958 341 010 MX	Transfer box Classification letter	-14	1	ID34/G0L

Model: 92A 11

Model life 2011>>

Pos	Part Number	Description	Remark	Qty	Model
(1)	958 341 010 13	NFC Transfer box Classification letter NLJ	-14	1	ID34/G0L
(1)	958 341 010 NX	Transfer box Classification letter NLJ	-14	1	ID34/G0L
(1)	958 341 010 14	Transfer box Classification letter PJK	-14	1	ID34/G0L
(1)	958 341 010 PX	Transfer box Classification letter PJK	-14	1	ID34/G0L
(1)	958 341 010 15	Transfer box Classification letter PSC	-14	1	ID34/G0L
(1)	958 341 010 QX	Transfer box Classification letter PSC	-14	1	ID34/G0L
(1)	958 341 010 16	Transfer box Classification letter PSK	-14	1	ID34/G0L
(1)	958 341 010 RX	Transfer box Classification letter PSK	-14	1	ID34/G0L
(1)	958 341 010 17	Transfer box Classification letter QNE	-14	1	ID34/G0L
(1)	958 341 010 SX	Transfer box Classification letter QNE	-14	1	ID34/G0L
(1)	958 341 010 18	Transfer box See technical information Service Group 3 Document 3965 96/16	-14	1	ID34/G0L
(1)	958 341 011 BX	Transfer box See technical information Service Group 3 Document 3965 96/16	-14	1	ID34/G0L
(1)	958 341 010 21	Transfer box Classification letter NFD	-14	1	ID34/G1G
(1)	958 341 010 3X	Transfer box Classification letter NFD	-14	1	ID34/G1G
(1)	958 341 010 22	Transfer box Classification letter NLK	-14	1	ID34/G1G
(1)	958 341 010 4X	Transfer box Classification letter NLK	-14	1	ID34/G1G
(1)	958 341 010 23	Transfer box Classification letter PJL	-14	1	ID34/G1G
(1)	958 341 010 5X	Transfer box Classification letter PJL	-14	1	ID34/G1G
(1)	958 341 010 24	Transfer box Classification letter	-14	1	ID34/G1G

Model: 92A 11

Model life 2011>>

Pos	Part Number	Description	Remark	Qty	Model
(1)	958 341 010 7X	PSB Transfer box Classification letter	-14	1	ID34/G1G
(1)	958 341 010 25	PSB Transfer box Classification letter	-14	1	ID34/G1G
(1)	958 341 010 8X	PSL Transfer box Classification letter	-14	1	ID34/G1G
(1)	958 341 010 26	PSL Transfer box Classification letter	-14	1	ID34/G1G
(1)	958 341 011 X	QNF Transfer box Classification letter	-14	1	ID34/G1G
(1)	958 341 010 27	QNF Transfer box See technical information	-14	1	ID34/G1G
(1)	958 341 011 CX	Service Group 3 Document 3965 96/16 Transfer box See technical information	-14	1	ID34/G1G
(1)	958 341 010 30	Service Group 3 Document 3965 96/16 Transfer box Classification letter	-14	1	IDD8
(1)	958 341 010 6X	PSH Transfer box Classification letter	-14	1	IDD8
(1)	958 341 010 31	PSH Transfer box Classification letter	-14	1	IDD8
(1)	958 341 010 9X	PSM Transfer box Classification letter	-14	1	IDD8
(1)	958 341 010 32	PSM Transfer box Classification letter	-14	1	IDD8
(1)	958 341 011 AX	QNG Transfer box Classification letter	-14	1	IDD8
(1)	958 341 010 33	QNG Transfer box See technical information	-14	1	IDD8
(1)	958 341 011 DX	Service Group 3 Document 3965 96/16 Transfer box See technical information	-14	1	IDD8
(1)	958 341 012 00	Service Group 3 Document 3965 96/16 Transfer box Classification letter		1	IDT1
(1)	958 341 012 X	QQE Transfer box Classification letter		1	IDT1

Model: 92A 11

Model life 2011>>

Pos	Part Number	Description	Remark	Qty	Model
(1)	958 341 012 01	QQE Transfer box Classification letter RGV		1	IDT1/DT5
(1)	958 341 012 AX	Transfer box Classification letter RGV		1	IDT1/DT5
(1)	958 341 012 02	Transfer box Classification letter RZK See technical information Service Group 3 Document 3965 96/16 D >> 24.07.2016		1	IDT1/DT5
(1)	958 341 012 BX	Transfer box Classification letter RZK See technical information Service Group 3 Document 3965 96/16 D >> 24.07.2016		1	IDT1/DT5
(1)	958 341 012 04	Transfer box Classification letter SNN See technical information Service Group 3 Document 3965 25/16 D >> 24.07.2016>>		1	IDT1/DT5
(1)	958 341 012 DX	Transfer box Classification letter SNN See technical information Service Group 3 Document 3965 25/16 D 25.07.2016>>		1	IDT1/DT5
(1)	958 341 012 10	Transfer box Classification letter QQF	15-	1	IDD8
(1)	958 341 012 KX	Transfer box Classification letter QQF	15-	1	IDD8
(1)	958 341 012 11	Transfer box Classification letter RGX	15-	1	IDD8
(1)	958 341 012 LX	Transfer box Classification letter RGX	15-	1	IDD8
(1)	958 341 012 12	Transfer box Classification letter RZM See technical information Service Group 3 Document 3965 96/16	15-	1	IDD8

Model: 92A 11

Model life 2011>>

Pos	Part Number	Description	Remark	Qty	Model
(1)	958 341 012 MX	D >> 24.07.2016 Transfer box Classification letter RZM See technical information Service Group 3 Document 3965 96/16	15-	1	IDD8
(1)	958 341 012 14	D >> 24.07.2016 Transfer box Classification letter SNQ See technical information Service Group 3 Document 3965 25/16	15-	1	IDD8
(1)	958 341 012 PX	D 25.07.2016>> Transfer box Classification letter SNQ See technical information Service Group 3 Document 3965 25/16	15-	1	IDD8
(1)	958 341 012 20	D 25.07.2016>> Transfer box Classification letter QVU		1	IDU2
(1)	958 341 012 2X	Transfer box Classification letter QVU		1	IDU2
(1)	958 341 013 00	Transfer box Classification letter RGU		1	IDU2/DU3
(1)	958 341 013 X	Transfer box Classification letter RGU		1	IDU2/DU3
(1)	958 341 013 01	Transfer box Classification letter RZJ See technical information Service Group 3 Document 3965 96/16		1	IDU2/DU3
(1)	958 341 013 AX	D >> 24.07.2016 Transfer box Classification letter RZJ See technical information Service Group 3 Document 3965 96/16		1	IDU2/DU3
(1)	958 341 013 03	D >> 24.07.2016 Transfer box Classification letter SNM See technical information Service		1	IDU2/DU3

Model: 92A 11

Model life 2011>>

Pos	Part Number	Description	Remark	Qty	Model
(1)	958 341 013 CX	Group 3 Document 3965 25/16 D 25.07.2016>> Transfer box Classification letter SNM See technical information Service Group 3 Document 3965 25/16 D 25.07.2016>>		1	IDU2/DU3
(1)	958 341 013 05	Transfer box Classification letter RGW	15-	1	ID34
(1)	958 341 013 EX	Transfer box Classification letter RGW	15-	1	ID34
(1)	958 341 013 06	Transfer box Classification letter RZL See technical information Service Group 3 Document 3965 96/16 D >> 24.07.2016	15-	1	ID34
(1)	958 341 013 FX	Transfer box Classification letter RZL See technical information Service Group 3 Document 3965 96/16 D >> 24.07.2016	15-	1	ID34
(1)	958 341 013 08	Transfer box Classification letter SNP See technical information Service Group 3 Document 3965 25/16 D 25.07.2016>>	15-	1	ID34
(1)	958 341 013 HX	Transfer box Classification letter SNP See technical information Service Group 3 Document 3965 25/16 D 25.07.2016>>	15-	1	ID34
2	WHT 003 211	12 point socket M 10 X 50		10	
3	955 341 139 01	Dowel sleeve 14,57 X 10,5		2	
4	958 341 199 10	Radial shaft seal 35 X 62 X 8		1	
5	958 341 375 00	Protective ring 33,5 X 92		1	

Model: 92A 11 Model life 2011>>

Pos	Part Number	Description	Remark	Qty	Model
(5)	958 341 375 01	Protective ring 33,5 X 68,5		1	
6	WHT 005 158	O-ring 25 X 2		1	
7	958 349 491 10	Circlip 21,9 X 1,8		1	
8	958 341 199 00	Radial shaft seal 35 X 72 X 8		1	
9	958 341 375 00	Protective ring 33,5 X 92		1	
10	WHT 005 156	O-ring 28 X 2		1	
11	958 349 493 00	Circlip 24,3 X 1,8		1	
12	958 341 395 00	Breather adapter		1	ID34/G0L
(12)	02H 409 275 A	Sleeve		1	-ID34/-IG0L
13	958 341 393 00	Bleeder valve		1	ID34/G0L
14	958 618 755 03	Control unit		1	
(14)	958 618 755 05	Control unit		1	
(14)	958 618 755 06	Control unit		1	
(14)	958 618 755 07	Control unit		1	
(14)	958 618 755 08	Control unit		1	
(14)	958 618 755 09	Control unit	-14	1	
(14)	958 618 755 10	Control unit	15-	1	
(14)	958 618 755 11	Control unit	15-	1	
(14)	958 618 755 12	Control unit	15-	1	
15	958 341 501 00	O-ring 34 X 3		1	
16	958 341 502 00	Outer hexagon round screw M 8 X 50		2	
17	958 341 199 20	Radial shaft seal 55 X 80 X 8		1	
18	955 301 115 01	Screw plug 17,5 X 12		2	
19	958 301 317 03	Vibration damper		1	IDD8
(19)		Vibration damper		1	IDU2/DU3
20	N 900 639 05	Hexagon-head bolt M 8 X 18		4	IDD8
(20)		Hexagon-head bolt M 8 X 18		4	IDU2/DU3
21	958 301 318 20	Vibration damper		1	IDD8
22	N 910 236 03	Combination screw AM 10 X 65		1	IDD8
23	958 301 047 00	Vent line See technical information Service Group 3 Document 3965 25/16		1	IDU2/DU3
(23)	958 301 047 10	Vent line See technical information Service Group 3 Document 3965 25/16		1	IDT1/DT5/D58 ID6V
(23)	958 301 047 20	Vent line See technical information Service Group 3 Document 3965 25/16		1	ID34/G1G
(23)	958 301 047 30	Vent line		1	IDD8

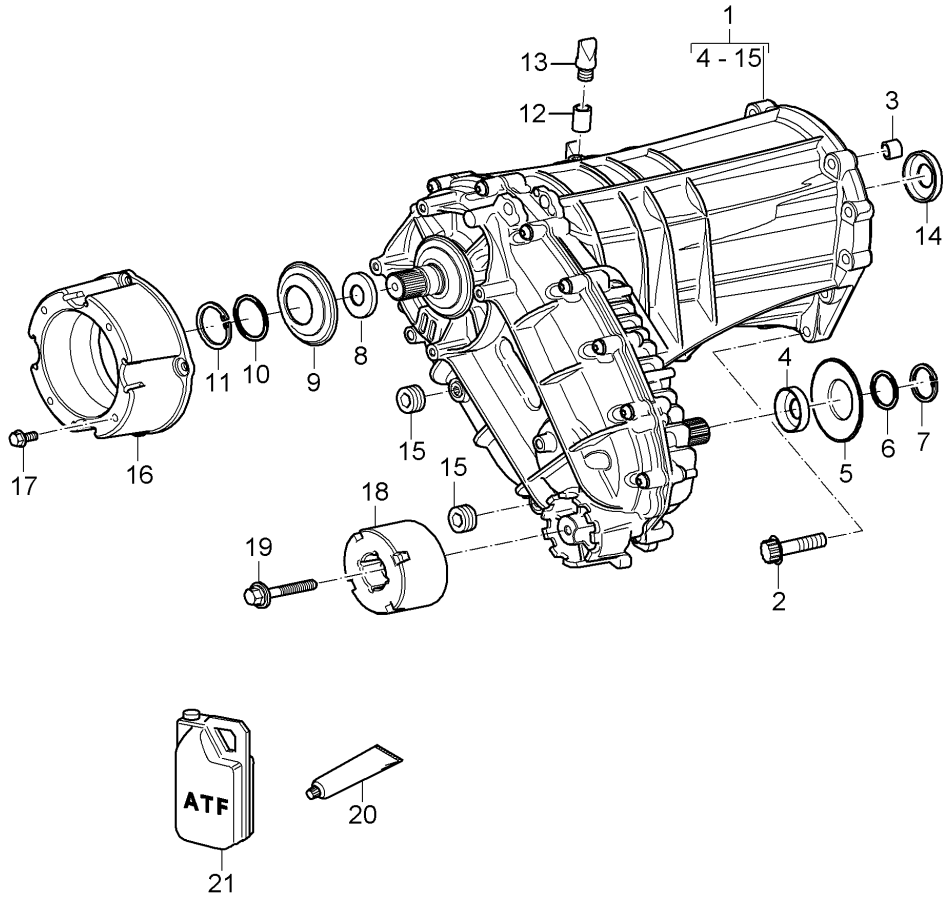
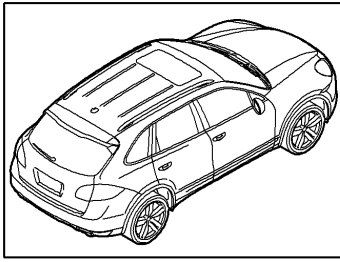
Model: 92A 11

Model life 2011>>

Pos	Part Number	Description	Remark	Qty	Model
24	N 104 312 02	See technical information Service Group 3 Document 3965 25/16 Line bracket A 01 - 13 X C 01 - 14 See technical information		1	IDU2/DU3
(24)	N 103 284 01	See technical information Service Group 3 Document 3965 25/16 Support A 01 - 13 X C 01 - 11 See technical information		1	IDT1/DT5/D58 ID6V
(24)	N 108 377 01	See technical information Service Group 3 Document 3965 25/16 Line bracket A 02 - 13 X C 06 - 7,8 See technical information		1	IDD8
25	N 107 873 01	See technical information Service Group 3 Document 3965 25/16 Spacer ring B 10 X 20 X 10 See technical information		2	IDU2/DU3
(25)		See technical information Service Group 3 Document 3965 25/16 Spacer ring B 10 X 20 X 10 See technical information		1	IDD8/DT1/DT5 ID34/D58/D6V
26	000 043 024 00	See technical information Service Group 3 Document 3965 25/16 Extreme-pressure grease 1 tube 80 GR.		1	
(26)	000 043 305 73	See technical information Service Group 3 Document 3965 25/16 Extreme-pressure grease 1 tube 80 GR.		1	
27	000 043 301 36	See technical information Service Group 3 Document 3965 25/16 Transmission oil ATF 1 LITER Container		X	
(27)	000 043 305 63	See technical information Service Group 3 Document 3965 25/16 Transmission oil ATF 850 ML Container		X	

Model: 92A 11

Model life 2011>>



Model: 92A 11

Model life 2011>>

Pos	Part Number	Description	Remark	Qty	Model
		Transfer box			IDV7/D1V/D11 ID19/D43/D50 ID51
1	958 341 020 02	Ready for installation Transfer box Classification letter NCA		1	ID1V/D50
(1)	958 341 020 BX	Transfer box Classification letter NCA		1	ID1V/D50
(1)	958 341 020 03	Transfer box Classification letter NMU		1	IDV7/D1V/D43 ID50/D51
(1)	958 341 020 CX	Transfer box Classification letter NMU		1	IDV7/D1V/D43 ID50/D51
(1)	958 341 020 12	Transfer box Classification letter NDZ		1	ID19
(1)	958 341 020 MX	Transfer box Classification letter NDZ		1	ID19
(1)	958 341 020 20	Transfer box Classification letter NCC	(CN)	1	ID11
(1)	958 341 020 2X	Transfer box Classification letter NCC	(CN)	1	ID11
(1)	958 341 020 21	Transfer box Classification letter NMX		1	ID11
(1)	958 341 020 3X	Transfer box Classification letter NMX		1	ID11
2	WHT 003 211	12 point socket M 10 X 50		10	
3	955 341 139 01	Dowel sleeve 14,57 X 10,5		2	
4	958 341 199 10	Radial shaft seal 35 X 62 X 8		1	
5	958 341 375 00	Protective ring		1	
6	WHT 005 158	O-ring 25 X 2		1	
7	958 349 491 10	Circlip 21,9 X 1,8		1	
8	958 341 199 00	Radial shaft seal 35 X 72 X 8		1	
9	958 341 375 00	Protective ring		1	
10	WHT 005 156	O-ring 28 X 2		1	
11	958 349 493 00	Circlip 24,3 X 1,8		1	
12	958 341 395 00	Breather adapter		1	
13	958 341 393 00	Bleeder valve		1	
14	958 341 199 20	Radial shaft seal 55 X 80 X 8		1	
15	955 301 115 01	Screw plug 17,5 X 12		2	
16	958 301 317 03	Vibration damper		1	
17	N 900 639 05	Hexagon-head bolt M 8 X 18		4	

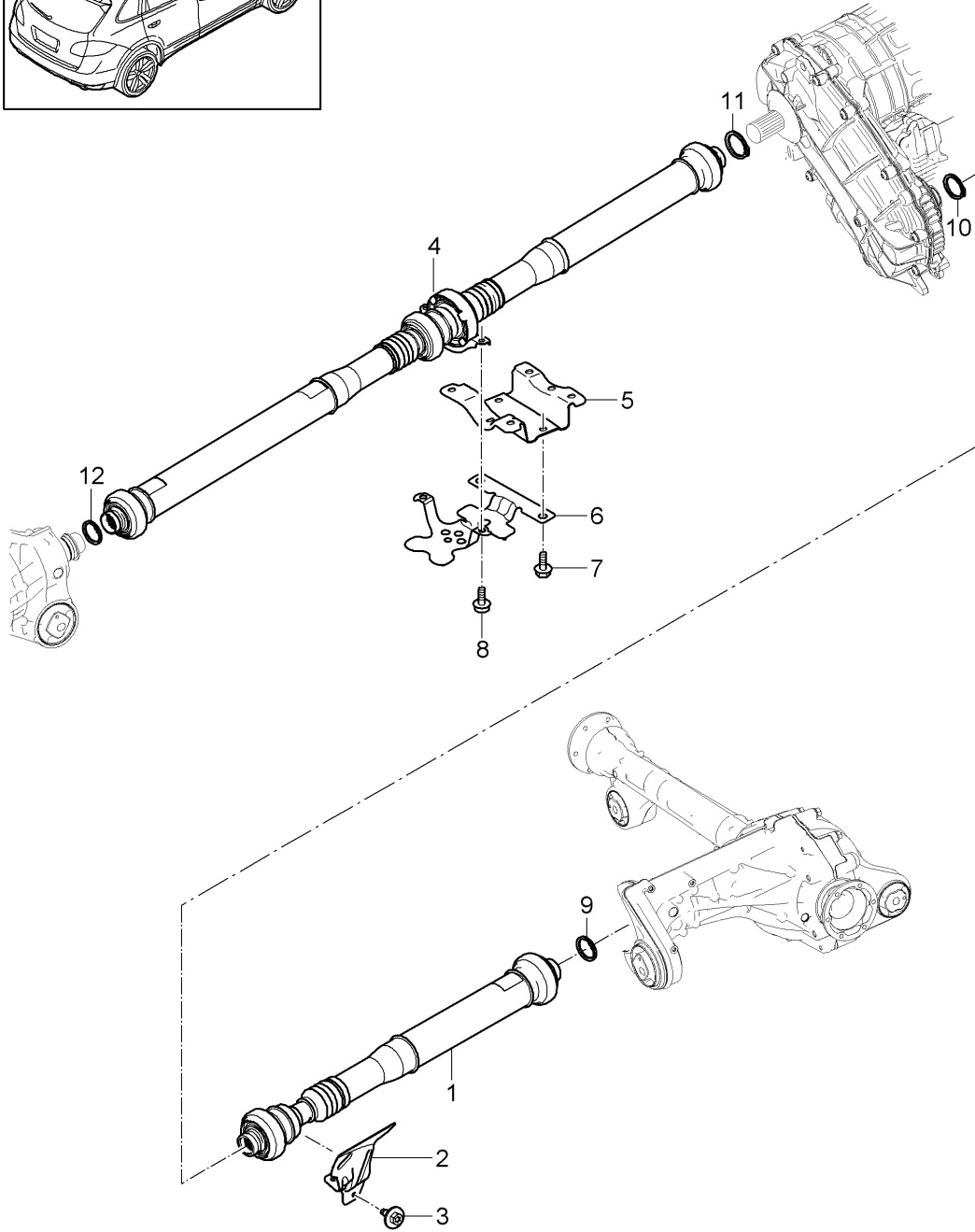
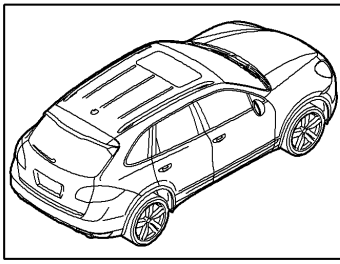
Model: 92A 11

Model life 2011>>

Pos	Part Number	Description	Remark	Qty	Model
18	958 301 318 01	Vibration damper		1	
19	N 910 236 03	Combination screw AM 10 X 65		1	
20	000 043 024 00	Extreme-pressure grease 1 tube 80 GR.		1	
21	958 341 536 00	Transmission oil 1 LITER Container		X	

Model: 92A 11

Model life 2011>>



Model: 92A 11

Model life 2011>>

Pos	Part Number	Description	Remark	Qty	Model
1	958 421 010 00	Cardan shaft Cardan shaft Use also: 958.349.490.10 958.349.491.10		1 1 1	ID19/D34/D58 ID6V
(1)	958 421 010 01	Cardan shaft Use also: 958.349.490.10 958.349.491.10		1 1	ID19/D34/D58 ID6V
(1)	958 421 010 02	Cardan shaft Use also: 958.349.490.10 958.349.491.10		1 1	ID19/D34/D58 ID6V
(1)	958 421 010 03	Cardan shaft Use also: 958.349.490.10 958.349.491.10		1 1	IDT1/DT5/DU2 IDU3/D19/D34 ID58/D6V
(1)	958 421 010 04	Cardan shaft Use also: 958.349.490.10 958.349.491.10		1 1	IDT1/DT5/DU2 IDU3/D19/D34 ID58/D6V
(1)	958 421 010 00	Cardan shaft Use also: 958.349.490.10 958.349.491.10	(CN)	1 1	ID11
(1)	958 421 010 01	Cardan shaft Use also: 958.349.490.10 958.349.491.10	(CN)	1 1	ID11
(1)	958 421 010 02	Cardan shaft Use also: 958.349.490.10 958.349.491.10	(CN)	1 1	ID11
(1)	958 421 010 03	Cardan shaft Use also: 958.349.490.10 958.349.491.10	(CN)	1 1	ID11
(1)	958 421 010 04	Cardan shaft Use also: 958.349.490.10 958.349.491.10		1 1	ID11
(1)	958 421 010 10	Cardan shaft Use also: 958.349.490.10 958.349.491.10		1 1	ID1V/D50
(1)	958 421 010 11	Cardan shaft Use also: 958.349.490.10 958.349.491.10		1 1	ID1V/D43/D50
(1)	958 421 010 03	Cardan shaft Use also: 958.349.490.10 958.349.491.10		1 1	IDV7/D1V/D43 ID50/D51
(1)	958 421 010 04	Cardan shaft Use also: 958.349.490.10 958.349.491.10		1 1	IDV7/D1V/D43 ID50/D51

Model: 92A 11

Model life 2011>>

Pos	Part Number	Description	Remark	Qty	Model
(1)	958 421 010 20	Use also: 958.349.490.10 958.349.491.10 Cardan shaft		1 1 1	IDD8
(1)	958 421 010 21	Use also: 958.349.490.10 958.349.491.10 Cardan shaft		1 1 1	IDD8
2	958 421 433 10	Heat shield		1	ID34/1SA
(2)	958 421 334 00	Heat shield		1	ID34
(2)		Heat shield		1	IDT1/DT5/DU2 IDU3/D58/D6V I1SB
3	N 910 345 01	Combination screw		2	IDT1/DT5/DU2 IDU3/D34/D58 ID6V
4	958 421 011 00	M 6 X 20 Cardan shaft		1	ID58/D6V
(4)	958 421 011 01	Use also: 958.349.493.00 Cardan shaft		2 1	ID58/D6V
(4)	958 421 011 02	Use also: 958.349.493.00 Cardan shaft		2 1	ID58/D6V
(4)	958 421 011 03	Use also: 958.349.493.00 Cardan shaft		2 1	IDT1/DT5/DU2 IDU3/D58/D6V
(4)	958 421 011 10	Use also: 958.349.493.00 Cardan shaft		2 1	ID1V/D50
(4)	958 421 011 11	Use also: 958.349.493.00 958.349.491.10 Cardan shaft		1 1 1	ID1V/D50
(4)	958 421 011 12	Use also: 958.349.493.00 958.349.491.10 Cardan shaft		1 1 1	ID1V/D43/D50
(4)	958 421 011 13	Use also: 958.349.493.00 958.349.491.10 Cardan shaft		1 1 1	IDV7/D1V/D43 ID50/D51
(4)	958 421 011 20	Use also: 958.349.493.00 958.349.491.10 Cardan shaft		1 1 1	ID19
(4)	958 421 011 21	Use also: 958.349.493.00 958.349.491.10 Cardan shaft		1 1 1	ID19
(4)	958 421 011 22	Use also: 958.349.493.00 958.349.491.10 Cardan shaft		1 1 1	ID19
(4)	958 421 011 23	Use also: 958.349.493.00 958.349.491.10 Cardan shaft		1 1 1	ID19

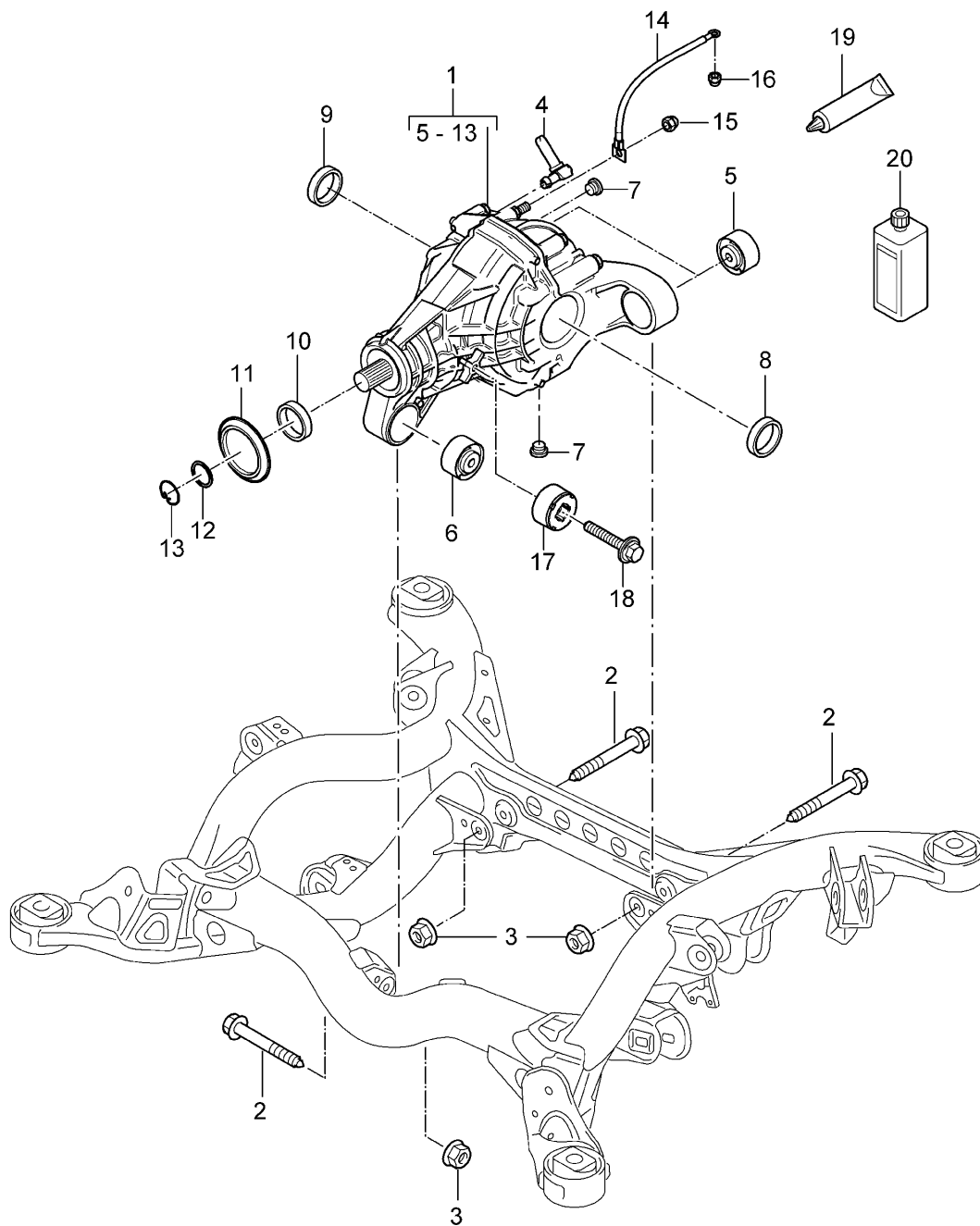
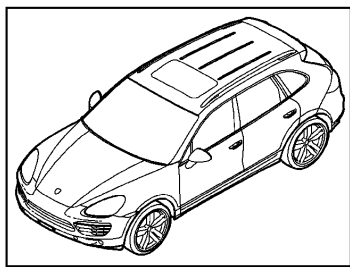
Model: 92A 11

Model life 2011>>

Pos	Part Number	Description	Remark	Qty	Model
(4)	958 421 011 20	Use also: 958.349.493.00 958.349.491.10 Cardan shaft	(CN)	1 1 1	ID11
(4)	958 421 011 21	Use also: 958.349.493.00 958.349.491.10 Cardan shaft	(CN)	1 1 1	ID11
(4)	958 421 011 22	Use also: 958.349.493.00 958.349.491.10 Cardan shaft	(CN)	1 1 1	ID11
(4)	958 421 011 23	Use also: 958.349.493.00 958.349.491.10 Cardan shaft		1 1 1	ID11
(4)	958 421 011 30	Use also: 958.349.493.00 958.349.491.10 Cardan shaft		1 1 1	ID34
(4)	958 421 011 31	Use also: 958.349.493.00 Cardan shaft		2 1	ID34
(4)	958 421 011 32	Use also: 958.349.493.00 Cardan shaft		2 1	ID34
(4)	958 421 011 03	Use also: 958.349.493.00 Cardan shaft		2 1	ID34
(4)	958 421 011 40	Use also: 958.349.493.00 Cardan shaft		2 1	IDD8
5	958 421 340 01	Support		1	
6	958 421 350 01	Support		1	-IDV7/-ID1V -ID43/-ID50 -ID51
7	N 909 767 02	Hexagon-head bolt M 10 X 30		6	
8	N 107 419 01	Pan-head screw M 8 x 25		2	
9	958 349 490 10	Circlip		1	
10	958 349 491 10	Circlip		1	
11	958 349 493 00	Circlip		1	
12		Circlip		1	IDD8/DT1/DT5 IDU2/DU3/D34 ID58/D6V/1Y0 IDV7/D1V/D43 ID50/D51/1Y0
(12)	958 349 491 10	Circlip		1	ID19/1Y0
(12)		Circlip		1	ID11/1Y0
(12)	958 349 493 00	Circlip		1	I1Y1

Model: 92A 11

Model life 2011>>



Model: 92A 11

Model life 2011>>

Pos	Part Number	Description	Remark	Qty	Model
		Rear axle differential Ready for installation without Limited-slip differential			I1Y0
1	958 350 010 01	Rear axle differential Classification letter MFA		1	ID6V/E0A
(1)	958 350 010 AX	Rear axle differential Classification letter MFA		1	ID6V/E0A
(1)	958 350 010 50	Rear axle differential Classification letter NHU		1	ID6V/E0W
(1)	958 350 010 5X	Rear axle differential Classification letter NHU		1	ID6V/E0W
(1)	958 350 012 00	Rear axle differential Classification letter RLS		1	ID6V/E0W
(1)	958 350 012 X	Rear axle differential Classification letter RLS		1	ID6V/E0W
(1)	958 350 010 11	Rear axle differential Classification letter MFC		1	ID58
(1)	958 350 010 LX	Rear axle differential Classification letter MFC		1	ID58
(1)	958 350 010 20	Rear axle differential Classification letter MEX	-14	1	ID1V/D43/D50
(1)	958 350 010 2X	Rear axle differential Classification letter MEX	-14	1	ID1V/D43/D50
(1)	958 350 010 20	Rear axle differential Classification letter MEX		1	ID19
(1)	958 350 010 2X	Rear axle differential Classification letter MEX F >>92BLA 93183 F >>92BLA 93177	(CN)	1	ID19
(1)	958 350 010 40	Rear axle differential Classification letter NKX F 92BLA 93184>> F >>92BLA 93177	(CN) -14	1	ID19
(1)	958 350 010 4X	Rear axle differential Classification letter NKX F 92BLA 93184>> F 92BLA 93178>>	(CN) -14	1	ID19
(1)	958 350 010 20	Rear axle differential Classification letter MEX F 92BLA 93184>> F 92BLA 93178>>	(CN) (CN) -14	1	ID11
(1)	958 350 010 2X	Rear axle differential Classification letter MEX	(CN) -14	1	ID11
(1)	958 350 010 30	Rear axle differential Classification letter MFB		1	ID34

Model: 92A 11

Model life 2011>>

Pos	Part Number	Description	Remark	Qty	Model
(1)	958 350 010 3X	Rear axle differential Classification letter MFB		1	ID34
(1)	958 350 010 11	Rear axle differential Classification letter MFC		1	IDD8
(1)	958 350 010 LX	Rear axle differential Classification letter MFC		1	IDD8
(1)	958 350 011 00	Rear axle differential Classification letter PHC		1	IDU2
(1)	958 350 011 X	Rear axle differential Classification letter PHC		1	IDU2
(1)	958 350 012 00	Rear axle differential Classification letter RLS		1	IDU3
(1)	958 350 012 X	Rear axle differential Classification letter RLS		1	IDU3
(1)	958 350 010 11	Rear axle differential Classification letter MFC		1	IDT1/DT5
(1)	958 350 010 LX	Rear axle differential Classification letter MFC		1	IDT1/DT5
(1)	958 350 011 05	Rear axle differential Classification letter RCH	15-	1	ID43/D50
(1)	958 350 011 EX	Rear axle differential Classification letter RCH	15-	1	ID43/D50
(1)	958 350 011 10	Rear axle differential Classification letter RCK	15-	1	IDV7/D1V/D51
(1)	958 350 011 KX	Rear axle differential Classification letter RCK	15-	1	IDV7/D1V/D51
(1)	958 350 011 15	Rear axle differential Classification letter RCL	15-	1	ID19
(1)	958 350 011 QX	Rear axle differential Classification letter RCL	15-	1	ID19
(1)	958 350 011 05	Rear axle differential Classification letter RCH	15-	1	ID11
(1)	958 350 011 EX	Rear axle differential Classification letter RCH	15-	1	ID11
2	N 102 112 02	Hexagon-head bolt AM 12 X 1,5 X 90		3	
3	N 104 029 04	Hexagon nut M 12 X 1,5		3	
4	0BM 301 047	Bleeder valve		1	
5	958 349 337 50	Rubber mounting		2	
6	958 349 337 40	Rubber mounting		1	
7	955 332 057 00	Screw plug M 16 X 1,5		2	
8	958 349 189 60	Shaft sealing ring		1	ID34/D58/D6V
(8)	955 332 596 10	Shaft sealing ring		1	IDT1/DT5/DU2 IDU3/D34/D58

Model: 92A 11 Model life 2011>>

Pos	Part Number	Description	Remark	Qty	Model
(8)	955 349 189 10	Shaft sealing ring		1	ID6V IDV7/D1V/D43 ID50/D51
(8)		Shaft sealing ring		1	ID19
(8)		Shaft sealing ring		1	ID11
(8)	955 332 596 10	Shaft sealing ring		1	IDD8
9	958 349 189 50	Shaft sealing ring		1	ID34/D58/D6V
(9)	955 332 596 00	Shaft sealing ring		1	IDT1/DT5/DU2 IDU3/D34/D58 ID6V
(9)	958 349 189 80	Shaft sealing ring		1	IDV7/D1V/D43 ID50/D51
(9)		Shaft sealing ring		1	ID19
(9)		Shaft sealing ring		1	ID11
(9)	955 332 596 00	Shaft sealing ring		1	IDD8
10	958 349 189 40	Shaft sealing ring		1	IDT1/DT5/DU2 IDU3/D34/D58 ID6V
(10)	958 349 189 30	Shaft sealing ring		1	IDV7/D1V/D43 ID50/D51
(10)		Shaft sealing ring		1	ID19
(10)		Shaft sealing ring		1	ID11
(10)	958 349 189 40	Shaft sealing ring		1	IDD8
11	958 332 375 60	Protective ring		1	IDT1/DT5/DU2 IDU3/D34/D58 ID6V
(11)	958 332 375 50	Protective ring		1	IDV7/D1V/D43 ID50/D51
(11)		Protective ring		1	ID19
(11)		Protective ring		1	ID11
(11)	958 332 375 60	Protective ring		1	IDD8
12	WHT 005 156	O-ring		1	IDT1/DT5/DU2 IDU3/D34/D58 ID6V
(12)	WHT 005 158	28 X 2 O-ring		1	IDV7/D1V/D43 ID50/D51
(12)		25 X 2 O-ring		1	ID19
(12)		25 X 2 O-ring		1	ID11
(12)	WHT 005 156	25 X 2 O-ring		1	IDD8
13	958 349 493 00	28 X 2 Circlip		1	IDT1/DT5/DU2 IDU3/D34/D58 ID6V
(13)	958 349 491 10	24,3 X 1,8 Circlip		1	IDV7/D1V/D43 ID50/D51
(13)		21,9 X 1,8 Circlip		1	ID19
(13)		21,9 X 1,8 Circlip		1	ID11
(13)	958 349 493 00	21,9 X 1,8 Circlip		1	IDD8
14	958 611 199 20	24,3 X 1,8 Ground strap Underbody	-14	1	ID19
(14)		F 92BLA 93184>> F 92BLA 93178>> Ground strap Underbody	(CN) 15-	1	ID19

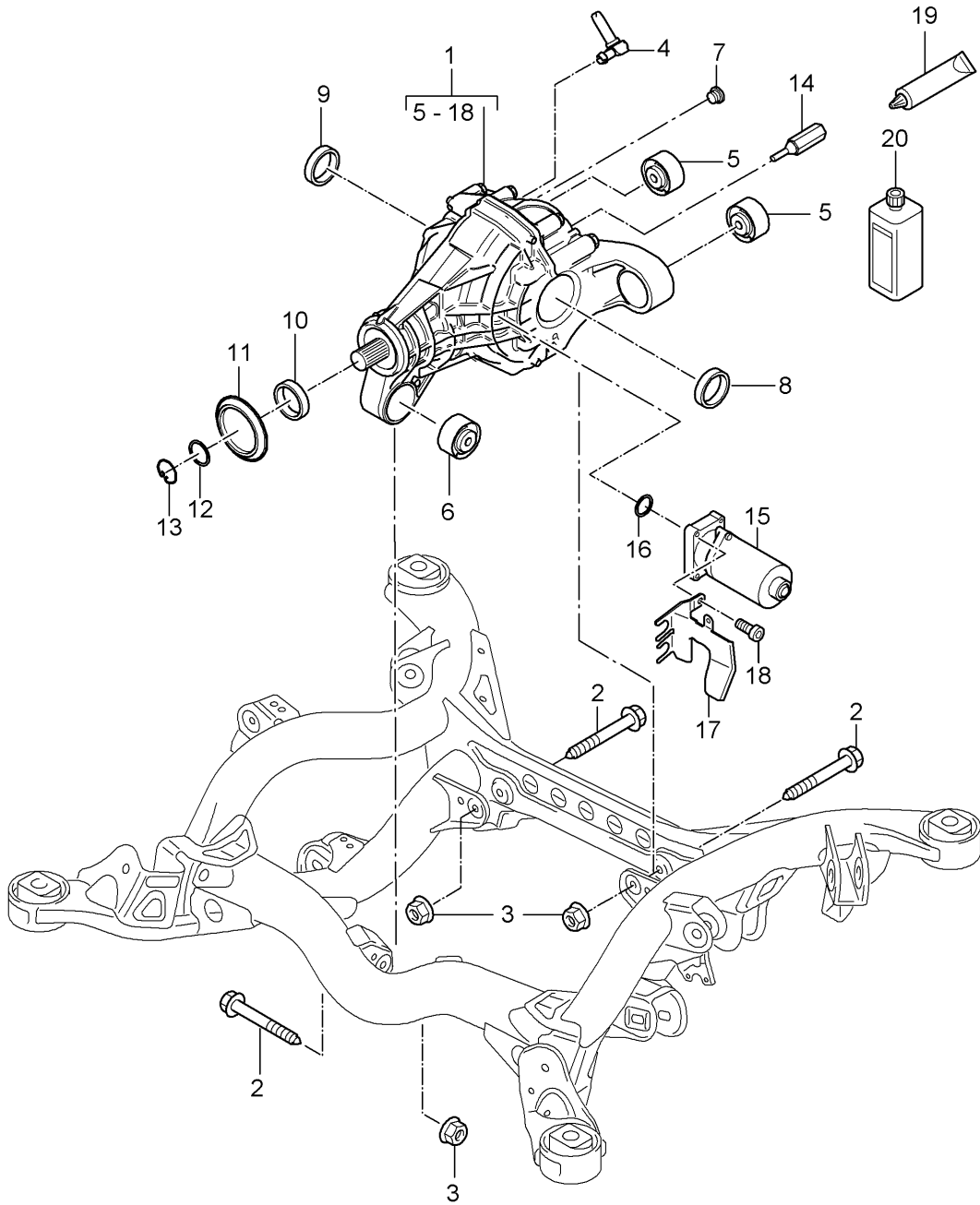
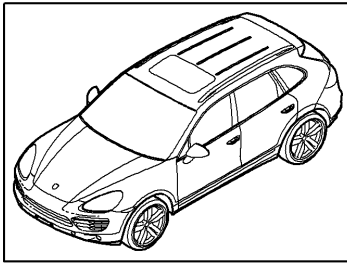
Model: 92A 11

Model life 2011>>

Pos	Part Number	Description	Remark	Qty	Model
15	958 611 182 00	Cap nut M 8 F 92BLA 93184>> F 92BLA 93178>>	-14 (CN)	1	ID19
(15)		Cap nut M 8	15-	1	ID19
16	955 618 419 21	Cap nut M 6 F 92BLA 93184>> F 92BLA 93178>>	-14 (CN)	1	ID19
(16)		Cap nut M 6	15-	1	ID19
17	958 301 318 30	Vibration damper	15-	1	IDV7/D1V/D43 ID50/D51
18	N 910 236 03	Combination screw AM 10 X 65	15-	1	IDV7/D1V/D43 ID50/D51
19	000 043 024 00	Extreme-pressure grease 1 tube 80 GR.		1	
20	000 043 205 30	Transmission oil 75 W 90 1 LITER Container		X	

Model: 92A 11

Model life 2011>>



Model: 92A 11

Model life 2011>>

Pos	Part Number	Description	Remark	Qty	Model
		Rear axle differential Ready for installation with Limited-slip differential Electric			I1Y1
1	958 350 020 01	Rear axle differential Classification letter MRE		1	ID6V/E0A
(1)	958 350 020 AX	Rear axle differential Classification letter MRE		1	ID6V/E0A
(1)	958 350 020 02	Rear axle differential Classification letter NEP		1	ID6V/E0A
(1)	958 350 020 BX	Rear axle differential Classification letter NEP		1	ID6V/E0A
(1)	958 350 020 03	Rear axle differential Classification letter PGF		1	ID6V/E0A
(1)	958 350 020 CX	Rear axle differential Classification letter PGF		1	ID6V/E0A
(1)	958 350 020 30	Rear axle differential Classification letter NHV		1	ID6V/E0W
(1)	958 350 020 4X	Rear axle differential Classification letter NHV		1	ID6V/E0W
(1)	958 350 020 31	Rear axle differential Classification letter PGL		1	ID6V/E0W
(1)	958 350 020 5X	Rear axle differential Classification letter PGL		1	ID6V/E0W
(1)	958 350 021 05	Rear axle differential Classification letter RLR		1	ID6V/E0W
(1)	958 350 021 EX	Rear axle differential Classification letter RLR		1	ID6V/E0W
(1)	958 350 020 11	Rear axle differential Classification letter MRD		1	ID58
(1)	958 350 020 LX	Rear axle differential Classification letter MRD		1	ID58
(1)	958 350 020 12	Rear axle differential Classification letter NER		1	ID58
(1)	958 350 020 MX	Rear axle differential Classification letter NER		1	ID58
(1)	958 350 020 13	Rear axle differential Classification letter PGK		1	ID58
(1)	958 350 020 NX	Rear axle differential Classification letter PGK		1	ID58
(1)	958 350 020 20	Rear axle differential Classification letter MRF		1	ID34
(1)	958 350 020 2X	Rear axle differential		1	ID34

Model: 92A 11

Model life 2011>>

Pos	Part Number	Description	Remark	Qty	Model
(1)	958 350 020 21	Classification letter MRF Rear axle differential Classification letter		1	ID34
(1)	958 350 020 3X	Classification letter NEQ Rear axle differential Classification letter		1	ID34
(1)	958 350 020 22	Classification letter NEQ Rear axle differential Classification letter		1	ID34
(1)	958 350 020 6X	Classification letter PGJ Rear axle differential Classification letter		1	ID34
(1)	958 350 020 13	Classification letter PGJ Rear axle differential Classification letter		1	IDD8
(1)	958 350 020 NX	Classification letter PGK Rear axle differential Classification letter		1	IDD8
(1)	958 350 021 00	Classification letter PGK Rear axle differential Classification letter		1	IDU2
(1)	958 350 021 X	Classification letter QTA Rear axle differential Classification letter		1	IDU2
(1)	958 350 021 05	Classification letter QTA Rear axle differential Classification letter		1	IDU3
(1)	958 350 021 EX	Classification letter RLR Rear axle differential Classification letter		1	IDU3
(1)	958 350 020 13	Classification letter RLR Rear axle differential Classification letter		1	IDT1/DT5
(1)	958 350 020 NX	Classification letter PGK Rear axle differential Classification letter		1	IDT1/DT5
2	N 102 112 02	Hexagon-head bolt AM 12 X 1,5 X 90		3	
3	N 104 029 04	Hexagon nut M 12 X 1,5		3	
4	OBM 301 047	Bleeder valve		1	
5	958 349 337 50	Rubber mounting		2	
6	958 349 337 40	Rubber mounting		1	
7	955 332 057 00	Screw plug M 16 X 1,5		2	
8	958 349 189 70	Shaft sealing ring		1	
(8)	955 332 596 30	Shaft sealing ring		1	
9	958 349 189 50	Shaft sealing ring		1	
(9)	955 332 596 00	Shaft sealing ring		1	
10	958 349 189 40	Shaft sealing ring		1	
11	958 332 375 60	Protective ring		1	
12	WHT 005 156	O-ring 28 X 2		1	
13	958 349 493 00	Circlip 24,3 X 1,8		1	
14	955 332 169 00	Damper with O-ring		1	
15	958 624 350 00	Electric motor for Limited-slip differential		1	

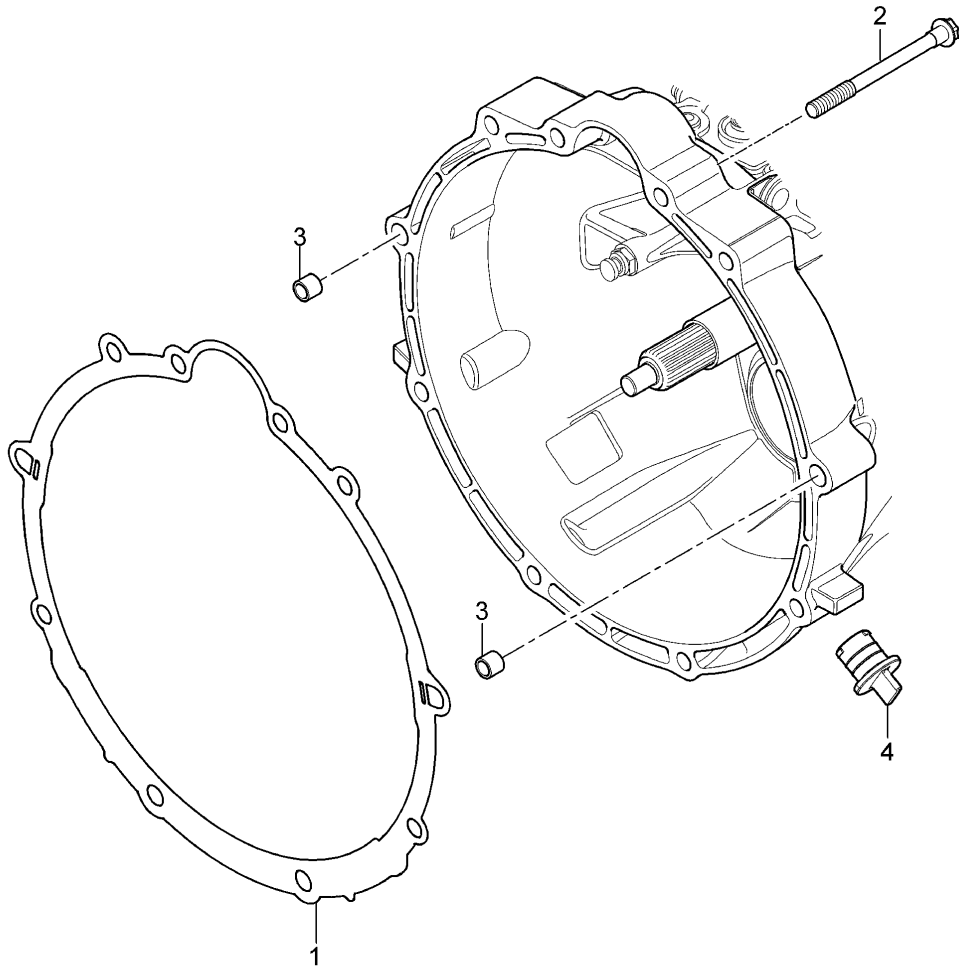
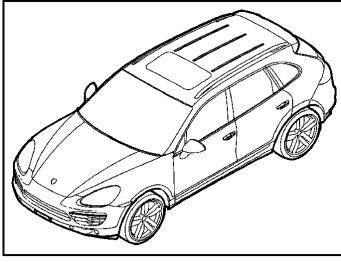
Model: 92A 11

Model life 2011>>

Pos	Part Number	Description	Remark	Qty	Model
(15)	970 624 350 00	Use also: 955.332.649.00 Electric motor for Limited-slip differential		1 1	
16	955 332 649 00	Use also: 955.332.649.00 O-ring 25 X 2		1 1	
17	958 350 456 00	Support		1	
18	955 332 147 00	Pan-head screw M 6 X 30		4	
19	000 043 024 00	Extreme-pressure grease 1 tube 80 GR.		1	
20	000 043 300 37	Transmission oil 75 W 90 1 LITER Container		X	

Model: 92A 11

Model life 2011>>



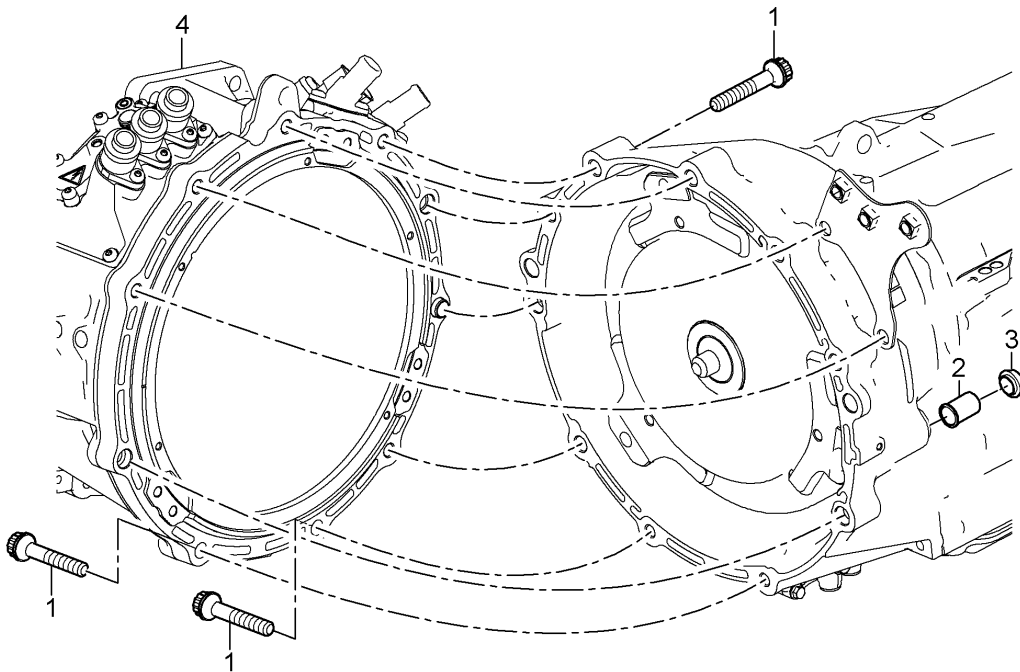
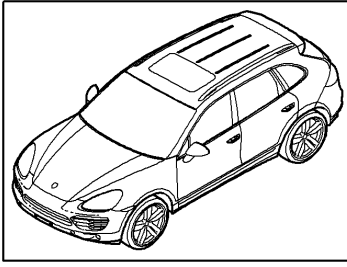
Model: 92A 11

Model life 2011>>

Pos	Part Number	Description	Remark	Qty	Model
		Threaded joint			IDT1/DT5/DU2 IDU3/D58/D6V
1	7PP 399 307	Engine and transmission Spacer plate		1	
2	WHT 005 297	Outer hexagon round screw Aluminium M 12 X 1,5 X 70		10	
3		Dowel sleeve See illustrations 1/01/40 POS. 8 Or 1/01/45 POS.9		2	
4	958 301 212 30	Cap		1	IDU2/DU3

Model: 92A 11

Model life 2011>>



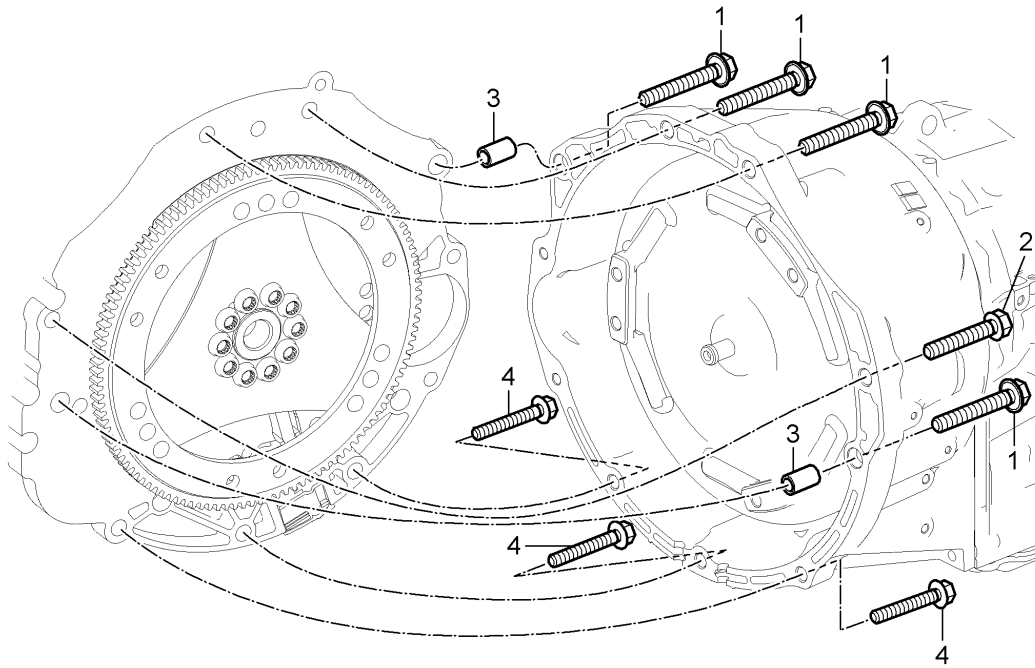
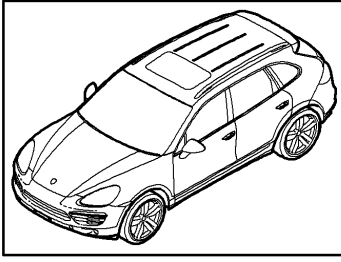
Model: 92A 11

Model life 2011>>

Pos	Part Number	Description	Remark	Qty	Model
		Threaded joint Engine and transmission			ID19
1	N 911 748 01	12 point socket M 12 X 60		10	
2	WHT 003 271	Cap nut M 10 X 1		3	
3	958 301 495 10	Stopper		1	
4		Electric motor See illustrations 9/01/10		1	

Model: 92A 11

Model life 2011>>



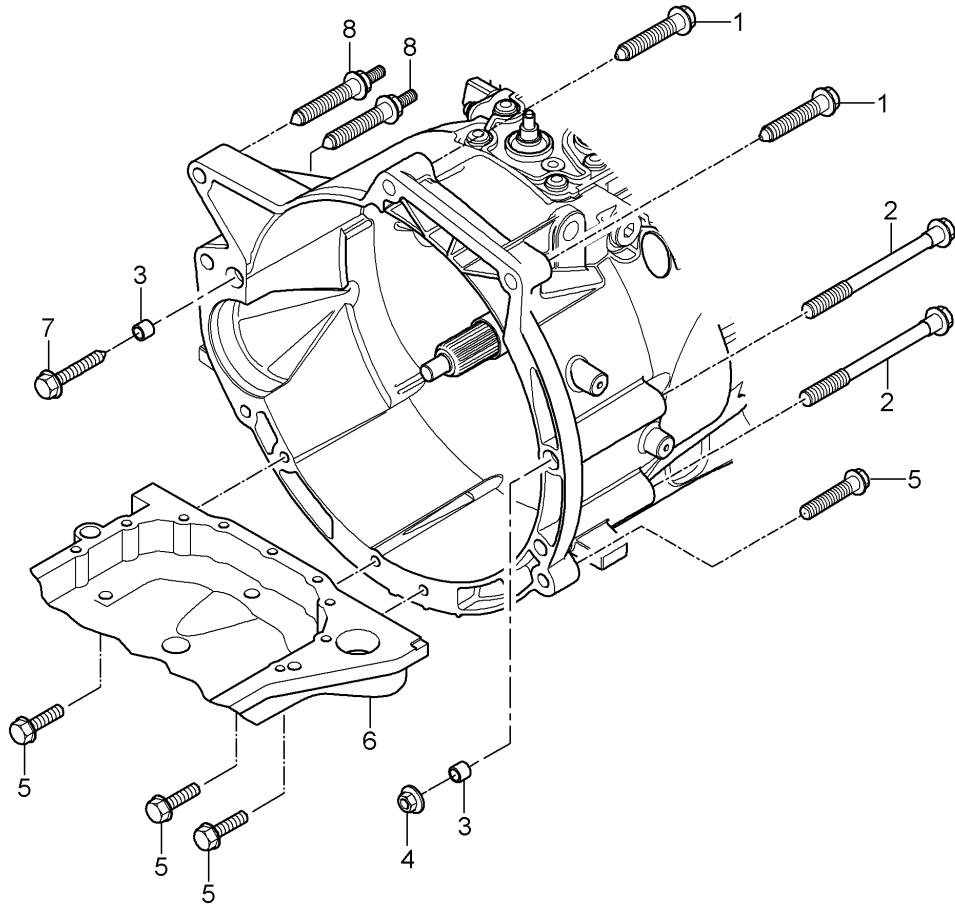
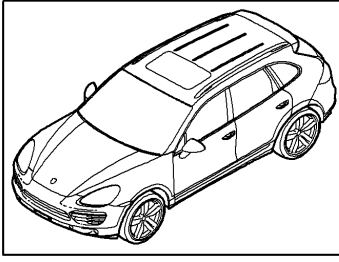
Model: 92A 11

Model life 2011>>

Pos	Part Number	Description	Remark	Qty	Model
		Threaded joint			IDV7/D1V/D43 ID50/D51
1	N 911 063 01	Engine and transmission Hexagon-head bolt M 12 X 80		4	
2	N 910 301 02	Hexagon-head bolt AM 12 X 70		1	
3		Dowel sleeve See illustrations 1/01/60		2	
4	N 102 902 06	Hexagon-head bolt AM 10 X 70		3	

Model: 92A 11

Model life 2011>>



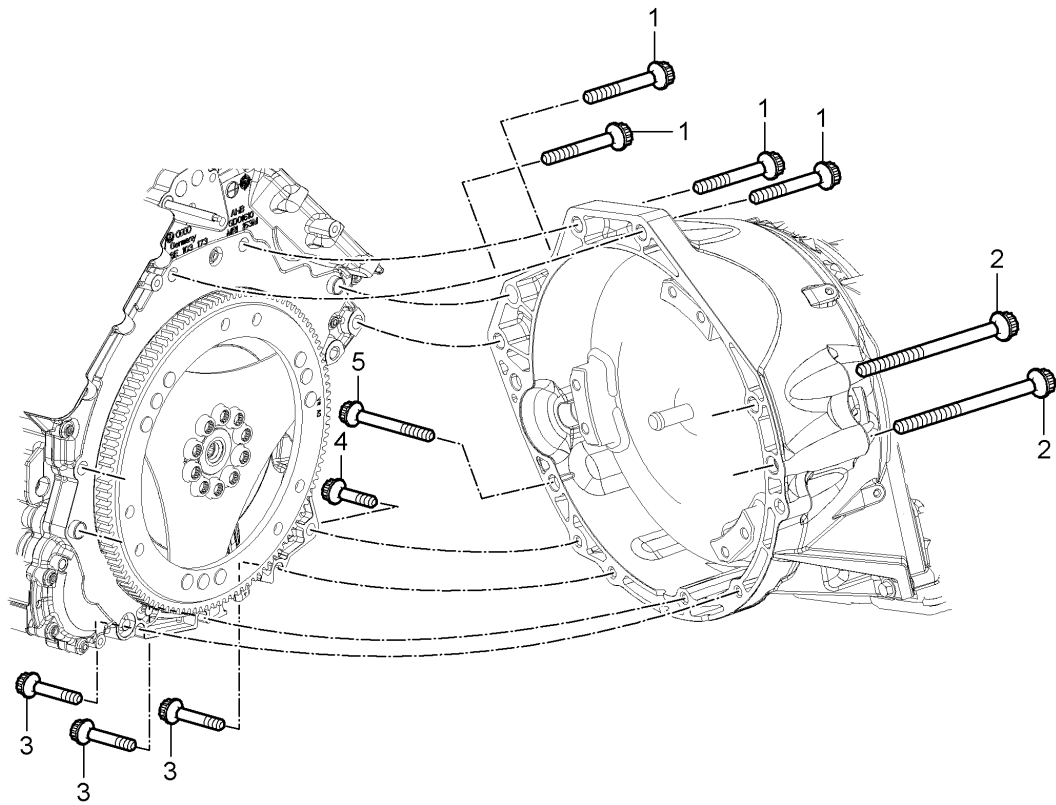
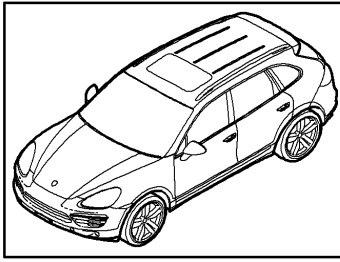
Model: 92A 11

Model life 2011>>

Pos	Part Number	Description	Remark	Qty	Model
		Threaded joint			ID34
		Engine			
		Transmission			
1	N 105 934 01	Hexagon-head bolt AM 12 X 50		2	IG1G
(1)	N 102 171 03	Hexagon-head bolt BM 12 X 60		2	IG0L
2	N 105 923 02	Hexagon-head bolt BM 12 X 140 X 49		2	
3		Dowel sleeve See illustrations 1/01/50		2	
4	N 104 748 03	Collar nut M 12 X 1,5		1	
5	N 103 145 05	Hexagon-head bolt AM 10 X 50		4	
6		Oil pan See illustrations 1/04/20		1	
7	N 102 171 03	Hexagon-head bolt BM 12 X 60 X 48		1	
8	N 907 682 02	Stud AM 12 X 60 - M 8 X 16		2	

Model: 92A 11

Model life 2011>>



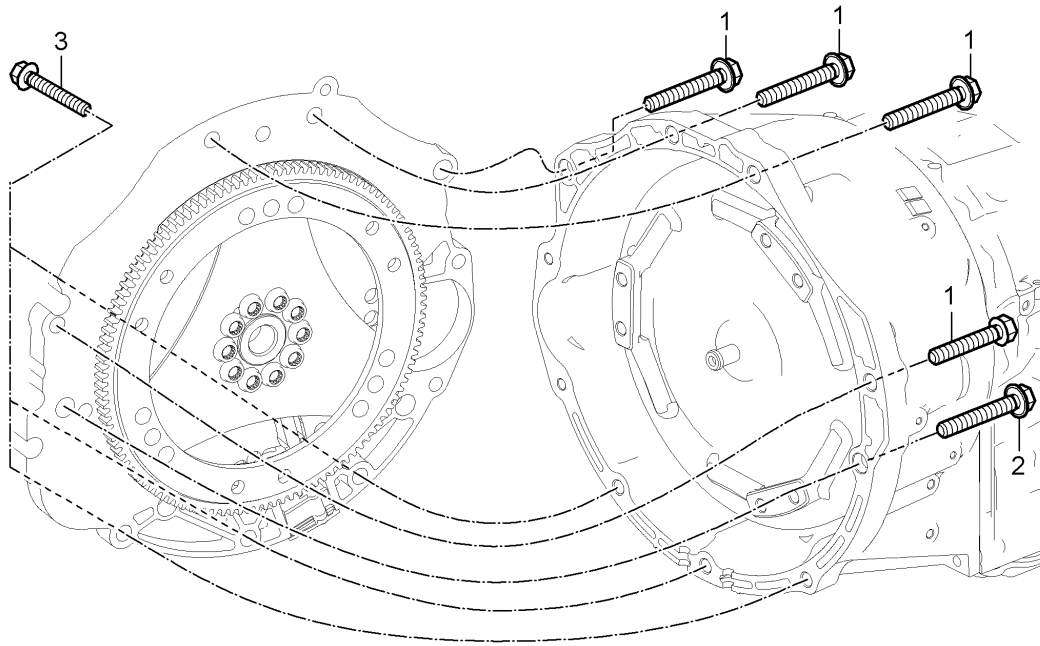
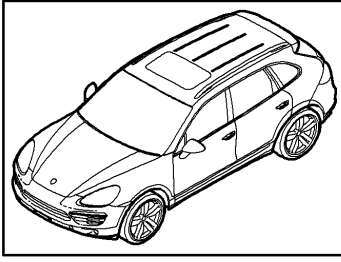
Model: 92A 11

Model life 2011>>

Pos	Part Number	Description	Remark	Qty	Model
		Threaded joint Engine and transmission			ID11
1	N 911 295 01	12 point socket M 12 X 75		4	
2	N 911 595 01	12 point socket BM 12 X 140 X 90		2	
3	N 911 507 01	12 point socket M 10 X 60		3	
4	N 911 723 01	12 point socket M 10 X 45		2	
5	N 911 532 01	12 point socket AM 10 X 95		1	

Model: 92A 11

Model life 2011>>



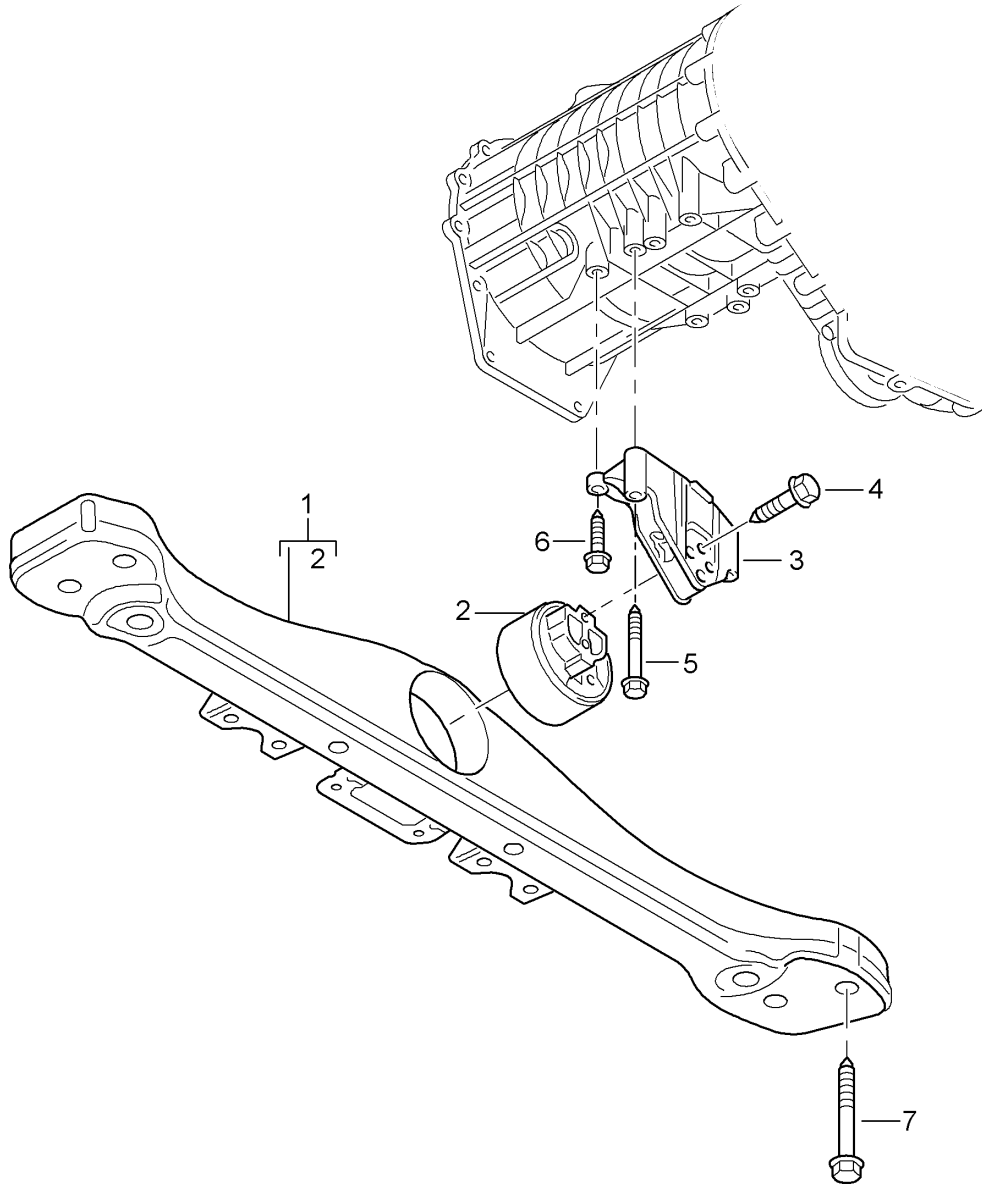
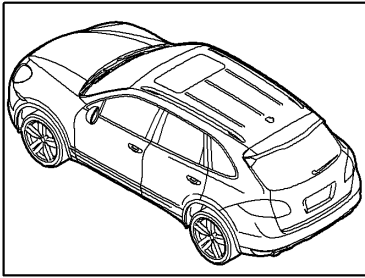
Model: 92A 11

Model life 2011>>

Pos	Part Number	Description	Remark	Qty	Model
		Threaded joint Engine and transmission			IDD8
1	N 911 063 01	Hexagon-head bolt M 12 X 80		4	
2	N 105 923 02	Hexagon-head bolt BM 12 X 140		1	
3	N 104 091 04	Hexagon-head bolt AM 12 X 70		4	

Model: 92A 11

Model life 2011>>



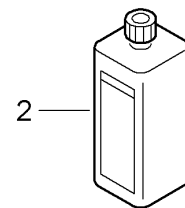
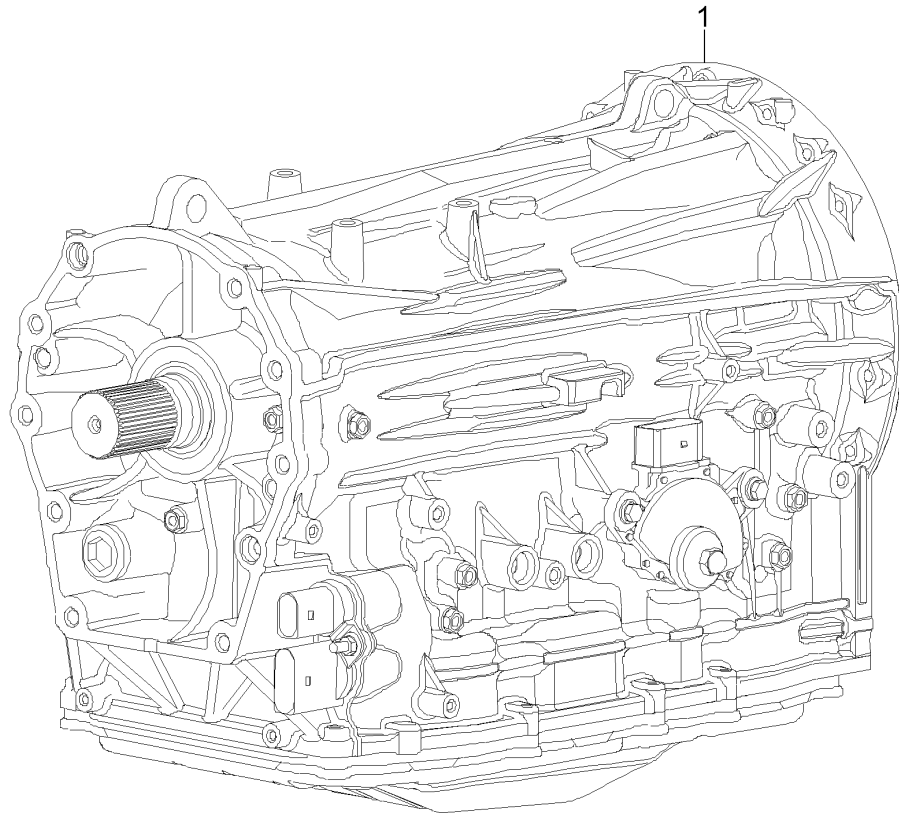
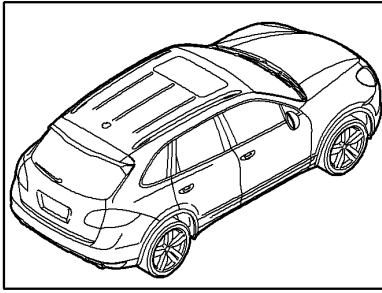
Model: 92A 11

Model life 2011>>

Pos	Part Number	Description	Remark	Qty	Model
		Transfer box			
		Transmission suspension			
1	958 341 225 00	Transmission carrier		1	ID6V/E0A/1SA
(1)	958 341 225 10	Transmission carrier		1	ID6V/E0A/1SB
(1)	958 341 225 60	Transmission carrier		1	ID6V/E0W
(1)	958 341 225 00	Transmission carrier		1	ID58/1SA
(1)	958 341 225 10	Transmission carrier		1	ID58/1SB
(1)	958 341 225 60	Transmission carrier		1	ID58/E8A
(1)	958 341 225 20	Transmission carrier	-14	1	ID19
(1)	958 375 033 00	Transmission carrier	15-	1	ID19
(1)	958 341 225 30	Transmission carrier	-14	1	ID1V/D43/D50
(1)	958 375 033 10	Transmission carrier	15-	1	IDV7/D1V/D43
(1)	958 375 033 11	Transmission carrier	15-	1	IDV7/D1V/D43
(1)	958 341 225 20	Transmission carrier	(CN) -14	1	ID11
(1)	958 375 033 00	Transmission carrier	15-	1	ID11
(1)	958 341 225 40	Transmission carrier	-14	1	ID34
(1)	958 341 225 60	Transmission carrier	15-	1	ID34
(1)	958 341 225 70	Transmission carrier	-14	1	IDD8
(1)	958 375 033 20	Transmission carrier	15-	1	IDD8
(1)	958 341 225 60	Transmission carrier		1	IDT1/DT5/DU2
2	955 375 057 30	Transmission mounting		1	IDU3
(2)	958 375 057 10	Transmission mounting		1	ID6V/E0A
(2)	955 375 057 30	Transmission mounting		1	ID6V/E0W
(2)	958 375 057 10	Transmission mounting		1	ID58
(2)	955 375 057 30	Transmission mounting		1	ID58/E8A
(2)	955 375 057 20	Transmission mounting	-14	1	ID19
(2)	955 375 057 20	Transmission mounting	-14	1	ID1V/D43/D50
(2)	955 375 057 30	Transmission mounting	(CN) -14	1	ID11
(2)	955 375 057 20	Transmission mounting	-14	1	ID34
(2)	955 375 057 30	Transmission mounting	-14	1	IDD8
(2)	958 375 057 10	Transmission mounting	15-	1	IDT1/DT5/DU2
3	955 341 649 03	Transmission bracket		1	IDU3
(3)	958 341 649 10	Transmission bracket		1	ID6V/E0A
(3)	955 341 649 03	Transmission bracket		1	ID6V/E0W
(3)	958 341 649 10	Transmission bracket		1	ID58
(3)	955 341 649 03	Transmission bracket		1	ID58/E8A
(3)	955 341 649 10	Transmission bracket	-14	1	ID19
(3)	955 341 649 10	Transmission bracket	-14	1	ID1V/D43/D50
(3)	955 341 649 03	Transmission bracket	(CN) -14	1	ID11
(3)	958 341 649 00	Transmission bracket	-14	1	ID34
(3)	958 341 649 20	Transmission bracket	-14	1	IDD8
(3)	958 341 649 10	Transmission bracket		1	IDT1/DT5/DU2
(3)		Transmission bracket	15-	1	IDU3
(3)		Transmission bracket	15-	1	ID19
(3)	958 375 118 00	Transmission bracket	15-	1	ID11
(3)	958 375 118 10	Transmission bracket	15-	1	IDV7/D1V/D43
(3)	958 375 118 20	Transmission bracket	15-	1	ID51
4	N 105 167 02	Hexagon-head bolt		2	IDD8
5	N 100 155 07	Hexagon-head bolt		2	ID34
6	N 019 503 8	Hexagon-head bolt		2	
7	N 909 913 02	Hexagon-head bolt		4	
		AM 10 X 55			
		BM 8 X 70			
		M 8 X 35			
		AM 10 X 80			

Model: 92A 11

Model life 2011>>



Model: 92A 11

Model life 2011>>

Pos	Part Number	Description	Remark	Qty	Model
		Replacement transmission Tiptronic	-14		IG1G
(1)	958 300 011 01	Replacement transmission Classification letter MXJ		1	ID6V
(1)	958 300 011 EX	Replacement transmission Classification letter MXJ		1	ID6V
(1)	958 300 011 51	Replacement transmission Classification letter MXK	-11	1	ID58
(1)	958 300 011 FX	Replacement transmission Classification letter MXK	-11	1	ID58
(1)	958 300 011 52	Replacement transmission Classification letter NLD	12-	1	ID58
(1)	958 300 011 MX	Replacement transmission Classification letter NLD	12-	1	ID58
(1)	958 300 011 10	Replacement transmission Classification letter NBT		1	ID1V/D50/7L7
(1)	958 300 011 BX	Replacement transmission Classification letter NBT F >>92BLA 28340		1	ID1V/D50/7L7
(1)	958 300 011 12	Replacement transmission Classification letter NCM	-11	1	ID1V/D50/7L7
(1)	958 300 011 KX	Replacement transmission Classification letter NCM F 92BLA 28341>>	-11	1	ID1V/D50/7L7
(1)	958 300 011 12	Replacement transmission Classification letter NCM	12-	1	ID1V/D43/D50 I7L7
(1)	958 300 011 KX	Replacement transmission Classification letter NCM	12-	1	ID1V/D43/D50 I7L7
(1)	958 300 011 11	Replacement transmission Classification letter MXN		1	ID1V/D50/7L4 I7L6/7L8
(1)	958 300 011 GX	Replacement transmission Classification letter MXN		1	ID1V/D50/7L4 I7L6/7L8
(1)	958 300 011 13	Replacement transmission Classification letter NAD	-11	1	ID1V/D50/7L4 I7L6/7L8
(1)	958 300 011 LX	Replacement transmission Classification letter NAD	-11	1	ID1V/D50/7L4 I7L6/7L8
(1)	958 300 011 13	Replacement transmission Classification letter	12-	1	ID1V/D43/7L4 I7L6/7L8

Model: 92A 11 Model life 2011>>

Pos	Part Number	Description	Remark	Qty	Model
(1)	958 300 011 LX	NAD Replacement transmission	12-	1	ID1V/D43/7L4 I7L6/7L8
(1)	958 300 011 20	NAD Replacement transmission Classification letter MXP Only together with Control unit 958.618.123.03 958.618.123.12 F >>92CLA 92110 F >>92CLA 92138		1	ID19 I0GG/7GH/7MG I7GB
(1)	958 300 011 CX	Replacement transmission Classification letter MXP Only together with Control unit 958.618.123.03 958.618.123.12 F >>92CLA 92110 F >>92CLA 92138		1	ID19 I0GG/7GH/7MG I7GB
(1)	958 300 011 21	Replacement transmission Classification letter NNQ Only together with Control unit 958.618.123.04 958.618.123.13 F 92CLA 92111>> F 92CLA 92139>> for vehicles up to F >>92CLA 92110 F >>92CLA 92138 Use also: 958.618.123.04 958.618.123.13	-13	1	ID19 I0GG/7GH/7MG I7GB
(1)	958 300 011 NX	Replacement transmission Classification letter NNQ Only together with Control unit 958.618.123.04 958.618.123.13 F 92CLA 92111>> F 92CLA 92139>> for vehicles up to F >>92CLA 92110 F >>92CLA 92138 Use also: 958.618.123.04 958.618.123.13	-13	1	ID19 I0GG/7GH/7MG I7GB
(1)	958 300 011 22	Replacement transmission Classification letter PXR Only together with Control unit 958.618.123.04 958.618.123.13 for vehicles up to F >>92CLA 92110 F >>92CLA 92138	14-	1	ID19 I0GG/7GH/7MG I7GB

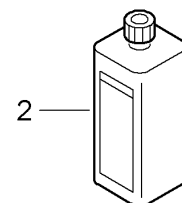
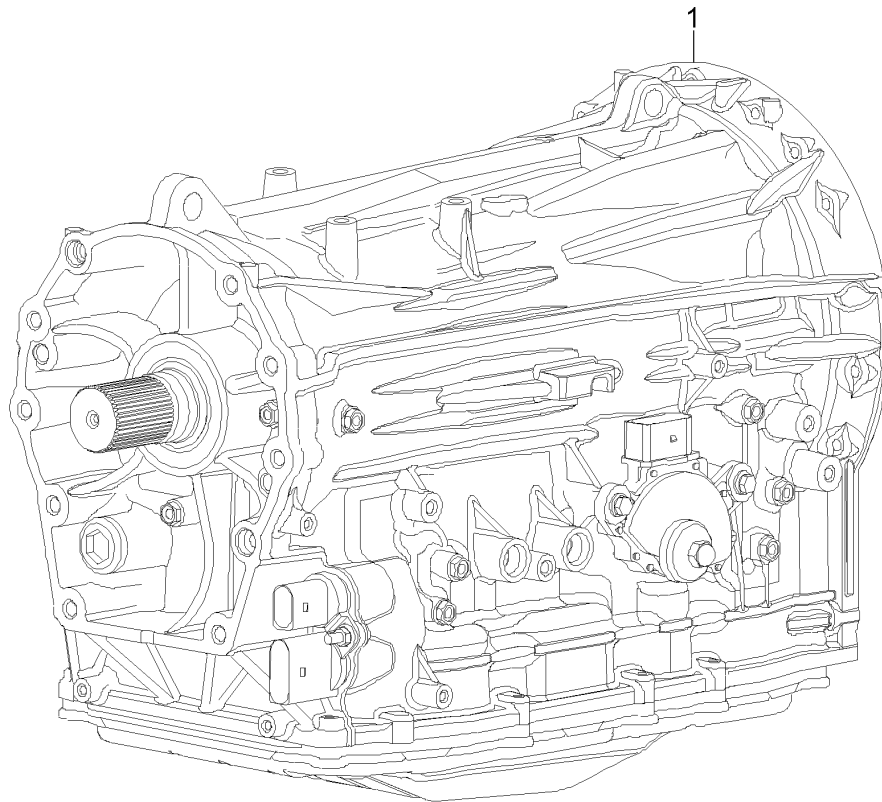
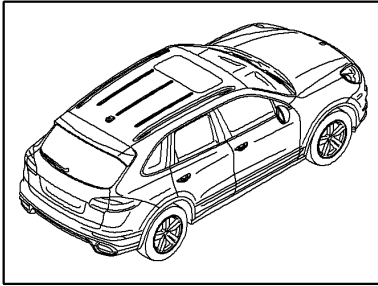
Model: 92A 11

Model life 2011>>

Pos	Part Number	Description	Remark	Qty	Model
(1)	958 300 011 PX	Use also: 958.618.123.04 958.618.123.13 Replacement transmission Classification letter PXR Only together with Control unit 958.618.123.04 958.618.123.13 for vehicles up to F >>92CLA 92110 F >>92CLA 92138 Use also: 958.618.123.04 958.618.123.13	14-	1	I0GG/7GH/7MG I7GB ID19 I0GG/7GH/7MG I7GB
(1)	958 300 011 31	Replacement transmission Classification letter MXM		1	I0GG/7GH/7MG I7GB ID34
(1)	958 300 011 HX	Replacement transmission Classification letter MXM		1	ID34
(1)	958 300 011 40	Replacement transmission Classification letter MXL	(CN)	1	ID11
(1)	958 300 011 JX	Replacement transmission Classification letter MXL	(CN)	1	ID11
(1)	958 300 011 60	Replacement transmission Classification letter PCJ		1	IDD8/7L7
(1)	958 300 011 6X	Replacement transmission Classification letter PCJ		1	IDD8/7L7
(1)	958 300 011 70	Replacement transmission Classification letter PCK		1	IDD8/7L4/7L8
(1)	958 300 011 7X	Replacement transmission Classification letter PCK		1	IDD8/7L4/7L8
2	958 300 540 00	Transmission oil ATF 1 Liter Container		X	

Model: 92A 11

Model life 2011>>



Model: 92A 11

Model life 2011>>

Pos	Part Number	Description	Remark	Qty	Model
		Replacement transmission Tiptronic	15-		IG1G
(1)	958 300 012 00	Replacement transmission Classification letter PXT		1	IDU2/7L4/7L8
(1)	958 300 012 X	Replacement transmission Classification letter PXT		1	IDU2/7L4/7L8
(1)	958 300 012 10	Replacement transmission Classification letter PXU		1	IDU3/7L4/7L8
(1)	958 300 012 KX	Replacement transmission Classification letter PXU		1	IDU3/7L4/7L8
(1)	958 300 011 52	Replacement transmission Classification letter NLD		1	IDT1/DT5/7L4 I7L8
(1)	958 300 011 MX	Replacement transmission Classification letter NLD		1	IDT1/DT5/7L4 I7L8
(1)	958 300 011 12	Replacement transmission Classification letter NCM		1	ID43/D50/7L7
(1)	958 300 011 KX	Replacement transmission Classification letter NCM		1	ID43/D50/7L7
(1)	958 300 011 13	Replacement transmission Classification letter NAD		1	ID43/7L4/7L8
(1)	958 300 011 LX	Replacement transmission Classification letter NAD		1	ID43/7L4/7L8
(1)	958 300 012 15	Replacement transmission Classification letter QLW		1	IDV7/D1V/D51 I7L4/7L8
(1)	958 300 012 QX	Replacement transmission Classification letter QLW		1	IDV7/D1V/D51 I7L4/7L8
(1)	958 300 013 00	Replacement transmission Classification letter RFQ	-15	1	ID19
(1)	958 300 013 X	Replacement transmission Classification letter RFQ	-15	1	ID19
(1)	958 300 013 01	Replacement transmission Classification letter RML	16-	1	ID19
(1)	958 300 013 AX	Replacement transmission Classification letter RML	16-	1	ID19
(1)	958 300 013 05	Replacement transmission Classification letter QVY		1	ID11
(1)	958 300 013 EX	Replacement transmission Classification letter QVY		1	ID11
(1)	958 300 011 31	Replacement transmission Classification letter MXM		1	ID34/7L4/7L8

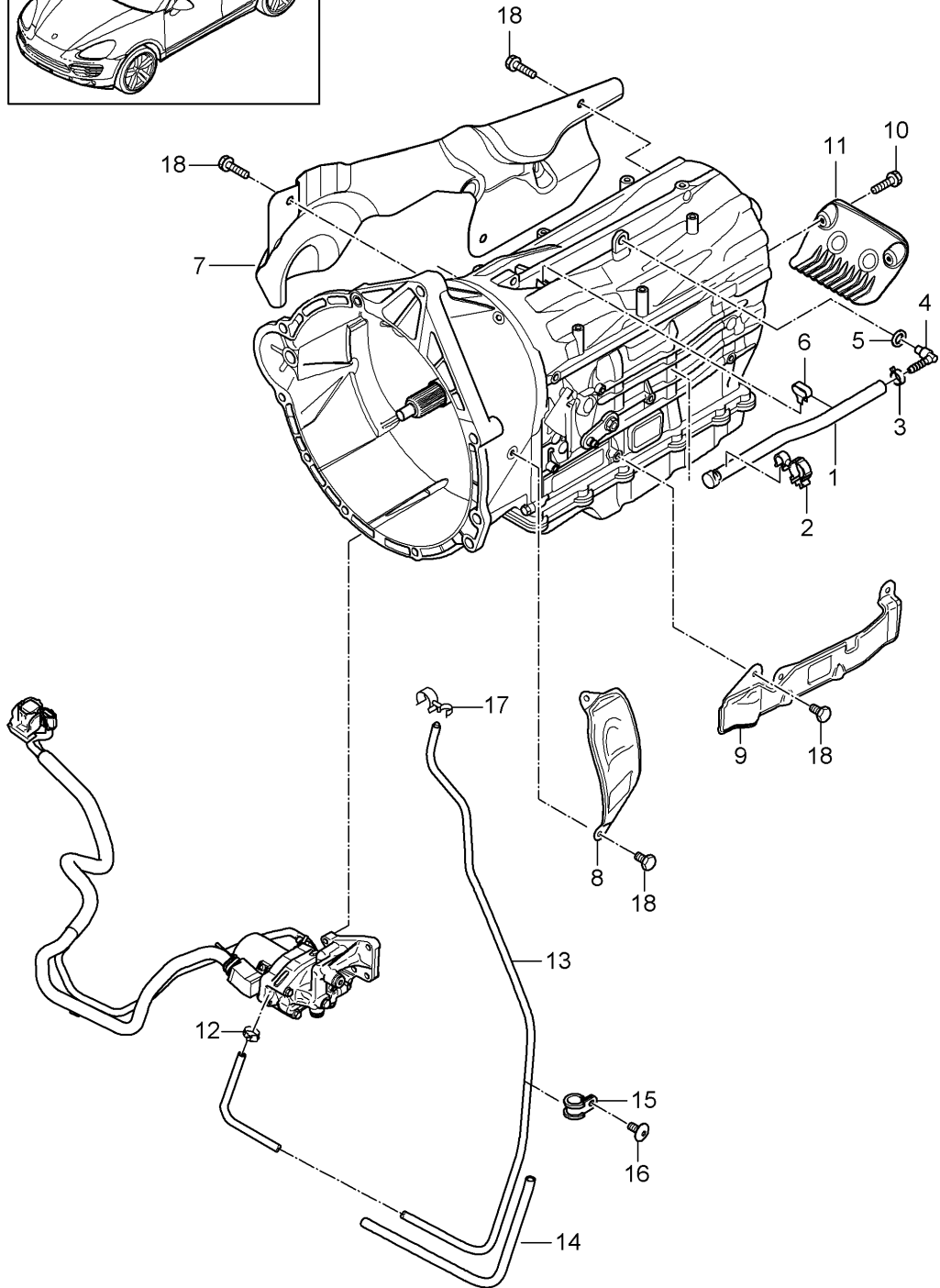
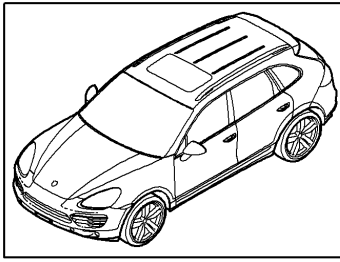
Model: 92A 11

Model life 2011>>

Pos	Part Number	Description	Remark	Qty	Model
(1)	958 300 011 HX	Replacement transmission Classification letter MXM		1	ID34/7L4/7L8
(1)	958 300 011 60	Replacement transmission Classification letter PCJ		1	IDD8/7L7
(1)	958 300 011 6X	Replacement transmission Classification letter PCJ		1	IDD8/7L7
(1)	958 300 011 70	Replacement transmission Classification letter PCK		1	IDD8/7L4/7L8
(1)	958 300 011 7X	Replacement transmission Classification letter PCK		1	IDD8/7L4/7L8
2	958 300 540 00	Transmission oil ATF 1 Liter Container		X	

Model: 92A 11

Model life 2011>>



Model: 92A 11

Model life 2011>>

Pos	Part Number	Description	Remark	Qty	Model
		Tiptronic Replacement transmission Accessories Vent line		1	IG1G IDT1/DT5/DU2 IDU3/D34/D58 ID6V
1	958 301 547 30			1	
(1)	958 301 547 50	425 MM Vent line		1	ID19
(1)	958 301 547 10	425 MM with Hose holder Vent line		2	
(1)	958 301 547 00	350 MM Vent line		1	ID1V/D43/D50
(1)	958 301 547 20	350 MM Vent line		1	IDV7/D1V/D43 ID50/D51
(1)	958 301 547 40	350 MM with Hose holder Vent line		1	ID11
2	N 106 963 01	425 MM Hose holder		1	IDD8
(2)	N 103 203 02	A 14-25,5 X C 01-14 Hose holder		1	ID19
(2)		A 01-13 X C 12-6,5 Hose holder		1	ID34
3	958 317 563 00	A 01-13 X C 12-6,5 Clip		1	IDD8
4	958 301 381 00	Connection piece		1	
5	955 301 577 00	O-ring 8,2 X 1,9		1	
6	955 301 565 01	Clip		1	IDT1/DT5/DU2 IDU3/D58/D6V
(6)		Clip	15-	1	ID19
(6)		Clip		1	ID11
7	958 301 328 00	Heat shield Right	/R -11	1	-ID1V/-ID50
(7)	958 301 328 01	Heat shield	/R 12-	1	-IDV7/-ID1V -ID43/-ID50 -ID51
8	958 301 327 10	Right Heat shield	/L	1	IDV7/D1V/D43 ID50/D51
9	958 301 327 20	Left Transmission case Heat shield	/L -14	1	ID1V/D43/D50
(9)		Left Oil pan Heat shield	/L 15-	1	ID43/D50
(9)	958 301 327 30	Left Oil pan Heat shield	/L 15-	1	IDV7/D1V/D51
10	N 100 829 11	Left Oil pan Combination screw		2	IDT1/DT5/DU2 IDU3/D19/D58 ID6V
11	958 301 307 00	M 6 X 16 Heat shield		1	IDT1/DT5/DU2 IDU3/D19/D58 ID6V
12	958 317 563 10	Clip		1	ID19

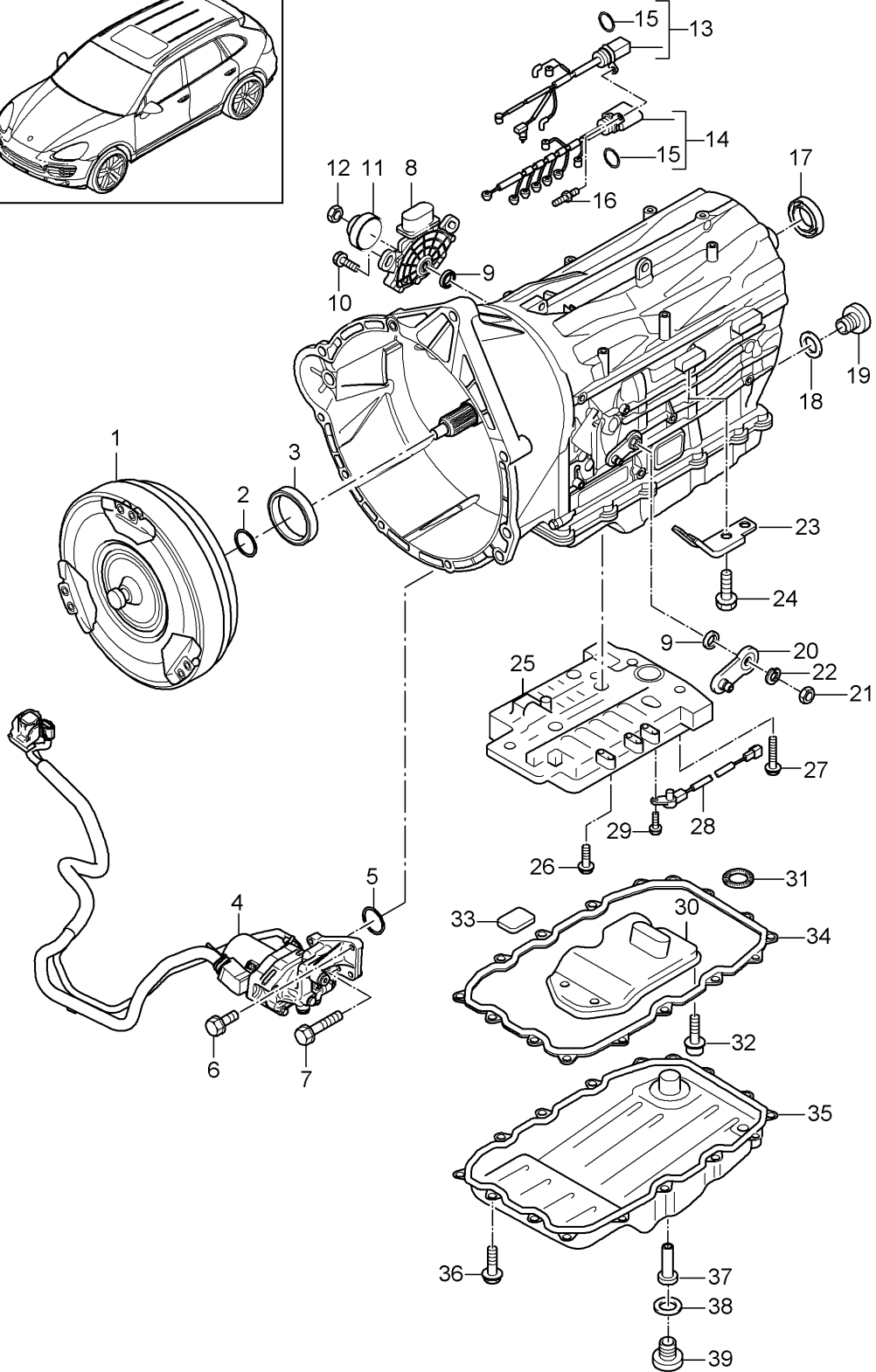
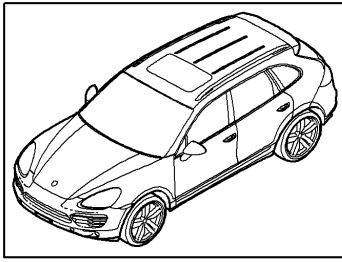
Model: 92A 11

Model life 2011>>

Pos	Part Number	Description	Remark	Qty	Model
13	958 301 547 60	Vent line 870 MM	-14	1	ID19
(13)	958 301 547 70	Vent line 1220 MM	15-	1	ID19
14	958 301 821 00	Heat protection Vent line		1	ID19
15	N 020 620 7	Clamp 13 X 15		1	ID19
16	N 106 320 03	Oval-head screw M 6 X 16		1	ID19
17	N 104 278 01	Line bracket A 01-10 X C01-16	-14	1	ID19
(17)		Line bracket A 01-10 X C01-16	15-	2	ID19
18	N 100 829 11	Combination screw M 6 X 16	-11	8	
(18)	N 103 210 03	Combination screw M 6 X 16	12-	8	

Model: 92A 11

Model life 2011>>



Model: 92A 11 Model life 2011>>

Pos	Part Number	Description	Remark	Qty	Model
1		Replacement transmission Tiptronic Single parts Torque converter See illustrations 3/30/00 Pos.1		1	IG1G
2	958 321 181 30	Sealing ring		1	IDT1/DT5/DU3 ID19/D58
(2)		Sealing ring		1	IDD8
3	958 321 243 00	Radial shaft seal 42 X 66 X 8		1	
4	958 606 201 00	Oil pump Electric	-14	1	ID19
(4)	958 606 201 01	Oil pump Electric	15-	1	ID19
(4)	958 606 201 10	Oil pump		1	IDT1/DT5/DU2 IDU3/D34/D58 ID6V
(4)		Electric Oil pump	-14	1	ID1V/D43/D50 I7L4/7L6/7L8
(4)		Electric Oil pump	15-	1	IDV7/D1V/D43 ID51/7L4/7L8
(4)		Electric Oil pump Electric		1	IDD8/7L4/7L8
5	958 321 581 10	Gasket		1	IDT1/DT5/DU2 IDU3/D19/D34 ID58/D6V
(5)		Gasket	-14	1	ID1V/D43/D50 I7L4/7L6/7L8
(5)		Gasket	15-	1	IDV7/D1V/D43 ID51/7L4/7L8
(5)		Gasket		1	IDD8/7L4/7L8
6	WHT 005 513	Hexagon-head bolt M 8 X 1,25 X 28		4	ID19
(6)		Hexagon-head bolt M 8 X 1,25 X 28		3	IDT1/DT5/DU2 IDU3/D34/D58 ID6V
(6)		Hexagon-head bolt M 8 X 1,25 X 28	-14	3	ID1V/D43/D50 I7L4/7L6/7L8
(6)		Hexagon-head bolt M 8 X 1,25 X 28	15-	3	IDV7/D1V/D43 ID51/7L4/7L8
(6)		Hexagon-head bolt M 8 X 1,25 X 28		3	IDD8/7L4/7L8
7	WHT 005 512	Hexagon-head bolt M 8 X 1,25 X 28		1	IDT1/DT5/DU2 IDU3/D34/D58 ID6V
(7)		Hexagon-head bolt M 8 X 1,25 X 45	-14	1	ID1V/D43/D50 I7L4/7L6/7L8
(7)		Hexagon-head bolt M 8 X 1,25 X 45	-14	1	IDV7/D1V/D43 ID51/7L4/7L8
(7)		Hexagon-head bolt M 8 X 1,25 X 45		1	IDD8/7L4/7L8
8	958 606 823 00	Selector switch		1	

Model: 92A 11 Model life 2011>>

Pos	Part Number	Description	Remark	Qty	Model
9	955 321 199 30	Radial shaft seal 11 X 22 X 7		2	
10	WHT 000 325 A	Hexagon-head bolt M 6 X 1 X 20		2	
11	958 606 401 00	Cap		1	
12	WHT 005 507	Cap nut M 8 X 1,25		1	
13	958 612 363 10	Wiring harness 8-pole		1	
14	958 612 363 00	Wiring harness 14-pole		1	
15	955 325 364 00	Sealing ring 21,8 X 2,4		2	
16	N 910 573 02	Stud M 6 X 16 / M 6 X 10		1	
17	955 321 189 00	Radial shaft seal 41 X 72 X 11		1	
18	955 321 379 00	Sealing ring		1	
19	WHT 000 323 A	Screw plug M 24 X 1,5 X 14		1	
20	958 301 266 00	Selector lever		1	
21	N 011 008 40	Hexagon nut M 8		1	
22	WHT 005 508	Circlip 8 X 16 X 2		1	
23	958 301 165 20	Support		1	-ID19
(23)	958 713 281 00	Support for Vehicle Until Model year 2015 It is necessary to rework Use also: N .101.586.05 958.426.033.50 Cable		1	ID19
24	WHT 005 509	Hexagon-head bolt M 6 X 1 X 20	-15	2	
(24)		Hexagon-head bolt M 6 X 1 X 20	16-	2	-ID19
(24)	N 101 586 05	Hexagon-head bolt M 6 X 20	16-	2	ID19
25	958 325 039 00	Slide-valve gearbox		1	-IDD8/-IDT1 -IDT5/-IDU2 -IDU3/-ID19 -ID58
(25)	958 325 039 10	Slide-valve gearbox		1	IDT1/DT5/DU2 IDU3/D19/D58 IDD8
(25)		Slide-valve gearbox		1	
26	WHT 000 324	Hexagon-head bolt M 6 X 1 X 28		11	
27	WHT 000 321	Hexagon-head bolt M 6 X 1 X 40		3	
28	958 606 321 00	Inductive transmitter Output speed		1	
29	WHT 000 322	Hexagon-head bolt M 6 X 1 X 12		2	
30	958 325 435 00	Oil strainer		1	
31	958 325 443 00	Gasket		1	
32	WHT 000 313	Hexagon-head bolt M 6 X 1 X 16		4	
33	955 321 368 00	Magnet		4	

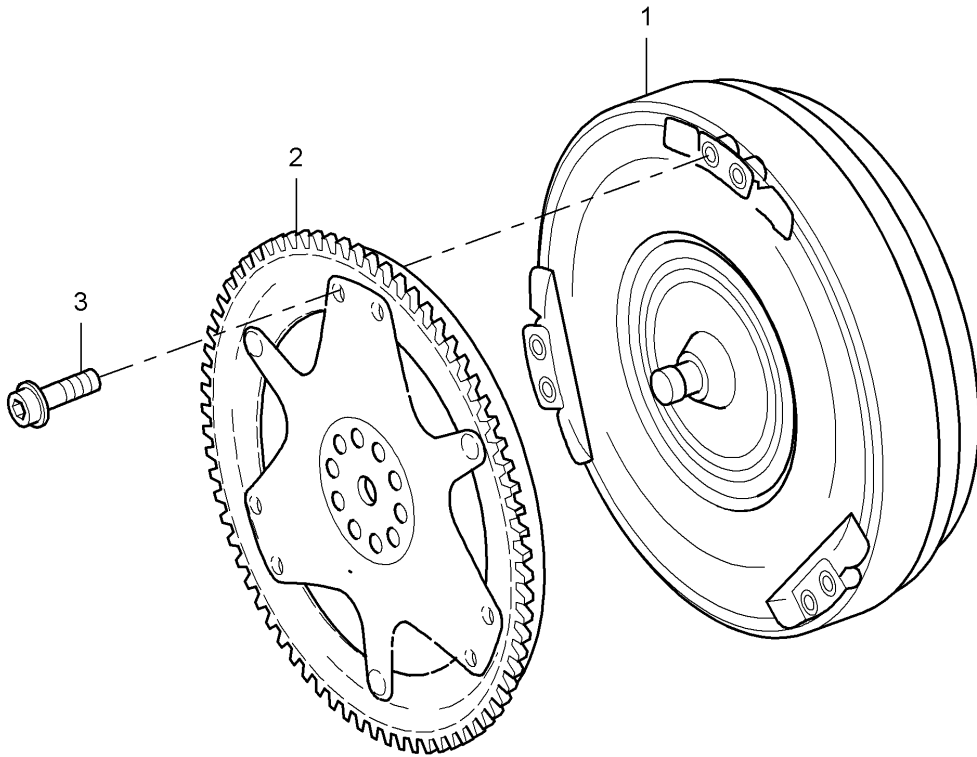
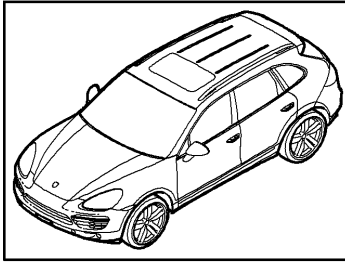
Model: 92A 11

Model life 2011>>

Pos	Part Number	Description	Remark	Qty	Model
		for			
34	958 321 371 00	Oil pan		1	
		Oil sump gasket			
35	958 321 361 00	Oil pan		1	
36	WHT 005 511	Hexagon-head bolt		11	
		M 6 X 1 X 25			
37	958 301 437 00	Oil tube		1	ID19
		18,3 MM			
		Long			
(37)	958 301 437 10	Oil tube		1	-ID19
		35,6 MM			
		Long			
38	958 321 581 00	Sealing ring		1	
39	WHT 005 510	Drain plug		1	
		M 10 X 1 X 9			
40	N 906 972 01	Clip		2	ID19
		22			
		Mount			
		Wiring harness			
41	N 909 377 02	Oil pump		1	ID19
		Tie-wrap			
		C 4,6 X 193			
		Mount			
		Wiring harness			
		Oil pump			

Model: 92A 11

Model life 2011>>



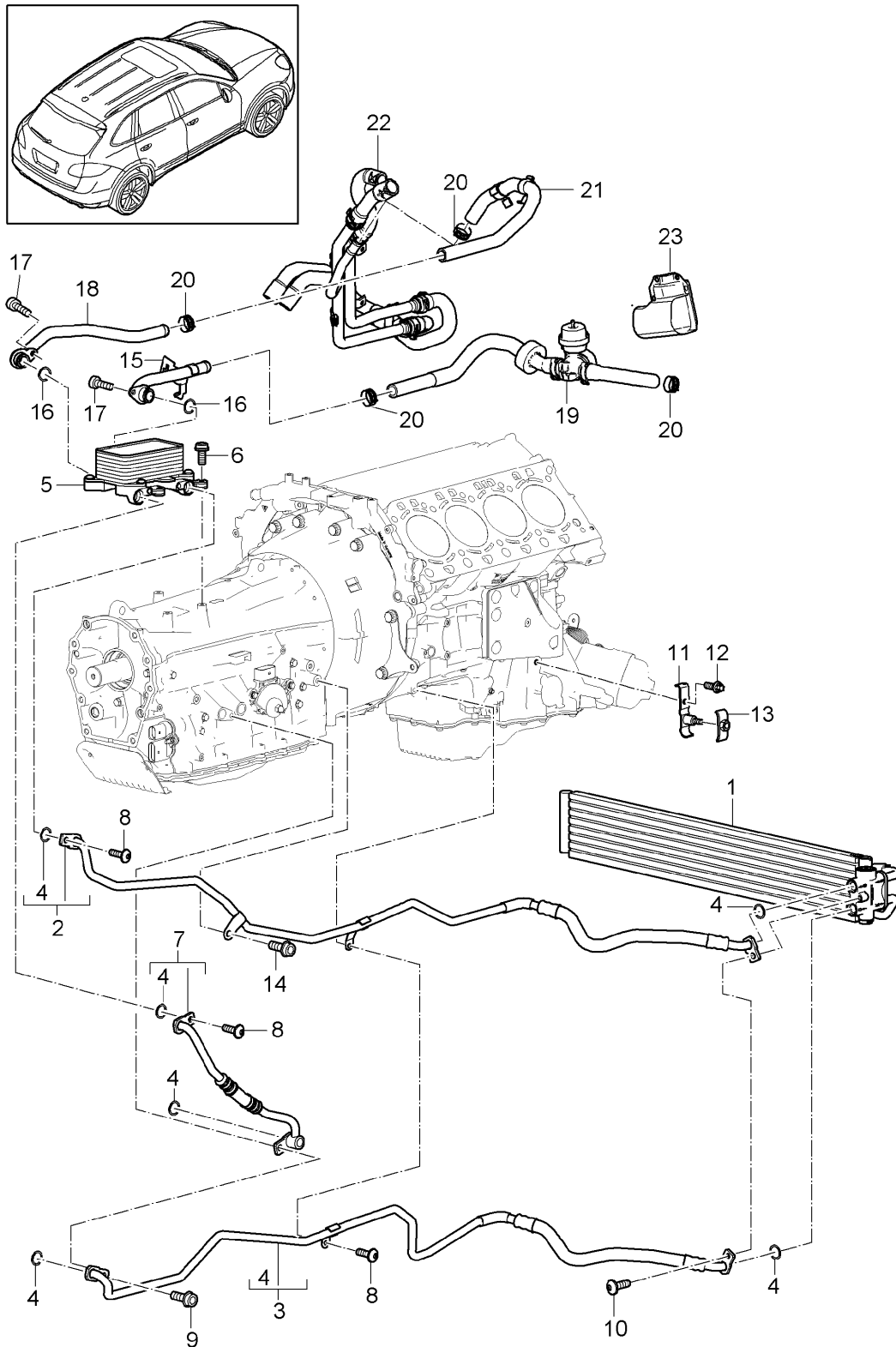
Model: 92A 11

Model life 2011>>

Pos	Part Number	Description	Remark	Qty	Model
		Tiptronic			IG1G
		Torque converter			
		Drive plate			
1	958 316 001 00	Torque converter		1	ID6V
(1)	958 316 001 50	Torque converter		1	IDT1/DT5/D58
(1)	958 316 001 70	Torque converter		1	IDU2
(1)	958 316 001 90	Torque converter		1	IDU3
(1)	958 316 001 10	Torque converter	-14	1	ID1V/D43/D50
(1)		Torque converter	15-	1	ID43/D50
(1)	958 316 001 80	Torque converter	15-	1	IDV7/D1V/D51
(1)	958 316 001 20	Torque converter		1	ID19
(1)	958 316 001 30	Torque converter		1	ID34
(1)	958 316 001 40	Torque converter		1	ID11
(1)	958 316 001 60	Torque converter		1	IDD8
2		Drive plate		1	IDT1/DT5/D58 ID6V
		See illustrations			
		1/02/00			
2		Drive plate		1	IDU2/DU3
		See illustrations			
		1/02/05			
(2)		Drive plate		1	IDV7/D1V/D43 ID50/D51
		See illustrations			
		1/02/20			
(2)		Electric motor	-14	1	ID19
		See illustrations			
		9/01/10			
(2)		Electric motor	15-	1	ID19
		See illustrations			
		9/01/12			
(2)		Drive plate		1	ID34
		See illustrations			
		1/02/10			
(2)		Drive plate		1	ID11
		See illustrations			
		1/02/30			
(2)		Drive plate		1	IDD8
		See illustrations			
		1/02/35			
3	N 910 425 01	Pan-head screw		6	IDT1/DT5/DU2 IDU3/D58/D6V
		M 10 X 1 X 23			
(3)	N 906 916 01	Pan-head screw		6	IDV7/D1V/D43 ID50/D51
		M 10 X 1 X 17			
(3)		Cap nut		3	ID19
		M 10 X 1			
		See illustrations			
		3/06/10			
(3)	N 906 916 01	Pan-head screw		3	ID34
		M 10 X 1 X 17			
(3)		Pan-head screw		6	ID11
		M 10 X 1 X 17			
(3)		Pan-head screw		6	IDD8
		M 10 X 1 X 17			

Model: 92A 11

Model life 2011>>



Model: 92A 11

Model life 2011>>

Pos	Part Number	Description	Remark	Qty	Model
		Tiptronic			IDT1/DT5/D58 ID6V/G1G
		Transmission oil cooler Radiator			
1	958 307 015 00	Oil pipe		1	
(1)	958 307 015 01	Transmission oil cooler		1	
2	958 307 181 00	Transmission oil cooler		1	
		Oil pipe		1	
		Supply			
3	958 307 182 00	Oil pipe		1	
		Return line			
(3)	958 307 182 01	Oil pipe		1	
		Return line			
4	N 906 660 01	O-ring		6	
		11,5 X 3			
5	958 307 037 00	Radiator		1	
6	N 106 893 02	Pan-head screw		3	
		M 8 X 25			
7	958 307 085 00	Oil pipe		1	
		Supply			
8	N 106 320 03	Oval-head screw		3	
		M 6 X 16			
9	N 106 893 02	Pan-head screw		1	
		M 8 X 25			
10	N 106 444 01	Oval-head screw		1	
		M 6 X 22			
10	N 908 424 02	Combination screw		1	
		M 6 X 22			
11	948 307 147 11	Support		1	
12	900 385 041 01	Torx screw		1	
		BM 6 X 12			
(12)	900 385 009 01	Torx screw		1	
		BM 6 X 16			
13	955 307 211 01	Support		1	
14	N 106 648 01	Pan-head screw		1	
		M 8 X 20			
15	958 106 565 00	Cooling water tube		1	
		Supply			
16	WHT 002 543	O-ring		2	
		17,1 X 1,6			
17	N 103 352 07	Round head screw		2	
		M 6 X 12			
(17)	N 103 352 06	Round head screw		2	
		M 6 X 12			
18	958 106 566 00	Cooling water tube		1	
		Return line			
19	958 106 549 02	Water hose		1	
		Supply			
		with			
		Heater valve			
		When required order also:			
		Heat protection			
		POS.23			
		See workshop manual			
		Group 8			
		Document			
		803655			
		SY4215			
20	N 906 869 01	Hose clamp		4	
		B 23 X 12			
21	958 106 550 03	Water hose		1	
		Return line			
22		Cooling water tube		1	

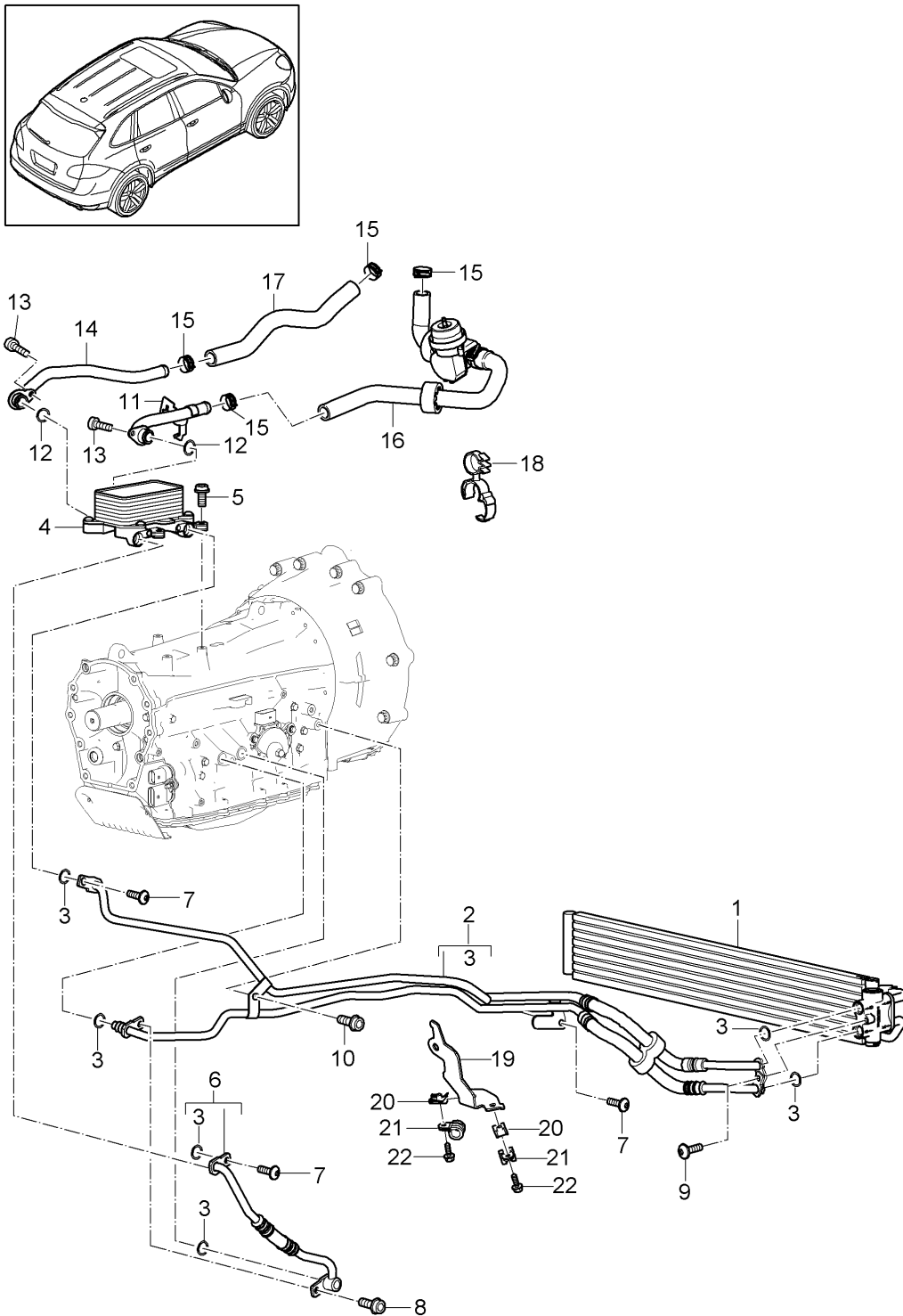
Model: 92A 11

Model life 2011>>

Pos	Part Number	Description	Remark	Qty	Model
(23)	958 106 653 20	See illustrations 1/05/35 Pos.26 Heat protection	(RUS)	1	IDT1/DT5/6EA I6EC
(23)		Heater valve See workshop manual Group 8 Document 803655 SY4215 Heat protection Heater valve See workshop manual Group 8 Document 803655 SY4215		1	IDT1/DT5/6EB

Model: 92A 11

Model life 2011>>



Model: 92A 11

Model life 2011>>

Pos	Part Number	Description	Remark	Qty	Model
		Tiptronic			IDV7/D1V/D43 ID50/D51
1	958 307 015 00	Transmission oil cooler		1	
(1)	958 307 015 01	Radiator		1	
2	958 307 082 00	Oil pipe	-14	1	ID1V/D43/D50
		Supply			
		Return line			
(2)	958 307 082 01	Oil pipe	-14	1	ID1V/D43/D50
		Supply			
		Return line			
(2)	958 307 082 00	Oil pipe	15-	1	ID43/D50
		Supply			
		Return line			
(2)	958 307 082 01	Oil pipe	15-	1	ID43/D50
		Supply			
		Return line			
(2)	958 307 082 05	Oil pipe	15-	1	IDV7/D1V/D51
		Supply			
		Return line			
(2)	958 307 082 06	Oil pipe	15-	1	IDV7/D1V/D51
		Supply			
		Return line			
3	N 906 660 01	O-ring		6	
		11,5 X 3			
4	958 307 037 00	Radiator		1	
5	N 106 893 02	Pan-head screw		3	
		M 8 X 25			
6	958 307 085 00	Oil pipe		1	
		Supply			
7	N 106 320 03	Oval-head screw		3	
		M 6 X 16			
8	N 106 893 02	Pan-head screw		1	
		M 8 X 25			
9	N 106 444 01	Oval-head screw		1	
		M 6 X 22			
(9)	N 908 424 02	Combination screw		1	
		M 6 X 22			
10	N 106 648 01	Pan-head screw		1	
		M 8 X 20			
11	958 106 565 00	Cooling water tube		1	
		Supply			
12	WHT 002 543	O-ring		2	
		17,1 X 1,6			
13	N 103 352 07	Round head screw		2	
		M 6 X 12			
(13)	N 103 352 06	Round head screw		2	
		M 6 X 12			
14	958 106 566 00	Cooling water tube		1	
		Return line			
15	N 906 869 01	Hose clamp		4	
		B 23 X 12			
16	958 106 549 10	Water hose		1	
17	958 106 550 10	Water hose		1	
18	N 107 678 01	Support		1	
		A 14-22 X C 05-22			
19	958 307 829 00	Support		1	
20	N 901 686 04	Speed nut		2	
		M 6 X 23.4 X 16			
21	N 020 601 5	Clamp		2	
		D1-12 X 0,6 X 15			

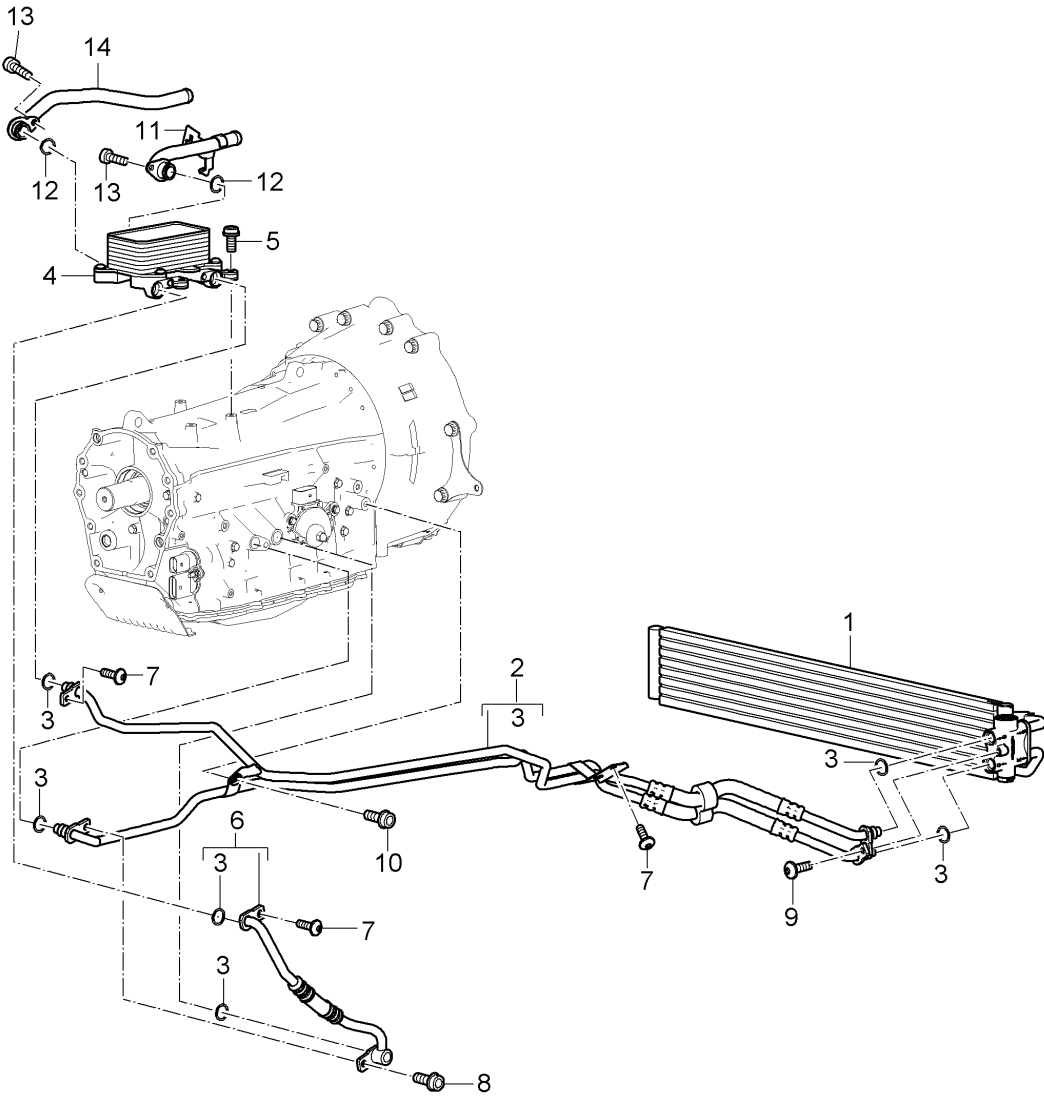
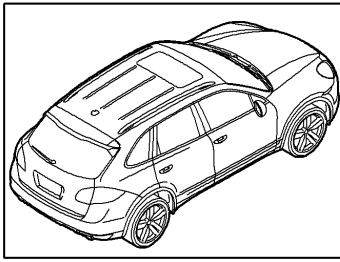
Model: 92A 11

Model life 2011>>

Pos	Part Number	Description	Remark	Qty	Model
22	N 106 533 01	Hexagon-head bolt M 6 X 20		2	

Model: 92A 11

Model life 2011>>



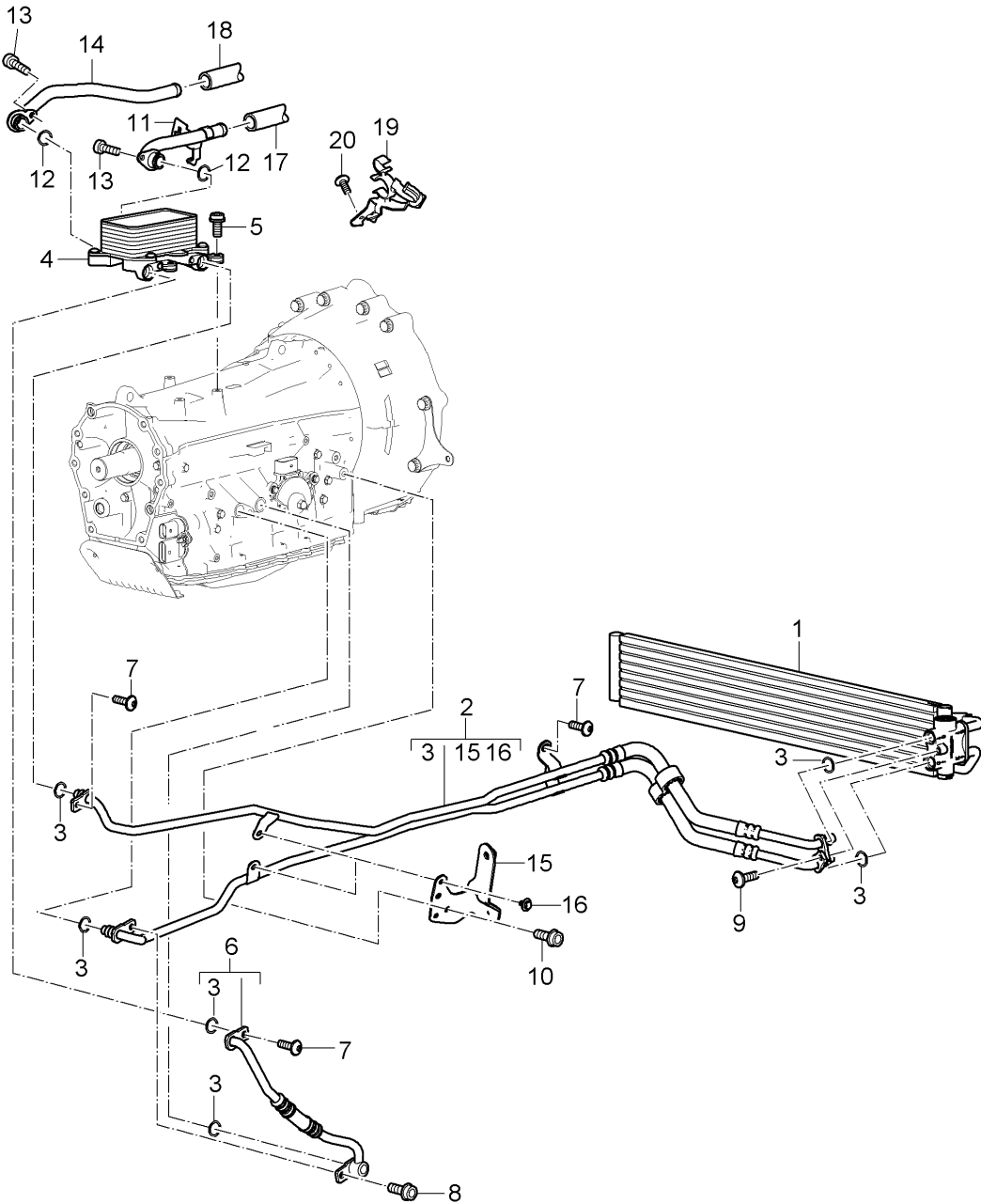
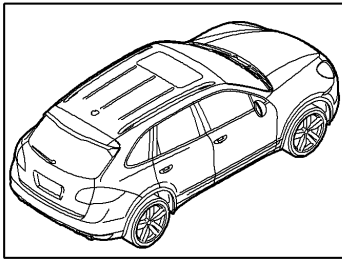
Model: 92A 11

Model life 2011>>

Pos	Part Number	Description	Remark	Qty	Model
		Tiptronic Transmission oil cooler Radiator Oil pipe			ID19/G1G
1	958 307 015 00	Transmission oil cooler		1	
(1)	958 307 015 01	Transmission oil cooler		1	
2	958 307 082 10	Oil pipe Supply	-14	1	
(2)	958 307 082 15	Return line Oil pipe Supply	15-	1	
3	N 906 660 01	Return line O-ring	-14	6	
(3)		11,5 X 3 O-ring	15-	4	
4	958 307 037 00	11,5 X 3 Radiator	-14	1	
5	N 106 893 02	Pan-head screw	-14	3	
		M 8 X 25			
6	958 307 085 00	Oil pipe Supply	-14	1	
7	N 106 320 03	Oval-head screw	-14	3	
(7)		M 6 X 16 Oval-head screw	15-	1	
8	N 106 893 02	M 6 X 16 Pan-head screw		1	
		M 8 X 25			
9	N 106 444 01	Oval-head screw		1	
(9)	N 908 424 02	M 6 X 22 Combination screw		1	
10	N 106 648 01	M 6 X 22 Pan-head screw		1	
11	958 106 565 00	M 8 X 20 Cooling water tube Supply	-14	1	
12	WHT 002 543	O-ring	-14	2	
		17,1 X 1,6			
13	N 103 352 07	Round head screw		2	
(13)	N 103 352 06	M 6 X 12 Round head screw	-14	2	
14	958 106 566 00	M 6 X 12 Cooling water tube Return line	-14	1	

Model: 92A 11

Model life 2011>>



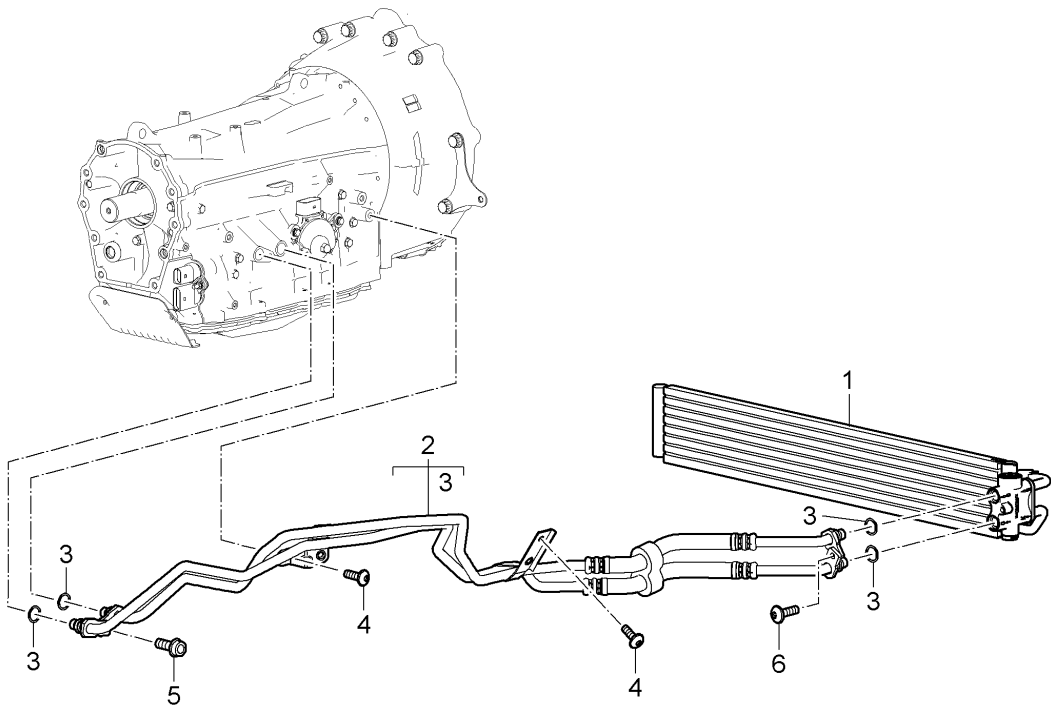
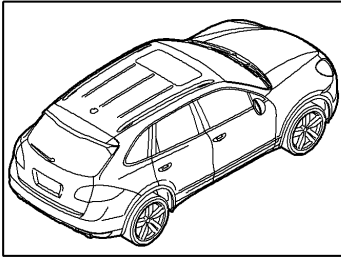
Model: 92A 11

Model life 2011>>

Pos	Part Number	Description	Remark	Qty	Model
		Tiptronic Transmission oil cooler Radiator Oil pipe			ID34/G1G
1	958 307 015 00	Transmission oil cooler		1	
(1)	958 307 015 01	Transmission oil cooler		1	
2	958 307 082 20	Oil pipe Supply Return line		1	
3	N 906 660 01	O-ring 11,5 X 3		6	
4	958 307 037 00	Radiator		1	
5	N 106 893 02	Pan-head screw M 8 X 25		3	
6	958 307 085 00	Oil pipe Supply		1	
7	N 106 320 03	Oval-head screw M 6 X 16		3	
8	N 106 893 02	Pan-head screw M 8 X 25		1	
9	N 106 444 01	Oval-head screw M 6 X 22		1	
(9)	N 908 424 02	Combination screw M 6 X 22		1	
10	N 106 648 01	Pan-head screw M 8 X 20		2	
11	958 106 565 00	Cooling water tube Supply		1	
12	WHT 002 543	O-ring 17,1 X 1,6		2	
13	N 103 352 07	Round head screw M 6 X 12		2	
(13)	N 103 352 06	Round head screw M 6 X 12		2	
14	958 106 566 00	Cooling water tube Return line		1	
15	958 111 161 10	Support		1	
16	N 100 091 10	Combination screw M 6 X 12		2	
17		Water hose See illustrations 1/05/40			
18		Pos.30 Water hose See illustrations 1/05/40			
19	958 106 595 10	Pos.34 Support		1	
20	N 106 320 03	Water hose Oval-head screw M 6 X 16		1	

Model: 92A 11

Model life 2011>>



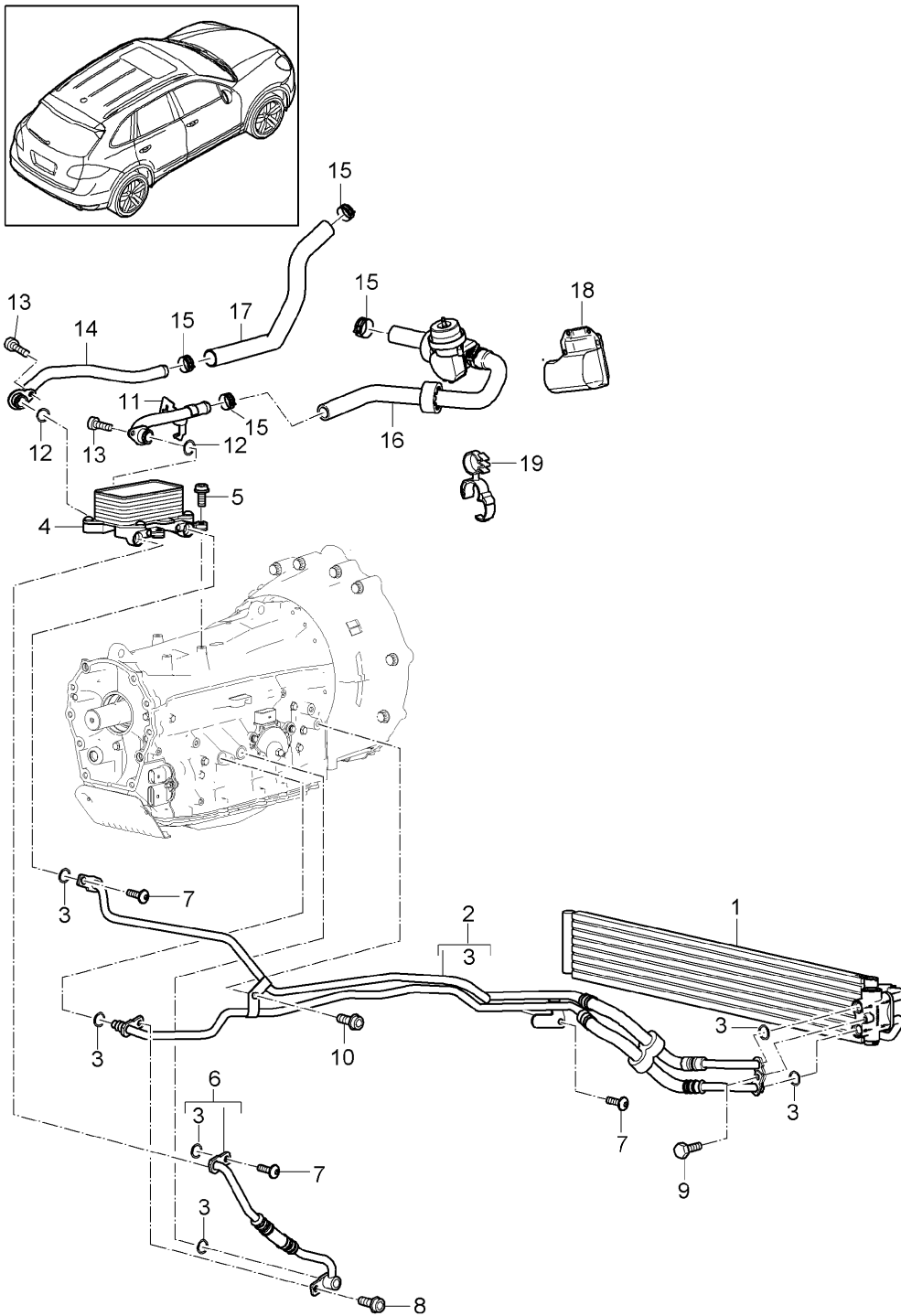
Model: 92A 11

Model life 2011>>

Pos	Part Number	Description	Remark	Qty	Model
		Tiptronic Transmission oil cooler			ID11/G1G
1	958 307 015 00	Oil pipe Transmission oil cooler		1	
(1)	958 307 015 01	Transmission oil cooler		1	
2	958 307 082 30	Oil pipe Supply Return line		1	
3	N 906 660 01	O-ring 11,5 X 3		4	
4	N 106 320 03	Oval-head screw M 6 X 16		2	
5	N 106 893 02	Pan-head screw M 8 X 25		1	
6	N 106 444 01	Oval-head screw M 6 X 22		1	
(6)	N 908 424 02	Combination screw M 6 X 22		1	

Model: 92A 11

Model life 2011>>



Model: 92A 11

Model life 2011>>

Pos	Part Number	Description	Remark	Qty	Model
		Tiptronic Transmission oil cooler Radiator Oil pipe			IDD8/G1G
1	958 307 015 00	Transmission oil cooler		1	
(1)	958 307 015 01	Transmission oil cooler		1	
2	958 307 082 40	Oil pipe Supply Return line		1	
3	N 906 660 01	O-ring 11,5 X 3		6	
4	958 307 037 00	Radiator		1	
5	N 106 893 02	Pan-head screw M 8 X 25		2	
(5)	N 911 133 01	Stud M 8 X 25 - M 8 X 16		1	
6	958 307 085 00	Oil pipe Supply		1	
7	N 106 320 03	Oval-head screw M 6 X 16		3	
8	N 106 893 02	Pan-head screw M 8 X 25		1	
9	N 908 424 02	Combination screw M 6 X 22		1	
10	N 106 648 01	Pan-head screw M 8 X 20		1	
11	958 106 565 00	Cooling water tube Supply		1	
12	WHT 002 543	O-ring 17,1 X 1,6		2	
13	N 103 352 06	Round head screw M 6 X 12		2	
14	958 106 566 00	Cooling water tube Return line		1	
15	N 906 869 01	Hose clamp B 23 X 12		4	
16	958 106 549 30	Water hose with Heater valve When required order also: Heat protection POS.18 See workshop manual Group 8 Document 803655 SY4215		1	
17	958 106 550 40	Water hose		1	
18	958 106 653 20	Heat protection Heater valve See workshop manual Group 8 Document 803655 SY4215	(RUS)	1	I6EA/6EG
(18)		Heat protection Heater valve See workshop manual Group 8 Document 803655 SY4215		1	I6EB
19	N 107 678 01	Support		1	I7MM

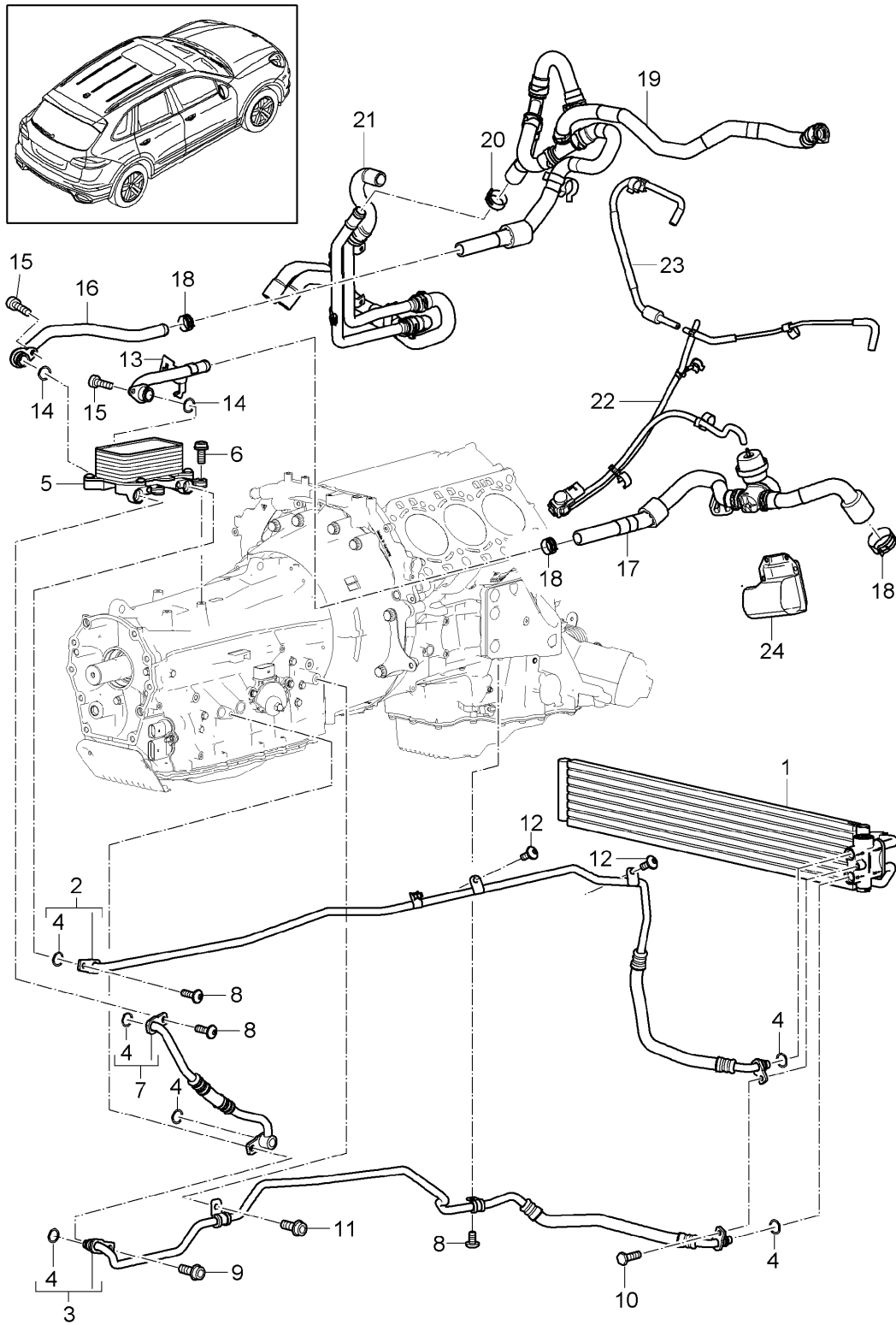
Model: 92A 11

Model life 2011>>

Pos	Part Number	Description	Remark	Qty	Model
		A 14-22 X C 05-22			

Model: 92A 11

Model life 2011>>



Model: 92A 11

Model life 2011>>

Pos	Part Number	Description	Remark	Qty	Model
		Tiptronic Transmission oil cooler Radiator Oil pipe			IDU2/DU3/G1G
1	958 307 015 01	Transmission oil cooler		1	
2	958 307 181 10	Oil pipe Supply		1	
3	958 307 182 10	Oil pipe Return line		1	
4	N 906 660 01	O-ring 11,5 X 3		6	
5	958 307 037 00	Radiator		1	
6	N 106 893 02	Pan-head screw M 8 X 25		3	
7	958 307 085 00	Oil pipe Supply		1	
8	N 106 320 03	Oval-head screw M 6 X 16		3	
9	N 106 893 02	Pan-head screw M 8 X 25		1	
10	N 908 424 02	Combination screw M 6 X 22		1	
11	N 106 648 01	Pan-head screw M 8 X 20		1	
12	N 103 352 06	Round head screw M 6 X 12		2	
13	958 106 565 00	Cooling water tube Supply		1	
14	WHT 002 543	O-ring 17,1 X 1,6		2	
15	N 103 352 06	Round head screw M 6 X 12		2	
16	958 106 566 00	Cooling water tube Return line		1	
17	958 106 549 40	Water hose Supply with Heater valve When required order also: Heat protection POS.24 See workshop manual Group 8 Document 803655 SY4215		1	
18	N 906 869 01	Hose clamp B 23 X 12		3	
19	958 106 550 50	Water hose Return line		1	
20	999 512 658 09	Hose clamp B 27 X 12		1	
21		Cooling water tube See illustrations 1/05/35 POS.26		1	
22	958 110 351 40	Vacuum line with Change-over valve		1	
(24)	958 106 653 20	Heat protection Heater valve See workshop manual Group 8	(RUS)	1	I6EA/6EC

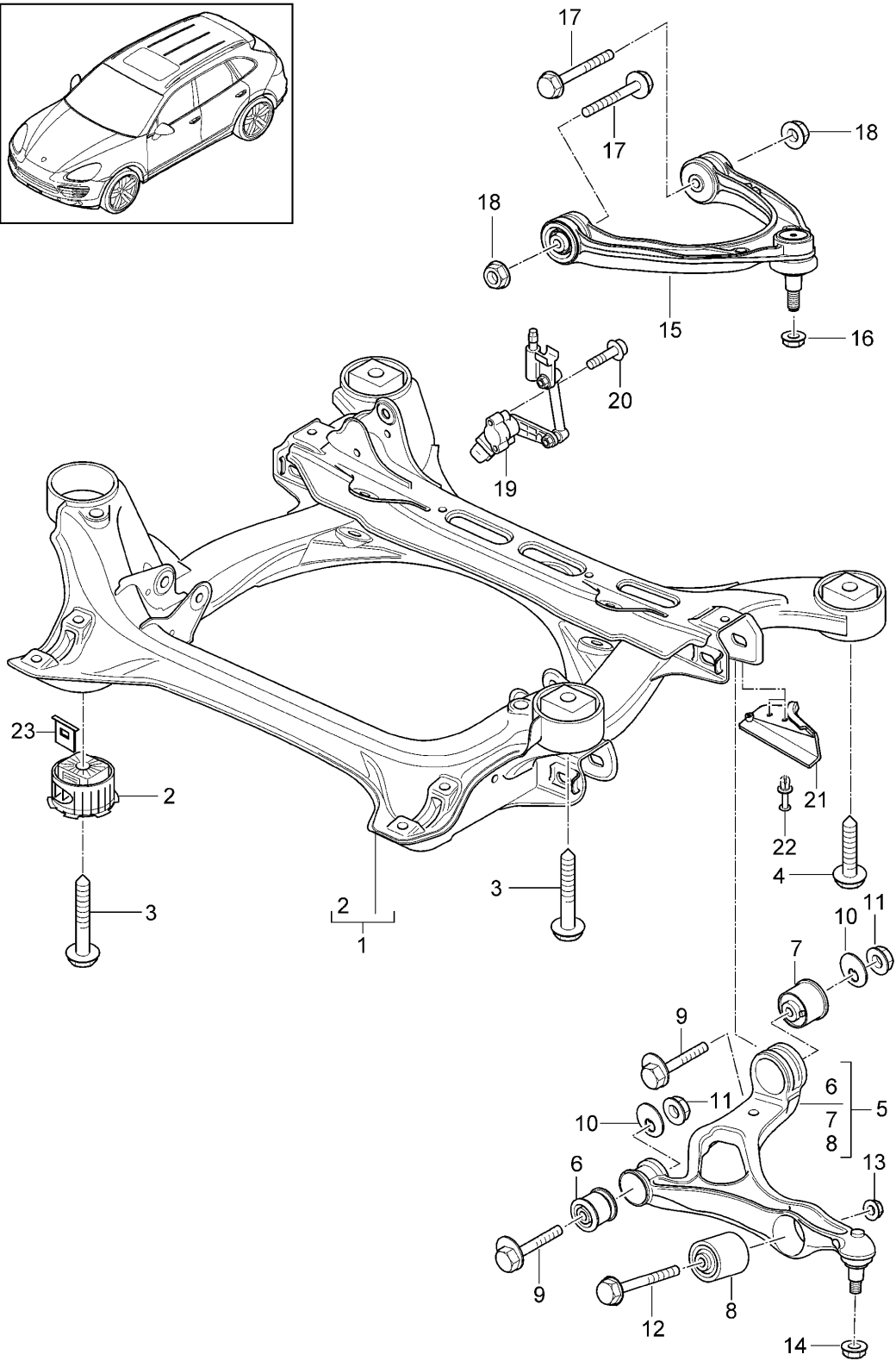
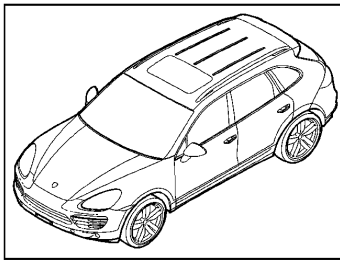
Model: 92A 11

Model life 2011>>

Pos	Part Number	Description	Remark	Qty	Model
(24)		Document 803655 SY4215 Heat protection Heater valve See workshop manual Group 8 Document 803655 SY4215		1	I6EB

Model: 92A 11

Model life 2011>>



Model: 92A 11

Model life 2011>>

Pos	Part Number	Description	Remark	Qty	Model
		Suspension subframe	-14		
		Wishbone			
		Headlight levelling system			
		Self-levelling sensor			
1	958 341 030 00	Suspension subframe		1	
2	955 341 133 01	Bonded rubber mounting		4	
3	N 909 987 02	Hexagon-head bolt		2	
		M 14 X 1,5 X 150			
4	N 910 093 02	Hexagon-head bolt		2	
		M 14 X 1,5 X 120			
5	958 341 053 00	Wishbone	/L	1	
		Lower			
(5)	958 341 053 01	Wishbone	/L	1	
		Lower			
(5)	958 341 053 02	Wishbone	/L	1	
		Lower			
(5)	958 341 053 03	Wishbone	/L	1	IE0A
		Lower			
(5)		Wishbone	/L	1	IE81
		Lower			
(5)	958 341 053 10	Wishbone	/L	1	IE0W/E8A
		Lower			
(5)	958 341 053 11	Wishbone	/L	1	IE0W/E8A
		Lower			
(5)	958 341 054 00	Wishbone	/R	1	
		Lower			
(5)	958 341 054 01	Wishbone	/R	1	
		Lower			
(5)	958 341 054 02	Wishbone	/R	1	
		Lower			
(5)	958 341 054 03	Wishbone	/R	1	IE0A
		Lower			
(5)		Wishbone	/R	1	IE81
		Lower			
(5)	958 341 054 10	Wishbone	/R	1	IE0W/E8A
		Lower			
(5)	958 341 054 11	Wishbone	/R	1	IE0W/E8A
		Lower			
6	955 341 588 10	Link bearing		2	IE0A
(6)		Link bearing		2	IE81
(6)	958 341 588 00	Link bearing		2	IE0W/E8A
		Use also:			
		958.343.243.00			
-	958 343 243 00	Stop		2	IE0W/E8A
		Link bearing			
7	955 341 242 62	Hydraulic mount		2	
8	955 343 243 01	Suspension strut mounting		2	
9	WHT 001 833	Eccentric screw		4	
		M 14 X 1,5 X 102			
10	WHT 001 796 A	Eccentric washer		4	
11	WHT 001 938	Lock nut		4	
		M 14 X 1,5			
12	N 105 326 02	Hexagon-head bolt		2	
		M 14 X 1,5 X 102			
13	N 103 353 04	Hexagon nut		2	
		M 14 X 1,5			
14	WHT 003 949	12-point nut		2	
		M14X1.5			
14	WHT 005 633	12-point nut		2	
		M14X1.5			
15	958 341 051 00	Wishbone		2	
		Upper			
16	WHT 003 950	Hexagon nut		2	

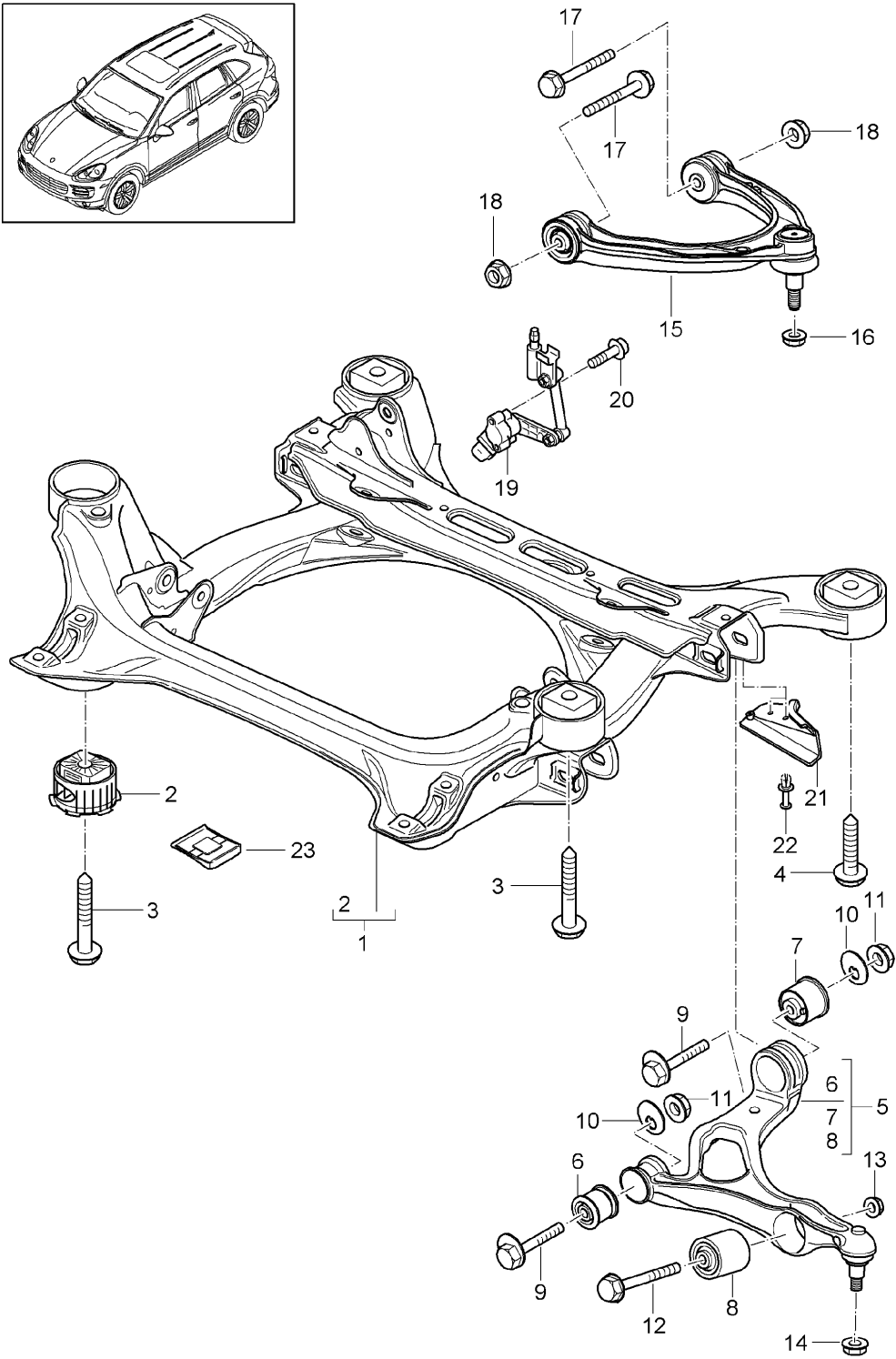
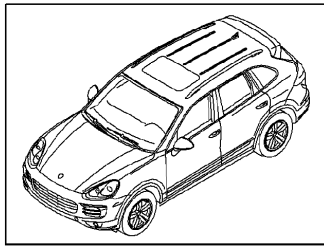
Model: 92A 11

Model life 2011>>

Pos	Part Number	Description	Remark	Qty	Model
17	N 102 902 06	M 12 X 1,5 Hexagon-head bolt		4	
18	N 102 861 10	M 10 X 70 Hexagon nut		4	
19	958 341 075 00	M 10 Self-levelling sensor with Linkage	/L	1	I1BA/1BW/8Q3
19		Self-levelling sensor with Linkage	/L	1	I1BH/1BK/1BZ
(19)	958 341 076 00	Self-levelling sensor with Linkage	/R	1	I1BH/1BK/1BZ
20	N 104 514 09	Pan-head screw M6X16.0 Mount Self-levelling sensor		2	
21	955 341 483 00	Spoiler	/L	1	
(21)	955 341 484 00	Spoiler	/R	1	
22	N 107 009 01	Expansion rivet BD 4,5 X 11,5		4	
23	958 341 329 00	Insert		4	

Model: 92A 11

Model life 2011>>



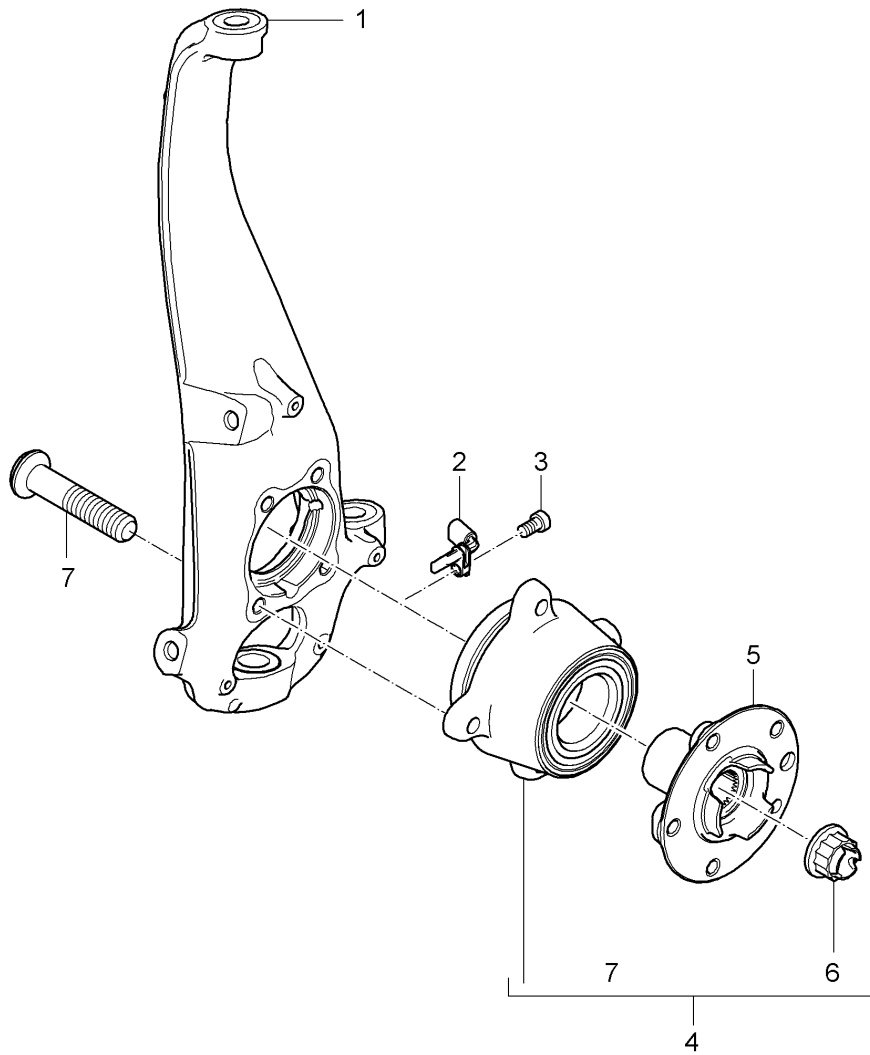
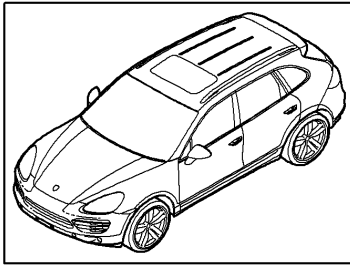
Model: 92A 11

Model life 2011>>

Pos	Part Number	Description	Remark	Qty	Model
		Suspension subframe	15-		
		Wishbone			
		Headlight levelling system			
		Self-levelling sensor			
1	958 341 030 00	Suspension subframe		1	
2	955 341 133 01	Bonded rubber mounting		4	
3	N 909 987 02	Hexagon-head bolt		2	
		M 14 X 1,5 X 150			
4	N 910 093 02	Hexagon-head bolt		2	
		M 14 X 1,5 X 120			
5	958 341 053 11	Wishbone	/L	1	
		Lower			
(5)	958 341 054 11	Wishbone	/R	1	
		Lower			
-	958 343 243 00	Stop		2	
		Link bearing			
6	958 341 588 00	Link bearing		2	
		Use also:			
		958.343.243.00			
7	955 341 242 62	Hydraulic mount		2	
8	955 343 243 01	Suspension strut mounting		2	
9	WHT 001 833	Eccentric screw		4	
		M 14 X 1,5 X 102			
10	WHT 001 796 A	Eccentric washer		4	
11	WHT 001 938	Lock nut		4	
		M 14 X 1,5			
12	N 105 326 02	Hexagon-head bolt		2	
		M 14 X 1,5 X 102			
13	N 103 353 04	Hexagon nut		2	
		M 14 X 1,5			
14	WHT 005 633	12-point nut		2	
		M14X1.5			
15	958 341 051 00	Wishbone		2	
		Upper			
16	WHT 005 819	Hexagon nut		2	
		M 12 X 1,5			
17	N 105 607 02	Hexagon-head bolt		4	
		M 10 X 70			
18	N 102 861 10	Hexagon nut		4	
		M 10			
19	958 341 075 00	Self-levelling sensor	/L	1	I1BA/1BW/8Q3
		with			
		Linkage			
(19)		Self-levelling sensor	/L	1	I1BH/1BK/1BZ
		with			
		Linkage			
(19)	958 341 076 00	Self-levelling sensor	/R	1	I1BH/1BK/1BZ
		with			
		Linkage			
20	N 104 514 09	Pan-head screw		2	
		M6X16.0			
		Mount			
		Self-levelling sensor			
21	955 341 483 00	Spoiler	/L	1	IDT1/DU2
(21)	955 341 484 00	Spoiler	/R	1	IDT1/DU2
22	N 107 009 01	Expansion rivet		4	
		BD 4,5 X 11,5			
23	958 341 329 00	Insert		4	
		Bonded rubber mounting			

Model: 92A 11

Model life 2011>>



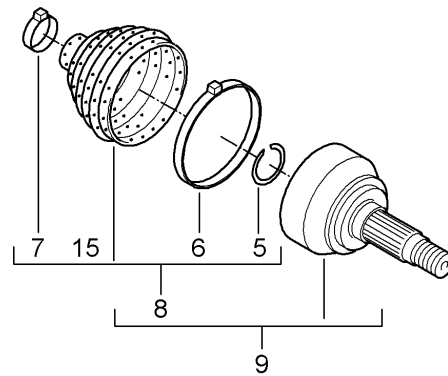
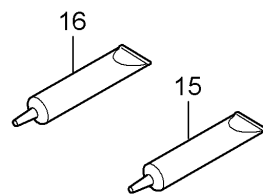
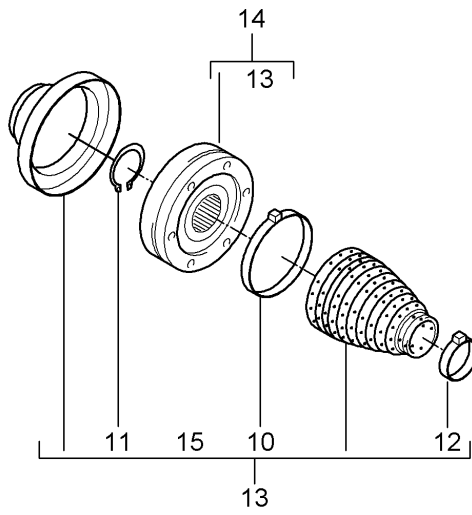
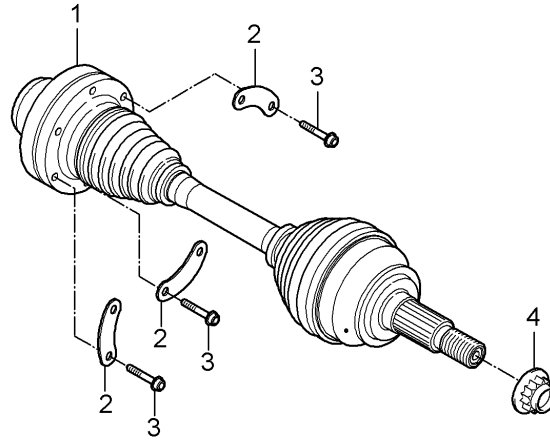
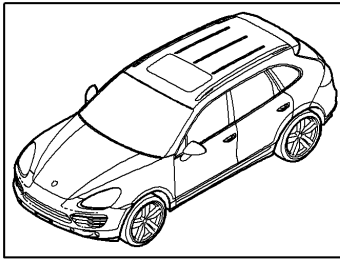
Model: 92A 11

Model life 2011>>

Pos	Part Number	Description	Remark	Qty	Model
		Pivot bearing			
		Wheel hub			
1	958 341 155 00	Pivot bearing	/L	1	
(1)	958 341 156 00	Pivot bearing	/R	1	
2	958 606 405 00	Speed sensor		2	
2	958 606 405 10	Speed sensor		1	
		Repair kit			
		Front and rear			
3	N 014 740 11	Pan-head screw		2	
		M 6 X 16			
4	958 341 901 00	Repair kit		2	
		Angular-contact bearing			
		Use also:			
		Screw		4	
		for			
		Mount			
		Fixed calliper			
5	958 341 605 00	Wheel hub	-14	2	
(5)	958 341 605 01	Wheel hub	15-	2	
6	955 341 640 00	Lock nut		2	
		M 24			
7	WHT 004 835	Multiple-tooth screw		8	
		M 12 X 1.25 X 45			
-	000 043 204 21	Grease		1	
		Spraying can			
		25 ML			
-	G 052 778 A2	Grease		1	
		Spraying can			
		25 ML			

Model: 92A 11

Model life 2011>>



Model: 92A 11

Model life 2011>>

Pos	Part Number	Description	Remark	Qty	Model
		Drive shaft	-14		
1	958 349 038 00	Drive shaft		2	ID34/D58/D6V
1	958 349 038 01	Drive shaft		2	ID34/D58/D6V
1	958 349 038 02	Drive shaft		2	ID34/D58/D6V
(1)		Drive shaft		2	IDD8
1	958 349 038 10	Drive shaft		2	-ID34/-ID58 -ID6V
1	958 349 038 11	Drive shaft		2	-ID34/-ID58 -ID6V
1	958 349 038 12	Drive shaft		2	-ID34/-ID58 -ID6V
2	958 349 191 00	Plate		6	IDD8/D34/D58 ID6V
(2)	955 349 191 11	Plate		6	-ID34/-ID58 -ID6V
3	N 911 082 01	Multiple-tooth screw		12	IDD8/D34/D58 ID6V
(3)	N 105 234 02	M8X48 Pan-head screw		12	-ID34/-ID58 -ID6V
4	955 341 640 00	AM 10 X 52 Lock nut		2	
5	N 911 811 01	M 24 X 1,5 Circlip		2	IDD8/D34/D58 ID6V
(5)	N 911 705 01	A 27,3 Circlip		2	-ID34/-ID58 -ID6V
6	N 107 502 01	A 30,5 Clamp		2	IDD8/D34/D58 ID6V
(6)	N 107 401 01	89,5 X 10 Clamp		2	-ID34/-ID58 -ID6V
7	N 107 286 01	98,5 X 10 Clip		2	IDD8/D34/D58 ID6V
(7)	N 107 402 01	33 X 10 Clamp		2	-ID34/-ID58 -ID6V
8	958 349 904 00	35,5 X 10 Repair kit		2	-ID34/-ID58 -ID6V
(8)	958 349 904 10	Bellows Repair kit		2	IDD8/D34/D58 ID6V
9	958 349 901 01	Bellows Repair kit		2	-ID34/-ID58 -ID6V
(9)	958 349 901 10	Joint flange Repair kit		2	IDD8/D34/D58 ID6V
10	N 107 536 01	Joint flange Clamp		2	IDD8/D34/D58 ID6V
(10)	N 106 015 01	69,5 X 7 Clamp		2	-ID34/-ID58 -ID6V
11	N 107 532 01	74,5 X 10 X 1 Circlip		2	IDD8/D34/D58 ID6V
(11)	N 012 374 1	26 X 1,2 Circlip		2	-ID34/-ID58

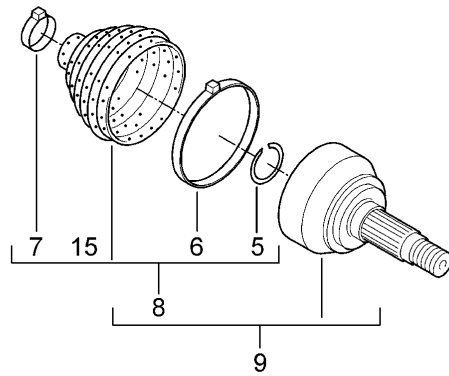
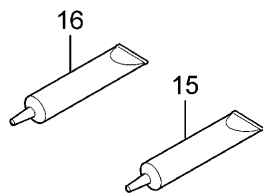
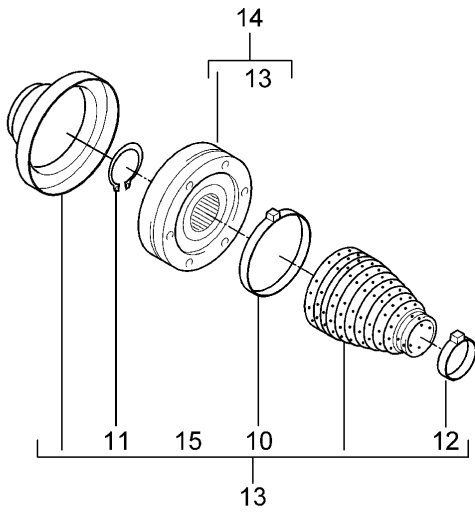
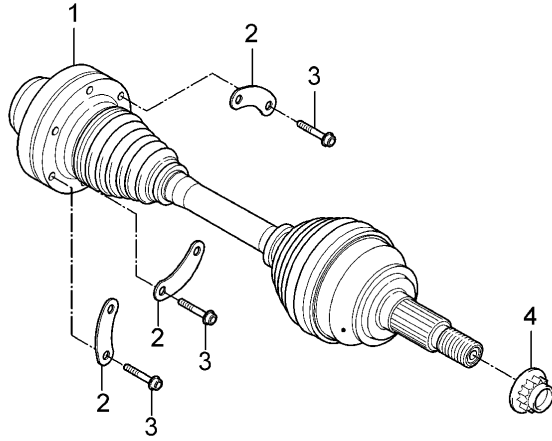
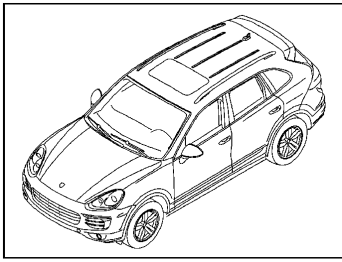
Model: 92A 11

Model life 2011>>

Pos	Part Number	Description	Remark	Qty	Model
					-ID6V
12	N 107 533 01	28 X 1,5 Clamp		2	IDD8/D34/D58 ID6V
(12)	N 908 240 01	33,5 X 7 Clamp		2	-ID34/-ID58 -ID6V
13	958 349 903 00	34,5 X 10 X 0,8 Repair kit		2	IDD8/D34/D58 ID6V
(13)	955 349 903 01	Bellows Repair kit		2	-ID34/-ID58 -ID6V
14	958 349 902 00	Bellows Repair kit		2	IDD8/D34/D58 ID6V
(14)	955 349 902 01	Joint Repair kit		2	-ID34/-ID58 -ID6V
15	000 043 110 02	Joint Grease		X	
		Drive shaft 1 tube			
16	000 043 020 00	100 GR. Optimoly		X	
(16)	000 043 205 36	1 100-gramme tube Sealing compound		X	
		Drive shaft 1 100-gramme tube			

Model: 92A 11

Model life 2011>>



Model: 92A 11

Model life 2011>>

Pos	Part Number	Description	Remark	Qty	Model
1	958 349 038 02	Drive shaft Drive shaft	15-	2	MCF.TB MCU.DC/RA MCY.XA MCX.ZA MCE.YA
(1)	958 349 038 12	Drive shaft		2	MCG.EA/FA MCR.CA MCV.VC MCJ.TB MCN.RB MCV.VA/VB
2	958 349 191 00	Plate		6	MCF.TB MCU.DC/RA MCY.XA MCX.ZA MCE.YA
(2)	955 349 191 11	Plate		6	MCG.EA/FA MCR.CA MCV.VC MCV.VA/VB MCJ.TB MCN.RB
3	N 911 082 01	Multiple-tooth screw M8X48		12	MCF.TB MCU.DC/RA MCY.XA MCX.ZA MCE.YA
(3)	N 105 234 02	Pan-head screw AM 10 X 52		12	MCG.EA/FA MCR.CA MCV.VC MCV.VA/VB
4	955 341 640 00	Lock nut M 24 X 1,5		2	
5	N 911 811 01	Circlip A 27,3		2	MCF.TB MCU.DC/RA MCY.XA MCX.ZA MCE.YA
(5)	N 911 705 01	Circlip A 30,5		2	MCG.EA/FA MCR.CA MCV.VC MCV.VA/VB MCJ.TB MCN.RB
6	N 107 502 01	Clamp 89,5 X 10		2	MCF.TB MCU.DC/RA MCY.XA MCX.ZA MCE.YA
(6)	N 107 401 01	Clamp 98,5 X 10		2	MCG.EA/FA MCR.CA MCV.VC MCV.VA/VB MCJ.TB MCN.RB
7	N 107 286 01	Clip 33 X 10		2	MCF.TB MCU.DC/RA MCY.XA

Model: 92A 11 Model life 2011>>

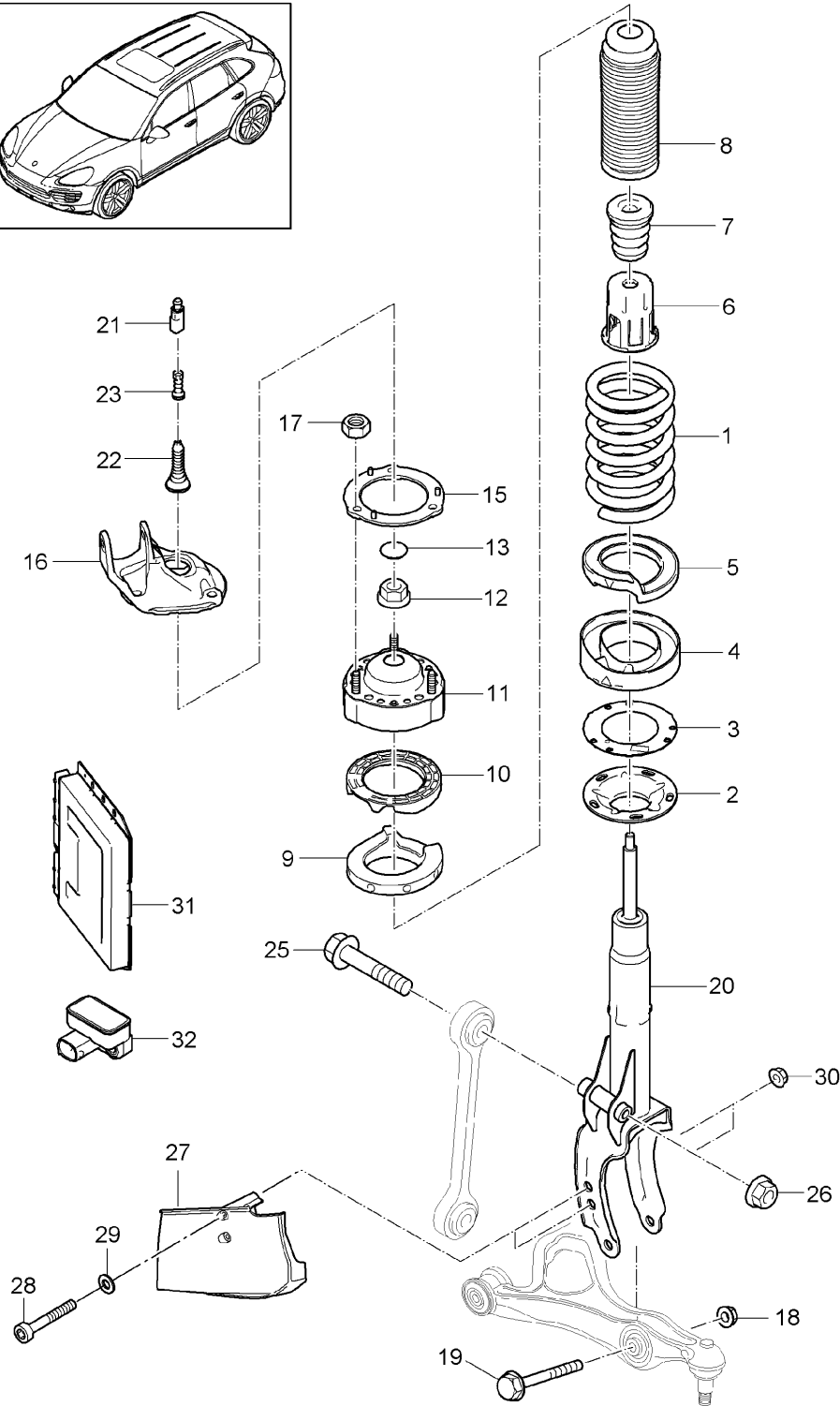
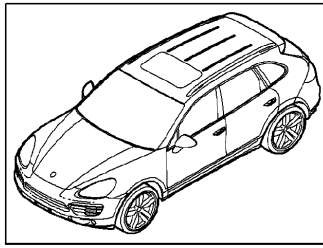
Pos	Part Number	Description	Remark	Qty	Model
(7)	N 107 402 01	Clamp 35,5 X 10		2	MCE.YA MCX.ZA MCG.EA/FA MCR.CA MCV.VC MCV.VA/VB MCJ.TB MCN.RB
8	958 349 904 10	Repair kit Bellows		2	MCF.TB MCU.DC/RA MCY.XA MCX.ZA MCE.YA
(8)	958 349 904 00	Repair kit Bellows		2	MCG.EA/FA MCR.CA MCV.VC MCV.VA/VB MCJ.TB MCN.RB
9	958 349 901 10	Repair kit Joint flange		2	MCF.TB MCU.DC/RA MCY.XA MCX.ZA MCE.YA
(9)	958 349 901 01	Repair kit Joint flange		2	MCG.EA/FA MCR.CA MCV.VC MCV.VA/VB MCJ.TB MCN.RB
10	N 107 536 01	Clamp 69,5 X 7		2	MCF.TB MCU.DC/RA MCY.XA MCX.ZA MCE.YA
(10)	N 106 015 01	Clamp 74,5 X 10 X 1		2	MCG.EA/FA MCR.CA MCV.VC MCV.VA/VB MCJ.TB MCN.RB
11	N 107 532 01	Circlip 26 X 1,2		2	MCF.TB MCU.DC/RA MCY.XA MCX.ZA MCE.YA
(11)	N 012 374 1	Circlip 28 X 1,5		2	MCG.EA/FA MCR.CA MCV.VC MCV.VA/VB MCJ.TB MCN.RB
12	N 107 533 01	Clamp 33,5 X 7		2	MCF.TB MCU.DC/RA MCY.XA MCX.ZA MCE.YA
(12)	N 908 240 01	Clamp		2	MCG.EA/FA

Model: 92A 11 Model life 2011>>

Pos	Part Number	Description	Remark	Qty	Model
13	958 349 903 00	34,5 X 10 X 0,8 Repair kit		2	MCR.CA MCV.VC MCV.VA/VB MCJ.TB MCN.RB MCF.TB MCU.DC/RA MCY.XA
(13)	955 349 903 01	Bellows Repair kit		2	MCX.ZA MCE.YA MCG.EA/FA MCR.CA MCV.VC MCV.VA/VB MCJ.TB MCN.RB
14	958 349 902 00	Bellows Repair kit		2	MCF.TB MCU.DC/RA MCY.XA
(14)	955 349 902 01	Joint Repair kit		2	MCX.ZA MCE.YA MCG.EA/FA MCR.CA MCV.VC MCV.VA/VB MCJ.TB MCN.RB
15	000 043 110 02	Grease Drive shaft 1 tube		X	
16	000 043 020 00	100 GR. Optimoly		X	
(16)	000 043 205 36	1 100-gramme tube Sealing compound Drive shaft 1 100-gramme tube		X	

Model: 92A 11

Model life 2011>>



Model: 92A 11

Model life 2011>>

Pos	Part Number	Description	Remark	Qty	Model
		suspension	-14		I1BA/1BH/1BW I1BZ
1	958 343 533 00	Steel Coil spring		1	I0JA/0JB/1BA
	958 343 533 00 504	Set Identification			
1	958 343 533 30	Grey Coil spring		1	ID1V/D34/D43 ID50/D6V/0JA I0JB/1BA
	958 343 533 30 504	Set Identification			
		Grey			
		Grey			
		Grey			
1	958 343 533 31	Coil spring		1	ID34/D43/D50 ID6V/0JA/0JB I1BW
	958 343 533 31 504	Set Identification			
		Lilac			
		Red			
(1)	958 343 533 10	Coil spring		1	I0JC/0JD/1BA
	958 343 533 10 504	Set Identification			
		Grey			
(1)	958 343 533 40	Coil spring		1	ID1V/D34/D43 ID50/D6V/0JC I0JD/1BA
	958 343 533 40 504	Set Identification			
		Blue			
		Green			
(1)	958 343 533 41	Coil spring		1	ID34/D43/D50 ID6V/0JC/0JD I0JE/1BW
	958 343 533 41 504	Set Identification			
		Lilac			
(1)	958 343 533 20	Coil spring		1	ID19/0JC/0JD I0JE/1BA
	958 343 533 20 504	Set Identification			
		Grey			
		Grey			
(1)	958 343 534 00	Coil spring		1	ID19/D34/D43 ID50/D6V/0JA I1BH
	958 343 534 00 504	Set Identification			
		Lilac			
		Lilac			
		White			
(1)	958 343 534 10	Coil spring		1	ID19/D34/D43 ID50/D6V/0JB I0JC/1BH
	958 343 534 10 504	Set Identification			

Model: 92A 11 Model life 2011>>

Pos	Part Number	Description	Remark	Qty	Model
(1)	958 343 534 20	Lilac Lilac White White Coil spring		1	ID19/D34/D43 ID50/D6V/0JD I1BH
	958 343 534 20 504	Set Identification			
(1)	958 343 534 60	Lilac Blue Coil spring		1	GTS ID6V/E0W/0JA I0JB/0JC/0JD I0JE/1BH
	958 343 534 60 504	Set Identification			
(1)	958 343 533 60	White Yellow Coil spring		1	IDD8/DU2/D1V ID19/D34/D43 ID50/D6V/0JE I1BH
	958 343 533 60 504	Set Identification			
2	958 343 525 00	Green Green Concave washer		2	I1BA/1BW
(2)		Concave washer		2	I1BH/1BZ
		Is a component of Shock absorber strut			
3	WHT 005 267	Spacer		0	I1BA/1BH/1BW I1BZ
		74.0 X 124.5 X 1.7 Use for Tolerance group 0			
3		Spacer		2	I1BA/1BH/1BW I1BZ
		74.0 X 124.5 X 1.7 Use for Tolerance group 1			
3		Spacer		4	I1BA/1BH/1BW I1BZ
		74.0 X 124.5 X 1.7 Use for Tolerance group 2			
4	958 343 523 00	Spring		2	I1BA/1BH/1BW I1BZ
		Shim			
5	958 343 521 00	Spring		2	I1BA/1BH/1BW I1BZ
		Desk pad			
6	958 343 503 00	Cap		2	I1BA/1BW
6	958 333 375 02	Cap		2	I1BA/1BW
(6)	958 343 503 50	Cap		2	I1BH/1BZ
7	958 343 301 00	Rubber stop		2	I1BA/1BW
(7)	958 343 301 50	Rubber stop		2	I1BH/1BZ
8	958 343 505 00	Boot		2	I1BA/1BH/1BW I1BZ
9	958 333 149 00	Spring		2	I1BA/1BH/1BW

Model: 92A 11 Model life 2011>>

Pos	Part Number	Description	Remark	Qty	Model
		Desk pad			I1BZ
10	958 343 524 00	Upper Spring		2	I1BA/1BH/1BW I1BZ
		Shim			
11	958 343 017 00	Upper Concave support		2	I1BA/1BW
(11)	958 343 017 50	Concave support		2	I1BH/1BZ
12	N 909 664 02	Hexagon nut M 12 X 1,5		2	I1BA/1BW
(12)	WHT 004 985	Hexagon nut M 14 X 1,5		2	I1BH/1BZ
13	958 343 501 00	Stopper		2	I1BA/1BW
15	958 343 901 00	Ring		2	I1BA/1BH/1BW I1BZ
(15)		Ring	/L	1	I1BA/1BH/1BW I1BZ
16	958 375 112 00	Bracket	/R	1	I1BA/1BH/1BW I1BZ
-		Support Connection point See illustrations 4/03/17	/L	1	ID11/D19
-	958 343 503 02	Support	/L	1	ID34/D58/D6V I0AB
-	958 343 235 02	Connection point Support	/L	1	ID34/D58/D6V I0AW
-	958 343 335 01	Connection point Support	/L	1	ID50
-	N 015 082 10	Connection point Hexagon nut M 6 for Support		X	
-	958 343 262 01	Connection point Support	/R	1	ID11/D19/D34
-	958 343 457 01	Connection point Support	/R	1	ID58/D6V
-		Connection point Support	/R	1	ID50
-		Connection point See illustrations 2/01/35			
-	N 107 030 01	Hexagon-head bolt M 6 for Support		1	
17	N 102 613 11	Connection point Hexagon nut M10		6	
18	N 103 353 04	Hexagon nut M 14 X 1.5		2	
19	N 105 326 02	Hexagon-head bolt M 14 X 1,5 X 102		2	
20	958 343 043 00	Vibration damper	/L	1	I1BA/1BW
20	958 343 043 01	Vibration damper Only by sets	/L	1	I1BA/1BW
(20)	958 343 044 00	Vibration damper	/R	1	I1BA/1BW
(20)	958 343 044 01	Vibration damper Only by sets	/R	1	I1BA/1BW
20	958 343 043 10	Vibration damper	/L	1	I1BA/1BW

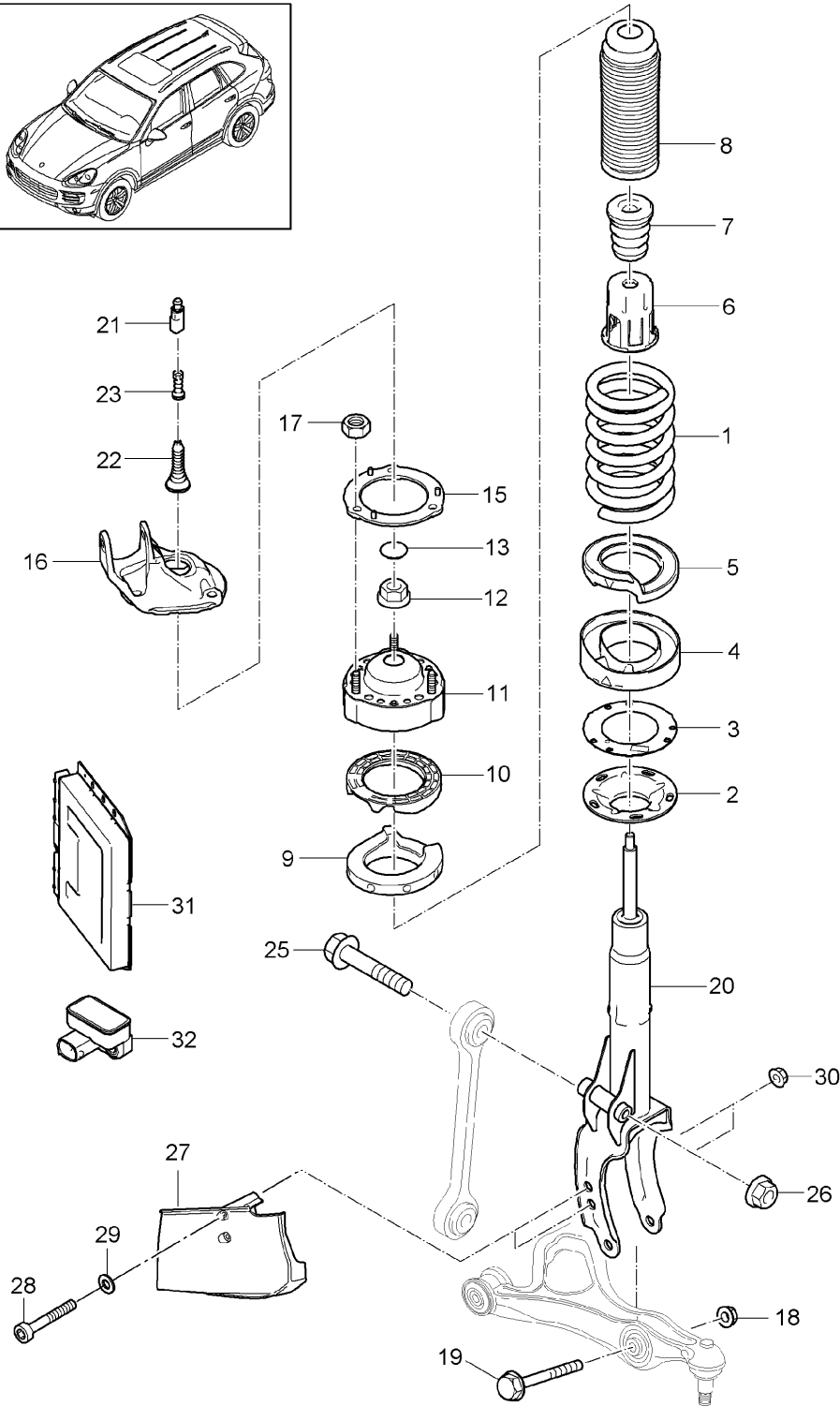
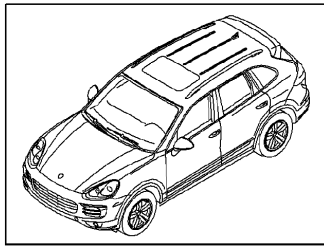
Model: 92A 11

Model life 2011>>

Pos	Part Number	Description	Remark	Qty	Model
(20)	958 343 044 10	Vibration damper	/R	1	I1BA/1BW
20	958 343 043 20	Vibration damper	/L	1	I1BH/1BZ
(20)	958 343 044 20	Vibration damper	/R	1	I1BH/1BZ
21	1J0 973 802	Connector housing		2	I1BH/1BZ
		Vibration damper			
22	958 343 878 00	Grommet		2	I1BH/1BZ
		Connector			
23	958 343 783 02	Grommet		2	I1BH/1BZ
		Cable			
25	N 105 668 03	Hexagon-head bolt		2	
		M 12 X 1,5 X 60			
26	N 104 029 04	Hexagon nut		4	
		M 12 X 1,5			
27	955 351 117 00	Air guide	/L	1	I1LH/1LV/1LX
(27)	955 351 118 00	Air guide	/R	1	I1LH/1LV/1LX
28	N 105 475 02	Torx screw		4	I1LH/1LX
		BM 6 X 80 X 37			
29	N 104 048 06	Washer		4	I1LH/1LX
		6,4 X 12 X 1,6			
30	N 102 058 02	Hexagon nut		4	I1LH/1LV/1LX
		M 6			
31		Control unit	-14		
		- PASM -			
		See illustrations			
		9/01/02			
32		Acceleration sensor			
		See illustrations			
		6/06/00			

Model: 92A 11

Model life 2011>>



Model: 92A 11 Model life 2011>>

Pos	Part Number	Description	Remark	Qty	Model
1	958 343 533 30	suspension Steel Coil spring	15-	1	I1BA/1BH/1BW I1BZ MCR.CA MCU.RA MCV.VC I0JA/0JB/1BA MCJ.TB MCN.RB MCV.VA
	958 343 533 30 504	Set Identification Grey Grey Grey Grey			
(1)	958 343 533 40	Coil spring		1	MCR.CA MCU.DC MCV.VC I0JC/0JD/1BA MCN.RB MCV.VA/VB
	958 343 533 40 504	Set Identification Blue Green			
(1)	958 343 533 41	Coil spring		1	MCN.RB MCR.CA MCU.RA MCV.VC I0JC/0JD/0JE I1BW
	958 343 533 41 504	Set Identification Lilac Red			
(1)	958 343 533 45	Coil spring		1	MCU.RA MCV.VA/VB I0JE/1BA MCJ.TB MCN.RB MCR.CA MCU.DC MCV.VC
	958 343 533 45 504	Set Identification Green			
(1)	958 343 534 00	Coil spring		1	MCR.CA MCU.DC MCV.VC I0JA/1BH MCG.EA MCN.RB
	958 343 534 00 504	Set Identification Lilac Lilac White			
(1)	958 343 534 10	Coil spring		1	MCJ.TB MCR.CA MCU.DC MCV.VC I0JB/0JC/1BH MCG.EA MCN.RB MCU.RA MCV.VA/VB
		Set			

Model: 92A 11 Model life 2011>>

Pos	Part Number	Description	Remark	Qty	Model
(1)	958 343 534 10 504	Identification Lilac Lilac White White		1	MCJ.TB MCN.RB MCR.CA MCU.DC MCV.VC I0JD/1BH MCG.EA MCU.RA MCV.VA/VB
(1)	958 343 534 20	Coil spring		1	GTS MCX.ZA I0JA/0JB/0JC I0JD/0JE/1BH
(1)	958 343 534 60	Coil spring		1	MCG.EA/FA MCU.DC/RA MCV.VC I0JE/1BH MCN.RB MCR.CA MCV.VA/VB
(1)	958 343 533 60	Coil spring		2	I1BA/1BW I1BH/1BZ
(2)	958 343 525 00	Concave washer Concave washer Is a component of Shock absorber strut		2	I1BA/1BH/1BW I1BZ
3	WHT 005 267	Spacer		X	I1BA/1BH/1BW I1BZ
3		74.0 X 124.5 X 1.7 Use for Tolerance group 0 Spacer		2	I1BA/1BH/1BW I1BZ
3		74.0 X 124.5 X 1.7 Use for Tolerance group 1 Spacer		4	I1BA/1BH/1BW I1BZ
4	958 343 523 00	Spring		2	I1BA/1BH/1BW I1BZ
5	958 343 521 00	Shim Spring Desk pad		2	I1BA/1BH/1BW I1BZ

Model: 92A 11

Model life 2011>>

Pos	Part Number	Description	Remark	Qty	Model
6	958 333 375 02	Cap		2	I1BA/1BW
(6)	958 343 503 50	Cap		2	I1BH/1BZ
7	958 343 301 00	Rubber stop		2	I1BA/1BW
(7)	958 343 301 50	Rubber stop		2	I1BH/1BZ
8	958 343 505 00	Boot		2	I1BA/1BH/1BW I1BZ
9	958 333 149 00	Spring		2	I1BA/1BH/1BW I1BZ
		Desk pad Upper			
10	958 343 524 00	Spring		2	I1BA/1BH/1BW I1BZ
		Shim Upper			
11	958 343 017 00	Concave support		2	I1BA/1BW
(11)	958 343 017 51	Concave support		2	I1BH/1BZ
12	N 909 664 02	Hexagon nut M 12 X 1,5		2	I1BA/1BW
(12)	WHT 004 985	Hexagon nut M 14 X 1,5		2	I1BH/1BZ
13	958 343 501 00	Stopper		2	I1BA/1BW
15	958 343 901 00	Ring		2	I1BA/1BH/1BW I1BZ
(15)		Ring	/L	1	MCU.DC/RA I1BA/1BH/1BW I1BZ
(16)	958 375 112 10	Bracket	/R	1	MCU.DC/RA I1BA/1BH/1BW I1BZ
17	N 102 613 11	Hexagon nut M10		6	
18	N 103 353 04	Hexagon nut M 14 X 1.5		2	
19	N 105 326 02	Hexagon-head bolt M 14 X 1,5 X 102		2	
20	958 343 043 11	Vibration damper	/L	1	I1BA/1BW
(20)	958 343 044 11	Vibration damper	/R	1	I1BA/1BW
20	958 343 043 30	Vibration damper	/L	1	I1BH/1BZ
(20)	958 343 044 30	Vibration damper	/R	1	I1BH/1BZ
21	1J0 973 802	Connector housing Vibration damper		2	I1BH/1BZ
22	958 343 878 00	Grommet Connector		2	I1BH/1BZ
23	958 343 783 02	Grommet Cable		2	I1BH/1BZ
25	N 105 668 03	Hexagon-head bolt M 12 X 1,5 X 60		2	
26	N 104 029 04	Hexagon nut M 12 X 1,5		4	
27	955 351 117 00	Air guide	/L	1	I1LH/1LX
(27)		Air guide	/L	1	-I1BA/-I1BW I1LV
(27)	955 351 118 00	Air guide	/R	1	I1LH/1LV/1LX
(27)		Air guide	/R	1	-I1BA/-I1BW I1LV
28	N 105 475 02	Torx screw BM 6 X 80 X 37		4	I1LH/1LX
(28)		Torx screw BM 6 X 80 X 37		4	-I1BA/-I1BW I1LV
29	N 104 048 06	Washer 6,4 X 12 X 1,6		4	I1LH/1LX
(29)		Washer		4	-I1BA/-I1BW

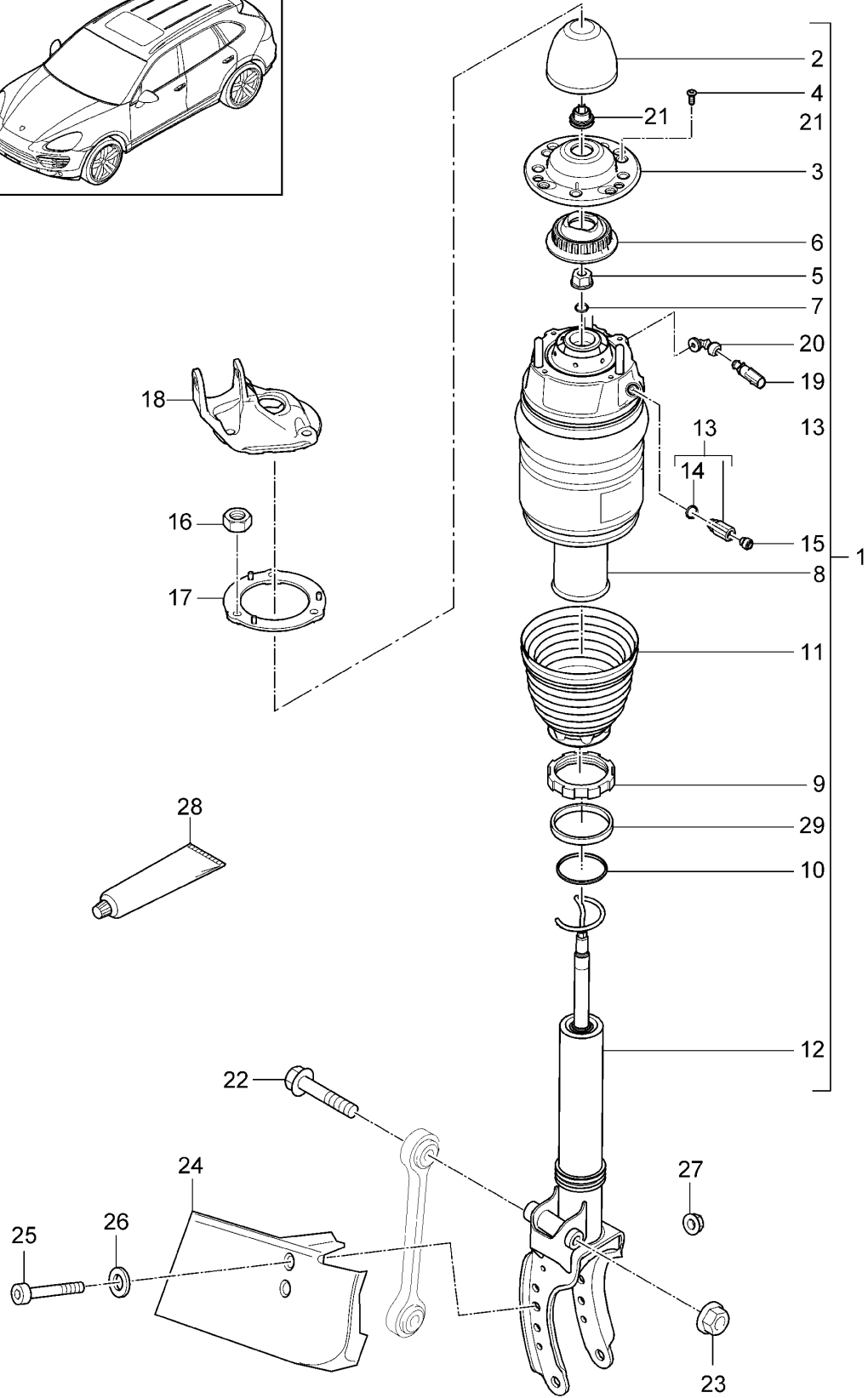
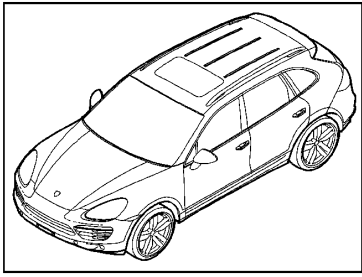
Model: 92A 11

Model life 2011>>

Pos	Part Number	Description	Remark	Qty	Model
30	N 102 058 02	6,4 X 12 X 1,6 Hexagon nut		4	I1LV I1LH/1LX
(30)		M 6 Hexagon nut		4	-I1BA/-I1BW I1LV
31		M 6 Control unit - PASM - See illustrations			
32		9/01/03 Acceleration sensor See illustrations 6/06/00			

Model: 92A 11

Model life 2011>>



Model: 92A 11 Model life 2011>>

Pos	Part Number	Description	Remark	Qty	Model
		Air spring	-14		I1BK
1	958 358 039 00	Shock absorber strut			
		Spring strut	/L	1	ID19/D58/D6V
1	958 358 039 03	Spring strut	/L	1	GTS IE0W
		Complete			
1	958 358 039 20	Spring strut	/L	1	IE8A
		Complete			
(1)	958 358 040 00	Spring strut	/R	1	ID19/D58/D6V
		Complete			
(1)	958 358 040 03	Spring strut	/R	1	GTS IE0W
		Complete			
(1)	958 358 040 20	Spring strut	/R	1	IE8A
		Complete			
1	958 358 039 10	Spring strut	/L	1	ID1V/D11/D34 ID43/D50
		Complete			
1	958 358 039 14	Spring strut	/L	1	IDD8
		Complete			
1	958 358 040 10	Spring strut	/R	1	ID1V/D11/D34 ID43/D50
		Complete			
1	958 358 040 14	Spring strut	/R	1	IDD8
		Complete			
2	958 343 501 10	Cap		2	
3	958 343 018 00	Lid		2	
4	N 102 897 02	Oval-head screw		8	
		M 6 X 16			
5	WHT 004 925	Hexagon nut		2	
		M 14 X 1.5			
6	958 343 018 20	Mounting for absorber		2	
7	N 903 677 01	O-ring		2	
8	958 343 051 00	Air spring	/L	1	
8	958 343 051 02	Air spring	/L	1	
8	958 343 051 10	Air spring	/L	1	
8	958 343 051 13	Air spring	/L	1	
8		Air spring	/L	1	
8	958 343 051 20	Air spring	/L	1	IE0W
8	958 343 051 30	Air spring	/L	1	IE8A
(8)	958 343 052 00	Air spring	/R	1	
(8)	958 343 052 02	Air spring	/R	1	
(8)	958 343 052 10	Air spring	/R	1	
(8)	958 343 052 13	Air spring	/R	1	
(8)		Air spring	/R	1	IDD8
(8)	958 343 052 20	Air spring	/R	1	IE0W
(8)	958 343 052 30	Air spring	/R	1	IE8A
9	958 343 060 00	Circlip		2	
10	958 343 045 00	Sealing ring		2	
11	958 343 505 10	Bellows		2	
12	958 343 043 50	Shock absorber	/L	1	-IE0W/-IE8A
(12)	958 343 044 50	Shock absorber	/R	1	-IE0W/-IE8A
(12)	958 343 045 50	Shock absorber	/L	1	IE0W
(12)	958 343 046 50	Shock absorber	/R	1	IE0W
(12)	958 343 047 50	Shock absorber	/L	1	IE8A
(12)	958 343 048 50	Shock absorber	/R	1	IE8A
13	958 358 720 00	Valve		2	
		with			
		Sealing ring			
14	955 358 722 00	Sealing ring		2	
15	955 358 541 00	Push-on connector		2	
		Air tube			

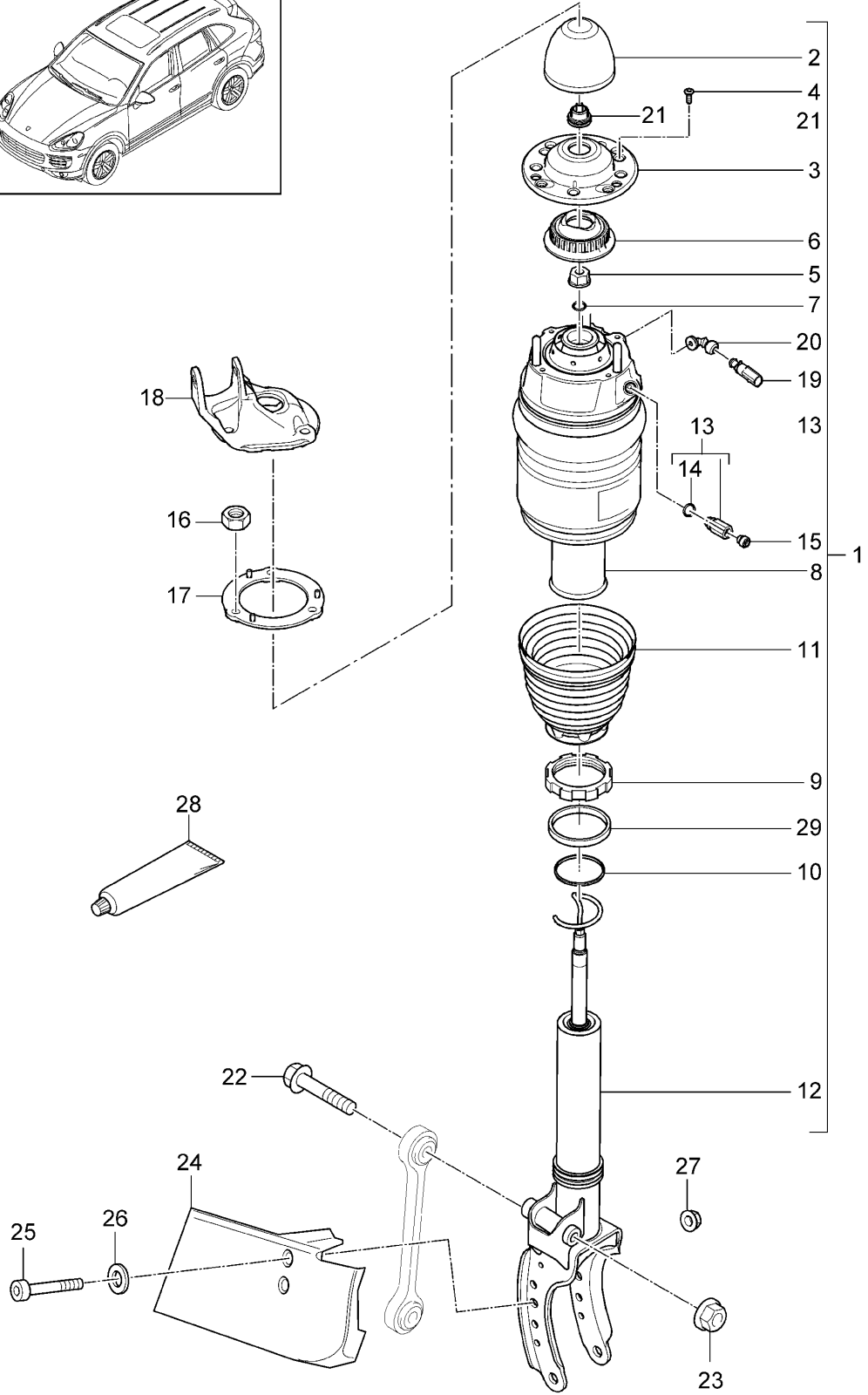
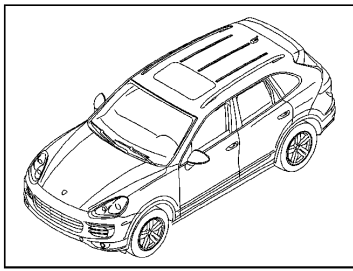
Model: 92A 11

Model life 2011>>

Pos	Part Number	Description	Remark	Qty	Model
16	N 102 613 11	Hexagon nut M 10		6	
17	958 343 901 00	Ring		2	-ID58/-ID6V
(17)		Ring	/L	1	ID58/D6V
18	958 375 112 00	Bracket	/R	1	ID58/D6V
19	1J0 973 802	Connector housing Vibration damper		2	
20	958 343 878 00	Grommet Connector		2	
21	958 343 913 00	Grommet Cable		2	
22	N 105 326 02	Hexagon-head bolt M 14 X 1,5 X 102		2	
23	N 103 353 04	Hexagon nut M 14 X 1,5		2	
24	955 351 117 00	Air guide	/L	1	I1LH/1LV/1LX
(24)	955 351 118 00	Air guide	/R	1	I1LH/1LV/1LX
25	N 105 475 02	Torx screw BM 6 X 80 X 37		4	I1LH/1LX
26	N 104 048 06	Washer 6,4 X 12 X 1,6		4	I1LH/1LX
27	N 102 058 02	Hexagon nut M 6		4	I1LH/1LV/1LX
28	000 043 204 68	Grease		1	
29	958 343 253 00	Support ring		2	

Model: 92A 11

Model life 2011>>



Model: 92A 11 Model life 2011>>

Pos	Part Number	Description	Remark	Qty	Model
1	958 358 039 16	Air spring Shock absorber strut Spring strut Complete	15- /L	1	I1BK MCR.CA MCU.RA MCV.VC MCE.YA MCJ.TB MCN.RB MCV.VA/VB MCX.ZA
(1)	958 358 039 05	Spring strut Complete	/L	1	MCX.ZA
(1)	958 358 039 21	Spring strut Complete	/L	1	MCF.TB MCG.EA/FA MCU.DC MCY.XA
(1)		Spring strut Complete	/L	1	IDT5
(1)	958 358 040 16	Spring strut Complete	/R	1	MCR.CA MCU.RA MCV.VC MCE.YA MCJ.TB MCN.RB MCV.VA/VB MCX.ZA
(1)	958 358 040 05	Spring strut Complete	/R	1	MCX.ZA
(1)	958 358 040 21	Spring strut Complete	/R	1	MCF.TB MCG.EA/FA MCU.DC MCY.XA
(1)		Spring strut Complete	/R	1	IDT5
2	958 343 501 10	Cap		2	
3	958 343 018 00	Lid		2	
4	N 102 897 02	Oval-head screw M 6 X 16		8	
5	WHT 004 925	Hexagon nut M 14 X 1.5		2	
6	958 343 018 20	Mounting for absorber		2	
7	N 903 677 01	O-ring		2	
8	958 343 051 13	Air spring	/L	1	MCR.CA MCU.RA MCV.VC MCE.YA MCJ.TB MCN.RB MCV.VA/VB
(8)	958 343 051 20	Air spring	/L	1	MCX.ZA
(8)	958 343 051 30	Air spring	/L	1	MCF.TB MCG.EA/FA MCU.DC
(8)	958 343 052 13	Air spring	/R	1	MCR.CA MCU.RA MCV.VC MCE.YA MCJ.TB MCN.RB MCV.VA/VB
(8)	958 343 052 20	Air spring	/R	1	MCX.ZA
(8)	958 343 052 30	Air spring	/R	1	MCF.TB MCG.EA/FA

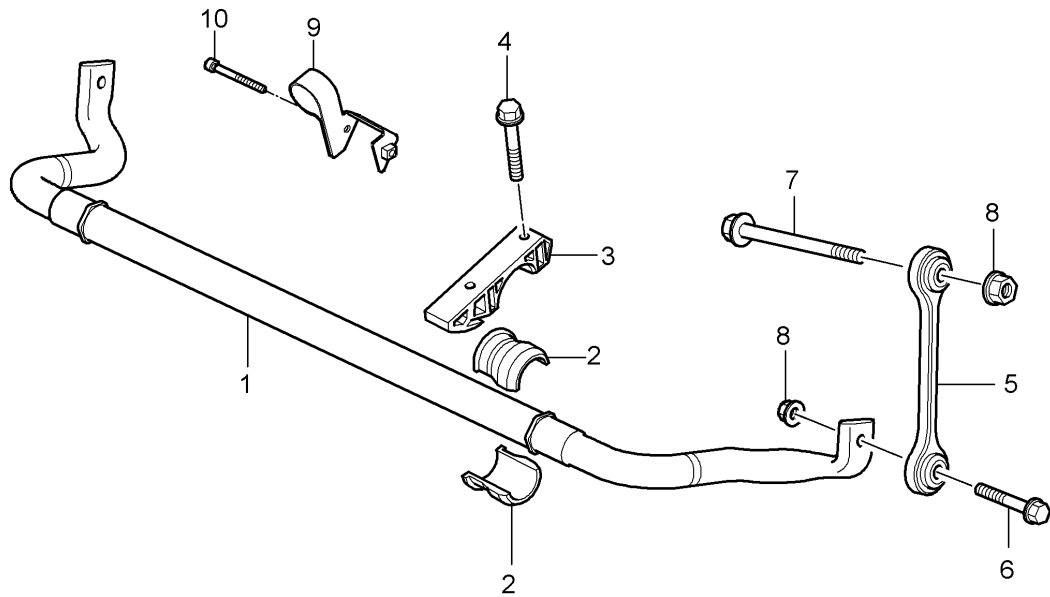
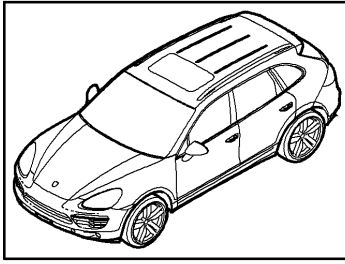
Model: 92A 11

Model life 2011>>

Pos	Part Number	Description	Remark	Qty	Model
9	958 343 060 00	Circlip		2	MCU.DC
10	958 343 045 00	Sealing ring		2	
(11)	958 343 505 11	Bellows		2	
12	958 343 047 50	Shock absorber	/L	1	-IDU3
(12)	958 343 048 50	Shock absorber	/R	1	-IDU3
(12)	958 343 045 50	Shock absorber	/L	1	MCX.ZA
(12)	958 343 046 50	Shock absorber	/R	1	MCX.ZA
13	958 358 720 00	Valve with Sealing ring		2	
14	955 358 722 00	Sealing ring		2	
15	955 358 541 00	Push-on connector Air tube		2	
16	N 102 613 11	Hexagon nut M 10		6	
17	958 343 901 00	Ring		1	
18	958 375 112 01	Bracket	/R	1	IDT1/DT5
(18)	958 375 112 10	Bracket	/R	1	IDU2/DU3
19	1J0 973 802	Connector housing Vibration damper		2	
20	958 343 878 00	Grommet Connector		2	
21	958 343 913 00	Grommet Cable		2	
22	N 105 326 02	Hexagon-head bolt M 14 X 1,5 X 102		2	
23	N 103 353 04	Hexagon nut M 14 X 1,5		2	
24	955 351 117 00	Air guide	/L	1	I1LH/1LV/1LX
(24)	955 351 118 00	Air guide	/R	1	I1LH/1LV/1LX
25	N 105 475 02	Torx screw BM 6 X 80 X 37		4	I1LH/1LV/1LX
26	N 104 048 06	Washer 6,4 X 12 X 1,6		4	I1LH/1LV/1LX
27	N 102 058 02	Hexagon nut M 6		4	I1LH/1LV/1LX
28	000 043 204 68	Grease		1	
29	958 343 253 00	Support ring		2	

Model: 92A 11

Model life 2011>>

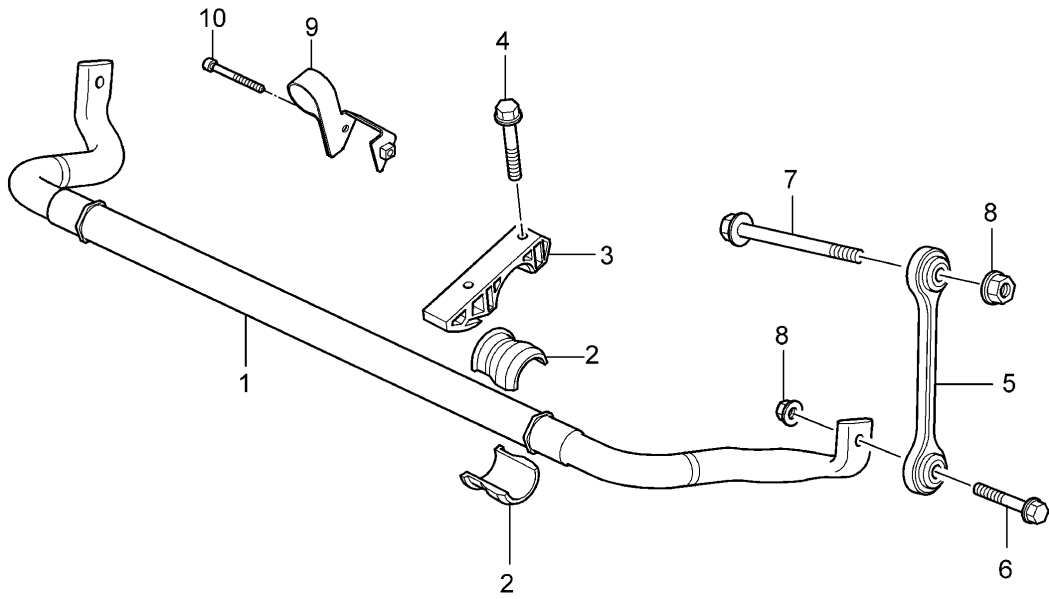
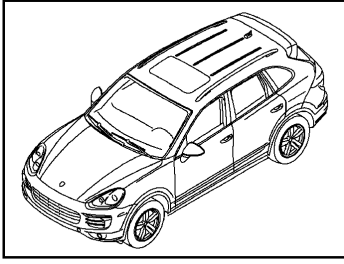


Model: 92A 11 Model life 2011>>

Pos	Part Number	Description	Remark	Qty	Model
1	955 343 701 70	Stabiliser Stabiliser 38,00 MM Identification Green	-14 -(CN) -(RUS)	1	I0AB/0AC I1BA/1BH/1BW I1BZ
(1)	955 343 701 71	Stabiliser 38,00 MM Identification Green	(CN) (RUS)	1	I1BA/1BH/1BW I1BZ
(1)	955 343 701 70	with Stabiliser mounting Stabiliser 38,00 MM Identification Green	-(CN) -(RUS)	1	I1BK
(1)	955 343 701 71	Stabiliser 38,00 MM Identification Green	(CN) (RUS)	1	I1BK
(1)	955 343 701 80	with Stabiliser mounting Stabiliser 38,00 MM Identification Green	-(CN) -(RUS)	1	I1BA/1BH/1BW I1BZ
(1)	955 343 701 81	Nut Brown Stabiliser 38,00 MM Identification Nut Brown	(CN) (RUS)	1	I1BA/1BH/1BW I1BZ
(1)	955 343 701 80	with Stabiliser mounting Stabiliser 38,00 MM Identification Brown	-(CN) -(RUS)	1	I1BK
(1)	955 343 701 81	Stabiliser 38,00 MM Identification Brown	(CN) (RUS)	1	I1BK
2	955 343 792 61	with Stabiliser mounting Stabiliser mounting 36,80 MM Identification Orange Green Brown	-(CN) -(RUS)	4	
3	955 343 777 11	Clip		2	
4	N 104 253 02	Hexagon-head bolt M 10 X 62 X 45		4	
5	955 343 069 00	Stabiliser mounting		2	
6	N 105 668 03	Hexagon-head bolt M 12 X 1,5 X 60		2	
7	N 105 760 02	Hexagon-head bolt M 12 X 1,5 X 125		2	
8	N 104 029 04	Hexagon nut M 12 X 1,5		4	
9	958 343 778 00	Line bracket		1	
10	N 106 980 01	Torx screw		1	

Model: 92A 11

Model life 2011>>



Model: 92A 11

Model life 2011>>

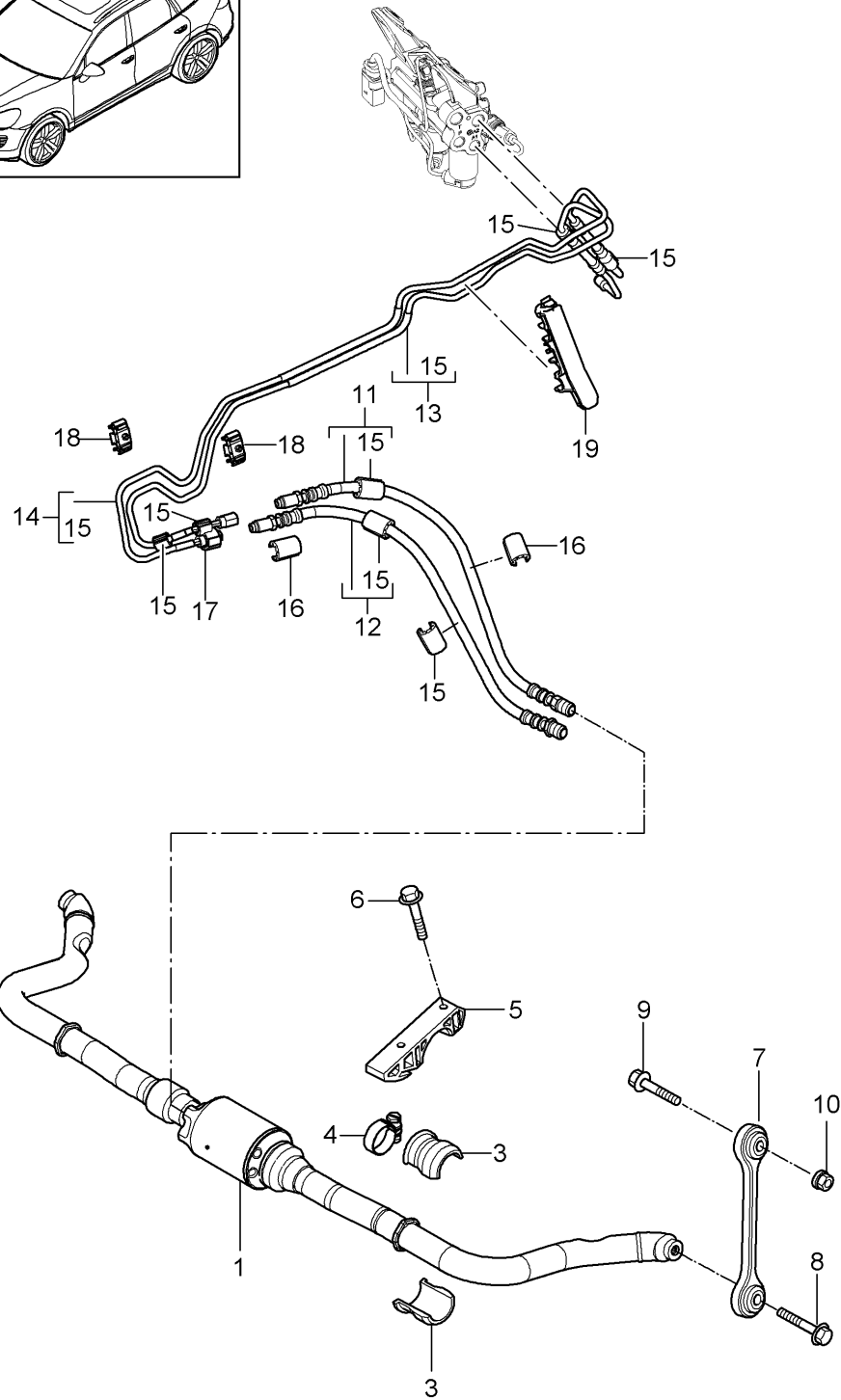
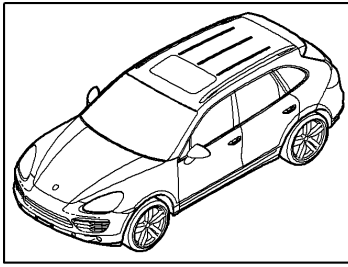
Pos	Part Number	Description	Remark	Qty	Model
1	955 343 701 70	Stabiliser Stabiliser 38,00 MM Identification Green	15- -(CN) -(RUS)	1	I0AB/0AC MCR.CA MCV.VC I0AB/1BA/1BH I1BW/1BZ MCJ.T MCN.RB MCV.VA/VB
(1)	955 343 701 71	Stabiliser 38,00 MM Identification Green with Stabiliser mounting	(CN) (RUS)	1	MCE.YA MCR.CA MCV.VC I0AC/1BA/1BH I1BW/1BZ MCJ.T MCN.RB MCV.VA/VB
(1)	955 343 701 70	Stabiliser 38,00 MM Identification Green	-(CN) -(RUS)	1	MCE.YA MCR.CA MCV.VC I0AB/1BK MCJ.T MCN.RB MCV.VA/VB
(1)	955 343 701 71	Stabiliser 38,00 MM Identification Green with Stabiliser mounting	(CN) (RUS)	1	MCE.YA MCR.CA MCV.VC I0AC/1BK MCJ.T MCN.RB MCV.VA/VB
(1)	955 343 701 80	Stabiliser 38,00 MM Identification Nut Brown	-(CN) -(RUS)	1	MCE.YA MCF.TB MCG.EA/FA MCU.RA I0AB/1BA/1BH I1BW/1BZ MCU.DC
(1)	955 343 701 81	Stabiliser 38,00 MM Identification Nut Brown with Stabiliser mounting	(CN) (RUS)	1	MCX.ZA MCF.TB MCG.EA/FA MCU.RA I0AC/1BA/1BH I1BW/1BZ MCU.DC MCX.ZA

Model: 92A 11 Model life 2011>>

Pos	Part Number	Description	Remark	Qty	Model
(1)	955 343 701 80	Stabiliser 38,00 MM Identification Brown	-(CN) -(RUS)	1	MCF.TB MCG.EA/FA MCU.RA I0AB/1BK MCU.DC
(1)	955 343 701 81	Stabiliser 38,00 MM Identification Brown with Stabiliser mounting	(CN) (RUS)	1	MCX.ZA MCF.TB MCG.EA/FA MCU.RA I0AC/1BK MCU.DC
2	955 343 792 61	Stabiliser mounting 36,80 MM Identification Orange Green Brown	-(CN) -(RUS)	4	MCX.ZA
3	955 343 777 11	Clip		2	
4	N 104 253 02	Hexagon-head bolt M 10 X 62 X 45		4	
5	955 343 069 00	Stabiliser mounting		2	
6	N 105 668 03	Hexagon-head bolt M 12 X 1,5 X 60		2	
7	N 105 760 02	Hexagon-head bolt M 12 X 1,5 X 125		2	
8	N 104 029 04	Hexagon nut M 12 X 1,5		4	
9	958 343 778 00	Line bracket		1	
10	N 106 980 01	Torx screw		1	

Model: 92A 11

Model life 2011>>



Model: 92A 11

Model life 2011>>

Pos	Part Number	Description	Remark	Qty	Model
		Stabiliser Lines			IOAW
1	955 343 703 01	Stabiliser		1	
(1)	958 343 703 00	Stabiliser	-14	1	
(1)	958 343 703 01	Stabiliser	15-	1	
3	955 343 793 00	Stabiliser mounting		4	
4	N 107 168 01	Hose clamp B1 55 X 20		2	
5	955 343 777 11	Clip		2	
6	N 104 253 02	Hexagon-head bolt M 10 X 62 X 45		4	
7	955 343 069 10	Stabiliser mounting		2	
8	N 106 121 02	Hexagon-head bolt M 12 X 1,5 X 50		2	
9	N 105 760 02	Hexagon-head bolt M 12 X 1,5 X 125		2	
10	N 104 029 04	Hexagon nut M 12 X 1,5		2	
11	958 359 111 00	Hose line without Shrink-fit hose Identification Yellow Use also: N .107.225.01		1	
(11)	958 359 111 01	Hose line with Shrink-fit hose Identification Yellow Use also: N .107.623.01		1	
12	955 359 112 02	Hose line with Shrink-fit hose Identification Green Use also: N .107.225.01		1	
(12)	955 359 112 03	Hose line with Shrink-fit hose Identification Green Use also: N .107.623.01		1	
13	958 359 113 00	Hose line Identification Yellow	-14	1	
13	958 359 113 01	Hose line Identification Yellow	15-	1	
14	958 359 114 00	Hose line Identification Green	-14	1	
(14)	958 359 114 01	Hose line Identification Green	15-	1	
15	N 107 225 01	Spacer 10,5 MM for Hose line without		6	

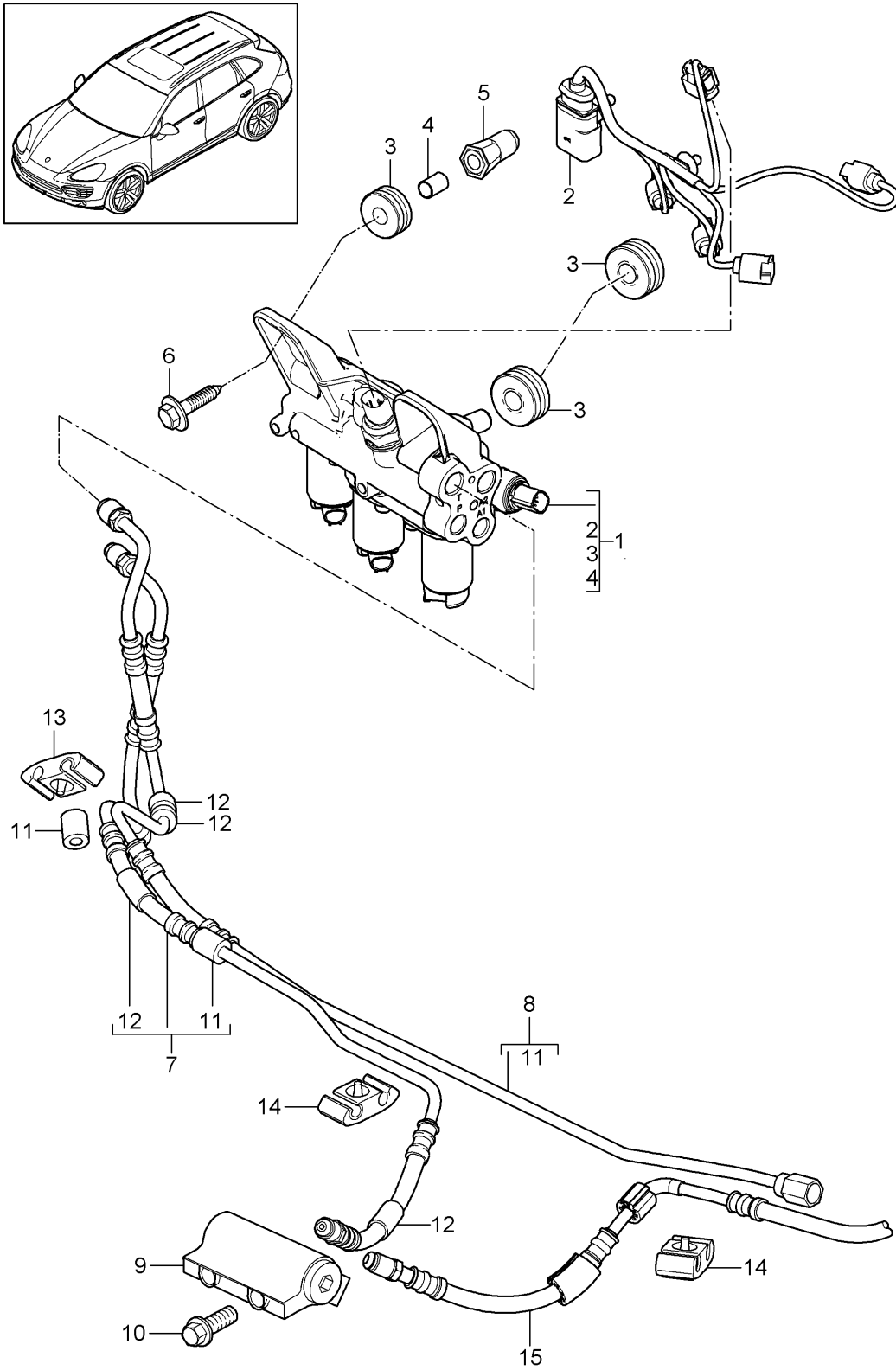
Model: 92A 11

Model life 2011>>

Pos	Part Number	Description	Remark	Qty	Model
(15)	N 107 623 01	Shrink-fit hose Spacer 11,5 MM for Hose line with Shrink-fit hose		6	
16	955 110 722 30	Spacer ring		2	
17	N 107 278 01	Spacer		1	
18	955 359 510 00	Line bracket		2	
19	958 359 510 00	Hose holder Fourfold	-14	1	
19	958 359 510 01	Hose holder Fourfold	15-	1	

Model: 92A 11

Model life 2011>>



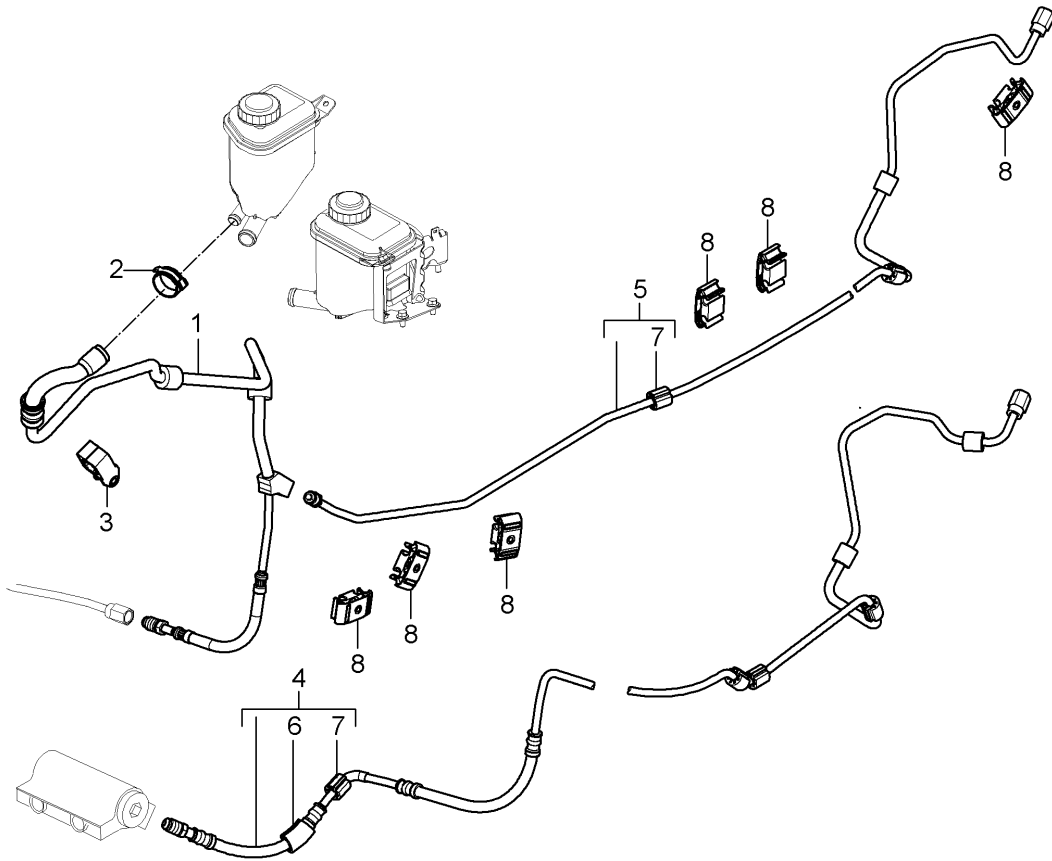
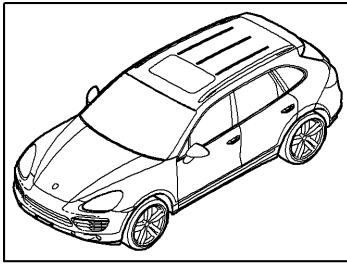
Model: 92A 11

Model life 2011>>

Pos	Part Number	Description	Remark	Qty	Model
		Stabiliser			IOAW
		Valve block			
		Distributor			
		Pressure line			
1	958 359 030 00	Valve block		1	
(1)	958 359 030 01	Valve block		1	
2	955 612 214 00	Wiring harness		1	
3	964 356 635 00	Rubber mounting		4	
4	955 343 633 00	Bearing sleeve		2	
5	N 902 631 04	Blind rivet nut M 6		2	
6	N 106 998 01	Hexagon-head bolt M 6 X 35		2	
7	955 359 115 01	Pressure line without Shrink-fit hose Use also: N .107.225.01		1	
(7)	955 359 115 02	Pressure line with Shrink-fit hose Use also: N .107.623.01		1	
8	955 359 116 01	Return line		1	
9	958 359 231 01	Distributor		1	
10	N 106 532 01	Hexagon-head bolt M 6 X 16		2	
11	N 107 224 01	Spacer		4	
12	N 107 225 01	Spacer 10,5 MM for Pressure line without Shrink-fit hose		2	
(12)	N 107 623 01	Spacer 11,5 MM for Pressure line with Shrink-fit hose		2	
13	955 359 510 00	Line bracket		1	
14	955 359 513 00	Line bracket		2	
15		Pressure line See illustrations 4/02/25		1	

Model: 92A 11

Model life 2011>>



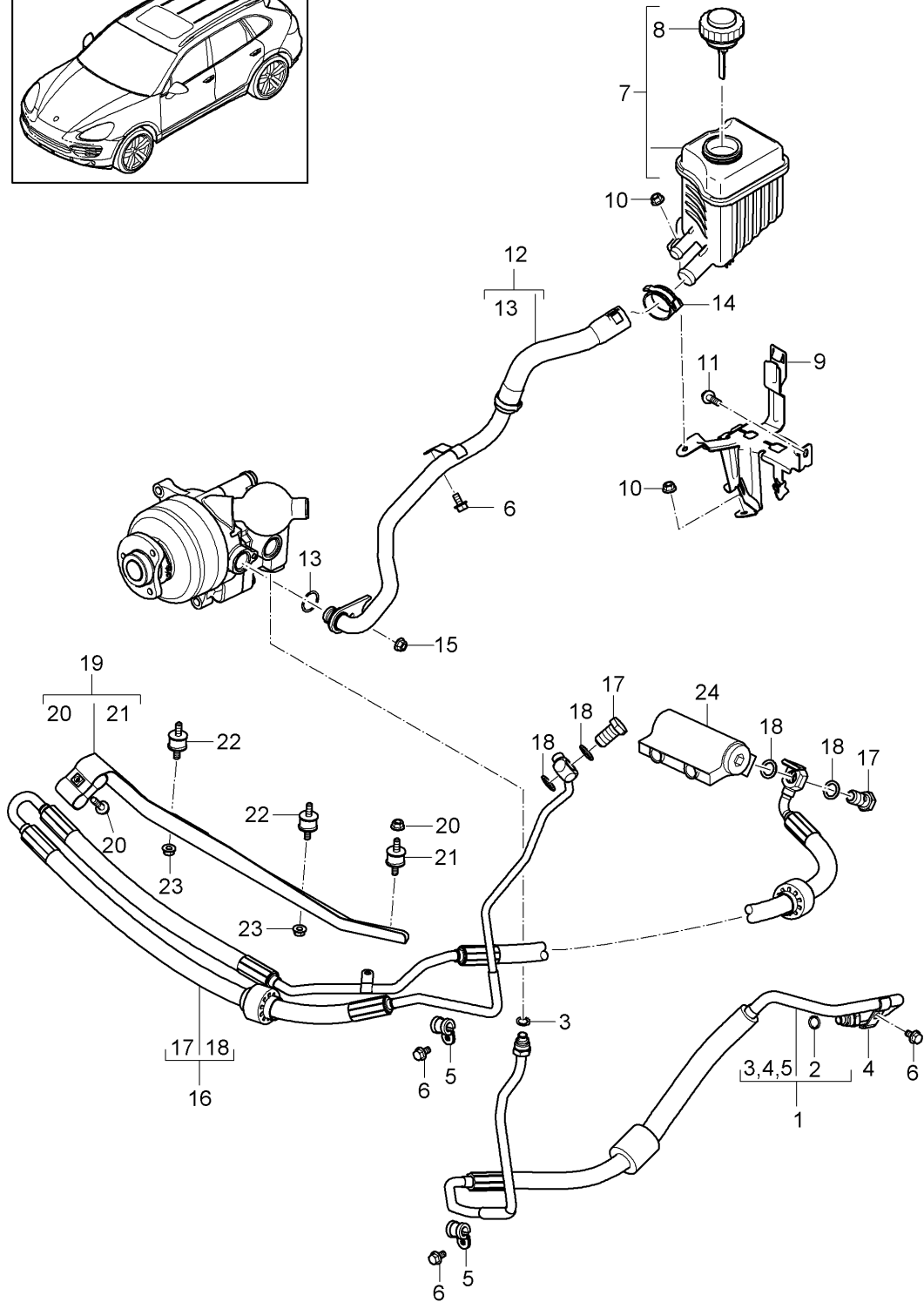
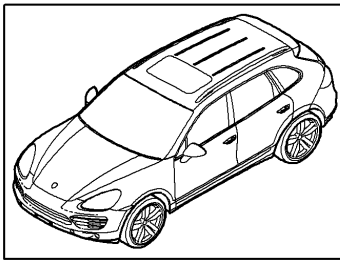
Model: 92A 11

Model life 2011>>

Pos	Part Number	Description	Remark	Qty	Model
		Stabiliser Pressure line Return line Underbody			IOAW
1	958 359 117 00	Return line		1	
1	958 359 117 01	Return line		1	
(1)	958 359 117 02	Return line		1	
2	955 347 569 00	Hose clamp 21 X 12		1	
3	955 359 509 00	Line bracket		1	
(4)	958 359 119 00	Pressure line without Shrink-fit hose Use also: N .107.225.01		1	
(4)	958 359 119 01	Pressure line without Shrink-fit hose Use also: N .107.225.01		1	
(4)	958 359 119 02	Pressure line with Shrink-fit hose Use also: N .107.623.01		1	
5	958 359 120 00	Return line		1	
6	N 107 225 01	Spacer 10,5 MM for Pressure line without Shrink-fit hose		3	
(6)	N 107 623 01	Spacer 11,5 MM for Pressure line with Shrink-fit hose		3	
7	N 107 224 01	Spacer		5	
8	955 359 510 00	Line bracket Oil tank See illustrations 4/02/30 And 4/02/35 Distributor See illustrations 4/02/20 Return line Valve block Front axle See illustrations 4/02/15		6	

Model: 92A 11

Model life 2011>>



Model: 92A 11

Model life 2011>>

Pos	Part Number	Description	Remark	Qty	Model
		Stabiliser Lines	-14		IOAW
1	958 347 451 30	Engine compartment Oil tank Pressure line Steering gear Tandem pump	/LL	1	ILOL
1	958 347 451 31	Pressure line Steering gear Tandem pump	/LL -12	1	ILOL
1	958 347 451 32	Pressure line Steering gear Tandem pump	/LL 13-	1	ILOL
(1)	958 347 452 40	Pressure line Steering gear Tandem pump	/RL	1	ILOR
-	N 107 197 01	Line bracket for Pressure line	/RL	1	ILOR
2	955 347 542 00	O-ring 9,25 X 1,78		1	
3	955 347 543 00	O-ring 7,65 X 1,63		1	
4	N 107 635 01	Clamp 10 X 15		1	
4	N 020 651 7	Clip 10 X 15		1	
5	N 107 637 01	Clamp 12 X 15		2	
5	N 020 651 7	Clip 10 X 15		1	
5	N 020 601 5	Clamp 12 X 15		2	
6	N 106 532 01	To Pos 16 Hexagon-head bolt M 6 X 16		2	
6	N 904 407 06	Hexagon-head bolt M 6 X 15		2	
7	955 314 015 30	To Pos 16 Oil tank		1	
8	958 314 145 00	Threaded cover		1	
9	958 314 235 02	Support Oil tank -PDCC-		1	
10	N 015 082 10	Hexagon nut		3	
11	N 906 310 03	Hexagon-head bolt		1	
12	958 359 118 50	Intake pipe Complete Oil tank Tandem pump		1	
13	WHT 003 695	O-ring 16 X 2		2	
14	955 347 569 00	Hose clamp		1	
15	N 022 148 12	Lock nut M6		1	
16	958 359 125 00	Pressure line Tandem pump		1	IOAW
17	N 021 074 7	Distributor Banjo bolt M 14 X 1,5		2	
18	N 013 849 5	Sealing ring		4	

Model: 92A 11

Model life 2011>>

Pos	Part Number	Description	Remark	Qty	Model
19	958 359 310 00	A 14 X 20 Support		1	
20	N 102 856 02	Hexagon-head bolt M 6 X 25		1	
21	955 343 638 10	Bonded rubber buffer		1	
22		Bonded rubber buffer		2	
23	N 015 082 13	Hexagon nut M 6		3	
24		Distributor See illustrations 4/02/20		1	

Model: 92A 11

Model life 2011>>

Pos	Part Number	Description	Remark	Qty	Model
		Stabiliser	15-		MCF.TB MCU.RA I0AW
1	958 347 451 32	Lines Engine compartment Oil tank Pressure line	/LL	1	MCF.TB IL0L
(1)	958 347 451 70	Steering gear Tandem pump Pressure line	/LL	1	MCU.RA IL0L
(1)	958 347 452 42	Steering gear Tandem pump Pressure line	/RL	1	MCF.TB IL0R
(1)	958 347 452 70	Steering gear Tandem pump Pressure line	/RL	1	MCU.RA IL0R
-	N 107 197 01	Steering gear Tandem pump Line bracket for Pressure line	/RL	1	IL0R
2	955 347 542 00	O-ring 9,25 X 1,78		1	
3	955 347 543 00	O-ring 7,65 X 1,63		1	
4	N 020 651 7	Clip 10 X 15		1	
5		Clip 10 X 15		1	
5	N 020 601 5	Clamp 12 X 15		2	
6	N 106 532 01	To POS 16 Hexagon-head bolt M 6 X 16		2	
(6)	N 107 591 01	Hexagon-head bolt M6 X 12	17-	1	
6	N 904 407 06	Hexagon-head bolt M 6 X 15		2	
7	955 314 015 30	To POS 16 Oil tank		1	
8	958 314 145 00	Threaded cover		1	
9	958 343 235 02	Support Oil tank -PDCC-	/L	1	
10	N 015 082 10	Hexagon nut		3	
11	N 906 310 03	Hexagon-head bolt		1	
12	958 359 118 52	Intake pipe Complete Oil tank		1	MCF.TB
(12)	958 359 118 70	Tandem pump Intake pipe Complete Oil tank		1	MCU.RA
13	WHT 003 695	Tandem pump O-ring 16 X 2		2	
14	955 347 569 00	Hose clamp		1	

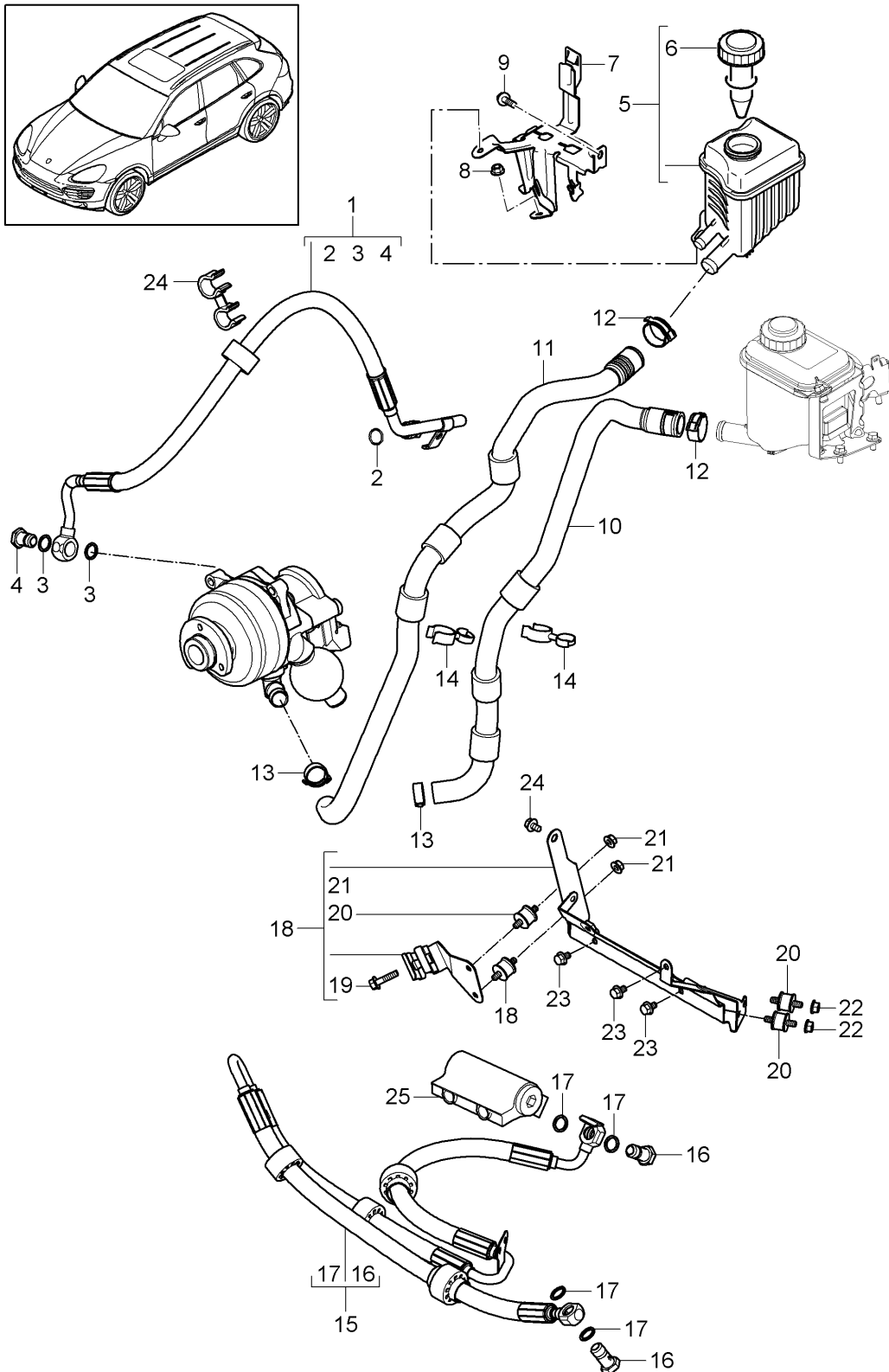
Model: 92A 11

Model life 2011>>

Pos	Part Number	Description	Remark	Qty	Model
15	N 022 148 12	Lock nut M6		1	
16	958 359 125 02	Pressure line Tandem pump Distributor		1	MCF.TB
(16)	958 359 125 70	Pressure line Tandem pump Distributor		1	MCU.RA
17	N 021 074 7	Banjo bolt M 14 X 1,5		2	MCX.ZA
18	N 013 849 5	Sealing ring A 14 X 20		4	
19	958 359 310 00	Support		1	MCF.TB
20	N 102 856 02	Hexagon-head bolt M 6 X 25		1	
21	955 343 638 10	Bonded rubber buffer		1	
22		Bonded rubber buffer		2	
23	N 015 082 13	Hexagon nut M 6		3	
24		Distributor See illustrations 4/02/20		1	

Model: 92A 11

Model life 2011>>



Model: 92A 11

Model life 2011>>

Pos	Part Number	Description	Remark	Qty	Model
		Stabiliser Lines	-14		IOAW
1	958 347 451 40	Engine compartment Oil tank Pressure line	/LL	1	IL0L
(1)	958 347 452 50	Steering gear Tandem pump Pressure line	/RL	1	IL0R
2	955 347 542 00	Steering gear Tandem pump		1	
3	WHT 001 878	O-ring 9,25 X 1,78		1	
4	N 013 848 6	Banjo bolt M 16 X 1,5		2	
5	955 314 015 30	Sealing ring A 16 X 22		1	
6	958 314 145 00	Oil tank		1	
7	958 314 235 02	Threaded cover		1	
8	N 015 082 10	Support		1	
9	N 906 310 03	Oil tank - PDCC - Hexagon nut		3	
10		M 6 Hexagon-head bolt		1	
11	958 359 118 00	M 6 Suction hose Oil tank Power steering Tandem pump See illustrations 4/03/10		1	
12	N 906 870 01	Intake pipe Complete		2	
13	999 512 656 09	Oil tank -PDCC- Tandem pump		2	
14	N 104 005 01	Hose clamp B 27 X 12		2	
15	955 359 125 03	Hose clamp B 25 X 12		2	
16	N 021 074 7	Hose holder		2	
17	N 013 849 5	Suction hose Refrigerant line		1	
18	955 343 638 10	Pressure line		1	
19	N 015 082 13	Tandem pump Distributor Information available		2	
20	955 359 310 00	Banjo bolt M 14 X 1,5		4	
21	N 013 849 5	Sealing ring A 14 X 20		4	
22	955 359 310 00	Support		1	
23	N 102 856 02	Hexagon-head bolt M 6 X 25		1	
24	955 343 638 10	Bonded rubber buffer		4	
25	N 015 082 13	Hexagon nut M 6		2	
26		Hexagon nut M 6		2	
27	N 906 310 03	Hexagon-head bolt M 6 X 12.0		3	
28		Hexagon-head bolt M 6 X 12.0		1	IG0L

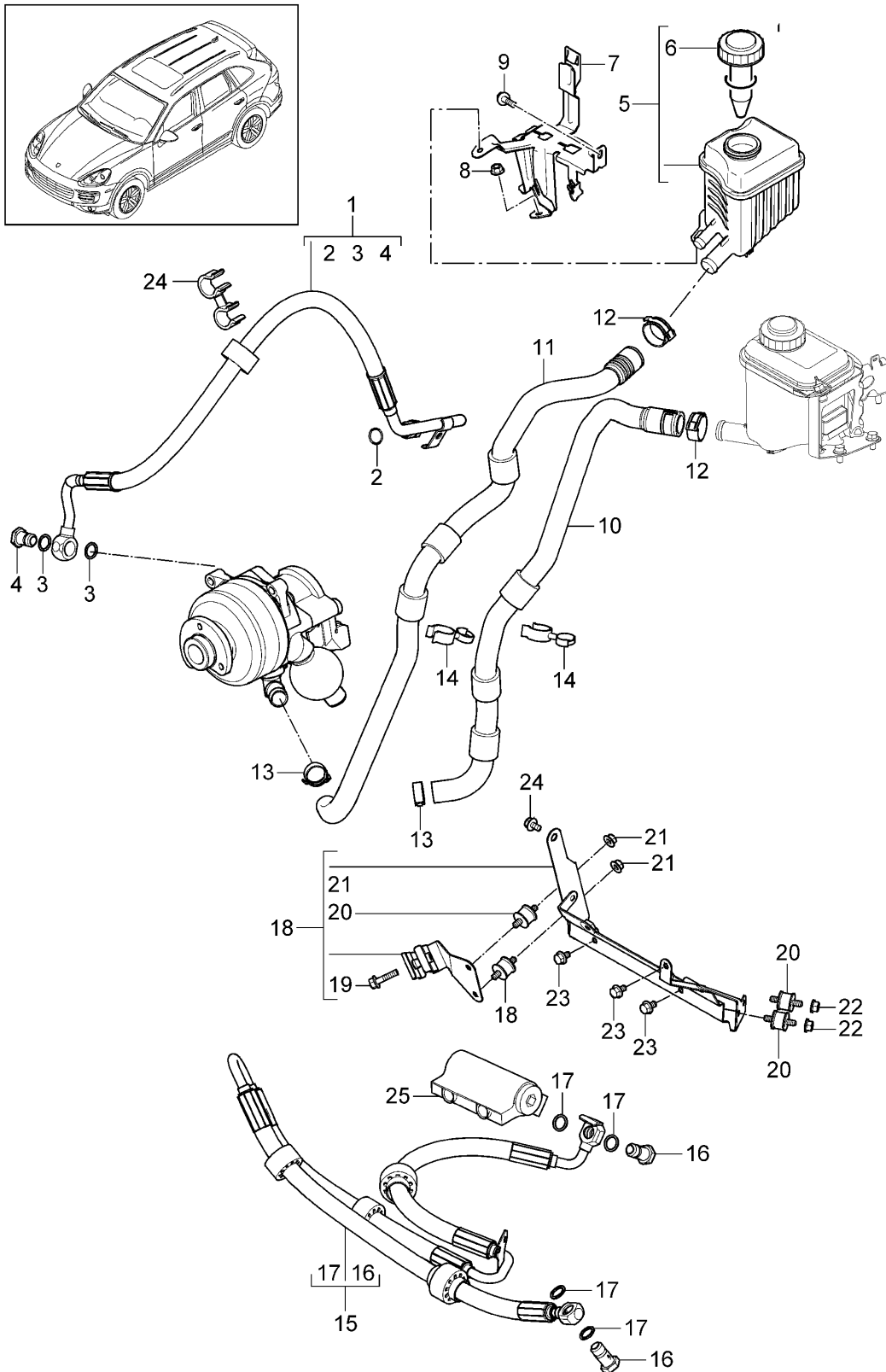
Model: 92A 11

Model life 2011>>

Pos	Part Number	Description	Remark	Qty	Model
25		Distributor See illustrations 4/02/20		1	

Model: 92A 11

Model life 2011>>



Model: 92A 11 Model life 2011>>

Pos	Part Number	Description	Remark	Qty	Model
		Stabiliser	15-		MCE.YA IOAW
1	958 347 451 42	Lines Engine compartment Oil tank Pressure line	/LL	1	IL0L
(1)	958 347 452 51	Steering gear Tandem pump Pressure line	/RL	1	IL0R
2	955 347 542 00	Steering gear Tandem pump O-ring		1	
3	WHT 001 878	9,25 X 1,78 Banjo bolt		1	
4	N 013 848 6	M 16 X 1,5 Sealing ring		2	
5	955 314 015 30	A 16 X 22 Oil tank		1	
6	958 314 145 00	Threaded cover		1	
7	958 343 235 02	Support	/L	1	
8	N 015 082 10	Oil tank -PDCC- Hexagon nut		3	
9	N 906 310 03	M 6 Hexagon-head bolt		1	
10		M 6 Suction hose		1	
11	958 359 118 02	Oil tank Power steering Tandem pump See illustrations 4/03/12 Intake pipe		1	
(11)	958 359 118 03	Complete Oil tank -PDCC- Tandem pump D >> 29.05.2016 Intake pipe		1	
12	N 906 870 01	Complete Oil tank -PDCC- Tandem pump D 30.05.2016>> Hose clamp		2	
13	999 512 656 09	B 27 X 12 Hose clamp		2	
14	N 104 421 01	B 25 X 12 Support		2	
15	955 359 125 03	Suction hose Refrigerant line Pressure line		1	
16	N 021 074 7	Tandem pump Distributor Information available Banjo bolt		2	
17	N 013 849 5	M 14 X 1,5 Sealing ring		4	
18	955 359 310 00	A 14 X 20 Support		1	
19	N 102 856 02	Hexagon-head bolt		1	
20	955 343 638 10	M 6 X 25 Bonded rubber buffer		4	

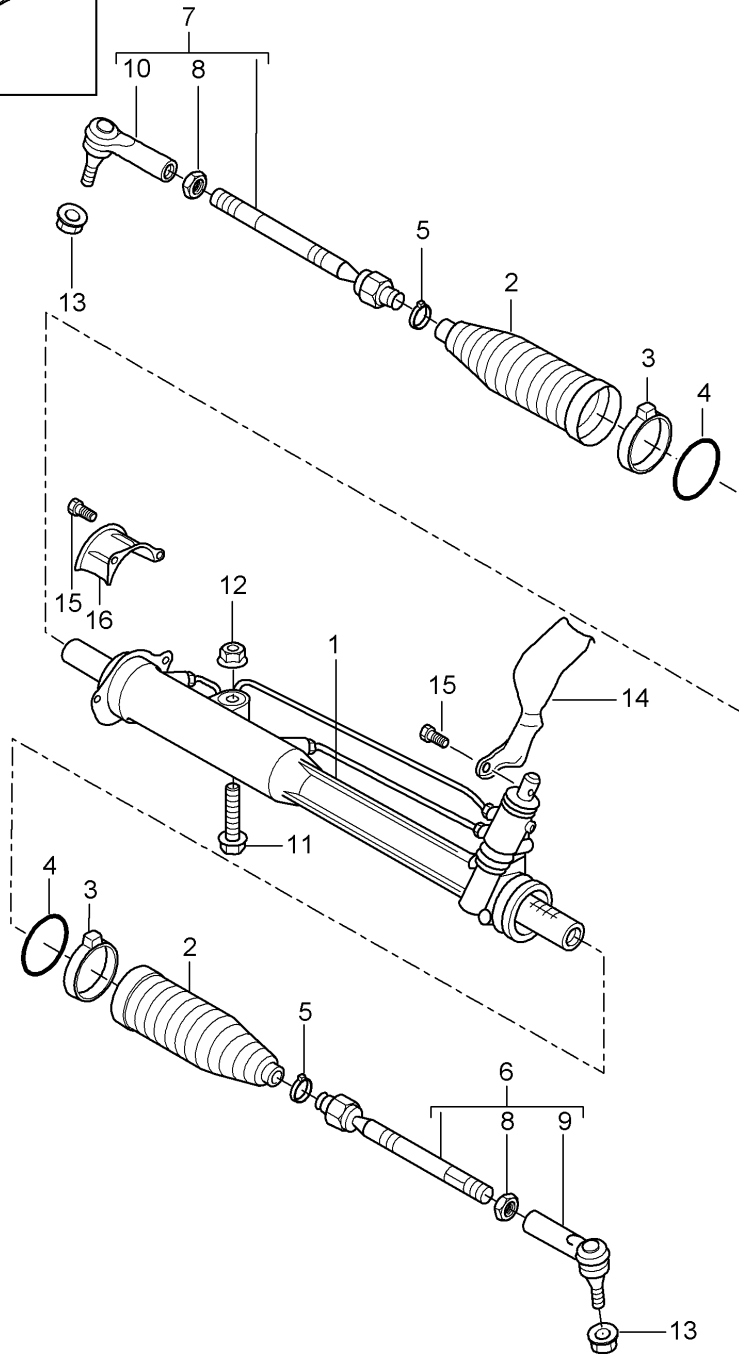
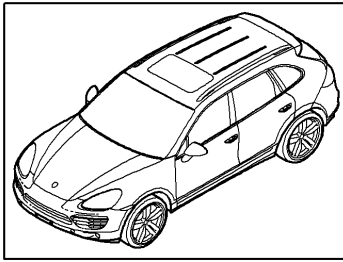
Model: 92A 11

Model life 2011>>

Pos	Part Number	Description	Remark	Qty	Model
21	N 015 082 13	Hexagon nut M 6		2	
22		Hexagon nut M 6		2	
23	N 906 310 03	Hexagon-head bolt M 6 X 12.0		3	
24		Hexagon-head bolt M 6 X 12.0		1	IGOL
25		Distributor See illustrations 4/02/20		1	

Model: 92A 11

Model life 2011>>



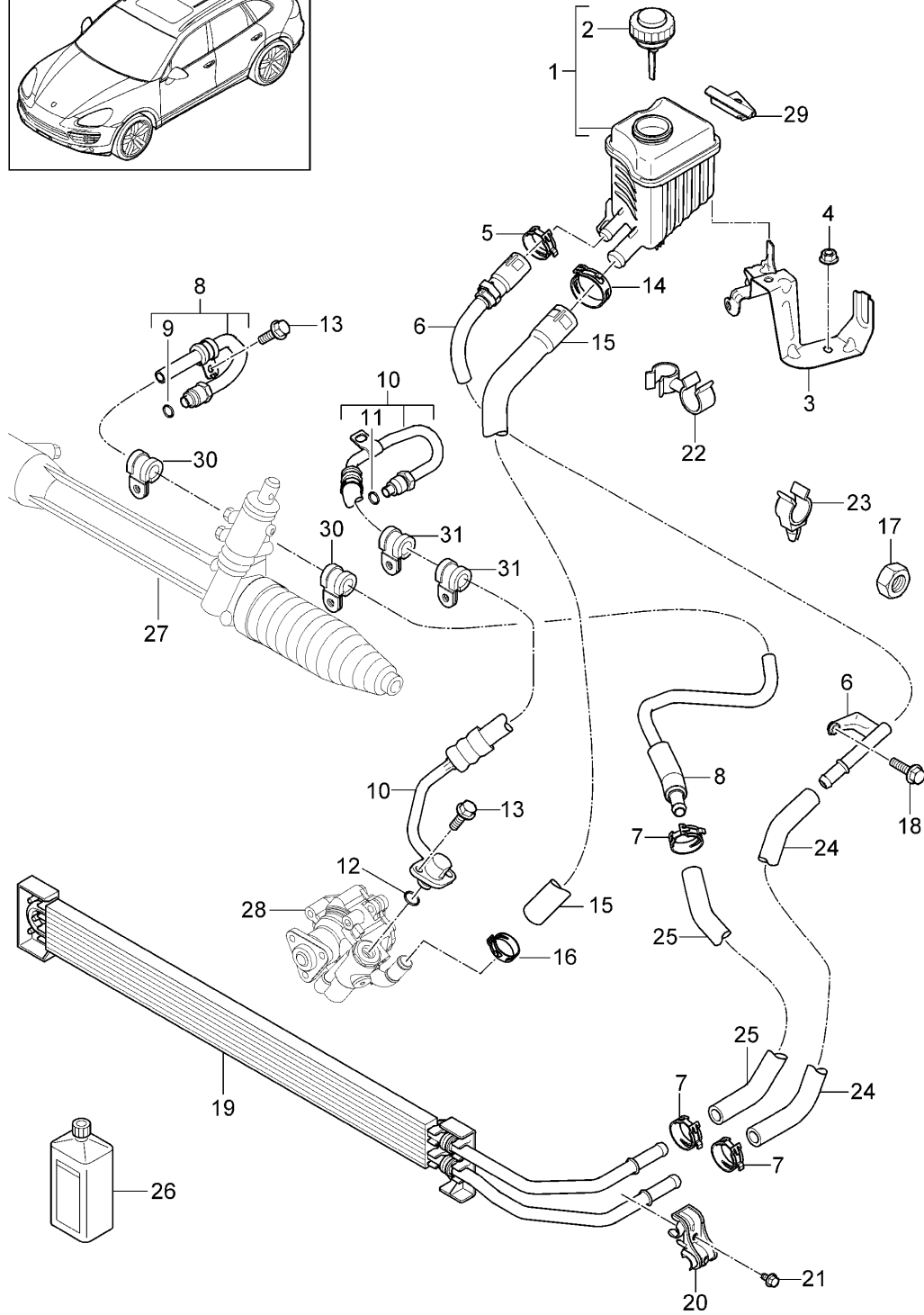
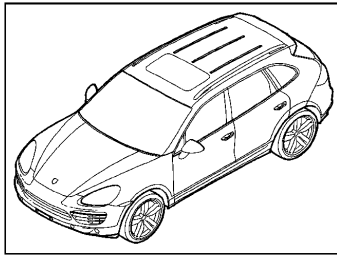
Model: 92A 11

Model life 2011>>

Pos	Part Number	Description	Remark	Qty	Model
1	958 347 011 00	Power steering Steering gear Steering parts Steering gear	/LL	1	IL0L/0K0/1N1
(1)	958 347 011 20	Power steering Steering gear	/LL	1	IL0L/0K0/1N3
(1)	958 347 011 21	Power steering Steering gear	/LL	1	IL0L/0K0/1N3
(1)	958 347 011 BX	Power steering Steering gear	/LL	1	IL0L/0K0/1N3
(1)	958 347 011 30	Power steering Steering gear	/LL	1	IL0L/0K1/0K3
(1)	958 347 011 CX	Power steering Steering gear	/LL	1	IL0L/0K1/0K3
(1)	958 347 012 00	Power steering Steering gear	/RL	1	IL0R/0K0/1N1
(1)	958 347 012 20	Power steering Steering gear	/RL	1	IL0R/0K0/1N3
(1)	958 347 012 21	Power steering Steering gear	/RL	1	IL0R/0K0/1N3
(1)	958 347 012 BX	Power steering Steering gear	/RL	1	IL0R/0K0/1N3
(1)	958 347 012 30	Power steering Steering gear	/RL	1	IL0R/0K1/0K3
(1)	958 347 012 CX	Power steering Steering gear	/RL	1	IL0R/0K1/0K3
2	955 347 191 10	Power steering Bellows		2	
3	N 105 517 01	Hose clamp		2	
4	N 901 809 02	O-ring		2	
5	955 347 645 00	Clip		2	
6	955 347 031 22	Tie rod with Ball joint	/L	1	
7	955 347 032 22	Tie rod with Ball joint	/R	1	
8	N 011 164 18	Hexagon nut M 16 X 1,5		2	
9	955 347 131 22	Ball joint	/L	1	
10	955 347 132 22	Ball joint	/R	1	
11	N 104 280 02	Hexagon-head bolt M 12 X 1,5 X 80		2	
12	N 104 029 04	Hexagon nut M 12 X 1,5		2	
13	WHT 003 948	Hexagon nut M 14X1.5		2	
14	955 347 201 01	Heat protection	/LL	1	IL0L
(14)	955 347 202 10	Heat protection	/RL	1	IL0R
15	N 106 532 01	Hexagon-head bolt M 6 X 16		4	
16	955 347 203 00	Heat protection Bellows		1	

Model: 92A 11

Model life 2011>>



Model: 92A 11 Model life 2011>>

Pos	Part Number	Description	Remark	Qty	Model
		Power steering Lines	-14		I0K0
1	955 314 015 30	Oil cooler Oil tank		1	
2	958 314 145 00	Power steering Threaded cover Oil tank		1	
3	958 314 210 00	Support Oil tank		1	-IEOW
(3)	958 314 210 10	Support Oil tank		1	GTS IEOW
4	N 015 082 10	Hexagon nut M6		3	
5	955 347 569 00	Hose clamp		1	
6	958 347 439 00	Return line Oil cooler Oil tank		1	
7	N 909 264 01	Hose clamp B19 X 12		X	
8	958 347 449 00	Return line Steering gear	/LL	1	IL0L
8	958 347 450 00	Oil cooler Return line Steering gear	/RL	1	IL0R
(8)	958 347 450 01	Oil cooler Return line Steering gear	/RL	1	IL0R
8	958 347 450 10	Oil cooler Return line Steering gear	/RL	1	IL0R
9	955 347 543 00	Use also: O-ring		1	
10	958 347 451 00	Pressure line Power-steering pump Steering gear	/LL	1	IL0L/0AB
(10)	958 347 451 03	Pressure line Power-steering pump Steering gear	/LL	1	IL0L/0AB
(10)	958 347 452 00	Pressure line Power-steering pump Steering gear	/RL	1	IL0R/0AB
(10)	958 347 452 01	Pressure line Power-steering pump Steering gear	/RL	1	IL0R/0AB
10	958 347 451 40	Pressure line Tandem pump Steering gear	/LL	1	IL0L/0AW
10	958 347 451 42	See illustrations 4/02/35 Pressure line Tandem pump Steering gear	/LL	1	IL0L/0AW
(10)	958 347 452 50	See illustrations 4/02/35 Pressure line Tandem pump Steering gear	/RL	1	IL0R/0AW
(10)	958 347 452 51	Pressure line Tandem pump Steering gear	/RL	1	IL0R/0AW
(10)	958 347 451 10	Pressure line	/LL	1	IL0L/0AB

Model: 92A 11

Model life 2011>>

Pos	Part Number	Description	Remark	Qty	Model
(10)	958 347 452 10	Power-steering pump Steering gear Pressure line	/RL	1	IL0R/0AB
(10)	958 347 452 13	Power-steering pump Steering gear Pressure line	/RL	1	IL0R/0AB
(10)	958 347 451 30	Power-steering pump Steering gear Pressure line Tandem pump Steering gear See illustrations 4/02/30	/LL	1	IL0L/0AW
(10)	958 347 451 32	Pressure line Tandem pump Steering gear See illustrations 4/02/30	/LL	1	IL0L/0AW
(10)	958 347 452 40	Pressure line Tandem pump Steering gear See illustrations 4/02/30	/RL	1	IL0R/0AW
(10)	958 347 452 42	Pressure line Tandem pump Steering gear See illustrations 4/02/30	/RL	1	IL0R/0AW
(10)	958 347 451 20	Pressure line Power-steering pump Steering gear	/LL	1	IL0L
(10)	958 347 451 21	Pressure line Power-steering pump Steering gear	/LL	1	ID43/D50/L0L
(10)	958 347 451 22	Pressure line Power-steering pump Steering gear	/LL	1	IL0L
(10)	958 347 451 23	EINS. 28.05.12 Pressure line Power-steering pump Steering gear	/LL	1	IL0L
(10)	958 347 451 50	Pressure line Power-steering pump Steering gear	/LL (CN)	1	ID11/L0L
(10)	958 347 451 54	Pressure line Power-steering pump Steering gear	/LL (CN)	1	ID11/L0L
(10)	958 347 451 60	Pressure line Power-steering pump Steering gear	/LL	1	IDD8/L0L
(10)	958 347 452 60	Pressure line Power-steering pump Steering gear	/RL	1	IDD8/L0R
11	955 347 542 00	O-ring 9,25 X 1,78		1	
12	WHT 005 161	O-ring		1	I0AB

Model: 92A 11 Model life 2011>>

Pos	Part Number	Description	Remark	Qty	Model
(12)	WHT 002 666	11 X 1,8 Sealing ring	/RL	1	IL0R/0AB
(12)		9.8 X 2.50 Sealing ring		1	I0AB
(12)	955 347 543 00	9.8 X 2.50 O-ring		1	I0AW
(12)	N 013 848 6	7,65 X 1,63 Sealing ring		1	I0AW
13	N 106 532 01	16 X 22 Hexagon-head bolt		2	
13		M6 X 16 Hexagon-head bolt	/RL	4	IL0R
13		M6 X 16 Hexagon-head bolt	/RL	5	IL0R
14	N 906 870 01	M6 X 16 Hose clamp		1	
15	958 347 422 00	B27 X 12 Intake pipe		1	I0AB
(15)	958 347 422 01	Oil tank Power-steering pump		1	I0AB/0AC
(15)	958 347 422 10	Intake pipe Oil tank		1	I0AW
15	958 347 422 11	Tandem pump Intake pipe		1	I0AW
(15)	958 347 422 20	Oil tank Tandem pump		1	ID58/D6V/0AB
15	958 347 422 30	Intake pipe Oil tank		1	I0AW
15	958 347 422 32	Pump Intake pipe		1	I0AW
15	958 347 422 40	Oil tank Pump		1	
15	958 347 422 41	Intake pipe Oil tank		1	
(15)		Pump Intake pipe		1	ID43
15	958 347 422 50	Oil tank Pump	(CN)	1	ID11
15	958 347 422 70	Intake pipe Oil tank		1	IDD8
16	N 906 869 01	Pump Hose clamp		1	
17	N 907 143 03	B 23 X 12 Hexagon nut		1	
18	N 100 095 06	M6 Hexagon-head bolt		1	
19	958 347 069 00	M6 X 18 Oil cooler		1	-IE0W/-I0AW IDD8/D11/D34 ID43/D50/D6V

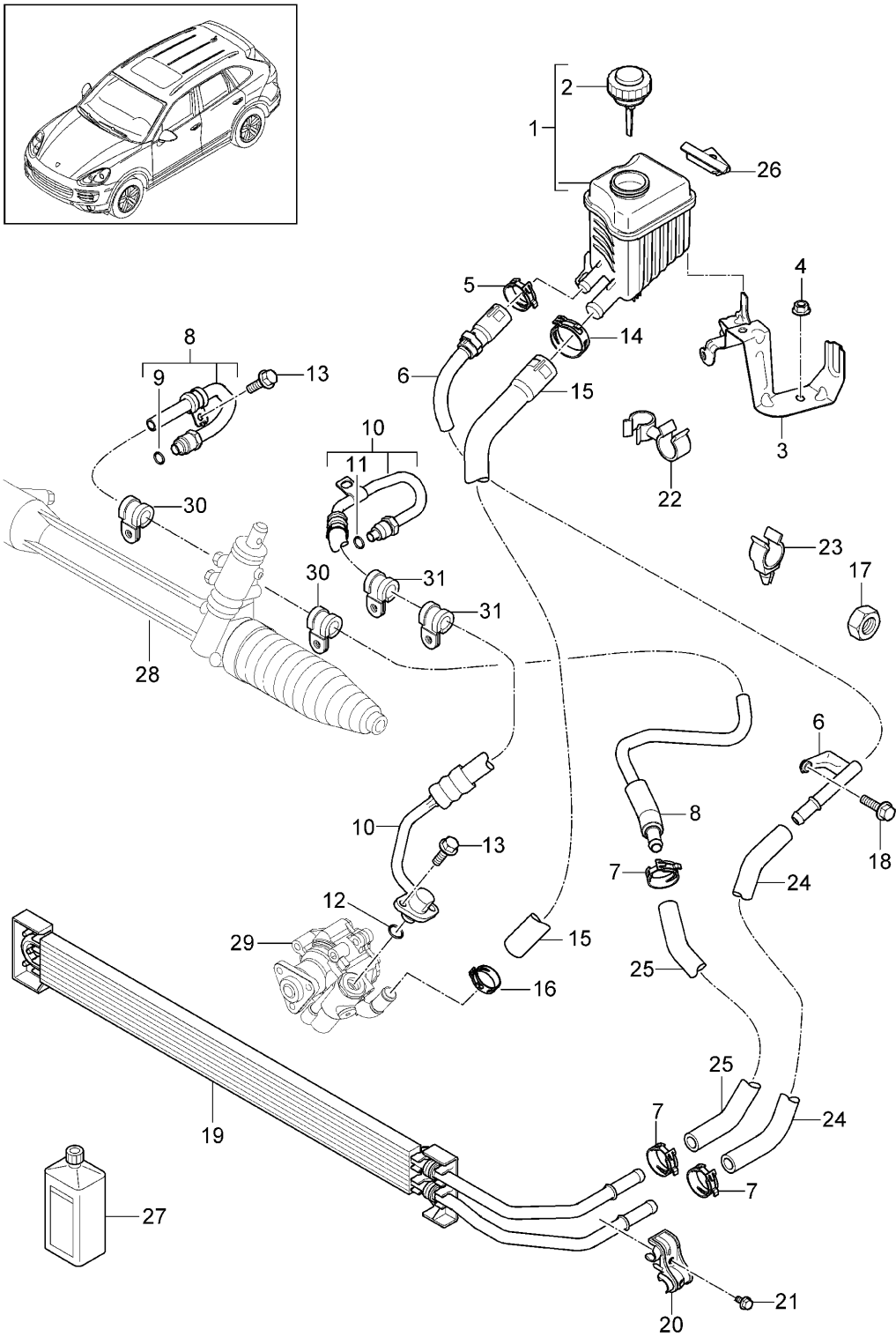
Model: 92A 11

Model life 2011>>

Pos	Part Number	Description	Remark	Qty	Model
					IG1G
(19)	958 347 069 10	Power steering Oil cooler		1	ID58/D6V/0AW
(19)	958 347 069 20	Power steering Oil cooler		1	-I0AW/IE0W
(19)	958 347 069 30	Power steering Oil cooler		1	ID34/G1G/0AW
(19)		Power steering Oil cooler		1	ID34/G0L
20	958 347 577 00	Support Oil cooler		1	
21	N 104 734 02	Lens-head screw M6 X 20		1	
22	N 104 421 01	Support		X	
23	N 909 435 01	Hose holder		3	
24	958 347 963 01	Return line Oil cooler		1	
25	958 347 895 01	Return line Oil cooler		1	
(25)		Return line Oil cooler		1	ID50/L0L
(25)		Return line Oil cooler		1	ID43
(25)	958 347 895 03	Return line Oil cooler		1	ID50/L0R
26		Oil See illustrations 4/03/20		1	
27		Steering gear See illustrations 4/03/00			
28		Pump See illustrations 4/03/20			
29	958 314 210 50	Support Oil tank And Connection point Cable		1	
30	N 020 651 7	Engine compartment Clip		2	
31	N 020 601 5	Clamp	/RL	2	IL0R

Model: 92A 11

Model life 2011>>



Model: 92A 11 Model life 2011>>

Pos	Part Number	Description	Remark	Qty	Model
		Power steering Lines	15-		I0K0
1	955 314 015 30	Oil cooler Oil tank		1	
2	958 314 145 00	Power steering Threaded cover Oil tank		1	
(3)	958 314 210 01	Support Oil tank		1	
(3)	958 314 210 12	Support Oil tank		1	GTS MCX.ZA
4	N 015 082 10	Hexagon nut M6		3	
5	955 347 569 00	Hose clamp		1	
6	958 347 439 00	Return line Oil cooler Oil tank		1	
6		D >> 29.05.2016 Return line		1	-IDU2/-IDU3 -IDV7/-ID1V -ID43/-ID50 -ID51
(6)	958 347 439 03	Oil cooler Oil tank D 30.05.2016>> Return line		1	IDU2/DU3
(6)		Oil cooler Oil tank Return line		1	IDV7/D1V/D43 ID50/D51
7	N 909 264 01	Oil cooler Oil tank D 30.05.2016>> Hose clamp B19 X 12		X	
8	958 347 449 00	Return line Steering gear	/LL	1	IL0L
(8)	958 347 450 00	Oil cooler Return line	/RL	1	MCF.TB MCR.CA MCV.VA/VB IL0R MCU.RA
(8)	958 347 450 01	Steering gear Oil cooler Return line	/RL	1	MCX.ZA MCE.YA MCF.TB MCR.CA MCV.VA/VB IL0R MCU.RA
9	955 347 543 00	O-ring		1	MCX.ZA MCE.YA
10	958 347 451 03	Pressure line	/LL	1	MCE.YA IL0L/0AB/0AC
(10)	958 347 452 02	Power-steering pump Steering gear Pressure line Power-steering pump	/RL	1	MCE.YA IL0R/0AB/0AC

Model: 92A 11 Model life 2011>>

Pos	Part Number	Description	Remark	Qty	Model
10	958 347 451 42	Steering gear Pressure line	/LL	1	MCE.YA ILOL/OAW
(10)	958 347 452 51	Tandem pump Steering gear See illustrations 4/02/37 Pressure line	/RL	1	MCE.YA ILOR/OAW
10	958 347 451 12	Tandem pump Steering gear Pressure line	/LL	1	MCF.TB ILOL/OAB/OAC
(10)	958 347 452 13	Power-steering pump Steering gear Pressure line	/RL	1	MCF.TB ILOR/OAB/OAC
(10)	958 347 451 32	Power-steering pump Steering gear Pressure line	/LL	1	MCF.TB ILOL/OAW
(10)	958 347 452 42	Tandem pump Steering gear See illustrations 4/02/32 Pressure line	/RL	1	MCF.TB ILOR/OAW
(10)	958 347 451 23	Tandem pump Steering gear See illustrations 4/02/32 Pressure line	/LL	1	MCN.RB MCR.CA MCV.VA/VB/VC ILOL
(10)	955 347 452 70	Power-steering pump Steering gear Pressure line	/RL	1	MCN.RB MCR.CA MCV.VA/VB/VC ILOR
(10)	958 347 451 60	Power-steering pump Steering gear Pressure line	/LL	1	MCU.DC ILOL
(10)	958 347 452 60	Power-steering pump Steering gear Pressure line	/RL	1	MCU.DC ILOR
(10)	958 347 451 80	Power-steering pump Steering gear Pressure line	/LL	1	MCU.RA ILOL/OAB/OAC
(10)	958 347 452 80	Power-steering pump Steering gear Pressure line	/RL	1	MCX.ZA MCU.RA ILOR/OAB/OAC
11	955 347 542 00	O-ring 9,25 X 1,78		1	MCX.ZA

Model: 92A 11 Model life 2011>>

Pos	Part Number	Description	Remark	Qty	Model
12	WHT 005 161	O-ring 11 X 1,8		1	MCN.RB MCR.CA MCV.VA/VB/VC MCJ.TB
(12)		O-ring 11 X 1,8		1	MCF.TB MCU.DC/RA I0AB/OAC
(12)	WHT 002 666	Sealing ring	/RL	1	MCX.ZA MCE.YA MCN.RB MCR.CA MCV.VA/VB/VC ILOR
(12)	955 347 543 00	9.8 X 2.50 O-ring		1	MCJ.TB MCF.TB MCU.DC/RA I0AW
(12)	N 013 848 6	7,65 X 1,63 Sealing ring		1	MCX.ZA MCE.YA I0AW
13	N 106 532 01	16 X 22 Hexagon-head bolt		2	
13		M6 X 16 Hexagon-head bolt	/RL	4	ILOR
13		M6 X 16 Hexagon-head bolt	/RL	5	MCV.VA ILOR
14	N 906 870 01	M6 X 16 Hose clamp		1	
15	958 347 422 80	B27 X 12 Intake pipe		1	MCG.EA/FA
(15)	958 347 422 01	Oil tank Power-steering pump Intake pipe		1	MCE.YA I0AB/OAC
(15)	958 347 422 02	Oil tank Power-steering pump D >> 29.05.2016 Intake pipe		1	MCE.YA I0AB/OAC
(15)	958 347 422 11	Oil tank Power-steering pump D 30.05.2016>> Intake pipe		1	MCE.YA I0AW
(15)	958 347 422 12	Oil tank Tandem pump D >> 29.05.2016 Intake pipe		1	MCE.YA I0AW
(15)	958 347 422 20	Oil tank Tandem pump D 30.05.2016>> Intake pipe		1	MCF.TB I0AB/OAC
(15)	958 347 422 32	Oil tank Power-steering pump Intake pipe		1	MCF.TB I0AW
		Oil tank Pump			

Model: 92A 11 Model life 2011>>

Pos	Part Number	Description	Remark	Qty	Model
(15)	958 347 422 80	Intake pipe Oil tank Power-steering pump		1	MCU.RA I0AB/OAC
(15)	958 347 422 90	Intake pipe Oil tank Pump		1	MCX.ZA MCU.RA I0AW
(15)	958 347 422 41	Intake pipe Oil tank Pump		1	MCX.ZA MCR.CA MCV.VA
(15)	958 347 422 50	Intake pipe Oil tank Pump	(CN)	1	MCJ.T
15	958 347 422 70	Intake pipe Oil tank Pump		1	MCU.DC
16	N 906 869 01	Hose clamp B 23 X 12		1	
17	N 907 143 03	Hexagon nut M6		1	
18	N 100 095 06	Hexagon-head bolt M6 X 18		1	
19	958 347 069 00	Oil cooler		1	MCJ.TB MCR.CA MCU.DC MCV.VA/VB -I0AW
(19)		Power steering Oil cooler		1	-I0AW
(19)		Power steering Oil cooler		1	MCU.RA I0AB/OAC
(19)	958 347 069 10	Power steering Oil cooler		1	MCF.TB I0AW
(19)	958 347 069 20	Power steering Oil cooler		1	MCX.ZA IE0W/OAB/OAC
(19)		Power steering Oil cooler		1	MCF.TB I0AB/OAC
(19)	958 347 069 30	Power steering Oil cooler		1	MCU.RA I0AW
20	958 347 577 00	Power steering Support Oil cooler		1	
21	N 104 734 02	Lens-head screw M6 X 20		1	
22	N 104 421 01	Support		X	
23	N 909 435 01	Hose holder		3	
24	958 347 963 01	Return line Oil cooler		1	
25	958 347 895 01	Return line Oil cooler		1	MCF.TB MCJ.T MCR.CA MCV.VC MCU.RA MCV.VA/VB

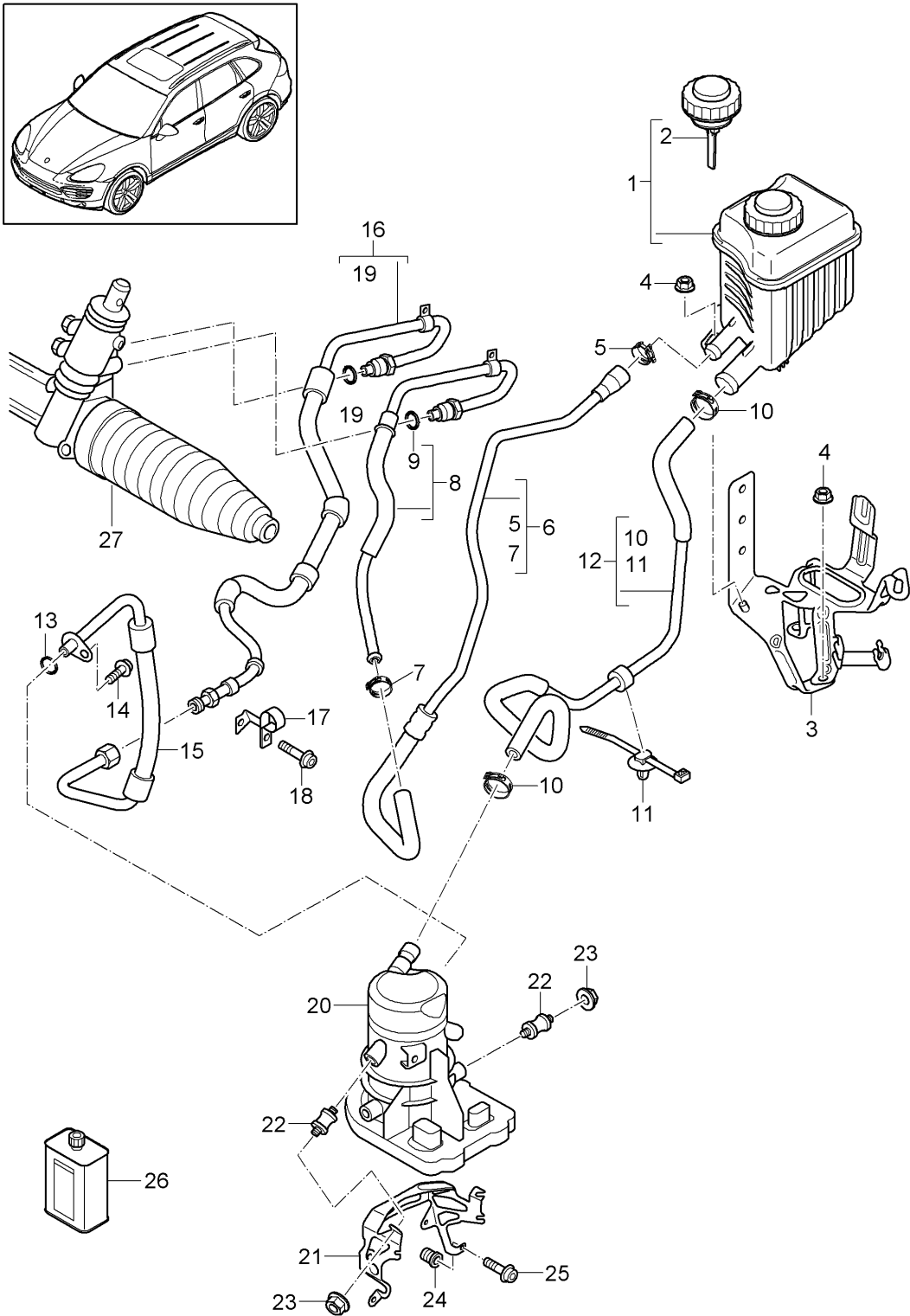
Model: 92A 11

Model life 2011>>

Pos	Part Number	Description	Remark	Qty	Model
(25)	958 347 895 04	Return line	/RL	1	MCE.YA MCX.ZA MCU.DC ILOR
26	958 314 210 50	Oil cooler Support Oil tank And Connection point Cable		1	
27		Engine compartment Oil See illustrations 4/03/20		1	
28		Steering gear See illustrations 4/03/00			
29		Pump See illustrations 4/03/20			
30	N 020 651 7	Clip		2	
31	N 020 601 5	Clamp	/RL	2	MCN.RB MCR.CA MCV.VA/VB/VC ILOR

Model: 92A 11

Model life 2011>>



Model: 92A 11 Model life 2011>>

Pos	Part Number	Description	Remark	Qty	Model
		Power steering Lines	-14		ID19
1	955 314 015 30	Power-steering pump Electric Oil tank		1	
2	958 314 145 00	Power steering Threaded cover Oil tank		1	
3	958 314 717 01	Support Oil tank		1	
4	N 015 082 10	Hexagon nut M 6		3	
5	955 347 569 00	Hose clamp		1	
6	958 314 891 07	Return line Connection point Oil tank		1	
-	WHT 006 244	Clip		1	
7	N 102 018 01	Clip		1	
8	958 314 891 04	Return line Steering gear Connection point	/LL	1	IL0L
(8)	958 347 450 10	Return line Steering gear Connection point	/RL	1	IL0R
9	955 347 543 00	O-ring		1	
10	N 906 870 01	Hose clamp		2	
11	N 909 266 01	Tie-wrap		1	
12	958 314 967 01	Suction hose		1	
13	WHT 005 488	O-ring 8,2 X 1,78		1	
14	N 106 775 01	Screw M 8 X 22		1	
15	958 314 138 02	Pressure line Power-steering pump Connection point		1	
16	958 314 138 00	Pressure line Connection point Steering gear	/LL	1	IL0L
(16)	958 314 138 01	Pressure line Connection point Steering gear	/RL	1	IL0R
-	N 020 651 7	Use also: Clip	/RL	1	IL0R
17	958 343 778 00	Line bracket		1	
18	N 106 980 01	Torx screw M 6 X 90		1	
19	955 347 542 00	O-ring 9,25 X 1,78		1	
20	958 314 155 02	Power-steering pump Electric		1	
21	958 314 380 00	Support		1	
22	958 347 579 00	Bonded rubber buffer		4	
23	N 015 082 10	Hexagon nut M 6		4	
24	N 105 806 01	Blind rivet nut M 8		3	
25	N 911 280 01	Screw M 8 X 25		3	
26		Oil See illustrations 4/03/10		1	
27		Steering gear See illustrations		1	

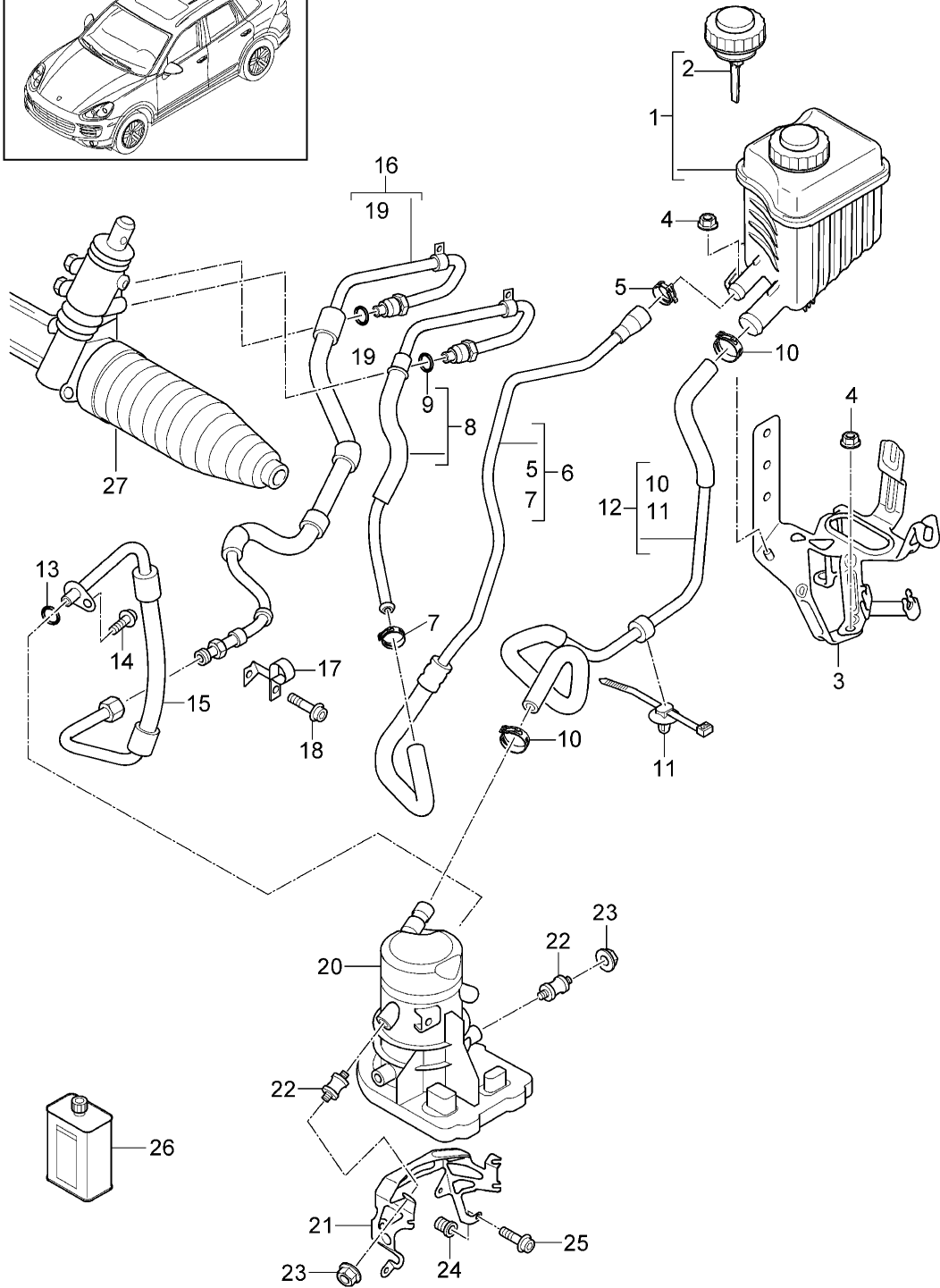
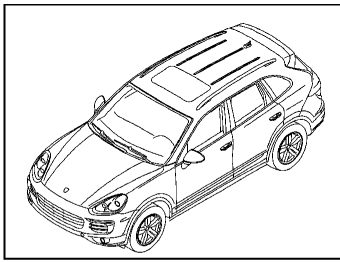
Model: 92A 11

Model life 2011>>

Pos	Part Number	Description	Remark	Qty	Model
		4/03/00			

Model: 92A 11

Model life 2011>>



Model: 92A 11 Model life 2011>>

Pos	Part Number	Description	Remark	Qty	Model
		Power steering	15-		MCG.EA/FA I0K3
		Lines			
		Power-steering pump			
		Electric			
1	955 314 015 30	Oil tank		1	
		Power steering			
2	958 314 145 00	Threaded cover		1	
		Oil tank			
3	958 314 717 01	Support		1	
		Oil tank			
4	N 015 082 10	Hexagon nut		3	
		M 6			
5	955 347 569 00	Hose clamp		1	
6	958 314 891 10	Return line		1	
		Connection point			
		Oil tank			
-	WHT 006 244	Clip		1	
7	N 102 018 01	Clip		1	
8	958 314 891 05	Return line	/LL	1	IL0L
		Steering gear			
		Connection point			
(8)	958 347 450 11	Return line	/RL	1	IL0R
		Steering gear			
		Connection point			
9	955 347 543 00	O-ring		1	
10	N 906 870 01	Hose clamp		2	
11	N 909 266 01	Tie-wrap		1	
12	958 347 422 62	Intake pipe		1	
		Oil tank			
		Pump			
13	WHT 005 488	O-ring		1	
		8,2 X 1,78			
14	N 106 775 01	Screw		1	
		M 8 X 22			
15	958 314 138 03	Pressure line		1	
		Power-steering pump			
		Connection point			
16	958 314 138 08	Pressure line	/LL	1	IL0L
		Connection point			
		Steering gear			
(16)	958 314 138 05	Pressure line	/RL	1	IL0R
		Connection point			
		Steering gear			
		Use also:			
-	N 020 651 7	Clip	/RL	1	IL0R
17	958 343 778 00	Line bracket		1	
18	N 106 980 01	Torx screw		1	
		M 6 X 90			
19	955 347 542 00	O-ring		1	
		9,25 X 1,78			
(20)	958 314 155 03	Power-steering pump		1	
		Electric			
21	958 314 380 00	Support		1	
22	958 347 579 00	Bonded rubber buffer		4	
23	N 015 082 10	Hexagon nut		4	
		M 6			
24	N 105 806 01	Blind rivet nut		3	
		M 8			
25	N 911 280 01	Screw		3	
		M 8 X 25			
26		Oil		1	
		See illustrations			

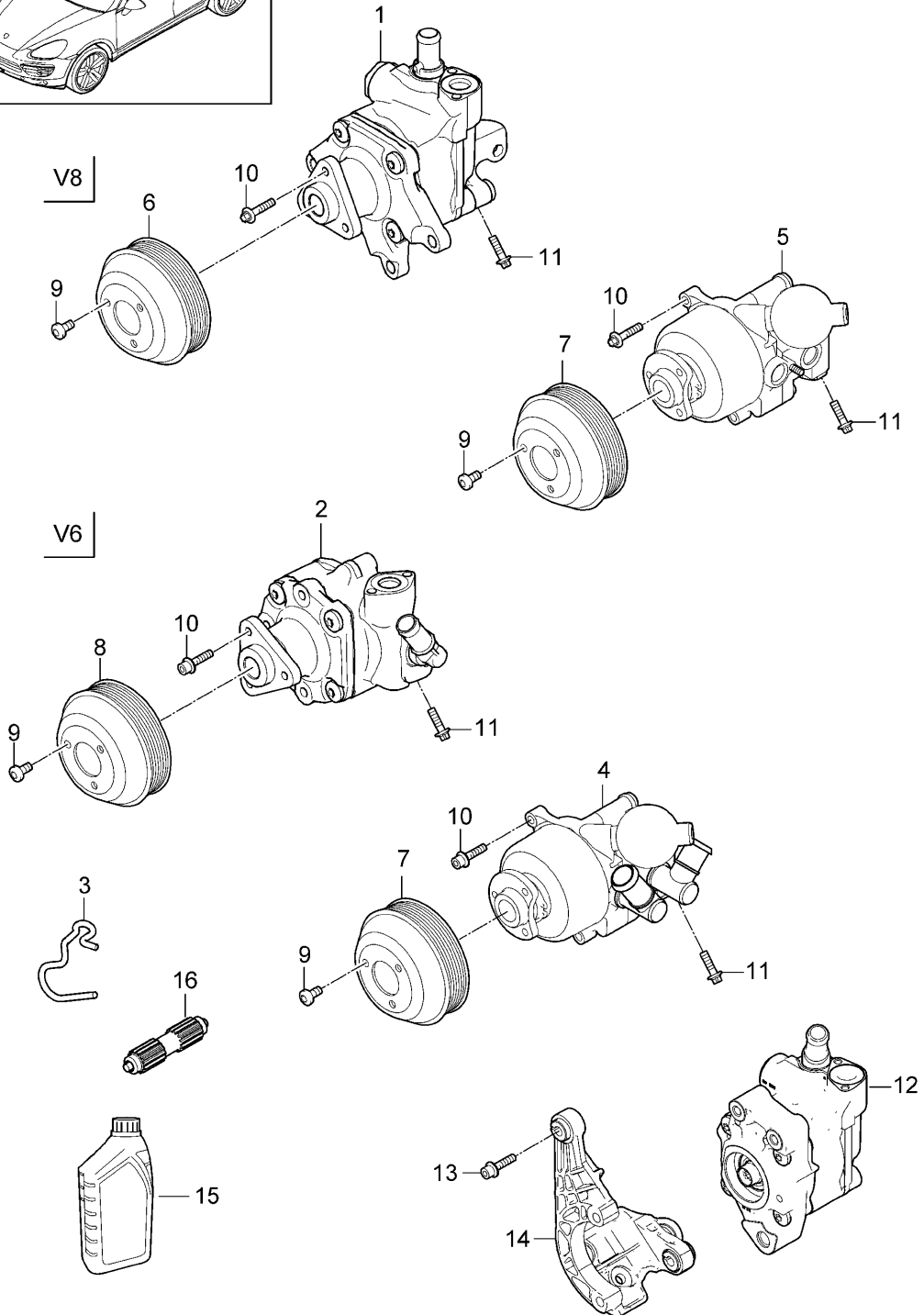
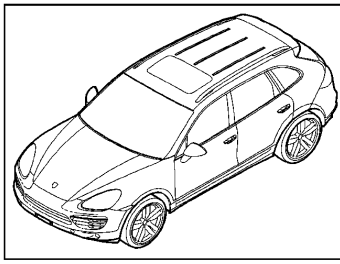
Model: 92A 11

Model life 2011>>

Pos	Part Number	Description	Remark	Qty	Model
27		4/03/10 Steering gear See illustrations 4/03/00		1	

Model: 92A 11

Model life 2011>>

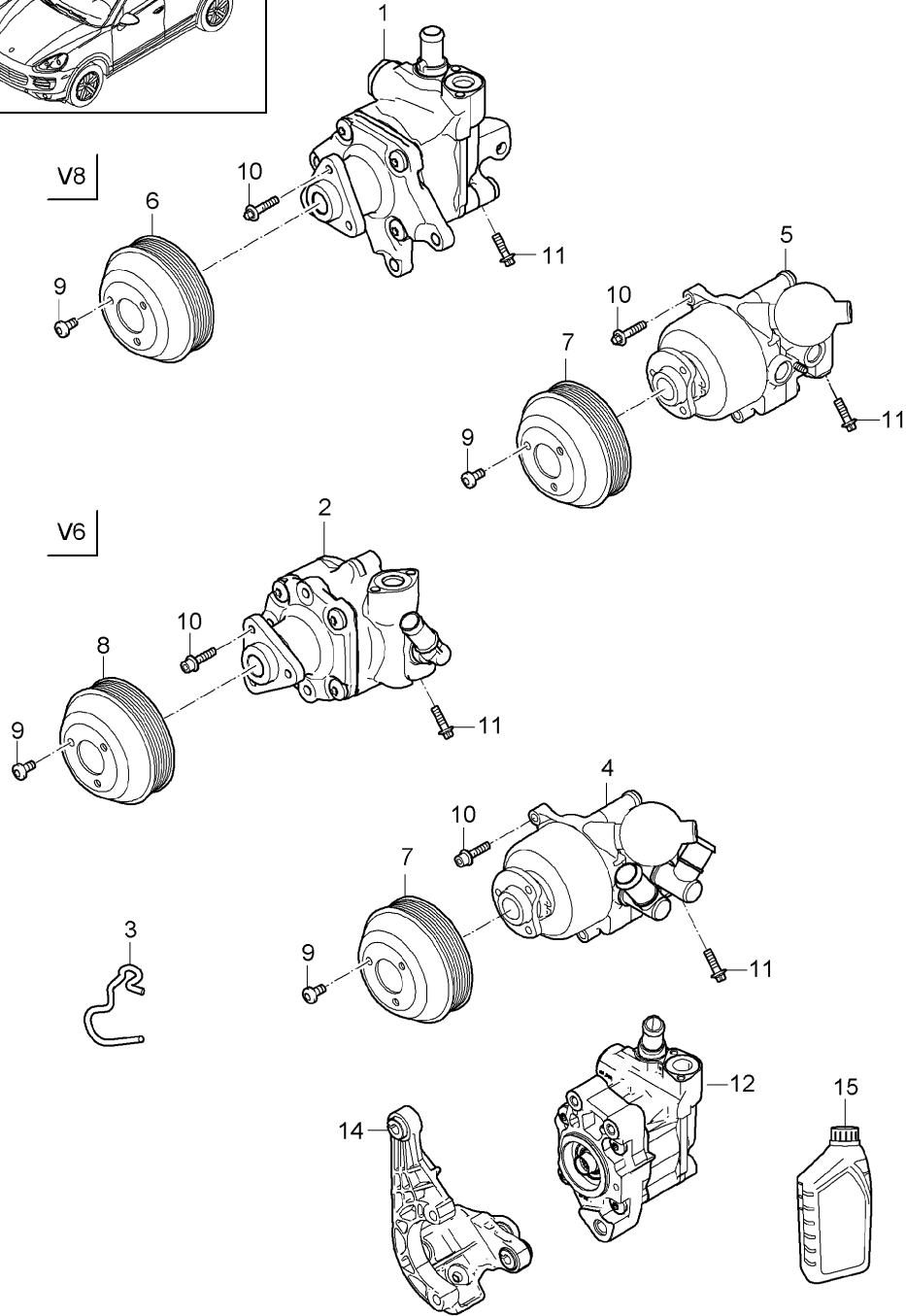
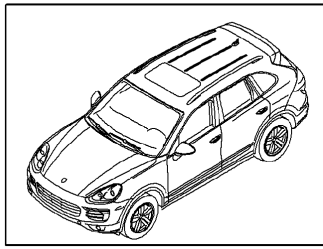


Model: 92A 11 Model life 2011>>

Pos	Part Number	Description	Remark	Qty	Model
		Power steering	-14		-ID19/I0AB I0AC/OAW
		Power-steering pump Tandem pump			
1	958 314 050 00	Power-steering pump		1	ID58/D6V/OAB
2	958 314 050 10	Power-steering pump		1	ID11/D34/OAB
2	958 314 050 20	Power-steering pump		1	ID1V/D43/D50 I0AB
		Power-steering pump Electric See illustrations 4/03/17			
3	958 314 926 00	Support		1	
4	955 314 022 01	Tandem pump		1	-ID58/-ID6V I0AW
5	955 314 022 12	Tandem pump		1	ID58/D6V/OAW
6	955 147 019 00	Pulley		1	-I7MG/I0AB
7	955 147 219 20	Pulley		1	I0AW
8	955 147 219 00	Pulley		1	ID34/OAB
8	958 147 255 07	Pulley	11-	1	DIESEL
8	958 147 255 02	Pulley		1	ID11
9	WHT 001 702	Screw M8 X 16		3	
(9)	N 910 522 01	Pan-head screw M 8 X 12		3	
(9)	N 911 361 01	Pan-head screw M 8 x 14		3	
10	WHT 001 703	Screw M8 X 35		1	I0AW
10	900 385 042 01	Torx screw M8 X 35		1	I0AW
10	900 385 116 01	Torx screw M8 X 30		1	I0AB
(10)	N 911 287 01	Pan-head screw M 8 x 32		3	
(10)	N 910 766 01	Pan-head screw M 8 X 30		3	
(10)	N 106 730 01	Pan-head screw M 8 X 40 Mount POSITION 4		3	
(10)	N 910 522 01	Pan-head screw M 8 X 12		3	
11	WHT 001 704	Screw BM 8X20		1	
11	900 385 001 01	Torx screw BM 8X20		1	
12	958 314 050 30	Vane type pump for Power steering		1	
13	N 910 842 01	Screw M 8X25		2	
14	059 145 167 AM	Support Power-steering pump		1	ID1V/D43/D50
15	000 043 206 56	Pentosin CHF 202 1 LITER		X	
16	958 145 223	Shaft Power-steering pump		1	

Model: 92A 11

Model life 2011>>



Model: 92A 11 Model life 2011>>

Pos	Part Number	Description	Remark	Qty	Model
		Power steering Power-steering pump Tandem pump	15-		I0AB/0AC/0AW
1	958 314 050 01	Power-steering pump		1	MCF.TB MCU.RA I0AB/0AC
1	958 314 050 AX	Power-steering pump		1	MCF.TB MCU.RA I0AB/0AC
2	958 314 050 11	Power-steering pump		1	MCE.YA MCJ.T I0AB/0AC
2	958 314 050 BX	Power-steering pump		1	MCE.YA MCJ.T I0AB/0AC
(2)	958 314 050 21	Power-steering pump		1	MCR.CA MCV.VA/VB/VC I0AB/0AC
(2)	958 314 050 CX	Power-steering pump		1	MCR.CA MCV.VA/VB/VC I0AB/0AC
(2)	958 314 050 40	Power-steering pump		1	MCX.ZA I0AB/0AC
(2)	958 314 050 DX	Power-steering pump		1	MCX.ZA I0AB/0AC I0K3
		Power-steering pump Electric See illustrations 4/03/19			
3	958 314 926 00	Support		1	
4	958 314 022 00	Tandem pump		1	MCE.YA M55.02 I0AW
5	958 314 022 10	Tandem pump		1	MCF.TB MCU.RA MCX.ZA MCY.XA I0AW
6	948 147 019 01	Pulley		1	MCF.TB MCY.XA I0AB/0AC
(6)	7PP 145 235	Pulley		1	MCU.RA MCX.ZA I0AB/0AC
7	955 147 219 20	Pulley		1	MCE.YA MCF.TB MCY.XA I0AW
(7)	7PP 145 285	Pulley		1	MCU.RA MCX.ZA I0AW
8	955 147 219 00	Pulley		1	MCE.YA I0AB/0AC
(8)	958 147 255 07	Pulley		1	MCN.RB MCR.CA/CB MCV.VA/VB MCV.VC
(8)	958 147 255 02	Pulley		1	MCJ.T
9	WHT 001 702	Screw		3	MCF.TB MCU.RA MCX.ZA MCY.XA
		M8 X 16			

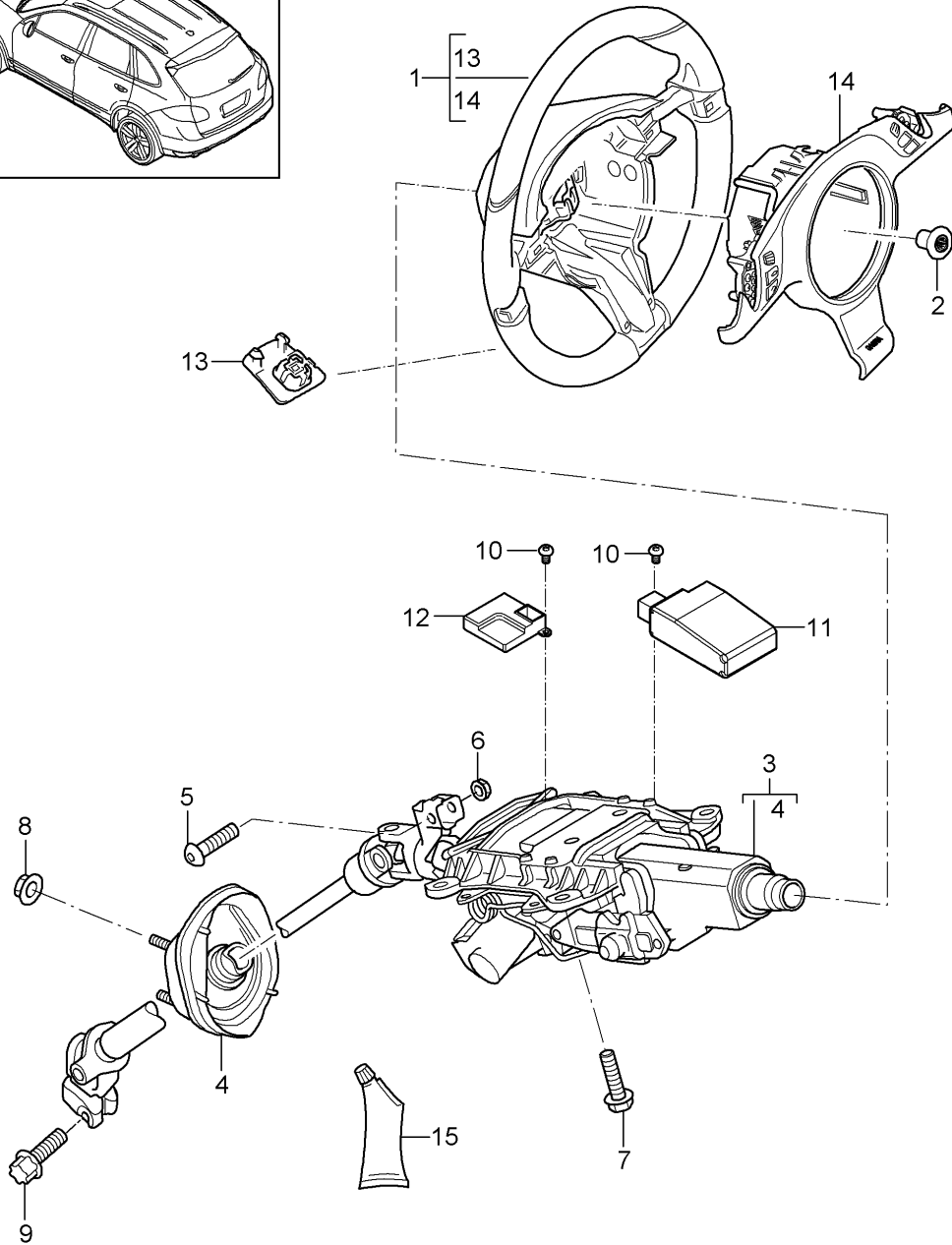
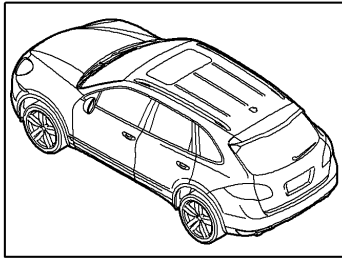
Model: 92A 11

Model life 2011>>

Pos	Part Number	Description	Remark	Qty	Model
(9)	N 910 522 01	Pan-head screw M 8 X 12		3	MCJ.TB MCR.CA MCV.VA/VB
(9)	N 911 361 01	Pan-head screw M 8 X 14		3	
10	900 385 042 01	Torx screw M8 X 35		1	MCF.TB MCU.RA IOAW
(10)	900 385 116 01	Torx screw M8 X 30		1	MCF.TB MCU.RA IOAB/OAC
(10)	N 911 287 01	Pan-head screw M 8 X 32		3	MCJ.TB MCR.CA MCV.VA/VB
(10)	N 106 730 01	Pan-head screw M 8 X 40 Mount POSITION 4		3	
(10)	N 910 522 01	Pan-head screw M 8 X 12		3	MCJ.TB MCR.CA MCV.VA/VB
11	900 385 001 01	Torx screw BM 8X20		1	
12	958 314 050 30	Vane type pump for Power steering		1	MCU.DB/DC
14	059 145 167 AM	Support		1	MCN.RB MCR.CA MCV.VC
15	000 043 206 56	Power-steering pump Pentosin CHF 202 1 LITER		X	

Model: 92A 11

Model life 2011>>



Model: 92A 11

Model life 2011>>

Pos	Part Number	Description	Remark	Qty	Model
1	7PP 419 091 AB	Steering wheels Steering column Steering shaft Steering wheel Leather	-14	1	I2PM/2X2
	7PP 419 091 AB A34	Black			
	7PP 419 091 AB 8T3	Platinum Grey			
	7PP 419 091 AB 9J9	Luxor Beige			
	7PP 419 091 AB DE1	Umber			
1	7PP 419 091 AB 6H6	Espresso		1	I2PH/2X2
	7PP 419 091 AC	Steering wheel Leather Heated			
	7PP 419 091 AC A34	Black			
	7PP 419 091 AC 8T3	Platinum Grey			
	7PP 419 091 AC 9J9	Luxor Beige			
1	7PP 419 091 AC DE1	Umber		1	I2X2/2ZM
	7PP 419 091 AC 6H6	Espresso			
	7PP 419 091 AD	Steering wheel Leather Multi-function			
	7PP 419 091 AD A34	Black			
	7PP 419 091 AD 8T3	Platinum Grey			
1	7PP 419 091 AD 9J9	Luxor Beige		1	I2X2/2ZH
	7PP 419 091 AD DE1	Umber			
	7PP 419 091 AD 6H6	Espresso			
	7PP 419 091 AE	Steering wheel Leather Multi-function Heated			
	7PP 419 091 AE A34	Black			
1	7PP 419 091 AE 8T3	Platinum Grey		1	I1XJ/2X2
	7PP 419 091 AE 9J9	Luxor Beige			
	7PP 419 091 AE DE1	Umber			
	7PP 419 091 AE 6H6	Espresso			
	7PP 419 091 AF	Steering wheel Wood Multi-function Heated			
1	7PP 419 091 AF A34	Black		1	I2FX/2X2
	7PP 419 091 AF 8T3	Platinum Grey			
	7PP 419 091 AF 9J9	Luxor Beige			
	7PP 419 091 AF DE1	Umber			
	7PP 419 091 AF 6H6	Espresso			
1	7PP 419 091 AG	Steering wheel Carbon Multi-function Heated		1	
	7PP 419 091 AG A34	Black			
	7PP 419 091 AG 8T3	Platinum Grey			
	7PP 419 091 AG 9J9	Luxor Beige			
	7PP 419 091 AG DE1	Umber			

Model: 92A 11

Model life 2011>>

Pos	Part Number	Description	Remark	Qty	Model
1	7PP 419 091 AG 6H6 7PP 419 091 AR	Espresso Steering wheel Anthracite Birch Multi-function Heated		1	+YF +VA, +VB I1XE/2X2
	7PP 419 091 AR A34	Black			+LC, +MA, +TW, +YA, +YB, +YC
	7PP 419 091 AR 8T3	Platinum Grey			+LD, +MD, +YD,
	7PP 419 091 AR 9J9	Luxor Beige			+LE, +MC, +YE
	7PP 419 091 AR DE1	Umber			+LF, +TX, +TY, +YF
1	7PP 419 091 AR 6H6 7PP 419 091 BB	Espresso Steering wheel Shifting paddle		1	+VA, +VB I1ML/2X2
	7PP 419 091 BB A34	Black			+LC, +MA, +TW, +YA, +YB, +YC
	7PP 419 091 BB 8T3	Platinum Grey			+LD, +MD, +YD,
	7PP 419 091 BB 9J9	Luxor Beige			+LE, +MC, +YE
	7PP 419 091 BB DE1	Umber			+LF, +TX, +TY, +YF
(1)	7PP 419 091 BB 6H6 7PP 419 091 CC	Espresso Steering wheel Shifting paddle	12-	1	+VA, +VB I1ML/2X2
1	7PP 419 091 CC OK6 7PP 419 091 AH	Saddle Tan Steering wheel Leather		1	I2PM/2X0
	7PP 419 091 AH A34	Black			+LC, +MA, +TW, +YA, +YB, +YC
	7PP 419 091 AH 8T3	Platinum Grey			+LD, +MD, +YD,
	7PP 419 091 AH 9J9	Luxor Beige			+LE, +MC, +YE
	7PP 419 091 AH DE1	Umber			+LF, +TX, +TY, +YF
1	7PP 419 091 AH 6H6 7PP 419 091 AJ	Espresso Steering wheel Leather Heated		1	+VA, +VB I2PH/2X0
	7PP 419 091 AJ A34	Black			+LC, +MA, +TW, +YA, +YB, +YC
	7PP 419 091 AJ 8T3	Platinum Grey			+LD, +MD, +YD
	7PP 419 091 AJ 9J9	Luxor Beige			+LE, +MC, +YE
	7PP 419 091 AJ DE1	Umber			+LF, +TX, +TY, +YF
1	7PP 419 091 AJ 6H6 7PP 419 091 AK	Espresso Steering wheel Leather Multi-function		1	+VA, +VB I2X0/2ZM
	7PP 419 091 AK A34	Black			+LC, +MA, +TW, +YA, +YB, +YC
	7PP 419 091 AK 8T3	Platinum Grey			+LD, +MD, +YD
	7PP 419 091 AK 9J9	Luxor Beige			+LE, +MC, +YE
	7PP 419 091 AK DE1	Umber			+LF, +TX, +TY, +YF
1	7PP 419 091 AK 6H6 7PP 419 091 AL	Espresso Steering wheel Leather Multi-function Heated		1	+VA, +VB I2X0/2ZH
	7PP 419 091 AL A34	Black			+LC, +MA, +TW, +YA, +YB, +YC
	7PP 419 091 AL 8T3	Platinum Grey			+LD, +MD, +YD
	7PP 419 091 AL 9J9	Luxor Beige			+LE, +MC, +YE
	7PP 419 091 AL DE1	Umber			+LF, +TX, +TY,

Model: 92A 11 Model life 2011>>

Pos	Part Number	Description	Remark	Qty	Model
1	7PP 419 091 AL 6H6	Espresso		1	+YF
	7PP 419 091 AM	Steering wheel			+VA, +VB
		Wood			I1XJ/2X0
		Multi-function			
		Heated			
	7PP 419 091 AM A34	Black			+LC, +MA, +TW,
					+YA, +YB, +YC
1	7PP 419 091 AM 8T3	Platinum Grey		1	+LD, +MD, +YD
	7PP 419 091 AM 9J9	Luxor Beige			+LE, +MC, +YE
	7PP 419 091 AM DE1	Umber			+LF, +TX, +TY,
					+YF
	7PP 419 091 AM 6H6	Espresso			+VA, +VB
	7PP 419 091 AN	Steering wheel			I2FX/2X0
		Carbon			
1	7PP 419 091 AN A34	Black		1	+LC, +MA, +TW,
					+YA, +YB, +YC
	7PP 419 091 AN 8T3	Platinum Grey			+LD, +MD, +YD
	7PP 419 091 AN 9J9	Luxor Beige			+LE, +MC, +YE
	7PP 419 091 AN DE1	Umber			+LF, +TX, +TY,
					+YF
	7PP 419 091 AN 6H6	Espresso			+VA, +VB
7PP 419 091 AS	Steering wheel		I1XE/2X0		
1		Anthracite Birch		1	
		Multi-function			
		Heated			
	7PP 419 091 AS A34	Black			+LC, +MA, +TW,
					+YA, +YB, +YC
	7PP 419 091 AS 8T3	Platinum Grey			+LD, +MD, +YD
	7PP 419 091 AS 9J9	Luxor Beige			+LE, +MC, +YE
7PP 419 091 AS DE1	Umber		+LF, +TX, +TY,		
1				1	+YF
	7PP 419 091 AS 6H6	Espresso			+VA, +VB
	7PP 419 091 BC	Steering wheel			I2X0/2ZU
		YACHTING			
		Multi-function			
		Heated			
	7PP 419 091 BC A34	Black			+LC, +MA, +TW,
1				1	+YA, +YB, +YC
	7PP 419 091 BC 8T3	Platinum Grey			+LD, +MD, +YD
	7PP 419 091 BC 9J9	Luxor Beige			+LE, +MC, +YE
	7PP 419 091 BC DE1	Umber			+LF, +TX, +TY,
					+YF
	7PP 419 091 BC 6H6	Espresso			+VA, +VB
	7PP 419 091 BD	Steering wheel			I2X2/2ZU
1		YACHTING		1	
		Multi-function			
		Heated			
	7PP 419 091 BD A34	Black			+LC, +MA, +TW,
					+YA, +YB, +YC
	7PP 419 091 BD 8T3	Platinum Grey			+LD, +MD, +YD
	7PP 419 091 BD 9J9	Luxor Beige			+LE, +MC, +YE
7PP 419 091 BD DE1	Umber		+LF, +TX, +TY,		
1				1	+YF
	7PP 419 091 BD 6H6	Espresso			+VA, +VB
	7PP 419 091 CD	Steering wheel			I2PX/2X2
		Alcantara			
		Multi-function			
		Heated			
	7PP 419 091 CD 2W0	Black			
2	N 910 207 01	Screw		1	

Model: 92A 11

Model life 2011>>

Pos	Part Number	Description	Remark	Qty	Model
3	958 347 007 00	M 18 X 1,5 X 26 Steering column Complete with Steering shaft	/LL	1	IL0L/2C5
(3)	958 347 007 01	Steering column Complete with Steering shaft	/LL	1	IL0L/2C5
3	958 347 007 02	Steering column Complete with Steering shaft	/LL	1	IL0L/2C5
(3)	958 347 007 03	Steering column Complete with Steering shaft	/LL	1	IL0L/2C5
(3)	958 347 007 04	Steering column Complete with Steering shaft	/LL	1	IL0L/2C5
(3)	958 347 007 20	Steering column Complete with Steering shaft	/LL	1	IL0L/2C4
(3)	958 347 007 21	Steering column Complete with Steering shaft	/LL	1	IL0L/2C4
(3)	958 347 007 22	Steering column Complete with Steering shaft	/LL	1	IL0L/2C4
(3)	958 347 007 23	Steering column Complete with Steering shaft	/LL	1	IL0L/2C4
(3)	958 347 007 24	Steering column Complete with Steering shaft	/LL	1	IL0L/2C4
(3)	958 347 008 00	Steering column Complete with Steering shaft	/RL	1	IL0R/2C5
(3)	958 347 008 01	Steering column Complete with Steering shaft	/RL	1	IL0R/2C5
(3)	958 347 008 02	Steering column Complete with Steering shaft	/RL	1	IL0R/2C5
(3)	958 347 008 20	Steering column Complete with Steering shaft	/RL	1	IL0R/2C4
(3)	958 347 008 21	Steering column Complete with Steering shaft	/RL	1	IL0R/2C4
(3)	958 347 008 22	Steering column Complete with Steering shaft	/RL	1	IL0R/2C4

Model: 92A 11 Model life 2011>>

Pos	Part Number	Description	Remark	Qty	Model
(3)	958 347 008 23	with Steering shaft Steering column Complete	/RL	1	IL0R/2C4
(3)	958 347 008 24	with Steering shaft Steering column Complete	/RL	1	IL0R/2C4
4	958 347 037 00	with Steering shaft Sealing sleeve		1	
5	N 107 581 01	Multiple-tooth screw BM 8 X 115 X 80		1	
6	N 901 838 03	Hexagon nut M 8		1	
7	N 102 400 03	Hexagon-head bolt M 8 X 32		4	
8	N 908 877 03	Hexagon nut M 6		3	
9	WHT 004 955	Torx screw M 8 X 30		1	
(9)	WHT 004 955 A	Torx screw M 8 X 30		1	
10	8E0 035 413	Screw M5 X10		2	
11	7PP 905 852 B	Control unit Steering column Locking device		1	
(11)	7PP 905 852 C	Control unit Steering column Locking device		1	
12	4H0 907 705 G	Control unit Steering column Electrically adjustable		1	I2C4
(12)	4H0 907 705 H	Control unit Steering column Electrically adjustable		1	I2C4
(12)	4H0 907 705 J	Control unit Steering column Electrically adjustable		1	I2C4
(12)	4H0 907 705 K	Control unit Steering column Electrically adjustable		1	I2C4
13	7PP 951 527	Switch Heating Steering wheel		1	
14	7PP 951 527 A05	Black mat			
	7PP 959 537 D	Module Steering wheel		1	I2PH/2PM/2X0
	7PP 959 537 D DE1	Umber			+LF, +TX, +TY, +YF
	7PP 959 537 D 3T0	Espresso			+VA, +VB
	7PP 959 537 D 4U0	Platinum Grey			+LD, +MD, +YD
	7PP 959 537 D 5Q0	Black			+LC, +MA, +TW, +YA, +YB, +YC
	7PP 959 537 D 6W0	Luxor Beige			+LE, +MC, +YE
(14)	7PP 959 537 E	Module Steering wheel		1	I2PH/2PM/2X2
	7PP 959 537 E DE1	Umber			+LF, +TX, +TY, +YF
	7PP 959 537 E 3T0	Espresso			+VA, +VB
	7PP 959 537 E 4U0	Platinum Grey			+LD, +MD, +YD
	7PP 959 537 E 5Q0	Black			+LC, +MA, +TW,

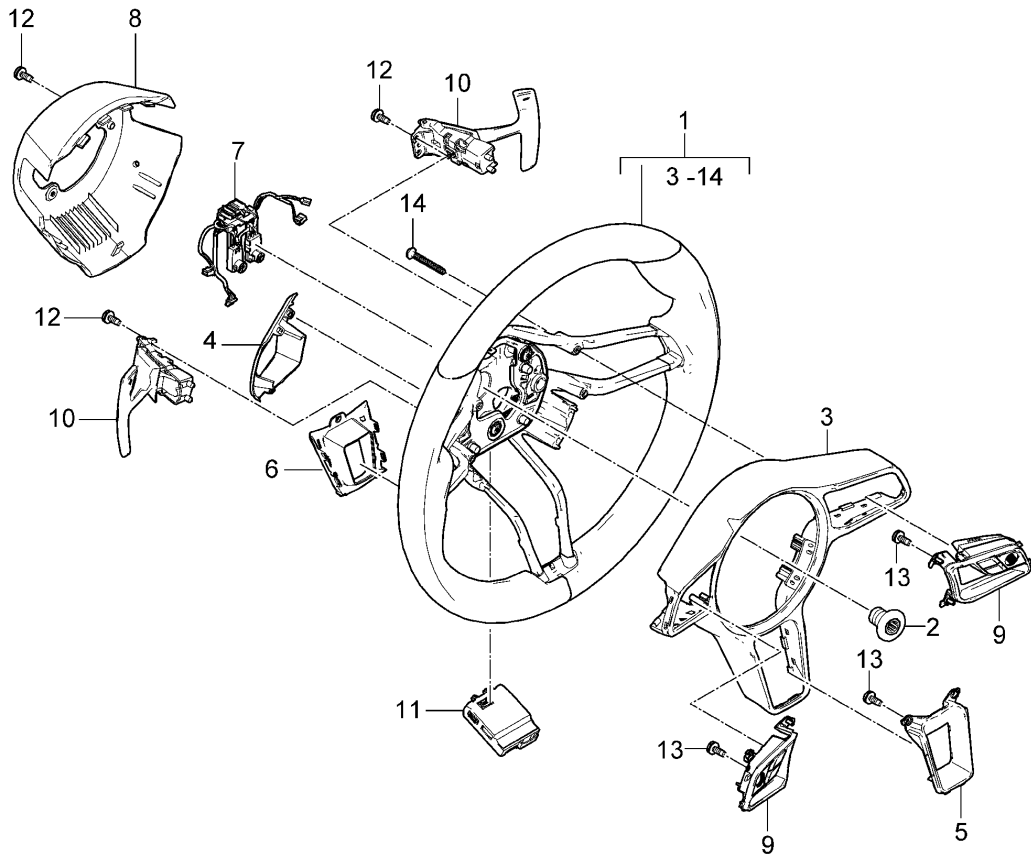
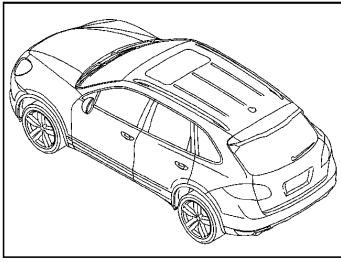
Model: 92A 11

Model life 2011>>

Pos	Part Number	Description	Remark	Qty	Model
(14)	7PP 959 537 E 6W0 7PP 959 537 K	Luxor Beige Module		1	+YA, +YB, +YC +LE, +MC, +YE I1XE/1XJ/2FX I2X0/2ZH/2ZM
	7PP 959 537 K DE1	Steering wheel Umber			+LF, +TX, +TY, +YF
	7PP 959 537 K 3T0	Espresso			+VA, +VB
	7PP 959 537 K 4U0	Platinum Grey			+LD, +MD, +YD
	7PP 959 537 K 5Q0	Black			+LC, +MA, +TW, +YA, +YB, +YC
(14)	7PP 959 537 K 6W0 7PP 959 537 L	Luxor Beige Module		1	+LE, +MC, +YE I1XE/1XJ/2FX I2X2/2ZH/2ZM
	7PP 959 537 L DE1	Steering wheel Umber			+LF, +TX, +TY, +YF
	7PP 959 537 L 3T0	Espresso			+VA, +VB
	7PP 959 537 L 4U0	Platinum Grey			+LD, +MD, +YD
	7PP 959 537 L 5Q0	Black			+LC, +MA, +TW, +YA, +YB, +YC
-	7PP 959 537 L 6W0 000 043 207 48	Luxor Beige Adhesive set Steering wheel See technical manual suspension Group 48 12 19		1	+LE, +MC, +YE
-	000 043 209 01	Mixing tube Only together with 000.043.209.00		X	
-	000 043 209 00	Adhesive set Steering wheel Only together with 000.043.209.01 See technical manual suspension Group 48 12 19		1	
15	000 043 205 44	Grease 1 tube 10 GR.		X	

Model: 92A 11

Model life 2011>>



Model: 92A 11 Model life 2011>>

Pos	Part Number	Description	Remark	Qty	Model
1	958 347 804 00 958 347 804 00 A34	Steering wheels Steering wheel Black	15- -16	1	I2X2 I2ZM +LC,+LG,+MA, +MF,+MI,+TA, +YA,+YC,+77, +LH +MB,+MG,+ML +VA,+VB +ME,+MH,+MJ, +MK
	958 347 804 00 OE5 958 347 804 00 6H6 958 347 804 00 OK6	Agate Grey Espresso Saddle Tan			+LE,+MC,+YE
1	958 347 804 00 9J9 958 347 804 05 958 347 804 05 A34	Luxor Beige Steering wheel Black	17-	1	I2ZM +LC,+LG,+MA, +MF,+MI,+TA, +YA,+YC,+77, +LH +MB,+MG,+ML +VA,+VB +ME,+MH,+MJ, +MK
	958 347 804 05 OE5 958 347 804 05 6H6 958 347 804 05 OK6	Agate Grey Espresso Saddle Tan			+LE,+MC,+YE
(1)	958 347 804 05 9J9 958 347 804 10 958 347 804 10 A34	Luxor Beige Steering wheel Black	-16	1	I2ZH +LC,+LG,+MA, +MF,+MI,+TA, +YA,+YC,+77, +LH +MB,+MG,+ML +VA,+VB +ME,+MH,+MJ, +MK
	958 347 804 10 OE5 958 347 804 10 6H6 958 347 804 10 OK6	Agate Grey Espresso Saddle Tan			+LE,+MC,+YE
(1)	958 347 804 10 9J9 958 347 804 15 958 347 804 15 A34	Luxor Beige Steering wheel Black	17-	1	I2ZH +LC,+LG,+MA, +MF,+MI,+TA, +YA,+YC,+77, +LH +MB,+MG,+ML +VA,+VB +ME,+MH,+MJ, +MK
	958 347 804 15 OE5 958 347 804 15 6H6 958 347 804 15 OK6	Agate Grey Espresso Saddle Tan			+LE,+MC,+YE
(1)	958 347 804 15 9J9 958 347 804 20 958 347 804 20 A34	Luxor Beige Steering wheel Black	-16	1	I2FX +LC,+LG,+MA, +MF,+MI,+TA, +YA,+YC,+77, +LH +MB,+MG,+ML +VA,+VB +ME,+MH,+MJ, +MK
	958 347 804 20 OE5 958 347 804 20 6H6 958 347 804 20 OK6	Agate Grey Espresso Saddle Tan			+LE,+MC,+YE
(1)	958 347 804 20 9J9 958 347 804 25 958 347 804 25 A34	Luxor Beige Steering wheel Black	17-	1	I2FX +LC,+LG,+MA, +MF,+MI,+TA, +YA,+YC,+77, +LH +MB,+MG,+ML +VA,+VB +ME,+MH,+MJ, +MK
	958 347 804 25 OE5 958 347 804 25 6H6 958 347 804 25 OK6	Agate Grey Espresso Saddle Tan			+LE,+MC,+YE
(1)	958 347 804 25 9J9 958 347 804 30 958 347 804 30 A34	Luxor Beige Steering wheel Black	-16	1	I1XG +LC,+LG,+MA,

Model: 92A 11 Model life 2011>>

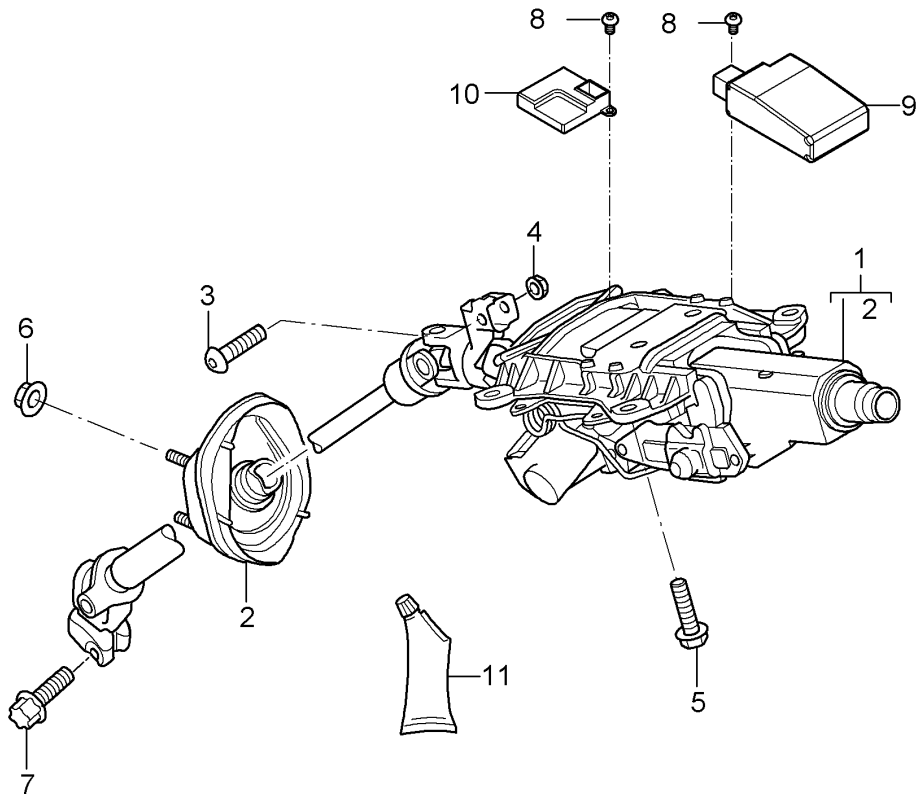
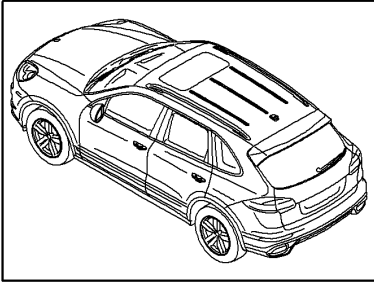
Pos	Part Number	Description	Remark	Qty	Model
	958 347 804 30 OE5	Agate Grey			+MF,+MI,+TA, +YA,+YC,+77, +LH
	958 347 804 30 6H6	Espresso			+MB,+MG,+ML +VA,+VB
	958 347 804 30 OK6	Saddle Tan			+ME,+MH,+MJ, +MK
(1)	958 347 804 30 9J9	Luxor Beige	17-	1	+LE,+MC,+YE I1XG
	958 347 804 35	Steering wheel			+LC,+LG,+MA, +MF,+MI,+TA, +YA,+YC,+77, +LH
	958 347 804 35 A34	Black			+MB,+MG,+ML +VA,+VB +ME,+MH,+MJ, +MK
	958 347 804 35 OE5	Agate Grey			+LE,+MC,+YE I2ZU
	958 347 804 35 6H6	Espresso			+LC,+LG,+MA, +MF,+MI,+TA, +YA,+YC,+77, +LH
	958 347 804 35 OK6	Saddle Tan			+MB,+MG,+ML +VA,+VB +ME,+MH,+MJ, +MK
(1)	958 347 804 35 9J9	Luxor Beige	-16	1	+LE,+MC,+YE I2ZU
	958 347 804 40	Steering wheel			+LC,+LG,+MA, +MF,+MI,+TA, +YA,+YC,+77, +LH
	958 347 804 40 A34	Black			+MB,+MG,+ML +VA,+VB +ME,+MH,+MJ, +MK
	958 347 804 40 OE5	Agate Grey			+LE,+MC,+YE I2ZU
	958 347 804 40 6H6	Espresso			+LC,+LG,+MA, +MF,+MI,+TA, +YA,+YC,+77, +LH
	958 347 804 40 OK6	Saddle Tan			+MB,+MG,+ML +VA,+VB +ME,+MH,+MJ, +MK
(1)	958 347 804 40 9J9	Luxor Beige	17-	1	+LE,+MC,+YE I2ZU
	958 347 804 45	Steering wheel			+LC,+LG,+MA, +MF,+MI,+TA, +YA,+YC,+77, +LH
	958 347 804 45 A34	Black			+MB,+MG,+ML +VA,+VB +ME,+MH,+MJ, +MK
	958 347 804 45 OE5	Agate Grey			+LE,+MC,+YE I1XE
	958 347 804 45 6H6	Espresso			+LC,+LG,+MA, +MF,+MI,+TA, +YA,+YC,+77, +LH
	958 347 804 45 OK6	Saddle Tan			+MB,+MG,+ML +VA,+VB +ME,+MH,+MJ, +MK
(1)	958 347 804 45 9J9	Luxor Beige	-16	1	+LE,+MC,+YE I1XE
	958 347 804 50	Steering wheel			+LC,+LG,+MA, +MF,+MI,+TA, +YA,+YC,+77, +LH
	958 347 804 50 A34	Black			+MB,+MG,+ML +VA,+VB +ME,+MH,+MJ, +MK
	958 347 804 50 OE5	Agate Grey			+LE,+MC,+YE I1XE
	958 347 804 50 6H6	Espresso			+LC,+LG,+MA, +MF,+MI,+TA, +YA,+YC,+77, +LH
	958 347 804 50 OK6	Saddle Tan			+MB,+MG,+ML +VA,+VB +ME,+MH,+MJ, +MK
(1)	958 347 804 50 9J9	Luxor Beige	17-	1	+LE,+MC,+YE I1XE
	958 347 804 55	Steering wheel			+LC,+LG,+MA, +MF,+MI,+TA, +YA,+YC,+77, +LH
	958 347 804 55 A34	Black			+MB,+MG,+ML +VA,+VB +ME,+MH,+MJ, +MK
	958 347 804 55 OE5	Agate Grey			+LE,+MC,+YE I2PX
	958 347 804 55 6H6	Espresso			+LC,+LG,+MA, +MF,+MI,+TA, +YA,+YC,+77, +LH
	958 347 804 55 OK6	Saddle Tan			+MB,+MG,+ML +VA,+VB +ME,+MH,+MJ, +MK
(1)	958 347 804 55 9J9	Luxor Beige	-16	1	+LE,+MC,+YE I2PX
	958 347 804 60	Steering wheel Alcantara			
	958 347 804 60 2W0	Black			
(1)	958 347 804 70	Steering wheel Alcantara	17-	1	I2ZF

Model: 92A 11 Model life 2011>>

Pos	Part Number	Description	Remark	Qty	Model
2	958 347 804 70 2W0 N 910 207 01	Black Screw M 18 X 1,5 X 26		1	
3	95B 419 732	Cover		1	
4	95B 419 732 GT8 95B 419 937	Galvano silver Cover	/L	1	
(4)	95B 419 937 6N3 95B 419 936	Rear Left Black mat Cover	/R	1	
5	95B 419 936 6N3 95B 419 938 D	Rear Right Black mat Cover		1	
6	95B 419 938 D 6N3 95B 419 938 B	Front Lower Black mat Cover		1	I2PX/2ZM
(6)	95B 419 938 B 6N3 95B 951 527	Rear Lower without heating Black mat Cover		1	
7	95B 951 527 6N3 95B 971 388 B	Rear Lower with heating Black mat Wiring harness		1	
8	95B 419 798 D	Cover		1	I2PX/2ZH/2ZM
(8)	95B 419 798 D 5Q0 95B 419 798 E	Rear Plastic material Black Cover		1	I1XE/1XG/2FX I2ZU
9	95B 419 798 E A34 95B 998 537	Rear Leather Black Set		1	
10	95B 998 540 A	Switch Multi-functional unit Black mat Set		1	
11	95B 959 256	Shifting paddle Galvano silver Control unit		1	
(11)	95B 959 256 E	Control unit		1	
12	N 107 524 01	Screw M4X10		5	
13	999 919 304 01	Screw M3X8		6	
14	999 919 305 01	Screw M4X30		4	

Model: 92A 11

Model life 2011>>



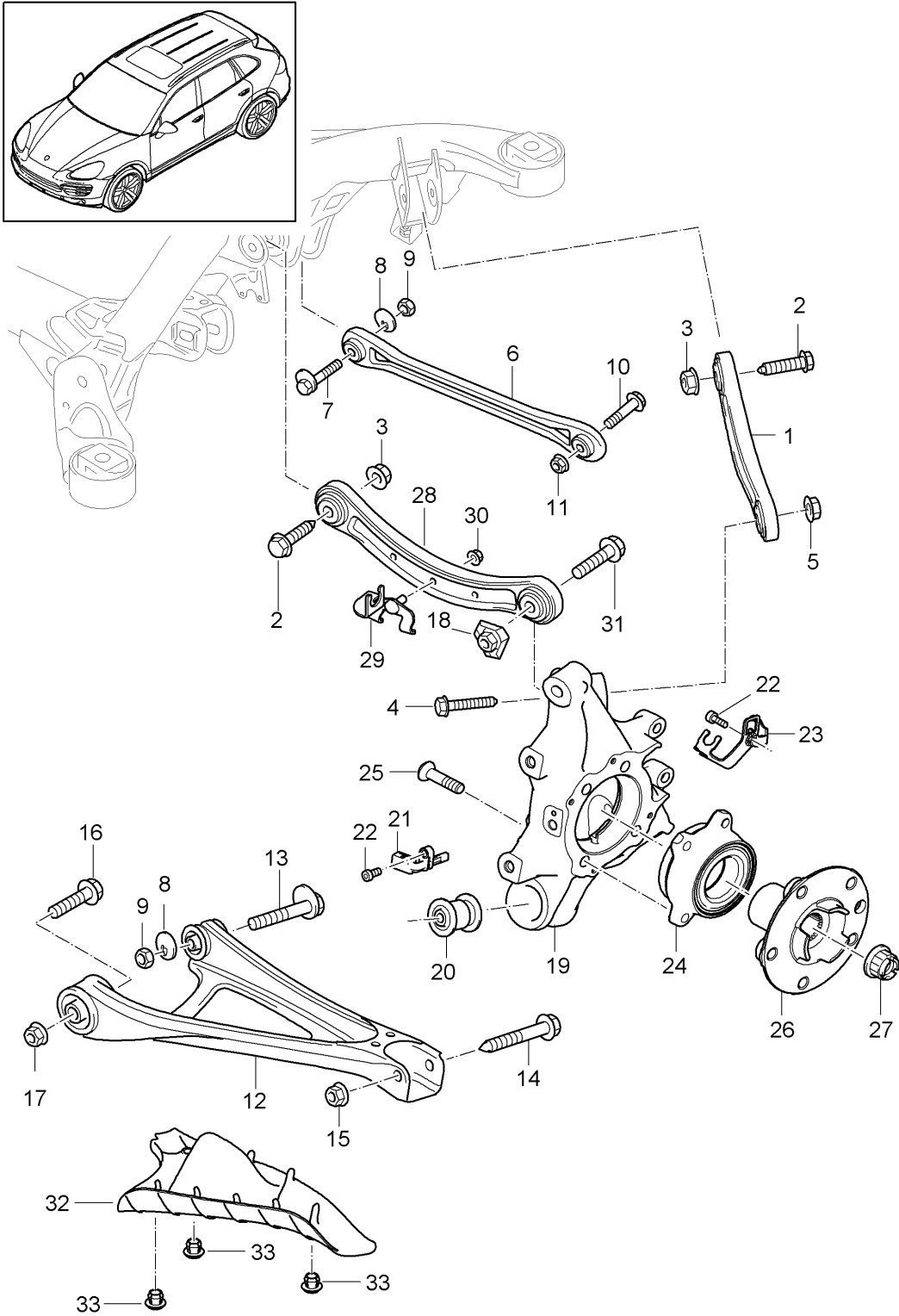
Model: 92A 11

Model life 2011>>

Pos	Part Number	Description	Remark	Qty	Model
1	958 347 007 04	Steering column Steering shaft Steering column Complete with Steering shaft	15- /LL	1	IL0L/2C5
(1)	958 347 007 24	Steering column Complete with Steering shaft	/LL	1	IL0L/2C4
(1)	958 347 008 04	Steering column Complete with Steering shaft	/RL	1	IL0R/2C5
(1)	958 347 008 24	Steering column Complete with Steering shaft	/RL	1	IL0R/2C4
2	958 347 037 00	Sealing sleeve		1	
3	N 107 581 01	Multiple-tooth screw BM 8 X 115 X 80		1	
4	N 901 838 03	Hexagon nut M 8		1	
5	N 102 400 03	Hexagon-head bolt M 8 X 32		4	
6	N 908 877 03	Hexagon nut M 6		3	
7	WHT 004 955 A	Torx screw M 8 X 30		1	
8	8E0 035 413	Screw M5 X10		2	
9	7PP 905 852 C	Control unit Steering column Locking device		1	
10	4H0 907 705 K	Control unit Steering column Electrically adjustable		1	I2C4
11	000 043 205 44	Grease 1 tube 10 GR.		X	

Model: 92A 11

Model life 2011>>



Model: 92A 11 Model life 2011>>

Pos	Part Number	Description	Remark	Qty	Model
		Rear axle	-14		
		Wheel carrier			
		Wishbone			
		Track rod			
		Wheel hub			
		Stone guard			
1	955 331 049 00	Wishbone	/L	1	
		Upper			
		Rear			
(1)	955 331 050 00	Wishbone	/R	1	
		Upper			
		Rear			
2	N 105 524 02	Hexagon-head bolt		4	
		M 12 X 1,5 X 70			
3	N 104 029 04	Hexagon nut		4	
		M 12 X 1,5			
4	N 105 869 02	Hexagon-head bolt		2	
		M 16 X 1,5 X 110			
(4)	WHT 005 459	Hexagon-head bolt		2	
		AM16 X 1.5 X 110			
5	N 910 204 02	Combined nut		2	
		M 16 X 1,5			
6	958 331 045 00	Track rod	/L	1	
(6)	958 331 046 00	Track rod	/R	1	
7	WHT 001 834	Eccentric screw		2	
		M 14 X 1,5 X 82			
8	WHT 001 796 A	Eccentric washer		4	
9	WHT 001 938	Lock nut		4	
		M 14 X 1,5			
10	N 911 833 01	Hexagon-head bolt		2	
		M16X1.50X120.00			
11	N 105 868 02	Hexagon nut		2	
		M 16 X 1,5			
12	958 311 041 00	Wishbone	/L	1	
		Lower			
(12)	958 311 041 10	Wishbone	/L	1	GTS
		Lower			
(12)	958 311 041 11	Wishbone	/L	1	GTS
		Lower			
(12)	958 311 042 00	Wishbone	/R	1	
		Lower			
(12)	958 311 042 10	Wishbone	/R	1	GTS
		Lower			
(12)	958 311 042 11	Wishbone	/R	1	GTS
		Lower			
13	WHT 001 833	Eccentric screw		2	
		M 14 X 1,5 X 102			
14	WHT 004 887	Combination screw		2	
		M 14 X 1.5 X 95			
15	WHT 004 886	Hexagon nut		2	
		M 14 X 1,5			
16	N 105 326 02	Hexagon-head bolt		2	
		BM 14 X 1,5 X 102			
17	N 103 353 04	Hexagon nut		2	
		M14X1.50			
18	WHT 001 872	Combined nut		2	
		M 14 X 1,5			
19	958 331 611 00	Wheel carrier	/L	1	-IE0W/-IE8A
19	958 331 611 01	Wheel carrier	/L	1	-IE0W/-IE8A
19	958 331 611 10	Wheel carrier	/L	1	IE0W/E8A
(19)	958 331 612 00	Wheel carrier	/R	1	-IE0W/-IE8A
(19)	958 331 612 01	Wheel carrier	/R	1	-IE0W/-IE8A
		EINSATZ 07.11.11			

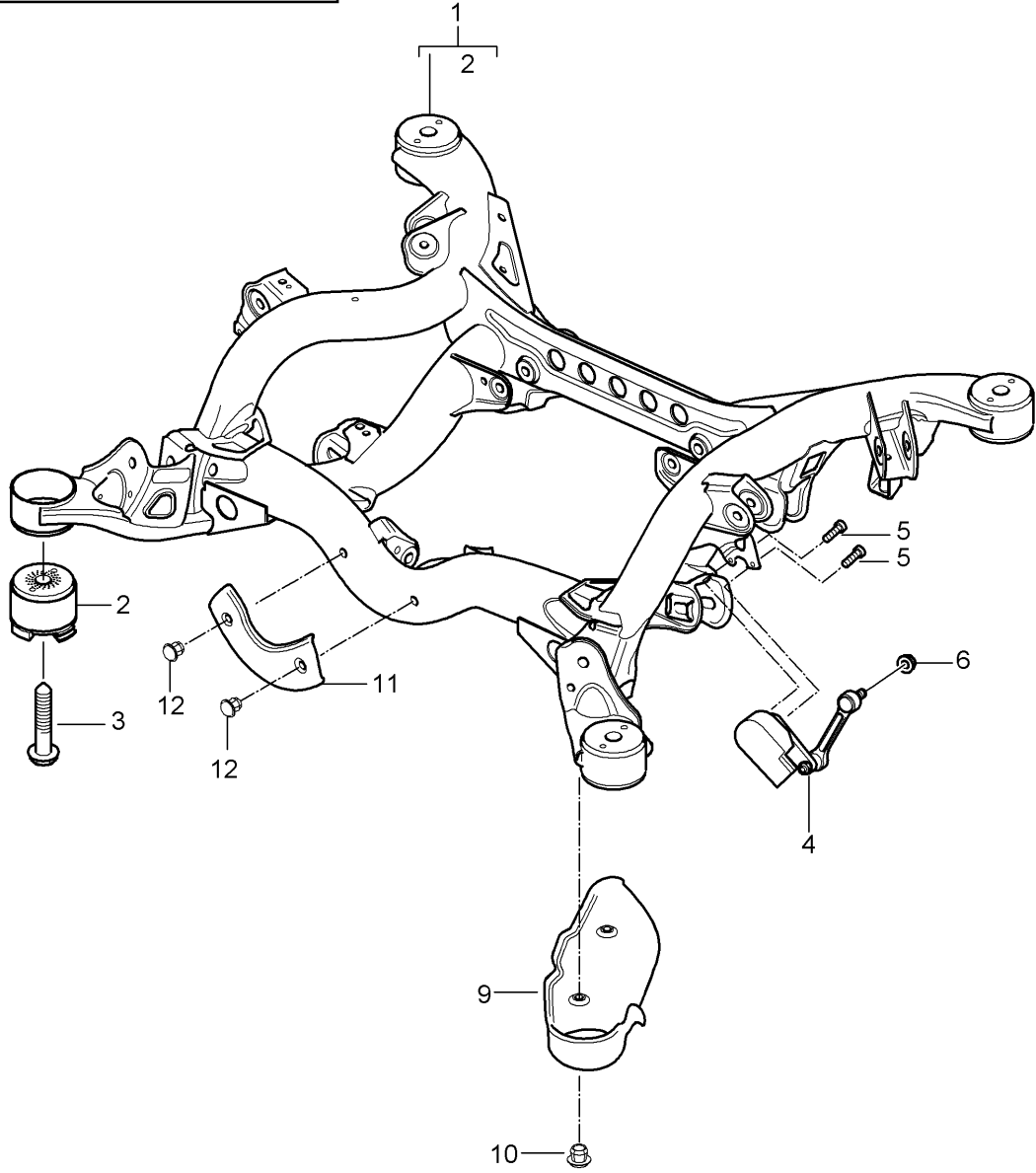
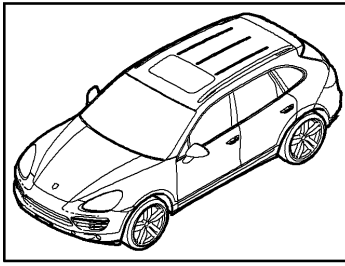
Model: 92A 11

Model life 2011>>

Pos	Part Number	Description	Remark	Qty	Model
(19)	958 331 612 10	Wheel carrier	/R	1	IE0W/E8A
20	955 341 588 10	Link bearing		2	
(20)	958 341 588 00	Link bearing		2	IE0W/E8A
		Use also: 958.343.243.00			
21	958 606 405 00	Speed sensor		2	
21		Speed sensor		1	
		Repair kit			
		Front and rear			
		See illustrations			
		4/01/05			
22	N 911 454 01	Hexagon-head bolt		4	
		M 6 X 16			
23	958 331 321 00	Support	/L	1	
(23)	958 331 321 01	Support	/L	1	
(23)	958 331 322 00	Support	/R	1	
(23)	958 331 322 01	Support	/R	1	
24	958 331 583 00	Angular-contact bearing		2	
		Use also: Position 25 + 27			
25	WHT 004 835	Multiple-tooth screw		8	
		M 12 X 1.25 X 45			
26	958 341 605 00	Wheel hub		2	
27	955 341 640 00	Lock nut		2	
		M 24			
28	955 331 047 10	Wishbone		2	
		Upper			
		Front			
29	958 331 322 10	Support		2	
		for Line			
		Speed sensor			
30	N 023 002 12	Hexagon nut		2	
		M 6			
31	N 105 326 02	Hexagon-head bolt		2	
		BM 14 X 1,5 X 102			
31	WHT 005 460	Hexagon-head bolt		2	
		BM 14 X 1,5 X 102			
32	958 331 315 00	Stone guard	/L	1	I6EB/6EC
(32)	958 331 316 00	Stone guard	/R	1	I6EB/6EC
33	N 106 085 01	Expansion rivet		6	I6EB/6EC
-	000 043 204 21	Grease		1	
		Spraying can			
		25 ML			
-	G 052 778 A2	Grease		1	
		Spraying can			
		50 ML			

Model: 92A 11

Model life 2011>>



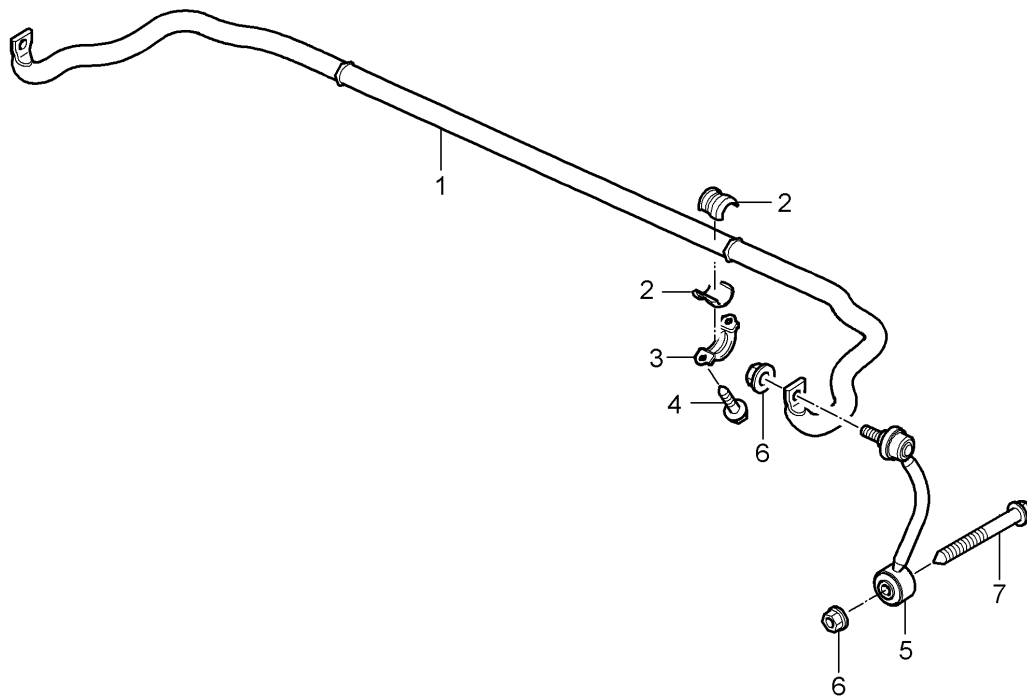
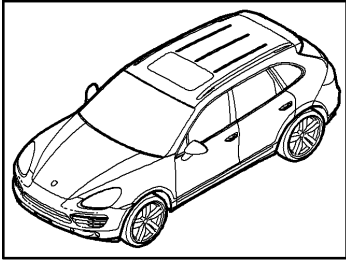
Model: 92A 11

Model life 2011>>

Pos	Part Number	Description	Remark	Qty	Model
		Rear axle Suspension subframe Headlight levelling system Self-levelling sensor Stone guard	-14		I1BA/1BW I1BH/1BK/1BZ
1	958 331 031 00	Suspension subframe		1	
1	958 331 031 01	Suspension subframe		1	
2	955 331 135 00	Hydraulic mount		4	
(2)	955 331 135 01	Hydraulic mount		4	
3	N 909 987 02	Hexagon-head bolt M 14 X 1,5 X 150		4	
(3)	N 909 763 02	Hexagon-head bolt M 14 X 1,5 X 135 Only for Repair Threaded bush Use See workshop manual Group 5 Document 518941		4	
4	958 331 077 00	Self-levelling sensor with Linkage	/L	1	I1BA
(4)		Self-levelling sensor with Linkage		2	I1BH/1BK/1BZ
5	N 104 343 01	Pan-head screw M 5 X 10		2	-I1BH/-I1BK -I1BZ
(5)		Pan-head screw M 5 X 10		4	I1BH/1BK/1BZ
6	N 023 002 12	Hexagon nut M 6		1	-I1BH/-I1BK -I1BZ
(6)		Hexagon nut M 6		2	I1BH/1BK/1BZ
9	955 331 313 01	Stone guard Hydraulic mount	/L	1	I6EB/6EC
(9)	955 331 314 01	Stone guard Hydraulic mount	/R	1	I6EB/6EC
10	N 106 084 01	Expansion rivet		4	I6EB/6EC
11	958 331 317 00	Stone guard		1	I6EB/6EC
12	N 106 085 01	Expansion rivet		2	I6EB/6EC

Model: 92A 11

Model life 2011>>



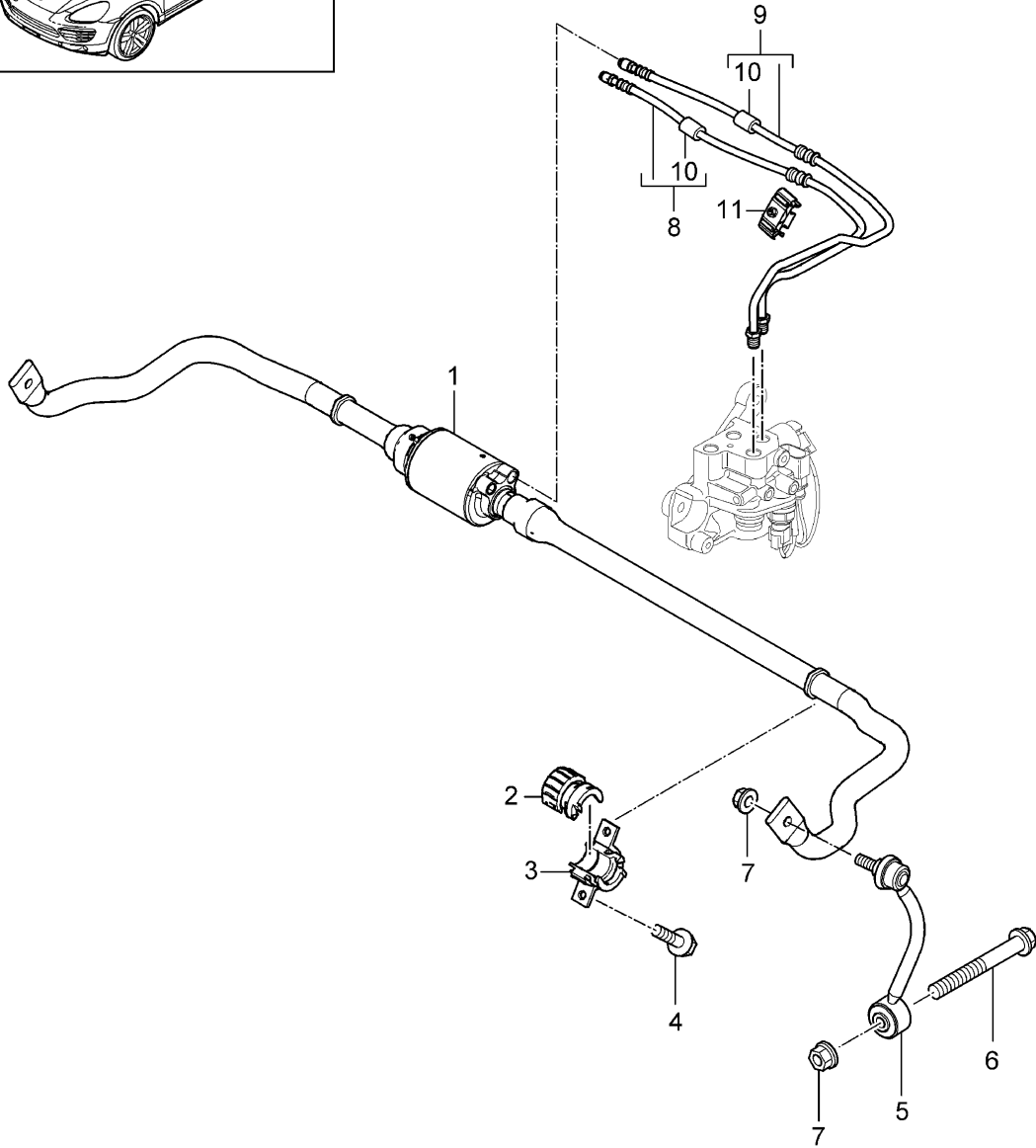
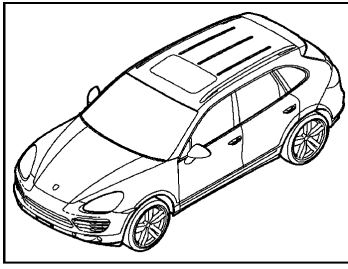
Model: 92A 11

Model life 2011>>

Pos	Part Number	Description	Remark	Qty	Model
(1)	955 333 701 00	Stabiliser Stabiliser 25,00 MM Identification Green	-14	1	I0AB/0AC
(1)	958 333 701 00	Stabiliser 25,00 MM Identification Green		1	
(1)	958 333 701 01	D >> 08.07.2012 Stabiliser 25,00 MM Identification Green		1	MCX.ZA
1	955 333 701 20	D 09.07.2012>> Stabiliser 24,60 MM Identification Lilac		1	
2	955 333 792 40	Stabiliser mounting 24,10 MM Identification Green		4	
(2)	955 333 792 50	Stabiliser mounting 23,70 MM Identification Lilac		4	
3	955 333 777 01	Clip		2	
4	N 106 978 01	Hexagon-head bolt M 10 X 30		4	
5	955 333 069 21	Stabiliser mounting	/L	1	
(5)	955 333 070 21	Stabiliser mounting	/R	1	
6	N 104 029 04	Hexagon nut M 12 X 1,5		4	
7	N 105 924 02	Hexagon-head bolt M 12 X 1,5 X 120		2	
7	WHT 005 461	Hexagon-head bolt M 12 X 1,5 X 120		2	

Model: 92A 11

Model life 2011>>



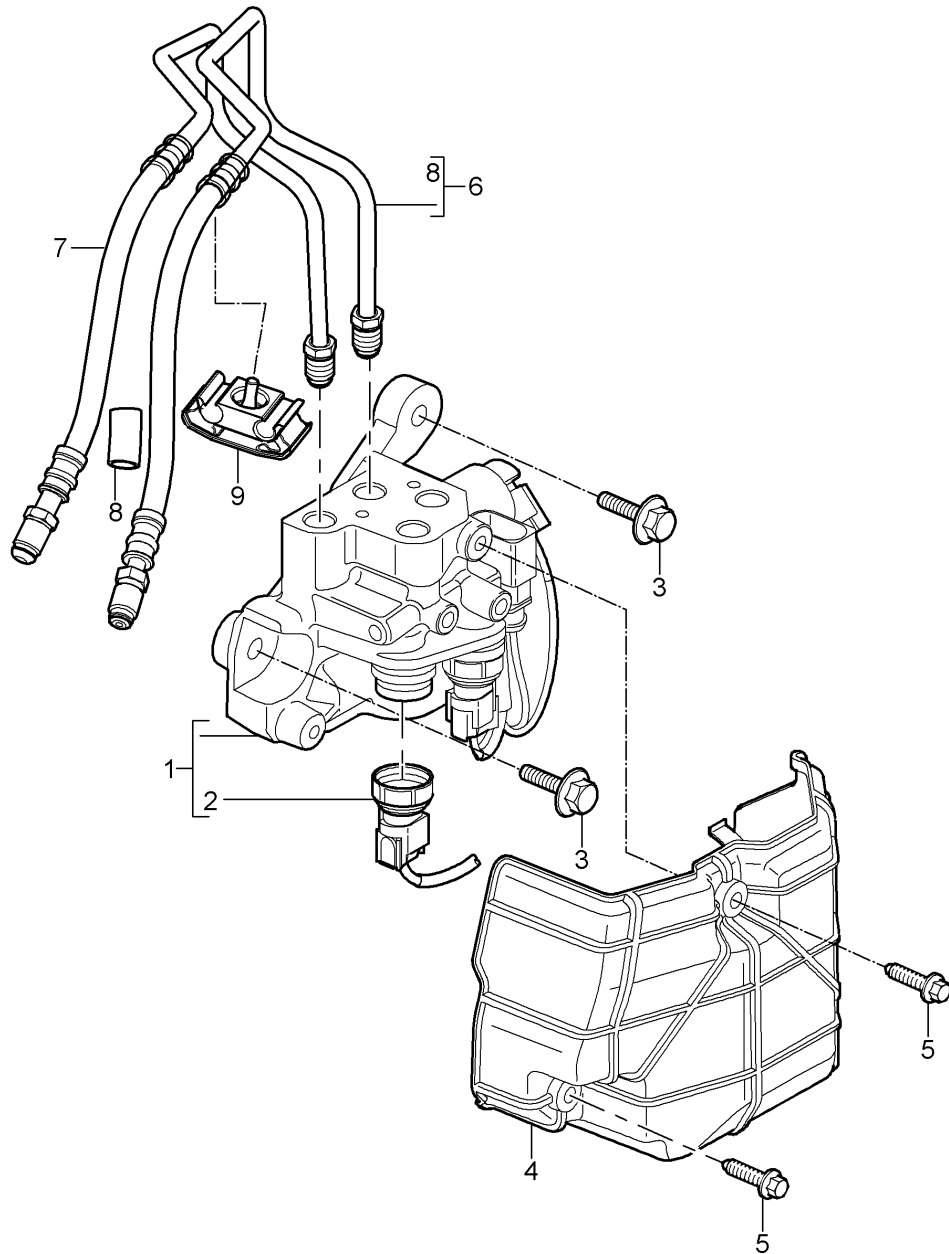
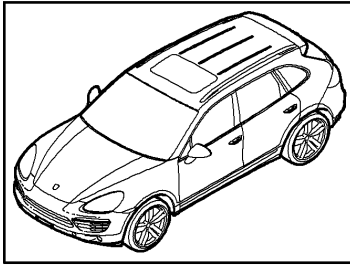
Model: 92A 11

Model life 2011>>

Pos	Part Number	Description	Remark	Qty	Model
		Stabiliser Hose line			IOAW
1	955 333 703 01	Stabiliser		1	
(1)	958 333 703 00	Stabiliser		1	
2	955 333 793 00	Stabiliser mounting Upper part		2	
3	955 333 794 00	Stabiliser mounting Lower part		2	
4	N 106 978 01	Hexagon-head bolt M 10 X 30		4	
5	955 333 069 21	Stabiliser mounting	/L	1	
(5)	955 333 070 21	Stabiliser mounting	/R	1	
6	N 105 924 02	Hexagon-head bolt M 12 X 1,5 X 120		2	
6	WHT 005 461	Hexagon-head bolt M 12 X 1,5 X 120		2	
7	N 104 029 04	Hexagon nut M 12 X 1,5		4	
8	955 359 121 01	Hose line without Shrink-fit hose Use also: N .107.225.01		1	
(8)	955 359 121 02	Hose line with Shrink-fit hose Use also: N .107.623.01		1	
9	955 359 122 01	Hose line without Shrink-fit hose Use also: N .107.225.01		1	
(9)	955 359 122 02	Hose line with Shrink-fit hose Use also: N .107.623.01		1	
10	N 107 225 01	Spacer 10,5 MM for Hose line without Shrink-fit hose		2	
(10)	N 107 623 01	Spacer 11,5 MM for Hose line with Shrink-fit hose		2	
11	955 359 513 00	Line bracket		1	

Model: 92A 11

Model life 2011>>



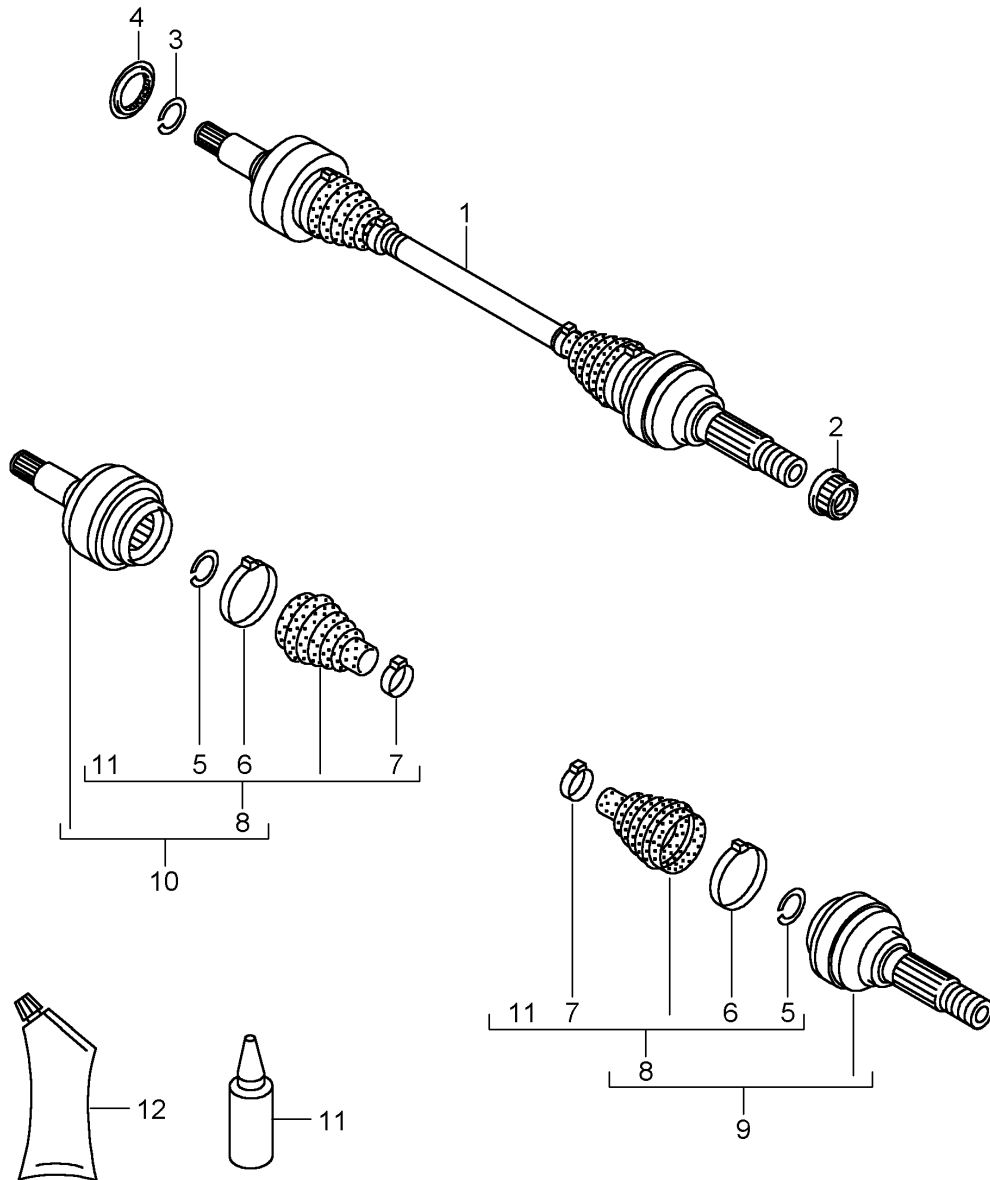
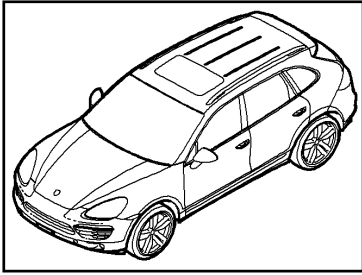
Model: 92A 11

Model life 2011>>

Pos	Part Number	Description	Remark	Qty	Model
		Stabiliser			IOAW
		Valve block			
		Pressure line			
		Return line			
1	958 359 040 00	Valve block		1	
(1)	958 359 040 01	Valve block		1	
2	955 612 215 00	Wiring harness		1	
3	N 106 421 03	Hexagon-head bolt M 8 X 25		2	
4	955 359 325 00	Cover		1	
5	N 911 087 01	Hexagon-head bolt M 6 X 25		2	
6	955 359 123 01	Pressure line without Shrink-fit hose Use also: N .107.225.01		1	
(6)	955 359 123 02	Pressure line with Shrink-fit hose Use also: N .107.623.01		1	
7	958 359 124 00	Return line		1	
8	N 107 225 01	Spacer 10,5 MM for Pressure line without Shrink-fit hose		2	
(8)	N 107 623 01	Spacer 11,5 MM for Pressure line with Shrink-fit hose		2	
9	955 359 513 00	Line bracket		1	

Model: 92A 11

Model life 2011>>



Model: 92A 11 Model life 2011>>

Pos	Part Number	Description	Remark	Qty	Model
		Drive shaft	-14		
1	958 332 024 00	Drive shaft		2	I1Y0
1	958 332 024 20	Drive shaft		2	I1Y0
(1)	958 332 024 30	Drive shaft		2	I1Y0
(1)	958 332 024 50	Drive shaft	/L	1	I1Y1
(1)	958 332 024 70	Drive shaft	/R	1	I1Y1
2	955 341 640 00	Lock nut M 24 X 1,5		2	
3	955 332 125 00	Circlip		2	
(3)	955 349 413 00	Circlip		2	
4	7PP 501 811	Protective ring		2	I1Y0
4	958 332 811 00	Protective ring		2	I1Y0
(4)	7PP 501 811 A	Protective ring	/L	1	I1Y1
(4)	7PP 501 811	Protective ring	/R	1	I1Y1
5	N 910 924 01	Circlip A 31,5		2	I1Y0
(5)	N 911 812 01	Circlip A 32,6		2	I1Y1
(5)		Circlip A 32,6		2	I1Y0
6	N 911 884 01	Clamp 66.5 X 7 X 0.8		2	I1Y0
(6)	N 911 885 01	Clamp 72.5 X 7 X 0.8		2	I1Y1
(6)		Clamp 72.5 X 7 X 0.8		2	I1Y0
7	N 107 534 01	Clamp 40.5 X 7 X 0.6		2	
8	958 332 901 00	Repair kit Dust bellows Inner Outer		2	I1Y0
(8)	958 332 901 10	Repair kit Dust bellows Inner Outer		2	I1Y1
(8)		Repair kit Dust bellows Inner Outer		2	I1Y0
9	958 332 902 00	Repair kit Joint Outer		2	I1Y0
(9)	958 332 902 10	Repair kit Joint Outer		2	I1Y1
(9)		Repair kit Joint Outer		2	I1Y0
10	958 332 903 00	Repair kit Joint Inner		2	I1Y0
(10)	958 332 903 10	Repair kit Joint Inner		2	I1Y0
(10)	958 332 903 20	Repair kit Joint Inner	/L	2	I1Y1
(10)	958 332 903 30	Repair kit Joint Inner	/R	2	I1Y1
(10)	958 332 903 40	Repair kit Joint		2	I1Y0

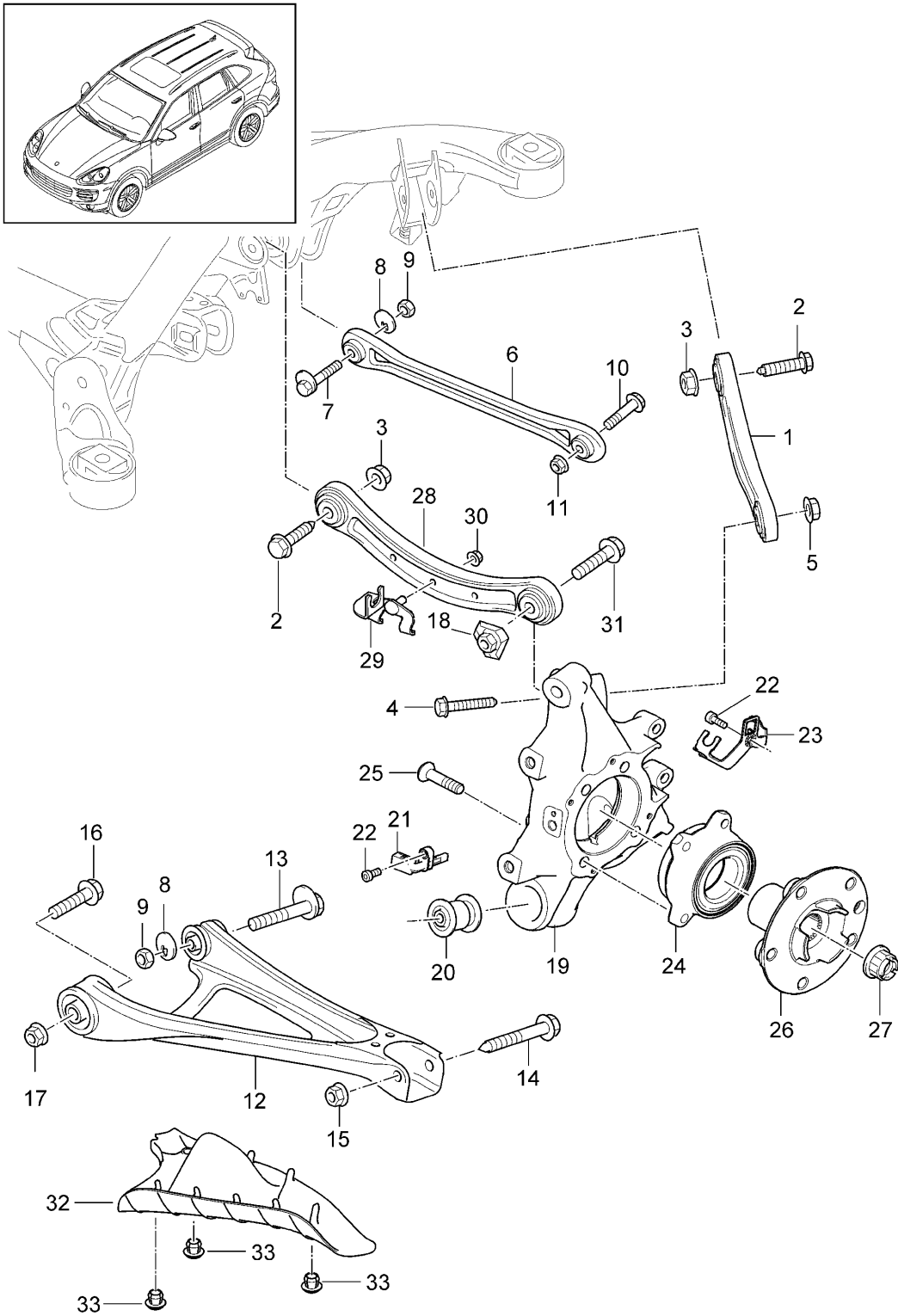
Model: 92A 11

Model life 2011>>

Pos	Part Number	Description	Remark	Qty	Model
11	000 043 110 02	Inner Grease Drive shaft 1 tube 100 GR.		X	
12	000 043 020 00	Optimoly 1 100-gramme tube		X	
(12)	000 043 205 36	Sealing compound Drive shaft 1 100-gramme tube		X	

Model: 92A 11

Model life 2011>>



Model: 92A 11

Model life 2011>>

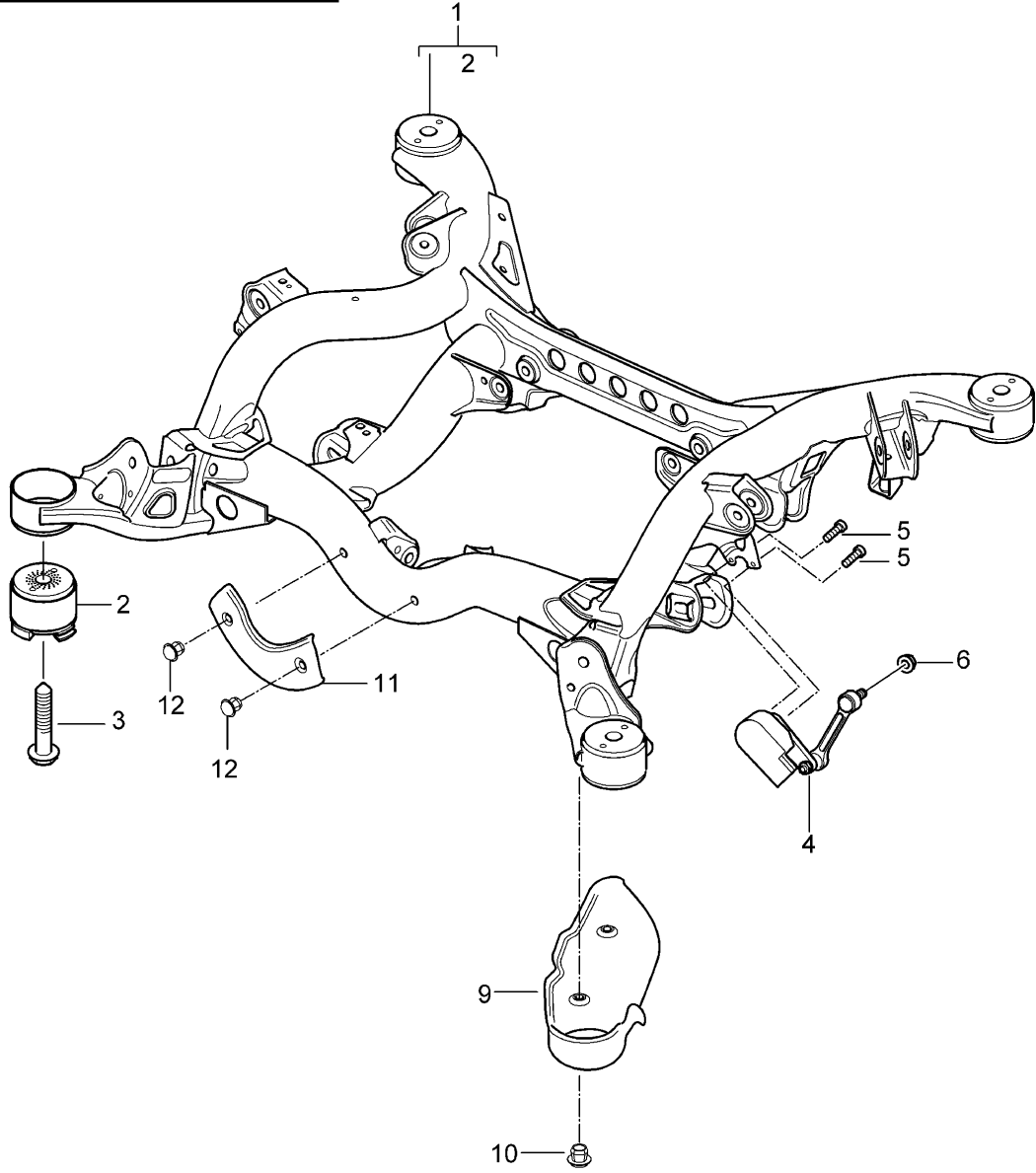
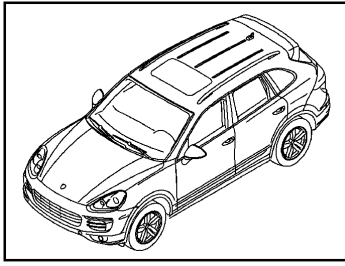
Pos	Part Number	Description	Remark	Qty	Model
		Rear axle	15-		
		Wheel carrier			
		Wishbone			
		Track rod			
		Wheel hub			
		Stone guard			
1	955 331 049 00	Wishbone	/L	1	
		Upper			
		Rear			
(1)	955 331 050 00	Wishbone	/R	1	
		Upper			
		Rear			
2	N 105 524 02	Hexagon-head bolt		4	
		M 12 X 1,5 X 70			
3	N 104 029 04	Hexagon nut		4	
		M 12 X 1,5			
4	WHT 005 459	Hexagon-head bolt		2	
		AM16 X 1.5 X 110			
5	N 910 204 02	Combined nut		2	
		M 16 X 1,5			
6	958 331 045 00	Track rod	/L	1	
(6)	958 331 046 00	Track rod	/R	1	
7	WHT 001 834	Eccentric screw		2	
		M 14 X 1,5 X 82			
8	WHT 001 796 A	Eccentric washer		4	
9	WHT 001 938	Lock nut		4	
		M 14 X 1,5			
10	N 911 833 01	Hexagon-head bolt		2	
		M16X1.50X120.00			
11	N 105 868 02	Hexagon nut		2	
		M 16 X 1,5			
(12)	958 311 041 11	Wishbone	/L	1	
		Lower			
(12)	958 311 042 11	Wishbone	/R	1	
		Lower			
13	WHT 001 833	Eccentric screw		2	
		M 14 X 1,5 X 102			
14	WHT 004 887	Combination screw		2	
		M 14 X 1.5 X 95			
15	WHT 006 410	Hexagon nut		2	
		M 14 X 1,5			
16	N 105 326 02	Hexagon-head bolt		2	
		BM 14 X 1,5 X 102			
17	N 103 353 04	Hexagon nut		2	
		M14X1.50			
18	WHT 001 872	Combined nut		2	
		M 14 X 1,5			
19	958 331 611 10	Wheel carrier	/L	1	
(19)	958 331 612 10	Wheel carrier	/R	1	
-	958 343 243 00	Stop		2	
20	958 341 588 00	Link bearing		2	
		Link bearing			
		Use also:			
		958.343.243.00			
21		Speed sensor		1	
		Repair kit			
		Front and rear			
		See illustrations			
		4/01/05			
22	N 911 454 01	Hexagon-head bolt		4	
		M 6 X 16			
23	958 331 321 01	Support	/L	1	
(23)	958 331 322 01	Support	/R	1	

Model: 92A 11 Model life 2011>>

Pos	Part Number	Description	Remark	Qty	Model
24	958 331 583 00	Angular-contact bearing Use also: Position 25 + 27		2	
25	WHT 004 835	Multiple-tooth screw M 12 X 1.25 X 45		8	
26	958 341 605 01	Wheel hub		2	
27	WHT 006 779	Lock nut M 24		2	
28	955 331 047 10	Wishbone Upper Front		2	
29	958 331 322 10	Support for Line Speed sensor		2	
30	N 023 002 12	Hexagon nut M 6		2	
31	WHT 005 460	Hexagon-head bolt BM 14 X 1,5 X 102		2	
32	958 331 315 00	Stone guard	/L	1	I6EB/6EC
(32)	958 331 316 00	Stone guard	/R	1	I6EB/6EC
33	N 106 085 01	Expansion rivet		6	I6EB/6EC
-	G 052 778 A2	Grease Spraying can 50 ML		1	

Model: 92A 11

Model life 2011>>



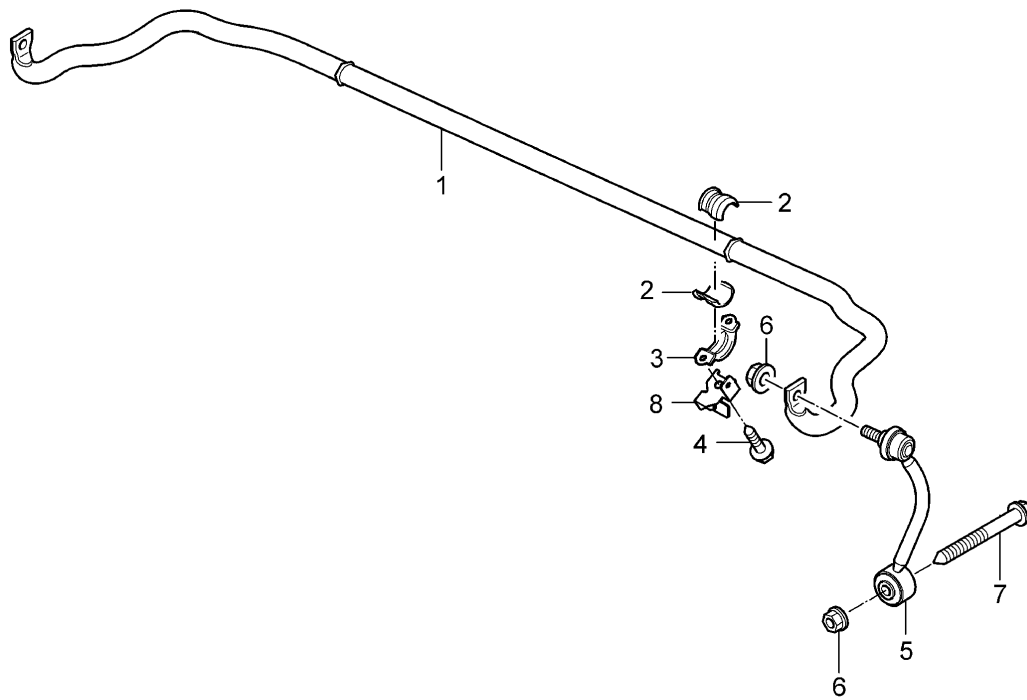
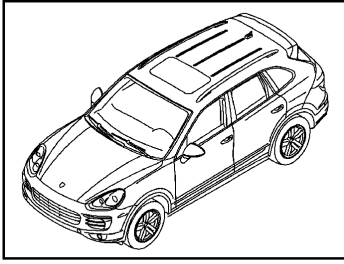
Model: 92A 11

Model life 2011>>

Pos	Part Number	Description	Remark	Qty	Model
		Rear axle Suspension subframe Headlight levelling system Level adjustment Stone guard	15-		
(1)	958 331 031 03	Suspension subframe		1	
2	955 331 135 01	Hydraulic mount		4	
3	N 909 987 02	Hexagon-head bolt M 14 X 1,5 X 150		4	
4	958 331 077 00	Self-levelling sensor with Linkage	/L	1	-I8Q3/I1BA
(4)		Self-levelling sensor with Linkage		2	I1BA/8Q3
(4)		Self-levelling sensor with Linkage		2	I1BH/1BK/1BZ
5	N 104 343 01	Pan-head screw M 5 X 10		2	I1BW
(5)		Pan-head screw M 5 X 10		4	I1BA/1BH/1BK I1BZ
6	N 023 002 12	Hexagon nut M 6		1	I1BW
(6)		Hexagon nut M 6		2	I1BA/1BH/1BK I1BZ
9	955 331 313 01	Stone guard Hydraulic mount	/L	1	I6EB/6EC
(9)	955 331 314 01	Stone guard Hydraulic mount	/R	1	I6EB/6EC
10	N 106 084 01	Expansion rivet		4	I6EB/6EC
11	958 331 317 00	Stone guard		1	I6EB/6EC
12	N 106 085 01	Expansion rivet		2	I6EB/6EC

Model: 92A 11

Model life 2011>>



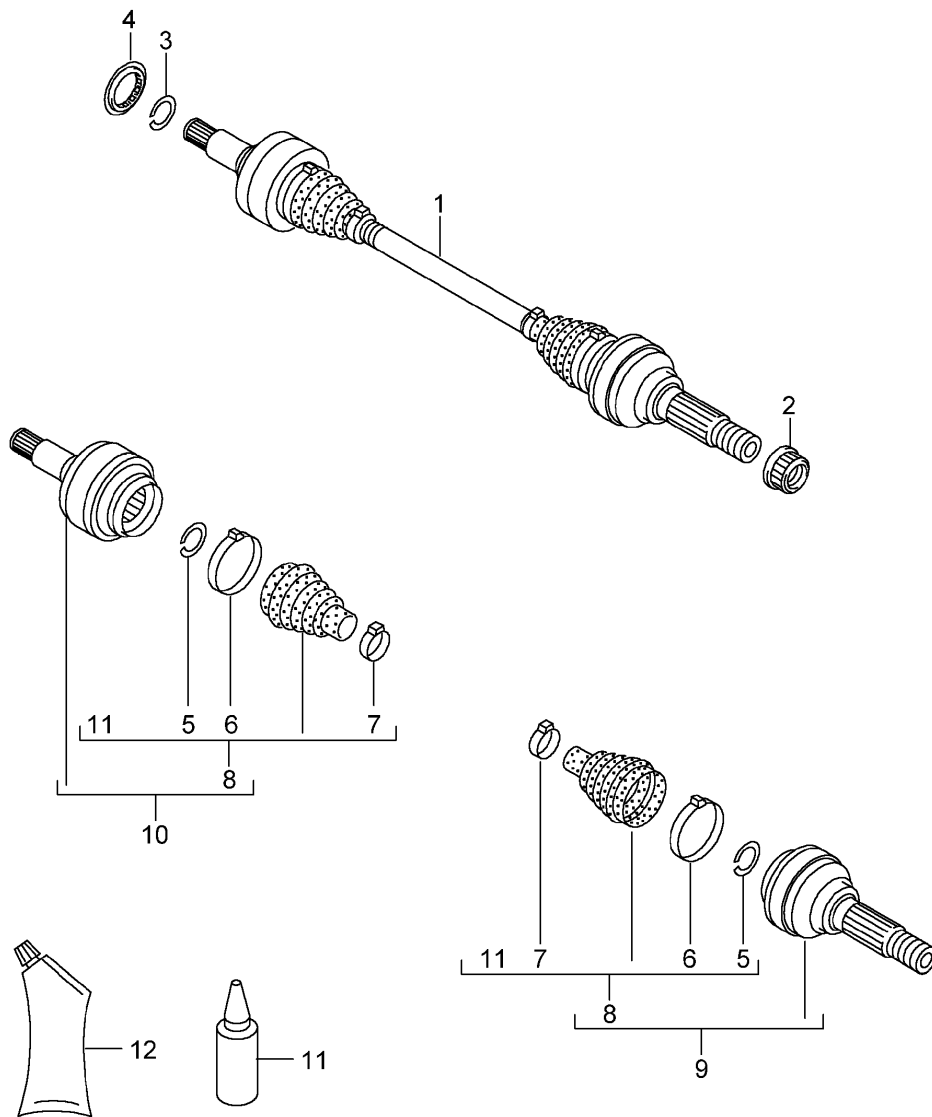
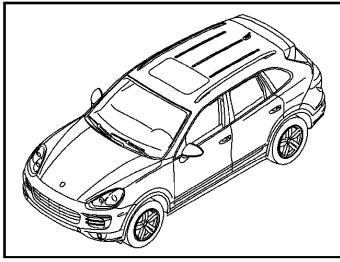
Model: 92A 11

Model life 2011>>

Pos	Part Number	Description	Remark	Qty	Model
1	958 333 701 01	Stabiliser Stabiliser 25,00 MM Identification Green	15-	1	I0AB/0AC MCF.TB MCU.DC/RA
(1)	958 333 701 20	Stabiliser 24,60 MM Identification Lilac		1	MCX.ZA MCN.RB MCR.CA MCV.VA/VB/VC MCG.EA/FA MCJ.TB
2	955 333 792 40	Stabiliser mounting 24,10 MM Identification Green		4	MCF.TB MCU.DC/RA
(2)	955 333 792 50	Stabiliser mounting 23,70 MM Identification Lilac		4	MCR.CA MCV.VA/VB/VC MCG.EA/FA MCJ.TB MCN.RB
3	955 333 777 01	Clip		2	
4	N 106 978 01	Hexagon-head bolt M 10 X 30		4	
5	955 333 069 21	Stabiliser mounting	/L	1	
(5)	955 333 070 21	Stabiliser mounting	/R	1	
6	N 104 029 04	Hexagon nut M 12 X 1,5		4	
7	WHT 005 461	Hexagon-head bolt M 12 X 1,5 X 120		2	
8	958 907 390 00	Support for Tyre pressure monitoring		1	I7K4
(8)	958 907 390 10	Support for Tyre pressure monitoring		1	I7K3

Model: 92A 11

Model life 2011>>



Model: 92A 11 Model life 2011>>

Pos	Part Number	Description	Remark	Qty	Model
1	958 332 024 00	Drive shaft Drive shaft	15-	2	MCU.RA I1Y0 MCE.YA MCX.ZA
1	958 332 024 20	Drive shaft		2	MCF.TB MCU.DC I1Y0
(1)	958 332 024 30	Drive shaft		2	MCG.EA/FA MCR.CA MCV.VA/VC I1Y0 MCJ.TB MCN.RB MCV.VB
(1)	958 332 024 50	Drive shaft	/L	1	MCF.TB MCU.DC/RA I1Y1 MCE.YA
(1)	958 332 024 70	Drive shaft	/R	1	MCX.ZA MCF.TB MCU.DC/RA I1Y1 MCE.YA MCX.ZA
2	WHT 006 779	Lock nut M 24 X 1,5		2	
3	955 332 125 00	Circlip		2	MCF.TB MCU.DC/RA MCX.ZA MCE.YA
(3)	955 349 413 00	Circlip		2	MCG.EA/FA MCR.CA MCV.VA/VC MCJ.TB MCN.RB MCV.VB
4	7PP 501 811	Protective ring		2	MCF.TB MCU.DC/RA I1Y0 MCX.ZA MCE.YA
(4)	958 332 811 00	Protective ring		2	MCG.EA/FA MCR.CA MCV.VA/VC I1Y0 MCJ.TB MCN.RB MCV.VC
(4)	7PP 501 811 A	Protective ring	/L	1	MCF.TB MCU.DC/RA I1Y1 MCX.ZA MCE.YA
(4)	7PP 501 811	Protective ring	/R	1	MCF.TB MCU.DC/RA I1Y1 MCX.ZA MCE.YA
5	N 910 924 01	Circlip A 31,5		2	MCG.EA/FA MCR.CA MCV.VA/VC MCJ.T

Model: 92A 11 Model life 2011>>

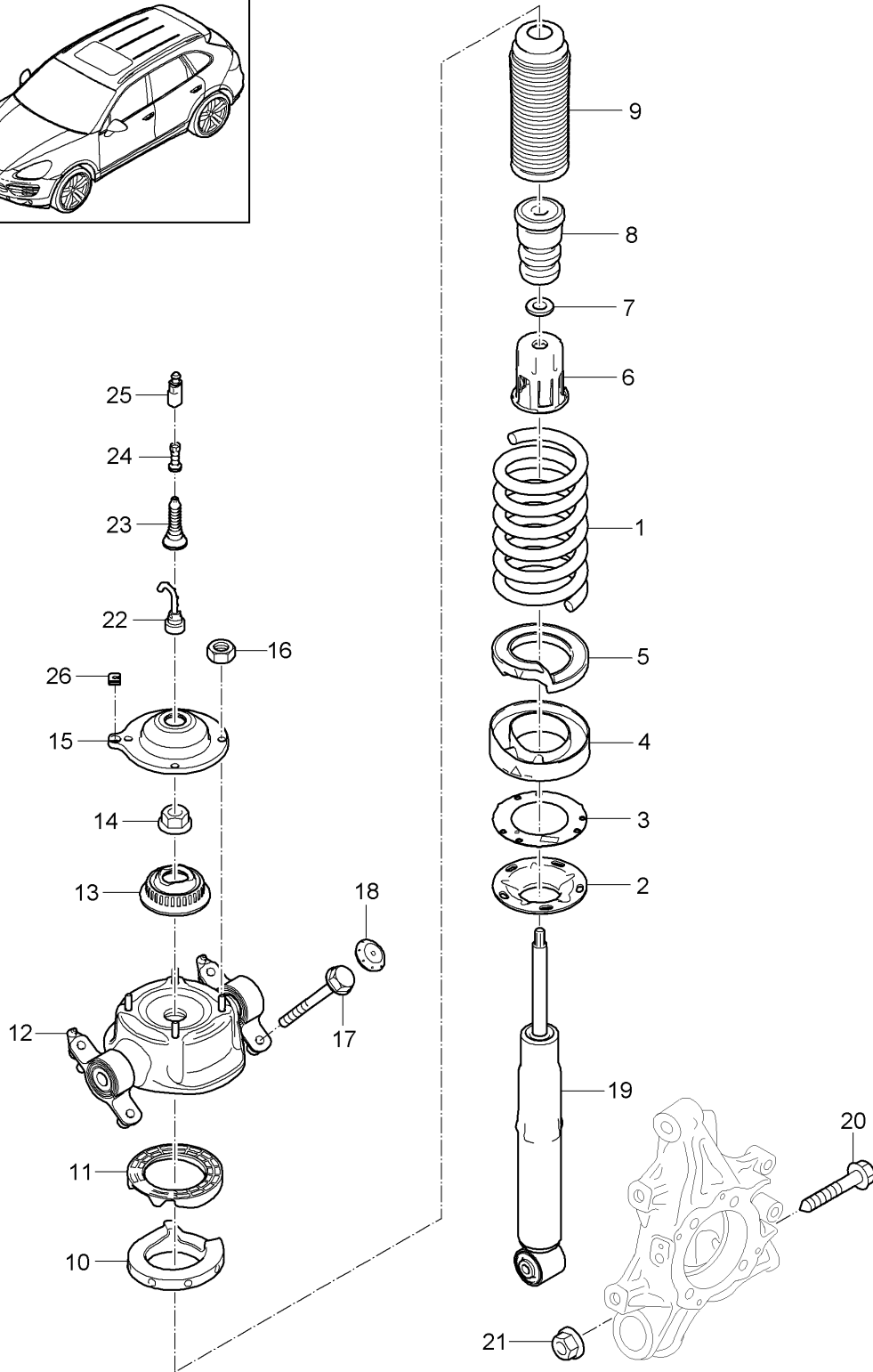
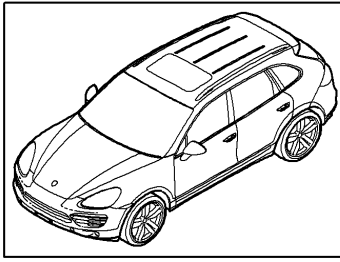
Pos	Part Number	Description	Remark	Qty	Model
5		Circlip A 31,5		2	MCN.RB MCU.RA MCV.VB MCE.YA MCX.ZA MCG.EA/FA MCR.CA MCV.VA/VC MCJ.T MCN.RB MCU.RA MCV.VB MCE.YA MCX.ZA
(5)	N 911 812 01	Circlip A 32,6		2	MCF.TB MCU.DC
6	N 911 884 01	Clamp 66.5 X 7 X 0.8		2	MCG.EA/FA MCR.CA MCV.VA/VC I1Y0 MCJ.T MCN.RB MCU.RA MCV.VB MCE.YA MCX.ZA
(6)	N 911 885 01	Clamp 72.5 X 7 X 0.8		2	MCF.TB MCU.DC I1Y0
(6)		Clamp 72.5 X 7 X 0.8		2	I1Y1 MCE.YA MCX.ZA
7	N 107 534 01	Clamp 40.5 X 7 X 0.6		2	
8	958 332 901 00	Repair kit Dust bellows Inner Outer		2	MCG.EA/FA MCV.VA/VB/VC I1Y0 MCJ.T MCN.RB MCR.CA MCU.RA
(8)	958 332 901 10	Repair kit Dust bellows Inner Outer		2	MCX.ZA MCE.YA MCF.TB MCU.DC I1Y0
(8)		Repair kit Dust bellows Inner Outer		2	MCF.TB MCU.DC/RA I1Y1 MCE.YA

Model: 92A 11 Model life 2011>>

Pos	Part Number	Description	Remark	Qty	Model
9	958 332 902 00	Repair kit Joint Outer		2	MCX.ZA MCG.EA/FA MCV.VA/VB/VC I1Y0 MCJ.T MCN.RB MCR.CA MCU.RA
(9)	958 332 902 10	Repair kit Joint Outer		2	MCX.ZA MCE.YA MCF.TB MCU.DC I1Y0
(9)		Repair kit Joint Outer		2	MCF.TB MCU.DC/RA I1Y1
10	958 332 903 00	Repair kit Joint Inner		2	MCX.ZA MCE.YA MCU.RA I1Y0
(10)	958 332 903 10	Repair kit Joint		2	MCE.YA MCX.ZA MCG.EA/FA MCR.CA MCV.VA/VC I1Y0 MCJ.TB MCN.RB MCV.VC
(10)	958 332 903 20	Inner Repair kit Joint Inner	/L	2	MCF.TB MCU.DC/RA I1Y1
(10)	958 332 903 30	Repair kit Joint Inner	/R	2	MCX.ZA MCE.YA MCF.TB MCU.DC/RA I1Y1
(10)	958 332 903 40	Repair kit Joint Inner		2	MCF.TB MCU.DC I1Y0
11	000 043 110 02	Grease Drive shaft 1 tube 100 GR.		X	
12	000 043 020 00	Optimoly 1 100-gramme tube		X	
(12)	000 043 205 36	Sealing compound Drive shaft 1 100-gramme tube		X	

Model: 92A 11

Model life 2011>>



Model: 92A 11 Model life 2011>>

Pos	Part Number	Description	Remark	Qty	Model
		suspension	-14		I1BA/1BH/1BW I1BZ
1	958 333 531 00	Steel Coil spring 1 set	-11	1	I0YA/0YB/1BA
	958 333 531 00 504	Identification Green Blue Blue			
1	958 333 531 01	Coil spring 1 set	12-	1	I0YA/0YB/1BA
	958 333 531 01 504	Identification Grey Grey Green			
(1)	958 333 531 05	Coil spring 1 set	-11	1	I0YC/0YD/1BA
	958 333 531 05 504	Identification Green Green Blue			
(1)	958 333 531 06	Coil spring 1 set	12-	1	I0YC/0YD/1BA
	958 333 531 06 504	Identification Grey Grey Green Green			
(1)	958 333 531 10	Coil spring	-11	1	I0YE/0YF/0YG I1BA
	958 333 531 10 504	1 set Identification Green Green Blue Blue			
(1)	958 333 531 11	Coil spring	12-	1	I0YE/0YF/0YG I1BA
	958 333 531 11 504	1 set Identification Grey Green Green			
(1)	958 333 531 15	Coil spring	-11	1	I0YC/0YD/0YE I1BA
	958 333 531 15 504	1 set Identification Orange White			
(1)	958 333 531 16	Coil spring	12-	1	I0YC/0YD/0YE I1BA
	958 333 531 16 504	1 set Identification Red			
(1)	958 333 531 20	Coil spring 1 set	-11	1	I0YF/0YG/1BA
	958 333 531 20 504	Identification Orange White White			
(1)	958 333 531 21	Coil spring 1 set	12-	1	I0YF/0YG/1BA
	958 333 531 21 504	Identification			

Model: 92A 11 Model life 2011>>

Pos	Part Number	Description	Remark	Qty	Model
1	958 333 531 25	Green Blue Coil spring 1 set		1	I0YA/0YB/1BW
	958 333 531 25 504	Identification			
(1)	958 333 531 30	Red Red Red Coil spring 1 set		1	I0YC/0YD/1BW
	958 333 531 30 504	Identification			
(1)	958 333 531 35	Red Red Red Coil spring 1 set		1	I0YE/0YF/0YG I1BW
	958 333 531 35 504	Identification			
(1)	958 333 531 40	White Coil spring 1 set		1	I0YC/0YD/0YE I1BW
	958 333 531 40 504	Identification			
(1)	958 333 531 45	Lilac White Coil spring 1 set		1	I0YF/0YG/1BW
	958 333 531 45 504	Identification			
(1)	958 333 531 50	Lilac White White Coil spring 1 set	-11	1	I0YA/1BH
	958 333 531 50 504	Identification			
(1)	958 333 531 51	Orange Orange Violet Coil spring 1 set	12-	1	I0YA/1BH
	958 333 531 51 504	Identification			
(1)	958 333 531 55	Orange Orange White ab FIN Coil spring 1 set	-11	1	I0YB/0YC/1BH
	958 333 531 55 504	Identification			
(1)	958 333 531 56	Orange Orange Violet Violet Coil spring 1 set		1	I0YB/0YC/1BH
	958 333 531 56 504	Identification			
(1)	958 333 531 60	Orange Orange White White ab FIN Coil spring	-11	1	I0YD/0YE/0YF I1BH

Model: 92A 11

Model life 2011>>

Pos	Part Number	Description	Remark	Qty	Model
	958 333 531 60 504	1 set Identification Green White			
(1)	958 333 531 61	Coil spring	12-	1	I0YD/0YE/0YF I1BH
	958 333 531 61 504	1 set Identification Orange Violet			
(1)	958 333 531 65	Coil spring	-11	1	I0YG/1BH
	958 333 531 65 504	1 set Identification Green White weiss			
(1)	958 333 531 66	Coil spring	12-	1	I0YG/1BH
	958 333 531 66 504	1 set Identification Orange Violet Violet			
(1)	958 333 531 70	Coil spring		1	I0YA/1BZ
	958 333 531 70 504	1 set Identification Lilac			
(1)	958 333 531 75	Coil spring		1	I0YB/0YC/1BZ
	958 333 531 75 504	1 set Identification Lilac Lilac			
(1)	958 333 531 80	Coil spring		1	I0YD/0YE/0YF I1BZ
	958 333 531 80 504	1 set Identification Lilac Lilac Lilac			
(1)	958 333 531 85	Coil spring		1	I0YG/1BZ
	958 333 531 85 504	1 set Identification Lilac Lilac Lilac Lilac			
(1)	958 333 531 90	Coil spring		1	GTS IE0W/0YA/1BH
	958 333 531 90 504	1 set Identification White Grey			
(1)	958 333 531 95	Coil spring		1	GTS IE0W/0YB/0YC I0YD/1BH
	958 333 531 95 504	1 set Identification White Grey Grey			
(1)	958 333 532 00	Coil spring		1	GTS IE0W/0YE/0YF I0YG/1BH
		1 set			

Model: 92A 11

Model life 2011>>

Pos	Part Number	Description	Remark	Qty	Model
	958 333 532 00 504	Identification White White Grey			
2	958 343 525 00	Concave washer		2	I1BA/1BW
2		Concave washer Is a component of Shock absorber			I1BH/1BZ
3	WHT 005 267	Spacer Use for Tolerance group 0		0	
3		Spacer Use for Tolerance group 1		2	
3		Spacer Use for Tolerance group 2		4	
4	958 343 523 00	Spring Shim		2	
5	958 343 521 00	Spring Desk pad		2	
6	958 333 375 01	Cap		2	I1BH/1BZ
6	958 343 503 50	Cap		2	I1BH/1BZ
6	958 333 375 02	Cap		2	I1BA/1BW
7	958 333 375 00	Washer		2	I1BH/1BZ
7	958 333 375 03	Washer		2	I1BW
8	958 333 131 03	Rubber stop		2	I1BA/1BW
(8)	958 333 131 05	Rubber stop		2	I1BH/1BZ
(8)	958 333 131 10	Rubber stop		2	GTS IE0W/1BH
9	958 343 505 00	Boot		2	
10	958 333 149 00	Spring Desk pad		2	
11	958 343 524 00	Spring Shim		2	
12	958 333 301 00	Mounting Damper	/L	1	
(12)	958 333 302 00	Mounting Damper	/R	1	
13	958 333 327 01	Supporting mount		2	I1BA/1BW
(13)	958 333 327 05	Supporting mount		2	I1BH/1BZ
14	N 909 664 02	Hexagon nut M 12		2	I1BA/1BW
(14)	WHT 004 985	Hexagon nut M 12		2	I1BH/1BZ
15	958 333 087 00	Lid Supporting mount		2	I1BA/1BW
(15)	958 333 087 01	Lid Supporting mount		2	I1BH/1BZ
16	N 909 586 03	Hexagon nut M 8		8	
16	N 909 586 02	Hexagon nut M 8		8	
17	WHT 003 791	Hexagon-head bolt M10 X 1.5 X 115	/V	4	
(17)	WHT 003 792	Hexagon-head bolt M10 X 1.5 X 160	/H	4	
18	958 333 183 00	Stopper	/V	4	
19	958 333 051 00	Shock absorber		2	I1BA/1BW
(19)	958 333 051 10	Shock absorber		2	I1BA/1BW

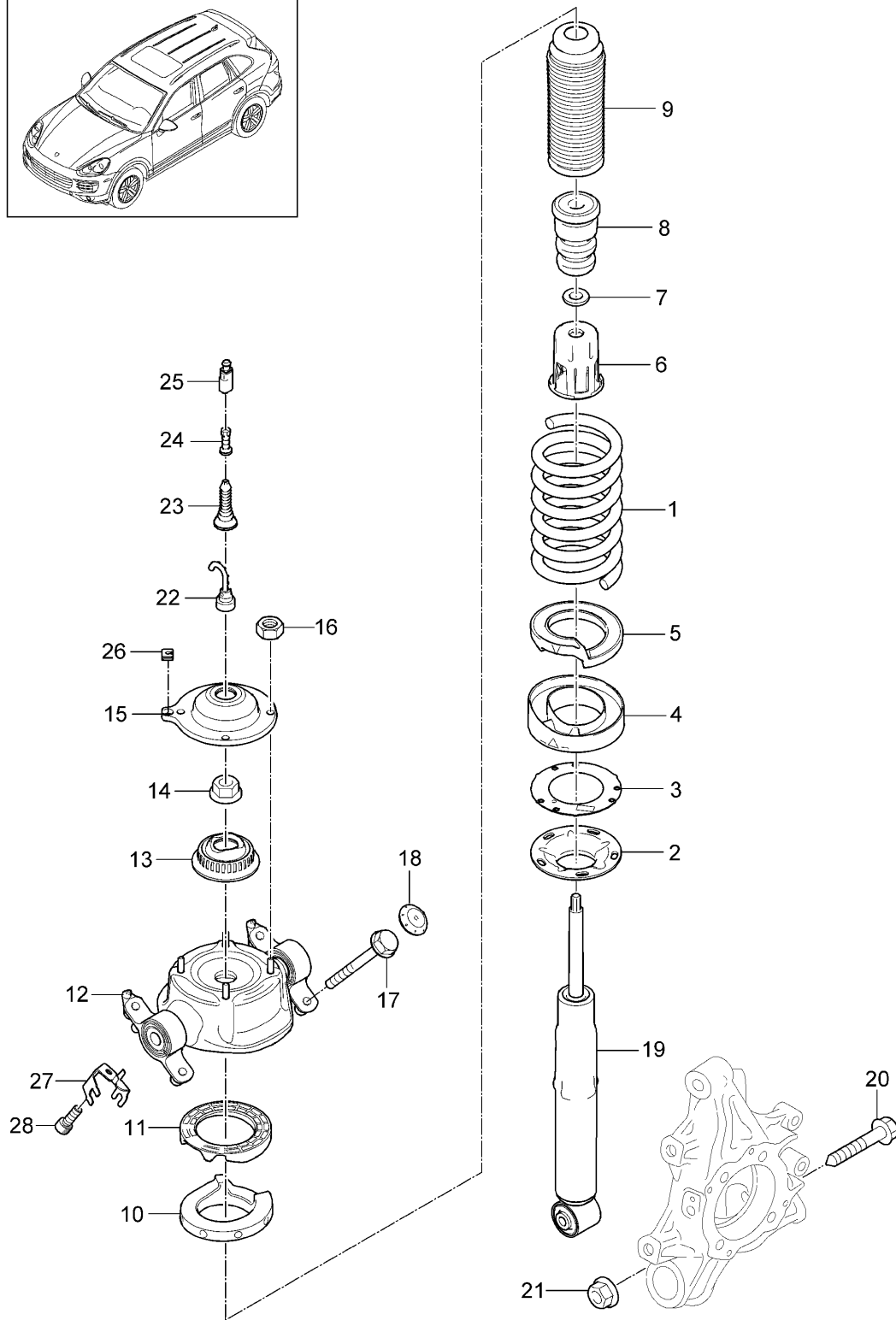
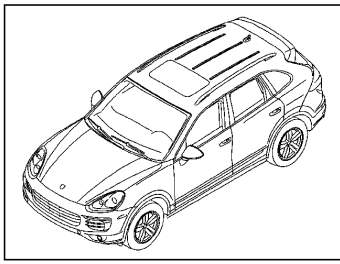
Model: 92A 11

Model life 2011>>

Pos	Part Number	Description	Remark	Qty	Model
(19)	958 333 051 50	Shock absorber with Concave washer		2	I1BH/1BZ
(19)	958 333 051 60	Shock absorber with Concave washer		2	GTS IEOW/1BH
20	N 105 924 02	Hexagon-head bolt M12 X 1,5 X 120 X 49		2	
20	WHT 005 461	Hexagon-head bolt M 12 X 1,5 X 120		2	
21	N 104 029 04	Hexagon nut M12 X 1,5		2	
22	958 333 869 01	Cable guide		2	I1BH/1BZ
23	958 343 783 02	Grommet Cable		2	I1BH/1BZ
24	958 343 878 00	Grommet Connector		2	I1BH/1BZ
25	1J0 973 802	Connector housing - PASM -		2	I1BH/1BZ
26	958 333 800 01	Cable holder		2	I1BH/1BZ

Model: 92A 11

Model life 2011>>



Model: 92A 11 Model life 2011>>

Pos	Part Number	Description	Remark	Qty	Model
		suspension	15-		I1BA/1BH/1BW I1BZ
(1)	958 333 531 01	Steel Coil spring 1 set		1	MCU.DC/RA MCV.VA/VB/VC I0YA/0YB/1BA MCJ.TB MCN.RB MCR.CA
	958 333 531 01 504	Identification Grey Grey Green			
1	958 333 531 00	Coil spring 1 set		1	MCN.RB MCR.CA MCU.RA MCV.VA/VC I0YA/0YB/1BW
	958 333 531 00 504	Identification Green Blue Blue			
(1)	958 333 531 51	Coil spring 1 set		1	MCG.EA/FA MCR.CA MCU.DC MCV.VC I0YA/1BH MCN.RB MCR.CA MCU.RA MCV.VA/VB MCJ.TB
	958 333 531 51 504	Identification Orange Orange White			
(1)	958 333 531 90	Coil spring 1 set		1	MCX.ZA I0YA/1BH
	958 333 531 90 504	Identification White Grey			
(1)	958 333 531 56	Coil spring 1 set		1	MCG.EA/FA MCU.DC/RA MCV.VC I0YB/0YC/1BH MCJ.TB MCN.RB MCR.CA MCV.VA/VB
	958 333 531 56 504	Identification Orange Orange White White			
(1)	958 333 531 05	Coil spring 1 set		1	MCN.RB MCR.CA MCU.RA MCV.VA/VC I0YC/0YD/1BW
	958 333 531 05 504	Identification Green			

Model: 92A 11 Model life 2011>>

Pos	Part Number	Description	Remark	Qty	Model
(1)	958 333 531 95	Green Blue Coil spring 1 set		1	MCX.ZA I0YB/0YC/1BH
	958 333 531 95 504	Identification White Grey Grey			
(1)	958 333 531 06	Coil spring 1 set		1	MCR.CA MCU.RA MCV.VA/VB/VC I0YC/0YD/1BA MCJ.TB MCN.RB MCU.DC
	958 333 531 06 504	Identification Grey Grey Green Green			
(1)	958 333 531 61	Coil spring 1 set		1	MCG.EA/FA MCR.CA MCU.DC MCV.VC I0YD/0YE/0YF I1BH MCJ.TB MCN.RB MCU.RA MCV.VA/VB
	958 333 531 61 504	Identification Orange Violet			
(1)	958 333 532 00	Coil spring 1 set		1	MCX.ZA I0YD/0YE/0YF I0YG/1BH
	958 333 532 00 504	Identification White White Grey			
(1)	958 333 531 11	Coil spring 1 set		1	MCR.CA MCU.DC/RA MCV.VA/VB I0YE/0YF/0YG I1BA MCJ.TB MCN.RB MCV.VC
	958 333 531 11 504	Identification Grey Green Green			
(1)	958 333 531 10	Coil spring 1 set		1	MCN.RB MCR.CA MCU.RA MCV.VA/VC I0YE/0YF/0YG I1BW
	958 333 531 10 504	Identification Green			

Model: 92A 11 Model life 2011>>

Pos	Part Number	Description	Remark	Qty	Model
(1)	958 333 531 66	Green Blue Blue Coil spring 1 set		1	MCG.EA/FA MCU.DC/RA MCV.VC I0YG/1BH MCJ.TB MCN.RB MCR.CA MCV.VA/VB
	958 333 531 66 504	Identification			
(1)	958 333 531 98	Orange Violet Violet Coil spring 1 set		1	MCG.EA/FA I0YH/1BH
	958 333 531 98 504	Identification			
(1)	958 333 531 50	Orange Violet Violet Coil spring 1 set		1	MCG.EA/FA MCR.CA MCU.RA MCV.VC I0YA/1BZ MCN.RB
	958 333 531 50 504	Identification			
(1)	958 333 531 55	Orange Orange Violet Violet Coil spring 1 set		1	MCG.EA/FA MCR.CA MCU.RA MCV.VC I0YB/0YC/1BZ MCN.RB
	958 333 531 55 504	Identification			
(1)	958 333 531 60	Orange Orange Violet Violet Coil spring 1 set		1	MCG.EA/FA MCR.CA MCU.RA MCV.VC I0YD/0YE/0YF I1BZ MCN.RB
	958 333 531 60 504	Identification			
(1)	958 333 531 65	Green White Coil spring 1 set		1	MCG.EA/FA MCR.CA MCU.RA MCV.VC I0YG/1BZ MCN.RB
	958 333 531 65 504	Identification			
		Green White			

Model: 92A 11 Model life 2011>>

Pos	Part Number	Description	Remark	Qty	Model
(1)	958 333 531 88	White Coil spring		1	MCG.EA/FA I0YH/1BZ
	958 333 531 88 504	1 set Identification			
2	958 343 525 00	Green White White White Concave washer		2	I1BA/1BW I1BH/1BZ
(2)		Concave washer Is a component of Shock absorber			
3	WHT 005 267	Spacer Use for Tolerance group 1		2	
(3)		Spacer Use for Tolerance group 2		4	
4	958 343 523 00	Spring		2	
5	958 343 521 00	Shim Spring Desk pad		2	
6	958 343 503 50	Cap		2	I1BH/1BZ
(6)	958 333 375 02	Cap		2	I1BA/1BW
7	958 333 375 10	Washer		2	I1BH/1BZ
(7)	958 333 375 20	Washer		2	I1BW
8	958 333 131 03	Rubber stop		2	I1BA/1BW
(8)	958 333 131 05	Rubber stop		2	-IDU3/-ID19 I1BH/1BZ
(8)	958 333 131 10	Rubber stop		2	IDU3/1BH
(8)	958 333 131 20	Rubber stop		2	ID19/1BH/1BZ
9	958 343 505 00	Boot		2	
10	958 333 149 00	Spring Desk pad		2	
11	958 343 524 00	Spring Shim		2	
12	958 333 301 00	Mounting Damper	/L	1	
(12)	958 333 302 00	Mounting Damper	/R	1	
13	958 333 327 01	Supporting mount		2	I1BA/1BW
(13)	958 333 327 05	Supporting mount		2	I1BH/1BZ
14	N 909 664 02	Hexagon nut M 12		2	I1BA/1BW
(14)	WHT 004 985	Hexagon nut M 12		2	I1BH/1BZ
15	958 333 087 00	Lid Supporting mount		2	I1BA/1BW
(15)	958 333 087 01	Lid Supporting mount		2	I1BH/1BZ
16	N 909 586 02	Hexagon nut M 8		8	
17	WHT 003 791	Hexagon-head bolt M10 X 1.5 X 115	/V	4	
(17)	WHT 003 792	Hexagon-head bolt M10 X 1.5 X 160	/H	4	
18	958 333 183 00	Stopper	/V	4	
19	958 333 051 00	Shock absorber		2	I1BA/1BW
(19)	958 333 051 70	Shock absorber with		2	I1BH/1BZ

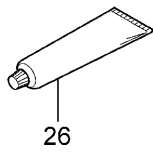
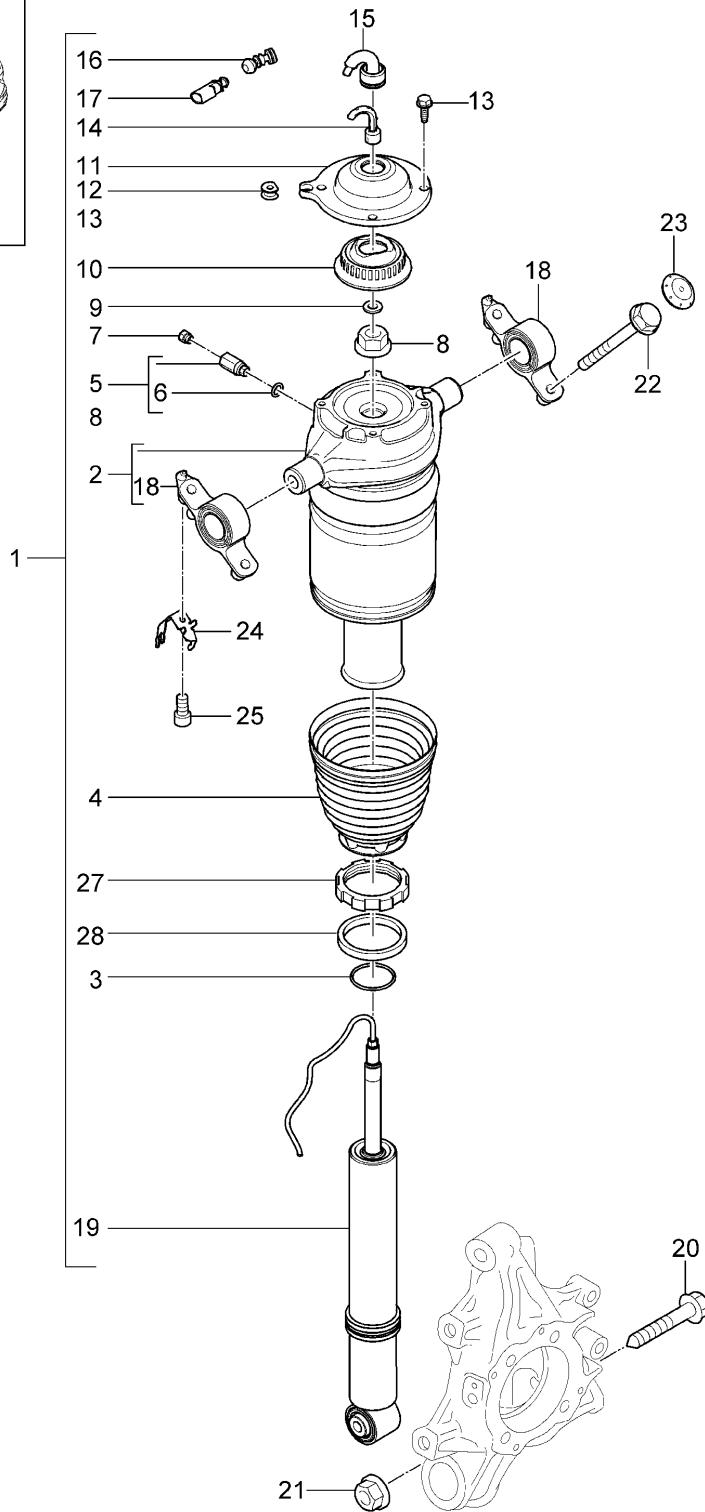
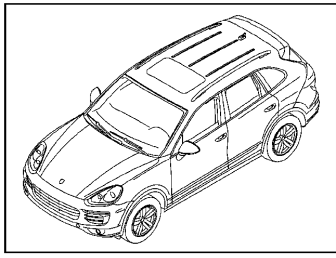
Model: 92A 11

Model life 2011>>

Pos	Part Number	Description	Remark	Qty	Model
(19)	958 333 051 60	Concave washer Shock absorber with		2	IDU3/1BH
20	WHT 005 461	Concave washer Hexagon-head bolt M 12 X 1,5 X 120		2	
21	N 104 029 04	Hexagon nut M12 X 1,5		2	
22	958 333 869 01	Cable guide		2	I1BH/1BZ
23	958 343 783 02	Grommet Cable		2	I1BH/1BZ
24	958 343 878 00	Grommet Connector		2	I1BH/1BZ
25	1J0 973 802	Connector housing - PASM -		2	I1BH/1BZ
26	958 333 800 01	Cable holder		2	I1BH/1BZ
27	958 333 247 01	Support Connector	/L	1	
(27)	958 333 248 01	Support Connector	/R	1	
28	N 014 740 11	Pan-head screw M6 X 16		2	

Model: 92A 11

Model life 2011>>



Model: 92A 11

Model life 2011>>

Pos	Part Number	Description	Remark	Qty	Model
		suspension	-14		I1BK
1	958 358 019 00	Air spring Spring strut Complete See workshop manual Group 4 43-01IN00	/L	1	ID19/D58/D6V
1	958 358 019 05	Spring strut Complete	/L 12-	1	ID19/D58/D6V
(1)	958 358 019 10	Spring strut Complete See workshop manual Group 4 43-01IN00	/L -11	1	ID1V/D11/D34 ID50
(1)	958 358 019 15	Spring strut Complete See workshop manual Group 4 43-01IN00	/L -12	1	ID1V/D11/D34 ID43/D50
(1)	958 358 019 25	Spring strut Complete See workshop manual Group 4 43-01IN00	/L -12	1	ID1V/D11/D34 ID43/D50
(1)	958 358 019 18	Spring strut Complete See workshop manual Group 4 43-01IN00	/L 13-	1	ID1V/D11/D34 ID43/D50
(1)		Spring strut Complete	/L	1	IDD8
(1)	958 358 019 30	Spring strut Complete	/L 13-	1	GTS IE0W
(1)	958 358 019 40	Spring strut Complete See workshop manual Group 4 43-01IN00	/L	1	IE8A
(1)	958 358 020 00	Spring strut Complete See workshop manual Group 4 43-01IN00	/R -11	1	ID19/D58/D6V
(1)	958 358 020 05	Spring strut Complete	/R 12-	1	ID19/D58/D6V
(1)	958 358 020 10	Spring strut Complete See workshop manual Group 4 43-01IN00	/R -11	1	ID1V/D11/D34 ID43/D50
(1)	958 358 020 15	Spring strut Complete	/R -12	1	ID1V/D11/D34 ID43/D50
(1)	958 358 020 25	Spring strut Complete	/R -12	1	ID1V/D11/D34 ID43/D50
(1)	958 358 020 18	Spring strut Complete	/R 13-	1	ID1V/D11/D34

Model: 92A 11 Model life 2011>>

Pos	Part Number	Description	Remark	Qty	Model
					ID43/D50
(1)		Complete Spring strut	/R	1	IDD8
(1)	958 358 020 30	Complete Spring strut	/R 13-	1	GTS IE0W
(1)	958 358 020 40	Complete Spring strut	/R	1	IE8A
2	958 358 503 00	Complete Air spring	/L -11	1	ID19/D58/D6V
2	958 358 503 07	Air spring	/L -11	1	ID19/D58/D6V
2	958 358 503 08	Air spring	/L -11	1	ID19/D58/D6V
2	958 358 503 05	Air spring	/L 12-	1	ID19/D58/D6V
2	958 358 503 10	Air spring	/L -11	1	ID1V/D11/D34 ID43/D50
2	958 358 503 15	Air spring	/L 12-	1	ID1V/D11/D34 ID43/D50
(2)	958 358 503 18	Air spring	/L	1	IDD8
2	958 358 503 30	Air spring	/L 13-	1	GTS IE0W
(2)	958 358 504 00	Air spring	/R -11	1	ID19/D58/D6V
(2)	958 358 504 07	Air spring	/R -11	1	ID19/D58/D6V
(2)	958 358 504 08	Air spring	/R -11	1	ID19/D58/D6V
(2)	958 358 504 05	Air spring	/R 12-	1	ID19/D58/D6V
(2)	958 358 504 10	Air spring	/R -11	1	ID1V/D11/D34 ID43/D50
(2)	958 358 504 15	Air spring	/R 12-	1	ID1V/D11/D34 ID43/D50
(2)	958 358 504 18	Air spring	/R	1	IDD8
(2)	958 358 504 30	Air spring	/R 13-	1	GTS IE0W
3	958 343 045 00	Sealing ring		2	
4	958 343 505 10	Bellows		2	
5	958 358 720 00	Valve		2	
6	955 358 722 00	Sealing ring		2	
7	955 358 541 00	Push-on connector		2	
8	WHT 004 925	Hexagon nut		2	
9	N 903 677 01	O-ring		2	
10	958 343 018 20	Mounting for absorber		2	
11	958 358 087 10	Cap		2	
12	958 333 800 02	Cable clip		2	
13	N 101 277 07	Hexagon-head bolt M8 X 26		8	
14	958 333 869 00	Cable guide		2	
15	958 333 873 04	Grommet Cable		2	
16	958 343 878 00	Grommet Connector		2	
17	1J0 973 802	Connector housing		2	
18	958 333 331 00	Mounting Damper	/L	2	
(18)	958 333 332 00	Mounting Damper	/R	2	
19	958 333 051 20	Shock absorber		2	-IE0W/-IE8A
19	958 333 051 30	Shock absorber		2	GTS IE0W IE8A
19	958 333 051 40	Shock absorber		2	
20	N 105 924 02	Hexagon-head bolt M12 X 1,5 X 120 X 49		2	
20	WHT 005 461	Hexagon-head bolt M 12 X 1,5 X 120		2	
21	N 104 029 04	Hexagon nut M12 X 1,5		2	

Model: 92A 11

Model life 2011>>

Pos	Part Number	Description	Remark	Qty	Model
22	WHT 003 791	Hexagon-head bolt	/V	4	
(22)	WHT 003 792	Hexagon-head bolt	/H	4	
23	958 333 183 00	Stopper		4	
24	958 333 247 01	Support	/L	1	
		Connector			
(24)	958 333 248 01	Support	/R	1	
		Connector			
25	N 014 740 11	Pan-head screw		2	
		M6 X 16			
26	000 043 204 68	Grease		1	
		Syntheso Glep 1			
		1 50-g tube			
27	958 343 060 00	Circlip		2	
28	958 343 253 00	Support ring		2	

Model: 92A 11 Model life 2011>>

Pos	Part Number	Description	Remark	Qty	Model
1	958 358 019 50	suspension Air spring Spring strut Complete	15- /L	1	I1BK MCG.EA/FA MCU.RA MCV.VA/VB MCJ.T MCN.RB MCR.CA MCV.VC MCE.YA
(1)	958 358 020 50	Spring strut Complete	/R	1	MCG.EA/FA MCU.RA MCV.VA/VB MCJ.T MCN.RB MCR.CA MCV.VC MCE.YA
(1)	958 358 019 31	Spring strut Complete	/L	1	GTS MCX.ZA
(1)	958 358 020 31	Spring strut Complete	/R	1	GTS MCX.ZA
(1)	958 358 019 41	Spring strut Complete	/L	1	MCF.TB MCU.DC MCY.XA
(1)	958 358 020 41	Spring strut Complete	/R	1	MCF.TB MCU.DC MCY.XA
2	958 358 503 18	Air spring	/L	1	MCG.EA/FA MCR.CA MCU.RA MCV.VC MCF.TB MCN.RB MCU.DC MCV.VA/VB MCJ.T MCE.YA
(2)	958 358 504 18	Air spring	/R	1	MCG.EA/FA MCR.CA MCU.RA MCV.VC MCF.TB MCU.DC MCV.VA/VB MCJ.T MCN.RB MCE.YA
(2)	958 358 503 30	Air spring	/L	1	GTS MCX.ZA
(2)	958 358 504 30	Air spring	/R	1	GTS MCX.ZA
(2)	958 358 503 40	Air spring	/L	1	MCF.TB MCU.DC MCY.XA
(2)	958 358 504 40	Air spring	/R	1	MCF.TB MCU.DC MCY.XA
3	958 343 045 00	Sealing ring		2	

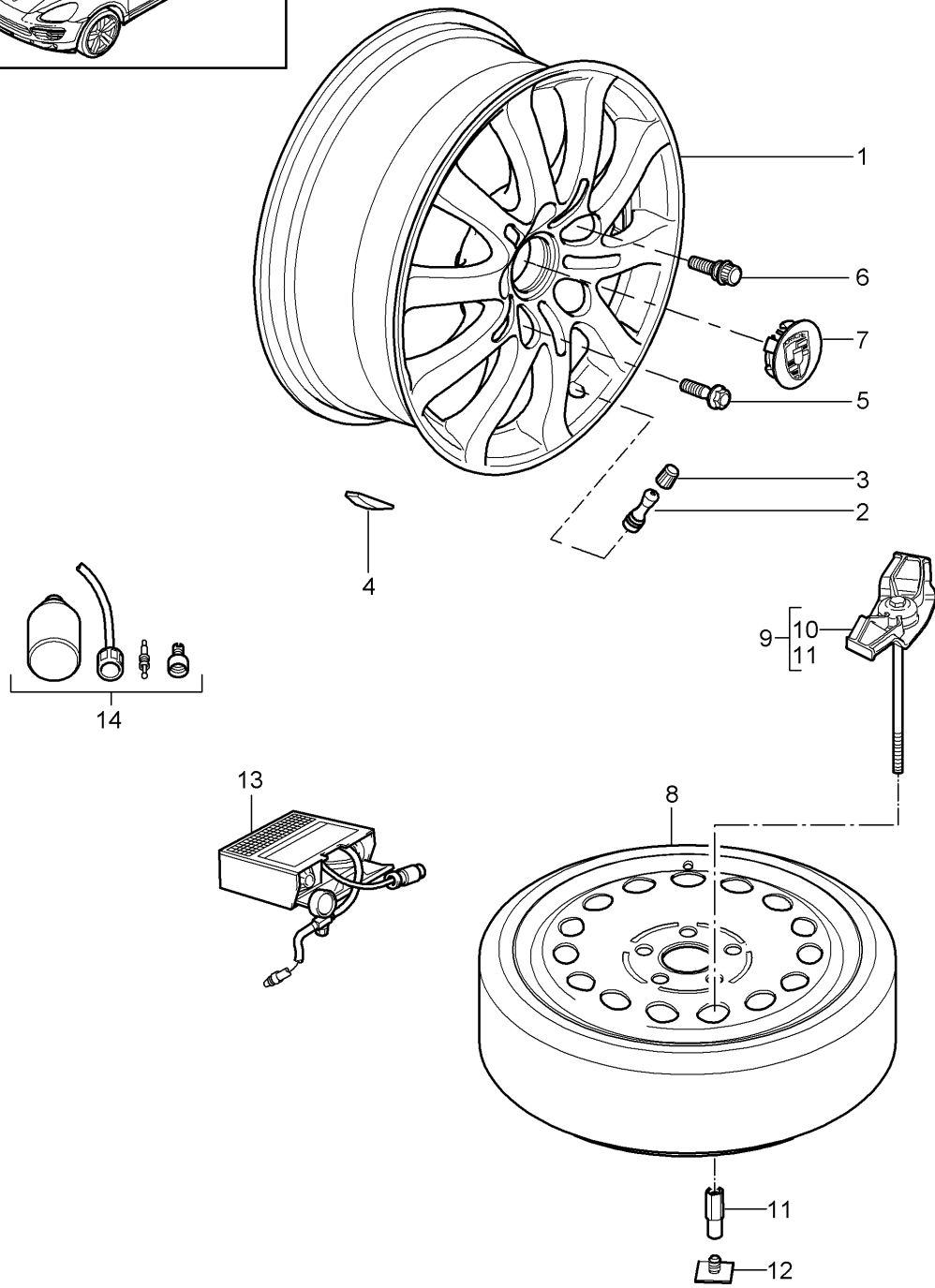
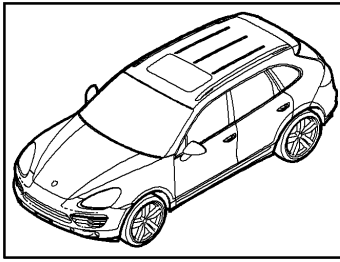
Model: 92A 11

Model life 2011>>

Pos	Part Number	Description	Remark	Qty	Model
4	958 343 505 11	Bellows		2	
5	958 358 720 00	Valve		2	
6	955 358 722 00	Sealing ring		2	
7	955 358 541 00	Push-on connector		2	
8	WHT 004 925	Hexagon nut		2	
9	N 903 677 01	O-ring		2	
10	958 343 018 20	Mounting for absorber		2	
11	958 358 087 10	Cap		2	
12	958 333 800 02	Cable clip		2	
13	N 101 277 07	Hexagon-head bolt M8 X 26		8	
14	958 333 869 01	Cable guide		2	
15	958 333 873 04	Grommet Cable		2	
16	958 343 878 00	Grommet Connector		2	
17	1J0 973 802	Connector housing		2	
18	958 333 331 00	Mounting Damper	/L	2	
(18)	958 333 332 00	Mounting Damper	/R	2	
19	958 333 051 40	Shock absorber		2	MCF.TB MCU.DC/RA MCV.VA/VB MCG.EA/FA MCJ.T MCR.CA MCV.VC MCN.RB MCY.XA MCE.YA
(19)	958 333 051 30	Shock absorber		2	GTS MCX.ZA
20	WHT 005 461	Hexagon-head bolt M 12 X 1,5 X 120		2	
21	N 104 029 04	Hexagon nut M12 X 1,5		2	
22	WHT 003 791	Hexagon-head bolt M10 X 1.5 X 115	/V	4	
(22)	WHT 003 792	Hexagon-head bolt M10 X 1.5 X 160	/H	4	
23	958 333 183 00	Stopper		4	
24	958 333 247 01	Support Connector	/L	1	
(24)	958 333 248 01	Support Connector	/R	1	
25	N 014 740 11	Pan-head screw M6 X 16		2	
26	000 043 204 68	Grease SYNTHESO GLEP 1 1 50-g tube		1	
27	958 343 060 00	Circlip		2	
28	958 343 253 00	Support ring		2	

Model: 92A 11

Model life 2011>>



Model: 92A 11 Model life 2011>>

Pos	Part Number	Description	Remark	Qty	Model
1	958 362 136 00	Wheels Alloy wheel 8,0 J X 18 ET 53	-14	4	IC1J
	958 362 136 00 9A1	Silver			
1	958 362 136 01	Alloy wheel 8,0 J X 18 ET 53		4	IC1J
	958 362 136 01 8Z8	Brilliant Silver			
1	958 362 136 00	Alloy wheel 8,0 J X 18 ET 53		5	IC1J/3F4
	958 362 136 00 9A1	Silver			
1	958 362 136 01	Alloy wheel 8,0 J X 18 ET 53		5	IC1J/3F4
	958 362 136 01 8Z8	Brilliant Silver			
(1)	958 362 138 00	Alloy wheel 8,5 J X 19 ET 59	-11	4	IC8K
	958 362 138 00 9A1	Silver			
(1)	958 362 138 10	Alloy wheel 8,5 J X 19 ET 59	12-	4	IC8K
	958 362 138 10 88Z	Brilliant chrome finish			
(1)	958 362 138 00	Alloy wheel 8,5 J X 19 ET 59	-11	5	IC8K/3F4
	958 362 138 00 9A1	Silver			
(1)	958 362 138 10	Alloy wheel 8,5 J X 19 ET 59	12-	5	IC8K/3F4
	958 362 138 10 88Z	Brilliant chrome finish			
(1)	958 362 140 00	Alloy wheel 9,0 J X 20 ET 57	-11	4	ICN7
	958 362 140 00 9A1	Silver			
(1)	958 362 140 10	Alloy wheel 9,0 J X 20 ET 57	12-	4	ICN7
	958 362 140 10 88Z	Brilliant chrome finish			
(1)	958 362 140 20	Alloy wheel 9,0 J X 20 ET 57	12-	4	ICN7
	958 362 140 20 88Z	Brilliant chrome finish			
(1)	958 362 140 21	Alloy wheel 9,0 J X 20 ET 57	12-	4	ICN7
	958 362 140 21 88Z	Brilliant chrome finish			
(1)	958 362 140 00	Alloy wheel 9,0 J X 20 ET 57	-11	5	ICN7/3F4
	958 362 140 00 9A1	Silver			
(1)	958 362 140 10	Alloy wheel 9,0 J X 20 ET 57	12-	5	ICN7/3F4
	958 362 140 10 88Z	Brilliant chrome finish			
(1)	958 362 140 20	Alloy wheel 9,0 J X 20 ET 57	12-	5	ICN7/3F4
	958 362 140 20 88Z	Brilliant chrome finish			
(1)	958 362 140 21	Alloy wheel 9,0 J X 20	12-	4	ICN7/3F4

Model: 92A 11 Model life 2011>>

Pos	Part Number	Description	Remark	Qty	Model
(1)	958 362 140 21 88Z 958 362 142 00	ET 57 Brilliant chrome finish Alloy wheel 10 J X 21 ET 50		4	ICZ4
(1)	958 362 142 00 9A1 958 362 142 01	Silver Alloy wheel 10 J X 21 ET 50		4	ICZ4/C7F
(1)	958 362 142 01 9A1 958 362 142 01 041 958 362 142 00	Silver Alloy wheel 10 J X 21 ET 50		5	ICZ4 IC7F ICZ4/3F4
(1)	958 362 142 00 9A1 958 362 142 01	Silver Alloy wheel 10 J X 21 ET 50		5	ICZ4/C7F/3F4
(1)	958 362 142 01 9A1 958 362 142 01 041 958 362 144 00	Silver Black Alloy wheel 8,0 J X 18 ET 53		4	ICZ4 IC7F IC1Q
(1)	958 362 144 00 9A1 958 362 144 01	Silver Alloy wheel 8,0 J X 18 ET 53		4	IC1Q
(1)	958 362 144 01 8Z8 958 362 144 00	Brilliant Silver Alloy wheel 8,0 J X 18 ET 53		5	IC1Q/3F4
(1)	958 362 144 00 9A1 958 362 144 01	Silver Alloy wheel 8,0 J X 18 ET 53		5	IC1Q/3F4
(1)	958 362 144 01 8Z8 958 362 146 00	Brilliant Silver Alloy wheel 8,5 J X 19 ET 59	-11	4	IF09
(1)	958 362 146 00 9A1 958 362 146 10	Silver Alloy wheel 8,5 J X 19 ET 59	12-	4	IF09
(1)	958 362 146 10 88Z 958 362 146 20	Brilliant chrome finish Alloy wheel 8,5 J X 19 ET 59	12-	4	IF09
(1)	958 362 146 20 88Z 958 362 146 21	Brilliant chrome finish Alloy wheel 8,5 J X 19 ET 59	12-	4	IF09
(1)	958 362 146 21 88Z 958 362 146 00	Brilliant chrome finish Alloy wheel 8,5 J X 19 ET 59	-11	5	IF09/3F4
(1)	958 362 146 00 9A1 958 362 146 10	Silver Alloy wheel 8,5 J X 19 ET 59	12-	5	IF09/3F4
(1)	958 362 146 10 88Z 958 362 146 20	Brilliant chrome finish Alloy wheel 8,5 J X 19 ET 59	12-	5	IF09/3F4

Model: 92A 11

Model life 2011>>

Pos	Part Number	Description	Remark	Qty	Model
(1)	958 362 146 20 88Z 958 362 146 21	Brilliant chrome finish Alloy wheel 8,5 J X 19 ET 59	12-	4	IF09/3F4
(1)	958 362 146 21 88Z 958 362 148 00	Brilliant chrome finish Alloy wheel 9,0 J X 20 ET 57		4	ICP5
(1)	958 362 148 00 EP8 958 362 148 00	Decorative Silver/Titanium Alloy wheel 9,0 J X 20 ET 57		5	ICP5/3F4
(1)	958 362 148 00 EP8 958 362 150 00	Decorative Silver/Titanium Alloy wheel 10,0 J X 21 ET 50	-(J)	4	ICK0
(1)	958 362 150 00 M7Z 958 362 150 01	GT Silver Metallic Alloy wheel 10,0 J X 21 ET 50	-(J)	4	ICK0
(1)	958 362 150 01 M7Z 958 362 150 00	GT Silver Metallic Alloy wheel 10,0 J X 21 ET 50	-(J)	5	ICK0/3F4
(1)	958 362 150 00 M7Z 958 362 150 01	GT Silver Metallic Alloy wheel 10,0 J X 21 ET 50	-(J)	4	ICK0
(1)	958 362 150 01 M7Z 958 362 152 00	GT Silver Metallic Alloy wheel 10,0 J X 21 ET 50	-(J)	4	ICQ1
(1)	958 362 152 00 041 958 362 152 00	Black Alloy wheel 10,0 J X 21 ET 50	-(J)	5	ICQ1/3F4
(1)	958 362 152 00 041 958 362 150 00	Black Alloy wheel 10,0 J X 21 ET 50	-(J)	4	ICN5
(1)	958 362 150 00 M7Z 958 362 150 01	GT Silver Metallic It is necessary to rework Paint Alloy wheel 10,0 J X 21 ET 50	-(J)	4	ICK0
(1)	958 362 150 01 M7Z 958 362 150 00	GT Silver Metallic Alloy wheel 10,0 J X 21 ET 50	-(J)	5	ICN5/3F4
(1)	958 362 150 00 M7Z 958 362 150 01	GT Silver Metallic It is necessary to rework Paint Alloy wheel 10,0 J X 21 ET 50	-(J)	5	ICK0
(1)	958 362 150 01 M7Z 958 362 151 00	GT Silver Metallic It is necessary to rework Paint Alloy wheel 9,5 J X 20 ET 47		4	IC5B
	958 362 151 00 EP8	Decorative Silver/Titanium			

Model: 92A 11

Model life 2011>>

Pos	Part Number	Description	Remark	Qty	Model
(1)	958 362 151 00	It is necessary to rework Paint Alloy wheel 9,5 J X 20 ET 47		5	IC5B/3F4
	958 362 151 00 EP8	Decorative Silver/Titanium It is necessary to rework Paint			
(1)	958 362 153 00	Alloy wheel 9 J X 20 ET 57		4	ICP5/3F4
	958 362 153 00 EP8	Decorative Silver/Titanium It is necessary to rework Paint			
2	900 265 001 50	Rubber valve		4	-I3F4
(2)		Rubber valve		5	I3F4
(2)		Valve		4	I7K3/7K4
		Tyre pressure monitoring See illustrations 6/01/05			
3	955 361 163 00	Cap		4	-I3F4
(3)		Cap		5	I3F4
4	997 361 405 00	Balance stick-on weight Silver 5 G.		X	
(4)	9P1 601 179	Balance stick-on weight Black 5.G.		X	
(4)	997 361 410 00	Balance stick-on weight Silver 10 G.		X	
(4)	9P1 601 181	Balance stick-on weight Black 10.G.		X	
(4)	997 361 415 00	Balance stick-on weight Silver 15 G.		X	
(4)	9P1 601 182	Balance stick-on weight Black 15.G.		X	
(4)	997 361 420 00	Balance stick-on weight Silver 20 G.		X	
(4)	9P1 601 183	Balance stick-on weight Black 20.G.		X	
(4)	997 361 425 00	Balance stick-on weight Silver 25 G.		X	
(4)	9P1 601 184	Balance stick-on weight Black 25.G.		X	
(4)	997 361 430 00	Balance stick-on weight Silver 30 G.		X	
(4)	9P1 601 185	Balance stick-on weight Black 30.G.		X	
(4)	997 361 435 00	Balance stick-on weight Silver 35 G.		X	
(4)	9P1 601 186	Balance stick-on weight Black		X	

Model: 92A 11 Model life 2011>>

Pos	Part Number	Description	Remark	Qty	Model
(4)	997 361 440 00	35.G. Balance stick-on weight Silver		X	
(4)	9P1 601 187	40 G. Balance stick-on weight Black		X	
(4)	997 361 445 00	40.G. Balance stick-on weight Silver		X	
(4)	9P1 601 188	45 G. Balance stick-on weight Black		X	
(4)	997 361 450 00	45.G. Balance stick-on weight Silver		X	
(4)	9P1 601 189	50 G. Balance stick-on weight Black		X	
(4)	997 361 455 00	50.G. Balance stick-on weight Silver		X	
(4)	9P1 601 190	55 G. Balance stick-on weight Black		X	
(4)	997 361 460 00	55.G. Balance stick-on weight Silver		X	
(4)	9P1 601 191	60 G. Balance stick-on weight Black		X	
(4)	997 361 465 00	60.G. Balance stick-on weight Silver		X	
(4)	9P1 601 192	65 G. Balance stick-on weight Black		X	
(4)	997 361 470 00	65.G. Balance stick-on weight Silver		X	
(4)	9P1 601 193	70 G. Balance stick-on weight Black		X	
(4)	997 361 475 00	70.G. Balance stick-on weight Silver		X	
(4)	9P1 601 194	75 G. Balance stick-on weight Black		X	
(4)	997 361 480 00	75.G. Balance stick-on weight Silver		X	
(4)	9P1 601 195	80 G. Balance stick-on weight Black		X	
(4)	997 361 485 00	80.G. Balance stick-on weight Silver		X	
(4)	9P1 601 196	85 G. Balance stick-on weight Black		X	
(4)	997 361 490 00	85.G. Balance stick-on weight Silver		X	

Model: 92A 11

Model life 2011>>

Pos	Part Number	Description	Remark	Qty	Model
(7)	955 361 303 20	Hub cap Round Concave Crest Coloured		4	ICN7/C1J/C1Q IC8K/F09/1NP
(7)	955 361 303 20 9A1 7PP 601 150 A	Silver Hub cap Round Concave Crest Coloured	12-	4	ICN7/C1J/C1Q IC8K/F09/1NP
(7)	7PP 601 150 A 8Z8 7PP 601 150 A 88Z 9P1 601 147 A	Brilliant Silver Brilliant chrome finish Hub cap Round Concave Crest Coloured	14-	4	ICN7/F09/1NP
(7)	9P1 601 147 A 8Z8 9P1 601 147 A 88Z 958 361 303 00	Brilliant Silver Brilliant chrome finish Hub cap Round Concave Crest Black Silver		4	ICP5/C5B/1NE
(7)	958 361 303 20	Hub cap Round Concave Crest Black Silver		4	ICP5/C5B/1NP
(7)	7PP 601 149 D	Hub cap Round Concave Crest Coloured Silver		4	ICK0/1NP
(7)	958 361 303 02	Hub cap Round Convex Crest Coloured Silver		4	ICK0/1NP
(7)	958 361 303 03	Hub cap Round Convex Crest Coloured Black		4	ICQ1/1NP
(7)	7PP 601 149 D	Hub cap Round Concave Crest Coloured		4	ICN5/1NP
(7)	958 361 303 02	It is necessary to rework Paint Hub cap Round Convex Crest		4	ICN5/1NP

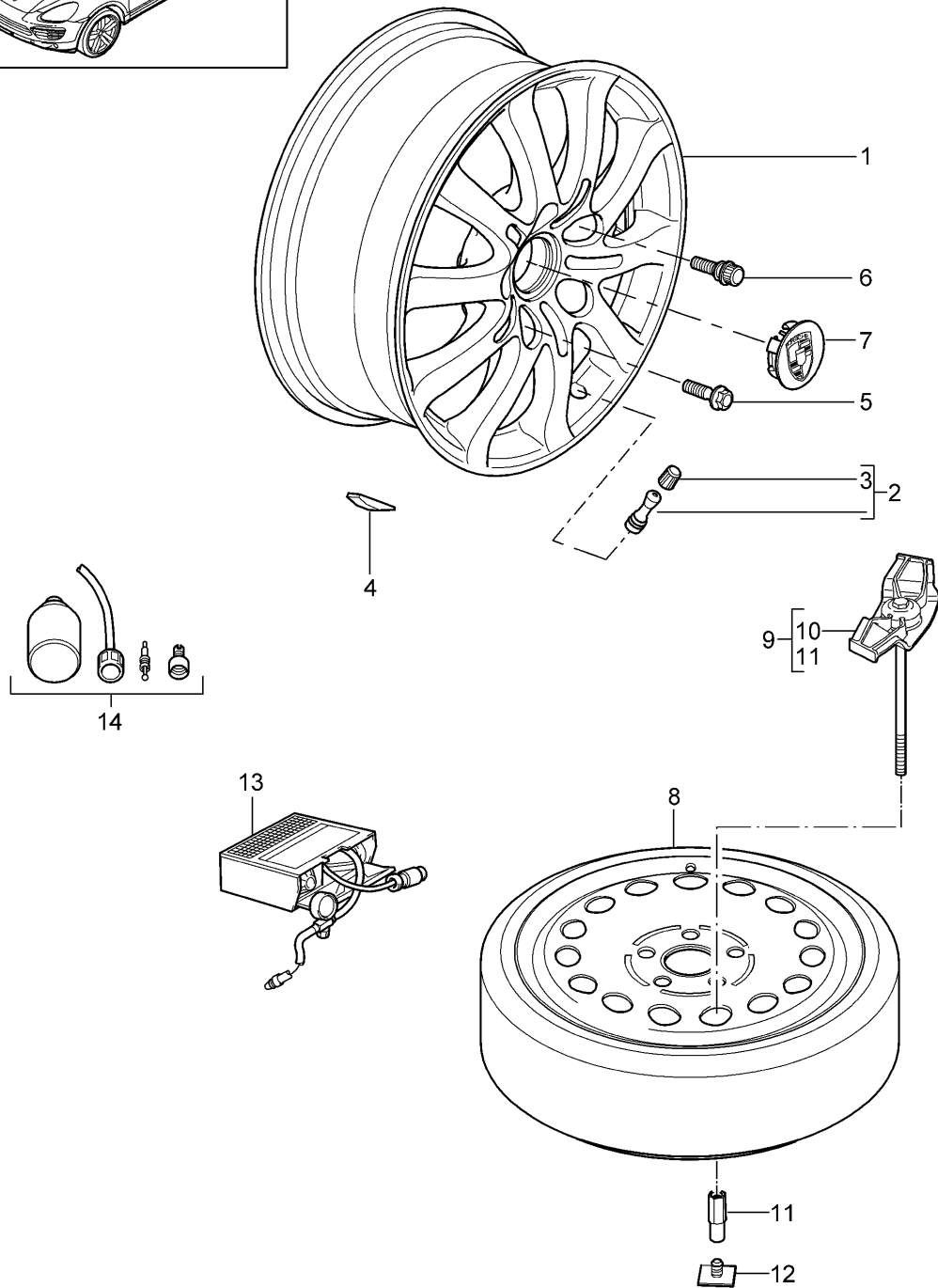
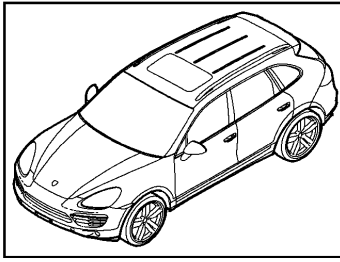
Model: 92A 11

Model life 2011>>

Pos	Part Number	Description	Remark	Qty	Model
7	7PP 601 149	Coloured It is necessary to rework Paint Hub cap Round Concave Crest Black Silver		4	ICZ4/1NE
7	7PP 601 149 A	Hub cap Round Concave Crest Coloured Silver		4	ICZ4/1NP
(7)	7PP 601 149 E	Hub cap Round Concave		4	IC7F
8	958 362 050 00	Emergency wheel with collapsible tire 6,5 B X 18 ET 28		1	I1G1
(8)	958 362 050 20	Emergency wheel with collapsible tire 6,5 B X 19 ET 43,5		1	I1G4
(8)	958 362 050 30	Emergency wheel with collapsible tire 6,5 B X 20 ET 28		1	I1G6
9	958 362 533 00	Fastening part		1	I1G1/1G4
10	955 362 645 10	Handle		1	I1G1/1G4
11	958 362 533 10	Threaded sleeve		1	I1G1/1G4
12	958 362 534 00	Bracket Spare wheel		1	I1G1/1G4
13	955 652 053 02	Compressor		1	I1G1/1G4/1G8
14	955 722 631 00	Bottle of tyre sealant with Sealing compound		1	I1G8
14	4L0 012 619 A	Bottle of tyre sealant with Sealing compound Mount See illustrations 8/07/40		1	I1G8 I3F4

Model: 92A 11

Model life 2011>>



Model: 92A 11 Model life 2011>>

Pos	Part Number	Description	Remark	Qty	Model
		Wheels see Manufacturer's certificate Group 4 Document 01/14	15-		
1	958 362 136 20	Alloy wheel 8,0 J X 18 ET 53		4	IV98
(1)	958 362 136 20 8Z8 958 362 144 20	Brilliant Silver Alloy wheel 8,0 J X 18 ET 53		4	IV99
(1)	958 362 144 20 8Z8 958 362 138 20	Brilliant Silver Alloy wheel 8,5 J X 19 ET 59		4	IU00
(1)	958 362 138 20 88Z 958 362 152 01	Brilliant chrome finish Alloy wheel 10,0 J X 21 ET 50		4	ICQ1
(1)	958 362 152 01 041 958 362 150 02	Black Alloy wheel 10,0 J X 21 ET 50		4	ICK0
(1)	958 362 150 02 M7Z 958 362 150 02	GT Silver Metallic Alloy wheel 10,0 J X 21 ET 50		4	ICN5/U97
(1)	958 362 150 02 M7Z 958 362 146 20	GT Silver Metallic It is necessary to rework Paint Alloy wheel 8,5 J X 19 ET 59		4	ICN5 IU97 IU97 IF09
(1)	958 362 146 20 88Z 958 362 140 20	Brilliant chrome finish Alloy wheel 9,0 J X 20 ET 57		4	ICN7
(1)	958 362 140 20 88Z 958 362 148 10	Brilliant chrome finish Alloy wheel 9,0 J X 20 ET 57		4	ICP5
(1)	958 362 148 10 EP8 958 362 142 20	Decorative Silver/Titanium Alloy wheel 10,0 J X 21 ET 50		4	IC2Y/U01
(1)	958 362 142 20 041 958 362 142 20 OC6 958 362 151 00	Black Titanium Alloy wheel 9,5 J X 20 ET 47		4	IC2Y IU01 ICY6/C5B/C5D
(1)	958 362 151 00 EP8 958 362 151 00 JE1 958 362 151 00 OB5 958 362 154 00	Decorative Silver/Titanium Black mat Platinum satin-matt Alloy wheel 10,0 J X 21 H2 ET 50		4	IC5B ICY6 IC5D IC4I/C4P/C9N IU02
	958 362 154 00 M7Z 958 362 154 00 041 958 362 154 00 OB5 958 362 154 00 C9X	GT Silver Metallic Black Platinum satin-matt Jet Black Metallic			IU02 IC4P IC4I IC9N

Model: 92A 11

Model life 2011>>

Pos	Part Number	Description	Remark	Qty	Model
2	900 265 001 50	Rubber valve		4	-I3F4/-I7K3
(2)		Rubber valve		5	-I7K4
(2)		Valve		4	I3F4
		Tyre pressure monitoring			I7K3/7K4
		See illustrations			
		6/01/06			
3	955 361 163 00	Cap		4	-I3F4
(3)		Cap		5	I3F4
4	997 361 405 00	Balance stick-on weight		X	
		Silver			
		5 G.			
(4)	9P1 601 179	Balance stick-on weight		X	
		Black			
		5.G.			
(4)	997 361 410 00	Balance stick-on weight		X	
		Silver			
		10 G.			
(4)	9P1 601 181	Balance stick-on weight		X	
		Black			
		10.G.			
(4)	997 361 415 00	Balance stick-on weight		X	
		Silver			
		15 G.			
(4)	9P1 601 182	Balance stick-on weight		X	
		Black			
		15.G.			
(4)	997 361 420 00	Balance stick-on weight		X	
		Silver			
		20 G.			
(4)	9P1 601 183	Balance stick-on weight		X	
		Black			
		20.G.			
(4)	997 361 425 00	Balance stick-on weight		X	
		Silver			
		25 G.			
(4)	9P1 601 184	Balance stick-on weight		X	
		Black			
		25.G.			
(4)	997 361 430 00	Balance stick-on weight		X	
		Silver			
		30 G.			
(4)	9P1 601 185	Balance stick-on weight		X	
		Black			
		30.G.			
(4)	997 361 435 00	Balance stick-on weight		X	
		Silver			
		35 G.			
(4)	9P1 601 186	Balance stick-on weight		X	
		Black			
		35.G.			
(4)	997 361 440 00	Balance stick-on weight		X	
		Silver			
		40 G.			
(4)	9P1 601 187	Balance stick-on weight		X	
		Black			
		40.G.			
(4)	997 361 445 00	Balance stick-on weight		X	
		Silver			
		45 G.			
(4)	9P1 601 188	Balance stick-on weight		X	
		Black			
		45.G.			

Model: 92A 11

Model life 2011>>

Pos	Part Number	Description	Remark	Qty	Model
(4)	997 361 450 00	Balance stick-on weight Silver 50 G.		X	
(4)	9P1 601 189	Balance stick-on weight Black 50.G.		X	
(4)	997 361 455 00	Balance stick-on weight Silver 55 G.		X	
(4)	9P1 601 190	Balance stick-on weight Black 55.G.		X	
(4)	997 361 460 00	Balance stick-on weight Silver 60 G.		X	
(4)	9P1 601 191	Balance stick-on weight Black 60.G.		X	
(4)	997 361 465 00	Balance stick-on weight Silver 65 G.		X	
(4)	9P1 601 192	Balance stick-on weight Black 65.G.		X	
(4)	997 361 470 00	Balance stick-on weight Silver 70 G.		X	
(4)	9P1 601 193	Balance stick-on weight Black 70.G.		X	
(4)	997 361 475 00	Balance stick-on weight Silver 75 G.		X	
(4)	9P1 601 194	Balance stick-on weight Black 75.G.		X	
(4)	997 361 480 00	Balance stick-on weight Silver 80 G.		X	
(4)	9P1 601 195	Balance stick-on weight Black 80.G.		X	
(4)	997 361 485 00	Balance stick-on weight Silver 85 G.		X	
(4)	9P1 601 196	Balance stick-on weight Black 85.G.		X	
(4)	997 361 490 00	Balance stick-on weight Silver 90 G.		X	
(4)	9P1 601 197	Balance stick-on weight Black 90.G.		X	
5	WHT 004 676	Wheel bolt Silver		16	
(5)	WHT 004 676 A	Wheel bolt Black		16	
6	991 361 980 01	Set Anti-theft protection Black Comprising: Wheel bolt		1 4	

Model: 92A 11

Model life 2011>>

Pos	Part Number	Description	Remark	Qty	Model
(6)	991 361 980 02	Adapter Anti-theft protection 1 set Black Comprising: Wheel bolt Adapter Note coding	(GB)	1 1 4 1	IB0N
(6)	991 361 980 03	Adapter Anti-theft protection 1 set Black Comprising: Wheel bolt Adapter Note coding	(GB)	1 4 1	IB0N
(7)	9P1 601 147	Hub cap Round Concave Crest Black		4	ICN7/CP5/C5B IF09/U00/V99 I1NE
	9P1 601 147 8Z8	Brilliant Silver			IV99
	9P1 601 147 88Z	Brilliant chrome finish			ICN7/F09/U00
	9P1 601 147 EP8	Titanium metallic			ICP5/C5B
(7)	9P1 601 147 A	Hub cap Round Concave Crest Coloured		4	ICN7/CP5/C5B IF09/U00/V99 I1NP
	9P1 601 147 A 8Z8	Brilliant Silver			IV99
	9P1 601 147 A 88Z	Brilliant chrome finish			ICN7/F09/U00
	9P1 601 147 A EP8	Titanium metallic			ICP5/C5B
(7)	7PP 601 149 H	Hub cap Polished Round Concave Crest Black		4	IC2Y/U01/1NE
(7)	7PP 601 149 J	Hub cap Polished Round Concave Crest Coloured		4	IC2Y/U01/1NP
(7)	7L5 601 151	Hub cap Concave Crest Coloured		4	ICY6/C5D/1NP
	7L5 601 151 JE1	Black mat			ICY6
	7L5 601 151 OB5	Platinum satin-matt			IC5D
(7)	9A7 601 151 00	Hub cap Concave Crest Coloured		4	IC9N
	9A7 601 151 00 C9X	Jet Black Metallic			
(7)	9P1 601 149 A	Hub cap Round Convex Crest Coloured		4	ICK0/V98/1NP

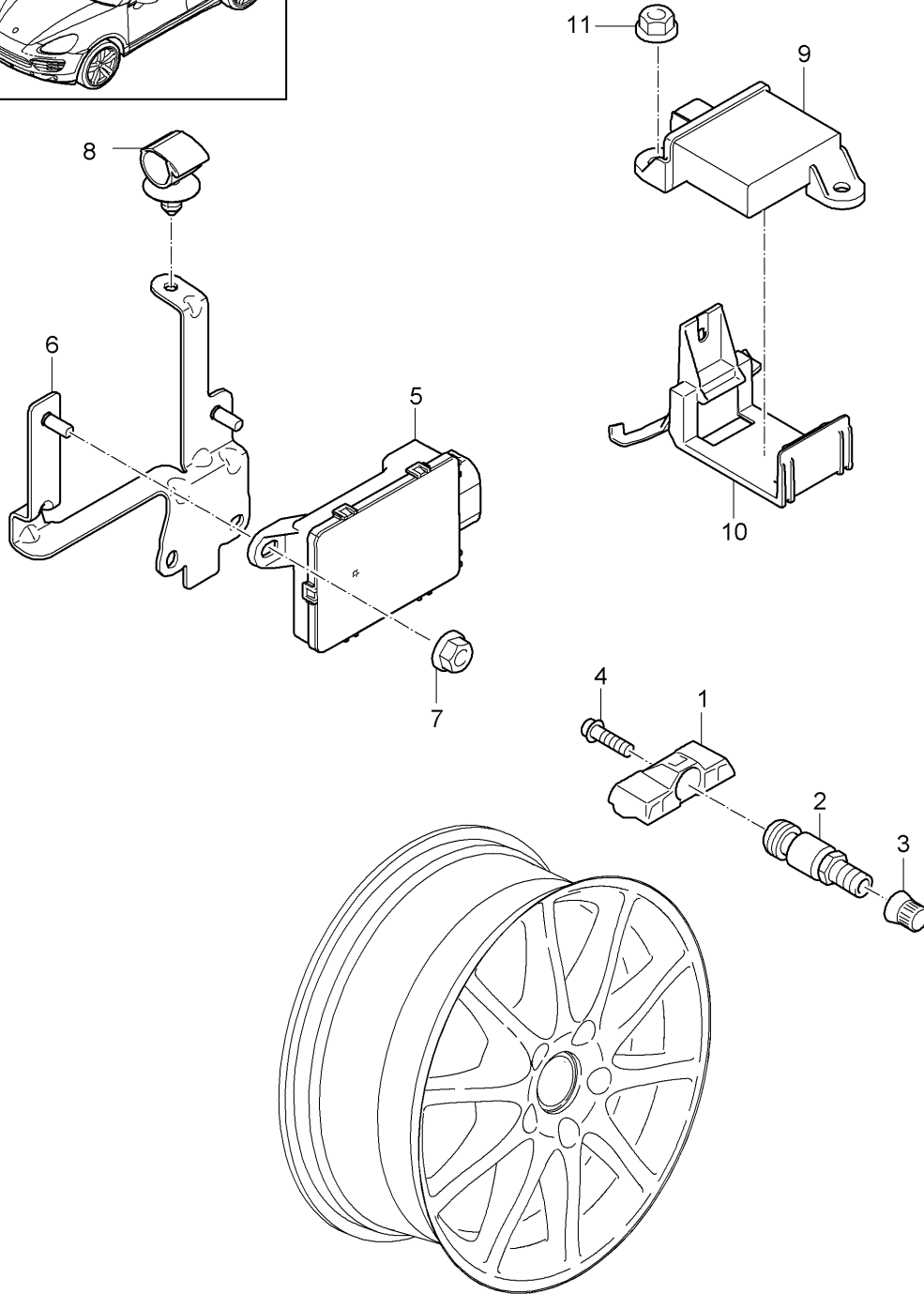
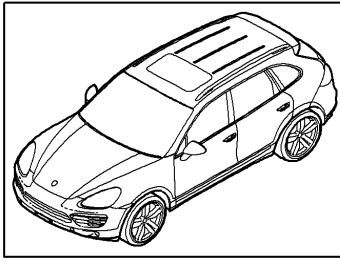
Model: 92A 11

Model life 2011>>

Pos	Part Number	Description	Remark	Qty	Model
(7)	9P1 601 149 A M7Z 9P1 601 149 A 8Z8 958 361 303 03	Silver metallic Brilliant Silver Hub cap Round Convex Crest Coloured Black		4	ICK0 IV98 ICQ1/1NP
(7)	7P5 601 151	Hub cap Round Convex Crest Coloured Black		4	ICN5/U97/1NP
(7)	7P5 601 151 OB5 9P1 601 149	Platinum satin-matt Hub cap Round Convex Crest Black		4	ICN5/U97 IV98/1NE
8	9P1 601 149 8Z8 958 362 050 01	Brilliant Silver Emergency wheel with collapsible tire 6,5 B X 18 ET 28		1	IV98 I1G1
(8)	958 362 050 21	Emergency wheel with collapsible tire 6,5 B X 19 ET 28		1	I1G4
(8)	958 362 050 31	Emergency wheel with collapsible tire 6,5 B X 20 ET 28		1	I1G6
9	958 362 533 00	Fastening part		1	I1G1/1G4/1G6
(9)	958 362 543 00	Fastening part		1	IDD7/D43/D51 I1G1/1G4/1G6
10	955 362 645 10	Handle		1	I1G1/1G4/1G6
(10)	N 011 175 7	Winged nut		1	IDD7/D43/D51 I1G1/1G4/1G6
11	958 362 533 10	Threaded sleeve		1	I1G1/1G4/1G6
12	958 362 534 00	Bracket		1	I1G1/1G4/1G6
13	955 652 053 02	Spare wheel Compressor		1	IB0M/1G1/1G4 I1G6
(13)	955 652 053 05	D >> 31.01.2016 Compressor		1	IB0M/1G1/1G4 I1G6
(13)	5N0 012 615 C	D 01.02.2016>> Compressor		1	-IB0M/I1G1 I1G4/1G6
(13)	955 652 053 03	D 25.05.2015>> Compressor		1	I0K3/1G8
14	4L0 012 619 A	Bottle of tyre sealant with Sealing compound		1	I1G8

Model: 92A 11

Model life 2011>>



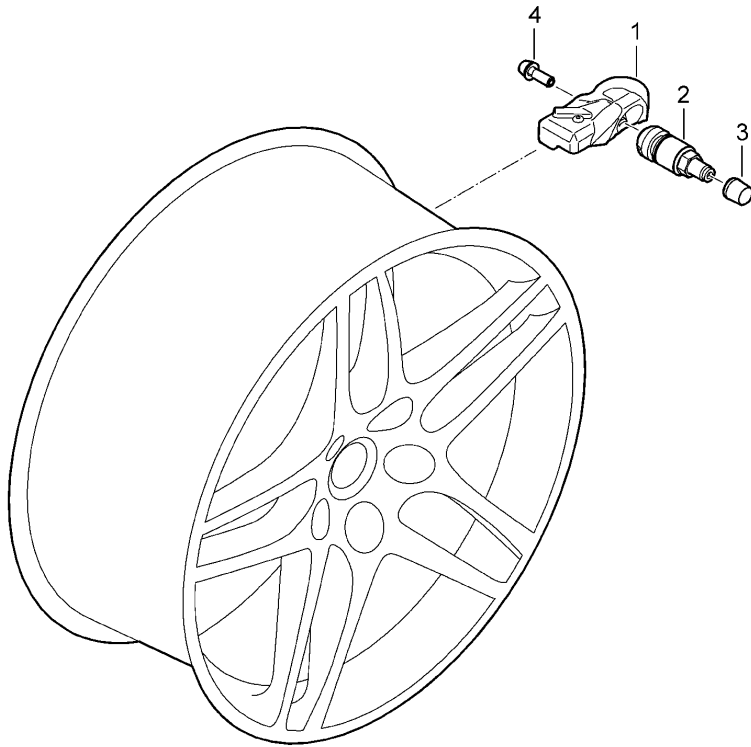
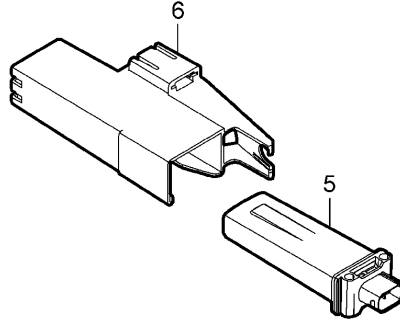
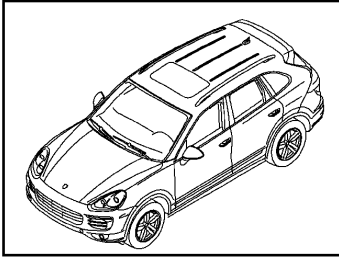
Model: 92A 11

Model life 2011>>

Pos	Part Number	Description	Remark	Qty	Model
1	958 361 661 00	Tyre pressure monitoring Sensor	-14	4	I7K3/7K4 I7K3
(1)	958 361 661 50	Tyre pressure monitoring Use also: 955.361.053.00 Sensor		4	I7K4
2	955 361 053 00	Tyre pressure monitoring Use also: 955.361.053.00 Valve		4	IUX6
(2)	9P1 601 361 A	Tyre pressure monitoring Silver Valve		4	IUX6
2	9P1 601 361	Tyre pressure monitoring Silver Valve		4	IUX7
3	N 908 729 01	Tyre pressure monitoring Black Cap Valve Silver		4	IUX6
(3)	WHT 006 913	Tyre pressure monitoring Black Cap Valve Black		4	IUX7
4	4D0 601 365	Fastening screw		4	
5	958 618 105 00	Control unit		1	I7K3
5	958 618 105 50	Control unit		1	I7K4
6	958 647 143 00	Support Control unit		1	
7	N 015 082 10	Hexagon nut M 6		4	
8	N 906 815 01	Hose holder for Wiring harness		1	
9	7PP 907 283	transmitter		4	
10	958 606 153 00	Support		2	
11	N 904 953 01	Hexagon nut D5 x 16,5 x 11	/V	2	
11		Hexagon nut D5 x 16,5 x 11	/H	4	

Model: 92A 11

Model life 2011>>



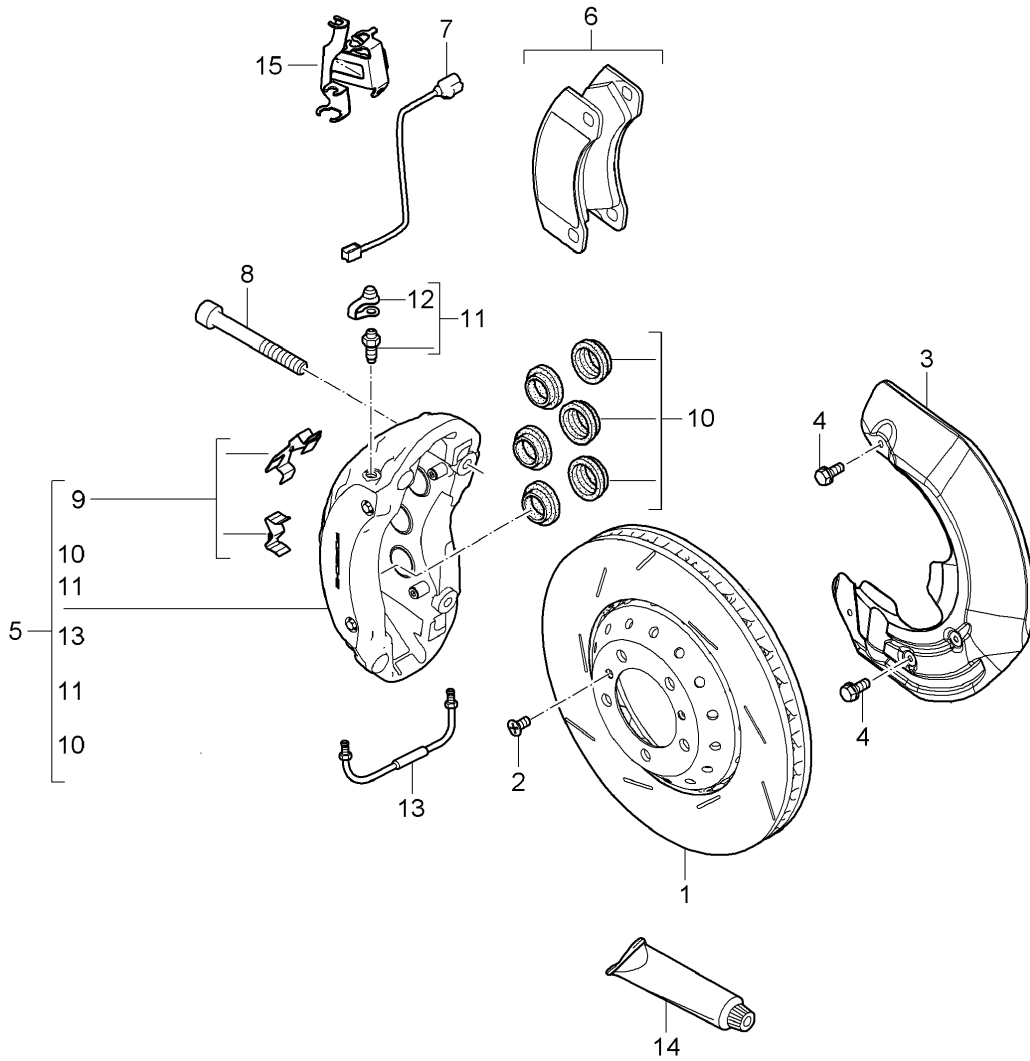
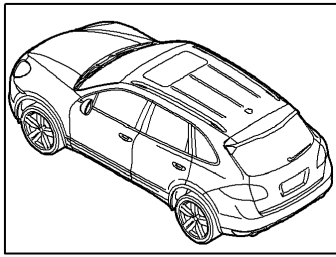
Model: 92A 11

Model life 2011>>

Pos	Part Number	Description	Remark	Qty	Model
1	5Q0 907 275	Tyre pressure monitoring Sensor	15-	4	I7K3
(1)	5Q0 907 275 A	Tyre pressure monitoring Use also: 955.361.053.00 Information available Sensor		4	I7K4
2	9P1 601 361 A	Tyre pressure monitoring Use also: 955.361.053.00 Information available Valve		4	IUX6
(2)	9P1 601 361	Tyre pressure monitoring Silver Valve		4	IUX7
3	N 908 729 01	Tyre pressure monitoring Black Cap Valve Silver		4	IUX6
(3)	WHT 006 913	Cap Valve Black		4	IUX7
4	4D0 601 365	Fastening screw		4	
5	7PP 907 273 D	Control unit		1	I7K3
5	7PP 907 273 H	Control unit		1	I7K3
(5)	7PP 907 273 E	Control unit		1	I7K4
6	95B 907 324	Support Control unit		1	
6	95B 907 324 B	Support Control unit		1	

Model: 92A 11

Model life 2011>>



Model: 92A 11 Model life 2011>>

Pos	Part Number	Description	Remark	Qty	Model
		Disc brake	-14		
1	955 351 401 51	Front axle Brake disc	/L	1	I1LN
		Use also: WHT.004.571.		2	
(1)	955 351 402 51	Brake disc	/R	1	I1LN
		Use also: WHT.004.571.		2	
(1)	958 351 403 00	Brake disc	/L	1	I1LL/1LU
		Use also: WHT.004.571.		2	
(1)	958 351 403 01	Brake disc	/L	1	I1LD/1LL/1LM I1LP/1LU/1ZT
		Use also: WHT.004.571.		2	
(1)	958 351 404 00	Brake disc	/R	1	I1LL/1LU
		Use also: WHT.004.571.		2	
(1)	958 351 404 01	Brake disc	/R	1	I1LD/1LL/1LM I1LP/1LU/1ZT
		Use also: WHT.004.571.		2	
(1)	958 351 403 50	Brake disc	/L	1	I1LH/1ZL
		Use also: 999.073.461.01		2	
(1)	958 351 404 50	Brake disc	/R	1	I1LH/1ZL
		Use also: 999.073.461.01		2	
(1)	958 351 031 00	Brake disc	/L	1	I1LY
		Use also: 99907346101		2	
(1)	958 351 032 00	Brake disc	/R	1	I1LY
		Use also: 99907346101		2	
(1)	958 351 031 50	Brake disc	/L	1	I1LX
		Use also: 99907346101		2	
(1)	958 351 032 50	Brake disc	/R	1	I1LX
		Use also: 99907346101		2	
(1)	958 351 031 60	Brake disc	/L 12-	1	I1LV
		Use also: 99907346101		2	
(1)	958 351 032 60	Brake disc	/R 12-	1	I1LV
		Use also: 99907346101		2	
2	N 910 282 02	Fit bolt		2	
		M 12 X 1,5 X 19,3		2	
3	958 351 801 00	Cover plate	/L	1	I1LH/1LL/1LN I1LU
3	958 351 801 01	Cover plate	/L	1	I1LD/1LH/1LL I1LM/1LN/1LP I1LU
		A. GTS			
(3)	958 351 801 50	Cover plate	/L	1	I1LV/1LX/1LY
(3)	958 351 802 00	Cover plate	/R	1	I1LH/1LL/1LN I1LU
(3)	958 351 802 50	Cover plate	/R	1	I1LV/1LX/1LY
4	N 103 352 06	Round head screw		8	
		M 6 X 12.0			
4	N 907 371 05	Outer hexagon round screw		8	
		M 6 X 12.0			
5	7PP 615 123 N	Fixed calliper	/L	1	I1LN

Model: 92A 11

Model life 2011>>

Pos	Part Number	Description	Remark	Qty	Model
(5)	7PP 615 124 N	without pad Black Lacquered Use also: WHT.004.571 Fixed calliper	/R	2 1	I1LN
5	7PP 615 149 D	without pad Black Lacquered Use also: WHT.004.571 Fixed calliper	/L	2 1	I1LN
(5)	7PP 615 150 D	without pad Black Lacquered Use also: WHT.004.571 Fixed calliper	/R	2 1	I1LN
5	7PP 615 149 F	without pad Black Lacquered Use also: WHT.004.571 Fixed calliper	/L	2 1	I1ZT
(5)	7PP 615 149 AA	without pad Black Lacquered Use also: WHT.004.571 Fixed calliper	/L	2 1	I1ZT
(5)	7PP 615 149 AC	without pad Black Lacquered Use also: WHT.004.571 Fixed calliper	/L	2 1	I1ZT
5	7PP 615 150 F	without pad Black Lacquered Use also: WHT.004.571 Fixed calliper	/R	2 1	I1ZT
5	7PP 615 150 AA	without pad Black Lacquered Use also: WHT.004.571 Fixed calliper	/R	2 1	I1ZT
5	7PP 615 150 AC	without pad Black Lacquered Use also: WHT.004.571 Fixed calliper	/R	2 1	I1ZT
(5)	7PP 615 123 P	without pad Silver Lacquered	/L	2 1	I1LL

Model: 92A 11

Model life 2011>>

Pos	Part Number	Description	Remark	Qty	Model
(5)	7PP 615 124 P	Use also: WHT.004.571 Fixed calliper without pad Silver Lacquered	/R	2 1	I1LL
(5)	7PP 615 149 J	Use also: WHT.004.571 Fixed calliper without pad Red Lacquered	/L	2 1	I1LM/1LP
(5)	7PP 615 150 J	Use also: WHT.004.571 Fixed calliper without pad Red Lacquered	/R	2 1	I1LM/1LP
(5)	7PP 615 123 Q	Use also: WHT.004.571 Fixed calliper without pad Silver Lacquered	/L	2 1	I1LU
(5)	7PP 615 149 G	Use also: WHT.004.571 Fixed calliper without pad Silver Lacquered	/L	2 1	I1LD/1LU
(5)	7PP 615 149 R	Use also: WHT.004.571 Fixed calliper without pad Silver Lacquered	/L	2 1	I1LD/1LU
(5)	7PP 615 149 AD	Use also: WHT.004.571 Fixed calliper without pad Silver Lacquered	/L	2 1	I1LD/1LU
(5)	7PP 615 124 Q	Use also: WHT.004.571 Fixed calliper without pad Silver Lacquered	/R	2 1	I1LU
(5)	7PP 615 150 G	Use also: WHT.004.571 Fixed calliper without pad Silver Lacquered	/R	2 1	I1LD/1LU
(5)	7PP 615 150 R	Use also: WHT.004.571 Fixed calliper without pad Silver Lacquered	/R	2 1	I1LD/1LU
(5)	7PP 615 150 AD	Use also: WHT.004.571 Fixed calliper	/R	2 1	I1LD/1LU

Model: 92A 11

Model life 2011>>

Pos	Part Number	Description	Remark	Qty	Model
(5)	7PP 615 123 R	without pad Silver Lacquered Use also: WHT.004.571 Fixed calliper without pad Red Lacquered Use also: WHT.004.572	/L	2 1	I1LH
(5)	7PP 615 149 E	Fixed calliper without pad Red Lacquered Use also: WHT.004.572	/L	2 1	I1LH/1ZL
(5)	7PP 615 124 R	Fixed calliper without pad Red Lacquered Use also: WHT.004.572	/R	2 1	I1LH
(5)	7PP 615 150 E	Fixed calliper without pad Red Lacquered Use also: WHT.004.572	/R	2 1	I1LH/1ZL
(5)	7PP 615 123 S	Fixed calliper without pad Yellow Lacquered Use also: WHT.004.572	/L	2 1	I1LY
(5)	7PP 615 124 S	Fixed calliper without pad Yellow Lacquered Use also: WHT.004.572	/R	2 1	I1LY
(5)	7PP 615 123 T	Fixed calliper without pad Yellow Lacquered Use also: WHT.004.572	/L	2 1	I1LX
(5)	7PP 615 124 T	Fixed calliper without pad Yellow Lacquered Use also: WHT004572	/R	2 1	I1LX
(5)	958 351 123 00	Fixed calliper without pad Yellow Lacquered Use also: WHT004572	/L 12-	2 1	I1LV
(5)	958 351 124 00	Fixed calliper without pad Yellow Lacquered Use also: WHT004572	/R 12-	2 1	I1LV

Model: 92A 11

Model life 2011>>

Pos	Part Number	Description	Remark	Qty	Model
6	958 351 939 00	Use also: WHT004572 Brake pad repair set Comprising: Brake pad		2 1 4	I1LH/1LL/1LU
6	958 351 939 01	Use also: Mounting parts Brake pad repair set Comprising: Brake pad		1 4	I1LH/1LL/1LM I1LU
6	958 351 939 10	Use also: Mounting parts Brake pad repair set Comprising: Brake pad	12-	1 4	I1LH/1LU
6	958 351 939 20	Use also: Mounting parts Brake pad repair set Comprising: Brake pad	12-	1 4	I1LV
(6)	958 351 939 30	Use also: Mounting parts Brake pad repair set Comprising: Brake pad		1 4	I1LN
(6)	958 351 939 70	Use also: Mounting parts Brake pad repair set Comprising: Brake pad		1 4	I1LX/1LY
(6)	958 351 939 21	Use also: Mounting parts Brake pad repair set Comprising: Brake pad		1 4	I1LX/1LY
7	958 612 365 00	Mounting parts Warning contact		2	I1LD/1LH/1LL I1LM/1LN/1LP I1LU/1ZL/1ZT
(7)	970 609 143 00	Warning contact		2	I1LV/1LX/1LY
8	WHT 004 571	Pan-head screw M 14 X 1.5 X 115 X 40		4	I1LL/1LM/1LN I1LP/1LU
(8)	999 073 461 01	Pan-head screw M 14 X 1,5 X 135		4	I1LH/1LV/1LX I1LY
9	970 351 959 00	Repair kit Mounting parts Comprising: Spring		1 2	
10	955 351 915 20	for Fixed calliper Repair kit Comprising: Protection caps		1 2 6	
11	930 351 919 00	for Fixed calliper Ventilation valve with		1 4	
12	930 351 927 00	Dust boot Dust boot		4	

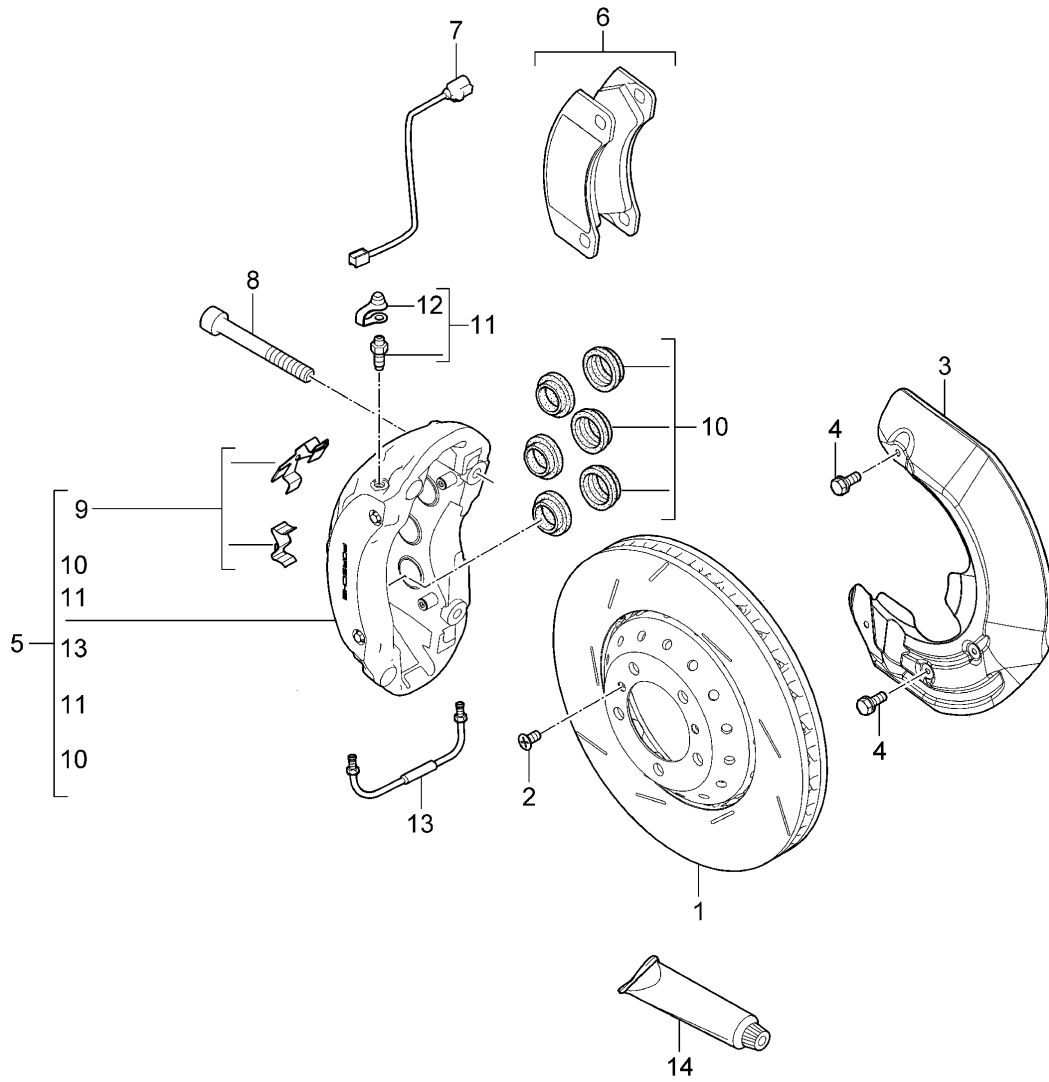
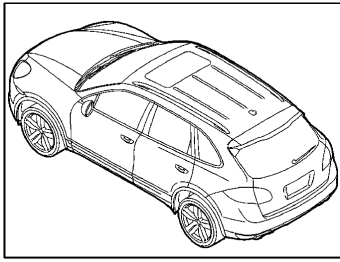
Model: 92A 11

Model life 2011>>

Pos	Part Number	Description	Remark	Qty	Model
12	930 351 927 01	Dust boot		4	
13	970 351 961 00	Connecting line	/L	1	I1LL/1LN/1LU
(13)	970 351 962 00	Connecting line	/R	1	I1LL/1LN/1LU
(13)	970 351 961 10	Connecting line	/L	1	I1LH/1LX/1LY
(13)	970 351 962 10	Connecting line	/R	1	I1LH/1LX/1LY
(13)	958 351 961 20	Connecting line	/L	1	I1LM/1LP
(13)	958 351 962 20	Connecting line	/R	1	I1LM/1LP
14	000 043 117 00	Brake cylinder paste 1 50-g tube		X	
(14)	000 043 020 00	Optimoly 1 100-gramme tube		X	
15		Cable holder See illustrations 6/04/10		2	

Model: 92A 11

Model life 2011>>



Model: 92A 11

Model life 2011>>

Pos	Part Number	Description	Remark	Qty	Model
		Disc brake Front axle	15-		
1	955 351 401 51	Brake disc Use also: WHT.004.571	/L	1	I1LN
(1)	955 351 402 51	Brake disc Use also: WHT.004.571	/R	2	
(1)	958 351 403 01	Brake disc Use also: WHT.004.571	/L	1	I1LD/1LU/1ZA I1ZB/1ZT
(1)	958 351 404 01	Brake disc Use also: WHT.004.571	/R	2	
(1)	958 351 403 50	Brake disc Use also: WHT.004.572	/L	1	I1LD/1LU/1ZA I1ZB/1ZT
(1)	958 351 404 50	Brake disc Use also: WHT.004.572	/R	2	
(1)	958 351 031 20	Brake disc PCCB Use also: WHT.004.572	/L	1	I1LH/1ZL
(1)	958 351 031 21	Brake disc PCCB Use also: WHT.004.572	/R	2	
(1)	958 351 032 20	Brake disc PCCB Use also: WHT.004.572	/L	1	I1LT
(1)	958 351 032 21	Brake disc PCCB Use also: WHT.004.572	/R	2	
(1)	958 351 031 10	Brake disc PCCB Use also: WHT.004.572	/L	1	I1LY
(1)	958 351 032 10	Brake disc PCCB Use also: WHT.004.572	/R	2	
(1)	958 351 031 61	Brake disc PCCB Use also: WHT.004.572	/L	1	I1LV
(1)	958 351 032 61	Brake disc PCCB Use also: WHT.004.572	/R	2	
2	N 910 282 02	Fit bolt M 12 X 1,5 X 19,3		2	
3	958 351 801 01	Cover plate	/L	1	I1LD/1LH/1LN I1LU/1ZA/1ZB I1ZL/1ZT
(3)	958 351 801 50	Cover plate	/L	1	I1LV/1LY
(3)	958 351 802 01	Cover plate	/R	1	I1LD/1LH/1LN I1LU/1ZA/1ZB I1ZL/1ZT

Model: 92A 11

Model life 2011>>

Pos	Part Number	Description	Remark	Qty	Model
(3)	958 351 802 50	Cover plate	/R	1	I1LV/1LY
(3)	958 351 311 00	Cover plate	/L	1	I1LT
(3)	958 351 312 00	Cover plate	/R	1	I1LT
4	N 907 371 05	Outer hexagon round screw M 6 X 12.0		8	
5	7PP 615 149 AH	Fixed calliper without pad Green Lacquered Use also: WHT.004.571 D >> 09.11.2015	/L	1	I1ZA/1ZB
(5)	958 351 123 10	Fixed calliper without pad Green Lacquered Use also: WHT.004.571 D >> 09.11.2015	/L	1	I1ZA/1ZB
(5)	7PP 615 150 AH	Fixed calliper without pad Green Lacquered Use also: WHT.004.571 D >> 09.11.2015	/R	1	I1ZA/1ZB
(5)	958 351 124 10	Fixed calliper without pad Green Lacquered Use also: WHT.004.571 D 10.11.2015>>	/R	1	I1ZA/1ZB
(5)	7PP 615 149 AC	Fixed calliper without pad Black Lacquered Use also: WHT.004.571 D >> 09.11.2015	/L	1	I1ZT
(5)	958 351 123 20	Fixed calliper without pad Black Lacquered Use also: WHT.004.571 D 10.11.2015>>	/L	1	I1ZT
(5)	7PP 615 150 AC	Fixed calliper without pad Black Lacquered Use also: WHT.004.571 D >> 09.11.2015	/R	1	I1ZT
(5)	958 351 124 20	Fixed calliper without pad Black Lacquered Use also: WHT.004.571 D 10.11.2015>>	/R	1	I1ZT
(5)	7PP 615 149 AD	Fixed calliper without pad	/L	1	I1LD/1LU

Model: 92A 11

Model life 2011>>

Pos	Part Number	Description	Remark	Qty	Model
(5)	958 351 123 30	Silver Lacquered Use also: WHT.004.571 D >> 09.11.2015 Fixed calliper without pad	/L	1	I1LD/1LU
(5)	7PP 615 150 AD	Silver Lacquered Use also: WHT.004.571 D 10.11.2015>> Fixed calliper without pad	/R	1	I1LD/1LU
(5)	958 351 124 30	Silver Lacquered Use also: WHT.004.571 D >> 09.11.2015 Fixed calliper without pad	/R	1	I1LD/1LU
(5)	7PP 615 149 T	Silver Lacquered Use also: WHT.004.571 D 10.11.2015>> Fixed calliper without pad	/L	1	I1LN
(5)	9A7 615 149 00	Black Lacquered Use also: WHT.004.571 D >> 20.11.2015 Fixed calliper without pad	/L	1	I1LN
(5)	7PP 615 150 T	Black Lacquered Use also: WHT.004.571 D 23.11.2015>> Fixed calliper without pad	/R	1	I1LN
(5)	9A7 615 150 00	Black Lacquered Use also: WHT.004.571 D >> 20.11.2015 Fixed calliper without pad	/R	1	I1LN
(5)	7PP 615 149 AK	Black Lacquered Use also: WHT.004.571 D 23.11.2015>> Fixed calliper without pad	/L	1	I1LH/1ZL
(5)	958 351 123 40	Red Lacquered Use also: WHT.004.572 D >> 22.01.2016 Fixed calliper without pad	/L	1	I1LH/1ZL

Model: 92A 11

Model life 2011>>

Pos	Part Number	Description	Remark	Qty	Model
(5)	7PP 615 150 AK	Red Lacquered Use also: WHT.004.572 D 25.01.2016>> Fixed calliper without pad	/R	2 1	I1LH/1ZL
(5)	958 351 124 40	Red Lacquered Use also: WHT.004.572 D >> 22.01.2016 Fixed calliper without pad	/R	2 1	I1LH/1ZL
(5)	7PP 615 149 K	Red Lacquered Use also: WHT.004.572 D 25.01.2016>> Fixed calliper without pad	/L	2 1	I1LY
(5)	7PP 615 150 K	Yellow Lacquered Use also: WHT.004.572 Fixed calliper without pad	/R	2 1	I1LY
(5)	958 351 123 01	Yellow Lacquered Use also: WHT.004.572 Fixed calliper without pad	/L	2 1	I1LV
(5)	958 351 124 01	Yellow Lacquered Use also: WHT.004.572 Fixed calliper without pad	/R	2 1	I1LV
(5)	958 351 123 50	Yellow Lacquered Use also: WHT.004.572 Fixed calliper without pad	/L	2 1	I1LT
(5)	958 351 124 50	Yellow Lacquered Use also: WHT.004.572 Fixed calliper without pad	/R	2 1	I1LT
6	958 351 939 10	Brake pad repair set Comprising: Brake pad		2 1 4	I1LH/1LU/1ZA
(6)	958 351 939 30	Use also: Mounting parts Brake pad repair set Comprising: Brake pad		1 4	I1LN

Model: 92A 11 Model life 2011>>

Pos	Part Number	Description	Remark	Qty	Model
(6)	958 351 939 21	Use also: Mounting parts Brake pad repair set Comprising: Brake pad		1 4	I1LV/1LY
(6)	958 351 151 00	Use also: Mounting parts Brake pad repair set Comprising: Brake pad		1 4	I1LT
7	958 612 365 00	Use also: Mounting parts Warning contact		2	I1LD/1LH/1LN I1LU/1ZA/1ZB I1ZL/1ZT
(7)	970 609 143 00	Warning contact		2	I1LT/1LV/1LY
8	WHT 004 571	Pan-head screw		4	I1LD/1LN/1LU I1ZA/1ZB/1ZT
(8)	WHT 004 572	M 14 X 1.5 X 115 X 40 Pan-head screw		4	I1LH/1LT/1LV I1LY/1ZL
9	970 351 959 01	M 14 X 1,5 X 135 Spring Repair kit Comprising: Spring		1 2	-I1LT
(9)	958 351 231 00	for Fixed calliper Spring Repair kit Comprising: Spring		1 2 4	I1LT
10	955 351 915 20	for Fixed calliper Repair kit Comprising: Protection caps		1 2 6	-I1LT
(10)	958 351 313 00	for Fixed calliper Repair kit Comprising: Protection caps		1 2 10	I1LT
11	930 351 919 00	for Fixed calliper Ventilation valve with Dust boot		1 4	-I1LT
(11)	958 351 121 00	Ventilation valve with Dust boot		4	I1LT
12	930 351 927 01	Dust boot		4	-I1LT
(12)	958 351 207 00	Dust boot		4	I1LT
13	970 351 961 00	Connecting line	/L	1	I1LD/1LU/1ZA I1ZB/1ZT
(13)		Connecting line D >> 20.11.2015	/L	1	I1LN
(13)	9A7 615 701 00	Connecting line D 23.11.2015>>	/L	1	I1LN
(13)	970 351 962 00	Connecting line	/R	1	I1LD/1LU/1ZA I1ZB/1ZT
(13)		Connecting line D >> 20.11.2015	/R	1	I1LN
(13)	9A7 615 701 00	Connecting line	/R	1	I1LN

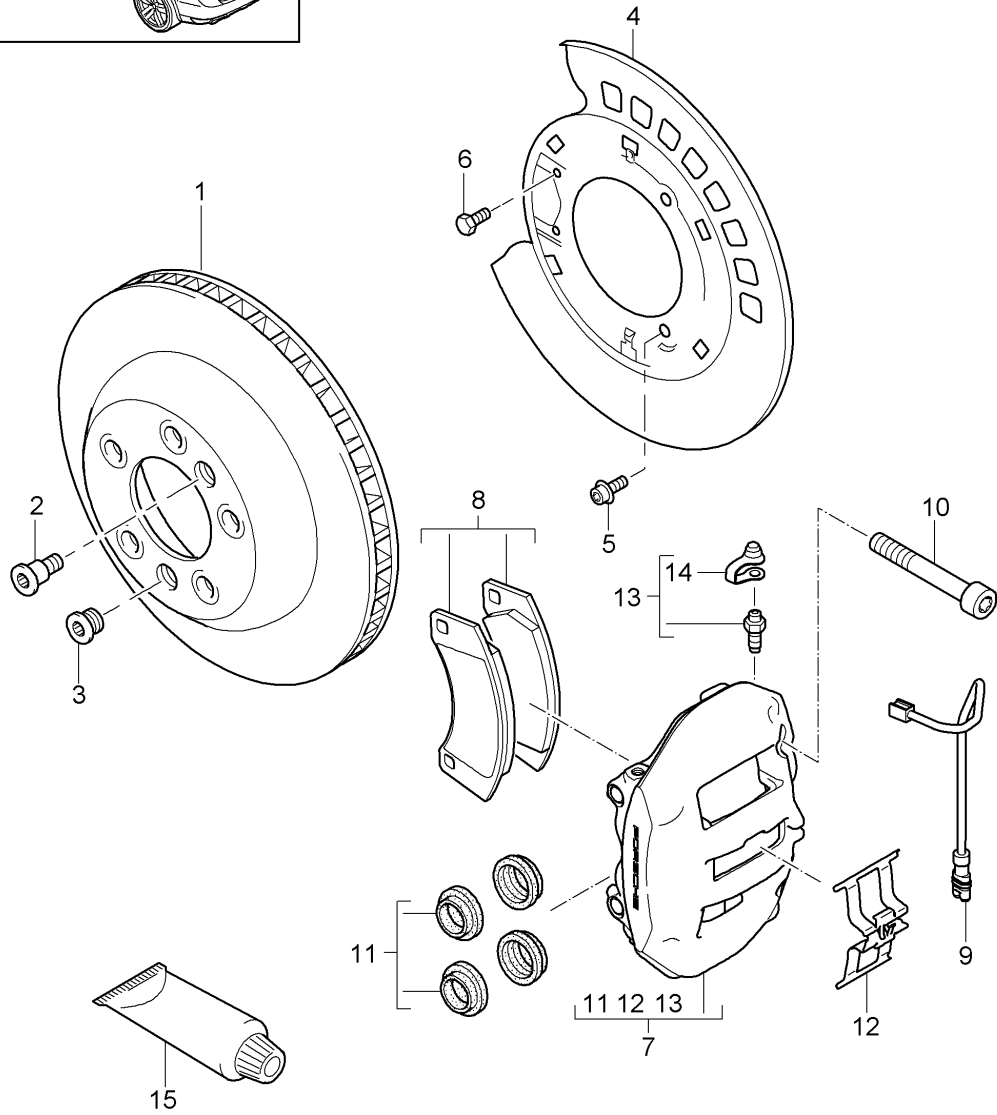
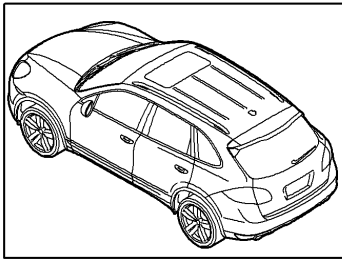
Model: 92A 11

Model life 2011>>

Pos	Part Number	Description	Remark	Qty	Model
(13)	970 351 961 10	D 23.11.2015>> Connecting line	/L	1	I1LV/1LY
(13)		Connecting line	/L	1	I1LH/1ZL
(13)	9A7 615 701 20	D >> 22.01.2016 Connecting line	/L	1	I1LH/1ZL
(13)	970 351 962 10	D 25.01.2016>> Connecting line	/R	1	I1LV/1LY
(13)		Connecting line	/R	1	I1LH/1ZL
(13)	9A7 615 702 20	D >> 22.01.2016 Connecting line	/R	1	I1LH/1ZL
(13)	958 351 327 00	D 25.01.2016>> Connecting line	/L	1	I1LT
(13)	958 351 328 00	Connecting line	/R	1	I1LT
14	000 043 117 00	Brake cylinder paste		X	
		1 50-g tube			
(14)	000 043 020 00	Optimoly		X	
		1 100-gramme tube			

Model: 92A 11

Model life 2011>>



Model: 92A 11

Model life 2011>>

Pos	Part Number	Description	Remark	Qty	Model
1	955 352 401 31	Disc brake Rear axle Brake disc	-14	2	I1KF/1KU/1KY I1KZ/2ED/2EE I2EJ
(1)	958 352 401 50	Use also: N .911.837.01 Brake disc		4	
(1)	955 352 031 00	Use also: N .911.837.01 Brake disc	/L	2	I1KP/2EL
(1)	955 352 031 00	Use also: N .911.837.01 Brake disc	/L	4	
(1)	955 352 032 00	Use also: N .911.837.01 Brake disc	/R	1	I2EH
2	N 910 282 02	Fit bolt		2	
3	N 910 380 02	M 12 X 1,5 X 19,3 Screw plug		2	
4	958 352 801 01	M 12 X 1,5 X 5,0 Cover plate	/L	2	
4	958 352 801 02	Cover plate	/L	1	-I2EH
4	958 352 801 10	Cover plate	/L	1	I2EH
(4)	958 352 802 01	Cover plate	/R	1	-I2EH
(4)	958 352 802 10	Cover plate	/R	1	I2EH
5	N 103 352 06	Round head screw		8	
5	N 907 371 05	M 6 X 12 Outer hexagon round screw		8	
6	WHT 005 378	M 6 X 12 Fit bolt		4	
7	958 352 423 00	M10 X 10.976 X 40 Fixed calliper without pad Black Lacquered	/L	1	I1KZ
7	958 352 423 01	Use also: N .911.837.01 Fixed calliper without pad Black Lacquered	/L	2	
(7)	958 352 423 01	Use also: N .911.837.01 Fixed calliper without pad Black Lacquered	/L	1	I1KF/1KZ
(7)	958 352 424 00	Use also: N .911.837.01 Fixed calliper without pad Black Lacquered	/R	2	
(7)	958 352 424 01	Use also: N .911.837.01 Fixed calliper without pad Black Lacquered	/R	1	I1KZ
(7)	958 352 424 01	Use also: N .911.837.01 Fixed calliper without pad Black Lacquered	/R	2	
(7)	958 352 424 01	Use also: N .911.837.01 Fixed calliper without pad Black Lacquered	/R	1	I1KF/1KZ
(7)	958 352 423 20	Use also: N .911.837.01 Fixed calliper without pad Silver Lacquered	/L	2	
(7)	958 352 423 20	Use also: N .911.837.01 Fixed calliper without pad Silver Lacquered	/L	1	I1KY
(7)	958 352 423 25	Use also: N .911.837.01 Fixed calliper	/L	2	
(7)	958 352 423 25	Fixed calliper	/L	1	GTS I1KU/2ED

Model: 92A 11

Model life 2011>>

Pos	Part Number	Description	Remark	Qty	Model
(7)	958 352 424 20	without pad Red Lacquered Use also: N .911.837.01 Fixed calliper	/R	2 1	I1KY
(7)	958 352 424 25	without pad Silver Lacquered Use also: N .911.837.01 Fixed calliper	/R	2 1	GTS I1KU/2ED
(7)	958 352 423 40	without pad Red Lacquered Use also: N .911.837.01 Fixed calliper	/L	2 1	I2EE/2EJ
(7)	958 352 424 40	without pad Silver Lacquered Use also: N .911.837.01 Fixed calliper	/R	2 1	I2EE/2EJ
(7)	958 352 423 60	without pad Red Lacquered Use also: N .911.837.01 Fixed calliper	/L	2 1	I1KP
(7)	958 352 423 61	without pad Red Lacquered Use also: N .911.837.01 Fixed calliper	/L	2 1	I1KP/2EL
(7)	958 352 424 60	without pad Red Lacquered Use also: N .911.837.01 Fixed calliper	/R	2 1	I1KP
(7)	958 352 424 61	without pad Red Lacquered Use also: N .911.837.01 Fixed calliper	/R	2 1	I1KP/2EL
(7)	958 352 425 00	without pad Yellow Lacquered Use also: N .911.837.01 Fixed calliper	/L	2 1	I2EH
(7)	958 352 426 00	without pad Yellow	/R	2 1	I2EH

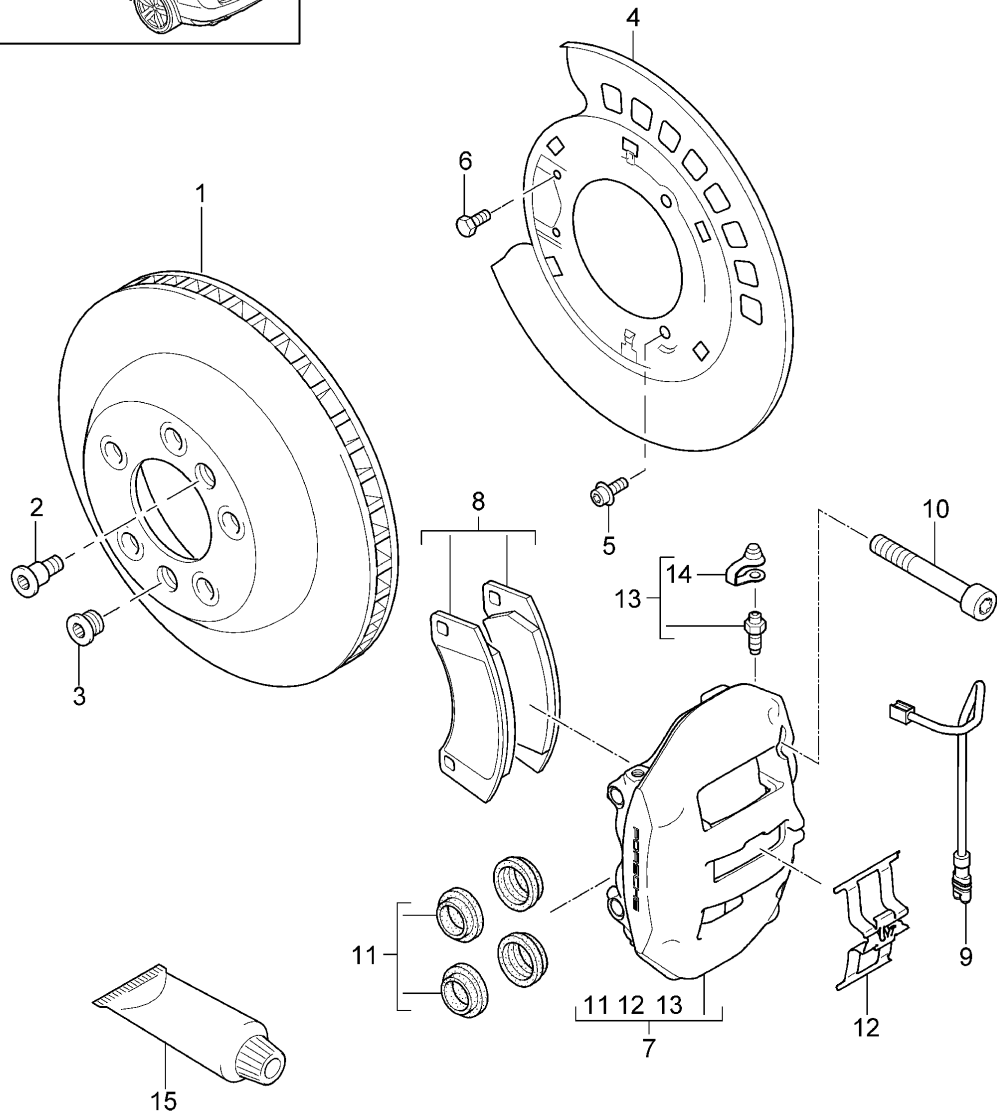
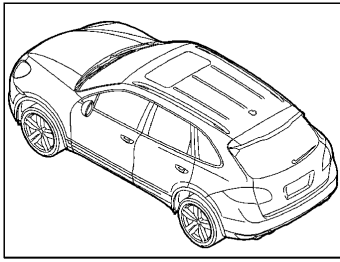
Model: 92A 11

Model life 2011>>

Pos	Part Number	Description	Remark	Qty	Model
8	958 352 939 00	Lacquered Use also: N .911.837.01 Brake pad repair set		2 1	I1KU/1KY/1KZ I2EE
(8)	958 352 939 50	Comprising: Brake pad Use also: Mounting parts Brake pad repair set		4 1	I1KP
(8)	958 352 939 70	Comprising: Brake pad Use also: Mounting parts Brake pad repair set		4 1	I2EH
9	958 612 365 50	Warning contact		2	I1KF/1KP/1KU I1KY/1KZ/2ED I2EE/2EJ/2EL I2EH
(9)	970 609 145 00	Warning contact		2	
10	N 911 837 01	Screw AM 12 X 1.50 X 115.00		4	
11	996 351 915 00	Repair kit Comprising: Protection caps for Fixed calliper		2 4 1	
12	7PP 615 269	Expanding spring		2	I1KF/1KP/1KY I1KZ/2EE/2EJ I2EL I2EH
(12)	970 352 959 00	Spring		2	I2EH
(12)	958 352 959 00	Spring		2	I1KU/2ED
13	930 351 919 00	Ventilation valve with Dust boot		4	
14	930 351 927 00	Dust boot		4	
14	930 351 927 01	Dust boot		4	
15	000 043 117 00	Brake cylinder paste 1 50-g tube		X	
(15)	000 043 020 00	Optimoly 1 100-gramme tube		X	

Model: 92A 11

Model life 2011>>



Model: 92A 11

Model life 2011>>

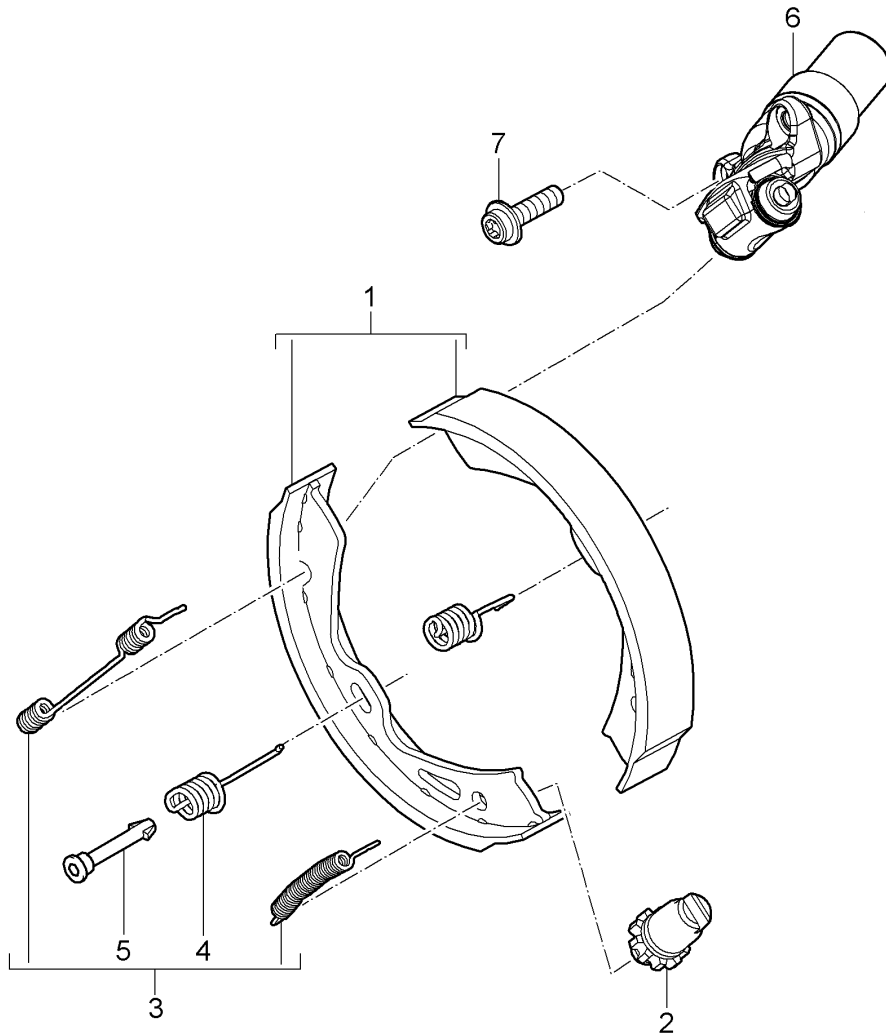
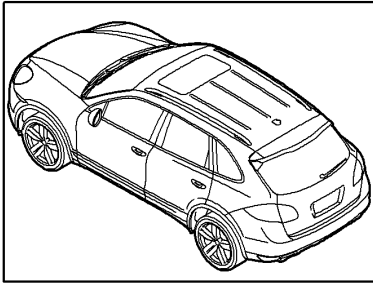
Pos	Part Number	Description	Remark	Qty	Model
1	955 352 401 31	Disc brake Rear axle Brake disc	15-	2	I1KF/1KS/1KT I1KZ/2EE/2EJ
(1)	958 352 401 50	Use also: N .911.837.01 Brake disc		4	
(1)	958 352 031 01	Use also: N .911.837.01 Brake disc	/L	2	I1KP/2EL
(1)	958 352 032 01	Use also: N .911.837.01 Brake disc	/R	4	
2	N 910 282 02	Fit bolt		1	I2EH
3	N 910 380 02	M 12 X 1,5 X 19,3 Screw plug		2	
4	958 352 801 02	M 12 X 1,5 X 5,0 Cover plate	/L	2	
(4)	958 352 801 10	Cover plate	/L	1	-I2EH I2EH
(4)	958 352 802 02	Cover plate	/R	1	-I2EH
(4)	958 352 802 10	Cover plate	/R	1	I2EH
5	N 907 371 05	Outer hexagon round screw		8	
6	WHT 005 378	M 6 X 12 Fit bolt		4	
7	958 352 423 01	M10 X 10.976 X 40 Fixed calliper without pad Black Lacquered	/L	1	I1KF/1KZ
(7)	958 352 424 01	Use also: N .911.837.01 Fixed calliper without pad Black Lacquered	/R	2	
(7)	958 352 423 40	Use also: N .911.837.01 Fixed calliper without pad Silver Lacquered	/L	1	I1KF/1KZ I2EE/2EJ
(7)	958 352 424 40	Use also: N .911.837.01 Fixed calliper without pad Silver Lacquered	/R	2	
(7)	958 352 423 61	Use also: N .911.837.01 Fixed calliper without pad Red Lacquered	/L	1	I2EE/2EJ I1KP/2EL
(7)	958 352 424 61	Use also: N .911.837.01 Fixed calliper without pad Red Lacquered	/R	2	
		Use also: N .911.837.01		1	I1KP/2EL

Model: 92A 11 Model life 2011>>

Pos	Part Number	Description	Remark	Qty	Model
(7)	958 352 423 80	Fixed calliper without pad Green Lacquered Use also: N .911.837.01	/L	1	I1KS/1KT
(7)	958 352 424 80	Fixed calliper without pad Green Lacquered Use also: N .911.837.01	/R	1	I1KS/1KT
(7)	958 352 425 01	Fixed calliper without pad Yellow Lacquered Use also: N .911.837.01	/L	1	I2EH
(7)	958 352 426 01	Fixed calliper without pad Yellow Lacquered Use also: N .911.837.01	/R	1	I2EH
8	958 352 939 00	Brake pad repair set Comprising: Brake pad Use also: Mounting parts		1	I1KS/1KZ/2EE
(8)	958 352 939 50	Brake pad repair set Comprising: Brake pad Use also: Mounting parts		4	
(8)	958 352 939 71	Brake pad repair set Comprising: Brake pad Use also: Mounting parts		1	I2EH
9	958 612 365 50	Warning contact		4	
(9)	970 609 145 00	Warning contact		2	I1KF/1KP/1KS
10	N 911 837 01	Screw AM 12 X 1.50 X 115.00		2	I1KT/1KZ/2EE
11	996 351 915 00	Repair kit Comprising: Protection caps for		4	I2EJ/2EL
12	7PP 615 269	Fixed calliper Expanding spring		1	I2EH
(12)	970 352 959 00	Spring		2	I1KF/1KP/1KS
13	930 351 919 00	Ventilation valve with Dust boot		2	I1KT/1KZ/2EE
14	930 351 927 01	Dust boot		4	I2EJ/2EL
15	000 043 117 00	Brake cylinder paste 1 50-g tube		X	
(15)	000 043 020 00	Optimoly 1 100-gramme tube		X	

Model: 92A 11

Model life 2011>>



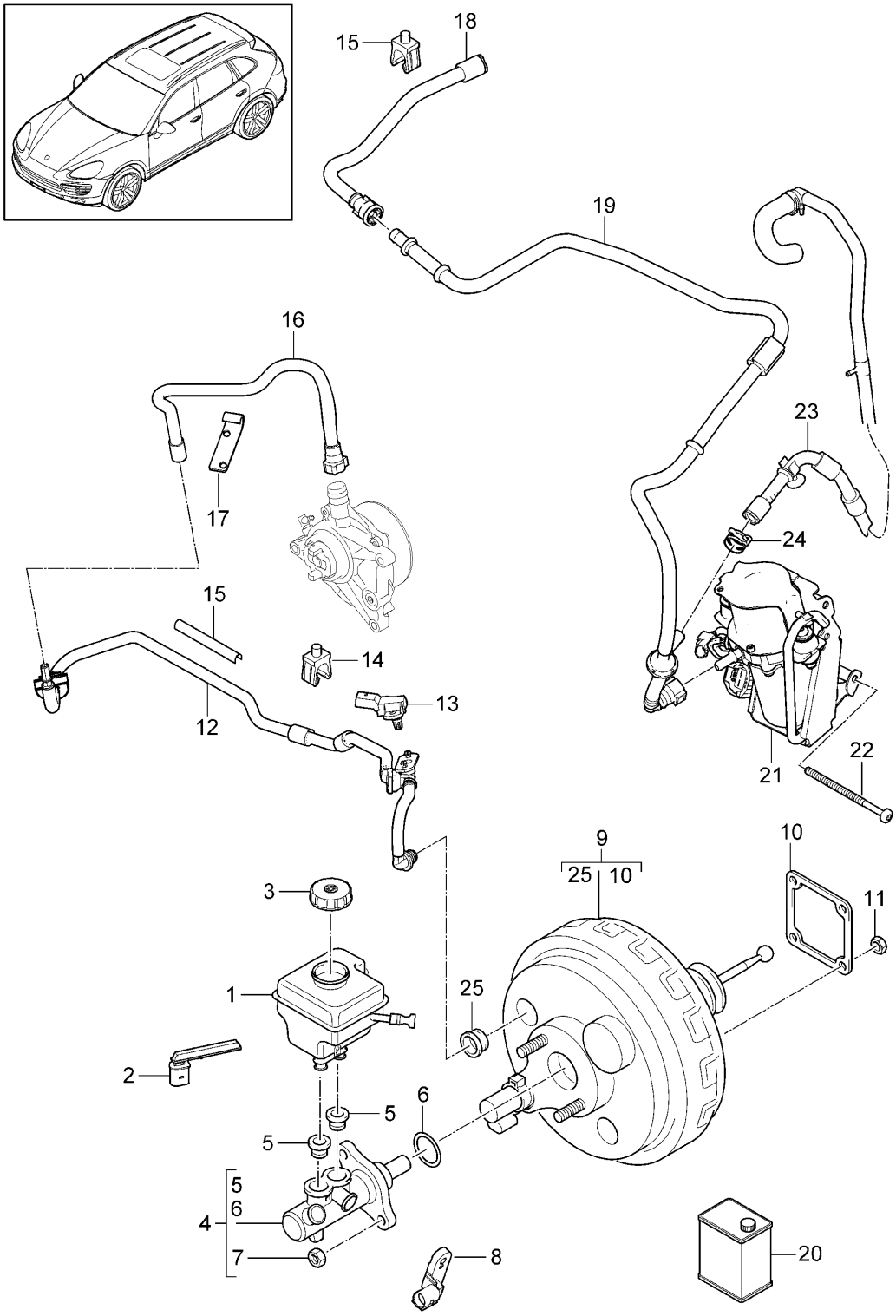
Model: 92A 11

Model life 2011>>

Pos	Part Number	Description	Remark	Qty	Model
1	958 352 925 00	Parking brake Brake shoe Repair kit Comprising: Brake shoe Use also: Mounting parts		1 4	
2	955 352 098 00	Adjusting nut		2	
3	958 352 945 00	Repair kit Mount Brake shoe Comprising: Tension spring Tension spring Roll pin Compression spring		1 2 2 4 4	
4	955 352 957 00	Compression spring		4	
5	955 352 959 01	Roll pin		4	
6	958 352 091 01	Electric motor	/L	1	
(6)	958 352 092 01	Electric motor	/R	1	
7	WHT 005 378	Fit bolt M10X10.976X40		4	

Model: 92A 11

Model life 2011>>



Model: 92A 11 Model life 2011>>

Pos	Part Number	Description	Remark	Qty	Model
		Brake master cylinder	-14		
		Brake booster			
		Vacuum line			
1	958 355 113 00	Brake fluid reservoir		1	
2	958 355 377 00	Sensor		1	
		Brake fluid reservoir			
3	958 355 351 00	Lid		1	
4	958 355 015 00	Brake master cylinder		1	
4	958 355 015 01	Brake master cylinder		1	
5	958 355 922 00	Rubber seal		2	
6	958 355 161 00	Sealing ring		1	
7	N 022 146 20	Lock nut		2	
		M 8			
8	958 355 459 01	Sensor		1	
		Brake light switch			
9	958 355 923 00	Brake booster		1	-ID19
9	958 355 923 01	Brake booster		1	-ID19
(9)	958 355 923 10	Brake booster		1	
(9)	958 355 923 50	Brake booster		1	ID19
(9)	958 355 923 51	Brake booster		1	ID19
11	N 022 146 20	Lock nut		4	
		M 8			
12	958 355 577 00	Vacuum line	/LL	1	ID1V/D19/D34 ID50/L0L
12	958 355 577 01	Vacuum line	/LL	1	ID1V/D19/D34 ID50/L0L
12	958 355 577 02	Vacuum line	/LL	1	IDD7/DU2/DU3 IDV7/D1V/D11 ID19/D34/D50 ID51/L0L
12		Vacuum line	/LL	1	IDD8/D43/L0L
12	958 355 577 20	Vacuum line with Pressure sensor	/LL	1	ID58/D6V/L0L
12	958 355 577 21	Vacuum line with Pressure sensor	/LL	1	ID58/D6V/L0L
12	958 355 577 30	Vacuum line without Pressure sensor	/LL -(CN)	1	ID58/D6V/L0L
		See technical information GR. 4 NR. 93/10			
12	958 355 577 31	Vacuum line without Pressure sensor	/LL (CN)	1	IDT1/DT5/D58 ID6V/L0L
		See technical information GR. 4 NR. 93/10			
12	958 355 577 40	Vacuum line without Pressure sensor	/LL	1	ID11/L0L
12	958 355 577 41	Vacuum line without Pressure sensor	/LL	1	ID11/L0L
(12)	958 355 578 00	Vacuum line	/RL	1	IDD7/DU2/DU3 IDV7/D1V/D19 ID34/D43/D50 ID51/L0R
		with Pressure sensor			
(12)		Vacuum line with Pressure sensor	/RL	1	IDD8/D43/L0R

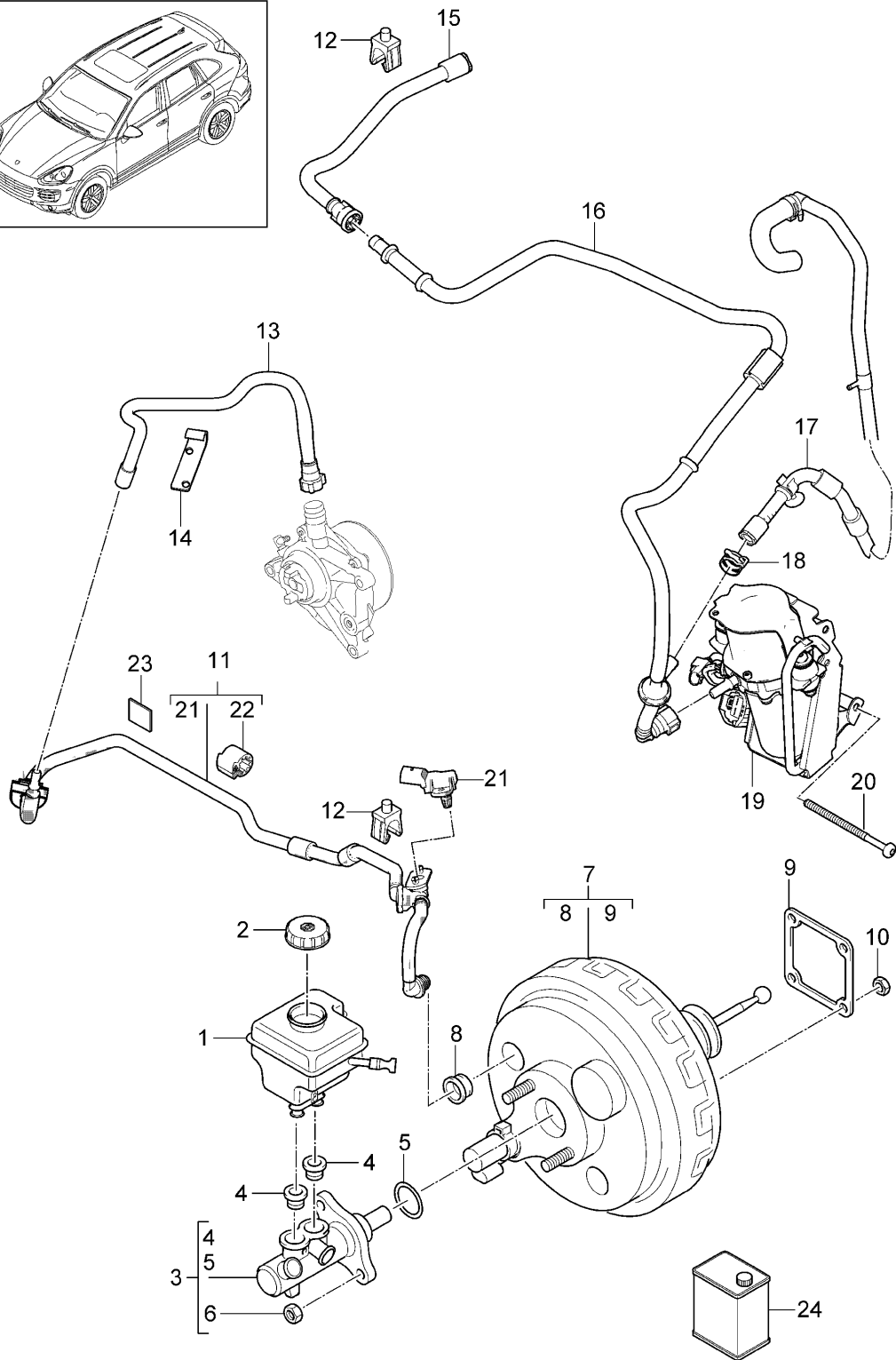
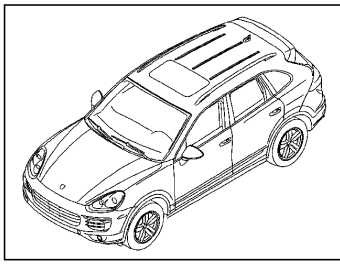
Model: 92A 11

Model life 2011>>

Pos	Part Number	Description	Remark	Qty	Model
(12)	958 355 578 20	Vacuum line with Pressure sensor	/RL	1	ID58/D6V/L0R
(12)	958 355 578 21	Vacuum line with Pressure sensor	/RL	1	ID58/D6V/L0R
(12)	958 355 578 30	Vacuum line without Pressure sensor See technical information GR. 4 NR. 93/10	/RL	1	IDT1/DT5/D58 ID6V/L0R
13	958 355 051 07	Pressure sensor		1	
14	N 909 435 01	Hose holder Vacuum line		4	
15	958 355 882 05	Edge protection	/RL	1	IL0R
16	958 355 579 00	Vacuum line		1	ID34
(16)	958 355 579 01	Vacuum line		1	ID34
(16)	958 355 579 02	Vacuum line		1	ID34
16	958 355 579 20	Vacuum line		1	ID50
(16)	958 355 579 21	Vacuum line		1	ID1V/D43/D50
(16)	958 355 579 40	Vacuum line		1	ID11
(16)	958 355 579 41	Vacuum line		1	ID11
(16)	958 355 579 50	Vacuum line		1	IDD8
17	958 355 797 00	Support		1	
18	958 355 579 30	Vacuum line		1	
18	958 355 579 31	Vacuum line		1	
19	958 355 580 00	Vacuum line		1	
(19)	958 355 580 01	Vacuum line		1	
(19)	958 355 580 02	Vacuum line		1	
20	000 043 203 66	Brake fluid SUPER DOT 4 1 LTR. Container		X	
(20)	000 043 203 67	Brake fluid SUPER DOT 4 30 LTR. GEBINDE		1	
21	958 355 215 01	Vacuum pump Electric Complete		1	
22	N 107 481 01	Torx screw BM6 X 95 X 70		2	
23	958 355 578 50	Vacuum line Vacuum pump Electric Vacuum pump Mechanical		1	
(23)	958 355 578 51	Vacuum line Vacuum pump Electric Vacuum pump Mechanical		1	
24	955 347 569 00	Hose clamp for Vacuum line		1	
25	958 355 175 00	Gasket		1	

Model: 92A 11

Model life 2011>>



Model: 92A 11 Model life 2011>>

Pos	Part Number	Description	Remark	Qty	Model
		Brake master cylinder	15-		
		Brake booster			
		Vacuum line			
1	958 355 113 00	Brake fluid reservoir		1	
-	958 355 377 00	Sensor		1	
		Brake fluid reservoir			
(2)	5Q0 611 349 B	Lid		1	
3	958 355 015 02	Brake master cylinder		1	
4	958 355 922 00	Rubber seal		2	
5	958 355 161 00	Sealing ring		1	
6	N 022 146 20	Lock nut		2	
		M 8			
-	958 355 459 01	Sensor		1	
		Brake light switch			
7	958 355 923 02	Brake booster		1	-IDT5
(7)	958 355 923 20	Brake booster		1	IDT5
8	958 355 175 00	Gasket		1	
10	N 022 146 20	Lock nut		4	
		M 8			
11	958 355 577 02	Vacuum line	/LL	1	MCG.EA/FA MCJ.TB MCU.DC MCV.VA ILOL MCN.RB MCR.CA MCV.VB/VC
		with			
		Pressure sensor			
(11)	958 355 577 41	Vacuum line	/LL	1	MCU.RA ILOL
		without			
		Pressure sensor			
(11)	958 355 577 31	Vacuum line	/LL	1	MCF.TB ILOL
		without			
		Pressure sensor			
(11)	958 355 578 00	Vacuum line	/RL	1	MCG.EA/FA MCV.VA/VB/VC ILOR MCN.RB MCR.CA MCU.DC
		with			
		Pressure sensor			
(11)	958 355 578 40	Vacuum line	/RL	1	MCU.RA ILOR
		without			
		Pressure sensor			
(11)	958 355 578 30	Vacuum line	/RL	1	MCF.TB ILOR
		without			
		Pressure sensor			
12	N 909 435 01	Hose holder		4	
		Vacuum line			
13	958 355 579 21	Vacuum line		1	MCN.RB MCR.CA MCV.VA/VB/VC
(13)	958 355 579 02	Vacuum line		1	MCE.YA
(13)	958 355 579 41	Vacuum line		1	MCJ.T
(13)	958 355 579 60	Vacuum line		1	MCU.RA MCX.ZA
(13)	958 355 579 50	Vacuum line		1	MCU.DC
14	958 355 797 00	Support		1	
(14)	958 355 797 10	Hose holder		1	MCF.TB

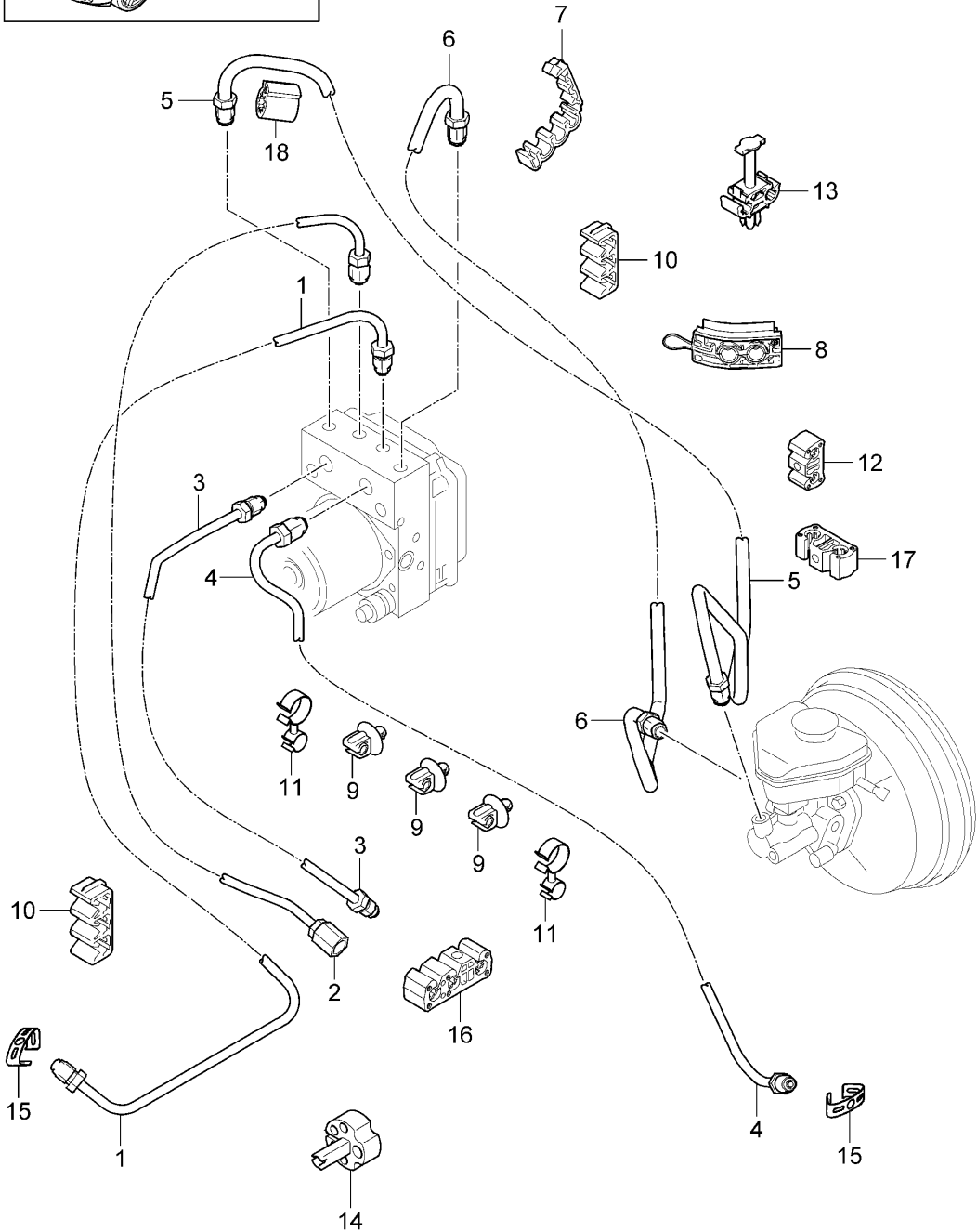
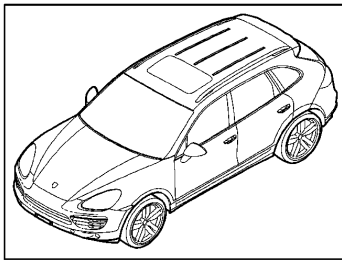
Model: 92A 11

Model life 2011>>

Pos	Part Number	Description	Remark	Qty	Model
15	958 355 579 31	Vacuum line		1	MCU.FA
16	958 355 580 02	Vacuum line		1	MCG.EA/FA
17	958 355 578 51	Vacuum line		1	MCG.EA/FA
		Vacuum pump Electric			
		Vacuum pump Mechanical			
18	955 347 569 00	Hose clamp for		1	MCG.EA/FA
19	7P0 614 215 B	Vacuum line Vacuum pump Electric Complete		1	MCG.EA/FA
20	N 107 481 01	Torx screw BM6 X 95 X 70		2	MCG.EA/FA
21	958 355 051 07	Pressure sensor		1	
22	N 107 784 01	Spacer ring		1	
23	958 355 882 05	Edge protection	/RL	1	ILOR
24	000 043 203 66	Brake fluid SUPER DOT 4 1 LTR. Container		X	
(24)	000 043 203 67	Brake fluid SUPER DOT 4 30 LTR. GEBINDE		1	

Model: 92A 11

Model life 2011>>



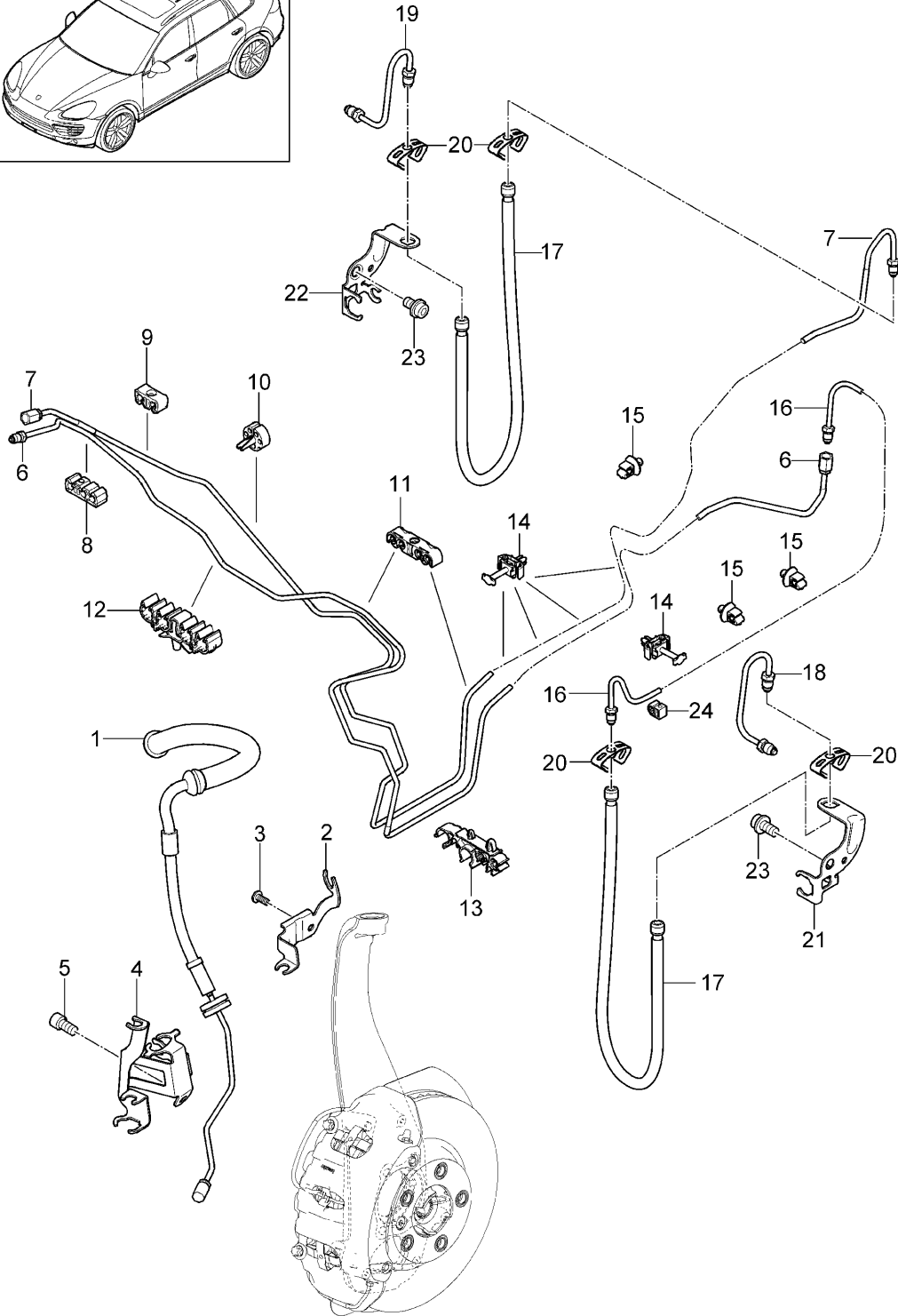
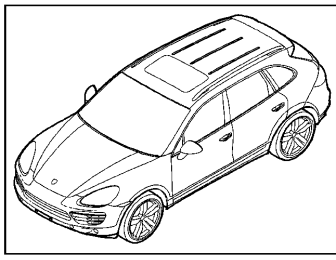
Model: 92A 11

Model life 2011>>

Pos	Part Number	Description	Remark	Qty	Model
		Brake lines			
		Body front section			
1	958 355 316 00	Pressure line		1	
(1)	958 355 316 01	Pressure line		1	
2	958 355 327 00	Pressure line		1	
3	958 355 326 00	Pressure line		1	
(4)	958 355 317 01	Pressure line		1	
(4)	958 355 317 02	Pressure line		1	
(4)	958 355 317 10	Pressure line		1	
-	N 102 810 02	Support		1	IDD8 HYBRID ID19
5	958 355 309 00	Pressure line	/LL	1	IL0L
(5)	958 355 309 01	Pressure line	/LL	1	IL0L
(5)	958 355 309 20	Pressure line	/RL	1	IL0R
(5)	958 355 309 21	Pressure line	/RL	1	IL0R
6	958 355 313 00	Pressure line	/LL	1	IL0L
(6)	958 355 313 20	Pressure line	/RL	1	IL0R
7	958 355 797 05	Support Triple		2	
8	958 355 769 02	Grommet		1	
9	WHT 005 408	Line bracket		3	
(9)	955 355 547 20	Line bracket		3	
10	955 355 542 10	Support		1	
11	N 102 810 02	Support		2	
12	8K0 611 797 D	Clip Double		1	
13	955 355 546 01	Support Double		1	
14	955 355 550 00	Connection piece		1	
15	955 355 325 00	Retainer spring		2	
16	8K0 611 797 E	Line bracket Information available		2	
17	8K0 611 797 B	Support	/LL	1	IL0L
18	N 107 162 01	Spacer ring		2	

Model: 92A 11

Model life 2011>>



Model: 92A 11 Model life 2011>>

Pos	Part Number	Description	Remark	Qty	Model
		Brake lines			
		Front axle			
		Underbody			
		Rear axle			
		Front axle			
1	958 355 581 00	Brake hose	/L -12	1	I1LH/1LN/1LY
(1)	958 355 581 01	Brake hose	/L -12	1	I1LH/1LN/1LY
(1)		Brake hose	/L 13-	1	I1LH/1LM/1LN I1LU/1LY
(1)		Brake hose	/L 15-	1	I1ZA/1ZB
(1)	958 355 581 50	Brake hose	/L -14	1	I1LX
(1)	958 355 581 55	Brake hose	/L	1	I1LV
(1)	958 355 581 56	Brake hose	/L	1	I1LV
(1)	958 355 581 57	Brake hose	/L	1	I1LT
(1)	958 355 582 00	Brake hose	/R -12	1	I1LH/1LN/1LY
(1)	958 355 582 01	Brake hose	/R 13-	1	I1LH/1LM/1LN I1LU/1LY
(1)		Brake hose	/R 15-	1	I1ZA/1ZB
(1)	958 355 582 50	Brake hose	/R -14	1	I1LX
(1)	958 355 582 55	Brake hose	/R	1	I1LV
(1)	958 355 582 56	Brake hose	/R	1	I1LV
(1)	958 355 582 57	Brake hose	/R	1	I1LT
2	958 355 513 01	Support	/L	1	
(2)	958 355 513 02	Support	/L	1	
(2)	958 355 514 01	Support	/R	1	
(2)	958 355 514 02	Support	/R	1	
3	N 103 352 06	Round head screw M6 X 12		2	
4	958 612 627 00	Cable holder	/L	1	
(4)	958 612 627 01	Cable holder	/L	1	
(4)	958 612 628 00	Line bracket	/R	1	
(4)	958 612 628 01	Cable holder	/R	1	
5	N 903 086 07	Pan-head screw M8 X 14		2	
		Underbody			
6	958 355 177 00	Brake line	/L	1	
		Rear			
(6)	958 355 177 01	Brake line	/L	1	
		Rear			
		Left			
7	958 355 178 00	Brake line	/R	1	
		Rear			
(7)	958 355 178 01	Brake line	/R	1	
		Rear			
		Right			
-	958 355 180 00	Spacer tube		1	I1BK
		Brake line			
8	8K0 611 797 E	Line bracket Triple		1	
		Information available			
9	8K0 611 797 D	Clip Double		1	
10	955 355 550 00	Connection piece		1	
11	955 355 543 20	Support		2	
12	955 355 540 40	Line bracket		1	
13	955 355 545 10	Support		1	
14	955 355 546 01	Support		5	
15	WHT 005 408	Line bracket		3	
16	958 355 189 00	Brake line	/L	1	
		Rear			
(16)	958 355 189 01	Brake line	/L	1	
		Rear			
		Left			

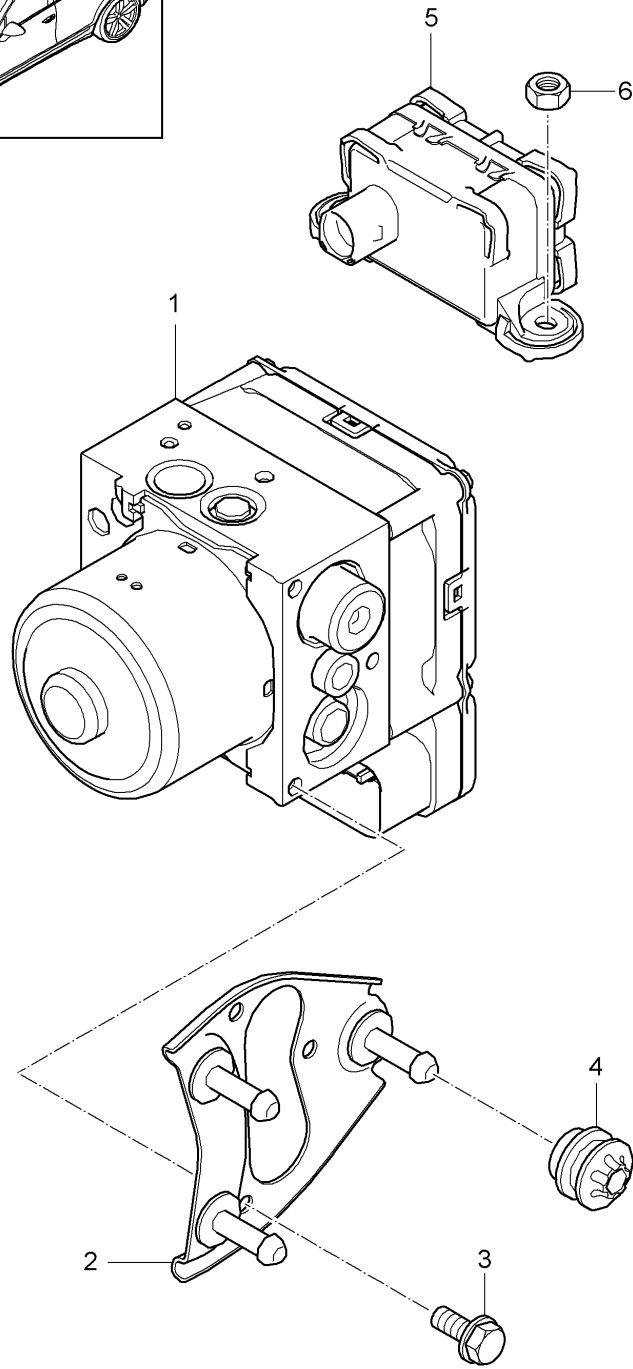
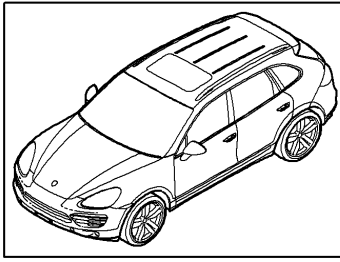
Model: 92A 11

Model life 2011>>

Pos	Part Number	Description	Remark	Qty	Model
17	958 355 060 00	Rear axle		2	
18	958 355 583 00	Brake hose	/L	1	
19	958 355 584 00	Brake line	/R	1	
20	955 355 325 00	Retainer spring		4	
21	958 355 505 00	Support	/L	1	
22	958 355 506 00	Support	/R	1	
23	N 014 740 11	Pan-head screw M6 X 16		2	
24	95B 611 797	Support		1	

Model: 92A 11

Model life 2011>>

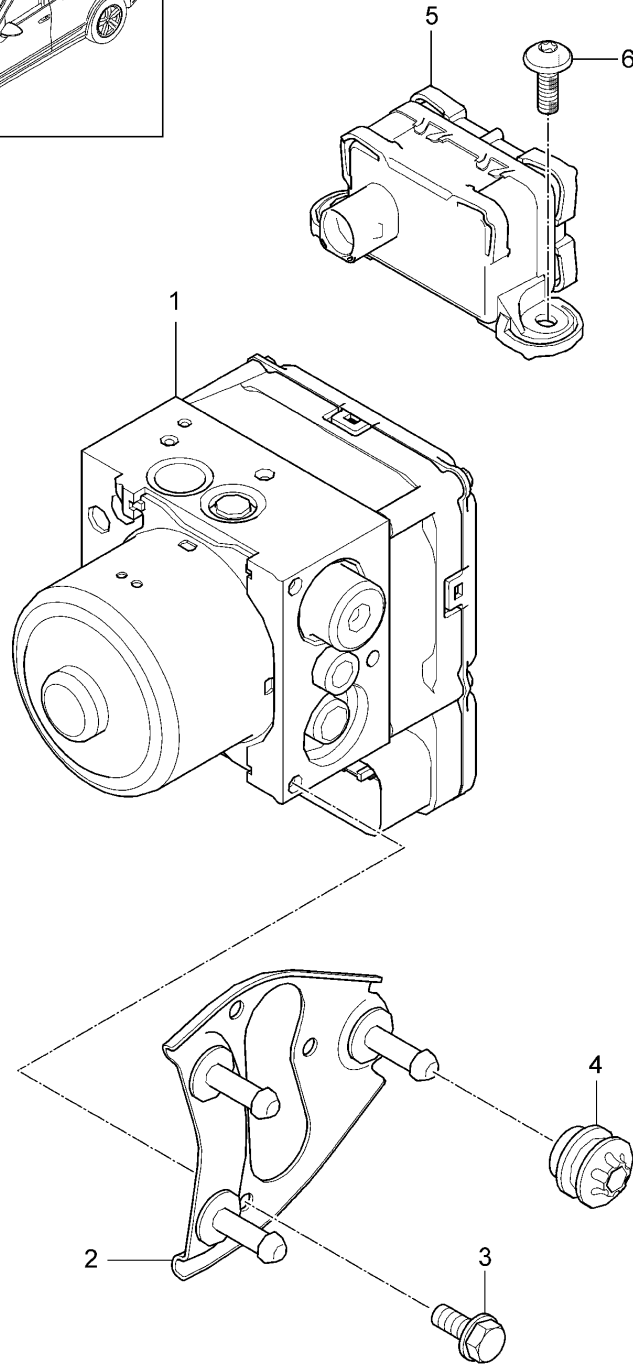
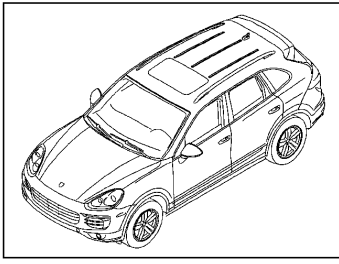


Model: 92A 11 Model life 2011>>

Pos	Part Number	Description	Remark	Qty	Model
1	958 355 955 00	Hydraulic unit Anti-lock brake system Control Hydraulic unit F >>A2CLA 05314 F >>92CLA 64561 F >>92CLA 45215 F >>92CLA 82229 F >>92CLA 92110 F >>92CLA 28225	-14 -13	1	
1	958 355 955 03	Hydraulic unit F A2CLA 05315>> F 92CLA 64562>> F 92CLA 45216>> F 92CLA 82230>> F 92CLA 92111>> F 92CLA 28226>>	-13	1	IIY1
1	958 355 955 10	Hydraulic unit D 05.11.2012>>		1	
2	958 355 233 00	Support		1	
3	N 107 591 01	Hexagon-head bolt M 6 X 12		3	
4	958 355 177 10	Buffer		3	
5	958 606 145 00	Sensor		1	
6	N 015 082 10	Hexagon nut M 6		2	

Model: 92A 11

Model life 2011>>



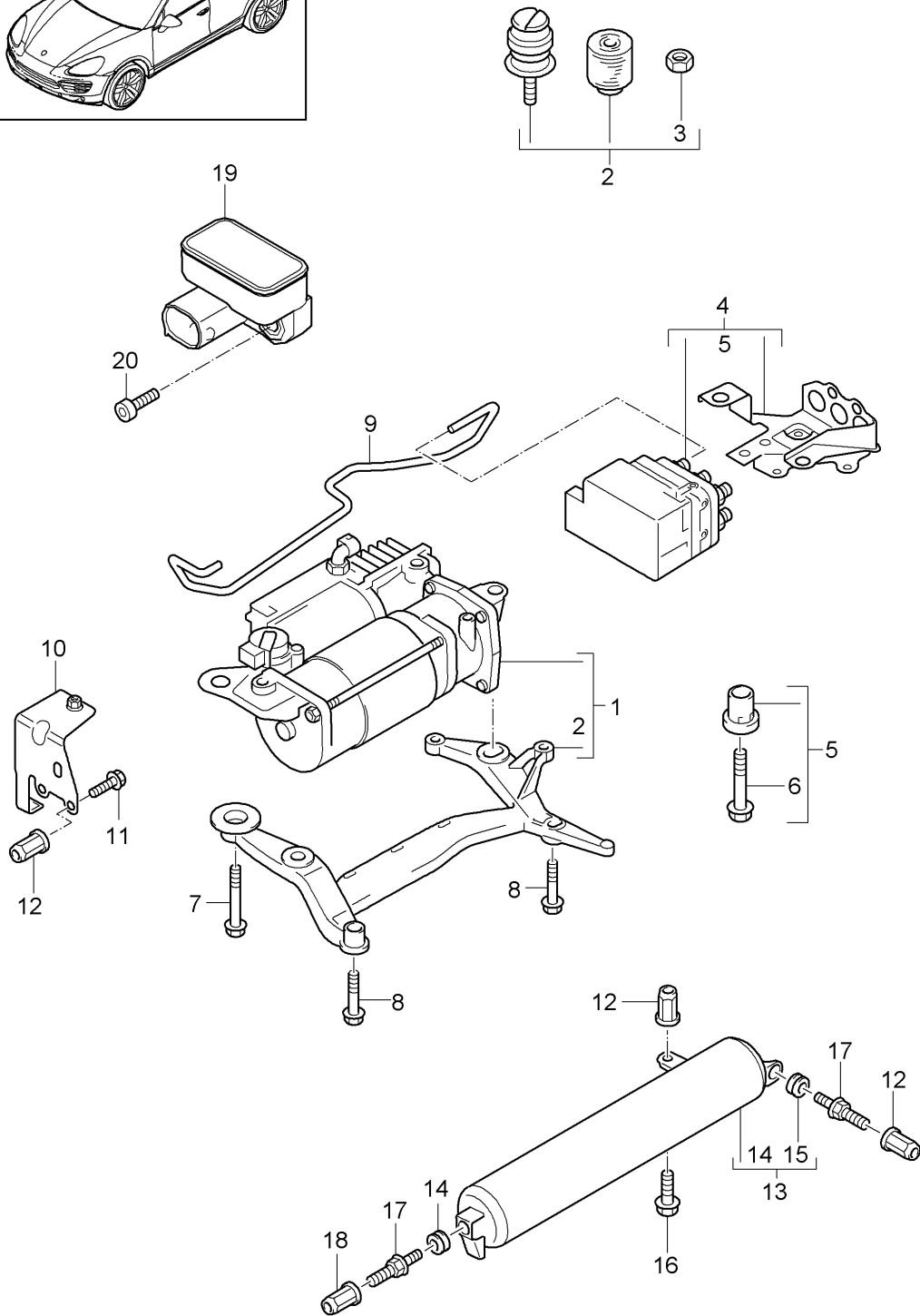
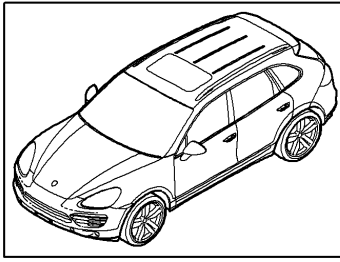
Model: 92A 11

Model life 2011>>

Pos	Part Number	Description	Remark	Qty	Model
		Hydraulic unit Anti-lock brake system Control	15-		
1	958 355 955 20	Hydraulic unit		1	I8T1
1	958 355 955 22	Hydraulic unit		1	I8T1
(1)	958 355 955 30	Hydraulic unit		1	I8T3
(1)	958 355 955 31	Hydraulic unit		1	I8T3
(1)	958 355 955 32	Hydraulic unit		1	I8T3
2	958 355 233 00	Support		1	
3	N 107 591 01	Hexagon-head bolt M 6 X 12		3	
4	958 355 177 10	Buffer		3	
5	958 606 145 10	Sensor		1	
6	N 107 148 01	Outer hexagon round screw M 6X18		2	

Model: 92A 11

Model life 2011>>

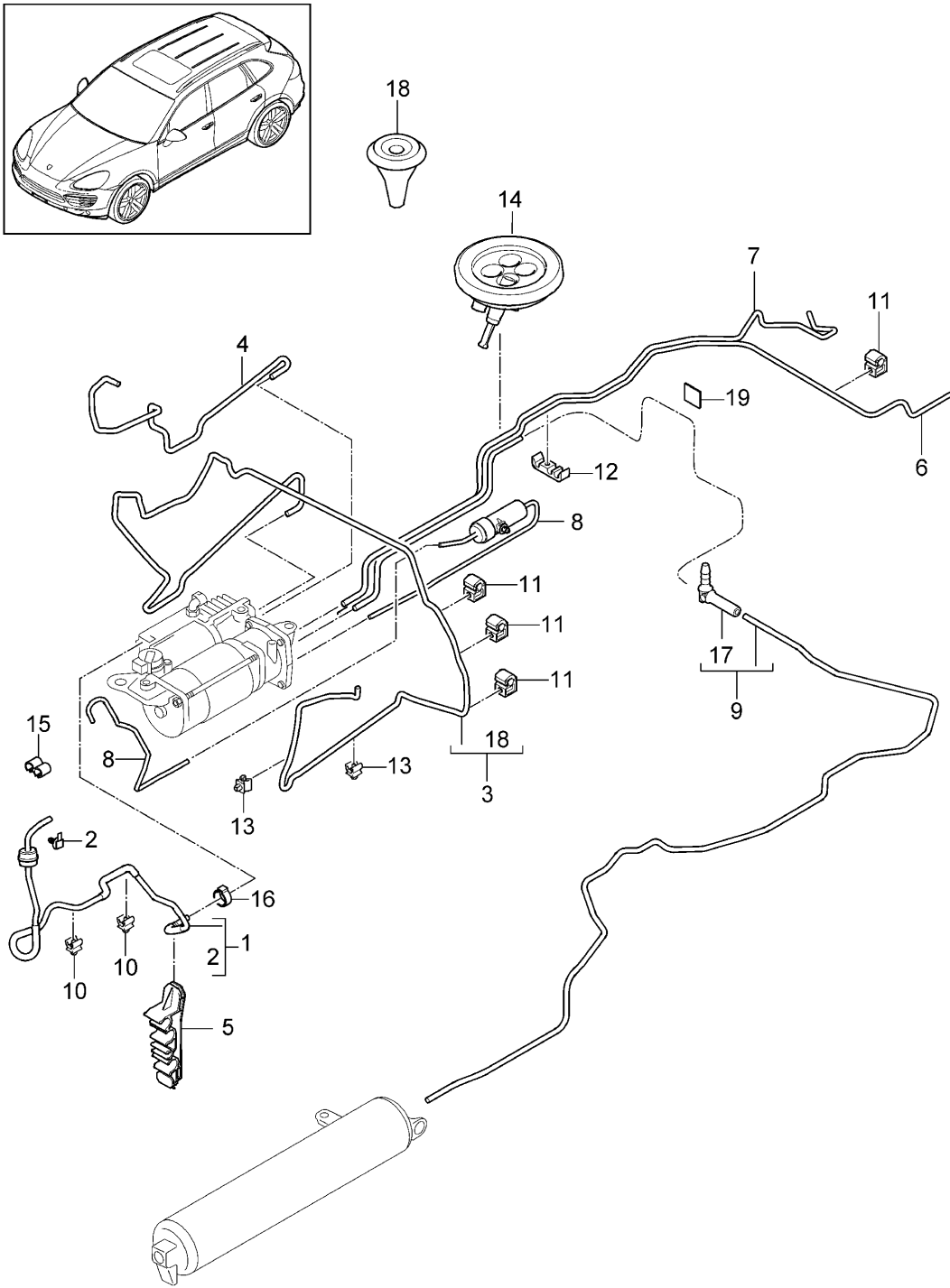


Model: 92A 11 Model life 2011>>

Pos	Part Number	Description	Remark	Qty	Model
		Level adjustment Compressor Pressure accumulator Acceleration sensor			I1BK
1	958 358 901 00	Compressor with Bracket		1	
2	958 358 902 00	Set of fastening parts for Compressor		1	
3	N 023 002 12	Hexagon nut M 6		2	
4	958 358 903 00	Control mechanism with Support		1	
5	955 358 904 00	Set of fastening parts for Control mechanism		1	
6	N 106 554 01	Hexagon-head bolt M 6 X 40		3	
7	N 106 902 01	Hexagon-head bolt M 8 X 70		1	
8	N 910 678 01	Hexagon-head bolt M 8 X 45		2	
9	958 358 050 00	Pressure line Compressor Control mechanism		1	
10	958 358 210 00	Support		1	
11	N 909 210 02	Hexagon-head bolt M 8 X 22		3	
12	N 907 779 02	Blind rivet nut M 8		4	
13	958 358 043 00	Pressure accumulator		1	
-	958 358 127 00	Cap		1	
-	955 358 540 00	Push-on connector Pressure accumulator Line		1	
14	958 358 320 00	Rubber mounting		1	
15	955 358 320 00	Rubber mounting		1	
16	N 104 032 03	Hexagon-head bolt M 8 X 16		1	
17	WHT 001 832	Hexagon-head bolt M 8		2	
18	N 906 411 02	Blind rivet nut M 8		1	
(18)	999 500 121 02	Blind rivet nut M 8		1	
19	958 606 077 00	Acceleration sensor Body Front		2	
20	N 101 961 03	Oval-head screw M 6 X 18		2	
-		Hose clamp See illustrations 6/06/05		1	
-		Push-on connector See illustrations 6/06/05		1	

Model: 92A 11

Model life 2011>>



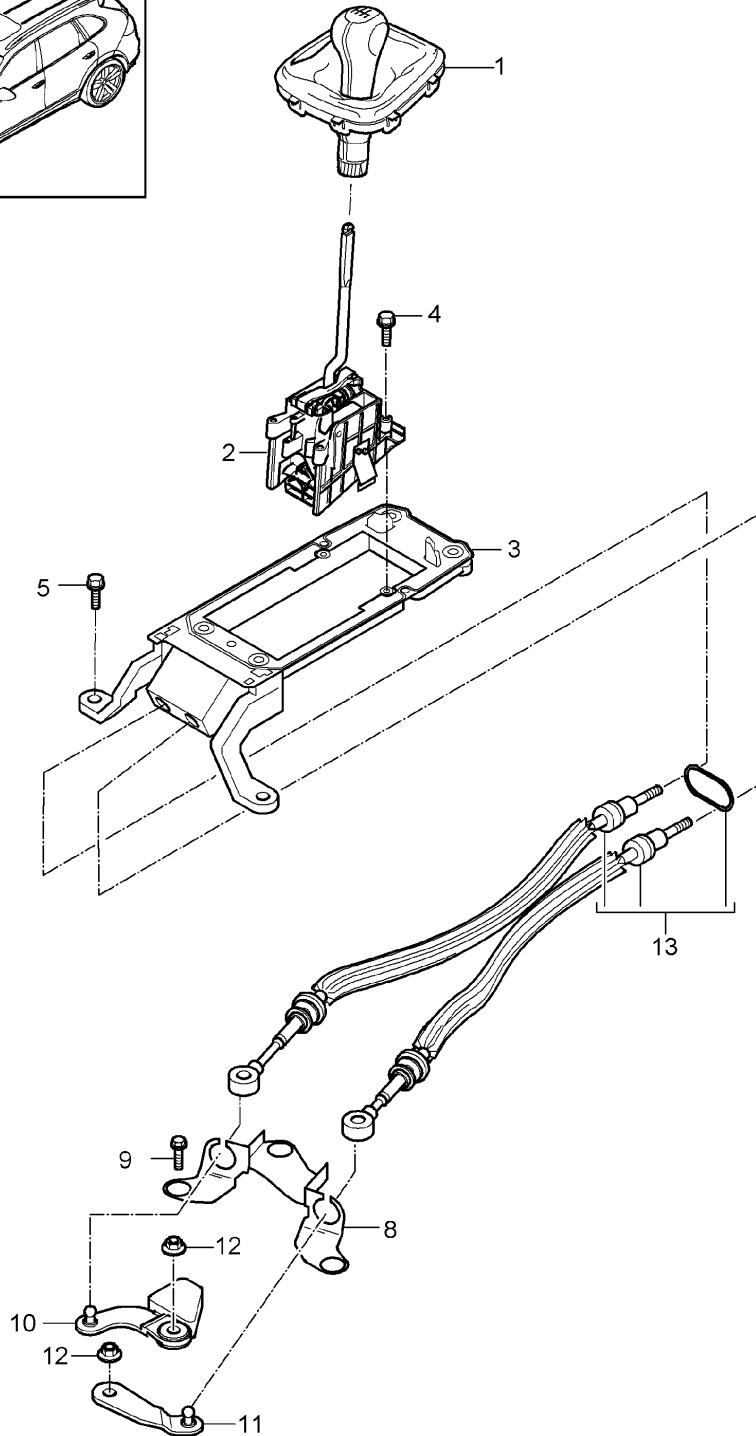
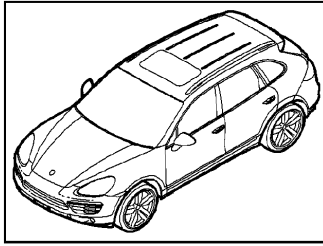
Model: 92A 11

Model life 2011>>

Pos	Part Number	Description	Remark	Qty	Model
		Level adjustment Lines			I1BK
1	958 358 045 01	Intake pipe Air cleaner Compressor		1	
2	955 358 521 00	Fixing clip Air cleaner		1	
3	958 358 051 00	Air tube Violet Front	/L	1	
(3)	958 358 051 01	Left Air tube Violet Front	/L	1	
(3)	958 358 051 02	Left Air tube Violet Front	/L	1	
4	958 358 054 00	Left Air tube Green Front	/R	1	
5	958 359 510 00	Right Hose holder		1	
6	958 358 061 00	Air tube Red Rear	/L	1	
7	958 358 062 00	Left Air tube Yellow Rear	/R	1	
8	958 358 171 00	Right Air tube Black Exhaust		1	
9	958 358 067 00	Air tube Black Pressure accumulator		1	
10	N 909 435 01	Hose holder 12 MM		2	
11	7PP 611 797	Clip Information available		4	
12	955 355 543 00	Support		1	
13	955 511 645 00	Clip		1	
14	958 358 047 00	Grommet		1	
15	955 358 547 00	Support		7	
16	999 512 457 00	Clamp 21 X 7 X 0,6		1	
17	955 358 541 00	Push-on connector M 10 X 1		10	
(17)	958 358 541 00	Angled pipe Air tube Compressor		1	
17	955 358 910 00	Push-on connector Repair kit Air tube		X	
18	958 358 860 00	Grommet		4	
19	7L5 827 925	Velcro strip		1	

Model: 92A 11

Model life 2011>>



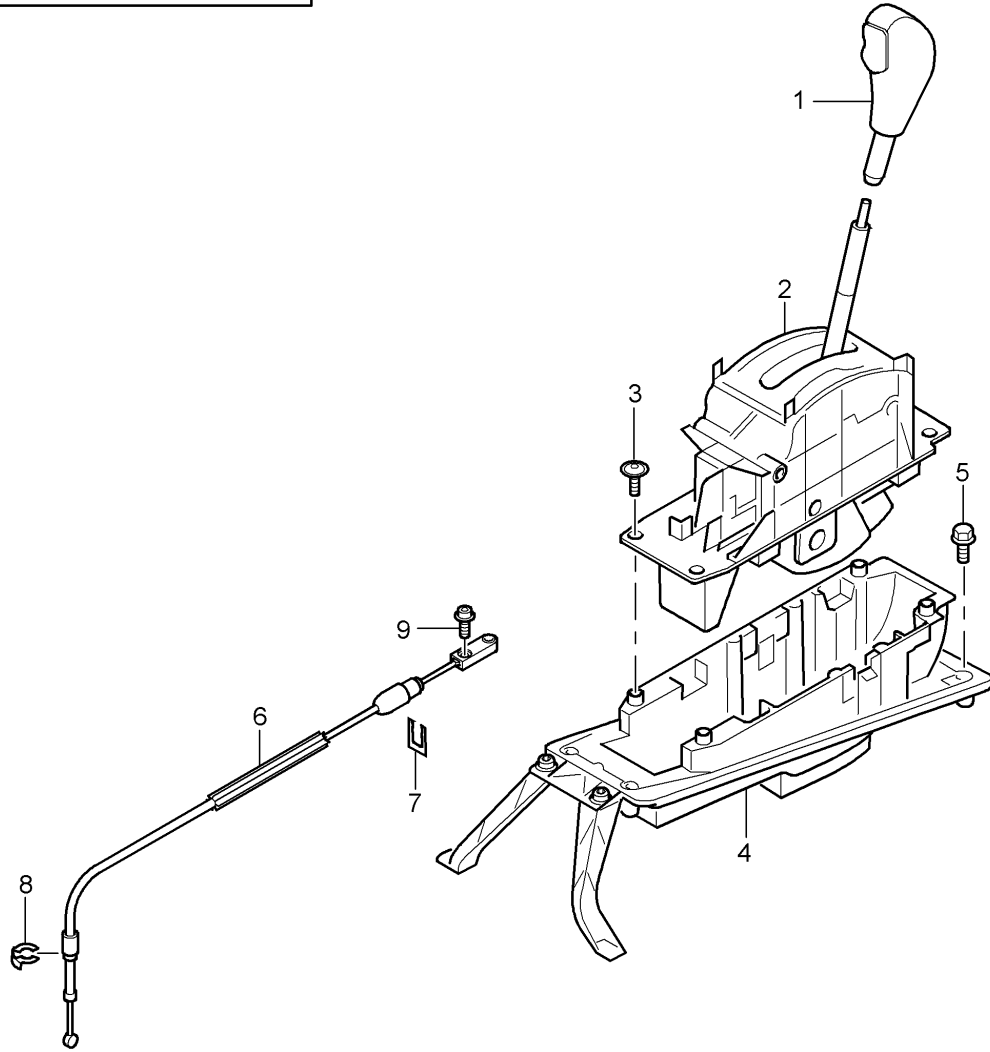
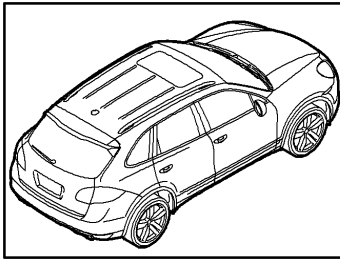
Model: 92A 11

Model life 2011>>

Pos	Part Number	Description	Remark	Qty	Model
1	958 424 075 00	Transmission control Manual transmission Gearshift knob Leather	-14	1	IGOL
	958 424 075 00 PCN	Black			
	958 424 075 00 PCP	Silver mat chrome Stone grey			
	958 424 075 00 PCQ	Silver mat chrome Havanna			
	958 424 075 00 RLU	Silver mat chrome Sand Beige			
	958 424 075 00 WPJ	Silver mat chrome Chestnut brown			
1	958 424 075 00	Gearshift knob Leather		1	
	958 424 075 00 DE1	Umber			+LF, +TX, +TY, +YF
	958 424 075 00 7A0	Platinum Grey			+LD, +MD, +YD, +VA, +VB
	958 424 075 00 8C0	Espresso			+LC, +MA, +TA, +TB, +TW, +YA, +YB, +YC, +77
	958 424 075 00 8YR	Black			+LE, +MC, +YE
	958 424 075 00 9H6	Luxor Beige			
2	958 424 010 00	Gearshift bracket		1	
3	958 424 031 00	Mounting piece Gearshift bracket		1	
4	N 101 586 05	Hexagon-head bolt M 6 X 20		4	
5	N 019 530 7	Hexagon-head bolt M 8 X 25		4	
8	7PP 711 789	Support		1	
9	N 101 069 05	Combination screw M 8 X 32		3	
10	7PP 711 051	Gearshift lever		1	
11	7PP 711 202	Reverse lever		1	
12	N 907 611 03	Nut M 6 X 20		2	
13	958 424 041 00	Cable Set with Gasket		1	

Model: 92A 11

Model life 2011>>



Model: 92A 11 Model life 2011>>

Pos	Part Number	Description	Remark	Qty	Model
		Selector lever	-14		IG1G
1	958 426 069 00	Tiptronic		1	I6Q2
	958 426 069 00 DE1	Gearshift knob			+LF, +TX, +TY, +YF
	958 426 069 00 7A0	Leather			+LD, +MD, +YD, +VA, +VB
	958 426 069 00 8C0	Umber			+LC, +MA, +TA, +TB, +TW, +YA, +YB, +YC, +77
	958 426 069 00 8YR	Platinum Grey			+LE, +MC, +YE
(1)	958 426 069 00 9H6	Luxor Beige		1	I6Q8
	958 426 069 10	Gearshift knob			+LF, +TX, +TY, +YF
	958 426 069 10 DE1	Walnut, high-gloss			+LD, +MD, +YD, +VA, +VB
	958 426 069 10 7A0	Umber			+LC, +MA, +TA, +TB, +TW, +YA, +YB, +YC, +77
	958 426 069 10 8C0	Platinum Grey			+LE, +MC, +YE
	958 426 069 10 8YR	Espresso			
	958 426 069 10 9H6	Black			
(1)	958 426 069 10 9H6	Luxor Beige		1	I6Q3
	958 426 069 20	Gearshift knob			+LF, +TX, +TY, +YF
	958 426 069 20 DE1	Swedish Birch			+LD, +MD, +YD, +VA, +VB
	958 426 069 20 7A0	Umber			+LC, +MA, +TA, +TB, +TW, +YA, +YB, +YC, +77
	958 426 069 20 8C0	Platinum Grey			+LE, +MC, +YE
	958 426 069 20 8YR	Espresso			
	958 426 069 20 9H6	Black			
(1)	958 426 069 20 9H6	Luxor Beige		1	I7F7
	958 426 069 30	Gearshift knob			+LF, +TX, +TY, +YF
	958 426 069 30 DE1	Super-matt olive ash burl			+LD, +MD, +YD, +VA, +VB
	958 426 069 30 7A0	Umber			+LC, +MA, +TA, +TB, +TW, +YA, +YB, +YC, +77
	958 426 069 30 8C0	Platinum Grey			+LE, +MC, +YE
	958 426 069 30 8YR	Espresso			
	958 426 069 30 9H6	Black			
(1)	958 426 069 30 9H6	Luxor Beige		1	I6Q4
	958 426 069 40	Gearshift knob			+LF, +TX, +TY, +YF
	958 426 069 40 DE1	Carbon			+LD, +MD, +YD, +VA, +VB
	958 426 069 40 7A0	Umber			+LC, +MA, +TA, +TB, +TW, +YA, +YB, +YC, +77
	958 426 069 40 8C0	Platinum Grey			+LE, +MC, +YE
	958 426 069 40 8YR	Espresso			
	958 426 069 40 9H6	Black			
(1)	958 044 700 00	Luxor Beige		1	I6Q7
	958 044 700 00 DE1	Selector lever			+LF, +TX, +TY, +YF
	958 044 700 00 7A0	Aluminium			+LD, +MD, +YD, +VA, +VB
	958 044 700 00 8C0	Umber			+LC, +MA, +TA, +TB, +TW, +YA, +YB, +YC, +77
	958 044 700 00 8YR	Platinum Grey			+LE, +MC, +YE
	958 044 700 00 9H6	Espresso			
(1)	958 044 700 00 9H6	Black		1	I7F2
	958 426 069 50	Luxor Beige	12-		
	958 426 069 50	Gearshift knob			

Model: 92A 11 Model life 2011>>

Pos	Part Number	Description	Remark	Qty	Model
	958 426 069 50 DE1	Mahogany Umber			+LF, +TX, +TY, +YF
	958 426 069 50 7A0	Platinum Grey			+LD, +MD, +YD,
	958 426 069 50 8C0	Espresso			+VA, +VB
	958 426 069 50 8YR	Black			+LC, +MA, +TA, +TB, +TW, +YA, +YB, +YC, +77 +LE, +MC, +YE
2	958 426 069 50 9H6	Luxor Beige		1	ID34
	958 426 093 00	Support F >>92BLA 05973			
2	958 426 093 10	Support F 92BLA 05974>> for vehicles up to F >>92BLA 05973		1	ID34
	958 426 033 11	Use also: Support			
2	958 426 093 00	Support F >>92BLA 51434 F >>92BLA 86078 F >>92BLA 93237		1	ID19/D58/D6V
2	958 426 093 10	Support F 92BLA 51435>> F 92BLA 86079>> F 92BLA 93238>> for vehicles up to F >>92BLA 51434 F >>92BLA 86078 F >>92BLA 93237		1	ID19/D58/D6V
	958 426 033 01	Use also: Support			
2	958 426 093 00	Support F >>92BLA 30745 F >>92BLA 30913		1	ID1V/D43/D50
2	958 426 093 10	Support F 92BLA 30746>> F 92BLA 30914>> for vehicles up to F >>92BLA 30745 F >>92BLA 30913		1	ID1V/D43/D50
	958 426 033 21	Use also: Support			
2	958 426 093 00	Support F >>92BLA 63370		1	ID11
2	958 426 093 10	Support F 92BLA 63371>> for vehicles up to F >>92BLA 63370		1	ID11
	958 426 033 30	Use also: Support			
2	N 101 586 05	Hexagon-head bolt M 6 X 20		4	IDD8
-	WHT 000 140 A	Pan-head screw Cable M 6 X 12		1	
4	958 426 095 00	Mounting piece		1	
5	N 019 530 7	Hexagon-head bolt M 8 X 25		4	
6	958 426 033 00	Cable F >>92BLA 51434 F >>92BLA 86078 F >>92BLA 93237		1	ID19/D58/D6V

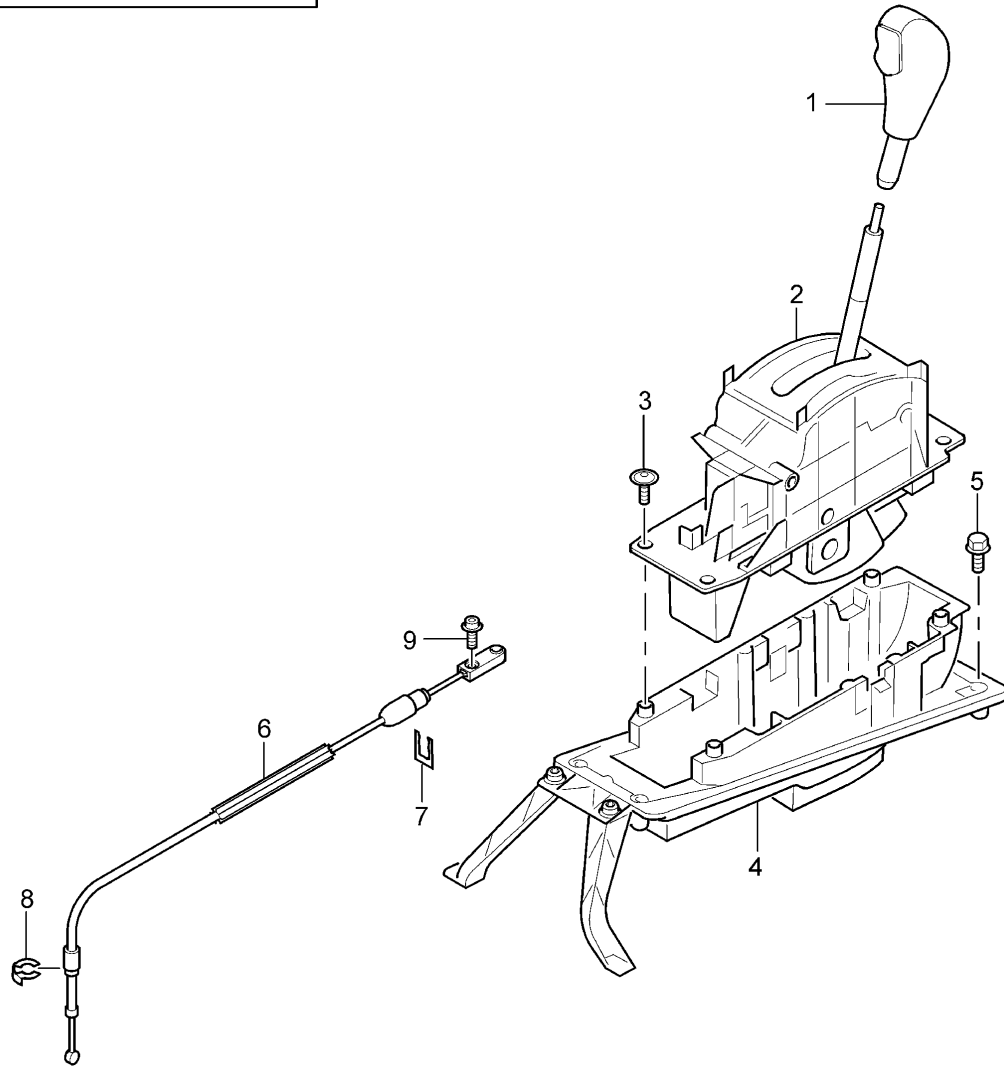
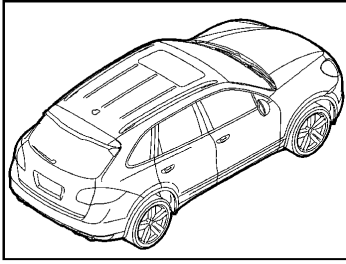
Model: 92A 11

Model life 2011>>

Pos	Part Number	Description	Remark	Qty	Model
6	958 426 033 01	Cable F 92BLA 51435>> F 92BLA 86079>> F 92BLA 93238>>		1	ID19/D58/D6V
(6)	958 426 033 10	Cable F >>92BLA 05973		1	ID34
(6)	958 426 033 11	Cable F 92BLA 05974>>		1	ID34
(6)	958 426 033 20	Cable F >>92BLA 30745 F >>92BLA 30913		1	ID1V/D43/D50
(6)	958 426 033 21	Cable F 92BLA 30746>> F 92BLA 30914>>		1	ID1V/D43/D50
(6)	958 426 033 31	Cable F >>92BLA 63370		1	ID1V/D43/D50
(6)	958 426 033 30	Cable F 92BLA 63371>>		1	ID11
(6)	958 426 033 40	Cable		1	IDD8
7	958 426 093 50	Safety clip for		1	
-	958 426 093 00	Support		1	
(7)	958 426 093 55	Safety clip for		1	
-	958 426 093 10	Support		1	
8	955 424 411 01	Securing clip		1	
9	WHT 000 140 A	Pan-head screw M 6 X 12 Support And Selector lever See illustrations 3/20/10		1	

Model: 92A 11

Model life 2011>>



Model: 92A 11 Model life 2011>>

Pos	Part Number	Description	Remark	Qty	Model
		Selector lever	15-		IG1G
1	958 426 069 00	Tiptronic Gearshift knob		1	I6Q2
	958 426 069 00 OK6	Leather Saddle Tan			+ME, +MH, +MJ, +MK
	958 426 069 00 PL1	Agate Grey			+MB, +MG, +ML
	958 426 069 00 8C0	Espresso			+VA, +VB
	958 426 069 00 8YR	Black			+LC, +LG, +LH, +MA, +MF, +MI, +TA, +YA, +YC, +77
(1)	958 426 069 00 9H6	Luxor Beige		1	+LE, +MC, +YE
	958 426 069 20	Gearshift knob			I6Q3
	958 426 069 20 OK6	Swedish Birch Saddle Tan			+ME, +MH, +MJ, +MK
	958 426 069 20 PL1	Agate Grey			+MB, +MG, +ML
	958 426 069 20 8C0	Espresso			+VA, +VB
	958 426 069 20 8YR	Black			+LC, +LG, +77 +MA, +MF, +MI, +TA, +YA, +YC, +LE, +MC, +YE
(1)	958 426 069 20 9H6	Luxor Beige		1	I7F7
	958 426 069 30	Gearshift knob			
	958 426 069 30 OK6	Super-matt olive ash burl Saddle Tan			+ME, +MH, +MJ, +MK
	958 426 069 30 PL1	Agate Grey			+MB, +MG, +ML
	958 426 069 30 8C0	Espresso			+VA, +VB
	958 426 069 30 8YR	Black			+LC, +LG, +LH, +MA, +MF, +MI, +TA, +YA, +YC, +77
(1)	958 426 069 30 9H6	Luxor Beige		1	+LE, +MC, +YE
	958 426 069 40	Gearshift knob			I6Q4
	958 426 069 40 OK6	Carbon Saddle Tan			+ME, +MH, +MJ, +MK
	958 426 069 40 PL1	Agate Grey			+MB, +MG, +ML
	958 426 069 40 8C0	Espresso			+VA, +VB
	958 426 069 40 8YR	Black			+LC, +LG, +LH, +MA, +MF, +MI, +TA, +YA, +YC, +77
(1)	958 426 069 40 9H6	Luxor Beige		1	+LE, +MC, +YE
	958 426 069 50	Gearshift knob			I7F2
	958 426 069 50 OK6	Mahogany Saddle Tan			+ME, +MH, +MJ, +MK
	958 426 069 50 PL1	Agate Grey			+MB, +MG, +ML
	958 426 069 50 8C0	Espresso			+VA, +VB
	958 426 069 50 8YR	Black			+LC, +LG, +LH, +MA, +MF, +MI, +TA, +YA, +YC, +77
(1)	958 426 069 50 9H6	Luxor Beige		1	+LE, +MC, +YE
	958 426 069 60	Gearshift knob			I7F3
	958 426 069 60 OK6	American Walnut Saddle Tan			+ME, +MH, +MJ, +MK
	958 426 069 60 PL1	Agate Grey			+MB, +MG, +ML
	958 426 069 60 8C0	Espresso			+VA, +VB
	958 426 069 60 8YR	Black			+LC, +LG, +LH,

Model: 92A 11 Model life 2011>>

Pos	Part Number	Description	Remark	Qty	Model
(1)	958 426 069 60 9H6 958 044 700 00 958 044 700 00 OK6 958 044 700 00 PL1 958 044 700 00 8C0 958 044 700 00 8YR	Luxor Beige Selector lever Aluminium Saddle Tan Agate Grey Espresso Black		1	+MA, +MF, +MI, +TA, +YA, +YC, +77 +LE, +MC, +YE I6Q7 +ME, +MH, +MJ, +MK +MB, +MG, +ML +VA, +VB +LC, +LG, +LH, +MA, +MF, +MI, +TA, +YA, +YC, +77 +LE, +MC, +YE
2	958 044 700 00 9H6 958 426 093 10	Luxor Beige Support Use also: 958 426 033 01		1	IDT1
(2)		Support		1	ID19
(2)		Support Use also: 958 426 033 11		1	ID34
(2)		Support Use also: 958 426 033 21		1	IDD7/DV7/D1V ID43/D51
(2)		Support Use also: 958 426 033 30		1	ID11
(2)		Support Use also: 958 426 033 35		1	IDU2/DU3
(2)		Support Use also: 958 426 033 40		1	IDD8
3	N 101 586 05	Hexagon-head bolt M 6 X 20		4	
-	WHT 000 140 A	Pan-head screw Cable M 6 X 12		1	
4	958 426 095 00	Mounting piece		1	
5	N 019 530 7	Hexagon-head bolt M 8 X 25		4	
6	958 426 033 01	Cable		1	ID19
(6)	958 426 033 50	Cable Use also: 958.713.281.00 D >> 10.05.2015		1	ID19
(6)	958 426 033 51	Cable D 11.05.2015>>		1	ID19
(6)	958 426 033 01	Cable		1	IDT1/DT5
(6)	958 426 033 11	Cable		1	ID34
(6)	958 426 033 21	Cable		1	IDD7/D1V/D43 ID51
(6)	958 426 033 30	Cable		1	ID11
(6)	958 426 033 35	Cable		1	IDU2/DU3
(6)	958 426 033 40	Cable		1	IDD8
7	958 426 093 55	Safety clip		1	
8	955 424 411 01	Securing clip	-15	1	
(8)		Securing clip	16-	1	-ID19
9	WHT 000 140 A	Pan-head screw M 6 X 12 Support		1	

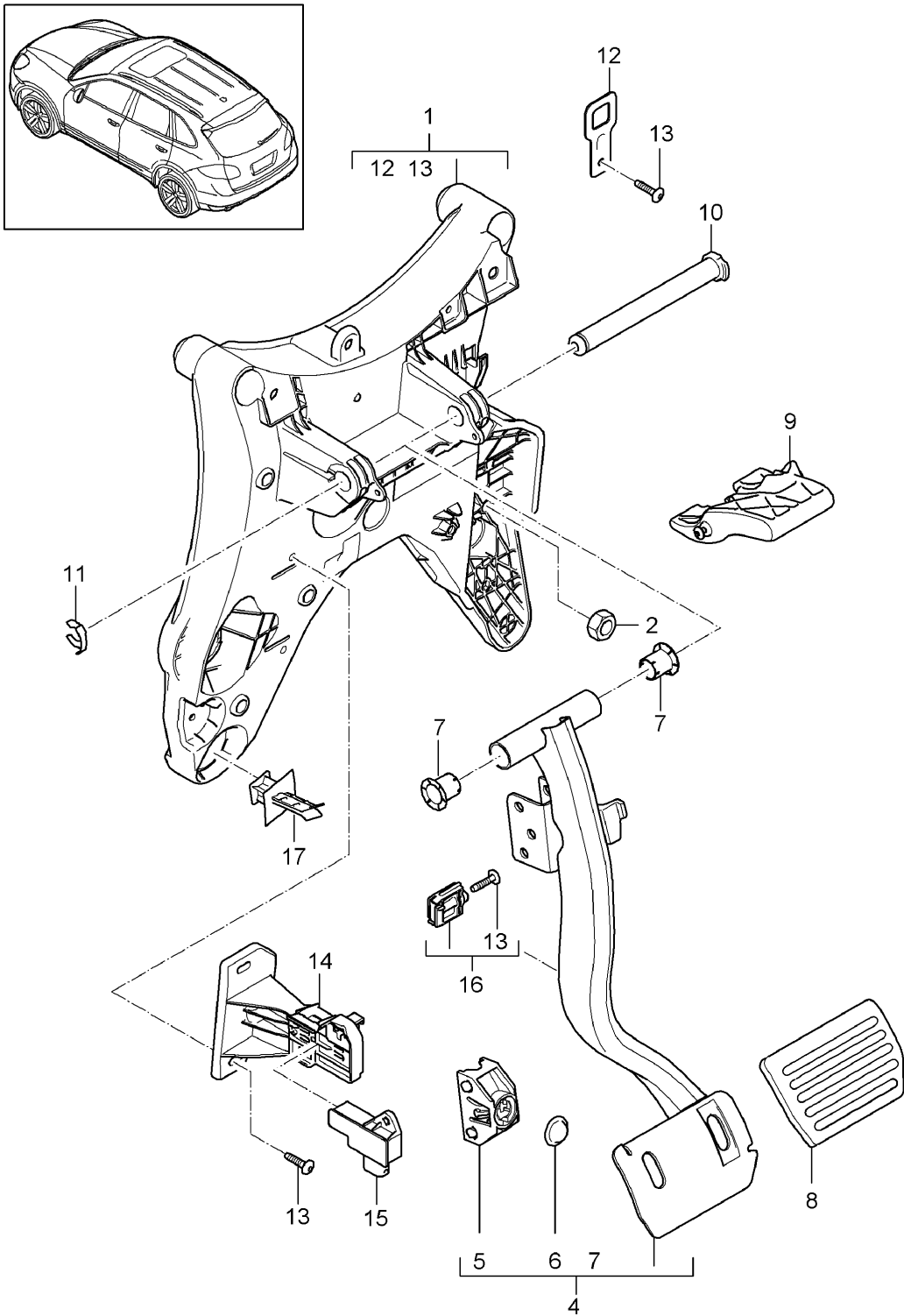
Model: 92A 11

Model life 2011>>

Pos	Part Number	Description	Remark	Qty	Model
		And Selector lever See illustrations 3/20/10			

Model: 92A 11

Model life 2011>>



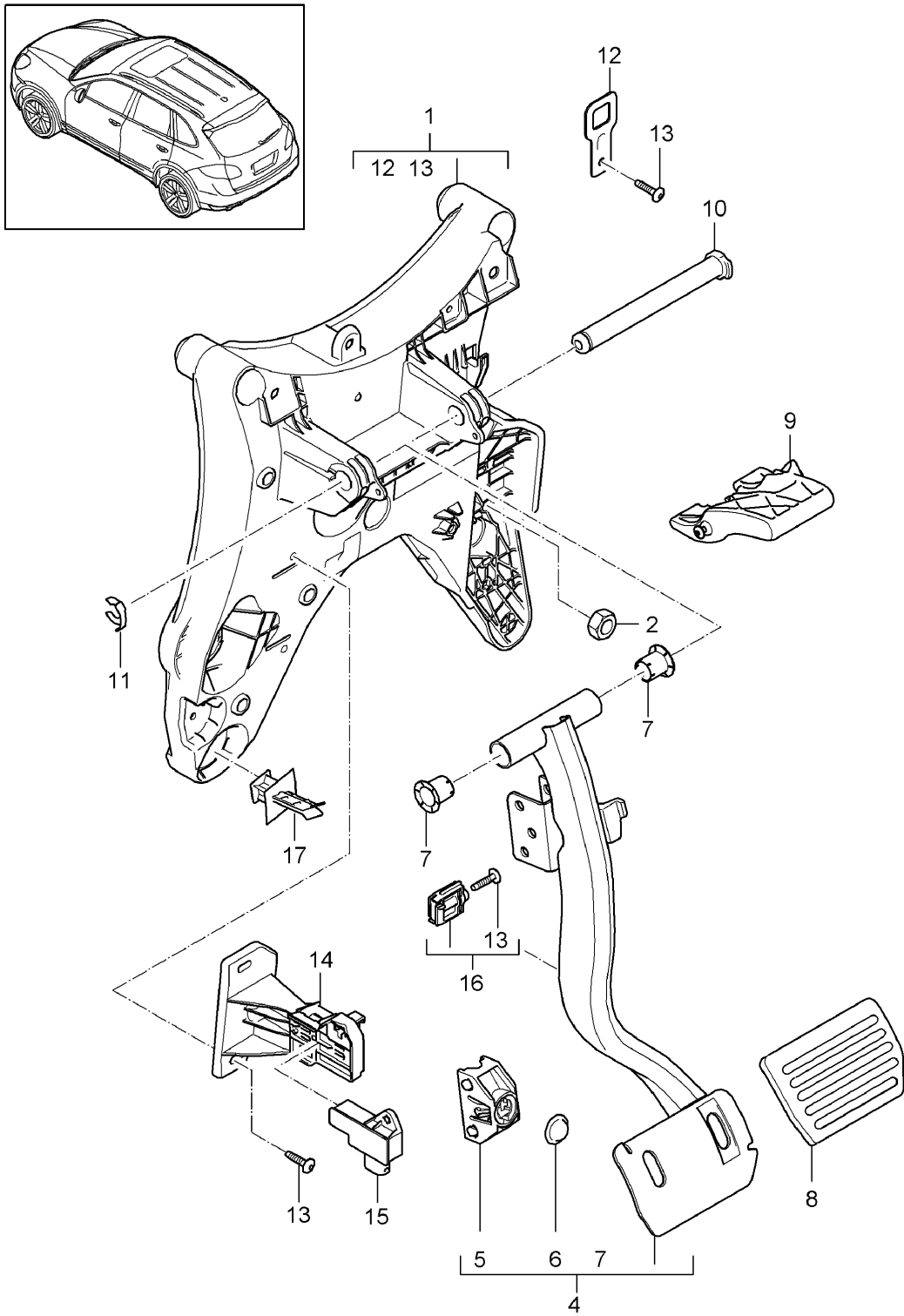
Model: 92A 11

Model life 2011>>

Pos	Part Number	Description	Remark	Qty	Model
		Pedals	-14		
		Tiptronic			IG1G
1	958 423 065 00	Bearing bracket	/LL	1	IL0L
(1)	958 423 066 00	Bearing bracket	/RL	1	IL0R
2		See illustrations		4	
		6/04/00			
		POS.10			
4	958 423 093 00	Brake pedal	/LL	1	IL0L
4	958 423 093 01	Brake pedal	/LL	1	IL0L
4	958 423 093 10	Brake pedal	/LL	1	IL0L
(4)	958 423 094 00	Brake pedal	/RL	1	IL0R
(4)	958 423 094 10	Brake pedal	/RL	1	IL0R
5	958 423 169 01	Mounting		1	
		Push rod			
5	1J0 721 165	Mounting		1	
		Push rod			
		with			
		Bearing shell			
6	955 423 341 00	Bearing shell		1	
7	7PP 721 113	Bush		2	
(7)	7PP 721 113 A	Bush		2	
8	955 423 212 00	Pedal cap		1	
(8)	955 423 212 10	Pedal cap		1	
9	958 423 165 00	Bracket	/LL	1	IL0L
		Upper			
		with			
		Fastening screw			
9	958 423 166 00	Bracket	/RL	1	IL0R
		Upper			
		with			
		Fastening screw			
10	958 423 311 00	Bearing pin		1	
11	999 166 092 01	Kl-lock		1	
12	958 423 175 00	Support	/LL	1	IL0L
(12)	958 423 176 00	Support	/RL	1	IL0R
(12)	958 423 175 00	Support	/RL	1	IL0R
13	N 911 796 01	Oval-head screw		1	
		TP 5 X 22			
13		Oval-head screw		3	
		TP 5 X 22			
14	958 423 315 00	Support	/LL	1	IL0L
		Distance sensor			
(14)	958 423 315 01	Support	/RL	1	IL0R
		Distance sensor			
15	958 423 810 00	Distance sensor		1	
16	958 423 568 00	Magnet		1	
17	955 573 318 00	Fastening angle		1	

Model: 92A 11

Model life 2011>>

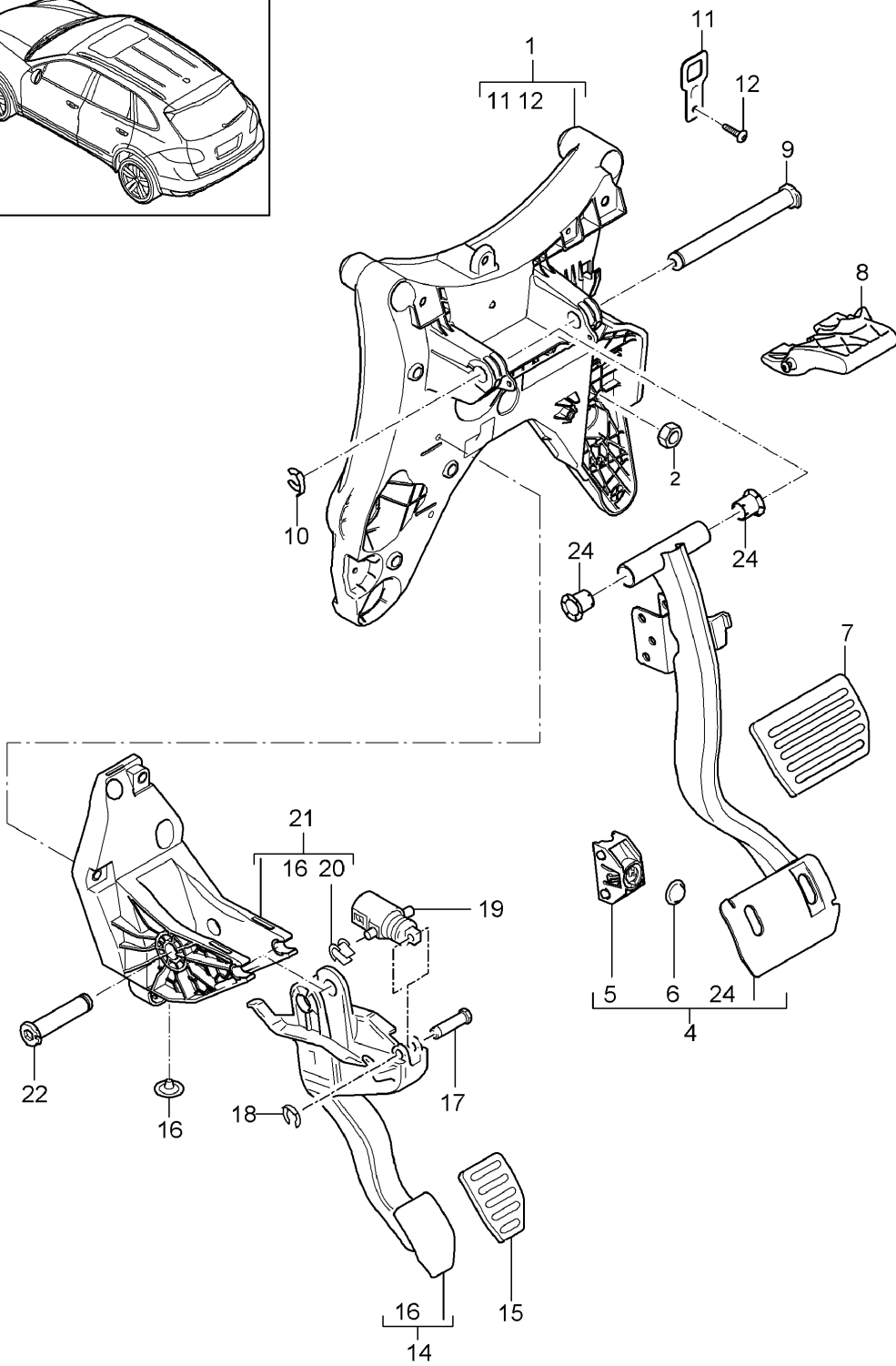
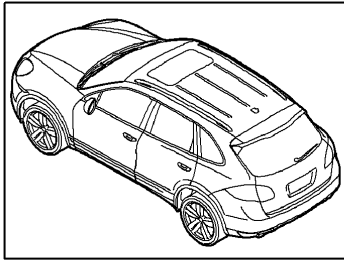


Model: 92A 11 Model life 2011>>

Pos	Part Number	Description	Remark	Qty	Model
		Pedals	15-		
		Tiptronic			IG1G
1	958 423 065 00	Bearing bracket	/LL	1	IL0L
		D >> 01.05.2016			
1	958 423 065 01	Bearing bracket	/LL	1	IL0L
		D 02.05.2016>>			
(1)	958 423 066 00	Bearing bracket	/RL	1	IL0R
		D >> 12.06.2016			
(1)	958 423 066 01	Bearing bracket	/RL	1	IL0R
		D 13.06.2016>>			
2		See illustrations		4	
		6/04/00			
		Pos.10			
4	958 423 093 01	Brake pedal	/LL	1	IL0L/OK0
(4)	958 423 093 10	Brake pedal	/LL	1	IL0L/OK3
(4)	958 423 094 00	Brake pedal	/RL	1	IL0R/OK0
(4)	958 423 094 01	Brake pedal	/RL	1	IL0R/OK0
(4)	958 423 094 10	Brake pedal	/RL	1	IL0R/OK3
5	958 423 169 01	Mounting		1	
		Push rod			
5	1J0 721 165	Mounting		1	
		Push rod			
		with			
		Bearing shell			
6	955 423 341 00	Bearing shell		1	
7	7PP 721 113	Bush		2	
(7)	7PP 721 113 A	Bush		2	
8	955 423 212 00	Pedal cap		1	IDD7/DV7/D1V ID34/D43/D50 ID51
(8)	955 423 212 10	Pedal cap		1	IDD8/DT1/DT5 IDU2/DU3/D11 ID19 IL0L
9	958 423 165 00	Bracket	/LL	1	
		Upper			
		with			
		Fastening screw			
(9)	958 423 166 00	Bracket	/RL	1	IL0R
		Upper			
		with			
		Fastening screw			
10	958 423 311 01	Bearing pin		1	
		EINS. 19.03.12			
11	999 166 092 01	K1-lock		1	
		D >> 01.05.2016			
(11)	N 108 428 01	Lock washer		1	
		D 02.05.2016>>			
12	958 423 175 00	Support		1	
13	N 911 796 01	Oval-head screw		1	
		TP 5 X 22			
(13)		Oval-head screw		3	I0K3
		TP 5 X 22			
14	958 423 315 02	Support	/LL	1	IL0L/OK3
		Distance sensor			
(14)	958 423 315 03	Support	/RL	1	IL0R/OK3
		Distance sensor			
15	958 423 810 00	Distance sensor		1	I0K3
16	958 423 568 00	Magnet		1	I0K3
-	N 023 003 13	Hexagon nut		1	
		M 8			
17	955 573 318 00	Fastening angle		1	

Model: 92A 11

Model life 2011>>

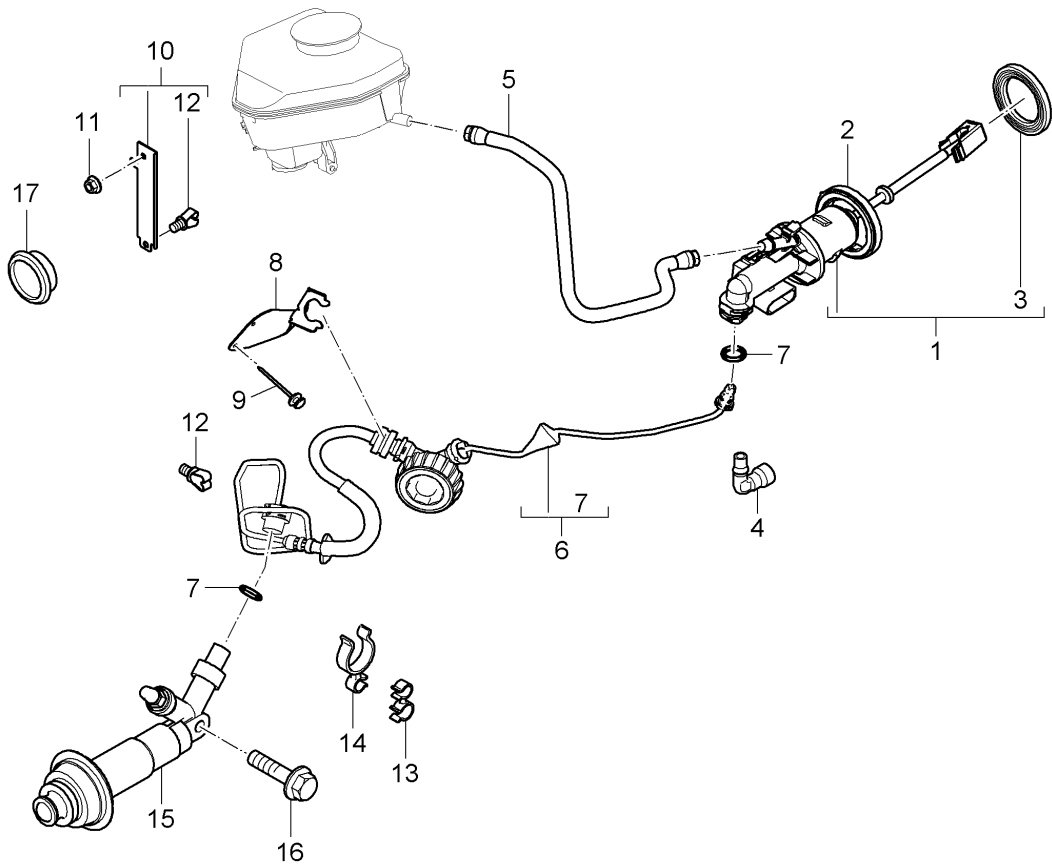
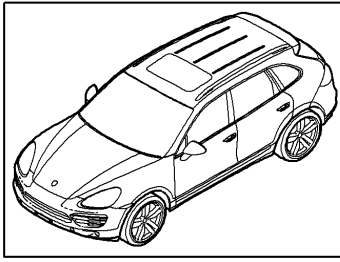


Model: 92A 11 Model life 2011>>

Pos	Part Number	Description	Remark	Qty	Model
		Pedals	-14		IG0L
		Manual transmission			
1	958 423 065 10	Bearing bracket	/LL	1	IL0L
(1)	958 423 066 10	Bearing bracket	/RL	1	IL0R
2		See illustrations		4	
		6/04/00			
		Pos.10			
4	958 423 093 10	Brake pedal	/LL	1	IL0L
(4)	958 423 094 10	Brake pedal	/RL	1	IL0R
5	958 423 169 01	Mounting		1	
		Push rod			
5	1J0 721 165	Mounting		1	
		Push rod			
		with			
		Bearing shell			
6	955 423 341 00	Bearing shell		1	
7	955 423 212 00	Pedal cap		1	
(7)	955 423 212 10	Pedal cap		1	
8	958 423 165 00	Bracket	/LL	1	IL0L
		Upper			
		with			
		Fastening screw			
		Deleted			
		Will be replaced by			
		Bearing pin			
		Reinforced			
(8)	958 423 166 00	Bracket	/RL	1	IL0R
		Upper			
		with			
		Fastening screw			
		Deleted			
		Will be replaced by			
		Bearing pin			
		Reinforced			
9	958 423 311 00	Bearing pin		1	
10	999 166 092 01	K1-lock		2	
11	958 423 175 00	Support		1	
12	N 911 796 01	Oval-head screw		1	
		TP 5 X 22			
14	958 423 139 00	Clutch pedal	/LL	1	IL0L
(14)	958 423 140 00	Clutch pedal	/RL	1	IL0R
15	955 423 213 00	Pedal cap		1	
16	955 423 720 00	Rubber stop		2	
17	958 423 517 00	Bearing pin		1	
18	958 423 581 00	Lock washer		1	
19	955 423 081 20	Clutch power spring		1	
20	955 423 581 00	Bearing shell		2	
21	958 423 030 00	Bearing bracket		1	
22	958 423 325 00	Bearing pin		1	
24	7PP 721 113	Bush		2	
24	7PP 721 113 A	Bush		2	

Model: 92A 11

Model life 2011>>



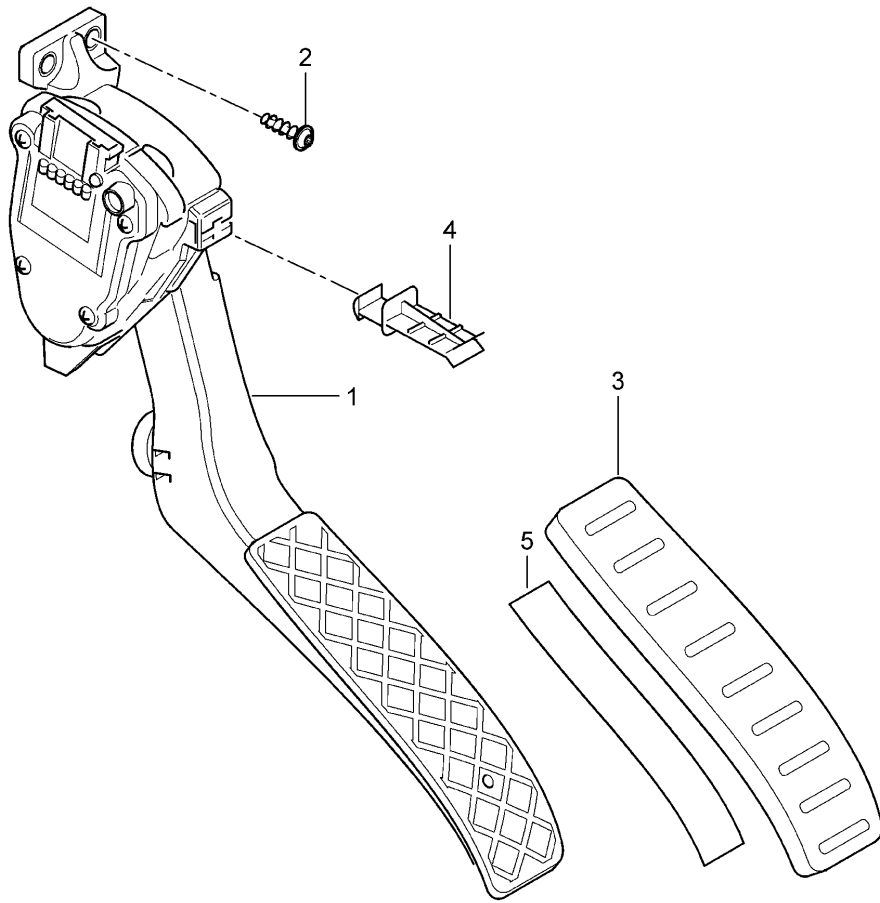
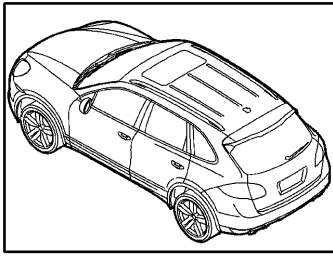
Model: 92A 11

Model life 2011>>

Pos	Part Number	Description	Remark	Qty	Model
		clutch actuation	-14		IGOL
		Clutch master cylinder			
		Clutch pipeline			
1	7PP 721 401	Clutch master cylinder	/LL	1	ILOL
1	958 423 171 00	Clutch master cylinder	/RL	1	ILOR
2	958 423 648 00	Spacer ring		2	
3	955 423 312 01	Gasket		1	
4	958 423 661 00	Angled pipe	/RL	1	ILOR
5	955 423 137 00	Line	/LL	1	ILOL
(5)	955 423 138 00	Line	/RL	1	ILOR
6	958 423 107 00	Clutch pipeline	/LL	1	ILOL
(6)	958 423 108 00	Clutch pipeline	/RL	1	ILOR
7	955 423 224 00	Sealing ring		X	
		Clutch pipeline			
8	958 423 351 00	Support	/LL	1	ILOL
		Clutch pipeline			
9	N 906 948 02	Blind rivet	/LL	2	ILOL
10	955 423 361 00	Support	/RL	1	ILOR
		Clutch pipeline			
11		See illustrations		X	
		8/13/90			
		Pos.8			
12	N 910 523 01	Support		1	
13	N 102 627 01	Line bracket	/RL	1	ILOR
14	955 423 775 00	Line bracket	/RL	1	ILOR
15	955 116 237 01	Clutch operating cylinder		1	
15	958 116 237 00	Clutch operating cylinder		1	
16	N 101 560 09	Hexagon-head bolt		1	
		M 8 X 25			
17	N 101 245 01	Stopper		1	

Model: 92A 11

Model life 2011>>



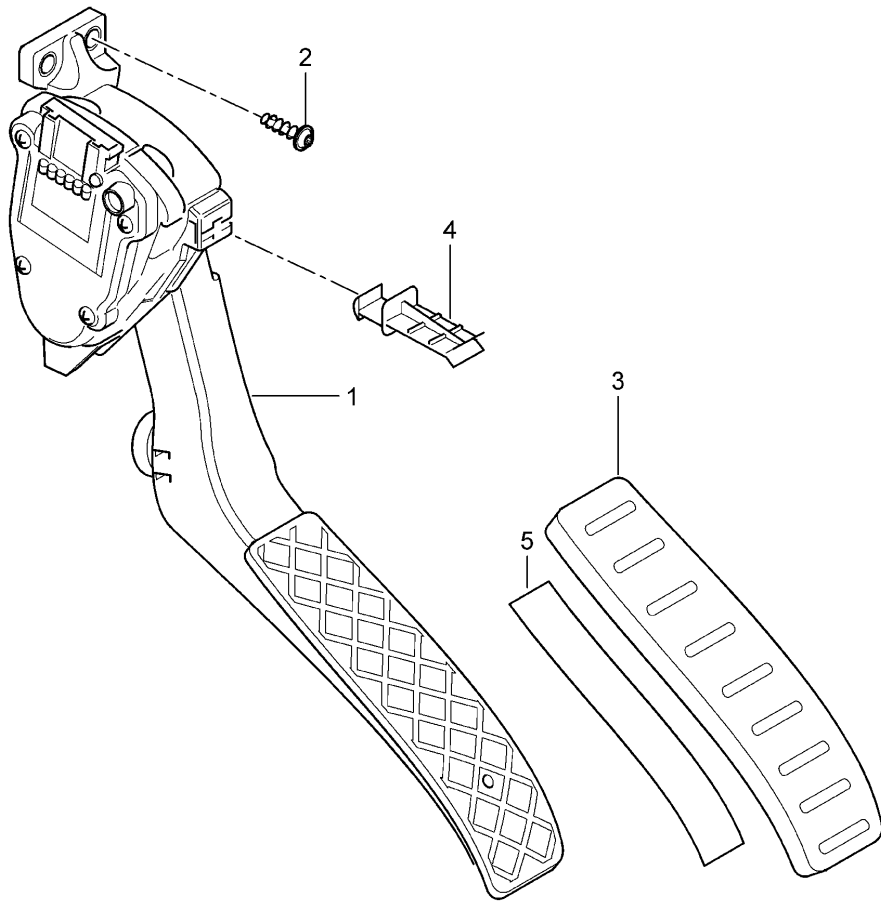
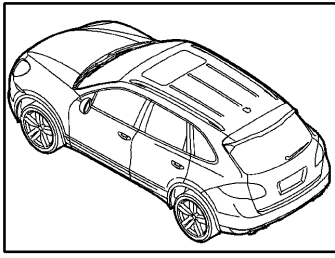
Model: 92A 11

Model life 2011>>

Pos	Part Number	Description	Remark	Qty	Model
		Pedals	-14		
		Accelerator control			
1	955 423 021 40	Accelerator control	/LL	1	IG0L/L0L
(1)	955 423 022 50	Accelerator control	/RL	1	IG0L/L0R
1	955 423 023 40	Accelerator control	/LL	1	IG1G/L0L
(1)	955 423 024 50	Accelerator control	/RL	1	IG1G/L0R
2	958 423 199 00	Mount		1	
3	955 423 210 00	Pedal cap		1	
(3)	955 423 210 10	Pedal cap		1	
4	955 573 317 00	Fastening angle		1	
5	9A7 723 880 00	Adhesive tape		1	
		Pedal cap			
		Accelerator control			

Model: 92A 11

Model life 2011>>



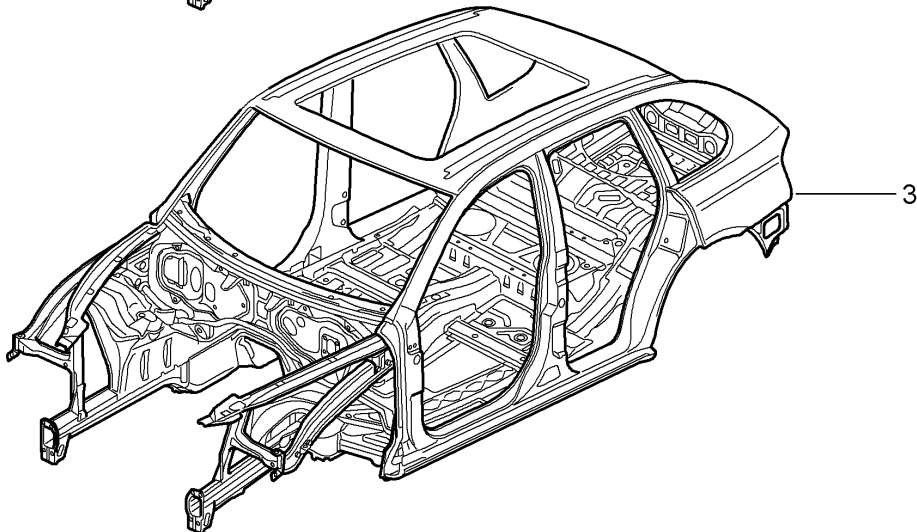
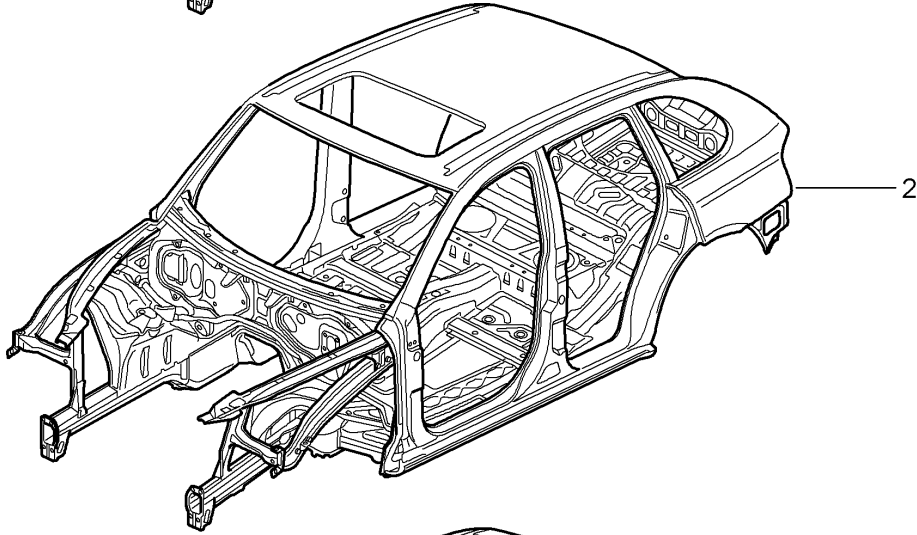
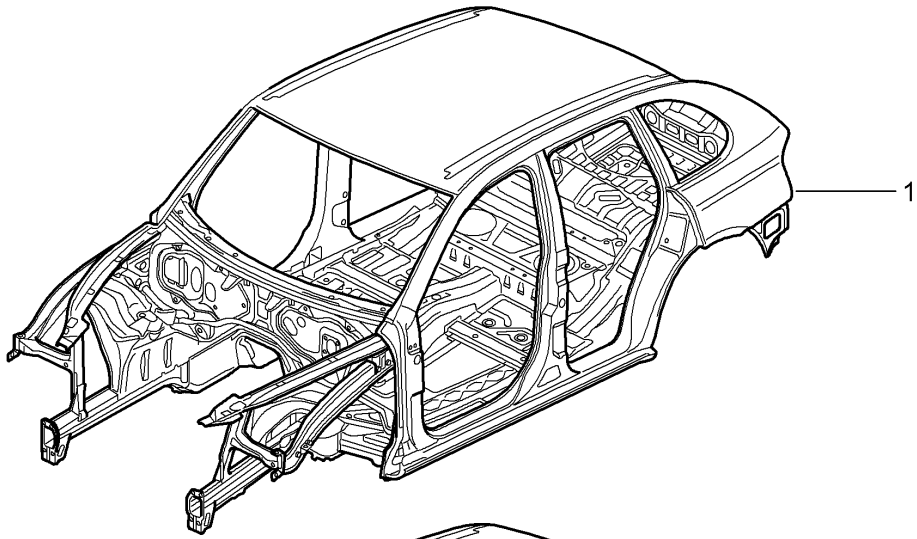
Model: 92A 11

Model life 2011>>

Pos	Part Number	Description	Remark	Qty	Model
		Pedals	15-		
		Accelerator control			
1	955 423 023 40	Accelerator control	/LL	1	IG1G/L0L
1	958 423 023 60	Accelerator control	/LL	1	IG1G/L0L/0K3
(1)	955 423 024 50	Accelerator control	/RL	1	IG1G/L0R
(1)	958 423 024 60	Accelerator control	/RL	1	IG1G/L0R/0K3
2	958 423 199 00	Mount		1	
		Accelerator control			
3	955 423 210 00	Pedal cap		1	IDD7/D1V/D34
(3)	955 423 210 10	Pedal cap		1	ID43/D50/D51
					IDD8/DT1/DU2
					ID11/D19
4	955 573 317 00	Fastening angle		1	
5	9A7 723 880 00	Adhesive tape		2	
		Pedal cap			
		Accelerator control			

Model: 92A 11

Model life 2011>>



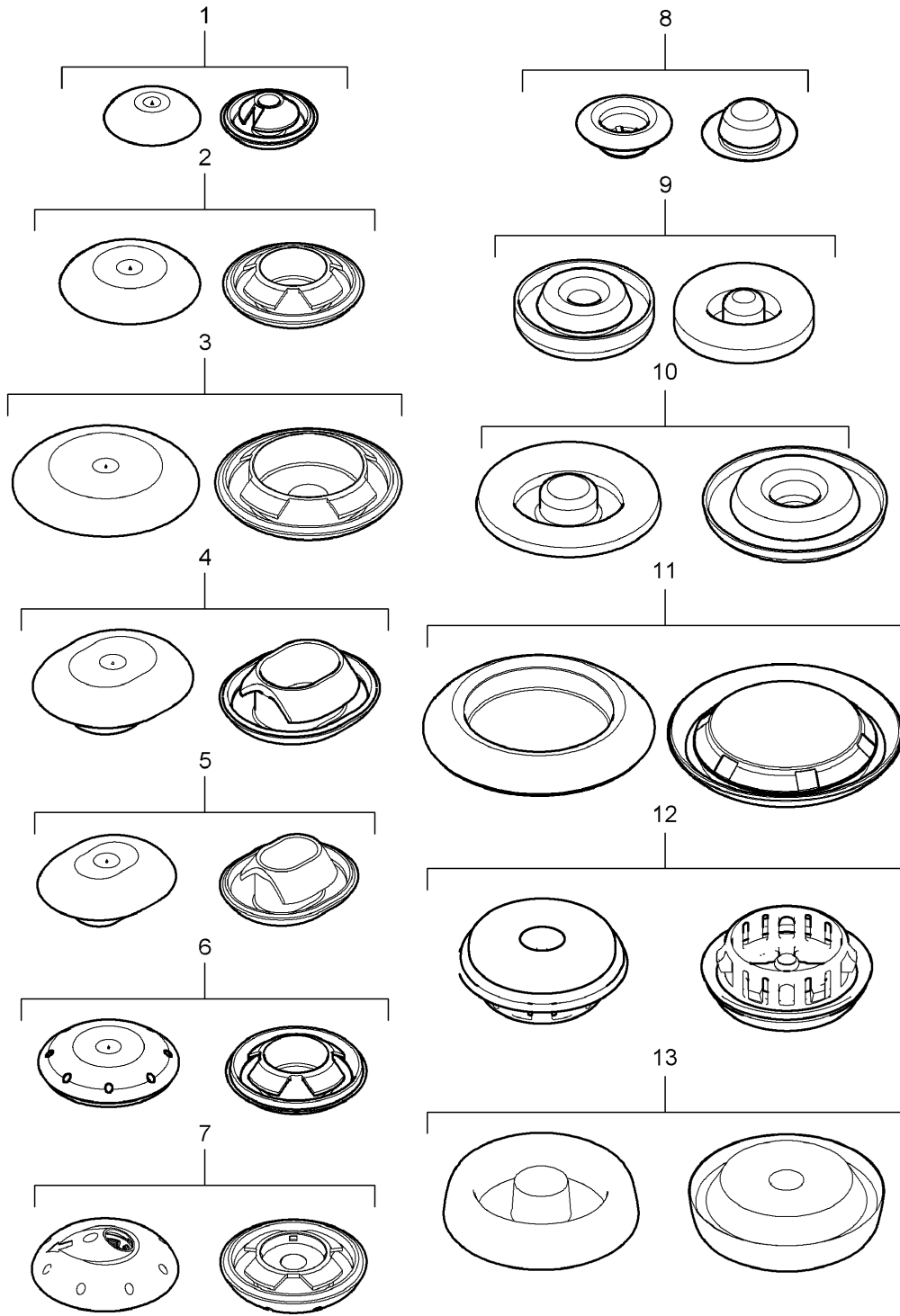
Model: 92A 11

Model life 2011>>

Pos	Part Number	Description	Remark	Qty	Model
		Body in white Prime coated Sealed with Underbody protection without Doors/lids/wings Bodyshells can only only available from current Model year available The data required for your order Can be found on the Vehicle data carrier Please indicate this data in your order			
A		Vehicle data carrier			
B		Vehicle Ident. No.			
C		Order type			
D		Country equipment			
E		Optional extras			
F		Additional applications			
1	958 500 900 00	Body in white		1	I0K0/3FA
	958 500 900 00 GRV	Prime coated			
(1)	958 500 910 00	Body in white		1	-I0K0/I3FA
	958 500 910 00 GRV	Prime coated			
2	958 500 900 01	Body in white		1	I0K0/3FE
	958 500 900 01 GRV	Prime coated			
(2)	958 500 910 01	Body in white		1	-I0K0/I3FE
	958 500 910 01 GRV	Prime coated			
3	958 500 900 02	Body in white		1	I0K0/3FU
	958 500 900 02 GRV	Prime coated			
(3)	958 500 910 02	Body in white		1	-I0K0/I3FU
	958 500 910 02 GRV	Prime coated			

Model: 92A 11

Model life 2011>>



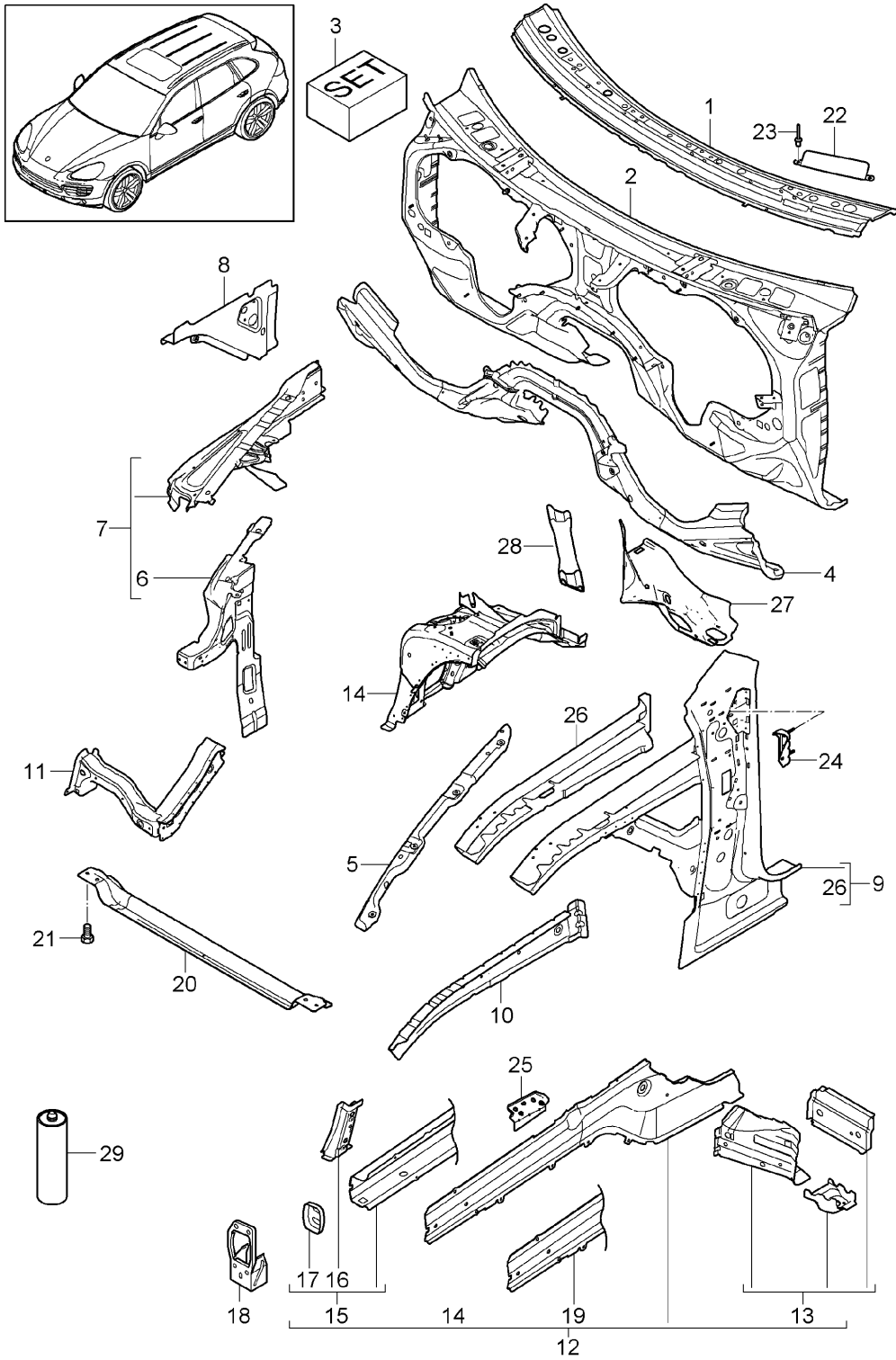
Model: 92A 11

Model life 2011>>

Pos	Part Number	Description	Remark	Qty	Model
1	955 504 281 00	Stopper		1	
2	955 504 182 00	Stopper 10 mm		1	
3	955 504 183 00	Stopper 20 mm		1	
4	955 504 184 00	Stopper 30 mm		1	
5	955 504 185 00	Stopper 20 x 25		1	
6	955 504 187 00	Stopper 15 x 20		1	
7	955 512 188 00	Stopper 20 mm		1	
8	999 703 462 40	Water drain valve 20 mm		1	
9	N 102 267 01	Lid 10 mm		1	
(9)	958 504 183 00	Stopper 20 mm		1	
10	N 102 265 01	Stopper 20 mm		1	
(10)	958 504 185 00	Stopper 30 mm		1	
11	955 511 196 00	Stopper 40 mm		1	
12	958 502 899 00	Stopper 15 mm		1	I0K3
13	N 102 460 01	Drain bush Stopper		1	I0K0

Model: 92A 11

Model life 2011>>



Model: 92A 11 Model life 2011>>

Pos	Part Number	Description	Remark	Qty	Model
		Body front section	-14		
		Single parts			
1	958 502 713 01	Cowl		1	
	958 502 713 01 GRV	Prime coated			
1	958 502 713 02	Cowl		1	
	958 502 713 02 GRV	Prime coated			
2	958 502 147 00	Firewall		1	
		Use also:			
		000.043.305.51		1	
		000.043.305.32		1	
	958 502 147 00 GRV	Prime coated			
3	000 043 206 82	Sealing compound		X	
		See technical manual			
4	958 502 469 00	Cross member		1	
	958 502 469 00 GRV	Prime coated			
5	958 501 551 00	Deformation element	/L -14	1	
	958 501 551 00 GRV	Prime coated			
(5)	958 501 552 00	Deformation element	/R -14	1	
	958 501 552 00 GRV	Prime coated			
6	958 502 991 00	Bracket	/L -14	1	
	958 502 991 00 GRV	Prime coated			
(6)	958 502 992 00	Bracket	/R -14	1	
	958 502 992 00 GRV	Prime coated			
7	958 502 091 00	Bracket	/L -14	1	
		Wing			
	958 502 091 00 GRV	Prime coated			
(7)	958 502 092 00	Bracket	/R -14	1	
		Wing			
	958 502 092 00 GRV	Prime coated			
8	958 501 029 00	Closing element	/L	1	
	958 501 029 00 GRV	Prime coated			
(8)	958 501 030 00	Closing element	/R	1	
	958 501 030 00 GRV	Prime coated			
9	958 501 191 00	A-pillar	/L	1	
		Use also:			
		000.043.305.51		1	
		000.043.305.32		1	
	958 501 191 00 GRV	Prime coated			
(9)	958 501 192 00	A-pillar	/R	1	
		Use also:			
		000.043.305.51		1	
		000.043.305.32		1	
	958 501 192 00 GRV	Prime coated			
10	958 501 161 00	Side member	/L	1	
		Use also:			
		000.043.305.51		1	
	958 501 161 00 GRV	Prime coated			
(10)	958 501 162 00	Side member	/R	1	
		Use also:			
		000.043.305.51		1	
	958 501 162 00 GRV	Prime coated			
11	958 501 457 00	Support	/L -14	1	
		Use also:			
		000.043.305.51		1	
	958 501 457 00 GRV	Prime coated			
(11)	958 501 458 00	Support	/R -14	1	
		Use also:			
		000.043.305.51		1	
	958 501 458 00 GRV	Prime coated			
12	958 501 991 00	Side member	/L	1	
		Use also:			
		000.043.305.51		1	
	958 501 991 00 GRV	Prime coated			

Model: 92A 11

Model life 2011>>

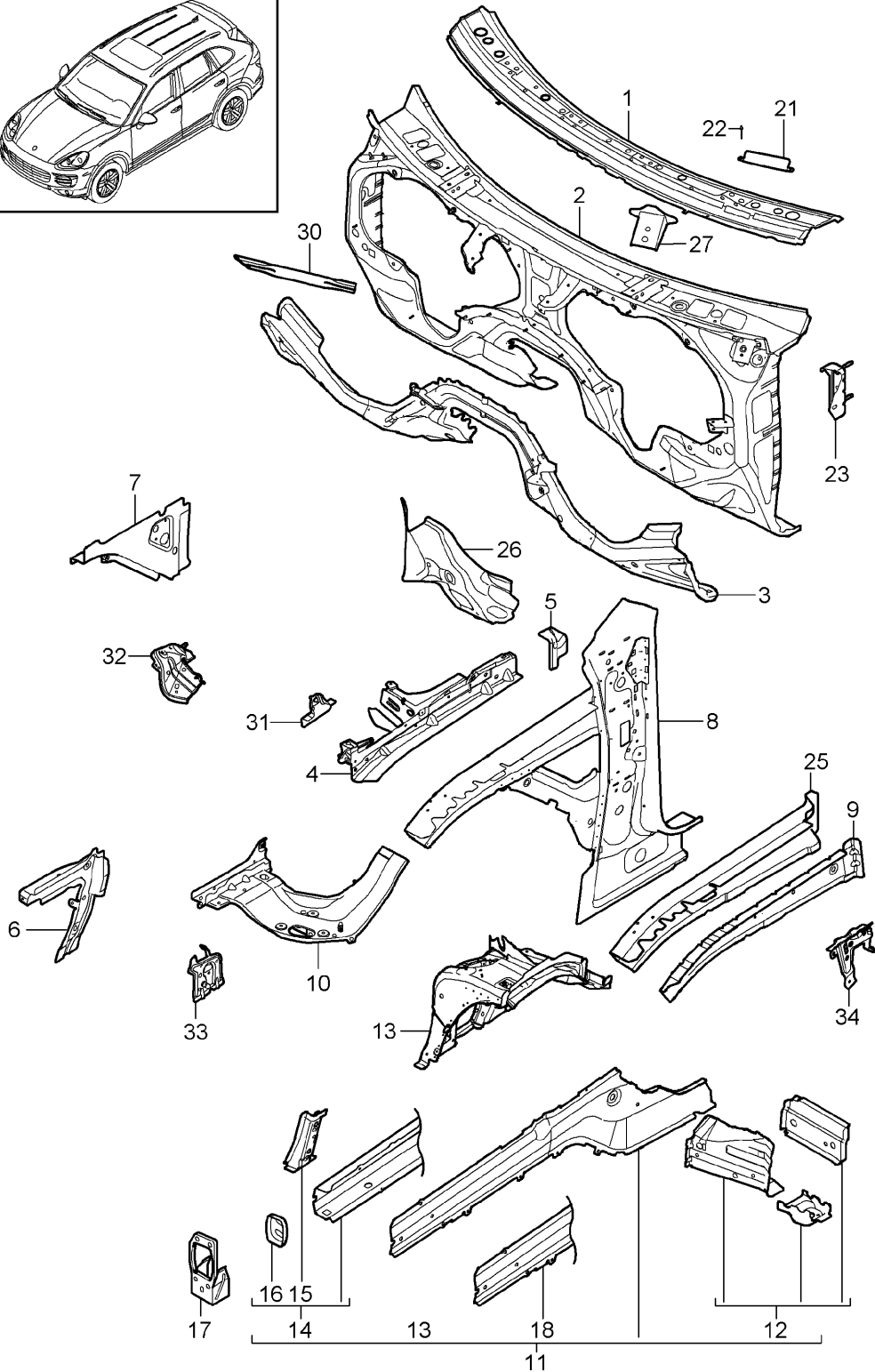
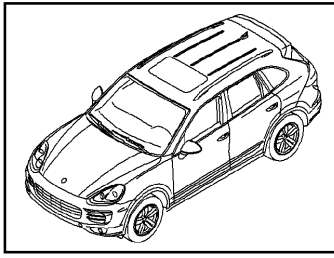
Pos	Part Number	Description	Remark	Qty	Model
(12)	958 501 992 00	Side member	/R	1	
		Use also:			
		000.043.305.51		1	
	958 501 992 00 GRV	Prime coated			
13	958 501 973 00	Gusset plate	/L	1	
		Use also:			
		000.043.305.51		1	
	958 501 973 00 GRV	Prime coated			
(13)	958 501 974 00	Gusset plate	/R	1	
		Use also:			
		000.043.305.51		1	
	958 501 974 00 GRV	Prime coated			
14	958 501 941 00	Mounting	/L	1	
		Use also:			
		000.043.305.51		1	
		000.043.305.32		1	
	958 501 941 00 GRV	Prime coated			
(14)	958 501 942 00	Mounting	/R	1	
		Use also:			
		000.043.305.51		1	
		000.043.305.32		1	
	958 501 942 00 GRV	Prime coated			
15	958 501 901 00	Side member	/L	1	
		Inner			
		Use also:			
		000.043.305.51		1	
		000.043.305.32		1	
	958 501 901 00 GRV	Prime coated			
(15)	958 501 902 00	Side member	/R	1	
		Inner			
		Use also:			
		000.043.305.51		1	
		000.043.305.32		1	
	958 501 902 00 GRV	Prime coated			
16	958 501 669 00	Bracket	/L	1	
	958 501 669 00 GRV	Prime coated			
(16)	958 501 670 00	Bracket	/R	1	
	958 501 670 00 GRV	Prime coated			
17	955 501 409 00	Separator	/L	1	
	955 501 409 00 GRV	Prime coated			
(17)	955 501 410 00	Separator	/R	1	
	955 501 410 00 GRV	Prime coated			
18	958 501 677 00	Mounting	/L	1	
		Use also:			
		000.043.305.51		1	
	958 501 677 00 GRV	Prime coated			
18	955 501 377 01	Mounting	/L	1	
		Use also:			
		000.043.305.51		1	
	955 501 377 01 GRV	Prime coated			
(18)	958 501 678 00	Mounting	/R	1	
		Use also:			
		000.043.305.51		1	
	958 501 678 00 GRV	Prime coated			
(18)	955 501 378 01	Mounting	/R	1	
		Use also:			
		000.043.305.51		1	
	955 501 378 01 GRV	Prime coated			
19	958 501 935 00	Side member	/L	1	
		Use also:			
		000.043.305.51		1	
	958 501 935 00 GRV	Prime coated			
(19)	958 501 936 00	Side member	/R	1	

Model: 92A 11 Model life 2011>>

Pos	Part Number	Description	Remark	Qty	Model
		Use also: 000.043.305.51		1	
20	958 501 936 00 GRV	Prime coated		1	
	958 505 549 00	Cross member		1	I1SB
	958 505 549 00 GRV	Prime coated			
21	N 106 531 02	Hexagon-head bolt M 8 X 20		4	I1SB
22	958 805 137 00	Support		1	
		Vehicle Ident. No.			
23	N 101 823 01	Blind rivet		2	
		Support			
		Vehicle Ident. No.			
24	958 501 447 00	Mounting	/L	1	
	958 501 447 00 GRV	Prime coated			
		Dashboard			
(24)	958 501 448 00	Mounting	/R	1	
	958 501 448 00 GRV	Prime coated			
		Dashboard			
25	958 501 769 00	Support		1	
	958 501 769 00 GRV	Prime coated			
26	958 501 133 00	Side member	/L	1	
		Upper			
		Inner			
		Use also: 000.043.305.51		1	
		000.043.305.32		1	
(26)	958 501 133 00 GRV	Prime coated			
	958 501 134 00	Side member	/R	1	
		Upper			
		Inner			
		Use also: 000.043.305.51		1	
		000.043.305.32		1	
	958 501 134 00 GRV	Prime coated			
27	958 501 621 00	Closing element	/L	1	
		Plenum panel			
	958 501 621 00 GRV	Prime coated			
(27)	958 501 622 00	Closing element	/R	1	
		Plenum panel			
	958 501 622 00 GRV	Prime coated			
28	958 501 451 00	Support	/L	1	
		Firewall			
		Spring strut			
	958 501 451 00 GRV	Prime coated			
(28)	958 501 452 00	Support	/R	1	
		Firewall			
		Spring strut			
	958 501 452 00 GRV	Prime coated			
29	000 043 204 85	Cavity preservation 400 ML		X	
-	000 043 207 60	Torx screw M6X20		X	

Model: 92A 11

Model life 2011>>



Model: 92A 11 Model life 2011>>

Pos	Part Number	Description	Remark	Qty	Model
		Body front section Single parts 2nd GENERATION	15-		
1	958 502 713 02	Cowl		1	
	958 502 713 02 GRV	Prime coated			
2	958 502 147 00	Firewall		1	
		Use also:			
		000.043.305.51		1	
		000.043.305.32		1	
	958 502 147 00 GRV	Prime coated			
-	000 043 206 82	Sealing compound		X	
		See technical manual			
3	958 502 469 00	Cross member		1	
		Use also:			
		000.043.305.51		1	
		000.043.305.32		1	
	958 502 469 00 GRV	Prime coated			
4	958 501 571 00	Connecting piece	/L	1	
		Use also:			
		000.043.305.51		1	
		000.043.305.32		1	
	958 501 571 00 GRV	Prime coated			
(4)	958 501 572 00	Connecting piece	/R	1	
		Use also:			
		000.043.305.51		1	
		000.043.305.32		1	
	958 501 572 00 GRV	Prime coated			
5	958 502 347 00	Connecting piece	/L	1	
		A-pillar			
	958 502 347 00 GRV	Prime coated			
(5)	958 502 348 00	Connecting piece	/R	1	
		A-pillar			
	958 502 348 00 GRV	Prime coated			
6	958 502 693 00	Reinforcement	/L	1	
		Bracket			
		Wing			
	958 502 693 00 GRV	Prime coated			
(6)	958 502 694 00	Reinforcement	/R	1	
		Bracket			
		Wing			
	958 502 694 00 GRV	Prime coated			
7	958 501 029 00	Closing element	/L	1	
		Use also:			
		000.043.305.51		1	
		000.043.305.32		1	
	958 501 029 00 GRV	Prime coated			
(7)	958 501 030 00	Closing element	/R	1	
		Use also:			
		000.043.305.51		1	
		000.043.305.32		1	
	958 501 030 00 GRV	Prime coated			
8	958 501 191 01	A-pillar	/L	1	
		Use also:			
		000.043.305.51		1	
		000.043.305.32		1	
	958 501 191 01 GRV	Prime coated			
(8)	958 501 192 00	A-pillar	/R	1	
		Use also:			
		000.043.305.51		1	
		000.043.305.32		1	
	958 501 192 00 GRV	Prime coated			
9	958 501 161 00	Side member	/L	1	
		Use also:			

Model: 92A 11 Model life 2011>>

Pos	Part Number	Description	Remark	Qty	Model
		000.043.305.51		1	
		000.043.305.32		1	
(9)	958 501 161 00 GRV	Prime coated			
	958 501 162 00	Side member	/R	1	
		Use also:			
		000.043.305.51		1	
		000.043.305.32		1	
10	958 501 162 00 GRV	Prime coated			
	958 501 071 00	Bracket	/L	1	
		Headlamp			
		Use also:			
		000.043.305.51		1	
		000.043.305.32		1	
(10)	958 501 071 00 GRV	Prime coated			
	958 501 072 00	Bracket	/R	1	
		Headlamp			
		Use also:			
		000.043.305.51		1	
		000.043.305.32		1	
11	958 501 072 00 GRV	Prime coated			
	958 501 991 00	Side member	/L	1	
		Use also:			
		000.043.305.51		1	
		000.043.305.32		1	
(11)	958 501 991 00 GRV	Prime coated			
	958 501 992 00	Side member	/R	1	
		Use also:			
		000.043.305.51		1	
		000.043.305.32		1	
12	958 501 992 00 GRV	Prime coated			
	958 501 973 00	Gusset plate	/L	1	
		Use also:			
		000.043.305.51		1	
		000.043.305.32		1	
(12)	958 501 973 00 GRV	Prime coated			
	958 501 974 00	Gusset plate	/R	1	
		Use also:			
		000.043.305.51		1	
		000.043.305.32		1	
13	958 501 974 00 GRV	Prime coated			
	958 501 941 00	Mounting	/L	1	
		Use also:			
		000.043.305.51		1	
		000.043.305.32		1	
(13)	958 501 941 00 GRV	Prime coated			
	958 501 942 00	Mounting	/R	1	
		Use also:			
		000.043.305.51		1	
		000.043.305.32		1	
14	958 501 942 00 GRV	Prime coated			
	958 501 901 00	Side member	/L	1	
		Use also:			
		000.043.305.51		1	
		000.043.305.32		1	
(14)	958 501 901 00 GRV	Prime coated			
		Inner			
	958 501 902 01	Side member	/R	1	
		Use also:			
		000.043.305.51		1	
		000.043.305.32		1	
15	958 501 902 01 GRV	Prime coated			
		Inner			
	958 501 669 00	Bracket	/L	1	

Model: 92A 11 Model life 2011>>

Pos	Part Number	Description	Remark	Qty	Model
(15)	958 501 669 00 GRV	Prime coated			
	958 501 670 00	Bracket	/R	1	
	958 501 670 00 GRV	Prime coated			
16	955 501 409 00	Separator	/L	1	
		Use also:			
		000.043.305.51		1	
	955 501 409 00 GRV	Prime coated			
(16)	955 501 410 00	Separator	/R	1	
		Use also:			
		000.043.305.51		1	
	955 501 410 00 GRV	Prime coated			
17	955 501 377 01	Mounting	/L	1	
		Use also:			
		000.043.305.51		1	
	955 501 377 01 GRV	Prime coated			
(17)	955 501 378 01	Mounting	/R	1	
		Use also:			
		000.043.305.51		1	
	955 501 378 01 GRV	Prime coated			
18	958 501 935 00	Side member	/L	1	
		Use also:			
		000.043.305.51		1	
		000.043.305.32		1	
	958 501 935 00 GRV	Prime coated			
(18)	958 501 936 00	Side member	/R	1	
		Use also:			
		000.043.305.51		1	
		000.043.305.32		1	
	958 501 936 00 GRV	Prime coated			
-	000 043 207 60	Torx screw		X	
		M6X20			
21	958 805 137 00	Support		1	
22	N 101 823 01	Vehicle Ident. No. Blind rivet		2	
		Support			
		Vehicle Ident. No.			
-	000 043 204 85	Cavity preservation		X	
		400 ML			
23	958 501 447 00	Mounting	/L	1	
	958 501 447 00 GRV	Prime coated			
(23)	958 501 448 00	Dashboard	/R	1	
	958 501 448 00 GRV	Prime coated			
25	958 501 133 00	Dashboard	/L	1	
		Side member			
		Upper			
		Inner			
		Use also:			
		000.043.305.51		1	
	958 501 133 00 GRV	Prime coated			
(25)	958 501 134 00	Side member	/R	1	
		Upper			
		Inner			
		Use also:			
		000.043.305.51		1	
	958 501 134 00 GRV	Prime coated			
26	958 501 621 00	Closing element	/L	1	
		Plenum panel			
		Use also:			
		000.043.305.51		1	
	958 501 621 00 GRV	Prime coated			
(26)	958 501 622 00	Closing element	/R	1	
		Plenum panel			

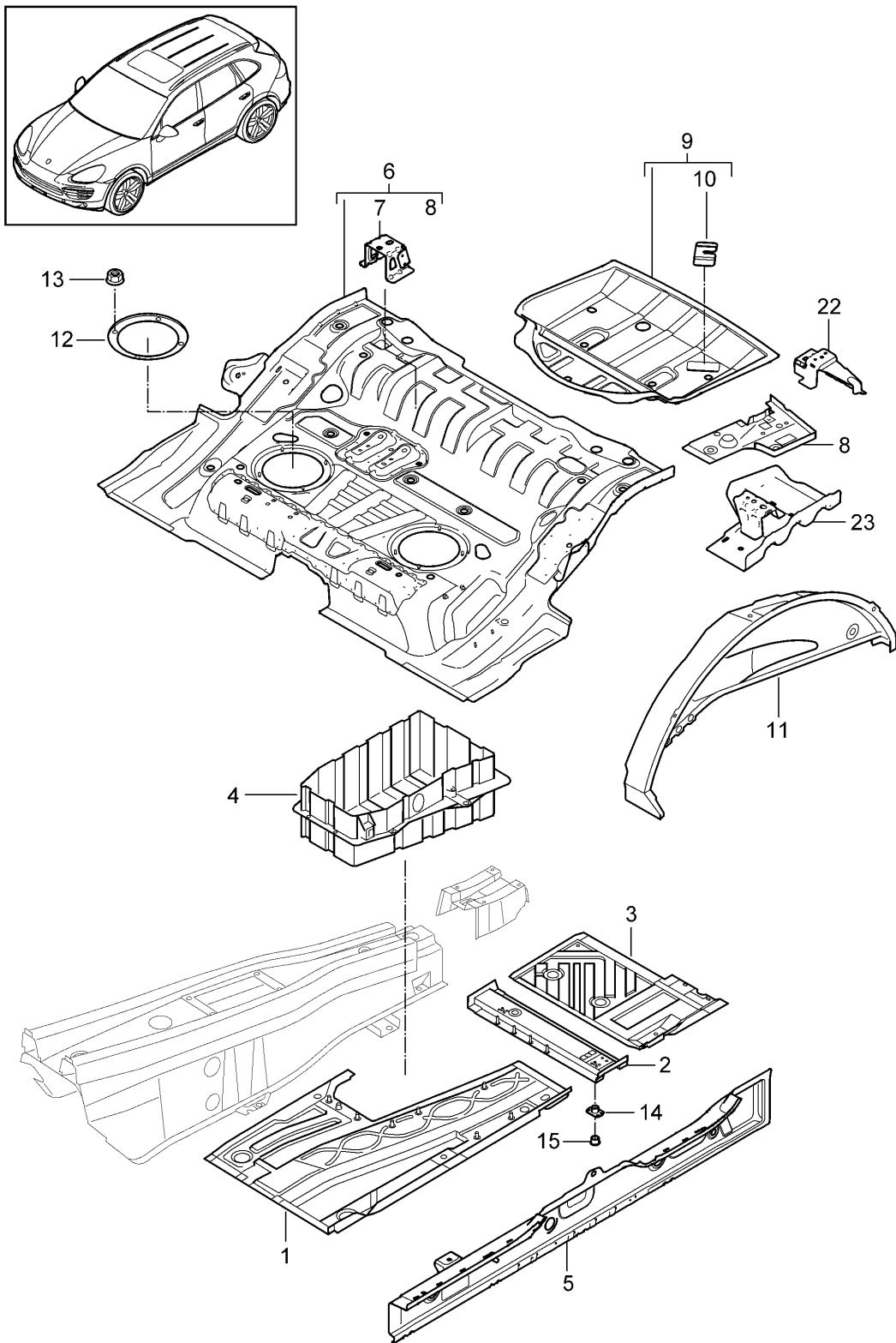
Model: 92A 11

Model life 2011>>

Pos	Part Number	Description	Remark	Qty	Model
		Use also: 000.043.305.51		1	
27	958 501 622 00 GRV	Prime coated		1	
	958 501 323 00	Support		1	
		Windscreen wiper system			
30	958 501 323 00 GRV	Prime coated		1	
	958 501 451 00	Support	/L	1	
		Firewall			
		Spring strut			
(30)	958 501 451 00 GRV	Prime coated		1	
	958 501 452 00	Support	/R	1	
		Firewall			
		Spring strut			
31	958 501 452 00 GRV	Prime coated		1	
	958 501 081 00	Bracket		1	
	958 501 081 00 GRV	Prime coated		1	
32	958 501 692 00	Support		1	I0K3
		Power electronics			
		Upper			
33	958 501 692 00 GRV	Prime coated		1	I0K3
	958 501 691 00	Support		1	I0K3
		Power electronics			
		Lower			
34	958 501 691 00 GRV	Prime coated		1	I0K3
	958 501 327 00	Support		1	I0K3
		Power electronics			
40	958 501 327 00 GRV	Prime coated		3	I0K3
	N 911 998 01	Blind rivet screw			
		M8			
41	958 502 775 00	Closing element	/L	1	
		Bracket			
(41)	958 502 775 00 GRV	Prime coated		1	
	958 502 776 00	Closing element	/L	1	
		Bracket			
	958 502 776 00 GRV	Prime coated			

Model: 92A 11

Model life 2011>>



Model: 92A 11 Model life 2011>>

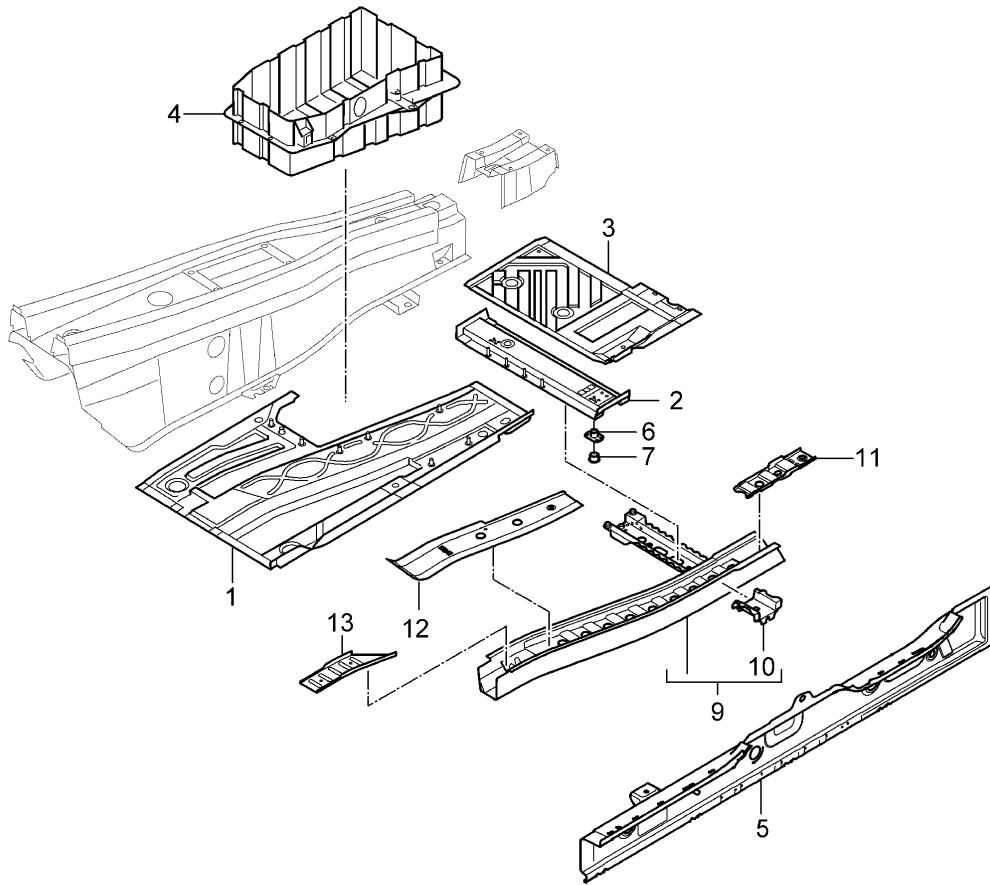
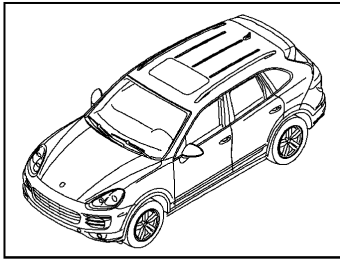
Pos	Part Number	Description	Remark	Qty	Model
1	958 502 015 00	Floor Floorpan	/L /V	1	
		Use also: 000.043.305.32		1	
(1)	958 502 015 00 GRV	Prime coated			
	958 502 016 00	Floorpan	/R /V	1	
		Use also: 000.043.305.32		1	
	958 502 016 00 GRV	Prime coated			
2	958 502 301 00	Cross member	/L	1	
		Seat			
		Use also: 000.043.305.51		1	
(2)	958 502 301 00 GRV	Prime coated			
	958 502 302 00	Cross member	/R	1	
		Seat			
		Use also: 000.043.305.51		1	
	958 502 302 00 GRV	Prime coated			
3	958 502 205 00	Floorpan	/L /H	1	
		Use also: 000.043.305.32		1	
(3)	958 502 205 00 GRV	Prime coated			
	958 502 206 00	Floorpan	/R /H	1	
		Use also: 000.043.305.32		1	
	958 502 206 00 GRV	Prime coated			
4		Battery box		1	
		See group			
		9/02/05			
5	958 502 751 00	Door sill	/L	1	
		Use also: 000.043.305.32		1	
(5)	958 502 751 00 GRV	Prime coated			
	958 502 752 00	Door sill	/R	1	
		Use also: 000.043.305.32		1	
	958 502 752 00 GRV	Prime coated			
-	955 504 187 00	Stopper		X	
		20 MM			
6	958 501 011 00	Floorpan		1	
		Use also: 000.043.305.51		1	
		000.043.305.32		1	
7	958 501 011 00 GRV	Prime coated			
	958 502 755 00	Support		1	
	958 502 755 00 GRV	Prime coated			
8	958 501 569 00	Floor section	/L	1	
		Use also: 000.043.305.32		1	
(8)	958 501 569 00 GRV	Prime coated			
	958 501 570 00	Floor section	/R	1	
		Use also: 000.043.305.32		1	
	958 501 570 00 GRV	Prime coated			
9	958 501 261 00	Spare-wheel well		1	I1E0/1E1
	958 501 261 00 GRV	Prime coated			
(9)	958 501 261 01	Spare-wheel well		1	I1E9
	958 501 261 01 GRV	Prime coated			
10	958 502 717 00	Support		1	
	958 502 717 00 GRV	Prime coated			
11	958 502 425 00	Wheel housing	/L	1	
	958 502 425 00 GRV	Prime coated			

Model: 92A 11 Model life 2011>>

Pos	Part Number	Description	Remark	Qty	Model
(11)	958 502 426 00	Wheel housing	/R	1	
	958 502 426 00 GRV	Prime coated			
-	000 043 204 85	Cavity preservation 400 ML		X	
12	955 501 959 01	Lid Sender Fuel tank		2	
13	N 015 082 10	Hexagon nut M 6		8	
14	N 011 413 4	Speed nut M 10		X	
15	955 504 183 00	Stopper 30		X	
22	958 502 232 00	Support	/R	1	
	958 502 232 00 GRV	Prime coated			
(22)	958 502 231 00	Support	/L	1	
	958 502 231 00 GRV	Prime coated			
23	958 502 170 00	Reinforcement plate Wheel housing Left	/R	1	
	958 502 170 00 GRV	Prime coated			
(23)	958 502 169 00	Reinforcement plate Wheel housing Right	/L	1	
	958 502 169 00 GRV	Prime coated			

Model: 92A 11

Model life 2011>>



Model: 92A 11 Model life 2011>>

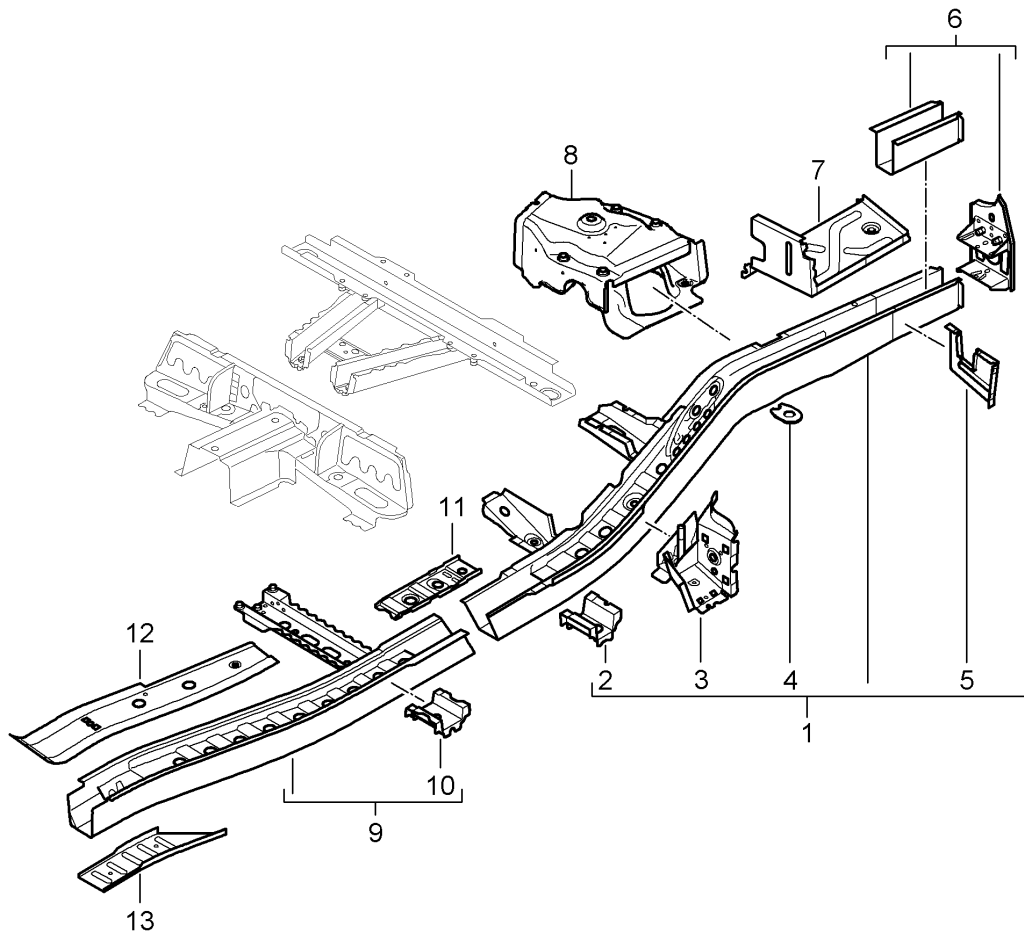
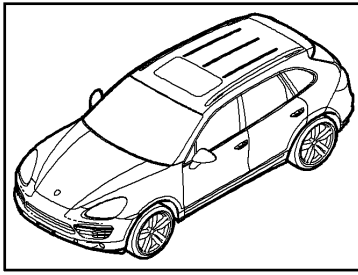
Pos	Part Number	Description	Remark	Qty	Model
1	958 502 015 01	Floor Centre Floorpan	15- /L /V	1	
(1)	958 502 015 01 GRV	Prime coated			
	958 502 016 01	Floorpan	/R /V	1	
	958 502 016 01 GRV	Prime coated			
2	958 502 301 00	Cross member Seat	/L	1	
(2)	958 502 301 00 GRV	Prime coated			
	958 502 302 01	Cross member Seat	/R	1	
	958 502 302 01 GRV	Prime coated			
3	958 502 205 00	Floorpan	/L /H	1	
	958 502 205 00 GRV	Prime coated			
(3)	958 502 206 00	Floorpan	/R /H	1	
	958 502 206 00 GRV	Prime coated			
4		Battery box See group 9/02/05		1	
5	958 502 751 00	Door sill Use also: 000.043.305.51 000.043.305.32	/L	1	
	958 502 751 00 GRV	Prime coated		1	
(5)	958 502 752 00	Door sill Use also: 000.043.305.51 000.043.305.32	/R	1	
	958 502 752 00 GRV	Prime coated		1	
-	955 504 187 00	Stopper 20 MM		X	
6	N 011 413 4	Speed nut M 10		X	
7	955 504 183 00	Stopper 30		X	
-	000 043 204 85	Cavity preservation 400 ML		X	
9	958 501 019 00	Side member Centre Use also: 000.043.305.51 000.043.305.32	/L	1	
	958 501 019 00 GRV	Prime coated		1	
(9)	958 501 020 00	Side member Centre Use also: 000.043.305.51 000.043.305.32	/R	1	
	958 501 020 00 GRV	Prime coated		1	
10	958 501 757 00	Extension Cross member Seat Use also: 000.043.305.51 000.043.305.32	/L	1	
	958 501 757 00 GRV	Prime coated		1	
(10)	958 501 758 00	Extension Cross member Seat Use also: 000.043.305.51 000.043.305.32	/R	1	
	958 501 758 00 GRV	Prime coated		1	

Model: 92A 11 Model life 2011>>

Pos	Part Number	Description	Remark	Qty	Model
11	958 502 699 01	Reinforcement Side member Use also: 000.043.305.51 000.043.305.32	/L	1	
(11)	958 502 699 01 GRV	Prime coated		1	
	958 502 700 00	Reinforcement Side member	/R	1	
	958 502 700 00 GRV	Prime coated Use also: 000.043.305.51 000.043.305.32		1	
12	958 502 075 00	Reinforcement Floor Use also: 000.043.305.51 000.043.305.32	/L	1	
(12)	958 502 075 00 GRV	Prime coated		1	
	958 502 076 00	Reinforcement Floor Use also: 000.043.305.51 000.043.305.32	/R	1	
	958 502 076 00 GRV	Prime coated		1	
13	958 502 871 00	Reinforcement Side member Use also: 000.043.305.51 000.043.305.32	/L	1	
(13)	958 502 871 00 GRV	Prime coated		1	
	958 502 872 00	Reinforcement Side member Use also: 000.043.305.51 000.043.305.32	/R	1	
	958 502 872 00 GRV	Prime coated		1	

Model: 92A 11

Model life 2011>>



Model: 92A 11 Model life 2011>>

Pos	Part Number	Description	Remark	Qty	Model
1	958 501 401 00	Frame Side member	/L	1	
		Use also:			
		000.043.305.51		1	
		000.043.305.32		1	
(1)	958 501 401 00 GRV	Prime coated			
	958 501 402 00	Side member	/R	1	
		Use also:			
		000.043.305.51		1	
		000.043.305.32		1	
	958 501 402 00 GRV	Prime coated			
2	958 501 227 00	Mounting	/L	1	
(2)	958 501 227 00 GRV	Prime coated			
	958 501 228 00	Mounting	/R	1	
	958 501 228 00 GRV	Prime coated			
3	958 501 717 00	Closing element	/L	1	
(3)	958 501 717 00 GRV	Prime coated			
	958 501 718 00	Closing element	/R	1	
	958 501 718 00 GRV	Prime coated			
4	958 501 851 00	Support		2	
	958 501 851 00 GRV	Prime coated			
5	958 501 537 00	Brake line Closing element	/L	1	
(5)	958 501 537 00 GRV	Prime coated			
	958 501 538 00	Closing element	/R	1	
	958 501 538 00 GRV	Prime coated			
6	958 501 933 00	Side member	/L	1	
(6)	958 501 933 00 GRV	Prime coated			
	958 501 934 00	Side member	/R	1	
	958 501 934 00 GRV	Prime coated			
7	958 501 091 00	Floor section	/L	1	
(7)	958 501 091 00 GRV	Prime coated			
	958 501 092 00	Floor section	/R	1	
	958 501 092 00 GRV	Prime coated			
8	958 501 623 00	Cross member	/L	1	
(8)	958 501 623 00 GRV	Prime coated			
		Rear axle Outer			
	958 501 624 00	Cross member	/R	1	
	958 501 624 00 GRV	Prime coated			
		Rear axle Outer			
9	958 501 019 01	Side member	/L	1	
(9)		Use also:			
		000.043.305.51		1	
		000.043.305.32		1	
	958 501 019 01 GRV	Prime coated			
	958 501 020 00	Side member	/R	1	
		Use also:			
		000.043.305.51		1	
		000.043.305.32		1	
	958 501 020 00 GRV	Prime coated			
10	955 501 757 00	Extension		2	
	955 501 757 00 GRV	Prime coated			
11	958 502 699 01	Reinforcement		2	
	958 502 699 01 GRV	Prime coated			
12	958 502 075 00	Reinforcement	/L	1	
(12)	958 502 075 00 GRV	Prime coated			
	958 502 076 00	Reinforcement	/R	1	
	958 502 076 00 GRV	Prime coated			
13	958 502 871 00	Reinforcement	/L	1	
(13)	958 502 871 00 GRV	Prime coated			
	958 502 872 00	Reinforcement	/R	1	

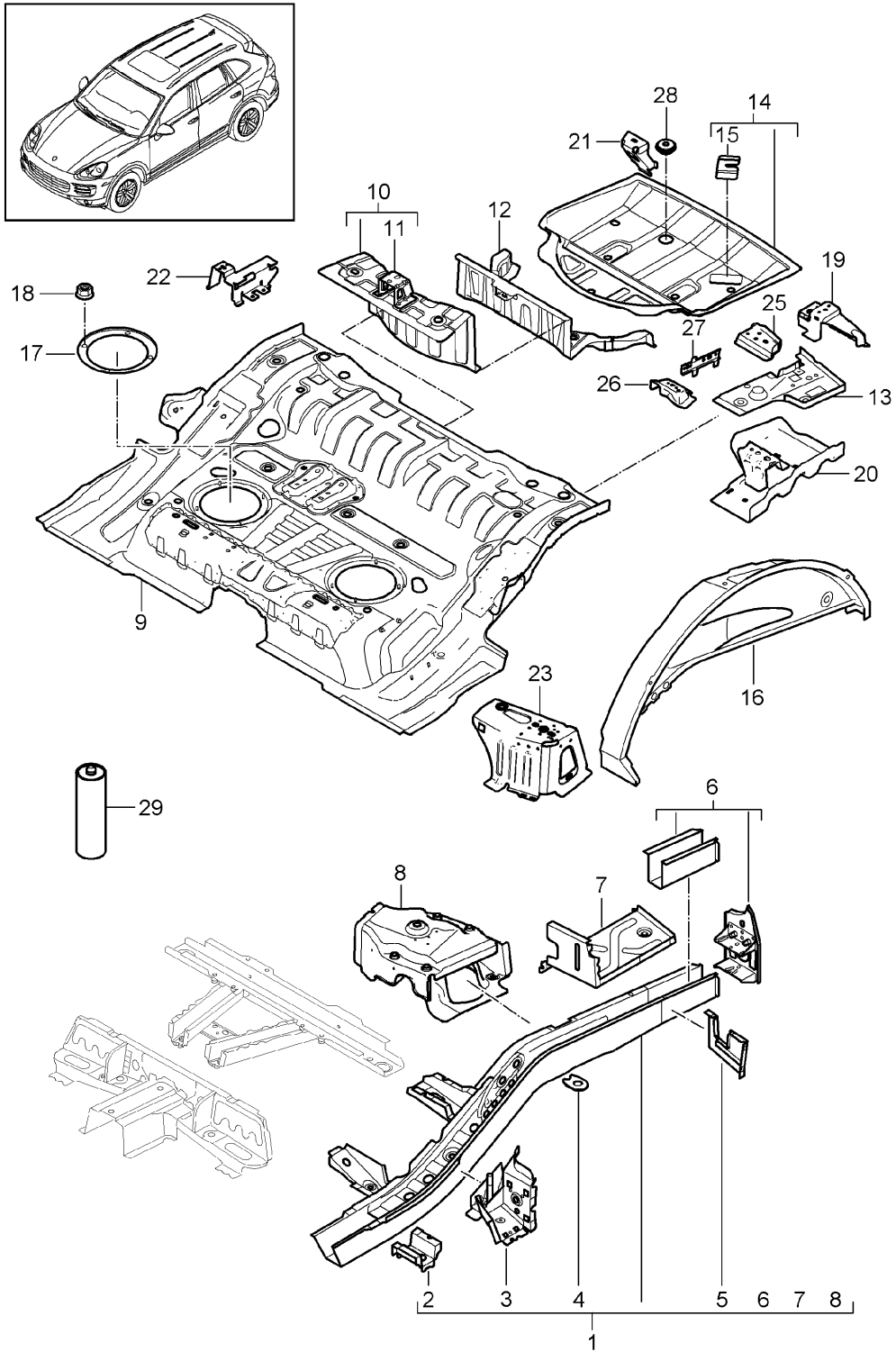
Model: 92A 11

Model life 2011>>

Pos	Part Number	Description	Remark	Qty	Model
-	958 502 872 00 GRV 000 043 204 85	Prime coated Cavity preservation 400 ML		X	

Model: 92A 11

Model life 2011>>



Model: 92A 11 Model life 2011>>

Pos	Part Number	Description	Remark	Qty	Model
1	958 501 401 01	Rear end Side member Use also: 000.043.305.51 000.043.305.32	15- /L	1 1 1	
(1)	958 501 401 01 GRV	Prime coated		1	
	958 501 402 00	Side member Use also: 000.043.305.51 000.043.305.32	/R	1 1 1	
	958 501 402 00 GRV	Prime coated		1	
2	958 501 227 00	Mounting	/L	1	
	958 501 227 00 GRV	Prime coated		1	
(2)	958 501 228 00	Mounting	/R	1	
	958 501 228 00 GRV	Prime coated		1	
3	958 501 717 00	Closing element	/L	1	
	958 501 717 00 GRV	Prime coated		1	
(3)	958 501 718 00	Closing element	/R	1	
	958 501 718 00 GRV	Prime coated		1	
4	958 501 851 00	Support Brake line		2	
	958 501 851 00 GRV	Prime coated		1	
(5)	955 501 537 01	Closing element Side member	/L	1	
	955 501 537 01 GRV	Prime coated		1	
(5)	955 501 538 01	Closing element Side member	/R	1	
	955 501 538 01 GRV	Prime coated		1	
6	958 501 933 00	Side member Sub-part	/L	1	
	958 501 933 00 GRV	Prime coated		1	
(6)	958 501 934 00	Side member Sub-part	/R	1	
	958 501 934 00 GRV	Prime coated		1	
7	958 501 091 01	Floor section Lateral	/L	1	
	958 501 091 01 GRV	Prime coated		1	
(7)	958 501 092 00	Floor section Lateral	/R	1	
	958 501 092 00 GRV	Prime coated		1	
8	958 501 623 00	Cross member Rear axle Outer	/L	1	
	958 501 623 00 GRV	Prime coated		1	
(8)	958 501 624 00	Cross member Rear axle Outer	/R	1	
	958 501 624 00 GRV	Prime coated		1	
9	958 501 011 00	Floorpan Rear Use also: 000.043.305.51 000.043.305.32		1 1 1 1	
	958 501 011 00 GRV	Prime coated		1	
10	958 502 525 00	Cross member Rear axle Upper		1	
	958 502 525 00 GRV	Prime coated		1	
11	958 502 755 00	Support		1	
	958 502 755 00 GRV	Prime coated		1	
12	958 502 518 00	Cross member Rear axle Lower		1	

Model: 92A 11 Model life 2011>>

Pos	Part Number	Description	Remark	Qty	Model
13	958 502 518 00 GRV	Prime coated			
	958 501 569 00	Floor section	/L	1	
(13)	958 501 569 00 GRV	Prime coated			
	958 501 570 00	Floor section	/R	1	
	958 501 570 00 GRV	Prime coated			
14	958 501 261 00	Spare-wheel well		1	I1E0/1E1
	958 501 261 00 GRV	Prime coated			
14	958 501 261 05	Spare-wheel well		1	I1E0/1E1
	958 501 261 05 GRV	Prime coated			
(14)	958 501 261 01	Spare-wheel well		1	I1E9
	958 501 261 01 GRV	Prime coated			
15	958 502 717 00	Support		1	I1E0/1E1
	958 502 717 00 GRV	Prime coated			
16	958 502 425 01	Wheel housing	/L	1	
	958 502 425 01 GRV	Prime coated			
(16)	958 502 426 00	Wheel housing	/R	1	
	958 502 426 00 GRV	Prime coated			
17	955 501 959 01	Lid		2	
		Sender			
		Fuel tank			
18	N 015 082 10	Hexagon nut		8	
		M 6			
19	958 502 231 00	Support	/L	1	
	958 502 231 00 GRV	Prime coated			
(19)	958 502 232 00	Support	/R	1	
	958 502 232 00 GRV	Prime coated			
20	958 502 169 00	Reinforcement plate	/L	1	
		Wheel housing			
		Right			
	958 502 169 00 GRV	Prime coated			
(20)	958 502 170 00	Reinforcement plate	/R	1	
		Wheel housing			
		Left			
	958 502 170 00 GRV	Prime coated			
21	958 502 385 00	Support		1	I3F4
		Spare wheel			
		Front			
	958 502 385 00 GRV	Prime coated			
22	958 502 386 00	Support		1	
		Spare wheel			
		Rear			
	958 502 386 00 GRV	Prime coated			
23	958 502 381 00	Bracket	/L	1	
		Seat			
		Rear			
	958 502 381 00 GRV	Prime coated			
(23)	958 502 382 00	Bracket	/R	1	
		Seat			
		Rear			
	958 502 382 00 GRV	Prime coated			
25	958 502 331 10	Bracket	/L 15-	1	I0K3
		Rear			
	958 502 331 10 GRV	Prime coated			
(25)	958 502 332 10	Bracket	/R 15-	1	I0K3
		Rear			
	958 502 332 10 GRV	Prime coated			
26	958 502 231 10	Bracket	/L 15-	1	I0K3
		Rear			
	958 502 231 10 GRV	Prime coated			
(26)	958 502 232 10	Bracket	/R 15-	1	I0K3
		Rear			
	958 502 232 10 GRV	Prime coated			
27	958 502 799 00	Support	15-	1	I0K3

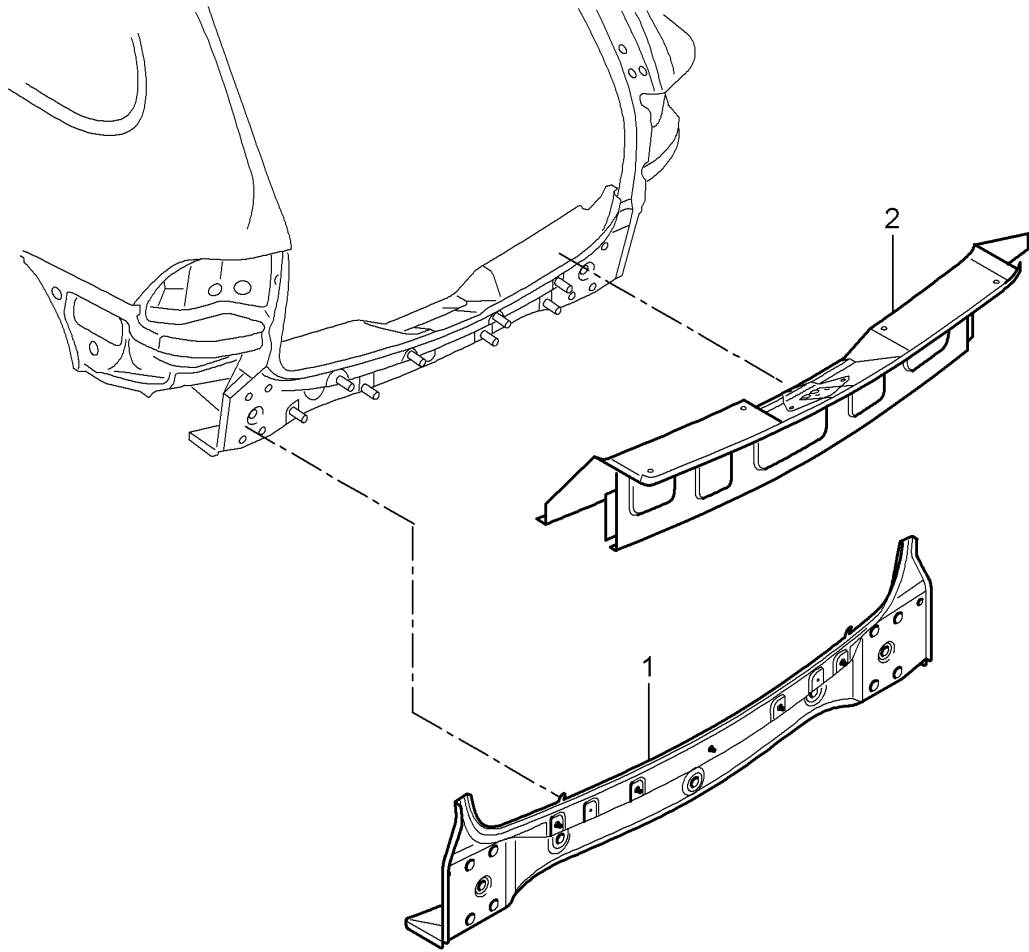
Model: 92A 11

Model life 2011>>

Pos	Part Number	Description	Remark	Qty	Model
28	958 502 799 00 GRV	High voltage Prime coated		1	I0K3
	958 502 899 00	Drain bush			
(28)	N 102 460 01	Spare-wheel well Stopper		1	I0K0
		Spare-wheel well			
29	000 043 204 85	Cavity preservation 400 ML		X	

Model: 92A 11

Model life 2011>>



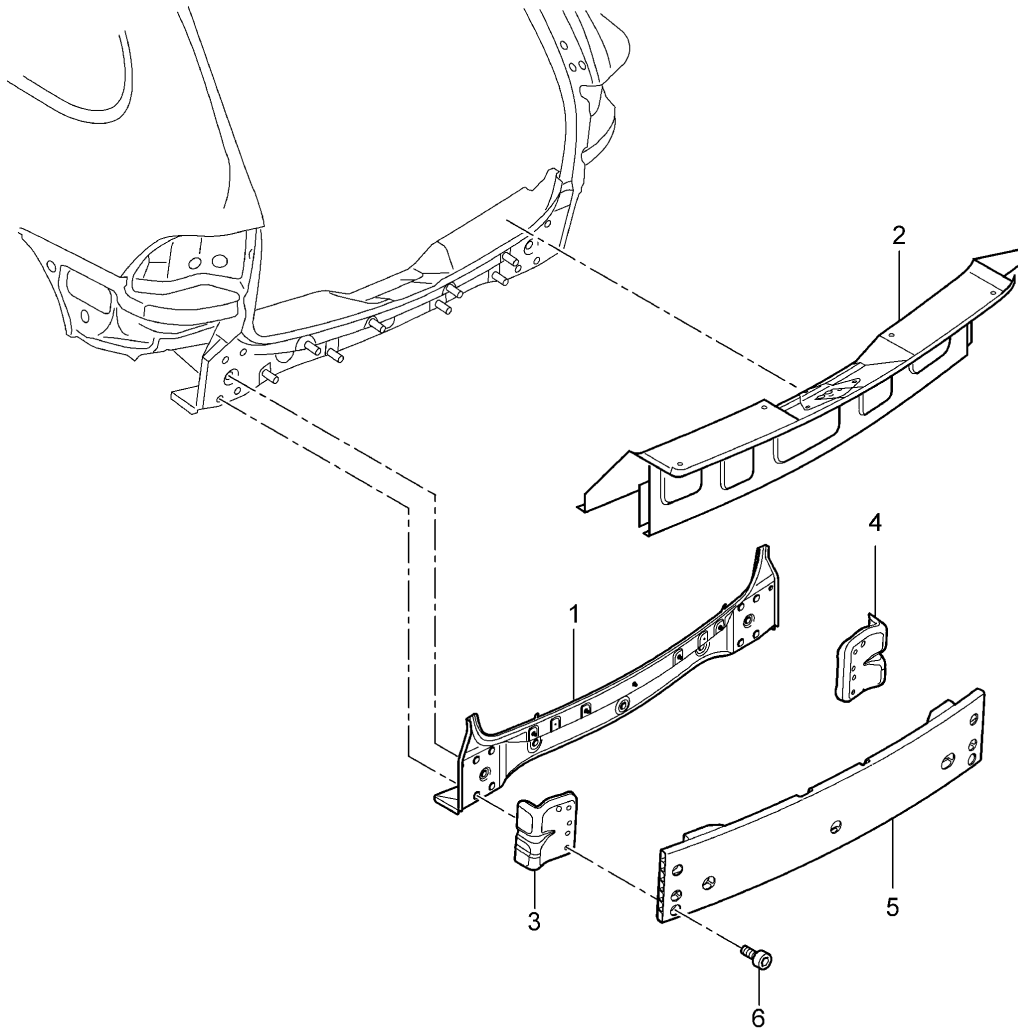
Model: 92A 11

Model life 2011>>

Pos	Part Number	Description	Remark	Qty	Model
1	958 501 303 00	Rear end		1	
	958 501 303 00 GRV	Terminal piece			
		Prime coated			
-	N 909 760 02	Weld screw		X	
		M 6 X 16			
-	N 900 684 01	Weld screw		X	
		T5 X 14,2			
2	958 501 311 00	Lock carrier		1	
	958 501 311 00 GRV	Prime coated			
-	000 043 204 85	Cavity preservation		X	
		400 ML			

Model: 92A 11

Model life 2011>>



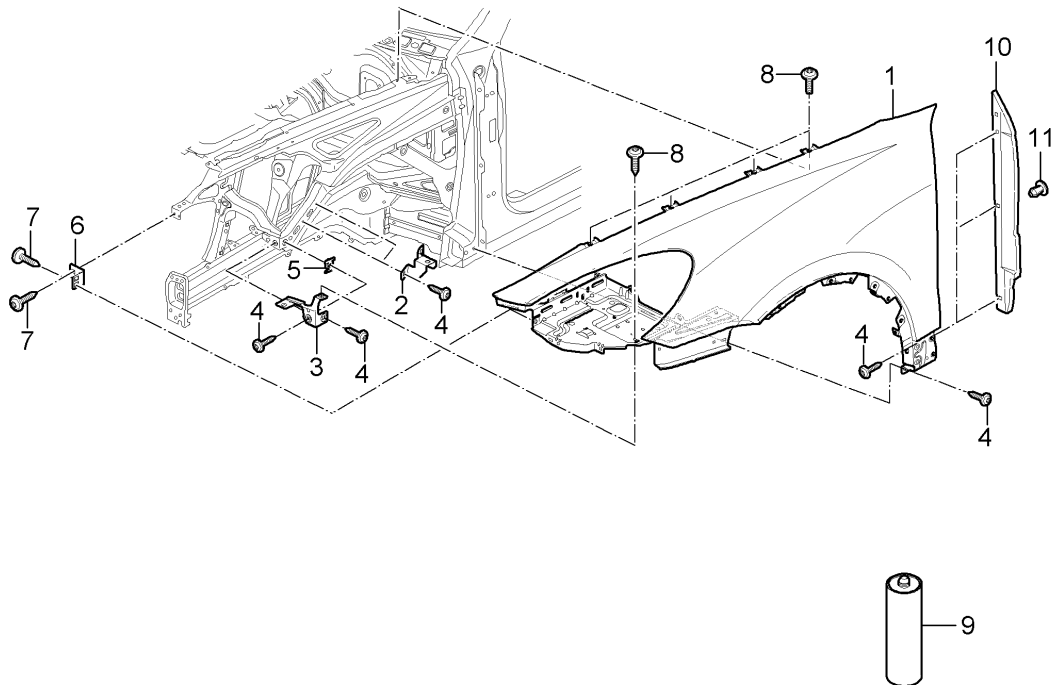
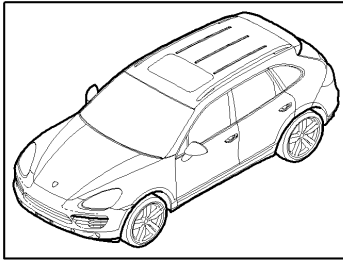
Model: 92A 11

Model life 2011>>

Pos	Part Number	Description	Remark	Qty	Model
		Rear end	15-		
		Reinforcement			
1	958 501 303 00	Terminal piece		1	
	958 501 303 00 GRV	Prime coated			
-	N 909 760 02	Weld screw		X	
		M 6 X 16			
-	N 900 684 01	Weld screw		X	
		T5 X 14,2			
2	958 501 311 01	Lock carrier		1	
	958 501 311 01 GRV	Prime coated			
-	000 043 204 85	Cavity preservation		X	
		400 ML			
3	958 501 577 00	Bracket	/L	1	I0K3
		Reinforcement			
	958 501 577 00 GRV	Prime coated			
3	958 501 573 00	Bracket	/L	1	I0K3
		Reinforcement			
	958 501 573 00 GRV	Prime coated			
4	958 501 578 00	Bracket	/R	1	I0K3
		Reinforcement			
	958 501 578 00 GRV	Prime coated			
4	958 501 574 00	Bracket	/R	1	I0K3
		Reinforcement			
	958 501 574 00 GRV	Prime coated			
5	958 501 253 00	Reinforcement plate	/R	1	I0K3
6	N 911 946 01	Pan-head screw		6	
		M8X20			

Model: 92A 11

Model life 2011>>



Model: 92A 11 Model life 2011>>

Pos	Part Number	Description	Remark	Qty	Model
1	958 503 031 00	Wing Wing Use also: 000.043.207.67 955.503.159.01	/L -14	1	
				1	
				1	
	958 503 031 00 GRV	Prime coated			
1	958 503 031 01	Wing Use also: 000.043.207.67 955.503.159.01	/L -14	1	
				1	
				1	
	958 503 031 01 GRV	Prime coated			
1	958 503 031 02	Wing Use also: 000.043.207.67 955.503.159.01	/L -14	1	
				1	
				1	
	958 503 031 02 GRV	Prime coated			
(1)	958 503 032 00	Wing Use also: 000.043.207.67 955.503.159.01	/R -14	1	
				1	
				1	
	958 503 032 00 GRV	Prime coated			
(1)	958 503 032 01	Wing Use also: 000.043.207.67 955.503.159.01	/R -14	1	
				1	
				1	
	958 503 032 01 GRV	Prime coated			
(1)	958 503 032 02	Wing Use also: 000.043.207.67 955.503.159.01	/R -14	1	
				1	
				1	
	958 503 032 02 GRV	Prime coated			
2	958 503 161 00	Support	/L	1	
	958 503 161 00 GRV	Prime coated			
(2)	958 503 162 00	Support	/R	1	
	958 503 162 00 GRV	Prime coated			
3	958 503 609 00	Support	/L	1	
	958 503 609 00 GRV	Prime coated			
(3)	958 503 610 00	Support	/R	1	
	958 503 610 00 GRV	Prime coated			
4	N 910 423 02	Lens-head screw M 6 X 16		26	
5	N 908 173 02	Blind rivet nut M 6		4	
6	958 503 459 00	Bracket		2	
	958 503 459 00 GRV	Prime coated			
7	N 907 809 04	Oval-head screw M 6 X 16		6	
8	N 910 432 01	Lens-head screw M 6 X 14		8	
9	000 043 207 67	Sealing compound		1	
10	958 559 777 00	Cover	/L	1	-IEOW
	958 559 777 00 9B9	Satin black			
(10)	958 559 777 01	Cover	/L	1	GTS IEOW
	958 559 777 01 9B9	Satin black			
(10)	958 559 778 00	Cover	/R	1	-IEOW
	958 559 778 00 9B9	Satin black			
(10)	958 559 778 01	Cover	/R	1	GTS IEOW
	958 559 778 01 9B9	Satin black			
11	WHT 004 750	Expansion rivet 8,1 X 13,0		8	
-	958 503 719 00	Clip		8	

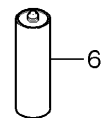
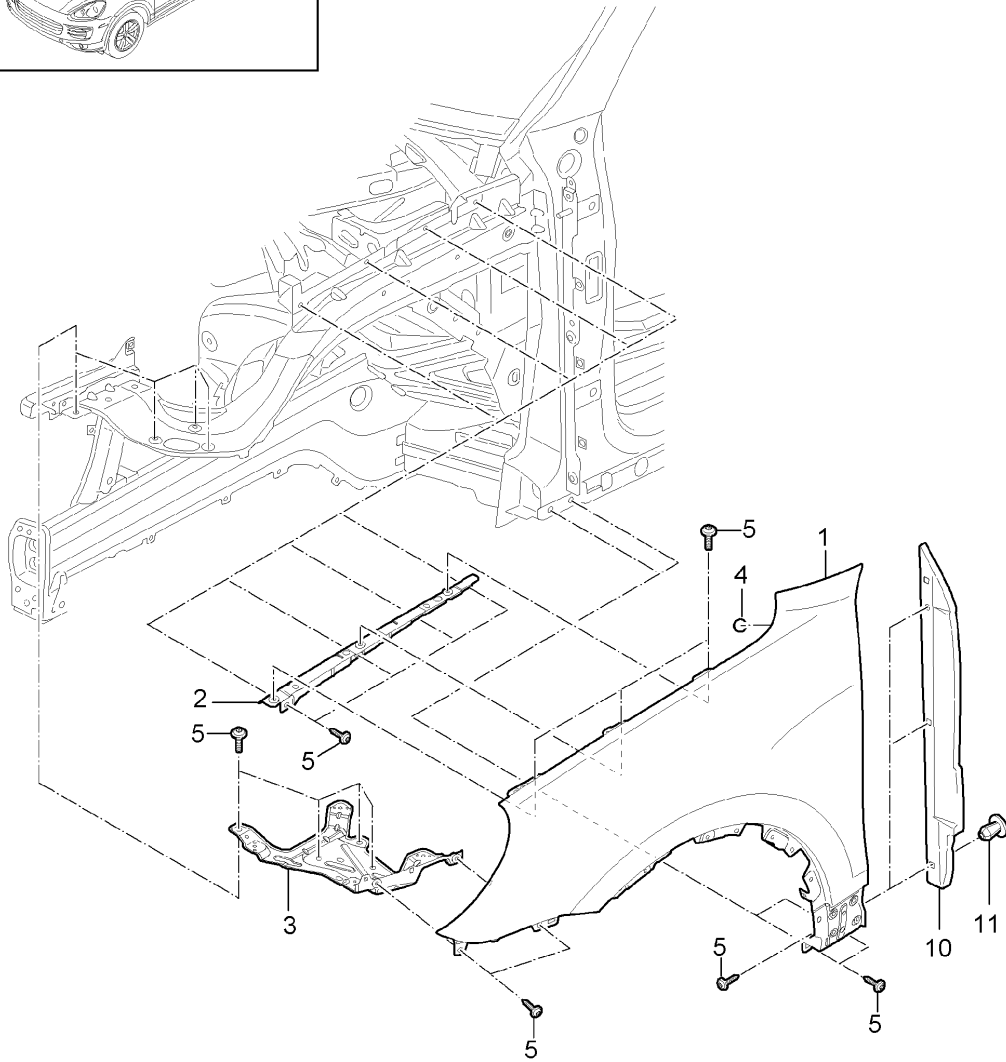
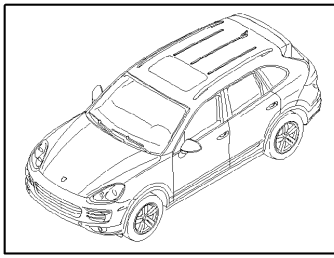
Model: 92A 11

Model life 2011>>

Pos	Part Number	Description	Remark	Qty	Model
		Cover Wing			

Model: 92A 11

Model life 2011>>



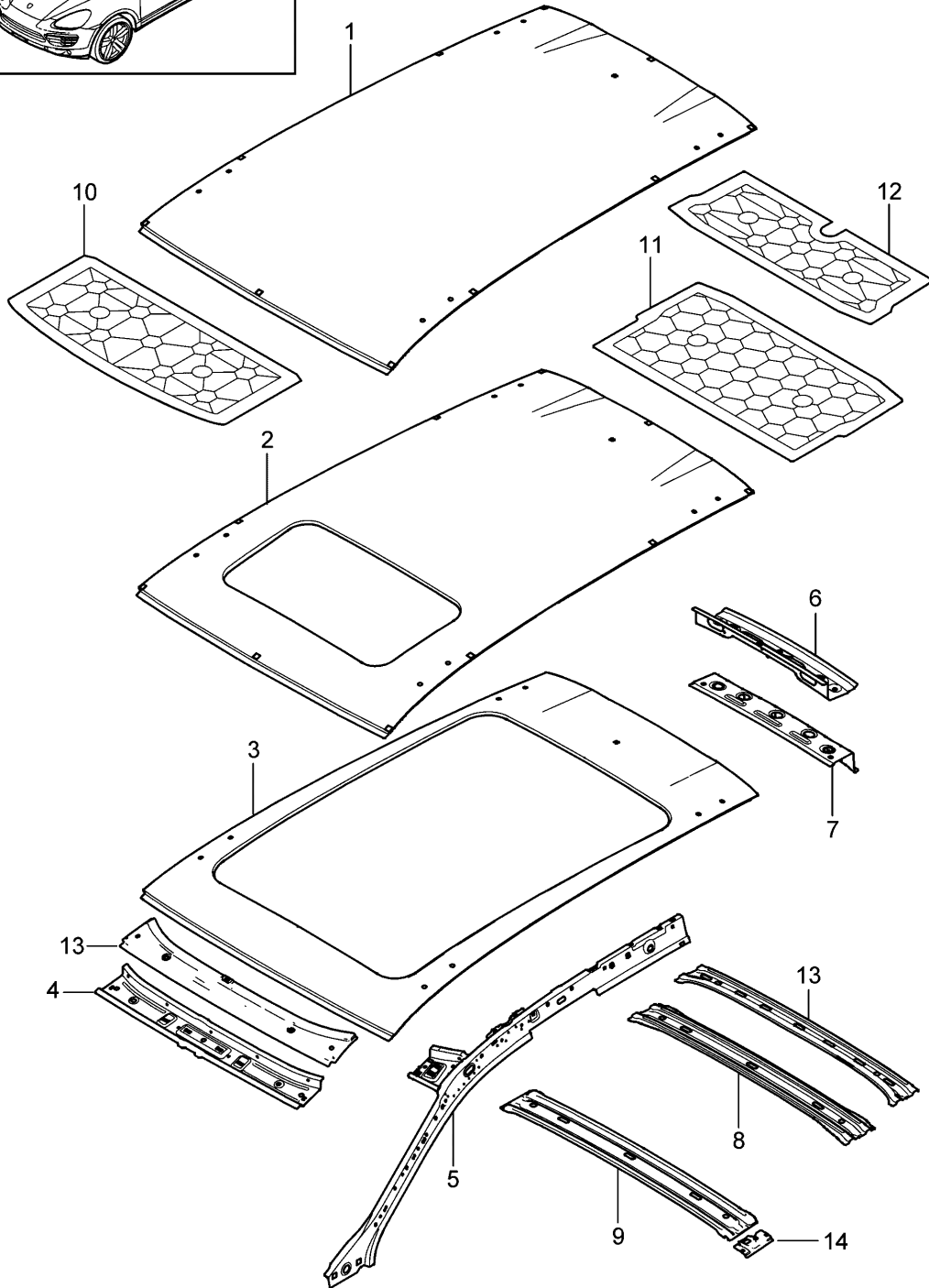
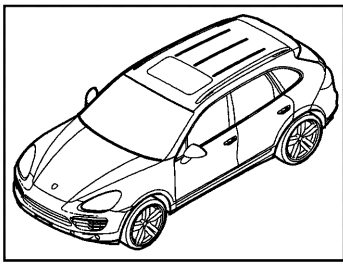
Model: 92A 11

Model life 2011>>

Pos	Part Number	Description	Remark	Qty	Model
1	958 503 031 10	Wing 2nd GENERATION Wing Use also: 000.043.207.67 955.503.159.01	15- /L	1	
(1)	958 503 031 10 GRV 958 503 032 10	Prime coated Wing Use also: 000.043.207.67 955.503.159.01	/R	1	
2	958 503 032 10 GRV 958 503 519 00	Prime coated Deformation element	/L	1	
(2)	958 503 519 00 GRV 958 503 520 00	Prime coated Deformation element	/R	1	
3	958 503 520 00 GRV 958 503 259 00	Prime coated Connecting piece	/L	1	
(3)	958 503 259 00 GRV 958 503 260 00	Prime coated Connecting piece	/R	1	
4	958 503 260 00 GRV 958 503 123 00	Prime coated Foam part		2	
5	N 910 423 02	Lens-head screw M6X16		X	
6	000 043 207 67	Sealing compound		X	
10	958 559 777 00	Cover	/L	1	IDD7/DD8/DT1 IDT5/DU2/D1V ID11/D19/D34 ID43 IDV7/D50/D51 GTS IDU3
10	958 559 777 00 9B9 958 559 777 01	Satin black Cover	/L	1	
(10)	958 559 777 01 9B9 958 559 778 00	Satin black Cover	/R	1	IDD7/DD8/DT1 IDT5/DU2/D1V ID11/D19/D34 ID43 IDV7/D50/D51 GTS IDU3
(10)	958 559 778 00 9B9 958 559 778 01	Satin black Cover	/R	1	
11	958 559 778 01 9B9 WHT 004 750	Satin black Expansion rivet 8,1 X 13,0		X	

Model: 92A 11

Model life 2011>>



Model: 92A 11 Model life 2011>>

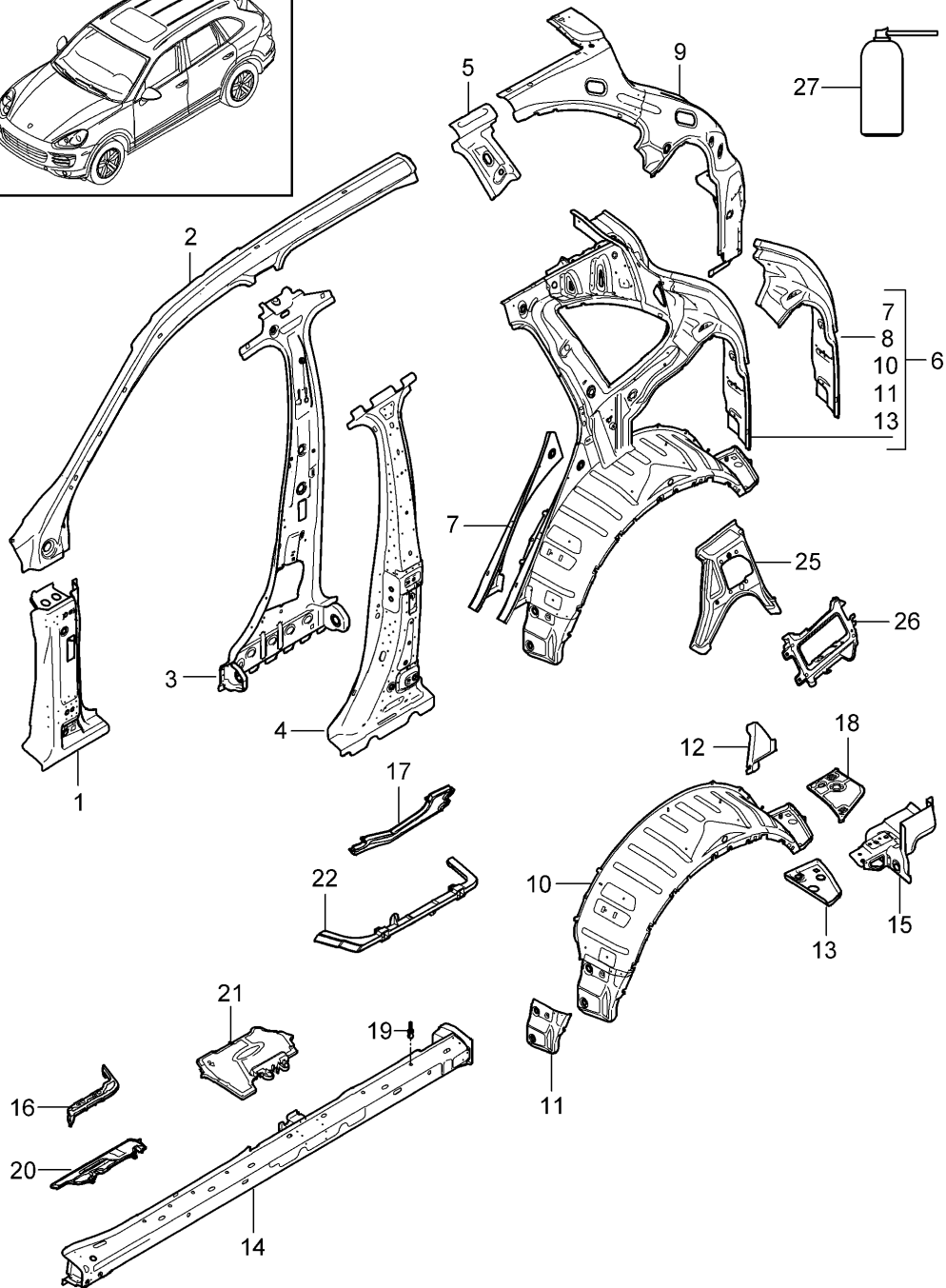
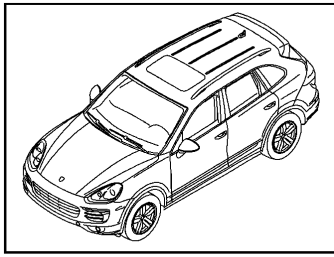
Pos	Part Number	Description	Remark	Qty	Model
(1)	958 503 111 00	Roof Cowl Roof Use also: 000.043.305.65 000.043.305.51	-14	1 2 1	I3FA
(1)	958 503 111 00 GRV 958 503 111 01	Prime coated Roof Use also: 000.043.305.65 000.043.305.51	15-	1 2 1	I3FA
2	958 503 111 01 GRV 958 503 101 01	Prime coated Roof Use also: 000.043.305.65 000.043.305.51	-14	1 2 1	I3FE
2	958 503 101 01 GRV 958 503 101 10	Prime coated for sliding roof Roof Use also: 000.043.305.65 000.043.305.51	15-	1 2 1	I3FE
3	958 503 101 10 GRV 958 503 101 05	Prime coated for sliding roof Roof Use also: 000.043.305.65 000.043.305.51	-14	1 2 1	I3FU
(3)	958 503 101 05 GRV 958 503 101 05	Prime coated Roof Use also: 000.043.305.65 000.043.305.51	15-	1 2 1	I3FU
-	958 503 101 05 GRV D 180 003 M2	Prime coated Adhesive set Roof TEROKAL 5055		X	
-	000 043 205 37	Mixing tube Set		X	
4	958 502 122 00	Supplement set Cross member Front Inner Use also: 000.043.207.67		1 1	
5	958 502 122 00 GRV 958 502 287 00	Prime coated Cross member Use also: 000.043.207.67 000.043.305.51	/L	1 1 1	
(5)	958 502 287 00 GRV 958 502 288 00	Prime coated Cross member Use also: 000.043.207.67 000.043.305.51	/R	1 1 1	
6	958 502 288 00 GRV 958 502 161 00	Prime coated Cross member Rear Inner Use also: 000.043.207.67 000.043.305.51		1 1	
	958 502 161 00 GRV	Prime coated		1	

Model: 92A 11 Model life 2011>>

Pos	Part Number	Description	Remark	Qty	Model
7	958 502 164 00	Cross member Rear Outer Use also: 000.043.207.67 000.043.305.51		1 1 1	
-	958 502 164 00 GRV 000 043 204 85	Prime coated Cavity preservation 400 ML		X	
8	958 502 119 00	Cross member Roof C-pillar Use also: 000.043.207.67 000.043.305.51		1 1 1	I3FA/3FE
9	958 502 119 00 GRV 958 502 465 00	Prime coated Cross member Roof B-pillar Use also: 000.043.207.67 000.043.305.51		1 1 1	I3FA
10	958 502 465 00 GRV 958 502 285 00	Prime coated Reinforcement Roof Front		1	I3FA
11	958 502 157 00	Reinforcement Roof Centre		1	I3FA
(11)	958 502 157 10	Reinforcement Roof Centre		1	I3FE
12	958 502 120 00	Reinforcement Roof Rear		1	I3FA/3FE
13	958 502 124 00	Cross member Use also: 000.043.207.67 000.043.305.51		1 1 1	
14	958 502 124 00 GRV 958 502 713 10	Prime coated Connecting piece Use also: 000.043.207.67 000.043.305.51	/L	1 1 1	
(14)	958 502 713 10 GRV 958 502 714 10	Prime coated Connecting piece Use also: 000.043.207.67 000.043.305.51	/L	1 1 1	
	958 502 714 10 GRV	Prime coated		1	

Model: 92A 11

Model life 2011>>



Model: 92A 11 Model life 2011>>

Pos	Part Number	Description	Remark	Qty	Model
1	958 502 203 00	Side section Inner Reinforcement	/L	1	
	958 502 203 00 GRV	A-pillar Prime coated Use also: 000.043.305.51			
(1)	958 502 204 00	Reinforcement	/R	1	
	958 502 204 00 GRV	A-pillar Prime coated Use also: 000.043.305.51			
2	958 502 199 00	Reinforcement	/L	1	
	958 502 199 00 GRV	A-pillar Upper Prime coated Use also: 000.043.305.51			
(2)	958 502 200 00	Reinforcement	/R	1	
	958 502 200 00 GRV	A-pillar Upper Prime coated Use also: 000.043.305.51			
3	958 502 443 00	B-pillar	/L	1	
	958 502 443 00 GRV	Inner Prime coated Use also: 000.043.305.51			
(3)	958 502 444 00	B-pillar	/R	1	
	958 502 444 00 GRV	Inner Prime coated Use also: 000.043.305.51			
4	958 502 607 00	Reinforcement	/L	1	
	958 502 607 00 GRV	B-pillar Outer Prime coated Use also: 000.043.305.51			
4	958 502 607 01	Reinforcement	/L	1	
	958 502 607 01 GRV	B-pillar Outer Prime coated Use also: 000.043.305.51			
(4)	958 502 608 00	Reinforcement	/R	1	
	958 502 608 00 GRV	B-pillar Outer Prime coated Use also: 000.043.305.51			
(4)	958 502 608 01	Reinforcement	/R	1	
	958 502 608 01 GRV	B-pillar Outer Prime coated Use also: 000.043.305.51			
5	958 502 719 00	Reinforcement	/L -14	1	
	958 502 719 00 GRV	Belt Height adjustment C-pillar Prime coated			

Model: 92A 11 Model life 2011>>

Pos	Part Number	Description	Remark	Qty	Model
5	958 502 719 01	Use also: 000.043.305.51 Reinforcement Belt Height adjustment C-pillar	/L 15-	1	
	958 502 719 01 GRV	Prime coated			
(5)	958 502 718 00	Use also: 000.043.305.51 Reinforcement Belt Height adjustment C-pillar	/R -14	1	
	958 502 718 00 GRV	Prime coated			
(5)	958 502 718 01	Use also: 000.043.305.51 Reinforcement Belt Height adjustment C-pillar	/R 15-	1	
	958 502 718 01 GRV	Prime coated			
6	958 502 401 00	Use also: 000.043.305.51 Side section Inner	/L -14	1	
		000.043.207.67		1	
		000.043.305.51		1	
6	958 502 401 00 GRV	Prime coated			
6	958 502 401 01	Use also: 000.043.305.51 Side section Inner	/L 15-	1	
		000.043.207.67		1	
		000.043.305.51		1	
(6)	958 502 401 01 GRV	Prime coated			
(6)	958 502 402 00	Use also: 000.043.305.51 Side section Inner	/R -14	1	
		000.043.207.67		1	
		000.043.305.51		1	
(6)	958 502 402 00 GRV	Prime coated			
(6)	958 502 402 01	Use also: 000.043.305.51 Side section Inner	/R -15	1	
		000.043.207.67		1	
		000.043.305.51		1	
7	958 502 402 01 GRV	Prime coated			
7	958 502 581 00	Use also: 000.043.305.51 Extension Side section Inner rear	/L	1	
		000.043.207.67		1	
(7)	958 502 581 00 GRV	Prime coated			
(7)	958 502 582 00	Use also: 000.043.305.51 Extension Side section Inner rear	/R	1	
		000.043.207.67		1	
8	958 502 582 00 GRV	Prime coated			
8	958 502 329 00	Use also: 000.043.305.51 D-pillar Inner Left	/L	1	
		000.043.207.67		1	

Model: 92A 11 Model life 2011>>

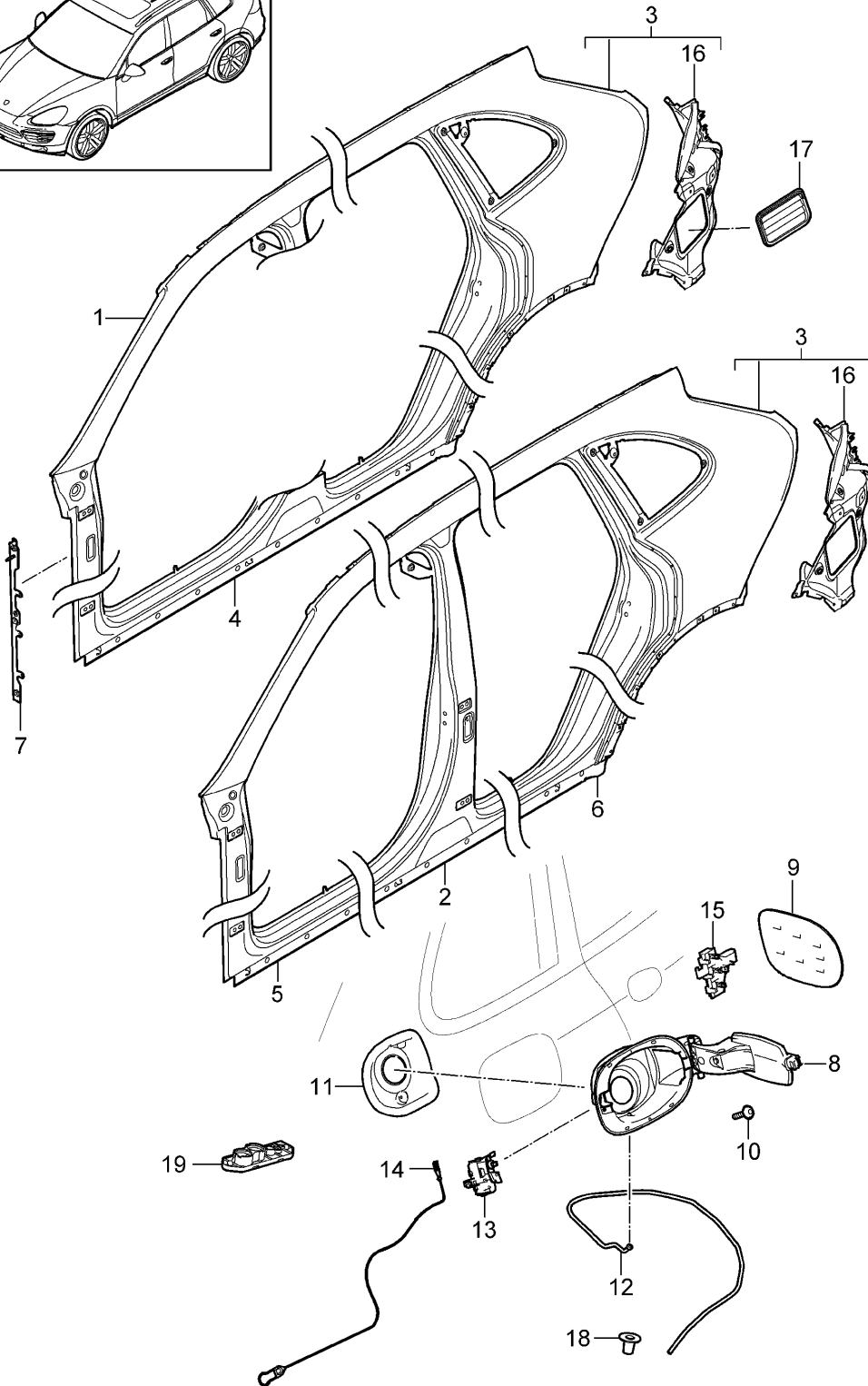
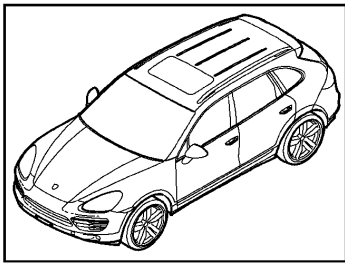
Pos	Part Number	Description	Remark	Qty	Model
		000.043.207.67		1	
(8)	958 502 329 00 GRV	Prime coated			
	958 502 330 00	D-pillar	/R -14	1	
		Inner			
		Right			
		Use also:			
		000.043.207.67		1	
(8)	958 502 330 00 GRV	Prime coated			
	958 502 330 01	D-pillar	/R 15-	1	
		Inner			
		Right			
		Use also:			
		000.043.207.67		1	
9	958 502 330 01 GRV	Prime coated			
	958 502 299 01	Reinforcement	/L	1	
		D-pillar			
		Outer			
		Use also:			
		000.043.207.67		1	
		000.043.305.51		1	
(9)	958 502 299 01 GRV	Prime coated			
	958 502 300 01	Reinforcement	/R	1	
		D-pillar			
		Outer			
		Use also:			
		000.043.207.67		1	
		000.043.305.51		1	
10	958 502 300 01 GRV	Prime coated			
	958 502 409 00	Wheel housing	/L	1	
		Use also:			
		000.043.207.67		1	
(10)	958 502 409 00 GRV	Prime coated			
	958 502 410 00	Wheel housing	/R	1	
		Use also:			
		000.043.207.67		1	
11	958 502 410 00 GRV	Prime coated			
	958 502 677 00	Extension	/L	1	
		Wheel housing			
		Outer			
(11)	958 502 677 00 GRV	Prime coated			
	958 502 678 00	Extension	/R	1	
		Wheel housing			
		Outer			
12	958 502 678 00 GRV	Prime coated			
	958 502 259 00	Corner piece	/L	1	
		D-pillar			
(12)	958 502 259 00 GRV	Prime coated			
	958 502 260 00	Corner piece	/R	1	
		D-pillar			
13	958 502 260 00 GRV	Prime coated			
	958 502 307 00	Corner piece	/L	1	
(13)	958 502 307 00 GRV	Prime coated			
	958 502 308 00	Corner piece	/R	1	
	958 502 308 00 GRV	Prime coated			
14	958 502 621 00	Reinforcement	/L	1	
		Door sill			
(14)	958 502 621 00 GRV	Prime coated			
	958 502 622 00	Reinforcement	/R	1	
		Door sill			
15	958 502 622 00 GRV	Prime coated			
	958 502 503 00	Gusset plate	/L	1	
		D-pillar			
		Lower			

Model: 92A 11 Model life 2011>>

Pos	Part Number	Description	Remark	Qty	Model
(15)	958 502 503 00 GRV 958 502 504 00	Prime coated Gusset plate D-pillar Lower	/R	1	
16	958 502 504 00 GRV 958 502 649 00	Prime coated Sound absorber A-pillar Lower Outer	/L	1	
(16)	958 502 650 00	Sound absorber A-pillar Lower Outer	/R	1	
17	958 502 653 00	Sound absorber C-pillar Lower Inner	/L	1	
(17)	958 502 654 00	Sound absorber C-pillar Lower Inner	/R	1	
18	958 502 655 00	Sound absorber D-pillar Lower	/L	1	
(18)	958 502 656 00	Sound absorber D-pillar Lower	/R	1	
19	N 906 481 02	Blind rivet nut Door sill		4	
20	958 502 623 00	Seal A-pillar Lower Inner	/L	1	
(20)	958 502 624 00	Seal A-pillar Lower Inner	/R	1	
(21)	958 502 633 00	Seal B-pillar Lower Inner	/L	1	
(21)	958 502 634 00	Seal B-pillar Lower Inner	/R	1	
22	958 502 629 00	Seal A-pillar Lower Inner	/L	1	
(22)	958 502 630 00	Seal A-pillar Lower Inner	/R	1	
25	958 502 521 00	Reinforcement Charging socket	/L 15-	1	I0K3
26	958 502 521 00 GRV 958 502 501 00	Prime coated Support Charger	/L 15-	1	I0K3
27	958 502 501 00 GRV 000 043 204 85	Prime coated Cavity preservation 400 ML		X	

Model: 92A 11

Model life 2011>>



Model: 92A 11

Model life 2011>>

Pos	Part Number	Description	Remark	Qty	Model
1	958 503 901 00	Side section Outer	/L	1	
	958 503 901 00 GRV	Side section A-pillar Prime coated Use also: 000.043.305.51			
(1)	958 503 902 00	Side section A-pillar	/R	1	
	958 503 902 00 GRV	Prime coated Use also: 000.043.305.51			
2	958 503 925 00	Side section B-pillar	/L	1	
	958 503 925 00 GRV	Prime coated Use also: 000.043.305.51			
(2)	958 503 926 00	Side section B-pillar	/R	1	
	958 503 926 00 GRV	Prime coated Use also: 000.043.305.51			
3	958 503 985 00	Side section C-pillar	/L -14	1	
	958 503 985 00 GRV	Prime coated Use also: 000.043.305.51			
(3)	958 503 985 01	Side section C-pillar	/L 15-	1	I0K0
	958 503 985 01 GRV	Prime coated Use also: 000.043.305.51			
(3)	958 503 985 02	Side section C-pillar	/L 15-	1	I0K3
	958 503 985 02 GRV	Prime coated Use also: 000.043.305.51			
(3)	958 503 986 00	Side section C-pillar	/R -14	1	
	958 503 986 00 GRV	Prime coated Use also: 000.043.305.51			
(3)	958 503 986 01	Side section C-pillar	/R 15-	1	
	958 503 986 01 GRV	Prime coated Use also: 000.043.305.51			
4	958 503 951 00	Door sill	/L	1	
	958 503 951 00 GRV	Prime coated Use also: 000.043.305.51			
(4)	958 503 952 00	Door sill	/R	1	
	958 503 952 00 GRV	Prime coated Use also: 000.043.305.51			
-	WHT 004 708	Threaded bolt M 6 X 13,7		X	
5	958 503 953 00	Door sill	/L /V	1	
	958 503 953 00 GRV	Prime coated Use also: 000.043.305.51			
(5)	958 503 954 00	Door sill	/R /V	1	

Model: 92A 11 Model life 2011>>

Pos	Part Number	Description	Remark	Qty	Model
	958 503 954 00 GRV	Prime coated Use also: 000.043.305.51			
6	958 503 955 00	Door sill	/L /H	1	
	958 503 955 00 GRV	Prime coated Use also: 000.043.305.51			
(6)	958 503 956 00	Door sill	/R /H	1	
	958 503 956 00 GRV	Prime coated Use also: 000.043.305.51			
7	958 502 573 00	Rail Wing	/L	1	
	958 502 573 00 GRV	Prime coated			
(7)	958 502 574 00	Rail Wing	/R	1	
	958 502 574 00 GRV	Prime coated			
8	958 504 857 00	Fuel filler flap	-14	1	
8	958 504 857 02	Fuel filler flap	/R 15-	1	
8	958 504 858 00	Fuel filler flap	/L 15-	1	I0K3
9	958 504 909 00	Lining Fuel filler flap	/R	1	
	958 504 909 00 G2X	Prime coated			
9	958 504 920 00	Lining Fuel filler flap	/L 15-	1	I0K3
	958 504 920 00 G2X	Prime coated			
10	N 104 159 03	Oval-head screw 4,0 X 12,0		1	
11	958 504 933 00	Sleeve Fuel filler flap		1	
12	958 504 937 00	Hose		1	
13	958 504 153 03	Actuator Fuel filler flap with Emergency operation	/R	1	-I0K3
(13)	958 504 153 10	Actuator Fuel filler flap with Emergency operation	/R	1	I0K3
(13)	958 504 153 03	Actuator Charging socket with Emergency operation	/L	1	I0K3
14	958 504 165 00	Emergency operation Fuel filler flap		1	
15	958 504 336 00	Support	-14	1	
15	958 504 336 01	Support	15-	1	
16	958 503 319 00	Mounting piece Light Use also: 000.043.305.51 000.043.207.67	/L -14	1	
	958 503 319 00 GRV	Prime coated			
(16)	958 503 319 01	Mounting piece Light Use also: 000.043.305.51 000.043.207.67	/L 15-	1	
	958 503 319 01 GRV	Prime coated			
(16)	958 503 320 00	Mounting piece Light Use also: 000.043.305.51	/R -14	1	

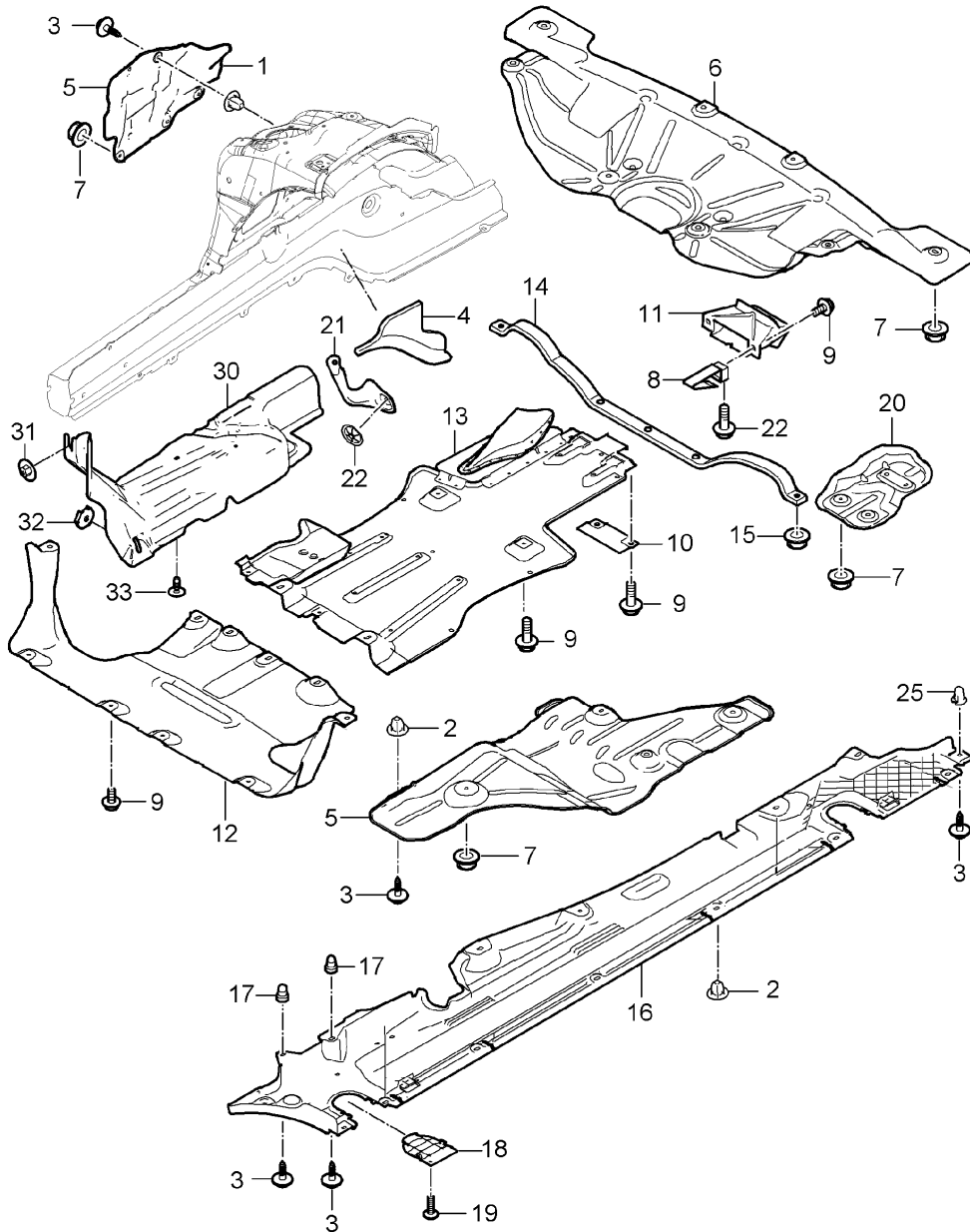
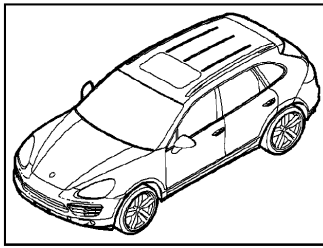
Model: 92A 11

Model life 2011>>

Pos	Part Number	Description	Remark	Qty	Model
		000.043.207.67		1	
	958 503 320 00 GRV	Prime coated			
(16)	958 503 320 01	Mounting piece Light	/R 15-	1	
		Use also: 000.043.305.51 000.043.207.67		1	
	958 503 320 01 GRV	Prime coated			
17	7PP 819 181	Frame Bleeding		2	
17	7PP 819 181 A	Frame Bleeding		2	
18	958 504 940 00	Grommet Hose	15-	1	I0K3
19	958 504 339 00	Retainer plate Hose	15-	1	I0K3
-	000 043 204 85	Cavity preservation 400 ML		X	
-	N 909 876 02	Threaded pin M6X23 Support		X	
-	N 906 547 01	Lane Change Assistant Threaded pin M6X18 Mounting piece Light		X	

Model: 92A 11

Model life 2011>>



Model: 92A 11 Model life 2011>>

Pos	Part Number	Description	Remark	Qty	Model
		Lining Underbody	-14		
1	958 504 615 00	Heat protection	/L	1	-ID19
(1)	958 504 615 01	Heat protection	/L	1	ID19
(1)	958 504 616 00	Heat protection	/R	1	-ID19
(1)	958 504 616 01	Heat protection	/R	1	ID19
2	N 910 190 01	Expander nut		X	
3	N 908 082 01	Oval-head screw		X	
4	958 504 644 00	Heat protection		1	ID19/D34
4		Side member Right		1	ID11
5	958 504 681 00	Heat protection		1	
6	958 504 711 00	Heat protection		1	
7	N 907 088 02	Speed nut		X	
8	955 504 263 00	Clip		2	I1SB
9	N 910 345 01	Combination screw		X	
10	955 504 199 00	Support		1	I1SA
11	958 504 370 00	Air guide		1	
12	958 504 235 00	Heat shield		1	I1SB
(12)	958 504 285 00	Heat shield		1	I1SA
13	958 504 231 00	Heat shield		1	I1SA
(13)	958 504 231 01	Heat shield		1	I1SB
(13)	958 504 231 02	Heat shield		1	IDD8
14	958 504 949 00	Bracket		1	-ID19
14		Heat shield	-13	1	ID19/L0L
(14)	958 504 949 01	Bracket	-13	1	ID19/L0R
(14)	958 504 949 02	Bracket	14-	1	ID19
15	N 908 877 02	Hexagon nut		2	
		M 6			

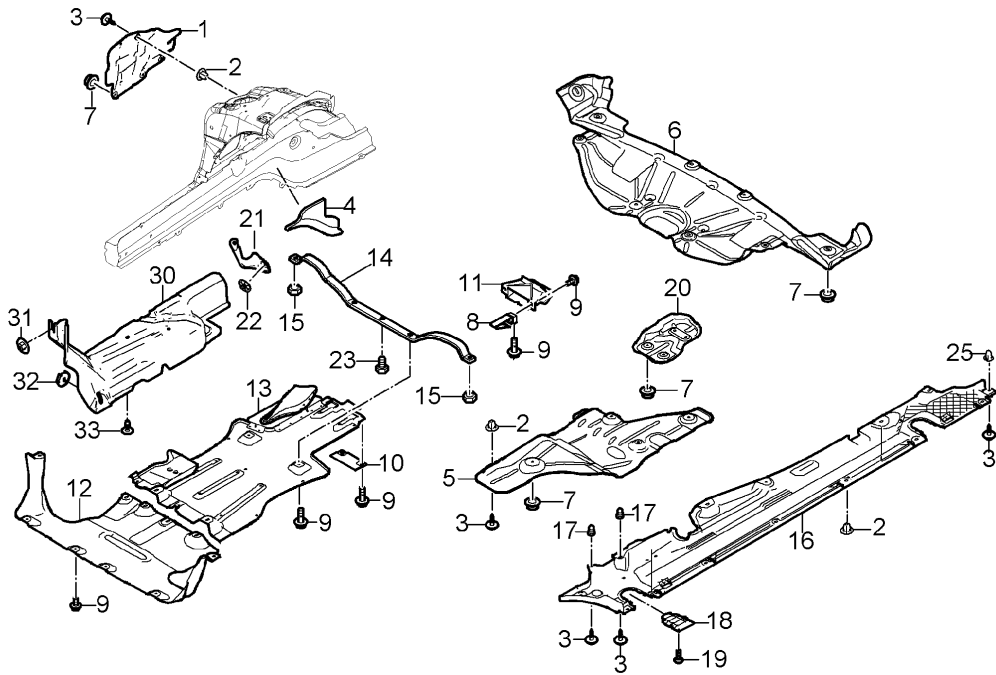
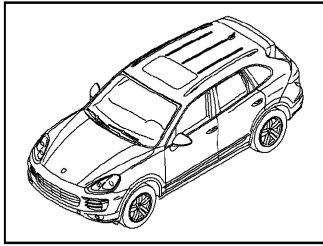
Model: 92A 11

Model life 2011>>

Pos	Part Number	Description	Remark	Qty	Model
16	958 504 211 00	Lining Underbody	/L	1	
(16)	958 504 202 00	Lining Complete Underbody	/R	1	
17	WHT 001 805	Expander nut TP 6		4	
18	958 504 271 00	Cover Jacking point		4	
19	N 106 331 03	Oval-head sheetmetal screw 4,8 X 13		4	
20	958 504 753 00	Heat protection Cardan shaft		1	
21	958 504 627 00	Heat protection Firewall		1	
22	N 903 350 05	Clamping washer S-5 X 30		1	
25	WHT 002 110	Expander nut 6,0		10	
30	958 504 661 00	Heat shield Tunnel Front		1	I1E9
31	N 907 088 02	Speed nut POS30		X	I1E9
32	N 906 431 01	Speed nut POS30		X	I1E9
33	N 908 082 01	Oval-head screw POS30		X	I1E9

Model: 92A 11

Model life 2011>>



Model: 92A 11

Model life 2011>>

Pos	Part Number	Description	Remark	Qty	Model
1	958 504 615 00	Lining Underbody Heat protection Heat protection	15- /L	1	IDT1/DT5/DU2 IDU3/D11/D34
(1)		Engine compartment Heat protection	/L	1	IDD7/DD8/DV7 ID1V/D43/D50 ID51/L0R
(1)	958 504 615 04	Engine compartment Heat protection	/L	1	ID19
(1)	958 504 615 02	Engine compartment Heat protection Hybrid	/L	1	IDD7/DD8/DV7 ID1V/D43/D50 ID51
(1)	958 504 616 00	Engine compartment Heat protection	/R	1	IDT1/DT5/DU2 IDU3/D11/D19 ID34
(1)		Engine compartment Heat protection	/R	1	IDD7/DD8/DV7 ID1V/D43/D50 ID51/L0L
(1)	958 504 616 02	Engine compartment Heat protection	/R	1	IDD7/DD8/DV7 ID1V/D43/D50 ID51/L0R
2	WHT 002 110	Engine compartment Expander nut 6,0		X	
3	N 908 082 01	Oval-head screw M 6 X 18		X	
4	958 504 644 00	Heat protection Side member Right		1	ID19/D34
(4)		Heat protection Side member Right		1	ID11
5	958 504 681 00	Heat protection		1	IDD8/DT1/DT5 IDU2/DU3/D11 ID19/D34
(5)	958 504 681 01	Tunnel Centre Heat protection Tunnel Centre		1	ID50
6	958 504 711 01	Heat protection Rear muffler		1	
7	N 907 088 02	Speed nut		X	
8	955 504 263 00	Clip Heat shield Rear		2	I1SB
9	N 910 345 01	Combination screw M6 X 20		X	
10	955 504 199 00	Support Heat shield Rear		1	I1SA
11	958 504 370 00	Air guide		1	IDT1/DT5/DU2 IDU3/D34
12	958 504 235 00	Heat shield Front Steel		1	I1SB

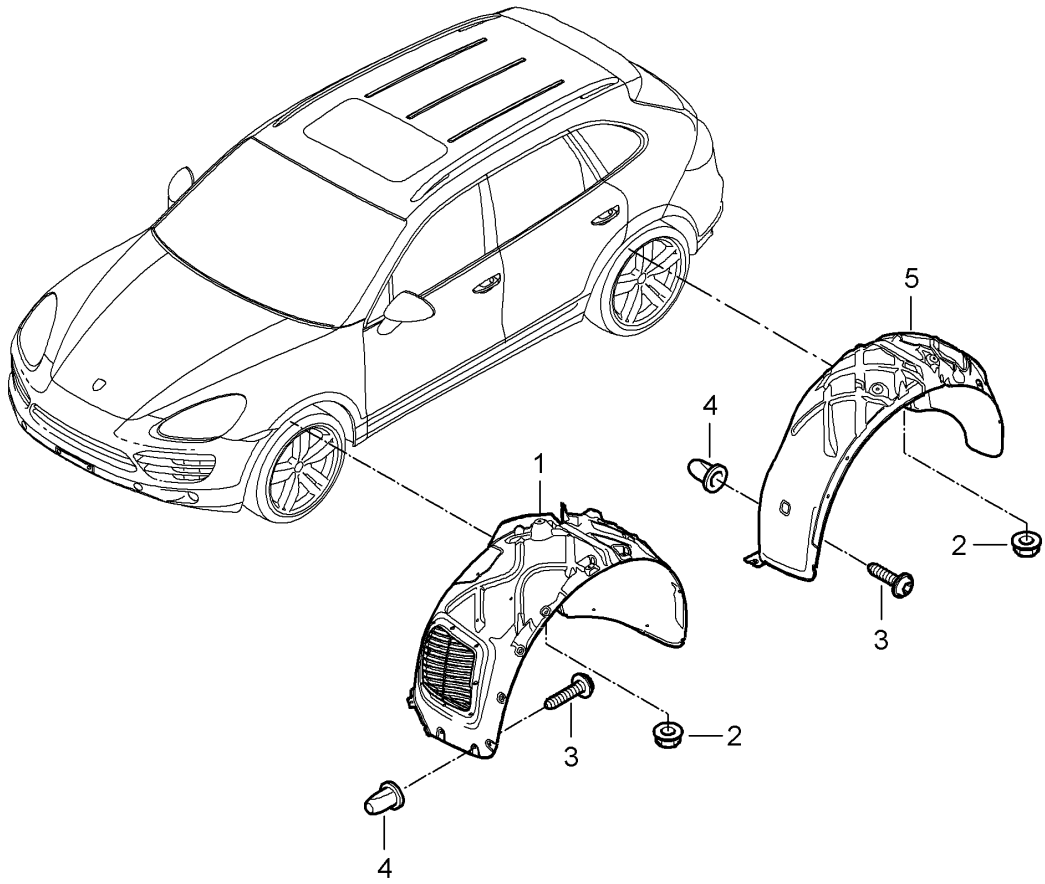
Model: 92A 11

Model life 2011>>

Pos	Part Number	Description	Remark	Qty	Model
(12)	958 504 285 00	Heat shield Front		1	I1SA
13	958 504 231 00	Heat shield Rear		1	IDT1/DT5/DU2 IDU3/D11/D19 ID34/1SA
(13)	958 504 231 01	Heat shield Rear		1	I1SB
(13)	958 504 231 02	Heat shield Rear		1	IDD8
(13)	958 504 231 03	Heat shield Rear		1	IDD7/DV7/D1V ID43/D51
14	958 504 949 00	Bracket Heat shield		1	IDD7/DD8/DT1 IDU2/DU3/D11 ID34 IDV7 ID1V ID43 IDT5/D50 ID51 ID19
(14)	958 504 949 02	Bracket Heat shield		1	
15	N 908 877 02	Hexagon nut M 6		2	
16	958 504 211 00	Lining Underbody	/L	1	
(16)	958 504 202 00	Lining Complete Underbody	/R	1	
17	WHT 001 805	Expander nut TP 6		4	
18	958 504 271 00	Cover Jacking point		4	
19	N 106 331 03	Oval-head sheetmetal screw 4,8 X 13		4	
20	958 504 753 00	Heat protection Cardan shaft		1	
21	958 504 627 00	Heat protection Firewall		1	
22	N 903 350 05	Clamping washer S-5 X 30		1	
23	N 904 446 02	Hexagon-head bolt M6X12		1	
25	WHT 002 110	Expander nut 6,0		10	
30	958 504 661 00	Heat shield Tunnel Front		1	I1E9
(30)	958 504 661 01	Heat shield Tunnel Front		1	MCU.DC I1E9
31	N 907 088 02	Speed nut POS30		X	I1E9
32	N 906 431 01	Speed nut POS30		X	I1E9
33	N 908 082 01	Oval-head screw POS30		X	I1E9

Model: 92A 11

Model life 2011>>

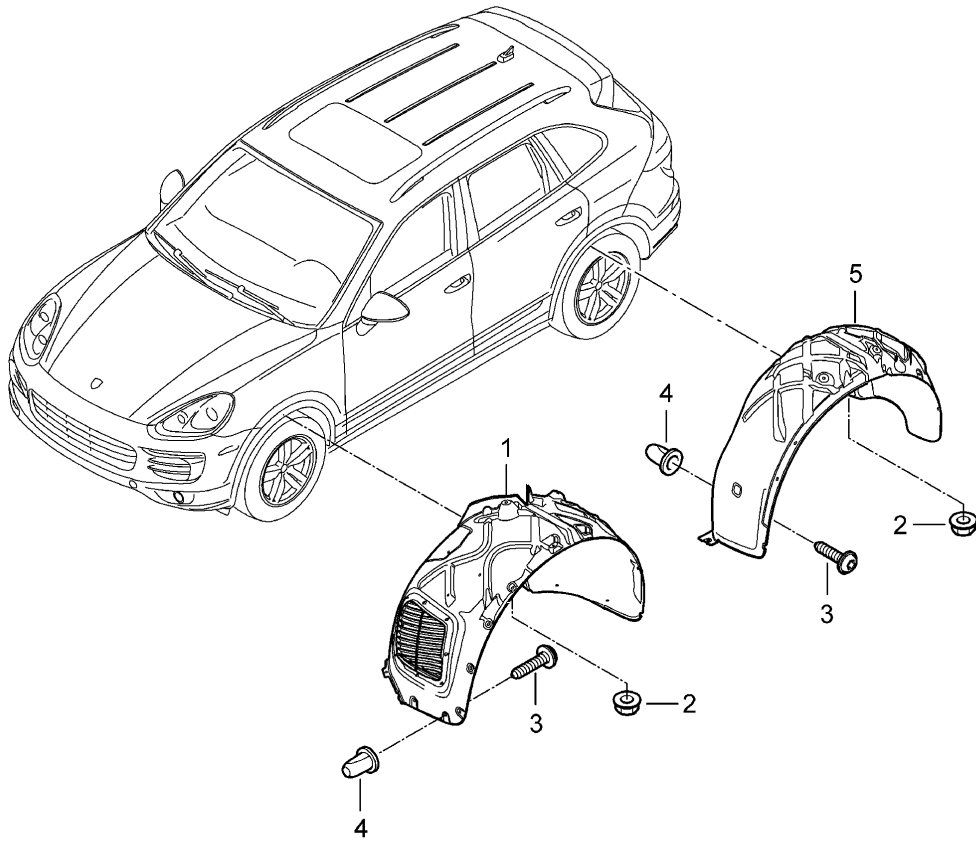


Model: 92A 11 Model life 2011>>

Pos	Part Number	Description	Remark	Qty	Model
		Lining	-14		
1	958 504 961 00	Wheel housing Wheel-housing liner	/L	1	ID19/D34/D6V
(1)	958 504 962 00	Front Wheel-housing liner	/R	1	ID34/D6V
(1)	958 504 961 01	Front Wheel-housing liner	/L	1	IDD8/D1V/D11 ID43/D50/D58
(1)	958 504 962 01	Front Wheel-housing liner	/R	1	IDD8/D1V/D11 ID19/D43/D50 ID58
2	N 907 579 01	Front Nut		X	
3	N 909 747 01	E 5 Oval-head sheetmetal screw		X	
4	WHT 004 935	TP5 X 16 Expander nut		X	
5	958 504 971 00	TP5 X 15,5 Wheel-housing liner	/L	1	
(5)	958 504 972 00	Rear Wheel-housing liner	/R	1	
		Rear			

Model: 92A 11

Model life 2011>>



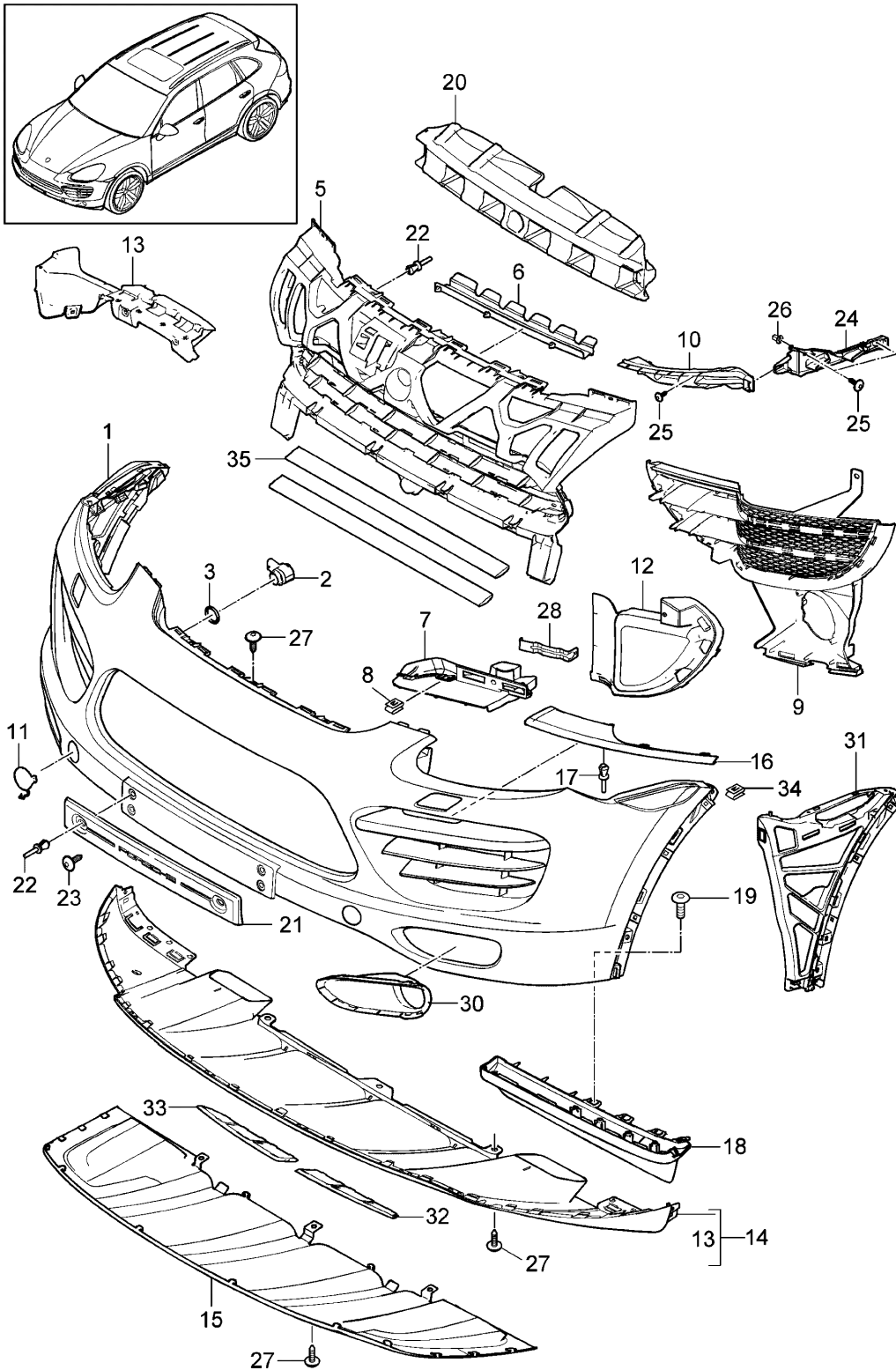
Model: 92A 11

Model life 2011>>

Pos	Part Number	Description	Remark	Qty	Model
		Lining Wheel housing 2nd GENERATION	15-		
(1)	958 504 961 04	Wheel-housing liner Front	/L	1	ID19/D34
(1)	958 504 962 00	Wheel-housing liner Front	/R	1	ID34/D6V
(1)	958 504 961 05	Wheel-housing liner Front	/L	1	IDD7/DD8/DT1 IDT5/DU2/DU3 ID1V/D11/D43 IDV7/D50/D51 IGP1
(1)	958 504 962 01	Wheel-housing liner Front	/R	1	IDD7/DD8/DT1 IDT5/DU2/DU3 ID1V/D11/D19 ID43 IDV7/D50/D51 IGP1
2	N 907 579 01	Nut E 5		X	
3	N 909 747 01	Oval-head sheetmetal screw TP5 X 16		X	
4	WHT 004 935	Expander nut TP5 X 15,5		X	
5	958 504 971 01	Wheel-housing liner Rear	/L	1	
(5)	958 504 972 01	Wheel-housing liner Rear	/R	1	

Model: 92A 11

Model life 2011>>



Model: 92A 11 Model life 2011>>

Pos	Part Number	Description	Remark	Qty	Model
		Lining	-14		IDD8/D1V/D11 ID19/D34/D43 ID50/D58/D6V
1	958 505 221 01	Front Lining Basic without Headlight washer system ParkAssist		1	I7X0/7X9/8X0
	958 505 221 01 G2L	Prime coated			
1	958 505 221 12	Lining with ParkAssist		1	I7X2/7X8/8X0
	958 505 221 12 G2L	Prime coated			
1	958 505 221 21	Lining with Headlight washer system		1	I7X0/7X9/8X1
	958 505 221 21 G2L	Prime coated			
1	958 505 221 31	Lining with ParkAssist Headlight washer system		1	I7X2/7X8/8X1
	958 505 221 31 G2L	Prime coated			
1	958 505 221 41	Lining Turbo GTS		1	ID58
	958 505 221 41 G2L	Prime coated			
1	958 505 221 41	Lining		1	ID6V/E0W/7X2 I7X7/7X8/8X1
	958 505 221 41 G2L	Prime coated			
1	958 505 221 60	Lining		1	ID6V/E0W/7X0 I7X9/8X1
	958 505 221 60 G2L	Prime coated GTS			
2	1S0 919 275 C	Sensor ParkAssist		8	I7X2/7X7/7X8
	1S0 919 275 C G2L	Prime coated			
3	7PP 919 133	Gasket ParkAssist		4	I7X2/7X8
5	958 505 683 01	Grille		1	ID19/D34/D6V I8T1
		Centre without Sensor			
5		Grille		1	Diesel BIN 5 ID50/8T1
		Centre without Sensor			
5		Grille		1	Diesel ID43/8T1
		Centre without Sensor			
5		Grille		1	Diesel IDD8/8T1
		Centre without Sensor			
5		Grille		1	Diesel ID1V/8T1

Model: 92A 11

Model life 2011>>

Pos	Part Number	Description	Remark	Qty	Model
5		Centre without Sensor Grille		1	V6 TFSI ID11/8T1
(5)	958 505 683 11	Centre without Sensor Grille	(CN)	1	Turbo ID58/8T1
(5)		Centre without Sensor Grille		1	GTS ID6V/E0W/8T1
(5)	958 505 683 21	Centre without Sensor Grille		1	ID19/D34/D6V I8T3
(5)		Centre with Sensor Grille		1	Diesel BIN 5 ID50/8T3
(5)		Centre with Sensor Grille		1	V8 Basis ID6V/E0W/8T3
(5)		Centre with Sensor Grille		1	Diesel ID43/8T3
(5)		Centre with Sensor Grille		1	Diesel IDD8/8T3
(5)		Centre with Sensor Grille		1	Diesel ID11/8T3
(5)		Centre with Sensor Grille	(CN)	1	Diesel ID1V/8T3
(5)	958 505 683 31	Centre with Sensor Grille	(B) (N)	1	Diesel ID58/8T3
(5)		Centre with Sensor Grille		1	GTS ID6V/E0W/8T3
(5)		Centre with Sensor			

Model: 92A 11 Model life 2011>>

Pos	Part Number	Description	Remark	Qty	Model
(5)	958 505 683 32	Grille Centre with Sensor Lacquered		1	Turbo S ID58/E8A/8T3
(5)	958 505 683 32 041 958 505 683 33	Black Grille Centre without Sensor Lacquered		1	Turbo S ID58/E8A/8T1
6	958 505 683 33 041 958 505 551 00	Black Sealing strip Grille Centre		1	ID1V/D50
7	958 505 245 00	Water deflector Air inlet Left	/L	1	
(7)	958 505 246 00	Water deflector Air inlet Right	/R	1	
8	N 903 235 01	Clamp		1	
9	958 505 681 00	Grille Lateral Left	/L	1	Basis ID34/D6V
(9)	958 505 682 00	Grille Lateral Right	/R	1	Basis ID34/D6V
(9)	958 505 681 11	Grille Lateral Left	/L	1	ID58
(9)		Grille Lateral Left	/L	1	V8 Cayenne S ID6V/E0W GTS
(9)		Grille Lateral Left Black	/L	1	ID58/E8A
(9)	958 505 682 11	Grille Lateral Right	/R	1	ID58
(9)		Grille Lateral Right	/R	1	V8 Cayenne S ID6V/E0W GTS
(9)		Grille Lateral Right Black	/R	1	ID58/E8A
(9)	958 505 681 30	Grille Lateral Left Lacquered	/L	1	ID58/E8A
(9)	958 505 681 30 041 958 505 682 30	Black Grille Lateral Right Lacquered	/R	1	ID58/E8A

Model: 92A 11 Model life 2011>>

Pos	Part Number	Description	Remark	Qty	Model
(9)	958 505 682 30 041 958 505 681 20	Black Grille	/L	1	IDD8/D1V/D11 ID19/D43/D50
(9)	958 505 682 20	Lateral Left Grille	/R	1	IDD8/D1V/D11 ID19/D43/D50
10	958 505 889 00	Lateral Right Retaining strip Left Under Headlamp	/L	1	
(10)	958 505 890 00	Retaining strip Right Under Headlamp	/R	1	
(11)	958 505 155 00	Cover Towing lug Left	/L	1	
11	958 505 155 00 G2L 958 505 156 00	Prime coated Cover Towing lug Right	/R	1	
12	958 505 156 00 G2L 958 505 333 00	Prime coated Air guide	/L	1	ID34/D6V
(12)	958 505 333 00 9B9 958 505 334 00	Satin black Air guide	/R	1	ID34/D6V
(12)	958 505 333 10 958 505 333 10 9B9	Air guide Satin black	/L	1	ID58
(12)	958 505 334 10 958 505 334 10 9B9	Air guide Satin black	/R	1	ID58
(12)	958 505 333 20 958 505 333 20 9B9	Air guide Satin black	/L	1	ID19
(12)	958 505 333 30 958 505 333 30 9B9	Air guide Satin black	/L	1	IDD8/D1V/D11 ID43/D50
(12)	958 505 334 20 958 505 334 20 9B9	Air guide Satin black	/R	1	IDD8/D1V/D11 ID19/D43/D50
(12)	958 505 333 40 958 505 333 40 9B9	Air guide Satin black	/L	1	IE0W
(12)	958 505 334 40 958 505 334 40 9B9	Air guide Satin black	/R	1	IE0W
13	958 505 795 00	Air guide Brake	/L	1	
(13)	958 505 796 00	Air guide Brake	/R	1	
14	958 505 061 00	Front spoiler Upper part		1	I2D0/2JB/6GA I6GF
14		Front spoiler Upper part		1	I2D0/2JB/6GH
(14)	958 505 061 10	Front spoiler Upper part		1	I2D0/2JC/2JX I6GA/6GF
(14)		Stainless steel Front spoiler		1	I2D0/2JC/2JX I6GH
(14)	958 505 061 20	Upper part Stainless steel Front spoiler		1	I2D0/2JB/6GB

Model: 92A 11 Model life 2011>>

Pos	Part Number	Description	Remark	Qty	Model
(14)	958 505 061 30	Upper part Road use Front spoiler		1	I2D0/2JC/2JX I6GB
(14)	958 505 100 00	Upper part Stainless steel Off-road use Front spoiler		1	I2D1/2D2
15	958 505 100 00 G2X 958 505 833 00	Upper part Included Pos.13 Prime coated Cover Front spoiler		1	I2JC/2JX
16	958 505 685 00	Version Stainless steel Disc	/L	1	ID19/D34/D50 ID6V/E0W/2JB
16	958 505 685 00 9B9 958 505 685 00	Left Upper Satin black Disc	/L	1	IDD8
16	958 505 685 00 9B9 958 505 685 40	Left Upper Satin black Disc	/L	1	IDD7/DD8/DU2 ID1V/D11/D19 ID34/D43/D50
16	958 505 685 40 9B9 958 505 877 00	Upper left Satin black Disc	/L	1	ID19/D34/D50 ID6V/E0W/2JB
16	958 505 877 00 9B9 958 505 877 00	Left Lower Satin black Disc	/L	1	IDD8
16	958 505 877 00 9B9 958 505 686 00	Left Lower Satin black Disc	/R	1	ID19/D34/D50 ID6V/E0W/2JB
16	958 505 686 00 9B9 958 505 686 00	Right Upper Satin black Disc	/R	1	IDD8
16	958 505 686 00 9B9 958 505 686 40	Right Upper Satin black Disc	/R	1	IDD7/DD8/DU2 ID1V/D11/D19 ID34/D43/D50
16	958 505 686 40 9B9 958 505 878 00	Upper left Satin black Disc	/R	1	ID19/D34/D50 ID6V/E0W/2JB
16	958 505 878 00 9B9 958 505 878 00	Right Lower Satin black Disc	/R	1	IDD8
16	958 505 878 00 9B9 958 505 685 10	Right Lower Satin black Disc	/L	1	ID58

Model: 92A 11 Model life 2011>>

Pos	Part Number	Description	Remark	Qty	Model
16	958 505 685 10 9B9 958 505 685 10	Left Upper Satin black Disc	/L	1	ID6V/E0W
16	958 505 685 10 9B9 958 505 685 11	Left Upper Satin black Disc	/L	1	IDT1/DT5/DU3
16	958 505 685 11 9B9 958 505 685 30	Left Upper Satin black Disc	/L	1	ID58/E8A
16	958 505 685 30 041 958 505 877 10	Left Upper Lacquered Black Disc	/L	1	ID58
16	958 505 877 10 9B9 958 505 877 10	Left Lower Satin black Disc	/L	1	ID6V/E0W
16	958 505 877 10 9B9 958 505 877 11	Left Lower Satin black Disc	/L	1	IDT1/DT5/DU3
16	958 505 877 11 9B9 958 505 877 30	Left Lower Satin black Disc	/L	1	ID58/E8A
16	958 505 877 30 041 958 505 686 10	Left Lower Lacquered Black Disc	/R	1	ID58
16	958 505 686 10 9B9 958 505 686 10	Right Upper Satin black Disc	/R	1	ID6V/E0W
16	958 505 686 10 9B9 958 505 686 11	Right Upper Satin black Disc	/R	1	IDT1/DT5/DU3
16	958 505 686 11 9B9 958 505 686 30	Right Upper Satin black Disc	/R	1	ID58/E8A
16	958 505 686 30 041 958 505 878 10	Right Upper Lacquered Black Disc	/R	1	ID58
16	958 505 878 10 9B9 958 505 878 11	Right Lower Satin black Disc	/R	1	IDT1/DT5/DU3
16	958 505 878 11 9B9 958 505 878 30	Right Lower Satin black Disc	/R	1	ID58/E8A
	958 505 878 30 041	Right Lower Lacquered Black			

Model: 92A 11 Model life 2011>>

Pos	Part Number	Description	Remark	Qty	Model
16	958 505 685 20	Disc	/L	1	-IE0W/ID19 ID34/D43/D50 ID6V/2JC/2JL I2JX
		Left Upper			
	958 505 685 20 G2L	Prime coated			
(16)	958 505 685 21	Disc	/L	1	ID1V/D11/D34 ID43/D50/E0L
		Left Upper			
	958 505 685 21 M7T	Platinum Silver Metallic			
16	958 505 877 20	Disc	/L	1	-IE0W/ID19 ID34/D43/D50 ID6V/2JC/2JL I2JX
		Left Lower			
	958 505 877 20 G2L	Prime coated			
(16)	958 505 877 21	Disc	/L	1	ID1V/D11/D34 ID43/D50/E0L
		Left Lower			
	958 505 877 21 M7T	Platinum Silver Metallic			
16	958 505 686 20	Disc	/R	1	ID19/D34/D43 ID50/D6V/2JC I2JL/2JX
		Right Upper			
	958 505 686 20 G2L	Prime coated			
(16)	958 505 686 21	Disc	/R	1	ID1V/D11/D34 ID43/D50/E0L
		Right Upper			
	958 505 686 21 M7T	Platinum Silver Metallic			
16	958 505 878 20	Disc	/R	1	-IE0W/ID19 ID34/D43/D50 ID6V/2JC/2JL I2JX
		Right Lower			
	958 505 878 20 G2L	Prime coated			
(16)	958 505 878 21	Disc	/R	1	ID1V/D11/D34 ID43/D50/E0L
		Right Lower			
	958 505 878 21 M7T	Platinum Silver Metallic			
17	N 038 501 3	Expansion rivet		4	ID11/D19/D34 ID50/8T3
(18)	958 505 888 01	Spoiler Lower	/R	1	I6GA/6GF
	958 505 888 01 9B9	Satin black			
(18)	958 505 888 01	Spoiler Lower	/R	1	I6GH
	958 505 888 01 9B9	Satin black			
(18)	958 505 888 11	Spoiler Lower	/R	1	I6GB
	958 505 888 11 9B9	Satin black			
(18)	958 559 732 00	Spoiler Lower	/R 14-	1	I6GJ
	958 559 732 00 G2X	Prime coated			
18	958 505 887 01	Spoiler Lower	/L	1	I6GH

Model: 92A 11 Model life 2011>>

Pos	Part Number	Description	Remark	Qty	Model
18	958 505 887 01 9B9 958 505 887 01	Satin black Spoiler Lower	/L	1	I6GA/6GF
(18)	958 505 887 01 9B9 958 505 887 10	Satin black Spoiler Lower	/L	1	I6GB
(18)	958 559 731 00	Spoiler Lower	/L -14	1	I6GJ
19	958 559 731 00 G2X N 911 604 01	Prime coated Screw		X	
20	958 505 550 00	Foam part		1	ID11/D19/D34 ID6V/2D1/2D2
20		Foam part		1	ID50/2D1/2D2
20		Foam part		1	ID6V/E0W/2D1 I2D2
20		Foam part		1	ID43/2D1/2D2
20		Foam part		1	IDD8/2D1/2D2
20		Foam part		1	ID1V/2D1/2D2
20	958 505 550 01	Foam part		1	ID11/D19/D34 ID6V/2D0
20		Foam part		1	ID50/2D0
20		Foam part		1	ID43/2D0
20		Foam part		1	IDD8/2D0
20		Foam part		1	ID1V/2D0
20	958 505 550 10	Foam part		1	ID58/2D1/2D2
20	958 505 550 11	Foam part		1	ID58/2D0
21	958 701 105 00	Bracket Number plate		1	I6W1
(21)	958 701 105 00 9B9 958 701 105 20	Satin black Bracket Number plate		1	I6W7
(21)	958 701 105 20 9B9 958 701 105 10	Satin black Bracket Number plate		1	I6W2
(21)	958 701 105 10 9B9 958 701 105 15	Satin black Bracket Number plate		1	IB0L/2D0/6W3
(21)	958 701 105 15 9B9 958 701 105 16	Satin black Bracket Number plate		1	IB0A/B0D/B0E IB1C/B2A/B2H I2D1/2D2/6W3
(21)	958 701 105 16 9B9 958 701 105 17	Satin black Bracket Number plate		1	IB0L/2D1/2D2 I6W3
22	958 701 105 17 9B9 N 038 549 4	Satin black Expansion rivet A-8 X 12		X	
23	N 106 568 02	Oval-head sheetmetal screw ST 4.8 X 9.5		X	
24	958 505 049 00	Guide Lateral Left	/L	1	
24	958 505 050 00	Guide Lateral Right	/R	1	
25	WHT 003 954	Oval-head screw TP 5 X 16		X	
26	WHT 004 935	Expander nut TP 5 X 15,5		X	
27	N 911 883 01	Outer hexagon round screw M6 X 20		6	

Model: 92A 11 Model life 2011>>

Pos	Part Number	Description	Remark	Qty	Model
28	958 505 829 00	Fastening clamp Bumper		2	
30	958 505 093 00	Cover Support Fog headlamp	/L	1	ID58
(30)	958 505 094 00	Cover Support Fog headlamp	/R	1	ID58
31	958 505 177 00	Guide	/L	1	
31	958 505 178 00	Guide	/R	1	
32	958 505 819 00	Cover Spoiler	/L	1	I2D1/2D2
33	958 505 820 00	Cover Spoiler	/R	1	I2D1/2D2
34	999 507 836 09	Clamp Side marker light		2	
35	958 505 973 00	Disc Centre Upper without ACC		1	IDD8/D11/D19 ID34/D43/D50 ID6V/8T1
35	958 505 973 00 9B9	Satin black			
35	958 505 973 01	Disc Centre Upper without ACC		1	ID1V/D11/D34 ID43/D50/E0L I8T1
(35)	958 505 973 01 M7T	Platinum Silver Metallic			
(35)	958 505 973 10	Disc Centre Upper left with ACC	/L	1	ID11/D19/D34 ID43/D50/D6V I8T3
(35)	958 505 973 10 9B9	Satin black			
(35)	958 505 973 11	Disc Centre Upper left with ACC	/L	1	ID1V/D11/D34 ID43/D50/E0L I8T3
(35)	958 505 973 11 M7T	Platinum Silver Metallic			
(35)	958 505 974 10	Disc Centre Upper right with ACC	/R	1	ID11/D19/D34 ID43/D50/D6V I8T3
(35)	958 505 974 10 9B9	Satin black			
(35)	958 505 974 11	Disc Centre Upper right with ACC	/R	1	ID11/D34/D43 ID50/D6V/E0L I8T3

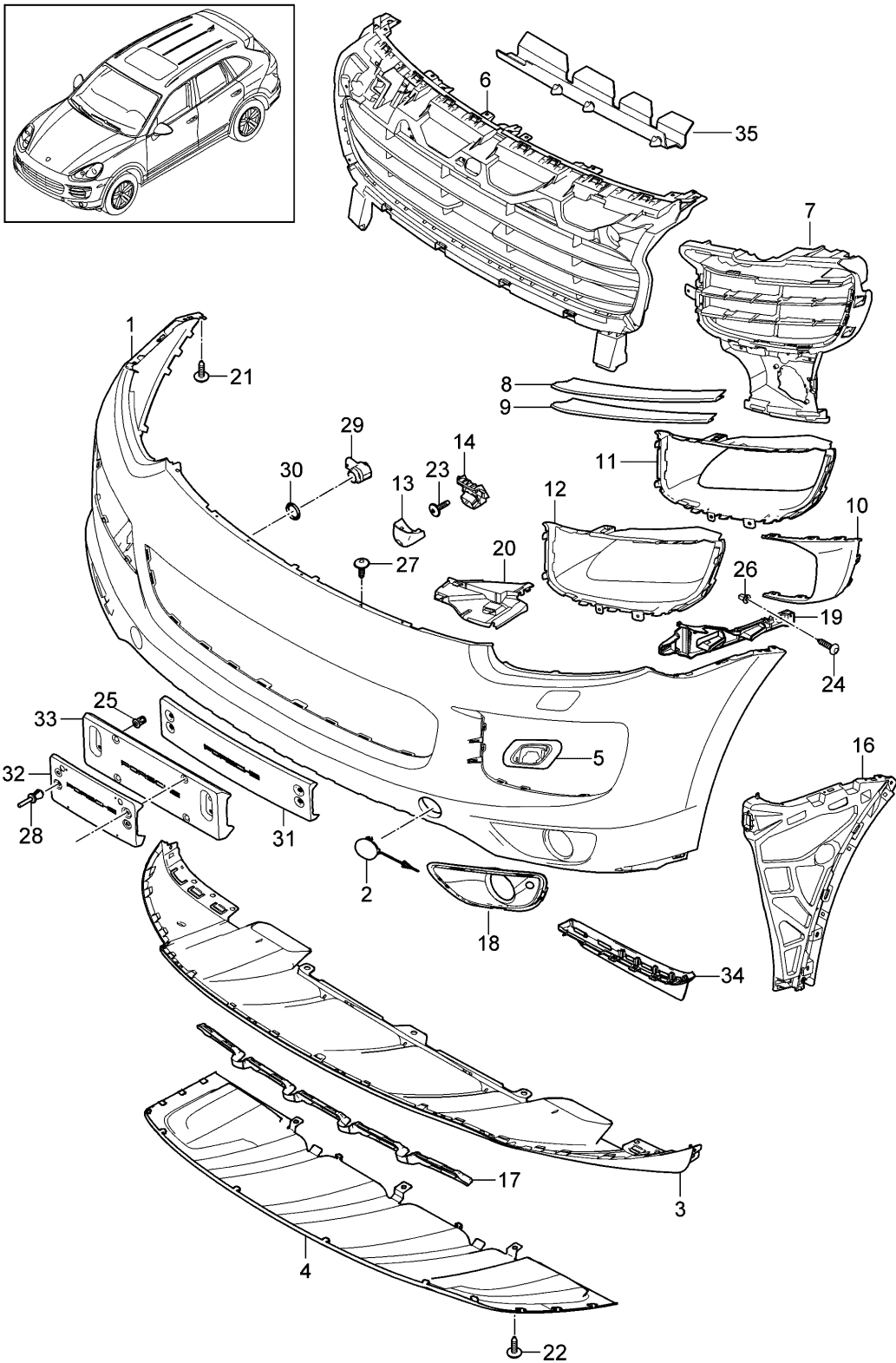
Model: 92A 11

Model life 2011>>

Pos	Part Number	Description	Remark	Qty	Model
(35)	958 505 974 11 M7T 958 505 974 00	Platinum Silver Metallic Disc Centre Lower		1	IDD8/D11/D19 ID34/D43/D50 ID6V
(35)	958 505 974 00 9B9 958 505 974 01	Satin black Disc Centre Lower		1	ID11/D34/D43 ID50/D6V/E0L
	958 505 974 01 M7T	Platinum Silver Metallic			

Model: 92A 11

Model life 2011>>



Model: 92A 11 Model life 2011>>

Pos	Part Number	Description	Remark	Qty	Model
		Lining	15-		IDD8/DU2/DV7 ID1V/D11/D19 ID34/D43/D50 ID51
1	958 505 217 00	Front Basic 2nd GENERATION Lining		1	I7X0/7X9/8F2 I8X0
1	958 505 217 00 G2X 958 505 217 06	Basic without Headlight washer system ParkAssist Prime coated Lining		1	I7X2/7X8/8A4 I8F2/8X0
1	958 505 217 06 G2X 958 505 217 10	Basic without Headlight washer system with ParkAssist Prime coated Lining		1	I7X0/7X9/8F2 I8X1
1	958 505 217 10 G2X 958 505 217 17	with Headlight washer system without ParkAssist Prime coated see Technical information 113/14 Lining		1	I7X2/7X8/8A4 I8F2/8X1
2	958 505 217 17 G2X 958 505 155 40	with Headlight washer system ParkAssist Prime coated Cap	/L	1	
(2)	958 505 155 40 G2X 958 505 156 40	Towing lug Prime coated Cap	/R	1	
3	958 505 156 40 G2X 958 505 100 00	Towing lug Prime coated Front spoiler		1	I2D0/2JB/6GA I6GF/6GH
(3)	958 505 100 00 9B9 958 505 100 05	Satin black Front spoiler		1	I2D0/2JC/2JX I6GA/6GF/6GH
(3)	958 505 100 05 6M7 958 505 100 10	Plastic material for Cover Stainless steel Spoiler		1	Offroad I2D0/2JB/6GB
(3)	958 505 100 10 9B9 958 505 100 15	Satin black Spoiler		1	Offroad I2D0/2JC/2JX I6GB
(3)	958 505 100 15 6M7 958 505 100 20	Stainless steel Spoiler		1	I2D1/2D2/2JB I6GK
		Sport Design package			

Model: 92A 11 Model life 2011>>

Pos	Part Number	Description	Remark	Qty	Model
4	958 505 100 20 G2X 958 505 833 01	Prime coated Cover Front		1	I2JC/2JX
5	958 505 833 01 6M7 958 505 333 00	Stainless steel Lid Headlight washer system	/L	1	I8X1
(5)	958 505 333 00 G2X 958 505 334 00	Prime coated Lid Headlight washer system	/R	1	I8X1
6	958 505 334 00 G2X 958 505 683 02	Prime coated Grille Centre without ACC		1	I8T1
(6)	958 505 683 40	Satin black Grille Centre with ACC		1	I8T3
7	958 505 683 40 9B9 958 505 681 40	Satin black Grille Lateral	/L	1	
(7)	958 505 681 40 9B9 958 505 682 40	Satin black Grille Lateral	/R	1	
8	958 505 682 40 9B9 958 505 685 40	Satin black Disc Upper left	/L	1	
(8)	958 505 685 40 9B9 958 505 686 40	Satin black Disc Upper right	/R	1	
9	958 505 686 40 9B9 958 505 685 45	Satin black Disc Lower	/L	1	
(9)	958 505 685 45 9B9 958 505 686 45	Satin black Disc Lower	/R	1	
10	958 505 686 45 9B9 958 505 945 00	Satin black Air guide Left	/L	1	
(10)	958 505 946 00	Air guide Right	/R	1	
11	958 505 333 00 958 505 333 00 9B9	Air guide Satin black	/L	1	ID34/D6V
(11)	958 505 334 00 958 505 334 00 9B9	Air guide Satin black	/R	1	ID34/D6V
(11)	958 505 333 45	Air guide open	/L	1	
(11)	958 505 333 45 9B9 958 505 334 45	Satin black Air guide open	/R	1	
12	958 505 334 45 9B9 958 505 483 50	Satin black Air guide Closed	/L	1	ID19
(12)	958 505 484 50	Air guide Closed	/R	1	ID19
13	958 505 644 00	Cover RTV		1	
14	958 505 644 00 9B9 958 505 997 00	Satin black Support RTV		1	
16	958 505 177 50	Guide Lining	/L	1	

Model: 92A 11

Model life 2011>>

Pos	Part Number	Description	Remark	Qty	Model
(16)	958 505 178 50	Guide Lining	/R	1	
17	958 505 819 50	Cover Front spoiler Sport Design package		1	I2D1/2D2
18	958 505 823 00	Cover Fog headlamp	/L	1	I7X2/7X8/8A4
	958 505 823 00 9B9	Satin black			
(18)	958 505 824 00	Cover Fog headlamp	/R	1	I7X2/7X8/8A4
	958 505 824 00 9B9	Satin black			
(18)	958 505 823 10	Cover Fog headlamp	/L	1	I7X0/7X9
	958 505 823 10 9B9	Satin black			
(18)	958 505 824 10	Cover Fog headlamp	/R	1	I7X0/7X9
	958 505 824 10 9B9	Satin black			
19	958 505 049 01	Guide Lateral	/L	1	
(19)	958 505 050 01	Guide Lateral	/R	1	
20	958 505 245 10	Water deflector Air inlet Left	/L	1	ID34
(20)	958 505 246 10	Water deflector Air inlet Right	/R	1	ID34
21	WHT 003 954	Outer hexagon round screw TP 5 X 16-Q-SZ		X	
22	N 911 883 01	Outer hexagon round screw M6X20		8	
23	N 909 365 03	Outer hexagon round screw TP3X12-Q		2	I8A4
24	WHT 004 935	Expander nut TP5X15.5		X	
25	N 902 184 03	Blind rivet nut M6		6	
26	999 507 836 09	Clamp 9,0 X 13,0/4,0		4	
27	N 908 550 01	Blind rivet		6	
28	N 038 549 4	Expansion rivet		X	
29	5Q0 919 275	Sensor ParkAssist		4	I7X2/7X8
	5Q0 919 275 G2X	Prime coated			
30	5Q0 919 133	Sealing ring Sensor		4	I7X2/7X8
31	958 505 287 25	Bracket Number plate		1	ECE I6W1
	958 505 287 25 9B9	Satin black			
(31)	958 505 287 30	Bracket Number plate		1	RDW I6W2
	958 505 287 30 9B9	Satin black			
(32)	958 505 287 40	Bracket Number plate		1	Japan I6W4
	958 505 287 40 9B9	Satin black			
33	958 505 287 45	Bracket Number plate		1	China I6W7
	958 505 287 45 9B9	Satin black			
(33)	958 505 287 48	Bracket Number plate		1	PHEV
	958 505 287 48 9B9	Satin black			

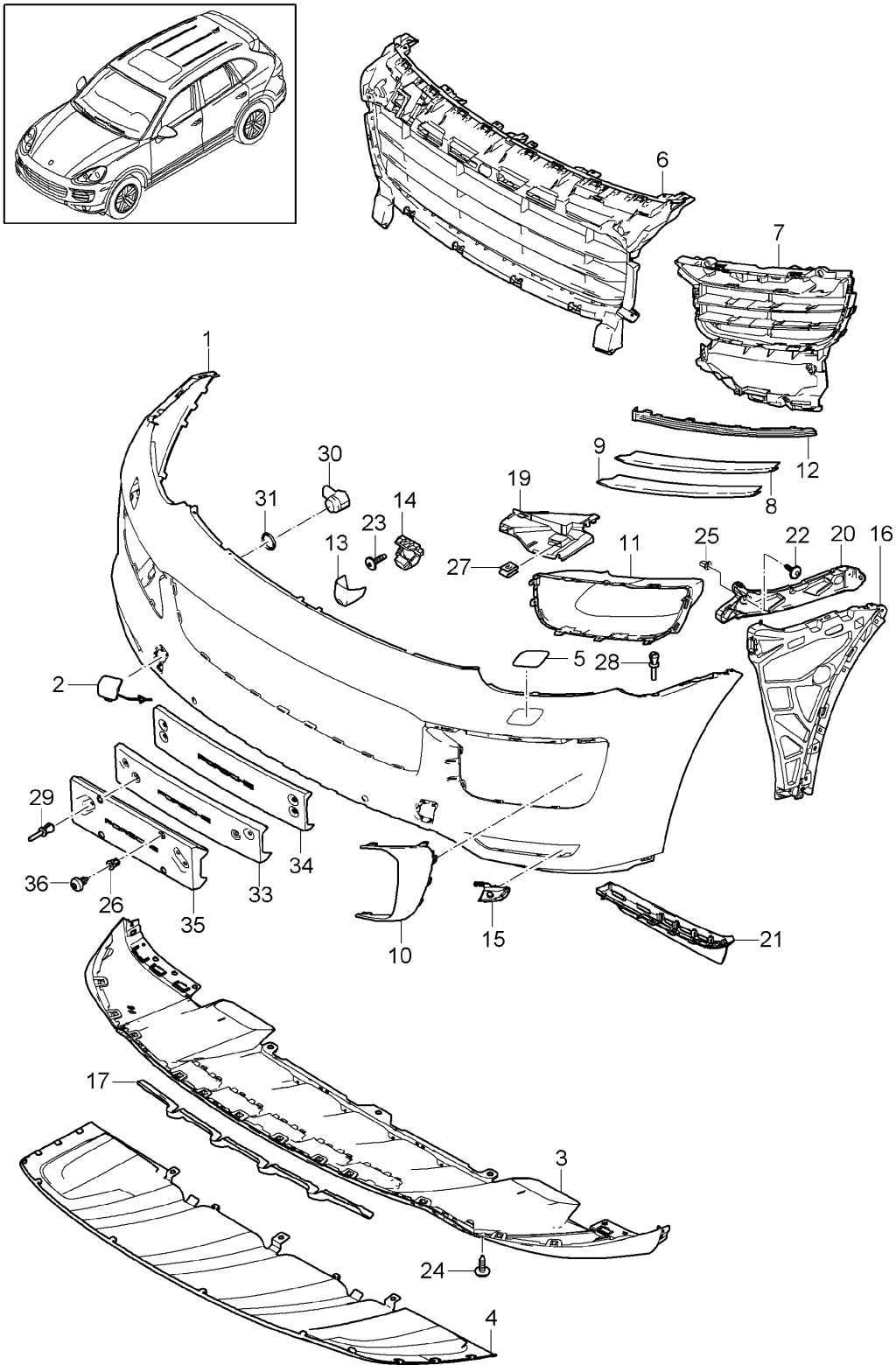
Model: 92A 11

Model life 2011>>

Pos	Part Number	Description	Remark	Qty	Model
		Number plate			ID19/6W7
34	958 505 287 48 9B9	Satin black			
	958 505 887 01	Spoiler	/L	1	I6GH
		Lower			
(34)	958 505 887 01 9B9	Satin black			
	958 505 887 01	Spoiler	/L	1	I6GA/6GF
		Lower			
(34)	958 505 887 01 9B9	Satin black			
	958 505 888 01	Spoiler	/R	1	I6GH
		Lower			
(34)	958 505 888 01 9B9	Satin black			
	958 505 888 01	Spoiler	/R	1	I6GA/6GF
		Lower			
(34)	958 505 888 01 9B9	Satin black			
	958 505 887 11	Spoiler	/L	1	I6GB
		Lower			
(34)	958 505 887 11 9B9	Satin black			
	958 505 888 11	Spoiler	/R	1	I6GB
		Lower			
(34)	958 505 888 11 9B9	Satin black			
	958 505 731 20	Spoiler	/L	1	I6GK
		Lower			
(34)	958 505 731 20 G2X	Prime coated			
	958 505 732 20	Spoiler	/R	1	I6GK
		Lower			
35	958 505 732 20 G2X	Prime coated			
	958 505 551 01	Sealing strip		1	IDV7/D1V/D43 ID50/D51
		Grille			
		Centre			

Model: 92A 11

Model life 2011>>



Model: 92A 11 Model life 2011>>

Pos	Part Number	Description	Remark	Qty	Model
1	958 505 217 52	Lining Front Turbo GTS 2nd GENERATION Lining	15-	1	IDT1/DT5/DU3
1	958 505 217 52 G2X 958 505 217 55	with Headlight washer system ParkAssist Prime coated Lining		1	IDT1/DT5/DU3 I7X2/7X8/8A4 I8F2/8X1
1	958 505 217 55 G2X	with Headlight washer system without ParkAssist Prime coated see Technical information 113/14		1	IDU3/7X0/7X9 I8F2/8X1
2	958 505 155 10	Cap	/L	1	
(2)	958 505 155 10 G2X 958 505 156 10	Towing lug Prime coated Cap	/R	1	
3	958 505 156 10 G2X 958 505 100 00	Towing lug Prime coated Front spoiler		1	I2D0/2JB/6GA I6GF/6GH
(3)	958 505 100 00 9B9 958 505 100 05	Satin black Front spoiler		1	I2D0/2JC/2JX I6GA/6GF/6GH
(3)	958 505 100 05 6M7 958 505 100 10	Stainless steel Front spoiler		1	I2D0/2JB/6GB
(3)	958 505 100 10 9B9 958 505 100 15	OFFROAD Satin black Front spoiler		1	I2D0/2JC/2JX I6GB
(3)	958 505 100 15 6M7 958 505 100 20	OFFROAD Stainless steel Front spoiler		1	I2D1/2D2/2JB I6GK
4	958 505 100 20 G2X 958 505 833 01	Sport Design package Prime coated Cover Front		1	I2JC/2JX
5	958 505 833 01 6M7 958 505 333 00	Stainless steel Lid	/L	1	I8X1
(5)	958 505 333 00 G2X 958 505 334 00	Headlight washer system Prime coated Lid	/R	1	I8X1
6	958 505 334 00 G2X 958 505 683 50	Headlight washer system Prime coated Grille Centre without ACC		1	I8T1
(6)	958 505 683 50 9B9 958 505 683 65	Satin black Grille Centre without ACC		1	IDT5/8T1

Model: 92A 11 Model life 2011>>

Pos	Part Number	Description	Remark	Qty	Model
(6)	958 505 683 65 G2X 958 505 683 55	Prime coated Grille Centre with ACC		1	I8T3
(6)	958 505 683 55 9B9 958 505 683 60	Satin black Grille Centre with ACC		1	I8T3
7	958 505 683 60 041 958 505 681 50	Black Grille Lateral	/L	1	IDT1/DU3
(7)	958 505 681 50 9B9 958 505 681 51	Satin black Grille Lateral	/L	1	IDT5
(7)	958 505 681 51 G2X 958 505 682 50	Prime coated Grille Lateral	/R	1	IDT1/DU3
(7)	958 505 682 50 9B9 958 505 682 51	Satin black Grille Lateral	/R	1	IDT5
8	958 505 682 51 G2X 958 505 685 11	Prime coated Disc Upper left	/L	1	IDT1/DU3
8	958 505 685 11 9B9 958 505 685 12	Satin black Disc Upper left	/L	1	IDT5
(8)	958 505 685 12 G2X 958 505 686 11	Prime coated Disc Upper left	/R	1	IDT1/DU3
(8)	958 505 686 11 9B9 958 505 686 12	Satin black Disc Upper left	/R	1	IDT5
9	958 505 686 12 G2X 958 505 877 11	Prime coated Disc Lower	/L	1	IDT1/DU3
(9)	958 505 877 11 9B9 958 505 877 12	Satin black Disc Lower	/L	1	IDT5
(9)	958 505 877 12 G2X 958 505 878 11	Prime coated Disc Lower	/R	1	IDT1/DU3
(9)	958 505 878 11 9B9 958 505 878 12	Satin black Disc Lower	/R	1	IDT5
10	958 505 878 12 G2X 958 505 945 50	Prime coated Air guide Left	/L	1	IDT1/DU3
(10)	958 505 945 51 958 505 945 51 G2X	Air guide Left Prime coated	/L	1	IDT5
(10)	958 505 946 50	Air guide Right	/R	1	IDT1/DU3
(10)	958 505 946 51 958 505 946 51 G2X	Air guide Right Prime coated	/R	1	IDT5
11	958 505 333 50	Air guide open	/L	1	
(11)	958 505 333 50 9B9 958 505 334 50	Satin black Air guide open	/R	1	
	958 505 334 50 9B9	Satin black			

Model: 92A 11 Model life 2011>>

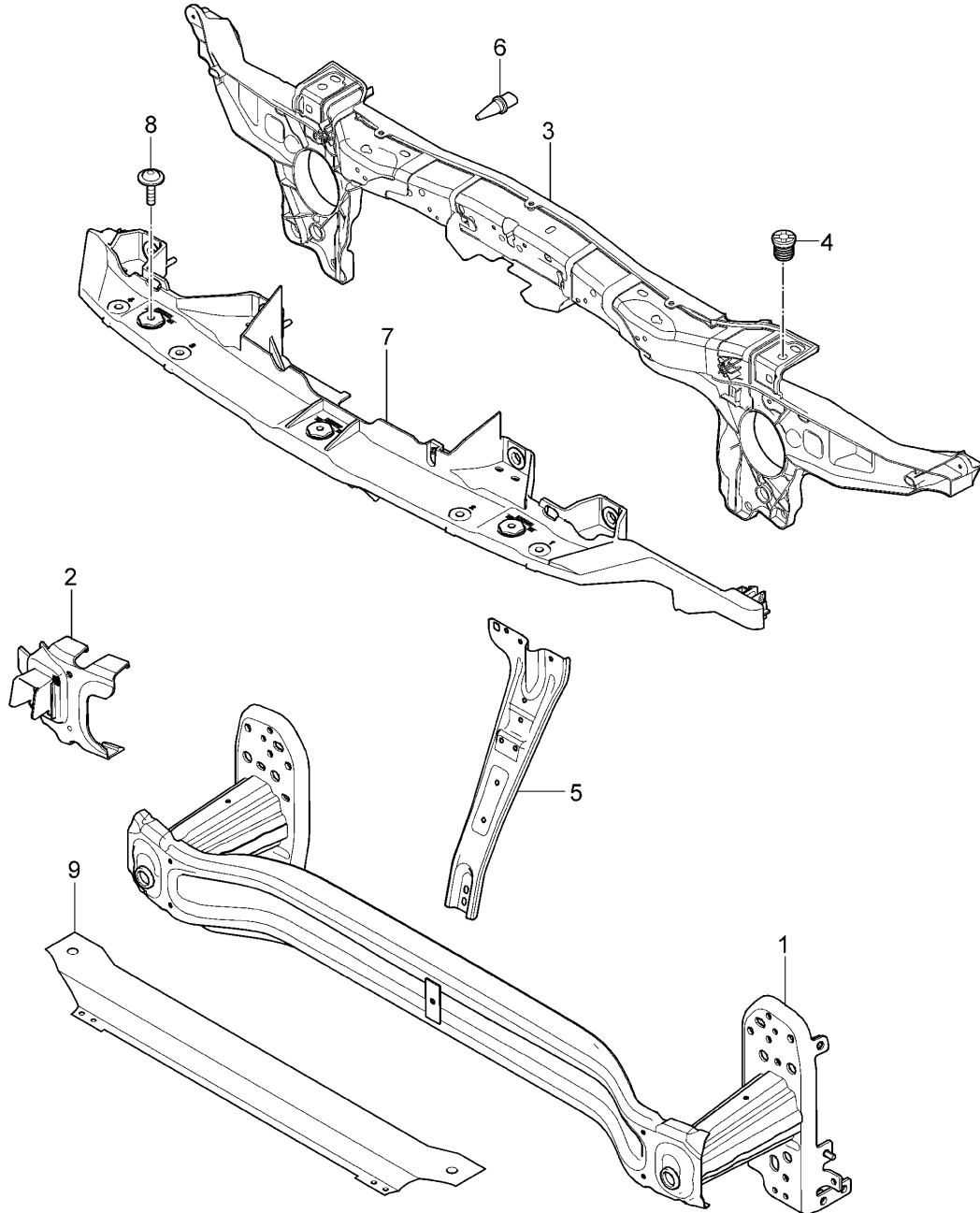
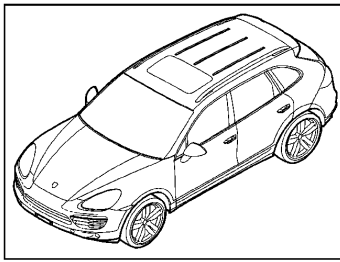
Pos	Part Number	Description	Remark	Qty	Model
12	958 505 951 50	Front end cover Light	/L	1	IDT1/DU3
(12)	958 505 951 50 9B9 958 505 951 51	Satin black Front end cover Light	/L	1	IDT5
(12)	958 505 951 51 G2X 958 505 952 50	Prime coated Front end cover Light	/R	1	IDT1/DU3
(12)	958 505 952 50 9B9 958 505 952 51	Satin black Front end cover Light	/R	1	IDT5
13	958 505 952 51 G2X 958 505 644 50	Prime coated Cover RTV		1	I8A4
14	958 505 644 50 9B9 958 505 997 50	Satin black Support RTV		1	I8A4
(15)	95B 807 795 A	Cover Fog headlamp without ParkAssist	/L	1	I7X0/7X9
(15)	95B 807 795 A 1E0 95B 807 796 A	Black Cover Fog headlamp without ParkAssist	/R	1	I7X0/7X9
(15)	95B 807 796 A 1E0 95B 807 795 C	Black Cover Fog headlamp with ParkAssist	/L	1	I7X2/7X8/8A4
(15)	95B 807 795 C 1E0 95B 807 796 C	Black Cover Fog headlamp with ParkAssist	/R	1	I7X2/7X8/8A4
16	958 505 177 50	Guide Lining	/L	1	
(16)	958 505 178 50	Guide Lining	/R	1	
17	958 505 819 50	Cover Front spoiler Sport Design package		1	I2D1/2D2
19	958 505 245 10	Water deflector Air inlet Left	/L	1	
(19)	958 505 246 10	Water deflector Air inlet Right	/R	1	
20	958 505 049 01	Guide Lateral	/L	1	
(20)	958 505 050 01	Guide Lateral	/R	1	
21	958 505 887 01	Spoiler Lower	/L	1	I6GH
(21)	958 505 887 01 9B9 958 505 887 01	Satin black Spoiler Lower	/L	1	I6GA/6GF
(21)	958 505 887 01 9B9 958 505 888 01	Satin black Spoiler Lower	/R	1	I6GH
	958 505 888 01 9B9	Satin black			

Model: 92A 11 Model life 2011>>

Pos	Part Number	Description	Remark	Qty	Model
(21)	958 505 888 01	Spoiler Lower	/R	1	I6GA/6GF
	958 505 888 01 9B9	Satin black			
(21)	958 505 887 11	Spoiler Lower	/L	1	I6GB
	958 505 887 11 9B9	Satin black			
(21)	958 505 888 11	Spoiler Lower	/R	1	I6GB
	958 505 888 11 9B9	Satin black			
(21)	958 505 731 20	Spoiler Lower	/L	1	I6GK
	958 505 731 20 G2X	Prime coated			
(21)	958 505 732 20	Spoiler Lower	/R	1	I6GK
	958 505 732 20 G2X	Prime coated			
22	WHT 003 954	Outer hexagon round screw TP 5 X 16-Q-SZ		X	
23	N 909 365 03	Outer hexagon round screw TP3X12-Q		2	I8A4
24	N 911 883 01	Outer hexagon round screw M6X20		8	
25	WHT 004 935	Expander nut TP5X15.5		X	
26	N 902 184 03	Blind rivet nut		6	
27	999 507 836 09	Clamp 9,0 X 13,0/4,0		4	
28	N 908 550 01	Blind rivet		6	
29	N 038 549 4	Expansion rivet		X	
(30)	5Q0 919 275 B	Sensor ParkAssist		2	
	5Q0 919 275 B G2X	Prime coated			
(30)	5Q0 919 275 C	Sender ParkAssist		2	
	5Q0 919 275 C G2X	Prime coated			
31	5Q0 919 133	Sealing ring Sensor		4	
	5Q0 919 133 9B9	Satin black			
33	958 505 287 50	Bracket		1	ECE
(33)	958 505 287 55	Bracket Number plate		1	RDW
34	958 505 287 65	Bracket Number plate		1	Japan
(35)	958 505 287 70	Bracket Number plate		1	China
36	N 106 568 02	Oval-head sheetmetal screw ST 4,8 X 9,5		4	

Model: 92A 11

Model life 2011>>



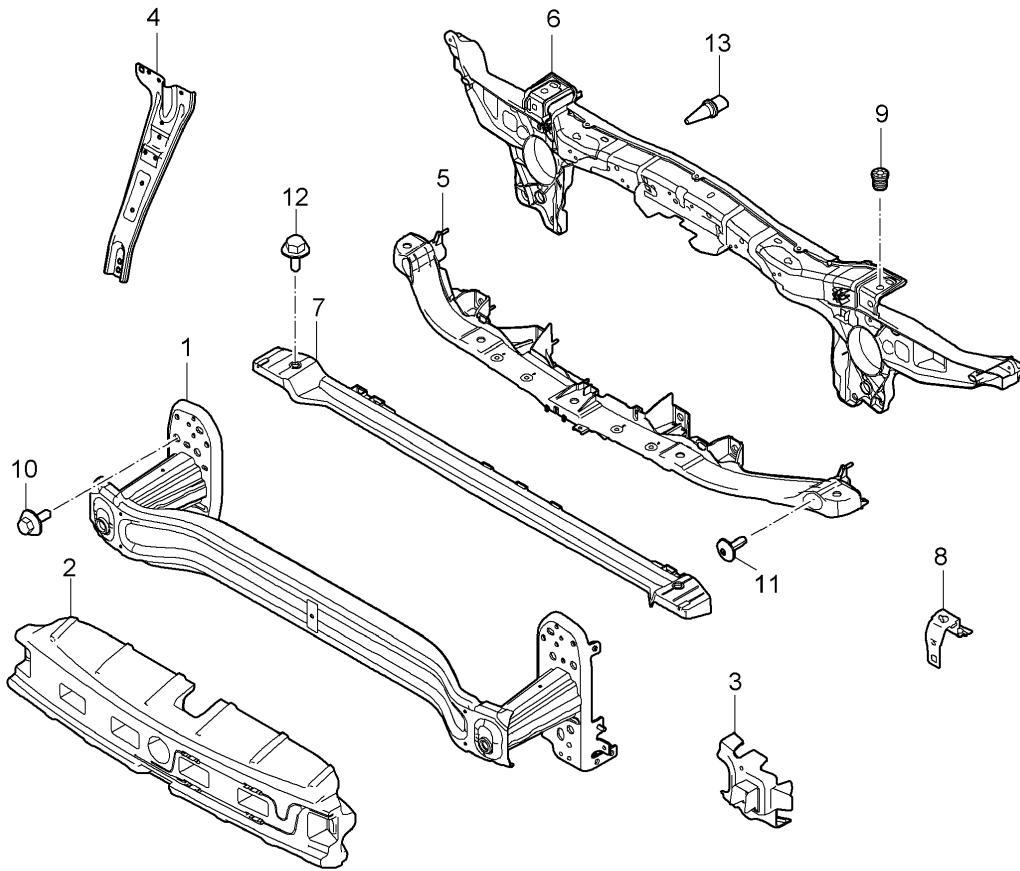
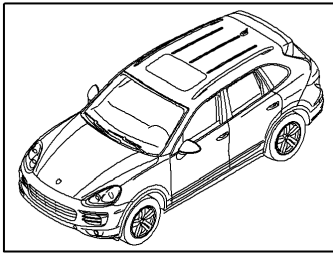
Model: 92A 11

Model life 2011>>

Pos	Part Number	Description	Remark	Qty	Model
		Bracket Front	-14		
1	958 505 109 00	Bumper reinforcement		1	-IE0W/ID11 ID19/D34/D6V
1	958 505 109 01	Bumper reinforcement		1	Basis -IE0W/ID11 ID19/D34/D6V
1		Bumper reinforcement		1	Basis ID50
1		Bumper reinforcement		1	Basis ID43
1		Bumper reinforcement		1	Basis IDD8
1		Bumper reinforcement		1	Basis ID1V
(1)	958 505 109 10	Bumper reinforcement		1	ID58
(1)	958 505 109 11	Bumper reinforcement		1	Turbo + GTS ID6V/E0W
(1)		Bumper reinforcement		1	Turbo ID58
-	N 906 589 02	Hexagon-head bolt M 10 X 22		8	
2	958 505 879 00	Adjusting mechanism Front apron	/L	1	
(2)	958 505 880 00	Adjusting mechanism Front apron	/R	1	
3	958 505 594 00	Assembly frame Upper		1	
4	958 505 481 00	Rubber stop Bonnet		2	
5	958 505 799 01	Lock carrier		1	I8T1
(5)	958 505 799 11	Lock carrier		1	I8T3
6	958 505 535 00	Sensor Outer sensor		1	
7	958 504 731 00	Bracket		1	
8	N 910 423 02	Lens-head screw M6x12		5	
9	958 505 552 00	Cross member Lower		1	

Model: 92A 11

Model life 2011>>

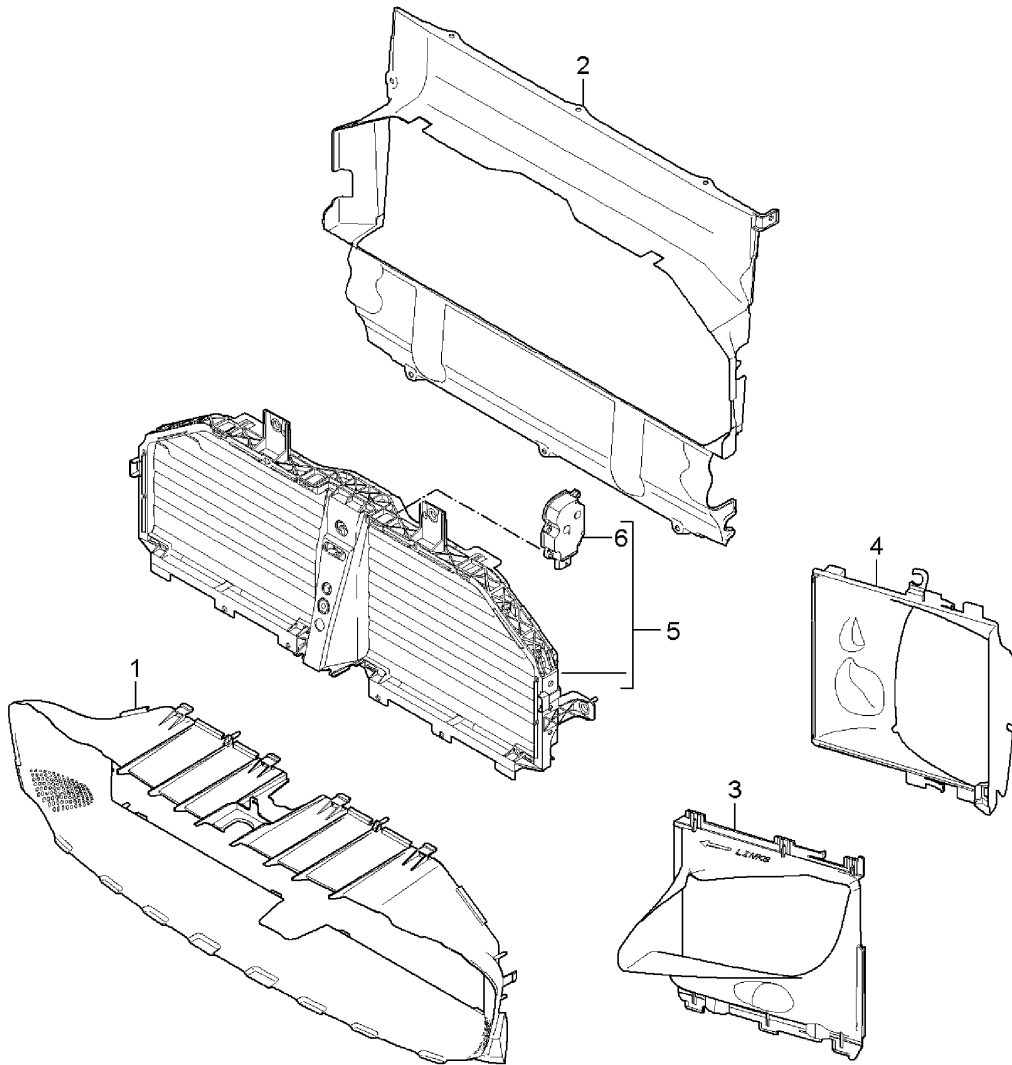
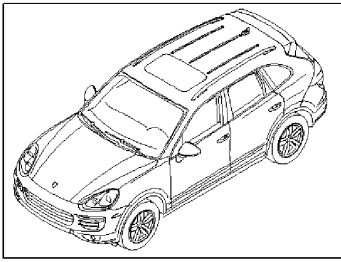


Model: 92A 11 Model life 2011>>

Pos	Part Number	Description	Remark	Qty	Model
1	958 505 109 01	Bracket Front 2nd GENERATION Bumper reinforcement	15-	1	IDD8/DU2/DV7 ID1V/D11/D19 ID34/D43/D50 ID51
1	958 505 109 11	Basic Bumper reinforcement		1	IDT1/DT5/DU3
2	958 505 550 20	Turbo Foam part		1	IDD8/DU2/DV7 ID1V/D11/D19 ID34/D43/D50 ID51
2	958 505 550 40	Basic Foam part		1	I2D0 IDT1/DT5/DU3 I2D0
2	958 505 550 50	Turbo Foam part		1	IDT1/DT5/DU3 I2D1/2D2
3	958 505 879 00	Turbo Sport Design package Adjusting mechanism	/L	1	
(3)	958 505 880 00	Front apron Adjusting mechanism	/R	1	
4	958 505 799 01	Front apron Lock carrier		1	I8T1
(4)	958 505 799 11	Lock carrier ACC		1	I8T3
5	958 505 931 40	Bracket		1	
6	958 505 594 02	Assembly frame		1	
7	958 505 552 00	Upper Cross member		1	-I1SB
(7)	958 505 549 00	Lower Cross member		1	I1SB
8	958 505 125 00	958 505 549 00 GRV Prime coated Support	/L	1	
(8)	958 505 126 00	Buffer Support	/R	1	
9	958 505 481 00	Buffer Rubber stop		4	
10	N 906 589 02	Bonnet Hexagon-head bolt M 10 X 22		8	
11	N 910 145 01	Outer hexagon round screw M6X16		2	
12	N 106 531 02	Hexagon-head bolt M8X20		4	
13	958 505 535 00	Sensor		1	
14	958 505 617 00	Outer sensor Spacer sleeve		1	ID11

Model: 92A 11

Model life 2011>>



Model: 92A 11 Model life 2011>>

Pos	Part Number	Description	Remark	Qty	Model
1	958 575 323 31	Air guide Front Air guide Until Model year 2014 See illustrations 1/05/95 Air guide	15-	1	IDD8/DU2/DV7 ID1V/D19/D34 ID43/D50/D51
1	958 575 323 32	Centre Basic Front Air guide		1	ID11
1	958 575 323 51	Centre Basic Front Air guide		1	Turbo IDT1/DT5/DU3
2	958 575 291 00	Centre Front Air guide		1	IDD8/DU2/DV7 ID1V/D34/D43 ID50/D51
2	958 575 291 10	Centre Basic Rear Air guide		1	Hybrid ID19
2	958 505 329 00	Centre Rear Air guide		1	Turbo IDT1/DT5/DU3
3	958 505 335 30	Centre Rear Air guide	/L	1	IDD8/DU2
(3)	958 505 336 30	Charge air cooler Air guide	/R	1	IDD8/DU2
(3)	958 505 335 35	Charge air cooler Air guide	/L	1	IDV7/D1V/D11 ID50/D51
(3)	958 505 336 35	Charge air cooler Air guide	/R	1	IDV7/D1V/D11 ID19/D50/D51
(3)	958 505 335 40	Charge air cooler Air guide	/L	1	Turbo IDT1/DT5/DU3
(3)	958 505 336 40	Charge air cooler Air guide	/R	1	IDT1/DT5/DU3
4	958 575 641 21	Charge air cooler Air guide	/L	1	IDD8/DT1/DT5 IDU2/DU3
(4)	958 575 642 21	Charge air cooler Air guide	/R	1	IDD8/DT1/DT5 IDU2/DU3
(4)	958 575 641 30	Charge air cooler Air guide	/L	1	IDV7/D43/D50 ID51
(4)	958 575 642 30	Charge air cooler Air guide	/R	1	IDV7/D43/D50 ID51
(4)	958 575 642 40	Charge air cooler Air guide	/R	1	ID19
5	958 505 321 00	Fresh-air flap		1	IDD7/DD8/DU2 IDV7/D1V/D19

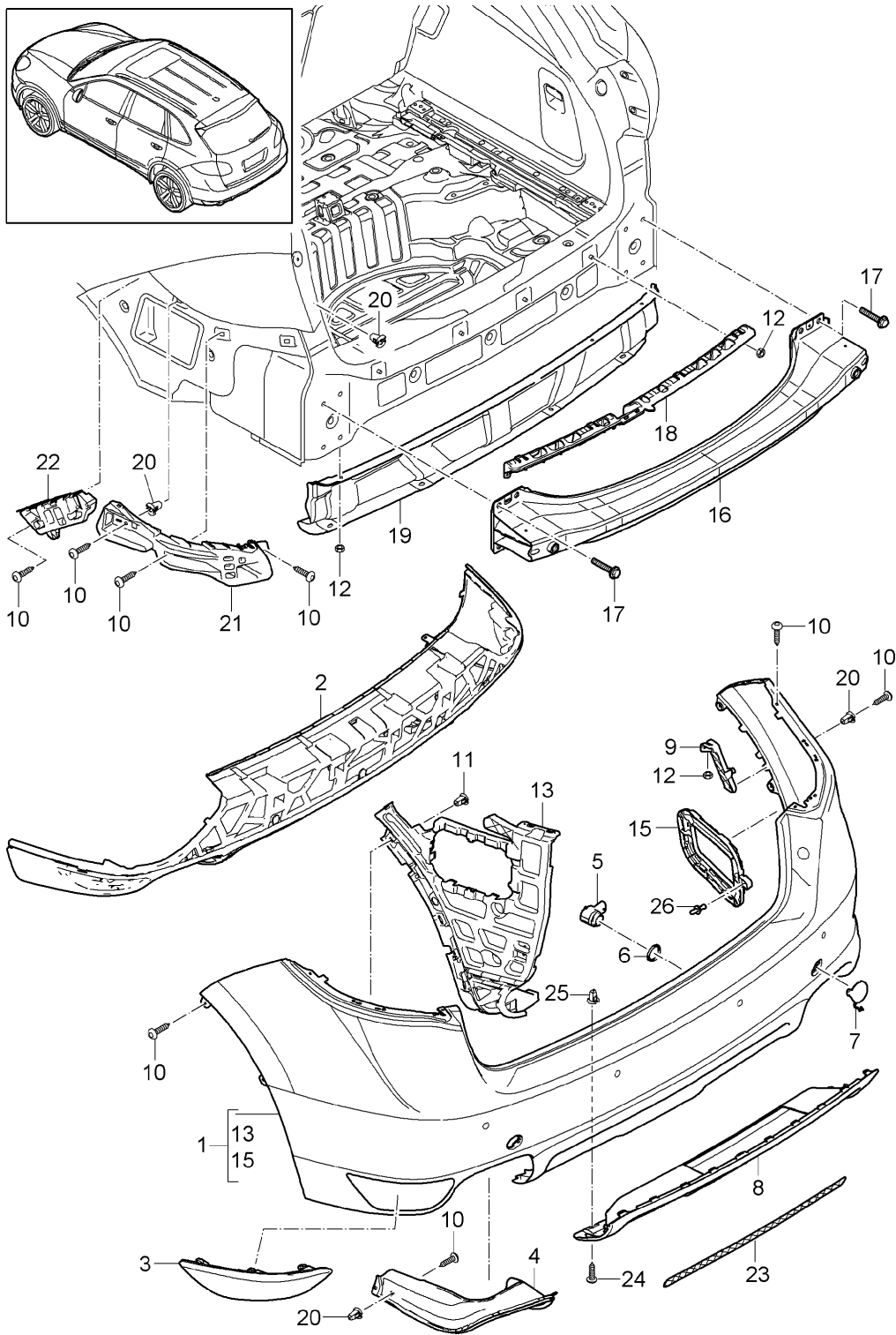
Model: 92A 11

Model life 2011>>

Pos	Part Number	Description	Remark	Qty	Model
(5)	958 505 321 10	with Engine Basic Fresh-air flap		1	ID34/D43/D50 ID51 Turbo IDT1/DT5/DU3
6	95B 965 501 B	with Engine Turbo Electric motor Disc pack		1	

Model: 92A 11

Model life 2011>>



Model: 92A 11 Model life 2011>>

Pos	Part Number	Description	Remark	Qty	Model
		Lining Rear	-14		
1	958 505 411 00	Lining		1	I7X0/7X9
	958 505 411 00 G2X	Prime coated			
(1)	958 505 411 10	Lining		1	I7X2/7X8
	958 505 411 10 G2X	Prime coated			
2	958 505 521 00	Spoiler		1	I2D0
	958 505 521 00 9B9	Satin black			
(2)	958 505 521 10	Spoiler		1	I2D1/2D2
	958 505 521 10 G2X	Prime coated			
3		Reflector		1	
		See illustrations			
		9/05/05			
4	958 505 837 00	Cover		1	
		Left			
	958 505 837 00 9B9	Satin black			
(4)	958 505 838 00	Cover		1	
		Right			
	958 505 838 00 9B9	Satin black			
5	4H0 919 275	Sensor		4	I7X2/7X8
		ParkAssist			
	4H0 919 275 G2L	Prime coated			
6	7PP 919 133	Gasket		4	I7X2/7X8
		Sensor			
(7)	958 505 449 00	Cap	/L	1	
		Towing lug			
		Left			
	958 505 449 00 G2X	Prime coated			
7	958 505 450 00	Cap	/R	1	
		Towing lug			
		Right			
	958 505 450 00 G2X	Prime coated			
8	958 505 834 00	Cover		1	I1D2/1D7/1D9 I2D0/2JB I2JC
		Lining			
		Lower			
	958 505 834 00 9B9	Satin black			
8	958 505 834 01	Cover		1	I1D2/1D7/1D9 I2D0/2JB I2JC
		Lining			
		Lower			
	958 505 834 01 9B9	Satin black			
8	958 505 834 01	Cover		1	I1D1/1D3/2D0 I2JB/2JC
		Lining			
		Lower			
	958 505 834 01 9B9	Satin black			
8	958 505 834 01	Cover		1	I1D0/2D0/2JB I2JC
		Lining			
		Lower			
	958 505 834 01 9B9	Satin black			
8	958 505 834 45	Cover		1	I1D2/1D7/1D9 I2D1/2D2/2JB I2JC I2JB/2JC
		Lining			
		Lower			
	958 505 834 45 G2X	Prime coated			
8	958 505 834 45	Cover		1	I1D1/1D3/2D1 I2D2/2JB/2JC I2JB/2JC
		Lining			
		Lower			
	958 505 834 45 G2X	Prime coated			

Model: 92A 11 Model life 2011>>

Pos	Part Number	Description	Remark	Qty	Model
8	958 505 834 45	Cover Lining Lower		1	I1D0/2D1/2D2 I2JB/2JC I2JB/2JC
8	958 505 834 45 G2X 958 505 834 10	Prime coated Cover Rear end Lower with Trailer coupling		1	I1D6/1D8/2D0 I2JB/2JC
8	958 505 834 10 6M7 958 505 834 20	Satin black Cover Lining Lower for Cover Stainless steel		1	I1D1/1D2/1D3 I1D7/1D9/2D0 I2JX
8	958 505 834 20 6M7 958 505 834 21	Satin black Cover Lining Lower for Cover Stainless steel		1	I1D2/1D7/1D9 I2D0/2JX
-	958 505 834 21 6M7	Satin black Use also:		1	I1D2/1D7/1D9 I2D0/2JX
-	958 505 834 60	Cover Stainless steel Lower		1	I1D2/1D7/1D9 I2D0/2JX
8	958 505 834 60 6M7 958 505 834 21	Stainless steel Cover Lining Lower for Cover Stainless steel		1	I1D1/1D3/2D0 I2JX
-	958 505 834 21 6M7	Satin black Use also:		1	I1D1/1D3/2D0 I2JX
-	958 505 834 60	Cover Stainless steel Lower		1	I1D1/1D3/2D0 I2JX
8	958 505 834 60 6M7 958 505 834 21	Stainless steel Cover Lining Lower for Cover Stainless steel		1	I1D0/2D0/2JX
-	958 505 834 21 6M7	Satin black Use also:		1	I1D0/2D0/2JX
-	958 505 834 60	Cover Stainless steel Lower		1	I1D0/2D0/2JX
8	958 505 834 60 6M7 958 505 834 50	Stainless steel Cover		1	GTS I1D6/1D8/2D1

Model: 92A 11 Model life 2011>>

Pos	Part Number	Description	Remark	Qty	Model
		Lining			I2D2/2JB
		Lower			I2JC
	958 505 834 50 G2X	Prime coated			
9	958 505 045 00	Support	/L	1	
(9)	958 505 046 00	Support	/R	1	
10	WHT 003 954	Oval-head screw	/R	X	
		TP5X16.00			
11	WHT 004 935	Expander nut	/R	X	
		TP5X15.5			
12	N 015 082 10	Hexagon nut		2	
13	958 505 377 00	Guide	/L	1	
		Lateral			
(13)	958 505 378 00	Guide	/R	1	
		Lateral			
(15)	958 505 771 00	Support	/L	1	
		Left			
15	958 505 772 00	Support	/R	1	
		Right			
16	958 505 309 00	Bracket		1	
		Bumper			
		Rear			
17	N 911 038 02	Hexagon-head bolt		1	
		M12 X 50			
18	958 505 863 00	Attachment strip		1	
		Bumper			
		Upper			
19	958 505 587 00	Cover		1	
		Lower			
20	WHT 001 829	Special nut		1	
		4,2 X 15,7			
21	958 505 393 00	Guide	/L	1	
		Left			
		Lateral			
		Front			
(21)	958 505 394 00	Guide	/R	1	
		Right			
		Lateral			
		Front			
22	958 505 483 00	Guide	/L	1	
		Left			
		Lateral			
		Rear			
22	958 505 483 01	Guide	/L	1	
		Left			
		Lateral			
		Rear			
(22)	958 505 484 00	Guide	/R	1	
		Right			
		Lateral			
		Rear			
(22)	958 505 484 01	Guide	/R	1	
		Right			
		Lateral			
		Rear			
23	958 505 697 00	Grille		1	I2D1/2D2/2JB
					I2JC
	958 505 697 00 9B9	Satin black			
24	N 106 847 01	Oval-head screw		X	
		M5X20 W			
25	N 904 559 02	Speed nut		4	
		M 5			
26	N 908 550 01	Blind rivet		6	

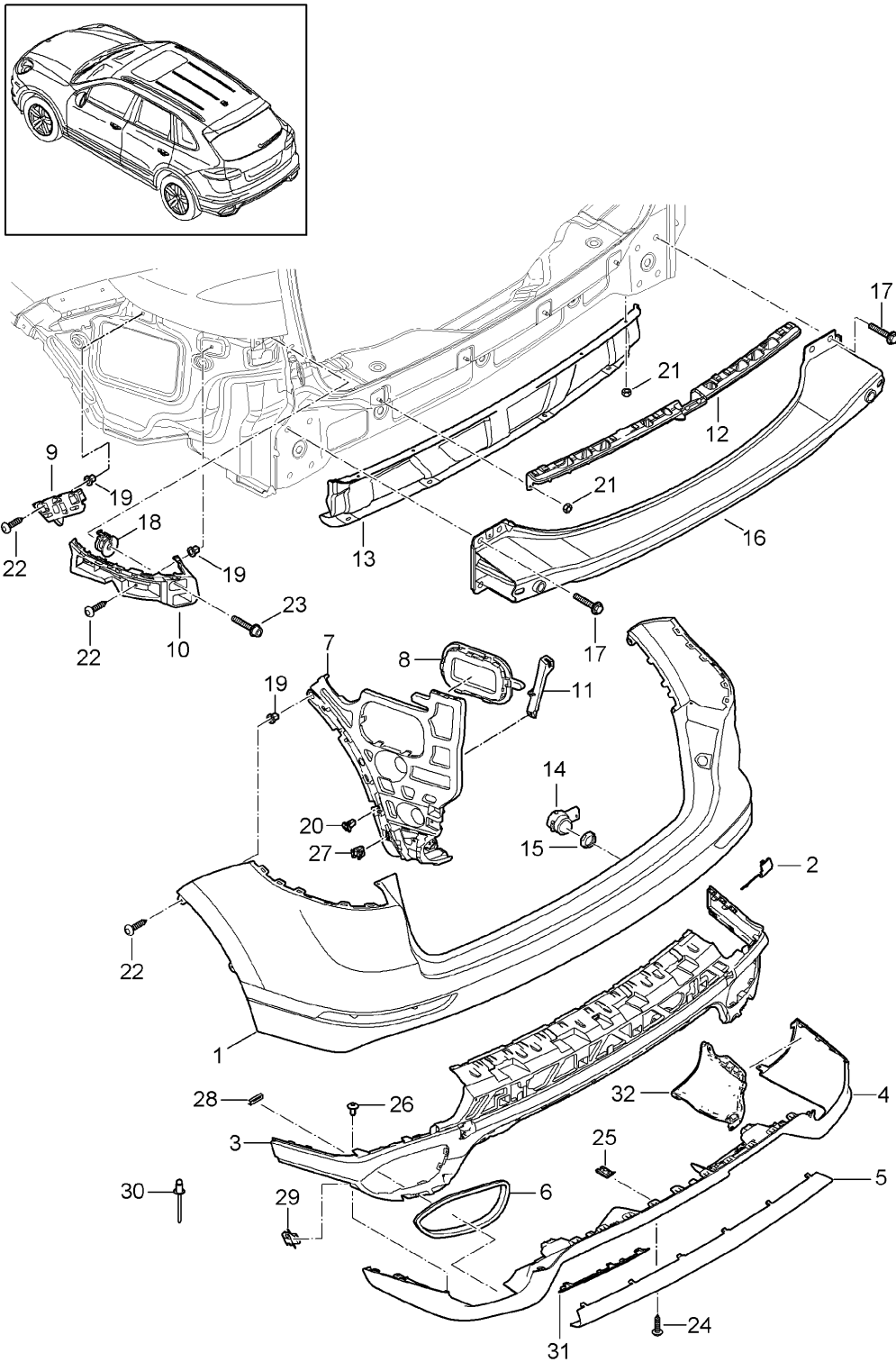
Model: 92A 11

Model life 2011>>

Pos	Part Number	Description	Remark	Qty	Model
		A3,2 X 6,5			

Model: 92A 11

Model life 2011>>



Model: 92A 11 Model life 2011>>

Pos	Part Number	Description	Remark	Qty	Model
		Lining Rear 2nd GENERATION	15-		
1	958 505 417 50	Lining		1	I7X0
	958 505 417 50 G2X	Prime coated			
1	958 505 417 50	Lining		1	I7X9
	958 505 417 50 G2X	Prime coated			
(1)	958 505 417 60	Lining		1	I7X2
	958 505 417 60 G2X	Prime coated			
(1)	958 505 417 60	Lining		1	I7X8
	958 505 417 60 G2X	Prime coated			
(1)	958 505 417 60	Lining		1	I8A4
	958 505 417 60 G2X	Prime coated			
2	958 505 499 50	Cap	/L	1	I2D0
		Towing lug			
	958 505 499 50 9B9	Black			
2	958 505 499 60	Cap	/L	1	I2D1/2D2
		Towing lug			
		Sport Design package			
	958 505 499 60 G2X	Prime coated			
(2)	958 505 500 50	Cap	/R	1	I2D0
		Towing lug			
	958 505 500 50 9B9	Black			
(2)	958 505 500 60	Cap	/R	1	I2D1/2D2
		Towing lug			
		Sport Design package			
	958 505 500 60 G2X	Prime coated			
3	958 505 521 50	Spoiler		1	I2D0
		Upper part			
	958 505 521 50 9B9	Satin black			
3	958 505 521 60	Spoiler		1	I2D1/2D2
		Upper part			
		Sport Design package			
	958 505 521 60 G2X	Prime coated			
4	958 505 834 55	Cover		1	I1D0/1D1/1D3 I1D7/2D0/2JB I2JC
		Rear end			
		Lower part			
	958 505 834 55 9B9	Satin black			
(4)	958 505 834 60	Cover		1	I1D6/1D8/2D0 I2JB/2JC
		Rear end			
		Lower part			
	958 505 834 60 9B9	Satin black			
(4)	958 505 834 65	Cover		1	I1D0/1D1/1D3 I1D7/2D0/2JX
		Rear end			
		Lower part			
		Stainless steel			
	958 505 834 65 9B9	Satin black			
(4)	958 505 834 70	Cover		1	I1D6/1D8/2D0 I2JX
		Rear end			
		Lower part			
		Stainless steel			
	958 505 834 70 9B9	Satin black			
(4)	958 505 834 90	Cover		1	I1D0/1D1/1D3 I1D7/2D1/2D2 I2JB/2JC
		Rear end			
		Lower part			
		Sport Design package			

Model: 92A 11 Model life 2011>>

Pos	Part Number	Description	Remark	Qty	Model
(4)	958 505 834 90 G2X 958 505 834 95	Prime coated Cover Rear end Lower part Sport Design package		1	I1D6/1D8/2D1 I2D2/2JB/2JC
5	958 505 834 95 G2X 958 505 834 80	Prime coated Stainless steel Cover		1	I1D0/1D1/1D3 I1D7/2D0/2JX
(5)	958 505 834 80 6M7 958 505 725 00	Brushed stainless steel Cover Lower Sport Design package		1	I1D0/1D1/1D3 I1D7/2D1/2D2 I2JB/2JC
6	958 505 725 00 G2X 958 505 837 10	Prime coated Trim cover Exhaust system	/L	1	
6	958 505 837 10 9B9 958 505 838 10	Satin black Trim cover Exhaust system	/R	1	
7	958 505 838 10 9B9 958 505 377 50	Satin black Guide piece Lateral	/L	1	
(7)	958 505 378 50	Guide piece Lateral	/R	1	
8	958 505 771 10	Support Guide Cover with Plastic foam strip	/L	1	
(8)	958 505 772 10	Support Guide Cover with Plastic foam strip	/R	1	
9	958 505 483 10	Guide Rear	/L	1	
(9)	958 505 484 10	Guide Rear	/R	1	
10	958 505 393 10	Guide Tread	/L	1	
10	958 505 394 10	Guide Tread	/R	1	
11	958 505 045 00	Support Bracket	/L	1	
11	958 505 046 00	Support Bracket	/R	1	
12	958 505 863 00	Attachment strip Centre		1	
13	958 505 587 00	Cover Lower		1	
14	5Q0 919 275	Sensor ParkAssist		4	
15	5Q0 919 275 G2X 5Q0 919 133	Prime coated Sealing ring Sensor ParkAssist		4	
16	958 505 309 01	Bracket Bumper Rear		1	I1D0/1D7/1D8
17	N 911 038 02	Hexagon-head bolt		8	

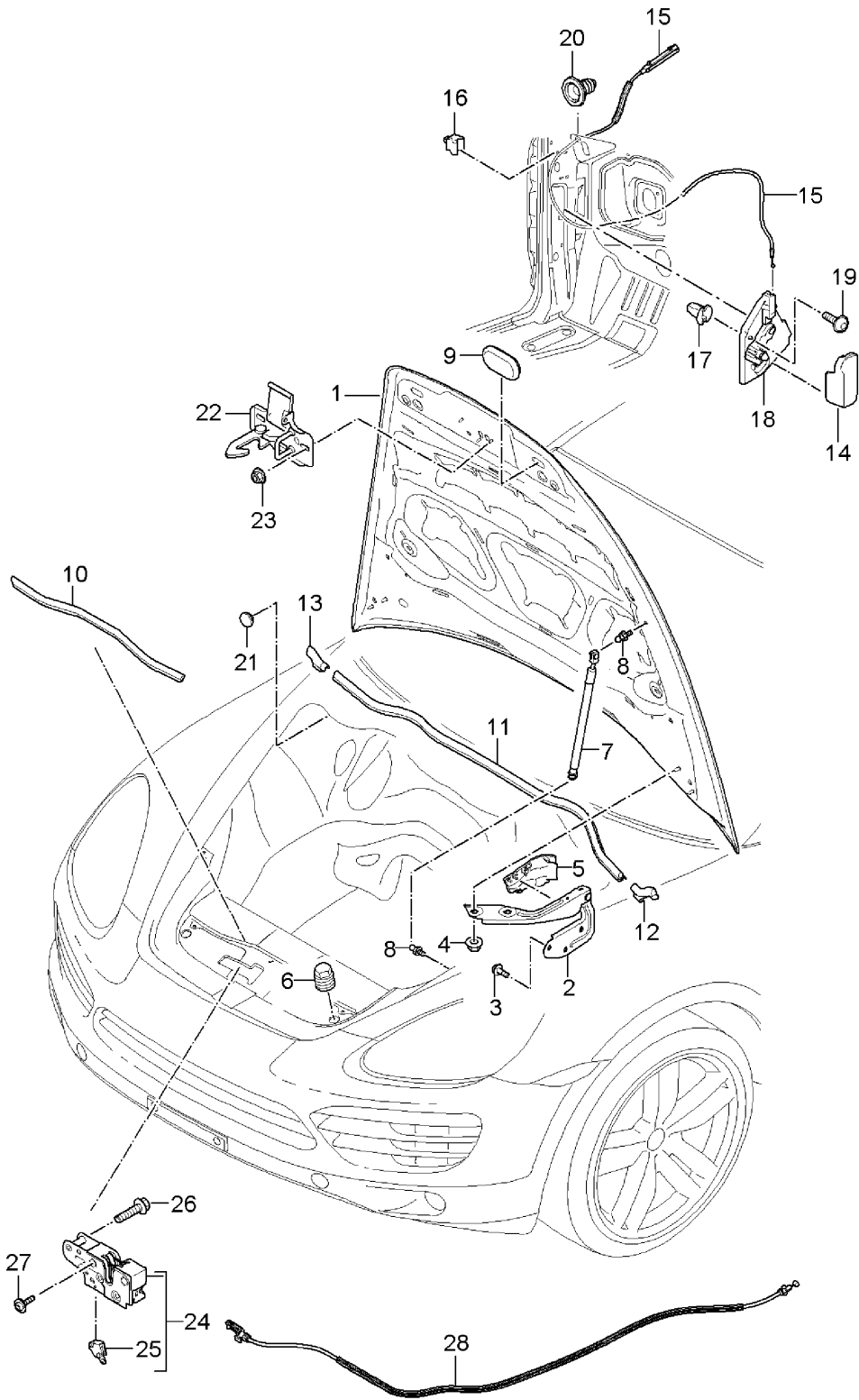
Model: 92A 11

Model life 2011>>

Pos	Part Number	Description	Remark	Qty	Model
18	WHT 006 897	M12X1,5X50 Speed nut		2	
19	WHT 001 829	Special nut 4,2X15.,7		14	
20	WHT 004 935	Expander nut TP5X15.5		X	
21	N 015 082 10	Hexagon nut M6		10	
22	WHT 003 954	Outer hexagon round screw TP 5 X 16-Q-SZ		X	
23	N 105 355 02	Pan-head screw M6X30		2	
24	N 106 847 01	Oval-head screw M5X20		6	
25	N 904 559 02	Speed nut M5X17X15		10	
26	N 038 501 3	Expansion rivet A-6X12		2	
27	999 507 836 09	Clamp 9,0X13,0/4,0		6	
28	955 505 897 00	U-clamp		4	
29	N 909 894 01	Clamp C12.7X8.1X0.8/2.7		2	
30	N 908 550 01	Blind rivet A3.2X6.5		6	
31	958 505 697 50	Grille		1	RDW I1D0/1D1/1D3 I1D7/2D1/2D2 I2JB/2JC
		Cover Sport Design package			
	958 505 697 50 9B9	Satin black			
32	958 505 715 00	Heat protection Lining	/L	1	
(32)	958 505 716 00	Heat protection Lining	/R	1	

Model: 92A 11

Model life 2011>>



Model: 92A 11 Model life 2011>>

Pos	Part Number	Description	Remark	Qty	Model
(1)	958 511 011 02	Lid Front Lid Use also: 000.043.305.51 WHT.004.974	-14	1	-ID58
	958 511 011 02 GRV	Prime coated		1	
(1)	958 511 011 06	Lid Use also: 000.043.305.51 WHT.004.974	-14	1	-ID58
	958 511 011 06 GRV	Prime coated		2	
(1)	958 511 011 03	Lid Use also: 000.043.305.51 WHT.004.974	-14	1	ID58
	958 511 011 03 GRV	Prime coated		1	
(1)	958 511 011 04	Lid Use also: 000.043.305.51 WHT.004.974	-14	1	ID58
	958 511 011 04 GRV	Prime coated		2	
(1)	958 511 011 10	Lid Use also: 000.043.305.51 WHT.004.974	15-	1	IGP1
	958 511 011 10 GRV	Prime coated		2	
2	958 511 301 01	Hinge	/L -14	1	
2	958 511 301 02	Hinge	/L -14	1	
2	958 511 301 10	Hinge	/L 15-	1	IGP1
(2)	958 511 302 01	Hinge	/R -14	1	
(2)	958 511 302 02	Hinge	/R -14	1	
(2)	958 511 302 10	Hinge	/R 15-	1	IGP1
3	N 910 793 01	M6 X 16 Hexagon-head bolt		6	
4	N 907 611 03	M8 X 16 Nut		4	
5	958 511 652 00	M 8 Cover	/L -14	1	
	958 511 652 00 9B9	Satin black		1	
5	958 511 652 10	Cover	/L 15-	1	IGP1
	958 511 652 10 9B9	Satin black		1	
(5)	958 511 651 00	Cover	/R -14	1	
	958 511 651 00 9B9	Satin black		1	
(5)	958 511 651 10	Cover	/R 15-	1	IGP1
	958 511 651 10 9B9	Satin black		1	
6	958 505 481 00	Rubber stop		2	
6	958 505 481 01	Rubber stop		2	
7	958 511 359 00	Damper	-14	1	
(7)	958 511 359 05	Damper	15-	1	
8	955 511 439 00	Ball pin M8		1	
9	958 511 440 00	Lid		2	
10	958 511 611 00	Gasket Engine	-14	1	IGP0
(10)	958 511 611 01	Gasket Engine	15-	1	IGP1
11	958 511 612 00	Gasket Plenum panel	-14	1	
11	958 511 612 01	Gasket Plenum panel	15-	1	IGP1
12	958 511 613 00	Filler piece Left	-14	1	

Model: 92A 11

Model life 2011>>

Pos	Part Number	Description	Remark	Qty	Model
12	958 511 613 01	Filler piece Left	15-	1	IGP1
13	958 511 614 00	Filler piece Right	-14	1	
13	958 511 614 01	Filler piece Right	15-	1	IGP1
14	958 511 533 00	Actuating lever	/LL	1	IL0L
	958 511 533 00 DE1	Umber			
	958 511 533 00 DF2	Light Tartufo			
	958 511 533 00 DJ3	Titanium Blue			
	958 511 533 00 4H0	Luxor Beige			
	958 511 533 00 5J0	Cream			
	958 511 533 00 6L0	Platinum Grey			
	958 511 533 00 7N0	Espresso			
	958 511 533 00 8P0	Cognac			
	958 511 533 00 82V	Titanium Black			
(14)	958 511 533 01	Actuating lever	/RL	1	IL0R
	958 511 533 01 DE1	Umber			
	958 511 533 01 DF2	Light Tartufo			
	958 511 533 01 DJ3	Titanium Blue			
	958 511 533 01 4H0	Luxor Beige			
	958 511 533 01 5J0	Cream			
	958 511 533 01 6L0	Platinum Grey			
	958 511 533 01 7N0	Espresso			
	958 511 533 01 8P0	Cognac			
	958 511 533 01 82V	Titanium Black			
15	958 511 535 00	Bowden cable Rear	-14	1	
15	958 511 535 01	Bowden cable Rear	15-	1	IGP1
16	955 511 645 00	Clip		2	
17	WHT 004 935	Bowden cable Expander nut TP 5 X 15,5		1	
18	958 511 633 00	Bearing bracket	/LL	1	IL0L
(18)	958 511 633 01	Bearing bracket	/RL	1	IL0R
19	N 911 604 01	Screw TP 5,0 X 16		1	
19	N 909 747 01	Oval-head sheetmetal screw		X	
20	N 102 460 01	Stopper		1	
21	N 020 024 1	Stopper		1	
22	958 511 480 00	Hook	-14	1	
22	958 511 480 01	Hook	15-	1	
23	N 908 877 03	Hexagon nut M6		3	
24	958 511 509 00	Lock		1	
24	958 511 509 01	Lock	-14	1	
24	958 511 509 02	Lock	15-	1	IGP1
25	958 624 236 00	Microswitch	-14	1	
25	958 624 236 01	Microswitch	15-	1	IGP1
26	WHT 000 425	Combination screw M 6 X 62		2	
27	N 908 073 01	Combination screw M 6 X 25		1	
28	958 511 531 00	Bowden cable Front	/LL	1	IL0L
28	958 511 531 01	Bowden cable Front	/LL -14	1	IL0L
(28)	958 511 531 02	Bowden cable Front	/LL 15-	1	IGP1/L0L
28	958 511 531 10	Bowden cable Front	/RL -14	1	IL0R

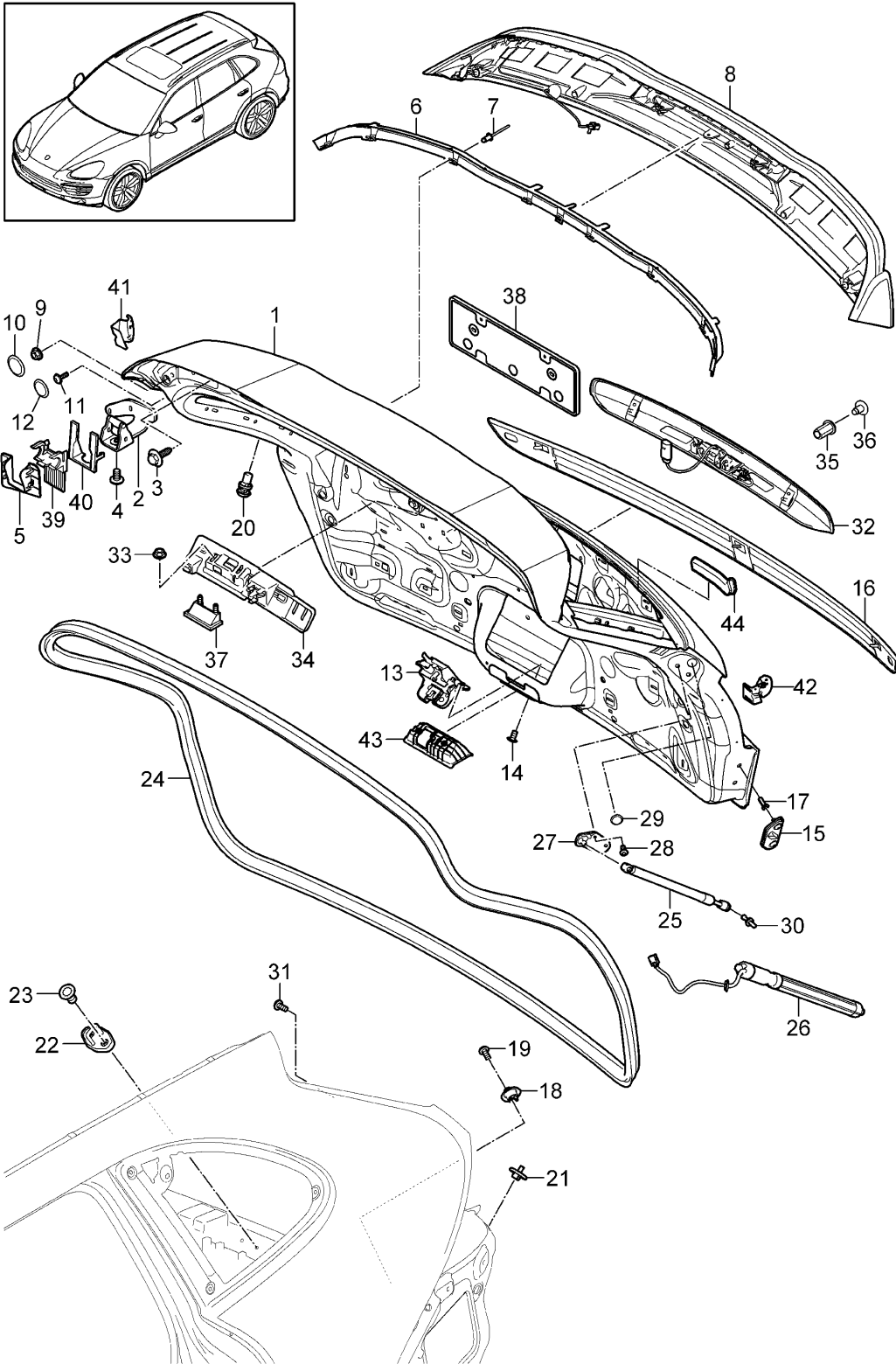
Model: 92A 11

Model life 2011>>

Pos	Part Number	Description	Remark	Qty	Model
(28)	958 511 531 11	Bowden cable Front	/RL 15-	1	IGP1/L0R
30	N 105 151 01	Stopper D 25		2	
31	N 107 464 01	Stopper D 20		4	

Model: 92A 11

Model life 2011>>



Model: 92A 11

Model life 2011>>

Pos	Part Number	Description	Remark	Qty	Model
1	958 512 011 04	Rear lid Rear lid Use also: N .016.206.1 958.545.359.00 000.043.305.51 N .906.481.02 958.731.633.00 958.612.852.00 958.612.890.00	-14	1 8 2 1 8 2 1 2	-IGP0/I6P1 I6P5
1	958 512 011 04 GRV 958 512 011 06	Prime coated Rear lid Use also: N .016.206.1 958.545.359.00 000.043.305.51 N .906.481.02 958.731.633.00 958.612.852.00 958.612.890.00	-14	1 8 2 1 8 2 1 2	I6P1/6P5
(1)	958 512 011 06 GRV 958 512 011 05	Prime coated 958.612.890.00 Rear lid Use also: N .016.206.1 958.545.359.00 000.043.305.51 N .906.481.02 958.731.633.00 958.612.852.00 958.612.890.00	-14	1 8 2 1 10 2 1 2	I6P4
(1)	958 512 011 05 GRV 958 512 011 07	Prime coated Rear lid Use also: N .016.206.1 958.545.359.00 000.043.305.51 N .906.481.02 958.731.633.00 958.612.852.00 958.612.890.00	-14	1 8 2 1 10 2 1 2	I6P2/6P4
(1)	958 512 011 07 GRV 958 512 011 10	Prime coated Rear lid Use also: N .016.206.1 958.545.359.00 000.043.305.51 N .906.481.02 958.731.633.00 958.612.852.00 958.612.890.00	15-	1 8 2 1 6 2 1 2	IGP1/6P1
(1)	958 512 011 10 GRV 958 512 011 11	Prime coated 958.612.890.00 Rear lid Use also: N .016.206.1 958.545.359.00 000.043.305.51 N .906.481.02 958.731.633.00 958.612.852.00 958.612.890.00	(MEX) 15-	1 8 2 1 8 2 1 2	IGP1/6P2

Model: 92A 11 Model life 2011>>

Pos	Part Number	Description	Remark	Qty	Model
(1)	958 512 011 11 GRV 958 512 011 11	Prime coated Rear lid Use also: N .016.206.1 958.545.359.00 000.043.305.51 N .906.481.02 958.731.633.00 958.612.852.00 958.612.890.00	15-	1 8 2 1 8 2 1 2	IGP1/6P4
(1)	958 512 011 11 GRV 958 512 011 12	Prime coated Rear lid Use also: N .016.206.1 958.545.359.00 000.043.305.51 N .906.481.02 958.731.633.00 958.612.852.00 958.612.890.00	15-	1 8 2 1 10 2 1 2	IGP1/6P5
2	958 512 011 12 GRV 958 512 301 00	Prime coated Hinge	/L	1	
2	958 512 301 01	Hinge	/L	1	
2	958 512 301 02	Hinge	/L	1	
(2)	958 512 302 00	Hinge	/R	1	
(2)	958 512 302 01	Hinge	/R	1	
(2)	958 512 302 02	Hinge	/R	1	
3	N 909 995 02	Hexagon-head bolt M 6 X 25		6	
4	N 907 559 02	Combination screw M 8 X 25		2	
5	958 512 651 00 958 512 651 00 9B9	Cover Satin black	/L	1	
(5)	958 512 652 00 958 512 652 00 9B9	Cover Satin black	/R	1	
6	958 512 933 00	Retaining strip Rear spoiler		1	I2D0
6	958 512 933 01	Retaining strip Rear spoiler	-11	1	I2D0
6	958 512 933 02	Retaining strip Rear spoiler	12-14	1	I2D0
6	958 512 933 03	Retaining strip Rear spoiler	15-	1	IGP1/2D0
6	958 512 067 00	Retaining strip Rear spoiler Aerokit	/L -14	1	I2D1/2D2
6	958 512 068 00	Retaining strip Rear spoiler Aerokit	/R -14	1	I2D1/2D2
7	N 016 206 1	Blind rivet 4,0 X 9,5		8	
8	958 512 939 01 958 512 939 01 041	Rear spoiler Black mat Including	-11	1	I2D0
(8)	958 512 939 10 958 512 939 10 G2X	Rear spoiler Aerokit Prime coated Including Brake light	11-14	1	I2D1/2D2/5J2
8	958 512 939 02 958 512 939 02 041	Rear spoiler Black mat	12-14	1	-IE8A/I2D0 I5J1

Model: 92A 11

Model life 2011>>

Pos	Part Number	Description	Remark	Qty	Model
8	958 512 939 03 958 512 939 03 G2X	Including Brake light Rear spoiler Prime coated	12-14	1	IE8A/2D0/5J2
8	958 512 939 03 958 512 939 03 G2X	Including Brake light Rear spoiler Prime coated	-14	1	Platinum I2D0/5J8
8	958 512 939 05 958 512 939 05 G2X	Including Brake light Rear spoiler Prime coated	15-	1	I5J2
(8)	958 512 939 20 958 512 939 20 041	Including Brake light Rear spoiler Black mat	15-	1	I5J1
9	N 015 082 10	Including Brake light Hexagon nut M6		2	
10	958 512 975 00	Cap D 20		2	
11	N 105 263 02	Lens-head screw 4,0 X 14		2	
12	958 512 976 00	Cap D 15		2	
13	958 512 505 00	Lock upper part Rear lid	-14	1	IGY0
(13)	958 512 505 01	Lock upper part Rear lid	-14	1	IGY1
(13)	958 512 505 03	Lock upper part Rear lid	-14	1	IGY1
(13)	958 512 505 04	Lock upper part Rear lid	-14	1	IGY1
(13)	958 512 505 05	Lock upper part Rear lid	15-	1	IGY1
14	N 907 809 01	Round head screw M 6 X 16		2	
15	958 512 679 00	Guide wedge	/L	1	
(15)	958 512 680 00	Guide wedge	/R	1	
16		Moulding See illustrations 8/10/05			
17	N 906 481 02	Blind rivet nut M 6		4	
18	958 512 683 00	Guide	/L	1	
(18)	958 512 684 00	Guide	/R	1	
19	N 101 961 03	Oval-head screw M 6 X 18		2	
20	958 512 471 00 958 512 471 00 9B9	Rubber stop Satin black		2	
21	958 512 475 00	Stopper Stop plate		2	
22	958 512 051 00	Catch bar	-14	1	
22	7P0 827 517 F	Catch bar	15-	1	
23	N 907 448 05	Countersunk-head screw M 8 X 20		2	
24	958 512 705 00	Gasket Rear lid		1	
24	958 512 705 01	Gasket Rear lid		1	
25	958 512 550 00	Actuator		2	I4E0/4KC/4KF

Model: 92A 11

Model life 2011>>

Pos	Part Number	Description	Remark	Qty	Model
(25)	958 512 550 01	Rear lid Actuator		2	IVW5/4E0
26	958 512 851 04	Rear lid Powerlift Actuator		2	I4E7
(26)	958 512 851 05	Electric Rear lid Powerlift Actuator Electric Rear lid Until Chassis number in pairs Use F >>92BLA 05678 F >>92BLA 30105 F >>92BLA 51201 F >>92BLA 85836 F >>92BLA 93196 F >>A2BLA 05384 F >>A2BLA 50978 F >>A2BLA 85841 F >>A2BLA 93194 F >>92BLA 63176 F >>92BLA 50996 F >>92BLA 85857 F >>92BLA 93185	-14	2	I4E7
(26)	958 512 851 07	Powerlift Actuator Electric	15-	2	I4E7
27	958 512 601 00	Support Actuator	/L	1	
(27)	958 512 602 00	Support Actuator	/R	1	
(27)		Support Actuator	/R	1	
28	958 512 951 00	Stopper D 20		2	
29	958 512 511 00	Ball pin M 8	-14	2	I4E0
30	958 512 345 00	Ball pin M 10	-14	2	I4E7
(30)	958 512 345 01	Ball pin M 10	15-	2	I4E7
31	958 512 417 00	Stopper M 10		2	
32	958 512 576 01	Handle housing Rear lid	-14	1	I6P1/6P5
(32)	958 512 576 01 G2X 958 512 576 02	Prime coated Handle housing Rear lid	-14	1	I6P4
33	958 512 576 02 G2X 958 512 417 01	Prime coated Stopper M 8		2	I4E7
34	958 512 129 00	Trim cover Anti-theft protection		1	
35	N 906 481 02	Blind rivet nut M 6 Number plate		X	
36	958 512 137 00	Screw plug M 6		2	I6P4
37	958 613 566 00	Tip switch	-13	1	I7X0/7X2

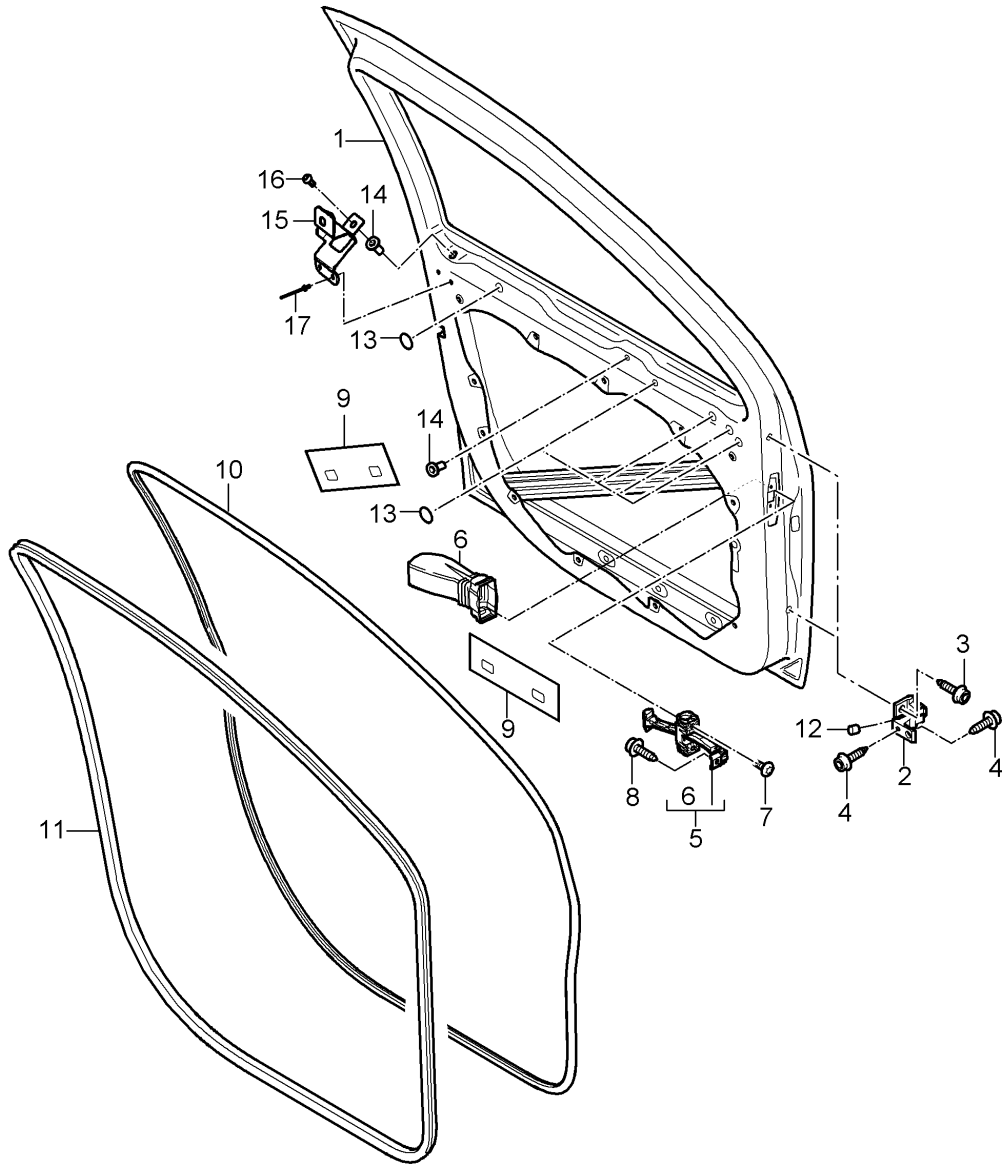
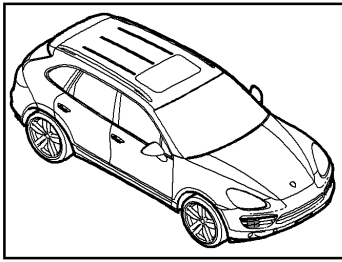
Model: 92A 11

Model life 2011>>

Pos	Part Number	Description	Remark	Qty	Model
(37)	958 613 566 01	Handle housing Rear lid Tip switch	14	1	I7X0/7X2
(37)	9A7 827 566 00	Handle housing Rear lid Tip switch	15-	1	I7X0/7X2
(37)		Reversing camera See illustrations 9/11/00			I7X8/7X9
38	958 702 105 00	Bracket Number plate		1	I6P5
39	958 702 105 00 9B9 958 512 699 00	Satin black Cover		2	
40	958 512 699 00 9B9 958 512 700 00	Satin black Cover		2	
41	958 512 700 00 9B9 958 502 322 00 958 502 322 00 GRV	Satin black Support Prime coated Wedge	/R	1	
42	958 502 321 00 958 502 321 00 GRV	Rear lid Support Prime coated Wedge	/L	1	
43	958 512 229 00	Rear lid Cover		1	
44	955 512 869 00	Reversing camera Piping		2	

Model: 92A 11

Model life 2011>>



Model: 92A 11

Model life 2011>>

Pos	Part Number	Description	Remark	Qty	Model
1	958 531 011 00	Bare door shell Front Gaskets Bare door shell Use also: N .016.185.6 N .910.167.02 N .106.185.01 N .106.213.01 955.556.821.01 958.537.437.40 955.803.115.00 958.537.911.00 000.043.305.51 955.559.586.00	/L	1	
(1)	958 531 011 00 GRV	Prime coated			
	958 531 012 00	Bare door shell Use also: N .016.185.6 N .910.167.02 N .106.185.01 N .106.213.01 955.556.821.01 958.537.437.40 955.803.115.00 958.537.911.00 000.043.305.51 955.559.586.00	/R	1	
	958 531 012 00 GRV	Prime coated When required order also: see SY 0414			
-	7P0 899 211 A	Plastic foam strip		4	
-	7P0 899 211 B	Plastic foam strip		2	
2	958 531 401 00	Hinge	/L	2	
(2)	958 531 402 00	Hinge	/R	2	
3	N 911 428 01	Pan-head screw M 10 x 25		4	
4	N 909 305 03	Pan-head screw M 8 X 24		8	
5	958 531 179 00	Door arrester		2	
5	958 531 179 01	Door arrester		2	
6	958 531 267 00	Cover Hinge		2	
7	WHT 002 109	Round head screw M 6 X 10		4	
8	N 908 961 01	Countersunk-head screw M 8 X 22		2	
9	955 556 821 01	Insulation		4	
10	958 537 911 00	Door seal Outer		2	
11	958 537 365 00	Door seal Inner		2	
11	958 537 365 01	Door seal Inner		2	
12	958 537 947 00	Cap Hinge		2	
13	958 537 437 40	Adhesive tape 40 x 4000 mm Black		1	
14	N 106 185 01	Blind rivet nut M 6		4	
15	958 537 587 00	Reinforcement		2	

Model: 92A 11

Model life 2011>>

Pos	Part Number	Description	Remark	Qty	Model
16	N 107 254 02	Door Screw M6 X20		X	
17	N 016 185 6	Blind rivet 3,2 X 6		2	

Model: 92A 11 Model life 2011>>

Pos	Part Number	Description	Remark	Qty	Model
1	958 533 011 00	Door in white Rear Gaskets Bare door shell Use also: N .016.185.6 N .106.185.01 N .106.213.01 955.803.115.00 955.556.821.01 958.537.437.40 958.539.911.00 000.043.305.51 955.559.586.00	/L	1	
(1)	958 533 011 00 GRV 958 533 012 00	Prime coated Bare door shell Use also: N .016.185.6 N .106.185.01 N .106.213.01 955.803.115.00 955.556.821.01 958.537.437.40 958.539.911.00 000.043.305.51 955.559.586.00	/R	1	
	958 533 012 00 GRV	Prime coated When required order also: see SY 0414			
-	7P0 899 211	Plastic foam strip		4	
2	958 531 401 00	Hinge	/L	2	
(2)	958 531 402 00	Hinge	/R	2	
3	N 911 428 01	Pan-head screw M 10 X 25		4	
4	N 909 305 03	Pan-head screw M 8 X 24		8	
5	958 533 179 00	Door arrester		2	
5	958 533 179 01	Door arrester		2	
6	958 531 267 00	Cover Hinge		2	
7	WHT 002 109	Round head screw M 6 X 10		4	
8	N 908 961 01	Countersunk-head screw M 8 X 22		2	
9	955 556 821 01	Insulation		4	
10	958 539 911 00	Door seal Outer		2	
11	958 539 367 00	Door seal Inner		2	
11	958 539 367 01	Door seal Inner		2	
11	958 539 367 02	Door seal Inner		2	IGZ0
(11)	958 539 367 10	Door seal Inner		2	IGZ2
12	958 533 761 00	Door seal Outer Rear	/L	1	
12	958 533 761 01	Door seal Outer Rear	/L	1	
12	958 533 761 02	Door seal	/L	1	

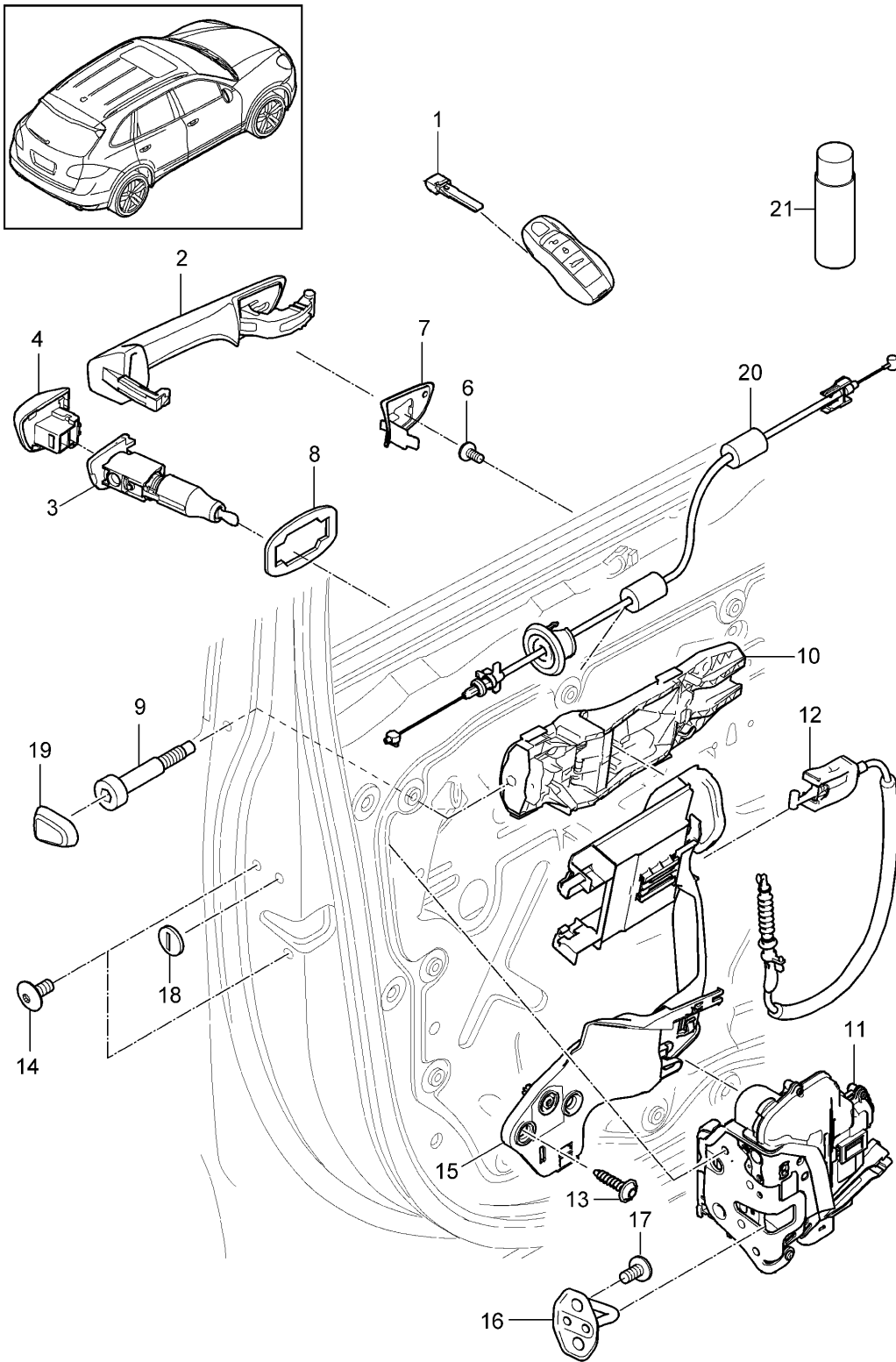
Model: 92A 11

Model life 2011>>

Pos	Part Number	Description	Remark	Qty	Model
(12)	958 533 762 00	Outer Rear Door seal	/R	1	
(12)	958 533 762 01	Outer Rear Door seal	/R	1	
(12)	958 533 762 02	Outer Rear Door seal	/R	1	
13	958 533 717 00	Front Door seal	/L	1	I6GA/6GF/6GH I6GJ
13	958 533 717 03	Front Door seal	/L	1	I6GA/6GF/6GH I6GJ
13	958 533 717 05	Front Door seal	/L	1	I6GA/6GF/6GH I6GJ/6GK
(13)	958 533 717 01	Front Door seal	/L	1	I6GB
(13)	958 533 717 02	Front Door seal	/L	1	I6GB
(13)	958 533 717 04	Front Door seal	/L	1	I6GB
(13)	958 533 718 00	Front Door seal	/R	1	I6GA/6GF/6GH I6GJ
(13)	958 533 718 03	Front Door seal	/R	1	I6GA/6GF/6GH I6GJ
(13)	958 533 718 05	Front Door seal	/R	1	I6GA/6GF/6GH I6GJ/6GK
(13)	958 533 718 01	Front Door seal	/R	1	I6GB
(13)	958 533 718 02	Front Door seal	/R	1	I6GB
(13)	958 533 718 04	Front Door seal	/R	1	I6GB
14	958 537 947 00	Cap		2	
15	958 537 437 40	Hinge Adhesive tape 40 x 4000 mm Black		1	
16	N 106 185 01	Blind rivet nut M 6		1	

Model: 92A 11

Model life 2011>>



Model: 92A 11 Model life 2011>>

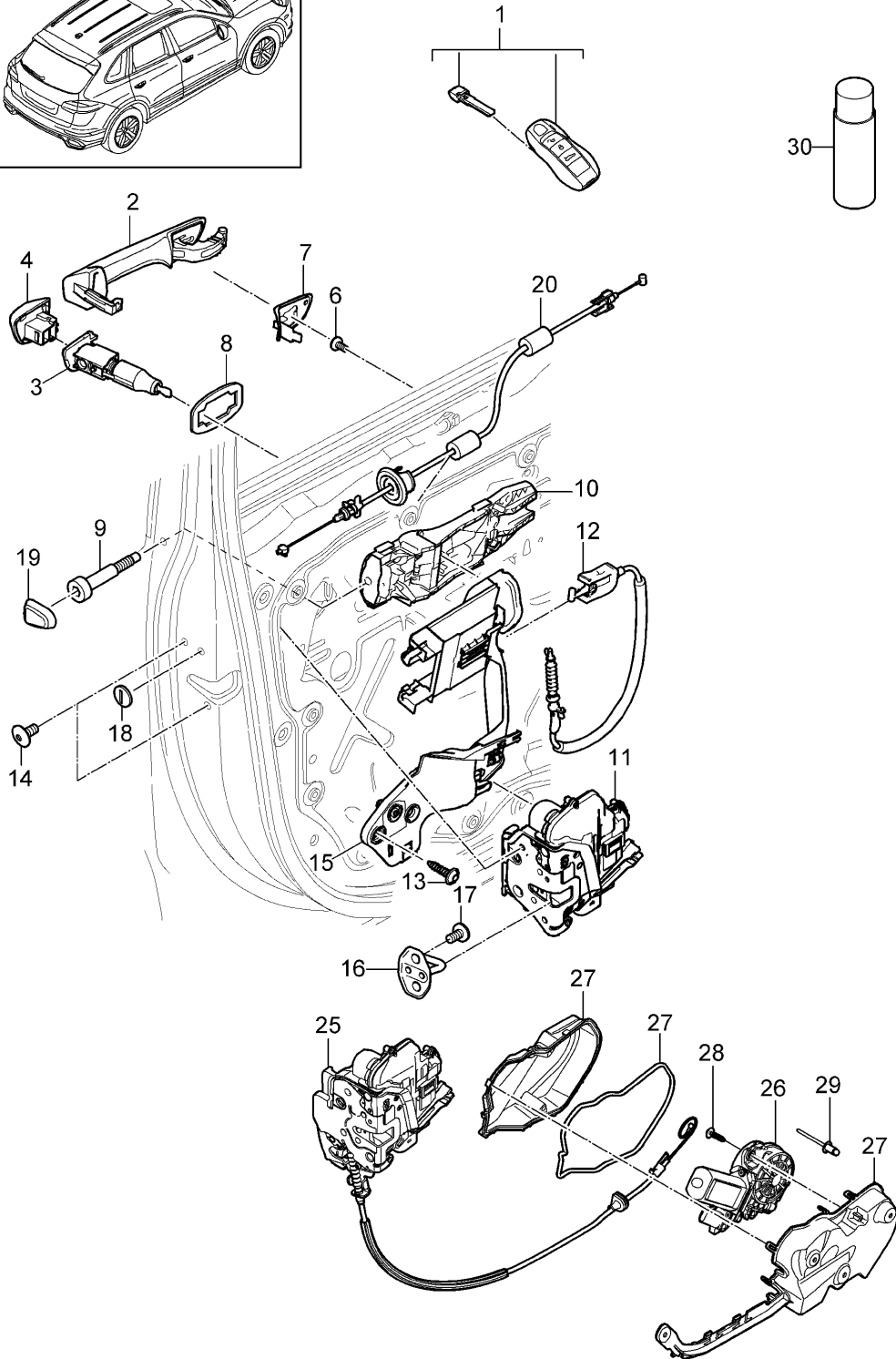
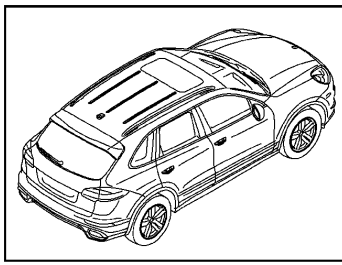
Pos	Part Number	Description	Remark	Qty	Model
1		Door handle Door lock Front Handheld transmitter See illustrations 9/01/04	-14	1	
2	958 531 205 00	Door handle	/L	1	I4K0/4K3
	958 531 205 00 G2X	Prime coated			
(2)	958 531 206 00	Door handle	/R	1	I4K0/4K3
	958 531 206 00 G2X	Prime coated			
(2)	958 531 205 01	Door handle	/L	1	I4F2/4F6
	958 531 205 01 G2X	Prime coated			
(2)	958 531 206 01	Door handle	/R	1	I4F2/4F6
	958 531 206 01 G2X	Prime coated			
-	000 043 206 17	Grease 10 GRAMM 1 tube		X	
3	958 531 167 00	Door handle Lock cylinder Driver's door Chassis number And State lock number	/LL	1	IL0L
(3)	958 531 375 20	Lock cylinder Driver's door Chassis number And State lock number Comprising:	/LL	1	IL0L
		Lock cylinder		1	
(3)	958 531 168 00	Emergency key Lock cylinder Driver's door Chassis number And State lock number	/RL	1	IL0R
		Comprising:		1	
		Lock cylinder		1	
(3)	958 531 375 30	Emergency key Lock cylinder Driver's door Chassis number And State lock number Comprising:	/RL	1	IL0R
		Comprising:		1	
		Lock cylinder		1	
4	958 531 067 00	Emergency key Housing Passenger's door	/L	1	
	958 531 067 00 G2X	Prime coated			
(4)	958 531 068 00	Housing Passenger's door	/R	1	
	958 531 068 00 G2X	Prime coated			
(4)	958 531 879 00	Cap Driver's door	/LL /L	1	IL0L
	958 531 879 00 G2X	Prime coated			
(4)	958 531 880 00	Cap Driver's door	/RL /R	1	IL0R
	958 531 880 00 G2X	Prime coated			
6	N 911 768 01	Screw M5 X 10		2	
7	958 531 209 00	Desk pad Front	/L	1	
(7)	958 531 210 00	Desk pad Front	/R	1	

Model: 92A 11 Model life 2011>>

Pos	Part Number	Description	Remark	Qty	Model
8	958 531 087 01	Desk pad Rear	/L	1	
(8)	958 531 088 01	Desk pad Rear	/R	1	
9	WHT 004 714	Combination screw M4 X 5 x 32		2	
10	958 531 885 00	Supporting bow	/LL /L	1	IL0L/4K0/4K3
10		Supporting bow	/RL /R	1	IL0R/4K0/4K3
(10)	958 532 885 00	Supporting bow	/LL /R	1	IL0L/4K0/4K3
(10)		Supporting bow	/RL /L	1	IL0R/4K0/4K3
(10)	958 531 885 02	Supporting bow with Microswitch	/LL /L	1	IL0L/4F2/4F6
(10)		Supporting bow with Microswitch	/RL /R	1	IL0R/4F2/4F6
(10)	958 532 885 02	Supporting bow with Microswitch	/LL /R	1	IL0L/4F2/4F6
(10)		Supporting bow with Microswitch	/RL /L	1	IL0R/4F2/4F6
11	8J1 837 015 A	Door lock Front	/LL /L	1	IL0L/0K0/4F2 I4K3
(11)	4G1 837 015	Door lock Front	/LL /L	1	IL0L/0K1/4F2 I4K3
(11)	8J2 837 015 A	Door lock Front	/RL /L	1	IL0R/0K0/4F2 I4K3
(11)	8J1 837 016 A	Door lock Front	/LL /R	1	IL0L/4F2/4K3
(11)	8J2 837 016 A	Door lock Front	/RL /R	1	IL0R/0K0/4F2 I4K3
(11)	4G2 837 016	Door lock Front	/RL /R	1	IL0R/0K1/4F2 I4K3
12	958 531 017 02	Bowden cable		2	
13	955 533 691 00	Oval-head sheetmetal screw		2	
14	WHT 003 688	Combination screw M8 X 16		4	
15	958 531 867 00	Retaining bracket	/L	1	
(15)	958 531 868 00	Retaining bracket	/R	1	
16	3C0 837 767 A	Catch bar		2	
17	N 910 174 02	Countersunk-head screw M8 X 22		4	
18	958 531 111 00	Cap		2	
19	958 531 211 00	Cap		2	
	958 531 211 00 9B9	Black			
20	958 531 085 00	Bowden cable		2	
21	000 043 204 40	Lubricants for Door lock Spraying can 200 ML		1	

Model: 92A 11

Model life 2011>>



Model: 92A 11 Model life 2011>>

Pos	Part Number	Description	Remark	Qty	Model
1		Door handle Door lock Front Handheld transmitter See illustrations 9/01/04	15-	1	
2	958 531 205 00	Door handle	/L	1	I4K0/4K3
	958 531 205 00 G2X	Prime coated			
(2)	958 531 206 00	Door handle	/R	1	I4K0/4K3
	958 531 206 00 G2X	Prime coated			
(2)	958 531 205 01	Door handle	/L	1	I4F2/4F6
	958 531 205 01 G2X	Prime coated			
(2)	958 531 206 01	Door handle	/R	1	I4F2/4F6
	958 531 206 01 G2X	Prime coated			
-	000 043 206 17	Grease 10 GRAMM 1 tube		X	
3	958 531 167 00	Door handle Lock cylinder Driver's door Chassis number And State lock number	/LL	1	IL0L
(3)	958 531 375 20	Lock cylinder Driver's door Chassis number And State lock number Comprising:	/LL	1	IL0L
		Lock cylinder		1	
(3)	958 531 168 00	Emergency key Lock cylinder Driver's door Chassis number And State lock number	/RL	1	IL0R
		Comprising:		1	
		Lock cylinder		1	
(3)	958 531 375 30	Emergency key Lock cylinder Driver's door Chassis number And State lock number Comprising:	/RL	1	IL0R
		Comprising:		1	
		Lock cylinder		1	
4	958 531 067 00	Emergency key Housing Passenger's door	/L	1	IL0R
	958 531 067 00 G2X	Prime coated			
(4)	958 531 068 00	Housing Passenger's door	/R	1	IL0L
	958 531 068 00 G2X	Prime coated			
(4)	958 531 879 00	Cap Driver's door	/LL /L	1	IL0L
	958 531 879 00 G2X	Prime coated			
(4)	958 531 880 00	Cap Driver's door	/RL /R	1	IL0R
	958 531 880 00 G2X	Prime coated			
6	N 911 768 01	Screw M5 X 10		2	
7	958 531 209 00	Desk pad Front	/L	1	
(7)	958 531 210 00	Desk pad Front	/R	1	

Model: 92A 11

Model life 2011>>

Pos	Part Number	Description	Remark	Qty	Model
8	958 531 087 01	Desk pad Rear	/L	1	
(8)	958 531 088 01	Desk pad Rear	/R	1	
9	WHT 004 714	Combination screw M4 X 5 x 32		2	
10	958 531 885 00	Supporting bow	/LL /L	1	IL0L/4K0/4K3
10	958 531 885 00	Supporting bow	/RL /R	1	IL0R/4K0/4K3
(10)	958 532 885 00	Supporting bow	/LL /R	1	IL0L/4K0/4K3
(10)	958 532 885 00	Supporting bow	/RL /L	1	IL0R/4K0/4K3
(10)	958 531 885 02	Supporting bow with Microswitch	/LL /L	1	IL0L/4F2/4F6
(10)	958 531 885 02	Supporting bow with Microswitch	/RL /R	1	IL0R/4F2/4F6
(10)	958 532 885 02	Supporting bow with Microswitch	/LL /R	1	IL0L/4F2/4F6
(10)	958 532 885 02	Supporting bow with Microswitch	/RL /L	1	IL0R/4F2/4F6
11	8J1 837 015 A	Door lock Front	/LL /L	1	IGZ0/L0L/4F2 I4K3 IDD7/DD8/DV7 ID1V/D11/D34 ID43/D50/D51
(11)	4G1 837 015	Door lock Front	/LL /L	1	IGZ0/L0L/4F2 I4K3 IDT1/DT5/DU2 IDU3/D19
(11)	8J2 837 015 A	Door lock Front	/RL /L	1	IGZ0/L0R/4F2 I4K3
(11)	8J1 837 016 A	Door lock Front	/LL /R	1	IGZ0/L0L/4F2 I4K3 IDD7/DD8/DT1 IDT5/DU2/DU3 ID1V/D11/D19 ID34 IDV7/D43/D50 ID51
(11)	8J2 837 016 A	Door lock Front	/RL /R	1	IGZ0/L0R/4F2 I4K3 IDD7/DD8/DV7 ID1V/D11/D34 ID43/D50/D51
(11)	4G2 837 016	Door lock Front	/RL /R	1	IGZ0/L0R/4F2 I4K3 IDT1/DT5/DU2 IDU3/D19
12	958 531 017 02	Bowden cable		2	
13	955 533 691 00	Oval-head sheetmetal screw		2	
14	WHT 003 688	Combination screw M8 X 16		4	
15	958 531 867 00	Retaining bracket	/L	1	
(15)	958 531 868 00	Retaining bracket	/R	1	
16	3C0 837 767 A	Catch bar		2	
17	N 910 174 02	Countersunk-head screw M8 X 22		4	
18	958 531 111 00	Cap		2	
19	958 531 211 00	Cap		2	

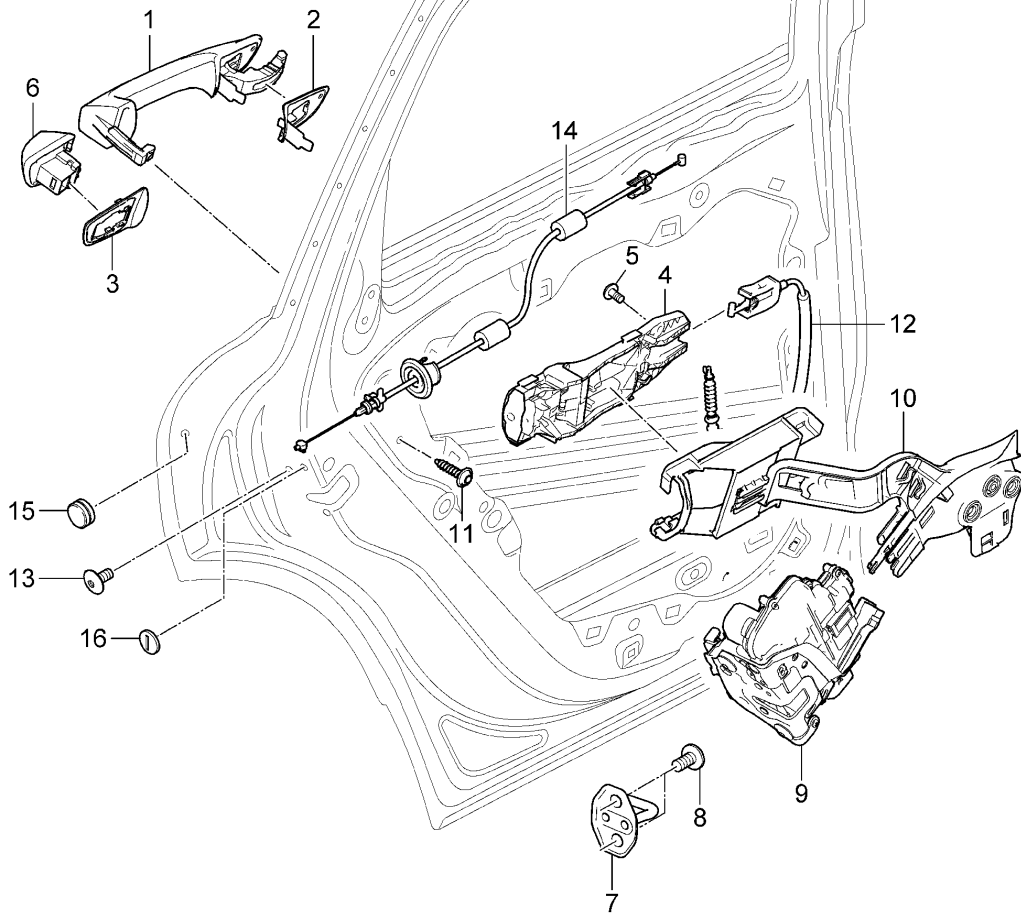
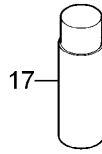
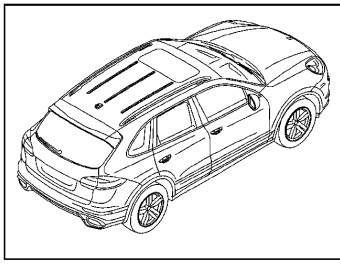
Model: 92A 11

Model life 2011>>

Pos	Part Number	Description	Remark	Qty	Model
	958 531 211 00 9B9	Black			
20	958 531 085 01	Bowden cable		2	
25	958 531 015 00	Door lock	/LL /L	1	IGZ2/L0L/4F2 I4K3
(25)	958 531 015 02	Front Door lock	/RL /L	1	IGZ2/L0R/4F2 I4K3
(25)	958 531 016 00	Front Door lock	/LL /R	1	IGZ2/L0L/4F2 I4K3
(25)	958 531 016 02	Front Door lock	/RL /R	1	IGZ2/L0R/4F2 I4K3
26	4F0 837 059	Front Driving mechanism	/L	1	IGZ2
26	4F0 837 060	Front Driving mechanism	/R	1	IGZ2
27	958 531 163 00	Front Housing Set	/L	1	IGZ2
(27)	958 531 164 00	Housing Set	/R	1	IGZ2
28	999 919 209 09	Oval-head screw POS26		3	IGZ2
29	WHT 005 353	Blind rivet 4,8X14 POS26		X	IGZ2
30	000 043 204 40	Lubricants for Door lock Spraying can 200 ML		1	

Model: 92A 11

Model life 2011>>

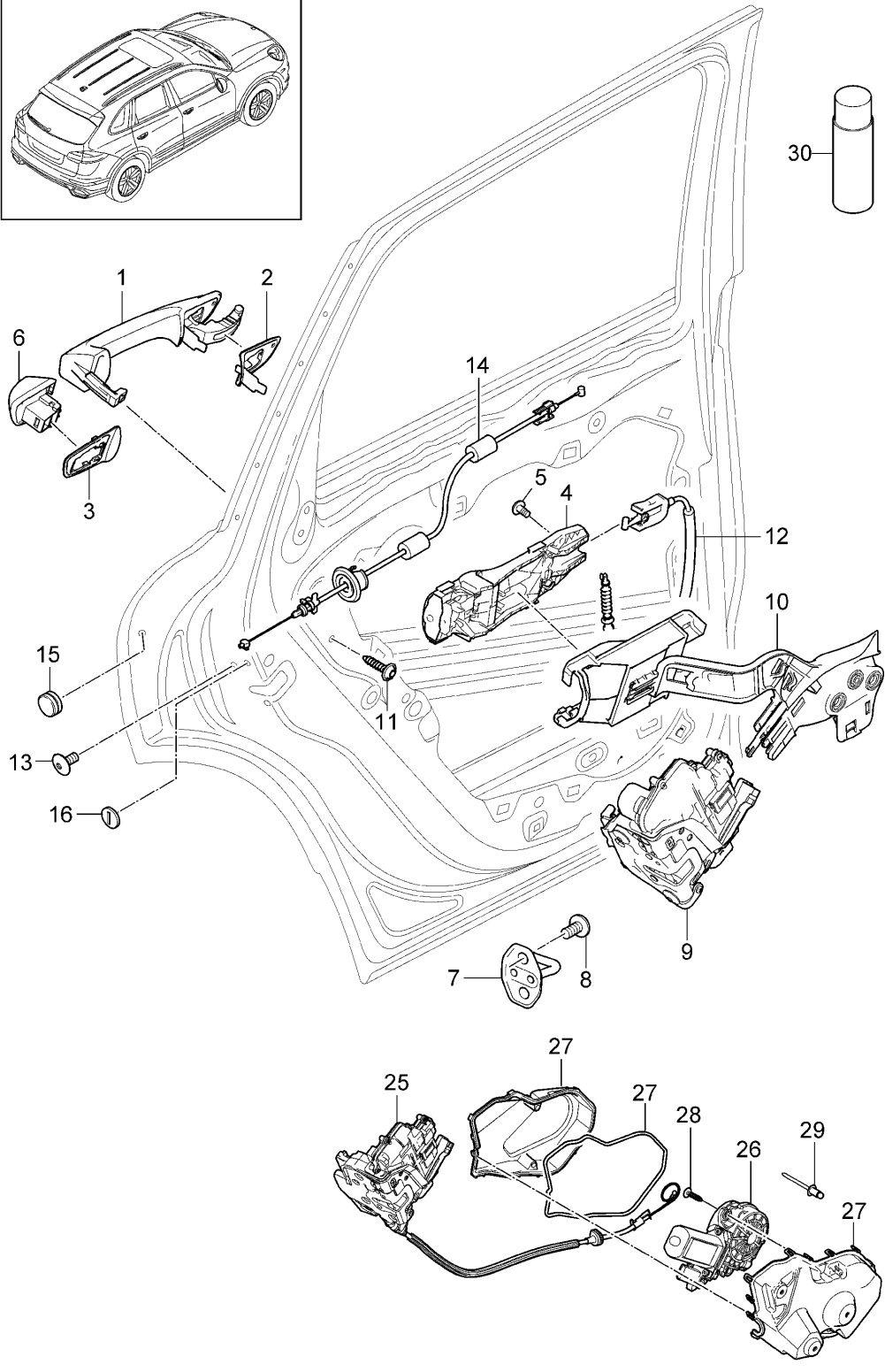
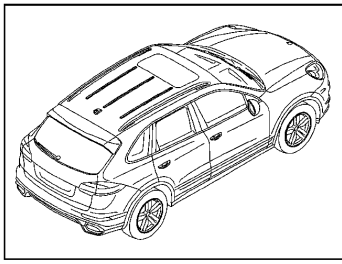


Model: 92A 11 Model life 2011>>

Pos	Part Number	Description	Remark	Qty	Model
		Door handle	-14		
		Door lock			
		Rear			
1	958 531 205 00	Door handle	/L	1	I4K0/4K3
	958 531 205 00 G2X	Prime coated			
(1)	958 531 206 00	Door handle	/R	1	I4K0/4K3
	958 531 206 00 G2X	Prime coated			
(1)	958 531 205 01	Door handle	/L	1	I4F2/4F6
	958 531 205 01 G2X	Prime coated			
(1)	958 531 206 01	Door handle	/R	1	I4F2/4F6
	958 531 206 01 G2X	Prime coated			
-	000 043 206 17	Grease		X	
		10 GRAMM			
		1 tube			
		Door handle			
		Lock cylinder			
2	958 531 209 00	Desk pad	/L	1	
		Front			
(2)	958 531 210 00	Desk pad	/R	1	
		Front			
3	958 531 087 00	Desk pad	/L	1	
		Rear			
3	958 531 087 01	Desk pad	/L	1	
		Rear			
(3)	958 531 088 00	Desk pad	/R	1	
		Rear			
(3)	958 531 088 01	Desk pad	/R	1	
		Rear			
4	958 532 885 00	Supporting bow		2	I4K0/4K3
(4)	958 532 885 01	Supporting bow		2	I4F2/4F6
		Door handle			
(4)	958 532 885 02	Supporting bow		2	I4F2/4F6
		Door handle			
5	N 911 768 01	Screw		1	
		M5 X 10			
		Supporting bow			
6	958 531 067 00	Housing	/L	1	
	958 531 067 00 G2X	Prime coated			
(6)	958 531 068 00	Housing	/R	1	
	958 531 068 00 G2X	Prime coated			
7	3C0 837 767 A	Catch bar		2	
8	N 910 174 02	Countersunk-head screw		2	
		M8 X 22			
9	8K0 839 015	Door lock	/L	1	
(9)	8K0 839 016	Door lock	/R	1	
10	958 533 767 00	Retaining bracket	/L	1	
(10)	958 533 768 00	Retaining bracket	/R	1	
11	955 533 691 00	Oval-head sheetmetal screw		2	
		D5			
12	958 531 017 00	Bowden cable		2	
12	958 531 017 01	Bowden cable		2	
13	WHT 003 688	Combination screw		4	
		M8 x 16			
14	958 533 085 00	Bowden cable		2	
15	958 533 399 00	Grommet		2	
16	958 531 111 00	Cap		2	
17	000 043 204 40	Lubricants		1	
		for			
		Door lock			
		Spraying can			
		200 ML			

Model: 92A 11

Model life 2011>>



Model: 92A 11 Model life 2011>>

Pos	Part Number	Description	Remark	Qty	Model
		Door handle	15-		
		Door lock			
		Rear			
1	958 531 205 00	Door handle	/L	1	I4K0/4K3
	958 531 205 00 G2X	Prime coated			
(1)	958 531 206 00	Door handle	/R	1	I4K0/4K3
	958 531 206 00 G2X	Prime coated			
(1)	958 531 205 01	Door handle	/L	1	I4F2/4F6
	958 531 205 01 G2X	Prime coated			
(1)	958 531 206 01	Door handle	/R	1	I4F2/4F6
	958 531 206 01 G2X	Prime coated			
-	000 043 206 17	Grease		X	
		10 GRAMM			
		1 tube			
		Door handle			
		Lock cylinder			
2	958 531 209 00	Desk pad	/L	1	
		Front			
(2)	958 531 210 00	Desk pad	/R	1	
		Front			
3	958 531 087 01	Desk pad	/L	1	
		Rear			
(3)	958 531 088 01	Desk pad	/R	1	
		Rear			
4	958 532 885 00	Supporting bow		2	I4K0/4K3
(4)	958 532 885 02	Supporting bow		2	I4F2/4F6
		Door handle			
5	N 911 768 01	Screw		1	
		M5 X 10			
		Supporting bow			
6	958 531 067 00	Housing	/L	1	
	958 531 067 00 G2X	Prime coated			
(6)	958 531 068 00	Housing	/R	1	
	958 531 068 00 G2X	Prime coated			
7	3C0 837 767 A	Catch bar		2	
8	N 910 174 02	Countersunk-head screw		2	
		M8 X 22			
9	8K0 839 015	Door lock	/L	1	IGZ0/4F2/4K3
(9)	8K0 839 016	Door lock	/R	1	IGZ0/4F2/4K3
10	958 533 767 00	Retaining bracket	/L	1	
(10)	958 533 768 00	Retaining bracket	/R	1	
11	955 533 691 00	Oval-head sheetmetal screw		2	
		D5			
12	958 531 017 02	Bowden cable		2	
13	WHT 003 688	Combination screw		4	
		M8 x 16			
14	958 533 085 01	Bowden cable		2	
15	958 533 399 00	Grommet		2	
16	958 531 111 00	Cap		2	
25	958 533 015 00	Door lock	/L	1	IGZ2/4F2/4K3
		Rear			
(25)	958 533 016 00	Door lock	/R	1	IGZ2/4F2/4K3
		Rear			
26	4F0 837 060	Driving mechanism	/L	1	IGZ2
		Rear			
(26)	4F0 837 059	Driving mechanism	/R	1	IGZ2
		Rear			
27	958 533 163 00	Housing	/L	1	IGZ2
		Set			
(27)	958 533 164 00	Housing	/R	1	IGZ2
		Set			
28	999 919 209 09	Oval-head screw		3	IGZ2
		POS26			

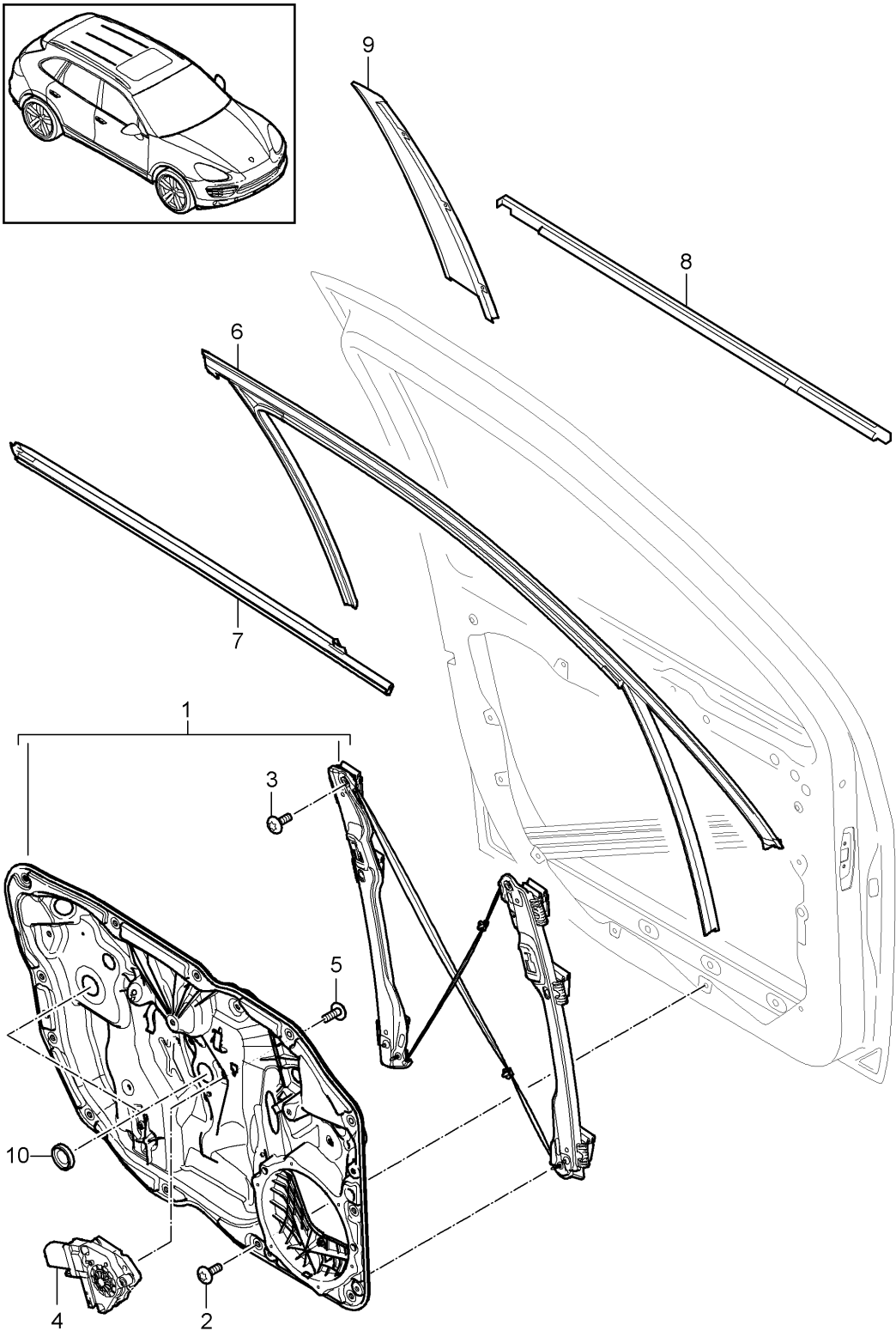
Model: 92A 11

Model life 2011>>

Pos	Part Number	Description	Remark	Qty	Model
29	WHT 005 353	Blind rivet 4,8X14		X	IGZ2
30	000 043 204 40	POS26 Lubricants for Door lock Spraying can 200 ML		1	

Model: 92A 11

Model life 2011>>



Model: 92A 11

Model life 2011>>

Pos	Part Number	Description	Remark	Qty	Model
1	958 542 461 00	Power windows Unit carrier Front	/L	1	I8RV
1	958 542 461 03	Power windows with Unit carrier	/L	1	I8RV
(1)	958 542 462 00	Power windows with Unit carrier	/R	1	I8RV
(1)	958 542 462 03	Power windows with Unit carrier	/R	1	I8RV
(1)	958 542 461 01	Power windows with Unit carrier	/L	1	I9VJ/9VK/9VL
(1)	958 542 461 02	Power windows with Unit carrier	/L	1	I9VJ/9VK/9VL
(1)	958 542 462 01	Power windows with Unit carrier	/R	1	I9VJ/9VK/9VL
(1)	958 542 462 02	Power windows with Unit carrier	/R	1	I9VJ/9VK/9VL
2	WHT 002 109	Round head screw M 6 X 10		24	
3	N 103 352 06	Round head screw Upper M 6 X 12		4	
(3)	N 911 079 11	Round head screw Lower M 6 X 30		4	
4	958 624 801 00	Electric motor	/L	1	
(4)	958 624 802 00	Electric motor	/R	1	
5	955 533 691 00	Oval-head sheetmetal screw PT 5 X 20		3	
6	958 531 431 00	Window guide	/L	1	
6	958 531 431 00 5AP	Black			
6	958 531 431 01	Window guide	/L	1	
6	958 531 431 01 5AP	Black			
6	958 531 431 02	Window guide	/L	1	
6	958 531 431 02 5AP	Black			
(6)	958 531 432 00	Window guide	/R	1	
6	958 531 432 00 5AP	Black			
(6)	958 531 432 01	Window guide	/R	1	
6	958 531 432 01 5AP	Black			
(6)	958 531 432 02	Window guide	/R	1	
6	958 531 432 02 5AP	Black			
7	958 531 471 00	Sealing for door slot Inner	/L	1	
7	958 531 471 01	Sealing for door slot Inner	/L	1	
7	958 531 471 02	Sealing for door slot Inner	/L	1	
(7)	958 531 472 00	Sealing for door slot Inner	/R	1	
(7)	958 531 472 01	Sealing for door slot Inner	/R	1	

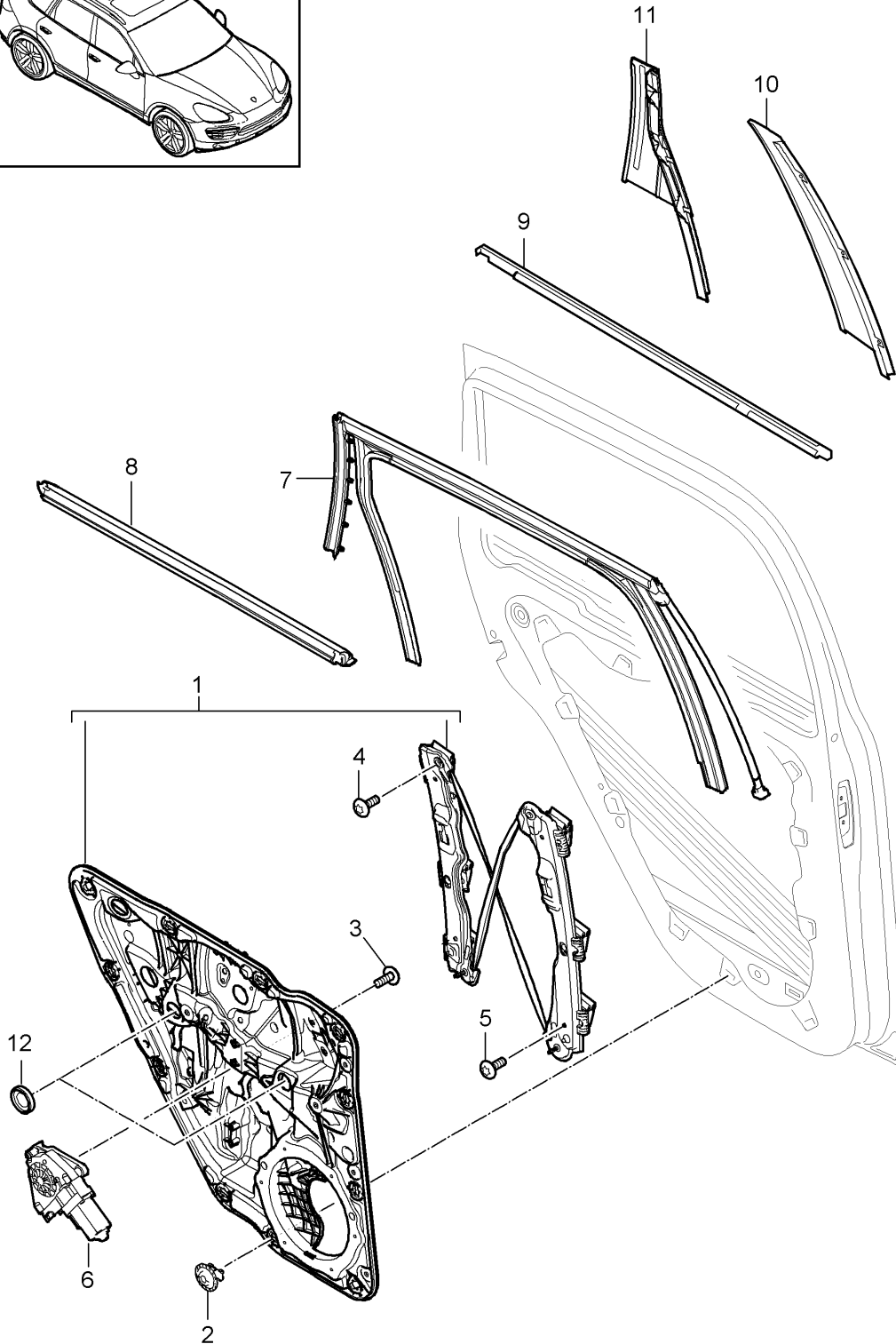
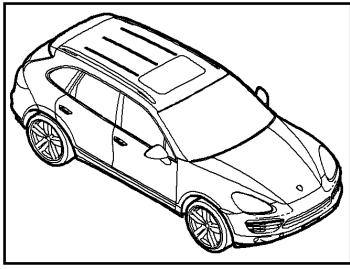
Model: 92A 11

Model life 2011>>

Pos	Part Number	Description	Remark	Qty	Model
(7)	958 531 472 02	Sealing for door slot Inner	/R	1	
8		Sealing for door slot Outer See illustrations 8/10/05			
9		Cover B-pillar See illustrations 8/10/00			
10	958 542 491 00	Stopper		2	

Model: 92A 11

Model life 2011>>

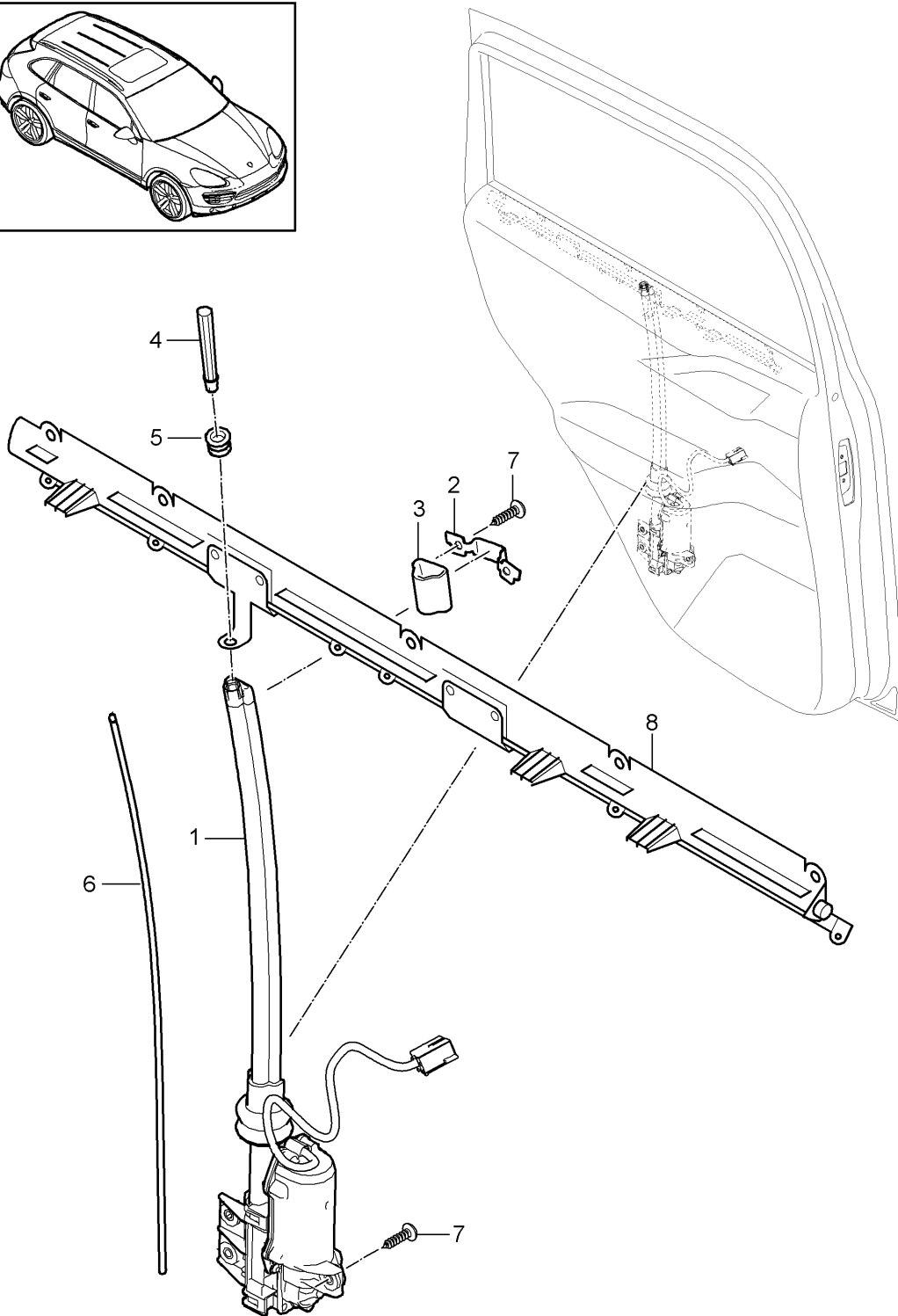
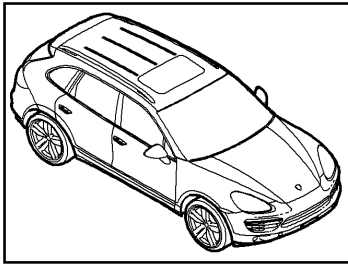


Model: 92A 11 Model life 2011>>

Pos	Part Number	Description	Remark	Qty	Model
		Power windows Unit carrier Rear			
1	958 533 461 00	Power windows	/L	1	I8RV/9VK
(1)	958 533 461 01	Power windows	/L	1	I9VJ/9VL
(1)	958 533 462 00	Power windows	/R	1	I8RV/9VK
(1)	958 533 462 01	Power windows	/R	1	I9VJ/9VL
2	958 531 485 00	Clip Unit carrier		22	
3	955 533 691 00	Oval-head sheetmetal screw PT 5 X 20		1	
4	N 103 352 06	Round head screw M 6 X 12		4	
5	N 910 252 01	Tapping screw M 6 X 30		4	
6	958 624 811 00	Electric motor	/R	1	
(6)	958 624 812 00	Power windows Electric motor	/L	1	
7	958 533 431 00	Window guide	/L	1	
7	958 533 431 01	Window guide	/L	1	
7	958 533 431 02	Window guide	/L	1	
7	958 533 431 03	Window guide	/L	1	
(7)	958 533 432 00	Window guide	/R	1	
(7)	958 533 432 01	Window guide	/R	1	
(7)	958 533 432 02	Window guide	/R	1	
(7)	958 533 432 03	Window guide	/R	1	
8	958 533 471 00	Sealing for door slot Inner	/L	1	I3Y0
8	958 533 471 10	Sealing for door slot Inner	/L	1	I3Y0
8	958 533 471 11	Sealing for door slot Inner	/L	1	I3Y0
(8)	958 533 472 00	Sealing for door slot Inner	/R	1	I3Y0
(8)	958 533 472 10	Sealing for door slot Inner	/R	1	I3Y0
(8)	958 533 472 11	Sealing for door slot Inner	/R	1	I3Y0
(8)	958 533 471 01	Sealing for door slot Inner	/L	1	I3Y8
(8)	958 533 471 02	Sealing for door slot Inner	/L	1	I3Y8
(8)	958 533 472 01	Sealing for door slot Inner	/R	1	I3Y8
(8)	958 533 472 02	Sealing for door slot Inner	/R	1	I3Y8
9		Sealing for door slot Outer			
10		See illustrations 8/10/05 Cover B-pillar See illustrations 8/10/00			
11		Cover C-pillar See illustrations 8/10/00			
12	958 542 491 00	Stopper		2	

Model: 92A 11

Model life 2011>>

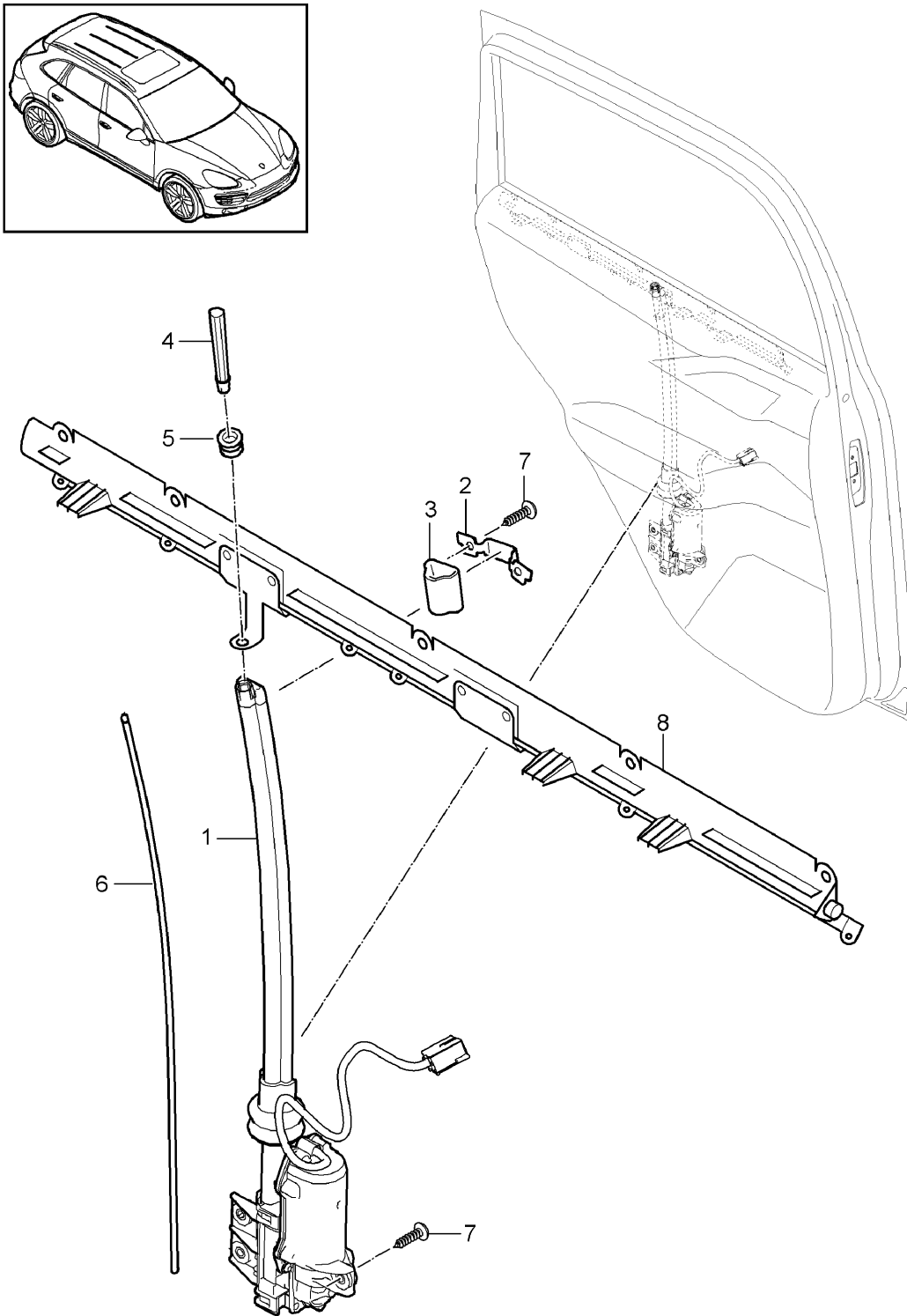


Model: 92A 11 Model life 2011>>

Pos	Part Number	Description	Remark	Qty	Model
		Shade	-14		I3Y8
		Door			
		Rear			
1	958 536 317 00	Shade	/L	1	I3Y8
		Driving mechanism			
		Door window glass			
	958 536 317 00 3W4	Black			
1	958 536 317 01	Shade	/L	1	I3Y8
		Driving mechanism			
		Door window glass			
	958 536 317 01 3W4	Black			
(1)	958 536 318 00	Shade	/R	1	I3Y8
		Driving mechanism			
		Door window glass			
	958 536 318 00 3W4	Black			
(1)	958 536 318 01	Shade	/R	1	I3Y8
		Driving mechanism			
		Door window glass			
	958 536 318 01 3W4	Black			
2	958 536 375 00	Bracket		1	I3Y8
		Shade			
3	958 536 874 00	Damping piece		1	I3Y8
		Shade			
4	958 536 775 00	Sleeve		1	I3Y8
5	958 536 587 00	Rosette		1	I3Y8
6	958 536 989 00	Push rod		1	I3Y8
7	955 533 691 00	Oval-head sheetmetal screw		5	I3Y8
8	958 536 313 00	Shade	/L	1	I3Y8
		Door window glass			
		Left			
		Rear			
	958 536 313 00 5Q0	Black			+LC, +MA, +TA, +TB, +YA, +YB, +YC, +77
	958 536 313 00 DE1	Umber			+LF, +TX, +TY, +VF
	958 536 313 00 3T0	Espresso			+VA, +VB
	958 536 313 00 4U0	Platinum Grey			+LD, +MD, +YD
	958 536 313 00 6W0	Luxor Beige			+LE, +MC, +YE
(8)	958 536 314 00	Shade	/R	1	I3Y8
		Door window glass			
		Right			
		Rear			
	958 536 314 00 5Q0	Black			+LC, +MA, +TA, +TB, +YA, +YB, +YC, +77
	958 536 314 00 DE1	Umber			+LF, +TX, +TY, +VF
	958 536 314 00 3T0	Espresso			+VA, +VB
	958 536 314 00 4U0	Platinum Grey			+LD, +MD, +YD
	958 536 314 00 6W0	Luxor Beige			+LE, +MC, +YE

Model: 92A 11

Model life 2011>>



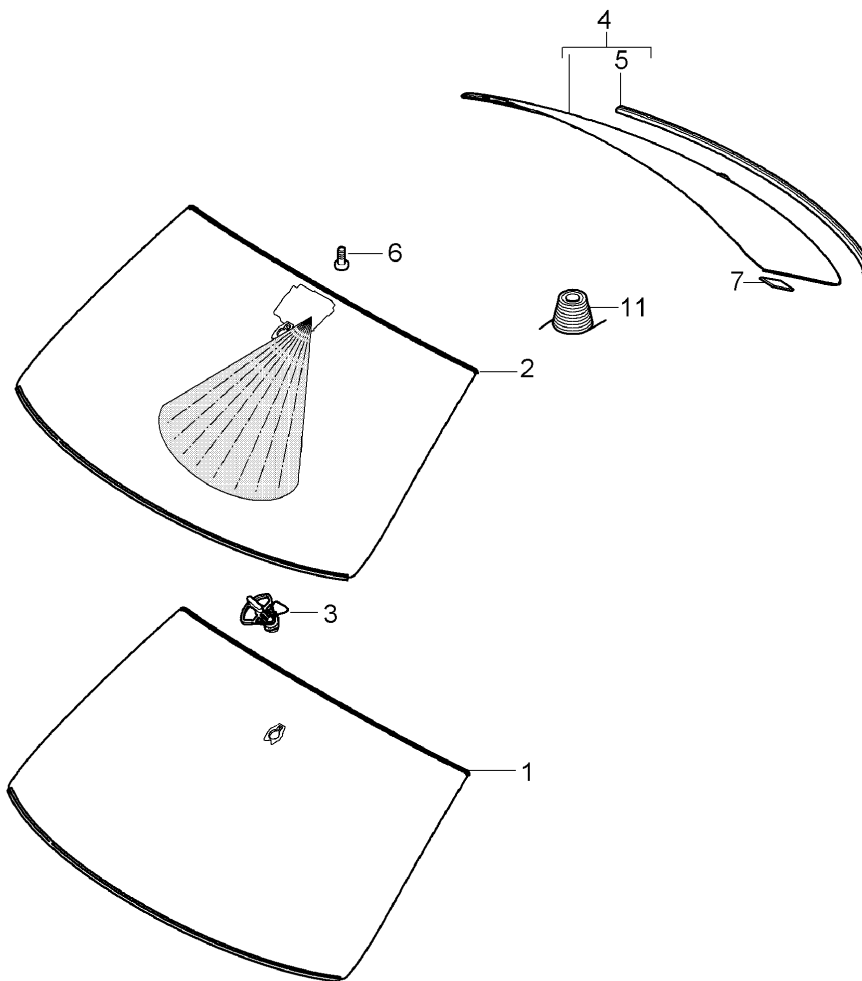
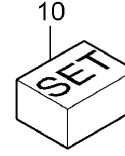
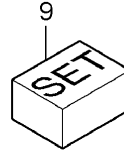
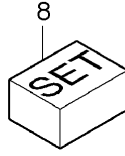
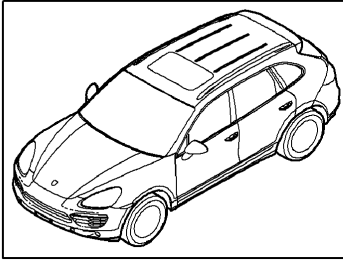
Model: 92A 11

Model life 2011>>

Pos	Part Number	Description	Remark	Qty	Model
		Shade	15-		I3Y7
		Door			
		Rear			
1	958 536 317 01	Shade	/L	1	I3Y7
		Driving mechanism			
		Door window glass			
	958 536 317 01 3W4	Black			
(1)	958 536 318 01	Shade	/R	1	I3Y7
		Driving mechanism			
		Door window glass			
	958 536 318 01 3W4	Black			
2	958 536 375 00	Bracket		1	I3Y7
		Shade			
3	958 536 874 00	Damping piece		1	I3Y7
		Shade			
4	958 536 775 00	Sleeve		1	I3Y7
5	958 536 587 00	Rosette		1	I3Y7
6	958 536 989 00	Push rod		1	I3Y7
7	955 533 691 00	Oval-head sheetmetal screw		5	
8	958 536 313 00	Shade	/L	1	I3Y7
		Door window glass			
		Left			
		Rear			
	958 536 313 00 5Q0	Black			+LC, +LG, +LH, +MA, +MF, +MI, +TA, +YA, +YC +VA, +VB
	958 536 313 00 3T0	Espresso			+LE, +MC, +YE
	958 536 313 00 6W0	Luxor Beige			+MB, +MG, +ML
	958 536 313 00 OA6	Agate Grey			+ME, +MH, +MJ, +MK
	958 536 313 00 OL7	Saddle Tan			
(8)	958 536 314 00	Shade	/R	1	I3Y7
		Door window glass			
		Right			
		Rear			
	958 536 314 00 5Q0	Black			+LC, +LG, +LH, +MA, +MF, +MI, +TA, +YA, +YC +VA, +VB
	958 536 314 00 3T0	Espresso			+LE, +MC, +YE
	958 536 314 00 6W0	Luxor Beige			+MB, +MG, +ML
	958 536 314 00 OA6	Agate Grey			+ME, +MH, +MJ, +MK
	958 536 314 00 OL7	Saddle Tan			

Model: 92A 11

Model life 2011>>



Model: 92A 11

Model life 2011>>

Pos	Part Number	Description	Remark	Qty	Model
1	958 541 111 41	window glazing Windscreen without Camera Use also: 000.043.305.35		1	I4GC
(1)	958 541 111 12	Windscreen without Camera Use also: 000.043.305.35		1	I4GH
(1)	958 541 111 13	Windscreen without Camera Use also: 000.043.305.35		1	I4GH
(1)	958 541 111 23	Windscreen without Camera Use also: 000.043.305.35		1	I4GG
(1)	958 541 111 24	Windscreen without Camera Use also: 000.043.305.35	-14	1	I4GG
(1)	958 541 111 25	Windscreen without Camera Use also: 000.043.305.35	15-	1	I4GG
(1)	958 541 111 31	Windscreen without Camera Use also: 000.043.305.35		1	I4GK
(1)	958 541 111 32	Windscreen without Camera Use also: 000.043.305.35		1	I4GK
2	958 541 111 45	Windscreen with Camera Use also: 000.043.305.35		1	I4GC
(2)	958 541 111 46	Windscreen with Camera Use also: 000.043.305.35		1	I4GC
(2)	958 541 111 50	Windscreen with Camera Use also: 000.043.305.35		1	I4GK
(2)	958 541 111 51	Windscreen with Camera Use also: 000.043.305.35		1	I4GK
(2)	958 541 111 65	Windscreen with		1	I4GG

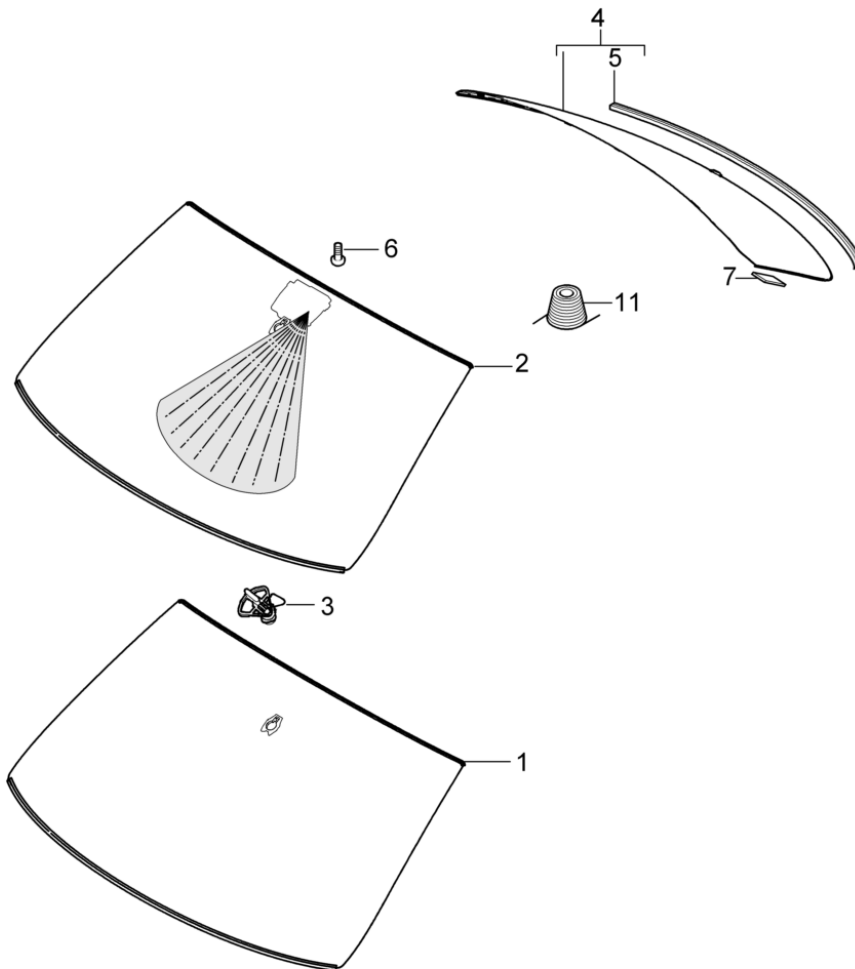
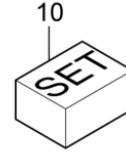
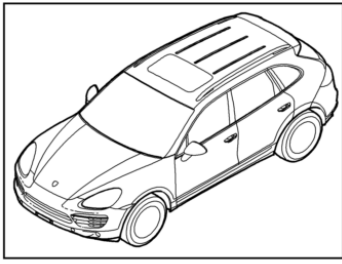
Model: 92A 11

Model life 2011>>

Pos	Part Number	Description	Remark	Qty	Model
		Camera			
		Use also:			
		000.043.305.35		1	
3	958 541 530 00	Spacer		2	
		Windscreen			
4		Rear window			
4	958 545 011 00	Rear window		1	I4KC/8AJ/8YZ
		Use also:			
		000.043.305.35		1	
(4)	958 545 011 01	Rear window		1	I4KC/8AJ/8YZ
		Use also:			
		000.043.305.35		1	
(4)	958 545 011 05	Rear window		1	I4KC/8DQ/8DV
		Use also:			
		000.043.305.35		1	
(4)	958 545 011 06	Rear window		1	I4KC/8DQ/8DV
		Use also:			
		000.043.305.35		1	
(4)	958 545 011 10	Rear window		1	I4KF/8AJ/8YZ
		Use also:			
		000.043.305.35		1	
(4)	958 545 011 11	Rear window		1	I4KF/8AJ/8YZ
		Use also:			
		000.043.305.35		1	
(4)	958 545 011 15	Rear window		1	I4KF/8DQ/8DV
		Use also:			
		000.043.305.35		1	
(4)	958 545 011 16	Rear window		1	I4KF/8DQ/8DV
		Use also:			
		000.043.305.35		1	
(4)	958 545 011 20	Rear window		1	IVW5/8AJ/8YZ
		Use also:			
		000.043.305.35		1	
(4)	958 545 011 22	Rear window		1	IVW5/8AJ/8YZ
		Use also:			
		000.043.305.35		1	
(4)	958 545 011 25	Rear window		1	IVW5/8DQ/8DV
		Use also:			
		000.043.305.35		1	
(4)	958 545 011 27	Rear window		1	IVW5/8DQ/8DV
		Use also:			
		000.043.305.35		1	
5	958 545 260 00	Gasket		1	-IVW5
		Rear window			
		Lower			
(5)	958 545 260 05	Gasket		1	IVW5
		Rear window			
		Lower			
6	WHT 001 248	Hexagon nut		2	
		M 6			
		with			
		Bolt			
7	958 545 359 00	Sealing rubber		2	
(8)	000 043 305 35	Adhesive set		1	
9	000 043 205 37	Mixing tube		X	
		Supplement set			
10	000 043 206 47	Car care set		X	
		Side window			
		See technical manual			
11	000 043 300 96	Wire		1	

Model: 92A 11

Model life 2011>>



Model: 92A 11

Model life 2011>>

Pos	Part Number	Description	Remark	Qty	Model
1	958 541 111 42	window glazing Windscreen without Camera Use also: 000.043.305.35	17-	1	-IB0L/I4GC
(1)	958 845 099 00	Windscreen without Camera Use also: 000.043.305.35		1	IB0L/4GC
(1)	958 541 111 32	Windscreen without Camera Use also: 000.043.305.35		1	I4GK
(1)	958 845 099 01	Windscreen without Camera Use also: 000.043.305.35		1	IB0L/4GH
(1)	958 541 111 25	Windscreen without Camera Use also: 000.043.305.35		1	I4GG
2	958 541 111 47	Windscreen with Camera Use also: 000.043.305.35		1	-IB0L/I4GC
(2)	958 845 099 02	Windscreen with Camera Use also: 000.043.305.35		1	IB0L/4GC
(2)	958 541 111 51	Windscreen with Camera Use also: 000.043.305.35		1	I4GK
(2)	958 541 111 65	Windscreen with Camera Use also: 000.043.305.35		1	I4GG
3	958 541 530 00	Spacer Windscreen		2	
4	958 845 051 00	Rear window Use also: 000.043.305.35		1	I4KC
(4)	958 845 051 01	Rear window Use also: 000.043.305.35		1	I4KF
(4)	958 845 051 02	Rear window Use also: 000.043.305.35		1	IVW5
5	958 545 260 00	Gasket Rear window		1	-IVW5
(5)	958 545 260 05	Lower Gasket Rear window		1	IVW5

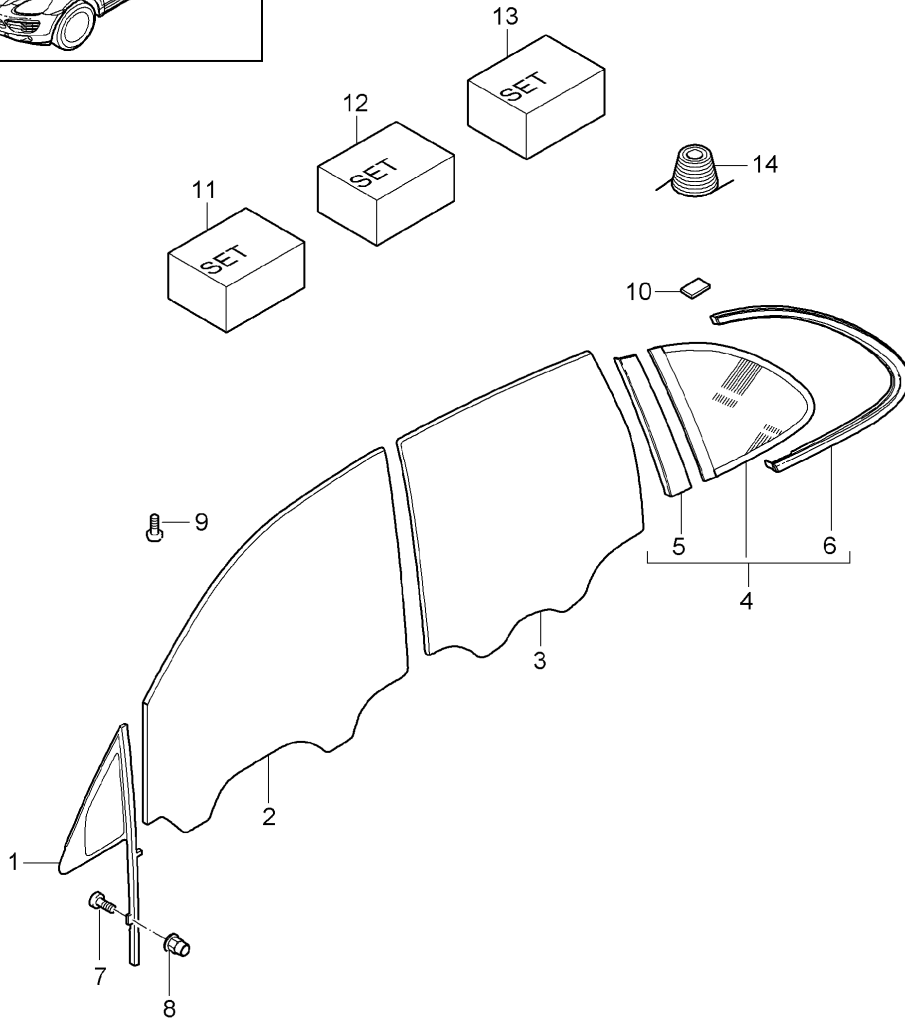
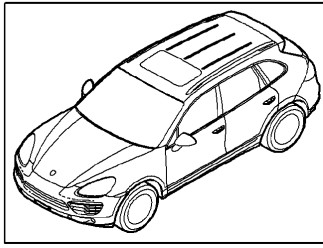
Model: 92A 11

Model life 2011>>

Pos	Part Number	Description	Remark	Qty	Model
6	WHT 001 248	Lower Hexagon nut M 6 with Bolt		2	
7	958 545 359 00	Sealing rubber		2	
8	000 043 305 35	Adhesive set		1	
9	000 043 205 37	Mixing tube Supplement set		X	
10	000 043 206 47	Car care set Side window See technical manual		X	
11	000 043 303 32	Wire		1	

Model: 92A 11

Model life 2011>>



Model: 92A 11

Model life 2011>>

Pos	Part Number	Description	Remark	Qty	Model
		window glazing Lateral Triangular plate Driver's side Passenger's side	-16		
1	958 542 311 00	Side window	/L	1	I4KC/4KF
(1)	958 542 311 01	Side window	/L	1	I4KC/4KF
(1)	958 542 312 00	Side window	/R	1	I4KC/4KF
(1)	958 542 312 01	Side window	/R	1	I4KC/4KF
(1)	958 542 311 05	Side window	/L	1	IVW5
(1)	958 542 311 06	Side window	/L	1	IVW5
(1)	958 542 311 07	Side window	/L	1	IVW5
(1)	958 542 312 05	Side window	/R	1	IVW5
(1)	958 542 312 06	Side window	/R	1	IVW5
(1)	958 542 312 07	Side window	/R	1	IVW5
		Doors Front			
2	958 542 511 00	Door window glass	/L	1	I4KC/4KF
(2)	958 542 511 01	Door window glass	/L	1	I4KC/4KF
(2)	958 542 512 00	Door window glass	/R	1	I4KC/4KF
(2)	958 542 512 01	Door window glass	/R	1	I4KC/4KF
(2)	958 542 511 05	Door window glass	/L	1	IVW5
(2)	958 542 511 06	Door window glass	/L	1	IVW5
(2)	958 542 512 05	Door window glass	/R	1	IVW5
(2)	958 542 512 06	Door window glass	/R	1	IVW5
		Side window Doors Rear			
3	958 542 611 00	Door window glass	/L	1	I4KC
(3)	958 542 611 01	Door window glass	/L	1	I4KC
(3)	958 542 612 00	Door window glass	/R	1	I4KC
(3)	958 542 612 01	Door window glass	/R	1	I4KC
(3)	958 542 611 05	Door window glass	/L	1	I4KF
(3)	958 542 611 06	Door window glass	/L	1	I4KF
(3)	958 542 612 05	Door window glass	/R	1	I4KF
(3)	958 542 612 06	Door window glass	/R	1	I4KF
(3)	958 542 611 10	Door window glass	/L	1	IVW5
(3)	958 542 611 11	Door window glass	/L	1	IVW5
(3)	958 542 612 10	Door window glass	/R	1	IVW5
(3)	958 542 612 11	Door window glass	/R	1	IVW5
		Rear window Left Right			
(4)	958 544 111 02	Side window	/L 12	1	-I9M9/IQJ2 I4KC
		with Moulding Use also: 000.043.305.35		1	
(4)	958 544 111 07	Side window	/L 12	1	IQJ2/QV0/QV3 IQV4/QV8/4KF
		with Moulding Use also: 000.043.305.35		1	
(4)	958 544 111 12	Side window	/L -12	1	IQJ2/QV0/QV3 IQV4/QV8/VW5
		with Moulding Use also: 000.043.305.35		1	
(4)	958 544 111 18	Side window	/L 12-	1	IQJ4/QV0/QV3

Model: 92A 11 Model life 2011>>

Pos	Part Number	Description	Remark	Qty	Model
					IQV8/4KC
(4)	958 544 111 23	with Moulding Use also: 000.043.305.35 Side window	/L 13-	1 1	IQJ4/QV0/QV3 IQV4/QV8/4KF
(4)	958 544 111 28	with Moulding Use also: 000.043.305.35 Side window	/L	1 1	-I9M9/IQJ4 IVW5
(4)	958 544 111 32	with Moulding Use also: 000.043.305.35 Side window	/L -12	1 1	IQJ2/4KC/9M9
(4)	958 544 111 38	with Moulding Use also: 000.043.305.35 Side window	/L 13-	1 1	IQJ2/QU0/QV1 IQV5/4KF
(4)	958 544 111 37	with Moulding Chrome look Use also: 000.043.305.35 Side window	/L 12	1 1	IQJ2/QV1/4KF I7Q0/7Q7/7T1 I7T4
(4)	958 544 111 42	Use also: 000.043.305.35 Side window	/L -12	1	IQJ2/QV1/VW5
(4)	958 544 111 47	Use also: 000.043.305.35 Side window	/L -12	1 1	IQJ4/QV1/4KC I7Q0/7Q7/7T1 I7T4
(4)	958 544 111 48	Use also: 000.043.305.35 Side window	/L 13-	1 1	IQJ4/QU0/QV1 IQV5/4KC/7Q0 I7Q7/7T1/7T4
(4)	958 544 111 53	Use also: 000.043.305.35 Side window	/L	1 1	IQJ4/QU0/QV1 IQV5/4KF
(4)	958 544 111 57	Use also: 000.043.305.35 Side window	/L -12	1 1	IQJ4/QV1/VW5 I7Q0/7Q7/7T1 I7T4
(4)	958 544 111 58	Use also: 000.043.305.35 Side window	/L 13-	1 1	IQJ4/QU0/QV1 IQV5/VW5
(4)	958 544 111 60	Use also: 000.043.305.35 Side window	/L (J) -11	1 1	IQJ2/QV0/4KC I7Q4/9M0/9M1 I9M5

Model: 92A 11 Model life 2011>>

Pos	Part Number	Description	Remark	Qty	Model
(4)	958 544 111 61	Use also: 000.043.305.35 Side window	/L (J) -11	1 1	IQJ2/QV0/4KC I7Q4/9M0/9M1 I9M5
(4)	958 544 111 62	Use also: 000.043.305.35 Side window	/L (J) 12	1 1	IQJ2/QV0/4KC I7Q4
(4)	958 544 111 65	Use also: 000.043.305.35 Side window	(J) /L (J) -11	1 1	IQJ2/QV0/4KF I7Q4/9M0/9M1 I9M5
(4)	958 544 111 66	Use also: 000.043.305.35 Side window	(J) /L (J) -11	1 1	IQJ2/QV0/4KF I7Q4/9M0/9M1 I9M5
(4)	958 544 111 67	Use also: 000.043.305.35 Side window	/L (J) 12	1 1	IQJ2/QV0/4KF I7Q4
(4)	958 544 111 70	Use also: 000.043.305.35 Side window	/L (J) -11	1 1	IQJ2/QV0/VW5 I7Q4/9M0/9M1 I9M5
(4)	958 544 111 71	Use also: 000.043.305.35 Side window	/L (J) -11	1 1	IQJ2/QV0/VW5 I7Q4/9M0/9M1 I9M5
(4)	958 544 111 72	Use also: 000.043.305.35 Side window	/L /H (J) 12	1 1	IQJ2/QV0/VW5 I7Q4
(4)	958 544 111 75	Left Use also: 000.043.305.35 Side window	/L /H (J) -11	1 1	IQJ4/QV0/4KC I7Q4/9M0/9M1 I9M5
(4)	958 544 111 76	Left Use also: 000.043.305.35 Side window	/L /H (J) -11	1 1	IQJ4/QV0/4KC I7Q4/9M0/9M1 I9M5
(4)	958 544 111 77	Left Use also: 000.043.305.35 Side window	/L /H (J) 12	1 1	IQJ4/QV0/4KC I7Q4
(4)	958 544 111 78	Left Use also: 000.043.305.35 Side window	/L /H (J)	1 1	IQJ4/QV0/4KC I7Q4
(4)	958 544 111 80	Left Use also: 000.043.305.35 Side window	/L /H (J)	1 1	IQJ4/QV0/4KF

Model: 92A 11 Model life 2011>>

Pos	Part Number	Description	Remark	Qty	Model
			-11		I7Q4/9M0/9M1 I9M5
(4)	958 544 111 81	Left Use also: 000.043.305.35 Side window	/L /H (J) -11	1 1	I9M5 IQJ4/QV0/4KF I7Q4/9M0/9M1 I9M5
(4)	958 544 111 82	Left Use also: 000.043.305.35 Side window	/L /H (J) 12	1 1	I9M5 IQJ4/QV0/4KF I7Q4
(4)	958 544 111 83	Left Use also: 000.043.305.35 Side window	/L /H (J)	1 1	I9M5 IQJ4/QV0/4KF I7Q4
(4)	958 544 111 85	Left Use also: 000.043.305.35 Side window	/L /H (J) -11	1 1	I9M5 IQJ4/QV0/VW5 I7Q4/9M0/9M1 I9M5
(4)	958 544 111 86	Left Use also: 000.043.305.35 Side window	/L /H (J) -11	1 1	I9M5 IQJ4/QV0/VW5 I7Q4/9M0/9M1 I9M5
(4)	958 544 111 87	Left Use also: 000.043.305.35 Side window	/L /H (J) 12	1 1	I9M5 IQJ4/QV0/VW5 I7Q4
(4)	958 544 111 88	Left Use also: 000.043.305.35 Side window	/L /H (J)	1 1	I9M5 IQJ4/QV0/VW5 I7Q4
(4)	958 544 112 00	Left Use also: 000.043.305.35 Side window	/R /H -11	1 1	I9M5 IQJ2/QV0/QV4 I4KC
(4)	958 544 112 01	Right Use also: 000.043.305.35 Side window	/R /H -11	1 1	I9M5 IQJ2/QV0/QV4 I4KC/7Q0/7Q7 I7T1/7T4/9M0 I9M1 I9M5
(4)	958 544 112 02	Right Use also: 000.043.305.35 Side window	/R /H	1 1	I9M5 IQJ2/QV0/QV3 IQV4/QV8/4KC
(4)	958 544 112 05	Right Use also: 000.043.305.35 Side window Right	/R /H -11	1 1	-I9M9/IQJ2 IQV0/QV4/4KF

Model: 92A 11 Model life 2011>>

Pos	Part Number	Description	Remark	Qty	Model
(4)	958 544 112 06	Use also: 000.043.305.35 Side window Right Use also: 000.043.305.35	/R /H -11	1 1	-I9M9/IQJ2 IQV0/QV4/4KF
(4)	958 544 112 07	Side window Right Use also: 000.043.305.35	/R /H 12	1 1	IQJ2/QV0/QV3 IQV4/QV8/4KF
(4)	958 544 112 10	Side window Right Use also: 000.043.305.35	/R /H -11	1 1	-I9M9/IQJ2 IQV0/QV4/VW5
(4)	958 544 112 11	Side window Right Use also: 000.043.305.35	/R /H -11	1 1	IQJ2/QV0/QV3 IQV4/QV8/VW5
(4)	958 544 112 12	Side window Right Use also: 000.043.305.35	/R /H 12	1 1	IQJ2/QV0/QV3 IQV4/QV8/VW5
(4)	958 544 112 15	Side window Right Use also: 000.043.305.35	/R /H -11	1 1	-I9M9/IQJ4 IQV0/QV4/4KC
(4)	958 544 112 16	Side window Right Use also: 000.043.305.35	/R /H -11	1 1	IQJ4/QV0/QV4 I4KC/7Q0/7Q7 I7T1/7T4/9M0 I9M1 I9M5
(4)	958 544 112 17	Side window Right Use also: 000.043.305.35	/R /H 12	1 1	IQJ4/QV0/QV3 IQV4/QV8/4KC I7Q0/7Q7/7T1 I7T4 I9M0/9M1/9M5
(4)	958 544 112 18	Side window Right Use also: 000.043.305.35	/R /H	1 1	-I9M9/IQJ4 IQU0/QV0/QV3 IQV4/QV8/4KC
(4)	958 544 112 20	Side window Right Use also: 000.043.305.35	/R /H -11	1 1	-I9M9/IQJ4 IQV0/QV4/4KF
(4)	958 544 112 21	Side window Right Use also:	/R /H -11	1 1	IQJ4/QV0/QV4 I4KF/7Q0/7Q7 I7T1/7T4/9M0 I9M1 I9M5

Model: 92A 11 Model life 2011>>

Pos	Part Number	Description	Remark	Qty	Model
(4)	958 544 112 22	000.043.305.35 Side window Right Use also: 000.043.305.35	/R /H 12	1 1	IQJ4/QV0/QV3 IQV4/QV8/4KF I7Q0/7Q7/7T1 I7T4 I9M0/9M1/9M5
(4)	958 544 112 23	000.043.305.35 Side window Use also: 000.043.305.35	/R	1 1	-I9M9/IQJ4 IQU0/QV0/QV3 IQV4/QV8/4KF
(4)	958 544 112 25	000.043.305.35 Side window Use also: 000.043.305.35	/R -11	1 1	-I9M9/IQJ4 IQV0/QV4/VW5
(4)	958 544 112 26	000.043.305.35 Side window Right Use also: 000.043.305.35	/R -11	1 1	IQJ4/QV0/QV4 IVW5/7Q0/7Q7 I7T1/7T4/9M0 I9M1 I9M5
(4)	958 544 112 27	000.043.305.35 Side window Right Use also: 000.043.305.35	/R 12	1 1	IQJ4/QV0/QV3 IQV4/QV8/VW5 I7Q0/7Q7/7T1 I7T4 I9M0/9M1/9M5
(4)	958 544 112 28	000.043.305.35 Side window Right Use also: 000.043.305.35	/R	1 1	IQJ4/QV0/QV3 IQV4/QV8/VW5 I7Q0/7Q7/7T1 I7T4 IQU0/9M0/9M1 I9M5
(4)	958 544 112 30	000.043.305.35 Side window Right Use also: 000.043.301.14	/R -11	1 1	IQJ2/QV1/QV4 I4KC/9M9
(4)	958 544 112 31	000.043.301.14 Side window Right Use also: 000.043.301.14	/R -11	1 1	IQJ2/QV1/4KC I7Q7/7T1/7T4 I9M0/9M1/9M5 I9M9 IQV0/QV4
(4)	958 544 112 32	000.043.301.14 Side window Right Use also: 000.043.301.14	/R 12	1 1	IQJ2/QV1/QV3 IQV4/QV8/4KC I7Q0/7Q7/7T1 I7T4/9M0/9M1 I9M5/9M9
(4)	958 544 112 37	000.043.301.14 Side window Right Use also: 000.043.301.14	/R	1 1	IQJ2/QV1/4KF I9M9

Model: 92A 11 Model life 2011>>

Pos	Part Number	Description	Remark	Qty	Model
(4)	958 544 112 40	Side window Right Use also: 000.043.301.14	/R -11	1	IQJ2/QV1/VW5
(4)	958 544 112 41	Side window Right Use also: 000.043.301.14	/R -11	1	IQJ2/VW5/9M9
(4)	958 544 112 42	Side window Right Use also: 000.043.301.14	/R 12	1	IQJ2/QV3/QV8 IVW5
(4)	958 544 112 45	Side window Right Use also: 000.043.301.14	/R -11	1	IQJ4/QV1/4KC I7Q7/7T1/7T4 I9M0/9M1/9M5 I9M9 IQV0/QV4/7Q0
(4)	958 544 112 46	Side window Right Use also: 000.043.301.14	/R -11	1	IQJ4/QV1/4KC I7Q7/7T1/7T4 I9M0/9M1/9M5 I9M9 IQV0/QV4/7Q0
(4)	958 544 112 47	Side window Right Use also: 000.043.301.14	/R 12	1	IQJ4/QV0/QV1 IQV3/QV4/QV8 I4KC/7Q0/7Q7 I7T1 I7T4/9M0/9M1 I9M5/9M9
(4)	958 544 112 48	Side window Right Use also: 000.043.305.35	/R	1	IQJ4/QV0/QV1 IQV3/QV4/QV8 I4KC/7Q0/7Q7 I7T1 IQU0/QV5/7T4 I9M0/9M1/9M5 I9M9
(4)	958 544 112 50	Side window Right Use also: 000.043.301.14	/R -11	1	IQJ4/QV1/QV4 I4KF
(4)	958 544 112 51	Side window Right Use also: 000.043.301.14	/R -11	1	IQJ4/4KF/9M9
(4)	958 544 112 52	Side window Right Use also: 000.043.301.14	/R 12	1	IQJ4/QV1/QV3 IQV4/QV8/4KF
(4)	958 544 112 53	Side window Right Use also: 000.043.305.35	/R	1	IQJ4/QV1/QV5 I4KF

Model: 92A 11 Model life 2011>>

Pos	Part Number	Description	Remark	Qty	Model
(4)		Side window Right Use also: 000.043.305.35	/R	1	IQJ4/4KF/9M9
(4)	958 544 112 55	Side window Right Use also: 000.043.305.35	/R -11	1	IQJ4/QV1/VW5 I7Q7/7T1/7T4 I9M0/9M1/9M5 I9M9 IQV0/QV4/7Q0
(4)	958 544 112 56	Side window Right Use also: 000.043.301.14	/R -11	1	IQJ4/QV1/VW5 I7Q7/7T1/7T4 I9M0/9M1/9M5 I9M9 IQV0/QV4/7Q0
(4)	958 544 112 57	Side window Right Use also: 000.043.301.14	/R 12	1	IQJ4/QV0/QV1 IQV3/QV8/VW5 I7Q0/7Q7/7T1 I7T4 IQV4/9M0/9M1 I9M5/9M9
(4)	958 544 112 58	Side window Right Use also: 000.043.305.35	/R 13-	1	IQJ4/VW5/9M9
(4)	958 544 112 60	Side window Right Use also: 000.043.301.14	/R (J) -11	1	IQJ2/QV0/4KC I7Q4/9M0/9M1 I9M5/9M9
(4)	958 544 112 61	Side window Right Use also: 000.043.305.35	/R (J) -11	1	IQJ2/QV0/4KC I7Q4/9M0/9M1 I9M5/9M9
(4)	958 544 112 62	Side window Right Use also: 000.043.305.35	/R (J) 12	1	IQJ2/QV0/4KC I7Q4/9M0/9M1 I9M5/9M9
(4)	958 544 112 65	Side window Right Use also: 000.043.305.35	/R (J) -11	1	IQJ2/QV0/4KF I7Q4/9M0/9M1 I9M5/9M9
(4)	958 544 112 66	Side window Right Use also: 000.043.301.14	/R (J) -11	1	IQJ2/QV0/4KF I7Q4/9M0/9M1 I9M5/9M9
(4)	958 544 112 67	Side window Right Use also: 000.043.301.14	/R (J) 12	1	IQJ2/QV0/4KF I7Q4/9M0/9M1 I9M5/9M9

Model: 92A 11 Model life 2011>>

Pos	Part Number	Description	Remark	Qty	Model
(4)	958 544 112 70	Right Use also: 000.043.301.14 Side window	/R /H (J) -11	1 1	IQJ2/QV0/VW5 I7Q4/9M0/9M1 I9M5/9M9
(4)	958 544 112 71	Right Use also: 000.043.301.14 Side window	/R /H (J) -11	1 1	IQJ2/QV0/VW5 I7Q4/9M0/9M1 I9M5/9M9
(4)	958 544 112 72	Right Use also: 000.043.301.14 Side window	/R /H (J) -12	1 1	IQJ2/QV0/VW5 I7Q4/9M0/9M1 I9M5/9M9
(4)	958 544 112 75	Right Use also: 000.043.305.35 Side window	/R /H (J) -11	1 1	IQJ4/QV0/4KC I7Q4/9M0/9M1 I9M5/9M9
(4)	958 544 112 76	Right Use also: 000.043.301.14 Side window	/R /H (J) -11	1 1	IQJ4/QV0/4KC I7Q4/9M0/9M1 I9M5/9M9
(4)	958 544 112 77	Right Use also: 000.043.301.14 Side window	/R /H (J) -12	1 1	IQJ4/QV0/4KC I7Q4/9M0/9M1 I9M5/9M9
(4)	958 544 112 78	Right Use also: 000.043.305.35 Side window	/R /H (J) 13-	1 1	IQJ4/QV0/4KC I7Q4/9M0/9M1 I9M5/9M9
(4)	958 544 112 80	Right Use also: 000.043.305.35 Side window	/R /H (J) -11	1 1	IQJ4/QV0/4KF I7Q4/9M0/9M1 I9M5/9M9
(4)	958 544 112 81	Right Use also: 000.043.301.14 Side window	/R /H (J) -11	1 1	IQJ4/QV0/4KF I7Q4/9M0/9M1 I9M5/9M9
(4)	958 544 112 82	Right Use also: 000.043.301.14 Side window	/R /H (J) -12	1 1	IQJ4/QV0/4KF I7Q4/9M0/9M1 I9M5/9M9
		Right Use also: 000.043.305.35		1	

Model: 92A 11 Model life 2011>>

Pos	Part Number	Description	Remark	Qty	Model
(4)	958 544 112 83	Side window Right Use also: 000.043.305.35	/R /H (J) 13-	1	IQJ4/QV0/4KF I7Q4/9M0/9M1 I9M5
(4)	958 544 112 85	Side window Right Use also: 000.043.301.14	/R /H (J) -11	1	IQJ4/QV0/VW5 I7Q4/9M0/9M1 I9M5/9M9
(4)	958 544 112 86	Side window Right Use also: 000.043.301.14	/R /H (J) -11	1	IQJ4/QV0/VW5 I7Q4/9M0/9M1 I9M5/9M9
(4)	958 544 112 87	Side window Right Use also: 000.043.305.35	/R /H (J) -12	1	IQJ4/QV0/VW5 I7Q4/9M0/9M1 I9M5/9M9
(4)	958 544 112 88	Side window Right Use also: 000.043.305.35	/R /H (J) 13-	1	IQJ4/QV0/VW5 I7Q4/9M0/9M1 I9M5/9M9
(4)	958 544 111 03	Side window with Moulding Chrome look Use also: 000.043.305.35	/L 13-	1	IQJ2/QV0/QV3 IQV4/QV8/4KC
(4)	958 544 112 03	Side window with Moulding Chrome look Use also: 000.043.305.35	/R 13-	1	-I9M9/IQJ2 IQU0/QV0/QV3 IQV4/QV8/4KC
(4)	958 544 111 08	Side window with Moulding Chrome look Use also: 000.043.305.35	/L 13-	1	IQJ2/QV0/QV3 IQV4/QV8/4KF
(4)	958 544 112 08	Side window with Moulding Chrome look Use also: 000.043.305.35	/R 13-	1	-I9M9/IQJ2 IQU0/QV0/QV3 IQV4/QV8/4KF
(4)	958 544 111 13	Side window with	/L	1	IQJ2/QV0/QV3 IQV4/QV8/VW5

Model: 92A 11 Model life 2011>>

Pos	Part Number	Description	Remark	Qty	Model
(4)	958 544 112 13	Moulding Chrome look Use also: 000.043.305.35 Side window	/R	1 1	-I9M9/IQJ2 IQU0/QV0/QV3 IQV4/QV8/VW5
(4)	958 544 111 33	with Moulding Chrome look Use also: 000.043.305.35 Rear window with Antenna Side window	/L 13-	1	IQJ2/QU0/QV1 IQV5/4KC
(4)	958 544 112 33	with Moulding Chrome look Use also: 000.043.301.14 Side window	/R 13-	1 1	IQJ2/QV1/QV5 I4KC/9M9
(4)	958 544 111 38	with Moulding Chrome look Use also: 000.043.301.14 Side window	/L 13-	1 1	IQJ2/QU0/QV1 IQV5/4KF
(4)	958 544 112 38	with Moulding Chrome look Use also: 000.043.301.14 Side window	/R 13-	1 1	IQJ2/QV1/QV5 I4KF
(4)	958 544 111 43	with Moulding Chrome look Use also: 000.043.301.14 Side window	/L 13-	1 1	IQJ2/QU0/QV1 IQV5/VW5
(4)	958 544 112 43	with Moulding Chrome look Use also: 000.043.301.14 Side window	/R 13-	1 1	IQJ2/QV1/QV5 IVW5
(4)	958 544 111 63	with Moulding Chrome look Use also: 000.043.301.14 Side window	/L 13-	1 1	IQJ2/4KC/7Q4 I9M9

Model: 92A 11

Model life 2011>>

Pos	Part Number	Description	Remark	Qty	Model
(4)	958 544 112 63	000.043.301.14 Side window with Moulding Chrome look Use also: 000.043.301.14	/R 13-	1 1	IQJ2/4KC/7Q4 I9M9
(4)	958 544 111 68	000.043.301.14 Side window with Moulding Chrome look Use also: 000.043.301.14	/L	1 1	IQJ2/4KF/7Q4
(4)	958 544 112 68	000.043.301.14 Side window with Moulding Chrome look Use also: 000.043.301.14	/R	1 1	IQJ2/4KF/7Q4
(4)	958 544 111 73	000.043.301.14 Side window with Moulding Chrome look Use also: 000.043.301.14	/L 13-	1 1	IQJ2/VW5/7Q4 I9M9
(4)	958 544 112 73	000.043.301.14 Side window with Moulding Chrome look Use also: 000.043.301.14	/R 13-	1 1	IQJ2/VW5/7Q4 I9M9
(4)	958 544 113 00	000.043.301.14 Side window with Moulding Use also: 000.043.301.14	/L 14-	1 1	IQJ3/QV0/QV3 IQV4/QV8/4KC
(4)	958 544 114 00	000.043.301.14 Side window with Moulding Use also: 000.043.301.14	/R 14-	1 1	-I9M9/IQJ3 IQU0/QV0/QV3 IQV4/QV8/4KC
(4)	958 544 113 05	000.043.301.14 Side window with Moulding Use also: 000.043.301.14	/L 14-	1 1	IQJ3/QV0/QV3 IQV4/QV8/4KF
(4)	958 544 114 05	000.043.301.14 Side window with Moulding Use also: 000.043.301.14	/R 14-	1 1	-I9M9/IQJ3 IQU0/QV0/QV3 IQV4/QV8/4KF
(4)	958 544 113 10	000.043.301.14 Side window with	/L 14-	1 1	IQJ3/QV0/QV3 IQV4/QV8/VW5

Model: 92A 11 Model life 2011>>

Pos	Part Number	Description	Remark	Qty	Model
(4)	958 544 114 10	Moulding Use also: 000.043.301.14 Side window	/R 14-	1 1	-I9M9/IQJ3 IQU0/QV0/QV3 IQV4/QV8/VW5
(4)	958 544 113 15	with Moulding Use also: 000.043.301.14 Side window	/L 14-	1 1	IQJ3/QU0/QV1 IQV5/4KC
(4)	958 544 114 15	with Moulding Use also: 000.043.301.14 Side window	/R 14-	1 1	IQJ3/QV1/QV5 I4KC
(4)	958 544 113 20	with Moulding Use also: 000.043.301.14 Side window	/L 14-	1 1	IQJ3/QU0/QV1 IQV5/4KF
(4)	958 544 114 20	with Moulding Use also: 000.043.301.14 Side window	/R 14-	1 1	IQJ3/QV1/QV5 I4KF
(4)	958 544 113 25	with Moulding Use also: 000.043.301.14 Side window	/L 14-	1 1	IQJ3/QU0/QV1 IQV5/VW5
(4)	958 544 114 25	with Moulding Use also: 000.043.301.14 Side window	/R 14-	1 1	IQJ3/QV1/QV5 IVW5
(4)	958 544 113 30	with Moulding Use also: 000.043.301.14 Side window	/L 14-	1 1	IQJ3/QV0/4KC I7Q4
(4)	958 544 114 30	with Moulding Use also: 000.043.301.14 Side window	/R 14-	1 1	IQJ3/4KC/7Q4 I9M9
(4)	958 544 113 35	with Moulding Use also: 000.043.301.14 Side window	/L 14-	1 1	IQJ3/QV0/4KF I7Q4

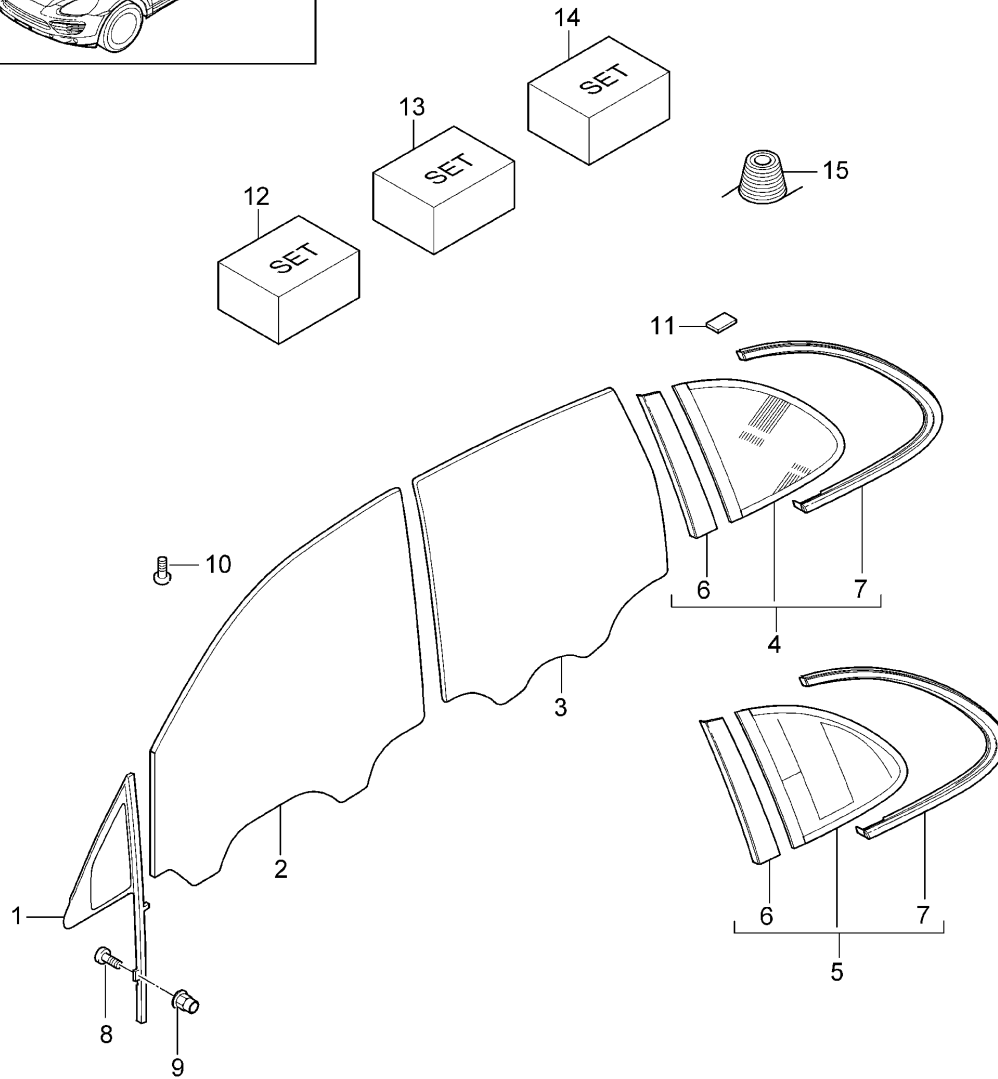
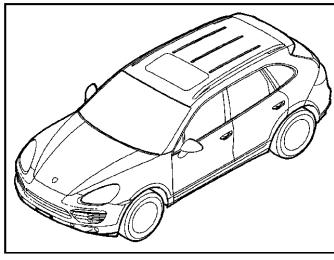
Model: 92A 11

Model life 2011>>

Pos	Part Number	Description	Remark	Qty	Model
(4)	958 544 114 35	000.043.301.14 Side window with Moulding Use also: 000.043.301.14	/R 14-	1 1	IQJ3/4KF/7Q4 I9M9
(4)	958 544 113 40	000.043.301.14 Side window with Moulding Use also: 000.043.301.14	/L 14-	1 1	IQJ3/QV0/VW5 I7Q4
(4)	958 544 114 40	000.043.301.14 Side window with Moulding Use also: 000.043.301.14	/R 14-	1 1	IQJ3/VW5/7Q4 I9M9
5		000.043.301.14 Moulding See illustrations 8/10/00		1 1	
6		Moulding See illustrations 8/10/00		1	
7	N 106 538 01	Fastening screw Side window Front M5X8		3	
8	N 910 167 02	Blind rivet nut Mount Side window Front		3	
9	WHT 001 248	Hexagon nut M 6 with Bolt		2	
10	958 545 359 00	Sealing rubber		2	
11	000 043 305 35	Adhesive set		1	
12	000 043 205 37	Mixing tube Supplement set		X	
13	000 043 206 47	Car care set Side window See technical manual		X	
14	000 043 300 96	Wire		1	

Model: 92A 11

Model life 2011>>



Model: 92A 11

Model life 2011>>

Pos	Part Number	Description	Remark	Qty	Model
		window glazing Lateral Triangular plate Driver's side Passenger's side	17-		
1	958 542 311 01	Side window	/L	1	I4KC/4KF
(1)	958 542 312 01	Side window	/R	1	I4KC/4KF
(1)	958 542 311 07	Side window	/L	1	IVW5
(1)	958 542 312 07	Side window	/R	1	IVW5
		Doors			
		Front			
2	958 542 511 01	Door window glass	/L	1	I4KC/4KF
(2)	958 542 512 01	Door window glass	/R	1	I4KC/4KF
(2)	958 542 511 06	Door window glass	/L	1	IVW5
(2)	958 542 512 06	Door window glass	/R	1	IVW5
		Side window			
		Doors			
		Rear			
3	958 542 611 01	Door window glass	/L	1	I4KC
(3)	958 542 612 01	Door window glass	/R	1	I4KC
(3)	958 542 611 06	Door window glass	/L	1	I4KF
(3)	958 542 612 06	Door window glass	/R	1	I4KF
(3)	958 542 611 11	Door window glass	/L	1	IVW5
(3)	958 542 612 11	Door window glass	/R	1	IVW5
		Rear window			
		without			
		Antenna			
4	958 845 297 00	Rear window	/L	1	-I4KF/IER7 IQJ2
		with			
		Moulding			
		Chrome look			
		Use also:			
		000.043.305.35		1	
(4)	958 845 298 00	Rear window	/R	1	-I4KF/-I9M9 IER7/QJ2
		with			
		Moulding			
		Chrome look			
		Use also:			
		000.043.305.35		1	
(4)	958 845 297 01	Rear window	/L	1	-I4KC/IER7 IQJ2
		with			
		Moulding			
		Chrome look			
		Use also:			
		000.043.305.35		1	
(4)	958 845 298 01	Rear window	/R	1	-I4KC/-I9M9 IER7/QJ2
		with			
		Moulding			
		Chrome look			
		Use also:			
		000.043.305.35		1	
(4)	958 845 297 02	Rear window	/L	1	IER7/QJ2/VW5
		with			
		Moulding			
		Chrome look			
		Use also:			
		000.043.305.35		1	
(4)	958 845 298 02	Rear window	/R	1	-I9M9/IER7

Model: 92A 11

Model life 2011>>

Pos	Part Number	Description	Remark	Qty	Model
					IQJ2/VW5
(4)	958 845 297 03	with Moulding Chrome look Use also: 000.043.305.35 Rear window	/L	1 1	-I4KF/IER7 IQJ4
(4)	958 845 298 03	with Moulding Black Use also: 000.043.305.35 Rear window	/R	1 1	-I4KF/-I9M9 IER7/QJ4
(4)	958 845 297 04	with Moulding Black Use also: 000.043.305.35 Rear window	/L	1 1	-I4KC/IQJ4
(4)	958 845 298 04	with Moulding Black Use also: 000.043.305.35 Rear window	/R	1 1	-I4KC/-I9M9 IQJ4
(4)	958 845 297 05	with Moulding Black Use also: 000.043.305.35 Rear window	/L	1 1	IER7/QJ4/VW5
(4)	958 845 298 05	with Moulding Black Use also: 000.043.305.35 Rear window	/R	1 1	-I9M9/IER7 IQJ4/VW5
5	958 845 297 06	with Moulding Black Use also: 000.043.305.35 Rear window with Antenna	/L	1	-IER7/-I4KF IQJ2
(5)	958 845 298 06	with Moulding Chrome look Use also: 000.043.305.35 Rear window	/R	1 1	-IER7/-I4KF IQJ2
		with Moulding Chrome look Use also: 000.043.305.35		1	

Model: 92A 11 Model life 2011>>

Pos	Part Number	Description	Remark	Qty	Model
(5)		Rear window with Moulding Chrome look Use also: 000.043.305.35	/R	1	-IER7/-I4KF IQJ2/9M9
(5)	958 845 297 07	Rear window with Moulding Chrome look Use also: 000.043.305.35	/L	1	-I4KC/IQJ2
(5)	958 845 298 07	Rear window with Moulding Chrome look Use also: 000.043.305.35	/R	1	-I4KC/IQJ2
(5)		Rear window with Moulding Chrome look Use also: 000.043.305.35	/R	1	-IER7/-I4KC IQJ2/9M9
(5)	958 845 297 08	Rear window with Moulding Chrome look Use also: 000.043.305.35	/L	1	IQJ2/VW5
(5)	958 845 298 08	Rear window with Moulding Chrome look Use also: 000.043.305.35	/R	1	-IER7/IQJ2 IVW5
(5)		Rear window with Moulding Chrome look Use also: 000.043.305.35	/R	1	-IER7/IQJ2 IVW5/9M9
(5)	958 845 297 09	Rear window with Moulding Black Use also: 000.043.305.35	/L	1	-I4KF/IQJ4
(5)	958 845 298 09	Rear window with Moulding Black Use also: 000.043.305.35	/R	1	-I4KF/IQJ4
(5)		Rear window with Moulding Black	/R	1	-IER7/IQJ4 I4KC/9M9

Model: 92A 11 Model life 2011>>

Pos	Part Number	Description	Remark	Qty	Model
(5)	958 845 297 20	Use also: 000.043.305.35 Rear window with Moulding Black	/L	1 1	-I4KC/IQJ4
(5)	958 845 298 20	Use also: 000.043.305.35 Rear window with Moulding Black	/R	1 1	-I4KC/IQJ4
(5)		Use also: 000.043.305.35 Rear window with Moulding Black	/R	1 1	-IER7/IQJ4 I4KF/9M9
(5)	958 845 297 21	Use also: 000.043.305.35 Rear window with Moulding Black	/L	1 1	IQJ4/VW5
(5)	958 845 298 21	Use also: 000.043.305.35 Rear window with Moulding Black	/R	1 1	IQJ4/VW5
(5)		Use also: 000.043.305.35 Rear window with Moulding Black	/R	1 1	-IER7/IQJ4 IVW5/9M9
6		Use also: 000.043.305.35 Moulding See illustrations 8/10/00		1 1	
7		Moulding See illustrations 8/10/00		1	
8	N 106 538 01	Fastening screw Side window Front M5X8		3	
9	N 910 167 02	Blind rivet nut Mount Side window Front		3	
10	WHT 001 248	Hexagon nut M 6 with Bolt		2	
11	958 545 359 00	Sealing rubber		2	
12	000 043 305 35	Adhesive set		1	
13	000 043 205 37	Mixing tube Supplement set		X	
14	000 043 206 47	Car care set		X	

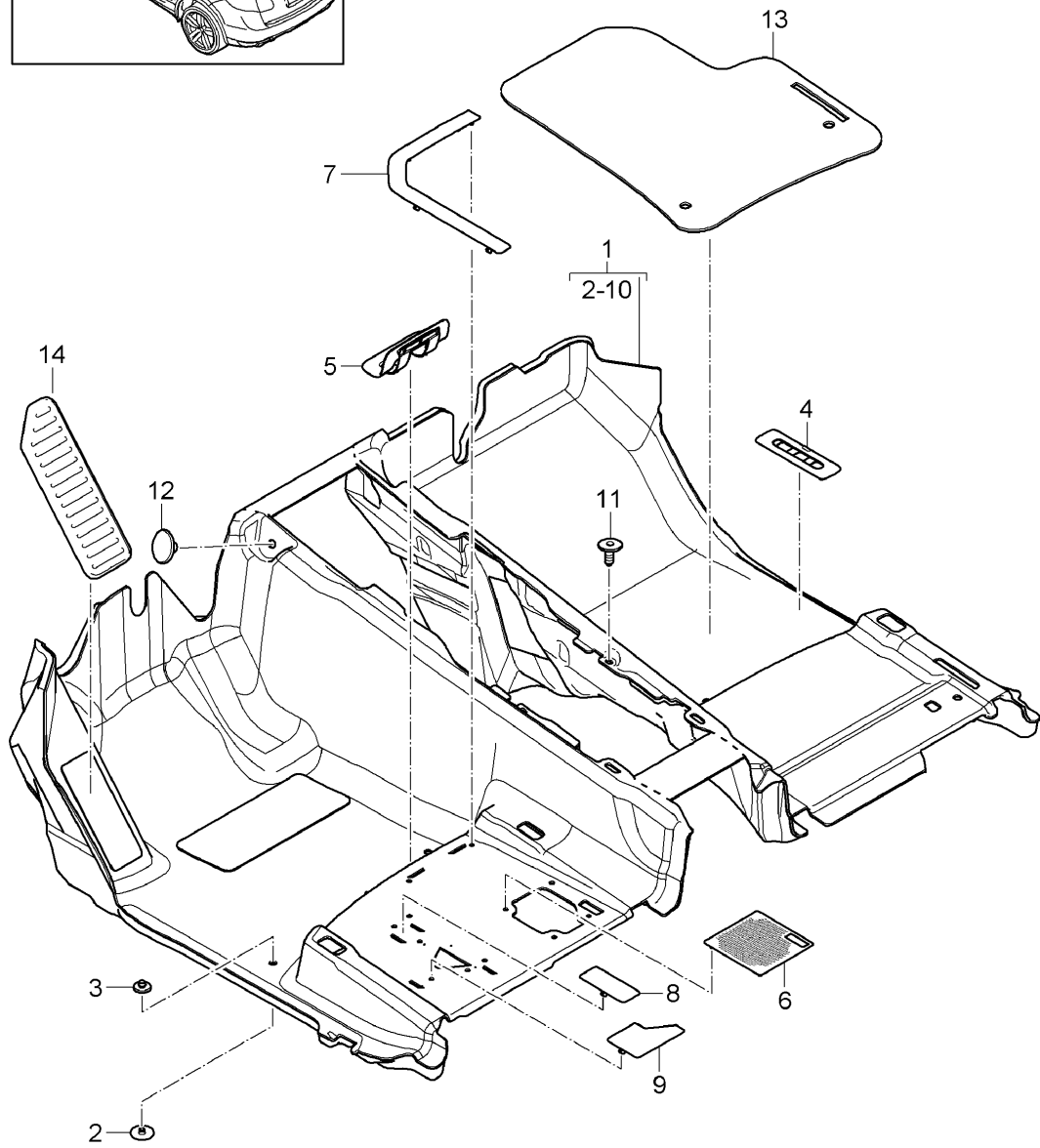
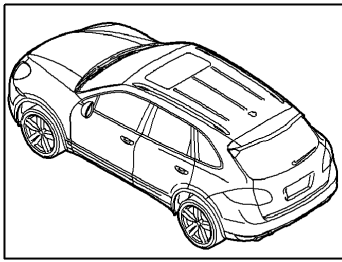
Model: 92A 11

Model life 2011>>

Pos	Part Number	Description	Remark	Qty	Model
15	000 043 303 32	Side window See technical manual Wire		1	

Model: 92A 11

Model life 2011>>



Model: 92A 11 Model life 2011>>

Pos	Part Number	Description	Remark	Qty	Model
1	958 551 103 00	Carpet Front Carpet Front Tufting velour	/LL	1	IL0L/9AD
	958 551 103 00 DC5	Black			+LC, +MA
	958 551 103 00 GC4	Luxor Beige			+LE, +MC
	958 551 103 00 GH3	Platinum Grey			+LD, +MD
	958 551 103 00 GJ2	Cream			+TX
	958 551 103 00 GK1	Espresso			+VA
	958 551 103 00 GM9	Cognac			+VB
	958 551 103 00 GP8	Umber			+LF
	958 551 103 00 GR7	Light Tartufo			+TY
	958 551 103 00 GS6	Titanium Blue			+TW
(1)	958 551 103 01	Carpet Front Tufting velour	/LL	1	IL0L/9AH
	958 551 103 01 DC5	Black			+LC, +MA
	958 551 103 01 GC4	Luxor Beige			+LE, +MC
	958 551 103 01 GH3	Platinum Grey			+LD, +MD
	958 551 103 01 GJ2	Cream			+TX
	958 551 103 01 GK1	Espresso			+VA
	958 551 103 01 GM9	Cognac			+VB
	958 551 103 01 GP8	Umber			+LF
	958 551 103 01 GR7	Light Tartufo			+TY
	958 551 103 01 GS6	Titanium Blue			+TW
(1)	958 551 103 04	Carpet Front Tufting velour	/RL	1	IL0R/9AD
	958 551 103 04 DC5	Black			+LC, +MA, +YA, +YB, +YC
	958 551 103 04 GC4	Luxor Beige			+LE, +MC, +YE
	958 551 103 04 GH3	Platinum Grey			+LD, +MD, +YD
	958 551 103 04 GJ2	Cream			+TX
	958 551 103 04 GK1	Espresso			+VA
	958 551 103 04 GM9	Cognac			+VB
	958 551 103 04 GP8	Umber			+LF, +YF
	958 551 103 04 GR7	Light Tartufo			+TY
	958 551 103 04 GS6	Titanium Blue			+TW
(1)	958 551 103 03	Carpet Front Tufting velour	/RL	1	IL0R/9AH
	958 551 103 03 DC5	Black			+LC, +MA
	958 551 103 03 GC4	Luxor Beige			+LE, +MC
	958 551 103 03 GH3	Platinum Grey			+LD, +MD
	958 551 103 03 GJ2	Cream			+TX
	958 551 103 03 GK1	Espresso			+VA
	958 551 103 03 GM9	Cognac			+VB
	958 551 103 03 GP8	Umber			+LF
	958 551 103 03 GR7	Light Tartufo			+TY
	958 551 103 03 GS6	Titanium Blue			+TW
1	958 551 103 10	Carpet Front Tufting velour	/LL 15-	1	IL0L/9AD
	958 551 103 10 DC5	Black			+LC, +LG, +LH, +MA, +MF, +TA, +YA, +YC, +77
	958 551 103 10 GC4	Luxor Beige			+LE, +MC, +YE
	958 551 103 10 GK1	Espresso			+VA
	958 551 103 10 GM9	Cognac			+VB
	958 551 103 10 ON9	Saddle Tan			+ME, +MH
	958 551 103 10 OW7	Agate Grey			+MB, +MG, +ML
1	958 551 103 15	Carpet	/LL 15-	1	IL0L/9AH

Model: 92A 11 Model life 2011>>

Pos	Part Number	Description	Remark	Qty	Model
	958 551 103 15 DC5	Front Tufting velour Black			+LC, +LG, +LH, +MA, +MF, +TA, +YA, +YC, +77
	958 551 103 15 GC4	Luxor Beige			+LE, +MC, +YE
	958 551 103 15 GK1	Espresso			+VA
	958 551 103 15 GM9	Cognac			+VB
	958 551 103 15 ON9	Saddle Tan			+ME, +MH
1	958 551 103 15 OW7	Agate Grey			+MB, +MG, +ML
	958 551 103 20	Carpet	/RL 15-	1	IL0R/9AD
	958 551 103 20 DC5	Front Tufting velour Black			+LC, +LG, +LH, +MA, +MF, +TA, +YA, +YC, +77
	958 551 103 20 GC4	Luxor Beige			+LE, +MC, +YE
	958 551 103 20 GK1	Espresso			+VA
	958 551 103 20 GM9	Cognac			+VB
	958 551 103 20 ON9	Saddle Tan			+ME, +MH
1	958 551 103 20 OW7	Agate Grey			+MB, +MG, +ML
	958 551 103 25	Carpet	/RL 15-	1	IL0R/9AH
	958 551 103 25 DC5	Front Tufting velour Black			+LC, +LG, +LH, +MA, +MF, +TA, +YA, +YC, +77
	958 551 103 25 GC4	Luxor Beige			+LE, +MC, +YE
	958 551 103 25 GK1	Espresso			+VA
	958 551 103 25 GM9	Cognac			+VB
	958 551 103 25 ON9	Saddle Tan			+ME, +MH
2	958 551 103 25 OW7	Agate Grey			+MB, +MG, +ML
	955 551 227 02	Support Carpet		4	
3	8E0 864 229	Cap		4	
	8E0 864 229 DE1	Umber			+LF, +TX, +TY, +YF
	8E0 864 229 4H0	Luxor Beige			+LE, +MC, +YE
	8E0 864 229 6L0	Platinum Grey			+LD, +MD, +YD,
	8E0 864 229 7N0	Espresso			+VA, +VB
	8E0 864 229 9B9	Satin black			+LC, +MA, +TA, +TB, +TW, +YA, +YB, +YC, +77, +LG, +LH, +MF, +MI,
	8E0 864 229 OP1	Agate Grey			+MB, +MG, +ML
4	958 551 387 00	Lid		1	
	958 551 387 00 DE1	Vehicle Ident. No. Umber			+LF, +YF
	958 551 387 00 DF2	Light Tartufo			+TY
	958 551 387 00 DJ3	Titanium Blue			+TW
	958 551 387 00 4H0	Luxor Beige			+LE, +MC, +YE
	958 551 387 00 5J0	Cream			+MK
	958 551 387 00 6L0	Platinum Grey			+TX
	958 551 387 00 7N0	Espresso			+LD, +MD, +YD
	958 551 387 00 8P0	Cognac			+VA
	958 551 387 00 82V	Titanium Black			+VB
5	958 551 388 00	Lid Ground connector		1	+LC, +MA, +TA, +TB, +YA, +YB, +YC, +LG, +LH, +MF

Model: 92A 11 Model life 2011>>

Pos	Part Number	Description	Remark	Qty	Model
	958 551 388 00 3G4	Natural brown			+KJ, +KK
	958 551 388 00 82V	Titanium Black			+IF, +IG, +JJ +JU, +KL, +OK +LC, +MA +LF
	958 551 388 00 DE1	Umber			+TY
	958 551 388 00 DF2	Light Tartufo			+TW
	958 551 388 00 DJ3	Titanium Blue			+LE, +MC
	958 551 388 00 4H0	Luxor Beige			+TX
	958 551 388 00 5J0	Cream			+LD, +MD
	958 551 388 00 6L0	Platinum Grey			+VA
	958 551 388 00 7N0	Espresso			+VB
	958 551 388 00 8P0	Cognac			
(5)	958 551 388 01	Lid		1	
		Ground connector			
	958 551 388 01 HX5	Palladium Metallic			+TP
	958 551 388 01 OM8	Saddle Tan			+ME, +MH, +MI
	958 551 388 01 OP1	Agate Grey			+MB, +MG, +ML
6	958 551 147 00	Cover		1	
		Bleeding			
		Battery			
	958 551 147 00 DE1	Umber			+LF, +YF
	958 551 147 00 DF2	Light Tartufo			+TY
	958 551 147 00 DJ3	Titanium Blue			+TW
	958 551 147 00 1E0	Black			+LC, +MA, +TA, +TB, +YA, +YB, +YC, +LG, +LH, +MF, +YC, +77 +LE, +MC, +YE +MK
	958 551 147 00 4H0	Luxor Beige			+TX
	958 551 147 00 5J0	Cream			+LD, +MD, +YD
	958 551 147 00 6L0	Platinum Grey			+VA
	958 551 147 00 7N0	Espresso			+VB
	958 551 147 00 8P0	Cognac			
7	958 551 148 00	Cover		1	
		Battery			
	958 551 148 00 DE1	Umber			+LF, +YF
	958 551 148 00 DF2	Light Tartufo			+TY
	958 551 148 00 DJ3	Titanium Blue			+TW
	958 551 148 00 1E0	Black			+LC, +LG, +LH +MA, +MF, +TA +TB, +YA, +YB +YC, +77 +LE, +MC, +MK +YE
	958 551 148 00 4H0	Luxor Beige			+TX
	958 551 148 00 5J0	Cream			+LD, +MD, +YD
	958 551 148 00 6L0	Platinum Grey			+VA
	958 551 148 00 7N0	Espresso			+VB
	958 551 148 00 8P0	Cognac			
(7)	958 551 148 01	Cover		1	
		Battery			
	958 551 148 01 OM8	Saddle Tan			+ME, +MH, +MI
	958 551 148 01 OP1	Agate Grey			+MB, +MG, +ML
8	958 551 537 00	Cover		1	
		Battery			
		Connection point			
	958 551 537 00 DE1	Umber			+LF, +YF
	958 551 537 00 DF2	Light Tartufo			+TY
	958 551 537 00 DJ3	Titanium Blue			+TW
	958 551 537 00 1E0	Black			+LC, +MA, +TA, +TB, +YA, +YB, +YA, +YB, +YC, +77, +LG, +LH, +MF,

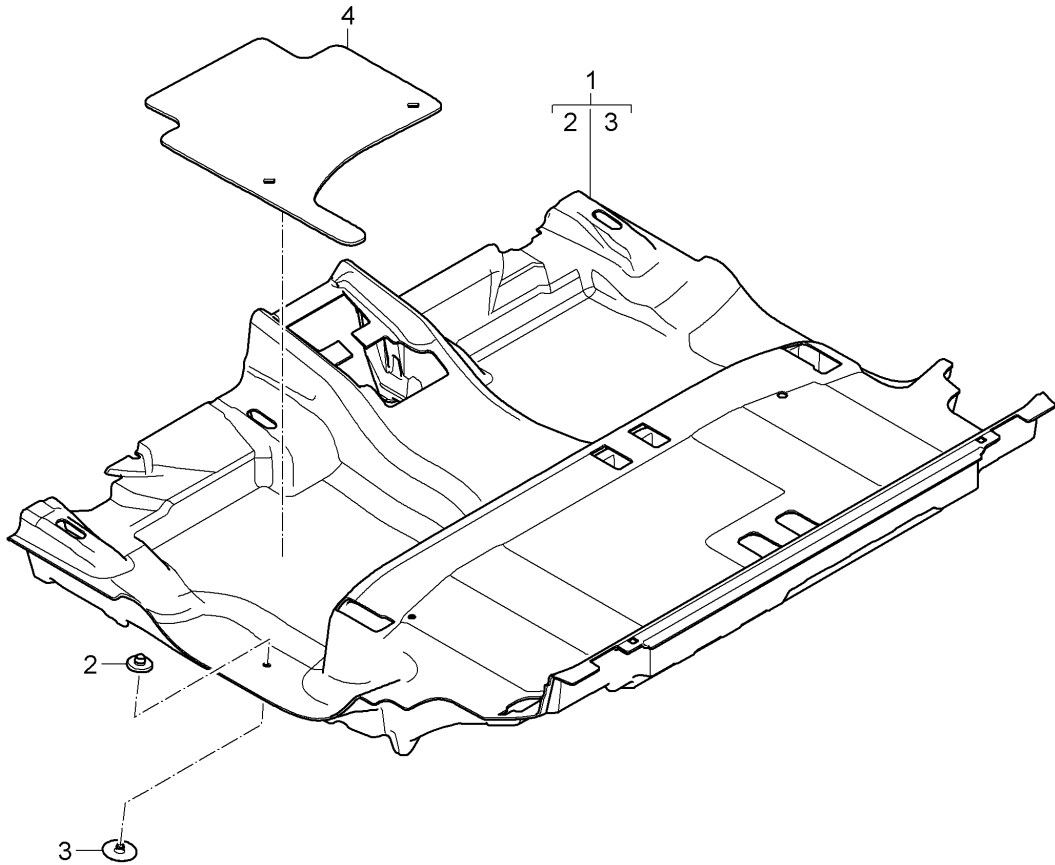
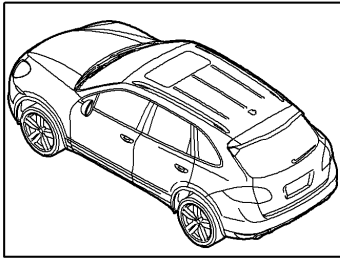
Model: 92A 11

Model life 2011>>

Pos	Part Number	Description	Remark	Qty	Model
	958 551 537 00 4H0	Luxor Beige			+LE, +MA, +TA, +TB, +YA, +YB, +YC, +MC, +MK +YE
	958 551 537 00 5J0	Cream			+TX
	958 551 537 00 6L0	Platinum Grey			+LD, +MD, +YD
	958 551 537 00 7N0	Espresso			+VA
	958 551 537 00 8P0	Cognac			+VB
9	958 551 378 00	Cover		1	
	958 551 378 00 DE1	Umber			+LF, +YF
	958 551 378 00 DF2	Light Tartufo			+TY
	958 551 378 00 DJ3	Titanium Blue			+TW
	958 551 378 00 1E0	Black			+LC, +MA, +TA, +TB, +YA, +YB, +YA, +YB, +YC, +77, +LG, +LH, +MF,
	958 551 378 00 4H0	Luxor Beige			+LE, +MA, +TA, +TB, +YA, +YB, +YC, +MC, +MK +YE
	958 551 378 00 5J0	Cream			+TX
	958 551 378 00 6L0	Platinum Grey			+LD, +MD, +YD
	958 551 378 00 7N0	Espresso			+VA
	958 551 378 00 8P0	Cognac			+VB
10	N 012 855 1	Clamping washer		X	
11	N 909 113 01	Fastening plug 50 X 18. 19 X 20.1		2	
12	N 908 713 01	Push button 9,5 X 12 X25		2	
13		Floor mats 4-part See illustrations 8/07/00 Tequipment catalogue		1	
14	958 551 777 00	Cover	/LL	1	IL0L
		Foot support			
	958 551 777 00 1E0	Black			
(14)	958 551 777 10	Cover	/RL	1	IL0R
		Foot support			
	958 551 777 10 1E0	Black			

Model: 92A 11

Model life 2011>>



Model: 92A 11

Model life 2011>>

Pos	Part Number	Description	Remark	Qty	Model
1	958 551 367 00	Carpet Rear		1	I0K0/9AD
	958 551 367 00 DC5	Carpet Rear Tufting velour Black			+LC,+MA,+YA, +YB,+YC +LE,+MC,+YE +LD,+MD,+YD +TX +VA +VB +LF,+YF +TY +TW
	958 551 367 00 GC4	Luxor Beige			
	958 551 367 00 GH3	Platinum Grey			
	958 551 367 00 GJ2	Cream			
	958 551 367 00 GK1	Espresso			
	958 551 367 00 GM9	Cognac			
	958 551 367 00 GP8	Umber			
	958 551 367 00 GR7	Light Tartufo			
	958 551 367 00 GS6	Titanium Blue			
(1)	958 551 367 01	Carpet Rear		1	I0K0/9AH
	958 551 367 01 DC5	Tufting velour Black			+LC,+MA,+YA, +YB,+YC +LE,+MC,+YE +LD,+MD,+YD +TX +VA +VB +LF,+YF +TY +TW
	958 551 367 01 GC4	Luxor Beige			
	958 551 367 01 GH3	Platinum Grey			
	958 551 367 01 GJ2	Cream			
	958 551 367 01 GK1	Espresso			
	958 551 367 01 GM9	Cognac			
	958 551 367 01 GP8	Umber			
	958 551 367 01 GR7	Light Tartufo			
	958 551 367 01 GS6	Titanium Blue			
(1)	958 551 367 20	Carpet Rear		1	I0K0/9AH
	958 551 367 20 ON9	Tufting velour Saddle Tan			+ME,+MH
	958 551 367 20 OW7	Agate Grey			+MB,+MG,+ML
(1)	958 551 367 20	Carpet Rear		1	I0K0/9AH
	958 551 367 20 HED	Saddle Tan			+MI
	958 551 367 20 HEO	Cream			+MJ
	958 551 367 20 HJO	Luxor Beige			+MK
(1)	958 551 367 02	Carpet Rear		1	I0K1/9AD
	958 551 367 02 DC5	Tufting velour Black			+LC,+MA,+YA, +YB,+YC +LE,+MC,+YE +LD,+MD,+YD +TX +VA +VB +LF,+YF +TY +TW
	958 551 367 02 GC4	Luxor Beige			
	958 551 367 02 GH3	Platinum Grey			
	958 551 367 02 GJ2	Cream			
	958 551 367 02 GK1	Espresso			
	958 551 367 02 GM9	Cognac			
	958 551 367 02 GP8	Umber			
	958 551 367 02 GR7	Light Tartufo			
	958 551 367 02 GS6	Titanium Blue			
(1)	958 551 367 10	Carpet Rear	15-	1	IGP1/9AD
	958 551 367 10 DC5	Tufting velour Black			+LC,+LG,+LH, +MA,+MF,+TA, +YA,+YC,+77 +LE,+MC,+YE, +MK +MJ +VA +VB +ME,+MH,+MI
	958 551 367 10 GC4	Luxor Beige			
	958 551 367 10 GJ2	Cream			
	958 551 367 10 GK1	Espresso			
	958 551 367 10 GM9	Cognac			
	958 551 367 10 ON9	Saddle Tan			

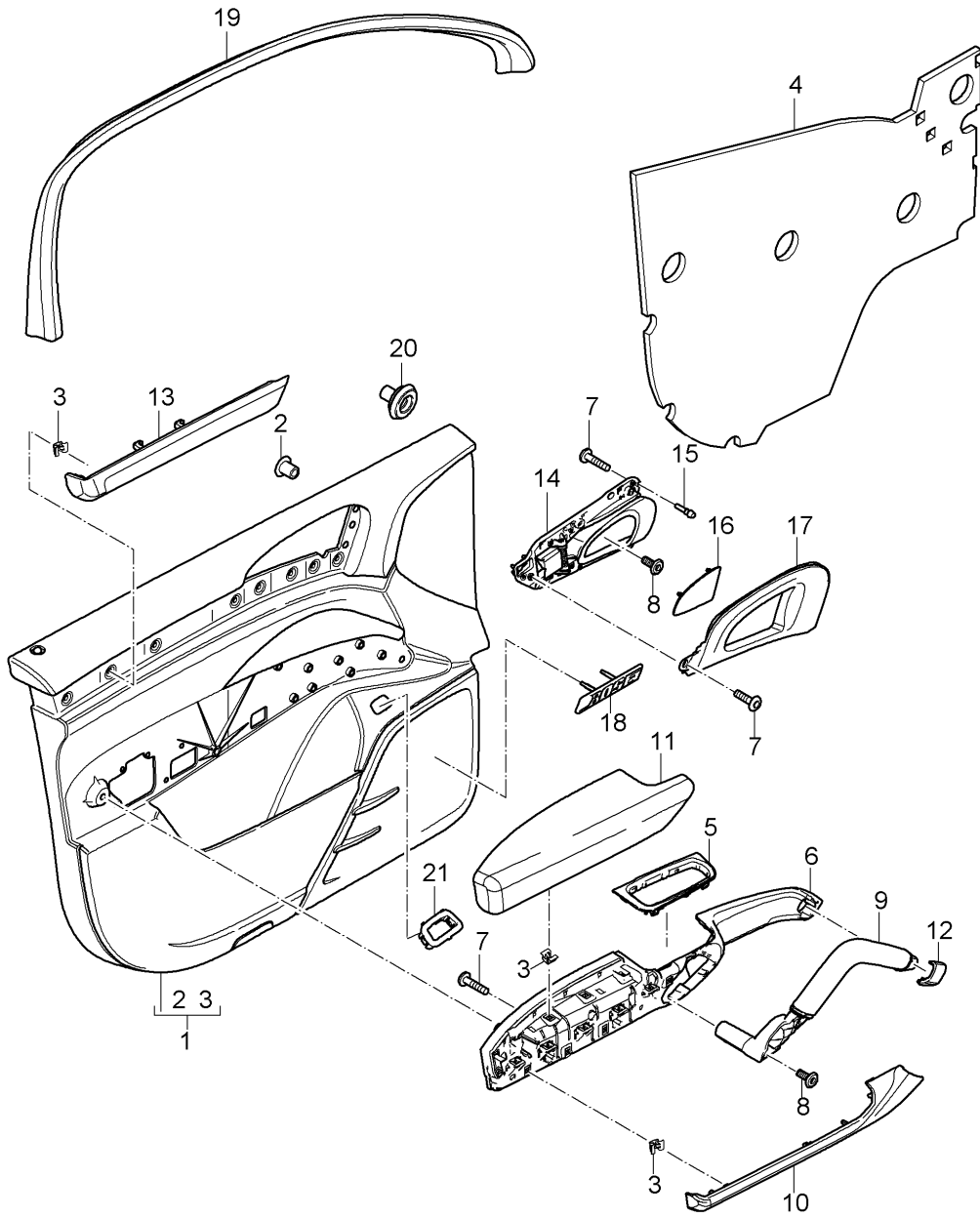
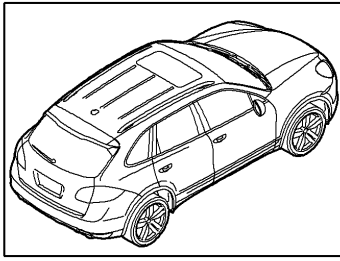
Model: 92A 11

Model life 2011>>

Pos	Part Number	Description	Remark	Qty	Model
2	958 551 367 10 OW7 955 551 227 02	Agate Grey Support Carpet		4	+MB, +MG, +ML
3	8E0 864 229 8E0 864 229 DE1 8E0 864 229 4H0 8E0 864 229 6L0 8E0 864 229 7N0 8E0 864 229 9B9	Cap Umber Luxor Beige Platinum Grey Espresso Satin black		4	+LF, +TX, +TY, +YF +LE, +MC, +YE +LD, +MD, +YD, +VA, +VB +LC, +MA, +TA, +TB, +TW, +YA, +YB, +YC, +LG, +LH, +MF, +MI, +77
4		Floor mats 4-part See illustrations 8/07/00 Tequipment catalogue		1	

Model: 92A 11

Model life 2011>>



Model: 92A 11 Model life 2011>>

Pos	Part Number	Description	Remark	Qty	Model
1	958 555 201 00	Door trim panel Front with Insulation	/L	1	I3LD/8RV/9VK
	958 555 201 00 DJ6	Platinum Grey			+MD
	958 555 201 00 DK4	Black			+MA
	958 555 201 00 DM5	Luxor Beige			+MC
	958 555 201 00 OU4	Agate Grey			+MB
1	958 555 201 00	Door trim panel Leatherette	/L	1	I4AP/8RV/9VK
	958 555 201 00 HAB	Black/Luxor Beige			+77
(1)	958 555 202 00	Door trim panel Leatherette	/R	1	I3LD/8RV/9VK
	958 555 202 00 DJ6	Platinum Grey			+MD
	958 555 202 00 DK4	Black			+MA
	958 555 202 00 DM5	Luxor Beige			+MC
	958 555 202 00 OU4	Agate Grey			+MB
(1)	958 555 202 00	Door trim panel Leatherette	/R	1	I4AP/8RV/9VK
	958 555 202 00 HAB	Black/Luxor Beige			+77
(1)	958 555 201 21	Door trim panel Leatherette	/LL /L	1	Hybrid IL0L/0K3/3LD I8RV/9VK
	958 555 201 21 DK4	Black			+MA
	958 555 201 21 DM5	Luxor Beige			+MC
	958 555 201 21 OU4	Agate Grey			+MB
(1)	958 555 202 21	Door trim panel Leatherette	/RL /R	1	Hybrid IL0R/0K3/3LD I8RV/9VK
	958 555 202 21 DK4	Black			+MA
	958 555 202 21 DM5	Luxor Beige			+MC
	958 555 202 21 OU4	Agate Grey			+MB
(1)	958 555 201 01	Door trim panel Leatherette Bose	/L	1	I3LD/9VL
	958 555 201 01 DJ6	Platinum Grey			+MD
	958 555 201 01 DK4	Black			+MA
	958 555 201 01 DM5	Luxor Beige			+MC
	958 555 201 01 OU4	Agate Grey			+MB
(1)	958 555 201 01	Door trim panel Leatherette Bose	/L	1	I4AP/9VL
	958 555 201 01 HAB	Black/Luxor Beige			+77
(1)	958 555 202 01	Door trim panel Leatherette Bose	/R	1	I3LD/9VL
	958 555 202 01 DJ6	Platinum Grey			+MD
	958 555 202 01 DK4	Black			+MA
	958 555 202 01 DM5	Luxor Beige			+MC
	958 555 202 01 OU4	Agate Grey			+MB
(1)	958 555 202 01	Door trim panel Leatherette Bose	/R	1	I4AP/9VL
	958 555 202 01 HAB	Black/Luxor Beige			+77
(1)	958 555 201 22	Door trim panel Leatherette	/LL /L	1	Hybrid IL0L/0K3/3LD I9VL
	958 555 201 22 DK4	Black			+MA

Model: 92A 11 Model life 2011>>

Pos	Part Number	Description	Remark	Qty	Model
(1)	958 555 201 22 DM5	Luxor Beige		1	+MC
	958 555 201 22 OU4	Agate Grey			+MB
	958 555 202 22	Door trim panel	/RL /R		Hybrid IL0R/0K3/3LD I9VL
(1)	958 555 202 22 DK4	Black		1	+MA
	958 555 202 22 DM5	Luxor Beige			+MC
	958 555 202 22 OU4	Agate Grey			+MB
(1)	958 555 201 02	Door trim panel	/L	1	I3LD/9VJ
		Leatherette			
		Burmester			
(1)	958 555 201 02 DJ6	Platinum Grey		1	+MD
	958 555 201 02 DK4	Black			+MA
	958 555 201 02 DM5	Luxor Beige			+MC
(1)	958 555 201 02 OU4	Agate Grey		1	+MB
	958 555 201 02	Door trim panel	/L		I4AP/9VJ
		Leatherette			
(1)	958 555 201 02 HAB	Black/Luxor Beige		1	+77
	958 555 202 02	Door trim panel	/R		I3LD/9VJ
		Leatherette			
(1)	958 555 202 02 DJ6	Platinum Grey		1	+MD
	958 555 202 02 DK4	Black			+MA
	958 555 202 02 DM5	Luxor Beige			+MC
(1)	958 555 202 02 OU4	Agate Grey		1	+MB
	958 555 202 02	Door trim panel	/R		I4AP/9VJ
		Leatherette			
(1)	958 555 202 02 HAB	Black/Luxor Beige		1	+77
	958 555 201 23	Door trim panel	/LL /L		Hybrid IL0L/0K3/3LD I9VJ
		Leatherette			
(1)	958 555 201 23 DK4	Black		1	+MA
	958 555 201 23 DM5	Luxor Beige			+MC
	958 555 201 23 OU4	Agate Grey			+MB
(1)	958 555 202 23	Door trim panel	/RL /R	1	Hybrid IL0R/0K3/3LD I9VJ
		Leatherette			
		Black			
(1)	958 555 202 23 DK4	Black		1	+MA
	958 555 202 23 DM5	Luxor Beige			+MC
	958 555 202 23 OU4	Agate Grey			+MB
(1)	958 555 201 03	Door trim panel	/L	1	I3LH/3LT/8RV I9VK
		Plain leather			
		Black			
(1)	958 555 201 03 A11	Black		1	+LC
	958 555 201 03 DE1	Umber			+LF
	958 555 201 03 7J0	Luxor Beige			+LE
(1)	958 555 201 03 9B0	Platinum Grey		1	+LD
	958 555 201 03 OA1	Agate Grey			+MG
	958 555 201 03 OK6	Saddle Tan			+MH
(1)	958 555 201 03	Door trim panel	/L	1	I3LH/3LT/8RV I9VK
		Plain leather			
		two-colour			
(1)	958 555 201 03 F0C	Black/Titanium Blue		1	+TW
	958 555 201 03 F0D	Umber/Cream			+TX
	958 555 201 03 F0E	Umber/Light Tartufo			+TY
(1)	958 555 201 03 AAD	Black/Carrera Red		1	+TA
	958 555 201 03 AAE	Black/Luxor Beige			+TB

Model: 92A 11 Model life 2011>>

Pos	Part Number	Description	Remark	Qty	Model
(1)	958 555 201 03 HAD	Black/Saddle Tan	/R	1	+MI
	958 555 201 03 HAE	Saddle Tan/Cream			+MJ
	958 555 201 03 HAF	Saddle Tan/Luxor Beige			+MK
	958 555 201 03 HHY	Black/Cohiba Brown			+LH
	958 555 201 03 HHP	Black/Cream			+LG
	958 555 202 03	Door trim panel			I3LH/3LT/8RV I9VK
		Plain leather			
	958 555 202 03 A11	Black			+LC
	958 555 202 03 DE1	Umber			+LF
	958 555 202 03 7J0	Luxor Beige			+LE
(1)	958 555 202 03 9B0	Platinum Grey	/R	1	+LD
	958 555 202 03 OA1	Agate Grey			+MG
	958 555 202 03 OK6	Saddle Tan			+MH
	958 555 202 03	Door trim panel			I3LH/3LT/8RV I9VK
		Plain leather			
		two-colour			
	958 555 202 03 F0C	Black/Titanium Blue			+TW
	958 555 202 03 F0D	Umber/Cream			+TX
	958 555 202 03 F0E	Umber/Light Tartufo			+TY
	958 555 202 03 AAD	Black/Carrera Red			+TA
(1)	958 555 202 03 AAE	Black/Luxor Beige	/LL /L	1	+TB
	958 555 202 03 HAD	Black/Saddle Tan			+MI
	958 555 202 03 HAE	Saddle Tan/Cream			+MJ
	958 555 202 03 HAF	Saddle Tan/Luxor Beige			+MK
	958 555 202 03 HHY	Black/Cohiba Brown			+LH
	958 555 202 03 HHP	Black/Cream			+LG
	958 555 201 13	Door trim panel			Hybrid I10L/0K3/3LH I3LT/8RV/9VK
		Plain leather			
	958 555 201 13 A11	Black			+LC
	958 555 201 13 OA1	Agate Grey			+MG
(1)	958 555 201 13 OK6	Saddle Tan	/RL /R	1	+MH
	958 555 201 13 7J0	Luxor Beige			+LE
	958 555 201 13 AAD	Black/Carrera Red			+TA
	958 555 201 13 HAD	Black/Saddle Tan			+MI
	958 555 201 13 HAE	Saddle Tan/Cream			+MJ
	958 555 201 13 HAF	Saddle Tan/Luxor Beige			+MK
	958 555 201 13 HHY	Black/Cohiba Brown			+LH
	958 555 201 13 HHP	Black/Cream			+LG
	958 555 202 13	Door trim panel			Hybrid I10R/OK3/3LH I3LT/8RV/9VK
		Plain leather			
(1)	958 555 202 13 A11	Black	/L	1	+LC
	958 555 202 13 OA1	Agate Grey			+MG
	958 555 202 13 OK6	Saddle Tan			+MH
	958 555 202 13 7J0	Luxor Beige			+LE
	958 555 202 13 AAD	Black/Carrera Red			+TA
	958 555 202 13 HAD	Black/Saddle Tan			+MI
	958 555 202 13 HAE	Saddle Tan/Cream			+MJ
	958 555 202 13 HAF	Saddle Tan/Luxor Beige			+MK
	958 555 202 13 HHY	Black/Cohiba Brown			+LH
	958 555 202 13 HHP	Black/Cream			+LG
(1)	958 555 201 04	Door trim panel	/L	1	I0K0/3LH/3LT I9VL
		Plain leather			
		Bose			
	958 555 201 04 A11	Black			+LC
958 555 201 04 DE1	Umber	+LF			
958 555 201 04 7J0	Luxor Beige	+LE			

Model: 92A 11 Model life 2011>>

Pos	Part Number	Description	Remark	Qty	Model
(1)	958 555 201 04 9B0	Platinum Grey	/L	1	+LD
	958 555 201 04 OA1	Agate Grey			+MG
	958 555 201 04 OK6	Saddle Tan			+MH
	958 555 201 04	Door trim panel			I0K0/3LH/3LT
		Plain leather			I9VL
		Bose			
		two-colour			
	958 555 201 04 F0C	Black/Titanium Blue			+TW
	958 555 201 04 F0D	Umber/Cream			+TX
	958 555 201 04 F0E	Umber/Light Tartufo			+TY
958 555 201 04 AAD	Black/Carrera Red	+TA			
958 555 201 04 AAE	Black/Luxor Beige	+TB			
958 555 201 04 HAD	Black/Saddle Tan	+MI			
958 555 201 04 HAE	Saddle Tan/Cream	+MJ			
958 555 201 04 HAF	Saddle Tan/Luxor Beige	+MK			
958 555 201 04 HHY	Black/Cohiba Brown	+LH			
958 555 201 04 HHP	Black/Cream	+LG			
(1)	958 555 202 04	Door trim panel	/R	1	I0K0/3LH/3LT
		Plain leather			I9VL
		Bose			
	958 555 202 04 A11	Black			+LC
	958 555 202 04 DE1	Umber			+LF
	958 555 202 04 7J0	Luxor Beige			+LE
	958 555 202 04 9B0	Platinum Grey			+LD
	958 555 202 04 OA1	Agate Grey			+MG
	958 555 202 04 OK6	Saddle Tan			+MH
	958 555 202 04	Door trim panel			I0K0/3LH/3LT
	Plain leather	I9VL			
	Bose				
	two-colour				
958 555 202 04 F0C	Black/Titanium Blue	+TW			
958 555 202 04 F0D	Umber/Cream	+TX			
958 555 202 04 F0E	Umber/Light Tartufo	+TY			
958 555 202 04 AAD	Black/Carrera Red	+TA			
958 555 202 04 AAE	Black/Luxor Beige	+TB			
958 555 202 04 HAD	Black/Saddle Tan	+MI			
958 555 202 04 HAE	Saddle Tan/Cream	+MJ			
958 555 202 04 HAF	Saddle Tan/Luxor Beige	+MK			
958 555 202 04 HHY	Black/Cohiba Brown	+LH			
958 555 202 04 HHP	Black/Cream	+LG			
(1)	958 555 201 14	Door trim panel	/LL /L	1	Hybrid
		Plain leather			I10L/0K3/3LH
					I3LT/9VL
	958 555 201 14 A11	Black			+LC
	958 555 201 14 OA1	Agate Grey			+MG
	958 555 201 14 OK6	Saddle Tan			+MH
	958 555 201 14 7J0	Luxor Beige			+LE
	958 555 201 14 AAD	Black/Carrera Red			+TA
	958 555 201 14 HAD	Black/Saddle Tan			+MI
	958 555 201 14 HAE	Saddle Tan/Cream			+MJ
958 555 201 14 HAF	Saddle Tan/Luxor Beige	+MK			
958 555 201 14 HHY	Black/Cohiba Brown	+LH			
958 555 201 14 HHP	Black/Cream	+LG			
(1)	958 555 202 14	Door trim panel	/RL /R	1	Hybrid
		Plain leather			I10R/0K3/3LH
					I3LT/9VL
	958 555 202 14 A11	Black			+LC
	958 555 202 14 OA1	Agate Grey			+MG

Model: 92A 11

Model life 2011>>

Pos	Part Number	Description	Remark	Qty	Model
	958 555 202 14 OK6	Saddle Tan			+MH
	958 555 202 14 7J0	Luxor Beige			+LE
	958 555 202 14 AAD	Black/Carrera Red			+TA
	958 555 202 14 HAD	Black/Saddle Tan			+MI
	958 555 202 14 HAE	Saddle Tan/Cream			+MJ
	958 555 202 14 HAF	Saddle Tan/Luxor Beige			+MK
	958 555 202 14 HHY	Black/Cohiba Brown			+LH
	958 555 202 14 HHP	Black/Cream			+LG
(1)	958 555 201 05	Door trim panel Plain leather Burmester	/L	1	I3LH/3LT/9VJ
	958 555 201 05 A11	Black			+LC
	958 555 201 05 DE1	Umber			+LF
	958 555 201 05 7J0	Luxor Beige			+LE
	958 555 201 05 9B0	Platinum Grey			+LD
	958 555 201 05 OA1	Agate Grey			+MG
	958 555 201 05 OK6	Saddle Tan			+MH
(1)	958 555 201 05	Door trim panel Plain leather Burmester two-colour	/L	1	I3LH/3LT/9VJ
	958 555 201 05 F0C	Black/Titanium Blue			+TW
	958 555 201 05 F0D	Umber/Cream			+TX
	958 555 201 05 F0E	Umber/Light Tartufo			+TY
	958 555 201 05 AAD	Black/Carrera Red			+TA
	958 555 201 05 AAE	Black/Luxor Beige			+TB
	958 555 201 05 HAD	Black/Saddle Tan			+MI
	958 555 201 05 HAE	Saddle Tan/Cream			+MJ
	958 555 201 05 HAF	Saddle Tan/Luxor Beige			+MK
	958 555 201 05 HHY	Black/Cohiba Brown			+LH
	958 555 201 05 HHP	Black/Cream			+LG
(1)	958 555 202 05	Door trim panel Plain leather Burmester	/R	1	I3LH/3LT/9VJ
	958 555 202 05 A11	Black			+LC
	958 555 202 05 DE1	Umber			+LF
	958 555 202 05 7J0	Luxor Beige			+LE
	958 555 202 05 9B0	Platinum Grey			+LD
	958 555 202 05 OA1	Agate Grey			+MG
	958 555 202 05 OK6	Saddle Tan			+MH
(1)	958 555 202 05	Door trim panel Plain leather Burmester two-colour	/R	1	I3LH/3LT/9VJ
	958 555 202 05 F0C	Black/Titanium Blue			+TW
	958 555 202 05 F0D	Umber/Cream			+TX
	958 555 202 05 F0E	Umber/Light Tartufo			+TY
	958 555 202 05 AAD	Black/Carrera Red			+TA
	958 555 202 05 AAE	Black/Luxor Beige			+TB
	958 555 202 05 HAD	Black/Saddle Tan			+MI
	958 555 202 05 HAE	Saddle Tan/Cream			+MJ
	958 555 202 05 HAF	Saddle Tan/Luxor Beige			+MK
	958 555 202 05 HHY	Black/Cohiba Brown			+LH
	958 555 202 05 HHP	Black/Cream			+LG
(1)	958 555 201 15	Door trim panel Plain leather Burmester	/LL /L	1	Hybrid I10L/OK3/3LH I3LT/9VJ
	958 555 201 15 A11	Black			+LC
	958 555 201 15 OA1	Agate Grey			+MG
	958 555 201 15 OK6	Saddle Tan			+MH
	958 555 201 15 7J0	Luxor Beige			+LE

Model: 92A 11 Model life 2011>>

Pos	Part Number	Description	Remark	Qty	Model
	958 555 201 15 AAD	Black/Carrera Red			+TA
	958 555 201 15 HAD	Black/Saddle Tan			+MI
	958 555 201 15 HAE	Saddle Tan/Cream			+MJ
	958 555 201 15 HAF	Saddle Tan/Luxor Beige			+MK
	958 555 201 15 HHY	Black/Cohiba Brown			+LH
	958 555 201 15 HHP	Black/Cream			+LG
(1)	958 555 201 15	Door trim panel	/RL /R	1	Hybrid IL0R/OK3/3LH I3LT/9VJ
		Plain leather			
		Burmester			
	958 555 201 15 A11	Black			+LC
	958 555 201 15 OA1	Agate Grey			+MG
	958 555 201 15 OK6	Saddle Tan			+MH
	958 555 201 15 7J0	Luxor Beige			+LE
	958 555 201 15 AAD	Black/Carrera Red			+TA
	958 555 201 15 HAD	Black/Saddle Tan			+MI
	958 555 201 15 HAE	Saddle Tan/Cream			+MJ
	958 555 201 15 HAF	Saddle Tan/Luxor Beige			+MK
	958 555 201 15 HHY	Black/Cohiba Brown			+LH
	958 555 201 15 HHP	Black/Cream			+LG
(1)	958 555 201 06	Door trim panel	/L	1	I3LM/3LX/8RV I9VK
		Leather/ Nature			
	958 555 201 06 F0F	Espresso/Cognac			+VB
	958 555 201 06 6J0	Espresso			+VA
(1)	958 555 202 15	Door trim panel	LL /R	1	Hybrid IL0R/OK3/3LH I3LT/9VJ
		Plain leather			
		Burmester			
	958 555 202 15 A11	Black			+LC
	958 555 202 15 OA1	Agate Grey			+MG
	958 555 202 15 OK6	Saddle Tan			+MH
	958 555 202 15 7J0	Luxor Beige			+LE
	958 555 202 15 AAD	Black/Carrera Red			+TA
	958 555 202 15 HAD	Black/Saddle Tan			+MI
	958 555 202 15 HAE	Saddle Tan/Cream			+MJ
	958 555 202 15 HAF	Saddle Tan/Luxor Beige			+MK
	958 555 202 15 HHY	Black/Cohiba Brown			+LH
	958 555 202 15 HHP	Black/Cream			+LG
(1)	958 555 202 06	Door trim panel	/R	1	I3LM/3LX/8RV I9VK
		Leather/ Nature			
	958 555 202 06 F0F	Espresso/Cognac			+VB
	958 555 202 06 6J0	Espresso			+VA
(1)	958 555 201 16	Door trim panel	/LL /L	1	Hybrid IL0L/OK3/3LM I3LX/8RV/9VK
		Leather/ Nature			
	958 555 201 16 F0F	Espresso/Cognac			+VB
	958 555 201 16 6J0	Espresso			+VA
(1)	958 555 202 16	Door trim panel	/RL /R	1	Hybrid IL0R/OK3/3LM I3LX/8RV/9VK
		Leather/ Nature			
	958 555 202 16 F0F	Espresso/Cognac			+VB
	958 555 202 16 6J0	Espresso			+VA
(1)	958 555 201 07	Door trim panel	/L	1	I3LM/3LX/9VL

Model: 92A 11

Model life 2011>>

Pos	Part Number	Description	Remark	Qty	Model
		Leather/ Nature Bose			
	958 555 201 07 F0F	Espresso/Cognac			+VB
	958 555 201 07 6J0	Espresso			+VA
(1)	958 555 202 07	Door trim panel	/R	1	I3LM/3LX/9VL
		Leather/ Nature Bose			
	958 555 202 07 F0F	Espresso/Cognac			+VB
	958 555 202 07 6J0	Espresso			+VA
(1)	958 555 201 17	Door trim panel	/LL /L	1	Hybrid IL0L/OK3/3LM I3LX/9VL
		Leather/ Nature Bose			
	958 555 201 17 F0F	Espresso/Cognac			+VB
	958 555 201 17 6J0	Espresso			+VA
(1)	958 555 202 17	Door trim panel	/RL /R	1	Hybrid IL0R/OK3/3LM I3LX/9VL
		Leather/ Nature Bose			
	958 555 202 17 F0F	Espresso/Cognac			+VB
	958 555 202 17 6J0	Espresso			+VA
(1)	958 555 201 08	Door trim panel	/L	1	I3LM/3LX/9VJ
		Leather/ Nature Burmester			
	958 555 201 08 F0F	Espresso/Cognac			+VB
	958 555 201 08 6J0	Espresso			+VA
(1)	958 555 202 08	Door trim panel	/R	1	I3LM/3LX/9VJ
		Leather/ Nature Burmester			
	958 555 202 08 F0F	Espresso/Cognac			+VB
	958 555 202 08 6J0	Espresso			+VA
(1)	958 555 201 18	Door trim panel	/LL /L	1	Hybrid IL0L/OK3/3LM I3LX/9VJ
		Leather/ Nature Burmester			
	958 555 201 18 F0F	Espresso/Cognac			+VB
	958 555 201 18 6J0	Espresso			+VA
(1)	958 555 202 18	Door trim panel	/RL /R	1	Hybrid IL0R/OK3/3LM I3LX/9VJ
		Leather/ Nature Burmester			
	958 555 202 18 F0F	Espresso/Cognac			+VB
	958 555 202 18 6J0	Espresso			+VA
(1)	958 555 201 10	Door trim panel	/L 12-	1	GTS I3LS/8RV/9VK
		Alcantara			
	958 555 201 10 IVA	Black			+YC
	958 555 201 10 IVB	Platinum Grey			+YD
	958 555 201 10 IVC	Luxor Beige			+YE
	958 555 201 10 IVD	Umber			+YF
	958 555 201 10 DJQ	Agate Grey			+ML

Model: 92A 11 Model life 2011>>

Pos	Part Number	Description	Remark	Qty	Model
(1)	958 555 201 10 DJN	Saddle Tan	/R 12-	1	+ME
	958 555 201 10 IVE	Black/Carmine Red			+YA
	958 555 201 10 IVF	Black/Peridot			+YB
	958 555 201 10 DJS	Black/Rhodium Silver			+MF
	958 555 202 10	Door trim panel			GTS
		Alcantara			I3LS/8RV/9VK
	958 555 202 10 IVA	Black			+YC
	958 555 202 10 IVB	Platinum Grey			+YD
	958 555 202 10 IVC	Luxor Beige			+YE
	958 555 202 10 IVD	Umber			+YF
(1)	958 555 202 10 DJQ	Agate Grey	/L 12-	1	+ML
	958 555 202 10 DJN	Saddle Tan			+ME
	958 555 202 10 IVE	Black/Carmine Red			+YA
	958 555 202 10 IVF	Black/Peridot			+YB
	958 555 202 10 DJS	Black/Rhodium Silver			+MF
	958 555 201 11	Door trim panel			GTS
		Alcantara			I3LS/9VL
		Bose			
	958 555 201 11 IVA	Black			+YC
	958 555 201 11 IVB	Platinum Grey			+YD
958 555 201 11 IVC	Luxor Beige	+YE			
958 555 201 11 IVD	Umber	+YF			
958 555 201 11 DJQ	Agate Grey	+ML			
958 555 201 11 DJN	Saddle Tan	+ME			
958 555 201 11 IVE	Black/Carmine Red	+YA			
958 555 201 11 IVF	Black/Peridot	+YB			
958 555 201 11 DJS	Black/Rhodium Silver	+MF			
(1)	958 555 202 11	Door trim panel	/R 12-	1	GTS
		Alcantara			I3LS/9VL
		Bose			
958 555 202 11 IVA	Black	+YC			
958 555 202 11 IVB	Platinum Grey	+YD			
958 555 202 11 IVC	Luxor Beige	+YE			
958 555 202 11 IVD	Umber	+YF			
958 555 202 11 DJQ	Agate Grey	+ML			
958 555 202 11 DJN	Saddle Tan	+ME			
958 555 202 11 IVE	Black/Carmine Red	+YA			
958 555 202 11 IVF	Black/Peridot	+YB			
958 555 202 11 DJS	Black/Rhodium Silver	+MF			
(1)	958 555 201 12	Door trim panel	/L 12-	1	GTS
		Alcantara			I3LS/9VJ
		Burmester			
958 555 201 12 IVA	Black	+YC			
958 555 201 12 IVB	Platinum Grey	+YD			
958 555 201 12 IVC	Luxor Beige	+YE			
958 555 201 12 IVD	Umber	+YF			
958 555 201 12 DJQ	Agate Grey	+ML			
958 555 201 12 DJN	Saddle Tan	+ME			
958 555 201 12 IVE	Black/Carmine Red	+YA			
958 555 201 12 IVF	Black/Peridot	+YB			
958 555 201 12 DJS	Black/Rhodium Silver	+MF			
(1)	958 555 202 12	Door trim panel	/R 12-	1	GTS
		Alcantara			I3LS/9VJ
		Burmester			
958 555 202 12 IVA	Black	+YC			
958 555 202 12 IVB	Platinum Grey	+YD			
958 555 202 12 IVC	Luxor Beige	+YE			
958 555 202 12 IVD	Umber	+YF			

Model: 92A 11 Model life 2011>>

Pos	Part Number	Description	Remark	Qty	Model
	958 555 202 12 DJQ	Agate Grey			+ML
	958 555 202 12 DJN	Saddle Tan			+ME
	958 555 202 12 IVE	Black/Carmine Red			+YA
	958 555 202 12 IVF	Black/Peridot			+YB
	958 555 202 12 DJS	Black/Rhodium Silver			+MF
2	955 555 243 00	Fixing clip		X	
		Door trim panel			
3	958 555 190 00	Clamp		X	
4	958 555 571 00	Insulation		2	
		Door trim panel			
5	958 555 857 00	Trim for switch	/LL /L	1	IL0L
		Left-hand drive			
		Left			
	958 555 857 00 DE1	Umber			+LF, +TX, +TY, +YF
	958 555 857 00 3T0	Espresso			+VA, +VB
	958 555 857 00 4U0	Platinum Grey			+LD, +MD, +YD
	958 555 857 00 5Q0	Black			+LC, +MA, +TA, +TB, +TW, +YA, +YB, +YC, +77
					+LG, +LH, +MF, +MI,
	958 555 857 00 6W0	Luxor Beige			+LE, +MC, +YE
	958 555 857 00 OA6	Agate Grey			+MB, +MG, +ML
	958 555 857 00 OL7	Saddle Tan			+ME, +MH, +MJ +MK
(5)	958 555 857 01	Trim for switch	/RL /L	1	IL0R
		Left-hand drive			
		Left			
	958 555 857 01 DE1	Umber			+LF, +TX, +TY, +YF
	958 555 857 01 3T0	Espresso			+VA, +VB
	958 555 857 01 4U0	Platinum Grey			+LD, +MD, +YD
	958 555 857 01 5Q0	Black			+LC, +MA, +TA, +TB, +TW, +YA, +YB, +YC, +77
					+LG, +LH, +MF, +MI,
	958 555 857 01 6W0	Luxor Beige			+LE, +MC, +YE
	958 555 857 01 OA6	Agate Grey			+MB, +MG, +ML
	958 555 857 01 OL7	Saddle Tan			+ME, +MH, +MJ +MK
(5)	958 555 858 00	Trim for switch	/LL /R	1	IL0L
		Left-hand drive			
		Right			
		with			
		Rubber ply			
	958 555 858 00 DE1	Umber			+LF, +TX, +TY, +YF
	958 555 858 00 3T0	Espresso			+VA, +VB
	958 555 858 00 4U0	Platinum Grey			+LD, +MD, +YD
	958 555 858 00 5Q0	Black			+LC, +MA, +TA, +TB, +TW, +YA, +YB, +YC, +77
					+LG, +LH, +MF, +MI,
	958 555 858 00 6W0	Luxor Beige			+LE, +MC, +YE
	958 555 858 00 OA6	Agate Grey			+MB, +MG, +ML
	958 555 858 00 OL7	Saddle Tan			+ME, +MH, +MJ +MK
(5)	958 555 858 01	Trim for switch	/RL /R	1	IL0R
		Right-hand drive			
		Right			

Model: 92A 11 Model life 2011>>

Pos	Part Number	Description	Remark	Qty	Model
	958 555 858 01 DE1	with Rubber ply Umber			+LF, +TX, +TY, +YF
	958 555 858 01 3T0	Espresso			+VA, +VB
	958 555 858 01 4U0	Platinum Grey			+LD, +MD, +YD
	958 555 858 01 5Q0	Black			+LC, +MA, +TA, +TB, +TW, +YA, +YB, +YC, +77 +LG, +LH, +MF, +MI,
	958 555 858 01 6W0	Luxor Beige			+LE, +MC, +YE
	958 555 858 01 OA6	Agate Grey			+MB, +MG, +ML
	958 555 858 01 OL7	Saddle Tan			+ME, +MH, +MJ +MK
6	958 555 099 00	Bracket	/L	1	I9MA
	958 555 099 00 DE1	Armrest Umber			+LF, +TX, +TY, +YF
	958 555 099 00 3T0	Espresso			+VA, +VB
	958 555 099 00 4U0	Platinum Grey			+LD, +MD, +YD
	958 555 099 00 5Q0	Black			+LC, +MA, +TA, +TB, +TW, +YA, +YB, +YC, +77 +LG, +LH, +MF, +MI,
	958 555 099 00 6W0	Luxor Beige			+LE, +MC, +YE
	958 555 099 00 OA6	Agate Grey			+MB, +MG, +ML
	958 555 099 00 OL7	Saddle Tan			+ME, +MH, +MJ +MK
(6)	958 555 100 00	Bracket	/R	1	I9MA
	958 555 100 00 DE1	Armrest Umber			+LF, +TX, +TY, +YF
	958 555 100 00 3T0	Espresso			+VA, +VB
	958 555 100 00 4U0	Platinum Grey			+LD, +MD, +YD
	958 555 100 00 5Q0	Black			+LC, +MA, +TA, +TB, +TW, +YA, +YB, +YC, +77 +LG, +LH, +MF, +MI,
	958 555 100 00 6W0	Luxor Beige			+LE, +MC, +YE
	958 555 100 00 OA6	Agate Grey			+MB, +MG, +ML
	958 555 100 00 OL7	Saddle Tan			+ME, +MH, +MJ +MK
(6)	958 555 099 01	Bracket	/L	1	I9MB
	958 555 099 01 DE1	Armrest Umber			+LF, +TX, +TY, +YF
	958 555 099 01 3T0	Espresso			+VA, +VB
	958 555 099 01 4U0	Platinum Grey			+LD, +MD, +YD
	958 555 099 01 5Q0	Black			+LC, +MA, +TA, +TB, +TW, +YA, +YB, +YC, +77 +LG, +LH, +MF, +MI,
	958 555 099 01 6W0	Luxor Beige			+LE, +MC, +YE
	958 555 099 01 OA6	Agate Grey			+MB, +MG, +ML
	958 555 099 01 OL7	Saddle Tan			+ME, +MH, +MJ +MK
(6)	958 555 100 01	Bracket	/R	1	I9MB
	958 555 100 01 DE1	Armrest Umber			+LF, +TX, +TY,

Model: 92A 11 Model life 2011>>

Pos	Part Number	Description	Remark	Qty	Model
	958 555 100 01 3T0	Espresso			+YF
	958 555 100 01 4U0	Platinum Grey			+VA, +VB
	958 555 100 01 5Q0	Black			+LD, +MD, +YD
					+LC, +MA, +TA,
					+TB, +TW, +YA,
					+YB, +YC, +77,
					+LG, +LH, +MF,
					+MI,
	958 555 100 01 6W0	Luxor Beige			+LE, +MC, +YE
	958 555 100 01 OA6	Agate Grey			+MB, +MG, +ML
	958 555 100 01 OL7	Saddle Tan			+ME, +MH, +MJ
					+MK
7	N 908 401 03	Oval-head screw 4,0 X 14		X	
8	N 107 254 02	Screw M6 X20		X	
9	958 555 161 00	Handle Door trim panel Leatherette	/L	1	I3LD
	958 555 161 00 21U	Black			+MA
	958 555 161 00 32X	Luxor Beige			+MC, +77
	958 555 161 00 7EG	Platinum Grey			+MD
	958 555 161 00 OF6	Agate Grey			+MB
9	958 555 162 00	Handle Door trim panel Leatherette	/R	1	I3LD
	958 555 162 00 21U	Black			+MA
	958 555 162 00 32X	Luxor Beige			+MC, +77
	958 555 162 00 7EG	Platinum Grey			+MD
	958 555 162 00 OF6	Agate Grey			+MB
(9)	958 555 161 01	Handle Door trim panel Leather	/L	1	I3LH/3LT
	958 555 161 01 A11	Black			+LC, +MI, +TW,
					+MF, +YA, +YB,
					+YC, +LC
	958 555 161 01 DE1	Umber			+LF, +TX, +TY,
					+YF,
	958 555 161 01 7J0	Luxor Beige			+LE, +TB, +YE
	958 555 161 01 9B0	Platinum Grey			+LD, +YD
	958 555 161 01 OG3	Carrera Red			+TA
	958 555 161 01 OA1	Agate Grey			+MG, +ML
	958 555 161 01 OK6	Saddle Tan			+MH, +MJ, +MK,
					+ME
	958 555 161 01 OB8	Cohiba Brown			+LH
	958 555 161 01 8D0	Cream			+LG, +MJ
(9)	958 555 161 01	Handle Door trim panel Leather	/L	1	I3LS
	958 555 161 01 A11	Black			+LC, +MI, +TW,
					+MF, +YA, +YB,
					+YC, +LC
	958 555 161 01 DE1	Umber			+LF, +TX, +TY,
					+YF,
	958 555 161 01 7J0	Luxor Beige			+LE, +TB, +YE
	958 555 161 01 9B0	Platinum Grey			+LD, +YD
	958 555 161 01 OG3	Carrera Red			+TA
	958 555 161 01 OA1	Agate Grey			+MG, +ML
	958 555 161 01 OK6	Saddle Tan			+MH, +MJ, +MK,
					+ME
	958 555 161 01 OB8	Cohiba Brown			+LH
(9)	958 555 162 01	Handle	/R	1	I3LH/3LT
	958 555 162 01 OB8	Cohiba Brown			+LH

Model: 92A 11 Model life 2011>>

Pos	Part Number	Description	Remark	Qty	Model
	958 555 162 01 A11	Door trim panel Leather Black			+LC, +MI, +TW, +MF, +YA, +YB, +YC, +LC
	958 555 162 01 DE1	Umber			+LF, +TX, +TY, +YF, +LE, +TB, +YE
	958 555 162 01 7J0	Luxor Beige			+LD, +YD
	958 555 162 01 9B0	Platinum Grey			+TA
	958 555 162 01 OG3	Carrera Red			+MG, +ML
	958 555 162 01 OA1	Agate Grey			+MH, +MJ, +MK, +ME
	958 555 162 01 OK6	Saddle Tan			+LH
	958 555 162 01 OB8	Cohiba Brown			+LG, +MJ
(9)	958 555 162 01 8D0	Cream			I3LS
	958 555 162 01	Handle	/R	1	
	958 555 162 01 A11	Door trim panel Leather Black			+LC, +MI, +TW, +MF, +YA, +YB, +YC, +LC
	958 555 162 01 DE1	Umber			+LF, +TX, +TY, +YF, +LE, +TB, +YE
	958 555 162 01 7J0	Luxor Beige			+LD, +YD
	958 555 162 01 9B0	Platinum Grey			+TA
	958 555 162 01 OG3	Carrera Red			+MG, +ML
	958 555 162 01 OA1	Agate Grey			+MH, +MJ, +MK, +ME
	958 555 162 01 OK6	Saddle Tan			+LH
(9)	958 555 162 01 OB8	Cohiba Brown			I3LM/3LX
	958 555 161 02	Handle	/L	1	
	958 555 162 01 A11	Door trim panel Leather/ Nature			+VA, +VB
(9)	958 555 161 02 6J0	Espresso			I3LM/3LX
	958 555 162 02	Handle	/R	1	
	958 555 162 01 A11	Door trim panel Leather/ Nature			+VA, +VB
	958 555 162 02 6J0	Espresso			
10	958 555 227 00	Trim cover	/L	1	
	958 555 227 00 DE1	Door trim panel Umber			+LF, +TX, +TY, +YF +VA, +VB
	958 555 227 00 3T0	Espresso			+LD, +MD, +YD
	958 555 227 00 4U0	Platinum Grey			+LC, +LG, +LH, +MA, +MF, +MI, +TA, +TB, +TW, +YA, +YB, +YC, +77
	958 555 227 00 5Q0	Black			+LE, +MC, +YE
	958 555 227 00 6W0	Luxor Beige			+MB, +MG, +ML, +ME, +MH, +MJ, +MK
	958 555 227 00 OA6	Agate Grey			
	958 555 227 00 OL7	Saddle Tan			
(10)	958 555 228 00	Trim cover	/R	1	
	958 555 228 00 DE1	Door trim panel Umber			+LF, +TX, +TY, +YF +VA, +VB
	958 555 228 00 3T0	Espresso			+LD, +MD, +YD
	958 555 228 00 4U0	Platinum Grey			+LC, +LG, +LH, +MA, +MF, +MI, +TA, +TB, +TW, +YA, +YB, +YC, +77
	958 555 228 00 5Q0	Black			+LE, +MC, +YE

Model: 92A 11 Model life 2011>>

Pos	Part Number	Description	Remark	Qty	Model
	958 555 228 00 6W0	Luxor Beige			+TA, +TB, +TW, +YA, +YB, +YC, +77
	958 555 228 00 OA6	Agate Grey			+LE, +MC, +YE
	958 555 228 00 OL7	Saddle Tan			+MB, +MG, +ML, +ME, +MH, +MJ, +MK
11	958 555 173 00	Armrest Door trim panel Leatherette	/L	1	I 3LD/4AP
	958 555 173 00 21U	Black			+MA,
	958 555 173 00 32X	Luxor Beige			+MC, +77
	958 555 173 00 7EG	Platinum Grey			+MD
	958 555 173 00 OF6	Agate Grey			+MB
11	958 555 174 00	Armrest Door trim panel Leatherette	/R	1	I 3LD/4AP
	958 555 174 00 21U	Black			+MA,
	958 555 174 00 32X	Luxor Beige			+MC, +77
	958 555 174 00 7EG	Platinum Grey			+MD
	958 555 174 00 OF6	Agate Grey			+MB
(11)	958 555 173 01	Armrest Door trim panel Leather	/L	1	I 3LH/3LT
	958 555 173 01 A11	Black			+LC,
	958 555 173 01 DE1	Umber			+LF
	958 555 173 01 7J0	Luxor Beige			+LE, +TB
	958 555 173 01 9B0	Platinum Grey			+LD
	958 555 173 01 OG3	Carrera Red			+TA
	958 555 173 01 OA1	Agate Grey			+MG
	958 555 173 01 OK6	Saddle Tan			+MH
	958 555 173 01 OB8	Cohiba Brown			+LH
	958 555 173 01 8D0	Cream			+LG
	958 555 173 01 F0C	Black/Titanium Blue			+TW
	958 555 173 01 F0D	Umber/Cream			+TX
	958 555 173 01 F0E	Umber/Light Tartufo			+TY
	958 555 173 01 HAD	Black/Saddle Tan			+MI
	958 555 173 01 HAE	Saddle Tan/Cream			+MJ
	958 555 173 01 HAF	Saddle Tan/Luxor Beige			+MK
(11)	958 555 174 01	Armrest Door trim panel Leather	/R	1	I 3LH/3LT
	958 555 174 01 A11	Black			+LC,
	958 555 174 01 DE1	Umber			+LF
	958 555 174 01 7J0	Luxor Beige			+LE, +TB
	958 555 174 01 9B0	Platinum Grey			+LD
	958 555 174 01 OG3	Carrera Red			+TA
	958 555 174 01 OA1	Agate Grey			+MG
	958 555 174 01 OK6	Saddle Tan			+MH
	958 555 174 01 OB8	Cohiba Brown			+LH
	958 555 174 01 8D0	Cream			+LG
	958 555 174 01 F0C	Black/Titanium Blue			+TW
	958 555 174 01 F0D	Umber/Cream			+TX
	958 555 174 01 F0E	Umber/Light Tartufo			+TY
	958 555 174 01 HAD	Black/Saddle Tan			+MI
	958 555 174 01 HAE	Saddle Tan/Cream			+MJ
	958 555 174 01 HAF	Saddle Tan/Luxor Beige			+MK
(11)	958 555 173 02	Armrest Door trim panel Leather/ Nature	/L	1	I 3LM/3LX
	958 555 173 02 F0F	Espresso/Cognac			+VB
	958 555 173 02 6J0	Espresso			+VA

Model: 92A 11 Model life 2011>>

Pos	Part Number	Description	Remark	Qty	Model
(11)	958 555 174 02	Armrest Door trim panel Leather/ Nature	/R	1	I3LM/3LX
	958 555 174 02 F0F	Espresso/Cognac			+VB
	958 555 174 02 6J0	Espresso			+VA
(11)	958 555 173 03	Armrest	/L	1	GTS I3LS
		Door trim panel Alcantara			
	958 555 173 03 IVA	Black			+YC
	958 555 173 03 IVB	Platinum Grey			+YD
	958 555 173 03 IVC	Luxor Beige			+YE
	958 555 173 03 IVD	Umber			+YF
	958 555 173 03 DJQ	Agate Grey			+ML
	958 555 173 03 DJN	Saddle Tan			+ME
	958 555 173 03 IVE	Black/Carmin Red			+YA
	958 555 173 03 IVF	Black/Peridot			+YB
	958 555 173 03 DJS	Black/Rhodium Silver			+MF
(11)	958 555 174 03	Armrest	/R	1	GTS I3LS
		Door trim panel Alcantara			
	958 555 174 03 IVA	Black			+YC
	958 555 174 03 IVB	Platinum Grey			+YD
	958 555 174 03 IVC	Luxor Beige			+YE
	958 555 174 03 IVD	Umber			+YF
	958 555 174 03 DJQ	Agate Grey			+ML
	958 555 174 03 DJN	Saddle Tan			+ME
	958 555 174 03 IVE	Black/Carmin Red			+YA
	958 555 174 03 IVF	Black/Peridot			+YB
	958 555 174 03 DJS	Black/Rhodium Silver			+MF
12	958 555 393 00	Cover Handle	/L -11	1	
	958 555 393 00 DE1	Umber			+LF, +TX, +TY,
	958 555 393 00 3T0	Espresso			+VA, +VB
	958 555 393 00 4U0	Platinum Grey			+LD, +MD,
	958 555 393 00 5Q0	Black			+LC, +MA, +TW
	958 555 393 00 6W0	Luxor Beige			+LE, +MC
(12)	958 555 393 01	Cover Handle	/L 12-	1	
	958 555 393 01 DE1	Umber	-14		+LF, +TX, +TY,
					+YF
	958 555 393 01 3T0	Espresso			+VA, +VB
	958 555 393 01 4U0	Platinum Grey	-14		+LD, +MD, +YD
	958 555 393 01 5Q0	Black			+LC, +LG, +LH,
					+MA, +MF, +MI,
					+TA, +TB, +TW,
					+YA, +YB, +YC,
					+77
	958 555 393 01 6W0	Luxor Beige			+LE, +MC, +YE
(12)	958 555 393 01	Cover Handle	/L 15-	1	
	958 555 393 01 OA6	Agate Grey			+MB, +MG, +ML
	958 555 393 01 OL7	Saddle Tan			+ME, +MH, +MJ,
					+MK
(12)	958 555 394 00	Cover Handle	/R -11	1	
	958 555 394 00 DE1	Umber			+LF, +TX, +TY,
	958 555 394 00 3T0	Espresso			+VA, +VB
	958 555 394 00 4U0	Platinum Grey			+LD, +MD,
	958 555 394 00 5Q0	Black			+LC, +MA, +TW
	958 555 394 00 6W0	Luxor Beige			+LE, +MC

Model: 92A 11

Model life 2011>>

Pos	Part Number	Description	Remark	Qty	Model
(12)	958 555 394 01	Cover	/R 12-	1	
	958 555 394 01 DE1	Handle Umber	-14		+LF, +TX, +TY, +YF
	958 555 394 01 3T0	Espresso			+VA, +VB
	958 555 394 01 4U0	Platinum Grey	-14		+LD, +MD, +YD
	958 555 394 01 5Q0	Black			+LC, +LG, +LH, +MA, +MF, +MI, +TA, +TB, +TW, +YA, +YB, +YC, +77
	958 555 394 01 6W0	Luxor Beige			+LE, +MC, +YE
(12)	958 555 394 01	Cover	/R 15-	1	
	958 555 394 01 OA6	Handle Agate Grey			+MB, +MG, +ML
	958 555 394 01 OL7	Saddle Tan			+ME, +MH, +MJ, +MK
13	958 555 409 00	Moulding	/L	1	I5TL
	958 555 409 00 6BB	Door trim panel Piano Black, high-gloss			
(13)	958 555 410 00	Moulding	/R	1	I5TL
	958 555 410 00 6BB	Door trim panel Piano Black, high-gloss			
(13)	958 555 409 01	Moulding	/L	1	I5TE
	958 555 409 01 GR4	Door trim panel Aluminium, brushed			
(13)	958 555 410 01	Moulding	/R	1	I5TE
	958 555 410 01 GR4	Door trim panel Aluminium, brushed			
(13)	958 555 409 02	Moulding	/L	1	I5MG
	958 555 409 02 BG1	Door trim panel Walnut, high-gloss			
(13)	958 555 410 02	Moulding	/R	1	I5MG
	958 555 410 02 BG1	Door trim panel Walnut, high-gloss			
(13)	958 555 409 03	Moulding	/L	1	I5MB
	958 555 409 03 CK6	Door trim panel Swedish Birch			
(13)	958 555 410 03	Moulding	/R	1	I5MB
	958 555 410 03 CK6	Door trim panel Swedish Birch			
(13)	958 555 409 04	Moulding	/L	1	I5TF
	958 555 409 04 BT2	Door trim panel Olive Ash matt open-pored			
(13)	958 555 410 04	Moulding	/R	1	I5TF
	958 555 410 04 BT2	Door trim panel Olive Ash matt open-pored			
(13)	958 555 409 05	Moulding	/L	1	I5MH
	958 555 409 05 BX3	Door trim panel Carbon, fine high-gloss			
(13)	958 555 410 05	Moulding	/R	1	I5MH
	958 555 410 05 BX3	Door trim panel Carbon, fine high-gloss			
(13)	958 555 409 06	Moulding	/L	1	I5ML
	958 555 409 06 OG1	Door trim panel Mahogany Yachting			
(13)	958 555 410 06	Moulding	/R	1	I5ML
	958 555 410 06 OG1	Door trim panel Mahogany Yachting			
(13)	958 555 409 07	Moulding	/L	1	I5MP
	958 555 409 07 OE9	Door trim panel American Walnut			
(13)	958 555 410 07	Moulding	/R	1	I5MP

Model: 92A 11 Model life 2011>>

Pos	Part Number	Description	Remark	Qty	Model
(14)	958 555 410 07 OE9	Door trim panel American Walnut			
	958 555 019 01	Door opener Front	/L	1	
(14)	958 555 019 01 G0B	Matt Black/Galvano Silver			
	958 555 020 01	Door opener Front	/R	1	
15	958 555 020 01 G0B	Matt Black/Galvano Silver			
	999 703 271 40	Buffer Door opener		X	
(16)	958 555 247 02	Trim cover Door opener	/L	1	
	958 555 247 02 5Q0	Black			
(16)	958 555 248 02	Trim cover Door opener	/R	1	
	958 555 248 02 5Q0	Black			
17	958 555 247 00	Cover Door opener with Gasket	/L	1	I3L5
	958 555 247 00 DE1	Umber			+LF, +TX, +TY, +YF
	958 555 247 00 3T0	Espresso			+VA, +VB
	958 555 247 00 4U0	Platinum Grey			+LD, +MD, +YD
	958 555 247 00 5Q0	Black			+LC, +LG, +LH, +MA, +MF, +MI, +TA, +TB, +TW, +YA, +YB, +YC, +77
	958 555 247 00 6W0	Luxor Beige			+LE, +MC, +YE
	958 555 247 00 OA6	Agate Grey			+MB, +MG, +ML
	958 555 247 00 OL7	Saddle Tan			+ME, +MH, +MJ, +MK
	958 555 247 00	Cover Door opener with Gasket	/L	1	IL0R/3L4
	958 555 247 00 DE1	Umber			+LF, +TX, +TY, +YF
(17)	958 555 247 00 3T0	Espresso			+VA, +VB
	958 555 247 00 4U0	Platinum Grey			+LD, +MD, +YD
	958 555 247 00 5Q0	Black			+LC, +LG, +LH, +MA, +MF, +MI, +TA, +TB, +TW, +YA, +YB, +YC, +77
	958 555 247 00 6W0	Luxor Beige			+LE, +MC, +YE
	958 555 247 00 OA6	Agate Grey			+MB, +MG, +ML
	958 555 247 00 OL7	Saddle Tan			+ME, +MH, +MJ, +MK
	958 555 247 01	Cover Door opener with Gasket	/L	1	IL0L/3L4
	958 555 247 01 DE1	Umber			+LF, +TX, +TY, +YF
	958 555 247 01 3T0	Espresso			+VA, +VB
	958 555 247 01 4U0	Platinum Grey			+LD, +MD, +YD
958 555 247 01 5Q0	Black			+LC, +LG, +LH, +MA, +MF, +MI, +TA, +TB, +TW, +YA, +YB, +YC, +77	

Model: 92A 11 Model life 2011>>

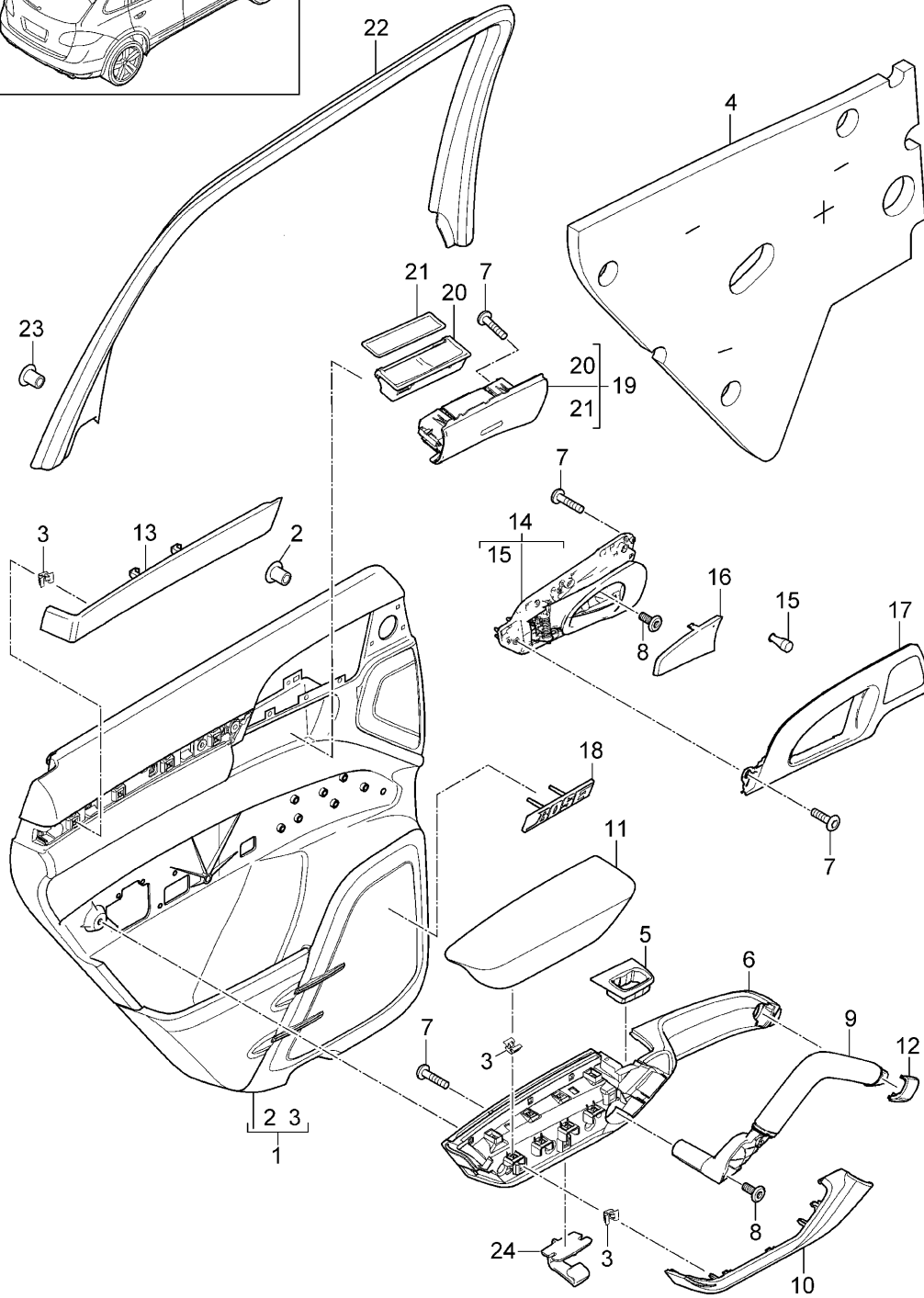
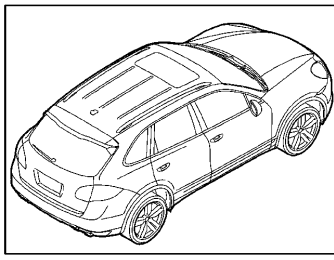
Pos	Part Number	Description	Remark	Qty	Model
(17)	958 555 247 01 6W0	Luxor Beige	/L	1	+LE, +MC, +YE
	958 555 247 01 OA6	Agate Grey			+MB, +MG, +ML
	958 555 247 01 OL7	Saddle Tan			+ME, +MH, +MJ, +MK
	958 555 247 01 DE1	Cover Door opener with Gasket Umber			I3PN
	958 555 247 01 3T0	Espresso			+LF, +TX, +TY, +YF
	958 555 247 01 4U0	Platinum Grey			+VA, +VB
	958 555 247 01 5Q0	Black			+LD, +MD, +YD
(17)	958 555 247 01 6W0	Luxor Beige	/R	1	+LC, +LG, +LH, +MA, +MF, +MI, +TA, +TB, +TW, +YA, +YB, +YC, +77
	958 555 247 01 OA6	Agate Grey			+LE, +MC, +YE
	958 555 247 01 OL7	Saddle Tan			+MB, +MG, +ML
	958 555 248 00 DE1	Cover Door opener with Gasket Umber			+ME, +MH, +MJ, +MK
	958 555 248 00 3T0	Espresso			I10L/3L4
	958 555 248 00 4U0	Platinum Grey			+LF, +TX, +TY, +YF
	958 555 248 00 5Q0	Black			+VA, +VB
(17)	958 555 248 00 6W0	Luxor Beige	/R	1	+LD, +MD, +YD
	958 555 248 00 OA6	Agate Grey			+LC, +LG, +LH, +MA, +MF, +MI, +TA, +TB, +TW, +YA, +YB, +YC, +77
	958 555 248 00 OL7	Saddle Tan			+LE, +MC, +YE
	958 555 248 00 DE1	Cover Door opener with Gasket Umber			+MB, +MG, +ML
	958 555 248 00 3T0	Espresso			+ME, +MH, +MJ, +MK
	958 555 248 00 4U0	Platinum Grey			I3L5
	958 555 248 00 5Q0	Black			+LF, +TX, +TY, +YF
(17)	958 555 248 00 6W0	Luxor Beige	/R	1	+VA, +VB
	958 555 248 00 OA6	Agate Grey			+LD, +MD, +YD
	958 555 248 00 OL7	Saddle Tan			+LC, +LG, +LH, +MA, +MF, +MI, +TA, +TB, +TW, +YA, +YB, +YC, +77
	958 555 248 01 DE1	Cover Door opener with Gasket Umber			+LE, +MC, +YE
	958 555 248 01 3T0	Espresso			+MB, +MG, +ML
	958 555 248 01 4U0	Platinum Grey			+ME, +MH, +MJ, +MK
	958 555 248 01 5Q0	Black			I3PN
(17)	958 555 248 01 DE1	Cover Door opener with Gasket Umber	/R	1	+LF, +TX, +TY, +YF
	958 555 248 01 3T0	Espresso			+VA, +VB
	958 555 248 01 4U0	Platinum Grey			+LD, +MD, +YD
	958 555 248 01 5Q0	Black			+LC, +LG, +LH, +MA, +MF, +MI, +TA, +TB, +TW, +YA, +YB, +YC, +77

Model: 92A 11 Model life 2011>>

Pos	Part Number	Description	Remark	Qty	Model
	958 555 248 01 5Q0	Black			+LC,+LG,+LH, +MA,+MF,+MI, +TA,+TB,+TW, +YA,+YB,+YC, +77
	958 555 248 01 6W0	Luxor Beige			+LE,+MC,+YE
	958 555 248 01 OA6	Agate Grey			+MB,+MG,+ML
	958 555 248 01 OL7	Saddle Tan			+ME,+MH,+MJ, +MK
(17)	958 555 248 01	Cover Door opener with Gasket	/R	1	ILOR/3L4
	958 555 248 01 DE1	Umber			+LF,+TX,+TY, +YF
	958 555 248 01 3T0	Espresso			+VA,+VB
	958 555 248 01 4U0	Platinum Grey			+LD,+MD,+YD
	958 555 248 01 5Q0	Black			+LC,+LG,+LH, +MA,+MF,+MI, +TA,+TB,+TW, +YA,+YB,+YC, +77
	958 555 248 01 6W0	Luxor Beige			+LE,+MC,+YE
	958 555 248 01 OA6	Agate Grey			+MB,+MG,+ML
	958 555 248 01 OL7	Saddle Tan			+ME,+MH,+MJ, +MK
18	7PP 945 699	Logo Bose		2	I9VL
19	958 555 671 50	Lining Door glass frame	/L	1	
	958 555 671 50 82V	Titanium Black			
19	958 555 672 50	Lining Door glass frame	/R	1	
	958 555 672 50 82V	Titanium Black			
20	N 106 213 01	Expander nut Door trim panel		X	
21	958 555 385 50	Frame Switch Fuel filler flap	/LL /L	1	IL0L/0K3
	958 555 385 50 1E0	Black			+LC,+MA,+MF, +YA,+YC
	958 555 385 50 4H0	Luxor Beige			+LE,+MC,+MK, +YE,+77
	958 555 385 50 5J0	Cream			+LG,+MJ
	958 555 385 50 7N0	Espresso			+VA
	958 555 385 50 8P0	Cognac			+VB
	958 555 385 50 OM8	Saddle Tan			+ME,+MH,+MI
	958 555 385 50 OP1	Agate Grey			+MB,+MG,+ML
	958 555 385 50 OW5	Carrera Red			+TA
(21)	958 555 386 50	Frame Switch Fuel filler flap	/RL /L	1	ILOR/0K3
	958 555 386 50 1E0	Black			+LC,+MA,+MF, +YA,+YC
	958 555 386 50 4H0	Luxor Beige			+LE,+MC,+MK, +YE,+77
	958 555 386 50 5J0	Cream			+LG,+MJ
	958 555 386 50 7N0	Espresso			+VA
	958 555 386 50 8P0	Cognac			+VB
	958 555 386 50 OM8	Saddle Tan			+ME,+MH,+MI
	958 555 386 50 OP1	Agate Grey			+MB,+MG,+ML
	958 555 386 50 OW5	Carrera Red			+TA

Model: 92A 11

Model life 2011>>



Model: 92A 11 Model life 2011>>

Pos	Part Number	Description	Remark	Qty	Model
1	958 555 301 00	Door trim panel Rear with Insulation Door trim panel	/L	1	I3LD/3Y0/8RV I9VK
	958 555 301 00 DJ6	Leatherette Platinum Grey			+MD
	958 555 301 00 DK4	Black			+MA
	958 555 301 00 DM5	Luxor Beige			+MC
	958 555 301 00 OU4	Agate Grey			+MB
(1)	958 555 301 00	Door trim panel	/L	1	I3Y0/4AP/8RV I9VK
		Leatherette two-colour			
	958 555 301 00 HAB	Black/Luxor Beige			+77
(1)	958 555 302 00	Door trim panel	/R	1	I3LD/3Y0/8RV I9VK
		Leatherette			
	958 555 302 00 DJ6	Platinum Grey			+MD
	958 555 302 00 DK4	Black			+MA
	958 555 302 00 DM5	Luxor Beige			+MC
(1)	958 555 302 20	Door trim panel	/R	1	I3LD/3Y0/8RV I9VK
		Leatherette			
	958 555 302 20 DJ6	Platinum Grey			+MD
	958 555 302 20 DK4	Black			+MA
	958 555 302 20 DM5	Luxor Beige			+MC
	958 555 302 20 OU4	Agate Grey			+MB
(1)	958 555 302 20	Door trim panel	/R	1	I3Y0/4AP/8RV I9VK
		Leatherette two-colour			
	958 555 302 20 HAB	Black/Luxor Beige			+77
(1)	958 555 301 20	Door trim panel	/L	1	I3LD/3Y0/9VL
		Leatherette			
		Bose			
	958 555 301 20 DJ6	Platinum Grey			+MD
	958 555 301 20 DK4	Black			+MA
	958 555 301 20 DM5	Luxor Beige			+MC
	958 555 301 20 OU4	Agate Grey			+MB
(1)	958 555 301 20	Door trim panel	/L	1	I3Y0/4AP/9VL
		Leatherette two-colour			
		Bose			
	958 555 301 20 HAB	Black/Luxor Beige			+77
(1)	958 555 302 21	Door trim panel	/R	1	I3LD/3Y0/9VL
		Leatherette			
		Bose			
	958 555 302 21 DJ6	Platinum Grey			+MD
	958 555 302 21 DK4	Black			+MA
	958 555 302 21 DM5	Luxor Beige			+MC
	958 555 302 21 OU4	Agate Grey			+MB
(1)	958 555 302 21	Door trim panel	/R	1	I3Y0/4AP/9VL
		Leatherette two-colour			
		Bose			
	958 555 302 21 HAB	Black/Luxor Beige			+77
(1)	958 555 301 21	Door trim panel	/L	1	I3LD/3Y0/9VJ
		Leatherette			
		Burmester			
	958 555 301 21 DJ6	Platinum Grey			+MD
	958 555 301 21 DK4	Black			+MA

Model: 92A 11 Model life 2011>>

Pos	Part Number	Description	Remark	Qty	Model
1	958 555 301 21 DM5	Luxor Beige	/L	1	+MC
	958 555 301 21 OU4	Agate Grey			+MB
	958 555 301 21	Door trim panel Leatherette two-colour Burmester			I3Y0/4AP/9VJ
(1)	958 555 301 21 HAB	Black/Luxor Beige	/R	1	+77
	958 555 302 22	Door trim panel Leatherette Burmester			I3LD/3Y0/9VJ
1	958 555 302 22 DJ6	Platinum Grey	/R	1	+MD
	958 555 302 22 DK4	Black			+MA
	958 555 302 22 DM5	Luxor Beige			+MC
	958 555 302 22 OU4	Agate Grey			+MB
	958 555 302 22	Door trim panel Leatherette two-colour Burmester			I3Y0/4AP/9VJ
	958 555 302 22 HAB	Black/Luxor Beige			+77
(1)	958 555 301 03	Door trim panel Leather	/L	1	I3LH/3LT/3Y0 I8RV/9VK
(1)	958 555 301 03 A11	Black	/L	1	+LC
	958 555 301 03 DE1	Umber			+LF
	958 555 301 03 F0C	Black/Titanium Blue			+TW
	958 555 301 03 F0D	Umber/Cream			+TX
	958 555 301 03 F0E	Umber/Light Tartufo			+TY
	958 555 301 03 7J0	Luxor Beige			+LE
	958 555 301 03 9B0	Platinum Grey			+LD
	958 555 301 23	Door trim panel Plain leather			I3LH/3LT/3Y0 I8RV/9VK
	958 555 301 23 A11	Black			+LC
	958 555 301 23 DE1	Umber			+LF
	958 555 301 23 7J0	Luxor Beige			+LE
(1)	958 555 301 23 9B0	Platinum Grey	/L	1	+LD
	958 555 301 23 OA1	Agate Grey			+MG
	958 555 301 23 OK6	Saddle Tan			+MH
	958 555 301 23	Door trim panel Plain leather two-colour			I3LH/3LT/3Y0 I8RV/9VK
	958 555 301 23 F0C	Black/Titanium Blue			+TW
	958 555 301 23 F0D	Umber/Cream			+TX
	958 555 301 23 F0E	Umber/Light Tartufo			+TY
	958 555 301 23 AAD	Black/Carrera Red			+TA
	958 555 301 23 AAE	Black/Luxor Beige			+TB
	958 555 301 23 HAD	Black/Saddle Tan			+MI
	958 555 301 23 HAE	Saddle Tan/Cream			+MJ
	958 555 301 23 HAF	Saddle Tan/Luxor Beige			+MK
	958 555 301 23 HHY	Black/Cohiba Brown			+LH
	958 555 301 23 HHP	Black/Cream			+LG
	958 555 302 03	Door trim panel Leather			I3LH/3LT/3Y0 I8RV/9VK
	958 555 302 03 A11	Black			+LC
	958 555 302 03 DE1	Umber			+LF
958 555 302 03 7J0	Luxor Beige	+LE			
958 555 302 03 9B0	Platinum Grey	+LD			
(1)	958 555 302 03 F0C	Black/Titanium Blue	/R	1	+TW
	958 555 302 03 F0D	Umber/Cream			+TX
	958 555 302 03 F0E	Umber/Light Tartufo			+TY
	958 555 302 03	Door trim panel Leather			I3LH/3LT/3Y0 I8RV/9VK
958 555 302 03 A11	Black	+LC			
958 555 302 03 DE1	Umber	+LF			
958 555 302 03 7J0	Luxor Beige	+LE			
958 555 302 03 9B0	Platinum Grey	+LD			
(1)	958 555 302 03 F0C	Black/Titanium Blue	/R	1	+TW
	958 555 302 03 F0D	Umber/Cream			+TX
	958 555 302 03 F0E	Umber/Light Tartufo			+TY

Model: 92A 11 Model life 2011>>

Pos	Part Number	Description	Remark	Qty	Model
(1)	958 555 302 23	Door trim panel	/R	1	I3LH/3LT/3Y0 I8RV/9VK
		Plain leather			
	958 555 302 23 A11	Black			+LC
	958 555 302 23 DE1	Umber			+LF
	958 555 302 23 7J0	Luxor Beige			+LE
	958 555 302 23 9B0	Platinum Grey			+LD
	958 555 302 23 OA1	Agate Grey			+MG
	958 555 302 23 OK6	Saddle Tan			+MH
(1)	958 555 302 23	Door trim panel	/R	1	I3LH/3LT/3Y0 I8RV/9VK
		Plain leather			
		two-colour			
	958 555 302 23 F0C	Black/Titanium Blue			+TW
	958 555 302 23 F0D	Umber/Cream			+TX
	958 555 302 23 F0E	Umber/Light Tartufo			+TY
	958 555 302 23 AAD	Black/Carrera Red			+TA
	958 555 302 23 AAE	Black/Luxor Beige			+TB
	958 555 302 23 HAD	Black/Saddle Tan			+MI
	958 555 302 23 HAE	Saddle Tan/Cream			+MJ
	958 555 302 23 HAF	Saddle Tan/Luxor Beige			+MK
	958 555 302 23 HHY	Black/Cohiba Brown			+LH
	958 555 302 23 HHP	Black/Cream			+LG
(1)	958 555 301 04	Door trim panel	/L	1	I3LH/3LT/3Y0 I9VL
		Leather			
	958 555 301 04 A11	Black			+LC
	958 555 301 04 DE1	Umber			+LF
	958 555 301 04 F0C	Black/Titanium Blue			+TW
	958 555 301 04 F0D	Umber/Cream			+TX
	958 555 301 04 F0E	Umber/Light Tartufo			+TY
	958 555 301 04 7J0	Luxor Beige			+LE
	958 555 301 04 9B0	Platinum Grey			+LD
(1)	958 555 301 24	Door trim panel	/L	1	I3LH/3LT/3Y0 I9VL
		Plain leather			
		Bose			
	958 555 301 24 A11	Black			+LC
	958 555 301 24 DE1	Umber			+LF
	958 555 301 24 7J0	Luxor Beige			+LE
	958 555 301 24 9B0	Platinum Grey			+LD
	958 555 301 24 OA1	Agate Grey			+MG
	958 555 301 24 OK6	Saddle Tan			+MH
(1)	958 555 301 24	Door trim panel	/L	1	I3LH/3LT/3Y0 I9VL
		Plain leather			
		Bose			
		two-colour			
	958 555 301 24 F0C	Black/Titanium Blue			+TW
	958 555 301 24 F0D	Umber/Cream			+TX
	958 555 301 24 F0E	Umber/Light Tartufo			+TY
	958 555 301 24 AAD	Black/Carrera Red			+TA
	958 555 301 24 AAE	Black/Luxor Beige			+TB
	958 555 301 24 HAD	Black/Saddle Tan			+MI
	958 555 301 24 HAE	Saddle Tan/Cream			+MJ
	958 555 301 24 HAF	Saddle Tan/Luxor Beige			+MK
	958 555 301 24 HHY	Black/Cohiba Brown			+LH
	958 555 301 24 HHP	Black/Cream			+LG
(1)	958 555 302 04	Door trim panel	/R	1	I3LH/3LT/3Y0 I9VL
		Leather			
	958 555 302 04 A11	Black			+LC
	958 555 302 04 DE1	Umber			+LF

Model: 92A 11 Model life 2011>>

Pos	Part Number	Description	Remark	Qty	Model
(1)	958 555 302 04 F0C	Black/Titanium Blue	/R	1	+TW
	958 555 302 04 F0D	Umber/Cream			+TX
	958 555 302 04 F0E	Umber/Light Tartufo			+TY
	958 555 302 04 7J0	Luxor Beige			+LE
	958 555 302 04 9B0	Platinum Grey			+LD
	958 555 302 24	Door trim panel			I 3LH/3LT/3Y0
		Plain leather			I 9VL
		Bose			
	958 555 302 24 A11	Black			+LC
	958 555 302 24 DE1	Umber			+LF
(1)	958 555 302 24 7J0	Luxor Beige	/R	1	+LE
	958 555 302 24 9B0	Platinum Grey			+LD
	958 555 302 24 OA1	Agate Grey			+MG
	958 555 302 24 OK6	Saddle Tan			+MH
	958 555 302 24	Door trim panel			I 3LH/3LT/3Y0
		Plain leather			I 9VL
		Bose			
		two-colour			
	958 555 302 24 F0C	Black/Titanium Blue			+TW
	958 555 302 24 F0D	Umber/Cream			+TX
(1)	958 555 302 24 F0E	Umber/Light Tartufo	/L	1	+TY
	958 555 302 24 AAD	Black/Carrera Red			+TA
	958 555 302 24 AAE	Black/Luxor Beige			+TB
	958 555 302 24 HAD	Black/Saddle Tan			+MI
	958 555 302 24 HAE	Saddle Tan/Cream			+MJ
	958 555 302 24 HAF	Saddle Tan/Luxor Beige			+MK
	958 555 302 24 HHY	Black/Cohiba Brown			+LH
	958 555 302 24 HHP	Black/Cream			+LG
	958 555 301 25	Door trim panel			I 3LH/3LT/3Y0
		Plain leather			I 9VJ
(1)	958 555 301 25 A11	Black	/L	1	+LC
	958 555 301 25 DE1	Umber			+LF
	958 555 301 25 7J0	Luxor Beige			+LE
	958 555 301 25 9B0	Platinum Grey			+LD
	958 555 301 25 OA1	Agate Grey			+MG
	958 555 301 25 OK6	Saddle Tan			+MH
	958 555 301 25	Door trim panel			I 3LH/3LT/3Y0
		Plain leather			I 9VJ
		Burmester			
		two-colour			
(1)	958 555 301 25 F0C	Black/Titanium Blue	/R	1	+TW
	958 555 301 25 F0D	Umber/Cream			+TX
	958 555 301 25 F0E	Umber/Light Tartufo			+TY
	958 555 301 25 AAD	Black/Carrera Red			+TA
	958 555 301 25 AAE	Black/Luxor Beige			+TB
	958 555 301 25 HAD	Black/Saddle Tan			+MI
	958 555 301 25 HAE	Saddle Tan/Cream			+MJ
	958 555 301 25 HAF	Saddle Tan/Luxor Beige			+MK
	958 555 301 25 HHY	Black/Cohiba Brown			+LH
	958 555 301 25 HHP	Black/Cream			+LG
958 555 302 25	Door trim panel	I 3LH/3LT/3Y0			
	Plain leather	I 9VJ			
(1)	958 555 302 25 A11	Black	/R	1	+LC
	958 555 302 25 DE1	Umber			+LF
	958 555 302 25 7J0	Luxor Beige			+LE
	958 555 302 25 9B0	Platinum Grey			+LD

Model: 92A 11

Model life 2011>>

Pos	Part Number	Description	Remark	Qty	Model
(1)	958 555 302 25 OA1 958 555 302 25 OK6 958 555 302 25	Agate Grey Saddle Tan Door trim panel	/R	1	+MG +MH I3LH/3LT/3Y0 I9VJ
		Plain leather Burmester two-colour			
	958 555 302 25 F0C	Black/Titanium Blue			+TW
	958 555 302 25 F0D	Umber/Cream			+TX
	958 555 302 25 F0E	Umber/Light Tartufo			+TY
	958 555 302 25 AAD	Black/Carrera Red			+TA
	958 555 302 25 AAE	Black/Luxor Beige			+TB
	958 555 302 25 HAD	Black/Saddle Tan			+MI
	958 555 302 25 HAE	Saddle Tan/Cream			+MJ
	958 555 302 25 HAF	Saddle Tan/Luxor Beige			+MK
	958 555 302 25 HHY	Black/Cohiba Brown			+LH
	958 555 302 25 HHP	Black/Cream			+LG
(1)	958 555 301 26	Door trim panel	/L	1	I3LM/3LX/3Y0 I8RV/9VK
		Leather/ Nature			
	958 555 301 26 F0F	Espresso/Cognac			+VB
	958 555 301 26 6J0	Espresso			+VA
(1)	958 555 302 26	Door trim panel	/R	1	I3LM/3LX/3Y0 I8RV/9VK
		Leather/ Nature			
	958 555 302 26 F0F	Espresso/Cognac			+VB
	958 555 302 26 6J0	Espresso			+VA
(1)	958 555 301 27	Door trim panel	/L	1	I3LM/3LX/3Y0 I9VL
		Leather/ Nature			
		Bose			
	958 555 301 27 F0F	Espresso/Cognac			+VB
	958 555 301 27 6J0	Espresso			+VA
(1)	958 555 302 27	Door trim panel	/R	1	I3LM/3LX/3Y0 I9VL
		Leather/ Nature			
		Bose			
	958 555 302 27 F0F	Espresso/Cognac			+VB
	958 555 302 27 6J0	Espresso			+VA
(1)	958 555 301 28	Door trim panel	/L	1	I3LM/3LX/3Y0 I9VJ
		Leather/ Nature			
	958 555 301 28 F0F	Espresso/Cognac			+VB
	958 555 301 28 6J0	Espresso			+VA
(1)	958 555 302 28	Door trim panel	/R	1	I3LM/3LX/3Y0 I9VJ
		Leather/ Nature			
	958 555 302 28 F0F	Espresso/Cognac			+VB
	958 555 302 28 6J0	Espresso			+VA
(1)	958 555 301 29	Door trim panel	/L	1	I3LD/3Y7/3Y8 I8RV/9VK
		Leatherette			
	958 555 301 29 DJ6	Platinum Grey			+MD
	958 555 301 29 DK4	Black			+MA
	958 555 301 29 DM5	Luxor Beige			+MC
	958 555 301 29 OU4	Agate Grey			+MB
(1)	958 555 301 29	Door trim panel	/L	1	I3Y7/3Y8/4AP

Model: 92A 11 Model life 2011>>

Pos	Part Number	Description	Remark	Qty	Model
		Leatherette			I8RV/9VK
(1)	958 555 301 29 HAB	Black/Luxor Beige			+77
	958 555 302 09	Door trim panel	/R	1	I3LD/3Y8/8RV I9VK
	958 555 302 09 DJ6	Leatherette Platinum Grey			+MD
	958 555 302 09 DK4	Black			+MA
	958 555 302 09 DM5	Luxor Beige			+MC
(1)	958 555 302 29	Door trim panel	/R	1	I3LD/3Y7/3Y8 I8RV/9VK
	958 555 302 29 DJ6	Leatherette Platinum Grey			+MD
	958 555 302 29 DK4	Black			+MA
	958 555 302 29 DM5	Luxor Beige			+MC
	958 555 302 29 OU4	Agate Grey			+MB
(1)	958 555 302 29	Door trim panel	/R	1	I3Y7/3Y8/4AP I8RV/9VK
	958 555 302 29 HAB	Leatherette Black/Luxor Beige			+77
(1)	958 555 301 30	Door trim panel	/L	1	I3LD/3Y7/3Y8 I9VL
	958 555 301 30 DJ6	Leatherette Bose Platinum Grey			+MD
	958 555 301 30 DK4	Black			+MA
	958 555 301 30 DM5	Luxor Beige			+MC
	958 555 301 30 OU4	Agate Grey			+MB
(1)	958 555 301 30	Door trim panel	/L	1	I3Y7/3Y8/4AP I9VL
	958 555 301 30 HAB	Leatherette Bose Black/Luxor Beige			+77
(1)	958 555 302 30	Door trim panel	/R	1	I3LD/3Y8/9VL
	958 555 302 30 DJ6	Leatherette Bose Platinum Grey			+MD
	958 555 302 30 DK4	Black			+MA
	958 555 302 30 DM5	Luxor Beige			+MC
	958 555 302 30 OU4	Agate Grey			+MB
(1)	958 555 302 30	Door trim panel	/R	1	I3LD/3Y8/9VL
	958 555 302 30 HAB	Leatherette Bose Black/Luxor Beige			+77
(1)	958 555 301 31	Door trim panel	/L	1	I3LD/3Y7/3Y8 I9VJ
	958 555 301 31 DJ6	Leatherette Burmester Platinum Grey			+MD
	958 555 301 31 DK4	Black			+MA
	958 555 301 31 DM5	Luxor Beige			+MC
	958 555 301 31 OU4	Agate Grey			+MB
(1)	958 555 301 31	Door trim panel	/L	1	I3Y7/3Y8/4AP I9VJ
	958 555 301 31 HAB	Leatherette Burmester Black/Luxor Beige			+77
(1)	958 555 302 31	Door trim panel	/R	1	I3LD/3Y8/9VJ
	958 555 302 31 DJ6	Leatherette Burmester Platinum Grey			+MD
	958 555 302 31 DK4	Black			+MA
	958 555 302 31 DM5	Luxor Beige			+MC

Model: 92A 11 Model life 2011>>

Pos	Part Number	Description	Remark	Qty	Model
(1)	958 555 302 31 OU4 958 555 302 31	Agate Grey Door trim panel Leatherette Burmester	/R	1	+MB I3LD/3Y8/9VJ
(1)	958 555 302 31 HAB 958 555 301 32	Black/Luxor Beige Door trim panel Leather	/L	1	+77 I3LH/3LT/3Y7 I3Y8/8RV/9VK
	958 555 301 32 A11	Black			+LC
	958 555 301 32 DE1	Umber			+LF
	958 555 301 32 7J0	Luxor Beige			+LE
	958 555 301 32 9B0	Platinum Grey			+LD
	958 555 301 32 OA1	Agate Grey			+MG
	958 555 301 32 OK6	Saddle Tan			+MH
(1)	958 555 301 32	Door trim panel Leather two-colour	/L	1	I3LH/3LT/3Y7 I3Y8/8RV/9VK
	958 555 301 32 F0C	Black/Titanium Blue			+TW
	958 555 301 32 F0D	Umber/Cream			+TX
	958 555 301 32 F0E	Umber/Light Tartufo			+TY
	958 555 301 32 AAD	Black/Carrera Red			+TA
	958 555 301 32 AAE	Black/Luxor Beige			+TB
	958 555 301 32 HAD	Black/Saddle Tan			+MI
	958 555 301 32 HAE	Saddle Tan/Cream			+MJ
	958 555 301 32 HAF	Saddle Tan/Luxor Beige			+MK
	958 555 301 32 HHY	Black/Cohiba Brown			+LH
	958 555 301 32 HHP	Black/Cream			+LG
(1)	958 555 302 32	Door trim panel Plain leather Shade	/R	1	I3LH/3LT/3Y7 I3Y8/8RV/9VK
	958 555 302 32 A11	Black			+LC
	958 555 302 32 DE1	Umber			+LF
	958 555 302 32 7J0	Luxor Beige			+LE
	958 555 302 32 9B0	Platinum Grey			+LD
	958 555 302 32 OA1	Agate Grey			+MG
	958 555 302 32 OK6	Saddle Tan			+MH
(1)	958 555 302 32	Door trim panel Plain leather Shade two-colour	/R	1	I3LH/3LT/3Y7 I3Y8/8RV/9VK
	958 555 302 32 F0C	Black/Titanium Blue			+TW
	958 555 302 32 F0D	Umber/Cream			+TX
	958 555 302 32 F0E	Umber/Light Tartufo			+TY
	958 555 302 32 AAD	Black/Carrera Red			+TA
	958 555 302 32 AAE	Black/Luxor Beige			+TB
	958 555 302 32 HAD	Black/Saddle Tan			+MI
	958 555 302 32 HAE	Saddle Tan/Cream			+MJ
	958 555 302 32 HAF	Saddle Tan/Luxor Beige			+MK
	958 555 302 32 HHY	Black/Cohiba Brown			+LH
	958 555 302 32 HHP	Black/Cream			+LG
(1)	958 555 301 33	Door trim panel Plain leather Shade Bose	/L	1	I3LH/3LT/3Y7 I3Y8/9VL
	958 555 301 33 A11	Black			+LC
	958 555 301 33 DE1	Umber			+LF
	958 555 301 33 7J0	Luxor Beige			+LE
	958 555 301 33 9B0	Platinum Grey			+LD
	958 555 301 33 OA1	Agate Grey			+MG

Model: 92A 11 Model life 2011>>

Pos	Part Number	Description	Remark	Qty	Model
(1)	958 555 301 33 OK6	Saddle Tan			+MH
	958 555 301 33	Door trim panel	/L	1	I3LH/3LT/3Y7 I3Y8/9VL
		Plain leather			
		Shade			
		Bose			
		two-colour			
	958 555 301 33 F0C	Black/Titanium Blue			+TW
	958 555 301 33 F0D	Umber/Cream			+TX
	958 555 301 33 F0E	Umber/Light Tartufo			+TY
	958 555 301 33 AAD	Black/Carrera Red			+TA
	958 555 301 33 AAE	Black/Luxor Beige			+TB
	958 555 301 33 HAD	Black/Saddle Tan			+MI
	958 555 301 33 HAE	Saddle Tan/Cream			+MJ
	958 555 301 33 HAF	Saddle Tan/Luxor Beige			+MK
	958 555 301 33 HHY	Black/Cohiba Brown			+LH
	958 555 301 33 HHP	Black/Cream			+LG
(1)	958 555 302 33	Door trim panel	/R	1	I3LH/3LT/3Y7 I3Y8/9VL
		Plain leather			
		Shade			
		Bose			
	958 555 302 33 A11	Black			+LC
	958 555 302 33 DE1	Umber			+LF
	958 555 302 33 7J0	Luxor Beige			+LE
	958 555 302 33 9B0	Platinum Grey			+LD
	958 555 302 33 OA1	Agate Grey			+MG
	958 555 302 33 OK6	Saddle Tan			+MH
(1)	958 555 302 33	Door trim panel	/R	1	I3LH/3LT/3Y7 I3Y8/9VL
		Plain leather			
		Shade			
		Bose			
		two-colour			
	958 555 302 33 F0C	Black/Titanium Blue			+TW
	958 555 302 33 F0D	Umber/Cream			+TX
	958 555 302 33 F0E	Umber/Light Tartufo			+TY
	958 555 302 33 AAD	Black/Carrera Red			+TA
	958 555 302 33 AAE	Black/Luxor Beige			+TB
	958 555 302 33 HAD	Black/Saddle Tan			+MI
	958 555 302 33 HAE	Saddle Tan/Cream			+MJ
	958 555 302 33 HAF	Saddle Tan/Luxor Beige			+MK
	958 555 302 33 HHY	Black/Cohiba Brown			+LH
	958 555 302 33 HHP	Black/Cream			+LG
(1)	958 555 301 34	Door trim panel	/L	1	I3LH/3LT/3Y7 I3Y8/9VJ
		Plain leather			
		Shade			
		Burmester			
	958 555 301 34 A11	Black			+LC
	958 555 301 34 DE1	Umber			+LF
	958 555 301 34 7J0	Luxor Beige			+LE
	958 555 301 34 9B0	Platinum Grey			+LD
		two-colour			
	958 555 301 34 F0C	Black/Titanium Blue			+TW
	958 555 301 34 F0D	Umber/Cream			+TX
	958 555 301 34 F0E	Umber/Light Tartufo			+TY
	958 555 301 34 AAD	Black/Carrera Red			+TA
	958 555 301 34 HAE	Saddle Tan/Cream			+MJ
	958 555 301 34 HHY	Black/Cohiba Brown			+LH
	958 555 301 34 HAF	Saddle Tan/Luxor Beige			+MK
	958 555 301 34 HHP	Black/Cream			+LG
(1)	958 555 302 34	Door trim panel	/R	1	I3LH/3LT/3Y7

Model: 92A 11

Model life 2011>>

Pos	Part Number	Description	Remark	Qty	Model
		Leather			I3Y8/9VJ
	958 555 302 34 A11	Black			+LC
	958 555 302 34 DE1	Umber			+LF
	958 555 302 34 7J0	Luxor Beige			+LE
	958 555 302 34 9B0	Platinum Grey			+LD
	958 555 302 34 OA1	Agate Grey			+MG
	958 555 302 34 OK6	Saddle Tan			+MH
(1)	958 555 302 34	Door trim panel	/R	1	I3LH/3LT/3Y7 I3Y8/9VJ
		Leather			
		Shade			
		Burmester			
		two-colour			
	958 555 302 34 F0C	Black/Titanium Blue			+TW
	958 555 302 34 F0D	Umber/Cream			+TX
	958 555 302 34 F0E	Umber/Light Tartufo			+TY
	958 555 302 34 AAD	Black/Carrera Red			+TA
	958 555 302 34 AAE	Black/Luxor Beige			+TB
	958 555 302 34 HAD	Black/Saddle Tan			+MI
	958 555 302 34 HAE	Saddle Tan/Cream			+MJ
	958 555 302 34 HAF	Saddle Tan/Luxor Beige			+MK
	958 555 302 34 HHY	Black/Cohiba Brown			+LH
	958 555 302 34 HHP	Black/Cream			+LG
(1)	958 555 301 35	Door trim panel	/L	1	I3LM/3LX/3Y7 I3Y8/8RV/9VK
		Leather/ Nature			
	958 555 301 35 F0F	Espresso/Cognac			+VB
	958 555 301 35 6J0	Espresso			+VA
(1)	958 555 302 35	Door trim panel	/R	1	I3LM/3LX/3Y7 I3Y8/8RV/9VK
		Leather/ Nature			
	958 555 302 35 F0F	Espresso/Cognac			+VB
	958 555 302 35 6J0	Espresso			+VA
(1)	958 555 301 36	Door trim panel	/L	1	I3LM/3LX/3Y7 I3Y8/9VL
		Leather/ Nature			
	958 555 301 36 F0F	Espresso/Cognac			+VB
	958 555 301 36 6J0	Espresso			+VA
(1)	958 555 302 36	Door trim panel	/R	1	I3LM/3LX/3Y7 I3Y8/9VL
		Leather/ Nature			
	958 555 302 36 F0F	Espresso/Cognac			+VB
	958 555 302 36 6J0	Espresso			+VA
(1)	958 555 301 37	Door trim panel	/L	1	I3LM/3LX/3Y7 I3Y8/9VJ
		Leather/ Nature			
	958 555 301 37 F0F	Espresso/Cognac			+VB
	958 555 301 37 6J0	Espresso			+VA
(1)	958 555 302 37	Door trim panel	/R	1	I3LM/3LX/3Y7 I3Y8/9VJ
		Leather/ Nature			
	958 555 302 37 F0F	Espresso/Cognac			+VB
	958 555 302 37 6J0	Espresso			+VA
(1)	958 555 301 38	Door trim panel	/L	1	GTS I3LS/3Y0/8RV I9VK

Model: 92A 11 Model life 2011>>

Pos	Part Number	Description	Remark	Qty	Model
	958 555 301 38 IVA	Alcantara Black			+YC
	958 555 301 38 IVB	Platinum Grey			+YD
	958 555 301 38 IVC	Luxor Beige			+YE
	958 555 301 38 IVD	Umber			+YF
	958 555 301 38 IVE	Black/Carmine Red			+YA
	958 555 301 38 IVF	Black/Peridot			+YB
	958 555 301 38 DJN	Saddle Tan			+ME
	958 555 301 38 DJQ	Agate Grey			+ML
	958 555 301 38 DJS	Black/Rhodium Silver			+MF
(1)	958 555 302 38	Door trim panel	/R	1	GTS I3LS/3Y0/8RV I9VK
	958 555 302 38 IVA	Alcantara Black			+YC
	958 555 302 38 IVB	Platinum Grey			+YD
	958 555 302 38 IVC	Luxor Beige			+YE
	958 555 302 38 IVD	Umber			+YF
	958 555 302 38 IVE	Black/Carmine Red			+YA
	958 555 302 38 IVF	Black/Peridot			+YB
	958 555 302 38 DJN	Saddle Tan			+ME
	958 555 302 38 DJQ	Agate Grey			+ML
	958 555 302 38 DJS	Black/Rhodium Silver			+MF
(1)	958 555 301 39	Door trim panel	/L	1	GTS I3LS/3Y0/9VL
	958 555 301 39 IVA	Alcantara Bose Black			+YC
	958 555 301 39 IVB	Platinum Grey			+YD
	958 555 301 39 IVC	Luxor Beige			+YE
	958 555 301 39 IVD	Umber			+YF
	958 555 301 39 IVE	Black/Carmine Red			+YA
	958 555 301 39 IVF	Black/Peridot			+YB
	958 555 301 39 DJN	Saddle Tan			+ME
	958 555 301 39 DJQ	Agate Grey			+ML
	958 555 301 39 DJS	Black/Rhodium Silver			+MF
(1)	958 555 302 39	Door trim panel	/R	1	GTS I3LS/3Y0/9VL
	958 555 302 39 IVA	Alcantara Bose Black			+YC
	958 555 302 39 IVB	Platinum Grey			+YD
	958 555 302 39 IVC	Luxor Beige			+YE
	958 555 302 39 IVD	Umber			+YF
	958 555 302 39 IVE	Black/Carmine Red			+YA
	958 555 302 39 IVF	Black/Peridot			+YB
	958 555 302 39 DJN	Saddle Tan			+ME
	958 555 302 39 DJQ	Agate Grey			+ML
	958 555 302 39 DJS	Black/Rhodium Silver			+MF
(1)	958 555 301 40	Door trim panel	/L	1	GTS I3LS/3Y0/9VJ
	958 555 301 40 IVA	Alcantara Burmester Black			+YC
	958 555 301 40 IVB	Platinum Grey			+YD
	958 555 301 40 IVC	Luxor Beige			+YE
	958 555 301 40 IVD	Umber			+YF
	958 555 301 40 IVE	Black/Carmine Red			+YA
	958 555 301 40 IVF	Black/Peridot			+YB
	958 555 301 40 DJN	Saddle Tan			+ME
	958 555 301 40 DJQ	Agate Grey			+ML
	958 555 301 40 DJS	Black/Rhodium Silver			+MF
(1)	958 555 302 40	Door trim panel	/R	1	GTS

Model: 92A 11 Model life 2011>>

Pos	Part Number	Description	Remark	Qty	Model
		Alcantara			I3LS/3Y0/9VJ
		Burmester			
	958 555 302 40 IVA	Black			+YC
	958 555 302 40 IVB	Platinum Grey			+YD
	958 555 302 40 IVC	Luxor Beige			+YE
	958 555 302 40 IVD	Umber			+YF
	958 555 302 40 IVE	Black/Carmine Red			+YA
	958 555 302 40 IVF	Black/Peridot			+YB
	958 555 302 40 DJN	Saddle Tan			+ME
	958 555 302 40 DJQ	Agate Grey			+ML
	958 555 302 40 DJS	Black/Rhodium Silver			+MF
(1)	958 555 301 41	Door trim panel	/L	1	GTS I3LS/3Y7/3Y8 I8RV/9VK
		Alcantara			
	958 555 301 41 IVA	Black			+YC
	958 555 301 41 IVB	Platinum Grey			+YD
	958 555 301 41 IVC	Luxor Beige			+YE
	958 555 301 41 IVD	Umber			+YF
	958 555 301 41 IVE	Black/Carmine Red			+YA
	958 555 301 41 IVF	Black/Peridot			+YB
	958 555 301 41 DJN	Saddle Tan			+ME
	958 555 301 41 DJQ	Agate Grey			+ML
	958 555 301 41 DJS	Black/Rhodium Silver			+MF
(1)	958 555 302 41	Door trim panel	/R	1	GTS I3LS/3Y7/3Y8 I8RV/9VK
		Alcantara			
	958 555 302 41 IVA	Black			+YC
	958 555 302 41 IVB	Platinum Grey			+YD
	958 555 302 41 IVC	Luxor Beige			+YE
	958 555 302 41 IVD	Umber			+YF
	958 555 302 41 IVE	Black/Carmine Red			+YA
	958 555 302 41 IVF	Black/Peridot			+YB
	958 555 302 41 DJN	Saddle Tan			+ME
	958 555 302 41 DJQ	Agate Grey			+ML
	958 555 302 41 DJS	Black/Rhodium Silver			+MF
(1)	958 555 301 42	Door trim panel	/L	1	GTS I3LS/3Y7/3Y8 I9VL
		Alcantara			
		Bose			
	958 555 301 42 IVA	Black			+YC
	958 555 301 42 IVB	Platinum Grey			+YD
	958 555 301 42 IVC	Luxor Beige			+YE
	958 555 301 42 IVD	Umber			+YF
	958 555 301 42 IVE	Black/Carmine Red			+YA
	958 555 301 42 IVF	Black/Peridot			+YB
	958 555 301 42 DJN	Saddle Tan			+ME
	958 555 301 42 DJQ	Agate Grey			+ML
	958 555 301 42 DJS	Black/Rhodium Silver			+MF
(1)	958 555 302 42	Door trim panel	/R	1	GTS I3LS/3Y7/3Y8 I9VL
		Alcantara			
		Bose			
	958 555 302 42 IVA	Black			+YC
	958 555 302 42 IVB	Platinum Grey			+YD
	958 555 302 42 IVC	Luxor Beige			+YE
	958 555 302 42 IVD	Umber			+YF
	958 555 302 42 IVE	Black/Carmine Red			+YA
	958 555 302 42 IVF	Black/Peridot			+YB

Model: 92A 11 Model life 2011>>

Pos	Part Number	Description	Remark	Qty	Model		
(1)	958 555 302 42 DJN	Saddle Tan	/L	1	+ME		
	958 555 302 42 DJQ	Agate Grey			+ML		
	958 555 302 42 DJS	Black/Rhodium Silver			+MF		
	958 555 301 43	Door trim panel			GTS		
					I3LS/3Y7/3Y8		
					I9VJ		
		Alcantara					
		Burmester					
	958 555 301 43 IVA	Black			+YC		
	958 555 301 43 IVB	Platinum Grey			+YD		
	958 555 301 43 IVC	Luxor Beige			+YE		
	958 555 301 43 IVD	Umber			+YF		
	958 555 301 43 IVE	Black/Carmine Red			+YA		
	958 555 301 43 IVF	Black/Peridot			+YB		
(1)	958 555 301 43 DJN	Saddle Tan	/L	1	+ME		
	958 555 301 43 DJQ	Agate Grey			+ML		
	958 555 301 43 DJS	Black/Rhodium Silver			+MF		
	958 555 302 43	Door trim panel			GTS		
					I3LS/3Y7/3Y8		
					I9VJ		
		Alcantara					
		Burmester					
	958 555 302 43 IVA	Black			+YC		
	958 555 302 43 IVB	Platinum Grey			+YD		
	958 555 302 43 IVC	Luxor Beige			+YE		
	958 555 302 43 IVD	Umber			+YF		
	958 555 302 43 IVE	Black/Carmine Red			+YA		
	958 555 302 43 IVF	Black/Peridot			+YB		
2	958 555 302 43 DJN	Saddle Tan	/L	X	+ME		
	958 555 302 43 DJQ	Agate Grey			+ML		
	958 555 302 43 DJS	Black/Rhodium Silver			+MF		
	955 555 243 00	Fixing clip					
		Door trim panel					
	3	958 555 190 00			Clamp	X	
	4	958 555 581 00			Insulation	2	
					Door trim panel		
	5	958 555 375 00			Trim for switch	1	
		958 555 375 00 DE1			Umber		+LF, +TX, +TY, +YF
		958 555 375 00 3T0			Espresso		+VA, +VB
		958 555 375 00 4U0			Platinum Grey		+LD, +MD, +YD,
		958 555 375 00 5Q0			Black		+LC, +LG, +LH,
							+MA, +MF, +MI,
				+TA, +TB, +TW,			
				+YA, +YB, +YC,			
				+77			
	958 555 375 00 6W0	Luxor Beige		+LE, +MC, +YE			
	958 555 375 00 OA6	Agate Grey		+MB, +MG, +ML			
	958 555 375 00 OL7	Saddle Tan		+ME, +MH, +MJ,			
				+MK			
5	958 555 376 00	Trim for switch	/R	1	+LF, +TX, +TY,		
	958 555 376 00 DE1	Umber			+YF		
					+VA, +VB		
					+LD, +MD, +YD,		
					+LC, +LG, +LH,		
					+MA, +MF, +MI,		
					+TA, +TB, +TW,		
					+YA, +YB, +YC,		
					+77		
		958 555 376 00 6W0			Luxor Beige	+LE, +MC, +YE	
		958 555 376 00 OA6			Agate Grey	+MB, +MG, +ML	
		958 555 376 00 OL7			Saddle Tan	+ME, +MH, +MJ,	
						+MK	

Model: 92A 11 Model life 2011>>

Pos	Part Number	Description	Remark	Qty	Model
6	958 555 377 05	Bracket	/L	1	+MK I9MA/9WC
	958 555 377 05 DE1	Armrest Umber			+LF, +TX, +TY, +YF
	958 555 377 05 3T0	Espresso			+VA, +VB
	958 555 377 05 4U0	Platinum Grey			+LD, +MD, +YD, +LC, +LG, +LH, +MA, +MF, +MI, +TA, +TB, +TW, +YA, +YB, +YC, +77
	958 555 377 05 5Q0	Black			+LE, +MC, +YE
	958 555 377 05 6W0	Luxor Beige			+MB, +MG, +ML
	958 555 377 05 OA6	Agate Grey			+ME, +MH, +MJ, +MK
	958 555 377 05 OL7	Saddle Tan			I9MA/9WC
(6)	958 555 378 05	Bracket	/R	1	+LF, +TX, +TY, +YF
	958 555 378 05 DE1	Armrest Umber			+VA, +VB
	958 555 378 05 3T0	Espresso			+LD, +MD, +YD, +LC, +LG, +LH, +MA, +MF, +MI, +TA, +TB, +TW, +YA, +YB, +YC, +77
	958 555 378 05 4U0	Platinum Grey			+LE, +MC, +YE
	958 555 378 05 5Q0	Black			+MB, +MG, +ML
	958 555 378 05 6W0	Luxor Beige			+ME, +MH, +MJ, +MK
	958 555 378 05 OA6	Agate Grey			I9MA/9WM
	958 555 378 05 OL7	Saddle Tan			+LF, +TX, +TY, +YF
(6)	958 555 377 07	Bracket	/L	1	+VA, +VB
	958 555 377 07 DE1	Armrest Umber			+LD, +MD, +YD, +LC, +LG, +LH, +MA, +MF, +MI, +TA, +TB, +TW, +YA, +YB, +YC, +77
	958 555 377 07 3T0	Espresso			+LE, +MC, +YE
	958 555 377 07 4U0	Platinum Grey			+MB, +MG, +ML
	958 555 377 07 5Q0	Black			+ME, +MH, +MJ, +MK
	958 555 377 07 6W0	Luxor Beige			I9MA/9WM
	958 555 377 07 OA6	Agate Grey			+LF, +TX, +TY, +YF
	958 555 377 07 OL7	Saddle Tan			+VA, +VB
(6)	958 555 378 07	Bracket	/R	1	+LD, +MD, +YD, +LC, +LG, +LH, +MA, +MF, +MI, +TA, +TB, +TW, +YA, +YB, +YC, +77
	958 555 378 07 DE1	Armrest Umber			+LE, +MC, +YE
	958 555 378 07 3T0	Espresso			+MB, +MG, +ML
	958 555 378 07 4U0	Platinum Grey			+ME, +MH, +MJ, +MK
	958 555 378 07 5Q0	Black			I9MA/9WM
	958 555 378 07 6W0	Luxor Beige			+LF, +TX, +TY, +YF
	958 555 378 07 OA6	Agate Grey			+VA, +VB
	958 555 378 07 OL7	Saddle Tan			+LD, +MD, +YD, +LC, +LG, +LH, +MA, +MF, +MI, +TA, +TB, +TW, +YA, +YB, +YC, +77
(6)	958 555 377 06	Bracket	/L	1	+LE, +MC, +YE
		Armrest			+MB, +MG, +ML
					+ME, +MH, +MJ, +MK
					I9MB/9WC

Model: 92A 11 Model life 2011>>

Pos	Part Number	Description	Remark	Qty	Model
	958 555 377 06 DE1	Umber			+LF, +TX, +TY, +YF
	958 555 377 06 3T0	Espresso			+VA, +VB
	958 555 377 06 4U0	Platinum Grey			+LD, +MD, +YD, +LC, +LG, +LH, +MA, +MF, +MI, +TA, +TB, +TW, +YA, +YB, +YC, +77
	958 555 377 06 5Q0	Black			+LE, +MC, +YE
	958 555 377 06 6W0	Luxor Beige			+MB, +MG, +ML
	958 555 377 06 OA6	Agate Grey			+ME, +MH, +MJ, +MK
	958 555 377 06 OL7	Saddle Tan			I9MB/9WC
(6)	958 555 378 06	Bracket Armrest	/R	1	+LF, +TX, +TY, +YF
	958 555 378 06 DE1	Umber			+VA, +VB
	958 555 378 06 3T0	Espresso			+LD, +MD, +YD, +LC, +LG, +LH, +MA, +MF, +MI, +TA, +TB, +TW, +YA, +YB, +YC, +77
	958 555 378 06 4U0	Platinum Grey			+LE, +MC, +YE
	958 555 378 06 5Q0	Black			+MB, +MG, +ML
	958 555 378 06 6W0	Luxor Beige			+ME, +MH, +MJ, +MK
	958 555 378 06 OA6	Agate Grey			I9MB/9WM
	958 555 378 06 OL7	Saddle Tan			+LF, +TX, +TY, +YF
(6)	958 555 377 08	Bracket Armrest	/L	1	+VA, +VB
	958 555 377 08 DE1	Umber			+LD, +MD, +YD, +LC, +LG, +LH, +MA, +MF, +MI, +TA, +TB, +TW, +YA, +YB, +YC, +77
	958 555 377 08 3T0	Espresso			+LE, +MC, +YE
	958 555 377 08 4U0	Platinum Grey			+MB, +MG, +ML
	958 555 377 08 5Q0	Black			+ME, +MH, +MJ, +MK
	958 555 377 08 6W0	Luxor Beige			I9MB/9WM
	958 555 377 08 OA6	Agate Grey			+LF, +TX, +TY, +YF
	958 555 377 08 OL7	Saddle Tan			+VA, +VB
(6)	958 555 378 08	Bracket Armrest	/R	1	+LD, +MD, +YD, +LC, +LG, +LH, +MA, +MF, +MI, +TA, +TB, +TW, +YA, +YB, +YC, +77
	958 555 378 08 DE1	Umber			+LE, +MC, +YE
	958 555 378 08 3T0	Espresso			+MB, +MG, +ML
	958 555 378 08 4U0	Platinum Grey			+ME, +MH, +MJ, +MK
	958 555 378 08 5Q0	Black			I9MB/9WM
	958 555 378 08 6W0	Luxor Beige			+LF, +TX, +TY, +YF
	958 555 378 08 OA6	Agate Grey			+VA, +VB
	958 555 378 08 OL7	Saddle Tan			+LD, +MD, +YD, +LC, +LG, +LH, +MA, +MF, +MI, +TA, +TB, +TW, +YA, +YB, +YC, +77
-	999 190 240 30	Blind rivet 3,2X11,0		4	+LE, +MC, +YE
		Hook			+MB, +MG, +ML
7	N 908 401 03	Oval-head screw 4,0 X 14		X	+ME, +MH, +MJ, +MK

Model: 92A 11 Model life 2011>>

Pos	Part Number	Description	Remark	Qty	Model
8	N 107 254 02	Screw M6 X 20		X	
9	958 555 161 00	Handle Door trim panel Leatherette	/L	1	I3LD
	958 555 161 00 21U	Black			+MA
	958 555 161 00 32X	Luxor Beige			+MC,+77
	958 555 161 00 7EG	Platinum Grey			+MD
	958 555 161 00 OF6	Agate Grey			+MB
(9)	958 555 162 00	Handle Door trim panel Leatherette	/R	1	I3LD
	958 555 162 00 21U	Black			+MA
	958 555 162 00 32X	Luxor Beige			+MC,+77
	958 555 162 00 7EG	Platinum Grey			+MD
	958 555 162 00 OF6	Agate Grey			+MB
(9)	958 555 161 01	Handle Door trim panel Leather	/L	1	I3LH/3LT
	958 555 161 01 A11	Black			+LC,+MI,+TW, +MF,+YA,+YB, +YC
	958 555 161 01 DE1	Umber			+LF,+TX,+TY, +YF,
	958 555 161 01 7J0	Luxor Beige			+LE,+TB,+YE,
	958 555 161 01 9B0	Platinum Grey			+LD,+YD
	958 555 161 01 OG3	Carrera Red			+TA
	958 555 161 01 OA1	Agate Grey			+MG,+ML
	958 555 161 01 OK6	Saddle Tan			+MH,+MJ,+MK, +ME,
(9)	958 555 161 01 OB8	Cohiba Brown			+LH
(9)	958 555 162 01	Handle Door trim panel Leather	/R	1	I3LH/3LT
	958 555 162 01 A11	Black			+LC,+MI,+TW, +MF,+YA,+YB, +YC
	958 555 162 01 DE1	Umber			+LF,+TX,+TY, +YF,
	958 555 162 01 7J0	Luxor Beige			+LE,+TB,+YE,
	958 555 162 01 9B0	Platinum Grey			+LD,+YD
	958 555 162 01 OG3	Carrera Red			+TA
	958 555 162 01 OA1	Agate Grey			+MG,+ML
	958 555 162 01 OK6	Saddle Tan			+MH,+MJ,+MK, +ME,
(9)	958 555 162 01 OB8	Cohiba Brown			+LH
(9)	958 555 161 02	Handle Door trim panel Leather/ Nature	/L	1	I3LM/3LX
	958 555 161 02 6J0	Espresso			+VA,+VB
(9)	958 555 162 02	Handle Door trim panel Leather/ Nature	/R	1	I3LM/3LX
	958 555 162 02 6J0	Espresso			+VA,+VB
10	958 555 437 00	Trim cover Door trim panel	/L	1	
	958 555 437 00 DE1	Umber			+LF,+TX,+TY, +YF
	958 555 437 00 3T0	Espresso			+VA,+VB
	958 555 437 00 4U0	Platinum Grey			+LD,+MD,+YD
	958 555 437 00 5Q0	Black			+LC,+LG,+LH,

Model: 92A 11 Model life 2011>>

Pos	Part Number	Description	Remark	Qty	Model
	958 555 437 00 6W0	Luxor Beige			+MA, +MF, +MI, +TA, +TB, +TW, +YA, +YB, +YC, +77
	958 555 437 00 OA6	Agate Grey			+LE, +MC, +YE
	958 555 437 00 OL7	Saddle Tan			+MB, +MG, +ML, +ME, +MH, +MJ, +MK
10	958 555 438 00	Trim cover Door trim panel	/R	1	
	958 555 438 00 DE1	Umber			+LF, +TX, +TY, +YF
	958 555 438 00 3T0	Espresso			+VA, +VB
	958 555 438 00 4U0	Platinum Grey			+LD, +MD, +YD
	958 555 438 00 5Q0	Black			+LC, +LG, +LH, +MA, +MF, +MI, +TA, +TB, +TW, +YA, +YB, +YC, +77
	958 555 438 00 6W0	Luxor Beige			+LE, +MC, +YE
	958 555 438 00 OA6	Agate Grey			+MB, +MG, +ML, +ME, +MH, +MJ, +MK
	958 555 438 00 OL7	Saddle Tan			I 3LD
11	958 555 373 00	Armrest Door trim panel Leather	/L	1	
	958 555 373 00 21U	Black			+MA
	958 555 373 00 32X	Luxor Beige			+MC, +77
	958 555 373 00 7EG	Platinum Grey			+MD
	958 555 373 00 OF6	Agate Grey			+MB
11	958 555 373 00	Armrest Door trim panel Leather	/L	1	I 4AP
	958 555 373 00 21U	Black			+MA
	958 555 373 00 32X	Luxor Beige			+MC, +77
	958 555 373 00 7EG	Platinum Grey			+MD
	958 555 373 00 OF6	Agate Grey			+MB
(11)	958 555 374 00	Armrest Door trim panel Leather	/R	1	I 3LD
	958 555 374 00 21U	Black			+MA
	958 555 374 00 32X	Luxor Beige			+MC, +77
	958 555 374 00 7EG	Platinum Grey			+MD
	958 555 374 00 OF6	Agate Grey			+MB
(11)	958 555 374 00	Armrest Door trim panel Leather	/R	1	I 4AP
	958 555 374 00 21U	Black			+MA
	958 555 374 00 32X	Luxor Beige			+MC, +77
	958 555 374 00 7EG	Platinum Grey			+MD
	958 555 374 00 OF6	Agate Grey			+MB
(11)	958 555 373 01	Armrest Door trim panel Leather	/L	1	I 3LH/3LT
	958 555 373 01 A11	Black			+LC
	958 555 373 01 DE1	Umber			+LF
	958 555 373 01 F0C	Black/Titanium Blue			+TW
	958 555 373 01 F0D	Umber/Cream			+TX
	958 555 373 01 F0E	Umber/Light Tartufo			+TY
	958 555 373 01 7J0	Luxor Beige			+LE, +TB
	958 555 373 01 8D0	Cream			LG
	958 555 373 01 9B0	Platinum Grey			+LD
	958 555 373 01 OG3	Carrera Red			+TA

Model: 92A 11 Model life 2011>>

Pos	Part Number	Description	Remark	Qty	Model
(11)	958 555 373 01 OA1	Agate Grey	/R	1	+MG
	958 555 373 01 OK6	Saddle Tan			+MH
	958 555 373 01 HAD	Black/Saddle Tan			+MI
	958 555 373 01 HAE	Saddle Tan/Cream			+MJ
	958 555 373 01 HAF	Saddle Tan/Luxor Beige			+MK
	958 555 374 01	Armrest			I3LH/3LT
		Door trim panel			
		Leather			
	958 555 374 01 A11	Black			+LC
	958 555 374 01 DE1	Umber			+LF
	958 555 374 01 F0C	Black/Titanium Blue			+TW
	958 555 374 01 F0D	Umber/Cream			+TX
	958 555 374 01 F0E	Umber/Light Tartufo			+TY
	958 555 374 01 7J0	Luxor Beige			+LE, +TB
	958 555 374 01 8D0	Cream			LG
958 555 374 01 9B0	Platinum Grey	+LD			
958 555 374 01 OG3	Carrera Red	+TA			
958 555 374 01 OA1	Agate Grey	+MG			
958 555 374 01 OK6	Saddle Tan	+MH			
958 555 374 01 HAD	Black/Saddle Tan	+MI			
958 555 374 01 HAE	Saddle Tan/Cream	+MJ			
958 555 374 01 HAF	Saddle Tan/Luxor Beige	+MK			
(11)	958 555 373 02	Armrest	/L	1	I3LM/3LX
		Door trim panel			
		Leather/			
		Nature			
958 555 373 02 F0F	Espresso/Cognac				+VB
958 555 373 02 6J0	Espresso				+VA
(11)	958 555 374 02	Armrest	/R	1	I3LM/3LX
		Door trim panel			
		Leather/			
		Nature			
958 555 374 02 F0F	Espresso/Cognac				+VB
958 555 374 02 6J0	Espresso				+VA
(11)	958 555 374 02	Armrest	/R	1	I3LM/3LX
		Door trim panel			
		Leather/			
		Nature			
958 555 374 02 F0F	Espresso/Cognac				+VB
958 555 374 02 6J0	Espresso				+VA
(11)	958 555 373 03	Armrest	/L	1	I3LS
		Door trim panel			
		Alcantara			
		Leather			
958 555 373 03 IVA	Black				+YC
958 555 373 03 IVB	Platinum Grey				+YD
958 555 373 03 IVC	Luxor Beige				+YE
958 555 373 03 IVD	Umber				+YF
958 555 373 03 IVE	Black/Carmine Red				+YA
958 555 373 03 IVF	Black/Peridot				+YB
958 555 373 03 DJN	Saddle Tan				+ME
958 555 373 03 DJQ	Agate Grey				+ML
958 555 373 03 DJS	Black/Rhodium Silver				+MF
(11)	958 555 374 03	Armrest	/R	1	I3LS
		Door trim panel			
		Alcantara			
		Leather			
958 555 374 03 IVA	Black				+YC
958 555 374 03 IVB	Platinum Grey				+YD
958 555 374 03 IVC	Luxor Beige				+YE
958 555 374 03 IVD	Umber				+YF
958 555 374 03 IVE	Black/Carmine Red				+YA
958 555 374 03 IVF	Black/Peridot				+YB

Model: 92A 11 Model life 2011>>

Pos	Part Number	Description	Remark	Qty	Model
12	958 555 374 03 DJN	Saddle Tan		1	+ME
	958 555 374 03 DJQ	Agate Grey			+ML
	958 555 374 03 DJS	Black/Rhodium Silver			+MF
	958 555 427 00	Cover	/L -11		
		Handle			
	958 555 427 00 DE1	Umber			+LF, +TX, +TY,
	958 555 427 00 3T0	Espresso			+VA, +VB
	958 555 427 00 4U0	Platinum Grey			+LD, +MD,
	958 555 427 00 5Q0	Black			+LC, +MA, +TW
	958 555 427 00 6W0	Luxor Beige			+LE, +MC
(12)	958 555 427 01	Cover	/L 12-	1	
		Handle			
	958 555 427 01 DE1	Umber	-14		+LF, +TX, +TY,
					+YF
	958 555 427 01 3T0	Espresso			+VA, +VB
	958 555 427 01 4U0	Platinum Grey	-14		+LD, +MD, +YD
	958 555 427 01 5Q0	Black			+LC, +LG, +LH,
					+MA, +MF, +MI,
					+TA, +TB, +TW,
					+YA, +YB, +YC,
(12)	958 555 427 01 6W0	Luxor Beige		1	+77
	958 555 427 02	Cover	/L 15-		+LE, +MC, +YE
		Handle			
	958 555 427 02 OA6	Agate Grey			+MB, +MG, +ML
	958 555 427 02 OL7	Saddle Tan			+ME, +MH, +MJ,
					+MK
	958 555 428 00	Cover	/R -11		
		Handle			
	958 555 428 00 DE1	Umber			+LF, +TX, +TY,
	958 555 428 00 3T0	Espresso			+VA, +VB
958 555 428 00 4U0	Platinum Grey		+LD, +MD,		
958 555 428 00 5Q0	Black		+LC, +MA, +TW		
958 555 428 00 6W0	Luxor Beige		+LE, +MC		
(12)	958 555 428 01	Cover	/R 12-	1	
		Handle			
	958 555 428 01 DE1	Umber	-14		+LF, +TX, +TY,
					+YF
	958 555 428 01 3T0	Espresso			+VA, +VB
	958 555 428 01 4U0	Platinum Grey	-14		+LD, +MD, +YD
	958 555 428 01 5Q0	Black			+LC, +LG, +LH,
					+MA, +MF, +MI,
					+TA, +TB, +TW,
					+YA, +YB, +YC,
(12)	958 555 428 01 6W0	Luxor Beige		1	+77
	958 555 428 02	Cover	/R 15-		+LE, +MC, +YE
		Handle			
	958 555 428 02 OA6	Agate Grey			+MB, +MG, +ML
	958 555 428 02 OL7	Saddle Tan			+ME, +MH, +MJ,
					+MK
	958 555 419 00	Moulding	/L		
		Door trim panel			I5TL
	958 555 419 00 6BB	Piano Black, high-gloss			
	(13)	958 555 420 00	Moulding		/R
		Door trim panel			
(13)	958 555 420 00 6BB	Piano Black, high-gloss		1	
	958 555 419 01	Moulding	/L		I5TE
		Door trim panel			
(13)	958 555 419 01 GR4	Aluminium, brushed		1	
	958 555 420 01	Moulding	/R		I5TE
		Door trim panel			
	958 555 420 01 GR4	Aluminium, brushed			

Model: 92A 11 Model life 2011>>

Pos	Part Number	Description	Remark	Qty	Model
(13)	958 555 419 02	Moulding Door trim panel	/L	1	I5MG
	958 555 419 02 BG1	Walnut, high-gloss			
(13)	958 555 420 02	Moulding Door trim panel	/R	1	I5MG
	958 555 420 02 BG1	Walnut, high-gloss			
(13)	958 555 419 03	Moulding Door trim panel	/L	1	I5MB
	958 555 419 03 CK6	Swedish Birch			
(13)	958 555 420 03	Moulding Door trim panel	/R	1	I5MB
	958 555 420 03 CK6	Swedish Birch			
(13)	958 555 419 04	Moulding Door trim panel	/L	1	I5TF
	958 555 419 04 BT2	Olive Ash matt open-pored			
(13)	958 555 420 04	Moulding Door trim panel	/R	1	I5TF
	958 555 420 04 BT2	Olive Ash matt open-pored			
(13)	958 555 419 05	Moulding Door trim panel	/L	1	I5MH
	958 555 419 05 BX3	Carbon, fine high-gloss			
(13)	958 555 420 05	Moulding Door trim panel	/R	1	I5MH
	958 555 420 05 BX3	Carbon, fine high-gloss			
(13)	958 555 419 06	Moulding Door trim panel	/L	1	I5ML
	958 555 419 06 OG1	Mahogany Yachting			
(13)	958 555 420 06	Moulding Door trim panel	/R	1	I5ML
	958 555 420 06 OG1	Mahogany Yachting			
(13)	958 555 419 07	Moulding Door trim panel	/L	1	I5MP
	958 555 419 07 OE9	American Walnut			
(13)	958 555 420 07	Moulding Door trim panel	/R	1	I5MP
	958 555 420 07 OE9	American Walnut			
14	958 555 019 00	Door opener	/L	1	
	958 555 019 00 G0B	Matt Black/Galvano Silver			
(14)	958 555 020 00	Door opener	/R	1	
	958 555 020 00 G0B	Matt Black/Galvano Silver			
15	999 703 271 40	Buffer		X	
16	970 555 523 01	Door opener Trim cover	/L	1	
	970 555 523 01 1E0	Black			
(16)	970 555 524 00	Door opener Trim cover	/R	1	
	970 555 524 00 1E0	Black			
17	958 555 347 00	Cover Door opener Including Gasket And Cover High-pitched	/L	1	
	958 555 347 00 DE1	Umber			+LF, +TX, +TY, +YF
	958 555 347 00 3T0	Espresso			+VA, +VB
	958 555 347 00 4U0	Platinum Grey			+LD, +MD, +YD, +LC, +LG, +LH,
	958 555 347 00 5Q0	Black			+MA, +MF, +MI, +TA, +TB, +TW, +YA, +YB, +YC,

Model: 92A 11 Model life 2011>>

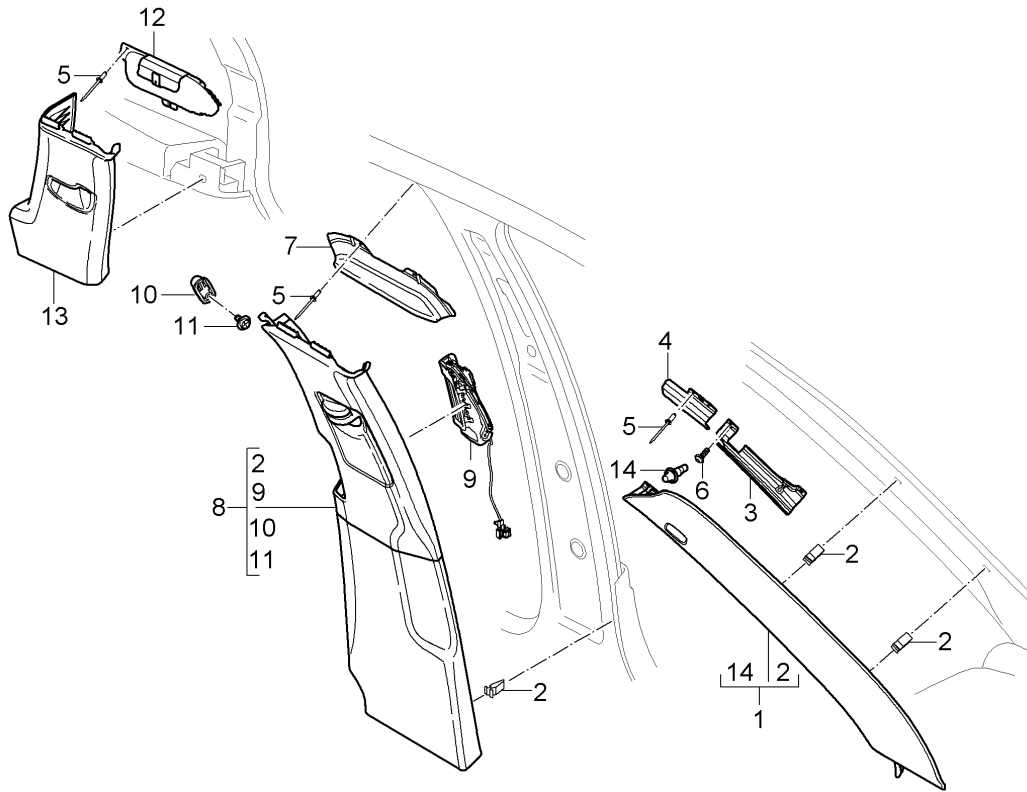
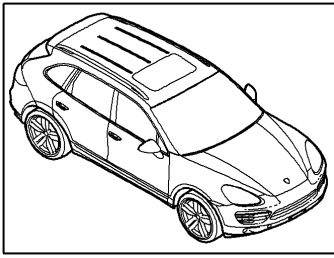
Pos	Part Number	Description	Remark	Qty	Model
	958 555 347 00 6W0	Luxor Beige			+77
	958 555 347 00 OA6	Agate Grey			+LE, +MC, +YE
	958 555 347 00 OL7	Saddle Tan			+MB, +MG, +ML
(17)	958 555 348 00	Cover	/R	1	+ME, +MH, +MJ, +MK
		Door opener			
		Including			
		Gasket			
		And			
		Cover			
		High-pitched			
	958 555 348 00 DE1	Umber			+LF, +TX, +TY, +YF
	958 555 348 00 3T0	Espresso			+VA, +VB
	958 555 348 00 4U0	Platinum Grey			+LD, +MD, +YD,
	958 555 348 00 5Q0	Black			+LC, +LG, +LH,
					+MA, +MF, +MI,
					+TA, +TB, +TW,
					+YA, +YB, +YC,
					+77
	958 555 348 00 6W0	Luxor Beige			+LE, +MC, +YE
	958 555 348 00 OA6	Agate Grey			+MB, +MG, +ML
	958 555 348 00 OL7	Saddle Tan			+ME, +MH, +MJ, +MK
18	7PP 945 699	Logo		2	I9VL
		Bose			
19	958 555 551 00	Ashtray w. waste container	/L	1	I9JB
	958 555 551 00 DE1	Umber			+LF, +YF
	958 555 551 00 DF2	Light Tartufo			+TY
	958 555 551 00 DJ3	Titanium Blue			+TW
	958 555 551 00 2S0	Cognac			+VB
	958 555 551 00 3T0	Espresso			+VA
	958 555 551 00 4U0	Platinum Grey			+LD, +MD, +YD
	958 555 551 00 5Q0	Black			+LC, +MA, +MF,
					+YA, +YB, +YC,
	958 555 551 00 5V0	Cream			+LG, +MJ, +TX
	958 555 551 00 6W0	Luxor Beige			+LE, +MC, +MK,
					+TB, +YE, +77
	958 555 551 00 OE1	Carrera Red			+TA
	958 555 551 00 OA6	Agate Grey			+MB, +MG, +ML
	958 555 551 00 OL7	Saddle Tan			+ME, +MH, +MI,
	958 555 551 00 OB8	Cohiba Brown			+LH
(19)	958 555 552 00	Ashtray w. waste container	/R	1	I9JB
	958 555 552 00 DE1	Umber			+LF, +YF
	958 555 552 00 DF2	Light Tartufo			+TY
	958 555 552 00 DJ3	Titanium Blue			+TW
	958 555 552 00 2S0	Cognac			+VB
	958 555 552 00 3T0	Espresso			+VA
	958 555 552 00 4U0	Platinum Grey			+LD, +MD, +YD
	958 555 552 00 5Q0	Black			+LC, +MA, +MF,
					+YA, +YB, +YC,
	958 555 552 00 5V0	Cream			+LG, +MJ, +TX
	958 555 552 00 6W0	Luxor Beige			+LE, +MC, +MK,
					+TB, +YE, +77
	958 555 552 00 OE1	Carrera Red			+TA
	958 555 552 00 OA6	Agate Grey			+MB, +MG, +ML
	958 555 552 00 OL7	Saddle Tan			+ME, +MH, +MI,
	958 555 552 00 OB8	Cohiba Brown			+LH
(19)	958 555 317 00	Shelf	/L	1	I9JA
	958 555 317 00 DE1	Umber			+LF, +YF
	958 555 317 00 DF2	Light Tartufo			+TY
	958 555 317 00 DJ3	Titanium Blue			+TW

Model: 92A 11 Model life 2011>>

Pos	Part Number	Description	Remark	Qty	Model
	958 555 317 00 2S0	Cognac			+VB
	958 555 317 00 3T0	Espresso			+VA
	958 555 317 00 4U0	Platinum Grey			+LD, +MD, +YD
	958 555 317 00 5Q0	Black			+LC, +MA, +MF, +YA, +YB, +YC, +LG, +MJ, +TX
	958 555 317 00 5V0	Cream			+LE, +MC, +MK, +TB, +YE, +77
	958 555 317 00 6W0	Luxor Beige			+TA
	958 555 317 00 OE1	Carrera Red			+MB, +MG, +ML
	958 555 317 00 OA6	Agate Grey			+ME, +MH, +MI, +LH
	958 555 317 00 OL7	Saddle Tan			+LH
	958 555 317 00 OB8	Cohiba Brown	15-		I9JA
(19)	958 555 318 00	Shelf	/R	1	+LF, +YF
	958 555 318 00 DE1	Umber			+TY
	958 555 318 00 DF2	Light Tartufo			+TW
	958 555 318 00 DJ3	Titanium Blue			+VB
	958 555 318 00 2S0	Cognac			+VA
	958 555 318 00 3T0	Espresso			+LD, +MD, +YD
	958 555 318 00 4U0	Platinum Grey			+LC, +MA, +MF, +YA, +YB, +YC, +LG, +MJ, +TX
	958 555 318 00 5Q0	Black			+LE, +MC, +MK, +TB, +YE, +77
	958 555 318 00 5V0	Cream			+TA
	958 555 318 00 6W0	Luxor Beige			+MB, +MG, +ML
	958 555 318 00 OE1	Carrera Red			+ME, +MH, +MI, +LH
	958 555 318 00 OA6	Agate Grey			+LH
	958 555 318 00 OL7	Saddle Tan			I9JB
	958 555 318 00 OB8	Cohiba Brown	15-		I9JB
20	958 555 413 00	Ashtray	/L	1	I9JA
		Insert			
(20)	958 555 414 00	Ashtray	/R	1	I9JA
		Insert			
21	958 555 349 00	Insert		2	I3Y0/3Y8
		Shelf			
22	958 555 685 00	Lining	/L	1	I3Y0/3Y8
		Door glass frame			
	958 555 685 00 1E0	Black			
	958 555 685 00 82V	Titanium Black			
22	958 555 686 00	Lining	/R	1	I3Y0/3Y8
		Door glass frame			
	958 555 686 00 1E0	Black			
	958 555 686 00 82V	Titanium Black			
23	N 106 213 01	Expander nut		X	
		Door trim panel			
24	955 645 982 07	Hook		1	I9WM/9WU
		Rear Seat Entertainment Receiver			
		Door			
	955 645 982 07 1E0	Black			

Model: 92A 11

Model life 2011>>



Model: 92A 11 Model life 2011>>

Pos	Part Number	Description	Remark	Qty	Model
1	958 555 233 07	Lining A-pillar B-pillar C-pillar Upper And Deformation element Lining	/L	1	I6NG/6NJ/6NL I6NQ
	958 555 233 07 6F2	A-pillar Upper left Cloth Black			+LC, +LG, +LH, +MA, +MI, +TA, +77
	958 555 233 07 DE1	Umber			+LF, +TX, +TY, +YF
	958 555 233 07 4F7	Espresso			+VA, +VB
	958 555 233 07 7F3	Luxor Beige			+LE, +MC, +YE
	958 555 233 07 9F1	Platinum Grey			+LD, +MD, +YD
	958 555 233 07 CH6	Saddle Tan	15-		+MH, +MJ, +MK,
	958 555 233 07 DR7	Agate Grey	15-		+MB, +MG
1	958 555 234 07	Lining	/R	1	I6NG/6NJ/6NL I6NQ
	958 555 234 07 6F2	A-pillar Upper left Cloth Black			+LC, +LG, +LH, +MA, +MI, +TA, +77
	958 555 234 07 DE1	Umber			+LF, +TX, +TY, +YF
	958 555 234 07 4F7	Espresso			+VA, +VB
	958 555 234 07 7F3	Luxor Beige			+LE, +MC, +YE
	958 555 234 07 9F1	Platinum Grey			+LD, +MD, +YD
	958 555 234 07 CH6	Saddle Tan	15-		+MH, +MJ, +MK,
	958 555 234 07 DR7	Agate Grey	15-		+MB, +MG
(1)	958 555 233 01	Lining	/L	1	I6NA/6NF/6NH I6NN
	958 555 233 01 2W0	A-pillar Upper left Alcantara Black			+LC, +MA, +TW, +YA, +YB, +YC, +LF, +TX, +TY, +YF,
	958 555 233 01 GN2	Umber			+LD, +MD, +YD
	958 555 233 01 8U3	Platinum Grey			+LE, +MC, +YE
	958 555 233 01 9U1	Luxor Beige			+VA, +VB
	958 555 233 01 9U7	Espresso			
(1)	958 555 233 08	Lining	/L	1	I6NA/6NF/6NH I6NN
	958 555 233 08 2W0	A-pillar Upper left Alcantara Black			+LC, +MA, +MF, +MI, +TA, +TB, +TW, +YA, +YB, +YC, +77
	958 555 233 08 GN2	Umber			+LF, +TX, +TY, +YF
	958 555 233 08 8U3	Platinum Grey			+LD, +MD, +YD
	958 555 233 08 9U1	Luxor Beige			+LE, +MC, +YE
	958 555 233 08 9U7	Espresso			+VA, +VB

Model: 92A 11 Model life 2011>>

Pos	Part Number	Description	Remark	Qty	Model
(1)	958 555 233 08 OP2	Saddle Tan	15-	1	+ME, +MH, +MJ, +MK
	958 555 233 08 OU5	Agate Grey	15-		+MB, +MG, +ML,
	958 555 234 08	Lining	/R		I6NA/6NF/6NH I6NN
		A-pillar			
		Upper right			
		Alcantara			
	958 555 234 08 2W0	Black			+LC, +MA, +MF, +MI, +TA, +TB, +TW, +YA, +YB, +YC, +77
	958 555 234 08 GN2	Umber			+LF, +TX, +TY, +YF
	958 555 234 08 8U3	Platinum Grey			+LD, +MD, +YD
	958 555 234 08 9U1	Luxor Beige			+LE, +MC, +YE
958 555 234 08 9U7	Espresso		+VA, +VB		
958 555 234 08 OP2	Saddle Tan	15-	+ME, +MH, +MJ, +MK		
958 555 234 08 OU5	Agate Grey	15-	+MB, +MG, +ML,		
2	955 555 276 00	Clip		X	
3	958 555 671 00	Deformation element	/L	1	
(3)	958 555 672 00	A-pillar			
		Left			
(3)	958 555 672 00	Deformation element	/R	1	
		A-pillar			
4	958 555 673 00	Right			
		Deformation element	/L	1	
(4)	958 555 673 00	A-pillar			
		Gusset plate			
(4)	958 555 674 00	Left			
		Deformation element	/R	1	
(4)	958 555 674 00	A-pillar			
		Gusset plate			
5	N 016 197 3	Right			
		Blind rivet		X	
6	N 909 530 04	4x6			
		Fastening screw		4	
7	958 555 917 00	M5x14			
		Baffle plate	/L	1	I3FA/3FU
(7)	958 555 917 01	B-pillar			
		Left			
(7)	958 555 917 01	Baffle plate	/L	1	I3FE
		B-pillar			
(7)	958 555 918 00	Left			
		Baffle plate	/R	1	I3FA/3FU
(7)	958 555 918 01	B-pillar			
		Right			
(7)	958 555 918 01	Baffle plate	/R	1	I3FE
		B-pillar			
8	958 555 239 00	Right			
		Lining	/L	1	I6NG/6NJ/6NL I6NQ/9AH
8	958 555 239 00	B-pillar			
		Left			
8	958 555 239 00	Cloth			
		Black			+LC, +MA
8	958 555 239 00	6F2			+LD, +MD
		Platinum Grey			+LE, +MC
8	958 555 239 00	9F1			+VA
		Luxor Beige			+LF
8	958 555 239 00	7F3			+TW
		Espresso			+TX
8	958 555 239 00	4F7			
		Umber			
8	958 555 239 00	DE1			
		Umber			
8	958 555 239 00	0ZE			
		Black/Titanium Blue			
8	958 555 239 00	0ZG			
		Umber/Cream			

Model: 92A 11 Model life 2011>>

Pos	Part Number	Description	Remark	Qty	Model
(8)	958 555 239 00 0ZJ	Umber/Light Tartufo	/L	1	+TY
	958 555 239 00 0ZL	Espresso/Cognac			+VB
	958 555 239 02	Lining			I6NG/6NJ/6NL
		B-pillar			I6NQ/9AH
		Left			
		Cloth			
	958 555 239 02 6F2	Black			+LC, +MA, +TA,
					+TB, +YA, +YB,
					+YC, +77
	958 555 239 02 9F1	Platinum Grey			+LD, +MD, +YD
	958 555 239 02 7F3	Luxor Beige			+LE, +MC, +YE
	958 555 239 02 4F7	Espresso			+VA
	958 555 239 02 DE1	Umber			+LF, +YF
	958 555 239 02 0ZE	Black/Titanium Blue			+TW
958 555 239 02 0ZG	Umber/Cream	+TX			
958 555 239 02 0ZJ	Umber/Light Tartufo	+TY			
958 555 239 02 0ZL	Espresso/Cognac	+VB			
958 555 239 02 HAL	Saddle Tan/Cream	+MJ			
958 555 239 02 HAQ	Saddle Tan/Luxor Beige	+MK			
958 555 239 02 CH6	Saddle Tan	+MH			
958 555 239 02 DR7	Agate Grey	+MB, +MG			
958 555 239 02 HAJ	Black/Saddle Tan	+MI			
(8)	958 555 240 00	Lining	/R	1	I6NG/6NJ/6NL I6NQ/9AH
		B-pillar			
		Right			
		Cloth			
958 555 240 00 6F2	Black	+LC, +MA			
958 555 240 00 9F1	Platinum Grey	+LD, +MD			
958 555 240 00 7F3	Luxor Beige	+LE, +MC			
958 555 240 00 4F7	Espresso	+VA			
958 555 240 00 DE1	Umber	+LF			
958 555 240 00 0ZE	Black/Titanium Blue	+TW			
958 555 240 00 0ZG	Umber/Cream	+TX			
958 555 240 00 0ZJ	Umber/Light Tartufo	+TY			
958 555 240 00 0ZL	Espresso/Cognac	+VB			
(8)	958 555 240 02	Lining	/R	1	I6NG/6NJ/6NL I6NQ/9AH
		B-pillar			
		Right			
		Cloth			
958 555 240 02 6F2	Black	+LC, +MA, +TA,			
		+TB, +YA, +YB,			
		+YC, +77			
958 555 240 02 9F1	Platinum Grey	+LD, +MD, +YD			
958 555 240 02 7F3	Luxor Beige	+LE, +MC, +YE			
958 555 240 02 4F7	Espresso	+VA			
958 555 240 02 DE1	Umber	+LF, +YF			
958 555 240 02 0ZE	Black/Titanium Blue	+TW			
958 555 240 02 0ZG	Umber/Cream	+TX			
958 555 240 02 0ZJ	Umber/Light Tartufo	+TY			
958 555 240 02 0ZL	Espresso/Cognac	+VB			
958 555 240 02 HAL	Saddle Tan/Cream	+MJ			
958 555 240 02 HAQ	Saddle Tan/Luxor Beige	+MK			
958 555 240 02 CH6	Saddle Tan	+MH			
958 555 240 02 DR7	Agate Grey	+MB, +MG			
958 555 240 02 HAJ	Black/Saddle Tan	+MI			
(8)	958 555 239 04	Lining	/L	1	I6NG/6NJ/6NL I6NQ/9AD
		B-pillar			
		Left			
		Cloth			

Model: 92A 11 Model life 2011>>

Pos	Part Number	Description	Remark	Qty	Model
(8)	958 555 239 04 6F2	Black	/L	1	+LC, +MA
	958 555 239 04 9F1	Platinum Grey			+LD, +MD
	958 555 239 04 7F3	Luxor Beige			+LE, +MC
	958 555 239 04 4F7	Espresso			+VA
	958 555 239 04 DE1	Umber			+LF
	958 555 239 04 0ZE	Black/Titanium Blue			+TW
	958 555 239 04 0ZG	Umber/Cream			+TX
	958 555 239 04 0ZJ	Umber/Light Tartufo			+TY
	958 555 239 04 0ZL	Espresso/Cognac			+VB
	958 555 239 08	Lining			I 6NG/6NJ/6NL
		B-pillar			I 6NQ/9AD
		Left			
		Cloth			
	958 555 239 08 6F2	Black			+LC, +MA, +TA,
					+TB, +YA, +YB,
					+YC, +77
	958 555 239 08 9F1	Platinum Grey			+LD, +MD, +YD
958 555 239 08 7F3	Luxor Beige	+LE, +MC, +YE			
958 555 239 08 4F7	Espresso	+VA			
958 555 239 08 DE1	Umber	+LF, +YF			
958 555 239 08 0ZE	Black/Titanium Blue	+TW			
958 555 239 08 0ZG	Umber/Cream	+TX			
958 555 239 08 0ZJ	Umber/Light Tartufo	+TY			
958 555 239 08 0ZL	Espresso/Cognac	+VB			
958 555 239 08 HAL	Saddle Tan/Cream	+MJ			
958 555 239 08 HAQ	Saddle Tan/Luxor Beige	+MK			
958 555 239 08 CH6	Saddle Tan	+MH			
958 555 239 08 DR7	Agate Grey	+MB, +MG			
958 555 239 08 HAJ	Black/Saddle Tan	+MI			
958 555 239 08 HIC	Black/Cohiba Brown	+LH			
(8)	958 555 240 04	Lining	/R	1	I 6NG/6NJ/6NL
		B-pillar			I 6NQ/9AD
		Right			
		Cloth			
958 555 240 04 6F2	Black	+LC, +MA			
958 555 240 04 9F1	Platinum Grey	+LD, +MD			
958 555 240 04 7F3	Luxor Beige	+LE, +MC			
958 555 240 04 4F7	Espresso	+VA			
958 555 240 04 DE1	Umber	+LF			
958 555 240 04 0ZE	Black/Titanium Blue	+TW			
958 555 240 04 0ZG	Umber/Cream	+TX			
958 555 240 04 0ZJ	Umber/Light Tartufo	+TY			
958 555 240 04 0ZL	Espresso/Cognac	+VB			
(8)	958 555 240 08	Lining	/R	1	I 6NG/6NJ/6NL
		B-pillar			I 6NQ/9AD
		Right			
		Cloth			
958 555 240 08 6F2	Black	+LC, +MA, +TA,			
		+TB, +YA, +YB,			
		+YC, +77			
958 555 240 08 9F1	Platinum Grey	+LD, +MD, +YD			
958 555 240 08 7F3	Luxor Beige	+LE, +MC, +YE			
958 555 240 08 4F7	Espresso	+VA			
958 555 240 08 DE1	Umber	+LF, +YF			
958 555 240 08 0ZE	Black/Titanium Blue	+TW			
958 555 240 08 0ZG	Umber/Cream	+TX			
958 555 240 08 0ZJ	Umber/Light Tartufo	+TY			
958 555 240 08 0ZL	Espresso/Cognac	+VB			
958 555 240 08 HAL	Saddle Tan/Cream	+MJ			
958 555 240 08 HAQ	Saddle Tan/Luxor Beige	+MK			

Model: 92A 11 Model life 2011>>

Pos	Part Number	Description	Remark	Qty	Model
(8)	958 555 240 08 CH6	Saddle Tan	/L	1	+MH
	958 555 240 08 DR7	Agate Grey			+MB, +MG
	958 555 240 08 HAJ	Black/Saddle Tan			+MI
	958 555 240 08 HIC	Black/Cohiba Brown			+LH
	958 555 239 07	Lining			I 6NA/6NF/6NH
		B-pillar			I 6NN/9AH
		Left			
		Alcantara			
	958 555 239 07 2W0	Black			+LC, +MA, +MF,
					+TA, +TB, +YA,
					+YB, +YC, +77
	958 555 239 07 8U3	Platinum Grey			+LD, +MD, +YD
	958 555 239 07 9U1	Luxor Beige			+LE, +MC, +YE
	958 555 239 07 9U7	Espresso			+VA
	958 555 239 07 GN2	Umber			+LF, +YF,
	958 555 239 07 0ZF	Black/Titanium Blue			+TW
	958 555 239 07 0ZH	Umber/Cream			+TX
958 555 239 07 0ZK	Umber/Light Tartufo	+TY			
958 555 239 07 0ZM	Espresso/Cognac	+VB			
958 555 239 07 HAK	Black/Saddle Tan	+MI			
958 555 239 07 HAM	Saddle Tan/Cream	+MJ			
958 555 239 07 HAR	Saddle Tan/Luxor Beige	+MK			
958 555 239 07 OP2	Saddle Tan	+ME, +MH			
958 555 239 07 OU5	Agate Grey	+MB, +MG, +ML			
958 555 239 07 HID	Black/Cohiba Brown	+LH			
(8)	958 555 240 07	Lining	/R	1	I 6NA/6NF/6NH
		B-pillar			I 6NN/9AH
		Left			
		Alcantara			
958 555 240 07 2W0	Black	+LC, +MA, +MF,			
		+TA, +TB, +YA,			
		+YB, +YC, +77			
958 555 240 07 8U3	Platinum Grey	+LD, +MD, +YD			
958 555 240 07 9U1	Luxor Beige	+LE, +MC, +YE			
958 555 240 07 9U7	Espresso	+VA			
958 555 240 07 GN2	Umber	+LF, +YF,			
958 555 240 07 0ZF	Black/Titanium Blue	+TW			
958 555 240 07 0ZH	Umber/Cream	+TX			
958 555 240 07 0ZK	Umber/Light Tartufo	+TY			
958 555 240 07 0ZM	Espresso/Cognac	+VB			
958 555 240 07 HAK	Black/Saddle Tan	+MI			
958 555 240 07 HAM	Saddle Tan/Cream	+MJ			
958 555 240 07 HAR	Saddle Tan/Luxor Beige	+MK			
958 555 240 07 OP2	Saddle Tan	+ME, +MH			
958 555 240 07 OU5	Agate Grey	+MB, +MG, +ML			
958 555 240 07 HID	Black/Cohiba Brown	+LH			
(8)	958 555 239 06	Lining	/L	1	I 6NA/6NF/6NH
		B-pillar			I 6NN/9AD
		Left			
		Alcantara			
958 555 239 06 2W0	Black	+LC, +MA			
958 555 239 06 8U3	Platinum Grey	+LD, +MD			
958 555 239 06 9U1	Luxor Beige	+LE, +MC			
958 555 239 06 9U7	Espresso	+VA			
958 555 239 06 GN2	Umber	+LF			
958 555 239 06 0ZF	Black/Titanium Blue	+TW			
958 555 239 06 0ZH	Umber/Cream	+TX			
958 555 239 06 0ZK	Umber/Light Tartufo	+TY			
958 555 239 06 0ZM	Espresso/Cognac	+VB			
(8)	958 555 239 09	Lining	/L	1	I 6NA/6NF/6NH

Model: 92A 11 Model life 2011>>

Pos	Part Number	Description	Remark	Qty	Model
		B-pillar Left Alcantara			I 6NN/9AD
	958 555 239 09 2W0	Black			+LC, +MA, +MF, +TA, +TB, +YA, +YB, +YC, +77 +LD, +MD, +YD +LE, +MC, +YE +VA +LF, +YF, +TW +TX +TY +VB +MI +MJ +MK +ME, +MH +MB, +MG, +ML
	958 555 239 09 8U3	Platinum Grey			
	958 555 239 09 9U1	Luxor Beige			
	958 555 239 09 9U7	Espresso			
	958 555 239 09 GN2	Umber			
	958 555 239 09 0ZF	Black/Titanium Blue			
	958 555 239 09 0ZH	Umber/Cream			
	958 555 239 09 0ZK	Umber/Light Tartufo			
	958 555 239 09 0ZM	Espresso/Cognac			
	958 555 239 09 HAK	Black/Saddle Tan			
	958 555 239 09 HAM	Saddle Tan/Cream			
	958 555 239 09 HAR	Saddle Tan/Luxor Beige			
	958 555 239 09 OP2	Saddle Tan			
	958 555 239 09 OU5	Agate Grey			
(8)	958 555 240 06	Lining	/R	1	I 6NA/6NF/6NH I 6NN/9AD
		B-pillar Right Alcantara			
	958 555 240 06 2W0	Black			+LC, +MA +LD, +MD +LE, +MC +VA +LF +TW +TX +TY +VB
	958 555 240 06 8U3	Platinum Grey			
	958 555 240 06 9U1	Luxor Beige			
	958 555 240 06 9U7	Espresso			
	958 555 240 06 GN2	Umber			
	958 555 240 06 0ZF	Black/Titanium Blue			
	958 555 240 06 0ZH	Umber/Cream			
	958 555 240 06 0ZK	Umber/Light Tartufo			
	958 555 240 06 0ZM	Espresso/Cognac			
(8)	958 555 240 09	Lining	/R	1	I 6NA/6NF/6NH I 6NN/9AD
		B-pillar Right Alcantara			
	958 555 240 09 2W0	Black			+LC, +MA, +MF, +TA, +TB, +YA, +YB, +YC, +77 +LD, +MD, +YD +LE, +MC, +YE +VA +LF, +YF, +TW +TX +TY +VB +MI +MJ +MK +ME, +MH +MB, +MG, +ML
	958 555 240 09 8U3	Platinum Grey			
	958 555 240 09 9U1	Luxor Beige			
	958 555 240 09 9U7	Espresso			
	958 555 240 09 GN2	Umber			
	958 555 240 09 0ZF	Black/Titanium Blue			
	958 555 240 09 0ZH	Umber/Cream			
	958 555 240 09 0ZK	Umber/Light Tartufo			
	958 555 240 09 0ZM	Espresso/Cognac			
	958 555 240 09 HAK	Black/Saddle Tan			
	958 555 240 09 HAM	Saddle Tan/Cream			
	958 555 240 09 HAR	Saddle Tan/Luxor Beige			
	958 555 240 09 OP2	Saddle Tan			
	958 555 240 09 OU5	Agate Grey			
9	958 555 903 00	Side vent Lining	/L	1	I 9AH
		B-pillar Upper left			
	958 555 903 00 5Q0	Black			+LC, +MA, +TW, +LD, +MD +LE, +MC +VA, +VB
	958 555 903 00 4U0	Platinum Grey			
	958 555 903 00 6W0	Luxor Beige			
	958 555 903 00 3T0	Espresso			

Model: 92A 11 Model life 2011>>

Pos	Part Number	Description	Remark	Qty	Model
(9)	958 555 903 00 DE1	Umber	/L	1	+LF, +TX, +TY, I9AH
	958 555 903 01	Side vent			
		Lining			
		B-pillar			
		Upper left			
	958 555 903 01 5Q0	Black			
	958 555 903 01 4U0	Platinum Grey			
	958 555 903 01 6W0	Luxor Beige			
	958 555 903 01 3T0	Espresso			
	958 555 903 01 OA6	Agate Grey			
958 555 903 01 OL7	Saddle Tan				
(9)	958 555 904 00	Side vent	/R	1	I9AH
		Lining			
		B-pillar			
		Upper right			
	958 555 904 00 5Q0	Black			
	958 555 904 00 4U0	Platinum Grey			
	958 555 904 00 6W0	Luxor Beige			
	958 555 904 00 3T0	Espresso			
	958 555 904 00 DE1	Umber			
	958 555 904 01	Side vent			
(9)	958 555 904 01	Side vent	/L	1	+LF, +TX, +TY, I9AH
		Lining			
		B-pillar			
		Upper right			
	958 555 904 01 5Q0	Black			
	958 555 904 01 4U0	Platinum Grey			
	958 555 904 01 6W0	Luxor Beige			
	958 555 904 01 3T0	Espresso			
	958 555 904 01 OA6	Agate Grey			
	958 555 904 01 OL7	Saddle Tan			
10	958 555 635 00	Coat hook		1	
	958 555 635 00 9B9	Black			
	958 555 635 00 82V	Titanium Black			
	958 555 635 00 6L0	Platinum Grey			
	958 555 635 00 4H0	Luxor Beige			
	958 555 635 00 7N0	Espresso			
	958 555 635 00 DE1	Umber			
	958 555 635 01	Coat hook			
10	958 555 635 01 9B9	Black		1	
	958 555 635 01 82V	Titanium Black			
	958 555 635 01 6L0	Platinum Grey			
	958 555 635 01 4H0	Luxor Beige			
	958 555 635 01 7N0	Espresso			
	958 555 635 01 DE1	Umber			
	958 555 635 01 5J0	Cream			
	958 555 635 01 9Q0	Cedar			
11	N 911 580 01	Combination screw ST 4.2X12		1	

Model: 92A 11 Model life 2011>>

Pos	Part Number	Description	Remark	Qty	Model
12	958 555 743 00	Baffle plate C-pillar Left	/L	1	
(12)	958 555 744 00	Baffle plate C-pillar Right	/R	1	
13	958 555 241 00	Lining C-pillar Left Cloth	/L	1	I 6NG/6NJ/6NL I 6NQ
	958 555 241 00 6F2	Black			+LC, +MA, +MI, +TA, +TB, +TW, +LD, +MD, +YD
	958 555 241 00 9F1	Platinum Grey			+LE, +MC, +YE, +VA, +VB
	958 555 241 00 7F3	Luxor Beige			+LF, +TX, +TY, +YF
	958 555 241 00 4F7	Espresso			+MH, +MJ, +MK +MB
	958 555 241 00 DE1	Umber			I 6NG/6NJ/6NL I 6NQ
(13)	958 555 241 00 CH6	Saddle Tan		1	
	958 555 241 00 DR7	Agate Grey			
	958 555 242 00	Lining C-pillar Right Cloth	/R	1	
	958 555 242 00 6F2	Black			+LC, +MA, +MI, +TA, +TB, +TW, +LD, +MD, +YD
	958 555 242 00 9F1	Platinum Grey			+LE, +MC, +YE, +VA, +VB
	958 555 242 00 7F3	Luxor Beige			+LF, +TX, +TY, +YF
	958 555 242 00 4F7	Espresso			+MH, +MJ, +MK +MB
	958 555 242 00 DE1	Umber			I 6NA/6NF/6NH I 6NN
(13)	958 555 241 00 CH6	Saddle Tan		1	
	958 555 241 00 DR7	Agate Grey			
	958 555 241 01	Lining C-pillar Left Alcantara	/L	1	
	958 555 241 01 2W0	Black			+LC, +MA, +MF, +MI, +TA, +TB, +TW, +YA, +YB, +YC, +77
	958 555 241 01 8U3	Platinum Grey			+LD, +MD, +YD
	958 555 241 01 9U1	Luxor Beige			+LE, +MC, +YE
	958 555 241 01 9U7	Espresso			+VA, +VB
	958 555 241 01 GN2	Umber			+LF, +TX, +TY, +YF, +LF
	958 555 241 01 OP2	Saddle Tan			+ME, +MH, +MJ, +MK
	958 555 241 01 OU5	Agate Grey			+MB, +MG, +ML
(13)	958 555 242 01	Lining C-pillar Right Alcantara	/R	1	I 6NA/6NF/6NH I 6NN
	958 555 242 01 2W0	Black			+LC, +MA, +MF, +MI, +TA, +TB, +TW, +YA, +YB, +YC, +77
	958 555 242 01 8U3	Platinum Grey			+LD, +MD, +YD
	958 555 242 01 9U1	Luxor Beige			+LE, +MC, +YE
	958 555 242 01 9U7	Espresso			+VA, +VB

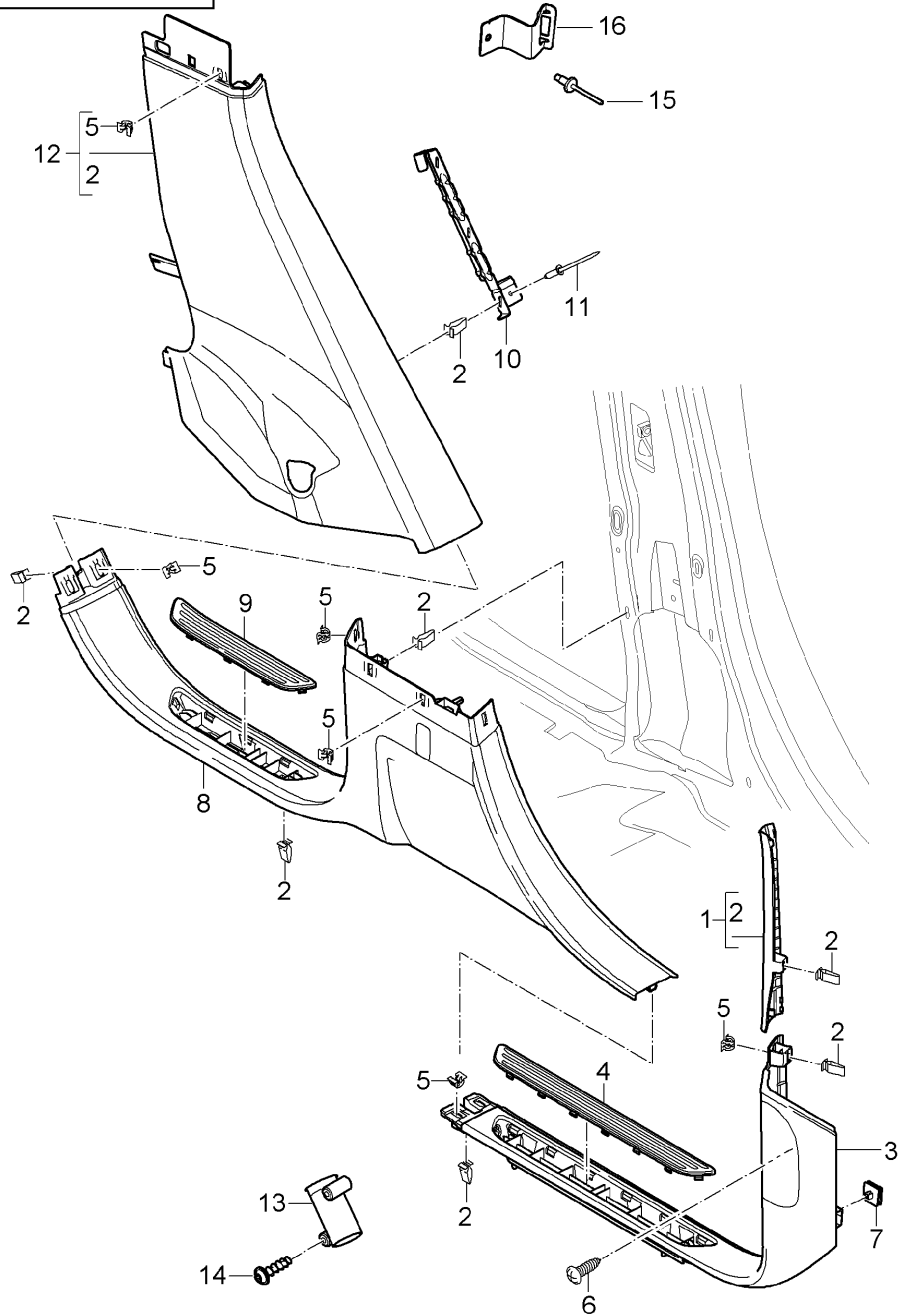
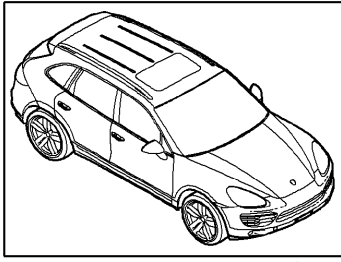
Model: 92A 11

Model life 2011>>

Pos	Part Number	Description	Remark	Qty	Model
	958 555 242 01 GN2	Umber			+LF, +TX, +TY,
	958 555 242 01 OP2	Saddle Tan			+YF, +LF
	958 555 242 01 OU5	Agate Grey			+ME, +MH, +MJ,
14	958 555 385 00	Clip		1	+MK
		Airbag			+MB, +MG, +ML
		A-pillar			
15	N 106 213 01	Expander nut		1	
		5x13.2			
16	N 907 397 04	Tapping screw		1	
		TP5x22			

Model: 92A 11

Model life 2011>>



Model: 92A 11 Model life 2011>>

Pos	Part Number	Description	Remark	Qty	Model
1	958 555 237 00	Lining	/L	1	
		A-pillar			
		B-pillar			
		C-pillar			
		Lower			
		Scuff plate			
		Insignias			
		Lining			
		A-pillar			
		Centre			
(1)	958 555 237 00 82V	Left	15-	1	+LC, +LG, +MA, +MF, +MI, +TA, +TB, +TW, +YA, +YB, +YC, +77 +LF, +TX, +TY, +YF
		Titanium Black			
		Umber			
		Luxor Beige			
		Platinum Grey			
		Espresso			
		Saddle Tan			
		Agate Grey			
		Lining			
		A-pillar			
(1)	958 555 238 00	Centre	/R	1	+LC, +LG, +MA, +MF, +MI, +TA, +TB, +TW, +YA, +YB, +YC, +77 +LF, +TX, +TY, +YF
		Left			
		Titanium Black			
		Umber			
		Luxor Beige			
		Platinum Grey			
		Espresso			
		Saddle Tan			
		Agate Grey			
		Lining			
2	958 555 238 00 82V	Centre	15-	X	+LC, +LG, +MA, +MF, +MI, +TA, +TB, +TW, +YA, +YB, +YC, +77 +LF, +TX, +TY, +YF
		Left			
		Titanium Black			
		Umber			
		Luxor Beige			
		Platinum Grey			
		Espresso			
		Saddle Tan			
		Agate Grey			
		Clip			
3	958 555 713 00	Lining	/LL /L -13	1	IL0L
		A-pillar			
		Lower			
		Left			
		Plastic material			
		Titanium Black			
		Umber			
		Light Tartufo			
		Titanium Blue			
		Luxor Beige			
3	958 555 713 00 82V	Cream	/LL /L 14-	1	+LC, +MA, +TA, +TB, +YA, +YB, +YC +LF, +YF +TY +TW +LE, +MC, +YE, +MJ, +TX +LD, +MD, +YD +VA +VB IL0L
		Platinum Grey			
		Espresso			
		Cognac			
		Lining			
		A-pillar			
		Lower			
		Left			
		Plastic material			
		Titanium Black			

Model: 92A 11

Model life 2011>>

Pos	Part Number	Description	Remark	Qty	Model
	958 555 713 21 DE1	Umber			+YA, +YB, +YC
	958 555 713 21 DF2	Light Tartufo			+LF, +YF
	958 555 713 21 4H0	Luxor Beige			+TY
	958 555 713 21 5J0	Cream			+LE, +MC, +MK,
	958 555 713 21 6L0	Platinum Grey			+YE,
	958 555 713 21 7N0	Espresso			+MJ, +TX
	958 555 713 21 8P0	Cognac			+LD, +MD, +YD
	958 555 713 21 OM8	Saddle Tan			+VA
	958 555 713 21 OP1	Agate Grey			+VB
(3)	958 555 714 00	Lining A-pillar Lower Right Plastic material	/LL /R -13	1	+ME, +MH, +MI +MB, +MG, +ML IL0L
	958 555 714 00 82V	Titanium Black			+LC, +MA, +TA, +TB, +YA, +YB, +YC
	958 555 714 00 DE1	Umber			+LF, +YF
	958 555 714 00 DF2	Light Tartufo			+TY
	958 555 714 00 DJ3	Titanium Blue			+TW
	958 555 714 00 4H0	Luxor Beige			+LE, +MC, +YE,
	958 555 714 00 5J0	Cream			+MJ, +TX
	958 555 714 00 6L0	Platinum Grey			+LD, +MD, +YD
	958 555 714 00 7N0	Espresso			+VA
	958 555 714 00 8P0	Cognac			+VB
(3)	958 555 714 21	Lining A-pillar Lower Right Plastic material	/LL /R 14-	1	IL0L
	958 555 714 21 82V	Titanium Black			+LC, +LG, +MA, +MF, +TA, +TB, +YA, +YB, +YC
	958 555 714 21 DE1	Umber			+LF, +YF
	958 555 714 21 DF2	Light Tartufo			+TY
	958 555 714 21 4H0	Luxor Beige			+LE, +MC, +MK,
	958 555 714 21 5J0	Cream			+YE,
	958 555 714 21 6L0	Platinum Grey			+MJ, +TX
	958 555 714 21 7N0	Espresso			+LD, +MD, +YD
	958 555 714 21 8P0	Cognac			+VA
	958 555 714 21 OM8	Saddle Tan			+VB
	958 555 714 21 OP1	Agate Grey			+ME, +MH, +MI
(3)	958 555 714 01	Lining A-pillar Lower Right Plastic material	/RL /R 14-	1	+MB, +MG, +ML IL0R
	958 555 714 01 82V	Titanium Black			+LC, +LG, +MA, +MF, +TA, +TB, +YA, +YB, +YC
	958 555 714 01 DE1	Umber			+LF, +YF
	958 555 714 01 DF2	Light Tartufo			+TY
	958 555 714 01 4H0	Luxor Beige			+LE, +MC, +MK,
	958 555 714 01 5J0	Cream			+YE,
	958 555 714 01 6L0	Platinum Grey			+MJ, +TX
	958 555 714 01 7N0	Espresso			+LD, +MD, +YD
	958 555 714 01 8P0	Cognac			+VA
	958 555 714 01 OM8	Saddle Tan			+VB
	958 555 714 01 OP1	Agate Grey			+ME, +MH, +MI
	958 555 714 01 OP1	Agate Grey			+MB, +MG, +ML

Model: 92A 11

Model life 2011>>

Pos	Part Number	Description	Remark	Qty	Model
(3)	958 555 713 01	Lining A-pillar Lower Left Plastic material	/RL /L	1	IL0R
	958 555 713 01 82V	Titanium Black			+LC, +LG, +MA, +MF, +TA, +TB, +YA, +YB, +YC, +77
	958 555 713 01 DE1	Umber			+LF, +YF
	958 555 713 01 DF2	Light Tartufo			+TY
	958 555 713 01 DJ3	Titanium Blue			+TW
	958 555 713 01 4H0	Luxor Beige			+LE, +MC, +MK, +YE
	958 555 713 01 5J0	Cream			+MJ, +TX
	958 555 713 01 6L0	Platinum Grey			+LD, +MD, +YD
	958 555 713 01 7N0	Espresso			+VA
	958 555 713 01 8P0	Cognac			+VB
	958 555 713 01 OM8	Saddle Tan			+ME, +MH, +MI
	958 555 713 01 OP1	Agate Grey			+MB, +MG, +ML
(3)	958 555 713 02	Lining	/L 12-	1	GTS ID6V/E0W/L0L I7M1
		A-pillar Lower Left Stainless steel			
	958 555 713 02 82V	Titanium Black			+LC, +LG, +MA, +MF, +TA, +TB, +YA, +YB, +YC, +77
	958 555 713 02 DE1	Umber			+LF, +YF
	958 555 713 02 DF2	Light Tartufo			+TY
	958 555 713 02 DJ3	Titanium Blue			+TW
	958 555 713 02 4H0	Luxor Beige			+LE, +MC, +MK, +YE
	958 555 713 02 5J0	Cream			+MJ, +TX
	958 555 713 02 6L0	Platinum Grey			+LD, +MD, +YD
	958 555 713 02 7N0	Espresso			+VA
	958 555 713 02 8P0	Cognac			+VB
	958 555 713 02 OM8	Saddle Tan			+ME, +MH, +MI
	958 555 713 02 OP1	Agate Grey			+MB, +MG, +ML
(3)	958 555 713 03	Lining	12-	1	GTS ID6V/E0W/L0R I7M1
		A-pillar Lower Left Stainless steel			
	958 555 713 03 82V	Titanium Black			+LC, +LG, +MA, +MF, +TA, +TB, +YA, +YB, +YC, +77
	958 555 713 03 DE1	Umber			+LF, +YF
	958 555 713 03 DF2	Light Tartufo			+TY
	958 555 713 03 DJ3	Titanium Blue			+TW
	958 555 713 03 4H0	Luxor Beige			+LE, +MC, +MK, +YE
	958 555 713 03 5J0	Cream			+MJ, +TX
	958 555 713 03 6L0	Platinum Grey			+LD, +MD, +YD
	958 555 713 03 7N0	Espresso			+VA
	958 555 713 03 8P0	Cognac			+VB
	958 555 713 03 OM8	Saddle Tan			+ME, +MH, +MI

Model: 92A 11 Model life 2011>>

Pos	Part Number	Description	Remark	Qty	Model	
(3)	958 555 713 03 OP1	Agate Grey	/L -13	1	+MB,+MG,+ML GTS ID6V/E0W/L0L I7M7	
	958 555 713 04	Lining				
		A-pillar				
		Lower				
		Left				
		Stainless steel with Illumination				
	958 555 713 04 82V	Titanium Black				+LC,+MA,+YA, +YB,+YC
	958 555 713 04 DE1	Umber				+LF,+YF
	958 555 713 04 DF2	Light Tartufo				+TY
	958 555 713 04 DJ3	Titanium Blue				+TW
	958 555 713 04 4H0	Luxor Beige				+LE,+MC,+YE
	958 555 713 04 5J0	Cream				+TX
	958 555 713 04 6L0	Platinum Grey				+LD,+MD,+YD
958 555 713 04 7N0	Espresso	+VA				
958 555 713 04 8P0	Cognac	+VB				
(3)	958 555 713 24	Lining	/L 14-	1	GTS ID6V/E0W/L0L I7M7	
		A-pillar				
		Lower				
		Left				
		Stainless steel with Illumination				
	958 555 713 24 82V	Titanium Black				+LC,+LG,+MA, +MF,+TA,+TB, +YA,+YB,+YC, +77
	958 555 713 24 DE1	Umber				+LF,+YF
	958 555 713 24 DF2	Light Tartufo				+TY
	958 555 713 24 4H0	Luxor Beige				+LE,+MC,+MK, +YE
	958 555 713 24 5J0	Cream				+MJ,+TX
	958 555 713 24 6L0	Platinum Grey				+LD,+MD,+YD
	958 555 713 24 7N0	Espresso				+VA
	958 555 713 24 8P0	Cognac				+VB
958 555 713 24 OM8	Saddle Tan	+ME,+MH,+MI				
958 555 713 24 OP1	Agate Grey	+MB,+MG,+ML				
(3)	958 555 713 05	Lining	/RL /L 12-	1	GTS ID6V/E0W/L0R I7M7	
		A-pillar				
		Lower				
		Left				
		Stainless steel with Illumination				
	958 555 713 05 82V	Titanium Black				+LC,+LG,+MA, +MF,+TA,+TB, +YA,+YB,+YC, +77
	958 555 713 05 DE1	Umber				+LF,+YF
	958 555 713 05 DF2	Light Tartufo				+TY
	958 555 713 05 DJ3	Titanium Blue				+TW
	958 555 713 05 4H0	Luxor Beige				+LE,+MC,+MK, +YE
	958 555 713 05 5J0	Cream				+MJ,+TX
	958 555 713 05 6L0	Platinum Grey				+LD,+MD,+YD

Model: 92A 11 Model life 2011>>

Pos	Part Number	Description	Remark	Qty	Model
(3)	958 555 713 05 7N0	Espresso	/L -13	1	+VA
	958 555 713 05 8P0	Cognac			+VB
	958 555 713 05 OM8	Saddle Tan			+ME, +MH, +MI
	958 555 713 05 OP1	Agate Grey			+MB, +MG, +ML
	958 555 713 06	Lining			GTS
					ID6V/E0W/L0L
					I7M3
		A-pillar			
		Lower			
		Left			
		Carbon			
	958 555 713 06 82V	Titanium Black			+LC, +MA, +YA,
					+YB, +YC
	958 555 713 06 DE1	Umber			+LF, +YF
	958 555 713 06 DF2	Light Tartufo			+TY
958 555 713 06 DJ3	Titanium Blue	+TW			
958 555 713 06 4H0	Luxor Beige	+LE, +MC, +YE			
958 555 713 06 5J0	Cream	+TX			
958 555 713 06 6L0	Platinum Grey	+LD, +MD, +YD			
958 555 713 06 7N0	Espresso	+VA			
958 555 713 06 8P0	Cognac	+VB			
(3) 958 555 713 26	Lining	/L 14-	1	GTS	
		ID6V/E0W/L0L			
		I7M3			
	A-pillar				
	Lower				
	Left				
	Carbon				
958 555 713 26 82V	Titanium Black	+LC, +LG, +MA,			
		+MF, +TA, +TB,			
		+YA, +YB, +YC,			
		+77			
958 555 713 26 DE1	Umber	+LF, +YF			
958 555 713 26 DF2	Light Tartufo	+TY			
958 555 713 26 4H0	Luxor Beige	+LE, +MC, +MK,			
		+YE			
958 555 713 26 5J0	Cream	+MJ, +TX			
958 555 713 26 6L0	Platinum Grey	+LD, +MD, +YD			
958 555 713 26 7N0	Espresso	+VA			
958 555 713 26 8P0	Cognac	+VB			
958 555 713 26 OM8	Saddle Tan	+ME, +MH, +MI			
958 555 713 26 OP1	Agate Grey	+MB, +MG, +ML			
(3) 958 555 713 07	Lining	/RL /L 12-	1	GTS	
		ID6V/E0W/L0R			
		I7M3			
	A-pillar				
	Lower				
	Left				
	Carbon				
958 555 713 07 82V	Titanium Black	+LC, +LG, +MA,			
		+MF, +TA, +TB,			
		+YA, +YB, +YC,			
		+77			
958 555 713 07 DE1	Umber	+LF, +YF			
958 555 713 07 DF2	Light Tartufo	+TY			
958 555 713 07 DJ3	Titanium Blue	+TW			
958 555 713 07 4H0	Luxor Beige	+LE, +MC, +MK,			
		+YE			
958 555 713 07 5J0	Cream	+MJ, +TX			
958 555 713 07 6L0	Platinum Grey	+LD, +MD, +YD			
958 555 713 07 7N0	Espresso	+VA			
958 555 713 07 8P0	Cognac	+VB			
958 555 713 07 OM8	Saddle Tan	+ME, +MH, +MI			

Model: 92A 11 Model life 2011>>

Pos	Part Number	Description	Remark	Qty	Model
(3)	958 555 713 07 OP1	Agate Grey	/L -13	1	+MB,+MG,+ML GTS ID6V/E0W/L0L I7M8
	958 555 713 08	Lining			
		A-pillar			
		Lower			
		Left			
		Carbon			
		with			
		Illumination			
	958 555 713 08 82V	Titanium Black			
	958 555 713 08 DE1	Umber			
	958 555 713 08 DF2	Light Tartufo			
	958 555 713 08 DJ3	Titanium Blue			
	(3)	958 555 713 08 4H0			
958 555 713 08 5J0		Cream			
958 555 713 08 6L0		Platinum Grey			
958 555 713 08 7N0		Espresso			
958 555 713 08 8P0		Cognac			
958 555 713 28		Lining			
		A-pillar			
		Lower			
		Left			
		Carbon			
		with			
		Illumination			
958 555 713 28 82V		Titanium Black			
958 555 713 28 DE1	Umber				
958 555 713 28 DF2	Light Tartufo				
958 555 713 28 4H0	Luxor Beige				
(3)	958 555 713 28 5J0	Cream	/RL /L 12-	1	+LC,+LG,+MA, +MF,+TA,+TB, +YA,+YB,+YC, +77 +LF,+YF +TY +LE,+MC,+MK, +YE +MJ,+TX +LD,+MD,+YD +VA +VB +ME,+MH,+MI +MB,+MG,+ML GTS ID6V/E0W/L0R I7M8
	958 555 713 28 6L0	Platinum Grey			
	958 555 713 28 7N0	Espresso			
	958 555 713 28 8P0	Cognac			
	958 555 713 28 OM8	Saddle Tan			
	958 555 713 28 OP1	Agate Grey			
	958 555 713 09	Lining			
		A-pillar			
		Lower			
		Left			
		Carbon			
		with			
		Illumination			
958 555 713 09 82V	Titanium Black				
958 555 713 09 DE1	Umber				
958 555 713 09 DF2	Light Tartufo				
958 555 713 09 DJ3	Titanium Blue				
958 555 713 09 4H0	Luxor Beige				
958 555 713 09 5J0	Cream				
958 555 713 09 6L0	Platinum Grey				

Model: 92A 11 Model life 2011>>

Pos	Part Number	Description	Remark	Qty	Model
(3)	958 555 713 09 7N0	Espresso	/LL /R 12-	1	+VA
	958 555 713 09 8P0	Cognac			+VB
	958 555 713 09 OM8	Saddle Tan			+ME, +MH, +MI
	958 555 713 09 OP1	Agate Grey			+MB, +MG, +ML
	958 555 714 02	Lining			GTS
					ID6V/E0W/L0L
					I7M1
		A-pillar			
		Lower			
		Right			
		Stainless steel			
	958 555 714 02 82V	Titanium Black			+LC, +LG, +MA, +MF, +TA, +TB, +YA, +YB, +YC, +77
	958 555 714 02 DE1	Umber			+LF, +YF
	958 555 714 02 DF2	Light Tartufo			+TY
958 555 714 02 DJ3	Titanium Blue	+TW			
958 555 714 02 4H0	Luxor Beige	+LE, +MC, +MK, +YE			
958 555 714 02 5J0	Cream	+MJ, +TX			
958 555 714 02 6L0	Platinum Grey	+LD, +MD, +YD			
958 555 714 02 7N0	Espresso	+VA			
958 555 714 02 8P0	Cognac	+VB			
958 555 714 02 OM8	Saddle Tan	+ME, +MH, +MI			
958 555 714 02 OP1	Agate Grey	+MB, +MG, +ML			
(3)	958 555 714 03	Lining	/RL /R 12-	1	GTS
			ID6V/E0W/L0R		
			I7M1		
		A-pillar			
		Lower			
		Right			
		Stainless steel			
	958 555 714 03 82V	Titanium Black	+LC, +LG, +MA, +MF, +TA, +TB, +YA, +YB, +YC, +77		
	958 555 714 03 DE1	Umber	+LF, +YF		
	958 555 714 03 DF2	Light Tartufo	+TY		
	958 555 714 03 DJ3	Titanium Blue	+TW		
	958 555 714 03 4H0	Luxor Beige	+LE, +MC, +MK, +YE		
	958 555 714 03 5J0	Cream	+MJ, +TX		
	958 555 714 03 6L0	Platinum Grey	+LD, +MD, +YD		
958 555 714 03 7N0	Espresso	+VA			
958 555 714 03 8P0	Cognac	+VB			
958 555 714 03 OM8	Saddle Tan	+ME, +MH, +MI			
958 555 714 03 OP1	Agate Grey	+MB, +MG, +ML			
(3)	958 555 714 04	Lining	/LL /R -13	1	GTS
			ID6V/E0W/L0L		
			I7M7		
		A-pillar			
		Lower			
		Right			
		Stainless steel			
		with			
		Illumination			
	958 555 714 04 82V	Titanium Black	+LC, +MA, +YA, +YB, +YC		
	958 555 714 04 DE1	Umber	+LF, +YF		
	958 555 714 04 DF2	Light Tartufo	+TY		
	958 555 714 04 DJ3	Titanium Blue	+TW		
	958 555 714 04 4H0	Luxor Beige	+LE, +MC, +YE		

Model: 92A 11 Model life 2011>>

Pos	Part Number	Description	Remark	Qty	Model	
(3)	958 555 714 04 5J0	Cream	/LL /R 14-	1	+TX	
	958 555 714 04 6L0	Platinum Grey			+LD, +MD, +YD	
	958 555 714 04 7N0	Espresso			+VA	
	958 555 714 04 8P0	Cognac			+VB	
	958 555 714 24	Lining			GTS	
					ID6V/E0W/L0L	
					I7M7	
		A-pillar				
		Lower				
		Right				
		Stainless steel				
		with				
		Illumination				
	958 555 714 24 82V	Titanium Black	+LC, +LG, +MA, +MF, +TA, +TB, +YA, +YB, +YC, +77			
	958 555 714 24 DE1	Umber	+LF, +YF			
	958 555 714 24 DF2	Light Tartufo	+TY			
	958 555 714 24 DJ3	Titanium Blue	+TW			
	958 555 714 24 4H0	Luxor Beige	+LE, +MC, +MK, +YE			
	958 555 714 24 5J0	Cream	+MJ, +TX			
	958 555 714 24 6L0	Platinum Grey	+LD, +MD, +YD			
	958 555 714 24 7N0	Espresso	+VA			
	958 555 714 24 8P0	Cognac	+VB			
	958 555 714 24 OM8	Saddle Tan	+ME, +MH, +MI			
	958 555 714 24 OP1	Agate Grey	+MB, +MG, +ML			
(3)	958 555 714 05	Lining	/RL /R 12-	1	GTS	
					ID6V/E0W/L0R	
					I7M7	
		A-pillar				
		Lower				
		Right				
		Stainless steel				
		with				
		Illumination				
		958 555 714 05 82V			Titanium Black	+LC, +LG, +MA, +MF, +TA, +TB, +YA, +YB, +YC, +77
		958 555 714 05 DE1			Umber	+LF, +YF
		958 555 714 05 DF2			Light Tartufo	+TY
		958 555 714 05 DJ3			Titanium Blue	+TW
	958 555 714 05 4H0	Luxor Beige	+LE, +MC, +MK, +YE			
	958 555 714 05 5J0	Cream	+MJ, +TX			
	958 555 714 05 6L0	Platinum Grey	+LD, +MD, +YD			
	958 555 714 05 7N0	Espresso	+VA			
	958 555 714 05 8P0	Cognac	+VB			
	958 555 714 05 OM8	Saddle Tan	+ME, +MH, +MI			
	958 555 714 05 OP1	Agate Grey	+MB, +MG, +ML			
(3)	958 555 714 06	Lining	/LL /R -13	1	GTS	
					ID6V/E0W/L0L	
					I7M3	
		A-pillar				
		Lower				
		Right				
		958 555 714 06 82V			Titanium Black	+LC, +MA, +YA, +YB, +YC
		958 555 714 06 DE1			Umber	+LF, +YF
		958 555 714 06 DF2			Light Tartufo	+TY
		958 555 714 06 DJ3			Titanium Blue	+TW

Model: 92A 11 Model life 2011>>

Pos	Part Number	Description	Remark	Qty	Model
(3)	958 555 714 06 4H0	Luxor Beige		1	+LE,+MC,+YE +TX +LD,+MD,+YD +VA +VB GTS ID6V/E0W/L0L I7M3
	958 555 714 06 5J0	Cream			
	958 555 714 06 6L0	Platinum Grey			
	958 555 714 06 7N0	Espresso			
	958 555 714 06 8P0	Cognac			
	958 555 714 26	Lining			
		A-pillar Lower Right			
	958 555 714 26 82V	Titanium Black			
	958 555 714 26 DE1	Umber			
	958 555 714 26 DF2	Light Tartufo			
(3)	958 555 714 26 DJ3	Titanium Blue		1	+LC,+LG,+MA, +MF,+TA,+TB, +YA,+YB,+YC, +77 +LF,+YF +TY +TW +LE,+MC,+MK, +YE +MJ,+TX +LD,+MD,+YD +VA +VB +ME,+MH,+MI +MB,+MG,+ML GTS ID6V/E0W/L0R I7M3
	958 555 714 26 4H0	Luxor Beige			
	958 555 714 26 5J0	Cream			
	958 555 714 26 6L0	Platinum Grey			
	958 555 714 26 7N0	Espresso			
	958 555 714 26 8P0	Cognac			
	958 555 714 26 OM8	Saddle Tan			
	958 555 714 26 OP1	Agate Grey			
	958 555 714 07	Lining			
		A-pillar Lower Right Carbon			
958 555 714 07 82V	Titanium Black				
(3)	958 555 714 07 DE1	Umber		1	+LC,+MA,+YA, +YB,+YC +LF,+YF +TY +TW +LE,+MC,+MK, +YE +MJ,+TX +LD,+MD,+YD +VA +VB +ME,+MH,+MI +MB,+MG,+ML GTS ID6V/E0W/L0L I7M8
	958 555 714 07 DF2	Light Tartufo			
	958 555 714 07 DJ3	Titanium Blue			
	958 555 714 07 4H0	Luxor Beige			
	958 555 714 07 5J0	Cream			
	958 555 714 07 6L0	Platinum Grey			
	958 555 714 07 7N0	Espresso			
	958 555 714 07 8P0	Cognac			
	958 555 714 07 OM8	Saddle Tan			
	958 555 714 07 OP1	Agate Grey			
958 555 714 08	Lining				
	A-pillar Lower Right Carbon with Illumination				
958 555 714 08 82V	Titanium Black				
958 555 714 08 DE1	Umber				
958 555 714 08 DF2	Light Tartufo				
958 555 714 08 DJ3	Titanium Blue				
958 555 714 08 4H0	Luxor Beige				

Model: 92A 11 Model life 2011>>

Pos	Part Number	Description	Remark	Qty	Model
(3)	958 555 714 08 5J0	Cream	/LL /R 14-	1	+TX
	958 555 714 08 6L0	Platinum Grey			+LD, +MD, +YD
	958 555 714 08 7N0	Espresso			+VA
	958 555 714 08 8P0	Cognac			+VB
	958 555 714 28	Lining			GTS
		A-pillar			ID6V/E0W/L0L
		Lower			I7M8
		Right			
		Carbon			
		with			
	958 555 714 28 82V	Illumination Titanium Black			+LC, +LG, +MA, +MF, +TA, +TB, +YA, +YB, +YC, +77
(3)	958 555 714 28 DE1	Umber	/RL /R 12-	1	+LF, +YF
	958 555 714 28 DF2	Light Tartufo			+TY
	958 555 714 28 DJ3	Titanium Blue			+TW
	958 555 714 28 4H0	Luxor Beige			+LE, +MC, +MK, +YE
	958 555 714 28 5J0	Cream			+MJ, +TX
	958 555 714 28 6L0	Platinum Grey			+LD, +MD, +YD
	958 555 714 28 7N0	Espresso			+VA
	958 555 714 28 8P0	Cognac			+VB
	958 555 714 28 OM8	Saddle Tan			+ME, +MH, +MI
	958 555 714 28 OP1	Agate Grey			+MB, +MG, +ML
958 555 714 09	Lining	GTS	ID6V/E0W/L0R	I7M8	
	958 555 714 09 82V	A-pillar Lower Right Carbon with Illumination Titanium Black			+LC, +LG, +MA, +MF, +TA, +TB, +YA, +YB, +YC, +77
(3)	958 555 714 09 DE1	Umber	/LL /R 12-	1	+LF, +YF
	958 555 714 09 DF2	Light Tartufo			+TY
	958 555 714 09 DJ3	Titanium Blue			+TW
	958 555 714 09 4H0	Luxor Beige			+LE, +MC, +MK, +YE
	958 555 714 09 5J0	Cream			+MJ, +TX
	958 555 714 09 6L0	Platinum Grey			+LD, +MD, +YD
	958 555 714 09 7N0	Espresso			+VA
	958 555 714 09 8P0	Cognac			+VB
	958 555 714 09 OM8	Saddle Tan			+ME, +MH, +MI
	958 555 714 09 OP1	Agate Grey			+MB, +MG, +ML
958 555 714 10	Lining	Turbo S	ID58/E8A/L0L	I7M1	
	958 555 714 10 82V	A-pillar Lower Right Stainless steel Titanium Black			+LC, +LG, +MA, +MF, +TA, +TB, +YA, +YB, +YC, +77

Model: 92A 11 Model life 2011>>

Pos	Part Number	Description	Remark	Qty	Model	
(3)	958 555 714 10 DE1	Umber		1	+LF, +YF	
	958 555 714 10 DF2	Light Tartufo			+TY	
	958 555 714 10 DJ3	Titanium Blue			+TW	
	958 555 714 10 4H0	Luxor Beige			+LE, +MC, +MK, +YE	
	958 555 714 10 5J0	Cream			+MJ, +TX	
	958 555 714 10 6L0	Platinum Grey			+LD, +MD, +YD	
	958 555 714 10 7N0	Espresso			+VA	
	958 555 714 10 8P0	Cognac			+VB	
	958 555 714 10 OM8	Saddle Tan			+ME, +MH, +MI	
	958 555 714 10 OP1	Agate Grey			+MB, +MG, +ML	
	958 555 714 11	Lining			/RL /R 12-	Turbo S ID58/E8A/L0R I7M1
	958 555 714 11 82V	A-pillar Lower Right Stainless steel Titanium Black				+LC, +LG, +MA, +MF, +TA, +TB, +YA, +YB, +YC, +77
	(3)	958 555 714 11 DE1			Umber	
958 555 714 11 DF2		Light Tartufo	+TY			
958 555 714 11 DJ3		Titanium Blue	+TW			
958 555 714 11 4H0		Luxor Beige	+LE, +MC, +MK, +YE			
958 555 714 11 5J0		Cream	+MJ, +TX			
958 555 714 11 6L0		Platinum Grey	+LD, +MD, +YD			
958 555 714 11 7N0		Espresso	+VA			
958 555 714 11 8P0		Cognac	+VB			
958 555 714 11 OM8		Saddle Tan	+ME, +MH, +MI			
958 555 714 11 OP1		Agate Grey	+MB, +MG, +ML			
958 555 713 10		Lining	/LL /L 12-	Turbo S ID58/E8A/L0L I7M1		
958 555 713 10 82V		A-pillar Lower Right Stainless steel Titanium Black		+LC, +LG, +MA, +MF, +TA, +TB, +YA, +YB, +YC, +77		
(3)		958 555 713 10 DE1	Umber		1	
	958 555 713 10 DF2	Light Tartufo	+TY			
	958 555 713 10 DJ3	Titanium Blue	+TW			
	958 555 713 10 4H0	Luxor Beige	+LE, +MC, +MK, +YE			
	958 555 713 10 5J0	Cream	+MJ, +TX			
	958 555 713 10 6L0	Platinum Grey	+LD, +MD, +YD			
	958 555 713 10 7N0	Espresso	+VA			
	958 555 713 10 8P0	Cognac	+VB			
	958 555 713 10 OM8	Saddle Tan	+ME, +MH, +MI			
	958 555 713 10 OP1	Agate Grey	+MB, +MG, +ML			
	958 555 713 11	Lining	/RL /L 12-			Turbo S ID58/E8A/L0R I7M1
	958 555 713 11 82V	A-pillar Lower Right Stainless steel Titanium Black				+LC, +LG, +MA,

Model: 92A 11 Model life 2011>>

Pos	Part Number	Description	Remark	Qty	Model
	958 555 713 11 DE1	Umber			+MF, +TA, +TB, +YA, +YB, +YC, +77
	958 555 713 11 DF2	Light Tartufo			+LF, +YF
	958 555 713 11 DJ3	Titanium Blue			+TY
	958 555 713 11 4H0	Luxor Beige			+TW
	958 555 713 11 5J0	Cream			+LE, +MC, +MK, +YE
	958 555 713 11 6L0	Platinum Grey			+MJ, +TX
	958 555 713 11 7N0	Espresso			+LD, +MD, +YD
	958 555 713 11 8P0	Cognac			+VA
	958 555 713 11 OM8	Saddle Tan			+VB
	958 555 713 11 OP1	Agate Grey			+ME, +MH, +MI
(3)	958 555 714 12	Lining	/LL /R 12-	1	+MB, +MG, +ML Turbo S ID58/E8A/L0L I7M7
		A-pillar Lower Right Stainless steel Illumination			
	958 555 714 12 82V	Titanium Black			+LC, +LG, +MA, +MF, +TA, +TB, +YA, +YB, +YC, +77
	958 555 714 12 DE1	Umber			+LF, +YF
	958 555 714 12 DF2	Light Tartufo			+TY
	958 555 714 12 DJ3	Titanium Blue			+TW
	958 555 714 12 4H0	Luxor Beige			+LE, +MC, +MK, +YE
	958 555 714 12 5J0	Cream			+MJ, +TX
	958 555 714 12 6L0	Platinum Grey			+LD, +MD, +YD
	958 555 714 12 7N0	Espresso			+VA
	958 555 714 12 8P0	Cognac			+VB
	958 555 714 12 OM8	Saddle Tan			+ME, +MH, +MI
	958 555 714 12 OP1	Agate Grey			+MB, +MG, +ML
(3)	958 555 713 12	Lining	/LL /L 12-	1	Turbo S ID58/E8A/L0L I7M7
		A-pillar Lower Left Stainless steel Illumination			
	958 555 713 12 82V	Titanium Black			+LC, +LG, +MA, +MF, +TA, +TB, +YA, +YB, +YC, +77
	958 555 713 12 DE1	Umber			+LF, +YF
	958 555 713 12 DF2	Light Tartufo			+TY
	958 555 713 12 DJ3	Titanium Blue			+TW
	958 555 713 12 4H0	Luxor Beige			+LE, +MC, +MK, +YE
	958 555 713 12 5J0	Cream			+MJ, +TX
	958 555 713 12 6L0	Platinum Grey			+LD, +MD, +YD
	958 555 713 12 7N0	Espresso			+VA
	958 555 713 12 8P0	Cognac			+VB
	958 555 713 12 OM8	Saddle Tan			+ME, +MH, +MI
	958 555 713 12 OP1	Agate Grey			+MB, +MG, +ML
(3)	958 555 714 13	Lining	/RL /R 12-	1	Turbo S ID58/E8A/L0R I7M7

Model: 92A 11

Model life 2011>>

Pos	Part Number	Description	Remark	Qty	Model
	958 555 714 13 82V	A-pillar Lower Right Stainless steel Illumination Titanium Black			+LC,+LG,+MA, +MF,+TA,+TB, +YA,+YB,+YC, +77
	958 555 714 13 DE1	Umber			+LF,+YF
	958 555 714 13 DF2	Light Tartufo			+TY
	958 555 714 13 DJ3	Titanium Blue			+TW
	958 555 714 13 4H0	Luxor Beige			+LE,+MC,+MK, +YE
	958 555 714 13 5J0	Cream			+MJ,+TX
	958 555 714 13 6L0	Platinum Grey			+LD,+MD,+YD
	958 555 714 13 7N0	Espresso			+VA
	958 555 714 13 8P0	Cognac			+VB
	958 555 714 13 OM8	Saddle Tan			+ME,+MH,+MI
	958 555 714 13 OP1	Agate Grey			+MB,+MG,+ML
(3)	958 555 713 13	Lining	/RL /L 12-	1	Turbo S ID58/E8A/L0R I7M7
	958 555 713 13 82V	A-pillar Lower Left Stainless steel Illumination Titanium Black			+LC,+LG,+MA, +MF,+TA,+TB, +YA,+YB,+YC, +77
	958 555 713 13 DE1	Umber			+LF,+YF
	958 555 713 13 DF2	Light Tartufo			+TY
	958 555 713 13 DJ3	Titanium Blue			+TW
	958 555 713 13 4H0	Luxor Beige			+LE,+MC,+MK, +YE
	958 555 713 13 5J0	Cream			+MJ,+TX
	958 555 713 13 6L0	Platinum Grey			+LD,+MD,+YD
	958 555 713 13 7N0	Espresso			+VA
	958 555 713 13 8P0	Cognac			+VB
	958 555 713 13 OM8	Saddle Tan			+ME,+MH,+MI
	958 555 713 13 OP1	Agate Grey			+MB,+MG,+ML
(3)	958 555 714 14	Lining	/LL /R 12-	1	Turbo S ID58/E8A/L0L I7M3
	958 555 714 14 82V	A-pillar Lower Right Carbon Titanium Black			+LC,+LG,+MA, +MF,+TA,+TB, +YA,+YB,+YC, +77
	958 555 714 14 DE1	Umber			+LF,+YF
	958 555 714 14 DF2	Light Tartufo			+TY
	958 555 714 14 DJ3	Titanium Blue			+TW
	958 555 714 14 4H0	Luxor Beige			+LE,+MC,+MK, +YE
	958 555 714 14 5J0	Cream			+MJ,+TX
	958 555 714 14 6L0	Platinum Grey			+LD,+MD,+YD
	958 555 714 14 7N0	Espresso			+VA
	958 555 714 14 8P0	Cognac			+VB

Model: 92A 11 Model life 2011>>

Pos	Part Number	Description	Remark	Qty	Model	
(3)	958 555 714 14 OM8	Saddle Tan	/LL /L 12-	1	+ME, +MH, +MI +MB, +MG, +ML Turbo S ID58/E8A/L0L I7M3	
	958 555 714 14 OP1	Agate Grey				
	958 555 713 14	Lining				
		A-pillar				
		Lower				
		Left				
		Carbon				
	958 555 713 14 82V	Titanium Black				+LC, +LG, +MA, +MF, +TA, +TB, +YA, +YB, +YC, +77
	958 555 713 14 DE1	Umber				+LF, +YF
	958 555 713 14 DF2	Light Tartufo				+TY
	958 555 713 14 DJ3	Titanium Blue				+TW
	958 555 713 14 4H0	Luxor Beige				+LE, +MC, +MK, +YE
	958 555 713 14 5J0	Cream				+MJ, +TX
	958 555 713 14 6L0	Platinum Grey				+LD, +MD, +YD
(3)	958 555 713 14 7N0	Espresso	/RL /R 12-	1	+VA +VB +ME, +MH, +MI +MB, +MG, +ML Turbo S ID58/E8A/L0R I7M3	
	958 555 713 14 8P0	Cognac				
	958 555 713 14 OM8	Saddle Tan				
	958 555 713 14 OP1	Agate Grey				
	958 555 714 15	Lining				
		A-pillar				
		Lower				
		Right				
		Carbon				
	958 555 714 15 82V	Titanium Black				+LC, +LG, +MA, +MF, +TA, +TB, +YA, +YB, +YC, +77
	958 555 714 15 DE1	Umber				+LF, +YF
	958 555 714 15 DF2	Light Tartufo				+TY
	958 555 714 15 DJ3	Titanium Blue				+TW
	958 555 714 15 4H0	Luxor Beige				+LE, +MC, +MK, +YE
958 555 714 15 5J0	Cream	+MJ, +TX				
958 555 714 15 6L0	Platinum Grey	+LD, +MD, +YD				
(3)	958 555 714 15 7N0	Espresso	/RL /L 12-	1	+VA +VB +ME, +MH, +MI +MB, +MG, +ML Turbo S ID58/E8A/L0R I7M3	
	958 555 714 15 8P0	Cognac				
	958 555 714 15 OM8	Saddle Tan				
	958 555 714 15 OP1	Agate Grey				
	958 555 713 15	Lining				
		A-pillar				
		Lower				
		Left				
		Carbon				
	958 555 713 15 82V	Titanium Black				+LC, +LG, +MA, +MF, +TA, +TB, +YA, +YB, +YC, +77
	958 555 713 15 DE1	Umber				+LF, +YF
	958 555 713 15 DF2	Light Tartufo				+TY
	958 555 713 15 DJ3	Titanium Blue				+TW
	958 555 713 15 4H0	Luxor Beige				+LE, +MC, +MK, +YE
958 555 713 15 5J0	Cream	+MJ, +TX				

Model: 92A 11

Model life 2011>>

Pos	Part Number	Description	Remark	Qty	Model
(3)	958 555 713 15 6L0	Platinum Grey	/LL /R 12-	1	+LD, +MD, +YD
	958 555 713 15 7N0	Espresso			+VA
	958 555 713 15 8P0	Cognac			+VB
	958 555 713 15 OM8	Saddle Tan			+ME, +MH, +MI
	958 555 713 15 OP1	Agate Grey			+MB, +MG, +ML
	958 555 714 16	Lining			Turbo S
					ID58/E8A/L0L
					I7M8
		A-pillar			
		Lower			
		Right			
		Carbon			
		Illumination			
	958 555 714 16 82V	Titanium Black			+LC, +LG, +MA,
					+MF, +TA, +TB,
					+YA, +YB, +YC,
					+77
958 555 714 16 DE1	Umber	+LF, +YF			
958 555 714 16 DF2	Light Tartufo	+TY			
958 555 714 16 DJ3	Titanium Blue	+TW			
958 555 714 16 4H0	Luxor Beige	+LE, +MC, +MK,			
		+YE			
958 555 714 16 5J0	Cream	+MJ, +TX			
958 555 714 16 6L0	Platinum Grey	+LD, +MD, +YD			
958 555 714 16 7N0	Espresso	+VA			
958 555 714 16 8P0	Cognac	+VB			
958 555 714 16 OM8	Saddle Tan	+ME, +MH, +MI			
958 555 714 16 OP1	Agate Grey	+MB, +MG, +ML			
(3) 958 555 713 16	Lining	/LL /L 12-	1	Turbo S	
				ID58/E8A/L0L	
				I7M8	
	A-pillar				
	Lower				
	Left				
	Carbon				
	Illumination				
958 555 713 16 82V	Titanium Black	+LC, +LG, +MA,			
		+MF, +TA, +TB,			
		+YA, +YB, +YC,			
		+77			
958 555 713 16 DE1	Umber	+LF, +YF			
958 555 713 16 DF2	Light Tartufo	+TY			
958 555 713 16 DJ3	Titanium Blue	+TW			
958 555 713 16 4H0	Luxor Beige	+LE, +MC, +MK,			
		+YE			
958 555 713 16 5J0	Cream	+MJ, +TX			
958 555 713 16 6L0	Platinum Grey	+LD, +MD, +YD			
958 555 713 16 7N0	Espresso	+VA			
958 555 713 16 8P0	Cognac	+VB			
958 555 713 16 OM8	Saddle Tan	+ME, +MH, +MI			
958 555 713 16 OP1	Agate Grey	+MB, +MG, +ML			
(3) 958 555 714 17	Lining	/RL /R 12-	1	Turbo S	
				ID58/E8A/L0R	
				I7M8	
	A-pillar				
	Lower				
	Right				
	Carbon				
	Illumination				
958 555 714 17 82V	Titanium Black	+LC, +LG, +MA,			
		+MF, +TA, +TB,			
		+YA, +YB, +YC,			
		+77			

Model: 92A 11 Model life 2011>>

Pos	Part Number	Description	Remark	Qty	Model			
(3)	958 555 714 17 DE1	Umber	/RL /L 12-	1	+LF, +YF			
	958 555 714 17 DF2	Light Tartufo			+TY			
	958 555 714 17 DJ3	Titanium Blue			+TW			
	958 555 714 17 4H0	Luxor Beige			+LE, +MC, +MK, +YE			
	958 555 714 17 5J0	Cream			+MJ, +TX			
	958 555 714 17 6L0	Platinum Grey			+LD, +MD, +YD			
	958 555 714 17 7N0	Espresso			+VA			
	958 555 714 17 8P0	Cognac			+VB			
	958 555 714 17 OM8	Saddle Tan			+ME, +MH, +MI			
	958 555 714 17 OP1	Agate Grey			+MB, +MG, +ML			
	958 555 713 17	Lining			Turbo S ID58/E8A/L0R I7M8			
		A-pillar						
		Lower						
		Left						
		Carbon						
		Illumination						
	958 555 713 17 82V	Titanium Black	+LC, +LG, +MA, +MF, +TA, +TB, +YA, +YB, +YC, +77					
4	958 555 713 17 DE1	Umber		2	+LF, +YF			
	958 555 713 17 DF2	Light Tartufo			+TY			
	958 555 713 17 DJ3	Titanium Blue			+TW			
	958 555 713 17 4H0	Luxor Beige			+LE, +MC, +MK, +YE			
	958 555 713 17 5J0	Cream			+MJ, +TX			
	958 555 713 17 6L0	Platinum Grey			+LD, +MD, +YD			
	958 555 713 17 7N0	Espresso			+VA			
	958 555 713 17 8P0	Cognac			+VB			
	958 555 713 17 OM8	Saddle Tan			+ME, +MH, +MI			
	958 555 713 17 OP1	Agate Grey			+MB, +MG, +ML			
	958 555 656 00	Cover			I7M0			
		Plastic material						
		958 555 656 00 82V			Titanium Black	+LC, +LG, +MA, +MF, +TA, +TB, +YA, +YB, +YC, +77		
	(4)	958 555 656 00 DE1			Umber		2	+LF, +YF
		958 555 656 00 DF2			Light Tartufo			+TY
		958 555 656 00 DJ3			Titanium Blue			+TW
958 555 656 00 4H0		Luxor Beige	+LE, +MC, +MK, +YE					
958 555 656 00 5J0		Cream	+MJ, +TX					
958 555 656 00 6L0		Platinum Grey	+LD, +MD, +YD					
958 555 656 00 7N0		Espresso	+VA					
958 555 656 00 8P0		Cognac	+VB					
958 555 656 00 OM8		Saddle Tan	+ME, +MH, +MI					
958 555 656 00 OP1		Agate Grey	+MB, +MG, +ML					
958 555 467 00		Cover	IDD7/DV7/D1V ID11/D34/D43 ID50/D51/7M1					
		Logo						
		Cayenne						
958 555 467 00 6M7		Stainless steel						
958 555 467 01		Cover	IDD8/DU2/D19 ID6V/7M1					
		Logo						
	Cayenne S							
958 555 467 01 6M7	Stainless steel							
958 555 467 02	Cover	IDT1/D58/7M1						

Model: 92A 11 Model life 2011>>

Pos	Part Number	Description	Remark	Qty	Model
(4)	958 555 467 02 6M7 958 555 467 03	Logo Cayenne turbo Stainless steel Cover		2	ID6V/E0W/7M1
(4)	958 555 467 03 6M7 958 555 467 30	Logo Cayenne GTS Stainless steel Cover		2	IDU3/E0W/7M1
(4)	958 555 467 30 6M7 958 555 467 04	Logo Cayenne GTS Stainless steel Cover		2	IDT1/D58/E8A I7M1
(4)	958 555 467 04 6M7 958 555 467 06	Logo Cayenne Turbo S Stainless steel Cover		2	IE0L/7M1
(4)	958 555 467 06 6M7 958 555 467 07	Logo PLATINUM EDITION Stainless steel Cover		2	IDD7/DV7/D1V ID11/D34/D43 ID50/D51/7M7
(4)	958 555 467 07 6M7 958 555 467 08	Logo Cayenne with Illumination Stainless steel Cover		2	IDD8/DU2/D19 ID6V/7M7
(4)	958 555 467 08 6M7 958 555 467 09	Logo Cayenne S with Illumination Stainless steel Cover		2	ID19/7M7
(4)	958 555 467 09 6M7 958 555 467 10	Logo Cayenne S with Illumination in Green Stainless steel Cover		2	IDT1/D58/7M7
(4)	958 555 467 10 6M7 958 555 467 05	Logo Cayenne turbo with Illumination Stainless steel Cover		2	IDU3/D6V/E0W I7M7
(4)	958 555 467 05 6M7 958 555 467 11	Logo Cayenne GTS with Illumination Stainless steel Cover		2	IDT1/D58/E8A I7M7
	958 555 467 11 6M7	Logo Cayenne Turbo S with Illumination Stainless steel			

Model: 92A 11 Model life 2011>>

Pos	Part Number	Description	Remark	Qty	Model
(4)	958 555 467 12	Cover Logo Cayenne		2	ID1V/D11/D34 ID43/D50/7M3
(4)	958 555 467 12 BX3 958 555 467 13	Carbon, fine high-gloss Cover Logo Cayenne S		2	IDD8/DU2/D19 ID6V/7M3
(4)	958 555 467 13 BX3 958 555 467 14	Carbon, fine high-gloss Cover Logo Cayenne turbo		2	IDT1/D58/E81 I7M3
(4)	958 555 467 14 BX3 958 555 467 15	Carbon, fine high-gloss Cover Logo Cayenne GTS		2	IDU3/D6V/E0W I7M3
(4)	958 555 467 15 BX3 958 555 467 16	Carbon, fine high-gloss Cover Logo Cayenne Turbo S		2	IDT5/D58/E8A I7M3
(4)	958 555 467 16 BX3 958 555 467 17	Carbon, fine high-gloss Cover Logo Cayenne with Illumination		2	IDD7/DV7/D1V ID11/D34/D43 ID50/D51/7M8
(4)	958 555 467 17 BX3 958 555 467 18	Carbon, fine high-gloss Cover Logo Cayenne S with Illumination		2	IDD8/DU2/D19 ID6V/7M8
(4)	958 555 467 18 BX3 958 555 467 19	Carbon, fine high-gloss Cover Logo Cayenne S with Illumination in Green		2	ID19/7M8
(4)	958 555 467 19 BX3 958 555 467 20	Carbon, fine high-gloss Cover Logo Cayenne turbo with Illumination		2	IDT1/D58/E81 I7M8
(4)	958 555 467 20 BX3 958 555 467 21	Carbon, fine high-gloss Cover Logo Cayenne GTS with Illumination		2	IDU3/D6V/E0W I7M8
(4)	958 555 467 21 BX3 958 555 467 22	Carbon, fine high-gloss Cover Logo Cayenne GTS with Illumination		2	IDT5/D58/E8A

Model: 92A 11 Model life 2011>>

Pos	Part Number	Description	Remark	Qty	Model
		Logo Cayenne Turbo S with Illumination			I7M8
5	958 555 467 22 BX3 955 555 208 00	Carbon, fine high-gloss Clamp		X	
6	N 911 604 01	Screw		X	
6	N 909 747 01	Oval-head sheetmetal screw		X	
7	7PP 867 300	Velcro fastener		X	
8	958 555 845 00	Scuff plate B-pillar Left	/L	1	I7AC/7AK/7AL
	958 555 845 00 82V	Titanium Black			+LC, +LG, +MA, +MF, +TA, +TB, +YA, +YB, +YC, +77
	958 555 845 00 DE1	Umber			+LF, +YF
	958 555 845 00 DF2	Light Tartufo			+TY
	958 555 845 00 DJ3	Titanium Blue			+TW
	958 555 845 00 4H0	Luxor Beige			+LE, +MC, +MK, +YE
	958 555 845 00 5J0	Cream			+MJ, +TX
	958 555 845 00 6L0	Platinum Grey			+LD, +MD, +YD
	958 555 845 00 7N0	Espresso			+VA
	958 555 845 00 8P0	Cognac			+VB
	958 555 845 00 OM8	Saddle Tan			+ME, +MH, +MI,
(8)	958 555 845 00 OP1	Agate Grey			+MB, +MG, +ML,
	958 555 845 01	Scuff plate B-pillar Left	/L	1	I7AH
	958 555 845 01 82V	Titanium Black			+LC, +LG, +MA, +MF, +TA, +TB, +YA, +YB, +YC, +77
	958 555 845 01 DE1	Umber			+LF, +YF
	958 555 845 01 DF2	Light Tartufo			+TY
	958 555 845 01 DJ3	Titanium Blue			+TW
	958 555 845 01 4H0	Luxor Beige			+LE, +MC, +YE +MK
	958 555 845 01 5J0	Cream			+MJ, +TX
	958 555 845 01 6L0	Platinum Grey			+LD, +MD, +YD
	958 555 845 01 7N0	Espresso			+VA
	958 555 845 01 8P0	Cognac			+VB
	958 555 845 01 OM8	Saddle Tan			+ME, +MH, +MI,
(8)	958 555 845 01 OP1	Agate Grey			+MB, +MG, +ML,
	958 555 846 00	Scuff plate B-pillar Right	/R	1	
	958 555 846 00 82V	Titanium Black			+LC, +LG, +MA, +MF, +TA, +TB, +YA, +YB, +YC, +77
	958 555 846 00 DE1	Umber			+LF, +YF
	958 555 846 00 DF2	Light Tartufo			+TY
	958 555 846 00 DJ3	Titanium Blue			+TW
	958 555 846 00 4H0	Luxor Beige			+LE, +MC, +YE +MK
	958 555 846 00 5J0	Cream			+MJ, +TX
	958 555 846 00 6L0	Platinum Grey			+LD, +MD, +YD
	958 555 846 00 7N0	Espresso			+VA
	958 555 846 00 8P0	Cognac			+VB
	958 555 846 00 OM8	Saddle Tan			+ME, +MH, +MI,

Model: 92A 11 Model life 2011>>

Pos	Part Number	Description	Remark	Qty	Model
(8)	958 555 846 00 OP1 958 555 847 00	Agate Grey Scuff plate	/L 12-13	1	+MB, +MG, +ML, GTS ID6V/E0W/7AC I7AK/7AL/7M7
	958 555 847 00 82V	Stainless steel with Illumination Titanium Black			+LC, +MA, +YA, +YB, +YC +LF, +YF
	958 555 847 00 DE1	Umber			+TY
	958 555 847 00 DF2	Light Tartufo			+TW
	958 555 847 00 DJ3	Titanium Blue			+LE, +MC, +YE
	958 555 847 00 4H0	Luxor Beige			+TX
	958 555 847 00 5J0	Cream			+LD, +MD, +YD
	958 555 847 00 6L0	Platinum Grey			+VA
	958 555 847 00 7N0	Espresso			+VB
(8)	958 555 847 00 8P0 958 555 847 01	Cognac Scuff plate	/L 14-	1	GTS IDU3/D6V/E0W I7AC/7AK/7AL I7M7
	958 555 847 01 82V	Stainless steel with Illumination Titanium Black			+LC, +LG, +MA, +MF, +TA, +TB, +YA, +YB, +YC, +77
	958 555 847 01 DE1	Umber			+LF, +YF
	958 555 847 01 DF2	Light Tartufo			+TY
	958 555 847 01 DJ3	Titanium Blue			+TW
	958 555 847 01 4H0	Luxor Beige			+LE, +MC, +YE
	958 555 847 01 5J0	Cream			+MK
	958 555 847 01 6L0	Platinum Grey			+MJ, +TX
	958 555 847 01 7N0	Espresso			+LD, +MD, +YD
	958 555 847 01 8P0	Cognac			+VA
	958 555 847 01 OM8	Saddle Tan			+VB
(8)	958 555 847 01 OP1 958 555 848 00	Agate Grey Scuff plate	/L 12-13	1	+ME, +MH, +MI, +MB, +MG, +ML, GTS ID6V/E0W/7AH I7M7
	958 555 848 00 82V	Stainless steel with Illumination Titanium Black			+LC, +MA, +YA, +YB, +YC +LF, +YF
	958 555 848 00 DE1	Umber			+TY
	958 555 848 00 DF2	Light Tartufo			+TW
	958 555 848 00 DJ3	Titanium Blue			+LE, +MC, +YE
	958 555 848 00 4H0	Luxor Beige			+TX
	958 555 848 00 5J0	Cream			+LD, +MD, +YD
	958 555 848 00 6L0	Platinum Grey			+VA
	958 555 848 00 7N0	Espresso			+VB
(8)	958 555 848 00 8P0 958 555 848 01	Cognac Scuff plate	/L 14-	1	GTS IDU3/D6V/E0W I7AH/7M7
	958 555 848 01 82V	Stainless steel with Illumination Titanium Black			+LC, +LG, +MA, +MF, +TA, +TB,

Model: 92A 11 Model life 2011>>

Pos	Part Number	Description	Remark	Qty	Model
	958 555 848 01 DE1	Umber			+YA,+YB,+YC, +77
	958 555 848 01 DF2	Light Tartufo			+LF,+YF
	958 555 848 01 DJ3	Titanium Blue			+TY
	958 555 848 01 4H0	Luxor Beige			+TW
	958 555 848 01 5J0	Cream			+LE,+MC,+YE
	958 555 848 01 6L0	Platinum Grey			+MK
	958 555 848 01 7N0	Espresso			+MJ,+TX
	958 555 848 01 8P0	Cognac			+LD,+MD,+YD
	958 555 848 01 OM8	Saddle Tan			+VA
	958 555 848 01 OP1	Agate Grey			+VB
(8)	958 555 849 00	Scuff plate	/L 12-13	1	+ME,+MH,+MI, +MB,+MG,+ML, GTS ID6V/E0W/7AC I7AK/7AL/7M3
	958 555 849 00 82V	Carbon Titanium Black			+LC,+MA,+YA, +YB,+YC
	958 555 849 00 DE1	Umber			+LF,+YF
	958 555 849 00 DF2	Light Tartufo			+TY
	958 555 849 00 DJ3	Titanium Blue			+TW
	958 555 849 00 4H0	Luxor Beige			+LE,+MC,+YE
	958 555 849 00 5J0	Cream			+TX
	958 555 849 00 6L0	Platinum Grey			+LD,+MD,+YD
	958 555 849 00 7N0	Espresso			+VA
	958 555 849 00 8P0	Cognac			+VB
(8)	958 555 849 01	Scuff plate	/L 14-	1	GTS IDU3/D6V/E0W I7AC/7AK/7AL I7M3
	958 555 849 01 82V	Carbon Titanium Black			+LC,+LG,+MA, +MF,+TA,+TB, +YA,+YB,+YC, +77
	958 555 849 01 DE1	Umber			+LF,+YF
	958 555 849 01 DF2	Light Tartufo			+TY
	958 555 849 01 DJ3	Titanium Blue			+TW
	958 555 849 01 4H0	Luxor Beige			+LE,+MC,+YE
	958 555 849 01 5J0	Cream			+MK
	958 555 849 01 6L0	Platinum Grey			+MJ,+TX
	958 555 849 01 7N0	Espresso			+LD,+MD,+YD
	958 555 849 01 8P0	Cognac			+VA
	958 555 849 01 OM8	Saddle Tan			+VB
	958 555 849 01 OP1	Agate Grey			+ME,+MH,+MI, +MB,+MG,+ML, GTS
(8)	958 555 850 00	Scuff plate	/L 12-13	1	ID6V/E0W/7AH I7M3
	958 555 850 00 82V	Carbon Titanium Black			+LC,+MA,+YA, +YB,+YC
	958 555 850 00 DE1	Umber			+LF,+YF
	958 555 850 00 DF2	Light Tartufo			+TY
	958 555 850 00 DJ3	Titanium Blue			+TW
	958 555 850 00 4H0	Luxor Beige			+LE,+MC,+YE
	958 555 850 00 5J0	Cream			+TX
	958 555 850 00 6L0	Platinum Grey			+LD,+MD,+YD
	958 555 850 00 7N0	Espresso			+VA
	958 555 850 00 8P0	Cognac			+VB
(8)	958 555 850 01	Scuff plate	/L 14-	1	GTS IDU3/D6V/E0W

Model: 92A 11

Model life 2011>>

Pos	Part Number	Description	Remark	Qty	Model
		Carbon			I7AH/7M3
	958 555 850 01 82V	Titanium Black			+LC, +LG, +MA, +MF, +TA, +TB, +YA, +YB, +YC, +77
	958 555 850 01 DE1	Umber			+LF, +YF
	958 555 850 01 DF2	Light Tartufo			+TY
	958 555 850 01 DJ3	Titanium Blue			+TW
	958 555 850 01 4H0	Luxor Beige			+LE, +MC, +YE
					+MK
	958 555 850 01 5J0	Cream			+MJ, +TX
	958 555 850 01 6L0	Platinum Grey			+LD, +MD, +YD
	958 555 850 01 7N0	Espresso			+VA
	958 555 850 01 8P0	Cognac			+VB
	958 555 850 01 OM8	Saddle Tan			+ME, +MH, +MI,
	958 555 850 01 OP1	Agate Grey			+MB, +MG, +ML,
(8)	958 555 851 00	Scuff plate	/L 12-13	1	GTS ID6V/E0W/7AC I7AK/7AL/7M8
		Carbon with Illumination			
	958 555 851 00 82V	Titanium Black			+LC, +MA, +YA, +YB, +YC
	958 555 851 00 DE1	Umber			+LF, +YF
	958 555 851 00 DF2	Light Tartufo			+TY
	958 555 851 00 DJ3	Titanium Blue			+TW
	958 555 851 00 4H0	Luxor Beige			+LE, +MC, +YE
	958 555 851 00 5J0	Cream			+TX
	958 555 851 00 6L0	Platinum Grey			+LD, +MD, +YD
	958 555 851 00 7N0	Espresso			+VA
	958 555 851 00 8P0	Cognac			+VB
(8)	958 555 851 01	Scuff plate	/L 14-	1	GTS IDU3/D6V/E0W I7AC/7AK/7AL I7M8
		Carbon with Illumination			
	958 555 851 01 82V	Titanium Black			+LC, +LG, +MA, +MF, +TA, +TB, +YA, +YB, +YC, +77
	958 555 851 01 DE1	Umber			+LF, +YF
	958 555 851 01 DF2	Light Tartufo			+TY
	958 555 851 01 DJ3	Titanium Blue			+TW
	958 555 851 01 4H0	Luxor Beige			+LE, +MC, +YE
					+MK
	958 555 851 01 5J0	Cream			+MJ, +TX
	958 555 851 01 6L0	Platinum Grey			+LD, +MD, +YD
	958 555 851 01 7N0	Espresso			+VA
	958 555 851 01 8P0	Cognac			+VB
	958 555 851 01 OM8	Saddle Tan			+ME, +MH, +MI,
	958 555 851 01 OP1	Agate Grey			+MB, +MG, +ML,
(8)	958 555 852 00	Scuff plate	/L 12-13	1	GTS ID6V/E0W/7AH I7M8
		Carbon with Illumination			
	958 555 852 00 82V	Titanium Black			+LC, +MA, +YA, +YB, +YC

Model: 92A 11 Model life 2011>>

Pos	Part Number	Description	Remark	Qty	Model
(8)	958 555 852 00 DE1	Umber	/L 14-	1	+LF, +YF
	958 555 852 00 DF2	Light Tartufo			+TY
	958 555 852 00 DJ3	Titanium Blue			+TW
	958 555 852 00 4H0	Luxor Beige			+LE, +MC, +YE
	958 555 852 00 5J0	Cream			+TX
	958 555 852 00 6L0	Platinum Grey			+LD, +MD, +YD
	958 555 852 00 7N0	Espresso			+VA
	958 555 852 00 8P0	Cognac			+VB
	958 555 852 01	Scuff plate			GTS
					IDU3/D6V/E0W
		I7AH/7M8			
(8)	958 555 852 01 82V	Carbon with Illumination Titanium Black	/R 12-13	1	+LC, +LG, +MA, +MF, +TA, +TB, +YA, +YB, +YC, +77
	958 555 852 01 DE1	Umber			+LF, +YF
	958 555 852 01 DF2	Light Tartufo			+TY
	958 555 852 01 DJ3	Titanium Blue			+TW
	958 555 852 01 4H0	Luxor Beige			+LE, +MC, +YE
	958 555 852 01 5J0	Cream			+MK
	958 555 852 01 6L0	Platinum Grey			+MJ, +TX
	958 555 852 01 7N0	Espresso			+LD, +MD, +YD
	958 555 852 01 8P0	Cognac			+VA
	958 555 852 01 OM8	Saddle Tan			+VB
(8)	958 555 852 01 OP1	Agate Grey	/R -14	1	+ME, +MH, +MI, +MB, +MG, +ML, GTS
	958 555 853 00	Scuff plate			ID6V/E0W/7M7
		Stainless steel with Illumination			
	958 555 853 00 82V	Titanium Black			+LC, +MA, +YA, +YB, +YC
	958 555 853 00 DE1	Umber			+LF, +YF
	958 555 853 00 DF2	Light Tartufo			+TY
	958 555 853 00 DJ3	Titanium Blue			+TW
	958 555 853 00 4H0	Luxor Beige			+LE, +MC, +YE
	958 555 853 00 5J0	Cream			+TX
(8)	958 555 853 00 6L0	Platinum Grey	/R -14	1	+LD, +MD, +YD
	958 555 853 00 7N0	Espresso			+VA
	958 555 853 00 8P0	Cognac			+VB
	958 555 853 01	Scuff plate			GTS
					IDU3/D6V/E0W
					I7M7
		Stainless steel with Illumination			
	958 555 853 01 82V	Titanium Black			+LC, +LG, +MA, +MF, +TA, +TB, +YA, +YB, +YC, +77
	958 555 853 01 DE1	Umber			+LF, +YF
958 555 853 01 DF2	Light Tartufo	+TY			
958 555 853 01 DJ3	Titanium Blue	+TW			
958 555 853 01 4H0	Luxor Beige	+LE, +MC, +YE			
(8)	958 555 853 01 5J0	Cream	/R -14	1	+MK
	958 555 853 01 6L0	Platinum Grey			+MJ, +TX
	958 555 853 01 7N0	Espresso			+LD, +MD, +YD
	958 555 853 01 8P0	Cognac			+VA
					+VB
					GTS

Model: 92A 11 Model life 2011>>

Pos	Part Number	Description	Remark	Qty	Model
(8)	958 555 853 01 OM8	Saddle Tan	/R 15-	1	+ME, +MH, +MI +MB, +MG, +ML, GTS IDU3/E0W/7M7
	958 555 853 01 OP1	Agate Grey			
	958 555 853 02	Scuff plate			
		Stainless steel with Illumination			
	958 555 853 02 OB8	Cohiba Brown			
	958 555 853 02 5J0	Cream			
	958 555 853 02 7N0	Espresso			
	958 555 853 02 8P0	Cognac			
	958 555 853 02 4H0	Luxor Beige			
	958 555 853 02 82V	Titanium Black			
(8)	958 555 853 02 OM8	Saddle Tan	/R 12-13	1	+ME, +MH, +MI +MB, +MG, +ML GTS ID6V/E0W/7M3
	958 555 853 02 OP1	Agate Grey			
	958 555 854 00	Scuff plate			
		Carbon			
	958 555 854 00 82V	Titanium Black			
	958 555 854 00 DE1	Umber			
	958 555 854 00 DF2	Light Tartufo			
	958 555 854 00 DJ3	Titanium Blue			
	958 555 854 00 4H0	Luxor Beige			
	958 555 854 00 5J0	Cream			
(8)	958 555 854 00 6L0	Platinum Grey	/R 14-	1	+LD, +MD, +YD +VA +VB GTS IDU3/D6V/E0W I7M3
	958 555 854 00 7N0	Espresso			
	958 555 854 00 8P0	Cognac			
	958 555 854 01	Scuff plate			
		Carbon			
	958 555 854 01 82V	Titanium Black			
	958 555 854 01 DE1	Umber			
	958 555 854 01 DF2	Light Tartufo			
	958 555 854 01 DJ3	Titanium Blue			
	958 555 854 01 4H0	Luxor Beige			
(8)	958 555 854 01 5J0	Cream	/R 12-13	1	+ME, +MH, +MI +MB, +MG, +ML, GTS ID6V/E0W/7M8
	958 555 854 01 6L0	Platinum Grey			
	958 555 854 01 7N0	Espresso			
	958 555 854 01 8P0	Cognac			
	958 555 854 01 OM8	Saddle Tan			
	958 555 854 01 OP1	Agate Grey			
	958 555 855 00	Scuff plate			
		Carbon with Illumination			
	958 555 855 00 82V	Titanium Black			
	958 555 855 00 DE1	Umber			
958 555 855 00 DF2	Light Tartufo				
958 555 855 00 DJ3	Titanium Blue				
958 555 855 00 4H0	Luxor Beige				
958 555 855 00 5J0	Cream				
958 555 855 00 6L0	Platinum Grey				

Model: 92A 11

Model life 2011>>

Pos	Part Number	Description	Remark	Qty	Model	
(8)	958 555 855 00 7N0	Espresso	/R 14-	1	+VA	
	958 555 855 00 8P0	Cognac			+VB	
	958 555 855 01	Scuff plate			GTS	
					IDU3/D6V/E0W	
					I7M8	
	958 555 855 01 82V	Carbon with Illumination Titanium Black			+LC, +LG, +MA, +MF, +TA, +TB, +YA, +YB, +YC, +77	
	958 555 855 01 DE1	Umber			+LF, +YF	
	958 555 855 01 DF2	Light Tartufo			+TY	
	958 555 855 01 DJ3	Titanium Blue			+TW	
	958 555 855 01 4H0	Luxor Beige			+LE, +MC, +YE	
	958 555 855 01 5J0	Cream			+MK	
	958 555 855 01 6L0	Platinum Grey			+MJ, +TX	
	958 555 855 01 7N0	Espresso			+LD, +MD, +YD	
	958 555 855 01 8P0	Cognac			+VA	
9	958 555 855 01 OM8	Saddle Tan	+VB			
	958 555 855 01 OP1	Agate Grey	+ME, +MH, +MI			
	958 555 793 00	Cover Left Plastic material	+MB, +MG, +ML, I7M0			
	958 555 793 00 82V	Titanium Black				
	958 555 793 00 6L0	Platinum Grey				
	958 555 793 00 4H0	Luxor Beige				
	958 555 793 00 DE1	Umber				
	958 555 793 00 DF2	Light Tartufo				
	958 555 793 00 DJ3	Titanium Blue				
	958 555 793 00 5J0	Cream				
	958 555 793 00 7N0	Espresso				
	958 555 793 00 8P0	Cognac				
	958 555 793 00 OP1	Agate Grey				
	(9)	958 555 794 00	Cover Right Plastic material	/R	1	I7M0
(9)	958 555 794 00 82V	Titanium Black				
	958 555 794 00 6L0	Platinum Grey				
	958 555 794 00 4H0	Luxor Beige				
	958 555 794 00 DE1	Umber				
	958 555 794 00 DF2	Light Tartufo				
	958 555 794 00 DJ3	Titanium Blue				
	958 555 794 00 5J0	Cream				
	958 555 794 00 7N0	Espresso				
	958 555 794 00 8P0	Cognac				
	958 555 794 00 OP1	Agate Grey				
	(9)	958 555 793 01	Cover Left	/L	1	I7M1
	(9)	958 555 793 01 6M7	Stainless steel			
		958 555 793 06	Cover Left Logo Cayenne with Illumination	/L	1	IDD7/DV7/D1V ID11/D34/D43 ID50/D51/7M7
	(9)	958 555 793 06 6M7	Stainless steel			
(9)	958 555 793 07	Cover	/L	1	IDD8/DU2/D19 ID6V/7M7	

Model: 92A 11 Model life 2011>>

Pos	Part Number	Description	Remark	Qty	Model
(9)	958 555 793 07 6M7 958 555 793 08	Left Logo Cayenne S with Illumination Stainless steel Cover	/L	1	IDT1/D58/7M7
(9)	958 555 793 08 6M7 958 555 793 18	Left Logo Cayenne turbo with Illumination Stainless steel Cover	/L	1	I7M7
(9)	958 555 793 18 6M7 958 555 793 05	Left Logo Cayenne Turbo S with Illumination Stainless steel Cover	/L	1	IDU3/D6V/E0W I7M7
(9)	958 555 793 05 6M7 958 555 793 09	Left Logo Cayenne GTS with Illumination Stainless steel Cover	/L	1	IDD7/DV7/D1V ID11/D34/D43 ID50/D51/7M3
(9)	958 555 793 09 BX3 958 555 793 10	Left Logo Cayenne Carbon, fine high-gloss Cover	/L	1	IDD8/DU2/D19 ID6V/7M3
(9)	958 555 793 10 BX3 958 555 793 11	Left Logo Cayenne S Carbon, fine high-gloss Cover	/L	1	IDT1/D58/7M3
(9)	958 555 793 11 BX3 958 555 793 19	Left Logo Cayenne turbo Carbon, fine high-gloss Cover	/L	1	I7M3
(9)	958 555 793 19 BX3 958 555 793 12	Left Logo Cayenne Turbo S Carbon, fine high-gloss Cover	/L	1	IDU3/D19/E0W I7M3
(9)	958 555 793 12 BX3 958 555 793 13	Left Logo Cayenne GTS Carbon, fine high-gloss Cover	/L	1	IDD7/DV7/D1V ID11/D34/D43 ID50/D51/7M8
		Left Logo Cayenne			

Model: 92A 11

Model life 2011>>

Pos	Part Number	Description	Remark	Qty	Model
(9)	958 555 793 13 BX3 958 555 793 14	with Illumination Carbon, fine high-gloss Cover	/L	1	IDD8/DU2/D19 ID6V/7M8
(9)	958 555 793 14 BX3 958 555 793 15	Left Logo Cayenne S with Illumination Carbon, fine high-gloss Cover	/L	1	IDT1/D58/7M8
(9)	958 555 793 15 BX3 958 555 793 18	Left Logo Cayenne turbo with Illumination Carbon, fine high-gloss Cover	/L	1	I7M8
(9)	958 555 793 18 BX3 958 555 793 16	Left Logo Cayenne Turbo S with Illumination Carbon, fine high-gloss Cover	/L	1	IDU3/D19/E0W I7M8
(9)	958 555 793 16 BX3 958 555 793 17	Left Logo Cayenne GTS with Illumination Carbon, fine high-gloss Cover	/L	1	ID19/7M7
(9)	958 555 793 17 6M7 958 555 794 17	Left Logo Cayenne S with Illumination in Green Stainless steel Cover	/R	1	ID19/7M7
(9)	958 555 794 17 6M7 958 555 794 01	Right Logo Cayenne with Illumination in Green Stainless steel Cover	/R	1	I7M1
(9)	958 555 794 01 6M7 958 555 794 06	Right Logo Cayenne with Illumination Stainless steel Cover	/R	1	IDD7/DV7/D1V ID11/D34/D43 ID50/D51/7M7
	958 555 794 06 6M7	Right Logo Cayenne with Illumination Stainless steel			

Model: 92A 11

Model life 2011>>

Pos	Part Number	Description	Remark	Qty	Model
(9)	958 555 794 07	Cover Right Logo Cayenne S with Illumination	/R	1	IDD8/DU2/D19 ID6V/7M7
(9)	958 555 794 07 6M7 958 555 794 08	Stainless steel Cover Right Logo Cayenne turbo with Illumination	/R	1	IDT1/D58/7M7
(9)	958 555 794 08 6M7 958 555 794 18	Stainless steel Cover Right Logo Cayenne Turbo S with Illumination	/R	1	I7M7
(9)	958 555 794 18 6M7 958 555 794 05	Stainless steel Cover Right Logo Cayenne GTS with Illumination	/R	1	IDU3/D6V/E0W I7M7
(9)	958 555 794 05 6M7 958 555 794 09	Stainless steel Cover Right Logo Cayenne	/R	1	IDD7/DV7/D1V ID11/D34/D43 ID50/D51/7M3
(9)	958 555 794 09 BX3 958 555 794 10	Carbon, fine high-gloss Cover Right Logo Cayenne S	/R	1	IDD8/DU2/D19 ID6V/7M3
(9)	958 555 794 10 BX3 958 555 794 11	Carbon, fine high-gloss Cover Right Logo Cayenne turbo	/R	1	IDT1/D58/7M3
(9)	958 555 794 11 BX3 958 555 794 19	Carbon, fine high-gloss Cover Right Logo Cayenne Turbo S	/R	1	I7M3
(9)	958 555 794 19 BX3 958 555 794 12	Carbon, fine high-gloss Cover Right Logo Cayenne GTS	/R	1	IDU3/D6V/E0W I7M3
(9)	958 555 794 12 BX3 958 555 794 13	Carbon, fine high-gloss Cover Right	/R	1	IDD7/DV7/D1V ID11/D34/D43 ID50/D51/7M8

Model: 92A 11

Model life 2011>>

Pos	Part Number	Description	Remark	Qty	Model
(9)	958 555 794 13 BX3 958 555 794 14	Logo Cayenne with Illumination Carbon, fine high-gloss Cover	/R	1	IDD8/DU2/D19 ID6V/7M8
(9)	958 555 794 14 BX3 958 555 794 15	Right Logo Cayenne S with Illumination Carbon, fine high-gloss Cover	/L	1	IDT1/D58/7M8
(9)	958 555 794 15 BX3 958 555 794 18	Right Logo Cayenne turbo with Illumination Carbon, fine high-gloss Cover	/R	1	I7M8
(9)	958 555 794 18 BX3 958 555 794 16	Right Logo Cayenne Turbo S with Illumination Carbon, fine high-gloss Cover	/R	1	IDU3/D6V/E0W I7M8
(9)	958 555 794 16 BX3 958 555 793 17	Right Logo Cayenne GTS with Illumination Carbon, fine high-gloss Cover	/L	1	ID19/7M8
(9)	958 555 793 17 BX3 958 555 794 17	Right Logo Cayenne S with Illumination in Green Carbon, fine high-gloss Cover	/R	1	ID19/7M8
10	958 555 794 17 BX3 958 555 191 00	Right Logo Cayenne S with Illumination in Green Carbon, fine high-gloss Support	/L	1	
(10)	958 555 192 00	Lining Wheel housing Left Support	/R	1	
11	N 016 197 3	Lining Wheel housing Right Blind rivet 4x6		3	

Model: 92A 11

Model life 2011>>

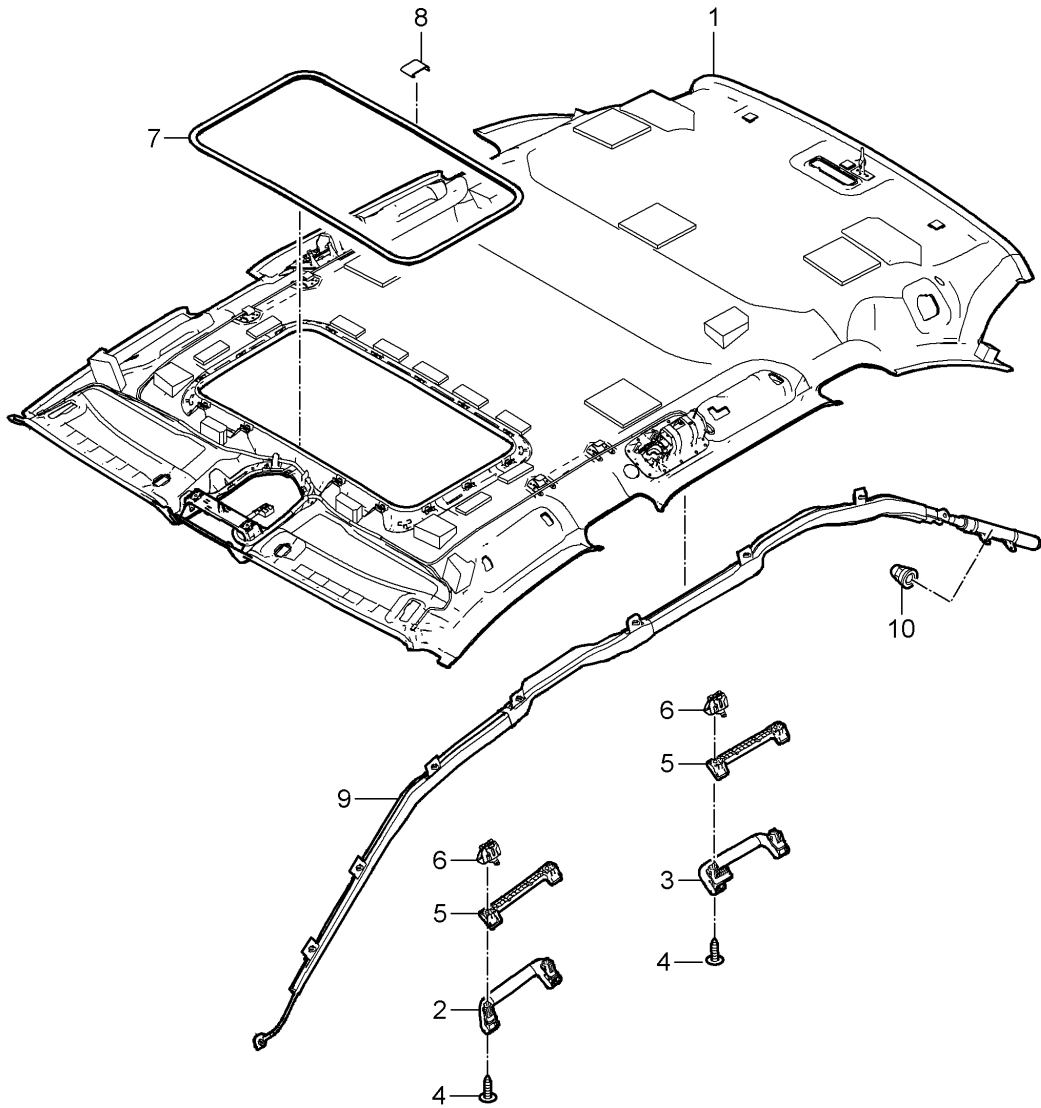
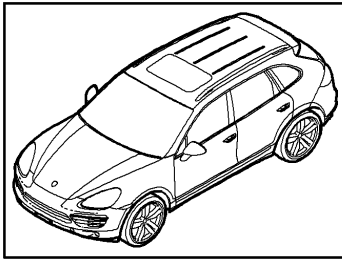
Pos	Part Number	Description	Remark	Qty	Model
12	958 555 765 00	Lining C-pillar Wheel housing Rear Left	/L	1	
	958 555 765 00 82V	Titanium Black			+LC, +LG, +MA, +MF, +TA, +TB, +YA, +YB, +YC, +77
	958 555 765 00 DE1	Umber			+LF, +YF
	958 555 765 00 DF2	Light Tartufo			+TY
	958 555 765 00 DJ3	Titanium Blue			+TW
	958 555 765 00 4H0	Luxor Beige			+LE, +MC, +YE +MK
	958 555 765 00 5J0	Cream			+MJ, +TX
	958 555 765 00 6L0	Platinum Grey			+LD, +MD, +YD
	958 555 765 00 7N0	Espresso			+VA
	958 555 765 00 8P0	Cognac			+VB
	958 555 765 00 OM8	Saddle Tan			+ME, +MH, +MI
	958 555 765 00 OP1	Agate Grey			+MB, +MG, +ML, +LH
	958 555 765 00 OB8	Cohiba Brown			
(12)	958 555 766 00	Lining C-pillar Wheel housing Rear Right	/R	1	
	958 555 766 00 82V	Titanium Black			+LC, +LG, +MA, +MF, +TA, +TB, +YA, +YB, +YC, +77
	958 555 766 00 DE1	Umber			+LF, +YF
	958 555 766 00 DF2	Light Tartufo			+TY
	958 555 766 00 DJ3	Titanium Blue			+TW
	958 555 766 00 4H0	Luxor Beige			+LE, +MC, +YE +MK
	958 555 766 00 5J0	Cream			+MJ, +TX
	958 555 766 00 6L0	Platinum Grey			+LD, +MD, +YD
	958 555 766 00 7N0	Espresso			+VA
	958 555 766 00 8P0	Cognac			+VB
	958 555 766 00 OM8	Saddle Tan			+ME, +MH, +MI
	958 555 766 00 OP1	Agate Grey			+MB, +MG, +ML, +LH
	958 555 766 00 OB8	Cohiba Brown			
(12)	958 555 766 01	Lining C-pillar Wheel housing Rear Right Spare wheel in Luggage compartment Right	/R	1	
	958 555 766 01 82V	Titanium Black			+LC, +MA
	958 555 766 01 DE1	Umber			+LF
	958 555 766 01 DF2	Light Tartufo			+TY
	958 555 766 01 DJ3	Titanium Blue			+TW
	958 555 766 01 4H0	Luxor Beige			+LE, +MC
	958 555 766 01 5J0	Cream			+TX
	958 555 766 01 6L0	Platinum Grey			+LD, +MD
	958 555 766 01 7N0	Espresso			+VA
	958 555 766 01 8P0	Cognac			+VB
13	955 551 852 00	Support Warning light	(J)	1	IB0L
14	WHT 004 083	Oval-head screw	(J)	2	IB0L

Model: 92A 11 Model life 2011>>

Pos	Part Number	Description	Remark	Qty	Model
15	N 912 421 01	4,0 X 36,5 Blind rivet Mount B-pillar Lining When required order also: 958.867.159.00 958.867.160.00 WHT.007.531		1	
15	WHT 007 743	Blind rivet Mount B-pillar Lining When required order also: 958.867.159.00 958.867.160.00 WHT.007.531		1	
16	958 867 159 00	Retaining bracket Mount B-pillar Lining	/L	1	
(16)	958 867 160 00	Retaining bracket Mount B-pillar Lining	/R	1	

Model: 92A 11

Model life 2011>>



Model: 92A 11 Model life 2011>>

Pos	Part Number	Description	Remark	Qty	Model
1	958 555 502 02	Rooflining Head airbag And Accessories		1	I3FA/6NG/6NJ
	958 555 502 02 6F2	Rooflining Cloth Black			+LC, +LG, +LH, +MA, +MF, +MI, +TA, +TB, +TW +YA, +YB, +YC, +77
	958 555 502 02 DE1	Umber			+LF, +TX, +TY, +YF
	958 555 502 02 4F7	Espresso			+VA, +VB
	958 555 502 02 7F3	Luxor Beige			+LE, +MC, +YE
	958 555 502 02 9F1	Platinum Grey			+LD, +MD, +YD
	958 555 502 02 CH6	Saddle Tan			+ME, +MH, +MJ, +MK
	958 555 502 02 DR7	Agate Grey Reading light And Retaining bow order at the same time			+MB, +MG, +ML
(1)	958 555 504 02	Rooflining Cloth		1	I3FE/6NG/6NJ
	958 555 504 02 6F2	Black			+LC, +LG, +LH, +MA, +MF, +MI, +TA, +TB, +TW +YA, +YB, +YC, +77
	958 555 504 02 DE1	Umber			+LF, +TX, +TY, +YF
	958 555 504 02 4F7	Espresso			+VA, +VB
	958 555 504 02 7F3	Luxor Beige			+LE, +MC, +YE
	958 555 504 02 9F1	Platinum Grey			+LD, +MD, +YD
	958 555 504 02 CH6	Saddle Tan			+ME, +MH, +MJ, +MK
	958 555 504 02 DR7	Agate Grey Reading light And Retaining bow order at the same time			+MB, +MG, +ML
(1)	958 555 505 02	Rooflining Cloth		1	I3FU/6NG/6NJ
	958 555 505 02 6F2	Black			+LC, +LG, +LH, +MA, +MF, +MI, +TA, +TB, +TW +YA, +YB, +YC, +77
	958 555 505 02 DE1	Umber			+LF, +TX, +TY, +YF
	958 555 505 02 4F7	Espresso			+VA, +VB
	958 555 505 02 7F3	Luxor Beige			+LE, +MC, +YE
	958 555 505 02 9F1	Platinum Grey			+LD, +MD, +YD
	958 555 505 02 CH6	Saddle Tan			+ME, +MH, +MJ, +MK
	958 555 505 02 DR7	Agate Grey Reading light And Retaining bow order at the same time			+MB, +MG, +ML
(1)	958 555 512 03	Rooflining Cloth	-(USA)	1	I3FU/6NL/6NQ

Model: 92A 11 Model life 2011>>

Pos	Part Number	Description	Remark	Qty	Model
	958 555 512 03 6F2	Black			+LC, +LG, +LH, +MA, +MF, +MI, +TA, +TB, +TW +YA, +YB, +YC, +77
	958 555 512 03 DE1	Umber			+LF, +TX, +TY, +YF
	958 555 512 03 4F7	Espresso			+VA, +VB
	958 555 512 03 7F3	Luxor Beige			+LE, +MC, +YE
	958 555 512 03 9F1	Platinum Grey			+LD, +MD, +YD
	958 555 512 03 CH6	Saddle Tan			+ME, +MH, +MJ, +MK
	958 555 512 03 DR7	Agate Grey Reading light And Retaining bow order at the same time			+MB, +MG, +ML
(1)	958 555 514 02	Rooflining Alcantara		1	I3FA/6NH/6NN
	958 555 514 02 2W0	Black			+LC, +LG, +LH, +MA, +MF, +MI, +TA, +TB, +TW, +YA, +YB, +YC, +77
	958 555 514 02 GN2	Umber			+LF, +TX, +TY, +YF
	958 555 514 02 9U7	Espresso			+VA, +VB
	958 555 514 02 9U1	Luxor Beige			+LE, +MC, +YE
	958 555 514 02 8U3	Platinum Grey			+LD, +MD, +YD
	958 555 514 02 OP2	Saddle Tan			+ME, +MH, +MJ, +MK
	958 555 514 02 OU5	Agate Grey Reading light And Retaining bow order at the same time			+MB, +MG, +ML
(1)	958 555 515 02	Rooflining Alcantara	11-	1	I3FE/6NH/6NN
	958 555 515 02 2W0	Black			+LC, +LG, +LH, +MA, +MF, +MI, +TA, +TB, +TW, +YA, +YB, +YC, +77
	958 555 515 02 GN2	Umber			+LF, +TX, +TY, +YF
	958 555 515 02 9U7	Espresso			+VA, +VB
	958 555 515 02 9U1	Luxor Beige			+LE, +MC, +YE
	958 555 515 02 8U3	Platinum Grey			+LD, +MD, +YD
	958 555 515 02 OP2	Saddle Tan			+ME, +MH, +MJ, +MK
	958 555 515 02 OU5	Agate Grey Reading light And Retaining bow order at the same time			+MB, +MG, +ML
(1)	958 555 518 02	Rooflining Alcantara		1	I3FU/6NH/6NN
	958 555 518 02 2W0	Black			+LC, +LG, +LH, +MA, +MF, +MI, +TA, +TB, +TW, +YA, +YB, +YC, +77
	958 555 518 02 GN2	Umber			+LF, +TX, +TY,

Model: 92A 11 Model life 2011>>

Pos	Part Number	Description	Remark	Qty	Model
	958 555 518 02 9U7	Espresso			+YF
	958 555 518 02 9U1	Luxor Beige			+VA, +VB
	958 555 518 02 8U3	Platinum Grey			+LE, +MC, +YE
	958 555 518 02 OP2	Saddle Tan			+LD, +MD, +YD
	958 555 518 02 OU5	Agate Grey			+ME, +MH, +MJ, +MK
		Reading light			+MB, +MG, +ML
		And			
		Retaining bow			
		order at the same time			
2	958 555 607 01	Grab handle	/L	1	
		Left			
		Front			
	958 555 607 01 82V	Titanium Black			+LC, +LG, +LH, +MA, +MF, +MI, +TA, +TB, +TW, +YA, +YB, +YC, +77
	958 555 607 01 DE1	Umber			+LF, +TX, +TY, +YF
	958 555 607 01 7N0	Espresso			+VA, +VB
	958 555 607 01 4H0	Luxor Beige			+LE, +MC, +YE
	958 555 607 01 6L0	Platinum Grey			+LD, +MD, +YD
	958 555 607 01 OM8	Saddle Tan			+ME, +MH, +MJ, +MK
	958 555 607 01 OP1	Agate Grey			+MB, +MG, +ML,
(2)	958 555 608 01	Grab handle	/R	1	
		Right			
		Front			
	958 555 608 01 82V	Titanium Black			+LC, +LG, +LH, +MA, +MF, +MI, +TA, +TB, +TW, +YA, +YB, +YC, +77
	958 555 608 01 DE1	Umber			+LF, +TX, +TY, +YF
	958 555 608 01 7N0	Espresso			+VA, +VB
	958 555 608 01 4H0	Luxor Beige			+LE, +MC, +YE
	958 555 608 01 6L0	Platinum Grey			+LD, +MD, +YD
	958 555 608 01 OM8	Saddle Tan			+ME, +MH, +MJ, +MK
	958 555 608 01 OP1	Agate Grey			+MB, +MG, +ML,
3	958 555 643 01	Grab handle	/L	1	
		Left			
		Rear			
	958 555 643 01 82V	Titanium Black			+LC, +LG, +LH, +MA, +MF, +MI, +TA, +TB, +TW, +YA, +YB, +YC, +77
	958 555 643 01 DE1	Umber			+LF, +TX, +TY, +YF
	958 555 643 01 7N0	Espresso			+VA, +VB
	958 555 643 01 4H0	Luxor Beige			+LE, +MC, +YE
	958 555 643 01 6L0	Platinum Grey			+LD, +MD, +YD
	958 555 643 01 OM8	Saddle Tan			+ME, +MH, +MJ, +MK
	958 555 643 01 OP1	Agate Grey			+MB, +MG, +ML,
(3)	958 555 644 01	Grab handle	/R	1	
		Right			
		Rear			
	958 555 644 01 82V	Titanium Black			+LC, +LG, +LH,

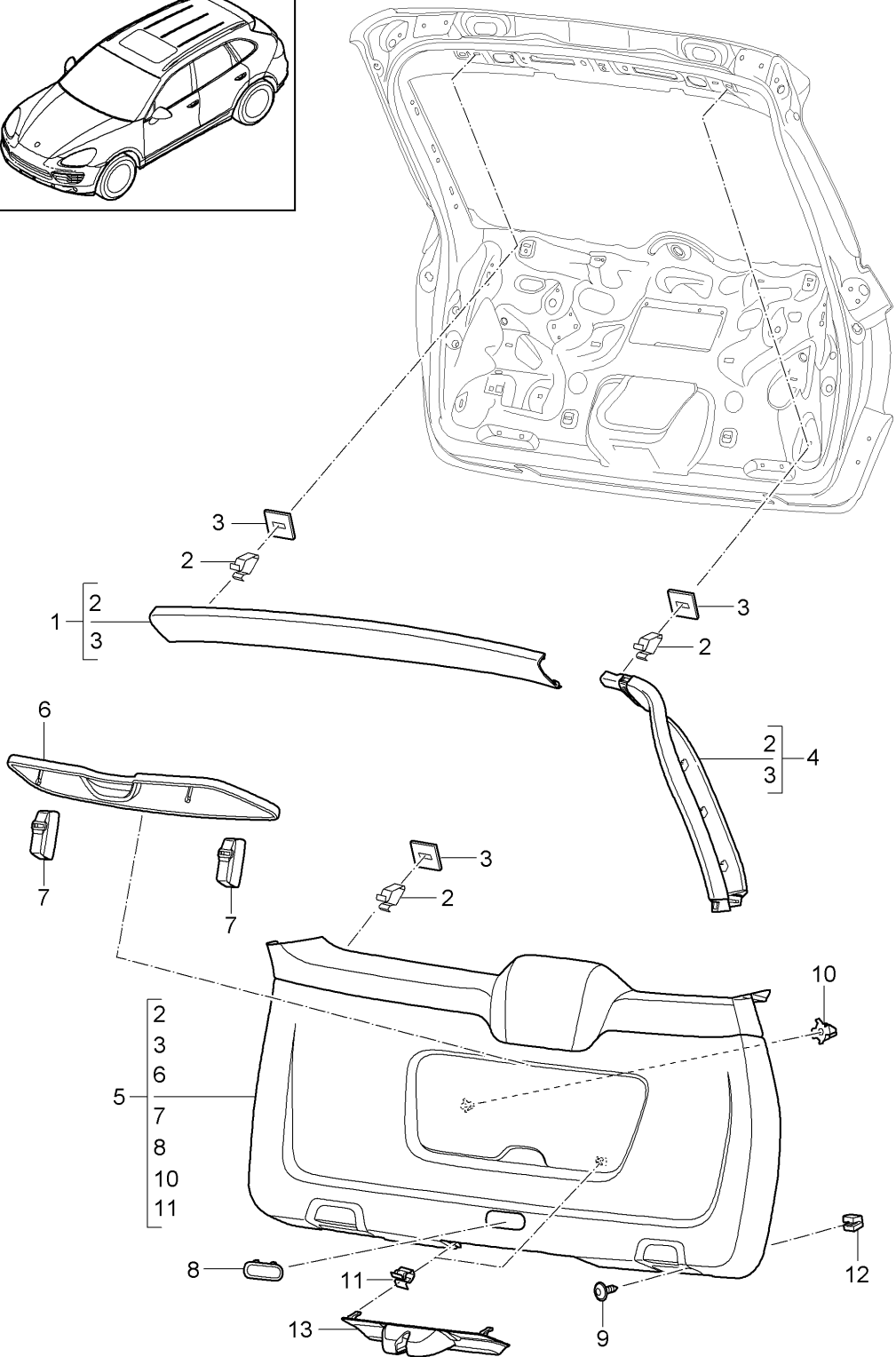
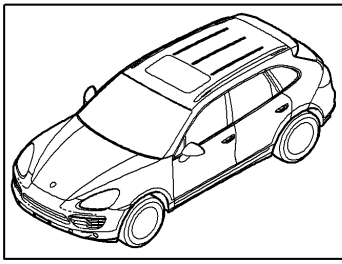
Model: 92A 11

Model life 2011>>

Pos	Part Number	Description	Remark	Qty	Model
	958 555 644 01 DE1	Umber			+MA, +MF, +MI, +TA, +TB, +TW, +YA, +YB, +YC, +77 +LF, +TX, +TY, +YF
	958 555 644 01 7N0	Espresso			+VA, +VB
	958 555 644 01 4H0	Luxor Beige			+LE, +MC, +YE
	958 555 644 01 6L0	Platinum Grey			+LD, +MD, +YD
	958 555 644 01 OM8	Saddle Tan			+ME, +MH, +MJ, +MK
4	958 555 644 01 OP1 N 106 663 02	Agate Grey Oval-head sheetmetal screw ST 4.2x19		X	+MB, +MG, +ML,
5	958 555 361 00	Adapter Grab handle		X	
6	958 731 633 00	Clamp		X	
7	958 555 561 00	Covering frame		1	I3FE
(7)	958 555 562 00	Covering frame	/L	1	I3FU
(7)	958 555 563 00	Covering frame	/R	1	I3FU
8	958 555 615 00	Clamp		X	I3FU
(8)	955 555 525 01	Clamp		X	I3FE
(8)	958 555 289 00	Retaining clip for Covering frame		X	I3FU
(8)	958 555 633 00	Retaining clip for Covering frame		X	I3FE
9	958 803 069 01	Airbag unit	/L	1	
(9)	958 803 070 01	Airbag unit	/R	1	
10	955 618 419 21	Cap nut M6 for Mount Head airbag		X	
-	958 555 645 00	Lid Grab handle Rooflining		1	
	958 555 645 00 DE1	Umber			+LF, +TX, +TY, +YF
	958 555 645 00 4H0	Luxor Beige			+LE, +MC, +YE
	958 555 645 00 6L0	Platinum Grey			+LD, +MD, +YD
	958 555 645 00 7N0	Espresso			+VA, +VB
	958 555 645 00 82V	Titanium Black			+LC, +LG, +LH, +MA, +MF, +MI, +TA, +TB, +TW, +YA, +YB, +YC, +77
	958 555 645 00 OM8	Saddle Tan			+ME, +MH, +MJ, +MK
-	958 555 645 00 OP1 958 555 647 00	Agate Grey Support Grab handle		1	+MB, +MG, +ML,
12	958 858 679 00	Adapter Plate Rear		1	

Model: 92A 11

Model life 2011>>



Model: 92A 11 Model life 2011>>

Pos	Part Number	Description	Remark	Qty	Model
1	958 555 603 00	Linings Rear lid Lining Upper		1	
	958 555 603 00 DE1	Umber			+LF, +TX, +TY, +YF
	958 555 603 00 4H0	Luxor Beige			+LE, +MC, +YE
	958 555 603 00 6L0	Platinum Grey			+LD, +MD, +YD
	958 555 603 00 7N0	Espresso			+VA, +VB
	958 555 603 00 82V	Titanium Black			+LC, +LG, +LH, +MA, +MF, +MI, +TA, +TB, +TW, +YA, +YB, +YC, +77
	958 555 603 00 OM8	Saddle Tan			+ME, +MH, +MJ, +MK
	958 555 603 00 OP1	Agate Grey			+MB, +MG, +ML
2	955 555 276 00	Clip		X	
3	999 209 084 40	Spacer		X	
4	958 555 587 00	Lining Left	/L	1	
	958 555 587 00 DE1	Umber			+LF, +TX, +TY, +YF
	958 555 587 00 4H0	Luxor Beige			+LE, +MC, +YE
	958 555 587 00 6L0	Platinum Grey			+LD, +MD, +YD
	958 555 587 00 7N0	Espresso			+VA, +VB
	958 555 587 00 82V	Titanium Black			+LC, +LG, +LH, +MA, +MF, +MI, +TA, +TB, +TW, +YA, +YB, +YC, +77
	958 555 587 00 OM8	Saddle Tan			+ME, +MH, +MJ, +MK
	958 555 587 00 OP1	Agate Grey			+MG, +MB, +ML
(4)	958 555 588 00	Lining Left	/R	1	
	958 555 588 00 DE1	Umber			+LF, +TX, +TY, +YF
	958 555 588 00 4H0	Luxor Beige			+LE, +MC, +YE
	958 555 588 00 6L0	Platinum Grey			+LD, +MD, +YD
	958 555 588 00 7N0	Espresso			+VA, +VB
	958 555 588 00 82V	Titanium Black			+LC, +LG, +LH, +MA, +MF, +MI, +TA, +TB, +TW, +YA, +YB, +YC, +77
	958 555 588 00 OM8	Saddle Tan			+ME, +MH, +MJ, +MK
	958 555 588 00 OP1	Agate Grey			+MG, +MB, +ML
5	958 555 601 00	Lining Rear lid Lower with Sound absorber		1	I4E0
	958 555 601 00 DE1	Umber			+LF, +TX, +TY, +YF
	958 555 601 00 L0L	Platinum Grey			+LD, +MD, +YD
	958 555 601 00 L0M	Luxor Beige			+LE, +MC, +YE
	958 555 601 00 L0Q	Espresso			+VA, +VB
	958 555 601 00 M0C	Titanium Black			+LC, +MA, +MF, +TA, +TB, +TW, +YA, +YB, +YC +77

Model: 92A 11 Model life 2011>>

Pos	Part Number	Description	Remark	Qty	Model
(5)	958 555 601 00 HG0	Saddle Tan		1	+ME,+MH,+MI, +MJ,+MK, +MB,+MG,+ML, I4E7
	958 555 601 00 HGQ	Agate Grey			
	958 555 601 10	Lining			
		Rear lid			
		Lower with Sound absorber			
	958 555 601 10 DE1	Umber			
	958 555 601 10 L0L	Platinum Grey			
	958 555 601 10 L0M	Luxor Beige			
	958 555 601 10 L0Q	Espresso			
	958 555 601 10 M0C	Titanium Black			
6	958 555 601 10 HG0	Saddle Tan		1	+LF,+TX,+TY, +YF +LD,+MD,+YD +LE,+MC,+YE +VA,+VB +LC,+LG,+LH, +MA,+MF,+MI, +TA,+TB,+TW, +YA,+YB,+YC, +77 +ME,+MH,+MJ, +MK +MB,+MG,+ML
	958 555 601 10 HGQ	Agate Grey			
	958 555 886 00	Lid			
		Warning triangle			
	958 555 886 00 DE1	Umber			
	958 555 886 00 DJ6	Platinum Grey			
	958 555 886 00 DK4	Black			
		958 555 886 00 DM5	Luxor Beige		
	958 555 886 00 DP8	Espresso			
	958 555 886 00 OP2	Saddle Tan			
7	958 555 521 00	Velcro strip		2	
8	958 555 747 00	Lid		1	
		Emergency operation			
	958 555 747 00 DE1	Umber			
	958 555 747 00 1E0	Black			
	958 555 747 00 4H0	Luxor Beige			+LF,+TX,+TY, +YF +LC,+LG,+LH, +MA,+MF,+MI, +TA,+TB,+TW, +YA,+YB,+YC, +77 +LE,+MC,+YE +LD,+MD,+YD +VA,+VB
	958 555 747 00 6L0	Platinum Grey			
	958 555 747 00 7N0	Espresso			
9	N 909 868 03	Round head screw ST 4.2x13		X	
10	958 731 633 00	Clamp		2	
11	955 555 388 00	Clamp		4	
12	N 905 410 01	Expander nut		4	
13	958 555 520 00	Covering for lock		1	IGY0
	958 555 520 00 DE1	Umber			
	958 555 520 00 1E0	Black			
	958 555 520 00 4H0	Luxor Beige			
	958 555 520 00 6L0	Platinum Grey			+LE,+MC,+YE +LD,+MD,+YD +VA,+VB
	958 555 520 00 7N0	Espresso			
	958 555 520 03	Covering for lock		1	IGY0
	958 555 520 03 OM8	Saddle Tan			+ME,+MH,+MJ,

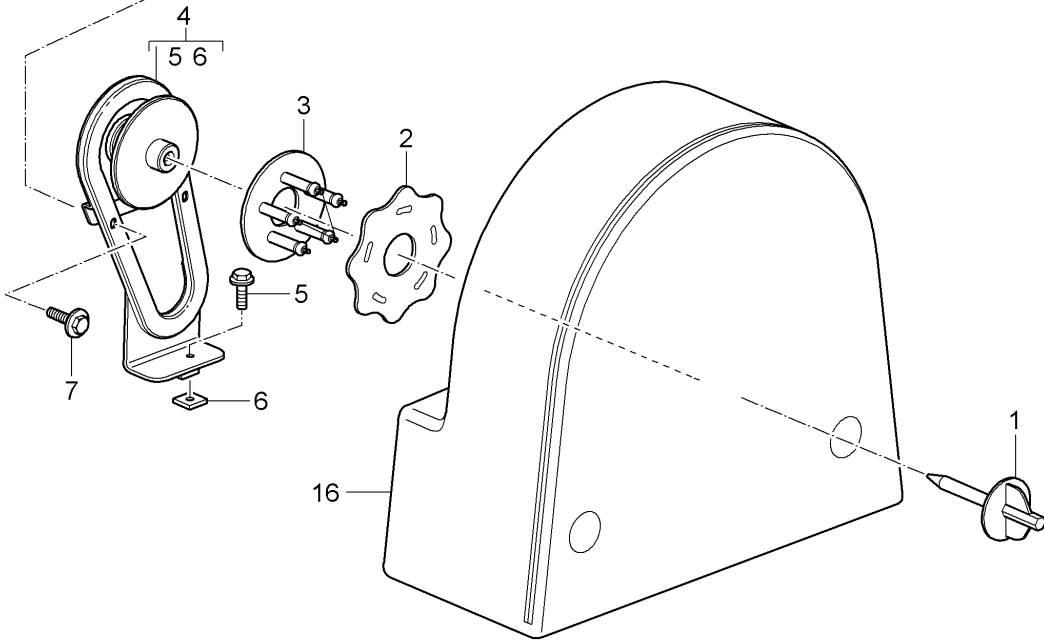
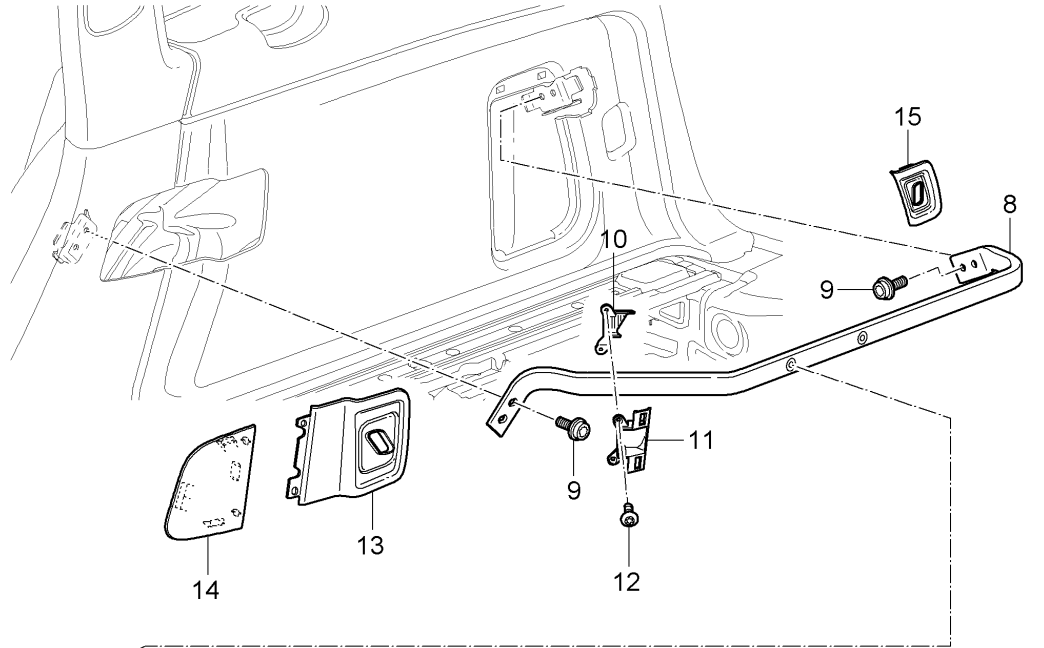
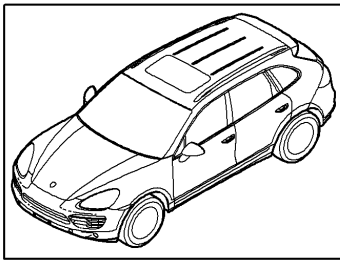
Model: 92A 11

Model life 2011>>

Pos	Part Number	Description	Remark	Qty	Model
(13)	958 555 520 01	Covering for lock		1	+MK
	958 555 520 01 DE1	Umber			IGY1
	958 555 520 01 1E0	Black			+LF, +TX, +TY, +YF
	958 555 520 01 4H0	Luxor Beige			+LC, +MA, +TW, +YA, +YB, +YC
	958 555 520 01 6L0	Platinum Grey			+LE, +MC, +YE
(13)	958 555 520 01 7N0	Espresso		1	+LD, +MD, +YD
	958 555 520 02	Covering for lock			+VA, +VB
	958 555 520 02 OM8	Saddle Tan			IGY1
	958 555 520 02 OP1	Agate Grey			+ME, +MH, +MJ, +MK
					+MB, +MG, +ML

Model: 92A 11

Model life 2011>>



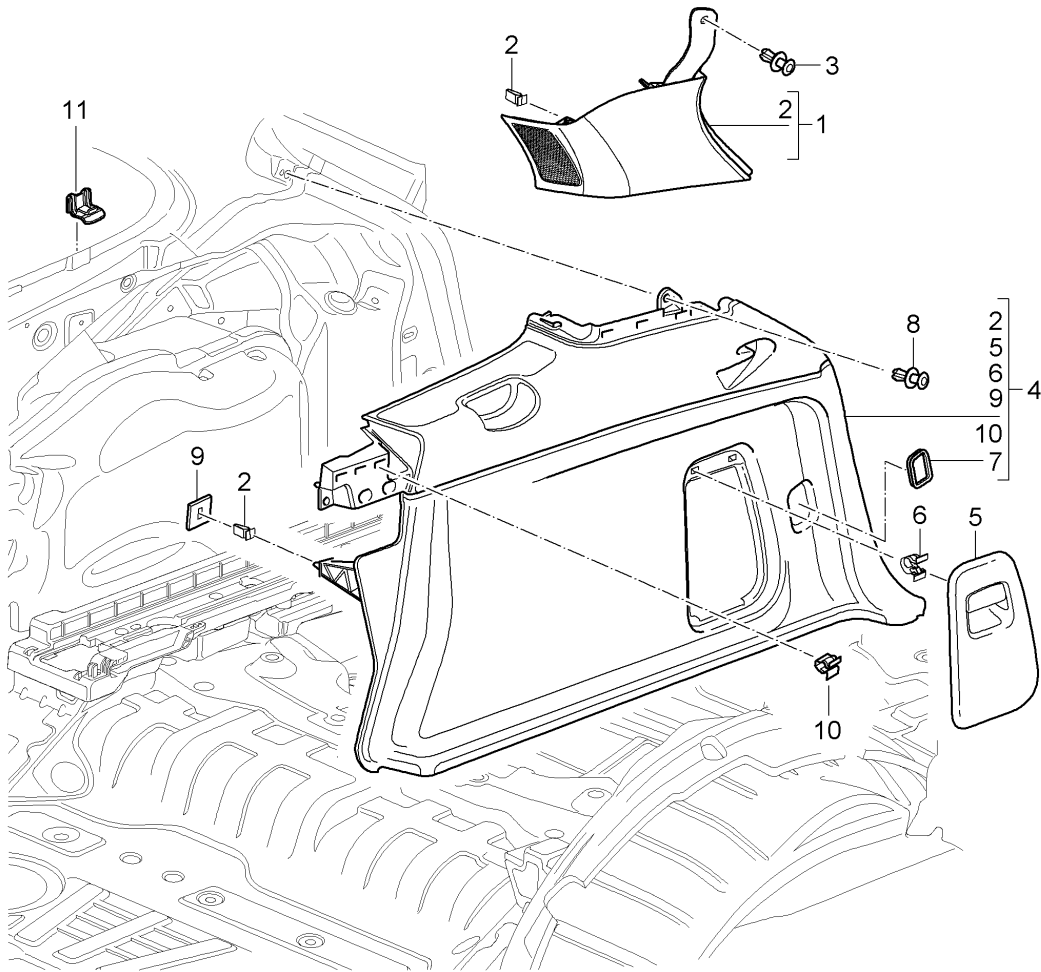
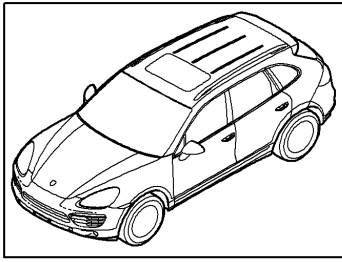
Model: 92A 11

Model life 2011>>

Pos	Part Number	Description	Remark	Qty	Model
		Accessories			
		Bracket			
		Spare wheel			
		Covering			
1	958 551 453 00	Fastening screw		1	
		Wheel			
2	958 551 274 00	Retainer plate		1	
3	958 551 097 00	Adapter		1	
4	958 551 160 00	Bracket		1	
5	N 906 439 05	Hexagon-head bolt M8x25		1	
6	958 551 780 00	Slide		1	
7	N 101 069 04	Hexagon-head bolt M8x32		2	
8	958 551 114 00	Bracket		1	I0K1/3F4
(8)	958 551 114 01	Bracket		1	I0K1/1G1/1G4
9	N 106 648 01	Pan-head screw TP4x10		4	
10	958 551 850 00	Retaining clip Outer		1	
11	958 551 727 00	Retaining clip Inner		1	
12	N 106 021 01	Oval-head screw TP4x10		2	
13	958 551 585 00	Cover Bracket Front		1	
	958 551 585 00 1E0	Black			
14	958 551 522 00	Cover Lining Wheel housing		1	
	958 551 522 00 1E0	Black			
15	958 551 586 00	Cover Bracket Rear		1	
	958 551 586 00 1E0	Black			
16	958 551 311 00	Covering Spare wheel		1	I0K1/1G4
(16)	958 551 311 01	Covering Spare wheel		1	I0K1/1G1
(16)	958 551 594 00	Lining Spare wheel		1	IHA8/3F4
(16)	958 551 594 01	Lining Spare wheel		1	IHQ4/HT0/3F4
(16)	958 551 594 02	Lining Spare wheel		1	IHQ3/HS9/3F4
(16)	958 551 594 03	Lining Spare wheel		1	IH9L/3F4
(16)	958 551 594 04	Lining Spare wheel		1	IH9K/H9M/3F4

Model: 92A 11

Model life 2011>>



Model: 92A 11 Model life 2011>>

Pos	Part Number	Description	Remark	Qty	Model
		Lining Luggage compartment Lateral D-pillar	-14		
1	958 555 246 00	Lining D-pillar Right	/R	1	
	958 555 246 00 DE1	Umber			+LF, +TX, +TY
	958 555 246 00 4H0	Luxor Beige			+LE, +MC
	958 555 246 00 6L0	Platinum Grey			+LD, +MD
	958 555 246 00 7N0	Espresso			+VA, +VB
	958 555 246 00 82V	Titanium Black			+LC, +MA, +TW
(1)	958 555 245 00	Lining D-pillar Left	/L	1	
	958 555 245 00 DE1	Umber			+LF, +TX, +TY
	958 555 245 00 4H0	Luxor Beige			+LE, +MC
	958 555 245 00 6L0	Platinum Grey			+LD, +MD
	958 555 245 00 7N0	Espresso			+VA, +VB
	958 555 245 00 82V	Titanium Black			+LC, +MA, +TW
2	955 555 276 00	Clip		X	
3	N 107 009 01	Expansion rivet		1	
4	958 555 038 06	Side trim panel	/R	1	I0K0/1D9/1G1 I1G4/1G8
		Right			
	958 555 038 06 DE1	Umber			+LF, +TX, +TY, +YF
	958 555 038 06 DJ6	Platinum Grey			+LD, +MD, +YD, +LC, +MA, +TA, +TB, +TW, +YA, +YC, +YB, +77
	958 555 038 06 DK4	Black			+LE, +MC, +YE +VA, +VB
4	958 555 038 06	Side trim panel	/R	1	I0K1/1D9/1G8
		Right			
	958 555 038 06 DE1	Umber			+LF, +TX, +TY, +YF
	958 555 038 06 DJ6	Platinum Grey			+LD, +MD, +YD, +LC, +MA, +TA, +TB, +TW, +YA, +YC, +YB, +77
	958 555 038 06 DK4	Black			+LE, +MC, +YE +VA, +VB
(4)	958 555 038 07	Side trim panel	/R	1	I0K0/1D2/1D6 I1D7/1D8/1G1 I1G4/1G8
		Right			
	958 555 038 07 DE1	Umber			+LF, +TX, +TY, +YF
	958 555 038 07 DJ6	Platinum Grey			+LD, +MD, +YD, +LC, +MA, +TA, +TB, +TW, +YA, +YC, +YB, +77
	958 555 038 07 DK4	Black			+LE, +MC, +YE +VA, +VB
(4)	958 555 038 07	Side trim panel	/R	1	I0K0/1D0/1G1 I1G4/1G6/1G8 I8RV/9VK
		Right			
	958 555 038 07 DE1	Umber			+LF, +TX, +TY, +YF
	958 555 038 07 DJ6	Platinum Grey			+LD, +MD, +YD, +LC, +MA, +TA, +TB, +TW, +YA, +YC, +YB, +77
	958 555 038 07 DK4	Black			+LE, +MC, +YE +VA, +VB

Model: 92A 11

Model life 2011>>

Pos	Part Number	Description	Remark	Qty	Model
(4)	958 555 038 07 DM5	Luxor Beige	/R	1	+TB, +TW, +YA, +YC, +YB, +77 +LE, +MC, +YE +VA, +VB I0K1/1D2/1D6 I1D7/1D8/1G8
	958 555 038 07 DP8	Espresso			
	958 555 038 07	Side trim panel			
		Right			
	958 555 038 07 DE1	Umber			
		Platinum Grey			
(4)	958 555 038 07 DK4	Black	/R	1	+LF, +TX, +TY, +YF +LD, +MD, +YD, +LC, +MA, +TA, +TB, +TW, +YA, +YC, +YB, +77 +LE, +MC, +YE +VA, +VB I0K0/1D2/1D6 I1D7/1D8/3F4
	958 555 038 07 DM5	Luxor Beige			
	958 555 038 07 DP8	Espresso			
	958 555 038 02	Side trim panel			
		Right			
		Umber			
(4)	958 555 038 02 DJ6	Platinum Grey	/R	1	+LF, +TX, +TY, +LD, +MD +LC, +MA, +TW, +LE, +MC +VA, +VB I0K1/1D2/1D6 I1D7/1D8/1G1 I1G4
	958 555 038 02 DK4	Black			
	958 555 038 02 DM5	Luxor Beige			
	958 555 038 02 DP8	Espresso			
	958 555 038 02	Side trim panel			
		Right			
(4)	958 555 038 02 DE1	Umber	/R	1	+LF, +TX, +TY, +LD, +MD +LC, +MA, +TW, +LE, +MC +VA, +VB I0K0/1D9/3F4
	958 555 038 02 DJ6	Platinum Grey			
	958 555 038 02 DK4	Black			
	958 555 038 02 DM5	Luxor Beige			
	958 555 038 02 DP8	Espresso			
	958 555 038 03	Side trim panel			
(4)	958 555 038 03 DE1	Umber	/R	1	+LF, +TX, +TY, +LD, +MD +LC, +MA, +TW, +LE, +MC +VA, +VB I0K1/1D9/1G1 I1G4
	958 555 038 03 DJ6	Platinum Grey			
	958 555 038 03 DK4	Black			
	958 555 038 03 DM5	Luxor Beige			
	958 555 038 03 DP8	Espresso			
	958 555 038 03	Side trim panel			
(4)	958 555 038 03 DE1	Umber	/R	1	+LF, +TX, +TY, +LD, +MD +LC, +MA, +TW, +LE, +MC +VA, +VB I0K0/1D0/1G1 I1G4/1G6/1G8 I9VL
	958 555 038 03 DJ6	Platinum Grey			
	958 555 038 03 DK4	Black			
	958 555 038 03 DM5	Luxor Beige			
	958 555 038 03 DP8	Espresso			
	958 555 038 10	Side trim panel			
(4)	958 555 038 10 DE1	Umber	/L	1	+LF, +TX, +TY, +YF +LD, +MD, +YD, +LC, +MA, +TA, +TB, +TW, +YA, +YC, +YB, +77 +LE, +MC, +YE +VA, +VB I9AD
	958 555 038 10 DJ6	Platinum Grey			
	958 555 038 10 DK4	Black			
	958 555 038 10 DM5	Luxor Beige			
	958 555 038 10 DP8	Espresso			
	958 555 037 00	Side trim panel Left with Luggage net			

Model: 92A 11 Model life 2011>>

Pos	Part Number	Description	Remark	Qty	Model
(4)	958 555 037 00 DE1	Umber	/L	1	+LF, +TX, +TY, +LD, +MD
	958 555 037 00 DJ6	Platinum Grey			
	958 555 037 00 DK4	Black			
	958 555 037 00 DM5	Luxor Beige			
	958 555 037 00 DP8	Espresso			
	958 555 037 01	Side trim panel Left with Grille frame			
	958 555 037 01 DE1	Umber			
	958 555 037 01 DJ6	Platinum Grey			
	958 555 037 01 DK4	Black			
	958 555 037 01 DM5	Luxor Beige			
(4)	958 555 037 01 DP8	Espresso	/L	1	+LC, +MA, +TW, +LE, +MC, +VA, +VB
	958 555 037 03	Side trim panel Left with Grille frame			
	958 555 037 03 DE1	Umber			
	958 555 037 03 DJ6	Platinum Grey			
	958 555 037 03 DK4	Black			
	958 555 037 03 DM5	Luxor Beige			
	958 555 037 03 DP8	Espresso			
	958 555 037 03	Side trim panel Left Use also: Position 5			
	958 555 037 03 DE1	Umber			
	958 555 037 03 DJ6	Platinum Grey			
(4)	958 555 037 03 DK4	Black	/L	1	+LC, +MA, +MF, +MI, +TA, +TB, +TW, +YA, +YB, +YC, +77
	958 555 037 03 DM5	Luxor Beige			
	958 555 037 03 DP8	Espresso			
	958 555 037 03	Side trim panel Left Use also: Position 5			
	958 555 037 03 DE1	Umber			
	958 555 037 03 DJ6	Platinum Grey			
	958 555 037 03 DK4	Black			
	958 555 037 03 DM5	Luxor Beige			
	958 555 037 03 DP8	Espresso			
	958 555 037 06	Side trim panel Left Use also: Position 5			
(4)	958 555 037 06 DK4	Black	/L	1	+LC, +LG, +LH, +MA, +MF, +MI, +TA, +YA, +YC +77
	958 555 037 06 DM5	Luxor Beige			
	958 555 037 06 DP8	Espresso			
	958 555 037 06 OK2	Agate Grey			
	958 555 037 06 OP2	Saddle Tan			
	958 555 037 06 DM5	Luxor Beige			
	958 555 037 06 DP8	Espresso			
	958 555 037 06 OK2	Agate Grey			
	958 555 037 06 OP2	Saddle Tan			
	958 555 037 06	Side trim panel Left Use also: Position 5			
5	958 555 462 00	Lid for Side trim panel Right	/R	1	+MB, +MG, +ML +ME, +MH, +MJ, +MK
	958 555 462 00 DE1	Umber			
	958 555 462 00 DJ6	Platinum Grey			
	958 555 462 00 DK4	Black			
	958 555 462 00	Lid for Side trim panel Right			
	958 555 462 00 DE1	Umber			+LF, +TX, +TY, +YF
	958 555 462 00 DJ6	Platinum Grey			+LD, +MD, +YD
	958 555 462 00 DK4	Black			+LC, +LG, +LH,

Model: 92A 11 Model life 2011>>

Pos	Part Number	Description	Remark	Qty	Model
	958 555 462 00 DM5	Luxor Beige			+MA, +MF, +MI, +TA, +TB, +TW, +YA, +YB, +YC +77
	958 555 462 00 DP8	Espresso			+LE, +MC, +YE +VA, +VB
(5)	958 555 035 00	Grille frame for Side trim panel Left	/L	1	I0K0
	958 555 035 00 DE1	Umber			+LF, +TX, +TY, +YF, +LC, +LG, +LH, +MA, +MF, +MI, +TA, +TB, +TW, +YA, +YB, +YC, +77
	958 555 035 00 1E0	Black			+LE, +MC, +YE +LD, +MD, +YD +VA, +VB
	958 555 035 00 4H0	Luxor Beige			+LE, +MC, +YE
	958 555 035 00 6L0	Platinum Grey			+LD, +MD, +YD
	958 555 035 00 7N0	Espresso			+VA, +VB
(5)	958 555 035 00	Grille frame for Side trim panel Left	/L	1	I9AH
	958 555 035 00 DE1	Umber			+LF, +TX, +TY, +YF, +LC, +LG, +LH, +MA, +MF, +MI, +TA, +TB, +TW, +YA, +YB, +YC, +77
	958 555 035 00 1E0	Black			+LE, +MC, +YE +LD, +MD, +YD +VA, +VB
	958 555 035 00 4H0	Luxor Beige			+LE, +MC, +YE
	958 555 035 00 6L0	Platinum Grey			+LD, +MD, +YD
	958 555 035 00 7N0	Espresso			+VA, +VB
(5)	958 555 035 01	Grille frame for Side trim panel Left	/L	1	I0K1
	958 555 035 01 DE1	Umber			+LF, +TX, +TY, +YF, +LC, +MA, +MF, +MI, +TA, +TB, +YA, +YB, +YC, +77
	958 555 035 01 1E0	Black			+LE, +MC, +YE +LD, +MD, +YD +VA, +VB
	958 555 035 01 4H0	Luxor Beige			+LE, +MC, +YE
	958 555 035 01 6L0	Platinum Grey			+LD, +MD, +YD
	958 555 035 01 7N0	Espresso			+VA, +VB
6	955 555 388 00	Clamp Side trim panel Mount Lid Or Grille frame	/R /L	2	
7	958 555 288 00	Trim for switch		1	I1D9
	958 555 288 00 1E0	Black			
8	701 867 299	Clip		2	
	701 867 299 9B9	Satin black			
9	999 209 084 40	Spacer Rubber		X	
10	955 555 208 00	Clamp		6	
11	955 555 387 00	Clamp for Mount		1	

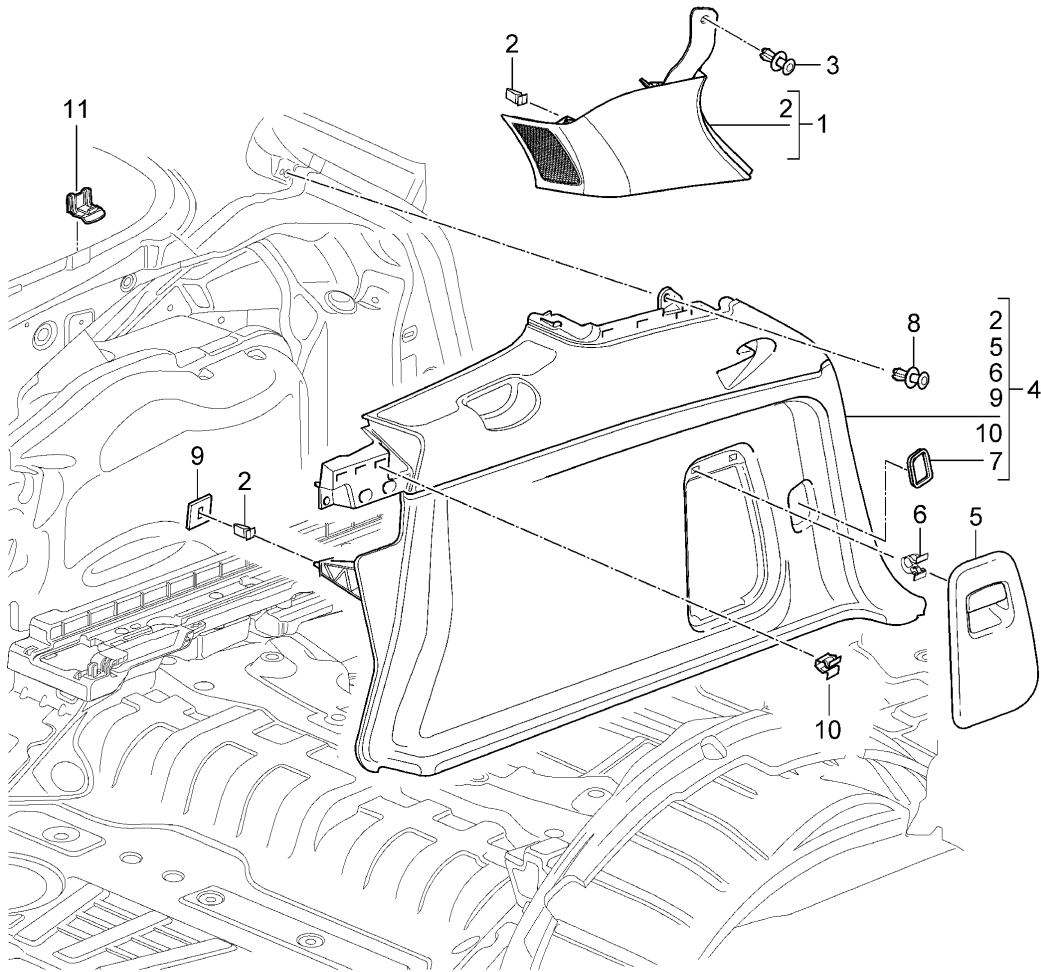
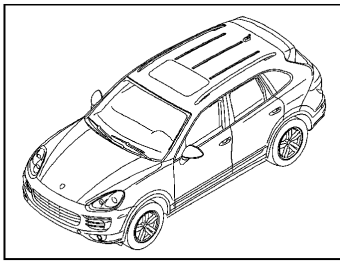
Model: 92A 11

Model life 2011>>

Pos	Part Number	Description	Remark	Qty	Model
		Side trim panel			

Model: 92A 11

Model life 2011>>



Model: 92A 11 Model life 2011>>

Pos	Part Number	Description	Remark	Qty	Model
1	958 555 246 01	Lining Luggage compartment Lateral D-pillar	15- /R	1	
	958 555 246 01 OM8	Right Saddle Tan			+ME, +MH, +MJ, +MK
	958 555 246 01 OP1	Agate Grey			+MB, +MG, +ML
	958 555 246 01 4H0	Luxor Beige			+LE, +MC, +YE, +LD, +MD, +YD, +VA, +VB
	958 555 246 01 7N0	Espresso			+LC, +LH, +MA, +MF, +MI, +TA, +TB, +TW, +YA, +YB, +YC, +77
	958 555 246 01 82V	Titanium Black			
(1)	958 555 245 01	Lining D-pillar Left	/L	1	
	958 555 245 01 OM8	Saddle Tan			+ME, +MH, +MJ, +MK
	958 555 245 01 OP1	Agate Grey			+MB, +MG, +ML
	958 555 245 01 4H0	Luxor Beige			+LE, +MC, +YE, +LD, +MD, +YD, +VA, +VB
	958 555 245 01 7N0	Espresso			+LC, +LH, +MA, +MF, +MI, +TA, +TB, +TW, +YA, +YB, +YC, +77
	958 555 245 01 82V	Titanium Black			
2	955 555 276 00	Clip		X	
3	N 107 009 01	Expansion rivet		1	
4	958 555 038 20	Side trim panel Right without Cut-outs Trim for switch	/R	1	-I1D9
	958 555 038 20 DK4	Black			+LC, +LG, +LH, +MA, +MF, +MI, +TA, +YA, +YB, +YC, +77
	958 555 038 20 DM5	Luxor Beige			+LE, +MC, +YE, +VA, +VB
	958 555 038 20 DP8	Espresso			+MB, +MG, +ML
	958 555 038 20 OK2	Agate Grey			+ME, +MH, +MJ, +MK
	958 555 038 20 OP2	Saddle Tan			
(4)	958 555 038 21	Side trim panel Right with Cut-outs for Position 7 Trim for switch	/R	1	I1D9
	958 555 038 21 DK4	Black			+LC, +LG, +LH, +MA, +MF, +MI, +TA, +YA, +YB, +YC, +77
	958 555 038 21 DM5	Luxor Beige			+LE, +MC, +YE, +VA, +VB
	958 555 038 21 DP8	Espresso			+MB, +MG, +ML
	958 555 038 21 OK2	Agate Grey			+ME, +MH, +MJ, +MK
	958 555 038 21 OP2	Saddle Tan			

Model: 92A 11 Model life 2011>>

Pos	Part Number	Description	Remark	Qty	Model
(4)	958 555 038 22	Side trim panel Right without Cut-outs Trim for switch	/R	1	-I1D9/I3F4
	958 555 038 22 DK4	Black			+LC, +LG, +LH, +MA, +MF, +MI, +TA, +YA, +YB, +YC, +77
	958 555 038 22 DM5	Luxor Beige			+LE, +MC, +YE, +VA, +VB
	958 555 038 22 DP8	Espresso			+MB, +MG, +ML
	958 555 038 22 OK2	Agate Grey			+ME, +MH, +MJ, +MK
	958 555 038 22 OP2	Saddle Tan			
(4)	958 555 038 23	Side trim panel Right with Cut-outs for Position 7 Trim for switch	/R	1	I1D9/3F4
	958 555 038 23 DK4	Black			+LC, +LG, +LH, +MA, +MF, +MI, +TA, +YA, +YB, +YC, +77
	958 555 038 23 DM5	Luxor Beige			+LE, +MC, +YE
	958 555 038 23 DP8	Espresso			+VA, +VB
	958 555 038 23 OK2	Agate Grey			+MB, +MG, +ML
	958 555 038 23 OP2	Saddle Tan			+ME, +MH, +MJ, +MK
(4)	958 555 037 02	Side trim panel Left with Luggage net	/L	1	I0K0/9AD/9VK
	958 555 037 02 DE1	Umber			+LF, +TX, +TY, +YF,
	958 555 037 02 DJ6	Platinum Grey			+LD, +MD, +VD,
	958 555 037 02 DK4	Black			+LC, +LG, +LH, +MA, +MF, +MI, +TA, +TB, +TW, +YA, +YB, +YC, +77
	958 555 037 02 DM5	Luxor Beige			+LE, +MC, +YE, +VA, +VB
	958 555 037 02 DP8	Espresso			+MB, +MG, +ML
	958 555 037 02 OK2	Agate Grey			+ME, +MH, +MJ, +MK
	958 555 037 02 OP2	Saddle Tan			
(4)	958 555 037 04	Side trim panel Left with Grille frame	/L	1	I9AH
	958 555 037 04 DE1	Umber			+LF, +TX, +TY, +YF
	958 555 037 04 DK4	Black			+LC, +LG, +LH, +MA, +MF, +MI, +TA, +TB, +YA, +YB, +YC, +77
	958 555 037 04 DM5	Luxor Beige			+LE, +MC, +YE, +VA, +VB
	958 555 037 04 DP8	Espresso			+MB, +MG, +ML,
	958 555 037 04 OK2	Agate Grey			+ME, +MH, +MJ, +MK
	958 555 037 04 OP2	Saddle Tan			

Model: 92A 11

Model life 2011>>

Pos	Part Number	Description	Remark	Qty	Model				
(4)	958 555 037 05	Side trim panel Left with Grille frame	/L	1	IOK3				
	958 555 037 05 DE1	Umber							
	958 555 037 05 DK4	Black							
	958 555 037 05 DM5	Luxor Beige							
	958 555 037 05 DP8	Espresso							
	958 555 037 05 OK2	Agate Grey							
	958 555 037 05 OP2	Saddle Tan							
	(4)	958 555 037 10				Side trim panel Left without Luggage net	/L	1	IOK0/1E9/9AD I9VL
958 555 037 10 DK4		Black							
958 555 037 10 DM5		Luxor Beige							
958 555 037 10 DP8		Espresso							
958 555 037 10 OK2		Agate Grey							
958 555 037 10 OP2		Saddle Tan							
5		958 555 462 00	Lid for Side trim panel Right	/R	1				
		958 555 462 00 DE1	Umber						
	958 555 462 00 DJ6	Platinum Grey							
	958 555 462 00 DK4	Black							
	958 555 462 00 DM5	Luxor Beige							
	958 555 462 00 DP8	Espresso							
	958 555 462 00 OK2	Agate Grey							
	958 555 462 00 OP2	Saddle Tan							
(5)	958 555 035 00	Grille frame for Side trim panel Left	/L	1	IOK3/1E9/9AH				
	958 555 035 00 DE1	Umber							
	958 555 035 00 1E0	Black							
	958 555 035 00 4H0	Luxor Beige							
	958 555 035 00 7N0	Espresso							
	958 555 035 00 OP1	Agate Grey							
	958 555 035 00 OM8	Saddle Tan							
	6	955 555 388 00				Clamp Side trim panel Mount Lid Or	/R	2	

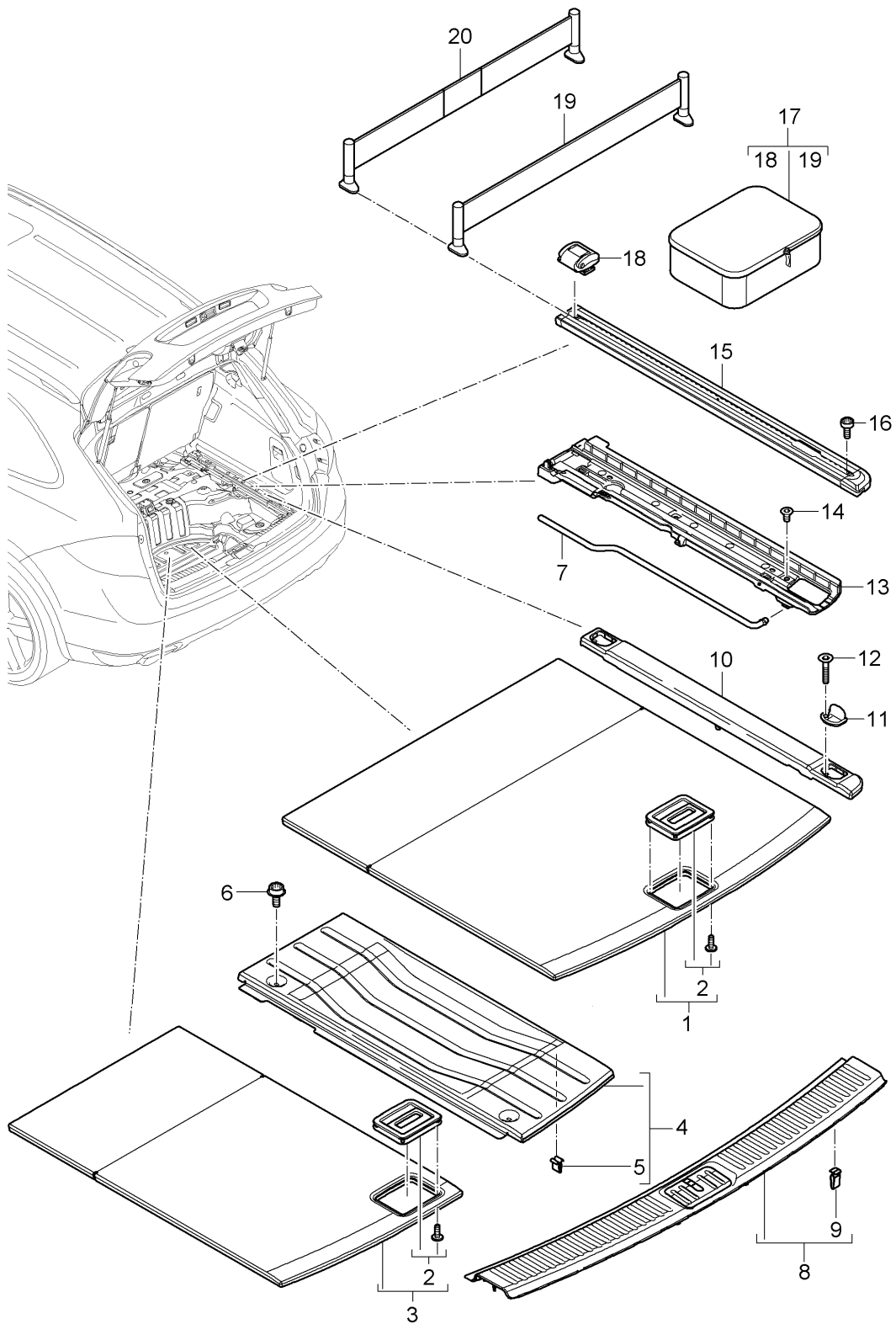
Model: 92A 11

Model life 2011>>

Pos	Part Number	Description	Remark	Qty	Model
7	7P5 868 288 A	Grille frame	/L	1	I1BK/1D3
	7P5 868 288 A 1E0	Trim for switch			
8	701 867 299	Black		2	
	701 867 299 9B9	Clip			
9	999 209 084 40	Satin black		X	
		Spacer			
		Rubber			
10	955 555 208 00	Clamp		6	
11	955 555 387 00	Clamp		1	
		for			
		Mount			
		Side trim panel			

Model: 92A 11

Model life 2011>>



Model: 92A 11 Model life 2011>>

Pos	Part Number	Description	Remark	Qty	Model
1	958 551 546 00	Lining Luggage compartment Accessories Loadspace system Lid		1	I0K0/1G1/1G4 11G8
	958 551 546 00 DE1	Spare wheel Umber			+LF, +TX, +TY, +YF
	958 551 546 00 DJ6	Platinum Grey			+LD, +MD, +YD, +LC, +LG, +LH, +MA, +MF, +MI, +TA, +TB, +TW, +YA, +YB, +YC, +77
	958 551 546 00 DK4	Black			+LE, +MC, +YE +VA, +VB
	958 551 546 00 DM5	Luxor Beige			+MB, +MG, +ML, +ME, +MH, +MJ, +MK
	958 551 546 00 DP8	Espresso			I0K1/1G8
	958 551 546 00 OK2	Agate Grey			+LF, +TX, +TY, +YF
	958 551 546 00 OP2	Saddle Tan			+LD, +MD, +YD, +LC, +MA, +TA, +TB, +YA, +YB, +YC
(1)	958 551 546 01	Lid	-14	1	+LE, +MC, +YE +VA, +VB
	958 551 546 01 DE1	Spare wheel Umber			+MB, +MG, +ML, +ME, +MH, +MJ, +MK
	958 551 546 01 DJ6	Platinum Grey			I0K3
	958 551 546 01 DK4	Black			+LF, +TX, +TY, +YF
	958 551 546 01 DM5	Luxor Beige			+LD, +MD, +YD, +LC, +MA, +TA, +TB, +YA, +YB, +YC
	958 551 546 01 DP8	Espresso			+LE, +MC, +YE +VA, +VB
(1)	958 551 546 02	Lid	15-	1	I0K3
	958 551 546 02 OP2	Spare wheel Saddle Tan			+ME, +MH, +MJ, +MK
	958 551 546 02 OK2	Agate Grey			+MB, +MG, +ML +LC, +LG, +LH, +MA, +MF, +MI, +TA, +YA, +YC +77
	958 551 546 02 DK4	Black			+LE, +MC, +YE +VA, +VB
	958 551 546 02 DM5	Luxor Beige			
	958 551 546 02 DP8	Espresso			
2	958 551 115 00	Handle	-15	1	
	958 551 115 00 DE1	Spare wheel covering Complete Umber			+LF, +TX, +TY, +YF
	958 551 115 00 1E0	Black			+LC, +LG, +LH, +MA, +MF, +MI, +TA, +TB, +TW, +YA, +YB, +YC, +77
	958 551 115 00 4H0	Luxor Beige			+LE, +MC, +YE
	958 551 115 00 6L0	Platinum Grey			+LD, +MD, +YD
	958 551 115 00 7N0	Espresso			+VA, +VB
	958 551 115 00 OM8	Saddle Tan			+ME, +MH, +MJ, +MK
(2)	958 551 115 00 OP1	Agate Grey		1	+MB, +MG, +ML,
	958 551 115 01	Handle			
	958 551 115 01 OM8	Spare wheel covering Complete Saddle Tan			
	958 551 115 01 OP1	Agate Grey			
	958 551 115 01 1E0	Black			

Model: 92A 11 Model life 2011>>

Pos	Part Number	Description	Remark	Qty	Model	
3	958 551 115 01 4H0	Luxor Beige		1	I3F4	
	958 551 115 01 7N0	Espresso				
	958 551 764 00	Lid				
		Luggage compartment				
		Floor				
		Left				
	958 551 764 00 DE1	Umber				+LF, +TX, +TY,
	958 551 764 00 DJ6	Platinum Grey				+LD, +MD
	958 551 764 00 DK4	Black				+LC, +MA, +TW,
	958 551 764 00 DM5	Luxor Beige				+LE, +MC,
	958 551 764 00 DP8	Espresso				+VA, +VB
	(3) 958 551 764 01	Lid				I3F4
		Luggage compartment				
		Floor				
	Left					
958 551 764 01 DE1	Umber		+LF, +TX, +TY,			
			+YF			
958 551 764 01 DJ6	Platinum Grey		+LD, +MD, +YD			
958 551 764 01 DK4	Black		+LC, +LG, +LH,			
			+MA, +MF, +MI,			
			+TA, +TB, +TW,			
			+YA, +YB, +YC			
			+77			
	958 551 764 01 DM5	Luxor Beige	+LE, +MC, +YE			
	958 551 764 01 DP8	Espresso	+VA, +VB			
	958 551 764 01 OK2	Agate Grey	+MB, +MG, +ML			
	958 551 764 01 OP2	Saddle Tan	+ME, +MH, +MJ,			
			+MK			
4	958 551 681 00	Cover		1	I3F4	
		Luggage compartment				
		Floor				
		Right				
5	958 551 389 00	Spring		2		
		Tab				
6	N 911 288 01	Fastening screw		2		
		M8x20				
7	958 551 195 00	Hood stay		1		
		for				
		Lid				
8	958 551 459 00	Cover		1		
		Lock carrier				
	958 551 459 00 5R5	Chrome				
9	955 555 276 00	Clip		6		
		Mount				
		for				
		Cover				
		Lock carrier				
10	958 551 528 00	Base	/R	1	I1G1/1G4/1G8 I3GA	
		Luggage compartment cover				
		Right				
	958 551 528 00 DE1	Umber			+LF, +TX, +TY,	
					+YF,	
	958 551 528 00 DJ6	Platinum Grey			+LD, +MD, +YD	
	958 551 528 00 DK4	Black			+LC, +LG, +LH,	
					+MA, +MF, +MI,	
					+TA, +TB, +TW,	
					+YA, +YB, +YC,	
	958 551 528 00 DM5	Luxor Beige			+LE, +MC, +YE	
	958 551 528 00 DP8	Espresso			+VA, +VB	
10	958 551 528 01	Base	/R	1	I1G1/1G4/1G8 I3GA	
		Luggage compartment cover				

Model: 92A 11 Model life 2011>>

Pos	Part Number	Description	Remark	Qty	Model
	958 551 528 01 DE1	Right Umber			
	958 551 528 01 DJ6	Platinum Grey			
	958 551 528 01 DK4	Black			
	958 551 528 01 DM5	Luxor Beige			
	958 551 528 01 DP8	Espresso			
	958 551 528 01 OK2	Agate Grey			+MB, +MG, +ML
	958 551 528 01 OP2	Saddle Tan			+ME, +MH, +MJ, +MK
10	958 551 527 00	Base	/L	1	I1G1/1G4/1G8 I3GA
		Luggage compartment cover Left			
	958 551 527 00 DE1	Umber			+LF, +TX, +TY, +YF,
	958 551 527 00 DJ6	Platinum Grey			+LD, +MD, +YD
	958 551 527 00 DK4	Black			+LC, +LG, +LH, +MA, +MF, +MI, +TA, +TB, +TW, +YA, +YB, +YC, +LE, +MC, +YE
	958 551 527 00 DM5	Luxor Beige			+VA, +VB
	958 551 527 00 DP8	Espresso			
(10)	958 551 527 01	Base	/L	1	I1G1/1G4/1G8 I3GA
		Luggage compartment cover Left			
	958 551 527 01 DE1	Umber			
	958 551 527 01 DJ6	Platinum Grey			
	958 551 527 01 DK4	Black			
	958 551 527 01 DM5	Luxor Beige			
	958 551 527 01 DP8	Espresso			
	958 551 527 01 OK2	Agate Grey			+MB, +MG, +ML
	958 551 527 01 OP2	Saddle Tan			+ME, +MH, +MJ, +MK
11	955 551 203 00	Eye		4	
		Luggage compartment			
	955 551 203 00 2ZZ	Chrome			
12	N 105 560 01	Countersunk-head screw M6x30		8	
		Mount			
		Eye			
		Luggage compartment			
13	958 551 600 00	Desk pad	/R	1	I1G1/1G4/1G8
		Right			
(13)	958 551 600 01	Desk pad	/R	1	I3F4
		Right			
(13)	958 551 599 00	Desk pad	/L	1	
		Left			
14	N 910 423 01	Oval-head screw M16x16		2	
		Mount			
		Desk pad			
15	958 551 556 00	Retaining strip	/R	1	I3GN
		Right			
	958 551 556 00 9Q8	Aluminium			
15	958 551 556 00	Retaining strip	/R	1	I1G1/1G4/3F4 I3GA
		Right			
		for			
		Bracket			
		Spare wheel			
	958 551 556 00 9Q8	Aluminium			
15	958 551 556 01	Retaining strip	/R	1	I1G1/1G4/3F4

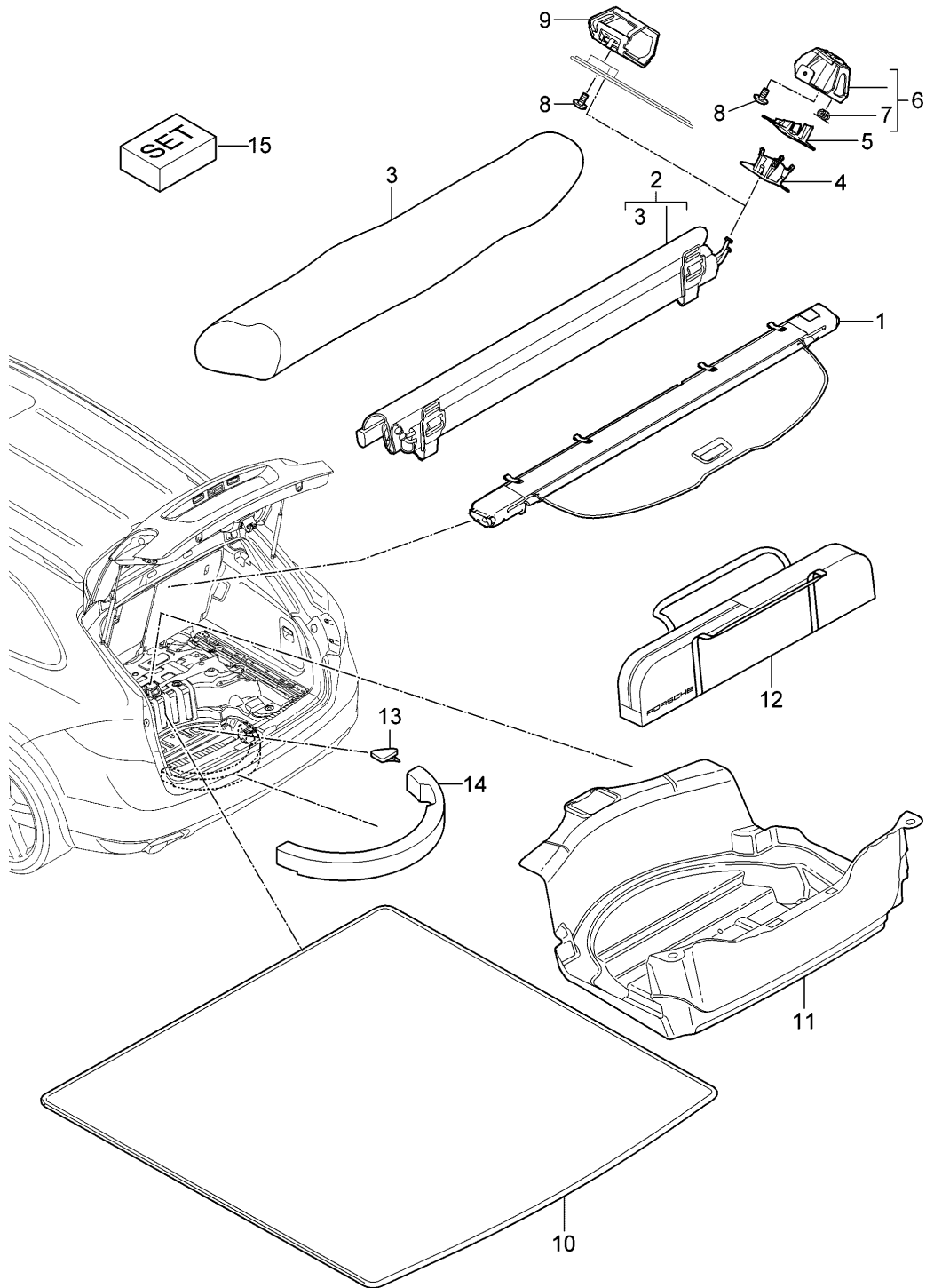
Model: 92A 11

Model life 2011>>

Pos	Part Number	Description	Remark	Qty	Model
		Right for Bracket Spare wheel			I3GA/3GN
(15)	958 551 556 01 9Q8 958 551 555 00	Aluminium Retaining strip	/L	1	I3GN
(15)	958 551 555 00 9Q8 958 551 555 00	Left Aluminium Retaining strip	/L	1	I1G1/1G4/3F4 I3GA
(15)	958 551 555 00 9Q8 958 551 555 01	Left Aluminium Retaining strip	/L	1	I1G1/1G4/3F4 I3GA/3GN
16	958 551 555 01 9Q8 N 908 502 02	Left Aluminium Multiple-tooth screw M8x20 Mount		4	
17	955 551 504 00	Retaining strip Bag		1	I3GN
18	955 551 539 00	Loadspace system Eye		4	I3GN
19	955 551 378 01	Luggage compartment Shade		1	I3GN
19	958 551 378 10	Shade		1	I3GN
20	955 551 377 01	Telescopic rod		1	I3GN

Model: 92A 11

Model life 2011>>



Model: 92A 11

Model life 2011>>

Pos	Part Number	Description	Remark	Qty	Model
		Luggage compartment cover			
		Net partition			
		Accessories			
		Insert			
		Ski bag			
1	958 551 773 00	Luggage compartment cover		1	
	958 551 773 00 AY1	Black			+LC, +MA, +TW
	958 551 773 00 DE1	Umber			+LF, +TX, +TY,
	958 551 773 00 F0K	Luxor Beige			+LE, +MC
	958 551 773 00 F0L	Platinum Grey			+LD, +MD
	958 551 773 00 F0M	Espresso			+VA, +VB
1	958 551 773 03	Luggage compartment cover		1	
	958 551 773 03 AY1	Black			+LC, +MA, +MF,
					+MI, +TA, +TB,
					+YA, +YB, +YC
					+77
	958 551 773 03 DE1	Umber			+LF, +TX, +TY,
					+YF
	958 551 773 03 F0K	Luxor Beige			+LE, +MC, +YE,
	958 551 773 03 F0L	Platinum Grey			+LD, +MD, +YD
	958 551 773 03 F0M	Espresso			+VA, +VB
1	958 551 773 04	Luggage compartment cover		1	
	958 551 773 04 AY1	Black			+LC, +LG, +LH,
					+MA, +MF, +MI,
					+TA, +YA, +YC,
					+77
	958 551 773 04 F0K	Luxor Beige			+LE, +MC, +YE,
	958 551 773 04 F0M	Espresso			+VA, +VB
	958 551 773 04 HGN	Agate Grey			+MB, +MG, +ML
	958 551 773 04 HGR	Saddle Tan			+ME, +MH, +MJ,
					+MK
2	958 551 691 00	Net partition		1	I3CX
		Including			
		Bag			
	958 551 691 00 45W	Black			
3	958 551 252 00	Bag		1	
4	958 551 970 00	Cover		1	I3FA/3FE
		Rear			
		Right			
	958 551 970 00 DE1	Umber			+LF, +TX, +TY
					+YF
	958 551 970 00 1E0	Black			+LC, +MA, +TW
	958 551 970 00 4H0	Luxor Beige			+LE, +MC, +YE,
	958 551 970 00 6L0	Platinum Grey			+LD, +MD, +YD,
	958 551 970 00 7N0	Espresso			+VA, +VB
(4)	958 551 970 10	Cover		1	I3FU
		Rear			
		Right			
	958 551 970 10 DE1	Umber			+LF, +TX, +TY,
					+YF
	958 551 970 10 1E0	Black			+LC, +MA, +TW
	958 551 970 10 4H0	Luxor Beige			+LE, +MC, +YE,
	958 551 970 10 6L0	Platinum Grey			+LD, +MD, +YD
	958 551 970 10 7N0	Espresso			+VA, +VB
(4)	958 551 969 00	Cover		1	I3FA/3FE
		Rear			
		Left			
	958 551 969 00 DE1	Umber			+LF, +TX, +TY,
					+YF
	958 551 969 00 1E0	Black			+LC, +MA, +TW
	958 551 969 00 4H0	Luxor Beige			+LE, +MC, +YE,
	958 551 969 00 6L0	Platinum Grey			+LD, +MD, +YD,
	958 551 969 00 7N0	Espresso			+VA, +VB

Model: 92A 11 Model life 2011>>

Pos	Part Number	Description	Remark	Qty	Model
(4)	958 551 969 10	Cover Rear		1	I3FU
	958 551 969 10 DE1	Left Umber			+LF, +TX, +TY, +YF
	958 551 969 10 1E0	Black			+LC, +MA, +TW
	958 551 969 10 4H0	Luxor Beige			+LE, +MC, +YE,
	958 551 969 10 6L0	Platinum Grey			+LD, +MD, +YD,
	958 551 969 10 7N0	Espresso			+VA, +VB
5	958 551 498 00	Frame Rear		1	I3FA/3FE
		Right			
(5)	958 551 498 10	Frame Rear		1	I3FU
		Right			
(5)	958 551 497 00	Frame Rear		1	I3FA/3FE
		Left			
(5)	958 551 497 10	Frame Rear		1	I3FU
		Left			
6	958 551 782 00	Eye Rear		1	I3FA/3FE
		Right			
(6)	958 551 782 10	Eye Rear		1	I3FU
		Right			
(6)	958 551 781 00	Eye Rear		1	I3FA/3FE
		Left			
(6)	958 551 781 10	Eye Rear		1	I3FU
		Left			
7	958 555 190 01	Clamp		4	
8	N 907 378 03	Round head screw M6x14		X	
9	958 551 688 00	Eye Front		1	
		Right			
		with Flap			
	958 551 688 00 DE1	Umber			+LF, +TX, +TY, +YF
	958 551 688 00 4H0	Luxor Beige			+LE, +MC, +YE,
	958 551 688 00 6L0	Platinum Grey			+LD, +MD, +YD,
	958 551 688 00 7N0	Espresso			+VA, +VB
	958 551 688 00 1E0	Black			
(9)	958 551 687 00	Eye Front		1	
		Left			
		with Flap			
	958 551 687 00 DE1	Umber			
	958 551 687 00 4H0	Luxor Beige			
	958 551 687 00 6L0	Platinum Grey			
	958 551 687 00 7N0	Espresso			
	958 551 687 00 1E0	Black			
10	958 551 769 00	Insert Mat		1	I3GN
	958 551 769 00 DC5	Black			+LC, +LG, +LH, +MA, +MF, +MI, +TA, +TB, +TW, +YA, +YB, +YC,

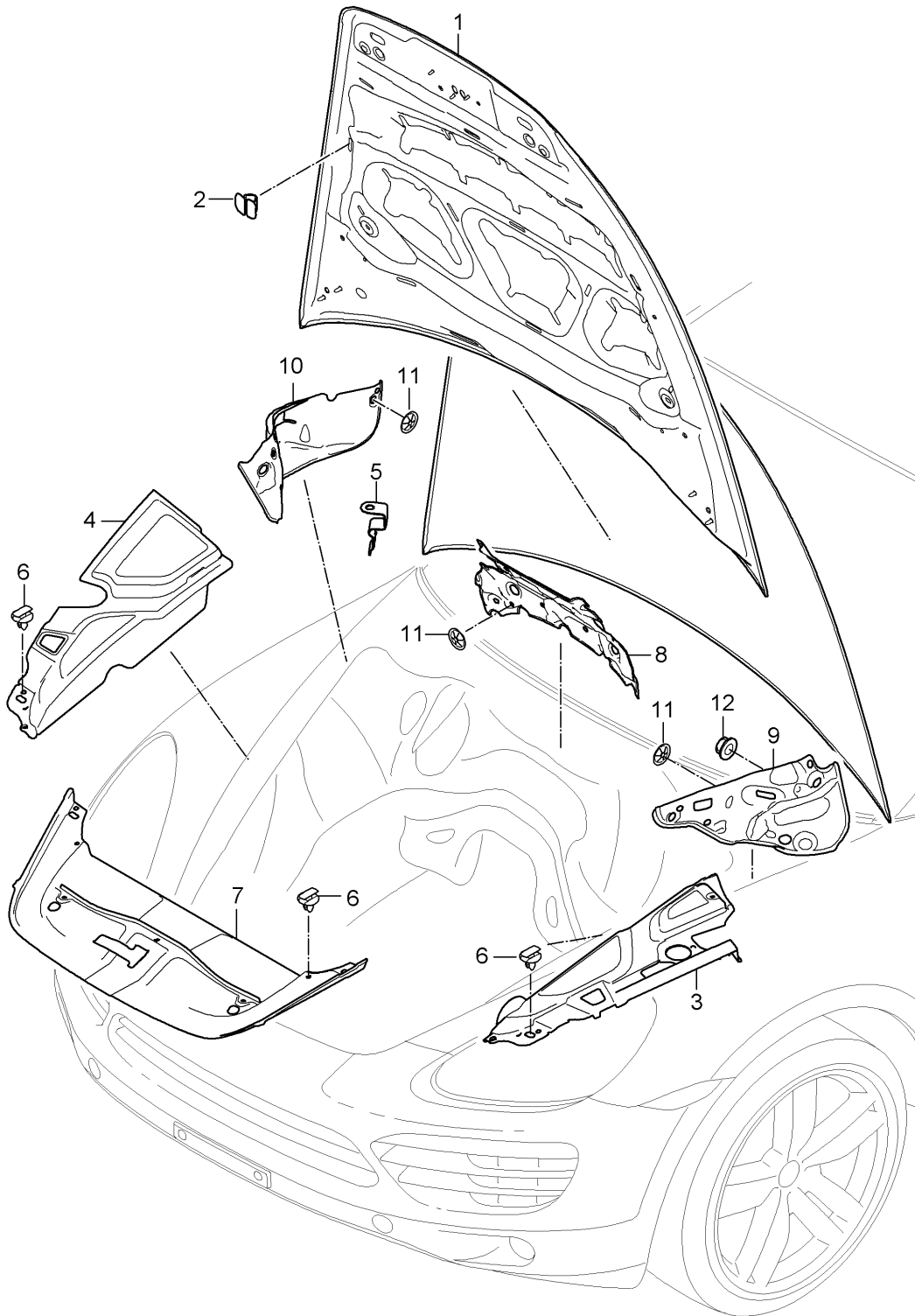
Model: 92A 11

Model life 2011>>

Pos	Part Number	Description	Remark	Qty	Model
	958 551 769 00 GC4	Luxor Beige			+77
	958 551 769 00 GH3	Platinum Grey			+LE, +MC, +YE, +LD, +MD, +YD
	958 551 769 00 GK1	Espresso			+VA, +VB
	958 551 769 00 GP8	Umber			+LF, +TX, +TY, +YF
10	958 551 769 02	Insert Mat		1	I3GN
	958 551 769 02 OW7	Agate Grey			+MB, +MG, +ML
	958 551 769 02 ON9	Saddle Tan			+ME, +MH, +MJ, +MK
11	958 551 697 00	Lining		1	I1G8/8RV/9VK
(11)	958 551 697 10	Spare-wheel well Lining		1	I0K0/1G1/1G4 I3F4/8RV/9VK
(11)	958 551 697 20	Spare-wheel well Lining		1	I0K0/1G1/1G4 I3F4/9VJ/9VL
(11)	958 551 697 30	Spare-wheel well Lining		1	I0K0/1G8/9VJ I9VL
(11)	958 551 697 40	Spare-wheel well Lining		1	I1E9
12	958 551 811 01	Spare-wheel well Ski bag Including Bag		1	I3NW/3X1
13	958 551 124 00	Desk pad Spare wheel Right		1	I1G1/1G4
(13)	958 551 123 00	Desk pad Spare wheel Left		1	I1G1/1G4
14	958 551 125 00	Desk pad Spare wheel Centre		1	I1G1/1G4
15	958 898 773 00	Repair kit Clip Luggage compartment cover		1	
	958 898 773 00 1E0	Black			+LC, +LG, +LH +MA, +MF, +MI +TA, +YA, +YC +77
	958 898 773 00 OP1	Agate Grey			+MB, +MG, +ML
	958 898 773 00 4H0	Luxor Beige			+LE, +MC, +YE
	958 898 773 00 OM8	Saddle Tan			+ME, +MH, +MJ +MK
	958 898 773 00 7N0	Espresso			+VA, +VB

Model: 92A 11

Model life 2011>>



Model: 92A 11 Model life 2011>>

Pos	Part Number	Description	Remark	Qty	Model
		Sound absorber	-14		
		Lining			
		Engine compartment			
1	958 556 831 00	Insulation		1	
		Bonnet			
2	955 556 761 00	Support		13	
		Sound absorber			
	955 556 761 00 01C	Satin black			
3	958 556 583 00	Cover	/L	1	ID34/D6V
		Left			
	958 556 583 00 01C	Satin black			
(3)	958 556 583 01	Cover	/L -12	1	ID1V/D11/D50 ID58
		Left			
	958 556 583 01 01C	Satin black			
(3)	958 556 583 03	Cover	/L 13-	1	IDD8/D1V/D11 ID43/D50/D58
		Left			
	958 556 583 03 01C	Satin black			
(3)	958 556 583 02	Cover	/L	1	ID19
		Left			
	958 556 583 02 01C	Satin black			
4	958 556 442 00	Cover	/R	1	ID34/D50/D58
		Right			
	958 556 442 00 01C	Satin black			
(4)	958 556 442 01	Cover	/R	1	ID6V
		Right			
	958 556 442 01 01C	Satin black			
(4)	958 556 442 02	Cover	/R	1	ID11/D19
		Right			
	958 556 442 02 01C	Satin black			
(4)	958 556 442 03	Cover	/R	1	IDD8/D1V/D43 ID50
		Right			
	958 556 442 03 01C	Satin black			
5	958 556 805 00	Support		1	
		Mount			
		Cover			
		Right			
(5)	958 556 804 00	Support		1	
		Mount			
		Cover			
		Left			
6	WHT 004 750	Expansion rivet		X	
		8.1X13.0			
7	958 556 806 00	Cover		1	
		Covering for lock			
	958 556 806 00 01C	Satin black			
8	958 556 983 00	Insulation		1	
		Plenum panel			
		Centre			
9	958 556 993 00	Insulation	/L	1	
		Plenum panel			
		Left			
10	958 556 994 00	Insulation	/R	1	
		Plenum panel			
		Right			
11	N 903 350 05	Clamping washer		X	
		S-5X30			
12	958 556 089 00	Cover		1	I0K1
		Screw			
		Mount			
		Insulation			

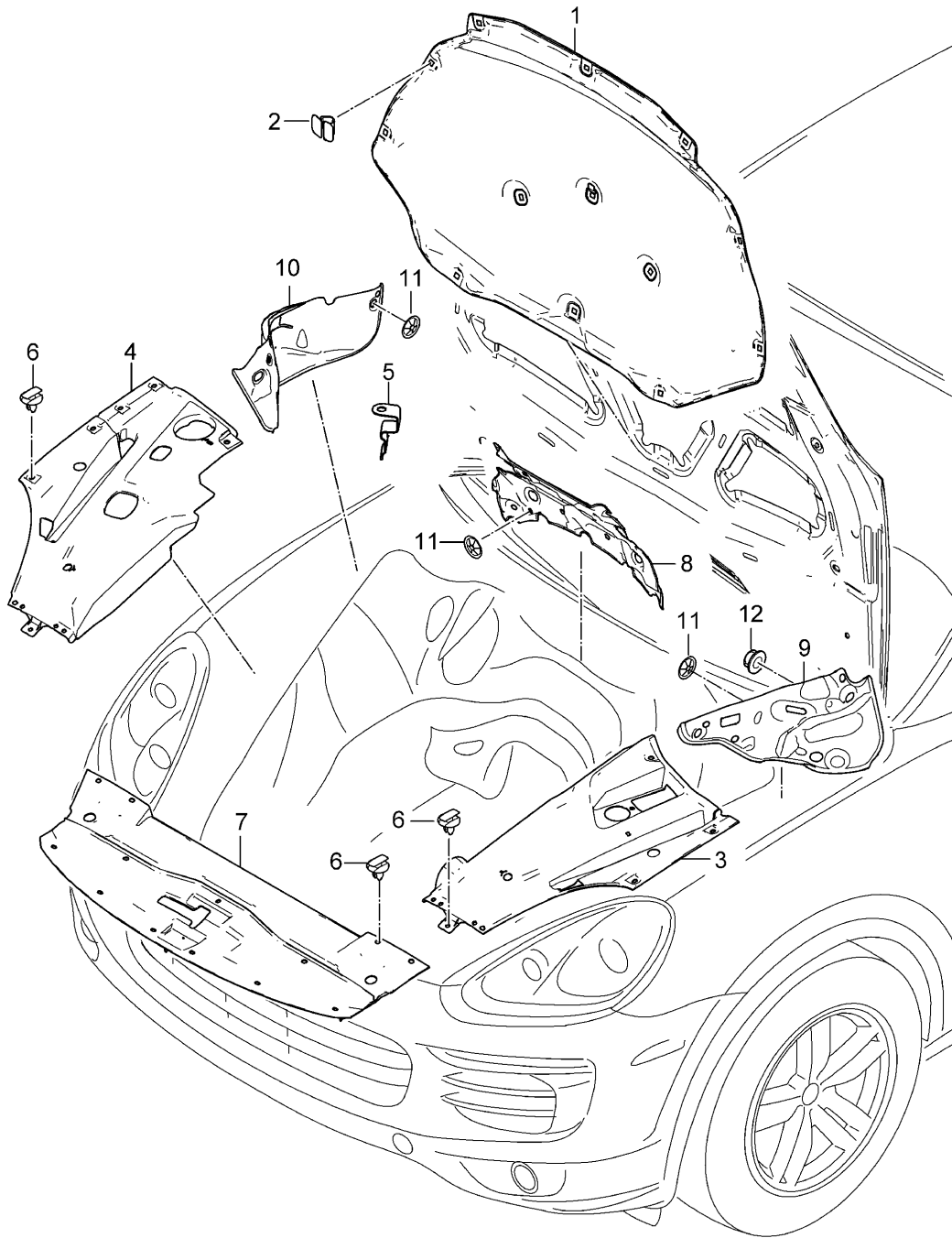
Model: 92A 11

Model life 2011>>

Pos	Part Number	Description	Remark	Qty	Model
		Plenum panel Left			

Model: 92A 11

Model life 2011>>

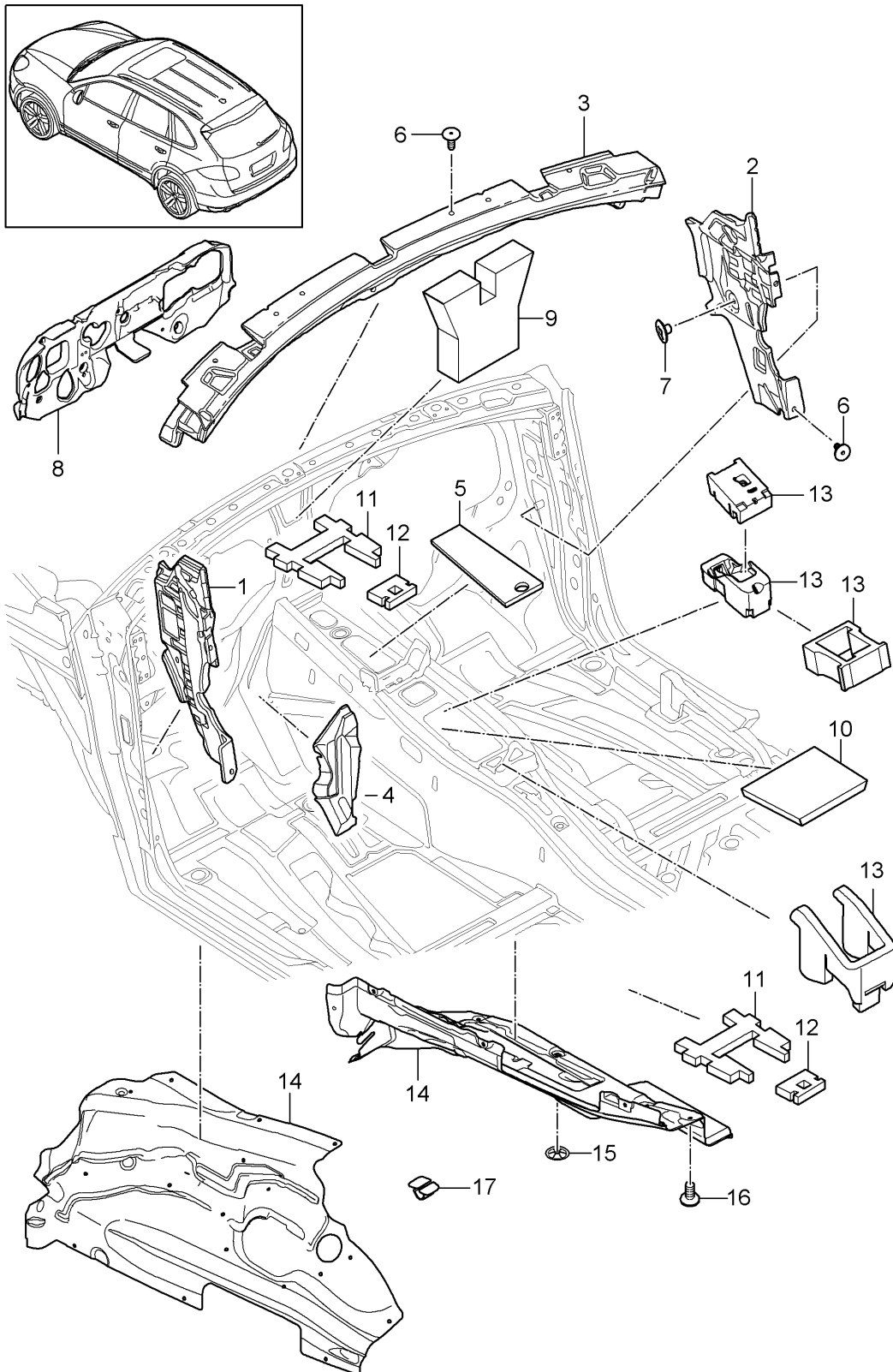


Model: 92A 11 Model life 2011>>

Pos	Part Number	Description	Remark	Qty	Model
1	958 556 831 20	Sound absorber Lining Engine compartment Insulation Bonnet	15-	1	
2	1T0 863 727	Retaining clip Sound absorber Bonnet		12	
3	958 556 583 20	Cover Left	/L	1	ID34
(3)	958 556 583 20 9B9 958 556 583 21	Satin black Cover	/L	1	IDD7/DD8/DT1 IDT5/DU2/DU3 ID1V/D11/D43 ID50 IDV7/D51
(3)	958 556 583 21 9B9 958 556 583 22	Left Satin black Cover	/L	1	ID19
4	958 556 583 22 9B9 958 556 584 20	Left Satin black Cover	/R	1	IDD7/DD8/DV7 ID1V/D43/D50 ID51
(4)	958 556 584 20 9B9 958 556 584 21	Right Satin black Cover	/R	1	ID11/D19
(4)	958 556 584 21 9B9 958 556 584 22	Right Satin black Cover	/R	1	IDT1/DT5/DU2 IDU3/D34
5	958 556 584 22 9B9 958 556 805 00	Right Satin black Support Mount Cover		1	
(5)	958 556 804 00	Right Support Mount Cover		1	
6	WHT 004 750	Left Expansion rivet 8.1X13.0		X	
7	958 556 806 20	Cover Covering for lock		1	
8	958 556 806 20 9B9 958 556 983 00	Satin black Insulation Plenum panel Centre		1	
9	958 556 993 00	Insulation Plenum panel Left	/L	1	
10	958 556 994 00	Insulation Plenum panel Right	/R	1	
11	N 903 350 05	Clamping washer S-5X30		X	
12	958 556 089 00	Cover Screw Mount Insulation Plenum panel Left		1	I0K3

Model: 92A 11

Model life 2011>>



Model: 92A 11 Model life 2011>>

Pos	Part Number	Description	Remark	Qty	Model
1	958 556 923 00	Sound absorber Passenger compartment Body front section Insulation Firewall	/L	1	ID58/D6V
(1)	958 556 923 01	Insulation Firewall	/L	1	IDD8/D19/D34 ID50
2	958 556 924 00	Firewall Insulation Firewall	/R	1	ID58/D6V
(2)	958 556 924 01	Insulation Firewall	/R	1	IDD8/D19/D34 ID50
3	958 556 931 00	Insulation Firewall Centre		1	IDT1/DT5
(3)	958 556 931 01	Insulation Firewall		1	IDD8/DU2/DU3 IDV7/D1V/D11 ID19/D43/D50 ID51
4	958 556 354 00	Centre Insulation Firewall Assembly Plate		1	
5	958 556 335 00	Insulation Tunnel		1	
6	N 909 113 01	Fastening plug A6.5X18.19X20.1		X	
7	955 556 760 00	Clip Mount		X	
8	955 556 760 00 01C 958 556 895 00	Satin black Insulation with Assembly Plate	/LL	1	IG1G/L0L
(8)	958 556 895 01	Insulation with Assembly Plate	/LL	1	IG0L/L0L
(8)	958 556 895 02	Insulation with Assembly Plate	/RL	1	IG1G/L0R
(8)	958 556 895 03	Insulation with Assembly Plate	/RL	1	IG0L/L0R
9	958 556 405 00	Sound absorber Firewall		1	
10	958 556 773 00	Sound absorber Centre console vorne		1	
11	958 556 785 00	Sound absorber Centre console vorne Upper		1	
12	958 556 786 00	Sound absorber Centre console Rear Upper		1	
13	958 556 231 00	Insulation		1	IG0L

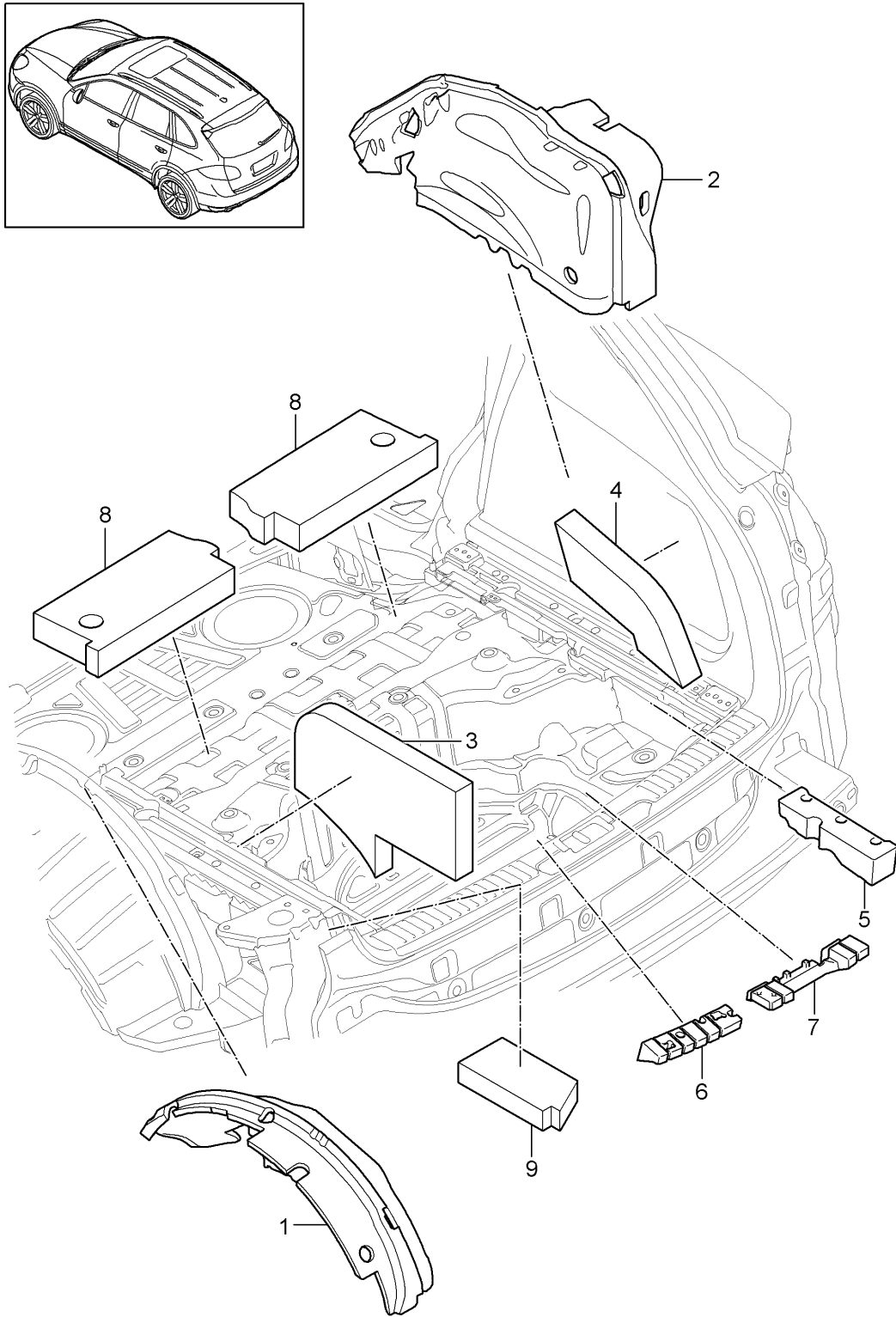
Model: 92A 11

Model life 2011>>

Pos	Part Number	Description	Remark	Qty	Model
(13)	958 556 231 01	Manual transmission Insulation		1	IG1G
(13)	958 556 233 00	Automatic transmission Insulation		1	IG1G
14	958 556 871 00	Automatic transmission Rear Insulation Tunnel	/L	1	I0K0/1E0/1E1
(14)	958 556 871 01	Insulation Tunnel	/L -14	1	I0K1
(14)	958 556 871 02	Insulation Tunnel	/L 13-	1	I0K0/1E9
(14)	958 556 872 00	Insulation Tunnel	/R	1	ID11/D19/D34 ID58/D6V
(14)	958 556 872 02	Insulation Tunnel	/R	1	ID11/D19/D34 ID58/D6V
(14)		Insulation Tunnel	/R	1	IDD8
(14)	958 556 872 01	Insulation Tunnel	/R	1	ID1V/D50
(14)	958 556 872 04	Insulation Tunnel	/R	1	ID1V/D50
15	N 903 350 05	Clamping washer S-5X30		X	
16	N 910 844 02	Screw 6X15-Q		2	
17	955 556 761 00	Support		1	
18	955 556 761 00 01C	Satin black Support		1	
20	955 556 761 00 01C	Satin black		1	
20	958 556 938 00	Sound absorber Centre console Upper		1	
21	958 556 939 00	Sound absorber Centre console Upper		1	

Model: 92A 11

Model life 2011>>



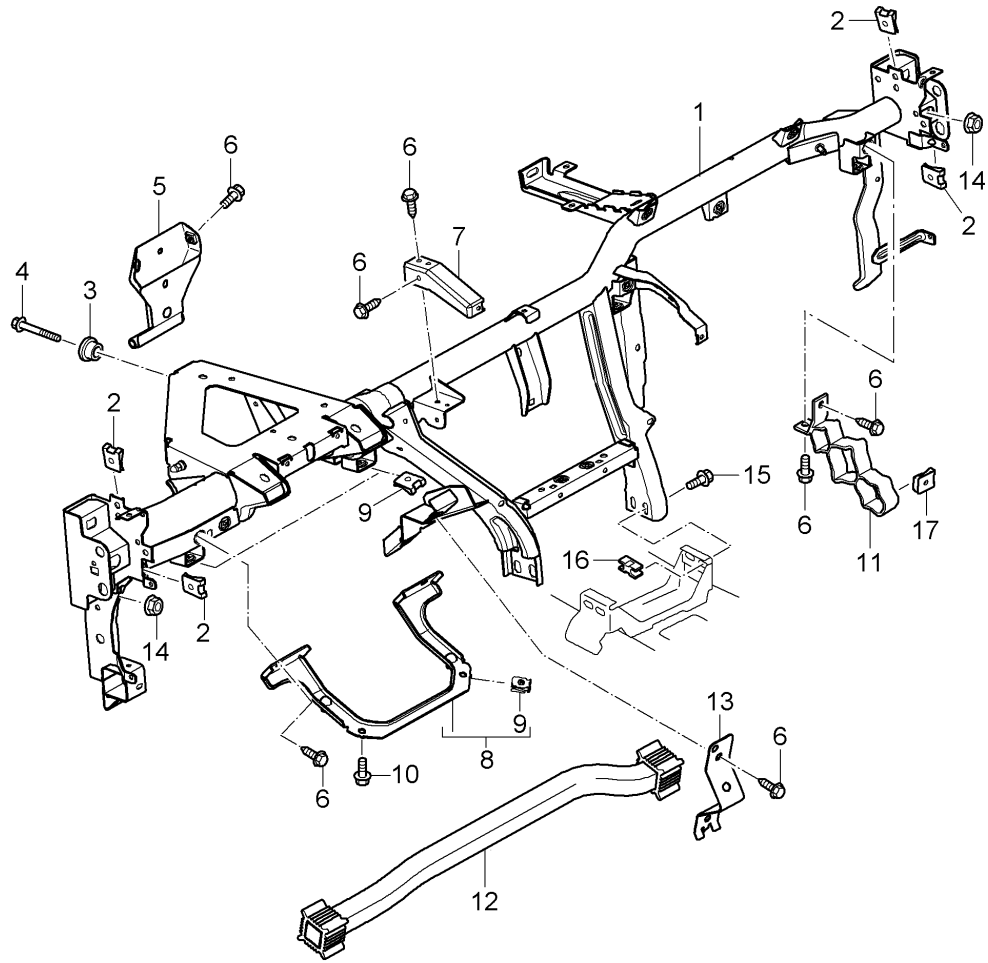
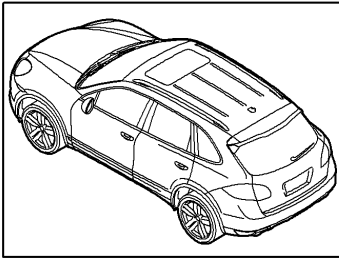
Model: 92A 11

Model life 2011>>

Pos	Part Number	Description	Remark	Qty	Model
1	958 556 813 00	Sound absorber Luggage compartment Insulation	/L	1	
2	958 556 814 00	Wheel housing Insulation	/R	1	
3	958 556 815 00	Wheel housing Insulation	/L	1	
4	958 556 816 00	Rear Upper Insulation	/R	1	
5	958 556 801 00	Wheel housing Rear Upper Insulation	/L	1	
(5)	958 556 802 00	Luggage compartment Left Insulation	/R	1	
6	958 556 909 00	Luggage compartment Right Insulation		1	
7	958 556 421 00	Cross member Insulation	/L	1	
(7)	958 556 422 00	Lock carrier Insulation	/R	1	
8	958 556 777 00	Lock carrier Sound absorber		2	I0K0/1G1/1G4 I1G8/9AD/9AH
9	958 556 406 00	Luggage compartment Sound absorber		1	I9AH
(10)	958 864 835 00	Air conditioner Sound absorbing plate Spare-wheel well		1	

Model: 92A 11

Model life 2011>>



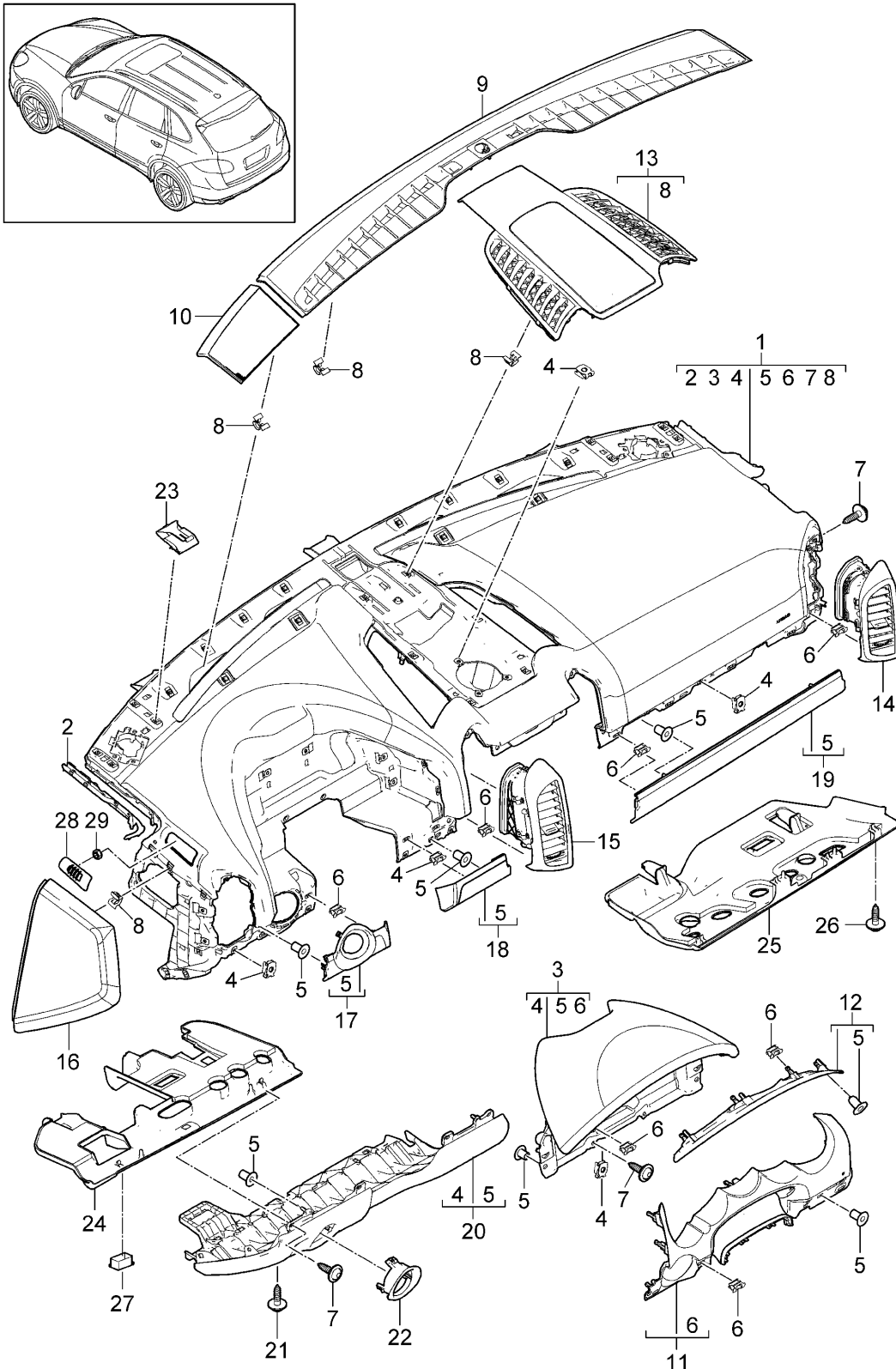
Model: 92A 11

Model life 2011>>

Pos	Part Number	Description	Remark	Qty	Model
		Retaining frame for Dashboard			
1	958 552 045 00	Retaining frame	/LL	1	IL0L
(1)	958 552 045 01	Retaining frame	/RL	1	IL0R
2	N 906 987 03	Speed nut 4,2 X 16 X 12		X	
3	958 552 049 00	Adjusting nut		1	
4	WHT 004 927	Hexagon-head bolt M8 X 125		1	
5	958 552 293 00	Strut Lower	/LL	1	IL0L
(5)	958 552 293 01	Strut Lower	/RL	1	IL0R
6	N 910 799 01	Hexagon-head bolt M 6 X 20		X	
7	958 552 780 00	Support Mount Dashboard	/LL	1	IL0L
7	958 552 780 01	Support Mount Dashboard	/RL	1	IL0R
8	958 552 435 00	Support Airbag	/LL	1	IL0L
9	N 906 988 01	Speed nut ST 4,2 X 16 X12,3		2	
10	N 906 986 06	Tapping screw 4,2 X 16 Mount Support Airbag		2	
12	958 552 265 00	Strut Airbag	/LL	1	IL0L
(12)	958 552 266 00	Strut Airbag	/RL	1	IL0R
13	958 552 520 00	Support Airbag		1	
14	N 907 611 03	Nut M 8 Mount		3	
15	N 106 421 03	Retaining frame Hexagon-head bolt M 8 X 25 Mount		4	
16	WHT 003 953	Retaining frame Speed nut M 8 X 16,8 X 39		4	

Model: 92A 11

Model life 2011>>



Model: 92A 11 Model life 2011>>

Pos	Part Number	Description	Remark	Qty	Model
1	958 552 003 00	Dashbord trim Accessories Dashbord trim Leatherette	/LL -16	1	IL0L/4N1/4N9
	958 552 003 00 DJ6	Platinum Grey			+MD
	958 552 003 00 DK4	Black			+MA, +77
	958 552 003 00 DM5	Luxor Beige			+MC
	958 552 003 00 OU4	Agate Grey			+MB
(1)	958 552 003 10	Dashbord trim Leatherette	/LL 17-	1	IL0L/4N1/4N9
	958 552 003 10 DK4	Black			+MA, +77
	958 552 003 10 DM5	Luxor Beige			+MC
	958 552 003 10 OU4	Agate Grey			+MB
(1)	958 552 003 01	Dashbord trim Leatherette	/RL -16	1	IL0R/4N1/4N9
	958 552 003 01 DJ6	Platinum Grey			+MD
	958 552 003 01 DK4	Black			+MA, +77
	958 552 003 01 DM5	Luxor Beige			+MC
	958 552 003 01 OU4	Agate Grey			+MB
(1)	958 552 003 11	Dashbord trim Leatherette	/RL 17-	1	IL0R/4N1/4N9
	958 552 003 11 DK4	Black			+MA, +77
	958 552 003 11 DM5	Luxor Beige			+MC
	958 552 003 11 OU4	Agate Grey			+MB
(1)	958 552 003 02	Dashbord trim Leather	/LL -16	1	IL0L/4N3/4N8
	958 552 003 02 A11	Black			+LC, +YC
	958 552 003 02 DE1	Umber			+LF, +YF
	958 552 003 02 F0C	Black/Titanium Blue			+TW
	958 552 003 02 F0E	Umber/Light Tartufo			+TY
	958 552 003 02 L0F	Umber/Cream			+TX
	958 552 003 02 7J0	Luxor Beige			+LE, +YE
	958 552 003 02 9B0	Platinum Grey			+LD, +YD
	958 552 003 02 AAD	Black/Carrera Red			+TA
	958 552 003 02 AAE	Black/Luxor Beige			+TB
	958 552 003 02 IVE	Black/Carmine Red			+YA
	958 552 003 02 IVF	Black/Peridot			+YB
	958 552 003 02 HAD	Black/Saddle Tan			+MI
	958 552 003 02 HDP	Black/Cohiba Brown			+LH
	958 552 003 02 HAE	Saddle Tan/Cream			+MJ
	958 552 003 02 HAF	Saddle Tan/Luxor Beige			+MK
	958 552 003 02 HAG	Black/Rhodium Silver			+MF
	958 552 003 02 OA1	Agate Grey			+MG, +ML
	958 552 003 02 OK6	Saddle Tan			+ME, +MH
	958 552 003 02 HDP	Black/Cohiba Brown			+LH
(1)	958 552 003 12	Dashbord trim Leather	/LL 17-	1	IL0L/4N3/4N8
	958 552 003 12 A11	Black			+LC, +YC
	958 552 003 12 OA1	Agate Grey			+MG, +ML
	958 552 003 12 OK6	Saddle Tan			+ME, +MH
	958 552 003 12 7J0	Luxor Beige			+LE, +YE
	958 552 003 12 AAD	Black/Carrera Red			+TA
	958 552 003 12 HAD	Black/Saddle Tan			+MI
	958 552 003 12 HAE	Saddle Tan/Cream			+MJ
	958 552 003 12 HAF	Saddle Tan/Luxor Beige			+MK
	958 552 003 12 HAG	Black/Rhodium Silver			+MF
	958 552 003 12 HDP	Black/Cohiba Brown			+LH
	958 552 003 12 HIE	Black/Cream			+LG
	958 552 003 12 IVE	Black/Carmine Red			+YA
(1)	958 552 003 03	Dashbord trim Leather	/RL -16	1	IL0R/4N3/4N8
	958 552 003 03 A11	Black			+LC, +YC
	958 552 003 03 DE1	Umber			+LF, +YF

Model: 92A 11

Model life 2011>>

Pos	Part Number	Description	Remark	Qty	Model
	958 552 003 03 F0C	Black/Titanium Blue			+TW
	958 552 003 03 F0E	Umber/Light Tartufo			+TY
	958 552 003 03 L0F	Umber/Cream			+TX
	958 552 003 03 7J0	Luxor Beige			+LE, +YE
	958 552 003 03 9B0	Platinum Grey			+LD, +YD
	958 552 003 03 AAD	Black/Carrera Red			+TA
	958 552 003 03 AAE	Black/Luxor Beige			+TB
	958 552 003 03 IVE	Black/Carmin Red			+YA
	958 552 003 03 IVF	Black/Peridot			+YB
	958 552 003 03 HAD	Black/Saddle Tan			+MI
	958 552 003 03 HAE	Saddle Tan/Cream			+MJ
	958 552 003 03 HAF	Saddle Tan/Luxor Beige			+MK
	958 552 003 03 HAG	Black/Rhodium Silver			+MF
	958 552 003 03 OA1	Agate Grey			+MG, +ML
	958 552 003 03 OK6	Saddle Tan			+ME, +MH
	958 552 003 03 HDP	Black/Cohiba Brown			+LH
(1)	958 552 003 13	Dashboard trim Leather	/RL 17-	1	IL0R/4N3/4N8
	958 552 003 13 A11	Black			+LC, +YC
	958 552 003 13 OA1	Agate Grey			+MG, +ML
	958 552 003 13 OK6	Saddle Tan			+ME, +MH
	958 552 003 13 7J0	Luxor Beige			+LE, +YE
	958 552 003 13 AAD	Black/Carrera Red			+TA
	958 552 003 13 HAD	Black/Saddle Tan			+MI
	958 552 003 13 HAE	Saddle Tan/Cream			+MJ
	958 552 003 13 HAF	Saddle Tan/Luxor Beige			+MK
	958 552 003 13 HAG	Black/Rhodium Silver			+MF
	958 552 003 13 HDP	Black/Cohiba Brown			+LH
	958 552 003 13 HIE	Black/Cream			+LG
	958 552 003 13 IVE	Black/Carmin Red			+YA
(1)	958 552 003 04	Dashboard trim Leather/ Nature	/LL -16	1	IL0L/4N4/4N5
	958 552 003 04 L0G	Espresso/Cognac			+VB
	958 552 003 04 6J0	Espresso			+VA
(1)	958 552 003 14	Dashboard trim Leather/ Nature	/LL 17-	1	IL0L/4N4/4N5
	958 552 003 14 L0G	Espresso/Cognac			+VB
	958 552 003 14 6J0	Espresso			+VA
(1)	958 552 003 05	Dashboard trim Leather/ Nature	/RL -16	1	IL0R/4N4/4N5
	958 552 003 05 L0G	Espresso/Cognac			+VB
	958 552 003 05 6J0	Espresso			+VA
(1)	958 552 003 15	Dashboard trim Leather/ Nature	/RL 17-	1	IL0R/4N4/4N5
	958 552 003 15 L0G	Espresso/Cognac			+VB
	958 552 003 15 6J0	Espresso			+VA
2	958 552 285 00	Mounting piece for Lining A-pillar	/L	1	
(2)	958 552 286 00	Mounting piece for Lining A-pillar	/R	1	
3	958 552 277 00	Instrument box Instrument cluster Leatherette		1	I4N1/4N9
	958 552 277 00 DJ6	Platinum Grey			+MC
	958 552 277 00 DK4	Black			+MA

Model: 92A 11

Model life 2011>>

Pos	Part Number	Description	Remark	Qty	Model	
(3)	958 552 277 00 DM5	Luxor Beige		1	+MD	
	958 552 277 00 HAB	Black/Luxor Beige			+77	
	958 552 277 00 OU4	Agate Grey			+MB	
	958 552 277 01	Instrument box			I4N3/4N8	
		Instrument cluster				
		Leather				
	958 552 277 01 A11	Black			+LC, +YC	
	958 552 277 01 DE1	Umber			+LF, +YF	
	958 552 277 01 F0C	Black/Titanium Blue			+TW	
	958 552 277 01 F0E	Umber/Light Tartufo			+TY	
	958 552 277 01 L0F	Umber/Cream			+TX	
	958 552 277 01 7J0	Luxor Beige			+LE, +YE	
	958 552 277 01 9B0	Platinum Grey			+LD, +YD	
	958 552 277 01 AAD	Black/Carrera Red			+TA	
	958 552 277 01 AAE	Black/Luxor Beige			+TB	
	958 552 277 01 IVE	Black/Carmin Red			+YA	
	958 552 277 01 IVF	Black/Peridot			+YB	
958 552 277 01 HAD	Black/Saddle Tan		+MI			
958 552 277 01 HAE	Saddle Tan/Cream		+MJ			
958 552 277 01 HAF	Saddle Tan/Luxor Beige		+MK			
958 552 277 01 HAG	Black/Rhodium Silver		+MF			
958 552 277 01 OA1	Agate Grey		+MG, +ML			
958 552 277 01 OK6	Saddle Tan		+ME, +MH			
(3)	958 552 277 02	Instrument box		1	I4N4/4N5	
		Instrument cluster				
		Leather/				
		Nature				
	958 552 277 02 L0G	Espresso/Cognac			+VB	
	958 552 277 02 6J0	Espresso			+VA	
4	N 906 988 01	Speed nut			X	
		ST 4,2				
5	958 552 900 00	Grommet			X	
6	955 552 107 00	Fixing clip			X	
7	N 906 986 06	Tapping screw			X	
		ST 4,2 X 16				
8	958 555 190 00	Clamp			X	
9	958 552 365 00	Defroster trim			1	
		Front				
	958 552 365 00 DE1	Umber				+LF, +TX, +TY, +YF
	958 552 365 00 3T0	Espresso				+VA, +VB
	958 552 365 00 4U0	Platinum Grey		+LD, +MD, +YD		
	958 552 365 00 5Q0	Black		+LC, +LG, +LH, +MA, +MF, +MI, +TA, +TB, +TW, +YA, +YB, +YC, +77		
	958 552 365 00 6W0	Luxor Beige		+LE, +MC, +YE		
	958 552 365 00 OA6	Agate Grey		+MB, +MG, +ML		
	958 552 365 00 OL7	Saddle Tan		+ME, +MH, +MJ, +MK		
10	958 552 793 00	Loudspeaker grille	/L	1		I8RV/9VK/9VL
		Dashboard trim				
	958 552 793 00 DE1	Umber				+LF, +TX, +TY, +YF
	958 552 793 00 3T0	Espresso				+VA, +VB
	958 552 793 00 4U0	Platinum Grey				+LD, +MD, +YD
	958 552 793 00 5Q0	Black				+LC, +LG, +LH, +MA, +MF, +MI, +TA, +TB, +TW, +YA, +YB, +YC, +77
	958 552 793 00 6W0	Luxor Beige				+LE, +MC, +YE

Model: 92A 11 Model life 2011>>

Pos	Part Number	Description	Remark	Qty	Model
(10)	958 552 793 00 OA6	Agate Grey	/R	1	+MB, +MG, +ML, +ME, +MH, +MJ, +MK I8RV/9VK/9VL
	958 552 793 00 OL7	Saddle Tan			
	958 552 794 00	Loudspeaker grille Dashboard trim			
	958 552 794 00 DE1	Umber			
	958 552 794 00 3T0	Espresso			
	958 552 794 00 4U0	Platinum Grey			
(10)	958 552 794 00 5Q0	Black	/L	1	+LF, +TX, +TY, +YF +VA, +VB +LD, +MD, +YD +LC, +LG, +LH, +MA, +MF, +MI, +TA, +TB, +TW, +YA, +YB, +YC, +77 +LE, +MC, +YE +MB, +MG, +ML, +ME, +MH, +MJ, +MK I9VJ
	958 552 794 00 6W0	Luxor Beige			
	958 552 794 00 OA6	Agate Grey			
	958 552 794 00 OL7	Saddle Tan			
	958 552 793 02	Loudspeaker grille Dashboard trim			
	958 552 793 02 DE1	Umber			
(10)	958 552 793 02 3T0	Espresso	/R	1	+LF, +TX, +TY, +YF +VA, +VB +LD, +MD, +YD +LC, +LG, +LH, +MA, +MF, +MI, +TA, +TB, +TW, +YA, +YB, +YC, +77 +LE, +MC, +YE +MB, +MG, +ML, +ME, +MH, +MJ, +MK I9VJ
	958 552 793 02 4U0	Platinum Grey			
	958 552 793 02 5Q0	Black			
	958 552 793 02 6W0	Luxor Beige			
	958 552 793 02 OA6	Agate Grey			
	958 552 793 02 OL7	Saddle Tan			
(10)	958 552 794 02	Loudspeaker grille Dashboard trim	/L	1	+LF, +TX, +TY, +YF +VA, +VB +LD, +MD, +YD +LC, +LG, +LH, +MA, +MF, +MI, +TA, +TB, +TW, +YA, +YB, +YC, +77 +LE, +MC, +YE +MB, +MG, +ML, +ME, +MH, +MJ, +MK I9VJ
	958 552 794 02 DE1	Umber			
	958 552 794 02 3T0	Espresso			
	958 552 794 02 4U0	Platinum Grey			
	958 552 794 02 5Q0	Black			
	958 552 794 02 6W0	Luxor Beige			
(10)	958 552 794 02 OA6	Agate Grey	/L	1	+LF, +TX, +TY, +YF +VA, +VB +LD, +MD, +YD +LC, +LG, +LH, +MA, +MF, +MI, +TA, +TB, +TW, +YA, +YB, +YC, +77 +LE, +MC, +YE +MB, +MG, +ML, +ME, +MH, +MJ, +MK I9VJ
	958 552 794 02 OL7	Saddle Tan			
	958 552 793 01	Loudspeaker grille Dashboard trim with Logo Burmester			
	958 552 793 01 DE1	Umber			
	958 552 793 01 3T0	Espresso			
	958 552 793 01 4U0	Platinum Grey			
(10)	958 552 793 01 5Q0	Black	/L	1	+LF, +TX, +TY, +YF +VA, +VB +LD, +MD, +YD +LC, +LG, +LH, +MA, +MF, +MI, +TA, +TB, +TW, +YA, +YB, +YC, +77 +LE, +MC, +YE
	958 552 793 01 6W0	Luxor Beige			

Model: 92A 11 Model life 2011>>

Pos	Part Number	Description	Remark	Qty	Model
(10)	958 552 793 01 OA6	Agate Grey	/R	1	+MB,+MG,+ML, +ME,+MH,+MJ, +MK I9VJ
	958 552 793 01 OL7	Saddle Tan			
	958 552 794 01	Loudspeaker grille Dashboard trim with Logo Burmester			
	958 552 794 01 DE1	Umber			
	958 552 794 01 3T0	Espresso			
	958 552 794 01 4U0	Platinum Grey			
	958 552 794 01 5Q0	Black			
	958 552 794 01 6W0	Luxor Beige			
	958 552 794 01 OA6	Agate Grey			
	958 552 794 01 OL7	Saddle Tan			
11	958 552 054 00	Dashboard trim Lower part	/LL	1	+LF,+TX,+TY, +YF +VA,+VB +LD,+MD,+YD +LC,+LG,+LH, +MA,+MF,+MI, +TA,+TB,+TW, +YA,+YB,+YC, +77 +LE,+MC,+YE +MB,+MG,+ML, +ME,+MH,+MJ, +MK IL0L
	958 552 054 00 DE1	Umber			
	958 552 054 00 3T0	Espresso			
	958 552 054 00 4U0	Platinum Grey			
	958 552 054 00 5Q0	Black			
	958 552 054 00 6W0	Luxor Beige			
11	958 552 054 04	Dashboard trim Lower part	/LL	1	+MB,+MG,+ML +ME,+MH,+MJ +MK IL0L
	958 552 054 04 OA6	Agate Grey			
	958 552 054 04 OL7	Saddle Tan			
	958 552 054 01	Dashboard trim Lower part			
(11)	958 552 054 01 DE1	Umber	/RL	1	+LF,+TX,+TY, +VA,+VB +LD,+MD, +LC,+MA,+TW +LE,+MC IL0R
	958 552 054 01 3T0	Espresso			
	958 552 054 01 4U0	Platinum Grey			
	958 552 054 01 5Q0	Black			
	958 552 054 01 6W0	Luxor Beige			
	958 552 054 05	Dashboard trim Lower part			
(11)	958 552 054 05 OA6	Agate Grey	/RL	1	+MB,+MG,+ML +ME,+MH,+MJ +MK IL0R
	958 552 054 05 OL7	Saddle Tan			
	958 552 059 00	Dashboard trim Upper part			
12	958 552 059 00 DE1	Umber	/RL	1	+LF,+TX,+TY, +YF +VA,+VB +LD,+MD,+YD +LC,+LG,+LH, +MA,+MF,+MI, +TA,+TB,+TW, +YA,+YB,+YC, +77 +LE,+MC,+YE +MB,+MG,+ML, +ME,+MH,+MJ, +MK IQR0
	958 552 059 00 3T0	Espresso			
	958 552 059 00 4U0	Platinum Grey			
	958 552 059 00 5Q0	Black			
	958 552 059 00 6W0	Luxor Beige			
	958 552 059 00 OA6	Agate Grey			
	958 552 059 00 OL7	Saddle Tan			
13	958 552 189 00	Cover Centre		1	

Model: 92A 11 Model life 2011>>

Pos	Part Number	Description	Remark	Qty	Model
	958 552 189 00 DE1	Upper Umber			+LF, +TX, +TY, +YF
	958 552 189 00 3T0	Espresso			+VA, +VB
	958 552 189 00 4U0	Platinum Grey			+LD, +MD, +YD
	958 552 189 00 5Q0	Black			+LC, +LG, +LH, +MA, +MF, +MI, +TA, +TB, +TW, +YA, +YB, +YC +77
	958 552 189 00 6W0	Luxor Beige			+LE, +MC, +YE
	958 552 189 00 OA6	Agate Grey			+MB, +MG, +ML, +ME, +MH, +MJ, +MK
	958 552 189 00 OL7	Saddle Tan			
(13)	958 552 189 01	Cover		1	IQR1 / QR3 / QR4 IQR5
		Centre Upper			
	958 552 189 01 DE1	Umber			+LF, +TX, +TY, +YF
	958 552 189 01 3T0	Espresso			+VA, +VB
	958 552 189 01 4U0	Platinum Grey			+LD, +MD, +YD
	958 552 189 01 5Q0	Black			+LC, +LG, +LH, +MA, +MF, +MI, +TA, +TB, +TW, +YA, +YB, +YC +77
	958 552 189 01 6W0	Luxor Beige			+LE, +MC, +YE
	958 552 189 01 OA6	Agate Grey			+MB, +MG, +ML +ME, +MH, +MJ +MK
	958 552 189 01 OL7	Saddle Tan			
(14)	958 552 703 01	Side vent	/L	1	
	958 552 703 01 G0B	Matt Black/Galvano Silver			
14	958 552 704 01	Side vent	/R	1	
	958 552 704 01 G0B	Matt Black/Galvano Silver			
15	958 552 727 01	Centre nozzle	/L -16	1	
	958 552 727 01 G0B	Matt Black/Galvano Silver			
(15)	958 552 727 05	Centre nozzle	/L 17-	1	
	958 552 727 05 G0B	Matt Black/Galvano Silver			
(15)	958 552 728 01	Centre nozzle	/R -16	1	
	958 552 728 01 G0B	Matt Black/Galvano Silver			
(15)	958 552 728 05	Centre nozzle	/R 17-	1	
	958 552 728 05 G0B	Matt Black/Galvano Silver			
16	958 552 175 00	Closing element	/L	1	
		Lateral			
	958 552 175 00 DE1	Umber			+LF, +TX, +TY, +VA, +VB
	958 552 175 00 3T0	Espresso			+LD, +MD, +LC, +MA, +TW +LE, +MC
	958 552 175 00 4U0	Platinum Grey			
	958 552 175 00 5Q0	Black			
	958 552 175 00 6W0	Luxor Beige			
(16)	958 552 175 01	Closing element	/L	1	
		Lateral			
	958 552 175 01 5Q0	Black			+LC, +LG, +LH, +MA, +MF, +MI, +TA, +TB, +TW, +YA, +YB, +YC, +77
	958 552 175 01 OA6	Agate Grey			+MB, +MG, +ML +ME, +MH, +MJ, +MK
	958 552 175 01 OL7	Saddle Tan			
(16)	958 552 176 00	Closing element	/R	1	
		Lateral			
	958 552 176 00 DE1	Umber			+LF, +TX, +TY,

Model: 92A 11

Model life 2011>>

Pos	Part Number	Description	Remark	Qty	Model
(16)	958 552 176 00 3T0	Espresso			+VA, +VB
	958 552 176 00 4U0	Platinum Grey			+LD, +MD,
	958 552 176 00 5Q0	Black			+LC, +MA, +TW
	958 552 176 00 6W0	Luxor Beige			+LE, +MC
	958 552 176 01	Closing element Lateral	/R	1	
	958 552 176 01 5Q0	Black			+LC, +LG, +LH, +MA, +MF, +MI, +TA, +TB, +TW, +YA, +YB, +YC, +77
	958 552 176 01 OA6	Agate Grey			+MB, +MG, +ML
958 552 176 01 OL7	Saddle Tan			+ME, +MH, +MJ, +MK	
17	958 552 221 00	Moulding Ignition starter lock	/LL	1	IL0L/5TL
(17)	958 552 221 00 6BB	Piano Black, high-gloss			
	958 552 221 01	Moulding Ignition starter lock	/LL	1	IL0L/5TE
(17)	958 552 221 01 GR4	Aluminium, brushed			
	958 552 221 02	Moulding Ignition starter lock	/LL	1	IL0L/5MG
(17)	958 552 221 02 BG1	Walnut, high-gloss			
	958 552 221 03	Moulding Ignition starter lock	/LL	1	IL0L/5MB
(17)	958 552 221 03 CK6	Swedish Birch			
	958 552 221 04	Moulding Ignition starter lock	/LL	1	IL0L/5TF
(17)	958 552 221 04 BT2	Olive Ash matt open-pored			
	958 552 221 05	Moulding Ignition starter lock	/LL	1	IL0L/5MH
(17)	958 552 221 05 BX3	Carbon, fine high-gloss			
	958 552 221 06	Moulding Ignition starter lock	/RL	1	IL0R/5TL
(17)	958 552 221 06 6BB	Piano Black, high-gloss			
	958 552 221 07	Moulding Ignition starter lock	/RL	1	IL0R/5TE
(17)	958 552 221 07 GR4	Aluminium, brushed			
	958 552 221 08	Moulding Ignition starter lock	/RL	1	IL0R/5MG
(17)	958 552 221 08 BG1	Walnut, high-gloss			
	958 552 221 09	Moulding Ignition starter lock	/RL	1	IL0R/5MB
(17)	958 552 221 09 CK6	Swedish Birch			
	958 552 221 10	Moulding Ignition starter lock	/RL	1	IL0R/5TF
(17)	958 552 221 10 BT2	Olive Ash matt open-pored			
	958 552 221 11	Moulding Ignition starter lock	/RL	1	IL0R/5MH
(17)	958 552 221 11 BX3	Carbon, fine high-gloss			
	958 552 221 12	Moulding Ignition starter lock	/LL	1	IL0L/5ML
(17)	958 552 221 12 OG1	Mahogany Yachting			
	958 552 221 13	Moulding Ignition starter lock	/RL	1	IL0R/5ML
18	958 552 221 13 OG1	Mahogany Yachting			
	958 552 226 00	Moulding Driver's side	/LL	1	IL0L/5TL
(18)	958 552 226 00 6BB	Piano Black, high-gloss			
	958 552 226 01	Moulding Driver's side	/LL	1	IL0L/5TE
(18)	958 552 226 01 GR4	Aluminium, brushed			
	958 552 226 02	Moulding	/LL	1	IL0L/5MG

Model: 92A 11

Model life 2011>>

Pos	Part Number	Description	Remark	Qty	Model
(18)	958 552 226 02 BG1	Driver's side Walnut, high-gloss			
	958 552 226 03	Moulding	/LL	1	IL0L/5MB
(18)	958 552 226 03 CK6	Driver's side Swedish Birch			
	958 552 226 04	Moulding	/LL	1	IL0L/5TF
(18)	958 552 226 04 BT2	Driver's side Olive Ash matt open-pored			
	958 552 226 05	Moulding	/LL	1	IL0L/5MH
(18)	958 552 226 05 BX3	Driver's side Carbon, fine high-gloss			
	958 552 226 06	Moulding	/RL	1	IL0R/5TL
(18)	958 552 226 06 6BB	Driver's side Piano Black, high-gloss			
	958 552 226 07	Moulding	/RL	1	IL0R/5TE
(18)	958 552 226 07 GR4	Driver's side Aluminium, brushed			
	958 552 226 08	Moulding	/RL	1	IL0R/5MG
(18)	958 552 226 08 BG1	Driver's side Walnut, high-gloss			
	958 552 226 09	Moulding	/RL	1	IL0R/5MB
(18)	958 552 226 09 CK6	Driver's side Swedish Birch			
	958 552 226 10	Moulding	/RL	1	IL0R/5TF
(18)	958 552 226 10 BT2	Driver's side Olive Ash matt open-pored			
	958 552 226 11	Moulding	/RL	1	IL0R/5MH
(18)	958 552 226 11 BX3	Driver's side Carbon, fine high-gloss			
	958 552 226 12	Moulding	/LL	1	IL0L/5ML
(18)	958 552 226 12 OG1	Driver's side Mahogany Yachting			
	958 552 226 13	Moulding	/RL	1	IL0R/5ML
(18)	958 552 226 13 OG1	Driver's side Mahogany Yachting			
19	958 552 222 00	Moulding	/LL	1	IL0L/5TL
(19)	958 552 222 00 6BB	Passenger's side Piano Black, high-gloss			
	958 552 222 01	Moulding	/LL	1	IL0L/5TE
(19)	958 552 222 01 GR4	Passenger's side Aluminium, brushed			
	958 552 222 02	Moulding	/LL	1	IL0L/5MG
(19)	958 552 222 02 BG1	Passenger's side Walnut, high-gloss			
	958 552 222 03	Moulding	/LL	1	IL0L/5MB
(19)	958 552 222 03 CK6	Passenger's side Swedish Birch			
	958 552 222 04	Moulding	/LL	1	IL0L/5TF
(19)	958 552 222 04 BT2	Passenger's side Olive Ash matt open-pored			
	958 552 222 05	Moulding	/LL	1	IL0L/5MH
(19)	958 552 222 05 BX3	Passenger's side Carbon, fine high-gloss			
	958 552 222 06	Moulding	/RL	1	IL0R/5TL
(19)	958 552 222 06 6BB	Passenger's side Piano Black, high-gloss			
	958 552 222 07	Moulding	/RL	1	IL0R/5TE
(19)	958 552 222 07 GR4	Passenger's side Aluminium, brushed			
	958 552 222 08	Moulding	/RL	1	IL0R/5MG
(19)	958 552 222 08 BG1	Passenger's side Walnut, high-gloss			
	958 552 222 09	Moulding	/RL	1	IL0R/5MB

Model: 92A 11 Model life 2011>>

Pos	Part Number	Description	Remark	Qty	Model
(19)	958 552 222 09 CK6	Passenger's side Swedish Birch			
	958 552 222 10	Moulding	/RL	1	IL0R/5TF
(19)	958 552 222 10 BT2	Passenger's side Olive Ash matt open-pored			
	958 552 222 11	Moulding	/RL	1	IL0R/5MH
(19)	958 552 222 11 BX3	Passenger's side Carbon, fine high-gloss			
	958 552 222 12	Moulding	/LL	1	IL0L/5ML
(19)	958 552 222 12 OG1	Passenger's side Mahogany Yachting			
	958 552 222 13	Moulding	/RL	1	IL0R/5ML
20	958 552 222 13 OG1	Passenger's side Mahogany Yachting			
	958 552 803 00	Lining	/LL	1	IL0L/4N1/4N9 I4UD/4UE
		Driver's side Leatherette			
	958 552 803 00 DJ6	Platinum Grey			+MD
	958 552 803 00 DK4	Black			+MA
	958 552 803 00 DM5	Luxor Beige			+77, +MC
	958 552 803 00 OS2	Agate Grey			+MB
(20)	958 552 803 01	Lining	/RL	1	IL0R/4N1/4N9 I4UD/4UE
		Driver's side Leatherette			
	958 552 803 01 DJ6	Platinum Grey			+MD
	958 552 803 01 DK4	Black			+MA
	958 552 803 01 DM5	Luxor Beige			+77, +MC
	958 552 803 01 OS2	Agate Grey			+MB
(20)	958 552 803 02	Lining	/LL	1	IL0L/4N3/4N8 I4UD
		Driver's side Leather			
	958 552 803 02 A11	Black			+LC, +MF, +YA, +YB, +YC
	958 552 803 02 DE1	Umber			+LF, +YF
	958 552 803 02 DF2	Light Tartufo			+TY
	958 552 803 02 DJ3	Titanium Blue			+TW
	958 552 803 02 7J0	Luxor Beige			+LE, +MK, +TB, +YE
	958 552 803 02 8D0	Cream			+LG, +MJ, +TX
	958 552 803 02 9B0	Platinum Grey			+LD, +YD
	958 552 803 02 OA1	Agate Grey			+MG, +ML
	958 552 803 02 OK6	Saddle Tan			+ME, +MH, +MI, +LH
	958 552 803 02 OB8	Cohiba Brown			+TA
(20)	958 552 803 02 OG3	Carrera Red			
	958 552 803 02	Lining	/LL	1	IL0L/4N3/4N8 I4UE
		Driver's side Leather			
	958 552 803 02 A11	Black			+LC, +MF, +YA, +YB, +YC
	958 552 803 02 DE1	Umber			+LF, +YF
	958 552 803 02 DF2	Light Tartufo			+TY
	958 552 803 02 DJ3	Titanium Blue			+TW
	958 552 803 02 7J0	Luxor Beige			+LE, +MK, +TB, +YE
	958 552 803 02 8D0	Cream			+LG, +MJ, +TX
	958 552 803 02 9B0	Platinum Grey			+LD, +YD
	958 552 803 02 OA1	Agate Grey			+MG, +ML
	958 552 803 02 OK6	Saddle Tan			+ME, +MH, +MI, +LH
	958 552 803 02 OB8	Cohiba Brown			+LH

Model: 92A 11 Model life 2011>>

Pos	Part Number	Description	Remark	Qty	Model
(20)	958 552 803 02 OG3	Carrera Red	/RL	1	+TA IL0R/4N3/4N8 I4UD/4UE
	958 552 803 03	Lining			
		Driver's side			
		Leather			
	958 552 803 03 A11	Black			
	958 552 803 03 DE1	Umber			
	958 552 803 03 DF2	Light Tartufo			
	958 552 803 03 DJ3	Titanium Blue			
	958 552 803 03 7J0	Luxor Beige			
	958 552 803 03 8D0	Cream			
958 552 803 03 9B0	Platinum Grey				
958 552 803 03 OA1	Agate Grey				
958 552 803 03 OK6	Saddle Tan				
958 552 803 03 OB8	Cohiba Brown				
(20)	958 552 803 03 OG3	Carrera Red	/LL	1	+TA IL0L/4N4/4N5 I4UD/4UE
	958 552 803 04	Lining			
		Driver's side			
		Leather/			
		Nature			
(20)	958 552 803 04 6J0	Espresso	/RL	1	+VA +VB IL0R/4N4/4N5 I4UD/4UE
	958 552 803 04 7F0	Cognac			
(20)	958 552 803 05	Lining	/LL	1	+VA +VB IL0L/4N1
		Driver's side			
		Leather/			
		Nature			
(20)	958 552 803 05 6J0	Espresso	/RL	1	+MD +MA +77, +MC +MB IL0R/4N1
	958 552 803 05 7F0	Cognac			
(20)	958 552 803 06	Lining	/LL	1	+MD +MA +77, +MC +MB IL0L/4N3/4N8
		Driver's side			
		Leatherette			
(20)	958 552 803 06 DJ6	Platinum Grey	/RL	1	+MD +MA +77, +MC +MB IL0R/4N1
	958 552 803 06 DK4	Black			
958 552 803 06 DM5	Luxor Beige				
958 552 803 06 OS2	Agate Grey				
(20)	958 552 803 07	Lining	/LL	1	+MD +MA +77, +MC +MB IL0L/4N3/4N8
		Driver's side			
		Leatherette			
(20)	958 552 803 07 DJ6	Platinum Grey	/RL	1	+MD +MA +77, +MC +MB IL0L/4N3/4N8
	958 552 803 07 DK4	Black			
958 552 803 07 DM5	Luxor Beige				
958 552 803 07 OS2	Agate Grey				
(20)	958 552 803 08	Lining	/LL	1	+LC, +MF, +YA, +YB, +YC +LF, +YF +TY +TW +LE, +MK, +TB, +YE +LG, +MJ, +TX +LD, +YD +MG, +ML +TA +ME, +MH, +MI, IL0R/4N3/4N8
		Driver's side			
		Leather			
958 552 803 08 A11	Black				
958 552 803 08 DE1	Umber				
958 552 803 08 DF2	Light Tartufo				
958 552 803 08 DJ3	Titanium Blue				
958 552 803 08 7J0	Luxor Beige				
958 552 803 08 8D0	Cream				
958 552 803 08 9B0	Platinum Grey				
958 552 803 08 OA1	Agate Grey				
958 552 803 08 OG3	Carrera Red				
(20)	958 552 803 08 OK6	Saddle Tan	/RL	1	+ME, +MH, +MI, IL0R/4N3/4N8
	958 552 803 08	Lining			
		Driver's side			

Model: 92A 11 Model life 2011>>

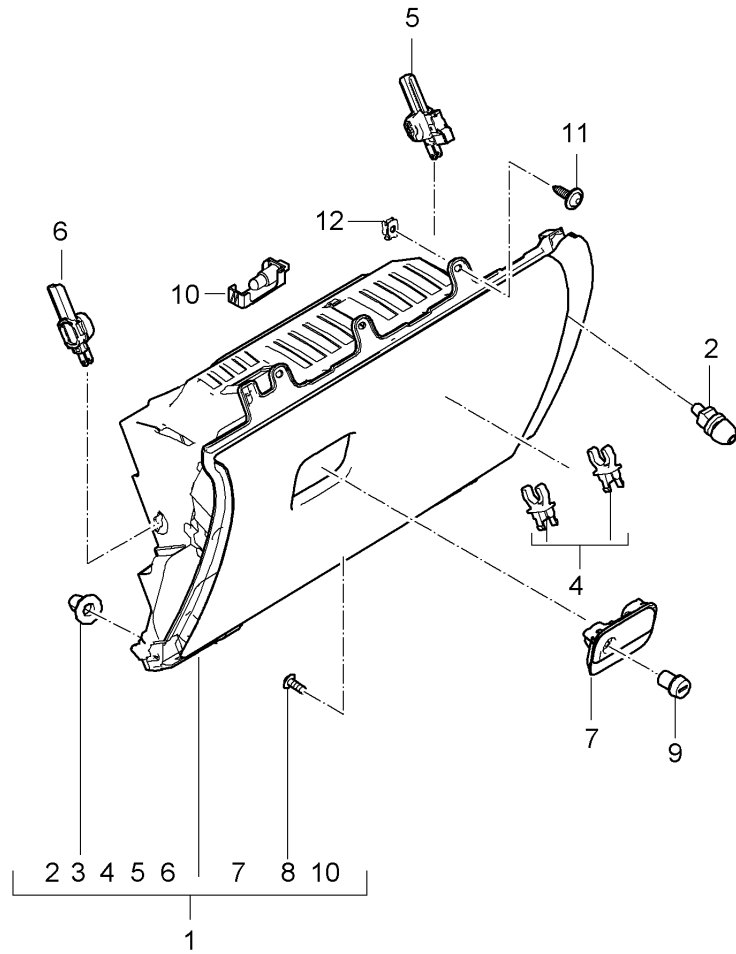
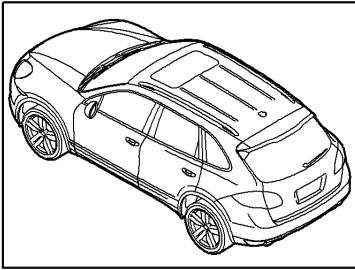
Pos	Part Number	Description	Remark	Qty	Model
	958 552 803 08 A11	Leather Black			+LC, +MF, +YA, +YB, +YC
	958 552 803 08 DE1	Umber			+LF, +YF
	958 552 803 08 DF2	Light Tartufo			+TY
	958 552 803 08 DJ3	Titanium Blue			+TW
	958 552 803 08 7J0	Luxor Beige			+LE, +MK, +TB, +YE
	958 552 803 08 8D0	Cream			+LG, +MJ, +TX
	958 552 803 08 9B0	Platinum Grey			+LD, +YD
	958 552 803 08 OA1	Agate Grey			+MG, +ML
	958 552 803 08 OG3	Carrera Red			+TA
	958 552 803 08 OK6	Saddle Tan			+ME, +MH, +MI,
(20)	958 552 803 10	Lining	/LL	1	ILOL/4N4/4N5 I4UQ
		Driver's side Leather/ Nature			
	958 552 803 10 6J0	Espresso			+VA
	958 552 803 10 7F0	Cognac			+VB
(20)	958 552 803 11	Lining	/RL	1	ILOL/4N4/4N5
		Driver's side Leather/ Nature			
	958 552 803 11 6J0	Espresso			+VA
	958 552 803 11 7F0	Cognac			+VB
21	N 910 935 02	Round head screw M 6 X 30		3	
22	958 552 290 00	Mounting Light switch	/LL	1	ILOL
	958 552 290 00 DE1	Umber			+LF, +YF
	958 552 290 00 DF2	Light Tartufo			+TY
	958 552 290 00 DJ3	Titanium Blue			+TW
	958 552 290 00 2S0	Cognac			+VB
	958 552 290 00 3T0	Espresso			+VA
	958 552 290 00 4U0	Platinum Grey			+LD, +MD, +YD, +LC, +MA, +MF, +TA, +TB, +YA, +YB, +YC
	958 552 290 00 5Q0	Black			+LG, +MJ, +TX
	958 552 290 00 5V0	Cream			+LE, +MC, +MK, +TB, +YE, +77
	958 552 290 00 6W0	Luxor Beige			+MB, +MG, +ML
	958 552 290 00 OA6	Agate Grey			+TA
	958 552 290 00 OE1	Carrera Red			+ME, +MH, +MI,
(22)	958 552 290 01	Mounting Light switch	/RL	1	ILOL
	958 552 290 01 DE1	Umber			+LF, +YF
	958 552 290 01 DF2	Light Tartufo			+TY
	958 552 290 01 DJ3	Titanium Blue			+TW
	958 552 290 01 2S0	Cognac			+VB
	958 552 290 01 3T0	Espresso			+VA
	958 552 290 01 4U0	Platinum Grey			+LD, +MD, +YD, +LC, +MA, +MF, +TA, +TB, +YA, +YB, +YC
	958 552 290 01 5Q0	Black			+LG, +MJ, +TX
	958 552 290 01 5V0	Cream			+LE, +MC, +MK, +TB, +YE, +77
	958 552 290 01 6W0	Luxor Beige			+MB, +MG, +ML
	958 552 290 01 OA6	Agate Grey			+TA
	958 552 290 01 OE1	Carrera Red			+ME, +MH, +MI,
	958 552 290 01 OL7	Saddle Tan			
23	958 552 117 00	Clamp		3	

Model: 92A 11 Model life 2011>>

Pos	Part Number	Description	Remark	Qty	Model
24	958 573 173 00	Cowl Sound absorber Cold air Left	/LL /L -14	1	IL0L
(24)	958 573 173 01	Sound absorber Cold air Left Driver's side	/LL /L 15-	1	IL0L
24	958 573 173 10	Sound absorber Cold air Driver's side	/RL /R -14	1	IL0R
(24)	958 573 173 11	Sound absorber Cold air Driver's side	/RL /R 15-	1	IL0R
25	958 573 174 00	Sound absorber Cold air Right	/LL /R	1	IL0L
25	958 573 174 10	Sound absorber Cold air Passenger's side	/RL /L	1	IL0R
26	N 906 986 06	Tapping screw 4,2 X 16 Mount Cover		1	
27	958 612 161 00	Mounting Diagnostic connector		1	
28	958 612 161 00 9B9	Satin black		1	
	958 552 705 00	Side vent Upper left		1	
	958 552 705 00 DE1	Umber			+LF, +TX, +TY, +YF
	958 552 705 00 3T0	Espresso			+VA, +VB
	958 552 705 00 4U0	Platinum Grey			+LD, +MD, +YD
	958 552 705 00 5Q0	Black			+LC, +LG, +LH, +MA, +MF, +MI, +TA, +TB, +TW, +YA, +YB, +YC, +77
	958 552 705 00 6W0	Luxor Beige			+LE, +MC, +YE
	958 552 705 00 OA6	Agate Grey			+MB, +MG, +ML
	958 552 705 00 OL7	Saddle Tan			+ME, +MH, +MJ, +MK
(28)	958 552 706 00	Side vent Upper left		1	
	958 552 706 00 DE1	Umber			+LF, +TX, +TY, +YF
	958 552 706 00 3T0	Espresso			+VA, +VB
	958 552 706 00 4U0	Platinum Grey			+LD, +MD, +YD
	958 552 706 00 5Q0	Black			+LC, +LG, +LH, +MA, +MF, +MI, +TA, +TB, +TW, +YA, +YB, +YC, +77
	958 552 706 00 6W0	Luxor Beige			+LE, +MC, +YE
	958 552 706 00 OA6	Agate Grey			+MB, +MG, +ML
	958 552 706 00 OL7	Saddle Tan			+ME, +MH, +MJ, +MK
-	999 591 865 02	Nut Mount		X	
29		Side vent Nut Mount Side vent		X	

Model: 92A 11

Model life 2011>>



Model: 92A 11 Model life 2011>>

Pos	Part Number	Description	Remark	Qty	Model
1	958 552 095 00	Glove compartment Glove compartment Leatherette	/LL	1	IL0L/4N1
	958 552 095 00 DJ6	Platinum Grey			+MD
	958 552 095 00 DK4	Black			+MA
	958 552 095 00 DM5	Luxor Beige			+MC
1	958 552 095 14	Glove compartment Leatherette	/LL	1	IL0L/4N1/4N9
	958 552 095 14 DM5	Luxor Beige			+MC, +77
	958 552 095 14 OS2	Agate Grey			+MB
(1)	958 552 095 01	Glove compartment Leatherette	/RL	1	IL0R/4N1
	958 552 095 01 DJ6	Platinum Grey			+MD
	958 552 095 01 DK4	Black			+MA
	958 552 095 01 DM5	Luxor Beige			+MC
(1)	958 552 095 17	Glove compartment Leatherette	/RL	1	IL0R/4N1/4N9
	958 552 095 17 DM5	Luxor Beige			+MC, +77
	958 552 095 17 OS2	Agate Grey			+MB
(1)	958 552 095 02	Glove compartment Leather	/LL	1	IL0L/4N3/4N8
	958 552 095 02 A11	Black			+LC, +YA, +YB, +YC
	958 552 095 02 DE1	Umber			+LF
	958 552 095 02 DF2	Light Tartufo			+TY
	958 552 095 02 DJ3	Titanium Blue			+TW
	958 552 095 02 7J0	Luxor Beige			+LE, +YE
	958 552 095 02 8D0	Cream			+TX
	958 552 095 02 9B0	Platinum Grey			+LD, +YD
(1)	958 552 095 15	Glove compartment Leather	/LL	1	IL0L/4N3/4N8
	958 552 095 15 OG3	Carrera Red			+TA
	958 552 095 15 OA1	Agate Grey			+MG, +ML
	958 552 095 15 OK6	Saddle Tan			+ME, +MH, +MI, +LH
	958 552 095 15 OB8	Cohiba Brown			
(1)	958 552 095 03	Glove compartment Leather	/RL	1	IL0R/4N3/4N8
	958 552 095 03 A11	Black			+LC, +YA, +YB, +YC
	958 552 095 03 DE1	Umber			+LF
	958 552 095 03 DF2	Light Tartufo			+TY
	958 552 095 03 DJ3	Titanium Blue			+TW
	958 552 095 03 7J0	Luxor Beige			+LE, +YE
	958 552 095 03 8D0	Cream			+TX
	958 552 095 03 9B0	Platinum Grey			+LD, +YD
(1)	958 552 095 18	Glove compartment Leather	/RL	1	IL0R/4N3/4N8
	958 552 095 18 OG3	Carrera Red			+TA
	958 552 095 18 OA1	Agate Grey			+MG, +ML
	958 552 095 18 OK6	Saddle Tan			+ME, +MH, +MI, +LH
	958 552 095 18 OB8	Cohiba Brown			
(1)	958 552 095 04	Glove compartment Leather/ Nature	/LL	1	IL0L/4N4/4N5
	958 552 095 04 6J0	Espresso			+VA
	958 552 095 04 7F0	Cognac			+VB
(1)	958 552 095 05	Glove compartment Leather/ Nature	/RL	1	IL0R/4N4/4N5
	958 552 095 05 6J0	Espresso			+VA
	958 552 095 05 7F0	Cognac			+VB
2	958 552 363 00	Buffer Glove compartment		2	

Model: 92A 11 Model life 2011>>

Pos	Part Number	Description	Remark	Qty	Model
3	958 552 900 00	Grommet		2	
4	958 552 223 00	Support Pin		2	
5	958 552 309 00	Damper Glove compartment with Contact switch		1	
6	958 552 310 00	Damper Glove compartment without Switch		1	
7	958 552 147 00	Handle Glove compartment	/LL	1	IL0L
7	958 552 147 00 GT8	Galvano silver			
7	958 552 147 02	Handle Glove compartment	/LL	1	IL0L
	958 552 147 02 DE1	Umber			+LF, +YF
	958 552 147 02 DF2	Light Tartufo			+TY
	958 552 147 02 DJ3	Titanium Blue			+TW
	958 552 147 02 2S0	Cognac			+VB
	958 552 147 02 3T0	Espresso			+VA
	958 552 147 02 4U0	Platinum Grey			+LD, +MD, +YD, +LC, +MA, +MF, +TA, +YA, +YB, +YC
	958 552 147 02 5Q0	Black			
	958 552 147 02 5V0	Cream			+LG, +MJ, +TX
	958 552 147 02 6W0	Luxor Beige			+LE, +MC, +MK, +TB, +YE, +77
	958 552 147 02 OA6	Agate Grey			+MB, +MG, +ML
	958 552 147 02 OL7	Saddle Tan			+ME, +MH, +MI, +TA
7	958 552 147 02 OE1	Carrera Red			
7	958 552 147 01	Handle Glove compartment	/RL	1	IL0R
	958 552 147 01 GT8	Galvano silver			
7	958 552 147 03	Handle Glove compartment	/RL	1	IL0R
	958 552 147 03 DE1	Umber			+LF, +YF
	958 552 147 03 DF2	Light Tartufo			+TY
	958 552 147 03 DJ3	Titanium Blue			+TW
	958 552 147 03 2S0	Cognac			+VB
	958 552 147 03 3T0	Espresso			+VA
	958 552 147 03 4U0	Platinum Grey			+LD, +MD, +YD, +LC, +MA, +MF, +TA, +YA, +YB, +YC
	958 552 147 03 5Q0	Black			
	958 552 147 03 5V0	Cream			+LG, +MJ, +TX
	958 552 147 03 6W0	Luxor Beige			+LE, +MC, +MK, +TB, +YE, +77
	958 552 147 03 OA6	Agate Grey			+MB, +MG, +ML
	958 552 147 03 OL7	Saddle Tan			+ME, +MH, +MI, +TA
	958 552 147 03 OE1	Carrera Red			
8	N 106 402 01	Lens-head screw M 4 x 10 Mount Handle		2	
9	996 552 915 01	Lock cylinder Glove compartment Vehicle Ident. No. Indicate		1	
10		Glove compartment light See illustrations 9/03/04		1	

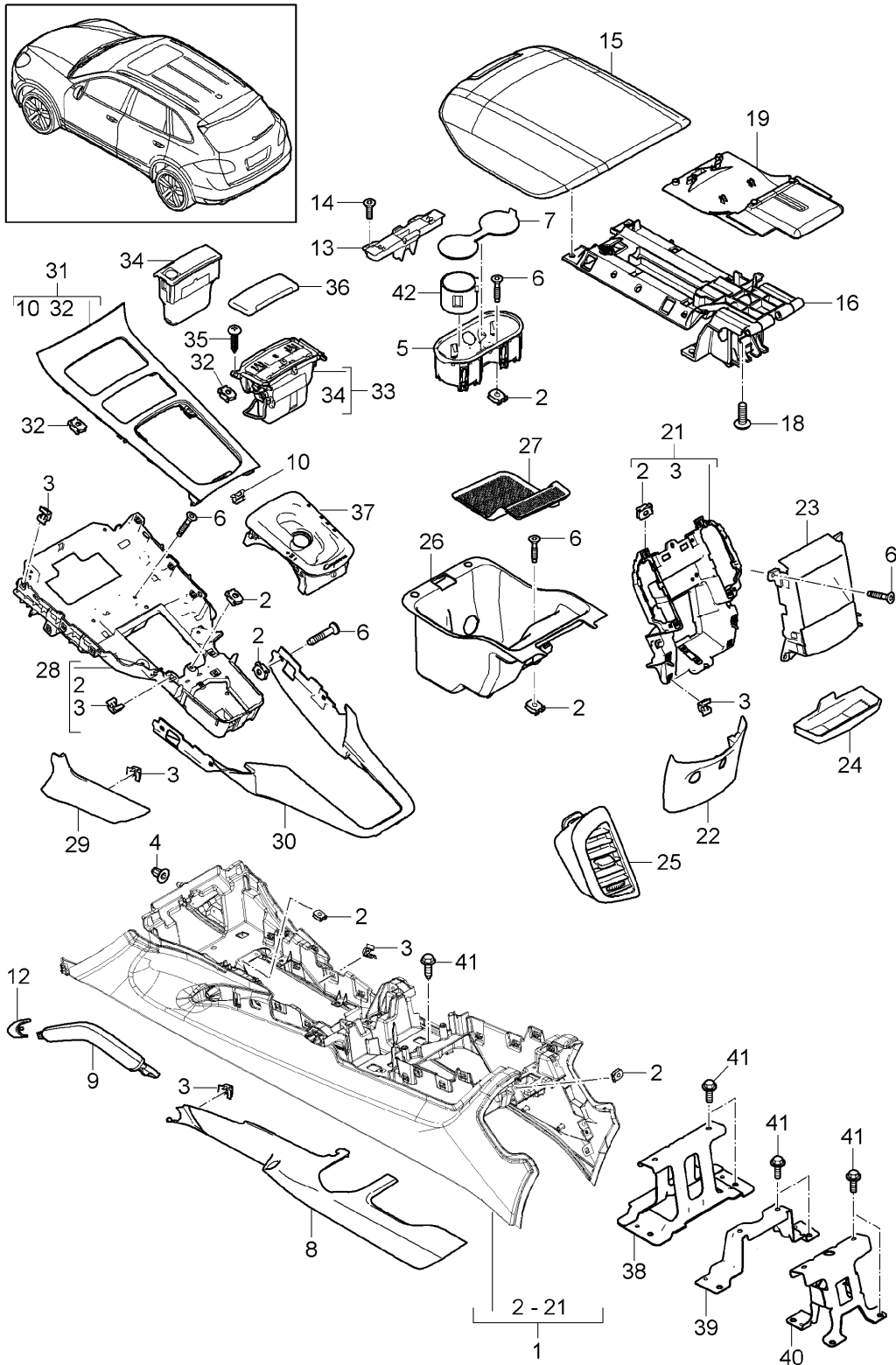
Model: 92A 11

Model life 2011>>

Pos	Part Number	Description	Remark	Qty	Model
11	N 906 986 06	Pos 10 Tapping screw 4,2 X 16		X	
12	N 906 988 01	Speed nut ST 4,2		X	

Model: 92A 11

Model life 2011>>



Model: 92A 11

Model life 2011>>

Pos	Part Number	Description	Remark	Qty	Model
(1)	958 553 239 10	Centre console Centre console Leatherette		1	I3D1/6F0/9AD
	958 553 239 10 DJ6	Platinum Grey			+MD
	958 553 239 10 DK4	Black			+MA
	958 553 239 10 DM5	Luxor Beige			+MC
	958 553 239 10 OS2	Agate Grey			+MB
	958 553 239 10 HAC	Black/Luxor Beige			+77
-		Centre console Use also: POSITION 15			I6F6/6F8
(1)	958 553 239 10	Centre console two-colour		1	I3D9/6F0/9AD
	958 553 239 10 HAC	Black/Luxor Beige			+77
-		Centre console Use also: POSITION 15			I6F6/6F8
(1)	958 553 239 01	Centre console Leatherette		1	I3D1/9AH
	958 553 239 01 DJ6	Platinum Grey			+MD
	958 553 239 01 DK4	Black			+MA
	958 553 239 01 DM5	Luxor Beige			+MC
-		Centre console Use also: POSITION 15			I6F6/6F8
(1)	958 553 239 07	Centre console Leatherette		1	I3D1/6F0/9AH
	958 553 239 07 OS2	Agate Grey			+MB
-		Centre console Use also: POSITION 15			I6F6/6F8
(1)	958 553 239 02	Centre console Leather		1	I3D6/3D8/9AD
	958 553 239 02 A11	Black			+LC
	958 553 239 02 DE1	Umber			+LF
	958 553 239 02 DF2	Light Tartufo			+TY
	958 553 239 02 DJ3	Titanium Blue			+TW
	958 553 239 02 7J0	Luxor Beige			+LE
	958 553 239 02 8D0	Cream			+TX
	958 553 239 02 9B0	Platinum Grey			+LD
-		Centre console Use also: POSITION 15			I6F6/6F8
(1)	958 553 239 11	Centre console		1	I3D6/3D8/6F0
	958 553 239 11 OG3	Carrera Red			I9AD
	958 553 239 11 OK6	Saddle Tan			+TA
	958 553 239 11 OA1	Agate Grey			+MH
	958 553 239 11 CSZ	Luxor Beige/Black			+MG
	958 553 239 11 HAD	Black/Saddle Tan			+TB
	958 553 239 11 HAE	Saddle Tan/Cream			+MI
	958 553 239 11 HAF	Saddle Tan/Luxor Beige			+MJ
	958 553 239 11 HCO	Carrera Red/Black			+MK
	958 553 239 11 HHQ	Black/Cream			+TA
	958 553 239 11 HHZ	Black/Cohiba Brown			+LG
-		Centre console Use also: POSITION 15			+LH
(1)	958 553 239 03	Centre console Leather		1	I3D6/3D8/9AH
	958 553 239 03 A11	Black			I6F6/6F8
	958 553 239 03 DE1	Umber			+LC
	958 553 239 03 DF2	Light Tartufo			+LF
					+TY

Model: 92A 11 Model life 2011>>

Pos	Part Number	Description	Remark	Qty	Model
-	958 553 239 03 DJ3	Titanium Blue			+TW
	958 553 239 03 7J0	Luxor Beige			+LE
	958 553 239 03 8D0	Cream			+TX
	958 553 239 03 9B0	Platinum Grey			+LD
		Centre console			I6F6/6F8
		Use also:			
		POSITION 15			
(1)	958 553 239 12	Centre console		1	I3D6/3D8/6F0
	958 553 239 12 OG3	Carrera Red			I9AH
	958 553 239 12 OK6	Saddle Tan			+TA
	958 553 239 12 OA1	Agate Grey			+MH
	958 553 239 12 CSZ	Luxor Beige/Black			+MG
	958 553 239 12 HAD	Black/Saddle Tan			+TB
	958 553 239 12 HAE	Saddle Tan/Cream			+MI
	958 553 239 12 HAF	Saddle Tan/Luxor Beige			+MJ
	958 553 239 12 HCO	Carrera Red/Black			+MK
	958 553 239 12 HHQ	Black/Cream			+TA
	958 553 239 12 HHZ	Black/Cohiba Brown			+LG
-		Centre console			+LH
		Use also:			I6F6/6F8
		POSITION 15			
(1)	958 553 239 04	Centre console		1	I3D4/3D7/9AD
		Leather/			
		Nature			
	958 553 239 04 6J0	Espresso			+VA
	958 553 239 04 7F0	Cognac			+VB
-		Centre console			I6F6/6F8
		Use also:			
		POSITION 15			
(1)	958 553 239 05	Centre console		1	I3D4/3D7/9AH
		Leather/			
		Nature			
	958 553 239 05 6J0	Espresso			+VA
	958 553 239 05 7F0	Cognac			+VB
-		Centre console			I6F6/6F8
		Use also:			
		POSITION 15			
(1)	958 553 239 15	Centre console		1	I3D5/6F0/9AD
		Alcantara			
	958 553 239 15 IVA	Black			+MF, +YC
	958 553 239 15 IVB	Platinum Grey			+YD
	958 553 239 15 IVC	Luxor Beige			+YE
	958 553 239 15 IVD	Umber			+YF
	958 553 239 15 IVE	Black/Carmin Red			+YA
	958 553 239 15 IVF	Black/Peridot			+YB
	958 553 239 15 DJN	Saddle Tan			+ME
	958 553 239 15 DJQ	Agate Grey			+ML
	958 553 239 15 DJS	Black/Rhodium Silver			+MF
-		Centre console			I6F6/6F8
		Use also:			
		POSITION 15			
(1)	958 553 239 16	Centre console		1	I3D5/6F0/9AH
		Alcantara			
	958 553 239 16 IVA	Black			+MF, +YC
	958 553 239 16 IVB	Platinum Grey			+YD
	958 553 239 16 IVC	Luxor Beige			+YE
	958 553 239 16 IVD	Umber			+YF
	958 553 239 16 IVE	Black/Carmin Red			+YA
	958 553 239 16 IVF	Black/Peridot			+YB
	958 553 239 16 DJN	Saddle Tan			+ME
	958 553 239 16 DJQ	Agate Grey			+ML
	958 553 239 16 DJS	Black/Rhodium Silver			+MF

Model: 92A 11 Model life 2011>>

Pos	Part Number	Description	Remark	Qty	Model
-		Centre console Use also: Position 15			I6F6/6F8
2	N 906 988 01	Speed nut 4,2 X 16 X 12		X	
3	958 555 190 00	Clamp		X	
4	958 552 900 00	Grommet		X	
5	958 553 531 00	Support Beverages Centre console		1	
6	N 906 986 06	Tapping screw 4,2 X 16		X	
7	958 553 136 00	Insert Support Beverages		1	
8	958 553 097 00	Cover Centre console Upper	/L	1	
	958 553 097 00 DE1	Umber			+LF, +TX, +TY, +YF
	958 553 097 00 3T0	Espresso			+VA, +VB
	958 553 097 00 4U0	Platinum Grey			+LD, +MD, +YD, +LC, +LG, +LH, +MA, +MF, +MI, +TA, +TB, +TW, +YA, +YB, +YC +77
	958 553 097 00 5Q0	Black			+LE, +MC, +YE
(8)	958 553 097 00 6W0	Luxor Beige			
	958 553 098 00	Cover Centre console Upper	/R	1	
	958 553 098 00 DE1	Umber			+LF, +TX, +TY, +YF
	958 553 098 00 3T0	Espresso			+VA, +VB
	958 553 098 00 4U0	Platinum Grey			+LD, +MD, +YD, +LC, +LG, +LH, +MA, +MF, +MI, +TA, +TB, +TW, +YA, +YB, +YC +77
	958 553 098 00 5Q0	Black			+LE, +MC, +YE
9	958 553 098 00 6W0	Luxor Beige			
	958 553 645 00	Grab handle Centre console Leatherette	/L	1	I3D1
	958 553 645 00 21U	Black			+MA
	958 553 645 00 32X	Luxor Beige			+MC, +77
	958 553 645 00 7EG	Platinum Grey			+MD
	958 553 645 00 OF6	Agate Grey			+MB
(9)	958 553 646 00	Grab handle Centre console Leatherette	/R	1	I3D1
	958 553 646 00 21U	Black			+MA
	958 553 646 00 32X	Luxor Beige			+MC, +77
	958 553 646 00 7EG	Platinum Grey			+MD
	958 553 646 00 OF6	Agate Grey			+MB
(9)	958 553 645 01	Grab handle Centre console Leather	/L	1	I3D6/3D8
	958 553 645 01 A11	Black			+LC, +MI, +TW, +LF, +TX, +TY, +LE, +TB
	958 553 645 01 DE1	Umber			+LD
	958 553 645 01 7J0	Luxor Beige			
	958 553 645 01 9B0	Platinum Grey			
(9)	958 553 645 03	Grab handle	/L	1	I3D6/3D8

Model: 92A 11

Model life 2011>>

Pos	Part Number	Description	Remark	Qty	Model
		Centre console Leather			
	958 553 645 03 OG3	Carrera Red			+TA
	958 553 645 03 OB8	Cohiba Brown			+LH
	958 553 645 03 OK6	Saddle Tan			+MH, +MJ, +MK
	958 553 645 03 OA1	Agate Grey			+MG
	958 553 645 03 8D0	Cream			+LG
(9)	958 553 646 01	Grab handle Centre console	/R	1	I3D6/3D8
	958 553 646 01 A11	Black			+LC, +MI, +TW,
	958 553 646 01 DE1	Umber			+LF, +TX, +TY,
	958 553 646 01 7J0	Luxor Beige			+LE, +TB,
	958 553 646 01 9B0	Platinum Grey			+LD
	958 553 646 01 OG3	Carrera Red			+TA
	958 553 646 01 OB8	Cohiba Brown			+LH
	958 553 646 01 OK6	Saddle Tan			+MH, +MJ, +MK
	958 553 646 01 OA1	Agate Grey			+MG
	958 553 646 01 8D0	Cream			+LG
(9)	958 553 645 02	Grab handle Centre console	/L	1	I3D4/3D7
		Leather/ Nature			
	958 553 645 02 6J0	Espresso			+VA, +VB
(9)	958 553 646 02	Grab handle Centre console	/R	1	I3D4/3D7
		Leather/ Nature			
	958 553 646 02 6J0	Espresso			+VA, +VB
10	955 552 107 00	Fixing clip		X	
12	958 553 633 00	Cap Grab handle	/L	1	
		Centre console			
	958 553 633 00 DE1	Umber			+LF, +TX, +TY, +YF
	958 553 633 00 3T0	Espresso			+VA, +VB
	958 553 633 00 4U0	Platinum Grey			+LD, +MD, +YD
	958 553 633 00 5Q0	Black			+LC, +LG, +LH, +MA, +MF, +MI, +TA, +TB, +TW, +YA, +YB, +YC, +77
	958 553 633 00 6W0	Luxor Beige			+LE, +MC, +YE,
	958 553 633 00 OL7	Saddle Tan			+ME, +MH, +MJ, +MK
(12)	958 553 634 00	Cap Grab handle	/R	1	
		Centre console			
	958 553 634 00 DE1	Umber			+LF, +TX, +TY, +YF
	958 553 634 00 3T0	Espresso			+VA, +VB
	958 553 634 00 4U0	Platinum Grey			+LD, +MD, +YD
	958 553 634 00 5Q0	Black			+LC, +LG, +LH, +MA, +MF, +MI, +TA, +TB, +TW, +YA, +YB, +YC, +77
	958 553 634 00 6W0	Luxor Beige			+LE, +MC, +YE,
	958 553 634 00 OL7	Saddle Tan			+ME, +MH, +MJ, +MK
13	958 553 083 00	Covering for lock Centre console		1	
14	N 910 327 02	Lens-head screw M 6 X 20		2	

Model: 92A 11 Model life 2011>>

Pos	Part Number	Description	Remark	Qty	Model
15	958 553 207 00	Mount Covering for lock Armrest Centre console Leatherette	-14	1	I3D1
	958 553 207 00 21U	Black			+MA
	958 553 207 00 32X	Luxor Beige			+MC
	958 553 207 00 7EG	Platinum Grey			+MD
15	958 553 207 06	Armrest Centre console Leatherette	-14	1	I3D1/3D9/6F0
	958 553 207 06 21U	Black			+MA
	958 553 207 06 32X	Luxor Beige			+MC, +77
	958 553 207 06 7EG	Platinum Grey			+MD
15	958 553 207 40	Armrest Centre console Leatherette	15-	1	I3D1/3D9/6F0
	958 553 207 40 21U	Black			+MA
	958 553 207 40 32X	Luxor Beige			+MC, +77
	958 553 207 40 OF6	Agate Grey			+MB
(15)	958 553 207 01	Armrest Centre console Leather	-14	1	I3D6/3D8
	958 553 207 01 A11	Black			+LC, +MI, +TW, +YC
	958 553 207 01 DE1	Umber			+LF, +TX, +TY, +YF
	958 553 207 01 7J0	Luxor Beige			+LE, +YE
	958 553 207 01 9B0	Platinum Grey			+LD, +YD,
	958 553 207 01 F0C	Black/Titanium Blue			+TW,
	958 553 207 01 F0D	Umber/Cream			+TX
	958 553 207 01 F0E	Umber/Light Tartufo			+TY
(15)	958 553 207 07	Armrest Centre console Leather	-14	1	I3D6/3D8
(15)	958 553 207 07 OG3	Carrera Red	15-	1	I3D6/3D8/6F0
(15)	958 553 207 41	Armrest Centre console Leather			
	958 553 207 41 A11	Black			+LC, +MI
	958 553 207 41 HAU	Saddle Tan/Luxor Beige			+MK
	958 553 207 41 HDO	Saddle Tan/Cream			+MJ
	958 553 207 41 OA1	Agate Grey			+MG
	958 553 207 41 OB8	Cohiba Brown			+LH
	958 553 207 41 OK6	Saddle Tan			+MH
	958 553 207 41 7J0	Luxor Beige			+LE
	958 553 207 41 8D0	Cream			+LG
	958 553 207 41 OG3	Carrera Red			+TA
(15)	958 553 207 03	Armrest Centre console Leather/ Nature	-14	1	I3D4/3D7
	958 553 207 03 6J0	Espresso			+VA
	958 553 207 03 F0F	Espresso/Cognac			+VB
(15)	958 553 207 42	Armrest Centre console Leather/ Nature	15-	1	I3D4/3D7/6F0
	958 553 207 42 6J0	Espresso			+VA
	958 553 207 42 F0F	Espresso/Cognac			+VB
(15)	958 553 207 09	Armrest Centre console Alcantara	13-14	1	I3D5

Model: 92A 11 Model life 2011>>

Pos	Part Number	Description	Remark	Qty	Model
	958 553 207 09 IVA	Black			+YC
	958 553 207 09 IVB	Platinum Grey			+YD
	958 553 207 09 IVC	Luxor Beige			+YE
	958 553 207 09 IVD	Umber			+YF
	958 553 207 09 IVE	Black/Carmine Red			+YA
	958 553 207 09 IVF	Black/Peridot			+YB
(15)	958 553 207 43	Armrest	15-	1	I3D5/6F0
		Centre console			
		Alcantara			
	958 553 207 43 IVA	Black			+YC
	958 553 207 43 IVC	Luxor Beige			+YE
	958 553 207 43 IVE	Black/Carmine Red			+YA
	958 553 207 43 DJN	Saddle Tan			+ME
	958 553 207 43 DJQ	Agate Grey			+ML
	958 553 207 43 DJS	Black/Rhodium Silver			+MF
(15)	958 553 207 10	Armrest	-14	1	I3D1/6F6
		Centre console			
	958 553 207 10 21U	Black			+MA
	958 553 207 10 32X	Luxor Beige			+MC,+77
	958 553 207 10 7EG	Platinum Grey			+MD
(15)	958 553 207 44	Armrest	15-	1	I3D1/3D9/6F6
		Centre console			
	958 553 207 44 21U	Black			+MA
	958 553 207 44 32X	Luxor Beige			+MC,+77
	958 553 207 44 7EG	Platinum Grey			+MD
	958 553 207 44 OF6	Agate Grey			+MB
(15)	958 553 207 11	Armrest	-14	1	I3D6/3D8/6F6
		Centre console			
	958 553 207 11 A11	Black			+LC,+MI,+TW, +YC,
	958 553 207 11 DE1	Umber			+LF,+TX,+TY, +YF,
	958 553 207 11 OG3	Carrera Red			+TA
	958 553 207 11 7J0	Luxor Beige			+LE,+TB,+YE
	958 553 207 11 9B0	Platinum Grey			+LD,+YD,
	958 553 207 11 IVE	Black/Carmine Red			+YA
	958 553 207 11 IVF	Black/Peridot			+YB
(15)	958 553 207 45	Armrest	15-	1	I3D5/3D6/3D8 I6F6
		Centre console			
	958 553 207 45 A11	Black			+LC,+MI,+YC
	958 553 207 45 DE1	Umber			+LF,+TX,+TY, +YF
	958 553 207 45 DJS	Black/Rhodium Silver			+MF
	958 553 207 45 HAU	Saddle Tan/Luxor Beige			+MK
	958 553 207 45 HDO	Saddle Tan/Cream			+MJ
	958 553 207 45 IVE	Black/Carmine Red			+YA
	958 553 207 45 IVF	Black/Peridot			+YB
	958 553 207 45 OA1	Agate Grey			+MG,+ML
	958 553 207 45 OB8	Cohiba Brown			+LH
	958 553 207 45 OG3	Carrera Red			+TA
	958 553 207 45 OK6	Saddle Tan			+ME,+MH,+MJ, +MK
	958 553 207 45 7J0	Luxor Beige			+LE,+TB,+YE
	958 553 207 45 8D0	Cream			+LG
	958 553 207 45 9B0	Platinum Grey			+LD,+YD
(15)	958 553 207 12	Armrest	-14	1	I3D4/3D7/6F6
		Centre console			
	958 553 207 12 6J0	Espresso			+VA,+VB
(15)	958 553 207 46	Armrest	15-	1	I3D4/3D7/6F6
		Centre console			
	958 553 207 46 6J0	Espresso			+VA,+VB
(15)	958 553 207 13	Armrest	-14	1	/LL

Model: 92A 11 Model life 2011>>

Pos	Part Number	Description	Remark	Qty	Model
		Centre console Logo Cayenne			IL0L/3D1/6F8
	958 553 207 13 21U	Black			+MA
	958 553 207 13 32X	Luxor Beige			+MC, +77
	958 553 207 13 7EG	Platinum Grey			+MD
(15)	958 553 207 47	Armrest	15-	1	/LL IL0L/3D1/3D9 I6F8
		Centre console Logo Cayenne			
	958 553 207 47 21U	Black			+MA
	958 553 207 47 32X	Luxor Beige			+MC, +77
	958 553 207 47 OF6	Agate Grey			+MB
(15)	958 553 207 14	Armrest	-14	1	/RL IL0R/3D1/6F8
		Centre console Logo Cayenne			
	958 553 207 14 21U	Black			+MA
	958 553 207 14 32X	Luxor Beige			+MC, +77
	958 553 207 14 7EG	Platinum Grey			+MD
(15)	958 553 207 48	Armrest	15-	1	/RL IL0R/3D1/3D9 I6F8
		Centre console Logo Cayenne			
	958 553 207 48 21U	Black			+MA
	958 553 207 48 32X	Luxor Beige			+MC, +77
	958 553 207 48 OF6	Agate Grey			+MB
(15)	958 553 207 15	Armrest	-14	1	/LL IL0L/3D1/6F8
		Centre console Logo Cayenne S			
	958 553 207 15 21U	Black			+MA
	958 553 207 15 32X	Luxor Beige			+MC, +77
	958 553 207 15 7EG	Platinum Grey			+MD
(15)	958 553 207 49	Armrest	15-	1	/LL IL0L/3D1/3D9 I6F8
		Centre console Logo Cayenne S			
	958 553 207 49 21U	Black			+MA
	958 553 207 49 32X	Luxor Beige			+MC, +77
	958 553 207 49 OF6	Agate Grey			+MB
(15)	958 553 207 16	Armrest	-14	1	/RL IL0R/3D1/6F8
		Centre console Logo Cayenne S			
	958 553 207 16 21U	Black			+MA
	958 553 207 16 32X	Luxor Beige			+MC, +77
	958 553 207 16 7EG	Platinum Grey			+MD
(15)	958 553 207 50	Armrest	15-	1	/RL IL0R/3D1/3D9 I6F8
		Centre console Logo			

Model: 92A 11 Model life 2011>>

Pos	Part Number	Description	Remark	Qty	Model
(15)	958 553 207 50 21U	Cayenne S Black	-14	1	+MA +MC, +77 +MB /LL IE0W/L0L/3D1 I6F8
	958 553 207 50 32X	Luxor Beige			
	958 553 207 50 OF6	Agate Grey			
	958 553 207 17	Armrest			
		Centre console Logo Cayenne GTS			
(15)	958 553 207 17 21U	Black	15-	1	+MA +MC, +77 +MD /LL IE0W/L0L/3D1 I3D9/6F8
	958 553 207 17 32X	Luxor Beige			
	958 553 207 17 7EG	Platinum Grey			
	958 553 207 51	Armrest			
		Centre console Logo Cayenne GTS			
(15)	958 553 207 51 21U	Black	-14	1	+MA +MC, +77 +MD +MB /RL IE0W/L0R/3D1 I6F8
	958 553 207 51 32X	Luxor Beige			
	958 553 207 51 7EG	Platinum Grey			
	958 553 207 51 OF6	Agate Grey			
	958 553 207 18	Armrest			
(15)	958 553 207 18 21U	Black	15-	1	+MA +MC, +77 +MD +MB /RL IE0W/L0R/3D1 I3D9/6F8
	958 553 207 18 32X	Luxor Beige			
	958 553 207 18 7EG	Platinum Grey			
	958 553 207 18 OF6	Agate Grey			
	958 553 207 52	Armrest			
(15)	958 553 207 52 21U	Black	-14	1	+MA +MC, +77 +MD +MB /LL IL0L/3D6/3D8 I6F8
	958 553 207 52 32X	Luxor Beige			
	958 553 207 52 7EG	Platinum Grey			
	958 553 207 52 OF6	Agate Grey			
	958 553 207 19	Armrest			
(15)	958 553 207 19 A11	Black	15-	1	+LC, +MI, +TW +LF, +TX, +TY, +LE +LD /LL IL0L/3D6/3D8 I6F8
	958 553 207 19 DE1	Umber			
	958 553 207 19 7J0	Luxor Beige			
	958 553 207 19 9B0	Platinum Grey			
	958 553 207 53	Armrest			
	Centre console Logo Cayenne				

Model: 92A 11 Model life 2011>>

Pos	Part Number	Description	Remark	Qty	Model
	958 553 207 53 A11	Black			+LC, +MI
	958 553 207 53 HAU	Saddle Tan/Luxor Beige			+MK
	958 553 207 53 HDO	Saddle Tan/Cream			+MJ
	958 553 207 53 OA1	Agate Grey			+MG
	958 553 207 53 OB8	Cohiba Brown			+LH
	958 553 207 53 OG3	Carrera Red			+TA
	958 553 207 53 OK6	Saddle Tan			+MH
	958 553 207 53 7J0	Luxor Beige			+LE
	958 553 207 53 8D0	Cream			+LG
(15)	958 553 207 20	Armrest	-14	1	/RL IL0R/3D6/3D8 I6F8
		Centre console			
		Logo			
		Cayenne			
	958 553 207 20 A11	Black			+LC, +MI, +TW
	958 553 207 20 DE1	Umber			+LF, +TX, +TY,
	958 553 207 20 7J0	Luxor Beige			+LE
	958 553 207 20 9B0	Platinum Grey			+LD
(15)	958 553 207 54	Armrest	15-	1	/RL IL0R/3D6/3D8 I6F8
		Centre console			
		Logo			
		Cayenne			
	958 553 207 54 A11	Black			+LC, +MI
	958 553 207 54 HAU	Saddle Tan/Luxor Beige			+MK
	958 553 207 54 HDO	Saddle Tan/Cream			+MJ
	958 553 207 54 OA1	Agate Grey			+MG
	958 553 207 54 OB8	Cohiba Brown			+LH
	958 553 207 54 OG3	Carrera Red			+TA
	958 553 207 54 OK6	Saddle Tan			+MH
	958 553 207 54 7J0	Luxor Beige			+LE
	958 553 207 54 8D0	Cream			+LG
(15)	958 553 207 21	Armrest	-14	1	/LL IL0L/3D6/3D8 I6F8
		Centre console			
		Logo			
		Cayenne S			
	958 553 207 21 A11	Black			+LC, +MI, +TW
	958 553 207 21 DE1	Umber			+LF, +TX, +TY,
	958 553 207 21 F0C	Black/Titanium Blue			+TW
	958 553 207 21 7J0	Luxor Beige			+LE
	958 553 207 21 9B0	Platinum Grey			+LD
(15)	958 553 207 55	Armrest	-14	1	/LL IL0L/3D6/3D8 I6F8
		Centre console			
		Logo			
		Cayenne S			
	958 553 207 55 F0D	Umber/Cream			+TX
	958 553 207 55 F0E	Umber/Light Tartufo			+TY
(15)	958 553 207 55	Armrest	15-	1	/LL IL0L/3D6/3D8 I6F8
		Centre console			
		Logo			
		Cayenne S			
	958 553 207 55 A11	Black			+LC, +MI
	958 553 207 55 DE1	Umber			+LF, +TX, +TY,
	958 553 207 55 HAU	Saddle Tan/Luxor Beige			+MK
	958 553 207 55 HDO	Saddle Tan/Cream			+MJ

Model: 92A 11 Model life 2011>>

Pos	Part Number	Description	Remark	Qty	Model
	958 553 207 55 OA1	Agate Grey			+MG
	958 553 207 55 OB8	Cohiba Brown			+LH
	958 553 207 55 OG3	Carrera Red			+TA
	958 553 207 55 OK6	Saddle Tan			+MH, +MJ, +MK
	958 553 207 55 7J0	Luxor Beige			+LE
	958 553 207 55 8D0	Cream			+LG
	958 553 207 55 9B0	Platinum Grey			+LD
(15)	958 553 207 22	Armrest	-14	1	/RL IL0R/3D6/3D8 I6F8
		Centre console			
		Logo			
		Cayenne S			
	958 553 207 22 A11	Black			+LC, +MI, +TW
	958 553 207 22 DE1	Umber			+LF, +TX, +TY,
	958 553 207 22 F0C	Black/Titanium Blue			+TW
	958 553 207 22 7J0	Luxor Beige			+LE
	958 553 207 22 9B0	Platinum Grey			+LD
(15)	958 553 207 56	Armrest	-14	1	/LL IL0L/3D6/3D8 I6F8
		Centre console			
		Logo			
		Cayenne S			
	958 553 207 56 F0D	Umber/Cream			+TX
	958 553 207 56 F0E	Umber/Light Tartufo			+TY
(15)	958 553 207 56	Armrest	15-	1	/RL IL0R/3D6/3D8 I6F8
		Centre console			
		Logo			
		Cayenne S			
	958 553 207 56 A11	Black			+LC, +MI
	958 553 207 56 DE1	Umber			+LF
	958 553 207 56 F0D	Umber/Cream			+TX
	958 553 207 56 F0E	Umber/Light Tartufo			+TY
	958 553 207 56 HAU	Saddle Tan/Luxor Beige			+MK
	958 553 207 56 HD0	Saddle Tan/Cream			+MJ
	958 553 207 56 OA1	Agate Grey			+MG
	958 553 207 56 OB8	Cohiba Brown			+LH
	958 553 207 56 OG3	Carrera Red			+TA
	958 553 207 56 OK6	Saddle Tan			+MK, +MJ
	958 553 207 56 7J0	Luxor Beige			+LE
	958 553 207 56 8D0	Cream			+LG
	958 553 207 56 9B0	Platinum Grey			+LD
(15)	958 553 207 23	Armrest	-14	1	/LL IL0L/3D6/3D8 I6F8
		Centre console			
		Logo			
		Turbo			
	958 553 207 23 A11	Black			+LC, +MI, +TW
	958 553 207 23 DE1	Umber			+LF,
	958 553 207 23 F0D	Umber/Cream			+TX,
	958 553 207 23 F0E	Umber/Light Tartufo			+TY,
	958 553 207 23 7J0	Luxor Beige			+LE
	958 553 207 23 9B0	Platinum Grey			+LD
(15)	958 553 207 57	Armrest	15-	1	/LL IL0L/3D6/3D8 I6F8
		Centre console			
		Logo			
		Turbo			

Model: 92A 11 Model life 2011>>

Pos	Part Number	Description	Remark	Qty	Model
(15)	958 553 207 57 A11	Black	-14	1	+LC, +MI
	958 553 207 57 7J0	Luxor Beige			+LE
	958 553 207 57 OA1	Agate Grey			+MG
	958 553 207 57 OK6	Saddle Tan			+MH, +MJ, +MK
	958 553 207 57 F0D	Umber/Cream			
	958 553 207 24	Armrest			/RL IL0R/3D6/3D8 I6F8
		Centre console			
		Logo			
		Turbo			
		958 553 207 24 A11			Black
(15)	958 553 207 24 DE1	Umber	+LF,		
	958 553 207 24 F0D	Umber/Cream	+TX		
	958 553 207 24 F0E	Umber/Light Tartufo	+TY		
	958 553 207 24 7J0	Luxor Beige	+LE		
	958 553 207 24 9B0	Platinum Grey	+LD		
	958 553 207 58	Armrest	15- /RL IL0R/3D6/3D8 I6F8		
		Centre console			
		Logo			
		Turbo			
		958 553 207 58 A11	Black	+LC, +MI	
(15)	958 553 207 58 DE1	Umber	+LF		
	958 553 207 58 F0D	Umber/Cream	+TX		
	958 553 207 58 F0E	Umber/Light Tartufo	+TY		
	958 553 207 58 HAU	Saddle Tan/Luxor Beige	+MK		
	958 553 207 58 HDO	Saddle Tan/Cream	+MJ		
	958 553 207 58 OA1	Agate Grey	+MG		
	958 553 207 58 OB8	Cohiba Brown	+LH		
	958 553 207 58 OG3	Carrera Red	+TA		
	958 553 207 58 OK6	Saddle Tan	+MH, +MJ, +MK		
	958 553 207 58 7J0	Luxor Beige	+LE		
(15)	958 553 207 58 8D0	Cream	+LG		
	958 553 207 58 9B0	Platinum Grey	+LD		
	958 553 207 25	Armrest	-14 /LL IE0W/L0L/3D5 I3D6/3D8/6F8		
		Centre console			
		Logo			
		Cayenne			
		GTS			
		958 553 207 25 A11	Black	+LC, +MI, +YC	
	958 553 207 25 DE1	Umber	+TX, +TY, +YF		
	958 553 207 25 7J0	Luxor Beige	+LE, +TB, +YE		
(15)	958 553 207 25 9B0	Platinum Grey	+YD		
	958 553 207 25 IVE	Black/Carmine Red	+YA		
	958 553 207 25 IVF	Black/Peridot	+YB		
	958 553 207 25 OG3	Carrera Red	+TA		
	958 553 207 59	Armrest	15- /LL IE0W/L0L/3D5 I3D6/3D8/6F8		
		Centre console			
		Logo			
		Cayenne			
		GTS			
		958 553 207 59 A11	Black	+LC, +MI, +YC	
958 553 207 59 DE1	Umber	+YF			
958 553 207 59 DJS	Black/Rhodium Silver	+MF			
958 553 207 59 HAU	Saddle Tan/Luxor Beige	+MK			
958 553 207 59 HDO	Saddle Tan/Cream	+MJ			
958 553 207 59 IVE	Black/Carmine Red	+YA			

Model: 92A 11 Model life 2011>>

Pos	Part Number	Description	Remark	Qty	Model
	958 553 207 59 IVF	Black/Peridot			+YB
	958 553 207 59 OA1	Agate Grey			+MG, +ML
	958 553 207 59 OB8	Cohiba Brown			+LH
	958 553 207 59 OG3	Carrera Red			+TA
	958 553 207 59 OK6	Saddle Tan			+ME, +MH, +MJ, +MK
	958 553 207 59 7J0	Luxor Beige			+LE, +YE
	958 553 207 59 8D0	Cream			+LG
	958 553 207 59 9B0	Platinum Grey			+YD
(15)	958 553 207 26	Armrest	-14	1	/RL IE0W/L0R/3D5 I3D6/3D8/6F8
		Centre console			
		Logo			
		Cayenne			
		GTS			
	958 553 207 26 A11	Black			+LC, +MI, +YC
	958 553 207 26 DE1	Umber			+TX, +TY, +YF
	958 553 207 26 7J0	Luxor Beige			+LE, +TB, +YE
	958 553 207 26 9B0	Platinum Grey			+YD
	958 553 207 26 IVE	Black/Carmine Red			+YA
	958 553 207 26 IVF	Black/Peridot			+YB
(15)	958 553 207 60	Armrest	15-	1	/RL IE0W/L0R/3D5 I3D6/3D8/6F8
		Centre console			
		Logo			
		Cayenne			
		GTS			
	958 553 207 60 A11	Black			+LC, +MI, +YC
	958 553 207 60 DJS	Black/Rhodium Silver			+MF
	958 553 207 60 HAU	Saddle Tan/Luxor Beige			+MK
	958 553 207 60 HDO	Saddle Tan/Cream			+MJ
	958 553 207 60 IVE	Black/Carmine Red			+YA
	958 553 207 60 OA1	Agate Grey			+MG, +ML
	958 553 207 60 OB8	Cohiba Brown			+LH
	958 553 207 60 OG3	Carrera Red			+TA
	958 553 207 60 OK6	Saddle Tan			+ME, +MH, +MJ, +MK
	958 553 207 60 7J0	Luxor Beige			+LE, +YE
	958 553 207 60 8D0	Cream			+LG
(15)	958 553 207 35	Armrest	-14	1	/LL IE8A/L0L/3D6 I3D8/6F8
		Centre console			
		Logo			
		Turbo S			
	958 553 207 35 OG3	Carrera Red			+TA
	958 553 207 35 7J0	Luxor Beige			+TB
(15)	958 553 207 61	Armrest	15-	1	/LL IE8A/L0L/3D6 I3D8/6F8
		Centre console			
		Logo			
		Turbo S			
	958 553 207 61 A11	Black			+LC, +MI
	958 553 207 61 HAU	Saddle Tan/Luxor Beige			+MK
	958 553 207 61 HDO	Saddle Tan/Cream			+MJ
	958 553 207 61 OA1	Agate Grey			+MG
	958 553 207 61 OB8	Cohiba Brown			+LH
	958 553 207 61 OG3	Carrera Red			+TA
	958 553 207 61 OK6	Saddle Tan			+MH
	958 553 207 61 7J0	Luxor Beige			+LE, +TB

Model: 92A 11 Model life 2011>>

Pos	Part Number	Description	Remark	Qty	Model
(15)	958 553 207 61 8D0 958 553 207 36	Cream Armrest	-14	1	+LG /RL IE8A/L0R/3D6 I3D8/6F8
(15)	958 553 207 36 OG3 958 553 207 36 7J0 958 553 207 62	Centre console Logo Turbo S Carrera Red Luxor Beige Armrest	15-	1	+TB +TA /RL IE8A/L0R/3D6 I3D8/6F8
(15)	958 553 207 62 A11 958 553 207 62 HAU 958 553 207 62 HD0 958 553 207 62 OA1 958 553 207 62 OB8 958 553 207 62 OG3 958 553 207 62 OK6 958 553 207 62 7J0 958 553 207 62 8D0 958 553 207 27	Black Saddle Tan/Luxor Beige Saddle Tan/Cream Agate Grey Cohiba Brown Carrera Red Saddle Tan Luxor Beige Cream Armrest		1	+LC , +MI +MK +MJ +MG +LH +TA +MH +LE , +TB +LG /LL IL0L/3D4/3D7 I6F8
(15)	958 553 207 27 6J0 958 553 207 28	Centre console Logo Cayenne Espresso Armrest		1	+VA , +VB /RL IL0R/3D4/3D7 I6F8
(15)	958 553 207 28 6J0 958 553 207 29	Centre console Logo Cayenne Espresso Armrest		1	+VA , +VB /LL IL0L/3D4/3D7 I6F8
(15)	958 553 207 29 6J0 958 553 207 30	Centre console Logo Cayenne S Espresso Armrest		1	+VA , +VB /RL IL0R/3D4/3D7 I6F8
(15)	958 553 207 30 6J0 958 553 207 31	Centre console Logo Cayenne S Espresso Armrest		1	+VA , +VB /LL IL0L/3D4/3D7 I6F8
(15)	958 553 207 31 6J0 958 553 207 32	Centre console Logo Turbo Espresso Armrest		1	+VA , +VB /RL IL0R/3D4/3D7 I6F8
(15)	958 553 207 32	Centre console			

Model: 92A 11 Model life 2011>>

Pos	Part Number	Description	Remark	Qty	Model
(15)	958 553 207 32 6J0 958 553 207 33	Logo Turbo Espresso Armrest		1	+VA, +VB /LL IE0W/L0L/3D4 I3D7/6F8
(15)	958 553 207 33 6J0 958 553 207 34	Centre console Logo Cayenne GTS Espresso Armrest		1	+VA, +VB /RL IE0W/L0R/3D4 I3D7/6F8
(15)	958 553 207 34 6J0 958 553 207 37	Centre console Logo Cayenne GTS Espresso Armrest		1	+VA, +VB /LL IE8A/L0L/3D4 I3D7/6F8
(15)	958 553 207 37 6J0 958 553 207 38	Centre console Logo Turbo S Espresso Armrest		1	+VA, +VB /RL IE8A/L0R/3D4 I3D7/6F8
16	958 553 207 38 6J0 958 553 206 00	Centre console Logo Turbo S Espresso Hinge Armrest		1	+VA, +VB
18	N 910 327 02	Lens-head screw 6 X 20 Mount Hinge		2	
19	958 553 289 00	Cover Armrest		1	
19	958 553 289 00 5Q0 958 553 289 00 4U0 958 553 289 00 6W0 958 553 289 00 3T0 958 553 289 00 DE1 958 553 289 01 958 553 289 01 5Q0 958 553 289 01 4U0 958 553 289 01 6W0 958 553 289 01 3T0 958 553 289 01 DE1 958 553 289 01 OL7 958 553 289 01 OE1 958 553 289 01 OA6 958 553 289 01 OB8	Black Platinum Grey Luxor Beige Espresso Umber Cover Armrest Black Platinum Grey Luxor Beige Espresso Umber Saddle Tan Carrera Red Agate Grey Cohiba Brown		1	+LC, +MA, +TW, +LD, +MD +LE, +MC +VA, +VB +LF, +TX, +TY,
21	958 553 252 00	Bracket Centre console Rear		1	+LH
22	958 553 440 00	Cover		1	I7B6/9AD

Model: 92A 11 Model life 2011>>

Pos	Part Number	Description	Remark	Qty	Model
		Centre console Rear			
	958 553 440 00 DE1	Umber			+LF, +YF
	958 553 440 00 DF2	Light Tartufo			+TY
	958 553 440 00 DJ3	Titanium Blue			+TW
	958 553 440 00 2S0	Cognac			+VB
	958 553 440 00 3T0	Espresso			+VA
	958 553 440 00 4U0	Platinum Grey			+LD, +MD, +YD,
	958 553 440 00 5Q0	Black			+LC, +MA, +MF,
					+YA, +YB, +YC,
	958 553 440 00 5V0	Cream			+LG, +MJ, +TX
	958 553 440 00 6W0	Luxor Beige			+LE, +MC, +MK,
					+TB, +YE, +77
	958 553 440 00 OE1	Carrera Red			+TA
(22)	958 553 440 01	Cover		1	I7B6/9AH
		Centre console Rear			
	958 553 440 01 DE1	Umber			+LF, +YF
	958 553 440 01 DF2	Light Tartufo			+TY
	958 553 440 01 DJ3	Titanium Blue			+TW
	958 553 440 01 2S0	Cognac			+VB
	958 553 440 01 3T0	Espresso			+VA
	958 553 440 01 4U0	Platinum Grey			+LD, +MD, +YD
	958 553 440 01 5Q0	Black			+LC, +MA, +MF,
					+YA, +YB, +YC,
	958 553 440 01 5V0	Cream			+LG, +MJ, +TX
	958 553 440 01 6W0	Luxor Beige			+LE, +MC, +MK,
					+TB, +YE
	958 553 440 01 OE1	Carrera Red			+TA
	958 553 440 01 OB8	Cohiba Brown			+LH
	958 553 440 01 OL7	Saddle Tan			+ME, +MH, +MI
(22)	958 553 440 02	Cover		1	I7B7/9AD
		Centre console Rear			
	958 553 440 02 DE1	Umber			+LF, +YF
	958 553 440 02 DF2	Light Tartufo			+TY
	958 553 440 02 DJ3	Titanium Blue			+TW
	958 553 440 02 2S0	Cognac			+VB
	958 553 440 02 3T0	Espresso			+VA
	958 553 440 02 4U0	Platinum Grey			+LD, +MD, +YD,
	958 553 440 02 5Q0	Black			+LC, +MA, +MF,
					+YA, +YB, +YC,
	958 553 440 02 5V0	Cream			+LG, +MJ, +TX
	958 553 440 02 6W0	Luxor Beige			+LE, +MC, +MK,
					+TB, +YE
	958 553 440 02 OE1	Carrera Red			+TA
(22)	958 553 440 03	Cover		1	I7B7/9AH
		Centre console Rear			
	958 553 440 03 DE1	Umber			+LF, +YF
	958 553 440 03 DF2	Light Tartufo			+TY
	958 553 440 03 DJ3	Titanium Blue			+TW
	958 553 440 03 2S0	Cognac			+VB
	958 553 440 03 3T0	Espresso			+VA
	958 553 440 03 4U0	Platinum Grey			+LD, +MD, +YD,
	958 553 440 03 5Q0	Black			+LC, +MA, +MF,
					+YA, +YB, +YC,
	958 553 440 03 5V0	Cream			+LG, +MJ, +TX
	958 553 440 03 6W0	Luxor Beige			+LE, +MC, +MK,
					+TB, +YE
	958 553 440 03 OE1	Carrera Red			+TA
23	958 553 131 00	Shelf Centre console		1	I9AD

Model: 92A 11 Model life 2011>>

Pos	Part Number	Description	Remark	Qty	Model
24	958 553 723 00	Rear Insert Shelf Centre console		1	I9AD
25	958 553 203 00	Rear Air vent Centre console	/L	1	
(25)	958 553 203 00 GOB	Rear Matt Black/Galvano Silver			
	958 553 204 00	Air vent Centre console	/R	1	
	958 553 204 00 GOB	Rear Matt Black/Galvano Silver			
26	958 553 232 00	Package box Centre console	-11	1	
26	958 553 232 02	Package box Centre console	-16	1	
		F >>92CLA 05335 F >>92CLA 92110 F >>92CLA 64565 F >>92CLA 28225 F >>92CLA 28101 F >>92CLA 45215 F >>92CLA 82187			
(26)	958 553 232 01	Package box Centre console	-16	1	
		F 92CLA 05336>> F 92CLA 92111>> F 92CLA 64566>> F 92CLA 28226>> F 92CLA 28102>> F 92CLA 45216>> F 92CLA 82188>>			
(26)	958 553 232 03	Package box Centre console	17-	1	
27	958 553 301 00	Insert Package box	-16	1	I9W0/9W1/9W5
(27)	958 553 301 01	Insert Package box	-16	1	I9ZP
(27)	958 553 301 02	Insert Package box	17-	1	
28	958 553 251 01	Bracket Control part		1	
29	958 553 365 00	Air-conditioning switch Cover Centre console	/L	1	I3D1
		Front Embossed			
	958 553 365 00 21U	Black			+MA
	958 553 365 00 32X	Luxor Beige			+MC
	958 553 365 00 7EG	Platinum Grey			+MD
(29)	958 553 366 00	Cover Centre console	/R	1	I3D1
		Front Embossed			
	958 553 366 00 21U	Black			+MA
	958 553 366 00 32X	Luxor Beige			+MC
	958 553 366 00 7EG	Platinum Grey			+MD
(29)	958 553 365 01	Cover Centre console	/L	1	I3D5/3D6/3D8
		Front			
	958 553 365 01 A11	Black			+LC, +MF, +YA, +YB, +YC

Model: 92A 11 Model life 2011>>

Pos	Part Number	Description	Remark	Qty	Model
	958 553 365 01 DE1	Umber			+LF, +YF
	958 553 365 01 DF2	Light Tartufo			+TY
	958 553 365 01 DJ3	Titanium Blue			+TW
	958 553 365 01 7J0	Luxor Beige			+LE, +MK, +YE, +77
	958 553 365 01 8D0	Cream			+LG, +MJ, +TX
	958 553 365 01 9B0	Platinum Grey			+LD, +YD
	958 553 365 01 OG3	Carrera Red			+TA
	958 553 365 01 OA1	Agate Grey			+MG, +ML
	958 553 365 01 OB8	Cohiba Brown			+LH
	958 553 365 01 OK6	Saddle Tan			+MH, +MI, +ME
(29)	958 553 366 01	Cover	/R	1	I3D5/3D6/3D8
		Centre console			
		Front			
	958 553 366 01 A11	Black			+LC, +MF, +YA, +YB, +YC
	958 553 366 01 DE1	Umber			+LF, +YF
	958 553 366 01 DF2	Light Tartufo			+TY
	958 553 366 01 DJ3	Titanium Blue			+TW
	958 553 366 01 7J0	Luxor Beige			+LE, +MK, +YE, +77
	958 553 366 01 8D0	Cream			+LG, +MJ, +TX
	958 553 366 01 9B0	Platinum Grey			+LD, +YD
	958 553 366 01 OG3	Carrera Red			+TA
	958 553 366 01 OA1	Agate Grey			+MG, +ML
	958 553 366 01 OB8	Cohiba Brown			+LH
	958 553 366 01 OK6	Saddle Tan			+MH, +MI, +ME
(29)	958 553 365 02	Cover	/L	1	I3D4/3D7
		Centre console			
		Front			
	958 553 365 02 6J0	Espresso			+VA
	958 553 365 02 7F0	Cognac			+VB
(29)	958 553 366 02	Cover	/R	1	I3D4/3D7
		Centre console			
		Front			
	958 553 366 02 6J0	Espresso			+VA
	958 553 366 02 7F0	Cognac			+VB
30	958 553 375 00	Cover		1	
		Centre console			
		Centre			
	958 553 375 00 DE1	Umber			+LF, +YF
	958 553 375 00 DF2	Light Tartufo			+TY
	958 553 375 00 DJ3	Titanium Blue			+TW
	958 553 375 00 2S0	Cognac			+VB
	958 553 375 00 3T0	Espresso			+VA
	958 553 375 00 4U0	Platinum Grey			+LD, +MD, +YD, +LC, +LG, +LH, +MA, +MF, +MI, +TA, +TB, +YA, +YB, +YC, +77
	958 553 375 00 5Q0	Black			+MJ, +TX
	958 553 375 00 5V0	Cream			+LE, +MC, +MK, +YE
	958 553 375 00 6W0	Luxor Beige			+MB, +MG, +ML
31	958 553 375 00 OA6	Agate Grey			
	958 553 324 00	Trim cover		1	I5TL
		Centre console			
		Front			
(31)	958 553 324 00 6BB	Piano Black, high-gloss		1	I5TE
	958 553 324 01	Trim cover			
		Centre console			
		Front			
	958 553 324 01 GR4	Aluminium, brushed			
(31)	958 553 324 02	Trim cover		1	I5MG

Model: 92A 11

Model life 2011>>

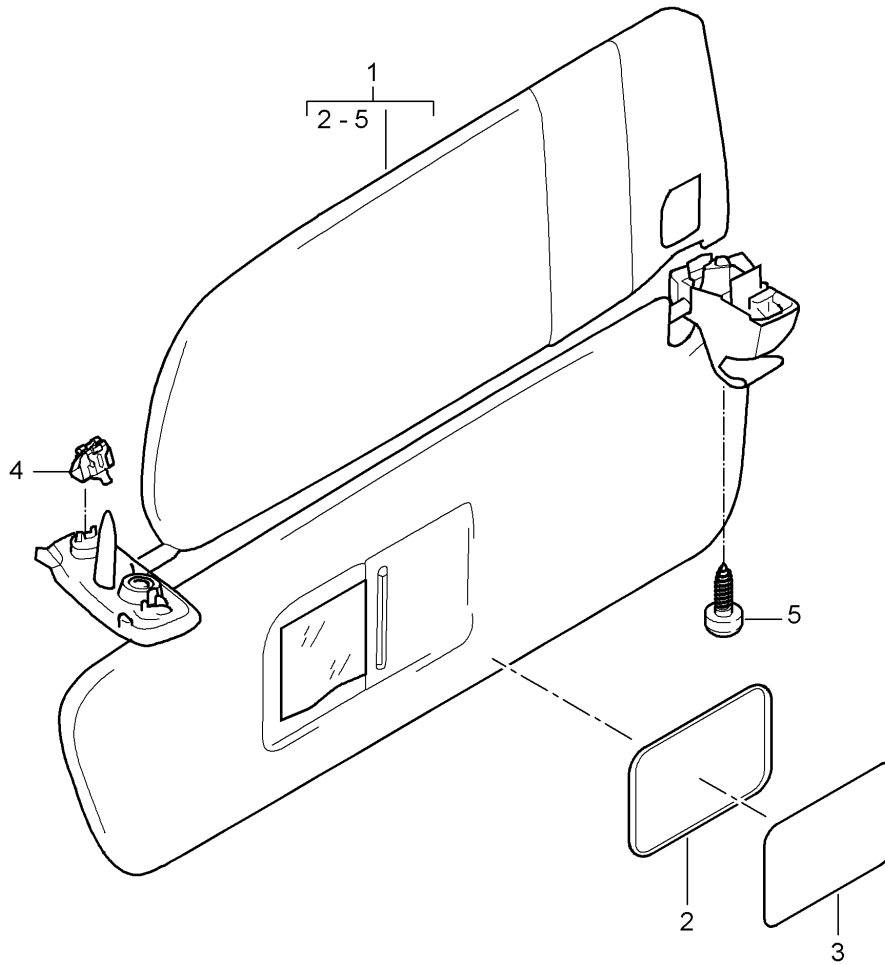
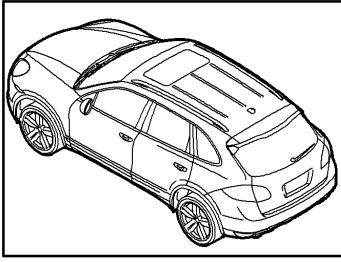
Pos	Part Number	Description	Remark	Qty	Model
(31)	958 553 324 02 BG1 958 553 324 03	Centre console Front Walnut, high-gloss Trim cover		1	I5MB
(31)	958 553 324 03 CK6 958 553 324 04	Centre console Front Swedish Birch Trim cover		1	I5TF
(31)	958 553 324 04 BT2 958 553 324 05	Centre console Front Olive Ash matt open-pored Trim cover		1	I5MH
(31)	958 553 324 05 BX3 958 553 324 05	Centre console Front Carbon, fine high-gloss Trim cover		1	I5MH
(31)	958 553 324 05 BX3 958 553 324 06	Centre console Front Carbon, fine high-gloss Trim cover		1	I5ML
(31)	958 553 324 06 OG1 958 553 324 07	Centre console Front Mahogany Yachting Trim cover		1	I5MP
32	958 553 324 07 OE9 N 101 734 02	Centre console Front American Walnut Speed nut		2	
33	958 553 273 00	ST 4,2 X 9,6 X 8,3 Mounting with Shelf		1	I9JA
(33)	958 553 273 01	Mounting with Ashtray Pot		1	I9JB
34	958 553 311 00	Ashtray Pot		1	I9JB
(34)	958 553 311 00 6N3 958 553 132 00	Black mat Shelf		1	I9JA
35	958 553 132 00 6N3 N 106 737 01	Centre console Black mat Tapping screw ST 4,2 X 9,5 Mount Mounting		2	
36	958 553 315 00	Ashtray Shelf Cover Ashtray Shelf		1	INZ0/5TL
(36)	958 553 315 00 6BB 958 553 315 01	Piano Black, high-gloss Cover Ashtray Shelf		1	INZ0/5TE
(36)	958 553 315 01 GR4 958 553 315 02	Aluminium, brushed Cover Ashtray Shelf		1	I5MG
(36)	958 553 315 02 BG1 958 553 315 03	Walnut, high-gloss Cover Ashtray Shelf		1	INZ0/5MB

Model: 92A 11 Model life 2011>>

Pos	Part Number	Description	Remark	Qty	Model
(36)	958 553 315 03 CK6 958 553 315 04	Swedish Birch Cover Ashtray Shelf		1	INZ0/5TF
(36)	958 553 315 04 BT2 958 553 315 05	Olive Ash matt open-pored Cover Ashtray Shelf		1	INZ0/5MH
(36)	958 553 315 05 BX3 958 553 315 06	Carbon, fine high-gloss Cover Ashtray Shelf		1	INZ0/5ML
(36)	958 553 315 06 OG1 958 553 315 07	Mahogany Yachting Cover Ashtray Shelf		1	INZ0/5MP
37	958 553 315 07 OE9 958 553 419 00	American Walnut Cover Shift gate		1	IG1G
38	958 553 419 00 GT8 958 553 253 00	Galvano silver Support Front		1	
39	958 553 107 00	Support Centre		1	
40	958 553 254 00	Support Rear		1	
41	N 909 995 02	Hexagon-head bolt M6 X 25		X	
42	958 553 981 00	Insert Support Beverages		1	

Model: 92A 11

Model life 2011>>



Model: 92A 11 Model life 2011>>

Pos	Part Number	Description	Remark	Qty	Model
1	958 731 551 00	Sun visors Sun visor Leatherette	-14 /L	1	I5XH/6NJ
	958 731 551 00 AY1	Black			+LC,+MA,+TA, +TB,+TW,+YA, +YB,+YC
	958 731 551 00 AZ2	Luxor Beige			+LE,+MC,+YE, +LD,+MD,+YD, +VA,+VB
	958 731 551 00 BA3	Platinum Grey			+LF,+TX,+TY, +YF
	958 731 551 00 BD5	Espresso			
	958 731 551 00 DE1	Umber			
(1)	958 731 552 00	Sun visor Leatherette	/R	1	I5XH/6NJ
	958 731 552 00 AY1	Black			+LC,+MA,+TA, +TB,+TW,+YA, +YB,+YC
	958 731 552 00 AZ2	Luxor Beige			+LE,+MC,+YE
	958 731 552 00 BA3	Platinum Grey			+LD,+MD,+YD
	958 731 552 00 BD5	Espresso			+VA,+VB
	958 731 552 00 DE1	Umber			+LF,+TX,+TY, +YF
(1)	958 731 551 01	Sun visor Leatherette	/L	1	I5XH/6NG
	958 731 551 01 AY1	Black			+LC,+MA,+TA, +TB,+TW,+YA, +YB,+YC
	958 731 551 01 AZ2	Luxor Beige			+LE,+MC,+YE
	958 731 551 01 BA3	Platinum Grey			+LD,+MD,+YD
	958 731 551 01 BD5	Espresso			+VA,+VB
	958 731 551 01 DE1	Umber			+LF,+TX,+TY, +YF
(1)	958 731 552 01	Sun visor Leatherette	/R	1	I5XH/6NG
	958 731 552 01 AY1	Black			+LC,+MA,+TA, +TB,+TW,+YA, +YB,+YC
	958 731 552 01 AZ2	Luxor Beige			+LE,+MC,+YE
	958 731 552 01 BA3	Platinum Grey			+LD,+MD,+YD
	958 731 552 01 BD5	Espresso			+VA,+VB
	958 731 552 01 DE1	Umber			+LF,+TX,+TY, +YF
(1)	958 731 551 03	Sun visor Alcantara	/L	1	I5XH/6NN
	958 731 551 03 GN2	Umber			+LF,+TX,+TY, +YF
	958 731 551 03 2W0	Black			+LC,+LG,+LH, +MA,+MF,+MI, +TA,+TB,+TW, +YA,+YB,+YC, +77
	958 731 551 03 8U3	Platinum Grey			+LD,+MD,+YD,
	958 731 551 03 9U1	Luxor Beige			+LE,+MC,+YE
	958 731 551 03 9U7	Espresso			+VA,+VB
(1)	958 731 552 03	Sun visor Alcantara	/R	1	I5XH/6NN
	958 731 552 03 GN2	Umber			+LF,+TX,+TY, +YF
	958 731 552 03 2W0	Black			+LC,+LG,+LH, +MA,+MF,+MI, +TA,+TB,+TW, +YA,+YB,+YC, +77
	958 731 552 03 8U3	Platinum Grey			+LD,+MD,+YD,

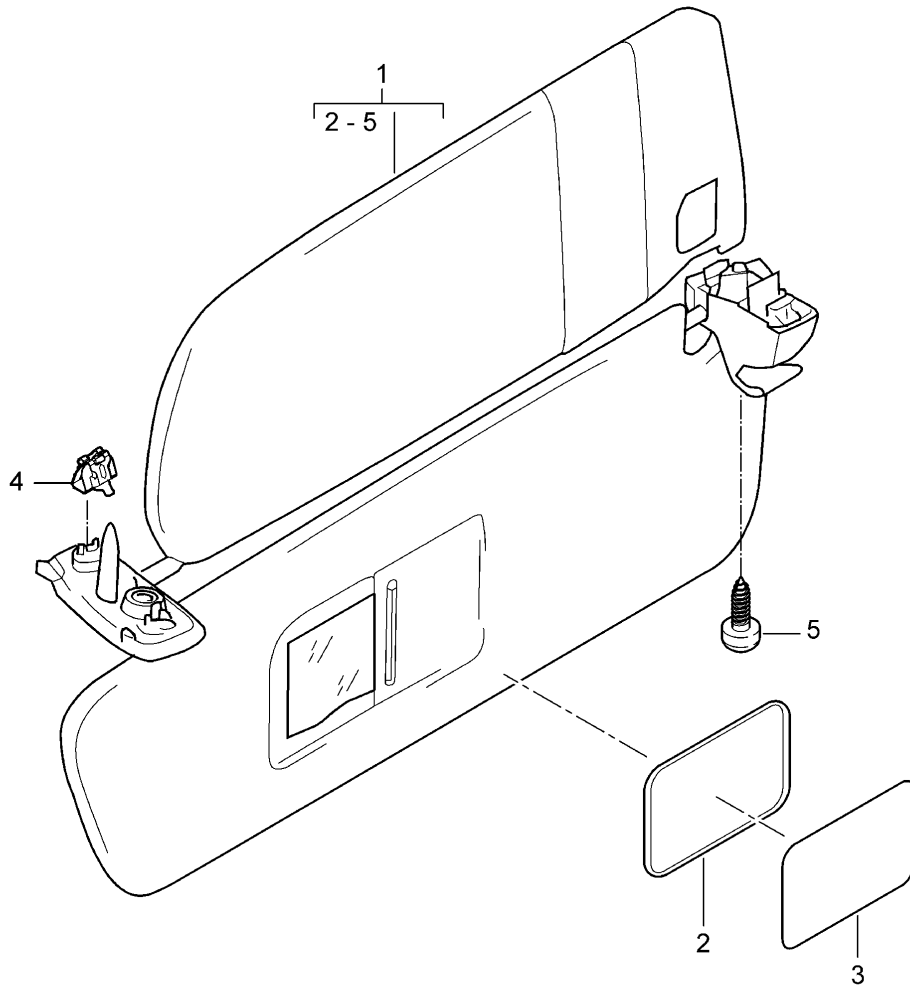
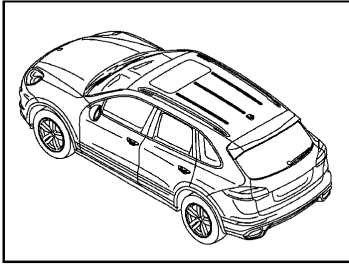
Model: 92A 11

Model life 2011>>

Pos	Part Number	Description	Remark	Qty	Model
(1)	958 731 552 03 9U1	Luxor Beige	/R	1	+LE,+MC,+YE +VA,+VB I5XH/6NN/9MB I6NH +LF,+TX,+TY, +YF +LC,+LG,+LH, +MA,+MF,+MI, +TA,+TB,+TW, +YA,+YB,+YC, +77 +LD,+MD,+YD, +LE,+MC,+YE +VA,+VB I5XH/6NH
	958 731 552 03 9U7	Espresso			
	958 731 552 13	Sun visor Alcantara			
	958 731 552 13 GN2	Umber			
	958 731 552 13 2W0	Black			
(1)	958 731 552 13 8U3	Platinum Grey	/L	1	+LF,+TX,+TY, +YF +LC,+MA,+TW, +YA,+YB,+YC, +LD,+MD,+YD +LE,+MC,+YE, +VA,+VB I5XH/6NH
	958 731 552 13 9U1	Luxor Beige			
	958 731 552 13 9U7	Espresso			
	958 731 551 04	Sun visor Alcantara			
	958 731 551 04 GN2	Umber			
(1)	958 731 551 04 2W0	Black	/R	1	+LF,+TX,+TY, +YF +LC,+MA,+TW, +YA,+YB,+YC, +LD,+MD,+YD +LE,+MC,+YE, +VA,+VB I5XH/6NH
	958 731 551 04 8U3	Platinum Grey			
	958 731 551 04 9U1	Luxor Beige			
	958 731 551 04 9U7	Espresso			
	958 731 552 04	Sun visor Alcantara			
2	958 731 552 04 GN2	Umber		1	+LF,+TX,+TY, +YF +LC,+MA,+TW, +YA,+YB,+YC, +LD,+MD,+YD +LE,+MC,+YE, +VA,+VB
	958 731 552 04 2W0	Black			
	958 731 552 04 8U3	Platinum Grey			
	958 731 552 04 9U1	Luxor Beige			
	958 731 552 04 9U7	Espresso			
3	955 731 643 01	Frame Vanity mirror		1	
3	955 731 567 01	Vanity mirror		1	
4	958 731 633 00	Clamp		X	
5	N 106 663 02	Oval-head sheetmetal screw ST 4,2 X 19 for Mount Mounting Sun visor		2	

Model: 92A 11

Model life 2011>>



Model: 92A 11

Model life 2011>>

Pos	Part Number	Description	Remark	Qty	Model
1	958 731 551 07	Sun visors Sun visor	15- /LL /L	1	IL0L/5XH/6NJ I9MA
	958 731 551 07 AY1	Leatherette Black			+LC, +LG, +LH, +MA, +MI, +TA, +77
	958 731 551 07 AZ2	Luxor Beige			+LE, +MC
	958 731 551 07 BD5	Espresso			+VA, +VB
	958 731 551 07 DE1	Umber			
	958 731 551 07 BP1	Saddle Tan			+MH, +MJ, +MK
	958 731 551 07 OR1	Agate Grey			+MB, +MG,
1	958 731 551 27	Sun visor	/LL /L	1	IL0L/5XH/6DL I6DQ/6NJ/9MA
	958 731 551 27 AY1	Leatherette Black			+LC, +LG, +LH, +MA, +MI, +TA, +77
	958 731 551 27 AZ2	Luxor Beige			+LE, +MC
	958 731 551 27 BD5	Espresso			+VA, +VB
	958 731 551 27 DE1	Umber			
	958 731 551 27 BP1	Saddle Tan			+MH, +MJ, +MK
	958 731 551 27 OR1	Agate Grey			+MB, +MG,
(1)	958 731 552 20	Sun visor	/LL /R	1	IL0L/5XH/6NJ I9MA
	958 731 552 20 AY1	Leatherette Black			+LC, +LG, +LH, +MA, +MI, +TA, +77
	958 731 552 20 AZ2	Luxor Beige			+LE, +MC
	958 731 552 20 BD5	Espresso			+VA, +VB
	958 731 552 20 BP1	Saddle Tan			+MH, +MJ, +MK
	958 731 552 20 OR1	Agate Grey			+MB, +MG,
	958 731 552 20 BA3	Platinum Grey			+LD, +MD, +YD
(1)	958 731 552 07	Sun visor	/RL /R	1	IL0R/5XH/6NJ I9MA
	958 731 552 07 AY1	Leatherette Black			+LC, +LG, +LH, +MA, +MI, +TA, +77
	958 731 552 07 AZ2	Luxor Beige			+LE, +MC
	958 731 552 07 BD5	Espresso			+VA, +VB
	958 731 552 07 DE1	Umber			
	958 731 552 07 BP1	Saddle Tan			+MH, +MJ, +MK
	958 731 552 07 OR1	Agate Grey			+MB, +MG,
(1)	958 731 551 20	Sun visor	/RL /L	1	IL0R/5XH/6NJ I9MA
	958 731 551 20 AY1	Leatherette Black			+LC, +LG, +LH, +MA, +MI, +TA, +77
	958 731 551 20 AZ2	Luxor Beige			+LE, +MC
	958 731 551 20 BD5	Espresso			+VA, +VB
	958 731 551 20 BP1	Saddle Tan			+MH, +MJ, +MK
	958 731 551 20 OR1	Agate Grey			+MB, +MG,
(1)	958 731 551 15	Sun visor	/LL /L -16	1	IGP1/L0L/5XH I6NJ/9MB
	958 731 551 15 AY1	Leatherette Black			+LC, +LG, +LH, +MA, +MI, +TA, +77
	958 731 551 15 AZ2	Luxor Beige			+LE, +MC
	958 731 551 15 BD5	Espresso			+VA, +VB

Model: 92A 11 Model life 2011>>

Pos	Part Number	Description	Remark	Qty	Model
(1)	958 731 551 15 DE1	Umber	/LL /L 17-	1	+MH,+MJ,+MK +MB,+MG, IGP1/L0L/5XH I6DL/6DQ/6NJ I9MB
	958 731 551 15 BP1	Saddle Tan			
	958 731 551 15 OR1	Agate Grey			
	958 731 551 21	Sun visor			
		Leatherette			
	958 731 551 21 AY1	Black			+LC,+LG,+LH, +MA,+MI,+TA, +77
	958 731 551 21 AZ2	Luxor Beige			+LE,+MC
	958 731 551 21 BD5	Espresso			+VA,+VB
(1)	958 731 551 21 DE1	Umber	/RL /R	1	+MH,+MJ,+MK +MB,+MG, IGP1/L0R/5XH I6NJ/9MB
	958 731 551 21 BP1	Saddle Tan			
	958 731 551 21 OR1	Agate Grey			
	958 731 552 15	Sun visor			
		Leatherette			
	958 731 552 15 AY1	Black			+LC,+LG,+LH, +MA,+MI,+TA, +77
	958 731 552 15 AZ2	Luxor Beige			+LE,+MC
	958 731 552 15 BD5	Espresso			+VA,+VB
(1)	958 731 552 15 DE1	Umber	/LL /R	1	+MH,+MJ,+MK +MB,+MG, IGP1/L0L/6DL I6NJ/9MB
	958 731 552 15 BP1	Saddle Tan			
	958 731 552 15 OR1	Agate Grey			
	958 731 552 15	Sun visor			
		Leatherette			
	958 731 552 15 AY1	Black			+LC,+LG,+LH, +MA,+MI,+TA, +77
	958 731 552 15 AZ2	Luxor Beige			+LE,+MC
	958 731 552 15 BD5	Espresso			+VA,+VB
(1)	958 731 552 15 DE1	Umber	/RL /L	1	+MH,+MJ,+MK +MB,+MG, IGP1/L0R/5XH I6NJ/9MB
	958 731 552 15 BP1	Saddle Tan			
	958 731 552 15 OR1	Agate Grey			
	958 731 551 16	Sun visor			
		Leatherette			
	958 731 551 16 AY1	Black			+LC,+LG,+LH, +MA,+MI,+TA, +77
	958 731 551 16 AZ2	Luxor Beige			+LE,+MC
	958 731 551 16 BD5	Espresso			+VA,+VB
(1)	958 731 551 16 DE1	Umber	/LL /R	1	+MH,+MJ,+MK +MB,+MG, IGP1/L0L/5XH I6NJ/9MB
	958 731 551 16 BP1	Saddle Tan			
	958 731 551 16 OR1	Agate Grey			
	958 731 552 16	Sun visor			
		Leatherette			
	958 731 552 16 AY1	Black			+LC,+LG,+LH, +MA,+MI,+TA, +77
	958 731 552 16 AZ2	Luxor Beige			+LE,+MC
	958 731 552 16 BD5	Espresso			+VA,+VB
(1)	958 731 552 16 DE1	Umber	/LL /R (CN)	1	+MH,+MJ,+MK +MB,+MG, IGP1/L0L/6DQ I6NJ/9MB
	958 731 552 16 BP1	Saddle Tan			
	958 731 552 16 OR1	Agate Grey			
	958 731 552 23	Sun visor			
		Leatherette			
	958 731 552 23 AY1	Black			+LC,+LG,+LH,

Model: 92A 11 Model life 2011>>

Pos	Part Number	Description	Remark	Qty	Model
(1)	958 731 552 23 AZ2 958 731 552 23 BD5 958 731 552 23 BP1 958 731 552 23 OR1 958 731 552 26	Luxor Beige Espresso Saddle Tan Agate Grey Sun visor	/LL /R (CN)	1	+MA, +MI, +TA, +77 +LE, +MC +VA, +VB +MH, +MJ, +MK +MB, +MG, IL0L/6DQ/6NJ I9MA
	958 731 552 26 AY1	Leatherette Black			+LC, +LG, +LH, +MA, +MI, +TA, +77
(1)	958 731 552 26 AZ2 958 731 552 26 BD5 958 731 552 26 BP1 958 731 552 26 OR1 958 731 551 10	Luxor Beige Espresso Saddle Tan Agate Grey Sun visor	/LL /L -16	1	+LE, +MC +VA, +VB +MH, +MJ, +MK +MB, +MG, IL0L/5XH/6DL I6NN/9MA
	958 731 551 10 GN2 958 731 551 10 2W0	Alcantara Umber Black			+LC, +LG, +LH, +MA, +MF, +MI, +TA, +YA, +YC, +77
	958 731 551 10 9U1 958 731 551 10 9U7 958 731 551 10 OP2	Luxor Beige Espresso Saddle Tan			+LE, +MC, +YE, +VA, +VB +ME, +MH, +MJ +MK
(1)	958 731 551 10 OU5 958 731 551 23	Agate Grey Sun visor	/L 17-	1	+MB, +MG, +ML IL0L/5XH/6DL I6DQ/6NN/9MA
	958 731 551 23 GN2 958 731 551 23 2W0	Alcantara Umber Black			+LF, +TX, +TY, +YF +LC, +LG, +LH, +MA, +MF, +MI, +TA, +TB, +TW, +YA, +YB, +YC, +77
(1)	958 731 551 23 8U3 958 731 551 23 9U1 958 731 551 23 9U7 958 731 551 14	Platinum Grey Luxor Beige Espresso Sun visor	/RL /L	1	+LD, +MD, +YD, +LE, +MC, +YE +VA, +VB IL0R/5XH/6NN I9MA
	958 731 551 14 GN2 958 731 551 14 2W0	Alcantara Umber Black			+LC, +LG, +LH, +MA, +MF, +MI, +TA, +YA, +YC, +77
	958 731 551 14 9U1 958 731 551 14 9U7 958 731 551 14 OP2	Luxor Beige Espresso Saddle Tan			+LE, +MC, +YE, +VA, +VB +ME, +MH, +MJ +MK
(1)	958 731 551 14 OU5 958 731 552 10	Agate Grey Sun visor	/RL /R	1	+MB, +MG, +ML IL0R/5XH/6NN I9MA
	958 731 552 10 GN2 958 731 552 10 2W0	Alcantara Umber Black			+LC, +LG, +LH, +MA, +MF, +MI, +TA, +YA, +YC, +77

Model: 92A 11 Model life 2011>>

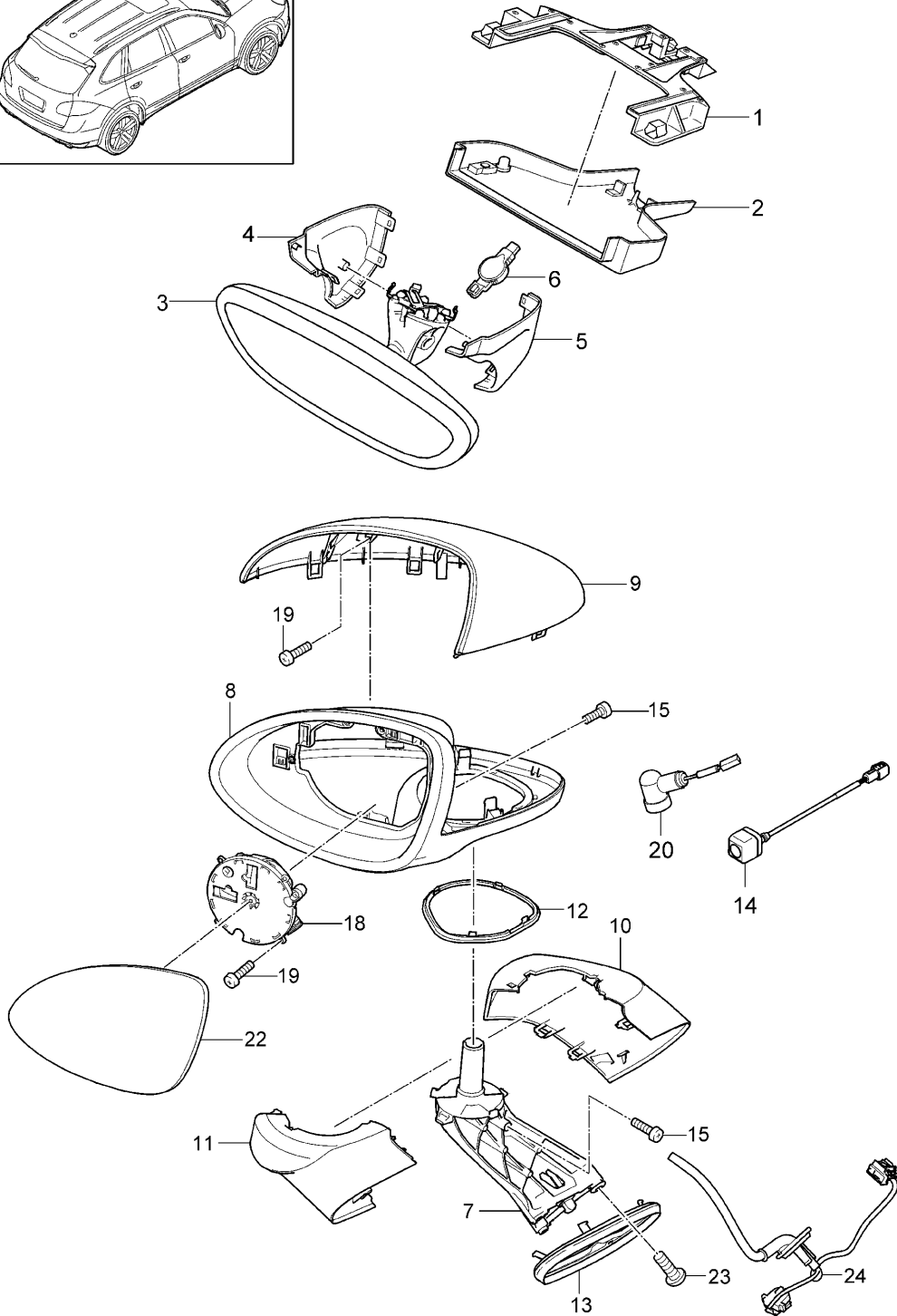
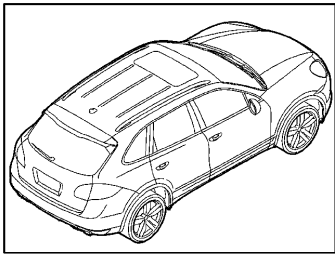
Pos	Part Number	Description	Remark	Qty	Model
(1)	958 731 552 10 9U1	Luxor Beige	/LL /R	1	+LE,+MC,+YE, +VA,+VB +ME,+MH,+MJ, +MK +MB,+MG,+ML IL0L/5XH/6NN I9MA
	958 731 552 10 9U7	Espresso			
	958 731 552 10 OP2	Saddle Tan			
	958 731 552 10 OU5	Agate Grey			
	958 731 552 14	Sun visor			
		Alcantara			
	958 731 552 14 GN2	Umber			
	958 731 552 14 2W0	Black			
	958 731 552 14 9U1	Luxor Beige			
	958 731 552 14 9U7	Espresso			
958 731 552 14 OP2	Saddle Tan				
(1)	958 731 552 14 OU5	Agate Grey	/LL /R (CN)	1	+LC,+LG,+LH, +MA,+MF,+MI, +TA,+YA,+YC, +77 +LE,+MC,+YE, +VA,+VB +ME,+MH,+MJ, +MK +MB,+MG,+ML IL0L/6DQ/6NN I9MA
	958 731 552 24	Sun visor			
		Alcantara			
	958 731 552 24 2W0	Black			
	958 731 552 24 9U1	Luxor Beige			
	958 731 552 24 9U7	Espresso			
	958 731 552 24 OP2	Saddle Tan			
	958 731 552 24 OU5	Agate Grey			
	958 731 551 13	Sun visor			
		Alcantara			
(1)	958 731 551 13 GN2	Umber	/LL /L	1	+LC,+LG,+LH, +MA,+MF,+MI, +TA,+YA,+YC, +77 +LE,+MC,+YE, +VA,+VB +ME,+MH,+MJ, +MK +MB,+MG,+ML IGP1/L0L/5XH I6NN/9MB
	958 731 551 13 2W0	Black			
	958 731 551 13 9U1	Luxor Beige			
	958 731 551 13 9U7	Espresso			
	958 731 551 13 OP2	Saddle Tan			
	958 731 551 13 OU5	Agate Grey			
	958 731 552 13	Sun visor			
		Alcantara			
	958 731 552 13 GN2	Umber			
	958 731 552 13 2W0	Black			
(1)	958 731 552 13 9U1	Luxor Beige	/RL /R	1	+LC,+LG,+LH, +MA,+MF,+MI, +TA,+YA,+YC, +77 +LE,+MC,+YE, +VA,+VB +ME,+MH,+MJ, +MK +MB,+MG,+ML IGP1/L0R/5XH I6NN/9MB
	958 731 552 13 9U7	Espresso			
	958 731 552 13 OP2	Saddle Tan			
	958 731 552 13 OU5	Agate Grey			
	958 731 551 18	Sun visor			
		Alcantara			
	958 731 551 18 GN2	Umber			
	958 731 551 18 2W0	Black			
	958 731 552 13 9U1	Luxor Beige			
	958 731 552 13 9U7	Espresso			
958 731 552 13 OP2	Saddle Tan				
(1)	958 731 552 13 OU5	Agate Grey	/RL /L	1	+LC,+LG,+LH, +MA,+MF,+MI, +TA,+YA,+YC, +77 +LE,+MC,+YE, +VA,+VB +ME,+MH,+MJ, +MK +MB,+MG,+ML IGP1/L0R/5XH I6NN/9MB
	958 731 551 18	Sun visor			
		Alcantara			
	958 731 551 18 GN2	Umber			
	958 731 551 18 2W0	Black			
	958 731 552 13 9U1	Luxor Beige			
	958 731 552 13 9U7	Espresso			
	958 731 552 13 OP2	Saddle Tan			
	958 731 552 13 OU5	Agate Grey			
	958 731 551 18	Sun visor			
	Alcantara				
958 731 551 18 GN2	Umber				
958 731 551 18 2W0	Black				

Model: 92A 11 Model life 2011>>

Pos	Part Number	Description	Remark	Qty	Model
	958 731 551 18 9U1	Luxor Beige			+77
	958 731 551 18 9U7	Espresso			+LE, +MC, +YE,
	958 731 551 18 OP2	Saddle Tan			+VA, +VB
	958 731 551 18 OU5	Agate Grey			+ME, +MH, +MJ,
(1)	958 731 552 18	Sun visor	/LL /R	1	+MK +MB, +MG, +ML IGP1/L0L/5XH I6NN/9MB
		Alcantara			
	958 731 552 18 GN2	Umber			
	958 731 552 18 2W0	Black			+LC, +LG, +LH,
					+MA, +MF, +MI,
					+TA, +YA, +YC,
					+77
	958 731 552 18 9U1	Luxor Beige			+LE, +MC, +YE,
	958 731 552 18 9U7	Espresso			+VA, +VB
	958 731 552 18 OP2	Saddle Tan			+ME, +MH, +MJ,
					+MK
(1)	958 731 552 18 OU5	Agate Grey			+MB, +MG, +ML
	958 731 552 25	Sun visor	/LL /R (CN)	1	IGP1/L0L/6DQ I6NN/9MB
		Alcantara			
	958 731 552 25 2W0	Black			+LC, +LG, +LH,
					+MA, +MF, +MI,
					+TA, +YA, +YC,
					+77
	958 731 552 25 9U1	Luxor Beige			+LE, +MC, +YE,
	958 731 552 25 9U7	Espresso			+VA, +VB
	958 731 552 25 OP2	Saddle Tan			+ME, +MH, +MJ,
					+MK
	958 731 552 25 OU5	Agate Grey			+MB, +MG, +ML
2	958 731 643 00	Frame		1	
3	955 731 567 01	Vanity mirror		1	
4	958 731 633 00	Clamp		X	
5	N 106 663 02	Oval-head sheetmetal screw ST 4,2 X 19 for Mount Mounting Sun visor		2	

Model: 92A 11

Model life 2011>>



Model: 92A 11 Model life 2011>>

Pos	Part Number	Description	Remark	Qty	Model
1	7PP 858 327	Rear-view mirror Door mirror Accessories Plate for Mirror base Interior mirror Pos. 1 8/05/00 Use	-14	1	
2	7PP 863 081	Cover for Plate Mirror base Interior mirror		1	I7Y0/7Y1/8G0 I9Q1
3	7PP 863 081 1E0 7PP 857 511 C	Satin black Interior mirror Manually Dimmable	-(J)	1	I4L2/5RQ/5RR I5RT/5RV/5SG I5SJ/5SL
(3)	7PP 857 511 C 1E0 7PP 857 511 D	Satin black Interior mirror Automatic Dimmable		1	I4L6
(3)	7PP 857 511 D 1E0 958 731 511 00	Satin black Interior mirror Manually Dimmable with Camera	(J)	1	I4L2/5RP/5RV I5SL/5SU
4	958 731 511 00 1E0 7PP 858 547 7PP 858 547 1E0	Satin black Cap Satin black Rear-view mirror Left	/L	1	
5	7PP 858 548 7PP 858 548 1E0	Cap Satin black Rear-view mirror Right	/R	1	
6		Rain sensor Rear-view mirror See group 9/04/00			
7	958 731 507 00	Mirror base	/LL /L	1	IL0L/5RQ/5RR I5RT/5RV/5SG I5SJ/5SL
(7)	958 731 507 00 9B9 958 731 508 00	Door mirror Satin black Mirror base	/LL /R	1	IL0L/5RQ/5RR I5RT/5RV/5SG I5SJ/5SL
(7)	958 731 508 00 9B9 958 731 507 10	Door mirror Satin black Mirror base	/RL /L	1	IL0R/5RQ/5RR I5RT/5RV/5SG I5SJ/5SL
(7)	958 731 507 10 9B9 958 731 508 10	Door mirror Satin black Mirror base	/RL /R	1	IL0R/5RQ/5RR I5RT/5RV/5SG I5SJ/5SL
		Door mirror			

Model: 92A 11 Model life 2011>>

Pos	Part Number	Description	Remark	Qty	Model
(7)	958 731 508 10 9B9 958 731 507 20	Satin black Mirror base Door mirror Driver's side without Camera	/LL /L (J)	1	Japan IL0L/5RP/5SL I9TH
(7)	958 731 507 20 9B9 958 731 508 20	Satin black Mirror base Door mirror Passenger's side with Camera	/LL /R (J)	1	Japan IL0L/L0R/5RP I9TH
(7)	958 731 508 20 9B9 958 731 507 30	Satin black Mirror base Door mirror Driver's side without Camera	/LL /L (J)	1	Japan IL0L/5RP/5SL I9TF
(7)	958 731 507 30 9B9 958 731 508 30	Satin black Mirror base Door mirror Passenger's side with Camera	/LL /R (J)	1	Japan IL0L/5RP/9TF
(7)	958 731 508 30 9B9 958 731 507 40	Satin black Mirror base Door mirror Passenger's side with Camera	/RL /L (J)	1	Japan IL0R/5RV/5SU I9TH
(7)	958 731 507 40 9B9 958 731 508 40	Satin black Mirror base Door mirror Driver's side with Camera	/RL /R (J)	1	Japan IL0L/L0R/5RV I5SU/9TH
(7)	958 731 508 40 9B9 958 731 507 50	Satin black Mirror base Door mirror Passenger's side with Camera	/RL /L (J)	1	Japan IL0R/5RV/5SU I9TF
(7)	958 731 507 50 9B9 958 731 508 50	Satin black Mirror base Door mirror Driver's side without Camera	/RL /R (J)	1	Japan IL0R/5RV/5SU I9TF

Model: 92A 11 Model life 2011>>

Pos	Part Number	Description	Remark	Qty	Model
(7)	958 731 508 50 9B9 958 731 507 60	Satin black Mirror base Door mirror Driver's side without Camera	/LL /L (J)	1	Turbo S IE8A/L0L/5RP I5SL/9TF Japan
(7)	958 731 507 60 041 958 731 508 60	Black Mirror base Door mirror Passenger's side with Camera	/LL /R (J)	1	Turbo S IE8A/L0L/5RP I9TF Japan
(7)	958 731 508 60 041 958 731 507 70	Black Mirror base Door mirror Passenger's side with Camera	/RL /L (J)	1	Turbo S IE8A/L0R/5SU I9TF Japan
(7)	958 731 507 70 041 958 731 508 70	Black Mirror base Door mirror Driver's side without Camera	/RL /R (J)	1	Turbo S IE8A/L0R/5RV I5SU/9TF Japan
8	958 731 508 70 041 958 731 527 00	Black Mirror housing Lower part Door mirror without Light	/L	1	I5RQ/5RR/5RT I5RV/5SG/5SJ I5SL/9TH
(8)	958 731 527 00 9B9 958 731 528 00	Satin black Mirror housing Lower part Door mirror without Light	/R	1	I5RQ/5RR/5RT I5RV/5SG/5SJ I5SL/9TH
(8)	958 731 528 00 9B9 958 731 527 10	Satin black Mirror housing Lower part Door mirror with Light	/L	1	I5RQ/5RR/5RT I5RV/5SG/5SJ I5SL/9TF
(8)	958 731 527 10 9B9 958 731 528 10	Satin black Mirror housing Lower part Door mirror with	/R	1	I5RQ/5RR/5RT I5RV/5SG/5SJ I5SL/9TF

Model: 92A 11 Model life 2011>>

Pos	Part Number	Description	Remark	Qty	Model
(8)	958 731 528 10 9B9 958 731 527 20	Light Satin black Mirror housing	/L	1	Turbo S IE8A/5RQ/5SG I5SJ/5SL/9TF
(8)	958 731 527 20 041 958 731 528 20	Lower part Door mirror with Light Black Mirror housing	/R	1	Turbo S IE8A/5RQ/5RR I5RT/5RV/9TF
9	958 731 528 20 041 958 731 537 00	Lower part Door mirror with Light Black Mirror housing	/L	1	I5RQ/5RR/5RT I5RV/5SG/5SJ I5SL/7Y0
(9)	958 731 537 00 G2X 958 731 538 00	Door mirror without Lane Change Assistant Prime coated Mirror housing	/R	1	I5RQ/5RR/5RT I5RV/5SG/5SJ I5SL/7Y0
(9)	958 731 538 00 G2X 958 731 537 10	Door mirror without Lane Change Assistant Prime coated Mirror housing	/L	1	I5RQ/5RR/5RT I5RV/5SG/5SJ I5SL/7Y1/7Y7
(9)	958 731 537 10 G2X 958 731 538 10	Door mirror with Lane Change Assistant Prime coated Mirror housing	/R	1	I5RQ/5RR/5RT I5RV/5SG/5SJ I5SL/7Y1/7Y7
(9)	958 731 538 10 G2X 958 731 537 20	Door mirror with Lane Change Assistant Prime coated Mirror housing	/L	1	I5RP/5RV/5SL I5SU/7Y0
(9)	958 731 537 20 G2X 958 731 538 20	Door mirror without Lane Change Assistant Prime coated Mirror housing	/R	1	I5RP/5RV/5SL I5SU/7Y0
(9)	958 731 538 20 G2X 958 731 537 30	Door mirror without Lane Change Assistant Prime coated Mirror housing	/L	1	I5RP/5RV/5SL I5SU/7Y1/7Y7
		Door mirror with Lane Change Assistant			

Model: 92A 11 Model life 2011>>

Pos	Part Number	Description	Remark	Qty	Model
(9)	958 731 537 30 G2X 958 731 538 30	Prime coated Mirror housing Door mirror with Lane Change Assistant	/R	1	I5RP/5RV/5SL I5SU/7Y1/7Y7
10	958 731 538 30 G2X 958 731 085 00	Prime coated Cap Mirror base Front	/L	1	IL0L/5RQ/5RR I5RT/5SG/5SL
(10)	958 731 085 00 9B9 958 731 086 00	Satin black Cap Mirror base Front	/R	1	IL0L/5RQ/5RR I5RT/5SG/5SL
(10)	958 731 086 00 9B9 958 731 085 10	Satin black Cap Mirror base Front	/LL /L	1	Japan IL0L/5RP/5SL
(10)	958 731 085 10 9B9 958 731 086 10	Satin black Cap Mirror base Front	/LL /R	1	Japan IL0L/5RP/5SL
(11)	958 731 086 10 9B9 958 731 085 20	Satin black Cap Mirror base Rear	/RL /L	1	IL0R/5RV/5SJ
(10)	958 731 085 20 9B9 958 731 086 20	Satin black Cap Mirror base Front	/RL /R	1	IL0R/5RV/5SJ
(10)	958 731 086 20 9B9 958 731 085 30	Satin black Cap Mirror base Front	/RL /L	1	Japan IL0R/5RV/5SU
(10)	958 731 085 30 9B9 958 731 086 30	Satin black Cap Mirror base Front	/RL /R	1	Japan IL0R/5RV/5SU
(10)	958 731 086 30 9B9 958 731 085 40	Satin black Cap Mirror base Front	/LL /L	1	Turbo S IE8A/L0L/5RQ I5SG/5SL
(10)	958 731 085 40 041 958 731 086 40	Black Cap Mirror base Front	/LL /R	1	Turbo S IE8A/L0L/5RQ I5RR/5RT
(10)	958 731 086 40 041 958 731 085 50	Black Cap Mirror base Front	/RL /L	1	Turbo S IE8A/L0R/5SJ
(10)	958 731 085 50 041 958 731 086 50	Black Cap	/RL /R	1	Turbo S

Model: 92A 11 Model life 2011>>

Pos	Part Number	Description	Remark	Qty	Model
		Mirror base Front			IE8A/L0R/5RV I5SJ
(10)	958 731 086 50 041	Black			
	958 731 085 60	Cap	/LL /L	1	Turbo S IE8A/L0L/5RP I5SL Japan
		Mirror base Front			
(10)	958 731 085 60 041	Black			
	958 731 086 60	Cap	/LL /R	1	Turbo S IE8A/L0L/5RP Japan
		Mirror base Front			
(10)	958 731 086 60 041	Black			
	958 731 085 70	Cap	/RL /L	1	Turbo S IE8A/L0R/5SU Japan
		Mirror base Front			
(10)	958 731 085 70 041	Black			
	958 731 086 70	Cap	/RL /R	1	Turbo S IE8A/L0R/5RV I5SU Japan
		Mirror base Front			
11	958 731 086 70 041	Black			
	958 731 019 00	Cap	/L	1	IL0L/5RQ/5RT I5SG/5SL
		Mirror base Rear			
(11)	958 731 019 00 9B9	Satin black			
	958 731 020 00	Cap	/R	1	IL0L/5RQ/5RR I5RT/5SG/5SL
		Mirror base Rear			
(11)	958 731 020 00 9B9	Satin black			
	958 731 019 10	Cap	/LL /L	1	Japan IL0L/5RP/5SL
		Mirror base Rear			
(11)	958 731 019 10 9B9	Satin black			
	958 731 020 10	Cap	/LL /R	1	Japan IL0L/5RP/5SL
		Mirror base Rear			
(11)	958 731 020 10 9B9	Satin black			
	958 731 019 20	Cap	/RL /L	1	IL0R/5SJ
		Mirror base Rear			
(11)	958 731 019 20 9B9	Satin black			
	958 731 020 20	Cap	/RL /R	1	IL0R/5SJ
		Mirror base Rear			
(11)	958 731 020 20 9B9	Satin black			
	958 731 019 30	Cap	/RL /L	1	Japan IL0R/5SU
		Mirror base Rear			
(11)	958 731 019 30 9B9	Satin black			
	958 731 020 30	Cap	/RL /R	1	Japan IL0R/5SU
		Mirror base			

Model: 92A 11 Model life 2011>>

Pos	Part Number	Description	Remark	Qty	Model
(11)	958 731 020 30 9B9 958 731 019 40	Rear Satin black Cap	/LL /L	1	Turbo S IE8A/L0L/5RQ I5SG/5SL/6XP I6XQ/6XT/6XW
(11)	958 731 019 40 041 958 731 020 40	Mirror base Rear Black Cap	/LL /R	1	Turbo S IE8A/L0L/5RQ I5RR/5RT
(11)	958 731 020 40 041 958 731 019 50	Mirror base Rear Black Cap	/RL /L	1	Turbo S IE8A/L0R/5SJ
(11)	958 731 019 50 041 958 731 020 50	Mirror base Rear Black Cap	/RL /R	1	Turbo S IE8A/L0R/5RV I5SJ
(11)	958 731 020 50 041 958 731 019 60	Mirror base Rear Black Cap	/LL /L	1	Turbo S IE8A/L0L/5RP I5SL/6XP/6XQ Japan
(11)	958 731 019 60 041 958 731 020 60	Mirror base Rear Black Cap	/LL /R	1	Turbo S IE8A/L0L/5RP Japan
(11)	958 731 020 60 041 958 731 019 70	Mirror base Rear Black Cap	/RL /L	1	Turbo S IE8A/L0R/5SU Japan
(11)	958 731 019 70 041 958 731 020 70	Mirror base Rear Black Cap	/RL /R	1	Turbo S IE8A/L0R/5RV I5SU Japan
12	958 731 020 70 041 958 731 555 00	Mirror base Rear Black Gasket	/L	1	I5RQ/5RR/5RT I5RV/5SG/5SJ I5SL
(12)	958 731 556 00	Mirror housing Mirror base Gasket	/R	1	I5RQ/5RR/5RT I5RV/5SG/5SJ I5SL
(12)	958 731 555 10	Mirror housing Mirror base Gasket	/L	1	I5RP/5RV/5SL I5SU
(12)	958 731 556 10	Mirror housing Mirror base Gasket	/R	1	I5RP/5RV/5SL

Model: 92A 11 Model life 2011>>

Pos	Part Number	Description	Remark	Qty	Model
		Mirror housing			I5SU
13	958 731 679 00	Mirror base Gasket	/L	1	
(13)	958 731 680 00	Mirror base Gasket	/R	1	
(13)	958 731 679 10	Mirror base Gasket	/L	1	
(13)	958 731 680 10	Mirror base Gasket	/R	1	
(14)		Mirror base Camera			I5RP/5SU
		See group 9/11/00			
15	999 919 024 09	Oval-head screw 3 X 12		2	
18	955 624 047 01	Adjusting motor		2	I6XP/6XW
(18)	955 624 048 01	Adjusting motor		2	I6XQ/6XT
19	999 141 043 02	Oval-head screw M 3 x 14 for Adjusting motor		5	
20		Light Door mirror See group 9/03/04		1	
22	958 731 521 00	Mirror glass	/L	1	IL0L/5SG/6XP I6XQ
(22)	958 731 521 10	Plane Mirror glass	/L	1	IL0L/5SG/6XT I6XW
(22)	958 731 521 20	Plane Mirror glass	/L	1	IL0L/5RQ/5SL I6XP/6XQ
(22)	958 731 521 30	Aspherical Mirror glass	/L	1	IL0L/5SL/6XT I6XW
(22)	958 731 521 40	Aspherical Mirror glass	/L	1	IL0R/5SJ/6XP I6XQ
(22)	958 731 521 50	Convex Mirror glass	/L	1	IL0R/5SJ/6XT I6XW
(22)	958 731 521 60	Convex Mirror glass	/L	1	IL0R/5RP/5SL I6XP/6XQ
(22)	958 731 521 70	Aspherical Mirror glass	/L	1	IL0R/5SU/6XP I6XQ
(22)	958 731 522 00	Convex Mirror glass	/R	1	IL0L/5RQ/6XP I6XQ
(22)	958 731 522 10	Convex Mirror glass	/R	1	IL0L/5RQ/6XT I6XW
(22)	958 731 522 40	Convex Mirror glass	/R	1	IL0L/5RT/6XP I6XQ
(22)	958 731 522 50	Convex Mirror glass	/R	1	IL0L/5RT/6XT I6XW
(22)	958 731 522 80	Convex Mirror glass	/R	1	IL0R/5RV/6XP

Model: 92A 11

Model life 2011>>

Pos	Part Number	Description	Remark	Qty	Model
					I6XQ
(22)	958 731 522 90	Aspherical Mirror glass	/R	1	IL0R/5RV/6XT I6XW
(22)	958 731 522 60	Aspherical Mirror glass	/R (J)	1	IL0R/5RV/5SU I6XP
(22)	958 731 522 70	Aspherical Mirror glass	/R (J)	1	IL0L/5RP/6XP I6XQ
23	N 911 821 01	Convex Oval-head screw M 6 X 32 for Mount		3	
24	958 612 489 00	Mirror base Wiring harness		1	I5RQ/5RR/5RT I5RV/6XP/7Y0 I9TH
(24)	958 612 489 05	Door mirror Engine Wiring harness		1	I5SG/5SJ/5SL I6XP/7Y0/9TF
(24)	958 612 489 10	Door mirror Engine with Light Wiring harness		1	I5SG/5SJ/5SL I6XP/7Y1/7Y7 I9TH
(24)	958 612 489 15	Door mirror Engine with Lane Change Assistant Wiring harness		1	I5SG/5SJ/5SL I6XW/7Y0/9TH
(24)	958 612 489 20	Door mirror Engine with Memory Wiring harness		1	I5SG/5SJ/5SL I6XW/7Y0/9TF
(24)	958 612 489 25	Door mirror Engine with Light Memory Wiring harness		1	I5SG/5SJ/5SL I6XP/7Y1/7Y7 I9TF
(24)	958 612 489 30	Door mirror Engine with Light Lane Change Assistant Wiring harness		1	I5SG/5SJ/5SL I6XP/7Y1/7Y7 I9TH
		Door mirror Engine with Lane Change Assistant Memory			

Model: 92A 11 Model life 2011>>

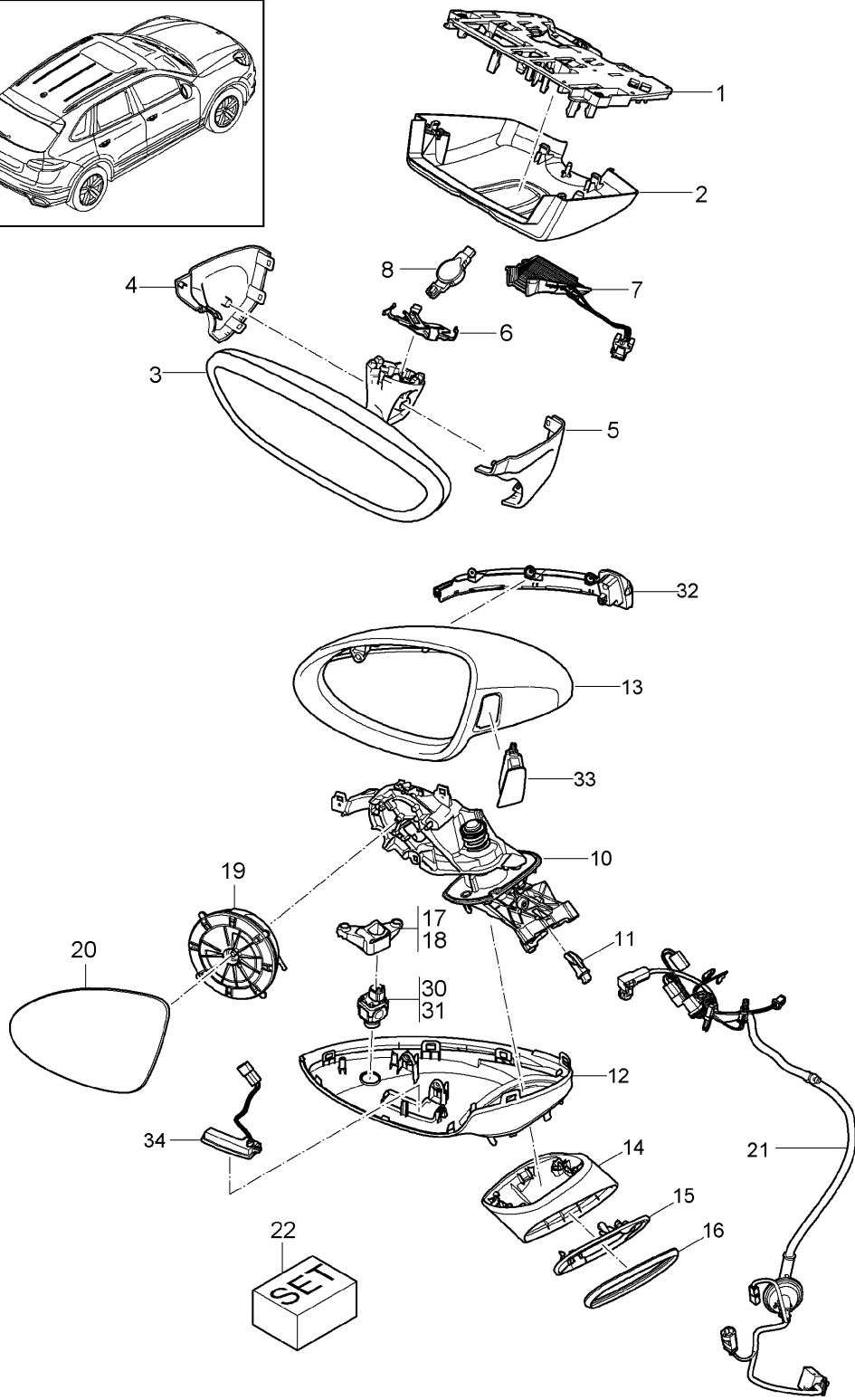
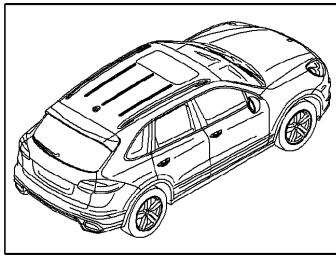
Pos	Part Number	Description	Remark	Qty	Model
(24)	958 612 489 35	Wiring harness Door mirror Engine with Light Lane Change Assistant Memory		1	I5SG/5SJ/5SL I6XW/7Y1/7Y7 I9TF
(24)	958 612 489 40	Wiring harness Door mirror with Memory		1	I5SG/5SJ/5SL I6XQ/7Y0/9TH
(24)	958 612 489 45	Wiring harness Door mirror with Memory		1	I5SG/5SJ/5SL I6XQ/7Y0/9TF
(24)	958 612 489 50	Wiring harness Door mirror with Memory Lane Change Assistant		1	I5SG/5SJ/5SL I6XQ/7Y1/7Y7 I9TH
(24)	958 612 489 55	Wiring harness Door mirror All-electric with Memory		1	I5SG/5SJ/5SL I6XT/7Y0/9TH
(24)	958 612 489 60	Wiring harness Door mirror All-electric with Memory		1	I5SG/5SJ/5SL I6XT/7Y0/9TF
(24)	958 612 489 65	Wiring harness Door mirror All-electric with Memory Light		1	I5SG/5SJ/5SL I6XQ/7Y1/7Y7 I9TF
(24)	958 612 489 70	Wiring harness Door mirror All-electric with Memory Lane Change Assistant		1	I5SG/5SJ/5SL I6XT/7Y1/7Y7 I9TH
(24)	958 612 489 75	Wiring harness Door mirror All-electric with		1	I5SG/5SJ/5SL I6XT/7Y1/7Y7 I9TF

Model: 92A 11 Model life 2011>>

Pos	Part Number	Description	Remark	Qty	Model
(24)	958 612 450 00	Memory Light Lane Change Assistant Wiring harness		1	I5SU/6XP/7Y0 I9TH
(24)	958 612 450 10	Door mirror Engine with Camera Wiring harness		1	I5SU/6XP/7Y0 I9TF
(24)	958 612 450 20	Door mirror Engine with Camera Light Wiring harness		1	I5SU/6XP/7Y1 I7Y7/9TH
(24)	958 612 450 30	Door mirror Engine with Camera Lane Change Assistant Wiring harness		1	I5SU/6XP/7Y1 I7Y7/9TF
(24)	958 612 450 40	Door mirror Engine with Camera Light Lane Change Assistant Wiring harness		1	I5SU/6XQ/7Y0 I9TH
(24)	958 612 450 50	Door mirror Memory with Camera Wiring harness		1	I5SU/6XQ/7Y0 I9TF
(24)	958 612 450 60	Door mirror Memory with Camera Light Wiring harness		1	I5SU/6XQ/7Y1 I7Y7/9TH
(24)	958 612 450 70	Door mirror Memory with Camera Lane Change Assistant Wiring harness		1	I5SU/6XQ/7Y1 I7Y7/9TF
		Door mirror Memory with Camera Light Lane Change Assistant			

Model: 92A 11

Model life 2011>>



Model: 92A 11 Model life 2011>>

Pos	Part Number	Description	Remark	Qty	Model
1	7PP 858 327 C	Rear-view mirror Door mirror Accessories 2nd GENERATION Plate for Mirror base Interior mirror POS. 1 8/05/00 Use	15-	1	
2	7PP 863 081	Cover for Plate Mirror base Interior mirror		1	I7Y0/7Y1/8G0 I9Q1
(2)	7PP 863 081 1E0 7PP 863 081 D	Satin black Cover for Plate Mirror base Interior mirror		1	I7Y6/7Y7/8G0 I9Q1 I8G1/9Q1 I8G2/9Q1 I9Q6
3	7PP 863 081 D 1E0 7PP 857 511 E	Satin black Interior mirror Manually Dimmable	-(J)	1	I4L2/5RQ/5RR I5RT/5RV/5SG I5SJ/5SL
(3)	7PP 857 511 E 1E0 7PP 857 511 H	Satin black Interior mirror Automatic Dimmable		1	I4L6
4	7PP 857 511 H 1E0 7PP 858 547 7PP 858 547 1E0	Satin black Cap Satin black Rear-view mirror Left	/L	1	
5	7PP 858 548 7PP 858 548 1E0	Cap Satin black Rear-view mirror Right	/R	1	
6	7PP 857 959	Spring clamp		1	
7	7PP 858 066	Rear-view mirror Cover Camera		1	I7Y6/7Y7/8G0 I9Q1 I8G2/9Q1 I8G1/9Q1 I9Q6
8		Rain sensor Rear-view mirror See illustrations 9/04/00			
10	958 731 317 00	Mirror base Door mirror with Reinforcement plate Driving mechanism Spring	/LL /L	1	IL0L/5SG/5SL
(10)	958 731 317 01	Mirror base Door mirror with Reinforcement plate Driving mechanism	/RL /L	1	IL0R/5SJ/5SU

Model: 92A 11

Model life 2011>>

Pos	Part Number	Description	Remark	Qty	Model
(10)	958 731 318 00	Spring Mirror base	/LL /R	1	IL0L/5RP/5RQ I5RR/5RT
(10)	958 731 318 01	Door mirror with Reinforcement plate Driving mechanism Spring Mirror base	/RL /R	1	IL0R/5RV
11	958 731 215 00	Clip Mirror base		2	
12	958 731 407 00	Mirror housing	/L	1	I5SG/5SJ/5SL I7X0/7X2/7X8 I7X9/9TH
(12)	958 731 407 00 9B9 958 731 407 01	Lower part Satin black Mirror housing	/L	1	I5SG/5SJ/5SL I7X0/7X2/7X8 I7X9/9TF
(12)	958 731 407 01 9B9 958 731 407 02	Lower part with Light Satin black Mirror housing	/L (J)	1	I5SU/9TH
(12)	958 731 407 02 9B9 958 731 407 03	Satin black Mirror housing	/L (J)	1	I5SU/9TF
(12)	958 731 407 03 9B9 958 731 407 04	Lower part with Light Satin black Mirror housing	/L	1	I5SG/5SJ/5SL I8A4/9TH
(12)	958 731 407 04 9B9 958 731 407 05	Lower part with RTV Satin black Mirror housing	/L	1	I5SG/5SJ/5SL I8A4/9TF
(12)	958 731 407 05 9B9 958 731 407 06	Lower part with Light And RTV Satin black Mirror housing	/L	1	IE8A/9TF
(12)	958 731 407 06 G2X 958 731 407 07	Lower part with Light Prime coated Mirror housing	/L	1	IE8A/8A4/9TF
(12)	958 731 407 07 G2X 958 731 407 08	Lower part with Light And RTV Prime coated Mirror housing	/L (J)	1	IE8A/9TF

Model: 92A 11 Model life 2011>>

Pos	Part Number	Description	Remark	Qty	Model
(12)	958 731 407 08 G2X 958 731 407 09	Lower part with Light Prime coated Mirror housing	/L	1	I6FJ/6FU
(12)	958 731 407 09 G2X 958 731 407 10	Lower part Prime coated Mirror housing	/L	1	I6FJ/6FU/8A4
(12)	958 731 407 10 G2X 958 731 407 11	Lower part with RTV Prime coated Mirror housing	/L (J)	1	I5SU/6FJ/6FU
(12)	958 731 407 11 G2X 958 731 408 00	Lower part with Camera Prime coated Mirror housing	/R	1	I5RQ/5RR/5RT I5RV/7X0/7X2 I7X8/7X9/9TH
(12)	958 731 408 00 9B9 958 731 408 01	Lower part Satin black Mirror housing	/R	1	I5RQ/5RR/5RT I5RV/7X0/7X2 I7X8/7X9/9TF
(12)	958 731 408 01 9B9 958 731 408 02	Lower part with Light Satin black Mirror housing	/R (J)	1	I5RP/9TH
(12)	958 731 408 02 9B9 958 731 408 03	Lower part Satin black Mirror housing	/R (J)	1	I5RP/9TF
(12)	958 731 408 03 9B9 958 731 408 04	Lower part with Light Satin black Mirror housing	/R	1	I5RQ/5RR/5RT I5RV/8A4/9TH
(12)	958 731 408 04 9B9 958 731 408 05	Lower part with RTV Satin black Mirror housing	/R	1	I5RQ/5RR/5RT I5RV/8A4/9TF
(12)	958 731 408 05 9B9 958 731 408 06	Lower part with Light And RTV Satin black Mirror housing	/L	1	IE8A/9TF
(12)	958 731 408 06 G2X 958 731 408 07	Lower part with Light Prime coated Mirror housing	/L	1	IE8A/8A4/9TF
	958 731 408 07 G2X	Lower part with Light And RTV Prime coated			

Model: 92A 11 Model life 2011>>

Pos	Part Number	Description	Remark	Qty	Model
(12)	958 731 408 08	Mirror housing Lower part with Light	/L (J)	1	IE8A/9TF
	958 731 408 08 G2X	Prime coated			
(12)	958 731 408 09	Mirror housing Lower part	/R	1	I6FJ/6FU
	958 731 408 09 G2X	Prime coated			
(12)	958 731 408 10	Mirror housing Lower part with RTV	/R	1	I6FJ/6FU/8A4
	958 731 408 10 G2X	Prime coated			
(12)	958 731 408 11	Mirror housing Lower part with Camera	/R (J)	1	I5RP/6FJ/6FU
	958 731 408 11 G2X	Prime coated			
13	958 731 751 00	Mirror housing Upper part without Lane Change Assistant	/L	1	I7Y0/7Y6
	958 731 751 00 G2X	Prime coated			
(13)	958 731 751 01	Mirror housing Upper part with Lane Change Assistant	/L	1	I7Y1/7Y7
	958 731 751 01 G2X	Prime coated			
(13)	958 731 752 00	Mirror housing Upper part without Lane Change Assistant	/R	1	I7Y0/7Y6
	958 731 752 00 G2X	Prime coated			
(13)	958 731 752 01	Mirror housing Upper part with Lane Change Assistant	/R	1	I7Y1/7Y7
	958 731 752 01 G2X	Prime coated			
14	958 731 703 00	Cap Mirror base	/LL /L	1	IL0L/5SG/5SL
	958 731 703 00 9B9	Satin black			
(14)	958 731 703 02	Cap Mirror base	/LL /L	1	IE8A/L0L/5SG I5SL
	958 731 703 02 G2X	Prime coated			
(14)	958 731 703 01	Cap Mirror base	/RL /L	1	IL0R/5SJ/5SU
	958 731 703 01 9B9	Satin black			
(14)	958 731 703 03	Cap Mirror base	/RL /L	1	IE8A/L0R/5SJ I5SU
	958 731 703 03 G2X	Prime coated			
(14)	958 731 704 00	Cap Mirror base	/LL /R	1	IL0L/5RP/5RQ I5RR/5RT
	958 731 704 00 9B9	Satin black			
(14)	958 731 704 02	Cap Mirror base	/LL /R	1	IE8A/L0L/5RP I5RQ/5RR/5RT
	958 731 704 02 G2X	Prime coated			
(14)	958 731 704 01	Cap Mirror base	/RL /R	1	IL0R/5RV
	958 731 704 01 9B9	Satin black			

Model: 92A 11

Model life 2011>>

Pos	Part Number	Description	Remark	Qty	Model
(14)	958 731 704 03	Cap	/RL /R	1	IE8A/L0R/5RV
		Mirror base			
	958 731 704 03 G2X	Prime coated			
15	958 731 707 00	Gasket	/L	1	
		Mirror housing			
		Mirror base			
(15)	958 731 708 00	Gasket	/R	1	
		Mirror housing			
		Mirror base			
16	958 731 533 00	Gasket	/LL /L	1	IL0L
		Mirror base			
(16)	958 731 533 01	Gasket	/LL /R	1	IL0L
		Mirror base			
(16)	958 731 534 00	Gasket	/RL /L	1	IL0R
		Mirror base			
(16)	958 731 534 01	Gasket	/RL /R	1	IL0R
		Mirror base			
17	958 731 571 00	Clip	/L	1	I8A4
		RTV			
(17)	958 731 572 00	Clip	/R	1	I8A4
		RTV			
18	958 731 571 01	Clip	/L (J)	1	
		Japan			
		Camera			
(18)	958 731 572 01	Clip	/R (J)	1	
		Japan			
		Camera			
19	7PP 959 578 D	Adjusting motor		2	I6XP/6XW
		Mirror glass			
(19)	7PP 959 578 E	Adjusting motor		2	I6XQ/6XT
		Mirror glass			
		Memory			
20	958 731 055 00	Mirror glass	/L	1	IL0L/5SG/6XP I6XQ
		Plane			
(20)	958 731 055 01	Mirror glass	/L	1	IL0L/5SL/6XP I6XQ
		Aspherical			
(20)	958 731 055 02	Mirror glass	/L	1	IL0R/5SJ/5SU I6XP/6XQ
		Convex			
(20)	958 731 055 03	Mirror glass	/L	1	IL0L/5SG/6XT I6XW
		Plane			
(20)	958 731 055 04	Mirror glass	/L	1	IL0L/5SL/6XT I6XW
		Aspherical			
(20)	958 731 055 05	Mirror glass	/L	1	IL0R/5SJ/6XT I6XW
		Convex			
(20)	958 731 056 00	Mirror glass	/R	1	IL0L/5RP/5RQ I6XP/6XQ
		Convex			
(20)	958 731 056 02	Mirror glass	/R	1	IL0L/5RT/6XP I6XQ
		Convex			
(20)	958 731 056 03	Mirror glass	/R	1	IL0L/5RQ/6XT I6XW
		Convex			
(20)	958 731 056 05	Mirror glass	/R	1	IL0L/5RT/6XT I6XW
		Convex			
(20)	958 731 056 06	Mirror glass	/R	1	IL0R/5RV/6XP

Model: 92A 11 Model life 2011>>

Pos	Part Number	Description	Remark	Qty	Model
(20)	958 731 056 07	Aspherical Mirror glass	/R	1	I6XQ IL0R/5RV/6XT I6XW
(21)	958 612 469 30	Aspherical Wiring harness	/L/R	1	-I8A4/I6XQ I6XT
(21)	958 612 469 35	Door mirror with Light Lane Change Assistant RTV Memory Wiring harness	/L	1	I6XQ/6XT/8A4
(21)	958 612 469 40	Door mirror with Light Lane Change Assistant RTV Memory Automatic Dimmable Wiring harness	/R	1	I6XQ/6XT/8A4
(21)	958 612 469 45	Door mirror with Light Lane Change Assistant Automatic Dimmable Wiring harness	/L/R	1	-I8A4/I6XP I6XW
(21)	958 612 469 50	Door mirror with Light Lane Change Assistant RTV Automatic Dimmable Wiring harness	/L	1	I6XP/6XW/8A4
(21)	958 612 469 55	Door mirror with Light Lane Change Assistant RTV Automatic Dimmable Wiring harness	/R	1	I6XP/6XW/8A4
(21)	958 612 469 60	Door mirror with Light Lane Change Assistant Wiring harness	(J)	1	I6XP
(21)	958 612 469 65	Door mirror with Light Lane Change Assistant Wiring harness	(J)	1	I6XQ

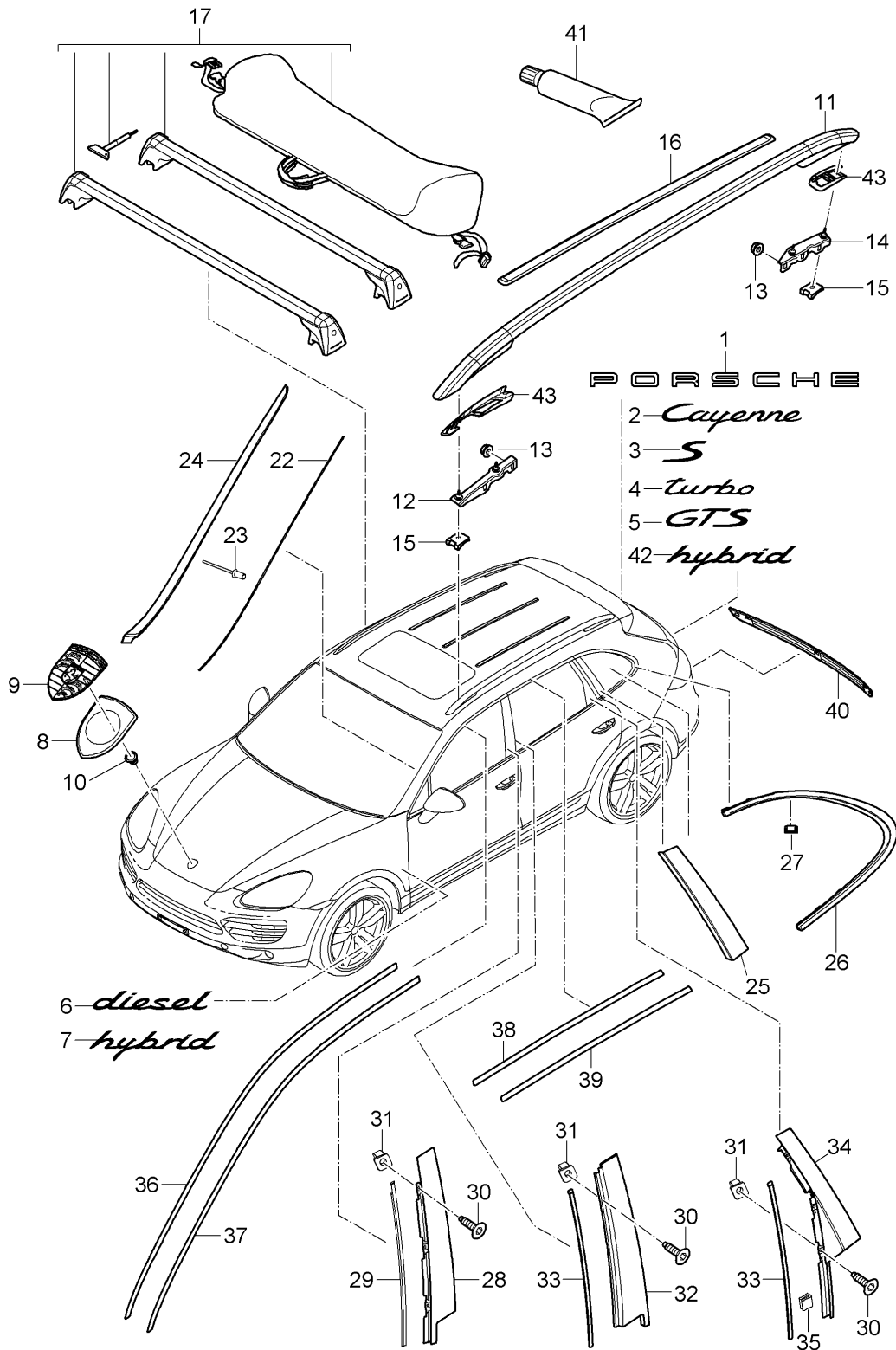
Model: 92A 11

Model life 2011>>

Pos	Part Number	Description	Remark	Qty	Model
(21)		Light Lane Change Assistant Memory Wiring harness	(J)	1	I6XQ
22	958 731 709 00	Door mirror with Light Lane Change Assistant Memory Repair kit		1	
30		Screw Complete Camera	(J)	1	I5RP/5SU
31		See illustrations 9/11/00 Camera		1	I8A4
32		See illustrations 9/11/00 Direction indicator light		1	
33		See illustrations 9/05/03 Warning light		1	
34		See illustrations 9/01/05 Light		1	
		See illustrations 9/03/03			

Model: 92A 11

Model life 2011>>



Model: 92A 11

Model life 2011>>

Pos	Part Number	Description	Remark	Qty	Model
		Insignias Decorative fittings Upper Outer	-14		
1	958 559 687 00	Logo Porsche		1	I0NB
	958 559 687 00 0C1	White Silver Chrom			
1	958 559 687 01	Logo Porsche Chrome		1	I0NB
2	958 559 675 00	Logo Cayenne		1	I0NB
	958 559 675 00 0C1	White Silver Chrom			
2	958 559 675 01	Logo Cayenne Chrome		1	I0NB
3	958 559 676 00	Logo Cayenne S		1	V8 I0NB
	958 559 676 00 0C1	WHITE SILVER CHROM			
3	958 559 676 01	Logo "S" Chrome		1	I0NB
4	958 559 677 00	Logo "Turbo"		1	I0NB
	958 559 677 00 0C1	White Silver Chrom			
4	958 559 677 01	Logo "Turbo" Chrome		1	I0NB
(5)	958 559 675 20	Logo GTS Chrome		1	IE0W/0NB
6	958 559 499 10	Logo Diesel	/L	1	ID43/D50/0NB
	958 559 499 10 0C1	White Silver Chrom Lateral Left			
(6)	958 559 499 11	Logo Diesel Chrome Wing Lateral Left	/L	1	ID43/D50/0NB
(6)	958 559 500 10	Logo Diesel	/R	1	ID43/D50/0NB
	958 559 500 10 0C1	White Silver Chrom Lateral Right			
(6)	958 559 500 11	Logo Diesel Chrome Wing Lateral Right	/R	1	ID43/D50/0NB
7	958 559 499 00	Logo Hybrid	/L	1	ID19/0NB
	958 559 499 00 0C1	White Silver Chrom Wing Lateral Left			
(7)	958 559 499 01	Logo Hybrid Chrome	/L	1	ID19/0NB

Model: 92A 11 Model life 2011>>

Pos	Part Number	Description	Remark	Qty	Model
(7)	958 559 500 00	Wing Lateral Left Logo Hybrid	/R	1	ID19/0NB
	958 559 500 00 0C1	White Silver Chrom			
(7)	958 559 500 01	Wing Lateral Right Logo Hybrid Chrome	/R	1	ID19/0NB
8	7L5 853 611 B	Wing Lateral Right Desk pad		1	
9	958 559 601 00	Porsche crest	-13	1	
9	958 559 601 02	Porsche crest		1	
10	WHT 004 974	Nut Mount		2	
11	958 559 025 00	Porsche crest Repair kit Complete	/L	1	I3S5/5W4
	958 559 025 00 041	Black			
11	958 559 025 01	Roof rail Complete	/L	1	I3S5/5W4
	958 559 025 01 041	Black			
(11)	958 559 043 00	Roof rail Complete	/L	1	I3S1/5W1
	958 559 043 00 8Z8	Silver			
(11)	958 559 043 01	Roof rail Complete	/L	1	I3S1/5W1
	958 559 043 01 8Z8	Silver			
(11)	958 559 026 00	Roof rail Complete	/R	1	I3S5/5W4
	958 559 026 00 041	Black			
(11)	958 559 026 01	Roof rail Complete	/R	1	I3S5/5W4
	958 559 026 01 041	Black			
(11)	958 559 044 01	Roof rail Complete	/R	1	I3S1/5W1
	958 559 044 01 8Z8	Silver			
12	958 559 197 00	Fastening angle	/L	1	I3S1/3S5/5W1 I5W4
		Roof rail Front Left			
(12)	958 559 198 00	Fastening angle	/R	1	I3S1/3S5/5W1 I5W4
		Roof rail Front Right			
13	N 911 893 03	Hexagon nut M 6		8	I3S1/3S5
14	958 559 201 00	Fastening angle	/L	1	I3S1/3S5/5W1 I5W4
		Roof rail Rear Left			
(14)	958 559 202 00	Fastening angle	/R	1	I3S1/3S5/5W1 I5W4
		Roof rail			

Model: 92A 11 Model life 2011>>

Pos	Part Number	Description	Remark	Qty	Model
15	WHT 003 205 A	Rear Right Clamping nut		8	I3S1/3S5/5W1 I5W4
16	958 559 465 00	M 6 Protective strip		1	I3FA/3FE/3S1 I3S5/5W1/5W4 I3FE
	958 559 465 00 041	Roof Black			
	958 559 465 00 8Z8	Silver			
17	958 044 000 10	Roof rack see Tequipment		1	I5W1/5W4
22	958 559 587 00	Support Water drain strip Left	/L	1	
(22)	958 559 588 00	Support Water drain strip Right	/R	1	
23	N 908 550 01	Blind rivet A3,2 X 6,5		12	
24	958 559 327 00	Water drain strip	/L	1	
	958 559 327 00 9B9	Satin black Left A-pillar			
(24)	958 559 328 00	Water drain strip	/R	1	
	958 559 328 00 9B9	Satin black Right A-pillar			
25	958 559 381 00	Cover C-pillar Left	/L	1	
	958 559 381 00 GW1	Black			
(25)	958 559 382 00	Cover C-pillar Right	/R	1	
	958 559 382 00 GW1	Black			
26	958 559 995 00	Cover strip Side window Left	/L	1	
	958 559 995 00 GW1	Black			
26	958 559 995 01	Cover strip Side window Left	/L	1	
	958 559 995 01 GW1	Black			
(26)	958 559 996 00	Cover strip Side window Right	/R	1	
	958 559 996 00 GW1	Black			
(26)	958 559 996 01	Cover strip Side window Right	/R	1	
	958 559 996 01 GW1	Black			
(26)	958 559 995 20	Cover strip Side window Left	/L	1	
	958 559 995 20 7Z7	Aluminium Polished			
(26)	958 559 995 21	Cover strip Side window Left	/L	1	
	958 559 995 21 7Z7	Aluminium Polished			

Model: 92A 11 Model life 2011>>

Pos	Part Number	Description	Remark	Qty	Model
(26)	958 559 996 20	Cover strip Side window Right	/R	1	
	958 559 996 20 7Z7	Aluminium Polished			
(26)	958 559 996 21	Cover strip Side window Right	/R	1	
	958 559 996 21 7Z7	Aluminium Polished			
(26)	958 559 995 40	Cover strip	/L 14	1	Platinum IQJ3
		Side window Left			
	958 559 995 40 M7T	Platinum Silver Metallic			
(26)	958 559 996 40	Cover strip	/R 14	1	Platinum IQJ3
		Side window Right			
	958 559 996 40 M7T	Platinum Silver Metallic			
27	958 559 339 00	Clamp		X	
28	958 559 317 00	Cover	/L	1	
		B-pillar Front Left			
	958 559 317 00 GW1	Black			
(28)	958 559 318 00	Cover	/R	1	
		B-pillar Front Right			
	958 559 318 00 GW1	Black			
29	958 559 521 00	Gasket	/L	1	
		Cover B-pillar Front Left			
(29)	958 559 522 00	Gasket	/R	1	
		Cover B-pillar Front Right			
(29)	958 559 522 01	Gasket	/R	1	
		Cover B-pillar Front Right			
30	N 106 567 02	Lens-head screw ST 4,2 X 16		18	
31	955 803 115 00	Nut ST 4,2 X 7,1		18	
32	958 559 351 00	Cover	/L	1	
		B-pillar Rear Left			
	958 559 351 00 GW1	Black			
32	958 559 351 02	Cover	/L	1	
		B-pillar Rear Left			
	958 559 351 02 GW1	Black			
(32)	958 559 352 00	Cover	/R	1	
		B-pillar Rear			

Model: 92A 11 Model life 2011>>

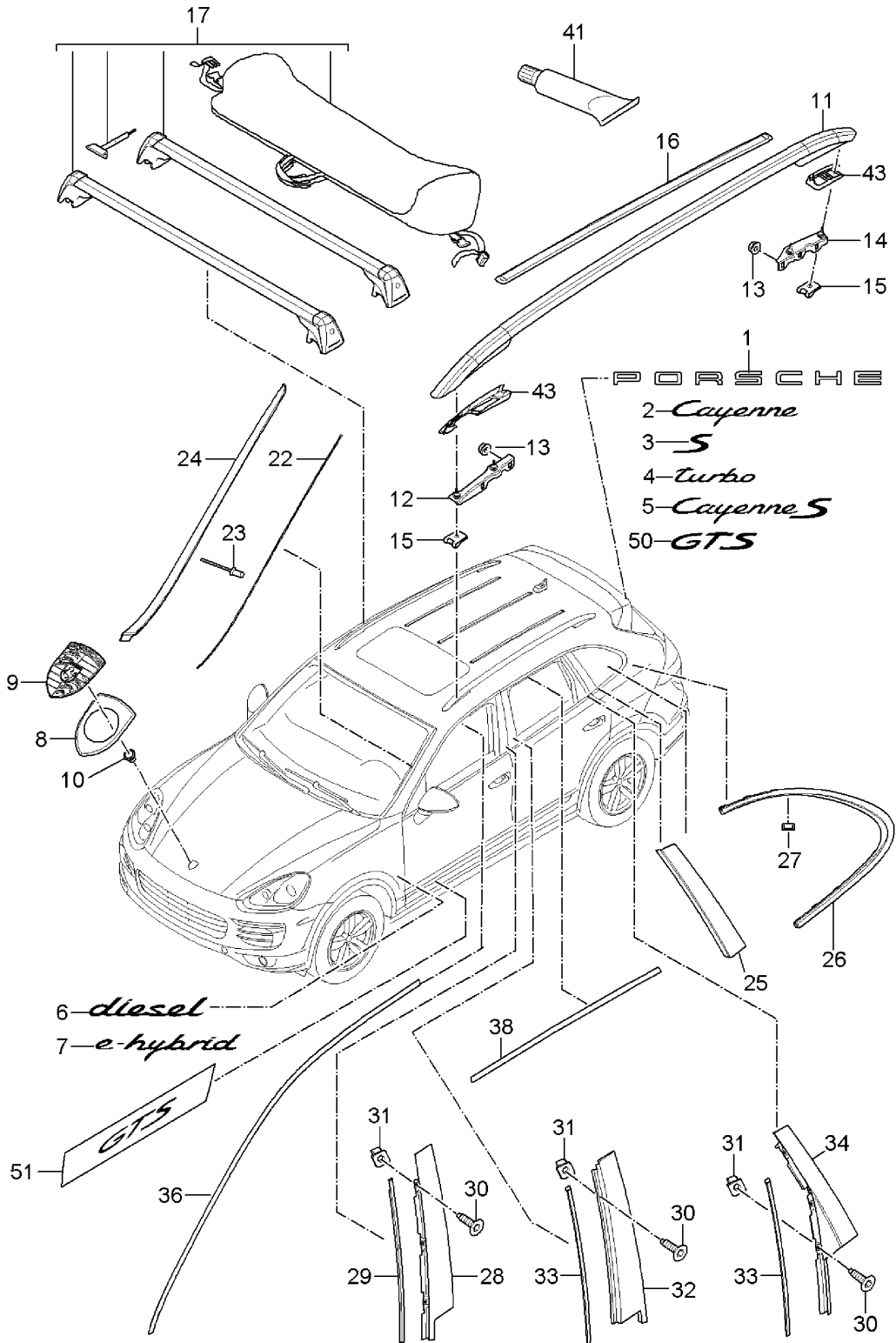
Pos	Part Number	Description	Remark	Qty	Model
(32)	958 559 352 00 GW1 958 559 352 02	Right Black Cover B-pillar Rear Right	/R	1	
33	958 559 352 02 GW1 958 559 473 00	Black Gasket Cover B-pillar C-pillar Rear Left	/L	1	
33	958 559 473 01	Gasket Cover B-pillar C-pillar Rear Left	/L	1	
(33)	958 559 474 00	Gasket Cover B-pillar C-pillar Rear Right	/R	1	
34	958 559 589 00	Cover C-pillar Front Left	/L	1	
(34)	958 559 589 00 GW1 958 559 590 00	Black Cover C-pillar Front Right	/R	1	
35	958 559 590 00 GW1 1K0 839 963	Black Intermediate layer Cover C-pillar Front		31	
35	1K0 837 963 A	Intermediate layer Cover C-pillar Front		31	
36	958 559 985 00	Moulding Front Left	/L	1	IQJ2
(36)	958 559 985 00 7Z7 958 559 986 00	Aluminium Polished Moulding Front Right	/R	1	IQJ2
37	958 559 986 00 7Z7 958 559 985 10	Aluminium Polished Moulding Front Left	/L	1	IQJ4
(37)	958 559 985 10 GW1 958 559 986 10	Black Moulding Front Right	/R	1	IQJ4
(37)	958 559 986 10 GW1 958 559 985 20	Black Moulding	/L 14	1	Platinum IQJ3

Model: 92A 11 Model life 2011>>

Pos	Part Number	Description	Remark	Qty	Model
(37)	958 559 985 20 M7T 958 559 986 20	Front Left Platinum Silver Metallic Moulding	/R 14	1	Platinum IQJ3
38	958 559 986 20 M7T 958 559 907 00	Front Right Platinum Silver Metallic Moulding	/L	1	IQJ2
(38)	958 559 907 00 7Z7 958 559 908 00	Rear Left Aluminium Polished Moulding	/R	1	IQJ2
39	958 559 908 00 7Z7 958 559 907 10	Rear Right Aluminium Polished Moulding	/L	1	IQJ4
(39)	958 559 907 10 GW1 958 559 908 10	Rear Left Black Moulding	/R	1	IQJ4
(39)	958 559 908 10 GW1 958 559 907 20	Rear Right Black Moulding	/L 14	1	Platinum IQJ3
(39)	958 559 907 20 M7T 958 559 908 20	Rear Left Platinum Silver Metallic Moulding	/R 14	1	Platinum IQJ3
40	958 559 908 20 M7T 958 512 955 00	Rear Right Platinum Silver Metallic Moulding		1	IQJ2/QJ4
(40)	958 512 955 00 GV9 958 512 955 01	Galvano silver Moulding		1	IQJ4
41	958 512 955 01 041 958 559 021 00	Black Gasket set		1	
42	958 559 675 10	Roof rail Logo		1	ID19/0NB
(42)	958 559 675 10 0C1 958 559 675 11	Hybrid Rear end White Silver Chrom Logo		1	ID19/0NB
43	958 559 025 00	Hybrid Rear end Chrome Repair kit		1	
(43)	958 559 025 10	Cap Roof rail Black mat Repair kit		1	
		Cap Roof rail Black mat			

Model: 92A 11

Model life 2011>>



Model: 92A 11 Model life 2011>>

Pos	Part Number	Description	Remark	Qty	Model
1	958 559 687 01	Insignias Decorative fittings Upper Outer Logo Porsche Rear lid Chrome	15-	1	-ID19/I0NB
(1)	958 559 687 02	Logo Porsche Rear lid Black mat		1	IDU3
2	958 559 675 01	Logo Cayenne Rear lid Chrome		1	-ID19/I0NB
(2)	958 559 675 02	Logo Cayenne Rear lid Black mat		1	IDU3
3	958 559 676 01	Logo "S" Rear lid Chrome		1	-ID19/I0NB
4	958 559 677 01	Logo "TURBO" Rear lid Chrome		1	-ID19/I0NB
5	958 559 675 50	Logo "CAYENNE S" Rear lid		1	ID19/0NB
6	958 559 499 11	Logo DIESEL Chrome Wing Lateral Left	/L	1	ID43/D50/0NB
(6)	958 559 500 11	Logo DIESEL Chrome Wing Lateral Right	/R	1	ID43/D50/0NB
7	958 559 499 20	Logo "E-HYBRID" Wing Lateral Left	/L	1	ID19/0NB
(7)	958 559 500 20	Logo "E-HYBRID" Wing Lateral Right	/R	1	ID19/0NB
8	991 559 215 02	Desk pad Porsche crest		1	
9	958 559 601 02	Porsche crest		1	
10	WHT 004 974	Nut Mount		2	
11	958 559 025 02	Porsche crest Roof rail Complete with Cover	/L	1	I3S5/5W4

Model: 92A 11

Model life 2011>>

Pos	Part Number	Description	Remark	Qty	Model
(11)	958 559 025 02 OK1 958 559 043 02	Black mat Roof rail Complete	/L	1	I3S1/5W1
(11)	958 559 043 02 8Z8 958 559 026 02	Silver Roof rail Complete with Cover	/R	1	I3S5/5W4
(11)	958 559 026 02 OK1 958 559 044 02	Black mat Roof rail Complete	/R	1	I3S1/5W1
12	958 559 044 02 8Z8 958 559 197 01	Silver Fastening angle	/L	1	I3S1/3S5/5W1 I5W4
(12)	958 559 198 01	Roof rail Front Left Fastening angle	/R	1	I3S1/3S5/5W1 I5W4
13	N 911 893 03	Roof rail Front Right Hexagon nut		8	I3S1/3S5/5W1 I5W4
14	958 559 201 00	M 6 Fastening angle	/L	1	I3S1/3S5/5W1 I5W4
(14)	958 559 202 00	Roof rail Rear Left Fastening angle	/R	1	I3S1/3S5/5W1 I5W4
15	WHT 003 205 A	Roof rail Rear Right Clamping nut		8	I3S1/3S5/5W1 I5W4
16	958 559 465 00	M 6 Protective strip		1	I3FA/3FE/3S1 I3S5/5W1/5W4
17	958 559 465 00 041 958 559 465 00 8Z8 958 044 000 10	Roof Black Silver Roof rack see Tequipment		1	I5W1/5W4
22	958 559 587 00	Support Water drain strip Left	/L	1	
(22)	958 559 588 00	Support Water drain strip Right	/R	1	
23	N 908 550 01	Blind rivet A3,2 X 6,5		12	
24	958 559 327 01 958 559 327 01 9B9	Water drain strip Satin black Left	/L	1	
(24)	958 559 328 01 958 559 328 01 9B9	A-pillar Water drain strip Satin black Right	/R	1	
(25)	958 559 381 10	A-pillar Cover	/L	1	

Model: 92A 11 Model life 2011>>

Pos	Part Number	Description	Remark	Qty	Model
(25)	958 559 381 10 GW1 958 559 382 10	C-pillar Left Black Cover	/R	1	
26	958 559 382 10 GW1 958 559 995 01	C-pillar Right Black Cover strip	/L	1	IQJ4
(26)	958 559 995 01 GW1 958 559 996 01	Side window Left Black Cover strip	/R	1	IQJ4
(26)	958 559 996 01 GW1 958 559 995 21	Side window Right Black Cover strip	/L	1	IQJ2
(26)	958 559 995 21 7Z7 958 559 996 21	Side window Left Aluminium Polished Cover strip	/R	1	IQJ2
27	958 559 339 00	Side window Right Aluminium Polished Clamp		X	
28	958 559 317 01	Cover B-pillar Front Left	/L	1	
(28)	958 559 317 01 GW1 958 559 318 01	Black Cover B-pillar Front Right	/R	1	
29	958 559 318 01 GW1 958 559 521 00	Black Gasket Cover B-pillar Front Left	/L	1	
(29)	958 559 522 00	Gasket Cover B-pillar Front Right	/R	1	
30	N 106 567 02	Lens-head screw ST 4,2 X 16		18	
31	955 803 115 00	Nut ST 4,2 X 7,1		18	
32	958 559 351 02	Cover B-pillar Rear Left	/L	1	
(32)	958 559 351 02 GW1 958 559 352 02	Black Cover B-pillar Rear Right	/R	1	
33	958 559 352 02 GW1 958 559 473 00	Black Gasket Cover B-pillar	/L	1	

Model: 92A 11

Model life 2011>>

Pos	Part Number	Description	Remark	Qty	Model
(33)	958 559 474 00	C-pillar Rear Left Gasket Cover B-pillar C-pillar	/R	1	
34	958 559 589 01	Rear Right Cover C-pillar Front	/L	1	
(34)	958 559 589 01 GW1 958 559 590 01	Left Black Cover C-pillar Front Right	/R	1	
36	958 559 590 01 GW1 958 559 985 00	Black Moulding Front Left	/L	1	IQJ2
(36)	958 559 985 00 7Z7 958 559 986 00	Aluminium Polished Moulding Front Right	/R	1	IQJ2
(36)	958 559 986 00 7Z7 958 559 985 10	Aluminium Polished Moulding Front Left	/L	1	IQJ4
(36)	958 559 985 10 GW1 958 559 986 10	Black Moulding Front Right	/R	1	IQJ4
38	958 559 986 10 GW1 958 559 907 00	Black Moulding Rear Left	/L	1	IQJ2
(38)	958 559 907 00 7Z7 958 559 908 00	Aluminium Polished Moulding Rear Right	/R	1	IQJ2
(38)	958 559 908 00 7Z7 958 559 907 10	Aluminium Polished Moulding Rear Left	/L	1	IQJ4
(38)	958 559 907 10 GW1 958 559 908 10	Black Moulding Rear Right	/R	1	IQJ4
41	958 559 908 10 GW1 958 559 021 00	Black Gasket set Roof rail		1	
43	958 559 025 00	Repair kit Cap Roof rail		1	
(43)	958 559 025 10	Black mat Repair kit Cap		1	

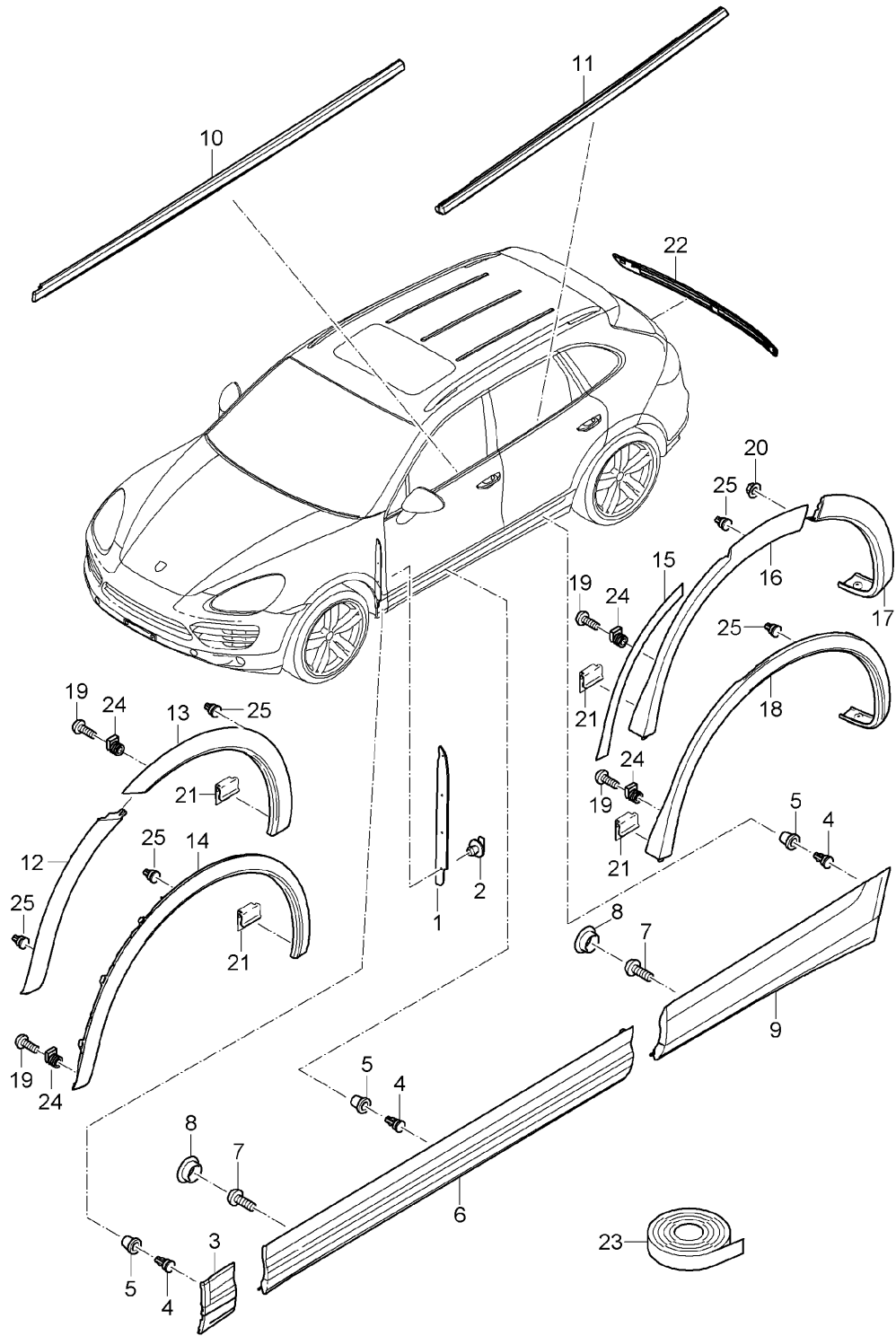
Model: 92A 11

Model life 2011>>

Pos	Part Number	Description	Remark	Qty	Model
50	958 559 675 30	Roof rail Black mat Logo Cayenne Rear lid GTS		1	IDU3
51	958 559 155 00	Black mat Decorative film GTS for Door Front Left And Right Black mat		1	IDU3

Model: 92A 11

Model life 2011>>



Model: 92A 11 Model life 2011>>

Pos	Part Number	Description	Remark	Qty	Model
1		Decorative fittings Lower Outer Cover Wing See illustrations 8/01/40 8/01/42	-14	1	
2		Expansion rivet 8,1 X 13 See illustrations 8/01/40 8/01/42		X	
3	958 559 959 00	Cover Wing	/L	1	I6GA/6GF/6GH I6GJ
3	958 559 959 00 G2X 958 559 959 01	Prime coated Cover	/L	1	I6GA/6GF/6GH I6GJ
(3)	958 559 959 01 G2X 958 559 959 10	Wing Prime coated Cover	/L	1	I6GB
(3)	958 559 959 10 G2X 958 559 959 11	Wing Prime coated Cover	/L	1	I6GB
(3)	958 559 959 11 G2X 958 559 960 00	Wing Prime coated Cover	/R	1	I6GA/6GF/6GH I6GJ
(3)	958 559 960 00 G2X 958 559 960 01	Wing Prime coated Cover	/R	1	I6GA/6GF/6GH I6GJ
(3)	958 559 960 01 G2X 958 559 960 10	Wing Prime coated Cover	/R	1	I6GB
(3)	958 559 960 10 G2X 958 559 960 11	Wing Prime coated Cover	/R	1	I6GB
4	958 559 960 11 G2X 958 559 719 00	Wing Prime coated Clip		X	
5	955 559 586 00	Grommet Mount Cover Wing		36	
6	958 559 787 04	Strip Door Front	/L	1	I6GA/6GF/6GH I6GJ
6	958 559 787 04 G2X 958 559 787 13	Prime coated Strip Door Front	/L	1	I6GB
6	958 559 787 13 G2X 958 559 787 21	Prime coated Strip Door Front	/L	1	I6GJ
(6)	958 559 787 21 G2X 958 559 788 04	Prime coated Strip Door Front	/R	1	I6GA/6GF/6GH
	958 559 788 04 G2X	Prime coated			

Model: 92A 11

Model life 2011>>

Pos	Part Number	Description	Remark	Qty	Model
(6)	958 559 788 13	Strip Door Front	/R	1	I6GB
	958 559 788 13 G2X	Prime coated			
(6)	958 559 788 21	Strip Door Front	/R	1	I6GJ
	958 559 788 21 G2X	Prime coated			
7	N 106 538 01	Fastening screw M 5 X 8,0 Mount Strip Door seal Front and rear		4	
8	955 559 108 00	Stopper for Strip Door seal Front and rear		4	
9	958 559 789 00	Strip Door Rear	/L	1	I6GA/6GF/6GH
	958 559 789 00 G2X	Prime coated			
(9)	958 559 789 10	Strip Door Rear	/L	1	I6GB
	958 559 789 10 G2X	Prime coated			
(9)	958 559 789 20	Strip Door Rear	/L	1	I6GJ
	958 559 789 20 G2X	Prime coated			
(9)	958 559 790 00	Strip Door Rear	/R	1	I6GA/6GF/6GH
	958 559 790 00 G2X	Prime coated			
(9)	958 559 790 10	Strip Door Rear	/R	1	I6GB
	958 559 790 10 G2X	Prime coated			
(9)	958 559 790 20	Strip Door Rear	/R	1	I6GJ
	958 559 790 20 G2X	Prime coated			
10	958 559 475 02	Cover Side window Front	/L	1	IQJ2
	958 559 475 02 7Z7	Chrome			
(10)	958 559 476 02	Cover Side window Front	/R	1	IQJ2
	958 559 476 02 7Z7	Chrome			
(10)	958 559 475 11	Cover Side window Front	/L	1	IQJ4
	958 559 475 11 GW1	Black			
(10)	958 559 476 11	Cover Side window Front	/R	1	IQJ4
	958 559 476 11 GW1	Black			
(10)	958 559 475 20	Cover Side window Front	/L 14	1	Platinum IQJ3

Model: 92A 11 Model life 2011>>

Pos	Part Number	Description	Remark	Qty	Model
(10)	958 559 475 20 M7T 958 559 476 20	Platinum Silver Metallic Cover Side window Front	/R 14	1	Platinum IQJ3
11	958 559 476 20 M7T 958 559 477 01	Platinum Silver Metallic Cover Side window Rear	/L	1	IQJ2
(11)	958 559 477 01 7Z7 958 559 478 01	Chrome Cover Side window Rear	/R	1	IQJ2
(11)	958 559 478 01 7Z7 958 559 477 11	Chrome Cover Side window Rear	/L	1	IQJ4
(11)	958 559 477 11 GW1 958 559 478 11	Black Cover Side window Rear	/R	1	IQJ4
(11)	958 559 478 11 GW1 958 559 477 20	Black Cover Side window Rear	/L 14	1	Platinum IQJ3
(11)	958 559 477 20 M7T 958 559 478 20	Platinum Silver Metallic Cover Side window Rear	/R 14	1	Platinum IQJ3
12	958 559 478 20 M7T 958 559 819 00	Platinum Silver Metallic Wheel cover Bumper Front	/L -14	1	I6GB
(12)	958 559 819 00 9B9 958 559 820 00	Black Wheel cover Bumper Front	/R -14	1	I6GB
(12)	958 559 820 00 9B9 958 559 819 50	Black Wheel cover Front Short 20"	/L -14	1	IGP0/6GJ
(12)	958 559 819 50 G2X 958 559 820 50	Prime coated Wheel cover Front Short 20"	/R -14	1	IGP0/6GJ
13	958 559 820 50 G2X 958 559 727 00	Prime coated Wheel cover Wing Front	/L	1	I6GB
(13)	958 559 727 00 9B9 958 559 728 00	Black Wheel cover Wing Front	/R	1	I6GB
(13)	958 559 728 00 9B9 958 559 727 50	Black Wheel cover Front Long 20"	/L -14	1	IGP0/6GJ
	958 559 727 50 G2X	Prime coated			

Model: 92A 11 Model life 2011>>

Pos	Part Number	Description	Remark	Qty	Model
(13)	958 559 728 50	Wheel cover Front Long 20"	/R -14	1	IGP0/6GJ
14	958 559 728 50 G2X	Prime coated			
	958 559 727 11	Wheel cover Bumper Front	/L	1	I6GF
	958 559 727 11 9B9	Black			
(14)	958 559 727 20	Wheel cover Bumper Front	/L	1	I6GA
	958 559 727 20 9B9	Black			
(14)	958 559 727 30	Wheel cover Bumper Front 21"	/L	1	I6GH
	958 559 727 30 G2X	Prime coated			
(14)	958 559 728 11	Wheel cover Bumper Front	/R	1	I6GF
	958 559 728 11 9B9	Black			
(14)	958 559 728 20	Wheel cover Bumper Front	/R	1	I6GA
	958 559 728 20 9B9	Black			
(14)	958 559 728 30	Wheel cover Bumper Front 21"	/R	1	I6GH
	958 559 728 30 G2X	Prime coated			
15	958 559 709 00	Wheel cover Door Rear	/L	1	I6GB
	958 559 709 00 9B9	Black			
(15)	958 559 710 00	Wheel cover Door Rear	/R	1	I6GB
	958 559 710 00 9B9	Black			
(15)	958 559 709 50	Cover strip Door Rear 20"	/L -14	1	IGP0/6GJ
	958 559 709 50 G2X	Prime coated			
(15)	958 559 710 50	Cover strip Door Rear 20"	/R -14	1	IGP0/6GJ
	958 559 710 50 G2X	Prime coated			
16	958 559 827 00	Wheel cover Side section Rear	/L	1	I6GB
	958 559 827 00 9B9	Black			
(16)	958 559 828 00	Wheel cover Side section Rear	/R	1	I6GB
	958 559 828 00 9B9	Black			
(16)	958 559 827 50	Wheel cover Rear Long 20"	/L -14	1	IGP0/6GJ
	958 559 827 50 G2X	Prime coated			
(16)	958 559 828 50	Wheel cover	/R -14	1	IGP0/6GJ

Model: 92A 11 Model life 2011>>

Pos	Part Number	Description	Remark	Qty	Model
17	958 559 828 50 G2X 958 559 989 00	Rear Long 20" Prime coated Wheel cover	/L -14	1	I6GB
(17)	958 559 989 00 9B9 958 559 990 00	Bumper Rear Black Wheel cover	/R -14	1	I6GB
(17)	958 559 990 00 9B9 958 559 989 50	Bumper Rear Black Wheel cover	/L -14	1	IGP0/6GJ
(17)	958 559 989 50 G2X 958 559 990 50	Rear Short 20" Prime coated Wheel cover	/R -14	1	IGP0/6GJ
18	958 559 990 50 G2X 958 559 827 10	Rear Short 20" Prime coated Wheel cover	/L	1	I6GF
18	958 559 827 10 9B9 958 559 827 20	Side section Rear Black Wheel cover	/L	1	I6GA
(18)	958 559 827 20 9B9 958 559 827 30	Side section Rear Black Wheel cover	/L -14	1	I6GH
(18)	958 559 827 30 G2X 958 559 828 10	Bumper Rear 21" Prime coated Wheel cover	/R	1	I6GF
(18)	958 559 828 10 9B9 958 559 828 20	Side section Rear Black Wheel cover	/R	1	I6GA
(18)	958 559 828 20 9B9 958 559 828 30	Side section Rear Black Wheel cover	/R -14	1	I6GH
19	958 559 828 30 G2X N 909 187 01	Bumper Rear 21" Prime coated Oval-head screw		X	
20	WHT 000 001 B	for Wheel cover TP4 X 12 Hexagon nut		1	
21	958 559 107 00	for Wheel cover M 5 Clamp		2	
22	958 512 955 01 958 512 955 01 041	for Wheel cover Moulding Rear lid Lower Black	-14	1	IGP0/QJ4

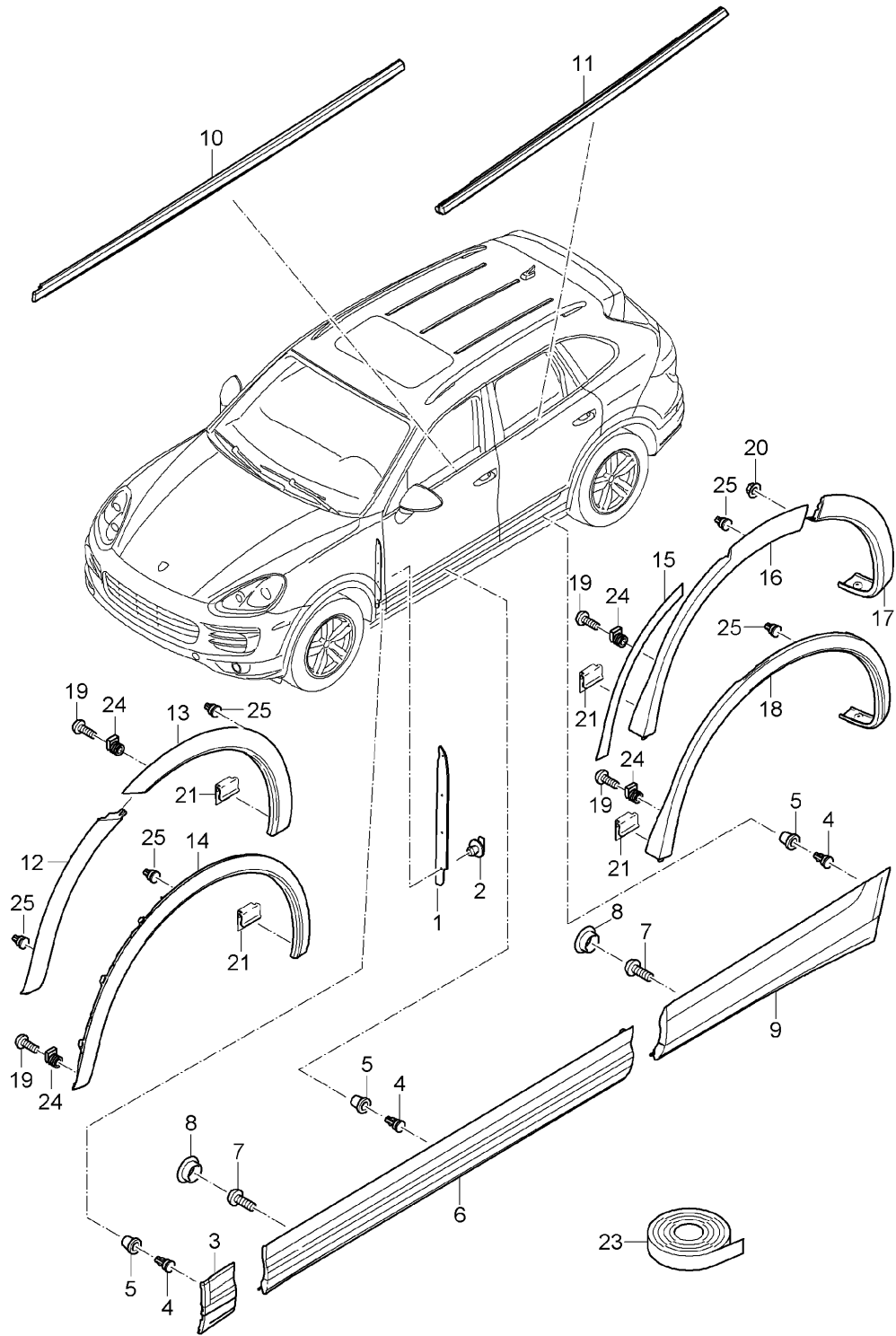
Model: 92A 11

Model life 2011>>

Pos	Part Number	Description	Remark	Qty	Model
(22)	958 512 955 01	Moulding Rear lid Lower	-14	1	IGP0/QJ2/QJ4
	958 512 955 01 GV9	Galvano silver			
(22)	958 512 955 02	Moulding Rear lid Lower	14	1	Platinum IGP0/QJ3
	958 512 955 02 M7T	Platinum Silver Metallic			
23	000 043 985 00	Adhesive tape 2 Meter		1	
24	000 043 986 00	Clip		X	
25	000 043 984 00	Clip		1	

Model: 92A 11

Model life 2011>>



Model: 92A 11 Model life 2011>>

Pos	Part Number	Description	Remark	Qty	Model
1		Decorative fittings Lower Outer Cover Wing See illustrations 8/01/40 8/01/42	15-	1	IGP1
2		Expansion rivet 8,1 X 13 See illustrations 8/01/40 8/01/42		X	
3	958 559 959 01	Cover Wing	/L	1	I6GA/6GF/6GH I6GJ
(3)	958 559 959 01 G2X 958 559 959 01	Prime coated Cover Wing	/L	1	I6GK
(3)	958 559 959 01 G2X 958 559 959 11	Prime coated Cover Wing	/L	1	I6GB
(3)	958 559 959 11 G2X 958 559 960 01	Prime coated Cover Wing	/R	1	I6GA/6GF/6GH I6GJ
(3)	958 559 960 01 G2X 958 559 960 01	Prime coated Cover Wing	/R	1	I6GK
(3)	958 559 960 01 G2X 958 559 960 11	Prime coated Cover Wing	/R	1	I6GB
4	958 559 960 11 G2X 958 559 719 00	Prime coated Clip		X	
5	955 559 586 00	Grommet Mount Cover Wing		X	
6	958 559 787 04	Strip Door Front	/L	1	I6GA/6GF/6GH
6	958 559 787 04 G2X 958 559 787 13	Prime coated Strip Door Front	/L	1	I6GB
6	958 559 787 13 G2X 958 559 787 21	Prime coated Strip Door Front	/L	1	I6GK
(6)	958 559 787 21 G2X 958 559 788 04	Prime coated Strip Door Front	/R	1	I6GA/6GF/6GH
(6)	958 559 788 04 G2X 958 559 788 13	Prime coated Strip Door Front	/R	1	I6GB
(6)	958 559 788 13 G2X 958 559 788 21	Prime coated Strip Door Front	/R	1	I6GK
7	958 559 788 21 G2X N 106 538 01	Prime coated Fastening screw		4	

Model: 92A 11 Model life 2011>>

Pos	Part Number	Description	Remark	Qty	Model
8	955 559 108 00	M 5 X 8,0 Mount Strip Door seal Front and rear Stopper for Strip Door seal Front and rear		4	
9	958 559 789 00	Strip Door Rear	/L	1	I6GA/6GF/6GH
(9)	958 559 789 00 G2X 958 559 789 10	Prime coated Strip Door Rear	/L	1	I6GB
(9)	958 559 789 10 G2X 958 559 789 20	Prime coated Strip Door Rear	/L	1	I6GK
(9)	958 559 789 20 G2X 958 559 790 00	Prime coated Strip Door Rear	/R	1	I6GA/6GF/6GH
(9)	958 559 790 00 G2X 958 559 790 10	Prime coated Strip Door Rear	/R	1	I6GB
(9)	958 559 790 10 G2X 958 559 790 20	Prime coated Strip Door Rear	/R	1	I6GK
10	958 559 790 20 G2X 958 559 475 02	Prime coated Cover Side window Front	/L	1	IQJ2
(10)	958 559 475 02 7Z7 958 559 476 02	Chrome Cover Side window Front	/R	1	IQJ2
(10)	958 559 476 02 7Z7 958 559 475 12	Chrome Cover Side window Front	/L	1	IQJ4
(10)	958 559 475 12 GW1 958 559 476 12	Black Cover Side window Front	/R	1	IQJ4
11	958 559 476 12 GW1 958 559 477 02	Black Cover Side window Rear	/L	1	IQJ2
(11)	958 559 477 02 7Z7 958 559 478 02	Chrome Cover Side window Rear	/R	1	IQJ2
(11)	958 559 478 02 7Z7 958 559 477 12	Chrome Cover Side window Rear	/L	1	IQJ4
(11)	958 559 477 12 GW1 958 559 478 12	Black Cover	/R	1	IQJ4

Model: 92A 11 Model life 2011>>

Pos	Part Number	Description	Remark	Qty	Model
12	958 559 478 12 GW1 958 559 819 10	Side window Rear Black Wheel cover	/L	1	I6GB
(12)	958 559 819 10 9B9 958 559 820 10	Bumper Front Black Wheel cover	/R	1	I6GB
13	958 559 820 10 9B9 958 559 727 00	Bumper Front Black Wheel cover	/L	1	I6GB
(13)	958 559 727 00 9B9 958 559 728 00	Wing Front Black Wheel cover	/R	1	I6GB
14	958 559 728 00 9B9 958 559 727 11	Wing Front Black Wheel cover	/L	1	I6GF
(14)	958 559 727 11 9B9 958 559 727 20	Bumper Front Black Wheel cover	/L	1	I6GA
(14)	958 559 727 20 9B9 958 559 727 30	Bumper Front Black Wheel cover	/L	1	I6GH
(14)	958 559 727 30 G2X 958 559 727 80	Bumper Front Prime coated Wheel cover	/L	1	I6GK
(14)	958 559 727 80 G2X 958 559 728 11	Bumper Front Prime coated Wheel cover	/R	1	I6GF
(14)	958 559 728 11 9B9 958 559 728 20	Bumper Front Black Wheel cover	/R	1	I6GA
(14)	958 559 728 20 9B9 958 559 728 30	Bumper Front Black Wheel cover	/R	1	I6GH
(14)	958 559 728 30 G2X 958 559 728 80	Bumper Front Prime coated Wheel cover	/R	1	I6GK
15	958 559 728 80 G2X 958 559 709 00	Bumper Front Prime coated Wheel cover	/L	1	I6GB
(15)	958 559 709 00 9B9 958 559 710 00	Door Rear Black Wheel cover	/R	1	I6GB
16	958 559 710 00 9B9 958 559 827 00	Door Rear Black Wheel cover	/L	1	I6GB
		Side section			

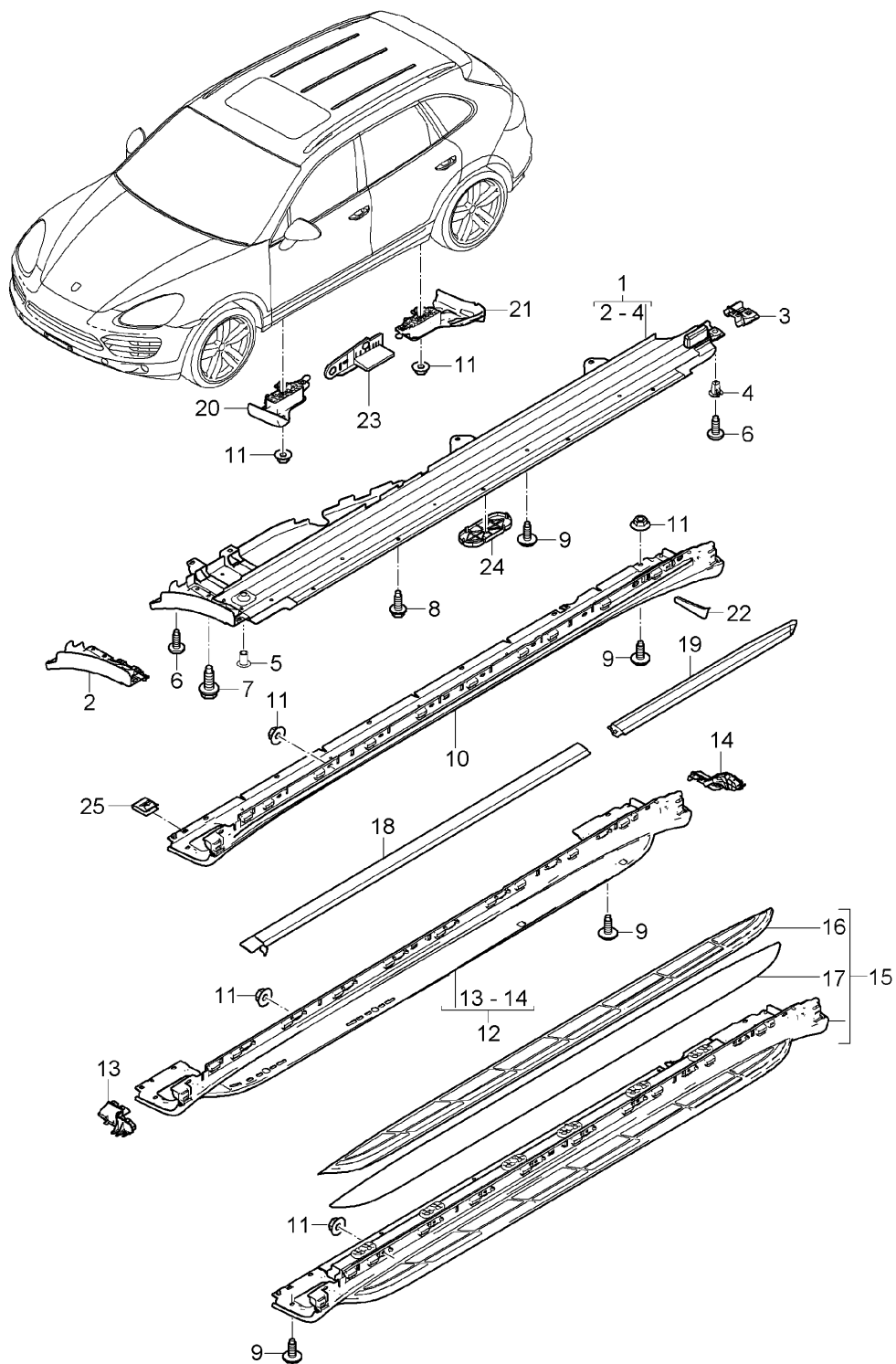
Model: 92A 11

Model life 2011>>

Pos	Part Number	Description	Remark	Qty	Model
(16)	958 559 827 00 9B9 958 559 828 00	Rear Black Wheel cover Side section	/R	1	I6GB
17	958 559 828 00 9B9 958 559 989 10	Rear Black Wheel cover Bumper	/L	1	I6GB
(17)	958 559 989 10 9B9 958 559 990 10	Rear Black Wheel cover Bumper	/R	1	I6GB
18	958 559 990 10 9B9 958 559 827 10	Rear Black Wheel cover Side section	/L	1	I6GF
18	958 559 827 10 9B9 958 559 827 20	Rear Black Wheel cover Side section	/L	1	I6GA
(18)	958 559 827 20 9B9 958 559 827 40	Rear Black Wheel cover Bumper	/L	1	I6GH
(18)	958 559 827 40 G2X 958 559 827 80	Rear Prime coated Wheel cover Bumper	/L	1	I6GK
(18)	958 559 827 80 G2X 958 559 828 10	Rear Prime coated Wheel cover Side section	/R	1	I6GF
(18)	958 559 828 10 9B9 958 559 828 20	Rear Black Wheel cover Side section	/R	1	I6GA
(18)	958 559 828 20 9B9 958 559 828 40	Rear Black Wheel cover Bumper	/R	1	I6GH
(18)	958 559 828 40 G2X 958 559 828 80	Rear Prime coated Wheel cover Bumper	/R	1	I6GK
19	958 559 828 80 G2X N 909 187 01	Rear Prime coated Oval-head screw for Wheel cover		X	
20	WHT 000 001 B	TP4 X 12 Hexagon nut for Wheel cover		1	
21	958 559 107 00	M 5 Clamp for Wheel cover		2	
23	000 043 985 00	Adhesive tape 2 METER		1	
24	000 043 986 00	Clip		X	
25	000 043 984 00	Clip		1	

Model: 92A 11

Model life 2011>>



Model: 92A 11

Model life 2011>>

Pos	Part Number	Description	Remark	Qty	Model
1	958 559 830 00	Linings Accessories Door sill Bracket Inner Complete	/L	1	IVR2/7K0
(1)	958 559 830 01	Bracket Inner Complete	/L	1	IVR2/7K3/7K4 I7K5
(1)	958 559 830 02	Bracket Inner Complete	/L	1	IVR2
(1)	958 559 840 00	Bracket Inner Complete	/R	1	IVR2
(1)	958 559 840 01	Bracket Inner Complete	/R	1	IVR2
2	958 559 349 00	End piece Bracket Inner Front	/L	1	IVR2
(2)	958 559 350 00	End piece Bracket Inner Front	/R	1	IVR2
3	958 559 579 00	End piece Bracket Inner Rear	/L	1	IVR2
(3)	958 559 580 00	End piece Bracket Inner Rear	/R	1	IVR2
4	WHT 004 935	Expander nut TP5X15.5	/R	2	IVR2
5	N 904 085 04	Blind rivet nut M8		2	IVR2
6	N 911 604 01	Screw TP5 X 16		2	IVR2
(6)	N 909 747 01	Oval-head sheetmetal screw		X	
7	N 909 210 02	Hexagon-head bolt M8 X 22		8	IVR2
(7)	N 910 343 01	Oval-head screw M6 X 20		X	IVR2
8	N 910 345 01	Combination screw M6 X 20		8	IVR2
9	N 908 082 01	Oval-head screw M6 X 18,5		8	IVR2
10	958 559 553 00	Cover Door sill Lateral	/L	1	IVR0
(10)	958 559 553 00 9B9	Satin black			
(10)	958 559 554 00	Cover Door sill Lateral	/R	1	IVR0
(10)	958 559 554 00 9B9	Satin black			
(10)	958 559 885 00	Cover Door sill Lateral	/L	1	IVR4
(10)	958 559 885 00 G2X	Prime coated			
(10)	958 559 886 00	Cover	/R	1	IVR4

Model: 92A 11

Model life 2011>>

Pos	Part Number	Description	Remark	Qty	Model
11	958 559 886 00 G2X N 905 708 03	Door sill Lateral Prime coated Hexagon nut M6		20	
12	958 559 887 00	Cover Door sill Lateral	/L	1	IVR2
(12)	958 559 887 00 9B9 958 559 887 00	Satin black Cover Door sill Lateral	/L	1	IVR5
(12)	958 559 887 00 9B9 958 559 888 00	Satin black Cover Door sill Lateral	/R	1	IVR2
(12)	958 559 888 00 9B9 958 559 888 00	Satin black Cover Door sill Lateral	/R	1	IVR5
13	958 559 888 00 9B9 958 559 455 00	Satin black End piece Cover Door sill Front	/L	1	IVR2
(13)		End piece Cover Door sill Front	/L	1	IVR5
(13)	958 559 456 00	End piece Cover Door sill Front	/R	1	IVR2
(13)		End piece Cover Door sill Front	/R	1	IVR5
14	958 559 657 00	End piece Cover Door sill Rear	/L	1	IVR2
(14)		End piece Cover Door sill Rear	/L	1	IVR5
(14)	958 559 658 00	End piece Cover Door sill Rear	/R	1	IVR2
(14)		End piece Cover Door sill Rear	/R	1	IVR5
15	958 559 847 00	Impact protection Complete with Running board Door sill Lateral	/L	1	IVR1
15	958 559 847 00 9B9 958 559 847 01	Satin black Impact protection Complete with	/L	1	IVR1

Model: 92A 11

Model life 2011>>

Pos	Part Number	Description	Remark	Qty	Model
(15)	958 559 847 01 9B9 958 559 848 00	Running board Door sill Lateral Complete Satin black Impact protection Complete with Running board Door sill Lateral Satin black	/R	1	IVR1
(15)	958 559 848 00 9B9 958 559 848 01	Impact protection Complete with Running board Door sill Lateral Satin black Impact protection Complete with Running board Door sill Lateral Satin black	/R	1	IVR1
16	958 559 848 01 9B9 958 559 619 00	Running board Door sill Lateral Satin black Running board Door sill Lateral	/L	1	IVR1
16	000 043 310 45	Running board Complete with Mounting parts Documents Door sill Lateral	/L	1	IVR1
(16)	958 559 620 00	Running board Door sill Lateral	/R	1	IVR1
(16)	000 043 310 46	Running board Complete with Mounting parts Documents Door sill Lateral	/R	1	IVR1
17	958 559 631 00	Insert Running board Set Comprising: Insert	/L	1 4	IVR1
(17)	958 559 632 00	Assembly kit Insert Running board Set Comprising: Insert Assembly kit	/R	1 1	IVR1
18	958 559 537 00	Scuff plate Front	/L	1	
(18)	958 559 537 00 9B9 958 559 538 00	Satin black Scuff plate Front	/R	1	
19	958 559 538 00 9B9 958 559 539 00	Satin black Scuff plate Rear	/L	1	
(19)	958 559 539 00 9B9 958 559 540 00	Satin black Scuff plate Rear	/R	1	
	958 559 540 00 9B9	Satin black			

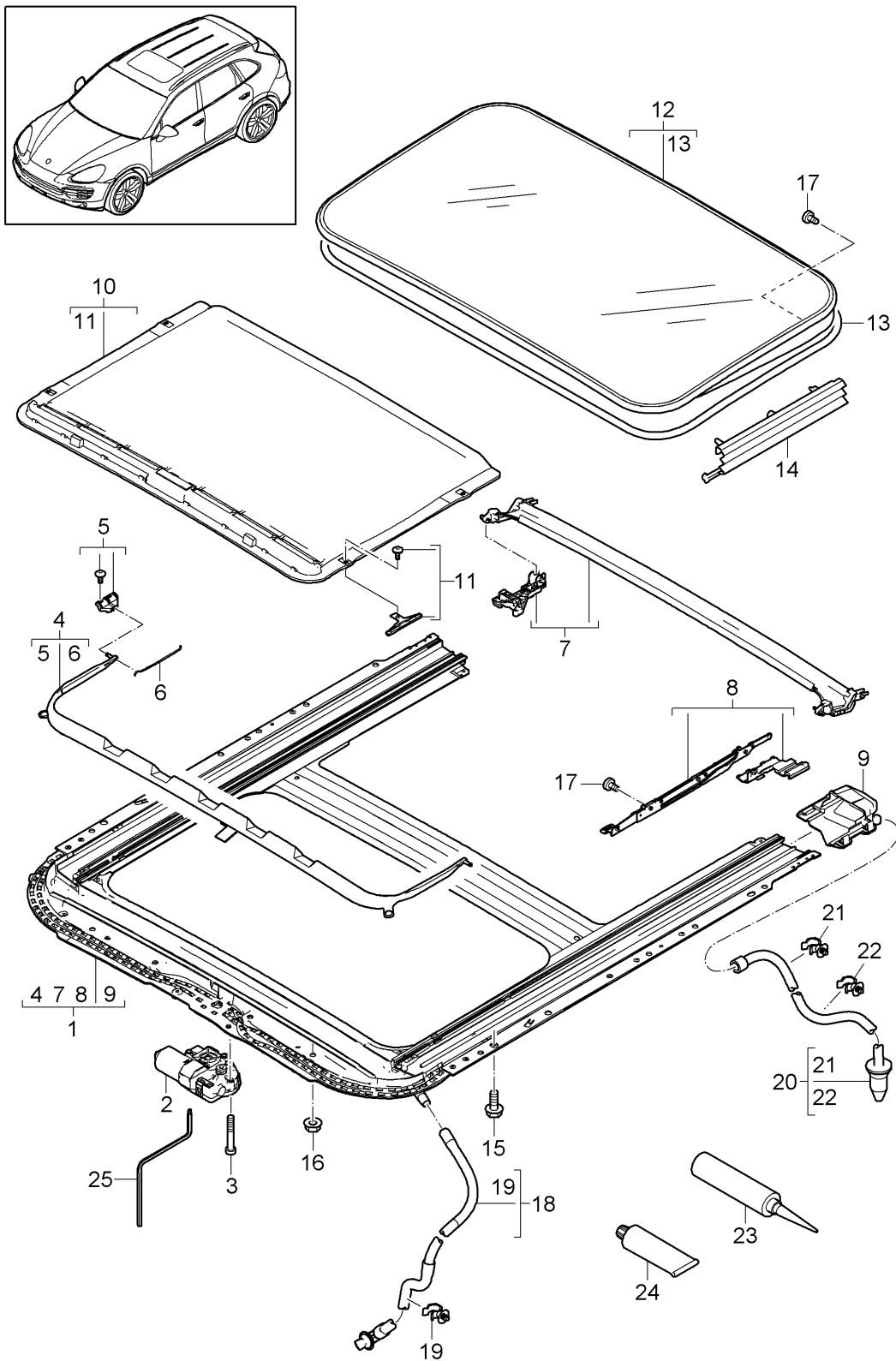
Model: 92A 11

Model life 2011>>

Pos	Part Number	Description	Remark	Qty	Model
20	958 559 829 00	Jacking point Front	/L	1	
	958 559 829 00 9B9	Satin black			
(20)	958 559 832 00	Jacking point Front	/R	1	
	958 559 832 00 9B9	Satin black			
21	958 559 831 00	Jacking point Rear	/L	1	
	958 559 831 00 9B9	Satin black			
(21)	958 559 834 00	Jacking point Rear	/R	1	
	958 559 834 00 9B9	Satin black			
22	958 559 851 00	Spoiler Wheel Sport Design package	/L	1	IVR4
	958 559 851 00 9B9	Satin black			
(22)	958 559 852 00	Spoiler Wheel Sport Design package	/R	1	IVR4
	958 559 852 00 9B9	Satin black			
23	958 559 479 00	Reinforcement Sill cover	/L	1	IVR0/VR2/VR4
(23)		Reinforcement Sill cover	/L	1	IVR5
(23)	958 559 480 00	Reinforcement Sill cover	/R	1	IVR0/VR2/VR4
(23)		Reinforcement Sill cover	/R	1	IVR5
24	958 559 769 00	Cover for Bracket Inner Complete	/L	1	IVR2
25	N 101 941 04	Speed nut POS10		1	IVR4

Model: 92A 11

Model life 2011>>



Model: 92A 11

Model life 2011>>

Pos	Part Number	Description	Remark	Qty	Model
1	958 564 045 00	Sunroof Frame Complete		1	I3FE
2	958 624 591 20	Engine		1	
3	958 564 721 00	Set Fastening screw Driving mechanism M5x33		1	
4	958 564 651 00	Air deflector		1	
5	958 564 944 00	Parts kit Air deflector with Screw		1	
6	958 564 695 00	Leaf spring		2	
7	958 564 481 00	Repair kit Water drain strip		1	
8	958 564 153 00	Repair kit Gate guide with Cable		1	
9	958 564 211 00	Parts kit End piece		1	
10	958 564 255 00	Roofliner frame Cloth		1	
	958 564 255 00 DE1	Umber			+LF, +TX, +TY, +YF
	958 564 255 00 4F7	Espresso			+VA, +VB
	958 564 255 00 6F2	Black			+LC, +LG, +LH, +MA, +MI, +TA +TB, +TW, +YA, +YB, +YC, +77
	958 564 255 00 7F3	Luxor Beige			+LE, +MC, +YE
	958 564 255 00 9F1	Platinum Grey			+LD, +MD, +YD
	958 564 255 00 CH6	Saddle Tan			+ME, +MH, +MJ, +MK
(10)	958 564 255 00 DR7	Agate Grey			+MB, +MG, +ML
	958 564 255 00	Roofliner frame Alcantara		1	
	958 564 255 00 GN2	Umber			+LF, +TX, +TY, +YF
	958 564 255 00 2W0	Black			+LC, +LG, +LH, +MA, +MF, +MI, +TA, +TB, +TW, +YA, +YB, +YC, +77
	958 564 255 00 8U3	Platinum Grey			+LD, +MD, +YD, +LE, +MC, +YE
	958 564 255 00 9U1	Luxor Beige			+VA, +VB
	958 564 255 00 9U7	Espresso			+ME, +MH, +MJ, +MK
	958 564 255 00 OP2	Saddle Tan			+MB, +MG, +ML
11	958 564 255 00 OU5	Agate Grey			
	958 564 924 00	Slide Set with Screw		1	
12	958 564 071 00	Glass roof		1	
13	958 564 297 00	Gasket		1	
14	958 564 781 00	Bellows Left		1	
(14)	958 564 782 00	Bellows Right		1	
15	N 103 126 03	Screw M6x16		6	

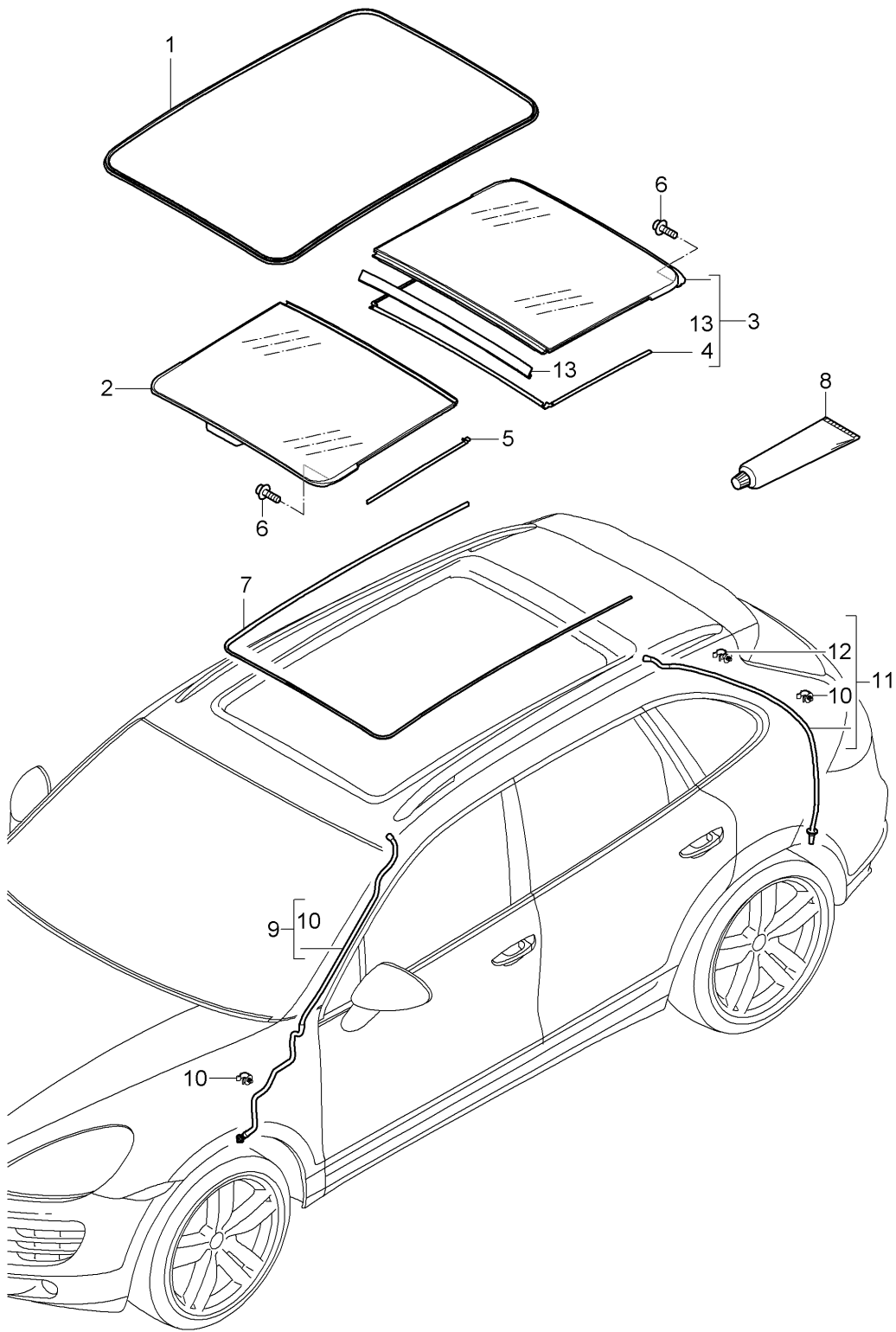
Model: 92A 11

Model life 2011>>

Pos	Part Number	Description	Remark	Qty	Model
16	N 904 369 04	Hexagon nut M6		4	
17	958 564 721 10	Set Fastening screw Lid M5X14		1	
18	958 564 201 00	Water drain hose Front Left		1	
(18)	958 564 202 00	Water drain hose Front Right		1	
19	958 564 244 00	Hose holder		2	
20	958 564 203 00	Water drain hose Rear Left		1	
(20)	958 564 204 00	Water drain hose Rear Right		1	
21	958 564 244 10	Hose holder		1	
22	958 564 244 00	Hose holder		6	
23	000 043 173 00	Sealing compound for End piece		1	
24	958 564 902 00	Grease for Gate guide		1	
25	955 564 036 00	Tool Emergency operation		1	

Model: 92A 11

Model life 2011>>



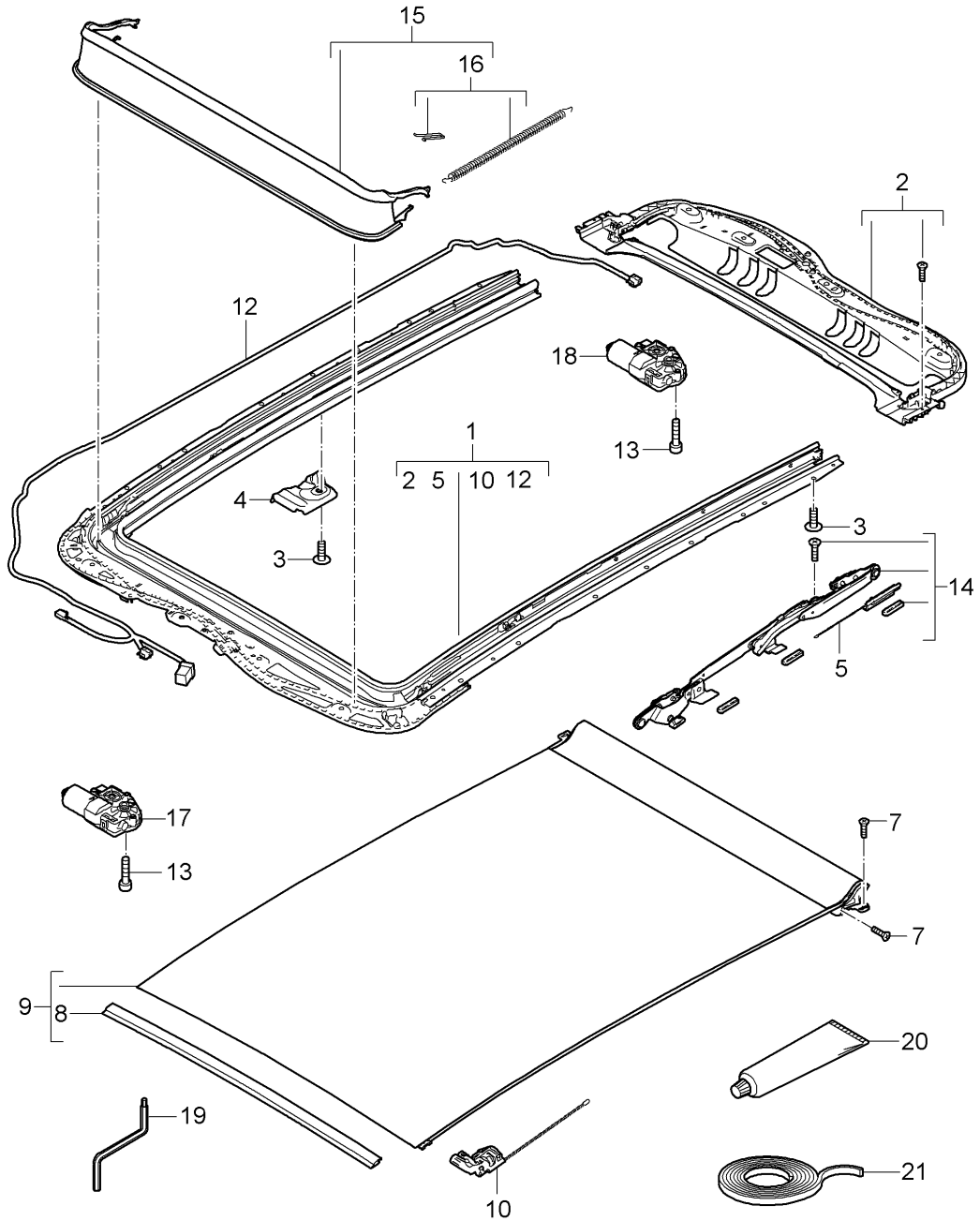
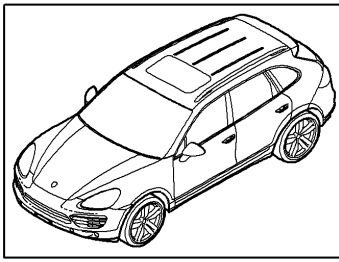
Model: 92A 11

Model life 2011>>

Pos	Part Number	Description	Remark	Qty	Model
		Glass roof Accessories Lid Water drain hose			I3FU
1	958 562 459 02	Gasket		1	
		Body			
1	958 562 459 03	Gasket		1	
		Body			
2	958 562 055 00	Lid Front		1	
		Glass roof			
	958 562 055 00 9B9	Satin black			
3	958 562 056 00	Lid Rear		1	
		Glass roof			
	958 562 056 00 9B9	Satin black			
3	958 562 056 01	Lid Rear		1	
		Glass roof			
	958 562 056 01 9B9	Satin black			
4	958 562 297 00	Gasket for Lid Rear	-11	1	
4	958 562 297 01	Gasket for Lid Rear	12-	1	
5	958 562 791 00	Interior lining		2	
	958 562 791 00 9B9	Satin black			
6	958 562 955 00	Set Mounting parts		1	
		Lid			
7	958 562 439 00	Gasket		1	
		Inner			
8	958 562 900 01	Grease 150 ML 1 tube		1	
9	958 564 201 00	Water drain hose Front Left		1	
(9)	958 564 202 00	Water drain hose Front Right		1	
10	958 564 244 00	Hose holder		X	
11	958 562 203 00	Water drain hose Rear Left		1	
(11)	958 562 204 00	Water drain hose Rear Right		1	
12	958 564 244 10	Hose holder		6	
13	958 562 913 00	Gasket Front for Lid Rear	12-	1	

Model: 92A 11

Model life 2011>>



Model: 92A 11 Model life 2011>>

Pos	Part Number	Description	Remark	Qty	Model
		Glass roof Frame Accessories			I3FU
1	958 562 049 00	Frame	-11	1	
(1)	958 562 049 01	Frame	-11	1	
		Use also: 958.562.307.02			
(1)		Frame	12-	1	
2	958 562 259 00	Repair kit Frame Part Rear		1	
		Use also: 000.043.172.00			
3	N 911 664 01	Oval-head screw M6X14		22	
4	958 562 294 00	Bracket Right		1	
(4)	958 562 293 00	Bracket Left		1	
5	958 562 870 00	Set Cable		1	
7	958 562 920 00	Lid Set Fastening screw		1	
8	958 562 921 00	Shade Repair kit Roof strut		1	
9	958 562 307 01	Shade	-11	1	
	958 562 307 01 0F8	Umber			+LF, +TX, +TY, +YF
	958 562 307 01 0C5	Platinum Grey			+LD, +MD, +YD
	958 562 307 01 0A3	Black			+LC, +MA, +TW, +YA, +YB, +YC, +LE, +MC, +YE, +VA, +VB
	958 562 307 01 0B4	Luxor Beige			
	958 562 307 01 0E7	Espresso			
(9)	958 562 307 02	Shade	12-	1	
	958 562 307 02 0F8	Umber			+LF, +TX, +TY, +YF
	958 562 307 02 0C5	Platinum Grey			+LD, +MD, +YD
	958 562 307 02 0A3	Black			+LC, +LG, +LH, +MA, +MF, +MI, +TA, +TB, +TW, +YA, +YB, +YC, +77
	958 562 307 02 0B4	Luxor Beige			+LE, +MC, +YE
	958 562 307 02 0E7	Espresso			+VA, +VB
	958 562 307 02 0G9	Agate Grey			+MB, +MG, +ML
	958 562 307 02 ZR5	Saddle Tan			+ME, +MH, +MJ, +MK
10	958 562 870 10	Set Cable Shade		1	
12	958 612 648 00	Wiring harness		1	
13	958 562 057 00	Glass roof Set of fastening parts Screw M5X28 for Engine		1	
14	958 562 738 00	Front and rear Set Hinge		1	

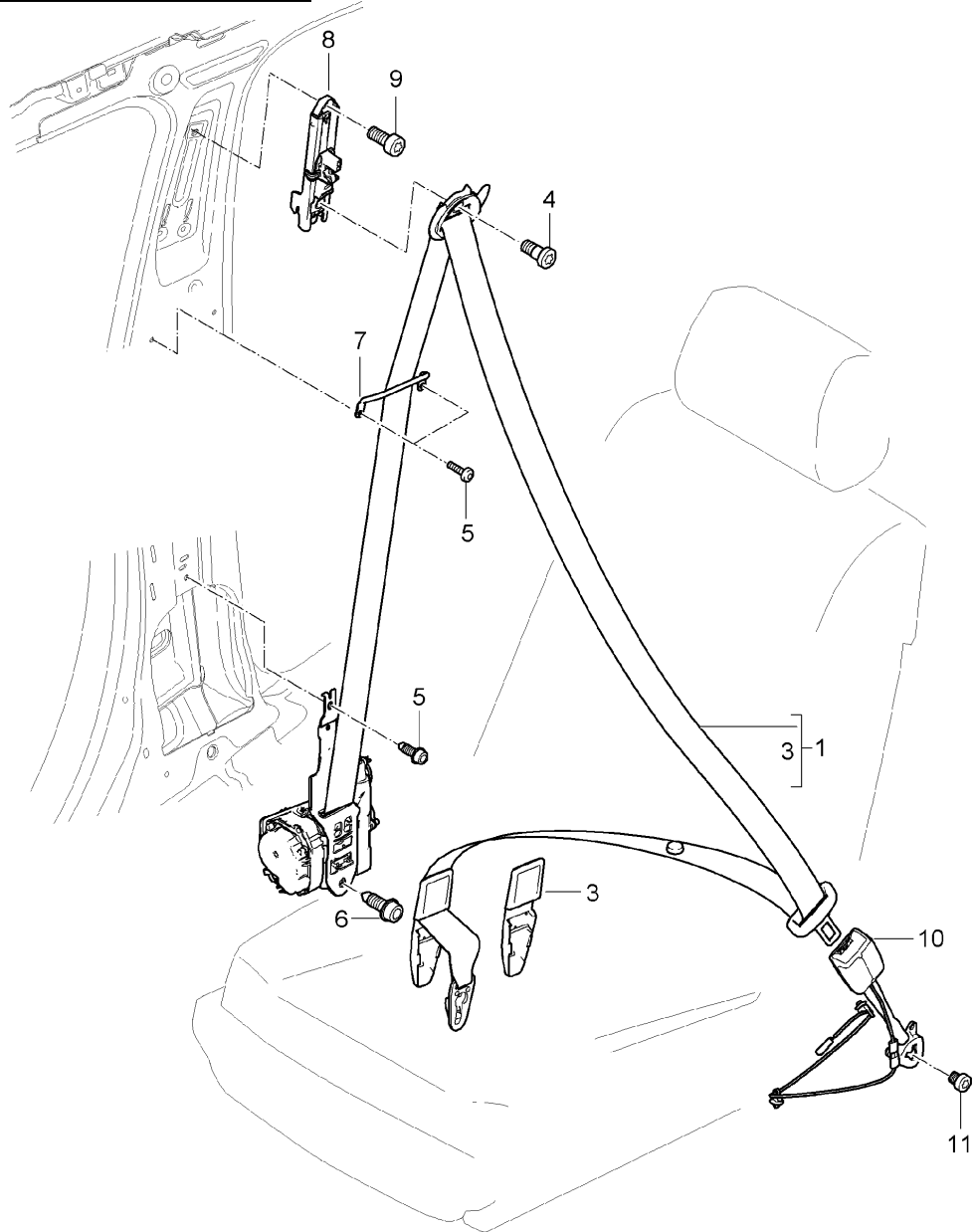
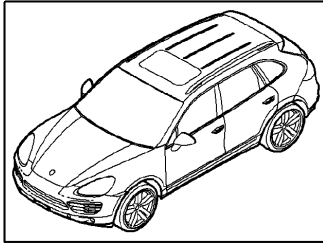
Model: 92A 11

Model life 2011>>

Pos	Part Number	Description	Remark	Qty	Model
15	958 562 651 00	for Glass roof Air deflector		1	
	958 562 651 00 9B9	Satin black			
16	958 562 671 00	Parts kit Air deflector		1	
17	958 624 591 00	Engine Front for Driving mechanism		1	
18	958 624 591 10	Lid Engine Rear for Driving mechanism		1	
19	955 564 036 00	Shade Tool		1	
20	958 562 900 01	Emergency operation Grease		1	
21	000 043 172 00	150 ML 1 tube Sealing cord Roller for Seal Frame Rear		1	

Model: 92A 11

Model life 2011>>



Model: 92A 11 Model life 2011>>

Pos	Part Number	Description	Remark	Qty	Model
1	958 803 002 00	Seat belt Seat-belt buckle Front		1	
	958 803 002 00 HCP	Black			IFZ0
	958 803 002 00 N13	Guards red			IFZ1
	958 803 002 00 U01	Silver-grey			IFZ2
	958 803 002 00 62S	Luxor Beige			IFZ3
	958 803 002 00 1P0	Cognac			IFZ5
	958 803 002 00 DE1	Umber			IFZ6
	958 803 002 00 DJ3	Titanium Blue			IFZ7
1	958 803 002 01	Seat belt Right		1	
	958 803 002 01 HCP	Black			IFZ0
	958 803 002 01 N13	Guards red			IFZ1
	958 803 002 01 U01	Silver-grey			IFZ2
	958 803 002 01 62S	Luxor Beige			IFZ3
	958 803 002 01 1P0	Cognac			IFZ5
	958 803 002 01 DE1	Umber			IFZ6
	958 803 002 01 DJ3	Titanium Blue			IFZ7
	958 803 002 01 M3C	Carmine red			IFZ8
	958 803 002 01 2S1	Peridot Metallic			IFZ9
1	958 803 002 02	Seat belt Right	15-	1	
	958 803 002 02 OR1	Agate Grey			IFI0
	958 803 002 02 OP2	Saddle Tan			IFI1
	958 803 002 02 OA5	Carrera Red			IFI2
	958 803 002 02 OC7	Espresso			IFI3
	958 803 002 02 M7U	Rhodium Silver Metallic			IFI5
	958 803 002 02 OB8	Cohiba Brown			IFI7
(1)	958 803 001 00	Seat belt Left		1	
	958 803 001 00 HCP	Black			IFZ0
	958 803 001 00 N13	Guards red			IFZ1
	958 803 001 00 U01	Silver-grey			IFZ2
	958 803 001 00 62S	Luxor Beige			IFZ3
	958 803 001 00 1P0	Cognac			IFZ5
	958 803 001 00 DE1	Umber			IFZ6
	958 803 001 00 DJ3	Titanium Blue			IFZ7
(1)	958 803 001 01	Seat belt Left		1	
	958 803 001 01 HCP	Black			IFZ0
	958 803 001 01 N13	Guards red			IFZ1
	958 803 001 01 U01	Silver-grey			IFZ2
	958 803 001 01 62S	Luxor Beige			IFZ3
	958 803 001 01 1P0	Cognac			IFZ5
	958 803 001 01 DE1	Umber			IFZ6
	958 803 001 01 DJ3	Titanium Blue			IFZ7
	958 803 001 01 M3C	Carmine red			IFZ8
	958 803 001 01 2S1	Peridot Metallic			IFZ9
(1)	958 803 001 02	Seat belt Left	15-	1	
	958 803 001 02 OR1	Agate Grey			IFI0
	958 803 001 02 OP2	Saddle Tan			IFI1
	958 803 001 02 OA5	Carrera Red			IFI2
	958 803 001 02 OC7	Espresso			IFI3
	958 803 001 02 M7U	Rhodium Silver Metallic			IFI5
	958 803 001 02 OB8	Cohiba Brown			IFI7
3	958 803 563 00	Repair kit Cap Black with		2	

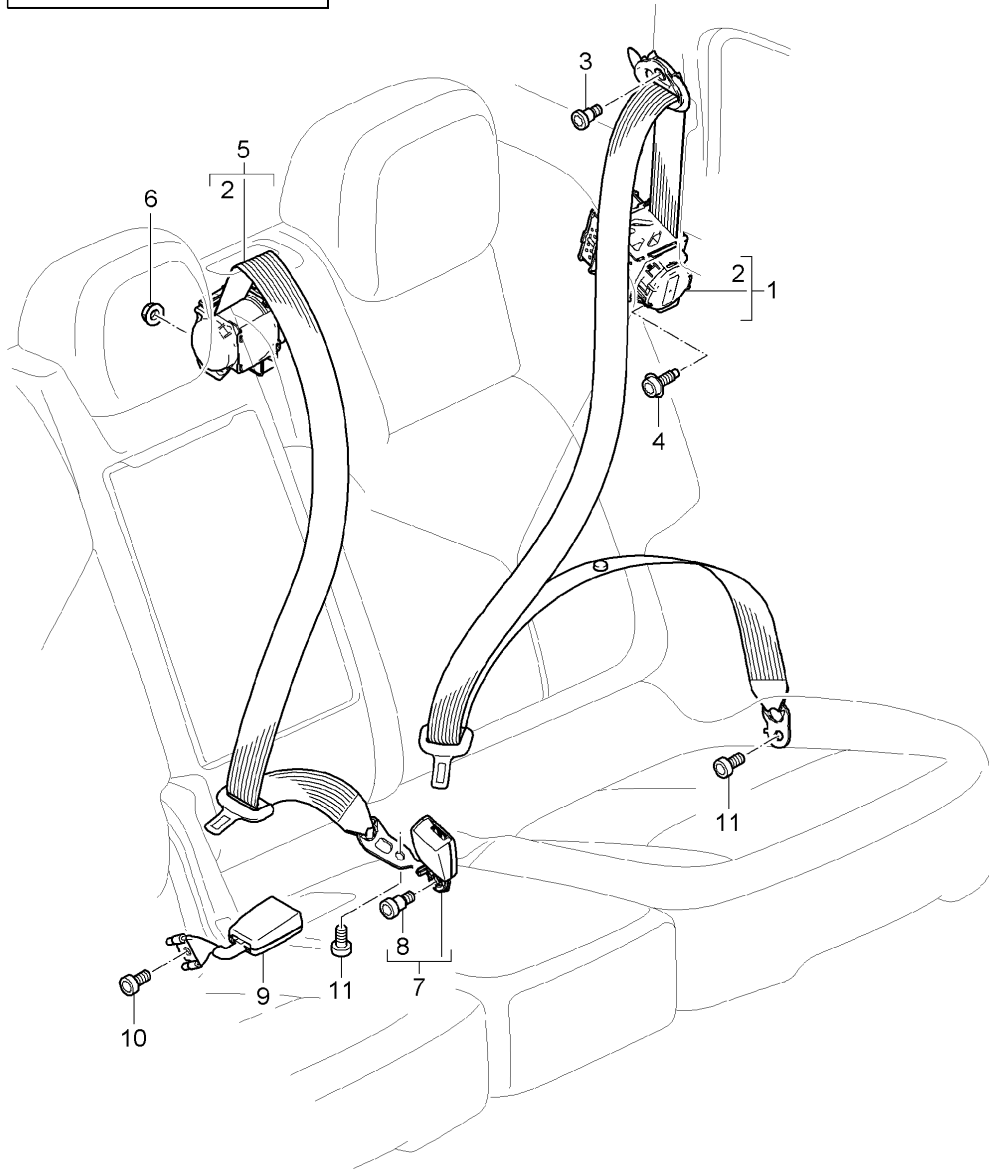
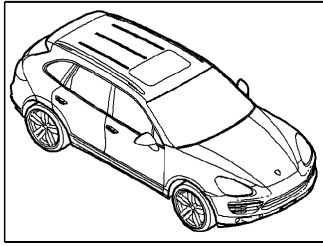
Model: 92A 11

Model life 2011>>

Pos	Part Number	Description	Remark	Qty	Model
4	N 989 243 03	Felt strip		2	
5	N 909 446 04	Fastening screw 7/16 X 14 X 26		X	
6	N 989 260 01	Fastening screw M5 X 12		2	
7	958 803 817 00	Clip		2	
8	958 803 819 00	Mounting		2	
		Height adjustment			
		Belt			
9	N 105 724 01	Fastening screw M8 X 16		2	
10	958 803 755 00	Seat-belt buckle		2	
	958 803 755 00 YLZ	Satin black			
11	N 989 237 01	Fastening screw		2	
		Seat-belt buckle			

Model: 92A 11

Model life 2011>>



Model: 92A 11 Model life 2011>>

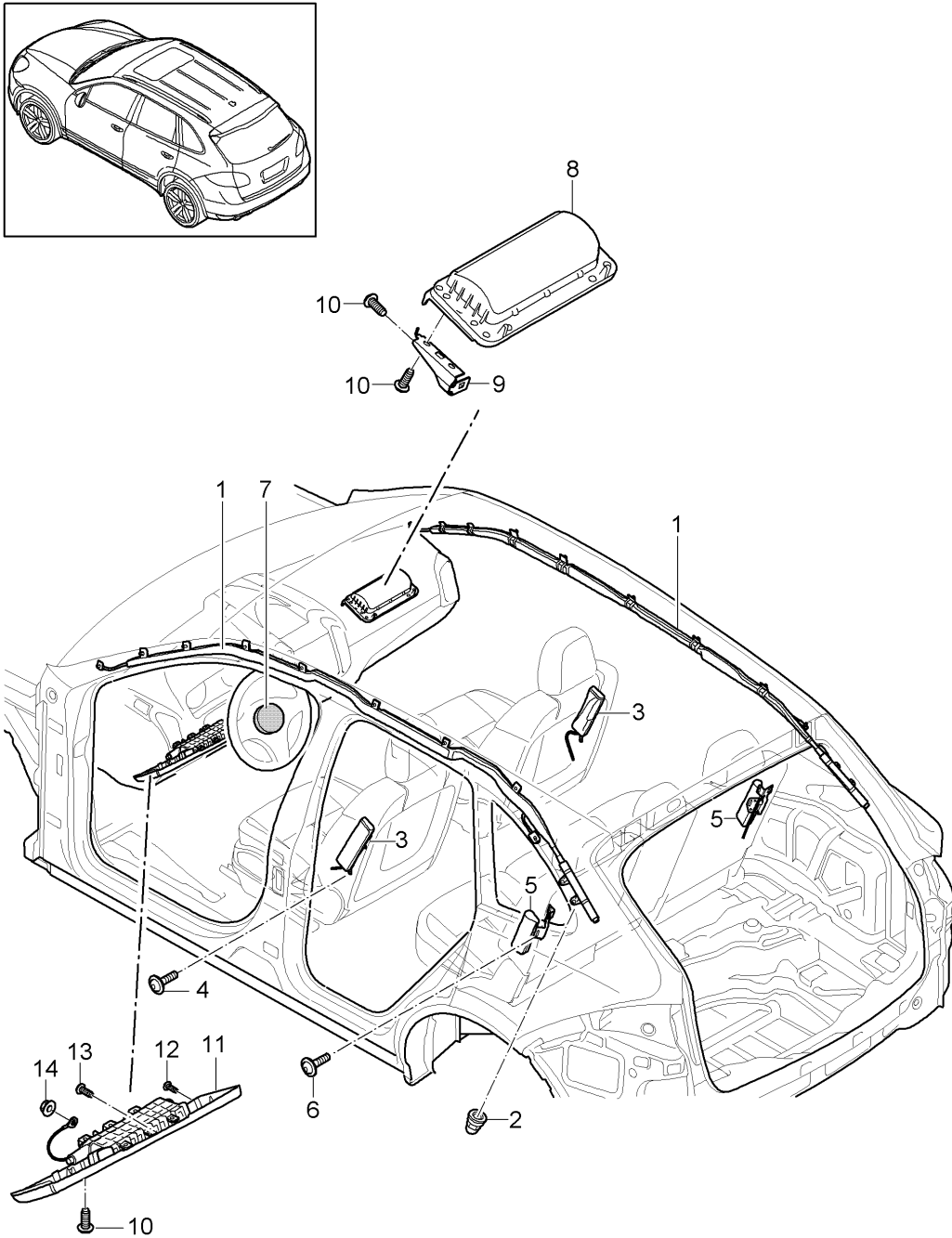
Pos	Part Number	Description	Remark	Qty	Model
1	958 803 051 00	Seat belt Seat-belt buckle Rear Seat belt Left	-13	1	I3ZU
	958 803 051 00 HCP	Black			IFZ0
	958 803 051 00 N13	Guards red			IFZ1
	958 803 051 00 U01	Silver-grey			IFZ2
	958 803 051 00 62S	Luxor Beige			IFZ3
	958 803 051 00 1P0	Cognac			IFZ5
	958 803 051 00 DE1	Umber			IFZ6
	958 803 051 00 DJ3	Titanium Blue			IFZ7
1	958 803 051 01	Seat belt Left	-13	1	I3ZU
	958 803 051 01 M3C	Carmine red			IFZ8
	958 803 051 01 2S1	Peridot Metallic			IFZ9
1	958 803 051 03	Seat belt Left	14-	1	I3ZU
	958 803 051 03 HCP	Black			IFZ0
	958 803 051 03 N13	Guards red			IFZ1
	958 803 051 03 U01	Silver-grey			IFZ2
	958 803 051 03 62S	Luxor Beige			IFZ3
	958 803 051 03 1P0	Cognac			IFZ5
	958 803 051 03 DE1	Umber			IFZ6
	958 803 051 03 DJ3	Titanium Blue			IFZ7
	958 803 051 03 M3C	Carmine red			IFZ8
	958 803 051 03 2S1	Peridot Metallic			IFZ9
	958 803 051 03 OR1	Agate Grey			IF10
	958 803 051 03 OP2	Saddle Tan			IF11
	958 803 051 03 OA5	Carrera Red			IF12
	958 803 051 03 OC7	Espresso			IF13
	958 803 051 03 M7U	Rhodium Silver Metallic			IF15
	958 803 051 03 OB8	Cohiba Brown			IF17
(1)	958 803 050 00	Seat belt Right	-13	1	I3ZU
	958 803 050 00 HCP	Black			IFZ0
	958 803 050 00 N13	Guards red			IFZ1
	958 803 050 00 U01	Silver-grey			IFZ2
	958 803 050 00 62S	Luxor Beige			IFZ3
	958 803 050 00 1P0	Cognac			IFZ5
	958 803 050 00 DE1	Umber			IFZ6
	958 803 050 00 DJ3	Titanium Blue			IFZ7
(1)	958 803 050 01	Seat belt Right	-13	1	I3ZU
	958 803 050 01 M3C	Carmine red			IFZ8
	958 803 050 01 2S1	Peridot Metallic			IFZ9
(1)	958 803 050 03	Seat belt Right	14-	1	I3ZU
	958 803 050 03 HCP	Black			IFZ0
	958 803 050 03 N13	Guards red			IFZ1
	958 803 050 03 U01	Silver-grey			IFZ2
	958 803 050 03 62S	Luxor Beige			IFZ3
	958 803 050 03 1P0	Cognac			IFZ5
	958 803 050 03 DE1	Umber			IFZ6
	958 803 050 03 DJ3	Titanium Blue			IFZ7
	958 803 050 03 M3C	Carmine red			IFZ8
	958 803 050 03 2S1	Peridot Metallic			IFZ9
	958 803 050 03 OR1	Agate Grey			IF10
	958 803 050 03 OP2	Saddle Tan			IF11
	958 803 050 03 OA5	Carrera Red			IF12
	958 803 050 03 OC7	Espresso			IF13
	958 803 050 03 M7U	Rhodium Silver Metallic			IF15
	958 803 050 03 OB8	Cohiba Brown			IF17

Model: 92A 11 Model life 2011>>

Pos	Part Number	Description	Remark	Qty	Model
3	N 989 243 03	Fastening screw 7/16X14X26		2	
4	N 989 260 01	Fastening screw M 11.113X1.27X22		2	
5	958 803 053 00	Seat belt Centre		1	I3QT
	958 803 053 00 HCP	Black			IFZ0/FZ8/FZ9
	958 803 053 00 N13	Guards red			IFZ1
	958 803 053 00 U01	Silver-grey			IFZ2
	958 803 053 00 62S	Luxor Beige			IFZ3
	958 803 053 00 1P0	Cognac			IFZ5
	958 803 053 00 DE1	Umber			IFZ6
	958 803 053 00 DJ3	Titanium Blue			IFZ7
5	958 803 053 01	Seat belt Centre		1	I3QT
	958 803 053 01 OR1	Agate Grey			IF10
	958 803 053 01 OP2	Saddle Tan			IF11
	958 803 053 01 OA5	Carrera Red			IF12
	958 803 053 01 OC7	Espresso			IF13
	958 803 053 01 M7U	Rhodium Silver Metallic			IF15
	958 803 053 01 OB8	Cohiba Brown			IF17
6	N 989 910 01	Hexagon nut 7/16-20		1	
7	958 803 753 00	Seat-belt buckle Left		1	
	958 803 753 00 QVZ	Satin black			
(7)	958 803 754 00	Seat-belt buckle Right		1	
	958 803 754 00 QVZ	Satin black			
8	N 989 243 03	Fastening screw Seat-belt buckle		2	
9	958 803 740 00	Seat-belt buckle Centre		1	
	958 803 740 00 YLZ	Satin black			
10	N 989 271 01	Fastening screw M11.113X1.27X30 Seat-belt buckle Centre		1	
11	N 989 520 01	Fastening screw M11.113X1.27X18		X	

Model: 92A 11

Model life 2011>>



Model: 92A 11 Model life 2011>>

Pos	Part Number	Description	Remark	Qty	Model
		Airbag Control unit Sensor for Airbag See illustrations 9/01/05			
1	958 803 069 00	Airbag unit Head airbag	/L -14	1	
1	958 803 069 01	Airbag unit Head airbag	/L -14	1	
1	958 803 069 02	Airbag unit Head airbag	/L 15-	1	
(1)	958 803 070 00	Airbag unit Head airbag	/R -14	1	
(1)	958 803 070 01	Airbag unit Head airbag	/R -14	1	
(1)	958 803 070 02	Airbag unit Head airbag	/R 15-	1	
2	955 618 419 21	Cap nut M6 for Mount Head airbag		X	
3	958 521 241 00	Side airbag Seat Front	/L	1	I4X3/4X4
3	958 521 241 01	Side airbag Seat Front	/L	1	I4X3/4X4
(3)	958 521 242 00	Side airbag Seat Front	/R	1	I4X3/4X4
(3)	958 521 242 01	Side airbag Seat Front	/R	1	I4X3/4X4
4	N 910 423 01	Oval-head screw M6 X 16 Mount		1	
5	958 522 441 01	Airbag Side airbag Seat Rear	/L	1	I3NW/4X4
(5)	958 522 442 01	Airbag Side airbag Seat Rear	/R	1	I3NW/4X4
6	N 910 423 01	Oval-head screw M6 X 16 Mount		2	
7	958 803 074 00	Airbag unit Steering wheel	-14	1	I4N1/4N9
	958 803 074 00 4U0	Platinum Grey			+MD
	958 803 074 00 6W0	Luxor Beige			+MC
	958 803 074 00 5Q0	Black			+MA, +77
(7)	958 803 075 00	Airbag unit Steering wheel Leather	-14	1	I4N3/4N4/4N5 I4N8
	958 803 075 00 8T3	Platinum Grey			+LD, +YD
	958 803 075 00 9J9	Luxor Beige			+LE, +YE
	958 803 075 00 6H6	Espresso			+VA, +VB
	958 803 075 00 DE1	Umber			+LF, +TX, +TY,

Model: 92A 11 Model life 2011>>

Pos	Part Number	Description	Remark	Qty	Model
	958 803 075 00 A34	Black			+YF, +LC,+MF,+MI, +TA,+TB,+TW, +YA,+YB,+YC, +77
(7)	958 803 201 00	Airbag unit Steering wheel	15-	1	I1A2/4N1/4N9
	958 803 201 00 OA6	Agate Grey			+MB
	958 803 201 00 6W0	Luxor Beige			+MC
	958 803 201 00 5Q0	Black			+LG,+LH,+MA, +77
(7)	958 803 201 01	Airbag unit Steering wheel	15-	1	I0F5/4N1/4N9
	958 803 201 01 OA6	Agate Grey			+MB
	958 803 201 01 6W0	Luxor Beige			+MC
	958 803 201 01 5Q0	Black			+LG,+LH,+MA, +77
(7)	958 803 201 02	Airbag unit	15-	1	I1A2/4N3/4N4 I4N5/4N8
		Steering wheel Leather			
	958 803 201 02 A34	Black			+LC,+LG,+LH, +MF,+MI,+TA, +YA,+YC
	958 803 201 02 OE5	Agate Grey			+MG,+ML
	958 803 201 02 OK6	Saddle Tan			+ME,+MH,+MJ +MK
	958 803 201 02 6H6	Espresso			+VA,+VB
	958 803 201 02 9J9	Luxor Beige			+LE,+YE
(7)	958 803 201 03	Airbag unit	15-	1	I0F5/4N3/4N4 I4N5/4N8
		Steering wheel Leather			
	958 803 201 03 A34	Black			+LC,+LG,+LH, +MF,+MI,+TA, +YA,+YC,
	958 803 201 03 OE5	Agate Grey			+MG,+ML,
	958 803 201 03 OK6	Saddle Tan			+ME,+MH,+MJ, +MK
	958 803 201 03 6H6	Espresso			+VA,+VB
	958 803 201 03 9J9	Luxor Beige			+LE,+YE
8	958 803 071 00	Airbag unit Passenger's side		1	
9	958 803 072 00	Support Airbag unit Passenger's side Left		1	
(9)	958 803 072 50	Support Airbag unit Passenger's side Right		1	
10	N 910 935 02	Round head screw		8	
11	958 803 061 00	Airbag unit Dashboard Lower Left		1	
	958 803 061 00 DF2	Light Tartufo			+TY
	958 803 061 00 DJ3	Titanium Blue			+TW
	958 803 061 00 3S0	Cognac			+VB
	958 803 061 00 5V0	Cream			+LG,+MJ,+TX
	958 803 061 00 DE1	Umber			+LF,+YF,
	958 803 061 00 6W0	Luxor Beige			+LE,+MC,+MK, +TB,+YE,+77

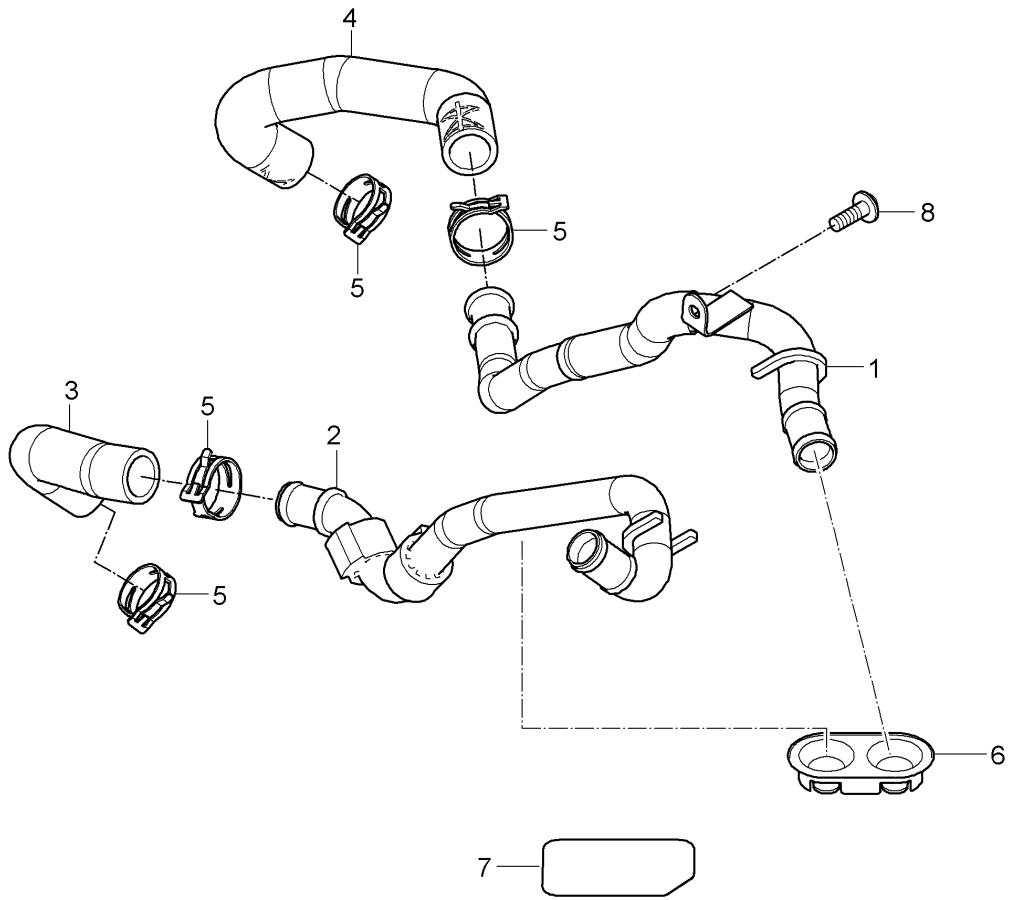
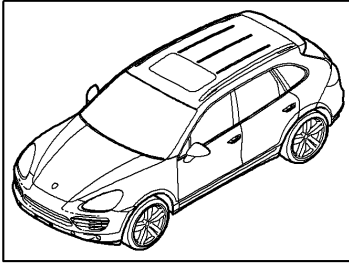
Model: 92A 11

Model life 2011>>

Pos	Part Number	Description	Remark	Qty	Model
	958 803 061 00 3T0	Espresso			+VA
	958 803 061 00 4U0	Platinum Grey			+LD, +MD, +YD,
	958 803 061 00 5Q0	Black			+LC, +MA, +MF,
	958 803 061 00 OA6	Agate Grey			+YA, +YB, +YC
	958 803 061 00 OE1	Carrera Red			+MB, +MG, +ML,
	958 803 061 00 OL7	Saddle Tan			+TA
	958 803 061 00 OB8	Cohiba Brown			+ME, +MH, +MI,
12	N 906 986 06	Tapping screw ST 4.2x16		8	+LH
13	N 105 695 01	Fastening screw M5x16		3	
14	N 015 082 10	Hexagon nut M6 Ground cable		1	

Model: 92A 11

Model life 2011>>



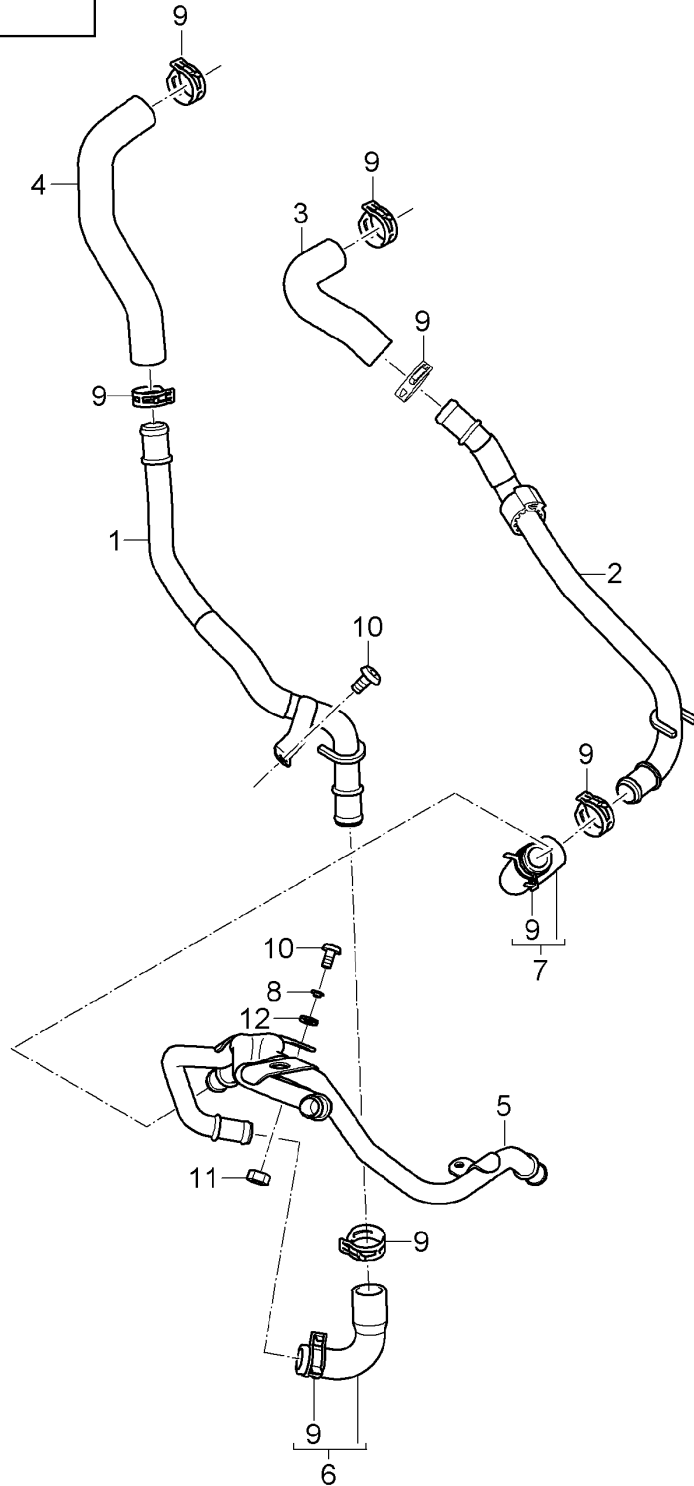
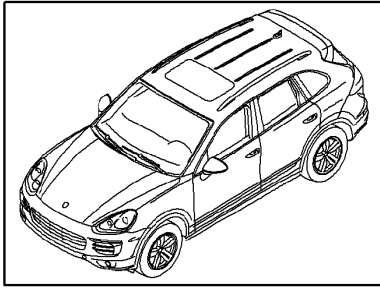
Model: 92A 11

Model life 2011>>

Pos	Part Number	Description	Remark	Qty	Model
		Hose line			
		Plenum panel			
1	958 572 857 01	Hot air duct	/LL	1	IL0L
(1)	958 572 887 01	Hot air duct	/RL	1	IL0R
2	958 572 911 02	Hot air duct	/LL	1	IL0L
		AUSGANG			
(2)	958 572 912 01	Hot air duct	/RL	1	IL0R
(3)	955 572 581 00	Heater hose	/LL	1	IL0L
		Heat exchanger			
		Output			
4	958 572 307 00	Heater hose	/LL	1	IL0L
		Heat exchanger			
		Input			
5	N 906 870 01	Hose clamp		4	
6	955 572 781 01	Grommet		1	
7	958 572 792 00	Gasket		1	
		Plenum panel			
8	N 910 967 01	Round head screw		1	
		M6 X 16			

Model: 92A 11

Model life 2011>>



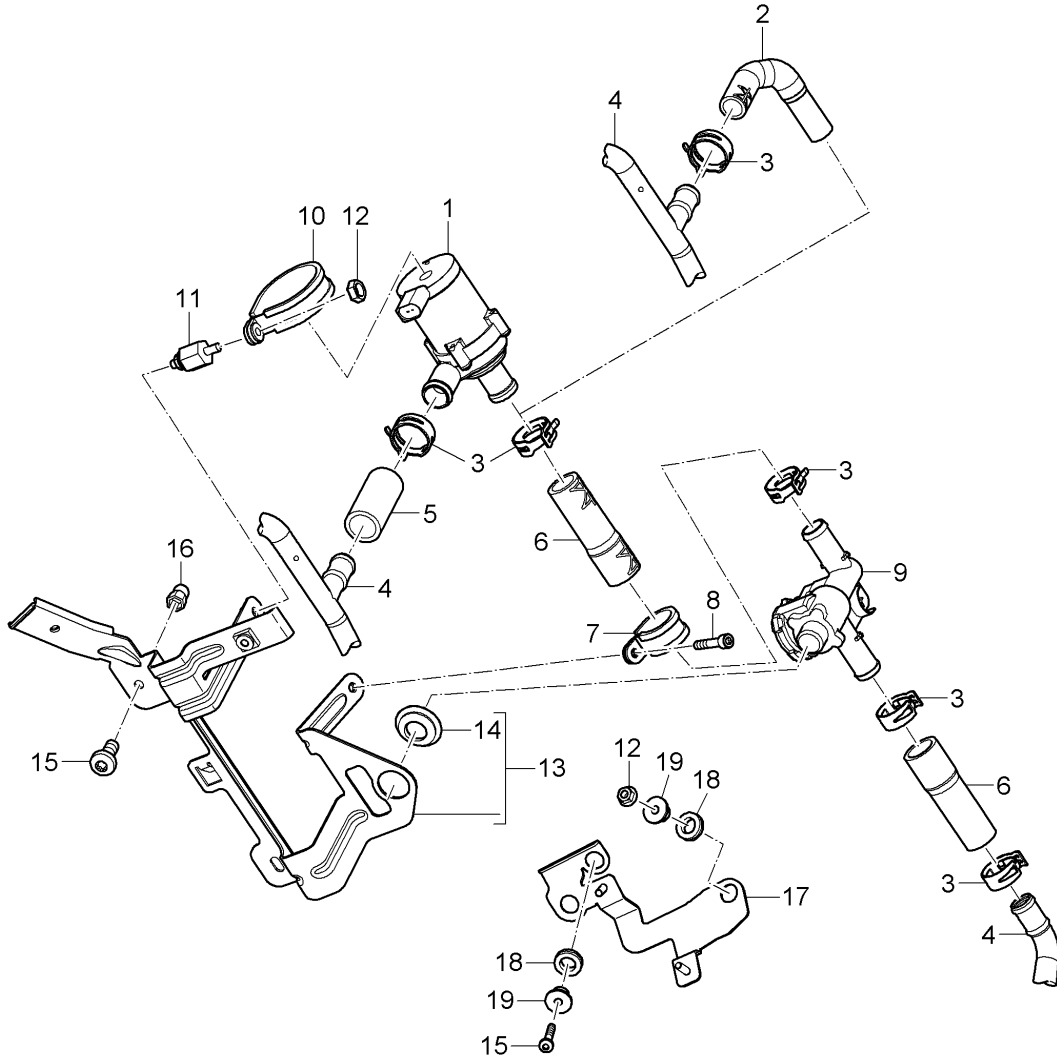
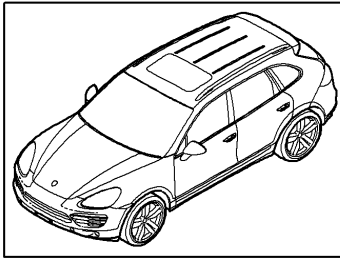
Model: 92A 11

Model life 2011>>

Pos	Part Number	Description	Remark	Qty	Model
		Hybrid Heating Plenum panel Wheel housing panel			IGP1/0K3
1	958 572 934 00	Pipeline Of Air conditioner	/LL	1	IL0L
(1)	958 572 934 10	Pipeline Of Air conditioner	/RL	1	IL0R
2	958 572 660 00	Water tube Of Heat exchanger	/LL	1	IL0L
(2)	958 572 660 10	Water tube Of Heat exchanger	/RL	1	IL0R
3	955 572 581 00	Heater hose	/LL	1	IL0L
(3)	958 572 196 00	Heater hose	/RL	2	IL0R
4	958 572 307 00	Heater hose	/LL	1	IL0L
5	958 572 928 01	Pipeline Set		1	
-	N 106 776 01	Support Pipeline Set		1	
6	958 572 895 00	Heater hose		1	
7	958 572 437 00	Heater hose		1	
8	1T0 805 179 A	Sleeve 7,5X1,5-A		X	
9	999 512 658 09	Hose clamp B 27 X 12		X	
10	N 910 967 01	Round head screw M 6X16		1	
11	N 904 025 03	Hexagon nut		2	
12	955 572 095 00	Rubber sleeve Support		X	

Model: 92A 11

Model life 2011>>



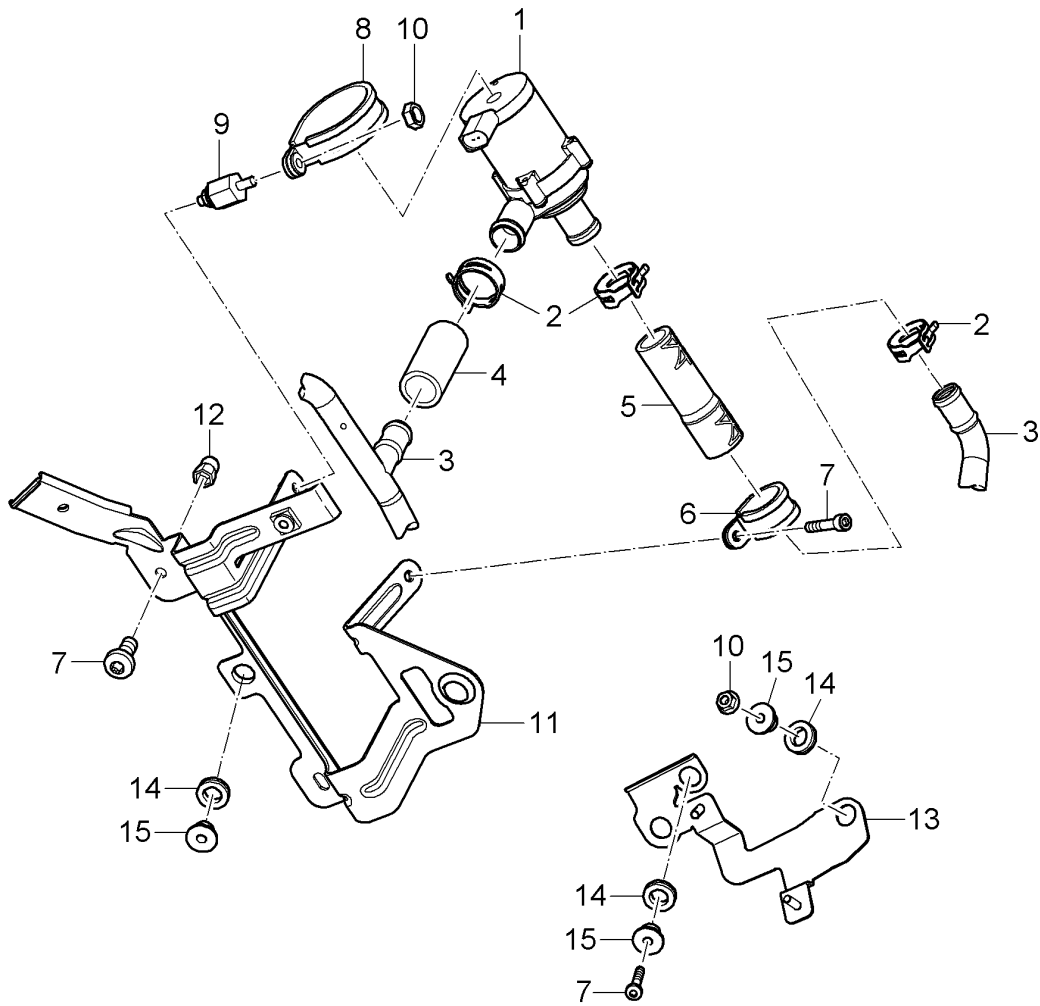
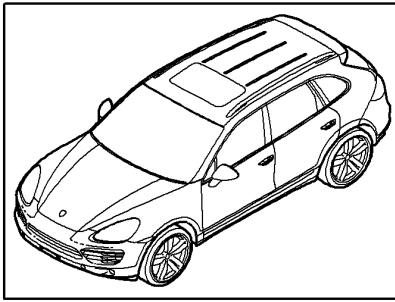
Model: 92A 11

Model life 2011>>

Pos	Part Number	Description	Remark	Qty	Model
		Heating Pump			-ID11
1	955 106 561 10	Intake manifold		1	I9M0
(1)	955 572 150 07	Water pump		1	I9M1/9M5/9M9
2	958 572 320 10	Water pump		1	ID34/9AH/9M0
		Heater hose			
		Shut-off valve			
3	N 906 870 01	Hose clamp		X	I0K0/9M0
		B 27 X 12			
4		Heating tube		1	
		See illustrations			
		8/13/00			-ID19
5	955 572 373 00	Heater hose		1	ID50/D58/D6V
6	958 572 371 00	Heater hose		X	I9M0 ID34/D50/D58
7	N 020 616 11	Clip		1	ID6V/9M0
		Heater hose			I0K0/9M0
		D1-25X15			
8	N 105 103 01	Hexagon socket head bolt		X	I0K0/9M0
		M6 X 35			
9	958 572 810 00	Shut-off valve		1	I0K0/9M0
10	N 909 423 01	Clip		1	ID1V/D50/D58
					ID6V/9M0
		Pump			
		D1-48X15			
11	955 572 567 00	Rubber buffer		1	ID1V/D50/D58
					ID6V/9M0
		Mount			
		Pump			
		Support			
12	N 015 082 10	Hexagon nut		X	I9M0
		M6			
13	958 572 545 01	Support		1	I0K0/9M0
		Pump			
(13)	958 116 232 07	Support		1	ID19
14	N 910 967 01	Round head screw		X	
		M6 X 16			
15	N 902 631 04	Blind rivet nut		X	
		M6			
16	958 572 950 00	Support		1	I0K0
		Heating tube			
17	955 572 095 00	Rubber sleeve		2	I0K0
18	955 572 121 00	Bush		2	I0K0
19	958 572 586 00	Clip		2	ID34/D50/D58
					ID6V/9M0

Model: 92A 11

Model life 2011>>



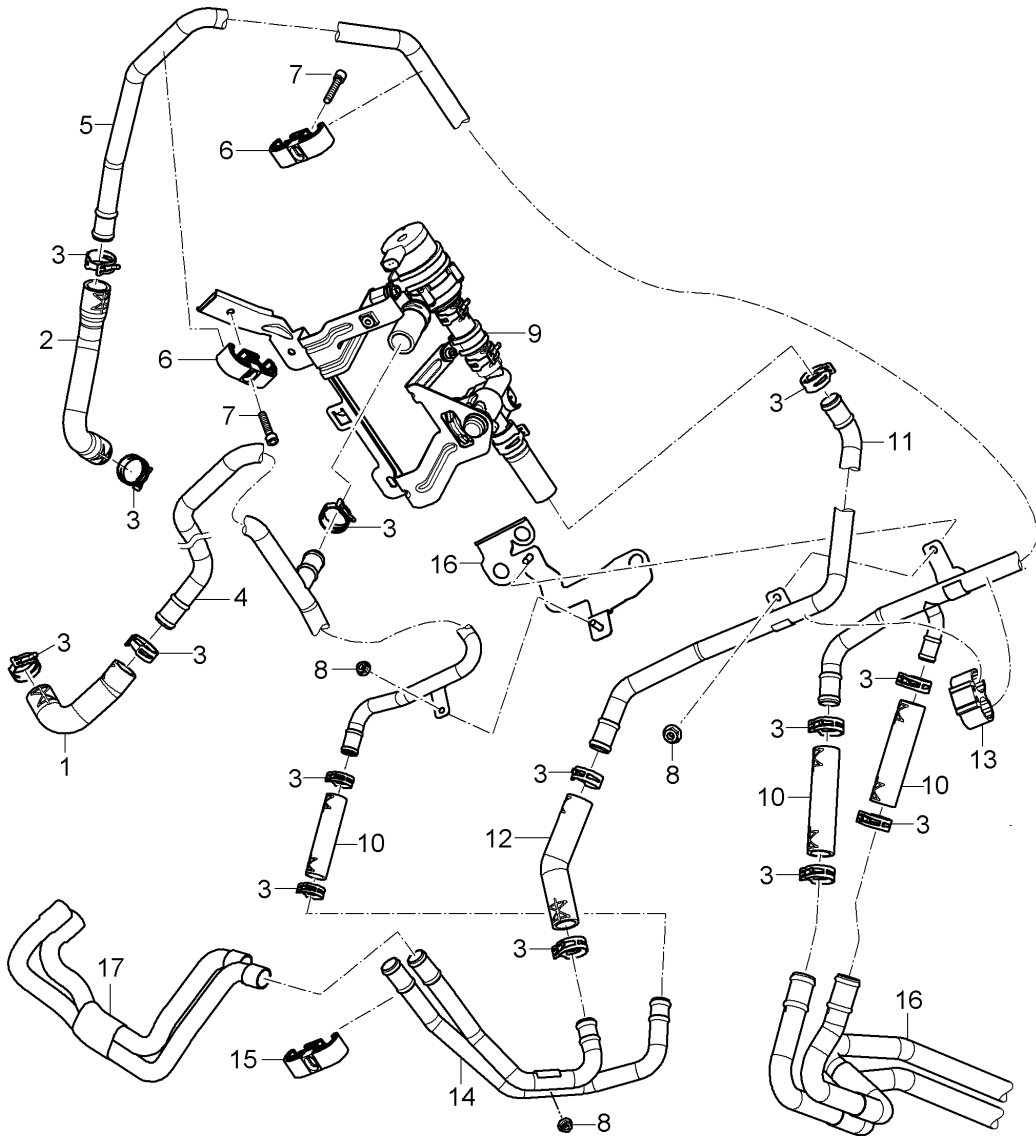
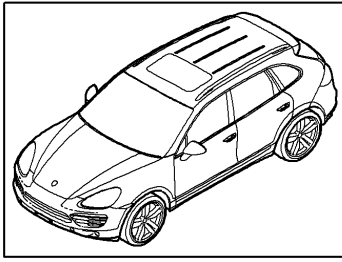
Model: 92A 11

Model life 2011>>

Pos	Part Number	Description	Remark	Qty	Model
		Heating Pump	China		ID11
1	955 106 561 10	Intake manifold			
(1)	955 572 150 07	Water pump		1	I9M0
2	N 906 870 01	Water pump		1	I9M1/9M5/9M9
		Hose clamp B 27 X 12		4	
3		Heating tube		1	
		See illustrations 8/13/00			
4	955 572 373 00	Heater hose		1	I9M0
5	958 572 371 00	Heater hose		1	I9M0
6	N 020 616 11	Clip		1	
		Heater hose D1-25X15			
7	N 910 967 01	Round head screw M6 X 16		X	
8	N 909 423 01	Clip		1	I9M0
		Pump D1-48X15			
9	955 572 567 00	Rubber buffer		1	I9M0
		Mount			
		Pump			
10	N 015 082 10	Support			
		Hexagon nut M6		2	I9M0
11	958 572 545 01	Support		1	ID50/D58/D6V I9AD/9M0
		Pump			
12	N 902 631 04	Blind rivet nut M6		X	
13	958 572 950 00	Support		1	I0K0
		Heating tube			
14	955 572 095 00	Rubber sleeve		4	I0K0
15	955 572 121 00	Bush		4	I0K0

Model: 92A 11

Model life 2011>>



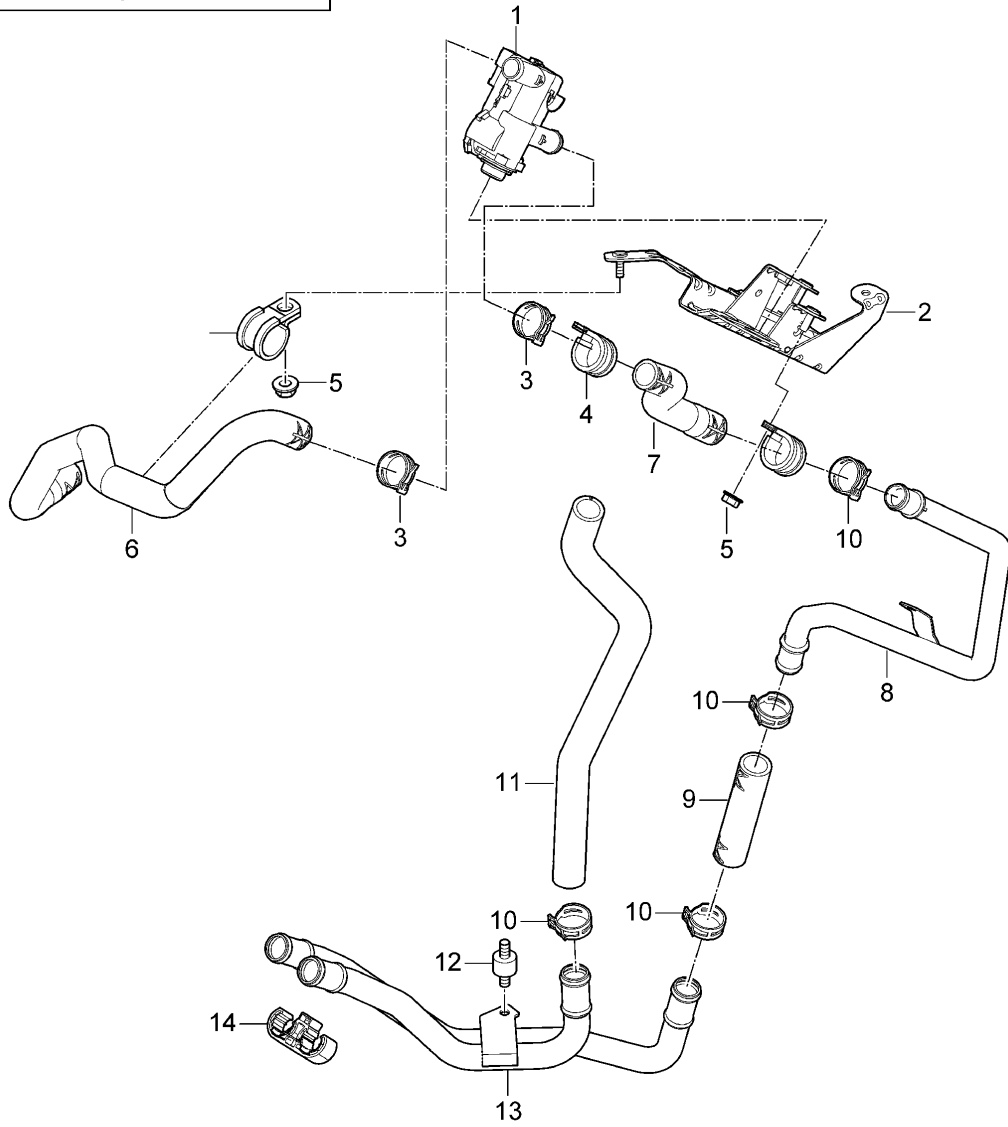
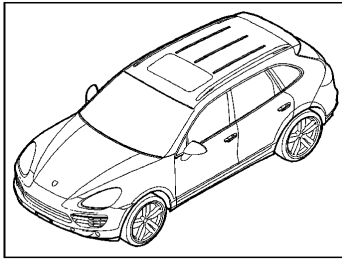
Model: 92A 11

Model life 2011>>

Pos	Part Number	Description	Remark	Qty	Model
		Heating Wheel housing Feed line Return line			-ID19
1	958 572 320 00	Heater hose		1	I0K0
2	958 572 324 00	Heater hose		1	I0K0
3	N 906 870 01	Hose clamp B 27 X 12		X	
4	958 572 929 01	Hot air duct		1	I0K0/9AH/9M0
(4)	958 572 858 00	Hot air duct		1	I0K0/9AD/9M0
5	958 572 927 01	Hot air duct		1	I0K0/9AH/9M0
(5)	958 572 925 10	Hot air duct		1	I0K0/9AD/9M0
6	955 572 055 01	Clip		X	I0K0/9M0
(6)	955 572 787 00	Clip		X	I0K0/9AH
7	N 105 103 01	Hexagon socket head bolt M6 X 35		X	I0K0/9M0
8	N 015 082 10	Hexagon nut M6		X	
9		Pump See illustrations 8/13/05			-ID11
(9)		Pump See illustrations 8/13/07	(CN)		ID11
10	958 572 308 00	Heater hose		X	
11	958 572 926 01	Hot air duct		1	I9M1/9M5/9M9
(11)	958 572 926 02	Hot air duct		1	IDD8/DT1/DT5 IDU2/DU3/9AD I9AH/9M0
(11)	958 572 811 01	Hot air duct		1	IDV7/D1V/D50 ID51/9M0
(11)		Hot air duct		1	ID11/9M0
(11)		Hot air duct		1	ID43/9M0
12	958 572 983 00	Heater hose		1	I0K0/9M0/9M1 I9M5/9M9
13	958 572 699 00	Grommet		1	I0K0
14	955 572 698 00	Heating tube		1	I9M0/9M5
14	955 572 698 02	Heating tube		1	I9M0/9M5
(14)	955 572 698 01	Heating tube		1	I9M1/9M9
(14)		Heating tube		1	I0K3
15	955 572 055 03	Clip		X	
16		Hot air duct See illustrations 8/13/25		1	
17		Water hose Engine See illustrations 1/05/30		1	

Model: 92A 11

Model life 2011>>



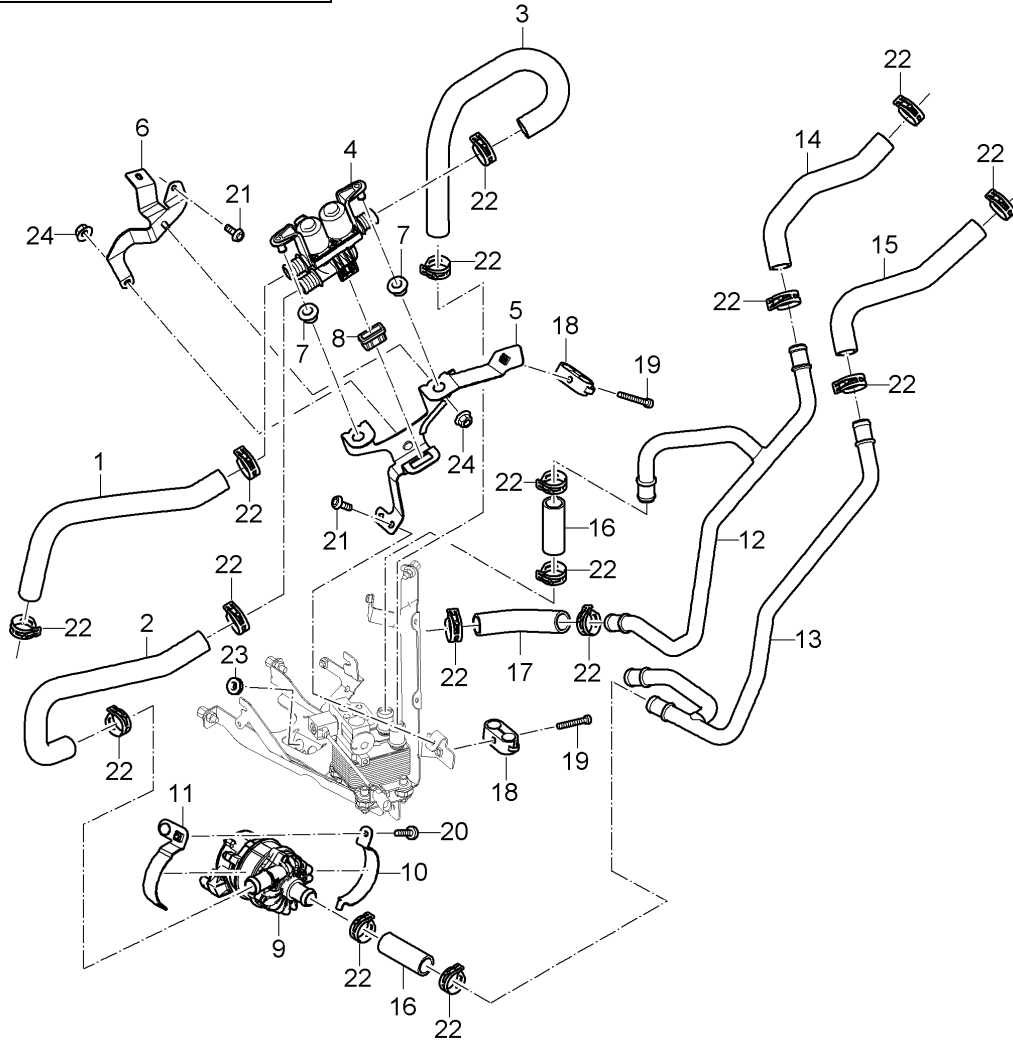
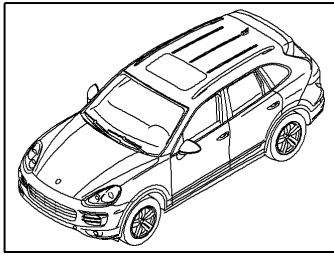
Model: 92A 11

Model life 2011>>

Pos	Part Number	Description	Remark	Qty	Model
1	958 572 810 00	Hose line Wheel housing Heating Hybrid Shut-off valve		1	ID19/9M0
2	958 116 232 07	Water pump Support		1	ID19
3	958 572 586 00	Clip		2	I9M0
4	N 020 616 11	Clip		3	I9M0
5	N 015 082 10	Heater hose D1-25X15 Hexagon nut M6		3	
6	958 572 581 00	Heater hose		1	
7	958 572 984 00	Hose		1	I9AD/9M0
8	958 572 249 00	Pipe		1	I9AD/9M0
9	958 572 308 00	Heater hose		1	I9M0
10	N 906 870 01	Hose clamp B 27 X 12		X	
11	958 572 330 00	Heater hose		1	
12	955 572 567 00	Rubber buffer		1	I9AD/9M0
13	955 572 698 00	Heating tube		1	I9M0/9M5
13	955 572 698 02	Heating tube		1	I9M0/9M5
14	955 572 055 03	Clip		1	

Model: 92A 11

Model life 2011>>



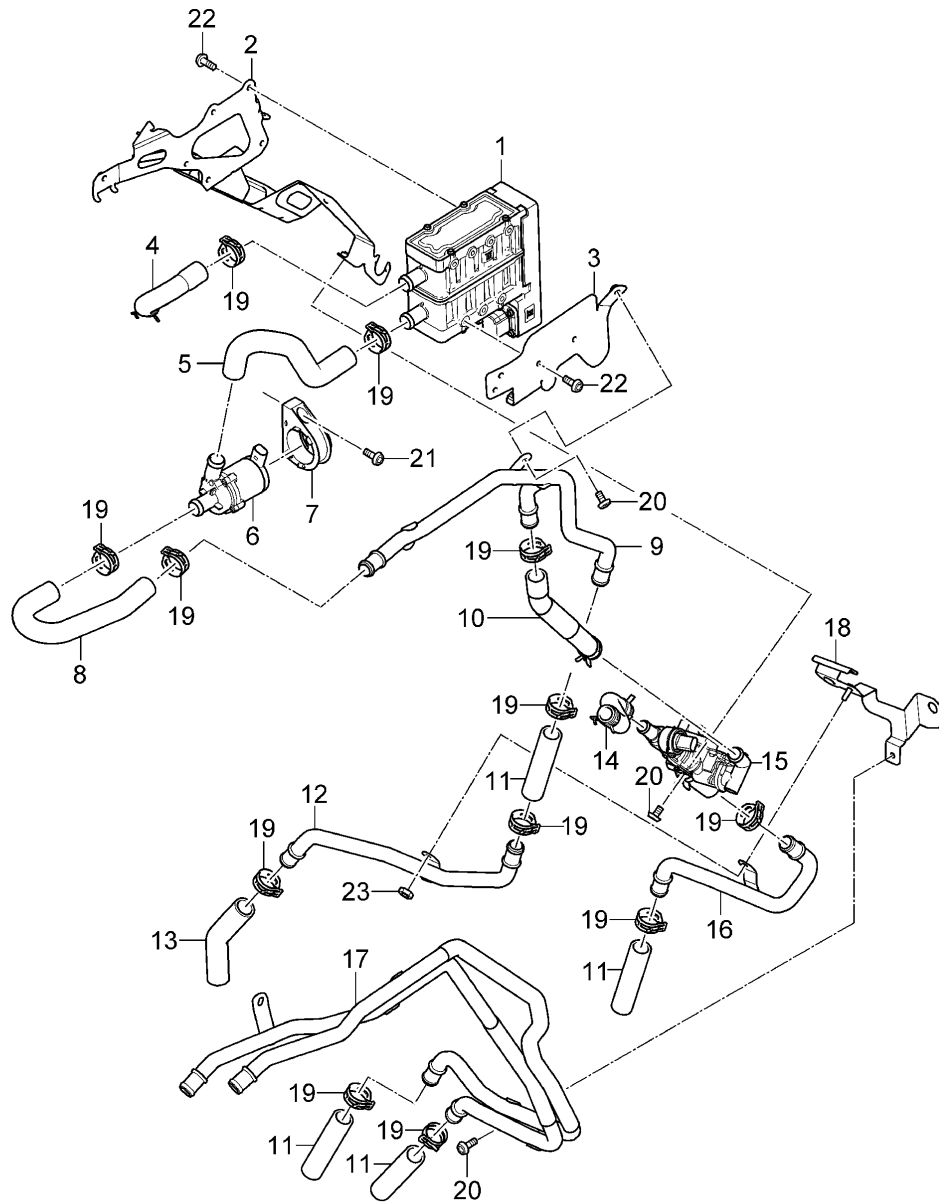
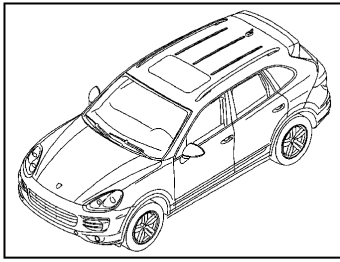
Model: 92A 11

Model life 2011>>

Pos	Part Number	Description	Remark	Qty	Model
		Hybrid Heating High voltage Heat exchanger			IGP1/0K3
1	958 572 985 00	Heater hose		1	
2	958 572 986 00	Heater hose		1	
3	958 572 987 00	Heater hose		1	
4	7PP 819 809	Change-over valve		1	
5	958 572 827 00	Support Change-over valve		1	
6	958 572 828 00	Support Change-over valve		1	
7	970 573 811 00	Guide piece Disengageable Upper		2	
8	970 573 813 00	Guide piece Disengageable Lower		1	
9	958 572 567 00	Water pump Electric		1	
10	958 572 600 00	Clip Pump		1	
11	958 572 610 00	Battery Clip Pump Battery		1	
12	958 572 601 00	Front Heater pipeline		1	
13	958 572 602 00	Heater pipeline		1	
14	958 572 307 10	Heater hose Return line		1	
15	958 572 308 10	Heater hose Supply		1	
16	958 572 308 20	Heater hose Short		1	
17	958 572 601 10	Water tube with Check valve		1	
18	958 572 055 00	Clip 5X9,5		3	
19	N 909 677 01	Outer hexagon round screw AM 5X35		3	
20	N 910 969 01	Outer hexagon round screw M6X22-K		1	
21	N 910 967 01	Round head screw M 6X16		1	
22	999 512 658 09	Hose clamp B 27 X 12		X	
23	955 572 095 00	Rubber sleeve Support		2	
24	N 904 025 03	Hexagon nut M6		X	

Model: 92A 11

Model life 2011>>



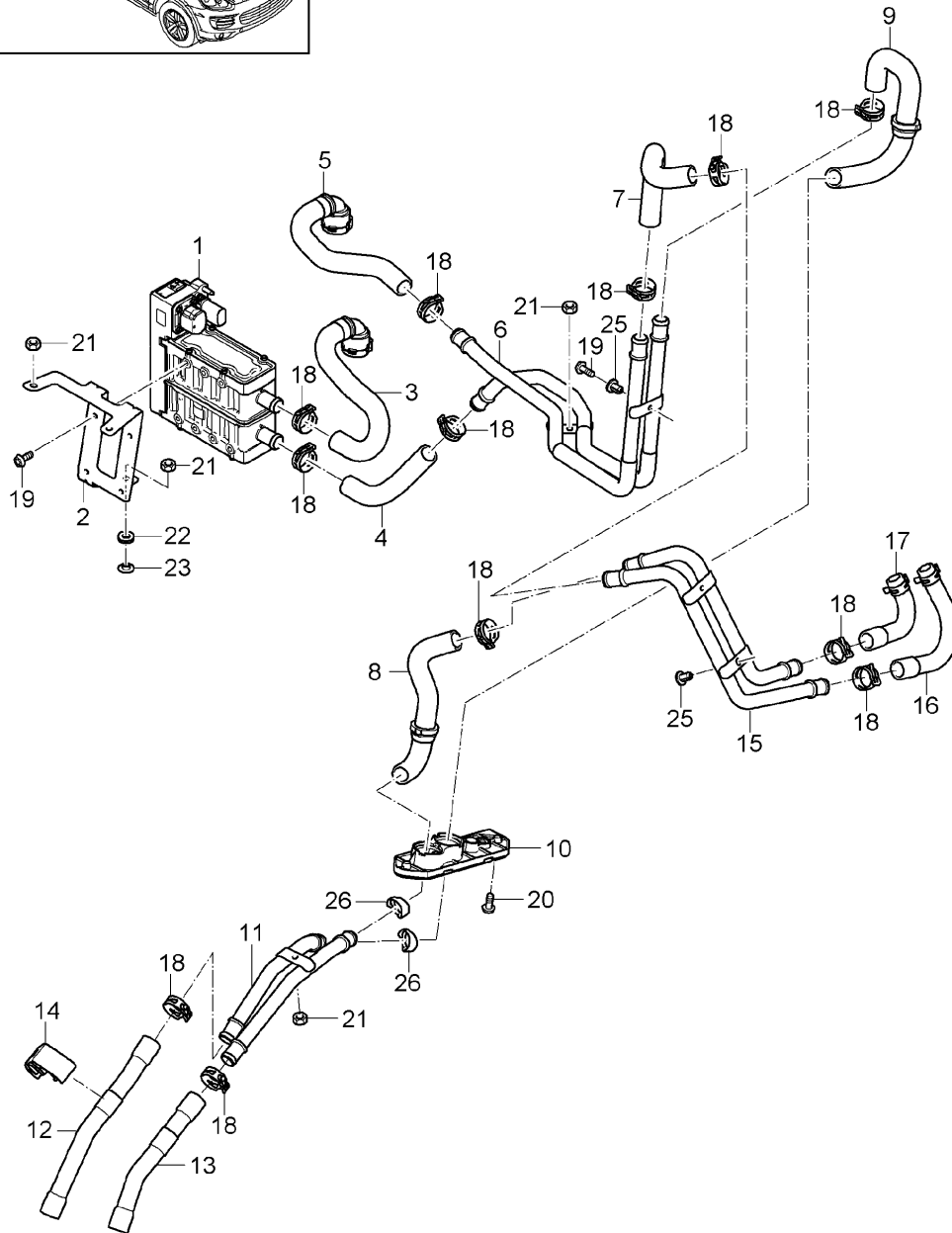
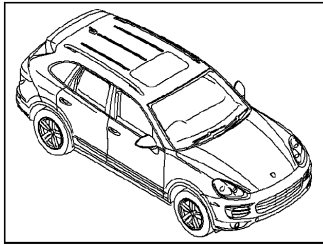
Model: 92A 11

Model life 2011>>

Pos	Part Number	Description	Remark	Qty	Model
		Hybrid Heating High voltage Heat exchanger Wheel housing			IGP1/0K3
1	12E 963 231 E	Heat exchanger High voltage Information available		1	
2	958 572 750 00	Support		1	
3	958 572 259 00	Heat exchanger Support		1	
4	958 572 993 00	Protective plate Heat exchanger		1	
5	958 572 992 00	Heater hose		1	
6	955 106 561 10	Heater hose		1	
7	958 572 610 00	Water pump Clip Pump		1	
8	958 572 991 00	Heater hose		1	
9	958 572 801 50	Hot air duct		1	
10	958 572 979 00	Heater hose		1	
11	958 572 308 00	Heater hose		4	
12	958 572 663 00	Hot air duct		1	
13	958 572 983 00	Heater hose		1	
14	958 572 896 00	Heater hose		1	
15	958 572 824 00	Change-over valve		1	
16	958 572 666 00	Hot air duct		1	
17	958 572 097 00	Set Heating tube		1	
18	958 572 950 00	Support		1	
19	999 512 658 09	Hose clamp B 27 X 12		X	
20	N 910 967 01	Round head screw M 6X16		X	
21	N 910 969 01	Outer hexagon round screw M 6X22		X	
22	N 107 732 01	Round head screw M 6X10		X	
23	N 904 025 03	Hexagon nut M6		X	

Model: 92A 11

Model life 2011>>



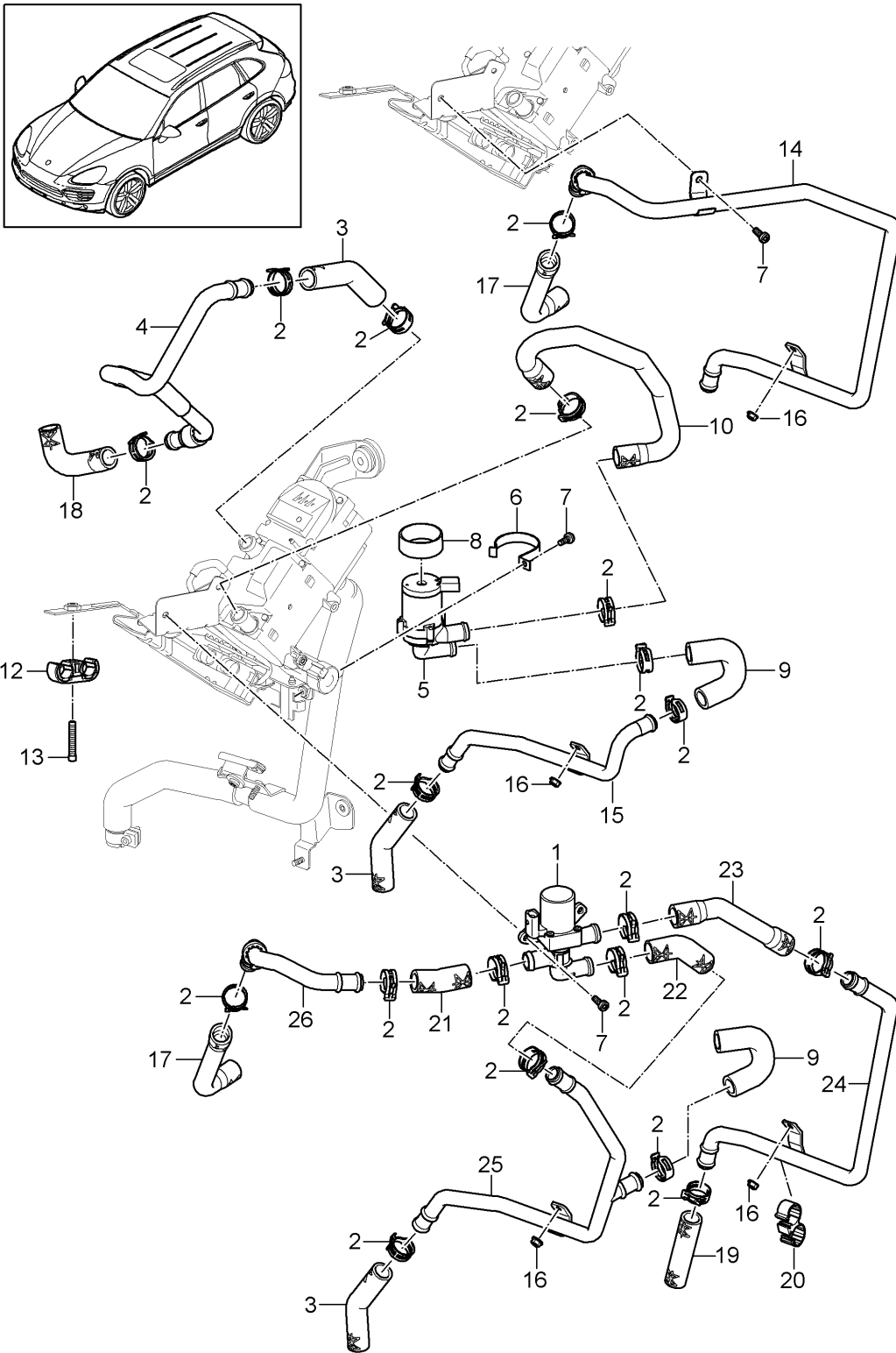
Model: 92A 11

Model life 2011>>

Pos	Part Number	Description	Remark	Qty	Model
		Hybrid Heating Rear Battery			IGP1/0K3
1	12E 963 231 E	Heat exchanger High voltage Information available		1	
2	958 573 453 00	Support HV- PTC		1	
3	958 572 337 00	Heater hose		1	
4	958 572 371 10	Heater hose		1	
5	958 572 332 00	Heater hose		1	
6	958 572 673 00	Set Hot air duct		1	
7	958 572 373 10	Heater hose		1	
8	958 572 376 00	Heater hose		1	
9	958 572 370 00	Heater hose		1	
10	958 504 339 00	Retainer plate with Gasket		1	
11	958 572 671 00	Set Hot air duct		1	
12	958 572 362 00	Heater hose		1	
13	958 572 378 00	Heater hose		1	
14	955 573 763 00	Spacer		1	
15	958 572 674 00	Set Hot air duct		1	
16	958 572 374 10	Heater hose		1	
17	958 572 375 00	Heater hose		1	
18	999 512 658 09	Hose clamp B 27 X 12		X	
19	N 107 732 01	Round head screw M 6X10		X	
20	N 106 695 01	Oval-head screw M5GFX12		2	
21	N 904 025 03	Hexagon nut M6		X	
22	955 572 095 00	Rubber sleeve Support		2	
23	955 572 121 00	Bush		4	I0K0
25	4F0 857 784	Expansion rivet		1	
26	N 105 587 01	Hose clamp 27X12		2	

Model: 92A 11

Model life 2011>>

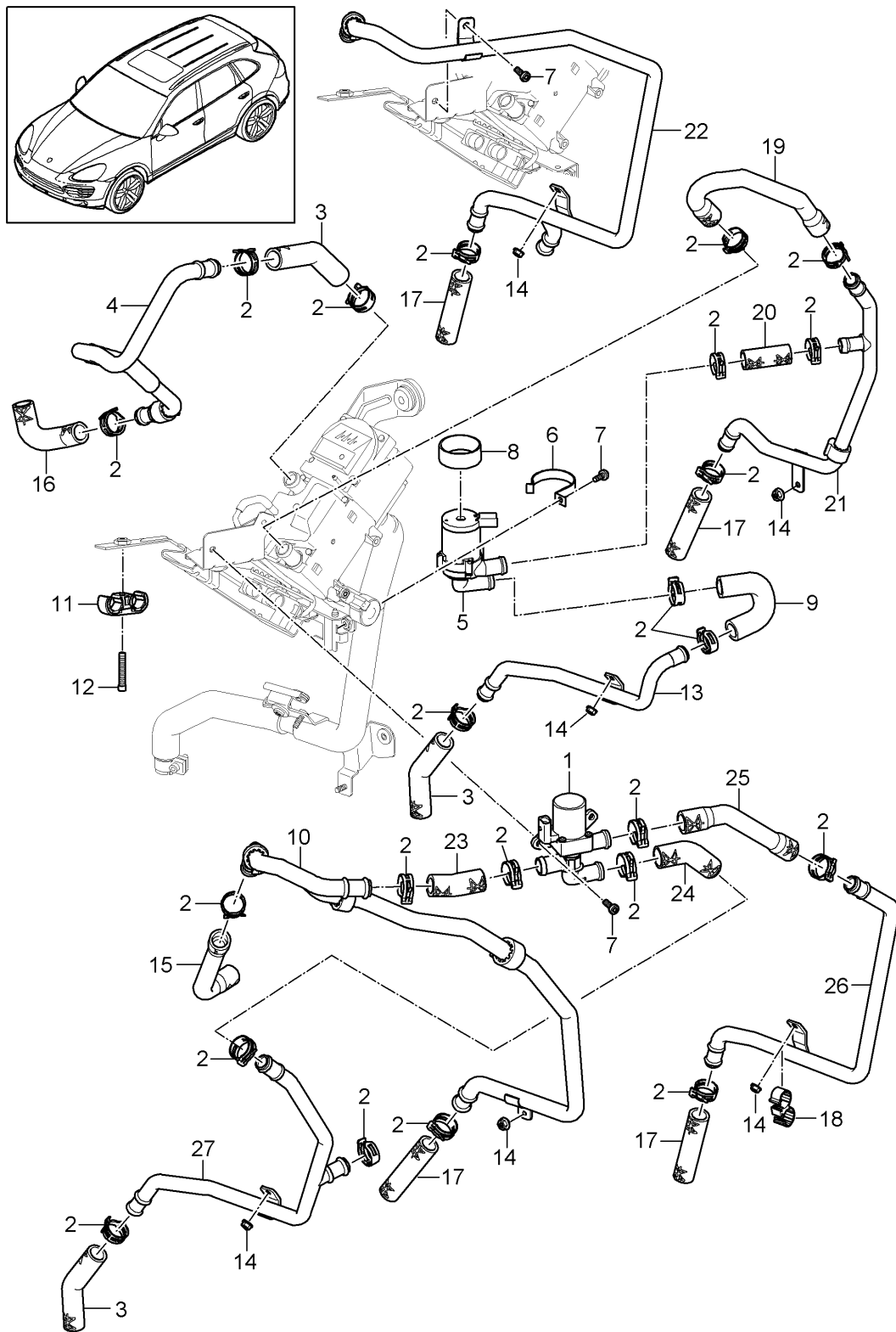


Model: 92A 11 Model life 2011>>

Pos	Part Number	Description	Remark	Qty	Model
		Hose line			I9AD/9M1/9M5 I9M9
		Wheel housing with Auxiliary air conditioner And Auxiliary heater Feed line Return line			
1	955 572 824 03	Valve		1	I9M1/9M9
2	N 906 870 01	Hose clamp B 27 X 12		X	
3	958 572 983 00	Heater hose		2	I0K0/9M1/9M5 I9M9
4	958 572 926 01	Hot air duct		1	I9M1/9M5/9M9
5	955 572 150 07	Water pump		1	I9M1/9M5/9M9
6	958 572 148 00	Clamping spring Mount Pump		1	I9M1/9M5/9M9
7	N 910 967 01	Round head screw M6 X 16		X	
8	958 572 409 00	Rubber boot for Clip		1	I9M1/9M5/9M9
9	958 572 373 00	Heater hose		1	I9M1/9M5/9M9
10	958 572 374 00	Heater hose		1	I9AD/9M1/9M5 I9M9
12	955 572 055 01	Clip		X	
13	N 105 103 01	Hexagon socket head bolt M6 x 35		1	
14	958 572 857 02	Hot air duct		1	I9AD/9M5
15	958 572 278 00	Hot air duct		1	I9M5
16	N 015 082 10	Hexagon nut		1	
17	958 572 324 00	Heater hose		1	I0K0
18	958 572 320 00	Heater hose		1	ID1V/D43/D58 ID6V/9AD
19	958 572 308 00	Heater hose		1	ID34/D50/D58 ID6V/0K1/9AD I9M0
(19)		Heater hose		1	ID11/9AD/9M0
20	958 572 699 00	Grommet		1	
21	955 572 583 00	Heater hose		1	I9M1/9M9
22	955 572 584 00	Heater hose		1	I9M1/9M5/9M9
23	958 572 982 00	Heater hose		1	I9M1/9M9
24	958 572 911 10	Hot air duct		1	I9M1/9M9
25	958 572 888 00	Hot air duct		1	I9M1/9M9
26	958 572 929 10	Hot air duct		1	I9AD/9M1/9M9

Model: 92A 11

Model life 2011>>

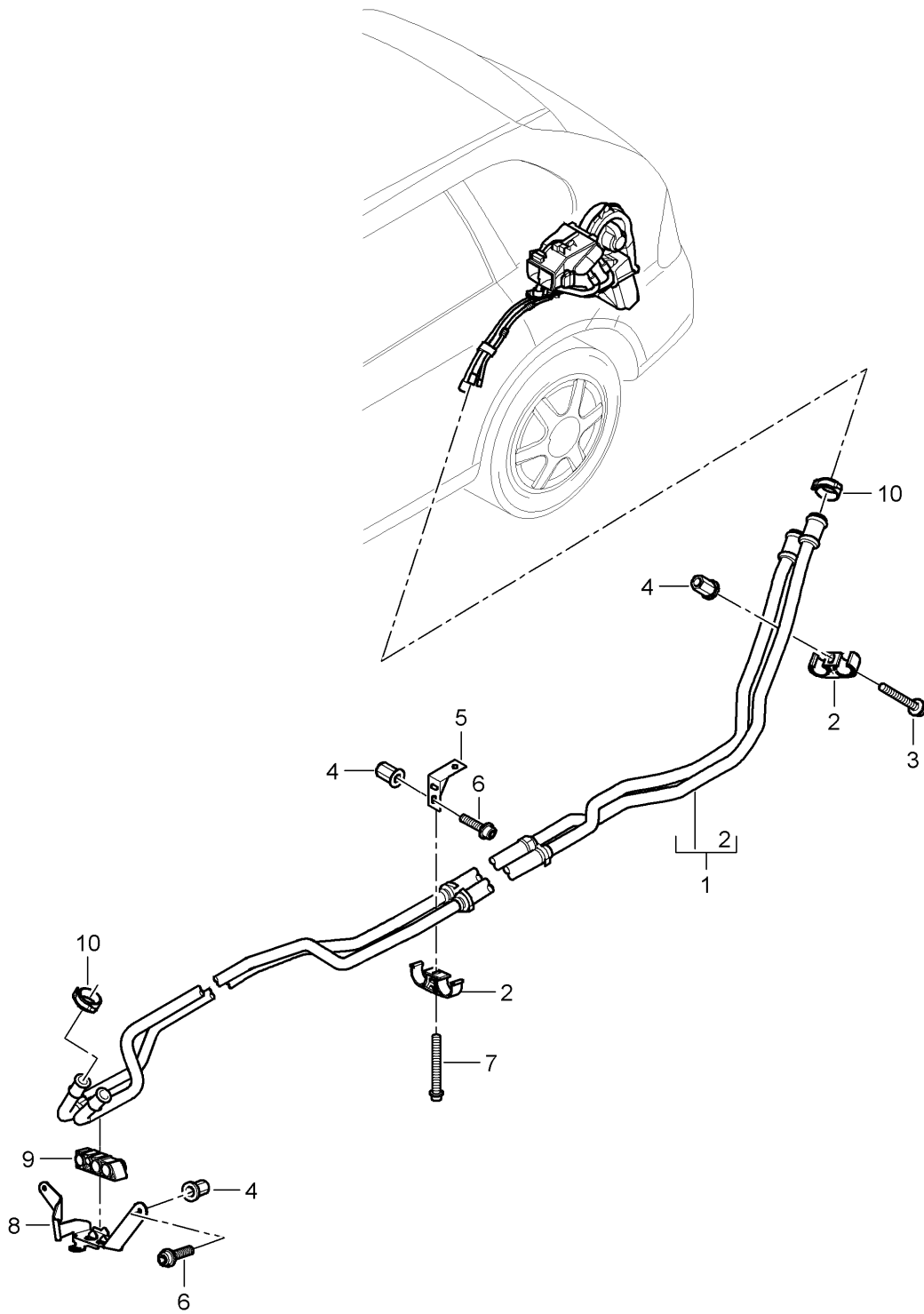


Model: 92A 11 Model life 2011>>

Pos	Part Number	Description	Remark	Qty	Model
		Hose line			I9AH/9M1/9M5 I9M9
		Wheel housing with Auxiliary air conditioner And Auxiliary heater Feed line Return line			
1	955 572 824 03	Valve		1	I9M1/9M9
2	N 906 870 01	Hose clamp B 27 X 12		X	
3	958 572 983 00	Heater hose		2	I0K0/9M1/9M5 I9M9
4	958 572 926 01	Hot air duct		1	I9M1/9M5/9M9
5	955 572 150 07	Water pump		1	I9M1/9M5/9M9
6	958 572 148 00	Clamping spring Mount Pump		1	I9M1/9M5/9M9
7	N 910 967 01	Round head screw M6 X 16		X	
8	958 572 409 00	Rubber boot for Clip		1	I9M1/9M5/9M9
9	958 572 373 00	Heater hose		1	I9M1/9M5/9M9
10	958 572 912 10	Hot air duct		1	I9AH/9M1/9M9
11	955 572 055 01	Clip		X	
12	N 105 103 01	Hexagon socket head bolt M6 x 35		1	
13	958 572 278 00	Hot air duct		1	I9M5
14	N 015 082 10	Hexagon nut		1	
15	958 572 324 00	Heater hose		1	I0K0
16	958 572 320 00	Heater hose		1	ID1V/D34/D43 ID58/D6V/9AH ID34/D50/D58 ID6V/0K1/9AH I9M0
17	958 572 308 00	Heater hose		3	ID11/9AH/9M0
(17)		Heater hose		3	
18	958 572 699 00	Grommet		1	
19	958 572 981 00	Heater hose		1	I9AH
20	955 572 784 00	Heater hose		1	I9AH/9M1/9M5 I9M9
21	958 572 925 00	Hot air duct		1	I9AH/9M1/9M5 I9M9
22	958 572 377 00	Hot air duct		1	I9AH/9M5
23	955 572 583 00	Heater hose		1	I9M1/9M9
24	955 572 584 00	Heater hose		1	I9M1/9M5/9M9
25	958 572 982 00	Heater hose		1	I9M1/9M9
26	958 572 911 10	Hot air duct		1	I9M1/9M9
27	958 572 888 00	Hot air duct		1	I9M1/9M9

Model: 92A 11

Model life 2011>>



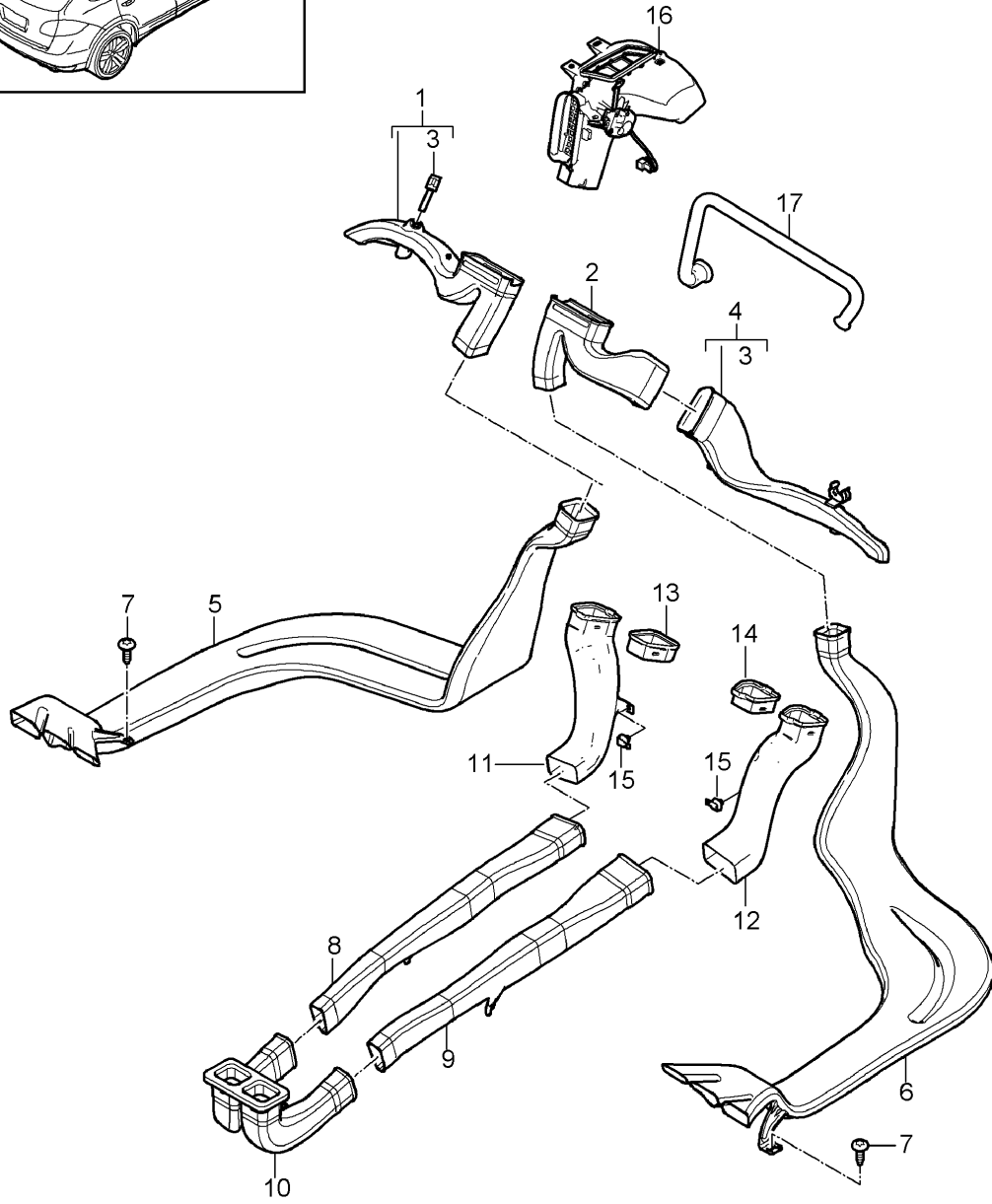
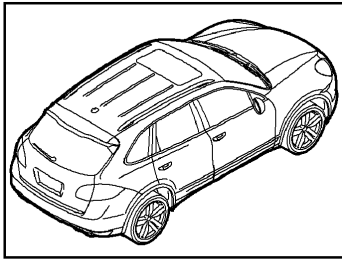
Model: 92A 11

Model life 2011>>

Pos	Part Number	Description	Remark	Qty	Model
		Hot air duct Auxiliary air conditioner Rear			I9AH
1	958 572 885 00	Hot air duct		1	I0K0/9AH
1		Hot air duct		1	I0K3/7KI
2	955 572 787 00	Clip		2	
3	N 105 103 01	Hexagon socket head bolt M6 X 35		1	
4	N 902 631 04	Blind rivet nut M6		X	
5	955 572 495 00	Support		2	
6	N 910 967 01	Round head screw M6 X 16		X	
7	N 106 247 01	Pan-head screw M6 X 70		2	
8	955 573 605 00	Support		1	
9	955 572 757 05	Spacer		1	
10	N 906 870 01	Hose clamp		X	

Model: 92A 11

Model life 2011>>



Model: 92A 11

Model life 2011>>

Pos	Part Number	Description	Remark	Qty	Model
1	958 573 383 00	Air distributor Footwell outlet vent Left Front	/LL /L	1	IL0L/9AD
(1)	958 573 385 00	Footwell outlet vent Left Front	/LL /L	1	IL0L/0K0/9AH
(1)	958 573 387 00	with Auxiliary air conditioner Footwell outlet vent Left Front	/RL /L	1	IL0R/9AD
(1)	958 573 387 10	Footwell outlet vent Left Front	/RL /L	1	IL0R
(1)	958 573 389 00	Footwell outlet vent Left Front with Auxiliary air conditioner	/RL /L	1	IL0R/0K0/9AH
2	958 573 384 00	Footwell outlet vent Right Front	/LL /R	1	IL0L/9AD
(2)	958 573 386 00	Footwell outlet vent Right Front with Auxiliary air conditioner	/LL /R	1	IL0L/0K0/9AH
3	958 572 304 00	Temperature sensor		1	
4	958 573 391 00	Footwell outlet vent Front Right	/LL /R	1	IL0L
(4)	958 573 388 00	Footwell outlet vent Right Front	/RL /R	1	IL0R/9AD
(4)	958 573 390 00	Footwell outlet vent Right Front with Auxiliary air conditioner	/RL /R	1	IL0R/0K0/9AH
5	958 573 655 00	Air guide Footwell Rear	/L	1	I9AD
6	958 573 656 00	Air guide Footwell Rear	/R	1	I9AD
7	N 906 986 06	Tapping screw ST 4,2 X 16		X	
8	958 573 801 00	Air duct Centre console Left	/L	1	I9AD
9	958 573 802 00	Air duct Centre console Right	/R	1	I9AD
10	958 573 870 00	Air duct Air exhaust Centre console Rear		1	I9AD
11	958 573 657 00	Air duct Air exhaust Centre console Front	/L	1	I9AD
12	958 573 658 00	Air duct	/R	1	I9AD

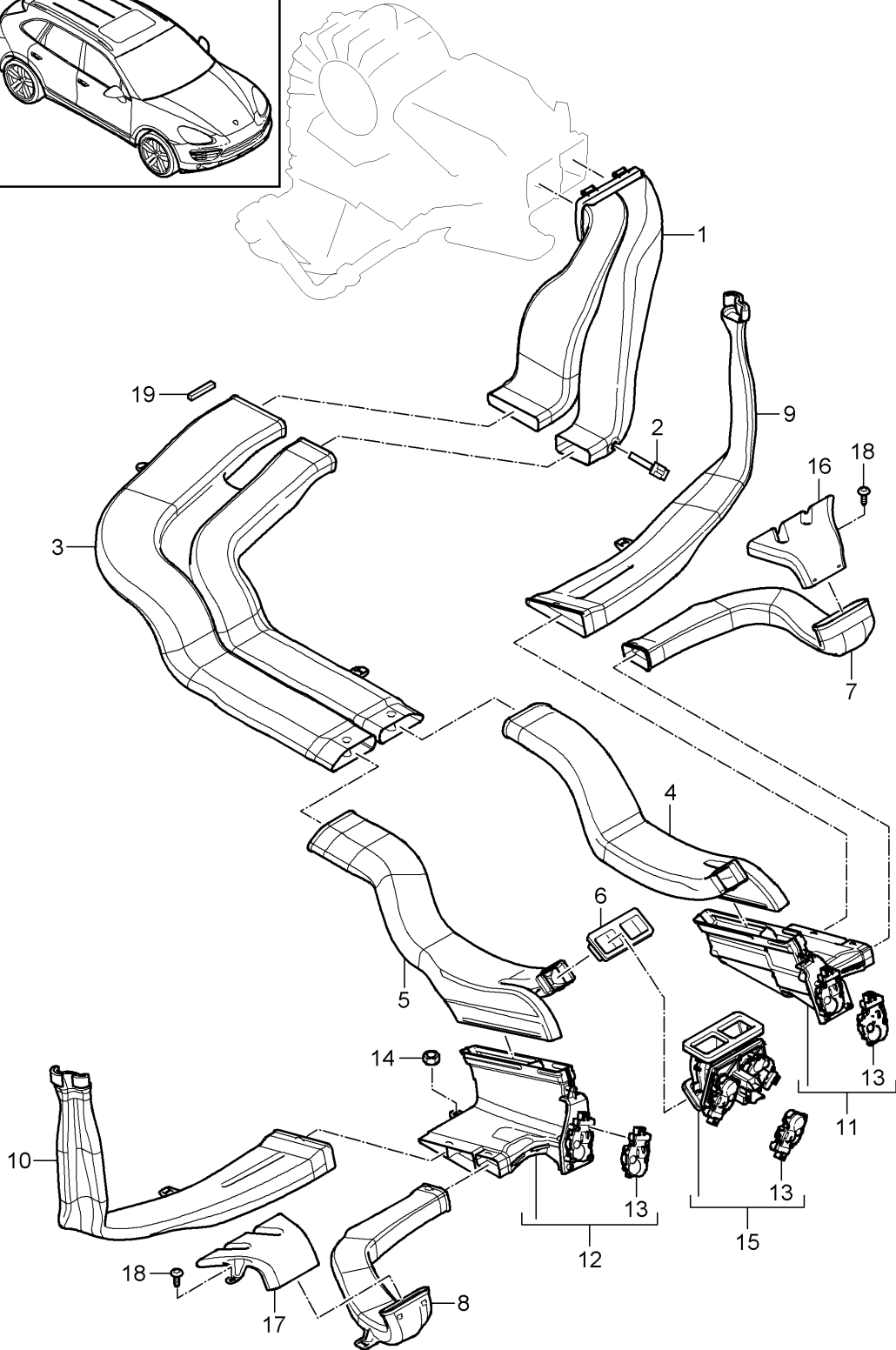
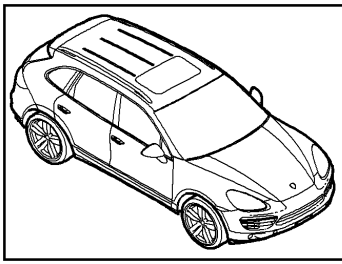
Model: 92A 11

Model life 2011>>

Pos	Part Number	Description	Remark	Qty	Model
13	958 573 663 00	Air exhaust Centre console Front Cap	/L	1	I9AH
14	958 573 664 00	Air duct Centre console Front Cap	/R	1	I9AH
15	N 906 851 01	Air duct Centre console Front Support		2	I9AD
16	958 573 693 00	Air duct Centre console Front Air guide	/L	1	
(16)	958 573 693 02	Air guide Centre	/L	1	
(16)	958 573 693 01	Air guide Centre	/R	1	
(16)	958 573 693 03	Air guide Centre	/R	1	
17	958 573 311 00	Air hose Cold air	/LL	1	IL0L
(17)	958 573 311 10	Air hose Cold air	/RL	1	IL0R

Model: 92A 11

Model life 2011>>



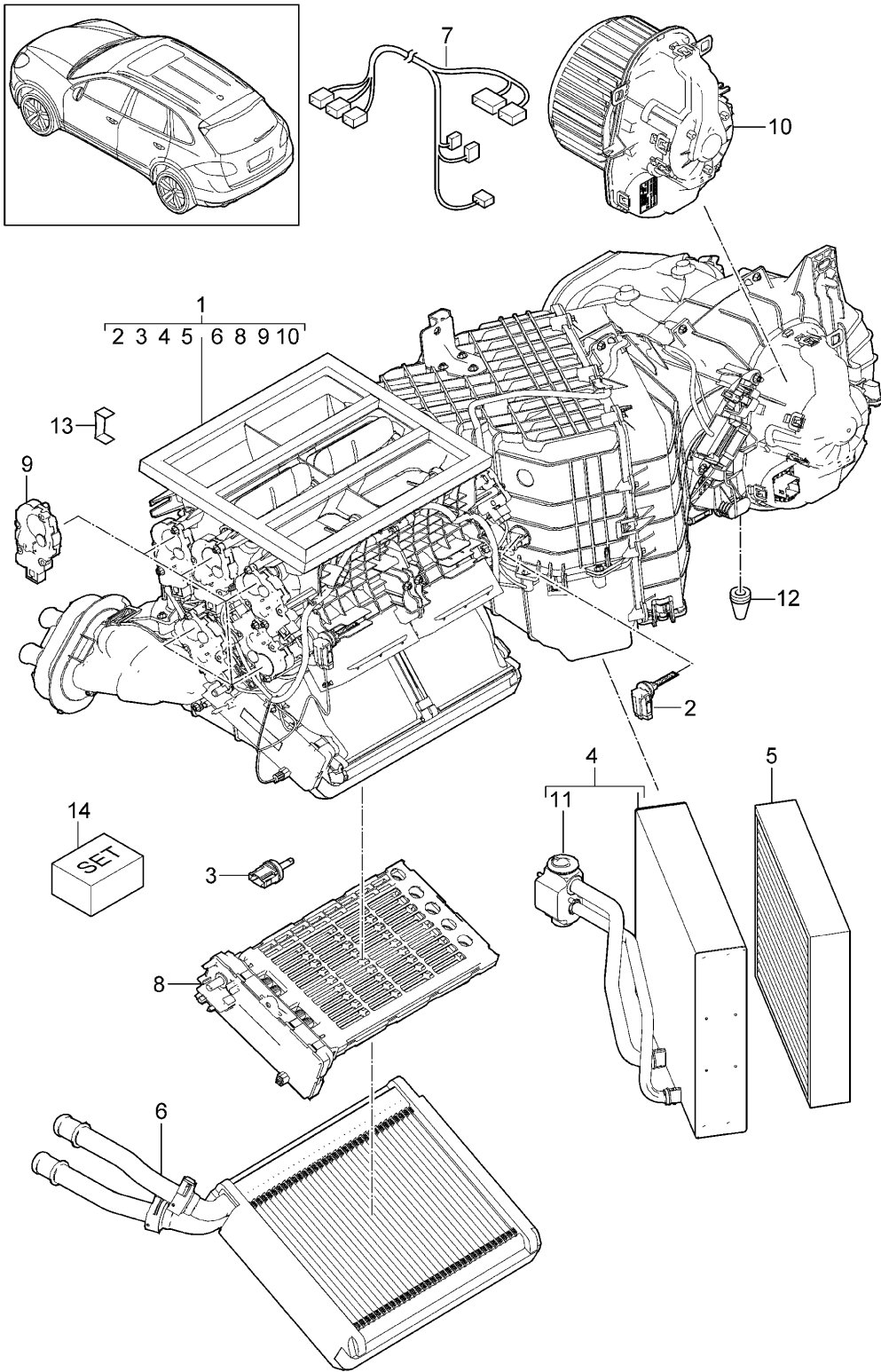
Model: 92A 11

Model life 2011>>

Pos	Part Number	Description	Remark	Qty	Model
1	958 573 681 00	Air distributor Auxiliary air conditioner Air duct Wheel housing		1	I9AH
2		Air conditioner Sensor See illustrations 8/13/50			
3	958 573 699 00	Air duct Left Rear	/L	1	
4	958 573 689 00	Air duct Tunnel Left	/L	1	
5	958 573 690 00	Air duct Tunnel Right	/R	1	
6	955 573 331 00	Adapter Exhaust		1	
7	958 573 857 00	Air duct Footwell Rear	/L	1	
8	958 573 858 00	Air duct Footwell Rear	/R	1	
9	958 573 847 00	Air duct B-pillar Lower Left	/L	1	
10	958 573 848 00	Air duct B-pillar Lower Right	/R	1	
11	958 573 351 00	Air distributor with Electric motor	/L	1	
12	958 573 352 00	Air distributor with Electric motor	/R	1	
13	958 612 512 00	Electric motor		4	
14	N 907 579 01	Nut E 5		2	
15	958 573 526 00	Air distributor Centre console with Electric motor		1	
16	958 573 903 00	Exhaust Footwell Rear Left	/L	1	
17	958 573 904 00	Exhaust Footwell Rear Right	/R	1	
18	N 906 986 06	Tapping screw ST 4,2 X 16		X	
19	958 573 798 00	Plastic foam strip		1	

Model: 92A 11

Model life 2011>>



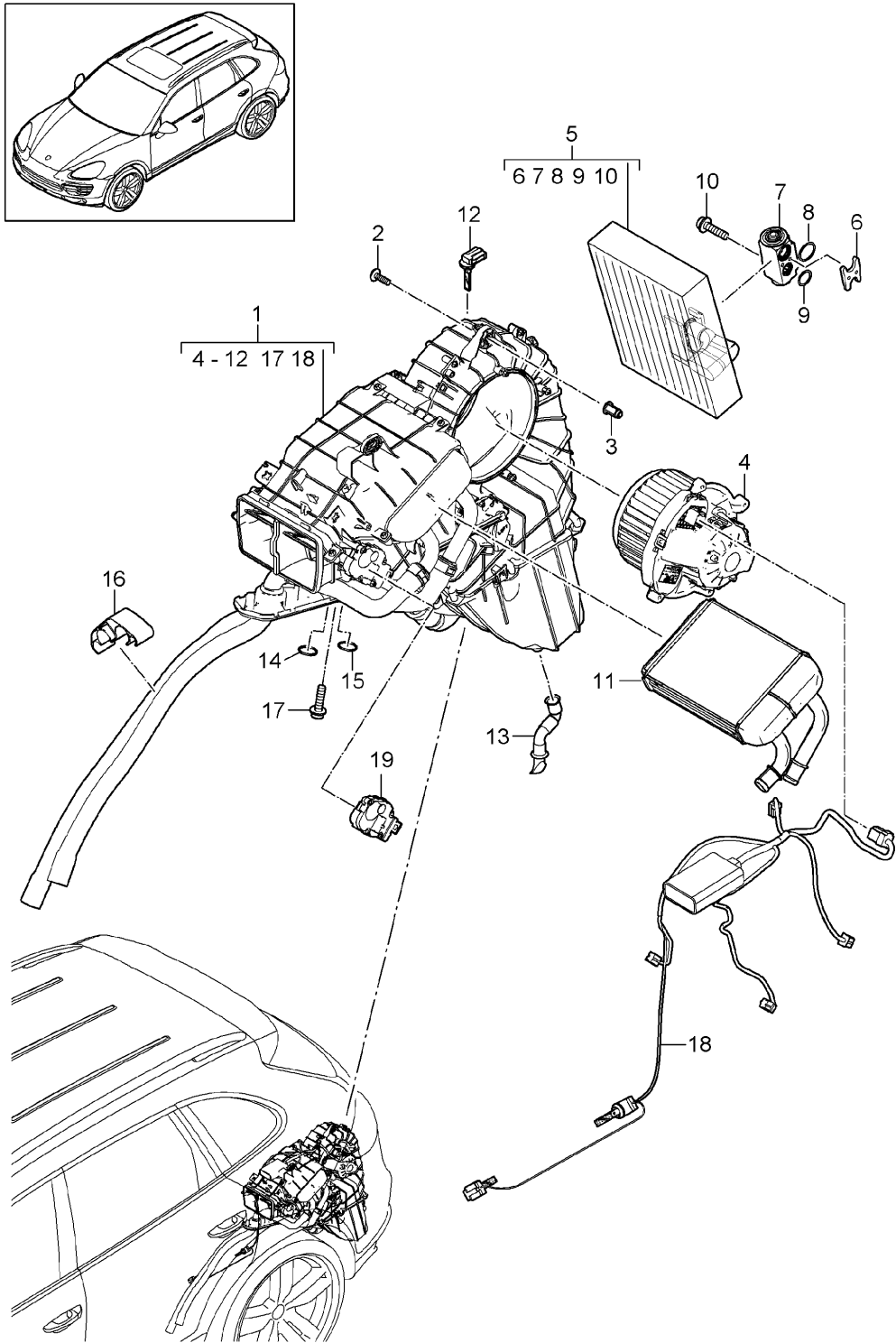
Model: 92A 11

Model life 2011>>

Pos	Part Number	Description	Remark	Qty	Model
		Air conditioner Front Single parts			
1	958 572 300 00	Air conditioner	/LL	1	IL0L/7E6/9AD
1	958 572 300 01	Air conditioner	/LL	1	IL0L/7E6/9AD
(1)	958 572 301 00	Air conditioner	/LL	1	IL0L/7E0/9AD
(1)	958 572 301 01	Air conditioner	/LL	1	IL0L/7E0/9AD
(1)	958 572 302 00	Air conditioner	/LL	1	IL0L/7E0/9AH
(1)	958 572 302 01	Air conditioner	/LL	1	IL0L/7E0/9AH
(1)	958 572 302 02	Air conditioner	/LL	1	IL0L/7E0/9AH
(1)	958 572 302 03	Air conditioner	/LL	1	IL0L/7E0/9AH
(1)	958 572 302 04	Air conditioner	/LL	1	IL0L/7E0/9AH
(1)	958 572 303 00	Air conditioner	/RL	1	IL0R/7E6/9AD
(1)	958 572 305 03	Air conditioner	/RL 14-	1	IL0R/7E0/9AD
(1)	958 572 305 04	Air conditioner	/RL 15-	1	IL0R/7E0/9AD
(1)	958 572 306 00	Air conditioner	/RL	1	IL0R/7E0/9AH
(1)	958 572 306 01	Air conditioner	/RL	1	IL0R/7E0/9AH
2	958 572 304 00	Temperature sensor Evaporator		1	
3	958 572 304 10	Temperature sensor Footwell outlet vent		1	
4	958 572 317 00	Evaporator	/LL	1	IL0L
(4)	958 572 318 00	Evaporator	/RL	1	IL0R
(4)	958 572 101 01	Evaporator		1	I0K0/9AH
5	958 572 219 00	Particle filter		1	
6	958 572 326 00	Heat exchanger	/LL	1	IL0L
(6)	958 572 327 00	Heat exchanger	/RL	1	IL0R
7	958 612 350 00	Wiring harness	/LL	1	IL0L/7E0/9AD
(7)	958 612 350 01	Wiring harness	/LL	1	IL0L/7E6/9AD
(7)	958 612 350 03	Wiring harness	/RL	1	IL0R/7E6/9AD
(7)	958 612 351 00	Wiring harness	/RL	1	IL0R/7E0/9AH
(7)	958 612 351 01	Wiring harness	/LL	1	IL0L/7E0/9AH
(7)	958 612 351 03	Wiring harness	/RL	1	IL0R/7E0/9AD
8	958 612 235 00	Heater		1	I7E6
9	958 612 511 00	Electric motor		X	
10	958 572 342 02	Blower	/LL	1	IL0L
(10)	958 572 341 01	Blower	/RL	1	IL0R
11	958 572 319 00	Expansion valve		1	
12	955 572 333 01	Water drain sleeve		1	
13	928 570 423 00	Tensioning spring		1	
14	8K0 898 540	Parts kit Screw		1	

Model: 92A 11

Model life 2011>>



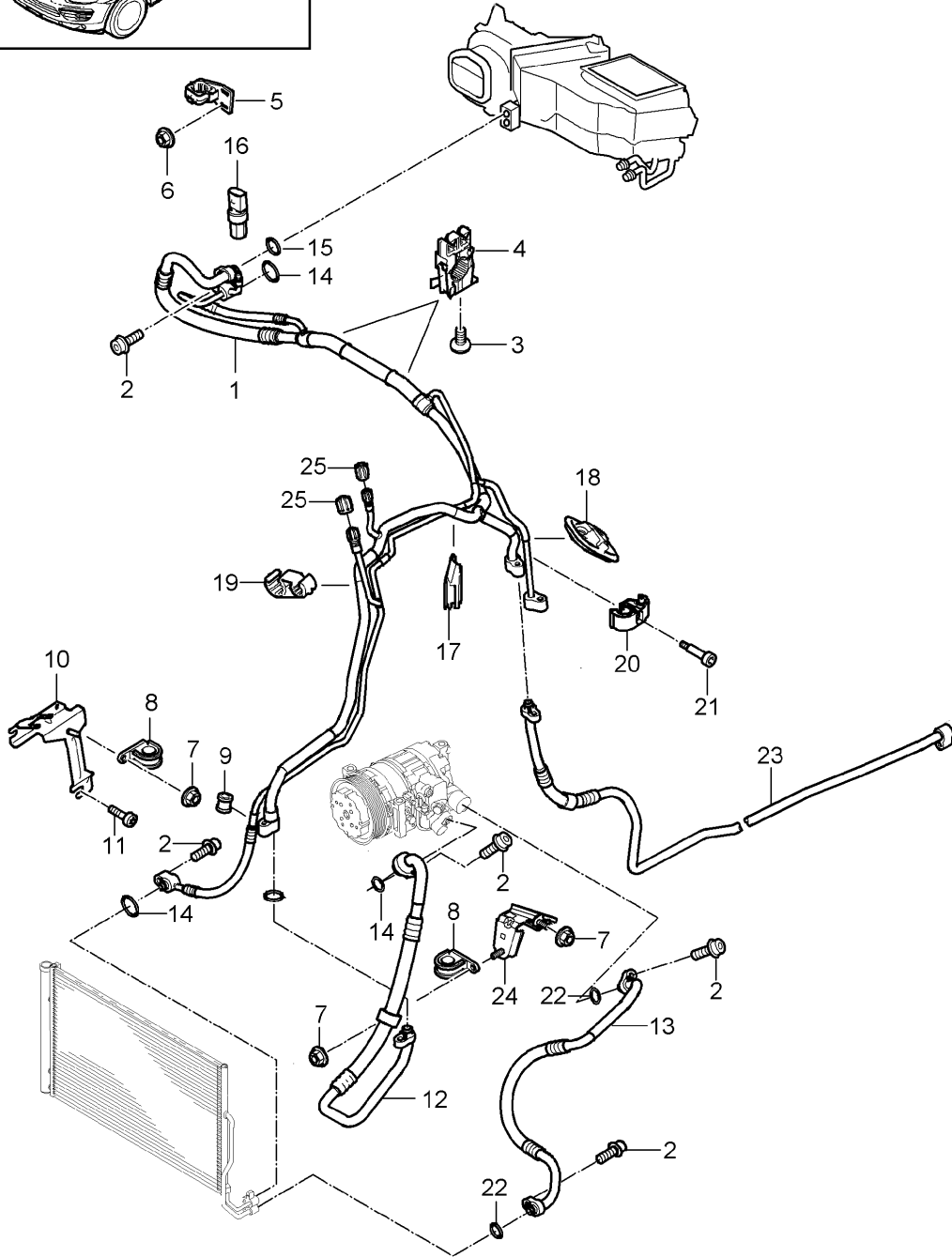
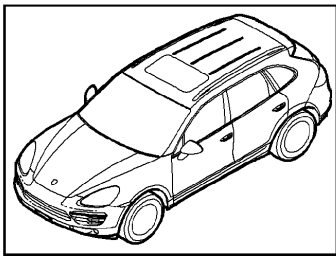
Model: 92A 11

Model life 2011>>

Pos	Part Number	Description	Remark	Qty	Model
		Air conditioner Rear Single parts			I9AH
1	958 572 003 00	Air conditioner		1	I0K0/9AH
1	958 572 003 03	Air conditioner		1	I0K0/9AH
2	N 910 799 01	Hexagon-head bolt M6 X 20		3	
3	N 106 185 01	Blind rivet nut M6		X	
4	958 572 022 03	Blower		1	
5	958 572 101 00	Evaporator		1	
6	955 572 064 00	Support		1	
7	955 572 319 11	Expansion valve		1	
8	955 572 325 10	Expansion valve		1	
		Sealing ring		1	
		Exhaust			
9	955 572 324 00	Round seal		1	
		Intake			
10	N 104 763 01	Pan-head screw M5 X 40		2	
11	955 572 070 01	Heat exchanger		1	
12	958 572 304 00	Temperature sensor		1	
13	955 572 091 00	Water drain sleeve		1	
14	955 573 749 00	Round seal 9,5 X 2,5		X	
15	955 572 094 00	O-ring 11,0 X 2,5		X	
15	955 573 749 01	Round seal 11 X 2,5		X	
16	955 573 763 00	Spacer		1	
17	N 104 144 02	Pan-head screw M8 X 28		X	
18	958 612 565 00	Wiring harness		1	I0K0/9AH
19	958 612 512 01	Electric motor		4	

Model: 92A 11

Model life 2011>>



Model: 92A 11

Model life 2011>>

Pos	Part Number	Description	Remark	Qty	Model
		Refrigerant circuit	-16		I9AD
1	958 573 741 40	Front with Auxiliary air conditioner Pressure line	/LL	1	IDT1/DT5/D34 ID58/D6V/L0L
(1)	958 573 741 07	Condenser for Expansion valve Pressure line	/LL	1	ID50/L0L
(1)	958 573 741 15	Pressure line	/LL	1	ID43/L0L
(1)	958 573 741 17	Pressure line	/LL	1	ID43/L0L
(1)	958 573 741 22	Condenser for Expansion valve Pressure line	/LL -14	1	ID19/GP0/L0L
1	958 820 741 45	Condenser for Expansion valve Refrigerant line	/LL 16-	1	ID19/L0L
(1)	958 573 741 12	Expansion valve Pressure line	/LL	1	ID11/L0L
(1)	958 573 741 27	Pressure line	/LL	1	ID6V/L0L
(1)	958 573 741 31	Condenser for Expansion valve Pressure line	/LL	1	IDD8/L0L
(1)	958 573 741 41	Condenser for Expansion valve Pressure line	/LL	1	IDU2/DU3/L0L
(1)	958 573 742 05	Expansion valve Pressure line	/RL	1	-IE0W/ID34 ID58/D6V/L0R ID19/L0R
1	958 573 741 51	Refrigerant line	/RL	1	
(1)	958 573 742 10	Condenser Expansion valve Pressure line	/RL	1	ID50/L0R
(1)	958 573 742 22	Pressure line	/RL	1	ID43/L0R
(1)	958 573 742 29	Condenser for Expansion valve Pressure line	/RL	1	GTS ID6V/E0W/L0R
(1)	958 573 742 33	Condenser for Expansion valve Pressure line	/RL	1	IDD8/L0R
2	N 104 144 02	Condenser for Expansion valve Pan-head screw		X	
3	N 911 235 01	M8X28-U Oval-head screw	/LL	2	IL0L
4	958 573 055 00	5,0X14-Q Clip	/LL	2	IL0L
5	958 573 055 01	Clip	/RL	1	IL0R
6	N 904 553 01	Plastic nut	/RL	2	IL0R
7	N 015 082 10	B5 Hexagon nut		X	

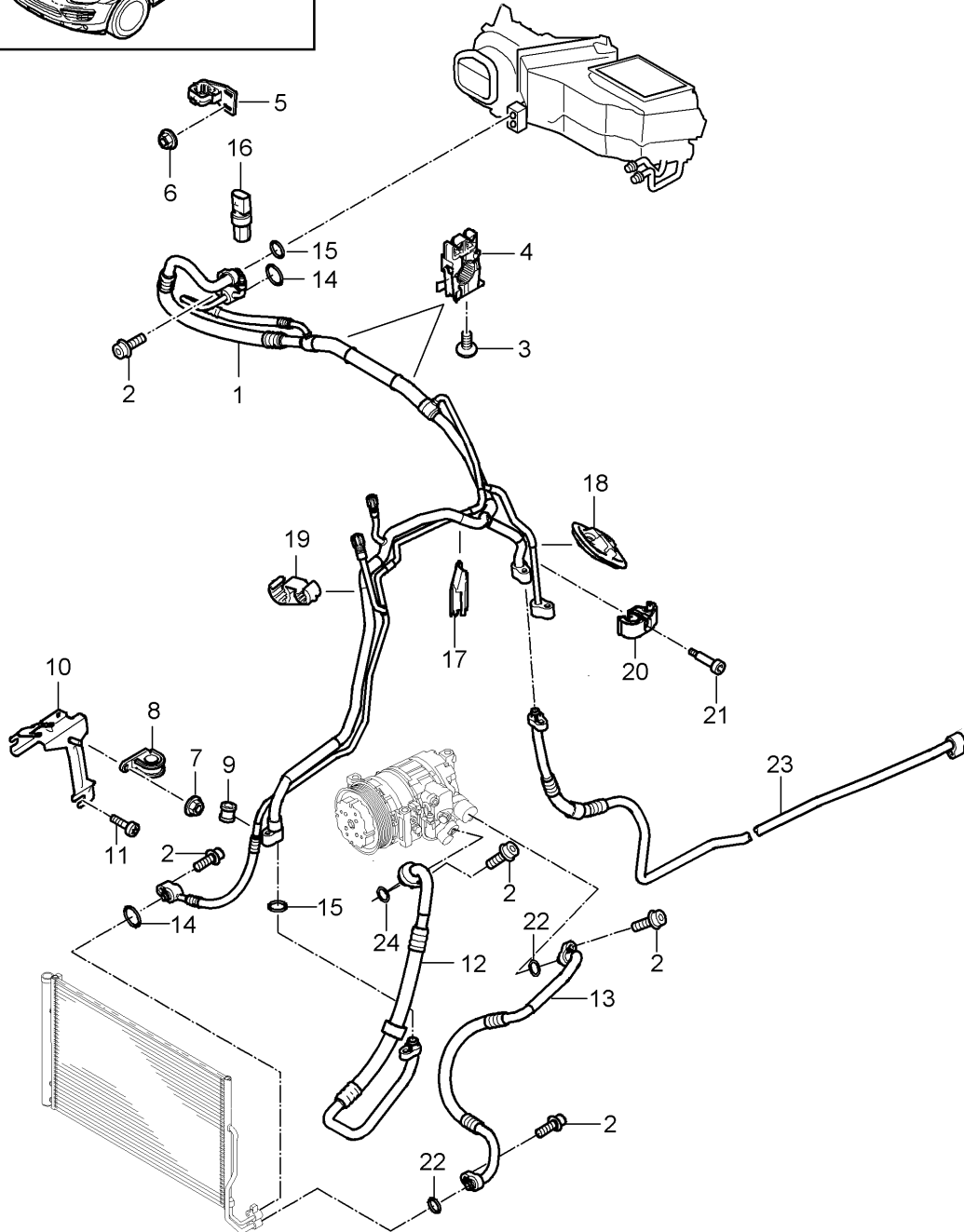
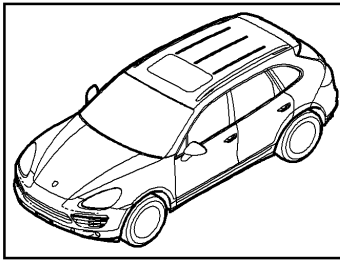
Model: 92A 11

Model life 2011>>

Pos	Part Number	Description	Remark	Qty	Model
8	N 020 647 3	M6 Clamp		X	ID19/D34/D58 ID6V
9	N 020 651 7	Clip		1	
10	958 820 893 00	Support		1	-ID19
11	N 910 967 01	Round head screw M6X16-TC		X	
(12)	958 573 744 04	Refrigerant line		1	ID34
(12)	958 573 744 02	Refrigerant line		1	IDT1/DT5/D58 ID6V
(12)	958 573 744 03	Refrigerant line	-14	1	ID19
(12)	958 573 744 05	Refrigerant line		1	IDD8
(12)	958 573 744 06	Refrigerant line	-16	1	IDU2/DU3
-	955 573 749 03	O-ring 23,8 X 2,4		X	
13	958 573 721 00	Pressure line		1	ID34
(13)	958 573 721 01	Pressure line		1	ID19
(13)	958 573 721 02	Pressure line	-12	1	ID1V/D43/D50
(13)	958 573 721 04	Pressure line	13-	1	IDV7/D1V/D43 ID50/D51
(13)	958 573 721 03	Pressure line		1	ID11
(13)	958 573 721 10	Pressure line	-14	1	ID58/D6V
(13)	958 573 721 12	Pressure line	15-	1	IDT1/DT5
(13)	958 573 721 15	Pressure line		1	IDD8/7KI
(13)	958 573 721 50	Refrigerant line Condenser		1	IDU2/DU3
14	955 573 749 00	Round seal		X	
15	955 573 749 02	Round seal 13.7X2.5-N		X	
16	955 613 137 01	Pressure sensor		1	
17	958 573 667 00	Grommet		1	
18	958 573 668 00	Grommet		1	
19	955 573 759 00	Support		1	
20	955 572 180 00	Dual clip		1	
21	N 105 103 01	Hexagon socket head bolt M6 x 35		1	
22	955 572 094 00	O-ring 11,0 X 2,5		X	
22	955 573 749 01	Round seal 11X2.5-N		2	
23		See illustrations 8/13/65			
24	958 573 891 00	Support		1	ID19
25	3C0 820 581	Protection cap Valve cap		1	

Model: 92A 11

Model life 2011>>



Model: 92A 11

Model life 2011>>

Pos	Part Number	Description	Remark	Qty	Model
		Refrigerant circuit Front	-16		I9AH
1	958 573 741 06	with 4-zone Auxiliary air conditioner Pressure line	/LL	1	ID34/D58/D6V IL0L
1	958 573 741 26	Pressure line	/LL	1	ID34/D58/D6V IL0L
(1)	958 573 741 10	Condenser for Expansion valve Pressure line	/LL -11	1	ID1V/D50/L0L
(1)	958 573 741 20	Pressure line	/LL	1	ID43/D50/L0L
(1)	958 573 741 11	Pressure line	/LL (CH)	1	ID11/L0L
(1)	958 573 741 29	Pressure line	/LL (CH)	1	ID6V/L0L
(1)	958 573 741 32	Condenser for Expansion valve Pressure line	/LL	1	IDD8/L0L
(1)	958 573 741 43	Condenser for Expansion valve Pressure line	/LL	1	IDU2/DU3/L0L
(1)	958 573 742 06	Condenser for Expansion valve Pressure line	/RL	1	ID34/D58/D6V IL0R
(1)	958 573 742 08	Pressure line	/RL	1	ID50/L0R
(1)	958 573 742 23	Pressure line	/RL	1	ID50/L0R
(1)	958 573 742 30	Pressure line	/RL	1	ID43/L0R
(1)	958 573 742 34	Pressure line	/RL	1	ID6V/L0R
(1)	958 573 742 40	Condenser for Expansion valve Pressure line	/RL	1	IDD8/L0R
(1)	958 573 742 40	Condenser for Expansion valve Pressure line	/RL	1	IDU2/DU3/L0R
2	N 104 144 02	Pan-head screw M 8X28-U		X	
3	N 911 235 01	Oval-head screw 5,0X14-Q	/LL	2	IL0L
4	958 573 055 00	Clip	/LL	2	IL0L
5	958 573 055 01	Clip	/RL	1	IL0R
6	N 904 553 01	Plastic nut B5	/RL	2	IL0R
7	N 015 082 10	Hexagon nut M6		1	-ID1V/-ID11
8	N 020 647 3	Clamp		1	ID19/D34/D58 ID6V
9	N 020 651 7	Clip		1	
10	958 820 893 00	Support Lower		1	
11	N 910 967 01	Round head screw M6X16-TC		X	
12	958 573 744 00	Refrigerant line		1	ID34
(12)	958 573 744 04	Refrigerant line		1	ID34

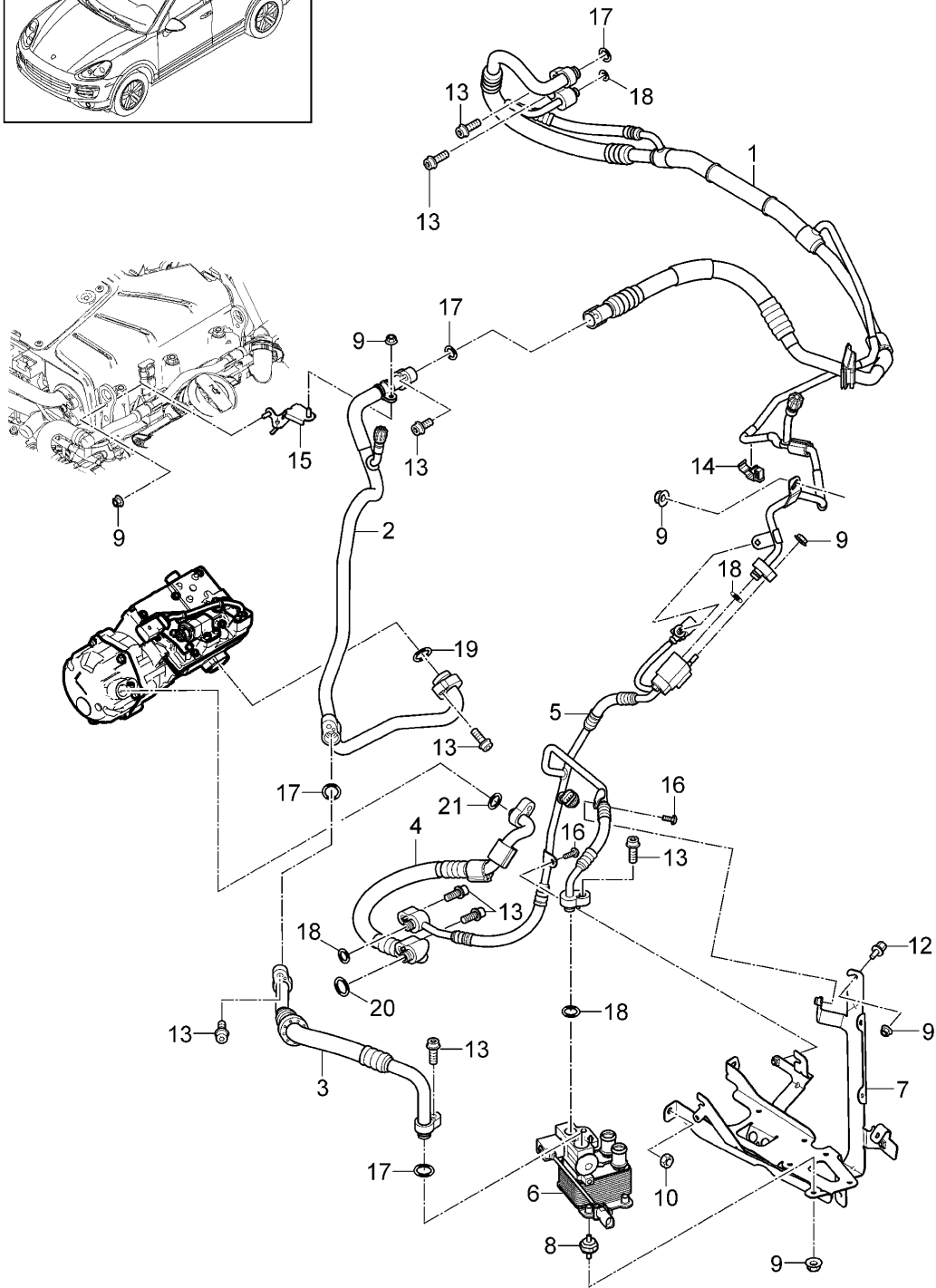
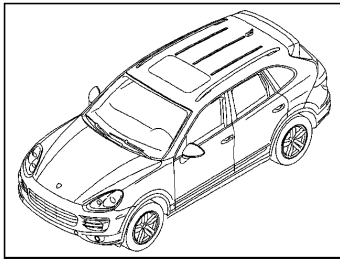
Model: 92A 11

Model life 2011>>

Pos	Part Number	Description	Remark	Qty	Model
(12)	958 573 744 02	Refrigerant line		1	ID58/D6V
(12)	958 573 744 06	Refrigerant line	-16	1	IDU2/DU3
13	958 573 721 00	Pressure line		1	ID34
(13)	958 573 721 02	Pressure line	-12	1	ID1V/D43/D50
(13)	958 573 721 03	Pressure line		1	ID11
(13)	958 573 721 04	Pressure line		1	ID1V/D43
(13)	958 573 721 10	Pressure line		1	IDT1/DT5/D58 ID6V
(13)	958 573 721 50	Refrigerant line Condenser		1	IDU2/DU3
(13)	958 573 721 15	Pressure line		1	IDD8
14	955 573 749 00	Round seal		X	
15	955 573 749 02	Round seal		X	
16	955 613 137 03	Pressure sensor		1	
		When required order also:			
17	958 573 667 00	Grommet		1	
18	958 573 668 00	Grommet		1	
19	955 573 759 00	Support		1	
20	955 572 180 00	Dual clip		1	
21	N 105 103 01	Hexagon socket head bolt M6 x 35		1	
22	955 572 094 00	O-ring 11,0 X 2,5		X	
22	955 573 749 01	Round seal		2	
23		See illustrations 8/13/65			
24	955 573 749 03	O-ring 23,8 X 2,4		X	

Model: 92A 11

Model life 2011>>



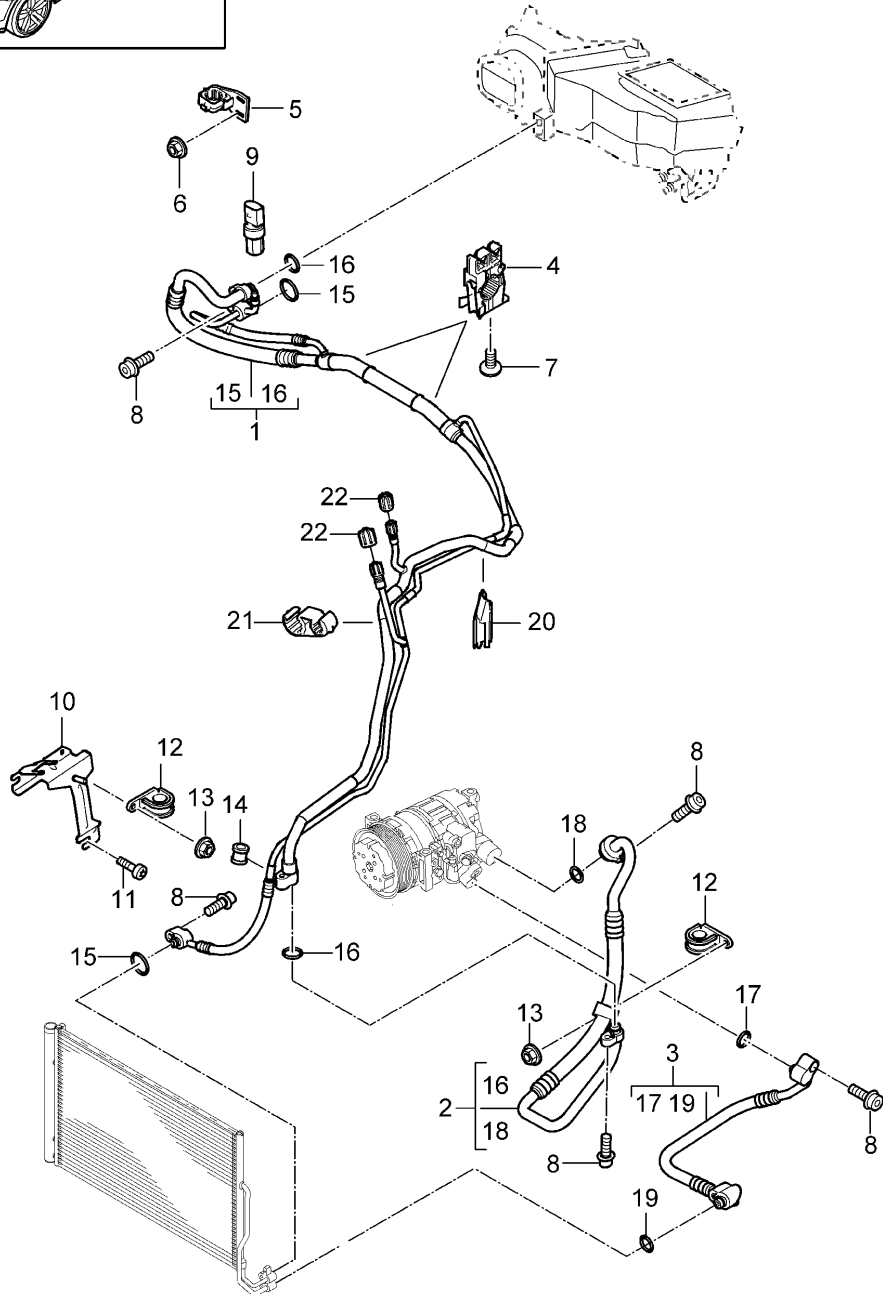
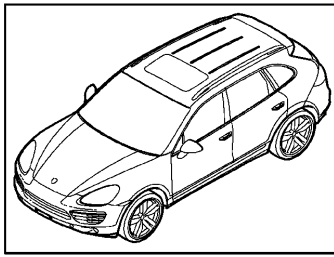
Model: 92A 11

Model life 2011>>

Pos	Part Number	Description	Remark	Qty	Model
		Refrigerant circuit Hybrid	-16		IGP1/0K3/9AD
1	958 573 741 50	Refrigerant line Condenser	/LL	1	ID19/L0L
1	958 573 741 51	Expansion valve Refrigerant line Condenser	/RL	1	ID19/L0R
2	958 820 744 51	Expansion valve Refrigerant line Compressor		1	ID19
3	958 573 738 50	Refrigerant line Heat exchanger		1	ID19
4	958 573 721 50	Refrigerant line Condenser		1	IDU2/DU3
5	958 573 751 52	Refrigerant line Heat exchanger		1	ID19
6	958 573 111 50	Heat exchanger		1	
6	958 573 111 51	Heat exchanger		1	
7	958 573 545 50	Support Heat exchanger		1	
8	7L0 819 083	Buffer		4	
9	N 904 025 03	Hexagon nut M6		X	
10	N 106 092 01	Hexagon nut M8		2	
12	N 908 144 02	Blind rivet screw M6		1	
13	N 104 144 02	Pan-head screw M8X28		X	
14	N 906 970 01	Hose holder		1	
15	958 573 891 00	Support		1	
16	N 910 967 01	Round head screw M6X16		1	
17	999 707 558 41	O-ring NW 16		4	
18	999 707 556 41	O-ring NW 10		5	
19	999 707 439 41	O-ring		1	
20	999 707 557 41	O-ring NW 13		1	
21	999 707 555 41	O-ring NW 10		1	

Model: 92A 11

Model life 2011>>



Model: 92A 11

Model life 2011>>

Pos	Part Number	Description	Remark	Qty	Model
		Refrigerant circuit	17-		IKK1/9AD
1	958 820 741 00	Front 2-zone Refrigerant line	/LL	1	IDT1/DT5/D34 IL0L
(1)	958 820 741 05	Condenser for Expansion valve Refrigerant line	/RL	1	IDT1/DT5/D34 IL0R
(1)	958 820 741 10	Condenser for Expansion valve Refrigerant line	/LL	1	ID11/L0L
(1)	958 820 741 15	Condenser for Expansion valve Refrigerant line	/LL	1	IDU2/DU3/L0L
(1)	958 820 741 20	Condenser for Expansion valve Refrigerant line	/RL	1	IDU2/DU3/L0R
(1)	958 820 741 25	Condenser for Expansion valve Refrigerant line	/LL	1	IDV7/D1V/D43 ID50/D51/L0L
(1)	958 820 741 35	Condenser for Expansion valve Refrigerant line	/LL	1	IDD8/L0L
(1)	958 820 741 40	Condenser for Expansion valve Refrigerant line	/RL	1	IDD8/L0R
2	958 573 744 14	Refrigerant line		1	ID34
(2)	958 573 744 15	Refrigerant line		1	IDU2/DU3
(2)	958 573 744 16	Refrigerant line		1	IDT1/DT5
(2)	958 573 744 05	Refrigerant line		1	IDD8
3	958 573 721 12	Refrigerant line		1	IDT1/DT5
(3)	958 573 721 51	Condenser Refrigerant line		1	IDU2/DU3
(3)	958 573 721 16	Condenser Refrigerant line		1	IDD8
(3)	958 573 721 06	Condenser Refrigerant line		1	ID34
(3)	958 573 721 17	Condenser Refrigerant line		1	ID43
(3)	958 573 721 18	Condenser Refrigerant line		1	ID11/KK1
4	958 573 055 02	Clip	/LL	2	IL0L
5	958 573 055 01	Clip	/RL	1	IL0R
6	N 904 553 01	Plastic nut B5	/RL	2	IL0R
7	N 911 235 01	Oval-head screw 5,0X14-Q	/LL	2	IL0L
8	N 104 144 02	Pan-head screw M8X28-U		X	
9	955 613 137 03	Pressure sensor		1	

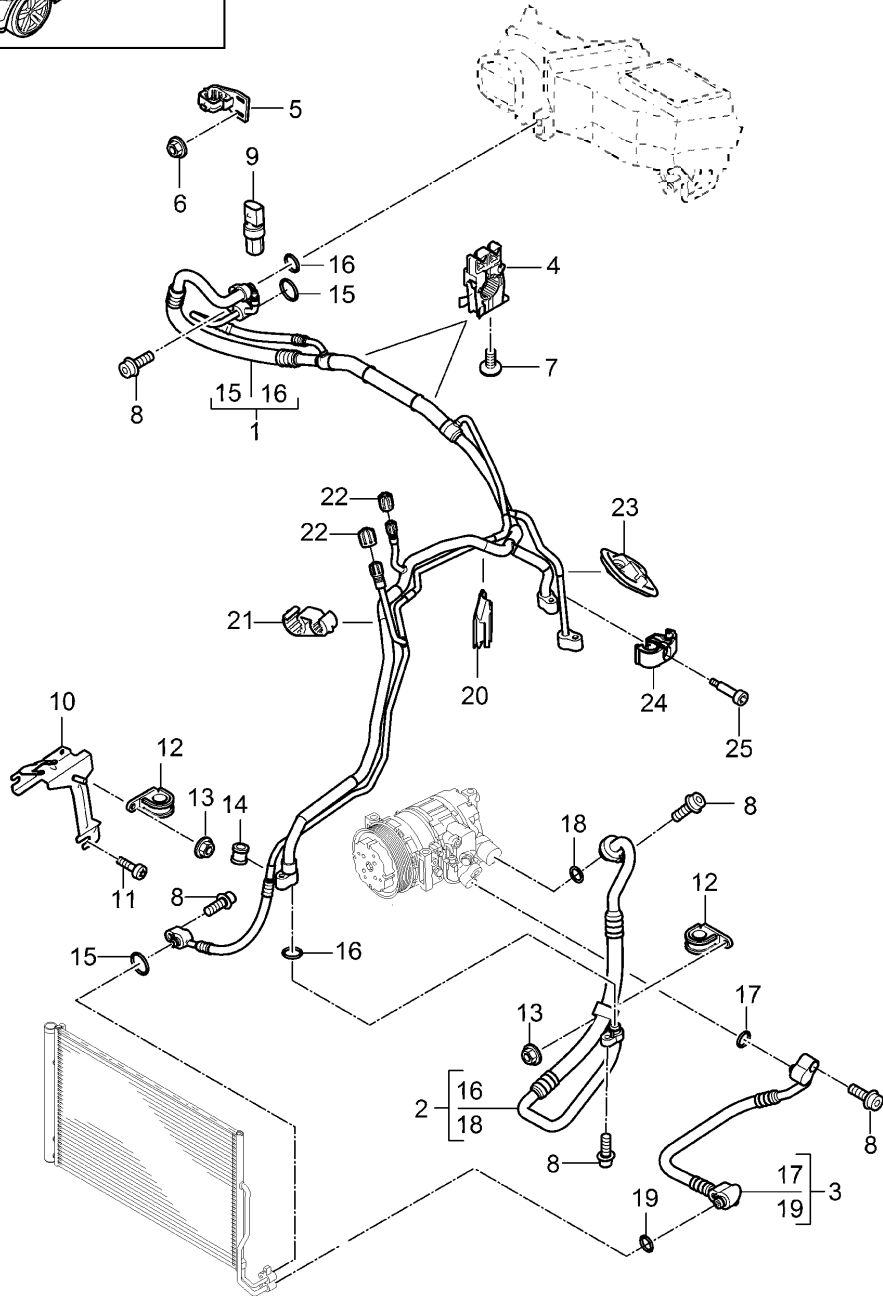
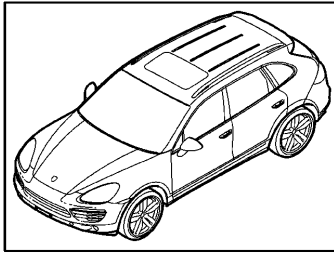
Model: 92A 11

Model life 2011>>

Pos	Part Number	Description	Remark	Qty	Model
		When required order also:			
10	958 820 893 00	Support		1	
11	N 910 967 01	Round head screw M6X16-TC		2	
12	N 020 647 3	Clamp		2	
13	N 015 082 10	Hexagon nut M6		X	
14	N 020 651 7	Clip		1	
15	955 573 749 00	Round seal		X	
16	955 573 749 02	Round seal 13.7X2.5-N		X	
17	955 573 749 01	Round seal 11X2.5-N		1	
18	955 573 749 03	O-ring 23,8 X 2,4		X	
19	955 573 749 04	O-ring 10.8 X 1,82		X	
20	958 573 667 00	Grommet		1	
21	955 573 759 00	Support		1	
22	3C0 820 581	Protection cap Valve cap		1	

Model: 92A 11

Model life 2011>>



Model: 92A 11

Model life 2011>>

Pos	Part Number	Description	Remark	Qty	Model
		Refrigerant circuit Front 4-zone with Auxiliary air conditioner	17-		IKK1/9AH
1	958 820 741 55	Refrigerant line	/LL	1	IDT1/DT5/D34 IL0L
(1)	958 820 741 60	Condenser for Expansion valve Refrigerant line	/RL	1	IDT1/DT5/D34 IL0R
(1)	958 820 741 65	Condenser for Expansion valve Refrigerant line	/LL	1	ID11/L0L
(1)	958 573 741 54	Compressor for Expansion valve Refrigerant line	/LL	1	IDU2/DU3/L0L
(1)	958 820 741 76	Condenser for Expansion valve Refrigerant line	/RL	1	IDU2/DU3/L0R
(1)	958 820 741 70	Condenser for Expansion valve Refrigerant line	/LL	1	IDV7/D1V/D43 ID50/D51/L0L
(1)	958 573 742 25	Condenser for Expansion valve Refrigerant line	/RL	1	IDV7/D1V/D43 ID50/D51/L0L
(1)	958 820 741 80	Condenser for Expansion valve Refrigerant line	/LL	1	IDD8/L0L
(1)	958 820 741 85	Condenser for Expansion valve Refrigerant line	/RL	1	IDD8/L0R
2	958 573 744 14	Expansion valve Refrigerant line		1	ID34
2	958 573 744 15	Intake pipe Refrigerant line		1	IDU2/DU3
(2)	958 573 744 16	Intake pipe Refrigerant line		1	IDT1/DT5
(2)	958 573 744 05	Intake pipe Refrigerant line		1	IDD8
3	958 573 721 12	Intake pipe Refrigerant line		1	IDT1/DT5
(3)	958 573 721 51	Condenser Refrigerant line		1	IDU2/DU3
(3)	958 573 721 16	Condenser Refrigerant line		1	IDD8
(3)	958 573 721 06	Condenser Refrigerant line		1	ID34
(3)	958 573 721 17	Condenser Refrigerant line		1	ID43

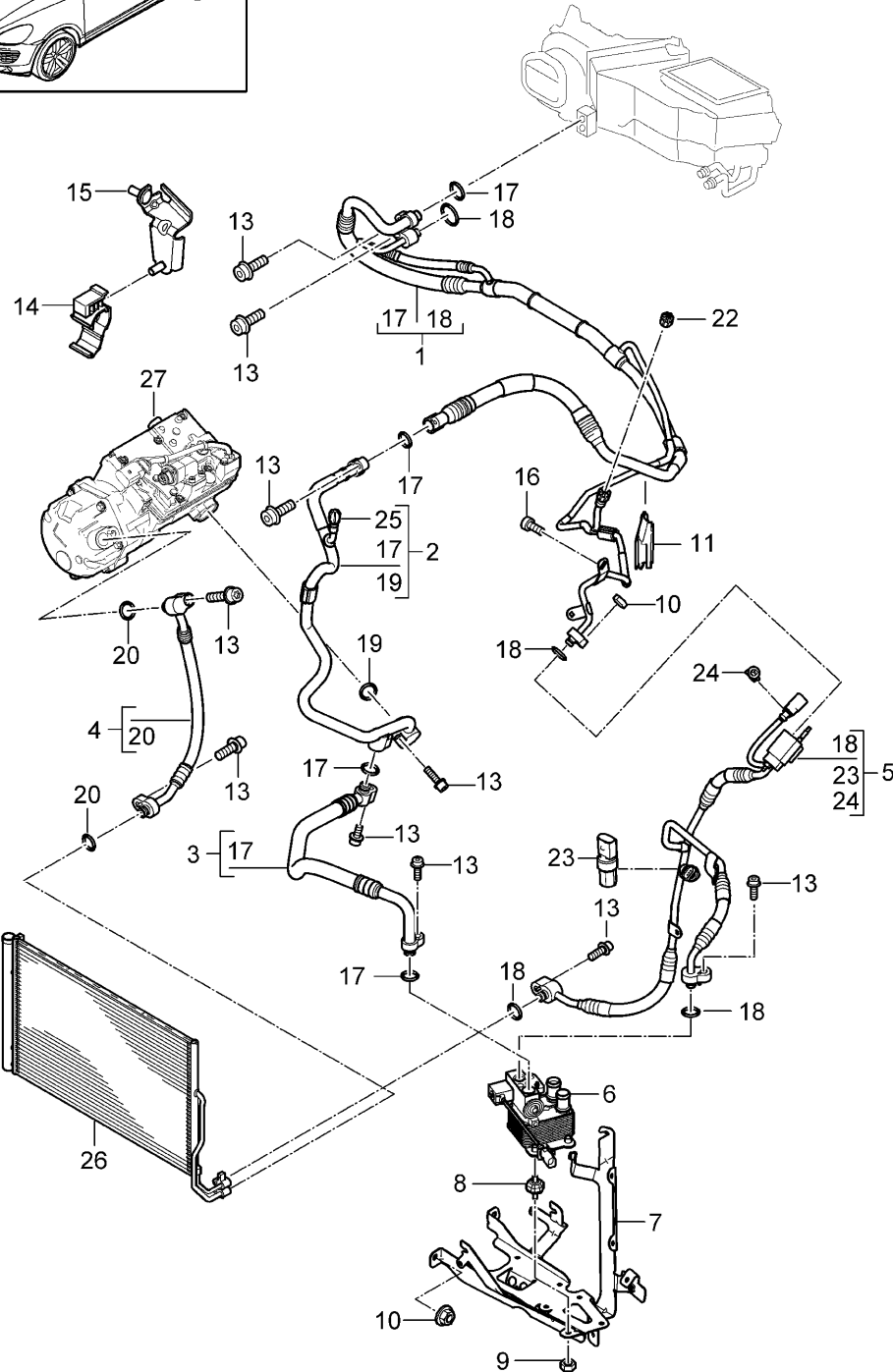
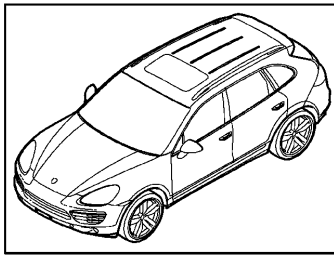
Model: 92A 11

Model life 2011>>

Pos	Part Number	Description	Remark	Qty	Model
(3)	958 573 721 18	Condenser Refrigerant line Condenser		1	ID11/KK1
4	958 573 055 02	Clip	/LL	2	IL0L
5	958 573 055 01	Clip	/RL	1	IL0R
6	N 904 553 01	Plastic nut B5	/RL	2	IL0R
7	N 911 235 01	Oval-head screw 5,0X14-Q	/LL	2	IL0L
8	N 104 144 02	Pan-head screw M8X28-U		X	
9	955 613 137 03	Pressure sensor When required order also:		1	
10	958 820 893 00	Support		1	
11	N 910 967 01	Round head screw M6X16-TC		2	
12	N 020 647 3	Clamp		2	
13	N 015 082 10	Hexagon nut M6		X	
14	N 020 651 7	Clip		1	
15	955 573 749 00	Round seal 9,5X2,5		X	
16	955 573 749 02	Round seal 13.7X2.5-N		X	
17	955 573 749 01	Round seal 11X2.5-N		1	
18	955 573 749 03	O-ring 23,8 X 2,4		X	
19	955 573 749 04	O-ring 10.8 X 1,82		X	
20	958 573 667 00	Grommet		1	
21	955 573 759 00	Support		1	
22	3C0 820 581	Protection cap Valve cap		1	
23	958 573 668 00	Grommet		1	
24	955 572 180 00	Dual clip		1	
25	N 105 103 01	Hexagon socket head bolt M6 X 35		1	
26		See illustrations 8/13/65			

Model: 92A 11

Model life 2011>>



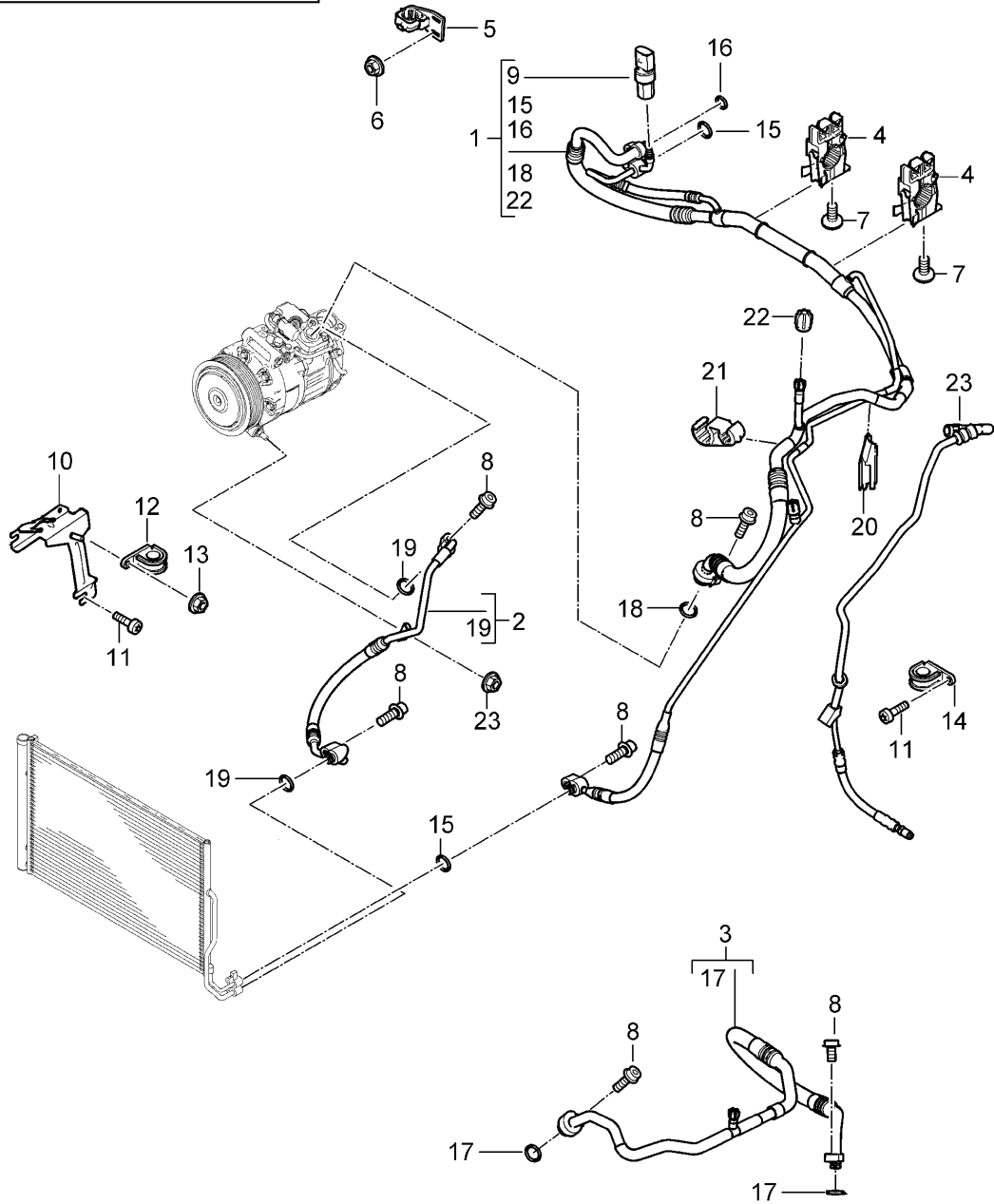
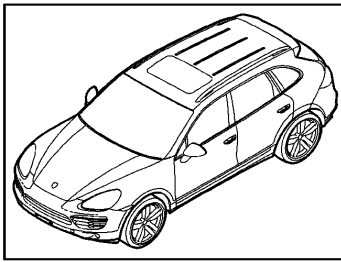
Model: 92A 11

Model life 2011>>

Pos	Part Number	Description	Remark	Qty	Model
		Refrigerant circuit Hybrid	17-		ID19/KK1/9AD
1	958 820 741 45	Refrigerant line	/LL	1	IL0L
		Heat exchanger			
		Condenser			
		Expansion valve			
(1)	958 820 741 50	Refrigerant line	/RL	1	IL0R
		Heat exchanger			
		Condenser			
		Expansion valve			
2	958 820 744 50	Refrigerant line		1	
		Compressor			
3	958 573 738 52	Refrigerant line		1	
		Heat exchanger			
4	958 820 721 50	Refrigerant line		1	
		Condenser			
5	958 820 741 53	Refrigerant line		1	ID19
		Condenser			
		Expansion valve			
6	958 573 111 51	Heat exchanger		1	
7	958 573 545 50	Support		1	I0K3
		Heat exchanger			
8	7L0 819 083	Buffer		4	
9	N 904 025 03	Hexagon nut		X	
		M6			
10	N 106 092 01	Hexagon nut		2	
		M8			
11	958 573 667 00	Grommet		1	
13	N 104 144 02	Pan-head screw		X	
		M8X28			
14	N 906 970 01	Hose holder		1	
15	958 573 891 00	Support		1	
16	N 910 967 01	Round head screw		1	
		M6X16			
17	999 707 558 41	O-ring		4	
		NW 16			
18	999 707 556 41	O-ring		5	
		NW 10			
19	999 707 439 41	O-ring		1	
		23,8X2,4			
20	999 707 557 41	O-ring		1	
		NW 13			
21	999 707 555 41	O-ring		1	
		NW 10			
22	3C0 820 581	Protection cap		1	
		Valve cap			
23	955 613 137 03	Pressure sensor		1	
		When required order also:			
24	958 606 845 50	Support		1	
		B 6,8			
		Connector housing			
25	9A7 816 231 00	Cover		1	
		Valve cap			
26		Condenser		1	
		Air conditioner			
		See illustrations			
		8/13/75			
27		Compressor		1	
		Air conditioner			
		See illustrations			
		8/13/74			

Model: 92A 11

Model life 2011>>



Model: 92A 11 Model life 2011>>

Pos	Part Number	Description	Remark	Qty	Model
		Refrigerant circuit Front 2-zone R1234YF	17-		IKK3/9AD
(1)	958 816 741 10	Refrigerant line Condenser for Expansion valve Use also: 958.411.813.00	/LL	1	IDU2/DU3/L0L
(1)	958 816 741 15	Refrigerant line Condenser for Expansion valve Use also: 958.411.813.00	/RL	1	IDU2/DU3/L0R
(1)	958 816 741 20	Refrigerant line Condenser for Expansion valve	/LL	1	IDV7/D1V/D43 ID50/D51/L0L
(1)	958 816 741 25	Refrigerant line Condenser for Expansion valve	/RL	1	IDV7/D1V/D43 ID50/D51/L0R
(1)	958 816 741 30	Refrigerant line Condenser for Expansion valve	/LL	1	IDD8/L0L
(1)	958 816 741 35	Refrigerant line Condenser for Expansion valve	/RL	1	IDD8/L0R
2	958 816 744 00	Refrigerant line Intake pipe Condenser for Compressor		1	ID11/D34
(2)	958 816 744 05	Refrigerant line Intake pipe Condenser for Compressor		1	IDU2/DU3
(2)	958 816 744 10	Refrigerant line Intake pipe Condenser for Compressor		1	IDT1/DT5
(2)	958 816 744 20	Refrigerant line Intake pipe Condenser for Compressor		1	IDD8
(3)	958 816 721 20	Refrigerant line Intake pipe Condenser for Compressor		1	IDV7/D1V/D43 ID50/D51
4	958 573 055 02	Clip	/LL	2	IL0L
5	958 573 055 01	Clip	/RL	1	IL0R
6	N 904 553 01	Plastic nut	/RL	2	IL0R

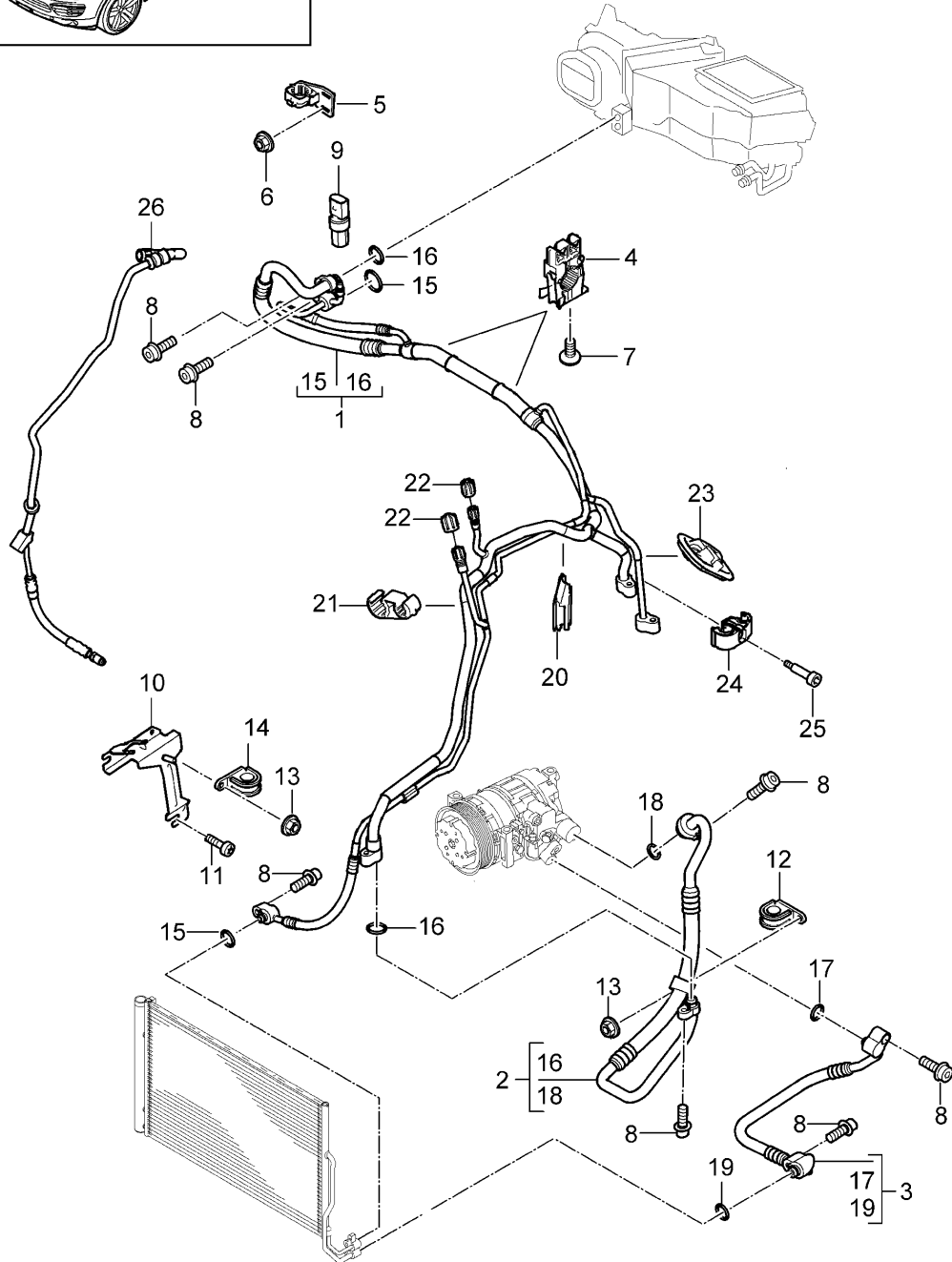
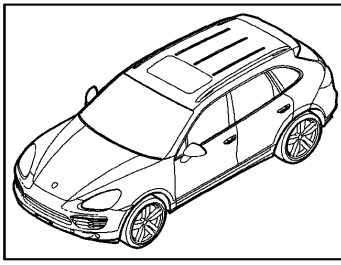
Model: 92A 11

Model life 2011>>

Pos	Part Number	Description	Remark	Qty	Model
7	N 911 235 01	B5 Oval-head screw 5,0X14-Q	/LL	2	IL0L
8	N 104 144 02	Pan-head screw M8X28-U		X	
9	955 613 137 03	Pressure sensor When required order also:		1	
10	958 820 893 00	Support		1	
11	N 910 967 01	Round head screw M6X16-TC		2	
12	N 020 647 3	Clamp		2	
13	N 015 082 10	Hexagon nut M6		X	
14	N 020 651 7	Clip		1	
15	955 573 749 00	Round seal		X	
16	955 573 749 02	Round seal 13.7X2.5-N		X	
17	955 573 749 01	Round seal 11X2.5-N		1	
18	955 573 749 03	O-ring 23,8 X 2,4		X	
19	955 573 749 04	O-ring 10.8 X 1,82		X	
20	958 573 667 00	Grommet		1	
21	955 573 759 00	Support		1	
22	3C0 820 581	Protection cap Valve cap		1	
23	958 411 813 00	Shrink-fit hose Refrigerant line Connection piece		1	IDU2/DU3

Model: 92A 11

Model life 2011>>



Model: 92A 11 Model life 2011>>

Pos	Part Number	Description	Remark	Qty	Model
		Refrigerant circuit Front 4-zone with Auxiliary air conditioner R1234YF	17-		IKK3/9AH
1	958 816 741 60	Refrigerant line	/LL	1	IDT1/DT5/D34 IL0L
(1)	958 816 741 65	Condenser for Expansion valve Refrigerant line	/RL	1	IDT1/DT5/D34 IL0R
(1)	958 816 741 70	Condenser for Expansion valve Refrigerant line	/LL	1	IDU2/DU3/L0L
(1)	958 816 741 75	Condenser for Expansion valve Use also: 958.411.813.00 Refrigerant line	/RL	1	IDU2/DU3/L0R
(1)	958 816 741 80	Condenser for Expansion valve Use also: 958.411.813.00 Refrigerant line	/LL	1	IDV7/D1V/D43 ID50/D51/L0L
(1)	958 816 741 85	Condenser for Expansion valve Refrigerant line	/RL	1	IDV7/D1V/D43 ID50/D51/L0L
(1)	958 816 741 90	Condenser for Expansion valve Refrigerant line	/LL	1	IDD8/L0L
(1)	958 816 741 95	Condenser for Expansion valve Refrigerant line	/RL	1	IDD8/L0R
2	958 816 744 00	Refrigerant line		1	ID34
(2)	958 816 744 05	Refrigerant line		1	IDU2/DU3
(2)	958 816 744 10	Refrigerant line		1	IDT1/DT5
(2)	958 816 744 20	Refrigerant line		1	IDD8
3	958 816 721 00	Refrigerant line		1	V8 Turbo
(3)	958 816 721 10	Refrigerant line		1	IDT1/DT5 V6 Turbo
(3)	958 816 721 20	Refrigerant line		1	IDU2/DU3 V6
(3)	958 816 721 40	Refrigerant line		1	IDV7/D43/D50 ID51/1DV V8TDI
(3)	958 816 721 60	Refrigerant line		1	IDD8 VR6
4	958 573 055 02	Clip	/LL	2	ID34 IL0L
5	958 573 055 01	Clip	/RL	1	IL0R

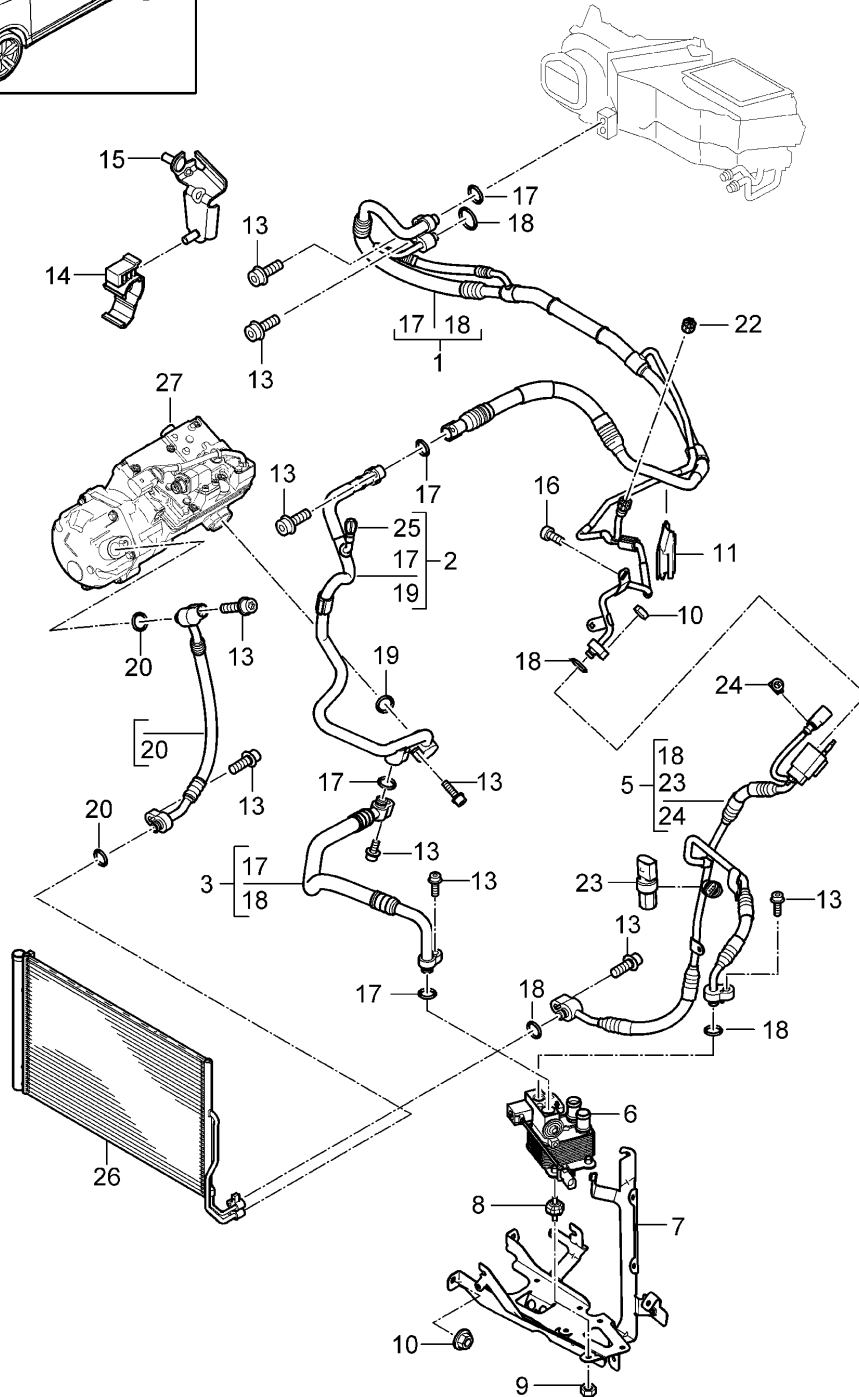
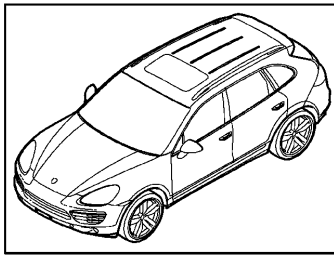
Model: 92A 11

Model life 2011>>

Pos	Part Number	Description	Remark	Qty	Model
6	N 904 553 01	Plastic nut B5	/RL	2	IL0R
7	N 911 235 01	Oval-head screw 5,0X14-Q	/LL	2	IL0L
8	N 104 144 02	Pan-head screw M8X28-U		X	
9	955 613 137 03	Pressure sensor When required order also:		1	
10	958 820 893 00	Support		1	
11	N 910 967 01	Round head screw M6X16-TC		2	
12	N 020 647 3	Clamp		2	
13	N 015 082 10	Hexagon nut M6		X	
14	N 020 651 7	Clip		1	
15	955 573 749 00	Round seal 9,5X2,5		X	
16	955 573 749 02	Round seal 13.7X2.5-N		X	
17	955 573 749 01	Round seal 11X2.5-N		1	
18	955 573 749 03	O-ring 23,8 X 2,4		X	
19	955 573 749 04	O-ring 10.8 X 1,82		X	
20	958 573 667 00	Grommet		1	
21	955 573 759 00	Support		1	
22	3C0 820 581	Protection cap Valve cap		1	
23	958 573 668 00	Grommet		1	
24	955 572 180 00	Dual clip		1	
25	N 105 103 01	Hexagon socket head bolt M6 X 35		1	
26	958 411 813 00	Hose line Connection piece		1	IDU2/DU3

Model: 92A 11

Model life 2011>>



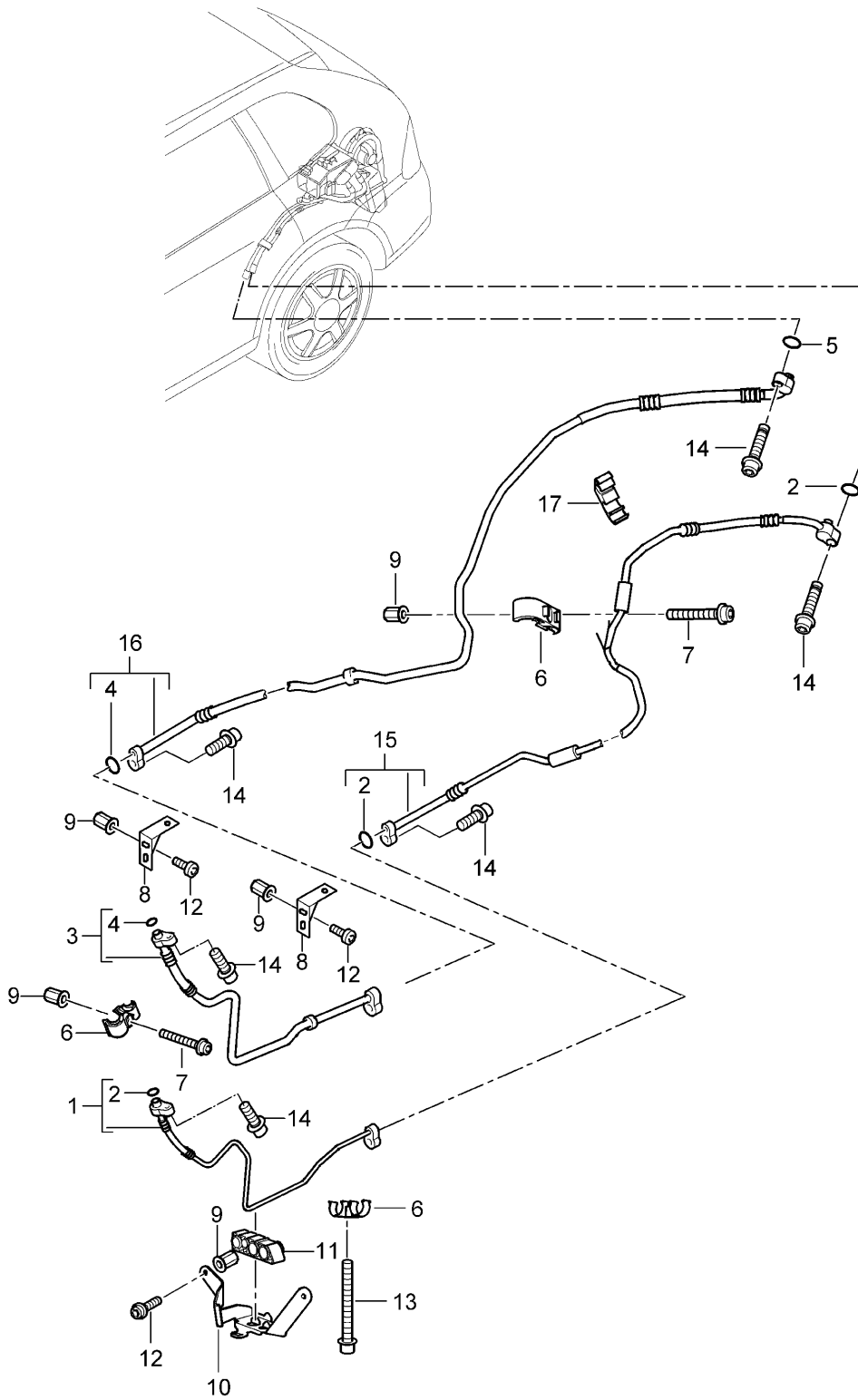
Model: 92A 11

Model life 2011>>

Pos	Part Number	Description	Remark	Qty	Model
		Refrigerant circuit Hybrid R1234YF	17-		ID19/KK3/9AD
1	958 816 741 40	Refrigerant line Condenser	/LL	1	IL0L
1	958 816 741 45	Expansion valve Refrigerant line Condenser	/RL	1	IL0R
2	958 816 744 50	Expansion valve Refrigerant line Compressor		1	
3	958 816 738 50	Intake pipe Refrigerant line		1	
4	958 816 721 50	Heat exchanger Refrigerant line		1	
5	958 816 741 50	Condenser Refrigerant line Condenser		1	
6	958 573 111 51	Expansion valve Heat exchanger		1	
7	958 573 545 50	Support Heat exchanger		1	I0K3
8	7L0 819 083	Buffer		4	
9	N 904 025 03	Hexagon nut M6		X	
10	N 106 092 01	Hexagon nut M8		2	
11	958 573 667 00	Grommet		1	
13	N 104 144 02	Pan-head screw M8X28		X	
14	N 906 970 01	Hose holder		1	
15	958 573 891 00	Support		1	
16	N 910 967 01	Round head screw M6X16		1	
17	999 707 558 41	O-ring NW 16		4	
18	999 707 556 41	O-ring NW 10		5	
19	999 707 439 41	O-ring 23,8X2,4		1	
20	999 707 557 41	O-ring NW 13		1	
21	999 707 555 41	O-ring NW 10		1	
22	3C0 820 581	Protection cap Valve cap		1	
23	955 613 137 03	Pressure sensor		1	
24	958 606 845 50	When required order also: Support B 6,8		1	
25	9A7 816 231 00	Connector housing Cover		1	
26		Valve cap Condenser		1	
27		Air conditioner See illustrations 8/13/75 Compressor Air conditioner See illustrations 8/13/74		1	

Model: 92A 11

Model life 2011>>



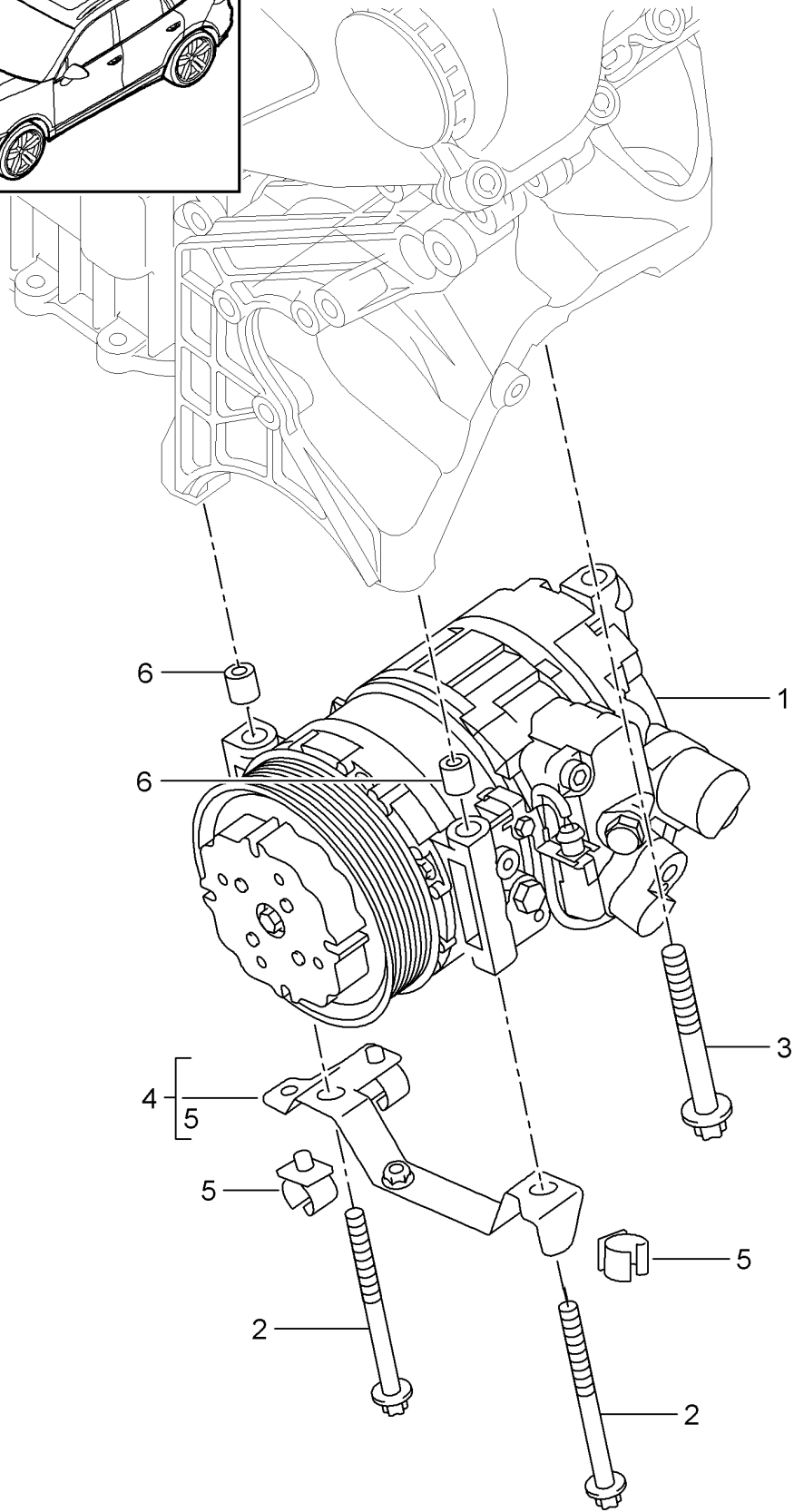
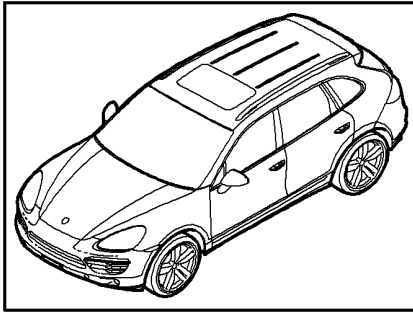
Model: 92A 11

Model life 2011>>

Pos	Part Number	Description	Remark	Qty	Model
		Refrigerant circuit Auxiliary air conditioner Rear			I9AH
1	958 573 722 00	Pressure line		1	
2	955 573 749 00	Round seal		X	
3	958 573 729 00	Intake pipe		1	
4	955 573 749 01	Round seal		X	
5	955 573 749 02	Round seal		X	
6	955 572 180 00	Dual clip		X	
7	N 105 103 01	Hexagon socket head bolt M6 X 35		X	
8	955 572 495 00	Support		2	
9	N 902 631 04	Blind rivet nut M6		X	
10	955 573 605 00	Support		1	
11	955 572 757 05	Spacer		1	
12	N 910 967 01	Round head screw M6 X 16		X	
13	N 106 247 01	Pan-head screw M6 X 60		2	
14	N 104 144 02	Pan-head screw M8 X 28		X	
15	958 573 725 00	Pressure line		1	
16	958 573 727 00	Intake pipe		1	
17	955 573 763 00	Spacer		1	

Model: 92A 11

Model life 2011>>

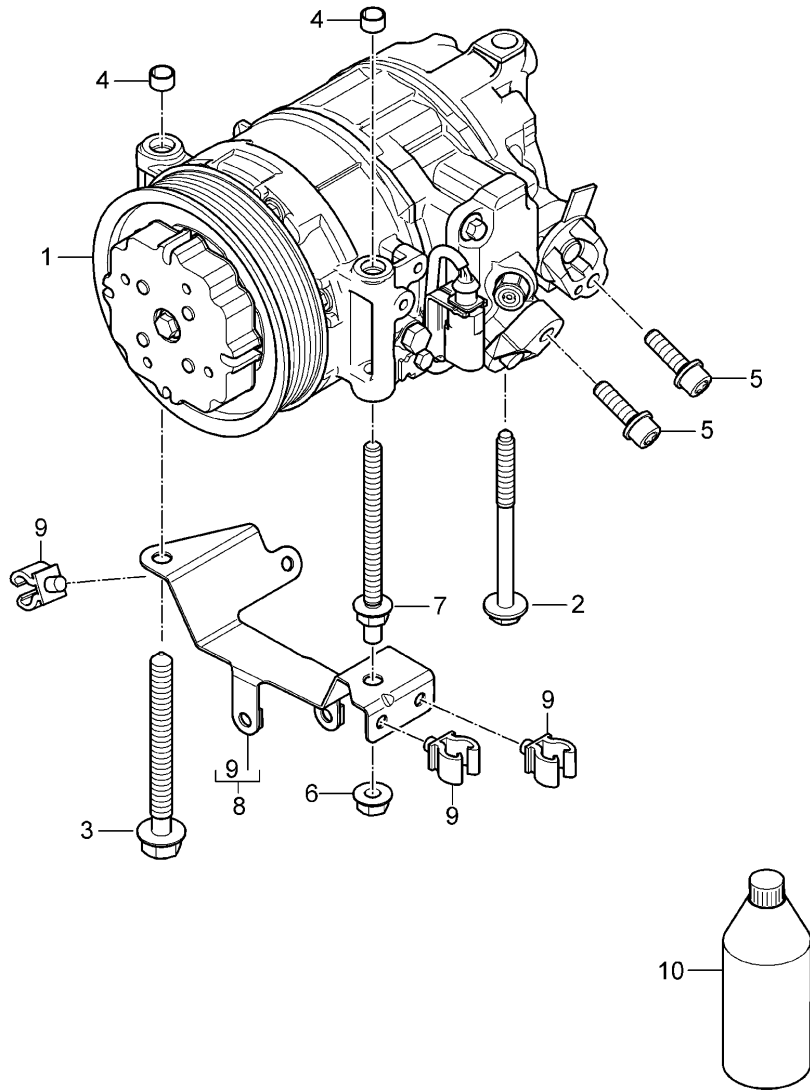
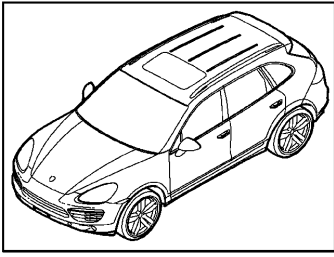


Model: 92A 11 Model life 2011>>

Pos	Part Number	Description	Remark	Qty	Model
(1)	958 126 011 02	Compressor Air conditioner Compressor	-16	1	Hybrid IB0D/B0E/B0L IB0N/B1C/D19
(1)	958 126 011 BX	Compressor		1	IB0D/B0E/B0L IB0N/B1C/D19
(1)	7PP 820 803 B	Compressor		1	Hybrid ID19/GP1
(1)	7PP 820 803 BX	Compressor		1	ID19/GP1
(1)	958 126 012 01	Compressor		1	6-Zyl. 3,6l ID34
(1)	958 126 012 AX	Compressor		1	ID34
(1)	958 126 013 01	Compressor		1	Diesel IDV7/D1V/D43 ID50/D51
(1)	958 126 013 AX	Compressor		1	IDV7/D1V/D43 ID50/D51
(1)	958 126 014 01	Compressor		1	V8 Bi -Turbo IDT1/DT5/D58 ID6V
(1)	958 126 014 BX	Compressor		1	IDT1/DT5/D58 ID6V
(1)	958 126 015 01	Compressor		1	6-Zyl. China ID11
(1)	958 126 015 AX	Compressor		1	ID11
(1)	958 126 016 00	Compressor		1	V8 Diesel IDD8
(1)	958 126 016 X	Compressor	-14	1	IDD8
(1)	958 126 017 00	Compressor		1	IDU2/DU3
(1)	958 126 017 X	Compressor		1	IDU2/DU3
2	N 907 075 02	Combination screw M 8 X 100		2	ID34/D58/D6V
2		Combination screw M 8 X 100		2	ID1V/D50
(2)	N 106 366 01	Hexagon-head bolt M 8 X 110		2	ID19
3	N 106 727 01	Hexagon-head bolt M 10 X 100		1	ID34/D58/D6V I0AW
(3)	N 907 075 02	Combination screw M 8 X 100		1	ID34/0AB
(3)		Combination screw M 8 X 100		1	ID1V/D50
(3)	N 106 366 01	Hexagon-head bolt M 8 X 110		3	ID19
4	958 126 020 00	Support		1	ID58/D6V
(5)	4D0 616 823	Clamp		3	ID58/D6V
6	958 147 501 00	Dowel sleeve 6,5 X 11,15		2	-ID58/-ID6V
(6)	955 126 501 02	Dowel sleeve M6 X 10		2	ID58/D6V
-	000 043 200 04	Oil for Compressor R134A 250 ML		1	

Model: 92A 11

Model life 2011>>



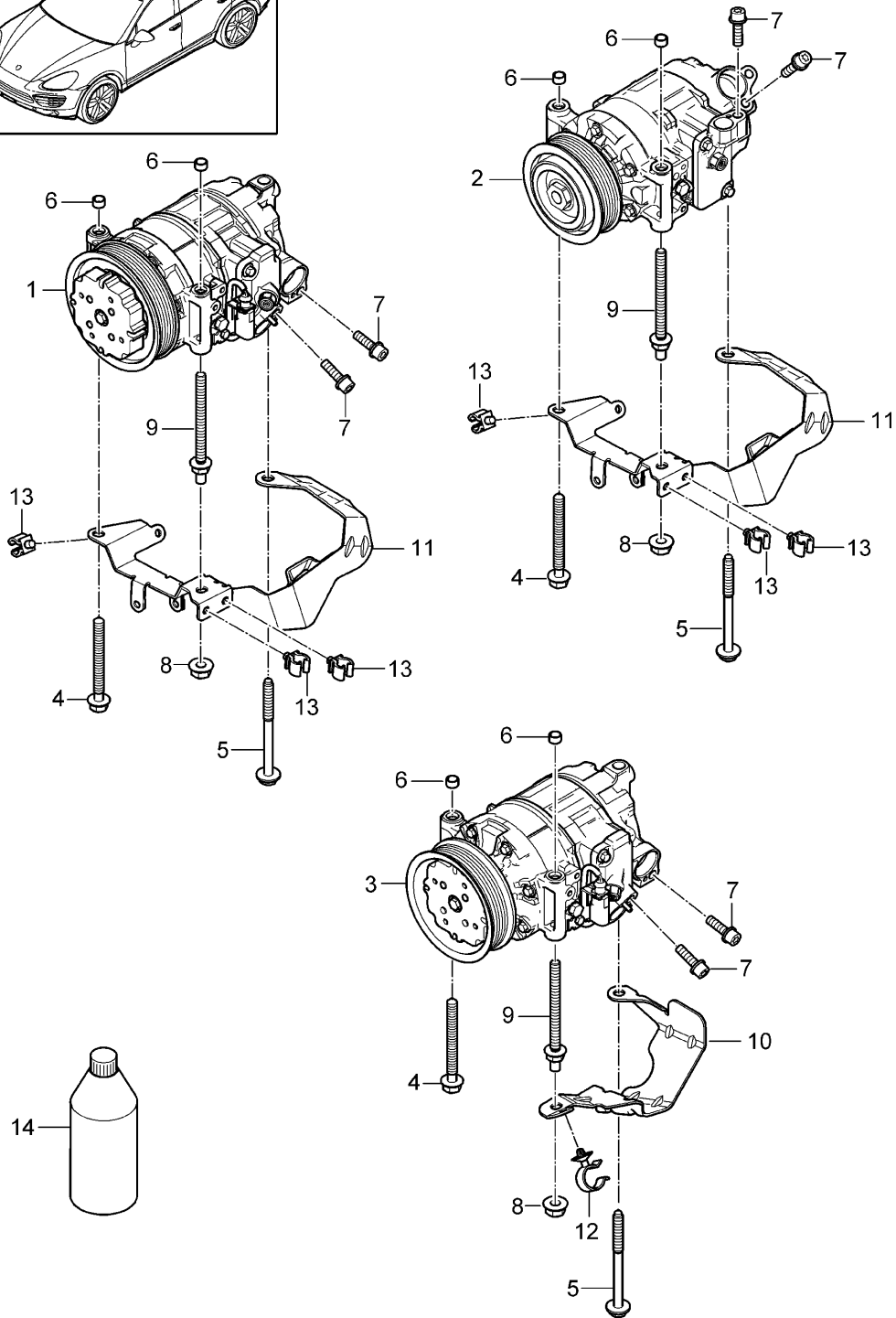
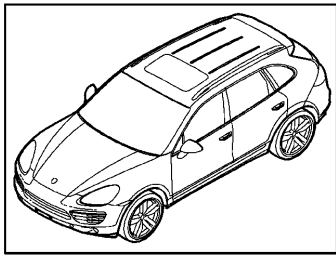
Model: 92A 11

Model life 2011>>

Pos	Part Number	Description	Remark	Qty	Model
		Compressor Air conditioner	17-		-ID19/IKK1
1	958 126 017 00	Compressor		1	V6 Turbo IDU2/DU3
1	958 126 017 X	Compressor		1	V6 Turbo IDU2/DU3
1	958 126 014 01	Compressor		1	V8 Turbo IDT1/DT5
1	958 126 014 BX	Compressor		1	V8 Turbo IDT1/DT5
1	958 126 012 01	Compressor		1	VR6 ID34
1	958 126 012 AX	Compressor		1	VR6 ID34
1	958 126 013 01	Compressor		1	V6 TDI IDV7/D1V/D43 ID50/D51
1	958 126 013 AX	Compressor		1	V6 TDI IDV7/D1V/D43 ID50/D51
(1)	958 126 016 00	Compressor		1	V8 TDI IDD8/KK1
(1)	958 126 016 X	Compressor		1	V8 TDI IDD8/KK1
(1)	958 126 015 01	Compressor		1	6-Zyl. China ID11
(1)	958 126 015 AX	Compressor		1	ID11
2	N 907 075 02	Combination screw		X	IDV7/D1V/D50 ID51
3	N 106 727 01	M8X100X41-S2 Hexagon-head bolt		X	
4	958 147 501 00	BM10X100X90 Dowel sleeve		2	
5	N 104 144 02	6,5 X 11,15 Pan-head screw		2	
6	N 106 092 01	M8X28 Hexagon nut		2	IDV7/D1V/D43 ID50/D51
7	N 107 976 01	M8 Double screw		1	IDV7/D1V/D43 ID50/D51
8	958 126 020 00	AM8X90-M8X12 Support		1	ID58/D6V
9	4D0 616 823	Clamp		3	ID58/D6V
10	000 043 200 04	Oil for Compressor R134A 250 ML		1	

Model: 92A 11

Model life 2011>>



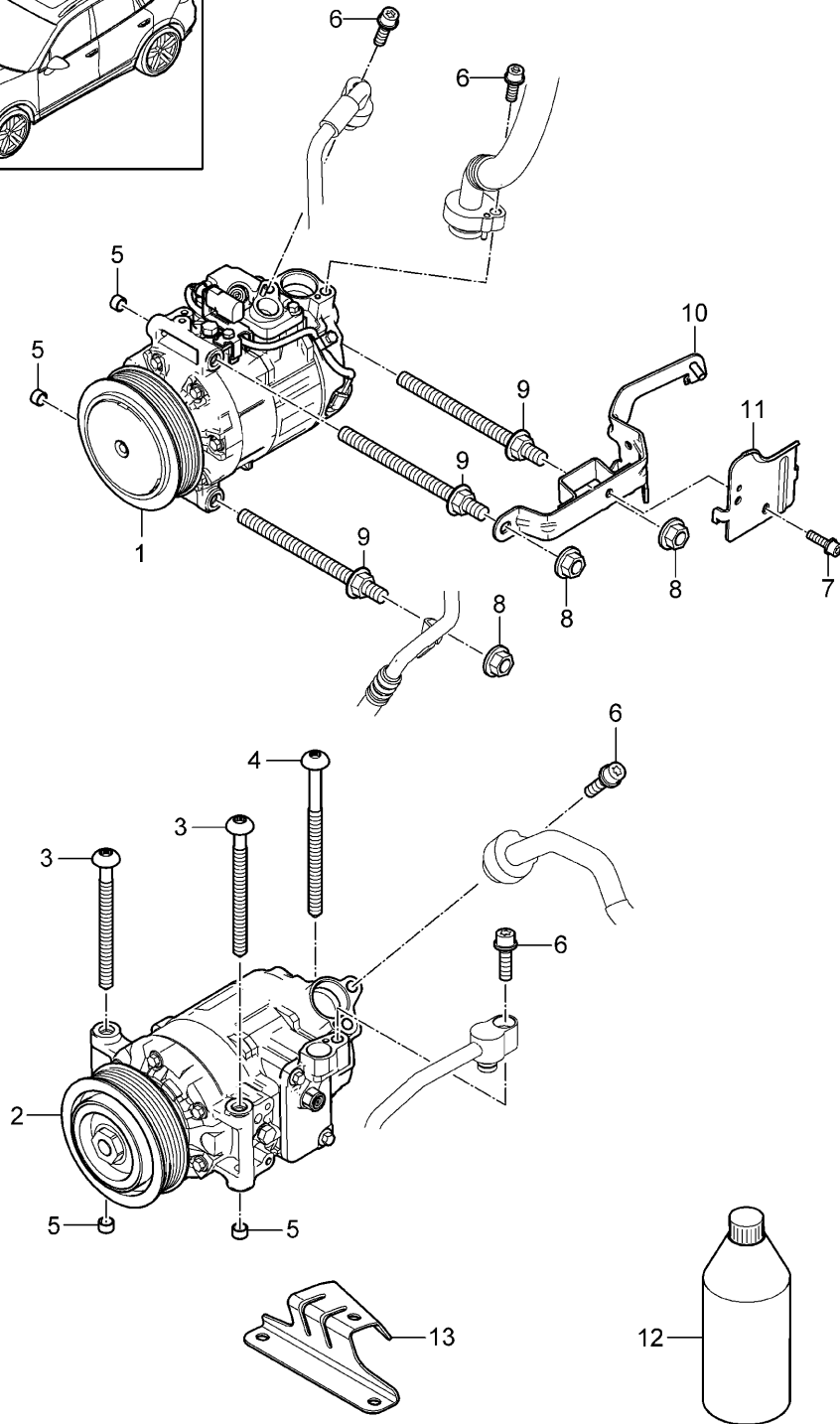
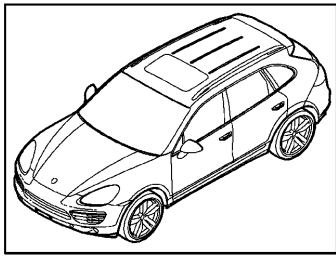
Model: 92A 11

Model life 2011>>

Pos	Part Number	Description	Remark	Qty	Model
		Compressor Air conditioner Petrol	17-		-ID19/IKK3
1	958 126 050 00	Compressor		1	V6 Turbo IDU2/DU3
(1)	958 126 050 X	Compressor		1	V6 Turbo IDU2/DU3
2	958 126 055 00	Compressor		1	V8 Turbo IDT1/DT5
(2)	958 126 055 X	Compressor		1	V8 Turbo IDT1/DT5
3	958 126 060 00	Compressor		1	VR6 ID34
(3)	958 126 060 X	Compressor		1	VR6 ID34
4	N 907 075 02	Combination screw M8X100X41-S2		X	
5	N 106 727 01	Hexagon-head bolt BM10X100X90		1	
6	958 147 501 00	Dowel sleeve 6,5 X 11,15		2	
7	N 104 144 02	Pan-head screw M8X28		2	
8	N 106 092 01	Hexagon nut M8		2	IDV7/D1V/D43 ID50/D51
9	N 107 976 01	Stud		1	IDV7/D1V/D43 ID50/D51
10	958 816 432 00	AM8X90-M8X12 Protective plate Compressor		1	ID34
11	958 816 432 10	Protective plate		1	IDT1/DT5/DU2 IDU3
12	9A7 105 518 01	Support 20X12XC12-6.5		1	
14	9A7 573 900 10	Refrigerant Oil Compressor R1234YF 250 ML Refrigerant for R1234YF 5 KG See workshop manual 8X00IN		1	
(14)					

Model: 92A 11

Model life 2011>>



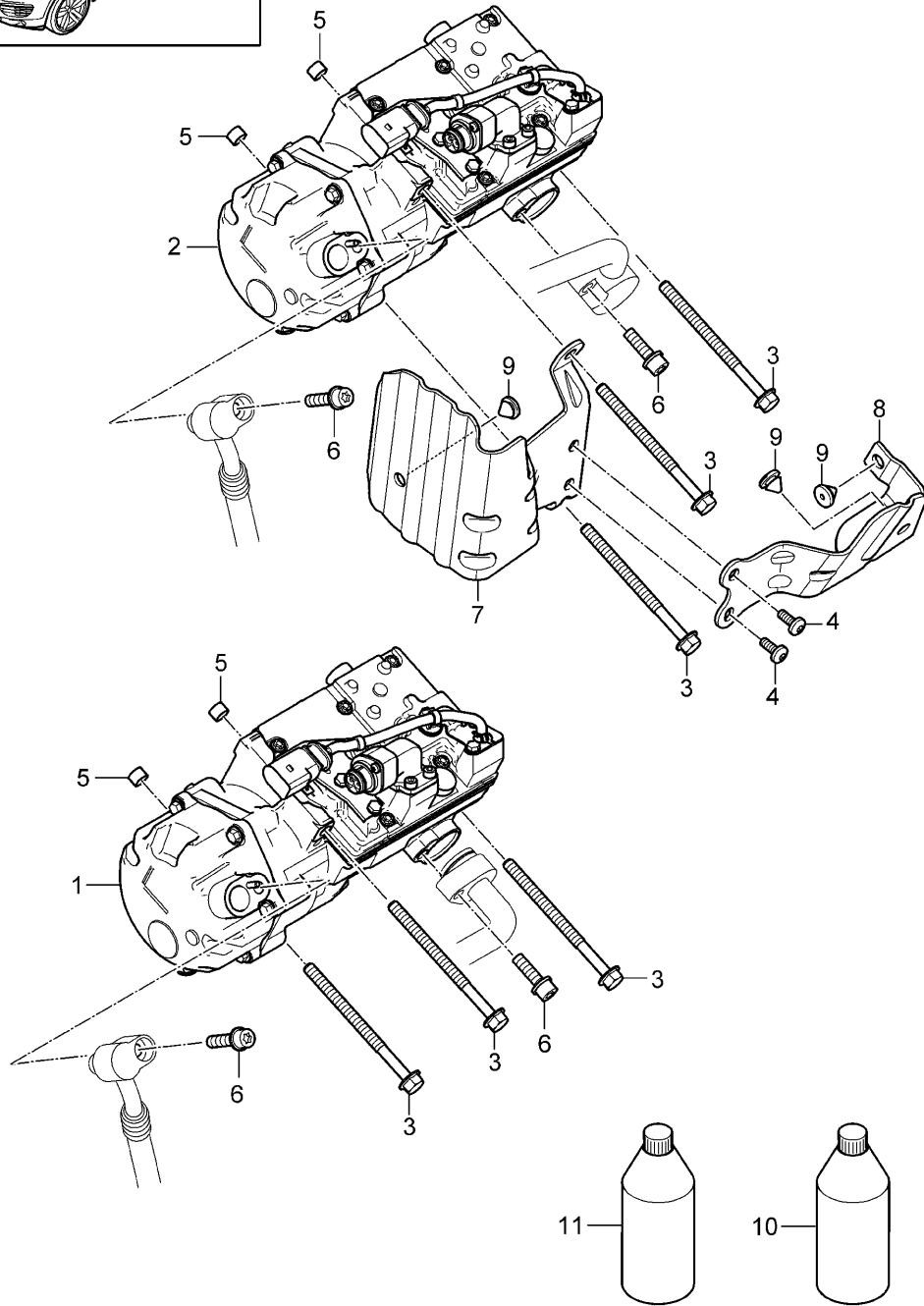
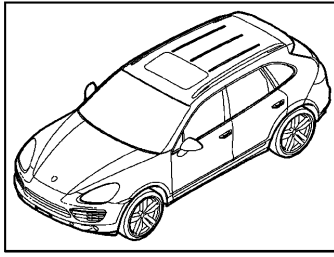
Model: 92A 11

Model life 2011>>

Pos	Part Number	Description	Remark	Qty	Model
		Compressor Air conditioner Diesel R1234YF	17-		-ID19/IKK3
1	958 126 065 00	Compressor		1	V6 TDI IDV7/D1V/D43 ID50/D51
(1)	958 126 065 X	Compressor		1	V6 TDI IDV7/D1V/D43 ID50/D51
2	958 126 070 00	Compressor		1	V8 TDI IDD8/KK3
(2)	958 126 070 X	Compressor		1	V8 TDI IDD8/KK3
3	9A7 911 269 01	Multiple-tooth screw BM 8X95X80		2	IDD8
4	9A7 911 267 01	Multiple-tooth screw BM 8X115X80		1	IDD8
5	958 147 501 00	Dowel sleeve 6,5 X 11,15		2	
6	N 104 144 02	Pan-head screw M8X28		2	
7	N 910 967 01	Round head screw M6 X 16		X	
8	N 106 092 01	Hexagon nut M8		3	IDV7/D1V/D43 ID50/D51
9	N 107 976 01	Stud		3	IDV7/D1V/D43 ID50/D51
10	958 573 431 00	Double screw AM8X90-M8X12 Protective plate		1	IDV7/D1V/D43 ID50/D51
11	958 573 432 20	Protective plate		1	IDV7/D1V/D43 ID50/D51
12	9A7 573 900 10	Refrigerant Oil Compressor R1234YF 250 ML		1	
(12)		Refrigerant for R1234YF 5 KG		1	
13		See workshop manual 8X00IN Support See illustrations 1/07/47 POS.7		1	

Model: 92A 11

Model life 2011>>



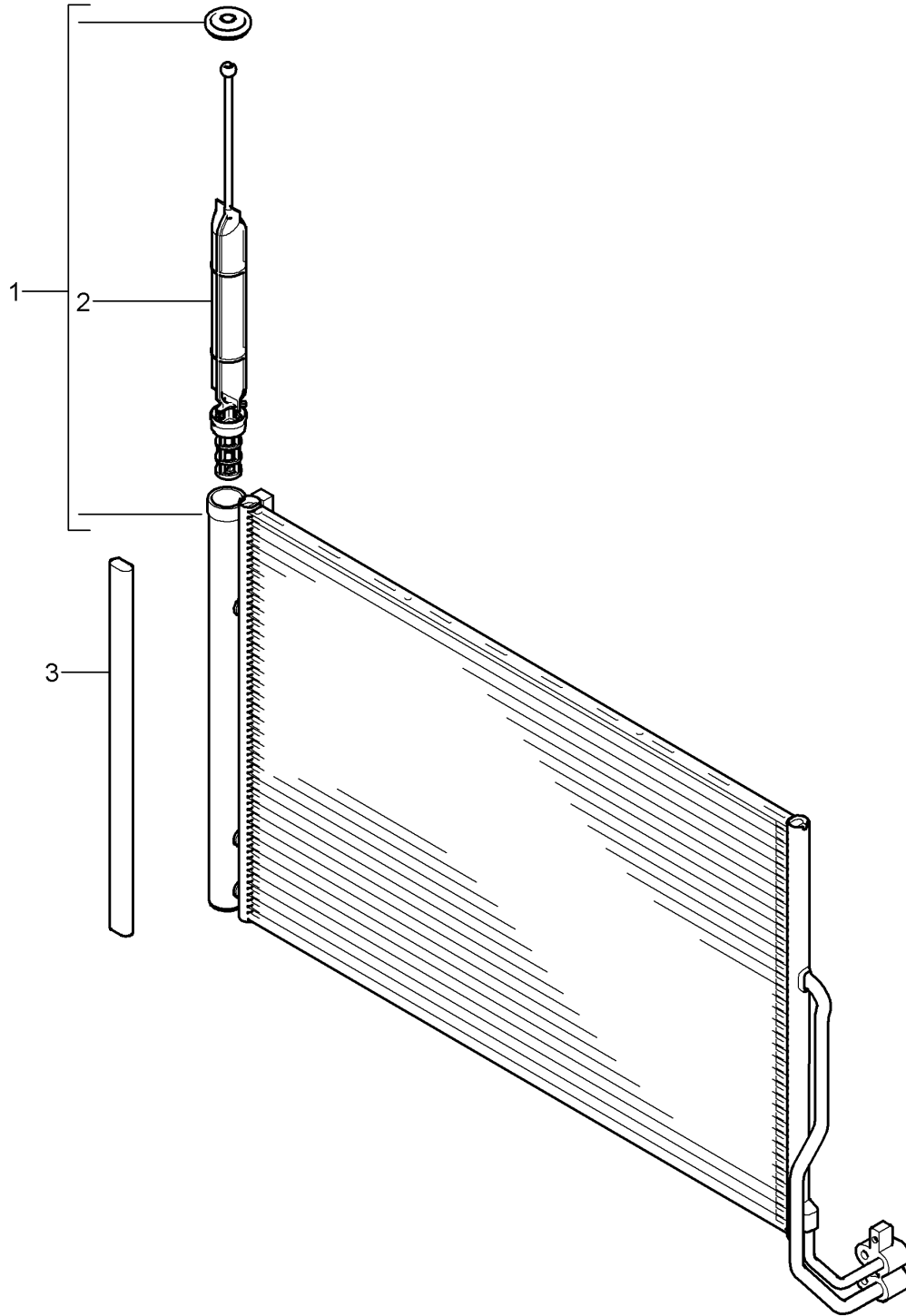
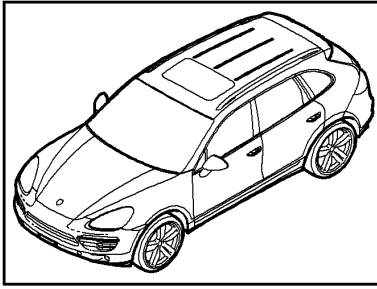
Model: 92A 11

Model life 2011>>

Pos	Part Number	Description	Remark	Qty	Model
		Compressor Air conditioner Hybrid	17-		ID19/KK1/KK3
1	7PP 820 803 B	Compressor		1	Hybrid
(1)	7PP 820 803 BX	Compressor		1	IKK1
2	958 816 803 90	Compressor		1	IKK3
		Hybrid			
(2)	958 816 803 X	Compressor		1	IKK3
		Hybrid			
3	N 106 366 01	Hexagon-head bolt M 8 X 110		3	
4	N 911 266 01	Hexagon-head bolt M6X16		2	IKK3
5	958 147 501 00	Dowel sleeve 6,5 X 11,15		2	
6	N 104 144 02	Pan-head screw M8X28		2	
7	958 816 431 10	Protective plate		1	I0K3
8	958 816 432 30	Protective plate		1	I0K3
9	9A7 905 814 01	Rubber stopper A7X2X10.7		3	IKK3
10	000 043 200 04	Oil for Compressor R134A 250 ML		1	IKK1
11	9A7 573 900 10	Refrigerant Oil Compressor R1234YF 250 ML		1	IKK3
(11)		Refrigerant for R1234YF 5 KG See workshop manual 8X00IN		1	IKK3

Model: 92A 11

Model life 2011>>



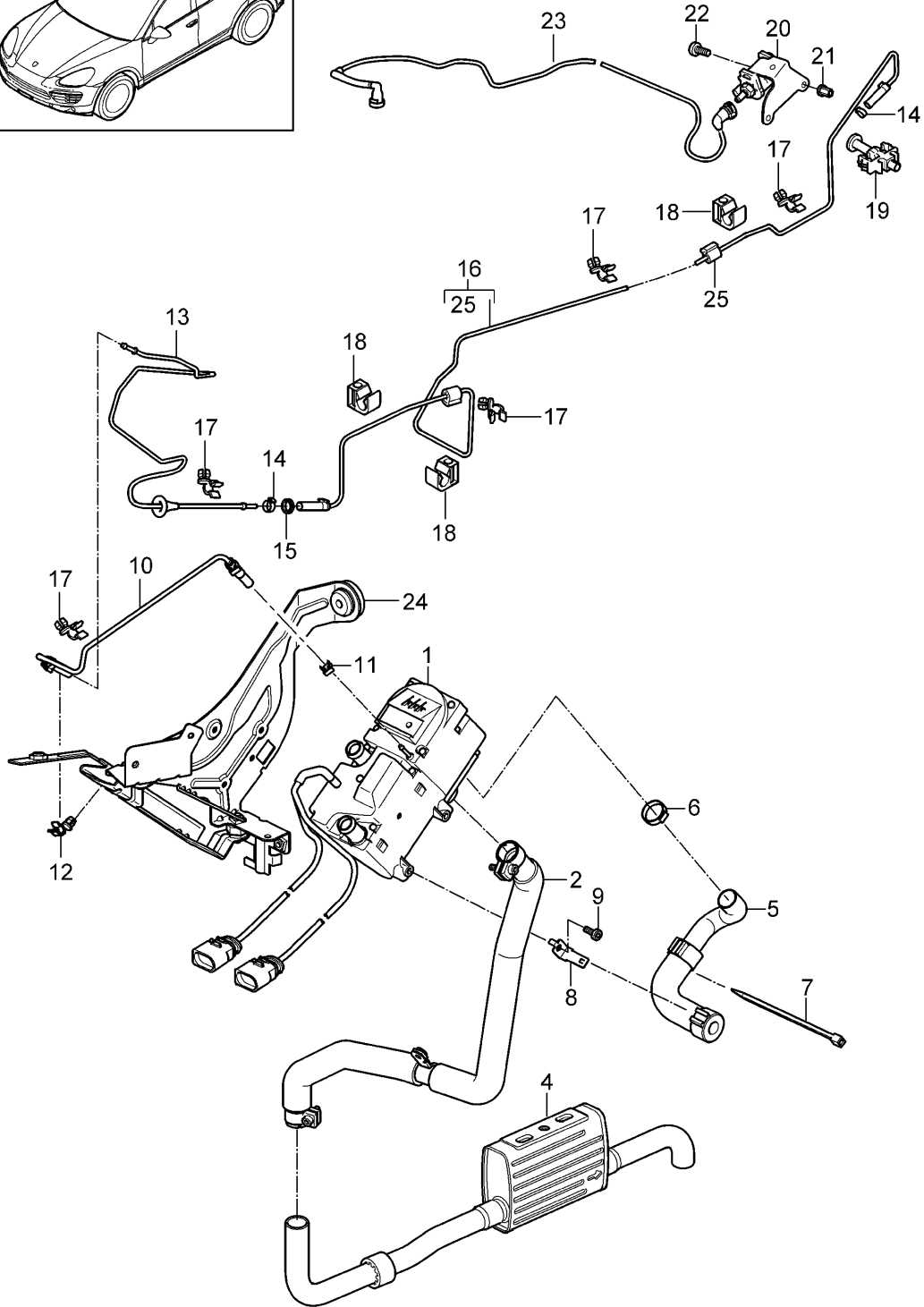
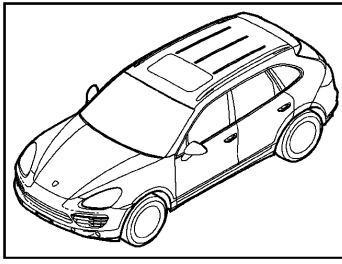
Model: 92A 11

Model life 2011>>

Pos	Part Number	Description	Remark	Qty	Model
1	958 573 111 02	Condenser Air conditioner		1	-ID58
1	958 573 111 01	Condenser		1	ID58
2	958 573 191 02	Desiccator		1	
3	958 573 117 00	Sealing strip		1	

Model: 92A 11

Model life 2011>>



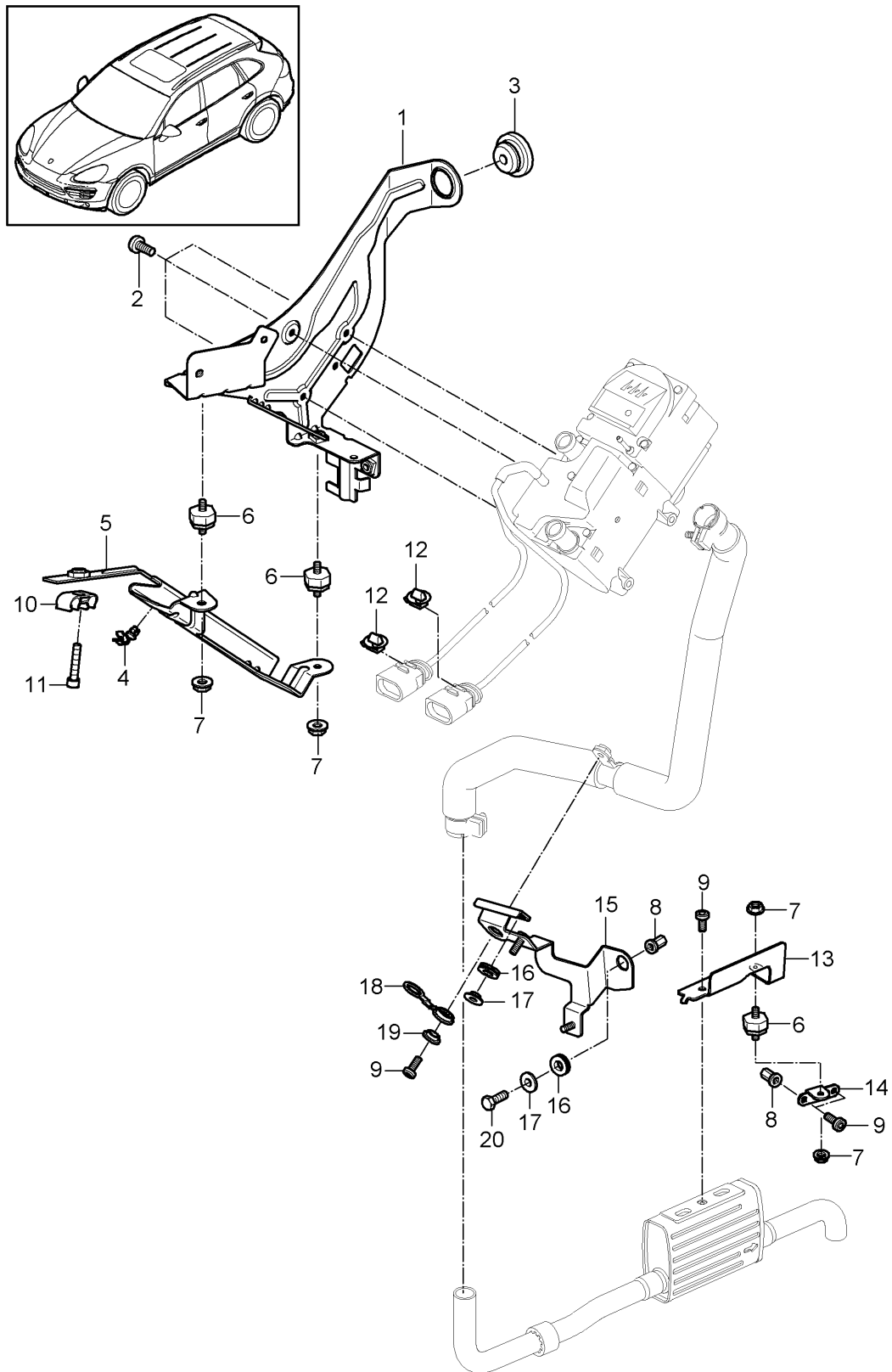
Model: 92A 11

Model life 2011>>

Pos	Part Number	Description	Remark	Qty	Model
		Auxiliary heater Fuel system And Muffler Support See illustrations 8/13/85			
1	958 572 801 02	Auxiliary heater		1	I1A2/9M1/9M9
1	958 572 801 04	Auxiliary heater		1	I1A2/9M1/9M9
1	958 572 801 06	Auxiliary heater		1	I1A2/9M1/9M9
1	958 572 801 12	Auxiliary heater		1	I1A2/9M1/9M9
1	958 572 801 03	Auxiliary heater		1	I0F5/9M1/9M5 I9M9
1	958 572 801 05	Auxiliary heater		1	I0F5/9M1/9M9
1	958 572 801 07	Auxiliary heater		1	I0F5/9M1/9M9
1	958 572 801 11	Auxiliary heater		1	I0F5/9M1/9M9
1		Auxiliary heater		1	I9M5
1	958 572 801 08	Auxiliary heater		1	I1A5/9M1/9M9
2	958 572 506 00	Exhaust pipe		1	I9M1/9M5/9M9
4	958 819 193 00	Exhaust silencer		1	
5	958 572 194 00	Muffler		1	
6	N 102 020 01	Hose clamp Muffler		1	
7	N 909 377 01	Tie-wrap		1	
8	958 572 147 00	Support		1	
9	N 106 549 02	Round head screw M 6 X 16		1	
10	958 572 490 01	Fuel line Heater Wheel housing		1	
11	N 102 313 01	Hose clamp Auxiliary heater		1	
12	955 572 788 00	Clip		1	
13	958 261 491 02	Fuel line Floor Front		1	
14	N 102 035 01	Clip Auxiliary heater		X	
15	955 358 320 00	Rubber mounting		1	
16	958 261 492 02	Fuel line Floor Rear		1	
17	955 355 547 20	Line bracket		5	
18	958 572 794 00	Clip Support Simple		3	
18	999 651 331 40	Clip Cable holder		3	
19	955 355 546 01	Support		1	
20	958 572 163 00	Fuel pump		1	
21	N 902 631 04	Auxiliary heater Blind rivet nut Mount		2	
22	N 910 967 01	Fuel pump Round head screw M6 X 16		2	
23	958 201 355 01	Fuel line Pump		1	
24		Fuel tank See illustrations 8/13/85			
25	955 355 550 00	Connection piece		4	

Model: 92A 11

Model life 2011>>



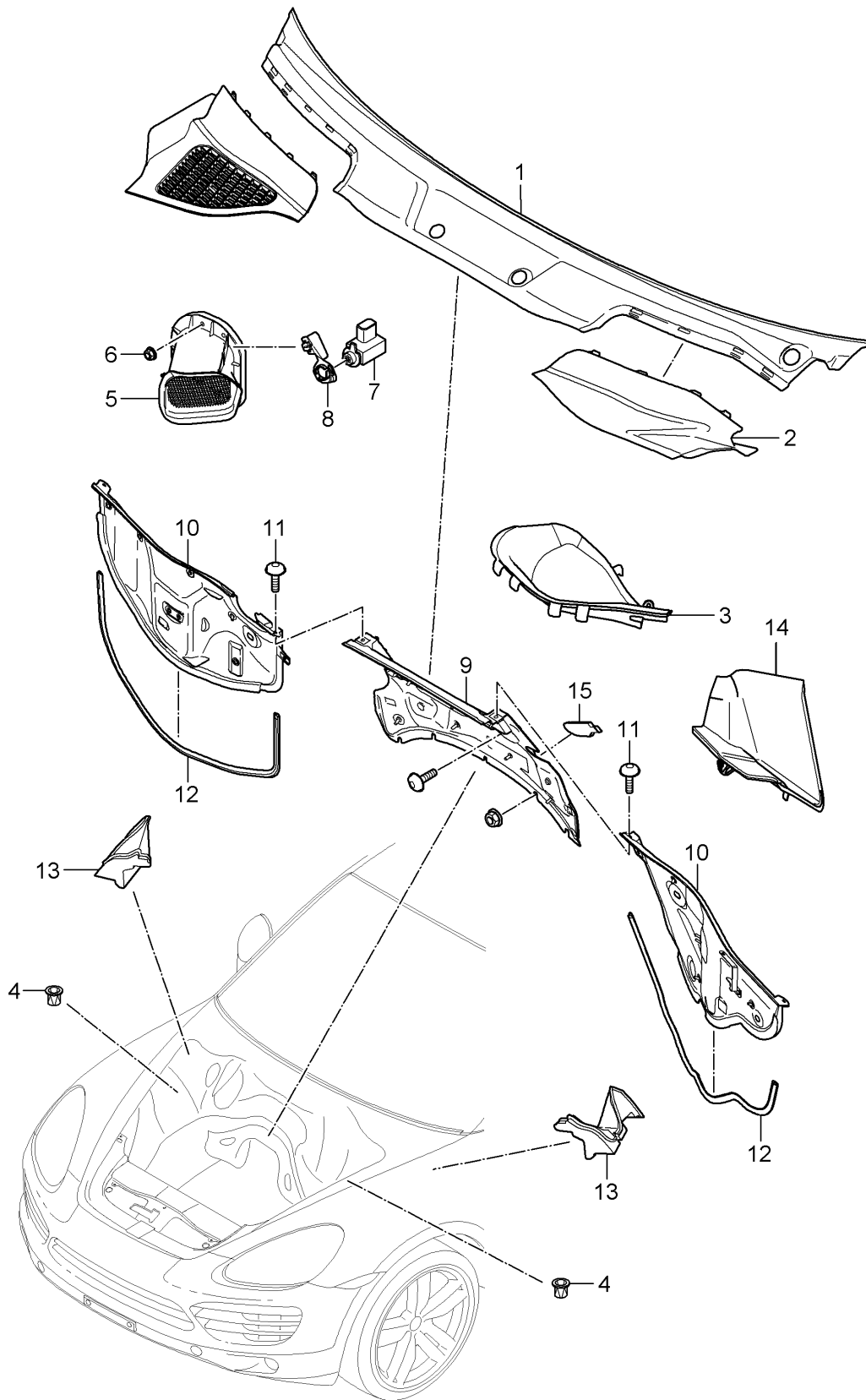
Model: 92A 11

Model life 2011>>

Pos	Part Number	Description	Remark	Qty	Model
1	958 572 803 02	Support Auxiliary heater		1	
2	N 106 549 02	Support Heater Round head screw M6 X 16		3	
3	955 572 261 00	Rubber mounting		1	
4	955 572 788 00	Clip		2	
5	958 572 805 01	Support		1	
5	958 572 805 02	Support		1	
6	955 572 833 00	Bonded rubber mounting		2	
7	N 015 082 10	Hexagon nut M 6		9	
8	N 902 631 04	Blind rivet nut M6		X	
9	N 910 967 01	Round head screw M6 X 16		3	
10	955 572 055 01	Clip		X	
11	N 106 209 01	Pan-head screw M6 X 30		1	
12	958 572 830 00	Clip Mount Cable plug		1	
13	958 572 808 02	Support Exhaust system		1	
14	955 572 809 00	Support Exhaust system		1	
15	958 572 950 00	Support Exhaust pipe		1	
16	955 572 095 00	Rubber sleeve		X	
17	955 572 121 00	Bush		X	
18	955 572 828 00	Bearing Exhaust pipe		1	
19	955 572 827 01	Bush		X	
20	N 106 532 01	Hexagon-head bolt M6 x 16		1	

Model: 92A 11

Model life 2011>>



Model: 92A 11 Model life 2011>>

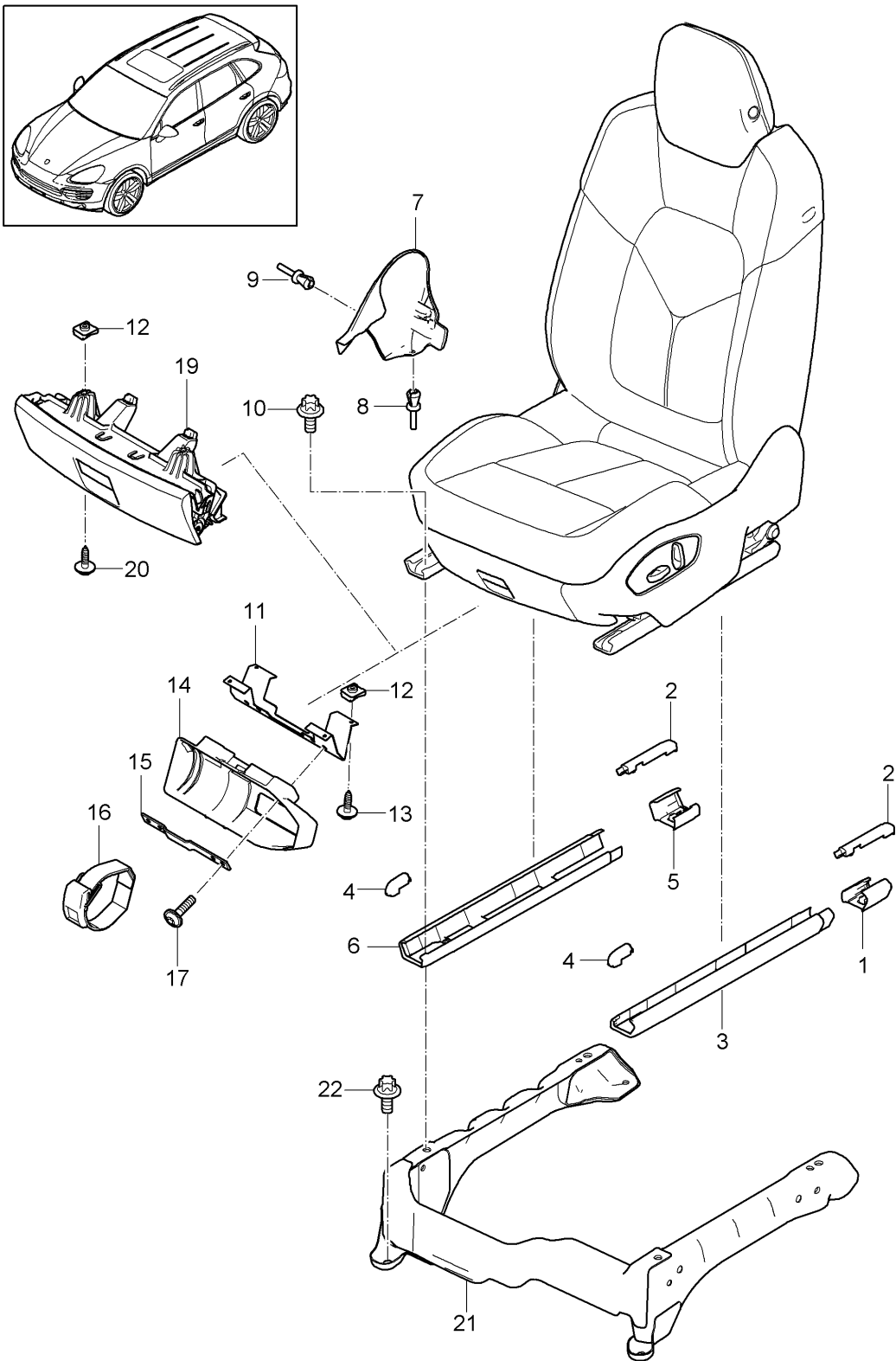
Pos	Part Number	Description	Remark	Qty	Model
		Cover Plenum panel Fresh-air intake system			
1	958 572 563 01	Cover	/RL	1	IL0R
	958 572 563 01 9B9	Satin black			
(1)	958 572 564 01	Cover	/LL	1	IL0L
		Plenum panel			
	958 572 564 01 9B9	Satin black			
2	958 572 729 00	Flap	/LL /R -14	1	IL0L
	958 572 729 00 9B9	Satin black			
2	958 572 730 10	Flap	/LL /R 15-	1	IL0L
	958 572 730 10 9B9	Satin black			
(2)	958 572 729 02	Flap	/LL /L -14	1	IL0L
	958 572 729 02 9B9	Satin black			
(2)	958 572 729 10	Flap	/LL /L 15-	1	IL0L
	958 572 729 10 9B9	Satin black			
(2)	958 572 730 00	Flap	/RL /R -14	1	IL0R
	958 572 730 00 9B9	Satin black			
(2)	958 572 732 10	Flap	/RL /R 15-	1	IL0R
	958 572 732 10 9B9	Satin black			
(2)	958 572 731 00	Flap	/RL /L -14	1	IL0R
	958 572 731 00 9B9	Satin black			
(2)	958 572 731 10	Flap	/RL /L 15-	1	IL0R
	958 572 731 10 9B9	Satin black			
3	958 572 349 00	Cover	/LL	1	-IDD8/IL0L
		Intake manifold			
(3)	958 572 349 01	Cover	/RL	1	-IDD8/IL0R
		Intake manifold			
(3)	958 572 349 10	Cover	/LL	1	IDD8/L0L
		Intake manifold			
(3)	958 572 349 20	Cover	/RL	1	IDD8/L0R
		Intake manifold			
4	958 572 419 00	Water drain valve		1	
5	958 572 155 00	Intake manifold	/LL	1	IL0L
		Plenum panel			
(5)	958 572 156 00	Intake manifold	/RL	1	IL0R
		Plenum panel			
6	N 015 082 10	Hexagon nut M 6		X	
7	958 572 659 00	Sensor		1	I9AD/9AH
		Air inlet			
8	958 572 939 00	Clamp		1	I9AD/9AH
		Sensor			
9	958 572 523 00	Plenum panel		1	
		Firewall			
		Centre			
10	958 572 511 00	Plenum panel	/L	1	-IDD8
		Firewall			
		Left			
10	958 572 511 10	Plenum panel	/RL	1	IDD8/L0R
		Firewall			
		Left			
(10)	958 572 511 20	Plenum panel	/LL	1	IDD8/L0L
		Firewall			
		Left			
(10)	958 572 512 00	Plenum panel	/R	1	-IDD8
		Firewall			
		Right			
(10)	958 572 512 20	Plenum panel	/R	1	IDD8
		Firewall			
		Right			
11	N 907 371 01	Outer hexagon round screw M6 X 12		X	

Model: 92A 11 Model life 2011>>

Pos	Part Number	Description	Remark	Qty	Model
12	958 572 037 00	Gasket Plenum panel Left	/L	1	
(12)	958 572 048 00	Gasket Plenum panel Right	/R	1	
13	958 572 531 00	Gasket Plenum panel Wheel housing Front	/L -14	1	
13	958 572 531 01	Gasket Plenum panel Wheel housing Front	/L 15-	1	
(13)	958 572 532 00	Gasket Plenum panel Wheel housing Front	/R -14	1	
(13)	958 572 532 01	Gasket Plenum panel Wheel housing Front	/R 15-	1	
14	958 572 389 00	Cover Water drain strip	/L -14	1	
14	958 572 389 00 9B9	Satin black			
14	958 572 389 01	Cover Water drain strip	/L 15-	1	
14	958 572 389 01 9B9	Satin black			
(14)	958 572 390 00	Cover Water drain strip	/R -14	1	
(14)	958 572 390 00 9B9	Satin black			
(14)	958 572 390 01	Cover Water drain strip	/R 15-	1	
15	958 572 390 01 9B9	Satin black			
15	958 572 908 00	Stopper		X	IDD8/D11/D19 ID34/D43/OGG
	958 572 908 00 9B9	Black			

Model: 92A 11

Model life 2011>>



Model: 92A 11 Model life 2011>>

Pos	Part Number	Description	Remark	Qty	Model		
1	958 521 563 00	Front seat Accessories Front seat Complete Not available	/L	1			
		Cover					
		Seat rail					
		Front seat Rear					
		958 521 563 00 1E0				Black	+LC, +LG, +LH, +MA, +MF, +TA, +TB, +YA, +YB, +YC, +77
		958 521 563 00 4H0				Luxor Beige	+LE, +MC, +MK, +YE
		958 521 563 00 6L0				Platinum Grey	+LD, +MD, +YD
		958 521 563 00 5J0				Cream	+MJ, +TX
		958 521 563 00 7N0				Espresso	+VA
		958 521 563 00 8P0				Cognac	+VB
		958 521 563 00 DE1				Umber	+LF, +YF
2	958 521 466 00	Light Tartufo	/L /R	2			
		Titanium Blue					
		958 521 466 00				Cap	
		Seat rail					
		Front seat Rear					
		958 521 466 00 1E0				Black	+LC, +LG, +LH, +MA, +MF, +TA, +TB, +YA, +YB, +YC, +77
		958 521 466 00 4H0				Luxor Beige	+LE, +MC, +MK, +YE
		958 521 466 00 6L0				Platinum Grey	+LD, +MD, +YD
		958 521 466 00 5J0				Cream	+MJ, +TX
		958 521 466 00 7N0				Espresso	+VA
		958 521 466 00 8P0				Cognac	+VB
958 521 466 00 DE1	Umber	+LF, +YF					
3	958 521 466 00	Light Tartufo	/L	1			
		Titanium Blue					
		958 521 463 00				Cap	
		Seat rail					
		Front seat Driver's side					
		958 521 463 00 1E0				Black	+LC, +LG, +LH, +MA, +MF, +TA, +TB, +YA, +YB, +YC, +77
		958 521 463 00 4H0				Luxor Beige	+LE, +MC, +MK, +YE
		958 521 463 00 6L0				Platinum Grey	+LD, +MD, +YD
		958 521 463 00 5J0				Cream	+MJ, +TX
		958 521 463 00 7N0				Espresso	+VA
		958 521 463 00 8P0				Cognac	+VB
958 521 463 00 DE1	Umber	+LF, +YF					
4	958 521 463 00	Light Tartufo	/L /R	2			
		Titanium Blue					
		958 521 463 00 OP1				Agate Grey	
		958 521 465 00				Cap	
		Seat rail					
		Front seat Driver's side					
		958 521 465 00 1E0				Black	+LC, +LG, +LH, +MA, +MF, +TA,
							+MB, +MG, +ML

Model: 92A 11 Model life 2011>>

Pos	Part Number	Description	Remark	Qty	Model
5	958 521 465 00 4H0	Luxor Beige	/R	1	+TB, +YA, +YB, +YC, +77 +LE, +MC, +MK, +YE +LD, +MD, +YD
	958 521 465 00 6L0	Platinum Grey			
	958 521 465 00 5J0	Cream			
	958 521 465 00 7N0	Espresso			
	958 521 465 00 8P0	Cognac			
	958 521 465 00 DE1	Umber			
	958 521 465 00 DF2	Light Tartufo			
	958 521 465 00 DJ3	Titanium Blue			
	958 521 564 00	Cover			
		Seat rail			
		Front seat			
		Rear			
	958 521 564 00 1E0	Black			
	6	958 521 564 00 4H0			Luxor Beige
958 521 564 00 6L0		Platinum Grey			
958 521 564 00 5J0		Cream			
958 521 564 00 7N0		Espresso			
958 521 564 00 8P0		Cognac			
958 521 564 00 DE1		Umber			
958 521 564 00 DF2		Light Tartufo			
958 521 564 00 DJ3		Titanium Blue			
958 521 564 00 OM8		Saddle Tan			
958 521 464 00		Cap			
		Seat rail			
		Front seat			
		Passenger's side			
958 521 464 00 1E0		Black			
7	958 521 464 00 4H0	Luxor Beige	/L	1	+LC, +LG, +LH, +MA, +MF, +TA, +TB, +YA, +YB, +YC, +77 +LE, +MC, +MK, +YE +LD, +MD, +YD
	958 521 464 00 6L0	Platinum Grey			
	958 521 464 00 5J0	Cream			
	958 521 464 00 7N0	Espresso			
	958 521 464 00 8P0	Cognac			
	958 521 464 00 DE1	Umber			
	958 521 464 00 DF2	Light Tartufo			
	958 521 464 00 DJ3	Titanium Blue			
	958 521 464 00 OM8	Saddle Tan			
	958 521 327 00	Trim cover			
		Mounting component			
		Inner			
	958 521 327 00 82V	Titanium Black			
	958 521 327 00 4H0	Luxor Beige			
958 521 327 00 6L0	Platinum Grey				
958 521 327 00 5J0	Cream				
958 521 327 00 7N0	Espresso				
958 521 327 00 8P0	Cognac				
958 521 327 00 DE1	Umber				
958 521 327 00 DF2	Light Tartufo				
958 521 327 00 DJ3	Titanium Blue				

Model: 92A 11 Model life 2011>>

Pos	Part Number	Description	Remark	Qty	Model
(7)	958 521 328 00	Trim cover Mounting component Inner	/R	1	
	958 521 328 00 82V	Titanium Black			+LC, +LG, +MA, +MF, +TA, +TB, +YA, +YB, +YC, +77
	958 521 328 00 4H0	Luxor Beige			+LE, +MC, +MK, +YE
	958 521 328 00 6L0	Platinum Grey			+LD, +MD, +YD,
	958 521 328 00 5J0	Cream			+MJ, +TX
	958 521 328 00 7N0	Espresso			+VA
	958 521 328 00 8P0	Cognac			+VB
	958 521 328 00 DE1	Umber			+LF, +YF
	958 521 328 00 DF2	Light Tartufo			+TY
	958 521 328 00 DJ3	Titanium Blue			+TW
8	N 038 501 3	Expansion rivet A6 x 12		1	
9	8E0 881 500	Expansion rivet		1	
10	N 911 475 02	Fastening screw M 10 X 35 Mount Seat rail Support		4	
11	958 521 286 00	Fire extinguisher Support		1	IL0L/6A7
11	958 521 285 00	Fire extinguisher Support		1	IL0R/6A7
12	N 900 880 03	Speed nut M6 x 17,1 x 14		4	I6A7
13	N 907 371 01	Outer hexagon round screw M6 x 12		4	I6A7
14	7PP 882 650	Cup Fire extinguisher		1	I6A7
15	7PP 882 649	Insert Cup Fire extinguisher		1	I6A7
16	7PP 882 645	Restraining strap Cup Fire extinguisher		1	I6A7
17	N 107 148 01	Outer hexagon round screw M6 X 18		2	I6A7
19	958 521 400 00	Drawer	/L	1	I6A0
	958 521 400 00 82V	Titanium Black			+LC, +LG, +MA, +MF, +TA, +TB, +YA, +YB, +YC, +77
	958 521 400 00 4H0	Luxor Beige			+LE, +MC, +MK, +YE
	958 521 400 00 6L0	Platinum Grey			+LD, +MD, +YD,
	958 521 400 00 5J0	Cream			+MJ, +TX
	958 521 400 00 7N0	Espresso			+VA
	958 521 400 00 8P0	Cognac			+VB
	958 521 400 00 DE1	Umber			+LF, +YF,
	958 521 400 00 DF2	Light Tartufo			+TY
	958 521 400 00 DJ3	Titanium Blue			+TW
20	N 907 371 05	Outer hexagon round screw M6 X 12		2	I6A7 I6A0
21	958 521 411 00	Frame Seat Driver's side		1	
(21)	958 521 411 01	Frame Seat Driver's side		1	

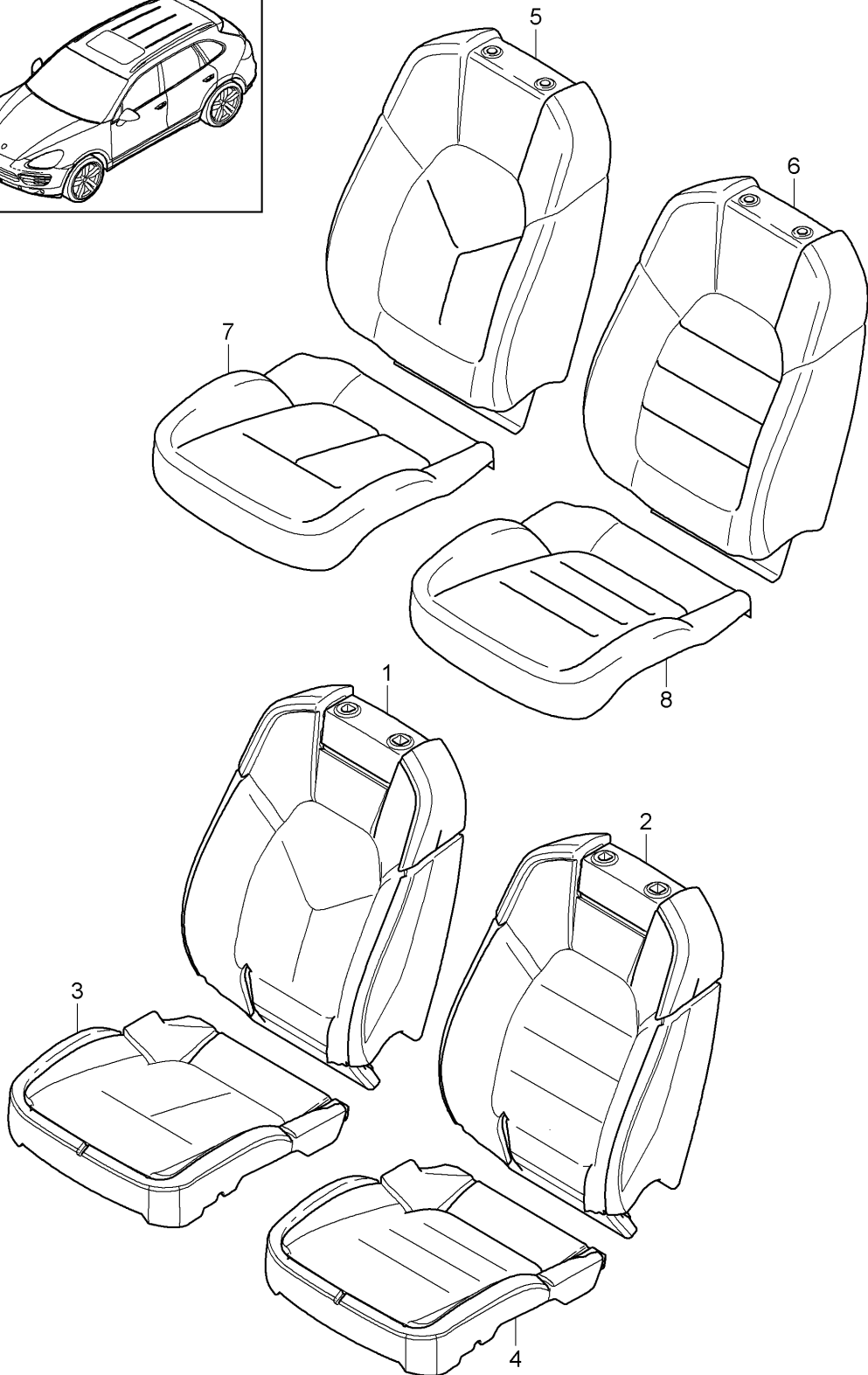
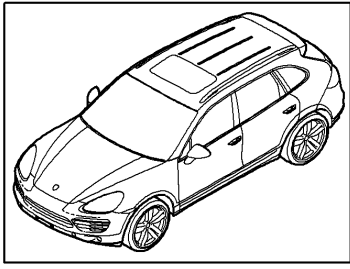
Model: 92A 11

Model life 2011>>

Pos	Part Number	Description	Remark	Qty	Model
(21)	958 521 410 00	Frame Seat		1	
22	N 910 192 02	Passenger's side Screw M 10 X 25 Mount Frame		4	

Model: 92A 11

Model life 2011>>



Model: 92A 11 Model life 2011>>

Pos	Part Number	Description	Remark	Qty	Model
		Foam part Cover Standard seat			IQ1G
1	958 521 771 00	Foam part Backrest	/L	1	IN1P/4A0
(1)		Foam part Backrest	/L	1	IN1X/4A0
(1)		Foam part Backrest	/L	1	IN5U/4A0
(1)		Foam part Backrest	/L	1	IN1D/4A0
(1)	958 521 772 00	Foam part Backrest	/R	1	IN1P/4A0
(1)		Foam part Backrest	/R	1	IN1X/4A0
(1)		Foam part Backrest	/R	1	IN5U/4A0
(1)		Foam part Backrest	/R	1	IN1D/4A0
(1)	958 521 779 00	Foam part Backrest	/L	1	IN1P/4A3
(1)		Foam part Backrest	/L	1	IN1X/4A3
(1)		Foam part Backrest	/L	1	IN5U/4A3
(1)		Foam part Backrest	/L	1	IN1D/4A3
(1)		Foam part Backrest	/L	1	IN1P/4A4
(1)		Foam part Backrest	/L	1	IN1X/4A4
(1)		Foam part Backrest	/L	1	IN5U/4A4
(1)		Foam part Backrest	/L	1	IN1D/4A4
(1)	958 521 780 00	Foam part Backrest	/R	1	IN1P/4A3
(1)		Foam part Backrest	/R	1	IN1X/4A3
(1)		Foam part Backrest	/R	1	IN5U/4A3
(1)		Foam part Backrest	/R	1	IN1D/4A3
(1)		Foam part Backrest	/R	1	IN1P/4A4
(1)		Foam part Backrest	/R	1	IN1X/4A4
(1)		Foam part Backrest	/R	1	IN5U/4A4
(1)		Foam part Backrest	/R	1	IN1D/4A4
2	958 521 773 00	Foam part Backrest	/L	1	IN5Y/4A0
(2)		Foam part Backrest	/L	1	IN7D/4A0
(2)		Foam part Backrest	/L	1	IN7F/4A0
(2)	958 521 774 00	Foam part Backrest	/R	1	IN5Y/4A0
(2)		Foam part Backrest	/R	1	IN7D/4A0
(2)		Foam part Backrest	/R	1	IN7F/4A0

Model: 92A 11

Model life 2011>>

Pos	Part Number	Description	Remark	Qty	Model
(2)	958 521 777 00	Foam part Backrest	/L	1	IN5Y/4A3
(2)		Foam part Backrest	/L	1	IN7D/4A3
(2)		Foam part Backrest	/L	1	IN7F/4A3
(2)		Foam part Backrest	/L	1	IN5Y/4A4
(2)		Foam part Backrest	/L	1	IN7D/4A4
(2)		Foam part Backrest	/L	1	IN7F/4A4
(2)	958 521 778 00	Foam part Backrest	/R	1	IN5Y/4A3
(2)		Foam part Backrest	/R	1	IN7D/4A3
(2)		Foam part Backrest	/R	1	IN7F/4A3
(2)		Foam part Backrest	/R	1	IN5Y/4A4
(2)		Foam part Backrest	/R	1	IN7D/4A4
(2)		Foam part Backrest	/R	1	IN7F/4A4
3	958 521 370 00	Foam part Seat cushion	/L	1	IL0L/N1P/4A0
(3)		Foam part Seat cushion	/L	1	IL0L/N1X/4A0
(3)		Foam part Seat cushion	/L	1	IL0L/N5U/4A0
(3)		Foam part Seat cushion	/L	1	IL0L/N1D/4A0
(3)	958 521 470 00	Foam part Seat cushion	/R	1	IL0L/N1P/4A0 I9P3
(3)		Foam part Seat cushion	/R	1	IL0L/N1X/4A0 I9P3
(3)		Foam part Seat cushion	/R	1	IL0L/N5U/4A0 I9P3
(3)		Foam part Seat cushion	/R	1	IL0L/N1D/4A0 I9P3
(3)	958 521 371 00	Foam part Seat cushion	/L	1	IL0R/N1P/4A0
(3)		Foam part Seat cushion	/L	1	IL0R/N1X/4A0
(3)		Foam part Seat cushion	/L	1	IL0R/N5U/4A0
(3)		Foam part Seat cushion	/L	1	IL0R/N1D/4A0
(3)	958 521 471 00	Foam part Seat cushion	/R	1	IL0R/N1P/4A0 I9P3
(3)		Foam part Seat cushion	/R	1	IL0R/N1X/4A0 I9P3
(3)		Foam part Seat cushion	/R	1	IL0R/N5U/4A0 I9P3
(3)		Foam part Seat cushion	/R	1	IL0R/N1D/4A0 I9P3

Model: 92A 11 Model life 2011>>

Pos	Part Number	Description	Remark	Qty	Model
(3)	958 521 372 00	Seat cushion Foam part	/L -13	1	IL0L/N1P/4A3
(3)		Seat cushion with heating Foam part	/L -13	1	IL0L/N1X/4A3
(3)		Seat cushion with heating Foam part	/L -13	1	IL0L/N5U/4A3
(3)		Seat cushion with heating Foam part	/L -13	1	IL0L/N1P/4A4
(3)		Seat cushion with heating Foam part	/L -13	1	IL0L/N1X/4A4
(3)		Seat cushion with heating Foam part	/L -13	1	IL0L/N5U/4A4
(3)	958 521 372 01	Seat cushion Foam part	/L 14-	1	IL0L/N1P/4A3
(3)		Seat cushion with heating Foam part	/L 14-	1	IL0L/N1X/4A3
(3)		Seat cushion with heating Foam part	/L 14-	1	IL0L/N5U/4A3
(3)		Seat cushion with heating Foam part	/L 14-	1	IL0L/N1D/4A3
(3)		Seat cushion with heating Foam part	/L 14-	1	IL0L/N1P/4A4
(3)		Seat cushion with heating Foam part	/L 14-	1	IL0L/N1X/4A4
(3)		Seat cushion with heating Foam part	/L 14-	1	IL0L/N5U/4A4
(3)		Seat cushion with heating Foam part	/L 14-	1	IL0L/N1D/4A4
(3)	958 521 472 00	Seat cushion Foam part	/R -13	1	IL0L/N1P/4A3 I9P3
(3)		Seat cushion with heating Foam part	/R -13	1	IL0L/N1X/4A3 I9P3
(3)		Seat cushion with heating Foam part	/R -13	1	IL0L/N5U/4A3 I9P3
(3)		Seat cushion with heating Foam part	/R -13	1	IL0L/N1P/4A4 I9P3
(3)		Seat cushion with heating Foam part	/R -13	1	IL0L/N1X/4A4 I9P3

Model: 92A 11

Model life 2011>>

Pos	Part Number	Description	Remark	Qty	Model
(3)		Foam part	/R -13	1	IL0L/N5U/4A4 I9P3
(3)	958 521 472 01	Seat cushion with heating Foam part	/R 14-	1	IL0L/N1P/4A3 I9P3
(3)		Seat cushion with heating Foam part	/R 14-	1	IL0L/N1X/4A3 I9P3
(3)		Seat cushion with heating Foam part	/R 14-	1	IL0L/N5U/4A4 I9P3
(3)		Seat cushion with heating Foam part	/R 14-	1	IL0L/N1D/4A3 I9P3
(3)		Seat cushion with heating Foam part	/R 14-	1	IL0L/N1P/4A4 I9P3
(3)		Seat cushion with heating Foam part	/R 14-	1	IL0L/N1X/4A4 I9P3
(3)		Seat cushion with heating Foam part	/R 14-	1	IL0L/N5U/4A4 I9P3
(3)		Seat cushion with heating Foam part	/R 14-	1	IL0L/N1D/4A4 I9P3
(3)	958 521 373 00	Seat cushion with heating Foam part	/L -13	1	IL0R/N1P/4A3
(3)		Seat cushion with heating Foam part	/L -13	1	IL0R/N1X/4A3
(3)		Seat cushion with heating Foam part	/L -13	1	IL0R/N5U/4A3
(3)		Seat cushion with heating Foam part	/L -13	1	IL0R/N1P/4A4
(3)		Seat cushion with heating Foam part	/L -13	1	IL0R/N1X/4A4
(3)		Seat cushion with heating Foam part	/L -13	1	IL0R/N5U/4A4
(3)	958 521 373 01	Seat cushion with heating Foam part	/L 14-	1	IL0R/N1P/4A3
(3)		Seat cushion with heating Foam part	/L 14-	1	IL0R/N1X/4A3
(3)		Seat cushion with heating Foam part	/L 14-	1	IL0R/N5U/4A3

Model: 92A 11

Model life 2011>>

Pos	Part Number	Description	Remark	Qty	Model
(3)		Foam part Seat cushion with heating	/L 14-	1	IL0R/N1D/4A3
(3)		Foam part Seat cushion with heating	/L 14-	1	IL0R/N1P/4A4
(3)		Foam part Seat cushion with heating	/L 14-	1	IL0R/N1X/4A4
(3)		Foam part Seat cushion with heating	/L 14-	1	IL0R/N5U/4A4
(3)		Foam part Seat cushion with heating	/L 14-	1	IL0R/N1D/4A4
(3)	958 521 473 00	Foam part	/R -13	1	IL0R/N1P/4A3 I9P3
(3)		Seat cushion with heating Foam part	/R -13	1	IL0R/N1X/4A3 I9P3
(3)		Seat cushion with heating Foam part	/R -13	1	IL0R/N5U/4A3 I9P3
(3)		Seat cushion with heating Foam part	/R -13	1	IL0R/N1P/4A4 I9P3
(3)		Seat cushion with heating Foam part	/R -13	1	IL0R/N1X/4A4 I9P3
(3)		Seat cushion with heating Foam part	/R -13	1	IL0R/N5U/4A4 I9P3
(3)	958 521 473 01	Seat cushion with heating Foam part	/R 14-	1	IL0R/N1P/4A3 I9P3
(3)		Seat cushion with heating Foam part	/R 14-	1	IL0R/N1X/4A3 I9P3
(3)		Seat cushion with heating Foam part	/R 14-	1	IL0R/N5U/4A3 I9P3
(3)		Seat cushion with heating Foam part	/R 14-	1	IL0R/N1D/4A3 I9P3
(3)		Seat cushion with heating Foam part	/R 14-	1	IL0R/N1P/4A4 I9P3
(3)		Seat cushion with heating Foam part	/R 14-	1	IL0R/N1X/4A4 I9P3

Model: 92A 11 Model life 2011>>

Pos	Part Number	Description	Remark	Qty	Model
(3)		Foam part	/R 14-	1	IL0R/N5U/4A4 I9P3
(3)		Seat cushion with heating			
(3)		Foam part	/R 14-	1	IL0R/N1D/4A4 I9P3
		Seat cushion with heating			
4	958 521 374 00	Foam part	/L	1	IL0L/N5Y/4A0
(4)		Seat cushion			
(4)		Foam part	/L	1	IL0L/N7D/4A0
(4)		Seat cushion			
(4)		Foam part	/L	1	IL0L/N7F/4A0
(4)	958 521 474 00	Seat cushion			
(4)		Foam part	/R	1	IL0L/N5Y/4A0 I9P3
(4)		Seat cushion			
(4)		Foam part	/R	1	IL0L/N7D/4A0 I9P3
(4)		Seat cushion			
(4)		Foam part	/R	1	IL0L/N7F/4A0 I9P3
(4)	958 521 375 00	Seat cushion			
(4)		Foam part	/L	1	IL0R/N5Y/4A0
(4)		Seat cushion			
(4)		Foam part	/L	1	IL0R/N7D/4A0
(4)		Seat cushion			
(4)		Foam part	/L	1	IL0R/N7F/4A0
(4)	958 521 475 00	Seat cushion			
(4)		Foam part	/R	1	IL0R/N5Y/4A0 I9P3
(4)		Seat cushion			
(4)		Foam part	/R	1	IL0R/N7D/4A0 I9P3
(4)		Seat cushion			
(4)		Foam part	/R	1	IL0R/N7F/4A0 I9P3
(4)	958 521 376 00	Seat cushion			
(4)		Foam part	/L -13	1	IL0L/N5Y/4A3
(4)		Seat cushion with heating			
(4)		Foam part	/L -13	1	IL0L/N7D/4A3
(4)		Seat cushion with heating			
(4)		Foam part	/L -13	1	IL0L/N7F/4A3
(4)		Seat cushion with heating			
(4)		Foam part	/L -13	1	IL0L/N5Y/4A4
(4)		Seat cushion with heating			
(4)		Foam part	/L -13	1	IL0L/N7D/4A4
(4)		Seat cushion with heating			
(4)		Foam part	/L -13	1	IL0L/N7F/4A4
(4)	958 521 376 01	Seat cushion with heating			
(4)		Foam part	/L 14-	1	IL0L/N5Y/4A3
(4)		Seat cushion with heating			
(4)		Foam part	/L 14-	1	IL0L/N7D/4A3
(4)		Seat cushion with heating			
(4)		Foam part	/L 14-	1	IL0L/N7F/4A3

Model: 92A 11

Model life 2011>>

Pos	Part Number	Description	Remark	Qty	Model
(4)		Seat cushion with heating Foam part	/L 14-	1	IL0L/N5Y/4A4
(4)		Seat cushion with heating Foam part	/L 14-	1	IL0L/N7D/4A4
(4)		Seat cushion with heating Foam part	/L 14-	1	IL0L/N7F/4A4
(4)	958 521 476 00	Seat cushion with heating Foam part	/R -13	1	IL0L/N5Y/4A3 I9P3
(4)		Seat cushion with heating Foam part	/R -13	1	IL0L/N7D/4A3 I9P3
(4)		Seat cushion with heating Foam part	/R -13	1	IL0L/N7F/4A3 I9P3
(4)		Seat cushion with heating Foam part	/R -13	1	IL0L/N5Y/4A4 I9P3
(4)		Seat cushion with heating Foam part	/R -13	1	IL0L/N7D/4A4 I9P3
(4)		Seat cushion with heating Foam part	/R -13	1	IL0L/N7F/4A4 I9P3
(4)	958 521 476 01	Seat cushion with heating Foam part	/R 14-	1	IL0L/N5Y/4A3 I9P3
(4)		Seat cushion with heating Foam part	/R 14-	1	IL0L/N7D/4A3 I9P3
(4)		Seat cushion with heating Foam part	/R 14-	1	IL0L/N7F/4A3 I9P3
(4)		Seat cushion with heating Foam part	/R 14-	1	IL0L/N5Y/4A4 I9P3
(4)		Seat cushion with heating Foam part	/R 14-	1	IL0L/N7D/4A4 I9P3
(4)		Seat cushion with heating Foam part	/R 14-	1	IL0L/N7F/4A4 I9P3
(4)	958 521 377 00	Seat cushion with heating Foam part	/L -13	1	IL0R/N5Y/4A3
(4)		Seat cushion with heating Foam part	/L -13	1	IL0R/N7D/4A3

Model: 92A 11

Model life 2011>>

Pos	Part Number	Description	Remark	Qty	Model
(4)		Seat cushion with heating Foam part	/L -13	1	IL0R/N7F/4A3
(4)		Seat cushion with heating Foam part	/L -13	1	IL0R/N5Y/4A4
(4)		Seat cushion with heating Foam part	/L -13	1	IL0R/N7D/4A4
(4)		Seat cushion with heating Foam part	/L -13	1	IL0R/N7F/4A4
(4)	958 521 377 01	Seat cushion with heating Foam part	/L 14-	1	IL0R/N5Y/4A3
(4)		Seat cushion with heating Foam part	/L 14-	1	IL0R/N7D/4A3
(4)		Seat cushion with heating Foam part	/L 14-	1	IL0R/N7F/4A3
(4)		Seat cushion with heating Foam part	/L 14-	1	IL0R/N5Y/4A4
(4)		Seat cushion with heating Foam part	/L 14-	1	IL0R/N7D/4A4
(4)		Seat cushion with heating Foam part	/L 14-	1	IL0R/N7F/4A4
(4)	958 521 477 00	Seat cushion with heating Foam part	/R -13	1	IL0R/N5Y/4A3 I9P3
(4)		Seat cushion with heating Foam part	/R -13	1	IL0R/N7D/4A3 I9P3
(4)		Seat cushion with heating Foam part	/R -13	1	IL0R/N7F/4A3 I9P3
(4)		Seat cushion with heating Foam part	/R -13	1	IL0R/N5Y/4A4 I9P3
(4)		Seat cushion with heating Foam part	/R -13	1	IL0R/N7D/4A4 I9P3
(4)		Seat cushion with heating Foam part	/R -13	1	IL0R/N7F/4A4 I9P3
(4)	958 521 477 01	Seat cushion with heating Foam part	/R 14-	1	IL0R/N5Y/4A3 I9P3
(4)		Seat cushion with heating Foam part	/R 14-	1	IL0R/N7D/4A3 I9P3
		Seat cushion			

Model: 92A 11 Model life 2011>>

Pos	Part Number	Description	Remark	Qty	Model
(4)		with heating Foam part	/R 14-	1	IL0R/N7F/4A3 I9P3
(4)		Seat cushion with heating Foam part	/R 14-	1	IL0R/N5Y/4A4 I9P3
(4)		Seat cushion with heating Foam part	/R 14-	1	IL0R/N7D/4A4 I9P3
(4)		Seat cushion with heating Foam part	/R 14-	1	IL0R/N7F/4A4 I9P3
5	958 521 801 00	Seat cushion with heating Backrest cover Embossed	/L -13	1	IN1X
	958 521 801 00 D0A	Black			+MA
	958 521 801 00 D0B	Platinum Grey			+MD
	958 521 801 00 D0C	Luxor Beige			+MC
5	958 521 804 01	Backrest cover Embossed	/L 14-	1	IN1X
	958 521 804 01 D0A	Black			+MA
	958 521 804 01 D0B	Platinum Grey			+MD
	958 521 804 01 D0C	Luxor Beige			+MC
	958 521 804 01 DJL	Agate Grey	15-		+MB
(5)	958 521 811 00	Backrest cover Embossed	/R -13	1	IN1X
	958 521 811 00 D0A	Black			+MA
	958 521 811 00 D0B	Platinum Grey			+MD
	958 521 811 00 D0C	Luxor Beige			+MC
(5)	958 521 814 01	Backrest cover Embossed	/R 14-	1	IN1X
	958 521 814 01 D0A	Black			+MA
	958 521 814 01 D0B	Platinum Grey			+MD
	958 521 814 01 D0C	Luxor Beige			+MC
	958 521 814 01 DJL	Agate Grey	15-		+MB
(5)	958 521 845 00	Backrest cover Embossed	/L	1	IN1D
	958 521 845 00 HAA	Black/Luxor Beige			+77
(5)	958 521 855 00	Backrest cover Embossed	/R	1	IN1D
	958 521 855 00 HAA	Black/Luxor Beige			+77
(5)	958 521 802 00	Backrest cover Plain leather	/L -13	1	IN5U
	958 521 802 00 D0D	Black			+LC, +MA, +YC
	958 521 802 00 D0E	Platinum Grey			+LD, +MD, +YD
	958 521 802 00 D0F	Luxor Beige			+LE, +MC, +YE
	958 521 802 00 D0G	Umber			+LF, +YF
	958 521 802 00 D0H	Titanium Blue			+TW
	958 521 802 00 D0J	Cream			+LF, +TX
	958 521 802 00 D0K	Light Tartufo			+TY
(5)	958 521 802 01	Backrest cover Plain leather	/L 14-	1	IN5U
	958 521 802 01 D0D	Black			+LC, +MA, +YC
	958 521 802 01 D0E	Platinum Grey			+LD, +MD, +YD
	958 521 802 01 D0F	Luxor Beige			+LE, +MC, +MK, +YE
	958 521 802 01 D0G	Umber			+LF, +YF
	958 521 802 01 D0J	Cream			+MJ, +TX
	958 521 802 01 D0K	Light Tartufo			+TY

Model: 92A 11 Model life 2011>>

Pos	Part Number	Description	Remark	Qty	Model
(5)	958 521 802 01 YKI	Agate Grey	15-	1	+MB, +MG, +ML
	958 521 802 01 YMI	Saddle Tan	15-		+ME, +MH, +MI
	958 521 812 00	Backrest cover Driver's side Plain leather	/R		IN5U
	958 521 812 00 D0D	Black			+LC, +MA, +YC
	958 521 812 00 D0E	Platinum Grey			+LD, +MD, +YD,
	958 521 812 00 D0F	Luxor Beige			+LE, +MC, +YE
	958 521 812 00 D0G	Umber			+LF, +YF
	958 521 812 00 D0H	Titanium Blue			+TW
	958 521 812 00 D0J	Cream			+TX
	958 521 812 00 D0K	Light Tartufo			+TY
(5)	958 521 812 01	Backrest cover Driver's side Plain leather	/R 14-	1	IN5U
	958 521 812 01 D0D	Black			+LC, +MA, +YC,
	958 521 812 01 D0E	Platinum Grey			+LD, +MD, +YD,
	958 521 812 01 D0F	Luxor Beige			+LE, +MC, +MK,
					+YE
	958 521 812 01 D0G	Umber			+LF, +TX
	958 521 812 01 D0H	Titanium Blue			+TW
	958 521 812 01 D0J	Cream			+MJ, +TX
	958 521 812 01 D0K	Light Tartufo			+TY
	958 521 803 00	Backrest cover Nature	/L -13		1
(5)	958 521 803 00 D0L	Espresso		+VA	
	958 521 803 00 D0M	Cognac		+VB	
(5)	958 521 803 01	Backrest cover Nature	/L 14-	1	IN1P
	958 521 803 01 D0L	Espresso			+VA
(5)	958 521 803 01 D0M	Cognac		+VB	
	958 521 813 00	Backrest cover Nature	/R -13	1	IN1P
(5)	958 521 813 00 D0L	Espresso		+VA	
	958 521 813 00 D0M	Cognac		+VB	
(5)	958 521 813 01	Backrest cover Nature	/R 14-	1	IN1P
	958 521 813 01 D0L	Espresso			+VA
6	958 521 813 01 D0M	Cognac		+VB	
	958 521 821 00	Backrest cover Embossed Draped leather	/L -13	1	IN7F
6	958 521 821 00 D0A	Black		+MA	
	958 521 821 00 D0B	Platinum Grey		+MD	
	958 521 821 00 D0C	Luxor Beige		+MC	
	958 521 821 01	Backrest cover Embossed Draped leather	/L 14-	1	IN7F
(6)	958 521 821 01 D0A	Black		+MA	
	958 521 821 01 D0B	Platinum Grey		+MD	
	958 521 821 01 D0C	Luxor Beige		+MC	
	958 521 821 01 DJL	Agate Grey		+MB	
	958 521 831 00	Backrest cover Embossed Draped leather	/R -13	1	IN7F
(6)	958 521 831 00 D0A	Black		+MA	
	958 521 831 00 D0B	Platinum Grey		+MD	
	958 521 831 00 D0C	Luxor Beige		+MC	
	958 521 831 01	Backrest cover Embossed Draped leather	/R 14-	1	IN7F
	958 521 831 01 D0A	Black		+MA	
	958 521 831 01 D0B	Platinum Grey		+MD	

Model: 92A 11 Model life 2011>>

Pos	Part Number	Description	Remark	Qty	Model
(6)	958 521 831 01 D0C	Luxor Beige	15- /L -13	1	+MC
	958 521 831 01 DJL	Agate Grey			+MB
	958 521 822 00	Backrest cover Plain leather Draped leather			IN7D
	958 521 822 00 D0D	Black			+LC, +MA, +YC
	958 521 822 00 D0E	Platinum Grey			+LD, +MD, +YD,
	958 521 822 00 D0F	Luxor Beige			+LE, +MC, +YE
	958 521 822 00 D0G	Umber			+LF, +YF
	958 521 822 00 D0H	Titanium Blue			+TW
	958 521 822 00 D0J	Cream			+TX
	958 521 822 00 D0K	Light Tartufo			+TY
(6)	958 521 822 01	Backrest cover Plain leather Draped leather	/L 14-	1	IN7D
	958 521 822 01 D0D	Black	+LC, +MA, +YC,		
	958 521 822 01 D0E	Platinum Grey	+LD, +MD, +YD,		
	958 521 822 01 D0F	Luxor Beige	+LE, +MC, +MK,		
	958 521 822 01 D0G	Umber	+YE		
	958 521 822 01 D0H	Titanium Blue	+LF, +YF		
	958 521 822 01 D0J	Cream	+TW		
	958 521 822 01 D0K	Light Tartufo	+MJ, +TX		
	958 521 822 01 YKI	Agate Grey	+TY		
	958 521 822 01 YMI	Saddle Tan	+MB, +MG		
(6)	958 521 832 01	Backrest cover Plain leather Draped leather	15- 15- /R	1	+MH, +MI IN7D
	958 521 832 01 D0D	Black	+LC, +MA, +YC		
	958 521 832 01 D0E	Platinum Grey	+LD, +MD, +YD,		
	958 521 832 01 D0F	Luxor Beige	+LE, +MC, +MK,		
	958 521 832 01 D0G	Umber	+YE		
	958 521 832 01 D0H	Titanium Blue	+LF, +YF		
	958 521 832 01 D0J	Cream	+TW		
	958 521 832 01 D0K	Light Tartufo	+MJ, +TX		
	958 521 832 01 YKI	Agate Grey	+TY		
	958 521 832 01 YMI	Saddle Tan	+MB, +MG		
(6)	958 521 823 00	Backrest cover Nature Draped leather	/L -13	1	+MH, +MI IN5Y
	958 521 823 00 D0L	Espresso	+VA		
	958 521 823 00 D0M	Cognac	+VB		
	958 521 823 01	Backrest cover Nature Draped leather	/L 14-		IN5Y
	958 521 823 01 D0L	Espresso	+VA		
	958 521 823 01 D0M	Cognac	+VB		
	958 521 833 01	Backrest cover Nature Draped leather	/R		IN5Y
	958 521 833 01 D0L	Espresso	+VA		
	958 521 833 01 D0M	Cognac	+VB		
	(7)	958 521 403 00	Seat cover Plain leather		/L -13
958 521 403 00 D0D		Black	+LC		
958 521 403 00 D0E		Platinum Grey	+LD		
958 521 403 00 D0F		Luxor Beige	+LE		
958 521 403 00 D0G		Umber	+LF		
958 521 403 00 D0H		Titanium Blue	+TW		
958 521 403 00 D0J		Cream	+TX		
958 521 403 00 D0K		Light Tartufo	+TY		
958 521 840 03		Seat cover	/L 14-	IN5U	

Model: 92A 11 Model life 2011>>

Pos	Part Number	Description	Remark	Qty	Model
	958 521 840 03 D0D	Black			+LC ,
	958 521 840 03 D0E	Platinum Grey			+LD
	958 521 840 03 D0F	Luxor Beige			+LE ,+MK
	958 521 840 03 D0G	Umber			+LF
	958 521 840 03 D0H	Titanium Blue			+TW
	958 521 840 03 D0J	Cream			+MJ ,+TX
	958 521 840 03 D0K	Light Tartufo			+TY
	958 521 840 03 YKI	Agate Grey	15-		+MG
	958 521 840 03 YMI	Saddle Tan	15-		+MH ,+MI
(7)	958 521 840 00	Seat cover	/R 13-	1	IN5U/9P3
	958 521 840 00 D0D	Black			+LC
	958 521 840 00 D0E	Platinum Grey			+LD
	958 521 840 00 D0F	Luxor Beige			+LE
	958 521 840 00 D0G	Umber			+LF
	958 521 840 00 D0H	Titanium Blue			+TW
	958 521 840 00 D0J	Cream			+TX
	958 521 840 00 D0K	Light Tartufo			+TY
(7)	958 521 840 00	Seat cover	/R 13-	1	IN5U/9P7
	958 521 840 00 D0D	Black			+LC
	958 521 840 00 D0E	Platinum Grey			+LD
	958 521 840 00 D0F	Luxor Beige			+LE
	958 521 840 00 D0G	Umber			+LF
	958 521 840 00 D0H	Titanium Blue			+TW
	958 521 840 00 D0J	Cream			+TX
	958 521 840 00 D0K	Light Tartufo			+TY
(7)	958 521 840 02	Seat cover	/R 14-	1	IN5U/9P3
	958 521 840 02 D0D	Black			+LC
	958 521 840 02 D0E	Platinum Grey			+LD
	958 521 840 02 D0F	Luxor Beige			+LE ,+MK
	958 521 840 02 D0G	Umber			+LF
	958 521 840 02 D0H	Titanium Blue			+TW
	958 521 840 02 D0J	Cream			+MJ ,+TX
	958 521 840 02 D0K	Light Tartufo			+TY
	958 521 840 02 YKI	Agate Grey	15-		+MG
	958 521 840 02 YMI	Saddle Tan	15-		+MH ,+MI
(7)	958 521 840 02	Seat cover	/R 14-	1	IN5U/9P7
	958 521 840 02 D0D	Black			+LC
	958 521 840 02 D0E	Platinum Grey			+LD
	958 521 840 02 D0F	Luxor Beige			+LE ,+MK
	958 521 840 02 D0G	Umber			+LF
	958 521 840 02 D0H	Titanium Blue			+TW
	958 521 840 02 D0J	Cream			+MJ ,+TX
	958 521 840 02 D0K	Light Tartufo			+TY
	958 521 840 02 YKI	Agate Grey	15-		+MG
	958 521 840 02 YMI	Saddle Tan	15-		+MH ,+MI
(7)	958 521 404 00	Seat cover	/L	1	IN1P
		Nature			
	958 521 404 00 D0L	Espresso			+VA
	958 521 404 00 D0M	Cognac			+VB
(7)	958 521 846 01	Seat cover	/R	1	IN1P/9P3
	958 521 846 01 D0L	Espresso			+VA
	958 521 846 01 D0M	Cognac			+VB
(7)	958 521 846 01	Seat cover	/R	1	IN1P/9P7
	958 521 846 01 D0L	Espresso			+VA
	958 521 846 01 D0M	Cognac			+VB
(7)	958 521 837 00	Seat cover	/L -13	1	IN1X
	958 521 837 00 D0C	Luxor Beige			+MC
	958 521 837 00 D0B	Platinum Grey			+MD
	958 521 837 00 D0A	Black			+MA
(7)	958 521 837 00	Seat cover	/L -13	1	IN1D
	958 521 837 00 HAA	Black/Luxor Beige			+77
(7)	958 521 837 01	Seat cover	/L 14-	1	IN1X
	958 521 837 01 D0C	Luxor Beige			+MC

Model: 92A 11 Model life 2011>>

Pos	Part Number	Description	Remark	Qty	Model
	958 521 837 01 D0B	Platinum Grey			+MD
	958 521 837 01 D0A	Black			+MA
	958 521 837 01 DJL	Agate Grey	15-		+MB
(7)	958 521 837 01	Seat cover	/L 14-	1	IN1D
	958 521 837 01 HAA	Black/Luxor Beige			+77
(7)	958 521 830 00	Seat cover	/R -13	1	IN1X/9P3
	958 521 830 00 D0A	Black			+MA
	958 521 830 00 D0B	Platinum Grey			+MD
	958 521 830 00 D0C	Luxor Beige			+MC
(7)	958 521 830 00	Seat cover	/R -13	1	IN1X/9P7
	958 521 830 00 D0A	Black			+MA
	958 521 830 00 D0B	Platinum Grey			+MD
	958 521 830 00 D0C	Luxor Beige			+MC
(7)	958 521 830 00	Seat cover	/R -13	1	IN1D/9P3
	958 521 830 00 HAA	Black/Luxor Beige			+77
(7)	958 521 830 00	Seat cover	/R -13	1	IN1D/9P7
	958 521 830 00 HAA	Black/Luxor Beige			+77
(7)	958 521 830 01	Seat cover	/R 14-	1	IN1X/9P3
	958 521 830 01 D0A	Black			+MA
	958 521 830 01 D0B	Platinum Grey			+MD
	958 521 830 01 D0C	Luxor Beige			+MC
	958 521 830 01 DJL	Agate Grey	-15		+MB
(7)	958 521 830 01	Seat cover	/R 14-	1	IN1X/9P7
	958 521 830 01 D0A	Black			+MA
	958 521 830 01 D0B	Platinum Grey			+MD
	958 521 830 01 D0C	Luxor Beige			+MC
	958 521 830 01 DJL	Agate Grey	-15		+MB
(7)	958 521 830 01	Seat cover	/R 14-	1	IN1D/9P3
	958 521 830 01 HAA	Black/Luxor Beige			+77
(7)	958 521 830 01	Seat cover	/R 14-	1	IN1D/9P7
	958 521 830 01 HAA	Black/Luxor Beige			+77
8	958 521 405 01	Seat cover	/L -13	1	IN7F
		Embossed			
		Draped leather			
	958 521 405 01 D0A	Black			+MA
	958 521 405 01 D0B	Platinum Grey			+MD
	958 521 405 01 D0C	Luxor Beige			+MC
8	958 521 405 02	Seat cover	/L 14-	1	IN7F
		Embossed			
		Draped leather			
	958 521 405 02 D0A	Black			+MA
	958 521 405 02 D0B	Platinum Grey			+MD
	958 521 405 02 DJL	Agate Grey	15-		+MB
	958 521 405 02 D0C	Luxor Beige			+MC
(8)	958 521 838 01	Seat cover	/R	1	IN7F/9P3
		Embossed			
		Draped leather			
	958 521 838 01 D0A	Black			+MA
	958 521 838 01 D0B	Platinum Grey			+MD
	958 521 838 01 D0C	Luxor Beige			+MC
	958 521 838 01 DJL	Agate Grey	15-		+MB
(8)	958 521 838 01	Seat cover	/R	1	IN7F/9P7
		Embossed			
		Draped leather			
	958 521 838 01 D0A	Black			+MA
	958 521 838 01 D0B	Platinum Grey			+MD
	958 521 838 01 D0C	Luxor Beige			+MC
	958 521 838 01 DJL	Agate Grey	15-		+MB
(8)	958 521 406 01	Seat cover	/L -13	1	IN7D
		Plain leather			
		Draped leather			
	958 521 406 01 D0D	Black			+LC
	958 521 406 01 D0E	Platinum Grey			+LD

Model: 92A 11 Model life 2011>>

Pos	Part Number	Description	Remark	Qty	Model
(8)	958 521 406 01 D0F	Luxor Beige			+LE
	958 521 406 01 D0G	Umber			+LF
	958 521 406 01 D0H	Titanium Blue			+TW
	958 521 406 01 D0J	Cream			+TX
	958 521 406 01 D0K	Light Tartufo			+TY
	958 521 406 02	Seat cover	/L 14-	1	IN7D
		Plain leather			
		Draped leather			
	958 521 406 02 D0D	Black			+LC
	958 521 406 02 D0E	Platinum Grey			+LD
958 521 406 02 D0F	Luxor Beige			+LE, +MK	
958 521 406 02 D0G	Umber			+LF	
958 521 406 02 D0H	Titanium Blue			+TW	
958 521 406 02 D0J	Cream			+MJ, +TX	
958 521 406 02 D0K	Light Tartufo			+TY	
958 521 406 02 YKI	Agate Grey	15-		+MG	
958 521 406 02 YMI	Saddle Tan	15-		+MH, +MI	
(8)	958 521 844 00	Seat cover	/R -13	1	IN7D/9P3
		Plain leather			
		Draped leather			
	958 521 844 00 D0D	Black			+LC
	958 521 844 00 D0E	Platinum Grey			+LD
	958 521 844 00 D0F	Luxor Beige			+LE
	958 521 844 00 D0G	Umber			+LF
	958 521 844 00 D0H	Titanium Blue			+TW
	958 521 844 00 D0J	Cream			+TX
	958 521 844 00 D0K	Light Tartufo			+TY
(8)	958 521 844 00	Seat cover	/R -13	1	IN7D/9P7
		Plain leather			
		Draped leather			
	958 521 844 00 D0D	Black			+LC
	958 521 844 00 D0E	Platinum Grey			+LD
	958 521 844 00 D0F	Luxor Beige			+LE
	958 521 844 00 D0G	Umber			+LF
	958 521 844 00 D0H	Titanium Blue			+TW
	958 521 844 00 D0J	Cream			+TX
	958 521 844 00 D0K	Light Tartufo			+TY
(8)	958 521 844 01	Seat cover	/R	1	IN7D/9P3
		Plain leather			
		Draped leather			
	958 521 844 01 D0D	Black			+LC
	958 521 844 01 D0E	Platinum Grey			+LD
	958 521 844 01 D0F	Luxor Beige			+LE, +MK
	958 521 844 01 D0G	Umber			+LF
	958 521 844 01 D0H	Titanium Blue			+TW
	958 521 844 01 D0J	Cream			+MJ, +TX
	958 521 844 01 D0K	Light Tartufo			+TY
958 521 844 01 YKI	Agate Grey	15-		+MG	
958 521 844 01 YMI	Saddle Tan	15-		+MH, +MI	
(8)	958 521 844 01	Seat cover	/R	1	IN7D/9P7
		Plain leather			
		Draped leather			
	958 521 844 01 D0D	Black			+LC
	958 521 844 01 D0E	Platinum Grey			+LD
	958 521 844 01 D0F	Luxor Beige			+LE, +MK
	958 521 844 01 D0G	Umber			+LF
	958 521 844 01 D0H	Titanium Blue			+TW
	958 521 844 01 D0J	Cream			+MJ, +TX
	958 521 844 01 D0K	Light Tartufo			+TY
958 521 844 01 YKI	Agate Grey	15-		+MG	
958 521 844 01 YMI	Saddle Tan	15-		+MH, +MI	
(8)	958 521 407 01	Seat cover	/L	1	IN5Y
		Nature			

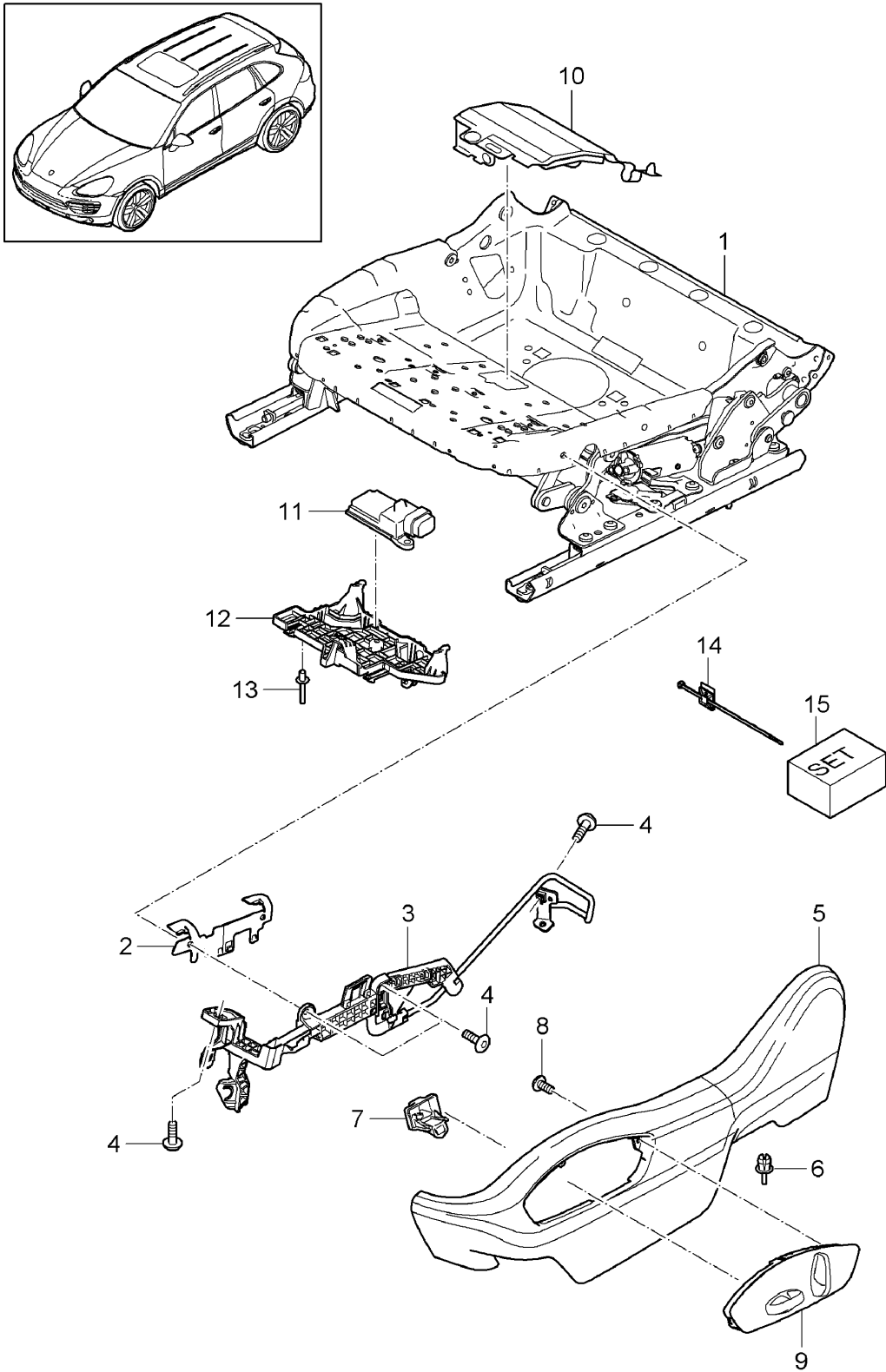
Model: 92A 11

Model life 2011>>

Pos	Part Number	Description	Remark	Qty	Model
(8)	958 521 407 01 D0L	Draped leather Espresso	/R	1	+VA +VB IN5Y/9P3
	958 521 407 01 D0M	Cognac			
	958 521 417 01	Seat cover Nature Draped leather			
(8)	958 521 417 01 D0L	Espresso	/R	1	+VA +VB IN5Y/9P7
	958 521 417 01 D0M	Cognac			
	958 521 417 01	Seat cover Nature Draped leather			
-	958 521 417 01 D0L	Espresso		1	+VA +VB
	958 521 417 01 D0M	Cognac			
	958 521 761 11	Repair kit Knob			
		Child car seat Identification			
	958 521 761 11 95R	Grey			

Model: 92A 11

Model life 2011>>



Model: 92A 11

Model life 2011>>

Pos	Part Number	Description	Remark	Qty	Model
1		Seat adjuster Standard seat Seat frame with Adjusting motor See illustrations 8/17/25			
2	958 521 539 00	Reinforcement	/L	1	
(2)	958 521 540 00	Seat adjuster Reinforcement	/R	1	
3	958 521 559 00	Support	/L	1	
(3)	958 521 560 00	Seat frame Support	/R	1	
4	N 107 148 01	Seat frame Outer hexagon round screw M 6 X 18		4	
5	958 521 313 00	Lining Front seat Door sill	/L -13	1	
	958 521 313 00 82V	Titanium Black			+LC, +MA, +TA, +TB, +YA, +YB, +YC
	958 521 313 00 4H0	Luxor Beige			+LE, +MC, +YE,
	958 521 313 00 6L0	Platinum Grey			+LD, +MD, +YD,
	958 521 313 00 5J0	Cream			+TX
	958 521 313 00 7N0	Espresso			+VA
	958 521 313 00 8P0	Cognac			+VB
	958 521 313 00 DE1	Umber			+LF, +YF,
	958 521 313 00 DF2	Light Tartufo			+TY
(5)	958 521 313 00 DJ3	Titanium Blue			+TW
	7P5 881 313 B	Lining Front seat Door sill	/L 14-	1	
	7P5 881 313 B 82V	Titanium Black			+LC, +LG, +MA, +MF, +TA, +TB, +YA, +YB, +YC, +77
	7P5 881 313 B 4H0	Luxor Beige			+LE, +MC, +MK, +YE
	7P5 881 313 B 6L0	Platinum Grey			+LD, +MD, +YD,
	7P5 881 313 B 5J0	Cream			+MJ, +TX
	7P5 881 313 B 7N0	Espresso			+VA
	7P5 881 313 B 8P0	Cognac			+VB
	7P5 881 313 B DE1	Umber			+LF, +YF
	7P5 881 313 B DF2	Light Tartufo			+TY
	7P5 881 313 B DJ3	Titanium Blue			+TW
	7P5 881 313 B OM8	Saddle Tan			+ME, +MH, +MI,
	7P5 881 313 B OP1	Agate Grey			+MB, +MG, +ML
	7P5 881 313 B OB8	Cohiba Brown			+LH
(5)	958 521 314 00	Lining Front seat Door sill	/R -13	1	
	958 521 314 00 82V	Titanium Black			+LC, +MA, +TA, +TB, +YA, +YB, +YC
	958 521 314 00 4H0	Luxor Beige			+LE, +MC, +YE,
	958 521 314 00 6L0	Platinum Grey			+LD, +MD, +YD,
	958 521 314 00 5J0	Cream			+TX
	958 521 314 00 7N0	Espresso			+VA
	958 521 314 00 8P0	Cognac			+VB
	958 521 314 00 DE1	Umber			+LF, +YF,
	958 521 314 00 DF2	Light Tartufo			+TY

Model: 92A 11

Model life 2011>>

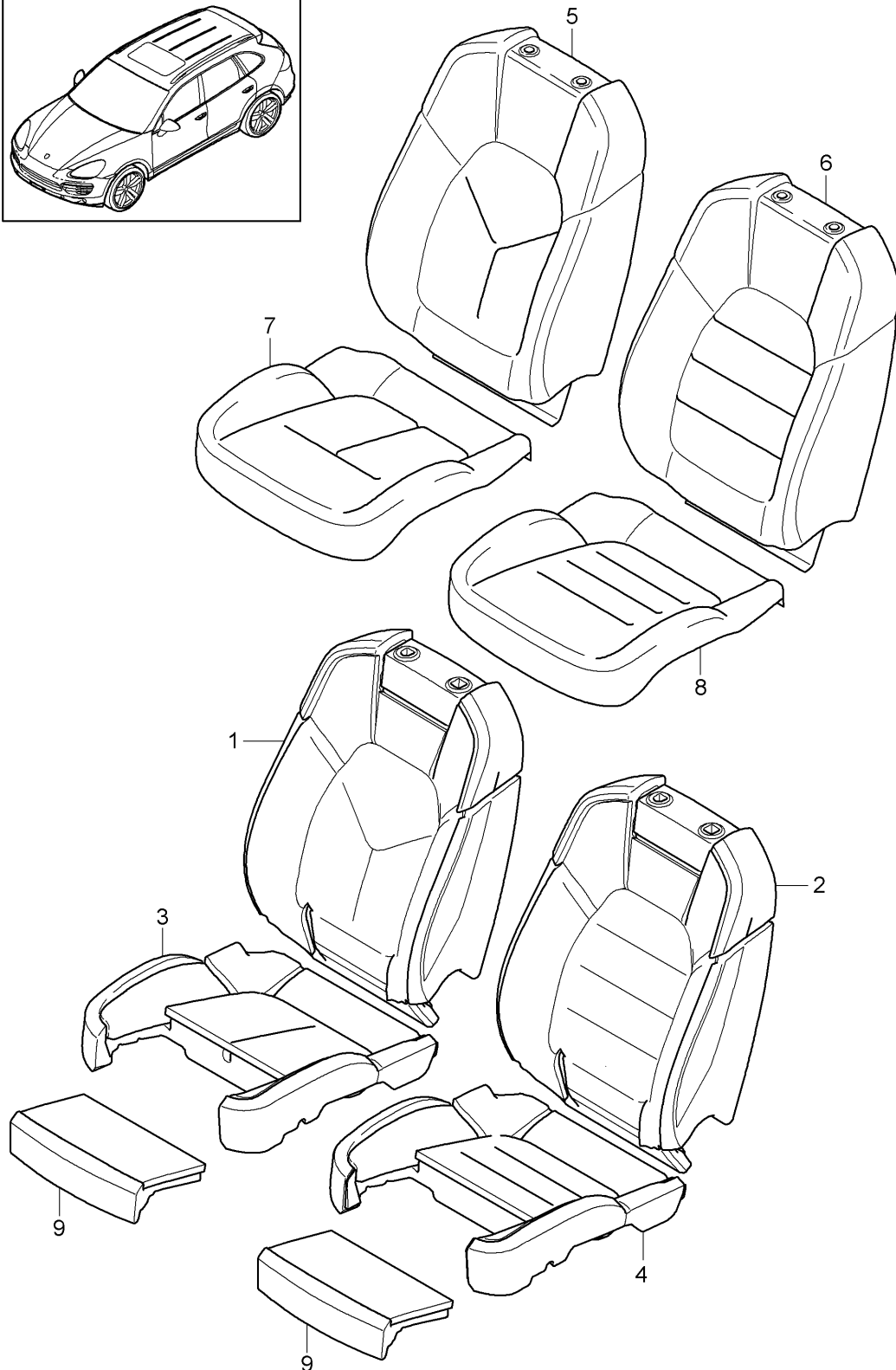
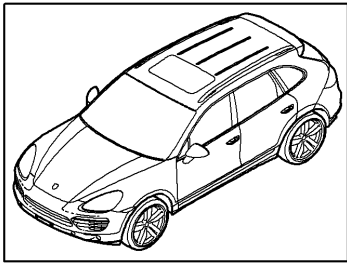
Pos	Part Number	Description	Remark	Qty	Model
(5)	958 521 314 00 DJ3 7P5 881 314 B	Titanium Blue Lining Front seat Door sill	/R 14-	1	+TW
	7P5 881 314 B 82V	Titanium Black			+LC, +LG, +MA, +MF, +TA, +TB, +YA, +YB, +YC, +77
	7P5 881 314 B 4H0	Luxor Beige			+LE, +MC, +MK, +YE
	7P5 881 314 B 6L0	Platinum Grey			+LD, +MD, +YD,
	7P5 881 314 B 5J0	Cream			+MJ, +TX
	7P5 881 314 B 7N0	Espresso			+VA
	7P5 881 314 B 8P0	Cognac			+VB
	7P5 881 314 B DE1	Umber			+LF, +YF
	7P5 881 314 B DF2	Light Tartufo			+TY
	7P5 881 314 B DJ3	Titanium Blue			+TW
	7P5 881 314 B OM8	Saddle Tan			+ME, +MH, +MI,
	7P5 881 314 B OP1	Agate Grey			+MB, +MG, +ML
	7P5 881 314 B OB8	Cohiba Brown			+LH
6	N 038 501 3	Expansion rivet A 6 X 12		2	
7	958 521 775 00	Cross member Mount Lining	/L	1	
(7)	958 521 776 00	Cross member Mount Lining	/R	1	
8	N 104 159 03	Oval-head screw TP 4 X 12		4	
9	7PP 959 747 M	Switch insert Module Front seat Seat adjuster	/L	2	I3L5
(9)	7PP 959 747 M L0H 7PP 959 747 M	Galvano silver Switch insert Module Front seat Seat adjuster	/L	2	IL0R/Q1G/3L4
(9)	7PP 959 747 M L0H 7PP 959 747 M	Galvano silver Switch insert Module Front seat Seat adjuster	/L	2	IL0R/Q4P/3L4
(9)	7PP 959 747 M L0H 7PP 959 748 M	Galvano silver Switch insert Module Front seat Seat adjuster	/R	2	I3L5
(9)	7PP 959 748 M L0H 7PP 959 748 M	Galvano silver Switch insert Module Front seat Seat adjuster	/R	2	IL0L/Q1G/3L4
(9)	7PP 959 748 M L0H 7PP 959 748 M	Galvano silver Switch insert Module Front seat Seat adjuster	/R	2	IL0L/Q4P/3L4
(9)	7PP 959 748 M L0H 7PP 959 747 N	Galvano silver Switch insert Module Front seat	/L	2	IL0L/Q1G/3L4

Model: 92A 11 Model life 2011>>

Pos	Part Number	Description	Remark	Qty	Model
(9)	7PP 959 747 N DMN 7PP 959 747 N	Seat adjuster Galvano silver Switch insert Module Front seat	/L	2	IL0L/Q4P/3L4
(9)	7PP 959 747 N DMN 7PP 959 747 N	Seat adjuster Galvano silver Switch insert Module Front seat	/L	2	IQ1G/3PN
(9)	7PP 959 747 N DMN 7PP 959 747 N	Seat adjuster Galvano silver Switch insert Module Front seat	/L	2	IQ4P/3PN
(9)	7PP 959 747 N DMN 7PP 959 748 N	Seat adjuster Galvano silver Switch insert Module Front seat	/R	2	IL0R/Q1G/3L4
(9)	7PP 959 748 N DMN 7PP 959 748 N	Seat adjuster Galvano silver Switch insert Module Front seat	/R	2	IL0R/Q4P/3L4
(9)	7PP 959 748 N DMN 7PP 959 748 N	Seat adjuster Galvano silver Switch insert Module Front seat	/R	2	IQ1G/3PN
(9)	7PP 959 748 N DMN 7PP 959 748 N	Seat adjuster Galvano silver Switch insert Module Front seat	/R	2	IL0L/Q4P/3L4
10	7PP 959 748 N DMN 958 618 553 00	Seat adjuster Galvano silver Module Seat occupancy detection		1	I9P3
10	958 618 553 01	Front seat Module Seat occupancy detection		1	I9P3
12	958 521 729 00	Front seat Support Seat occupancy detection		1	IL0L/3L4/3PN
(12)	958 521 730 00	Memory Support Seat occupancy detection		1	IL0R/3L4/3PN I9P3/9P7
13	N 908 123 02	Memory Blind rivet 6 X 10		2	
14	WHT 005 450	Cable holder Mount Wiring harness		1	I3L5
15	958 521 907 00	Seat adjuster Repair kit Seat adjuster Front seat		1	

Model: 92A 11

Model life 2011>>



Model: 92A 11 Model life 2011>>

Pos	Part Number	Description	Remark	Qty	Model
		Foam part Cover Comfort seat			IQ2J
1	958 521 771 00	Foam part Backrest	/L	1	IN1P/4A0
(1)		Foam part Backrest	/L	1	IN5U/4A0
(1)		Foam part Backrest	/L	1	IN1M/4A0
(1)	958 521 772 00	Foam part Backrest	/R	1	IN1P/4A0
(1)		Foam part Backrest	/R	1	IN5U/4A0
(1)		Foam part Backrest	/R	1	IN1M/4A0
(1)	958 521 779 00	Foam part Backrest	/L	1	IN1P/4A3
(1)		Foam part Backrest	/L	1	IN5U/4A3
(1)		Foam part Backrest	/L	1	IN1M/4A3
(1)		Foam part Backrest	/L	1	IN1P/4A4
(1)		Foam part Backrest	/L	1	IN5U/4A4
(1)		Foam part Backrest	/L	1	IN1M/4A4
(1)	958 521 780 00	Foam part Backrest	/R	1	IN1P/4A3
(1)		Foam part Backrest	/R	1	IN5U/4A3
(1)		Foam part Backrest	/R	1	IN1M/4A3
(1)		Foam part Backrest	/R	1	IN1P/4A4
(1)		Foam part Backrest	/R	1	IN5U/4A4
(1)		Foam part Backrest	/R	1	IN1M/4A4
2	958 521 773 00	Foam part Backrest	/L	1	IN5Y/4A0
(2)		Foam part Backrest	/L	1	IN7D/4A0
(2)		Foam part Backrest	/L	1	IN7F/4A0
(2)	958 521 774 00	Foam part Backrest	/R	1	IN5Y/4A0
(2)		Foam part Backrest	/R	1	IN7D/4A0
(2)		Foam part Backrest	/R	1	IN7F/4A0
(2)	958 521 777 00	Foam part Backrest	/L	1	IN5Y/4A3
(2)		Foam part Backrest	/L	1	IN7D/4A3
(2)		Foam part Backrest	/L	1	IN7F/4A3
(2)		Foam part Backrest	/L	1	IN5Y/4A4
(2)		Foam part Backrest	/L	1	IN7D/4A4
(2)		Foam part Backrest	/L	1	IN7F/4A4

Model: 92A 11

Model life 2011>>

Pos	Part Number	Description	Remark	Qty	Model
(2)	958 521 778 00	Foam part Backrest	/R	1	IN5Y/4A3
(2)		Foam part Backrest	/R	1	IN7D/4A3
(2)		Foam part Backrest	/R	1	IN7F/4A3
(2)		Foam part Backrest	/R	1	IN5Y/4A4
(2)		Foam part Backrest	/R	1	IN7D/4A4
(2)		Foam part Backrest	/R	1	IN7F/4A4
3	958 521 379 00	Foam part Seat cushion	/L	1	IL0L/N1P/4A0
(3)		Foam part Seat cushion	/L	1	IL0L/N5U/4A0
(3)		Foam part Seat cushion	/L	1	IL0L/N1M/4A0
(3)	958 521 479 00	Foam part Seat cushion	/R	1	IL0L/N1P/4A0 I9P3
(3)		Foam part Seat cushion	/R	1	IL0L/N5U/4A0 I9P3
(3)		Foam part Seat cushion	/R	1	IL0L/N1M/4A0 I9P3
(3)	958 521 380 00	Foam part Seat cushion	/L	1	IL0R/N1P/4A0
(3)		Foam part Seat cushion	/L	1	IL0R/N5U/4A0
(3)		Foam part Seat cushion	/L	1	IL0R/N1M/4A0
(3)	958 521 480 00	Foam part Seat cushion	/R	1	IL0R/N1P/4A0 I9P3
(3)		Foam part Seat cushion	/R	1	IL0R/N5U/4A0 I9P3
(3)		Foam part Seat cushion	/R	1	IL0R/N1M/4A0 I9P3
(3)	958 521 381 01	Foam part Seat cushion with heating	/L	1	IL0L/N1P/4A3
(3)		Foam part Seat cushion with heating	/L	1	IL0L/N5U/4A3
(3)		Foam part Seat cushion with heating	/L	1	IL0L/N1M/4A3
(3)		Foam part Seat cushion with heating	/L	1	IL0L/N1P/4A4
(3)		Foam part Seat cushion with heating	/L	1	IL0L/N5U/4A4
(3)		Foam part Seat cushion with heating	/L	1	IL0L/N1M/4A4
(3)	958 521 481 00	Foam part Seat cushion	/R -13	1	IL0L/N1P/4A3 I9P3

Model: 92A 11

Model life 2011>>

Pos	Part Number	Description	Remark	Qty	Model
(3)		with heating Foam part	/R -13	1	IL0L/N5U/4A3 I9P3
(3)		Seat cushion with heating Foam part	/R -13	1	IL0L/N1M/4A3 I9P3
(3)		Seat cushion with heating Foam part	/R -13	1	IL0L/N1P/4A4 I9P3
(3)		Seat cushion with heating Foam part	/R -13	1	IL0L/N5U/4A4 I9P3
(3)		Seat cushion with heating Foam part	/R -13	1	IL0L/N1M/4A4 I9P3
(3)	958 521 481 01	Seat cushion with heating Foam part	/R 14-	1	IL0L/N1P/4A3 I9P3
(3)		Seat cushion with heating Foam part	/R 14-	1	IL0L/N5U/4A3 I9P3
(3)		Seat cushion with heating Foam part	/R 14-	1	IL0L/N1M/4A3 I9P3
(3)		Seat cushion with heating Foam part	/R 14-	1	IL0L/N1P/4A4 I9P3
(3)		Seat cushion with heating Foam part	/R 14-	1	IL0L/N5U/4A4 I9P3
(3)		Seat cushion with heating Foam part	/R 14-	1	IL0L/N1M/4A4 I9P3
(3)	958 521 382 00	Seat cushion with heating Foam part	/L -13	1	IL0R/N1P/4A3
(3)		Seat cushion with heating Foam part	/L -13	1	IL0R/N5U/4A3
(3)		Seat cushion with heating Foam part	/L -13	1	IL0R/N1M/4A3
(3)		Seat cushion with heating Foam part	/L -13	1	IL0R/N1P/4A4
(3)		Seat cushion with heating Foam part	/L -13	1	IL0R/N5U/4A4
(3)		Seat cushion with heating Foam part	/L -13	1	IL0R/N1M/4A4
(3)		Seat cushion with heating Foam part	/L -13	1	IL0R/N1M/4A4

Model: 92A 11

Model life 2011>>

Pos	Part Number	Description	Remark	Qty	Model
(3)	958 521 382 01	Foam part Seat cushion with heating	/L 14-	1	IL0R/N1P/4A3
(3)		Foam part Seat cushion with heating	/L 14-	1	IL0R/N5U/4A3
(3)		Foam part Seat cushion with heating	/L 14-	1	IL0R/N1M/4A3
(3)		Foam part Seat cushion with heating	/L 14-	1	IL0R/N1P/4A4
(3)		Foam part Seat cushion with heating	/L 14-	1	IL0R/N5U/4A4
(3)		Foam part Seat cushion with heating	/L 14-	1	IL0R/N1M/4A4
(3)	958 521 482 00	Foam part	/R -13	1	IL0R/N1P/4A3 I9P3
(3)		Seat cushion with heating Foam part	/R -13	1	IL0R/N5U/4A3 I9P3
(3)		Seat cushion with heating Foam part	/R -13	1	IL0R/N1M/4A3 I9P3
(3)		Seat cushion with heating Foam part	/R -13	1	IL0R/N1P/4A4 I9P3
(3)		Seat cushion with heating Foam part	/R -13	1	IL0R/N5U/4A4 I9P3
(3)		Seat cushion with heating Foam part	/R -13	1	IL0R/N1M/4A4 I9P3
(3)	958 521 482 01	Foam part	/R 14-	1	IL0R/N1P/4A3 I9P3
(3)		Seat cushion with heating Foam part	/R 14-	1	IL0R/N5U/4A3 I9P3
(3)		Seat cushion with heating Foam part	/R 14-	1	IL0R/N1M/4A3 I9P3
(3)		Seat cushion with heating Foam part	/R 14-	1	IL0R/N1P/4A4 I9P3
(3)		Seat cushion with heating Foam part	/R 14-	1	IL0R/N5U/4A4 I9P3
(3)		Seat cushion with heating Foam part	/R 14-	1	IL0R/N1M/4A4

Model: 92A 11

Model life 2011>>

Pos	Part Number	Description	Remark	Qty	Model
		Seat cushion with heating			I9P3
4	958 521 383 00	Foam part	/L	1	IL0L/N5Y/4A0
4		Seat cushion with heating			
		Foam part	/L	1	IL0L/N7D/4A0
(4)	958 521 483 00	Seat cushion with heating			
		Foam part	/R	1	IL0L/N5Y/4A0 I9P3
(4)		Seat cushion with heating			
		Foam part	/R	1	IL0L/N7D/4A0 I9P3
(4)	958 521 384 00	Seat cushion with heating			
		Foam part	/L	1	IL0R/N5Y/4A0
(4)		Seat cushion with heating			
		Foam part	/L	1	IL0R/N7D/4A0
(4)	958 521 484 00	Seat cushion with heating			
		Foam part	/R	1	IL0R/N5Y/4A0 I9P3
(4)		Seat cushion with heating			
		Foam part	/R	1	IL0R/N7D/4A0 I9P3
(4)	958 521 385 00	Seat cushion with heating			
		Foam part	/L -13	1	IL0L/N5Y/4A3
(4)		Seat cushion with heating			
		Foam part	/L -13	1	IL0L/N7D/4A3
(4)		Seat cushion with heating			
		Foam part	/L -13	1	IL0L/N5Y/4A4
(4)		Seat cushion with heating			
		Foam part	/L -13	1	IL0L/N7D/4A4
(4)	958 521 385 01	Seat cushion with heating			
		Foam part	/L 14-	1	IL0L/N5Y/4A3
(4)		Seat cushion with heating			
		Foam part	/L 14-	1	IL0L/N7D/4A3
(4)		Seat cushion with heating			
		Foam part	/L 14-	1	IL0L/N5Y/4A4
(4)		Seat cushion with heating			
		Foam part	/L 14-	1	IL0L/N7D/4A4
(4)	958 521 485 00	Seat cushion with heating			
		Foam part	/R -13	1	IL0L/N5Y/4A3 I9P3
(4)		Seat cushion with heating			
		Foam part	/R -13	1	IL0L/N7D/4A3 I9P3
(4)		Seat cushion with heating			
		Foam part	/R -13	1	IL0L/N5Y/4A4 I9P3
(4)		Seat cushion with heating			
		Foam part	/R -13	1	IL0L/N7D/4A4 I9P3
(4)		Seat cushion with heating			
		Foam part	/R -13	1	IL0L/N5Y/4A4 I9P3

Model: 92A 11 Model life 2011>>

Pos	Part Number	Description	Remark	Qty	Model
(4)	958 521 485 01	Foam part Seat cushion with heating	/R 14-	1	IL0L/N5Y/4A3 I9P3
(4)		Foam part Seat cushion with heating	/R 14-	1	IL0L/N7D/4A3 I9P3
(4)		Foam part Seat cushion with heating	/R 14-	1	IL0L/N5Y/4A4 I9P3
(4)		Foam part Seat cushion with heating	/R 14-	1	IL0L/N7D/4A4 I9P3
(4)	958 521 386 00	Foam part Seat cushion with heating	/L -13	1	IL0R/N5Y/4A3
(4)		Foam part Seat cushion with heating	/L -13	1	IL0R/N7D/4A3
(4)		Foam part Seat cushion with heating	/L -13	1	IL0R/N5Y/4A4
(4)		Foam part Seat cushion with heating	/L -13	1	IL0R/N7D/4A4
(4)	958 521 386 01	Foam part Seat cushion with heating	/L 14-	1	IL0R/N5Y/4A3
(4)		Foam part Seat cushion with heating	/L 14-	1	IL0R/N7D/4A3
(4)		Foam part Seat cushion with heating	/L 14-	1	IL0R/N5Y/4A4
(4)		Foam part Seat cushion with heating	/L 14-	1	IL0R/N7D/4A4
(4)	958 521 486 00	Foam part Seat cushion with heating	/R -13	1	IL0R/N5Y/4A3 I9P3
(4)		Foam part Seat cushion with heating	/R -13	1	IL0R/N7D/4A3 I9P3
(4)		Foam part Seat cushion with heating	/R -13	1	IL0R/N5Y/4A4 I9P3
(4)		Foam part Seat cushion with heating	/R -13	1	IL0R/N7D/4A4 I9P3
(4)	958 521 486 01	Foam part Seat cushion with heating	/R 14-	1	IL0R/N5Y/4A3 I9P3
(4)		Foam part Seat cushion	/R 14-	1	IL0R/N7D/4A3 I9P3

Model: 92A 11 Model life 2011>>

Pos	Part Number	Description	Remark	Qty	Model
(4)		with heating Foam part	/R 14-	1	IL0R/N5Y/4A4 I9P3
(4)		Seat cushion with heating Foam part	/R 14-	1	IL0R/N7D/4A4 I9P3
5	958 521 802 00	Seat cushion with heating Backrest cover Plain leather	/L -13	1	IL0L/N5U
	958 521 802 00 D0D	Black			+LC, +MA, +YC
	958 521 802 00 D0E	Platinum Grey			+LD, +MD, +YD
	958 521 802 00 D0F	Luxor Beige			+LE, +MC, +YE
	958 521 802 00 D0G	Umber			+LF, +YF
	958 521 802 00 D0H	Titanium Blue			+TW
	958 521 802 00 D0J	Cream			+TX
	958 521 802 00 D0K	Light Tartufo			+TY
(5)	958 521 802 01	Backrest cover Plain leather	/L 14-	1	IN5U
	958 521 802 01 D0D	Black			+LC, +MA, +YC,
	958 521 802 01 D0E	Platinum Grey			+LD, +MD, +YD,
	958 521 802 01 D0F	Luxor Beige			+LE, +MC, +MK,
					+YE
	958 521 802 01 D0G	Umber			+LF, +YF
	958 521 802 01 D0H	Titanium Blue			
	958 521 802 01 D0J	Cream			+MJ, +TX
	958 521 802 01 D0K	Light Tartufo			+TY
	958 521 802 01 YKI	Agate Grey	15-		+MB, +MG, +ML
	958 521 802 01 YMI	Saddle Tan	15-		+ME, +MH, +MI
	958 521 802 01 HHM	Cohiba Brown	+LH		
(5)	958 521 805 00	Backrest cover Plain leather	/L	1	IL0R/N5U
	958 521 805 00 D0D	Black			+LC, +MA,
	958 521 805 00 D0E	Platinum Grey			+LD, +MD,
	958 521 805 00 D0F	Luxor Beige			+LE, +MC,
	958 521 805 00 D0G	Umber			+LF,
	958 521 805 00 D0H	Titanium Blue			+TW,
	958 521 805 00 D0J	Cream			+TX,
	958 521 805 00 D0K	Light Tartufo			+TY,
(5)	958 521 812 00	Backrest cover Plain leather	/R -13	1	IN5U
	958 521 812 00 D0D	Black			+LC, +MA, +YC
	958 521 812 00 D0E	Platinum Grey			+LD, +MD, +YD
	958 521 812 00 D0F	Luxor Beige			+LE, +MC, +YE
	958 521 812 00 D0G	Umber			+LF, +YF
	958 521 812 00 D0H	Titanium Blue			+TW
	958 521 812 00 D0J	Cream			+TX
	958 521 812 00 D0K	Light Tartufo			+TY
(5)	958 521 812 01	Backrest cover Plain leather	/R 14-	1	IN5U
	958 521 812 01 D0D	Black			+LC, +MA, +YC,
	958 521 812 01 D0E	Platinum Grey			+LD, +MD, +YD,
	958 521 812 01 D0F	Luxor Beige			+LE, +MC, +MK,
					+YE
	958 521 812 01 D0G	Umber			+LF, +YF
	958 521 812 01 D0H	Titanium Blue			
	958 521 812 01 D0J	Cream			+MJ, +TX
	958 521 812 01 D0K	Light Tartufo			+TY
	958 521 812 01 YKI	Agate Grey	15-		+MB, +MG, +ML
	958 521 812 01 YMI	Saddle Tan	15-		+ME, +MH, +MI
	958 521 812 01 HHM	Cohiba Brown	+LH		
(5)	958 521 815 00	Backrest cover	/R	1	IL0R/N5U

Model: 92A 11 Model life 2011>>

Pos	Part Number	Description	Remark	Qty	Model
	958 521 815 00 D0D	Plain leather Black			+LC, +MA,
	958 521 815 00 D0E	Platinum Grey			+LD, +MD,
	958 521 815 00 D0F	Luxor Beige			+LE, +MC,
	958 521 815 00 D0G	Umber			+LF,
	958 521 815 00 D0H	Titanium Blue			+TW,
	958 521 815 00 D0J	Cream			+TX,
	958 521 815 00 D0K	Light Tartufo			+TY,
(5)	958 521 803 01	Backrest cover Nature	/L	1	IN1P
	958 521 803 01 D0L	Espresso			+VA
	958 521 803 01 D0M	Cognac			+VB
(5)	958 521 806 00	Backrest cover Nature	/L	1	IL0R/N1P
	958 521 806 00 D0L	Espresso			+VA
	958 521 806 00 D0M	Cognac			+VB
(5)	958 521 813 00	Backrest cover Nature	/R -13	1	IN1P
	958 521 813 00 D0L	Espresso			+VA
	958 521 813 00 D0M	Cognac			+VB
(5)	958 521 813 01	Backrest cover Nature	/R 14-	1	IN1P
	958 521 813 01 D0L	Espresso			+VA
	958 521 813 01 D0M	Cognac			+VB
(5)	958 521 816 00	Backrest cover Nature	/R	1	IL0R/N1P
	958 521 816 00 D0L	Espresso			+VA
	958 521 816 00 D0M	Cognac			+VB
(5)	958 521 821 00	Backrest cover two-colour	/L	1	IN1M
	958 521 821 00 AAC	Black/Luxor Beige			+77
	958 521 821 00 AAB	Black/Carrera Red			+TA
	958 521 821 00 HGK	Black/Cream			+LG
(5)	958 521 820 00	Backrest cover two-colour	/R	1	IN1M
	958 521 820 00 AAC	Black/Luxor Beige			+77
	958 521 820 00 AAB	Black/Carrera Red			+TA
	958 521 820 00 HGK	Black/Cream			+LG
6	958 521 822 00	Backrest cover Plain leather Draped leather	/L -13	1	IN7D
	958 521 822 00 D0D	Black			+LC, +MA, +YC
	958 521 822 00 D0E	Platinum Grey			+LD, +MD, +YD,
	958 521 822 00 D0F	Luxor Beige			+LE, +MC, +YE
	958 521 822 00 D0G	Umber			+LF, +YF
	958 521 822 00 D0H	Titanium Blue			+TW
	958 521 822 00 D0J	Cream			+TX
	958 521 822 00 D0K	Light Tartufo			+TY
6	958 521 822 01	Backrest cover Plain leather Draped leather	/L 14-	1	IN7D
	958 521 822 01 D0D	Black			+LC, +MA, +YC,
	958 521 822 01 D0E	Platinum Grey			+LD, +MD, +YD,
	958 521 822 01 D0F	Luxor Beige			+LE, +MC, +MK,
					+YE
	958 521 822 01 D0G	Umber			+LF, +YF
	958 521 822 01 D0H	Titanium Blue			
	958 521 822 01 D0J	Cream			+MJ, +TX
	958 521 822 01 D0K	Light Tartufo			+TY
	958 521 822 01 YKI	Agate Grey	15-		+MB, +MG
	958 521 822 01 YMI	Saddle Tan	15-		+MH, +MI
(6)	958 521 825 00	Backrest cover Plain leather	/L	1	IL0R/N7D

Model: 92A 11 Model life 2011>>

Pos	Part Number	Description	Remark	Qty	Model
	958 521 825 00 D0D	Draped leather Black			+LC, +MA
	958 521 825 00 D0E	Platinum Grey			+LD, +MD,
	958 521 825 00 D0F	Luxor Beige			+LE, +MC
	958 521 825 00 D0G	Umber			+LF
	958 521 825 00 D0H	Titanium Blue			+TW
	958 521 825 00 D0J	Cream			+TX
	958 521 825 00 D0K	Light Tartufo			+TY
(6)	958 521 832 01	Backrest cover Plain leather Draped leather	/R	1	IN7D
	958 521 832 01 D0D	Black			+LC, +MA, +YC,
	958 521 832 01 D0E	Platinum Grey			+LD, +MD, +YD,
	958 521 832 01 D0F	Luxor Beige			+LE, +MC, +MK,
					+YE
	958 521 832 01 D0G	Umber			+LF, +YF
	958 521 832 01 D0H	Titanium Blue			
	958 521 832 01 D0J	Cream			+MJ, +TX
	958 521 832 01 D0K	Light Tartufo			+TY
	958 521 832 01 YKI	Agate Grey	15-		+MB, +MG
	958 521 832 01 YMI	Saddle Tan	15-		+MH, +MI
(6)	958 521 835 00	Backrest cover Plain leather Draped leather	/R	1	IL0R/N7D
	958 521 835 00 D0D	Black			+LC, +MA
	958 521 835 00 D0E	Platinum Grey			+LD, +MD,
	958 521 835 00 D0F	Luxor Beige			+LE, +MC
	958 521 835 00 D0G	Umber			+LF
	958 521 835 00 D0H	Titanium Blue			+TW
	958 521 835 00 D0J	Cream			+TX
	958 521 835 00 D0K	Light Tartufo			+TY
(6)	958 521 823 00	Backrest cover Nature Draped leather	/L -13	1	IN5Y
	958 521 823 00 D0L	Espresso			+VA
	958 521 823 00 D0M	Cognac			+VB
(6)	958 521 823 01	Backrest cover Nature Draped leather	/L 14-	1	IN5Y
	958 521 823 01 D0L	Espresso			+VA
	958 521 823 01 D0M	Cognac			+VB
(6)	958 521 826 00	Backrest cover Nature Draped leather	/L	1	IL0R/N5Y
	958 521 826 00 D0L	Espresso			+VA
	958 521 826 00 D0M	Cognac			+VB
(6)	958 521 833 00	Backrest cover Nature Draped leather	/R -13	1	IN5Y
	958 521 833 00 D0L	Espresso			+VA
	958 521 833 00 D0M	Cognac			+VB
(6)	958 521 833 01	Backrest cover Nature Draped leather	/R 14-	1	IN5Y
	958 521 833 01 D0L	Espresso			+VA
	958 521 833 01 D0M	Cognac			+VB
(6)	958 521 836 00	Backrest cover Nature Draped leather	/R	1	IL0R/N5Y
	958 521 836 00 D0L	Espresso			+VA
	958 521 836 00 D0M	Cognac			+VB
7	958 521 420 00	Seat cover Plain leather	/L	1	IN5U

Model: 92A 11 Model life 2011>>

Pos	Part Number	Description	Remark	Qty	Model
	958 521 420 00 D0D	Black			+LC, +MA
	958 521 420 00 D0E	Platinum Grey			+LD, +MD
	958 521 420 00 D0F	Luxor Beige			+LE, +MC
	958 521 420 00 D0G	Umber			+LF
	958 521 420 00 D0H	Titanium Blue			+TW
	958 521 420 00 D0J	Cream			+TX
	958 521 420 00 D0K	Light Tartufo			+TY
7	958 521 420 13	Seat cover Plain leather	/L 14-	1	IN5U
	958 521 420 13 D0D	Black			+LC, +MA, +YC,
	958 521 420 13 D0E	Platinum Grey			+LD, +MD, +YD,
	958 521 420 13 D0F	Luxor Beige			+LE, +MC, +YE,
	958 521 420 13 D0G	Umber			+LF, +YF,
	958 521 420 13 D0H	Titanium Blue			
	958 521 420 13 D0J	Cream			+MJ, +TX
	958 521 420 13 D0K	Light Tartufo			+TY,
(7)	958 521 420 13 YKI	Agate Grey			+MB, +MG, +ML
	958 521 426 02	Seat cover Plain leather	/L	1	IN0Q/N1B
	958 521 426 02 D0D	Black			+LC, +MA, +YC
	958 521 426 02 D0F	Luxor Beige			+LE, +MC, +MK
					+YE
	958 521 426 02 D0J	Cream			+MJ
	958 521 426 02 YKI	Agate Grey	15-		+MB, +MG, +ML
	958 521 426 02 YMI	Saddle Tan	15-		+ME, +MH, +MI
(7)	958 521 426 02 HHM	Cohiba Brown			+LH
	958 521 426 02	Seat cover Plain leather	/L	1	IN1B
	958 521 426 02 AAB	Black/Carrera Red			+TA
(7)	958 521 426 02 AAC	Black/Luxor Beige			+77
	958 521 430 00	Seat cover Plain leather	/R -12	1	IN5U/9P3
	958 521 430 00 D0D	Black			+LC, +MA
	958 521 430 00 D0E	Platinum Grey			+LD, +MD
	958 521 430 00 D0F	Luxor Beige			+LE, +MC
	958 521 430 00 D0G	Umber			+LF
	958 521 430 00 D0H	Titanium Blue			+TW
	958 521 430 00 D0J	Cream			+TX
	958 521 430 00 D0K	Light Tartufo			+TY
(7)	958 521 430 00	Seat cover Plain leather	/R -12	1	IN5U/9P7
	958 521 430 00 D0D	Black			+LC, +MA,
	958 521 430 00 D0E	Platinum Grey			+LD, +MD
	958 521 430 00 D0F	Luxor Beige			+LE, +MC
	958 521 430 00 D0G	Umber			+LF
	958 521 430 00 D0H	Titanium Blue			+TW
	958 521 430 00 D0J	Cream			+TX
	958 521 430 00 D0K	Light Tartufo			+TY
(7)	958 521 856 01	Seat cover Plain leather	/R 14-	1	IL0L/N0Q/9P3 I9P7
	958 521 856 01 D0D	Black			+LC, +MA, +YC
	958 521 856 01 D0F	Luxor Beige			+LE, +MC, +MK
					+YE
	958 521 856 01 D0J	Cream			+MJ
	958 521 856 01 YKI	Agate Grey	15-		+MB, +MG, +ML
	958 521 856 01 YMI	Saddle Tan	15-		+ME, +MH, +MI
(7)	958 521 856 01 HHM	Cohiba Brown			+LH
	958 521 856 01	Seat cover Plain leather	/R 14-	1	IN0Q/N1B/9P3 I9P7
	958 521 856 01 AAB	Black/Carrera Red			+TA
	958 521 856 01 AAC	Black/Luxor Beige			+77

Model: 92A 11 Model life 2011>>

Pos	Part Number	Description	Remark	Qty	Model
(7)	958 521 850 00	Seat cover Plain leather	/R 13-	1	IN5U/9P3
	958 521 850 00 D0D	Black			+LC, +MA, +YC,
	958 521 850 00 D0E	Platinum Grey			+LD, +MD, +YD,
	958 521 850 00 D0F	Luxor Beige			+LE, +MC, +YE,
	958 521 850 00 D0G	Umber			+LF, +YF,
	958 521 850 00 D0H	Titanium Blue			+TW,
	958 521 850 00 D0J	Cream			+TX,
	958 521 850 00 D0K	Light Tartufo			+TY,
(7)	958 521 850 00	Seat cover Plain leather	/R 13-	1	IN5U/9P7
	958 521 850 00 D0D	Black			+LC, +MA, +YC,
	958 521 850 00 D0E	Platinum Grey			+LD, +MD, +YD,
	958 521 850 00 D0F	Luxor Beige			+LE, +MC, +YE,
	958 521 850 00 D0G	Umber			+LF, +YF,
	958 521 850 00 D0H	Titanium Blue			+TW,
	958 521 850 00 D0J	Cream			+TX,
	958 521 850 00 D0K	Light Tartufo			+TY,
(7)	958 521 420 13	Seat cover Plain leather	/L	1	IN1M/N5U
	958 521 420 13 AAB	Black/Carrera Red			+TA
	958 521 420 13 AAC	Black/Luxor Beige			+77
	958 521 420 13 HHM	Black/Cohiba Brown			+LH
	958 521 420 13 YMI	Saddle Tan			+MI
	958 521 420 13 HGK	Black/Cream			+LG
(7)	958 521 421 13	Seat cover Plain leather	/R	1	IL0L/N1M/N5U I9P7
	958 521 421 13 AAB	Black/Carrera Red			+TA
	958 521 421 13 AAC	Black/Luxor Beige			+77
	958 521 421 13 HHM	Black/Cohiba Brown			+LH
	958 521 421 13 HGK	Black/Cream			+LG
	958 521 421 13 YKI	Agate Grey			+MB, +MG, +ML
(7)	958 521 421 13	Seat cover Plain leather	/R	1	IN1M/N5U/9P3
	958 521 421 13 AAB	Black/Carrera Red			+TA
	958 521 421 13 AAC	Black/Luxor Beige			+77, +TB
	958 521 421 13 HHM	Black/Cohiba Brown			+LH
	958 521 421 13 YMI	Saddle Tan			+MI
	958 521 421 13 HGK	Black/Cream			+LG
	958 521 421 13 YKI	Agate Grey			+MB, +MG, +ML
(7)	958 521 421 02	Seat cover Nature	/L	1	IN1P
	958 521 421 02 D0L	Espresso			+VA
	958 521 421 02 D0M	Cognac			+VB
(7)	958 521 858 01	Seat cover Nature	/R	1	IN1P/9P3
	958 521 858 01 D0L	Espresso			+VA
	958 521 858 01 D0M	Cognac			+VB
(7)	958 521 858 01	Seat cover Nature	/R	1	IN1P/9P7
	958 521 858 01 D0L	Espresso			+VA
	958 521 858 01 D0M	Cognac			+VB
(8)	958 521 422 01	Seat cover Plain leather Draped leather	/L -13	1	IN7D
	958 521 422 01 D0D	Black			+LC, +MA, +YC,
	958 521 422 01 D0E	Platinum Grey			+LD, +MD, +YD,
	958 521 422 01 D0F	Luxor Beige			+LE, +MC, +YE,
	958 521 422 01 D0G	Umber			+LF, +YF,
	958 521 422 01 D0H	Titanium Blue			+TW
	958 521 422 01 D0J	Cream			+TX
	958 521 422 01 D0K	Light Tartufo			+TY

Model: 92A 11 Model life 2011>>

Pos	Part Number	Description	Remark	Qty	Model
(8)	958 521 422 02	Seat cover Plain leather Draped leather	/L 14-	1	IN7D
	958 521 422 02 D0D	Black			+LC,+MA,+YC, +LD,+MD,+YD,
	958 521 422 02 D0E	Platinum Grey			+LE,+MC,+MK, +YE
	958 521 422 02 D0F	Luxor Beige			+LF,+YF,
	958 521 422 02 D0G	Umber			
	958 521 422 02 D0H	Titanium Blue			
	958 521 422 02 D0J	Cream			+MJ,+TX
	958 521 422 02 D0K	Light Tartufo			+TY
	958 521 422 02 YKI	Agate Grey	15-		+MB,+MG
	958 521 422 02 YMI	Saddle Tan	15-		+MH,+MI
(8)	958 521 854 00	Seat cover	/R -13	1	IN7D/9P3
	958 521 854 00 D0D	Black			+LC,+MA,+YC, +LD,+MD,+YD,
	958 521 854 00 D0E	Platinum Grey			+LE,+MC,+YE, +LF,+YF,
	958 521 854 00 D0F	Luxor Beige			+TW
	958 521 854 00 D0G	Umber			+TX
	958 521 854 00 D0H	Titanium Blue			+TY
	958 521 854 00 D0J	Cream			
	958 521 854 00 D0K	Light Tartufo			
(8)	958 521 854 00	Seat cover	/R -13	1	IN7D/9P7
	958 521 854 00 D0D	Black			+LC,+MA,+YC, +LD,+MD,+YD,
	958 521 854 00 D0E	Platinum Grey			+LE,+MC,+YE, +LF,+YF,
	958 521 854 00 D0F	Luxor Beige			+TW
	958 521 854 00 D0G	Umber			+TX
	958 521 854 00 D0H	Titanium Blue			+TY
	958 521 854 00 D0J	Cream			
	958 521 854 00 D0K	Light Tartufo			
(8)	958 521 854 01	Seat cover	/R 14-	1	IN7D/9P3
	958 521 854 01 D0D	Black			+LC,+MA,+YC, +LD,+MD,+YD,
	958 521 854 01 D0E	Platinum Grey			+LE,+MC,+MK, +YE
	958 521 854 01 D0F	Luxor Beige			+LF,+YF,
	958 521 854 01 D0G	Umber			
	958 521 854 01 D0H	Titanium Blue			
	958 521 854 01 D0J	Cream			+MJ,+TX
	958 521 854 01 D0K	Light Tartufo			+TY
	958 521 854 01 YKI	Agate Grey	15-		+MB,+MG
	958 521 854 01 YMI	Saddle Tan	15-		+MH,+MI
(8)	958 521 854 01	Seat cover	/R 14-	1	IN7D/9P7
	958 521 854 01 D0D	Black			+LC,+MA,+YC, +LD,+MD,+YD,
	958 521 854 01 D0E	Platinum Grey			+LE,+MC,+MK, +YE
	958 521 854 01 D0F	Luxor Beige			+LF,+YF,
	958 521 854 01 D0G	Umber			
	958 521 854 01 D0H	Titanium Blue			
	958 521 854 01 D0J	Cream			+MJ,+TX
	958 521 854 01 D0K	Light Tartufo			+TY
	958 521 854 01 YKI	Agate Grey	15-		+MB,+MG
	958 521 854 01 YMI	Saddle Tan	15-		+MH,+MI
(8)	958 521 423 01	Seat cover Nature Draped leather	/L -13	1	IN5Y
	958 521 423 01 D0L	Espresso			+VA
	958 521 423 01 D0M	Cognac			+VB
(8)	958 521 423 02	Seat cover Nature Draped leather	/L 14-	1	IN5Y
	958 521 423 02 D0L	Espresso			+VA
	958 521 423 02 D0M	Cognac			+VB
(8)	958 521 884 00	Seat cover Nature	/R -13	1	IN5Y/9P3

Model: 92A 11

Model life 2011>>

Pos	Part Number	Description	Remark	Qty	Model
(8)	958 521 884 00 D0L	Draped leather Espresso	/R -13	1	+VA +VB IN5Y/9P7
	958 521 884 00 D0M	Cognac			
	958 521 884 00	Seat cover Nature Draped leather			
(8)	958 521 884 00 D0L	Espresso	/R 14-	1	+VA +VB IN5Y/9P3
	958 521 884 00 D0M	Cognac			
	958 521 884 01	Seat cover Nature Draped leather			
(8)	958 521 884 01 D0L	Espresso	/R 14-	1	+VA +VB IN5Y/9P7
	958 521 884 01 D0M	Cognac			
	958 521 884 01	Seat cover Nature Draped leather			
9	958 521 884 01 D0L	Espresso		1	+VA +VB IN1P/4A0/9P3
	958 521 884 01 D0M	Cognac			
	958 521 392 00	Foam part Seat cushion Front without heating			
(9)		Foam part Seat cushion Front without heating		1	IN1P/4A0/9P7
(9)		Foam part Seat cushion Front without heating		1	IN5U/4A0/9P3
(9)		Foam part Seat cushion Front without heating		1	IN5U/4A0/9P7
(9)		Foam part Seat cushion Front without heating		1	IN5Y/4A0/9P3
(9)		Foam part Seat cushion Front without heating		1	IN5Y/4A0/9P7
(9)		Foam part Seat cushion Front without heating		1	IN7D/4A0/9P3
(9)		Foam part Seat cushion Front without heating		1	IN7D/4A0/9P7
(9)		Foam part Seat cushion Front without heating		1	IN1M/4A0/9P3
(9)		Foam part Seat cushion Front without heating		1	IN1M/4A0/9P7
(9)	958 521 390 00	Foam part Seat cushion Front without heating		1	IN1P/4A3/9P3
(9)		Foam part Seat cushion Front with heating		1	IN1P/4A3/9P7

Model: 92A 11

Model life 2011>>

Pos	Part Number	Description	Remark	Qty	Model
(9)		Seat cushion Front with heating Foam part		1	IN1P/4A4/9P3
(9)		Seat cushion Front with heating Foam part		1	IN1P/4A4/9P7
(9)		Seat cushion Front with heating Foam part		1	IN5U/4A3/9P3
(9)		Seat cushion Front with heating Foam part		1	IN5U/4A3/9P7
(9)		Seat cushion Front with heating Foam part		1	IN5U/4A4/9P3
(9)		Seat cushion Front with heating Foam part		1	IN5U/4A4/9P7
(9)		Seat cushion Front with heating Foam part		1	IN5Y/4A3/9P3
(9)		Seat cushion Front with heating Foam part		1	IN5Y/4A3/9P7
(9)		Seat cushion Front with heating Foam part		1	IN5Y/4A4/9P3
(9)		Seat cushion Front with heating Foam part		1	IN5Y/4A4/9P7 I4A4/9P3
(9)		Seat cushion Front with heating Foam part		1	IN7D/4A3/9P3
(9)		Seat cushion Front with heating Foam part		1	IN7D/4A3/9P7
(9)		Seat cushion Front with heating Foam part		1	IN7D/4A4/9P3
(9)		Seat cushion Front with heating Foam part		1	IN7D/4A4/9P7
(9)		Seat cushion Front with heating Foam part		1	IN1M/4A3/9P3

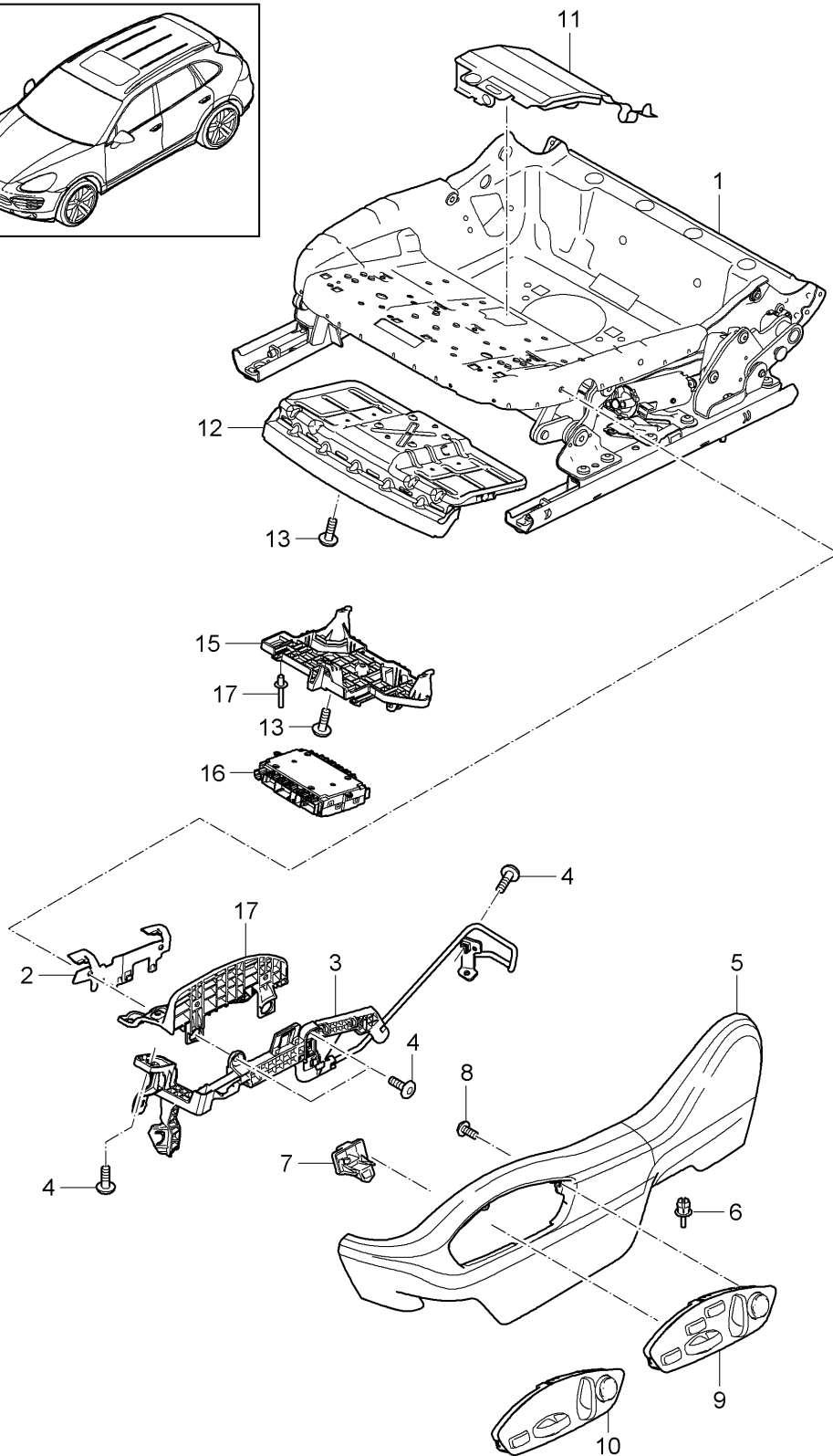
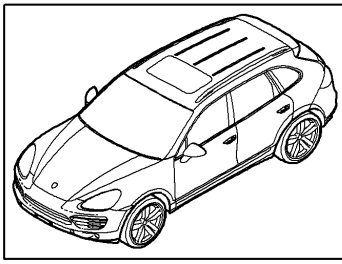
Model: 92A 11

Model life 2011>>

Pos	Part Number	Description	Remark	Qty	Model
(9)		Foam part Seat cushion Front with heating		1	IN1M/4A3/9P7
(9)		Foam part Seat cushion Front with heating		1	IN1M/4A4/9P3
(9)		Foam part Seat cushion Front with heating		1	IN1M/4A4/9P7
-	958 521 761 11	Repair kit Knob Child car seat Identification		1	
	958 521 761 11 95R	Grey			

Model: 92A 11

Model life 2011>>



Model: 92A 11 Model life 2011>>

Pos	Part Number	Description	Remark	Qty	Model
1		Seat adjuster Comfort seat Sports seat Seat frame with Adjusting motor See illustrations 8/17/25			IQ1J/Q2J
2	958 521 539 00	Reinforcement Seat adjuster	/L	1	
(2)	958 521 540 00	Reinforcement Seat adjuster	/R	1	
3	958 521 559 00	Support Seat frame	/L	1	
(3)	958 521 560 00	Support Seat frame	/R	1	
4	N 107 148 01	Outer hexagon round screw M 6 X 18		4	
5	958 521 313 00	Lining Front seat Door sill	/L -13	1	
	958 521 313 00 82V	Titanium Black			+LC, +MA, +TA, +TB, +YA, +YB, +YC
	958 521 313 00 4H0	Luxor Beige			+LE, +MC, +YE,
	958 521 313 00 6L0	Platinum Grey			+LD, +MD, +YD
	958 521 313 00 5J0	Cream			+TX
	958 521 313 00 7N0	Espresso			+VA
	958 521 313 00 8P0	Cognac			+VB
	958 521 313 00 DE1	Umber			+LF, +YF
	958 521 313 00 DF2	Light Tartufo			+TY
	958 521 313 00 DJ3	Titanium Blue			+TW
(5)	7P5 881 313 B	Lining Front seat Door sill	/L 14-	1	
	7P5 881 313 B 82V	Titanium Black			+LC, +LG, +MA, +MF, +TA, +TB, +YA, +YB, +YC, +77
	7P5 881 313 B 4H0	Luxor Beige			+LE, +MC, +MK, +YE
	7P5 881 313 B 6L0	Platinum Grey			+LD, +MD, +YD
	7P5 881 313 B 5J0	Cream			+MJ, +TX
	7P5 881 313 B 7N0	Espresso			+VA
	7P5 881 313 B 8P0	Cognac			+VB
	7P5 881 313 B DE1	Umber			+LF, +YF, +TY
	7P5 881 313 B DF2	Light Tartufo			
	7P5 881 313 B DJ3	Titanium Blue			
	7P5 881 313 B OM8	Saddle Tan			+ME, +MH, +MI,
	7P5 881 313 B OP1	Agate Grey			+MB, +MG, +ML
	7P5 881 313 B OB8	Cohiba Brown			+LH
5	958 521 314 00	Lining Front seat Door sill	/R -13	1	
	958 521 314 00 82V	Titanium Black			+LC, +MA, +TA, +TB, +YA, +YB, +YC
	958 521 314 00 4H0	Luxor Beige			+LE, +MC, +YE,
	958 521 314 00 6L0	Platinum Grey			+LD, +MD, +YD
	958 521 314 00 5J0	Cream			+TX
	958 521 314 00 7N0	Espresso			+VA
	958 521 314 00 8P0	Cognac			+VB
	958 521 314 00 DE1	Umber			+LF, +YF

Model: 92A 11 Model life 2011>>

Pos	Part Number	Description	Remark	Qty	Model		
5	958 521 314 00 DF2	Light Tartufo		1	+TY		
	958 521 314 00 DJ3	Titanium Blue			+TW		
	7P5 881 314 B	Lining	/R 14-				
		Front seat					
		Door sill					
	7P5 881 314 B 82V	Titanium Black			+LC, +LG, +MA, +MF, +TA, +TB, +YA, +YB, +YC, +77		
	7P5 881 314 B 4H0	Luxor Beige			+LE, +MC, +MK, +YE		
	7P5 881 314 B 6L0	Platinum Grey			+LD, +MD, +YD		
	7P5 881 314 B 5J0	Cream			+MJ, +TX		
	7P5 881 314 B 7N0	Espresso			+VA		
	7P5 881 314 B 8P0	Cognac			+VB		
	7P5 881 314 B DE1	Umber			+LF, +YF, +TY		
	6	7P5 881 314 B DF2	Light Tartufo			2	
7P5 881 314 B DJ3		Titanium Blue					
7P5 881 314 B OM8		Saddle Tan		+ME, +MH, +MI, +MB, +MG, +ML +LH			
7P5 881 314 B OP1		Agate Grey					
7P5 881 314 B OB8		Cohiba Brown					
N 038 501 3		Expansion rivet					
		A 6 X 12					
7		958 521 775 00	Cross member	/L	1		
			Mount				
			Lining				
(7)	958 521 776 00	Cross member	/R	1			
	Mount						
	Lining						
8	N 104 159 03	Oval-head screw		4			
		TP 4 X 12					
9	7PP 959 747 Q	Switch insert	/L	2	IQ1J/3PN		
		Module					
		Front seat					
(9)	7PP 959 747 Q L0H	Galvano silver		2	IQ1J/3PN		
	7PP 959 748 Q	Switch insert	/R				
		Module					
		Front seat					
		Seat adjuster					
10	7PP 959 748 Q L0H	Galvano silver		2	IQ2J/3PN		
	7PP 959 747 P	Switch insert	/L				
		Module					
		Front seat					
		Seat adjuster					
(10)	7PP 959 747 P L0H	Galvano silver		2	IQ2J/3PN		
	7PP 959 748 P	Switch insert	/R				
		Module					
		Front seat					
		Seat adjuster					
(11)	7PP 959 748 P L0H	Galvano silver		1	I9P3		
	958 618 553 00	Module					
		Seat occupancy detection					
		Front seat					
(11)	958 618 553 01	Module		1	I9P3		
		Seat occupancy detection					
		Front seat					
12	958 521 057 00	Seat adjuster	/L	1			
		Deep					
		Front seat					
(12)	958 521 058 00	Seat adjuster	/R	1			
		Deep					
		Front seat					

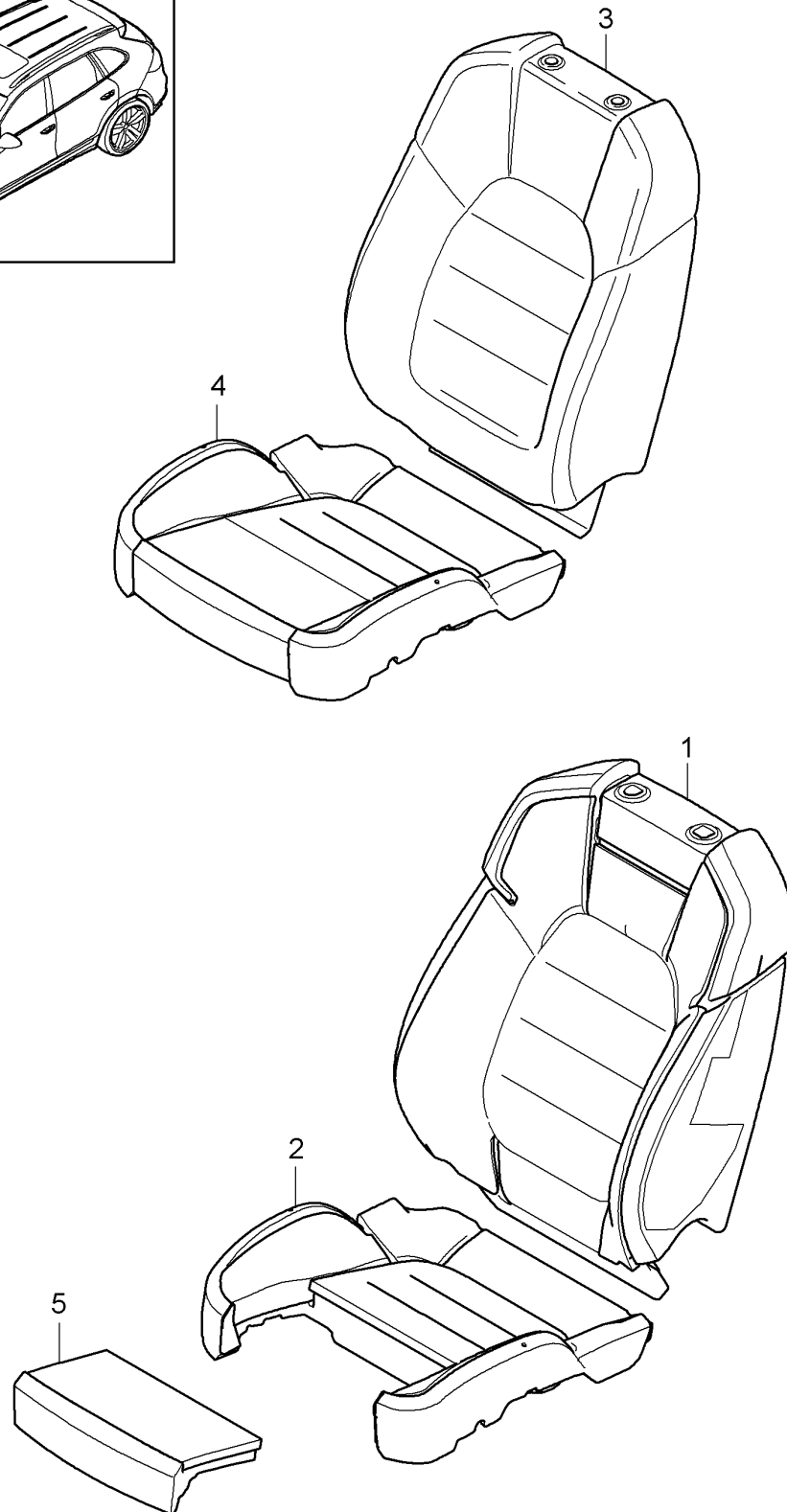
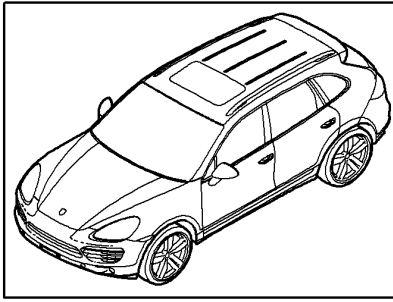
Model: 92A 11

Model life 2011>>

Pos	Part Number	Description	Remark	Qty	Model
13	N 907 371 01	Outer hexagon round screw M 6 X 12		4	
16	958 618 760 01	Control unit Seat		1	I3L4/3PN
16	958 618 760 02	Control unit Seat	-12	1	I3L4/3PN
(16)	958 618 760 03	Control unit Seat	13-	1	I3L4/3PN
(16)	958 618 760 04	Control unit Seat	13-	1	I3L4/3PN
17	N 908 123 02	Blind rivet 6 X 10		2	

Model: 92A 11

Model life 2011>>



Model: 92A 11

Model life 2011>>

Pos	Part Number	Description	Remark	Qty	Model
		Foam part Cover			IQ1J/Q4P
1	958 521 787 00	Sports seat Foam part	/L	1	IN1P/4A0
1		Backrest Foam part	/L	1	IN2S/4A0
1		Backrest Foam part	/L	1	IN5U/4A0
1		Backrest Foam part	/L	1	IN1M/4A0
(1)	958 521 788 00	Backrest Foam part	/R	1	IN1P/4A0
(1)		Backrest Foam part	/R	1	IN2S/4A0
(1)		Backrest Foam part	/R	1	IN5U/4A0
(1)		Backrest Foam part	/R	1	IN1M/4A0
(1)	958 521 787 10	Backrest Foam part	/L	1	IN1P/4A3
(1)		Backrest Foam part	/L	1	IN1P/4A4
(1)		Backrest Foam part	/L	1	IN2S/4A3
(1)		Backrest Foam part	/L	1	IN2S/4A4
(1)		Backrest Foam part	/L	1	IN5U/4A3
(1)		Backrest Foam part	/L	1	IN5U/4A4
(1)		Backrest Foam part	/L	1	IN1M/4A3
(1)		Backrest Foam part	/L	1	IN1M/4A4
(1)	958 521 788 10	Backrest Foam part	/R	1	IN1P/4A3
(1)		Backrest Foam part	/R	1	IN1P/4A4
(1)		Backrest Foam part	/R	1	IN2S/4A3
(1)		Backrest Foam part	/R	1	IN2S/4A4
(1)		Backrest Foam part	/R	1	IN5U/4A3
(1)		Backrest Foam part	/R	1	IN5U/4A4
(1)		Backrest Foam part	/R	1	IN1M/4A3
(1)		Backrest Foam part	/R	1	IN1M/4A4
2	958 521 387 00	Backrest Foam part	/L	1	IL0L/N1P/Q1J I4A0
(2)	958 521 387 50	Seat cushion Foam part	/L	1	IL0L/N1P/N2S IN5U/4A0
(2)	958 521 376 20	Seat cushion Foam part	/L	1	IL0L/N1P/N2S IN5U/4A0/9P7
(2)	958 521 387 00	Seat cushion Foam part	/L	1	IL0L/N1X/Q1J I4A0
		Seat cushion			

Model: 92A 11 Model life 2011>>

Pos	Part Number	Description	Remark	Qty	Model
(2)		Foam part	/L	1	IL0L/N5U/Q1J I4A0
(2)		Seat cushion Foam part	/L	1	IL0L/N1M/Q1J I4A0
(2)	958 521 487 00	Seat cushion Foam part	/R	1	IL0L/N1P/Q1J I4A0/9P3
(2)		Seat cushion Foam part	/R	1	IL0L/N1X/Q1J I4A0/9P3
(2)		Seat cushion Foam part	/R	1	IL0L/N5U/Q1J I4A0/9P3
(2)	958 521 388 00	Seat cushion Foam part	/L	1	IL0R/N1P/Q1J I4A0
(2)		Seat cushion Foam part	/L	1	IL0R/N1X/Q1J I4A0
(2)		Seat cushion Foam part	/L	1	IL0R/N5U/Q1J I4A0
(2)		Seat cushion Foam part	/L	1	IL0R/N1M/Q1J I4A0
(2)	958 521 488 00	Seat cushion Foam part	/R	1	IL0R/N1P/Q1J I4A0/9P3
(2)		Seat cushion Foam part	/R	1	IL0R/N1X/Q1J I4A0/9P3
(2)		Seat cushion Foam part	/R	1	IL0R/N5U/Q1J I4A0/9P3
(2)		Seat cushion Foam part	/R	1	IL0R/N1M/Q1J I4A0/9P3
(2)	958 521 389 01	Seat cushion Foam part	/L	1	IL0L/N1P/Q1J I4A3
(2)		Seat cushion with heating Foam part	/L	1	IL0L/N1P/Q1J I4A4
(2)		Seat cushion with heating Foam part	/L	1	IL0L/N5U/Q1J I4A3
(2)		Seat cushion with heating Foam part	/L	1	IL0L/N5U/Q1J I4A4
(2)		Seat cushion with heating Foam part	/L	1	IL0L/N1M/Q1J I4A3
(2)		Seat cushion with heating Foam part	/L	1	IL0L/N1M/Q1J

Model: 92A 11

Model life 2011>>

Pos	Part Number	Description	Remark	Qty	Model
					I4A4
(2)	958 521 489 00	Seat cushion with heating Foam part	/R -13	1	IL0L/N1P/Q1J I4A3/9P3
(2)		Seat cushion with heating Foam part	/R -13	1	IL0L/N1P/Q1J I4A4/9P3
(2)		Seat cushion with heating Foam part	/R -13	1	IL0L/N5U/Q1J I4A3/9P3
(2)		Seat cushion with heating Foam part	/R -13	1	IL0L/N5U/Q1J I4A4/9P3
(2)		Seat cushion with heating Foam part	/R -13	1	IL0L/N1M/Q1J I4A3/9P3
(2)		Seat cushion with heating Foam part	/R -13	1	IL0L/N1M/Q1J I4A4/9P3
(2)	958 521 489 01	Seat cushion with heating Foam part	/R 14-	1	IL0L/N1P/Q1J I4A3/9P3
(2)		Seat cushion with heating Foam part	/R 14-	1	IL0L/N1P/Q1J I4A4/9P3
(2)		Seat cushion with heating Foam part	/R 14-	1	IL0L/N5U/Q1J I4A3/9P3
(2)		Seat cushion with heating Foam part	/R 14-	1	IL0L/N5U/Q1J I4A4/9P3
(2)		Seat cushion with heating Foam part	/R 14-	1	IL0L/N1M/Q1J I4A3/9P3
(2)		Seat cushion with heating Foam part	/R 14-	1	IL0L/N1M/Q1J I4A4/9P3
(2)	958 521 391 00	Seat cushion with heating Foam part	/L -13	1	IL0R/N1P/Q1J I4A3
(2)		Seat cushion with heating Foam part	/L -13	1	IL0R/N1P/Q1J I4A4
(2)		Seat cushion with heating Foam part	/L -13	1	IL0R/N5U/Q1J I4A3
		Seat cushion with heating			

Model: 92A 11

Model life 2011>>

Pos	Part Number	Description	Remark	Qty	Model
(2)		Foam part	/L -13	1	IL0R/N5U/Q1J I4A4
		Seat cushion with heating			
(2)		Foam part	/L -13	1	IL0R/N1M/Q1J I4A3
		Seat cushion with heating			
(2)		Foam part	/L -13	1	IL0R/N1M/Q1J I4A4
		Seat cushion with heating			
(2)	958 521 391 01	Foam part	/L 14-	1	IL0R/N1P/Q1J I4A3
		Seat cushion with heating			
(2)		Foam part	/L 14-	1	IL0R/N1P/Q1J I4A4
		Seat cushion with heating			
(2)		Foam part	/L 14-	1	IL0R/N5U/Q1J I4A3
		Seat cushion with heating			
(2)		Foam part	/L 14-	1	IL0R/N5U/Q1J I4A4
		Seat cushion with heating			
(2)		Foam part	/L 14-	1	IL0R/N1M/Q1J I4A3
		Seat cushion with heating			
(2)		Foam part	/L 14-	1	IL0R/N1M/Q1J I4A4
		Seat cushion with heating			
(2)	958 521 491 00	Foam part	/R -13	1	IL0R/N1P/Q1J I4A3/9P3
		Seat cushion with heating			
(2)		Foam part	/R -13	1	IL0R/N1P/Q1J I4A4/9P3
		Seat cushion with heating			
(2)		Foam part	/R -13	1	IL0R/N5U/Q1J I4A3/9P3
		Seat cushion with heating			
(2)		Foam part	/R -13	1	IL0R/N5U/Q1J I4A4/9P3
		Seat cushion with heating			
(2)		Foam part	/R -13	1	IL0R/N1M/Q1J I4A3/9P3
		Seat cushion with heating			
(2)		Foam part	/R -13	1	IL0R/N1M/Q1J I4A4/9P3
		Seat cushion with heating			
(2)	958 521 491 01	Foam part	/R 14-	1	IL0R/N1P/Q1J I4A3/9P3
		Seat cushion			

Model: 92A 11 Model life 2011>>

Pos	Part Number	Description	Remark	Qty	Model
(2)		with heating Foam part	/R 14-	1	IL0R/N1P/Q1J I4A4/9P3
(2)		Seat cushion with heating Foam part	/R 14-	1	IL0R/N5U/Q1J I4A3/9P3
(2)		Seat cushion with heating Foam part	/R 14-	1	IL0R/N5U/Q1J I4A4/9P3
(2)		Seat cushion with heating Foam part	/R 14-	1	IL0R/N1M/Q1J I4A3/9P3
(2)		Seat cushion with heating Foam part	/R 14-	1	IL0R/N1M/Q1J I4A4/9P3
(2)	958 521 399 00	Seat cushion with heating Foam part	/L -13	1	GTS IL0L/N1P/Q4P I4A3
(2)		Seat cushion with heating Foam part	/L -13	1	GTS IL0L/N1P/Q4P I4A4
(2)		Seat cushion with heating Foam part	/L -13	1	GTS IL0L/N2S/Q4P I4A3
(2)		Seat cushion with heating Foam part	/L -13	1	GTS IL0L/N2S/Q4P I4A4
(2)		Seat cushion with heating Foam part	/L -13	1	GTS IL0L/N5U/Q4P I4A3
(2)		Seat cushion with heating Foam part	/L -13	1	GTS IL0L/N5U/Q4P I4A4
(2)	958 521 399 01	Seat cushion with heating Foam part	/L 14-	1	GTS IL0L/N1P/Q4P I4A3
(2)		Seat cushion with heating Foam part	/L 14-	1	GTS IL0L/N1P/Q4P I4A4
(2)		Seat cushion with heating Foam part	/L 14-	1	GTS IL0L/N2S/Q4P

Model: 92A 11 Model life 2011>>

Pos	Part Number	Description	Remark	Qty	Model
(2)		Seat cushion with heating Foam part	/L 14-	1	I4A3 GTS IL0L/N2S/Q4P I4A4
(2)	958 521 499 01	Seat cushion with heating Foam part	/R	1	GTS IL0L/N1P/Q4P I4A3/9P3
(2)		Seat cushion with heating Foam part	/R	1	GTS IL0L/N1P/Q4P I4A4/9P3
(2)		Seat cushion with heating Foam part	/R	1	GTS IL0L/N2S/Q4P I4A3/9P3
(2)		Seat cushion with heating Foam part	/R	1	GTS IL0L/N2S/Q4P I4A4/9P3
(2)		Seat cushion with heating Foam part	/R	1	GTS IL0L/N5U/Q4P I4A3/9P3
(2)		Seat cushion with heating Foam part	/R	1	GTS IL0L/N5U/Q4P I4A4/9P3
(2)	958 521 393 03	Seat cushion with heating Foam part	/L	1	GTS IL0R/N1P/Q4P I4A3/9P3
(2)		Seat cushion with heating Foam part	/L	1	GTS IL0R/N1P/Q4P I4A4/9P3
(2)		Seat cushion with heating Foam part	/L	1	GTS IL0R/N2S/Q4P I4A3/9P3
(2)		Seat cushion with heating Foam part	/L	1	GTS IL0R/N2S/Q4P I4A4/9P3
(2)		Seat cushion with heating Foam part	/L	1	GTS IL0R/N5U/Q4P I4A3/9P3

Model: 92A 11 Model life 2011>>

Pos	Part Number	Description	Remark	Qty	Model
(2)		Foam part	/L	1	GTS IL0R/N5U/Q4P I4A4/9P3
(2)	958 521 493 03	Seat cushion with heating Foam part	/R	1	GTS IL0R/N1P/Q4P I4A3
(2)		Seat cushion with heating Foam part	/R	1	GTS IL0R/N1P/Q4P I4A4
(2)		Seat cushion with heating Foam part	/R	1	GTS IL0R/N2S/Q4P I4A3
(2)		Seat cushion with heating Foam part	/R	1	GTS IL0R/N2S/Q4P I4A4
(2)		Seat cushion with heating Foam part	/R	1	GTS IL0R/N5U/Q4P I4A3
(2)		Seat cushion with heating Foam part	/R	1	GTS IL0R/N5U/Q4P I4A4
3	958 521 860 01	Seat cushion with heating Backrest cover Plain leather	/L	1	IN5U/Q1J
	958 521 860 01 D0D	Black			+LC, +MA, +YC, +YD
	958 521 860 01 D0E	Platinum Grey			+LE, +MC, +MK, +YE
	958 521 860 01 D0F	Luxor Beige			+YF
	958 521 860 01 D0G	Umber			+TW
	958 521 860 01 D0H	Titanium Blue			+MJ, +TX
	958 521 860 01 D0J	Cream			+TY
	958 521 860 01 D0K	Light Tartufo			+TA
	958 521 860 01 AAB	Black/Carrera Red			+MB, +MG, +ML
	958 521 860 01 YKI	Agate Grey			+ME, +MH, +MI
	958 521 860 01 YMI	Saddle Tan			+LH
(3)	958 521 860 01	Cohiba Brown Backrest cover	+LH /L	1	GTS IN5U/Q4P
		Plain leather			+LC, +MA, +YC, +YD
	958 521 860 01 D0D	Black			+LE, +MC, +MK, +YE
	958 521 860 01 D0E	Platinum Grey			+YF
	958 521 860 01 D0F	Luxor Beige			+TW
	958 521 860 01 D0G	Umber			+MJ, +TX
	958 521 860 01 D0H	Titanium Blue			+TY
	958 521 860 01 D0J	Cream			+TA
	958 521 860 01 D0K	Light Tartufo			+MB, +MG, +ML
	958 521 860 01 AAB	Black/Carrera Red			+ME, +MH, +MI
	958 521 860 01 YKI	Agate Grey			+LH
	958 521 860 01 YMI	Saddle Tan			

Model: 92A 11 Model life 2011>>

Pos	Part Number	Description	Remark	Qty	Model
(3)	958 521 862 00	Backrest cover Plain leather	/L -13	1	IL0R/N5U/Q1J
	958 521 862 00 D0D	Black			+LC,+MA,
	958 521 862 00 D0E	Platinum Grey			+LD,+MD,
	958 521 862 00 D0F	Luxor Beige			+LE,+MC,
	958 521 862 00 D0G	Umber			+LF
	958 521 862 00 D0H	Titanium Blue			+TW
	958 521 862 00 D0J	Cream			+TX
	958 521 862 00 D0K	Light Tartufo			+TY
(3)	958 521 861 00	Backrest cover Plain leather	/R -13	1	IL0R/N5U/Q1J
	958 521 861 00 D0D	Black			+LC,+MA,+YC,
	958 521 861 00 D0E	Platinum Grey			+LD,+MD,+YD,
	958 521 861 00 D0F	Luxor Beige			+LE,+MC,+YE,
	958 521 861 00 D0G	Umber			+LF,+YF,
	958 521 861 00 D0H	Titanium Blue			+TW,
	958 521 861 00 D0J	Cream			+TX,
	958 521 861 00 D0K	Light Tartufo			+TY,
(3)	958 521 861 00	Backrest cover Plain leather	/R -13	1	IN5U/Q1J
	958 521 861 00 D0D	Black			+LC,+MA,+YC,
	958 521 861 00 D0E	Platinum Grey			+LD,+MD,+YD,
	958 521 861 00 D0F	Luxor Beige			+LE,+MC,+YE,
	958 521 861 00 D0G	Umber			+LF,+YF,
	958 521 861 00 D0H	Titanium Blue			+TW,
	958 521 861 00 D0J	Cream			+TX,
	958 521 861 00 D0K	Light Tartufo			+TY,
(3)	958 521 861 00	Backrest cover Plain leather	/R -13	1	GTS IN5U/Q4P
	958 521 861 00 D0D	Black			+LC,+MA,+YC,
	958 521 861 00 D0E	Platinum Grey			+LD,+MD,+YD,
	958 521 861 00 D0F	Luxor Beige			+LE,+MC,+YE,
	958 521 861 00 D0G	Umber			+LF,+YF,
	958 521 861 00 D0H	Titanium Blue			+TW,
	958 521 861 00 D0J	Cream			+TX,
	958 521 861 00 D0K	Light Tartufo			+TY,
(3)	958 521 861 01	Backrest cover Plain leather	/R 14-	1	IN5U/Q1J
	958 521 861 01 D0D	Black			+LC,+MA,+YC,
	958 521 861 01 D0E	Platinum Grey			+YD
	958 521 861 01 D0F	Luxor Beige			+LE,+MC,+MK,
					+YE
	958 521 861 01 D0G	Umber			+YF
	958 521 861 01 D0H	Titanium Blue			+TW
	958 521 861 01 D0J	Cream			+MJ,+TX
	958 521 861 01 D0K	Light Tartufo			+TY
	958 521 861 01 YKI	Agate Grey			+MB,+MG,+ML
	958 521 861 01 YMI	Saddle Tan			+ME,+MH,+MI
	958 521 861 01 HHM	Cohiba Brown	+LH		+LH
(3)	958 521 861 01	Backrest cover Plain leather	/R 14-	1	GTS IN5U/Q4P
	958 521 861 01 D0D	Black			+LC,+MA,+YC,
	958 521 861 01 D0E	Platinum Grey			+YD
	958 521 861 01 D0F	Luxor Beige			+LE,+MC,+MK,
					+YE
	958 521 861 01 D0G	Umber			+YF
	958 521 861 01 D0H	Titanium Blue			+TW
	958 521 861 01 D0J	Cream			+MJ,+TX
	958 521 861 01 D0K	Light Tartufo			+TY
	958 521 861 01 YKI	Agate Grey			+MB,+MG,+ML
	958 521 861 01 YMI	Saddle Tan			+ME,+MH,+MI

Model: 92A 11 Model life 2011>>

Pos	Part Number	Description	Remark	Qty	Model
(3)	958 521 890 00	Backrest cover Plain leather	/L 14-	1	IN1M/Q1J
	958 521 890 00 AAB	Black/Carrera Red			+TA,
	958 521 890 00 AAC	Black/Luxor Beige			+77
(3)	958 521 891 00	Backrest cover Plain leather	/R 14-	1	IN1M/Q1J
	958 521 891 00 AAB	Black/Carrera Red			+TA,
	958 521 891 00 AAC	Black/Luxor Beige			+77,
(3)	958 521 864 01	Backrest cover Nature	/L	1	IN1P/Q1J
	958 521 864 01 D0L	Espresso			+VA
	958 521 864 01 D0M	Cognac			+VB
(3)	958 521 864 01	Backrest cover Nature	/L	1	GTS IN1P/Q4P
	958 521 864 01 D0L	Espresso			+VA
	958 521 864 01 D0M	Cognac			+VB
(3)	958 521 866 00	Backrest cover Nature	/L	1	IL0R/N1P/4UE
	958 521 866 00 D0L	Espresso			+VA
	958 521 866 00 D0M	Cognac			+VB
(3)	958 521 865 01	Backrest cover Nature	/R	1	IN1P/Q1J
	958 521 865 01 D0L	Espresso			+VA
	958 521 865 01 D0M	Cognac			+VB
(3)	958 521 865 01	Backrest cover Nature	/R	1	GTS IN1P/Q4P
	958 521 865 01 D0L	Espresso			+VA
	958 521 865 01 D0M	Cognac			+VB
(3)	958 521 867 00	Backrest cover Nature	/R	1	IL0R/N1P/4UE
	958 521 867 00 D0L	Espresso			+VA
	958 521 867 00 D0M	Cognac			+VB
(3)	958 521 885 01	Backrest cover Alcantara	/L	1	GTS IN2S/Q4P
	958 521 885 01 IVA	Black-black			+LC, +MA, +YC,
	958 521 885 01 IVB	Platinum Grey			+MD, +YD,
	958 521 885 01 IVC	Luxor Beige			+LE, +MC, +YE,
	958 521 885 01 IVD	Umber			+YF
	958 521 885 01 IVE	Black/Carmine Red			+YA
	958 521 885 01 IVF	Black/Peridot			+YB
	958 521 885 01 DJM	Agate Grey			+MB, +MG, +ML
	958 521 885 01 DJN	Saddle Tan			+ME
	958 521 885 01 DJP	Black/Rhodium Silver			+MF
(3)	958 521 886 01	Backrest cover Alcantara	/R	1	GTS IN2S/Q4P
	958 521 886 01 IVA	Black-black			+LC, +MA, +YC,
	958 521 886 01 IVB	Platinum Grey			+MD, +YD,
	958 521 886 01 IVC	Luxor Beige			+LE, +MC, +YE,
	958 521 886 01 IVD	Umber			+YF,
	958 521 886 01 IVE	Black/Carmine Red			+YA,
	958 521 886 01 IVF	Black/Peridot			+YB
	958 521 886 01 DJM	Agate Grey			+MB, +MG, +ML
	958 521 886 01 DJN	Saddle Tan			+ME
	958 521 886 01 DJP	Black/Rhodium Silver			+MF
4	958 521 424 00	Seat cover Plain leather	/L -11	1	IN5U/Q1J
	958 521 424 00 D0D	Black			+LC, +MA,
	958 521 424 00 D0E	Platinum Grey			+LD, +MD,
	958 521 424 00 D0F	Luxor Beige			+LE, +MC,

Model: 92A 11 Model life 2011>>

Pos	Part Number	Description	Remark	Qty	Model
4	958 521 424 00 D0G	Umber		1	+LF, +TW, +TX, +TY, IN5U/Q1J
	958 521 424 00 D0H	Titanium Blue			
	958 521 424 00 D0J	Cream			
	958 521 424 00 D0K	Light Tartufo			
	958 521 424 01	Seat cover	/L 12-13		
		Plain leather			
	958 521 424 01 D0D	Black			
	958 521 424 01 D0E	Platinum Grey			
	958 521 424 01 D0F	Luxor Beige			
	958 521 424 01 D0G	Umber			
4	958 521 424 01 D0H	Titanium Blue		1	+LC,+MA,+YC, +LD,+MD, +LE,+MC,+YE, +LF,+YF, +TW, +TX, +TY, IN5U/Q1J
	958 521 424 01 D0J	Cream			
	958 521 424 01 D0K	Light Tartufo			
	958 521 424 02	Seat cover	/L 14-		
		Plain leather			
	958 521 424 02 D0D	Black			
	958 521 424 02 D0E	Platinum Grey			
	958 521 424 02 D0F	Luxor Beige			
	958 521 424 02 D0G	Umber			
	958 521 424 02 D0J	Cream			
4	958 521 424 02 D0K	Light Tartufo		1	+LC,+MA,+YC, +LD,+MD,+YD, +LE,+MC,+MK, +YE +LF,+YF, +MJ,+TX +TY +MB,+MG,+ML +ME,+MH,+MI +LH IN1M/Q1J
	958 521 424 02 YKI	Agate Grey			
	958 521 424 02 YMI	Saddle Tan			
	958 521 424 02 HHM	Cohiba Brown	+LH		
	958 521 424 02	Seat cover	/L 14-		
		Plain leather			
	958 521 424 02 AAB	Black/Carrera Red			
	958 521 424 02 AAC	Black/Luxor Beige			
	958 521 424 02 HGK	Black/Cream			
	(4) 958 521 434 00	Seat cover	/R -11		
	Plain leather				
(4)	958 521 434 00 D0D	Black		1	+TA, +77 +LG IN5U/Q1J/9P3
	958 521 434 00 D0E	Platinum Grey			
	958 521 434 00 D0F	Luxor Beige			
	958 521 434 00 D0G	Umber			
	958 521 434 00 D0H	Titanium Blue			
	958 521 434 00 D0J	Cream			
	958 521 434 00 D0K	Light Tartufo			
	958 521 434 01	Seat cover	/R 12-13		
		Plain leather			
	958 521 434 01 D0D	Black			
(4)	958 521 434 01 D0E	Platinum Grey		1	+LC,+MA,+YC, +LD,+MD, +LE,+MC,+YE, +LF,+YF, +TW, +TX, +TY, IN5U/Q1J/9P3
	958 521 434 01 D0F	Luxor Beige			
	958 521 434 01 D0G	Umber			
	958 521 434 01 D0H	Titanium Blue			
	958 521 434 01 D0J	Cream			
	958 521 434 01 D0K	Light Tartufo			
	958 521 434 02	Seat cover	/R 14-		
		Plain leather			
	958 521 434 02 D0D	Black			
	958 521 434 02 D0E	Platinum Grey			
958 521 434 02 D0F	Luxor Beige				
(4)	958 521 434 02 D0G	Umber		1	+LD,+MA,+YC, +LD,+MD,+YD, +LE,+MC,+MK, +YE +LF,+YF, +MJ,+TX +TY +MB,+MG,+ML +ME,+MH,+MI +LH IN1M/Q1J/9P3
	958 521 434 02 D0J	Cream			
	958 521 434 02 D0K	Light Tartufo			
	958 521 434 02 YKI	Agate Grey			
	958 521 434 02 YMI	Saddle Tan			
	958 521 434 02 HHM	Cohiba Brown	+LH		
	958 521 434 02	Seat cover	/R 14-		
		Plain leather			
	958 521 434 02 AAB	Black/Carrera Red			

Model: 92A 11 Model life 2011>>

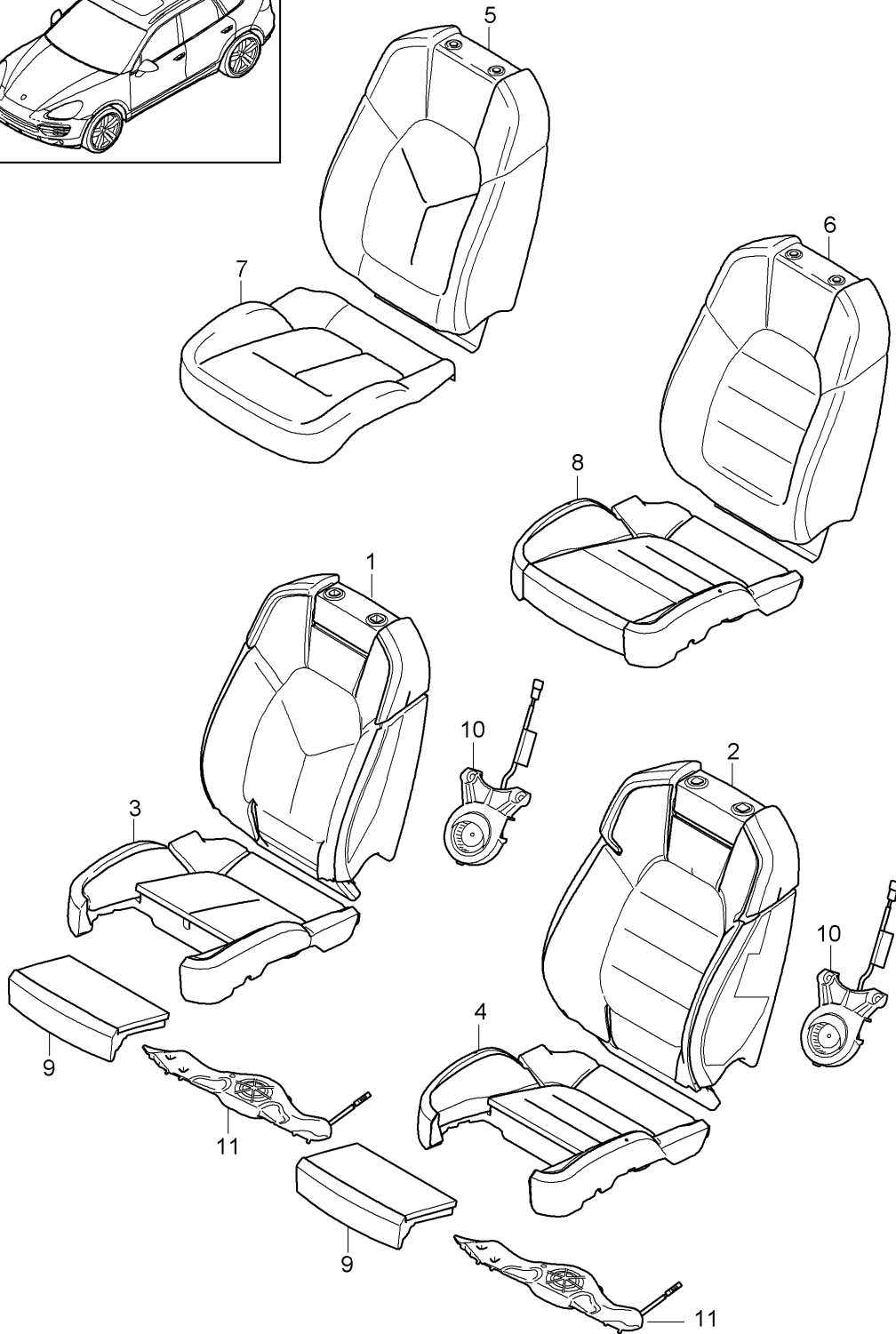
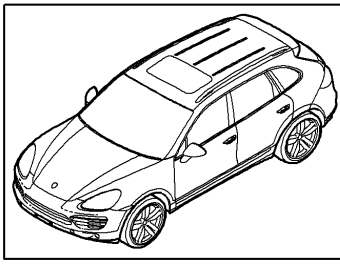
Pos	Part Number	Description	Remark	Qty	Model
(4)	958 521 434 02 AAC	Black/Luxor Beige	/L -11	1	+77
	958 521 434 02 HGK	Black/Cream			+LG
(4)	958 521 425 00	Seat cover Nature	/L 12-13	1	IN1P/Q1J
	958 521 425 00 D0L	Espresso			+VA
(4)	958 521 425 00 D0M	Cognac	/L 14-	1	+VB
	958 521 425 01	Seat cover Nature			IN1P/Q1J
(4)	958 521 425 01 D0L	Espresso	/R -11	1	+VA
	958 521 425 01 D0M	Cognac			+VB
(4)	958 521 425 02	Seat cover Nature	/R 12-13	1	IN1P/Q1J/9P3
	958 521 425 02 D0L	Espresso			+VA
(4)	958 521 425 02 D0M	Cognac	/R 14-	1	+VB
	958 521 435 00	Seat cover Nature			IN1P/Q1J/9P3
(4)	958 521 435 00 D0L	Espresso	/R 12-13	1	+VA
	958 521 435 00 D0M	Cognac			+VB
(4)	958 521 435 01	Seat cover Nature	/R 14-	1	IN1P/Q1J/9P3
	958 521 435 01 D0L	Espresso			+VA
(4)	958 521 435 01 D0M	Cognac	/L	1	+VB
	958 521 435 02	Seat cover Nature			GTS
(4)	958 521 435 02 D0L	Espresso	/R	1	IN5U/Q4P
	958 521 435 02 D0M	Cognac			+VA
(4)	958 521 401 01	Seat cover Plain leather	/L	1	+VB
	958 521 401 01 D0D	Black			GTS
(4)	958 521 401 01 D0F	Luxor Beige	/R	1	IN5U/Q4P/9P3
	958 521 401 01 D0H	Titanium Blue			+LC
(4)	958 521 401 01 D0J	Cream	/L	1	+LE, +MK
	958 521 401 01 D0K	Light Tartufo			+MJ, +TX
(4)	958 521 401 01 YKI	Agate Grey	/L	1	+TY
	958 521 401 01 YMI	Saddle Tan			+MG
(4)	958 521 408 01	Seat cover Plain leather	/L	1	+MH, +MI
	958 521 408 01 D0D	Black			GTS
(4)	958 521 408 01 D0F	Luxor Beige	/L	1	IN1P/Q4P
	958 521 408 01 D0H	Titanium Blue			+LC
(4)	958 521 408 01 D0J	Cream	/R	1	+LE, +MK
	958 521 408 01 D0K	Light Tartufo			+MJ, +TX
(4)	958 521 408 01 YKI	Agate Grey	/L	1	+TY
	958 521 408 01 YMI	Saddle Tan			+MG
(4)	958 521 418 01	Seat cover Nature	/R	1	+MH, +MI
	958 521 418 01 D0L	Espresso			GTS
(4)	958 521 418 01 D0M	Cognac	/L	1	IN1P/Q4P
	958 521 419 01	Seat cover Nature			IN1P/Q4P/9P3
(4)	958 521 419 01 D0L	Espresso	/L	1	+VA
	958 521 419 01 D0M	Cognac			+VB
(4)	958 521 445 01	Seat cover Alcantara	/L	1	GTS
	958 521 445 01 IVA	Black-black			IN2S/Q4P
(4)	958 521 445 01 IVB	Platinum Grey	/L	1	+LC, +MA, +YC,
	958 521 445 01 IVC	Luxor Beige			+MD, +YD,
(4)	958 521 445 01 IVD	Umber	/L	1	+LE, +MC, +YE,
					+YF,

Model: 92A 11 Model life 2011>>

Pos	Part Number	Description	Remark	Qty	Model
	958 521 445 01 IVE	Black/Carmine Red			+YA,
	958 521 445 01 IVF	Black/Peridot			+YB,
	958 521 445 01 DJM	Agate Grey			+MB,+MG,+ML
	958 521 445 01 DJN	Saddle Tan			+ME
	958 521 445 01 DJP	Black/Rhodium Silver			+MF
(4)	958 521 444 01	Seat cover	/R	1	GTS IN2S/Q4P/9P3
		Alcantara			
	958 521 444 01 IVA	Black-black			+LC,+MA,+YC,
	958 521 444 01 IVB	Platinum Grey			+MD,+YD,
	958 521 444 01 IVC	Luxor Beige			+LE,+MC,+YE,
	958 521 444 01 IVD	Umber			+YF,
	958 521 444 01 IVE	Black/Carmine Red			+YA,
	958 521 444 01 IVF	Black/Peridot			+YB,
	958 521 444 01 DJM	Agate Grey			+MB,+MG,+ML
	958 521 444 01 DJN	Saddle Tan			+ME
	958 521 444 01 DJP	Black/Rhodium Silver			+MF
5	958 521 392 00	Foam part		1	IN1P/4A0
		Seat cushion			
		Front			
		without heating			
5		Foam part		1	IN5U/4A0
		Seat cushion			
		Front			
		without heating			
(5)	958 521 390 00	Foam part		1	IN1P/4A3
		Seat cushion			
		Front			
		with heating			
(5)		Foam part		1	IN1P/4A4
		Seat cushion			
		Front			
		with heating			
(5)		Foam part		1	IN5U/4A3
		Seat cushion			
		Front			
		with heating			
(5)		Foam part		1	IN5U/4A4
		Seat cushion			
		Front			
		with heating			
-	958 521 761 11	Repair kit		1	
		Knob			
		Child car seat			
		Identification			
	958 521 761 11 95R	Grey			
6	958 881 695 00	Foam part	/L	1	-IQ1J
		Backrest side bolster			
		Left			
(6)	958 881 696 00	Foam part	/R	1	-IQ1J
		Backrest side bolster			
		Right			

Model: 92A 11

Model life 2011>>



Model: 92A 11

Model life 2011>>

Pos	Part Number	Description	Remark	Qty	Model
(1)	958 521 789 00	Foam part Cover Vented	/L	1	IN0Q/Q2J/4A3
(1)		Foam part Backrest	/L	1	IN0Q/Q2J/4A4
(1)		Foam part Backrest	/L	1	IN1A/Q2J/4A3
(1)		Foam part Backrest	/L	1	IN1A/Q2J/4A4
(1)		Foam part Backrest	/L	1	IN1B/Q2J/4A3
(1)		Foam part Backrest	/L	1	IN1B/Q2J/4A4
(1)	958 521 790 00	Foam part Backrest	/R	1	IN0Q/Q2J/4A3
(1)		Foam part Backrest	/R	1	IN0Q/Q2J/4A4
(1)		Foam part Backrest	/R	1	IN1A/Q2J/4A3
(1)		Foam part Backrest	/R	1	IN1A/Q2J/4A4
(1)		Foam part Backrest	/R	1	IN1B/Q2J/4A3
(1)		Foam part Backrest	/R	1	IN1B/Q2J/4A4
2	958 521 791 00	Foam part Backrest	/L	1	IN0Q/Q1J/4A3
(2)		Foam part Backrest	/L	1	IN0Q/Q1J/4A4
(2)		Foam part Backrest	/L	1	IN1A/Q1J/4A3
(2)		Foam part Backrest	/L	1	IN1A/Q1J/4A4
(2)		Foam part Backrest	/L	1	IN1B/Q1J/4A3
(2)		Foam part Backrest	/L -14	1	IN1B/Q1J/4A4
(2)	958 521 791 02	Foam part Backrest	/L 15-	1	IN1B/Q1J/4A4
(2)	958 521 792 00	Foam part Backrest	/R	1	IN0Q/Q1J/4A3
(2)		Foam part Backrest	/R	1	IN0Q/Q1J/4A4
(2)		Foam part Backrest	/R	1	IN1A/Q1J/4A3
(2)		Foam part Backrest	/R	1	IN1A/Q1J/4A4
(2)		Foam part Backrest	/R	1	IN1B/Q1J/4A3
(2)		Foam part Backrest	/R	1	IN1B/Q1J/4A4
(3)	958 521 393 01	Foam part	/L	1	IL0L/N0Q/Q2J I4A3
(3)		Seat cushion with heating Foam part	/L	1	IL0L/N0Q/Q2J I4A4
(3)		Seat cushion with heating Foam part	/L	1	IL0L/N1A/Q2J I4A3

Model: 92A 11

Model life 2011>>

Pos	Part Number	Description	Remark	Qty	Model
(3)		Seat cushion with heating Foam part	/L	1	IL0L/N1A/Q2J I4A4
(3)		Seat cushion with heating Foam part	/L	1	IL0L/N1B/Q2J I4A3
(3)		Seat cushion with heating Foam part	/L	1	IL0L/N1B/Q2J I4A4
(3)	958 521 494 01	Seat cushion with heating Foam part	/R	1	IL0L/N0Q/Q2J I4A3/9P3
(3)		Seat cushion with heating Foam part	/R	1	IL0L/N0Q/Q2J I4A4/9P3
(3)		Seat cushion with heating Foam part	/R	1	IL0L/N1A/Q2J I4A3/9P3
(3)		Seat cushion with heating Foam part	/R	1	IL0L/N1A/Q2J I4A4/9P3
(3)		Seat cushion with heating Foam part	/R	1	IL0L/N1B/Q2J I4A3/9P3
(3)		Seat cushion with heating Foam part	/R	1	IL0L/N1B/Q2J I4A4/9P3
(3)	958 521 394 01	Seat cushion with heating Foam part	/L	1	IL0R/N0Q/Q2J I4A3
(3)		Seat cushion with heating Foam part	/L	1	IL0R/N0Q/Q2J I4A4
(3)		Seat cushion with heating Foam part	/L	1	IL0R/N1A/Q2J I4A3
(3)		Seat cushion with heating Foam part	/L	1	IL0R/N1A/Q2J I4A4
(3)		Seat cushion with heating Foam part	/L	1	IL0R/N1B/Q2J I4A3
(3)		Seat cushion with heating Foam part	/L	1	IL0R/N1B/Q2J I4A4
(3)		Seat cushion with heating Foam part	/L	1	IL0R/N1B/Q2J I4A4

Model: 92A 11

Model life 2011>>

Pos	Part Number	Description	Remark	Qty	Model
					I4A4
(3)	958 521 497 00	Seat cushion with heating Foam part	/R	1	IL0R/N0Q/Q2J I4A3/9P3
(3)		Seat cushion with heating Foam part	/R	1	IL0R/N0Q/Q2J I4A4/9P3
(3)		Seat cushion with heating Foam part	/R	1	IL0R/N1A/Q2J I4A3/9P3
(3)		Seat cushion with heating Foam part	/R	1	IL0R/N1A/Q2J I4A4/9P3
(3)		Seat cushion with heating Foam part	/R	1	IL0R/N1B/Q2J I4A3/9P3
(3)		Seat cushion with heating Foam part	/R	1	IL0R/N1B/Q2J I4A4/9P3
4	958 521 395 01	Seat cushion with heating Foam part	/L	1	IL0L/N0Q/Q1J I4A3
(4)		Seat cushion with heating Foam part	/L	1	IL0L/N0Q/Q1J I4A4
(4)		Seat cushion with heating Foam part	/L	1	IL0L/N1A/Q1J I4A3
(4)		Seat cushion with heating Foam part	/L	1	IL0L/N1A/Q1J I4A4
(4)		Seat cushion with heating Foam part	/L	1	IL0L/N1B/Q1J I4A3
(4)		Seat cushion with heating Foam part	/L	1	IL0L/N1B/Q1J I4A4
(4)	958 521 495 01	Seat cushion with heating Foam part	/R	1	IL0L/N0Q/Q1J I4A3/9P3
(4)		Seat cushion with heating Foam part	/R	1	IL0L/N0Q/Q1J I4A4/9P3
(4)		Seat cushion with heating Foam part	/R	1	IL0L/N1A/Q1J I4A3/9P3
		Seat cushion with heating			

Model: 92A 11

Model life 2011>>

Pos	Part Number	Description	Remark	Qty	Model
(4)		Foam part	/R	1	IL0L/N1A/Q1J I4A4/9P3
(4)		Seat cushion with heating Foam part	/R	1	IL0L/N1B/Q1J I4A3/9P3
(4)		Seat cushion with heating Foam part	/R	1	IL0L/N1B/Q1J I4A4/9P3
(4)	958 521 396 01	Seat cushion with heating Foam part	/L	1	IL0R/N0Q/Q1J I4A3
(4)		Seat cushion with heating Foam part	/L	1	IL0R/N0Q/Q1J I4A4
(4)		Seat cushion with heating Foam part	/L	1	IL0R/N1A/Q1J I4A3
(4)		Seat cushion with heating Foam part	/L	1	IL0R/N1A/Q1J I4A4
(4)		Seat cushion with heating Foam part	/L	1	IL0R/N1B/Q1J I4A3
(4)		Seat cushion with heating Foam part	/L	1	IL0R/N1B/Q1J I4A4
(4)	958 521 496 01	Seat cushion with heating Foam part	/R	1	IL0R/N0Q/Q1J I4A3/9P3
(4)		Seat cushion with heating Foam part	/R	1	IL0R/N0Q/Q1J I4A4/9P3
(4)		Seat cushion with heating Foam part	/R	1	IL0R/N1A/Q1J I4A3/9P3
(4)		Seat cushion with heating Foam part	/R	1	IL0R/N1A/Q1J I4A4/9P3
(4)		Seat cushion with heating Foam part	/R	1	IL0R/N1B/Q1J I4A3/9P3
(4)		Seat cushion with heating Foam part	/R	1	IL0R/N1B/Q1J I4A4/9P3
(5)	958 521 869 01	Backrest cover Plain leather	/L	1	IN0Q/Q2J
	958 521 869 01 D0D	Black			+LC, +MA, +YC

Model: 92A 11 Model life 2011>>

Pos	Part Number	Description	Remark	Qty	Model
	958 521 869 01 D0E	Platinum Grey			+LD, +MD, +YD
	958 521 869 01 D0F	Luxor Beige			+LE, +MC, +MK +YE
	958 521 869 01 D0G	Umber			+LF, +YF
	958 521 869 01 D0H	Titanium Blue			
	958 521 869 01 D0J	Cream			+MJ, +TX
	958 521 869 01 D0K	Light Tartufo			+TY
	958 521 869 01 YKI	Agate Grey			+MB, +MG, +ML
	958 521 869 01 YMI	Saddle Tan			+ME, +MH, +MI
(5)	958 521 869 01	Backrest cover Leather two-colour	/L	1	IN1B/Q2J
	958 521 869 01 AAB	Black/Carrera Red			+TA
	958 521 869 01 AAC	Black/Luxor Beige			+TB, +77
(5)	958 521 869 02	Backrest cover Leather two-colour	/L	1	IN1B/Q2J
	958 521 869 02 HGK	Black/Cream	15-		+LG
	958 521 869 02 HHM	Cohiba Brown	16-		+LH
(5)	958 521 868 01	Backrest cover Plain leather	/R	1	IN0Q/Q2J
	958 521 868 01 D0D	Black			+LC, +MA, +YC
	958 521 868 01 D0E	Platinum Grey			+LD, +MD, +YD
	958 521 868 01 D0F	Luxor Beige			+LE, +MC, +MK +YE
	958 521 868 01 D0G	Umber			+LF, +YF
	958 521 868 01 D0H	Titanium Blue			
	958 521 868 01 D0J	Cream			+MJ, +TX
	958 521 868 01 D0K	Light Tartufo			+TY
	958 521 868 01 YKI	Agate Grey			+MB, +MG, +ML
	958 521 868 01 YMI	Saddle Tan			+ME, +MH, +MI
(5)	958 521 868 01	Backrest cover Leather two-colour	/R	1	IN1B/Q2J
	958 521 868 01 AAB	Black/Carrera Red			+TA
	958 521 868 01 AAC	Black/Luxor Beige			+TB, +77
(5)	958 521 868 02	Backrest cover Leather two-colour	/R	1	IN1B/Q2J
	958 521 868 02 HGK	Black/Cream	15-		+LG
	958 521 868 02 HHM	Cohiba Brown	16-		+LH
(5)	958 521 873 01	Backrest cover Nature	/L	1	IN1A/Q2J
	958 521 873 01 D0L	Espresso			+VA
	958 521 873 01 D0M	Cognac			+VB
(5)	958 521 872 01	Backrest cover Nature	/R	1	IN1A/Q2J
	958 521 872 01 D0L	Espresso			+VA
	958 521 872 01 D0M	Cognac			+VB
6	958 521 877 00	Backrest cover Plain leather	/L -13	1	IN0Q/Q1J
	958 521 877 00 D0D	Black			+LC, +MA, +YC,
	958 521 877 00 D0E	Platinum Grey			+LD, +MD, +YD,
	958 521 877 00 D0F	Luxor Beige			+LE, +MC, +YE,
	958 521 877 00 D0G	Umber			+LF, +YF,
	958 521 877 00 D0H	Titanium Blue			+TW,
	958 521 877 00 D0J	Cream			+TX,
	958 521 877 00 D0K	Light Tartufo			+TY,
(6)	958 521 877 00	Backrest cover Plain leather	/L -13	1	IN1B/Q1J
	958 521 877 00 AAB	Black/Carrera Red			+TA,
	958 521 877 00 AAC	Black/Luxor Beige			+TB,
(6)	958 521 862 01	Backrest cover	/L	1	IN0Q/Q1J

Model: 92A 11 Model life 2011>>

Pos	Part Number	Description	Remark	Qty	Model
		Plain leather			
	958 521 862 01 D0D	Black			+LC, +MA, +YC,
	958 521 862 01 D0E	Platinum Grey			+LD, +MD, +YD,
	958 521 862 01 D0F	Luxor Beige			+LE, +MC, +MK,
					+YE
	958 521 862 01 D0G	Umber			+LF, +YF,
	958 521 862 01 D0H	Titanium Blue			+TW,
	958 521 862 01 D0J	Cream			+MJ, +TX
	958 521 862 01 D0K	Light Tartufo			+TY
	958 521 862 01 YKI	Agate Grey			+MB, +MG, +ML,
	958 521 862 01 YMI	Saddle Tan			+ME, +MH, +MI
	958 521 862 01 HHM	Cohiba Brown			+LH
(6)	958 521 862 01	Backrest cover	/L 14-	1	IN1B/Q1J
		Plain leather			
	958 521 862 01 AAB	Black/Carrera Red			+TA,
	958 521 862 01 AAC	Black/Luxor Beige			+TB,
(6)	958 521 876 00	Backrest cover	/R -13	1	IN0Q/Q1J
		Plain leather			
	958 521 876 00 D0D	Black			+LC, +MA, +YC,
	958 521 876 00 D0E	Platinum Grey			+LD, +MD, +YD,
	958 521 876 00 D0F	Luxor Beige			+LE, +MC, +YE,
	958 521 876 00 D0G	Umber			+LF, +YF,
	958 521 876 00 D0H	Titanium Blue			+TW,
	958 521 876 00 D0J	Cream			+TX,
	958 521 876 00 D0K	Light Tartufo			+TY,
(6)	958 521 876 00	Backrest cover	/R -13	1	IN1B/Q1J
		Plain leather			
	958 521 876 00 AAB	Black/Carrera Red			+TA,
	958 521 876 00 AAC	Black/Luxor Beige			+TB,
(6)	958 521 863 01	Backrest cover	/R 14-	1	IN0Q/Q1J
		Plain leather			
	958 521 863 01 D0D	Black			+LC, +MA, +YC,
	958 521 863 01 D0E	Platinum Grey			+LD, +MD, +YD,
	958 521 863 01 D0F	Luxor Beige			+LE, +MC, +MK,
					+YE,
	958 521 863 01 D0G	Umber			+LF, +YF,
	958 521 863 01 D0H	Titanium Blue			+TW,
	958 521 863 01 D0J	Cream			+MJ, +TX,
	958 521 863 01 D0K	Light Tartufo			+TY,
	958 521 863 01 YKI	Agate Grey			+MB, +MG, +ML,
	958 521 863 01 YMI	Saddle Tan			+ME, +MH, +MI,
	958 521 863 01 HHM	Cohiba Brown			+LH
(6)	958 521 863 01	Backrest cover	/R	1	IN1B/Q1J
		Plain leather			
	958 521 863 01 AAB	Black/Carrera Red			+TA,
	958 521 863 01 AAC	Black/Luxor Beige			+TB,
(6)	958 521 866 01	Backrest cover	/L	1	IN1A/Q1J
		Nature			
	958 521 866 01 D0L	Espresso			+VA
	958 521 866 01 D0M	Cognac			+VB
(6)	958 521 867 01	Backrest cover	/R	1	IN1A/Q1J
		Nature			
	958 521 867 01 D0L	Espresso			+VA
	958 521 867 01 D0M	Cognac			+VB
(7)	958 521 426 02	Seat cover	/L	1	IN0Q/N1B/Q2J
		Plain leather			
	958 521 426 02 D0D	Black			+LC, +MA, +YC,
	958 521 426 02 D0E	Platinum Grey			+LD, +MD, +YD,
	958 521 426 02 D0F	Luxor Beige			+LE, +MC, +MK,
					+YE,
	958 521 426 02 D0G	Umber			+LF, +YF,
	958 521 426 02 D0H	Titanium Blue			+TW,
	958 521 426 02 D0J	Cream			+MJ, +TX,

Model: 92A 11 Model life 2011>>

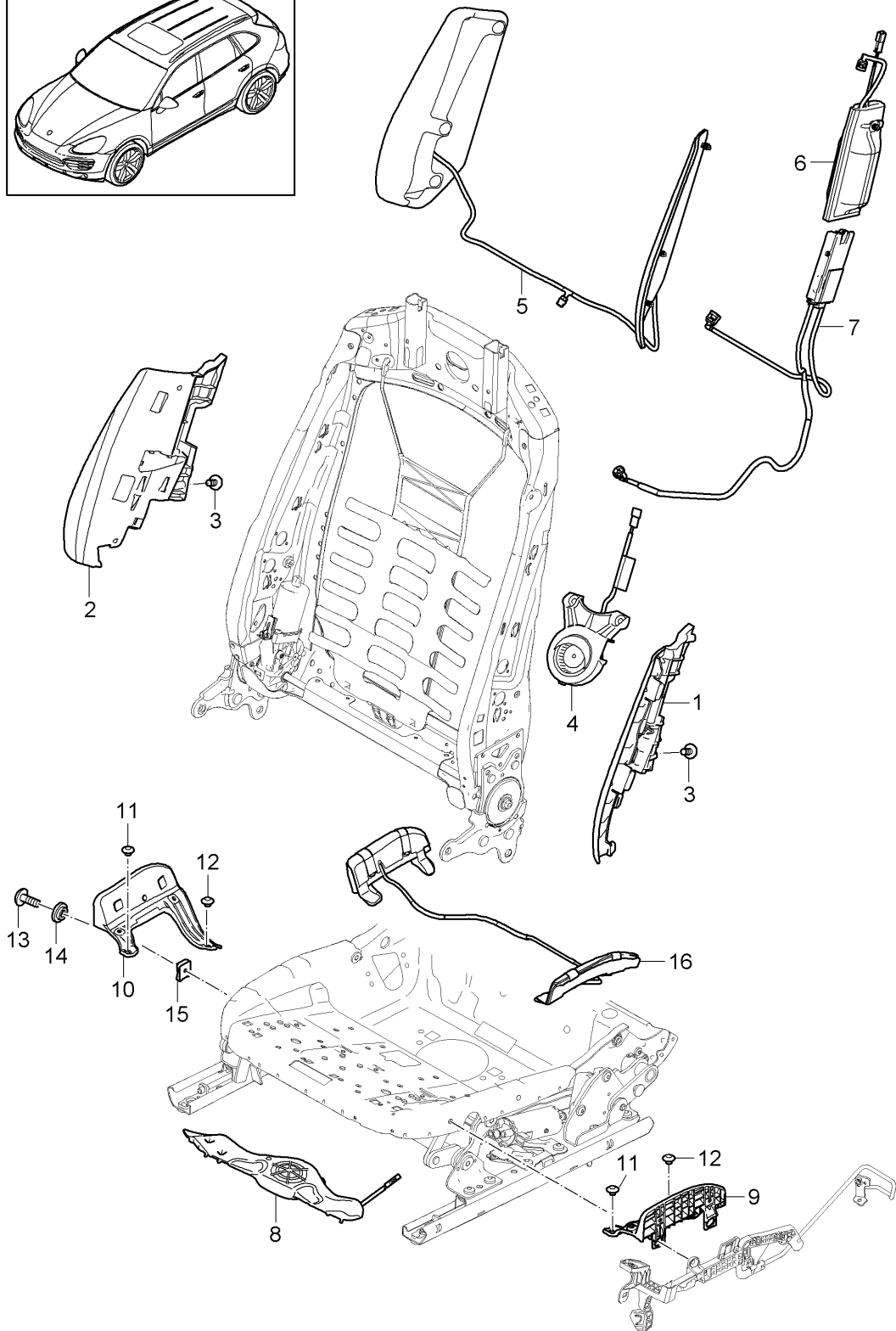
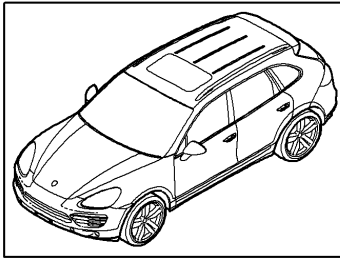
Pos	Part Number	Description	Remark	Qty	Model
(7)	958 521 426 02 DOK	Light Tartufo		1	+TY,
	958 521 426 02 YKI	Agate Grey	15-		+MB, +MG, +ML,
	958 521 426 02 YMI	Saddle Tan	15-		+ME, +MH, +MI
	958 521 426 02	Seat cover	/L		IN1B/Q2J
		Plain leather			
	958 521 426 02 AAB	Black/Carrera Red	+TA		+TA,
	958 521 426 02 AAC	Black/Luxor Beige	+77		+77
	958 521 426 02 HGK	Black/Cream	+LG		+LG
	958 521 856 01	Seat cover	/R		IN0Q/N1B/Q2J
		Plain leather			I9P3/9P7
(7)	958 521 856 01 DOD	Black		1	+LC, +MA, +YC,
	958 521 856 01 DOE	Platinum Grey			+LD, +MD, +YD,
	958 521 856 01 DOF	Luxor Beige			+LE, +MC, +MK,
					+YE
	958 521 856 01 D0G	Umber			+LF, +YF,
	958 521 856 01 D0H	Titanium Blue			+TW
	958 521 856 01 D0J	Cream			+MJ, +TX
	958 521 856 01 D0K	Light Tartufo			+TY
	958 521 856 01 YKI	Agate Grey	15-		+MB, +MG, +ML,
	958 521 856 01 YMI	Saddle Tan	15-		+ME, +MH, +MI,
958 521 856 01	Seat cover	/R 14-	IL0L/N0Q/N1B		
	Plain leather		I9P3		
(7)	958 521 856 01 AAB	Black/Carrera Red	+TA	1	+TA,
	958 521 856 01 AAC	Black/Luxor Beige	+77		+77
	958 521 856 01 HGK	Black/Cream	+LG		+LG
	958 521 427 02	Seat cover	/L		IN1A/Q2J
		Nature			
	958 521 427 02 D0L	Espresso			+VA
	958 521 427 02 D0M	Cognac			+VB
	958 521 440 01	Seat cover	/R		IN1A/Q2J
		Nature			
	958 521 440 01 D0L	Espresso			+VA
958 521 440 01 D0M	Cognac		+VB		
958 521 428 01	Seat cover	/L -13	IN0Q/Q1J		
(8)		Plain leather		1	
		Draped leather			
	958 521 428 01 DOD	Black			+LC, +MA, +YC,
	958 521 428 01 DOE	Platinum Grey			+LD, +MD, +YD,
	958 521 428 01 DOF	Luxor Beige			+LE, +MC, +YE
	958 521 428 01 D0G	Umber			+LF, +YF,
	958 521 428 01 D0H	Titanium Blue			+TW
	958 521 428 01 D0J	Cream			+TX
	958 521 428 01 D0K	Light Tartufo			+TY
	958 521 428 02	Seat cover	/L 14-		IN0Q/N1B/Q1J
	Plain leather				
	Draped leather				
(8)	958 521 428 02 DOD	Black		1	+LC, +MA, +YC,
	958 521 428 02 DOE	Platinum Grey			+LD, +MD, +YD,
	958 521 428 02 DOF	Luxor Beige			+LE, +MC, +MK,
					+YE,
	958 521 428 02 D0G	Umber			+LF, +YF,
	958 521 428 02 D0H	Titanium Blue			
	958 521 428 02 D0J	Cream			+MJ,
	958 521 428 02 D0K	Light Tartufo			+TY,
	958 521 428 02 YKI	Agate Grey	15-		+MB, +MG, +ML,
	958 521 428 02 YMI	Saddle Tan	15-		+ME, +MH, +MI,
958 521 428 03	Seat cover	/L	IN0Q/N1B/Q1J		
	Plain leather				
	Draped leather				
(8)	958 521 428 03 HHM	Cohiba Brown		1	+LH
	958 521 428 02	Seat cover	/L		IN1B/Q1J

Model: 92A 11 Model life 2011>>

Pos	Part Number	Description	Remark	Qty	Model
		Leather two-colour			
	958 521 428 02 AAB	Black/Carrera Red	+TA		+TA
	958 521 428 02 AAC	Black/Luxor Beige	+77		+77
	958 521 428 02 HGK	Black/Cream	+LG		+LG
(8)	958 521 438 01	Seat cover	/R -13	1	IN0Q/Q1J/9P3 I9P7
		Plain leather Draped leather			
	958 521 438 01 D0D	Black			+LC, +MA, +YC,
	958 521 438 01 D0E	Platinum Grey			+LD, +MD, +YD,
	958 521 438 01 D0F	Luxor Beige			+LE, +MC, +YE,
	958 521 438 01 D0G	Umber			+LF, +YF,
	958 521 438 01 D0H	Titanium Blue			+TW
	958 521 438 01 D0J	Cream			+TX
	958 521 438 01 D0K	Light Tartufo			+TY
(8)	958 521 438 02	Seat cover	/R	1	IN0Q/N1B/Q1J I9P3
		Plain leather Draped leather			
	958 521 438 02 D0D	Black			+LC, +MA, +YC,
	958 521 438 02 D0E	Platinum Grey			+LD, +MD, +YD,
	958 521 438 02 D0F	Luxor Beige			+LE, +MC, +MK,
					+YE,
	958 521 438 02 D0G	Umber			+LF, +YF,
	958 521 438 02 D0H	Titanium Blue			
	958 521 438 02 D0J	Cream			+MJ, +TX,
	958 521 438 02 D0K	Light Tartufo			+TY,
	958 521 438 02 YKI	Agate Grey			+MB, +MG, +ML,
	958 521 438 02 YMI	Saddle Tan			+ME, +MH, +MI,
(8)	958 521 438 02	Seat cover	/R	1	IN1B/Q1J/9P3 I9P7
		Leather two-colour			
	958 521 438 02 AAB	Black/Carrera Red			+TA
	958 521 438 02 AAC	Black/Luxor Beige			+TB
(8)	958 521 443 01	Seat cover	/L	1	IN1A/Q1J
		Nature			
	958 521 443 01 D0L	Espresso			+VA
	958 521 443 01 D0M	Cognac			+VB
(8)	958 521 442 01	Seat cover	/R	1	IN1A/Q1J
		Nature			
	958 521 442 01 D0L	Espresso			+VA
	958 521 442 01 D0M	Cognac			+VB
9	958 521 397 00	Foam part		1	IN0Q/N1A/N1B I4A3/4A4
		Seat cushion Front with heating			
10	958 624 351 00	Electric fan Backrest		1	IN0Q/N1A/N1B
		Front seat			
11	958 624 345 00	Electric fan Seat surface		1	IN0Q/N1A/N1B
		Front seat			
-	958 521 761 11	Repair kit		1	
		Knob Child car seat Identification			
	958 521 761 11 95R	Grey			

Model: 92A 11

Model life 2011>>



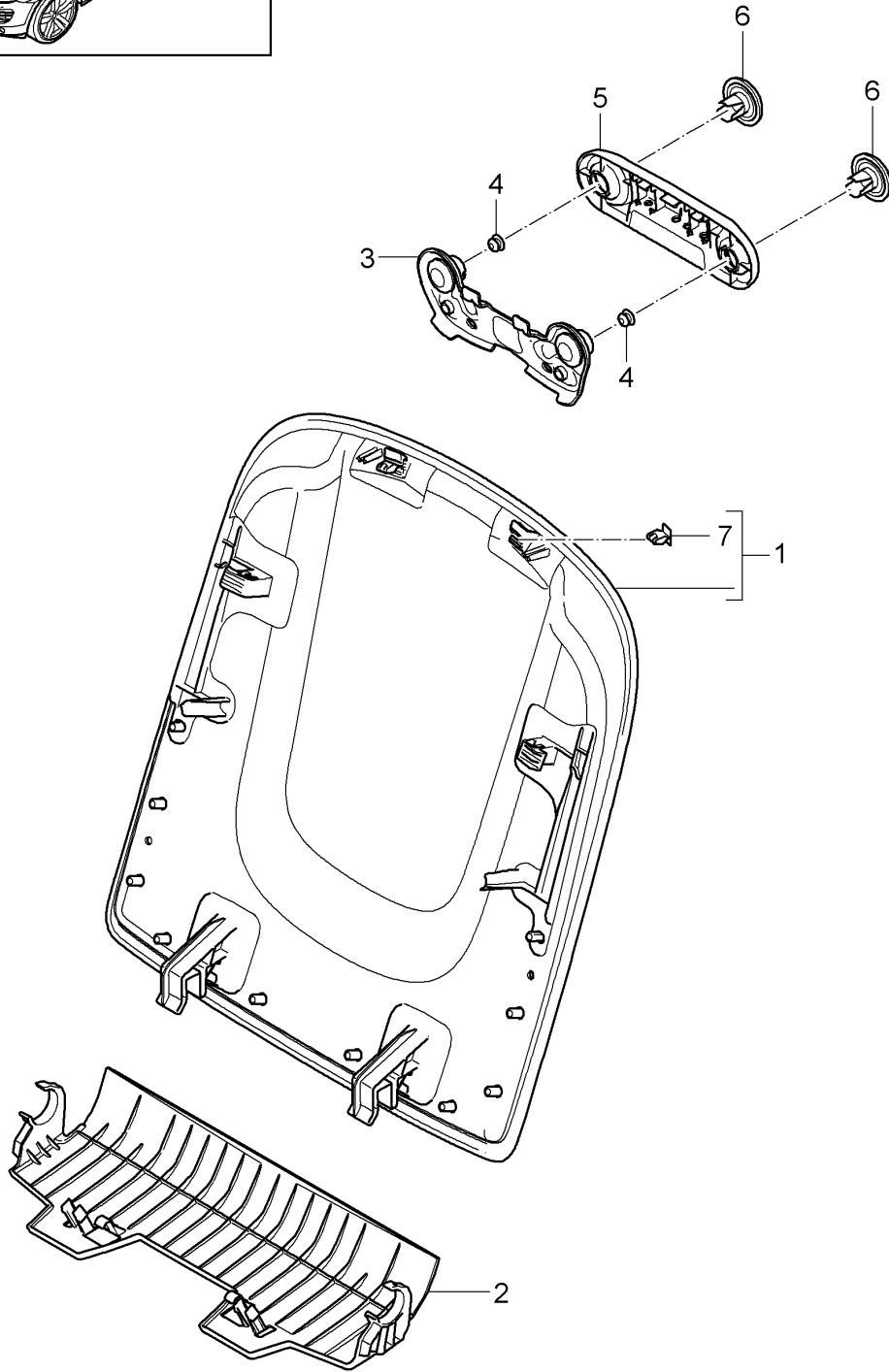
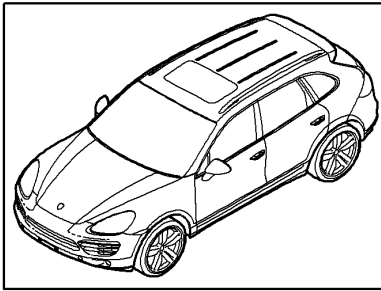
Model: 92A 11

Model life 2011>>

Pos	Part Number	Description	Remark	Qty	Model
1	958 521 353 00	Seat width adjustment Backrest side bolster Seat width adjustment Left	/L	1	IQ1J/Q4P
2	958 521 354 00	Backrest side bolster Seat width adjustment Right	/R	1	
3	N 103 545 03	Outer hexagon round screw M 6 X 12		4	
4		Electric fan Backrest Front seat See illustrations 8/17/14		1	
5	958 521 351 00	Insert Backrest		1	
6	958 521 355 02	Pump Seat width adjustment		1	
7	958 521 356 01	Valve block Seat width adjustment		1	
8		Electric fan Seat surface Front seat See illustrations 8/17/14		1	
9	958 521 349 01	Seat side bolster Seat width adjustment Left	/L	1	
10	958 521 350 00	Seat side bolster Seat width adjustment Right	/R	1	
11	N 902 244 01	Blind rivet A 4,8 X 9		2	
12	N 908 123 02	Blind rivet A 6 X 10		2	
13	N 107 148 01	Outer hexagon round screw m 6 X 18		4	
14	958 521 357 01	Bush Bracket		2	
15	WHT 003 301	Speed nut M6		2	
16	958 521 357 00	Insert Seat surface		1	

Model: 92A 11

Model life 2011>>

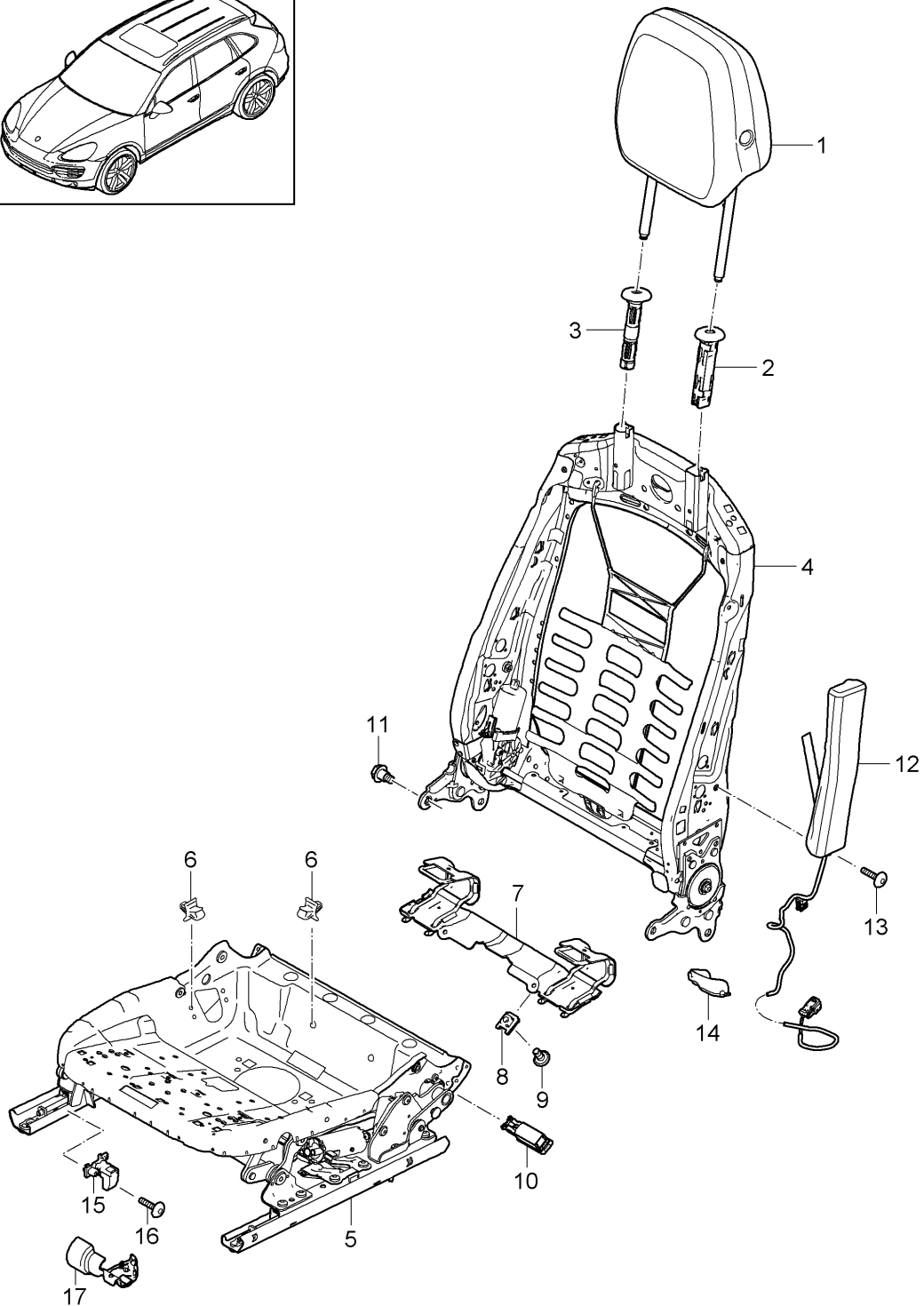
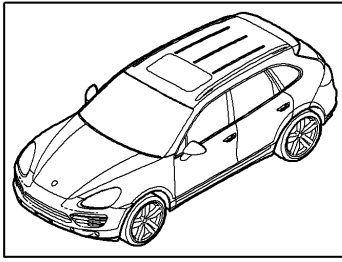


Model: 92A 11 Model life 2011>>

Pos	Part Number	Description	Remark	Qty	Model
1	958 521 989 00	Cover Backrest shell	/L /R	1	
	958 521 989 00 1D0	Cover Backrest shell Upper Black			+LC, +LG, +MA, +MF, +TA, +TB, +YA, +YB, +YC, +77
	958 521 989 00 2E0	Luxor Beige			+LE, +MC, +MK, +YE
	958 521 989 00 3F0	Platinum Grey			+LD, +MD, +YD,
	958 521 989 00 BS4	Cream			+MJ, +TX,
	958 521 989 00 5H0	Espresso			+VA
	958 521 989 00 6K0	Cognac			+VB
	958 521 989 00 DE1	Umber			+LF, +YF,
	958 521 989 00 DF2	Light Tartufo			+TY
	958 521 989 00 DJ3	Titanium Blue			+TW
	958 521 989 00 OW7	Agate Grey			+MB, +MG, +ML,
	958 521 989 00 OE4	Saddle Tan			+ME, +MH, +MI,
1	958 521 989 01	Cover Backrest shell	/L /R	1	
	958 521 989 01 OB8	Upper Cohiba Brown			+LH
2	958 521 091 00	Cover Lower	/L /R	1	
3	958 521 998 00	Support Rear Seat Entertainment Screen	/L /R	1	I9WM
4	N 909 299 01	Blind rivet A4 X 14		2	I9WM
5	958 521 793 00	Cover Rear Seat Entertainment	/L /R	1	I9WM
	958 521 793 00 1E0	Black			+LC, +LG, +MA, +MF, +TA, +TB, +YA, +YB, +YC, +77
	958 521 793 00 4H0	Luxor Beige			+LE, +MC, +MK, +YE,
	958 521 793 00 6L0	Platinum Grey			+LD, +MD, +YD,
	958 521 793 00 5J0	Cream			+MJ, +TX,
	958 521 793 00 7N0	Espresso			+VA,
	958 521 793 00 8P0	Cognac			+VB,
	958 521 793 00 DE1	Umber			+LF, +YF,
	958 521 793 00 DF2	Light Tartufo			+TY,
	958 521 793 00 DJ3	Titanium Blue			+TW,
	958 521 793 00 OP1	Agate Grey			+MB, +MG, +ML,
	958 521 793 00 OM8	Saddle Tan			+ME, +MH, +MI,
6	958 521 090 00	Fixing clip Cover		2	I9WM
7	958 999 521 00	Clamp Backrest shell		2	
-	958 612 297 00	Wiring harness Rear Seat Entertainment	/L	1	I9WM
-	958 612 298 00	Wiring harness Rear Seat Entertainment	/R	1	I9WM

Model: 92A 11

Model life 2011>>



Model: 92A 11 Model life 2011>>

Pos	Part Number	Description	Remark	Qty	Model
1	958 521 901 00	Backrest frame Seat frame with Adjusting motor Head rest	/L -14	1	IN1D/N1X/N7F I3J4 +MA, +MC, +MD, +MB, +77,
	958 521 901 00 21U	Black			
	958 521 901 00 32X	Luxor Beige			
	958 521 901 00 7EG	Platinum Grey			
	958 521 901 00 OF6	Agate Grey			
	958 521 901 00 HAA	Black/Luxor Beige			
(1)	958 521 901 02	Head rest	/L 15	1	IN1D/N1X/N7F I3J4 +MA, +MC, +MD, +MB, +77,
	958 521 901 02 21U	Black			
	958 521 901 02 32X	Luxor Beige			
	958 521 901 02 7EG	Platinum Grey			
	958 521 901 02 OF6	Agate Grey			
	958 521 901 02 HAA	Black/Luxor Beige			
(1)	958 521 901 06	Head rest	/L 16-	1	IN1D/N1X/N7F I3F4 +MA, +MC, +77, +MB,
	958 521 901 06 21U	Black			
	958 521 901 06 32X	Luxor Beige			
	958 521 901 06 HAA	Black/Luxor Beige			
	958 521 901 06 OF6	Agate Grey			
(1)	958 521 911 00	Head rest	/R -14	1	IN1D/N1X/N7F I3J4 +MA, +MC, +MD, +MB,
	958 521 911 00 21U	Black			
	958 521 911 00 32X	Luxor Beige			
	958 521 911 00 7EG	Platinum Grey			
	958 521 911 00 OF6	Agate Grey			
(1)	958 521 911 02	Head rest	/R 15	1	IN1D/N1X/N7F I3J4 +MA, +MC, +MD, +MB,
	958 521 911 02 21U	Black			
	958 521 911 02 32X	Luxor Beige			
	958 521 911 02 7EG	Platinum Grey			
	958 521 911 02 OF6	Agate Grey			
(1)	958 521 902 06	Head rest	/R 16-	1	IN1D/N1X/N7F I3J4 +MA, +MC, +MD, +MB,
	958 521 902 06 21U	Black			
	958 521 902 06 32X	Luxor Beige			
	958 521 902 06 HAA	Black/Luxor Beige			
	958 521 902 06 OF6	Agate Grey			
(1)	958 521 902 00	Head rest	/L -14	1	IN1B/N1M/3J4 +TA +TB, +77
	958 521 902 00 AAB	Black/Carrera Red			
	958 521 902 00 AAC	Black/Luxor Beige			
(1)	958 521 902 02	Head rest	/L 15	1	IN1B/N1M/3J4 +TA +77
	958 521 902 02 AAB	Black/Carrera Red			
	958 521 902 02 AAC	Black/Luxor Beige			
(1)	958 521 902 00	Head rest	/L -14	1	IN0Q/N2S/N5U IN7D/3J4 +LC, +MA, +YC +LE, +MC, +YE +LD, +MD, +YD +TX +LF, +YF +TY +TW
	958 521 902 00 8YR	Black			
	958 521 902 00 9H6	Luxor Beige			
	958 521 902 00 7A0	Platinum Grey			
	958 521 902 00 6G0	Cream			
	958 521 902 00 DE1	Umber			
	958 521 902 00 DF2	Light Tartufo			
	958 521 902 00 DJ3	Titanium Blue			
	958 521 902 00 PL1	Agate Grey			
	958 521 902 00 OK6	Saddle Tan			
(1)	958 521 902 02	Head rest	/L 15	1	IN0Q/N2S/N5U IN7D/3J4 +LC, +MA, +YC, +LE, +MC, +MK,
	958 521 902 02 8YR	Black			
	958 521 902 02 9H6	Luxor Beige			

Model: 92A 11 Model life 2011>>

Pos	Part Number	Description	Remark	Qty	Model
	958 521 902 02 7A0	Platinum Grey			+YE
	958 521 902 02 6G0	Cream			+MJ
	958 521 902 02 DE1	Umber			
	958 521 902 02 DF2	Light Tartufo			
	958 521 902 02 DJ3	Titanium Blue			
	958 521 902 02 PL1	Agate Grey			+MB, +MG, +ML,
	958 521 902 02 OK6	Saddle Tan			+ME, +MI, +ML
(1)	958 521 901 20	Head rest	/L 16-	1	IN0Q/N1B/N1M IN2S/N5U/N7D I3J4
	958 521 901 20 6G0	Cream			+MJ,
	958 521 901 20 8YR	Black			+LC, +MA, +YC,
	958 521 901 20 9H6	Luxor Beige			+LE, +MC, +MK, +YE,
	958 521 901 20 OB8	Cohiba Brown			+LH
	958 521 901 20 OK6	Saddle Tan			+ME, +MH, +MI,
	958 521 901 20 PL1	Agate Grey			+MB, +MG, +ML
(1)	958 521 901 20	Head rest	/L 16-	1	IN1B/N1M/3J4 +TA
	958 521 901 20 AAB	Black/Carrera Red			+77
	958 521 901 20 AAC	Black/Luxor Beige			+LG
(1)	958 521 912 00	Head rest	/R -14	1	IN1B/N1M/3J4 +TA
	958 521 912 00 AAB	Black/Carrera Red			+TB, +77
	958 521 912 00 AAC	Black/Luxor Beige			
(1)	958 521 912 02	Head rest	/R 15	1	IN1B/N1M/3J4 +TA
	958 521 912 02 AAB	Black/Carrera Red			+77
	958 521 912 02 AAC	Black/Luxor Beige			
(1)	958 521 912 00	Head rest	/R -14	1	IN0Q/N2S/N5U IN7D/3J4
	958 521 912 00 8YR	Black			+LC, +MA, +YC,
	958 521 912 00 9H6	Luxor Beige			+LE, +MC, +YE
	958 521 912 00 7A0	Platinum Grey			+LD, +MD, +YD,
	958 521 912 00 6G0	Cream			+TX
	958 521 912 00 DE1	Umber			+LF, +YF,
	958 521 912 00 DF2	Light Tartufo			+TY
	958 521 912 00 DJ3	Titanium Blue			+TW
	958 521 912 00 PL1	Agate Grey			
	958 521 912 00 OK6	Saddle Tan			
(1)	958 521 912 02	Head rest	/R 15	1	IN0Q/N2S/N5U IN7D/3J4
	958 521 912 02 8YR	Black			+LC, +MA, +YC,
	958 521 912 02 9H6	Luxor Beige			+LE, +MC, +MK, +YE
	958 521 912 02 7A0	Platinum Grey			
	958 521 912 02 6G0	Cream			+MJ
	958 521 912 02 DE1	Umber			
	958 521 912 02 DF2	Light Tartufo			
	958 521 912 02 DJ3	Titanium Blue			
	958 521 912 02 PL1	Agate Grey			+MB, +MG, +ML,
	958 521 912 02 OK6	Saddle Tan			+ME, +MI, +ML,
(1)	958 521 902 20	Head rest	/R 16-	1	IN0Q/N2S/N5U IN7D/3J4
	958 521 902 20 6G0	Cream			+MJ,
	958 521 902 20 8YR	Black			+LC, +MA, +YC,
	958 521 902 20 9H6	Luxor Beige			+LE, +MC, +MK, +YE
	958 521 902 20 OB8	Cohiba Brown			+LH
	958 521 902 20 OK6	Saddle Tan			+ME, +MH, +MI,
	958 521 902 20 PL1	Agate Grey			+MB, +MG, +ML,
(1)	958 521 902 20	Head rest	/R 16-	1	IN1B/N1M/3J4 +TA
	958 521 902 20 AAB	Black/Carrera Red			+77
	958 521 902 20 AAC	Black/Luxor Beige			

Model: 92A 11 Model life 2011>>

Pos	Part Number	Description	Remark	Qty	Model
(1)	958 521 902 20 HGK 958 521 903 00	Black/Cream Head rest Porsche crest	/L -14	1	+LG IN1D/3J7
(1)	958 521 903 00 HAA 958 521 903 01	Black/Luxor Beige Head rest Porsche crest	/L 15	1	+77 IN1D/3J7
(1)	958 521 903 01 HAA 958 521 903 00	Black/Luxor Beige Head rest Porsche crest	/L -14	1	+77 IN1D/5ZF
(1)	958 521 903 00 HAA 958 521 903 01	Black/Luxor Beige Head rest Porsche crest	/L 15	1	+77 IN1D/5ZF
(1)	958 521 903 01 HAA 958 521 903 00	Black/Luxor Beige Head rest Porsche crest	/L -14	1	+77 IN1X/3J7
(1)	958 521 903 00 21U 958 521 903 00 32X 958 521 903 00 7EG 958 521 903 00 OF6 958 521 903 01	Black Luxor Beige Platinum Grey Agate Grey Head rest Porsche crest	/L 15	1	+MA +MC +MD IN1X/3J7
(1)	958 521 903 01 21U 958 521 903 01 32X 958 521 903 01 7EG 958 521 903 01 OF6 958 521 903 00	Black Luxor Beige Platinum Grey Agate Grey Head rest Porsche crest	/L -14	1	+MA +MC +MD +MB IN1X/5ZF
(1)	958 521 903 00 21U 958 521 903 00 32X 958 521 903 00 7EG 958 521 903 00 OF6 958 521 903 01	Black Luxor Beige Platinum Grey Agate Grey Head rest Porsche crest	/L 15	1	+MA +MC +MD IN1X/5ZF
(1)	958 521 903 01 21U 958 521 903 01 32X 958 521 903 01 7EG 958 521 903 01 OF6 958 521 903 00	Black Luxor Beige Platinum Grey Agate Grey Head rest Porsche crest	/L -14	1	+MA +MC +MD +MB IN7F/3J7
(1)	958 521 903 00 21U 958 521 903 00 32X 958 521 903 00 7EG 958 521 903 00 OF6 958 521 903 01	Black Luxor Beige Platinum Grey Agate Grey Head rest Porsche crest	/L 15	1	+MA +MC +MD IN7F/3J7
(1)	958 521 903 01 21U 958 521 903 01 32X 958 521 903 01 7EG 958 521 903 01 OF6 958 521 903 00	Black Luxor Beige Platinum Grey Agate Grey Head rest Porsche crest	/L -14	1	+MA +MC +MD +MB IN7F/5ZF
(1)	958 521 903 00 21U 958 521 903 00 32X 958 521 903 00 7EG 958 521 903 00 OF6 958 521 903 01	Black Luxor Beige Platinum Grey Agate Grey Head rest Porsche crest	/L 15	1	+MA +MC +MD IN7F/5ZF
(1)	958 521 903 01 21U 958 521 903 01 32X 958 521 903 01 7EG 958 521 903 01 OF6 958 521 901 10	Black Luxor Beige Platinum Grey Agate Grey Head rest	/L 16-	1	+MA +MC +MD +MB IN1D/N1X/N7F I3J7/5ZF

Model: 92A 11

Model life 2011>>

Pos	Part Number	Description	Remark	Qty	Model
	958 521 901 10 21U	Porsche crest Black			+MA
	958 521 901 10 32X	Luxor Beige			+MC
	958 521 901 10 HAA	Black/Luxor Beige			+77
	958 521 901 10 OF6	Agate Grey			+MB
(1)	958 521 913 00	Head rest Porsche crest	/R -14	1	IN1D/3J7
	958 521 913 00 HAA	Black/Luxor Beige			+77
(1)	958 521 913 01	Head rest Porsche crest	/R 15	1	IN1D/3J7
	958 521 913 01 HAA	Black/Luxor Beige			+77
(1)	958 521 913 00	Head rest Porsche crest	/R -14	1	IN1D/5ZF
	958 521 913 00 HAA	Black/Luxor Beige			+77
(1)	958 521 913 01	Head rest Porsche crest	/R 15	1	IN1D/5ZF
	958 521 913 01 HAA	Black/Luxor Beige			+77
(1)	958 521 913 00	Head rest Porsche crest	/R -14	1	IN1X/3J7
	958 521 913 00 21U	Black			+MA
	958 521 913 00 32X	Luxor Beige			+MC
	958 521 913 00 7EG	Platinum Grey			+77
	958 521 913 00 OF6	Agate Grey			
(1)	958 521 913 01	Head rest Porsche crest	/R 15	1	IN1X/3J7
	958 521 913 01 21U	Black			+MA
	958 521 913 01 32X	Luxor Beige			+MC
	958 521 913 01 7EG	Platinum Grey			+MD
	958 521 913 01 OF6	Agate Grey			+MB
(1)	958 521 913 00	Head rest Porsche crest	/R -14	1	IN1X/5ZF
	958 521 913 00 21U	Black			+MA
	958 521 913 00 32X	Luxor Beige			+MC
	958 521 913 00 7EG	Platinum Grey			+MD
	958 521 913 00 OF6	Agate Grey			
(1)	958 521 913 01	Head rest Porsche crest	/R 15	1	IN1X/5ZF
	958 521 913 01 21U	Black			+MA
	958 521 913 01 32X	Luxor Beige			+MC
	958 521 913 01 7EG	Platinum Grey			+MD
	958 521 913 01 OF6	Agate Grey			+MB
(1)	958 521 913 00	Head rest Porsche crest	/R -14	1	IN7F/3J7
	958 521 913 00 21U	Black			+MA
	958 521 913 00 32X	Luxor Beige			+MC
	958 521 913 00 7EG	Platinum Grey			+MD
	958 521 913 00 OF6	Agate Grey			
(1)	958 521 913 01	Head rest Porsche crest	/R 15	1	IN7F/3J7
	958 521 913 01 21U	Black			+MA
	958 521 913 01 32X	Luxor Beige			+MC
	958 521 913 01 7EG	Platinum Grey			+MD
	958 521 913 01 OF6	Agate Grey			+MB
(1)	958 521 913 00	Head rest Porsche crest	/R -14	1	IN7F/5ZF
	958 521 913 00 21U	Black			+MA
	958 521 913 00 32X	Luxor Beige			+MC
	958 521 913 00 7EG	Platinum Grey			+MD
	958 521 913 00 OF6	Agate Grey			
(1)	958 521 913 01	Head rest Porsche crest	/R 15	1	IN7F/5ZF
	958 521 913 01 21U	Black			+MA
	958 521 913 01 32X	Luxor Beige			+MC

Model: 92A 11 Model life 2011>>

Pos	Part Number	Description	Remark	Qty	Model
(1)	958 521 913 01 7EG	Platinum Grey	/R 16-	1	+MD
	958 521 913 01 OF6	Agate Grey			+MB
	958 521 902 10	Head rest			IN1D/N1X/N7F
		Porsche crest			I3J7/5ZF
	958 521 902 10 21U	Black			+MA
	958 521 902 10 32X	Luxor Beige			+MC
(1)	958 521 902 10 HAA	Black/Luxor Beige	/L -14	1	+MD
	958 521 902 10 OF6	Agate Grey			
	958 521 904 00	Head rest			IN0Q/3J7
		Porsche crest			
	958 521 904 00 8YR	Black			+LC, +MA, +YC,
	958 521 904 00 9H6	Luxor Beige			+LE, +MC, +MK,
					+YE,
	958 521 904 00 7A0	Platinum Grey			+LD, +MD, +YD,
	958 521 904 00 6G0	Cream			+TX
	958 521 904 00 DE1	Umber			+LF, +YF,
	958 521 904 00 DF2	Light Tartufo			+TY
	958 521 904 00 DJ3	Titanium Blue			+TW
(1)	958 521 904 00 PL1	Agate Grey	/L 15	1	IN0Q/3J7
	958 521 904 00 OK6	Saddle Tan			
	958 521 904 01	Head rest			+LC, +MA, +YC,
		Porsche crest			+LE, +MC, +MK,
	958 521 904 01 8YR	Black			+YE,
	958 521 904 01 9H6	Luxor Beige			
					+MJ, +TX,
	958 521 904 01 7A0	Platinum Grey			
	958 521 904 01 6G0	Cream			
	958 521 904 01 DE1	Umber			
	958 521 904 01 DF2	Light Tartufo			
	958 521 904 01 DJ3	Titanium Blue			
(1)	958 521 904 01 PL1	Agate Grey	/L -14	1	+MB, +MG, +ML,
	958 521 904 01 OK6	Saddle Tan			+ME, +MH, +MI,
	958 521 904 00	Head rest			IN0Q/5ZF
		Porsche crest			
	958 521 904 00 8YR	Black			+LC, +MA, +YC,
	958 521 904 00 9H6	Luxor Beige			+LE, +MC, +YE
					+LD, +MD, +YD,
	958 521 904 00 7A0	Platinum Grey			+TX
	958 521 904 00 6G0	Cream			+LF, +YF,
	958 521 904 00 DE1	Umber			+TY,
	958 521 904 00 DF2	Light Tartufo			+TW
	958 521 904 00 DJ3	Titanium Blue			
(1)	958 521 904 00 PL1	Agate Grey	/L 15	1	IN0Q/5ZF
	958 521 904 00 OK6	Saddle Tan			
	958 521 904 01	Head rest			+LC, +MA, +YC,
		Porsche crest			+LE, +MC, +MK,
	958 521 904 01 8YR	Black			+YE,
	958 521 904 01 9H6	Luxor Beige			
					+MJ, +TX,
	958 521 904 01 7A0	Platinum Grey			
	958 521 904 01 6G0	Cream			
	958 521 904 01 DE1	Umber			
	958 521 904 01 DF2	Light Tartufo			
	958 521 904 01 DJ3	Titanium Blue			
(1)	958 521 904 01 PL1	Agate Grey	/L -14	1	+MB, +MG, +ML,
	958 521 904 01 OK6	Saddle Tan			+ME, +MH, +MI,
	958 521 904 00	Head rest			IN1B/3J7
		Porsche crest			
	958 521 904 00 AAB	Black/Carrera Red			+TA,
	958 521 904 00 AAC	Black/Luxor Beige			+TB, +77
	958 521 904 01	Head rest			IN1B/3J7
		Porsche crest			
	958 521 904 01 AAB	Black/Carrera Red			+TA,

Model: 92A 11 Model life 2011>>

Pos	Part Number	Description	Remark	Qty	Model
(1)	958 521 904 01 AAC	Black/Luxor Beige			
	958 521 904 00	Head rest	/L -14	1	IN1B/5ZF
		Porsche crest			
	958 521 904 00 AAB	Black/Carrera Red			+TA,
	958 521 904 00 AAC	Black/Luxor Beige			+TB,+77
(1)	958 521 904 01	Head rest	/L 15	1	IN1B/5ZF
		Porsche crest			
	958 521 904 01 AAB	Black/Carrera Red			+TA,
	958 521 904 01 AAC	Black/Luxor Beige			
(1)	958 521 904 00	Head rest	/L -14	1	IN1M/3J7
		Porsche crest			
	958 521 904 00 AAB	Black/Carrera Red			+TA,
	958 521 904 00 AAC	Black/Luxor Beige			+TB,+77
(1)	958 521 904 01	Head rest	/L 15	1	IN1M/3J7
		Porsche crest			
	958 521 904 01 AAB	Black/Carrera Red			+TA,
	958 521 904 01 AAC	Black/Luxor Beige			
(1)	958 521 904 00	Head rest	/L -14	1	IN1M/5ZF
		Porsche crest			
	958 521 904 00 AAB	Black/Carrera Red			+TA,
	958 521 904 00 AAC	Black/Luxor Beige			+TB,+77
(1)	958 521 904 01	Head rest	/L 15	1	IN1M/5ZF
		Porsche crest			
	958 521 904 01 AAB	Black/Carrera Red			+TA,
	958 521 904 01 AAC	Black/Luxor Beige			
(1)	958 521 904 00	Head rest	/L -14	1	IN2S/3J7
		Porsche crest			
	958 521 904 00 8YR	Black			+LC,+MA,+YC,
	958 521 904 00 9H6	Luxor Beige			+LE,+MC,+YE,
	958 521 904 00 7A0	Platinum Grey			+LD,+MD,+YD,
	958 521 904 00 6G0	Cream			+TX
	958 521 904 00 DE1	Umber			+LF,+YF,
	958 521 904 00 DF2	Light Tartufo			+TY
	958 521 904 00 DJ3	Titanium Blue			+TW
	958 521 904 00 PL1	Agate Grey			
	958 521 904 00 OK6	Saddle Tan			
(1)	958 521 904 01	Head rest	/L 15	1	IN2S/3J7
		Porsche crest			
	958 521 904 01 8YR	Black			+LC,+MA,+YC,
	958 521 904 01 9H6	Luxor Beige			+LE,+MC,+MK,
					+YE,
	958 521 904 01 7A0	Platinum Grey			
	958 521 904 01 6G0	Cream			+MJ,+TX,
	958 521 904 01 DE1	Umber			
	958 521 904 01 DF2	Light Tartufo			
	958 521 904 01 DJ3	Titanium Blue			
	958 521 904 01 PL1	Agate Grey			+MB,+MG,+ML,
	958 521 904 01 OK6	Saddle Tan			+ME,+MH,+MI,
(1)	958 521 904 00	Head rest	/L -14	1	IN2S/5ZF
		Porsche crest			
	958 521 904 00 8YR	Black			+LC,+MA,+YC,
	958 521 904 00 9H6	Luxor Beige			+LE,+MC,+YE,
	958 521 904 00 7A0	Platinum Grey			+LD,+MD,+YD,
	958 521 904 00 6G0	Cream			+TX,
	958 521 904 00 DE1	Umber			+LF,+YF,
	958 521 904 00 DF2	Light Tartufo			+TY,
	958 521 904 00 DJ3	Titanium Blue			+TW
	958 521 904 00 PL1	Agate Grey			
	958 521 904 00 OK6	Saddle Tan			
(1)	958 521 904 01	Head rest	/L 15	1	IN2S/5ZF
		Porsche crest			
	958 521 904 01 8YR	Black			+LC,+MA,+YC,
	958 521 904 01 9H6	Luxor Beige			+LE,+MC,+MK,

Model: 92A 11 Model life 2011>>

Pos	Part Number	Description	Remark	Qty	Model
	958 521 904 01 7A0	Platinum Grey			+YE,
	958 521 904 01 6G0	Cream			+MJ,+TX
	958 521 904 01 DE1	Umber			
	958 521 904 01 DF2	Light Tartufo			
	958 521 904 01 DJ3	Titanium Blue			
	958 521 904 01 PL1	Agate Grey			+MB,+MG,+ML,
	958 521 904 01 OK6	Saddle Tan			+ME,+MH,+MI,
(1)	958 521 904 00	Head rest Porsche crest	/L -14	1	IN5U/3J7
	958 521 904 00 8YR	Black			+LC,+MA,+YC,
	958 521 904 00 9H6	Luxor Beige			+LE,+MC,+YE,
	958 521 904 00 7A0	Platinum Grey			+LD,+MD,+YD,
	958 521 904 00 6G0	Cream			+TX
	958 521 904 00 DE1	Umber			+LF,+YF,
	958 521 904 00 DF2	Light Tartufo			+TY,
	958 521 904 00 DJ3	Titanium Blue			+TW
	958 521 904 00 PL1	Agate Grey			
	958 521 904 00 OK6	Saddle Tan			
(1)	958 521 904 01	Head rest Porsche crest	/L 15	1	IN5U/3J7
	958 521 904 01 8YR	Black			+LC,+MA,+YC,
	958 521 904 01 9H6	Luxor Beige			+LE,+MC,+MK,
					+YE,
	958 521 904 01 7A0	Platinum Grey			
	958 521 904 01 6G0	Cream			+MJ,+TX,
	958 521 904 01 DE1	Umber			
	958 521 904 01 DF2	Light Tartufo			
	958 521 904 01 DJ3	Titanium Blue			
	958 521 904 01 PL1	Agate Grey			+MB,+MG,+ML,
	958 521 904 01 OK6	Saddle Tan			+ME,+MH,+MI,
(1)	958 521 904 00	Head rest Porsche crest	/L -14	1	IN5U/5ZF
	958 521 904 00 8YR	Black			+LC,+MA,+YC,
	958 521 904 00 9H6	Luxor Beige			+LE,+MC,+YE,
	958 521 904 00 7A0	Platinum Grey			+LD,+MD,+YD,
	958 521 904 00 6G0	Cream			+TX,
	958 521 904 00 DE1	Umber			+LF,+YF,
	958 521 904 00 DF2	Light Tartufo			+TY,
	958 521 904 00 DJ3	Titanium Blue			+TW,
	958 521 904 00 PL1	Agate Grey			
	958 521 904 00 OK6	Saddle Tan			
(1)	958 521 904 01	Head rest Porsche crest	/L 15	1	IN5U/5ZF
	958 521 904 01 8YR	Black			+LC,+MA,+YC,
	958 521 904 01 9H6	Luxor Beige			+LE,+MC,+MK,
					+YE,
	958 521 904 01 7A0	Platinum Grey			
	958 521 904 01 6G0	Cream			+MJ,+TX,
	958 521 904 01 DE1	Umber			
	958 521 904 01 DF2	Light Tartufo			
	958 521 904 01 DJ3	Titanium Blue			
	958 521 904 01 PL1	Agate Grey			+MB,+MG,+ML,
	958 521 904 01 OK6	Saddle Tan			+ME,+MH,+MI,
(1)	958 521 904 00	Head rest Porsche crest	/L -14	1	IN7D/3J7
	958 521 904 00 8YR	Black			+LC,+MA,+YC,
	958 521 904 00 9H6	Luxor Beige			+LE,+MC,+YE,
	958 521 904 00 7A0	Platinum Grey			+LD,+MD,+YD,
	958 521 904 00 6G0	Cream			+TX,
	958 521 904 00 DE1	Umber			+LF,+YF,
	958 521 904 00 DF2	Light Tartufo			+TY,
	958 521 904 00 DJ3	Titanium Blue			+TW,

Model: 92A 11 Model life 2011>>

Pos	Part Number	Description	Remark	Qty	Model
(1)	958 521 904 00 PL1	Agate Grey	/L 15	1	IN7D/3J7
	958 521 904 00 OK6	Saddle Tan			
	958 521 904 01	Head rest			
		Porsche crest			
	958 521 904 01 8YR	Black			
	958 521 904 01 9H6	Luxor Beige			
	958 521 904 01 7A0	Platinum Grey			
	958 521 904 01 6G0	Cream			
	958 521 904 01 DE1	Umber			
	958 521 904 01 DF2	Light Tartufo			
(1)	958 521 904 01 DJ3	Titanium Blue	/L -14	1	IN7D/5ZF
	958 521 904 01 PL1	Agate Grey			
	958 521 904 01 OK6	Saddle Tan			
	958 521 904 00	Head rest			
		Porsche crest			
	958 521 904 00 8YR	Black			
	958 521 904 00 9H6	Luxor Beige			
	958 521 904 00 7A0	Platinum Grey			
	958 521 904 00 6G0	Cream			
	958 521 904 00 DE1	Umber			
(1)	958 521 904 00 DF2	Light Tartufo	/L 15	1	IN0Q/N1B/N1M IN2S/N5U/N7D I3J7/5ZF
	958 521 904 00 DJ3	Titanium Blue			
	958 521 904 00 PL1	Agate Grey			
	958 521 904 00 OK6	Saddle Tan			
	958 521 904 01	Head rest			
		Porsche crest			
	958 521 904 01 8YR	Black			
	958 521 904 01 9H6	Luxor Beige			
	958 521 904 01 7A0	Platinum Grey			
	958 521 904 01 6G0	Cream			
(1)	958 521 904 01 DE1	Umber	/L 16-	1	IN0Q/N1B/N1M IN2S/N5U/N7D I3J7/5ZF
	958 521 904 01 DF2	Light Tartufo			
	958 521 904 01 DJ3	Titanium Blue			
	958 521 904 01 PL1	Agate Grey			
	958 521 904 01 OK6	Saddle Tan			
	958 521 901 30	Head rest			
		Porsche crest			
	958 521 901 30 6G0	Cream			
	958 521 901 30 7A0	Platinum Grey			
	958 521 901 30 8YR	Black			
(1)	958 521 901 30 9H6	Luxor Beige	/R -14	1	IN0Q/3J7
	958 521 901 30 DE1	Umber			
	958 521 901 30 DF2	Light Tartufo			
	958 521 901 30 OB8	Cohiba Brown			
	958 521 901 30 OK6	Saddle Tan			
	958 521 901 30 PL1	Agate Grey			
		two-colour			
	958 521 901 30 AAB	Black/Carrera Red			
	958 521 901 30 AAC	Black/Luxor Beige			
	958 521 901 30 HGK	Black/Cream			
958 521 914 00	Head rest				
(1)	958 521 914 00	Porsche crest	/R -14	1	IN0Q/3J7
	958 521 914 00 8YR	Black			
	958 521 914 00 9H6	Luxor Beige			
	958 521 914 00 7A0	Platinum Grey			
	958 521 914 00 6G0	Cream			

Model: 92A 11 Model life 2011>>

Pos	Part Number	Description	Remark	Qty	Model
	958 521 914 00 DE1	Umber			+LF, +YF,
	958 521 914 00 DF2	Light Tartufo			+TY,
	958 521 914 00 DJ3	Titanium Blue			+TW
	958 521 914 00 PL1	Agate Grey			
	958 521 914 00 OK6	Saddle Tan			
(1)	958 521 914 01	Head rest	/R 15	1	INOQ/3J7
		Porsche crest			
	958 521 914 01 8YR	Black			+LC, +MA, +YC,
	958 521 914 01 9H6	Luxor Beige			+LE, +MC, +MK,
					+YE,
	958 521 914 01 7A0	Platinum Grey			
	958 521 914 01 6G0	Cream			+MJ, +TX,
	958 521 914 01 DE1	Umber			
	958 521 914 01 DF2	Light Tartufo			
	958 521 914 01 DJ3	Titanium Blue			
	958 521 914 01 PL1	Agate Grey			+MB, +MG, +ML,
	958 521 914 01 OK6	Saddle Tan			+ME, +MH, +MI,
(1)	958 521 914 00	Head rest	/R -14	1	INOQ/5ZF
		Porsche crest			
	958 521 914 00 8YR	Black			+LC, +MA, +YC,
	958 521 914 00 9H6	Luxor Beige			+LE, +MC, +YE,
	958 521 914 00 7A0	Platinum Grey			+LD, +MD, +YD,
	958 521 914 00 6G0	Cream			+TX,
	958 521 914 00 DE1	Umber			+LF, +YF,
	958 521 914 00 DF2	Light Tartufo			+TY,
	958 521 914 00 DJ3	Titanium Blue			+TW,
	958 521 914 00 PL1	Agate Grey			
	958 521 914 00 OK6	Saddle Tan			
(1)	958 521 914 01	Head rest	/R 15	1	INOQ/5ZF
		Porsche crest			
	958 521 914 01 8YR	Black			+LC, +MA, +YC,
	958 521 914 01 9H6	Luxor Beige			+LE, +MC, +MK,
					+YE,
	958 521 914 01 7A0	Platinum Grey			
	958 521 914 01 6G0	Cream			+MJ, +TX,
	958 521 914 01 DE1	Umber			
	958 521 914 01 DF2	Light Tartufo			
	958 521 914 01 DJ3	Titanium Blue			
	958 521 914 01 PL1	Agate Grey			+MB, +MG, +ML,
	958 521 914 01 OK6	Saddle Tan			+ME, +MH, +MI,
(1)	958 521 914 00	Head rest	/R -14	1	IN1B/3J7
		Porsche crest			
	958 521 914 00 AAB	Black/Carrera Red			+TA,
	958 521 914 00 AAC	Black/Luxor Beige			+TB, +77
(1)	958 521 914 01	Head rest	/R 15	1	IN1B/3J7
		Porsche crest			
	958 521 914 01 AAB	Black/Carrera Red			+TA,
	958 521 914 01 AAC	Black/Luxor Beige			
(1)	958 521 914 00	Head rest	/R -14	1	IN1B/5ZF
		Porsche crest			
	958 521 914 00 AAB	Black/Carrera Red			+TA,
	958 521 914 00 AAC	Black/Luxor Beige			+TB, +77
(1)	958 521 914 01	Head rest	/R 15	1	IN1B/5ZF
		Porsche crest			
	958 521 914 01 AAB	Black/Carrera Red			+TA,
	958 521 914 01 AAC	Black/Luxor Beige			
(1)	958 521 914 00	Head rest	/R -14	1	IN1M/3J7
		Porsche crest			
	958 521 914 00 AAB	Black/Carrera Red			+TA,
	958 521 914 00 AAC	Black/Luxor Beige			+TB, +77
(1)	958 521 914 01	Head rest	/R 15	1	IN1M/3J7
		Porsche crest			
	958 521 914 01 AAB	Black/Carrera Red			+TA,

Model: 92A 11 Model life 2011>>

Pos	Part Number	Description	Remark	Qty	Model
(1)	958 521 914 01 AAC	Black/Luxor Beige			
	958 521 914 00	Head rest	/R -14	1	IN1M/5ZF
		Porsche crest			
	958 521 914 00 AAB	Black/Carrera Red			+TA,
	958 521 914 00 AAC	Black/Luxor Beige			+TB,+77
(1)	958 521 914 01	Head rest	/R 15	1	IN1M/5ZF
		Porsche crest			
	958 521 914 01 AAB	Black/Carrera Red			+TA,
(1)	958 521 914 01 AAC	Black/Luxor Beige			
	958 521 914 00	Head rest	/R -14	1	IN2S/3J7
		Porsche crest			
	958 521 914 00 8YR	Black			+LC,+MA,+YC,
	958 521 914 00 9H6	Luxor Beige			+LE,+MC,+YE,
	958 521 914 00 7A0	Platinum Grey			+LD,+MD,+YD,
	958 521 914 00 6G0	Cream			+TX,
	958 521 914 00 DE1	Umber			+LF,+YF,
	958 521 914 00 DF2	Light Tartufo			+TY,
	958 521 914 00 DJ3	Titanium Blue			+TW,
	958 521 914 00 PL1	Agate Grey			
	958 521 914 00 OK6	Saddle Tan			
(1)	958 521 914 01	Head rest	/R 15	1	IN2S/3J7
		Porsche crest			
	958 521 914 01 8YR	Black			+LC,+MA,+YC,
	958 521 914 01 9H6	Luxor Beige			+LE,+MC,+MK,
					+YE,
	958 521 914 01 7A0	Platinum Grey			
	958 521 914 01 6G0	Cream			+MJ,+TX,
	958 521 914 01 DE1	Umber			
	958 521 914 01 DF2	Light Tartufo			
	958 521 914 01 DJ3	Titanium Blue			
	958 521 914 01 PL1	Agate Grey			+MB,+MG,+ML,
	958 521 914 01 OK6	Saddle Tan			+ME,+MH,+MI,
(1)	958 521 914 00	Head rest	/R -14	1	IN2S/5ZF
		Porsche crest			
	958 521 914 00 8YR	Black			+LC,+MA,+YC,
	958 521 914 00 9H6	Luxor Beige			+LE,+MC,+YE,
	958 521 914 00 7A0	Platinum Grey			+LD,+MD,+YD,
	958 521 914 00 6G0	Cream			+TX,
	958 521 914 00 DE1	Umber			+LF,+YF,
	958 521 914 00 DF2	Light Tartufo			+TY,
	958 521 914 00 DJ3	Titanium Blue			+TW,
	958 521 914 00 PL1	Agate Grey			
	958 521 914 00 OK6	Saddle Tan			
(1)	958 521 914 01	Head rest	/R 15	1	IN2S/5ZF
		Porsche crest			
	958 521 914 01 8YR	Black			+LC,+MA,+YC,
	958 521 914 01 9H6	Luxor Beige			+LE,+MC,+MK,
					+YE,
	958 521 914 01 7A0	Platinum Grey			
	958 521 914 01 6G0	Cream			+MJ,+TX,
	958 521 914 01 DE1	Umber			
	958 521 914 01 DF2	Light Tartufo			
	958 521 914 01 DJ3	Titanium Blue			
	958 521 914 01 PL1	Agate Grey			+MB,+MG,+ML,
	958 521 914 01 OK6	Saddle Tan			+ME,+MH,+MI,
(1)	958 521 914 00	Head rest	/R -14	1	IN5U/3J7
		Porsche crest			
	958 521 914 00 8YR	Black			+LC,+MA,+YC,
	958 521 914 00 9H6	Luxor Beige			+LE,+MC,+YE,
	958 521 914 00 7A0	Platinum Grey			+LD,+MD,+YD,
	958 521 914 00 6G0	Cream			+TX,
	958 521 914 00 DE1	Umber			+LF,+YF,
	958 521 914 00 DF2	Light Tartufo			+TY,

Model: 92A 11 Model life 2011>>

Pos	Part Number	Description	Remark	Qty	Model
(1)	958 521 914 00 DJ3	Titanium Blue	/R 15	1	+TW,
	958 521 914 00 PL1	Agate Grey			
	958 521 914 00 OK6	Saddle Tan			
	958 521 914 01	Head rest Porsche crest			
	958 521 914 01 8YR	Black			
	958 521 914 01 9H6	Luxor Beige			
	958 521 914 01 7A0	Platinum Grey			
	958 521 914 01 6G0	Cream			
	958 521 914 01 DE1	Umber			
	958 521 914 01 DF2	Light Tartufo			
(1)	958 521 914 01 DJ3	Titanium Blue	/R -14	1	+LC, +MA, +YC, +LE, +MC, +MK, +YE,
	958 521 914 01 PL1	Agate Grey			
	958 521 914 01 OK6	Saddle Tan			
	958 521 914 00	Head rest Porsche crest			
	958 521 914 00 8YR	Black			
	958 521 914 00 9H6	Luxor Beige			
	958 521 914 00 7A0	Platinum Grey			
	958 521 914 00 6G0	Cream			
	958 521 914 00 DE1	Umber			
	958 521 914 00 DF2	Light Tartufo			
(1)	958 521 914 00 DJ3	Titanium Blue	/R 15	1	+MB, +MG, +ML, +ME, +MH, +MI, IN5U/5ZF
	958 521 914 00 PL1	Agate Grey			
	958 521 914 00 OK6	Saddle Tan			
	958 521 914 01	Head rest Porsche crest			
	958 521 914 01 8YR	Black			
	958 521 914 01 9H6	Luxor Beige			
	958 521 914 01 7A0	Platinum Grey			
	958 521 914 01 6G0	Cream			
	958 521 914 01 DE1	Umber			
	958 521 914 01 DF2	Light Tartufo			
(1)	958 521 914 01 DJ3	Titanium Blue	/R -14	1	+LC, +MA, +YC, +LE, +MC, +YE, +LD, +MD, +YD, +TX, +LF, +YF, +TY, +TW,
	958 521 914 01 PL1	Agate Grey			
	958 521 914 01 OK6	Saddle Tan			
	958 521 914 00	Head rest Porsche crest			
	958 521 914 00 8YR	Black			
	958 521 914 00 9H6	Luxor Beige			
	958 521 914 00 7A0	Platinum Grey			
	958 521 914 00 6G0	Cream			
	958 521 914 00 DE1	Umber			
	958 521 914 00 DF2	Light Tartufo			
(1)	958 521 914 00 DJ3	Titanium Blue	/R 15	1	+MB, +MG, +ML, +ME, +MH, +MI, IN7D/3J7
	958 521 914 00 PL1	Agate Grey			
	958 521 914 00 OK6	Saddle Tan			
	958 521 914 01	Head rest Porsche crest			
	958 521 914 01 8YR	Black			
	958 521 914 01 9H6	Luxor Beige			
	958 521 914 01 7A0	Platinum Grey			
	958 521 914 01 6G0	Cream			
	958 521 914 01 DE1	Umber			
	958 521 914 01 DF2	Light Tartufo			
(1)	958 521 914 01 DJ3	Titanium Blue	/R -14	1	+LC, +MA, +YC, +LE, +MC, +MK, +YE, +MJ, +TX, +MB, +MG, +ML, +ME, +MH, +MI, IN7D/5ZF
	958 521 914 01 PL1	Agate Grey			
	958 521 914 01 OK6	Saddle Tan			
	958 521 914 00	Head rest Porsche crest			
	958 521 914 00 8YR	Black			
	958 521 914 00 9H6	Luxor Beige			
	958 521 914 00 7A0	Platinum Grey			
	958 521 914 00 6G0	Cream			
	958 521 914 00 DE1	Umber			
	958 521 914 00 DF2	Light Tartufo			

Model: 92A 11 Model life 2011>>

Pos	Part Number	Description	Remark	Qty	Model
	958 521 914 00 8YR	Black			+LC,+MA,+YC,
	958 521 914 00 9H6	Luxor Beige			+LE,+MC,+YE,
	958 521 914 00 7A0	Platinum Grey			+LD,+MD,+YD,
	958 521 914 00 6G0	Cream			+TX,
	958 521 914 00 DE1	Umber			+LF,+YF,
	958 521 914 00 DF2	Light Tartufo			+TY,
	958 521 914 00 DJ3	Titanium Blue			+TW,
	958 521 914 00 PL1	Agate Grey			
	958 521 914 00 OK6	Saddle Tan			
(1)	958 521 914 01	Head rest Porsche crest	/R 15	1	IN7D/5ZF
	958 521 914 01 8YR	Black			+LC,+MA,+YC,
	958 521 914 01 9H6	Luxor Beige			+LE,+MC,+MK,
					+YE,
	958 521 914 01 7A0	Platinum Grey			
	958 521 914 01 6G0	Cream			+MJ,+TX,
	958 521 914 01 DE1	Umber			
	958 521 914 01 DF2	Light Tartufo			
	958 521 914 01 DJ3	Titanium Blue			
	958 521 914 01 PL1	Agate Grey			+MB,+MG,+ML,
	958 521 914 01 OK6	Saddle Tan			+ME,+MH,+MI,
(1)	958 521 902 30	Head rest Porsche crest	/R 16-	1	IN0Q/N1B/N1M IN2S/N5U/N7D I3J7/5ZF
	958 521 902 30 6G0	Cream			+MJ
	958 521 902 30 7A0	Platinum Grey			
	958 521 902 30 8YR	Black			+LC,+MA,+YC
	958 521 902 30 9H6	Luxor Beige			+LE,+MC,+MK,
					+YE,
	958 521 902 30 DE1	Umber			
	958 521 902 30 DF2	Light Tartufo			+LH
	958 521 902 30 OB8	Cohiba Brown			+ME,+MH,+MI,
	958 521 902 30 OK6	Saddle Tan			+MB,+MG,+ML,
	958 521 902 30 PL1	Agate Grey			+TA
	958 521 902 30 AAB	Black/Carrera Red			+77
	958 521 902 30 AAC	Black/Luxor Beige			+LG
(1)	958 521 902 30 HGK	Black/Cream			
(1)	958 521 905 00	Head rest Nature	/L -14	1	IN1A/3J4
	958 521 905 00 8C0	Espresso			+VA
	958 521 905 00 9EF	Cognac			+VB
(1)	958 521 905 01	Head rest Nature	/L 15	1	IN1A/3J4
	958 521 905 01 8C0	Espresso			+VA
	958 521 905 01 9EF	Cognac			+VB
(1)	958 521 905 00	Head rest Nature	/L -14	1	IN1P/3J4
	958 521 905 00 8C0	Espresso			+VA
	958 521 905 00 9EF	Cognac			+VB
(1)	958 521 905 01	Head rest Nature	/L 15	1	IN1P/3J4
	958 521 905 01 8C0	Espresso			+VA
	958 521 905 01 9EF	Cognac			+VB
(1)	958 521 905 00	Head rest Nature	/L -14	1	IN5Y/3J4
	958 521 905 00 8C0	Espresso			+VA
	958 521 905 00 9EF	Cognac			+VB
(1)	958 521 905 01	Head rest Nature	/L 15	1	IN5Y/3J4
	958 521 905 01 8C0	Espresso			+VA
	958 521 905 01 9EF	Cognac			+VB
(1)	958 521 901 40	Head rest	/L 16-	1	IN1A/N1P/N5Y

Model: 92A 11

Model life 2011>>

Pos	Part Number	Description	Remark	Qty	Model
		Nature			I3J4
	958 521 901 40 8C0	Espresso			+VA
	958 521 901 40 9EF	Cognac			+VB
(1)	958 521 915 00	Head rest	/R -14	1	IN1A/3J4
		Nature			
	958 521 915 00 8C0	Espresso			+VA
	958 521 915 00 9EF	Cognac			+VB
(1)	958 521 915 01	Head rest	/R 15	1	IN1A/3J4
		Nature			
	958 521 915 01 8C0	Espresso			+VA
	958 521 915 01 9EF	Cognac			+VB
(1)	958 521 915 00	Head rest	/R -14	1	IN1P/3J4
		Nature			
	958 521 915 00 8C0	Espresso			+VA
	958 521 915 00 9EF	Cognac			+VB
(1)	958 521 915 01	Head rest	/R 15	1	IN1P/3J4
		Nature			
	958 521 915 01 8C0	Espresso			+VA
	958 521 915 01 9EF	Cognac			+VB
(1)	958 521 915 00	Head rest	/R -14	1	IN5Y/3J4
		Nature			
	958 521 915 00 8C0	Espresso			+VA
	958 521 915 00 9EF	Cognac			+VB
(1)	958 521 915 01	Head rest	/R 15	1	IN5Y/3J4
		Nature			
	958 521 915 01 8C0	Espresso			+VA
	958 521 915 01 9EF	Cognac			+VB
(1)	958 521 902 40	Head rest	/R 16-	1	IN1A/N1P/N5Y I3J4
		Nature			
	958 521 902 40 8C0	Espresso			+VA
	958 521 902 40 9EF	Cognac			+VB
(1)	958 521 906 00	Head rest	/L -14	1	IN1A/3J7
		Nature			
		Porsche crest			
	958 521 906 00 8C0	Espresso			+VA
	958 521 906 00 9EF	Cognac			+VB
(1)	958 521 906 01	Head rest	/L 15	1	IN1A/3J7
		Nature			
		Porsche crest			
	958 521 906 01 8C0	Espresso			+VA
	958 521 906 01 9EF	Cognac			+VB
(1)	958 521 906 00	Head rest	/L -14	1	IN1A/5ZF
		Nature			
		Porsche crest			
	958 521 906 00 8C0	Espresso			+VA
	958 521 906 00 9EF	Cognac			+VB
(1)	958 521 906 01	Head rest	/L 15	1	IN1A/5ZF
		Nature			
		Porsche crest			
	958 521 906 01 8C0	Espresso			+VA
	958 521 906 01 9EF	Cognac			+VB
(1)	958 521 906 00	Head rest	/L -14	1	IN1P/3J7
		Nature			
		Porsche crest			
	958 521 906 00 8C0	Espresso			+VA
	958 521 906 00 9EF	Cognac			+VB
(1)	958 521 906 01	Head rest	/L 15	1	IN1P/3J7
		Nature			
		Porsche crest			
	958 521 906 01 8C0	Espresso			+VA
	958 521 906 01 9EF	Cognac			+VB

Model: 92A 11 Model life 2011>>

Pos	Part Number	Description	Remark	Qty	Model
(1)	958 521 906 00	Head rest Nature Porsche crest	/L -14	1	IN1P/5ZF
	958 521 906 00 8C0	Espresso			+VA
	958 521 906 00 9EF	Cognac			+VB
(1)	958 521 906 01	Head rest Nature Porsche crest	/L 15	1	IN1P/5ZF
	958 521 906 01 8C0	Espresso			+VA
	958 521 906 01 9EF	Cognac			+VB
(1)	958 521 906 00	Head rest Nature Porsche crest	/L -14	1	IN5Y/3J7
	958 521 906 00 8C0	Espresso			+VA
	958 521 906 00 9EF	Cognac			+VB
(1)	958 521 906 01	Head rest Nature Porsche crest	/L 15	1	IN5Y/3J7
	958 521 906 01 8C0	Espresso			+VA
	958 521 906 01 9EF	Cognac			+VB
(1)	958 521 906 00	Head rest Nature Porsche crest	/L -14	1	IN5Y/5ZF
	958 521 906 00 8C0	Espresso			+VA
	958 521 906 00 9EF	Cognac			+VB
(1)	958 521 906 01	Head rest Nature Porsche crest	/L 15	1	IN5Y/5ZF
	958 521 906 01 8C0	Espresso			+VA
	958 521 906 01 9EF	Cognac			+VB
(1)	958 521 901 50	Head rest Nature Porsche crest	/L 16-	1	IN1A/N1P/N5Y I3J7/5ZF
	958 521 901 50 8C0	Espresso			+VA
	958 521 901 50 9EF	Cognac			+VB
(1)	958 521 916 00	Head rest Nature Porsche crest	/R -14	1	IN1A/3J7
	958 521 916 00 8C0	Espresso			+VA
	958 521 916 00 9EF	Cognac			+VB
(1)	958 521 916 01	Head rest Nature Porsche crest	/R 15	1	IN1A/3J7
	958 521 916 01 8C0	Espresso			+VA
	958 521 916 01 9EF	Cognac			+VB
(1)	958 521 916 00	Head rest Nature Porsche crest	/R -14	1	IN1A/5ZF
	958 521 916 00 8C0	Espresso			+VA
	958 521 916 00 9EF	Cognac			+VB
(1)	958 521 916 01	Head rest Nature Porsche crest	/R 15	1	IN1A/5ZF
	958 521 916 01 8C0	Espresso			+VA
	958 521 916 01 9EF	Cognac			+VB
(1)	958 521 916 00	Head rest Nature Porsche crest	/R -14	1	IN1P/3J7
	958 521 916 00 8C0	Espresso			+VA
	958 521 916 00 9EF	Cognac			+VB
(1)	958 521 916 01	Head rest Nature	/R 15	1	IN1P/3J7

Model: 92A 11 Model life 2011>>

Pos	Part Number	Description	Remark	Qty	Model
(1)	958 521 916 01 8C0	Porsche crest Espresso			+VA
	958 521 916 01 9EF	Cognac			+VB
	958 521 916 00	Head rest Nature Porsche crest	/R -14	1	IN1P/5ZF
(1)	958 521 916 00 8C0	Espresso			+VA
	958 521 916 00 9EF	Cognac			+VB
	958 521 916 01	Head rest Nature Porsche crest	/R 15	1	IN1P/5ZF
(1)	958 521 916 01 8C0	Espresso			+VA
	958 521 916 01 9EF	Cognac			+VB
	958 521 916 00	Head rest Nature Porsche crest	/R -14	1	IN5Y/3J7
(1)	958 521 916 00 8C0	Espresso			+VA
	958 521 916 00 9EF	Cognac			+VB
	958 521 916 01	Head rest Nature Porsche crest	/R 15	1	IN5Y/3J7
(1)	958 521 916 01 8C0	Espresso			+VA
	958 521 916 01 9EF	Cognac			+VB
	958 521 916 00	Head rest Nature Porsche crest	/R -14	1	IN5Y/5ZF
(1)	958 521 916 00 8C0	Espresso			+VA
	958 521 916 00 9EF	Cognac			+VB
	958 521 916 01	Head rest Nature Porsche crest	/R 15	1	IN5Y/5ZF
(1)	958 521 916 01 8C0	Espresso			+VA
	958 521 916 01 9EF	Cognac			+VB
	958 521 902 50	Head rest Nature Porsche crest	/R 16-	1	IN1A/N1P/N5Y I3J7/5ZF
(1)	958 521 902 50 8C0	Espresso			+VA
	958 521 902 50 9EF	Cognac			+VB
	958 521 901 01	Head rest Plain leather Logo GTS	/L -14	1	IN2S/5ZD
(1)	958 521 901 01 IVE	Black/Carmine Red			+YA
	958 521 901 01 IVF	Black/Peridot			+YB
	958 521 901 01 DJP	Black/Rhodium Silver			
(1)	958 521 901 01 PL1	Agate Grey			
	958 521 901 01 9H6	Luxor Beige			
	958 521 901 03	Head rest Plain leather Logo GTS	/L 15	1	IN2S/5ZD
(1)	958 521 901 03 IVE	Black/Carmine Red			+YA
	958 521 901 03 IVF	Black/Peridot			
	958 521 901 03 DJP	Black/Rhodium Silver			+MF
(1)	958 521 901 03 PL1	Agate Grey			+ML
	958 521 901 03 9H6	Luxor Beige			+YE
	958 521 902 01	Head rest Plain leather Logo GTS	/R -14	1	IN2S/5ZD
(1)	958 521 902 01 IVE	Black/Carmine Red			+YA
	958 521 902 01 IVF	Black/Peridot			+YB

Model: 92A 11 Model life 2011>>

Pos	Part Number	Description	Remark	Qty	Model
(1)	958 521 902 01 DJP	Black/Rhodium Silver			
	958 521 902 01 PL1	Agate Grey			
	958 521 902 01 9H6	Luxor Beige			
	958 521 902 03	Head rest	/R 15	1	IN2S/5ZD
		Plain leather			
		Logo			
		GTS			
	958 521 902 03 IVE	Black/Carmine Red			+YA
	958 521 902 03 IVF	Black/Peridot			
	958 521 902 03 DJP	Black/Rhodium Silver			+MF
(1)	958 521 902 03 PL1	Agate Grey			+ML
	958 521 902 03 9H6	Luxor Beige			+YE
	958 521 901 04	Head rest	/L 16-	1	IN1A/N1P/5ZD
		Natural leather			
		Logo			
		GTS			
	958 521 901 04 8C0	Espresso			+VA
	958 521 901 04 9EF	Cognac			+VB
	958 521 902 04	Head rest	/R 16-	1	IN1A/N1P/5ZD
		Natural leather			
(1)		Logo			
		GTS			
	958 521 902 04 8C0	Espresso			+VA
	958 521 902 04 9EF	Cognac			+VB
	958 521 901 05	Head rest	/L 16-	1	IN0Q/N1B/N1M
		Plain leather			IN2S/N5U/5ZD
		Logo			
		GTS			
	958 521 901 05 AAB	Black/Carrera Red			+TA
	958 521 901 05 DJP	Black/Rhodium Silver			+MF
(1)	958 521 901 05 HGK	Black/Cream			+LG
	958 521 901 05 IVE	Black/Carmine Red			+YA
	958 521 901 05 OB8	Cohiba Brown			+LH
	958 521 901 05 OK6	Saddle Tan			+ME, +MH, +MI,
	958 521 901 05 PL1	Agate Grey			+MG
	958 521 901 05 6G0	Cream			+MJ
	958 521 901 05 8YR	Black			+LC, +YC
	958 521 901 05 9H6	Luxor Beige			+LE, +MK, +YE
	958 521 902 05	Head rest	/R 16-	1	IN0Q/N1B/N1M
		Plain leather			IN2S/N5U/5ZD
(1)		Logo			
		GTS			
	958 521 902 05 AAB	Black/Carrera Red			+TA
	958 521 902 05 DJP	Black/Rhodium Silver			+MF
	958 521 902 05 HGK	Black/Cream			+LG
	958 521 902 05 IVE	Black/Carmine Red			+YA
	958 521 902 05 OB8	Cohiba Brown			+LH
	958 521 902 05 OK6	Saddle Tan			+ME, +MH, +MI,
	958 521 902 05 PL1	Agate Grey			+MG
	958 521 902 05 6G0	Cream			+MJ
2	958 521 902 05 8YR	Black			+LC, +YC
	958 521 902 05 9H6	Luxor Beige			+LE, +MK, +YE,
	958 522 920 00	Guide sleeve	/L	1	
		Head rest without			
		Key			
	958 522 920 00 1E0	Black			+LC, +LG, +MA,
					+MF, +TA, +TB,
					+YA, +YB, +YC,
					+77
	958 522 920 00 4H0	Luxor Beige			+LE, +MC, +YE

Model: 92A 11 Model life 2011>>

Pos	Part Number	Description	Remark	Qty	Model
	958 522 920 00 6L0	Platinum Grey			+LD, +MD, +YD,
	958 522 920 00 5J0	Cream			+MJ, +TX
	958 522 920 00 7N0	Espresso			+VA
	958 522 920 00 8P0	Cognac			+VB
	958 522 920 00 DE1	Umber			+LF, +YF,
	958 522 920 00 DF2	Light Tartufo			+TY
	958 522 920 00 DJ3	Titanium Blue			+TW
	958 522 920 00 82V	Titanium Black			+LC, +MA
	958 522 920 00 OP1	Agate Grey			+MB, +MG, +ML
	958 522 920 00 OM8	Saddle Tan			+ME, +MH, +MI
3	958 522 921 00	Guide sleeve	/R	1	
		Head rest			
		with			
		Key			
	958 522 921 00 1E0	Black			+LC, +LG, +MA,
					+MF, +TA, +TB,
					+YA, +YB, +YC,
					+77
	958 522 921 00 4H0	Luxor Beige			+LE, +MC, +YE
	958 522 921 00 6L0	Platinum Grey			+LD, +MD, +YD,
	958 522 921 00 5J0	Cream			+MJ, +TX
	958 522 921 00 7N0	Espresso			+VA
	958 522 921 00 8P0	Cognac			+VB
	958 522 921 00 DE1	Umber			+LF, +YF,
	958 522 921 00 DF2	Light Tartufo			+TY
	958 522 921 00 DJ3	Titanium Blue			+TW
	958 522 921 00 82V	Titanium Black			+LC, +MA
	958 522 921 00 OP1	Agate Grey			+MB, +MG, +ML
	958 522 921 00 OM8	Saddle Tan			+ME, +MH, +MI
4	958 521 045 00	Backrest frame	/L	1	IQ1G/3L4
		Electric			
(4)		Backrest frame	/L	1	IQ1G/3L5
		Electric			
(4)		Backrest frame	/L	1	IQ4P/3L4
		Electric			
(4)		Backrest frame	/L -14	1	IQ4P/3L5
		Electric			
(4)	958 521 045 01	Backrest frame	/L 15-	1	I3L4/3L5/3PN
		Electric			
		Use also:			
		958.881.879			
		9A7.898.173			
(4)	958 521 046 00	Backrest frame	/R	1	IQ1G/3L4
		Electric			
(4)		Backrest frame	/R	1	IQ1G/3L5
		Electric			
(4)		Backrest frame	/R	1	IQ4P/3L4
		Electric			
(4)		Backrest frame	/R -14	1	IQ4P/3L5
		Electric			
(4)	958 521 046 01	Backrest frame	/R 15-	1	I3L4/3L5/3PN
		Electric			
		Use also:			
		958.881.879			
		9A7.898.173			
(4)	958 521 841 00	Backrest frame	/L	1	IQ1J/Q2J/3PN
		Electric			
		Memory			
		Use also:			
		958.881.879.A			
		9A7.898.173			
(4)	958 881 879 A	Lumbar support		1	IQ1J/Q2J/3PN
		Electric			

Model: 92A 11 Model life 2011>>

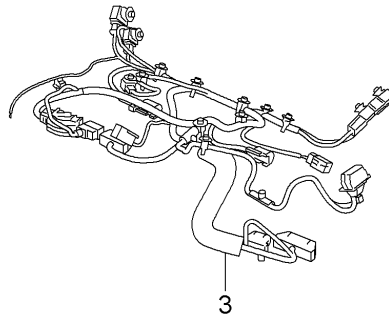
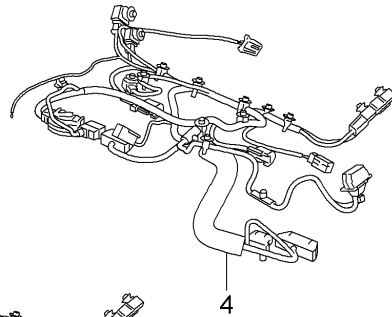
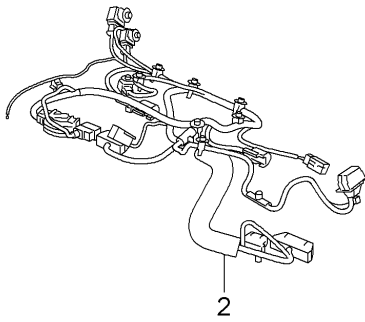
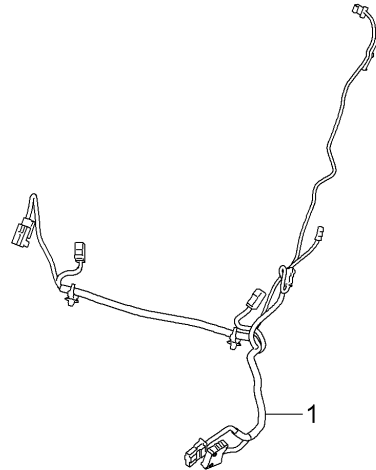
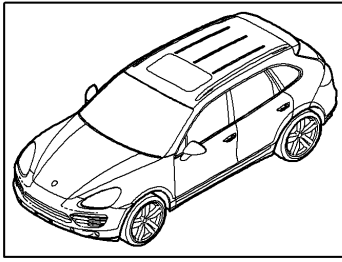
Pos	Part Number	Description	Remark	Qty	Model
(4)	958 881 879	Memory Lumbar support		1	IQ1G/Q4P/3L4 I3L5
(4)	958 521 842 00	Grille Backrest frame Electric Memory Use also: 958.881.879.A 9A7.898.173	/R	1	IQ1J/Q2J/3PN
5	958 521 851 00	Seat frame Electric Included Adjusting motor	/L -14	1	I3L4
(5)		Seat frame Electric Included Adjusting motor	/L -14	1	I3L5
(5)		Seat frame Electric Included Adjusting motor	/L -14	1	I3PN
(5)	8K0 881 105 T	Seat adjuster Electric Included Adjusting motor	/L 15-	1	I3L4
(5)		Seat adjuster Electric Included Adjusting motor	/L 15-	1	I3L5
(5)		Seat adjuster Electric Included Adjusting motor	/L 15-	1	I3PN
(5)	958 521 852 00	Seat frame Electric Included Adjusting motor	/R -14	1	I3L4
(5)		Seat frame Electric Included Adjusting motor	/R -14	1	I3L5
(5)		Seat frame Electric Included Adjusting motor	/R -14	1	I3PN
(5)	8K0 881 106 T	Seat adjuster Electric Included Adjusting motor	/R 15-	1	I3L4
(5)		Seat adjuster Electric Included Adjusting motor	/R 15-	1	I3L5
(5)		Seat adjuster Electric Included Adjusting motor	/R 15-	1	I3PN
6	958 521 952 00	Fixing clip		4	
7	958 521 545 00	Support		1	
8	N 907 371 01	Child car seat Preparation Outer hexagon round screw		2	

Model: 92A 11 Model life 2011>>

Pos	Part Number	Description	Remark	Qty	Model
9	N 900 880 03	M6 X 12 Mount Airbag Speed nut Mount		2	
10		Child car seat Illumination Footwell See illustrations 9/03/04		1	
11	WHT 002 796 B	Outer hexagon round screw Mount		4	
12	958 521 241 00	Backrest Side airbag	/L	1	I4X3/4X4
(12)	958 521 241 01	Side airbag	/L	1	I4X3/4X4
(12)	958 521 242 00	Side airbag	/R	1	I4X3/4X4
(12)	958 521 242 01	Side airbag	/R	1	I4X3/4X4
13	N 910 423 01	Oval-head screw M6 X 16 Mount		1	
14	958 521 922 00	Airbag Edge protection Backrest	/L	1	I4A0/4X3/4X4
(14)	958 521 923 00	Edge protection Backrest	/R	1	
15	958 659 341 00	Sensor Seating position control		1	
16	N 907 321 02	Lens-head screw TP 4 X 16 Mount		1	
17	958 521 953 00	Sensor Engine cover	/L	1	
(17)	958 521 954 00	Engine cover	/R	1	
18	958 898 955	Set of fastening parts Lumbar support		1	
-	958 521 818 00	Fixing clip Wiring harness Seat heater		X	

Model: 92A 11

Model life 2011>>



Model: 92A 11 Model life 2011>>

Pos	Part Number	Description	Remark	Qty	Model
1	958 612 750 00	Wiring harnesses Standard seat Comfort seat Sports seat Wiring harness Backrest		1	IQ1G/3L4/3L5
(1)	958 612 751 00	Standard seat Wiring harness Backrest		1	IL0L/Q1G/3L4
(1)		Standard seat Memory Wiring harness Backrest		1	IL0R/Q1G/3L4
(1)	958 612 752 00	Standard seat Memory Wiring harness Backrest		1	IQ2J/3PN/4D0
(1)	958 612 753 00	Comfort seat Memory Lumbar Wiring harness		1	IQ2J/3PN/4A3 I4A4/4D3
(1)		Backrest Comfort seat Memory Lumbar Vented		1	IQ1J/3PN/4D0
(1)	958 612 754 00	Wiring harness Backrest Comfort seat Memory Lumbar		1	IQ1J/3PN/4A3 I4A4/4D3
(1)	958 612 755 00	Seat width adjustment Wiring harness		1	IQ1J/3PN/4A3 I4A4/4D3
2	958 612 759 00	Backrest Comfort seat Memory Lumbar Seat width adjustment Vented Wiring harness	/L	1	IL0L/Q1G/3L4 I4A3/4A4/4D0 I4UQ/9P7
(2)	958 612 761 00	Seat adjuster Standard seat Wiring harness	/L	1	IL0L/Q1G/3L5 I4A0/4UE/4UP I9P3
(2)	958 612 762 00	Seat adjuster Standard seat Wiring harness	/R	1	IL0L/Q1G/3L5 I4A0/4UE/4UP I9P3
(2)	958 612 763 00	Seat adjuster Standard seat Wiring harness	/L	1	IL0L/Q1G/3L5 I4A3/4A4/4D0 I4UE/4UP/9P3
(2)	958 612 764 00	Seat adjuster Standard seat with seat heating Wiring harness	/R	1	IL0L/Q1G/3L4

Model: 92A 11

Model life 2011>>

Pos	Part Number	Description	Remark	Qty	Model
(2)	958 612 765 00	Seat adjuster Standard seat with seat heating Wiring harness	/L	1	I4A3/4A4/4D0 I4UE/4UP/9P3 IL0L/Q1G/3L5 I4A0/4UQ/9P7
(2)	958 612 766 00	Seat adjuster Standard seat Wiring harness	/R	1	IL0L/Q1G/3L5 I4A0/4UQ/9P7
(2)	958 612 767 00	Seat adjuster Standard seat Wiring harness	/L	1	IL0L/Q1G/3L5 I4A3/4A4/4D0 I4UQ/9P7
(2)	958 612 768 00	Seat adjuster Standard seat with seat heating Wiring harness	/R	1	IL0L/Q1G/3L4 I4A3/4A4/4D0 I4UQ/9P7
(2)	958 612 769 00	Seat adjuster Standard seat with seat heating Wiring harness	/L	1	IL0L/Q1G/3L4 I4A0/4UE/9P3
(2)	958 612 770 00	Seat adjuster Standard seat Wiring harness	/R	1	IL0R/Q1G/3L5 I4A0/4UD/4UE I9P3
(2)	958 612 771 00	Seat adjuster Standard seat Memory Wiring harness	/L	1	IL0R/Q1G/3L5 I4A0/4UD/4UE I9P3
(2)	958 612 772 00	Seat adjuster Standard seat Memory Wiring harness	/R	1	IL0R/Q1G/3L4 I4A0/4UE/9P3
(2)	958 612 773 00	Seat adjuster Standard seat Wiring harness	/L	1	IL0R/Q1G/3L5 I4A3/4A4/4D0 I4UE/9P3
(2)	958 612 774 00	Seat adjuster Standard seat Wiring harness	/R	1	IL0R/Q1G/3L5 I4A3/4A4/4D0 I4UE/9P3
(2)	958 612 775 00	Seat adjuster Standard seat Wiring harness	/L	1	IL0L/Q1G/3L5 I4A3/4A4/4D0 I4UE/9P3
(2)	958 612 776 00	Seat adjuster Standard seat with seat heating Wiring harness	/R	1	IL0R/Q1G/3L4 I4A3/4A4/4D0

Model: 92A 11 Model life 2011>>

Pos	Part Number	Description	Remark	Qty	Model
					I4UE/9P3
(2)	958 612 777 00	Seat adjuster Standard seat with seat heating Wiring harness	/L	1	IL0L/Q1G/3L4 I4A0/4D0/4UQ I9P7
(2)	958 612 778 00	Seat adjuster Standard seat Memory Wiring harness	/L	1	IL0L/Q1G/3L4 I4A3/4A4/4D0 I4UQ/9P7
(2)	958 612 757 00	Seat adjuster Standard seat Memory with seat heating Wiring harness	/L	1	IL0L/Q1G/3L4 I4A3/4A4/4D0 I4UD/4UE/9P3
(3)	958 612 779 00	Seat adjuster Standard seat Memory with seat heating Wiring harness	/L	1	IL0L/Q2J/3PN I4A3/4A4 I4D0/4UE/9P3
(3)	958 612 780 00	Seat adjuster Comfort seat Memory with seat heating Lumbar support adjustment Wiring harness	/R	1	IL0L/Q2J/3PN I4A3/4A4 I4D0/4UE/9P3
(3)	958 612 781 00	Seat adjuster Comfort seat Memory with seat heating Wiring harness	/L	1	IL0L/Q2J/3PN I4A3/4A4 I4D3/4UE/9P3
(3)	958 612 782 00	Seat adjuster Comfort seat Vented Memory with seat heating Lumbar support adjustment Wiring harness	/R	1	IL0L/Q2J/3PN I4A3/4A4 I4D3/4UE/9P3
(3)	958 612 783 00	Seat adjuster Comfort seat Vented Memory with seat heating Wiring harness	/L	1	IL0L/Q2J/3PN I4A3/4A4 I4D0/4UQ/9P7
(3)	958 612 784 00	Seat adjuster Comfort seat Memory with seat heating Lumbar support adjustment Wiring harness	/R	1	IL0L/Q2J/3PN I4A3/4A4 I4D0/4UQ/9P7
		Seat adjuster Comfort seat			I4D0/4UQ/9P7

Model: 92A 11

Model life 2011>>

Pos	Part Number	Description	Remark	Qty	Model
(3)	958 612 785 00	Memory with seat heating Wiring harness	/L	1	IL0L/Q2J/3PN I4A3/4A4 I4D3/4UQ/9P7
(3)	958 612 786 00	Seat adjuster Comfort seat Vented Memory with seat heating Lumbar support adjustment Wiring harness	/R	1	IL0L/Q2J/3PN I4A3/4A4 I4D3/4UQ/9P7
(3)	958 612 787 00	Seat adjuster Comfort seat Memory with seat heating Wiring harness	/L	1	IL0R/Q2J/3PN I4A3/4A4 I4D0/4UD/4UE I9P3
(3)	958 612 788 00	Seat adjuster Comfort seat Memory with seat heating Lumbar support adjustment Wiring harness	/R	1	IL0R/Q2J/3PN I4A3/4A4 I4D0/4UD/4UE I9P3
(3)	958 612 789 00	Seat adjuster Comfort seat Vented Memory with seat heating Lumbar support adjustment Wiring harness	/L	1	IL0R/Q2J/3PN I4A3/4A4 I4D3/4UD/4UE I9P3
(3)	958 612 790 00	Seat adjuster Comfort seat Vented Memory with seat heating Lumbar support adjustment Wiring harness	/R	1	IL0R/Q2J/3PN I4A3/4A4 I4D3/4UD/4UE I9P3
(4)	958 612 791 00	Seat adjuster Sports seat Memory without heating Lumbar support adjustment Wiring harness	/L	1	IL0L/Q1J/3PN I4A0/4D0 I4UD/4UE/9P3
(4)	958 612 792 00	Seat adjuster Sports seat Memory without heating Lumbar support adjustment Wiring harness	/R	1	IL0L/Q1J/3PN I4A0/4D0 I4UD/4UE/9P3
(4)	958 612 793 00	Seat adjuster Sports seat Memory without heating Wiring harness	/L	1	IL0L/Q1J/3PN

Model: 92A 11 Model life 2011>>

Pos	Part Number	Description	Remark	Qty	Model
(4)	958 612 794 00	Seat adjuster Sports seat Memory with seat heating Lumbar support adjustment Wiring harness	/R	1	I4A3/4A4 I4D0/4UD/4UE I9P3 IL0L/Q1J/3PN I4A3/4A4 I4D0/4UD/4UE I9P3
(4)	958 612 795 00	Seat adjuster Sports seat Memory with seat heating Wiring harness	/L	1	IL0L/Q1J/3PN I4A3/4A4 I4D3/4UD/4UE I9P3
(4)	958 612 796 00	Seat adjuster Sports seat Memory with seat heating Lumbar support adjustment Wiring harness	/R	1	IL0L/Q1J/3PN I4A3/4A4 I4D3/4UD/4UE I9P3
(4)	958 612 797 00	Seat adjuster Sports seat Vented Memory with seat heating Wiring harness	/L	1	IL0L/Q1J/3PN I4A0/4UQ I9P7
(4)	958 612 798 00	Seat adjuster Sports seat Memory without heating Lumbar support adjustment Wiring harness	/R	1	IL0L/Q1J/3PN I4A0/4UQ I9P7
(4)	958 612 799 00	Seat adjuster Sports seat Memory without heating Wiring harness	/L	1	IL0L/Q1J/3PN I4A3/4A4 I4D0/4UQ/9P7
(4)	958 612 800 00	Seat adjuster Sports seat Memory with seat heating Lumbar support adjustment Wiring harness	/R	1	IL0L/Q1J/3PN I4A3/4A4 I4D0/4UQ/9P7
(4)	958 612 801 00	Seat adjuster Sports seat Memory with seat heating Wiring harness	/L	1	IL0L/Q1J/3PN I4A3/4A4 I4D3/4UQ/9P7
(4)		Seat adjuster Sports seat Memory with seat heating Lumbar support adjustment			

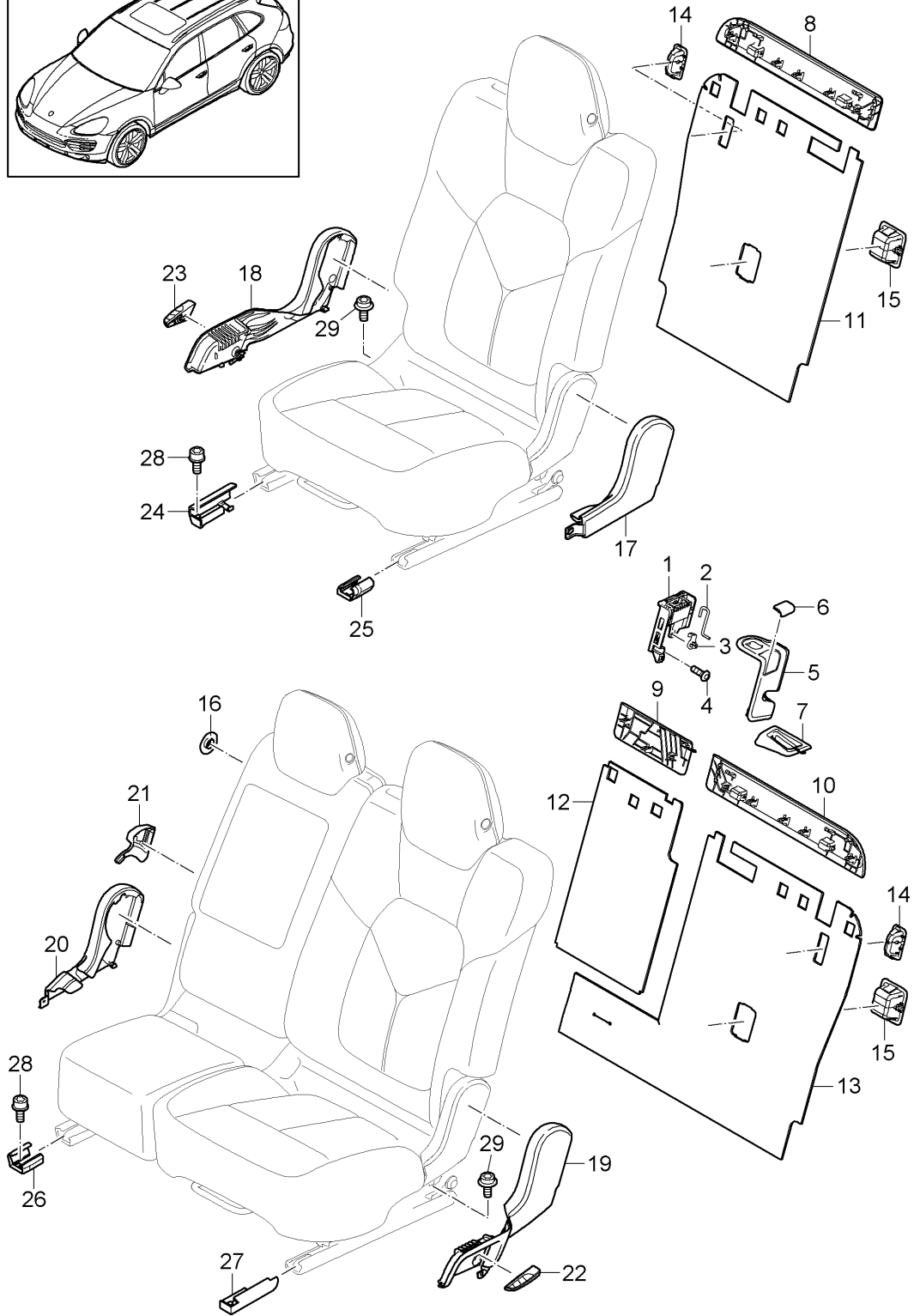
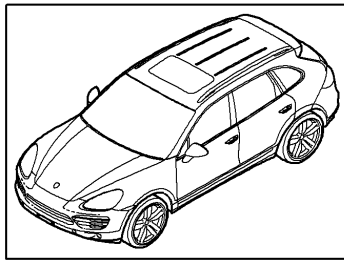
Model: 92A 11

Model life 2011>>

Pos	Part Number	Description	Remark	Qty	Model
(4)	958 612 802 00	Wiring harness Seat adjuster Sports seat Memory with seat heating	/R	1	IL0L/Q1J/3PN I4A3/4A4 I4D3/4UQ/9P7
(4)	958 612 805 00	Wiring harness Seat adjuster Sports seat Memory without heating Lumbar support adjustment	/L	1	IL0R/Q1J/3PN I4A0/4D0 I4UD/4UE/9P3
(4)	958 612 806 00	Wiring harness Seat adjuster Sports seat Memory without heating	/R	1	IL0R/Q1J/3PN I4A0/4D0 I4UD/4UE/9P3
(4)	958 612 809 00	Wiring harness Seat adjuster Sports seat Memory with seat heating Lumbar support adjustment	/L	1	IL0R/Q1J/3PN I4A3/4A4 I4D0/4UD/4UE I9P3
(4)	958 612 810 00	Wiring harness Seat adjuster Sports seat Memory with seat heating Lumbar support adjustment	/R	1	IL0R/Q1J/3PN I4A3/4A4 I4D0/4UD/4UE I9P3
(4)	958 612 811 00	Wiring harness Seat adjuster Sports seat Vented Memory with seat heating Lumbar support adjustment	/L	1	IL0R/Q1J/3PN I4A3/4A4 I4D3/4UD/4UE I9P3
(4)	958 612 812 00	Wiring harness Seat adjuster Sports seat Memory with seat heating	/R	1	IL0R/Q1J/3PN I4A3/4A4 I4D3/4UD/4UE I9P3

Model: 92A 11

Model life 2011>>



Model: 92A 11 Model life 2011>>

Pos	Part Number	Description	Remark	Qty	Model
1	958 522 165 00	Back seat backrest Accessories Release Backrest Centre	/L	1	
2	958 522 899 00	Wire Release Backrest Centre		1	
3	958 522 313 00	Clip Release Backrest Centre		1	
4	N 106 695 01	Oval-head screw M 5 X 12		1	
5	958 522 607 00	Covering frame Backrest locking lever		1	
	958 522 607 00 1E0	Black			+LC, +LG, +MA, +MA, +MF, +TA, +TB, +YA, +YB, +YC, +77
	958 522 607 00 4H0	Luxor Beige			+LE, +MC, +MK, +YE
	958 522 607 00 5J0	Cream			+MJ, +TX
	958 522 607 00 6L0	Platinum Grey			+LD, +MD, +YD,
	958 522 607 00 7N0	Espresso			+VA,
	958 522 607 00 8P0	Cognac			+VB,
	958 522 607 00 82V	Titanium Black			+LC, +MA
	958 522 607 00 DE1	Umber			+LF, +YF,
	958 522 607 00 DF2	Light Tartufo			+TY
	958 522 607 00 DJ3	Titanium Blue			+TW
	958 522 607 00 OP1	Agate Grey			+MB, +MG, +ML,
	958 522 607 00 OM8	Saddle Tan			+ME, +MH, +MI,
6	958 522 695 00	Control button Backrest locking lever		1	
	958 522 695 00 1E0	Black			+LC, +LG, +MA, +MA, +MF, +TA, +TB, +YA, +YB, +YC, +77
	958 522 695 00 4H0	Luxor Beige			+LE, +MC, +MK, +YE
	958 522 695 00 5J0	Cream			+MJ, +TX
	958 522 695 00 6L0	Platinum Grey			+LD, +MD, +YD,
	958 522 695 00 7N0	Espresso			+VA,
	958 522 695 00 8P0	Cognac			+VB,
	958 522 695 00 82V	Titanium Black			+LC, +MA
	958 522 695 00 DE1	Umber			+LF, +YF,
	958 522 695 00 DF2	Light Tartufo			+TY
	958 522 695 00 DJ3	Titanium Blue			+TW
	958 522 695 00 OP1	Agate Grey			+MB, +MG, +ML,
	958 522 695 00 OM8	Saddle Tan			+ME, +MH, +MI,
7	958 522 657 00	Covering frame Belt		1	
	958 522 657 00 1E0	Black			+LC, +LG, +MA, +MA, +MF, +TA, +TB, +YA, +YB, +YC, +77
	958 522 657 00 4H0	Luxor Beige			+LE, +MC, +MK, +YE
	958 522 657 00 5J0	Cream			+MJ, +TX
	958 522 657 00 6L0	Platinum Grey			+LD, +MD, +YD,
	958 522 657 00 7N0	Espresso			+VA,
	958 522 657 00 8P0	Cognac			+VB,

Model: 92A 11 Model life 2011>>

Pos	Part Number	Description	Remark	Qty	Model
8	958 522 657 00 DE1	Umber	/R	1	+LF, +YF,
	958 522 657 00 DF2	Light Tartufo			+TY
	958 522 657 00 DJ3	Titanium Blue			+TW
	958 522 657 00 OP1	Agate Grey			+MB, +MG, +ML,
	958 522 657 00 OM8	Saddle Tan			+ME, +MH, +MI,
	958 522 657 00 OB8	Cohiba Brown			+LH
	958 522 250 00	Cover			
		Backrest			
		Right			
	958 522 250 00 1E0	Black			+LC, +LG, +MA,
					+MA, +MF, +TA,
					+TB, +YA, +YB,
					+YC, +77
	958 522 250 00 4H0	Luxor Beige			+LE, +MC, +MK,
					+YE
958 522 250 00 5J0	Cream	+MJ, +TX			
958 522 250 00 6L0	Platinum Grey	+LD, +MD, +YD,			
958 522 250 00 7N0	Espresso	+VA,			
958 522 250 00 8P0	Cognac	+VB,			
958 522 250 00 82V	Titanium Black	+LC, +MA			
958 522 250 00 DE1	Umber	+LF, +YF,			
958 522 250 00 DF2	Light Tartufo	+TY			
958 522 250 00 DJ3	Titanium Blue	+TW			
958 522 250 00 OP1	Agate Grey	+MB, +MG, +ML,			
958 522 250 00 OM8	Saddle Tan	+ME, +MH, +MI,			
958 522 250 00 OB8	Cohiba Brown	+LH			
9	958 522 744 00	Cover	/L	1	
		Backrest			
		Centre			
	958 522 744 00 1E0	Black			+LC, +LG, +MA,
					+MA, +MF, +TA,
					+TB, +YA, +YB,
					+YC, +77
	958 522 744 00 4H0	Luxor Beige			+LE, +MC, +MK,
					+YE
	958 522 744 00 5J0	Cream			+MJ, +TX
	958 522 744 00 6L0	Platinum Grey			+LD, +MD, +YD,
	958 522 744 00 7N0	Espresso			+VA,
	958 522 744 00 8P0	Cognac			+VB,
	958 522 744 00 DE1	Umber			+LF, +YF,
	958 522 744 00 DF2	Light Tartufo			+TY
958 522 744 00 DJ3	Titanium Blue	+TW			
958 522 744 00 OP1	Agate Grey	+MB, +MG, +ML,			
958 522 744 00 OM8	Saddle Tan	+ME, +MH, +MI,			
10	958 522 249 00	Cover	/L	1	
		Backrest			
		Left			
	958 522 249 00 1E0	Black			+LC, +LG, +MA,
					+MA, +MF, +TA,
					+TB, +YA, +YB,
					+YC, +77
	958 522 249 00 4H0	Luxor Beige			+LE, +MC, +MK,
					+YE
	958 522 249 00 5J0	Cream			+MJ, +TX
	958 522 249 00 6L0	Platinum Grey			+LD, +MD, +YD,
	958 522 249 00 7N0	Espresso			+VA,
	958 522 249 00 8P0	Cognac			+VB,
	958 522 249 00 DE1	Umber			+LF, +YF,
	958 522 249 00 DF2	Light Tartufo			+TY
958 522 249 00 DJ3	Titanium Blue	+TW			
958 522 249 00 OP1	Agate Grey	+MB, +MG, +ML,			
958 522 249 00 OM8	Saddle Tan	+ME, +MH, +MI,			
11	958 522 754 00	Back wall lining	/L	1	

Model: 92A 11 Model life 2011>>

Pos	Part Number	Description	Remark	Qty	Model
	958 522 754 00 DK4	Backrest Right Black			+LC, +LG, +LH, +MA, +MF, +MI, +TA, +TB, +TW, +YA, +YB, +YC +77
	958 522 754 00 DM5	Luxor Beige			+LE, +MC, +YE,
	958 522 754 00 DJ6	Platinum Grey			+LD, +MD, +YD,
	958 522 754 00 DP8	Espresso			+VA, +VB
	958 522 754 00 DE1	Umber			+LF, +TX, +TY, +YF
	958 522 754 00 OK2	Agate Grey			+MB, +MG, +ML
	958 522 754 00 OP2	Saddle Tan			+ME, +MH, +MJ, +MK
12	958 522 611 00	Back wall lining Backrest Centre		1	
	958 522 611 00 DK4	Black			+LC, +LG, +LH, +MA, +MF, +MI, +TA, +TB, +TW, +YA, +YB, +YC +77
	958 522 611 00 DM5	Luxor Beige			+LE, +MC, +YE,
	958 522 611 00 DJ6	Platinum Grey			+LD, +MD, +YD,
	958 522 611 00 DP8	Espresso			+VA, +VB
	958 522 611 00 DE1	Umber			+LF, +TX, +TY, +YF
	958 522 611 00 OK2	Agate Grey			+MB, +MG, +ML
	958 522 611 00 OP2	Saddle Tan			+ME, +MH, +MJ, +MK
13	958 522 753 00	Back wall lining Backrest Left	/L	1	
	958 522 753 00 DK4	Black			+LC, +LG, +LH, +MA, +MF, +MI, +TA, +TB, +TW, +YA, +YB, +YC +77
	958 522 753 00 DM5	Luxor Beige			+LE, +MC, +YE,
	958 522 753 00 DJ6	Platinum Grey			+LD, +MD, +YD,
	958 522 753 00 DP8	Espresso			+VA, +VB
	958 522 753 00 DE1	Umber			+LF, +TX, +TY, +YF
	958 522 753 00 OK2	Agate Grey			+MB, +MG, +ML
	958 522 753 00 OP2	Saddle Tan			+ME, +MH, +MJ, +MK
14	958 522 302 00	Cover Back wall lining Net partition		2	
	958 522 302 00 82V	Titanium Black			+LC, +LG, +LH, +MA, +MF, +MI, +TA, +TB, +TW, +YA, +YB, +YC +77
	958 522 302 00 4H0	Luxor Beige			+LE, +MC, +YE,
	958 522 302 00 6L0	Platinum Grey			+LD, +MD, +YD,
	958 522 302 00 7N0	Espresso			+VA, +VB
	958 522 302 00 DE1	Umber			+LF, +TX, +TY, +YF
	958 522 302 00 OP1	Agate Grey			+MB, +MG, +ML
	958 522 302 00 OM8	Saddle Tan			+ME, +MH, +MJ, +MK

Model: 92A 11 Model life 2011>>

Pos	Part Number	Description	Remark	Qty	Model			
15	958 522 301 00	Cover		2	+LC, +LG, +LH, +MA, +MF, +MI, +TA, +TB, +TW, +YA, +YB, +YC +77 +LE, +MC, +YE, +LD, +MD, +YD, +VA, +VB +LF, +TX, +TY, +YF +MB, +MG, +ML +ME, +MH, +MJ, +MK			
	958 522 301 00 82V	Back wall lining Titanium Black						
	958 522 301 00 4H0	Luxor Beige						
	958 522 301 00 6L0	Platinum Grey						
	958 522 301 00 7N0	Espresso						
	958 522 301 00 DE1	Umber						
	958 522 301 00 OP1	Agate Grey						
	958 522 301 00 OM8	Saddle Tan						
	16	958 522 678 00	Grommet Backrest Left				1	
		17	958 522 785 00			Lining Mounting component		
958 522 785 00 82V			Titanium Black					
18	958 522 785 00 4H0	Luxor Beige		1	+LC, +LG, +MA, +MA, +MF, +TA, +TB, +YA, +YB, +YC, +77 +LE, +MC, +MK, +YE +MJ, +TX +LD, +MD, +YD, +VA, +VB, +LF, +YF, +TY +TW +MB, +MG, +ML, +ME, +MH, +MI, +LH			
	958 522 785 00 5J0	Cream						
	958 522 785 00 6L0	Platinum Grey						
	958 522 785 00 7N0	Espresso						
	958 522 785 00 8P0	Cognac						
	958 522 785 00 DE1	Umber						
	958 522 785 00 DF2	Light Tartufo						
	958 522 785 00 DJ3	Titanium Blue						
	958 522 785 00 OP1	Agate Grey						
	958 522 785 00 OM8	Saddle Tan						
	958 522 785 00 OB8	Cohiba Brown						
	958 522 786 01	Lining Mounting component						
	958 522 786 01 82V	Titanium Black						
	958 522 786 01 4H0	Luxor Beige						
	958 522 786 01 5J0	Cream						
958 522 786 01 6L0	Platinum Grey							
958 522 786 01 7N0	Espresso							
958 522 786 01 8P0	Cognac							
958 522 786 01 DE1	Umber							
958 522 786 01 DF2	Light Tartufo							
958 522 786 01 DJ3	Titanium Blue							
958 522 786 01 OP1	Agate Grey							
958 522 786 01 OM8	Saddle Tan							
958 522 786 01 OB8	Cohiba Brown							
19	958 522 787 01	Lining Mounting component		1				
	958 522 787 01 82V	Titanium Black						
	958 522 787 01 4H0	Luxor Beige						
	958 522 787 01 5J0	Cream						

Model: 92A 11 Model life 2011>>

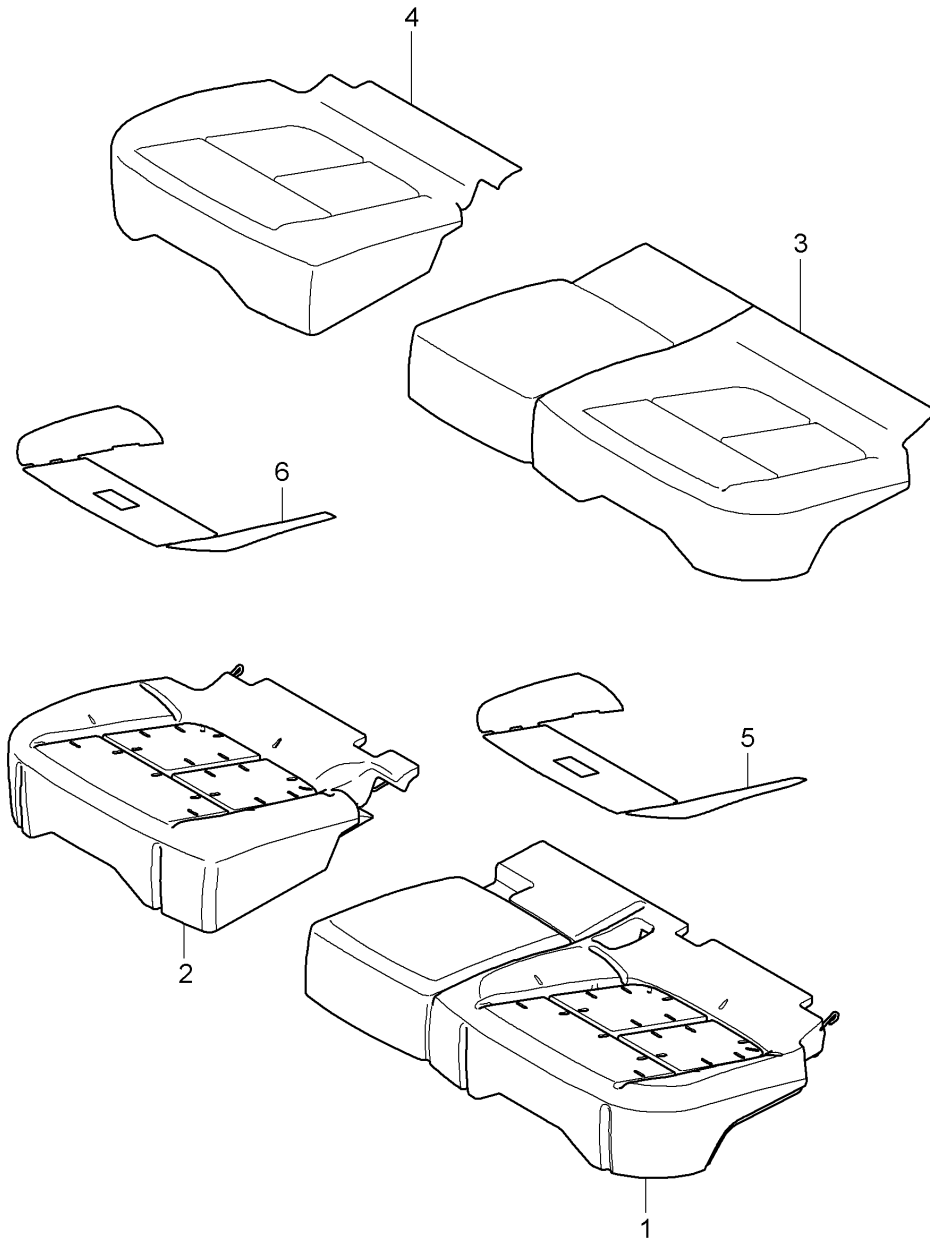
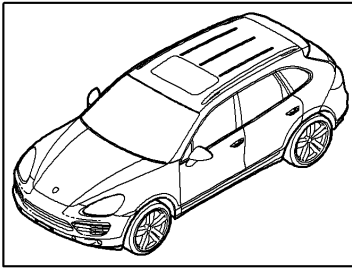
Pos	Part Number	Description	Remark	Qty	Model		
20	958 522 787 01 6L0	Platinum Grey		1	+LD,+MD,+YD, +VA, +VB, +LF,+YF, +TY +TW +MB,+MG,+ML, +ME,+MH,+MI,		
	958 522 787 01 7N0	Espresso					
	958 522 787 01 8P0	Cognac					
	958 522 787 01 DE1	Umber					
	958 522 787 01 DF2	Light Tartufo					
	958 522 787 01 DJ3	Titanium Blue					
	958 522 787 01 OP1	Agate Grey					
	958 522 787 01 OM8	Saddle Tan					
	958 522 788 00	Lining					
		Mounting component					
	958 522 788 00 82V	Titanium Black			+LC,+LG,+MA, +MA,+MF,+TA, +TB,+YA,+YB, +YC,+77		
	958 522 788 00 4H0	Luxor Beige			+LE,+MC,+MK, +YE		
21	958 522 788 00 5J0	Cream		1	+MJ,+TX +LD,+MD,+YD, +VA, +VB, +LF,+YF, +TY +TW +MB,+MG,+ML, +ME,+MH,+MI,		
	958 522 788 00 6L0	Platinum Grey					
	958 522 788 00 7N0	Espresso					
	958 522 788 00 8P0	Cognac					
	958 522 788 00 DE1	Umber					
	958 522 788 00 DF2	Light Tartufo					
	958 522 788 00 DJ3	Titanium Blue					
	958 522 788 00 OP1	Agate Grey					
	958 522 788 00 OM8	Saddle Tan					
	958 522 789 01	Cover					
		Backrest					
		958 522 789 01 82V	Titanium Black				+LC,+LG,+MA, +MA,+MF,+TA, +TB,+YA,+YB, +YC,+77
		958 522 789 01 4H0	Luxor Beige				+LE,+MC,+MK, +YE
		958 522 789 01 5J0	Cream				+MJ,+TX
		958 522 789 01 6L0	Platinum Grey				+LD,+MD,+YD, +VA, +VB, +LF,+YF, +TY
	958 522 789 01 7N0	Espresso		+TW +MB,+MG,+ML, +ME,+MH,+MI,			
	958 522 789 01 8P0	Cognac					
	958 522 789 01 DE1	Umber					
	958 522 789 01 DF2	Light Tartufo					
	958 522 789 01 DJ3	Titanium Blue					
	958 522 789 01 OP1	Agate Grey					
	958 522 789 01 OM8	Saddle Tan					
22	958 522 639 00	Handle	/L	1			
		Release					
		Backrest					
		Left					
23	958 522 639 00 GT8	Galvano silver		1			
	958 522 640 00	Handle	/R				
		Release					
		Backrest					
		Right					
24	958 522 640 00 GT8	Galvano silver		1			
	958 522 624 00	Cap					
		Seat rail					
	958 522 624 00 1E0	Black			+LC,+LG,+MA, +MA,+MF,+TA, +TB,+YA,+YB, +YC,+77		
	958 522 624 00 4H0	Luxor Beige			+LE,+MC,+MK, +YE		
	958 522 624 00 5J0	Cream			+MJ,+TX		
	958 522 624 00 6L0	Platinum Grey			+LD,+MD,+YD, +VA,		
	958 522 624 00 7N0	Espresso					

Model: 92A 11 Model life 2011>>

Pos	Part Number	Description	Remark	Qty	Model		
25	958 522 624 00 8P0	Cognac		1	+VB,		
	958 522 624 00 DE1	Umber			+LF, +YF,		
	958 522 624 00 DF2	Light Tartufo			+TY		
	958 522 624 00 DJ3	Titanium Blue			+TW		
	958 522 624 00 OP1	Agate Grey			+MB, +MG, +ML,		
	958 522 624 00 OM8	Saddle Tan			+ME, +MH, +MI,		
	958 522 625 00	Cap					
		Seat rail					
	958 522 625 00 1E0	Black			+LC, +MA,		
	958 522 625 00 4H0	Luxor Beige			+LE, +MC,		
	958 522 625 00 5J0	Cream			+TX		
	958 522 625 00 6L0	Platinum Grey			+LD, +MD		
	958 522 625 00 7N0	Espresso			+VA		
26	958 522 625 00 8P0	Cognac		1	+VB		
	958 522 625 00 DE1	Umber			+LF		
	958 522 625 00 DF2	Light Tartufo			+TY		
	958 522 625 00 DJ3	Titanium Blue			+TW		
	958 522 626 00	Cap					
		Seat rail					
	958 522 626 00 1E0	Black			+LC, +MA,		
	958 522 626 00 4H0	Luxor Beige			+LE, +MC,		
	958 522 626 00 5J0	Cream			+TX		
	958 522 626 00 6L0	Platinum Grey			+LD, +MD		
	958 522 626 00 7N0	Espresso			+VA		
	958 522 626 00 8P0	Cognac			+VB		
	958 522 626 00 DE1	Umber			+LF		
27	958 522 626 00 DF2	Light Tartufo		1	+TY		
	958 522 626 00 DJ3	Titanium Blue			+TW		
	958 522 627 00	Cap					
		Seat rail					
	958 522 627 00 1E0	Black			+LC, +LG, +MA,		
					+MA, +MF, +TA,		
					+TB, +YA, +YB,		
					+YC, +77		
	958 522 627 00 4H0	Luxor Beige			+LE, +MC, +MK,		
					+YE		
	958 522 627 00 5J0	Cream			+MJ, +TX		
	958 522 627 00 6L0	Platinum Grey			+LD, +MD, +YD,		
	958 522 627 00 7N0	Espresso			+VA,		
28	958 522 627 00 8P0	Cognac		4	+VB,		
	958 522 627 00 DE1	Umber			+LF, +YF,		
	958 522 627 00 DF2	Light Tartufo			+TY		
	958 522 627 00 DJ3	Titanium Blue			+TW		
	958 522 627 00 OP1	Agate Grey			+MB, +MG, +ML,		
	958 522 627 00 OM8	Saddle Tan			+ME, +MH, +MI,		
	N 911 929 01	Outer hexagon round screw M 10 X 25					
		Mount					
		Seat					
		Front					
	29	N 911 915 01	Outer hexagon round screw M 12 X 22			4	
			Mount				
			Seat				
		Lateral					

Model: 92A 11

Model life 2011>>



Model: 92A 11

Model life 2011>>

Pos	Part Number	Description	Remark	Qty	Model
1	958 522 375 01	Seat cushion Standard seat Comfort seat Rear Foam part Cover Heating element Foam part	/L	1	IQ1G/Q2J IN0Q/N1A/N1B IN1D/N1M/N1P IN1X/N5U
(1)	958 522 375 15	Seat cushion Left Foam part	/L 15-	1	IN0Q/N1A/N1B IN1D/N1M/N1P IN1X/N5U/4A4
(1)	958 522 375 10	Seat cushion Left Foam part Seat cushion Left	/L	1	IN5Y/N7D/N7F
2	958 522 376 01	Draped leather Foam part	/R	1	IGP1/N1D/N1M I3NW/4D0/4D3
(2)	958 522 376 15	Seat cushion Right Foam part	/R 15-	1	IN0Q/N1A/N1B IN1D/N1M/N1P IN1X/N5U/4A4
(2)	958 522 376 10	Seat cushion Right Foam part Seat cushion Right	/R	1	IN5Y/N7D/N7F
3	958 522 405 03	Draped leather Cover for cushion	/L	1	-IQ2J/-I4A4 IN1D/N1X
(3)	958 522 405 12	Standard seat Leather Embossed Left Black Platinum Grey Luxor Beige Black/Luxor Beige Cover for cushion	/L -13	1	+MA +MD +MC +77 IN7F/Q1G/3NW I4A0/4A3
(3)	958 522 405 13	Standard seat Leather Embossed Draped leather Left Black Platinum Grey Luxor Beige Cover for cushion	/L 14-	1	+MA +MD +MC IN7F/Q1G/3NW I4A0/4A3
	958 522 405 13 D0A	Black			+MA
	958 522 405 13 D0B	Platinum Grey			+MD

Model: 92A 11 Model life 2011>>

Pos	Part Number	Description	Remark	Qty	Model
(3)	958 522 405 13 D0C	Luxor Beige	15- /L -13	1	+MC +MB -IQ2J/IN1D IN1X/4A4
	958 522 405 13 DJL	Agate Grey			
	958 522 405 22	Cover for cushion			
(3)		Standard seat Leather Embossed for Seat heater Left	/L 14-	1	+MA +MD +MC -IQ2J/IN1D IN1X/4A4
	958 522 405 22 D0A	Black			
	958 522 405 22 D0B	Platinum Grey			
(3)	958 522 405 22 D0C	Luxor Beige	/L -13	1	+MA +MD +MC +77 IN7F/Q1G/3NW I4A4
	958 522 405 22 HAA	Black/Luxor Beige			
	958 522 405 23	Cover for cushion			
(3)		Standard seat Leather Embossed for Seat heater Left	/L 14-	1	+MA +MD +MC +77 IN7F/Q1G/3NW I4A4
	958 522 405 23 D0A	Black			
	958 522 405 23 D0B	Platinum Grey			
(3)	958 522 405 23 D0C	Luxor Beige	/L 14-	1	+MA +MD +MC IN7F/Q1G/3NW I4A4
	958 522 405 23 HAA	Black/Luxor Beige			
	958 522 405 32	Cover for cushion			
(3)		Standard seat Leather Embossed Draped leather for Seat heater Left	15- /L -13	1	+MA +MC +MB -I4A4/IN0Q IN1B/N1M/N5U
	958 522 405 32 D0A	Black			
	958 522 405 32 D0B	Platinum Grey			
(3)	958 522 405 32 D0C	Luxor Beige	15- /L -13	1	+LC, +MA, +YC, +LD, +MD, +YD, +LE, +MC, +YE, +LF, +YF, +TW, +TX, +TY,
	958 522 405 33 D0A	Black			
	958 522 405 33 D0B	Platinum Grey			
(3)	958 522 405 33 D0C	Luxor Beige	15- /L -13	1	+LC, +MA, +YC, +LD, +MD, +YD, +LE, +MC, +YE, +LF, +YF, +TW, +TX, +TY,
	958 522 405 33 DJL	Agate Grey			
	958 522 405 42	Cover for cushion			
(3)		Standard seat Plain leather Left	15- /L -13	1	+LC, +MA, +YC, +LD, +MD, +YD, +LE, +MC, +YE, +LF, +YF, +TW, +TX, +TY,
	958 522 405 42 D0D	Black			
	958 522 405 42 D0E	Platinum Grey			
(3)	958 522 405 42 D0F	Luxor Beige	15- /L -13	1	+LC, +MA, +YC, +LD, +MD, +YD, +LE, +MC, +YE, +LF, +YF, +TW, +TX, +TY,
	958 522 405 42 D0G	Umber			
	958 522 405 42 D0H	Titanium Blue			
(3)	958 522 405 42 D0J	Cream	15- /L -13	1	+LC, +MA, +YC, +LD, +MD, +YD, +LE, +MC, +YE, +LF, +YF, +TW, +TX, +TY,
	958 522 405 42 D0K	Light Tartufo			

Model: 92A 11 Model life 2011>>

Pos	Part Number	Description	Remark	Qty	Model
(3)	958 522 405 42 AAB	Black/Carrera Red	/L 14-	1	+TA
	958 522 405 42 AAC	Black/Luxor Beige			+TB
	958 522 405 43	Cover for cushion			IGP0/N0Q/N1B IN1M/N5U/3NW I4A0/4A3
		Standard seat			
		Plain leather			
		Left			
	958 522 405 43 D0D	Black			+LC, +MA, +YC,
	958 522 405 43 D0E	Platinum Grey			+LD, +MD, +YD,
	958 522 405 43 D0F	Luxor Beige			+LE, +MC, +YE,
	958 522 405 43 D0G	Umber			+LF, +YF,
958 522 405 43 D0H	Titanium Blue				
958 522 405 43 D0J	Cream	+TX,			
958 522 405 43 D0K	Light Tartufo	+TY,			
958 522 405 43 AAB	Black/Carrera Red	+TA,			
958 522 405 43 AAC	Black/Luxor Beige	+TB, +77			
(3)	958 522 405 46	Cover for cushion	/L -13	1	-I4A4/IN7D IQ2J
		Standard seat			
		Draped leather			
		Left			
958 522 405 46 D0D	Black	+LC, +MA, +YC,			
958 522 405 46 D0E	Platinum Grey	+LD, +MD, +YD,			
958 522 405 46 D0F	Luxor Beige	+LE, +MC, +YE,			
958 522 405 46 D0G	Umber	+LF, +YF,			
958 522 405 46 D0H	Titanium Blue	+TW,			
958 522 405 46 D0J	Cream	+TX,			
958 522 405 46 D0K	Light Tartufo	+TY,			
(3)	958 522 405 47	Cover for cushion	/L 14-	1	-I4A4/IN7D IQ2J
		Standard seat			
		Draped leather			
		Left			
958 522 405 47 D0D	Black	+LC, +MI, +YC,			
958 522 405 47 D0E	Platinum Grey	+LD, +MD, +YD,			
958 522 405 47 D0F	Luxor Beige	+LE, +MC, +MK,			
		+YE			
958 522 405 47 D0G	Umber	+LF, +YF,			
958 522 405 47 D0H	Titanium Blue				
958 522 405 47 D0J	Cream	+MJ, +TX,			
958 522 405 47 D0K	Light Tartufo	+TY			
958 522 405 47 YKI	Agate Grey	+MB, +MG			
958 522 405 47 YMI	Saddle Tan	+MH, +MI			
(3)	958 522 405 52	Cover for cushion	/L	1	-I4A4/IN1A IN1P/Q2J
		Standard seat			
		Leather			
		Nature			
		Left			
958 522 405 52 D0L	Espresso	+VA			
958 522 405 52 D0M	Cognac	+VB			
(3)	958 522 405 53	Cover for cushion	/L	1	-I4A4/IN1A IN1P/Q2J
		Standard seat			
		Leather			
		Nature			
		Left			
958 522 405 53 D0L	Espresso	+VA			
958 522 405 53 D0M	Cognac	+VB			
(3)	958 522 405 57	Cover for cushion	/L -13	1	-I4A4/IN5Y IQ2J
		Standard seat			

Model: 92A 11 Model life 2011>>

Pos	Part Number	Description	Remark	Qty	Model
(3)	958 522 405 57 D0L 958 522 405 57 D0M 958 522 405 58	Leather Nature Draped leather Left Espresso Cognac Cover for cushion	/L 14-	1	+VA +VB -I4A4/IN5Y IQ2J
(3)	958 522 405 58 D0L 958 522 405 58 D0M 958 522 405 62	Standard seat Leather Nature Draped leather Left Espresso Cognac Cover for cushion	/L -13	1	+VA +VB IN0Q/N1B/N1M IN5U/4A4
(3)	958 522 405 62 D0D 958 522 405 62 D0E 958 522 405 62 D0F 958 522 405 62 D0G 958 522 405 62 D0H 958 522 405 62 D0J 958 522 405 62 D0K 958 522 405 62 AAB 958 522 405 62 AAC 958 522 405 63	Standard seat Plain leather for Seat heater Left Black Platinum Grey Luxor Beige Umber Titanium Blue Cream Light Tartufo Black/Carrera Red Black/Luxor Beige Cover for cushion	/L	1	+LC, +MA, +YC, +LD, +MD, +YD, +LE, +MC, +YE, +LF, +YF, +TW +TX +TY +TA +TB IN0Q/N1B/N1M IN5U/3NW/4A4
(3)	958 522 405 63 D0D 958 522 405 63 D0E 958 522 405 63 D0F 958 522 405 63 D0G 958 522 405 63 D0H 958 522 405 63 D0J 958 522 405 63 D0K 958 522 405 63 YMI 958 522 405 63 AAB 958 522 405 63 AAC 958 522 405 88	Standard seat Plain leather for Seat heater Left Black Platinum Grey Luxor Beige Umber Titanium Blue Cream Light Tartufo Saddle Tan Black/Carrera Red Black/Luxor Beige D >> 26.05.2014 Cover for cushion	/L	1	+LC, +MA, +YC +LD, +MD, +YD, +LE, +MC, +YE +LF, +YF, +TW +TX +TY +TA +TB, +77 IN0Q/N1B/3NW I4D1
(3)	958 522 405 88 D0D 958 522 405 88 D0F 958 522 405 88 D0J 958 522 405 88 YMI 958 522 405 88 AAB 958 522 405 88 AAC	Standard seat Plain leather for Seat heater Left Black Luxor Beige Cream Saddle Tan Black/Carrera Red Black/Luxor Beige			+LC, +MA, +YC +LE, +MC, +MK +YE +MJ +ME, +MH, +MI +TA +TB, +77

Model: 92A 11

Model life 2011>>

Pos	Part Number	Description	Remark	Qty	Model
(3)	958 522 405 88 HGK	Black/Cream			+LG
	958 522 405 88 HHM	Cohiba Brown			+LH
	958 522 405 88 YKI	Agate Grey			+MB, +MG, +ML
	958 522 405 64	D 26.05.2014>> 01.07.2015 Cover for cushion	/L 15-	1	-IQ2J/-I4A4 IN1D/N1X/4D0 I4D3
(3)	958 522 405 64 D0A	Standard seat Plain leather Left Black			+MA
	958 522 405 64 D0C	Luxor Beige			+MC
	958 522 405 64 DJL	Agate Grey			+MB
	958 522 405 64 HAA	Black/Luxor Beige			+77
(3)	958 522 405 69	Cover for cushion Comfort seat Plain leather for Seat heater Left	/L 15-	1	IN1M/Q2J/4A4
	958 522 405 69 AAB	Black/Carrera Red			+TA
	958 522 405 69 AAC	Black/Luxor Beige			+77
	958 522 405 69 HGK	Black/Cream			+LG
(3)	958 522 405 69	Cover for cushion Standard seat Plain leather for Seat heater Left	/L 15-	1	IGP1/N1M/Q1G IQ2J/3NW/4A4
	958 522 405 69 AAB	Black/Carrera Red			+TA
	958 522 405 69 AAC	Black/Luxor Beige			+77
	958 522 405 69 HGK	Black/Cream			+LG
(3)	958 522 405 68	Cover for cushion Standard seat Plain leather Left	/L 14-	1	-I4A4/IN1M IQ2J/3NW
	958 522 405 68 AAB	Black/Carrera Red			+TA
	958 522 405 68 AAC	Black/Luxor Beige			+77
	958 522 405 68 YKI	Agate Grey			+MB, +MG, +ML
(3)	958 522 405 68 HGK	Black/Cream			+LG
	958 522 405 68 HHM	Cohiba Brown			+LH
	958 522 405 68 D0D	Black			+MA, +YC, +LC
	958 522 405 68 D0F	Luxor Beige			+LE, +MC, +MK +YE
	958 522 405 68 D0J	Cream			+MJ
	958 522 405 68 YMI	Saddle Tan			+ME, +MH, +MI
	958 522 405 68	Cover for cushion Standard seat Plain leather Left	/L 14-	1	IGP1/N0Q/N1B IN1M/N5U/Q1G IQ2J/3NW/4D0 I4D3
	958 522 405 68 AAB	Black/Carrera Red			+TA
	958 522 405 68 AAC	Black/Luxor Beige			+77
	958 522 405 68 YKI	Agate Grey			+MB, +MG, +ML
	958 522 405 68 HGK	Black/Cream			+LG
	958 522 405 68 HHM	Cohiba Brown			+LH
958 522 405 68 D0D	Black			+MA, +YC, +LC	
958 522 405 68 D0F	Luxor Beige			+LE, +MC, +MK +YE	

Model: 92A 11 Model life 2011>>

Pos	Part Number	Description	Remark	Qty	Model				
(3)	958 522 405 68 DOJ	Cream	/L -13	1	+MJ +ME, +MH, +MI IN7D/Q2J/4A4				
	958 522 405 68 YMI	Saddle Tan							
	958 522 405 66	Cover for cushion Standard seat Plain leather Draped leather for Seat heater Left							
	958 522 405 66 D0D	Black							
	958 522 405 66 D0E	Platinum Grey							
	958 522 405 66 D0F	Luxor Beige							
	958 522 405 66 D0G	Umber							
	958 522 405 66 D0H	Titanium Blue							
	958 522 405 66 DOJ	Cream							
	958 522 405 66 D0K	Light Tartufo							
(3)	958 522 405 67	Cover for cushion Standard seat Plain leather Draped leather for Seat heater Left	/L 14-	1	IN7D/Q2J/4A4				
	958 522 405 67 D0D	Black							
	958 522 405 67 D0E	Platinum Grey							
	958 522 405 67 D0F	Luxor Beige							
	958 522 405 67 D0G	Umber							
	958 522 405 67 D0H	Titanium Blue							
	958 522 405 67 DOJ	Cream							
	958 522 405 67 D0K	Light Tartufo							
	958 522 405 67 YKI	Agate Grey							
	958 522 405 67 YMI	Saddle Tan							
(3)	958 522 405 73	Cover for cushion Standard seat Leather Nature for Seat heater Left	/L	1	+MJ +MB, +MG +MH, +MI IN1A/N1P/Q2J I4A4				
	958 522 405 73 D0L	Espresso							
	958 522 405 73 D0M	Cognac							
	958 522 405 77	Cover for cushion Standard seat Leather Nature Draped leather for Seat heater Left							
	958 522 405 77 D0L	Espresso							
	958 522 405 77 D0M	Cognac							
	(3)	958 522 405 78				Cover for cushion Standard seat Leather Nature Draped leather for Seat heater Left	/L 14-	1	+VA +VB IN5Y/4A4
		958 522 405 78 D0L				Espresso			
		958 522 405 78 D0M				Cognac			
		958 522 406 01				Cover for cushion			
4	958 522 406 01	Cover for cushion	/R -13	1	+VA +VB -IQ2J/-I4A4				

Model: 92A 11 Model life 2011>>

Pos	Part Number	Description	Remark	Qty	Model
		Standard seat Leather Embossed Right			IN1D/N1X
	958 522 406 01 D0A	Black			+MA
	958 522 406 01 D0B	Platinum Grey			+MD
	958 522 406 01 D0C	Luxor Beige			+MC
	958 522 406 01 HAA	Black/Luxor Beige			+77
(4)	958 522 406 02	Cover for cushion	/R	1	IGP0/N1D/N1X IQ1G/3NW/4A0 I4A3
		Standard seat Leather Embossed Right			
	958 522 406 02 D0A	Black			+MA
	958 522 406 02 D0B	Platinum Grey			+MD
	958 522 406 02 D0C	Luxor Beige			+MC
	958 522 406 02 HAA	Black/Luxor Beige			+77
(4)	958 522 406 03	Cover for cushion	/R	1	IGP1/N1D/N1X IQ1G/3NW/4D0 I4D3
		Standard seat Leather Embossed Right			
	958 522 406 03 D0A	Black			+MA
	958 522 406 03 D0C	Luxor Beige			+MC
	958 522 406 03 HAA	Black/Luxor Beige			+77
(4)	958 522 406 11	Cover for cushion	/R -13	1	IN7F/Q1G/3NW I4A0/4A3
		Standard seat Leather Embossed Draped leather Right			
	958 522 406 11 D0A	Black			+MA
	958 522 406 11 D0B	Platinum Grey			+MD
	958 522 406 11 D0C	Luxor Beige			+MC
(4)	958 522 406 12	Cover for cushion	/R 14-	1	IN7F/Q1G/3NW I4A0/4A3
		Standard seat Leather Embossed Draped leather Right			
	958 522 406 12 D0A	Black			+MA
	958 522 406 12 D0B	Platinum Grey			+MD
	958 522 406 12 D0C	Luxor Beige			+MC
	958 522 406 12 DJL	Agate Grey			+MB
(4)	958 522 406 22	Cover for cushion	/R -13	1	-IQ2J/IN1D IN1X/4A4
		Standard seat Leather Embossed for Seat heater Right			
	958 522 406 22 D0A	Black			+MA
	958 522 406 22 D0B	Platinum Grey			+MD
	958 522 406 22 D0C	Luxor Beige			+MC
	958 522 406 22 HAA	Black/Luxor Beige			

Model: 92A 11 Model life 2011>>

Pos	Part Number	Description	Remark	Qty	Model
(4)	958 522 406 23	Cover for cushion Standard seat Leather Embossed for Seat heater Right	/R 14-	1	-IQ2J/IN1D IN1X/4A4
	958 522 406 23 D0A	Black			+MA
	958 522 406 23 D0B	Platinum Grey			+MD
	958 522 406 23 D0C	Luxor Beige			+MC
	958 522 406 23 HAA	Black/Luxor Beige			+77
(4)	958 522 406 31	Cover for cushion Standard seat Leather Embossed Draped leather for Seat heater Right	/R -13	1	IN7F/Q1G/3NW I4A4
	958 522 406 31 D0A	Black			+MA
	958 522 406 31 D0B	Platinum Grey			+MD
	958 522 406 31 D0C	Luxor Beige			+MC
(4)	958 522 406 32	Cover for cushion Standard seat Leather Embossed Draped leather for Seat heater Right	/R 14-	1	IN7F/Q1G/3NW I4A4
	958 522 406 32 D0A	Black			+MA
	958 522 406 32 D0B	Platinum Grey			+MC
	958 522 406 32 D0C	Luxor Beige			+MB
(4)	958 522 406 42	Cover for cushion Standard seat Plain leather Right	/R -13	1	-I4A4/IN0Q IN1B/N1M/N5U IQ2J
	958 522 406 42 D0D	Black			+LC,+MA,+YC,
	958 522 406 42 D0E	Platinum Grey			+LD,+MD,+YD,
	958 522 406 42 D0F	Luxor Beige			+LE,+MC,+YE,
	958 522 406 42 D0G	Umber			+LF,+YF,
	958 522 406 42 D0H	Titanium Blue			+TW,
	958 522 406 42 D0J	Cream			+TX,
	958 522 406 42 D0K	Light Tartufo			+TY,
	958 522 406 42 AAB	Black/Carrera Red			+TA,
	958 522 406 42 AAC	Black/Luxor Beige			+TB
(4)	958 522 406 43	Cover for cushion Standard seat Plain leather Right	/R 14-	1	IGP0/N0Q/N1B IN1M/N5U/3NW I4A0/4A3
	958 522 406 43 D0D	Black			+LC,+MA,+YC,
	958 522 406 43 D0E	Platinum Grey			+LD,+MD,+YD,
	958 522 406 43 D0F	Luxor Beige			+LE,+MC,+YE,
	958 522 406 43 D0G	Umber			+LF,+YF,
	958 522 406 43 D0J	Cream			+TX,

Model: 92A 11

Model life 2011>>

Pos	Part Number	Description	Remark	Qty	Model
(4)	958 522 406 43 DOK 958 522 406 43 AAB 958 522 406 43 AAC 958 522 406 46	Light Tartufo Black/Carrera Red Black/Luxor Beige Cover for cushion	/R -13	1	+TY, +TA, +TB,+77 -I4A4/IN7D IQ2J
		Standard seat Draped leather Right			
	958 522 406 46 DOD 958 522 406 46 DOE 958 522 406 46 DOF 958 522 406 46 D0G 958 522 406 46 D0H 958 522 406 46 D0J 958 522 406 46 DOK	Black Platinum Grey Luxor Beige Umber Titanium Blue Cream Light Tartufo			+LC,+MA,+YC, +LD,+MD,+YD, +LE,+MC,+YE, +LF,+YF, +TW, +TX, +TY,
(4)	958 522 406 47	Cover for cushion	/R 14-	1	-I4A4/IN7D IQ2J
		Standard seat Draped leather Right			
	958 522 406 47 DOD 958 522 406 47 DOE 958 522 406 47 DOF	Black Platinum Grey Luxor Beige			+LC,+MA,+YC, +LD,+MD,+YD, +LE,+MC,+MK, +YE +LF,+YF
	958 522 406 47 D0G 958 522 406 47 D0H 958 522 406 47 D0J 958 522 406 47 DOK 958 522 406 47 YKI 958 522 406 47 YMI	Umber Titanium Blue Cream Light Tartufo Agate Grey Saddle Tan			+MJ,+TX, +TY +MB,+MG +MH,+MI
(4)	958 522 406 51	Cover for cushion	/R -13	1	-I4A4/IN1A IN1P/Q2J
		Standard seat Leather Nature Right			
	958 522 406 51 DOL 958 522 406 51 DOM	Espresso Cognac			+VA +VB
(4)	958 522 406 52	Cover for cushion	/R 14-	1	-I4A4/IN1A IN1P/Q2J
		Standard seat Leather Nature Right			
	958 522 406 52 DOL 958 522 406 52 DOM	Espresso Cognac			+VA +VB
(4)	958 522 406 56	Cover for cushion	/R -13	1	-I4A4/IN5Y IQ2J
		Standard seat Leather Nature Draped leather Right			
	958 522 406 56 DOL 958 522 406 56 DOM	Espresso Cognac			+VA +VB
(4)	958 522 406 57	Cover for cushion	/R 14-	1	-I4A4/IN5Y IQ2J
		Standard seat Leather Nature Draped leather Right			
	958 522 406 57 DOL	Espresso			+VA

Model: 92A 11 Model life 2011>>

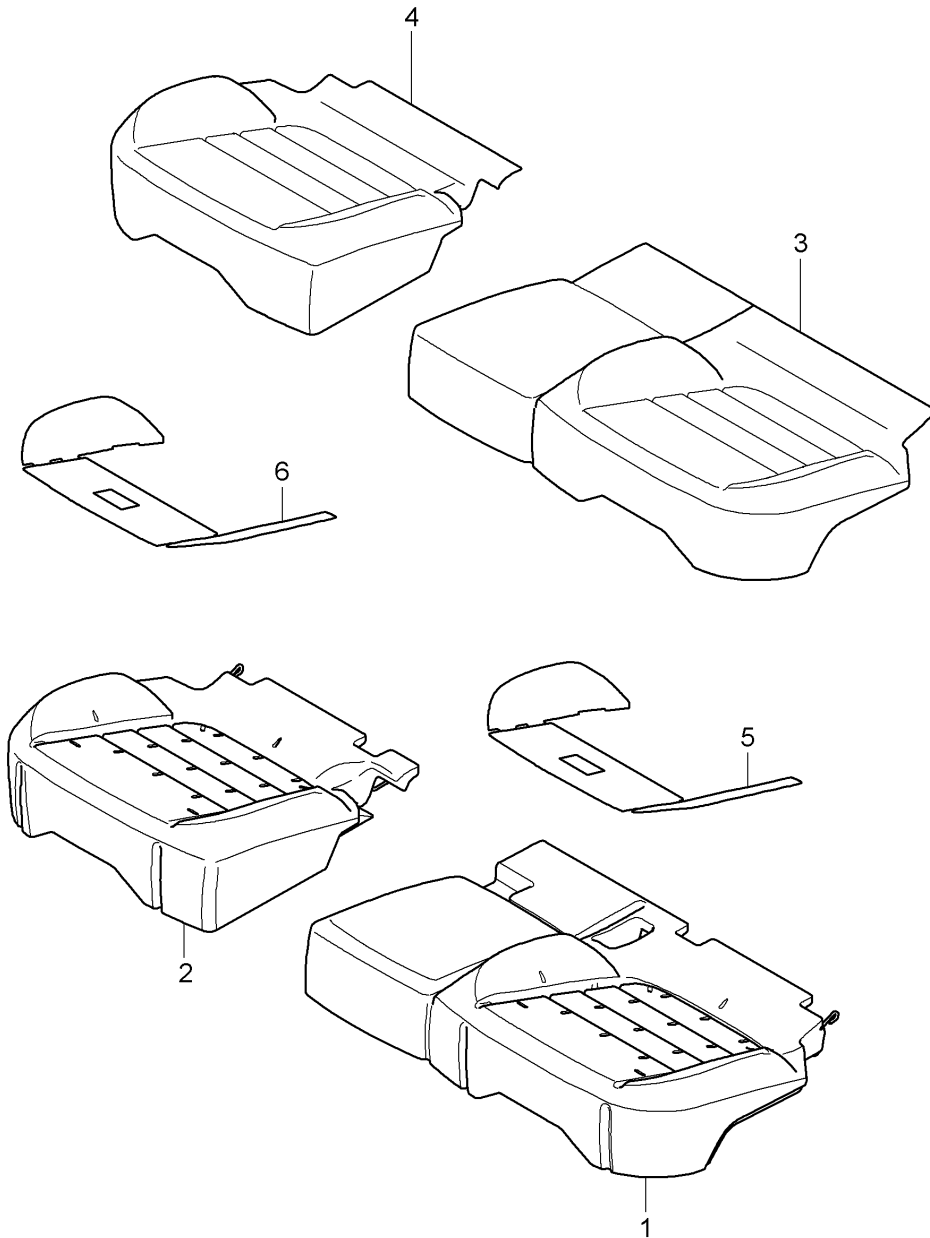
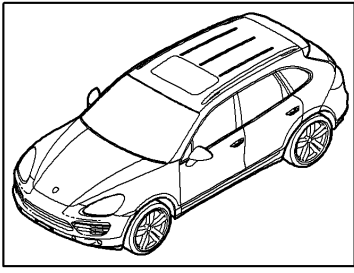
Pos	Part Number	Description	Remark	Qty	Model
(4)	958 522 406 57 D0M 958 522 406 62	Cognac Cover for cushion Standard seat Plain leather for Seat heater Right	/R -13	1	+VB IN0Q/N1B/N1M IN5U/4A4
	958 522 406 62 D0D 958 522 406 62 D0E 958 522 406 62 D0F 958 522 406 62 D0G 958 522 406 62 D0H 958 522 406 62 D0J 958 522 406 62 D0K 958 522 406 62 AAB 958 522 406 62 AAC	Black Platinum Grey Luxor Beige Umber Titanium Blue Cream Light Tartufo Black/Carrera Red Black/Luxor Beige			+LC, +MA, +YC +LD, +MD, +YD, +LE, +MC, +YE +LF, +YF +TW +TX +TY +TA +TB
(4)	958 522 406 63	Cover for cushion Standard seat Plain leather for Seat heater Right	/R 14-	1	IGP0/N0Q/N1B IN1M/N5U/3NW I4A4
	958 522 406 63 D0D 958 522 406 63 D0E 958 522 406 63 D0F 958 522 406 63 D0G 958 522 406 63 D0J 958 522 406 63 D0K 958 522 406 63 AAB 958 522 406 63 AAC	Black Platinum Grey Luxor Beige Umber Cream Light Tartufo Black/Carrera Red Black/Luxor Beige			+LC, +MA, +YC +LD, +MD, +YD, +LE, +MC, +YE +LF, +YF +TX +TY +TA +TB, +77
(4)	958 522 406 64	Cover for cushion Standard seat Plain leather for Seat heater Right	/R 14-	1	IGP1/N0Q/N1B IN1M/N5U/3NW I4D0/4D3
	958 522 406 64 D0D 958 522 406 64 D0F 958 522 406 64 YKI 958 522 406 64 D0J 958 522 406 64 YMI 958 522 406 64 AAB 958 522 406 64 AAC 958 522 406 64 HHM	Black Luxor Beige Agate Grey Cream Saddle Tan Black/Carrera Red Black/Luxor Beige Cohiba Brown			+LC, +MA, +YC +LE, +MC, +YE +MK +MB, +MG, +ML +MJ +ME, +MH, +MI +TA +77 +LH
(4)	958 522 406 66	Cover for cushion Standard seat Plain leather Draped leather for Seat heater Right	/R -13	1	IN7D/Q2J/4A4
	958 522 406 66 D0D 958 522 406 66 D0E 958 522 406 66 D0F 958 522 406 66 D0G 958 522 406 66 D0H 958 522 406 66 D0J	Black Platinum Grey Luxor Beige Umber Titanium Blue Cream			+LC, +MA, +YC, +LD, +MD, +YD, +LE, +MC, +YE, +LF, +YF, +TW, +TX,

Model: 92A 11 Model life 2011>>

Pos	Part Number	Description	Remark	Qty	Model
(4)	958 522 406 66 DOK 958 522 406 67	Light Tartufo Cover for cushion Standard seat Plain leather Draped leather for Seat heater Right	/R 14-	1	+TY, IN7D/Q2J/4A4
	958 522 406 67 DOD	Black			+LC, +MA,
	958 522 406 67 D0E	Platinum Grey			+LD, +MD, +YD,
	958 522 406 67 D0F	Luxor Beige			+LE, +MC, +MK,
	958 522 406 67 D0G	Umber			+LF, +YF,
	958 522 406 67 D0H	Titanium Blue			
	958 522 406 67 D0J	Cream			+MJ,
	958 522 406 67 DOK	Light Tartufo			+TY,
	958 522 406 67 YKI	Agate Grey			+MB, +MG,
	958 522 406 67 YMI	Saddle Tan			+MH, +MI,
(4)	958 522 406 74	Cover for cushion Standard seat Leather Nature for Seat heater Right	/R	1	IN1A/N1P/Q2J I4A4
	958 522 406 74 D0L	Espresso			+VA
	958 522 406 74 D0M	Cognac			+VB
(4)	958 522 406 76	Cover for cushion Standard seat Leather Nature Draped leather with heating Right	/R -13	1	IN5Y/Q2J/4A4
	958 522 406 76 D0L	Espresso			+VA
	958 522 406 76 D0M	Cognac			+VB
(4)	958 522 406 77	Cover for cushion Standard seat Leather Nature Draped leather with heating Right	/R 14-	1	IN5Y/Q2J/4A4
	958 522 406 77 D0L	Espresso			+VA
	958 522 406 77 D0M	Cognac			+VB
5	958 653 043 00	Heating element Seat side bolster Rear	/L	1	I4A4
6	958 653 044 00	Heating element Seat side bolster Rear	/R	1	I4A4

Model: 92A 11

Model life 2011>>



Model: 92A 11 Model life 2011>>

Pos	Part Number	Description	Remark	Qty	Model
		Seat cushion Sports seat Rear Foam part Cover Heating element Foam part	/L	1	IQ1J/Q4P IN0Q/N1A/N1B IN1M/N1P/N2S IN5U
1	958 522 375 21				
		Seat cushion Left Foam part	/R	1	IN0Q/N1A/N1B IN1M/N1P/N2S IN5U
2	958 522 376 21				
		Seat cushion Right Cover for cushion	/L	1	IN0Q/N1B/N1M IN5U/4A0/4A3
3	958 522 405 87				
		Plain leather Left 958 522 405 87 D0D Black 958 522 405 87 D0E Platinum Grey 958 522 405 87 D0F Luxor Beige 958 522 405 87 D0G Umber 958 522 405 87 D0J Cream 958 522 405 87 D0K Light Tartufo 958 522 405 87 YKI Agate Grey 958 522 405 87 YMI Saddle Tan 958 522 405 87 AAB Black/Carrera Red 958 522 405 87 AAC Black/Luxor Beige 958 522 405 87 HGK Black/Cream 958 522 405 87 HHM Cohiba Brown			+LC, +MA, +YC +LD, +MD, +YD +LE, +MC, +MK +YE +LF, +YF +MJ, +TX +TY +MB, +MG, +ML +ME, +MH, +MI +TA +77 +LG +LH
(3)	958 522 405 86	Cover for cushion	/L	1	IN1A/N1P/4A0 I4A3
		Leather Nature Left 958 522 405 86 D0L Espresso 958 522 405 86 D0M Cognac			+VA +VB
(3)	958 522 407 01	Cover for cushion	/L -13	1	GTS IN2S/Q4P/3NW I4A0/4A3
		Alcantara 958 522 407 01 IVA Black 958 522 407 01 IVB Platinum Grey 958 522 407 01 IVC Luxor Beige 958 522 407 01 IVD Umber 958 522 407 01 IVE Black/Carmin Red 958 522 407 01 IVF Black/Peridot			+MA, +YC, +MD, +YD, +MC, +YE, +YF, +YA, +YB,
(3)	958 522 407 02	Cover for cushion	/L 14-	1	GTS IN2S/Q4P/3NW I4A0/4A3
		Alcantara 958 522 407 02 IVA Black 958 522 407 02 IVB Platinum Grey 958 522 407 02 IVC Luxor Beige 958 522 407 02 IVD Umber 958 522 407 02 IVE Black/Carmin Red 958 522 407 02 IVF Black/Peridot 958 522 407 02 DJM Agate Grey 958 522 407 02 DJN Saddle Tan 958 522 407 02 DJP Black/Rhodium Silver			+LC, +MA, +YC, +MD, +YD, +LE, +MC, +YE, +YF, +YA, +YB, +MB, +MG, +ML +ME +MF

Model: 92A 11 Model life 2011>>

Pos	Part Number	Description	Remark	Qty	Model
(3)	958 522 405 90	Cover for cushion Leather Nature Seat heater Left	/L 16-	1	IGP1/N1A/3NW I4D1
	958 522 405 90 D0L	Espresso			+VA
	958 522 405 90 D0M	Cognac			+VB
(3)	958 522 405 93	Cover for cushion Plain leather for Seat heater Left	/L	1	IN0Q/N1B/N1M IN5U/4A4
	958 522 405 93 D0D	Black			+LC, +MA, +YC,
	958 522 405 93 D0E	Platinum Grey			+LD, +MD, +YD
	958 522 405 93 D0F	Luxor Beige			+LE, +MC, +MK, +YE
	958 522 405 93 D0G	Umber			+LF, +YF,
	958 522 405 93 D0H	Titanium Blue			
	958 522 405 93 D0J	Cream			+MJ, +TX
	958 522 405 93 D0K	Light Tartufo			+TY
	958 522 405 93 YKI	Agate Grey			+MB, +MG, +ML
	958 522 405 93 YMI	Saddle Tan			+ME, +MH, +MI, +TA
	958 522 405 93 AAB	Black/Carrera Red			+TB, +77
	958 522 405 93 AAC	Black/Luxor Beige			
(3)	958 522 405 97	Cover for cushion Leather Nature Seat heater Left	/L -13	1	IN1A/N1P/4A4
	958 522 405 97 D0L	Espresso			+VA
	958 522 405 97 D0M	Cognac			+VB
(3)	958 522 405 98	Cover for cushion Leather Nature Seat heater Left	/L 14-	1	IN1A/N1P/3NW I4A4/4D0/4D3
	958 522 405 98 D0L	Espresso			+VA
	958 522 405 98 D0M	Cognac			+VB
(3)	958 522 409 00	Cover for cushion Alcantara	/L -13	1	GTS IN2S/Q4P/3NW I4A4
	958 522 409 00 IVA	Black			+MA, +YC,
	958 522 409 00 IVB	Platinum Grey			+MD, +YD,
	958 522 409 00 IVC	Luxor Beige			+MC, +YE,
	958 522 409 00 IVD	Umber			+YF
	958 522 409 00 IVE	Black/Carmin Red			+YA,
	958 522 409 00 IVF	Black/Peridot			+YB,
(3)	958 522 409 01	Cover for cushion Alcantara	/L -14	1	GTS IN2S/Q4P/3NW I4A4
	958 522 409 01 IVA	Black			+MA, +YC,
	958 522 409 01 IVB	Platinum Grey			+MD, +YD,
	958 522 409 01 IVC	Luxor Beige			+MC, +YE,
	958 522 409 01 IVD	Umber			+YF
	958 522 409 01 IVE	Black/Carmin Red			+YA,
	958 522 409 01 IVF	Black/Peridot			+YB,
	958 522 409 01 DJM	Agate Grey			
	958 522 409 01 DJN	Saddle Tan			

Model: 92A 11 Model life 2011>>

Pos	Part Number	Description	Remark	Qty	Model
4	958 522 409 01 DJP	Black/Rhodium Silver	/R	1	IN0Q/N1B/N1M IN5U/4A0/4A3
	958 522 406 87	Cover for cushion			
		Plain leather			
		Right			
	958 522 406 87 D0D	Black			
	958 522 406 87 D0E	Platinum Grey			
	958 522 406 87 D0F	Luxor Beige			
	958 522 406 87 D0G	Umber			
	958 522 406 87 D0H	Titanium Blue			
	958 522 406 87 D0J	Cream			
	958 522 406 87 D0K	Light Tartufo			
	958 522 406 87 YKI	Agate Grey			
	958 522 406 87 YMI	Saddle Tan			
	958 522 406 87 AAB	Black/Carrera Red			
958 522 406 87 AAC	Black/Luxor Beige				
958 522 406 87 HGK	Black/Cream				
958 522 406 87 HHM	Cohiba Brown				
(4)	958 522 406 86	Cover for cushion	/R	1	IN1A/N1P/4A0 I4A3
		Leather			
		Nature			
		Right			
	958 522 406 86 D0L	Espresso			+VA
	958 522 406 86 D0M	Cognac			+VB
(4)	958 522 408 01	Cover for cushion	/R -13	1	GTS IN2S/Q4P/3NW I4A0/4A3
		Alcantara			
	958 522 408 01 IVA	Black			+MA,+YC,
	958 522 408 01 IVB	Platinum Grey			+MD,+YD,
	958 522 408 01 IVC	Luxor Beige			+MC,+YE,
	958 522 408 01 IVD	Umber			+YF,
	958 522 408 01 IVE	Black/Carmin Red			+YA,
	958 522 408 01 IVF	Black/Peridot			+YB,
(4)	958 522 408 02	Cover for cushion	/R 14-	1	GTS IN2S/Q4P/3NW I4A0/4A3
		Alcantara			
	958 522 408 02 IVA	Black			+LC,+MA,+YC,
	958 522 408 02 IVB	Platinum Grey			+MD,+YD,
	958 522 408 02 IVC	Luxor Beige			+LE,+MC,+YE,
	958 522 408 02 IVD	Umber			+YF,
	958 522 408 02 IVE	Black/Carmin Red			+YA,
	958 522 408 02 IVF	Black/Peridot			+YB,
	958 522 408 02 DJM	Agate Grey			+MB,+MG,+ML
	958 522 408 02 DJN	Saddle Tan			+ME
	958 522 408 02 DJP	Black/Rhodium Silver			+MF
(4)	958 522 406 90	Cover for cushion	/R 16-	1	IGP1/N1A/3NW I4D1
		Leather			
		Nature			
		Seat heater			
		Left			
	958 522 406 90 D0L	Espresso			+VA
	958 522 406 90 D0M	Cognac			+VB
(4)	958 522 410 20	Cover for cushion	/R	1	IGP1/N0Q/N1B I3NW/4D1
		Leather			
		Nature			
		Seat heater			
		Left			

Model: 92A 11 Model life 2011>>

Pos	Part Number	Description	Remark	Qty	Model
	958 522 410 20 AAB	Black/Carrera Red			+TA
	958 522 410 20 AAC	Black/Luxor Beige			+77
	958 522 410 20 D0D	Black			+LC, +MA, +YC
	958 522 410 20 D0F	Luxor Beige			+LE, +MC, +MK
					+YE
	958 522 410 20 D0J	Cream			+MJ
	958 522 410 20 HGK	Black/Cream			+LG
	958 522 410 20 HHM	Cohiba Brown			+LH
	958 522 410 20 YKI	Agate Grey			+MB, +MG, +ML
(4)	958 522 406 93	Cover for cushion	/R	1	+ME, +MH, +MI IN0Q/N1B/N1M IN5U/3NW/4A4 I4D0/4D3
		Plain leather for Seat heater Right			
	958 522 406 93 D0D	Black			+LC, +MA, +YC,
	958 522 406 93 D0E	Platinum Grey			+LD, +MD, +YD,
	958 522 406 93 D0F	Luxor Beige			+LE, +MC, +MK,
					+YE
	958 522 406 93 D0G	Umber			+LF, +YF,
	958 522 406 93 D0H	Titanium Blue			
	958 522 406 93 D0J	Cream			+MJ, +TX,
	958 522 406 93 D0K	Light Tartufo			+TY
	958 522 406 93 YKI	Agate Grey			+MB, +MG, +ML
	958 522 406 93 YMI	Saddle Tan			+ME, +MH, +MI,
	958 522 406 93 AAB	Black/Carrera Red			+TA
(4)	958 522 406 93 AAC	Black/Luxor Beige	/R	1	+TB, +77 IN1A/N1P/3NW I4A4/4D0/4D3
	958 522 406 98	Cover for cushion			
		Leather Nature for Seat heater Right			
	958 522 406 98 D0L	Espresso			+VA
	958 522 406 98 D0M	Cognac			+VB
(4)	958 522 410 00	Cover for cushion	/R -13	1	GTS IN2S/Q4P/3NW I4A4
		Alcantara			
	958 522 410 00 IVA	Black			+MA, +YC,
	958 522 410 00 IVB	Platinum Grey			+MD, +YD,
	958 522 410 00 IVC	Luxor Beige			+MC, +YE,
	958 522 410 00 IVD	Umber			+YF,
	958 522 410 00 IVE	Black/Carmin Red			+YA,
	958 522 410 00 IVF	Black/Peridot			+YB,
(4)	958 522 410 01	Cover for cushion	/R 14-	1	GTS IN2S/Q4P/3NW I4A4
		Alcantara			
	958 522 410 01 IVA	Black			+MA, +YC,
	958 522 410 01 IVB	Platinum Grey			+MD, +YD,
	958 522 410 01 IVC	Luxor Beige			+MC, +YE,
	958 522 410 01 IVD	Umber			+YF
	958 522 410 01 IVE	Black/Carmin Red			+YA,
	958 522 410 01 IVF	Black/Peridot			+YB,
	958 522 410 01 DJM	Agate Grey			
	958 522 410 01 DJN	Saddle Tan			
	958 522 410 01 DJP	Black/Rhodium Silver			
5	958 653 043 10	Heating element Seat side bolster	/L	1	I4A4

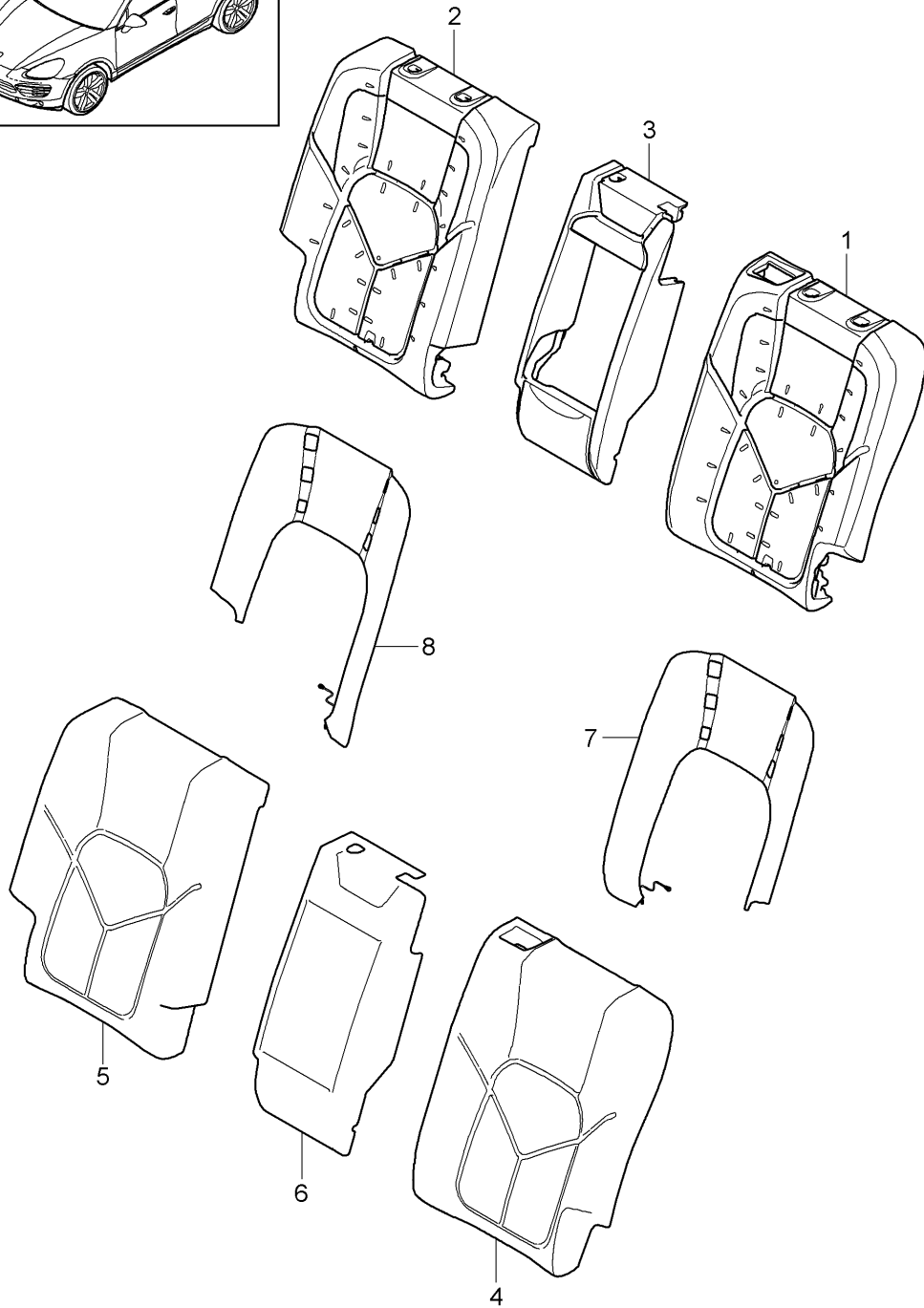
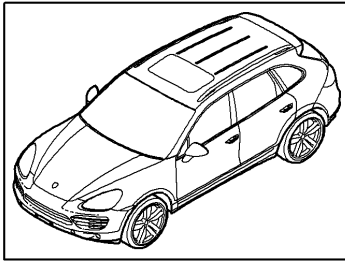
Model: 92A 11

Model life 2011>>

Pos	Part Number	Description	Remark	Qty	Model
6	958 653 044 10	Rear Heating element Seat side bolster Rear	/R	1	I4A4

Model: 92A 11

Model life 2011>>



Model: 92A 11

Model life 2011>>

Pos	Part Number	Description	Remark	Qty	Model
1	958 522 775 00	Back seat backrest Standard seat Comfort seat Rear Foam part Cover Heating element Foam part	/L	1	IQ1G/Q2J -IGP1/IN0Q IN1A/N1B/N1D IN1M/N1P/N1X IN5U I4D0/4D3/4X3
(1)	958 522 775 01	Backrest Left Foam part	/L	1	IGP1/N0Q/N1A IN1B/N1D/N1M IN1P/N1X/N5U I4A0/4A3/4X3
(1)	958 522 775 05	Backrest Left Foam part	/L	1	IGP1/N0Q/N1A IN1B/N1D/N1M IN1P/N1X/N5U I4A4/4D0/4D3 I4X3
(1)	958 522 775 10	Heated Left Foam part	/L	1	-IGP1/IN0Q IN1A/N1B/N1D IN1M/N1P/N1X IN5U I4D0/4D3/4X4
(1)	958 522 775 15	Backrest with Airbag Left Foam part	/L 15-	1	IN0Q/N1A/N1B IN1D/N1M/N1P IN1X/N5U/3NW I4A4 I4D0/4D3/4X4
(1)	958 522 775 20	Backrest Heated with Airbag Left Foam part	/L	1	IN5Y/N7D/N7F I4X3
(1)	958 522 775 30	Backrest Left Draped leather Foam part	/L	1	IN5Y/N7D/N7F I4X4
(1)	958 522 775 35	Backrest with Airbag Left Draped leather Foam part	/L 15-	1	IGP1/N0Q/N1A IN1B/4A4/4D1 I4X4
2	958 522 776 00	Backrest Vented with Airbag Left Foam part	/R	1	IN0Q/N1A/N1B

Model: 92A 11 Model life 2011>>

Pos	Part Number	Description	Remark	Qty	Model
(2)	958 522 776 10	Backrest Right Foam part	/R	1	IN1D/N1M/N1P IN1X/N5U I4D0/4D3/4X3 IGP1/N1D/N1M I3NW/4D0/4D3 I4X4 I4D0/4D3/4X4
(2)	958 522 776 15	Backrest with Airbag Right Foam part	/R	1	IGP1/4A4/4X4
(2)	958 522 776 20	Backrest Heated with Airbag Right Foam part	/R	1	IN5Y/N7D/N7F I4X3
(2)	958 522 776 30	Backrest Right Draped leather Foam part	/R	1	IN5Y/N7D/N7F I4X4
3	958 522 777 00	Backrest with Airbag Right Draped leather Foam part		1	
4	958 522 805 13	Backrest Right Backrest cover	/L	1	IN1D/4A0/4A3 I4X4
(4)	958 522 805 13 HAA 958 522 805 20	Standard seat Leather Embossed Black/Luxor Beige Backrest cover	/L	1	+77 IN1D/3NW/4A4 I4X4
(4)	958 522 805 20 HAA 958 522 805 02	Standard seat Leather Embossed Black/Luxor Beige Backrest cover	/L	1	+77 IN1X/4A0/4A3 I4X3
(4)	958 522 805 02 D0A 958 522 805 02 D0B 958 522 805 02 D0C 958 522 805 07	Standard seat Leather Embossed Black Platinum Grey Luxor Beige Backrest cover	/L	1	+MA +MD +MC IN1X/4A0/4A3 I4X4
(4)	958 522 805 07 D0A 958 522 805 07 D0B 958 522 805 07 D0C 958 522 835 00	Standard seat Leather Embossed with Airbag Black Platinum Grey Luxor Beige Backrest cover	/L 15-	1	+MA +MD +MC IGP1/N1X/4D0

Model: 92A 11 Model life 2011>>

Pos	Part Number	Description	Remark	Qty	Model
		Standard seat Leather Embossed with Airbag			I4D3/4X4
(4)	958 522 835 00 D0A 958 522 835 00 D0C 958 522 835 00 DJL 958 522 805 11	Black Luxor Beige Agate Grey Backrest cover	/L -13	1	+MA +MC +MB IN7F/4A0/4A3 I4X3
(4)	958 522 805 11 D0A 958 522 805 11 D0B 958 522 805 11 D0C 958 522 805 12	Standard seat Draped leather Embossed Black Platinum Grey Luxor Beige Backrest cover	/L 14-	1	+MA +MC +MB IN7F/4A0/4A3 I4X3
(4)	958 522 805 12 D0A 958 522 805 12 D0B 958 522 805 12 D0C 958 522 805 12 DJL 958 522 805 17	Standard seat Draped leather Embossed Black Platinum Grey Luxor Beige Agate Grey Backrest cover	/L -13	1	+MA +MD +MC +MB IN7F/4A0/4A3 I4X4
(4)	958 522 805 17 D0A 958 522 805 17 D0B 958 522 805 17 D0C 958 522 805 18	Standard seat Draped leather Embossed with Airbag Black Platinum Grey Luxor Beige Backrest cover	/L 14-	1	+MA +MD +MC IN7F/4A0/4A3 I4X4
(4)	958 522 805 18 D0A 958 522 805 18 D0B 958 522 805 18 D0C 958 522 805 18 DJL 958 522 805 20	Standard seat Draped leather Embossed with Airbag Black Platinum Grey Luxor Beige Agate Grey Backrest cover	/L -13	1	+MA +MD +MC +MB IN1X/Q1G/3NW I4A4/4X3
(4)	958 522 805 20 D0A 958 522 805 20 D0B 958 522 805 20 D0C 958 522 805 22	Standard seat Leather Embossed for Seat heater Black Platinum Grey Luxor Beige Backrest cover	/L 14-	1	+MA +MD +MC IN1X/Q1G/3NW I4A4/4X3
		Standard seat Leather Embossed for			

Model: 92A 11

Model life 2011>>

Pos	Part Number	Description	Remark	Qty	Model
(4)	958 522 805 22 D0A	Seat heater Black	/L	1	+MA +MD +MC IN1X/4A4/4X4
	958 522 805 22 D0B	Platinum Grey			
	958 522 805 22 D0C	Luxor Beige			
	958 522 805 27	Backrest cover Standard seat Leather Embossed for Seat heater Airbag			
	958 522 805 27 D0A	Black			
(4)	958 522 805 27 D0B	Platinum Grey	/L -13	1	+MA +MD +MC IN7F/4A4/4X3
	958 522 805 27 D0C	Luxor Beige			
	958 522 805 31	Backrest cover Standard seat Draped leather Embossed for Seat heater Airbag			
	958 522 805 31 D0A	Black			
	958 522 805 31 D0B	Platinum Grey			
(4)	958 522 805 31 D0C	Luxor Beige	/L 14-	1	+MA +MD +MC IN7F/4A4/4X3
	958 522 805 32	Backrest cover Standard seat Draped leather Embossed for Seat heater Airbag			
	958 522 805 32 D0A	Black			
	958 522 805 32 D0B	Platinum Grey			
	958 522 805 32 D0C	Luxor Beige			
(4)	958 522 805 32 DJL	Agate Grey	/L -13	1	+MA +MD +MC +MB IN7F/4A4/4X4
	958 522 805 36	Backrest cover Standard seat Draped leather Embossed for Seat heater Airbag			
	958 522 805 36 D0A	Black			
	958 522 805 36 D0B	Platinum Grey			
	958 522 805 36 D0C	Luxor Beige			
(4)	958 522 805 37	Backrest cover Standard seat Draped leather Embossed for Seat heater Airbag	/L 14-	1	+MA +MD +MC IN7F/4A4/4X4
	958 522 805 37 D0A	Black			
	958 522 805 37 D0B	Platinum Grey			
	958 522 805 37 D0C	Luxor Beige			
	958 522 805 37 DJL	Agate Grey			
(4)	958 522 805 40	Backrest cover Standard seat Draped leather	/L -13	1	+MA +MD +MC +MB IN7D/4A0/4A3 I4X3
	958 522 805 40 D0D	Black			
	958 522 805 40 D0E	Platinum Grey			
	958 522 805 40 D0F	Luxor Beige			
	958 522 805 40 D0G	Umber			
	958 522 805 40 D0H	Titanium Blue			
	958 522 805 40 D0D	Black			
	958 522 805 40 D0E	Platinum Grey			
	958 522 805 40 D0F	Luxor Beige			
	958 522 805 40 D0G	Umber			
958 522 805 40 D0H	Titanium Blue				

Model: 92A 11 Model life 2011>>

Pos	Part Number	Description	Remark	Qty	Model
(4)	958 522 805 40 D0J	Cream		1	+TX
	958 522 805 40 D0K	Light Tartufo			+TY
	958 522 805 42	Backrest cover	/L 14-		IN7D/4A0/4A3 I4X3
		Standard seat Draped leather			
	958 522 805 42 D0D	Black			+LC, +MF, +YC,
	958 522 805 42 D0E	Platinum Grey			+LD, +MD, +YD,
	958 522 805 42 D0F	Luxor Beige			+LE, +MC, +YE,
	958 522 805 42 D0G	Umber			+LF, +YF,
	958 522 805 42 D0H	Titanium Blue			
	958 522 805 42 D0J	Cream			+TX
(4)	958 522 805 42 D0K	Light Tartufo		+TY	
	958 522 805 42 FSR	Luxor Beige	15-	+MK	
	958 522 805 42 YKI	Agate Grey	15-	+MB, +MG	
	958 522 805 42 YMI	Saddle Tan	15-	+MH	
	958 522 805 46	Backrest cover	/L -13	1	IN0Q/N1B/N1M IN5U/4A0/4A3 I4X4
		Standard seat Plain leather with Airbag			
	958 522 805 46 D0D	Black		+LC, +MA, +AC,	
	958 522 805 46 D0E	Platinum Grey		+LD, +MD, +YD,	
	958 522 805 46 D0F	Luxor Beige		+LE, +MC, +YE,	
	958 522 805 46 D0G	Umber		+LF, +YF,	
(4)	958 522 805 46 D0H	Titanium Blue		+TW	
	958 522 805 46 D0J	Cream		+TX	
	958 522 805 46 D0K	Light Tartufo		+TY	
	958 522 805 46 AAB	Black/Carrera Red		+TA	
	958 522 805 46 AAC	Black/Luxor Beige		+TB	
	958 522 805 47	Backrest cover	/L 14-	1	IN0Q/N1B/N1M IN5U/4A0/4A3 I4X4
		Standard seat Plain leather with Airbag			
	958 522 805 47 D0D	Black		+LC, +MA, +YC,	
	958 522 805 47 D0E	Platinum Grey			
	958 522 805 47 D0F	Luxor Beige		+LE, +MC, +MK, +YE	
(4)	958 522 805 47 D0G	Umber			
	958 522 805 47 D0H	Titanium Blue			
	958 522 805 47 D0J	Cream		+MJ	
	958 522 805 47 D0K	Light Tartufo			
	958 522 805 47 AAB	Black/Carrera Red		+TA	
	958 522 805 47 AAC	Black/Luxor Beige		+77	
	958 522 805 48	Backrest cover	/L 15-	1	IGP1/N0Q/N1B IN1M/N5U/3NW I4D0/4D3/4X4
		Comfort seat Plain leather with Airbag			
	958 522 805 48 AAB	Black/Carrera Red		+TA,	
	958 522 805 48 AAC	Black/Luxor Beige		+77,	
958 522 805 48 D0D	Black		+LC, +MA, +YC,		
958 522 805 48 D0F	Luxor Beige		+LE, +MC, +YE,		
958 522 805 48 FSR	Luxor Beige/Saddle Tan		+MK,		
958 522 805 48 HGK	Black/Cream		+LG,		
958 522 805 48 HHD	Saddle Tan/Black		+MI,		

Model: 92A 11 Model life 2011>>

Pos	Part Number	Description	Remark	Qty	Model
(4)	958 522 805 48 HHI	Cream/Saddle Tan	/L	1	+MJ, +MB,+MG,+ML +ME,+MH IN0Q/N1B/N1M IN5U/4A0/4A3 I4X3
	958 522 805 48 YKI	Agate Grey			
	958 522 805 48 YMI	Saddle Tan			
	958 522 805 52	Backrest cover			
		Standard seat			
		Plain leather			
	958 522 805 52 D0D	Black			
	958 522 805 52 D0E	Platinum Grey			
	958 522 805 52 D0F	Luxor Beige			
	958 522 805 52 D0G	Umber			
958 522 805 52 D0H	Titanium Blue				
958 522 805 52 D0J	Cream				
958 522 805 52 D0K	Light Tartufo				
958 522 805 52 AAB	Black/Carrera Red				
958 522 805 52 AAC	Black/Luxor Beige				
(4)	958 522 805 56	Backrest cover	/L -13	1	+LC,+MA,+YC, +LD,+MD,+YD, +LE,+MC,+YE, +LF,+YF, +TX +TY +TA +TB,+77 IN7D/4A0/4A3 I4X4
		Standard seat			
		Draped leather			
		with			
		Airbag			
958 522 805 56 D0D	Black				
958 522 805 56 D0E	Platinum Grey				
958 522 805 56 D0F	Luxor Beige				
958 522 805 56 D0G	Umber				
958 522 805 56 D0H	Titanium Blue				
958 522 805 56 D0J	Cream				
958 522 805 56 D0K	Light Tartufo				
(4)	958 522 805 57	Backrest cover	/L 14-	1	+LC,+MA,+YC, +LD,+MD,+YD, +LE,+MC,+YE, +LF,+YF, +TW +TX +TY IN7D/4A0/4A3 I4X4
		Standard seat			
		Draped leather			
		with			
		Airbag			
958 522 805 57 D0D	Black				
958 522 805 57 D0E	Platinum Grey				
958 522 805 57 D0F	Luxor Beige				
958 522 805 57 D0G	Umber				
958 522 805 57 D0H	Titanium Blue				
958 522 805 57 D0J	Cream				
958 522 805 57 D0K	Light Tartufo				
958 522 805 57 FSR	Luxor Beige/Saddle Tan				
958 522 805 57 HHD	Saddle Tan/Black				
958 522 805 57 HHI	Cream/Saddle Tan				
958 522 805 57 YKI	Agate Grey				
958 522 805 57 YMI	Saddle Tan				
(4)	958 522 805 61	Backrest cover	/L -13	1	+MK +MI +MJ +MB,+MG +MH IN1A/N1P/4A0 I4A3/4X3
		Standard seat			
		Leather			
		Nature			
958 522 805 61 D0L	Espresso				
958 522 805 61 D0M	Cognac				
(4)	958 522 805 62	Backrest cover	/L 14-	1	+VA +VB IN1A/N1P/4A0 I4A3/4X3
		Standard seat			
		Leather			
		Nature			
958 522 805 62 D0L	Espresso				
958 522 805 62 D0M	Cognac				
(4)	958 522 805 65	Backrest cover	/L -13	1	+VA +VB IN1A/N1P/4A0

Model: 92A 11

Model life 2011>>

Pos	Part Number	Description	Remark	Qty	Model
		Standard seat Leather Nature with Airbag			I4A3/4X4
(4)	958 522 805 65 D0L 958 522 805 65 D0M 958 522 805 66	Espresso Cognac Backrest cover	/L 14-	1	+VA +VB IN1A/N1P/4A0 I4A3/4X4
(4)	958 522 805 66 D0L 958 522 805 66 D0M 958 522 805 71	Standard seat Leather Nature with Airbag Espresso Cognac Backrest cover	/L -13	1	+VA +VB IN5Y/4A0/4A3 I4X3
(4)	958 522 805 71 D0L 958 522 805 71 D0M 958 522 805 72	Standard seat Leather Nature Draped leather Espresso Cognac Backrest cover	/L 14-	1	+VA +VB IN5Y/4A0/4A3 I4X3
(4)	958 522 805 72 D0L 958 522 805 72 D0M 958 522 805 76	Standard seat Leather Nature Draped leather Espresso Cognac Backrest cover	/L -13	1	+VA +VB IN5Y/4A0/4A3 I4X4
(4)	958 522 805 76 D0L 958 522 805 76 D0M 958 522 805 77	Standard seat Leather Nature Draped leather with Airbag Espresso Cognac Backrest cover	/L 14-	1	+VA +VB IN5Y/4A0/4A3 I4X4
(4)	958 522 805 77 D0L 958 522 805 77 D0M 958 522 805 88	Standard seat Leather Nature Draped leather with Airbag Espresso Cognac Backrest cover	/L	1	+VA +VB IN0Q/N1B/N1M IN5U/3NW/4A4 I4X4
		Standard seat Plain leather for Seat heater Airbag			
	958 522 805 88 D0D 958 522 805 88 D0E	Black Platinum Grey			+LC, +MA, +YC, +LD, +MD, +YD,

Model: 92A 11 Model life 2011>>

Pos	Part Number	Description	Remark	Qty	Model			
(4)	958 522 805 88 D0F	Luxor Beige	/L -13	1	+LE,+MC,+YE			
	958 522 805 88 D0G	Umber			+LF,+YF,+TX			
	958 522 805 88 D0H	Titanium Blue			+TW			
	958 522 805 88 D0J	Cream			+TX			
	958 522 805 88 D0K	Light Tartufo			+TY			
	958 522 805 88 AAB	Black/Carrera Red			+TA			
	958 522 805 88 AAC	Black/Luxor Beige			+TB,+77			
	958 522 805 88 HGK	Black/Cream			+LG			
	958 522 805 87	Backrest cover			IN0Q/N1B/N5U I3NW/4A4/4X3			
	(4)	958 522 805 87 D0D			Black	/L 14-	1	+LC,+MA,+YC,
958 522 805 87 D0E		Platinum Grey	+LD,+MD,+YD,					
958 522 805 87 D0F		Luxor Beige	+LE,+MC,+YE					
958 522 805 87 D0G		Umber	+LF,+YF,					
958 522 805 87 D0H		Titanium Blue	+TW					
958 522 805 87 D0J		Cream	+TX					
958 522 805 87 D0K		Light Tartufo	+TY					
958 522 805 87 AAB		Black/Carrera Red	+TA					
958 522 805 87 AAC		Black/Luxor Beige	+TB					
958 522 805 89		Backrest cover	IN0Q/N1B/N1M IN5U/4A4/4X3					
(4)	958 522 805 89 D0D	Black	/L -13	1	+LC,+MA,+YC,			
	958 522 805 89 D0E	Platinum Grey			+LD,+MD,+YD,			
	958 522 805 89 D0F	Luxor Beige			+LE,+MC,+YE			
	958 522 805 89 D0G	Umber			+LF,+YF,			
	958 522 805 89 D0H	Titanium Blue						
	958 522 805 89 D0J	Cream			+TX			
	958 522 805 89 D0K	Light Tartufo			+TY			
	958 522 805 89 AAB	Black/Carrera Red			+TA			
	958 522 805 89 AAC	Black/Luxor Beige			+TB,+77			
	958 522 805 89 HGK	Black/Cream			+LG			
958 522 805 91	Backrest cover	IN7D/4A4/4X3						
(4)	958 522 805 91 D0D	Black	/L 14-	1	+LC,+MA,+YC,			
	958 522 805 91 D0E	Platinum Grey			+LD,+MD,+YD,			
	958 522 805 91 D0F	Luxor Beige			+LE,+MC,+YE,			
	958 522 805 91 D0G	Umber			+LF,+YF,			
	958 522 805 91 D0H	Titanium Blue			+TW,			
	958 522 805 91 D0J	Cream			+TX			
	958 522 805 91 D0K	Light Tartufo			+TY			
	958 522 805 92	Backrest cover			IN7D/4A4/4X3			
	(4)	958 522 805 92 D0D			Black			+LC,+MA,+YC,
		958 522 805 92 D0E			Platinum Grey			+LD,+MD,+YD,
958 522 805 92 D0F		Luxor Beige	+LE,+MC,+YE,					
958 522 805 92 D0G		Umber	+LF,+YF					
958 522 805 92 D0H		Titanium Blue						

Model: 92A 11 Model life 2011>>

Pos	Part Number	Description	Remark	Qty	Model
	958 522 805 92 DOJ	Cream			+MJ
	958 522 805 92 DOK	Light Tartufo			+TY
	958 522 805 92 FSR	Luxor Beige/Saddle Tan			+MK
	958 522 805 92 HHD	Saddle Tan/Black			+MI
	958 522 805 92 HHI	Cream/Saddle Tan			+MJ
	958 522 805 92 YKI	Agate Grey			+MB, +MG
	958 522 805 92 YMI	Saddle Tan			+MH
(4)	958 522 805 96	Backrest cover Standard seat Draped leather for Seat heater Airbag	/L -13	1	IN7D/4A4/4X4
	958 522 805 96 DOD	Black			+LC, +MA, +YC,
	958 522 805 96 D0E	Platinum Grey			+LD, +MD, +YD,
	958 522 805 96 D0F	Luxor Beige			+LE, +MC, +YE
	958 522 805 96 D0G	Umber			+LF, +YF,
	958 522 805 96 D0H	Titanium Blue			+TW
	958 522 805 96 DOJ	Cream			+TX
	958 522 805 96 DOK	Light Tartufo			+TY
(4)	958 522 805 97	Backrest cover Standard seat Draped leather for Seat heater Airbag	/L 14-	1	IN7D/4A4/4X4
	958 522 805 97 DOD	Black			+LC, +MA, +YC,
	958 522 805 97 D0E	Platinum Grey			+LD, +MD, +YD,
	958 522 805 97 D0F	Luxor Beige			+LE, +MC, +YE,
	958 522 805 97 D0G	Umber			+LF, +YF,
	958 522 805 97 D0H	Titanium Blue			
	958 522 805 97 DOJ	Cream			+MJ
	958 522 805 97 DOK	Light Tartufo			+TY
	958 522 805 97 FSR	Luxor Beige/Saddle Tan			+MK
	958 522 805 97 HHD	Saddle Tan/Black			+MI
	958 522 805 97 HHI	Cream/Saddle Tan			+MJ
	958 522 805 97 YKI	Agate Grey			+MB, +MG
	958 522 805 97 YMI	Saddle Tan			+MH
(4)	958 522 807 01	Backrest cover Standard seat Leather Nature for Seat heater	/L -13	1	IN1A/N1P/4A4 I4X3
	958 522 807 01 D0L	Espresso			+VA
	958 522 807 01 D0M	Cognac			+VB
(4)	958 522 807 02	Backrest cover Standard seat Leather Nature for Seat heater	/L 14-	1	IN1A/N1P/4A4 I4X3
	958 522 807 02 D0L	Espresso			+VA
	958 522 807 02 D0M	Cognac			+VB
(4)	958 522 807 12	Backrest cover Standard seat Leather for Seat heater Airbag	/L -13	1	IN1A/N1P/4A4 I4X4

Model: 92A 11

Model life 2011>>

Pos	Part Number	Description	Remark	Qty	Model
(4)	958 522 807 12 D0L	Espresso			+VA
	958 522 807 12 D0M	Cognac			+VB
	958 522 807 08	Backrest cover	/L 15-	1	IGP1/N1A/4D1 I4X4
(4)		Standard seat Leather for Seat heater Airbag			
	958 522 807 08 D0L	Espresso			+VA
	958 522 807 08 D0M	Cognac			+VB
(4)	958 522 807 06	Backrest cover	/L 14-	1	IN1A/N1P/4A4 I4X4
		Comfort seat Leather for Seat heater Airbag			
	958 522 807 06 D0L	Espresso			+VA
(4)	958 522 807 06 D0M	Cognac			+VB
	958 522 807 11	Backrest cover	/L -13	1	IN5Y/4A4/4X3
		Standard seat Leather Nature Draped leather for Seat heater			
(4)	958 522 807 11 D0L	Espresso			+VA
	958 522 807 11 D0M	Cognac			+VB
	958 522 807 13	Backrest cover	/L 14-	1	IN5Y/4A4/4X3
(4)		Standard seat Leather Nature Draped leather for Seat heater			
	958 522 807 13 D0L	Espresso			+VA
	958 522 807 13 D0M	Cognac			+VB
(4)	958 522 807 16	Backrest cover	/L -13	1	IN5Y/4A4/4X4
		Standard seat Leather Nature Draped leather for Seat heater Airbag			
	958 522 807 16 D0L	Espresso			+VA
(4)	958 522 807 16 D0M	Cognac			+VB
	958 522 807 17	Backrest cover	/L 14-	1	IN5Y/4A4/4X4
		Standard seat Leather Nature Draped leather for Seat heater Airbag			
5	958 522 807 17 D0L	Espresso			+VA
	958 522 807 17 D0M	Cognac			+VB
	958 522 806 02	Backrest cover	/R -14	1	IN1X/4A0/4A3 I4X3
	Standard seat Leather Embossed				

Model: 92A 11 Model life 2011>>

Pos	Part Number	Description	Remark	Qty	Model
(5)	958 522 806 02 D0A	Black	/R	1	+MA
	958 522 806 02 D0B	Platinum Grey			+MD
	958 522 806 02 D0C	Luxor Beige			+MC
	958 522 806 07	Backrest cover			IN1X/4A0/4A3 I4X4
(5)		Standard seat Leather Embossed with Airbag	/R	1	
	958 522 806 07 D0A	Black			+MA
	958 522 806 07 D0B	Platinum Grey			+MD
	958 522 806 07 D0C	Luxor Beige			+MC
(5)	958 522 806 08	Backrest cover	/R	1	IGP1/N0Q/N1B IN1M/N5U/3NW I4D0/4D3/4X4
		Standard seat Leather with Airbag			
	958 522 806 08 D0D	Black			+LC, +MA, +YC
	958 522 806 08 D0F	Luxor Beige			+LE, +MC, +YE
(5)	958 522 806 08 YKI	Agate Grey	/R -15	1	+MB, +MG, +ML
	958 522 806 08 AAC	Black/Luxor Beige			+77
	958 522 810 00	Backrest cover			IN7F/4A0/4A3 I4X3
		Standard seat Draped leather Embossed			
(5)	958 522 810 00 D0A	Black	/R 14-	1	+MA
	958 522 810 00 D0B	Platinum Grey			+MD
	958 522 810 00 D0C	Luxor Beige			+MC
	958 522 810 50	Backrest cover			IN7F/4A0/4A3 I4X3
(5)		Standard seat Draped leather Embossed with Airbag	/R -14	1	
	958 522 810 50 D0A	Black			+MA
	958 522 810 50 D0B	Platinum Grey			+MD
	958 522 810 50 D0C	Luxor Beige			+MC
(5)	958 522 810 50 DJL	Agate Grey	/R -14	1	+MB
	958 522 810 02	Backrest cover			IN7F/4A0/4A3 I4X4
		Standard seat Draped leather Embossed with Airbag			
	958 522 810 02 D0A	Black			+MA
(5)	958 522 810 02 D0B	Platinum Grey	/R 14-	1	+MD
	958 522 810 02 D0C	Luxor Beige			+MC
	958 522 810 52	Backrest cover			IN7F/4A0/4A3 I4X4
		Standard seat Draped leather Embossed with Airbag			
(5)	958 522 810 52 D0A	Black	/R -14	1	+MA
	958 522 810 52 D0B	Platinum Grey			+MD
	958 522 810 52 D0C	Luxor Beige			+MC
	958 522 810 52 DJL	Agate Grey			+MB
(5)	958 522 806 20	Backrest cover	/R -14	1	IN1X/4A4/4X3
		Standard seat Draped leather Embossed with Airbag			
	958 522 810 52 D0A	Black			+MA
	958 522 810 52 D0B	Platinum Grey			+MD
	958 522 810 52 D0C	Luxor Beige	+MC		
	958 522 810 52 DJL	Agate Grey	+MB		

Model: 92A 11 Model life 2011>>

Pos	Part Number	Description	Remark	Qty	Model
		Standard seat Leather Embossed for Seat heater			
	958 522 806 20 D0A	Black			+MA
	958 522 806 20 D0B	Platinum Grey			+MD
	958 522 806 20 D0C	Luxor Beige			+MC
(5)	958 522 806 22	Backrest cover	/R 14-	1	IN1X/4A4/4X3
		Standard seat Leather Embossed for Seat heater			
	958 522 806 22 D0A	Black			+MA
	958 522 806 22 D0B	Platinum Grey			+MD
	958 522 806 22 D0C	Luxor Beige			+MC
(5)	958 522 806 27	Backrest cover	/R	1	IN1X/3NW/4A4 I4X4
		Standard seat Leather Embossed for Seat heater Airbag			
	958 522 806 27 D0A	Black			+MA
	958 522 806 27 D0B	Platinum Grey			+MD
	958 522 806 27 D0C	Luxor Beige			+MC
(5)	958 522 810 01	Backrest cover	/R -14	1	IN7F/3NW/4A4 I4X3
		Standard seat Draped leather Embossed for Seat heater			
	958 522 810 01 D0A	Black			+MA
	958 522 810 01 D0B	Platinum Grey			+MD
	958 522 810 01 D0C	Luxor Beige			+MC
(5)	958 522 810 51	Backrest cover	/R 14-	1	IN7F/3NW/4A4 I4X3
		Standard seat Draped leather Embossed for Seat heater			
	958 522 810 51 D0A	Black			+MA
	958 522 810 51 D0B	Platinum Grey			+MD
	958 522 810 51 D0C	Luxor Beige			+MC
	958 522 810 51 DJL	Agate Grey			+MB
(5)	958 522 810 03	Backrest cover	/R -14	1	IN7F/3NW/4A4 I4X4
		Standard seat Draped leather Embossed for Seat heater Airbag			
	958 522 810 03 D0A	Black			+MA
	958 522 810 03 D0B	Platinum Grey			+MD
	958 522 810 03 D0C	Luxor Beige			+MC
(5)	958 522 810 53	Backrest cover	/R 14-	1	IN7F/3NW/4A4 I4X4
		Standard seat			

Model: 92A 11 Model life 2011>>

Pos	Part Number	Description	Remark	Qty	Model
		Draped leather Embossed for Seat heater Airbag			
	958 522 810 53 D0A	Black			+MA
	958 522 810 53 D0B	Platinum Grey			+MD
	958 522 810 53 D0C	Luxor Beige			+MC
	958 522 810 53 DJL	Agate Grey			+MB
(5)	958 522 810 05	Backrest cover	/R -14	1	IN7D/3NW/4A0 I4A3/4X3
		Standard seat Comfort seat Draped leather			
	958 522 810 05 D0D	Black			+LC,+MA,+YC,
	958 522 810 05 D0E	Platinum Grey			+LD,+MD,+YD,
	958 522 810 05 D0F	Luxor Beige			+LE,+MC,+YE,
	958 522 810 05 D0G	Umber			+LF,+YF,
	958 522 810 05 D0H	Titanium Blue			+TW,
	958 522 810 05 D0J	Cream			+TX,
	958 522 810 05 D0K	Light Tartufo			+TY,
(5)	958 522 810 55	Backrest cover	/R 14-	1	IN7D/3NW/4A0 I4A3/4X3
		Draped leather			
	958 522 810 55 D0D	Black			+LC,+MA,+YC,
	958 522 810 55 D0E	Platinum Grey			+LD,+MD,+YD,
	958 522 810 55 D0F	Luxor Beige			+LE,+MC,+YE,
	958 522 810 55 D0G	Umber			+LF,+YF,
	958 522 810 55 D0H	Titanium Blue			
	958 522 810 55 D0J	Cream			+TX,
	958 522 810 55 D0K	Light Tartufo			+TY,
	958 522 810 55 FSR	Luxor Beige/Saddle Tan			+MK,
	958 522 810 55 HHD	Saddle Tan/Black			+MI
	958 522 810 55 HHI	Cream/Saddle Tan			+MJ
	958 522 810 55 YKI	Agate Grey			+MB,+MG
	958 522 810 55 YMI	Saddle Tan			+MH
(5)	958 522 810 28	Backrest cover	/R	1	IN1M/N5U/3NW I4A0/4A3/4X4
		Standard seat Plain leather with Airbag			
	958 522 810 28 D0D	Black			+LC,+MA,+YC,
	958 522 810 28 D0E	Platinum Grey			+LD,+MD,+YD,
	958 522 810 28 D0F	Luxor Beige			+LE,+MC,+YE,
	958 522 810 28 D0G	Umber			+LF,+YF,
	958 522 810 28 D0H	Titanium Blue			
	958 522 810 28 D0J	Cream			+TX
	958 522 810 28 D0K	Light Tartufo			+TY
	958 522 810 28 AAB	Black/Carrera Red			+TA
	958 522 810 28 AAC	Black/Luxor Beige			+TB,+77
(5)	958 522 810 38	Backrest cover	/R	1	IGP1/N0Q/N1B IN1M/N5U/4D0 I4D3/4X3
		Comfort seat Plain leather with Airbag			
	958 522 810 38 AAB	Black/Carrera Red			+TA,
	958 522 810 38 AAC	Black/Luxor Beige			+77
	958 522 810 38 D0D	Black			+LC,+MA,+YC,
	958 522 810 38 FSR	Luxor Beige/Saddle Tan			+MK
	958 522 810 38 HHD	Saddle Tan/Black			+MI

Model: 92A 11 Model life 2011>>

Pos	Part Number	Description	Remark	Qty	Model
	958 522 810 38 HHI	Cream/Saddle Tan			+MJ
	958 522 810 38 YKI	Agate Grey			+MB, +MG
	958 522 810 38 YMI	Saddle Tan			+ME, +MH
	958 522 810 38 HEB	Cohiba Brown/Black			+LH
	958 522 810 38 HGK	Black/Cream			+LG
	958 522 810 38 D0F	Luxor Beige			+LE, +MC, +YE
(5)	958 522 810 34	Backrest cover	/R	1	+MK -IGP1/IN0Q IN1B/N1M/N5U I4A0/4A3/4X3
		Standard seat Plain leather			
	958 522 810 34 D0D	Black			+LC, +MA, +YC,
	958 522 810 34 D0E	Platinum Grey			+LD, +MD, +YD,
	958 522 810 34 D0F	Luxor Beige			+LE, +MC, +YE,
	958 522 810 34 D0G	Umber			+LF, +YF,
	958 522 810 34 D0H	Titanium Blue			
	958 522 810 34 D0J	Cream			+TX
	958 522 810 34 D0K	Light Tartufo			+TY
	958 522 810 34 AAB	Black/Carrera Red			+TA
	958 522 810 34 AAC	Black/Luxor Beige			+TB, +77
(5)	958 522 810 08	Backrest cover	/R -13	1	IN7D/4A0/4A3 I4X4
		Standard seat Draped leather for Seat heater			
	958 522 810 08 D0D	Black			+LC, +MA, +YC,
	958 522 810 08 D0E	Platinum Grey			+LD, +MD, +YD,
	958 522 810 08 D0F	Luxor Beige			+LE, +MC, +YE,
	958 522 810 08 D0G	Umber			+LF, +YF,
	958 522 810 08 D0H	Titanium Blue			+TW
	958 522 810 08 D0J	Cream			+TX
	958 522 810 08 D0K	Light Tartufo			+TY
(5)	958 522 810 36	Backrest cover	/R 14-	1	IN7D/4A0/4A3 I4X4
		Standard seat Draped leather for Seat heater			
	958 522 810 36 D0D	Black			+LC, +MA, +YC,
	958 522 810 36 D0E	Platinum Grey			+LD, +MD, +YD,
	958 522 810 36 D0F	Luxor Beige			+LE, +MC, +YE,
	958 522 810 36 D0G	Umber			+LF, +YF,
	958 522 810 36 D0H	Titanium Blue			
	958 522 810 36 D0J	Cream			+TX
	958 522 810 36 D0K	Light Tartufo			+TY
	958 522 810 36 FSR	Luxor Beige/Saddle Tan			+MK
	958 522 810 36 HHD	Saddle Tan/Black			+MI
	958 522 810 36 HHI	Cream/Saddle Tan			+MJ
	958 522 810 36 YKI	Agate Grey			+MB, +MG
	958 522 810 36 YMI	Saddle Tan			+MH
(5)	958 522 810 11	Backrest cover	/R -13	1	IN1A/N1P/4A0 I4A3/4X3
		Standard seat Leather Nature			
	958 522 810 11 D0L	Espresso			+VA
	958 522 810 11 D0M	Cognac			+VB
(5)	958 522 810 41	Backrest cover	/R 14-	1	IN1A/N1P/4A0 I4A3/4X3
		Standard seat Leather			

Model: 92A 11 Model life 2011>>

Pos	Part Number	Description	Remark	Qty	Model
(5)	958 522 810 41 D0L	Nature Espresso	/R	1	+VA +VB IN1A/N1P/4A0 I4A3/4X4
	958 522 810 41 D0M	Cognac			
	958 522 810 32	Backrest cover			
(5)		Standard seat Leather Nature with Airbag	/R -13	1	+VA +VB IN5Y/4A0/4A3 I4X3
	958 522 810 32 D0L	Espresso			
	958 522 810 32 D0M	Cognac			
(5)	958 522 810 12	Backrest cover	/R 14-	1	+VA +VB IN5Y/4A0/4A3 I4X3
		Standard seat Leather Nature Draped leather			
	958 522 810 12 D0L	Espresso			
(5)	958 522 810 12 D0M	Cognac	/R	1	+VA +VB IN5Y/4A0/4A3 I4X3
	958 522 810 42	Backrest cover			
		Standard seat Leather Nature Draped leather			
(5)	958 522 810 42 D0L	Espresso	/R -13	1	+VA +VB IN0Q/N1B/N5U I3NW/4A4/4X3
	958 522 810 42 D0M	Cognac			
	958 522 810 29	Backrest cover			
(5)		Standard seat Leather Nature Draped leather with Airbag	/R 14-	1	+LC, +MA, +YC, +LD, +MD, +YD, +LE, +MC, +YE, +LF, +YF, +TW +TX +TY +TA +TB IN0Q/N1B/N1M IN5U/3NW/4A4 I4X3
	958 522 810 29 D0L	Espresso			
	958 522 810 29 D0M	Cognac			
(5)	958 522 806 87	Backrest cover	/R 14-	1	+LC, +MA, +YC, +LD, +MD, +YD, +LE, +MC, +YE,
		Standard seat Plain leather for Seat heater			
	958 522 806 87 D0D	Black			
	958 522 806 87 D0E	Platinum Grey			
	958 522 806 87 D0F	Luxor Beige			
	958 522 806 87 D0G	Umber			
	958 522 806 87 D0H	Titanium Blue			
	958 522 806 87 D0J	Cream			
	958 522 806 87 D0K	Light Tartufo			
	958 522 806 87 AAB	Black/Carrera Red			
	958 522 806 87 AAC	Black/Luxor Beige			
	958 522 806 88	Backrest cover			
		Standard seat Plain leather for Seat heater			
	958 522 806 88 D0D	Black			
	958 522 806 88 D0E	Platinum Grey			
	958 522 806 88 D0F	Luxor Beige			

Model: 92A 11 Model life 2011>>

Pos	Part Number	Description	Remark	Qty	Model
	958 522 806 88 D0G	Umber			+LF, +YF,
	958 522 806 88 D0H	Titanium Blue			
	958 522 806 88 D0J	Cream			+TX
	958 522 806 88 D0K	Light Tartufo			+TY
	958 522 806 88 AAB	Black/Carrera Red			+TA
	958 522 806 88 AAC	Black/Luxor Beige			+TB, +77
	958 522 806 88 HGK	Black/Cream			+LG
(5)	958 522 810 33	Backrest cover	/R	1	IN0Q/N1B/N1M IN5U/Q1G/Q2J I3NW/4A4/4X4
		Comfort seat Plain leather for Seat heater Airbag			
	958 522 810 33 D0D	Black			+LC, +MA, +YC
	958 522 810 33 D0E	Platinum Grey			+LD, +MD, +YD
	958 522 810 33 D0F	Luxor Beige			+LE, +MC, +YE
	958 522 810 33 D0G	Umber			+LF, +YF
	958 522 810 33 D0J	Cream			+TX
	958 522 810 33 D0K	Light Tartufo			+TY
	958 522 810 33 AAB	Black/Carrera Red			+TA
	958 522 810 33 AAC	Black/Luxor Beige			+TB, +77
	958 522 810 33 HGK	Black/Cream			+LG
(5)	958 522 810 06	Backrest cover	/R -13	1	IN7D/4A4/4X3
		Standard seat Draped leather for Seat heater			
	958 522 810 06 D0D	Black			+LC, +MA, +YC,
	958 522 810 06 D0E	Platinum Grey			+LD, +MD, +YD,
	958 522 810 06 D0F	Luxor Beige			+LE, +MC, +YE,
	958 522 810 06 D0G	Umber			+LF, +YF,
	958 522 810 06 D0H	Titanium Blue			+TW
	958 522 810 06 D0J	Cream			+TX
	958 522 810 06 D0K	Light Tartufo			+TY
(5)	958 522 810 46	Backrest cover	/R 14-	1	IN7D/4A4/4X3
		Standard seat Draped leather for Seat heater			
	958 522 810 46 D0D	Black			+LC, +MA, +YC,
	958 522 810 46 D0E	Platinum Grey			+LD, +MD, +YD,
	958 522 810 46 D0F	Luxor Beige			+LE, +MC, +YE,
	958 522 810 46 D0G	Umber			+LF, +YF
	958 522 810 46 D0H	Titanium Blue			
	958 522 810 46 D0J	Cream			+TX
	958 522 810 46 D0K	Light Tartufo			+TY
	958 522 810 46 FSR	Luxor Beige/Saddle Tan			+MK
	958 522 810 46 HHD	Saddle Tan/Black			+MI
	958 522 810 46 HHI	Cream/Saddle Tan			+MJ
	958 522 810 46 YKI	Agate Grey			+MB, +MG
	958 522 810 46 YMI	Saddle Tan			+MH
(5)	958 522 810 10	Backrest cover	/R -13	1	IN7D/4A4/4X4
		Standard seat Draped leather for Seat heater Airbag			
	958 522 810 10 D0D	Black			+LC, +MA, +YC,
	958 522 810 10 D0E	Platinum Grey			+LD, +MD, +YD,
	958 522 810 10 D0F	Luxor Beige			+LE, +MC, +YE
	958 522 810 10 D0G	Umber			+LF, +YF,

Model: 92A 11 Model life 2011>>

Pos	Part Number	Description	Remark	Qty	Model
(5)	958 522 810 10 D0H	Titanium Blue			+TW
	958 522 810 10 D0J	Cream			+TX
	958 522 810 10 D0K	Light Tartufo			+TY
	958 522 810 39	Backrest cover	/R 14-	1	IN7D/4A4/4X4
		Standard seat			
		Draped leather for			
		Seat heater			
		Airbag			
	958 522 810 39 D0D	Black			+LC, +MA, +YC,
	958 522 810 39 D0E	Platinum Grey			+LD, +MD, +YD,
	958 522 810 39 D0F	Luxor Beige			+LE, +MC, +YE
958 522 810 39 D0G	Umber			+LF, +YF,	
958 522 810 39 D0H	Titanium Blue				
958 522 810 39 D0J	Cream			+TX	
958 522 810 39 D0K	Light Tartufo			+TY	
958 522 810 39 FSR	Luxor Beige/Saddle Tan			+MK	
958 522 810 39 HHD	Saddle Tan/Black			+MI	
958 522 810 39 HHI	Cream/Saddle Tan			+MJ	
958 522 810 39 YKI	Agate Grey			+MB, +MG	
958 522 810 39 YMI	Saddle Tan			+MH	
(5)	958 522 810 43	Backrest cover	/R	1	IN1A/N1P/4A4 I4X3
		Standard seat			
		Leather			
		Nature			
		for			
		Seat heater			
958 522 810 43 D0L	Espresso				+VA
958 522 810 43 D0M	Cognac				+VB
(5)	958 522 806 13	Backrest cover	/R	1	IN1A/N1P/4A4 I4X4
		Standard seat			
		Leather			
		Nature			
		for			
		Seat heater			
		Airbag			
958 522 806 13 D0L	Espresso				+VA
958 522 806 13 D0M	Cognac				+VB
(5)	958 522 810 14	Backrest cover	/R -13	1	IN5Y/4A4/4X3
		Standard seat			
		Leather			
		Nature			
		Draped leather for			
		Seat heater			
958 522 810 14 D0L	Espresso				+VA
958 522 810 14 D0M	Cognac				+VB
(5)	958 522 810 44	Backrest cover	/R 14-	1	IN5Y/4A4/4X3
		Standard seat			
		Leather			
		Nature			
		Draped leather for			
		Seat heater			
958 522 810 44 D0L	Espresso				+VA
958 522 810 44 D0M	Cognac				+VB
(5)	958 522 810 17	Backrest cover	/R -13	1	IN5Y/4A4/4X4
		Standard seat			
		Leather			
		Nature			
		Draped leather			

Model: 92A 11

Model life 2011>>

Pos	Part Number	Description	Remark	Qty	Model
(5)		for Seat heater Airbag			
	958 522 810 17 D0L	Espresso			+VA
	958 522 810 17 D0M	Cognac			+VB
	958 522 810 47	Backrest cover Standard seat Leather Nature Draped leather	/R 14-	1	IN5Y/4A4/4X4
		for Seat heater Airbag			
(5)	958 522 810 47 D0L	Espresso			+VA
	958 522 810 47 D0M	Cognac			+VB
	958 522 810 35	Backrest cover	/R	1	IN1D/4A0/4A3 I4X3
(5)		Sports seat Partial leather two-colour			
	958 522 810 35 HAA	Black/Luxor Beige			+77
(5)	958 522 810 40	Backrest cover	/R	1	IN1D/Q1G/3NW I4A4/4X4
		Sports seat Partial leather two-colour			
(5)	958 522 810 40 HAA	Black/Luxor Beige			+77
	958 522 810 48	Backrest cover	/R	1	IN1D/Q1G/3NW I4A0/4A3/4X4
6		Sports seat Partial leather two-colour			
	958 522 810 48 HAA	Black/Luxor Beige			+77
(6)	958 522 828 02	Cover Standard seat Centre Leather Embossed		1	IN1D/N1X/N7F
	958 522 828 02 D0A	Black			+MA
	958 522 828 02 D0B	Platinum Grey			+MD
	958 522 828 02 D0C	Luxor Beige			+MC
	958 522 828 02 HAA	Black/Luxor Beige			+77
	958 522 828 02 DJL	Agate Grey	15-		+MB
	958 522 828 15	Cover		1	IN0Q/N1B/N1M IN2S/N5U/N7D
		Comfort seat Centre Plain leather			
	958 522 828 15 D0D	Black			+LC, +MA, +MF, +YA, +YC
	958 522 828 15 D0E	Platinum Grey			+LD, +MD
958 522 828 15 D0F	Luxor Beige			+LE, +MC, +YE, +LF	
958 522 828 15 D0G	Umber				
958 522 828 15 D0H	Titanium Blue				
958 522 828 15 D0J	Cream			+TX	
958 522 828 15 D0K	Light Tartufo			+TY	
958 522 828 15 YKI	Agate Grey			+MB, +MG, +ML, +ME, +MH,	
(6)	958 522 828 15 YMI	Saddle Tan			
	958 522 828 13	Cover Comfort seat Centre Leather Nature		1	IN1A/N1P/N5Y

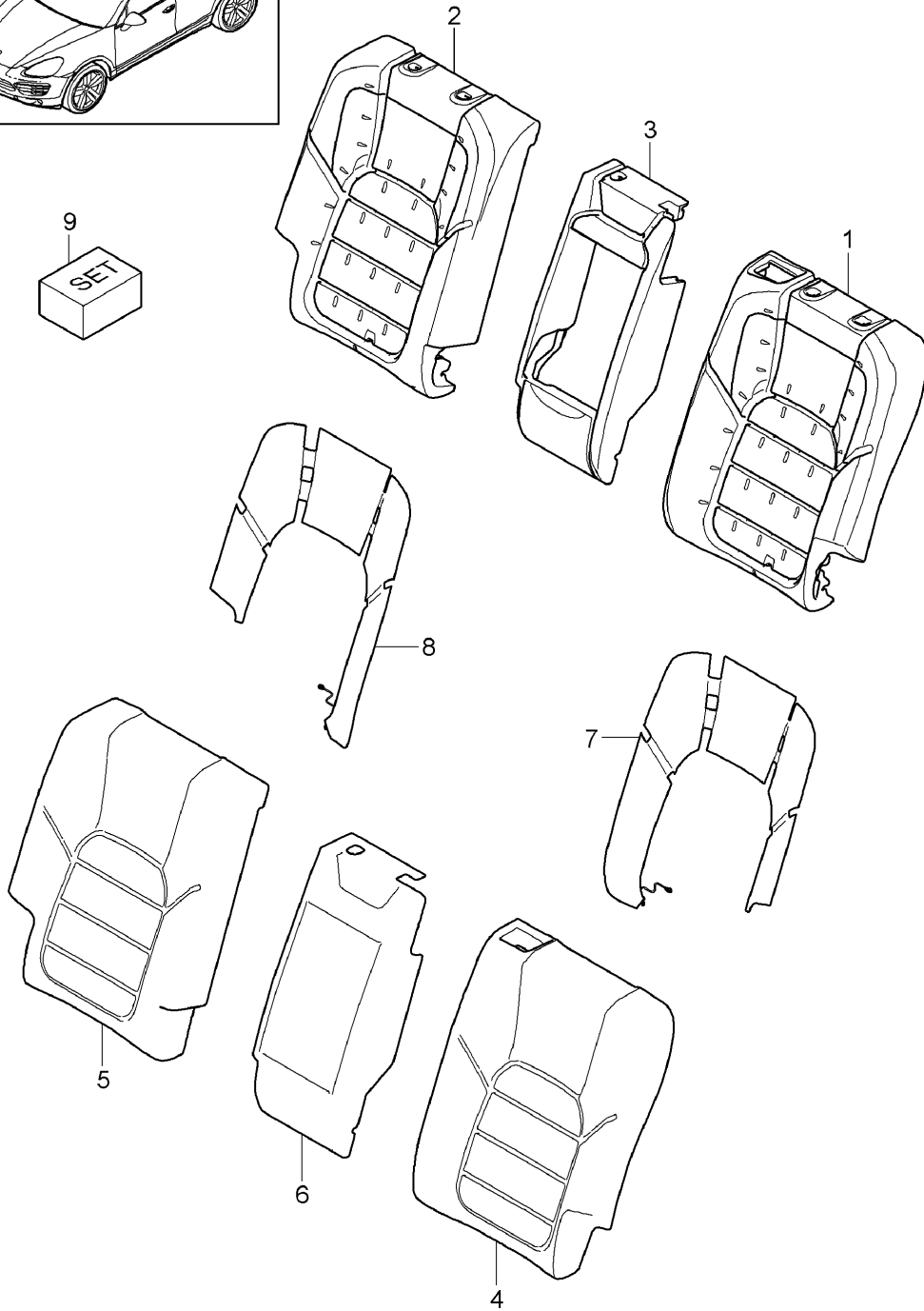
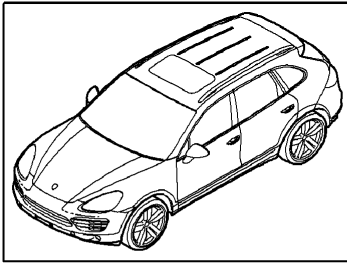
Model: 92A 11

Model life 2011>>

Pos	Part Number	Description	Remark	Qty	Model
(6)	958 522 828 13 D0L	Espresso			+VA
	958 522 828 13 D0M	Cognac			+VB
	958 522 828 25	Cover Centre Embossed		1	IN1D
7	958 522 828 25 HAA	Black/Luxor Beige			+77
	958 653 567 00	Heating element Backrest side bolster Rear Left	/L	1	I4A4
8	958 653 568 00	Heating element Backrest side bolster Rear Right	/R	1	I4A4

Model: 92A 11

Model life 2011>>



Model: 92A 11

Model life 2011>>

Pos	Part Number	Description	Remark	Qty	Model
1	958 522 775 40	Back seat backrest Sports seat Rear Foam part Cover Heating element Foam part	/L	1	IQ1J/Q4P IQ1J/3NW/4D0 I4X3
(1)		Backrest Left Foam part	/L	1	IQ1J/3NW/4D3 I4X3
(1)		Backrest Left Foam part	/L	1	IQ4P/3NW/4D0 I4X3
(1)		Backrest Left Foam part	/L	1	IQ4P/3NW/4D3 I4X3
(1)	958 522 775 50	Backrest Left Foam part	/L	1	IQ1J/3NW/4D0 I4X4
(1)		Backrest with Airbag Left Foam part	/L	1	IQ1J/3NW/4D3 I4X4
(1)		Backrest with Airbag Left Foam part	/L	1	IQ4P/3NW/4D0 I4X4
(1)		Backrest with Airbag Left Foam part	/L	1	IQ4P/3NW/4D3 I4X4
2	958 522 776 40	Backrest with Airbag Left Foam part	/R	1	IQ1J/3NW/4D0 I4X3
(2)		Backrest Right Foam part	/R	1	IQ1J/3NW/4D3 I4X3
(2)		Backrest Right Foam part	/R	1	IQ4P/3NW/4D0 I4X3
(2)		Backrest Right Foam part	/R	1	IQ4P/3NW/4D3 I4X3
(2)	958 522 776 50	Backrest Right Foam part	/R	1	IQ1J/3NW/4D0

Model: 92A 11 Model life 2011>>

Pos	Part Number	Description	Remark	Qty	Model
		Backrest with Airbag Right Foam part	/R	1	I4X4 IQ1J/3NW/4D3 I4X4
(2)		Backrest with Airbag Right Foam part	/R	1	IQ4P/3NW/4D0 I4X4
(2)		Backrest with Airbag Right Foam part	/R	1	IQ4P/3NW/4D3 I4X4
(2)	958 522 776 60	Backrest with Airbag Right Foam part	/R	1	IN0Q/N1A/N1B IQ1J/3NW/4A4 I4D1/4X4
3	958 522 777 00	Backrest with Airbag Right Vented Foam part		1	I3NW
4	958 522 807 20	Backrest Centre Backrest cover	/L -13	1	IN0Q/Q1J/3NW I4A0/4X3
		Plain leather Left			
	958 522 807 20 D0D	Black			+LC, +MA, +YC,
	958 522 807 20 D0E	Platinum Grey			+LD, +MD, +YD,
	958 522 807 20 D0F	Luxor Beige			+LE, +MC, +YE,
	958 522 807 20 D0G	Umber			+LF, +YF,
	958 522 807 20 D0H	Titanium Blue			+TW
	958 522 807 20 D0J	Cream			+TX
	958 522 807 20 D0K	Light Tartufo			+TY
(4)	958 522 807 20	Backrest cover	/L -13	1	IN0Q/Q1J/3NW I4A3/4X3
		Plain leather Left			
	958 522 807 20 D0D	Black			+LC, +MA, +YC,
	958 522 807 20 D0E	Platinum Grey			+LD, +MD, +YD,
	958 522 807 20 D0F	Luxor Beige			+LE, +MC, +YE,
	958 522 807 20 D0G	Umber			+LF, +YF,
	958 522 807 20 D0H	Titanium Blue			+TW
	958 522 807 20 D0J	Cream			+TX
	958 522 807 20 D0K	Light Tartufo			+TY
(4)	958 522 807 20	Backrest cover	/L -13	1	IN5U/Q1J/3NW I4A0/4X3
		Plain leather Left			
	958 522 807 20 D0D	Black			+LC, +MA, +YC,
	958 522 807 20 D0E	Platinum Grey			+LD, +MD, +YD,
	958 522 807 20 D0F	Luxor Beige			+LE, +MC, +YE,

Model: 92A 11 Model life 2011>>

Pos	Part Number	Description	Remark	Qty	Model
(4)	958 522 807 20 D0G	Umber	/L -13	1	+LF, +YF, +TW +TX +TY IN5U/Q1J/3NW I4A3/4X3
	958 522 807 20 D0H	Titanium Blue			
	958 522 807 20 D0J	Cream			
	958 522 807 20 D0K	Light Tartufo			
	958 522 807 20	Backrest cover			
		Plain leather Left			
	958 522 807 20 D0D	Black			
	958 522 807 20 D0E	Platinum Grey			
	958 522 807 20 D0F	Luxor Beige			
	958 522 807 20 D0G	Umber			
(4)	958 522 807 20 D0H	Titanium Blue	/L -13	1	+LC, +MA, +YC, +LD, +MD, +YD, +LE, +MC, +YE, +LF, +YF, +TW +TX +TY IN1B/Q1J/3NW I4A0/4X3
	958 522 807 20 D0J	Cream			
	958 522 807 20 D0K	Light Tartufo			
	958 522 807 20	Backrest cover			
		Plain leather Left			
	958 522 807 20 AAB	Black/Carrera Red			
	958 522 807 20 AAC	Black/Luxor Beige			
	958 522 807 20	Backrest cover			
		Plain leather Left			
	958 522 807 20 AAB	Black/Carrera Red			
(4)	958 522 807 20 AAC	Black/Luxor Beige	/L -13	1	+TA +TB IN1M/Q1J/3NW I4A0/4X3
	958 522 807 20	Backrest cover			
		Plain leather Left			
	958 522 807 20 AAB	Black/Carrera Red			
	958 522 807 20 AAC	Black/Luxor Beige			
	958 522 807 20	Backrest cover			
		Plain leather Left			
	958 522 807 20 AAB	Black/Carrera Red			
	958 522 807 20 AAC	Black/Luxor Beige			
	958 522 807 20	Backrest cover			
(4)	958 522 807 20 AAB	Black/Carrera Red	/L -13	1	+TA +TB IN1M/Q1J/3NW I4A3/4X3
	958 522 807 20 AAC	Black/Luxor Beige			
	958 522 807 20	Backrest cover			
		Plain leather Left			
	958 522 807 20 AAB	Black/Carrera Red			
	958 522 807 20 AAC	Black/Luxor Beige			
	958 522 807 20	Backrest cover			
		Plain leather Left			
	958 522 807 20 AAB	Black/Carrera Red			
	958 522 807 20 AAC	Black/Luxor Beige			
(4)	958 522 807 20	Backrest cover	/L -13	1	+TA +TB IN0Q/Q4P/3NW I4A0/4X3
		Plain leather Left			
	958 522 807 20 D0D	Black			
	958 522 807 20 D0E	Platinum Grey			
	958 522 807 20 D0F	Luxor Beige			
	958 522 807 20 D0G	Umber			
	958 522 807 20 D0H	Titanium Blue			
	958 522 807 20 D0J	Cream			
	958 522 807 20 D0K	Light Tartufo			
	958 522 807 20	Backrest cover			
(4)	958 522 807 20	Backrest cover	/L -13	1	+LC, +MA, +YC, +LD, +MD, +YD, +LE, +MC, +YE, +LF, +YF, +TW, +TX, +TY, IN0Q/Q4P/3NW I4A3/4X3
		Plain leather Left			
	958 522 807 20 D0D	Black			
	958 522 807 20 D0E	Platinum Grey			
	958 522 807 20 D0F	Luxor Beige			

Model: 92A 11 Model life 2011>>

Pos	Part Number	Description	Remark	Qty	Model
(4)	958 522 807 20 D0G	Umber	/L -13	1	+LF, +YF, +TW, +TX +TY IN5U/Q4P/3NW I4A0/4X3
	958 522 807 20 D0H	Titanium Blue			
	958 522 807 20 D0J	Cream			
	958 522 807 20 D0K	Light Tartufo			
	958 522 807 20	Backrest cover			
		Plain leather Left			
	958 522 807 20 D0D	Black			
	958 522 807 20 D0E	Platinum Grey			
	958 522 807 20 D0F	Luxor Beige			
	958 522 807 20 D0G	Umber			
(4)	958 522 807 20 D0H	Titanium Blue	/L -13	1	+LC, +MA, +YC, +LD, +MD, +YD, +LE, +MC, +YE, +LF, +YF, +TW, +TX, +TY, IN5U/Q4P/3NW I4A3/4X3
	958 522 807 20 D0J	Cream			
	958 522 807 20 D0K	Light Tartufo			
	958 522 807 20	Backrest cover			
		Plain leather Left			
	958 522 807 20 D0D	Black			
	958 522 807 20 D0E	Platinum Grey			
	958 522 807 20 D0F	Luxor Beige			
	958 522 807 20 D0G	Umber			
	958 522 807 20 D0H	Titanium Blue			
(4)	958 522 807 20 D0J	Cream	/L -13	1	+LC, +MA, +YC, +LD, +MD, +YD, +LE, +MC, +YE, +LF, +YF, +TW, +TX, +TY, IN1B/Q4P/3NW I4A0/4X3
	958 522 807 20 D0K	Light Tartufo			
	958 522 807 20	Backrest cover			
		Plain leather Left			
	958 522 807 20 AAB	Black/Carrera Red			
	958 522 807 20 AAC	Black/Luxor Beige			
	958 522 807 20	Backrest cover			
		Plain leather Left			
	958 522 807 20 AAB	Black/Carrera Red			
	958 522 807 20 AAC	Black/Luxor Beige			
(4)	958 522 807 20	Backrest cover	/L -13	1	+TA +TB IN1M/Q4P/3NW I4A0/4X3
		Plain leather Left			
	958 522 807 20 AAB	Black/Carrera Red			
	958 522 807 20 AAC	Black/Luxor Beige			
	958 522 807 20	Backrest cover			
		Plain leather Left			
	958 522 807 20 AAB	Black/Carrera Red			
	958 522 807 20 AAC	Black/Luxor Beige			
	958 522 807 20	Backrest cover			
		Plain leather Left			
4	958 522 807 20 AAB	Black/Carrera Red	/L 14-	1	+TA +TB IN0Q/Q1J/3NW I4A0/4X3
	958 522 807 20 AAC	Black/Luxor Beige			
	958 522 807 22	Backrest cover			
		Plain leather Left			
	958 522 807 22 D0D	Black			
	958 522 807 22 D0E	Platinum Grey			
	958 522 807 22 D0F	Luxor Beige			
	958 522 807 22 D0G	Umber			
	958 522 807 22 D0H	Titanium Blue			
	958 522 807 22 D0J	Cream			
958 522 807 22 D0K	Light Tartufo	+MB, +MG, +ML, +ME, +MH,			
958 522 807 22 YKI	Agate Grey				
958 522 807 22 YMI	Saddle Tan				

Model: 92A 11 Model life 2011>>

Pos	Part Number	Description	Remark	Qty	Model
(4)	958 522 807 22	Backrest cover	/L 14-	1	IN0Q/Q1J/3NW I4A3/4X3
		Plain leather Left			
	958 522 807 22 D0D	Black			+LC, +MA, +YC,
	958 522 807 22 D0E	Platinum Grey			+LD, +MD, +YD,
	958 522 807 22 D0F	Luxor Beige			+LE, +MC, +YE,
	958 522 807 22 D0G	Umber			+LF, +YF,
	958 522 807 22 D0H	Titanium Blue			
	958 522 807 22 D0J	Cream			+TX
	958 522 807 22 D0K	Light Tartufo			+TY,
	958 522 807 22 YKI	Agate Grey			+MB, +MG, +ML,
	958 522 807 22 YMI	Saddle Tan			+ME, +MH,
(4)	958 522 807 22	Backrest cover	/L 14-	1	IN5U/Q1J/3NW I4A0/4X3
		Plain leather Left			
	958 522 807 22 D0D	Black			+LC, +MA, +YC,
	958 522 807 22 D0E	Platinum Grey			+LD, +MD, +YD,
	958 522 807 22 D0F	Luxor Beige			+LE, +MC, +YE,
	958 522 807 22 D0G	Umber			+LF, +YF,
	958 522 807 22 D0H	Titanium Blue			
	958 522 807 22 D0J	Cream			+TX,
	958 522 807 22 D0K	Light Tartufo			+TY,
	958 522 807 22 YKI	Agate Grey			+MB, +MG, +ML,
	958 522 807 22 YMI	Saddle Tan			+ME, +MH,
(4)	958 522 807 22	Backrest cover	/L 14-	1	IN5U/Q1J/3NW I4A3/4X3
		Plain leather Left			
	958 522 807 22 D0D	Black			+LC, +MA, +YC,
	958 522 807 22 D0E	Platinum Grey			+LD, +MD, +YD,
	958 522 807 22 D0F	Luxor Beige			+LE, +MC, +YE,
	958 522 807 22 D0G	Umber			+LF, +YF,
	958 522 807 22 D0H	Titanium Blue			
	958 522 807 22 D0J	Cream			+TX,
	958 522 807 22 D0K	Light Tartufo			+TY,
	958 522 807 22 YKI	Agate Grey			+MB, +MG, +ML,
	958 522 807 22 YMI	Saddle Tan			+ME, +MH,
(4)	958 522 807 22	Backrest cover	/L 14-	1	IN1B/Q1J/3NW I4A0/4X3
		Plain leather Left			
	958 522 807 22 AAB	Black/Carrera Red			+TA
	958 522 807 22 AAC	Black/Luxor Beige			+TB, +77
	958 522 807 22 FSR	Luxor Beige/Saddle Tan			+MK
	958 522 807 22 HHD	Saddle Tan/Black			+MI
	958 522 807 22 HHI	Cream/Saddle Tan			+MJ
(4)	958 522 807 22	Backrest cover	/L 14-	1	IN1B/Q1J/3NW I4A3/4X3
		Plain leather Left			
	958 522 807 22 AAB	Black/Carrera Red			+TA
	958 522 807 22 AAC	Black/Luxor Beige			+TB, +77
	958 522 807 22 FSR	Luxor Beige/Saddle Tan			+MK
	958 522 807 22 HHD	Saddle Tan/Black			+MI
	958 522 807 22 HHI	Cream/Saddle Tan			+MJ
(4)	958 522 807 22	Backrest cover	/L 14-	1	IN1M/Q1J/3NW I4A0/4X3
		Plain leather Left			
	958 522 807 22 AAB	Black/Carrera Red			+TA
	958 522 807 22 AAC	Black/Luxor Beige			+TB, +77

Model: 92A 11 Model life 2011>>

Pos	Part Number	Description	Remark	Qty	Model
(4)	958 522 807 22 FSR	Luxor Beige/Saddle Tan	/L 14-	1	+MK
	958 522 807 22 HHD	Saddle Tan/Black			+MI
	958 522 807 22 HHI	Cream/Saddle Tan			+MJ
	958 522 807 22	Backrest cover			IN1M/Q1J/3NW I4A3/4X3
4		Plain leather Left			
	958 522 807 22 AAB	Black/Carrera Red			+TA
	958 522 807 22 AAC	Black/Luxor Beige			+TB, +77
	958 522 807 22 FSR	Luxor Beige/Saddle Tan			+MK
4	958 522 807 22 HHD	Saddle Tan/Black	/L 14-	1	+MI
	958 522 807 22 HHI	Cream/Saddle Tan			+MJ
	958 522 807 22	Backrest cover			IN0Q/Q4P/3NW I4A0/4X3
		Plain leather Left			
4	958 522 807 22 D0D	Black	/L 14-	1	+LC, +MA, +YC,
	958 522 807 22 D0E	Platinum Grey			+LD, +MD, +YD,
	958 522 807 22 D0F	Luxor Beige			+LE, +MC, +YE,
	958 522 807 22 D0G	Umber			+LF, +YF,
	958 522 807 22 D0H	Titanium Blue			
	958 522 807 22 D0J	Cream			+TX,
	958 522 807 22 D0K	Light Tartufo			+TY,
	958 522 807 22 YKI	Agate Grey			+MB, +MG, +ML,
	958 522 807 22 YMI	Saddle Tan			+ME, +MH,
	958 522 807 22	Backrest cover			IN0Q/Q4P/3NW I4A3/4X3
		Plain leather Left			
	958 522 807 22 D0D	Black			+LC, +MA, +YC,
	958 522 807 22 D0E	Platinum Grey			+LD, +MD, +YD,
	958 522 807 22 D0F	Luxor Beige			+LE, +MC, +YE,
	958 522 807 22 D0G	Umber			+LF, +YF,
	958 522 807 22 D0H	Titanium Blue			
958 522 807 22 D0J	Cream	+TX,			
958 522 807 22 D0K	Light Tartufo	+TY,			
958 522 807 22 YKI	Agate Grey	+MB, +MG, +ML,			
958 522 807 22 YMI	Saddle Tan	+ME, +MH,			
958 522 807 22	Backrest cover	IN5U/Q4P/3NW I4A0/4X3			
4		Plain leather Left			
	958 522 807 22 D0D	Black	/L 14-	1	+LC, +MA, +YC,
	958 522 807 22 D0E	Platinum Grey			+LD, +MD, +YD,
	958 522 807 22 D0F	Luxor Beige			+LE, +MC, +YE,
	958 522 807 22 D0G	Umber			+LF, +YF,
	958 522 807 22 D0H	Titanium Blue			
	958 522 807 22 D0J	Cream			+TX,
	958 522 807 22 D0K	Light Tartufo			+TY,
	958 522 807 22 YKI	Agate Grey			+MB, +MG, +ML,
	958 522 807 22 YMI	Saddle Tan			+ME, +MH,
	958 522 807 22	Backrest cover			IN5U/Q4P/3NW I4A3/4X3
		Plain leather Left			
	958 522 807 22 D0D	Black			+LC, +MA, +YC,
	958 522 807 22 D0E	Platinum Grey			+LD, +MD, +YD,
	958 522 807 22 D0F	Luxor Beige			+LE, +MC, +YE,
	958 522 807 22 D0G	Umber			+LF, +YF,
958 522 807 22 D0H	Titanium Blue				
958 522 807 22 D0J	Cream	+TX,			
958 522 807 22 D0K	Light Tartufo	+TY,			
958 522 807 22 YKI	Agate Grey	+MB, +MG, +ML,			

Model: 92A 11 Model life 2011>>

Pos	Part Number	Description	Remark	Qty	Model
(4)	958 522 807 22 YMI	Saddle Tan	/L 14-	1	+ME, +MH, IN1B/Q4P/3NW I4A0/4X3
	958 522 807 22	Backrest cover			
		Plain leather			
		Left			
	958 522 807 22 AAB	Black/Carrera Red			+TA
	958 522 807 22 AAC	Black/Luxor Beige			+TB, +77
	958 522 807 22 FSR	Luxor Beige/Saddle Tan			+MK
	958 522 807 22 HHD	Saddle Tan/Black			+MI
	958 522 807 22 HHI	Cream/Saddle Tan			+MJ
(4)	958 522 807 22	Backrest cover	/L 14-	1	IN1B/Q4P/3NW I4A3/4X3
		Plain leather			
		Left			
	958 522 807 22 AAB	Black/Carrera Red			+TA
	958 522 807 22 AAC	Black/Luxor Beige			+TB, +77
	958 522 807 22 FSR	Luxor Beige/Saddle Tan			+MK
	958 522 807 22 HHD	Saddle Tan/Black			+MI
	958 522 807 22 HHI	Cream/Saddle Tan			+MJ
(4)	958 522 807 22	Backrest cover	/L 14-	1	IN1M/Q4P/3NW I4A0/4X3
		Plain leather			
		Left			
	958 522 807 22 AAB	Black/Carrera Red			+TA
	958 522 807 22 AAC	Black/Luxor Beige			+TB, +77
	958 522 807 22 FSR	Luxor Beige/Saddle Tan			+MK
	958 522 807 22 HHD	Saddle Tan/Black			+MI
	958 522 807 22 HHI	Cream/Saddle Tan			+MJ
(4)	958 522 807 22	Backrest cover	/L 14-	1	IN1M/Q4P/3NW I4A3/4X3
		Plain leather			
		Left			
	958 522 807 22 AAB	Black/Carrera Red			+TA
	958 522 807 22 AAC	Black/Luxor Beige			+TB, +77
	958 522 807 22 FSR	Luxor Beige/Saddle Tan			+MK
	958 522 807 22 HHD	Saddle Tan/Black			+MI
	958 522 807 22 HHI	Cream/Saddle Tan			+MJ
(4)	958 522 807 25	Backrest cover	/L	1	IN0Q/N5U/Q1J I4A0/4A3/4X4
		Plain leather			
		with			
		Airbag			
		Left			
	958 522 807 25 D0D	Black			+LC, +MA, +YC,
	958 522 807 25 D0E	Platinum Grey			+LD, +MD, +YD,
	958 522 807 25 D0F	Luxor Beige			+LE, +MC, +YE,
	958 522 807 25 D0G	Umber			+LF, +YF,
	958 522 807 25 D0H	Titanium Blue			+TW
	958 522 807 25 D0J	Cream			+TX
	958 522 807 25 D0K	Light Tartufo			+TY
	958 522 807 25 AAB	Black/Carrera Red			+TA
	958 522 807 25 AAC	Black/Luxor Beige			+TB, +77
(4)	958 522 807 30	Backrest cover	/L	1	IN1A/N1P/Q1J IQ4P/4A0/4A3 I4X3
		Leather			
		Nature			
		Left			
	958 522 807 30 D0L	Espresso			+VA
	958 522 807 30 D0M	Cognac			+VB
(4)	958 522 807 35	Backrest cover	/L	1	IN1A/N1P/Q1J IQ4P/4A0/4A3 I4X4

Model: 92A 11

Model life 2011>>

Pos	Part Number	Description	Remark	Qty	Model
		Leather Nature with Airbag Left			
(4)	958 522 807 35 D0L	Espresso			+VA
	958 522 807 35 D0M	Cognac			+VB
	958 522 807 40	Backrest cover	/L	1	IN0Q/N5U/Q1J IQ4P/4A4/4X3
		Plain leather for Seat heater Left			
	958 522 807 40 D0D	Black			+LC, +MA, +YC,
	958 522 807 40 D0E	Platinum Grey			+LD, +MD, +YD,
	958 522 807 40 D0F	Luxor Beige			+LE, +MC, +YE,
	958 522 807 40 D0G	Umber			+LF, +YF,
	958 522 807 40 D0H	Titanium Blue			
	958 522 807 40 D0J	Cream			+TX
	958 522 807 40 D0K	Light Tartufo			+TY
	958 522 807 40 AAB	Black/Carrera Red			+TA
	958 522 807 40 AAC	Black/Luxor Beige			+TB, +77
(4)	958 522 807 45	Backrest cover	/L -13	1	IN0Q/N5U/Q1J IQ4P/4A4/4X4
		Plain leather for Seat heater Airbag Left			
	958 522 807 45 D0D	Black			+LC, +MA, +YC,
	958 522 807 45 D0E	Platinum Grey			+LD, +MD, +YD,
	958 522 807 45 D0F	Luxor Beige			+LE, +MC, +YE
	958 522 807 45 D0G	Umber			+LF, +YF,
	958 522 807 45 D0H	Titanium Blue			
	958 522 807 45 D0J	Cream			+TX
	958 522 807 45 D0K	Light Tartufo			+TY
	958 522 807 45 AAB	Black/Carrera Red			+TA
	958 522 807 45 AAC	Black/Luxor Beige			+TB, +77
(4)	958 522 807 47	Backrest cover	/L 14-	1	IGP1/N0Q/N1B IN1M/N5U/Q1J IQ4P/3NW/4A4 I4D0 I4D3/4X4
		Plain leather for Seat heater Airbag Left			
	958 522 807 47 D0D	Black			+LC, +MA, +YC,
	958 522 807 47 D0E	Platinum Grey			+LD, +MD, +YD,
	958 522 807 47 D0F	Luxor Beige			+LE, +MC, +YE
	958 522 807 47 D0G	Umber			+LF, +YF,
	958 522 807 47 D0J	Cream			+TX
	958 522 807 47 D0K	Light Tartufo			+TY
	958 522 807 47 AAB	Black/Carrera Red			+TA
	958 522 807 47 AAC	Black/Luxor Beige			+TB, +77
(4)	958 522 807 50	Backrest cover	/L	1	IN1A/N1P/Q1J IQ4P/4A4/4X3
		Leather Nature for Seat heater Left			
	958 522 807 50 D0L	Espresso			+VA

Model: 92A 11 Model life 2011>>

Pos	Part Number	Description	Remark	Qty	Model
(4)	958 522 807 50 DOM 958 522 807 55	Cognac Backrest cover	/L	1	+VB IN1A/N1P/Q1J IQ4P/4A4/4X4
		Comfort seat Leather Nature for Seat heater Airbag Left			
(4)	958 522 807 55 D0L 958 522 807 55 DOM 958 522 809 00	Espresso Cognac Backrest cover	/L	1	+VA +VB GTS IN2S/Q4P/3NW I4A0/4A3/4X3
		Sports seat Alcantara			
	958 522 809 00 IVA	Black			+MA, +YC, +LC
	958 522 809 00 IVB	Platinum Grey			+MD, +YD,
	958 522 809 00 IVC	Luxor Beige			+MC, +YE,
	958 522 809 00 IVD	Umber			+YF
	958 522 809 00 IVE	Black/Carmine Red			+YA
	958 522 809 00 IVF	Black/Peridot			+YB
(4)	958 522 825 00	Backrest cover	/L	1	GTS IN2S/Q4P/3NW I4A4/4X3
		Sports seat Alcantara			
	958 522 825 00 IVA	Black			+MA, +YC,
	958 522 825 00 IVB	Platinum Grey			+MD, +YD,
	958 522 825 00 IVC	Luxor Beige			+MC, +YE,
	958 522 825 00 IVD	Umber			+YF
	958 522 825 00 IVE	Black/Carmine Red			+YA
	958 522 825 00 IVF	Black/Peridot			+YB
(4)	958 522 827 00	Backrest cover	/L -14	1	GTS IN2S/Q4P/3NW I4A0/4A3/4X4
		Sports seat Alcantara			
	958 522 827 00 IVA	Black			+MA, +YC,
	958 522 827 00 IVB	Platinum Grey			+MD, +YD,
	958 522 827 00 IVC	Luxor Beige			+MC, +YE,
	958 522 827 00 IVD	Umber			+YF
	958 522 827 00 IVE	Black/Carmine Red			+YA
	958 522 827 00 IVF	Black/Peridot			+YB
(4)	958 522 827 01	Backrest cover	/L 15-	1	GTS IN2S/Q4P/3NW I4A0/4A3/4X4
		Sports seat Alcantara			
	958 522 827 01 IVA	Black			+MF, +YC,
	958 522 827 01 IVB	Platinum Grey			+MD, +YD,
	958 522 827 01 IVC	Luxor Beige			+LE, +MC, +YE,
	958 522 827 01 IVD	Umber			+YF
	958 522 827 01 IVE	Black/Carmine Red			+YA
	958 522 827 01 IVF	Black/Peridot			+YB
	958 522 827 01 DJM	Agate Grey			+ML
	958 522 827 01 DJN	Saddle Tan			+ME
	958 522 827 01 DJP	Black/Rhodium Silver			+MF
(4)	958 522 829 00	Backrest cover	/L	1	GTS IN2S/Q4P/3NW I4A4/4X4
		Sports seat			

Model: 92A 11 Model life 2011>>

Pos	Part Number	Description	Remark	Qty	Model
	958 522 829 00 IVA	Alcantara Black			+MA, +YC,
	958 522 829 00 IVB	Platinum Grey			+MD, +YD,
	958 522 829 00 IVC	Luxor Beige			+MC, +YE,
	958 522 829 00 IVD	Umber			+YF
	958 522 829 00 IVE	Black/Carmin Red			+YA
	958 522 829 00 IVF	Black/Peridot			+YB
(5)	958 522 810 18	Backrest cover	/R	1	IN0Q/N5U/Q1J I3NW/4A0/4A3 I4X3
		Plain leather Right			
	958 522 810 18 D0D	Black			+LC, +MA, +YC
	958 522 810 18 D0E	Platinum Grey			+LD, +MD, +YD
	958 522 810 18 D0F	Luxor Beige			+LE, +MC, +YE
	958 522 810 18 D0G	Umber			+LF, +YF,
	958 522 810 18 D0H	Titanium Blue			+TW
	958 522 810 18 D0J	Cream			+TX
	958 522 810 18 D0K	Light Tartufo			+TY
	958 522 810 18 AAB	Black/Carrera Red			+TA
	958 522 810 18 AAC	Black/Luxor Beige			+TB, +77
(5)	958 522 810 21	Backrest cover	/R	1	IN0Q/N1B/N1M IN5U/3NW/4A0 I4A3/4D0/4D3 I4X3
		Plain leather Right			
	958 522 810 21 FSR	Luxor Beige			+MK,
	958 522 810 21 HEB	Cohiba Brown/Black			+LH
	958 522 810 21 HGK	Black/Cream			+LG
	958 522 810 21 HHD	Saddle Tan/Black			+MI
	958 522 810 21 HHI	Cream/Saddle Tan			+MJ
	958 522 810 21 YKI	Agate Grey			+MB, +MG, +ML
	958 522 810 21 YMI	Saddle Tan			+ME, +MH
(5)	958 522 810 30	Backrest cover	/R	1	IN0Q/N5U/Q1J I3NW/4A0/4A3 I4X4
		Plain leather with Airbag Right			
	958 522 810 30 D0D	Black			+LC, +MA, +YC,
	958 522 810 30 D0E	Platinum Grey			+LD, +MD, +YD,
	958 522 810 30 D0F	Luxor Beige			+LE, +MC, +YE,
	958 522 810 30 D0G	Umber			+LF, +YF,
	958 522 810 30 D0H	Titanium Blue			
	958 522 810 30 D0J	Cream			+TX
	958 522 810 30 D0K	Light Tartufo			+TY
	958 522 810 30 AAB	Black/Carrera Red			+TA
	958 522 810 30 AAC	Black/Luxor Beige			+TB, +77
(5)	958 522 810 21	Backrest cover	/R	1	IN1A/N1P/Q1J I3NW/4A0/4A3 I4X3
		Leather Nature Right			
	958 522 810 21 D0L	Espresso			+VA
	958 522 810 21 D0M	Cognac			+VB
(5)	958 522 810 22	Backrest cover	/R	1	IN1A/N1P/Q1J I3NW/4A0/4A3 I4X4
		Leather Nature			

Model: 92A 11 Model life 2011>>

Pos	Part Number	Description	Remark	Qty	Model
(5)	958 522 810 22 D0L	with Airbag Right Espresso	/R	1	+VA +VB IN0Q/N5U/Q1J I3NW/4A4/4X3
	958 522 810 22 D0M	Cognac			
	958 522 810 19	Backrest cover			
		Plain leather for Seat heater Right			
	958 522 810 19 D0D	Black			
	958 522 810 19 D0E	Platinum Grey			
	958 522 810 19 D0F	Luxor Beige			
	958 522 810 19 D0G	Umber			
	958 522 810 19 D0H	Titanium Blue			
	958 522 810 19 D0J	Cream			
(5)	958 522 810 19 D0K	Light Tartufo	/R	1	+LC, +MA, +YC, +LD, +MD, +YD, +LE, +MC, +YE, +LF, +YF, +TX +TY +TA +TB, +77 IGP1/N0Q/N1B IN1M/N5U/Q1J IQ4P/3NW/4A4 I4D0 I4D3/4X4
	958 522 810 19 AAB	Black/Carrera Red			
	958 522 810 19 AAC	Black/Luxor Beige			
	958 522 808 47	Backrest cover			
		Plain leather for Seat heater Airbag Right			
	958 522 808 47 D0D	Black			
	958 522 808 47 D0E	Platinum Grey			
	958 522 808 47 D0F	Luxor Beige			
	958 522 808 47 D0G	Umber			
	958 522 808 47 D0H	Titanium Blue			
(5)	958 522 808 47 D0J	Cream	/R	1	+LC, +MA, +YC, +LD, +MD, +YD, +LE, +MC, +YE +LF, +YF, +TX +TY +MB, +MG, +ML +ME, +MH IN1A/N1P/Q1J I3NW/4A4/4X3
	958 522 808 47 D0K	Light Tartufo			
	958 522 808 47 AAC	Black/Luxor Beige			
	958 522 808 47 AAB	Black/Carrera Red			
	958 522 808 50	Backrest cover			
		Leather Nature for Seat heater Right			
	958 522 808 50 D0L	Espresso			
	958 522 808 50 D0M	Cognac			
	958 522 810 23	Backrest cover			
		Leather Nature for Seat heater Airbag Right			
(5)	958 522 810 23 D0L	Espresso	/R 14-	1	+VA +VB IN1A/N1P/Q1J I3NW/4A4/4X4
	958 522 810 23 D0M	Cognac			
	958 522 810 31	Backrest cover			
	Leather Nature for Seat heater				

Model: 92A 11

Model life 2011>>

Pos	Part Number	Description	Remark	Qty	Model
(5)	958 522 810 31 D0L	Airbag Right Espresso	/R	1	+VA +VB IGP1/N0Q/N1B IQ1J/3NW/4D1 I4X4 I4D3/4X4
	958 522 810 31 D0M	Cognac			
	958 522 808 70	Backrest cover			
		Plain leather for Seat heater			
		Airbag Vented Right			
	958 522 808 70 D0D	Black			
	958 522 808 70 D0F	Luxor Beige			
	958 522 808 70 FSR	Luxor Beige/Saddle Tan			
	958 522 808 70 HEB	Cohiba Brown/Black			
	958 522 808 70 HGK	Black/Cream			
958 522 808 70 HHD	Saddle Tan/Black				
958 522 808 70 HHI	Cream/Saddle Tan				
958 522 808 70 YKI	Agate Grey				
(5)	958 522 808 70 AAC	Black/Luxor Beige	/R	1	+LC, +MA, +YC +LE, +MC, +YE +MK +LH +LG +MI +MJ +MB, +MG, +ML +ME, +MH +77 +TA
	958 522 808 70 AAB	Black/Carrera Red			
(5)	958 522 810 24	Backrest cover	/R	1	IN2S/Q4P/3NW I4A0/4A3/4X3
		Sports seat GTS Alcantara			
	958 522 810 24 IVA	Black			
	958 522 810 24 IVB	Platinum Grey			
	958 522 810 24 IVC	Luxor Beige			
	958 522 810 24 IVD	Umber			
	958 522 810 24 IVE	Black/Carmine Red			
	958 522 810 24 IVF	Black/Peridot			
	958 522 810 25	Backrest cover			
		Sports seat GTS Alcantara			
(5)	958 522 810 25 IVA	Black	/R 15-	1	+MA, +YC, +MD, +YD, +MC, +YE, +YF, +YA +YB
	958 522 810 25 IVB	Platinum Grey			
	958 522 810 25 IVC	Luxor Beige			
	958 522 810 25 IVD	Umber			
	958 522 810 25 IVE	Black/Carmine Red			
	958 522 810 25 IVF	Black/Peridot			
	958 522 810 45	Backrest cover			
		Sports seat GTS Alcantara			
	958 522 810 45 IVA	Black			
	958 522 810 45 IVB	Platinum Grey			
958 522 810 45 IVC	Luxor Beige				
958 522 810 45 IVD	Umber				
958 522 810 45 IVE	Black/Carmine Red				
958 522 810 45 IVF	Black/Peridot				
958 522 810 45 DJM	Agate Grey				
958 522 810 45 DJN	Saddle Tan				
958 522 810 45 DJP	Black/Rhodium Silver				
(5)	958 522 810 26	Backrest cover	/R	1	IN2S/Q4P/3NW I4A4/4X4
	Sports seat				

Model: 92A 11 Model life 2011>>

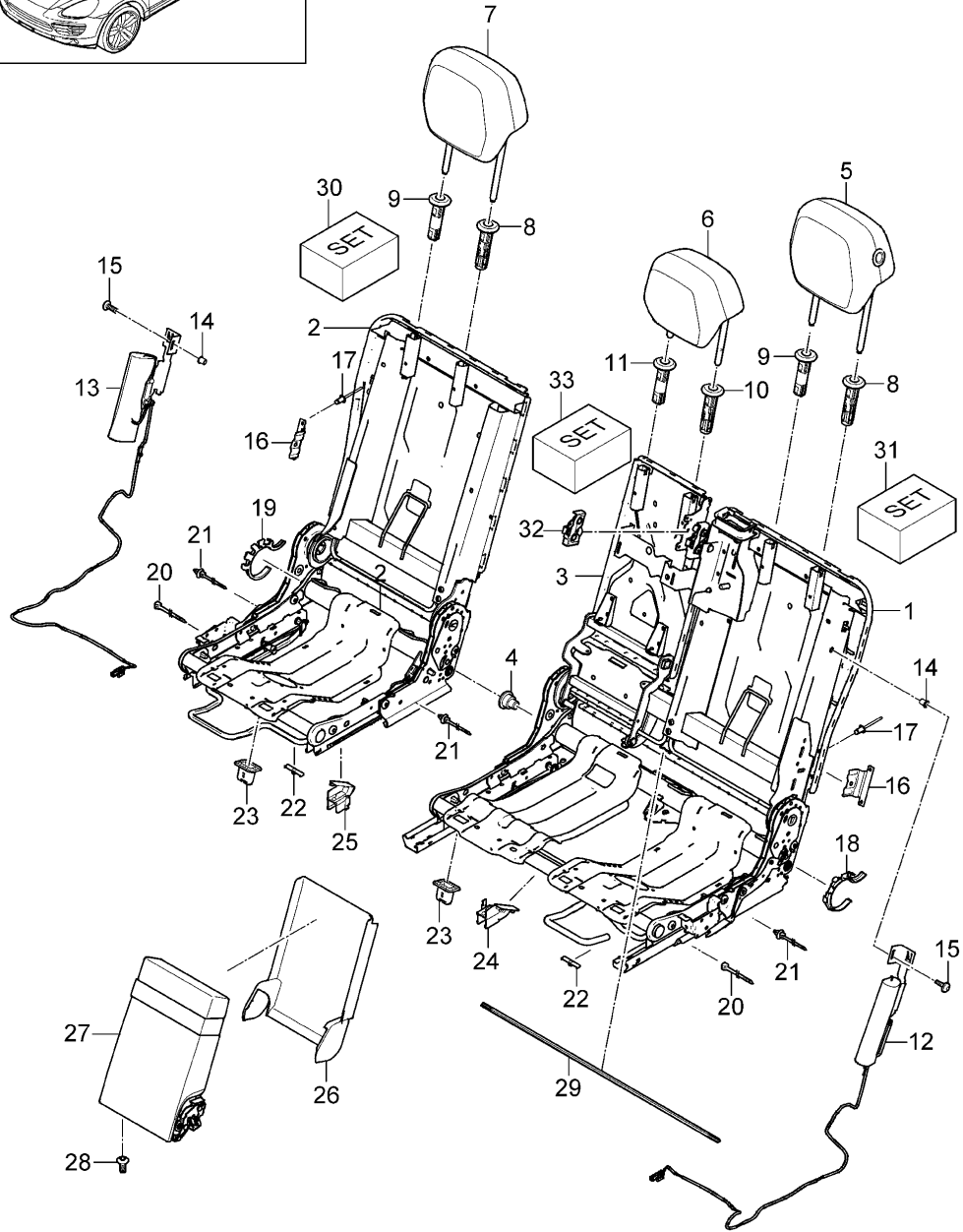
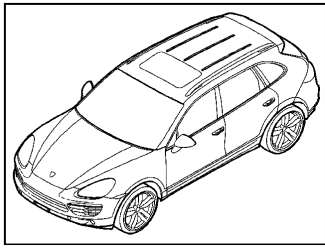
Pos	Part Number	Description	Remark	Qty	Model
		GTS			
		Alcantara			
	958 522 810 26 IVA	Black			+MA, +YC,
	958 522 810 26 IVB	Platinum Grey			+MD, +YD,
	958 522 810 26 IVC	Luxor Beige			+LE, +MC, +YE,
	958 522 810 26 IVD	Umber			+YF,
	958 522 810 26 IVE	Black/Carmine Red			+YA,
	958 522 810 26 IVF	Black/Peridot			+YB,
(5)	958 522 810 37	Backrest cover	/R	1	IN2S/Q4P/3NW I4A4/4X4
		Sports seat			
		GTS			
		Alcantara			
	958 522 810 37 IVA	Black			+MA, +YC,
	958 522 810 37 IVB	Platinum Grey			+MD, +YD,
	958 522 810 37 IVC	Luxor Beige			+LE, +MC, +YE,
	958 522 810 37 IVD	Umber			+YF,
	958 522 810 37 IVE	Black/Carmine Red			+YA,
	958 522 810 37 IVF	Black/Peridot			+YB,
(5)	958 522 826 00	Backrest cover	/R	1	GTS IN2S/Q4P/3NW I4A0/4A3/4X3
		Sports seat			
		Alcantara			
	958 522 826 00 IVA	Black			+MA, +YC, +LC
	958 522 826 00 IVB	Platinum Grey			+MD, +YD,
	958 522 826 00 IVC	Luxor Beige			+LE, +MC, +YE,
	958 522 826 00 IVD	Umber			+YF
	958 522 826 00 IVE	Black/Carmine Red			+YA
	958 522 826 00 IVF	Black/Peridot			+YB
(5)	958 522 830 00	Backrest cover	/R	1	GTS IN2S/Q4P/3NW I4A0/4A3/4X3
		Sports seat			
		Alcantara			
	958 522 830 00 IVA	Black			+MA, +YC,
	958 522 830 00 IVB	Platinum Grey			+MD, +YD,
	958 522 830 00 IVC	Luxor Beige			+LE, +MC, +YE,
	958 522 830 00 IVD	Umber			+YF
	958 522 830 00 IVE	Black/Carmine Red			+YA
	958 522 830 00 IVF	Black/Peridot			+YB
(5)	958 522 832 00	Backrest cover	/R -14	1	GTS IN2S/Q4P/3NW I4A0/4A3/4X4
		Sports seat			
		Alcantara			
	958 522 832 00 IVA	Black			+MA, +YC,
	958 522 832 00 IVB	Platinum Grey			+MD, +YD,
	958 522 832 00 IVC	Luxor Beige			+LE, +MC, +YE,
	958 522 832 00 IVD	Umber			+YF
	958 522 832 00 IVE	Black/Carmine Red			+YA
	958 522 832 00 IVF	Black/Peridot			+YB
(5)	958 522 832 01	Backrest cover	/R 15-	1	GTS IN2S/Q4P/3NW I4A0/4A3/4X4
		Sports seat			
		Alcantara			
	958 522 832 01 IVA	Black			+MA, +YC,
	958 522 832 01 IVB	Platinum Grey			+MD, +YD,
	958 522 832 01 IVC	Luxor Beige			+LE, +MC, +YE,
	958 522 832 01 IVD	Umber			+YF
	958 522 832 01 IVE	Black/Carmine Red			+YA
	958 522 832 01 IVF	Black/Peridot			+YB

Model: 92A 11 Model life 2011>>

Pos	Part Number	Description	Remark	Qty	Model
(5)	958 522 832 01 DJM	Agate Grey	/R	1	+ML +ME +MF GTS IN2S/Q4P/3NW I4A4/4D0/4D3 I4X4
	958 522 832 01 DJN	Saddle Tan			
	958 522 832 01 DJP	Black/Rhodium Silver			
	958 522 834 00	Backrest cover			
		Sports seat			
		Alcantara			
	958 522 834 00 IVA	Black			
	958 522 834 00 IVB	Platinum Grey			
	958 522 834 00 IVC	Luxor Beige			
	958 522 834 00 IVD	Umber			
6	958 522 834 00 IVE	Black/Carmine Red	-13	1	+MA,+YC, +MD,+YD, +MC,+YE, +YF +YA +YB IN0Q/N5U/N7D I3NW
	958 522 834 00 IVF	Black/Peridot			
	958 522 828 14	Cover			
		Centre			
		Plain leather			
	958 522 828 14 D0D	Black			
	958 522 828 14 D0E	Platinum Grey			
	958 522 828 14 D0F	Luxor Beige			
	958 522 828 14 D0G	Umber			
	958 522 828 14 D0H	Titanium Blue			
(6)	958 522 828 14 D0J	Cream	14-	1	+MF,+YC, +LD,+MD, +LE,+MC, +YF, +TW, +TX, +TY, +TA, +TB, IN0Q/N1B/N1M IN2S/N5U/N7D I3NW
	958 522 828 14 D0K	Light Tartufo			
	958 522 828 14 AAB	Black/Carrera Red			
	958 522 828 14 AAC	Black/Luxor Beige			
	958 522 828 15	Cover			
		Centre			
		Plain leather			
	958 522 828 15 D0D	Black			
	958 522 828 15 D0E	Platinum Grey			
	958 522 828 15 D0F	Luxor Beige			
(6)	958 522 828 15 D0G	Umber	1	+LC,+MA,+MF, +YA,+YC, +LD,+MD, +LE,+MC,+YE, +LF +TW, +MJ +TY, +TA, +TB,+77 IN1P/N5Y	
	958 522 828 15 D0H	Titanium Blue			
	958 522 828 15 D0J	Cream			
	958 522 828 15 D0K	Light Tartufo			
	958 522 828 15 AAB	Black/Carrera Red			
	958 522 828 15 AAC	Black/Luxor Beige			
	958 522 828 20	Cover			
		Centre			
		Leather			
		Nature			
7	958 522 828 20 D0L	Espresso	/L	1	+VA +VB I4A4
	958 522 828 20 D0M	Cognac			
	958 653 567 10	Heating element			
8	958 653 568 10	Backrest side bolster	/R	1	I4A4
		Rear			
		Left			
9	958 521 761 11	Heating element		1	
		Backrest side bolster			
		Rear			
9	958 521 761 11	Right		1	
		Repair kit			
		Knob			
9	958 521 761 11	Child car seat		1	
		Identification			
	958 521 761 11 95R	Grey			

Model: 92A 11

Model life 2011>>



Model: 92A 11 Model life 2011>>

Pos	Part Number	Description	Remark	Qty	Model
1	958 522 101 01	Head rest Accessories Backrest frame Ski bag Seat frame	/L	1	IQ1G/Q2J/3NW
(1)	958 522 101 10	with Backrest frame Left Seat frame	/L	1	IQ1J
(1)	958 522 101 20	with Backrest frame Left Seat frame	/L	1	IQ1J/Q4P/3NW
2	958 522 102 01	with Backrest frame Right Seat frame	/R	1	IQ1G/Q2J
2		with Backrest frame Right Seat frame	/R	1	IQ1G/Q2J/3NW
(2)	958 522 102 10	with Backrest frame Right Seat frame	/R	1	IQ1J
(2)	958 522 102 15	with Backrest frame Right Seat frame	/R	1	IQ1J/Q4P/3NW
3	958 522 070 00	Backrest frame Centre Collapsible Instead of Use Position 1	/L	1	
3	958 522 930 00	Flap Ski bag	/L	1	I3NW
4	958 522 071 00	Bodyshell Connecting piece Backrest frame Centre Collapsible		1	I3NW
5	958 522 811 00	Head rest Standard seat Left	/L	1	IN1X/N7F/Q1G
	958 522 811 00 21U	Black			+MA
	958 522 811 00 32X	Luxor Beige			+MC
	958 522 811 00 7EG	Platinum Grey			+MD
	958 522 811 00 HAA	Black/Luxor Beige	14-		+77
	958 522 811 00 OF6	Agate Grey	15-		+MB
5	958 522 811 02	Head rest Standard seat Left	/L	1	IN1X/N7F/Q1G
	958 522 811 02 21U	Black			+MA
	958 522 811 02 32X	Luxor Beige			+MC
	958 522 811 02 7EG	Platinum Grey			+MD
	958 522 811 02 HAA	Black/Luxor Beige	14-		+77
	958 522 811 02 OF6	Agate Grey	15-		+MB
(5)	958 522 812 00	Head rest	/L	1	IN1X/N7F/Q1G

Model: 92A 11 Model life 2011>>

Pos	Part Number	Description	Remark	Qty	Model
		Standard seat with Porsche crest Left			I3NW/5ZF
	958 522 812 00 21U	Black			+MA
	958 522 812 00 32X	Luxor Beige			+MC
	958 522 812 00 7EG	Platinum Grey			+MD
	958 522 812 00 HAA	Black/Luxor Beige	14-		+77
	958 522 812 00 OF6	Agate Grey	15-		+MB
(5)	958 522 813 00	Head rest	/L	1	IN0Q/N5U/N7D I3J4/3J7/3NW IN0Q/N2S/N5U IN7D/3J4/3J7 I3NW IN0Q/N1B/N1M IN2S/N5U/N7D I3J4/3J7/3NW
		Comfort seat			
		Sports seat			
		Left			
	958 522 813 00 8YR	Black			+LC, +MA, +YC
	958 522 813 00 9H6	Luxor Beige			+LE, +MC, +MK +YE
	958 522 813 00 7A0	Platinum Grey			+LD, +MD, +YD
	958 522 813 00 6G0	Cream			+MJ, +TX
	958 522 813 00 DE1	Umber			+LF, +YF
	958 522 813 00 DF2	Light Tartufo			+TY
	958 522 813 00 DJ3	Titanium Blue			+TW
	958 522 813 00 AAB	Black/Carrera Red	14-		+TA
	958 522 813 00 AAC	Black/Luxor Beige	14-		+TB, +77
	958 522 813 00 DJP	Black/Rhodium Silver	GTS 15-		+MF
	958 522 813 00 IVE	Black/Carmine Red	GTS 15-		+YA
	958 522 813 00 PL1	Agate Grey	15-		+MB, +MG, +ML
	958 522 813 00 OK6	Saddle Tan			+ME, +MH, +MI
(5)	958 522 813 01	Head rest	/L	1	IN0Q/N5U/N7D I3J4/3J7/3NW IN0Q/N2S/N5U IN7D/3J4/3J7 I3NW IN0Q/N1B/N1M IN2S/N5U/N7D I3J4/3J7/3NW
		Comfort seat			
		Sports seat			
		Left			
	958 522 813 01 8YR	Black			+LC, +MA, +YC
	958 522 813 01 9H6	Luxor Beige			+LE, +MC, +MK +YE
	958 522 813 01 7A0	Platinum Grey			+LD, +MD, +YD
	958 522 813 01 6G0	Cream			+MJ, +TX
	958 522 813 01 DE1	Umber			+LF, +YF
	958 522 813 01 DF2	Light Tartufo			+TY
	958 522 813 01 DJ3	Titanium Blue			+TW
	958 522 813 01 AAB	Black/Carrera Red	14-		+TA
	958 522 813 01 AAC	Black/Luxor Beige	14-		+TB, +77
	958 522 813 01 DJP	Black/Rhodium Silver	GTS 15-		+MF
	958 522 813 01 IVE	Black/Carmine Red	GTS 15-		+YA
	958 522 813 01 PL1	Agate Grey	15-		+MB, +MG, +ML
	958 522 813 01 HGK	Black/Cream	15-		+LG
	958 522 813 01 OK6	Saddle Tan	15-		+ME, +MH, +MI
(5)	958 522 814 00	Head rest	/L -14	1	IN0Q/N5U/N7D I3NW/5ZF
		Comfort seat Plain leather with Porsche crest			

Model: 92A 11 Model life 2011>>

Pos	Part Number	Description	Remark	Qty	Model
	958 522 814 00 8YR	Left Black			+LC, +MA, +YC,
	958 522 814 00 9H6	Luxor Beige			+LE, +MC, +YE,
	958 522 814 00 7A0	Platinum Grey			+LD, +MD, +YD,
	958 522 814 00 6G0	Cream			+MJ, +TX,
	958 522 814 00 DE1	Umber			+LF, +YF
	958 522 814 00 DF2	Light Tartufo			+TY
	958 522 814 00 DJ3	Titanium Blue			+TW
	958 522 814 00 AAB	Black/Carrera Red			+TA
	958 522 814 00 AAC	Black/Luxor Beige			+TB, +77
	958 522 814 00 PL1	Agate Grey			+MB, +MG, +ML,
(5)	958 522 814 01	Head rest	/L 15-	1	IN0Q/N1B/N1M IN2S/N5U/N7D I3NW/5ZF
		Comfort seat Plain leather with Porsche crest Left			
	958 522 814 01 AAB	Black/Carrera Red			+TA
	958 522 814 01 AAC	Black/Luxor Beige			+77
	958 522 814 01 HGK	Black/Cream			+LG
	958 522 814 01 OB8	Cohiba Brown			+LH
	958 522 814 01 OK6	Saddle Tan			+ME, +MH, +MI,
	958 522 814 01 PL1	Agate Grey			+MB, +MG, +ML,
	958 522 814 01 6G0	Cream			+MJ,
	958 522 814 01 8YR	Black			+LC
	958 522 814 01 9H6	Luxor Beige			+LE, +MC, +MK,
(5)	958 522 815 00	Head rest	/L	1	+YE IN1P/N5Y/Q1J IQ2J
		Comfort seat Sports seat Left			
	958 522 815 00 8C0	Espresso			+VA
	958 522 815 00 9EF	Cognac			+VB
(5)	958 522 816 00	Head rest	/L	1	IN1P/N5Y/Q1J IQ2J
		Comfort seat Sports seat with Porsche crest Left			
	958 522 816 00 8C0	Espresso			+VA
	958 522 816 00 9EF	Cognac			+VB
(5)	958 522 837 00	Head rest	/L 15-	1	GTS IN1A/N1P/3NW I5ZD
		Natural leather Sports seat			
	958 522 837 00 8C0	Espresso			+VA
	958 522 837 00 9EF	Cognac			+VB
(5)	958 522 839 00	Head rest	/L 15-	1	GTS IN0Q/N1B/N1M IN5U/3NW/5ZD
		Comfort seat Sports seat with Porsche crest Left			
	958 522 839 00 AAB	Black/Carrera Red			+TA
	958 522 839 00 DJP	Black/Rhodium Silver			+MF
	958 522 839 00 HGK	Black/Cream			+LG
	958 522 839 00 IVE	Black/Carmine Red			+YA
	958 522 839 00 OB8	Cohiba Brown			+LH
	958 522 839 00 OK6	Saddle Tan			+ME, +MH, +MI,
	958 522 839 00 PL1	Agate Grey			+MG, +ML,
	958 522 839 00 6G0	Cream			+MJ

Model: 92A 11 Model life 2011>>

Pos	Part Number	Description	Remark	Qty	Model
6	958 522 839 00 8YR	Black		1	+LC,+YC
	958 522 839 00 9H6	Luxor Beige			+LE,+MK,+YE
	958 522 817 00	Head rest			IN1X/N7F/Q1G
		Standard seat			
		Centre			
	958 522 817 00 21U	Black			+MA
	958 522 817 00 32X	Luxor Beige			+MC
	958 522 817 00 7EG	Platinum Grey			+MD
	958 522 817 00 HAA	Black/Luxor Beige	14-		+77
	958 522 817 00 OF6	Agate Grey	15-		+MB
	(6) 958 522 818 00	Head rest			IN5U/N7D/Q1J
		Comfort seat			IQ2J
		Sports seat			
		Centre			
958 522 818 00 8YR	Black		+LC,+MA,+MF, +YA,+YB,+YC, +LE,+MC,+YE, +LD,+MD,+YD, +MJ,+TX, +LF,+YF, +TY, +TW, +TA		
958 522 818 00 9H6	Luxor Beige		+TB,+77		
958 522 818 00 7A0	Platinum Grey		IN0Q/N1B/N1M		
958 522 818 00 6G0	Cream		IN2S/N5U/N7D		
958 522 818 00 DE1	Umber		I3NW		
958 522 818 00 DF2	Light Tartufo				
958 522 818 00 DJ3	Titanium Blue				
958 522 818 00 AAB	Black/Carrera Red				
958 522 818 00 AAC	Black/Luxor Beige				
(6) 958 522 900 20	Head rest	16-	1	IN0Q/N1B/N1M IN2S/N5U/N7D I3NW	
	Comfort seat				
	Sports seat				
	Centre				
958 522 900 20 6G0	Cream			+MJ	
958 522 900 20 8YR	Black			+LC,+MA,+MF, +YA,+YC, +LE,+MC,+MK, +YE	
958 522 900 20 9H6	Luxor Beige			+LH	
958 522 900 20 OB8	Cohiba Brown			+ME,+MH,+MI, +MB,+MG,+ML,	
958 522 900 20 OK6	Saddle Tan				
958 522 900 20 PL1	Agate Grey				
	two-colour				
958 522 900 20 AAB	Black/Carrera Red			+TA	
958 522 900 20 AAC	Black/Luxor Beige			+77	
958 522 900 20 HGK	Black/Cream			+LG	
(6) 958 522 819 00	Head rest		1	IN1P/N5Y/Q1J	
	Comfort seat			IQ2J	
	Sports seat				
	Centre				
	Nature				
958 522 819 00 8C0	Espresso			+VA	
958 522 819 00 9EF	Cognac			+VB	
7 958 522 820 00	Head rest	/R	1	IN1X/N7F/Q1G	
	Standard seat				
	Right				
958 522 820 00 21U	Black			+MA	
958 522 820 00 32X	Luxor Beige			+MC	
958 522 820 00 7EG	Platinum Grey			+MD	
958 522 820 00 HAA	Black/Luxor Beige	14-		+77	
958 522 820 00 OF6	Agate Grey	15-		+MB	
(7) 958 522 812 01	Head rest	/R 12-	1	GTS	
	Plain leather			IN2S/3NW/5ZD	
	Right				

Model: 92A 11 Model life 2011>>

Pos	Part Number	Description	Remark	Qty	Model
(7)	958 522 812 01 IVE	Black/Carmine Red		1	+YA
	958 522 812 01 IVF	Black/Peridot			+YB
	958 522 821 00	Head rest	/R		IN1D/N1X/N7F IQ1G/3NW/5ZF
		Standard seat with Porsche crest Right			
	958 522 821 00 21U	Black			+MA
	958 522 821 00 32X	Luxor Beige			+MC
	958 522 821 00 7EG	Platinum Grey			+MD
	958 522 821 00 HAA	Black/Luxor Beige	14-		+77
	958 522 821 00 OF6	Agate Grey	15-		+MB
(7)	958 522 902 70	Head rest	/R	1	IN1D/N1X/N7F I3J4/3J7/3NW
		Standard seat with Porsche crest Right			
	958 522 902 70 21U	Black			+MA
	958 522 902 70 32X	Luxor Beige			+MC
	958 522 902 70 HAA	Black/Luxor Beige			+77
	958 522 902 70 OF6	Agate Grey			+MB
(7)	958 522 822 00	Head rest	/R	1	IN0Q/N1B/N1M IN2S/N5U/N7D I3J4/3J7/3NW
		Comfort seat Sports seat Right			
	958 522 822 00 8YR	Black			+LC, +MA, +YC
	958 522 822 00 9H6	Luxor Beige			+LE, +MC, +MK +YE
	958 522 822 00 7A0	Platinum Grey			+LD, +MD, +YD
	958 522 822 00 6G0	Cream			+MJ, +TX
	958 522 822 00 DE1	Umber			+LF, +YF
	958 522 822 00 DF2	Light Tartufo			+TY
	958 522 822 00 DJ3	Titanium Blue			+TW
	958 522 822 00 AAB	Black/Carrera Red			+TA
	958 522 822 00 AAC	Black/Luxor Beige			+TB, +77
	958 522 822 00 DJP	Black/Rhodium Silver	GTS 15-		+MF
	958 522 822 00 IVE	Black/Carmine Red	GTS 15-		+YA
	958 522 822 00 PL1	Agate Grey			+MB, +MG, +ML
	958 522 822 00 OK6	Saddle Tan			+VA
(7)	958 522 823 00	Head rest	/R	1	IN0Q/N5U/N7D I3NW/5ZF
		Comfort seat Plain leather with Porsche crest Right			
	958 522 823 00 8YR	Black			+LC, +MA, +YC,
	958 522 823 00 9H6	Luxor Beige			+LE, +MC, +YE,
	958 522 823 00 7A0	Platinum Grey			+LD, +MD, +YD,
	958 522 823 00 6G0	Cream			+MJ, +TX
	958 522 823 00 DE1	Umber			+LF, +YF,
	958 522 823 00 DF2	Light Tartufo			+TY
	958 522 823 00 DJ3	Titanium Blue			+TW
	958 522 823 00 AAB	Black/Carrera Red			+TA
	958 522 823 00 AAC	Black/Luxor Beige			+TB, +77
	958 522 823 00 PL1	Agate Grey	15-		+MB, +MG, +ML,
(7)	958 522 823 00	Head rest	/R	1	IN1P/N5Y/Q1J IQ2J
		Comfort seat			

Model: 92A 11 Model life 2011>>

Pos	Part Number	Description	Remark	Qty	Model
(7)	958 522 823 00 8C0	Sports seat Right Nature Espresso		1	+VA +VB IN1P/N5Y/Q1J IQ2J
	958 522 823 00 9EF	Cognac			
	958 522 824 00	Head rest	/R		
(7)	958 522 824 00 8C0	Comfort seat Sports seat with Porsche crest Right Espresso		1	+VA +VB IN1A/N1P/3NW I5ZD
	958 522 824 00 9EF	Cognac			
	958 522 836 00	Head rest	/R 15-		
(7)	958 522 836 00 8C0	Natural leather Espresso		1	+VA +VB IN0Q/N1B/N1M IN5U/3NW/5ZD
	958 522 836 00 9EF	Cognac			
	958 522 838 00	Head rest	/R 15-		
8	958 522 838 00 AAB	Black/Carrera Red		1	+TA, +MF, +LG, +YA, +LH, +ME,+MH,+MI, +MG,+ML, +MJ, +LC,+YC, +LE,+MK,+YE,
	958 522 838 00 DJP	Black/Rhodium Silver			
	958 522 838 00 HGK	Black/Cream			
	958 522 838 00 IVE	Black/Carmin Red			
	958 522 838 00 OB8	Cohiba Brown			
	958 522 838 00 OK6	Saddle Tan			
	958 522 838 00 PL1	Agate Grey			
	958 522 838 00 6G0	Cream			
	958 522 838 00 8YR	Black			
	958 522 838 00 9H6	Luxor Beige			
	958 522 920 00	Guide sleeve Head rest without Key	/L		
	958 522 920 00 1E0	Black			
	958 522 920 00 4H0	Luxor Beige			
	958 522 920 00 6L0	Platinum Grey			
	958 522 920 00 5J0	Cream			
	958 522 920 00 7N0	Espresso			
	958 522 920 00 8P0	Cognac			
958 522 920 00 DE1	Umber				
958 522 920 00 DF2	Light Tartufo				
958 522 920 00 DJ3	Titanium Blue				
958 522 920 00 82V	Titanium Black				
958 522 920 00 OP1	Agate Grey				
958 522 920 00 OM8	Saddle Tan				
9	958 522 921 00	Guide sleeve Head rest with Key	/R	1	+LC,+LG,+MA, +MF,+TA,+TB, +YA,+YB,+YC, +77 +LE,+MC,+MK, +YE, +LD,+MD,+YD, +MJ,+TX,
	958 522 921 00 1E0	Black			
	958 522 921 00 4H0	Luxor Beige			
	958 522 921 00 6L0	Platinum Grey			
	958 522 921 00 5J0	Cream			

Model: 92A 11 Model life 2011>>

Pos	Part Number	Description	Remark	Qty	Model
	958 522 921 00 7N0	Espresso			+VA
	958 522 921 00 8P0	Cognac			+VB
	958 522 921 00 DE1	Umber			+LF, +YF
	958 522 921 00 DF2	Light Tartufo			+TY
	958 522 921 00 DJ3	Titanium Blue			+TW
	958 522 921 00 82V	Titanium Black			+LC, +MA
	958 522 921 00 OP1	Agate Grey			+MB, +MG, +ML
	958 522 921 00 OM8	Saddle Tan			+ME, +MH, +MI,
10	958 522 920 10	Guide sleeve Head rest without Key	/L	1	
	958 522 920 10 1E0	Black			+LC, +MA, +TA, +TB, +YA, +YB, +YC
	958 522 920 10 4H0	Luxor Beige			+LE, +MC, +YE,
	958 522 920 10 6L0	Platinum Grey			+LD, +MD, +YD,
	958 522 920 10 5J0	Cream			+TX,
	958 522 920 10 7N0	Espresso			+VA,
	958 522 920 10 8P0	Cognac			+VB,
	958 522 920 10 DE1	Umber			+LF, +YF,
	958 522 920 10 DF2	Light Tartufo			+TY,
	958 522 920 10 DJ3	Titanium Blue			+TW,
	958 522 920 10 82V	Titanium Black			+LC, +MA
10	958 522 920 20	Guide sleeve Head rest without Key	/L	1	
	958 522 920 20 OB8	Cohiba Brown			+LH
	958 522 920 20 OM8	Saddle Tan			+ME, +MH, +MI
	958 522 920 20 OP1	Agate Grey			+MB, +MG, +ML
11	958 522 921 10	Guide sleeve Head rest with Key	/R	1	
	958 522 921 10 1E0	Black			+LC, +MA, +TA, +TB, +YA, +YB, +YC
	958 522 921 10 4H0	Luxor Beige			+LE, +MC, +YE,
	958 522 921 10 6L0	Platinum Grey			+LD, +MD, +YD,
	958 522 921 10 5J0	Cream			+TX,
	958 522 921 10 7N0	Espresso			+VA,
	958 522 921 10 8P0	Cognac			+VB,
	958 522 921 10 DE1	Umber			+LF, +YF,
	958 522 921 10 DF2	Light Tartufo			+TY,
	958 522 921 10 DJ3	Titanium Blue			+TW,
	958 522 921 10 82V	Titanium Black			+LC, +MA
11	958 522 921 20	Guide sleeve Head rest with Key	/R	1	
	958 522 921 20 OB8	Cohiba Brown			+LH
	958 522 921 20 OM8	Saddle Tan			+ME, +MH, +MI
	958 522 921 20 OP1	Agate Grey			+MB, +MG, +ML
12	958 522 441 01	Side airbag Left	/L	1	I4X4
13	958 522 442 01	Side airbag Right	/R	1	I4X4
14	N 909 278 01	Blind rivet nut M 6		2	
15	N 910 423 01	Oval-head screw M6 X 16		2	
16	958 522 339 00	Support		2	

Model: 92A 11 Model life 2011>>

Pos	Part Number	Description	Remark	Qty	Model
17	N 104 650 01	Airbag Blind rivet 5,0 X 10		4	
18	958 522 117 00	Cable guide Left	/L	1	
19	958 522 118 00	Cable guide Right	/R	1	
20	N 907 002 01	Tie-wrap A 4,8 X 134		2	
21	958 522 850 00	Cable strap A 8 X 125		2	
22	958 522 851 00	Cable holder		2	
23	958 522 373 00	Clip Seat cushion	-13	5	
(23)	958 522 373 01	Clip Seat cushion	14-	5	
24	958 522 599 00	Mounting Connector Left	/L	1	
25	958 522 600 00	Mounting Connector Right	/R	1	
26	958 522 219 00	Trim cover Ski bag		1	
	958 522 219 00 1E0	Black			
	958 522 219 00 4H0	Luxor Beige			+LE, +MC,
	958 522 219 00 6L0	Platinum Grey			+LD, +MD,
	958 522 219 00 5J0	Cream			+TX,
	958 522 219 00 7N0	Espresso			+VA,
	958 522 219 00 8P0	Cognac			+VB,
	958 522 219 00 DE1	Umber			+LF,
	958 522 219 00 DF2	Light Tartufo			+TY,
	958 522 219 00 DJ3	Titanium Blue			+TW
	958 522 219 00 82V	Titanium Black			+LC, +MA
26	958 522 219 01	Trim cover Ski bag		1	
	958 522 219 01 1E0	Black			
	958 522 219 01 4H0	Luxor Beige			+LE, +MC,
	958 522 219 01 6L0	Platinum Grey			+LD, +MD,
	958 522 219 01 5J0	Cream			+TX,
	958 522 219 01 7N0	Espresso			+VA,
	958 522 219 01 8P0	Cognac			+VB,
	958 522 219 01 DE1	Umber			+LF,
	958 522 219 01 DF2	Light Tartufo			+TY,
	958 522 219 01 DJ3	Titanium Blue			+TW
	958 522 219 01 82V	Titanium Black			+LC, +MA
27	958 522 081 00	Backrest		1	IN1D/N1X/N7F IQ1G/3NW
		Centre Complete			
	958 522 081 00 21U	Black			+MA
	958 522 081 00 32X	Luxor Beige			+MC
	958 522 081 00 7EG	Platinum Grey			+MD
	958 522 081 00 HHA	Titanium Black			+77
(27)	958 522 081 10	Backrest	14-	1	IN0Q/N1B/N1M IN2S/N5U/N7D IQ1J/Q2J/3NW
		Centre Complete			
	958 522 081 10 8YR	Black			+LC, +MA, +YA +YB, +YC
	958 522 081 10 9H6	Luxor Beige			+LE, +MC, +YE
	958 522 081 10 7A0	Platinum Grey			+LD, +MD, +YD

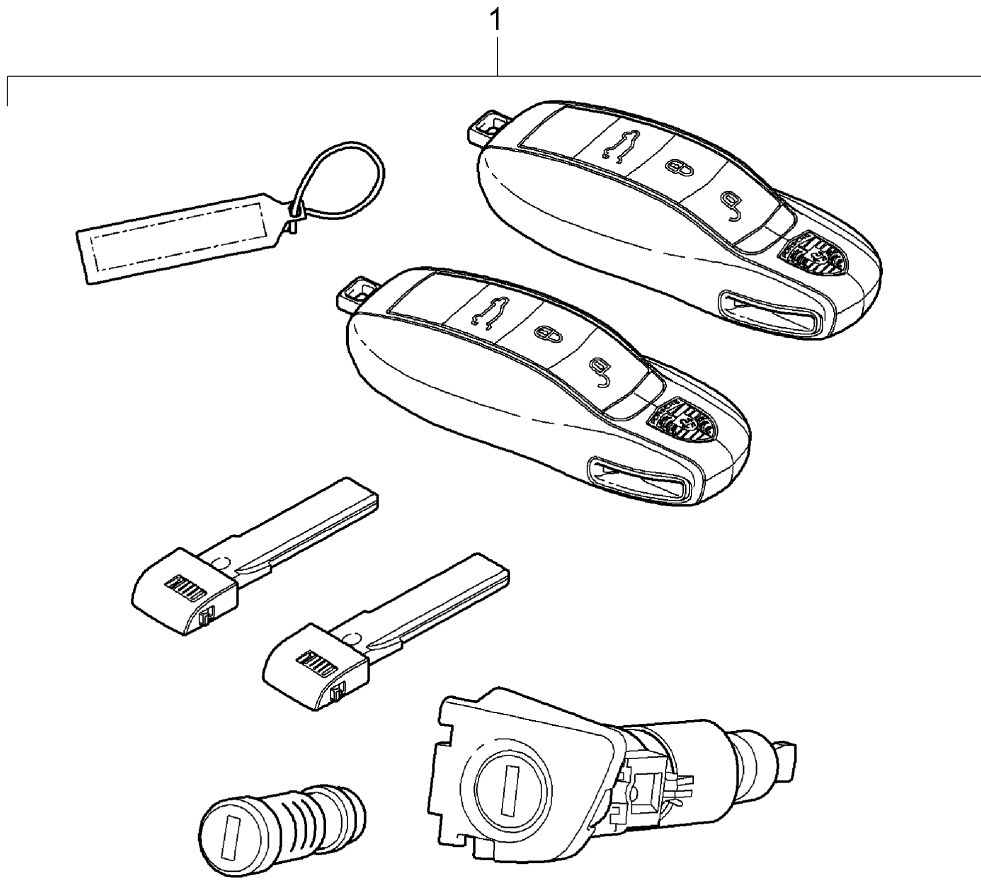
Model: 92A 11

Model life 2011>>

Pos	Part Number	Description	Remark	Qty	Model
	958 522 081 10 6G0	Cream			+TX
	958 522 081 10 DE1	Umber			+LF, +YF
	958 522 081 10 DF2	Light Tartufo			+TY
	958 522 081 10 DJ3	Titanium Blue			+TW
	958 522 081 10 OG3	Carrera Red			+TA
	958 522 081 10 PL1	Agate Grey			+MB, +MG, +ML
	958 522 081 10 OB8	Cohiba Brown			+LH
(27)	958 522 081 20	Backrest		1	IN1P/N5Y/Q1J IQ2J
		Centre			
		Complete			
		Nature			
	958 522 081 20 8C0	Espresso			+VA
	958 522 081 20 9EF	Cognac			+VB
28	N 107 560 01	Outer hexagon round screw M6 X 14		2	
29	958 522 209 00	Shaft Aluminium Backrest frame Control lever Long		1	I3NW
30	958 522 189 00	Backrest locking lever Control lever Repair kit Right		1	I3NW
31	958 522 188 00	Backrest locking lever Control lever Repair kit Left		1	I3NW
32	958 522 200 00	Locking device Backrest Rear Centre		1	
33	958 522 999 00	Set of fastening parts Lock Backrest Rear Centre		1	

Model: 92A 11

Model life 2011>>



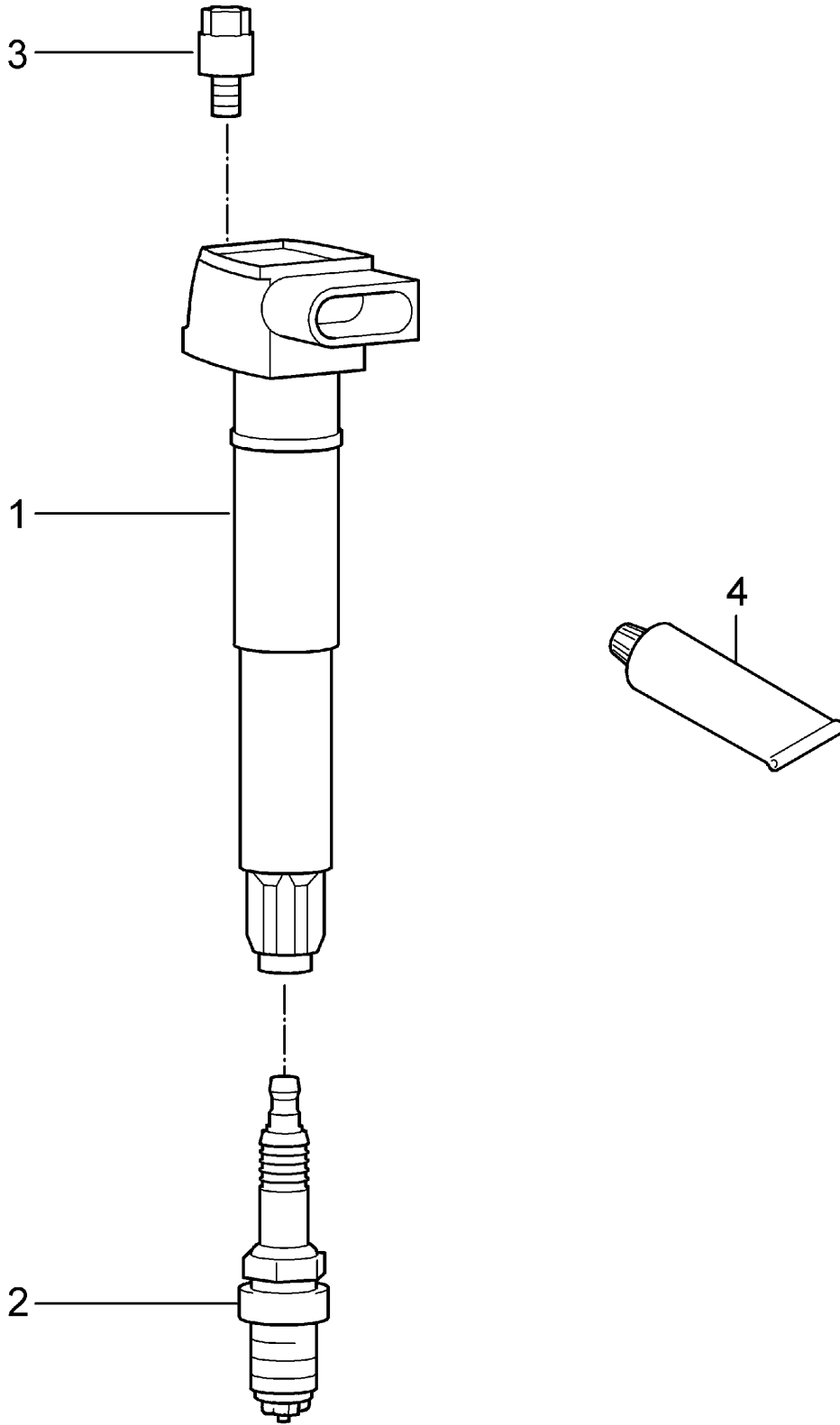
Model: 92A 11

Model life 2011>>

Pos	Part Number	Description	Remark	Qty	Model
1	958 538 901 03	Repair kits Set of locks Comprising: Glove compartment lock Lock cylinder Emergency key Handheld transmitter Key tag Set of locks	/LL 13-	1	434 MHz IL0L/5D8
1	958 538 902 03	VIN Indicate Set of locks	/RL 13-	1	434 MHz IL0R/5D8
1	958 538 901 05	VIN Indicate Set of locks	/LL	1	315 MHz IL0L/5D3 (J)
1	958 538 902 05	VIN Indicate Set of locks	/RL	1	315 MHz IL0R/5D3 (J)
1	958 538 901 06	VIN Indicate Set of locks	/LL	1	433 MHz IL0L/5D1 Korea
		VIN Indicate			

Model: 92A 11

Model life 2011>>

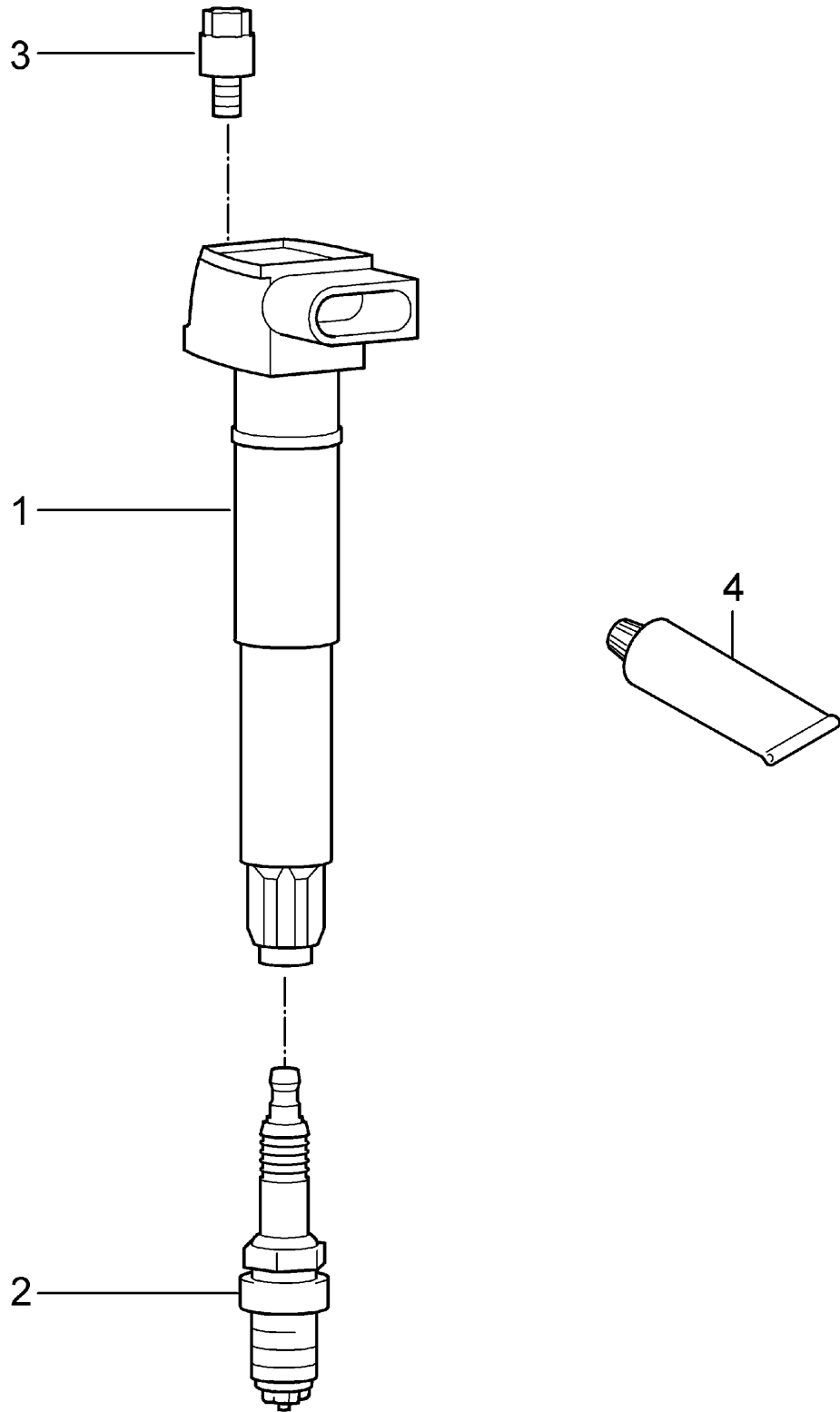


Model: 92A 11 Model life 2011>>

Pos	Part Number	Description	Remark	Qty	Model
1	948 602 104 10	Ignition system Ignition coil Use also: 948 105 146 00	-14	8	M48.02/52
(1)	958 602 101 00	Ignition coil Use also: 948 105 146 00		6	M55.02
(1)	958 602 102 00	Ignition coil Use also: 948 105 146 00		6	MCG.EA/FA M06.EC
2	958 170 222 90	Spark plug ILZKR8A		6	M55.02
2	958 170 221 90	Spark plug T40109S Use also: 000.043.210.83		6	MCG.EA/FA MCJ.TB M06.EC
(2)	955 170 320 90	Glow plug	-11	X	M05.9E
(2)	958 170 320 90	Glow plug	12-	6	MCR.CA/CB
(2)		Glow plug	13-	8	MCU.DB
(2)	958 170 320 91	Glow plug	13-	8	MCU.DB
2	999 170 130 90	Spark plug FGR 5NQE		8	M48.02
2	999 170 228 90	Spark plug FR6 NPP		8	M48.52
3	948 105 146 00	Screw Aluminium		8	M48.02/52
4	000 043 210 83	Grease for Ignition coil 958.602.102.00/01		1	MCG.EA/FA MCJ.TB M06.EC

Model: 92A 11

Model life 2011>>



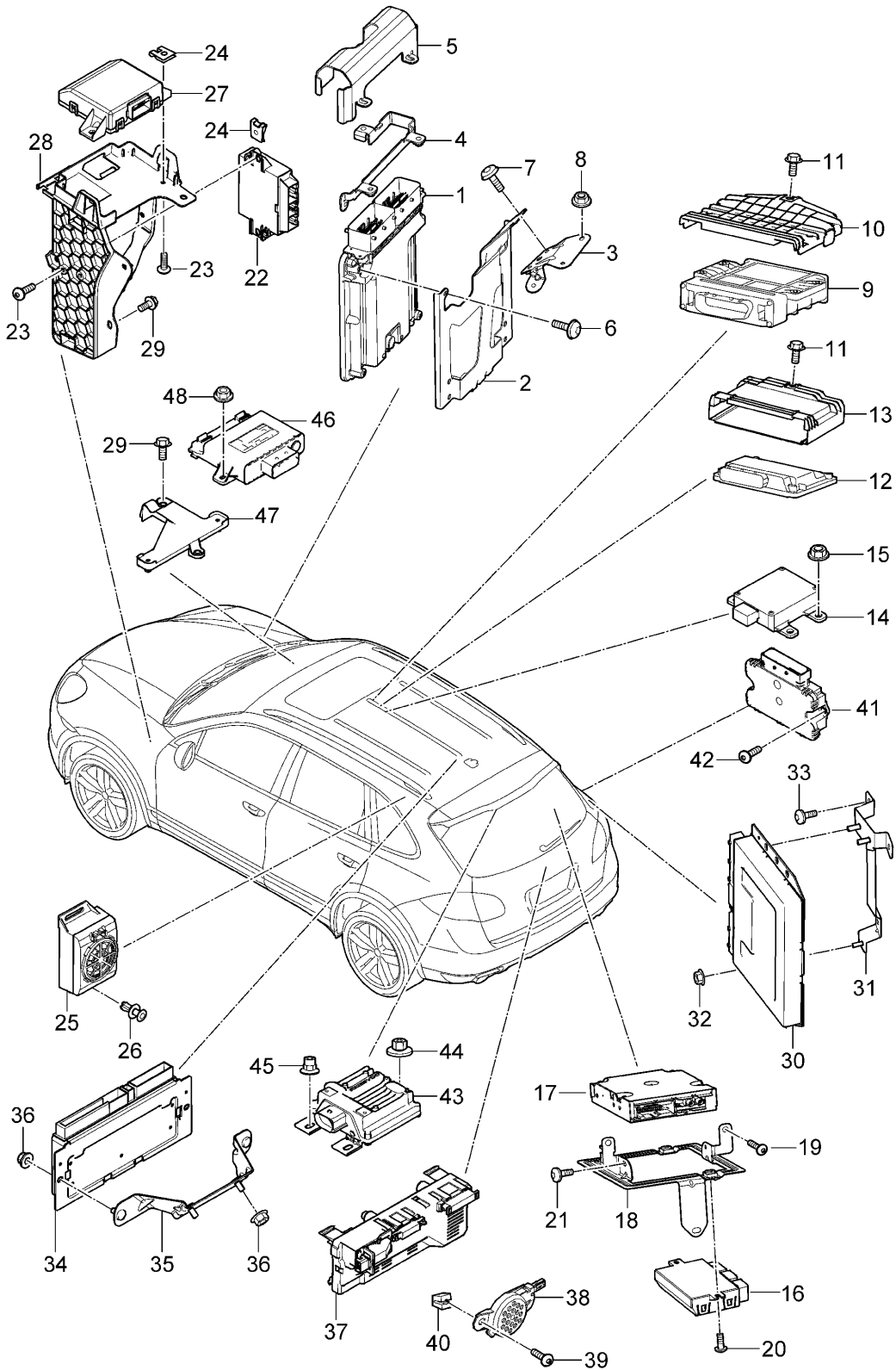
Model: 92A 11

Model life 2011>>

Pos	Part Number	Description	Remark	Qty	Model
1	948 602 104 13	Ignition system Ignition coil Use also: 948 105 146 00	15-	8	MCF.TB
1	958 602 101 00	Ignition coil Use also: 948 105 146 00		6	MCY.XA MCE.YA
(1)	958 602 102 00	Ignition coil Use also: 948 105 146 00		6	MCG.EA/FA MCJ.TB
(1)	946 602 104 00	Ignition coil Use also: 948 105 146 00		6	MCU.RA
2	999 170 228 90	Spark plug FR6 NPP		8	MCX.ZA MCF.TB MCY.XA
2	958 170 222 90	Spark plug ILZKR8A		6	MCE.YA
2	958 170 221 90	Spark plug T40109S Use also: 000.043.210.83		6	MCG.EA/FA MCJ.TB
(2)	999 170 233 90	Spark plug		6	MCU.RA MCX.ZA
(2)	958 170 320 91	FR5 NPP Glow plug		6	MCR.CA
(2)		Glow plug		8	MCU.DC
(2)		Glow plug		6	MCV.VA/VB/VC
3	948 105 146 00	Screw		8	MCF.TB
				6	MCE.YA
				6	MCG.EA/FA
				6	MCU.RA
				6	MCJ.TB
(3)	999 073 703 01	Round head screw		6	MCX.ZA
				6	MCU.RA
				6	MCX.ZA
4	000 043 210 83	M 6 X 46,5 Grease for Ignition coil 958.602.102.00/01		1	MCG.EA/FA MCJ.TB

Model: 92A 11

Model life 2011>>



Model: 92A 11

Model life 2011>>

Pos	Part Number	Description	Remark	Qty	Model
		Control units Engine and transmission Lock control Oil pump Trailer coupling Reversing camera ParkAssist Gateway Level adjustment - PDCC - Rear lid Electric parking brake Fuel pump Start/Stop	-14		
1	958 618 604 00	Control unit - dme - See technical information GR. 2 NR. 93/10 KD - NR. 2470 Order also: 948.607.314.00		1	ID58/D6V
-	948 607 314 00	Cap		1	
(1)	958 618 603 00	Control unit - dme -		1	ID34
(1)	958 618 603 20	Control unit - dme -	-13	1	ID11
(1)	958 618 603 21	Control unit - dme -	14-	1	ID11
(1)	958 618 603 30	Control unit - dme -	-12	1	ID19
(1)		Control unit - dme -	13-	1	IB0L/D19
(1)	958 618 603 31	Control unit - dme -	13-	1	-IB0L/ID19
(1)	958 618 605 10	Control unit - dme -	-11	1	ID50/G1G/7MG
(1)	958 618 605 11	Control unit - dme -	12-	1	ID43/G1G/7MJ I7MQ
(1)	958 618 605 20	Control unit - dme -	-11	1	ID50/G1G/0GG
(1)	958 618 605 21	Control unit - dme -	12-	1	ID43/G1G/0GG
(1)	958 618 605 30	Control unit - dme -	-11	1	ID50/G1G/0GZ
(1)	958 618 605 31	Control unit - dme -	12-	1	ID43/G1G/0GZ
(1)	958 618 605 40	Control unit - dme -	-11	1	ID1V/G1G/7MG
(1)	958 618 605 41	Control unit - dme -	12-	1	ID1V/G1G/7MQ
(1)	958 618 605 60	Control unit - dme -	13-	2	IDD8/G1G/7MG I7MJ/7MQ
(1)	958 618 605 70	Control unit - dme -	13-	2	IDD8/G1G/0GG
2	958 618 233 00	Support		1	ID58/D6V
(2)	958 618 233 10	Support		1	ID19/D34
(2)		Support		1	ID1V/D11/D43 ID50
(2)	958 618 233 20	Support	13-	1	IDD8/L0L
(2)	958 618 233 30	Support	13-	1	IDD8/L0L
(2)	958 618 233 40	Support	13-	1	IDD8/L0R

Model: 92A 11 Model life 2011>>

Pos	Part Number	Description	Remark	Qty	Model
(2)	958 618 233 50	Support	13-	1	IDD8/L0R
3	958 618 234 00	Support		1	
4	958 618 471 00	Support		1	IKE2
5	958 618 443 20	Securing clip		1	ID58/D6V/KE2
(5)	958 618 443 00	Securing clip		1	ID19/D34/KE2
(5)		Securing clip		1	ID11/KE2
(5)	958 618 443 10	Securing clip		1	ID1V/D43/D50 IKE2
(5)	958 618 443 30	Securing clip	13-	1	IDD8/KE2
6	N 105 215 03	Screw M 6 X 16		4	ID58/D6V
(6)	N 911 366 01	Shear bolt M 5 X 12		2	ID58/D6V/KE2
(6)	958 618 739 00	Fixing clip Control unit - dme -		2	ID11
(6)	N 106 695 01	Oval-head screw M 5 X 12		4	ID19/D34/KE0
(6)		Oval-head screw M 5 X 12		4	IDD8/D1V/D11 ID43/D50/KE0
(6)	N 911 366 01	Shear bolt M 5 X 12		4	ID19/D34/KE2
(6)		Shear bolt M 5 X 12		4	IDD8/D1V/D11 ID43/D50/KE2
(6)	N 911 468 01	Shear bolt M 6 X 16 for Mount Position 5		3	IKE2
7	N 910 967 01	Round head screw M 6 X 16		2	
7	N 909 187 02	Screw TP 4 X 12		3	IDD8/L0R
8	N 015 082 10	Hexagon nut M 6		2	
(8)	N 904 483 02	Speed nut 5,0		1	IDD8/L0L
9	958 618 120 01	Control unit Automatic transmission	-11	1	ID34/G1G
9	958 618 120 03	Control unit Automatic transmission	12	1	ID34/G1G
9	958 618 120 04	Control unit Automatic transmission	13-	1	-IIY2/ID34 IG1G
9	958 618 120 05	Control unit Automatic transmission	13-	1	ID34/G1G/IY2
9	958 618 120 10	Control unit Automatic transmission	-11	1	ID50/G1G
9	958 618 120 12	Control unit Automatic transmission	12	1	ID43/G1G
9	958 618 120 13	Control unit Automatic transmission	13-	1	-IIY2/ID43 IG1G
9	958 618 120 14	Control unit Automatic transmission	13-	1	ID43/G1G/IY2
9	958 618 120 20	Control unit Automatic transmission	-11	1	ID1V/G1G
9	958 618 120 22	Control unit Automatic transmission	12	1	ID1V/G1G
9	958 618 120 23	Control unit Automatic transmission	13-	1	-IIY2/ID1V

Model: 92A 11

Model life 2011>>

Pos	Part Number	Description	Remark	Qty	Model
					IG1G
9	958 618 120 24	Automatic transmission Control unit	13-	1	ID1V/G1G/IY2
9	958 618 123 01	Automatic transmission Control unit	-11	1	ID19/G1G/0GG I7GH/7MG
9	958 618 123 03	Automatic transmission Control unit	12-	1	ID19/G1G/0GG I7GH/7MG
9	958 618 123 04	Automatic transmission for Transmission 958.300.011.20/CX F >>92CLA 92110 F >>92CLA 92138 Control unit	12-	1	ID19/G1G/0GG I7GH/7MG/7MJ I7MN/7MQ
9	958 618 123 10	Automatic transmission for Transmission 958.300.011.21/NX F 92CLA 92111>> F 92CLA 92139>> Control unit	-11	1	ID19/G1G/7GB
9	958 618 123 11	Automatic transmission Control unit	-11	1	ID19/G1G/7GB
9	958 618 123 12	Automatic transmission Control unit	12-	1	ID19/G1G/7GB
9	958 618 123 13	Automatic transmission for Transmission 958.300.011.20/CX F >>92CLA 92110 F >>92CLA 92138 Control unit	12-	1	ID19/G1G/7GB
9	958 618 121 01	Automatic transmission Control unit	-11	1	ID6V/G1G
9	958 618 121 03	Automatic transmission Control unit	12	1	ID6V/G1G
9	958 618 121 04	Automatic transmission Control unit	13-	1	-IIY2/ID6V IG1G
9	958 618 121 05	Automatic transmission Control unit	13-	1	ID6V/G1G/IY2
9	958 618 121 10	Automatic transmission Control unit	13-	1	-IIY2/IE0W IG1G
9	958 618 121 11	Automatic transmission Control unit	13-	1	IE0W/G1G/IY2
9	958 618 122 01	Automatic transmission Control unit	-11	1	ID58/G1G
9	958 618 122 10	Automatic transmission for Transmission 958.300.011.51/FX Control unit	12	1	ID58/G1G

Model: 92A 11 Model life 2011>>

Pos	Part Number	Description	Remark	Qty	Model
9	958 618 122 11	for Transmission 958.300.011.52 /MX Control unit	13-	1	-IIY2/ID58 IE0A/G1G
9	958 618 122 12	Automatic transmission for Transmission 958.300.011.52 /MX Control unit	13-	1	ID58/E0A/G1G IIY2
9	958 618 122 20	Automatic transmission for Transmission 958.300.011.52 /MX Control unit	12	1	IE81/G1G
9	958 618 122 21	Automatic transmission Control unit	13-	1	-IIY2/IE81 IG1G
9	958 618 122 22	Automatic transmission Control unit	13-	1	IE81/G1G/IY2
9	958 618 122 30	Automatic transmission Control unit	13	1	-IIY2/ID58 IE8A/G1G
9	958 618 122 35	Automatic transmission for Transmission 958.300.011.52 /MX Control unit	14-	1	ID58/E8A/G1G
9	958 618 124 00	Automatic transmission for Transmission 958.300.011.52 /MX Control unit	-11	1	ID11/G1G
9	958 618 124 01	Automatic transmission Control unit	12	1	ID11/G1G
9	958 618 124 02	Automatic transmission Control unit	13-	1	-IIY2/ID11 IG1G
9	958 618 124 03	Automatic transmission Control unit	13-	1	ID11/G1G/IY2
9	958 618 125 00	Automatic transmission Control unit	13-	1	IDD8/G1G/7MJ
(9)	958 618 122 31	Automatic transmission Control unit	14-	1	IDD8/G1G/7MJ
9	958 618 125 10	Automatic transmission Control unit	13-	1	IDD8/G1G/0GG
10	958 618 130 00	Support		1	IG1G
11	N 106 532 01	Hexagon-head bolt M 6 X 16		1	IG1G
12	958 618 024 00	Control unit Lock control Transverse		1	I1Y1
12	958 618 024 01	Control unit Lock control Transverse	-12	1	I1Y1
12	958 618 024 02	Control unit Lock control Transverse	13-	1	I1Y1
12	958 618 024 03	Control unit Lock control Transverse	13-	1	I1Y1

Model: 92A 11 Model life 2011>>

Pos	Part Number	Description	Remark	Qty	Model
13	958 618 131 00	Support		1	I1Y1
14	958 618 601 00	Control unit		1	IG1G/7L4/7L6 I7L8
(14)	958 618 601 10	Oil pump Control unit		1	ID19
15	N 015 082 10	Oil pump Hexagon nut M 6		2	
16	7P0 907 383 C	Control unit	-11	1	I1D2/1D6/1D9
16	7P0 907 383 G	Trailer coupling Control unit	12-14	1	I1D2/1D6/1D9
17	958 618 045 00	Trailer coupling Control unit		1	I7X8/7X9
(17)	7PP 907 171	Reversing camera Control unit		1	I7X7
18	958 618 137 00	Reversing camera Support Control unit Trailer coupling Reversing camera for cars without TV for cars with TV See illustrations 9/11/00		1	
19	N 910 967 01	Round head screw M 6 X 16		3	
20		Round head screw M 6 X 16		2	IQV0/QV4/1D2 I1D6/1D9
(20)	N 102 849 05	Round head screw M 6 X 8		2	IQV1/1D2/1D6 I1D9
21	N 104 066 04	Round head screw M 5 X 8		3	I7X8/7X9
22	958 618 042 00	Control unit ParkAssist	-11	1	I7X2/7X8
22	958 618 042 01	Control unit ParkAssist	12-	1	I7X2/7X8
23	N 906 986 06	Tapping screw ST 4,2 X 16		3	
24	N 906 988 01	Speed nut 4,2		3	
25	7PP 035 709 A	Loudspeaker ParkAssist		1	I7X2/7X8
26	N 911 635 01	Expansion rivet		3	I7X2/7X8
27	958 610 127 01	Control unit Gateway See technical information GR. 9 NR. 93/10 KD - NR. 9035	-11	1	
27	958 610 127 02	Control unit Gateway See technical information GR. 9 NR. 93/10 KD - NR. 9035	-11	1	
27	958 610 127 03	Control unit Gateway See technical information GR. 9 NR. 93/10 KD - NR. 9035	-11	1	
27	958 610 127 05	Control unit	12-	1	

Model: 92A 11 Model life 2011>>

Pos	Part Number	Description	Remark	Qty	Model
		Gateway See technical information GR. 9 NR. 93/10 KD - NR. 9035			
27	7PP 907 530 R	Control unit	-14	1	
28	958 610 333 00	Gateway Support	/LL	1	IL0L
(28)	958 610 333 10	Control units ParkAssist Gateway Support	/RL	1	IL0R
(28)	958 610 333 20	Control unit Gateway Support	/RL	1	IL0R
29	N 910 799 01	Hexagon-head bolt M 6 X 20		X	
30	958 618 304 00	Control unit Level adjustment	-11	1	I1BK
30	958 618 304 01	Control unit Level adjustment	-11	1	I1BK
30	958 618 304 02	Control unit Level adjustment	-12	1	I1BK
30		Control unit	13-	1	-IIY2/ID19 ID58/D6V/E81 I1BK
30	958 618 304 03	Level adjustment Control unit	13-	1	ID19/D58/D6V IE81/IY2/1BK
30	958 618 305 00	Level adjustment Control unit	13-	1	-IIY2/ID34 IE0W/1BK
30	958 618 305 01	Level adjustment Control unit	13-	1	ID34/E0W/E8A IIY2/1BK
30	958 618 305 00	Level adjustment Control unit	13-	1	-IIY2/ID1V ID11/D43/1BK
30	958 618 305 01	Level adjustment Control unit	13-	1	IDD8/D1V/D11 ID43/IY2/1BK
(30)	958 618 304 10	Level adjustment Control unit		1	I1BH/1BZ
(30)	958 618 304 11	Level adjustment Control unit	-11	1	I1BH/1BZ
(30)	958 618 304 12	Level adjustment Control unit	-13	1	-IE0W/-IIY2 I1BH/1BZ
(30)	958 618 304 13	Level adjustment Control unit	13-	1	-IDD8/IIY2 I1BH/1BZ
(30)		Level adjustment Control unit	13-	1	-IE0W/IIY2 I1BH/1BZ
(30)	958 618 305 10	Level adjustment Control unit	13-	1	-IIY2/IE0W I1BH/1BZ
(30)	958 618 305 11	Level adjustment Control unit	13-	1	IE0W/IY2/1BH I1BZ
(30)		Level adjustment Control unit	13-	1	IDD8/IY2/1BH

Model: 92A 11 Model life 2011>>

Pos	Part Number	Description	Remark	Qty	Model
		Level adjustment			I1BZ
31	958 618 215 00	Support		1	I1BH/1BK/1BZ
32	N 015 082 10	Hexagon nut M 6		3	I1BH/1BK/1BZ
33	N 106 532 01	Hexagon-head bolt M 6 X 20		3	I1BH/1BK/1BZ
34	958 618 068 00	Control unit - PDCC -	-11	1	I0AW
34	958 618 068 02	Control unit - PDCC - F >>92CLA 05335 F >>92CLA 92110 F >>92CLA 64565 F >>92CLA 28225 F >>92CLA 28101 F >>92CLA 45215 F >>92CLA 82187	12-	1	I0AW
34	958 618 068 03	Control unit - PDCC - F 92CLA 05336>> F 92CLA 92111>> F 92CLA 64566>> F 92CLA 28226>> F 92CLA 28102>> F 92CLA 45216>> F 92CLA 82188>>	12-	1	I0AW
35	958 618 070 00	Support		1	I0AW
36	N 015 082 10	Hexagon nut M 6		4	I0AW
37	958 618 080 00	Control unit Rear lid	-11	1	I4E7
37	958 618 080 01	Control unit Rear lid	-11	1	I4E7
37	958 618 080 02	Control unit Rear lid	12	1	I4E7
37	958 618 080 03	Control unit Rear lid	13-	1	I4E7
38	8E0 919 279	Loudspeaker Warning function		1	I4E7
39	N 906 986 06	Tapping screw ST 4,2 X 16		2	I4E7
40	N 905 410 01	Expander nut		2	I4E7
41	958 618 109 00	Control unit Electric parking brake	-11	1	
41	958 618 109 01	Control unit Electric parking brake	12-	1	
42	N 106 533 01	Hexagon-head bolt M 6 X 20		2	
43	958 618 151 00	Control unit Fuel pump		1	
43	7P0 906 093 A	Control unit Fuel pump		1	
43	7P0 906 093 B	Control unit Fuel pump		1	
44	970 618 377 00	Mounting piece		1	
45	955 111 548 03	Speed nut		2	
46	7PP 959 663 B	Voltage converter Start/Stop	-11	1	I7L4/7L6/7L8
46	7PP 959 663 E	Voltage converter Start/Stop		1	I7L4/7L6/7L8
47	958 618 663 00	Support	/LL	1	I1L0L/7L4/7L6 I7L8

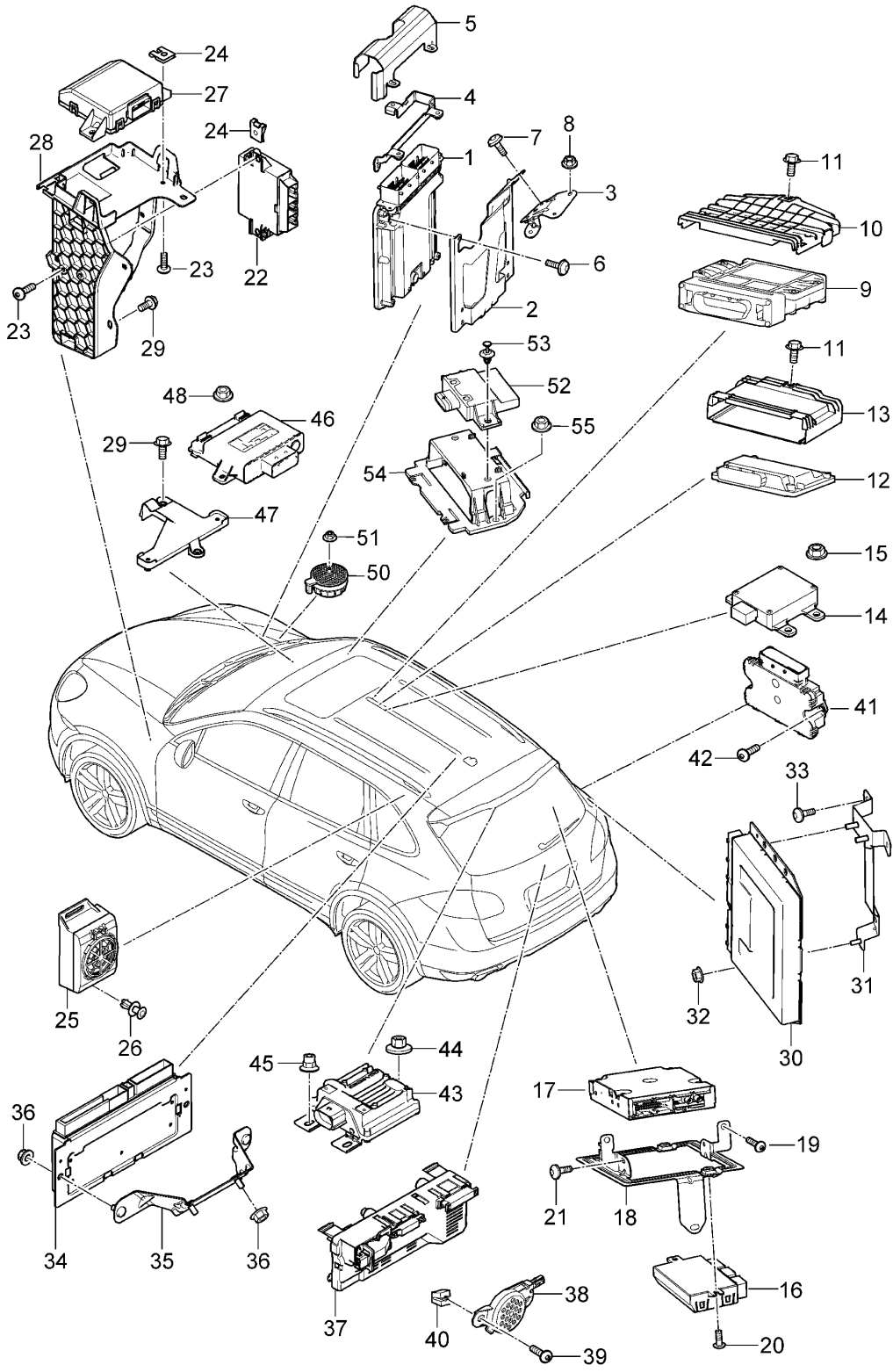
Model: 92A 11

Model life 2011>>

Pos	Part Number	Description	Remark	Qty	Model
(47)	958 618 663 10	Support	/RL	1	IL0R/7L4/7L6 I7L8
48	N 908 877 03	Hexagon nut M 6		2	I7L4/7L6/7L8

Model: 92A 11

Model life 2011>>



Model: 92A 11 Model life 2011>>

Pos	Part Number	Description	Remark	Qty	Model
		Control units Engine and transmission Lock control Oil pump Trailer coupling Reversing camera ParkAssist Gateway Level adjustment - PDCC - Rear lid Electric parking brake Fuel pump Start/Stop	15-		
(1)	958 618 603 40	Control unit - dme -		1	IDT1
(1)		Control unit - dme -		1	IDT5
(1)	958 618 603 50	Control unit - dme -		1	IDU2
(1)		Control unit - dme -		1	IDU3
(1)	958 618 603 60	Control unit - dme -		1	ID34
(1)	958 618 603 70	Control unit - dme -		1	ID19
(1)	958 618 603 80	Control unit - dme -		1	ID11/7MJ
(1)	958 618 606 00	Control unit - dme -		1	ID43
(1)	958 618 606 10	Control unit - dme -		1	IDD7/DV7/D1V ID51
(1)	958 618 606 20	Control unit - dme -		1	ID50
(1)	958 618 606 30	Control unit - dme -		2	IDD8/0GG
(1)	958 618 606 40	Control unit - dme -		2	IDD8/7MJ
(1)	958 618 606 50	Control unit - dme -		2	IDD8/7MM
2	958 618 233 60	Support		1	IDT1/DU2
2		Support		1	IDT5
2		Support		1	IDU3
(2)	958 618 233 10	Support		1	ID19/D34
(2)		Support		1	IDD7/DV7/D1V ID43/D50/D51
(2)		Support		1	ID11
(2)	958 618 233 30	Support		1	IDD8/L0L
(2)	958 618 233 50	Support		1	IDD8/L0R
3	958 618 234 00	Support		1	
4	958 618 471 00	Support		1	IKE2
(5)	958 618 443 00	Securing clip		1	ID19/D34/KE2
(5)		Securing clip		1	ID11/KE2
(5)	958 618 443 10	Securing clip		1	IDD7/DV7/D1V ID43/D50/D51 IKE2
(5)	958 618 443 30	Securing clip		1	IDD8/KE2
6	N 105 215 03	Screw M 6 X 16		4	IDT1/DU2
(6)	N 911 366 01	Shear bolt		2	IDU3 IDT5 IDT1/DT5/DU2

Model: 92A 11 Model life 2011>>

Pos	Part Number	Description	Remark	Qty	Model
		M 5 X 12			IDU3
(6)	958 618 739 00	Fixing clip Control unit - dme -		2	IDU3 IDT5 ID11
(6)	N 106 695 01	Oval-head screw M 5 X 12		4	ID19/D34/KE0
(6)		Oval-head screw M 5 X 12		4	IDD7/DD8/DV7 ID1V/D43/D50 ID51/KE0
(6)	N 911 366 01	Shear bolt M 5 X 12		4	ID11 ID19/D34/KE2
(6)		Shear bolt M 5 X 12		4	IDD7/DD8/DV7 ID1V/D43/D50 ID51/KE2
(6)	N 911 468 01	Shear bolt M 6 X 16 for Mount Position 5		3	ID11 IKE2
7	N 910 967 01	Round head screw M 6 X 16		2	
7	N 909 187 02	Screw TP 4 X 12		3	IDD8/L0R
8	N 015 082 10	Hexagon nut M 6		2	
(8)	N 904 483 02	Speed nut 5,0		1	IDD8/L0L
9	958 618 120 40	Control unit Automatic transmission		1	IG1G
10	958 618 130 00	Support		1	IG1G
11	N 106 532 01	Hexagon-head bolt M 6 X 16		1	IG1G
12	958 618 024 04	Control unit Lock control Transverse		1	
13	958 618 131 00	Support		1	
14	958 618 601 01	Control unit		1	IG1G/7L4/7L6 I7L8
(14)	958 618 601 10	Oil pump Control unit Oil pump		1	ID19
15	N 015 082 10	Hexagon nut M 6		2	
16	7P0 907 383 J	Control unit Trailer coupling		1	I1D3/1D9
17	958 618 045 10	Control unit Reversing camera TOP-VIEW		1	I8A4
18	958 618 137 00	Support		1	I1D1/1D3/1D6 I7X0/7X2/7X8 I7X9
(18)	958 618 680 00	Control unit Trailer coupling Reversing camera Support		1	IQV0/QV1/QV3

Model: 92A 11

Model life 2011>>

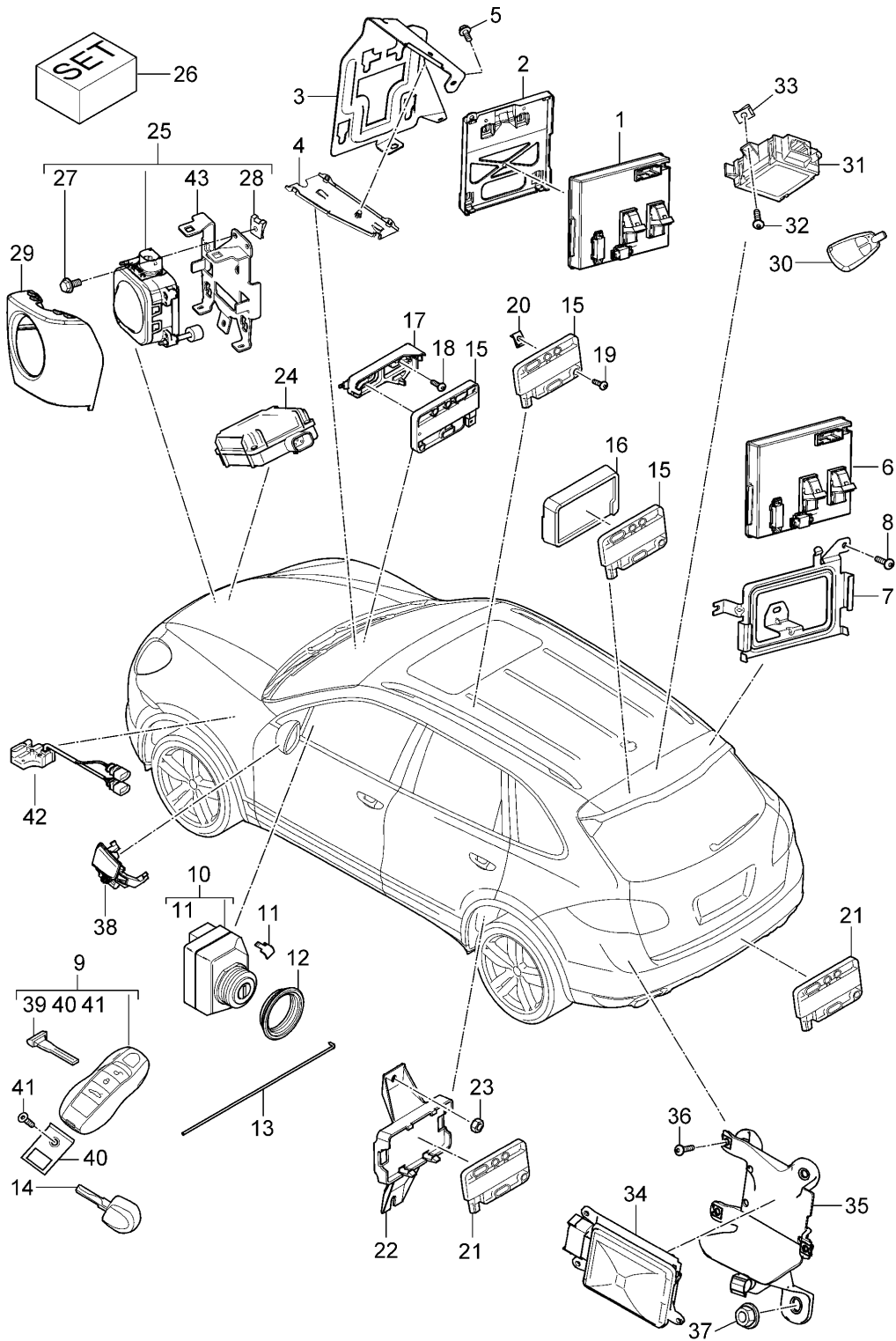
Pos	Part Number	Description	Remark	Qty	Model
		Control unit			I8A4
19	N 910 967 01	Reversing camera		3	
		Round head screw			
		M 6 X 16			
20		Round head screw		2	IQV0/QV4/1D2 I1D6/1D9
		M 6 X 16			
(20)	N 102 849 05	Round head screw		2	IQV1/1D2/1D6 I1D9
		M 6 X 8			
21	N 104 066 04	Round head screw		3	I7X8/7X9
		M 5 X 8			
22	95B 919 475 G	Control unit	-16	1	I7X2/7X8/8A4
		ParkAssist			
(22)	95B 919 475 L	Control unit	17-	1	I7X2/7X8/8A4
		ParkAssist			
23	N 906 986 06	Tapping screw		3	
		ST 4,2 X 16			
24	N 906 988 01	Speed nut		3	
		4,2			
25	7PP 035 709 A	Loudspeaker		1	I7X2/7X8
		ParkAssist			
26	N 911 635 01	Expansion rivet		3	I7X2/7X8
27	95B 907 530 E	Control unit	-16	1	
		Gateway			
28	958 610 333 00	Support	/LL	1	IL0L
		Control units			
		ParkAssist			
		Gateway			
(28)	958 610 333 10	Support	/RL	1	IL0R
		Control unit			
		Gateway			
(28)	958 610 333 20	Support	/RL	1	IL0R
		Control unit			
		ParkAssist			
29	N 910 799 01	Hexagon-head bolt		X	
		M 6 X 20			
30	958 618 306 00	Control unit		1	I1BK
		Level adjustment			
(30)	958 618 306 10	Control unit		1	I1BH/1BZ
		Level adjustment			
31	958 618 215 00	Support		1	I1BH/1BK/1BZ
32	N 015 082 10	Hexagon nut		3	I1BH/1BK/1BZ
		M 6			
33	N 106 532 01	Hexagon-head bolt		3	I1BH/1BK/1BZ
		M 6 X 20			
34	958 618 067 00	Control unit		1	I0AW
		- PDCC -			
35	958 618 070 00	Support		1	I0AW
36	N 015 082 10	Hexagon nut		4	I0AW
		M 6			
37	7P5 959 107 E	Control unit		1	I4E7
		Rear lid			
38	8E0 919 279	Loudspeaker		1	I4E7
		Warning function			
39	N 906 986 06	Tapping screw		2	I4E7
		ST 4,2 X 16			
40	N 905 410 01	Expander nut		2	I4E7
41	958 618 109 01	Control unit		1	
		Electric parking brake			
42	N 106 533 01	Hexagon-head bolt		2	
		M 6 X 20			

Model: 92A 11 Model life 2011>>

Pos	Part Number	Description	Remark	Qty	Model
43	7P0 906 093 B	Control unit Fuel pump		1	
44	970 618 377 00	Mounting piece		1	
45	955 111 548 03	Speed nut		2	
46	7PP 959 663 E	Voltage converter Start/Stop		1	I7L4/7L6/7L8
47	958 618 663 00	Support	/LL	1	IL0L/7L4/7L6 I7L8
(47)	958 618 663 10	Support	/RL	1	IL0R/7L4/7L6 I7L8
48	N 908 877 03	Hexagon nut M 6		2	I7L4/7L6/7L8
50	4H0 907 601 D	Pulse sender Engine noises		1	I2HB
51	N 908 877 03	Hexagon nut		1	I2HB
52	958 907 159 00	Control unit Engine noises		1	I2HB
53	N 911 585 01	Expansion rivet		2	I2HB
54	958 035 935 00	Support		1	I2HB
55	N 909 472 01	Hexagon nut		2	I2HB

Model: 92A 11

Model life 2011>>



Model: 92A 11 Model life 2011>>

Pos	Part Number	Description	Remark	Qty	Model
		Control units Electronics Body front section Rear end Handheld transmitter Ignition starter switch Garage door opener Distance sensor Receiving part Auxiliary heater Lane Change Assistant Auxiliary heater	-14		
1	7PP 907 064 CG	Control unit Electronics Body front section	-11	1	I5D2/5D3
1	7PP 907 064 DA	Control unit Electronics Body front section	-11	1	I5D2/5D3
1	7PP 907 064 DG	Control unit Electronics Body front section	-11	1	I5D2/5D3
1	7PP 907 064 EA	Control unit Electronics Body front section F >>92CLA 03712 F >>92CLA 91365 F >>92CLA 25247 F >>92CLA 44031 F >>92CLA 81613	12-	1	I5D2/5D3
1	7PP 907 064 EJ	Control unit Electronics Body front section F 92CLA 03713>> F 92CLA 91366>> F 92CLA 25248>> F 92CLA 44032>> F 92CLA 81614>>	12	1	I5D2/5D3
1	7PP 907 064 EP	Control unit	13-	1	-IIY2/I5D2 I5D3
1	7PP 907 064 GF	Electronics Body front section Control unit	13-	1	IIY2/5D2/5D3
1	7PP 907 064 HH	Electronics Body front section Control unit	14-	1	I5D2/5D3
(1)	7PP 907 064 CF	Electronics Body front section Control unit	-11	1	I5D1
(1)	7PP 907 064 CT	Electronics Body front section Control unit	-11	1	I5D1
(1)	7PP 907 064 DF	Electronics Body front section Control unit	-11	1	I5D1
1	7PP 907 064 DT	Electronics Body front section Control unit Electronics Body front section F >>92CLA 03712 F >>92CLA 91365 F >>92CLA 25247 F >>92CLA 44031	12-	1	I5D1

Model: 92A 11 Model life 2011>>

Pos	Part Number	Description	Remark	Qty	Model
1	7PP 907 064 EH	F >>92CLA 81613 Control unit Electronics Body front section F 92CLA 03713>> F 92CLA 91366>> F 92CLA 25248>> F 92CLA 44032>> F 92CLA 81614>>	12-	1	I5D1
1	7PP 907 064 ES	Control unit Electronics Body front section	13	1	-IIY2/I5D1
1	7PP 907 064 GE	Control unit Electronics Body front section	13	1	IIY2/5D1
1		Control unit Electronics Body front section	14-	1	IIY2/5D1
1	7PP 907 064 EN	Control unit Electronics Body front section	13	1	-IIY2/I5D8
1	7PP 907 064 GD	Control unit Electronics Body front section	13	1	IIY2/5D8
1	7PP 907 064 HF	Control unit Electronics Body front section	14-	1	I4F2/5D8
1	7PP 907 064 HC	Control unit Electronics Body front section	14-	1	I4K3/5D8
2	7PP 907 348 B	Support		1	
3	958 618 347 00	Support	/LL	1	IL0L
(3)	958 618 347 10	Support	/RL	1	IL0R
4	958 618 347 20	Cover		1	
5	N 910 799 01	Hexagon-head bolt M 6 X 20		2	
6	958 618 279 00	Control unit Electronics Rear end	-11	1	
6	958 618 279 02	Control unit Electronics Rear end	-11	1	
6	958 618 279 10	Control unit Electronics Rear end	12	1	
6	958 618 279 12	Control unit Electronics Rear end	13	1	
6	958 618 279 14	Control unit Electronics Rear end	14-	1	
-	958 612 371 00	Diode See workshop manual KD-NR.578949 SY-NR.SY0311		1	
7	958 618 348 00	Support		1	
7	958 618 348 01	Support		1	
8	N 104 514 05	Round head screw M 6 X 16		3	
9		Handheld transmitter Key cover See technical information Service			

Model: 92A 11

Model life 2011>>

Pos	Part Number	Description	Remark	Qty	Model
		Group 5 Document 5708 31/12			
9	958 637 946 00	Handheld transmitter Key cover Vehicle Ident. No. Indicate	-11	1	I5D1
9	958 637 946 01	Handheld transmitter Key cover Vehicle Ident. No. Indicate	12-	1	I5D1
9	958 637 946 02	Handheld transmitter Key cover Vehicle Ident. No. Indicate		1	I5D1
(9)	958 637 946 03	D >> 06.11.2016 Handheld transmitter Key cover Vehicle Ident. No. Indicate		1	I5D1
9	958 637 950 02	D 07.11.2016>> Handheld transmitter Key cover Vehicle Ident. No. Indicate	13-	1	I5D8
9	958 637 950 03	D >> 06.11.2016 Handheld transmitter Key cover Vehicle Ident. No. Indicate		1	I5D8
(9)	958 637 948 00	D 07.11.2016>> Handheld transmitter Key cover Vehicle Ident. No. Indicate	-11	1	I5D3
(9)	958 637 948 01	Handheld transmitter Key cover Vehicle Ident. No. Indicate	12-	1	I5D3
(9)	958 637 948 02	Handheld transmitter Key cover Vehicle Ident. No. Indicate		1	I5D3
(9)	958 637 948 03	D >> 06.11.2016 Handheld transmitter Key cover Vehicle Ident. No. Indicate		1	I5D3
(9)	958 637 947 00	D 07.11.2016>> Handheld transmitter Key cover Vehicle Ident. No. Indicate	-11	1	I5D2
(9)	958 637 947 01	Handheld transmitter Key cover Vehicle Ident. No. Indicate	12-	1	I5D2
(9)	958 637 947 02	Handheld transmitter Key cover Vehicle Ident. No. Indicate		1	I5D2
(9)	958 637 947 03	D >> 06.11.2016 Handheld transmitter		1	I5D2

Model: 92A 11

Model life 2011>>

Pos	Part Number	Description	Remark	Qty	Model
-	999 611 108 00	Key cover Vehicle Ident. No. Indicate D 07.11.2016>> Battery		1	
10	7PP 905 865 D	Handheld transmitter Control unit	-12	1	
10	7PP 905 865 F	Ignition starter switch Control unit	13-	1	
11	970 618 959 00	Ignition starter switch Cover Release		1	
12	7PP 911 094	Nut		1	
13	7PP 907 256	Emergency operation Release Ignition starter switch		1	
14	7PP 919 157	Control part		1	I4F2/4F6
15	7PP 962 132 A	Antenna Inner		3	I4F2/4F6
16	958 637 213 00	Support		1	I1G1/1G4/1G8 I4F2/4F6
(16)	958 637 213 10	Antenna Boot floor plate Support		1	I0K1/4F2/4F6
(16)	958 637 283 00	Antenna Boot floor plate Support		1	I3F4/4F2/4F6
17		Antenna Boot floor plate Support		1	I4F2/4F6
18	N 910 935 02	Dashboard Round head screw M 6 X 30		2	I4F2/4F6
19	N 107 018 01	Tapping screw 4,2 X 22		2	I4F2/4F6
20	N 906 988 01	Speed nut 4,2		2	I4F2/4F6
21	7PP 962 132	Antenna Outer		3	I4F2/4F6
22	958 637 285 00	Support Antenna		2	I4F2/4F6
23	N 904 953 01	Wheel housing Hexagon nut D 5		4	I4F2/4F6
24	8K0 907 410	Control unit Garage door opener		1	IVC1
(24)	8K0 907 410 C	Control unit Garage door opener		1	IVC2
25	958 605 085 00	Control unit		1	-ID58/-IE0W I8T3
25	958 605 085 01	Distance sensor D >> 28.06.2010 Control unit		1	-ID58/-IE0W I8T3
25	958 605 085 02	Distance sensor D 28.06.2010>> 05.11.2012 Control unit		1	-ID58/-IE0W I8T3
(25)	958 605 085 10	Distance sensor D 05.11.2012>> Control unit Distance sensor		1	ID58/8T3

Model: 92A 11 Model life 2011>>

Pos	Part Number	Description	Remark	Qty	Model
(25)	958 605 085 11	D >> 28.06.2010 Control unit Distance sensor		1	ID58/8T3
(25)		D 28.06.2010>> 05.11.2012 Control unit Distance sensor		1	IE0W/8T3
(25)	958 605 085 12	D 28.06.2010>> 05.11.2012 Control unit Distance sensor		1	ID58/8T3
(25)		D 05.11.2012>> Control unit Distance sensor		1	IE0W/8T3
26	970 605 901 00	D 05.11.2012>> Repair kit Comprising: Clip Adjusting screw Screw Clip		1 3 2 1 3	I8T3
27	N 910 991 01	Round head screw M 6 X 20		3	I8T3
28	N 906 887 01	Speed nut M 6		3	ID58/8T3
29	958 605 379 00	Trim cover		1	I8T3
29		Trim cover		1	I8T3
30	7PP 963 511 A	Handheld transmitter Auxiliary heater		1	I9M9
30	7PP 963 511 B	Handheld transmitter Auxiliary heater		1	I9M9
31	8K0 963 271	Control unit Receiving part Auxiliary heater		1	I9M9
32	N 106 428 01	Tapping screw ST 3,5 X 13		2	I9M9
33	N 911 680 01	Speed nut 3,5		2	I9M9
34	958 618 566 01	Control unit Lane Change Assistant Left F >>92CLA 04180 F >>92CLA 62840 F >>92CLA 26224 F >>92CLA 91673 F >>92CLA 44394 F >>92CLA 81814	/L	1	I7Y1
34	958 618 566 10	Control unit Lane Change Assistant Left F 92CLA 04181>> F 92CLA 62841>> F 92CLA 26225>> F 92CLA 91674>> F 92CLA 44395>> F 92CLA 81815>>	/L	1	I7Y1/7Y7
34	958 618 568 01	Control unit Lane Change Assistant Right F >>92CLA 04180 F >>92CLA 62840 F >>92CLA 26224 F >>92CLA 91673 F >>92CLA 44394 F >>92CLA 81814	/R	1	I7Y1

Model: 92A 11

Model life 2011>>

Pos	Part Number	Description	Remark	Qty	Model
34	958 618 568 10	Control unit Lane Change Assistant Right F 92CLA 04181>> F 92CLA 62841>> F 92CLA 26225>> F 92CLA 91674>> F 92CLA 44395>> F 92CLA 81815>>	/R	1	I7Y1/7Y7
35	958 618 509 00	Support Left	/L	1	I7Y1
(35)	958 618 510 00	Support Right	/R	1	I7Y1
(35)	958 618 510 01	Support Right	/R	1	I7Y1
36	N 105 864 01	Round head screw M 5 X 10		6	I7Y1
37	N 905 708 03	Hexagon nut M 6		6	I7Y1
38	958 641 039 00	Warning light Lane Change Assistant Door mirror Information available	/LL /L	1	IL0L/7Y1
(38)	958 641 039 10	Warning light Lane Change Assistant Door mirror Information available	/RL /L	1	IL0R/7Y1
(38)	958 641 039 20	Warning light Lane Change Assistant Door mirror Information available	/LL /L	1	IL0L/5SU/7Y1
(38)	958 641 039 30	Warning light Lane Change Assistant Door mirror Information available	/RL /L	1	IL0R/5SU/7Y1
(38)	958 641 040 00	Warning light Lane Change Assistant Door mirror Information available	/LL /R	1	IL0L/7Y1
(38)	958 641 040 10	Warning light Lane Change Assistant Door mirror Information available	/RL /R	1	IL0R/7Y1
(38)	958 641 040 20	Warning light Lane Change Assistant Door mirror Information available	/LL /R	1	IL0L/5RP/7Y1
(38)	958 641 040 30	Warning light Lane Change Assistant Door mirror Information available	/RL /R	1	IL0R/5RP/7Y1
39	958 538 916 00	Emergency key with stipulated lock number Vehicle Ident. No. Indicate		1	
40	991 637 301 00	Eye		1	
41	991 637 303 00	Countersunk-head screw		1	
42	958 618 272 00	Control unit Auxiliary heater	-12	1	I9M1/9M5/9M9
42	958 618 272 01	Control unit Auxiliary heater	13-	1	I9M1/9M5/9M9
43	958 605 086 10	Support Control unit		1	I8T3

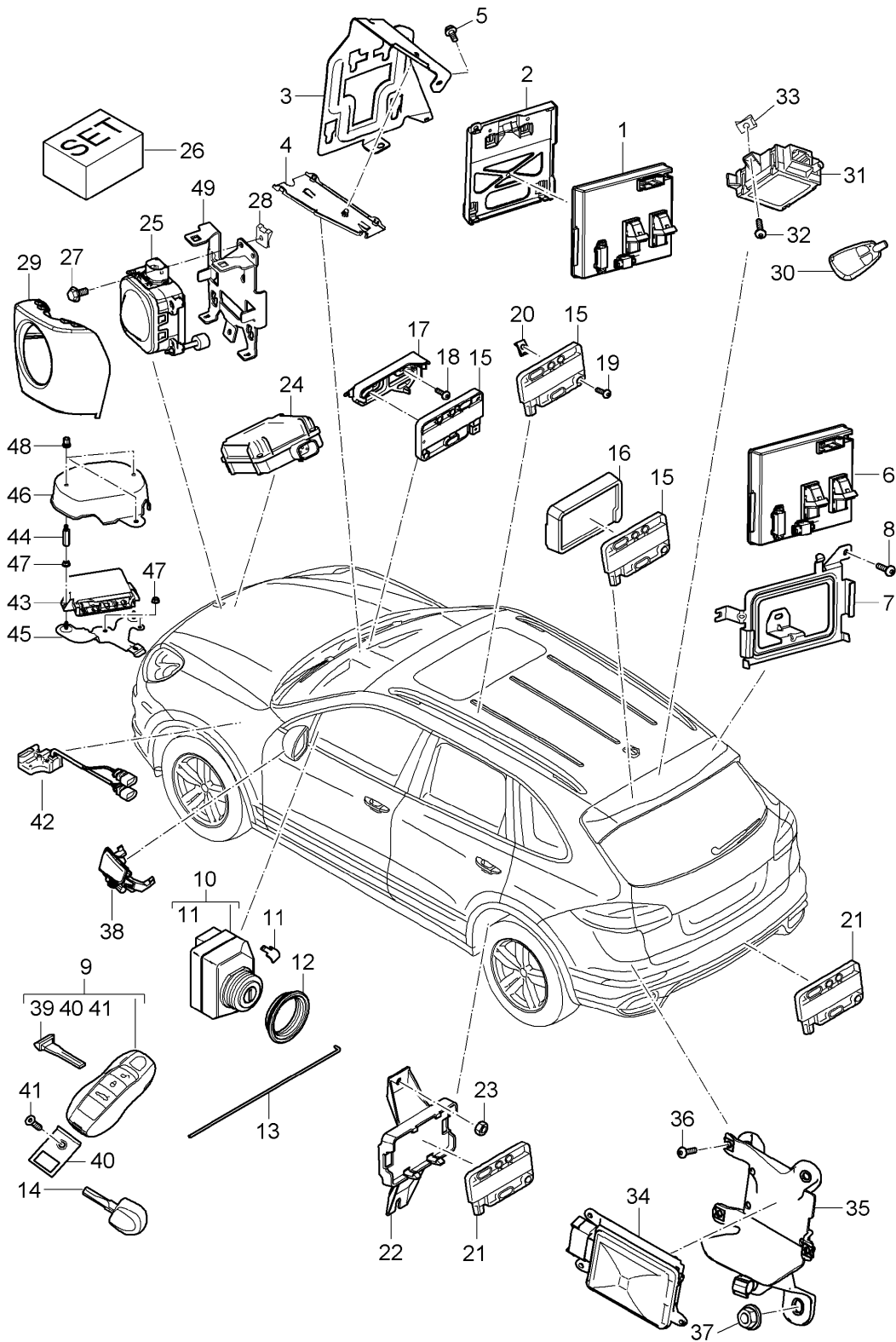
Model: 92A 11

Model life 2011>>

Pos	Part Number	Description	Remark	Qty	Model
(43)	958 605 086 20	Distance sensor Support Control unit Distance sensor Alarm siren See illustrations 9/03/00		1	I8T3

Model: 92A 11

Model life 2011>>



Model: 92A 11

Model life 2011>>

Pos	Part Number	Description	Remark	Qty	Model
1	7PP 907 064 HP	Control units Electronics Body front section Rear end Handheld transmitter Ignition starter switch Garage door opener Distance sensor Receiving part Auxiliary heater Lane Change Assistant Auxiliary heater Control unit	15-	1	I4F2/4F6/5D2 I5D3
1	7PP 907 064 KJ	Control unit		1	I4K0/4K3/5D2 I5D3
1	7PP 907 064 HM	Control unit		1	I5D8
1	7PP 907 064 HN	Control unit		1	I5D1
2	7PP 907 348 B	Support		1	
3	958 618 347 00	Support	/LL	1	IL0L
(3)	958 618 347 11	Support	/RL	1	IL0R
4	958 618 347 20	Cover		1	
5	N 910 799 01	Hexagon-head bolt M 6 X 20		2	
6	7PP 907 279 CB	Control unit		1	
-	958 612 371 00	Diode See workshop manual KD-NR.578949 SY-NR.SY0311		1	
7	958 618 348 01	Support		1	
8	N 104 514 05	Round head screw M 6 X 16		3	
9		Handheld transmitter Key cover See technical information Service Group 5 Document 5708 31/12			
9	958 637 946 02	Handheld transmitter Key cover Vehicle Ident. No. Indicate		1	I5D1
9	958 637 950 02	Handheld transmitter Key cover Vehicle Ident. No. Indicate		1	I5D8
(9)	958 637 948 02	Handheld transmitter Key cover Vehicle Ident. No. Indicate		1	I5D3
(9)	958 637 947 02	Handheld transmitter Key cover		1	I5D2

Model: 92A 11

Model life 2011>>

Pos	Part Number	Description	Remark	Qty	Model
-	999 611 108 00	Vehicle Ident. No. Indicate Battery		1	
10	7PP 905 865 F	Handheld transmitter Control unit Ignition starter switch D >> 09.10.2016		1	
11	970 618 959 00	Cover Release		1	
12	7PP 911 094	Nut		1	
13	7PP 907 256	Emergency operation Release Ignition starter switch		1	
14	7PP 919 157	Control part		1	I4F2/4F6
15	7PP 962 132 A	Antenna Inner		3	I4F2/4F6
16	958 637 213 00	Support		1	I1G1/1G4/1G8 I4F2/4F6
(16)	958 637 213 10	Antenna Boot floor plate Support		1	I0K1/4F2/4F6
(16)	958 637 283 00	Antenna Boot floor plate Support		1	I3F4/4F2/4F6
17		Antenna Support		1	I4F2/4F6
18	N 910 935 02	Dashboard Round head screw M 6 X 30		2	I4F2/4F6
19	N 107 018 01	Tapping screw 4,2 X 22		2	I4F2/4F6
20	N 906 988 01	Speed nut 4,2		2	I4F2/4F6
21	7PP 962 132	Antenna Outer		3	I4F2/4F6
22	958 637 285 00	Support Antenna		2	I4F2/4F6
23	N 904 953 01	Wheel housing Hexagon nut D 5		4	I4F2/4F6
24	8K0 907 410	Control unit		1	IVC1
(24)	8K0 907 410 C	Garage door opener Control unit Garage door opener		1	IVC2
(25)	958 605 085 20	Control unit Distance sensor		1	I8T3
26	970 605 901 00	Repair kit Comprising: Clip Adjusting screw Screw Clip		1 3 2 1 3	I8T3
27	N 910 991 01	Round head screw M 6 X 20		3	I8T3
28	N 906 887 01	Speed nut M 6		3	ID58/8T3
29	958 605 379 01	Trim cover		1	I8T3
30	7PP 963 511 B	Handheld transmitter Auxiliary heater		1	I9M9
31	8K0 963 271	Control unit Receiving part		1	I9M9

Model: 92A 11

Model life 2011>>

Pos	Part Number	Description	Remark	Qty	Model
32	N 106 428 01	Auxiliary heater Tapping screw ST 3,5 X 13		2	I9M9
33	N 911 680 01	Speed nut 3,5		2	I9M9
33		Speed nut 3,5		2	I9M9
34	8T0 907 566 B	Control unit Lane Change Assistant Left		1	
(34)	8T0 907 568 B	Control unit Lane Change Assistant Right		1	
35	958 618 509 10	Support Left	/L	1	I7Y1
(35)	958 618 510 10	Support Right	/R	1	I7Y1
36	N 105 864 01	Round head screw M 5 X 10		6	I7Y1
37	N 905 708 03	Hexagon nut M 6		6	I7Y1
38	958 641 039 50	Warning light Lane Change Assistant Door mirror	/LL /L	1	IL0L/7Y1/7Y7
(38)	958 641 040 50	Warning light Lane Change Assistant Door mirror	/LL /R	1	IL0L/7Y1/7Y7
(38)	958 641 039 60	Warning light Lane Change Assistant Door mirror	/RL /L	1	IL0R/7Y1/7Y7
(38)	958 641 040 60	Warning light Lane Change Assistant Door mirror	/RL /R	1	IL0R/7Y1/7Y7
39	958 538 916 00	Emergency key with stipulated lock number Vehicle Ident. No. Indicate		1	
40	991 637 301 00	Eye		1	
41	991 637 303 00	Countersunk-head screw		1	
42	958 618 272 02	Control unit Auxiliary heater		1	I9M1/9M5/9M9
43	7PP 035 620 AE	Control unit VTS vehicle tracking		1	I7G9/7I0/7I2
44	7PP 971 952	Spacer M 6		2	I7I0/7I2
45	958 646 317 00	Support Control unit VTS vehicle tracking		1	I7I0/7I2
46	958 646 429 00	Cap Control unit VTS vehicle tracking		1	I7I0/7I2
47	N 015 082 10	Hexagon nut M6		4	I7I0/7I2
-	7PP 862 077	System Card VTS vehicle tracking Information available		1	I7I2
48	WHT 006 947	Shear-off nut M 6 - SB		3	I7I0/7I2
49	958 605 086 00	Support Control unit Distance sensor Alarm siren		1	I8T3

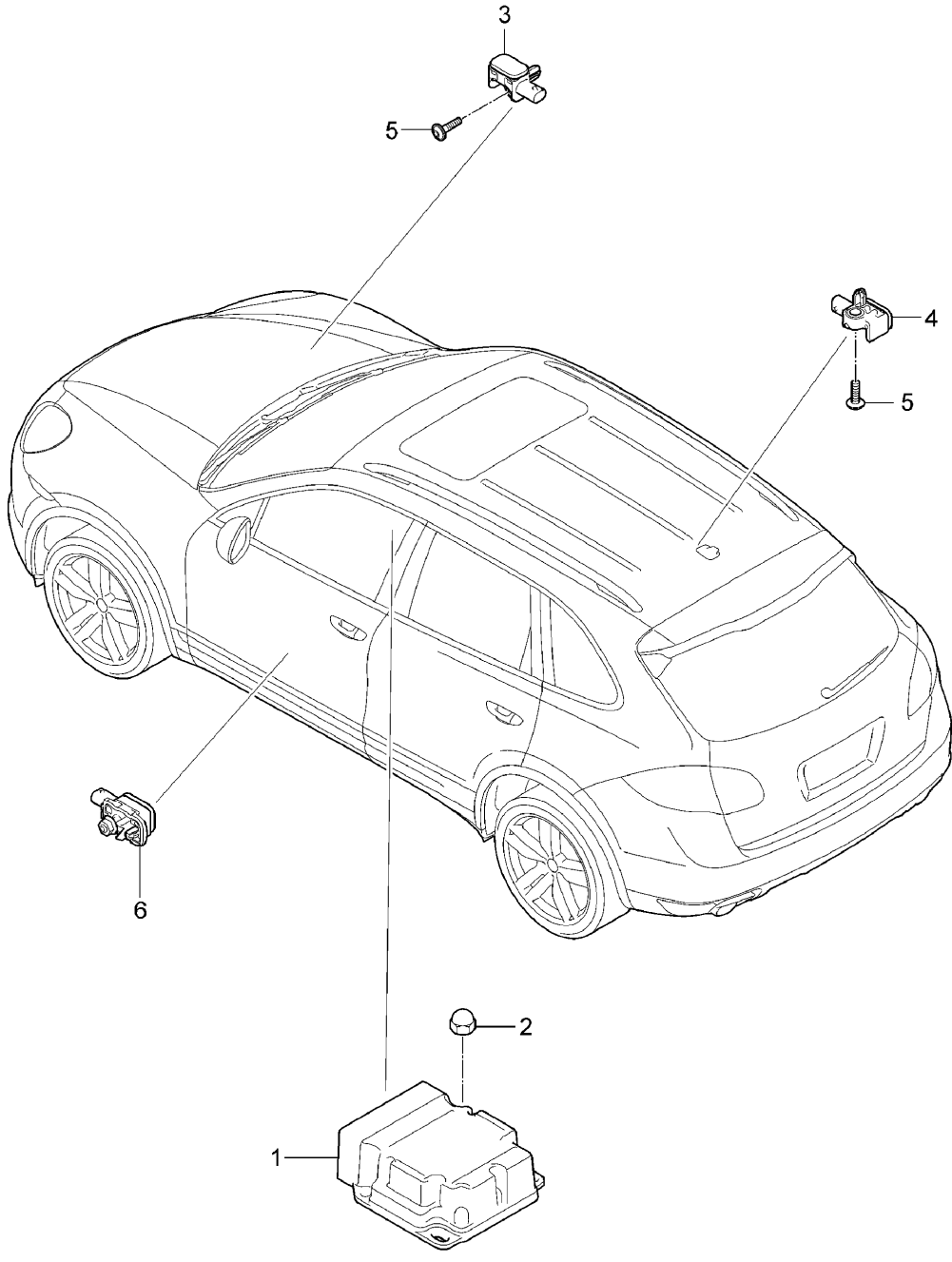
Model: 92A 11

Model life 2011>>

Pos	Part Number	Description	Remark	Qty	Model
		See illustrations 9/03/00			

Model: 92A 11

Model life 2011>>

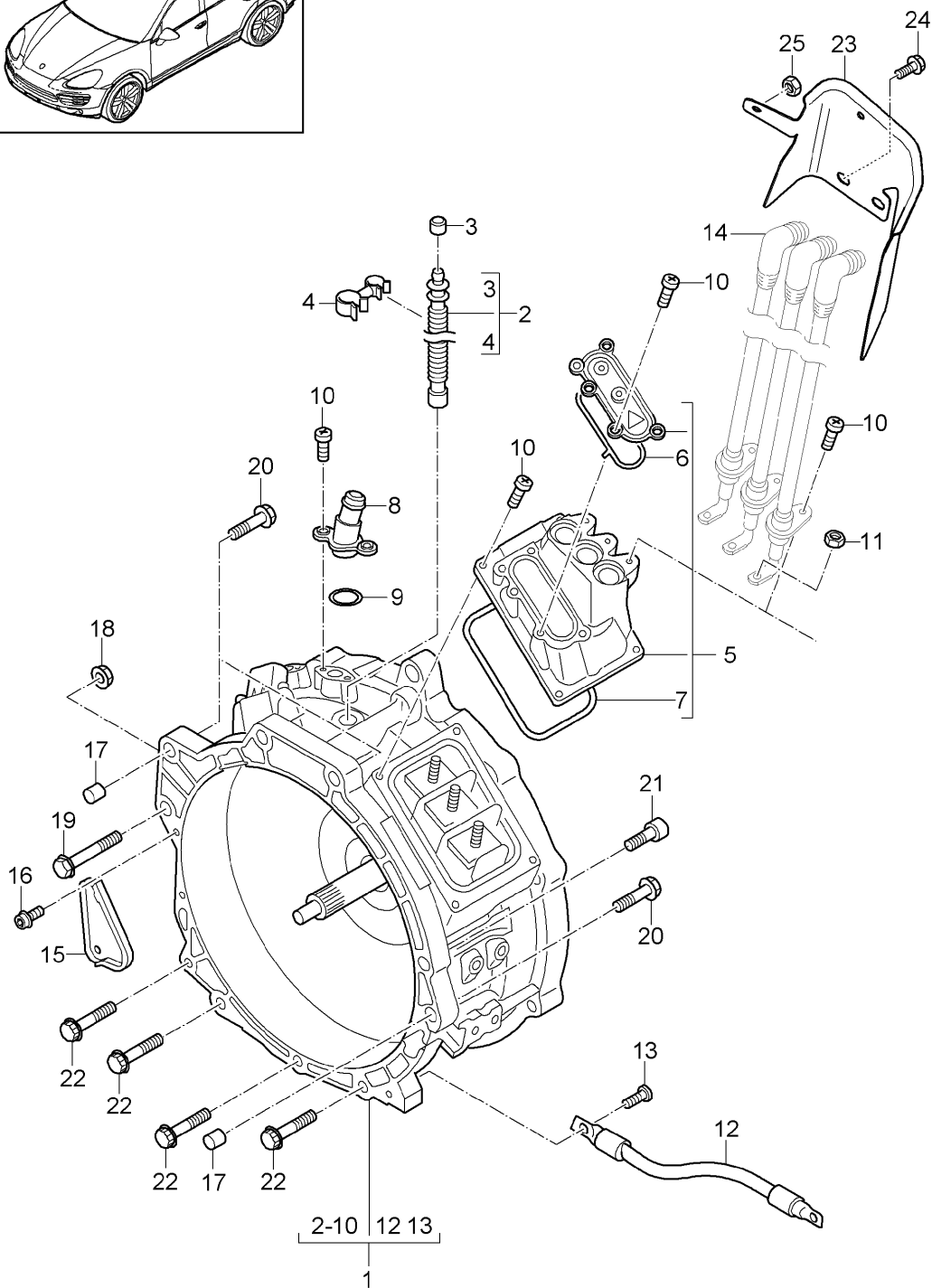
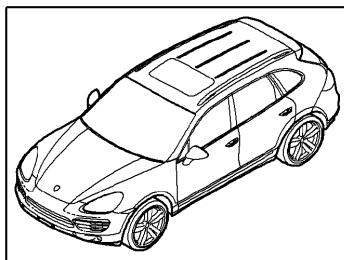


Model: 92A 11 Model life 2011>>

Pos	Part Number	Description	Remark	Qty	Model
		Control unit Sensor Airbag Airbag unit See illustrations 8/12/50 Switch Airbag See illustrations 9/03/04			
1	958 618 201 00	Control unit	-14	1	
1	958 618 201 01	Control unit	-14	1	
1	958 618 201 02	Control unit	-14	1	
1	958 618 201 03	Control unit	-14	1	
1	958 618 201 04	Control unit	15-	1	
2	955 618 419 21	Cap nut M 6		3	
3	958 618 220 00	Front sensor	-14	2	
(3)	958 618 220 10	Front sensor	15-	2	
4	958 618 222 00	Sensor Side airbag C-pillar	-14	2	
4	958 618 222 20	Sensor Side airbag C-pillar	15-	2	
5	N 104 134 04	Lens-head screw M 6 X 25		4	
6	958 618 222 10	Sensor Side airbag Doors		2	

Model: 92A 11

Model life 2011>>



Model: 92A 11

Model life 2011>>

Pos	Part Number	Description	Remark	Qty	Model
		Hybrid Electric motor for Driving mechanism	-14		
1	958 624 152 X	Electric motor for Driving mechanism F >>92CLA 92699	-(J)	1	
1	958 624 152 AX	Electric motor for Driving mechanism with Cable F >>92CLA 92699	(J)	1	
1	958 624 152 CX	Electric motor for Driving mechanism without Cable F >>92CLA 92699	(J)	1	
1	958 624 152 BX	Electric motor for Driving mechanism F 92CLA 92700>>		1	
2	958 301 647 00	Vent line		1	
3	014 301 485	Cap		1	
4	N 105 638 01	Support		1	
5	958 624 152 50	Repair kit Connection box		1	
6	958 624 111 00	Gasket Upper		1	
7	958 624 112 00	Gasket Lower		1	
8	958 624 623 00	Cooling water socket		2	
9	958 624 447 00	O-ring		2	
10	N 101 243 06	Oval-head screw M 6 X 20		X	
11	N 106 092 01	Hexagon nut M 8		3	
12	958 611 235 00	Ground cable		1	
12	958 611 235 01	Ground cable		1	
13	N 911 896 01	Round head screw M 8 X 18		1	
14		Wiring harness See illustrations 9/01/30		1	
15	958 101 648 00	Cover		1	
16	N 911 266 01	Outer hexagon round screw M 6 X 16		2	
16	N 910 967 01	Round head screw M 6 X 16		2	
17	955 101 139 01	Dowel sleeve		2	
18	N 910 955 01	Hexagon nut M 10		1	
19	N 911 056 01	Hexagon-head bolt M 10 X 85		1	
20	N 910 301 02	Hexagon-head bolt AM 12 X 70		4	
21	N 105 651 02	Pan-head screw M 12 X 60		1	
22	N 911 507 01	12 point socket M 10 X 60		4	
23	958 624 792 00	Cover		1	

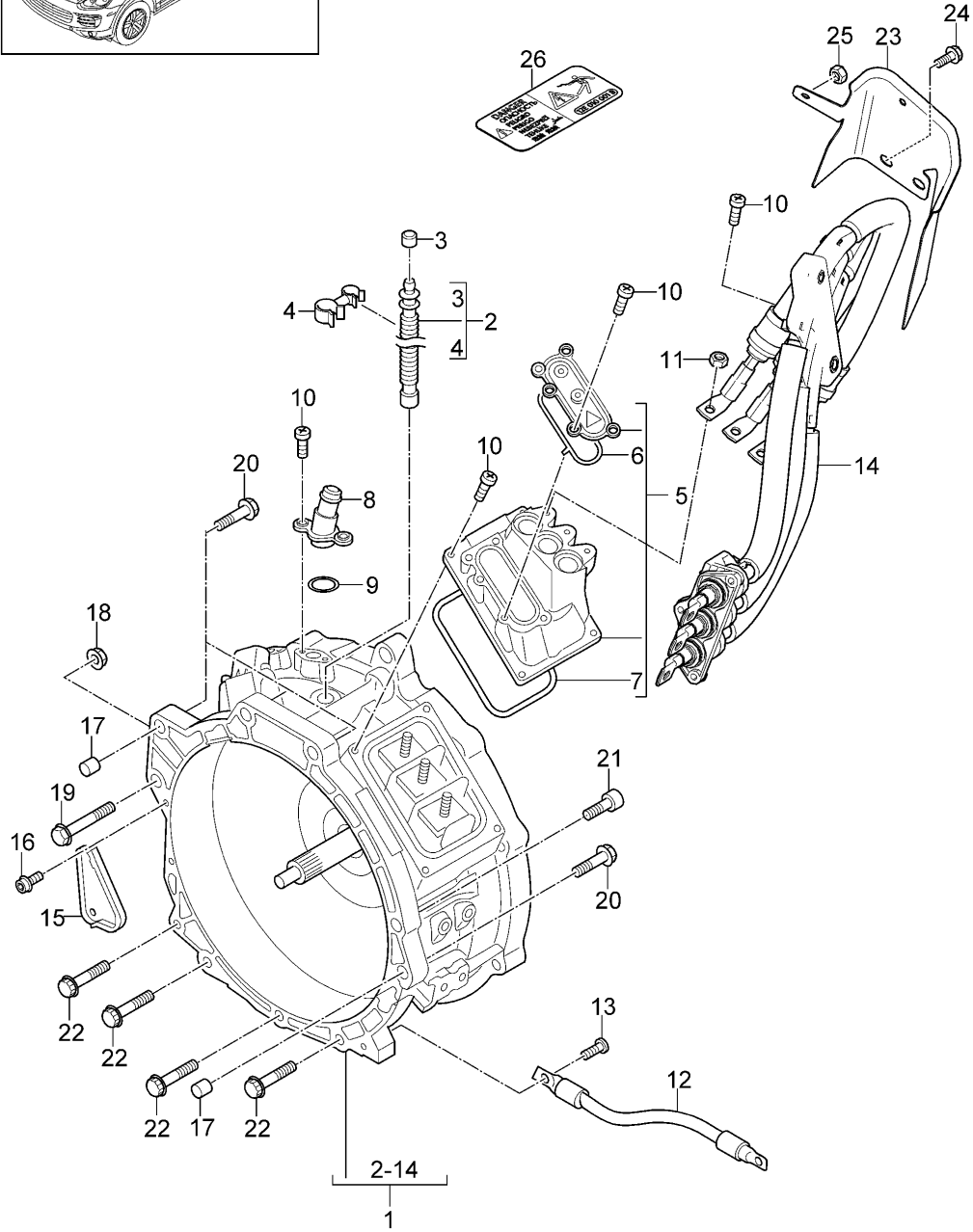
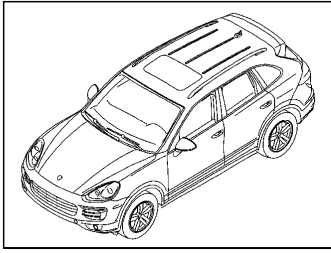
Model: 92A 11

Model life 2011>>

Pos	Part Number	Description	Remark	Qty	Model
24	N 106 531 02	Connection box Electric motor Hexagon-head bolt M 8 X 20		1	
25	N 011 006 32	Hexagon nut M 6		1	

Model: 92A 11

Model life 2011>>

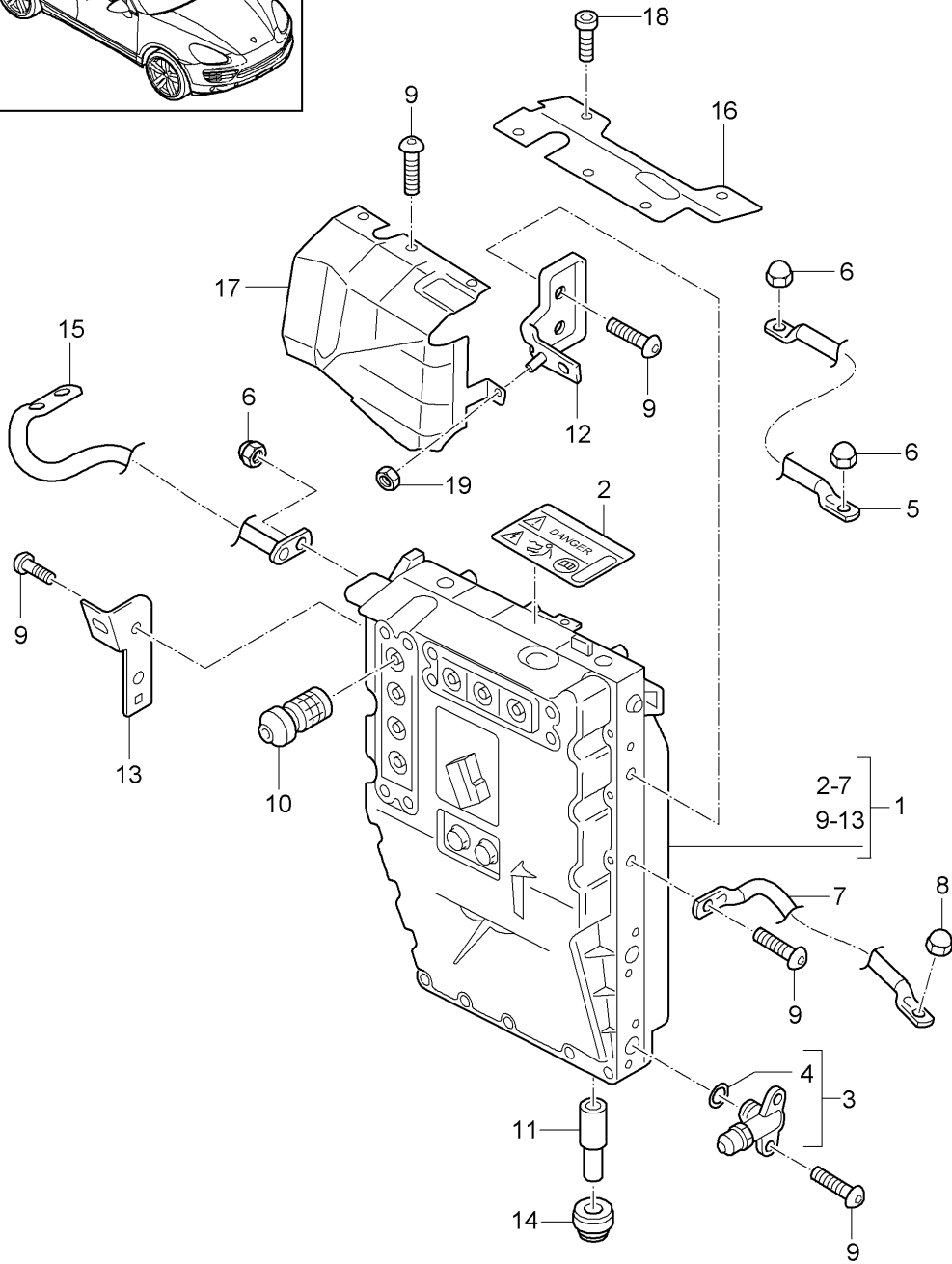
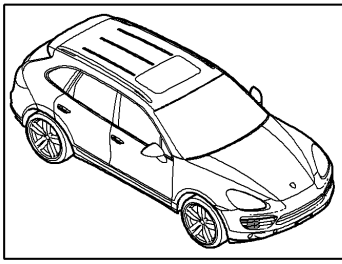


Model: 92A 11 Model life 2011>>

Pos	Part Number	Description	Remark	Qty	Model
1	958 624 152 JX	Hybrid Electric motor for Driving mechanism Electric motor for Driving mechanism	15-	1	
2	958 301 647 00	Vent line		1	
3	014 301 485	Cap		1	
4	N 105 638 01	Support		1	
5	958 624 152 50	Repair kit		1	
6	958 624 111 00	Connection box Gasket		1	
7	958 624 112 00	Upper Gasket Lower		1	
8	958 624 623 00	Cooling water socket		2	
9	958 624 447 00	O-ring		2	
10	N 101 243 09	Oval-head screw M 6 X 20		X	
11	N 106 092 01	Hexagon nut M 8		3	
12	958 611 235 01	Ground cable		1	
13	N 911 896 01	Round head screw M 8 X 18		1	
14		Wiring harness See group 9/01/35		1	
15	958 101 648 00	Cover		1	
16	N 910 967 01	Round head screw M 6 X 16		2	
17	955 101 139 01	Dowel sleeve		2	
18	N 910 955 01	Hexagon nut M 10		1	
19	N 911 056 01	Hexagon-head bolt M 10 X 85		1	
20	N 910 301 02	Hexagon-head bolt AM 12 X 70		4	
21	N 105 651 02	Pan-head screw M 12 X 60		1	
22	N 911 507 01	12 point socket M 10 X 60		4	
23	958 624 792 00	Cover Connection box		1	
24	N 106 531 02	Electric motor Hexagon-head bolt M 8 X 20		1	
25	N 011 006 32	Hexagon nut M 6		1	
26	958 701 697 10	Warning sign High voltage Electric motor Hybrid Driving mechanism		1	

Model: 92A 11

Model life 2011>>



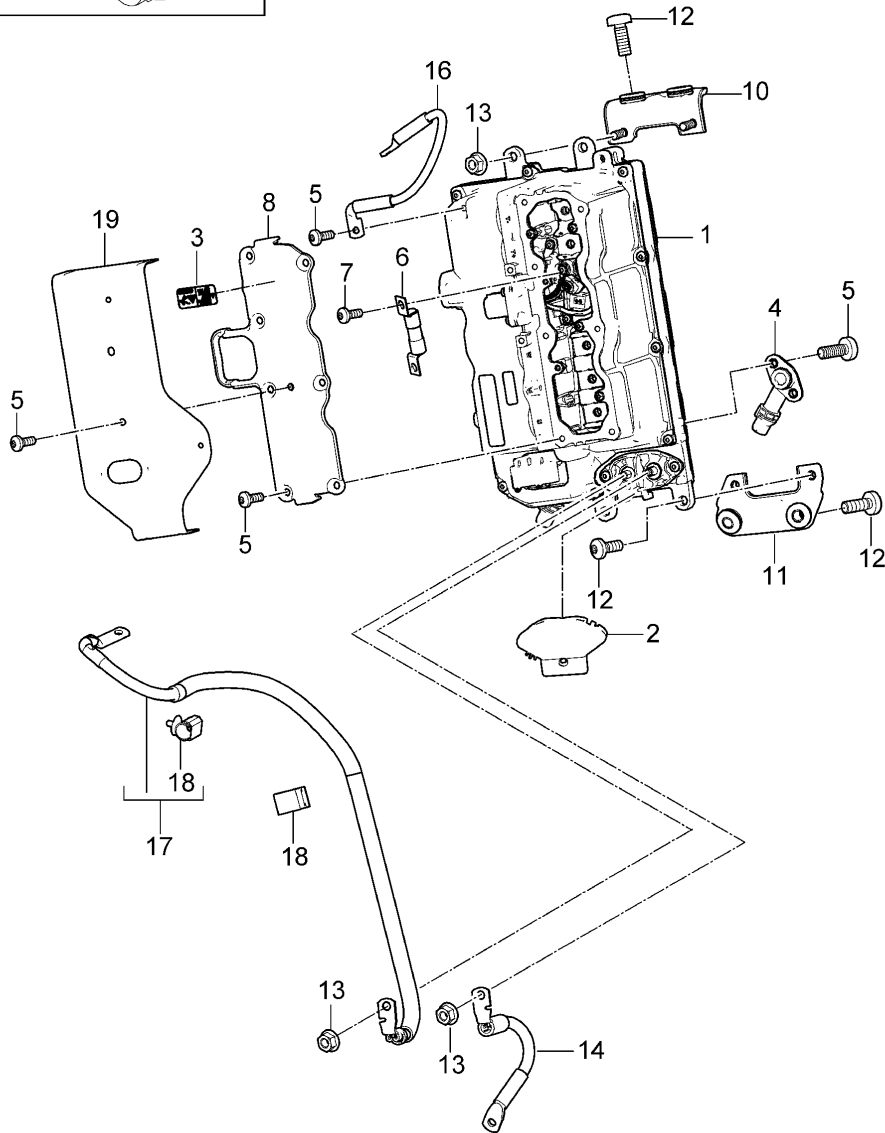
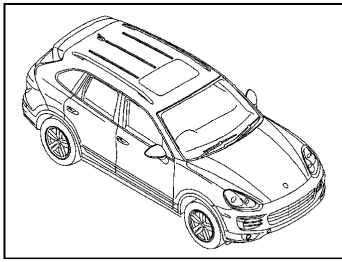
Model: 92A 11

Model life 2011>>

Pos	Part Number	Description	Remark	Qty	Model
1	958 618 060 X	Hybrid Power electronics Power electronics See technical information GR. 2 NR. 34/11 KD - NR. 2791 F >>92CLA 92699	-14	1	
1	958 618 060 BX	Power electronics F >>92CLA 92699	-13	1	
1	958 618 060 CX	Power electronics F 92CLA 92700>>		1	
2	958 701 697 00	Warning sign	-(BR) -(CN) -(J) -(PME)	1	
(2)	958 701 697 10	High voltage Warning sign	-(RUS) (BR) (CN) (J) (PME) (RUS)	1	
3	958 106 133 00	High voltage Cooling water socket		2	
4	958 106 134 00	O-ring		2	
5	958 611 235 10	Ground cable		1	
6	958 611 182 00	Power electronics Body Cap nut M 8		3	
7	958 611 235 20	Ground cable Power electronics Body		1	
8	955 618 419 21	Cap nut M 6		1	
9	N 104 514 08	Lens-head screw M 6 X 16		X	
10	958 618 061 00	Safety connector		1	
-	958 618 998 00	Set of fastening parts Comprising: Pos. 11,12,13		1	
11		Centring journal		2	
12		Support Front		1	
13		Support Rear		1	
14	958 618 669 00	Grommet		2	
15	958 612 192 10	Cable Power electronics Connection point Cable		1	
16	958 618 672 00	Engine compartment Mounting		1	
17	958 618 837 00	Crash protection Crash protection Power electronics		1	
18	N 910 967 01	Round head screw M 6 X 16		3	
19	N 015 082 10	Hexagon nut M 6		1	

Model: 92A 11

Model life 2011>>



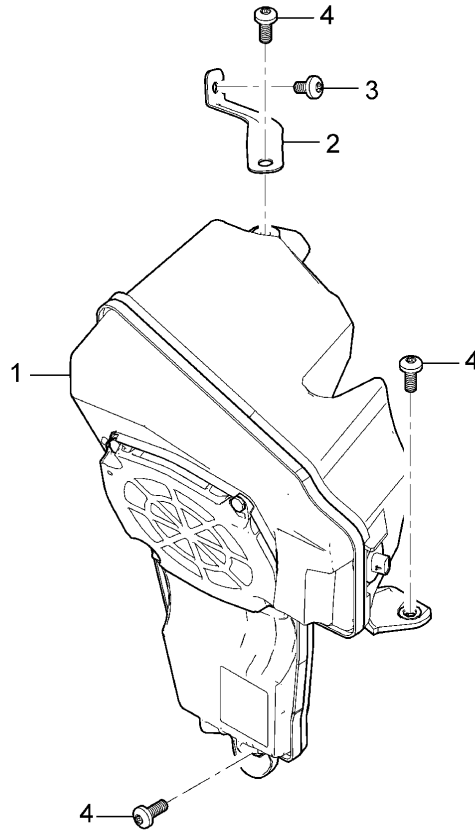
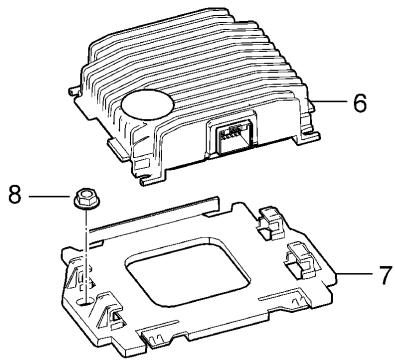
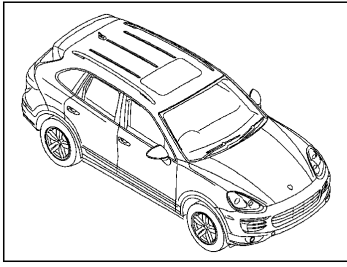
Model: 92A 11

Model life 2011>>

Pos	Part Number	Description	Remark	Qty	Model
		Power electronics	15-		
1	958 608 070 X	Power electronics		1	
2	958 608 299 00	Cover		1	
		Ground cable			
3	958 701 697 10	Warning sign		1	
		High voltage			
		Identification			
4	958 608 133 00	Cooling water socket		2	
		Power electronics			
5	N 104 514 05	Round head screw		4	
		M 6 X 16			
6	5C0 915 463	Lock		1	
		for			
		Compressor			
		Air conditioner			
7	WHT 006 421	Combination screw		2	
		M 4 X 10			
8	958 608 300 01	Cover		1	
		Wiring harness			
		Power electronics			
		Electric motor			
10	958 608 591 00	Support		1	
		Upper			
11	958 608 592 00	Support		1	
		Lower			
12	N 106 650 01	Round head screw		6	
		M 8 X 30			
13	N 106 092 01	Hexagon nut		2	
		M 8			
14	958 608 235 00	Ground cable		1	
		Power electronics			
		Body			
16	958 608 235 10	Ground cable		1	
		Power electronics			
		Connection point			
		Engine compartment			
17	958 608 349 01	Ground cable		1	
		Power electronics			
		Generator			
19	958 608 837 00	Cover		1	
		Power electronics			

Model: 92A 11

Model life 2011>>



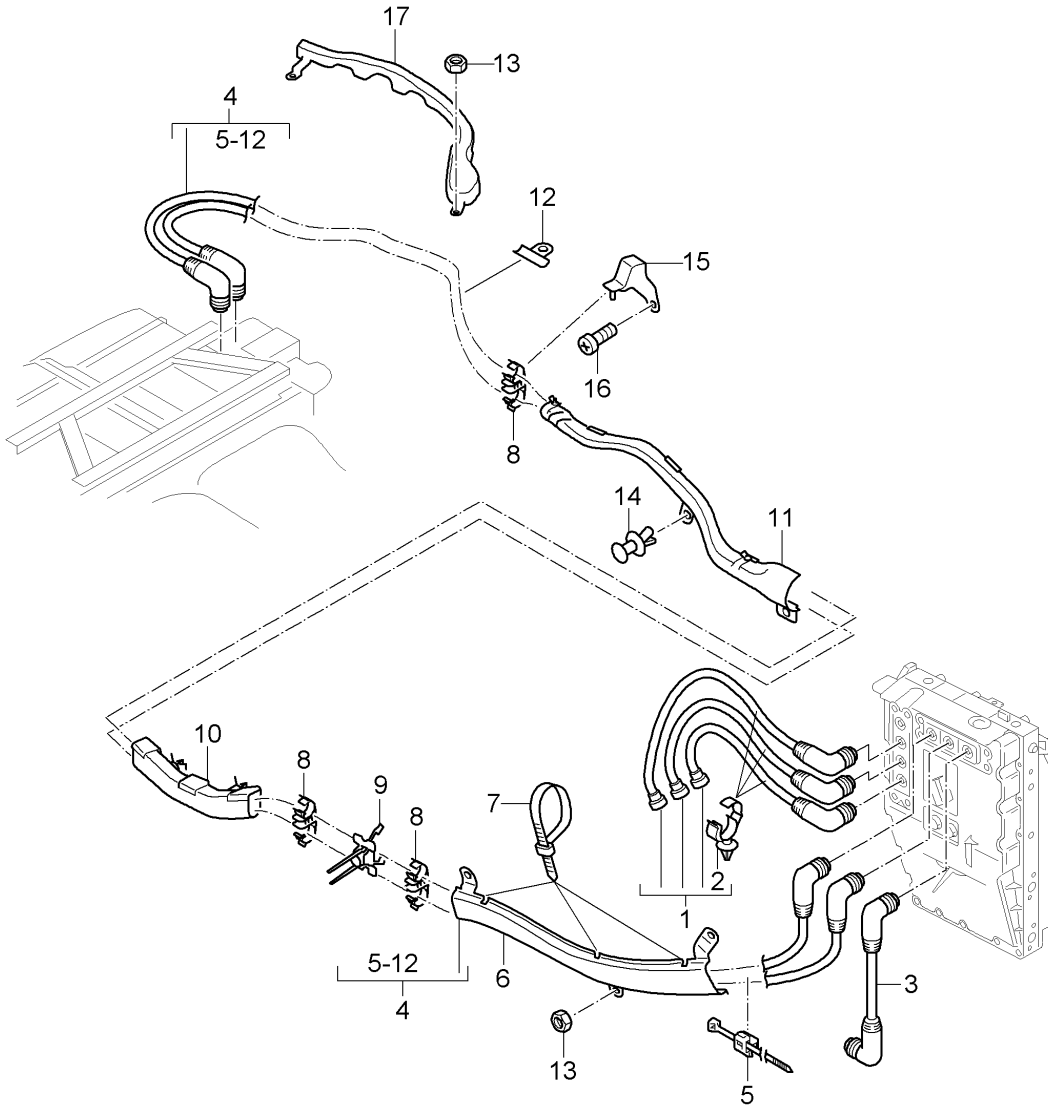
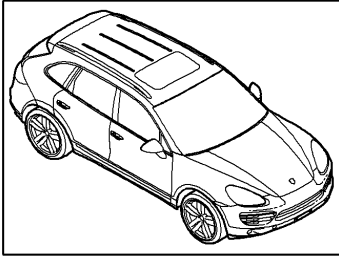
Model: 92A 11

Model life 2011>>

Pos	Part Number	Description	Remark	Qty	Model
		Loudspeaker Box	15-		
1	958 645 916 00	Driving noise Control unit Loudspeaker Box		1	IGM4
2	958 645 464 00	Driving noise Support Loudspeaker Box		1	IGM4
3	N 101 703 02	Oval-head screw M6 X 10		1	IGM4
4	N 910 968 01	Lens-head screw M6 X 20		3	IGM4
6	958 645 335 00	Booster Loudspeaker Box		1	IGM4
7	958 645 180 00	Support Booster		1	IGM4
8	N 909 472 01	Hexagon nut C5		2	IGM4

Model: 92A 11

Model life 2011>>

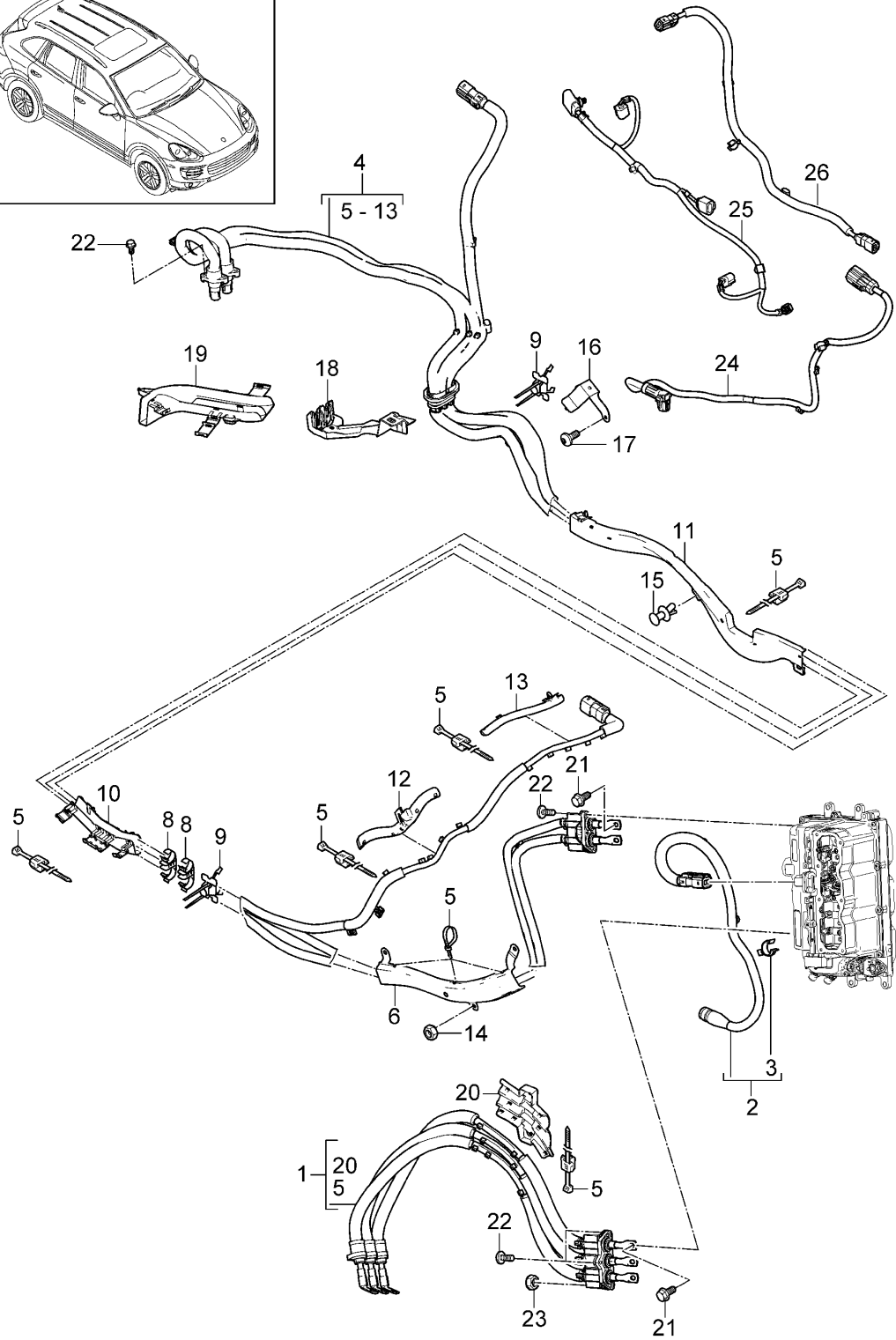
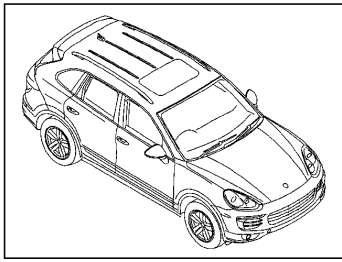


Model: 92A 11 Model life 2011>>

Pos	Part Number	Description	Remark	Qty	Model
		Hybrid	-14		
1	958 612 013 00	Wiring harnesses Wiring harness Power electronics Electric motor F >>92CLA 92699 Information available		1	
1	958 612 013 10	Wiring harness Power electronics Electric motor F 92CLA 92700>>		1	
2	N 909 809 01	Hose holder		3	
3	958 612 008 00	Cable Power electronics Compressor Air conditioner F >>92CLA 92699		1	I9AD
3	958 612 008 10	Cable Power electronics Compressor Air conditioner F 92CLA 92700>>		1	I9AD
3	958 612 008 11	Cable Power electronics Compressor Air conditioner F 92CLA 92700>>		1	I9AD
4	958 612 015 00	Wiring harness Power electronics Battery F >>92CLA 92699		1	
4	958 612 015 10	Wiring harness Power electronics Battery F 92CLA 92700>>		1	
5	958 612 838 00	Tie-wrap		2	
6	958 612 851 00	Cable guide		1	
7	N 909 377 02	Tie-wrap		3	
8	958 612 853 00	Cable holder		3	
9	958 612 854 00	Tie-wrap		1	
10	958 612 615 00	Cable guide		1	
11	958 612 394 00	Cable guide		1	
12	958 612 855 00	Cable holder		1	
13	N 015 082 10	Hexagon nut M 6		X	
14	701 867 299	Clip		2	
15	958 612 280 00	Cable holder		1	
16	N 104 514 04	Lens-head screw M 6 X 16		2	
17	958 612 616 00	Cable cover		1	

Model: 92A 11

Model life 2011>>



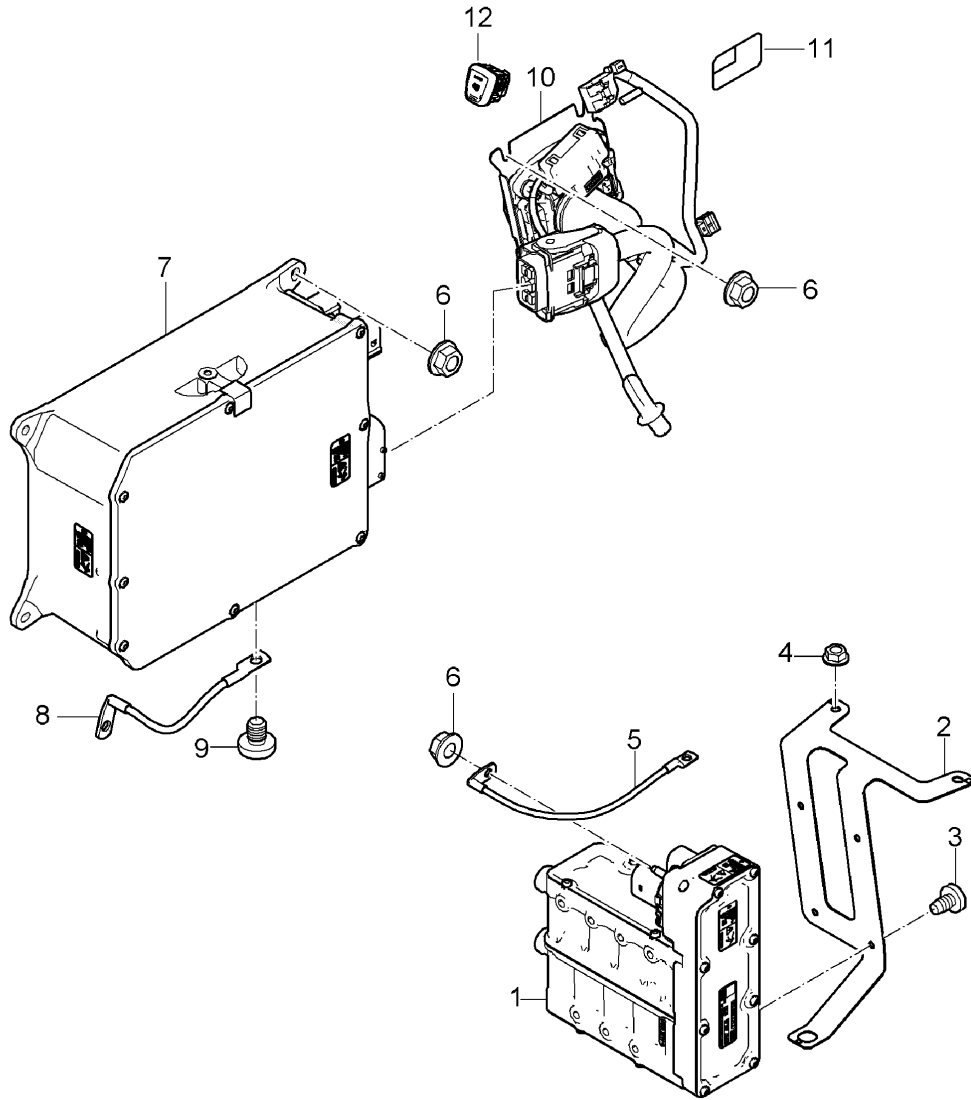
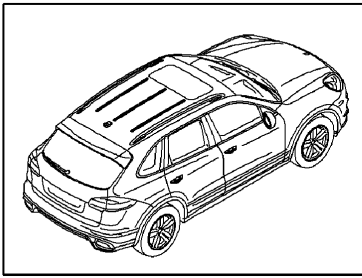
Model: 92A 11

Model life 2011>>

Pos	Part Number	Description	Remark	Qty	Model
1	958 611 013 30	Hybrid Wiring harnesses Wiring harness Power electronics	15-	1	
2	958 611 008 30	Electric motor Cable Power electronics Compressor Air conditioner		1	I9AD
3	N 107 723 01	Cable holder		1	
4	958 611 015 30	Wiring harness Power electronics Battery Charger Use also: N 910 696 01 N 904 560 02 N 106 531 01 Information available		1 4 1 3	
5	N 909 377 02	Tie-wrap		X	
6	958 612 851 00	Cable guide		1	
8	958 612 860 00	Cable holder		4	
9	958 612 854 00	Tie-wrap		1	
10	958 612 615 30	Cable guide		1	
11	958 612 394 30	Cable guide		1	
12	958 612 395 30	Cable guide		1	
13	958 612 396 30	Cable guide		1	
14	N 015 082 10	Hexagon nut M 6		X	
15	701 867 299	Clip		2	
16	958 612 280 00	Cable holder		1	
17	N 910 967 01	Round head screw M 6 X 16		2	
18	958 612 856 00	Cable holder		1	
19	958 612 397 30	Cable guide		1	
20	958 612 397 40	Cable guide		1	
21	N 106 531 01	Hexagon-head bolt M 8 X 20		5	
22	N 910 696 01	Hexagon-head bolt M 6 X 22		5	
23	N 904 560 02	Hexagon nut M 6		1	
24	958 611 016 00	Wiring harness Battery Charger		1	
25	958 611 017 00	Adapter Line Heat exchanger Transmission		1	
26	958 611 018 00	Adapter Line Heat exchanger Charger		1	

Model: 92A 11

Model life 2011>>



Model: 92A 11 Model life 2011>>

Pos	Part Number	Description	Remark	Qty	Model
		Heat exchanger Rear end Battery Passenger compartment Charger Battery Charging socket	15-		
1	12E 963 231 E	Heat exchanger Rear end Information available		2	
2	958 573 453 00	Support		1	
3	N 107 732 01	Heat exchanger Round head screw		3	
4	N 904 025 03	M 6 X 10 Hexagon nut		3	
5	958 608 235 30	M 6 Ground cable Heat exchanger Body		1	
6	N 015 082 10	Hexagon nut M 6		1	
7	958 612 682 00	Charger Battery 3,6 KW		1	IKB1
(7)	958 612 681 00	Charger Battery 7,2 KW		1	IKB2
8	958 608 235 20	Ground cable Charger		1	
9	N 106 803 02	Round head screw M6 X 8		1	
10	958 611 676 00	Wiring harness Charger High voltage Charging socket		1	IES3/KB2
(10)	958 611 676 30	Wiring harness Charger High voltage Charging socket		1	IES3/KB1
(10)	958 611 676 10	Wiring harness Charger High voltage Charging socket		1	IES1/KB2
(10)	958 611 676 40	Information available Wiring harness Charger High voltage Charging socket		1	IES1/KB1
11	958 701 678 00	Sticker Charging socket English		1	I0SC
(11)	958 701 678 10	Sticker Charging socket Arabic		1	I0SW
(11)	958 701 678 20	Sticker Charging socket German		1	I0SB
(11)	958 701 678 30	Sticker Charging socket Chinese		1	I0SM
(11)	958 701 678 40	Sticker Charging socket Japanese		1	I0SL

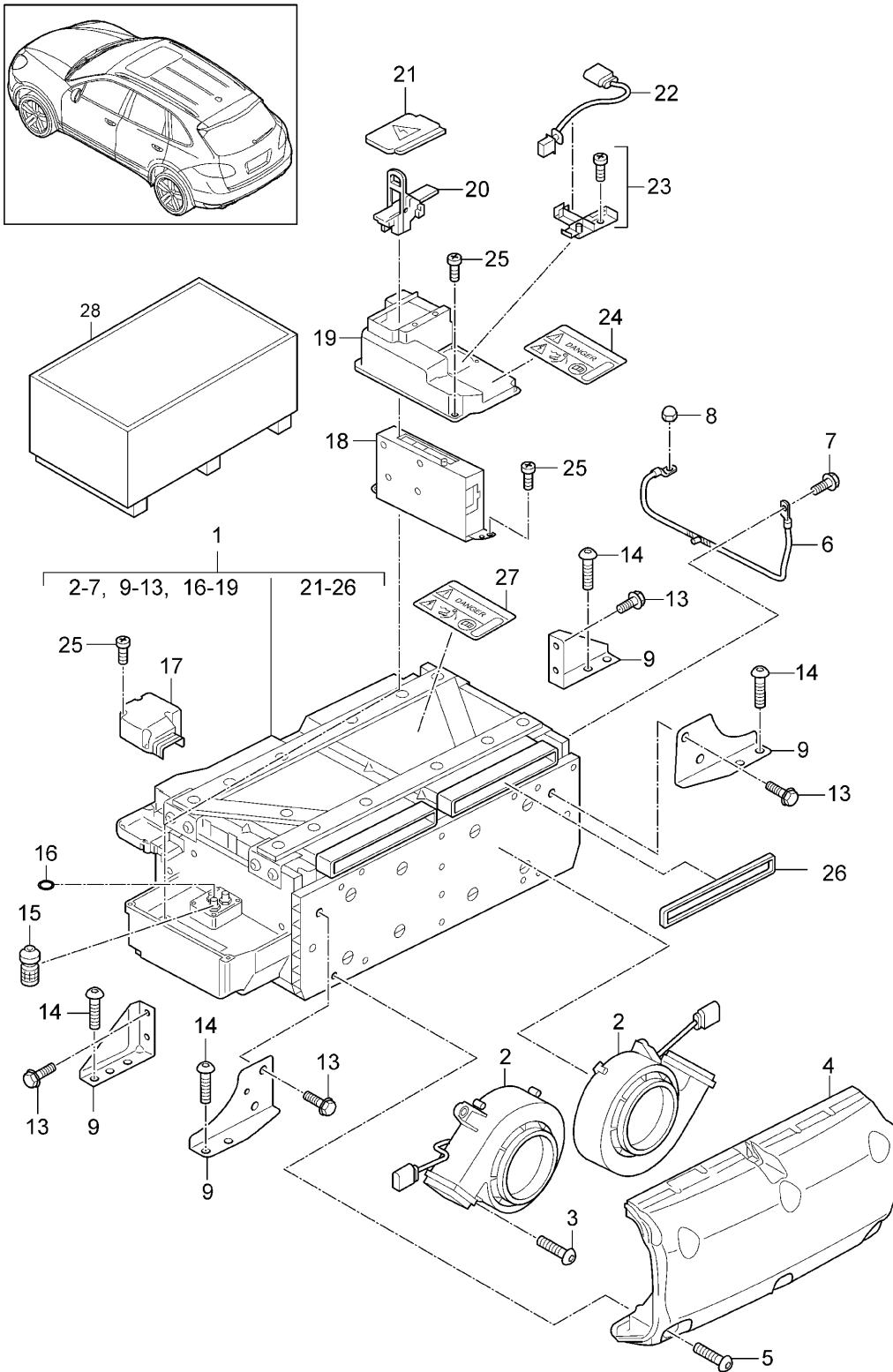
Model: 92A 11

Model life 2011>>

Pos	Part Number	Description	Remark	Qty	Model
(11)	958 701 678 50	Sticker Charging socket French		1	I0SG
12	7PP 915 210 7PP 915 210 1E0	Switch Charging control indicator Black		1	

Model: 92A 11

Model life 2011>>



Model: 92A 11

Model life 2011>>

Pos	Part Number	Description	Remark	Qty	Model
		Hybrid	-14		
		Battery			
1	958 611 590 X	Battery		1	
1	958 611 590 AX	Battery		1	
2	958 624 463 00	Blower motor		2	
3	N 106 444 04	Lens-head screw M 6 X 22		6	
4	958 572 024 00	Housing Blower motor		1	
-		Air guide See illustrations 9/01/50			
5	N 907 809 04	Oval-head screw M 6 X 16		1	
6	958 611 235 30	Ground cable Battery Body		1	
7	N 908 479 03	Hexagon-head bolt M 6 X 15		1	
8	955 618 419 21	Cap nut M 6		1	
9	958 611 183 00	Fastening angle Set Comprising: Fastening angle Front Left Fastening angle Front Right Fastening angle Rear Left Fastening angle Rear Right		1 1 1 1 1 1 1 1 1 1	
13	N 910 793 01	Hexagon-head bolt M 8 X 16		8	
14	WHT 000 716 A	Round head screw M 8 X 20		8	
15	958 618 061 00	Safety connector		1	
16	958 611 433 00	Gasket		1	
17	958 611 443 00	Cable cover		1	
18	958 618 182 X	Control unit Battery		1	
19	958 611 431 00	Cover Control unit Battery		1	
20	958 611 423 00	Connector Maintenance with Lock		1	
21	958 611 441 00	Cover Connector Maintenance		1	
22	958 612 059 00	Wiring harness Diagnostic		1	
23	958 611 345 00	Support Wiring harness Diagnostic		1	
24	958 701 697 00	Warning sign High voltage	-(BR) -(CN) -(J) -(PME) -(RUS)	2	

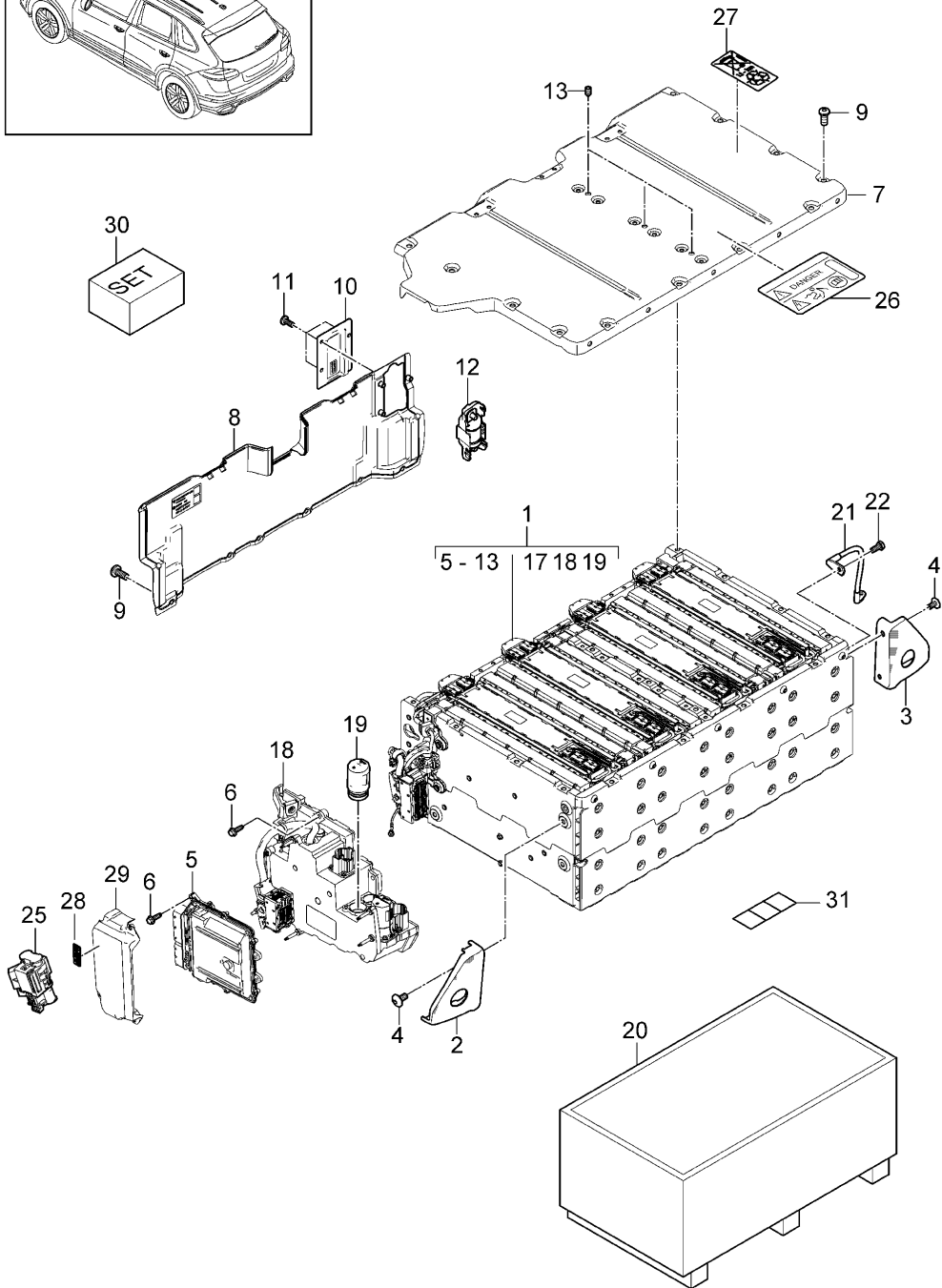
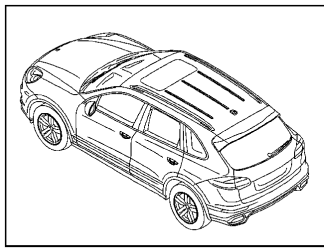
Model: 92A 11

Model life 2011>>

Pos	Part Number	Description	Remark	Qty	Model
(24)	958 701 697 10	Warning sign	(BR) (CN) (J)	2	
		High voltage	(PME)		
25	958 611 182 10	Set	(RUS)	1	
		Fastening screw			
26	958 611 191 00	Gasket set		1	
		It is necessary to rework			
27		Warning sign			
		See illustrations			
		0/01/05			
28	12E 998 020	Transport box		1	
		Hybrid			
		Battery			
		Module			
		Defect			
		1180X780X600 MM			

Model: 92A 11

Model life 2011>>



Model: 92A 11 Model life 2011>>

Pos	Part Number	Description	Remark	Qty	Model
		Hybrid	15-		
		Battery			
1	7PP 915 590 E	Battery		1	
(1)	7PP 915 590 BX	Battery		1	
2	958 611 371 10	Support	/L	1	
		Battery			
		Rear			
		Left			
(2)	958 611 345 10	Support	/L	1	
		Battery			
		Front			
		Left			
3	958 611 372 10	Support	/R	1	
		Battery			
		Rear			
		Right			
(3)	958 611 346 10	Support	/R	1	
		Battery			
		Front			
		Right			
4	WHT 006 905	Lens-head screw		8	
		M 8 X 16			
5	958 611 022 02	Control unit		1	
		Battery			
(5)	958 611 022 03	Control unit		1	
		Battery			
6	970 611 901 17	Set		1	
		Screw			
		Control unit			
7	7PP 915 465 A	Cover plate		1	
		Battery			
		Upper			
8	000 043 209 34	Cover plate		1	
		Battery			
		Lateral			
		without			
		Lid			
		Fusebox			
9	970 611 901 12	Set		1	
		Screw			
10	970 611 901 03	Lid		1	
		Fusebox			
		Battery			
11	970 611 901 14	Set		1	
		Screw			
		Lock			
12	970 611 901 05	Cover		1	
		with			
		Lock			
13	N 106 820 01	Threaded pin		3	
		M 8 X 12			
17	970 611 901 16	Set		1	
		Screw			
18	958 611 251 03	Relay carrier		1	
		Battery			
19	970 611 901 08	Lock		1	
20	970 611 901 01	Transport box		1	
		Battery			
(20)	12E 998 020	Transport box		1	
		Hybrid			
		Battery			
		Module			
		Defect			

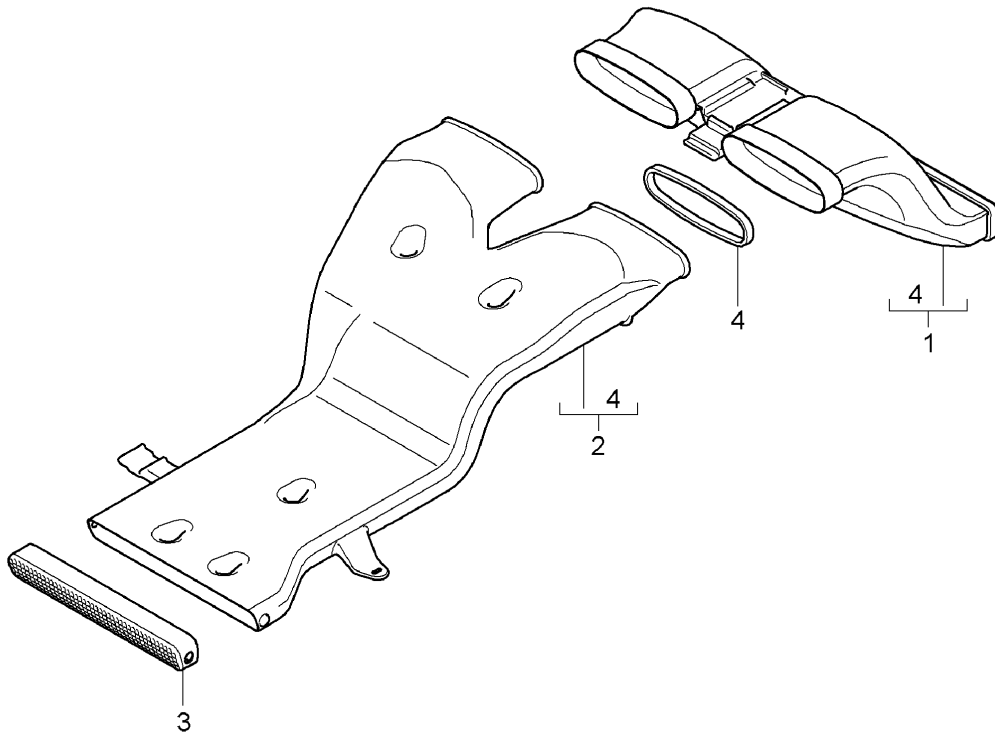
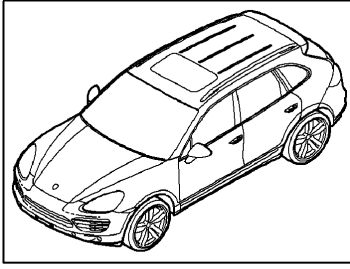
Model: 92A 11

Model life 2011>>

Pos	Part Number	Description	Remark	Qty	Model
21	958 608 235 00	1180X780X600 MM Ground cable High voltage Battery Body		1	
22	N 010 239 29	Hexagon-head bolt M 8 X 18		1	
25	4J0 973 704	Connector housing Maintenance		1	
26	8R0 010 539	Warning sign English		1	
(26)	8R0 010 539 A	Warning sign German		1	
(26)	8R0 010 539 B	Warning sign French		1	
(26)	8R0 010 539 C	Warning sign Spanish		1	
(26)	8R0 010 539 D	Warning sign Italian		1	
(26)	8R0 010 539 E	Warning sign Russian		1	
(26)	8R0 010 539 F	Warning sign Chinese		1	
(26)	8R0 010 539 G	Warning sign Japanese		1	
27	7PP 010 849 L	Warning sign ENTSORGUNG Battery		1	
28	958 701 739 00	Warning sign Hybrid Yellow Lid Fusebox		1	
29	7PP 915 151 B	Cover Control unit Battery		1	
30	958 611 901 18	Set Screw Lid		1	
31	958 701 740 00	M 8 X 20 Warning sign Luggage Tool Battery		1	I0K3
-		Warning sign See illustrations 0/01/05			

Model: 92A 11

Model life 2011>>



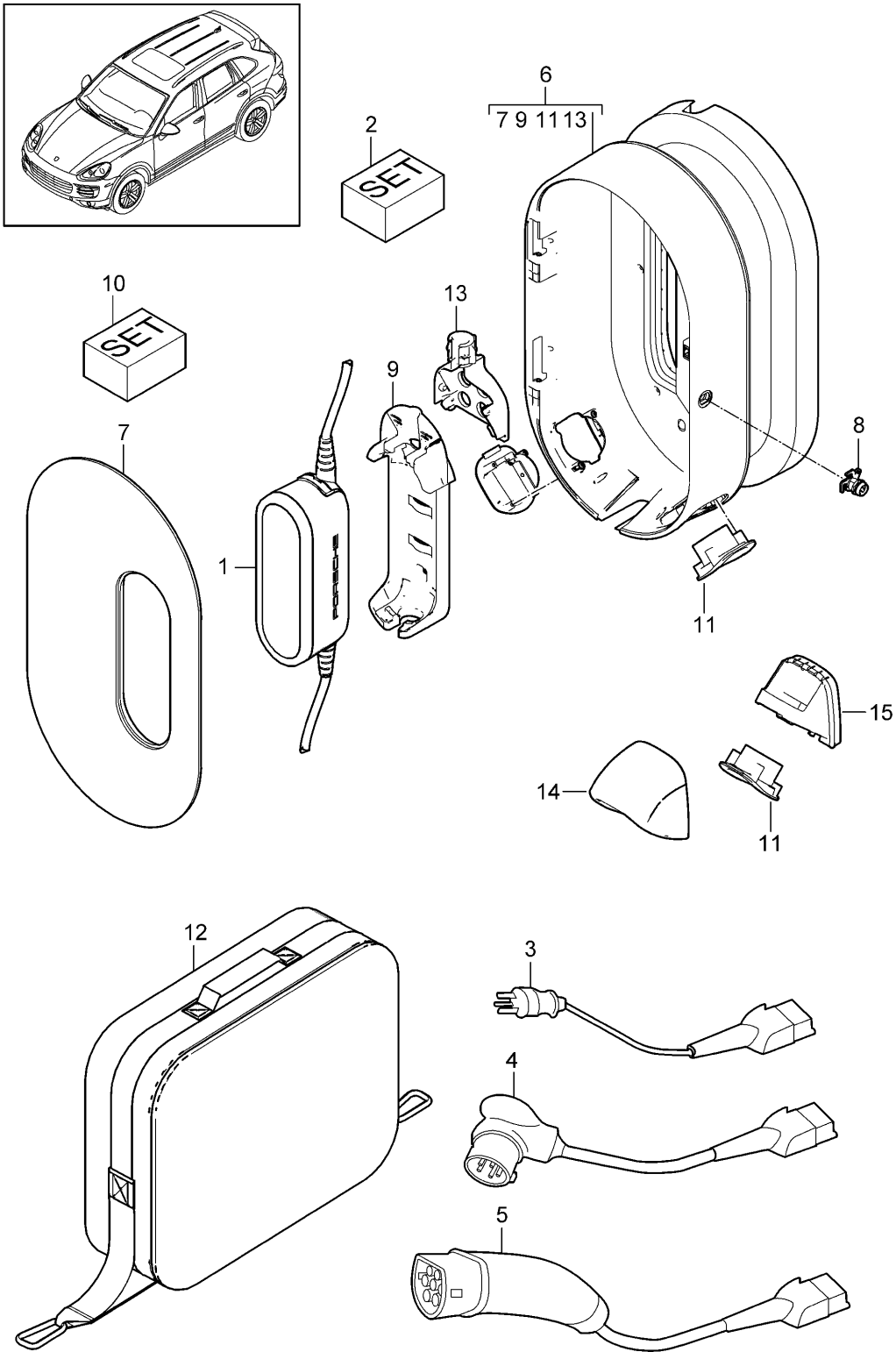
Model: 92A 11

Model life 2011>>

Pos	Part Number	Description	Remark	Qty	Model
		Hybrid	-14		
		Air guide			
		Battery			
1	958 573 553 00	Air guide housing		1	
2	958 573 505 00	Air duct		1	
3	958 573 154 00	Grille		1	
4	958 611 191 00	Gasket set		1	
		It is necessary to rework			

Model: 92A 11

Model life 2011>>



Model: 92A 11

Model life 2011>>

Pos	Part Number	Description	Remark	Qty	Model
(1)	7PP 971 675 B	Electronic unit Charger Universal Charging Dock Electronic unit Charger Universal 3,6 KW	15-	1	IKB1
(1)	7PP 971 675 C	Electronic unit Charger Universal 7,2 KW		1	IKB2
2	7PP 919 839	Locking screw Set Electronic unit Charger		1	
3	7PP 971 678	Connecting line Power supply 220 V TYP E/F		1	IEV1
(3)	7PP 971 678 A	Connecting line Power supply 100 V TYP B Information available	(J)	1	IEV2
(3)	7PP 971 678 B	Connecting line Power supply Type j	(CH)	1	IEV3
(3)	7PP 971 678 C	Connecting line Power supply TYP G	(GB)	1	IEV4
(3)	7PP 971 678 E	Connecting line Power supply TYP I 10 A	(AUS)	1	IEV7
(3)	7PP 971 678 H	Connecting line Power supply TYP I 16 A	(AUS)	1	IEV7
(3)	7PP 971 678 G	Connecting line Power supply Type k	(DK)	1	IEV6
(3)	7PP 971 678 J	Connecting line Power supply TYP M	(IND)	1	IEV8
(3)	7PP 971 678 L	Connecting line Power supply TYP N	(ZA)	1	I70L
(3)	7PP 971 678 M	Connecting line Power supply Type i	(CN)	1	IEV9
(3)	7PP 971 678 N	Connecting line Power supply Type l	(I)	1	I70S
(3)	7PP 971 678 P	Connecting line Power supply TYP N	(BR)	1	I70H
(3)	7PP 971 678 BB	Connecting line Power supply TYP B 300 MM	(BR)	1	I71X
4	7PP 971 678 T	Connecting line Power supply NEMA 6-30		1	I73B
(4)	7PP 971 678 AA	Connecting line Power supply		1	I73C

Model: 92A 11

Model life 2011>>

Pos	Part Number	Description	Remark	Qty	Model
(4)	7PP 971 678 AB	NEMA 6-50 Connecting line Power supply		1	I73D
(4)	7PP 971 678 AC	NEMA 14-30 Connecting line Power supply		1	I73E
4	7PP 971 678 AE	NEMA 14-50 Connecting line Power supply		1	I73J
(4)	7PP 971 678 AF	CEE 3P 16A Connecting line Power supply		1	I73K
(4)	7PP 971 678 AG	CEE 3P 32A Connecting line Power supply		1	I73G
(4)	7PP 971 678 AH	CEE 1P 16A Connecting line Power supply		1	I73H
(4)	7PP 971 678 AJ	CEE 1P 32A Connecting line Power supply	(J)	1	I73F
(4)	7PP 971 678 AS	YP-41 200 V Information available Connecting line Power supply	(CN)	1	I71Y
5	7PP 971 676	1P UL Connecting line Vehicle		1	IEH1/ES3/KB1
(5)	7PP 971 676 A	TYP 2 3,6 KW 2,5 M Connecting line Vehicle		1	IEH2/ES3/KB1
(5)	7PP 971 676 B	TYP 2 3,6 KW 7,5 M Connecting line Vehicle		1	IEH1/ES3/KB2
(5)	7PP 971 676 C	TYP 2 7,2 KW 2,5 M Connecting line Vehicle		1	IEH2/ES3/KB2
(5)	7PP 971 676 F	TYP 2 7,2 KW 7,5 M Connecting line Vehicle		1	IEH1/ES3/KB2 I73J/73K
(5)	7PP 971 676 G	TYP 2 3P 7,2 KW 2,5 M Connecting line Vehicle		1	IEH1/ES3/KB2 I73J/73K
(5)	7PP 971 676 M	TYP 2 3P 7,2 KW 7,5 M Connecting line Vehicle		1	IEH1/ES3/KB2 I73H
(5)	7PP 971 676 N	TYP 2 1P 7,2 KW 2,5 M Connecting line Vehicle		1	IEH2/ES3/KB2 I73H
(5)	7PP 971 676 P	TYP 2 1P 7,2 KW 7,5 M Connecting line Vehicle		1	IEH1/ES1/KB1

Model: 92A 11

Model life 2011>>

Pos	Part Number	Description	Remark	Qty	Model
(5)	7PP 971 676 Q	Vehicle TYP 1 IEC 3,6 KW 2,5 M Connecting line		1	IEH2/ES1/KB1
(5)	7PP 971 676 R	Vehicle TYP 1 IEC 3,6 KW 7,5 M Connecting line		1	IEH1/ES1/KB2
(5)	7PP 971 676 S	Vehicle TYP 1 IEC 7,2 KW 2,5 M Connecting line		1	IEH2/ES1/KB2
(6)	7PP 915 706	Vehicle TYP 1 IEC 7,2 KW 7,5 M Charging Dock	(J) (PAP) (USA)	1	
		Electronic unit	(AUS) (CDN) (MEX) (PLA) (ROK)		
		Charger	(KARI (PAP) (SGP)		
(6)	7PP 915 706 A	TYP 1 Charging Dock	-(AUS) -(J) -(USA)	1	
		Electronic unit	-(CDN) -(KARI) -(MEX) -(ROK) -(SGP)		
(6)		Charger TYP 2 Charging Dock	(PAP) (PLA) (PME)	1	
		Electronic unit Charger TYP 2			
7	7PP 886 337 A	Door Complete		1	
8	7PP 837 012 A	Door lock Included		1	
9	7PP 943 109 A	Key Bracket		1	
10	7PP 909 991 A	Small Assembly kit		1	
11	7PP 957 547 C	Bracket Support Connector		1	IES3/NJ1/NJ2
(11)	9A7 957 547 02	TYP 2 Support Connector		1	
(11)	7PP 957 547 D	TYP 2 Support Connector		1	IES1/NJ1/NJ2
12	970 551 711 01	TYP 1 Bag		1	
13	7PP 971 605	Connecting line Cable guide Bracket		1	INJ2
14	7PP 915 736	Small Cover Bracket		1	INJ2
15	7PP 937 559	Connector Mounting plate Bracket		1	INJ2

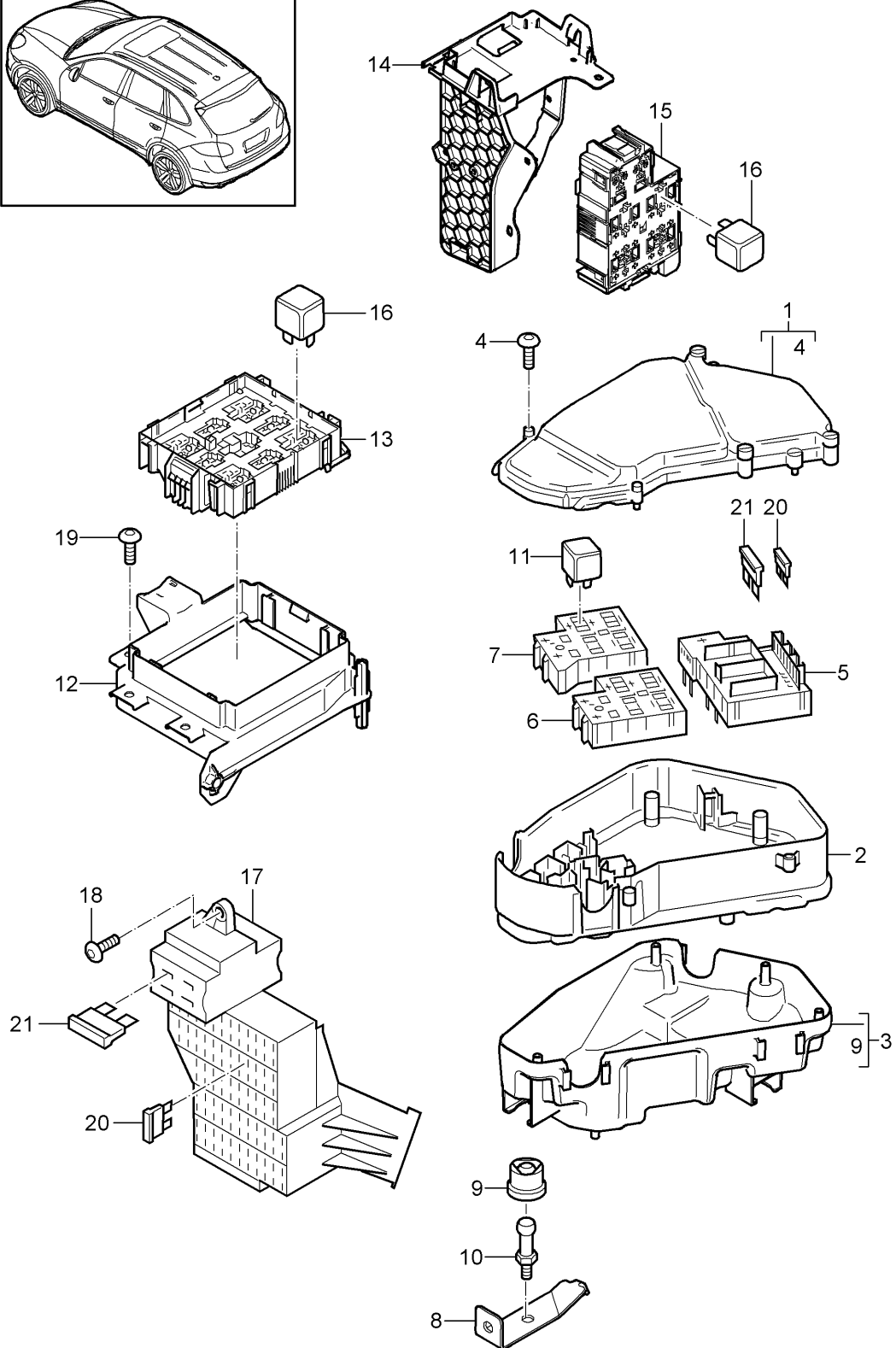
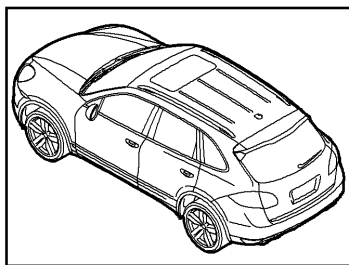
Model: 92A 11

Model life 2011>>

Pos	Part Number	Description	Remark	Qty	Model
		Connector			

Model: 92A 11

Model life 2011>>



Model: 92A 11

Model life 2011>>

Pos	Part Number	Description	Remark	Qty	Model
1	958 610 105 00	Central electrical system Fusebox Central electrical system	-14 /LL	1	ID19/D58/D6V IL0L
1	958 610 105 10	Plenum panel Central electrical system	/RL	1	ID19/D58/D6V IL0R
1	958 610 105 20	Plenum panel Central electrical system	/LL	1	ID34/L0L
1		Plenum panel Central electrical system	/LL	1	ID1V/D50/L0L
1	958 610 105 30	Plenum panel Central electrical system	/RL	1	ID1V/D34/D50 IL0R
1	958 610 111 00	Plenum panel Lid Central electrical system		1	
2	958 610 615 00	Plenum panel Centre part Central electrical system		1	ID19/D58/D6V
(2)	958 610 615 10	Plenum panel Centre part Central electrical system		1	ID34
(2)		Plenum panel Centre part		1	ID1V/D11/D43 ID50
(2)		Central electrical system Plenum panel Centre part Central electrical system	13-	1	IDD8
3	958 610 616 00	Plenum panel Lower part Central electrical system	/LL	1	IL0L
(3)	958 610 616 10	Plenum panel Lower part Central electrical system	/RL	1	IL0R
4	N 909 722 01	Plenum panel Lens-head screw 6,0 X 25,0		4	
5	955 610 219 00	Mounting plate Lock		1	
6	955 610 109 00	Central electrical system Relay carrier 1		1	ID34/D58/D6V
6		Central electrical system Relay carrier 1		1	ID19
6		Central electrical system Relay carrier 1		1	ID11
(6)	955 610 109 10	Central electrical system Relay carrier 1		1	ID1V/D43/D50
(6)		Central electrical system Relay carrier 1	13-	1	IDD8
7	955 610 110 00	Central electrical system Relay carrier 2		1	ID34
7		Central electrical system Relay carrier 2		1	ID1V/D11/D43 ID50
7		Central electrical system Relay carrier 2	13-	1	IDD8
7		Central electrical system Relay carrier 2		1	ID19
8	958 610 502 00	Central electrical system Cable holder		1	
9	955 610 122 00	Rubber bush		3	

Model: 92A 11

Model life 2011>>

Pos	Part Number	Description	Remark	Qty	Model
10	WHT 002 378	Ball screw M 6 X 36,5		1	
(10)	WHT 000 508	Ball pin M 6 X 23,5		2	
11		Relay		X	
(11)	955 618 028 00	Control unit Glow plug Relay socket/code:	-11 S1/1	1	ID1V/D50
(11)	958 618 028 00	Control unit Glow plug Relay socket/code:	12- S1/1	1	ID1V/D43
(11)	958 618 028 10	Control unit Glow plug Relay socket/code:	13- S1/1	1	IDD8
(11)	958 615 029 00	Relay Engine Relay socket/code:	S1/1 S1/2	1	ID11
(11)	955 615 025 10	Relay Relay socket/code:	S1/3	1	ID34/D58/D6V
(11)		Relay		1	ID19
(11)		Relay socket/code:	S1/3	1	ID11
(11)		Relay		1	ID11
(11)	958 618 028 10	Relay socket/code: Control unit Glow plug Relay socket/code:	S1/3 13- S1/3	1	IDD8
(11)	955 615 008 00	Relay Secondary pump Relay socket/code:	S1/3 S1/4	1	ID19/D58/D6V
(11)	958 615 008 01	Relay Secondary pump Relay socket/code:	S1/4 S1/4	1	ID19/D58/D6V
(11)	955 615 008 00	Relay Secondary pump Relay socket/code:	S1/4 S1/4	1	ID11
(11)	958 615 008 01	Relay Secondary pump Relay socket/code:	S1/4 S1/4	1	ID11
(11)	999 657 015 90	Relay Water pump Relay socket/code:	S1/4 S1/5	1	ID11
(11)		Relay Water pump Relay socket/code:	-11 S1/5	1	ID1V/D50
(11)	999 657 010 90	Relay Water pump Relay socket/code:	12- S1/5	1	ID1V/D43
(11)		Relay Water pump Relay socket/code:	13- S1/5	1	IDD8
(11)	955 615 025 10	Relay Relay socket/code:	S1/5 S2/3	1	ID1V/D43/D50
(11)		Relay Relay socket/code:	13- S2/3	1	IDD8
(11)	955 615 008 00	Relay Pump Vacuum booster Relay socket/code:	S2/3 S2/3	1	ID19
(11)	958 615 008 01	Relay Pump Vacuum booster Relay socket/code:	S2/3 S2/3	1	ID19
(11)	955 615 008 00	Relay Relay socket/code:	-11 S2/3	1	ID1V/D11/D50

Model: 92A 11

Model life 2011>>

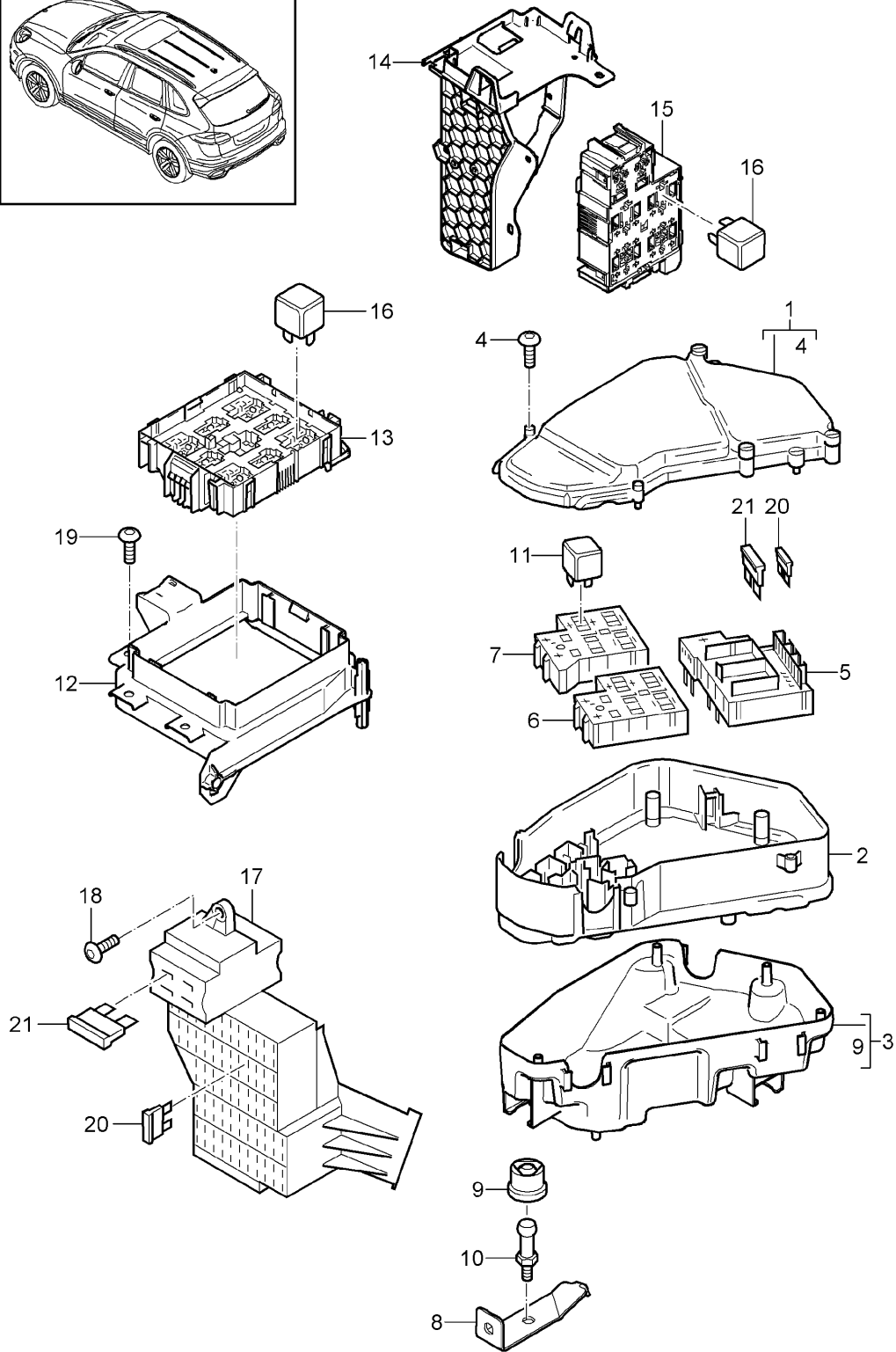
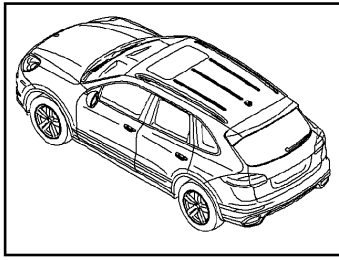
Pos	Part Number	Description	Remark	Qty	Model
(11)	958 615 008 01	Starter Relay socket/code: Relay	S2/4 -11	1	ID1V/D11/D50
(11)		Starter Relay socket/code: Relay	S2/4 12-	1	ID1V/D11/D43
(11)		Starter Relay socket/code: Relay	S2/4 13-	1	IDD8
(11)	955 615 008 00	Starter Relay socket/code: Relay	S2/4	1	ID34
(11)	958 615 008 01	Starter Relay socket/code: Relay	S2/4	1	ID34
(11)	955 615 027 00	Starter Relay socket/code: Relay	S2/4	1	ID34/D58/D6V
(11)		Starter Relay socket/code: Relay	S20	1	ID1V/D11/D43 ID50
(11)		Starter Relay socket/code: Relay	S20 13-	1	IDD8
12	958 610 149 00	Starter Relay socket/code: Retaining frame	S20	1	
13	955 610 117 00	Relay carrier		1	
14		S L Support		1	
15	955 610 109 00	Relay carrier 1 S R		1	
(16)	955 615 010 01	Relay		X	I1BK
(16)	999 657 010 90	Level adjustment Relay socket/code: Relay	SL1	1	ID19
(16)	958 615 010 00	Water cooling Relay socket/code: Relay	SL2	1	
(16)	999 657 010 90	Fanfare Relay socket/code: Relay	SL4	1	
(16)	958 615 029 00	Start/Stop Relay socket/code: Relay	SL6	1	
(16)	958 615 011 00	Rear window heating Relay socket/code: Relay	SL7	1	ID19
(16)	958 615 029 00	Self-levelling sensor Relay socket/code: Relay	SL9	1	
(16)		Windscreen heating Relay socket/code: Relay	SR1	1	
(16)		Windscreen heating Relay socket/code:	SR2		

Model: 92A 11 Model life 2011>>

Pos	Part Number	Description	Remark	Qty	Model
(16)	999 657 010 90	Relay Residual warmth		1	
(16)	958 615 010 00	Relay socket/code: Relay Cooling Battery Relay socket/code:	SR5	1	ID19
17	958 610 211 00	Fusebox Left	/LL /L	1	IL0L
(17)	958 610 211 10	Fusebox Left	/RL /L	1	IL0R
(17)	958 610 212 00	Fusebox Right	/LL /R	1	IL0L
(17)	958 610 212 10	Fusebox Right	/RL /R	1	IL0R
-	955 610 314 00	Tool for Lock		2	
18	N 106 768 01	Screw M 5 X 25		4	
19	958 423 199 00	Mount		1	
20	999 607 082 00	Lock 5 A		X	
(20)	999 607 083 00	Lock 7,5 A		X	
(20)	999 607 084 00	Lock 10 A		X	
(20)	999 607 085 00	Lock 15 A		X	
(20)	N 017 131 13	Lock 20 A		X	
(20)	999 607 087 00	Lock 25 A		X	
(20)	999 607 088 00	Lock 30 A		X	
21	N 102 519 03	Lock E30 A		X	
(21)	999 607 073 00	Lock E40 A		X	
(21)	999 607 077 00	Lock E60 A		X	

Model: 92A 11

Model life 2011>>



Model: 92A 11

Model life 2011>>

Pos	Part Number	Description	Remark	Qty	Model
1	958 610 111 00	Central electrical system Fusebox Lid	15-	1	
2	958 610 615 00	Central electrical system Plenum panel Centre part		1	IDT1/DU2/D19
(2)		Central electrical system Plenum panel Centre part		1	IDT5 ID11
(2)	958 610 615 10	Central electrical system Plenum panel Centre part		1	IDU3 ID34
(2)		Centre part		1	IDD7/DD8/DV7 ID1V/D50/D51
3	958 610 616 00	Central electrical system Plenum panel Lower part	/LL	1	IL0L
(3)	958 610 616 10	Central electrical system Plenum panel Lower part	/RL	1	IL0R
4	N 909 722 01	Lens-head screw 6,0 X 25,0		4	
5	955 610 219 00	Mounting plate Lock		1	
6	955 610 109 00	Central electrical system Relay carrier 1		1	IDT1/DU2/D19 ID34
6		Central electrical system Relay carrier 1		1	IDT5 ID11
(6)	955 610 109 10	Central electrical system Relay carrier 1		1	IDU3 IDD7/DD8/DV7 ID1V/D43/D50 ID51
7	955 610 110 00	Central electrical system Relay carrier 2		1	
8	958 610 502 00	Central electrical system Cable holder		1	
9	955 610 122 00	Rubber bush		3	
10	WHT 002 378	Ball screw M 6 X 36,5		1	
(10)	WHT 000 508	Ball pin M 6 X 23,5		2	
11		Relay		X	
(11)	958 618 028 00	Control unit		1	IDD7/DD8/DV7 ID1V/D43/D50 ID51
(11)	958 618 028 10	Glow plug Relay socket/code: Control unit	S1/1	1	IDD8
(11)	958 615 029 00	Glow plug Relay socket/code: Relay	S1/1	1	ID11
(11)	955 615 025 10	Engine Relay socket/code: Relay	S1/2	1	IDT1/DU2/D19

Model: 92A 11

Model life 2011>>

Pos	Part Number	Description	Remark	Qty	Model
(11)		Relay socket/code: Relay	S1/3	1	ID34 IDT5 ID11 IDU3
(11)	958 618 028 10	Relay socket/code: Control unit Glow plug	S1/3	1	IDD8
(11)	958 615 008 01	Relay socket/code: Relay Secondary pump	S1/3	1	IDT1/DU2/D19 IDT5
(11)		Relay socket/code: Relay Secondary pump	S1/4	1	ID11 IDU3
(11)	955 615 025 10	Relay socket/code: Relay	S1/4	1	IDD7/DD8/DV7 ID1V/D43/D50 ID51
(11)	958 615 008 01	Relay socket/code: Relay Pump Vacuum booster	S2/3	1	ID19
(11)		Relay socket/code: Relay Starter	S2/3	1	IDT1/DU2/D34 IDT5
(11)		Relay socket/code: Relay Starter	S2/4	1	ID11 IDU3
(11)		Relay socket/code: Relay	S2/4	1	IDD7/DD8/DV7 ID1V/D43/D50 ID51
(11)	955 615 027 00	Starter Relay socket/code: Relay Starter	S2/4	1	IDT1/DU2/D34 IDT5
(11)		Relay socket/code: Relay Starter	S20	1	ID11 IDU3
(11)		Relay socket/code: Relay	S20	1	IDD7/DD8/DV7 ID1V/D43/D50 ID51
12	958 610 149 00	Starter Relay socket/code: Retaining frame	S20	1	
13	955 610 117 00	Relay carrier		1	
14		S L Support Relay carrier See illustrations 9/01/03		1	
15	955 610 109 00	POS. 28 Relay carrier 1		1	
16		S R Relay		X	

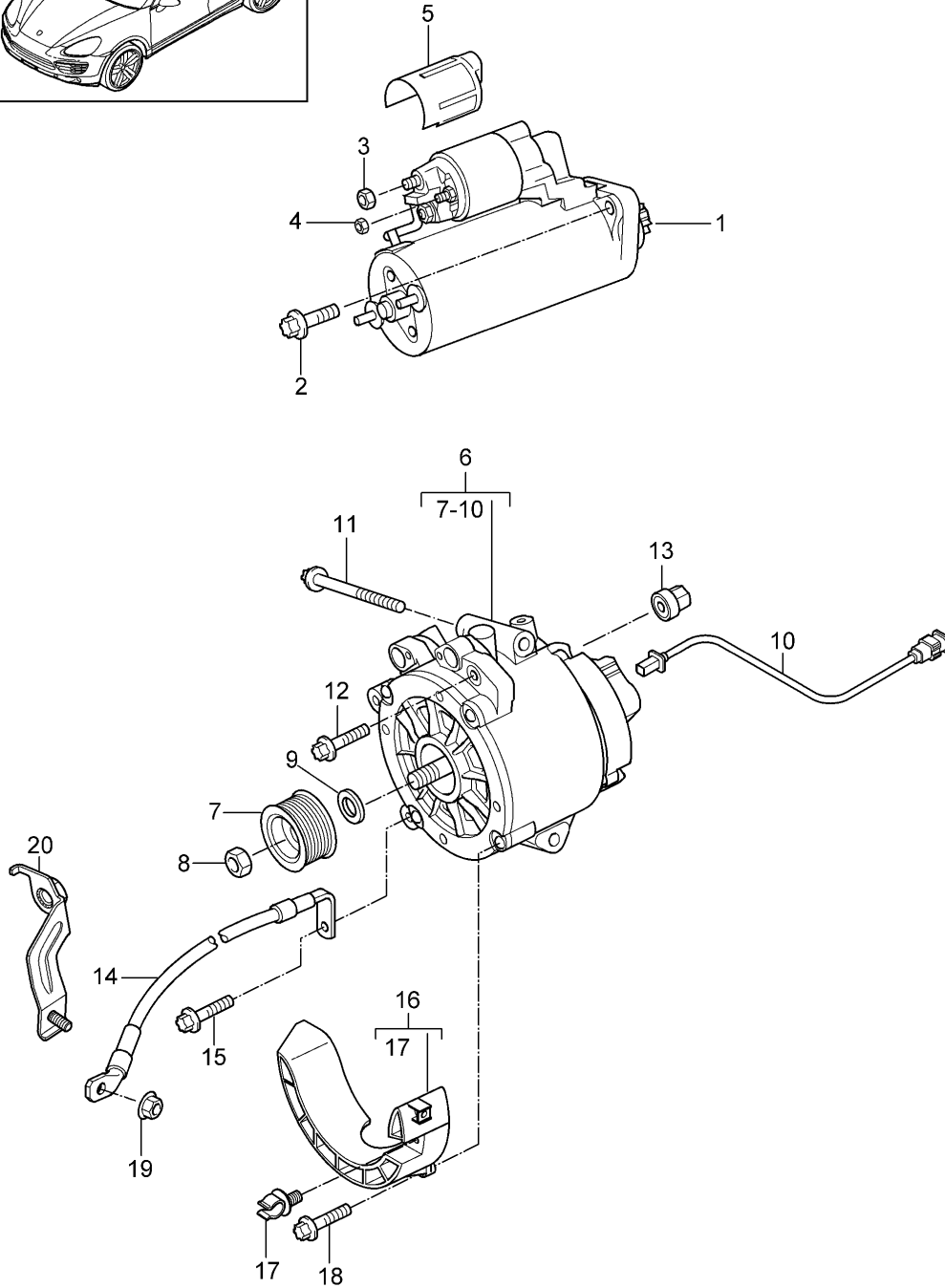
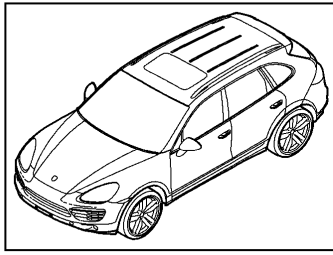
Model: 92A 11

Model life 2011>>

Pos	Part Number	Description	Remark	Qty	Model
(16)	958 615 029 00	Relay Level adjustment		1	
(16)	4H0 951 253 C	Relay socket/code: Relay Water cooling	SL1	1	ID19
(16)	958 615 029 00	Relay socket/code: Relay Windscreen heating Left	SL2	1	
(16)	4H0 951 253 C	Relay socket/code: Relay Fanfare	SL3	1	
(16)		Relay socket/code: Relay Pump	SL4	1	ID19
(16)		Transmission oil Relay socket/code: Relay Start/Stop	SL5	1	
(16)	958 615 029 00	Relay socket/code: Relay Rear window heating	SL6	1	
(16)	4H0 951 253 C	Relay socket/code: Relay ACC	SL7	1	
(16)	958 615 029 00	Relay socket/code: Relay Windscreen heating Right	SL8	1	
17	958 610 211 00	Relay socket/code: Fusebox Left	SL9 /LL /L	1	IL0L
(17)	958 610 211 10	Fusebox Left	/RL /L	1	IL0R
(17)	958 610 212 00	Fusebox Right	/LL /R	1	IL0L
(17)	958 610 212 10	Fusebox Right	/RL /R	1	IL0R
-	955 610 314 00	Tool for Lock		2	
18	N 106 768 01	Screw M 5 X 25		4	
19	958 423 199 00	Mount		1	
20	999 607 082 00	Lock 5 A		X	
(20)	999 607 083 00	Lock 7,5 A		X	
(20)	999 607 084 00	Lock 10 A		X	
(20)	999 607 085 00	Lock 15 A		X	
(20)	999 607 087 00	Lock 25 A		X	
(20)	999 607 088 00	Lock 30 A		X	
21	N 102 519 03	Lock E30 A		X	
(21)	999 607 073 00	Lock E40 A		X	
(21)	999 607 077 00	Lock E60 A		X	

Model: 92A 11

Model life 2011>>



Model: 92A 11 Model life 2011>>

Pos	Part Number	Description	Remark	Qty	Model
		Starter	-14		
		Generator			
		Ground strap			
1	948 604 214 00	Starter		1	ID58/D6V
1	948 604 214 X	Starter		1	ID58/D6V
(1)	955 604 107 11	Starter		1	ID34/7L7
(1)	955 604 107 BX	Starter		1	ID34/7L7
(1)	958 604 110 00	Starter		1	ID34/7L4/7L6 I7L8
(1)	958 604 110 X	Starter		1	ID34/7L4/7L6 I7L8
(1)	958 604 111 00	Starter		1	ID11/G1G
(1)	958 604 111 X	Starter		1	ID11/G1G
(1)	955 604 108 00	Starter		1	ID1V/D43/D50 I7L7
(1)	955 604 108 X	Starter		1	ID1V/D43/D50 I7L7
(1)	958 604 109 00	Starter		1	ID1V/D43/D50 I7L4/7L6/7L8
(1)	958 604 109 X	Starter		1	ID1V/D43/D50 I7L4/7L6/7L8
(1)	958 604 112 00	Starter		1	IDD8
(1)	958 604 112 X	Starter		1	IDD8
2	900 385 011 01	Torx screw BM 10 X 45		2	ID58/D6V
(2)	N 102 171 03	Hexagon-head bolt BM 12 X 60 X 48		1	ID34
(2)	N 105 934 01	Hexagon-head bolt AM 12 X 50		1	ID34
(2)	N 911 532 01	12 point socket AM 10 X 95		1	ID11
(2)	N 911 295 01	12 point socket M 12 X 75		1	ID11
(2)	N 102 902 06	Hexagon-head bolt AM 10 X 70		1	ID1V/D43/D50
(2)		Hexagon-head bolt AM 10 X 70	13-	1	IDD8
(2)	N 106 438 01	Hexagon-head bolt M 10 X 90		1	ID1V/D43/D50
(2)	N 903 316 05	Hexagon socket head bolt M 10 X 40	13-	1	IDD8
3	900 377 003 01	Hexagon nut M 8		1	
4	900 377 010 02	Hexagon nut M 6		1	ID58/D6V
5	948 604 119 00	Heat protection Starter		1	ID58/D6V
(5)	955 604 115 00	Heat protection Starter		1	ID34
6	948 603 033 00	Generator		1	ID58/D6V
6	948 603 033 X	Generator		1	ID58/D6V
(6)	958 603 121 00	Generator		1	ID34/9G1
(6)	958 603 121 X	Generator		1	ID34/9G1
(6)	958 603 122 00	Generator		1	ID11/9G1
(6)	958 603 122 X	Generator		1	ID11/9G1
(6)	958 603 123 00	Generator	-11	1	ID1V/D50/9G1
(6)	958 603 123 X	Generator	-11	1	ID1V/D50/9G1
(6)	059 903 023 L	Generator	12-	1	ID1V/D43/9G1
(6)	059 903 023 X	Generator	12-	1	ID1V/D43/9G1
(6)	958 603 124 00	Generator	13-	1	IDD8
(6)	958 603 124 X	Generator	13-	1	IDD8
7	948 603 125 01	Pulley		1	ID58/D6V
8	948 603 127 01	Hexagon nut		1	ID58/D6V

Model: 92A 11

Model life 2011>>

Pos	Part Number	Description	Remark	Qty	Model
9	948 603 129 00	M 16 X 1,5 Spacer		1	ID58/D6V
(9)	948 603 163 00	Cover disc		1	ID58/D6V
10	948 603 070 00	Wiring harness		1	ID58/D6V
11	900 385 014 01	Generator Torx screw BM 8 X 95		2	ID58/D6V
(11)	N 106 100 01	Hexagon-head bolt		2	IDD8/D1V/D11 ID34/D43/D50
12	900 385 042 01	AM 8 X 90 Torx screw BM 8 X 35		1	ID58/D6V
13	999 070 016 00	Cap nut M 8		1	ID58/D6V
14	958 611 195 00	Ground strap Generator Body		1	ID58/D6V
(14)	955 611 196 00	Ground strap Engine Body		1	ID34
(14)	958 611 197 00	Ground strap Engine Body		1	ID1V/D50
(14)	958 611 198 00	Ground strap Engine Body		1	ID19
(14)	958 611 199 00	Ground strap Engine Body		1	ID11
(14)	958 611 199 30	Ground strap Engine Body		1	IDD8
(14)	958 611 199 10	Ground strap Engine Body Mount		1	ID1V/D11/D43 ID50
(14)		Engine carrier Ground strap Engine Body Mount		1	ID19
(14)	958 611 199 20	Engine carrier Ground strap Rear axle differential Body		1	I0K1
15	900 385 098 01	Torx screw M 8 X 25		1	ID58/D6V
(15)	N 903 516 02	Pan-head screw M 10 X 20		1	ID34
(15)	N 106 534 01	Hexagon-head bolt M 10 X 20		1	ID11/D19
(15)	N 106 531 02	Hexagon-head bolt M 8 X 20 Mount		1	ID11/D19
(15)		Ground strap Engine carrier Hexagon-head bolt M 8 X 20		1	ID1V/D43/D50
(15)	N 010 239 29	Hexagon-head bolt M 8 X 18		1	IDD8
16	948 115 024 20	Bracket Generator		1	ID58/D6V

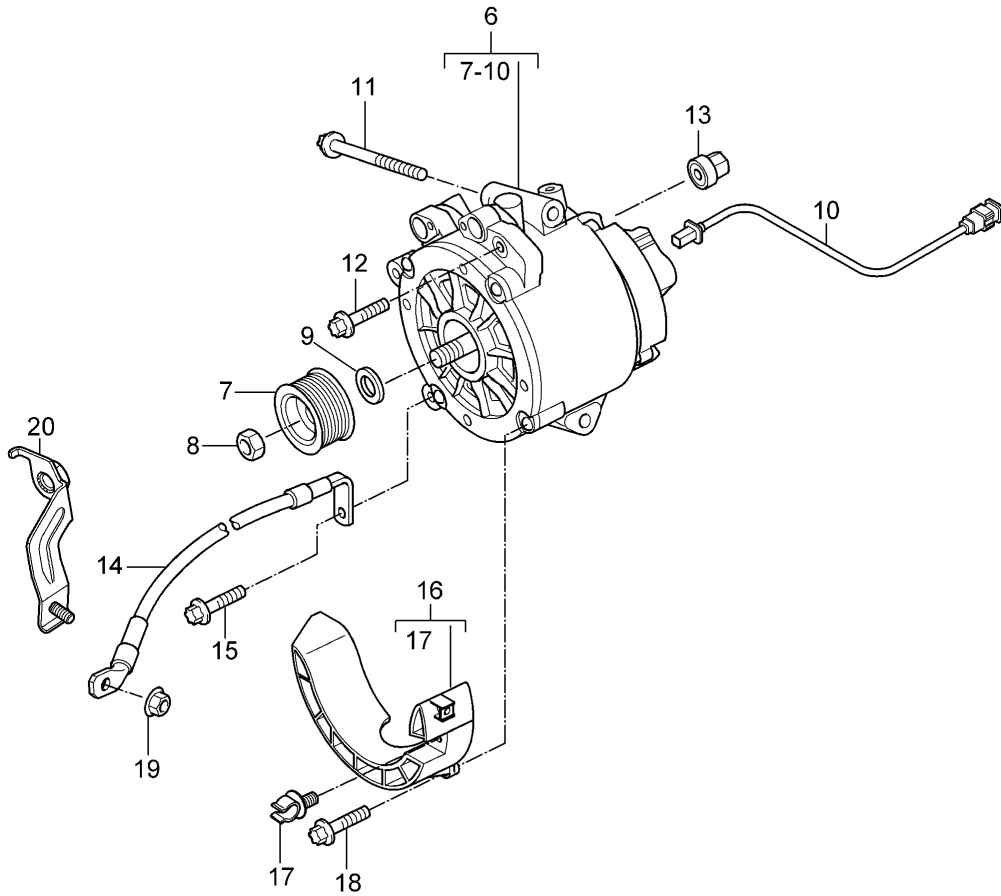
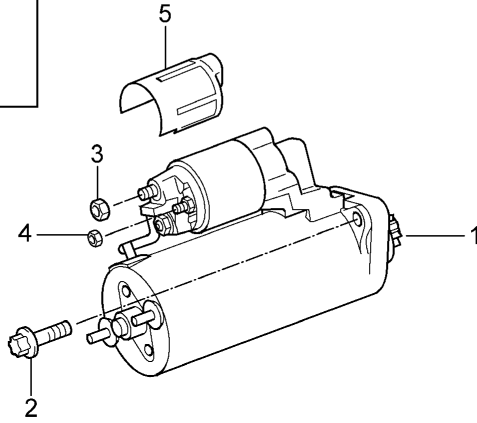
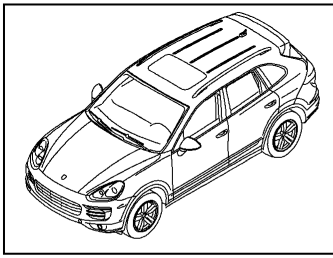
Model: 92A 11

Model life 2011>>

Pos	Part Number	Description	Remark	Qty	Model
17	999 507 930 40	Hose holder 23,0		1	ID58/D6V
18	999 073 908 31	Oval-head screw M 8 X 35		2	ID58/D6V
19	N 902 955 02	Hexagon nut M 8		1	-I0K1
(19)	958 611 182 00	Cap nut M 8 Mount Ground strap		1	I0K1
20	7P0 971 501	Rear axle differential Cable holder Line		1	

Model: 92A 11

Model life 2011>>



Model: 92A 11 Model life 2011>>

Pos	Part Number	Description	Remark	Qty	Model
1	948 604 214 01	Starter Generator Ground strap Starter	15-	1	IDT1/DU2 IDU3 IDT5
1	948 604 214 AX	Starter		1	IDT1/DU2 IDU3 IDT5
(1)	955 604 107 11	Starter		1	ID34/7L7
(1)	955 604 107 BX	Starter		1	ID34/7L7
(1)	958 604 110 01	Starter		1	ID34/7L4/7L6 I7L8
(1)		Starter		1	ID34/7L4/7L6 I7L8
(1)	958 604 110 AX	Starter		1	ID34/7L4/7L6 I7L8
(1)	958 604 113 00	Starter		1	ID11/G1G
(1)	958 604 113 X	Starter		1	ID11/G1G
(1)	955 604 108 00	Starter		1	IDD7/DV7/D1V ID43/D50/D51 I7L7
(1)	955 604 108 X	Starter		1	IDD7/DV7/D1V ID43/D50/D51 I7L7
(1)	958 604 109 00	Starter		1	-I7L7/IDD7 IDV7/D1V/D43 ID50/D51
(1)	958 604 109 X	Starter		1	-I7L7/IDD7 IDV7/D1V/D43 ID50/D51
(1)	958 604 112 00	Starter		1	IDD8
(1)	958 604 112 X	Starter		1	IDD8
2	900 385 011 01	Torx screw BM 10X45		2	IDT1/DU2
(2)	N 102 171 03	Hexagon-head bolt BM 12 X 60 X 48		1	IDU3 IDT5 ID34
(2)	N 105 934 01	Hexagon-head bolt AM 12 X 50		1	ID34
(2)	N 911 532 01	12 point socket AM 10 X 95		1	ID11
(2)	N 911 295 01	12 point socket M 12 X 75		1	ID11
(2)	N 102 902 06	Hexagon-head bolt AM 10 X 70		1	IDD7/DV7/D1V ID43/D50/D51
(2)		Hexagon-head bolt AM 10 X 70		1	IDD8
(2)	N 106 438 01	Hexagon-head bolt M 10 X 90		1	IDD7/DV7/D1V ID43/D50/D51
(2)	N 903 316 05	Hexagon socket head bolt M 10 X 40		1	IDD8
3	900 377 003 01	Hexagon nut M 8		1	
4	900 377 010 02	Hexagon nut M 6		1	ID58/D6V
5	955 604 115 00	Heat protection Starter		1	ID34
6	7PP 903 016 C	Generator		1	IDU2/DU3/9G1
(6)	7PP 903 016 CX	Generator		1	IDU2/DU3/9G1

Model: 92A 11 Model life 2011>>

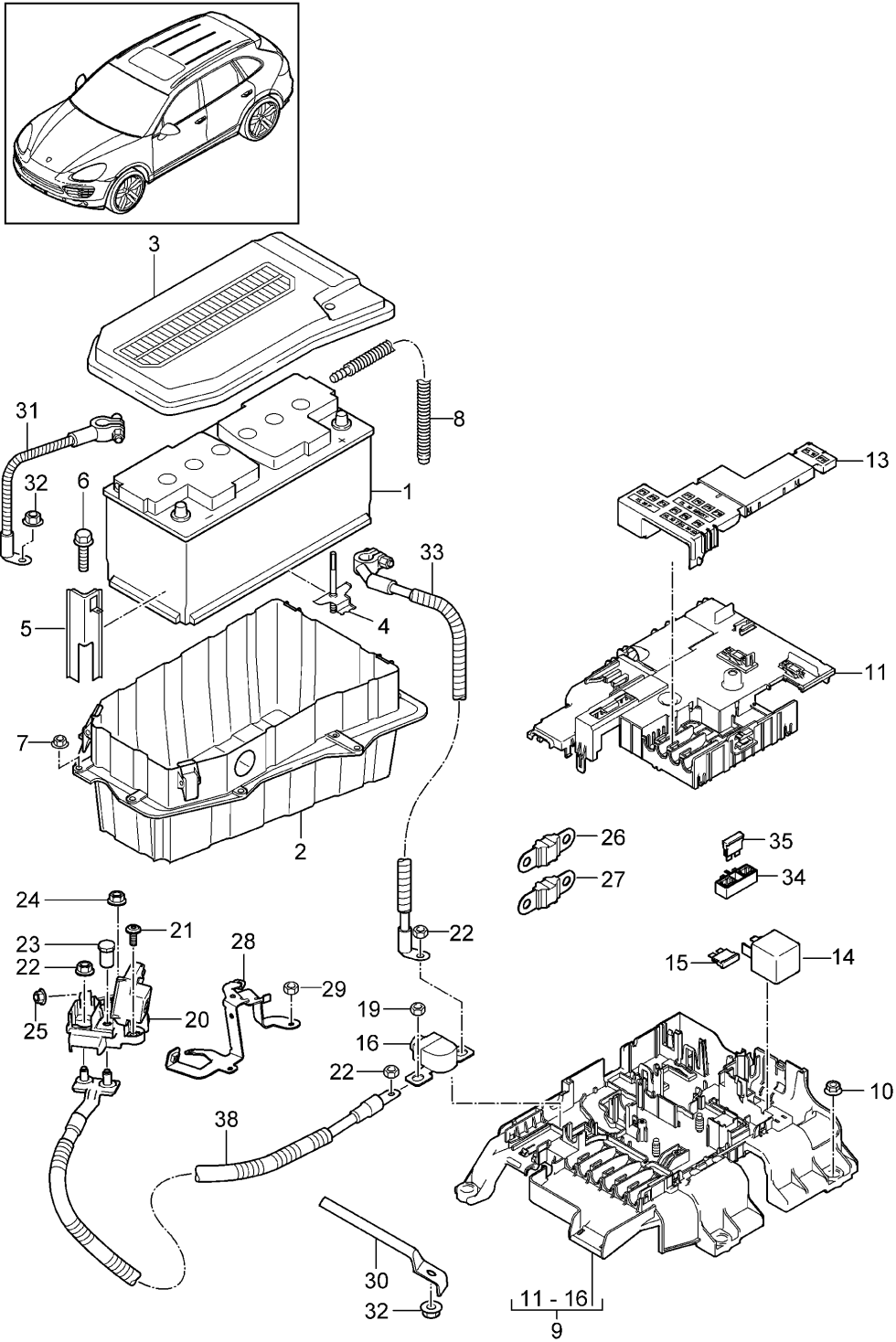
Pos	Part Number	Description	Remark	Qty	Model
(6)	948 603 033 00	Generator		1	IDT1 IDT5
(6)	948 603 033 X	Generator		1	IDT1 IDT5
(6)	958 603 121 01	Generator		1	ID34/9G1
(6)	958 603 121 AX	Generator		1	ID34/9G1
(6)	958 603 122 01	Generator		1	ID11/9G1
(6)	958 603 122 AX	Generator		1	ID11/9G1
(6)	059 903 023 N	Generator		1	IDD7/DV7/D1V ID43/D50/D51 I9G1
(6)	059 903 023 AX	Generator		1	IDD7/DV7/D1V ID43/D50/D51 I9G1
(6)	958 603 124 00	Generator		1	IDD8
(6)	958 603 124 X	Generator		1	IDD8
7	948 603 125 01	Pulley		1	IDT1/DU2 IDU3 IDT5
8	948 603 127 01	Hexagon nut M16X1,5		1	IDT1/DU2 IDU3 IDT5
9	948 603 129 00	Spacer		1	IDT1/DU2 IDU3 IDT5
(9)	948 603 163 00	Cover disc		1	IDT1/DU2 IDU3 IDT5
10	948 603 070 00	Wiring harness Generator		1	IDT1/DU2 IDU3 IDT5
11	900 385 014 01	Torx screw BM 8 X 95		2	IDT1/DU2 IDU3 IDT5
(11)	N 106 100 01	Hexagon-head bolt AM 8 X 90		2	ID34
(11)		Hexagon-head bolt AM 8 X 90		2	IDD7/DD8/DV7 ID1V/D11/D43 ID50 ID11
12	900 385 042 01	Torx screw BM 8 X 35		1	IDT1/DU2 IDU3 IDT5
13	999 070 016 00	Cap nut M 8		1	IDT1/DU2 IDU3 IDT5
14	958 611 195 00	Ground strap Generator Body		1	IDT1 IDT5
(14)	958 607 040 01	Ground strap Generator Body		1	IDU2 IDU3
(14)	955 611 196 00	Ground strap Engine Body		1	ID34
(14)	958 611 199 10	Ground strap Engine		1	ID19

Model: 92A 11 Model life 2011>>

Pos	Part Number	Description	Remark	Qty	Model
(14)		Body Ground strap Engine		1	ID11
(14)	958 611 199 30	Body Ground strap Engine		1	IDD8
(14)	958 611 199 10	Body Ground strap		1	IDD7/DV7/D1V ID43/D50/D51
(14)	958 611 199 20	Engine Body Ground strap Rear axle differential		1	I0K3
15	900 385 098 01	Body Torx screw M 8 X 25		1	IDT1/DU2 IDU3 IDT5 ID34
(15)	N 903 516 02	Pan-head screw M 10 X 20		1	ID19
(15)	N 106 531 02	Hexagon-head bolt M 8 X 20 Mount Ground strap Engine carrier		1	IDD7/DV7/D1V ID11/D43/D50
(15)		Hexagon-head bolt M 8 X 20		1	IDD8
(15)	N 010 239 29	Hexagon-head bolt M 8 X 18		1	IDT1/DU2
16	948 115 024 21	Bracket Generator		1	IDU3 IDT5 IDT1/DU2
17	999 507 930 40	Hose holder 23,0		1	IDU3 IDT5 IDT1/DU2
18	999 073 908 31	Oval-head screw M 8 X 35		2	IDU3 IDT5 IDT1/DU2
19	N 902 955 02	Hexagon nut M 8		1	IDU3 IDT5 -I0K1
(19)	958 611 182 00	Cap nut M 8 Mount Ground strap		1	I0K1
20	7P0 971 501	Rear axle differential Cable holder Line		1	

Model: 92A 11

Model life 2011>>



Model: 92A 11

Model life 2011>>

Pos	Part Number	Description	Remark	Qty	Model
1	958 611 075 21	Battery Power distributor		1	IJ1N
(1)	958 611 092 21	Battery 75AH	-(CN)	1	-ID11/IJ0B
(1)		Battery 92AH	(CN)	1	ID11/J0B
(1)	958 611 110 20	F >>92BLA 61871 Battery 110 AH	(CN)	1	ID11/J0B
(1)	958 611 105 21	F 92BLA 61872>> Battery 105 AH		1	IJ0P
2	958 504 151 00	Battery box		1	
3	955 504 152 00	Cover for housing		1	
4	955 611 209 02	Clamping piece		1	
5	955 611 210 02	Reinforcement bracket		1	
6	N 100 829 08	Battery Combination screw M 6 X 16		1	
7	N 015 082 10	Hexagon nut M 6		X	
8	955 611 311 00	Breather pipe		1	
9	958 610 308 00	Power distributor		1	I0K0
(9)	958 610 308 10	Power distributor		1	I0K1/0K3
10	N 015 082 10	Hexagon nut M 6		3	
11	958 610 309 00	Lid Power distributor		1	
13	958 610 309 10	Lid Lock		1	
14	8D0 951 253	Relay		1	
15	999 607 082 00	Lock 5 A		X	
16	958 611 205 00	Switch unit Battery main switch		1	
19	N 106 092 01	Hexagon nut M 8		X	
20	958 611 202 00	Connection point Cable		1	
21	N 106 536 01	Engine compartment Pan-head screw M 6 X 20		1	
22	N 106 092 01	Hexagon nut M 8		3	
23	955 611 206 00	Hexagon nut Terminal clamp		1	
24	N 902 955 02	Emergency starting Hexagon nut M 8		2	
25	N 105 972 01	Hexagon nut M 5		X	
26	N 105 255 08	Lock 150 A Fan		1	
27	N 105 255 06	Water cooling Lock 100 A Pump		1	ID19
28	958 611 539 00	Power steering Support Connection point		1	ID19

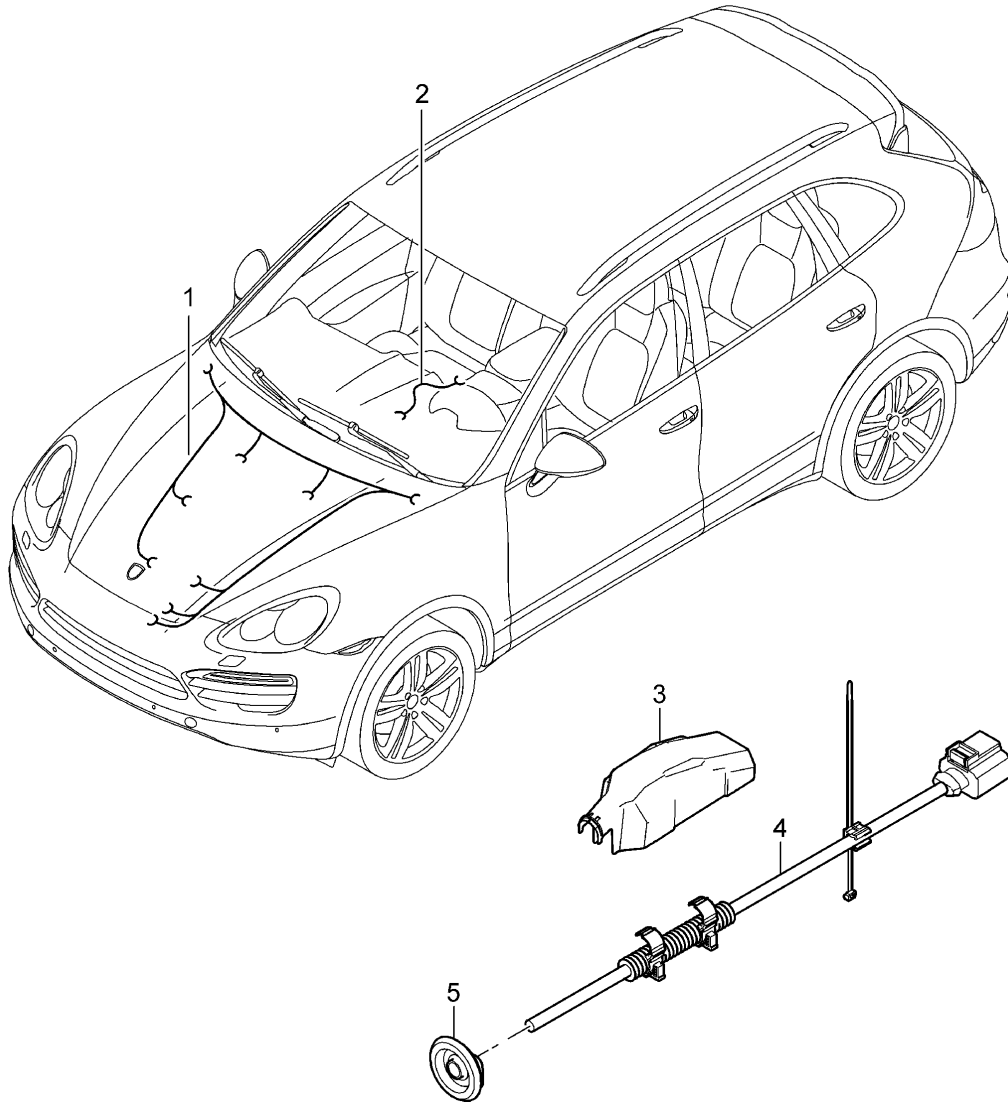
Model: 92A 11

Model life 2011>>

Pos	Part Number	Description	Remark	Qty	Model
29	N 015 082 10	Hexagon nut M 6 Mount Support Connection point		3	ID19
30	958 611 203 00	Cable shoe Ground strap	-14	1	
30	958 611 203 10	Cable shoe Ground strap	15-	1	
31	958 611 181 00	Ground strap Battery Body with Sensor D >> 29.05.2016		1	
(31)	958 611 181 11	Ground strap Battery Body with Sensor D 30.05.2016>>		1	
32	958 611 182 00	Cap nut M 8		2	
33	958 612 090 00	Cable Battery Power distributor		1	IJ1N/7L7
(33)	958 612 090 10	Cable Battery Power distributor		1	IJ0B/J0P/7L6 I7L7/7L8/8RV
(33)	958 612 090 20	Cable Battery Power distributor		1	I7L6/7L8/9VJ I9VK/9VL
34	958 612 530 00	Fuse holder		1	I9VJ/9VK/9VL
35	999 607 073 00	Lock 40 A		1	I9VJ/9VK/9VL
38	958 612 091 00	Cable Power distributor Connection point Engine compartment		1	IDT1/DU2/D19 ID34/D58/D6V
(38)	958 612 091 10	Cable Power distributor Connection point Engine compartment		1	ID11 IDU3 IDT5 IDD7/DD8/DV7 ID1V/D43/D50 ID51

Model: 92A 11

Model life 2011>>



Model: 92A 11

Model life 2011>>

Pos	Part Number	Description	Remark	Qty	Model
		Wiring harnesses Engine compartment Transmission	-14		
1	958 612 019 00	Wiring harness	/LL -11	1	ID58/D6V/IY1 IL0L
(1)	958 612 019 01	Engine compartment Wiring harness	/LL 11-	1	ID58/D6V/IY2 IL0L
(1)		Engine compartment Wiring harness	/LL 12-	1	ID58/D6V/L0L
(1)	958 612 019 10	Engine compartment Wiring harness	/RL	1	ID58/D6V/L0R
(1)	958 612 019 20	Engine compartment Wiring harness	/LL	1	ID34/L0L
(1)	958 612 019 30	Engine compartment Wiring harness	/RL	1	ID34/L0R
(1)	958 612 019 40	Engine compartment Wiring harness	/LL -11	1	ID1V/D50/L0L I7MG
(1)	958 612 020 00	Engine compartment Wiring harness	/LL 12-	1	ID1V/D43/L0L I7MJ/7MQ
(1)	958 612 019 50	Engine compartment Wiring harness	/RL -11	1	ID1V/D50/L0R I7MG
(1)	958 612 020 10	Engine compartment Wiring harness	/RL 12-	1	ID1V/D43/L0R I7MQ
(1)	958 612 019 45	Engine compartment Wiring harness	/LL -11	1	ID1V/D50/L0L I0GG
(1)	958 612 020 05	Engine compartment Wiring harness	/LL -12	1	ID1V/D43/L0L I0GG
(1)	958 612 019 55	Engine compartment Wiring harness	/RL -11	1	ID1V/D50/L0R I0GG
(1)	958 612 020 15	Engine compartment Wiring harness	/RL 12-	1	ID1V/D43/L0R I0GG
(1)	958 612 019 60	Engine compartment Wiring harness	/LL -11	1	ID1V/D50/L0L I0GZ
(1)	958 612 020 20	Engine compartment Wiring harness	/LL 12-	1	ID1V/D43/L0L I0GZ
(1)	958 612 019 65	Engine compartment Wiring harness	/RL -11	1	ID1V/D50/L0R I0GZ
(1)	958 612 020 25	Engine compartment Wiring harness	/RL 12-	1	ID1V/D43/L0R I0GZ
(1)	958 612 020 40	Engine compartment Wiring harness	/LL 13-	1	IDD8/L0L/0GG I0GZ
(1)	958 612 020 45	Engine compartment Wiring harness	/RL 13-	1	IDD8/L0R/0GG I0GZ
(1)	958 612 020 50	Engine compartment Wiring harness	/LL 13-	1	IDD8/L0L/7MJ I7MQ
(1)	958 612 020 55	Engine compartment Wiring harness	/RL 13-	1	IDD8/L0R/7MJ

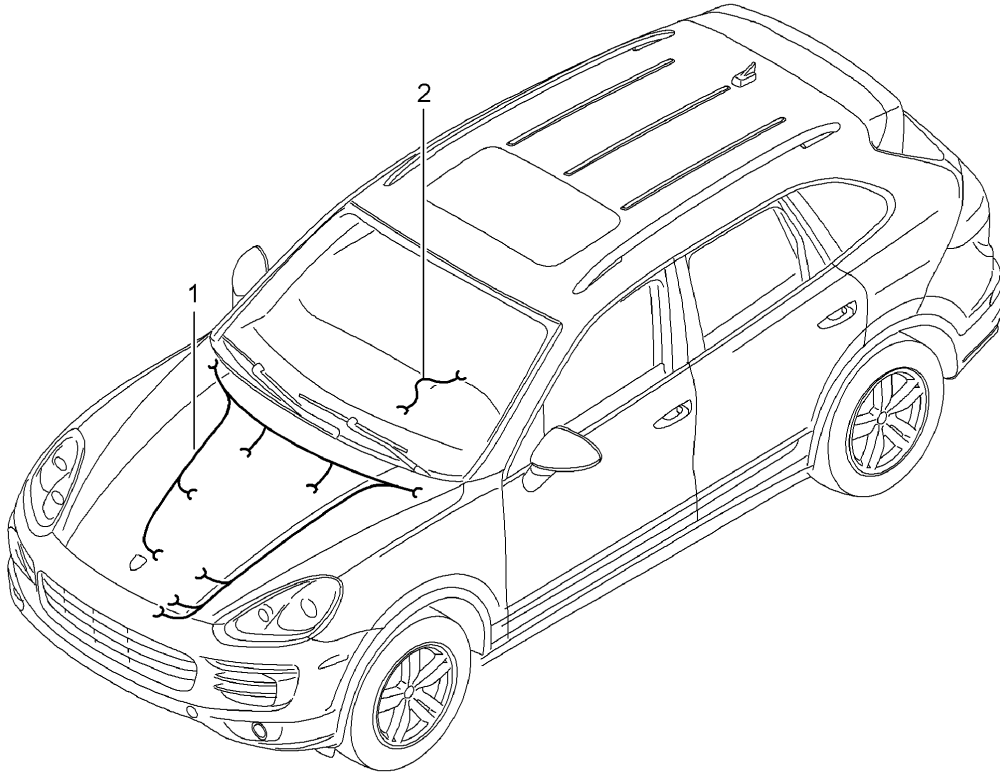
Model: 92A 11

Model life 2011>>

Pos	Part Number	Description	Remark	Qty	Model
					I7MQ
(1)	958 612 019 70	Engine compartment Wiring harness	/LL	1	ID19/L0L/0GG I0GU/7MG
(1)	958 612 019 75	Engine compartment Wiring harness	/RL	1	ID19/L0R/0GG I0GU/7MG
(1)	958 612 019 80	Engine compartment Wiring harness	/LL	1	ID19/L0L/7GB
(1)	958 612 019 85	Engine compartment Wiring harness	/LLCHINA	1	ID11/L0L
(1)	958 612 019 86	Engine compartment F >>92BLA 64073 Wiring harness	/LL	1	ID11/L0L
2	958 612 401 00	Engine compartment F 92BLA 64074>> Wiring harness		1	ID34/G1G/7L7
2		Automatic transmission Wiring harness		1	IDD8/D1V/D43 ID50/7L7
2	958 612 401 10	Automatic transmission Wiring harness		1	ID34/7L4/7L6 I7L8
2		Automatic transmission Wiring harness		1	IDD8/D1V/D43 ID50/7L4/7L6 I7L8
2		Automatic transmission Wiring harness	13-	1	IDD8/7L4/7L8
2	958 612 401 50	Automatic transmission Wiring harness		1	ID11/7L7
2	958 612 401 40	Automatic transmission Wiring harness		1	ID19
2	958 612 401 20	Automatic transmission Wiring harness		1	ID58/D6V/7L7
2	958 612 401 30	Automatic transmission Wiring harness		1	ID58/D6V/7L4 I7L6/7L8
3	948 607 314 00	Automatic transmission Cap	13-	1	
4	000 043 989 70	Repair kit Cable		1	
(4)	000 043 989 94	Transfer box Repair kit Cable Transfer box		1	

Model: 92A 11

Model life 2011>>



Model: 92A 11

Model life 2011>>

Pos	Part Number	Description	Remark	Qty	Model
1	958 612 021 00	Wiring harnesses Engine compartment Transmission Wiring harness Engine compartment	15- /LL	1	IDT1/L0L IDT5
(1)	958 612 021 10	Wiring harness Engine compartment	/RL	1	IDT1/L0R
1	958 612 021 20	Wiring harness Engine compartment	/LL	1	IDT5 IDU2/L0L/0GG I7GH/7MJ
1	958 612 021 30	Wiring harness Engine compartment	/RL	1	IDU3 IDU2/L0R/0GG I7GH/7MJ
1	958 612 021 40	Wiring harness Engine compartment	/LL	1	IDU3 IDU2/L0L/7MM
1	958 612 021 50	Wiring harness Engine compartment	/RL	1	IDU3 IDU2/L0R/7MM
1	958 612 021 60	Wiring harness Engine compartment	/LL	1	IDU3 IDU2/L0L/7GB
1	958 612 021 70	Wiring harness Engine compartment	/LL	1	IDU3 ID34/L0L
1	958 612 021 80	Wiring harness Engine compartment	/RL	1	ID34/L0R
1	958 612 021 90	Wiring harness Engine compartment	/LL	1	ID11/L0L/7MJ
1	958 612 022 00	Wiring harness Engine compartment	/LL	1	ID19/L0L/0GG I0K3/7GH/7MJ I7MM/7MN
1	958 612 022 10	Wiring harness Engine compartment	/RL	1	ID19/L0R/0GG I0K3/7GH/7MJ I7MM/7MN
1	958 612 022 20	Wiring harness Engine compartment	/LL	1	ID19/L0L/0K3 I7GB
1	958 612 022 30	Wiring harness Engine compartment	/LL	1	ID43/L0L/0GZ
1	958 612 022 40	Wiring harness Engine compartment	/RL	1	ID43/L0R/0GZ
1	958 612 022 50	Wiring harness Engine compartment	/LL	1	ID43/L0L/0GG I7GH
1	958 612 022 60	Wiring harness Engine compartment	/RL	1	ID43/L0R/0GG I7GH
1	958 612 022 70	Wiring harness Engine compartment	/LL	1	ID43/L0L/7MJ
1	958 612 022 80	Wiring harness Engine compartment	/RL	1	ID43/L0R/7MJ
1	958 612 023 00	Wiring harness Engine compartment	/LL	1	IDD7/DV7/D1V ID51/L0L/7MM
1	958 612 023 10	Wiring harness Engine compartment	/RL	1	IDD7/DV7/D1V ID51/L0R/7MM

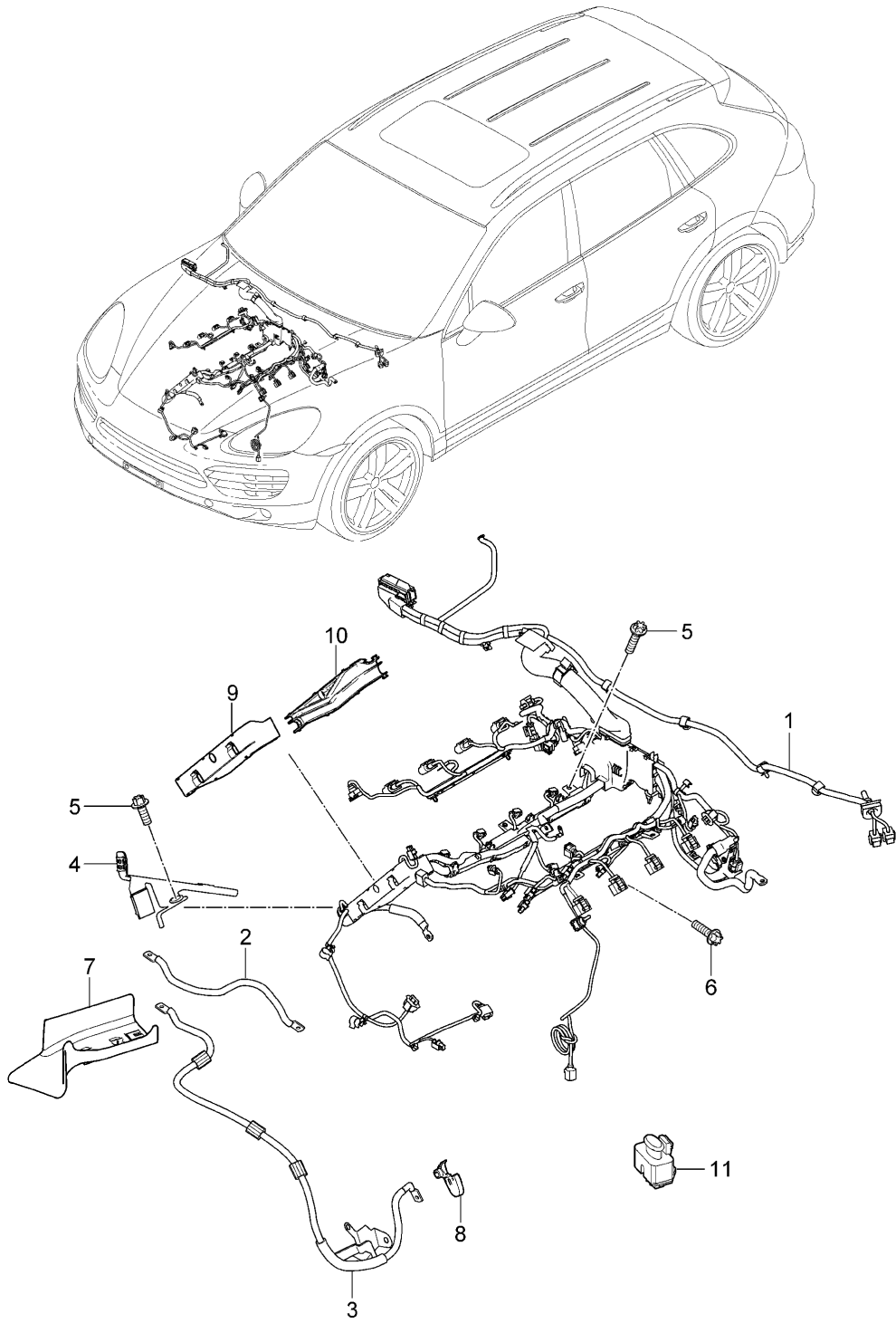
Model: 92A 11

Model life 2011>>

Pos	Part Number	Description	Remark	Qty	Model
1	958 612 023 20	Wiring harness Engine compartment	/LL	1	IDD8/L0L/0GG I7GH
1	958 612 023 30	Wiring harness Engine compartment	/RL	1	IDD8/L0R/0GG I7GH
1	958 612 023 40	Wiring harness Engine compartment	/LL	1	IDD8/L0L/7MJ
1	958 612 023 50	Wiring harness Engine compartment	/RL	1	IDD8/L0R/7MJ
1	958 612 023 60	Wiring harness Engine compartment	/LL	1	IDD8/L0L/7MM
1	958 612 023 70	Wiring harness Engine compartment	/RL	1	IDD8/L0R/7MM
2	958 612 401 00	Wiring harness		1	IDD8/DU2/DU3 IDV7/D1V/D34 ID43/D50/D51 I7L7
(2)	958 612 401 10	Automatic transmission Wiring harness		1	IDD8/DU2/DU3 IDV7/D1V/D34 ID43/D50/D51 I7L4/7L8
(2)	958 612 401 50	Automatic transmission Wiring harness		1	ID11/7L7
(2)	958 612 401 20	Automatic transmission Wiring harness		1	IDT1/DT5/7L7
(2)	958 612 401 30	Automatic transmission Wiring harness		1	IDT1/DT5/7L4 I7L8
(2)	958 612 401 60	Automatic transmission Wiring harness		1	ID11/7L4/7L8
(2)	958 612 401 70	Automatic transmission Wiring harness		1	ID19

Model: 92A 11

Model life 2011>>



Model: 92A 11

Model life 2011>>

Pos	Part Number	Description	Remark	Qty	Model
		Wiring harnesses	-14		
1	948 607 008 03	Engine Wiring harness	-11	1	ID6V
		Engine Order also: 948.607.314.00			
1	948 607 008 06	Wiring harness	12-	1	ID6V
		Engine Order also: 948.607.314.00			
(1)	948 607 008 53	Wiring harness	-11	1	ID58
		Engine Order also: 948.607.314.00			
(1)	948 607 008 55	Wiring harness	-11	1	ID58
		Order also: 948.607.314.00			
(1)	948 607 008 56	Wiring harness	12-	1	ID58
		Order also: 948.607.314.00			
-	948 607 314 00	Cap		1	
(1)	958 607 010 00	Wiring harness		1	ID34
		Engine			
(1)	958 607 010 10	Wiring harness	-11	1	ID1V/D50
		Engine Use also:			
-	N 107 551 01	Spacer		1	
(1)	958 607 010 11	Wiring harness	12-	1	ID1V/D43/0GZ
		Engine			
(1)	958 607 010 12	Wiring harness	12-	1	ID1V/D43/0GG
		Engine			
(1)	958 607 010 13	Wiring harness	12-	1	ID1V/D43/7MJ I7MQ
		Engine			
(1)	958 607 010 65	Wiring harness	/LL 13-	1	IDD8/L0L/0GG I0GZ
		Engine			
(1)	958 607 010 70	Wiring harness	/LL 13-	1	IDD8/L0L/7MJ I7MQ
		Engine			
(1)	958 607 010 75	Wiring harness	/RL 13-	1	IDD8/L0R/0GG I0GZ
		Engine			
(1)	958 607 010 80	Wiring harness	/RL 13-	1	IDD8/L0R/7MJ I7MQ
		Engine			
(1)	958 607 010 50	Wiring harness		1	ID19/0GG/7MG
		Engine			
(1)	958 607 010 20	F >>92BLA 90669 Wiring harness		1	ID19/0GG/7GH I7MG/7MN
		Engine			
(1)	958 607 010 30	F 92BLA 90670>> Wiring harness		1	ID19/7GB
		Engine			
(1)	958 607 627 20	Wiring harness		1	ID19
		Injector valve			
(1)	958 607 627 00	Cyl. 1 - 3 Wiring harness		1	ID19
		Injector valve			
		Cyl. 4 - 6			

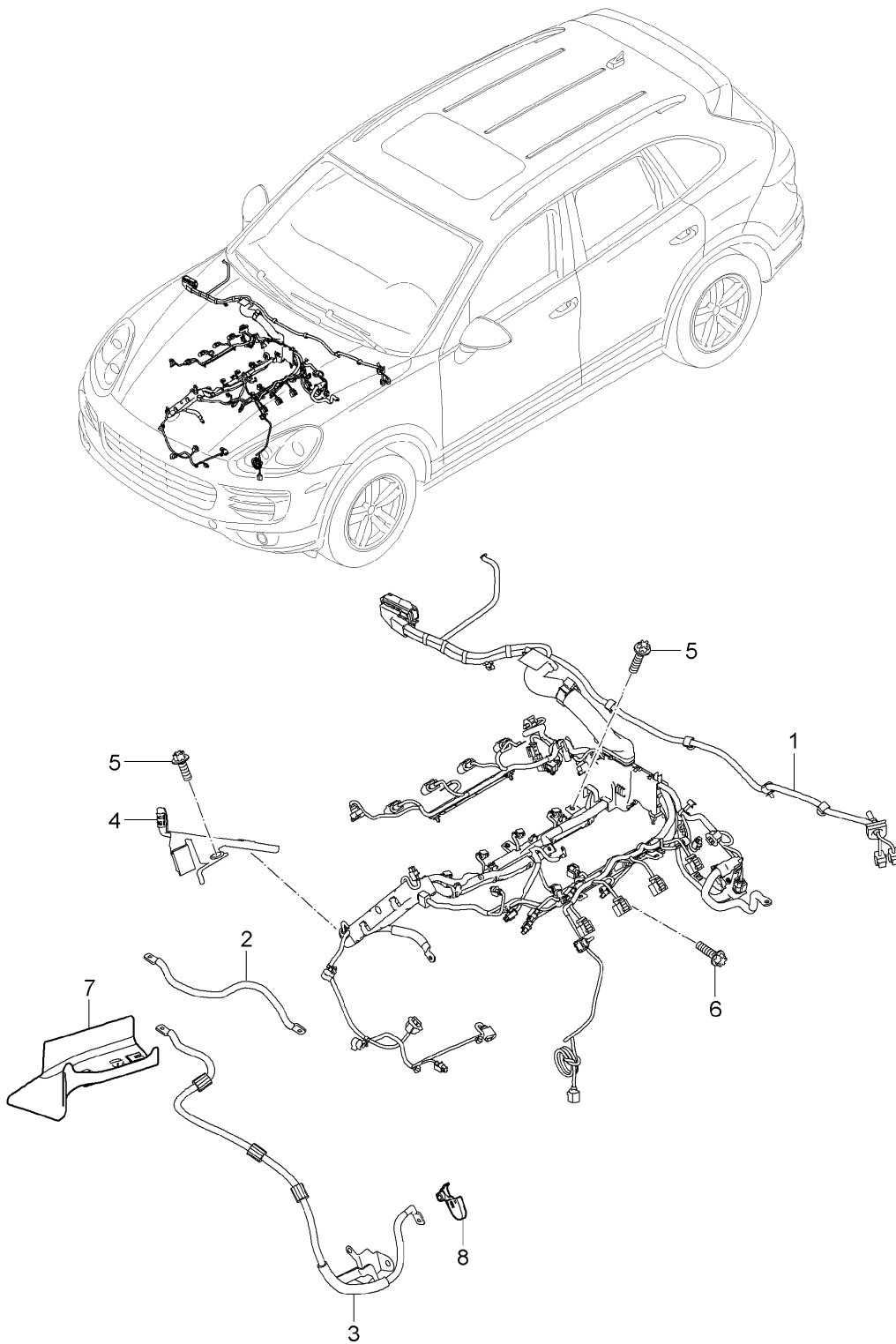
Model: 92A 11

Model life 2011>>

Pos	Part Number	Description	Remark	Qty	Model
(1)	958 607 010 40	Wiring harness Engine		1	ID11/0GG
(1)	958 607 010 41	F >>92BLA 64073 Wiring harness Engine		1	ID11/0GG
(1)	958 607 627 20	F 92BLA 64074>> Information available Wiring harness Injector valve Cyl. 1 - 3		1	ID11/0GG
(1)	958 607 627 00	Wiring harness Injector valve Cyl. 4 - 6		1	ID11/0GG
2	958 612 192 00	Cable Generator		1	ID34
3	958 612 122 01	Cable Starter		1	ID34
(3)	948 607 087 01	Cable Starter Positive cable		1	M48.02/52
(3)	958 612 122 10	Cable Starter Generator	-12	1	ID1V/D43/D50
(3)	958 612 122 11	Cable Starter Generator	13-	1	ID1V/D43
(3)	958 612 122 30	Cable Starter Generator	13-	1	IDD8
(3)	958 612 122 20	Cable Starter Generator		1	ID11
4	948 607 145 00	Heat protection Cable Generator		1	ID58/D6V
5	900 385 009 01	Torx screw BM 6 X 16		X	ID58/D6V
6	900 385 041 01	Torx screw BM 6 X 12 Mount Ground cable Valve cover		4	ID58/D6V
6	N 104 648 02	Oval-head screw TP 4 X 12 Mount Ground cable Valve cover		4	-ID58/-ID6V
7	958 612 123 00	Cable guide Connection point Engine compartment		1	ID34/D58/D6V
8	958 607 103 00	Cap Starter		1	ID34
9	948 607 251 00	Cable guide Control box cover		1	ID34
10	948 607 161 00	Control box cover		1	ID34
11		Connector Sensor See illustrations 1/07/25			

Model: 92A 11

Model life 2011>>



Model: 92A 11 Model life 2011>>

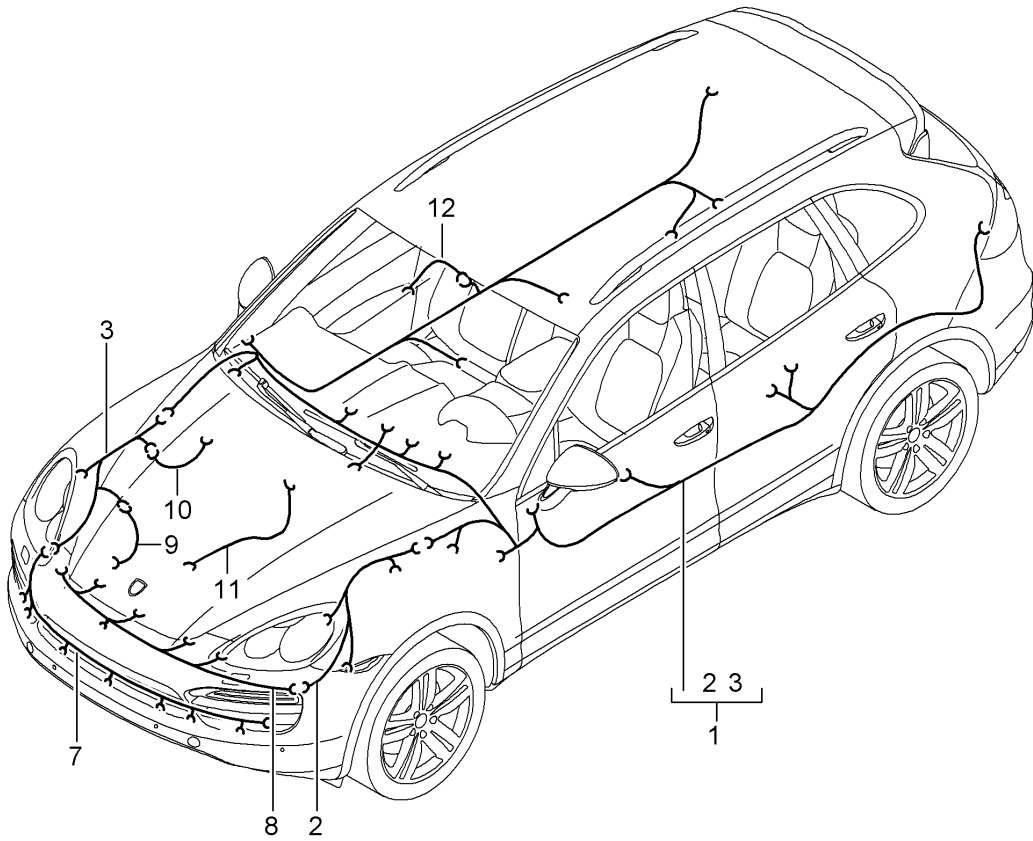
Pos	Part Number	Description	Remark	Qty	Model
1	948 607 018 00	Wiring harnesses Engine Wiring harness Engine	15-	1	IDT1 IDT5
(1)	946 607 011 01	Order also: 948.607.314.00 Wiring harness Engine	-16	1	IDU2
(1)	946 607 011 02	Wiring harness Engine	17-	1	IDU3 IDU2/DU3
(1)	958 607 010 00	Wiring harness Engine		1	ID34
(1)	958 607 011 00	Wiring harness		1	ID19/0GG/0K3 I7GH/7MJ/7MM I7MN
(1)	958 607 011 10	Engine Wiring harness Engine		1	ID19/0K3/7GB
(1)	958 607 627 20	Wiring harness Injector valve Cyl. 1 - 3		1	ID19
(1)	958 607 627 00	Wiring harness Injector valve Cyl. 4 - 6		1	ID19
(1)	958 607 010 41	Wiring harness Engine		1	ID11
(1)	958 607 627 20	Information available Wiring harness Injector valve Cyl. 1 - 3		1	ID11/0GG
(1)	958 607 627 00	Wiring harness Injector valve Cyl. 4 - 6		1	ID11
(1)	958 607 011 30	Wiring harness Engine		1	ID43/0GZ
(1)	958 607 011 40	Wiring harness Engine		1	ID43/0GG/7GH
(1)	958 607 011 50	Wiring harness Engine		1	ID43/7MJ
(1)	958 607 011 70	Wiring harness		1	IDD7/DV7/D1V ID51/7MM
(1)	958 607 012 00	Engine Wiring harness		1	IDD8/L0L/0GG I7GH
(1)	958 607 012 10	Engine Wiring harness Engine		1	IDD8/L0L/7MJ
(1)	958 607 012 15	Wiring harness Engine		1	IDD8/L0L/7MM
(1)	958 607 012 20	Wiring harness		1	IDD8/L0R/0GG I7GH
(1)	958 607 012 30	Engine Wiring harness Engine		1	IDD8/L0R/7MJ
(1)	958 607 012 35	Wiring harness Engine		1	IDD8/L0R/7MM
3	958 612 122 01	Cable Positive cable Battery for Starter		1	ID34

Model: 92A 11 Model life 2011>>

Pos	Part Number	Description	Remark	Qty	Model
(3)	946 607 089 00	Cable Positive cable Battery for Starter		1	IDU2/DU3
(3)	958 612 122 12	Cable Starter Generator		1	IDD7/DV7/D1V ID43/D50/D51
(3)	958 612 122 30	Cable Starter Generator		1	IDD8
(3)	946 607 069 01	Wiring harness Generator Starter		1	IDU2/DU3
4	948 607 145 00	Heat protection Cable Generator		1	IDT1/DT5
5	900 385 009 01	Torx screw BM 6 X 16		X	IDT1/DT5
6	900 385 041 01	Torx screw BM 6 X 12 Mount Ground cable Valve cover		4	IDT1/DT5
6	N 104 648 02	Oval-head screw TP 4 X 12 Mount Ground cable Valve cover		4	-IDT1/-IDT5
7	958 612 123 00	Cable guide Connection point Engine compartment		1	IDT1/DU2/D34
8	958 607 103 00	Cap Starter		1	IDU3 IDT5 ID34

Model: 92A 11

Model life 2011>>



Model: 92A 11 Model life 2011>>

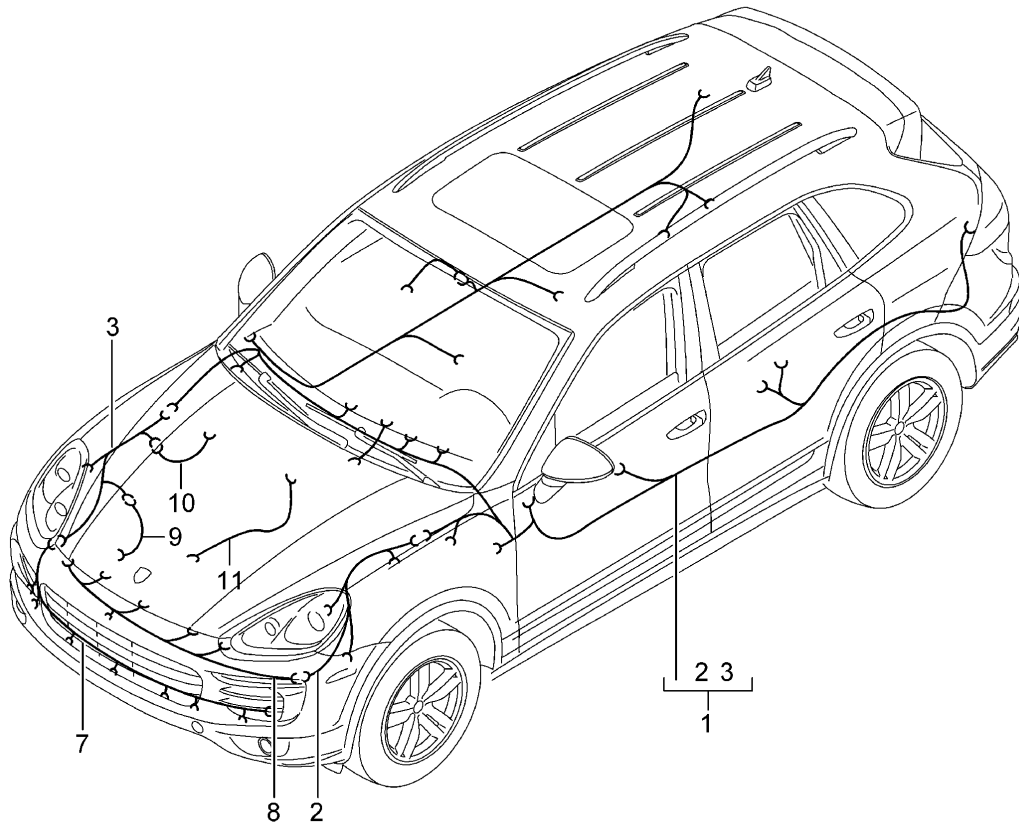
Pos	Part Number	Description	Remark	Qty	Model
1	958 612 901 00	Wiring harnesses Passenger compartment Bumper FRONT luggage compartment Anti-lock brake system Brake pad wear indicator Front axle Wiring harness Passenger compartment Vehicle Ident. No.	-14	1	
-	958 612 461 00	Indicate Heat protection for Rubber sleeve Wiring harness Transmission		1	ID11/D19/D34
2	958 612 913 00	Wiring harness	/L	1	-ID19/I8BB I8BF/8BR
(2)	958 612 915 00	Sub-part Front It is necessary to rework Wiring harness	/L	1	-ID19/I8BC I8BE/8BT/8BZ I8EA/8EC/8ED I8EE/8EF I8EG/8EH/8JD I8JE/8JG/8JJ
2	958 612 917 00	Sub-part Front It is necessary to rework Wiring harness	/L	1	ID19/8BB/8BF I8BR
(2)	958 612 919 00	Sub-part Front It is necessary to rework Wiring harness	/L	1	ID19/8BC/8BE I8BT/8BZ/8EA I8EC/8ED/8EE I8EF I8EG/8EH/8JD I8JE/8JG/8JJ
3	958 612 912 00	Sub-part Front It is necessary to rework Wiring harness	/R	1	I8BB/8BF/8BR
(3)	958 612 914 00	Sub-part Front It is necessary to rework Wiring harness	/R	1	I8BC/8BE/8BT I8BZ/8EA/8EC I8ED/8EE/8EF I8EG I8EH/8JD/8JE I8JG/8JJ
7	958 612 331 00	Sub-part Front It is necessary to rework Wiring harness Bumper Front		1	ID58
7		Wiring harness Bumper Front	13-	1	IE0W/7X2/7X8
7	958 612 331 30	Wiring harness Bumper Front	13-	1	IE0W/7X0

Model: 92A 11 Model life 2011>>

Pos	Part Number	Description	Remark	Qty	Model
7	958 612 331 10	Wiring harness Bumper Front		1	ID34/D6V/7X2 I7X8
7		Wiring harness Bumper Front		1	IDD8/D1V/D11 ID43/D50/7X2 I7X8
7		Wiring harness Bumper Front		1	ID19/7X2/7X8
7	958 612 331 20	Wiring harness Bumper Front		1	ID34/D6V/7X0
7		Wiring harness Bumper Front		1	IDD8/D1V/D11 ID43/D50/7X0
7		Wiring harness Bumper Front		1	ID19/7X0
8	958 612 360 00	Wiring harness FRONT luggage compartment		1	I8T3
(8)	958 612 360 10	Wiring harness FRONT luggage compartment		1	I8T1
9	958 612 677 00	Wiring harness Sensor Airbag Right		1	
10	958 612 321 00	Wiring harness Anti-lock brake system Brake pad wear indicator	/V	2	
11	958 612 204 00	Wiring harness Bonnet with Hoses		1	
12	958 612 375 00	Wiring harness Rain sensor Windscreen		1	

Model: 92A 11

Model life 2011>>



Model: 92A 11

Model life 2011>>

Pos	Part Number	Description	Remark	Qty	Model
1	958 612 901 00	Wiring harnesses Passenger compartment Bumper FRONT luggage compartment Anti-lock brake system Brake pad wear indicator Front axle Wiring harness Passenger compartment Vehicle Ident. No. Indicate	15-	1	
-	958 612 461 00	Heat protection for Rubber sleeve Wiring harness Transmission		1	ID11/D19/D34
2	958 612 913 10	Wiring harness Sub-part Front It is necessary to rework		1	-ID19/I8BC I8BE/8BZ/8EA I8EE/8EF/8EG I8JD/8JE
(2)	958 612 915 10	Wiring harness Sub-part Front It is necessary to rework		1	-ID19/I8EX I8EY/8IS
(2)	958 612 916 10	Wiring harness Sub-part Front It is necessary to rework		1	ID19/8EX/8EY I8IS/8JE
(2)	958 612 917 10	Wiring harness Sub-part Front It is necessary to rework		1	ID19/8BC/8BE I8BZ/8EA/8EE I8EF/8EG/8JD I8JE
3	958 612 912 10	Wiring harness Sub-part Front It is necessary to rework		1	I8EX/8EY/8IS
(3)	958 612 914 10	Wiring harness Sub-part Front It is necessary to rework		1	I8BC/8BE/8BZ I8EA/8EE/8EF I8EG/8JD/8JE
7	958 612 332 00	Wiring harness Bumper Front	-16	1	I7X2/7X8/8F2
7	958 612 332 10	Wiring harness Bumper Front	-16	1	I7X0/7X9/8F5
7	958 612 332 20	Wiring harness Bumper Front	-16	1	I7X2/7X8/8F5
7	958 612 332 30	Wiring harness Bumper Front	-16	1	I7X0/7X9/8F2
7	958 612 332 40	Wiring harness	-16	1	I8A4/8F2

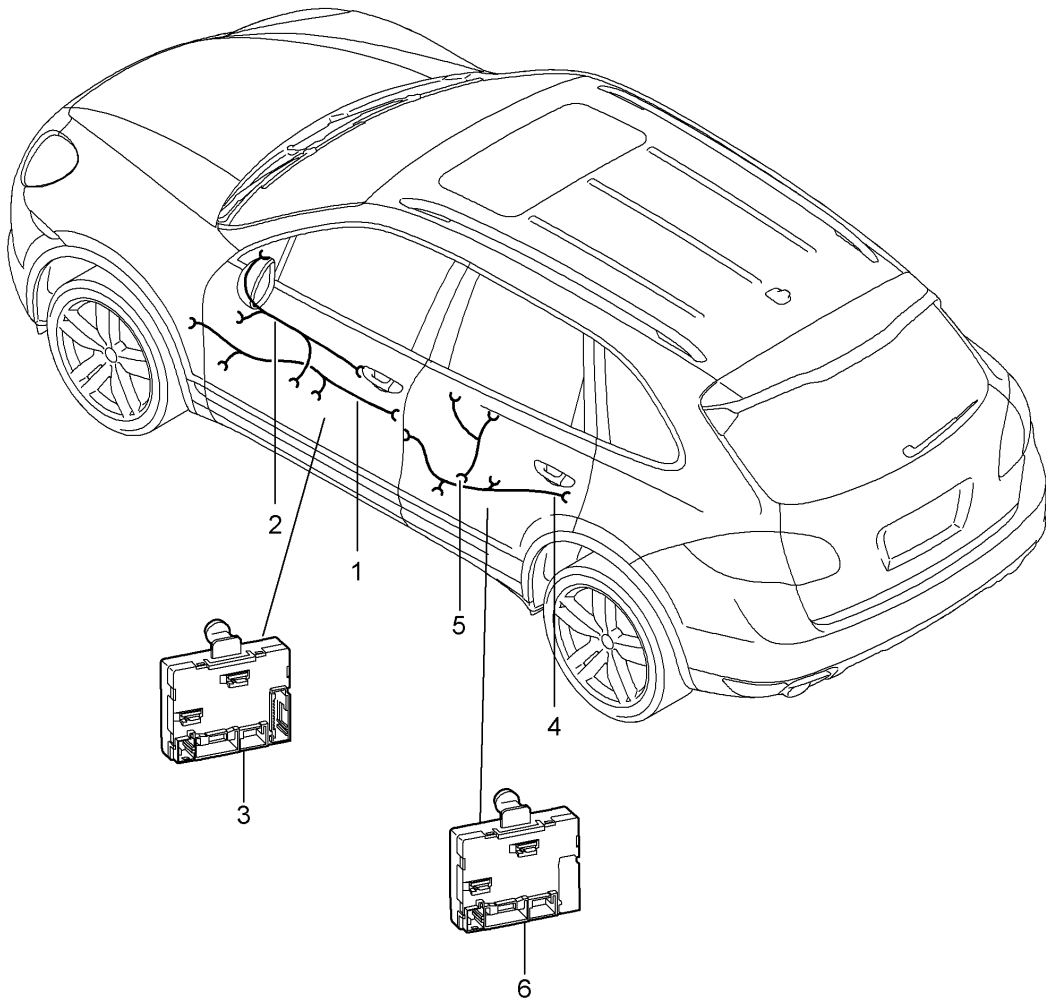
Model: 92A 11

Model life 2011>>

Pos	Part Number	Description	Remark	Qty	Model
7	958 612 332 50	Bumper Front Wiring harness	-16	1	I8A4/8F5
7	958 612 332 60	Bumper Front Wiring harness	17-	1	
(8)	958 612 360 20	Wiring harness	-16	1	-ID11/I7G5 I7G9/7I0/7I2 I8T1
(8)	958 612 360 21	FRONT luggage compartment Wiring harness	-16	1	-ID11/-I7G5 -I7G9/-I7I0 -I7I2/IDV7 I8T1
(8)		FRONT luggage compartment Wiring harness	17-	1	-ID11/I8T1
(8)	958 612 360 40	FRONT luggage compartment Wiring harness	-16	1	-ID11/I7G5 I7G9/7I0/7I2 I8T3
(8)	958 612 360 41	FRONT luggage compartment Wiring harness	17-	1	-ID11/I8T3
(8)	958 612 360 30	FRONT luggage compartment Wiring harness		1	ID11/8T1
(8)	958 612 360 50	FRONT luggage compartment Wiring harness		1	ID11/8T3
9	958 612 677 10	FRONT luggage compartment Wiring harness		1	
		Sensor Airbag Fanfare High-pitched Right			
10	958 612 321 01	Wiring harness Anti-lock brake system Brake pad wear indicator	/V	2	
11	958 612 204 10	Wiring harness Bonnet with Hoses Windscreen washer system		1	

Model: 92A 11

Model life 2011>>



Model: 92A 11

Model life 2011>>

Pos	Part Number	Description	Remark	Qty	Model
		Wiring harnesses Control units Doors	-14		
1	958 612 610 00	Wiring harness	-13	1	-IIY2/I0K0 I8RV
1	958 612 610 01	Assembly frame Driver's door Wiring harness	13-	1	IIY2/0K0/8RV
1		Assembly frame Driver's door Wiring harness	14-	1	I0K0/8RV
1	958 612 610 40	Assembly frame Driver's door Wiring harness	-13	1	-IIY2/I0K1 I8RV
1	958 612 610 41	Assembly frame Driver's door Wiring harness	13-	1	IIY2/0K1/8RV
1		Assembly frame Driver's door Wiring harness	14-	1	I0K1/8RV
1	958 612 610 10	Assembly frame Driver's door Wiring harness	-13	1	-IIY2/I0K0 I9VK
1	958 612 610 11	Assembly frame Driver's door Wiring harness	13-	1	IIY2/0K0/9VK
1		Assembly frame Driver's door Wiring harness	14-	1	I0K0/9VK
1	958 612 610 50	Assembly frame Driver's door Wiring harness	-13	1	-IIY2/I0K1 I9VK
1	958 612 610 51	Assembly frame Driver's door Wiring harness	13-	1	IIY2/0K1/9VK
1		Assembly frame Driver's door Wiring harness	14-	1	I0K1/9VK
1	958 612 610 20	Assembly frame Driver's door Wiring harness	-13	1	-IIY2/I0K0 I9VL
1	958 612 610 21	Assembly frame Driver's door Wiring harness	13-	1	IIY2/0K0/9VL
1		Assembly frame Driver's door Wiring harness	14-	1	I0K0/9VL
1	958 612 610 60	Assembly frame Driver's door Wiring harness	-13	1	-IIY2/I0K1 I9VL
1	958 612 610 61	Assembly frame Driver's door Wiring harness	13-	1	IIY2/0K1/9VL
1		Assembly frame Driver's door Wiring harness	14-	1	I0K1/9VL

Model: 92A 11 Model life 2011>>

Pos	Part Number	Description	Remark	Qty	Model
1	958 612 610 30	Wiring harness Assembly frame Driver's door	-13	1	-IIY2/I0K0 I9VJ
1	958 612 610 31	Wiring harness Assembly frame Driver's door	13-	1	IIY2/0K0/9VJ
1		Wiring harness Assembly frame Driver's door	14-	1	I0K0/9VJ
1	958 612 610 70	Wiring harness Assembly frame Driver's door	-13	1	-IIY2/I0K1 I9VJ
1	958 612 610 71	Wiring harness Assembly frame Driver's door	13-	1	IIY2/0K1/9VJ
1		Wiring harness Assembly frame Driver's door	14-	1	I0K1/9VJ
1	958 612 611 00	Wiring harness Assembly frame Passenger's door		1	I8RV
1	958 612 611 10	Wiring harness Assembly frame Passenger's door		1	I9VK
1	958 612 611 20	Wiring harness Assembly frame Passenger's door		1	I4F2/4F6/9VL
1	958 612 611 30	Wiring harness Assembly frame Passenger's door		1	I9VJ
1	958 612 611 40	Wiring harness Assembly frame Passenger's door		1	I4K0/4K3/9VL
2	958 612 620 00	Wiring harness Door panel Driver's door	-11	1	
2	958 612 620 10	Wiring harness Door panel Driver's door	12	1	
2	958 612 620 11	Wiring harness Door panel Driver's door	13-	1	
2	958 612 621 00	Wiring harness Door panel Passenger's door	-11	1	
2	958 612 621 10	Wiring harness Door panel Passenger's door	12	1	
2	958 612 621 11	Wiring harness Door panel Passenger's door	13-	1	
3	958 618 793 00	Control unit Door Front Driver's side	-11	1	
3	958 618 793 01	Control unit Door Front Driver's side	-11	1	
3	958 618 793 02	Control unit Door	12	1	

Model: 92A 11 Model life 2011>>

Pos	Part Number	Description	Remark	Qty	Model
3	4H0 959 793 P	Front Driver's side Control unit Door	13-	1	
3	4H0 959 793 AA	Front Driver's side Control unit Door	14-	1	IIY1
(3)	958 618 792 00	Front Driver's side Control unit Door	-11	1	
(3)	958 618 792 01	Front Passenger's side Control unit Door	-11	1	
(3)	958 618 792 02	Front Passenger's side Control unit Door	12	1	
(3)	4H0 959 792 M	Front Passenger's side Control unit Door	13-	1	
(3)	4H0 959 792 Q	Front Passenger's side Control unit Door	14-	1	
4	958 612 630 00	Front Passenger's side Wiring harness Assembly frame		2	I8RV/9VK
4	958 612 630 10	Rear Wiring harness Assembly frame		2	I9VL
4	958 612 630 20	Rear Wiring harness Assembly frame		2	I9VJ
5	958 612 640 00	Rear Wiring harness Door panel	-12	2	
5	958 612 640 01	Rear Wiring harness Door panel	13-	2	
6	958 618 795 00	Rear Control unit Door	-11	2	I3Y0
6	958 618 795 01	Rear Control unit Door	-12	2	I3Y0
6	4H0 959 795 J	Rear Control unit Door	13-	2	I3Y0
(6)	4H0 959 795 P	Rear D >> 10.11.2013 Control unit Door		2	I3Y0
(6)	958 618 795 10	Rear D 11.11.2013>> Control unit Door	-11	2	I3Y8
(6)	958 618 795 11	Rear Control unit	-12	2	I3Y8

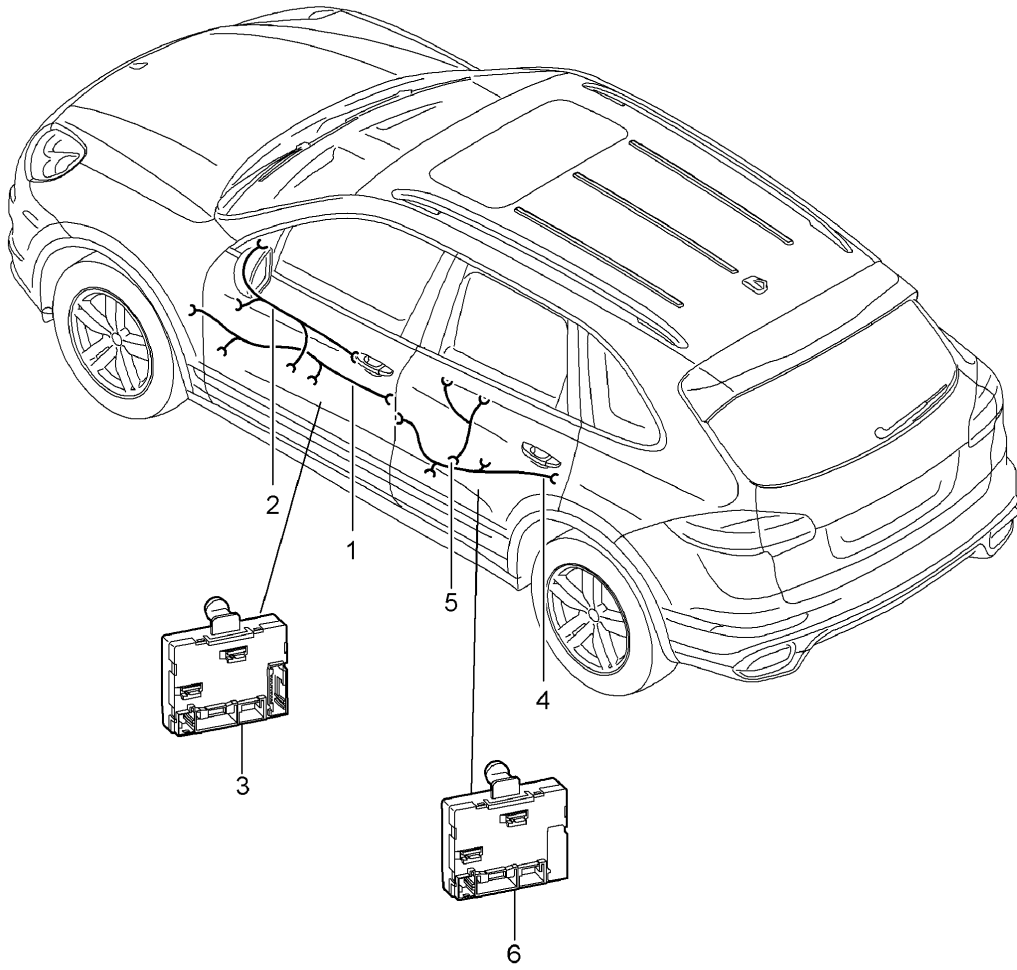
Model: 92A 11

Model life 2011>>

Pos	Part Number	Description	Remark	Qty	Model
(6)	4H0 959 795 K	Door Rear Control unit	13-	2	I3Y8
(6)	4H0 959 795 L	Door Rear Control unit Tie-wrap for Repair work See illustrations 9/02/10	14-	2	I3Y8

Model: 92A 11

Model life 2011>>



Model: 92A 11

Model life 2011>>

Pos	Part Number	Description	Remark	Qty	Model
		Wiring harnesses Control units Doors	15-		
1	958 612 612 40	Wiring harness Assembly frame Driver's door		1	I8RV
1	958 612 612 50	Wiring harness Assembly frame Driver's door		1	I9VK
1	958 612 612 60	Wiring harness Assembly frame Driver's door		1	I9VL
1	958 612 612 70	Wiring harness Assembly frame Driver's door		1	I9VJ
1	958 612 613 40	Wiring harness Assembly frame Passenger's door		1	I8RV
1	958 612 613 50	Wiring harness Assembly frame Passenger's door		1	I9VK
1	958 612 613 60	Wiring harness Assembly frame Passenger's door		1	I9VL
1	958 612 613 70	Wiring harness Assembly frame Passenger's door		1	I9VJ
2	958 612 620 20	Wiring harness Door panel Passenger's side		1	
2	958 612 621 20	Wiring harness Door panel Driver's side		1	
3	4H0 959 793 AC	Control unit Door Front Driver's side		1	-IGZ2
(3)	4H0 959 792 S	Control unit Door Front Passenger's side		1	-IGZ2
(3)	4H0 959 793 T	Control unit Door Front Driver's side		1	IGZ2
(3)	4H0 959 792 P	Control unit Door Front Passenger's side		1	IGZ2
4	958 612 631 00	Wiring harness Assembly frame Rear		2	IGZ2/8RV/9VK
(4)	958 612 631 05	Wiring harness Assembly frame Rear		2	IGZ0/8RV/9VK
(4)	958 612 631 10	Wiring harness Assembly frame Rear		2	IGZ2/9VL
(4)	958 612 631 15	Wiring harness Assembly frame Rear		2	IGZ0/9VL
(4)	958 612 631 20	Wiring harness Assembly frame		2	IGZ2/9VJ

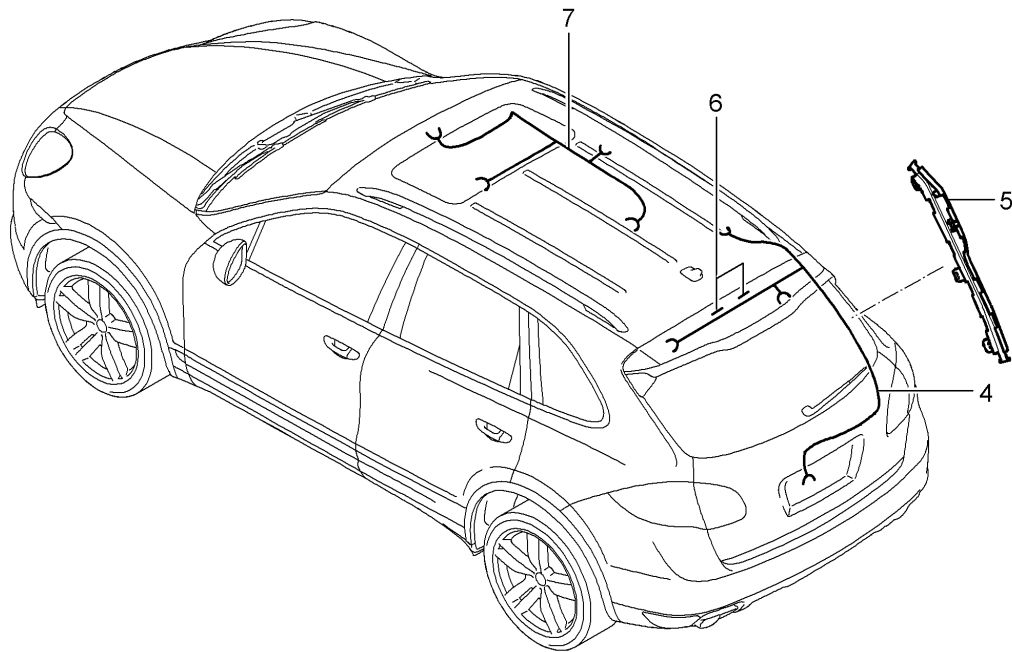
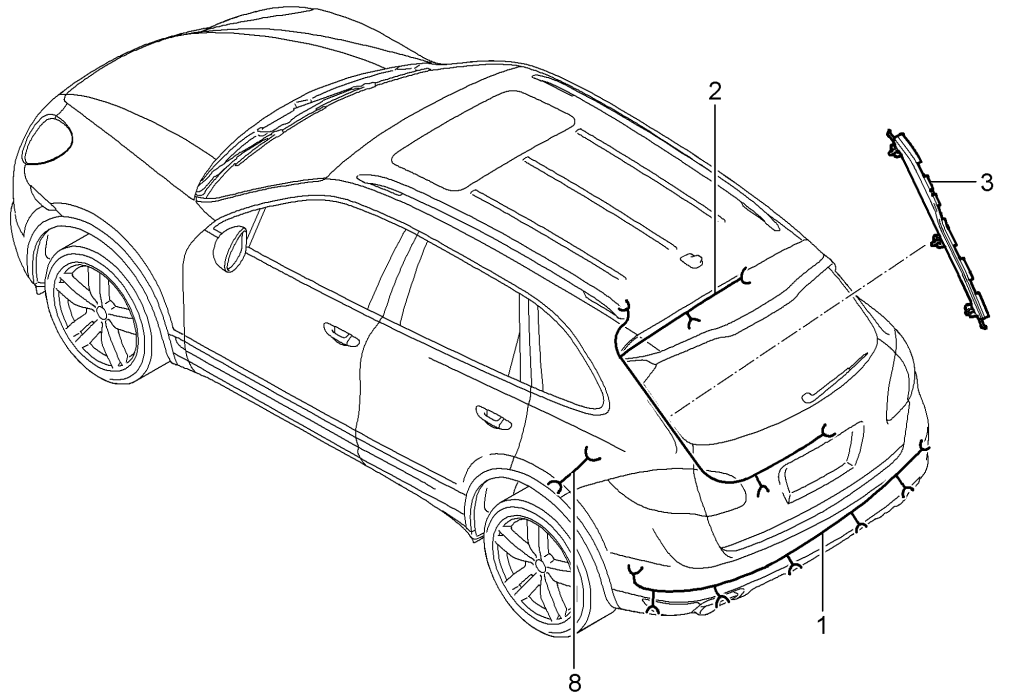
Model: 92A 11

Model life 2011>>

Pos	Part Number	Description	Remark	Qty	Model
(4)	958 612 631 25	Rear Wiring harness Assembly frame		2	IGZ0/9VJ
5	958 612 640 10	Rear Wiring harness Door panel		2	
6	4H0 959 795 P	Rear Control unit Door		2	I3Y0
(6)	4H0 959 795 L	Rear Control unit Door Rear		2	I3Y7

Model: 92A 11

Model life 2011>>



Model: 92A 11 Model life 2011>>

Pos	Part Number	Description	Remark	Qty	Model
		Wiring harnesses Rear end Rooflining Anti-lock brake system Brake pad wear indicator Rear axle	-14		
1	958 612 831 00	Wiring harness Bumper		1	I7X2/7X8
2	958 612 803 00	Wiring harness		1	IQU0/QV1/QV5 I0K0
2	958 612 803 20	Rear lid Left Wiring harness		1	IQU0/QV1/QV5 I0K1
(2)	958 612 803 10	Rear lid Left Wiring harness		1	IQV0/0K0
(2)	958 612 803 30	Rear lid Left Wiring harness		1	IQV0/0K1
3	958 612 849 00	Rear lid Left Cable guide		1	
4	958 612 814 01	Rear lid Left Wiring harness		1	IGY1/0K0/2D0 I4E0/7Q0/7T1 I7T4/8AJ/8YZ
4	958 612 818 00	Rear lid Right Wiring harness		1	IGY1/0K1/2D0 I4E0/7Q0/7T1 I7T4/8AJ/8YZ
(4)	958 612 814 11	Rear lid Right Wiring harness		1	IGY0/0K0/2D0 I4E0/7Q0/7T1 I7T4/8AJ/8YZ
(4)	958 612 818 10	Rear lid Right Wiring harness		1	IGY0/0K1/2D0 I4E0/7Q0/7T1 I7T4/8AJ/8YZ
(4)	958 612 814 21	Rear lid Right Wiring harness		1	IGY1/0K0/2D0 I4E0/7Q0/7Q7 I7T1/7T4/8DQ I8DV
(4)	958 612 818 20	Rear lid Right Wiring harness		1	IGY1/0K1/2D0 I4E0/7Q0/7Q7 I7T1/7T4/8DQ I8DV
(4)	958 612 814 31	Rear lid Right Wiring harness		1	IGY0/0K0/2D0 I4E0/7Q0/7Q7 I7T1/7T4/8DQ I8DV
		Rear lid Right			

Model: 92A 11 Model life 2011>>

Pos	Part Number	Description	Remark	Qty	Model
(4)	958 612 818 30	Wiring harness Rear lid Right		1	IGY0/0K1/2D0 I4E0/7Q0/7Q7 I7T1/7T4/8DQ I8DV
(4)	958 612 814 41	Wiring harness Rear lid Right		1	IGY1/0K0/2D0 I4E7/7Q0/7T1 I7T4/8AJ/8YZ
(4)	958 612 818 40	Wiring harness Rear lid Right		1	IGY1/0K1/2D0 I4E7/7Q0/7T1 I7T4/8AJ/8YZ
(4)	958 612 814 51	Wiring harness Rear lid Right		1	IGY1/0K0/2D0 I4E7/7Q0/7Q7 I7T1/7T4/8DQ I8DV
(4)	958 612 818 50	Wiring harness Rear lid Right		1	IGY1/0K1/2D0 I4E7/7Q0/7Q7 I7T1/7T4/8DQ I8DV
(4)	958 612 818 52	Wiring harness Rear lid Right		1	I0K0/4E7/7Q0 I7Q7/7T1/7T4 I8DQ/8DV I2D1/2D2
(4)	958 612 818 53	Wiring harness Rear lid Right		1	I0K1/4E7/7Q0 I7Q7/7T1/7T4 I8DQ/8DV I2D1/2D2
(4)	958 612 816 01	Wiring harness Rear lid Right		1	IGY0/0K1/4E0 I7Q4
(4)	958 612 820 00	Wiring harness Rear lid Right		1	IGY0/0K1/4E0 I7Q4
(4)	958 612 816 11	Wiring harness Rear lid Right		1	IGY1/0K0/4E7 I7Q4
(4)	958 612 820 10	Wiring harness Rear lid Right		1	IGY1/0K1/4E7 I7Q4
-	958 612 890 00	Support Wiring harness And Connector housing Rear lid Right		1	
5	958 612 850 00	Cable guide Rear lid Right		1	

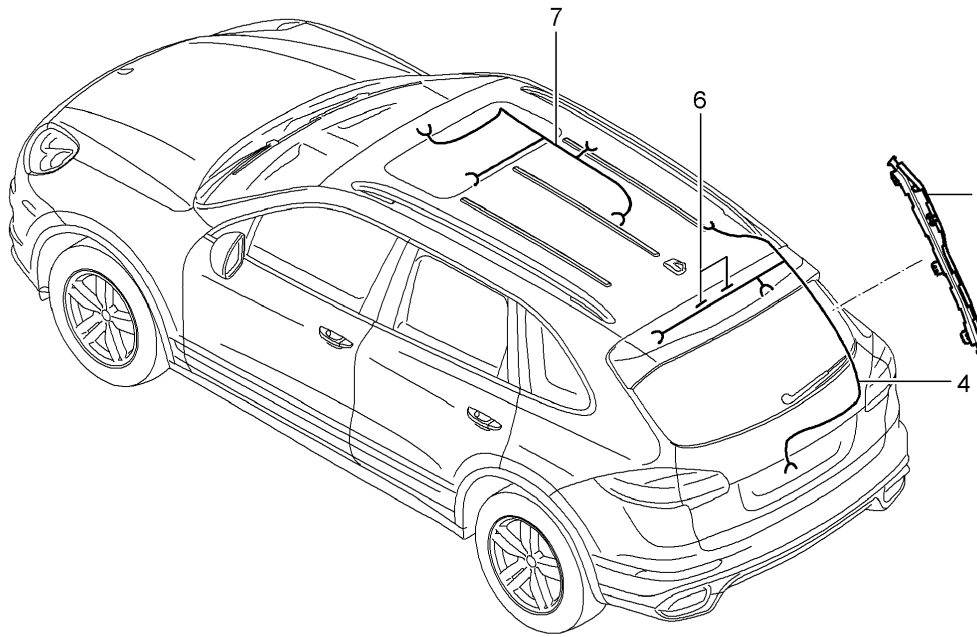
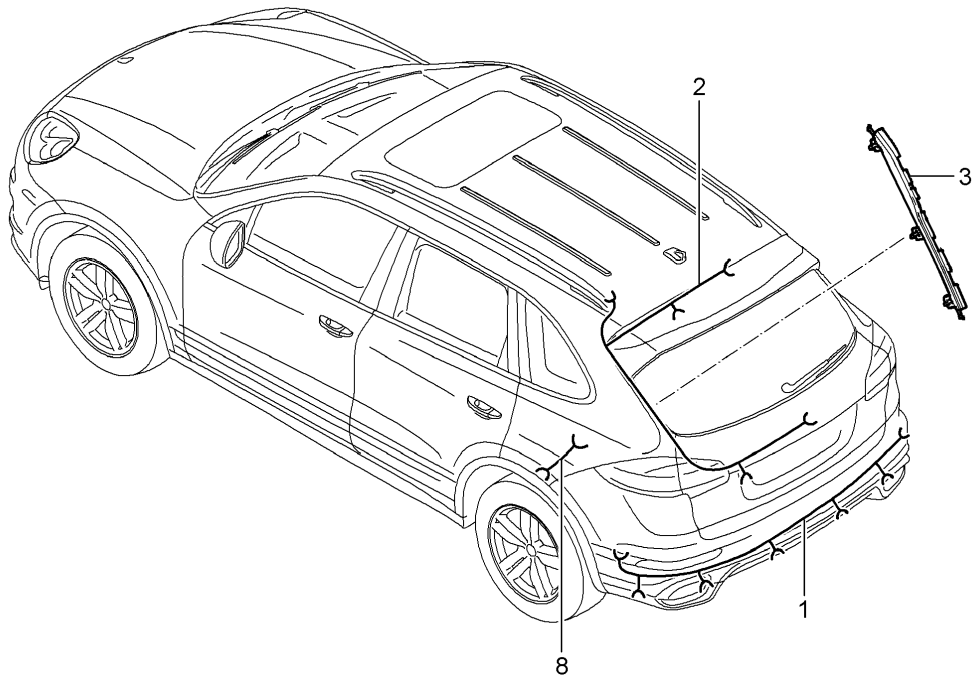
Model: 92A 11

Model life 2011>>

Pos	Part Number	Description	Remark	Qty	Model
6	958 612 852 00	Velcro strip It is necessary to rework		2	
7	958 612 808 00	Wiring harness Rooflining		1	
8	958 612 821 00	Wiring harness Anti-lock brake system Brake pad wear indicator	/H	2	

Model: 92A 11

Model life 2011>>



Model: 92A 11

Model life 2011>>

Pos	Part Number	Description	Remark	Qty	Model
		Wiring harnesses Rear end Rooflining Anti-lock brake system Brake pad wear indicator Rear axle	15-		
1	958 612 832 00	Wiring harness Bumper		1	I7X2/7X8/8A4
(2)	958 612 803 40	Wiring harness		1	-I7Q4/-I8A4 IQV1/QV5/0K0
(2)	958 612 803 50	Rear lid Left Wiring harness		1	-I7Q4/-I8A4 IQV1/QV5/0K3
(2)	958 612 803 60	Rear lid Left Wiring harness		1	-I7Q4/-I8A4 IQU0/QV0/QV3 IQV4/QV8/0K0
(2)	958 612 803 70	Rear lid Left Wiring harness		1	-I7Q4/-I8A4 IQU0/QV0/QV3 IQV4/QV8/0K3
(2)	958 612 803 80	Rear lid Left Wiring harness		1	IQV0/0K0/7Q4 I7X8/7X9
(2)	958 612 803 90	Rear lid Left Wiring harness		1	IQV0/0K3/7Q4 I7X8/7X9
(2)	958 612 804 00	Rear lid Left Wiring harness		1	IQV0/0K0/7Q4 I8A4
(2)	958 612 804 10	Rear lid Left Wiring harness		1	IQV0/0K3/7Q4 I8A4
(2)	958 612 804 20	Rear lid Left Wiring harness		1	-I7Q4/IQU0 IQV0/QV3/QV4 IQV8/0K0/8A4
(2)	958 612 804 30	Rear lid Left Wiring harness		1	-I7Q4/IQU0 IQV0/QV3/QV4 IQV8/0K3/8A4
(2)	958 612 804 40	Rear lid Left Wiring harness		1	-I7Q4/IQV1 IQV5/0K0/8A4
(2)	958 612 804 50	Rear lid Left Wiring harness		1	-I7Q4/IQV1 IQV5/0K3/8A4
3	958 612 849 00	Rear lid Left Cable guide Rear lid Left		1	

Model: 92A 11

Model life 2011>>

Pos	Part Number	Description	Remark	Qty	Model
4	958 612 824 00	Wiring harness Rear lid Right	-16	1	-I7Q4/I0K0 I7X0/7X2/8AJ I8A4/8YZ
(4)	958 612 824 10	Wiring harness Rear lid Right	-16	1	-I7Q4/I0K0 I7X0/7X2/8AJ I8DQ/8DV
(4)	958 612 824 20	Wiring harness Rear lid Right	-16	1	I0K0/7Q4/7X0 I7X2/8A4
(4)	958 612 824 30	Wiring harness Rear lid Right	-16	1	-I7Q4/I0K3 I7X0/7X2/8AJ I8A4/8YZ
(4)	958 612 824 40	Wiring harness Rear lid Right	-16	1	-I7Q4/I0K3 I7X0/7X2/8AJ I8DQ/8DV
(4)	958 612 824 50	Wiring harness Rear lid Right	-16	1	I0K3/7Q4/7X0 I7X2/8A4
(4)	958 612 824 60	Wiring harness Rear lid Right	-16	1	-I7Q4/I0K0 I7X8/7X9/8AJ I8YZ
(4)	958 612 824 70	Wiring harness Rear lid Right	-16	1	-I7Q4/I0K0 I7X8/7X9/8DQ I8DV
(4)	958 612 824 80	Wiring harness Rear lid Right	-16	1	I0K0/7Q4/7X8 I7X9
(4)	958 612 824 90	Wiring harness Rear lid Right	-16	1	-I7Q4/I0K3 I7X8/7X9/8AJ I8YZ
(4)	958 612 825 00	Wiring harness Rear lid Right	-16	1	-I7Q4/I0K3 I7X8/7X9/8DQ I8DV
(4)	958 612 825 10	Wiring harness Rear lid Right	-16	1	I0K3/7Q4/7X8 I7X9
(4)	958 971 148 00	Wiring harness Rear lid Right	17-	1	IER1/ER2/ER3 IER4/ER6/ER7 IER8/2D0
(4)	958 971 148 01	Wiring harness Rear lid	17-	1	IER5/2D0

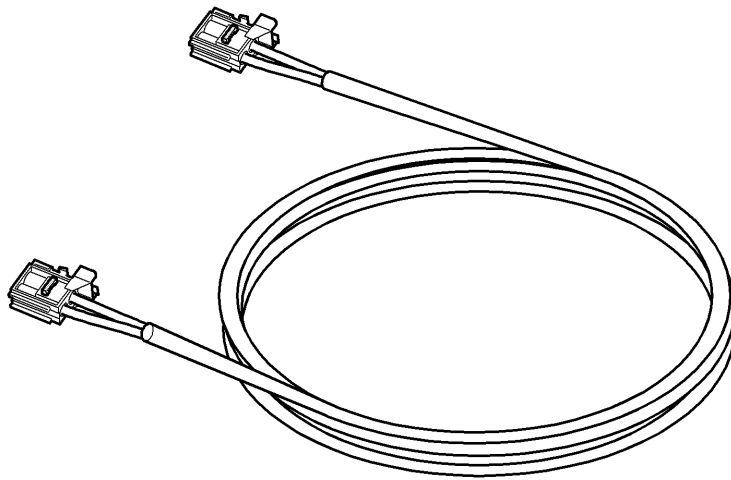
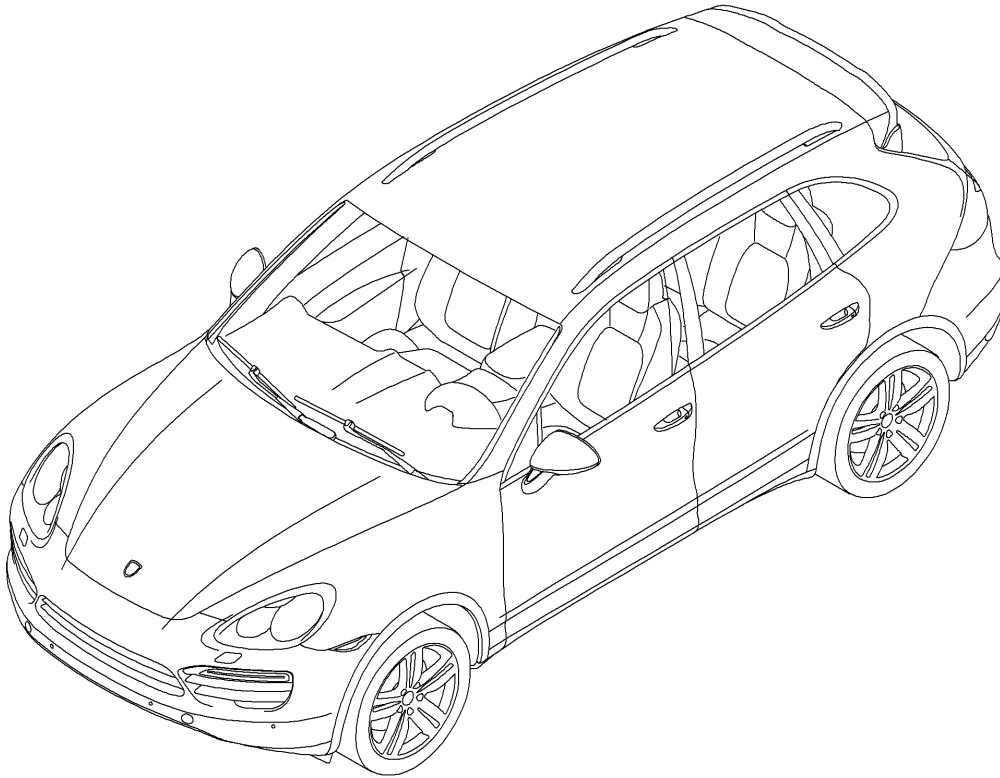
Model: 92A 11

Model life 2011>>

Pos	Part Number	Description	Remark	Qty	Model
(4)	958 971 148 02	Right Wiring harness	17-	1	IER1/ER2/ER3 IER4/ER6/ER7 IER8/2D1/2D2
(4)	958 971 148 03	Rear lid Right Wiring harness	17-	1	IER5/2D1/2D2
(4)	958 971 148 04	Rear lid Right Wiring harness	17-	1	IER1/ER2/ER3 IER4/ER6/ER7 IER8/2D0/8A4
(4)	958 971 148 05	Rear lid Right Wiring harness	17-	1	IER5/2D0/8A4
(4)	958 971 148 06	Rear lid Right Wiring harness	17-	1	IER1/ER2/ER3 IER4/ER6/ER7 IER8/2D1/2D2 I8A4
(4)	958 971 148 07	Rear lid Right Wiring harness	17-	1	IER5/2D1/2D2 I8A4
5	958 612 850 00	Rear lid Right Cable guide		1	
6	958 612 852 00	Rear lid Right Velcro strip		2	
7	958 612 808 01	It is necessary to rework Wiring harness		1	
8	958 612 821 01	Rooflining Wiring harness Anti-lock brake system Brake pad wear indicator	/H	2	

Model: 92A 11

Model life 2011>>



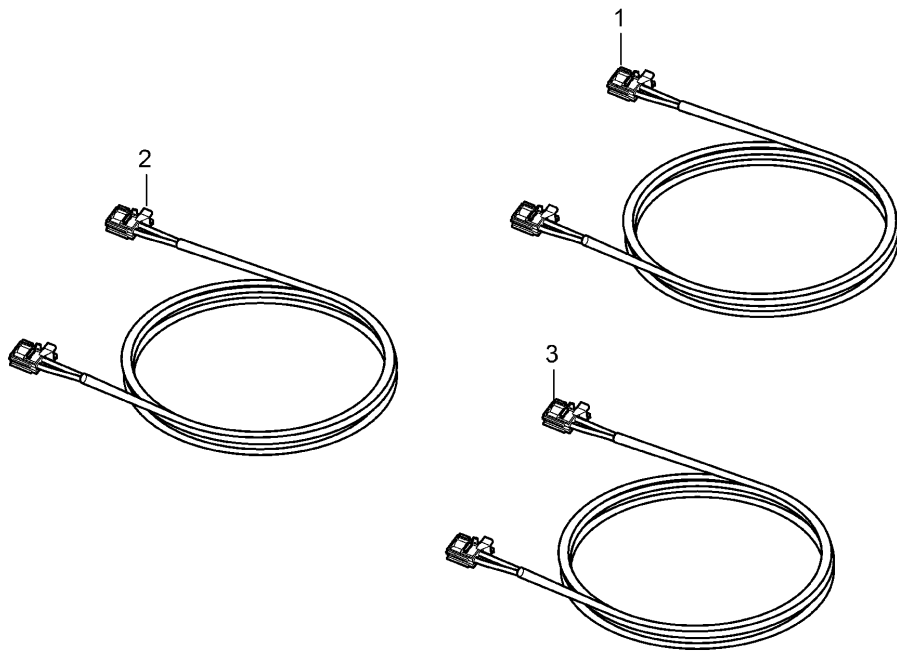
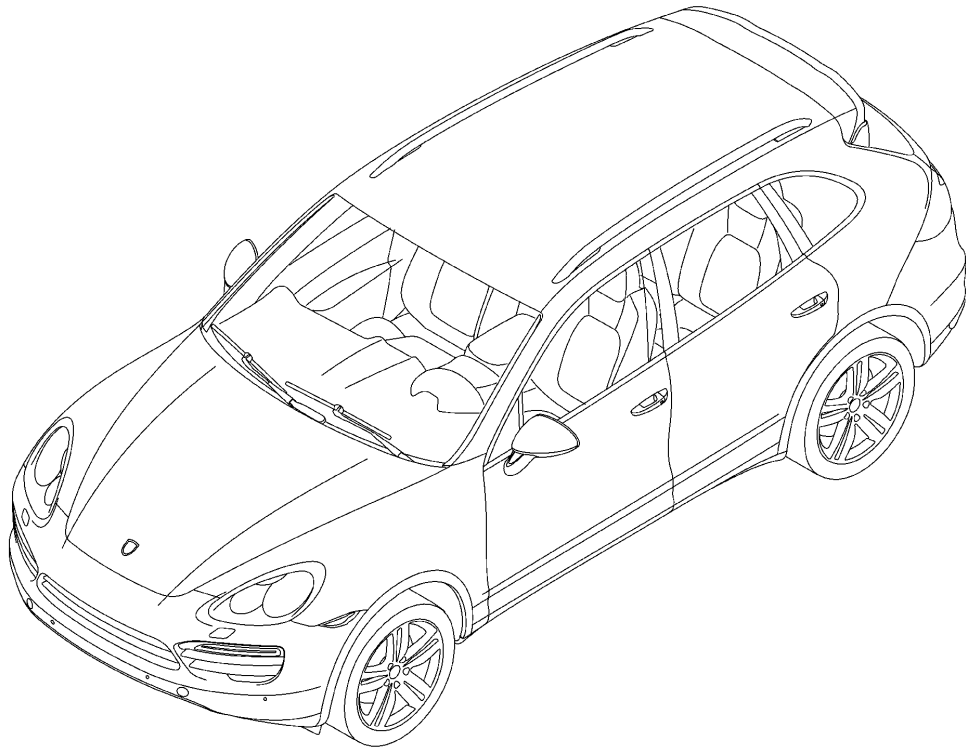
Model: 92A 11

Model life 2011>>

Pos	Part Number	Description	Remark	Qty	Model
-	958 622 401 00	Optical waveguide Optical waveguide	-16	1	IQV0/8AJ/8DQ I8DV/9VL
-	958 622 402 00	Module Optical waveguide		1	IQV0/8AJ/8DQ I8DV/9VJ
-	958 622 403 00	Module Optical waveguide		1	IQV1/8DV/9VK
-	958 622 404 00	Module Optical waveguide		1	IQV1/8DV/9VL
-	958 622 405 00	Module Optical waveguide Module		1	IQV1/8DV/9VJ

Model: 92A 11

Model life 2011>>



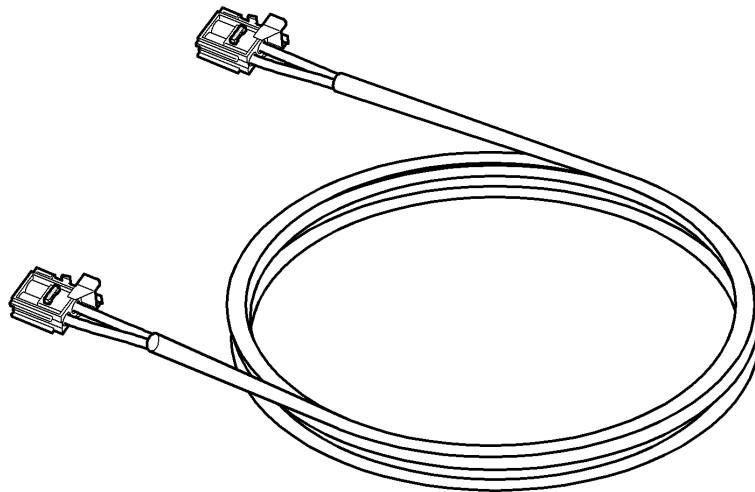
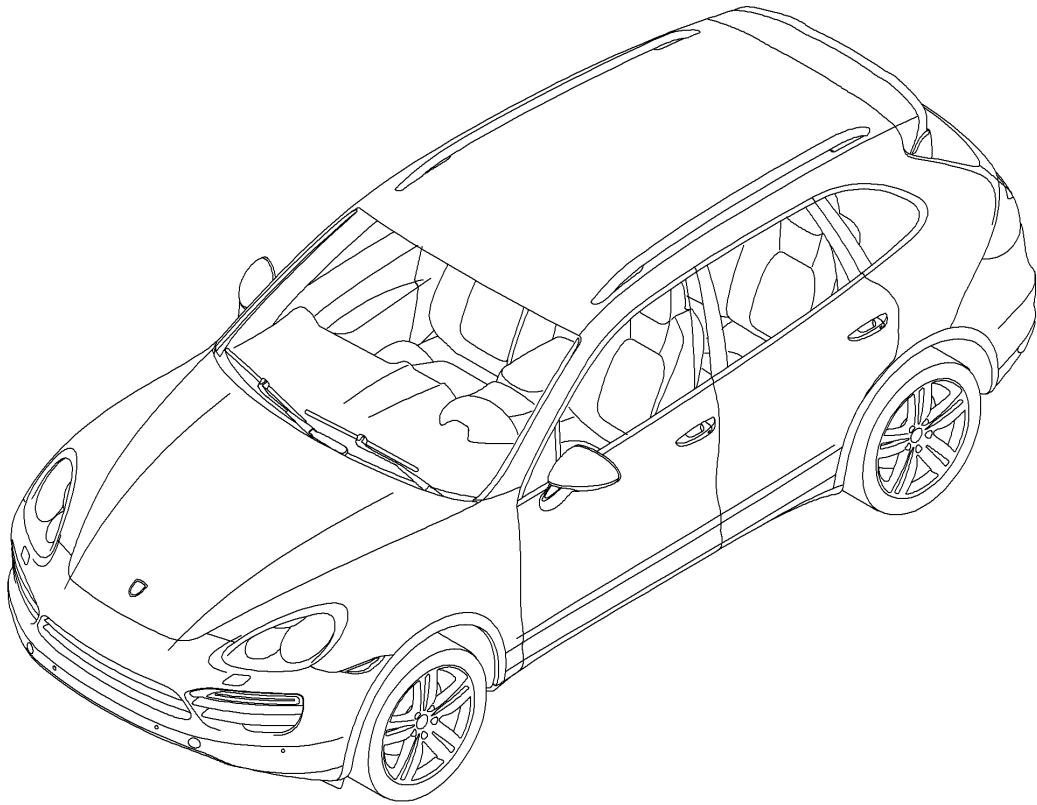
Model: 92A 11

Model life 2011>>

Pos	Part Number	Description	Remark	Qty	Model
1	958 970 268 00	Optical waveguide Optical waveguide	17-	1	IL0L/QU8/QV0 IQV3/9VJ/9VL
(1)	958 970 268 01	Module Optical waveguide		1	IL0R/QV0/QV3 I9VJ/9VL
2	958 970 268 02	Module Optical waveguide		1	IL0L/QU1/QV1 I9VK
(2)	958 970 268 03	Module Optical waveguide		1	IL0R/QU1/QV1 I9VK
3	958 970 268 04	Module Optical waveguide		1	IL0L/QU1/QV1 I9VJ/9VL
(3)	958 970 268 05	Module Optical waveguide Module		1	IL0R/QU1/QV1 I9VJ/9VL

Model: 92A 11

Model life 2011>>



Model: 92A 11

Model life 2011>>

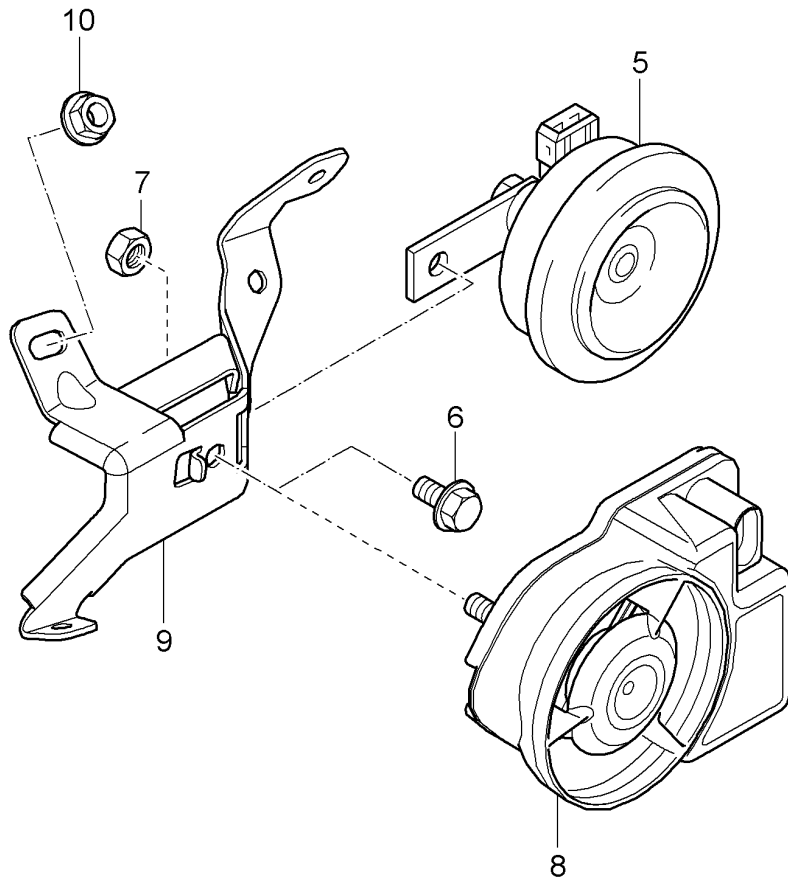
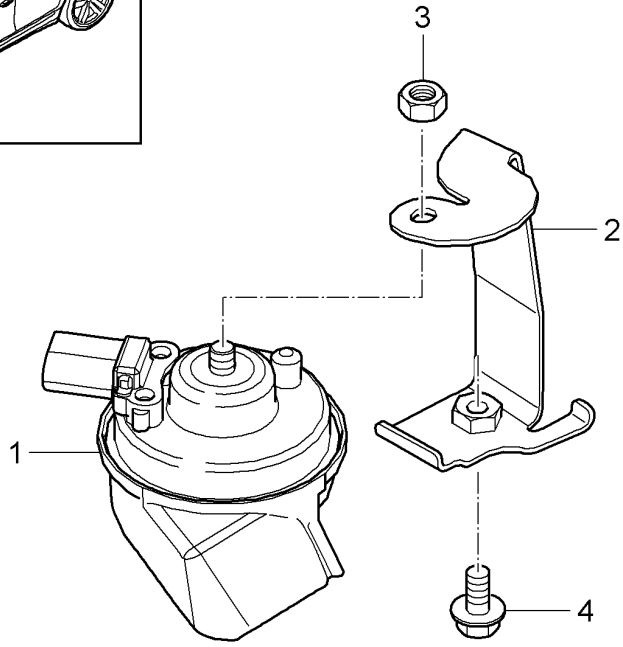
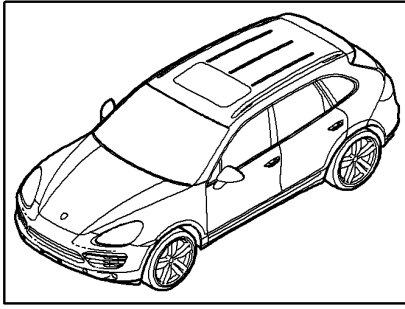
Pos	Part Number	Description	Remark	Qty	Model
-	958 612 333 00	Wiring harnesses Airbag Seat belt Wiring harness Airbag unit Passenger's side Setting 1 To Control unit Airbag Connector Light green	/LL	1	IL0L
-	958 612 333 20	Wiring harness Airbag unit Passenger's side Setting 1 To Control unit Airbag Connector Light green	/RL	1	IL0R
-	958 612 333 10	Wiring harness Airbag unit Passenger's side Setting2 To Control unit Airbag Connector Yellow	/LL	1	IL0L
-	958 612 333 30	Wiring harness Airbag unit Passenger's side Setting2 To Control unit Airbag Connector Yellow	/RL	1	IL0R
-	958 612 335 00	Wiring harness Airbag unit Head airbag Driver's side To Control unit Airbag	/LL	1	IL0L
-	958 612 335 10	Wiring harness Airbag unit Head airbag Driver's side To Control unit Airbag	/RL	1	IL0R
-	958 612 335 30	Wiring harness Airbag unit Head airbag Passenger's side To Control unit Airbag	/LL	1	IL0L
-	958 612 335 20	Wiring harness Airbag unit Head airbag	/RL	1	IL0R

Model: 92A 11 Model life 2011>>

Pos	Part Number	Description	Remark	Qty	Model
-	958 612 325 00	Passenger's side To Control unit Airbag Wiring harness Airbag unit Dashboard Lower To Control unit Airbag Wiring harness		1	
-	958 612 345 00	Seat-belt tensioner Driver's side To Control unit Airbag Connector Yellow Wiring harness Seat-belt tensioner		1	
-	958 612 345 10	Passenger's side To Control unit Airbag Connector Yellow Wiring harness Seat-belt tensioner		1	
-	958 612 345 40	Rear Left To Control unit Airbag Wiring harness Seat-belt tensioner	/LL	1	IL0L
-	958 612 345 50	Rear Left To Control unit Airbag Wiring harness Seat-belt tensioner	/RL	1	IL0R
-	958 612 345 60	Rear Right To Control unit Airbag Wiring harness Seat-belt tensioner	/LL	1	IL0L
-	958 612 345 70	Rear Right To Control unit Airbag Wiring harness Seat-belt tensioner	/RL	1	IL0R
-	958 612 373 00	Rear Right To Control unit Airbag Wiring harness Switch unit Battery main switch To Control unit Airbag		1	

Model: 92A 11

Model life 2011>>

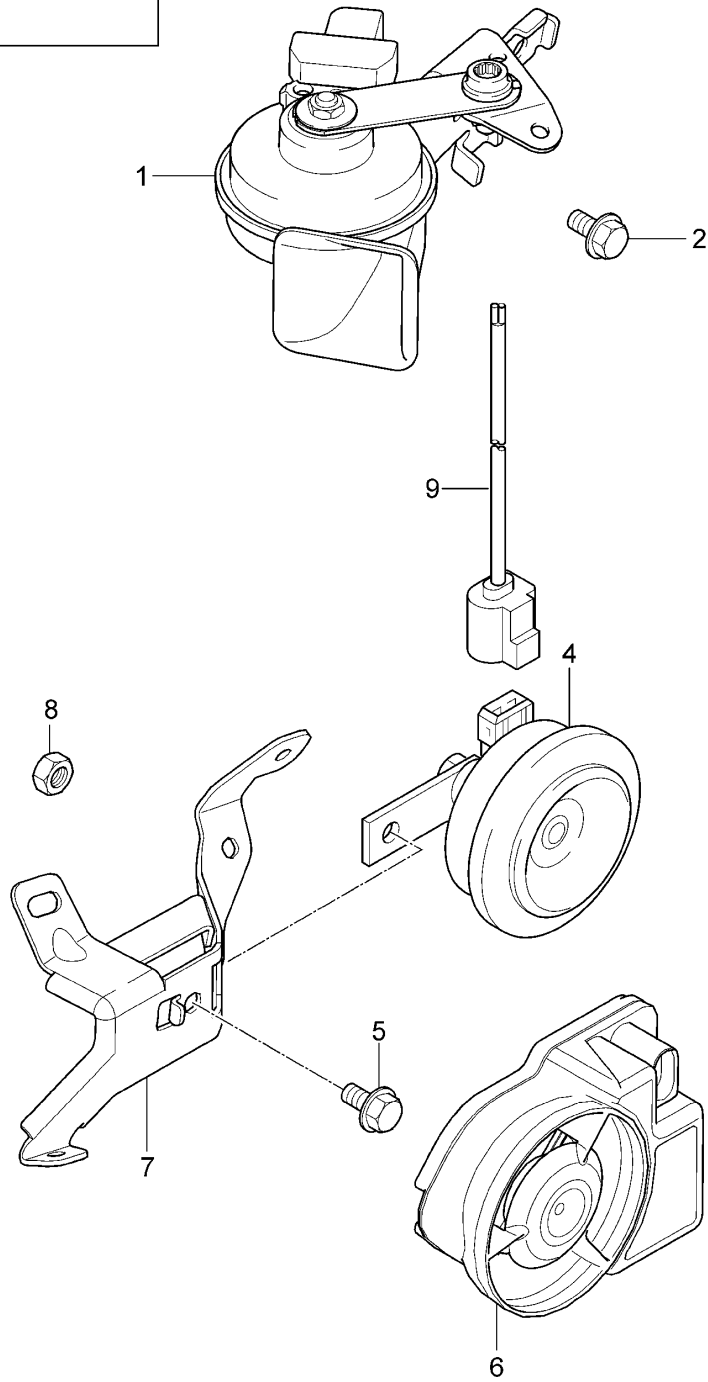
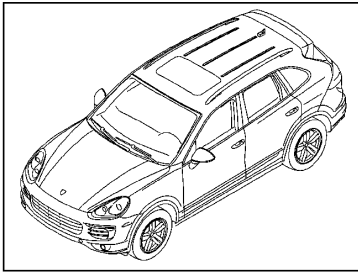


Model: 92A 11 Model life 2011>>

Pos	Part Number	Description	Remark	Qty	Model
		Fanfare Horn	-14		
1	958 635 205 00	Alarm siren Fanfare Low-pitched		1	
1	958 635 105 00	Fanfare Low-pitched with Support		1	
1	958 635 115 00	Order also: 970.612.935.00 Cover Fanfare Low-pitched		1	
(1)	958 635 206 00	Fanfare High-pitched		1	
(1)	958 635 106 00	Fanfare High-pitched with Support		1	
(1)	958 635 116 00	Order also: 970.612.935.00 Cover Fanfare High-pitched		1	
2	958 635 160 00	Support Fanfare Low-pitched		1	
(2)	958 635 161 00	Support Fanfare High-pitched		1	
3	900 034 001 04	Nut M 8		2	
4	N 104 139 05	Hexagon-head bolt M 8 X 16		2	
5	958 637 117 00	Horn		1	I7AC/7AK
6	N 910 730 01	Hexagon-head bolt M 8 X 16		1	I7AC/7AK
7	N 106 092 01	Hexagon nut M 8		1	
8	1K8 951 605 A	Alarm siren		1	I7AH/7AL
9	958 637 150 00	Support		1	
10	N 015 082 10	Hexagon nut M 6		2	

Model: 92A 11

Model life 2011>>



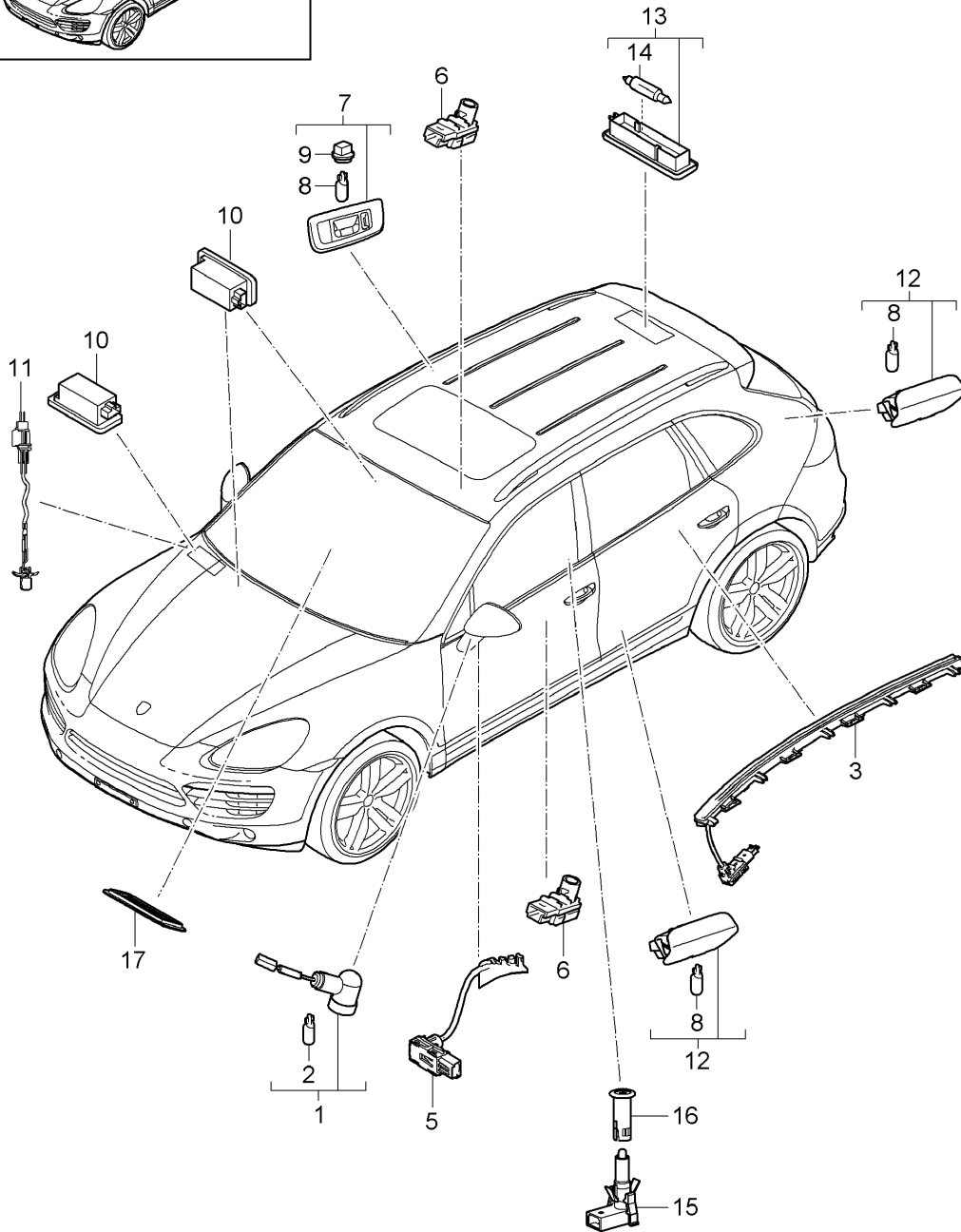
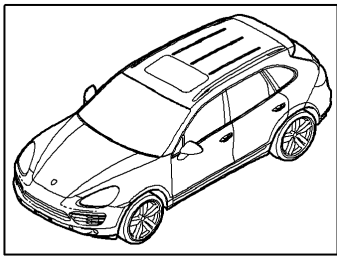
Model: 92A 11

Model life 2011>>

Pos	Part Number	Description	Remark	Qty	Model
1	958 635 107 05	Fanfare Horn Alarm siren	15-	1	
(1)	958 635 108 05	Fanfare High-pitched with Support		1	
2	N 910 793 01	Hexagon-head bolt M 8 X 16		2	
4	958 637 117 01	Horn D >> 30.05.2016		1	I7AC/7AK
(4)	971 951 101	Horn When required order also: 9P1.998.003.A D 31.05.2016>>		1	I7AC/7AK
5	N 910 730 01	Hexagon-head bolt M 8 X 16		1	I7AC/7AK
6	1K8 951 605 B	Alarm siren Information available		1	I7AH/7AL I7AH/7AL
7	958 637 150 00	Support		1	
8	N 015 082 10	Hexagon nut M 6		2	
9	9P1 998 003 A	Wiring harness Modification kit Horn		1	I7AC/7AK

Model: 92A 11

Model life 2011>>



Model: 92A 11 Model life 2011>>

Pos	Part Number	Description	Remark	Qty	Model
		Interior lights Luggage compartment lamp Door guard light Footwell light Light	-14		
1	958 631 611 00	Door mirror Light	/L	1	I5SG/5SJ/5SL I9TF
(1)	958 631 613 00	Door mirror Light	/L	1	I5RP/5SU/9TF
(1)	958 631 612 00	Door mirror Light	/R	1	I5RQ/5RR/5RT I5RV/5SJ/9TF
(1)	958 631 614 00	Door mirror Light	/R	1	I5RP/5RV/5SU I9TF
2	999 631 032 90	Door mirror Bulb 5 W		1	I9TF
3	958 632 211 00	Light Door Front	/L	1	I9MB
	958 632 211 00 5Q0	Black			+LC, +LG, +LH, +MA, +MF, +MI, +TA, +TB, +TW, +YA, +YB, +YC, +VA, +VB
	958 632 211 00 3T0	Espresso			+LD, +MD, +YD, +LE, +MC, +YE, +LF, +TX, +TY, +YF
	958 632 211 00 4U0	Platinum Grey			
	958 632 211 00 6W0	Luxor Beige			
	958 632 211 00 DE1	Umber			
(3)	958 632 212 00	Light Door Front	/R	1	I9MB
	958 632 212 00 5Q0	Black			+LC, +LG, +LH, +MA, +MF, +MI, +TA, +TB, +TW, +YA, +YB, +YC, +VA, +VB
	958 632 212 00 3T0	Espresso			+LD, +MD, +YD, +LE, +MC, +YE, +LF, +TX, +TY, +YF
	958 632 212 00 4U0	Platinum Grey			
	958 632 212 00 6W0	Luxor Beige			
	958 632 212 00 DE1	Umber			
(3)	958 632 213 00	Light Door Rear	/L	1	I9MB
	958 632 213 00 5Q0	Black			+LC, +LG, +LH, +MA, +MF, +MI, +TA, +TB, +TW, +YA, +YB, +YC, +VA, +VB
	958 632 213 00 3T0	Espresso			+LD, +MD, +YD, +LE, +MC, +YE, +LF, +TX, +TY, +YF
	958 632 213 00 4U0	Platinum Grey			
	958 632 213 00 6W0	Luxor Beige			
	958 632 213 00 DE1	Umber			
(3)	958 632 214 00	Light Door Rear	/R	1	I9MB
	958 632 214 00 5Q0	Black			+LC, +LG, +LH, +MA, +MF, +MI, +TA, +TB, +TW, +YA, +YB, +YC, +VA, +VB
	958 632 214 00 3T0	Espresso			

Model: 92A 11 Model life 2011>>

Pos	Part Number	Description	Remark	Qty	Model
	958 632 214 00 4U0	Platinum Grey			+LD, +MD, +YD,
	958 632 214 00 6W0	Luxor Beige			+LE, +MC, +YE,
	958 632 214 00 DE1	Umber			+LF, +TX, +TY,
5	958 632 501 00	Light	/LL	1	+YF IL0L
(5)	958 632 502 00	Ignition starter switch			
	958 632 502 00	Light	/RL	1	IL0R
	958 632 502 00	Ignition starter switch			
6	958 632 145 00	Light		5	
		Storage pocket		4	
		Doors			
		Centre console		1	
(7)	958 632 291 00	Reading light	/L	1	I3FA/9MA
		Rear			
		F >>92CLA 42663			
		F >>92CLA 81121			
		F >>92CLA 02422			
		F >>92CLA 22980			
		F >>92CLA 61757			
		F >>A2CLA 90921			
	958 632 291 00 1E0	Black			+LC, +MA, +TW
	958 632 291 00 4H0	Luxor Beige			+LE, +MC,
	958 632 291 00 6L0	Platinum Grey			+LD, +MD
	958 632 291 00 7N0	Espresso			+VA, +VB
	958 632 291 00 DE1	Umber			+LF, +TX, +TY
(7)	958 632 291 01	Reading light	/L	1	I3FA/9MA
		Rear			
		F 92CLA 42664>>			
		F 92CLA 81122>>			
		F 92CLA 02423>>			
		F 92CLA 22981>>			
		F 92CLA 61758>>			
		F A2CLA 90922>>			
	958 632 291 01 1E0	Black			+LC, +MA, +TW,
	958 632 291 01 4H0	Luxor Beige			+LE, +MC,
	958 632 291 01 6L0	Platinum Grey			+LD, +MD,
	958 632 291 01 7N0	Espresso			+VA, +VB,
	958 632 291 01 DE1	Umber			+LF, +TX, +TY,
(7)	958 632 292 00	Reading light	/R	1	I3FA/9MA
		Rear			
		F >>92CLA 42663			
		F >>92CLA 81121			
		F >>92CLA 02422			
		F >>92CLA 22980			
		F >>92CLA 61757			
		F >>A2CLA 90921			
	958 632 292 00 1E0	Black			+LC, +MA, +TW
	958 632 292 00 4H0	Luxor Beige			+LE, +MC,
	958 632 292 00 6L0	Platinum Grey			+LD, +MD,
	958 632 292 00 7N0	Espresso			+VA, +VB,
	958 632 292 00 DE1	Umber			+LF, +TX, +TY,
(7)	958 632 292 01	Reading light	/R	1	I3FA/9MA
		Rear			
		F 92CLA 42664>>			
		F 92CLA 81122>>			
		F 92CLA 02423>>			
		F 92CLA 22981>>			
		F 92CLA 61758>>			
		F A2CLA 90922>>			
	958 632 292 01 1E0	Black			+LC, +MA, +TW,
	958 632 292 01 4H0	Luxor Beige			+LE, +MC,
	958 632 292 01 6L0	Platinum Grey			+LD, +MD,
	958 632 292 01 7N0	Espresso			+VA, +VB,

Model: 92A 11 Model life 2011>>

Pos	Part Number	Description	Remark	Qty	Model
(7)	958 632 292 01 DE1 958 632 291 20	Umber Reading light Rear F >>92CLA 42663 F >>92CLA 81121 F >>92CLA 02422 F >>92CLA 22980 F >>92CLA 61757 F >>A2CLA 90921	/L	1	+LF, +TX, +TY, I3FA/9MB
	958 632 291 20 1E0 958 632 291 20 4H0 958 632 291 20 6L0 958 632 291 20 7N0	Black Luxor Beige Platinum Grey Espresso			+LC, +MA, +TW, +LE, +MC, +LD, +MD, +VA, +VB,
(7)	958 632 291 20 DE1 958 632 291 21	Umber Reading light Rear F 92CLA 42664>> F 92CLA 81122>> F 92CLA 02423>> F 92CLA 22981>> F 92CLA 61758>> F A2CLA 90922>>	/L	1	+LF, +TX, +TY, I3FA/9MB
	958 632 291 21 1E0 958 632 291 21 4H0 958 632 291 21 6L0 958 632 291 21 7N0	Black Luxor Beige Platinum Grey Espresso			+LC, +MA, +TW, +LE, +MC, +LD, +MD, +VA, +VB,
(7)	958 632 291 21 DE1 958 632 292 20	Umber Reading light Rear F >>92CLA 42663 F >>92CLA 81121 F >>92CLA 02422 F >>92CLA 22980 F >>92CLA 61757 F >>A2CLA 90921	/R	1	+LF, +TX, +TY, I3FA/9MB
	958 632 292 20 1E0 958 632 292 20 4H0 958 632 292 20 6L0 958 632 292 20 7N0	Black Luxor Beige Platinum Grey Espresso			+LC, +MA, +TW, +LE, +MC, +LD, +MD, +VA, +VB,
(7)	958 632 292 20 DE1 958 632 292 21	Umber Reading light Rear F 92CLA 42664>> F 92CLA 81122>> F 92CLA 02423>> F 92CLA 22981>> F 92CLA 61758>> F A2CLA 90922>>	/R	1	+LF, +TX, +TY, I3FA/9MB
	958 632 292 21 1E0 958 632 292 21 4H0 958 632 292 21 6L0 958 632 292 21 7N0	Black Luxor Beige Platinum Grey Espresso			+LC, +MA, +TW, +LE, +MC, +LD, +MD, +VA, +VB,
(7)	958 632 292 21 DE1 958 632 291 10	Umber Reading light Rear F >>92CLA 42663 F >>92CLA 81121 F >>92CLA 02422 F >>92CLA 22980 F >>92CLA 61757 F >>A2CLA 90921	/L	1	+LF, +TX, +TY, I3FE/3FU/9MA
	958 632 291 10 1E0 958 632 291 10 4H0	Black Luxor Beige			+LC, +MA, +TW, +LE, +MC,

Model: 92A 11 Model life 2011>>

Pos	Part Number	Description	Remark	Qty	Model
(7)	958 632 291 10 6L0	Platinum Grey	/L	1	+LD, +MD, +VA, +VB, +LF, +TX, +TY, I3FE/3FU/9MA
	958 632 291 10 7N0	Espresso			
	958 632 291 10 DE1	Umber			
	958 632 291 11	Reading light Rear			
		F 92CLA 42664>>			
		F 92CLA 81122>>			
		F 92CLA 02423>>			
(7)	958 632 291 11 1E0	Black	/R	1	+LC, +MA, +TW, +LE, +MC, +LD, +MD, +VA, +VB, +LF, +TX, +TY, I3FE/3FU/9MA
	958 632 291 11 4H0	Luxor Beige			
	958 632 291 11 6L0	Platinum Grey			
	958 632 291 11 7N0	Espresso			
	958 632 291 11 DE1	Umber			
	958 632 292 10	Reading light Rear			
		F >>92CLA 42663			
	F >>92CLA 81121				
(7)	958 632 292 10 1E0	Black	/R	1	+LC, +MA, +TW, +LE, +MC, +LD, +MD, +VA, +VB, +LF, +TX, +TY, I3FE/3FU/9MA
	958 632 292 10 4H0	Luxor Beige			
	958 632 292 10 6L0	Platinum Grey			
	958 632 292 10 7N0	Espresso			
	958 632 292 10 DE1	Umber			
	958 632 292 11	Reading light Rear			
		F 92CLA 42664>>			
	F 92CLA 81122>>				
(7)	958 632 292 11 1E0	Black	/L	1	+LC, +MA, +TW, +LE, +MC, +LD, +MD, +VA, +VB, +LF, +TX, +TY, I3FE/3FU/9MB
	958 632 292 11 4H0	Luxor Beige			
	958 632 292 11 6L0	Platinum Grey			
	958 632 292 11 7N0	Espresso			
	958 632 292 11 DE1	Umber			
	958 632 291 30	Reading light Rear			
		F >>92CLA 42663			
	F >>92CLA 81121				
(7)	958 632 291 30 1E0	Black	/L	1	+LC, +MA, +TW, +LE, +MC, +LD, +MD, +VA, +VB, +LF, +TX, +TY, I3FE/3FU/9MB
	958 632 291 30 4H0	Luxor Beige			
	958 632 291 30 6L0	Platinum Grey			
	958 632 291 30 7N0	Espresso			
	958 632 291 30 DE1	Umber			
	958 632 291 31	Reading light Rear			
		F 92CLA 42664>>			
	F 92CLA 81122>>				
	F 92CLA 02423>>				
	F 92CLA 22981>>				
	F 92CLA 61758>>				
	F A2CLA 90922>>				

Model: 92A 11 Model life 2011>>

Pos	Part Number	Description	Remark	Qty	Model			
(7)	958 632 291 31 1E0	Black	/R	1	+LC,+MA,+TW, +LE,+MC, +LD,+MD, +VA,+VB, +LF,+TX,+TY, I3FE/3FU/9MB			
	958 632 291 31 4H0	Luxor Beige						
	958 632 291 31 6L0	Platinum Grey						
	958 632 291 31 7N0	Espresso						
	958 632 291 31 DE1	Umber						
	958 632 292 30	Reading light Rear						
		F >>92CLA 42663						
		F >>92CLA 81121						
		F >>92CLA 02422						
		F >>92CLA 22980						
(7)	958 632 292 30 1E0	Black	/R	1	+LC,+MA,+TW, +LE,+MC, +LD,+MD, +VA,+VB, +LF,+TX,+TY, I3FE/3FU/9MB			
	958 632 292 30 4H0	Luxor Beige						
	958 632 292 30 6L0	Platinum Grey						
	958 632 292 30 7N0	Espresso						
	958 632 292 30 DE1	Umber						
	958 632 292 31	Reading light Rear						
		F 92CLA 42664>>						
		F 92CLA 81122>>						
		F 92CLA 02423>>						
		F 92CLA 22981>>						
8	958 632 292 31 1E0	Black		X	+LC,+MA,+TW, +LE,+MC, +LD,+MD, +VA,+VB, +LF,+TX,+TY,			
	958 632 292 31 4H0	Luxor Beige						
	958 632 292 31 6L0	Platinum Grey						
	958 632 292 31 7N0	Espresso						
	958 632 292 31 DE1	Umber						
	N 017 753 5	Bulb 5 W						
	9	7PP 919 244				Bulb socket	2	I9MA
	10	955 632 202 01				Interior light Footwell	X 4	
	11	958 613 601 00				Front and rear Glove compartment	1	
						Contact switch	1	
Package box Centre console with Cable								
12	958 632 411 00	Door guard light Doors Rear lid	X 4 2					
13	955 632 207 00	Luggage compartment lamp	1					
		Luggage compartment lamp LED see Tequipment	1					
14	900 631 106 90	Linolite lamp 10 W	1					
(15)	7PP 919 238	Indicator light Immobiliser	2					
		D >> 06.11.2016 Indicator light Immobiliser	1					
(15)	95B 919 238	Driver's side D 07.11.2016>> Indicator light Immobiliser Replacement	1					

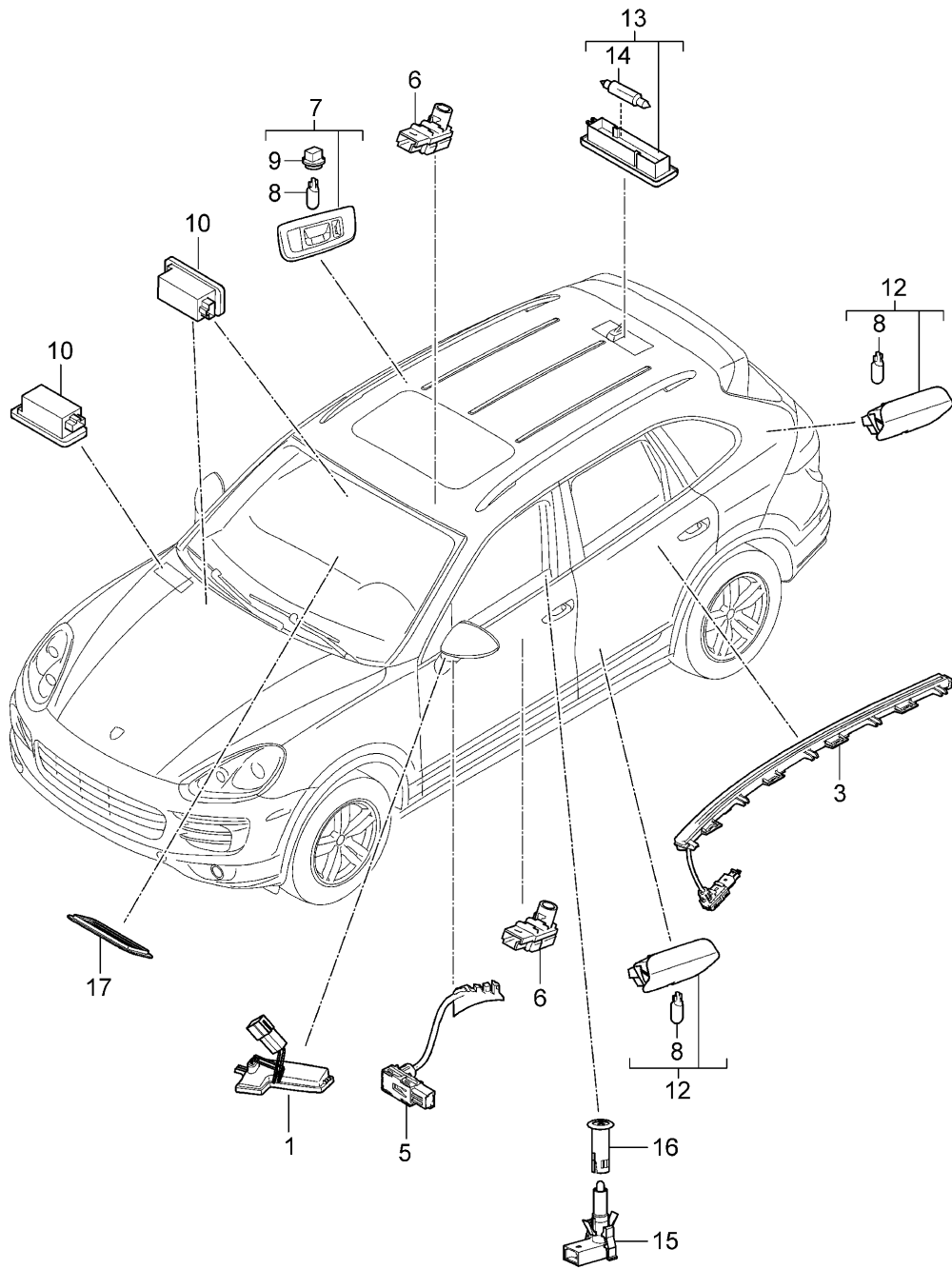
Model: 92A 11

Model life 2011>>

Pos	Part Number	Description	Remark	Qty	Model
16	958 632 242 00	Passenger's side D 07.11.2016>> Sleeve		2	+LC,+MA,+TW, +LC,+YA,+YB, +LE,+MC,+YE, +LD,+MD,+YD, +VA,+VB +LF,+TX,+TY, +YF,
	958 632 242 00 1E0	Black			
	958 632 242 00 4H0	Luxor Beige			
	958 632 242 00 6L0	Platinum Grey			
	958 632 242 00 7N0	Espresso			
	958 632 242 00 DE1	Umber			
16	958 632 242 01	Sleeve		2	+LC,+MA,+TW, +LC,+YA,+YB, +LE,+MC,+YE, +LD,+MD,+YD, +VA,+VB +LF,+TX,+TY, +YF,
	958 632 242 01 1E0	Black			
	958 632 242 01 4H0	Luxor Beige			
	958 632 242 01 6L0	Platinum Grey			
	958 632 242 01 7N0	Espresso			
	958 632 242 01 DE1	Umber			
(16)	958 632 242 01	D >> 06.11.2016 Sleeve		1	+LC,+MA,+TW, +LC,+YA,+YB, +LE,+MC,+YE, +LD,+MD,+YD, +VA,+VB +LF,+TX,+TY, +YF,
	958 632 242 01 1E0	Black			
	958 632 242 01 4H0	Luxor Beige			
	958 632 242 01 6L0	Platinum Grey			
	958 632 242 01 7N0	Espresso			
	958 632 242 01 DE1	Umber			
(16)	95B 919 205	D 07.11.2016>> Sleeve		1	+LC,+MA,+TW, +LC,+YA,+YB, +LE,+MC,+YE, +LD,+MD,+YD, +VA,+VB +LF,+TX,+TY, +YF,
	95B 919 205 1E0	Black			
	95B 919 205 4H0	Luxor Beige			
	95B 919 205 6L0	Platinum Grey			
	95B 919 205 7N0	Espresso			
	95B 919 205 DE1	Umber			
17	958 632 273 00	D 07.11.2016>> Frame Cover Light Seat		X	

Model: 92A 11

Model life 2011>>



Model: 92A 11 Model life 2011>>

Pos	Part Number	Description	Remark	Qty	Model
		Interior lights Luggage compartment lamp Door guard light Footwell light Light Door mirror	15-		
1	958 631 615 00	Light	/L	1	
1	958 631 616 00	Door mirror Light	/R	1	
3	958 632 211 00	Light	/L	1	
	958 632 211 00 5Q0	Door Front Black			+LC, +LG, +LH, +MA, +MF, +MI, +TA, +TB, +TW, +YA, +YB, +YC, +VA, +VB
	958 632 211 00 3T0	Espresso			+ME, +MH, +MJ, +MK,
	958 632 211 00 OL7	Saddle Tan			+LE, +MC, +YE, +MB, +MG, +ML,
	958 632 211 00 6W0	Luxor Beige			
	958 632 211 00 OA6	Agate Grey			
3	958 632 212 00	Light	/R	1	
	958 632 212 00 5Q0	Door Front Black			+LC, +LG, +LH, +MA, +MF, +MI, +TA, +TB, +TW, +YA, +YB, +YC, +VA, +VB
	958 632 212 00 3T0	Espresso			+ME, +MH, +MJ, +MK,
	958 632 212 00 OL7	Saddle Tan			+LE, +MC, +YE, +MB, +MG, +ML,
	958 632 212 00 6W0	Luxor Beige			
	958 632 212 00 OA6	Agate Grey			
(3)	958 632 213 00	Light	/L	1	
	958 632 213 00 5Q0	Door Rear Black			+LC, +LG, +LH, +MA, +MF, +MI, +TA, +TB, +TW, +YA, +YB, +YC, +VA, +VB
	958 632 213 00 3T0	Espresso			+ME, +MH, +MJ, +MK,
	958 632 213 00 OL7	Saddle Tan			+LE, +MC, +YE, +MB, +MG, +ML,
	958 632 213 00 6W0	Luxor Beige			
	958 632 213 00 OA6	Agate Grey			
(3)	958 632 214 00	Light	/R	1	
	958 632 214 00 5Q0	Door Rear Black			+LC, +LG, +LH, +MA, +MF, +MI, +TA, +TB, +TW, +YA, +YB, +YC, +VA, +VB
	958 632 214 00 3T0	Espresso			+ME, +MH, +MJ, +MK,
	958 632 214 00 OL7	Saddle Tan			+LE, +MC, +YE, +MB, +MG, +ML,
	958 632 214 00 6W0	Luxor Beige			
	958 632 214 00 OA6	Agate Grey			
5	958 632 501 00	Light	/LL	1	IL0L
(5)	958 632 502 00	Ignition starter switch Light	/RL	1	IL0R
6	958 632 145 00	Ignition starter switch Light		5	

Model: 92A 11 Model life 2011>>

Pos	Part Number	Description	Remark	Qty	Model
		Storage pocket		4	
		Doors			
		And			
		Centre console		1	
(7)	958 632 291 01	Reading light	/L	1	I3FA/9MA
		Rear			
	958 632 291 01 1E0	Black			+LC, +LG, +LH, +MA, +MF, +MI, +TA, +TB, +TW, +YA, +YB, +YC, +77
	958 632 291 01 4H0	Luxor Beige			+LE, +MC, +YE,
	958 632 291 01 OM8	Saddle Tan			+ME, +MH, +MJ, +MK
	958 632 291 01 7N0	Espresso			+VA, +VB
	958 632 291 01 OP1	Agate Grey			+MB, +MG, +ML
(7)	958 632 292 01	Reading light	/R	1	I3FA/9MA
		Rear			
	958 632 292 01 1E0	Black			+LC, +LG, +LH, +MA, +MF, +MI, +TA, +TB, +TW, +YA, +YB, +YC, +77
	958 632 292 01 4H0	Luxor Beige			+LE, +MC, +YE,
	958 632 292 01 OM8	Saddle Tan			+ME, +MH, +MJ, +MK
	958 632 292 01 7N0	Espresso			+VA, +VB
	958 632 292 01 OP1	Agate Grey			+MB, +MG, +ML
7	958 632 291 21	Reading light	/L	1	I3FA/9MB
		Rear			
	958 632 291 21 1E0	Black			+LC, +LG, +LH, +MA, +MF, +MI, +TA, +TB, +TW, +YA, +YB, +YC, +77
	958 632 291 21 4H0	Luxor Beige			+LE, +MC, +YE,
	958 632 291 21 OM8	Saddle Tan			+ME, +MH, +MJ, +MK
	958 632 291 21 7N0	Espresso			+VA, +VB
	958 632 291 21 OP1	Agate Grey			+MB, +MG, +ML
7	958 632 292 21	Reading light	/R	1	I3FA/9MB
		Rear			
	958 632 292 21 1E0	Black			+LC, +LG, +LH, +MA, +MF, +MI, +TA, +TB, +TW, +YA, +YB, +YC, +77
	958 632 292 21 4H0	Luxor Beige			+LE, +MC, +YE,
	958 632 292 21 OM8	Saddle Tan			+ME, +MH, +MJ, +MK
	958 632 292 21 7N0	Espresso			+VA, +VB
	958 632 292 21 OP1	Agate Grey			+MB, +MG, +ML
(7)	958 632 291 11	Reading light	/L	1	I3FE/3FU/9MA
		Rear			
	958 632 291 11 1E0	Black			+LC, +LG, +LH, +MA, +MF, +MI, +TA, +TB, +TW, +YA, +YB, +YC, +77
	958 632 291 11 4H0	Luxor Beige			+LE, +MC, +YE,
	958 632 291 11 OM8	Saddle Tan			+ME, +MH, +MJ, +MK
	958 632 291 11 7N0	Espresso			+VA, +VB

Model: 92A 11 Model life 2011>>

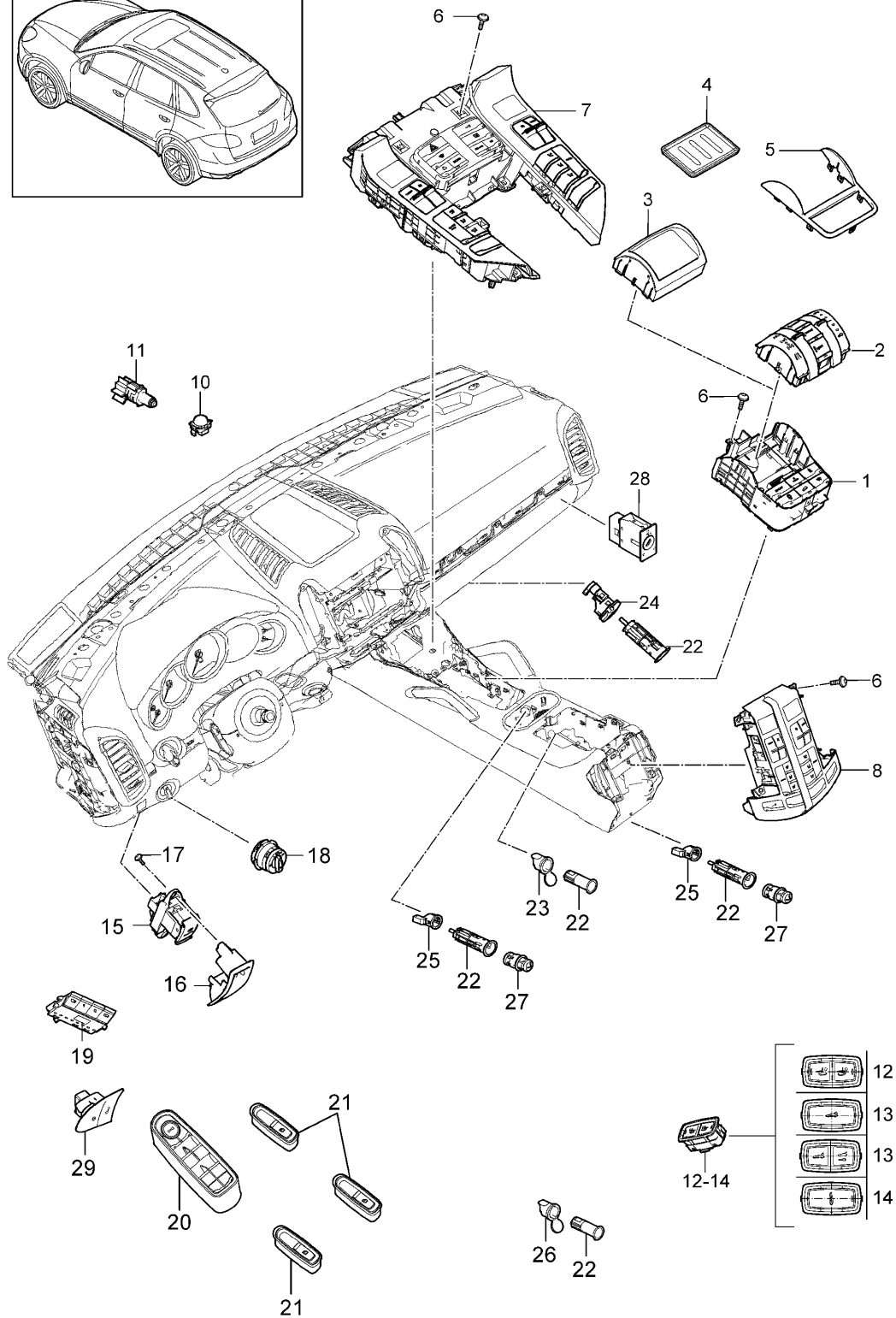
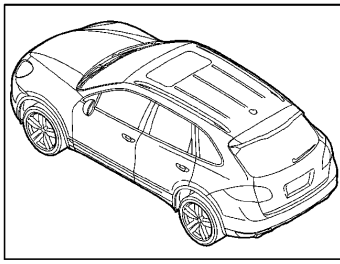
Pos	Part Number	Description	Remark	Qty	Model
(7)	958 632 291 11 OP1 958 632 292 11 958 632 292 11 1E0	Agate Grey Reading light Rear Black	/R	1	+MB, +MG, +ML I3FE/3FU/9MA +LC, +LG, +LH, +MA, +MF, +MI, +TA, +TB, +TW, +YA, +YB, +YC, +77
	958 632 292 11 4H0 958 632 292 11 OM8	Luxor Beige Saddle Tan			+LE, +MC, +YE, +ME, +MH, +MJ, +MK
	958 632 292 11 7N0 958 632 292 11 OP1 958 632 291 31	Espresso Agate Grey Reading light Rear	/L	1	+VA, +VB +MB, +MG, +ML I3FE/3FU/9MB
	958 632 291 31 1E0 958 632 291 31 4H0 958 632 291 31 OM8	Black Luxor Beige Saddle Tan			+LC, +LG, +LH, +MA, +MF, +MI, +TA, +TB, +TW, +YA, +YB, +YC, +77 +LE, +MC, +YE, +ME, +MH, +MJ, +MK
	958 632 291 31 7N0 958 632 291 31 OP1 958 632 292 31	Espresso Agate Grey Reading light Rear	/R	1	+VA, +VB +MB, +MG, +ML I3FE/3FU/9MB
	958 632 292 31 1E0 958 632 292 31 4H0 958 632 292 31 OM8	Black Luxor Beige Saddle Tan			+LC, +LG, +LH, +MA, +MF, +MI, +TA, +TB, +TW, +YA, +YB, +YC, +77 +LE, +MC, +YE, +ME, +MH, +MJ, +MK
	958 632 292 31 7N0 958 632 292 31 OP1 8 N 017 753 5	Espresso Agate Grey Bulb 5 W		X	+VA, +VB +MB, +MG, +ML
9	7PP 919 244	Bulb socket		2	
10	955 632 202 01	Interior light Footwell Front and rear Glove compartment		X 4 1	I9MA
(10)	958 632 202 10	Interior light Footwell Front and rear Glove compartment		X 4 1	I9MB
12	1K0 947 411 C	Warning light Doors Rear lid		X 4 2	
13	955 632 207 00	Luggage compartment lamp		1	
13	955 632 209 00	Luggage compartment lamp LED		1	
14	900 631 106 90	Linolite lamp 10 W		1	
15	7PP 919 238 A	Indicator light Immobiliser		2	
(15)		D >> 06.11.2016 Indicator light Immobiliser Driver's side D 07.11.2016>>		1	

Model: 92A 11 Model life 2011>>

Pos	Part Number	Description	Remark	Qty	Model
(15)	95B 919 238	Indicator light Immobiliser Replacement Passenger's side D 07.11.2016>>		1	
16	958 632 242 01 958 632 242 01 1E0	Sleeve Black		2	+LC, +MA, +TW, +LC, +YA, +YB, +LE, +MC, +YE, +LD, +MD, +YD, +VA, +VB +LF, +TX, +TY, +YF,
	958 632 242 01 4H0 958 632 242 01 6L0 958 632 242 01 7N0 958 632 242 01 DE1	Luxor Beige Platinum Grey Espresso Umber			
(16)	958 632 242 01 958 632 242 01 1E0	D >> 06.11.2016 Sleeve Black		2	+LC, +MA, +TW, +LC, +YA, +YB, +LE, +MC, +YE, +LD, +MD, +YD, +VA, +VB +LF, +TX, +TY, +YF,
	958 632 242 01 4H0 958 632 242 01 6L0 958 632 242 01 7N0 958 632 242 01 DE1	Luxor Beige Platinum Grey Espresso Umber			
(16)	95B 919 205 95B 919 205 1E0	D 07.11.2016>> Sleeve Black		2	+LC, +MA, +TW, +LC, +YA, +YB, +LE, +MC, +YE, +LD, +MD, +YD, +VA, +VB +LF, +TX, +TY, +YF,
	95B 919 205 4H0 95B 919 205 6L0 95B 919 205 7N0 95B 919 205 DE1	Luxor Beige Platinum Grey Espresso Umber			
17	958 632 273 00	D 07.11.2016>> Frame Cover Light Seat		X	

Model: 92A 11

Model life 2011>>



Model: 92A 11 Model life 2011>>

Pos	Part Number	Description	Remark	Qty	Model
		Switch Control part Air conditioner	-14		
1	958 613 127 00	Keypad		1	I0K0/4GC/4GK I7L7/9M0/9M5
1	958 613 131 00	Keypad		1	I0K1/4GC/4GK I7L7/9M0
1	958 613 135 00	Keypad		1	I0K0/4GC/4GK I7L4/7L6/7L8 I9M0/9M5
1	958 613 129 00	Keypad		1	I0K0/4GG/4GH I7L7/9M0/9M5
1	958 613 133 00	Keypad		1	I0K1/4GG/4GH I7L7/9M0
1	958 613 137 00	Keypad		1	I0K0/4GG/4GH I7L4/7L6/7L8 I9M0/9M5
1	958 613 128 00	Keypad		1	I0K0/4GC/4GK I7L7/9M1/9M9
1	958 613 136 00	Keypad		1	I0K0/4GC/4GK I7L4/7L6/7L8 I9M1/9M9
1	958 613 130 00	Keypad		1	I0K0/4GG/4GH I7L7/9M1/9M9
1	958 613 138 00	Keypad		1	I0K0/4GG/4GH I7L4/7L6/7L8 I9M1/9M9
1	958 613 140 00	Keypad	14-	1	I0K0/0P0/0P3 I7L7/7Y0/7Y1 I9M0/9M5
1	958 613 141 00	Keypad	14-	1	I0K0/0P8/0P9 I7L4/7L8/7Y6 I7Y7/9M1/9M9
1	958 613 142 00	Keypad	14-	1	I0K0/0P8/0P9 I7L4/7L8/7Y0 I7Y1/9M1/9M9
1	958 613 143 00	Keypad	14-	1	I0K0/0P8/0P9 I7L4/7L8/7Y6 I7Y7/9M0/9M5
1	958 613 144 00	Keypad	14-	1	I0K0/0P8/0P9 I7L4/7L8/7Y0 I7Y1/9M0/9M5
1	958 613 145 00	Keypad	14-	1	I0K1/0P0/0P3 I7L7/7Y6/7Y7 I9M0/9M5
1	958 613 146 00	Keypad	14-	1	I0K0/0P8/0P9 I7L7/7Y6/7Y7 I9M1/9M9
1	958 613 147 00	Keypad	14-	1	I0K0/0P8/0P9 I7L7/7Y0/7Y1 I9M1/9M9
1	958 613 148 00	Keypad	14-	1	I0K0/0P8/0P9 I7L7/7Y6/7Y7 I9M0/9M5
1	958 613 149 00	Keypad	14-	1	I0K0/0P8/0P9 I7L7/7Y0/7Y1 I9M0/9M5
1	958 613 150 00	Keypad	14-	1	I0K0/0P0/0P3 I7L4/7L8/7Y6 I7Y7/9M1/9M9
1	958 613 151 00	Keypad	14-	1	I0K0/0P0/0P3 I7L4/7L8/7Y0 I7Y1/9M1/9M9

Model: 92A 11 Model life 2011>>

Pos	Part Number	Description	Remark	Qty	Model
1	958 613 152 00	Keypad	14-	1	I0K0/0P0/0P3 I7L4/7L8/7Y6 I7Y7/9M0/9M5
1	958 613 153 00	Keypad	14-	1	I0K0/0P0/0P3 I7L4/7L8/7Y0 I7Y1/9M0/9M5
1	958 613 154 00	Keypad	14-	1	I0K1/0P0/0P3 I7L7/7Y0/7Y1 I9M0/9M5
1	958 613 155 00	Keypad	14-	1	I0K0/0P0/0P3 I7L7/7Y6/7Y7 I9M1/9M9
1	958 613 256 00	Keypad	14-	1	I0K0/0P0/0P3 I7L7/7Y0/7Y1 I9M1/9M9
1	958 613 157 00	Keypad	14-	1	I0K0/0P0/0P3 I7L7/7Y6/7Y7 I9M0/9M5
2	958 613 523 00	Combined switch	-13	1	I0K0/1BA/1BW
2	958 613 523 01	Combined switch	14-	1	I0K0/1BA/1BW
2	958 613 524 00	Combined switch	-13	1	I0K0/1BH/1BZ
2	958 613 524 01	Combined switch	14-	1	I0K0/1BH/1BZ
2	958 613 521 00	Combined switch		1	I0K1/1BH/1BZ
2	958 613 525 00	Combined switch	-13	1	I0K0/1BK
2	958 613 525 01	Combined switch	14-	1	I0K0/1BK
2	958 613 522 00	Combined switch		1	I0K1/1BK
3	958 552 561 00	Shelf		1	I0K1/1BA/1BW
4	958 552 169 00	Mat		1	I0K0/1BA/1BW
	958 552 169 00 1E0	Black			
(4)	958 552 169 10	Mat		1	I0K1/1BA/1BW
	958 552 169 10 1E0	Black			
5	958 613 180 00	Cover		1	
	958 613 180 00 6N3	Black mat			
6	N 906 986 06	Tapping screw 4,2 X 16 Control part Air conditioner Front		X	
7	958 653 101 00	Control part Air conditioner	-11	1	I4A0/4D0/9AD
7	958 653 101 01	Control part Air conditioner	-11	1	I4A0/4D0/9AD
7	958 653 101 02	Control part Air conditioner	-11	1	I4A0/4D0/9AD
7	958 653 101 03	Control part Air conditioner F >>92CLA 05335 F >>92CLA 92110 F >>92CLA 64565 F >>92CLA 28225 F >>92CLA 28101 F >>92CLA 45215 F >>92CLA 82187	12-	1	I4A0/4D0/9AD
7	958 653 101 04	Control part Air conditioner F 92CLA 05336>> F 92CLA 92111>> F 92CLA 64566>> F 92CLA 28226>> F 92CLA 28102>> F 92CLA 45216>> F 92CLA 82188>>	-12	1	I4A0/4D0/9AD
7	958 653 101 05	Control part	13	1	I4A0/4D0/9AD

Model: 92A 11 Model life 2011>>

Pos	Part Number	Description	Remark	Qty	Model
7	958 653 101 06	Air conditioner Control part	14-	1	I4A0/4D0/9AD
7	958 653 201 00	Air conditioner Control part	-11	1	I4A0/4D0/9AH
7	958 653 201 03	Air conditioner Control part	12-	1	I4A0/4D0/9AH
7	958 653 201 04	Air conditioner F >>92CLA 05335 F >>92CLA 92110 F >>92CLA 64565 F >>92CLA 28225 F >>92CLA 28101 F >>92CLA 45215 F >>92CLA 82187 Control part	-12	1	I4A0/4D0/9AH
7	958 653 201 05	Air conditioner F 92CLA 05336>> F 92CLA 92111>> F 92CLA 64566>> F 92CLA 28226>> F 92CLA 28102>> F 92CLA 45216>> F 92CLA 82188>> Control part	13	1	I4A0/4D0/9AH
7	958 653 201 06	Air conditioner Control part	14-	1	I4A0/4D0/9AH
7	958 653 102 00	Air conditioner Control part	-11	1	I4A3/4A4/4D0 I9AD
7	958 653 102 01	Air conditioner Control part	-11	1	I4A3/4A4/4D0 I9AD
7	958 653 102 02	Air conditioner Control part	-11	1	I4A3/4A4/4D0 I9AD
7	958 653 102 03	Air conditioner Control part	12-	1	I4A3/4A4/4D0 I9AD
7	958 653 102 04	Air conditioner F >>92CLA 05335 F >>92CLA 92110 F >>92CLA 64565 F >>92CLA 28225 F >>92CLA 28101 F >>92CLA 45215 F >>92CLA 82187 Control part	-12	1	I4A3/4A4/4D0 I9AD
7	958 653 102 05	Air conditioner F 92CLA 05336>> F 92CLA 92111>> F 92CLA 64566>> F 92CLA 28226>> F 92CLA 28102>> F 92CLA 45216>> F 92CLA 82188>> Control part	13	1	I4A3/4A4/4D0 I9AD
7	958 653 102 06	Air conditioner Control part	14-	1	I4A3/4A4/4D0 I9AD
7	958 653 202 00	Air conditioner Control part	-11	1	I4A3/4A4/4D0

Model: 92A 11 Model life 2011>>

Pos	Part Number	Description	Remark	Qty	Model
7	958 653 202 01	Air conditioner Control part	-11	1	I9AH I4A3/4A4/4D0 I9AH
7	958 653 202 03	Air conditioner Control part	12-	1	I4A3/4A4/4D0 I9AH
7	958 653 202 04	Air conditioner F >>92CLA 05335 F >>92CLA 92110 F >>92CLA 64565 F >>92CLA 28225 F >>92CLA 28101 F >>92CLA 45215 F >>92CLA 82187 Control part	-12	1	I4A3/4A4/4D0 I9AH
7	958 653 202 05	Air conditioner F 92CLA 05336>> F 92CLA 92111>> F 92CLA 64566>> F 92CLA 28226>> F 92CLA 28102>> F 92CLA 45216>> F 92CLA 82188>> Control part	13	1	I4A3/4A4/4D0 I9AH
7	958 653 202 06	Air conditioner Control part	14-	1	I4A3/4A4/4D0 I9AH
7	958 653 103 00	Air conditioner Control part	-11	1	I4A3/4A4/4D3 I9AD
7	958 653 103 01	Air conditioner Control part	-11	1	I4A3/4A4/4D3 I9AD
7	958 653 103 02	Air conditioner Control part	-11	1	I4A3/4A4/4D3 I9AD
7	958 653 103 03	Air conditioner Control part	12-	1	I4A3/4A4/4D3 I9AD
7	958 653 103 04	Air conditioner F >>92CLA 05335 F >>92CLA 92110 F >>92CLA 64565 F >>92CLA 28225 F >>92CLA 28101 F >>92CLA 45215 F >>92CLA 82187 Control part	-12	1	I4A3/4A4/4D3 I9AD
7	958 653 103 05	Air conditioner F 92CLA 05336>> F 92CLA 92111>> F 92CLA 64566>> F 92CLA 28226>> F 92CLA 28102>> F 92CLA 45216>> F 92CLA 82188>> Control part Air conditioner	13	1	I4A3/4A4/4D3 I9AD

Model: 92A 11 Model life 2011>>

Pos	Part Number	Description	Remark	Qty	Model
7	958 653 103 06	Control part	14-	1	I4A3/4A4/4D3 I9AD
7	958 653 203 00	Air conditioner Control part	-11	1	I4A3/4A4/4D3 I9AH
7	958 653 203 01	Air conditioner Control part	-11	1	I4A3/4A4/4D3 I9AH
7	958 653 203 03	Air conditioner Control part	12-	1	I4A3/4A4/4D3 I9AH
7	958 653 203 04	Air conditioner F >>92CLA 05335 F >>92CLA 92110 F >>92CLA 64565 F >>92CLA 28225 F >>92CLA 28101 F >>92CLA 45215 F >>92CLA 82187 Control part	-12	1	I4A3/4A4/4D3 I9AH
7	958 653 203 05	Air conditioner F 92CLA 05336>> F 92CLA 92111>> F 92CLA 64566>> F 92CLA 28226>> F 92CLA 28102>> F 92CLA 45216>> F 92CLA 82188>> Control part	13	1	I4A3/4A4/4D3 I9AH
7	958 653 203 06	Air conditioner Control part	14-	1	I4A3/4A4/4D3 I9AH
8	958 653 301 00	Air conditioner Control part	-11	1	I4A0/4A3/9AH
8	958 653 301 01	Air conditioner Control part	12-	1	I4A0/4A3/9AH
8	958 653 302 00	Air conditioner Control part	-11	1	I4A4/9AH
8	958 653 302 01	Air conditioner Control part	12-	1	I4A4/9AH
8	958 653 308 00	Air conditioner Control part	13-	1	I4A0/4A3/9AD
	958 653 308 00 5Q0	Air conditioner Cover			
(8)	958 613 303 00	Combined switch	-11	1	I4A0/4A3/9AD
(8)	958 613 303 01	Combined switch	12-	1	I4A0/4A3/9AD
(8)	958 613 304 00	Combined switch	-11	1	I4A4/9AD
(8)	958 613 304 01	Combined switch	12-	1	I4A4/9AD
10	7PP 907 539 A	Sensor Air conditioner		1	
11	7PP 907 527 A	Temperature sensor		1	
12	958 613 164 00	Switch Trailer coupling		1	I1D9
	958 613 164 00 6N3	Black mat			
13	7PP 959 832 F	Switch Rear lid	-11	1	I4E7/4K0/4K3
	7PP 959 832 F A05	Black mat			
13	7PP 959 832 H	Switch	12-	1	I4E7/4K0/4K3

Model: 92A 11 Model life 2011>>

Pos	Part Number	Description	Remark	Qty	Model
(13)	7PP 959 832 H IVI 7PP 959 832 G	Rear lid Black mat Switch	-11	1	I4E7/4F2/4F6
(13)	7PP 959 832 G A05 7PP 959 832 J	Rear lid Black mat Switch	12-	1	I4E7/4F2/4F6
15	7PP 959 832 J IVI 958 613 251 00	Rear lid Black mat Switch		1	
16	958 613 163 00	Electric parking brake Trim for switch		1	
	958 613 163 00 5Q0	Electric parking brake Black			
	958 613 163 00 4U0	Platinum Grey			
	958 613 163 00 6W0	Luxor Beige			
	958 613 163 00 5V0	Cream			
	958 613 163 00 3T0	Espresso			
	958 613 163 00 2S0	Cognac			
	958 613 163 00 DE1	Umber			
	958 613 163 00 DF2	Light Tartufo			
	958 613 163 00 DJ3	Titanium Blue			
	958 613 163 00 OE1	Carrera Red			
17	N 911 211 01	Oval-head screw M 4 X 16		2	
18	958 613 533 00	Light switch	-11	1	
18	958 613 533 01	Light switch	-11	1	
18	958 613 533 02	Light switch	12	1	
18	958 613 533 03	Light switch	13	1	
18	7P5 941 531 F	Light switch	14-	1	
19	958 613 103 00	Switch Memory	/L -12	1	I3L4/3PN
19	958 613 103 05	Switch Memory	/LL /L 13-	1	IL0L/3L4/3PN
19	958 613 103 10	Driver's door Switch Memory	/RL /L 13-	1	IL0R/3PN
(19)	958 613 104 00	Passenger's door Switch Memory	/R -12	1	I3L4/3PN
(19)	958 613 104 05	Switch Memory	/LL /R 13-	1	IL0L/3PN
(19)	958 613 104 10	Passenger's door Switch Memory	/RL /R 13-	1	IL0R/3L4/3PN
20	958 613 156 00	Driver's door Switch	-11	1	I4E0/7Y0
20	958 613 156 00 DML 958 613 156 01	Power windows Door mirror Driver's side Matt Black/hi-gloss chrome Switch	12-13	1	I4E0/7Y0
20	958 613 156 01 DML 958 613 156 02	Power windows Door mirror Driver's side Matt Black/hi-gloss chrome Switch	14-	1	I4E0/7Y0
(20)	958 613 156 02 DML 7PP 959 858 H	Power windows Door mirror Driver's side Matt Black/hi-gloss chrome Switch	-11	1	I4E7/7Y0
		Power windows Door mirror			

Model: 92A 11 Model life 2011>>

Pos	Part Number	Description	Remark	Qty	Model
(20)	7PP 959 858 H DML 7PP 959 858 K	Luggage compartment Driver's side Matt Black/hi-gloss chrome Switch	12-13	1	I4E7/7Y0
(20)	7PP 959 858 K DML 7PP 959 858 R	Power windows Door mirror Luggage compartment Driver's side Matt Black/hi-gloss chrome Switch	14-	1	I4E7/7Y0
(20)	7PP 959 858 R DML 958 613 156 10	Power windows Door mirror Luggage compartment Driver's side Matt Black/hi-gloss chrome Switch	-11	1	I4E0/7Y1
(20)	958 613 156 10 DML 958 613 156 11	Power windows Door mirror Lane Change Assistant Driver's side Matt Black/hi-gloss chrome Switch	12-	1	I4E0/7Y1
(20)	958 613 156 11 DML 958 613 156 20	Power windows Door mirror Lane Change Assistant Driver's side Matt Black/hi-gloss chrome Switch	-11	1	I4E7/7Y1
(20)	958 613 156 20 DML 7PP 959 858 M	Power windows Door mirror Lane Change Assistant Driver's side Matt Black/hi-gloss chrome Switch	12-13	1	I4E7/7Y1
(20)	7PP 959 858 M DML 7PP 959 858 Q	Power windows Door mirror Luggage compartment Lane Change Assistant Driver's side Matt Black/hi-gloss chrome Switch	14-	1	I4E7/7Y1/7Y7
21	7PP 959 858 Q DML 7PP 959 855 B	Power windows Door mirror Luggage compartment Lane Change Assistant Driver's side Matt Black/hi-gloss chrome Switch	/R	3	
21	7PP 959 855 B DML 7PP 959 855 C	Power windows Door mirror Luggage compartment Lane Change Assistant Driver's side Matt Black/hi-gloss chrome Switch	/R	3	
22	7PP 959 855 C DML 955 652 107 00	Power windows Door mirror Luggage compartment Lane Change Assistant Driver's side Matt Black/hi-gloss chrome Plug socket		3	
(22)	958 652 107 00	Support Beverages Centre console Centre console Rear Plug socket Luggage compartment Shelf Centre console		1	
				2	
				3	
				1	
				1	

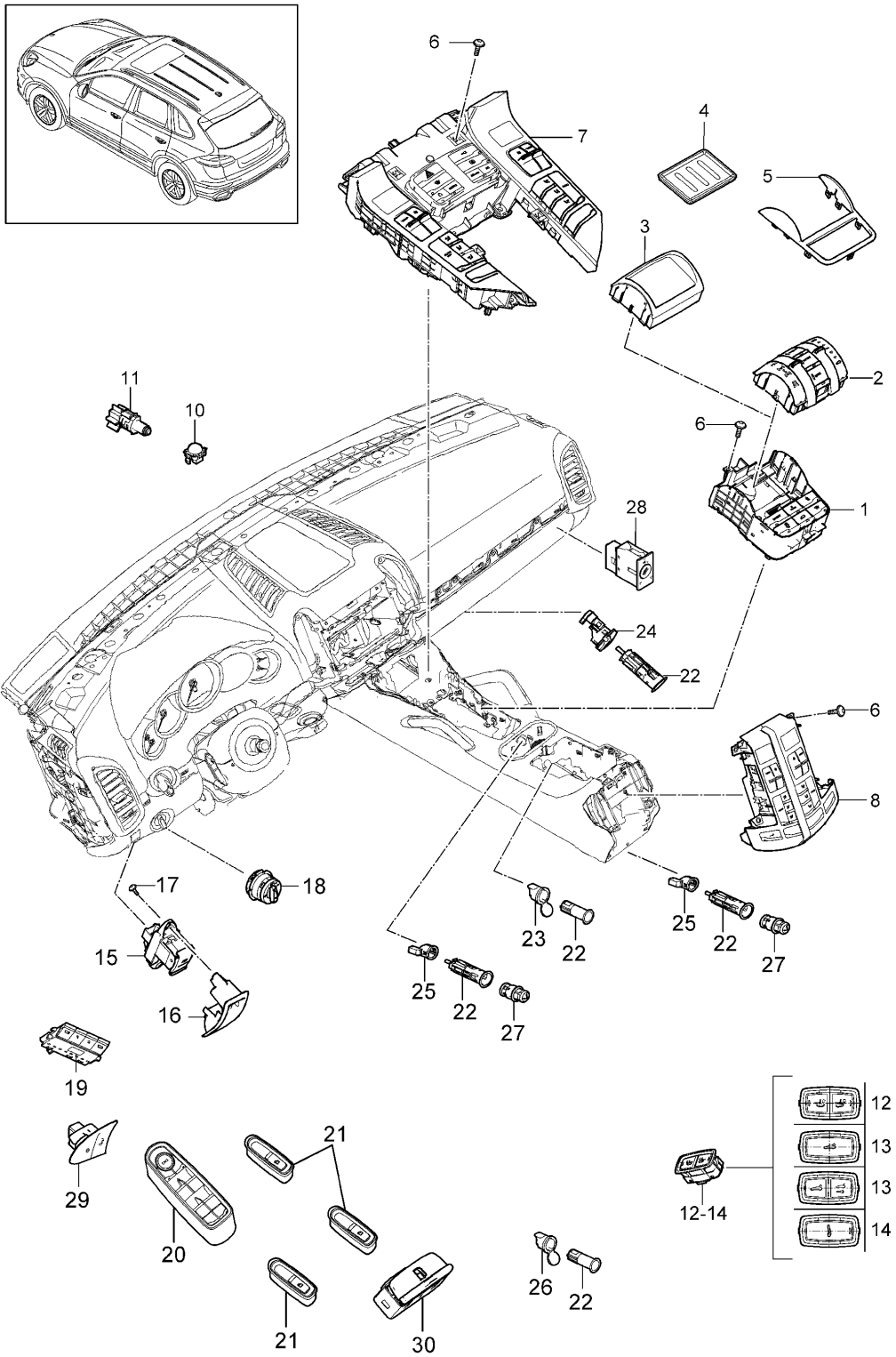
Model: 92A 11

Model life 2011>>

Pos	Part Number	Description	Remark	Qty	Model
		Sound absorber		1	
		Cold air			
		Passenger's side			
23	997 652 104 00	Clamping ring		1	
24	958 652 103 00	Tensioning sleeve	-13	1	
(24)	7P5 919 341 A	Tensioning sleeve	14-	1	
25	7PP 919 341	Tensioning sleeve		3	
26	955 652 106 01	Tensioning sleeve		1	
		Luggage compartment trim			
		Left			
27	955 652 201 00	Cigarette lighter		2	
	955 652 201 00 01C	Satin black			
(27)	958 652 311 00	Display specimen		1	
		Cigarette lighter			
28	958 613 165 00	Switch		1	I4UE/4UP
		Airbag			
29	7PP 962 107 B	Switch	/L 13-	1	
		Central locking system			
		Inner door release			
		Door handle			
		Left			
	7PP 962 107 B IVI	Black mat			
(29)	7PP 962 107 C	Switch	/R 13-	1	
		Central locking system			
		Inner door release			
		Door handle			
		Right			
	7PP 962 107 C IVI	Black mat			

Model: 92A 11

Model life 2011>>



Model: 92A 11 Model life 2011>>

Pos	Part Number	Description	Remark	Qty	Model
1	958 613 158 00	Switch Control part Air conditioner Keypad	15-	1	IQR0/QR1/QR3 IQR4/OK0/OP0 IOP3/OP6/7L7 I7Y0 I7Y1
1	958 613 159 00	Keypad		1	IQR0/QR1/QR3 IQR4/OK0/OP0 IOP3/OP6/7L7 I7Y6 I7Y7
1	958 613 160 00	Keypad		1	IQR5/OK0/OP0 IOP3/OP6/7L7 I7Y0/7Y1 I7Y7
1	958 613 161 00	Keypad		1	IQR5/OK0/OP0 IOP3/OP6/7L7 I7Y6/7Y7
1	958 613 162 00	Keypad		1	IQR0/QR1/QR3 IQR4/OK3/OP0 IOP3/OP6/7L7 I7Y0 I7Y1
1	958 613 163 00	Keypad		1	IQR0/QR1/QR3 IQR4/OK3/OP0 IOP3/OP6/7L7 I7Y6 I7Y7
1	958 613 164 00	Keypad		1	IQR5/OK3/OP0 IOP3/OP6/7L7 I7Y0/7Y1
1	958 613 166 00	Keypad		1	IQR5/OK3/OP0 IOP3/OP6/7L7 I7Y6/7Y7
1	958 613 167 00	Keypad		1	IQR0/QR1/QR3 IQR4/OK0/OP0 IOP3/OP6/7L4 I7L8 I7Y0/7Y1
1	958 613 168 00	Keypad		1	IQR0/QR1/QR3 IQR4/OK0/OP0 IOP3/OP6/7L4 I7L8 I7Y6/7Y7
1	958 613 169 00	Keypad		1	IQR5/OK0/OP0 IOP3/OP6/7L4 I7L8/7Y0/7Y1
1	958 613 170 00	Keypad		1	IQR5/OK0/OP0 IOP3/OP6/7L4 I7L8/7Y6/7Y7
1	958 613 171 00	Keypad		1	IQR0/QR1/QR3 IQR4/OK0/OP8 IOP9/7L7/7Y0 I7Y1
1	958 613 172 00	Keypad		1	IQR0/QR1/QR3 IQR4/OK0/OP8 IOP9/7L7/7Y6 I7Y7
1	958 613 173 00	Keypad		1	IQR5/OK0/OP8 IOP9/7L7/7Y0 I7Y1

Model: 92A 11 Model life 2011>>

Pos	Part Number	Description	Remark	Qty	Model
1	958 613 174 00	Keypad		1	IQR5/OK0/OP8 IOP9/7L7/7Y6 I7Y7
1	958 613 175 00	Keypad		1	IQR0/QR1/QR3 IQR4/OK0/OP8 IOP9/7L4/7L8 I7Y0 I7Y1
1	958 613 176 00	Keypad		1	IQR0/QR1/QR3 IQR4/OK0/OP8 IOP9/7L4/7L8 I7Y6 I7Y7
1	958 613 177 00	Keypad		1	IQR5/OK0/OP8 IOP9/7L4/7L8 I7Y0/7Y1
1	958 613 178 00	Keypad		1	IQR5/OK0/OP8 IOP9/7L4/7L8 I7Y6/7Y7
1	958 613 179 00	Keypad		1	IB1P/OK3/OP0 IOP3/OP6/7L7 I7Y0/7Y1/7Y7
1	958 613 179 10	Keypad		1	IB1P/OK3/OP0 IOP3/OP6/7L7 I7Y6/7Y7
2	958 613 521 01	Combined switch		1	I0K1/1BH/1BZ
2	958 613 522 01	Combined switch		1	I0K1/1BK
2	958 613 523 01	Combined switch		1	I0K0/1BA/1BW
2	958 613 524 02	Combined switch		1	I0K0/1BH/1BZ
2	958 613 525 02	Combined switch		1	I0K0/1BK
3	958 552 561 00	Shelf		1	I0K1/1BA/1BW
4	958 552 169 00	Mat		1	I0K0/1BA/1BW
	958 552 169 00 1E0	Black			
5	958 613 180 00	Cover		1	
	958 613 180 00 6N3	Black mat			
6	N 906 986 06	Tapping screw 4,2 X 16		X	
		Control part			
		Air conditioner			
		Front			
7	958 653 101 07	Control part	-15	1	IIY1/4A0/4D0 I9AD
		Air conditioner			
(7)	958 653 101 08	Control part	15	1	IIY2/4A0/4D0 I9AD
		Air conditioner			
(7)		Control part	16-	1	I4A0/4D0/9AD
		Air conditioner			
(7)	958 653 201 07	Control part	-15	1	IIY1/4A0/4D0 I9AH
		Air conditioner			
(7)	958 653 201 08	Control part	15	1	IIY2/4A0/4D0 I9AH
		Air conditioner			
(7)		Control part	16-	1	I4A0/4D0/9AH
		Air conditioner			
(7)	958 653 102 07	Control part	-15	1	IIY1/4A3/4A4 I4D0/9AD
		Air conditioner			
(7)	958 653 102 08	Control part	15	1	IIY2/4A3/4A4 I4D0/9AD
		Air conditioner			
(7)		Control part	16-	1	I4A3/4A4/4D0

Model: 92A 11

Model life 2011>>

Pos	Part Number	Description	Remark	Qty	Model
					I9AD
(7)	958 653 202 07	Air conditioner Control part	-15	1	IIY1/4A3/4A4 I4D0/9AH
(7)	958 653 202 08	Air conditioner Control part	15	1	IIY2/4A3/4A4 I4D0/9AH
(7)		Air conditioner Control part	16-	1	I4A3/4A4/4D0 I9AH
(7)	958 653 103 07	Air conditioner Control part	-15	1	IIY1/4A3/4A4 I4D1/4D3/9AD
(7)	958 653 103 08	Air conditioner Control part	15	1	IIY2/4A3/4A4 I4D1/4D3/9AD
(7)		Air conditioner Control part	16-	1	I4A3/4A4/4D1 I4D3/9AD
(7)	958 653 203 07	Air conditioner Control part	-15	1	IIY1/4A3/4A4 I4D1/4D3/9AH
(7)	958 653 203 08	Air conditioner Control part	15	1	IIY2/4A3/4A4 I4D1/4D3/9AH
(7)		Air conditioner Control part	16-	1	I4A3/4A4/4D1 I4D3/9AH
		Air conditioner Control part			
		Air conditioner Rear			
8	958 653 301 03	Control part		1	I4A0/4A3/9AH
8	958 653 302 03	Air conditioner Control part		1	I4A4/4D0/4D3 I9AH
8	958 653 303 04	Air conditioner Control part		1	I4A4/4D1/9AH
8	958 653 308 00	Air conditioner Control part		1	I4A0/4A3/9AD
	958 653 308 00 5Q0	Air conditioner Cover			
(8)	958 613 304 03	Combined switch		1	I4A4/9AD
10	7PP 907 539 A	Sensor		1	I4GC/4GH/4GK
		Air conditioner Sensor			
(10)	958 572 345 00	Sensor		1	I4GG
		Air conditioner Temperature sensor			
11	7PP 907 527 A	Temperature sensor		1	
12	958 613 164 10	Switch		1	I1BK/1D3
		Trailer coupling			
	958 613 164 10 6N3	Black mat			
12	958 613 164 20	Switch		1	I1BH/1BK/1BW I1BZ/1D3
		Trailer coupling			
	958 613 164 20 6N3	Black mat			
12	958 613 164 30	Switch		1	I1BK/1D0/1D1 I1D6/1D7/1D8
		Trailer coupling			
	958 613 164 30 6N3	Black mat			
13	7PP 959 832 H	Switch		1	I4E7/4K0/4K3
		Rear lid			
	7PP 959 832 H IVI	Black mat			
(13)	7PP 959 832 J	Switch		1	I4E7/4F2/4F6

Model: 92A 11 Model life 2011>>

Pos	Part Number	Description	Remark	Qty	Model
15	7PP 959 832 J IVI 958 613 251 00	Rear lid Black mat Switch		1	
16	958 613 163 00 958 613 163 00 5Q0 958 613 163 00 4U0 958 613 163 00 6W0 958 613 163 00 5V0 958 613 163 00 3T0 958 613 163 00 2S0 958 613 163 00 DE1 958 613 163 00 DF2 958 613 163 00 DJ3 958 613 163 00 OE1	Electric parking brake Trim for switch Electric parking brake Black Platinum Grey Luxor Beige Cream Espresso Cognac Umber Light Tartufo Titanium Blue Carrera Red		1	+LC,+MA,+MF, +YA,+YB,+YC, +LD,+MD,+YD, +LE,+MC,+MK, +TB,+YE,+77, +LG,+MJ,+TX, +VA, +VB, +LF,+YF, +TY +TW +TA
17	N 911 211 01	Oval-head screw M 4 X 16		2	
18	7P5 941 531 F	Light switch		1	
19	958 613 103 20	Switch Memory	/L	1	I3L4/3PN
19	958 613 103 10	Switch Memory	/RL /L	1	IL0R/3PN
(19)	958 613 104 05	Passenger's door Switch Memory	/LL /R	1	IL0L/3PN
(19)	958 613 104 10	Passenger's door Switch Memory	/RL /R	1	IL0R/3L4/3PN
(20)	7PP 959 858 AF	Driver's door Switch Power windows Door mirror Luggage compartment Driver's side		1	I4E7/7Y0/7Y6
(20)	7PP 959 858 AF DML 7PP 959 858 AE	Matt Black/hi-gloss chrome Switch Power windows Door mirror Luggage compartment Lane Change Assistant Driver's side		1	I4E7/7Y1/7Y7
21	7PP 959 858 AE DML 7PP 959 855 E 7PP 959 855 E DML	Matt Black/hi-gloss chrome Switch Power windows Matt Black/hi-gloss chrome D >> 20.08.2017		3	
(21)	9A7 959 855 00 9A7 959 855 00 DML	Switch Power windows Matt Black/hi-gloss chrome D 21.08.2017>>		3	
22	955 652 107 00	Plug socket Support Beverages Centre console Centre console Rear		3 1 2	
(22)	958 652 107 00	Plug socket Luggage compartment Shelf Centre console		3 1 1	

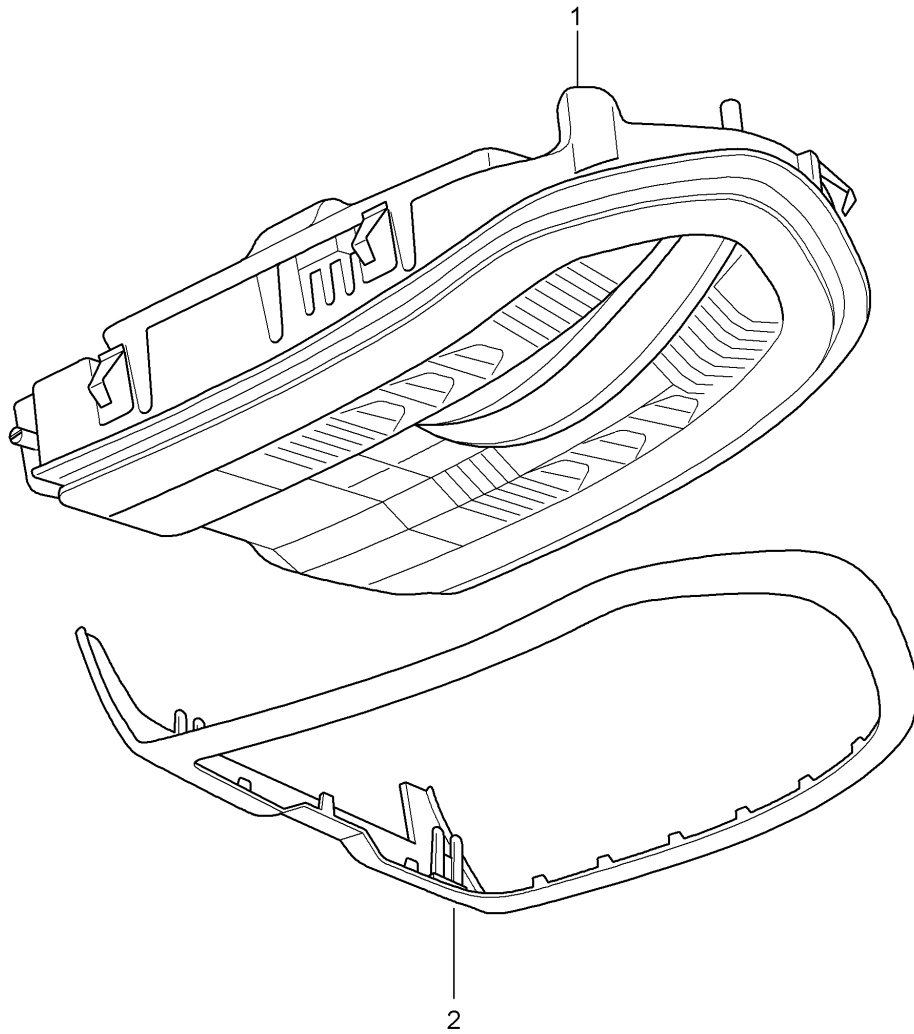
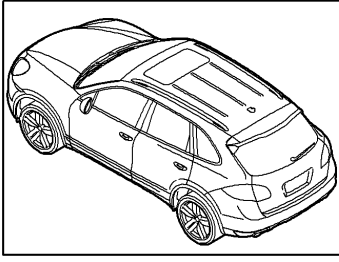
Model: 92A 11

Model life 2011>>

Pos	Part Number	Description	Remark	Qty	Model
		Sound absorber		1	
		Cold air			
		Passenger's side			
23	997 652 104 00	Clamping ring		1	
24	7P5 919 341 A	Tensioning sleeve		1	
25	7PP 919 341	Tensioning sleeve		3	
26	955 652 106 01	Tensioning sleeve		1	
		Luggage compartment trim			
		Left			
27	955 652 201 00	Cigarette lighter		2	
	955 652 201 00 01C	Satin black			
(27)	958 652 311 00	Display specimen		1	
		Cigarette lighter			
28	958 613 165 00	Switch		1	I4UE/4UP
		Airbag			
29	7PP 962 107 D	Switch		1	
		Central locking system			
		Inner door release			
		Door handle			
		Left			
	7PP 962 107 D IVI	Black mat			
29	7PP 962 107 E	Switch		1	
		Central locking system			
		Inner door release			
		Door handle			
		Right			
	7PP 962 107 E IVI	Black mat			
30	958 613 181 00	Switch		1	I0K3
		Fuel filler flap			
		Black mat			

Model: 92A 11

Model life 2011>>



Model: 92A 11 Model life 2011>>

Pos	Part Number	Description	Remark	Qty	Model
1	7PP 868 404 CK	Bracket Roof Workshop manual Attention Bracket	-13 -11	1	IVC0/3FA/7Q0 I7T1/7T4/7X0 I7X9/9MA
1	7PP 868 404 FD	Roof Bracket	12-13	1	-IIY2/IVC0 I3FA/7Q0/7Q7 I7T1/7T4/7X0 I7X9/9MA
1	7PP 868 404 HR	Roof Bracket	13-	1	IIY2/VC0/3FA I7Q0/7Q7/7T1 I7T4/7X0/7X9 I9MA
1		Roof Bracket	13-	1	IVC0/3FA/7Q0 I7Q7/7T1/7T4 I7X0/7X9/9MA
1	7PP 868 404 CL	Roof Bracket	-11	1	IVC0/3FE/7Q0 I7T1/7T4/7X0 I7X9/9MA
1	7PP 868 404 FE	Roof Bracket	12-13	1	-IIY2/IVC0 I3FE/7Q0/7Q7 I7T1/7T4/7X0 I7X9/9MA
1	7PP 868 404 HS	Roof Bracket	12-	1	IIY2/VC0/3FE I7Q0/7Q7/7T1 I7T4/7X0/7X9 I9MA
1		Roof Bracket	12-	1	IVC0/3FE/7Q0 I7Q7/7T1/7T4 I7X0/7X9/9MA
1	7PP 868 404 CM	Roof Bracket	-11	1	IVC0/3FA/7Q0 I7T1/7T4/7X2 I7X8/9MA
1	7PP 868 404 FF	Roof Bracket	12-13	1	-IIY2/IVC0 I3FA/7Q0/7Q7 I7T1/7T4/7X2 I7X8/9MA
1	7PP 868 404 HT	Roof Bracket	13-	1	IIY2/VC0/3FA I7Q0/7Q7/7T1 I7T4/7X2/7X8 I9MA
1		Roof Bracket	13-	1	IVC0/3FA/7Q0 I7Q7/7T1/7T4 I7X2/7X8/9MA
1	7PP 868 404 CN	Roof Bracket	-11	1	IVC1/VC2/3FA I7Q0/7T1/7T4 I7X0/7X9/9MA
1	7PP 868 404 FG	Roof Bracket	12-13	1	IVC1/VC2/3FA

Model: 92A 11 Model life 2011>>

Pos	Part Number	Description	Remark	Qty	Model
1	7PP 868 404 JA	Roof Bracket	13-	1	I7Q0/7Q7/7T1 I7T4/7X0/7X9 I9MA -IIY2 IVC1/VC2/3FA I7Q0/7Q7/7T1 I7T4/7X0/7X9 I9MA
1		Roof Bracket	13-	1	IIY2 IVC1/VC2/3FA I7Q0/7Q7/7T1 I7T4/7X0/7X9 I9MA
1	7PP 868 404 CP	Roof Bracket	-11	1	IVC0/3FE/7Q0 I7T1/7T4/7X2 I7X8/9MA
1	7PP 868 404 FH	Roof Bracket	12-13	1	-IIY2/IVC0 I3FE/7Q0/7Q7 I7T1/7T4/7X2 I7X8/9MA
1	7PP 868 404 JB	Roof Bracket	13-	1	IIY2/VC0/3FE I7Q0/7Q7/7T1 I7T4/7X2/7X8 I9MA
1		Roof Bracket	13-	1	IVC0/3FE/7Q0 I7Q7/7T1/7T4 I7X2/7X8/9MA
1	7PP 868 404 CQ	Roof Bracket	-11	1	IVC1/VC2/3FA I7Q0/7T1/7T4 I7X2/7X8/9MA
1	7PP 868 404 FJ	Roof Bracket	12-13	1	IVC1/VC2/3FA I7Q0/7Q7/7T1 I7T4/7X2/7X8 I9MA
1	7PP 868 404 JC	Roof Bracket	13-	1	-IIY2 IVC1/VC2/3FA I7Q0/7Q7/7T1 I7T4/7X2/7X8 I9MA
1		Roof Bracket	13-	1	IIY2 IVC1/VC2/3FA I7Q0/7Q7/7T1 I7T4/7X2/7X8 I9MA
1	7PP 868 404 CR	Roof Bracket	-11	1	IVC1/VC2/3FE I7Q0/7T1/7T4 I7X0/7X9/9MA
1	7PP 868 404 FK	Roof Bracket	12-13	1	IVC1/VC2/3FE I7Q0/7Q7/7T1 I7T4/7X0/7X9 I9MA
1	7PP 868 404 JD	Roof Bracket	13-	1	-IIY2 IVC1/VC2/3FE I7Q0/7Q7/7T1 I7T4/7X0/7X9

Model: 92A 11 Model life 2011>>

Pos	Part Number	Description	Remark	Qty	Model
1		Roof Bracket	13-	1	I9MA IIY2 IVC1/VC2/3FE I7Q0/7Q7/7T1 I7T4/7X0/7X9 I9MA
1	7PP 868 404 CS	Roof Bracket	-11	1	IVC1/VC2/3FE I7Q0/7T1/7T4 I7X2/7X8/9MA
1	7PP 868 404 FL	Roof Bracket	12-13	1	IVC1/VC2/3FE I7Q0/7Q7/7T1 I7T4/7X2/7X8 I9MA
1	7PP 868 404 JE	Roof Bracket	13-	1	-IIY2 IVC1/VC2/3FE I7Q0/7Q7/7T1 I7T4/7X2/7X8 I9MA
1		Roof Bracket	13-	1	IIY2 IVC1/VC2/3FE I7Q0/7Q7/7T1 I7T4/7X2/7X8 I9MA
1	7PP 868 404 CT	Roof Bracket	-11	1	IVC0/3FA/7Q4 I7X0/7X9/9MA
1	7PP 868 404 FM	Roof Bracket	12-13	1	-IIY2/IVC0 I3FA/7Q4/7X0 I7X9/9MA
1	7PP 868 404 JF	Roof Bracket	13-	1	IIY2/VC0/3FA I7Q4/7X0/7X9 I9MA
1		Roof Bracket	13-	1	IVC0/3FA/7Q4 I7X0/7X9/9MA
1	7PP 868 404 DA	Roof Bracket	-11	1	IVC0/3FE/7Q4 I7X0/7X9/9MA
1	7PP 868 404 FN	Roof Bracket	12-13	1	-IIY2/IVC0 I3FE/7Q4/7X0 I7X9/9MA
1	7PP 868 404 JG	Roof Bracket	13-	1	IIY2/VC0/3FE I7Q4/7X0/7X9 I9MA
1		Roof Bracket	13-	1	IVC0/3FE/7Q4 I7X0/7X9/9MA
1	7PP 868 404 DB	Roof Bracket	-11	1	IVC0/3FA/7Q4 I7X2/7X8/9MA
1	7PP 868 404 FP	Roof Bracket	12-13	1	-IIY2/IVC0 I3FA/7Q4/7X2 I7X8/9MA
1	7PP 868 404 JH	Roof Bracket	13-	1	IIY2/VC0/3FA I7Q4/7X2/7X8

Model: 92A 11 Model life 2011>>

Pos	Part Number	Description	Remark	Qty	Model
		Roof			I9MA
1		Bracket	13-	1	IVC0/3FA/7Q4 I7X2/7X8/9MA
1	7PP 868 404 DC	Roof Bracket	-11	1	IVC1/VC2/3FA I7Q4/7X0/7X9 I9MA
1	7PP 868 404 FQ	Roof Bracket	12-13	1	-IIY2/IVC1 IVC2/3FA/7Q4 I7X0/7X9/9MA
1	7PP 868 404 JJ	Roof Bracket	13-	1	IIY2/VC1/VC2 I3FA/7Q4/7X0 I7X9/9MA
1		Roof Bracket	13-	1	IVC1/VC2/3FA I7Q4/7X0/7X9 I9MA
1	7PP 868 404 DD	Roof Bracket	-11	1	IVC0/3FE/7Q4 I7X2/7X8/9MA
1	7PP 868 404 FR	Roof Bracket	12-13	1	-IIY2/IVC0 I3FE/7Q4/7X2 I7X8/9MA
1	7PP 868 404 JK	Roof Bracket	13-	1	IIY2/VC0/3FE I7Q4/7X2/7X8 I9MA
1		Roof Bracket	13-	1	IVC0/3FE/7Q4 I7X2/7X8/9MA
1	7PP 868 404 DE	Roof Bracket	-11	1	IVC1/VC2/3FA I7Q4/7X2/7X8 I9MA
1	7PP 868 404 FS	Roof Bracket	12-13	1	-IIY2/IVC1 IVC2/3FA/7Q4 I7X2/7X8/9MA
1	7PP 868 404 JL	Roof Bracket	13-	1	IIY2/VC1/VC2 I3FA/7Q4/7X2 I7X8/9MA
1		Roof Bracket	13-	1	IVC1/VC2/3FA I7Q4/7X2/7X8 I9MA
1	7PP 868 404 DF	Roof Bracket	-11	1	IVC1/VC2/3FE I7Q4/7X0/7X9 I9MA
1	7PP 868 404 FT	Roof Bracket	12-13	1	-IIY2/IVC1 IVC2/3FE/7Q4 I7X0/7X9/9MA
1	7PP 868 404 JM	Roof Bracket	13-	1	IIY2/VC1/VC2 I3FE/7Q4/7X0 I7X9/9MA
		Roof			

Model: 92A 11 Model life 2011>>

Pos	Part Number	Description	Remark	Qty	Model
1		Bracket	13-	1	IVC1/VC2/3FE I7Q4/7X0/7X9 I9MA
1	7PP 868 404 DG	Roof Bracket	-11	1	IVC1/VC2/3FE I7Q4/7X2/7X8 I9MA
1	7PP 868 404 GA	Roof Bracket	12-13	1	-IIY2/IVC1 IVC2/3FE/7Q4 I7X2/7X8/9MA
1	7PP 868 404 JN	Roof Bracket	13-	1	IIY2/VC1/VC2 I3FE/7Q4/7X2 I7X8/9MA
1		Roof Bracket	13-	1	IVC1/VC2/3FE I7Q4/7X2/7X8 I9MA
1	7PP 868 404 DH	Roof Bracket	-11	1	IVC0/3FA/7Q0 I7T1/7T4/7X0 I7X9/9MB
1	7PP 868 404 GB	Roof Bracket	12-13	1	-IIY2/IVC0 I3FA/7Q0/7Q7 I7T1/7T4/7X0 I7X9/9MB
1	7PP 868 404 JP	Roof Bracket	13-	1	IIY2/VC0/3FA I7Q0/7Q7/7T1 I7T4/7X0/7X9 I9MB
1		Roof Bracket	13-	1	IVC0/3FA/7Q0 I7Q7/7T1/7T4 I7X0/7X9/9MB
1	7PP 868 404 DJ	Roof Bracket	-11	1	IVC0/3FE/7Q0 I7T1/7T4/7X0 I7X9/9MB
1	7PP 868 404 GC	Roof Bracket	12-13	1	-IIY2/IVC0 I3FE/7Q0/7Q7 I7T1/7T4/7X0 I7X9/9MB
1	7PP 868 404 JQ	Roof Bracket	13-	1	IIY2/VC0/3FE I7Q0/7Q7/7T1 I7T4/7X0/7X9 I9MB
1		Roof Bracket	13-	1	IVC0/3FE/7Q0 I7Q7/7T1/7T4 I7X0/7X9/9MB
1	7PP 868 404 DK	Roof Bracket	-11	1	IVC0/3FA/7Q0 I7T1/7T4/7X2 I7X8/9MB
1	7PP 868 404 GD	Roof Bracket	12-13	1	-IIY2/IVC0 I3FA/7Q0/7Q7 I7T1/7T4/7X2

Model: 92A 11 Model life 2011>>

Pos	Part Number	Description	Remark	Qty	Model
1	7PP 868 404 JR	Roof Bracket	13-	1	I7X8/9MB IIY2/VC0/3FA I7Q0/7Q7/7T1 I7T4/7X2/7X8 I9MB
1		Roof Bracket	13-	1	IVC0/3FA/7Q0 I7Q7/7T1/7T4 I7X2/7X8/9MB
1	7PP 868 404 DL	Roof Bracket	-11	1	IVC1/VC2/3FA I7Q0/7T1/7T4 I7X0/7X9/9MB
1	7PP 868 404 GE	Roof Bracket	12-13	1	IVC1/VC2/3FA I7Q0/7Q7/7T1 I7T4/7X0/7X9 I9MB
1	7PP 868 404 JS	Roof Bracket	13-	1	-IIY2 IVC1/VC2/3FA I7Q0/7Q7/7T1 I7T4/7X0/7X9 I9MB
1		Roof Bracket	13-	1	IIY2 IVC1/VC2/3FA I7Q0/7Q7/7T1 I7T4/7X0/7X9 I9MB
1	7PP 868 404 DM	Roof Bracket	-11	1	IVC0/3FE/7Q0 I7T1/7T4/7X2 I7X8/9MB
1	7PP 868 404 GF	Roof Bracket	12-13	1	-IIY2/IVC0 I3FE/7Q0/7Q7 I7T1/7T4/7X2 I7X8/9MB
1	7PP 868 404 JT	Roof Bracket	13-	1	IIY2/VC0/3FE I7Q0/7Q7/7T1 I7T4/7X2/7X8 I9MB
1		Roof Bracket	13-	1	IVC0/3FE/7Q0 I7Q7/7T1/7T4 I7X2/7X8/9MB
1	7PP 868 404 DN	Roof Bracket	-11	1	IVC1/VC2/3FA I7Q0/7T1/7T4 I7X2/7X8/9MB
1	7PP 868 404 GG	Roof Bracket	12-13	1	IVC1/VC2/3FA I7Q0/7Q7/7T1 I7T4/7X2/7X8 I9MB
1	7PP 868 404 KA	Roof Bracket	13-	1	-IIY2 IVC1/VC2/3FA I7Q0/7Q7/7T1 I7T4/7X2/7X8 I9MB
1		Roof Bracket	13-	1	IIY2 IVC1/VC2/3FA

Model: 92A 11 Model life 2011>>

Pos	Part Number	Description	Remark	Qty	Model
1	7PP 868 404 DP	Roof Bracket	-11	1	I7Q0/7Q7/7T1 I7T4/7X2/7X8 I9MB IVC1/VC2/3FE I7Q0/7T1/7T4 I7X0/7X9/9MB
1	7PP 868 404 GH	Roof Bracket	12-13	1	IVC1/VC2/3FE I7Q0/7Q7/7T1 I7T4/7X0/7X9 I9MB
1	7PP 868 404 KB	Roof Bracket	13-	1	-IIY2 IVC1/VC2/3FE I7Q0/7Q7/7T1 I7T4/7X0/7X9 I9MB
1		Roof Bracket	13-	1	IIY2 IVC1/VC2/3FE I7Q0/7Q7/7T1 I7T4/7X0/7X9 I9MB
1	7PP 868 404 DQ	Roof Bracket	-11	1	IVC1/VC2/3FE I7Q0/7T1/7T4 I7X2/7X8/9MB
1	7PP 868 404 GJ	Roof Bracket	12-13	1	IVC1/VC2/3FE I7Q0/7Q7/7T1 I7T4/7X2/7X8 I9MB
1	7PP 868 404 KC	Roof Bracket	13-	1	-IIY2 IVC1/VC2/3FE I7Q0/7Q7/7T1 I7T4/7X2/7X8 I9MB
1		Roof Bracket	13-	1	IIY2 IVC1/VC2/3FE I7Q0/7Q7/7T1 I7T4/7X2/7X8 I9MB
1	7PP 868 404 DR	Roof Bracket	-11	1	IVC0/3FA/7Q4 I7X0/7X9/9MB
1	7PP 868 404 GK	Roof Bracket	12-13	1	-IIY1/IVC0 I3FA/7Q4/7X0 I7X9/9MB
1	7PP 868 404 KD	Roof Bracket	13-	1	IIY2/VC0/3FA I7Q4/7X0/7X9 I9MB
1		Roof Bracket	13-	1	IVC0/3FA/7Q4 I7X0/7X9/9MB
1	7PP 868 404 DS	Roof Bracket	-11	1	IVC0/3FE/7Q4 I7X0/7X9/9MB
1	7PP 868 404 GL	Roof Bracket	12-13	1	-IIY2/IVC0 I3FE/7Q4/7X0 I7X9/9MB
		Roof			

Model: 92A 11 Model life 2011>>

Pos	Part Number	Description	Remark	Qty	Model
1	7PP 868 404 KE	Bracket	13-	1	IIY2/VC0/3FE I7Q4/7X0/7X9 I9MB
1		Roof Bracket	13-	1	IVC0/3FE/7Q4 I7X0/7X9/9MB
1	7PP 868 404 DT	Roof Bracket	-11	1	IVC0/3FA/7Q4 I7X2/7X8/9MB
1	7PP 868 404 GM	Roof Bracket	12-13	1	-IIY2/IVC0 I3FA/7Q4/7X2 I7X8/9MB
1	7PP 868 404 KF	Roof Bracket	13-	1	IIY2/VC0/3FA I7Q4/7X2/7X8 I9MB
1		Roof Bracket	13-	1	IVC0/3FA/7Q4 I7X2/7X8/9MB
1	7PP 868 404 EA	Roof Bracket	-11	1	IVC1/VC2/3FA I7Q4/7X0/7X9 I9MB
1	7PP 868 404 GN	Roof Bracket	12-13	1	-IIY2/IVC1 IVC2/3FA/7Q4 I7X0/7X9/9MB
1	7PP 868 404 KG	Roof Bracket	13-	1	IIY2/VC1/VC2 I3FA/7Q4/7X0 I7X9/9MB
1		Roof Bracket	13-	1	IVC1/VC2/3FA I7Q4/7X0/7X9 I9MB
1	7PP 868 404 EB	Roof Bracket	-11	1	IVC0/3FE/7Q4 I7X2/7X8/9MB
1	7PP 868 404 GP	Roof Bracket	12-13	1	-IIY2/IVC0 I3FE/7Q4/7X2 I7X8/9MB
1	7PP 868 404 KH	Roof Bracket	13-	1	IIY2/VC0/3FE I7Q4/7X2/7X8 I9MB
1		Roof Bracket	13-	1	IVC0/3FE/7Q4 I7X2/7X8/9MB
1	7PP 868 404 EC	Roof Bracket	-11	1	IVC1/VC2/3FA I7Q4/7X2/7X8 I9MB
1	7PP 868 404 GQ	Roof Bracket	12-13	1	-IIY2/IVC1 IVC2/3FA/7Q4 I7X2/7X8/9MB
1	7PP 868 404 KJ	Roof Bracket	13-	1	IIY2/VC1/VC2 I3FA/7Q4/7X2 I7X8/9MB
		Roof			

Model: 92A 11 Model life 2011>>

Pos	Part Number	Description	Remark	Qty	Model
1		Bracket	13-	1	IVC1/VC2/3FA I7Q4/7X2/7X8 I9MB
1	7PP 868 404 FC	Roof Bracket	-11	1	IVC1/VC2/3FE I7Q4/7X0/7X9 I9MB
1	7PP 868 404 GR	Roof Bracket	12-13	1	-IIY2/IVC1 IVC2/3FE/7Q4 I7X0/7X9/9MB
1	7PP 868 404 KK	Roof Bracket	13-	1	IIY2/VC1/VC2 I3FE/7Q4/7X0 I7X9/9MB
1		Roof Bracket	13-	1	IVC1/VC2/3FE I7Q4/7X0/7X9 I9MB
1	7PP 868 404 ED	Roof Bracket	-11	1	IVC1/VC2/3FE I7Q4/7X2/7X8 I9MB
1	7PP 868 404 GS	Roof Bracket	12-13	1	-IIY2/IVC1 IVC2/3FE/7Q4 I7X2/7X8/9MB
1	7PP 868 404 KL	Roof Bracket	13-	1	IIY2/VC1/VC2 I3FE/7Q4/7X2 I7X8/9MB
1		Roof Bracket	13-	1	IVC1/VC2/3FE I7Q4/7X2/7X8 I9MB
(1)	958 613 942 01	Roof Bracket	-11	1	IVC0/3FU/7Q0 I7T1/7T4/7X0 I7X9/9MA
(1)	958 613 942 02	Roof Bracket	12-13	1	-IIY2/IVC0 I3FU/7Q0/7Q7 I7T1/7T4/7X0 I7X9/9MA
(1)	958 613 942 03	Roof Bracket	13-	1	IIY2/VC0/3FU I7Q0/7Q7/7T1 I7T4/7X0/7X9 I9MA
(1)	958 613 943 01	Roof Bracket	-11	1	IVC0/3FU/7Q0 I7T1/7T4/7X2 I7X8/9MA
(1)	958 613 943 02	Roof Bracket	12-13	1	-IIY2/IVC0 I3FU/7Q0/7Q7 I7T1/7T4/7X2 I7X8/9MA
(1)	958 613 943 03	Roof Bracket	13-	1	IIY2/VC0/3FU I7Q0/7Q7/7T1 I7T4/7X2/7X8 I9MA

Model: 92A 11 Model life 2011>>

Pos	Part Number	Description	Remark	Qty	Model
(1)	958 613 944 01	Roof Bracket	-11	1	IVC1/VC2/3FU I7Q0/7T1/7T4 I7X0/7X9/9MA
(1)	958 613 944 02	Roof Bracket	12-13	1	IVC1/VC2/3FU I7Q0/7Q7/7T1 I7T4/7X0/7X9 I9MA
(1)	958 613 944 03	Roof Bracket	13-	1	-IIY2 IVC1/VC2/3FU I7Q0/7Q7/7T1 I7T4/7X0/7X9 I9MA
(1)	958 613 945 01	Roof Bracket	-11	1	IIY2 IVC1/VC2/3FU I7Q0/7T1/7T4 I7X2/7X8/9MA
(1)	958 613 945 02	Roof Bracket	12-13	1	IVC1/VC2/3FU I7Q0/7Q7/7T1 I7T4/7X2/7X8 I9MA
(1)	958 613 945 03	Roof Bracket	13-	1	-IIY2 IVC1/VC2/3FU I7Q0/7Q7/7T1 I7T4/7X2/7X8 I9MA
(1)	958 613 946 01	Roof Bracket	-11	1	IIY2 IVC0/3FU/7Q4 I7X0/7X9/9MA
(1)	958 613 946 02	Roof Bracket	12-13	1	-IIY2/IVC0 I3FU/7Q4/7X0 I7X9/9MA
(1)	958 613 946 03	Roof Bracket	13-	1	IIY2/VC0/3FU I7Q4/7X0/7X9 I9MA
(1)	958 613 947 01	Roof Bracket	-11	1	IVC0/3FU/7Q4 I7X2/7X8/9MA
(1)	958 613 947 02	Roof Bracket	12-13	1	-IIY2/IVC0 I3FU/7Q4/7X2 I7X8/9MA
(1)	958 613 947 03	Roof Bracket	13-	1	IIY2/VC0/3FU I7Q4/7X2/7X8 I9MA
(1)	958 613 948 01	Roof Bracket	-11	1	IVC1/VC2/3FU I7Q4/7X0/7X9 I9MA
(1)	958 613 948 02	Roof Bracket	12-13	1	-IIY2/IVC1 IVC2/3FU/7Q4 I7X0/7X9/9MA
(1)	958 613 948 03	Roof Bracket	13-	1	IIY2/VC1/VC2 I3FU/7Q4/7X0 I7X9/9MA
		Roof			

Model: 92A 11 Model life 2011>>

Pos	Part Number	Description	Remark	Qty	Model
(1)	958 613 949 01	Bracket	-11	1	IVC1/VC2/3FU I7Q4/7X2/7X8 I9MA
(1)	958 613 949 02	Roof Bracket	12-13	1	-IIY2/IVC1 IVC2/3FU/7Q4 I7X2/7X8/9MA
(1)	958 613 949 03	Roof Bracket	13-	1	IIY2/VC1/VC2 I3FU/7Q4/7X2 I7X8/9MA
(1)	958 613 950 01	Roof Bracket	-11	1	IVC0/3FU/7Q0 I7T1/7T4/7X0 I7X9/9MB
(1)	958 613 950 02	Roof Bracket	12-13	1	-IIY2/IVC0 I3FU/7Q0/7Q7 I7T1/7T4/7X0 I7X9/9MB
(1)	958 613 950 03	Roof Bracket	13-	1	IIY2/VC0/3FU I7Q0/7Q7/7T1 I7T4/7X0/7X9 I9MB
(1)	958 613 951 01	Roof Bracket	-11	1	IVC0/3FU/7Q0 I7T1/7T4/7X2 I7X8/9MB
(1)	958 613 951 02	Roof Bracket	12-13	1	-IIY2/IVC0 I3FU/7Q0/7Q7 I7T1/7T4/7X2 I7X8/9MB
(1)	958 613 951 03	Roof Bracket	13-	1	IIY2/VC0/3FU I7Q0/7Q7/7T1 I7T4/7X2/7X8 I9MB
(1)	958 613 952 01	Roof Bracket	-11	1	IVC1/VC2/3FU I7Q0/7T1/7T4 I7X0/7X9/9MB
(1)	958 613 952 02	Roof Bracket	12-13	1	IVC1/VC2/3FU I7Q0/7Q7/7T1 I7T4/7X0/7X9 I9MB
(1)	958 613 952 03	Roof Bracket	13-	1	-IIY2 IVC1/VC2/3FU I7Q0/7Q7/7T1 I7T4/7X0/7X9 I9MB
(1)	958 613 953 01	Roof Bracket	-11	1	IIY2 IVC1/VC2/3FU I7Q0/7T1/7T4 I7X2/7X8/9MB
(1)	958 613 953 02	Roof Bracket	12-13	1	IVC1/VC2/3FU I7Q0/7Q7/7T1 I7T4/7X2/7X8 I9MB
		Roof			-IIY2

Model: 92A 11 Model life 2011>>

Pos	Part Number	Description	Remark	Qty	Model
(1)	958 613 953 03	Bracket	13-	1	IVC1/VC2/3FU I7Q0/7Q7/7T1 I7T4/7X2/7X8 I9MB IIY2
(1)	958 613 954 01	Roof Bracket	-11	1	IVC0/3FU/7Q4 I7X0/7X9/9MB
(1)	958 613 954 02	Roof Bracket	12-13	1	-IIY2/IVC0 I3FU/7Q4/7X0 I7X9/9MB
(1)	958 613 954 03	Roof Bracket	13-	1	IIY2/VC0/3FU I7Q4/7X0/7X9 I9MB
(1)	958 613 955 01	Roof Bracket	-11	1	IVC0/3FU/7Q4 I7X2/7X8/9MB
(1)	958 613 955 02	Roof Bracket	12-13	1	-IIY2/IVC0 I3FU/7Q4/7X2 I7X8/9MB
(1)	958 613 955 03	Roof Bracket	13-	1	IIY2/VC0/3FU I7Q4/7X2/7X8 I9MB
(1)	958 613 956 01	Roof Bracket	-11	1	IVC1/VC2/3FU I7Q4/7X0/7X9 I9MB
(1)	958 613 956 02	Roof Bracket	12-13	1	-IIY2/IVC1 IVC2/3FU/7Q4 I7X0/7X9/9MB
(1)	958 613 956 03	Roof Bracket	13-	1	IIY2/VC1/VC2 I3FU/7Q4/7X0 I7X9/9MB
(1)	958 613 957 01	Roof Bracket	-11	1	IVC1/VC2/3FU I7Q4/7X2/7X8 I9MB
(1)	958 613 957 02	Roof Bracket	12-13	1	-IIY2/IVC1 IVC2/3FU/7Q4 I7X2/7X8/9MB
(1)	958 613 957 03	Roof Bracket	13-	1	IIY2/VC1/VC2 I3FU/7Q4/7X2 I7X8/9MB
2	7PP 919 317	Roof Cover Bracket		1	
	7PP 919 317 6W0	Roof Luxor Beige			+LE, +MC, +YE, +LD, +MD, +YD, +LC, +LG, +LH, +MA, +MF, +MI, +TA, +TB, +TW, +YA, +YB, +YC, +77
	7PP 919 317 4U0	Roof Platinum Grey			+VA, +VB
	7PP 919 317 5Q0	Roof Black			+LF, +TX, +TY,
	7PP 919 317 3T0	Espresso			
	7PP 919 317 DE1	Umber			

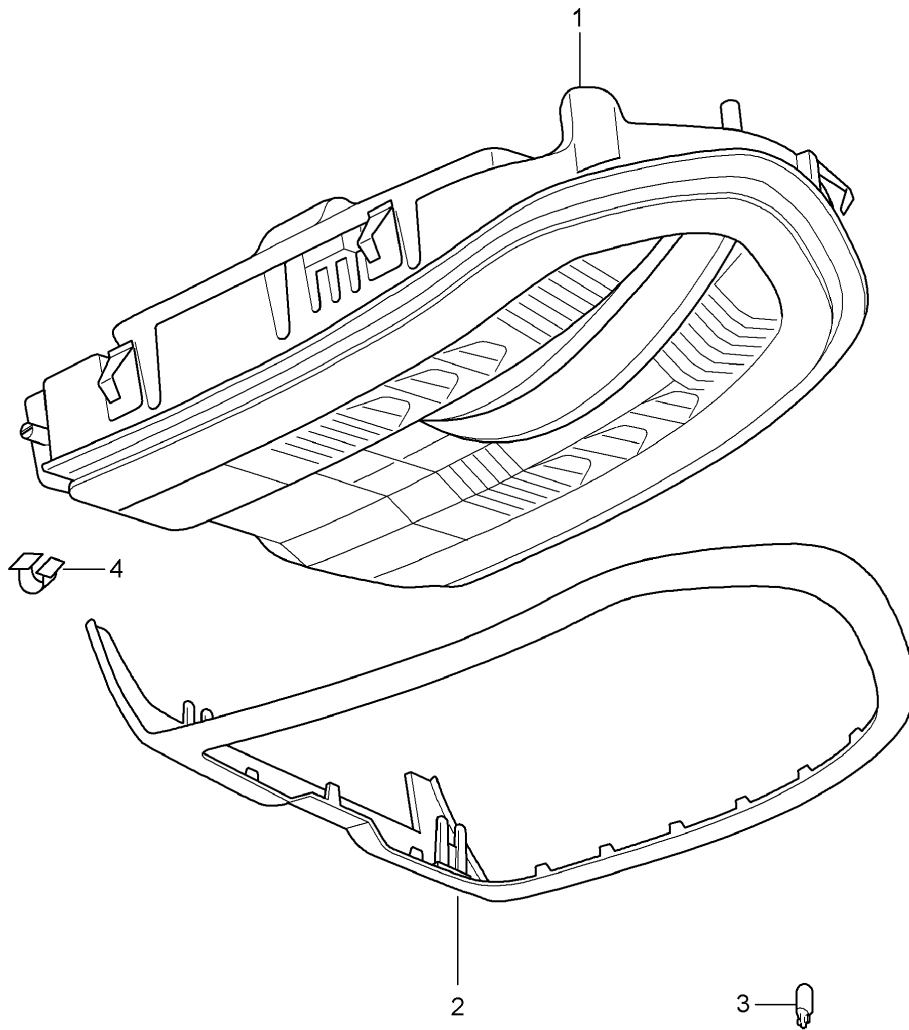
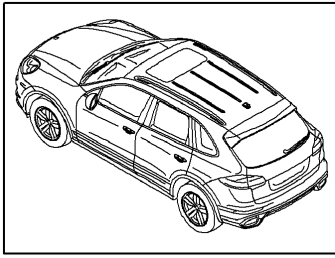
Model: 92A 11

Model life 2011>>

Pos	Part Number	Description	Remark	Qty	Model
-	999 631 032 90	Bulb W5W		X	+YF
-	95B 868 771	Spring clamp		X	

Model: 92A 11

Model life 2011>>



Model: 92A 11 Model life 2011>>

Pos	Part Number	Description	Remark	Qty	Model
1	7PP 868 404 LK	Bracket Roof Workshop manual Attention Bracket	14-16	1	IVC0/3FA/7Q0 I7Q7/7T1/7T4 I7X0/7X9/9MA
1	7PP 868 404 LL	Roof Bracket		1	IVC0/3FE/7Q0 I7Q7/7T1/7T4 I7X0/7X9/9MA
1	7PP 868 404 LM	Roof Bracket		1	IVC0/3FA/7Q0 I7Q7/7T1/7T4 I7X2/7X8/8A4 I9MA
1	7PP 868 404 LN	Roof Bracket		1	IVC1/VC2/3FA I7Q0/7Q7/7T1 I7T4/7X0/7X9 I9MA
1	7PP 868 404 LP	Roof Bracket		1	IVC0/3FE/7Q0 I7Q7/7T1/7T4 I7X2/7X8/8A4 I9MA
1	7PP 868 404 LQ	Roof Bracket		1	IVC1/VC2/3FA I7Q0/7T1/7T4 I7X2/7X8/8A4 I9MA
1	7PP 868 404 LR	Roof Bracket		1	I7Q7 IVC1/VC2/3FE I7Q0/7Q7/7T1 I7T4/7X0/7X9 I9MA
1	7PP 868 404 LS	Roof Bracket		1	IVC1/VC2/3FE I7Q0/7T1/7T4 I7X2/7X8/8A4 I9MA
1	7PP 868 404 LT	Roof Bracket		1	I7Q7 IVC0/3FA/7Q4 I7X0/7X9/9MA
1	7PP 868 404 MA	Roof Bracket		1	IVC0/3FE/7Q4 I7X0/7X9/9MA
1	7PP 868 404 MB	Roof Bracket		1	IVC0/3FA/7Q4 I7X2/7X8/8A4 I9MA
1	7PP 868 404 MC	Roof Bracket		1	IVC1/VC2/3FA I7Q4/7X0/7X9 I9MA
1	7PP 868 404 MD	Roof Bracket		1	IVC0/3FE/7Q4 I7X2/7X8/8A4 I9MA
1	7PP 868 404 ME	Roof Bracket		1	IVC1/VC2/3FA I7Q4/7X2/7X8 I8A4/9MA

Model: 92A 11 Model life 2011>>

Pos	Part Number	Description	Remark	Qty	Model
1	7PP 868 404 MF	Roof Bracket		1	IVC1/VC2/3FE I7Q4/7X0/7X9 I9MA
1	7PP 868 404 MG	Roof Bracket		1	IVC1/VC2/3FE I7Q4/7X2/7X8 I8A4/9MA
1	7PP 868 404 MH	Roof Bracket		1	IVC0/3FA/7Q0 I7Q7/7T1/7T4 I7X0/7X9/9MB
1	7PP 868 404 MJ	Roof Bracket		1	IVC0/3FE/7Q0 I7Q7/7T1/7T4 I7X0/7X9/9MB
1	7PP 868 404 MK	Roof Bracket		1	IVC0/3FA/7Q0 I7Q7/7T1/7T4 I7X2/7X8/8A4 I9MB
1	7PP 868 404 ML	Roof Bracket		1	IVC1/VC2/3FA I7Q0/7Q7/7T1 I7T4/7X0/7X9 I9MB
1	7PP 868 404 MM	Roof Bracket		1	IVC0/3FE/7Q0 I7Q7/7T1/7T4 I7X2/7X8/8A4 I9MB
1	7PP 868 404 MN	Roof Bracket		1	IVC1/VC2/3FA I7Q0/7T1/7T4 I7X2/7X8/8A4 I9MB
1	7PP 868 404 MP	Roof Bracket		1	I7Q7 IVC1/VC2/3FE I7Q0/7Q7/7T1 I7T4/7X0/7X9 I9MB
1	7PP 868 404 MQ	Roof Bracket		1	IVC1/VC2/3FE I7Q0/7T1/7T4 I7X2/7X8/8A4 I9MB
1	7PP 868 404 MR	Roof Bracket		1	I7Q7 IVC0/3FA/7Q4 I7X0/7X9/9MB
1	7PP 868 404 MS	Roof Bracket		1	IVC0/3FE/7Q4 I7X0/7X9/9MB
1	7PP 868 404 MT	Roof Bracket		1	IVC0/3FA/7Q4 I7X2/7X8/8A4 I9MB
1	7PP 868 404 NA	Roof Bracket		1	IVC1/VC2/3FA I7Q4/7X0/7X9 I9MB
1	7PP 868 404 NB	Roof Bracket		1	IVC0/3FE/7Q4 I7X2/7X8/8A4

Model: 92A 11 Model life 2011>>

Pos	Part Number	Description	Remark	Qty	Model
					I9MB
1	7PP 868 404 NC	Roof Bracket		1	IVC1/VC2/3FA I7Q4/7X2/7X8 I8A4/9MB
1	7PP 868 404 ND	Roof Bracket		1	IVC1/VC2/3FE I7Q4/7X0/7X9 I9MB
1	7PP 868 404 NE	Roof Bracket		1	IVC1/VC2/3FE I7Q4/7X2/7X8 I8A4/9MB
(1)	958 613 942 04	Roof Bracket		1	IVC0/3FU/7Q0 I7Q7/7T1/7T4 I7X0/7X9/9MA
(1)	958 613 943 04	Roof Bracket		1	IVC0/3FU/7Q0 I7Q7/7T1/7T4 I7X2/7X8/8A4 I9MA
(1)	958 613 944 04	Roof Bracket		1	IVC1/VC2/3FU I7Q0/7Q7/7T1 I7T4/7X0/7X9 I9MA
(1)	958 613 945 04	Roof Bracket		1	IVC1/VC2/3FU I7Q0/7T1/7T4 I7X2/7X8/8A4 I9MA
(1)	958 613 946 04	Roof Bracket		1	I7Q7 IVC0/3FU/7Q4 I7X0/7X9/9MA
(1)	958 613 947 04	Roof Bracket		1	IVC0/3FU/7Q4 I7X2/7X8/8A4 I9MA
(1)	958 613 948 04	Roof Bracket		1	IVC1/VC2/3FU I7Q4/7X0/7X9 I9MA
(1)	958 613 949 04	Roof Bracket		1	IVC1/VC2/3FU I7Q4/7X2/7X8 I8A4/9MA
(1)	7PP 868 404 NP	Roof Bracket		1	IVC0/3FU/7Q0 I7Q7/7T1/7T4 I7X0/7X9/9MB
(1)	958 613 951 04	Roof Bracket		1	IVC0/3FU/7Q0 I7Q7/7T1/7T4 I7X2/7X8/8A4 I9MB
(1)	958 613 952 04	Roof Bracket		1	IVC1/VC2/3FU I7Q0/7Q7/7T1 I7T4/7X0/7X9 I9MB
(1)	958 613 953 04	Roof Bracket		1	IVC1/VC2/3FU

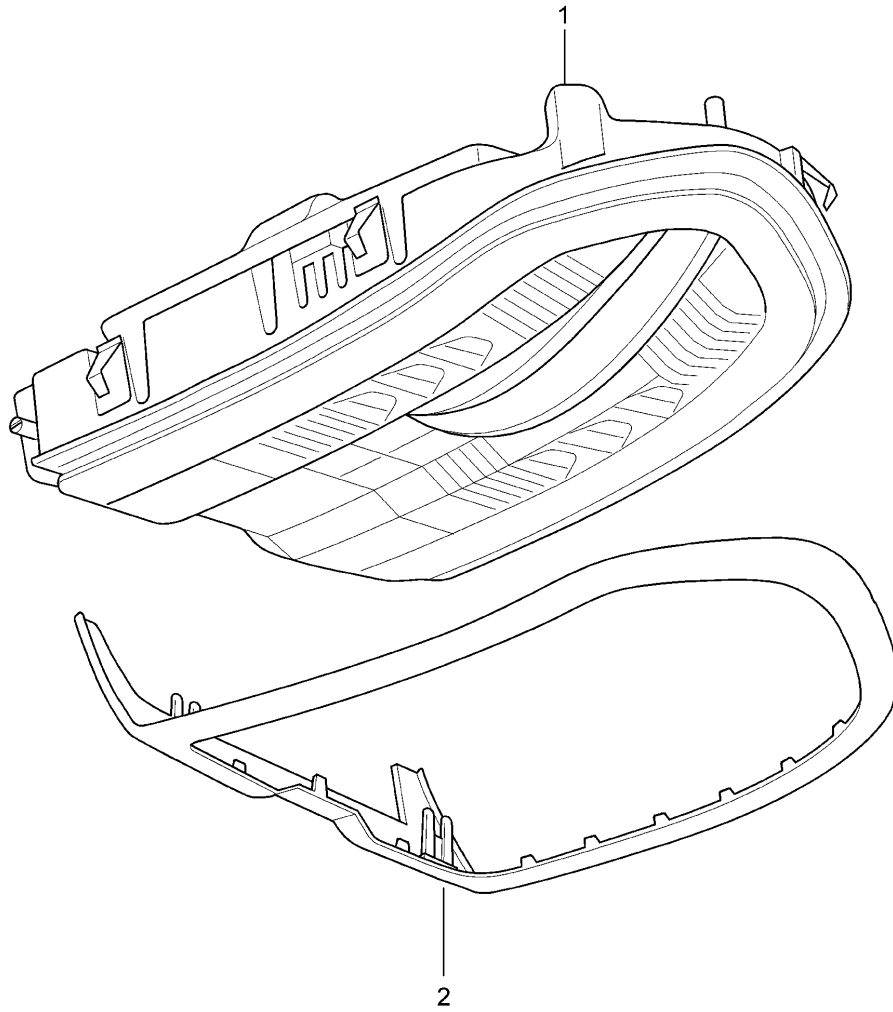
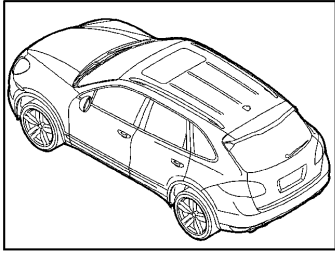
Model: 92A 11

Model life 2011>>

Pos	Part Number	Description	Remark	Qty	Model
(1)	958 613 954 04	Roof Bracket		1	I7Q0/7T1/7T4 I7X2/7X8/8A4 I9MB I7Q7 IVC0/3FU/7Q4 I7X0/7X9/9MB
(1)	958 613 955 04	Roof Bracket		1	IVC0/3FU/7Q4 I7X2/7X8/8A4 I9MB
(1)	958 613 956 04	Roof Bracket		1	IVC1/VC2/3FU I7Q4/7X0/7X9 I9MB
(1)	958 613 957 04	Roof Bracket		1	IVC1/VC2/3FU I7Q4/7X2/7X8 I8A4/9MB
2	7PP 919 317	Roof Cover Bracket		1	
	7PP 919 317 6W0	Roof Luxor Beige			+LE, +MC, +YE,
	7PP 919 317 0A6	Agate Grey			+MB, +MG, +ML
	7PP 919 317 5Q0	Black			+LC, +LG, +LH,
					+MA, +MF, +MI,
					+TA, +TB, +TW,
					+YA, +YB, +YC,
					+77
3	999 631 032 90	Bulb W5W		X	
4	95B 868 771	Spring clamp		X	

Model: 92A 11

Model life 2011>>



Model: 92A 11 Model life 2011>>

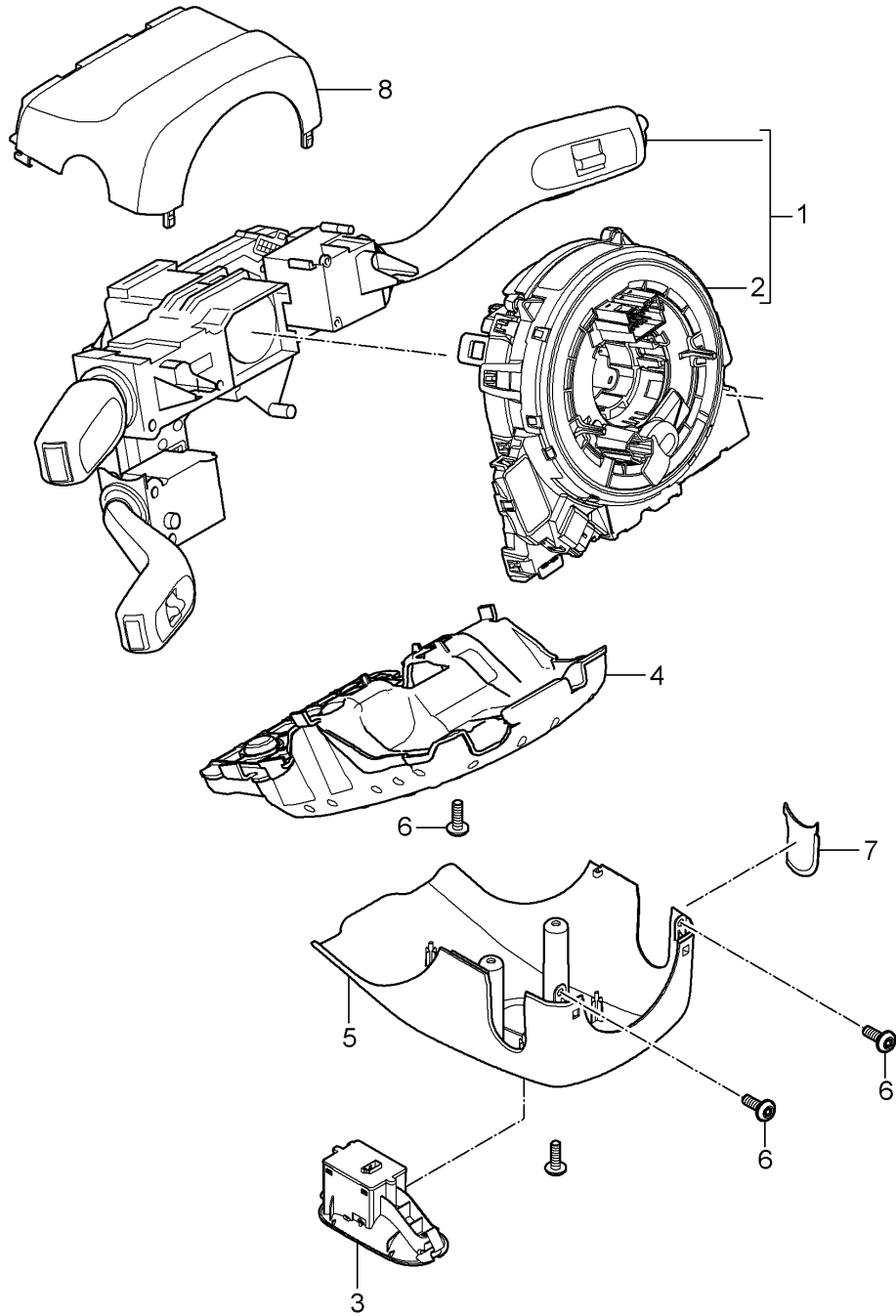
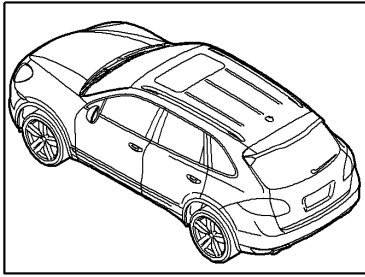
Pos	Part Number	Description	Remark	Qty	Model
1	7PP 868 404 LK	Bracket Roof Workshop manual Attention Bracket	17-	1	IVC0/3FA/7X0 I7X9/9MA
1	7PP 868 404 LL	Roof Bracket		1	IVC0/3FE/7X0 I7X9/9MA
1	7PP 868 404 LM	Roof Bracket		1	IVC0/3FA/7X2 I7X8/8A4/9MA
1	7PP 868 404 LN	Roof Bracket		1	IVC1/VC2/3FA I7X0/7X9/9MA
1	7PP 868 404 LP	Roof Bracket		1	IVC0/3FE/7X2 I7X8/8A4/9MA
1	7PP 868 404 LQ	Roof Bracket		1	IVC1/VC2/3FA I7X2/7X8/8A4 I9MA
1	7PP 868 404 LR	Roof Bracket		1	IVC1/VC2/3FE I7X0/7X9/9MA
1	7PP 868 404 LS	Roof Bracket		1	IVC1/VC2/3FE I7X2/7X8/8A4 I9MA
1	7PP 868 404 MH	Roof Bracket		1	IVC0/3FA/7X0 I7X9/9MB
1	7PP 868 404 MJ	Roof Bracket		1	IVC0/3FE/7X0 I7X9/9MB
1	7PP 868 404 MK	Roof Bracket		1	IVC0/3FA/7X2 I7X8/8A4/9MB
1	7PP 868 404 ML	Roof Bracket		1	IVC1/VC2/3FA I7X0/7X9/9MB
1	7PP 868 404 MM	Roof Bracket		1	IVC0/3FE/7X2 I7X8/8A4/9MB
1	7PP 868 404 MN	Roof Bracket		1	IVC1/VC2/3FA I7X2/7X8/8A4 I9MB
1	7PP 868 404 MP	Roof Bracket		1	IVC1/VC2/3FE I7X0/7X9/9MB
1	7PP 868 404 MQ	Roof Bracket		1	IVC1/VC2/3FE I7X2/7X8/8A4 I9MB
(1)	958 613 942 04	Roof Bracket		1	IVC0/3FU/7X0 I7X9/9MA
(1)	958 613 943 04	Roof Bracket		1	IVC0/3FU/7X2 I7X8/8A4/9MA
(1)	958 613 944 04	Roof Bracket		1	IVC1/VC2/3FU

Model: 92A 11 Model life 2011>>

Pos	Part Number	Description	Remark	Qty	Model
(1)	958 613 945 04	Roof Bracket		1	I7X0/7X9/9MA IVC1/VC2/3FU I7X2/7X8/8A4 I9MA
(1)	7PP 868 404 NP	Roof Bracket		1	IVC0/3FU/7X0 I7X9/9MB
(1)	958 613 951 04	Roof Bracket		1	IVC0/3FU/7X2 I7X8/8A4/9MB
(1)	958 613 952 04	Roof Bracket		1	IVC1/VC2/3FU I7X0/7X9/9MB
(1)	958 613 953 04	Roof Bracket		1	IVC1/VC2/3FU I7X2/7X8/8A4 I9MB
2	7PP 919 317 7PP 919 317 6W0 7PP 919 317 0A6 7PP 919 317 5Q0	Roof Cover Bracket Roof Luxor Beige Agate Grey Black		1	+LE, +MC, +YE, +MB, +MG, +ML +LC, +LG, +LH, +MA, +MF, +MI, +TA, +TB, +TW, +YA, +YB, +YC, +77
3	999 631 032 90	Bulb W5W		X	
4	95B 868 771	Spring clamp		X	

Model: 92A 11

Model life 2011>>



Model: 92A 11 Model life 2011>>

Pos	Part Number	Description	Remark	Qty	Model
1	958 613 011 00	Steering column switch	-14	1	IQH0/1ML/2PM
		Steering column switch	-11		I8T1/8X0
1	958 613 011 03	Steering column switch	12	1	IQH0/1ML/2PM
					I2PX/8T1/8X0
1		Steering column switch	13	1	IIY1/QH0/1ML
					I2PM/2PX/8T1
					I8X0
1	958 613 011 10	Steering column switch	13	1	IIY2/QH0/1ML
					I2PM/2PX/8T1
					I8X0
1		Steering column switch	14	1	IIY1/QH0/1ML
					I2PM/2PX/8T1
					I8X0
1	958 613 011 11	Steering column switch	14-	1	IIY2/QH0/1ML
					I2PM/2PX/8T1
					I8X0
1	958 613 013 00	Steering column switch	-11	1	IQH0/1ML/2PM
					I8T1/8X1
1	958 613 013 01	Steering column switch	-11	1	IQH0/1ML/2PM
					I8T1/8X1
1	958 613 013 02	Steering column switch	-11	1	IQH0/1ML/2PM
					I8T1/8X1
1	958 613 013 03	Steering column switch	12	1	IQH0/1ML/2PM
					I2PX/8T1/8X1
1		Steering column switch	13	1	IIY1/QH0/1ML
					I2PM/2PX/8T1
					I8X1
1	958 613 013 10	Steering column switch	13	1	IIY2/QH0/1ML
					I2PM/2PX/8T1
					I8X1
1		Steering column switch	14	1	IIY1/QH0/1ML
					I2PM/2PX/8T1
					I8X1
1	958 613 013 11	Steering column switch	14-	1	IIY2/QH0/1ML
					I2PM/2PX/8T1
					I8X1
1	958 613 015 00	Steering column switch	-11	1	IQH1/2ZM/8T1
					I8X1
1	958 613 015 03	Steering column switch	12	1	IQH1/2ZM/8T1
					I8X1
1		Steering column switch	13	1	IIY1/QH1/2ZM
					I8T1/8X1
1	958 613 015 10	Steering column switch	13	1	IIY2/QH1/2ZM
					I8T1/8X1
1		Steering column switch	14	1	IIY1/QH1/2ZM
					I8T1/8X1
1	958 613 015 11	Steering column switch	14-	1	IIY2/QH1/2ZM
					I8T1/8X1
1	958 613 017 00	Steering column switch	-11	1	IQH0/1XE/1XJ
					I2FX/2ZH/8T1
					I8X0
1	958 613 017 03	Steering column switch	12	1	IQH0/1XE/1XJ
					I2FX/2ZH/2ZU
					I8T1/8X0
1		Steering column switch	13	1	IIY1/QH0/1XE
					I1XJ/2FX/2ZH
					I2ZU/8T1/8X0
1	958 613 017 10	Steering column switch	13	1	IIY2/QH0/1XE
					I1XJ/2FX/2ZH
					I2ZU/8T1/8X0
1		Steering column switch	14	1	IIY1/QH0/1XE
					I1XJ/2FX/2ZH

Model: 92A 11 Model life 2011>>

Pos	Part Number	Description	Remark	Qty	Model
1	958 613 017 11	Steering column switch	14-	1	I2ZU/8T1/8X0 IIY2/QH0/1XE I1XJ/2FX/2ZH I2ZU/8T1/8X0
1	958 613 019 00	Steering column switch	-11	1	IQH0/1XE/1XJ I2FX/2ZH/8T1 I8X1
1	958 613 019 01	Steering column switch	-11	1	IQH0/1XE/1XJ I2FX/2ZH/8T1 I8X1
1	958 613 019 03	Steering column switch	12	1	IQH0/1XE/1XJ I2FX/2ZH/2ZU I8T1/8X1
1		Steering column switch	13	1	IIY1/QH0/1XE I1XJ/2FX/2ZH I2ZU/8T1/8X1
1	958 613 019 10	Steering column switch	13	1	IIY2/QH0/1XE I1XJ/2FX/2ZH I2ZU/8T1/8X1
1		Steering column switch	14	1	IIY1/QH0/1XE I1XJ/2FX/2ZH I2ZU/8T1/8X1
1	958 613 019 11	Steering column switch	14-	1	IIY2/QH0/1XE I1XJ/2FX/2ZH I2ZU/8T1/8X1
1	958 613 021 00	Steering column switch	-11	1	IQH1/1XE/1XJ I2FX/2ZH/8T1 I8X0
1	958 613 021 03	Steering column switch	12	1	IQH1/1XE/1XJ I2FX/2ZH/2ZU I8T1/8X0
1		Steering column switch	13	1	IIY1/QH1/1XE I1XJ/2FX/2ZH I2ZU/8T1/8X0
1	958 613 021 10	Steering column switch	13	1	IIY2/QH1/1XE I1XJ/2FX/2ZH I2ZU/8T1/8X0
1		Steering column switch	14	1	IIY1/QH1/1XE I1XJ/2FX/2ZH I2ZU/8T1/8X0
1	958 613 021 11	Steering column switch	14-	1	IIY2/QH1/1XE I1XJ/2FX/2ZH I2ZU/8T1/8X0
1	958 613 023 00	Steering column switch	-11	1	IQH1/1XE/1XJ I2FX/2ZH/8T1 I8X1
1	958 613 023 03	Steering column switch	12	1	IQH1/1XE/1XJ I2FX/2ZH/2ZU I8T1/8X1
1		Steering column switch	13	1	IIY1/QH1/1XE I1XJ/2FX/2ZH I2ZU/8T1/8X1
1	958 613 023 10	Steering column switch	13	1	IIY2/QH1/1XE I1XJ/2FX/2ZH I2ZU/8T1/8X1
1		Steering column switch	14	1	IIY1/QH1/1XE I1XJ/2FX/2ZH I2ZU/8T1/8X1
1	958 613 023 11	Steering column switch	14-	1	IIY2/QH1/1XE I1XJ/2FX/2ZH I2ZU/8T1/8X1
1	958 613 025 00	Steering column switch	-11	1	IQH0/2ZM/8T3 I8X0

Model: 92A 11

Model life 2011>>

Pos	Part Number	Description	Remark	Qty	Model
1	958 613 025 03	Steering column switch	12	1	IQH0/2ZM/8T3 I8X0
1		Steering column switch	13	1	IIY1/QH0/2ZM I8T3/8X0
1	958 613 025 10	Steering column switch	13	1	IIY2/QH0/2ZM I8T3/8X0
1		Steering column switch	14	1	IIY1/QH0/2ZM I8T3/8X0
1	958 613 025 11	Steering column switch	14-	1	IIY2/QH0/2ZM I8T3/8X0
1	958 613 027 00	Steering column switch	-11	1	IQH0/2ZM/8T3 I8X1
1	958 613 027 03	Steering column switch	12	1	IQH0/2ZM/8T3 I8X1
1		Steering column switch	13	1	IIY1/QH0/2ZM I8T3/8X1
1	958 613 027 10	Steering column switch	13	1	IIY2/QH0/2ZM I8T3/8X1
1		Steering column switch	14	1	IIY1/QH0/2ZM I8T3/8X1
1	958 613 027 11	Steering column switch	14-	1	IIY2/QH0/2ZM I8T3/8X1
1	958 613 029 00	Steering column switch	-11	1	IQH1/2ZM/8T3 I8X0
1	958 613 029 03	Steering column switch	12	1	IQH1/2ZM/8T3 I8X0
1		Steering column switch	13	1	IIY1/QH1/2ZM I8T3/8X0
1	958 613 029 10	Steering column switch	13	1	IIY2/QH1/2ZM I8T3/8X0
1		Steering column switch	14	1	IIY1/QH1/2ZM I8T3/8X0
1	958 613 029 11	Steering column switch	14-	1	IIY2/QH1/2ZM I8T3/8X0
1	958 613 031 00	Steering column switch	-11	1	IQH1/2ZM/8T3 I8X1
1	958 613 031 03	Steering column switch	12	1	IQH1/2ZM/8T3 I8X1
1		Steering column switch	13	1	IIY1/QH1/2ZM I8T3/8X1
1	958 613 031 10	Steering column switch	13	1	IIY2/QH1/2ZM I8T3/8X1
1		Steering column switch	14	1	IIY1/QH1/2ZM I8T3/8X1
1	958 613 031 11	Steering column switch	14-	1	IIY2/QH1/2ZM I8T3/8X1
1	958 613 033 00	Steering column switch	-11	1	IQH0/1XE/1XJ I2FX/2ZH/8T3 I8X0
1	958 613 033 03	Steering column switch	12	1	IQH0/1XE/1XJ I2FX/2ZH/2ZU I8T3/8X0
1		Steering column switch	13	1	IIY1/QH0/1XE I1XJ/2FX/2ZH I2ZU/8T3/8X0
1	958 613 033 10	Steering column switch	13	1	IIY2/QH0/1XE I1XJ/2FX/2ZH I2ZU/8T3/8X0
1		Steering column switch	14	1	IIY1/QH0/1XE I1XJ/2FX/2ZH I2ZU/8T3/8X0
1	958 613 033 11	Steering column switch	14-	1	IIY2/QH0/1XE I1XJ/2FX/2ZH

Model: 92A 11 Model life 2011>>

Pos	Part Number	Description	Remark	Qty	Model
1	958 613 035 00	Steering column switch	-11	1	I2ZU/8T3/8X0 IQH0/1XE/1XJ I2FX/2ZH/8T3 I8X1
1	958 613 035 03	Steering column switch	12	1	IQH0/1XE/1XJ I2FX/2ZH/2ZU I8T3/8X1
1		Steering column switch	13	1	I1Y1/QH0/1XE I1XJ/2FX/2ZH I2ZU/8T3/8X1
1	958 613 035 10	Steering column switch	13	1	I1Y2/QH0/1XE I1XJ/2FX/2ZH I2ZU/8T3/8X1
1		Steering column switch	14	1	I1Y1/QH0/1XE I1XJ/2FX/2ZH I2ZU/8T3/8X1
1	958 613 035 11	Steering column switch	14-	1	I1Y2/QH0/1XE I1XJ/2FX/2ZH I2ZU/8T3/8X1
1	958 613 037 00	Steering column switch	-11	1	IQH1/1XE/1XJ I2FX/2ZH/8T3 I8X0
1	958 613 037 03	Steering column switch	12	1	IQH1/1XE/1XJ I2FX/2ZH/2ZU I8T3/8X0
1		Steering column switch	13	1	I1Y1/QH1/1XE I1XJ/2FX/2ZH I2ZU/8T3/8X0
1	958 613 037 10	Steering column switch	13	1	I1Y2/QH1/1XE I1XJ/2FX/2ZH I2ZU/8T3/8X0
1		Steering column switch	14	1	I1Y1/QH1/1XE I1XJ/2FX/2ZH I2ZU/8T3/8X0
1	958 613 037 11	Steering column switch	14-	1	I1Y2/QH1/1XE I1XJ/2FX/2ZH I2ZU/8T3/8X0
1	958 613 039 00	Steering column switch	-11	1	IQH1/1XE/1XJ I2FX/2ZH/8T3 I8X1
1	958 613 039 03	Steering column switch	12	1	IQH1/1XE/1XJ I2FX/2ZH/2ZU I8T3/8X1
1		Steering column switch	13	1	I1Y1/QH1/1XE I1XJ/2FX/2ZH I2ZU/8T3/8X1
1	958 613 039 10	Steering column switch	13	1	I1Y2/QH1/1XE I1XJ/2FX/2ZH I2ZU/8T3/8X1
1		Steering column switch	14	1	I1Y1/QH1/1XE I1XJ/2FX/2ZH I2ZU/8T3/8X1
1	958 613 039 11	Steering column switch	14-	1	I1Y2/QH1/1XE I1XJ/2FX/2ZH I2ZU/8T3/8X1
1	958 613 041 00	Steering column switch	-11	1	IQH1/1ML/2PM I8T1/8X0
1	958 613 041 03	Steering column switch	12	1	IQH1/1ML/2PM I2PX/8T1/8X0
1		Steering column switch	13	1	I1Y1/QH1/1ML I2PM/2PX/8T1 I8X0
1	958 613 041 10	Steering column switch	13	1	I1Y2/QH1/1ML

Model: 92A 11 Model life 2011>>

Pos	Part Number	Description	Remark	Qty	Model
1		Steering column switch	14	1	I2PM/2PX/8T1 I8X0 IIY1/QH1/1ML I2PM/2PX/8T1 I8X0
1	958 613 041 11	Steering column switch	14-	1	IIY2/QH1/1ML I2PM/2PX/8T1 I8X0
1	958 613 043 00	Steering column switch	-11	1	IQH1/1ML/2PM I8T1/8X1
1	958 613 043 03	Steering column switch	12	1	IQH1/1ML/2PM I2PX/8T1/8X1
1		Steering column switch	13	1	IIY1/QH1/1ML I2PM/2PX/8T1 I8X1
1	958 613 043 10	Steering column switch	13	1	IIY2/QH1/1ML I2PM/2PX/8T1 I8X1
1		Steering column switch	14	1	IIY1/QH1/1ML I2PM/2PX/8T1 I8X1
1	958 613 043 11	Steering column switch	14-	1	IIY2/QH1/1ML I2PM/2PX/8T1 I8X1
1	958 613 045 00	Steering column switch	-11	1	IQH0/2PH/8T1 I8X0
1	958 613 045 03	Steering column switch	12	1	IQH0/2PH/8T1 I8X0
1		Steering column switch	13	1	IIY1/QH0/2PH I8T1/8X0
1	958 613 045 10	Steering column switch	13	1	IIY2/QH0/2PH I8T1/8X0
1		Steering column switch	14	1	IIY1/QH0/2PH I8T1/8X0
1	958 613 045 11	Steering column switch	14-	1	IIY2/QH0/2PH I8T1/8X0
1	958 613 047 00	Steering column switch	-11	1	IQH0/2PH/8T1 I8X1
1	958 613 047 03	Steering column switch	12	1	IQH0/2PH/8T1 I8X1
1		Steering column switch	13	1	IIY1/QH0/2PH I8T1/8X1
1	958 613 047 10	Steering column switch	13	1	IIY2/QH0/2PH I8T1/8X1
1		Steering column switch	14	1	IIY1/QH0/2PH I8T1/8X1
1	958 613 047 11	Steering column switch	14-	1	IIY2/QH0/2PH I8T1/8X1
1	958 613 049 00	Steering column switch	-11	1	IQH1/2PH/8T1 I8X0
1	958 613 049 03	Steering column switch	12	1	IQH1/2PH/8T1 I8X0
1		Steering column switch	13	1	IIY1/QH1/2PH I8T1/8X0
1	958 613 049 10	Steering column switch	13	1	IIY2/QH1/2PH I8T1/8X0
1		Steering column switch	14	1	IIY1/QH1/2PH I8T1/8X0
1	958 613 049 11	Steering column switch	14-	1	IIY2/QH1/2PH I8T1/8X0
1	958 613 051 00	Steering column switch	-11	1	IQH1/2PH/8T1 I8X1
1	958 613 051 03	Steering column switch	12	1	IQH1/2PH/8T1

Model: 92A 11 Model life 2011>>

Pos	Part Number	Description	Remark	Qty	Model
1		Steering column switch	13	1	I8X1 IIY1/QH1/2PH I8T1/8X1
1	958 613 051 10	Steering column switch	13	1	IIY2/QH1/2PH I8T1/8X1
1		Steering column switch	14	1	IIY1/QH1/2PH I8T1/8X1
1	958 613 051 11	Steering column switch	14-	1	IIY2/QH1/2PH I8T1/8X1
1	958 613 053 00	Steering column switch	-11	1	IQH0/1ML/2PM I8T3/8X0
1	958 613 053 03	Steering column switch	12	1	IQH0/1ML/2PM I2PX/8T3/8X0
1		Steering column switch	13	1	IIY1/QH0/1ML I2PM/2PX/8T3 I8X0
1	958 613 053 10	Steering column switch	13	1	IIY2/QH0/1ML I2PM/2PX/8T3 I8X0
1		Steering column switch	14	1	IIY1/QH0/1ML I2PM/2PX/8T3 I8X0
1	958 613 053 11	Steering column switch	14-	1	IIY2/QH0/1ML I2PM/2PX/8T3 I8X0
1	958 613 055 00	Steering column switch	-11	1	IQH0/1ML/2PM I8T3/8X1
1	958 613 055 03	Steering column switch	12	1	IQH0/1ML/2PM I2PX/8T3/8X1
1		Steering column switch	13	1	IIY1/QH0/1ML I2PM/2PX/8T3 I8X1
1	958 613 055 10	Steering column switch	13	1	IIY2/QH0/1ML I2PM/2PX/8T3 I8X1
1		Steering column switch	14	1	IIY1/QH0/1ML I2PM/2PX/8T3 I8X1
1	958 613 055 11	Steering column switch	14-	1	IIY2/QH0/1ML I2PM/2PX/8T3 I8X1
1	958 613 057 00	Steering column switch	-11	1	IQH1/1ML/2PM I8T3/8X0
1	958 613 057 03	Steering column switch	12	1	IQH1/1ML/2PM I2PX/8T3/8X0
1		Steering column switch	13	1	IIY1/QH1/1ML I2PM/2PX/8T3 I8X0
1	958 613 057 10	Steering column switch	13	1	IIY2/QH1/1ML I2PM/2PX/8T3 I8X0
1		Steering column switch	14	1	IIY1/QH1/1ML I2PM/2PX/8T3 I8X0
1	958 613 057 11	Steering column switch	14-	1	IIY2/QH1/1ML I2PM/2PX/8T3 I8X0
1	958 613 059 00	Steering column switch	-11	1	IQH1/1ML/2PM I8T3/8X1
1	958 613 059 03	Steering column switch	12	1	IQH1/1ML/2PM I2PX/8T3/8X1
1		Steering column switch	13	1	IIY1/QH1/1ML I2PM/2PX/8T3

Model: 92A 11 Model life 2011>>

Pos	Part Number	Description	Remark	Qty	Model
1	958 613 059 10	Steering column switch	13	1	I8X1 IIY2/QH1/1ML I2PM/2PX/8T3
1		Steering column switch	14	1	I8X1 IIY1/QH1/1ML I2PM/2PX/8T3
1	958 613 059 11	Steering column switch	14-	1	I8X1 IIY2/QH1/1ML I2PM/2PX/8T3
1	958 613 061 00	Steering column switch	-11	1	I8X1 IQH0/2PH/8T3
1	958 613 061 03	Steering column switch	12	1	I8X0 IQH0/2PH/8T3
1		Steering column switch	13	1	I8X0 IIY1/QH0/2PH I8T3/8X0
1	958 613 061 10	Steering column switch	13	1	IIY2/QH0/2PH I8T3/8X0
1		Steering column switch	14	1	IIY1/QH0/2PH I8T3/8X0
1	958 613 061 11	Steering column switch	14-	1	IIY2/QH0/2PH I8T3/8X0
1	958 613 063 00	Steering column switch	-11	1	IQH0/2PH/8T3 I8X1
1	958 613 063 03	Steering column switch	12	1	IQH0/2PH/8T3 I8X1
1		Steering column switch	13	1	IIY1/QH0/2PH I8T3/8X1
1	958 613 063 10	Steering column switch	13	1	IIY2/QH0/2PH I8T3/8X1
1		Steering column switch	14	1	IIY1/QH0/2PH I8T3/8X1
1	958 613 063 11	Steering column switch	14-	1	IIY2/QH0/2PH I8T3/8X1
1	958 613 065 00	Steering column switch	-11	1	IQH1/2PH/8T3 I8X0
1	958 613 065 03	Steering column switch	12	1	IQH1/2PH/8T3 I8X0
1		Steering column switch	13	1	IIY1/QH1/2PH I8T3/8X0
1	958 613 065 10	Steering column switch	13	1	IIY2/QH1/2PH I8T3/8X0
1		Steering column switch	14	1	IIY1/QH1/2PH I8T3/8X0
1	958 613 065 11	Steering column switch	14-	1	IIY2/QH1/2PH I8T3/8X0
1	958 613 067 00	Steering column switch	-11	1	IQH1/2PH/8T3 I8X1
1	958 613 067 03	Steering column switch	12	1	IQH1/2PH/8T3 I8X1
1		Steering column switch	13	1	I8X1 IIY1/QH1/2PH I8T3/8X1
1	958 613 067 10	Steering column switch	13	1	IIY2/QH1/2PH I8T3/8X1
1		Steering column switch	14	1	IIY1/QH1/2PH I8T3/8X1
1	958 613 067 11	Steering column switch	14-	1	IIY2/QH1/2PH I8T3/8X1
1	958 613 069 00	Steering column switch	-11	1	IQH0/2ZM/8T1 I8X0
1	958 613 069 03	Steering column switch	12	1	IQH0/2ZM/8T1 I8X0
1		Steering column switch	13	1	IIY1/QH0/2ZM

Model: 92A 11 Model life 2011>>

Pos	Part Number	Description	Remark	Qty	Model
1	958 613 069 10	Steering column switch	13	1	I8T1/8X0 IIY2/QH0/2ZM
1		Steering column switch	14	1	I8T1/8X0 IIY1/QH0/2ZM
1	958 613 069 11	Steering column switch	14-	1	I8T1/8X0 IIY2/QH0/2ZM
1	958 613 071 00	Steering column switch	-11	1	I8T1/8X0 IQH0/2ZM/8T1
1	958 613 071 03	Steering column switch	12	1	I8X1 IQH0/2ZM/8T1
1		Steering column switch	13	1	I8X1 IIY1/QH0/2ZM
1	958 613 071 10	Steering column switch	13	1	I8T1/8X1 IIY2/QH0/2ZM
1		Steering column switch	14	1	I8T1/8X1 IIY1/QH0/2ZM
1	958 613 071 11	Steering column switch	14-	1	I8T1/8X1 IQH0/2ZM/8T1
1	958 613 073 00	Steering column switch	-11	1	I8X1 IQH1/2ZM/8T1
1	958 613 073 03	Steering column switch	12	1	I8X0 IQH1/2ZM/8T1
1		Steering column switch	13	1	I8X0 IIY1/QH1/2ZM
1	958 613 073 10	Steering column switch	13	1	I8T1/8X0 IIY2/QH1/2ZM
1		Steering column switch	14	1	I8T1/8X0 IIY1/QH1/2ZM
2	958 652 568 00	Control unit Steering column switch with Spring Steering-angle sensor	-11	1	I8T1/8X0 I1ML/2PM/2ZM
2	958 652 568 01	Control unit Steering column switch with Spring Steering-angle sensor	-11	1	I1ML/2PM/2ZM
2	958 652 568 02	Control unit Steering column switch with Spring Steering-angle sensor	-11	1	I1ML/2PM/2ZM
2	958 652 568 03	Control unit Steering column switch with Spring Steering-angle sensor	12-	1	I1ML/2PM/2PX I2ZM
(2)	958 652 568 10	Control unit Steering column switch with Spring Steering-angle sensor	-11	1	I1XE/1XJ/2FX I2PH/2ZH/2ZU
(2)	958 652 568 11	Control unit Steering column switch with Spring Steering-angle sensor	-11	1	I1XE/1XJ/2FX I2PH/2ZH/2ZU
(2)	958 652 568 12	Control unit	-11	1	I1XE/1XJ/2FX

Model: 92A 11 Model life 2011>>

Pos	Part Number	Description	Remark	Qty	Model
		Steering column switch with Spring Steering-angle sensor Control unit	12-	1	I2PH/2ZH/2ZU I1XE/1XJ/2FX I2PH/2ZH/2ZU
(2)	958 652 568 13				
3	7PP 953 519 B	Steering column switch with Spring Steering-angle sensor Switch Adjustment Steering column		1	I2C4
4	7PP 953 519 B A05	Black mat			
(4)	958 552 515 00	Impact absorber		1	I2C5
5	958 552 515 10	Impact absorber		1	I2C4
	958 552 475 00	Switch housing Lower		1	I2C5
	958 552 475 00 5Q0	Black			+LC,+MA,+TA, +TB,+TW,+YA, +YB,+YC +LD,+MD,+YD, +LE,+MC,+YE, +VA,+VB +LF,+TX,+TY, +YF
	958 552 475 00 4U0	Platinum Grey			
	958 552 475 00 6W0	Luxor Beige			
	958 552 475 00 3T0	Espresso			
	958 552 475 00 DE1	Umber			
(5)	958 552 475 01	Switch housing Lower		1	I2C4
	958 552 475 01 5Q0	Black			+LC,+MA,+TA, +TB,+TW,+YA, +YA,+YB,+YC, +77, +LD,+MD,+YD, +LE,+MC,+YE, +VA,+VB, +LF,+TX,+TY, +YF
	958 552 475 01 4U0	Platinum Grey			
	958 552 475 01 6W0	Luxor Beige			
	958 552 475 01 3T0	Espresso			
	958 552 475 01 DE1	Umber			
6	N 906 986 06	Tapping screw ST 4,2 X 16		4	
7	958 552 675 00	Cover		1	I1XE/2FX/2ZH I2ZM
	958 552 675 00 5Q0	Black			+LC,+LG,+LH, +MA,+MF,+MI, +TA,+TB,+TW, +YA,+YB,+YC, +77, +LD,+MD,+YD, +LE,+MC,+YE, +VA,+VB, +LF,+TX,+TY, +YF,
	958 552 675 00 4U0	Platinum Grey			
	958 552 675 00 6W0	Luxor Beige			
	958 552 675 00 3T0	Espresso			
	958 552 675 00 DE1	Umber			
8	958 552 473 00	Switch housing Upper		1	
	958 552 473 00 5Q0	Black			+LC,+LG,+LH, +MA,+MF,+MI, +TA,+TB,+TW, +YA,+YB,+YC, +77, +LD,+MD,+YD, +LE,+MC,+YE, +VA,+VB, +LF,+TX,+TY,
	958 552 473 00 4U0	Platinum Grey			
	958 552 473 00 6W0	Luxor Beige			
	958 552 473 00 3T0	Espresso			
	958 552 473 00 DE1	Umber			

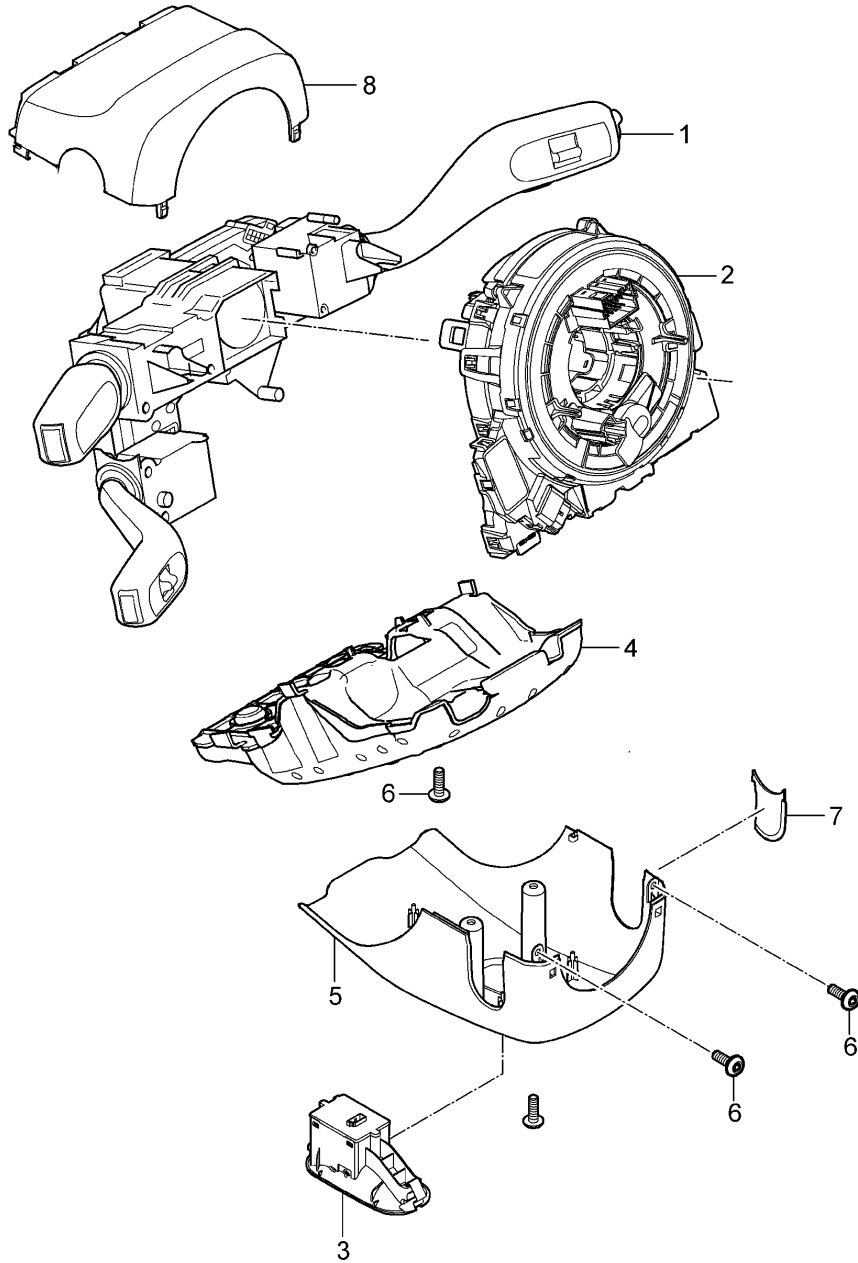
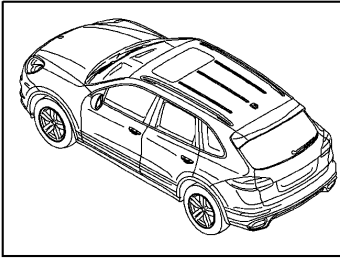
Model: 92A 11

Model life 2011>>

Pos	Part Number	Description	Remark	Qty	Model
					+YF ,

Model: 92A 11

Model life 2011>>



Model: 92A 11 Model life 2011>>

Pos	Part Number	Description	Remark	Qty	Model
			15-		
1	95B 953 502 D	Steering column switch		1	IQH0/8T3/8X0
1	95B 953 502 E	Steering column switch		1	IQH0/8T3/8X1
1	95B 953 502 F	Steering column switch		1	IQH1/8T3/8X0
1	95B 953 502 H	Steering column switch		1	IQH1/8T3/8X1
1	95B 953 502 J	Steering column switch		1	IQH0/8T1/8X0
1	95B 953 502 K	Steering column switch		1	IQH0/8T1/8X1
1	95B 953 502 L	Steering column switch		1	IQH1/8T1/8X0
1	95B 953 502 M	Steering column switch		1	IQH1/8T1/8X1
2	95B 953 568	Control unit		1	I2ZM
		Steering column switch Included Spring Steering-angle sensor Control unit			
(2)	95B 953 568 A	Control unit		1	I1XE/1XG/2FX I2ZH/2ZU
		Steering column switch Included Spring Steering-angle sensor Switch Adjustment Steering column			
3	7PP 953 519 E	Switch		1	I2C4
	7PP 953 519 E IVI	Black mat			
4	958 552 515 20	Impact absorber		1	I2C5
(4)	958 552 515 30	Impact absorber		1	I2C4
5	958 552 177 00	Switch housing Lower		1	I2C5
	958 552 177 00 OA6	Agate Grey			+MB, +MG, +ML
	958 552 177 00 OL7	Saddle Tan			+ME, +MH, +MJ, +MK, +VA, +VB
	958 552 177 00 3T0	Espresso			+LC, +LG, +LH, +MA, +MF, +MI, +TA, +TB, +YA, +YC, +77
	958 552 177 00 5Q0	Black			+LE, +MC, +YE, I2C4
5	958 552 177 00 6W0	Luxor Beige		1	
	958 552 178 00	Switch housing Lower			
	958 552 178 00 OA6	Agate Grey			+MB, +MG, +ML
	958 552 178 00 OL7	Saddle Tan			+ME, +MH, +MJ, +MK, +VA, +VB
	958 552 178 00 3T0	Espresso			+LC, +LG, +LH, +MA, +MF, +MI, +TA, +TB, +YA, +YC, +77
	958 552 178 00 5Q0	Black			+LE, +MC, +YE,
6	958 552 178 00 6W0	Luxor Beige		4	
	N 906 986 01	Tapping screw ST 4,2 X 16			
7	958 552 675 00	Cover		1	I1XG
	958 552 675 00 OA6	Agate Grey			+MB, +MG, +ML
	958 552 675 00 OL7	Saddle Tan			+ME, +MH, +MJ, +MK, +VA, +VB
	958 552 675 00 3T0	Espresso			+LC, +LG, +LH, +MA, +MF, +MI, +TA, +TB, +YA, +YC, +77
	958 552 675 00 5Q0	Black			+LE, +MC, +YE,
8	958 552 675 00 6W0	Luxor Beige		1	
	958 552 473 00	Switch housing Upper			
	958 552 473 00 OA6	Agate Grey			+MB, +MG, +ML

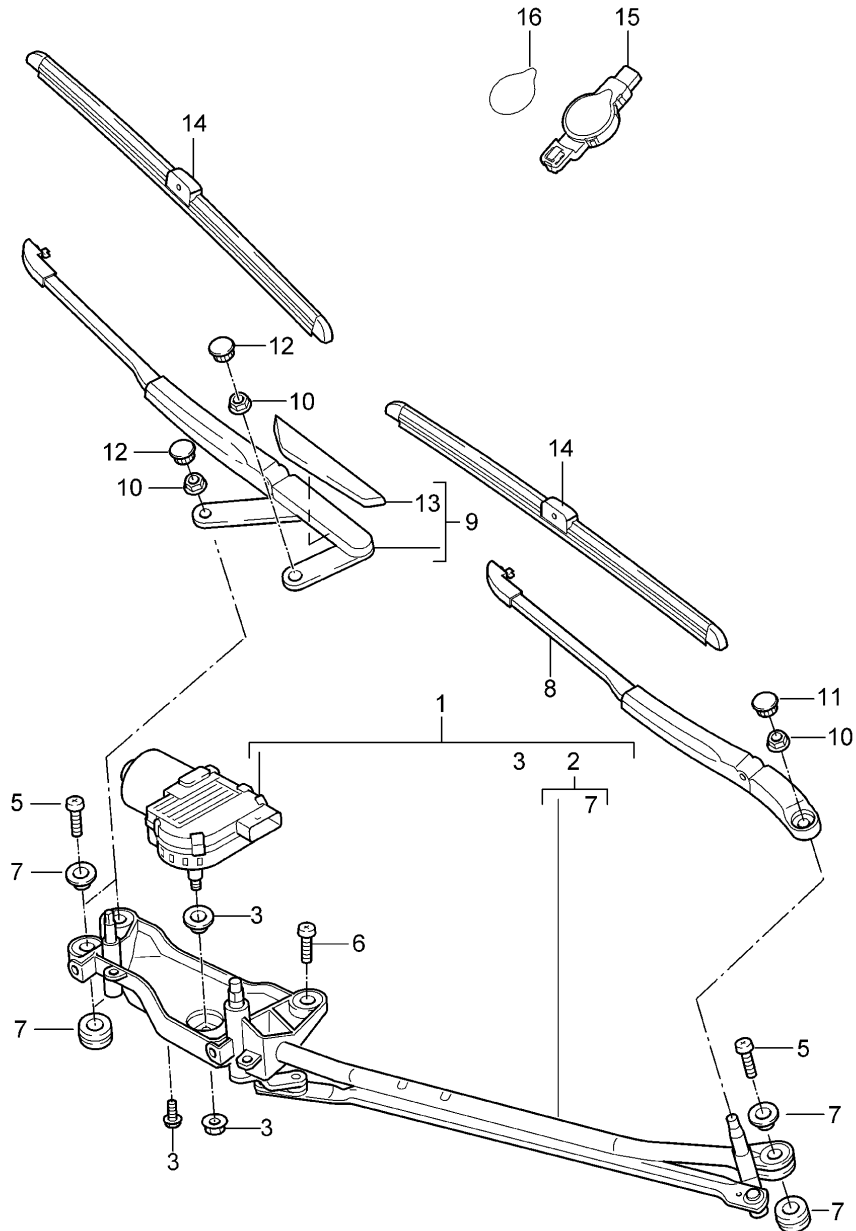
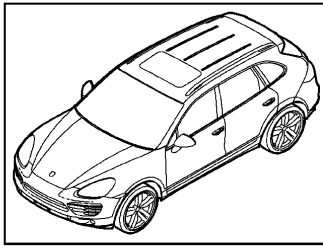
Model: 92A 11

Model life 2011>>

Pos	Part Number	Description	Remark	Qty	Model
	958 552 473 00 OL7	Saddle Tan			+ME, +MH, +MJ,
	958 552 473 00 3T0	Espresso			+MK,
	958 552 473 00 5Q0	Black			+VA, +VB
					+LC, +LG, +LH,
					+MA, +MF, +MI,
					+TA, +TB, +YA,
					+YC, +77
	958 552 473 00 6W0	Luxor Beige			+LE, +MC, +YE,

Model: 92A 11

Model life 2011>>



Model: 92A 11

Model life 2011>>

Pos	Part Number	Description	Remark	Qty	Model
1	958 628 023 00	Windscreen wiper system Rain sensor Windscreen wiper system Complete Comprising: Position 1,2,3,7	/LL	1	IL0L
1	958 628 024 00	Windscreen wiper system Complete Comprising: Position 1,2,3,7	/RL	1	IL0R
2	958 628 137 00	Crank drive	/LL	1	IL0L
(2)	958 628 138 00	Crank drive	/RL	1	IL0R
3	958 628 930 00	Repair kit Comprising:		1	
-		Oval-head screw M 6 X 19		3	
-		Hexagon nut M 6		1	
-		Cap		1	
5	N 105 355 02	Pan-head screw M 6 X 30		3	
6	WHT 004 769	Combination screw M 6 X 35		2	
7	955 628 711 00	Repair kit Comprising:		1	
-		Bush 13,6 MM		2	
-		Bush 6,4 X 13,6 MM		1	
-		Bush 6,4 MM		1	
-		Grommet		4	
8	958 628 028 00	Wiper arm Driver's side	/LL	1	IL0L
(8)	958 628 027 00	Wiper arm Driver's side	/RL	1	IL0R
9	958 628 029 00	Wiper arm Passenger's side	/LL	1	IL0L
(9)	958 628 026 00	Wiper arm Passenger's side	/RL	1	IL0R
10	N 102 613 11	Hexagon nut M 10		3	
11	958 628 305 00	Cap Driver's side		1	
12	955 628 305 02	Cap Passenger's side		2	
13	958 628 309 00	Cover Passenger's side	/LL	1	IL0L
(13)	958 628 308 00	Cover Passenger's side	/RL	1	IL0R
14	958 628 939 00	Wiper blade Set Driver's side	/LL	1	IL0L
(14)	958 628 941 00	Wiper blade Set Passenger's side	/RL	1	IL0R
15	7P0 955 559 D	Rain sensor		1	
16	000 043 207 65	Adhesive film Rain sensor		1	

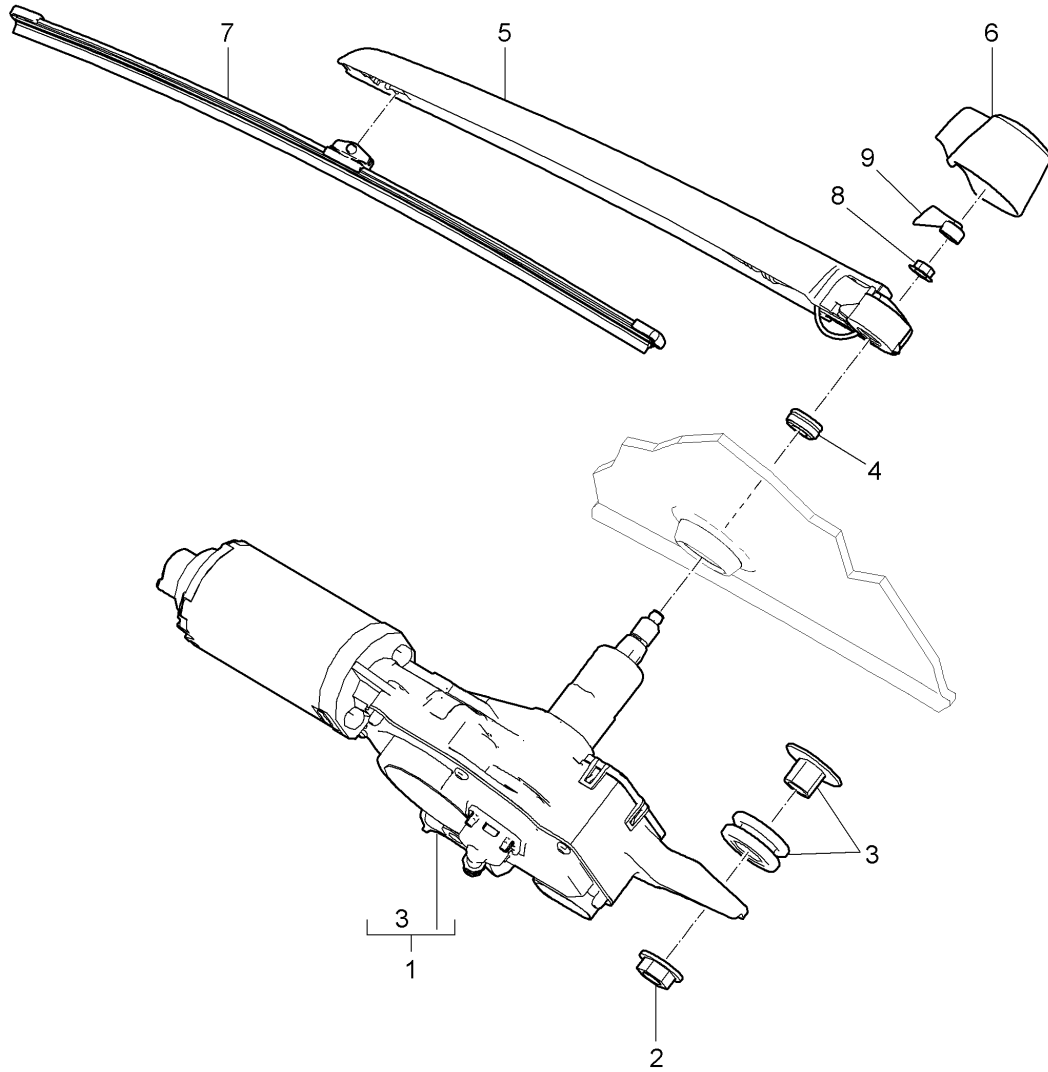
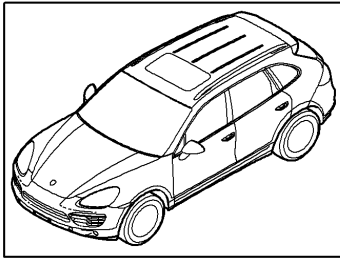
Model: 92A 11

Model life 2011>>

Pos	Part Number	Description	Remark	Qty	Model
16	9A7 955 609 00	Adhesive film Rain sensor		1	

Model: 92A 11

Model life 2011>>



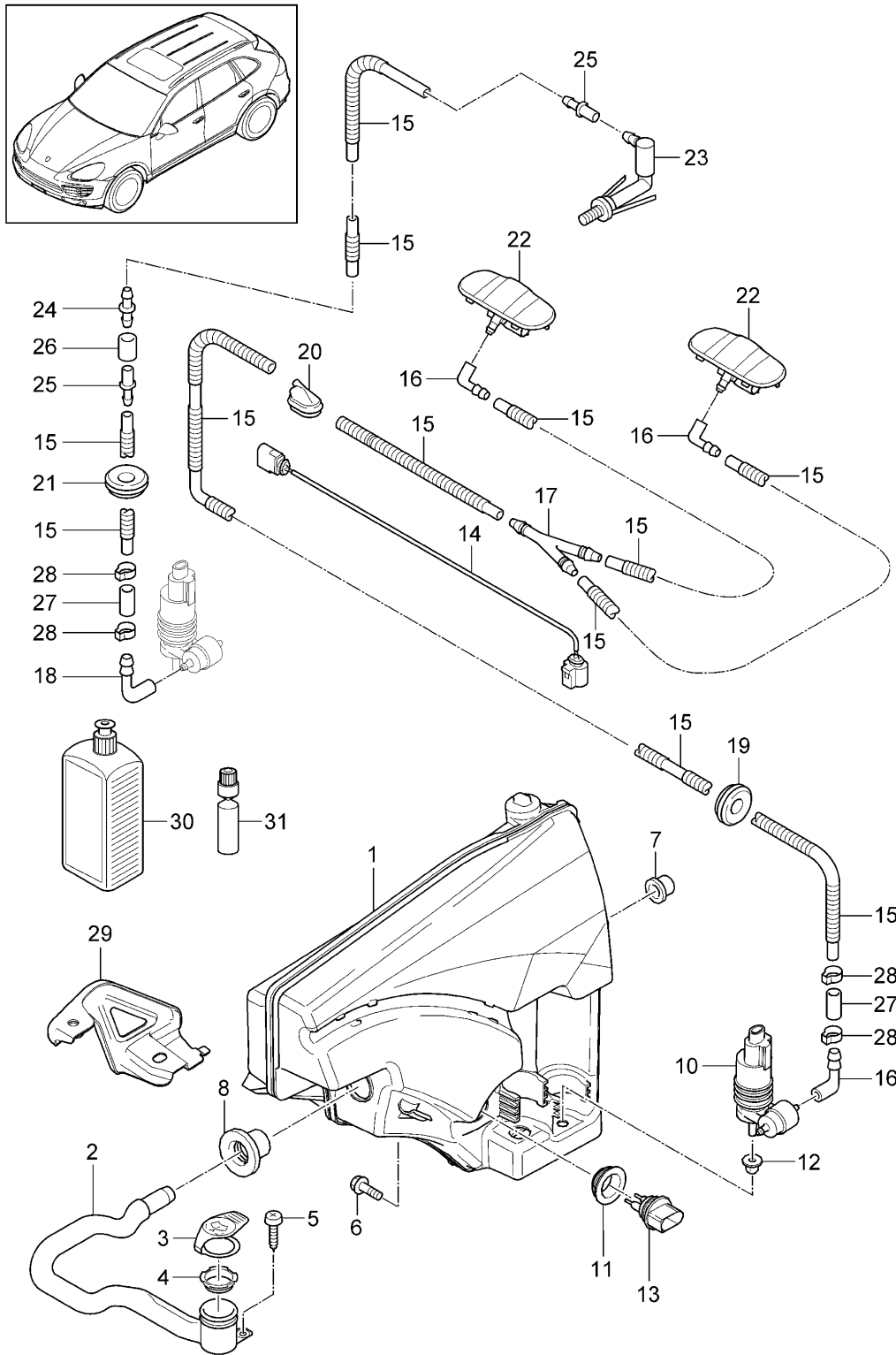
Model: 92A 11

Model life 2011>>

Pos	Part Number	Description	Remark	Qty	Model
1	958 628 080 00	Rear window wiper Wiper motor		1	
-	958 612 704 00	When required order also: Terminal sleeve housing		1	
-	N 105 112 03	Flat connector		4	
-	958 612 740 00	Gasket		2	
-	958 612 740 01	Single line Gasket		2	
2	N 907 143 03	Single line Hexagon nut		3	
3	958 628 711 00	M 6 Repair kit		1	
		Comprising:			
		Grommet		2	
		Bush		2	
		Grommet		1	
		Bush		1	
4	958 628 273 00	Grommet		1	IVW5
(4)	958 628 273 10	Grommet		1	I4KC/4KF
5	958 628 040 00	Wiper arm		1	
6	958 628 122 00	Cap		1	
7	958 628 050 00	Wiper blade		1	
8	N 015 083 15	Hexagon nut		1	
		M 8			
9	958 628 078 00	Spray nozzle		1	

Model: 92A 11

Model life 2011>>



Model: 92A 11

Model life 2011>>

Pos	Part Number	Description	Remark	Qty	Model
1	958 528 703 00	Windscreen washer system		1	I8X1
(1)	958 528 704 00	Water reservoir		1	I8X0
2	958 528 605 01	Water reservoir		1	
2	958 528 605 02	Filler neck	-14	1	
3	958 528 605 02	Filler neck	15-	1	
3	955 528 607 01	Lid	-14	1	
3	3Q0 955 455	Lid	15-	1	
		D >> 13.03.2017			
3	9A7 955 455 00	Lid		1	
		D 13.03.2017>>			
4	955 528 606 02	Strainer	-14	1	
4	3D0 955 485 A	Strainer	15-	1	
5	N 107 030 01	Hexagon-head bolt		1	
		M 6 X 10			
6	N 908 204 01	Hexagon-head bolt		2	
		M 6 X 16			
7	999 702 221 40	Grommet		1	
8	955 528 711 01	Gasket		1	
		Filler neck			
10	955 628 172 01	Pump		1	
11	955 528 721 00	Gasket		1	
12	958 628 712 00	Gasket		1	
13	955 628 105 00	Tank gauge switch		1	
14	958 612 204 00	Wiring harness	-14	1	I9T1
		Bonnet			
		with			
		Hoses			
(14)	958 612 204 10	Windscreen washer system	15-	1	I9T1
		Wiring harness			
		Bonnet			
		with			
		Hoses			
15	955 628 130 00	Windscreen washer system		X	
		Hose			
		6,0 X 1,0			
		10000 MM			
16	955 628 200 01	Angled pipe		3	
17	955 628 210 00	Distributing piece		1	
18	955 628 230 01	Angled pipe		1	
19	955 628 250 00	Grommet		1	
20	6Q0 955 998	Grommet		1	
21	955 628 252 00	Grommet		1	
22	958 628 077 01	Spray nozzle	/L	1	
		Left			
	958 628 077 01 9B9	Satin black			
(22)	958 628 077 11	Spray nozzle	/R	1	
		Right			
	958 628 077 11 9B9	Satin black			
23	958 628 078 00	Spray nozzle		1	
		Rear end			
		Repair kit			
		for			
		Hose			
24	958 628 222 00	Connecting piece		2	
25	958 628 223 00	Connecting piece		3	
26	955 628 224 00	Shrink-fit hose		1	
27	955 628 225 00	Hose		1	
28	N 020 902 2	Tie-wrap		2	
29	958 805 324 00	Support	15-	1	
		Mount			
		Filler neck			
30	999 901 017 42	Window cleaner		X	
		250 ML			

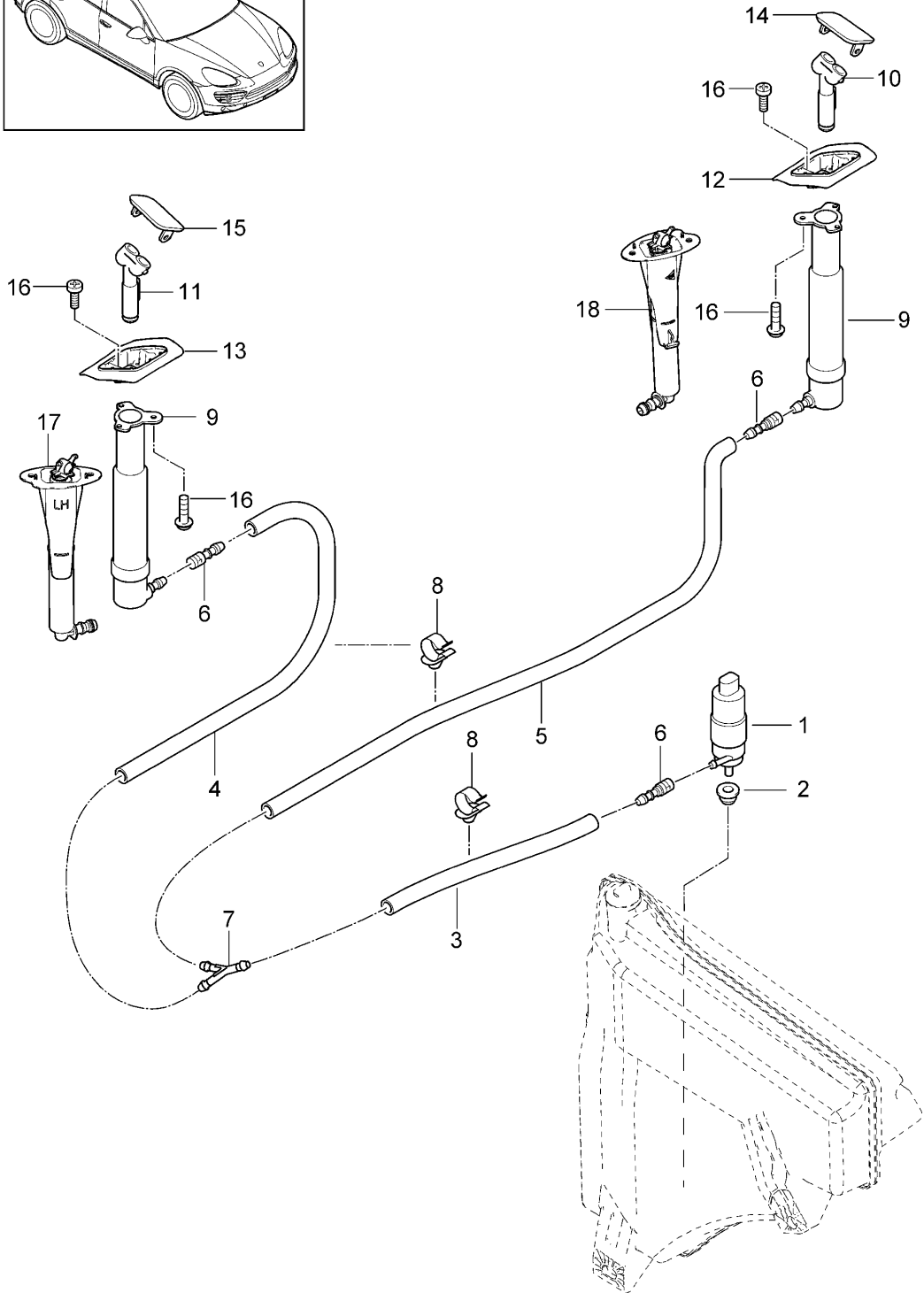
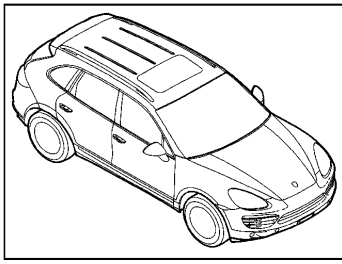
Model: 92A 11

Model life 2011>>

Pos	Part Number	Description	Remark	Qty	Model
31	999 901 033 40	Summer Window cleaner 1000 ML Winter		X	

Model: 92A 11

Model life 2011>>



Model: 92A 11 Model life 2011>>

Pos	Part Number	Description	Remark	Qty	Model
		Headlight washer system			I8X1
1	958 624 502 00	Pump		1	
2	431 955 465 A	Gasket		1	
-	000 043 204 79	Hose 8 X 3 see Pos 3, 4, 5		*	
3		1470 MM		1	
4		255 MM		1	
5		1710 MM		1	
6	955 628 206 00	Connecting piece	-14	3	
(6)	955 628 204 00	Connecting piece	15-	3	
7	113 955 975 B	T-piece		1	
8	N 906 706 01	Clip		9	
9	958 628 180 00	Jet carrier	-14	2	
10	958 628 161 00	Nozzle head	/L -14	1	
11	958 628 162 00	Nozzle head	/R -14	1	
12	958 628 185 00	Support	/L -14	1	-ID58/-IE0W
(12)	958 628 185 10	Support	/L -14	1	ID58/E0W
(12)	958 628 185 20	Support	/L 15-	1	
(12)	958 628 185 21	Support see Technical information 113/14 Use also: 000.043.300.47	/L 15-	1	
-	000 043 300 47	Set Adhesive Including Mixing tube 5-fold	15-	1	
13	958 628 186 00	Support	/R -14	1	-ID58/-IE0W
(13)	958 628 186 10	Support	/R -14	1	ID58/E0W
13	958 628 186 20	Support	/R 15-	1	
13	958 628 186 21	Support see Technical information 113/14 Use also: 000.043.300.47	/R 15-	1	
-	000 043 300 47	Set Adhesive Including Mixing tube 5-fold	15-	1	
14	958 628 301 00	Trim cover	/L -14	1	
	958 628 301 00 G2X	Prime coated			
14	958 628 301 00	Trim cover	/L -14	1	
	958 628 301 00 G2X	Prime coated			
(14)	958 628 303 00	Trim cover	/L -14	1	
	958 628 303 00 G2X	Prime coated			
(14)	958 505 333 00	Lid Headlight washer system	/L 15-	1	
	958 505 333 00 G2X	Prime coated			
15	958 628 302 00	Trim cover	/R -14	1	
	958 628 302 00 G2X	Prime coated			
15	958 628 302 00	Trim cover	/R -14	1	
	958 628 302 00 G2X	Prime coated			
(15)	958 628 304 00	Trim cover	/R	1	
	958 628 304 00 G2X	Prime coated			
(15)	958 505 334 00	Lid Headlight washer system	/R 15-	1	

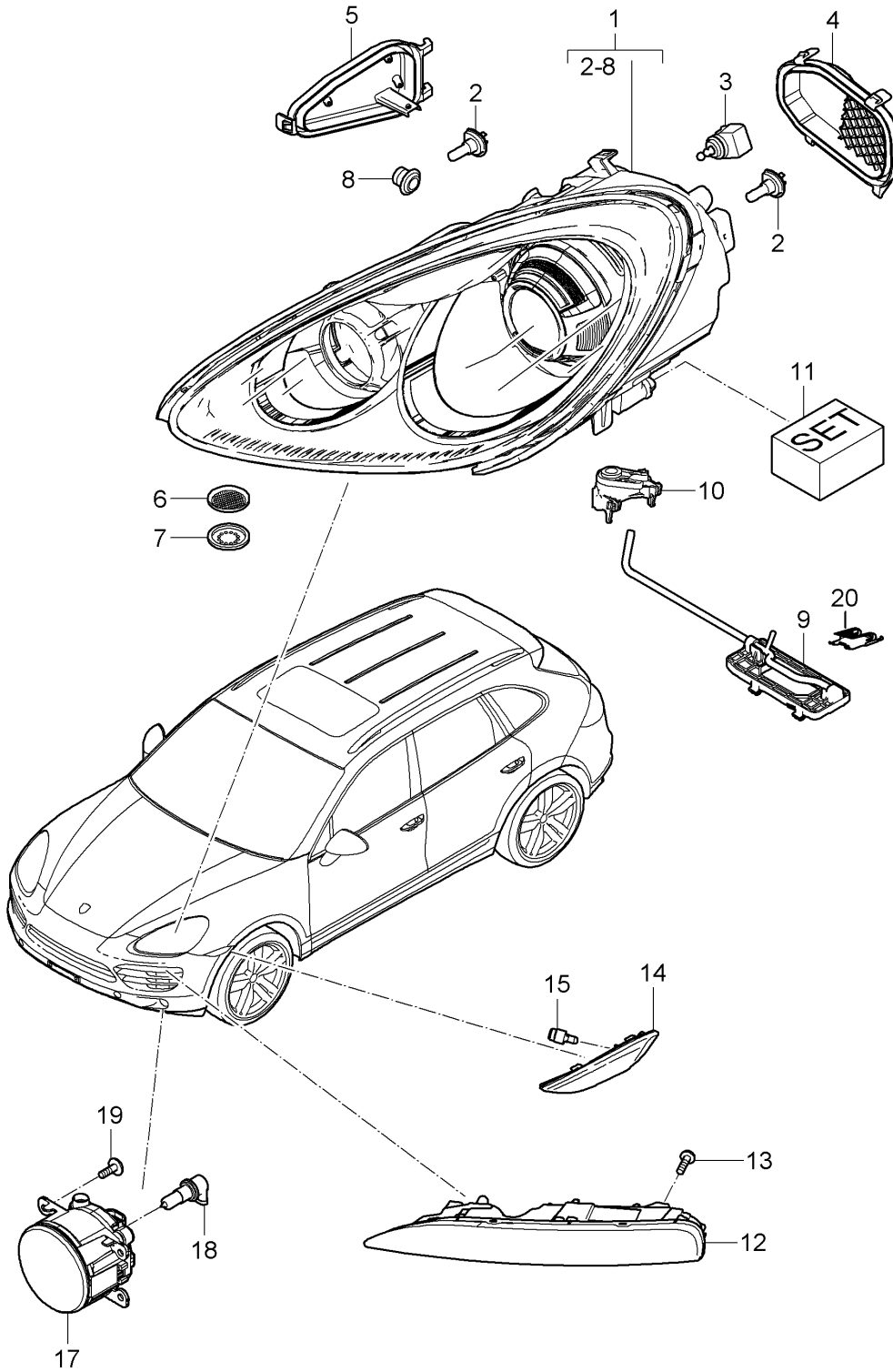
Model: 92A 11

Model life 2011>>

Pos	Part Number	Description	Remark	Qty	Model
16	958 505 334 00 G2X WHT 003 954	Prime coated Oval-head screw 5 X 16		8	
17	958 628 161 10	Nozzle head	/L 15-	1	-IBOM
17	958 628 161 20	Nozzle head	/L 15-	1	IBOM
18	958 628 162 10	Nozzle head	/R 15-	1	-IBOM
18	958 628 162 20	Nozzle head	/R 15-	1	IBOM

Model: 92A 11

Model life 2011>>



Model: 92A 11

Model life 2011>>

Pos	Part Number	Description	Remark	Qty	Model
		Headlamp Direction indicator light Fog headlamp	-14		I8BB/8BF/8BR
1	958 631 173 00	Headlamp	/L	1	I8BB/8Q2
1	958 631 173 01	Headlamp	/L	1	I8BB/8Q2
(1)	958 631 174 00	Headlamp	/R	1	I8BB/8Q2
(1)	958 631 174 01	Headlamp	/R	1	I8BB/8Q2
(1)	958 631 173 10	Headlamp	/L	1	I8BF/8Q2
(1)	958 631 173 11	Headlamp	/L	1	I8BF/8Q2
(1)	958 631 174 10	Headlamp	/R	1	I8BF/8Q2
(1)	958 631 174 11	Headlamp	/R	1	I8BF/8Q2
2	999 631 133 91	Halogen bulb H 7		4	
3	970 631 147 00	Adjusting motor Headlight levelling system		2	
3	955 624 219 00	Adjusting motor Headlight levelling system		2	
4	958 631 237 00	Protective cap	/L	1	
(4)	958 631 238 00	Protective cap	/R	1	
5	970 631 103 00	Cap	/L	1	
(5)	970 631 104 00	Appendix High beam Cap	/R	1	
		Appendix High beam			
6	955 631 254 00	Filter element		2	
7	955 631 255 00	Ventilation component		2	
9	958 631 519 00	Mounting with Shaft	/L	1	
(9)	958 631 520 00	Mounting with Shaft	/R	1	
10	958 631 194 00	Support		2	
10	958 631 194 01	Support		2	
10	958 631 194 02	Support		2	
11	958 631 121 00	Repair kit Mounting Headlamp Rear		X	
12	958 631 181 00	Additional headlamp	/L	1	I8BB/8BF/8BR
(12)	958 631 182 00	Additional headlamp	/R	1	I8BB/8BF/8BR
13	WHT 003 954	Oval-head screw 5 X 16		4	
14	958 631 101 00	Direction indicator light	/L	1	-ICK0/-ICN5 -ICQ1/-ICZ4 I6GA/6GB/8F2 I6GB/6GF/6GH I6GJ/8F2 ICK0/CN5/CQ1 ICZ4
(14)	958 631 101 10	Direction indicator light Gear set	/L	1	
(14)	958 631 102 00	21" Direction indicator light	/R	1	-ICK0/-ICN5 -ICQ1/-ICZ4 I6GA/6GB/8F2 I6GB/6GF/6GH I6GJ/8F2 ICK0/CN5/CQ1 ICZ4
(14)	958 631 102 10	Direction indicator light Gear set	/R	1	
-	958 612 273 00	Wiring harness Bulb socket Sub-part		1	

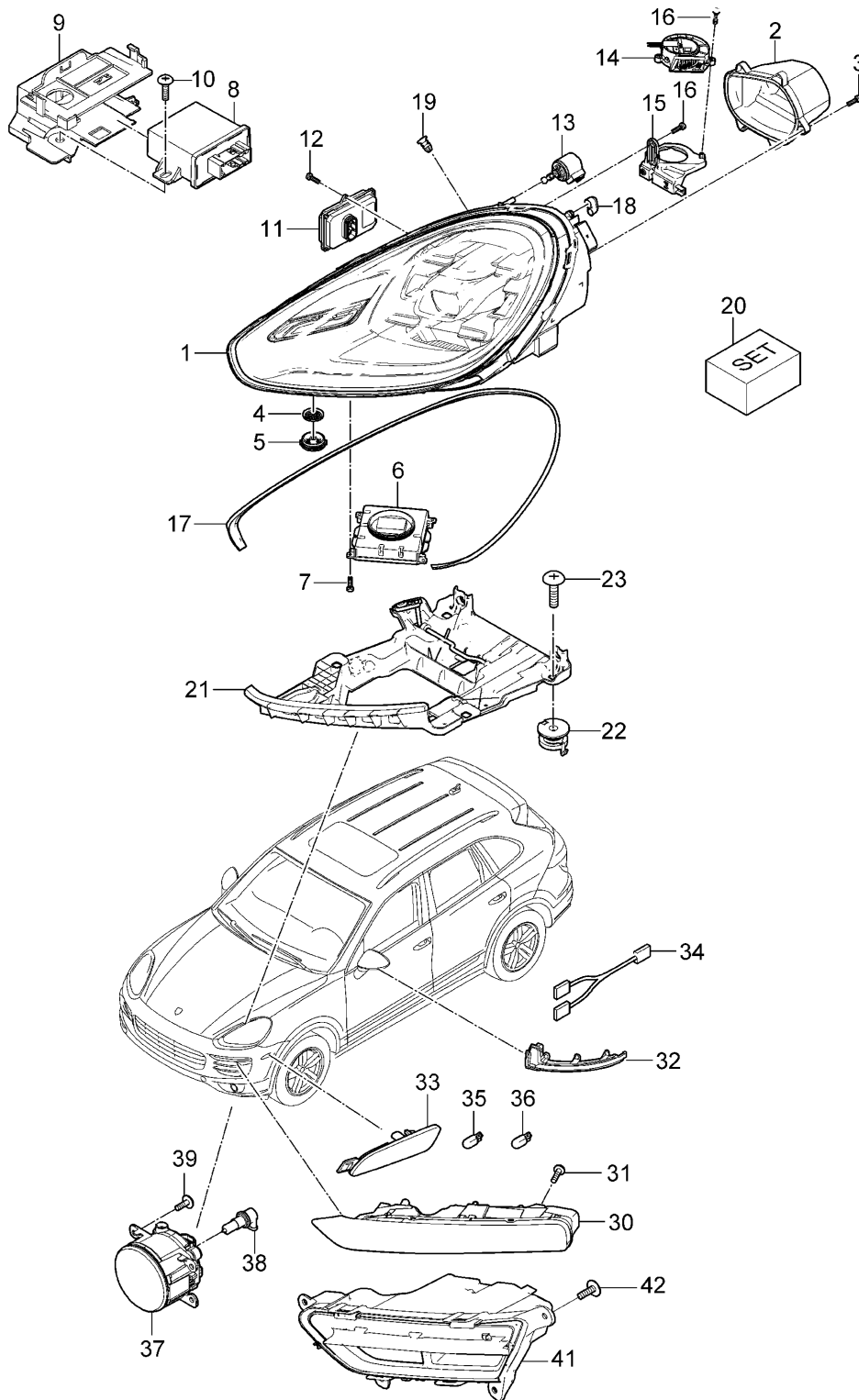
Model: 92A 11

Model life 2011>>

Pos	Part Number	Description	Remark	Qty	Model
15	999 631 138 90	It is necessary to rework Bulb 5 W Yellow		2	
17	955 631 163 00	Fog headlamp		2	I8WB
18	999 631 144 91	Halogen bulb H 11		2	I8WB
19	WHT 003 954	Oval-head screw 5 x 16		8	I8WB
20	958 631 160 00	Retainer spring		2	

Model: 92A 11

Model life 2011>>



Model: 92A 11

Model life 2011>>

Pos	Part Number	Description	Remark	Qty	Model
		Headlamp LED Direction indicator light Fog headlamp	15-		I8EX/8EY/8IS
(1)	958 631 285 00	LED headlights	/L	1	I8EX/8IS/8Q3
(1)	958 631 286 00	LED headlights	/R	1	I8EX/8IS/8Q3
2	958 631 239 00	Cap Cover	/L	1	
(2)	958 631 240 00	Cap Cover	/R	1	
3	970 631 199 50	Screw		10	
4	958 631 254 00	Filter element		2	
5	958 631 385 00	Breather adapter		2	
6	7PP 941 572 B	Control unit LED module		2	
7	970 631 199 50	Screw 4 X 14		8	
8	958 618 386 00	Control unit Headlight levelling system		1	
9	958 618 387 00	Support Control unit Headlight levelling system		1	
10	N 910 733 01	Oval-head screw M 6 X 12		2	
11	958 618 388 00	Power electronics		2	
12	970 631 199 50	Screw		6	
13	970 631 153 00	Adjusting motor Headlight levelling system		2	
14	958 631 052 00	Fan with Electric motor		2	
15	958 631 593 00	Support for Fan	/L	1	
(15)	958 631 594 00	Support for Fan	/R	1	
16	970 631 199 50	Screw for Fan		10	
17	958 631 119 00	Gasket Headlamp		1	
(17)	958 631 120 00	Gasket Headlamp		1	
18	958 631 075 00	Cap Ventilation pipe		2	
20	958 631 121 00	Repair kit Mounting Headlamp		X	
21	958 631 521 00	Rear Mounting Headlamp with Shaft		1	
(21)	958 631 522 00	Mounting Headlamp with Shaft		1	
22	WHT 006 897	Speed nut		X	
23	N 912 445 01	Combination screw		8	
30	958 631 181 30	Additional headlamp	/L	1	

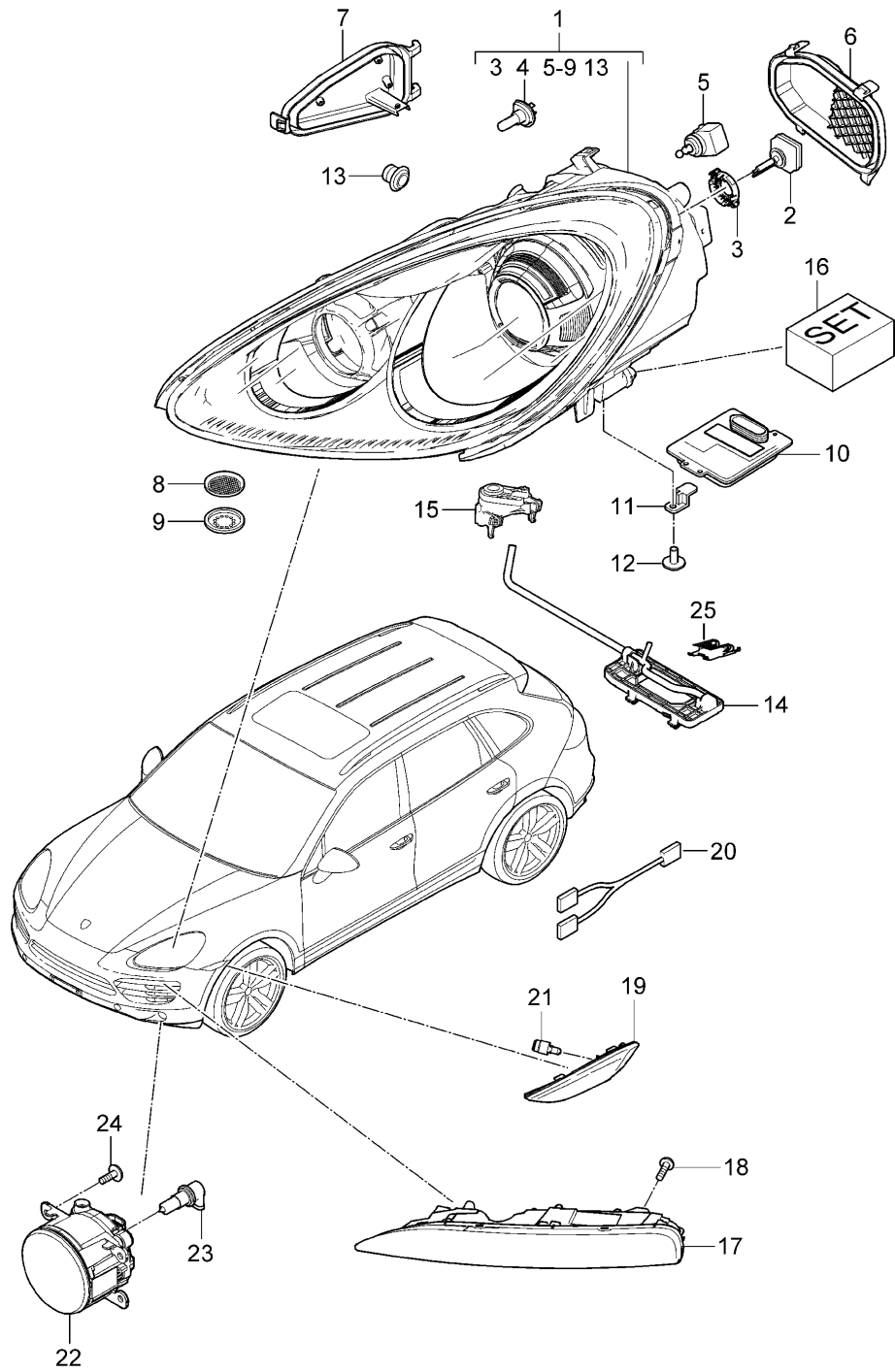
Model: 92A 11

Model life 2011>>

Pos	Part Number	Description	Remark	Qty	Model
(30)	958 631 181 40	Additional headlamp	/L	1	
30	958 631 182 30	Additional headlamp	/R	1	
(30)	958 631 182 40	Additional headlamp	/R	1	
31	WHT 003 954	Oval-head screw 5 X 16		8	
32	958 631 101 30	Direction indicator light	/L	1	
(32)	958 631 102 30	Direction indicator light	/R	1	
34	958 612 273 00	Wiring harness Bulb socket Sub-part It is necessary to rework		1	
35	999 631 138 90	Bulb 5 W Yellow		2	
37	955 631 163 00	Fog headlamp Round		2	I8WB/8WH
38	999 631 144 91	Halogen bulb H 11		2	I8WB/8WH
39	WHT 003 954	Oval-head screw 5 X 16		8	I8WB/8WH
-	958 631 160 00	Retainer spring		2	
41	95B 941 699 C	Fog headlamp	/L	1	I8WB/8WH
(41)	95B 941 700 C	Fog headlamp	/R	1	I8WB/8WH
42	N 909 747 01	Oval-head sheetmetal screw 5 X 16		8	I8WB/8WH

Model: 92A 11

Model life 2011>>



Model: 92A 11

Model life 2011>>

Pos	Part Number	Description	Remark	Qty	Model
		Headlamp Direction indicator light Fog headlamp	-14		I8BC/8BZ/8JD
1	958 631 175 00	Headlamp	/L	1	I8BC/8Q3
1	958 631 175 01	Headlamp	/L	1	I8BC/8Q3
(1)	958 631 176 00	Headlamp	/R	1	I8BC/8Q3
(1)	958 631 176 01	Headlamp	/R	1	I8BC/8Q3
(1)	958 631 175 10	Headlamp	/L	1	I8BZ/8Q3
(1)	958 631 175 11	Headlamp	/L	1	I8BZ/8Q3
(1)	958 631 176 10	Headlamp	/R	1	I8BZ/8Q3
(1)	958 631 176 11	Headlamp	/R	1	I8BZ/8Q3
2	N 105 661 01	Gas-discharge lamp D1S		2	
3	955 631 199 00	Retaining ring Bulb D1S		2	
4	999 631 133 91	Halogen bulb Appendix High beam H 7		2	
5	970 631 141 00	Adjusting motor Headlight levelling system		2	
6	958 631 237 00	Protective cap	/L	1	
(6)	958 631 238 00	Protective cap	/R	1	
7	970 631 103 00	Cap Appendix High beam	/L	1	
(7)	970 631 104 00	Cap Appendix High beam	/R	1	
8	955 631 254 00	Filter element		2	
9	955 631 255 00	Ventilation component		2	
10	958 618 381 00	Control unit	-11	2	
10	958 618 381 01	Control unit	12-	2	-IIY2
10	958 618 381 10	Control unit	13-	2	IIY2
11	958 631 382 00	Support		2	
12	N 104 159 03	Oval-head screw 4 x 12		6	
14	958 631 519 00	Mounting with Shaft	/L	1	
(14)	958 631 520 00	Mounting with Shaft	/R	1	
15	958 631 194 00	Support		2	
15	958 631 194 01	Support		2	
15	958 631 194 02	Support		2	
16	958 631 121 00	Repair kit Mounting Headlamp Rear		X	
17	958 631 181 00	Additional headlamp	/L	1	I8BC/8BZ/8JD
(17)	958 631 182 00	Additional headlamp	/R	1	I8BC/8BZ/8JD
18	WHT 003 954	Oval-head screw 5 X 16		4	
19	958 631 101 00	Direction indicator light	/L	1	-ICK0/-ICN5 -ICQ1/-ICZ4 I6GA/6GB/8F2
(19)	958 631 101 10	Direction indicator light Gear set 21"	/L	1	I6GB/6GF/6GH I6GJ/8F2 ICK0/CN5/CQ1 ICZ4

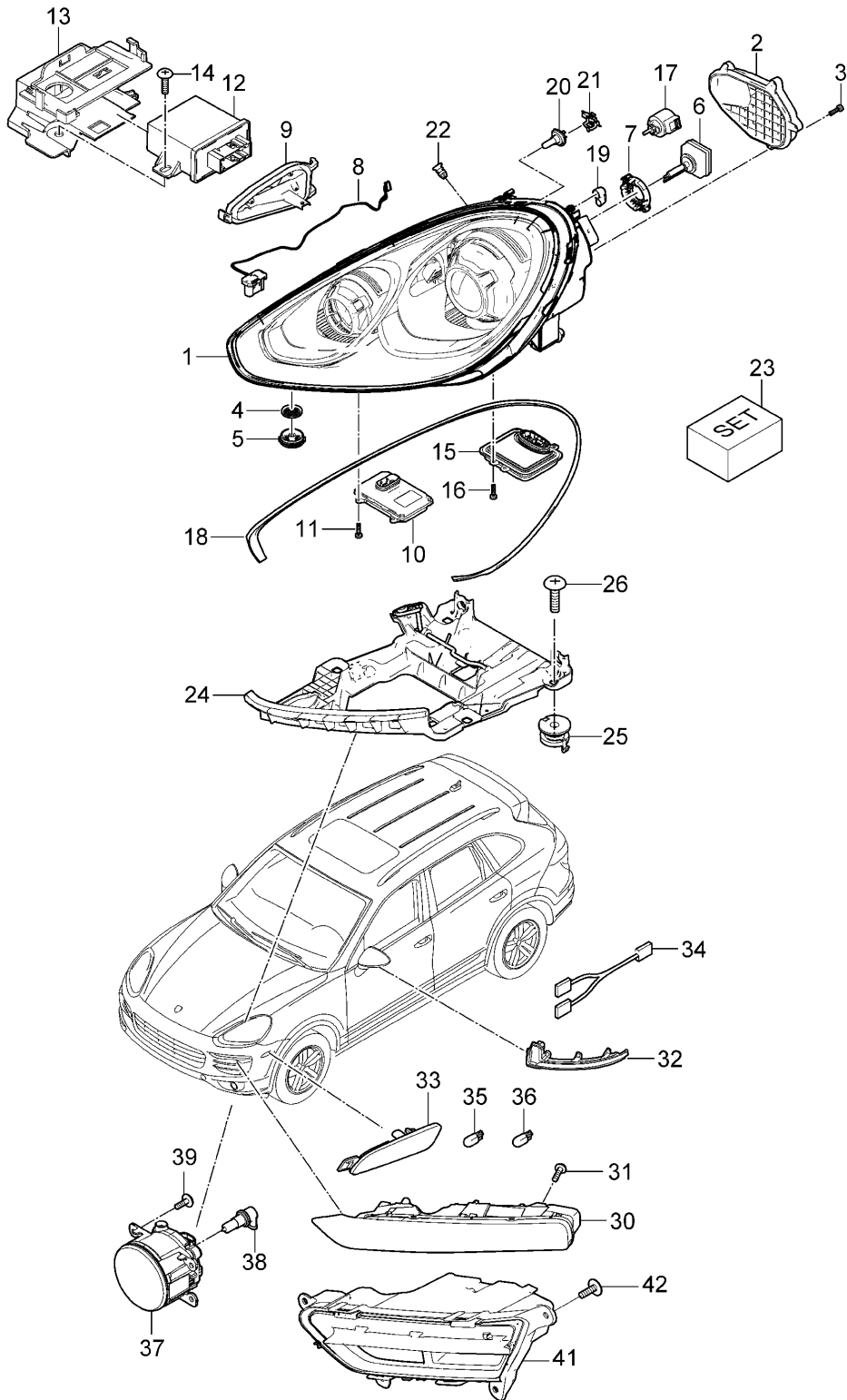
Model: 92A 11

Model life 2011>>

Pos	Part Number	Description	Remark	Qty	Model
(19)	958 631 102 00	Direction indicator light	/R	1	-ICK0/-ICN5 -ICQ1/-ICZ4
(19)	958 631 102 10	Direction indicator light	/R	1	I6GA/6GB/8F2 I6GB/6GF/6GH I6GJ/8F2 ICK0/CN5/CQ1 ICZ4
20	958 612 273 00	Gear set 21" Wiring harness Bulb socket Sub-part		1	
21	999 631 138 90	It is necessary to rework Bulb 5 W Yellow		2	
22	955 631 163 00	Fog headlamp		2	I8WB
23	999 631 144 91	Halogen bulb H 11		2	I8WB
24	WHT 003 954	Oval-head screw 5 x 16		8	I8WB
25	958 631 160 00	Retainer spring		2	

Model: 92A 11

Model life 2011>>



Model: 92A 11

Model life 2011>>

Pos	Part Number	Description	Remark	Qty	Model
		Headlamp	15-		I8BC/8BE/8BZ I8EA/8EE/8EF I8EG/8JD/8JE
		XENON			
		Direction indicator light			
		Fog headlamp			
1	958 631 175 30	Headlamp	/L	1	I8BC/8Q2
(1)	958 631 176 30	Headlamp	/R	1	I8BC/8Q2
(1)	958 631 175 40	Headlamp	/L	1	I8BZ/8Q2
(1)	958 631 176 40	Headlamp	/R	1	I8BZ/8Q2
(1)	958 631 177 30	Headlamp	/L	1	I8BE/8JE/8Q3
(1)	958 631 178 30	Headlamp	/R	1	I8BE/8JE/8Q3
(1)	958 631 281 31	Headlamp	/L	1	I8EE/8EF/8Q3
(1)	958 631 282 31	Headlamp	/R	1	I8EE/8EF/8Q3
3	970 631 199 50	Screw		10	
4	958 631 254 00	Filter element		2	
5	958 631 385 00	Breather adapter		2	
6	958 631 218 00	Gas-discharge lamp D3S		1	I8BE/8EA/8JE
(6)	958 631 219 00	Gas-discharge lamp D8S		1	I8EE/8EF/8EG I8BC/8BZ/8JD
7	958 631 669 01	Retaining ring		2	I8BE/8EA/8EE I8EF/8EG/8JE
(7)	958 631 669 00	Gas-discharge lamp D3S Retaining ring Gas-discharge lamp D8S		2	I8BC/8BZ/8JD
8	958 631 070 01	Line		2	I8BE/8EA/8EE I8EF/8EG/8JE
(8)	958 631 070 00	Gas-discharge lamp D3S Line Gas-discharge lamp D8S		2	I8BC/8BZ/8JD
9	958 631 607 00	Protective cap	/L	1	
9	958 631 608 00	Protective cap	/R	1	
10	7PP 941 329 N	Control unit Power electronics		2	
11	970 631 199 00	XENON Screw		6	
12	958 618 386 00	Control unit		1	
13	958 618 387 00	Headlight levelling system Support Control unit		1	
14	N 910 733 01	Headlight levelling system Oval-head screw M 6 X 12		2	
15	958 631 597 01	Control unit Ballast		2	I8BE/8EA/8JE
(15)	8K0 941 597 F	Control unit Ballast		2	I8EE/8EF/8EG I8BC/8BZ/8JD
16	970 631 199 00	Screw		6	
17	970 631 153 00	Adjusting motor		2	I8BE/8EA/8EE I8EF/8EG/8JE
(17)	970 631 151 00	Headlight levelling system Adjusting motor Headlight levelling system		2	I8BC/8BZ/8JD
18	958 631 119 00	Gasket		1	
(18)	958 631 120 00	Headlamp Gasket		1	

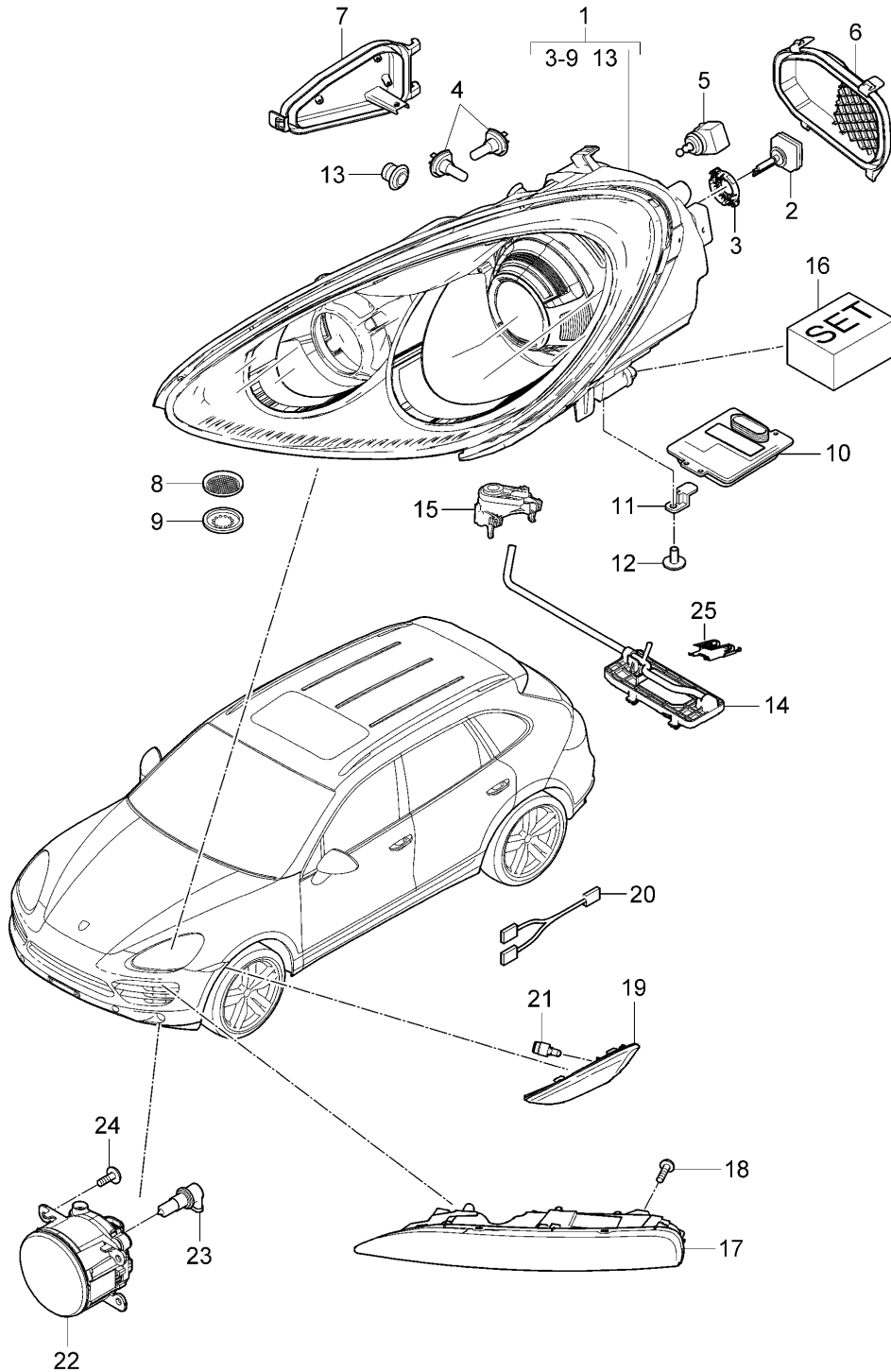
Model: 92A 11

Model life 2011>>

Pos	Part Number	Description	Remark	Qty	Model
19	958 631 075 00	Headlamp Cap		2	
20	958 631 165 00	Ventilation pipe Bulb		4	
21	958 631 166 00	H7 Retainer spring Bulb		4	
23	958 631 121 00	H7 Repair kit Mounting		X	
24	958 631 521 00	Headlamp Rear Mounting		1	
(24)	958 631 522 00	Headlamp with Shaft Mounting		1	
25	WHT 006 897	Speed nut		X	
26	N 912 445 01	Combination screw		8	
30	958 631 181 30	Additional headlamp	/L	1	
(30)	958 631 181 40	Additional headlamp	/L	1	
30	958 631 182 30	Additional headlamp	/R	1	
(30)	958 631 182 40	Additional headlamp	/R	1	
31	WHT 003 954	Oval-head screw 5 X 16		8	
32	958 631 101 30	Direction indicator light	/L	1	
(32)	958 631 102 30	Direction indicator light	/R	1	
34	958 612 273 00	Wiring harness Bulb socket Sub-part		1	
35	999 631 138 90	It is necessary to rework Bulb 5 W Yellow		2	
37	955 631 163 00	Fog headlamp Round		2	I8WB/8WH
38	999 631 144 91	Halogen bulb H 11		2	I8WB/8WH
39	WHT 003 954	Oval-head screw 5 X 16		8	I8WB/8WH
41	95B 941 699 C	Fog headlamp	/L	1	I8WB/8WH
(41)	95B 941 700 C	Fog headlamp	/R	1	I8WB/8WH
42	N 909 747 01	Oval-head sheetmetal screw 5 X 16		8	I8WB/8WH

Model: 92A 11

Model life 2011>>



Model: 92A 11

Model life 2011>>

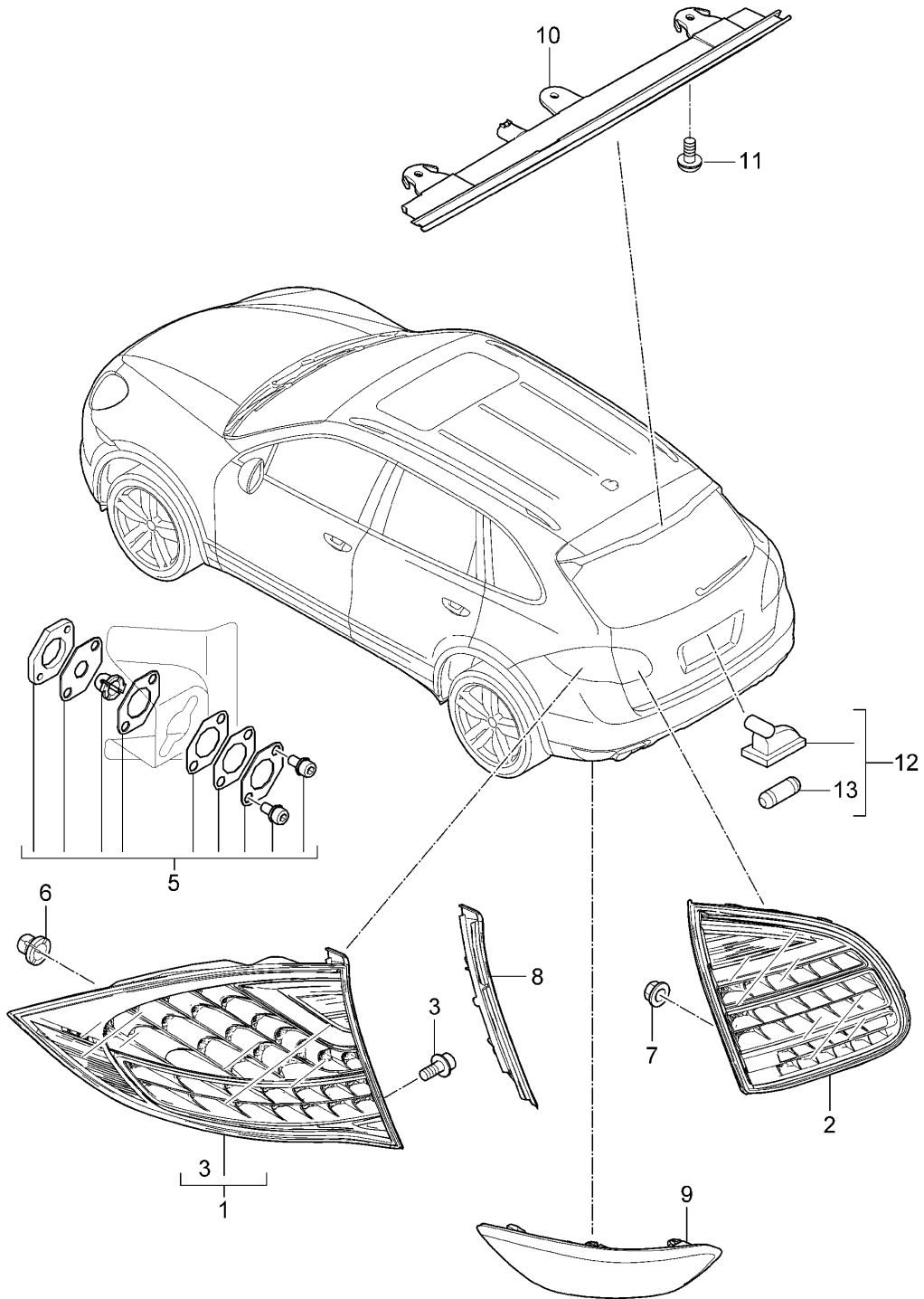
Pos	Part Number	Description	Remark	Qty	Model
		Headlamp	-14		-I8BB/-I8BC -I8BF/-I8BR -I8BZ/-I8JD
		Direction indicator light			
		Fog headlamp			
1	958 631 177 00	Headlamp	/L	1	I8BE/8JE/8Q3
1	958 631 177 01	Headlamp	/L	1	I8BE/8JE/8Q3
1	958 631 281 00	Headlamp	/L	1	I8EE/8EF/8Q3
1	958 631 281 01	Headlamp	/L	1	I8EE/8EF/8Q3
(1)	958 631 178 00	Headlamp	/R	1	I8BE/8JE/8Q3
(1)	958 631 178 01	Headlamp	/R	1	I8BE/8JE/8Q3
(1)	958 631 282 00	Headlamp	/R	1	I8EE/8EF/8Q3
(1)	958 631 282 01	Headlamp	/R	1	I8EE/8EF/8Q3
1	958 631 179 00	Headlamp	/L	1	I8EC/8ED/8Q3
1	958 631 179 01	Headlamp	/L	1	I8EC/8ED/8Q3
1	958 631 283 00	Headlamp	/L	1	I8JG/8JJ/8Q3
1	958 631 283 01	Headlamp	/L	1	I8JG/8JJ/8Q3
(1)	958 631 180 00	Headlamp	/R	1	I8EC/8ED/8Q3
(1)	958 631 180 01	Headlamp	/R	1	I8EC/8ED/8Q3
(1)	958 631 284 00	Headlamp	/R	1	I8JG/8JJ/8Q3
(1)	958 631 284 01	Headlamp	/R	1	I8JG/8JJ/8Q3
2	N 105 661 01	Gas-discharge lamp D1S		2	
3	955 631 199 00	Retaining ring Bulb D1S		2	
4	999 631 133 91	Halogen bulb H 7		4	
5	970 631 141 00	Adjusting motor Headlight levelling system		2	
6	958 631 237 00	Protective cap	/L	1	
(6)	958 631 238 00	Protective cap	/R	1	
7	970 631 103 00	Cap	/L	1	
		Appendix High beam			
(7)	970 631 107 00	Cap	/L -14	1	I8BT/8EC/8ED I8EH/8JG/8JJ
		Appendix High beam with Control unit			
(7)	970 631 104 00	Cap	/R	1	
		Appendix High beam			
(7)	970 631 108 00	Cap	/R -14	1	I8BT/8EC/8ED I8EH/8JG/8JJ
		Appendix High beam with Control unit			
8	955 631 254 00	Filter element		2	
9	955 631 255 00	Ventilation component		2	
10	958 618 381 00	Control unit	-11	2	
10	958 618 381 01	Control unit	-12	2	
10	958 618 381 10	Control unit	13-	2	
11	958 631 382 00	Support		2	
12	N 104 159 03	Oval-head screw 4 x 12		6	
14	958 631 519 00	Mounting with Shaft	/L	1	
(14)	958 631 520 00	Mounting with	/R	1	

Model: 92A 11 Model life 2011>>

Pos	Part Number	Description	Remark	Qty	Model
15	958 631 194 00	Shaft Support		2	
15	958 631 194 01	Support		2	
15	958 631 194 02	Support		2	
16	958 631 121 00	Repair kit Mounting Rear		X	
17	958 631 181 00	Additional headlamp	/L	1	-IE0W/-IE8A -IE81
(17)	958 631 181 10	Additional headlamp	/L	1	
(17)	958 631 181 20	Additional headlamp	/L	1	
17	958 631 182 00	Additional headlamp	/R	1	-IE0W/-IE8A -IE81
(17)	958 631 182 10	Additional headlamp	/R	1	
(17)	958 631 182 20	Additional headlamp	/R	1	
18	WHT 003 954	Oval-head screw 5 X 16		8	
19	958 631 101 00	Direction indicator light	/L	1	-ICK0/-ICN5 -ICQ1/-ICZ4 I6GA/6GB/8F2 I6GB/6GF/6GH I6GJ/8F2 ICK0/CN5/CQ1 ICZ4
(19)	958 631 101 10	Direction indicator light Gear set 21"	/L	1	
(19)	958 631 102 00	Direction indicator light	/R	1	-ICK0/-ICN5 -ICQ1/-ICZ4 I6GA/6GB/8F2 I6GB/6GF/6GH I6GJ/8F2 ICK0/CN5/CQ1 ICZ4
(19)	958 631 102 10	Direction indicator light Gear set 21"	/R	1	
20	958 612 273 00	Wiring harness Bulb socket Sub-part It is necessary to rework		1	
21	999 631 138 90	Bulb 5 W Yellow		2	
22	955 631 163 00	Fog headlamp		2	I8WB
23	999 631 144 91	Halogen bulb H 11		2	I8WB
24	WHT 003 954	Oval-head screw 5 x 16		8	I8WB
25	958 631 160 00	Retainer spring		2	

Model: 92A 11

Model life 2011>>



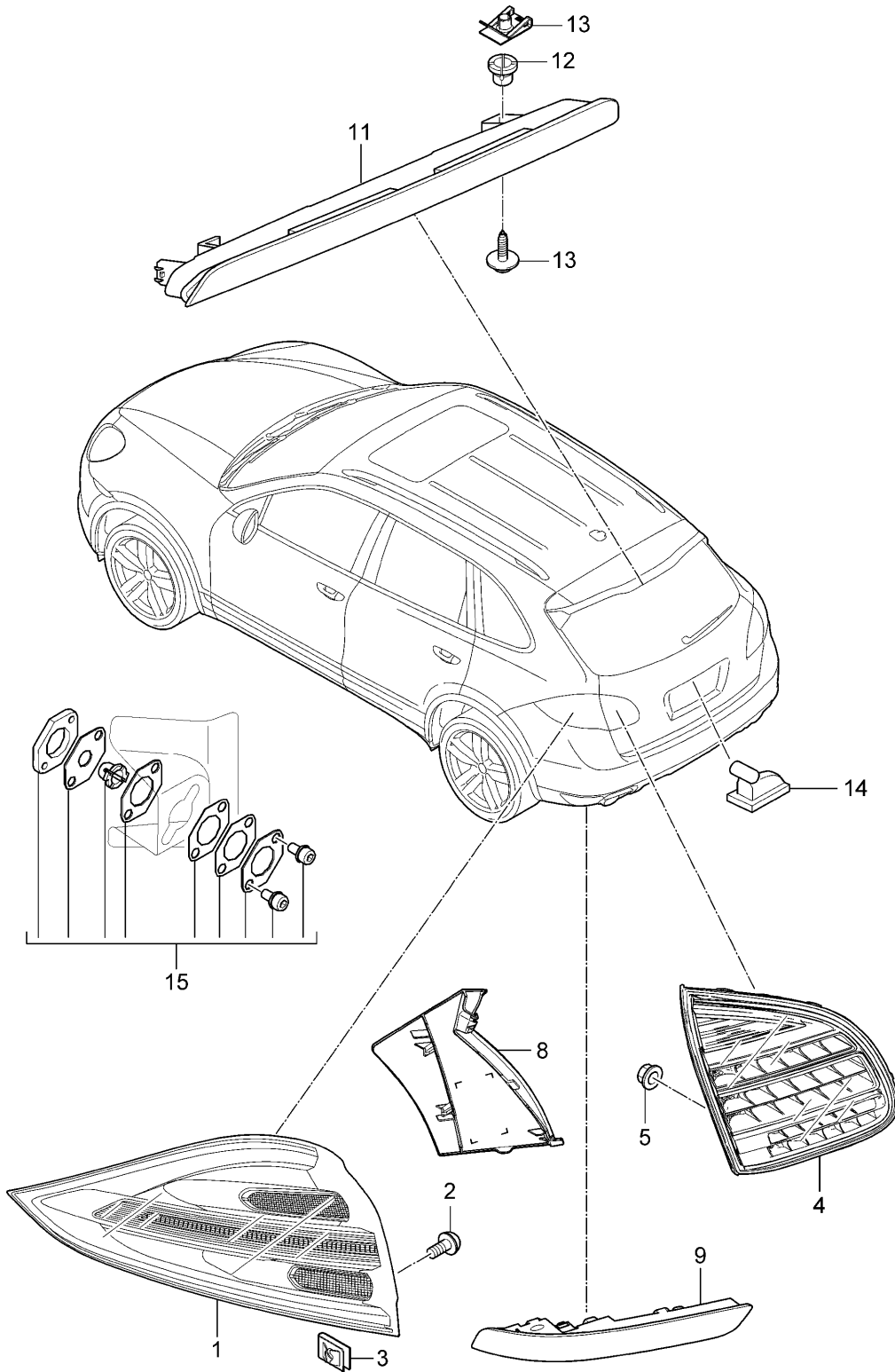
Model: 92A 11

Model life 2011>>

Pos	Part Number	Description	Remark	Qty	Model
		Rear light	-14		
		Additional brake light			
		License plate light			
1	958 631 095 01	Rear light	/L -11	1	I8SA
		Outer			
1	958 631 095 02	Rear light	/L 12-	1	I8SA
		Outer			
1	958 631 095 20	Rear light	/L	1	I8SB
		Outer			
(1)	958 631 096 01	Rear light	/R -11	1	I8SA
		Outer			
(1)	958 631 096 02	Rear light	/R 12-	1	I8SA
		Outer			
(1)	958 631 096 20	Rear light	/R	1	I8SB
		Outer			
2	958 631 093 01	Rear light	/L	1	I8SA
		Inner			
2	958 631 093 20	Rear light	/L	1	I8SB
		Inner			
(2)	958 631 094 01	Rear light	/R	1	I8SA
		Inner			
(2)	958 631 094 20	Rear light	/R	1	I8SB
		Inner			
3	N 911 664 01	Oval-head screw		4	
		M 6 X 14			
5	955 631 215 00	Repair kit		1	
		Comprising:			
		Threaded plate		1	
		Nut lock		1	
		Spacer plate		2	
		0,5 MM			
		Spacer plate		2	
		1,0 MM			
		Combination screw		2	
		M 5 X 12			
6	955 631 471 02	Clips nut		1	
7	N 100 173 04	Hexagon nut		4	
		M 5			
7	N 904 349 03	Hexagon nut		4	
		M 5			
8	958 631 255 00	Cover	/L	1	
(8)	958 631 256 00	Cover	/R	1	
9	958 631 105 00	Reflector	/L	1	
(9)	958 631 106 00	Reflector	/R	1	
10	958 631 050 00	Additional brake light		1	-I2D1/-I2D2
(10)	997 631 052 01	Additional brake light		1	I2D1/2D2
11	N 105 496 03	Oval-head screw		2	
		4 X 16			
12	958 631 620 00	License plate light		2	
13	N 017 753 5	Bulb		2	
		5 W			

Model: 92A 11

Model life 2011>>



Model: 92A 11

Model life 2011>>

Pos	Part Number	Description	Remark	Qty	Model
		Rear light Additional brake light License plate light	15-		
1	958 631 061 00	Rear light Outer	/L	1	I8SA
1	958 631 061 01	Rear light Outer	/L	1	I8SA
(1)	958 631 061 10	Rear light Outer	/L	1	I8SB
(1)	958 631 061 11	Rear light Outer	/L	1	I8SB
(1)	958 631 062 00	Rear light Outer	/R	1	I8SA
(1)	958 631 062 01	Rear light Outer	/R	1	I8SA
(1)	958 631 062 10	Rear light Outer	/R	1	I8SB
(1)	958 631 062 11	Rear light Outer	/R	1	I8SB
2	N 911 664 01	Oval-head screw M6X14		22	
3	N 901 686 04	Speed nut M 6 X 16 X 24		2	
4	958 631 065 00	Rear light Inner	/L	1	I8SA
(4)	958 631 065 10	Rear light Inner	/L	1	I8SB
(4)	958 631 066 00	Rear light Inner	/R	1	I8SA
(4)	958 631 066 10	Rear light Inner	/R	1	I8SB
5	N 015 082 10	Hexagon nut M 6		2	
8	958 631 261 00	Cover Outer	/L	1	I8SA
(8)	958 631 262 00	Cover Outer	/R	1	I8SA
(8)	958 631 265 00	Cover Inner	/L	1	I8SA
(8)	958 631 266 00	Cover Inner	/R	1	I8SA
9	958 631 105 10	Rear fog light with Reflector Left	/L	1	
(9)	958 631 106 10	Rear fog light with Reflector Right	/R	1	
11	958 631 050 10	Additional brake light		1	
12	N 900 942 01	Speed nut		2	
13	N 106 795 01	Oval-head sheetmetal screw		2	
14	958 631 620 10	License plate light		2	
15	955 631 215 00	Repair kit Comprising: Threaded plate Nut lock Spacer plate 0,5 MM Spacer plate 1,0 MM Combination screw M 5 X 12		1 1 1 1 1 1 1 1 1 1	

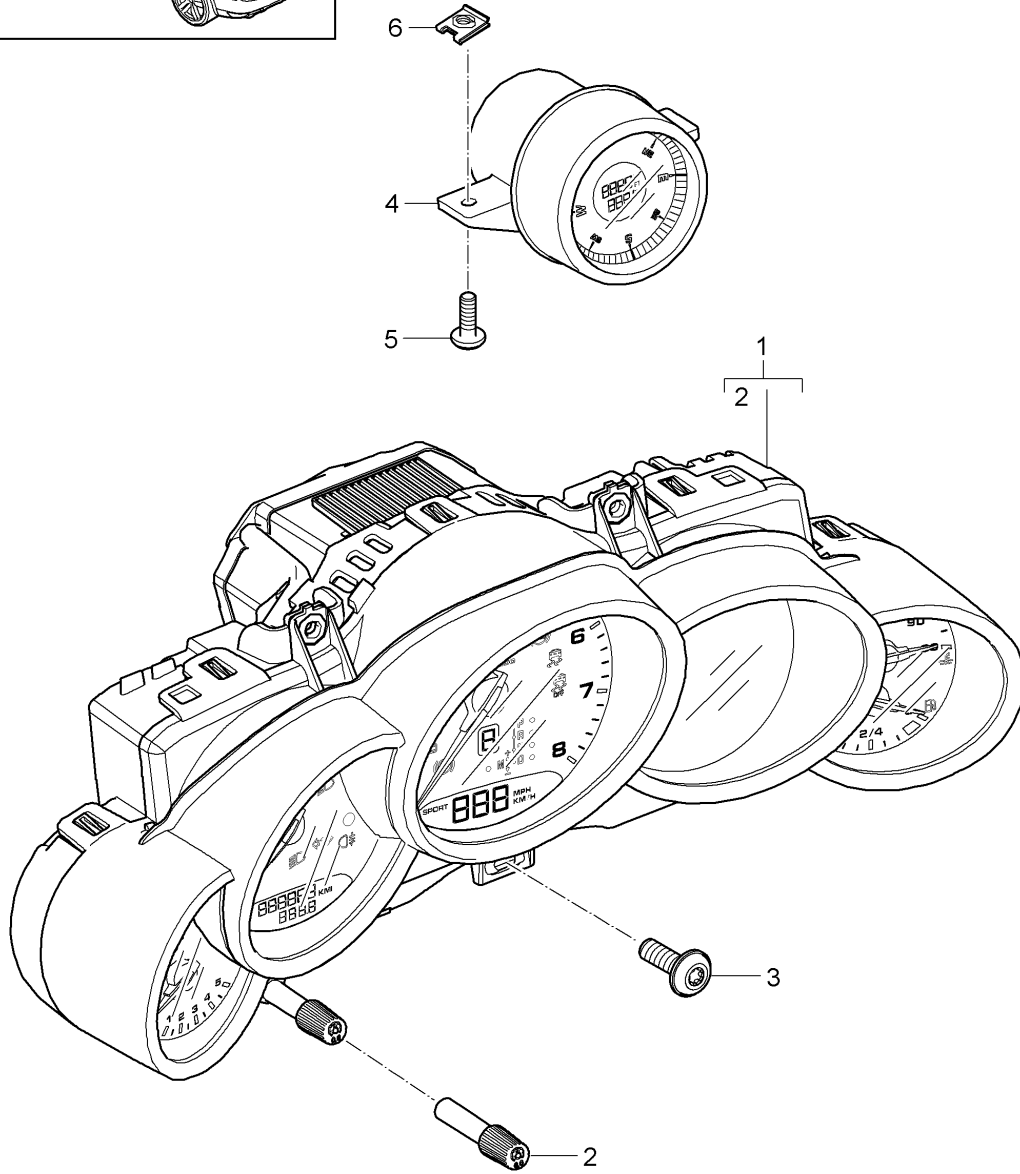
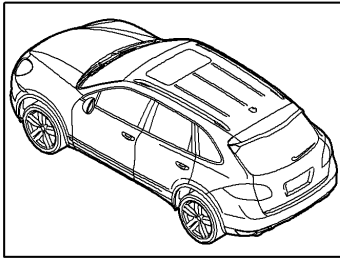
Model: 92A 11

Model life 2011>>

Pos	Part Number	Description	Remark	Qty	Model
16	955 631 471 02	Clips nut		1	

Model: 92A 11

Model life 2011>>



Model: 92A 11 Model life 2011>>

Pos	Part Number	Description	Remark	Qty	Model
		Instruments Compass Instruments Dial Black Silver See illustrations 9/06/02	-12		
1	958 641 133 00	Instrument cluster	-11	1	ID34/G0L/U5A IU5E/U5F/U5G I7Q0/7Q4/7T4 I7V0
1	958 641 133 01	Dial schwarz Instrument cluster	-11	1	ID34/G0L/U5A IU5E/U5F/U5G I7Q0/7Q4/7T4 I7V0
1	958 641 133 02	Dial schwarz Instrument cluster	12-	1	ID34/G0L/U5A IU5E/U5F/U5G I7Q0/7Q4/7T4 I7V0
1	958 641 134 00	Dial schwarz F >>92CLA 03712 Instrument cluster	-11	1	ID11/D34/G1G IU5A/U5E/U5F I7Q0/7Q4/7T4 I7V0 IU5G
1	958 641 134 01	Dial Black Instrument cluster	-11	1	ID11/D34/G1G IU5A/U5E/U5F I7Q0/7Q4/7T4 I7V0 IU5G
1	958 641 134 02	Dial Black Instrument cluster	12-	1	ID11/D34/G1G IU5A/U5E/U5F I7Q0/7Q4/7T4 I7V0 IU5G
1	958 641 133 10	F >>92CLA 03712 F >>92CLA 62840 Instrument cluster	-11	1	ID34/G0L/U5A IU5E/U5F/U5G I7T1/7V0
1	958 641 133 11	Dial Black Instrument cluster	-11	1	ID34/G0L/U5A IU5E/U5F/U5G I7T1/7V0
1	958 641 133 12	Dial Black Instrument cluster	12-	1	ID34/G0L/U5A IU5E/U5F/U5G I7T1/7V0
		Dial Black F >>92CLA 03712			

Model: 92A 11

Model life 2011>>

Pos	Part Number	Description	Remark	Qty	Model
1	958 641 134 13	Instrument cluster Dial Black F 92CLA 03713>> F 92CLA 62841>>	12-	1	ID11/D34/G0L IU5A/U5E/U5F IU5G/7V0
1	958 641 134 10	Instrument cluster Dial Black	-11	1	ID34/G1G/U5A IU5E/U5F/U5G I7T1/7V0
1	958 641 134 11	Instrument cluster Dial Black	-11	1	ID34/G1G/U5A IU5E/U5F/U5G I7T1/7V0
1	958 641 134 12	Instrument cluster Dial Black	12-	1	ID34/G1G/U5A IU5E/U5F/U5G I7T1/7V0
1	958 641 134 13	Instrument cluster Dial Black F >>92CLA 03712 F 92CLA 62841>>	12-	1	ID11/D34/G1G IU5A/U5E/U5F IU5G/7V0
1	958 641 137 00	Instrument cluster Dial Black	-11	1	ID34/G0L/U5B I7Q0/7V0
1	958 641 137 01	Instrument cluster Dial Black	-11	1	ID34/G0L/U5B I7Q0/7V0
1	958 641 137 02	Instrument cluster Dial Black F >>92CLA 03712	12-	1	ID34/G0L/U5B I7Q0/7V0
1	958 641 138 00	Instrument cluster Dial Black	-11	1	ID34/G1G/U5B I7Q0/7V0
1	958 641 138 01	Instrument cluster Dial Black	-11	1	ID34/G1G/U5B I7Q0/7V0
1	958 641 138 02	Instrument cluster Dial Black F >>92CLA 03712	12-	1	ID34/G1G/U5B I7Q0/7V0
1	958 641 137 10	Instrument cluster Dial Black	-11	1	ID34/G0L/U5B I7T1/7V0
1	958 641 137 11	Instrument cluster Dial	-11	1	ID34/G0L/U5B I7T1/7V0

Model: 92A 11 Model life 2011>>

Pos	Part Number	Description	Remark	Qty	Model
1	958 641 137 12	Black Instrument cluster	12-	1	ID34/G0L/U5B I7T1/7V0
1	958 641 137 13	Dial Black F >>92CLA 03712 Instrument cluster	12-	1	ID34/G0L/U5B I7V0
1	958 641 138 10	Dial Black F 92CLA 03713>> Instrument cluster	-11	1	ID34/G1G/U5B I7T1/7V0
1	958 641 138 11	Dial Black Instrument cluster	-11	1	ID34/G1G/U5B I7T1/7V0
1	958 641 138 12	Dial Black Instrument cluster	12-	1	ID34/G1G/U5B I7T1/7V0
1	958 641 138 13	Dial Black F >>92CLA 03712 Instrument cluster	12-	1	ID34/G1G/U5B I7V0
1	958 641 144 00	Dial Black F 92CLA 03713>> Instrument cluster	-11	1	ID1V/D50/G1G IU5A/U5E/U5F I7Q0/7Q4/7T4 I7V0 IU5G
1	958 641 144 01	Dial Black Instrument cluster	-11	1	ID1V/D50/G1G IU5A/U5E/U5F I7Q0/7Q4/7T4 I7V0 IU5G
1	958 641 144 02	Dial Black Instrument cluster	12-	1	ID1V/D43/G1G IU5A/U5E/U5F I7Q0/7Q4/7T4 I7V0 IU5G
1	958 641 144 10	Dial Black F >>92CLA 25247 Instrument cluster	-11	1	ID1V/D50/G1G IU5A/U5E/U5F IU5G/7T1/7V0
1	958 641 144 11	Dial Black Instrument cluster	-11	1	ID1V/D50/G1G IU5A/U5E/U5F IU5G/7T1/7V0
1	958 641 144 12	Dial Black Instrument cluster	12-	1	ID1V/D43/G1G IU5A/U5E/U5F IU5G/7T1/7V0
		Dial Black			

Model: 92A 11 Model life 2011>>

Pos	Part Number	Description	Remark	Qty	Model
1	958 641 144 13	F >>92CLA 25247 Instrument cluster Dial Black	12-	1	ID1V/D43/G1G IU5A/U5E/U5F IU5G/7V0
1	958 641 148 00	F 92CLA 25248>> Instrument cluster Dial Black	-11	1	ID50/G1G/U5B I7Q0/7V0
1	958 641 148 01	Instrument cluster Dial Black	-11	1	ID50/G1G/U5B I7Q0/7V0
1	958 641 148 02	Instrument cluster Dial Black	12-	1	ID43/G1G/U5B I7Q0/7V0
1	958 641 148 10	F >>92CLA 25247 Instrument cluster Dial Black	-11	1	ID50/G1G/U5B I7T1/7V0
1	958 641 148 11	Instrument cluster Dial Black	-11	1	ID50/G1G/U5B I7T1/7V0
1	958 641 148 12	Instrument cluster Dial Black	12-	1	ID43/G1G/U5B I7T1/7V0
1	958 641 148 13	F >>92CLA 25247 Instrument cluster Dial Black	12-	1	ID43/G1G/U5B I7V0
1	958 641 154 00	F 92CLA 25248>> Instrument cluster Dial Silver	-11	1	ID19/U5A/U5E IU5F/U5G/7Q0 I7Q4/7T4/7V5
1	958 641 154 01	Instrument cluster Dial Silver	-11	1	ID19/U5A/U5E IU5F/U5G/7Q0 I7Q4/7T4/7V5
1	958 641 154 02	Instrument cluster Dial Silver	12-	1	ID19/U5A/U5E IU5F/U5G/7Q0 I7Q4/7T4/7V5
1	958 641 154 10	F >>92CLA 91365 Instrument cluster Dial Silver	-11	1	ID19/U5A/U5E IU5F/U5G/7T1 I7V5
1	958 641 154 11	Instrument cluster Dial	-11	1	ID19/U5A/U5E IU5F/U5G/7T1 I7V5

Model: 92A 11 Model life 2011>>

Pos	Part Number	Description	Remark	Qty	Model
1	958 641 154 12	Silver Instrument cluster	12-	1	ID19/U5A/U5E IU5F/U5G/7T1 I7V5
1	958 641 154 13	Dial Silver F >>92CLA 91365 Instrument cluster	12-	1	ID19/U5A/U5E IU5F/U5G/7V5
1	958 641 158 00	Dial Silver F 92CLA 91366>> Instrument cluster	-11	1	ID19/U5B/7Q0 I7V5
1	958 641 158 01	Dial Silver Instrument cluster	-11	1	ID19/U5B/7Q0 I7V5
1	958 641 158 02	Dial Silver Instrument cluster	12-	1	ID19/U5B/7Q0 I7V5
1	958 641 158 10	Dial Silver F >>92CLA 91365 Instrument cluster	-11	1	ID19/U5B/7T1 I7V5
1	958 641 158 11	Dial Silver Instrument cluster	-11	1	ID19/U5B/7T1 I7V5
1	958 641 158 12	Dial Silver Instrument cluster	12-	1	ID19/U5B/7T1 I7V5
1	958 641 158 13	Dial Silver F >>92CLA 91365 Instrument cluster	12-	1	ID19/U5B/7V5
1	958 641 234 00	Dial Silver F 92CLA 91366>> Instrument cluster	-11	1	ID6V/U5A/U5E IU5F/U5G/7Q0 I7Q4/7T4/7V5
1	958 641 234 01	Dial Silver Instrument cluster	-11	1	ID6V/U5A/U5E IU5F/U5G/7Q0 I7Q4/7T4/7V5
1	958 641 234 02	Dial Silver Instrument cluster	12-	1	ID6V/U5A/U5E IU5F/U5G/7Q0 I7Q4/7T4/7V5
1	958 641 234 10	Dial Silver F >>92CLA 44031 Instrument cluster	-11	1	ID6V/U5A/U5E IU5F/U5G/7T1 I7V5
		Dial Silver			

Model: 92A 11 Model life 2011>>

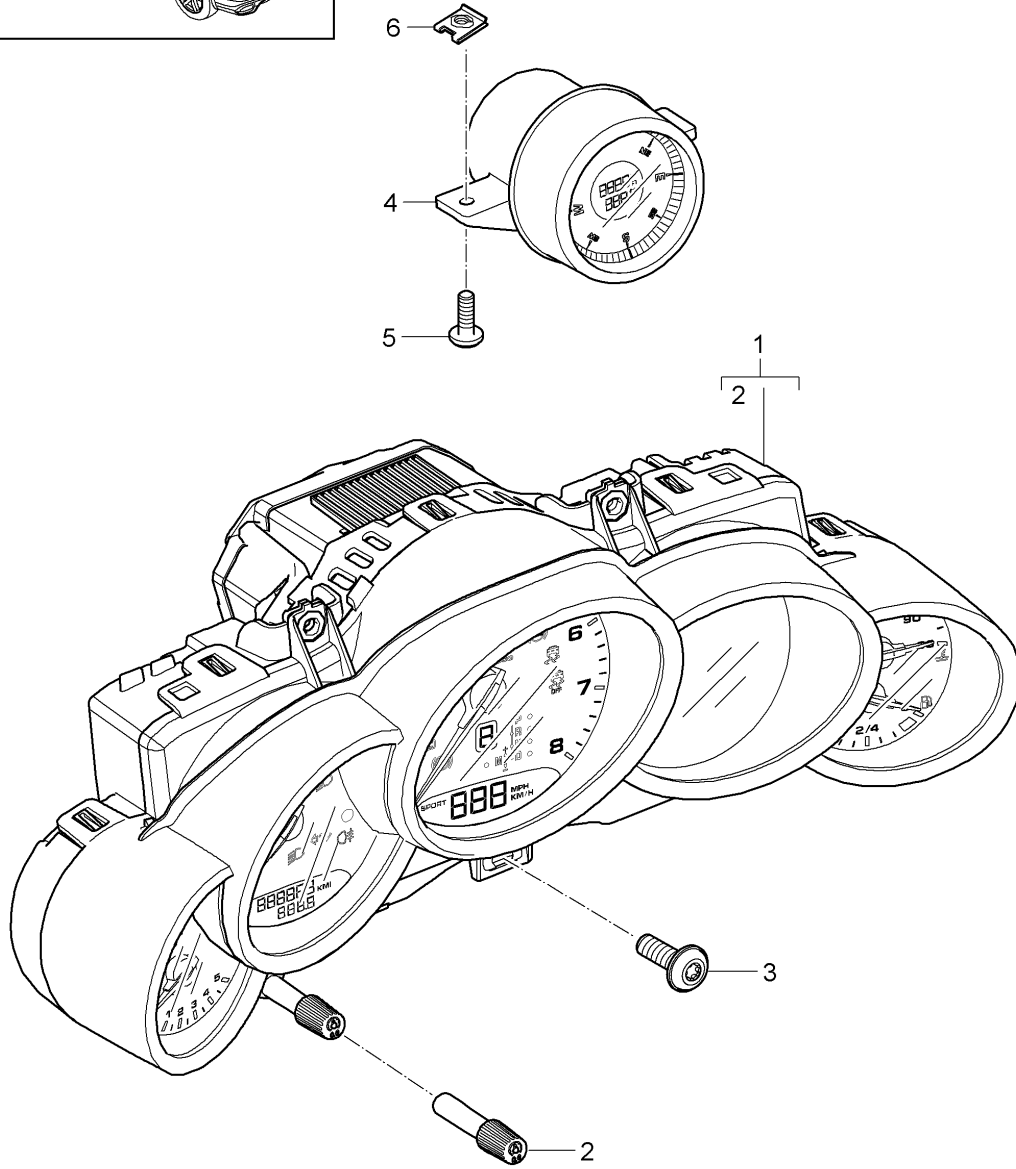
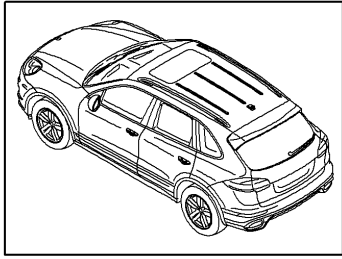
Pos	Part Number	Description	Remark	Qty	Model
1	958 641 234 11	Instrument cluster Dial Silver	-11	1	ID6V/U5A/U5E IU5F/U5G/7T1 I7V5
1	958 641 234 12	Instrument cluster Dial Silver	12-	1	ID6V/U5A/U5E IU5F/U5G/7T1 I7V5
1	958 641 234 13	F >>92CLA 44031 Instrument cluster Dial Silver	12-	1	ID6V/U5A/U5E IU5F/U5G/7V5
1	958 641 238 00	F 92CLA 44032>> Instrument cluster Dial Silver	-11	1	ID6V/U5B/7Q0 I7V5
1	958 641 238 01	Instrument cluster Dial Silver	-11	1	ID6V/U5B/7Q0 I7V5
1	958 641 238 02	Instrument cluster Dial Silver	12-	1	ID6V/U5B/7Q0 I7V5
1	958 641 238 10	F >>92CLA 44031 Instrument cluster Dial Silver	-11	1	ID6V/U5B/7T1 I7V5
1	958 641 238 11	Instrument cluster Dial Silver	-11	1	ID6V/U5B/7T1 I7V5
1	958 641 238 12	Instrument cluster Dial Silver	12-	1	ID6V/U5B/7T1 I7V5
1	958 641 238 13	F >>92CLA 44031 Instrument cluster Dial Silver	12-	1	ID6V/U5B/7V5
1	958 641 334 00	F 92CLA 44032>> Instrument cluster Dial Black/Silver	-11	1	ID58/U5A/U5E IU5F/U5G/7Q0 I7Q4/7T4/7V6
1	958 641 334 01	Instrument cluster Dial Black/Silver	-11	1	ID58/U5A/U5E IU5F/U5G/7Q0 I7Q4/7T4/7V6
1	958 641 334 02	Instrument cluster Dial Black/Silver	12-	1	ID58/U5A/U5E IU5F/U5G/7Q0 I7Q4/7T4/7V6
1	958 641 334 10	F >>92CLA 81613 Instrument cluster	-11	1	ID58/U5A/U5E

Model: 92A 11 Model life 2011>>

Pos	Part Number	Description	Remark	Qty	Model
					IU5F/U5G/7T1
1	958 641 334 11	Dial Black/Silver Instrument cluster	-12	1	ID58/U5A/U5E IU5F/U5G/7T1 I7V6
1	958 641 334 12	Dial Black/Silver Instrument cluster	12-	1	ID58/U5A/U5E IU5F/U5G/7T1 I7V6
1	958 641 334 13	Dial Black/Silver F >>92CLA 81613 Instrument cluster	12-	1	ID58/U5A/U5E IU5F/U5G/7V6
1	958 641 338 00	Dial Black/Silver F 92CLA 81614>> Instrument cluster	-11	1	ID58/U5B/7Q0 I7V6
1	958 641 338 01	Dial Black/Silver Instrument cluster	-11	1	ID58/U5B/7Q0 I7V6
1	958 641 338 02	Dial Black/Silver Instrument cluster	12-	1	ID58/U5B/7Q0 I7V6
1	958 641 338 10	Dial Black/Silver F >>92CLA 81613 Instrument cluster	-11	1	ID58/U5B/7T1 I7V6
1	958 641 338 11	Dial Black/Silver Instrument cluster	-11	1	ID58/U5B/7T1 I7V6
1	958 641 338 12	Dial Black/Silver Instrument cluster	12-	1	ID58/U5B/7T1 I7V6
1	958 641 338 13	Dial Black/Silver F >>92CLA 81613 Instrument cluster	12-	1	ID58/U5B/7V6
2	7PP 919 069	Dial Black/Silver F 92CLA 81614>> Knob		1	
3	N 906 986 06	Actuator		4	
4	958 641 401 00	Tapping screw 4,2 X 16		1	IQR1/7T1/7T4
5	N 906 986 06	Compass		2	
6	N 906 988 01	Tapping screw 4,2 X 16 Speed nut 4,2		2	

Model: 92A 11

Model life 2011>>



Model: 92A 11 Model life 2011>>

Pos	Part Number	Description	Remark	Qty	Model
1	958 641 160 00	Instruments KOMPASS Stopwatch Instruments Dial Black Silver Instrument cluster	15-16	1	ID34/G1G/U5A IU5D/U5E/U5F IU5G/7Q7/7T1 I7V0 I7Q0/7Q4/7T4
1	958 641 161 00	Dial Black Instrument cluster		1	ID11 ID34/G1G/U5B IU5C/7T1/7V0
1	958 641 163 00	Dial Black Instrument cluster		1	IDU2/U5A/U5D IU5E/U5F/U5G I7Q7/7T1/7V5 I7Q0/7Q4/7T4
1	958 641 164 00	Dial Silver Instrument cluster		1	IDU2/U5B/7T1 I7V5
1	958 641 166 00	Dial Silver Instrument cluster		1	IDU3/U5A/U5D IU5E/U5F/U5G I7Q7/7T1/7V5 I7Q0/7Q4/7T4
1	958 641 167 00	Dial Silver with GTS Instrument cluster		1	IDU3/U5B/7T1 I7V5
1	958 641 166 10	Dial Silver with GTS Instrument cluster		1	IDU3/U5A/U5D IU5E/U5F/U5G I7Q7/7T1/7V0 I7Q0/7Q4/7T4
1	958 641 167 10	Dial Black with GTS Instrument cluster		1	IDU3/U5B/7T1 I7V0
1	958 641 169 00	Dial Black with GTS Instrument cluster		1	IDT1/U5A/U5D IU5E/U5F/U5G I7Q7/7T1/7V6 I7Q0/7Q4/7T4
1	958 641 170 00	Dial Black/Silver Instrument cluster		1	IDT1/U5B/7T1 I7V6
1	958 641 169 51	Dial Black/Silver Instrument cluster		1	IDT5/U5A/U5E

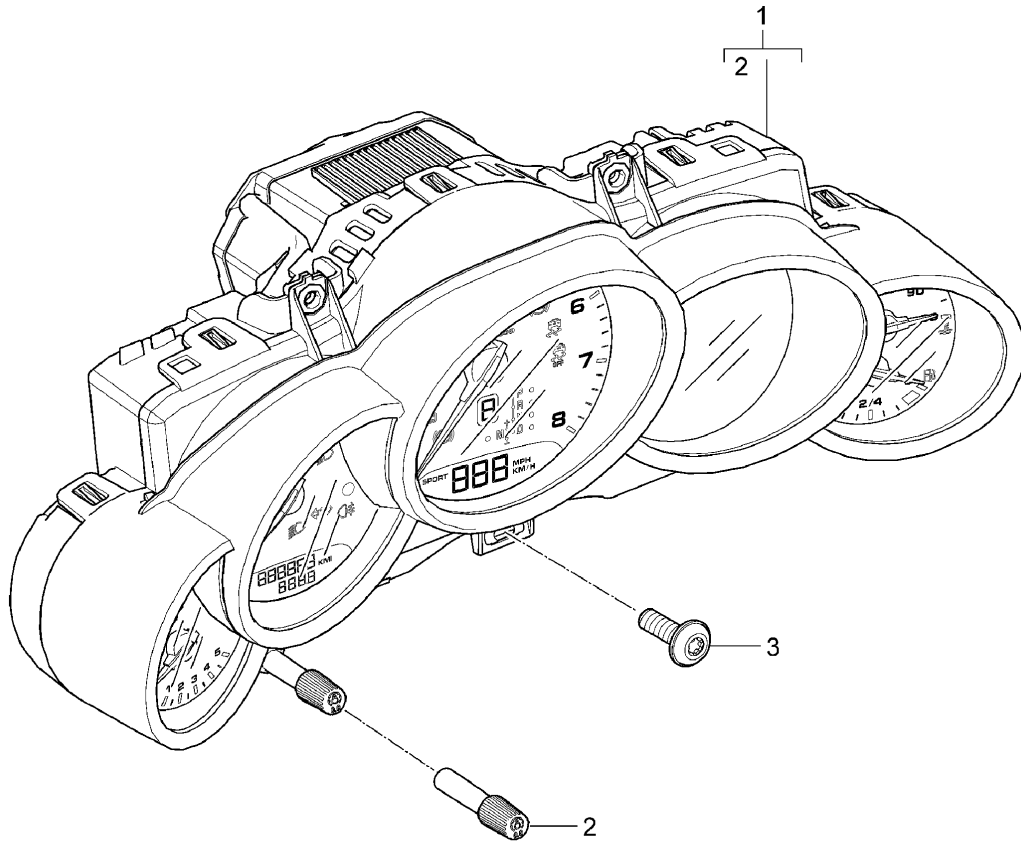
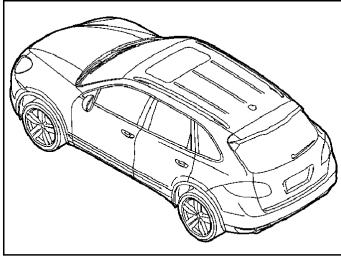
Model: 92A 11

Model life 2011>>

Pos	Part Number	Description	Remark	Qty	Model
					IU5F/U5G/7V6
1	958 641 170 51	Dial Black/Silver Instrument cluster		1	IDT5/U5B/7V6
1	958 641 172 00	Dial Black/Silver Instrument cluster		1	ID19/U5A/U5D IU5E/U5F/U5G I7Q7/7T1/7V5 I7Q0/7Q4/7T4
1	958 641 173 00	Dial Silver Instrument cluster		1	ID19/U5B/7T1 I7V5
1	958 641 175 00	Dial Silver Instrument cluster		1	IDD7/DV7/D1V ID43/D50/D51 IG1G/U5A/U5D IU5E
1	958 641 176 00	Dial Black Instrument cluster		1	IU5F/U5G/7Q7 I7T1/7V0 I7Q0/7Q4/7T4 IDD7/DV7/D1V ID43/D50/D51 IG1G/U5B/7T1 I7V0
1	958 641 178 00	Dial Black Instrument cluster		1	IDD8/G1G/U5A IU5D/U5E/U5F IU5G/7Q7/7T1 I7V5 I7Q0/7Q4/7T4
1	958 641 179 00	Dial Silver Instrument cluster		1	IDD8/G1G/U5B I7T1/7V5
2	7PP 919 069	Dial Silver Knob		1	
3	N 906 986 06	Actuator Tapping screw 4,2 X 16		4	
4	958 641 401 04	Compass		1	IQR1/UP1/7Q7 I7T1/7T4
(4)	958 641 501 04	Stopwatch		1	IQR4/QR5/UP1 I0K0
(4)	958 641 501 13	Clock		1	IQR3/0K0
5	N 906 986 06	Tapping screw 4,2 X 16		2	
6	N 906 988 01	Speed nut 4,2		2	

Model: 92A 11

Model life 2011>>



Model: 92A 11 Model life 2011>>

Pos	Part Number	Description	Remark	Qty	Model
		Instruments	-12		
1	958 641 923 10	Dial Coloured Instrument cluster	-11	1	ID34/G0L/U5A IU5E/U5F/U5G I7V1
1	958 641 923 11	Dial Guards red Instrument cluster	12-	1	ID34/G0L/U5A IU5E/U5F/U5G I7V1
1	958 641 923 12	Dial Guards red F >>92CLA 05335 Instrument cluster	12-	1	ID34/G0L/U5A IU5E/U5F/U5G I7V1
1	958 641 943 10	Dial Guards red F 92CLA 05336>> Instrument cluster	-11	1	ID34/G0L/U5A IU5E/U5F/U5G I7V3
1	958 641 943 11	Dial Carrara white Instrument cluster	12-	1	ID34/G0L/U5A IU5E/U5F/U5G I7V3
1	958 641 943 12	Dial Carrara white F >>92CLA 05335 Instrument cluster	12-	1	ID34/G0L/U5A IU5E/U5F/U5G I7V3
1	958 641 963 10	Dial Carrara white F 92CLA 05336>> Instrument cluster	-11	1	ID34/G0L/U5A IU5E/U5F/U5G I7V4
1	958 641 963 11	Dial Luxor Beige Instrument cluster	12-	1	ID34/G0L/U5A IU5E/U5F/U5G I7V4
1	958 641 963 12	Dial Luxor Beige F >>92CLA 05335 Instrument cluster	12-	1	ID34/G0L/U5A IU5E/U5F/U5G I7V4
1	958 641 924 10	Dial Luxor Beige F 92CLA 05336>> Instrument cluster	-11	1	ID34/G1G/U5A IU5E/U5F/U5G I7V1
1	958 641 924 11	Dial Guards red Instrument cluster	12-	1	ID11/D34/G1G IU5A/U5E/U5F IU5G/7V1
		Dial			

Model: 92A 11 Model life 2011>>

Pos	Part Number	Description	Remark	Qty	Model
1	958 641 924 12	Guards red F >>92CLA 05335 F >>92CLA 64565 Instrument cluster	12-	1	ID11/D34/G1G IU5A/U5E/U5F IU5G/7V1
1	958 641 944 10	Dial Guards red F 92CLA 05336>> F 92CLA 64566>> Instrument cluster	-11	1	ID34/G1G/U5A IU5E/U5F/U5G I7V3
1	958 641 944 11	Dial Carrara white Instrument cluster	12-	1	ID11/D34/G1G IU5A/U5E/U5F IU5G/7V3
1	958 641 944 12	Dial Carrara white F >>92CLA 05335 F >>92CLA 64565 Instrument cluster	12-	1	ID11/D34/G1G IU5A/U5E/U5F IU5G/7V3
1	958 641 964 10	Dial Carrara white F 92CLA 05336>> F 92CLA 64566>> Instrument cluster	-11	1	ID34/G1G/U5A IU5E/U5F/U5G I7V4
1	958 641 964 11	Dial Luxor Beige Instrument cluster	12-	1	ID11/D34/G1G IU5A/U5E/U5F IU5G/7V4
1	958 641 964 12	Dial Luxor Beige F >>92CLA 05335 F >>92CLA 64565 Instrument cluster	12-	1	ID11/D34/G1G IU5A/U5E/U5F IU5G/7V4
1	958 641 927 10	Dial Luxor Beige F 92CLA 05336>> F 92CLA 64566>> Instrument cluster	-11	1	ID34/G0L/U5B I7V1
1	958 641 927 11	Dial Guards red Instrument cluster	12-	1	ID34/G0L/U5B I7V1
1	958 641 927 12	Dial Guards red F >>92CLA 05335 Instrument cluster	12-	1	ID34/G0L/U5B I7V1
1	958 641 947 10	Dial Guards red F 92CLA 05336>> Instrument cluster	-11	1	ID34/G0L/U5B

Model: 92A 11

Model life 2011>>

Pos	Part Number	Description	Remark	Qty	Model
					I7T1/7V3
1	958 641 947 11	Dial Carrara white Instrument cluster	12-	1	ID34/G0L/U5B I7V3
1	958 641 947 12	Dial Carrara white F >>92CLA 05335 Instrument cluster	12-	1	ID34/G0L/U5B I7V3
1	958 641 967 10	Dial Carrara white F 92CLA 05336>> Instrument cluster	-11	1	ID34/G0L/U5B I7V4
1	958 641 967 11	Dial Luxor Beige Instrument cluster	12-	1	ID34/G0L/U5B I7V4
1	958 641 967 12	Dial Luxor Beige F >>92CLA 05335 Instrument cluster	12-	1	ID34/G0L/U5B I7V4
1	958 641 928 10	Dial Luxor Beige F 92CLA 05336>> Instrument cluster	-11	1	ID34/G1G/U5B I7V1
1	958 641 928 11	Dial Guards red Instrument cluster	12-	1	ID34/G1G/U5B I7V1
1	958 641 928 12	Dial Guards red F >>92CLA 05335 Instrument cluster	12-	1	ID34/G1G/U5B I7V1
1	958 641 948 10	Dial Guards red F 92CLA 05336>> Instrument cluster	-11	1	ID34/G1G/U5B I7V3
1	958 641 948 11	Dial Carrara white Instrument cluster	12-	1	ID34/G1G/U5B I7V3
1	958 641 948 12	Dial Carrara white F >>92CLA 05335 Instrument cluster	12-	1	ID34/G1G/U5B I7V3
1	958 641 968 10	Dial Carrara white F 92CLA 05336>> Instrument cluster	-11	1	ID34/G1G/U5B I7V4
1	958 641 968 11	Dial Luxor Beige Instrument cluster	12-	1	ID34/G1G/U5B I7V4
		Dial Luxor Beige			

Model: 92A 11 Model life 2011>>

Pos	Part Number	Description	Remark	Qty	Model
1	958 641 968 12	F >>92CLA 05335 Instrument cluster Dial Luxor Beige F 92CLA 05336>>	12-	1	ID34/G1G/U5B I7V4
1	958 641 904 10	Instrument cluster Dial Guards red	-11	1	ID1V/D50/G1G IU5A/U5E/U5F IU5G/7V1
1	958 641 904 11	Instrument cluster Dial Guards red	12-	1	ID1V/D43/G1G IU5A/U5E/U5F IU5G/7V1
1	958 641 904 12	F >>92CLA 28225 F >>92CLA 28101 Instrument cluster Dial Guards red	12-	1	ID43 ID1V ID1V/D43/G1G IU5A/U5E/U5F IU5G/7V1
1	958 641 914 10	F 92CLA 28226>> F 92CLA 28102>> Instrument cluster Dial Carrara white	-11	1	ID43 ID1V ID1V/D50/G1G IU5A/U5E/U5F IU5G/7V3
1	958 641 914 11	Instrument cluster Dial Carrara white	12-	1	ID1V/D43/G1G IU5A/U5E/U5F IU5G/7V3
1	958 641 914 12	F >>92CLA 28225 F >>92CLA 28101 Instrument cluster Dial Carrara white	12-	1	ID43 ID1V ID1V/D43/G1G IU5A/U5E/U5F IU5G/7V3
1	958 641 934 10	F 92CLA 28226>> F 92CLA 28102>> Instrument cluster Dial Luxor Beige	-11	1	ID43 ID1V ID1V/D50/G1G IU5A/U5E/U5F IU5G/7V4
1	958 641 934 11	Instrument cluster Dial Luxor Beige	12-	1	ID1V/D43/G1G IU5A/U5E/U5F IU5G/7V4
1	958 641 934 12	F >>92CLA 28225 F >>92CLA 28101 Instrument cluster Dial Luxor Beige	12-	1	ID43 ID1V ID1V/D43/G1G IU5A/U5E/U5F IU5G/7V4
		F 92CLA 28226>> F 92CLA 28102>>			ID43 ID1V

Model: 92A 11 Model life 2011>>

Pos	Part Number	Description	Remark	Qty	Model
1	958 641 908 10	Instrument cluster Dial Guards red	-11	1	ID50/G1G/U5B I7V1
1	958 641 908 11	Instrument cluster Dial Guards red	12-	1	ID43/G1G/U5B I7V1
1	958 641 908 12	F >>92CLA 28225 Instrument cluster Dial Guards red	12-	1	ID43/G1G/U5B I7V1
1	958 641 918 10	F 92CLA 28226>> Instrument cluster Dial Carrara white	-11	1	ID50/G1G/U5B I7V3
1	958 641 918 11	Instrument cluster Dial Carrara white	12-	1	ID43/G1G/U5B I7V3
1	958 641 918 12	F >>92CLA 28225 Instrument cluster Dial Carrara white	12-	1	ID43/G1G/U5B I7V3
1	958 641 938 10	F 92CLA 28226>> Instrument cluster Dial Luxor Beige	-11	1	ID50/G1G/U5B I7T1/7V4
1	958 641 938 11	Instrument cluster Dial Luxor Beige	12-	1	ID43/G1G/U5B I7V4
1	958 641 938 12	F >>92CLA 28225 Instrument cluster Dial Luxor Beige	12-	1	ID43/G1G/U5B I7V4
1	958 641 954 10	F 92CLA 28226>> Instrument cluster Dial Guards red	-11	1	ID6V/U5A/U5E IU5F/U5G/7V1
1	958 641 954 11	Instrument cluster Dial Guards red	12-	1	ID6V/U5A/U5E IU5F/U5G/7V1
1	958 641 954 12	F >>92CLA 45215 Instrument cluster Dial Guards red	12-	1	ID6V/U5A/U5E IU5F/U5G/7V1
1	958 641 974 10	F 92CLA 45216>> Instrument cluster Dial Carrara white	-11	1	ID6V/U5A/U5E IU5F/U5G/7V3
1	958 641 974 11	Instrument cluster Dial	12-	1	ID6V/U5A/U5E IU5F/U5G/7V3

Model: 92A 11 Model life 2011>>

Pos	Part Number	Description	Remark	Qty	Model
1	958 641 974 12	Carrara white F >>92CLA 45215 Instrument cluster	12-	1	ID6V/U5A/U5E IU5F/U5G/7V3
1	958 641 994 10	Dial Carrara white F 92CLA 45216>> Instrument cluster	-11	1	ID6V/U5A/U5E IU5F/U5G/7V4
1	958 641 994 11	Dial Luxor Beige Instrument cluster	12-	1	ID6V/U5A/U5E IU5F/U5G/7V4
1	958 641 994 12	Dial Luxor Beige F >>92CLA 45215 Instrument cluster	12-	1	ID6V/U5A/U5E IU5F/U5G/7V4
1	958 641 958 10	Dial Luxor Beige F 92CLA 45216>> Instrument cluster	-11	1	ID6V/U5B/7V1
1	958 641 958 11	Dial Guards red Instrument cluster	12-	1	ID6V/U5B/7V1
1	958 641 958 12	Dial Guards red F >>92CLA 45215 Instrument cluster	12-	1	ID6V/U5B/7V1
1	958 641 978 10	Dial Guards red F 92CLA 45216>> Instrument cluster	-11	1	ID6V/U5B/7V3
1	958 641 978 11	Dial Carrara white Instrument cluster	12-	1	ID6V/U5B/7V3
1	958 641 978 12	Dial Carrara white F >>92CLA 45215 Instrument cluster	12-	1	ID6V/U5B/7V3
1	958 641 998 10	Dial Carrara white F 92CLA 45216>> Instrument cluster	-11	1	ID6V/U5B/7V4
1	958 641 998 11	Dial Luxor Beige Instrument cluster	12-	1	ID6V/U5B/7V4
1	958 641 998 12	Dial Luxor Beige F >>92CLA 45215 Instrument cluster	12-	1	ID6V/U5B/7V4
1	958 641 954 30	Dial Luxor Beige F 92CLA 45216>> Instrument cluster	-11	1	ID58/U5A/U5E IU5F/U5G/7V1
1	958 641 954 31	Dial Guards red Instrument cluster	12-	1	ID58/U5A/U5E IU5F/U5G/7V1
		Dial Guards red F >>92CLA 82187			

Model: 92A 11 Model life 2011>>

Pos	Part Number	Description	Remark	Qty	Model
1	958 641 954 32	Instrument cluster Dial Guards red F 92CLA 82188>>	12-	1	ID58/U5A/U5E IU5F/U5G/7V1
1	958 641 974 30	Instrument cluster Dial Carrara white	-11	1	ID58/U5A/U5E IU5F/U5G/7V3
1	958 641 974 31	Instrument cluster Dial Carrara white F >>92CLA 82187	12-	1	ID58/U5A/U5E IU5F/U5G/7V3
1	958 641 974 32	Instrument cluster Dial Carrara white F 92CLA 82188>>	12-	1	ID58/U5A/U5E IU5F/U5G/7V3
1	958 641 994 30	Instrument cluster Dial Luxor Beige	-11	1	ID58/U5A/U5E IU5F/U5G/7V4
1	958 641 994 31	Instrument cluster Dial Luxor Beige F >>92CLA 82187	12-	1	ID58/U5A/U5E IU5F/U5G/7V4
1	958 641 994 32	Instrument cluster Dial Luxor Beige F 92CLA 82188>>	12-	1	ID58/U5A/U5E IU5F/U5G/7V4
1	958 641 958 30	Instrument cluster Dial Guards red	-11	1	ID58/U5B/7V1
1	958 641 958 31	Instrument cluster Dial Guards red F >>92CLA 82187	12-	1	ID58/U5B/7V1
1	958 641 958 32	Instrument cluster Dial Guards red F 92CLA 82188>>	12-	1	ID58/U5B/7V1
1	958 641 978 30	Instrument cluster Dial Carrara white	-11	1	ID58/U5B/7V3
1	958 641 978 31	Instrument cluster Dial Carrara white F >>92CLA 82187	12-	1	ID58/U5B/7V3
1	958 641 978 32	Instrument cluster Dial Carrara white F 92CLA 82188>>	12-	1	ID58/U5B/7V3
1	958 641 998 30	Instrument cluster Dial Luxor Beige	-11	1	ID58/U5B/7V4
1	958 641 998 31	Instrument cluster Dial Luxor Beige F >>92CLA 82187	12-	1	ID58/U5B/7V4
1	958 641 998 32	Instrument cluster Dial Luxor Beige F 92CLA 82188>>	12-	1	ID58/U5B/7V4

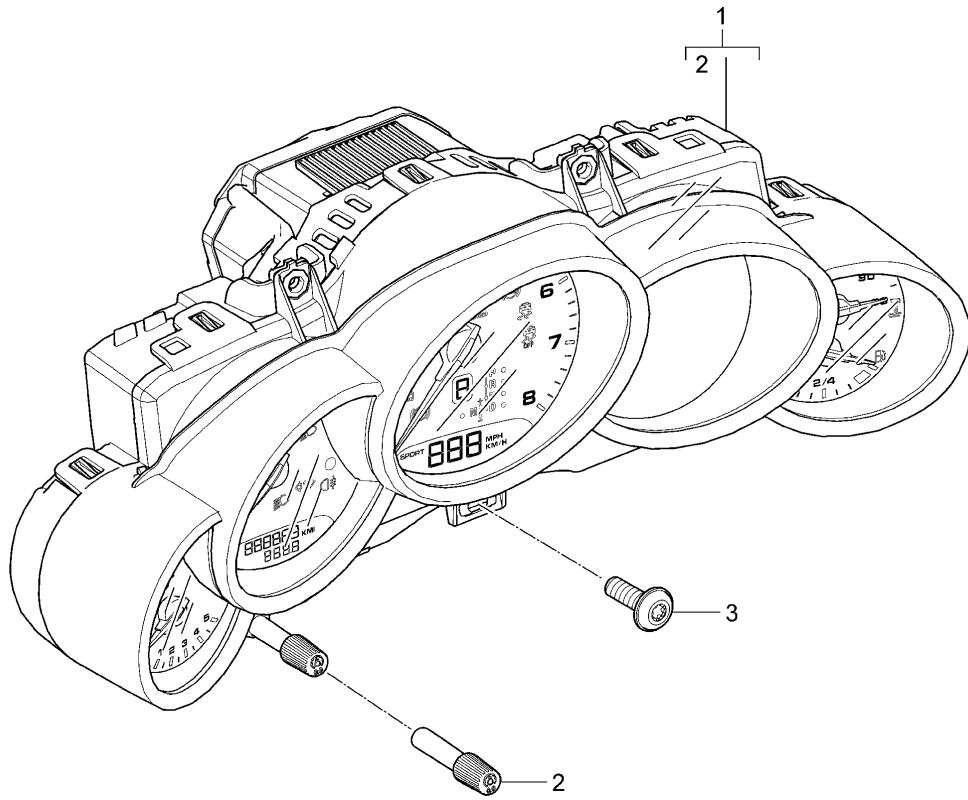
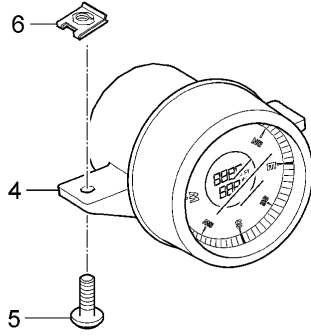
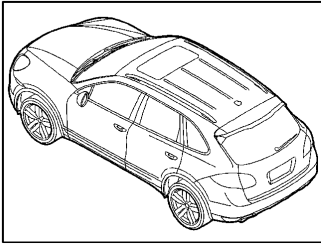
Model: 92A 11

Model life 2011>>

Pos	Part Number	Description	Remark	Qty	Model
2	7PP 919 069	Dial Luxor Beige F 92CLA 82188>> Knob		1	
3	N 906 986 06	Actuator Tapping screw 4,2 X 16		4	

Model: 92A 11

Model life 2011>>



Model: 92A 11 Model life 2011>>

Pos	Part Number	Description	Remark	Qty	Model
		Instruments	15-16		
1	958 641 800 00	Dial Coloured Instrument cluster		1	ID11/D34/U5A IU5D/U5E/U5F IU5G/7V7
1	958 641 801 00	Dial GRANATROT Instrument cluster		1	ID34/U5B/7V7
1	958 641 803 00	Dial GRANATROT Instrument cluster		1	IDU2/U5A/U5D IU5E/U5F/U5G I7V7
1	958 641 804 00	Dial GRANATROT Instrument cluster		1	IDU2/U5B/7V7
1	958 641 806 00	Dial GRANATROT Instrument cluster		1	IDU3/U5A/U5D IU5E/U5F/U5G I7V7
1	958 641 807 00	Dial GRANATROT Instrument cluster		1	IDU3/U5B/7V7
1	958 641 809 00	Dial GRANATROT Instrument cluster		1	IDT1/U5A/U5D IU5E/U5F/U5G I7V7
1	958 641 810 00	Dial GRANATROT Instrument cluster		1	IDT1/U5B/7V7
1	958 641 812 00	Dial GRANATROT Instrument cluster		1	IDT5/U5A/U5D IU5E/U5F/U5G I7V7
1	958 641 813 00	Dial GRANATROT Instrument cluster		1	IDT5/U5B/7V7
1	958 641 815 00	Dial GRANATROT Instrument cluster		1	IDD7/DV7/D1V ID43/D50/D51 IU5A/U5D/U5E IU5F/U5G/7V7
1	958 641 816 00	Dial GRANATROT Instrument cluster		1	IDD7/DV7/D1V ID43/D50/D51 IU5B/7V7
1	958 641 815 00	Dial GRANATROT Instrument cluster		1	IDD8/U5A/U5D IU5E/U5F/U5G I7V7
1	958 641 816 00	Dial GRANATROT Instrument cluster		1	IDD8/U5C/7V7
1	958 641 820 00	Dial GRANATROT Instrument cluster		1	ID11/D34/U5A IU5D/U5E/U5F

Model: 92A 11

Model life 2011>>

Pos	Part Number	Description	Remark	Qty	Model
		Dial White			IU5G/7V3
1	958 641 821 00	Instrument cluster		1	ID34/U5B/7V3
		Dial White			
1	958 641 823 00	Instrument cluster		1	IDU2/U5A/U5D IU5E/U5F/U5G I7V3
		Dial White			
1	958 641 824 00	Instrument cluster		1	IDU2/U5B/7V3
		Dial White			
1	958 641 826 00	Instrument cluster		1	IDU3/U5A/U5D IU5E/U5F/U5G I7V3
		Dial White			
1	958 641 827 00	Instrument cluster		1	IDU3/U5B/7V3
		Dial White			
1	958 641 829 00	Instrument cluster		1	IDT1/U5A/U5D IU5E/U5F/U5G I7V3
		Dial White			
1	958 641 830 00	Instrument cluster		1	IDT1/U5B/7V3
		Dial White			
1	958 641 832 00	Instrument cluster		1	IDT5/U5A/U5D IU5E/U5F/U5G I7V3
		Dial White			
1	958 641 833 00	Instrument cluster		1	IDT5/U5B/7V3
		Dial White			
1	958 641 835 00	Instrument cluster		1	IDD7/DV7/D1V ID43/D50/D51 IU5A/U5D/U5E IU5F/U5G/7V3
		Dial White			
1	958 641 836 00	Instrument cluster		1	IDD7/DV7/D1V ID43/D50/D51 IU5B/7V3
		Dial White			
1	958 641 835 00	Instrument cluster		1	IDD8/U5A/U5D IU5E/U5F/U5G I7V3
		Dial White			
1	958 641 836 00	Instrument cluster		1	IDD8/U5C/7V3
		Dial White			
1	958 641 840 00	Instrument cluster		1	ID11/D34/U5A IU5D/U5E/U5F IU5G/7V4
		Dial Luxor Beige			
1	958 641 841 00	Instrument cluster		1	ID34/U5B/7V4
		Dial			

Model: 92A 11

Model life 2011>>

Pos	Part Number	Description	Remark	Qty	Model
1	958 641 843 00	Luxor Beige Instrument cluster Dial Luxor Beige		1	IDU2/U5A/U5D IU5E/U5F/U5G I7V4
1	958 641 844 00	Luxor Beige Instrument cluster Dial		1	IDU2/U5B/7V4
1	958 641 846 00	Luxor Beige Instrument cluster Dial Luxor Beige		1	IDU3/U5A/U5D IU5E/U5F/U5G I7V4
1	958 641 847 00	Luxor Beige Instrument cluster Dial		1	IDU3/U5B/7V4
1	958 641 849 00	Luxor Beige Instrument cluster Dial Luxor Beige		1	IDT1/U5A/U5D IU5E/U5F/U5G I7V4
1	958 641 850 00	Luxor Beige Instrument cluster Dial		1	IDT1/U5B/7V4
1	958 641 852 00	Luxor Beige Instrument cluster Dial Luxor Beige		1	IDT5/U5A/U5D IU5E/U5F/U5G I7V4
1	958 641 853 00	Luxor Beige Instrument cluster Dial		1	IDT5/U5B/7V4
1	958 641 855 00	Luxor Beige Instrument cluster Dial Luxor Beige		1	IDD7/DV7/D1V ID43/D50/D51 IU5A/U5D/U5E IU5F/U5G/7V4
1	958 641 856 00	Luxor Beige Instrument cluster Dial Luxor Beige		1	IDD7/DV7/D1V ID43/D50/D51 IU5B/7V4
1	958 641 855 00	Luxor Beige Instrument cluster Dial Luxor Beige		1	IDD8/U5A/U5D IU5E/U5F/U5G I7V4
1	958 641 856 00	Luxor Beige Instrument cluster Dial		1	IDD8/U5C/7V4
1	958 641 846 20	Luxor Beige Instrument cluster Dial KAMINROT		1	IDU3/U5A/U5D IU5E/U5F/U5G I7Q7/7T1/7V8 I7Q0/7Q4/7T4
1	958 641 847 20	Luxor Beige Instrument cluster Dial KAMINROT		1	IDU3/U5B/7V8
2	7PP 919 069	Knob Actuator		1	
3	N 906 986 06	Tapping screw 4,2 X 16		4	

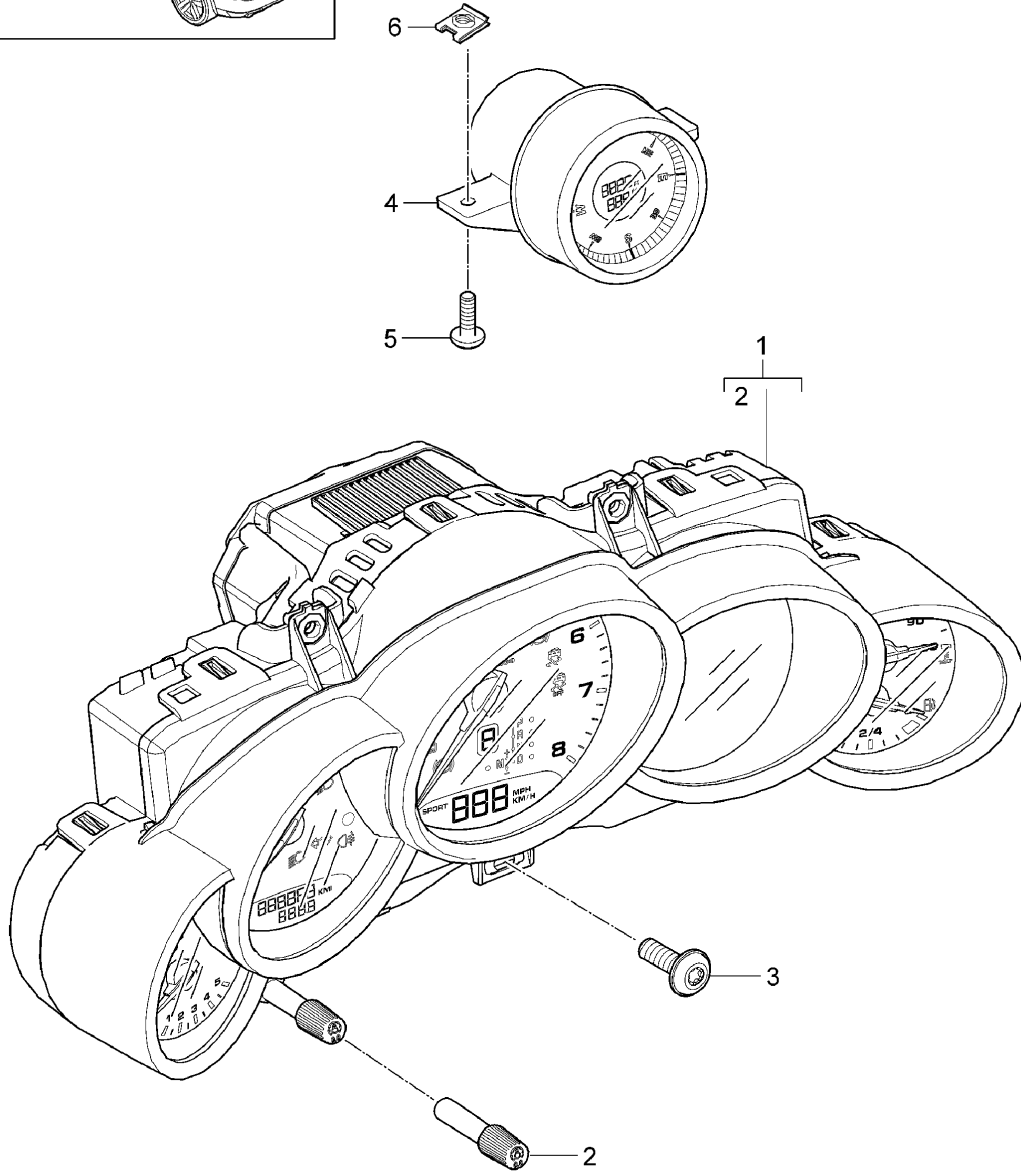
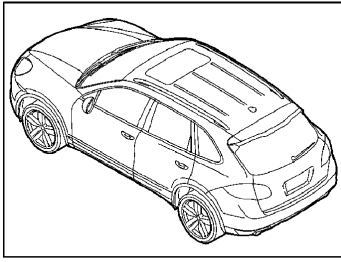
Model: 92A 11

Model life 2011>>

Pos	Part Number	Description	Remark	Qty	Model
4	7P5 919 107 L	Compass		1	IQR1/UP5/7Q7 I7T1/7T4
(4)	7P5 919 107 M	GRANATROT Compass		1	IQR1/UP4/7Q7 I7T1/7T4
(4)	7P5 919 107 N	Luxor Beige Compass		1	IQR1/UP3/7Q7 I7T1/7T4
(4)	7P5 919 203 G	White Stopwatch		1	IQR4/QR5/UP5 I0K0
(4)	7P5 919 203 H	GRANATROT Stopwatch		1	IQR4/QR5/UP4 I0K0
(4)	7P5 919 203 J	Luxor Beige Stopwatch		1	IQR4/QR5/UP3 I0K0
(4)	958 641 501 05	White Stopwatch		1	IQR4/QR5/0K3
(4)	958 641 501 08	Hybrid Stopwatch		1	IQR4/QR5/0K0
(4)	958 641 501 13	GTS Clock		1	IQR3/0K0
(4)	958 641 501 14	Clock		1	IQR3/0K3
(4)	958 641 501 17	Hybrid Clock		1	IQR3/0K0
5	N 906 986 06	GTS Tapping screw 4,2 X 16		2	
6	N 906 988 01	Speed nut 4,2		2	

Model: 92A 11

Model life 2011>>



Model: 92A 11 Model life 2011>>

Pos	Part Number	Description	Remark	Qty	Model
		Instruments Compass Instruments Dial Black Silver See illustrations 9/06/03	13-14		
1	958 641 133 14	Instrument cluster	13	1	-IIY2/ID34 IG0L/U5A/U5E IU5F/U5G/7V0
1	958 641 133 20	Dial Black Instrument cluster	13	1	ID34/G0L/IY2 IU5A/U5E/U5F IU5G/7V0
1	958 641 133 24	Dial Black Instrument cluster	14-	1	ID34/G0L/U5A IU5E/U5F/U5G I7V0
1	958 641 134 14	Dial Black Instrument cluster	13	1	-IIY2/ID11 ID34/G1G/U5A IU5E/U5F/U5G I7V0
1	958 641 134 20	Dial Black Instrument cluster	13	1	ID11/D34/G1G IIY2/U5A/U5E IU5F/U5G/7V0
1	958 641 134 24	Dial Black Instrument cluster	14-	1	ID11/D34/G1G IU5A/U5E/U5F IU5G/7V0
1	958 641 137 14	Dial Black Instrument cluster	13	1	-IIY2/ID34 IG0L/U5B/7V0
1	958 641 137 20	Dial Black Instrument cluster	13	1	ID34/G0L/IY2 IU5B/7V0
1	958 641 137 24	Dial Black Instrument cluster	14-	1	ID34/G0L/U5B I7T1/7V0
1	958 641 138 14	Dial Black Instrument cluster	13	1	-IIY2/ID34 IG1G/U5B/7V0
1	958 641 138 20	Dial Black Instrument cluster	13	1	ID34/G1G/IY2 IU5B/7V0
1	958 641 138 24	Dial Black Instrument cluster	14-	1	ID34/G1G/U5B I7V0

Model: 92A 11 Model life 2011>>

Pos	Part Number	Description	Remark	Qty	Model
1	958 641 144 15	Instrument cluster Dial Black	13	1	ID1V/D43/D50 IG1G/U5A/U5D IU5E/U5F/U5G I7V0 -IIY2
1	958 641 144 20	Instrument cluster Dial Black	13	1	ID1V/D43/D50 IG1G/U5A/U5D IU5E/U5F/U5G I7V0 IIY2
1	958 641 144 24	Instrument cluster Dial Black	14-	1	ID1V/D43/D50 IG1G/U5A/U5D IU5E/U5F/U5G I7V0
1	958 641 148 15	Instrument cluster Dial Black	13	1	-IIY2/ID43 IG1G/U5B/7V0
1	958 641 148 20	Instrument cluster Dial Black	13	1	ID43/G1G/IY2 IU5B/7V0
1	958 641 148 24	Instrument cluster Dial Black	14-	1	ID43/G1G/U5B I7V0
1	958 641 154 14	Instrument cluster Dial Silver	13	1	-IIY2/ID19 IU5A/U5E/U5F IU5G/7V5
1	958 641 154 20	Instrument cluster Dial Silver	13	1	ID19/IY2/U5A IU5E/U5F/U5G I7V5
1	958 641 154 24	Instrument cluster Dial Silver	14-	1	ID19/U5A/U5E IU5F/U5G/7V5
1	958 641 158 14	Instrument cluster Dial Silver	13	1	-IIY2/ID19 IU5B/7V5
1	958 641 158 20	Instrument cluster Dial Silver	13	1	ID19/IY2/U5B I7V5
1	958 641 158 24	Instrument cluster Dial Silver	14-	1	ID19/U5B/7V5
1	958 641 234 14	Instrument cluster Dial Silver	13	1	-IIY2/ID6V IE0A/U5A/U5E IU5F/U5G/7V5
1	958 641 234 21	Instrument cluster Dial Silver	13	1	ID6V/E0A/IY2 IU5A/U5E/U5F IU5G/7V5

Model: 92A 11

Model life 2011>>

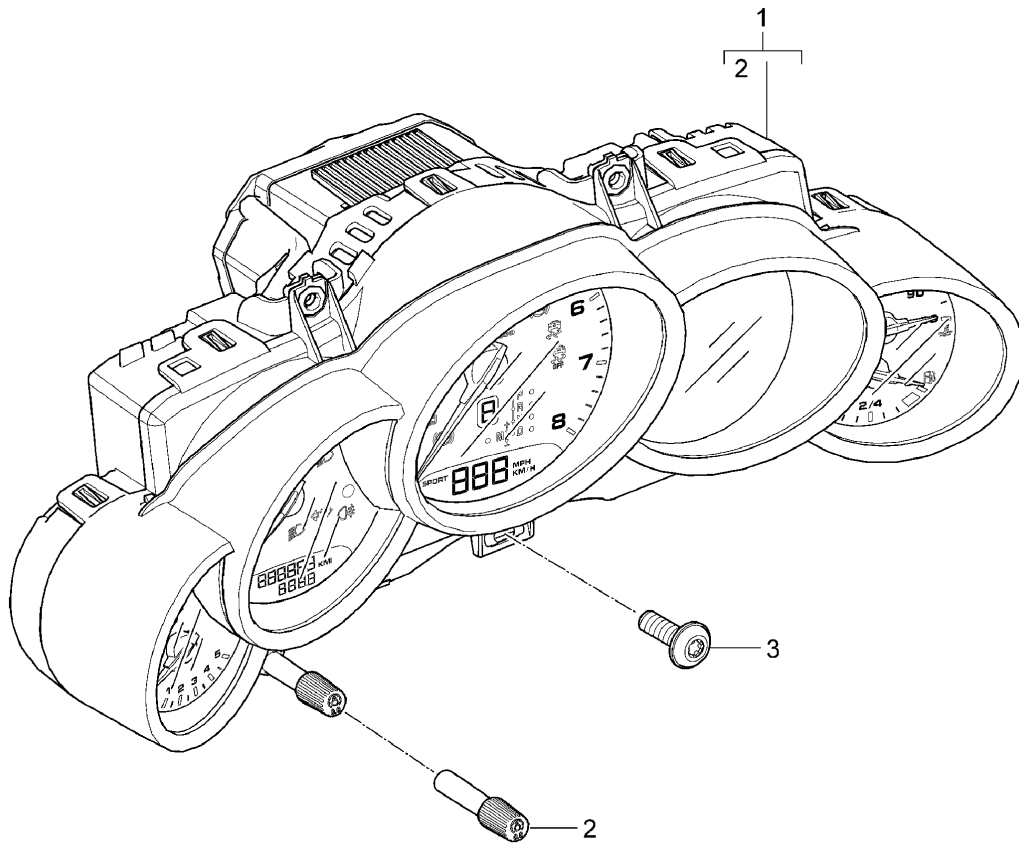
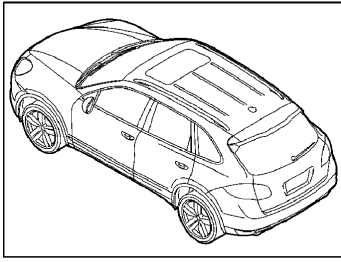
Pos	Part Number	Description	Remark	Qty	Model
1	958 641 234 34	Dial Silver Instrument cluster	14-	1	ID6V/U5A/U5E IU5F/U5G/7V5
1	958 641 238 14	Dial Silver Instrument cluster	13	1	-IIY2/ID6V IE0A/U5B/7V5
1	958 641 238 21	Dial Silver Instrument cluster	13	1	ID6V/E0A/IY2 IU5B/7V5
1	958 641 238 34	Dial Silver Instrument cluster	14-	1	ID6V/U5B/7V5
1	958 641 234 25	Dial Silver Instrument cluster	13	1	-IIY2/ID6V IE0W/U5A/U5E IU5F/U5G/7V5
1	958 641 234 26	Dial Silver Instrument cluster	13	1	ID6V/E0W/IY2 IU5A/U5E/U5F IU5G/7V5
1	958 641 234 27	Dial Silver Instrument cluster	14-	1	ID6V/E0W/U5A IU5E/U5F/U5G I7V5
1	958 641 238 25	Dial Silver Instrument cluster	13	1	-IIY2/ID6V IE0W/U5B/7V5
1	958 641 238 26	Dial Silver Instrument cluster	13	1	ID6V/E0W/IY2 IU5B/7V5
1	958 641 238 34	Dial Silver Instrument cluster	14-	1	ID6V/U5B/7V5
1	958 641 334 14	Dial Silver Instrument cluster	13	1	-IIY2/ID58 IE81/U5A/U5E IU5F/U5G/7V6
1	958 641 334 20	Dial Black/Silver Instrument cluster	13	1	ID58/E81/IY2 IU5A/U5E/U5F IU5G/7V6
1	958 641 334 34	Dial Black/Silver Instrument cluster	14-	1	ID58/U5A/U5E IU5F/U5G/7V6
1	958 641 334 30	Dial Black/Silver Instrument cluster	13	1	ID58/E8A/U5A IU5E/U5F/U5G I7V6
1	958 641 336 31	Dial Black/Silver Instrument cluster	14-	1	ID58/E8A/U5A

Model: 92A 11 Model life 2011>>

Pos	Part Number	Description	Remark	Qty	Model
		Dial Black/Silver Instrument cluster	13	1	IU5E/U5F/U5G I7V6
1	958 641 338 14				-IIY2/ID58 IE81/U5B/7V6
		Dial Black/Silver Instrument cluster	13	1	ID58/E81/IY2 IU5B/7V6
1	958 641 338 20				
		Dial Black/Silver Instrument cluster	13	1	ID58/E8A/U5B I7V6
1	958 641 338 30				
		Dial Black/Silver Instrument cluster	14-	1	ID58/E8A/U5B I7V6
1	958 641 338 31				
		Dial Black/Silver Instrument cluster	14-	1	ID58/U5B/7V6
1	958 641 338 34				
		Dial Black/Silver Instrument cluster	13	1	IDD8/U5A/U5E IU5F/U5G/7V5
1	958 641 244 15				
		Dial Silver Instrument cluster	14-	1	IDD8/U5A/U5E IU5F/U5G/7V5
1	958 641 244 16				
		Dial Silver Instrument cluster	13	1	IDD8/U5B/7V5
1	958 641 248 15				
		Dial Silver Instrument cluster	14-	1	IDD8/U5B/7V5
1	958 641 248 16				
		Dial Silver Knob	13-	1	
2	7PP 919 069	Actuator			
3	N 906 986 06	Tapping screw 4,2 X 16	13-	4	
4	958 641 401 04	Compass	13-	1	IQR1/7Q7/7T1 I7T4
(4)	958 641 501 01	Stopwatch	13-	1	IQR4/QR5
(4)	958 641 501 10	Clock	13-	1	IQR3
(4)	958 641 501 11	Clock	13-	1	IQR3
(4)	958 641 501 12	Clock	13-	1	IQR3
5	N 906 986 06	Tapping screw 4,2 X 16	13-	2	
6	N 906 988 01	Speed nut 4,2	13-	2	

Model: 92A 11

Model life 2011>>



Model: 92A 11 Model life 2011>>

Pos	Part Number	Description	Remark	Qty	Model
		Instruments	13-14		
1	958 641 923 14	Dial Coloured Instrument cluster	13-	1	-IIY2/ID34 IG0L/U5A/U5E IU5F/U5G/7V1
1	958 641 923 20	Dial Guards red Instrument cluster	13-	1	ID34/G0L/IY2 IU5A/U5E/U5F IU5G/7V1
1	958 641 923 21	Dial Guards red Instrument cluster	14-	1	ID34/G0L/U5A IU5E/U5F/U5G I7V1
1	958 641 943 14	Dial Guards red Instrument cluster	13-	1	ID34/G0L/U5A IU5E/U5F/U5G I7V3
1	958 641 943 20	Dial Carrara white Instrument cluster	13-	1	ID34/G0L/IY2 IU5A/U5E/U5F IU5G/7V3
1	958 641 943 21	Dial Carrara white Instrument cluster	14-	1	ID34/G0L/U5A IU5E/U5F/U5G I7V3
1	958 641 963 14	Dial White Instrument cluster	13-	1	-IIY2/ID34 IG0L/U5A/U5E IU5F/U5G/7V4
1	958 641 963 20	Dial Luxor Beige Instrument cluster	13-	1	ID34/G0L/IY2 IU5A/U5E/U5F IU5G/7V4
1	958 641 963 21	Dial Luxor Beige Instrument cluster	14-	1	ID34/G0L/U5A IU5E/U5F/U5G I7V4
1	958 641 924 14	Dial Luxor Beige Instrument cluster	13-	1	-IIY2/ID11 ID34/G1G/U5A IU5E/U5F/U5G I7V1
1	958 641 924 20	Dial Guards red Instrument cluster	13-	1	ID11/D34/G1G IIY2/U5A/U5E IU5F/U5G/7V1
1	958 641 924 21	Dial Guards red Instrument cluster	14-	1	ID11/D34/G1G IU5A/U5E/U5F IU5G/7V1
		Dial			

Model: 92A 11

Model life 2011>>

Pos	Part Number	Description	Remark	Qty	Model
1	958 641 944 14	Guards red Instrument cluster	13-	1	-IIY2/ID11 ID34/G1G/U5A IU5E/U5F/U5G I7V3
1	958 641 944 20	Dial Carrara white Instrument cluster	13-	1	ID11/D34/G1G IIY2/U5A/U5E IU5F/U5G/7V3
1	958 641 944 21	Dial Carrara white Instrument cluster	14-	1	ID11/D34/G1G IU5A/U5E/U5F IU5G/7V3
1	958 641 964 14	Dial Changeover switch Instrument cluster	13-	1	-IIY2/ID11 ID34/G1G/U5A IU5E/U5F/U5G I7V4
1	958 641 964 20	Dial Luxor Beige Instrument cluster	13-	1	ID11/D34/G1G IIY2/U5A/U5E IU5F/U5G/7V4
1	958 641 964 21	Dial Luxor Beige Instrument cluster	14-	1	ID11/D34/G1G IU5A/U5E/U5F IU5G/7V4
1	958 641 927 14	Dial Luxor Beige Instrument cluster	13-	1	-IIY2/ID34 IG0L/U5B/7V1
1	958 641 927 20	Dial Guards red Instrument cluster	13-	1	ID34/G0L/IY2 IU5B/7V1
1	958 641 927 21	Dial Guards red Instrument cluster	14-	1	ID34/G0L/U5B I7V1
1	958 641 947 14	Dial Guards red Instrument cluster	13-	1	-IIY2/ID34 IG0L/U5B/7V3
1	958 641 947 20	Dial Carrara white Instrument cluster	13-	1	ID34/G0L/IY2 IU5B/7V3
1	958 641 947 21	Dial Carrara white Instrument cluster	14-	1	ID34/G0L/U5B I7V3
1	958 641 967 14	Dial White Instrument cluster	13-	1	-IIY2/ID34 IG0L/U5B/7V4
1	958 641 967 20	Dial Luxor Beige Instrument cluster	13-	1	ID34/G0L/IY2 IU5B/7V4

Model: 92A 11

Model life 2011>>

Pos	Part Number	Description	Remark	Qty	Model
1	958 641 967 21	Dial Luxor Beige Instrument cluster	14-	1	ID34/G0L/U5B I7V4
1	958 641 928 14	Dial Luxor Beige Instrument cluster	13-	1	-IIY2/ID34 IG1G/U5B/7V1
1	958 641 928 20	Dial Guards red Instrument cluster	13-	1	ID34/G1G/IY2 IU5B/7V1
1	958 641 928 21	Dial Guards red Instrument cluster	14-	1	ID34/G1G/U5B I7V1
1	958 641 948 14	Dial Guards red Instrument cluster	13-	1	-IIY2/ID34 IG1G/U5B/7V3
1	958 641 948 20	Dial Carrara white Instrument cluster	13-	1	ID34/G1G/IY2 IU5B/7V3
1	958 641 948 21	Dial Carrara white Instrument cluster	14-	1	ID34/G1G/U5B I7V3
1	958 641 968 14	Dial White Instrument cluster	13-	1	-IIY2/ID34 IG1G/U5B/7V4
1	958 641 968 20	Dial Luxor Beige Instrument cluster	13-	1	ID34/G1G/IY2 IU5B/7V4
1	958 641 968 21	Dial Luxor Beige Instrument cluster	14-	1	ID34/G1G/U5B I7V4
1	958 641 904 14	Dial Luxor Beige Instrument cluster	13-	1	-IIY2/ID1V ID43/G1G/U5A IU5E/U5F/U5G I7V1
1	958 641 904 20	Dial Guards red Instrument cluster	13-	1	ID1V/D43/G1G IIY2/U5A/U5E IU5F/U5G/7V1
1	958 641 904 21	Dial Guards red Instrument cluster	14-	1	ID1V/D43/G1G IU5A/U5E/U5F IU5G/7V1
1	958 641 904 20	Dial Guards red Instrument cluster	13-	1	IDD8/G1G/U5A IU5E/U5F/U5G I7V1
		Dial Guards red			

Model: 92A 11 Model life 2011>>

Pos	Part Number	Description	Remark	Qty	Model
1	958 641 904 21	Instrument cluster Dial Guards red	14-	1	IDD8/G1G/U5A IU5E/U5F/U5G I7V1
1	958 641 914 14	Instrument cluster Dial Carrara white	13-	1	-IIY2/ID1V ID43/G1G/U5A IU5E/U5F/U5G I7V3
1	958 641 914 20	Instrument cluster Dial Carrara white	13-	1	ID1V/D43/G1G IIY2/U5A/U5E IU5F/U5G/7V3
1	958 641 914 21	Instrument cluster Dial White	14-	1	ID1V/D43/G1G IU5A/U5E/U5F IU5G/7V3
1	958 641 914 20	Instrument cluster Dial Carrara white	13-	1	IDD8/G1G/U5A IU5E/U5F/U5G I7V3
1	958 641 914 21	Instrument cluster Dial White	14-	1	IDD8/G1G/U5A IU5E/U5F/U5G I7V3
1	958 641 934 14	Instrument cluster Dial Luxor Beige	13-	1	-IIY2/ID1V ID43/G1G/U5A IU5E/U5F/U5G I7V4
1	958 641 934 20	Instrument cluster Dial Luxor Beige	13-	1	ID1V/D43/G1G IIY2/U5A/U5E IU5F/U5G/7V4
1	958 641 934 21	Instrument cluster Dial Luxor Beige	14-	1	ID1V/D43/G1G IU5A/U5E/U5F IU5G/7V4
1	958 641 934 20	Instrument cluster Dial Luxor Beige	13-	1	IDD8/G1G/U5A IU5E/U5F/U5G I7V4
1	958 641 934 21	Instrument cluster Dial Luxor Beige	14-	1	IDD8/G1G/U5A IU5E/U5F/U5G I7V4
1	958 641 908 14	Instrument cluster Dial Guards red	13-	1	-IIY2/ID43 IG1G/U5B/7V1
1	958 641 908 20	Instrument cluster	13-	1	ID43/G1G/IY2 IU5B/7V1

Model: 92A 11

Model life 2011>>

Pos	Part Number	Description	Remark	Qty	Model
1	958 641 908 21	Dial Guards red Instrument cluster	14-	1	ID43/G1G/U5B I7V1
1	958 641 908 20	Dial Guards red Instrument cluster	13-	1	IDD8/G1G/U5B I7V1
1	958 641 908 21	Dial Guards red Instrument cluster	14-	1	IDD8/G1G/U5B I7V1
1	958 641 918 14	Dial Guards red Instrument cluster	13-	1	-IIY2/ID43 IG1G/U5B/7V3
1	958 641 918 20	Dial Carrara white Instrument cluster	13-	1	ID43/G1G/IY2 IU5B/7V3
1	958 641 918 21	Dial Carrara white Instrument cluster	14-	1	ID43/G1G/U5B I7V3
1	958 641 918 20	Dial White Instrument cluster	13-	1	IDD8/G1G/U5B I7V3
1	958 641 918 21	Dial Carrara white Instrument cluster	14-	1	IDD8/G1G/U5B I7V3
1	958 641 938 14	Dial White Instrument cluster	13-	1	ID43/G1G/U5B I7V4
1	958 641 938 20	Dial Luxor Beige Instrument cluster	13-	1	ID43/G1G/IY2 IU5B/7V4
1	958 641 938 21	Dial Luxor Beige Instrument cluster	14-	1	ID43/G1G/U5B I7V4
1	958 641 938 20	Dial Luxor Beige Instrument cluster	13-	1	IDD8/G1G/U5B I7V4
1	958 641 938 21	Dial Luxor Beige Instrument cluster	14-	1	IDD8/G1G/U5B I7V4
1	958 641 954 14	Dial Luxor Beige Instrument cluster	13-	1	-IIY2/ID6V IE0A/U5A/U5E IU5F/U5G/7V1
1	958 641 954 21	Dial Guards red Instrument cluster	13-	1	ID6V/E0A/IY2 IU5A/U5E/U5F IU5G/7V1
		Dial			

Model: 92A 11 Model life 2011>>

Pos	Part Number	Description	Remark	Qty	Model
1	958 641 954 22	Guards red Instrument cluster	14-	1	ID6V/E0A/U5A IU5E/U5F/U5G I7V1
1	958 641 974 14	Dial Guards red Instrument cluster	13-	1	-IIY2/ID6V IE0A/U5A/U5E IU5F/U5G/7V3
1	958 641 974 21	Dial Carrara white Instrument cluster	13-	1	ID6V/E0A/IY2 IU5A/U5E/U5F IU5G/7V3
1	958 641 974 22	Dial Carrara white Instrument cluster	14-	1	ID6V/E0A/U5A IU5E/U5F/U5G I7V3
1	958 641 994 14	Dial White Instrument cluster	13-	1	-IIY2/ID6V IE0A/U5A/U5E IU5F/U5G/7V4
1	958 641 994 21	Dial Luxor Beige Instrument cluster	13-	1	ID6V/E0A/IY2 IU5A/U5E/U5F IU5G/7V4
1	958 641 994 22	Dial Luxor Beige Instrument cluster	14-	1	ID6V/E0A/U5A IU5E/U5F/U5G I7V4
1	958 641 958 14	Dial Luxor Beige Instrument cluster	13-	1	-IIY2/ID6V IE0A/U5B/7V1
1	958 641 958 21	Dial Guards red Instrument cluster	13-	1	ID6V/E0A/IY2 IU5B/7V1
1	958 641 958 22	Dial Guards red Instrument cluster	14-	1	ID6V/E0A/U5B I7V1
1	958 641 978 14	Dial Guards red Instrument cluster	13-	1	-IIY2/ID6V IE0A/U5B/7V3
1	958 641 978 21	Dial Carrara white Instrument cluster	13-	1	ID6V/E0A/IY2 IU5B/7V3
1	958 641 978 22	Dial Carrara white Instrument cluster	14-	1	ID6V/E0A/U5B I7V3
1	958 641 998 14	Dial White Instrument cluster	13-	1	-IIY2/ID6V IE0A/U5B/7V4
		Dial			

Model: 92A 11 Model life 2011>>

Pos	Part Number	Description	Remark	Qty	Model
1	958 641 998 21	Luxor Beige Instrument cluster	13-	1	ID6V/E0A/IY2 IU5B/7V4
1	958 641 998 22	Dial Luxor Beige Instrument cluster	14-	1	ID6V/E0A/U5B I7V4
1	958 641 954 54	Dial Luxor Beige Instrument cluster	13-	1	-IIY2/ID6V IE0W/U5A/U5E IU5F/U5G/7V1
1	958 641 954 55	Dial Guards red Instrument cluster	13-	1	ID6V/E0W/IY2 IU5A/U5E/U5F IU5G/7V1
1	958 641 954 56	Dial Guards red Instrument cluster	14-	1	ID6V/E0W/U5A IU5E/U5F/U5G I7V1
1	958 641 974 54	Dial Guards red Instrument cluster	13-	1	-IIY2/ID6V IE0W/U5A/U5E IU5F/U5G/7V3
1	958 641 974 55	Dial Carrara white Instrument cluster	13-	1	ID6V/E0W/IY2 IU5A/U5E/U5F IU5G/7V3
1	958 641 974 56	Dial Carrara white Instrument cluster	14-	1	ID6V/E0W/U5A IU5E/U5F/U5G I7V3
1	958 641 994 54	Dial White Instrument cluster	13-	1	-IIY2/ID6V IE0W/U5A/U5E IU5F/U5G/7V4
1	958 641 994 55	Dial Luxor Beige Instrument cluster	13-	1	ID6V/E0W/IY2 IU5A/U5E/U5F IU5G/7V4
1	958 641 994 56	Dial Luxor Beige Instrument cluster	14-	1	ID6V/E0W/U5A IU5E/U5F/U5G I7V4
1	958 641 958 54	Dial Luxor Beige Instrument cluster	13-	1	-IIY2/ID6V IE0W/U5B/7V1
1	958 641 958 55	Dial Guards red Instrument cluster	13-	1	ID6V/E0W/IY2 IU5B/7V1
1	958 641 958 56	Dial Guards red Instrument cluster	14-	1	ID6V/E0W/U5B

Model: 92A 11

Model life 2011>>

Pos	Part Number	Description	Remark	Qty	Model
		Dial			I7V1
1	958 641 978 54	Guards red Instrument cluster	13-	1	-IIY2/ID6V IE0W/U5B/7V3
1	958 641 978 55	Dial Carrara white Instrument cluster	13-	1	ID6V/E0W/IY2 IU5B/7V3
1	958 641 978 56	Dial Carrara white Instrument cluster	14-	1	ID6V/E0W/U5B I7V3
1	958 641 998 54	Dial White Instrument cluster	13-	1	-IIY2/ID6V IE0W/U5B/7V4
1	958 641 998 55	Dial Luxor Beige Instrument cluster	13-	1	ID6V/E0W/IY2 IU5B/7V4
1	958 641 998 56	Dial Luxor Beige Instrument cluster	14-	1	ID6V/E0W/U5B I7V4
1	958 641 954 34	Dial Luxor Beige Instrument cluster	13-	1	-IIY2/ID58 IU5A/U5E/U5F IU5G/7V1
1	958 641 954 35	Dial Guards red Instrument cluster	13-	1	ID58/IY2/U5A IU5E/U5F/U5G I7V1
1	958 641 954 36	Dial Guards red Instrument cluster	14-	1	ID58/U5A/U5E IU5F/U5G/7V1
1	958 641 954 40	Dial Guards red Instrument cluster	13-	1	ID58/E8A/U5A IU5E/U5F/U5G I7V1
1	958 641 954 41	Dial Guards red Instrument cluster	14-	1	ID58/E8A/U5A IU5E/U5F/U5G I7V1
1	958 641 974 34	Dial Guards red Instrument cluster	13-	1	-IIY2/ID58 IU5A/U5E/U5F IU5G/7V3
1	958 641 974 35	Dial Carrara white Instrument cluster	13-	1	ID58/IY2/U5A IU5E/U5F/U5G I7V3
1	958 641 974 36	Dial Carrara white Instrument cluster	14-	1	ID58/U5A/U5E IU5F/U5G/7V3

Model: 92A 11

Model life 2011>>

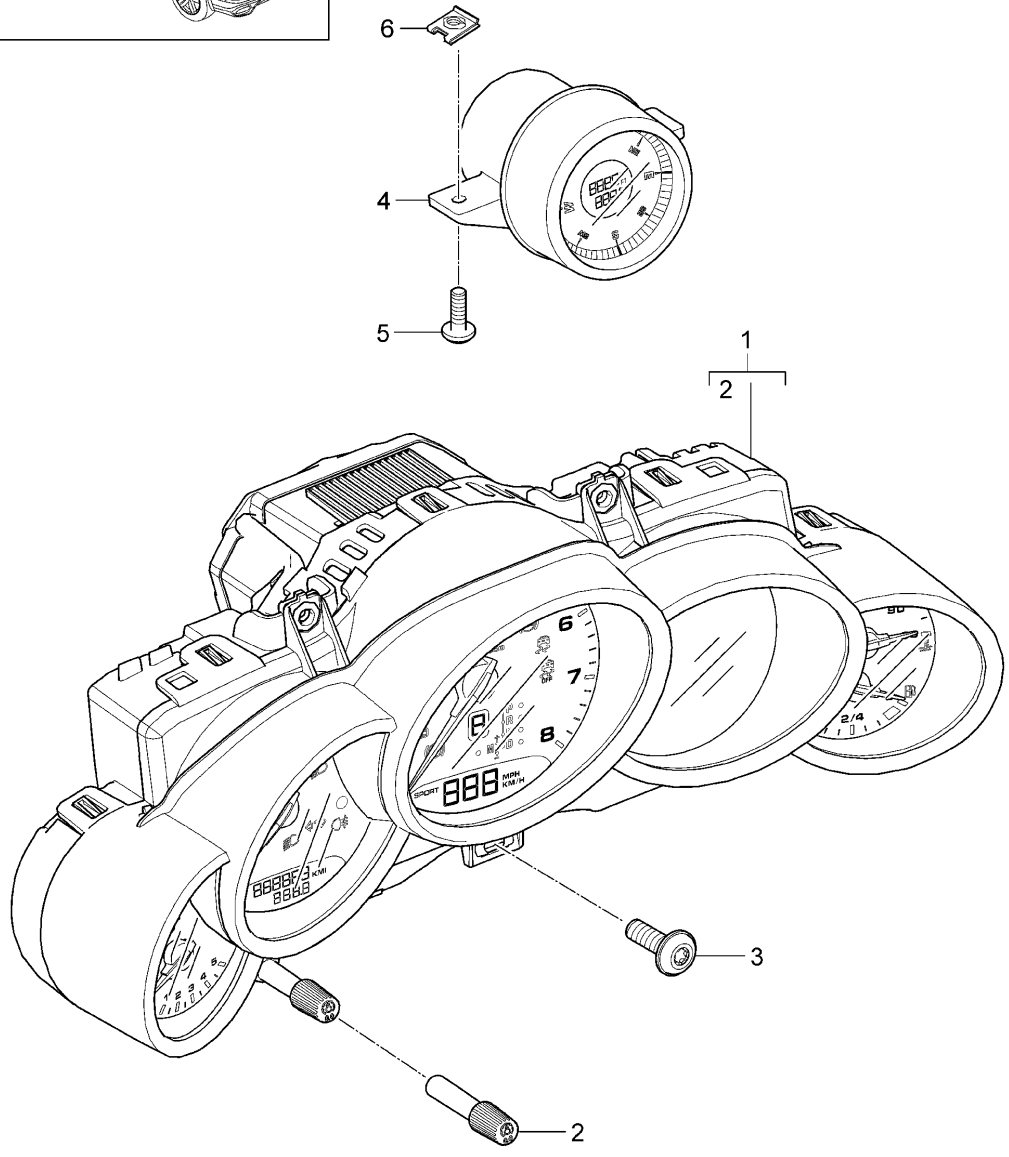
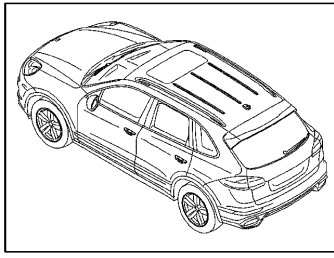
Pos	Part Number	Description	Remark	Qty	Model
1	958 641 974 40	Dial White Instrument cluster	13-	1	ID58/IY2/U5A IU5E/U5F/U5G I7V3
1	958 641 974 41	Dial Carrara white Instrument cluster	14-	1	ID58/U5A/U5E IU5F/U5G/7V3
1	958 641 994 34	Dial White Instrument cluster	13-	1	-IIY2/ID58 IU5A/U5E/U5F IU5G/7V4
1	958 641 994 35	Dial Luxor Beige Instrument cluster	13-	1	ID58/IY2/U5A IU5E/U5F/U5G I7V4
1	958 641 994 36	Dial Luxor Beige Instrument cluster	14-	1	ID58/U5A/U5E IU5F/U5G/7V4
1	958 641 994 40	Dial Luxor Beige Instrument cluster	13-	1	ID58/E8A/U5A IU5E/U5F/U5G I7V4
1	958 641 994 41	Dial Luxor Beige Instrument cluster	14-	1	ID58/E8A/U5A IU5E/U5F/U5G I7V4
1	958 641 958 34	Dial Luxor Beige Instrument cluster	13-	1	-IIY2/ID58 IU5B/7V1
1	958 641 958 35	Dial Guards red Instrument cluster	13-	1	ID58/IY2/U5B I7V1
1	958 641 958 36	Dial Guards red Instrument cluster	14-	1	ID58/U5B/7V1
1	958 641 958 40	Dial Guards red Instrument cluster	13-	1	ID58/E8A/U5B I7V1
1	958 641 958 41	Dial Guards red Instrument cluster	14-	1	ID58/E8A/U5B I7V1
1	958 641 978 34	Dial Guards red Instrument cluster	13-	1	-IIY2/ID58 IU5B/7V3
1	958 641 978 35	Dial Carrara white Instrument cluster	13-	1	ID58/IY2/U5B I7V3
1	958 641 978 36	Dial Carrara white Instrument cluster	14-	1	ID58/U5B/7V3

Model: 92A 11 Model life 2011>>

Pos	Part Number	Description	Remark	Qty	Model
1	958 641 978 40	Dial Carrara white Instrument cluster	13-	1	ID58/E8A/U5B I7V3
1	958 641 978 41	Dial Carrara white Instrument cluster	14-	1	ID58/E8A/U5B I7V3
1	958 641 998 34	Dial White Instrument cluster	13-	1	-IIY2/ID58 IU5B/7V4
1	958 641 998 35	Dial Luxor Beige Instrument cluster	13-	1	ID58/IY2/U5B I7V4
1	958 641 998 36	Dial Luxor Beige Instrument cluster	14-	1	ID58/U5B/7V4
1	958 641 998 40	Dial Luxor Beige Instrument cluster	13-	1	ID58/IY2/U5B I7V4
1	958 641 998 41	Dial Luxor Beige Instrument cluster	14-	1	ID58/U5B/7V4
2	7PP 919 069	Knob Actuator	13-	1	
3	N 906 986 06	Tapping screw 4,2 X 16	13-	4	

Model: 92A 11

Model life 2011>>



Model: 92A 11

Model life 2011>>

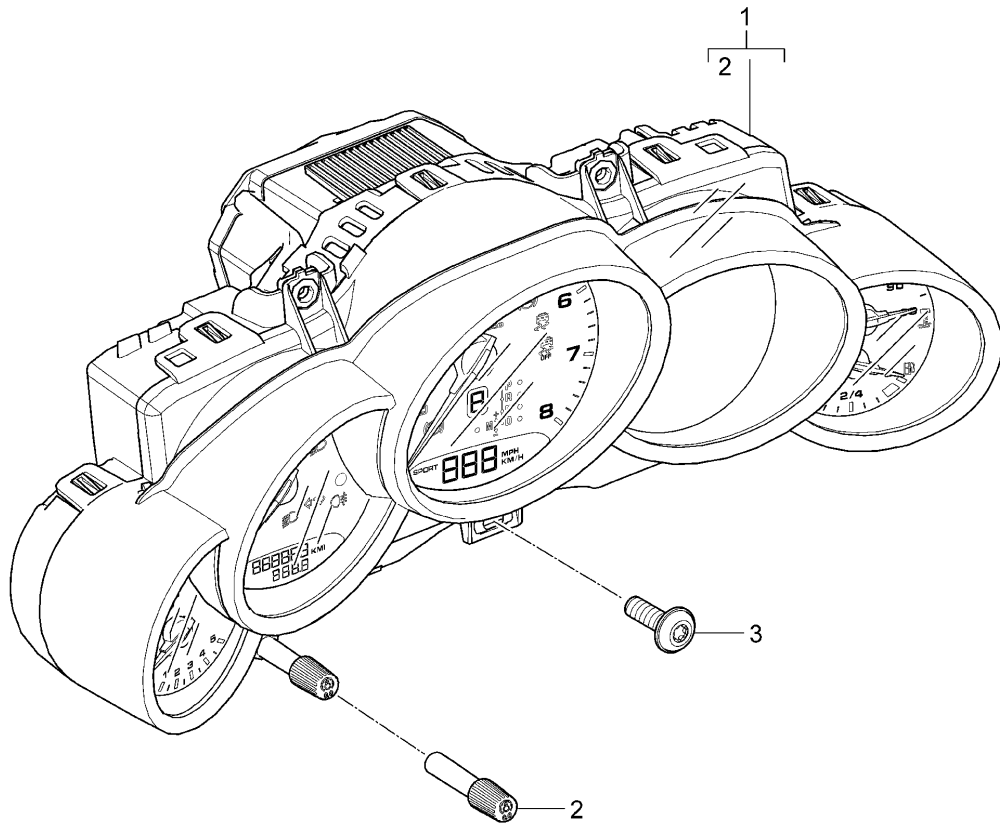
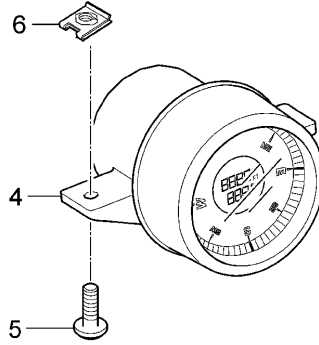
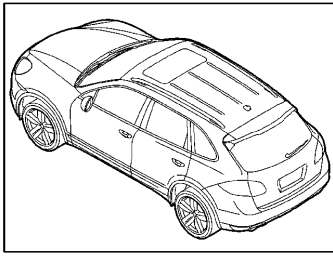
Pos	Part Number	Description	Remark	Qty	Model
		Instruments KOMPASS Stopwatch Instruments Dial Black Silver	17-		I7V0/7V5/7V6
1	958 641 160 02	Instrument cluster		1	ID11/D34/U5A IU5E/U5F/U5G I7V0
1	958 641 161 02	Dial Black Instrument cluster		1	ID34/U5B/7V0
1	958 641 163 02	Dial Black Instrument cluster		1	IDU2/U5A/U5E IU5F/U5G/7V5
1	958 641 164 02	Dial Silver Instrument cluster		1	IDU2/U5B/7V5
1	958 641 166 02	Dial Silver Instrument cluster		1	IDU3/U5A/U5E IU5F/U5G/7V5
1	958 641 167 02	Dial Silver Instrument cluster		1	IDU3/U5B/7V5
1	958 641 166 11	Dial Black Instrument cluster		1	IDU3/U5A/U5E IU5F/U5G/7V0
1	958 641 167 11	Dial Black Instrument cluster		1	IDU3/U5B/7V0
1	958 641 169 02	Dial Black/Silver Instrument cluster		1	IDT1/U5A/U5E IU5F/U5G/7V6
1	958 641 170 02	Dial Black/Silver Instrument cluster		1	IDT1/U5B/7V6
1	958 641 169 52	Dial Black/Silver Instrument cluster		1	IDT5/U5A/U5E IU5F/U5G/7V6
1	958 641 170 52	Dial Black/Silver Instrument cluster		1	IDT5/U5B/7V6
1	958 641 172 02	Dial Silver Instrument cluster		1	ID19/U5A/U5E IU5F/U5G/7V5
1	958 641 173 02	Dial Silver Instrument cluster		1	ID19/U5B/7V5
1	958 641 175 02	Dial Black Instrument cluster		1	IDV7/D1V/D43 ID50/D51/U5A IU5E/U5F/U5G I7V0

Model: 92A 11 Model life 2011>>

Pos	Part Number	Description	Remark	Qty	Model
1	958 641 176 02	Instrument cluster Dial Black		1	IDV7/D43/D51 IU5B/7V0
1	958 641 178 02	Instrument cluster Dial Silver		1	IDD8/U5A/U5E IU5F/U5G/7V5
1	958 641 179 02	Instrument cluster Dial Silver		1	IDD8/U5B/7V5
2	7PP 919 069	Knob Actuator		1	
3	N 906 986 06	Tapping screw 4,2 X 16		4	
4	958 641 401 05	Compass		1	IQR1/UP1/7Q7 I7T1/7T4
(4)	958 641 501 07	Stopwatch		1	IQR4/QR5/UP1 I0K0
(4)	958 641 501 15	Clock		1	IQR3/0K0
5	N 906 986 06	Tapping screw 4,2 X 16		2	
6	N 906 988 01	Speed nut 4,2		2	

Model: 92A 11

Model life 2011>>



Model: 92A 11 Model life 2011>>

Pos	Part Number	Description	Remark	Qty	Model
		Instruments	17-		I7V3/7V4/7V7 I7V8
1	958 641 800 01	Dial Coloured Instrument cluster		1	ID11/D34/U5A IU5E/U5F/U5G I7V7
1	958 641 801 01	Dial GRANATROT Instrument cluster		1	ID34/U5B/7V7
1	958 641 803 01	Dial GRANATROT Instrument cluster		1	IDU2/U5A/U5E IU5F/U5G/7V7
1	958 641 804 01	Dial GRANATROT Instrument cluster		1	IDU2/U5B/7V7
1	958 641 806 01	Dial GRANATROT Instrument cluster		1	IDU3/U5A/U5E IU5F/U5G/7V7
1	958 641 807 01	Dial GRANATROT Instrument cluster		1	IDU3/U5B/7V7
1	958 641 809 01	Dial GRANATROT Instrument cluster		1	IDT1/U5A/U5E IU5F/U5G/7V7
1	958 641 810 01	Dial GRANATROT Instrument cluster		1	IDT1/U5B/7V7
1	958 641 812 01	Dial GRANATROT Instrument cluster		1	IDT5/U5A/U5E IU5F/U5G/7V7
1	958 641 813 01	Dial GRANATROT Instrument cluster		1	IDT5/U5B/7V7
1	958 641 815 01	Dial GRANATROT Instrument cluster		1	IDD8/DV7/D1V ID43/D50/D51 IU5A/U5E/U5F IU5G/7V7
1	958 641 816 01	Dial GRANATROT Instrument cluster		1	IDD8/DV7/D43 ID51/U5B/7V7
1	958 641 820 01	Dial GRANATROT Instrument cluster		1	ID11/D34/U5A IU5E/U5F/U5G I7V3
1	958 641 821 01	Dial White Instrument cluster		1	ID34/U5B/7V3
1	958 641 823 01	Dial White Instrument cluster		1	IDU2/U5A/U5E IU5F/U5G/7V3
1	958 641 824 01	Dial White Instrument cluster Dial		1	IDU2/U5B/7V3

Model: 92A 11 Model life 2011>>

Pos	Part Number	Description	Remark	Qty	Model
1	958 641 826 01	White Instrument cluster		1	IDU3/U5A/U5E IU5F/U5G/7V3
1	958 641 827 01	Dial White Instrument cluster		1	IDU3/U5B/7V3
1	958 641 829 01	Dial White Instrument cluster		1	IDT1/U5A/U5E IU5F/U5G/7V3
1	958 641 830 01	Dial White Instrument cluster		1	IDT1/U5B/7V3
1	958 641 832 01	Dial White Instrument cluster		1	IDT5/U5A/U5E IU5F/U5G/7V3
1	958 641 833 01	Dial White Instrument cluster		1	IDT5/U5B/7V3
1	958 641 835 01	Dial White Instrument cluster		1	IDD8/DV7/D1V ID43/D50/D51 IU5A/U5E/U5F IU5G/7V3
1	958 641 836 01	Dial White Instrument cluster		1	IDD8/DV7/D43 ID51/U5B/7V3
1	958 641 840 01	Dial Luxor Beige Instrument cluster		1	ID11/D34/U5A IU5E/U5F/U5G I7V4
1	958 641 841 01	Dial Luxor Beige Instrument cluster		1	ID34/U5B/7V4
1	958 641 843 01	Dial Luxor Beige Instrument cluster		1	IDU2/U5A/U5E IU5F/U5G/7V4
1	958 641 844 01	Dial Luxor Beige Instrument cluster		1	IDU2/U5B/7V4
1	958 641 846 01	Dial Luxor Beige Instrument cluster		1	IDU3/U5A/U5E IU5F/U5G/7V4
1	958 641 847 01	Dial Luxor Beige Instrument cluster		1	IDU3/U5B/7V4
1	958 641 849 01	Dial Luxor Beige Instrument cluster		1	IDT1/U5A/U5E IU5F/U5G/7V4
1	958 641 850 01	Dial Luxor Beige Instrument cluster		1	IDT1/U5B/7V4
1	958 641 852 01	Dial Luxor Beige Instrument cluster		1	IDT5/U5A/U5E IU5F/U5G/7V4

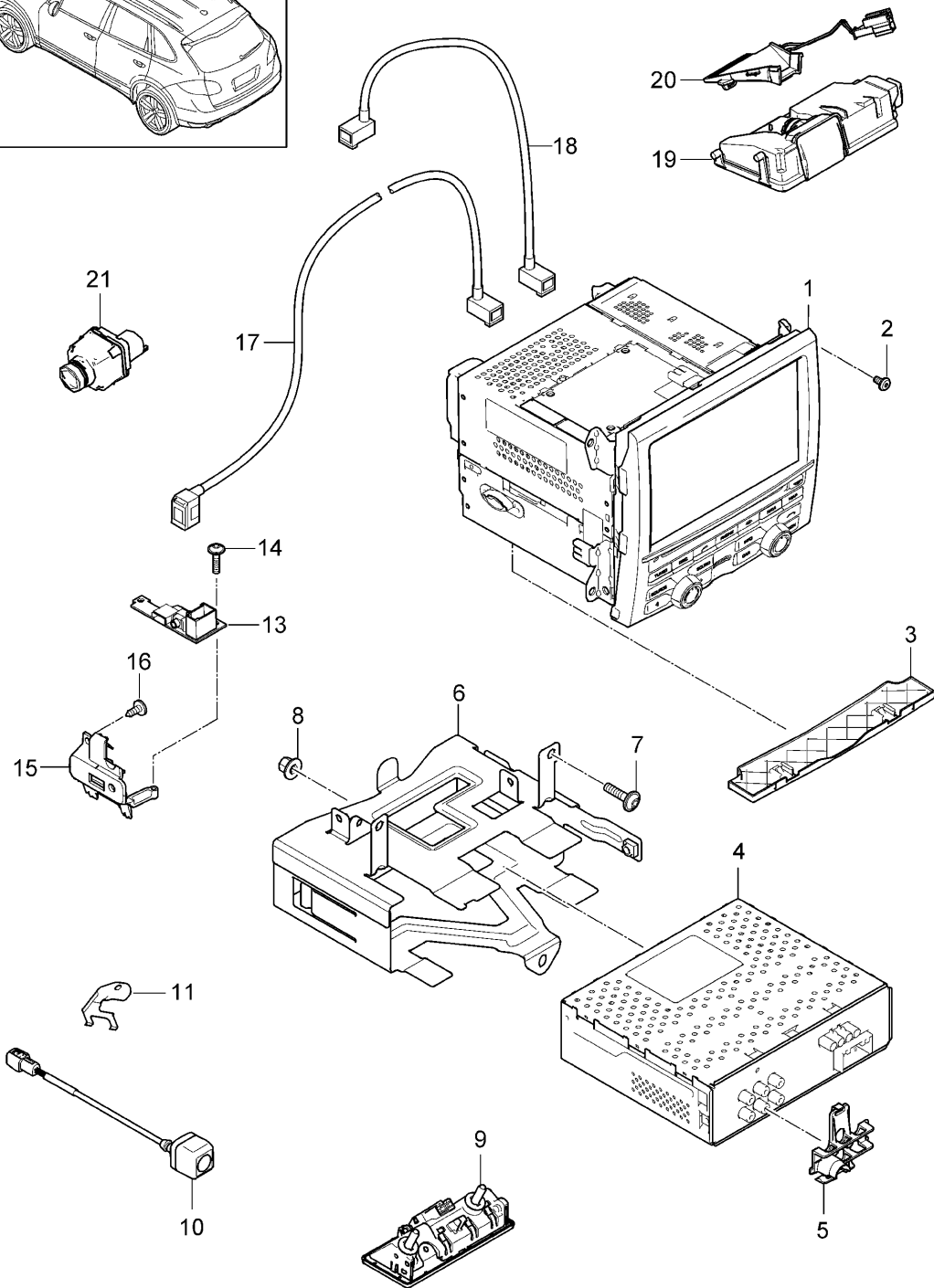
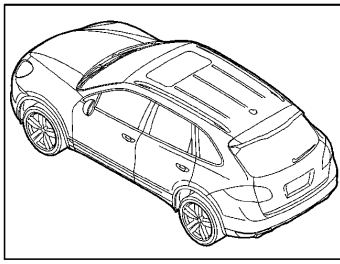
Model: 92A 11

Model life 2011>>

Pos	Part Number	Description	Remark	Qty	Model
1	958 641 853 01	Luxor Beige Instrument cluster Dial		1	IDT5/U5B/7V4
1	958 641 855 01	Luxor Beige Instrument cluster Dial		1	IDD8/DV7/D1V ID43/D50/D51 IU5A/U5E/U5F IU5G/7V4
1	958 641 856 01	Luxor Beige Instrument cluster Dial		1	IDD8/DV7/D43 ID51/U5B/7V4
1	958 641 846 21	Luxor Beige Instrument cluster Dial		1	IDU3/U5A/U5E IU5F/U5G/7V8
1	958 641 847 21	KAMINROT Instrument cluster Dial		1	IDU3/U5B/7V8
2	7PP 919 069	KAMINROT Knob Actuator		1	
3	N 906 986 06	Tapping screw 4,2 X 16		4	
(4)	9A7 919 107 17	Compass GRANATROT		1	IQR1/UP5/7UG
(4)	9A7 919 107 18	Compass Luxor Beige		1	IQR1/UP4/7UG
(4)	9A7 919 107 19	Compass White		1	IQR1/UP3/7UG
(4)	9A7 919 203 13	Stopwatch GRANATROT		1	IQR5/UP5/0K0
(4)	9A7 919 203 14	Stopwatch Luxor Beige		1	IQR5/UP4/0K0
(4)	9A7 919 203 16	Stopwatch White		1	IQR5/UP3/0K0
(4)	958 641 501 06	Stopwatch Hybrid		1	IQR5/0K3
(4)	958 641 501 08	Stopwatch GTS		1	IQR5/0K0/7V8
(4)	958 641 501 15	Clock		1	IQR3/0K0
(4)	958 641 501 16	Clock Hybrid		1	IQR3/0K3
(4)	958 641 501 17	Clock GTS		1	IQR3/0K0
5	N 906 986 06	Tapping screw 4,2 X 16		2	
6	N 906 988 01	Speed nut 4,2		2	

Model: 92A 11

Model life 2011>>



Model: 92A 11 Model life 2011>>

Pos	Part Number	Description	Remark	Qty	Model
1	958 642 970 X	Navigation system Radio Receiving part TV Reversing camera Camera Door mirror Multimedia interface Camera Windscreen Control part Only in exchange Control part We take back: 958.642.970.00 F >>92CLA 05335 F >>92CLA 92110 F >>92CLA 64565 F >>92CLA 28225 F >>92CLA 28101 F >>92CLA 45215 F >>92CLA 82187	-16	1	I7T1
1	958 642 970 AX	Control part We take back: 958.642.970.01 F 92CLA 05336>> F 92CLA 92111>> F 92CLA 64566>> F 92CLA 28226>> F 92CLA 28102>> F 92CLA 45216>> F 92CLA 82188>>	-13	1	-IIY2/I7T1
1	958 642 970 10	Control part	-13	1	IIY2/7T1
1	958 642 970 KX	Control part We take back: 958.642.970.10	-13	1	IIY2/7T1
1	958 642 970 20	Control part	14	1	-IIY2/I7T1
1	958 642 970 LX	Control part We take back: 958.642.970.20	14	1	-IIY2/I7T1
1	958 642 970 21	Control part	14	1	IIY2/7T1
1	958 642 970 MX	Control part We take back: 958.642.970.21	14	1	IIY2/7T1
1	958 642 970 NX	Control part We take back: 958.642.970.22	15	1	-IIY2/I7T1
1	958 642 970 PX	Control part We take back: 958.642.970.23	15	1	IIY2/7T1
1	958 642 970 24	Control part	16-	1	I7T1
1	958 642 970 QX	Control part We take back: 958.642.970.24	16-	1	I7T1
1	958 642 972 00	Control part F >>92CLA 05335 F >>92CLA 92110 F >>92CLA 64565 F >>92CLA 28225 F >>92CLA 28101 F >>92CLA 45215 F >>92CLA 82187		1	I7D7/7T1
1	958 642 972 X	Control part	-(CN)	1	I7D7/7T1

Model: 92A 11 Model life 2011>>

Pos	Part Number	Description	Remark	Qty	Model
1	958 642 972 00	We take back: 958.642.972.00 F >>92CLA 05335 F >>92CLA 92110 F >>92CLA 64565 F >>92CLA 28225 F >>92CLA 28101 F >>92CLA 45215 F >>92CLA 82187 Control part	(CN)	1	I7D7/7T1
1	958 642 972 AX	F >>92CLA 05335 F >>92CLA 92110 F >>92CLA 64565 F >>92CLA 28225 F >>92CLA 28101 F >>92CLA 45215 F >>92CLA 82187 Control part		1	-IIY2/I7D7 I7T1
1	958 642 972 KX	We take back: 958.642.972.01 F 92CLA 05336>> F 92CLA 92111>> F 92CLA 64566>> F 92CLA 28226>> F 92CLA 28102>> F 92CLA 45216>> F 92CLA 82188>> Control part	-13	1	IIY2/7D7/7T1
1	958 642 972 LX	We take back: 958.642.972.10 Control part	14	1	-IIY2/I7D7 I7T1
1	958 642 972 MX	We take back: 958.642.972.20 Control part	14	1	IIY2/7D7/7T1
1	958 642 972 NX	We take back: 958.642.972.21 Control part	15	1	-IIY2/I7D7 I7T1
1	958 642 972 PX	We take back: 958.642.972.22 Control part	15	1	IIY2/7D7/7T1
1	958 642 972 QX	We take back: 958.642.972.23 Control part	16-	1	I7D7/7T1
1	958 642 974 LX	We take back: 958.642.972.24 Control part	14	1	-IIY2/I7T4
1	958 642 974 MX	We take back: 958.642.974.20 Control part	14	1	IIY2/7T4
1	958 642 974 NX	We take back: 958.642.974.21 Control part	15	1	-IIY2/I7T4
1	958 642 974 PX	We take back: 958.642.974.22 Control part	15	1	IIY2/7T4
1	958 642 974 QX	We take back: 958.642.974.23 Control part	16-	1	I7T4
		We take back: 958.642.974.24			

Model: 92A 11 Model life 2011>>

Pos	Part Number	Description	Remark	Qty	Model
1	958 642 975 X	Control part We take back: 958.642.975.00 F >>92CLA 05335 F >>92CLA 92110 F >>92CLA 64565 F >>92CLA 28225 F >>92CLA 45215 F >>92CLA 82187		1	I7D7/7T4
1	958 642 975 AX	Control part We take back: 958.642.975.01 F 92CLA 05336>> F 92CLA 92111>> F 92CLA 64566>> F 92CLA 28226>> F 92CLA 45216>> F 92CLA 82188>>		1	-IIY2/I7D7 I7T4
1	958 642 975 KX	Control part We take back: 958.642.975.10	-13	1	IIY2/7D7/7T4
1	958 642 975 LX	Control part We take back: 958.642.975.20	14	1	-IIY2/I7D7 I7T4
1	958 642 975 MX	Control part We take back: 958.642.975.21	14	1	IIY2/7D7/7T4
1	958 642 975 NX	Control part We take back: 958.642.975.22	15	1	-IIY2/I7D7 I7T4
1	958 642 975 PX	Control part We take back: 958.642.975.23	15	1	IIY2/7D7/7T4
1	958 642 975 QX	Control part We take back: 958.642.975.24	16-	1	I7D7/7T4
1	958 642 976 X	Control part We take back: 958.642.976.00 F 92CLA 05336>> F 92CLA 92111>> F 92CLA 28226>> F 92CLA 45216>> F 92CLA 82188>>		1	-IIY2/-I7D7 I7Q7
1	958 642 976 KX	Control part We take back: 958.642.976.10	-13	1	-I7D7/IIY2 I7Q7
1	958 642 976 LX	Control part We take back: 958.642.976.20	14	1	-IIY2/-I7D7 I7Q7
1	958 642 976 MX	Control part We take back: 958.642.976.21	14	1	-I7D7/IIY2 I7Q7
1	958 642 976 NX	Control part We take back:	15	1	-IIY2/-I7D7 I7Q7

Model: 92A 11 Model life 2011>>

Pos	Part Number	Description	Remark	Qty	Model
1	958 642 976 PX	958.642.976.22 Control part	15	1	-I7D7/IIY2 I7Q7
1	958 642 976 QX	We take back: 958.642.976.23 Control part	16-	1	-I7D7/I7Q7
1	958 642 977 X	We take back: 958.642.976.24 Control part		1	-IIY2/I7D7 I7Q7
1	958 642 977 KX	We take back: 958.642.977.00 F 92CLA 05336>> F 92CLA 92111>> F 92CLA 28226>> F 92CLA 45216>> F 92CLA 82188>> Control part	-13	1	IIY2/7D7/7Q7
1	958 642 977 LX	We take back: 958.642.977.10 Control part	14	1	-IIY2/I7D7 I7Q7
1	958 642 977 MX	We take back: 958.642.977.20 Control part	14	1	IIY2/7D7/7Q7
1	958 642 977 NX	We take back: 958.642.977.21 Control part	15	1	-IIY2/I7D7 I7Q7
1	958 642 977 PX	We take back: 958.642.977.22 Control part	15	1	IIY2/7D7/7Q7
1	958 642 977 QX	We take back: 958.642.977.23 Control part	16-	1	I7D7/7Q7
1	958 642 950 X	We take back: 958.642.977.24 Control part	-13	1	IIY2/QU0/QV5 I7T1/8DV
1	958 642 950 LX	We take back: 958.642.950.00 Control part	14	1	-IIY2/IQU0 IQV5/7T1/8DV
1	958 642 950 MX	We take back: 958.642.950.20 Control part	14	1	IIY2/QU0/QV5 I7T1/8DV
1	958 642 950 NX	We take back: 958.642.950.21 Control part	15	1	-IIY2/IQU0 IQV5/7T1/8DV
1	958 642 950 PX	We take back: 958.642.950.22 Control part	15	1	IIY2/QU0/QV5 I7T1/8DV
1	958 642 950 QX	We take back: 958.642.950.23 Control part	16-	1	IQU0/QV5/7T1 I8DV
1	958 642 951 X	We take back: 958.642.950.24 Control part	-13	1	IIY2/QU0/QV5 I7D7/7T1/8DV

Model: 92A 11

Model life 2011>>

Pos	Part Number	Description	Remark	Qty	Model
1	958 642 951 LX	We take back: 958.642.951.00 Control part	14	1	-IIY2/IQU0 IQV5/7D7/7T1 I8DV
1	958 642 951 MX	We take back: 958.642.951.20 Control part	14	1	IIY2/QU0/QV5 I7D7/7T1/8DV
1	958 642 951 NX	We take back: 958.642.951.21 Control part	15	1	-IIY2/IQU0 IQV5/7D7/7T1 I8DV
1	958 642 951 PX	We take back: 958.642.951.22 Control part	15	1	IIY2/QU0/QV5 I7D7/7T1/8DV
1	958 642 951 QX	We take back: 958.642.951.23 Control part	16-	1	IQU0/QV5/7D7 I7T1/8DV
1	958 642 952 X	We take back: 958.642.951.24 Control part	-13	1	IIY2/QU0/QV0 IQV5/7Q0/8DV
1	958 642 952 LX	We take back: 958.642.952.00 Control part	14	1	-IIY2/IQU0 IQV0/QV5/7Q0 I8DV
1	958 642 952 MX	We take back: 958.642.952.20 Control part	14	1	IIY2/QU0/QV0 IQV5/7Q0/8DV
1	958 642 952 NX	We take back: 958.642.952.21 Control part	15	1	-IIY2/IQU0 IQV0/QV5/7Q0 I8DV
1	958 642 952 PX	We take back: 958.642.952.22 Control part	15	1	IIY2/QV0/7Q0 I8DV
1	958 642 952 QX	We take back: 958.642.952.23 Control part	16-	1	IQU0/QV0/QV5 I7Q0/8DV
1	958 642 953 X	We take back: 958.642.952.24 Control part	-13	1	IIY2/QU0/QV5 I7D7/7Q0/8DV
1	958 642 953 LX	We take back: 958.642.953.00 Control part	14	1	-IIY2/IQU0 IQV5/7D7/7Q0 I8DV
1	958 642 953 MX	We take back: 958.642.953.20 Control part	14	1	IIY2/QU0/QV5 I7D7/7Q0/8DV
		We take back: 958.642.953.21			

Model: 92A 11 Model life 2011>>

Pos	Part Number	Description	Remark	Qty	Model
1	958 642 953 NX	Control part We take back: 958.642.953.22	15	1	-IIY2/IQU0 IQV5/7D7/7Q0 I8DV
1	958 642 953 PX	Control part We take back: 958.642.953.23	15	1	IIY2/QU0/QV5 I7D7/7Q0/8DV
1	958 642 953 QX	Control part We take back: 958.642.953.24	16-	1	IQU0/QV5/7D7 I7Q0/8DV
-		Control unit Telephone See group 9/11/10			
-	970 642 929 01	Rotary knob for Control part	/L	1	
-	970 642 930 01	Rotary knob for Control part	/R	1	
(1)	958 645 130 00	Radio CDR 31	-11	1	IQV0/7A0/8AJ I8RV/9VJ/9VL I9W0
(1)	958 645 130 X	Radio CDR 31	-11	1	IQV0/7A0/8AJ I8RV/9VJ/9VL I9W0
(1)	958 645 130 02	Radio We take back: 958.645.130.00	12-	1	IQV0/7A0/8AJ I8RV/9VJ/9VL I9W0
(1)	958 645 130 BX	Radio CDR 31	12-	1	IQV0/7A0/8AJ I8RV/9VJ/9VL I9W0
(1)	958 645 132 00	Radio We take back: 958.645.130.02	-11	1	IQV0/7D7/8AJ I8RV/9VJ/9VL I9W0
(1)	958 645 132 X	Radio CDR 31	-11	1	IQV0/7D7/8AJ I8RV/9VJ/9VL I9W0
(1)	958 645 132 02	Radio We take back: 958.645.132.00	12-	1	IQV0/7D7/8AJ I8RV/9VJ/9VL I9W0
(1)	958 645 132 BX	Radio CDR 31	12-	1	IQV0/7D7/8AJ I8RV/9VJ/9VL I9W0
(1)	958 645 132 02	Radio We take back: 958.645.132.02			

Model: 92A 11 Model life 2011>>

Pos	Part Number	Description	Remark	Qty	Model
(1)	958 645 134 00	Radio CDR 31	-11	1	IQV0/7A0/8AJ I8RV/9VJ/9VL I9W5
(1)	958 645 134 X	Radio CDR 31	-11	1	IQV0/7A0/8AJ I8RV/9VJ/9VL I9W5
(1)	958 645 134 02	We take back: 958.645.134.00 Radio CDR 31	12-	1	IQV0/7A0/8AJ I8RV/9VJ/9VL I9W5
(1)	958 645 134 BX	Radio CDR 31	12-	1	IQV0/7A0/8AJ I8RV/9VJ/9VL I9W5
(1)	958 645 136 00	We take back: 958.645.134.02 Radio CDR 31	-11	1	IQV0/7D7/8AJ I8RV/9VJ/9VL I9W5
(1)	958 645 136 X	Radio CDR 31	-11	1	IQV0/7D7/8AJ I8RV/9VJ/9VL I9W5
(1)	958 645 136 02	We take back: 958.645.136.00 Radio CDR 31	12-	1	IQV0/7D7/8AJ I8RV/9VJ/9VL I9W5
(1)	958 645 136 BX	Radio CDR 31	12-	1	IQV0/7D7/8AJ I8RV/9VJ/9VL I9W5
-	970 645 929 00	We take back: 958.645.136.02 Rotary knob Left for Radio CDR 31		1	
-	970 645 930 00	Rotary knob Right for Radio CDR 31		1	
2	999 919 247 01	Oval-head screw M 5 X 12		4	
3	958 645 422 00	Cover		1	
-	997 642 271 52	DVD Navigation system for Software 7PP.919.193.R		1	I7RT
-	997 642 271 53	DVD Navigation system for Software 7PP.919.193.AF		1	I7RT

Model: 92A 11

Model life 2011>>

Pos	Part Number	Description	Remark	Qty	Model
-	997 642 271 54	DVD Navigation system for Software 7PP.919.193.AQ 7PP.919.193.BG		1	I7RT
-	997 642 271 55	DVD Navigation system for Software 7PP.919.193.BJ		1	I7RT
-	997 642 271 56	DVD Navigation system for Software 7PP.919.193.CB	14-	1	I7RT
-	997 642 271 57	DVD Navigation system for Software 7PP.919.193.CL	15-	1	I7RT
-	997 642 271 58	DVD Navigation system for Software 7PP.919.193.DD	16-	1	I7RT
-	997 642 271 59	DVD Navigation system for Software 7PP.919.193.DP	16-	1	I7RT
-	997 642 275 52	DVD Navigation system for Software 7PP.919.193.T		1	I7RX
-	997 642 275 53	DVD Navigation system for Software 7PP.919.193.AH 7PP.919.193.AN		1	I7RX
-	997 642 275 54	DVD Navigation system for Software 7PP.919.193.AS		1	I7RX
-	997 642 275 55	DVD Navigation system for Software 7PP.919.193.BL		1	I7RX
-	997 642 275 56	DVD Navigation system for Software 7PP.919.193.CD	14-	1	I7RX
-	997 642 275 57	DVD Navigation system for Software 7PP.919.193.CN	15-	1	I7RX
-	997 642 275 58	DVD	16-	1	I7RX

Model: 92A 11

Model life 2011>>

Pos	Part Number	Description	Remark	Qty	Model
-	997 642 277 52	Navigation system for Software 7PP.919.193.DF DVD		1	I7RH
-	997 642 277 53	Navigation system for Software 7PP.919.193.AA DVD		1	I7RH
-	997 642 277 54	Navigation system for Software 7PP.919.193.AJ DVD		1	I7RH
-		Navigation system for Software 7PP.919.193.AT DVD		1	I7RH
-	997 642 287 50	Navigation system for Software 7PP.919.193.AT DVD		1	I7RH
-	991 642 287 51	Navigation system for Software 7PP.919.193.BD DVD		1	I7RH
-	991 642 287 52	Navigation system for Software 7PP.919.193.BM DVD	14-	1	I7RH
-	991 642 287 57	Navigation system for Software 7PP.919.193.CF DVD	15-	1	I7RH
-	991 642 287 58	Navigation system for Software 7PP.919.193.CQ DVD	16-	1	I7RH
-	997 642 279 52	Navigation system for Software 7PP.919.193.DG DVD		1	I7RJ
-	997 642 279 53	Navigation system for Software 7PP.919.193.AB DVD		1	I7RJ
-	997 642 279 54	Navigation system for Software 7PP.919.193.AK DVD		1	I7RJ

Model: 92A 11

Model life 2011>>

Pos	Part Number	Description	Remark	Qty	Model
-	997 642 279 55	7PP.919.193.BA DVD Navigation system for Software		1	I7RJ
-	997 642 279 56	7PP.919.193.BN DVD Navigation system for Software	14-	1	I7RJ
-	997 642 279 57	7PP.919.193.CG DVD Navigation system for Software	15-	1	I7RJ
-	997 642 279 58	7PP.919.193.CR DVD Navigation system for Software	16-	1	I7RJ
-	997 642 281 52	7PP.919.193.DH DVD Navigation system for Software		1	I7RM/7RN/7RY
-	997 642 281 53	7PP.919.193.AC DVD Navigation system for Software		1	I7RM/7RN/7RY
-	997 642 281 54	7PP.919.193.AL DVD Navigation system for Software		1	I7RM/7RN/7RY
-	997 642 281 55	7PP.919.193.BB DVD Navigation system for Software		1	I7RM/7RN/7RY
-	997 642 281 56	7PP.919.193.BP DVD Navigation system for Software	14-	1	I7RM/7RN/7RY
-	997 642 281 57	7PP.919.193.CH DVD Navigation system for Software	15-	1	I7RM/7RN/7RY
-	997 642 281 58	7PP.919.193.CS DVD Navigation system for Software	16-	1	I7RM/7RN/7RY
-	997 642 283 52	7PP.919.193.DJ DVD Navigation system for Software		1	I7RV
-	997 642 283 53	7PP.919.193.AD DVD Navigation system		1	I7RV

Model: 92A 11

Model life 2011>>

Pos	Part Number	Description	Remark	Qty	Model
-	997 642 283 54	for Software 7PP.919.193.AM DVD Navigation system		1	I7RV
-	997 642 283 55	for Software 7PP.919.193.BC DVD Navigation system		1	I7RV
-	997 642 283 56	for Software 7PP.919.193.BQ DVD Navigation system	14-	1	I7RV
-	997 642 283 57	for Software 7PP.919.193.CJ DVD Navigation system	15-	1	
-	997 642 283 58	for Software 7PP.919.193.CT DVD Navigation system	16-	1	
-	970 642 285 50	for Software 7PP.919.193.DK DVD Navigation system		1	I7RG
-	970 642 285 51	for Software 7PP.919.193.G DVD Navigation system		1	I7RG
-	970 642 285 52	for Software 7PP.919.193.Q DVD Navigation system		1	I7RG
-	970 642 285 53	for Software 7PP.919.193.AP DVD Navigation system		1	I7RG
-	970 642 285 54	for Software 7PP.919.193.BS DVD Navigation system		1	I7RG
-	970 642 285 55	for Software 7PP.919.193.BT DVD Navigation system	14-	1	I7RG
-	970 642 285 57	for Software 7PP.919.193.CK DVD Navigation system	15-	1	I7RG
-		for Software 7PP.919.193.DA			

Model: 92A 11 Model life 2011>>

Pos	Part Number	Description	Remark	Qty	Model
-	970 642 285 58	DVD Navigation system for Software 7PP.919.193.DL	16-	1	I7RG
-	991 642 288 56	DVD Navigation system for Software 7PP.919.193.BE	14-	1	I77J
-	991 642 288 57	DVD Navigation system for Software 7PP.919.193.DB	15-	1	I77J
-	991 642 288 58	DVD Navigation system for Software 7PP.919.193.DM	16-	1	I77J
-	991 642 289 56	DVD Navigation system for Software 7PP.919.193.BF	14-	1	I77K
-	991 642 289 57	DVD Navigation system for Software 7PP.919.193.DC	15-	1	I77K
-	991 642 289 58	DVD Navigation system for Software 7PP.919.193.DN	16-	1	I77K
-	997 642 148 02	CD-ROM Logbook	-11	1	I9NY
-	7PP 919 855	CD-ROM Logbook	12-	1	I9NY
4	7PP 919 148 A	Receiving part TV		1	IQV1
4	7PP 919 148 F	Receiving part TV for vehicles up to F >>92CLA 05335 F >>92CLA 92110 F >>92CLA 64565 F >>92CLA 28225 F >>92CLA 28101 F >>92CLA 45215 F >>92CLA 82187 Use also: 958.642.255.10 7PP.971.067 8D0.971.897.A N .910.967.01		1 1 2 3	
4		Receiving part TV F 92CLA 05336>> F 92CLA 92111>> F 92CLA 64566>> F 92CLA 28226>> F 92CLA 28102>>		1	IQV1

Model: 92A 11 Model life 2011>>

Pos	Part Number	Description	Remark	Qty	Model
4	7PP 919 148 H	F 92CLA 45216>> F 92CLA 82188>> D >> 29.10.2012 Receiving part TV		1	IQV1
4		D 29.10.2012>> Receiving part TV		1	IQV5
5	955 642 295 10	D 05.11.2012>> Coding plug		1	IQV1/7X8/7X9
		F >>92CLA 05335 F >>92CLA 92110 F >>92CLA 64565 F >>92CLA 64565 F >>92CLA 28101 F >>92CLA 45215 F >>92CLA 82187			
6	958 642 255 00	Support		1	IQV1
		F >>92CLA 05335 F >>92CLA 92110 F >>92CLA 64565 F >>92CLA 28225 F >>92CLA 28101 F >>92CLA 45215 F >>92CLA 82187			
(6)	958 642 255 10	Support		1	IQV1/QV5
		F 92CLA 05336>> F 92CLA 92111>> F 92CLA 64566>> F 92CLA 28226>> F 92CLA 28102>> F 92CLA 45216>> F 92CLA 82188>>			
7	N 910 967 01	Round head screw M 6 X 16		3	IQV1
8	N 100 151 01	Hexagon nut T 5		1	IQV1
		F >>92CLA 05335 F >>92CLA 92110 F >>92CLA 64565 F >>92CLA 28225 F >>92CLA 28101 F >>92CLA 45215 F >>92CLA 82187			
(8)	N 910 967 01	Round head screw M 6 X 16		3	IQV1/QV5
		F 92CLA 05336>> F 92CLA 92111>> F 92CLA 64566>> F 92CLA 28226>> F 92CLA 28102>> F 92CLA 45216>> F 92CLA 82188>>			
9	958 645 290 01	Reversing camera with Tip switch Rear lid	-14	1	I7X8/7X9
(9)	958 645 290 10	Reversing camera with Tip switch Rear lid	15-	1	I7X8/7X9
(9)	958 645 290 20	Reversing camera with	15-	1	I8A4

Model: 92A 11 Model life 2011>>

Pos	Part Number	Description	Remark	Qty	Model
10	958 645 291 00	Tip switch Rear lid Camera		1	I5RP/5SU
11	958 645 297 00	Door mirror Retaining frame Camera	/L	1	I5SU
(11)	958 645 298 00	Retaining frame Camera	/R	1	I5RP
13	958 642 351 00	Adapter Multimedia interface F >>92CLA 05335 F >>92CLA 92110 F >>92CLA 64565 F >>92CLA 28225 F >>92CLA 28101 F >>92CLA 45215 F >>92CLA 82187		1	IUF1/8DQ/8DV
(13)	7PP 035 724 D	Plug socket Multimedia interface Glove compartment F 92CLA 05336>> F 92CLA 92111>> F 92CLA 64566>> F 92CLA 28226>> F 92CLA 28102>> F 92CLA 45216>> F 92CLA 82188>>		1	IUF1/8DQ/8DV
(13)	958 642 351 10	Adapter Multimedia interface F >>92CLA 05335 F >>92CLA 92110 F >>92CLA 64565 F >>92CLA 28225 F >>92CLA 28101 F >>92CLA 45215 F >>92CLA 82187		1	IUF1/8AJ
(13)	7PP 035 724 C	Plug socket Multimedia interface Glove compartment F 92CLA 05336>> F 92CLA 92111>> F 92CLA 64566>> F 92CLA 28226>> F 92CLA 28102>> F 92CLA 45216>> F 92CLA 82188>>		1	IUF1/8AJ
14	N 105 150 03	Oval-head screw 3,0 X 8,0 F >>92CLA 05335 F >>92CLA 92110 F >>92CLA 64565 F >>92CLA 28225 F >>92CLA 28101 F >>92CLA 45215 F >>92CLA 82187		2	IUF1
15	958 642 797 20	Mounting Adapter Multimedia interface		1	IUF1/8DQ/8DV
	958 642 797 20 1E0	Black F >>92CLA 05335 F >>92CLA 92110 F >>92CLA 64565 F >>92CLA 28225			

Model: 92A 11 Model life 2011>>

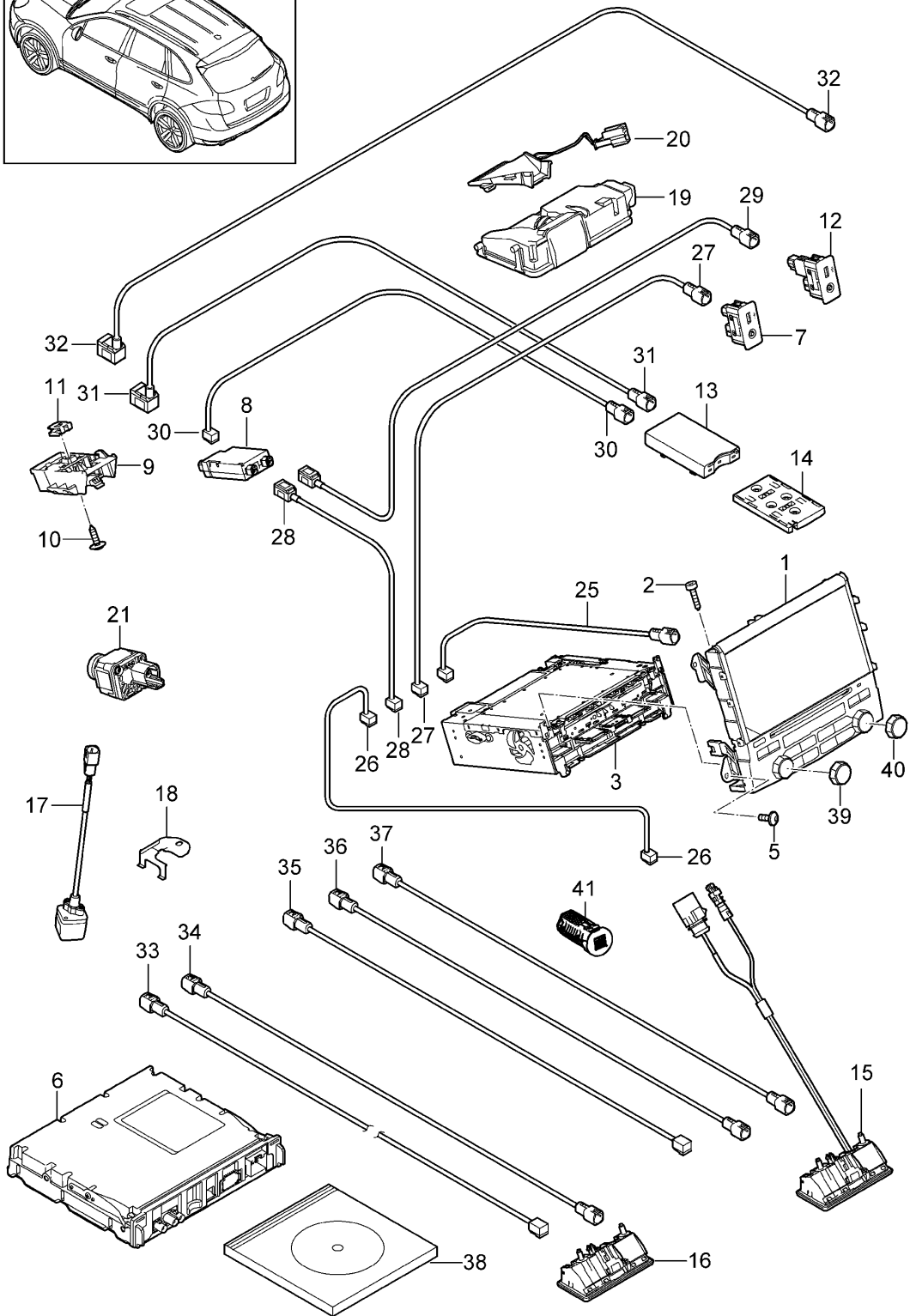
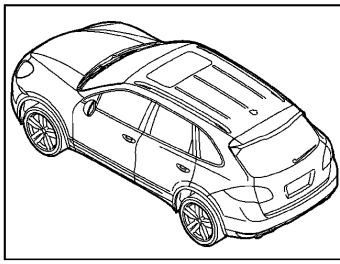
Pos	Part Number	Description	Remark	Qty	Model
(15)	958 642 797 30	F >>92CLA 28101 F >>92CLA 45215 F >>92CLA 82187 Mounting Adapter Multimedia interface		1	IUF1/8DQ/8DV
	958 642 797 30 1E0	Black F 92CLA 05336>> F 92CLA 92111>> F 92CLA 64566>> F 92CLA 28226>> F 92CLA 28102>> F 92CLA 45216>> F 92CLA 82188>>			
(15)	958 642 797 10	Mounting Adapter Multimedia interface		1	IUF1/8AJ
	958 642 797 10 1E0	Black F >>92CLA 05335 F >>92CLA 92110 F >>92CLA 64565 F >>92CLA 28225 F >>92CLA 28101 F >>92CLA 45215 F >>92CLA 82187			
(15)	958 642 797 30	Mounting Adapter Multimedia interface		1	IUF1/8AJ
	958 642 797 30 1E0	Black F 92CLA 05336>> F 92CLA 92111>> F 92CLA 64566>> F 92CLA 28226>> F 92CLA 28102>> F 92CLA 45216>> F 92CLA 82188>>			
(15)	958 642 797 00	Mounting Adapter Multimedia interface		1	IUF0
	958 642 797 00 1E0	Black F >>92CLA 05335 F >>92CLA 92110 F >>92CLA 64565 F >>92CLA 28225 F >>92CLA 28101 F >>92CLA 45215 F >>92CLA 82187			
(15)	958 642 797 40	Mounting Adapter Multimedia interface		1	IUF0
	958 642 797 40 1E0	Black F 92CLA 05336>> F 92CLA 92111>> F 92CLA 64566>> F 92CLA 28226>> F 92CLA 28102>> F 92CLA 45216>> F 92CLA 82188>>			
16	N 106 737 01	Tapping screw 4,2 X 9,5		1	IUF0/UF1
17	958 612 642 00	Connecting line Control part Multimedia interface		1	IUF1

Model: 92A 11 Model life 2011>>

Pos	Part Number	Description	Remark	Qty	Model
(17)	958 612 642 20	F >>92CLA 05335 F >>92CLA 92110 F >>92CLA 64565 F >>92CLA 28225 F >>92CLA 28101 F >>92CLA 45215 F >>92CLA 82187 Connecting line Multimedia interface Control part - USB - F 92CLA 05336>> F 92CLA 92111>> F 92CLA 64566>> F 92CLA 28226>> F 92CLA 28102>> F 92CLA 45216>> F 92CLA 82188>>		1	IUF1
(17)	958 612 642 30	Connecting line Multimedia interface Control part - AUX - F 92CLA 05336>> F 92CLA 92111>> F 92CLA 64566>> F 92CLA 28226>> F 92CLA 28102>> F 92CLA 45216>> F 92CLA 82188>>		1	IUF1/8AJ
18	958 612 642 10	Connecting line Control part		1	I8DQ/8DV
19	7PP 980 653	Instrument cluster Camera		1	I7Y6/7Y7/8G0 I8G1/9Q1/9Q6
20	7PP 858 066	Windscreen Cover		1	I7Y6/7Y7/8G0 I8G1/9Q1/9Q6
21	5Q0 980 546 A	with Heating Camera *	15-	4	I8A4

Model: 92A 11

Model life 2011>>



Model: 92A 11

Model life 2011>>

Pos	Part Number	Description	Remark	Qty	Model
		Control part Navigation system Central computer TV Microphone Camera Screen	17-	1	IER1/ER2/ER4 IER6/ER7/ER8 II8L/9ZK
1	958 919 606 00			1	IER1/ER2/ER4 IER6/ER7/ER8 II8L/9ZK
1	958 919 606 X	Screen		1	IER1/ER2/ER4 IER6/ER7/ER8 II8L/9ZK
1	958 919 607 00	Screen		1	IER1/ER2/ER4 IER6/ER7/ER8 II8L/9ZK
1	958 919 607 X	Screen		1	IER1/ER2/ER4 IER6/ER7/ER8 II8L/9ZK
1	958 919 608 00	Screen		1	IER3/ER5/9ZK
1	958 919 608 X	Screen		1	IER3/ER5/9ZK
1	958 919 609 00	Screen		1	IER3/ER5/9ZK
1	958 919 609 X	Screen		1	IER3/ER5/9ZK
2	9A7 008 064 00	Round head screw M 2,5 X 10		4	
3	9P1 035 035 G	Central computer		1	IER1/QU1/QV3 I9ZK
		Control unit Central computer		1	IER1/QU1/QV3 I9ZK
3	9P1 035 035 AX			1	IER1/QU1/QV3 I9ZK
(3)	9P1 035 036 G	Control unit Central computer		1	IER1/QV0/QV1 I9ZK
(3)	9P1 035 036 AX	Control unit Central computer		1	IER1/QV0/QV1 I9ZK
(3)	9P1 035 037 G	Control unit Central computer		1	IER1/QU1/QV3 I9ZX
(3)	9P1 035 037 AX	Control unit Central computer		1	IER1/QU1/QV3 I9ZX
(3)	9P1 035 038 G	Control unit Central computer		1	IER1/QV0/QV1 I9ZX
(3)	9P1 035 038 AX	Control unit Central computer		1	IER1/QV0/QV1 I9ZX
(3)	9P1 035 039 G	Control unit Central computer		1	IER2/QV0/9ZK
(3)	9P1 035 039 AX	Control unit Central computer		1	IER2/QV0/9ZK
(3)	9P1 035 040 G	Control unit Central computer		1	IER2/I8L/QV0 I7A0/9ZX
(3)	9P1 035 040 AX	Control unit Central computer		1	IER2/I8L/QV0 I7A0/9ZX
(3)	9P1 035 041 G	Control unit Central computer		1	IER2/QU1/QV3 I9ZK
(3)	9P1 035 041 AX	Control unit Central computer		1	IER2/QU1/QV3 I9ZK

Model: 92A 11

Model life 2011>>

Pos	Part Number	Description	Remark	Qty	Model
(3)	9P1 035 868 G	Control unit Central computer		1	IER2/QU1/QV3 I9ZX
(3)	9P1 035 868 AX	Control unit Central computer		1	IER2/QU1/QV3 I9ZX
(3)	9P1 035 890 G	Control unit Central computer		1	IER3/I8L/QU8 I7A0/9ZK
(3)	9P1 035 890 AX	Control unit Central computer		1	IER3/I8L/QU8 I7A0/9ZK
(3)	9P1 035 892 G	Control unit Central computer		1	IER3/QU8/9ZX
(3)	9P1 035 892 AX	Control unit Central computer		1	IER3/QU8/9ZX
(3)	9P1 035 893 G	Control unit Central computer		1	IER4/QV0
(3)	9P1 035 893 AX	Control unit Central computer		1	IER4/QV0
(3)	9P1 035 894 E	Control unit Central computer		1	IER6/QV0/QV1 I9ZK
(3)	9P1 035 894 AX	Control unit Central computer		1	IER6/QV0/QV1 I9ZK
(3)	9P1 035 895 E	Control unit Central computer		1	IER6/QV0/QV1 I9ZX
(3)	9P1 035 895 AX	Control unit Central computer		1	IER6/QV0/QV1 I9ZX
(3)	9P1 035 896 E	Control unit Central computer		1	IER8/QV0/9ZX
(3)	9P1 035 896 AX	Control unit Central computer		1	IER8/QV0/9ZX
(3)	9P1 035 897 E	Control unit Central computer	(J)	1	IER5/QV0/QV1 I9ZK
(3)	9P1 035 897 AX	Control unit Central computer	(J)	1	IER5/QV0/QV1 I9ZK
(3)	9P1 035 898 E	Control unit Central computer	(J)	1	IER5/QV0/QV1 I9ZX
(3)	9P1 035 898 AX	Control unit Central computer	(J)	1	IER5/QV0/QV1 I9ZX
(3)	9P1 035 899 E	Control unit Central computer		1	IER7/QV0/QV1 I9ZX
(3)	9P1 035 899 AX	Control unit Central computer		1	IER7/QV0/QV1 I9ZX
5	999 919 247 01	Control unit Oval-head screw M5X12		4	
6	9A7 919 191 01	Receiving part		1	IER1/ER2/ER8 IQU1/QV1
(6)	9A7 919 192 01	TV Receiving part		1	IER6/QV1
(6)	9A7 919 146 01	TV Receiving part		1	IER7/QV1

Model: 92A 11

Model life 2011>>

Pos	Part Number	Description	Remark	Qty	Model
(6)	9A7 919 129 01	TV Receiving part		1	IER5/QV1
7	95B 035 252	TV Multimedia interface		1	IER5/UI6
8	9A7 642 953 00	USB distributor		1	IER5/UI6
9	9P1 035 925 A	Support USB distributor		1	IER5/UI6
10	N 906 986 06	Tapping screw		1	IER5/UI6
11	N 906 988 01	Speed nut		1	IER5/UI6
12	95B 035 252 A	Multimedia interface		1	IER1/ER2/ER3 IER4/ER6/ER7 IER8/UI6
13	9A7 919 813 00	Card reader		1	IER5
14	958 919 813 00	Support Card reader		1	IER5
15	958 645 290 11	Reversing camera with Tip switch Rear lid		1	I7X8/7X9
16	958 645 290 21	Reversing camera with Tip switch Rear lid		1	I8A4
17	958 645 291 00	Camera Door mirror		1	I5RP/5SU
18	958 645 297 00	Retaining frame Camera	/L	1	I5SU
(18)	958 645 298 00	Retaining frame Camera	/R	1	I5RP
19	7PP 980 653 D	Camera		1	I8G1/8G2/9Q1 I9Q6
20	7PP 858 066	Windscreen Cover with Heating		1	I8G1/8G2/9Q1 I9Q6
21	5Q0 980 546 A	Camera TOP-VIEW		1	I8A4
25	958 971 327 00	Connecting line Connecting line Central computer To Screen Connector housing Dark green To Connector housing Black 500 MM		1	
26	958 971 086 00	Connecting line Central computer To Instrument cluster Connector housing Black To Connector housing Dark green		1	
27	958 971 086 01	Connecting line Central computer To		1	IER1/ER2/ER3 IER4/ER6/ER7 IER8

Model: 92A 11

Model life 2011>>

Pos	Part Number	Description	Remark	Qty	Model
28	958 971 086 02	Multimedia interface Connector housing Dark green To Connector housing Yellow And Line open 2-pole 2700 MM Connecting line Central computer To USB distributor Multimedia interface Connector housing Yellow To Connector housing Dark green 500 MM		1	IER5
29	958 971 086 03	Connecting line USB distributor To Multimedia interface Connector housing Dark green To Connector housing Nut Brown 2800 MM		1	IER5
30	958 971 086 04	Connecting line Card reader To USB distributor Connector housing Nut Brown To Connector housing Bordeaux Red 2200 MM		1	IER5
31	958 971 086 05	Connecting line Antenna ETC To Card reader Connector housing Yellow To Connector housing Yellow 2340 MM		1	IER5
32	958 971 298 00	Connecting line Microphone Roof Bracket Line 2-pole open 3740 MM		1	
33	958 647 216 05	Connecting line Central computer		1	

Model: 92A 11

Model life 2011>>

Pos	Part Number	Description	Remark	Qty	Model
34	958 971 298 02	To Control unit Reversing camera Connector housing Creamy white To 2-pole open 5160 MM Connecting line Reversing camera in Rear lid Connector housing Creamy white To Connector housing Creamy white 2250 MM		1	I7X8/7X9
35	958 647 216 15	Connecting line Control unit Reversing camera To Connection point Roof Connector housing Dark green To Connector housing Creamy white 1280 MM		1	
(35)	958 647 216 00	Connecting line Connection point Roof To Control unit Reversing camera Connector housing Blue-grey To Connector housing Nut Brown 1380 MM		1	
36	958 971 158 00	Connecting line Connection point Reversing camera To Connection point Rear lid Connector housing Black To Connector housing Blue 1910 MM		1	I8A4
37	958 971 158 01	Connecting line Reversing camera Connector housing Blue To Connector housing Blue 1040 MM		1	I8A4

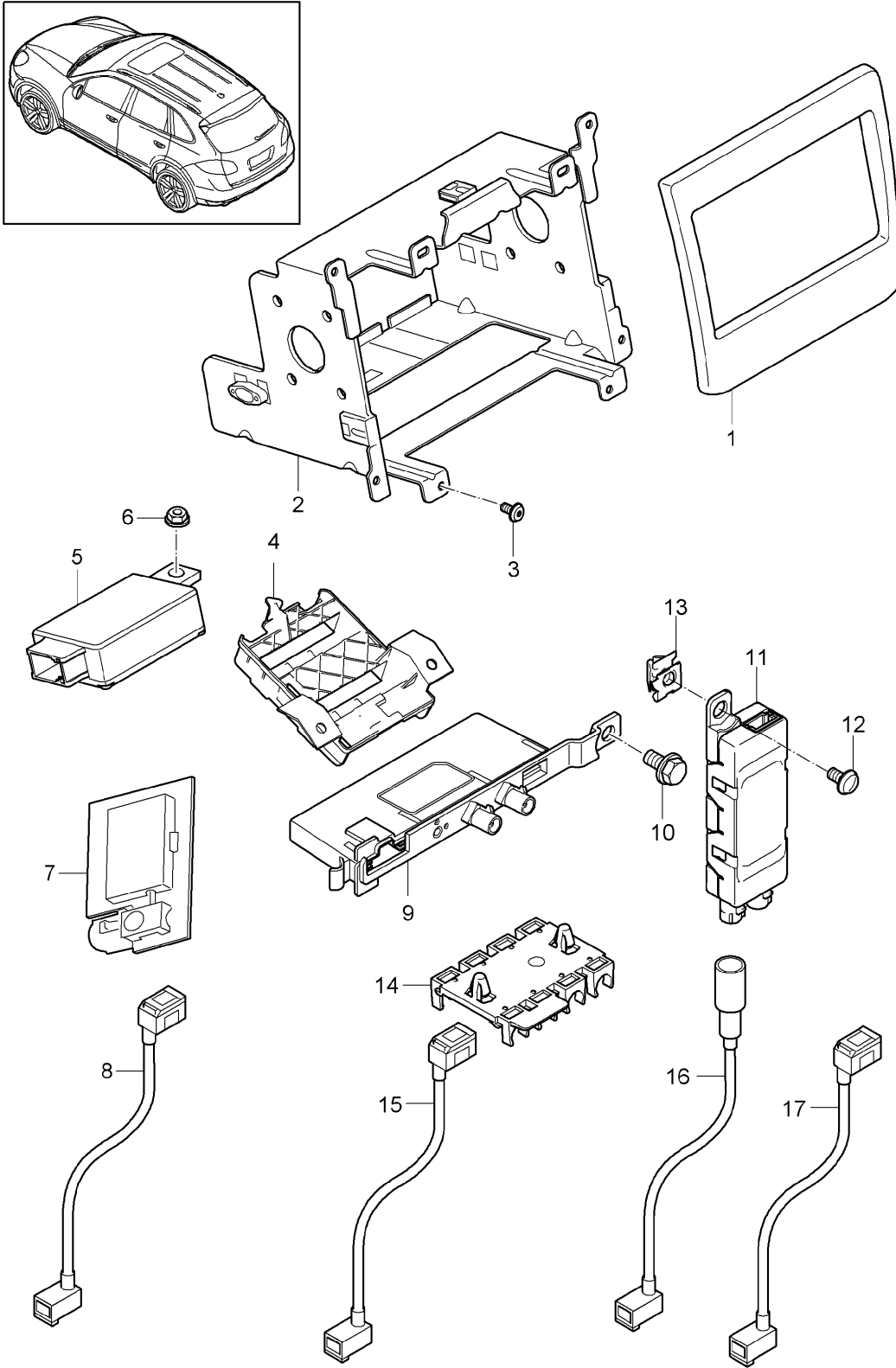
Model: 92A 11

Model life 2011>>

Pos	Part Number	Description	Remark	Qty	Model
(37)	958 647 216 10	Connecting line Control unit Reversing camera To Receiving part TV Connector housing Green To Connector housing Yellow Angled 510 MM		1	
38	958 919 855 00	CD-ROM Logbook		1	I9NY
39	9P1 919 069	Rotary knob Screen Left		1	
40	9P1 919 070	Rotary knob Screen Right		1	
41	958 035 222 00	USB connection Charging socket		1	

Model: 92A 11

Model life 2011>>



Model: 92A 11

Model life 2011>>

Pos	Part Number	Description	Remark	Qty	Model
		Preparation Navigation system Japan	-16		I7Q4
1	958 642 323 00	Front frame		1	
2	958 642 327 00	Support		1	
3	999 919 247 01	Oval-head screw 5,0 X 12		4	
4	958 642 328 00	Support	15-	1	
-	7PP 035 500	Card reader Antenna ETC	-14	1	
-	5C5 919 853	Antenna D SRC	15-	1	
5	7PP 971 324 B	Adapter Can		1	
6	N 909 472 01	Hexagon nut C 5		1	
7	7PP 035 504	Antenna GPS		1	
8	958 647 208 00	Connecting line Antenna GPS To Control part Navigation system Connector Blue		1	
8	958 647 208 30	Connecting line Antenna GPS To Control part Navigation system Connector Blue		1	I7Y6/7Y7/8G0 I8G1/9Q1/9Q6
9	958 647 311 00	Antenna booster Rear lid Right	/R	1	
(9)	958 647 315 00	Antenna booster Rear lid Left	/L	1	
10	N 908 479 03	Hexagon-head bolt M 6 X 15		1	
11	958 647 318 00	Antenna booster Side window Right	/R	1	
(11)		Antenna booster Side window Left	/L	1	
12	N 104 472 01	Lens-head screw 4,8 X 13		1	
13	WHT 000 748	Expander nut 4,8		1	
14	955 647 432 10	Support 4-pole Connection point Roof		1	
(14)	958 647 432 00	Support 3-pole Connection point Roof		1	
15	958 647 208 05	Connecting line		1	

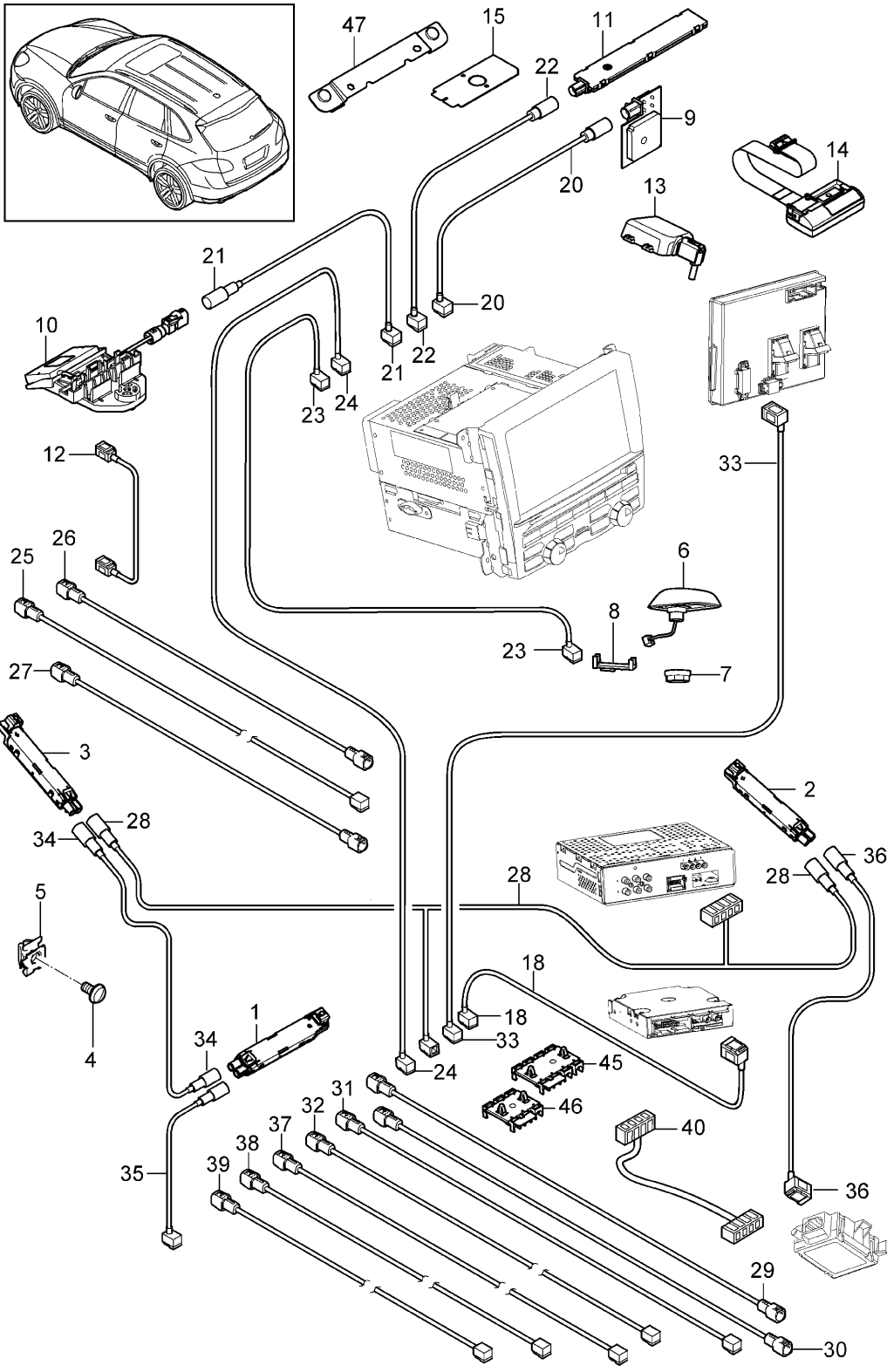
Model: 92A 11

Model life 2011>>

Pos	Part Number	Description	Remark	Qty	Model
(15)	958 647 208 11	Connection point Roof To Control part Navigation system Connector Black AM/FM Connecting line Connection point To Control part Navigation system Connector Green TV 1/2		1	
16	958 647 208 15	Connecting line Antenna booster Side window To Control part Navigation system Connector Creamy white TV 3 + 4		2	
17	958 647 208 20	Connecting line Microphone Bracket Roof		1	
(17)	958 647 208 25	Connecting line Reversing camera		1	

Model: 92A 11

Model life 2011>>



Model: 92A 11 Model life 2011>>

Pos	Part Number	Description	Remark	Qty	Model
1	95B 035 225 D	Antenna booster Antenna Connecting line Antenna booster	17-	1	IER1/ER2/ER3 IER4/ER6/ER7 IER8
(1)	95B 035 225 E	Rear lid Right 2-pole Yellow Antenna booster Rear lid		1	IER5
(1)	95B 035 225 F	Right 2-pole Violet Antenna booster		1	IER1/ER2/ER3 IER4/ER6/ER7 IER8/QU8/QV0 IQV3
(1)	95B 035 225 G	Rear lid Left Single pole Bordeaux Red Antenna booster Rear lid		1	IER5/QV0
(1)	95B 035 225 H	Left Single pole Blue Antenna booster		1	IER1/ER2/ER3 IER4/ER6/ER7 IER8/QU1/QV1
(1)	95B 035 225 Q	Rear lid Left 2-pole Bordeaux Red Antenna booster Rear lid		1	IER5/QV1
2	95B 035 225 J	Left 2-pole Blue Antenna booster		1	IER1/ER2/ER3 IER4/ER6/ER8 IQV1
(2)	95B 035 225 K	Side window Left Single pole Green Antenna booster Side window		1	IER5/QV1
(2)	95B 035 225 L	Left Single pole Brown Antenna booster		1	IER1/ER2/ER3 IER4/ER6/ER7 IER8/QV3
(2)	95B 035 225 M	Side window Left Single pole Black Antenna booster Side window		1	IER1/ER2/ER3 IER4/ER6/ER8 IQU1

Model: 92A 11

Model life 2011>>

Pos	Part Number	Description	Remark	Qty	Model
3	95B 035 225 J	Left 2-pole Black Antenna booster		1	IER1/ER2/ER3 IER4/ER6/ER8 IQU1/QV1/9M0 I9M1
(3)	95B 035 225 K	Side window Right Single pole Green Antenna booster		1	IER5/QV1
(3)	95B 035 225 N	Side window Right Single pole Brown Antenna booster		1	IER1/ER2/ER3 IER4/ER6/ER7 IER8/QU8/QV0 IQV3 I9M9
(3)	95B 035 225 P	Side window Right Single pole Grey Antenna booster		1	IER1/ER2/ER3 IER4/ER6/ER8 IQU1/QV1/9M9
4	WHT 000 748	Side window Right 2-pole Green Expander nut		X	
5	N 104 472 01	Lens-head screw		X	
9	7PP 035 504 A	Antenna GPS		1	
10	958 647 500 20	Antenna VTS vehicle tracking GPS Including Support		1	I7G9/7I0/7I2
11	9A7 035 504 00	Antenna VTS vehicle tracking GSM		1	I7G9/7I0/7I2
12	9A7 035 550 00	Line Antenna Logbook Connector housing Grey-blue 4985 MM		1	I7G9/7I0/7I2
13	9A7 647 504 00	Antenna ETC		1	IER5
14	9A7 647 504 10	Antenna VICS		1	IER5
15	971 035 510 C	Antenna GSM/UMTS/LTE1		1	I9ZK
20	958 647 207 00	Front apron Connecting line Antenna GPS To Central computer Connector housing Blue		1	

Model: 92A 11

Model life 2011>>

Pos	Part Number	Description	Remark	Qty	Model
21	958 647 207 50	To Connector housing Blue 2790 MM Connecting line		1	I7G5/7G9/7I0 I7I2
22	958 035 550 20	Control unit To Antenna GPS VTS vehicle tracking Connector housing Blue To Connector housing Creamy white 7240 MM Connecting line Control unit To Antenna GSM VTS vehicle tracking Connector housing Bordeaux Red To Connector housing Bordeaux Red 8350 MM Connecting line Antenna Navigation Telephone Connector housing Blue To Connector housing Blue 2840 MM Connecting line		1	
23	958 035 550 21	Antenna Navigation Telephone Connector housing Blue To Connector housing Bordeaux Red 8350 MM Connecting line		1	II8L
25	958 035 550 22	Antenna Connector housing Black To Connector housing Yellow 4230 MM Connecting line		1	IER1/ER2/ER8 IQU1/QV3/9M0 I9M1/9M5
26	958 035 550 23	Antenna Connector housing Green To Connector housing Green 790 MM And Connector housing SCHWARZ 220 MM		1	IER1/ER2/ER8 IQU1/9M0/9M1 I9M5

Model: 92A 11 Model life 2011>>

Pos	Part Number	Description	Remark	Qty	Model
27	958 035 550 24	To Connector housing Yellow 1250 MM Connecting line		1	IER1/ER2/ER8 IQV3/9M0/9M1 I9M5
28	958 647 213 10	Antenna Connector housing Black To Connector housing Yellow 1250 MM Connecting line Receiving part TV To Connection point Roof To Antenna booster Side window Right And Left Line 4-part White Yellow Red Blue		1	
(28)	958 035 550 25	Connecting line Receiving part TV To Connection point Roof To Antenna booster Side window Connector housing Green To Connector housing Green 2200 MM To Connector housing Green 790 MM	/L/R	1	IER1/ER2/ER6 IER8/QV1/9M0 I9M1/9M5
(28)	958 035 550 26	Connecting line Receiving part TV To Connection point Roof To Antenna booster Side window Connector housing	/R/L	1	IER5/QV1

Model: 92A 11

Model life 2011>>

Pos	Part Number	Description	Remark	Qty	Model
29	958 035 550 27	Green To Connector housing Nut Brown 2200 MM To Connector housing Nut Brown 790 MM Connecting line		1	IQU1/QV1/9M0 I9M1/9M5
30	958 035 550 28	Receiving part TV To Rear lid Left Connector housing Green To Connector housing Nut Brown 1430 MM Connecting line		1	IER1/ER2/ER6 IER8/QV1/9M9
(30)	958 035 550 29	Side window Left And Right Connector housing Green To Connector housing Green 2200 MM To Connector housing Green 790 MM To Connector housing Beige 1260 MM Connecting line	/R/L	1	IER1/ER2/ER6 IER8/QV1/9M9
		Side window Connector housing Black To Connector housing Yellow 1250 MM To Connector housing Green 2200 MM To Connector housing Green 790 MM To Connector housing Beige 1260 MM			

Model: 92A 11 Model life 2011>>

Pos	Part Number	Description	Remark	Qty	Model
31	958 647 203 05	Connecting line Antenna Radio Connection point Roof To Central computer Connector housing Black To Connector housing Creamy white 4200 MM		1	IL0R
(31)	958 035 550 30	Connecting line Antenna Radio Connection point Roof To Central computer Connector housing Black To Connector housing Creamy white 4250 MM		1	IL0L
32	958 035 550 31	Connecting line Antenna Radio Connector housing Yellow To Connector housing Black 920 MM To Connector housing Blue-grey 920 MM		1	I0K0/0K3/2D0 I2D1/2D2/7X0 I7X2/7X8/7X9 I8A4 IER1/ER2/ER3 IER4/ER6/ER7 IER8
(32)	958 035 550 32	Connecting line Antenna Radio Connector housing Violet To Connector housing Beige 1130 MM To Connector housing Green 1130 MM		1	IQU1/QV1/0K0 I0K3 IER1/ER2/ER3 IER4/ER6/ER7 IER8
(32)	958 035 550 33	Connecting line Antenna		1	IQU8/QV0/QV3 I0K0/0K3 IER1/ER2/ER3

Model: 92A 11 Model life 2011>>

Pos	Part Number	Description	Remark	Qty	Model
(32)	958 035 550 34	Radio Connector housing Violet To Connector housing Beige 1130 MM Connecting line		1	IER4/ER6/ER7 IER8 I0K0/0K3/2D0 I2D1/2D2/7X0 I7X2/7X8/7X9 I8A4 IER5
(32)	958 035 550 35	Antenna Radio Connector housing Violet To Connector housing Black 920 MM To Connector housing Blue-grey 920 MM Connecting line		1	IQU1/QV1/0K0 I0K3 IER5
(32)	958 035 550 36	Antenna Radio Connector housing Blue To Connector housing Beige 1130 MM To Connector housing Green 1130 MM Connecting line		1	IQU8/QV0/QV3 I0K0/0K3 IER5
33	958 647 214 00	Antenna Radio Connector housing Blue To Connector housing Beige 1130 MM Connecting line Central locking system Control unit Electronics Body front section To Connection point Roof Connector housing Blue-grey To Connector housing Blue-grey 4700 MM		1	

Model: 92A 11 Model life 2011>>

Pos	Part Number	Description	Remark	Qty	Model
34	958 647 295 10	Connecting line Antenna booster Connector housing Creamy white To Connector housing Creamy white 450 MM		1	I8L6
35	958 647 296 10	Connecting line Antenna Rear lid Connector housing Black To Connector housing Black 850 MM		1	
36	958 647 213 20	Connecting line Auxiliary heater Antenna booster Side window Right To Receiving part Auxiliary heater Connector housing Green To Connector housing Beige 1240 MM		1	I9M9
37	958 035 550 37	Connecting line Auxiliary heater Connector housing Beige To Connector housing Blue-grey 1240 MM		1	IER1/ER2/ER6 IER8/QV0/QV3 I9M9
38	958 035 550 38	Connecting line Antenna Telephone Connector housing Violet To Connector housing Violet 3540 MM To Connector housing Violet 2820 MM		1	I9ZK
39	958 035 550 39	Connecting line Antenna Telephone Connector housing Violet To		1	IVC0/VC1/VC2 I7X2/7X8/7X9 I8A4/8F2/8F5 I8X0 I9ZK

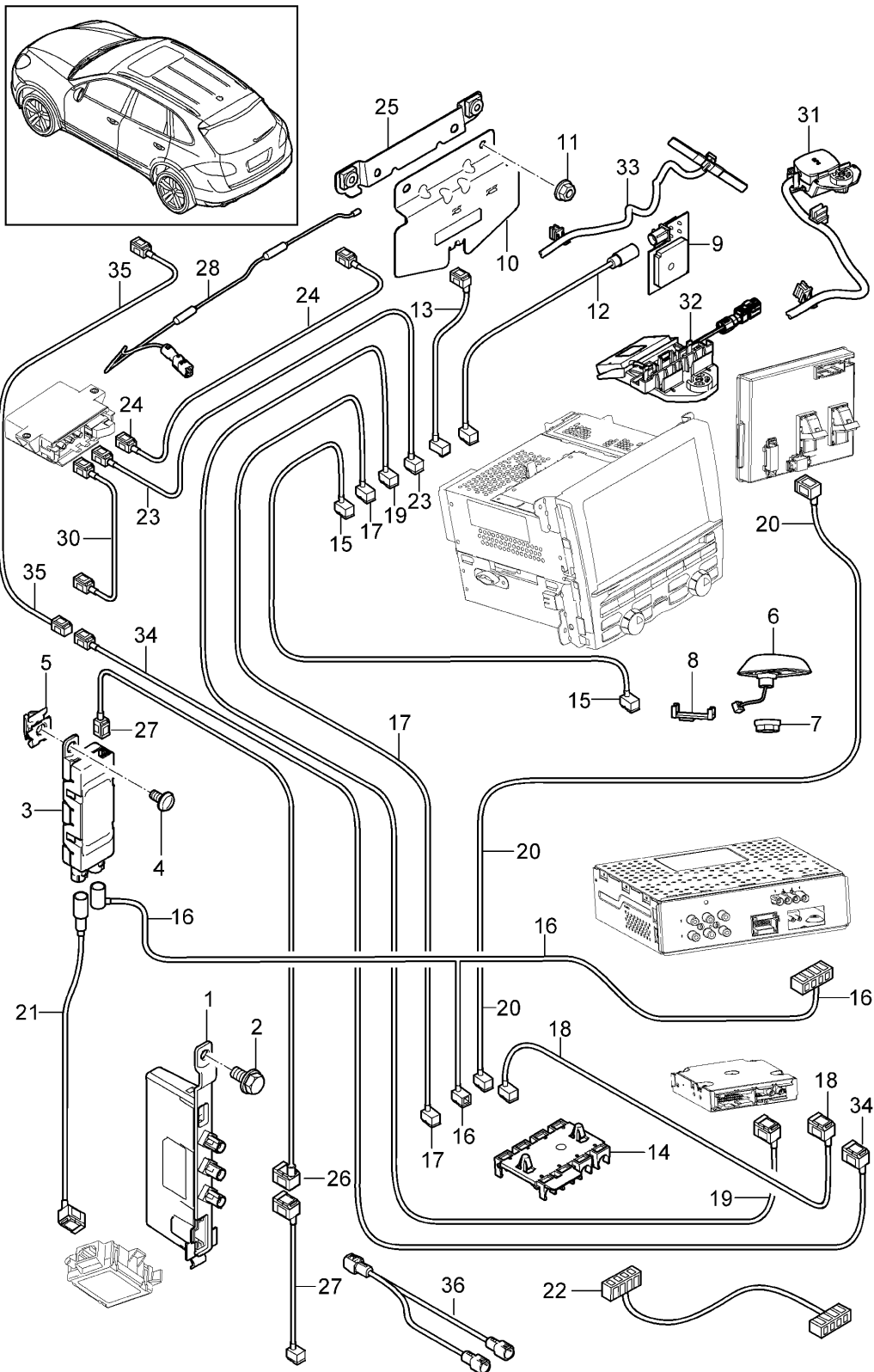
Model: 92A 11

Model life 2011>>

Pos	Part Number	Description	Remark	Qty	Model
40	958 647 215 00	Connector housing Violet 650 MM Connecting line Rear Seat Entertainment Left seat To Right seat Connector housing Black To Connector housing Black 4450 MM		1	IQV0
(40)	958 647 215 05	Connecting line Rear Seat Entertainment Left seat To Right seat And Receiving part TV All Connector housing Black 4360 MM		1	IQV1
45	955 647 432 10	Support 4-pole Connection point Roof		1	
46	958 647 432 00	Support 3-pole Connection point Roof		1	IQV1/7Q0/7X8 I7X9
47	958 647 433 10	Adapter Mounting plate Control unit Windscreen heating		1	I4GG/4GH

Model: 92A 11

Model life 2011>>



Model: 92A 11 Model life 2011>>

Pos	Part Number	Description	Remark	Qty	Model
1	958 647 311 00	Antenna booster Antenna Connecting line Antenna booster	-16 /R	1	IQV0/7Q0/8AJ I8YZ
1	958 647 312 00	Rear lid Right Antenna booster	/R -13	1	-IIY2/I8DQ I8DV
1	958 647 312 01	Rear lid Right Antenna booster	/R 13-	1	IIY2/8DQ/8DV
1	958 647 312 00	Rear lid Right Antenna booster	/R -13	1	-IIY2/I7T4
1	958 647 312 01	Rear lid Right Antenna booster	/R 13-	1	IIY2/7T4
1	958 647 313 00	Antenna booster Rear lid Left	/L	1	IQV0/8DQ/8DV
1		Antenna booster Rear lid Left	/L	1	IQV0/7T4
1	958 647 314 00	Antenna booster Rear lid Left	/L	1	IQV1/8DQ/8DV
1		Antenna booster Rear lid Left	/L	1	IQV1/7T4
2	N 908 479 03	Hexagon-head bolt M 6 X 15		1	
3	958 647 316 00	Antenna booster Side window Right	/R	1	IQV0/9M9
3	958 647 317 00	Antenna booster Side window Right	/R	1	IQV1/9M9
3	958 647 318 00	Antenna booster Side window Right	/R	1	-I9M9/IQV1
3		Antenna booster Side window Left	/L	1	IQV1
3	958 647 319 00	Antenna booster Side window Left	/L	1	IQV5
3	958 647 320 00	Antenna booster Side window Left	/L	1	IQU0
4	N 104 472 01	Lens-head screw 4,8 X 13		1	
5	WHT 000 748	Expander nut 4,8		1	
9	7PP 035 504	Antenna		1	I7Q4/7Q7/7T1 I7T4
10	958 647 106 00	GPS for PCM Antenna		1	I7Y0/7Y1/8G0 I9Q1/9W1/9W5

Model: 92A 11

Model life 2011>>

Pos	Part Number	Description	Remark	Qty	Model
(10)	7PP 035 503	Telephone Antenna		1	I9ZP I7Y6/7Y7/8G0 I8G1/9Q1/9Q6 I9W1/9ZP
11	WHT 001 248	Telephone Hexagon nut M 6 with Bolt		2	I9W1/9W5/9ZP
12	958 647 207 00	Connecting line Antenna GPS To Control part Navigation system Connector Blue		1	I7T1/7T4
12	958 647 207 35	Connecting line Antenna GPS To Control part Navigation system Connector Blue		1	I7T1/7T4/7Y6 I7Y7/8G0/8G1 I9Q1/9Q6
13	958 647 207 05	Connecting line Antenna Telephone To Control part Navigation system Connector Violet		1	I9W1/9ZP
13	958 647 207 30	Connecting line Antenna Telephone To Control part Navigation system Connector Violet		1	I7Y6/7Y7/8G0 I8G1/9Q1/9Q6 I9W1/9ZP
(13)	958 647 207 10	Connecting line Antenna Telephone To Centre console Connector Violet		1	I9W5
14	955 647 432 10	Support 4-pole Connection point Roof		1	
(14)	958 647 432 00	Support 3-pole Connection point Roof		1	
16	958 647 213 10	Connecting line Receiving part		1	I9V1/QV5

Model: 92A 11

Model life 2011>>

Pos	Part Number	Description	Remark	Qty	Model
17	958 647 203 01	TV To Connection point Roof To Antenna booster Side window Right And Left Connecting line Connection point Roof To Control part Navigation system Connector		1	I8DQ/8DV
(17)	958 647 203 06	Black Connecting line Connection point Roof To Control part Navigation system Connector		1	IQU0/QV5
(17)	958 647 203 05	Green Connecting line Connection point Roof To Radio Connector		1	I8AJ
18	958 647 216 00	Black Connecting line Connection point Roof To Control unit Reversing camera Connector		1	
(18)	958 647 216 15	Blue-grey Connecting line Connection point Roof To Control unit Reversing camera Connector		1	
19	958 647 216 05	Green Connecting line Control unit Reversing camera To Control part Navigation system		1	IQV0/7X8/7X9
(19)	958 647 216 10	Connecting line Control unit Reversing camera To Receiving part		1	IQV1/7X8/7X9
20	958 647 214 00	TV Connecting line Control unit		1	

Model: 92A 11 Model life 2011>>

Pos	Part Number	Description	Remark	Qty	Model
21	958 647 213 20	Electronics Body front section To Connection point Roof Connecting line Antenna booster Side window Right To Receiving part Auxiliary heater		1	I9M9
(21)	958 647 203 07	Connecting line Antenna booster Side window Left To Connection point Roof		1	IQU0/QV5
22	958 647 215 00	Connecting line Rear Seat Entertainment Left seat To Right seat		1	IQV0/9WM
(22)	958 647 215 05	Connecting line Rear Seat Entertainment Left seat To Right seat And Receiving part TV F >>92CLA 05335 F >>92CLA 92110 F >>92CLA 64565 F >>92CLA 28225 F >>92CLA 28101 F >>92CLA 45215 F >>92CLA 82187		1	IQV1/9WM
(22)	958 647 215 10	Connecting line Rear Seat Entertainment Left seat To Right seat And Receiving part TV F 92CLA 05336>> F 92CLA 92111>> F 92CLA 64566>> F 92CLA 28226>> F 92CLA 28102>> F 92CLA 45216>> F 92CLA 82188>>		1	IQV1/9WM
23	958 647 207 50	Connecting line Control unit To Antenna GPS VTS vehicle tracking Connector Blue		1	I7G5/7G9/7I0 I7I2

Model: 92A 11

Model life 2011>>

Pos	Part Number	Description	Remark	Qty	Model
24	958 647 207 60	Connecting line Control unit To Antenna GSM VTS vehicle tracking Connector Violet		1	I7G5/7G9/7I0 I7I2
25	958 647 433 00	Adapter Mounting plate Control unit Windscreen heating		1	
26	958 647 295 10	Connecting line Antenna booster Connector in Creamy white		1	I8L6
27	958 647 296 10	Connecting line Antenna Rear lid		1	I7T1/7T4/8DQ I8DV
28	95B 035 502 A	Antenna VTS vehicle tracking		1	I7G5/7G9/7I0 I7I2/8T1
30	958 647 501 50	Antenna VTS vehicle tracking DRIVER CARD Connector Blue-grey		1	I7G5
31	958 647 500 10	Antenna GPS VTS vehicle tracking	-14	1	I7G5
32	958 647 500 20	Antenna GPS VTS vehicle tracking Including Support	15-	1	I7G5/7G9/7I0 I7I2
33	958 647 502 10	Antenna Telephone GSM VTS vehicle tracking		1	I7G5
34	958 971 158 10	Connecting line Connection point Bumper Front To Control unit Camera 6070 MM		1	I8A4
35	958 971 158 11	Connecting line Connection point Bumper Front To Camera 1530 MM		1	I8A4
36	958 035 550 03	Connecting line Antenna for TV tuner Connector		1	I9V1

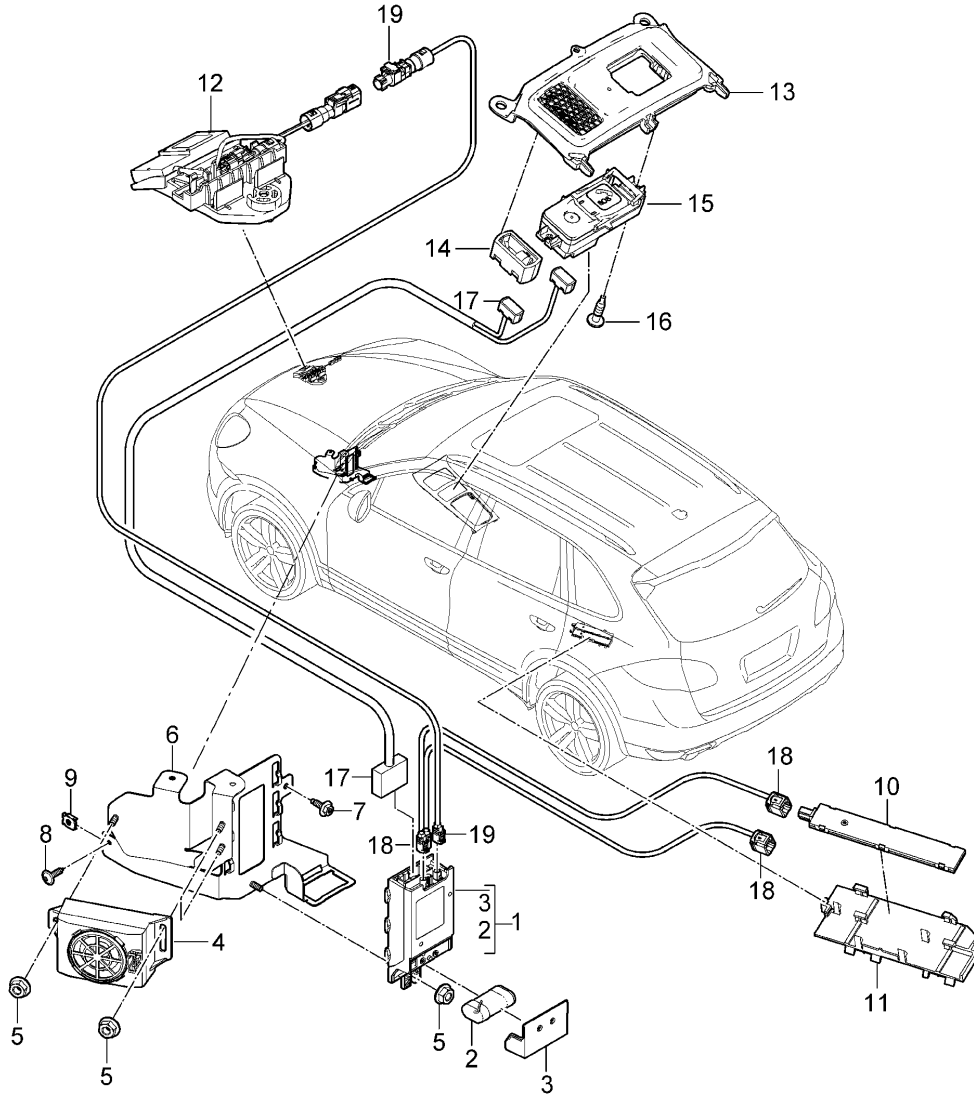
Model: 92A 11

Model life 2011>>

Pos	Part Number	Description	Remark	Qty	Model
		Green To Connector GRÜN And Connector Nut Brown 1050 MM			

Model: 92A 11

Model life 2011>>



Model: 92A 11 Model life 2011>>

Pos	Part Number	Description	Remark	Qty	Model
1	9P1 035 284 B	Emergency call system Control unit	17-	1	
2	9P1 915 611	Emergency call system Battery for Communication Box		1	
3	9P1 035 215	Lid for Communication Box		1	
4	7PP 035 709 A	Loudspeaker		1	
5	N 015 082 10	Hexagon nut		4	
6	958 035 206 00	Support		1	
7	N 910 799 01	Hexagon-head bolt 6X20		2	
8	N 906 986 06	Tapping screw		1	
9	N 906 987 03	Speed nut		1	
10	9A7 035 504 00	Antenna GSM		2	
11	958 035 525 00	Support Antenna Left		1	
(11)	958 035 526 00	Support Antenna Right		1	
12	958 647 500 30	Antenna GPS Including Support		1	
13	958 857 273 00	Cover Centre console		1	
14	9P1 035 712	Microphone		1	
15	9P1 959 511 A 9P1 959 511 A 6N3	Switch Black		1	
16	N 106 258 02	Oval-head screw 3X10		2	
17	958 970 226 00	Wiring harness Emergency call system		1	
18	958 035 550 00	Single line for Control unit Emergency call system To Antenna GSM Left 5250 MM And Antenna GSM Right 4100 MM Connector housing Bordeaux Red Violet		1	
19	958 035 550 50	Single line for Control unit Emergency call system To Antenna GPS		1	

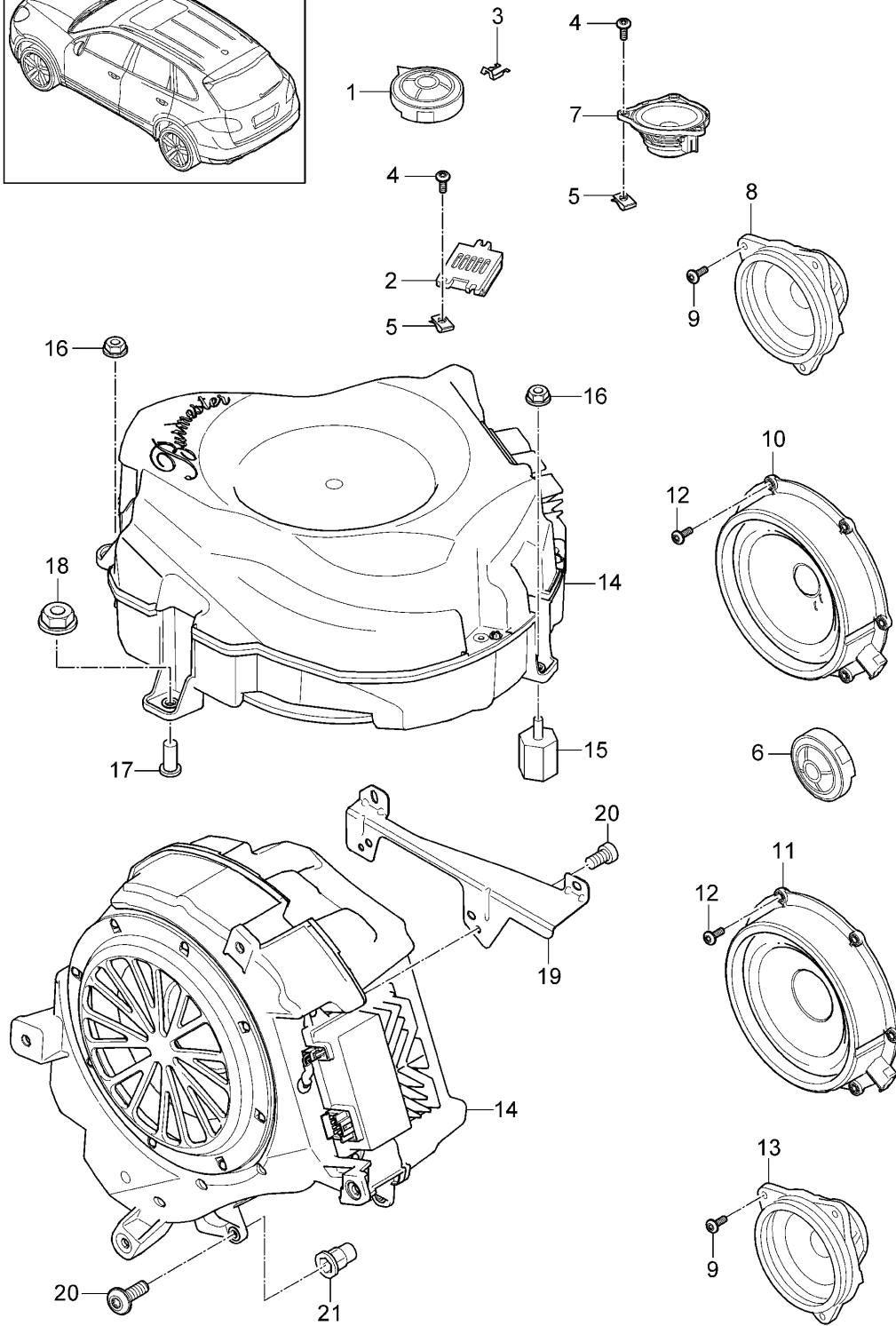
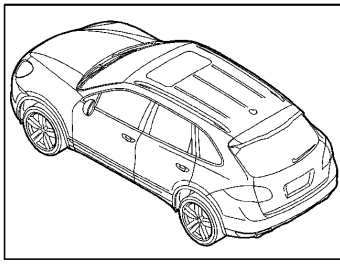
Model: 92A 11

Model life 2011>>

Pos	Part Number	Description	Remark	Qty	Model
		3000 MM Connector housing Blue			

Model: 92A 11

Model life 2011>>



Model: 92A 11 Model life 2011>>

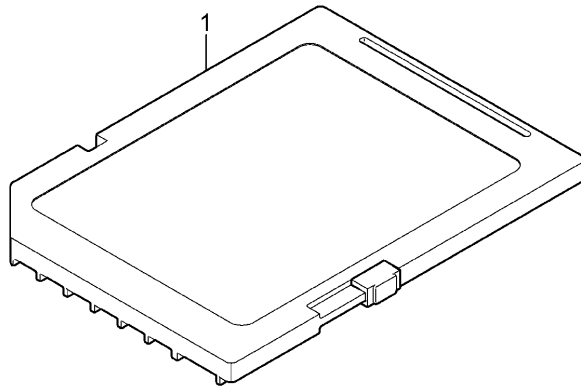
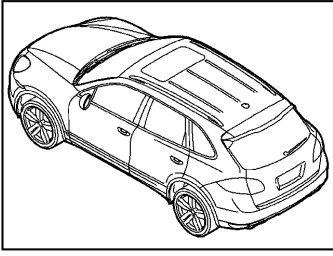
Pos	Part Number	Description	Remark	Qty	Model
1	7PP 035 411	Loudspeaker Tweeter Dashboard Door Rear		X 2 2	I8RV/9VK
(1)	7PP 035 411 D	Tweeter Dashboard Door Rear		X 2 2	I9VL
2	7PP 035 411 E	Tweeter Dashboard		2	I9VJ
3	WHT 004 906	Clamp		6	I8RV/9VK/9VL
4	N 906 986 06	Tapping screw 4,2 X 16		9	
5	N 906 988 01	Speed nut 4,2		9	
6	7PP 035 412 A	Tweeter Door Rear		2	I9VJ
7	7PP 035 828 C	Loudspeaker Dashboard Centre		1	I9VK
(7)	7PP 035 828 D	Loudspeaker Dashboard Centre		1	I9VL
(7)	7PP 035 828 E	Loudspeaker Dashboard Centre		1	I9VJ
8	7PP 035 415 D	Mid-range loudspeaker Door Front		2	I8RV
8	7PP 035 415 H	Mid-range loudspeaker Door Front		2	I8RV
(8)	7PP 035 415 E	Mid-range loudspeaker Door Front		2	I9VK
(8)	7PP 035 415 F	Mid-range loudspeaker Door Front		2	I9VL
(8)	7PP 035 415 G	Mid-range loudspeaker Door Front Rear		X 2 2	I9VJ
9	N 908 401 03	Oval-head screw 4,0 X 14,0		X	
10	958 645 551 00	Woofers Door Front		2	I8RV
(10)	7PP 035 454 G	Woofers Door Front		2	I9VK
(10)	7PP 035 454 J	Woofers Door Front	-14	2	-IIY2/I9VK
(10)	7PP 035 454 L	Woofers Door Front	14	2	IIY2/9VK
(10)		Woofers Door Front	15-	2	I9VK
(10)	7PP 035 454 E	Woofers Door		2	I9VL

Model: 92A 11 Model life 2011>>

Pos	Part Number	Description	Remark	Qty	Model
(10)	7PP 035 454 M	Front Woofer Door		2	I9VL
(10)	7PP 035 454 P	Front Woofer Door		2	I9VL
(10)	7PP 035 454 H	Front Woofer Door		2	I9VJ
11	958 645 551 00	Front Woofer Door		2	I8RV/9VK
(11)	7PP 035 710 B	Rear Woofer Door		2	I9VL
(11)	7PP 035 453 B	Rear Woofer Door		2	I9VJ
12	955 533 691 00	Oval-head sheetmetal screw 5,0 X 22		24	
13	7PP 035 416 B	Loudspeaker D-pillar		2	I9VL
(13)	7PP 035 416 C	Loudspeaker D-pillar		2	I9VJ
14	958 645 010 00	Subwoofer	-16	1	I0K0/9VL
(14)	958 645 010 02	Subwoofer	17-	1	I0K0/9VL
(14)	958 645 010 10	Subwoofer		1	I0K0/9VJ
(14)	958 645 010 20	Subwoofer	-16	1	I0K3/9VL
(14)	958 645 010 21	Subwoofer	17-	1	I0K3/9VL
(14)	958 645 010 30	Subwoofer		1	I0K3/9VJ
15	958 645 434 00	Spacer		1	I0K0/9VJ/9VL
16	N 102 058 02	Hexagon nut M 6		3	I0K0/9VJ/9VL
17	958 362 534 00	Bracket Subwoofer		1	I0K0/9VJ/9VL
18	N 104 355 08	Collar nut M 8		1	I0K0/9VJ/9VL
19	958 645 210 00	Support		1	I0K1/9VJ/9VL
20	N 910 967 01	Round head screw M 6 X 16		6	I0K1/9VJ/9VL
21	N 106 185 01	Blind rivet nut M 6		4	I0K1/9VJ/9VL

Model: 92A 11

Model life 2011>>



Model: 92A 11 Model life 2011>>

Pos	Part Number	Description	Remark	Qty	Model
		SD card Data Navigation for Update	17-		
1	9P1 909 000 G	SD card Data Navigation	-17	1	IER1
1	9P1 909 000 T	SD card Data Navigation	18-	1	IER1
1	9P1 909 000 H	SD card Data Navigation	-17	1	IER3/ER4
1	9P1 909 000 AA	SD card Data Navigation	18-	1	IER3/ER4
1	9P1 909 000 J	SD card Data Navigation	-17	1	IER2
1	9P1 909 000 AB	SD card Data Navigation	18-	1	IER2
1	9P1 909 000 L	SD card Data Navigation	-17	1	IER5
1	9P1 909 000 AD	SD card Data Navigation	18-	1	IER5
1	9P1 909 000 N	SD card Data Navigation	-17	1	IER8
1	9P1 909 000 AF	SD card Data Navigation	18-	1	IER8
1	9P1 906 961	SD card Software Central computer	-17	1	IER1/ER2
1	9P1 919 360 B	SD card Software Central computer	18-	1	IER1/ER2
1	9P1 906 961 A	SD card Software Central computer	-17	1	IER3/ER4
1	9P1 919 360 C	SD card Software Central computer	18-	1	IER3/ER4
1	9P1 906 961 B	SD card Software Central computer		1	IER6
1	9P1 919 360	D >> 08.11.2016 SD card Software Central computer	-17	1	IER6
1	9P1 919 360 D	D 09.11.2016>> SD card Software Central computer	18-	1	IER6
1	9P1 919 360 A	D 09.11.2016>> SD card Software Central computer	-17	1	IER5
		D 16.12.2016>>			

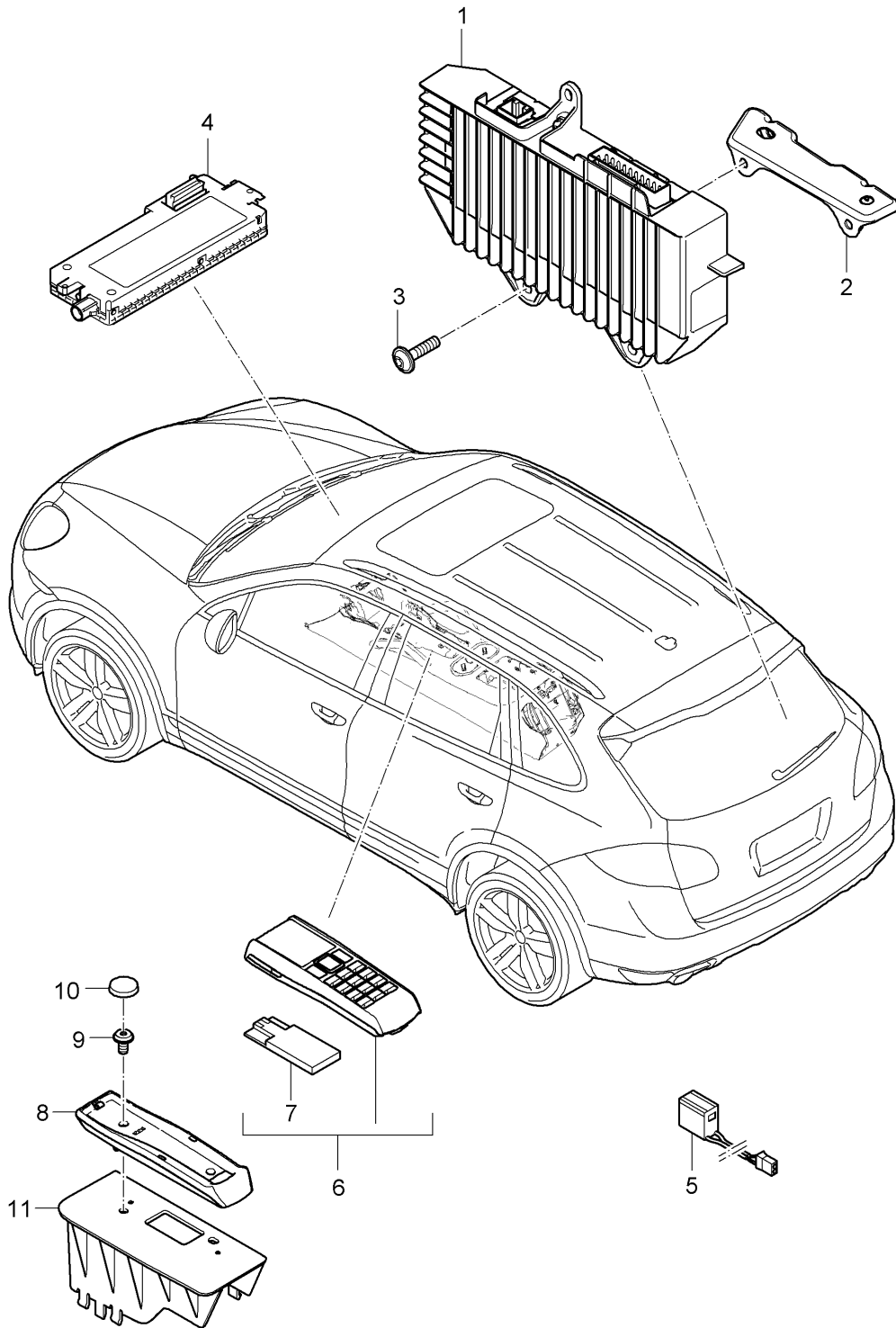
Model: 92A 11

Model life 2011>>

Pos	Part Number	Description	Remark	Qty	Model
1	9P1 919 360 E	SD card Software Central computer	18-	1	IER5
1	9P1 906 961 D	SD card Software Central computer	-17	1	IER8
1	9P1 919 360 F	SD card Software Central computer	18-	1	IER8
1	9P1 906 961 E	SD card Software Central computer	-17	1	IER7
1	9P1 919 360 G	SD card Software Central computer	18-	1	IER7

Model: 92A 11

Model life 2011>>



Model: 92A 11

Model life 2011>>

Pos	Part Number	Description	Remark	Qty	Model
		Booster Telephone			
1	958 645 302 00	Booster	-14	1	I9VK
(1)	958 645 302 03	Booster	15-16	1	I9VK
(1)	7PP 035 223 P	Booster	-16	1	I9VL
-	9A7 645 443 10	Booster	17-	1	I9VL
(1)	7PP 035 223 R	Booster	-11	1	I9VJ
(1)	7PP 035 223 S	Booster	12-16	1	I9VJ
1	95B 035 223 B	Booster	17-	1	I9VJ
(1)	9P1 035 465 A	Additional amplifier	17-	1	I0K3/9VJ
(1)	7PP 035 223 M	Booster	-16	1	I7Q4/9VL
2	958 645 225 00	Support	-16	1	I9VJ/9VK/9VL
		Booster			
2		Support	17-	1	I9VL
		Booster			
3	N 910 967 01	Round head screw M 6 X 16		5	I9VJ/9VK/9VL
4	997 646 218 01	Control unit	-12	1	I9W1/9ZP
		Telephone			
(4)		Control unit	13	1	IIY1/9W1/9ZP
		Telephone			
4	7PP 035 730 B	Control unit	13	1	IIY2/9W1/9ZP
		Telephone			
4		Control unit	14-16	1	I9W1/9ZP
		Telephone			
5		Microphone			
		Not available			
		See illustrations			
		9/03/06			
6	7PP 035 725 A	Receiver		1	I9ZP
		Telephone			
7	997 646 916 00	Battery		1	
8	955 646 214 00	Mounting		1	
		Receiver			
9	N 911 598 01	Countersunk-head screw 3,0 X 15,0		2	
10	955 646 311 00	Stopper		2	
11	958 646 351 00	Mounting piece		1	