

Model: 987 06**Model life 2006>>2008**

ORDER-INFO

THIS PARTS CATALOGUE CONTAINS ALL ORDER INFORMATION OF
TYPE CAYMAN FROM MODEL YEAR 2006

IT IS AVAILABLE IN TWO EDITIONS IN THE FOLLOWING LANGUAGES:

EDITION

USA, CANADA - *

EDITION

ALL OTHER COUNTRIES - GERMAN

* - ENGLISH

- FRENCH

- ITALIAN

- SPANISH

UPDATING IS BEING PERFORMED BY CHANGING OF UPDATE.

THE EDITION CAN BE RECOGNIZED BY THE CURRENT NO.
IN THE BOTTOM LINE OF SUBJECT UPDATE.

THE PREVIOUS UPDATE SHOULD NO LONGER BE USED.

ALL ILLUSTRATIONS ARE SUBJECT TO CHANGE WITHOUT OBLIGATION.

Model: 987 06

Model life 2006>>2008

EXPLANAT.- VIN

EXPLANATION OF THE ABRIDGED VERSION OF THE VEHICLE IDENT. NUMBERS (VIN)
 =====
 USED IN THE CATALOGUE
 =====

DIGIT: 1 2 3 4 5 6 7 8 9 10 11 12 13 14 15 16 17

EXAMPLE: W P 0 Z Z Z 9 8 Z 6 S 7 0 0 1 2 5

 === = = =====

 ! ! ! ! !

VEHICLE TYPE 1ST+2ND DIGIT-----+ ! ! ! !

 ! ! ! !

MODEL YEAR-----+ ! ! !

 ! ! !

MANUFACTURING LOCATION-----+ ! !

 ! !

VEHICLE TYPE 3RD DIGIT-----+ !

 !

SERIAL NUMBER-----+ !

Model: 987 06

Model life 2006>>2008

SUMMARY TYPES

VEHICLE TYPE	MY	VIN	ENGINE TYPE
CAYMAN "S"	06 6	986S7 70061>80000	M97.21 217 KW
CAYMAN "S"	06 6	986U7 70061>80000	M97.21 217 KW
CAYMAN "S" (USA.CDN.MEX.BR)	06 6	986S7 80061>90000	M97.21 217 KW
CAYMAN "S" (USA.CDN.MEX.BR)	06 6	986U7 80061>90000	M97.21 217 KW
CAYMAN "S"	07 7	987S7 70061>80000	M97.21 217 KW
CAYMAN "S"	07 7	987U7 70061>80000	M97.21 217 KW
CAYMAN S (USA,CN,CDN,MEX,BR)	07 7	987S7 80061>90000	M97.21 217 KW
CAYMAN S (USA,CN,CDN,MEX,BR)	07 7	987U7 80061>90000	M97.21 217 KW
CAYMAN	07 7	987S7 50061>60000	M97.20 180 KW
CAYMAN	07 7	987U7 50061>60000	M97.20 180 KW
CAYMAN (USA,CN,CDN,MEX,BR)	07 7	987S7 60061>70000	M97.20 180 KW
CAYMAN (USA,CN,CDN,MEX,BR)	07 7	987U7 60061>70000	M97.20 180 KW
CAYMAN "S"	08 8	988S7 70061>80000	M97.21 217 KW
CAYMAN "S"	08 8	988U7 70061>80000	M97.21 217 KW
CAYMAN S (USA,CN,CDN,MEX,BR)	08 8	988S7 80061>90000	M97.21 217 KW
CAYMAN S (USA,CN,CDN,MEX,BR)	08 8	988U7 80061>90000	M97.21 217 KW
CAYMAN	08 8	988S7 50061>60000	M97.20 180 KW
CAYMAN	08 8	988U7 50061>60000	M97.20 180 KW
CAYMAN (USA,CN,CDN,MEX,BR)	08 8	988S7 60061>70000	M97.20 180 KW
CAYMAN (USA,CN,CDN,MEX,BR)	08 8	988U7 60061>70000	M97.20 180 KW

Model: 987 06

Model life 2006>>2008

EXPL. ENGINE-NO.

EXPLANATION OF THE MOTOR-NUMBERS USED IN THE CATALOGUE

=====

DIGIT: 1 2 3 4 5 6 7 8

EXAMPLE: 6 2 5 0 0 1 3 6

= = = =====

! ! ! !

ENGINE TYPE (6 = 6-CYL.-ENGINE)-----+ ! ! !

! ! !

ENGINE VERSION-----+ ! !

! !

MODEL YEAR-----+ !

!

SERIAL NUMBER-----+ !

Model: 987 06**Model life 2006>>2008**

SUMMARY ENGINES

VEHICLE TYPE	ENGINE			TECHNICAL DATA
	TYPE	MY	ENGINE NO.	
CAYMAN "S"	M97.21	06 6	676 00501>60000	6ZYL/3,4L /217 KW
CAYMAN "S"	M97.21	07 7	677 00501>60000	6ZYL/3,4L /217 KW
CAYMAN	M97.20	07 7	657 00501>60000	6ZYL/2,7L /180 KW
CAYMAN "S"	M97.21	08 8	678 00501>60000	6ZYL/3,4L /217 KW
CAYMAN	M97.20	08 8	658 00501>60000	6ZYL/2,7L /180 KW
CAYMAN "S Sport"	M97.22	08 8	668 00501>60000	6ZYL/3,4L /223 KW

Model: 987 06

Model life 2006>>2008

EXPL. TRANSM. NO.

EXPLANATION OF THE TRANSMISSION-NUMBERS USED IN THE CATALOGUE

=====

DIGIT:	1	2	3	4	5	6	7	8	9	10	11
EXAMPLE:	G	8	6	0	0	1	0	0	5	4	3
	=	=====				=	=====				
	!		!			!			!		!
	!		!			!			!		!
TRANSMISSION TYPE-----+			!			!			!		!
			!			!			!		!
TRANSMISSION VERSION-----+						!			!		!
						!			!		!
INDEX OF VARIANTS-----+									!		!
									!		!
SERIAL NUMBER-----+											!

Model: 987 06

Model life 2006>>2008

SUMM. TRANSMISS.

VEHICLE TYPE	TYPE	MY	TRANSMISSION NO.	TECHNICAL DATA
CAYMAN "S"	G87.21	06 6	G8721 1 002001>999999	6-GANG
CAYMAN "S" TIPTRONIC	A87.21	06 6	A8721 1 002001>999999	5-GANG
CAYMAN "S"	G87.21	07 7	G8721 1 002001>999999	6-GANG
CAYMAN "S" TIPTRONIC	A87.21	07 7	A8721 1 002001>999999	5-GANG
CAYMAN	G87.01	07 7	G8701 1 002001>999999	5-GANG
CAYMAN I480	A87.20	07 7	G8720 1 002001>999999	6-GANG
CAYMAN TIPTRONIC	A87.02	07 7	A8702 1 002001>999999	5-GANG
CAYMAN "S"	G87.21	08 8	G8721 1 002001>999999	6-GANG
CAYMAN "S" TIPTRONIC	A87.21	08 8	A8721 1 002001>999999	5-GANG
CAYMAN	G87.01	08 8	G8701 1 002001>999999	5-GANG
CAYMAN I480	A87.20	08 8	G8720 1 002001>999999	6-GANG
CAYMAN TIPTRONIC	A87.02	08 8	A8702 1 002001>999999	5-GANG

Model: 987 06

Model life 2006>>2008

LEGENDS/NOTICES

LEGENDS AND NOTICES

=====

IN COLUMN -S- STATUS

N NEW ADDITION

P PART ALREADY IN PROGRAMME, BUT NEW
AT THIS APPLICATION

W DELETED AT THIS APPLICATION, BUT CONTINUED TO BE CARRIED

A STOCK TO BE USED UP

U DELETED WITHOUT REPLACEMENT

* PART ALSO OR ONLY AVAILABLE
IN REPAIR KIT

> ALSO AVAILABLE IN EXCHANGE

IN COLUMN - ILL. -

1 IDENTIFICATION NO. IN ILLUSTRATION

(1) PART ONLY SIMILAR AS ILLUSTRATED

- PART IS NOT ILLUSTRATED

FIG.-NUMBERS FOR WHICH THERE IS SHOWN NO TEXT ARE
NOT VALID FOR THIS EDITION OF CATALOGUE

IN COLUMN -PART NUMBER/CODE-

000 000 000 00 PART NUMBER EQUALS ORDERING NO., IF A CODE IS
SHOWN, IT WILL HAVE TO BE PART OF ORDERING
NUMBER

01C COLOUR CODE

IN COLUMN -TEXT

INSTALLATION WITH ENGINE OR CHASSIS
NUMBER-RANGE

EXAMPLE:

M 66W 00389>>

FROM ENGINE NO.

Model: 987 06

Model life 2006>>2008

F

>>99WS6 00889

UP TO CHASSIS NO.

Model: 987 06

Model life 2006>>2008

LEGENDS/NOTICES

IN COLUMN - A -

IDENTIFICATION LETTER FOR PERIOD OF INSTALLATION
THAT IS REPEATED SEVERAL TIMES IN THE CATALOG GROUP.

EXPLANATION PLEASE FIND IN TEXT COLUMN OF THE CATALOG GROUP

IN COLUMN - QU - = NO. OF PIECES

- 1 NUMBER PER APPLICATION
- X NUMBER AS NEEDED
- * AVAILABLE ONLY IN RUNNING LENGTHS 1 = 1 METRE

IN COLUMN - MODEL/SYMBOL -

- M650 OPTIONAL EQUIPMENT - SEE M-NO. LIST
- 98 LIMITATION OF MODEL YEAR FOR INSTANCE: VALID UP TO
END OF MODEL YEAR 1997
- /LL LHD
- /RL RHD
- +
- /V FRONT I
I
- /H REAR I
I----> APPLIES TO
- /L LEFT I DIRECTION OF TRAVEL
I
- /R RIGHT I
-----+
- WW THE PART CAN BE USED INSTEAD OF THE
PRECEDING ONE.

Model: 987 06

Model life 2006>>2008

COUNTRY-EQIPM.

EQUIPMENT BY COUNTRY REGULATIONS

=====

(A)	AUSTRIA
(AG)	ARABIAN GULF STATES
(AUS)	AUSTRALIA
(B)	BELGIUM
(BR)	BRAZIL
(CDN)	CANADA
(CH)	SWITZERLAND
(CN)	PEOPLE'S REPUBLIC OF CHINA
(D)	FEDERAL REPUBLIC OF GERMANY
(DK)	DENMARK
(E)	SPAIN
(F)	FRANCE
(GB)	GREAT BRITAIN
(GR)	GREECE
(HK)	HONGKONG
(I)	ITALY
(J)	JAPAN
(L)	LUXEMBURG
(N)	NORWAY
(NL)	NETHERLANDS
(NZ)	NEW ZEALAND
(P)	PORTUGAL
(ROK)	KOREA
(RC)	TAIWAN
(THA)	THAILAND
(S)	SWEDEN
(SA)	SAUDI ARABIA
(SF)	FINLAND

Model: 987 06**Model life 2006>>2008**

(USA) UNITED STATES OF AMERICA

(ZA) SOUTH AFRICA

Model: 987 06

Model life 2006>>2008

NR	Description
IXAF	Turbo aerokit
IXAG	Carrera - rear spoiler
IXAH	Carrera 4S aerokit
IXAJ	Painted sill covers
IXAL	Aerokit Boxster
IXAM	Aerokit Cayman
IXCA	Dashboard trim strip (3-part) sports seats
IXCB	Instrument surround sports seats
IXCC	Side air vents sports seats
IXCD	Center air vent bracket sports seats
IXCE	Rear center console sports seats
IXCG	Sports seat backrest in Aluminium Look finish
IXCH	Side/centre air vent slats, sports seats
IXCK	Rear center console in Galvano Silver
IXCL	Instrument surround in Galvano Silver
IXCM	Roll-over bar in Galvano Silver
IXCN	Side air vents in Aluminium Look finish (997)
IXCY	Center air vent in Aluminium Look finish
IXCZ	Short shifter
IXEA	Passive handset in leather
IXE8	Gear lever knob aluminium/dark burr maple/leather
IXE9	Handbrake lever aluminium/dark burr maple/leather
IXFD	Instrument dials in Sand Beige
IXFE	Instrument dials in Terracotta
IXFF	Instrument dials in Brown/Natural
IXFG	Instrument dials in Guards Red
IXFH	Instrument dials in Speed Yellow
IXFJ	Instrument dials in Carrara White
IXGB	Decorative dashboard trim, carbon
IXGC	Dashboard carbon/Alcantara
IXGD	Parking brake handle carbon/Alcantara
IXGE	Handle recess insert, carbon
IXJL	Makassar Ebony side air vent
IXJM	Sycamore side air vent
IXJN	Makassar Ebony center air vent
IXJP	Sycamore center air vent
IXJR	Makassar Ebony windscreen defroster panel
IXJS	Sycamore windscreen defroster panel
IXJT	Makassar Ebony rear center console
IXJU	Sycamore rear center console
IXJ4	Leather cover for ignition lock surround
IXKB	Side air vent in light burr maple
IXKC	Side air vent in dark burr maple
IXKG	"Defroster trim in light burr maple; leather"
IXKH	"Defroster trim in dark burr maple; leather"
IXKJ	Defroster trim in Carbon/leather
IXKL	Leather speaker covers

Model: 987 06

Model life 2006>>2008

NR	Description
IXKM	Speaker covers in light burr maple
IXKN	Speaker covers in dark burr maple
IXKP	Carbon speaker covers
IXKR	Center air vent bracket in light burr maple
IXKS	Center air vent bracket in dark burr maple
IXLA	Boxster tailpipe
IXLF	Sports exhaust system
IXME	Rear section of centre console painted
IXMF	Front center console including 2 storage bins, leather
IXMJ	Rear section of centre console in Carbon
IXMK	Roll-over bar in exterior color
IXML	Rear center console in light burr maple
IXMP	Leather sun visor, 2 illuminated vanity mirrors *
IXMR	Sun visor in leather, 2 illuminated vanity mirrors,
IXMZ	Rear section of centre console in leather
IXNB	Rear center console in dark burr maple
IXNG	Instrument surround in leather
IXNN	Center air vent bracket in leather
IXNR	Carbon center air vent bracket
IXNS	Leather steering column trim, 4-part
IXNU	Leather trim strip (dashboard)
IXNV	Trim strip (dashboard) in light burr maple
IXNW	Trim strip (dashboard) in dark burr maple
IXNX	Carbon trim strip (dashboard)
IXPA	3-spoke sports steering wheel in leather interior co
IXPB	3-spoke sports steering wheel, light burr maple, leather
IXPC	3-spoke sports steering wheel, dark burr maple, leather
IXPD	3-spoke sports steering wheel, Carbon/leather
IXPG	3-spoke sports steering wheel, sports seats
IXPV	Multi-function steering wheel, Galvano Silver
IXPW	Instrument surround in light burr maple
IXPX	Instrument surround in dark burr maple *
IXPY	Carbon instrument surround
IXRB	18-inch Sport Classic II wheel
IXRC	18-inch SportTechno wheel
IXRL	18-inch SportDesign wheel
IXRN	17-mm spacers, rear
IXRP	5-mm spacers, front/rear
IXRR	19-in. Carrera Sport wheel
IXSA	Painted sports seat backrest
IXSB	Leather sports seat backrest
IXSC	Porsche Crest embossed in headrest
IXSD	Front seat controls in leather

Model: 987 06

Model life 2006>>2008

NR	Description
IXSE	Bucket seat, left
IXSF	Bucket seat, right
IXSG	Racing bucket seat, left
IXSH	Silver seat belts
IXSJ	6-point harness
IXSL	6-point safety catch
IXSM	Racing safety cage
IXSN	Omission of rear seats
IXSR	Carbon back for bucket seat, right
IXSS	Carbon back for bucket seat, left
IXST	Seat belts in Sand Beige
IXSU	Upholstered seat
IXSW	Seat belts in Maritime Blue
IXSX	Seat belts in Guards Red
IXSY	Seat belts in Speed Yellow
IXTG	Inner door sills in leather
IXTJ	Door panel parts in light burr maple
IXTK	Door panel parts in dark burr maple
IXTL	Door panel parts in Carbon
IXTR	Door panel parts in Aluminium Look finish
IXTT	Makassar Ebony door panel parts
IXTU	Sycamore door panel parts
IXTV	Leather door panel parts
IXTW	Door panel parts in Galvano Silver
IXVM	Leather center air vent
IXVP	Trim strip including cupholder cover in leather
IXVR	Side/centre air vent in leather
IXV1	Defroster trim in leather
IXXF	Red tail lights
IXXZ	Footrest
IXX1	Floor mats, logo, leather border
IXX2	Illuminated footwell
IXY5	Tiptronic gear selector gate in leather
IXZB	Carbon centre air vent
IXZD	Interior light surround in leather
IX45	Instrument dial in interior color
IX46	Tiptronic selector lever in aluminium/leather
IX47	Gear lever knob in Carbon/leather
IX48	Tiptronic selector lever in Carbon/aluminium
IX50	Powerkit 331/340 kW
IX51	Powerkit 250 kW
IX54	Stainless steel tailpipes
IX58	Handbrake lever in Carbon/leather
IX65	Tiptronic selector lever in light burr maple/aluminium
IX66	Tiptronic selector lever in dark burr maple/aluminium
IX69	Door entry guards in Carbon with logo
IX70	Door entry guards in stainless steel with logo

Model: 987 06

Model life 2006>>2008

NR	Description
IX71	Instrument dial painted/Aluminium Look finish
IX72	Gear lever knob aluminium/light burr maple/leather
IX73	Turbo sports suspension
IX74	Sports suspension (exclusive)
IX75	Differential lock (exclusive)
IX76	Inner door sill guard, left/right
IX91	Handbrake lever aluminium/light burr maple/leather
IX97	Gear lever knob in aluminium/leather
IX98	Handbrake lever in aluminium/leather
IX99	Natural leather
I008	Boxster S 3.2 litres displacement
I009	Boxster 2.7 litres displacement
I022	Black-coloured instrument dials, instrument cluster
I023	Silver -coloured instrument dials, instrument cluster
I024	Version for Greece
I025	Black-coloured instrument dials, stopwatch
I026	Silver-coloured instrument dials, stopwatch
I029	Standard chassis
I030	Sport-type chassis
I032	Touring suspension
I034	Version for Italy
I058	Impact absorbers, front and rear
I061	Version for Great Britain
I062	Version for Sweden
I063	Version Luxemburg
I064	Version for Netherlands
I065	Version for Denmark
I066	Version for Norway
I067	Version for Finland
I068	PAP right-hand drive version
I069	Other country version
I071	EU country version
I072	Version for Mexico
I073	Version for Russia
I074	PAP left-hand drive version
I075	China version
I098	Left-hand drive version
I099	Right-hand drive version
I111	Version for Austria
I113	Version for Canada
I114	Version for Taiwan
I119	Version for Spain
I124	Version for France
I126	Control and indications in French lettering
I127	Control and indications in Swedish lettering
I130	Control and indications in English lettering
I150	Operation with leaded gas

Model: 987 06

Model life 2006>>2008

NR	Description
I159	Curbed engine, 155 kW/211 bhp
I182	Hot country
I183	Super-hot country
I193	Version for Japan
I194	Battery, 60 Ah
I195	Battery, 70 Ah
I196	Battery, 80 Ah
I197	Stronger battery
I198	Enhanced starter motor (1.7 kW)
I199	Battery disconnection switch
I200	95 Ah battery
I210	Licence plate holder version 2
I211	Licence plate holder version 3
I215	Version for Saudi Arabia
I218	Licence plate holder version 4
I219	Differential
I220	Locking differential 40 %
I225	Version for Belgium
I249	Tiptronic transmission
I265	Automatic anti-dazzle interior mirror with rain sensor
I266	Automatic anti-dazzle door mirror
I267	Automatically dimmable interior and door mirrors
I268	Rain sensor
I270	Door mirrors -flat - driver's side, electrically adjustable and heatable
I271	Door mirrors -aspherical- driver's side, electrically adjustable and heatable
I273	Door mirrors, electrically adjustable and heatable
I274	Vanity mirror, illuminated
I277	Version for Switzerland
I288	Headlamp washer
I301	Transmission ratio long
I325	Version for South Africa/New Zealand
I342	Seat heating, left/right seat
I369	Standard seat, left
I370	Standard seat, right
I375	Sports seat, backrest shell, left
I376	Sports seat, backrest shell, right
I377	Sports seat, backrest shell, left, electrically adjustable
I378	Sports seat, backrest shell, right, electrically adjustable
I388	Sports bucket seat, left
I389	Sports bucket seat, right

Model: 987 06

Model life 2006>>2008

NR	Description
I392	17-inch Carrera wheel
I393	17-inch Boxster II wheel (987)
I397	18-inch Boxster II wheel (987)
I398	19" Cayman S wheel
I401	18-in. Cayman S wheel
I402	Carrera 3 wheel 18-inch
I403	Carrera S wheel 19-inch
I404	19" Turbo-1 wheel
I405	Carrera Classic wheel 19-inch
I406	Carrera GT wheel 19-inch/20-inch
I407	SportDesign wheel 19-inch
I410	18" Turbo-2/Panamera wheel
I411	18-inch Carrera wheel -->2005 19-inch Carrera wheel 2012-->
I415	18-inch Turbo-Look II wheel
I416	18-inch GT3 wheel
I418	18-inch Turbo II wheel in GT Silver
I424	Cd compartment
I425	Rear window wiper
I426	Without rear window wiper
I431	Multi-function steering wheel, touch + feel
I432	*
I433	20" Carrera S wheel (4)
I435	Sports steering wheel
I436	3-spoke airbag steering wheel
I437	Comfort seat, left, electrically adjustable
I438	Comfort seat, right, electrically adjustable
I439	20" 911 Turbo 4 wheel
I440	Antenna diversity
I441	*
I444	Anti-theft lock, wheel bolts "THATCHAM"
I446	Concave wheel centers with full-colour Porsche Crest
I447	Emergency wheel
I450	Ceramic brake (PCCB)
I451	Multi-function steering wheel, Makassar Ebony, touch + feel
I452	Multi-function steering wheel, Sycamore, touch + feel
I453	Multi-function steering wheel, Carbon, touch + feel
I454	Automatic speed control
I459	3-spoke airbag steering wheel, touch + feel
I460	20" RS Spyder Design wheel
I461	External antenna
I475	"PASM" electronic damper control

Model: 987 06

Model life 2006>>2008

NR	Description
I476	Porsche Stability Management (PSM)
I479	Version for Australia
I480	6-speed manual transmission
I481	5th-speed manual transmission
I482	Tire Pressure Monitoring TPM, 433 MHz
I483	315-MHz TPM, Tire Pressure Monitoring
I484	Version for USA
I488	Inscriptions in German language
I490	Sound system "ASK"
I492	Headlights for left-hand traffic
I498	Deletion of model designation on rear end
I499	Version for Germany
I501	Car cover
I509	Fire extinguisher
I513	Lumbar support, right seat
I521	Tilt sensor
I524	Immobilizer, central locking, 433 MHz
I525	Immobilizer, central locking, 315 MHz
I532	Alarm system remote control omitted
I533	Radio convertible-top operation omitted
I534	Theft security system, 433 MHz
I535	Theft security system, 315 MHz
I536	-07 Alarm siren and tilt sensor
	08- Alarm siren
I537	Seat position control for comfort seat, left
I538	Seat position control for comfort seat, right
I539	Mechanical seat height adjustment, left
I540	Mechanical seat height adjustment, right
I541	Active seat ventilation (incl. heated seats)
I544	Anti-theft protection without infrared monitoring, 433 MHz
I545	Anti-theft protection without infrared monitoring, 315 MHz
I549	Roof Transport System
I550	Hard top
I551	Wind deflector
I553	Version for USA, Canada
I554	Front spoiler lip included
I555	Black seat belts
I560	Advanced airbag
I562	Airbag, driver's side and front passenger's side
I563	Side airbag
I566	Front fog lights, white
I567	Windscreen tinted, upper part darker coloured

Model: 987 06

Model life 2006>>2008

NR	Description
I568	Windscreen without shade band
I571	Activated charcoal filter
I572	Manual air-conditioning system
I573	Air conditioner
I575	Luggage compartment cooling system
I580	Luggage bulkhead/luggage guard
I581	Centre console, front
I584	Storage box on engine cover
I586	Lumbar support, left seat
I592	Standard rooflining, fabric
I594	Alcantara rooflining
I601	Xenon lighting system
I602	Raised stop lamp
I606	Daytime driving lights
I607	Garage door opener "Homelink", 315 MHz
I608	Garage door opener "Homelink" 433 MHz
I610	DVD navigation, "Europe package"
I611	DVD navigation South Africa
I612	DVD navigation middle east
I613	DVD navigation australia
I614	DVD navigation asia-pacific
I615	DVD navigation system, North America
I616	DVD, Navigation Russia
I617	DVD Navigation China
I618	Preparation for telephone installation
I619	Mobile phone preparation (BLUETOOTH) without console
I621	12-V socket, passenger's side, footwell
I625	"KESSY" Porsche Entry and Drive
I635	Parking assistant
I639	Sport Chrono package
I640	Sport Chrono Package Plus
I641	electronic logbook
I650	Electrical sliding roof
I651	Electric window opener
I652	Without sliding/tilting roof
I657	Power assisted steering
I659	On-board computer
I660	Obd 2
I661	Stricter emission-control concept
I664	Orvr
I665	-2008 PCM 2, 2009- PCM 3 basic module incl. radio
I666	-2008 PCM 2, 2009- PCM 3 telephone (GSM)
I668	PCM2 telephone handset
I669	PCM 3 - Telephone handset (BLUETOOTH)
I670	PCM2 navigation
I672	-2008 PCM 2, 2009- PCM 3 Offroad navigation
I674	"Vehicle Tracking System" preparation

Model: 987 06

Model life 2006>>2008

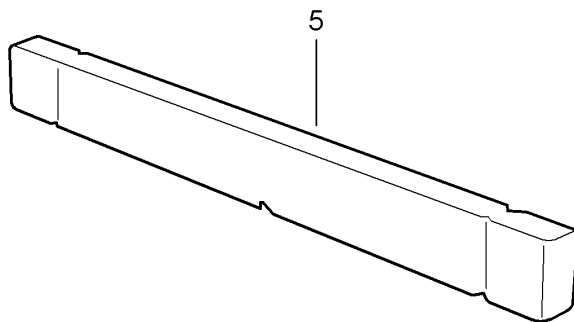
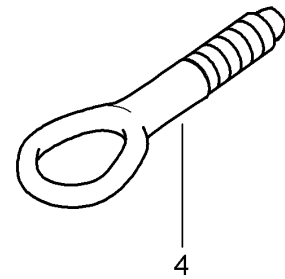
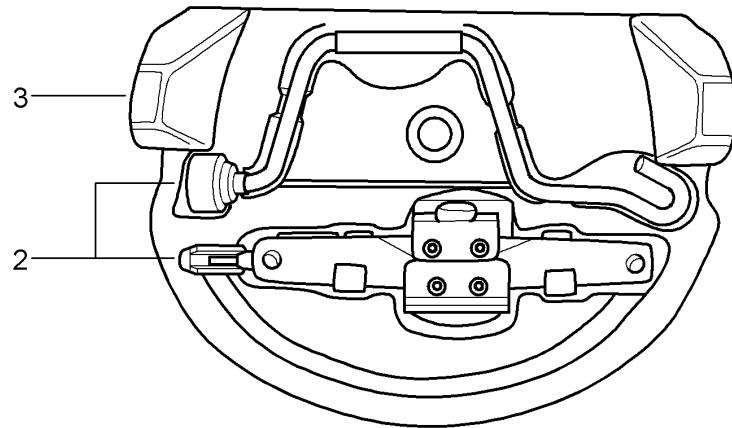
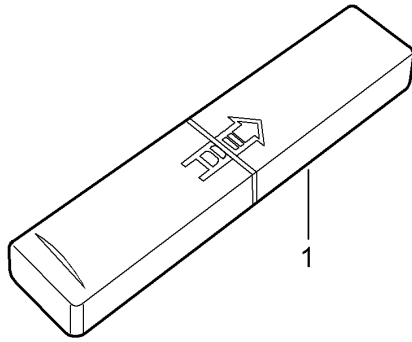
NR	Description
I675	Without radio preparation (Japan navigation system)
I677	"Driver card" antenna
I678	Alarm system connection
I679	Restart inhibitor
I680	BOSE sound package
I685	Rear seats, split
I689	Preparation for CD autochanger
I690	CD radio "Porsche Online Pro"
I692	CD autochanger "Porsche"
I694	CD radio "PORSCHE CDR 24"
I697	CD radio "Porsche CDR-23"
I711	Omission underbody protection
I755	Special model "Porsche Design Edition 1"
I757	Special model "Porsche Design Edition 2"
I758	Special model "CAYMAN S SPORT"
I796	Full leather trim natural leather
I798	Full leather trim special leather
I799	Full leather trim by choice
I801	Makassar Ebony wood package, dark (matt satin finish)
I802	Sycamore package, light (matt satin finish)
I803	Carbon package
I804	GT2 Carbon exterior package
I805	Lifestyle package
I810	Floor mats
I912	without ID plate
I936	Seat covers, rear, leather
I937	Seat covers, rear, leatherette
I939	Seat covers, rear, draped leather
I946	Seat covers, front, leather/leather/leatherette
I950	Alcantara seat covers, front
I951	Seat covers front, Alcantara/leather/leather
I970	Two-tone interior
I971	"TORO" embossed leather
I981	Leather equipment, without seat covers
I982	Seat covers, front, draped leather/leather/leather
I983	Seat covers, front, leather
I985	Seat covers, leather/leather/leatherette, 2
I990	Seat covers, front, cloth/cloth/leatherette
I991	Steering wheel airbag module in leather
I998	Leather, natural
I999	Passenger compartment monitoring sensor for leather colour of choice

Model: 987 06

Model life 2006>>2008

Model: 987 06

Model life 2006>>2008



Model: 987 06 Model life 2006>>2008

Pos	Part Number	Description	Remark	Qty	Model
1	997 721 115 00	Tool Jack Tool kit with contents Comprising:		1	
-	477 012 229	Double-end spanner 10 X 13		1	
-	477 012 231	Screwdriver		1	
-	111 012 287	Handle for Screwdriver		1	
-	999 571 077 02	Socket wrench - 5 - for Headlamp		1	
2	996 721 211 00	Scissors type jack		1	I447
3	996 722 101 00	Foam part		1	I447
-	999 571 074 30	Threaded bolt for Assembly Wheels		1	I447
-	477 012 221 A	Rim wrench		1	I447
-	999 571 070 30	Operating rod for Rim wrench		1	I447
-	997 722 801 00	Mounting for Tool		1	I447
-	996 361 521 00	Boot		1	I447
-	987 722 061 00	Cover Emergency wheel		1	I447
-	987 722 061 01	Cover Emergency wheel		1	I447
4	997 721 551 00	Towing lug		1	
5	000 722 722 05	Warning triangle		1	
5	000 722 722 06	Warning triangle		1	
-	993 722 041 00	First-aid kit		1	

Model: 987 06

Model life 2006>>2008



Model: 987 06 Model life 2006>>2008

Pos	Part Number	Description	Remark	Qty	Model
		Stickers		1	
		Stickers		1	
		Emergency wheel		1	I447
-	996 361 701 20	Sticker	(AUS)	1	
		English		1	
-	997 361 701 00	Sticker		1	I215
		Arabic		1	
-	928 701 150 00	Sticker		1	
		"MAX 80 KM/H"		1	
		Stickers		1	
		Engine specifications		1	
(2)	955 701 675 00	Sticker	08	1	I193
		Expansion tank		1	
3	997 006 108 00	Sticker		1	I068
4	997 006 544 00	Sticker	-06	1	
		Engine oil		1	
		- MOBIL 1 -		1	
4	997 006 544 01	Sticker	07-	1	
		Engine oil		1	
		- MOBIL 1 -		1	
(4)	997 701 535 00	Sticker	08	1	I193
		Engine-oil level		1	
		Stickers		1	
		Type of fuel		1	
5	996 006 117 00	Sticker		1	
		98 ROZ		1	
5	996 006 117 02	Sticker	(AUS)	1	
		96 ROZ		1	
5	996 006 117 01	Sticker		1	I150
		98 ROZ		1	
5	996 006 117 03	Sticker		1	I193
		93 RON/MON/2		1	
5	955 701 676 15	Sticker	08	1	I193
		Fuel		1	
5	955 701 676 10	Sticker	08	1	I193
		Fuel filler flap		1	
		Stickers		1	
		Airbag		1	
6	3B0 010 219 B	Sticker		1	
		Child car seat		1	
6	8D0 010 141 Q	Sticker	(AUS)	1	
		Child car seat		1	
6	987 701 430 00	Sticker		1	
		Child car seat		1	
		German		1	
6	987 701 430 01	Sticker		1	
		Child car seat		1	
		English		1	
6	987 701 430 02	Sticker		1	
		Child car seat		1	
		French		1	
6	987 701 430 03	Sticker		1	
		Child car seat		1	
		Italian		1	
6	987 701 430 04	Sticker		1	
		Child car seat		1	
		Swedish		1	
6	987 701 430 05	Sticker		1	
		Child car seat		1	
		Spanish		1	
6	987 701 430 06	Sticker		1	
		Child car seat		1	
		Arabic		1	

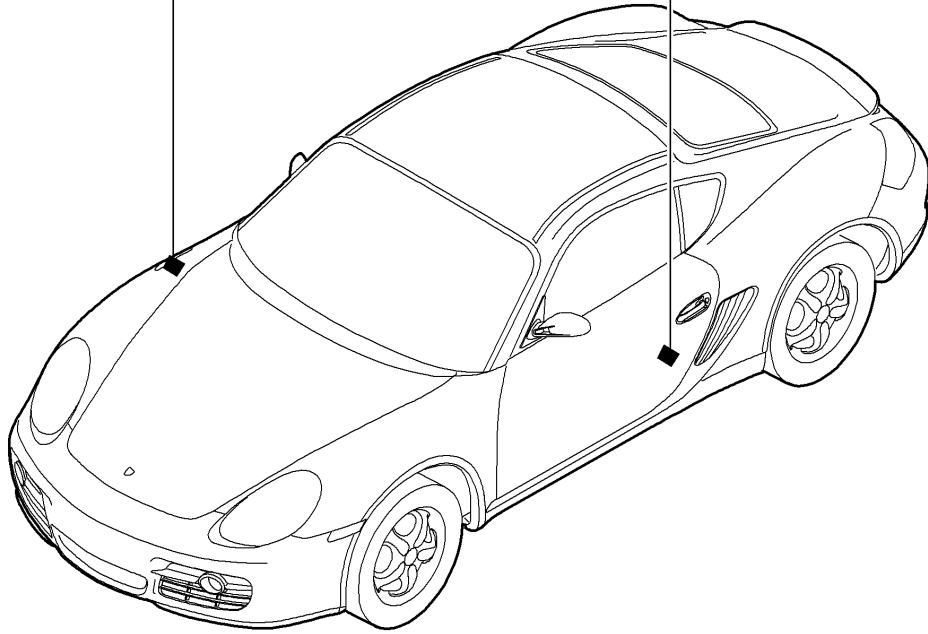
Model: 987 06 Model life 2006>>2008

Pos	Part Number	Description	Remark	Qty	Model
6	987 701 430 07	Sticker Child car seat Chinese		1	
(6)	955 701 675 10	Sticker Recycling	08	1	I193
9	986 701 141 01	Sticker Air conditioner		1	
(9)	987 701 521 00	Sticker Air conditioner	08	1	I193
(9)	955 701 673 00	Sticker Battery	08	1	I193
10	997 701 170 00	Sticker First-aid kit		1	
(10)	997 701 527 00	Sticker Headlamp	08	1	I193
(10)	955 701 675 05	Sticker Brake fluid	08	1	I193
11	955 701 675 15	Sticker Import Japan	08	1	I193
12	997 701 531 00	Sticker Airbag	08	1	I193
(12)	955 701 676 00	Sticker Warning light Engine	08	1	I193

Model: 987 06

Model life 2006>>2008

Colour 25H Libell Türkis Metallic



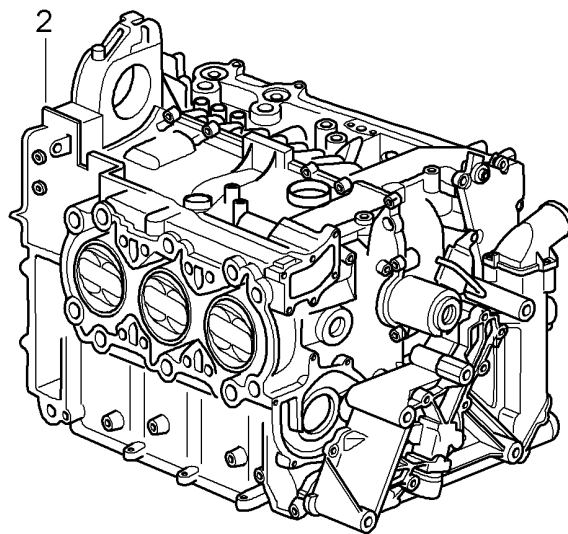
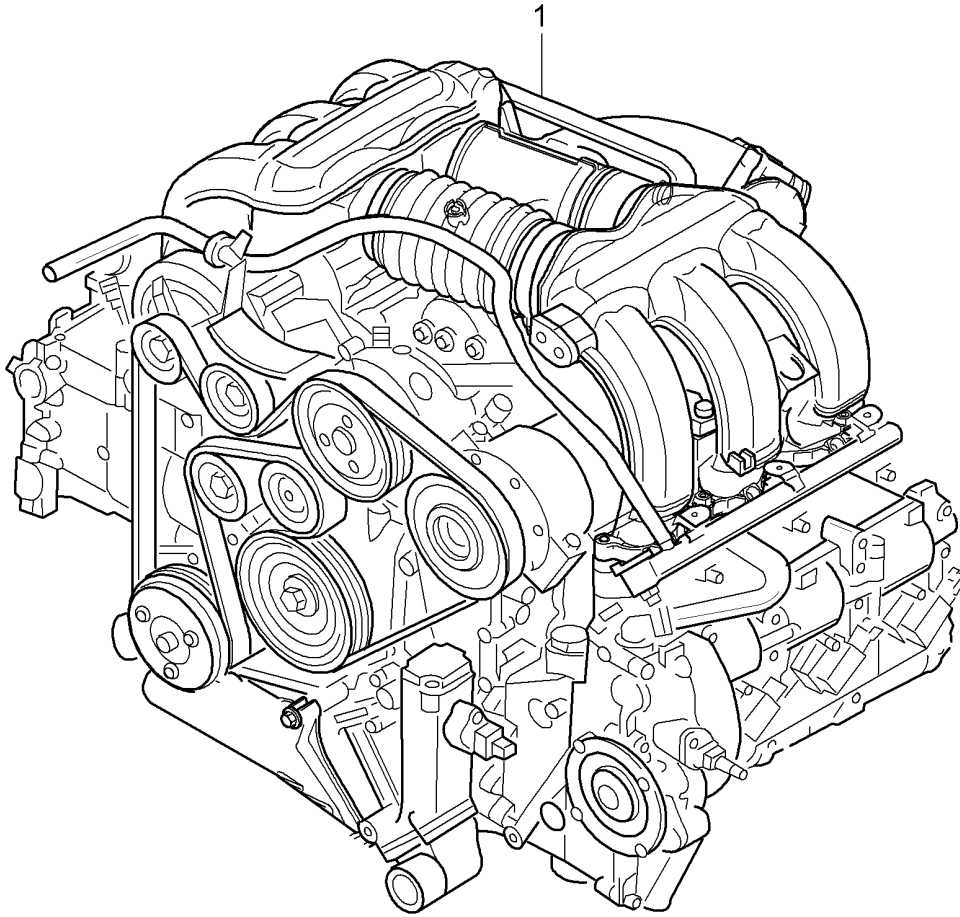
Model: 987 06

Model life 2006>>2008

Pos	Part Number	Description	Remark	Qty	Model
		Paint touch-up applicator Lacquers			
-	911 095 932 20	Paint touch-up applicator		X	
	911 095 932 20 041	Black			A 1
	911 095 932 20 80K	Guards red			G 1
	911 095 932 20 B9A	Carrara white			B 4
	911 095 932 20 12G	Speed yellow			X 4
-	911 095 933 20	Paint touch-up applicator Set Comprising: Paint touch-up applicator Primer Paint touch-up applicator Clear lacquer		X	
	911 095 933 20 92T	Arctic silver metallic			X 1
	911 095 933 20 M3W	Carmon red metallic			E 4
	911 095 933 20 M5W	Lapis blue metallic			J 2
	911 095 933 20 M6W	Lagoon green metallic			G 4
	911 095 933 20 C9Z	Basalt black metallic			Z 4
	911 095 933 20 M7X	Atlas grey metallic			E 7
	911 095 933 20 37W	Midnight Blue Metallic			E 9
	911 095 933 20 6B4	Seal grey metallic			Y 1
	911 095 933 20 22E	Forest green metallic			53
	911 095 933 20 37U	Cobalt blue metallic			56
	911 095 933 20 22D	Slate grey metallic			59
	911 095 933 20 M7Z	GT Silver Metallic			U 2
	911 095 933 20 M6X	Dark olive-metallic			7 G
	911 095 933 20 M7W	Meteor Grey Metallic	07-		9 Q
	911 095 933 20 8A7	Ruby red metallic	08		L 2
	911 095 933 20 M8W	Macadamia Metallic	08		9 S
	911 095 933 20 2B5	Malachite Green Metallic	08		H 1
	911 095 933 20 M2Z	Nordic Gold Metallic	08		8 W

Model: 987 06

Model life 2006>>2008



Model: 987 06 Model life 2006>>2008

Pos	Part Number	Description	Remark	Qty	Model
		Replacement engine without Drive plate Tiptronic without Flywheel Manual transmission without Compressor for Air conditioner			M97.20/21/22
1	987 100 921 00	Replacement engine	06	1	M97.21 I480
1	987 100 921 04	Replacement engine	07	1	M97.21 I480
1	987 100 921 08	Replacement engine	08	1	M97.21 I480
1	987 100 922 00	Replacement engine	08	1	M97.22 I480
(1)	987 100 920 00	Replacement engine	07	1	M97.20 I481
(1)	987 100 920 06	Replacement engine	08	1	M97.20 I481
(1)	987 100 920 10	Replacement engine	08	1	M97.20 I480
(1)	987 100 920 04	Replacement engine	07	1	M97.20 I480
1	987 100 921 01	Replacement engine	06	1	M97.21 I249
1	987 100 921 05	Replacement engine	07	1	M97.21 I249
1	987 100 921 10	Replacement engine	08	1	M97.21 I249
1	987 100 922 02	Replacement engine	08	1	M97.22 I249
(1)	987 100 920 01	Replacement engine	07	1	M97.20 I249
(1)	987 100 920 08	Replacement engine	08	1	M97.20 I249
2	987 100 920 50	Short engine Comprising: Crankcase Connecting rod Crankshaft Piston Oil pump Timing chain Parts kit without Gaskets Use also: 99610101600 99610421554 99610421602 99610524403 00004320435 00004330013 99610612553 99907507400 99917022390	07-08	1	M97.20
2	987 100 920 TX	Short engine Comprising: Crankcase	07-08	1	M97.20

Model: 987 06 Model life 2006>>2008

Pos	Part Number	Description	Remark	Qty	Model
-	996 104 170 10	Connecting rod Crankshaft Piston Oil pump Timing chain Parts kit without Gaskets Use also: 99610101600 99610421554 99610421602 99610524403 00004320435 00004330013 99610612553 99907507400 99917022390 Cylinder head gasket Short engine 98710092050/TX Parts kit for seals Cylinder head Use also: 99610133650 99610133150 99610420300 99970176141 99610590305 99970747940 99970740440 99611321351 99970755440 99970754740 99970738940 99611110755 99970757440 99970757340		1 4 2 4 X X 1 12 6 2 1 1 6 6 4 2 2 1 2 2 2 2 6 6 1	
-	996 106 326 50	Gasket Thermostat housing Short engine Parts kit for seals Accessories Use also: 99970220650 99970734840 99610710351 99970736440 99710634000 99610632650 99710670900 99711024702 99711323301 99710670800		1 1 2 1 1 1 1 1 6 1 1	
2	987 100 921 50	Short engine Comprising: Crankcase Connecting rod Crankshaft Piston Oil pump Timing chain Parts kit	06-08	1	M97.21

Model: 987 06 Model life 2006>>2008

Pos	Part Number	Description	Remark	Qty	Model
2	987 100 921 TX	without Gaskets Use also: 99610101600 99610421554 99610421602 99610524403 00004320435 00004330013 99610612553 99907507400 99917022390 Short engine Comprising: Crankcase Connecting rod Crankshaft Piston Oil pump Timing chain Parts kit	06-08	1 4 2 4 X X 1 12 6 1	M97.21
-	996 104 201 04	without Gaskets Use also: 99610101600 99610421554 99610421602 99610524403 00004320435 00004330013 99610612553 99907507400 99917022390 Cylinder head gasket Short engine 98710092150/TX Parts kit for seals Cylinder head Use also: 99610133650 99610133150 99610420300 99970176141 99610590305 99970747940 99970740440 99611321351 99970755440 99970754740 99970738940 99611110755 99970757440 99970757340		1 4 2 4 X X 1 12 6 2	
-	996 106 326 50	Gasket Thermostat housing Short engine 98710092150/TX Parts kit for seals Accessories Use also: 99970220650 99970734840 99610710351		1 1 2	

Model: 987 06

Model life 2006>>2008

Pos	Part Number	Description	Remark	Qty	Model
2	987 100 922 50	99970736440 99710634000 99710670900 99710670800 99711024702 99711323301 99611321351 Short engine Comprising: Crankcase Connecting rod Crankshaft Piston Oil pump Timing chain Parts kit without Gaskets Use also: 99610101600 99610421554 99610421602 99610524403 00004320435 00004330013 99610612553 99907507400 99917022390	08	1 1 1 1 1 1 1 1 1	M97.22
2	987 100 922 TX	Short engine Comprising: Crankcase Connecting rod Crankshaft Piston Oil pump Timing chain Parts kit without Gaskets Use also: 99610101600 99610421554 99610421602 99610524403 00004320435 00004330013 99610612553 99907507400 99917022390	08	1 4 2 4 X X 1 12 6 1	M97.22
-	996 104 201 04	Cylinder head gasket Short engine 98710092250/TX Parts kit for seals Cylinder head Use also: 99610133650 99610133150 99610420300 99970176141 99610590305 99970747940 99970740440 99611321351		1 4 2 4 X X 1 12 6 2 1 1 6 6 2 2 2 1	

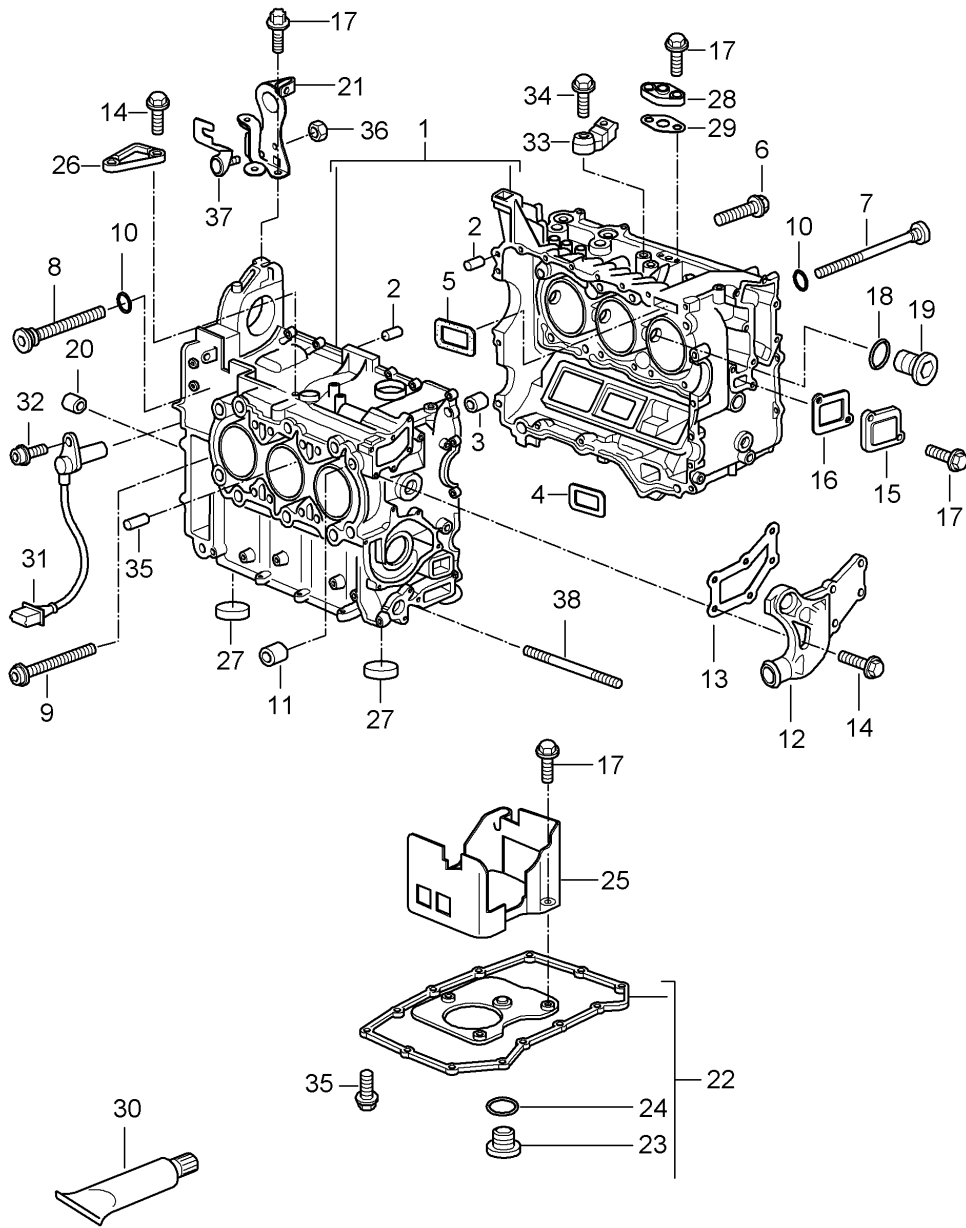
Model: 987 06

Model life 2006>>2008

Pos	Part Number	Description	Remark	Qty	Model
-	996 106 326 50	99970755440 99970754740 99970738940 99611110755 99970757440 Gasket Thermostat housing Short engine 98710092250/TX Parts kit for seals Accessories Use also: 99970220650 99970734840 99610710351 99970736440 99710634000 99710670900 99710670800 99711024702 99711323301		2 2 2 2 12 1 1 1 2 1 1 1 1 6 1	

Model: 987 06

Model life 2006>>2008



Model: 987 06

Model life 2006>>2008

Pos	Part Number	Description	Remark	Qty	Model
		Crankcase Single parts			M97.20/21/22
1	987 101 901 00	Crankcase		1	M97.21/22
1	987 101 901 01	Crankcase	07-	1	M97.20
2	999 012 049 00	Straight pin 12 M 6 x 22		3	
3	996 101 253 51	Dowel sleeve		3	
4	996 101 361 51	Gasket		1	
5	996 101 363 50	Gasket		1	
6	900 385 270 04	Torx screw M 6 X 35		19	
(6)	999 385 004 09	Torx screw BM 6 X 35 Blue Coated	-07	4	
(6)	999 385 004 01	Torx screw BM 6 X 35 White Coated	08-	4	
7	996 101 219 52	Screw 9 X 150		1	
8	996 101 229 00	Screw M 9 X 94		1	
9	996 101 203 00	Screw 9 X 94		1	
10	999 701 789 40	O-ring 12 X 2		2	
		Use also: 999 917 788 00		1	
11	999 095 043 01	Dowel sleeve 17M 6 X 18,5		4	
12	996 101 021 01	Lid		1	
(12)	996 101 021 02	Lid		1	
13	996 101 331 50	Gasket		1	
14	999 073 344 04	Round head screw M 6 X 20		8	
15	996 101 016 00	Lid		1	
16	996 101 336 50	Gasket		1	
17	900 385 009 09	Torx screw BM 6 X 16		13	
18	900 123 147 30	Sealing ring A 27 X 32		1	
19	900 219 017 30	Screw plug M 27 X 2		1	
20	014 301 153 B	Dowel sleeve 13 X 16 X13,5		2	
21		See illustrations 1/07/05		1	
22	996 107 031 55	Oil pan		1	
(22)	996 107 031 57	Oil pan		1	
(22)	996 107 031 58	Oil pan		1	
23	900 219 009 30	Screw plug M 18 X 1,5		1	
24	900 123 106 30	Sealing ring A 18 X 24		1	
25	997 107 243 00	Bulkhead		1	
26	996 113 140 53	Lid		1	
27	999 036 005 02	Lid B 50		2	
27	999 036 005 01	Lid B 50		2	
(27)	000 043 300 19	Lid B 16		2	

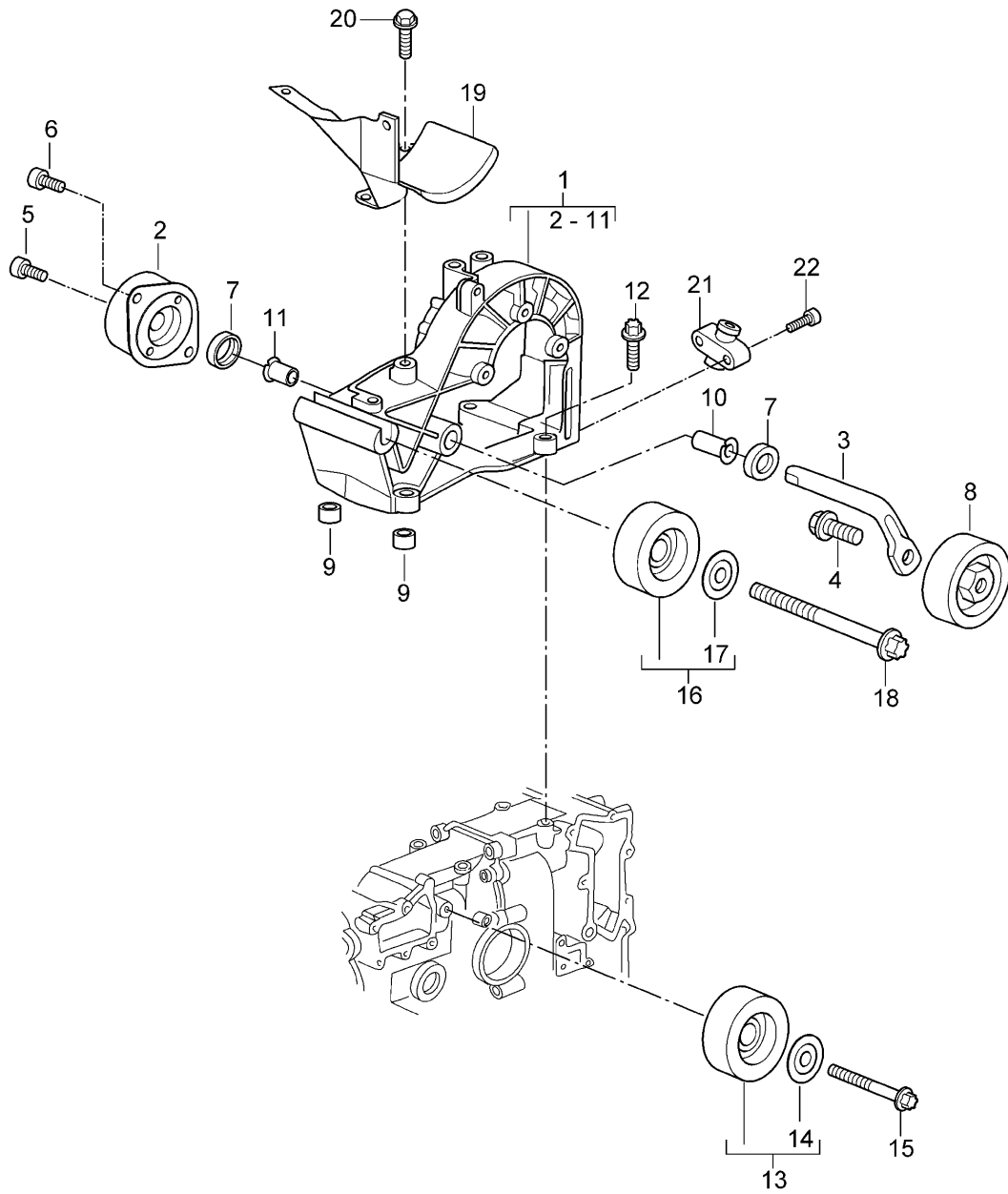
Model: 987 06

Model life 2006>>2008

Pos	Part Number	Description	Remark	Qty	Model
(27)	900 036 029 03	Lid B 16		2	
28	996 101 613 50	Support		1	I249
28	997 113 340 00	Lid		1	-I661
29	900 377 010 09	Hexagon nut M 6		1	I249
29	996 113 213 51	Gasket		1	
30	000 043 204 35	Sealing compound 50 ML Loctite 5900		X	
31	986 606 112 03	Pulse sender		1	
31	986 606 112 04	Pulse sender		1	
32	900 387 264 09	Pan-head screw M 6 X 16		1	
32	900 387 264 01	Pan-head screw M 6 X 16		1	
32	N 105 464 03	Pan-head screw M 6 X 16		1	
33	997 606 121 00	Knock sensor Information available		2	
34	900 385 090 04	Torx screw BM 8 X 35		2	
35	900 385 019 02	Screw BM 6 X 20		13	

Model: 987 06

Model life 2006>>2008



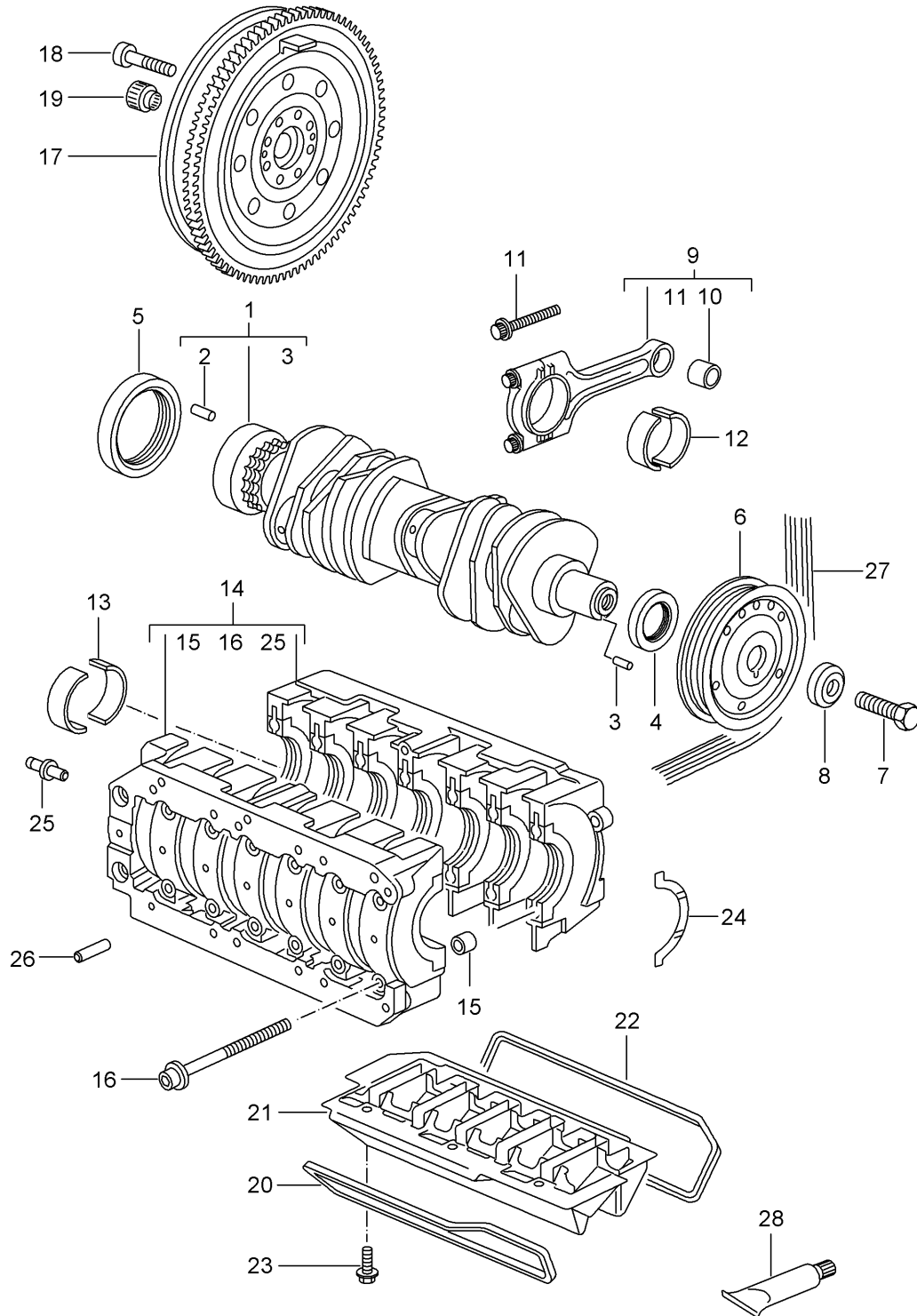
Model: 987 06

Model life 2006>>2008

Pos	Part Number	Description	Remark	Qty	Model
		Belt tensioner			M97.20/21
		Belt drive			
1	997 102 016 00	Bracket		1	I480
(1)	996 102 016 01	Bracket		1	I249
(1)	996 102 016 03	Bracket		1	I249
2	997 102 260 00	Tensioner		1	
3	996 102 360 51	Lever		1	
4	999 072 041 09	Hexagon-head bolt M 10 X 30		1	
5	900 067 117 03	Pan-head screw M 6 X 16		1	
6	999 067 045 09	Pan-head screw M 8 X 22		2	
7	996 102 365 50	Dust boot		2	
8	997 102 117 00	Tensioning roller		1	I480
(8)	996 102 117 57	Tensioning roller		1	I249
9	999 095 064 00	Dowel sleeve 12 M 6 X 13		2	
10	997 102 167 00	Bush		1	
11	997 102 165 00	Bush		1	
12	900 385 090 04	Torx screw M 8 X 35		4	
13	997 102 119 00	Deflection roller		1	I480
(13)	996 102 119 58	Deflection roller		1	I249
14	996 102 127 54	Cover disc		1	
15	900 385 091 04	Torx screw M 8 X 60		1	
15	900 385 091 01	Outer hexagon round screw M 8 X 60		1	
16	997 102 118 00	Deflection roller		1	I480
(16)	996 102 118 56	Deflection roller		1	I249
17	996 102 125 53	Cover disc		1	
18	900 385 092 04	Torx screw M 10 X 145		1	
19	996 102 211 05	Cover		1	
20	900 385 279 09	Hexagon-head bolt M 6 X 12		3	
21	997 126 101 00	Bearing bracket Compressor Air conditioner		1	

Model: 987 06

Model life 2006>>2008



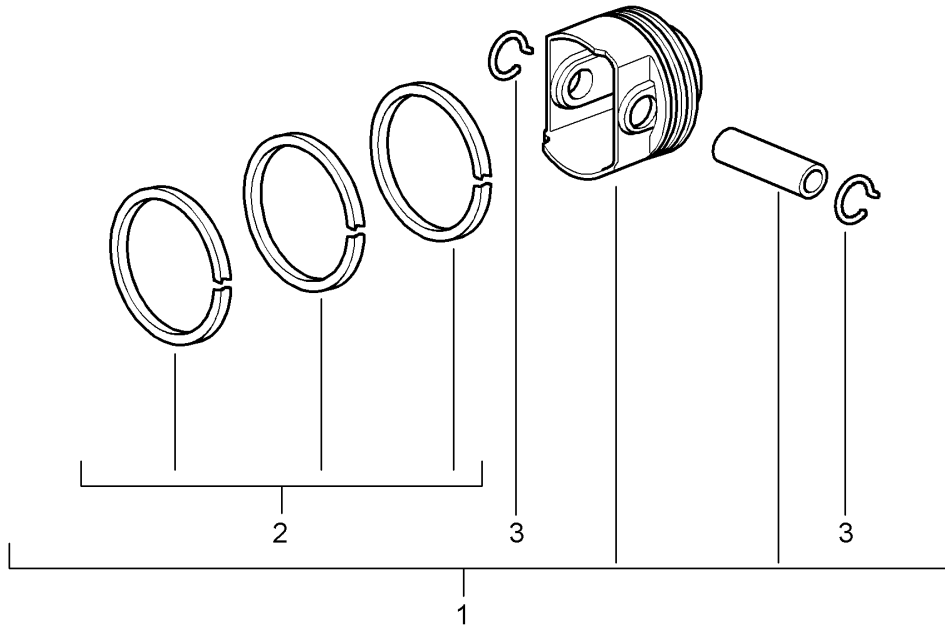
Model: 987 06

Model life 2006>>2008

Pos	Part Number	Description	Remark	Qty	Model
1	987 102 010 03	Crankshaft		1	M97.20/21/22
1	996 102 011 58	Crankshaft	07-	1	M97.21/22
2	900 095 031 01	Roll pin 6,0 X 16		1	M97.20
3	900 302 021 00	Straight pin A 4,0 X 10		1	
4	999 113 475 40	Shaft sealing ring 40 X 62 X 10		1	
5	997 101 212 00	Shaft sealing ring 85 X 105 X 11		1	
6	996 102 115 63	Pulley		1	
7	900 082 085 09	Hexagon-head bolt M 16 X 1,5 X 60		1	
8	996 102 315 51	Thrust washer		1	
9	996 103 975 02	Connecting rod Connecting rods Comprising: 6 Connecting rods See workshop manual 987 GR.1-1		1	
10	996 103 111 51	Connecting rod bush		6	
11	997 103 115 01	Connecting rod bolt		12	
12	996 103 121 62	Connecting-rod bearing		12	
13	987 101 205 01	Crankshaft bearing		14	M97.20
13	996 101 205 10	Crankshaft bearing	07-	14	M97.20
13	996 101 209 04	Crankshaft bearing		14	M97.21/22
14	996 101 007 22	Bearing case		1	M97.21
14	996 101 007 23	Bearing case		1	M97.21
14	996 101 007 09	Bearing case	07-	1	M97.20
15	999 095 064 00	Dowel sleeve 12 M 6 X 13		3	
(16)	996 101 115 61	Screw for Bearing case		14	
16	996 101 115 59	Screw for Bearing case		14	
17	986 114 012 06	Double-mass flywheel		1	M97.21 M97.20 I480
17	986 114 012 05	Double-mass flywheel	07-	1	M97.20 I481
18	999 073 092 09	Pan-head screw M 10 X 1 X 50		8	
19	034 105 313 A	Needle-roller bearing		1	
20	996 101 241 51	Gasket		1	
21	996 101 110 00	Oil separator		1	
22	996 101 242 51	Gasket		1	
23	900 385 050 09	Torx screw M 6 X 16		6	
(23)	900 385 050 01	Outer hexagon round screw M 6 X 16		6	
24	996 101 129 52	Thrust washer		2	M97.20
(24)	996 101 132 00	Thrust washer		2	M97.21/22
25	996 101 117 54	Straight pin		1	
26	996 101 018 51	Spray jet		6	
27	996 102 151 66	Poly-rib belt		1	
28	000 043 204 17	Extreme-pressure grease Optipit 100 GR.		X	

Model: 987 06

Model life 2006>>2008

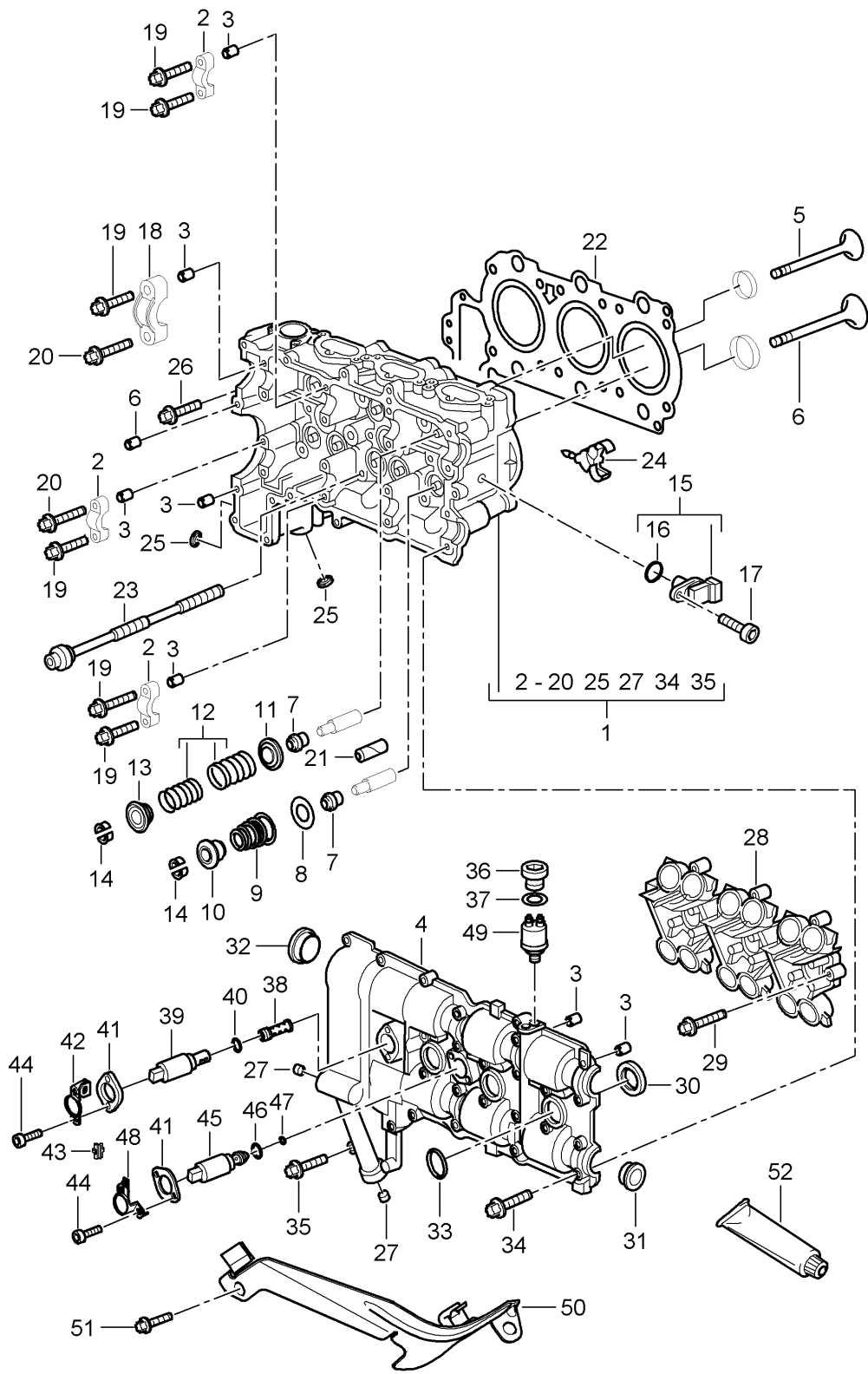


Model: 987 06 Model life 2006>>2008

Pos	Part Number	Description	Remark	Qty	Model
1	987 103 051 13	Piston Piston Tolerance range X Identification - 524 - 530 G		6	M97.20/21/22 M97.21 M97.22
(1)	987 103 051 14	Piston Tolerance range X Identification + 530 - 536 G		6	M97.21 M97.22
(1)	987 103 071 03	Piston Tolerance range X Identification - 462 - 468 G		6	M97.20
(1)	987 103 071 04	Piston Tolerance range X Identification + 468 - 474 G		6	M97.20
(1)	987 103 971 00	Piston Set Content Piston Tolerance range X Only by sets		1	M97.20
2	987 103 053 02	Set of piston rings		6	M97.21/22
2	996 103 073 00	Set of piston rings		6	M97.20
3	996 103 141 03	Circlip		12	

Model: 987 06

Model life 2006>>2008



Model: 987 06 Model life 2006>>2008

Pos	Part Number	Description	Remark	Qty	Model
1	987 104 913 00	Cylinder head Cylinder head Cyl. 1 - 3		1	M97.20/21 M97.21
1	987 104 913 AX	Cylinder head Cyl. 1 - 3		1	M97.21
(1)	987 104 915 00	Cylinder head Cyl. 1 - 3	07-	1	M97.20
(1)	987 104 914 00	Cylinder head Cyl. 4 - 6		1	M97.21
(1)	987 104 914 AX	Cylinder head Cyl. 4 - 6		1	M97.21
(1)	987 104 916 00	Cylinder head Cyl. 4 - 6	07-	1	M97.20
2		Housing Matching with: Cylinder head		6	
3	996 104 117 50	Dowel sleeve		28	
4		Lid Matching with: Cylinder head		2	
5	996 105 271 00	Intake valve		12	M97.21
5	996 105 271 02	Intake valve		12	M97.21
(5)	987 105 115 00	Intake valve	07-	12	M97.20
6	996 105 273 03	Exhaust valve		12	M97.21
6	996 105 273 04	Exhaust valve		12	
(6)	987 105 116 00	Exhaust valve	07-	12	M97.20
7	996 105 115 52	Valve stem seal		24	
8	996 105 117 51	Concave washer Lower Exhaust valve		12	
9	996 105 118 01	Valve spring Exhaust valve		12	
10	996 105 121 54	Concave washer Upper Exhaust valve		12	
11	996 105 147 00	Concave washer Lower Intake valve		12	
12	996 105 939 00	Set of valve springs Intake valve		12	
13	996 105 145 00	Concave washer Upper Intake valve		12	
14	996 105 123 51	Valve collet		48	
15	997 606 106 03	Hall sender		2	
16	999 707 404 40	O-ring 17,05 X 1,78		2	
17	900 387 264 01	Pan-head screw M 6 X 16		2	
17	N 105 464 03	Pan-head screw M 6 X 16		2	
18		Housing Intake Matching with: Cylinder head		2	
19	900 385 017 09	Torx screw M 6 X 35		12	
20	900 385 025 01	Torx screw M 6 X 40		4	
21	000 043 204 46	Sleeve for Valve stem seal		1	
22	996 104 201 04	Cylinder head gasket		2	M97.21

Model: 987 06 Model life 2006>>2008

Pos	Part Number	Description	Remark	Qty	Model
(22)	996 104 170 10	Cylinder head gasket		2	M97.20
23	996 104 180 58	Screw M 10 X 230		24	
24	999 507 075 40	Cable holder 3,0 - 12		3	
25	999 036 026 02	Lid 10 MM		4	
25	999 036 026 01	Lid 10 MM		4	
26	900 385 048 01	Torx screw M 6 X 30 Mount Cylinder head Crankcase		8	
27	900 036 023 02	Lid B 18		4	
27	900 036 023 01	Lid B 18		4	
28	997 104 043 00	Housing Cam follower Hydraulic		2	M97.21
(28)	987 104 045 00	Housing Cam follower Hydraulic		2	M97.20
29	900 385 017 09	Torx screw M 6 X 35		22	
30	996 104 203 00	Gasket		6	
31	996 104 215 54	Lid		4	
32	996 104 216 02	Lid		2	
33	999 701 761 41	O-ring 28 X 2		6	
34	999 385 003 01	Torx screw M 6 X 30		16	
35	900 385 048 01	Torx screw M 6 X 30		24	
36	900 219 018 30	Screw plug M 14 X 1,5		1	
36	999 063 038 01	Screw plug M 14 X 1,5		1	
37	900 123 104 30	Sealing ring A 14 X 18		1	
37	900 123 173 20	Sealing ring A 14 X 18		1	
38	997 105 701 00	Oil strainer		2	
39	996 105 303 05	Actuator Camshaft		2	
40	996 105 903 05	O-ring Actuator Camshaft		2	
41	996 105 244 03	Lid Actuator		2	
42	996 105 256 01	Support		2	
43	999 651 386 02	Cable clamp 5,5 - 9,0		2	
43	999 651 386 01	Cable clamp 5,5 - 9,0		2	
44	900 387 006 01	Pan-head screw M 6 X 20		4	
45	997 105 301 00	Actuator		2	
46	999 707 479 40	O-ring 22,00 X 1,50		2	
47	999 707 441 40	O-ring 18,00 X 1,50		2	

Model: 987 06

Model life 2006>>2008

Pos	Part Number	Description	Remark	Qty	Model
48	996 105 310 03	Support		2	
49	986 606 203 03	Oil pressure switch		1	
50	987 104 445 00	Heat shield Cyl. 1 - 3		2	
51	900 385 009 09	Torx screw M 6 X 16		4	
52	000 043 204 35	Sealing compound 50 ML		X	
(52)	000 043 024 00	Extreme-pressure grease 1 tube 80 Gr. for Camshaft		1	

Model: 987 06 Model life 2006>>2008

Pos	Part Number	Description	Remark	Qty	Model
		Camshaft Driving mechanism			M97.20/21/22
1	997 105 947 00	Camshaft Intake Cyl. 1 - 3		1	M97.21
(1)	997 105 047 03	Camshaft Intake Cyl. 1 - 3		1	M97.21
(1)	997 105 947 01	Camshaft Intake Cyl. 1 - 3		1	M97.21/22
(1)	987 105 951 00	Camshaft Intake Cyl. 1 - 3		1	M97.20
2	987 105 065 04	Camshaft Exhaust Cyl. 1 - 3		1	M97.20
(2)	987 105 065 05	Camshaft Exhaust Cyl. 1 - 3		1	M97.20
(2)	996 105 059 01	Camshaft Exhaust Cyl. 1 - 3		1	M97.21
(2)	996 105 059 02	Camshaft Exhaust Cyl. 1 - 3		1	M97.21/22
3	987 105 952 00	Camshaft Intake Cyl. 4 - 6		1	M97.20
(3)	997 105 948 00	Camshaft Intake Cyl. 4 - 6		1	M97.21
(3)	997 105 048 03	Camshaft Intake Cyl. 4 - 6		1	M97.21
(3)	997 105 948 01	Camshaft Intake Cyl. 4 - 6		1	M97.21/22
4	987 105 066 04	Camshaft Exhaust Cyl. 4 - 6		1	M97.20
(4)	987 105 066 05	Camshaft Exhaust Cyl. 4 - 6		1	M97.20
(4)	997 105 060 01	Camshaft Exhaust Cyl. 4 - 6		1	M97.21
(4)	997 105 060 02	Camshaft Exhaust Cyl. 4 - 6		1	M97.21/22
5	996 105 041 72	Hydraulic valve tappet Exhaust		12	
6	996 105 255 24	Hydraulic valve tappet Intake		12	
7	996 105 168 03	Rail		2	
7	996 105 168 04	Rail		2	
8	996 105 203 00	Washer		2	
9	996 104 205 07	Bearing sleeve		2	
10	996 105 051 03	Camshaft adjuster Camshaft Intake Cylinder Cyl. 1 - 3		1	

Model: 987 06

Model life 2006>>2008

Pos	Part Number	Description	Remark	Qty	Model
10	996 105 051 04	Camshaft adjuster Camshaft Intake Cylinder Cyl. 1 - 3		1	
(10)	996 105 052 01	Camshaft adjuster Camshaft Intake Cylinder Cyl. 4 - 6		1	
(10)	996 105 052 02	Camshaft adjuster Camshaft Intake Cylinder Cyl. 4 - 6		1	
11	987 105 260 01	Intermediate piece		2	
12	987 105 254 00	Hexagon-head bolt M 12 X 1,5 X 130		2	
13	996 105 901 06	Intermediate shaft		1	
14	996 105 024 06	Housing		1	
15	996 105 112 01	Gasket		1	
16	900 385 093 09	Hexagon-head bolt M 6 X 20		3	
16	900 385 093 01	Hexagon-head bolt M 6 X 20		3	
17	999 076 084 01	Hexagon nut m 12 x 1,25		1	
18	996 105 171 56	Timing chain		1	
18	996 105 171 58	Timing chain		1	
19	996 105 165 55	Tensioner blade		1	
20	996 105 195 00	Pad		1	
21	996 105 197 00	Pressure pin		1	
22	900 234 040 01	Shim 10 X 16 X 1,2		1	
23	900 041 004 01	Circlip 10 X 1		1	
24	996 105 166 51	Guide rail		1	
25	900 075 486 01	Combination screw M 6 X 40		3	
26	996 105 186 01	Chain adjuster		1	
26	996 105 186 02	Chain adjuster		1	
27	999 707 344 40	O-ring 18,77 X 1,78		4	
28	996 105 152 00	Timing chain		2	
28	996 105 152 01	Timing chain		2	
29	996 105 178 54	Sprocket with Driver		2	
30	996 105 280 51	Ring		1	
31	900 385 041 01	Torx screw M 6 X 12		8	
32	996 105 156 00	Tensioner blade Cylinder 1 - 3		1	
(32)	996 105 158 00	Tensioner blade Cylinder 4 - 6		1	
(32)	996 105 158 01	Tensioner blade Cylinder 4 - 6		1	
33	996 105 062 01	Screw M 6		6	
(33)	9A1 105 062 01	Pan-head screw		6	

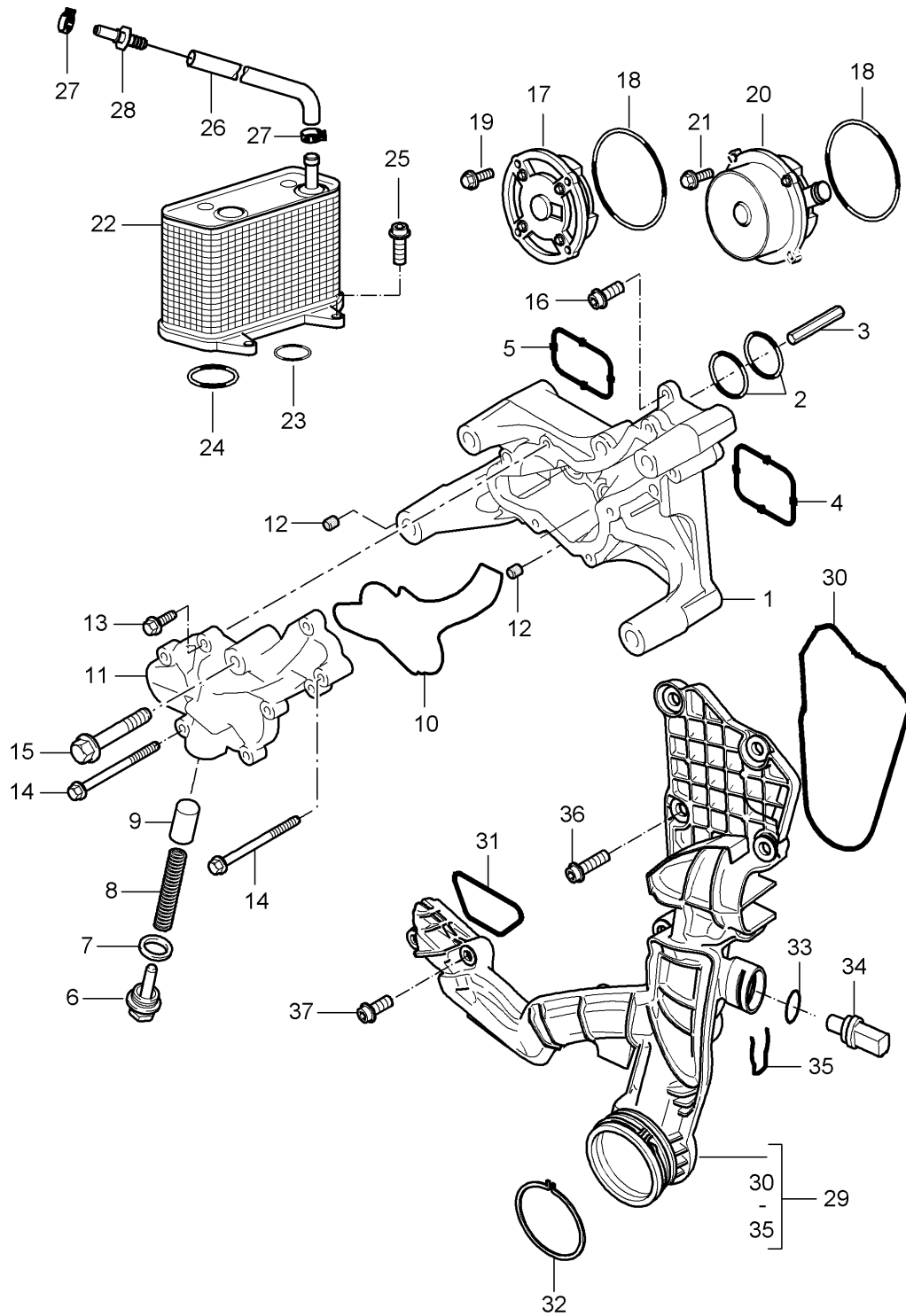
Model: 987 06

Model life 2006>>2008

Pos	Part Number	Description	Remark	Qty	Model
34	999 707 346 40	M 6 O-ring 15 X 3		6	
35	996 105 054 01	Guide rail Cylinder 1 - 3		1	
(35)	996 105 164 00	Guide rail Cylinder 4 - 6		1	
36	996 105 188 01	Chain adjuster		1	
36	996 105 188 02	Chain adjuster		1	
37	996 105 180 56	Chain adjuster		1	
37	996 105 180 58	Chain adjuster		1	
38	900 123 147 30	Sealing ring A 27 X 32		3	
39	996 105 301 03	Actuator		2	
39	996 105 301 04	Actuator		2	
39	997 105 301 00	Actuator		2	
		See illustrations 1/03/00			
-	000 043 024 00	Extreme-pressure grease 1 tube 80 Gr. for Camshaft		1	

Model: 987 06

Model life 2006>>2008



Model: 987 06

Model life 2006>>2008

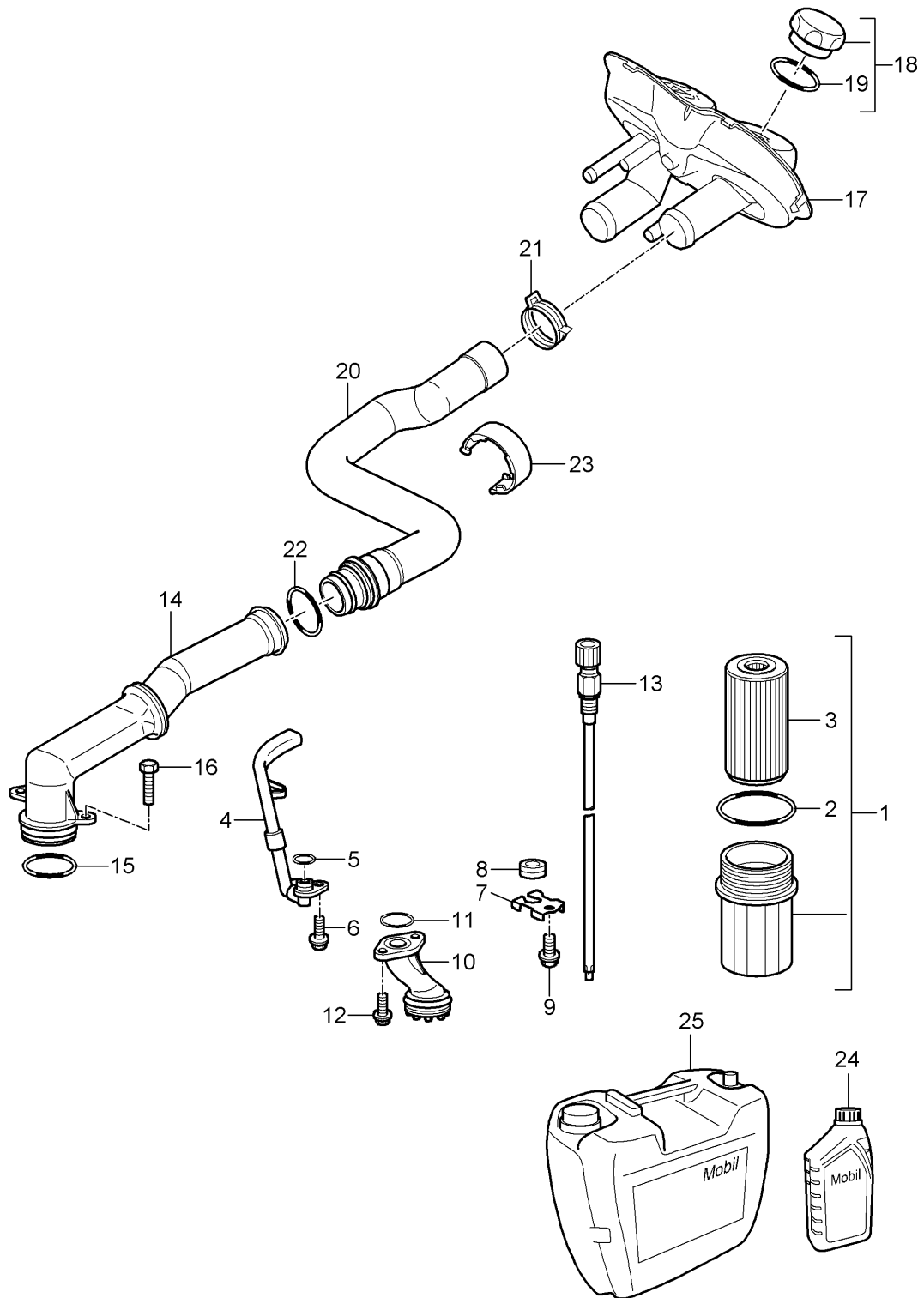
Pos	Part Number	Description	Remark	Qty	Model
		Oil pump			M97.20/21
		Tandem pump			
1	997 107 012 05	Oil pump		1	
2	996 107 103 51	O-ring		2	
		29,1 X 2,55			
		Use also:			
		000 043 300 13		1	
3	996 107 121 50	Driver		1	
4	997 107 266 00	Sealing ring		1	
5	997 107 267 00	Sealing ring		1	
6	996 107 105 51	Screw plug		1	
		Information available			
7	996 107 123 50	Gasket		1	
8	996 107 127 53	Spring		1	
9	997 107 125 01	Piston		1	
10	997 107 261 00	Sealing ring		1	
11	997 107 212 03	Lid		1	
		for			
		997 107 012 04			
12	996 106 103 50	Dowel sleeve		2	
13	900 385 023 09	Screw		6	
		BM 6 X 25			
14	999 073 355 09	Round head screw		2	
		M 6 X 80			
15	900 385 089 09	Torx screw		1	
		BM 10 X 100			
16	999 073 344 04	Round head screw		6	
		M 6 X 20			
17	997 107 021 03	Oil pump		1	
17	997 107 021 04	Oil pump		1	
18	999 707 554 40	O-ring		2	
		95 X 2,5			
		Use also:			
		000 043 300 13		1	
19	999 073 316 09	Hexagon-head bolt		4	
		M 6 X 20			
20	997 107 022 01	Tandem pump		1	
20	997 107 022 02	Tandem pump		1	
20	997 107 022 03	Tandem pump		1	
20	997 107 022 04	Tandem pump		1	
21	999 073 317 09	Round head screw		4	
		M 6 X 30			
22	987 107 025 01	Heat exchanger		1	
22	987 107 025 02	Heat exchanger		1	
23	999 707 547 40	O-ring		2	
		28 X 3			
24	999 707 389 40	O-ring		2	
		35 X 4			
25	900 387 264 09	Pan-head screw		4	
		M 6 X 16			
25	900 387 264 01	Pan-head screw		4	
		M 6 X 16			
25	N 105 464 03	Pan-head screw		4	
		M 6 X 16			
26	987 106 531 00	Breather hose		1	
		F >>988U7 52755			
		F >>988U7 72698			
(26)	987 106 531 01	Breather hose		1	
		F 988U7 52756>>			
		F 988U7 72799>>			
27	999 512 650 09	Hose clamp		2	
		B 14 X 12			
28	996 106 255 00	Flat connector		1	

Model: 987 06 Model life 2006>>2008

Pos	Part Number	Description	Remark	Qty	Model
29	987 106 508 04	Water guide housing		1	
30	997 106 709 00	Sealing ring		1	
31	997 106 708 00	Sealing ring		1	
32	997 106 802 03	Spring SCB 42		1	
33	999 707 508 40	O-ring 19,6 X 3,65		1	
34	997 606 410 00	Temperature sensor		1	
35	999 021 011 01	Retainer spring SL-B110		1	
36	999 073 344 04	Round head screw M 6 X 20		3	
36	999 073 344 01	Round head screw M 6 X 20		3	
37	999 073 352 09	Round head screw M 6 X 35		5	
37	999 073 352 01	Round head screw M 6 X 35		5	
-	996 102 235 01	Clip Belt drive		1	I249/572
-		Clip Belt drive		1	I249/573

Model: 987 06

Model life 2006>>2008



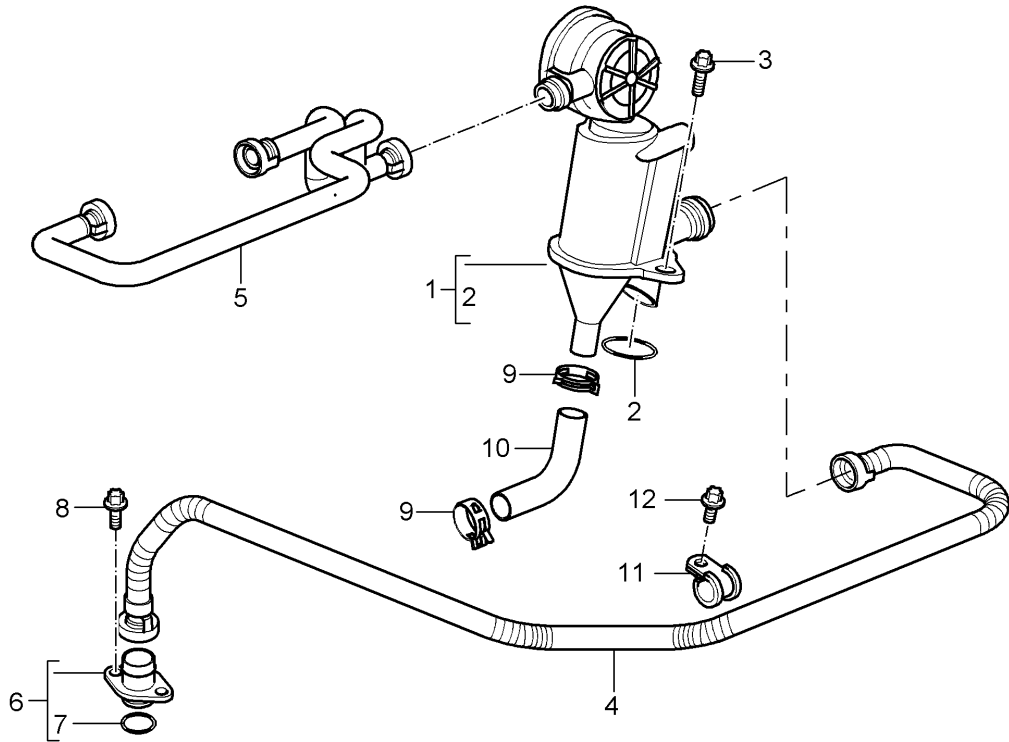
Model: 987 06

Model life 2006>>2008

Pos	Part Number	Description	Remark	Qty	Model
		Engine lubrication			M97.20/21
1	996 107 020 55	Oil filter		1	
2	996 107 313 51	Sealing ring		1	
		Use also:			
		000 043 300 13		1	
3	996 107 225 53	Filter element		1	
4	997 107 016 00	Return pipe		2	
5	999 701 789 40	O-ring		2	
		12 X 2			
6	900 385 019 04	Torx screw		4	
		BM 6 X 20			
7	996 107 333 50	Support		1	M97.20
(7)	997 107 333 50	Support		1	M97.21
8	999 702 206 50	Grommet		1	
		9,5 X 18,0 X 1,2			
9	900 385 041 09	Torx screw		1	
		M 6 X 12			
10	996 107 075 57	Suction tube		1	
11	999 707 375 40	O-ring		1	
		30 X 3			
12	900 385 275 09	Torx screw		2	
		M 6 X 20			
13	996 606 150 00	Oil-level sender		1	
14	987 107 150 00	Oil tube		1	
15	999 707 348 40	O-ring		1	
		42 X 4			
		Use also:			
		000 043 300 13		1	
16	900 385 050 09	Torx screw		2	
		M 6 X 16			
(16)	900 385 050 01	Outer hexagon round screw		2	
		M 6 X 16			
17		See illustrations		1	
		1/05/21			
18	987 107 035 01	Lid		1	
19	987 107 336 00	Gasket		1	
20	987 107 064 01	Oil hose		1	
20	987 107 064 02	Oil hose		1	
21	999 512 667 09	Hose clamp		1	
		44 X 12			
22	999 701 416 40	O-ring		1	
		33 X 4			
23	987 107 205 00	Clip		1	
24	000 043 301 19	Engine oil		X	
		EXXON MOBIL 1 0W-40			
		1 LITER			
		Container			
		Information available			
25	000 043 301 21	Engine oil		X	
		EXXON MOBIL 1 0W-40			
		20 LITER			
		Container			
		Information available			

Model: 987 06

Model life 2006>>2008



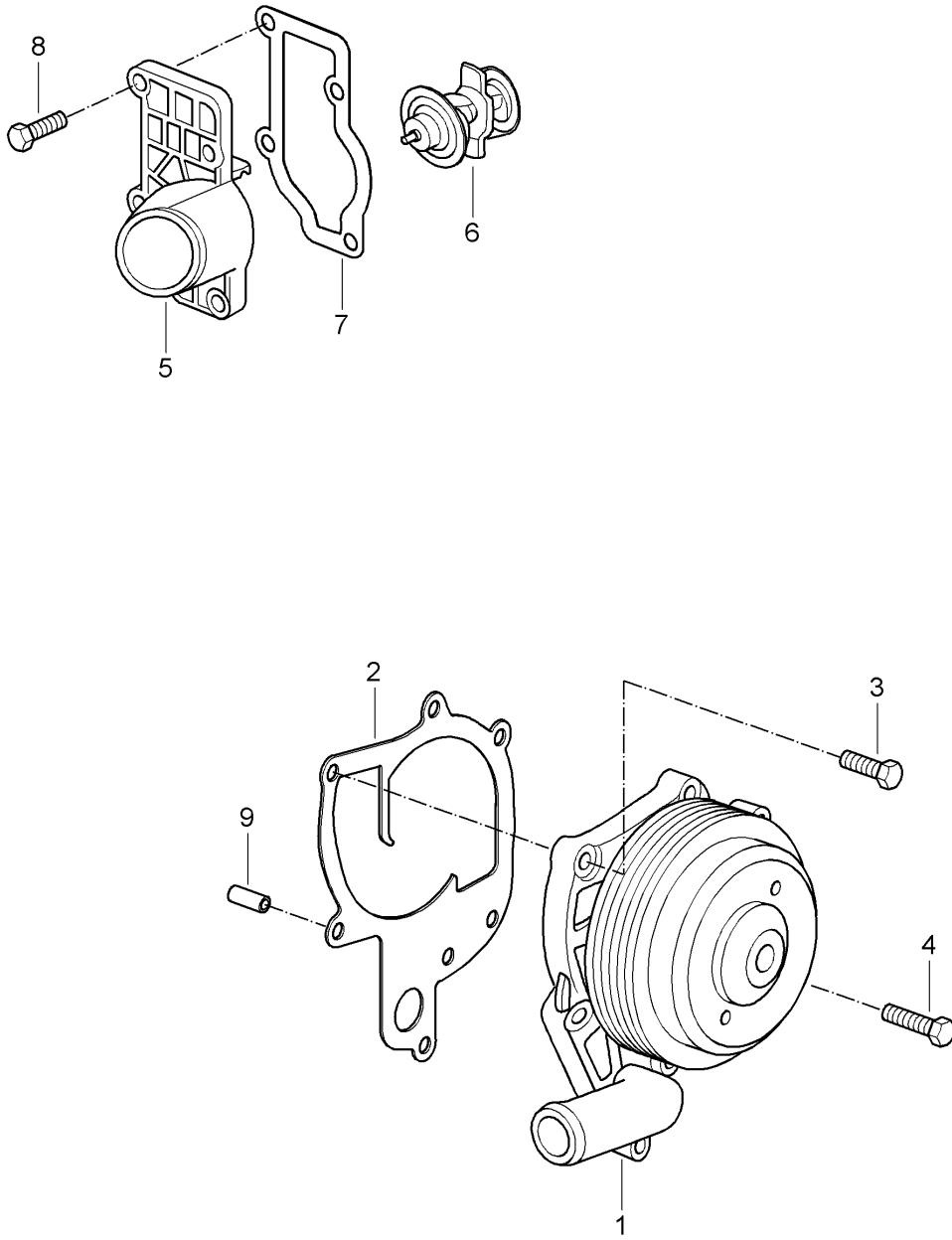
Model: 987 06

Model life 2006>>2008

Pos	Part Number	Description	Remark	Qty	Model
		Crankcase			M97.20/21
		Bleeding			
1	996 107 026 00	Oil separator		1	
1	996 107 026 01	Oil separator		1	
2	999 707 507 40	O-ring		1	
		29,74 X 2,95			
3	900 385 275 09	Torx screw		2	
		M 6 X 20			
4	987 107 246 01	Vent line		1	M97.20
		Cyl. 4 - 6			M97.21
(4)	987 107 947 00	Vent line		1	
		Cyl. 4 - 6			
5	987 107 145 00	Vent line		1	
		Oil separator			
6	996 107 047 01	Connection piece		1	
7	999 707 364 40	Sealing ring		1	
		30 X 2,5			
8	900 385 050 09	Torx screw		3	
		M 6 X 16			
(8)	900 385 050 01	Outer hexagon round screw		3	
		M 6 X 16			
9	999 512 683 09	Hose clamp		2	
		23 X 12			
10	996 107 175 50	Oil hose		1	
11	999 511 008 00	Clip		1	
		26 X 15			
12	900 385 041 09	Torx screw		1	
		M 6 X 12			

Model: 987 06

Model life 2006>>2008



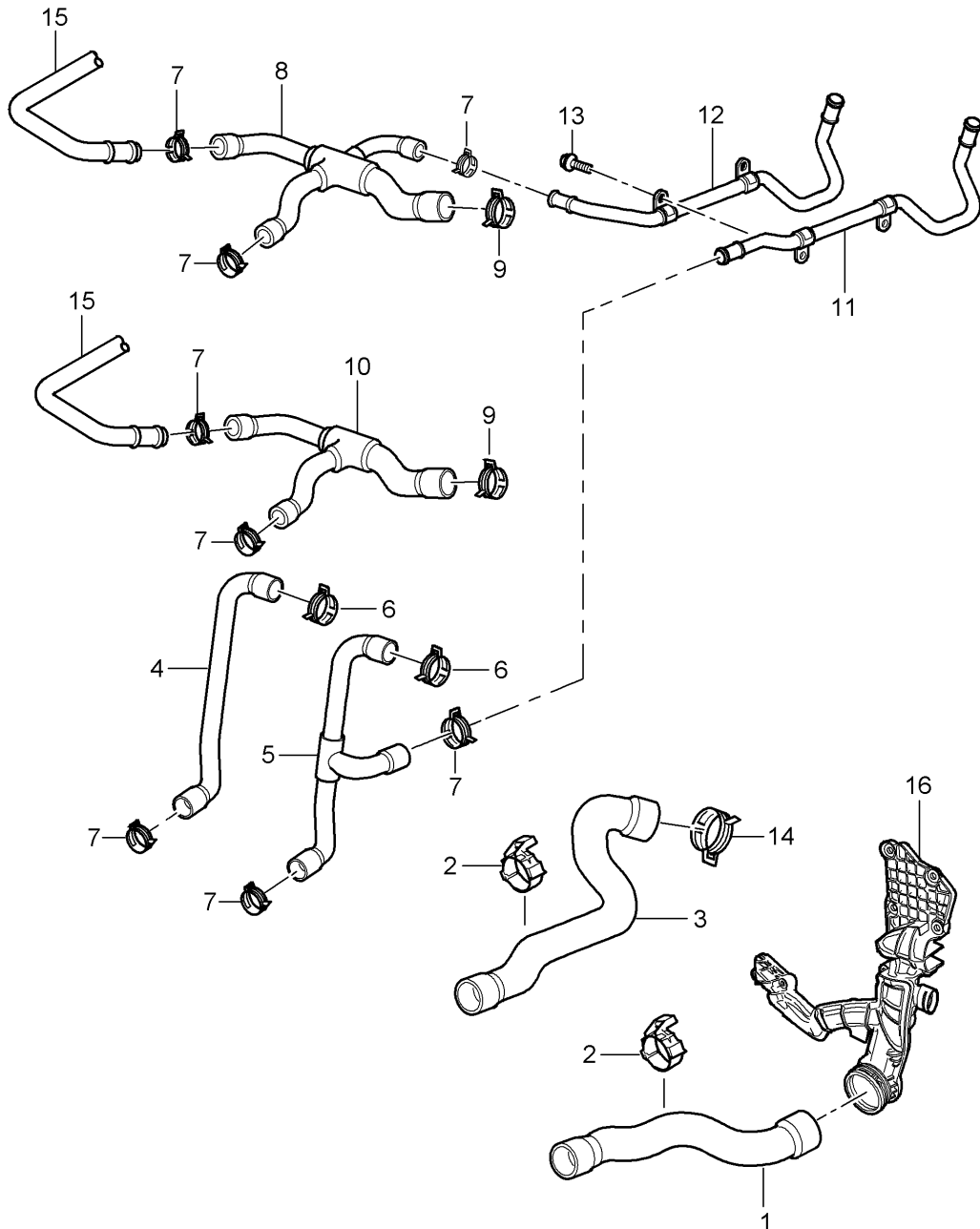
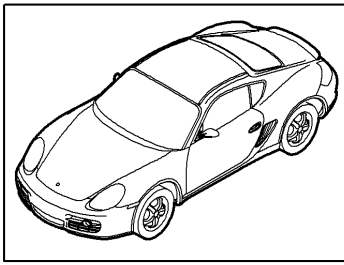
Model: 987 06

Model life 2006>>2008

Pos	Part Number	Description	Remark	Qty	Model
		Water pump			M97.20/21
		Thermostat housing			
1	997 106 011 02	Water pump		1	
1	997 106 011 05	Water pump		1	
1	997 106 011 06	Water pump		1	
2	997 106 340 00	Gasket		1	
3	900 378 013 09	Hexagon-head bolt AM 6 X 25	-07	5	
(3)	900 378 013 01	Hexagon-head bolt AM 6 X 25	08-	5	
4	900 378 177 09	Hexagon-head bolt AM 6 X 30	-07	2	
(4)	900 378 177 01	Hexagon-head bolt AM 6 X 30	08-	2	
5	996 106 013 59	Thermostat with Thermostat insert		1	
6	996 106 125 52	Thermostat insert		1	
7	996 106 326 50	Gasket		1	
8	900 385 019 04	Torx screw BM 6 X 20		4	
9	996 106 103 50	Dowel sleeve 8,2 X 7		2	

Model: 987 06

Model life 2006>>2008



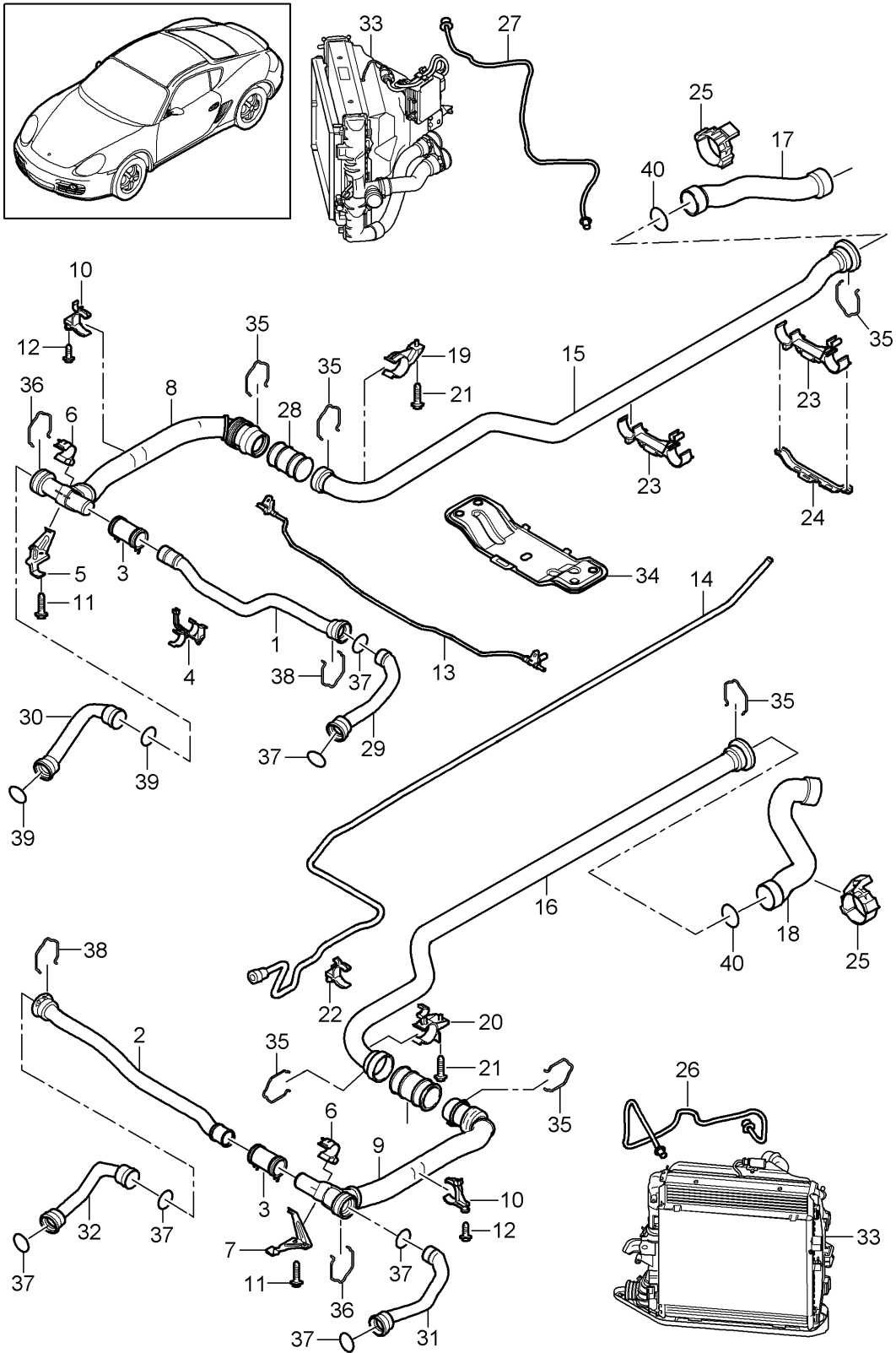
Model: 987 06

Model life 2006>>2008

Pos	Part Number	Description	Remark	Qty	Model
1	987 106 501 06	Water cooling 1 Water hose Supply		1	M97.20/21
1	987 106 501 07	Water hose Supply		1	
2	987 106 425 00	Support		2	
3	987 106 502 03	Water hose Return line		1	
3	987 106 502 04	Water hose Return line		1	
4	996 106 212 09	Water hose Supply		1	I480
(4)	996 106 212 11	Water hose Supply		1	I480
5	996 106 212 10	Hose Supply		1	I249
5	996 106 212 12	Hose Supply		1	I249
6	999 512 660 09	Hose clamp 29 X 12		1	
7	999 512 657 09	Hose clamp 26 X 12		4	
8	987 106 522 01	Water hose Return line		1	I249
8	987 106 522 02	Water hose Return line		1	I249
9	999 512 664 09	Hose clamp 36 X 12		1	
10	996 106 222 15	Water hose Return line		1	I480
10	996 106 222 17	Water hose Return line		1	I480
11	987 106 674 00	Cooling water tube Supply Atf cooler		1	I249
12	996 106 672 01	Cooling water tube Return line Atf cooler		1	I249
13	900 385 009 09	Torx screw M 6 X 16		2	I249
14	999 512 669 09	Hose clamp 53 X 12		1	
15		See illustrations 1/05/20		1	
16		See illustrations 1/04/00		1	

Model: 987 06

Model life 2006>>2008



Model: 987 06 Model life 2006>>2008

Pos	Part Number	Description	Remark	Qty	Model
1	997 106 711 01	Water cooling 2 Water tube Supply		1	M97.20/21
1	997 106 711 02	Water tube Supply		1	
1	997 106 711 03	Water tube Supply		1	
2	997 106 720 01	Water tube Return line		1	
2	997 106 720 02	Water tube Return line		1	
2	997 106 720 03	Water tube Return line		1	
3	997 106 723 04	Water hose		2	
4	997 106 525 01	Support Cross tube Centre		1	
5	997 106 574 02	Support Distributor tube Right		1	
6	997 106 526 01	Support Cross tube Upper		2	
7	997 106 573 02	Support Distributor tube Left		1	
8	997 106 752 03	Distributor tube Supply		1	M97.21
(8)	997 106 752 04	Distributor tube Supply		1	M97.20
9	997 106 751 03	Distributor tube Return line		1	M97.21
(9)	997 106 751 04	Distributor tube Return line		1	M97.20
10	997 106 413 01	Support Distributor tube		2	
(10)		Support Distributor tube	/R	1	I601
(10)	997 106 414 00	Support Distributor tube	/L	1	I601
11	900 378 013 09	Hexagon-head bolt M 6 X 25		2	
12	900 378 036 09	Hexagon-head bolt M 6 X 12		2	
13	997 106 767 02	Vent line Transverse		1	
14	987 106 227 01	Vent line Tunnel		1	
15	987 106 651 02	Water tube Supply Tunnel		1	M97.20 I249
15		Water tube Supply Tunnel		1	M97.21
15	987 106 651 03	Water tube Supply Tunnel		1	M97.20 I249
15	987 106 651 04	Water tube Supply Tunnel		1	M97.20 I249

Model: 987 06 Model life 2006>>2008

Pos	Part Number	Description	Remark	Qty	Model
15	987 106 651 03	Water tube Supply Tunnel		1	M97.21
15	987 106 651 04	Water tube Supply Tunnel		1	M97.20 I249
(15)	987 106 851 01	Water tube Supply Tunnel		1	M97.20 I480/481
(15)	987 106 851 03	Water tube Supply Tunnel		1	M97.20 I480/481
16	987 106 652 03	Water tube Return line Tunnel		1	M97.20 I249
16	987 106 652 04	Water tube Return line Tunnel		1	M97.20 I249
(16)	987 106 652 03	Water tube Return line Tunnel		1	M97.21
(16)	987 106 652 04	Water tube Return line Tunnel		1	M97.20 I249
(16)	987 106 852 02	Water tube Return line Tunnel		1	M97.20 I480/481
(16)	987 106 852 03	Water tube Return line Tunnel		1	M97.20 I480/481
17		See illustrations 1/05/05		1	
18		See illustrations 1/05/05		1	I480
19	997 106 520 02	Support Firewall Right		1	
20	997 106 521 01	Support Firewall Left		1	
21	900 378 035 01	Hexagon-head bolt M 6 X 16		2	
22	997 106 512 03	Connection piece Vent line		1	
23	997 106 540 02	Support Tunnel		2	
24	997 106 515 02	Bridge Tunnel		1	
25	987 106 425 00	Support Heel plate		1	
26	997 106 765 02	Line	/L	1	
27	997 106 766 02	Line	/R	1	
28	997 106 551 03	Sleeve		2	
29	997 106 623 03	Water hose Supply	/L	1	

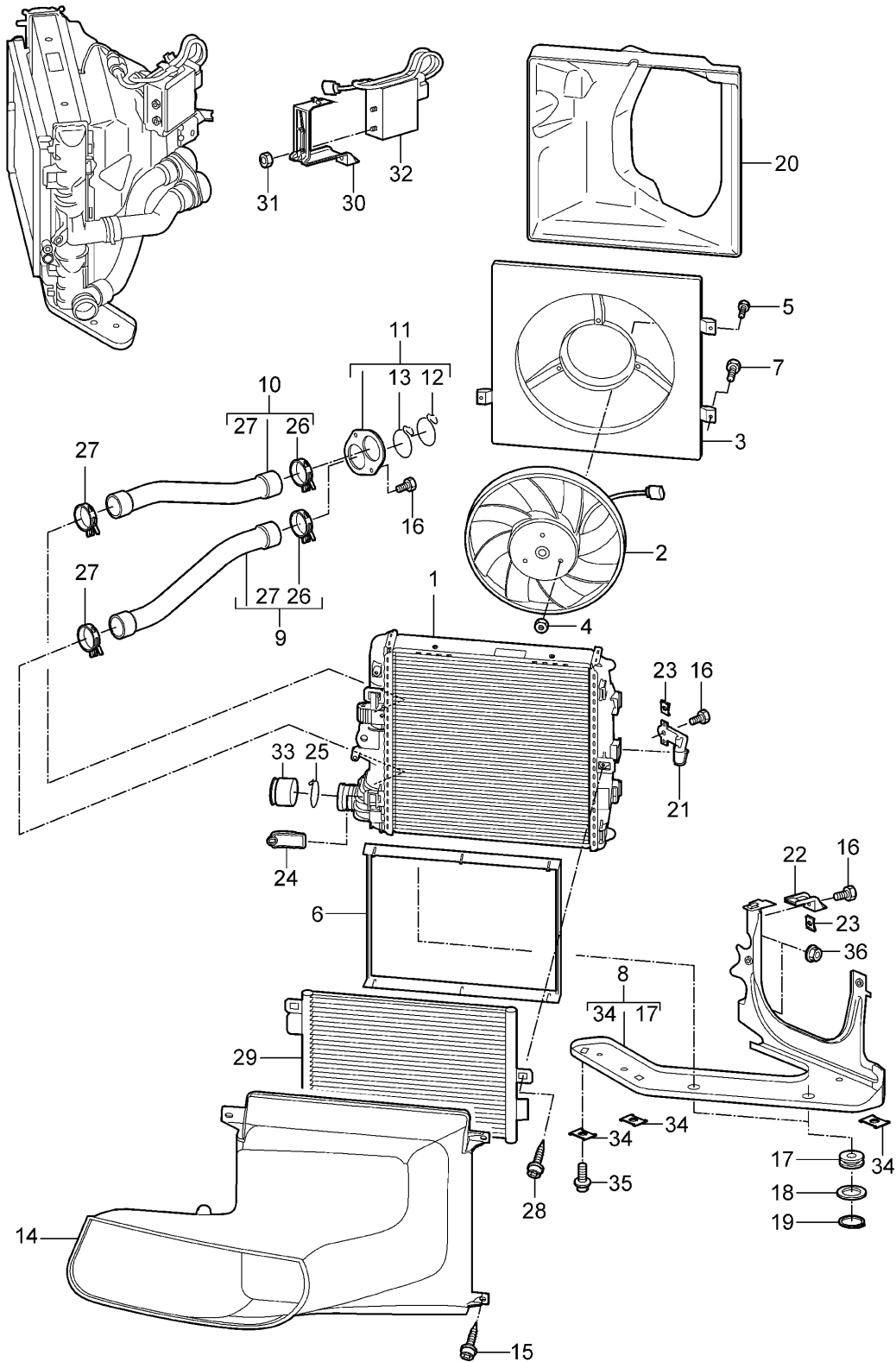
Model: 987 06

Model life 2006>>2008

Pos	Part Number	Description	Remark	Qty	Model
30	997 106 627 03	Water hose Supply	/R	1	
31	997 106 728 03	Water hose Return line	/L	1	
32	997 106 624 03	Water hose Return line	/R	1	
33		See illustrations 1/05/15		X	
34		See illustrations 8/01/70		X	
35	997 106 802 03	Spring		X	
36	997 106 802 02	Spring		X	
37	996 106 801 02	O-ring 36,3 X 3,35		X	
38	997 106 802 01	Spring		X	
39	996 106 801 07	O-ring 39,3 X 3,53		X	
40	996 106 801 03	O-ring 46,7 X 3,53		X	

Model: 987 06

Model life 2006>>2008



Model: 987 06

Model life 2006>>2008

Pos	Part Number	Description	Remark	Qty	Model
		Water cooling 3			M97.20/21
1	997 106 131 02	Radiator	/L	1	
(1)	997 106 132 02	Radiator	/R	1	
2	997 624 135 02	Fan	/L	2	
(2)	997 624 136 02	Fan	/R	2	
3	997 624 131 02	Air guide	/L	2	
(3)	997 624 132 02	Air guide	/R	2	
4	900 377 001 02	Hexagon nut M 6		6	
5	900 146 116 09	Screw M 5 X 16		6	
6	997 573 711 00	Sealing frame		1	
7	999 919 125 09	Hexagon-head bolt Plastic material M 5 X 16		6	
8	997 106 155 01	Bracket	/L	1	
(8)	997 106 156 01	Bracket	/R	1	
9	997 106 621 03	Water hose Supply	/L	1	
(9)	997 106 622 03	Water hose Supply	/R	1	
10	997 106 625 03	Water hose Return line	/L	1	
10	997 106 626 03	Water hose Return line	/R	1	
11	997 106 255 02	Connecting piece		2	
12	997 106 802 01	Spring SCB 33		1	
13	997 106 802 02	Spring SCB 36		1	
14	987 575 321 01	Air guide	/L	1	
(14)	987 575 322 01	Air guide	/R	1	
15	999 919 134 09	Oval-head screw M 6 X 16		6	
16	900 385 009 09	Torx screw M 6 X 16		6	
17	999 703 494 40	Rubber mounting 15 X 19,5		4	
18	999 025 255 02	Washer		4	
19	999 166 083 09	Tab washer B 25		4	
20	997 575 341 00	Air guide	/L	1	
(20)	997 575 342 00	Air guide	/R	1	
21	997 106 232 01	Support Outer		2	
22	997 106 455 00	Support Left		1	
23	999 591 350 02	Speed nut ST 4,8		6	
23	999 591 350 01	Speed nut ST 4,8		6	
24	997 106 231 02	Support Inner		2	
25	997 106 802 00	Spring SCB26		2	
26	997 106 901 00	Clamp		2	
27	997 106 902 00	Clamp		2	
28	999 919 125 09	Hexagon-head bolt 6,0 X 16		1	
29		Condenser See illustrations 8/13/25		*	
30	997 106 456 00	Support		1	

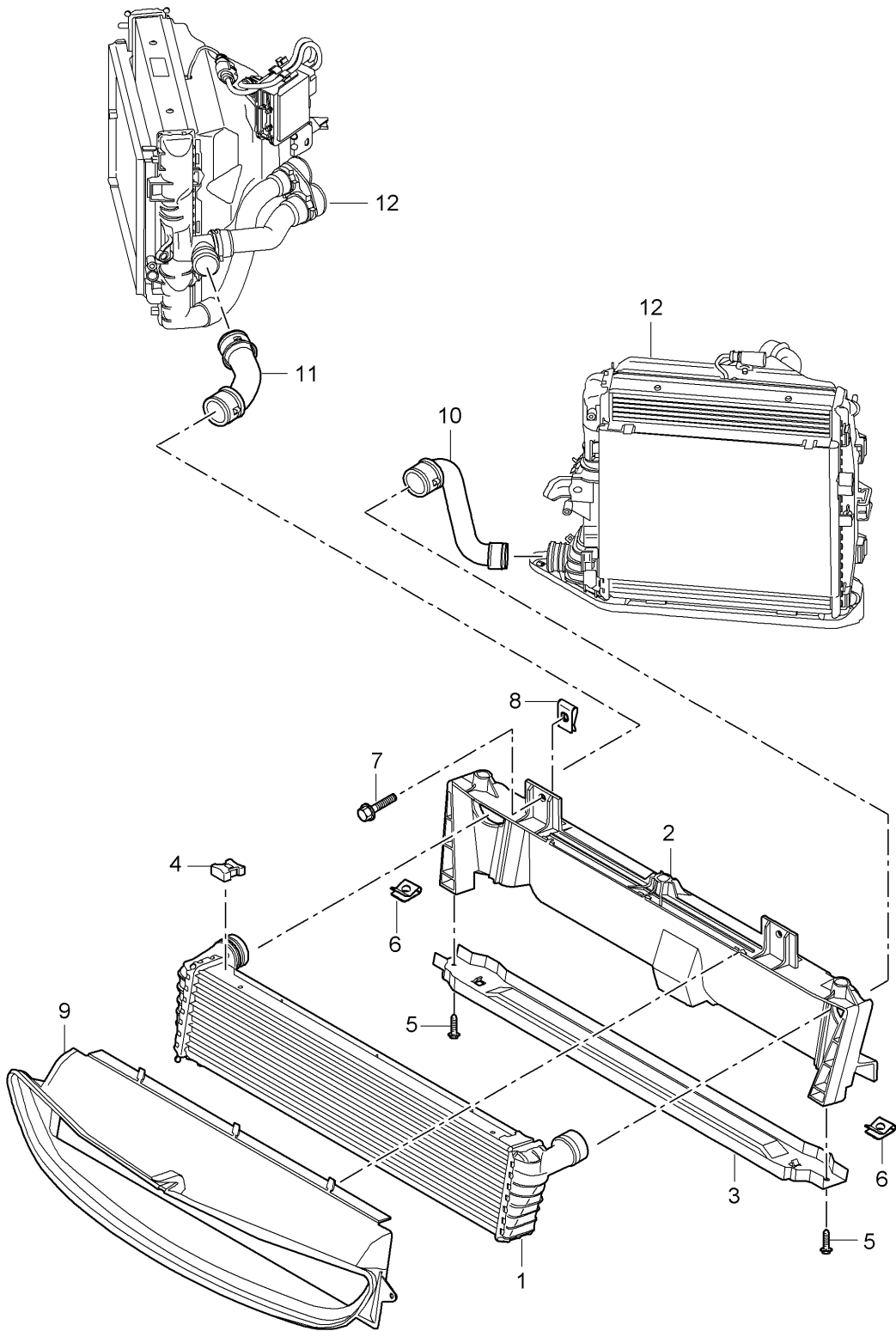
Model: 987 06

Model life 2006>>2008

Pos	Part Number	Description	Remark	Qty	Model
31	900 377 010 09	Right Hexagon nut M 6		2	
32		Control unit Cooling air control See illustrations 9/01/03		1	
33	997 106 546 02	Stopper		2	
34	999 591 329 01	Speed nut ST 4,8		3	
35	999 072 048 01	Hexagon-head bolt M 8 X 25		2	
36	999 084 447 01	Hexagon nut M 8		4	

Model: 987 06

Model life 2006>>2008



Model: 987 06

Model life 2006>>2008

Pos	Part Number	Description	Remark	Qty	Model
		Radiator Centre			M97.21 I249
1	997 106 037 02	Radiator		1	
2	997 504 487 00	Retaining frame Upper		1	
3	997 504 485 00	Retaining frame Lower		1	
4	997 106 437 00	Rubber mounting		4	
5	900 378 035 01	Hexagon-head bolt M 6 X 16		2	
6	999 591 882 02	Speed nut M 6		2	
6	999 591 882 01	Speed nut M 6		2	
7	900 378 074 09	Hexagon-head bolt M 8 X 16		4	
8	999 591 869 02	Speed nut M 8		4	
9	987 575 323 01	Air guide Radiator Centre		1	
10	997 106 639 03	Water hose Return line		1	
11	997 106 638 03	Water hose Supply		1	
12		See illustrations 1/05/15		X	

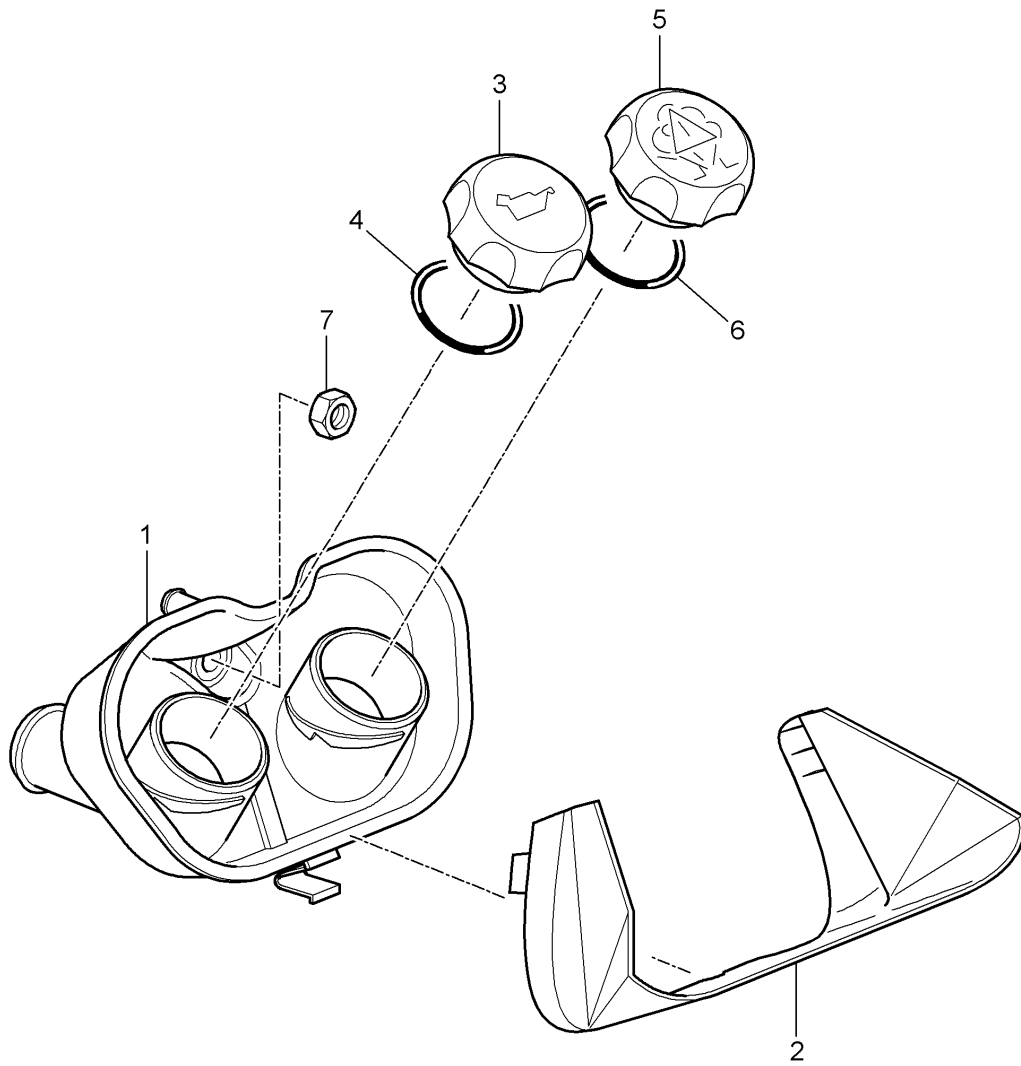
Model: 987 06

Model life 2006>>2008

Pos	Part Number	Description	Remark	Qty	Model
1	987 106 047 02	Water cooling 4 Expansion tank F >>988U7 52755 F >>988U7 72698		1	M97.20/21
(1)	987 106 047 03	Expansion tank F 988U7 52756>> F 988U7 72799>>		1	
2	987 641 503 00	Switch		1	
3	999 919 058 01	Hexagon-head bolt M 5 X 40		8	
4	996 106 347 02	Bleeder valve		1	
5	999 707 370 40	O-ring 47,00 X 4,0		1	
6	999 707 371 40	O-ring 17,00 X 4,0		1	
7	996 106 447 01	Lid See technical manual Group 1 Nr.190101		1	
7	996 106 447 04	Lid See technical manual Group 1 Nr.190101		1	
8	999 702 183 40	Grommet		2	
9	900 378 074 09	Hexagon-head bolt M 8 X 16		1	
10	987 106 270 02	Water hose		1	
11	999 512 672 09	Hose clamp 40 X 12		2	
12	987 106 267 02	Hose		1	
13	999 512 657 09	Hose clamp 26 X 12		2	
14	987 106 287 01	Vent line		1	
15	999 512 684 09	Clamp 18 X 12		2	
16	987 106 664 01	Line		1	
17	987 106 682 01	Vent line		1	
18		See illustrations 1/05/21		1	
19	000 043 301 03	Antifreeze 1 LTR. Container		X	
(19)	000 043 301 04	Antifreeze 20 LTR. Container		X	

Model: 987 06

Model life 2006>>2008



Model: 987 06

Model life 2006>>2008

Pos	Part Number	Description	Remark	Qty	Model
		Water cooling 4			M97.20/21
		Filler neck			
1	987 106 150 02	Cup		1	
2	987 106 180 00	Cover		1	
3	987 107 035 01	Lid		1	
		Engine oil			
4	987 107 336 00	Gasket		1	
5	987 106 044 00	Lid		1	
		Coolant			
6	987 106 170 00	Gasket		1	
7	999 076 071 02	Hexagon nut		1	
		M 6			

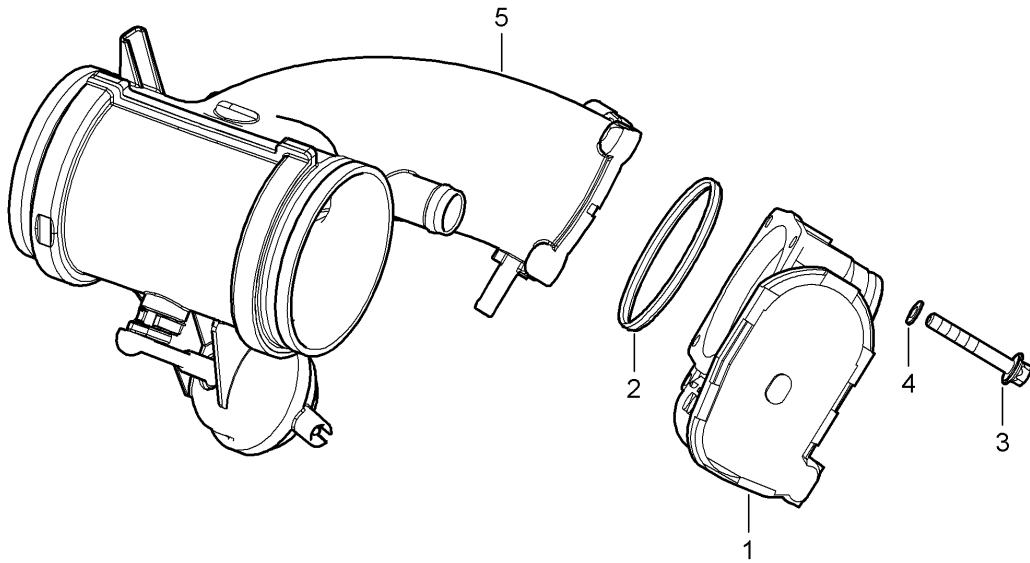
Model: 987 06

Model life 2006>>2008

Pos	Part Number	Description	Remark	Qty	Model
1	987 110 021 00	Air cleaner Air cleaner Complete		1	M97.20/21
2	987 110 122 00	Intake manifold		1	
3	987 110 131 00	Housing cover		1	
4	999 507 442 02	Speed nut		2	
5	900 143 095 09	Tapping screw		3	
6	987 110 141 00	Grommet		1	
7	993 110 116 01	Clamp		1	
8	987 110 133 00	Air cleaner cartridge		1	
8	987 110 133 01	Air cleaner cartridge		1	
9	987 110 134 00	Mounting plate		1	
10	900 095 099 09	Roll pin 12 X 14		3	
11	999 919 050 09	Oval-head screw 4 X 12		1	
12	900 075 333 02	Combination screw M 6 X 25		1	
13	999 707 052 40	O-ring 91 X 6		1	
14	987 606 125 00	Mass air flow meter		1	
15	999 512 542 00	Hose clamp 80 - 100		2	
16	987 110 222 00	Air guide		1	
(16)	987 110 222 01	Air guide		1	

Model: 987 06

Model life 2006>>2008



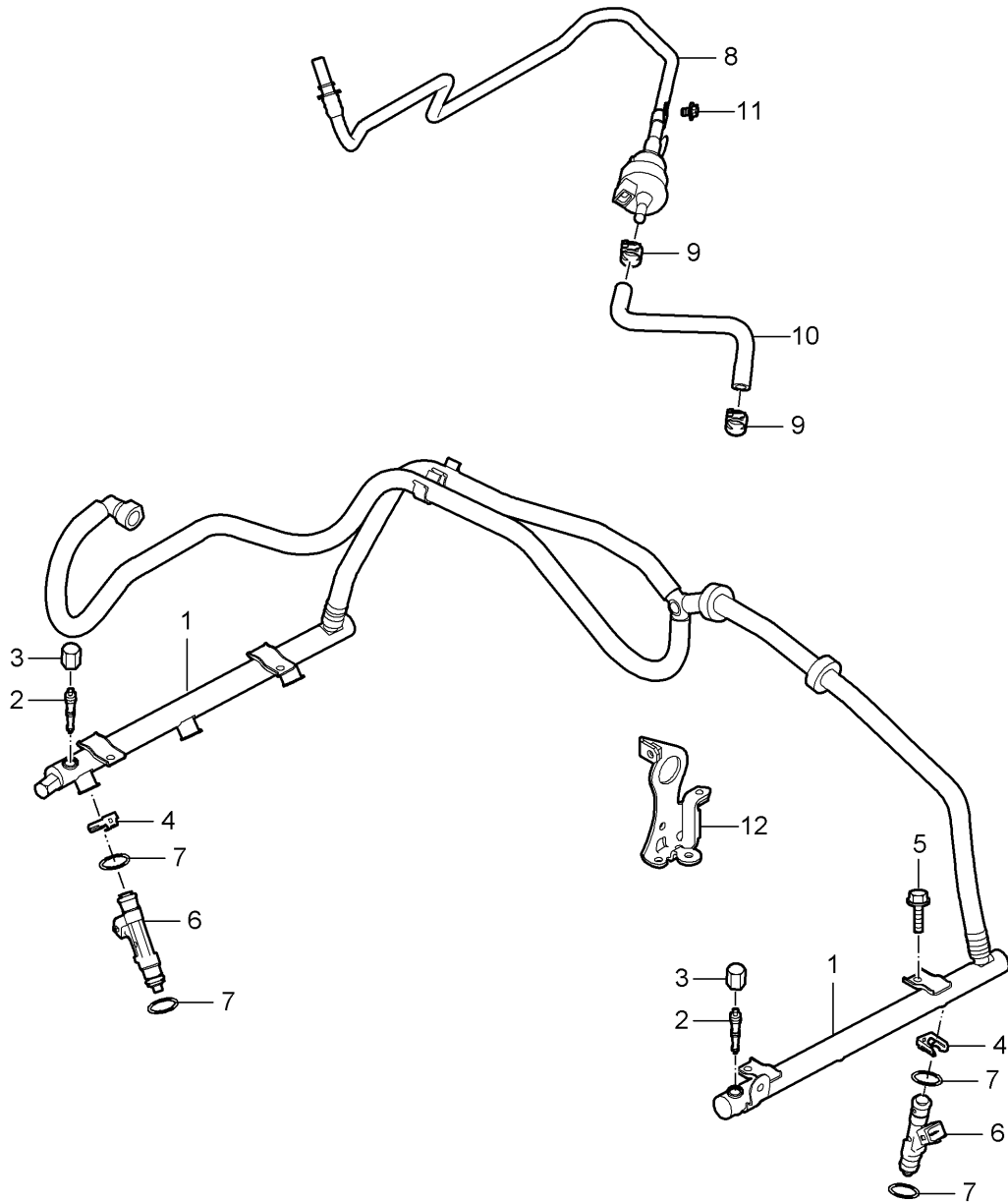
Model: 987 06

Model life 2006>>2008

Pos	Part Number	Description	Remark	Qty	Model
1	997 605 115 00	Throttle body		1	M97.20/21
2	997 110 319 00	Throttle body Gasket		1	
3	900 385 025 04	Distributor tube Torx screw		4	
4	N 011 524 7	BM 6 X 40 Washer		2	
5		A 6,4 Distributor tube See illustrations 1/07/10			

Model: 987 06

Model life 2006>>2008



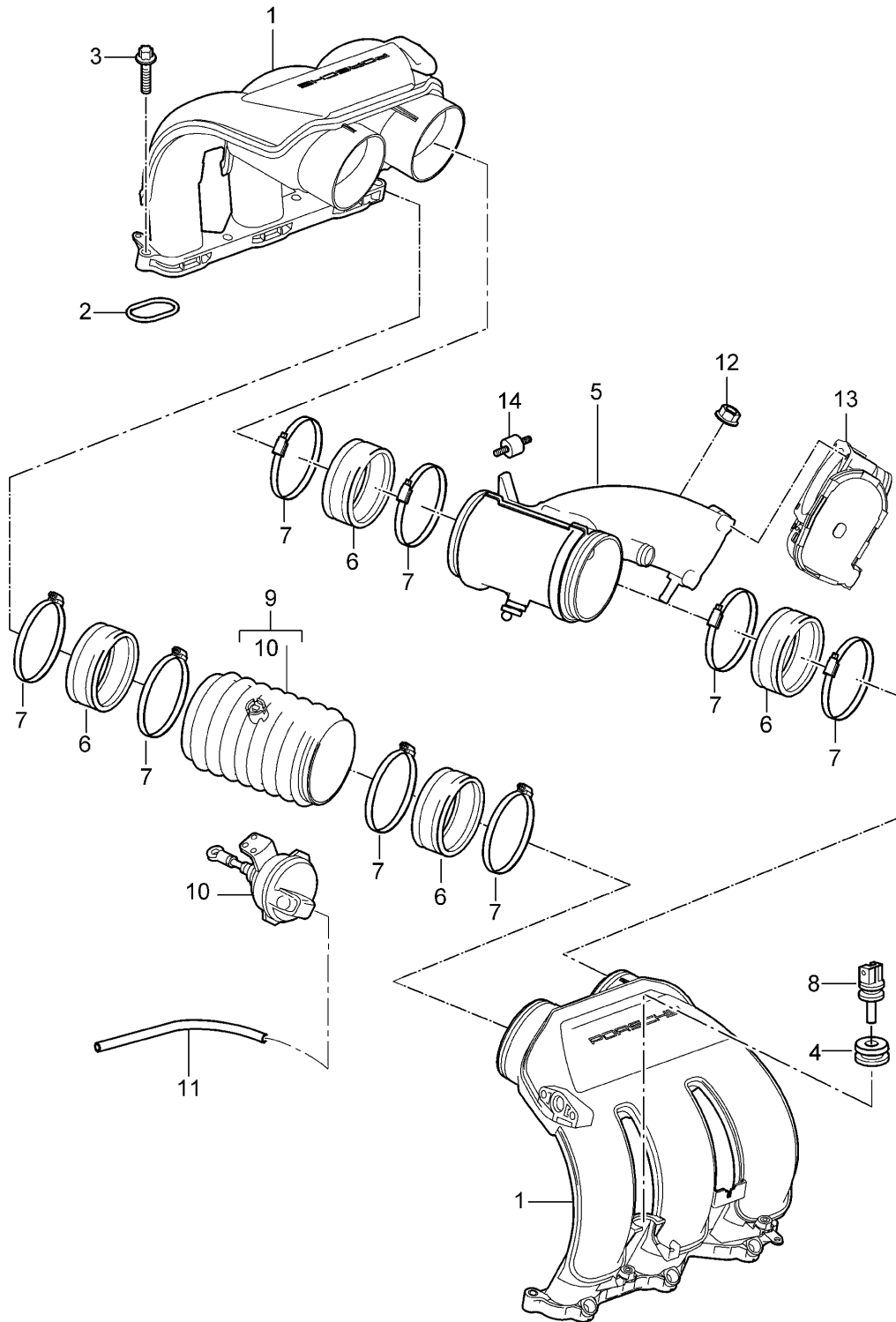
Model: 987 06

Model life 2006>>2008

Pos	Part Number	Description	Remark	Qty	Model
		Fuel collection pipe			M97.20/21
1	987 110 031 01	Fuel collection pipe		1	
2	993 110 217 00	Valve		1	
3	997 110 218 00	Cap		1	
4	996 110 113 52	Retaining clip		6	
5	900 385 041 09	Torx screw M 6 X 12		4	
6	997 605 123 00	Injector valve		6	
7	999 707 574 40	O-ring 7,52 X 3,51		12	
8	987 110 128 00	Vent line		1	
9	999 512 650 09	Hose clamp B 14 X 12		2	
10	987 110 237 00	Hose Tank ventilation		1	
11	999 919 125 09	Hexagon-head bolt M 6 X 16		1	
12	987 101 213 00	Retaining bar		1	

Model: 987 06

Model life 2006>>2008



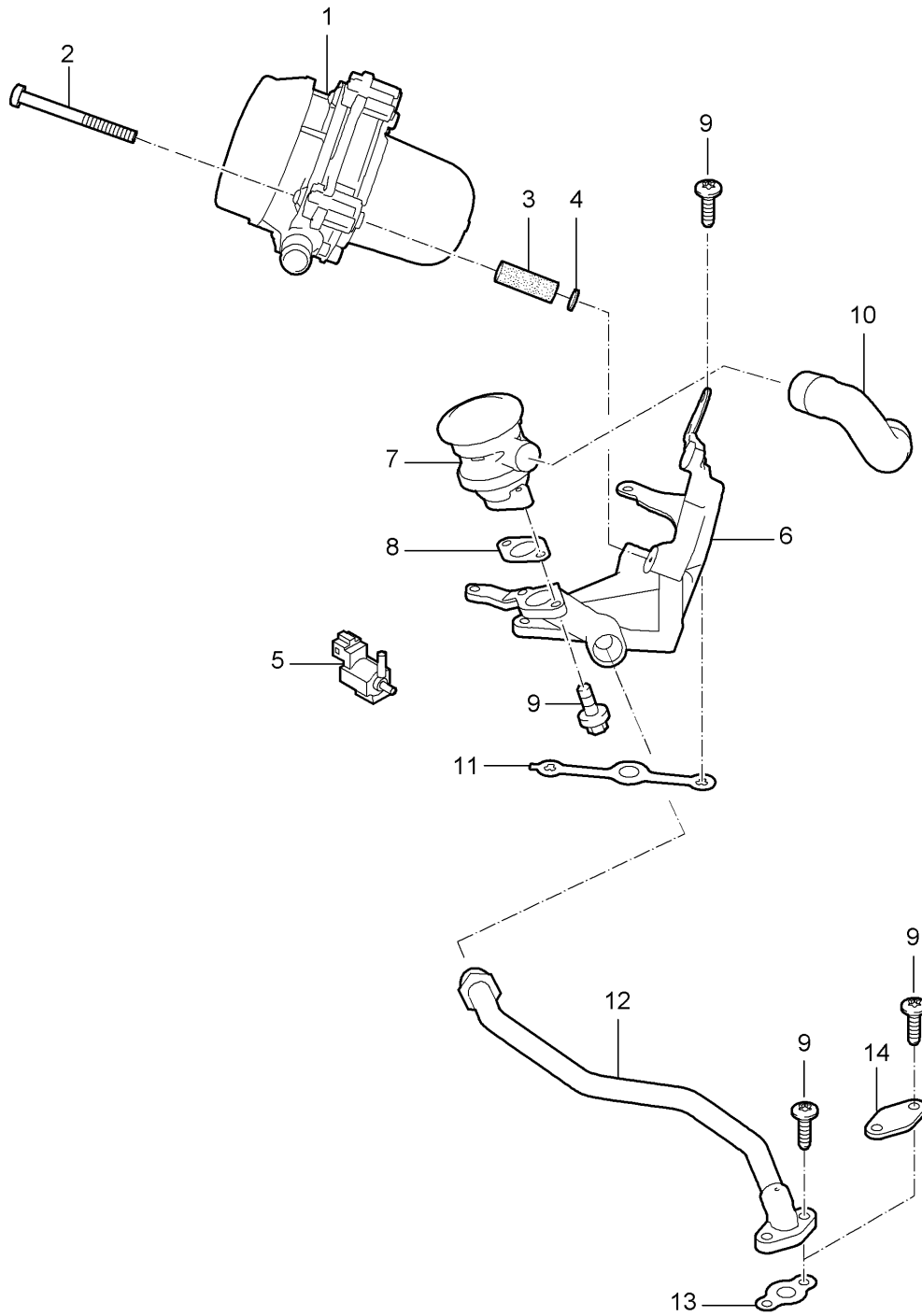
Model: 987 06

Model life 2006>>2008

Pos	Part Number	Description	Remark	Qty	Model
		Intake distributor			M97.20/21
1	997 110 036 01	Intake distributor		2	
2	997 110 247 01	Gasket		6	
3	900 385 017 04	Torx screw BM6 X 35		1	
4	993 110 530 01	Grommet		1	
5	987 110 116 01	Distributor tube		1	
6	997 110 685 00	Rubber sleeve		4	
7	999 512 539 00	Hose clamp 90 - 110/9		8	
7	999 512 539 01	Hose clamp 90 - 110/9		8	
8	997 606 213 00	Temperature sensor		1	
9	996 110 120 53	Resonance tube		1	
10	993 110 462 02	Vacuum unit		1	
11	000 043 204 99	Hose 3,5 X 2 120 MM		*	
12	900 380 022 09	Hexagon nut M 6		1	
13		Throttle body See illustrations 1/07/00		1	
14	999 703 239 01	Damping piece 20X15 M6		1	

Model: 987 06

Model life 2006>>2008



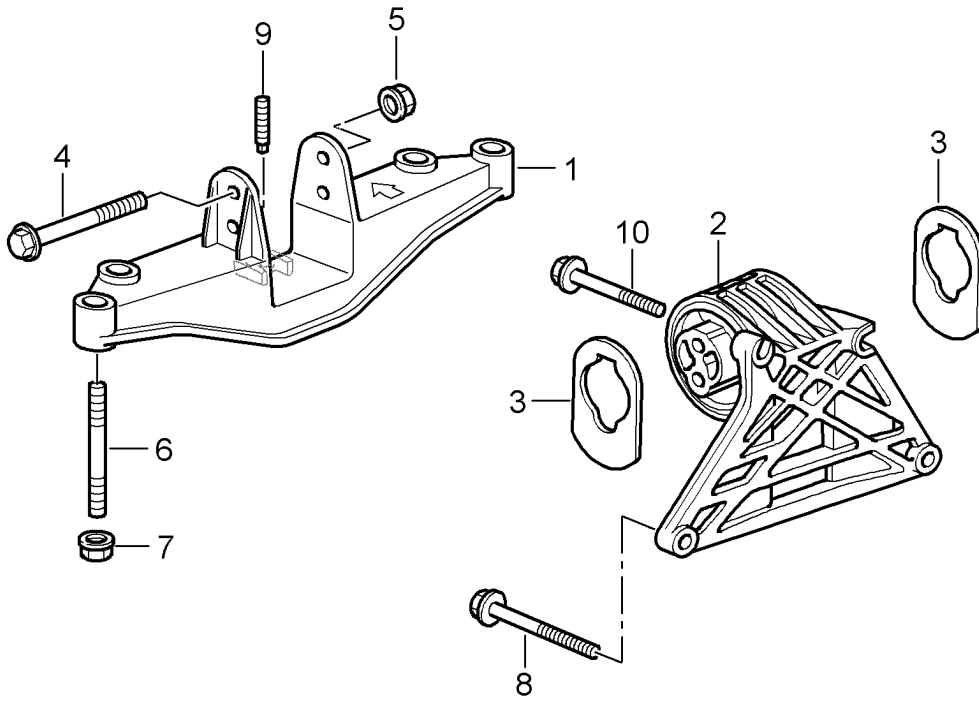
Model: 987 06

Model life 2006>>2008

Pos	Part Number	Description	Remark	Qty	Model
		Air injection			M97.20/21
1	997 605 104 00	Secondary pump	-07	1	
(1)	997 605 104 02	Secondary pump	08-	1	
2	955 113 325 00	Oval-head screw M 6 X 50		3	
3	999 703 868 40	Rubber mounting 8,76 X 33,3		3	
4	999 209 077 02	Spacer sleeve 6,5 X 1		3	
4	999 209 077 01	Spacer sleeve 6,5 X 1		3	
5	996 605 123 01	Change-over valve		1	
6	997 113 137 01	Bracket Secondary pump		1	
7	948 113 203 51	Valve		1	
8	993 113 258 51	Gasket		1	
9	999 073 344 04	Round head screw M 6 X 20		7	
10	997 113 339 02	Hose		1	
11	997 113 233 01	Gasket Bracket		1	
12	997 113 117 01	Connecting line		1	
13	996 113 213 51	Gasket Connecting line		1	
14	997 113 340 00	Lid		1	

Model: 987 06

Model life 2006>>2008



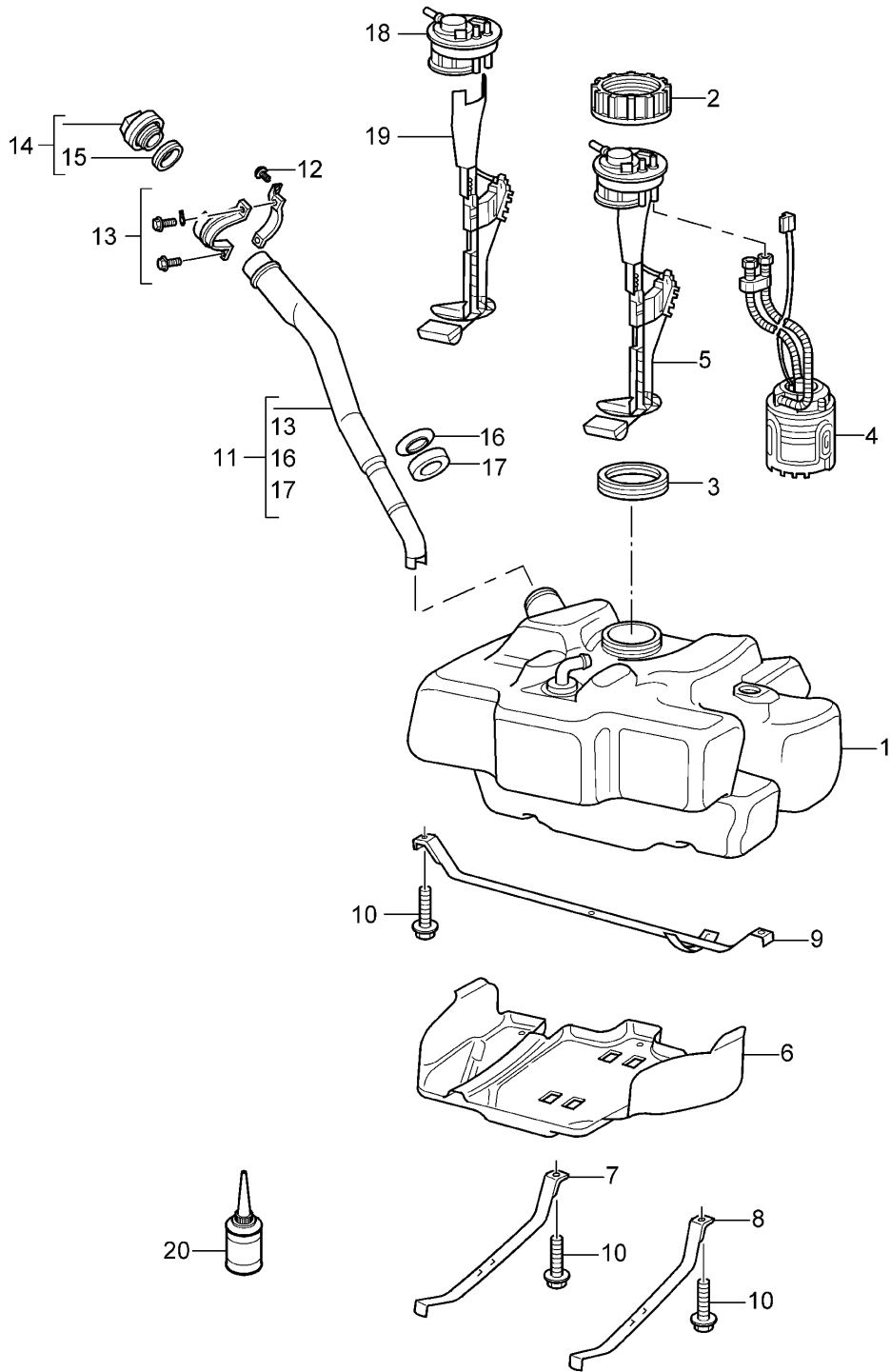
Model: 987 06

Model life 2006>>2008

Pos	Part Number	Description	Remark	Qty	Model
		Engine suspension			M97.20/21
1	987 375 309 01	Engine carrier		1	
2	987 375 023 02	Engine bracket	06	1	
2	987 375 023 03	Engine bracket	07-	1	
3	987 375 255 05	Stop	-07	2	
3	9A1 375 257 01	Stop		2	
4	900 378 167 09	Hexagon-head bolt M 10 X 110		2	
5	900 380 008 09	Lock nut M 10		2	
6	999 061 106 09	Stud M 10 X 84		4	
6	999 061 106 01	Stud M 10 X 84		4	
7	999 076 053 09	Hexagon nut M 10		4	
8	999 072 027 09	Hexagon-head bolt M 10 X 120		3	
9	999 919 169 02	Stud 6,0 X 11/M6		1	
10	999 072 036 09	Hexagon-head bolt M 10 X 80		1	

Model: 987 06

Model life 2006>>2008



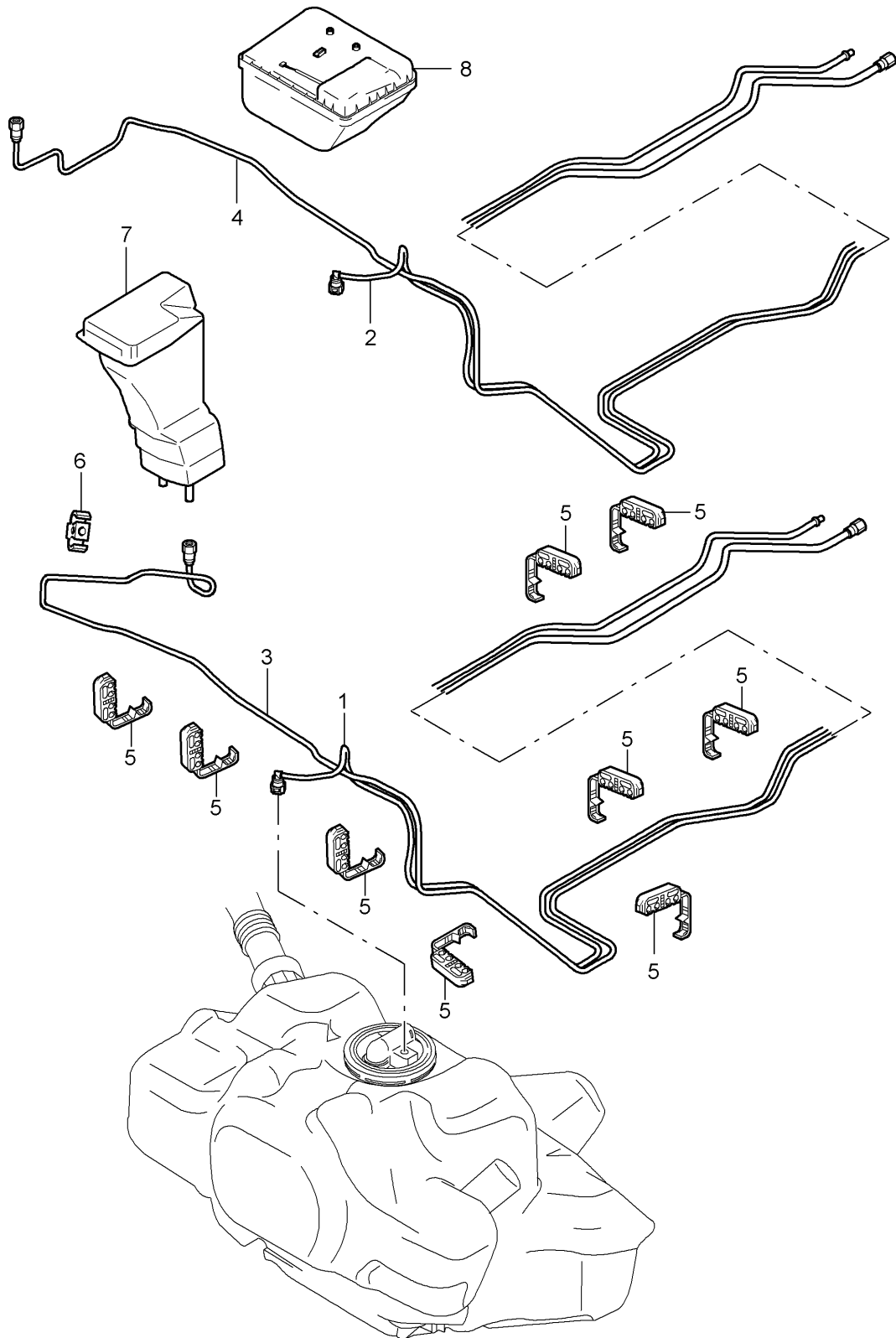
Model: 987 06

Model life 2006>>2008

Pos	Part Number	Description	Remark	Qty	Model
1	996 201 021 05	Fuel tank		1	I098
(1)	997 201 022 01	Fuel tank	/LL	1	I099
2	996 201 623 00	Union nut	/RL	1	
3	321 919 133	Sealing ring		1	
4	996 620 132 00	Fuel pump		1	
5	996 620 832 02	Tank gauge with Flange		1	
6	997 201 331 02	Protective plate	/LL	1	I098
(6)	997 201 331 03	Protective plate	/RL	1	I099
7	996 201 106 02	Restraining strap Right		1	
8	996 201 105 02	Restraining strap Left		1	
9	996 201 107 02	Restraining strap	/LL	1	I098
(9)	996 201 108 00	Restraining strap	/RL	1	I099
10	900 075 479 09	Combination screw M 8 X 40		4	
11	997 201 043 06	Filler neck		1	
(11)	997 201 043 07	Filler neck		1	I150/193
12	999 073 348 09	Oval-head screw M 6 X 12		1	
13	997 201 951 02	Support Complete		1	
14	996 201 241 03	Fuel tank cap with Clip		1	
-	999 507 499 40	Information available Expansion rivet		1	
15	191 201 557	Sealing ring Information available		1	
16	996 201 755 00	Support washer		1	
17	996 201 753 00	Gasket		1	
20	000 043 206 89	Additive Fuel 100 ML		1	
20	000 043 209 02	Additive Fuel 100 ML		1	

Model: 987 06

Model life 2006>>2008



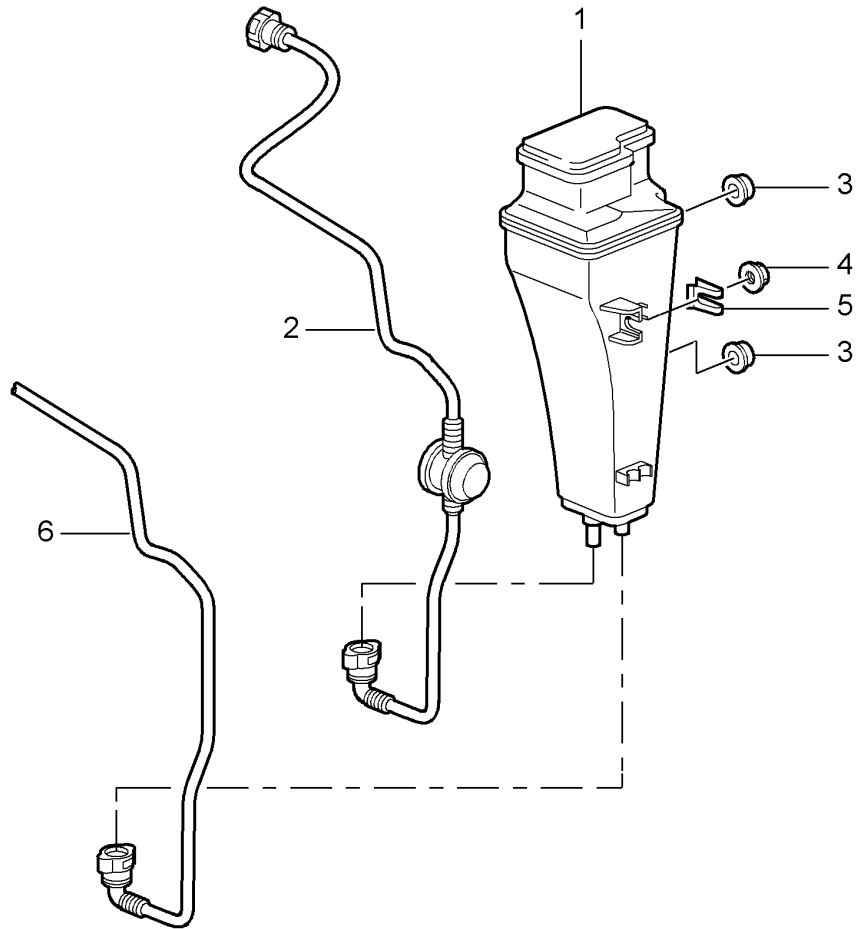
Model: 987 06

Model life 2006>>2008

Pos	Part Number	Description	Remark	Qty	Model
1	987 201 261 01	Fuel system Fuel line Front Fuel pump for Engine		1	
3	987 201 353 01	Purge-air line Carbon canister for Engine		1	
5	999 507 521 40	Cable holder 8,0/8/10		X	
6	999 507 727 40	Cable holder 8,0/10,0		1	
7		Carbon canister See illustrations 2/01/20		1	

Model: 987 06

Model life 2006>>2008



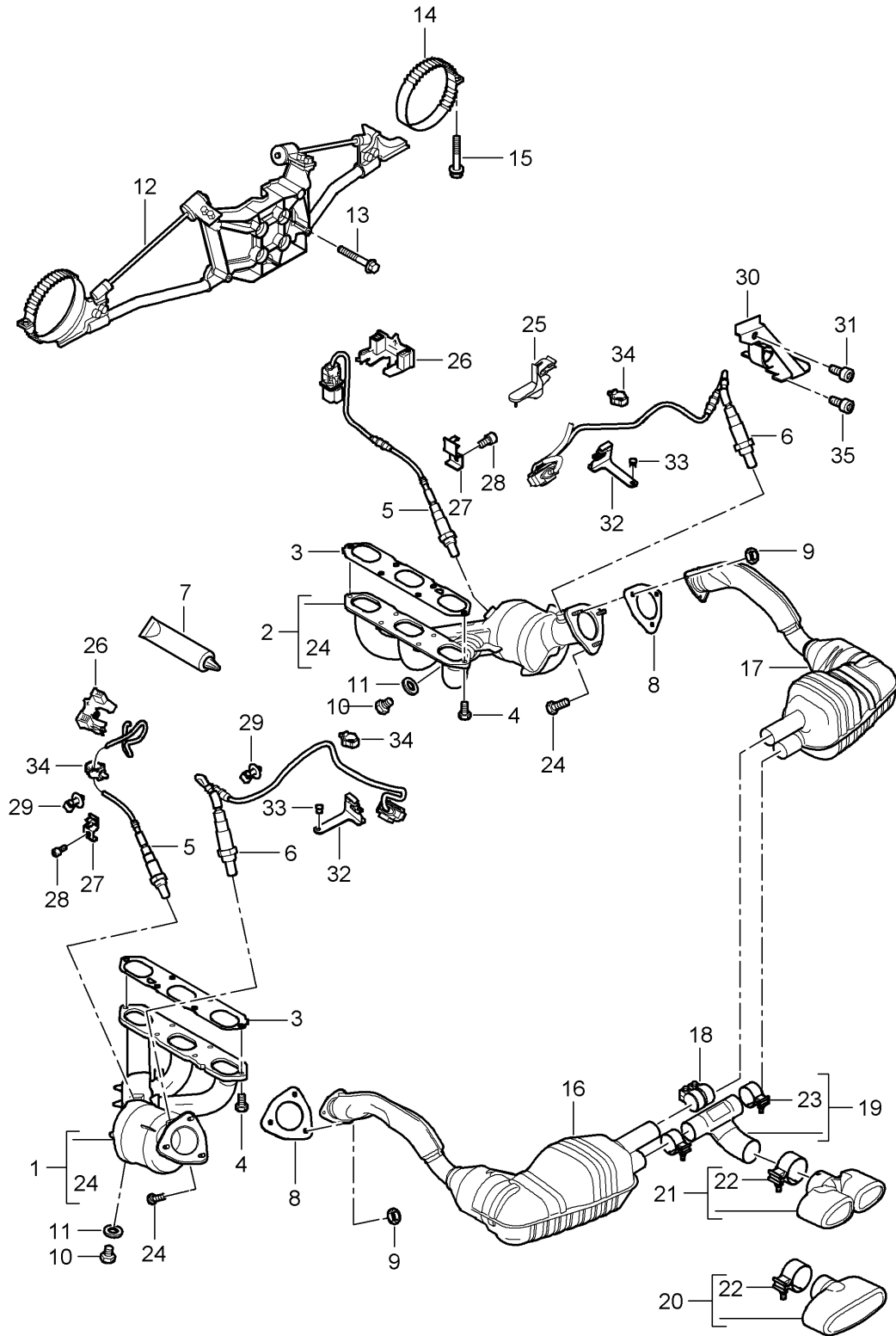
Model: 987 06

Model life 2006>>2008

Pos	Part Number	Description	Remark	Qty	Model
1	997 201 221 01	Carbon canister		1	
2	997 201 251 00	Carbon canister Complete Vent line Fuel tank for Carbon canister		1	
3	999 702 221 40	Grommet		2	
4	999 084 629 09	Hexagon nut M 6		1	
4	999 084 629 01	Hexagon nut M 6		1	
5	999 507 543 02	Clamp 2,00 - 3,00		1	
6		Purge-air line See illustrations 2/01/05		1	

Model: 987 06

Model life 2006>>2008



Model: 987 06 Model life 2006>>2008

Pos	Part Number	Description	Remark	Qty	Model
1	987 113 108 03	Exhaust system Exhaust manifold Cyl. 4 - 6 with Pre-catalytic converter	07-	1	M97.20/21 M97.20 M97.21
(1)	987 113 108 05	Exhaust manifold Cyl. 4 - 6 with Pre-catalytic converter Use also: 99611110755 99907507400 00004320707 99711111300 99908405202		1	M97.20/21
2	987 113 107 03	Exhaust manifold Cyl. 1 - 3 with Pre-catalytic converter	07-	1	M97.20 M97.21
2	987 113 107 05	Exhaust manifold Cyl. 1 - 3 with Pre-catalytic converter Use also: 99611110755 99907507400 00004320707 99711111300 99908405202		1	M97.20/21
3	996 111 107 55	Gasket Exhaust manifold Use also: 99907507400		2	M97.20/21
4	999 075 074 00	Hexagon-head bolt M 8 X 26		12	
(5)	987 606 123 02	Oxygen sensor in front of Catalytic converter Use also: 00004320707		2	M97.21 M97.20
6	987 606 124 00	Oxygen sensor After Catalytic converter		2	M97.21 M97.20
6	987 606 123 02	Oxygen sensor After Catalytic converter Use also: 00004320707		2	M97.21 M97.20
7	000 043 207 07	Grease for oxygen sensor		1	
8	997 111 113 00	Gasket Use also: 99908405202 90007536502		2	
9	999 084 052 02	Lock nut M 8		6	
10	900 083 080 00	Hexagon-head bolt M 8 X 1		2	
11	900 123 050 20	Exhaust emission tube Sealing ring		2	

Model: 987 06 Model life 2006>>2008

Pos	Part Number	Description	Remark	Qty	Model
12	987 111 041 02	8 X 11,5 Exhaust emission tube Support		1	M97.21 I249
(12)	987 111 041 03	Exhaust system Support	07-	1	M97.20/21/22 I249
(12)	987 111 042 02	Exhaust system Support	07-	1	M97.20 I481
(12)	987 111 042 04	Exhaust system Support		1	M97.20 I481
(12)	987 111 043 03	Exhaust system Support		1	M97.21 I480
13	900 378 056 02	Exhaust system Hexagon-head bolt		3	M97.21 I249
13	900 378 070 09	M 8 X 60 Hexagon-head bolt M 10 X 30		4	M97.20/21 I480
14	987 111 210 01	Clamp		2	
15	900 378 055 09	Hexagon-head bolt		2	
(16)	987 113 512 00	Muffler Cyl. 4 - 6 with Main catalytic converter	-07	1	IXLF
(16)	987 113 512 01	Muffler Cyl. 4 - 6 with Main catalytic converter	08-	1	IXLF
(16)	987 113 512 02	Muffler Cyl. 4 - 6 with Main catalytic converter		1	IXLF
(16)	987 113 512 AX	Use also: 99711111300 99908405202 90007536502 Muffler Cyl. 4 - 6 with Main catalytic converter		1 3 3 1	IXLF
(16)	987 113 512 60	Use also: 99711111300 99908405202 90007536502 Muffler Cyl. 4 - 6 with Main catalytic converter		1 3 3 1	I758
(16)	987 113 512 CX	Use also: 99711111300 99908405202 90007536502 Muffler Cyl. 4 - 6 with Main catalytic converter		1 3 3 1	I758
(16)	987 113 512 CX	Use also: 99711111300 99908405202		1 3	

Model: 987 06 Model life 2006>>2008

Pos	Part Number	Description	Remark	Qty	Model
16	987 113 118 00	90007536502 Muffler Cyl. 4 - 6 with Main catalytic converter		3 1	M97.20/21
(16)	987 113 118 01	Muffler Cyl. 4 - 6 with Main catalytic converter		1	M97.20/21
(16)	987 113 118 02	Muffler Cyl. 4 - 6 with Main catalytic converter Use also: 99711111300 99908405202 90007536502 Use also: 99711111300 99908405202 90007536502		1 3 3 1 3 3	M97.20/21
(17)	987 113 511 00	Muffler Cyl. 1 - 3 with Main catalytic converter	-07	1	IXLF
(17)	987 113 511 01	Muffler Cyl. 1 - 3 with Main catalytic converter	08-	1	IXLF
(17)	987 113 511 02	Muffler Cyl. 1 - 3 with Main catalytic converter Use also: 99711111300 99908405202 90007536502		1 3 3	IXLF
(17)	987 113 511 60	Muffler Cyl. 1 - 3 with Main catalytic converter Use also: 99711111300 99908405202 90007536502		1 3 3	I758
(17)	987 113 511 CX	Muffler Cyl. 1 - 3 with Main catalytic converter Use also: 99711111300 99908405202 90007536502		1 3 3	I758
(17)	987 113 117 00	Muffler Cyl. 1 - 3 with Main catalytic converter		1	M97.20/21
(17)	987 113 117 01	Muffler Cyl. 1 - 3 with Main catalytic converter		1	M97.20/21
(17)	987 113 117 02	Muffler Cyl. 1 - 3		1	M97.20/21

Model: 987 06 Model life 2006>>2008

Pos	Part Number	Description	Remark	Qty	Model
		with Main catalytic converter Use also: 99711111300 99908405202 90007536502 Use also: 99711111300 99908405202 90007536502		1 3 3 1 3 3	
18	987 111 220 00	Clamping sleeve		1	
19	987 111 353 00	Exhaust pipe		1	
20	987 111 255 01	Cover	07-	1	M97.20
21	987 111 256 01	Cover		1	M97.21
(21)	987 111 981 00	Tail pipe		1	M97.21 IXLA
(21)	987 111 258 31	Exclusive programme Tail pipe Cayman S		1	I758
22	000 043 300 53	Clip for Cover Set Complete		1	
23	000 043 300 54	Clip for Exhaust pipe Set Complete		2	
24	900 075 365 02	Screw M 8 X 30		X	
25	987 606 259 01	Support Line Oxygen sensor		1	
26		Support Connector Oxygen sensor To		2	I660
27	987 606 104 00	Bulkhead Support Line Oxygen sensor To		3	
(27)	987 606 104 01	Valve cover Support Line Oxygen sensor To		3	
28	900 385 041 09	Valve cover Torx screw M 6 X 12		3	
29	999 507 111 40	Support Line Oxygen sensor To		2	
30	987 104 445 00	Cylinder head Heat shield		1	
31	900 387 009 09	Screw M 6 X 12		1	
32	987 606 105 01	Support Connector Oxygen sensor		2	
33	999 591 712 40	Expansion rivet		4	

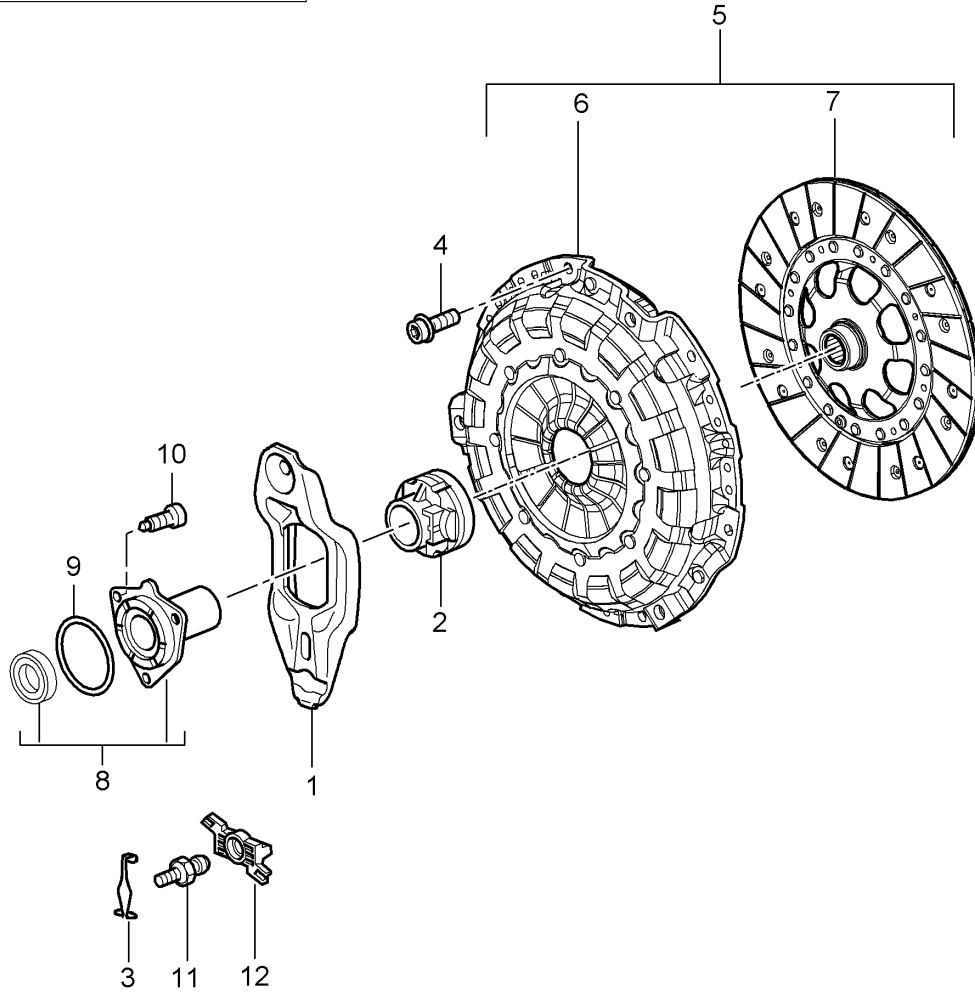
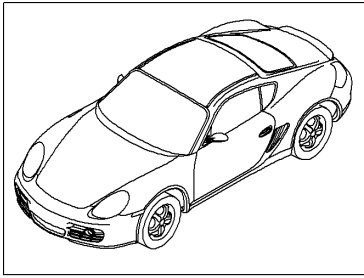
Model: 987 06

Model life 2006>>2008

Pos	Part Number	Description	Remark	Qty	Model
34	999 507 075 40	6,0 X 12,0 Cable holder		3	
35	900 385 041 09	3,0 - 12,0 Torx screw M 6 X 12		1	

Model: 987 06

Model life 2006>>2008



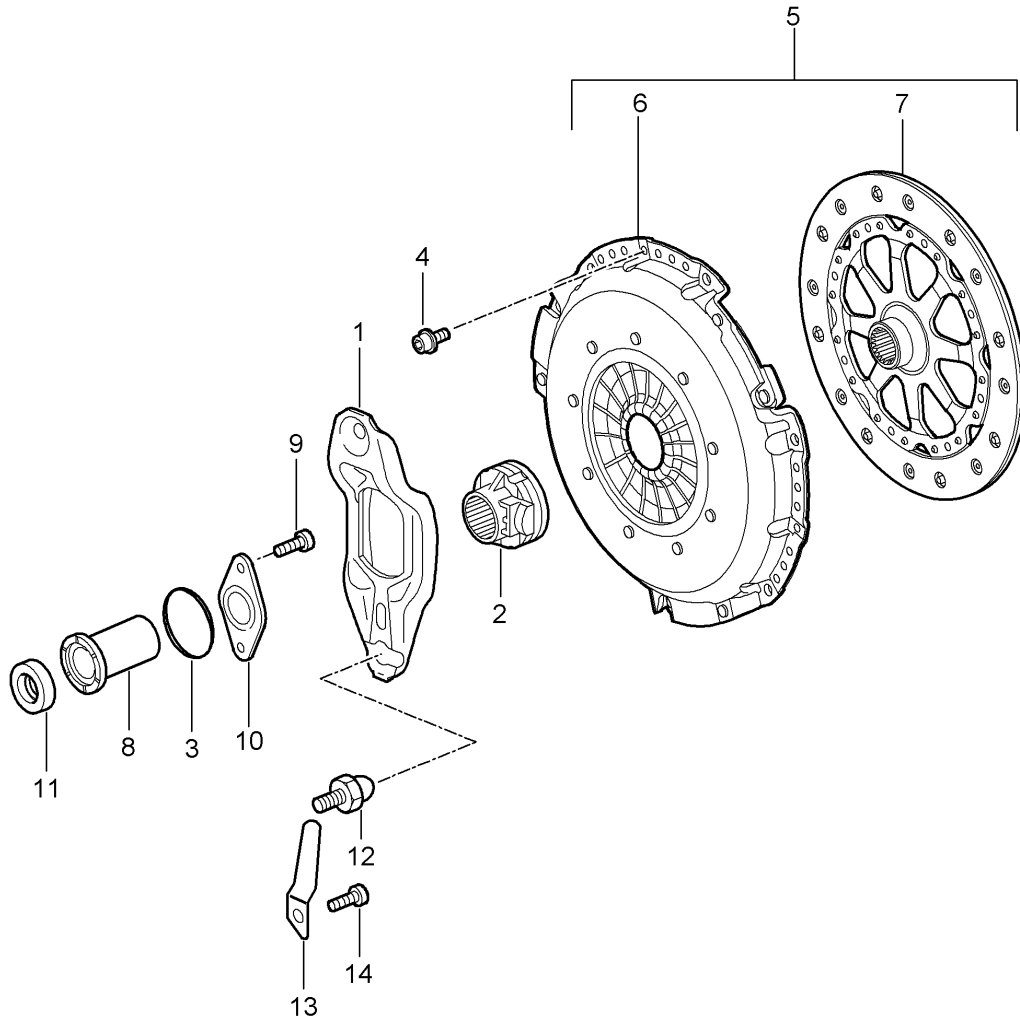
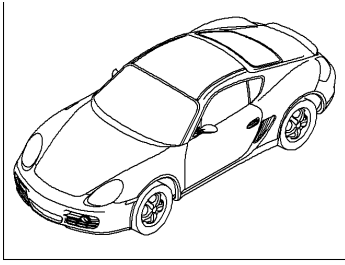
Model: 987 06

Model life 2006>>2008

Pos	Part Number	Description	Remark	Qty	Model
		Clutch	07-		M97.20 I481
1	012 141 719 B	Clutch release lever		1	
2	012 141 165 E	Clutch release bearing		1	
3	012 141 741	Retainer spring		1	
4	900 067 131 03	Pan-head screw M 8 X 16		6	
(4)	999 073 458 01	Screw M 8 X 16		6	
5	987 116 914 00	Clutch Set		1	
6	986 116 028 04	Pressure plate		1	
7	987 116 014 00	Clutch plate		1	
7	987 116 014 01	Clutch plate		1	
8	012 141 180 B	Guide sleeve		1	
9	N 903 542 01	O-ring 56,8 X 2,6		1	
10	N 903 663 01	Pan-head screw M 8 X 22		3	
11	012 141 777 D	Ball pin		1	
12	012 141 751 B	Intermediate piece		1	
-	987 116 014 01	Clutch plate		1	
-	000 043 304 02	Grease KLÜBERALFA HM83-801 50 GR.		X	
-	000 043 024 00	Extreme-pressure grease LONGTIME 3EP 80 GR.		X	

Model: 987 06

Model life 2006>>2008



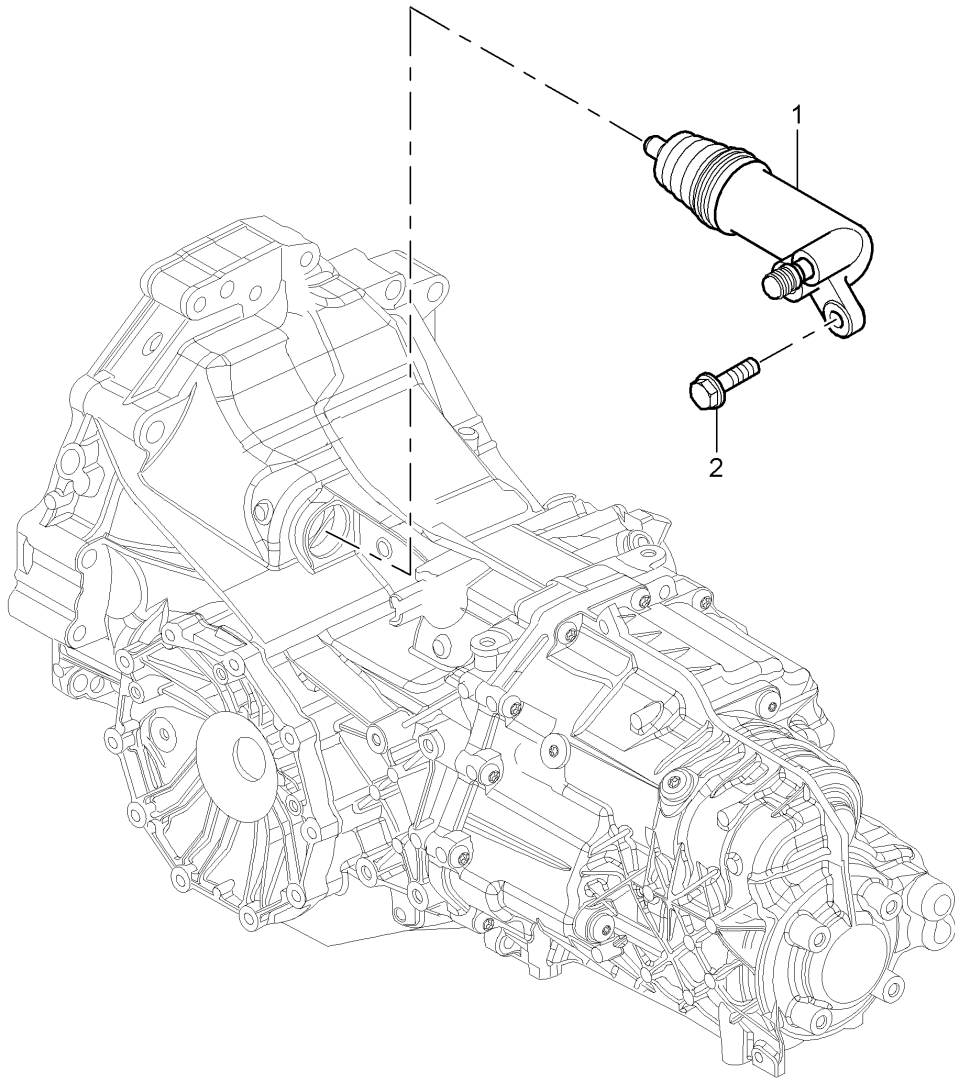
Model: 987 06

Model life 2006>>2008

Pos	Part Number	Description	Remark	Qty	Model
		Clutch			M97.20/21/22 I480
1	0A2 141 719	Clutch release lever		1	
1	0A2 141 719 A	Clutch release lever		1	
2	012 141 165 E	Clutch release bearing		1	
3	0A2 311 091 A	O-ring		1	
4	900 067 131 03	Pan-head screw M 8 X 16		6	
(4)	999 073 458 01	Screw M 8 X 16		6	
5	987 116 913 30	Clutch Set		1	M97.21/22
5	987 116 913 36	Clutch Set		1	M97.21/22
(5)	987 116 913 22	Clutch Set		1	M97.20
6	987 116 027 30	Pressure plate		1	M97.21/22
(6)	987 116 027 22	Pressure plate		1	M97.20
7	987 116 013 20	Clutch plate		1	
7	987 116 013 21	Clutch plate		1	
7	987 116 013 22	Clutch plate		1	
8	0A2 141 181	Guide sleeve		1	
9	999 073 320 02	Hexagon-head bolt M 8 x 20,5		1	
10	0A2 141 179	Retaining bracket		1	
11	016 311 113 C	Radial shaft seal		1	
12	01E 141 751 A	Intermediate piece		1	
13	01E 141 721 A	Leaf spring		1	
14	999 073 319 02	Round head screw M 8 x 22		1	

Model: 987 06

Model life 2006>>2008



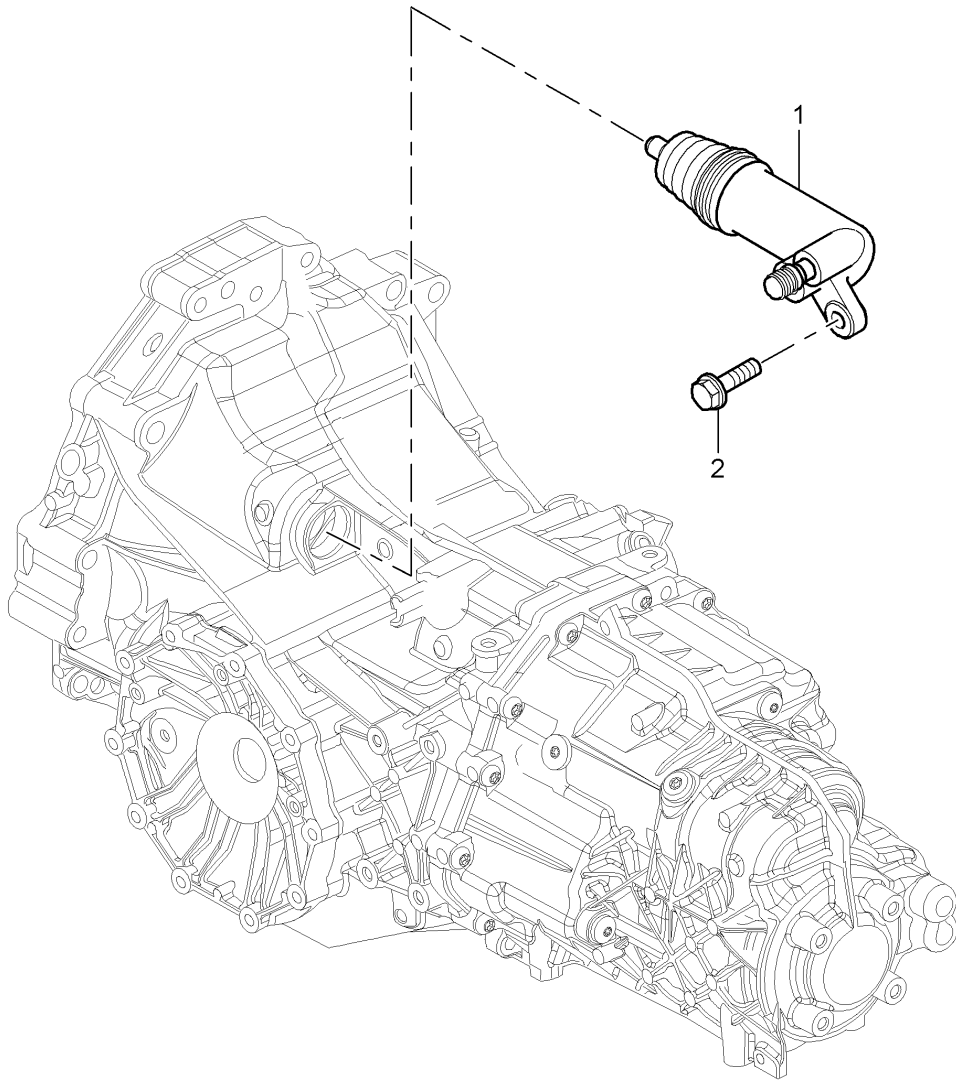
Model: 987 06

Model life 2006>>2008

Pos	Part Number	Description	Remark	Qty	Model
		Clutch release			G87.01 I481
1	8E0 721 257 B	Clutch operating cylinder	-07	1	
(1)	8E0 721 257 M	Clutch operating cylinder	08-	1	
2	N 090 316 5	Combination screw M 8 X 30 Z1	-07	1	
(2)	900 075 506 01	Combination screw M 8 X 30	08-	1	

Model: 987 06

Model life 2006>>2008



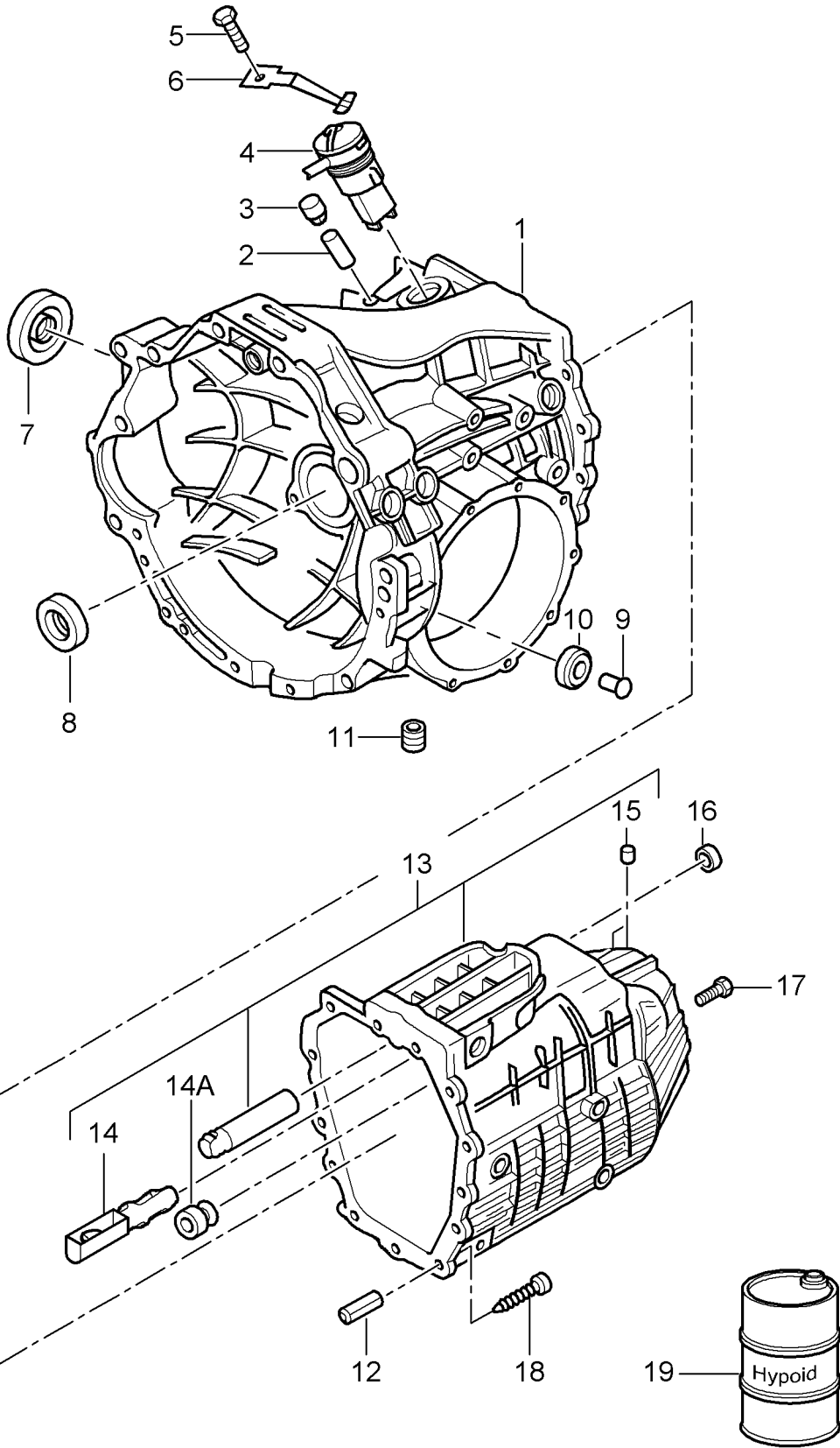
Model: 987 06

Model life 2006>>2008

Pos	Part Number	Description	Remark	Qty	Model
		Clutch release			G87.21 I480
1	986 116 237 00	Clutch operating cylinder		1	
(1)	986 116 237 01	Clutch operating cylinder		1	
2	N 090 316 5	Combination screw M 8 X 30 Z1	-07	1	
(2)	900 075 506 01	Combination screw M 8 X 30	08-	1	

Model: 987 06

Model life 2006>>2008



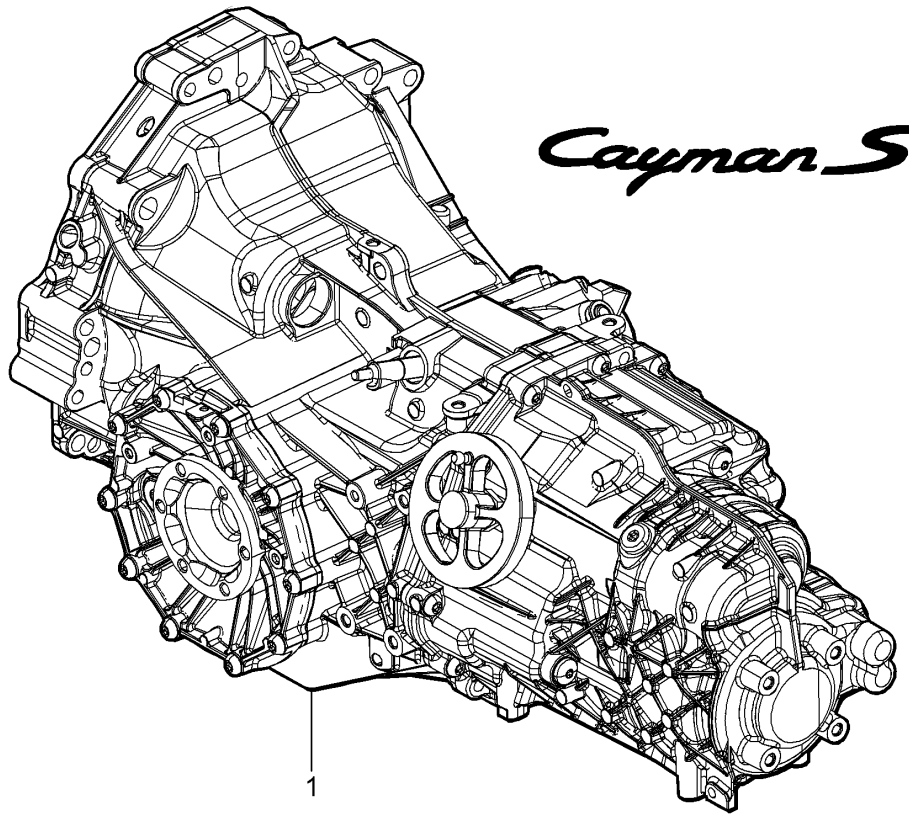
Model: 987 06

Model life 2006>>2008

Pos	Part Number	Description	Remark	Qty	Model
		Replacement transmission			G87.01 I481
		Transmission case			
		Transmission			
		Classification letter			GAL
		Attention			
-	987 300 010 00	Transmission		1	GAL
1	012 301 103 AD	Transmission case		1	
2	012 301 474 A	Sleeve		1	
		12 X 30			
3	014 301 485	Cap		1	
4	012 919 823 F	Back-up light switch		1	
-	999 652 907 40	Plug socket		1	
-	999 652 694 12	Contact bush		2	
-	999 704 161 40	Gasket		2	
-	999 652 811 40	Stopper		3	
5	N 040 255 2	Hexagon-head bolt		1	
		M 8 X 14			
6	012 301 483 G	Leaf spring		1	
7	016 409 399 B	Radial shaft seal		1	
		45 X 60 X 8			
8	012 311 113 B	Radial shaft seal		1	
9	012 301 183 A	Bush		1	
		BM 8 X 20			
10	01X 301 143	Magnet		1	
11	WHT 001 937	Screw plug		1	
		M 24 X 1,5			
12	012 301 473	Sleeve		1	
		12 X 30			
13	012 301 205 P	Transmission cover		1	
		Use also:			
		012.311.429.P			
14	012 301 276 A	Cup		1	
14A	012 311 429 P	Sleeve		1	
		23 X 39 X 28,3			
15	012 301 115	Stopper		2	
16	012 301 457 C	Shaft sealing ring		1	
		16 X 24 X 6			
18	012 301 282 A	Torx screw		13	
		M 8 X 48			
18	9A7 002 079 00	Torx screw		13	
		M 8 X 48			
19	000 043 204 71	Transmission oil		X	
		HYPOID			
		25 LTR.			
		Container			
19	000 043 304 71	Transmission oil		X	
		HYPOID			
		20 LTR.			
		Container			

Model: 987 06

Model life 2006>>2008



Cayman S



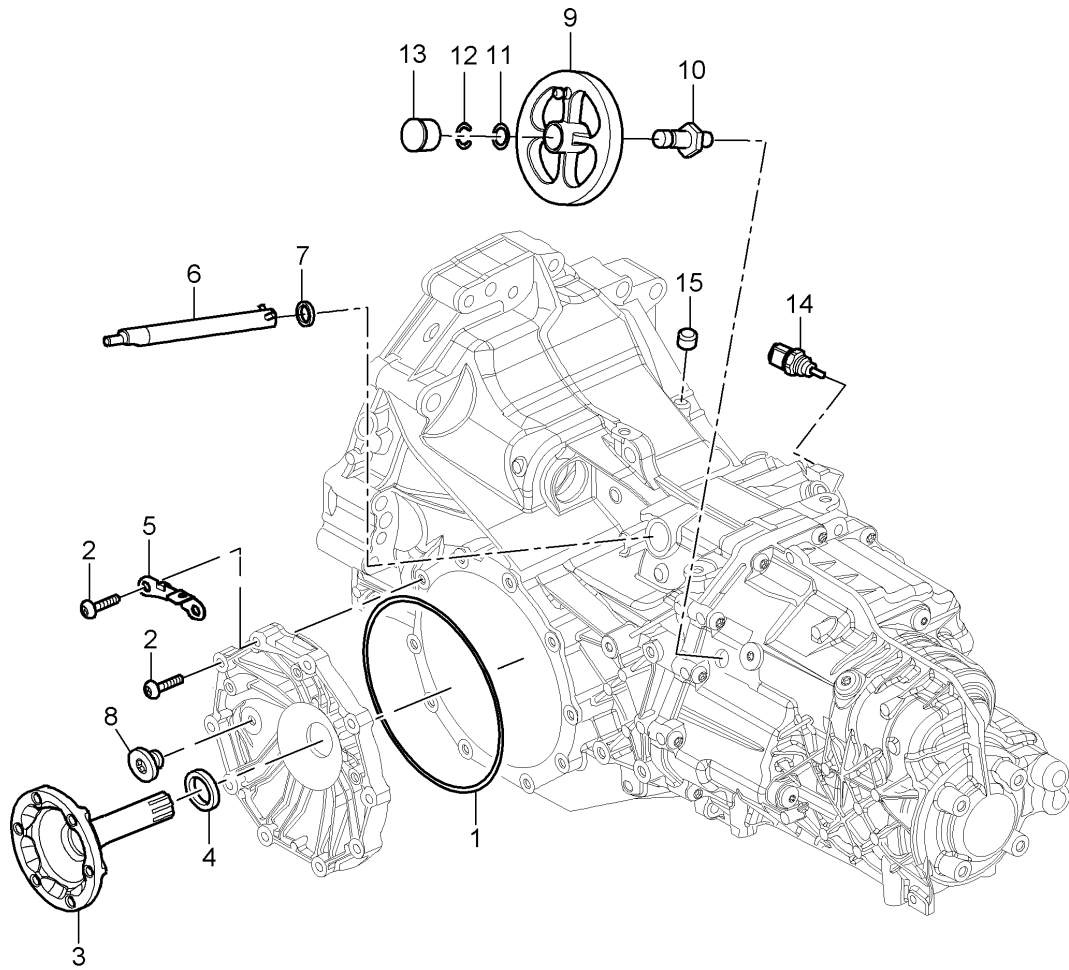
Model: 987 06

Model life 2006>>2008

Pos	Part Number	Description	Remark	Qty	Model
		Replacement transmission			G87.20
		Ready for installation			I480
					G87.21
					I480
1	987 300 010 24	Manual transmission		1	G87.20
1	987 300 010 BX	Manual transmission		1	G87.20
1	987 300 010 23	Manual transmission		1	G87.21
(1)	987 300 010 2X	Manual transmission		1	G87.21
2	000 043 204 71	Transmission oil		X	
		HYPOID			
		Container			
		25 LTR.			
2	000 043 304 71	Transmission oil		X	
		HYPOID			
		20 LTR.			

Model: 987 06

Model life 2006>>2008



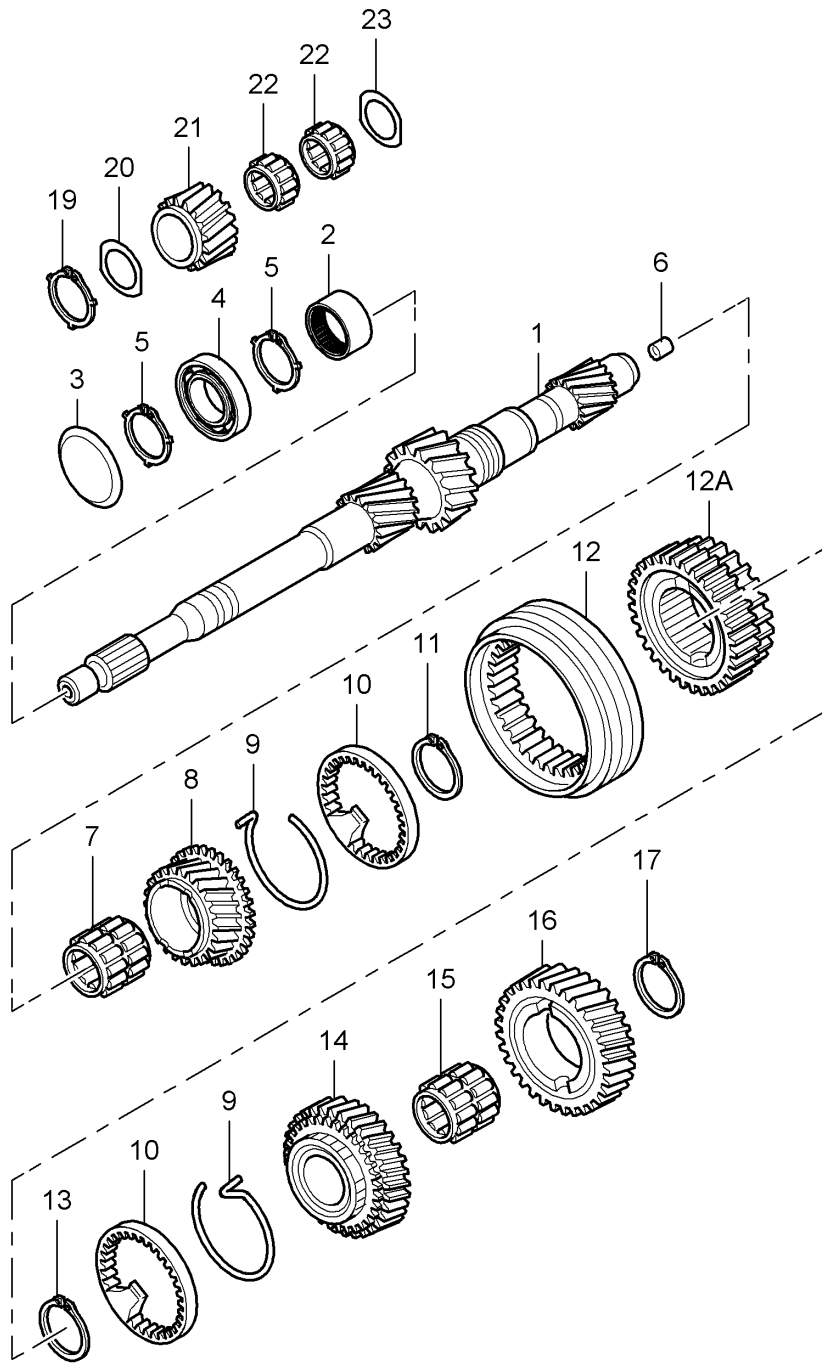
Model: 987 06

Model life 2006>>2008

Pos	Part Number	Description	Remark	Qty	Model
		Replacement transmission			G87.20/21 I480
1	N 905 144 01	Single parts O-ring 171,00 X 3,50		1	
2	999 073 368 01	Torx screw M 8 X 42		10	
3	987 332 209 00	Joint flange		2	
4	016 409 399 B	Radial shaft seal		2	
5	987 116 214 00	Bracket		1	
6	987 303 021 00	Shift rod		1	
7	012 301 457 B	Shaft sealing ring		1	
8	N 910 597 01	Screw plug M 22 X 1,5		1	
9	987 303 051 00	Flywheel		1	
9	987 303 051 10	Flywheel		1	
10	987 303 151 01	Bearing pin		1	
11	900 234 147 00	Shim 12 X 18 X 1,0		1	
12	900 041 005 03	Circlip 12 X 1		1	
13	999 703 011 40	Stopper 25,5 X 30 X 11		1	
14	01E 941 521 A	Switch Back-up light		1	
15	014 301 485	Cap Bleeder		1	

Model: 987 06

Model life 2006>>2008



Model: 987 06

Model life 2006>>2008

Pos	Part Number	Description	Remark	Qty	Model
		Gears and shafts			G87.01 I481
		Transmission			GAL
		Classification letter			
		Attention			
1	012 311 105 AG	Drive shaft		1	
2	012 311 123 D	Needle sleeve		1	
		27 X 41 X 23			
3	012 311 443	Cup spring		1	
		42 X 58 X 2			
4	012 311 445 G	Deep-groove ball bearing		1	
		25 X 58 X 16			
4	012 311 445 H	Deep-groove ball bearing		1	
		25 X 58 X 16			
5	N 902 941 02	Circlip		X	
		24,9 X 1,45			
(5)	N 902 941 14	Circlip		X	
		24,9 X 1,54			
(5)	N 902 941 15	Circlip		X	
		24,9 X 1,63			
(5)	N 902 941 16	Circlip		X	
		24,9 X 1,72			
(5)	N 902 941 17	Circlip		1	
		24,9 X 1,81			
(5)	N 902 941 18	Circlip		X	
		24,9 X 1,9			
(5)	N 902 941 19	Circlip		X	
		24,9 X 1,99			
(5)	N 902 941 20	Circlip		X	
		24,9 X 2,08			
(5)	N 902 941 11	Circlip		X	
		24,9 X 2,17			
6	012 311 111 A	Sleeve		1	
		13 X 14 X 10,8			
7	012 311 213 J	Needle cage		1	
		38 X 43 X 29,5			
8	012 311 131 CB	Shifting gear		1	
		3rd gear			
		Z = 40 : 28			
9	01X 311 312 A	Retaining spring		2	
		3rd/4th gear			
10	01X 311 295 J	Synchroniser ring		2	
		3rd/4th gear			
11	N 902 945 01	Circlip		1	
		38 X 2			
12	01X 311 315	Operating sleeve		1	
		3rd/4th gear			
12A	01X 311 309	Synchronising hub		1	
		3rd/4th gear			
13	N 902 944 01	Circlip		X	
		37 X 1,9			
(13)	N 902 944 02	Circlip		X	
		37 X 1,93			
(13)	N 902 944 03	Circlip		X	
		37 X 1,96			
(13)	N 902 944 04	Circlip		X	
		37 X 1,99			
(13)	N 902 944 05	Circlip		X	
		37 X 2,02			
(13)	N 902 944 06	Circlip		X	
		37 X 2,05			
14	012 311 149 CQ	Shifting gear		1	
		4th speed			

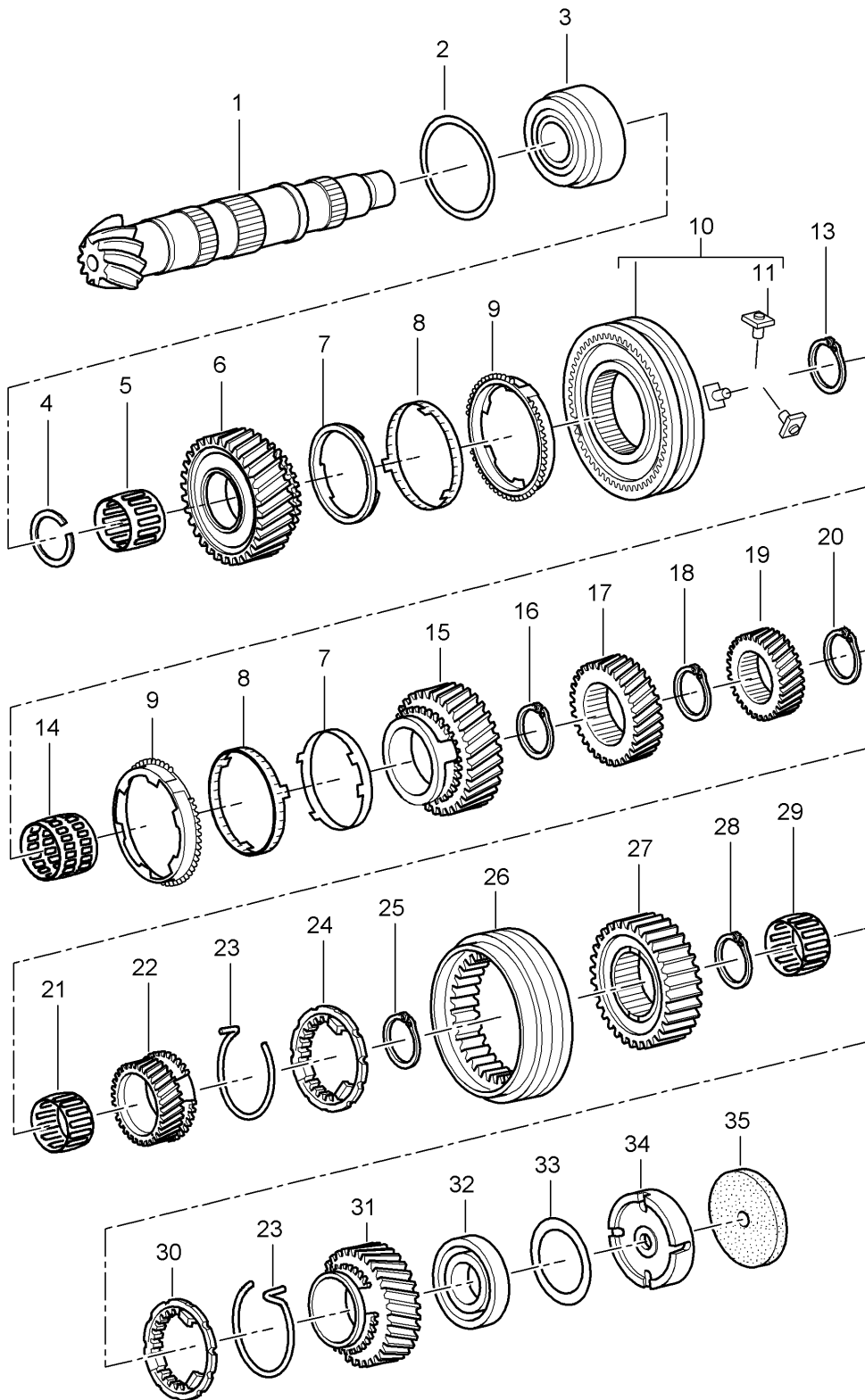
Model: 987 06

Model life 2006>>2008

Pos	Part Number	Description	Remark	Qty	Model
15	012 311 115 F	Z = 36 : 33 Needle cage		1	
(16)	012 311 159 CH	37 X 42 X 29,8 Gear wheel		1	
		5th gear			
		Z = 31 ; 37			
17	N 902 942 02	Circlip		X	
		36 X 1,9			
(17)	N 902 942 03	Circlip		X	
		36 X 1,93			
(17)	N 902 942 04	Circlip		X	
		36 X 1,96			
(17)	N 902 942 05	Circlip		X	
		36 X 1,99			
(17)	N 902 942 06	Circlip		X	
		36 X 2,02			
18	012 311 429 P	Sleeve		1	
		23 X 39 X 28,2			
19	N 902 951 01	Circlip		1	
		22 X 1,7			
		4th speed			
20	012 311 518	Supporting plate		1	
		3rd gear			
21	012 311 531 E	Reverse idler gear		1	
22	012 311 523 G	Needle-roller bearing		2	
		22 X 30 X 16			
23	012 311 517	Thrust washer		1	

Model: 987 06

Model life 2006>>2008



Model: 987 06

Model life 2006>>2008

Pos	Part Number	Description	Remark	Qty	Model
		Gears and shafts			G87.01 I481
		Transmission			GAL
		Classification letter			
		Attention			
1		Output shaft		1	
2	012 311 391	Adjusting shim		X	
		0,4			
(2)	012 311 391 A	Adjusting shim		X	
		0,45			
(2)	012 311 391 B	Adjusting shim		X	
		0,5			
(2)	012 311 391 C	Adjusting shim		X	
		0,55			
(2)	012 311 391 D	Adjusting shim		X	
		0,6			
(2)	012 311 391 E	Adjusting shim		X	
		0,65			
(2)	012 311 391 F	Adjusting shim		X	
		0,7			
(2)	012 311 391 G	Adjusting shim		X	
		0,75			
3	012 311 220 A	Taper roller bearing		1	
		48,6 X 88 X 21,5			
4	N 908 600 01	Circlip		X	
		A 48,5 X 2,00			
(4)	N 908 600 07	Circlip		X	
		A 48,5 X 2,03			
(4)	N 908 600 08	Circlip		X	
		A 48,5 X 2,09			
(4)	N 908 600 09	Circlip		X	
		A 48,5 X 2,12			
(4)	N 908 600 10	Circlip		X	
		48,5 X 2,15			
5	01X 311 325 A	Needle-roller bearing		1	
		1st gear			
		48,5 X 52,5 X 26,4			
6	012 311 250 H	Shifting gear		1	
		1st gear			
		Z = 35 : 10			
7	01X 311 277 G	Inner ring		1	
		1st gear			
(7)	01X 311 277 B	Inner ring		1	
		2nd gear			
(7)	0B1 311 277	Inner ring		1	
		2nd gear			
8	01X 311 259 G	Intermediate ring		2	
		1st / 2nd gear			
9	01X 311 247 P	Synchroniser ring		2	
		1st / 2nd gear			
9	0B1 311 247 B	Synchroniser ring		2	
		1st / 2nd gear			
10	01X 311 239 B	Synchronising hub		1	
		with			
		Operating sleeve			
		1st / 2nd gear			
10	01X 311 239 C	Synchronising hub		1	
		with			
		Operating sleeve			
		1st / 2nd gear			
11	01X 311 314 B	Pressure piece		3	
13	N 902 947 01	Circlip		X	
		47 X 1,9			

Model: 987 06

Model life 2006>>2008

Pos	Part Number	Description	Remark	Qty	Model
(13)	N 902 947 02	Circlip 47 X 1,93		X	
(13)	N 902 947 03	Circlip 47 X 1,96		X	
(13)	N 902 947 04	Circlip 47 X 1,99		X	
(13)	N 902 947 05	Circlip 47 X 2,02		X	
14	012 311 229 K	Needle cage 2nd gear		1	
15	012 311 260 L	47 X 52 X 26,6 Shifting gear 2nd gear		1	
16	012 311 317	Z = 36 : 17 Circlip 47 X 2,5		1	
17	012 311 285 BT	Gear wheel 3rd gear Z = 40 : 28		1	
18	01X 311 317	Circlip 44,5 x 1,9		X	
(18)	01X 311 317 A	Circlip 44,5 x 1,94		X	
(18)	01X 311 317 B	Circlip 44,5 x 1,98		X	
(18)	01X 311 317 C	Circlip 44,5 x 2,02		X	
(18)	01X 311 317 D	Circlip 44,5 x 2,06		X	
(18)	01X 311 317 E	Circlip 44,5 x 2,10		X	
19	012 311 149 BT	Gear wheel 4th speed Z = 36 : 33		1	
20	N 902 945 01	Circlip 38 X 2		X	
(20)	N 902 945 02	Circlip 38 X 2,16		X	
(20)	N 902 945 03	Circlip 38 X 2,20		X	
(20)	N 902 945 04	Circlip 38 X 2,24		X	
(20)	N 902 945 05	Circlip 38 X 2,28		X	
21	012 311 116 G	Needle cage 5th gear 38 X 43 X 27		1	
22	012 311 159 EJ	Shifting gear 5th gear Z = 31 : 37		1	
23	01X 311 312 A	Retaining spring		2	
24	01X 311 295 J	Synchroniser ring 5th gear And Reverse gear		1	
25	N 902 945 01	Circlip 38 X 2		1	
26	01X 311 315	Operating sleeve 5th gear And Reverse gear		2	
27	01X 311 309	Synchronising hub 5th gear		1	

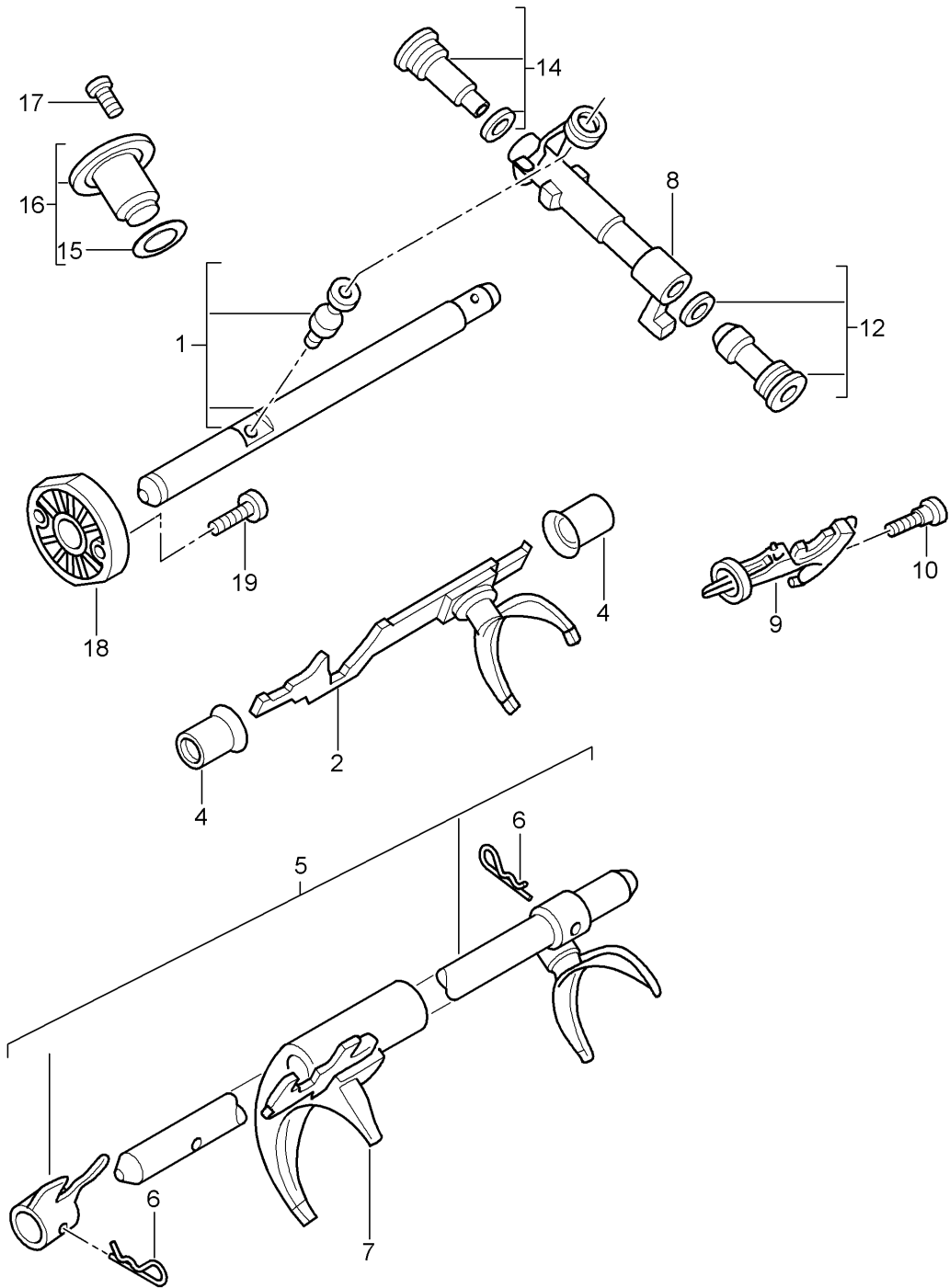
Model: 987 06

Model life 2006>>2008

Pos	Part Number	Description	Remark	Qty	Model
		And			
28	N 902 944 01	Reverse gear		X	
(28)	N 902 944 02	Circlip 37 X 1,9		X	
(28)	N 902 944 03	Circlip 37 X 1,93		X	
(28)	N 902 944 04	Circlip 37 X 1,96		X	
(28)	N 902 944 05	Circlip 37 X 1,99		X	
(28)	N 902 944 06	Circlip 37 X 2,02		X	
		37 X 2,05			
29	012 311 234 E	Needle-roller bearing 37 x 42 x 24,5		1	
30	01X 311 295 J	Synchroniser ring		1	
		Reverse gear			
31	012 311 217 L	Shifting gear for		1	
		Reverse gear			
32	012 311 375 C	Taper roller bearing 31,7 x 76,2 x 25,4		1	
33	012 311 393	Adjusting shim 0,45		X	
(33)	012 311 393 A	Adjusting shim 0,49		X	
(33)	012 311 393 B	Adjusting shim 0,53		X	
(33)	012 311 393 C	Adjusting shim 0,57		X	
(33)	012 311 393 D	Adjusting shim 0,61		X	
(33)	012 311 393 E	Adjusting shim 0,65		X	
(33)	012 311 393 F	Adjusting shim 0,69		X	
(33)	012 311 393 G	Adjusting shim 0,73		X	
(33)	012 311 393 H	Adjusting shim 0,77		X	
(33)	012 311 393 J	Adjusting shim 0,81		X	
(33)	012 311 393 K	Adjusting shim 0,85		X	
(33)	012 311 393 L	Adjusting shim 0,89		X	
34	012 301 251 B	Pressure plate 70,98 X 14,8		X	
(34)	012 301 251 C	Pressure plate 70,98 X 15,3		X	
35	012 301 193 C	Rubber washer 71 X 7		1	

Model: 987 06

Model life 2006>>2008



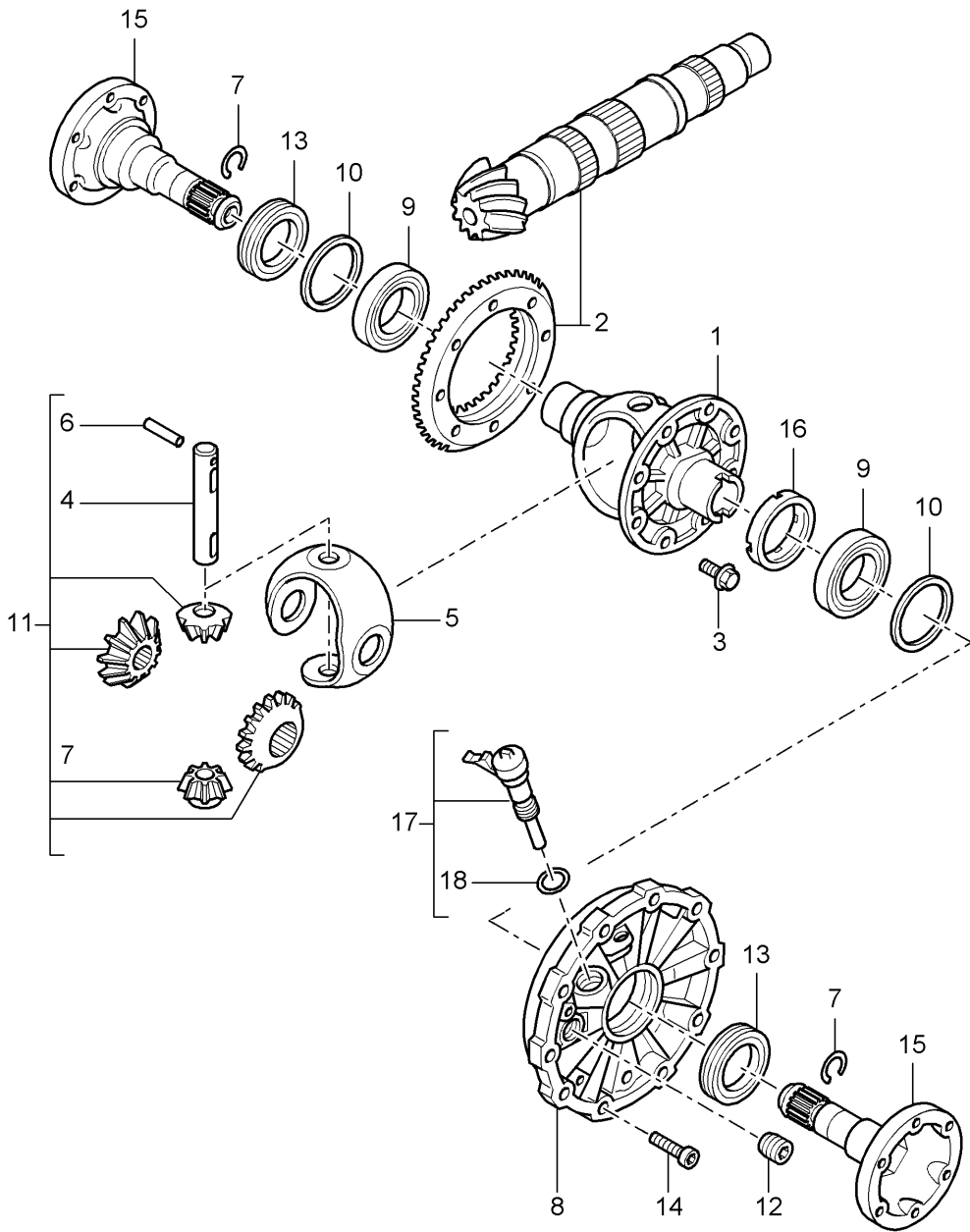
Model: 987 06

Model life 2006>>2008

Pos	Part Number	Description	Remark	Qty	Model
		Manual transmission			G87.01 I481
1	012 311 505	Shift rods shift forks Shift rod		1	
2	012 311 559 D	Gear shift rod 3rd/4th gear		1	
4	012 301 120 C	Sleeve		2	
5	012 311 575 D	Gear shift rod 5th gear And Reverse gear		1	
6	N 023 332 1	Roll pin 6 X 24		2	
7	012 311 549	Shift fork 1st / 2nd gear		1	
8	012 311 617 E	Reverse lever		1	
9	012 311 741	Locking segment		1	
10	012 301 291	Torx screw M 8 X 30		1	
12	012 311 718 D	Stop screw M 22 X 1,5		1	
14	012 311 720 D	Stop screw M 26 X 1,5		1	
15	N 903 541 01	O-ring 22 X 2		1	
16	012 311 691 A	Pawl		1	
17	N 903 663 03	Pan-head screw M 8 X 22		2	
18	012 301 451	Lid for Shift rod		1	
19	N 903 660 01	Torx screw M 8 X 36		2	

Model: 987 06

Model life 2006>>2008



Model: 987 06 Model life 2006>>2008

Pos	Part Number	Description	Remark	Qty	Model
		Differential			G87.01 I481
		Transmission			GAL
		Classification letter			
		Attention			
1	01X 409 121 A	Differential housing 90 MM		1	
2	012 409 143 EE	Ring gear and pinion shaft 30 : 8		1	
3	N 903 614 01	Hexagon-head bolt M 10 X 1 X 22,8		10	
4	005 409 177 00	Differential bolt		1	
5	02B 409 170 A	Thrust washer		1	
5	02M 409 170 A	Thrust washer		1	
6	N 100 726 01	Roll pin 5 X 36		1	
7	012 409 413	Circlip		2	
8	012 409 131 L	Lid		1	
9	002 517 185 A	Taper roller bearing Right 46 X 75 X 18		1	
9	002 517 185 M	Taper roller bearing Right 46 X 75 X 18		1	
9	01X 409 123	Taper roller bearing Left 50 X 80 X 20		1	
10	012 409 387	Shim 0,45		X	
10	012 409 387 DM	Shim Left 0,45		X	
10	012 409 387 AK	Shim Right 0,45		X	
(10)	012 409 387 DN	Shim Left 0,49		X	
(10)	012 409 387 AL	Shim Right 0,49		X	
(10)	012 409 387 DP	Shim Left 0,53		X	
(10)	012 409 387 AM	Shim Right 0,53		X	
(10)	012 409 387 DQ	Shim Left 0,57		X	
(10)	012 409 387 AN	Shim Right 0,57		X	
(10)	012 409 387 DR	Shim Left 0,61		X	
(10)	012 409 387 AP	Shim Right 0,61		X	
(10)	012 409 387 DS	Shim Left 0,65		X	
(10)	012 409 387 AQ	Shim		X	

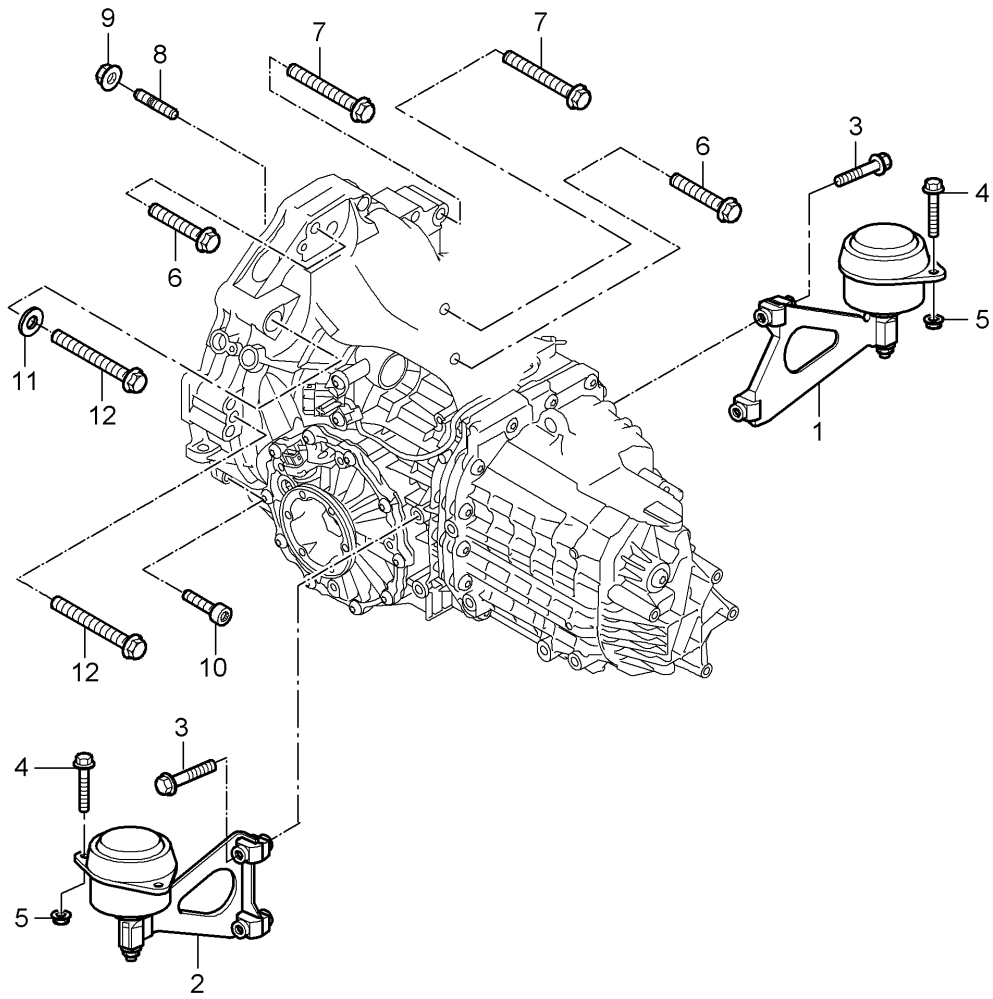
Model: 987 06

Model life 2006>>2008

Pos	Part Number	Description	Remark	Qty	Model
(10)	012 409 387 DT	Right 0,65 Shim Left		X	
(10)	012 409 387 AR	0,69 Shim Right		X	
(10)	012 409 387 EA	0,69 Shim Left		X	
(10)	012 409 387 AS	0,73 Shim Right		X	
(10)	012 409 387 EB	0,73 Shim Left		X	
(10)	012 409 387 AT	0,77 Shim Right		X	
(10)	012 409 387 EC	0,77 Shim Left		X	
(10)	012 409 387 BA	0,81 Shim Right		X	
(10)	012 409 387 ED	0,81 Shim Left		X	
(10)	012 409 387 BB	0,85 Shim Right		X	
11	01X 498 081	Differential pinions 1 set		1	
12	WHT 001 937	Screw plug M 24 X 1,5		1	
13	016 409 399 B	Radial shaft seal 45 X 60 X 8		2	
14	N 903 660 01	Torx screw M 8 X 36		10	
15	012 409 343 AC	Flanged shaft		2	
16	012 409 182 C	Drive wheel without Function-drive		1	
(17)	012 409 961	Stopper		1	
18	N 903 684 01	O-ring 14,5 X 2		1	

Model: 987 06

Model life 2006>>2008



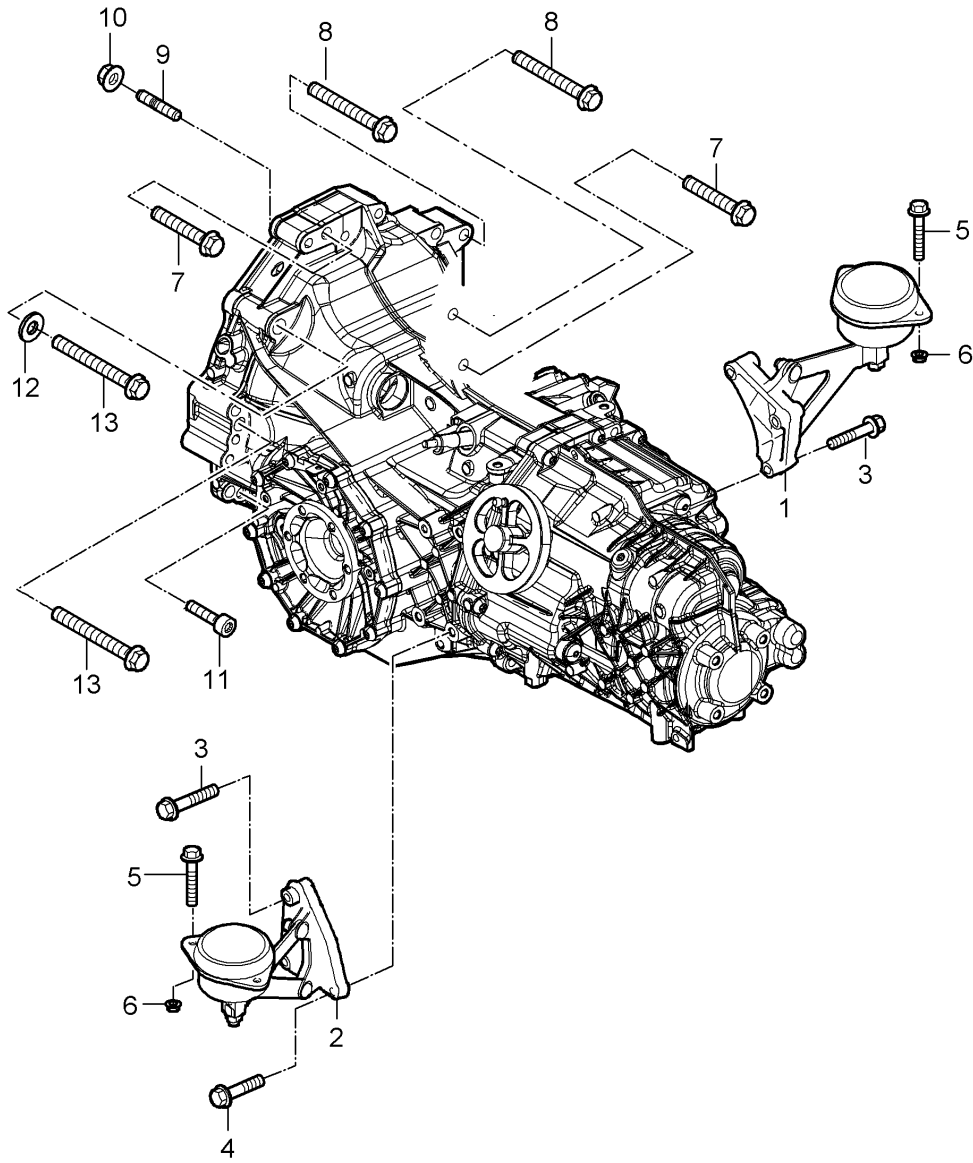
Model: 987 06

Model life 2006>>2008

Pos	Part Number	Description	Remark	Qty	Model
		Manual transmission			G87.01 I481
		Transmission suspension			
		Threaded joint			
		for			
		Engine			
1	986 375 084 03	Transmission bracket		1	
		Right			
2	986 375 083 03	Transmission bracket		1	
		Left			
3	900 378 098 09	Hexagon-head bolt		4	
		M 10 X 60			
4	900 378 159 09	Hexagon-head bolt		4	
		M 8 X 60			
5	999 084 447 01	Hexagon nut		4	
		M 8			
6	999 072 008 09	Hexagon-head bolt		2	
		M 12 X 1,5 X 70			
(6)	999 072 008 01	Hexagon-head bolt		2	
		M 12 X 1,5 X 70			
7	999 072 009 09	Hexagon-head bolt		2	
		M 12 X 1,5 X 90			
(7)	999 072 009 01	Hexagon-head bolt		2	
		M 12 X 1,5 X 90			
8	999 218 088 09	Stud		1	
		M 10 X 30			
9	900 377 011 09	Hexagon nut		1	
		M 10			
10	999 073 118 09	Pan-head screw		1	
		M 10 X 40			
11	N 905 028 02	Washer		1	
		15 X 28 X 3,5			
12	999 072 010 09	Hexagon-head bolt		2	
		M 12 X 1,5 X 100			

Model: 987 06

Model life 2006>>2008



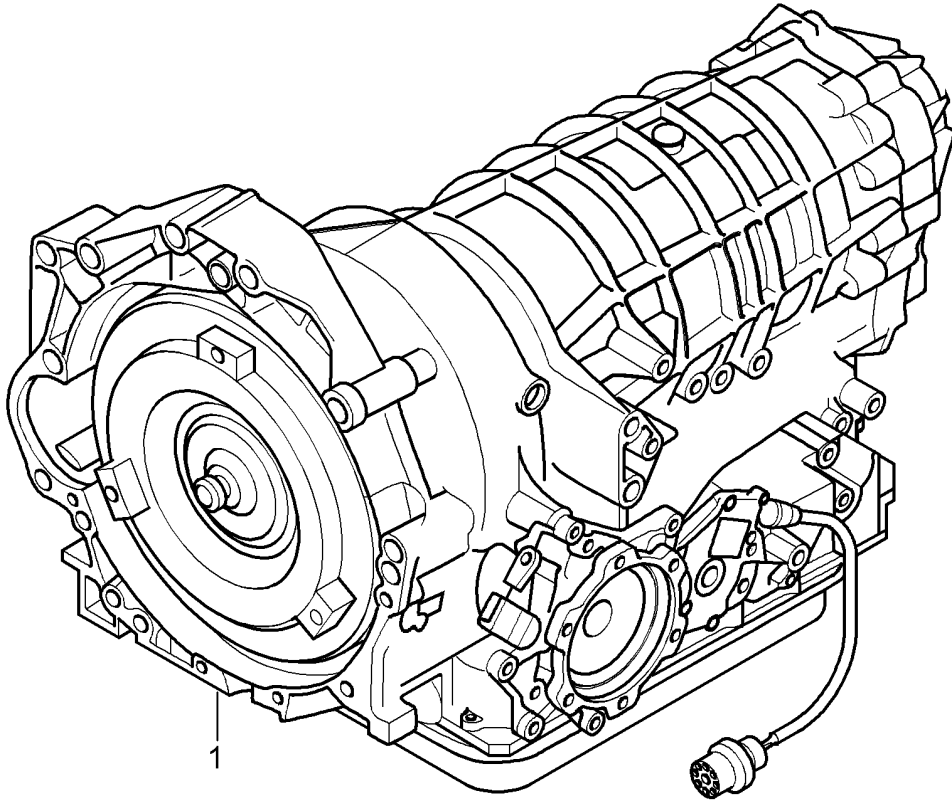
Model: 987 06

Model life 2006>>2008

Pos	Part Number	Description	Remark	Qty	Model
		Manual transmission			G87.21
		Transmission suspension			I480
		Threaded joint			
		Engine			
1	987 375 042 01	Transmission bracket Right		1	
1	987 375 042 02	Transmission bracket Right		1	
2	987 375 041 01	Transmission bracket Left		1	
2	987 375 041 02	Transmission bracket Left		1	
3	900 378 098 09	Hexagon-head bolt M 10 X 60		4	
4	900 378 021 09	Hexagon-head bolt M 10 X 40		2	
5	900 378 159 09	Hexagon-head bolt M 8 X 60		4	
6	900 380 005 09	Hexagon nut M 8		4	
7	999 072 008 09	Hexagon-head bolt M 12 X 1,5 X 70		2	
(7)	999 072 008 01	Hexagon-head bolt M 12 X 1,5 X 70		2	
8	999 072 009 09	Hexagon-head bolt M 12 X 1,5 X 90		2	
(8)	999 072 009 01	Hexagon-head bolt M 12 X 1,5 X 90		2	
9	999 218 088 09	Stud M 10 X 30		1	
10	900 377 011 09	Hexagon nut M 10		1	
11	999 073 118 09	Pan-head screw M 10 X 40		1	
12	N 905 028 02	Washer 15 X 28 X 3,5		1	
13	999 072 010 09	Hexagon-head bolt M 12 X 1,5 X 100		2	

Model: 987 06

Model life 2006>>2008



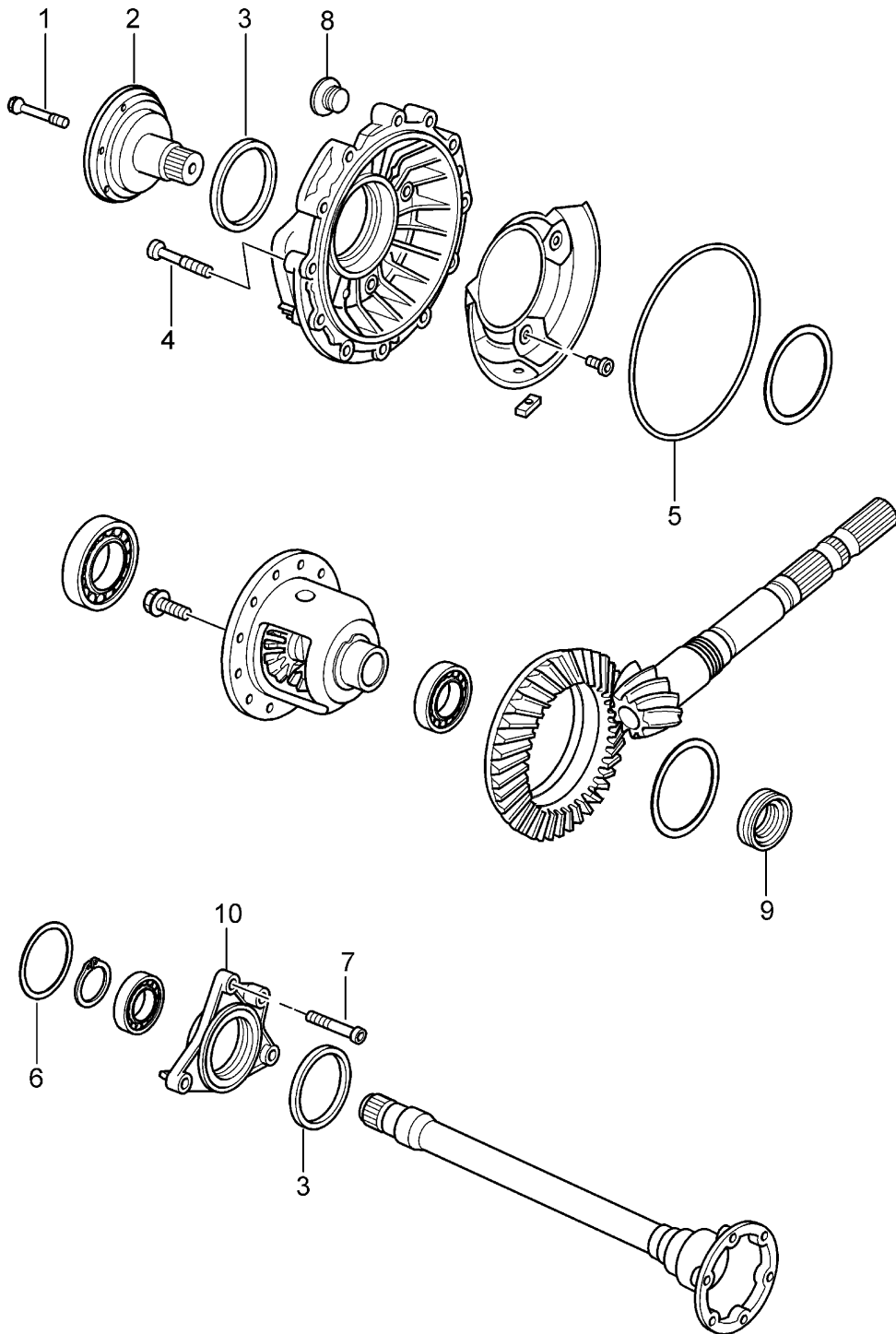
Model: 987 06

Model life 2006>>2008

Pos	Part Number	Description	Remark	Qty	Model
		Tiptronic			A87.02/21 I249
		Replacement transmission Ready for installation			
1	987 300 011 01	Transmission	07-	1	A87.02
1	987 300 011 21	Transmission		1	A87.21
2	000 043 207 00	Transmission oil ATF 20 LTR. Container		X	
3	999 917 546 00	Transmission oil HYPOID 1 LTR. Container		X	

Model: 987 06

Model life 2006>>2008

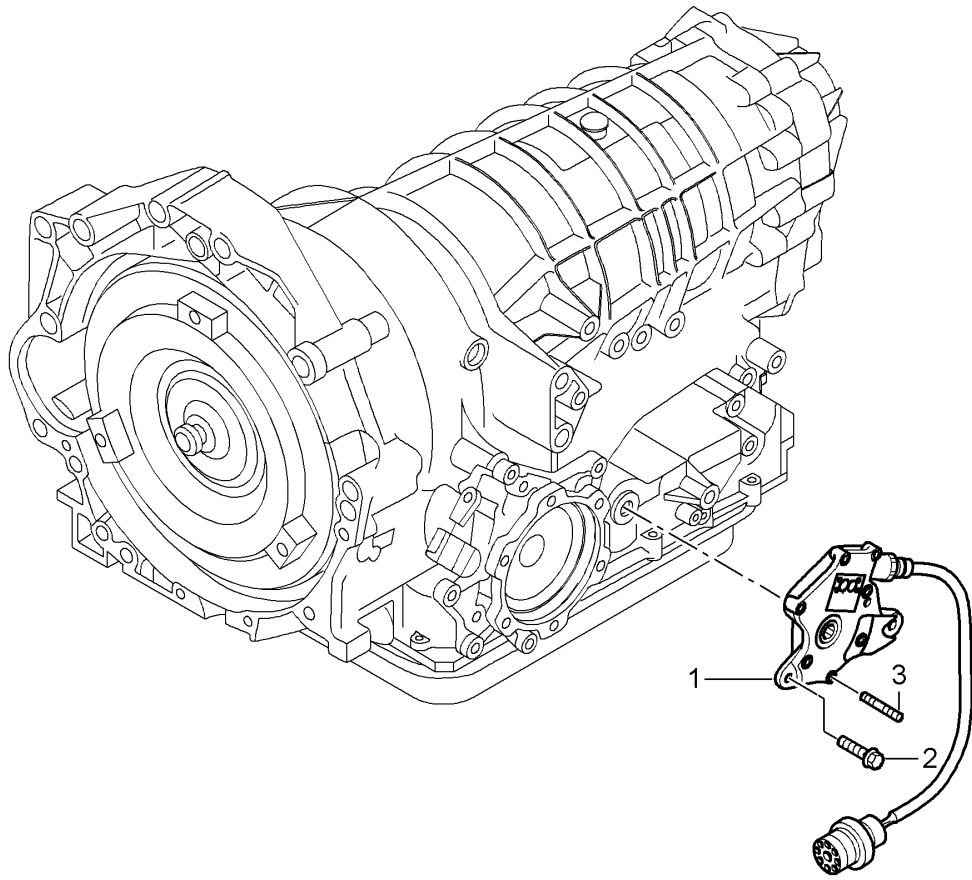


Model: 987 06 Model life 2006>>2008

Pos	Part Number	Description	Remark	Qty	Model
		Tiptronic			A87.02/21 I249
1	944 332 587 00	Differential Differential housing Elastic bolt M 8		1	
2	986 332 201 00	Drive flange M 8		1	A87.02
(2)	986 332 201 20	Drive flange M 10		1	A87.21
(2)	987 332 208 00	Drive flange M 10 for Transmission 98730001101		1	
3	986 397 027 00	Shaft sealing ring for Lid		1	A87.02
(3)	996 397 015 00	Shaft sealing ring for Flange		1	
4	986 397 029 00	Pan-head screw M 8 X 45		12	
5	986 397 028 00	Round seal		1	
6	986 397 034 00	Round seal		1	
7	996 397 007 00	Pan-head screw M 8 X 30		3	
8	986 397 026 00	Screw plug		2	
8	986 397 026 01	Screw plug		2	
9	986 397 039 00	Shaft sealing ring 34 X 46-37 X 12-16		1	
10	986 332 203 00	Lid Flanged shaft		1	

Model: 987 06

Model life 2006>>2008



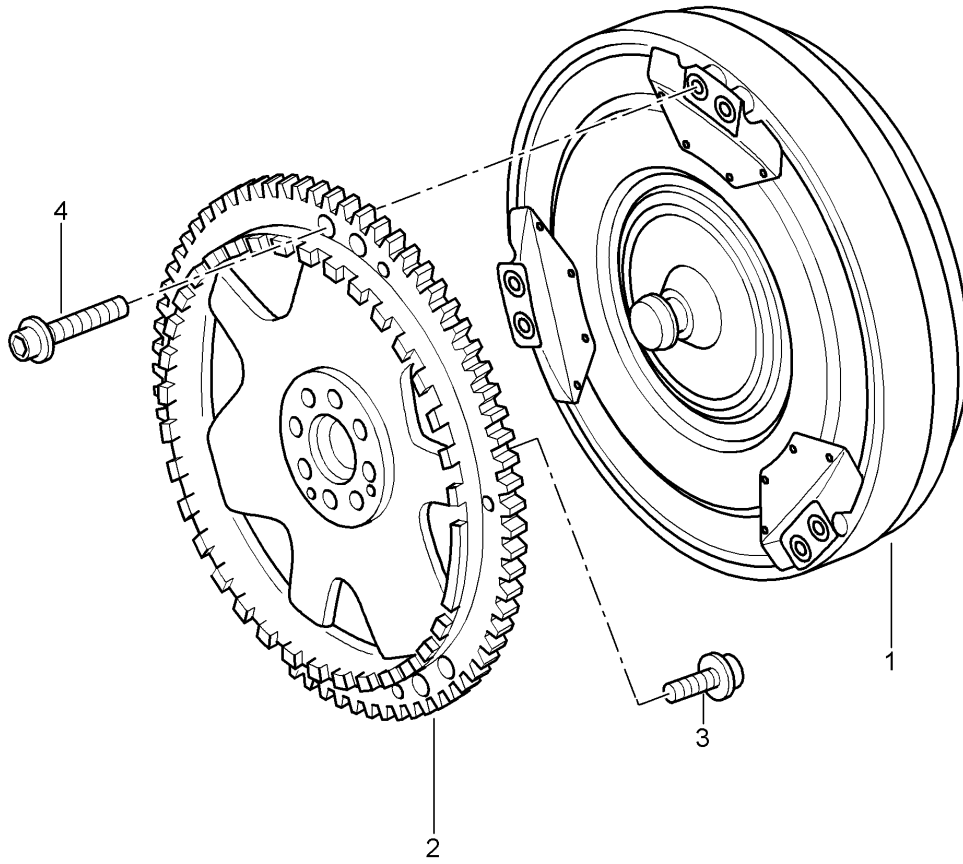
Model: 987 06

Model life 2006>>2008

Pos	Part Number	Description	Remark	Qty	Model
		Tiptronic			A87.02/21 I249
1	986 325 612 01	Selector switch		1	
2	986 397 025 00	Switch		2	
		Pan-head screw			
		M 6 X 15			
2	986 397 025 01	Pan-head screw		2	
		M 6 X 15			
3	986 397 024 00	Straight pin		1	
		M 6 X 14			

Model: 987 06

Model life 2006>>2008



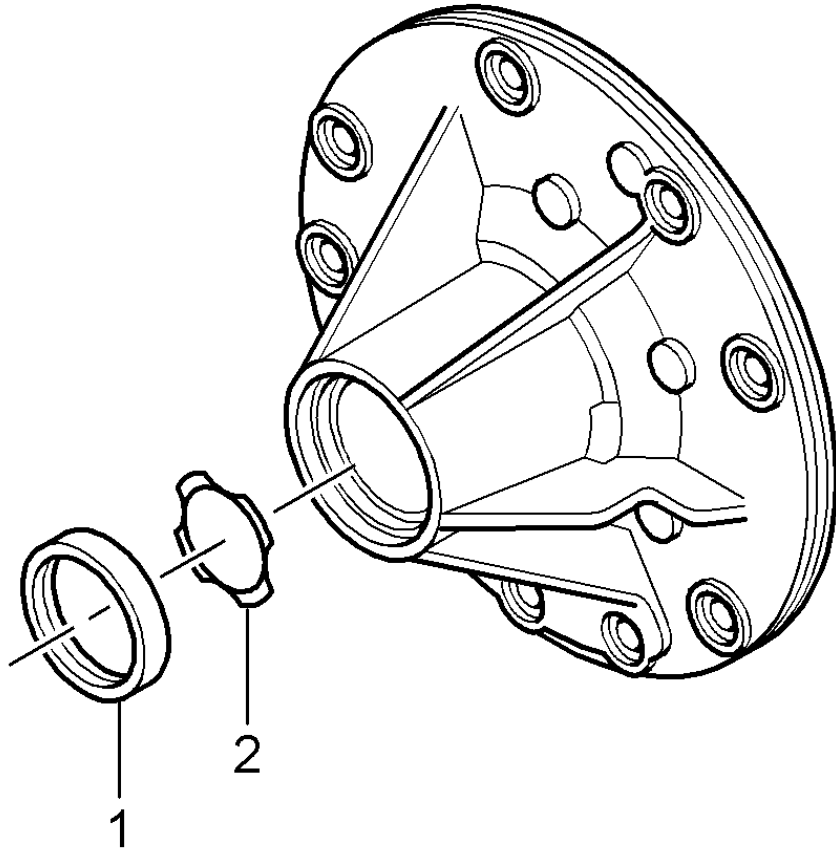
Model: 987 06

Model life 2006>>2008

Pos	Part Number	Description	Remark	Qty	Model
		Tiptronic			I249
		Torque converter			
1	986 316 001 05	Torque converter		1	A87.02
2	996 116 075 07	Drive plate		1	
3	999 073 091 09	Pan-head screw M 10 X 1 X 25		8	
4	900 067 369 09	Pan-head screw M 8 X 20		6	

Model: 987 06

Model life 2006>>2008



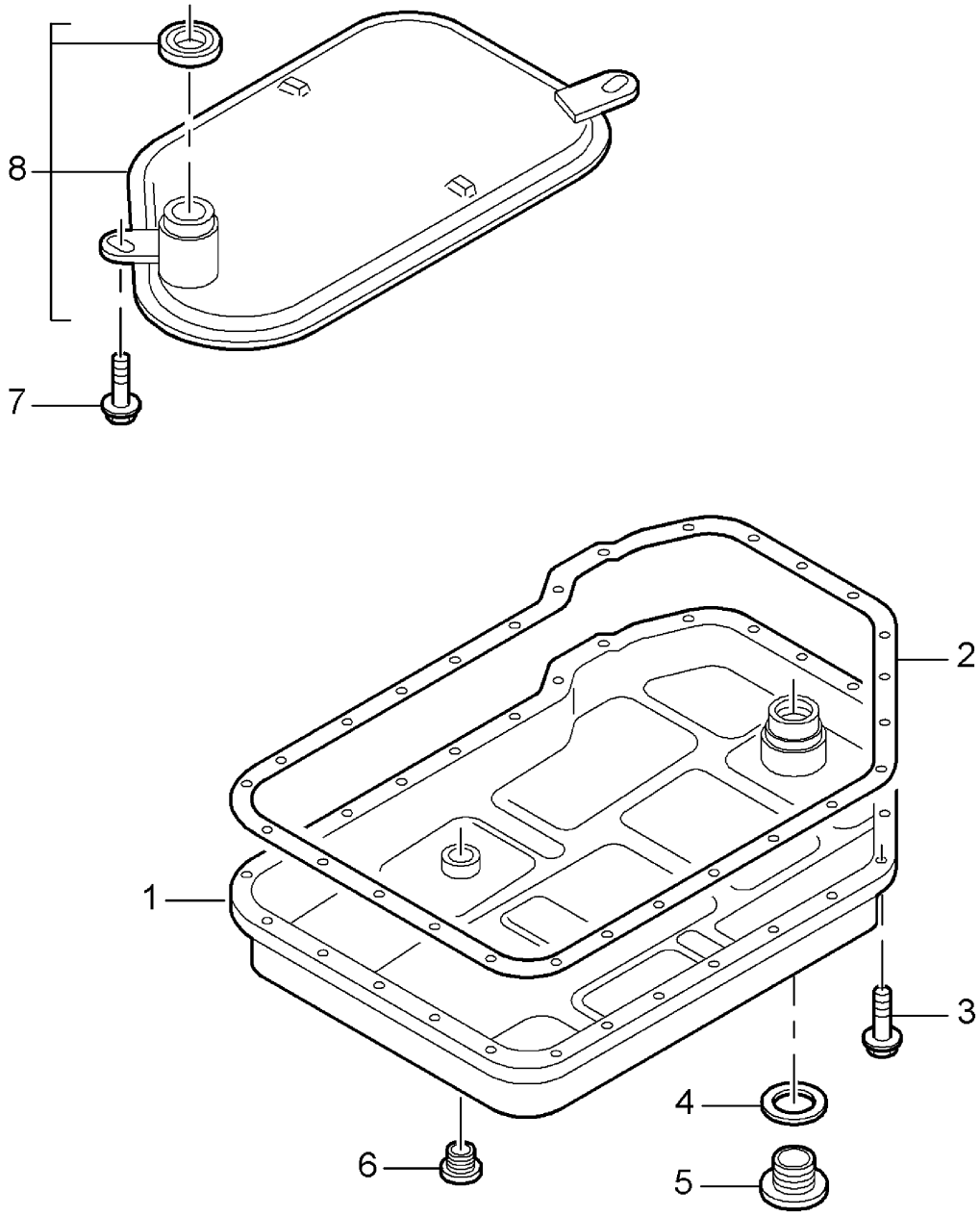
Model: 987 06

Model life 2006>>2008

Pos	Part Number	Description	Remark	Qty	Model
		Tiptronic			A87.02/21
		Oil pump			I249
1	996 397 010 00	Shaft sealing ring		1	
2	986 397 012 00	Washer		1	

Model: 987 06

Model life 2006>>2008



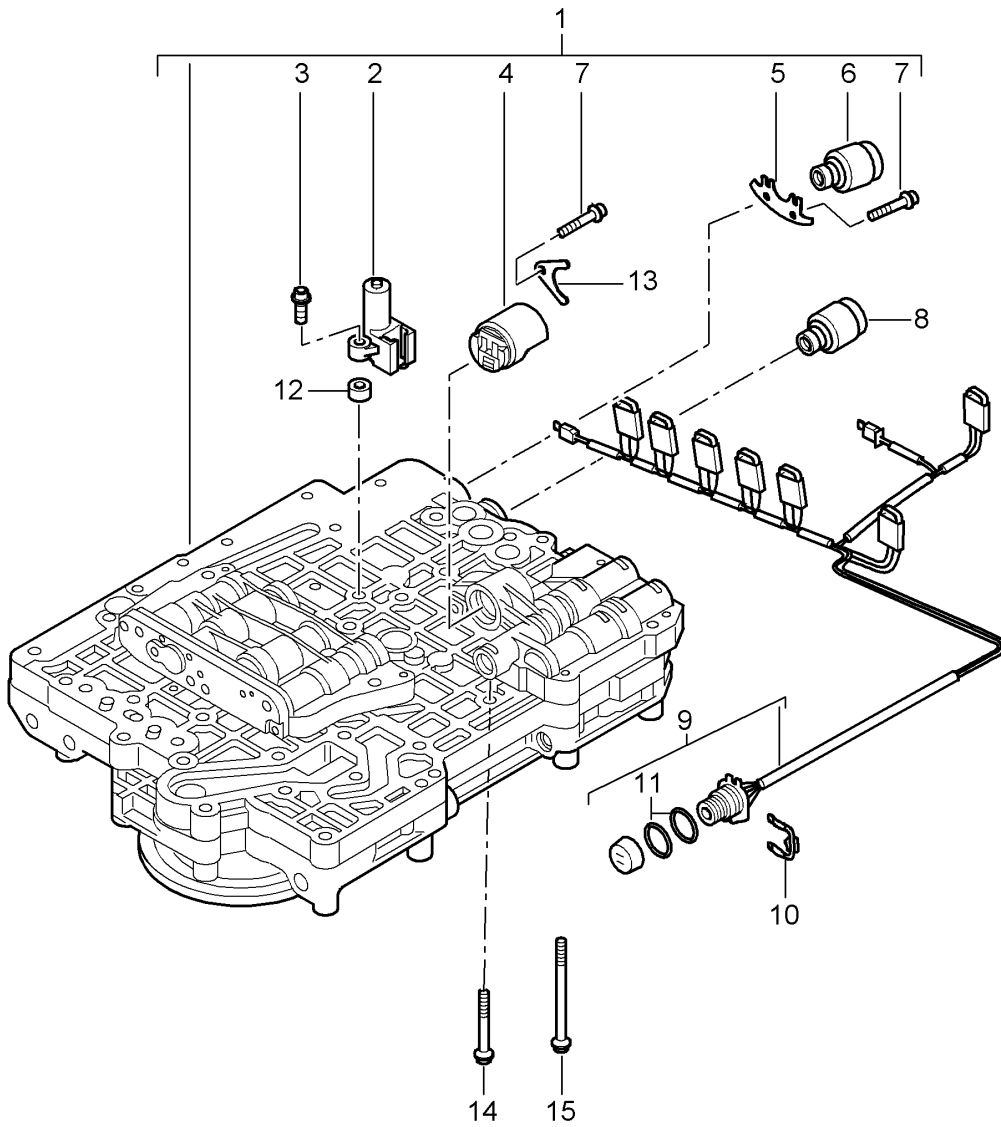
Model: 987 06

Model life 2006>>2008

Pos	Part Number	Description	Remark	Qty	Model
		Tiptronic			A87.02/21 I249
		Oil filter			
		Oil pan			
1	986 321 025 02	Oil pan		1	
2	986 397 016 00	Gasket		1	
3	943 397 039 00	Pan-head screw M 6 X 20		27	
4	986 397 014 00	Round seal		1	
5	986 397 015 00	Screw plug M 30 X 1,5		1	
5	986 397 015 01	Screw plug M 30 X 1,5		1	
6	986 397 013 00	Screw plug M 16 X 1,5		1	
7	943 397 045 00	Pan-head screw M 5 X 12		2	
8	986 307 403 00	Filter		2	

Model: 987 06

Model life 2006>>2008



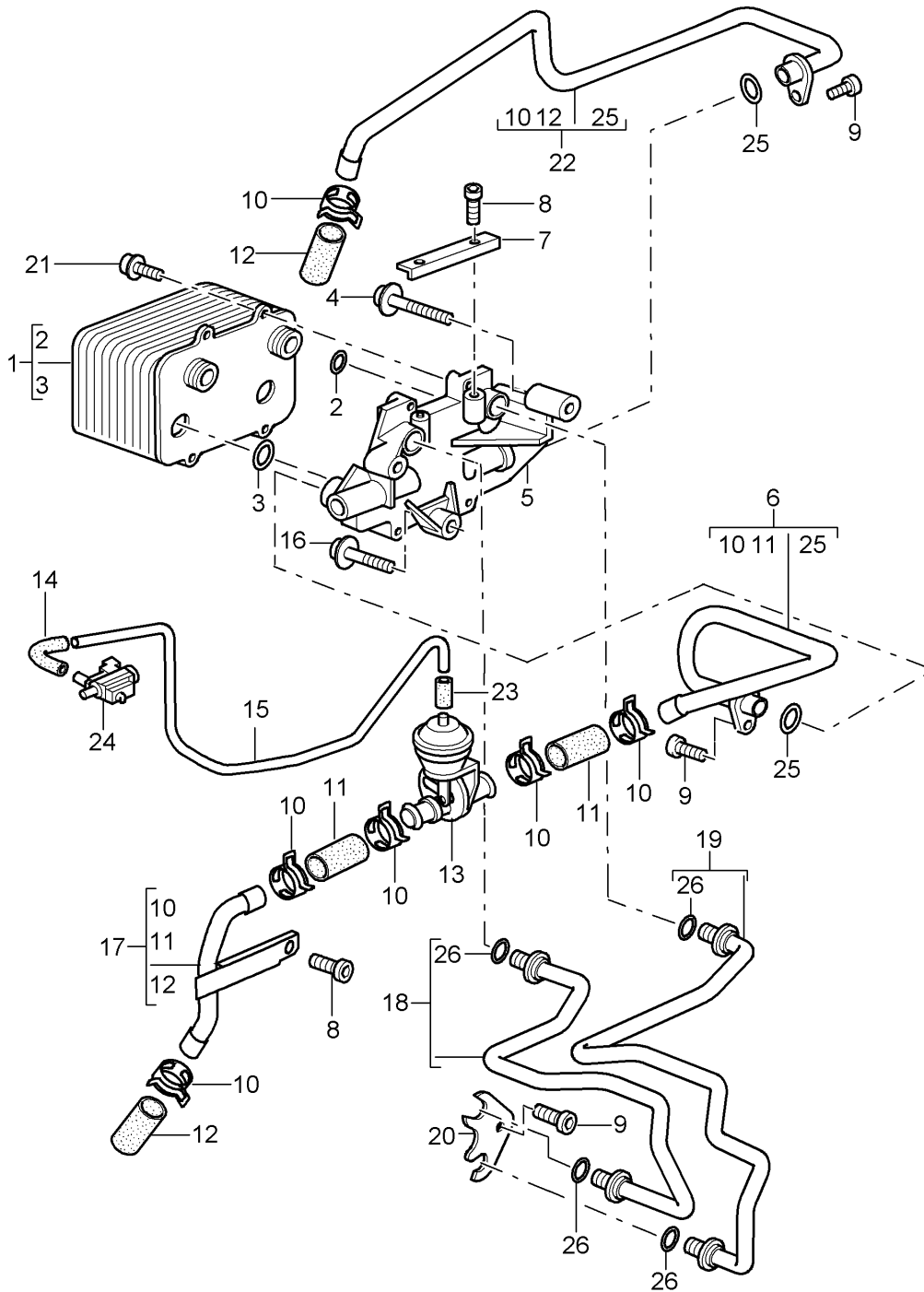
Model: 987 06

Model life 2006>>2008

Pos	Part Number	Description	Remark	Qty	Model
		Tiptronic			A87.02/21 I249
		Switch unit			
		Solenoid valve			
		Pressure regulator			
1	987 325 617 00	Switch unit		1	
2	986 325 608 00	Inductive transmitter		1	
3	986 397 019 00	Pan-head screw M 5 X 40		2	
4	986 325 604 01	Pressure regulator		1	
5	986 325 615 00	Retaining bracket		2	
6	986 325 601 00	Solenoid valve		3	
7	943 397 045 00	Pan-head screw M 5 X 12		5	
8	986 325 603 00	Pressure regulator		3	
9	987 325 611 00	Wiring harness		1	A87.02/21
10	986 397 018 01	Clamp		1	
11	986 397 017 00	Round seal		2	
12	986 397 020 00	Spacer ring		2	
13	943 325 111 00	Retaining bracket		1	
14	943 397 013 00	Pan-head screw M 6 X 30		1	
15	943 397 005 00	Pan-head screw M 6 X 60		16	

Model: 987 06

Model life 2006>>2008

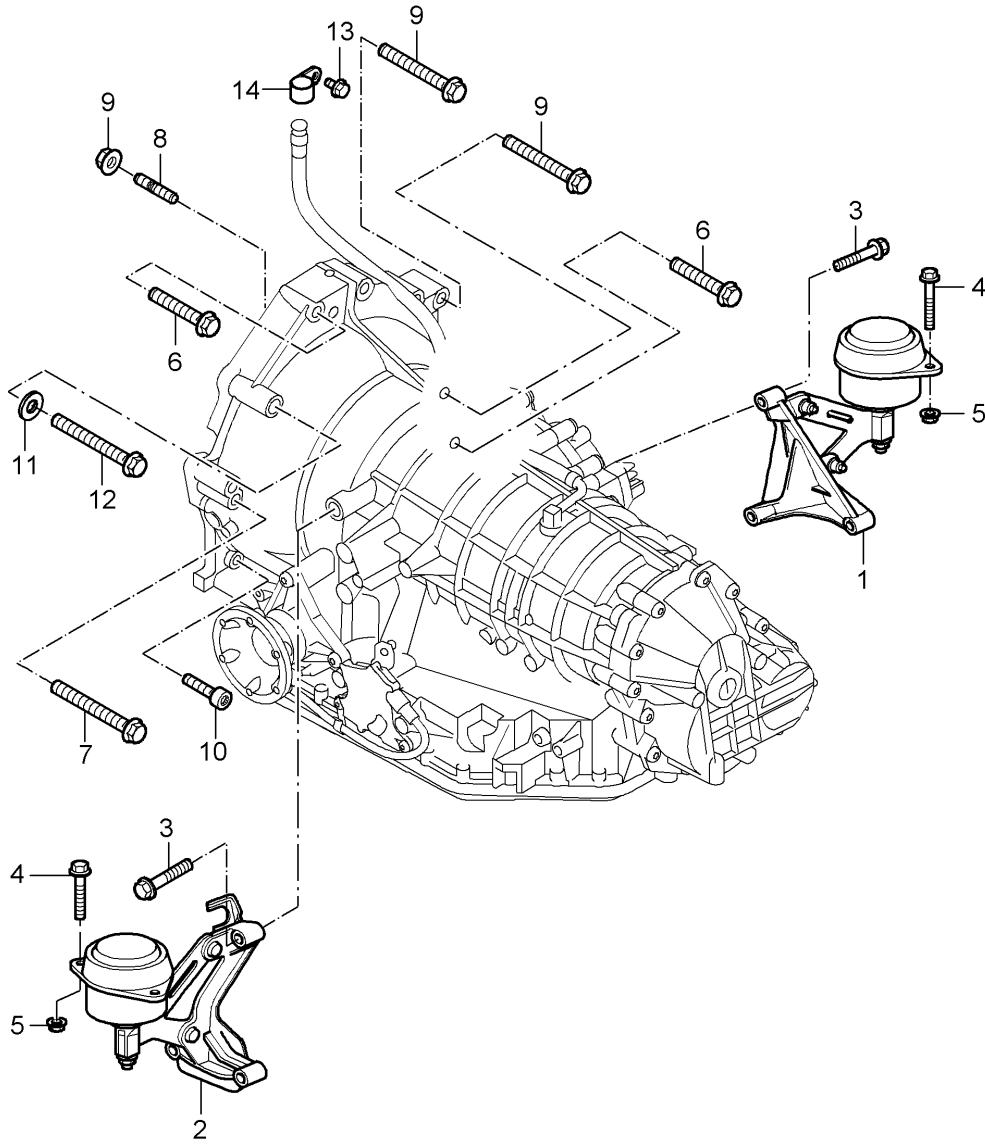


Model: 987 06 Model life 2006>>2008

Pos	Part Number	Description	Remark	Qty	Model
		Tiptronic			A87.02/21 I249
		Atf cooler			
1	996 307 017 01	Atf lines		1	
2	999 707 388 40	Atf cooler		2	
		O-ring			
		18,64 X 3,53			
3	900 331 034 40	O-ring		2	
		25,8 X 3,55			
4	999 073 116 09	Oval-head screw		1	
		M 8 X 55			
5	986 307 020 00	Port plate		1	
6	986 307 076 21	Water line	-06	1	
		Supply			
6	986 307 076 22	Water line	07-	1	
		Supply			
7	986 307 143 02	Latch		1	
8	999 073 103 09	Oval-head screw		2	
		M 6 X 16			
9	999 073 094 09	Oval-head screw		4	
		M 8 X 20			
10	999 512 656 09	Hose clamp		6	
		B 25 X 12			
11	900 181 060 50	Water hose		2	
		18 X 3,5 X 50			
12	900 181 062 50	Water hose		2	
		18 X 3,5 X 60			
13	928 574 573 03	Disc valve		1	
14	928 574 717 05	Moulded hose		1	
14	928 574 717 07	Moulded hose		1	
14	9P1 129 487	Moulded hose		1	
-	999 181 742 40	Pipe		X	
		4,0 X 1,0			
15		140 MM		1	
16	999 073 105 09	Round head screw		2	
		M 8 X 40			
17	986 307 075 21	Water line	-06	1	
		Supply			
(17)	986 307 075 22	Water line	07-	1	
		Supply			
18	986 307 085 04	Oil pipe	-06	1	
		Return line			
18	986 307 085 05	Oil pipe	07-	1	
		Return line			
19	986 307 082 04	Oil pipe	-06	1	
		Supply			
19	986 307 082 05	Oil pipe	07-	1	
		Supply			
20	996 307 147 00	Support	-06	1	
(20)	996 307 147 01	Support	07-	1	
21	999 073 103 09	Oval-head screw		4	
		M 6 X 16			
22	987 307 077 01	Water tube		1	
		Return line			
23	999 239 040 40	Connecting piece		1	
24	996 605 123 01	Change-over valve		1	
25	999 707 387 40	O-ring		2	
		15 X 2,5			
26	999 707 386 40	O-ring		4	
		12,37 X 2,62			

Model: 987 06

Model life 2006>>2008



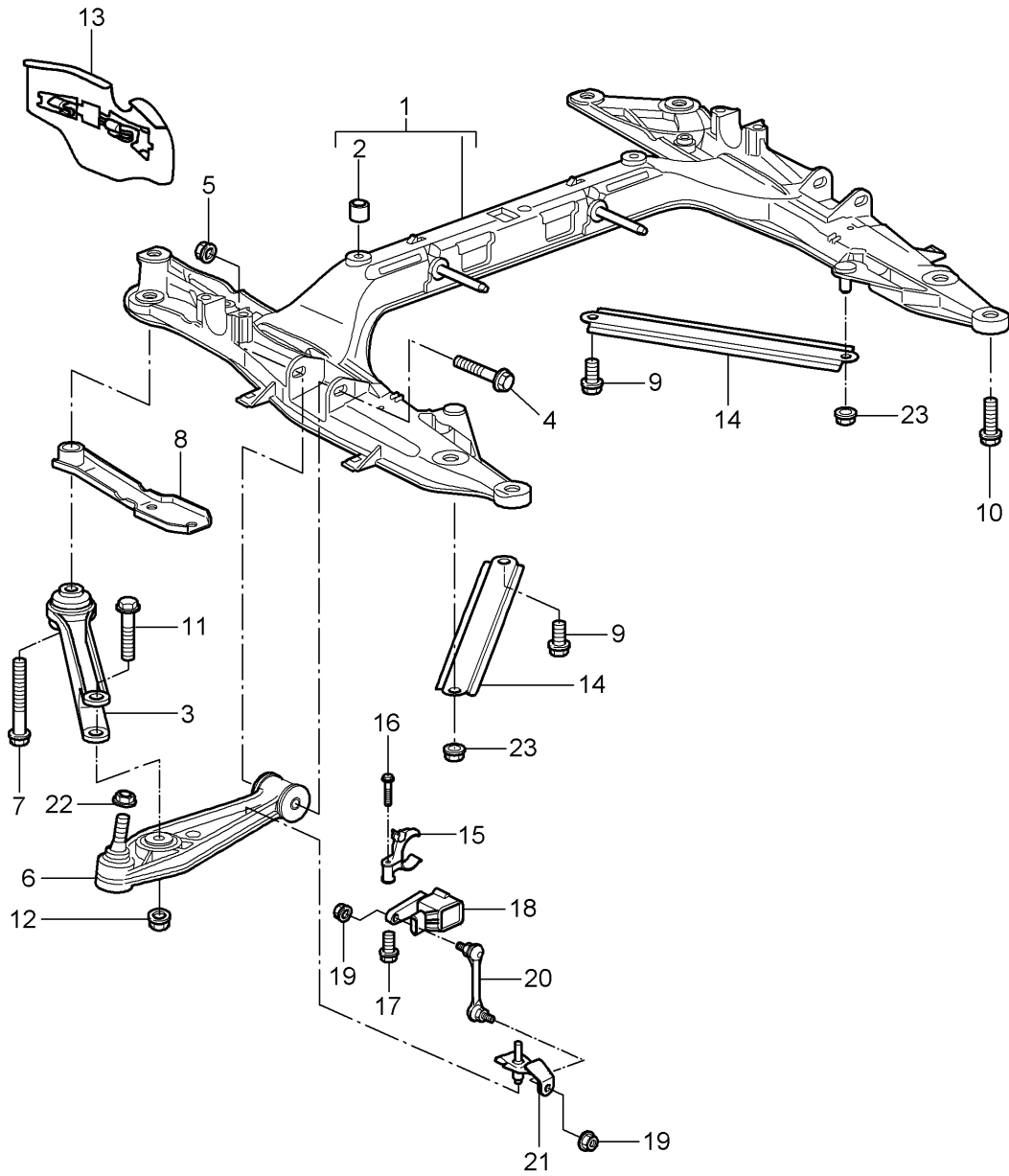
Model: 987 06

Model life 2006>>2008

Pos	Part Number	Description	Remark	Qty	Model
		Tiptronic			A87.02/21 I249
		Transmission suspension			
		Threaded joint			
		for			
		Engine			
1	986 375 094 03	Transmission bracket		1	
		Right			
1	986 375 094 04	Transmission bracket		1	
		Right			
2	987 375 093 01	Transmission bracket		1	
		Left			
2	987 375 093 02	Transmission bracket		1	
		Left			
3	900 378 076 09	Hexagon-head bolt		6	
		M 10 X 50			
4	900 378 159 09	Hexagon-head bolt		4	
		M 8 X 60			
5	999 084 447 09	Hexagon nut		4	
		M 8			
6	999 072 008 09	Hexagon-head bolt		1	
		M 12 X 1,5 X 70			
6	999 072 008 01	Hexagon-head bolt		1	
		M 12 X 1,5 X 70			
7	999 072 009 09	Hexagon-head bolt		3	
		M 12 X 1,5 X 90			
7	999 072 009 01	Hexagon-head bolt		3	
		M 12 X 1,5 X 90			
8	999 218 088 09	Stud		1	
		M 10 X 30			
9	900 377 011 09	Hexagon nut		1	
		M 10			
10	999 073 119 09	Pan-head screw		1	
		M 10 X 50			
11	N 905 028 02	Washer		1	
		15 X 28 X 3,5			
12	999 072 010 09	Hexagon-head bolt		1	
		M 12 X 1,5 X 100			
13	900 378 036 09	Hexagon-head bolt		1	
		M 6 X 12			
14	999 511 142 02	Clamp		1	
		A 1			

Model: 987 06

Model life 2006>>2008



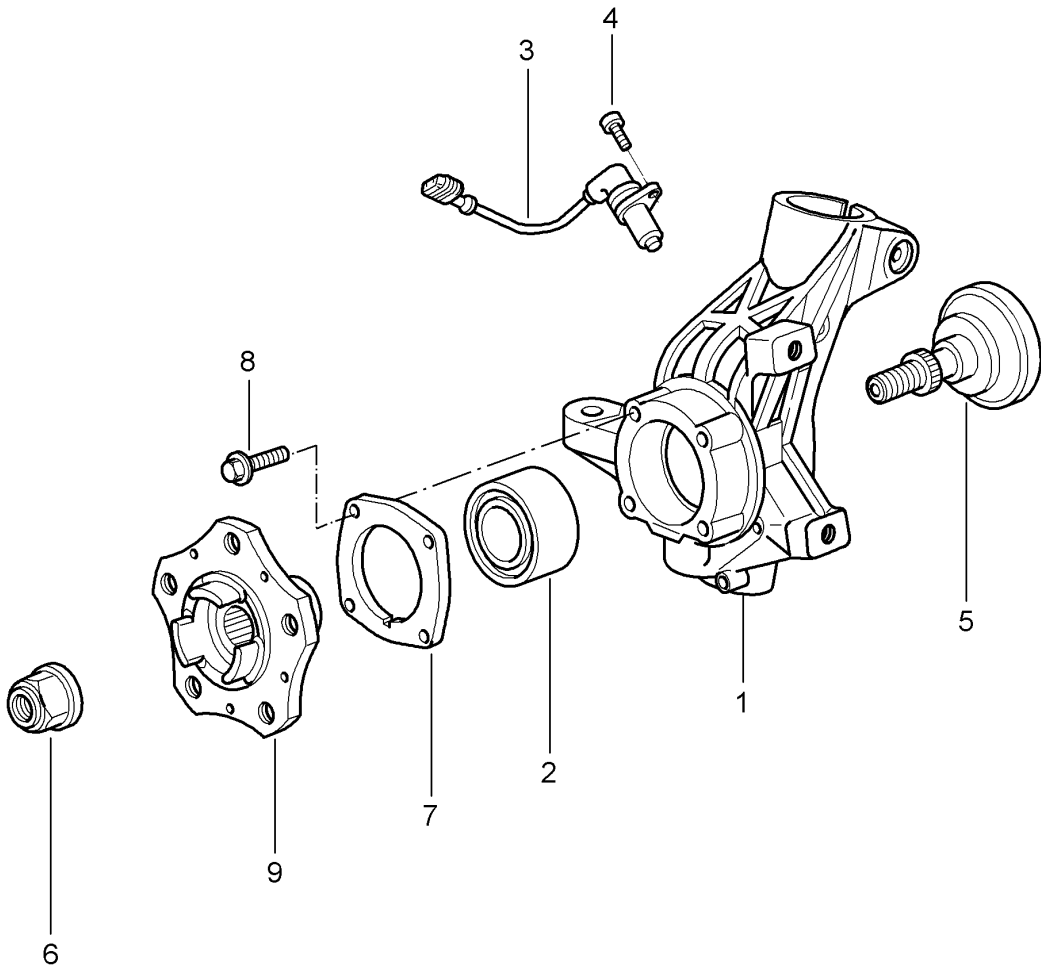
Model: 987 06

Model life 2006>>2008

Pos	Part Number	Description	Remark	Qty	Model
		Cross member			
		Wishbone			
1	997 341 081 06	Cross member		1	
2	900 197 070 00	Roll pin		1	
		13 X 14			
3	997 341 043 00	Control arm		2	
4	900 378 165 09	Hexagon-head bolt	-07	2	
		M 12 X 1,5 X 95			
(4)	900 378 165 01	Hexagon-head bolt	08-	2	
		M 12 X 1,5 X 95			
5	999 084 445 01	Lock nut		2	
		M 12 X 1,5			
6	997 341 053 03	Wishbone		2	
7	999 072 050 09	Hexagon-head bolt		2	
		M 14 X 1,5 X 120			
8	997 341 145 05	Plate		2	
9	999 072 047 09	Hexagon-head bolt		4	
		M 12 X 1,5 X 30			
(9)	999 072 047 01	Hexagon-head bolt		4	
		M 12 x 1,5 x 30			
(10)	900 378 072 01	Hexagon-head bolt		2	
		M 12 X 1,5 X 30			
		Front			
10	900 378 192 09	Hexagon-head bolt		4	
		M 14 X 1,5 X 50			
		Rear			
10	900 378 192 01	Hexagon-head bolt		4	
		M 14 x 1,5 x 50			
		Rear			
11	900 378 279 09	Hexagon-head bolt	-07	2	
		M 14 X 1,5 X 95			
(11)	900 378 279 01	Hexagon-head bolt	08-	2	
		M 14 X 1,5 X 95			
12	900 380 012 09	Hexagon nut		2	
		M 14 X 1,5			
12	900 380 012 01	Hexagon nut		2	
		M 14 X 1,5			
13	996 341 483 05	Spoiler	/L	1	
13	996 341 484 05	Spoiler	/R	1	
14	997 504 433 00	Strut		2	
15		Support		1	I601
		See illustrations			
		1/05/10 Pos.10			
16	900 146 003 02	Oval-head screw		2	I601
		M 5 X 10			
(16)	900 146 003 03	Oval-head screw		2	I601
		M 5 x 10			
17	900 378 177 09	Hexagon-head bolt		1	I601
		M 6 X 30			
18	997 631 121 00	Sensor		1	I601
19	900 380 015 09	Hexagon nut		2	I601
		M 6			
(19)	900 380 015 01	Hexagon nut		2	I601
		M 6			
20	997 341 375 01	Strut		1	I601
		Information available			I601
21	996 341 371 03	Support		1	I601
22	999 084 449 09	Lock nut		2	
		M 12 X 1,5			
23	999 084 445 01	Lock nut		2	
		M 12X 1,5			
-	997 361 605 90	Spacer ring		2	IXRP
		5 mm			

Model: 987 06

Model life 2006>>2008



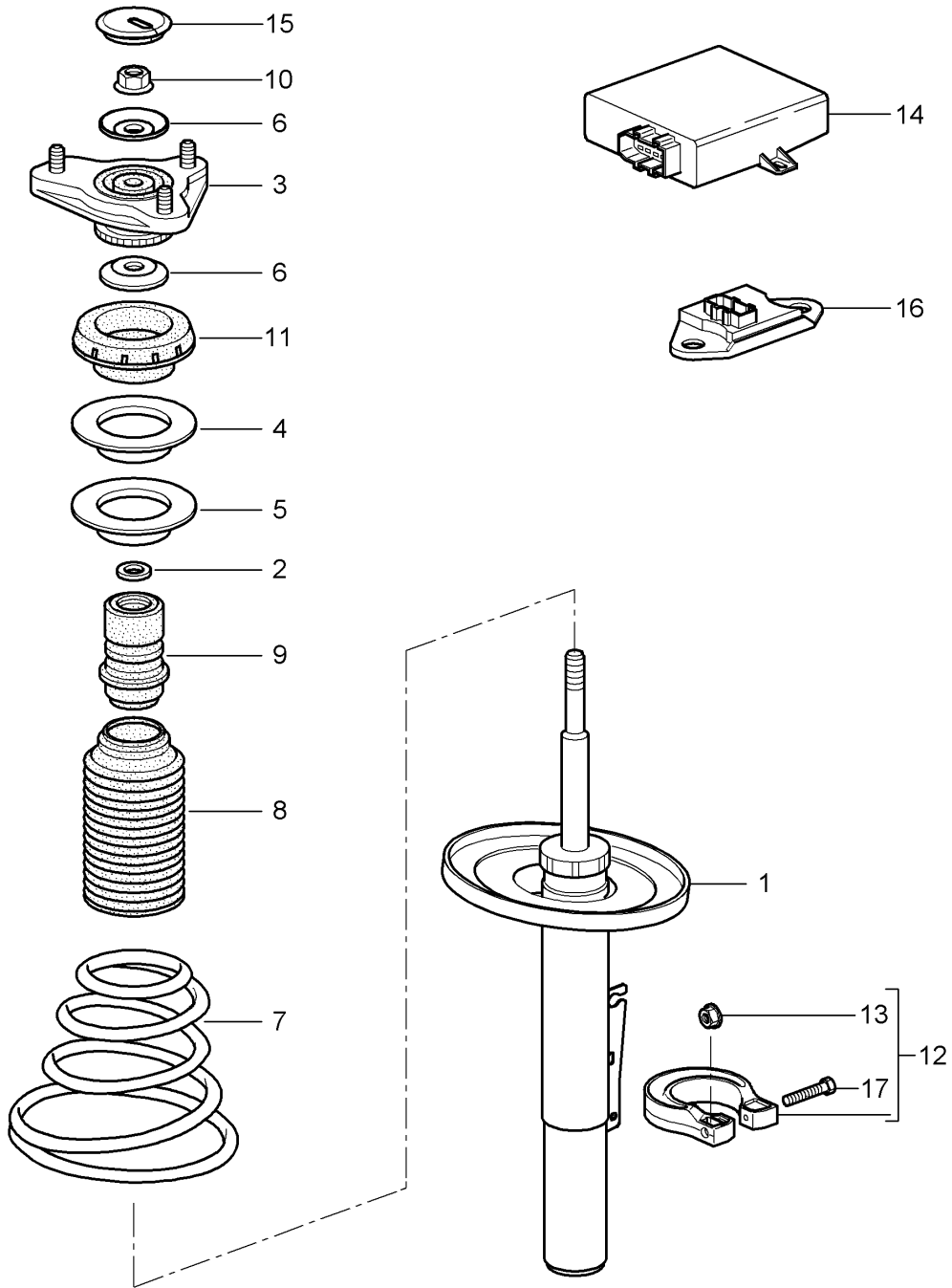
Model: 987 06

Model life 2006>>2008

Pos	Part Number	Description	Remark	Qty	Model
		Wheel carrier			
		Wheel hub			
1	997 341 157 05	Wheel carrier	/L	1	
(1)	997 341 157 25	Wheel carrier	/L	1	I450
(1)	997 341 158 05	Wheel carrier	/R	1	
(1)	997 341 158 25	Wheel carrier	/R	1	I450
2	999 053 054 05	Angular-contact bearing		2	
3	997 606 407 01	Speed sensor		2	
4	900 067 117 09	Pan-head screw M 6 X 16		2	
5	997 341 131 00	Tension bolt		2	
6	999 084 634 02	Lock nut M 22 X 1,5		2	
7	986 331 661 20	Lid		2	
8	999 217 042 09	Hexagon-head bolt M 8 X 35		8	
9	997 341 605 01	Wheel hub		2	
9	991 341 605 02	Wheel hub		2	
9	991 341 605 03	Wheel hub		2	
-	997 361 605 90	Spacer ring 5 MM		2	IXRP

Model: 987 06

Model life 2006>>2008



Model: 987 06 Model life 2006>>2008

Pos	Part Number	Description	Remark	Qty	Model
		suspension			
		Shock absorber strut			
1	987 343 047 02	Shock absorber		2	
(1)	987 343 047 03	Shock absorber		2	
(1)	987 343 045 10	Shock absorber		2	I475
		Mount			
		Shock absorber			
-	999 084 445 01	Lock nut		2	
		M 12 X 1,5			
2	996 343 513 00	Washer		2	
3	997 343 018 00	Supporting mount		2	
3	997 343 018 01	Supporting mount		2	
-	999 084 447 09	Hexagon nut		6	
		M 8			
-	999 084 447 01	Hexagon nut		6	
		M 8			
4	996 343 517 01	Support ring		2	
5	996 343 511 00	Compensating plate		X	
		3,0 MM			
(5)	996 343 511 01	Compensating plate		X	
		6,5 MM			
6	997 343 107 01	Stop plate		4	
(6)		Stop plate		2	I475
		Lower			
(6)	997 343 107 00	Stop plate		2	
		Upper			
7	997 343 531 37	Coil spring		1	I475
		1 set			
	997 343 531 37 504	Identification			
		Blue			
		Red			
(7)	997 343 531 41	Coil spring		1	I475
		1 set			
	997 343 531 41 504	Identification			
		Blue			
		Red			
(7)	997 343 531 38	Coil spring		1	I029
		1 set			
	997 343 531 38 504	Identification			
		Rapeseed yellow			
		Blue			
8	996 343 505 00	Bellows		2	
9	996 343 301 02	Additional spring		2	
10	900 380 012 09	Hexagon nut		2	
		M 14 X 1,5			
10	900 380 012 01	Hexagon nut		2	
		M 14 X 1,5			
(11)	996 343 515 05	Deep-groove ball bearing		2	
		with housing			
(12)	997 343 569 00	Clip		2	CAYMAN S
13	900 377 010 09	Hexagon nut		2	CAYMAN S
		M 6			
-	900 378 111 09	Hexagon-head bolt		2	
		M 6 X 60			
14	987 618 105 08	Control unit	06	1	I475
(14)	987 618 105 09	Control unit	-07	1	I475
(14)	987 618 105 10	Control unit	08-	1	I475
15	999 703 457 40	Lid		2	
16	997 606 111 01	Acceleration sensor		1	
		Body			
17	900 378 111 09	Hexagon-head bolt		2	CAYMAN S
		M 6 X 60			
18	997 606 212 00	Support	06	1	

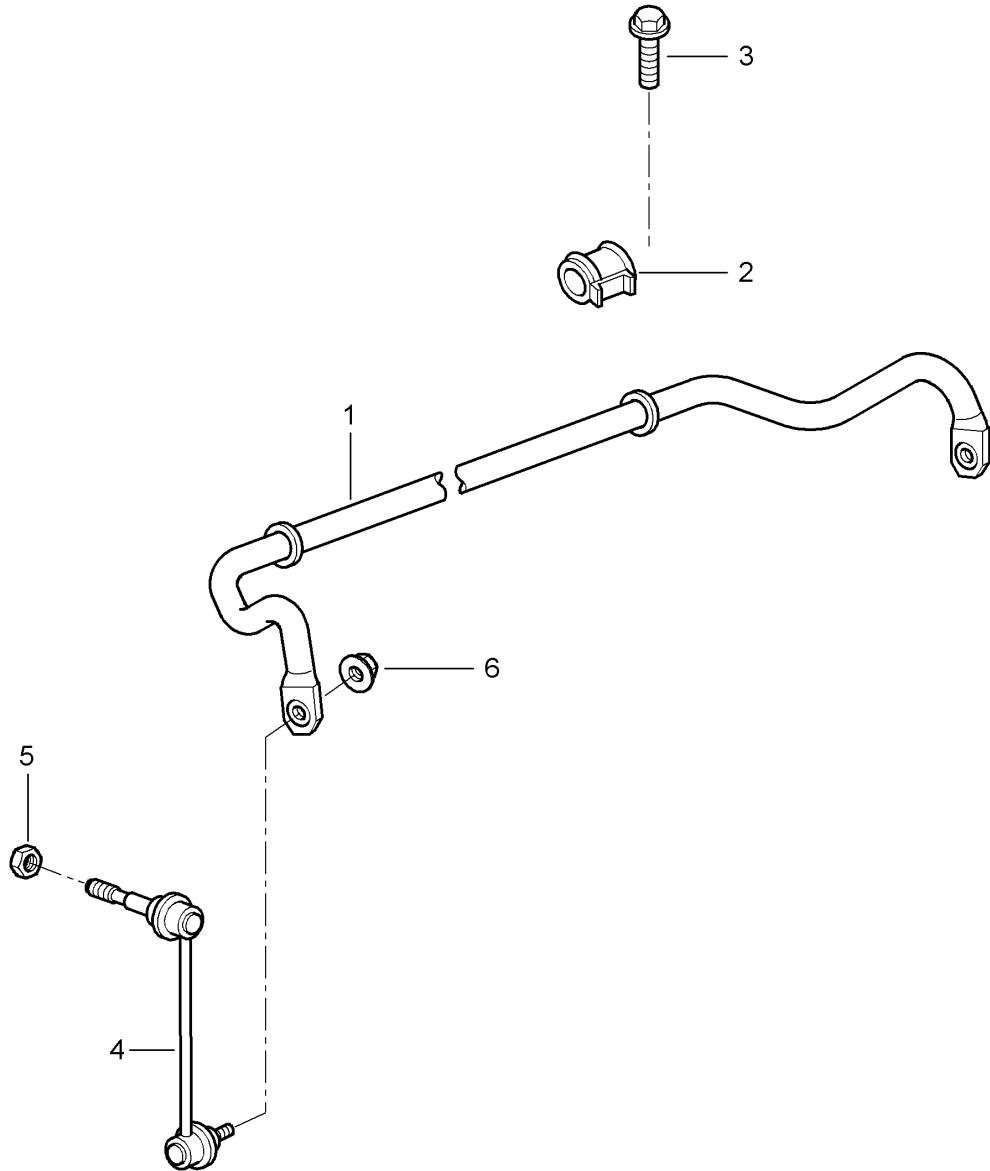
Model: 987 06

Model life 2006>>2008

Pos	Part Number	Description	Remark	Qty	Model
(18)	997 606 212 01	Acceleration sensor Support Acceleration sensor	07-	1	

Model: 987 06

Model life 2006>>2008



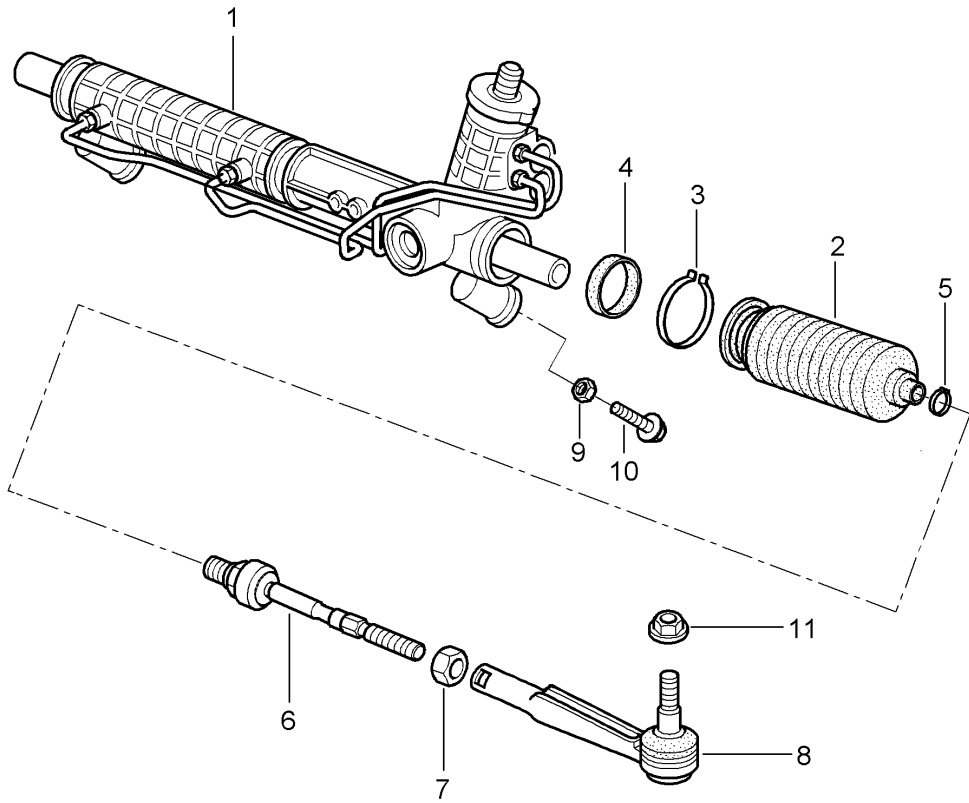
Model: 987 06

Model life 2006>>2008

Pos	Part Number	Description	Remark	Qty	Model
1	997 343 701 07	Stabiliser Stabiliser		1	I029 CAYMAN
(1)	997 343 701 08	Stabiliser		1	I475 CAYMAN
(1)		Stabiliser		1	I029 CAYMAN S
(1)		Stabiliser		1	I475 CAYMAN S
(2)	996 343 792 17	Stabiliser mounting		2	
3	900 378 098 01	Hexagon-head bolt M 10 X 60		4	
-	900 380 008 01	Hexagon nut M 10		4	
4	997 343 069 01	Stabiliser mounting	/L	1	
(4)	997 343 070 01	Stabiliser mounting	/R	1	
5	999 084 445 01	Lock nut M 12 X 1,5		2	
6	999 084 123 09	Hexagon nut M 10		2	

Model: 987 06

Model life 2006>>2008



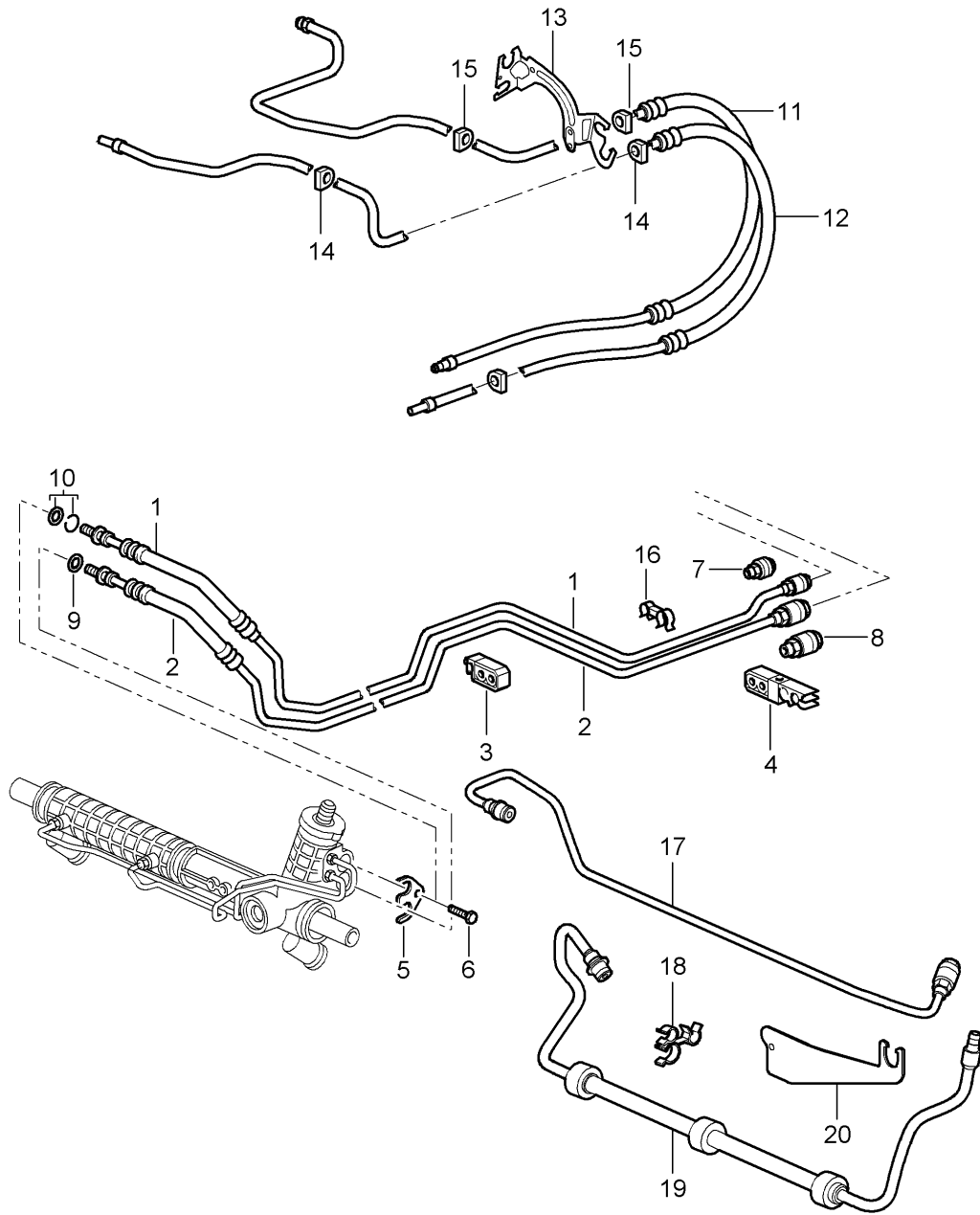
Model: 987 06

Model life 2006>>2008

Pos	Part Number	Description	Remark	Qty	Model
1	997 347 011 05	Power steering Steering gear Steering parts Steering gear	-07	1	I098
(1)	997 347 011 06	Power steering Steering gear	08-	1	I098
(1)	997 347 012 04	Power steering Steering gear	-07	1	I099
(1)	997 347 012 05	Power steering Steering gear Power steering	08-	1	I099
-	996 347 110 02	Clip Pinion Steering gear		1	
2	997 347 191 00	Bellows for Steering gear		2	
3	996 347 293 04	Clamping ring for Steering gear		2	
4	997 347 373 00	Sealing ring for Steering gear		2	
5	999 512 693 09	Clamping ring		2	
6	997 347 322 00	Joint	-07	2	
(6)	997 347 322 01	Joint	08-	2	
7	999 034 037 09	Hexagon nut M 14 X 1,5		2	
8	996 347 131 04	Track rod		2	
9		See illustrations 4/01/00 POS.2			
10	900 378 100 01	Hexagon-head bolt AM 10 X 45		2	
11	999 084 449 09	Lock nut M 12 X 1,5		2	

Model: 987 06

Model life 2006>>2008

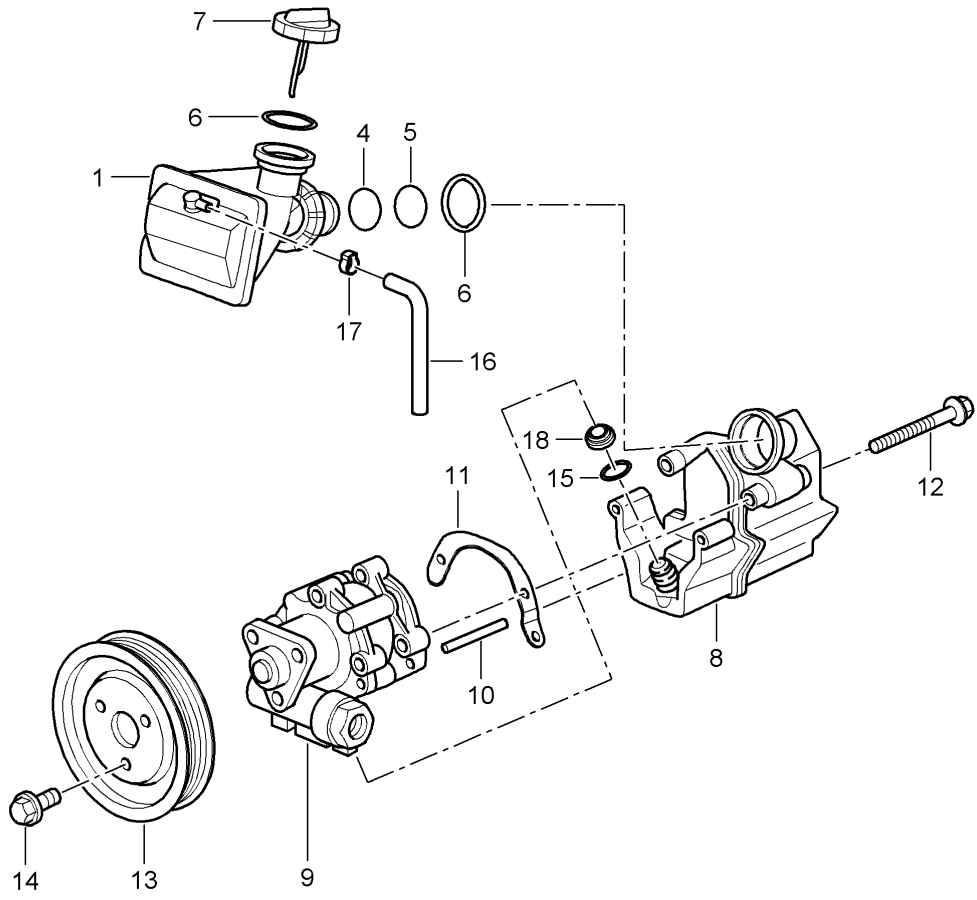


Model: 987 06 Model life 2006>>2008

Pos	Part Number	Description	Remark	Qty	Model
		Power steering Lines			
1	997 347 451 03	Pressure line	-07	1	I098
(1)	997 347 451 04	Pressure line	08-	1	I098
(1)	997 347 451 05	Pressure line	08-	1	I098
(1)	997 347 452 02	Pressure line		1	I099
2	987 347 449 03	Return line		1	I098
(2)	987 347 449 05	Return line		1	I098 CAYMAN
(2)	987 347 449 07	Return line		1	I098 CAYMAN
(2)	987 347 449 02	Return line		1	I098 CAYMAN
(2)	987 347 449 04	Return line		1	I098 CAYMAN S
(2)	987 347 449 06	Return line		1	I098 CAYMAN S
(2)	987 347 650 03	Return line		1	I099 CAYMAN
(2)	987 347 650 02	Return line		1	I099 CAYMAN S
3	996 347 543 00	Cable holder		3	
4	996 355 543 00	Support		1	
5	996 347 769 01	Tension shackle		1	
6	900 067 063 02	Pan-head screw M 10 X 20	-07	1	
(6)	900 067 063 03	Pan-head screw M 10 x 20	08-	1	
7	999 230 552 10	Threaded joint		1	
8	999 230 551 10	Threaded joint		1	
-	999 230 683 40	Safety clip for Threaded joint		X	
-	999 230 584 40	Pressure line Circlip Threaded joint		1	I098
-		Return line Circlip Threaded joint		2	I099
9	999 230 542 40	Return line O-ring		X	
10	999 230 543 40	Repair kit Gaskets		X	
11	987 347 443 02	Pressure line		1	
(11)	987 347 443 03	Pressure line		1	
(11)	987 347 443 04	Pressure line		1	
12	987 347 439 01	Return line		1	
13	987 347 749 01	Support		1	
14	999 702 210 40	Rubber sleeve		4	
15	999 702 226 40	Rubber sleeve		3	
16	999 507 091 40	Cable holder		3	
17	997 347 564 02	Pressure line	-07	1	I099
(17)	997 347 564 03	Pressure line	08-	1	I099
(17)	997 347 564 04	Pressure line	08-	1	I099
18	999 507 963 40	Support		1	I099
19	997 347 462 02	Return line	06	1	I099
(19)	997 347 462 03	Return line	07-	1	I099
(19)	997 347 462 04	Return line	07-	1	I099
20	997 347 560 00	Support		1	I099

Model: 987 06

Model life 2006>>2008



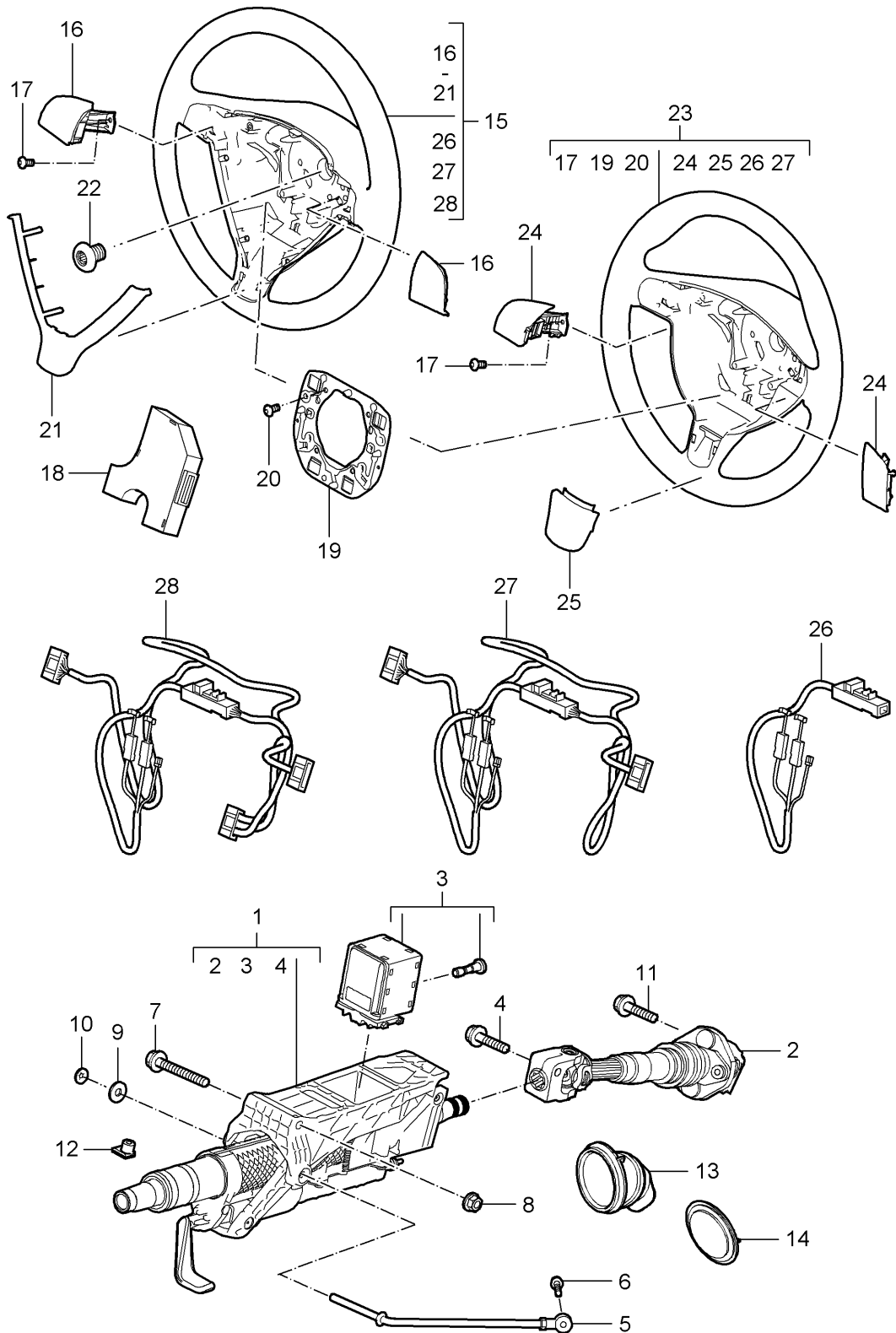
Model: 987 06

Model life 2006>>2008

Pos	Part Number	Description	Remark	Qty	Model
		Power steering Power-steering pump Container			
1	987 314 225 00	Expansion tank		1	
4	999 707 362 40	Sealing ring		1	
5	999 707 363 40	Sealing ring		1	
6	999 701 154 40	Sealing ring		2	
7	987 314 223 00	Lid		1	
8	997 314 220 00	Oil tank		1	
9	996 314 050 02	Power-steering pump		1	
10	996 314 320 03	Straight pin		2	
11	996 314 431 05	Bracket		1	
12	900 378 105 09	Hexagon-head bolt AM 8 X 70		2	
13	996 147 223 60	Pulley		1	
14	900 385 099 04	Torx screw M 8 X 12		3	
14	900 385 099 01	Torx screw M 8 X 12		3	
15	999 707 204 40	Sealing ring 12.5 X 2N		1	
16	996 314 545 01	Hose		1	
17	999 512 527 00	Clamp 8,5-10,0		1	
-	000 043 206 56	Pentosin 1000 ML		X	
18	996 314 427 00	Guide		1	

Model: 987 06

Model life 2006>>2008



Model: 987 06 Model life 2006>>2008

Pos	Part Number	Description	Remark	Qty	Model
(1)	997 347 007 10	Steering outer tube Steering shaft Steering wheels Steering column Complete with Steering shaft		1	
2	997 347 023 03	Intermed. steering shaft		1	
(2)	997 347 023 04	Intermed. steering shaft		1	
3	997 618 158 03	Control unit Steering column with Screw	-07	1	
(3)	997 618 158 04	Control unit Steering column with Screw	08-	1	
4	999 217 042 09	Hexagon-head bolt M 8 X 35		1	
5	997 347 243 00	Support		1	
6	900 378 173 09	Hexagon-head bolt AM 6 X 20		1	
7	900 378 095 09	Hexagon-head bolt M 10 X 100		1	
8	900 380 008 09	Lock nut M 10		1	
8	900 380 008 01	Hexagon nut M 10		1	
9	900 151 006 09	Washer		1	
10	999 507 217 07	Clamping washer		1	
11	999 217 042 09	Hexagon-head bolt M 8 X 35		1	
12	999 920 019 40	Plug-in nut 3,5 X 2,5 X 9		1	
13	986 347 037 01	Bellows Information available		1	
14	996 347 339 02	Rubber seal Bulkhead		1	
15	997 347 804 60	Steering wheel Leather Embossed		1	I436/480/481
	997 347 804 60 A34	Black			
	997 347 804 60 B24	Stone grey			
	997 347 804 60 T24	Sand Beige			
	997 347 804 60 J24	Palmgreen			
	997 347 804 60 E24	Sea blue			
	997 347 804 60 M24	Terracotta			
	997 347 804 60 R24	Cocoa			
	997 347 804 60 D14	Dark grey/natural			
	997 347 804 60 T34	Brown/natural			
(15)	997 347 804 61	Steering wheel Leather Embossed		1	I249/436
	997 347 804 61 A34	Black			
	997 347 804 61 B24	Stone grey			
	997 347 804 61 T24	Sand Beige			
	997 347 804 61 J24	Palmgreen			
	997 347 804 61 E24	Sea blue			
	997 347 804 61 M24	Terracotta			
	997 347 804 61 R24	Cocoa			
	997 347 804 61 D14	Dark grey/natural			
	997 347 804 61 T34	Brown/natural			
(15)	997 347 804 62	Steering wheel		1	I459/480/481

Model: 987 06 Model life 2006>>2008

Pos	Part Number	Description	Remark	Qty	Model
		Plain leather			
	997 347 804 62 A34	Black/grey			
	997 347 804 62 B24	Stone grey/stone grey			
	997 347 804 62 T24	Sand beige/sand beige			
	997 347 804 62 J24	Palmgreen/palmgreen			
	997 347 804 62 E24	Sea blue/grey			
	997 347 804 62 M24	Terracotta/terracotta			
	997 347 804 62 R24	Cocoa/Cocoa			
	997 347 804 62 D14	Darkgrey natural/grey			
	997 347 804 62 T34	Brown nat./brown nat.			
(15)	997 347 804 64	Steering wheel		1	I249/459
		Plain leather			
	997 347 804 64 A34	Black/grey			
	997 347 804 64 B24	Stone grey/stone grey			
	997 347 804 64 T24	Sand beige/sand beige			
	997 347 804 64 J24	Palmgreen/palmgreen			
	997 347 804 64 E24	Sea blue/grey			
	997 347 804 64 M24	Terracotta/terracotta			
	997 347 804 64 R24	Cocoa/Cocoa			
	997 347 804 64 D14	Darkgrey natural/grey			
	997 347 804 64 T34	Brown nat./brown nat.			
(15)	997 347 804 63	Steering wheel		1	I431/480/481
		Plain leather			
		Multi-function			
	997 347 804 63 A34	Black/grey			
	997 347 804 63 B24	Stone grey/stone grey			
	997 347 804 63 T24	Sand beige/sand beige			
	997 347 804 63 J24	Palmgreen/palmgreen			
	997 347 804 63 E24	Sea blue/grey			
	997 347 804 63 M24	Terracotta/terracotta			
	997 347 804 63 R24	Cocoa/Cocoa			
	997 347 804 63 D14	Darkgrey natural/grey			
	997 347 804 63 T34	Brown nat./brown nat.			
(15)	997 347 804 65	Steering wheel		1	I249/431
		Plain leather			
		Multi-function			
	997 347 804 65 A34	Black/grey			
	997 347 804 65 B24	Stone grey/stone grey			
	997 347 804 65 T24	Sand beige/sand beige			
	997 347 804 65 J24	Palmgreen/palmgreen			
	997 347 804 65 E24	Sea blue/grey			
	997 347 804 65 M24	Terracotta/terracotta			
	997 347 804 65 R24	Cocoa/Cocoa			
	997 347 804 65 D14	Darkgrey natural/grey			
	997 347 804 65 T34	Brown nat./brown nat.			
(15)	997 347 804 77	Steering wheel		1	I249/431
		Plain leather			
		Multi-function			
	997 347 804 77 A34	Black			
	997 347 804 77 B24	Stone grey			
	997 347 804 77 T24	Sand Beige			
	997 347 804 77 E24	Sea blue			
	997 347 804 77 M24	Terracotta			
	997 347 804 77 R24	Cocoa			
	997 347 804 77 D14	Dark grey/natural			
	997 347 804 77 T34	Brown/natural			
(15)	997 347 804 22	Steering wheel		1	I451/480/481
		Multi-function			
		Wood			
		Macassar			
	997 347 804 22 FOK	Black/grey			
	997 347 804 22 FOL	Stone grey/stone grey			
	997 347 804 22 FOM	Sand beige/sand beige			

Model: 987 06 Model life 2006>>2008

Pos	Part Number	Description	Remark	Qty	Model
	997 347 804 22 FON	Palmgreen/palmgreen			
	997 347 804 22 FOO	Sea blue/grey			
	997 347 804 22 FOP	Terracotta/terracotta			
	997 347 804 22 FOQ	Cocoa/Cocoa			
	997 347 804 22 FOR	Darkgrey natural/grey			
	997 347 804 22 FOS	Brown nat./brown nat.			
(15)	997 347 804 32	Steering wheel Multi-function Wood Macassar		1	I249/451
	997 347 804 32 FOK	Black/grey			
	997 347 804 32 FOL	Stone grey/stone grey			
	997 347 804 32 FOM	Sand beige/sand beige			
	997 347 804 32 FON	Palmgreen/palmgreen			
	997 347 804 32 FOO	Sea blue/grey			
	997 347 804 32 FOP	Terracotta/terracotta			
	997 347 804 32 FOQ	Cocoa/Cocoa			
	997 347 804 32 FOR	Darkgrey natural/grey			
	997 347 804 32 FOS	Brown nat./brown nat.			
(15)	997 347 804 23	Steering wheel Multi-function Wood Sycamore wood		1	I452/480/481
	997 347 804 23 FOK	Black/grey			
	997 347 804 23 FOL	Stone grey/stone grey			
	997 347 804 23 FOM	Sand beige/sand beige			
	997 347 804 23 FON	Palmgreen/palmgreen			
	997 347 804 23 FOO	Sea blue/grey			
	997 347 804 23 FOP	Terracotta/terracotta			
	997 347 804 23 FOQ	Cocoa/Cocoa			
	997 347 804 23 FOR	Darkgrey natural/grey			
	997 347 804 23 FOS	Brown nat./brown nat.			
(15)	997 347 804 33	Steering wheel Multi-function Wood Sycamore wood		1	I249/452
	997 347 804 33 FOK	Black/grey			
	997 347 804 33 FOL	Stone grey/stone grey			
	997 347 804 33 FOM	Sand beige/sand beige			
	997 347 804 33 FON	Palmgreen/palmgreen			
	997 347 804 33 FOO	Sea blue/grey			
	997 347 804 33 FOP	Terracotta/terracotta			
	997 347 804 33 FOQ	Cocoa/Cocoa			
	997 347 804 33 FOR	Darkgrey natural/grey			
	997 347 804 33 FOS	Brown nat./brown nat.			
(15)	997 347 804 24	Steering wheel Multi-function Carbon		1	I453/480/481
	997 347 804 24 FOK	Black/grey			
	997 347 804 24 FOL	Stone grey/stone grey			
	997 347 804 24 FOM	Sand beige/sand beige			
	997 347 804 24 FON	Palmgreen/palmgreen			
	997 347 804 24 FOO	Sea blue/grey			
	997 347 804 24 FOP	Terracotta/terracotta			
	997 347 804 24 FOQ	Cocoa/Cocoa			
	997 347 804 24 FOR	Darkgrey natural/grey			
	997 347 804 24 FOS	Brown nat./brown nat.			
(15)	997 347 804 34	Steering wheel Multi-function Carbon		1	I249/453
	997 347 804 34 FOK	Black/grey			
	997 347 804 34 FOL	Stone grey/stone grey			
	997 347 804 34 FOM	Sand beige/sand beige			

Model: 987 06 Model life 2006>>2008

Pos	Part Number	Description	Remark	Qty	Model
	997 347 804 34 FON	Palmgreen/palmgreen			
	997 347 804 34 FOO	Sea blue/grey			
	997 347 804 34 FOP	Terracotta/terracotta			
	997 347 804 34 FOQ	Cocoa/Cocoa			
	997 347 804 34 FOR	Darkgrey natural/grey			
	997 347 804 34 FOS	Brown nat./brown nat.			
(15)	997 347 981 00	Steering wheel Multi-function Aluminium look		1	IXPV/480
	997 347 981 00 A34	Black			
	997 347 981 00 B24	Stone grey			
	997 347 981 00 D14	Dark grey/natural			
	997 347 981 00 E24	Sea blue			
	997 347 981 00 J24	Palmgreen			
	997 347 981 00 M24	Terracotta			
	997 347 981 00 R24	Cocoa			
	997 347 981 00 T24	Sand Beige			
	997 347 981 00 T34	Brown/natural			
(15)	997 347 981 01	Steering wheel Multi-function Aluminium look		1	IXPV/432
	997 347 981 01 A34	Black			
	997 347 981 01 B24	Stone grey			
	997 347 981 01 D14	Dark grey/natural			
	997 347 981 01 E24	Sea blue			
	997 347 981 01 J24	Palmgreen			
	997 347 981 01 M24	Terracotta			
	997 347 981 01 R24	Cocoa			
	997 347 981 01 T24	Sand Beige			
	997 347 981 01 T34	Brown/natural			
16	997 347 837 00	Cover	/L	1	I480/481
	997 347 837 00 V04	Galvano silver			
(16)	997 347 838 00	Cover	/R	1	I480/481
	997 347 838 00 V04	Galvano silver			
(16)	997 613 431 02	Switching module with Tiptronic Lever	/L	1	I249
	997 613 431 02 V04	Galvano silver			
(16)	997 613 432 02	Switching module with Tiptronic Lever	/R	1	I249
	997 613 432 02 V04	Galvano silver			
(16)	997 613 433 02	Switching module Multi-function Manual transmission	/L	1	I480/481
	997 613 433 02 V04	Galvano silver			
		F >>987U7 52071			
		F >>987U7 71010			
(16)	997 613 433 03	Switching module Multi-function Manual transmission	/L	1	I480/481
	997 613 433 03 V04	Galvano silver F 987U7 52072>> F 987U7 71011>> Use also: 997.613.434.03 V04 997.613.445.03 See technical manual Group 91 6119 91 7719			

Model: 987 06 Model life 2006>>2008

Pos	Part Number	Description	Remark	Qty	Model
(16)	997 613 434 02	Switching module Multi-function Manual transmission	/R	1	I480/481
	997 613 434 02 V04	Galvano silver F >>987U7 52071 F >>987U7 71010			
(16)	997 613 434 03	Switching module Multi-function Manual transmission		1	
	997 613 434 03 V04	Galvano silver F 987U7 52072>> F 987U7 71011>> Use also: 997.613.433.03 V04 997.613.445.03 See technical manual Group 91 6119 91 7719			
(16)	997 613 435 02	Switching module Multi-function with Tiptronic Lever	/L	1	I249
	997 613 435 02 V04	Galvano silver F >>987U7 52071 F >>987U7 71010			
(16)	997 613 435 03	Switching module Multi-function with Tiptronic Lever	/L	1	I249
	997 613 435 03 V04	Galvano silver F 987U7 52072>> F 987U7 71011>> Use also: 997.613.436.03 V04 997.613.445.03 See technical manual Group 91 6119 91 7719			
(16)	997 613 436 02	Switching module Multi-function with Tiptronic Lever	/R	1	I249
	997 613 436 02 V04	Galvano silver F >>987U7 52071 F >>987U7 71010			
(16)	997 613 436 03	Switching module Multi-function with Tiptronic Lever	/R	1	I249
	997 613 436 03 V04	Galvano silver F 987U7 52072>> F 987U7 71011>> Use also: 997.613.435.03 V04 997.613.445.03 See technical manual Group			

Model: 987 06 Model life 2006>>2008

Pos	Part Number	Description	Remark	Qty	Model
17	999 073 318 09	91 6119 91 7719 Half-round screw M 4 X 10		2	
18	997 613 445 02	Electronic unit Multi-function F >>987U7 52071 F >>987U7 71010		1	I431/451 I452/453
(18)	997 613 445 03	Electronic unit Multi-function F 987U7 52072>> F 987U7 71011>> Use also: F >>987U7 52071 F >>987U7 70110 See technical manual Group 91 6119 91 7719		1	I431/451 I452/453
19	997 347 880 00	Retaining frame		1	
20	999 141 022 09	Round head screw M 5 X 12,5		4	
21	997 347 821 00	Cover		1	
22	997 347 821 00 D07 N 910 207 01	Volcano grey Screw M 18 X 1,5 X 26		1	
23	997 347 804 54	Sports steering wheel Leather Embossed		1	I435/480/481
	997 347 804 54 A34	Black			
	997 347 804 54 B24	Stone grey			
	997 347 804 54 T24	Sand Beige			
	997 347 804 54 J24	Palmgreen/palmgreen			
	997 347 804 54 E24	Sea blue			
	997 347 804 54 M24	Terracotta			
	997 347 804 54 R24	Cocoa			
	997 347 804 54 D14	Dark grey/natural			
	997 347 804 54 T34	Brown/natural			
	997 347 804 54 J24	Palmgreen/palmgreen			
(23)	997 347 804 57	Sports steering wheel Leather Embossed		1	I249/435
	997 347 804 57 A34	Black			
	997 347 804 57 B24	Stone grey			
	997 347 804 57 T24	Sand Beige			
	997 347 804 57 J24	Palmgreen			
	997 347 804 57 E24	Sea blue			
	997 347 804 57 M24	Terracotta			
	997 347 804 57 R24	Cocoa			
	997 347 804 57 D14	Dark grey/natural			
	997 347 804 57 T34	Brown/natural			
(23)	997 347 804 69	Sports steering wheel Leather Embossed		1	I249/435
	997 347 804 69 A34	Black			
	997 347 804 69 B24	Stone grey			
	997 347 804 69 T24	Sand Beige			
	997 347 804 69 E24	Sea blue			
	997 347 804 69 M24	Terracotta			
	997 347 804 69 R24	Cocoa			
	997 347 804 69 D14	Dark grey/natural			
	997 347 804 69 T34	Brown/natural			
(23)	997 347 804 55	Sports steering wheel		1	I460/480/481

Model: 987 06 Model life 2006>>2008

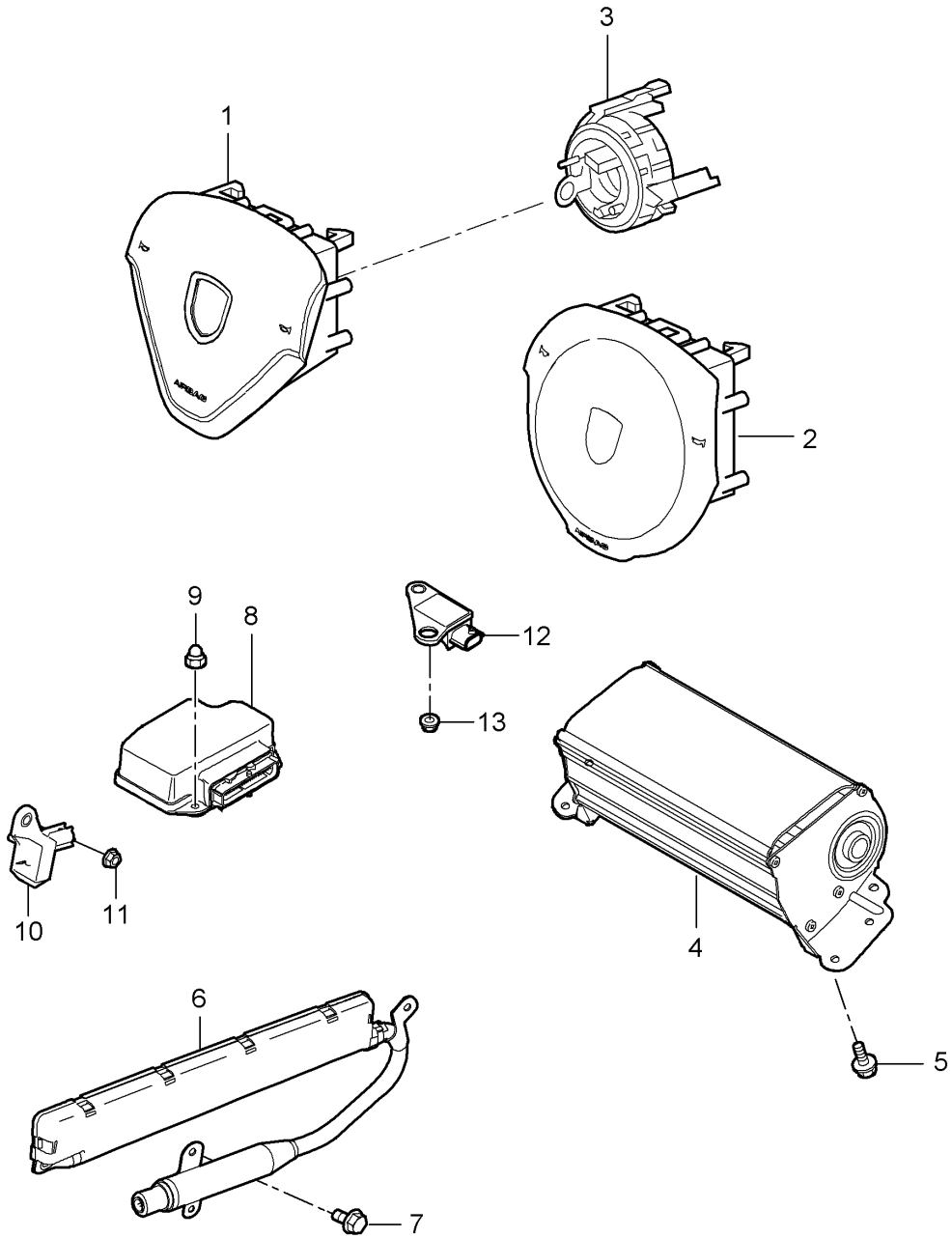
Pos	Part Number	Description	Remark	Qty	Model
		Plain leather			
	997 347 804 55 A34	Black/grey			
	997 347 804 55 B24	Stone grey/stone grey			
	997 347 804 55 T24	Sand beige/sand beige			
	997 347 804 55 J24	Palmgreen/palmgreen			
	997 347 804 55 E24	Sea blue/grey			
	997 347 804 55 M24	Terracotta/terracotta			
	997 347 804 55 R24	Cocoa/Cocoa			
	997 347 804 55 D14	Darkgrey natural/grey			
	997 347 804 55 T34	Brown nat./brown nat.			
(23)	997 347 804 58	Sports steering wheel		1	I249/460
		Plain leather			
	997 347 804 58 A34	Black/grey			
	997 347 804 58 B24	Stone grey/stone grey			
	997 347 804 58 T24	Sand beige/sand beige			
	997 347 804 58 J24	Palmgreen/palmgreen			
	997 347 804 58 E24	Sea blue/grey			
	997 347 804 58 M24	Terracotta/terracotta			
	997 347 804 58 R24	Cocoa/Cocoa			
	997 347 804 58 D14	Darkgrey natural/grey			
	997 347 804 58 T34	Brown nat./brown nat.			
(23)	997 347 804 70	Sports steering wheel		1	I249/460
		Plain leather			
	997 347 804 70 A34	Black			
	997 347 804 70 B24	Stone grey			
	997 347 804 70 T24	Sand Beige			
	997 347 804 70 E24	Sea blue			
	997 347 804 70 M24	Terracotta			
	997 347 804 70 R24	Cocoa			
	997 347 804 70 D14	Dark grey/natural			
	997 347 804 70 T34	Brown/natural			
(23)	997 347 980 00	Sports steering wheel		1	IXPA/480
		Leather			
	997 347 980 00 A34	Black			
	997 347 980 00 B24	Stone grey			
	997 347 980 00 D14	Dark grey/natural			
	997 347 980 00 E24	Sea blue			
	997 347 980 00 J24	Palmgreen			
	997 347 980 00 M24	Terracotta			
	997 347 980 00 R24	Cocoa			
	997 347 980 00 T24	Sand Beige			
	997 347 980 00 T34	Brown/natural			
(23)	997 347 980 01	Sports steering wheel		1	IXPA/432
		Leather			
	997 347 980 01 A34	Black			
	997 347 980 01 B24	Stone grey			
	997 347 980 01 D14	Dark grey/natural			
	997 347 980 01 E24	Sea blue			
	997 347 980 01 J24	Palmgreen			
	997 347 980 01 M24	Terracotta			
	997 347 980 01 R24	Cocoa			
	997 347 980 01 T24	Sand Beige			
	997 347 980 01 T34	Brown/natural			
(23)	997 347 804 91	Sports steering wheel		1	I758
		Leather			
		Alcantara			
	997 347 804 91 A15	Black			
		Information available			
(23)	997 347 804 91	Sports steering wheel		1	I755
		Leather			
		Alcantara			
	997 347 804 91 A15	Black			
		Information available			

Model: 987 06 Model life 2006>>2008

Pos	Part Number	Description	Remark	Qty	Model
(23)	997 347 804 93	Sports steering wheel Leather Alcantara		1	I249/758
	997 347 804 93 A15	Black			
(23)	997 347 804 93	Sports steering wheel Leather Alcantara		1	I249/755
	997 347 804 93 A15	Black			
24	997 347 837 40	Cover	/L	1	I480/481
	997 347 837 40 V04	Galvano silver			
(24)	997 347 838 40	Cover	/R	1	I480/481
	997 347 838 40 V04	Galvano silver			
(24)	997 613 437 02	Switching module with Tiptronic Lever	/L	1	I249
	997 613 437 02 V04	Galvano silver			
(24)	997 613 438 02	Switching module with Tiptronic Lever	/R	1	I249
	997 613 438 02 V04	Galvano silver			
25	997 347 821 40	Cover		1	
	997 347 821 40 V04	Galvano silver			
26	997 612 672 00	Wiring harness 3-spoke steering wheel Sports steering wheel without Multi-function Manual transmission		1	I480/481
27	997 612 674 00	Wiring harness 3-spoke steering wheel Sports steering wheel without Multi-function Tiptronic		1	I249
28	997 612 673 00	Wiring harness 3-spoke steering wheel with Multi-function Manual transmission Tiptronic		1	I431/451 I452/453

Model: 987 06

Model life 2006>>2008



Model: 987 06

Model life 2006>>2008

Pos	Part Number	Description	Remark	Qty	Model
1	997 803 089 05	Airbag Airbag unit 3-spoke steering wheel Plastic material Crest Coloured		1	I436
	997 803 089 05 A32	Black			
	997 803 089 05 B22	Stone grey			
	997 803 089 05 T22	Sand Beige			
	997 803 089 05 E22	Sea blue			
	997 803 089 05 J22	Palmgreen			
	997 803 089 05 M22	Terracotta			
	997 803 089 05 R32	Cocoa			
	997 803 089 05 T32	Brown/natural			
(1)	997 803 089 06	Airbag unit 3-spoke steering wheel Leather Crest Coloured		1	I431/451 I452/453 I459/991
	997 803 089 06 A34	Black			
	997 803 089 06 B24	Stone grey			
	997 803 089 06 T24	Sand Beige			
	997 803 089 06 E24	Sea blue			
	997 803 089 06 J24	Palmgreen			
	997 803 089 06 M24	Terracotta			
	997 803 089 06 R24	Cocoa			
	997 803 089 06 D14	Dark grey/natural			
	997 803 089 06 T34	Brown/natural			
(1)	997 803 089 06	Airbag unit 3-spoke steering wheel Leather Crest Coloured		1	IXPV/991
	997 803 089 06 A34	Black			
	997 803 089 06 B24	Stone grey			
	997 803 089 06 T24	Sand Beige			
	997 803 089 06 E24	Sea blue			
	997 803 089 06 J24	Palmgreen			
	997 803 089 06 M24	Terracotta			
	997 803 089 06 R24	Cocoa			
	997 803 089 06 D14	Dark grey/natural			
	997 803 089 06 T34	Brown/natural			
2	997 803 089 07	Airbag unit Sports steering wheel Plastic material Crest Coloured		1	I435
	997 803 089 07 A32	Black			
	997 803 089 07 B22	Stone grey			
	997 803 089 07 T22	Sand Beige			
	997 803 089 07 E22	Sea blue			
	997 803 089 07 J22	Palmgreen			
	997 803 089 07 M22	Terracotta			
	997 803 089 07 R32	Cocoa			
	997 803 089 07 T32	Brown/natural			
(2)	997 803 089 08	Airbag unit Sports steering wheel Leather Crest Coloured		1	I460/991
	997 803 089 08 A34	Black			
	997 803 089 08 B24	Stone grey			
	997 803 089 08 T24	Sand Beige			

Model: 987 06

Model life 2006>>2008

Pos	Part Number	Description	Remark	Qty	Model
	997 803 089 08 E24	Sea blue			
	997 803 089 08 J24	Palmgreen			
	997 803 089 08 M24	Terracotta			
	997 803 089 08 R24	Cocoa			
	997 803 089 08 D14	Dark grey/natural			
	997 803 089 08 T34	Brown/natural			
(2)	997 803 089 08	Airbag unit		1	IXPA/991
		Sports steering wheel			
		Leather			
		Crest			
		Coloured			
	997 803 089 08 A34	Black			
	997 803 089 08 B24	Stone grey			
	997 803 089 08 T24	Sand Beige			
	997 803 089 08 E24	Sea blue			
	997 803 089 08 J24	Palmgreen			
	997 803 089 08 M24	Terracotta			
	997 803 089 08 R24	Cocoa			
	997 803 089 08 D14	Dark grey/natural			
	997 803 089 08 T34	Brown/natural			
(2)	997 803 089 91	Airbag unit		1	I432/755
		Leather			
		Alcantara			
	997 803 089 91 A34	Black			
(2)	997 803 089 17	Airbag unit		1	I433/755
		Sports steering wheel			
		Leather			
		Crest			
		Coloured			
	997 803 089 17 A34	Black			
(2)	997 803 089 17	Airbag unit		1	I433/758
		Sports steering wheel			
		Leather			
		Crest			
		Coloured			
	997 803 089 17 B24	Stone grey			
3	955 652 211 10	Spring		1	
		with			
		Steering-angle sensor			
4	997 803 071 07	Airbag unit		1	
		Passenger's side			
5	900 378 222 09	Hexagon-head bolt		4	
		M 6 X 16			
6	997 803 091 03	Side airbag	/L	1	
		for			
		Head airbag			
(6)	997 803 092 03	Side airbag	/R	1	
		for			
		Head airbag			
7	900 378 035 01	Hexagon-head bolt		6	
		M 6 X 16			
8	997 618 217 08	Control unit		1	
9	999 070 015 02	Cap nut		3	
		M 6			
10	997 618 221 00	Sensor		2	
		Side airbag			
11	999 084 629 09	Hexagon nut		8	
		M 6			
12	997 618 223 00	Acceleration sensor	06	2	
		Airbag			
		Front			
(12)	997 618 223 01	Acceleration sensor	07-	2	
		Airbag			

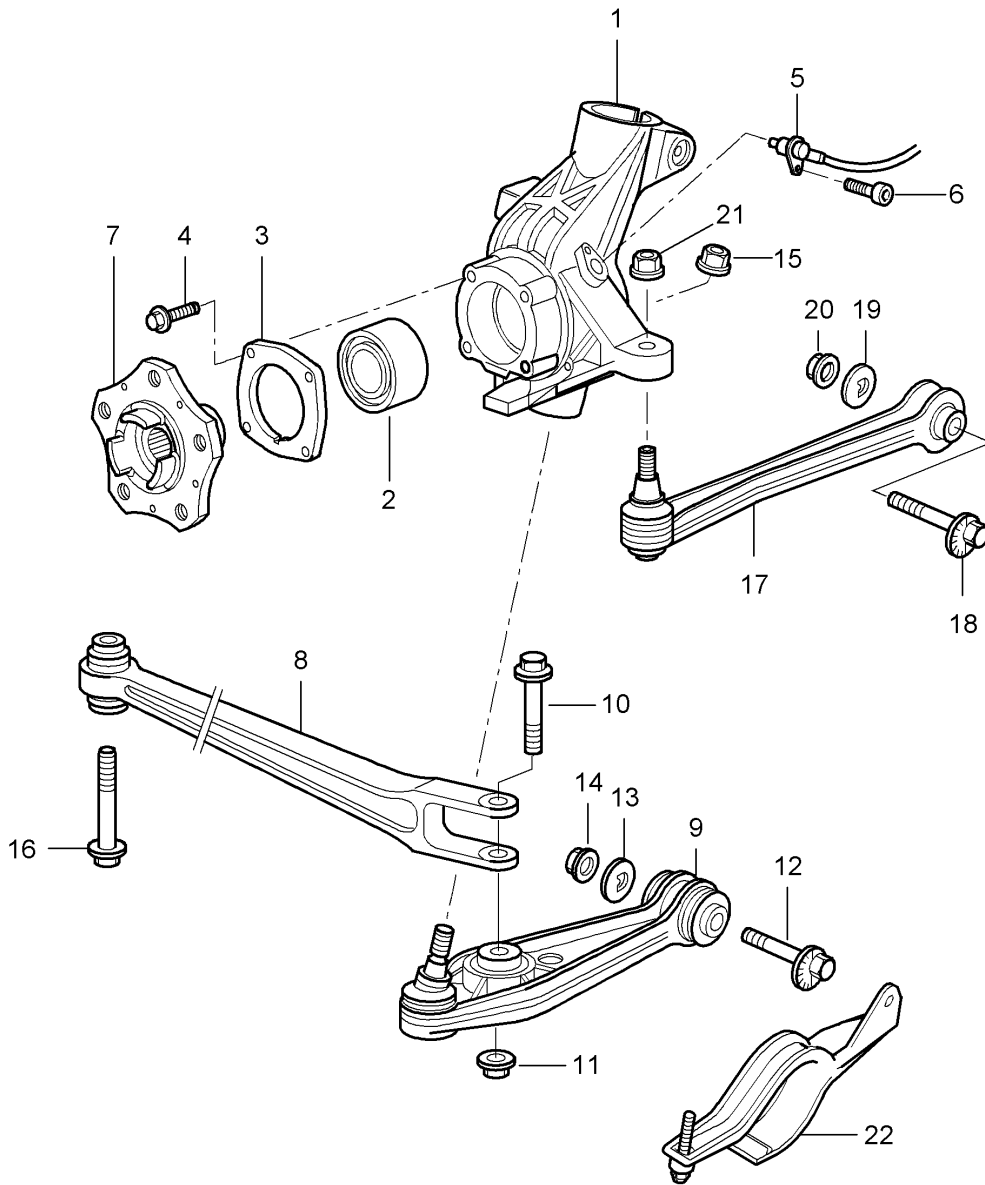
Model: 987 06

Model life 2006>>2008

Pos	Part Number	Description	Remark	Qty	Model
13	999 084 638 01	Front Hexagon nut M 6 SB		2	

Model: 987 06

Model life 2006>>2008

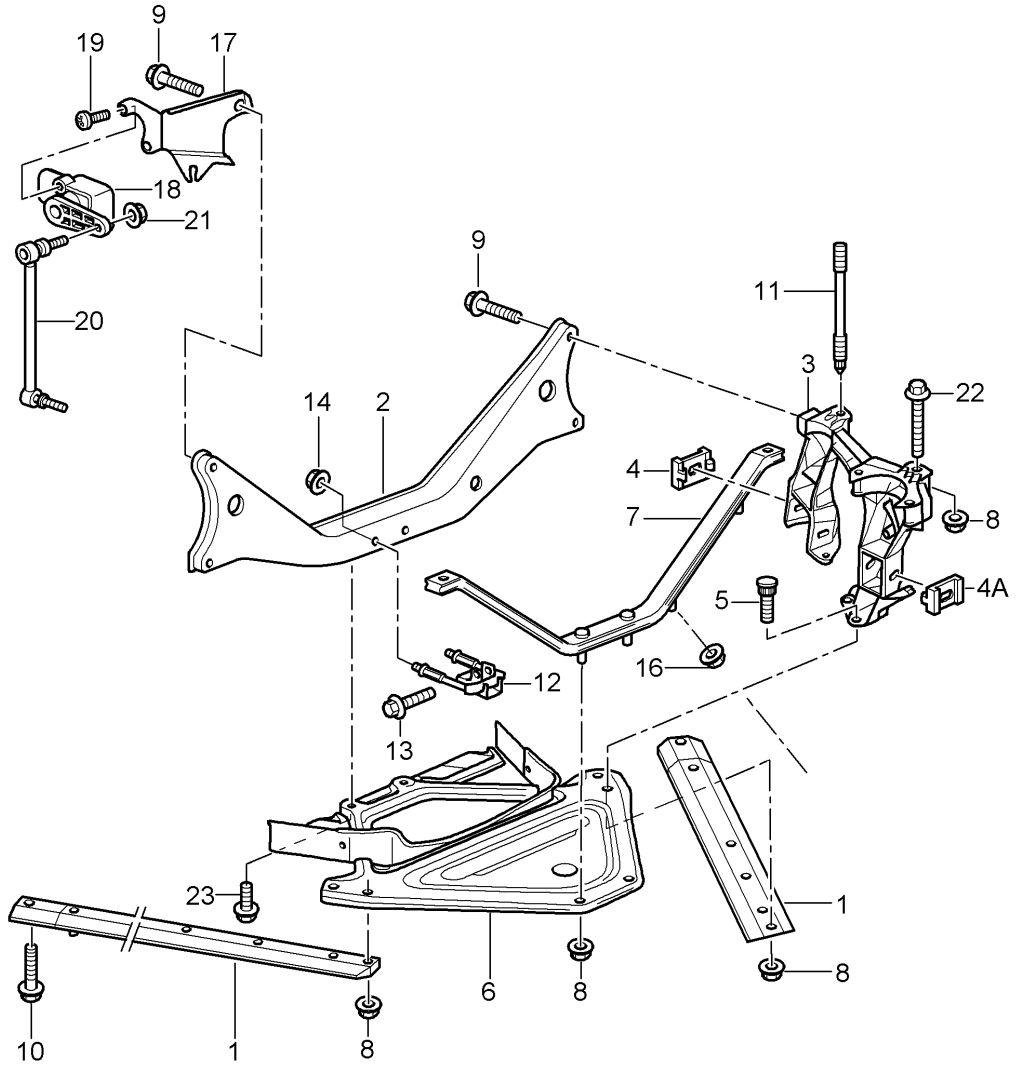


Model: 987 06 Model life 2006>>2008

Pos	Part Number	Description	Remark	Qty	Model
		Rear axle			
		Wheel carrier			
		Control arm			
		Wheel hub			
1	987 331 157 06	Wheel carrier	/L	1	
(1)	987 331 158 06	Wheel carrier	/R	1	
2	999 053 054 05	Angular-contact bearing		2	
(3)	986 331 661 20	Lid		2	
4	999 217 042 09	Hexagon-head bolt M 8 X 35		8	
5	997 606 407 01	Speed sensor		2	
6	900 067 117 09	Pan-head screw M 6 x 16		2	
7	997 341 605 01	Wheel hub		2	
7	991 341 605 02	Wheel hub		2	
7	991 341 605 03	Wheel hub		2	
8	987 331 043 02	Control arm		2	
9	996 341 053 17	Wishbone F >>986U7 74551		2	
(9)	997 331 053 01	Wishbone F 986U7 74552>> F 986U7 83369>>		2	
10	900 378 135 09	Hexagon-head bolt M 14 X 1,5 X 75		2	
(10)	900 378 135 01	Hexagon-head bolt m 14 x 1,5 x 75		2	
11	900 380 012 09	Hexagon nut M 14 X 1,5		2	
11	900 380 012 01	Hexagon nut M 14 X 1,5		2	
(12)	996 331 217 03	Eccentric screw M 12 X 100		2	
(12)	996 331 217 04	Eccentric screw M 12 X 105 Technical information Nr.4238 20/07		2	
13	996 331 219 00	Eccentric washer		2	
14	999 084 445 01	Lock nut M 12 X 1,5		4	
15	999 084 449 09	Lock nut M 12 X 1,5		2	
16	900 378 209 09	Hexagon-head bolt M 14 X 1,5 X 90		2	
-	986 331 023 00	Nut lock		2	
17	997 331 045 04	Track rod		2	
18	996 331 217 02	Eccentric screw M 12 X 83		2	
19	996 331 219 00	Eccentric washer		2	
20	999 084 445 01	Lock nut M 12 X 1,5		2	
21	999 084 449 09	Lock nut M 12 X 1,5		2	
22	987 331 371 02	Support	/L	2	I601
-	997 361 605 90	Spacer ring 5 mm		2	IXRP

Model: 987 06

Model life 2006>>2008



Model: 987 06

Model life 2006>>2008

Pos	Part Number	Description	Remark	Qty	Model
1	986 331 031 01	Rear axle Side section Bracket Strut F >>988U7 50898 F >>988U7 70637	/L	1	
(1)	987 331 031 20	Strut F 988U7 50899>> F 988U7 70638>>	/L	1	
(1)	986 331 032 01	Strut F >>988U7 50898 F >>988U7 70637	/R	1	
(1)	987 331 032 20	Strut F 988U7 50899>> F 988U7 70638>>	/R	1	
2	986 331 071 10	Cross member		1	
3	987 331 051 04	Side section	/L	1	
(3)	987 331 052 04	Side section Technical information Nr.4238 20/07	/R	1	
4	986 331 351 01	Clip		6	
5	999 080 031 09	Fastening screw	-07	8	
(5)	999 080 031 01	Fastening screw	08-	8	
6	987 331 161 02	Bracket		1	I481
(6)	987 331 161 01	Bracket		1	I249
(6)	987 331 161 00	Bracket		1	I480
-	986 331 361 03	Spoiler		2	
-	999 507 774 40	Push button A 3,9		2	
-	999 507 775 40	Push button B 3,9		2	
7	986 331 093 03	Strut		1	
-	999 072 032 09	Hexagon-head bolt M 10 X 75		2	
-	999 072 032 01	Hexagon-head bolt M 10 x 75 POS.7 Threaded joint Body		2	
8	999 076 053 09	Hexagon nut M 10		14	
(9)	999 072 037 09	Hexagon-head bolt M 10 X 45		4	
-	999 076 058 09	Nut M 10 - 10 -26A1 in		8	
(9)	999 076 058 01	Side section Nut M 10 - 10 26B1 in		8	
(10)	999 072 031 01	Side section Hexagon-head bolt M 10 x 45 F >>988U7 50898 F >>988U7 70637		2	
(10)	999 073 443 01	Combination screw M 12 X1,5 X 40 F 988U7 50899>> F 988U7 70638>>		2	
11	999 061 108 09	Stud M 10 X 113		4	
(11)	999 061 108 01	Stud		4	

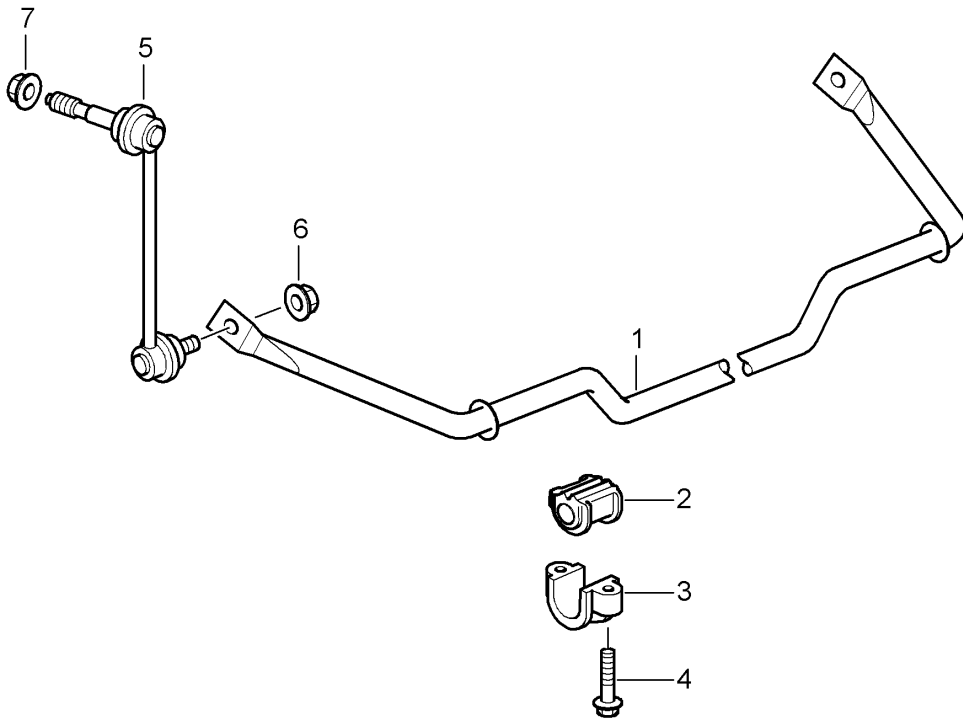
Model: 987 06

Model life 2006>>2008

Pos	Part Number	Description	Remark	Qty	Model
12	986 331 181 01	M 10 X 113 Restraining cable		1	
13	900 378 107 09	Hexagon-head bolt M 8 X 45		1	
(13)	900 378 107 01	Hexagon-head bolt M 8 x 45		1	
14	900 380 005 09	Hexagon nut M 8	-06	2	
(14)	999 084 457 01	Hexagon nut M 8	07-	2	
17	987 331 611 01	Support		1	I601
18	997 631 121 00	Sensor		1	I601
19	900 146 003 02	Oval-head screw M 5 X 10		2	I601
(19)	900 146 003 03	Oval-head screw M 5 x 10		2	I601
20	987 331 375 00	Strut Information available		1	I601
21	900 380 015 09	Hexagon nut VM 6		2	I601
(21)	900 380 015 01	Hexagon nut VM 6		2	I601
22	999 217 165 09	Hexagon-head bolt M 10 X 80		2	
23	999 072 024 01	Hexagon-head bolt M 10 x 25		2	

Model: 987 06

Model life 2006>>2008



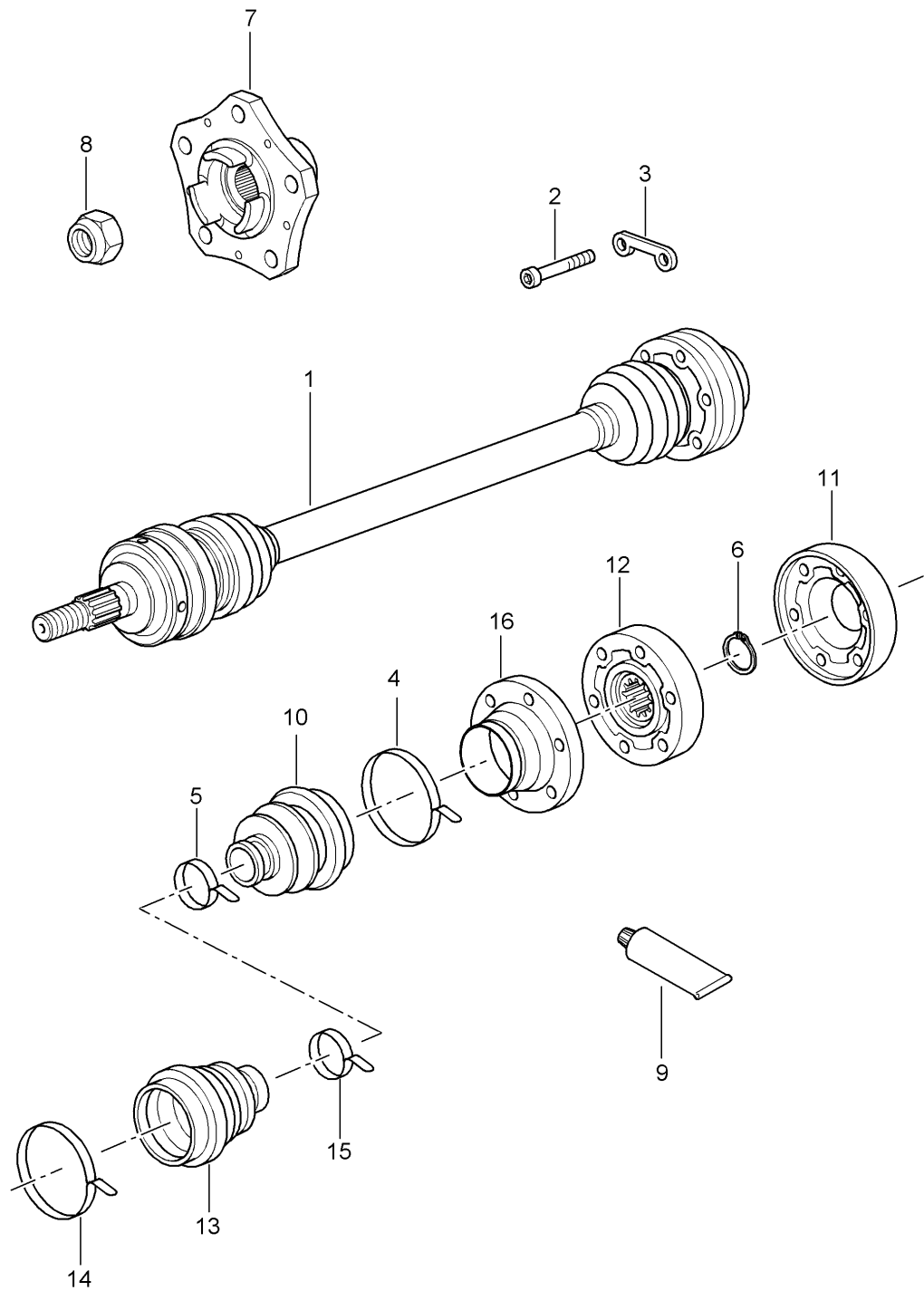
Model: 987 06

Model life 2006>>2008

Pos	Part Number	Description	Remark	Qty	Model
1	987 333 701 03	Stabiliser		1	CAYMAN
(1)	987 333 701 04	Stabiliser		1	CAYMAN S
2	996 333 792 24	Stabiliser mounting		2	CAYMAN
(2)	996 333 792 28	Stabiliser mounting		2	CAYMAN S
3	996 333 777 01	Bearing clamp		2	
4	900 378 055 01	Hexagon-head bolt AM 8 X 40		4	
5	997 343 069 01	Stabiliser mounting	/L	1	
(5)	997 343 070 01	Stabiliser mounting	/R	1	
6	999 084 123 09	Hexagon nut M 10		2	
7	999 084 445 01	Lock nut M 12		2	

Model: 987 06

Model life 2006>>2008



Model: 987 06 Model life 2006>>2008

Pos	Part Number	Description	Remark	Qty	Model
		Drive shaft			
		Wheel hub			
1	987 332 024 05	Drive shaft	/L	2	I481
(1)	987 332 024 04	Drive shaft	/R	1	I481
(1)	987 332 024 23	Drive shaft	/L	1	I480
(1)	987 332 024 24	Drive shaft	/R	1	I480
(1)	987 332 024 06	Drive shaft		2	I249 CAYMAN
(1)	987 332 024 25	Drive shaft		2	I249 CAYMAN S
2	N 909 417 01	Pan-head screw M 10 X 45		12	I481 I249 CAYMAN
(2)	900 067 229 09	Pan-head screw M 10 X 48,4		12	I480 CAYMAN CAYMAN-S
(2)	900 067 229 01	Pan-head screw M 10 X 48,4		12	I480 CAYMAN CAYMAN-S
(2)	900 067 298 09	Pan-head screw M 10 X 46,5		12	I249 CAYMAN S
(2)	900 067 298 02	Pan-head screw M 10 X 46,5		12	I249 CAYMAN S
(2)	999 510 047 01	Pan-head screw M 10 X 46,5		12	I249 CAYMAN S
3	986 332 191 00	Plate		6	I481
(3)	996 332 191 00	Plate		6	I480
4	996 332 957 00	Clip 73 MM		2	
5	996 332 257 00	Clip 34 MM		2	
6	900 041 014 00	Circlip		2	
7	997 341 605 01	Wheel hub		2	
7	991 341 605 02	Wheel hub		2	
7	991 341 605 03	Wheel hub		2	
8	999 084 641 02	Lock nut		2	
9	000 043 110 01	Grease 1 100-gramme tube		X	
(9)	000 043 205 36	Sealing compound 1 100-gramme tube		X	
10	996 332 293 00	Dust bellows Information available		2	
11	987 332 267 00	Lid		2	I481 CAYMAN
(11)	986 332 267 00	Lid		2	I249 CAYMAN
(11)	928 332 267 01	Lid		2	I480 CAYMAN
(11)		Lid		2	I480 CAYMAN S
(11)		Lid		2	I249 CAYMAN S
12	986 332 030 00	Joint		2	I481 CAYMAN
(12)		Joint		2	I249 CAYMAN
(12)	996 332 030 00	Joint		2	I480 CAYMAN
(12)		Joint		2	I480 CAYMAN S
(12)		Joint		2	I249 CAYMAN S
13	996 332 293 00	Dust bellows		2	

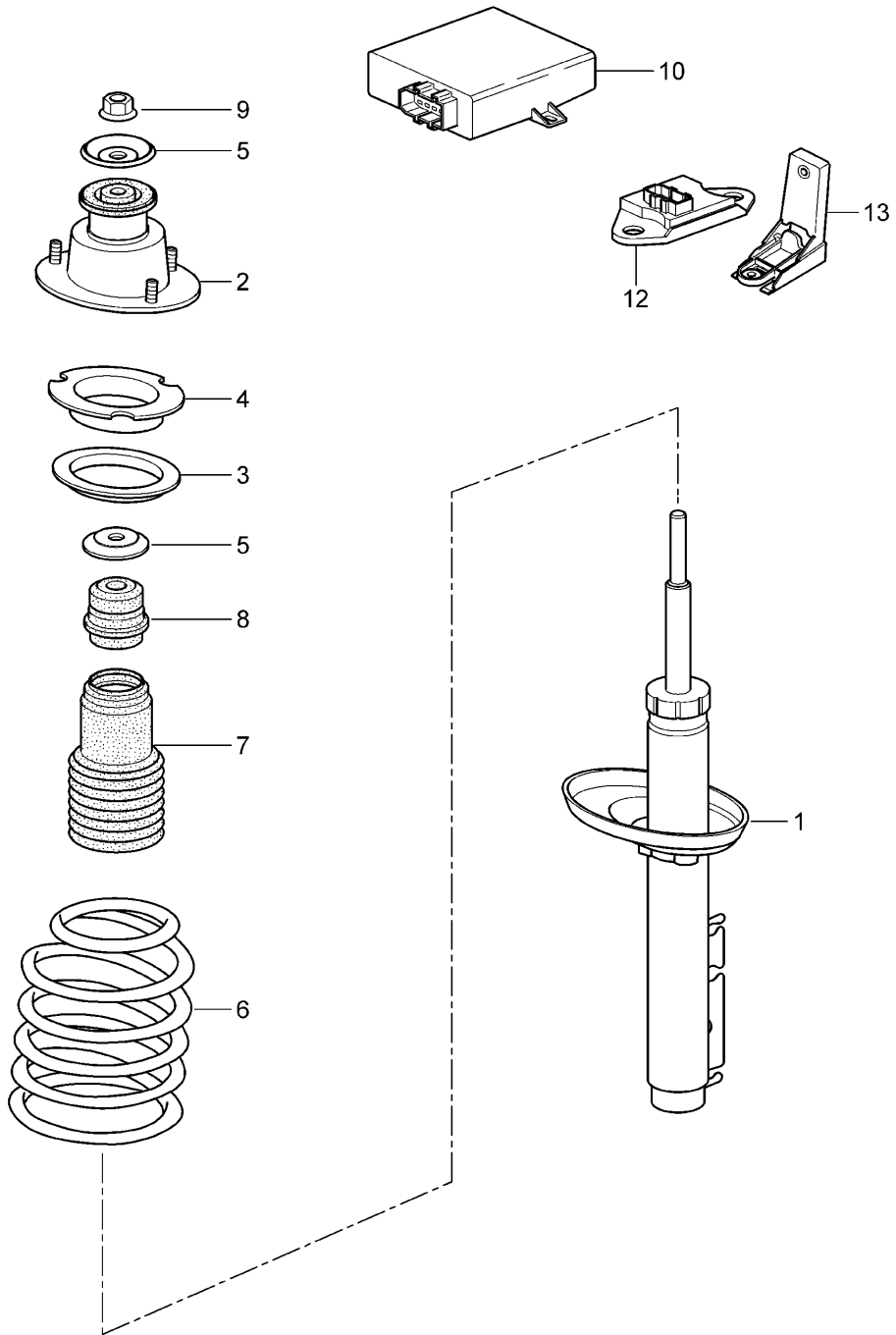
Model: 987 06

Model life 2006>>2008

Pos	Part Number	Description	Remark	Qty	Model
		Information available			
14	996 332 957 00	Clip		2	
15	996 332 257 00	Clip		2	
16	986 332 259 00	Bellow support		2	I481 CAYMAN
(16)		Bellow support		2	I249 CAYMAN
(16)	996 332 259 00	Bellow support		2	I480 CAYMAN
(16)		Bellow support		2	I480 CAYMAN S
(16)		Bellow support		2	I249 CAYMAN S

Model: 987 06

Model life 2006>>2008



Model: 987 06 Model life 2006>>2008

Pos	Part Number	Description	Remark	Qty	Model
1	987 333 051 09	Shock absorber Coil spring Shock absorber - bilstein -		2	CAYMAN S I029/480
(1)	987 333 051 13	Shock absorber - bilstein -		2	CAYMAN I029/481
(1)	987 333 051 10	Shock absorber - bilstein -		2	CAYMAN S I029/480
(1)	987 333 051 12	Shock absorber - bilstein -		2	CAYMAN S I029/480
(1)	987 333 051 10	Shock absorber - bilstein -		2	CAYMAN I029/249
(1)	987 333 051 12	Shock absorber - bilstein -		2	CAYMAN I029/249
(1)	987 333 053 19	Shock absorber - bilstein -		2	CAYMAN S I029/249
(1)	987 333 051 12	Shock absorber - bilstein -		2	CAYMAN S I029/249
(1)	987 333 053 19	Shock absorber - bilstein -		2	CAYMAN S I029/249
(1)	987 333 053 20	Vibration damper - bilstein -		2	CAYMAN I475/481
(1)		Vibration damper		2	CAYMAN I475/480
(1)		Vibration damper		2	CAYMAN I249/475
-	900 380 005 09	Mount Shock absorber		6	
-	999 084 445 01	Hexagon nut M 8		2	
(2)	986 333 059 06	Lock nut M 12 X 1,5	-08	2	
3	986 333 504 02	Supporting mount Compensating plate 3,0 MM		X	
(3)	986 333 504 03	Compensating plate 6,0 MM		X	
4	986 333 509 02	Ring		2	
5	997 343 107 01	Stop plate		4	I029
(5)	997 343 107 00	Stop plate Upper		2	I475
(5)	997 343 107 01	Stop plate Lower		2	I475
6	987 333 531 58	Coil spring 1 set		1	CAYMAN I029/481
	987 333 531 58 504	Identification Green White			
6	987 333 531 1B	Coil spring 1 set		1	CAYMAN I029/481
	987 333 531 1B 504	Identification			

Model: 987 06 Model life 2006>>2008

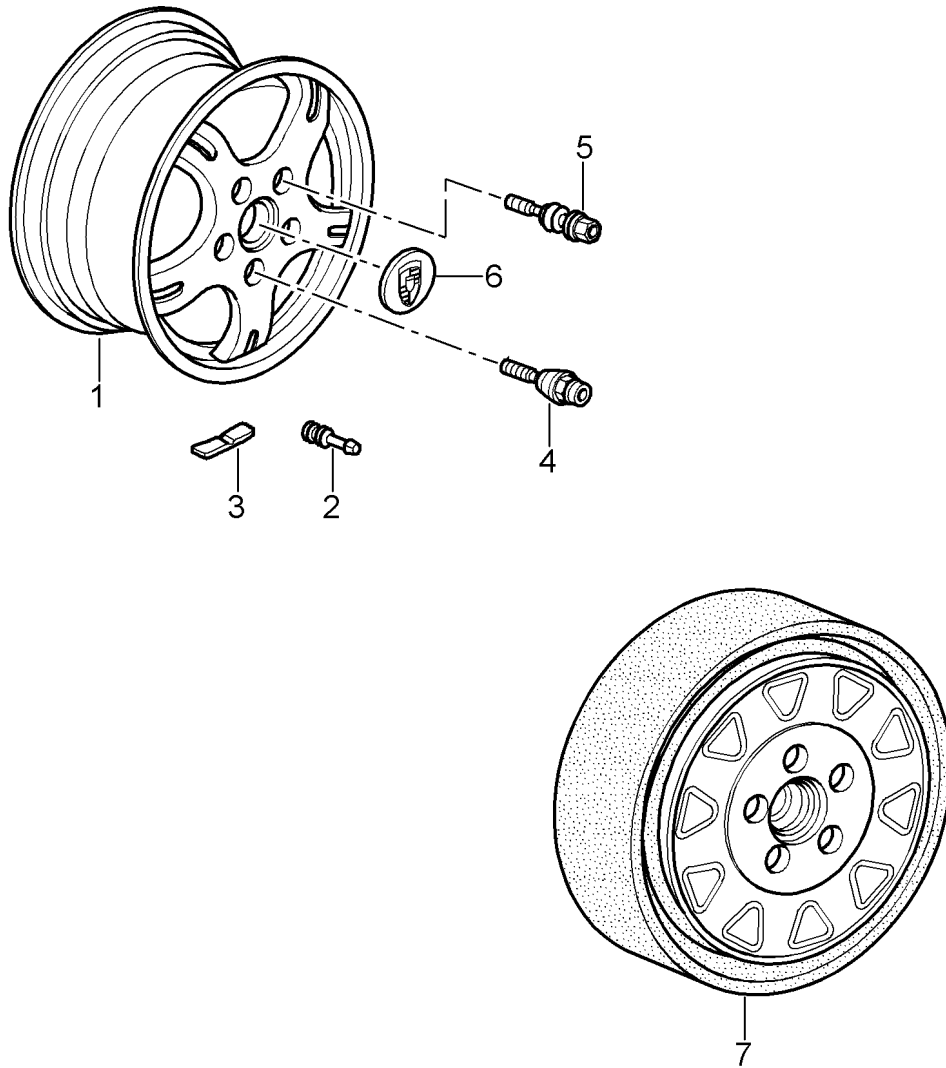
Pos	Part Number	Description	Remark	Qty	Model
(6)	987 333 531 59	Green White Coil spring		1	CAYMAN I029/249
		1 set			
	987 333 531 59 504	Identification			
(6)	987 333 531 43	Blue White Coil spring		1	CAYMAN S I029/480
		1 set			
	987 333 531 43 504	Identification			
(6)	987 333 531 60	Green Silver Coil spring		1	CAYMAN S I029/480
		1 set			
	987 333 531 60 504	Identification			
(6)	987 333 531 44	Green Silver Coil spring		1	CAYMAN S I029/249
		1 set			
	987 333 531 44 504	Identification			
(6)	987 333 531 61	Blue Violet Coil spring		1	CAYMAN S I029/249
		1 set			
	987 333 531 61 504	Identification			
(6)	987 333 531 1E	Blue Violet Coil spring		1	CAYMAN S I029/249
		1 set			
	987 333 531 1E 504	Identification			
(6)	987 333 531 64	Blue Violet Coil spring		1	CAYMAN I475/480/481
		1 set			
	987 333 531 64 504	Identification			
(6)	987 333 531 65	Blue Red Coil spring		1	CAYMAN I249/475
		1 set			
	987 333 531 65 504	Identification			
(6)	987 333 531 65	Red Green Coil spring	-07	1	CAYMAN S I475/480
		1 set			
	987 333 531 65 504	Identification			
(6)	987 333 531 93	Red Green Coil spring	08	1	CAYMAN S I475/480
		1 set			
	987 333 531 93 504	Identification			
		Red Red Rapeseed yellow			

Model: 987 06 Model life 2006>>2008

Pos	Part Number	Description	Remark	Qty	Model
(6)	987 333 531 47	Coil spring 1 set		1	CAYMAN S I249/475
	987 333 531 47 504	Identification Red Violet			
(6)	987 333 531 47	Coil spring 1 set		1	CAYMAN S I249/475
	987 333 531 47 504	Identification Red Violet			
7	986 333 505 01	Bellows		1	
8	987 333 301 00	Additional spring		1	
9	900 380 012 09	Hexagon nut M 14 X 1,5		2	I029
9	900 380 012 01	Hexagon nut M 14 X 1,5		2	I029
(9)	999 084 645 09	Hexagon nut M 14 X 1,5		2	I475
10	987 618 105 08	Control unit	06	1	I475
(10)	987 618 105 09	Control unit	-07	1	I475
(10)	987 618 105 10	Control unit	08-	1	I475
-	997 618 205 00	Support for Control unit		1	I475
-	997 606 111 01	Acceleration sensor Body		1	
-	987 606 235 00	Support Acceleration sensor		1	

Model: 987 06

Model life 2006>>2008



Model: 987 06

Model life 2006>>2008

Pos	Part Number	Description	Remark	Qty	Model
		Wheels Wheel bolts see Technical information 84/11 Group 4 4407			
1	987 362 122 05	Disc wheel 6,5 J X 17 ET 55	/V	2	I393
(1)	987 362 136 00	Disc wheel 8 J X 18 ET 57	/V	2	I397
(1)	987 362 136 02	Disc wheel 8 J X 18 ET 57	/V	2	I397
(1)	987 362 122 06	Disc wheel 6,5 J X 17 ET 55	/V	2	I398
(1)	987 362 136 01	Disc wheel 8 J X 18 ET 57	/V	2	I401
(1)	997 362 156 07	Disc wheel 8 J X 19 ET 57	/V	2	I403
(1)	997 362 156 00	Disc wheel BBS 8 J x 19 Et 57	/V	2	I403
(1)	997 362 156 02	Disc wheel 8 J x 19 Et 57	/V 07-	2	I404
(1)	997 362 156 03	Disc wheel 8 J X 19 ET 57	/V	2	I405
(1)	997 362 156 04	Disc wheel 8 J X 19 ET 57	/V	2	I407
(1)	997 362 156 55	Disc wheel 8,5 J X 19 ET 55	/V	2	IXRR
(1)	987 362 126 00	Disc wheel 8 J X 17 ET 40	/H	2	I393
(1)	987 362 138 00	Disc wheel 9 J X 18 ET 43	/H	2	I397
(1)	987 362 138 02	Disc wheel 9 J X 18 ET 43	/H	2	I397
(1)	987 362 126 01	Disc wheel 8 J X 17 ET 40	/H	2	I398
(1)	987 362 138 01	Disc wheel 9 J X 18 ET 43	/H	2	I401
(1)	997 362 158 05	Disc wheel 9,5 J X 19 ET 46	/H	2	I403
(1)	997 362 158 08	Disc wheel 9,5 J x 19 ET 46	/H 07-	2	I404
(1)	997 362 158 06	Disc wheel	/H	2	I405

Model: 987 06 Model life 2006>>2008

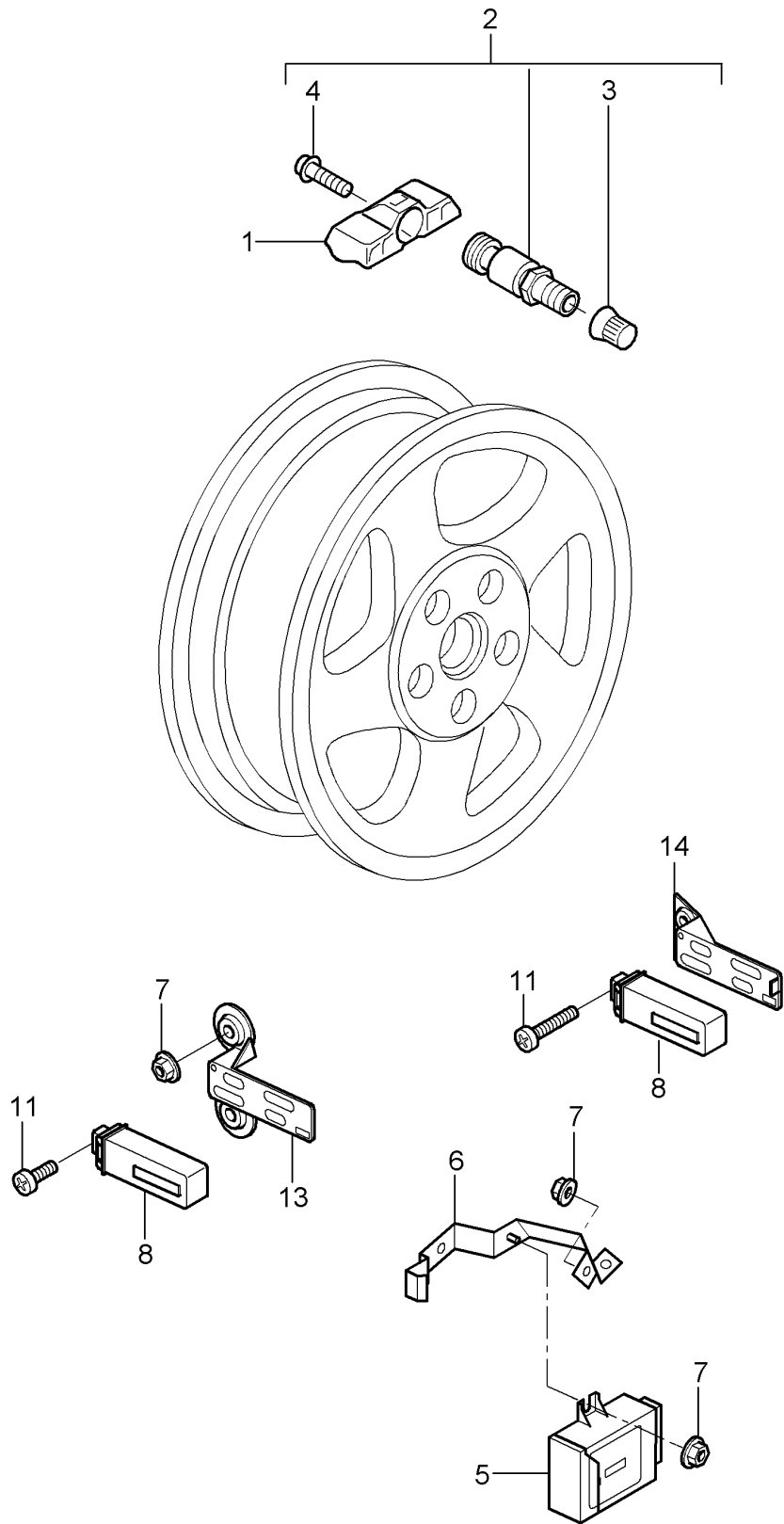
Pos	Part Number	Description	Remark	Qty	Model
(1)	997 362 158 07	9,5 J X 19 ET 46 Disc wheel	/H	2	I407
(1)	997 362 160 50	9,5 J X 19 ET 46 Disc wheel		2	
2	900 265 001 50	10 J X 19 ET 42 Rubber valve		4	
(2)	900 265 001 51	Rubber		4	
(2)	311 601 361	Rubber valve		4	
3	997 361 405 00	Rubber		X	
(3)	997 361 410 00	Balance stick-on weight 5 G.		X	
(3)	997 361 415 00	Balance stick-on weight 10 G.		X	
(3)	997 361 420 00	Balance stick-on weight 15 G.		X	
(3)	997 361 425 00	Balance stick-on weight 20 G.		X	
(3)	997 361 430 00	Balance stick-on weight 25 G.		X	
(3)	997 361 435 00	Balance stick-on weight 30 G.		X	
(3)	997 361 440 00	Balance stick-on weight 35 G.		X	
(3)	997 361 445 00	Balance stick-on weight 40 G.		X	
(3)	997 361 450 00	Balance stick-on weight 45 G.		X	
(3)	997 361 455 00	Balance stick-on weight 50 G.		X	
(3)	997 361 460 00	Balance stick-on weight 55 G.		X	
(3)	997 361 465 00	Balance stick-on weight 60 G.		X	
(3)	997 361 470 00	Balance stick-on weight 65 G.		X	
(3)	997 361 475 00	Balance stick-on weight 70 G.		X	
(3)	997 361 480 00	Balance stick-on weight 75 G.		X	
(3)	997 361 485 00	Balance stick-on weight 80 G.		X	
(3)	997 361 490 00	Balance stick-on weight 85 G.		X	
(3)	997 361 490 00	Balance stick-on weight 90 G.		X	
(4)	996 361 057 02	Wheel bolts see Technical information 84/11 Group 4 4407 Set		1	
(4)	997 361 057 02	Anti-theft protection Wheel bolt Silver Set		1	
(4)	997 361 057 02	Anti-theft protection Wheel bolt			

Model: 987 06 Model life 2006>>2008

Pos	Part Number	Description	Remark	Qty	Model
(4)	996 361 980 02	Silver Wheel bolt Anti-theft protection 1 set	-07	1	IXRP
(4)	997 361 980 10	Silver Set Anti-theft protection Wheel bolt	08-	1	IXRP
(4)	997 361 057 00	Silver Set Anti-theft protection Wheel bolt	(GB)	1	I444
(4)	997 361 057 01	Silver Set Anti-theft protection Wheel bolt	(GB)	1	I444
(4)	997 361 980 00	Silver Set Anti-theft protection Wheel bolt	-07 (GB)	1	IXRP/444
(4)	997 361 980 09	Silver Set Anti-theft protection Wheel bolt	08- (GB)	1	IXRP/444
(5)	996 361 203 02	Silver Wheel bolt		16	
6	955 361 303 00	Hub cap		4	
(6)	955 361 303 00 9A1	Silver		4	I446
(6)	955 361 303 05	Hub cap		4	I446
(6)	955 361 303 05 9A1	Silver Paint It is necessary to rework			I758
(6)	997 361 305 00	Hub cap	07-	4	I404
(6)	7PP 601 149 F	Hub cap	07-	4	I404
(6)	997 361 303 01	Hub cap Crest Coloured Silver		4	IXRR
7	996 362 020 04	Emergency wheel		1	I447
8	955 722 631 00	Bottle of tyre sealant		1	
8	4L0 012 619 A	Bottle of tyre sealant		1	
9	996 361 411 00	Belt for Emergency wheel		1	I447
10	996 361 521 00	Boot for Emergency wheel		1	I447
11	999 914 001 40	Plastic gloves		1	I447
12	997 652 051 00	Compressor for Emergency wheel	-07	1	
(12)	997 652 055 00	Compressor for Emergency wheel Use also: 991.555.575.03.1E0 991.555.765.02.1E0	08-	1	
				1	
				1	

Model: 987 06

Model life 2006>>2008

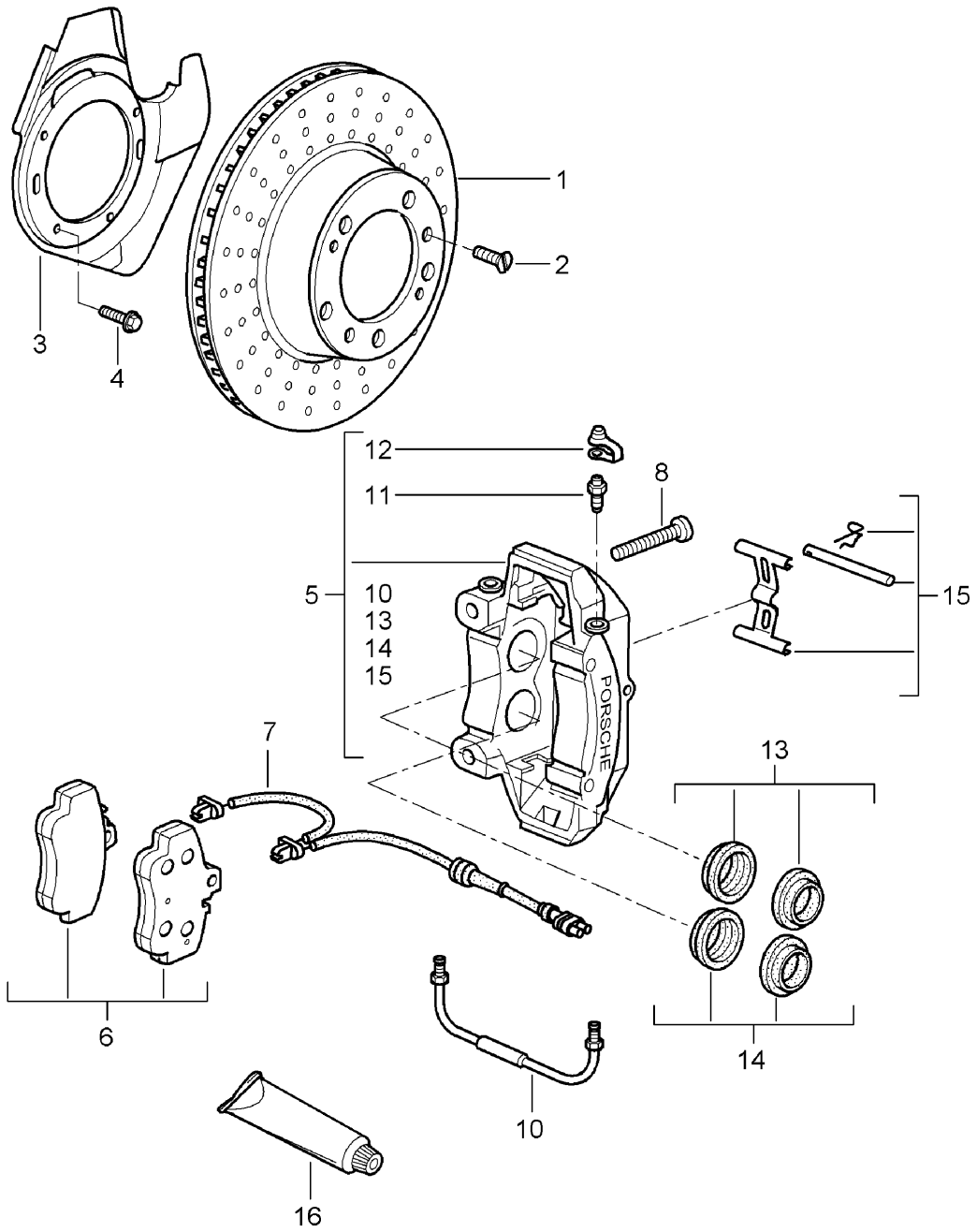


Model: 987 06 Model life 2006>>2008

Pos	Part Number	Description	Remark	Qty	Model
1	997 606 021 00	Tyre pressure monitoring Sensor	-07	4	I482/483 I482
(1)	997 606 021 01	Tyre pressure monitoring Use also: 955.361.053.00 Sensor	08-	4	I482
(1)	997 606 021 02	Tyre pressure monitoring Use also: 955.361.053.00 Sensor	08-	4	I482
(1)	997 606 023 00	Information available Sensor	-07	4	I483
(1)	997 606 023 01	Tyre pressure monitoring Use also: 955.361.053.00 Sensor	08-	4	I483
(2)	997 606 023 02	Tyre pressure monitoring Use also: 955.361.053.00 Sensor	-(ROK)	4	I483
(1)	997 606 025 00	Information available Sensor	(ROK)	4	I483
(1)	997 606 021 02	Tyre pressure monitoring Use also: 955.361.053.00 Sensor	(ROK)	4	
2	955 361 053 00	Valve Aluminium		4	
(2)	9P1 601 361 A	Valve Aluminium		4	
3	N 908 729 01	Cap		4	
4	4D0 601 365	Fastening screw		4	
5	997 618 103 06	Control unit		1	
6	997 618 203 01	Support Control unit		1	
7	999 076 081 40	Plastic nut T5 16 X 11, 2		7	
8	997 606 101 00	Antenna 433 MHZ		4	I482
(8)	997 606 102 00	Antenna 433 MHZ	(ROK)	4	
(8)	997 606 103 00	Only together with 997.606.021.02 Antenna 315 MHZ		4	I483
-	N 105 168 01	Expander nut st 4,8		4	
13	997 606 141 00	Support Antenna Front		2	
14	997 606 131 00	Support Antenna Rear axle		2	

Model: 987 06

Model life 2006>>2008



Model: 987 06 Model life 2006>>2008

Pos	Part Number	Description	Remark	Qty	Model
		Disc brake Front axle Brake disc Only in pairs Replace Technical manual Attention			I450
1	987 351 401 01	Brake disc	/L	1	CAYMAN
(1)	996 351 405 01	Brake disc	/L	1	CAYMAN S
(1)	996 351 031 04	Brake disc	/L 07	1	I450
(1)	997 351 031 00	Brake disc	/L 08-	1	CAYMAN S I450
(1)	997 351 031 01	Brake disc	/L 08-	1	CAYMAN S I450
(1)	987 351 402 01	Brake disc	/R	1	CAYMAN
(1)	996 351 406 01	Brake disc	/R	1	CAYMAN S
(1)	996 351 032 04	Brake disc	/R 07	1	I450
(1)	997 351 032 00	Brake disc	/R 08-	1	CAYMAN S I450
(1)	997 351 032 01	Brake disc	/R 08-	1	CAYMAN S I450
2	900 269 047 09	Countersunk-head screw M 6 X 12		4	
2	900 269 047 01	Countersunk-head screw M 6 X 12		4	
(3)	997 351 801 02	Cover plate	/L	1	
(3)	997 351 805 05	Cover plate	/L	1	I450
(3)	997 351 802 02	Cover plate	/R	1	
(3)	997 351 806 05	Cover plate	/R	1	I450
4	999 217 116 09	Hexagon-head bolt M 6 X 16		X	
5	986 351 421 03	Fixed calliper without pad	/L	1	CAYMAN
(5)	996 351 425 11	Fixed calliper without pad	/L	1	CAYMAN S
(5)	996 351 431 30	Fixed calliper without pad	/L -07	1	I450
(5)	996 351 431 31	Fixed calliper without pad	08- /L	1	I450 CAYMAN S
(5)	986 351 422 03	Fixed calliper without pad	/R	1	CAYMAN
(5)	996 351 426 11	Fixed calliper without pad	/R	1	CAYMAN S
(5)	996 351 432 30	Fixed calliper without pad	/R -07	1	I450 CAYMAN S
(5)	996 351 432 31	Fixed calliper without pad	/R 08-	1	I450 CAYMAN S
(6)	987 351 939 03	Brake pad repair set		1	CAYMAN
(6)	997 351 939 05	Brake pad repair set Use also: 997.612.756.00 997.612.759.00 955.352.960.00 See technical manual Group 46 36 19		1 1 1	CAYMAN CAYMAN S
(6)	996 351 947 01	Brake pad repair set See technical manual Group		1	I450 CAYMAN S

Model: 987 06 Model life 2006>>2008

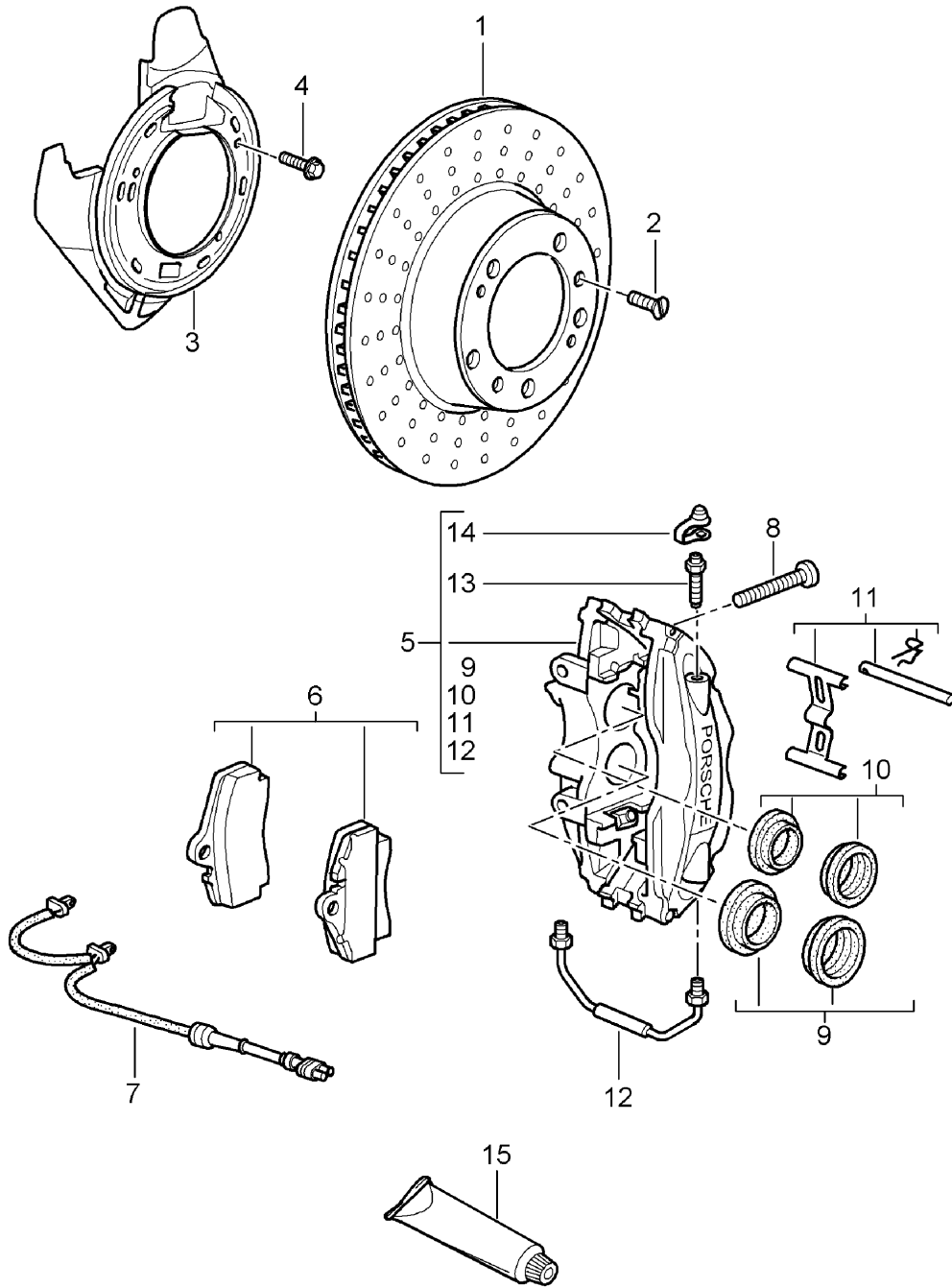
Pos	Part Number	Description	Remark	Qty	Model
(6)	997 351 948 01	46 34 20 Use also: Mounting parts F >>986U7 75101 Brake pad repair set		1	I450 CAYMAN S
-	987 351 088 00	See technical manual Group 46 34 20 Use also: Mounting parts F 986U7 75102>> Damping plate		4	CAYMAN
-	996 351 088 01	Damping plate		4	CAYMAN S
-	996 351 088 02	Damping plate		4	CAYMAN S
-	996 352 086 01	Damping plate		6	I450 CAYMAN S
-	996 352 086 02	See technical manual Group 46 34 20 F >>986U7 75101 Damping plate		6	I450 CAYMAN S
7	997 612 755 00	See technical manual Group 46 34 20 F >>986U7 75101 Warning contact	/L	1	CAYMAN
(7)	997 612 756 00	Warning contact	/L	1	CAYMAN S
(7)	997 612 675 01	See technical manual Group 46 36 19 Warning contact	/L	1	I450 CAYMAN S
(7)	997 612 757 00	Warning contact	/R	1	CAYMAN
(7)	997 612 759 00	Warning contact	/R	1	CAYMAN S
(7)	997 612 679 00	See technical manual Group 46 36 19 Warning contact	/R	1	I450 CAYMAN S
8	999 067 041 09	Pan-head screw M 12 X 1,5 X 72		4	
8	999 067 041 01	Pan-head screw M 12 X 1,5 X 72		4	
(8)	999 067 047 09	Pan-head screw M 12 X 1,5 X 85		4	I450 CAYMAN S
10	996 351 962 00	Connecting line	/L	1	CAYMAN
(10)	996 351 961 00	Connecting line	/R	1	CAYMAN
(10)		Connecting line	/L	1	CAYMAN S
(10)	996 351 962 00	Connecting line	/R	1	CAYMAN S
(10)	996 351 961 30	Connecting line	/L	1	I450 CAYMAN S
(10)		Connecting line	/R	1	I450 CAYMAN S
11	930 351 919 00	Ventilation valve		2	
12	930 351 927 00	Dust boot		2	
12	930 351 927 01	Dust boot		2	
13	951 351 917 01	Repair kit Protection caps		2	CAYMAN
(13)		40 MM \$ Repair kit Protection caps		2	CAYMAN S

Model: 987 06 Model life 2006>>2008

Pos	Part Number	Description	Remark	Qty	Model
14	951 351 917 00	40 mm \$ Repair kit Protection caps		2	CAYMAN
(14)		36 MM \$ Repair kit Protection caps		2	CAYMAN S
13	996 351 915 01	36 mm \$ Repair kit Protection caps		2	I450 CAYMAN S
-	951 352 917 00	38 MM \$ Repair kit Protection caps		2	I450 CAYMAN S
14	996 351 915 00	28 MM \$ Repair kit Protection caps		2	I450 CAYMAN S
15	996 352 959 01	32 MM \$ Repair kit Mounting parts		1	CAYMAN
		Bolt		2	
		Expanding spring		2	
(15)	955 352 960 00	Securing clip Repair kit Mounting parts		2 1	CAYMAN S
		Bolt			
		Expanding spring			
		Securing clip			
		See technical manual			
		Group			
(15)	996 351 959 30	46 36 19 Repair kit Mounting parts		1	I450 CAYMAN S
		Bolt		2	
		Expanding spring		2	
		Screw		2	
16	000 043 117 00	Brake cylinder paste		X	
		50 G			
(16)	000 043 020 00	Optimoly		X	
		100 G			

Model: 987 06

Model life 2006>>2008



Model: 987 06 Model life 2006>>2008

Pos	Part Number	Description	Remark	Qty	Model
		Disc brake Rear axle Brake disc Only in pairs Replace Technical manual Attention			I450
1	987 352 401 01	Brake disc		2	CAYMAN
(1)	987 352 403 00	Brake disc		2	CAYMAN S
(1)	987 352 031 01	Brake disc	/L -07	1	I450
(1)	987 352 031 02	Brake disc	/L 08-	1	CAYMAN S I450
(1)	987 352 031 03	Brake disc	/L 08-	1	CAYMAN S I450
(1)	981 352 031 00	Brake disc	/L 08-	1	CAYMAN S I450
(1)	987 352 032 01	Brake disc	/R -07	1	CAYMAN S I450
(1)	987 352 032 02	Brake disc	/R 08-	1	CAYMAN S I450
(1)	987 352 032 03	Brake disc	/R 08-	1	CAYMAN S I450
(1)	981 352 032 00	Brake disc	/R 08-	1	CAYMAN S I450
2	900 269 047 09	Countersunk-head screw M 6 X 12		4	
2	900 269 106 01	Countersunk-head screw M 6 X 12		4	IXRP
3	987 352 801 00	Protective plate		2	
4	999 217 116 09	Hexagon-head bolt M 6 X 16		X	
5	986 352 423 01	Fixed calliper without pad	/L	1	CAYMAN
(5)	996 352 421 13	Fixed calliper without pad	/L	1	CAYMAN S
(5)	996 352 423 30	Fixed calliper without pad	/L -07	1	I450
(5)	996 352 423 31	Fixed calliper without pad	/L 08-	1	CAYMAN S I450
(5)	986 352 424 01	Fixed calliper without pad	/R	1	CAYMAN
(5)	996 352 422 13	Fixed calliper without pad	/R	1	CAYMAN S
(5)	996 352 424 30	Fixed calliper without pad	/R -07	1	I450
(5)	996 352 424 31	Fixed calliper without pad	/R 08-	1	CAYMAN S I450
6	987 352 939 01	Brake pad repair set		1	CAYMAN
(6)	986 352 939 10	Brake pad repair set		1	CAYMAN S
(6)	996 352 947 01	Brake pad repair set		1	I450 CAYMAN S
(6)	997 352 948 00	See technical manual Group 46 35 20 Use also: Mounting parts F >>986U7 75101 Brake pad repair set		1	I450 CAYMAN S
		See technical manual Group			

Model: 987 06 Model life 2006>>2008

Pos	Part Number	Description	Remark	Qty	Model
		46 35 20 Use also:			
7	987 612 676 01	Mounting parts F 986U7 75102>> Warning contact		2	CAYMAN
(7)	986 612 365 00	Warning contact		2	CAYMAN S
(7)	987 612 676 01	Warning contact		2	I450 CAYMAN S
-	999 507 464 40	Support Warning contact		2	
8	999 067 041 09	Pan-head screw M 12 X 1,5 X 72		4	CAYMAN
8	999 067 041 01	Pan-head screw M 12 X 1,5 X 72		4	CAYMAN
(8)	999 067 041 09	Pan-head screw M 12 X 1,5 X 72		4	CAYMAN S
(8)	999 067 041 01	Pan-head screw M 12 X 1,5 X 72		4	CAYMAN S
(8)	999 067 047 09	Pan-head screw M 12 X 1,5 X 85		4	I450 CAYMAN S
9	951 352 917 01	Repair kit Protection caps 30 MM \$		X	
10	951 352 917 00	Repair kit Protection caps 28 MM \$		X	
11	996 352 959 01	Repair kit Mounting parts Bolt		1 2	
		Expanding spring		2	
11	996 351 959 01	Securing clip Repair kit		2 1	CAYMAN S I450
		Mounting parts Bolt		2	
		Expanding spring		2	
		Securing clip		2	
-	964 352 096 00	Damping plate 30 MM \$		X	CAYMAN
-	996 352 086 01	Damping plate 28 MM \$		X	CAYMAN S
-	996 352 086 00	Damping plate 30 MM \$		X	CAYMAN S
-	996 352 086 01	Damping plate 28 MM \$		X	I450 CAYMAN S
-	964 352 096 00	Damping plate 30 MM		X	I450 CAYMAN S
		See technical manual Group			
12	996 352 961 00	46 35 20 F >>986U7 75101 Connecting line	/L	1	CAYMAN
(12)		Connecting line	/L	1	CAYMAN S
(12)	996 352 962 00	Connecting line	/R	1	CAYMAN
(12)		Connecting line	/R	1	CAYMAN S
(12)	996 351 961 30	Connecting line		2	I450 CAYMAN S
13	930 351 919 00	Ventilation valve		4	
14	930 351 927 00	Dust boot		4	
14	930 351 927 01	Dust boot		4	
15	000 043 117 00	Brake cylinder paste 50 G		X	
(15)	000 043 020 00	Optimoly		X	

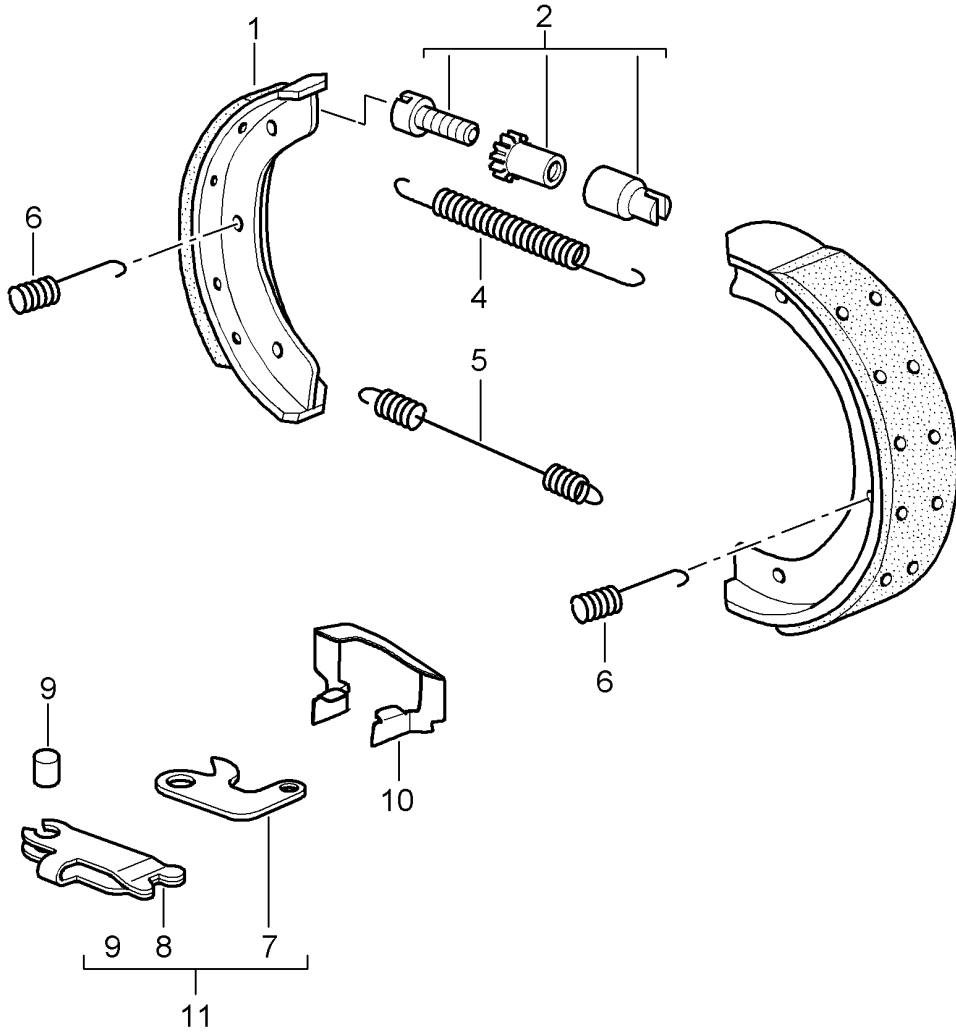
Model: 987 06

Model life 2006>>2008

Pos	Part Number	Description	Remark	Qty	Model
		100 G			

Model: 987 06

Model life 2006>>2008



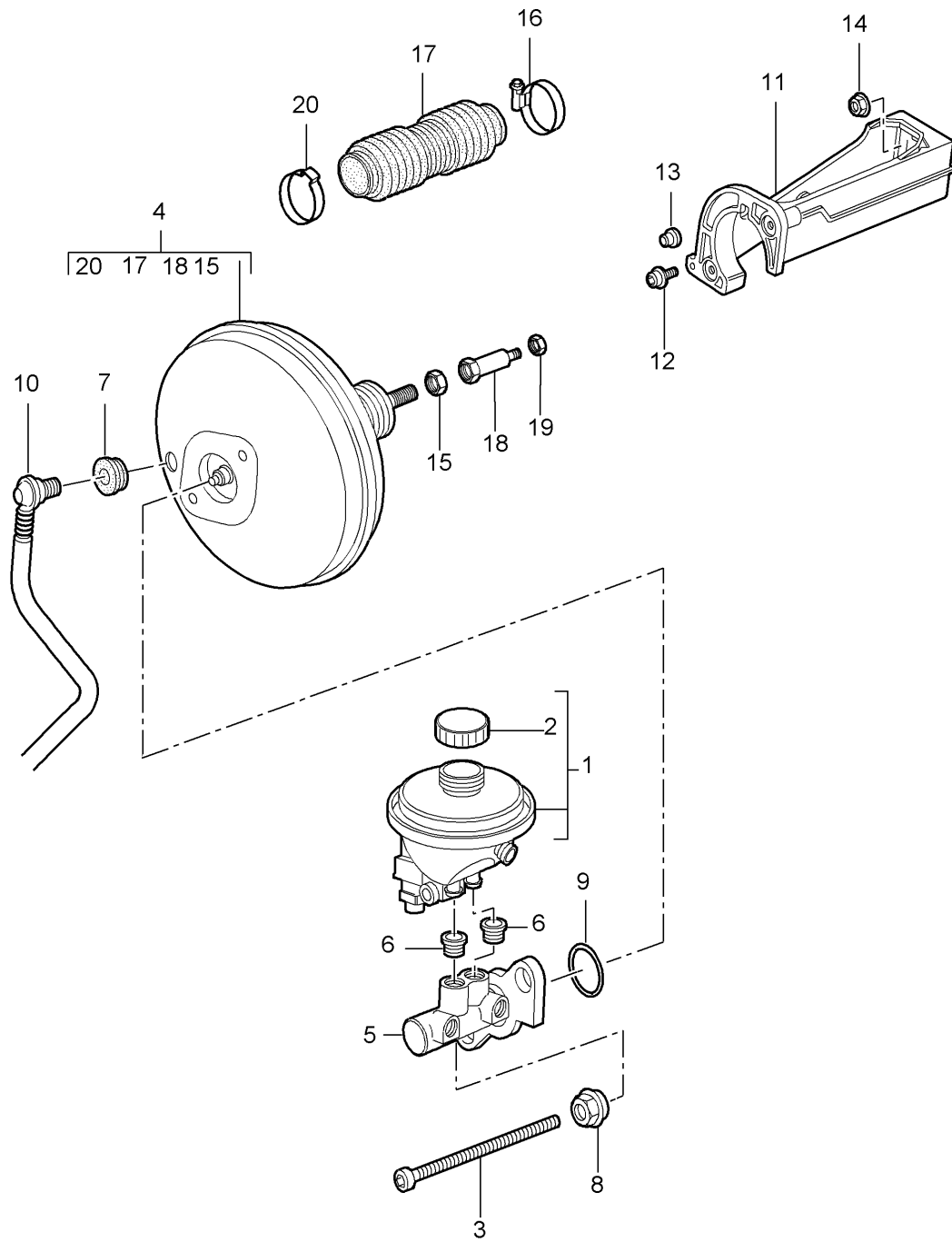
Model: 987 06

Model life 2006>>2008

Pos	Part Number	Description	Remark	Qty	Model
(1)	996 352 993 02	Handbrake See technical manual Group 46 83 20 Brake shoe 1 set Only together with Compression spring 997.352.741.01		1	
2	993 352 071 00	Adjusting screw		2	
(2)	298 609 723	Adjusting screw		2	
4	997 352 721 01	Tension spring		2	
(4)	298 609 717	Tension spring		2	
5	997 352 723 02	Tension spring		2	
6	997 352 741 01	Compression spring Only together with Brake shoe 996.352.993.00/01/02		4	
7	986 352 073 02	Expanding bow		2	
8		Expanding bow		2	
9	986 352 735 00	Articulated bolt		2	
10	997 352 807 01	Supporting plate		2	
11	986 352 073 02	Expanding bow		2	

Model: 987 06

Model life 2006>>2008



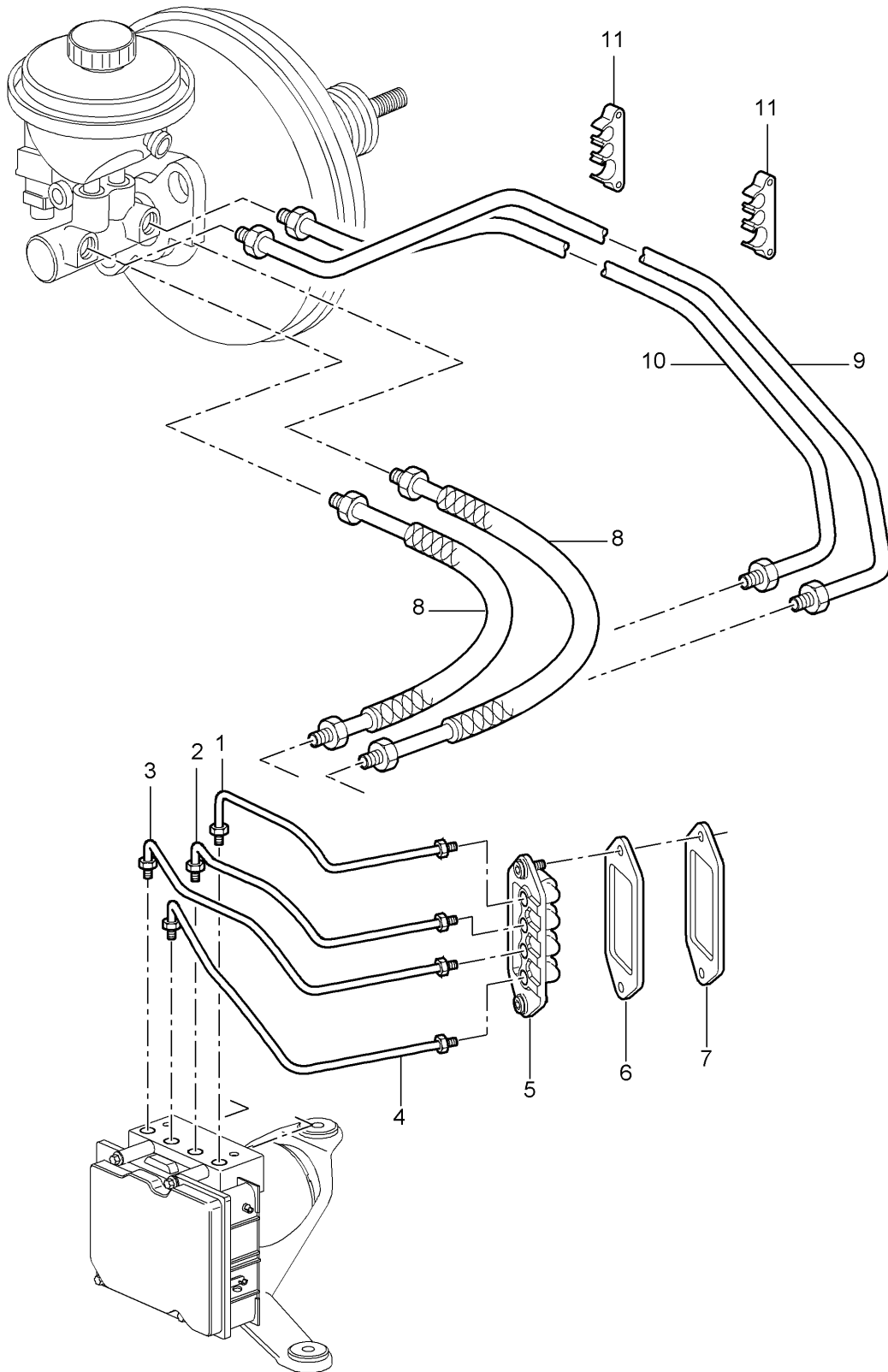
Model: 987 06

Model life 2006>>2008

Pos	Part Number	Description	Remark	Qty	Model
-	000 043 203 66	Brake master cylinder Brake booster Brake fluid DOT 4 1 Ltr.		X	
1	997 355 013 01	Expansion tank		1	I480/481
(1)	997 355 013 21	Expansion tank		1	I249
2	996 355 119 01	Catch		1	
-	997 355 125 00	Support for contact for Container		1	
3	999 073 124 09	Pan-head screw M 8 X 154 X 80		2	
(3)	999 073 124 02	Pan-head screw M 8 X 154 X 80		2	
(3)	999 073 615 01	Pan-head screw M 8 X 154 X 80		2	
4	997 355 923 00	Brake booster		1	
-	996 355 137 01	Catch Threaded joint Brake booster		1	
5	997 355 910 00	Brake master cylinder		1	CAYMAN
(5)		Brake master cylinder		1	CAYMAN S
(5)	997 355 910 10	Brake master cylinder		1	I450 CAYMAN S
6	993 355 922 00	Grommet		2	
7	999 702 182 40	Rubber bush		1	
8	997 355 925 00	Hexagon nut		2	
9	993 355 212 00	Gasket		1	
10	997 355 577 00	Vacuum line		1	I098
(10)	997 355 578 00	Vacuum line		1	I099
11	997 423 251 00	Intermediate piece		1	
12	999 073 189 01	Round head screw M 6 X 12		2	
13	999 703 448 50	Stopper	/R	1	
14	900 380 005 09	Hexagon nut M 8		2	
15	900 183 015 02	Hexagon nut M 12 X 1,5		1	
-	996 355 901 01	Gasket Brake booster Bulkhead		1	
16	999 512 478 00	Hose clamp		1	
17	996 423 269 05	Bellows		1	
18	996 355 927 01	Connecting piece		1	
19	900 380 015 09	Hexagon nut M 6		1	
(19)	900 380 015 01	Hexagon nut M 6		1	
20	999 512 672 00	Clamp		1	

Model: 987 06

Model life 2006>>2008



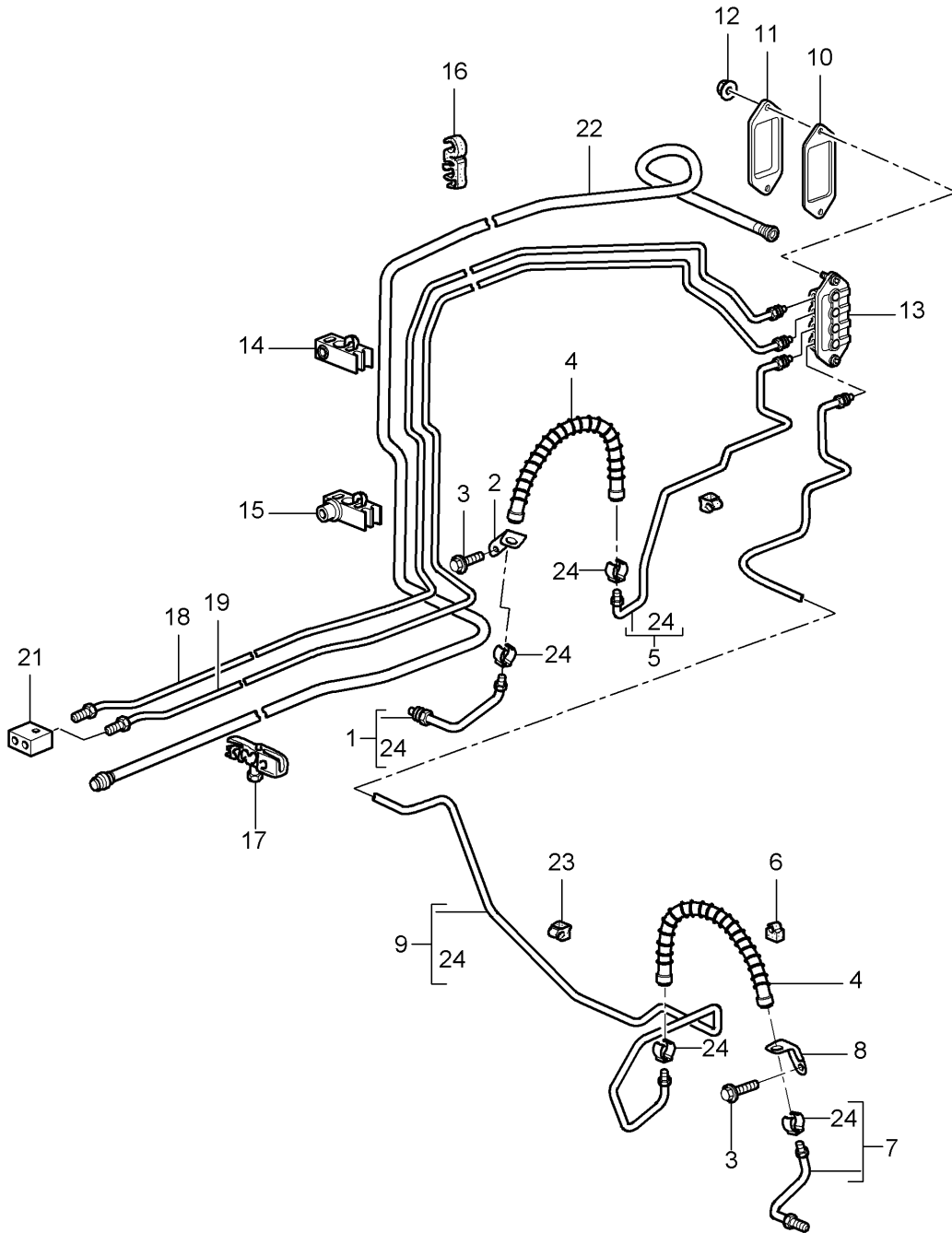
Model: 987 06

Model life 2006>>2008

Pos	Part Number	Description	Remark	Qty	Model
		Brake lines			
		Body front section			
1	997 355 315 00	Brake line		1	
2	997 355 316 00	Brake line		1	
3	997 355 327 00	Brake line		1	
4	997 355 326 00	Brake line		1	
5	997 355 650 00	Intermediate piece		1	
6	997 355 752 00	Gasket		1	
7	997 355 753 00	Reinforcement		1	
8	997 355 311 00	Pressure line		2	I098
9	997 355 312 00	Pressure line		1	I099
10	997 355 314 00	Pressure line		1	I099
11	999 507 632 40	Cable holder		2	

Model: 987 06

Model life 2006>>2008

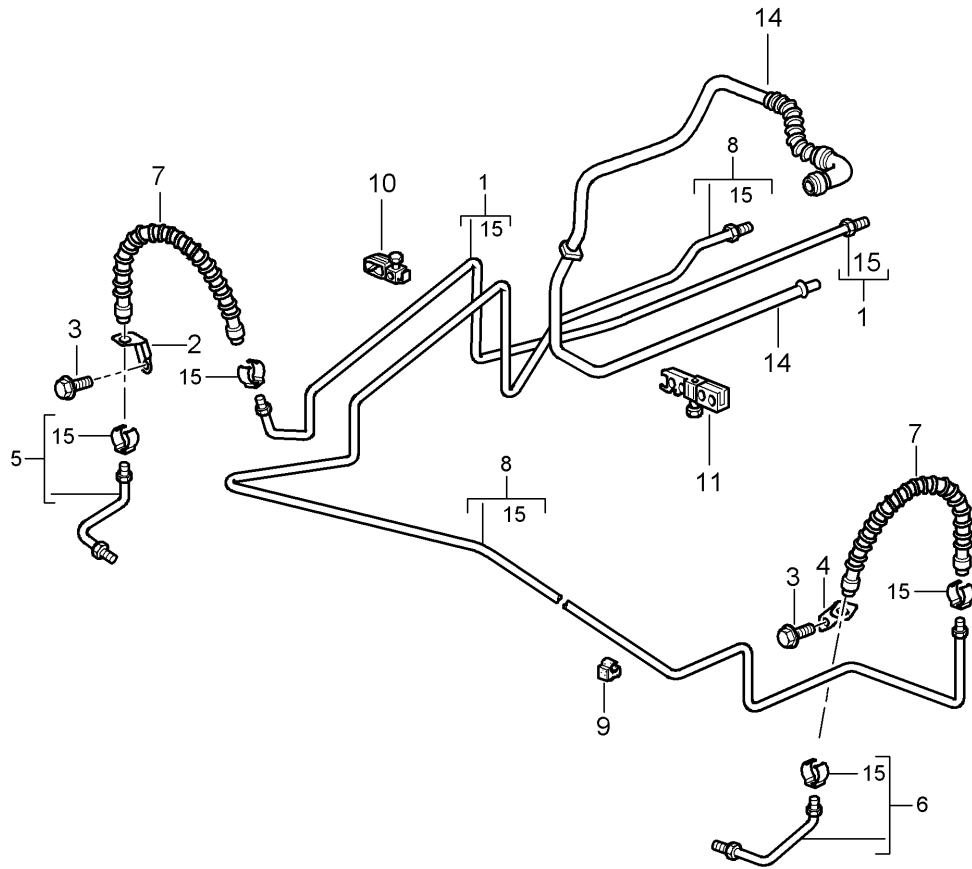


Model: 987 06 Model life 2006>>2008

Pos	Part Number	Description	Remark	Qty	Model
		Brake lines			
		Brake lines			
		Underbody			
		Vacuum line			
1	996 355 581 06	Brake line	/L	1	CAYMAN
(1)		Brake line	/L	1	CAYMAN S
(1)	996 355 581 9B	Brake line		1	CAYMAN S I450
2	996 355 501 06	Brake hose bracket	/L	1	
3	900 067 117 09	Pan-head screw M 6 X 16		2	
4	996 355 139 01	Brake hose		2	
(4)	996 355 139 03	Brake hose		2	
5	997 355 175 02	Brake line	/L	1	
5	997 355 175 10	Brake line	/L	1	
5	997 355 175 11	Brake line	/L	1	
6	999 591 930 40	Support		X	
7	996 355 584 06	Brake line	/R	1	CAYMAN
(7)		Brake line	/R	1	CAYMAN S
(7)	996 355 584 9B	Brake line	/R	1	CAYMAN S I450
8	996 355 502 06	Brake hose bracket	/R	1	
9	997 355 176 02	Brake line		1	
10	997 355 753 00	Reinforcement		1	
11	997 355 752 00	Gasket		1	
12	900 380 015 09	Hexagon nut M 6		3	
(12)	900 380 015 01	Hexagon nut M 6		3	
13	997 355 650 00	Intermediate piece		1	
14	996 355 545 00	Support		3	
15	996 355 549 00	Support		1	
16	996 355 547 01	Support		2	
17	996 355 543 00	Support		1	
18	997 355 177 01	Brake line		1	
19	997 355 179 01	Brake line		1	
19	997 355 179 10	Brake line		1	
19	997 355 179 11	Brake line		1	
21	996 355 760 31	Connecting piece		1	
22	997 355 571 01	Vacuum line		1	
-	999 702 289 40	Grommet		1	
23	999 651 331 40	Wheel housing Cable holder		5	
24	997 355 331 00	Retainer spring for Brake line		X	

Model: 987 06

Model life 2006>>2008



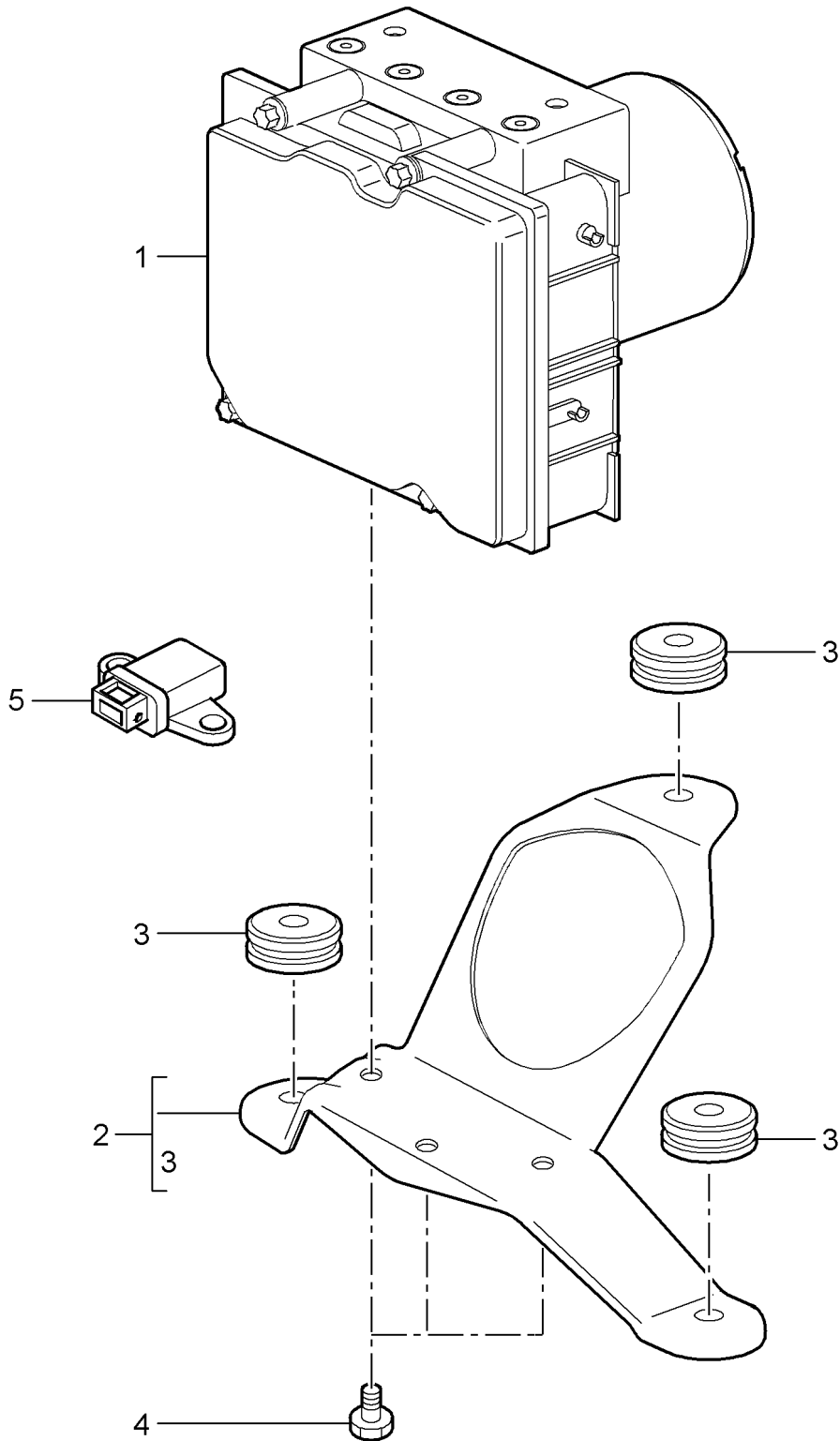
Model: 987 06

Model life 2006>>2008

Pos	Part Number	Description	Remark	Qty	Model
		Brake line			
		Underbody			
		Rear axle			
		Vacuum line			
1	987 355 189 01	Brake line	/L	1	
2	987 355 501 01	Support	/L	1	
3	900 067 117 09	Pan-head screw M 6 X 16		4	
4	987 355 502 01	Support	/R	1	
5	987 355 581 00	Brake line	/L	1	CAYMAN
(5)		Brake line	/L	1	CAYMAN S
(5)	987 355 583 00	Brake line	/L	1	I450
(5)	987 355 583 01	Brake line	/L	1	CAYMAN S
(5)					I450
(5)					CAYMAN S
6	987 355 582 00	Brake line	/R	1	CAYMAN
(6)		Brake line	/R	1	CAYMAN S
(6)	987 355 584 00	Brake line	/R	1	I450
(6)	987 355 584 01	Brake line	/R	1	CAYMAN S
(6)					I450
(6)					CAYMAN S
-	996 501 815 02	Support		2	
		Brake hose			
	996 501 815 02 GRV	Prime coated			
7	987 355 637 00	Brake hose		2	
(7)	987 355 637 01	Brake hose		2	
8	987 355 190 01	Brake line	/R	1	
9	999 651 331 40	Cable holder		3	
10	964 423 811 00	Support		2	
11	996 355 543 00	Support		1	
14	987 355 575 02	Vacuum line		1	
15	997 355 331 00	Retainer spring for Brake line		X	

Model: 987 06

Model life 2006>>2008



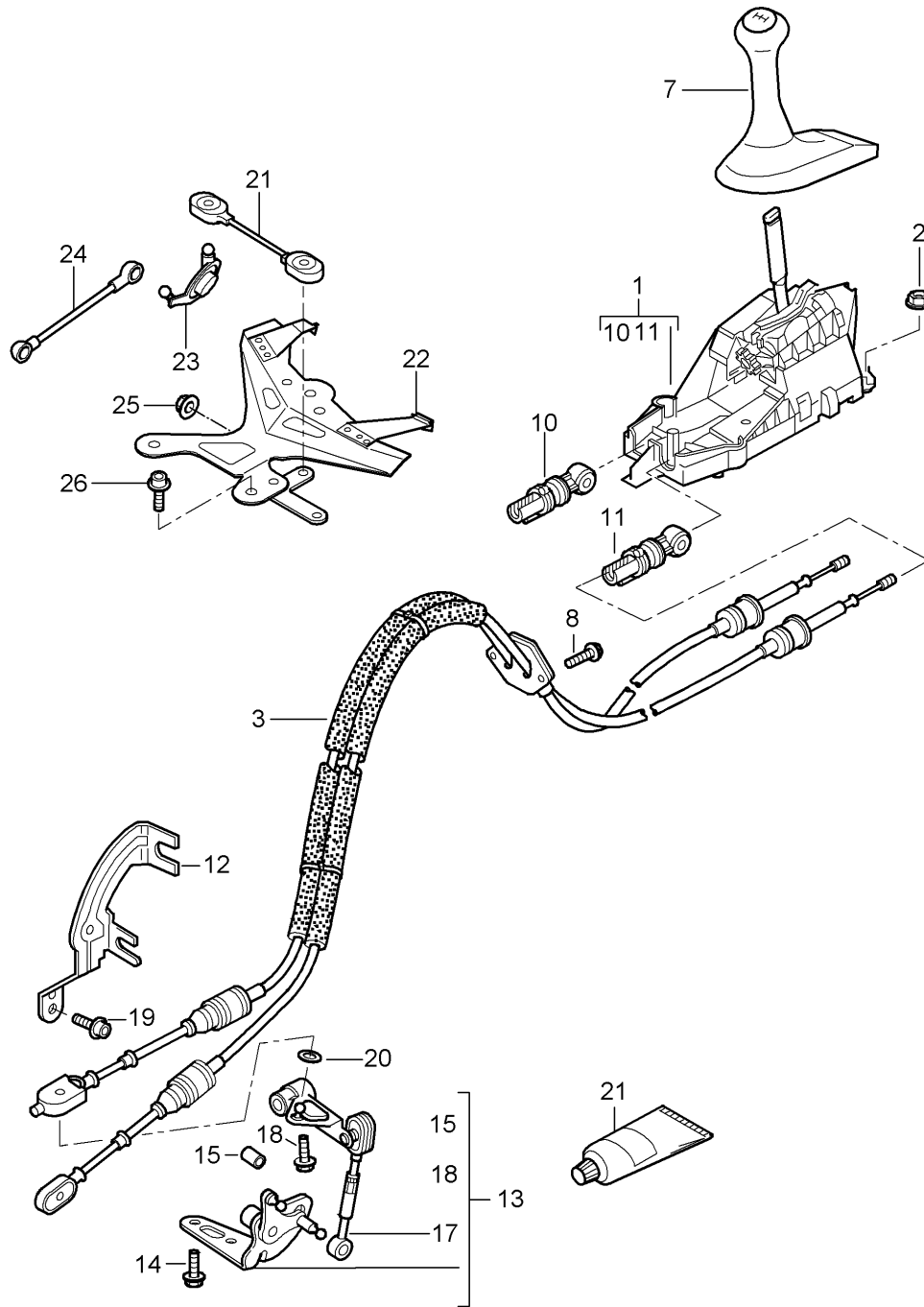
Model: 987 06

Model life 2006>>2008

Pos	Part Number	Description	Remark	Qty	Model
		Hydraulic unit Anti-lock brake system Control			
1	987 355 955 05	Hydraulic unit		1	
2	997 355 033 00	Support with Rubber mounting		1	
3	964 356 635 00	Rubber mounting		3	
-	999 045 004 40	Hexagon nut Plastic material		3	
4	900 385 060 09	Screw BM 6 X 10		3	
(4)	900 385 060 01	Screw BM 6 x 10		3	
5	996 606 145 00	Sensor		1	

Model: 987 06

Model life 2006>>2008



Model: 987 06 Model life 2006>>2008

Pos	Part Number	Description	Remark	Qty	Model
		Transmission control			
		Manual transmission			
1	997 424 010 00	Gearshift bracket		1	
(1)	997 424 983 00	Gearshift bracket		1	IXCZ
2	999 084 629 01	Hexagon nut		4	
		M 6 SB			
3	987 424 041 11	Cable		1	I481
(3)	987 424 042 11	Cable		1	I480
(3)	987 424 042 12	Cable		1	I480
7	987 424 075 00	Gearshift knob		1	I481
		Leather			
		Shift pattern			
		Black			
	987 424 075 00 FOT	Black/black			
	987 424 075 00 FOU	Stone grey/stone grey			
	987 424 075 00 FOV	Sand beige/sand beige			
	987 424 075 00 FOW	Sea blue/sea blue			
	987 424 075 00 FOX	Palmgreen/palmgreen			
	987 424 075 00 FPW	Terracotta/terracotta			
	987 424 075 00 FPX	Cocoa/Cocoa			
	987 424 075 00 FQE	Black/stone grey			
	987 424 075 00 FOY	Dark grey/dark grey			
	987 424 075 00 FOZ	Brown nat./brown nat.			
(7)	987 424 075 03	Gearshift knob		1	I481/803
		Carbon			
		Shift pattern			
		Black			
	987 424 075 03 FPP	Black			
	987 424 075 03 FPQ	Stone grey			
	987 424 075 03 FPR	Sand Beige			
	987 424 075 03 FPS	Sea blue			
	987 424 075 03 FPT	Palmgreen			
	987 424 075 03 FQC	Terracotta			
	987 424 075 03 FQD	Cocoa			
	987 424 075 03 FPU	Dark grey/natural			
	987 424 075 03 FPV	Brown/natural			
(7)	987 424 075 04	Gearshift knob		1	I481/801
		Macassar			
		Shift pattern			
		Black			
	987 424 075 04 FPA	Black			
	987 424 075 04 FPB	Stone grey			
	987 424 075 04 FPC	Sand Beige			
	987 424 075 04 FPD	Sea blue			
	987 424 075 04 FPE	Palmgreen			
	987 424 075 04 FPY	Terracotta			
	987 424 075 04 FPZ	Cocoa			
	987 424 075 04 FPF	Dark grey/natural			
	987 424 075 04 FPG	Brown/natural			
(7)	987 424 075 04	Gearshift knob		1	I481/802
		Sycamore wood			
		Shift pattern			
		Black			
	987 424 075 04 FPH	Black			
	987 424 075 04 FPJ	Stone grey			
	987 424 075 04 FPK	Sand Beige			
	987 424 075 04 FPL	Sea blue			
	987 424 075 04 FPM	Palmgreen			
	987 424 075 04 FQA	Terracotta			
	987 424 075 04 FQB	Cocoa			
	987 424 075 04 FPN	Dark grey/natural			
	987 424 075 04 FPO	Brown/natural			
(7)	997 424 075 01	Gearshift knob		1	I480
		Leather			

Model: 987 06

Model life 2006>>2008

Pos	Part Number	Description	Remark	Qty	Model
		Shift pattern			
		Aluminium look			
	997 424 075 01 FOT	Black/black			
	997 424 075 01 FOU	Stone grey/stone grey			
	997 424 075 01 FOV	Sand beige/sand beige			
	997 424 075 01 FOW	Sea blue/sea blue			
	997 424 075 01 FOX	Palmgreen/palmgreen			
	997 424 075 01 FPW	Terracotta/terracotta			
	997 424 075 01 FPX	Cocoa/Cocoa			
	997 424 075 01 FQE	Black/stone grey			
	997 424 075 01 FOY	Dark grey/dark grey			
	997 424 075 01 FOZ	Brown nat./brown nat.			
	997 424 075 01 FSR	Carrera Red/Carrera Red			
(7)	997 424 075 03	Gearshift knob		1	I480/803
		Carbon			
		Shift pattern			
		Aluminium look			
	997 424 075 03 FPP	Black			
	997 424 075 03 FPQ	Stone grey			
	997 424 075 03 FPR	Sand Beige			
	997 424 075 03 FPS	Sea blue			
	997 424 075 03 FPT	Palmgreen			
	997 424 075 03 FQC	Terracotta			
	997 424 075 03 FQD	Cocoa			
	997 424 075 03 FPU	Dark grey/natural			
	997 424 075 03 FPV	Brown/natural			
(7)	997 424 075 03 FSS	Carrera Red		1	I480/801
	997 424 075 04	Gearshift knob			
		Macassar			
		Shift pattern			
		Aluminium look			
	997 424 075 04 FPA	Black			
	997 424 075 04 FPB	Stone grey			
	997 424 075 04 FPC	Sand Beige			
	997 424 075 04 FPD	Sea blue			
	997 424 075 04 FPE	Palmgreen			
	997 424 075 04 FPY	Terracotta			
	997 424 075 04 FPZ	Cocoa			
	997 424 075 04 FPF	Dark grey/natural			
	997 424 075 04 FPG	Brown/natural			
	997 424 075 04 FST	Carrera Red			
(7)	997 424 075 04	Gearshift knob		1	I480/802
		Sycamore wood			
		Shift pattern			
		Aluminium look			
	997 424 075 04 FPH	Black			
	997 424 075 04 FPJ	Stone grey			
	997 424 075 04 FPK	Sand Beige			
	997 424 075 04 FPL	Sea blue			
	997 424 075 04 FPM	Palmgreen			
	997 424 075 04 FQA	Terracotta			
	997 424 075 04 FQB	Cocoa			
	997 424 075 04 FPN	Dark grey/natural			
	997 424 075 04 FPO	Brown/natural			
(7)	997 424 981 00	Gearshift knob		1	IX97/480
		Aluminium			
		Leather			
	997 424 981 00 8YR	Black			
	997 424 981 00 5X5	Stone grey			
	997 424 981 00 8G1	Sand Beige			
	997 424 981 00 3S8	Sea blue			
	997 424 981 00 4P1	Palmgreen			
	997 424 981 00 9N2	Terracotta			

Model: 987 06 Model life 2006>>2008

Pos	Part Number	Description	Remark	Qty	Model
	997 424 981 00 9Q3	Cocoa			
	997 424 981 00 D11	Dark grey/natural			
	997 424 981 00 T11	Brown/natural			
	997 424 981 00 N11	Carrera Red			
(7)	987 424 981 00	Gearshift knob Aluminium Leather		1	IX97/481
	987 424 981 00 8YR	Black			
	987 424 981 00 5X5	Stone grey			
	987 424 981 00 8G1	Sand Beige			
	987 424 981 00 3S8	Sea blue			
	987 424 981 00 4P1	Palmgreen			
	987 424 981 00 9N2	Terracotta			
	987 424 981 00 9Q3	Cocoa			
	987 424 981 00 D11	Dark grey/natural			
	987 424 981 00 T11	Brown/natural			
(7)	997 424 075 90	Gearshift knob Leather		1	I755
	997 424 075 90 A15	Black Information available			
(7)	997 424 075 90	Gearshift knob Leather		1	I758
	997 424 075 90 A15	Black Information available			
8	900 378 173 09	Hexagon-head bolt M 6 X 20		2	I481
(8)	999 084 629 09	Hexagon nut M 6		2	I480
(10)	996 424 145 01	Fastening part for Cable Adjustable		1	
-	996 424 445 00	Clip for Fastening part		1	
11	996 424 147 00	Fastening part for Cable Adjustable		1	
12	986 424 165 02	Support for Cable	-07	1	I481
(12)	986 424 165 03	Support for Cable	08-	1 1	I481
13	987 424 913 02	Linkage Adjustable	-07	1	I481
(13)	987 424 913 03	Linkage Adjustable	08-	1	I481
14	900 075 085 02	Hexagon-head bolt M 8 X 20		2	I481
15	987 424 135 00	Rubber stop		1	
17	987 424 932 02	Connecting rod Adjustable		1	I481
18	N 901 239 02	Hexagon-head bolt M 8 X 26		1	I481
19	999 073 209 09	Pan-head screw M 10 X 20		2	I481
20	986 424 133 00	Washer		2	I481
21	987 424 131 02	Joint rod	-07	1	I480
(21)	987 424 131 22	Joint rod	08-	1	I480
22	987 424 137 01	Transmission bracket		1	I480
23	987 424 023 00	Lever		1	I480

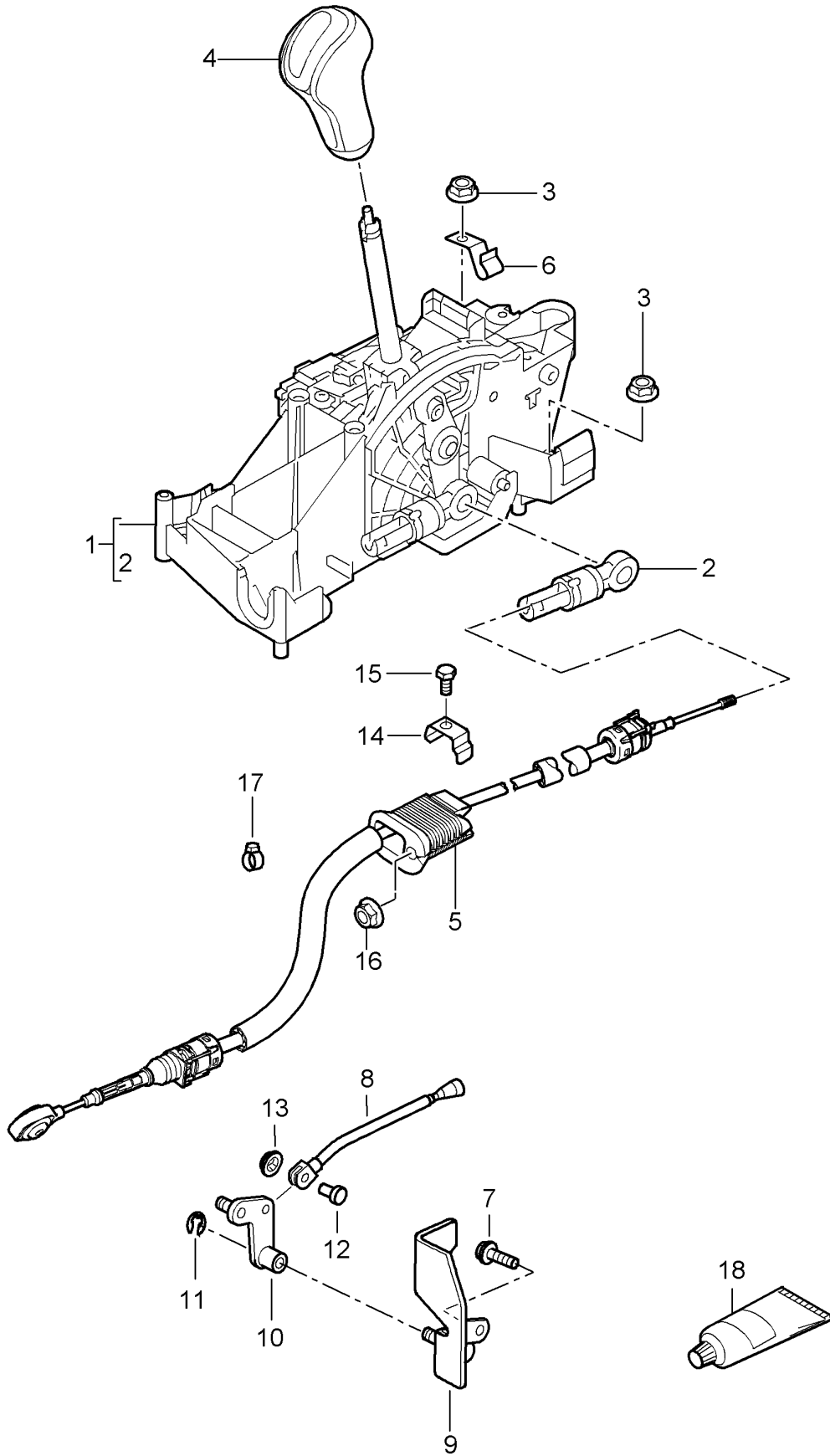
Model: 987 06

Model life 2006>>2008

Pos	Part Number	Description	Remark	Qty	Model
23	981 424 023 00	Lever		1	I480
24	987 424 035 00	Connecting rod	06	1	I480
(24)	987 424 035 10	Connecting rod	07-	1	I480
(24)	981 424 035 10	Connecting rod	07-	1	I480
25	900 377 003 02	Hexagon nut M 8		1	I480
26	900 385 274 09	Torx screw M 10 X 25		3	I480

Model: 987 06

Model life 2006>>2008



Model: 987 06 Model life 2006>>2008

Pos	Part Number	Description	Remark	Qty	Model
(1)	987 426 011 02	Selector lever Tiptronic		1	
-	997 613 243 02	Selector lever with Housing		1	
-	996 613 212 10	Switch		1	
2	996 426 035 00	Selector lever Fastening part for Cable		1	
3	999 084 629 09	Adjustable Hexagon nut M 6		4	
4	997 426 069 00	Selector knob Leather	-06	1	
	997 426 069 00 8YR	Black			
	997 426 069 00 5X5	Stone grey			
	997 426 069 00 8G1	Sand Beige			
	997 426 069 00 3S8	Sea blue			
	997 426 069 00 4P1	Palmgreen			
	997 426 069 00 9N2	Terracotta			
	997 426 069 00 9Q3	Cocoa			
	997 426 069 00 D11	Dark grey/natural			
	997 426 069 00 T11	Brown/natural			
(4)	997 426 069 10	Selector knob Leather	-06	1	
	997 426 069 10 4P1	Palmgreen			
(4)	997 426 069 10	Selector knob Leather	07-	1	
	997 426 069 10 8YR	Black			
	997 426 069 10 5X5	Stone grey			
	997 426 069 10 8G1	Sand Beige			
	997 426 069 10 3S8	Sea blue			
	997 426 069 10 4P1	Palmgreen			
	997 426 069 10 9N2	Terracotta			
	997 426 069 10 9Q3	Cocoa			
	997 426 069 10 D11	Dark grey/natural			
	997 426 069 10 T11	Brown/natural			
	997 426 069 10 N11	Carrera Red			
(4)	997 426 069 03	Selector knob	-06	1	I803
	997 426 069 03 A35	Carbon			
(4)	997 426 069 13	Selector knob	07-	1	I803
	997 426 069 13 A35	Carbon			
(4)	997 426 069 04	Selector knob	-06	1	I801
	997 426 069 04 S61	Macassar			
(4)	997 426 069 14	Selector knob	07-	1	I801
	997 426 069 14 S61	Macassar			
(4)	997 426 069 04	Selector knob	-06	1	I802
	997 426 069 04 S62	Sycamore wood			
(4)	997 426 069 14	Selector knob	07-	1	I802
	997 426 069 14 S62	Sycamore wood			
(4)	997 426 991 00	Selector lever		1	I755
	997 426 991 00 A15	Black			
		Information available			
(4)	997 426 991 00	Selector lever		1	I758
	997 426 991 00 A15	Black			
		Information available			
-	997 426 275 00	Key		1	
	997 426 275 00 V05	Galvano silver			
5	987 426 033 12	Cable		1	
6	999 507 465 03	Support		1	

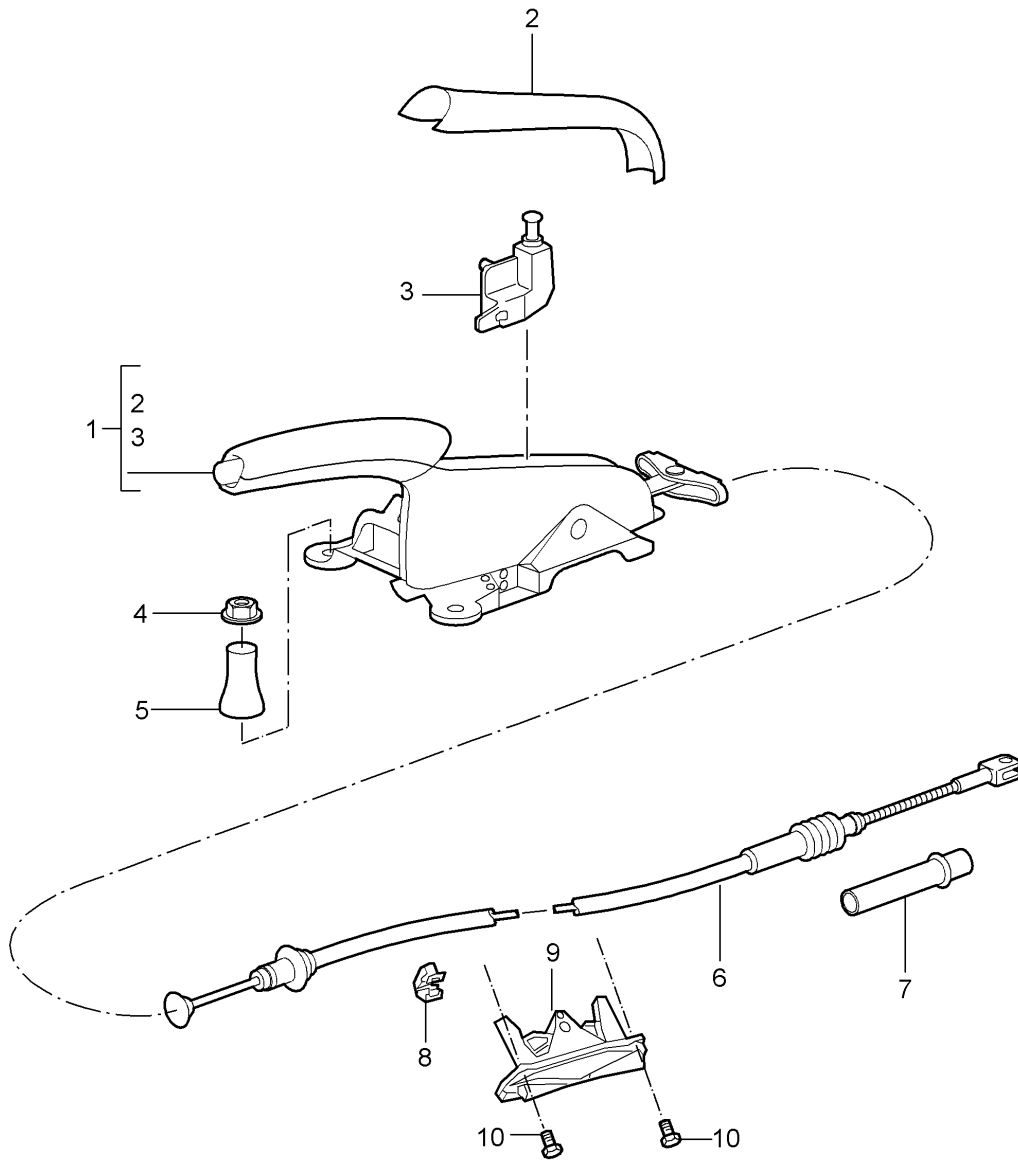
Model: 987 06

Model life 2006>>2008

Pos	Part Number	Description	Remark	Qty	Model
7	999 073 094 09	Oval-head screw M 8 X 20		2	
8	986 426 043 01	Push rod		1	
9	986 426 041 06	Plate		1	
10	986 426 045 06	Reverse lever		1	
11	900 116 007 09	Lock	-07	1	
(11)	900 116 007 02	Lock	08-	1	
12	986 426 415 02	Bolt		1	
13	999 507 057 02	Clamping washer	-07	1	
(13)	999 507 057 03	Clamping washer	08-	1	
15	N 010 237 6	Hexagon-head bolt M 8 X 12		1	
16	999 084 629 09	Hexagon nut M 6		2	
17	999 507 635 00	Support		1	
18	000 043 205 93	Grease 1 100-gramme tube		1	

Model: 987 06

Model life 2006>>2008



Model: 987 06

Model life 2006>>2008

Pos	Part Number	Description	Remark	Qty	Model
(1)	997 424 031 62	Handbrake Actuator Parking-brake lever Complete Leather		1	
	997 424 031 62 8YR	Black			
	997 424 031 62 5X5	Stone grey			
	997 424 031 62 8G1	Sand Beige			
	997 424 031 62 3S8	Sea blue			
	997 424 031 62 4P1	Palmgreen			
	997 424 031 62 9N2	Terracotta			
	997 424 031 62 9Q3	Cocoa			
	997 424 031 62 FQF	Black/stone grey			
	997 424 031 62 D11	Dark grey/natural			
	997 424 031 62 T11	Brown/natural			
	997 424 031 62 N11	Carrera Red	08-		
(1)	997 424 031 67	Parking-brake lever Complete Leather		1	
	997 424 031 67 8YR	Black			
	997 424 031 67 5X5	Stone grey			
	997 424 031 67 8G1	Sand Beige			
	997 424 031 67 3S8	Sea blue			
	997 424 031 67 4P1	Palmgreen			
	997 424 031 67 9N2	Terracotta			
	997 424 031 67 9Q3	Cocoa			
	997 424 031 67 FQF	Black/stone grey			
	997 424 031 67 D11	Dark grey/natural			
	997 424 031 67 T11	Brown/natural			
	997 424 031 67 N11	Carrera Red	08-		
(1)	997 424 031 63	Parking-brake lever Complete Macassar		1	I801
	997 424 031 63 8YR	Black			
	997 424 031 63 5X5	Stone grey			
	997 424 031 63 8G1	Sand Beige			
	997 424 031 63 3S8	Sea blue			
	997 424 031 63 4P1	Palmgreen			
	997 424 031 63 9N2	Terracotta			
	997 424 031 63 9Q3	Cocoa			
	997 424 031 63 D11	Dark grey/natural			
	997 424 031 63 T11	Brown/natural			
	997 424 031 63 N11	Carrera Red	08-		
(1)	997 424 031 68	Parking-brake lever Complete Macassar		1	I801
	997 424 031 68 8YR	Black			
	997 424 031 68 5X5	Stone grey			
	997 424 031 68 8G1	Sand Beige			
	997 424 031 68 3S8	Sea blue			
	997 424 031 68 4P1	Palmgreen			
	997 424 031 68 9N2	Terracotta			
	997 424 031 68 9Q3	Cocoa			
	997 424 031 68 D11	Dark grey/natural			
	997 424 031 68 T11	Brown/natural			
	997 424 031 68 N11	Carrera Red	08-		
(1)	997 424 031 64	Parking-brake lever Complete Sycamore wood		1	I802
	997 424 031 64 8YR	Black			
	997 424 031 64 8G1	Sand Beige			
	997 424 031 64 3S8	Sea blue			
	997 424 031 64 4P1	Palmgreen			

Model: 987 06

Model life 2006>>2008

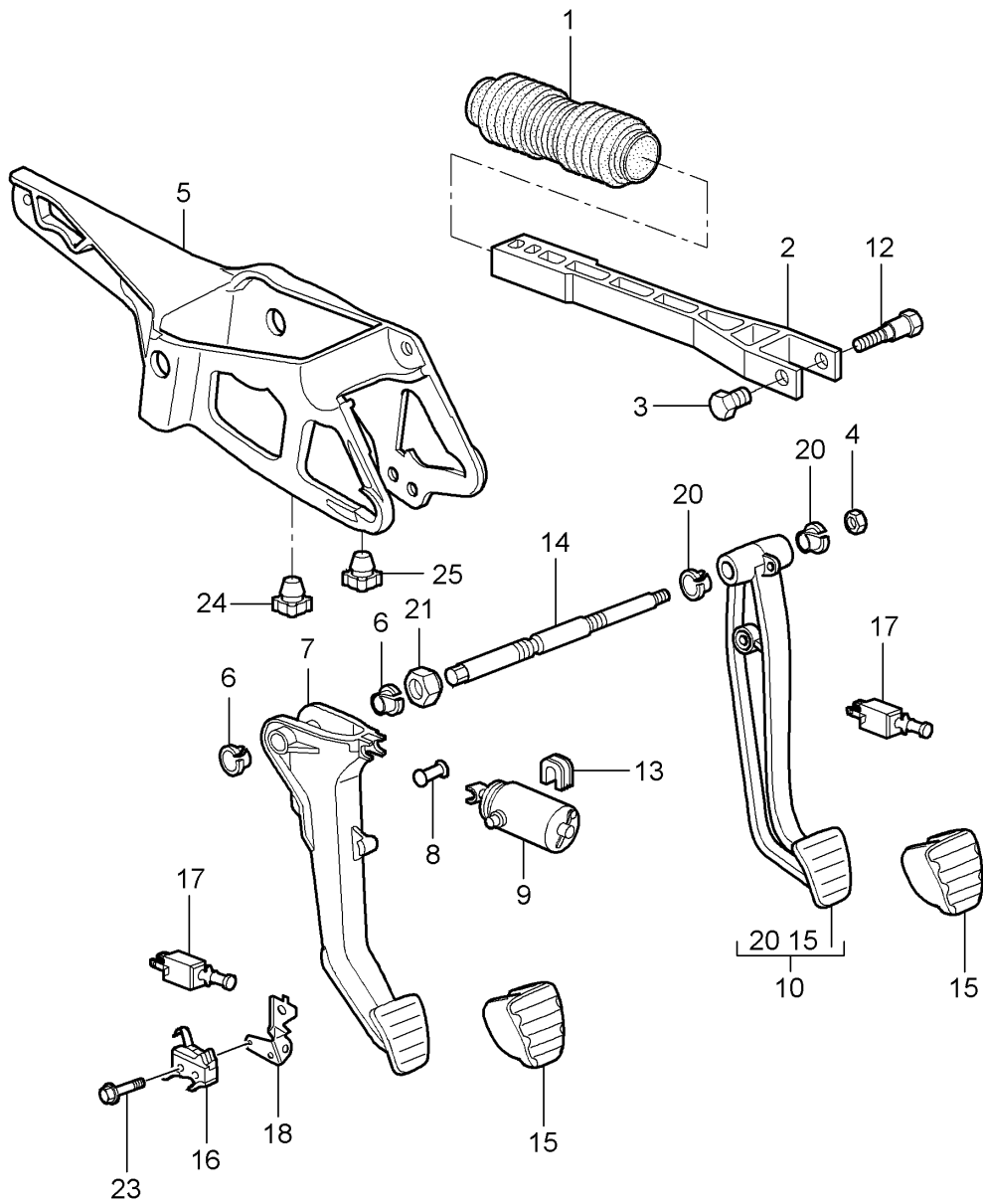
Pos	Part Number	Description	Remark	Qty	Model
	997 424 031 64 9N2	Terracotta			
	997 424 031 64 9Q3	Cocoa			
	997 424 031 64 D11	Dark grey/natural			
	997 424 031 64 T11	Brown/natural			
	997 424 031 64 N11	Carrera Red	08-		
(1)	997 424 031 69	Parking-brake lever Complete Sycamore wood		1	I802
	997 424 031 69 8YR	Black			
	997 424 031 69 5X5	Stone grey			
	997 424 031 69 8G1	Sand Beige			
	997 424 031 69 3S8	Sea blue			
	997 424 031 69 4P1	Palmgreen			
	997 424 031 69 9N2	Terracotta			
	997 424 031 69 9Q3	Cocoa			
	997 424 031 69 D11	Dark grey/natural			
	997 424 031 69 T11	Brown/natural			
	997 424 031 69 N11	Carrera Red	08-		
(1)	997 424 031 65	Parking-brake lever Complete Carbon		1	I803
	997 424 031 65 8YR	Black			
	997 424 031 65 5X5	Stone grey			
	997 424 031 65 8G1	Sand Beige			
	997 424 031 65 3S8	Sea blue			
	997 424 031 65 4P1	Palmgreen			
	997 424 031 65 9N2	Terracotta			
	997 424 031 65 9Q3	Cocoa			
	997 424 031 65 D11	Dark grey/natural			
	997 424 031 65 T11	Brown/natural			
	997 424 031 65 N11	Carrera Red	08-		
(1)	997 424 031 70	Parking-brake lever Complete Carbon		1	I803
	997 424 031 70 8YR	Black			
	997 424 031 70 5X5	Stone grey			
	997 424 031 70 8G1	Sand Beige			
	997 424 031 70 3S8	Sea blue			
	997 424 031 70 4P1	Palmgreen			
	997 424 031 70 9N2	Terracotta			
	997 424 031 70 9Q3	Cocoa			
	997 424 031 70 D11	Dark grey/natural			
	997 424 031 70 T11	Brown/natural			
	997 424 031 70 N11	Carrera Red	08-		
(1)	997 424 980 00	Parking-brake lever Complete	07-	1	IX98/098
	997 424 980 00 8YR	Black			
	997 424 980 00 5X5	Stone grey			
	997 424 980 00 8G1	Sand Beige			
	997 424 980 00 3S8	Sea blue			
	997 424 980 00 4P1	Palmgreen			
	997 424 980 00 9N2	Terracotta			
	997 424 980 00 9Q3	Cocoa			
	997 424 980 00 D11	Dark grey/natural			
	997 424 980 00 T11	Brown/natural			
(1)	997 424 980 06	Parking-brake lever Complete	07-	1	IX98/098
	997 424 980 06 8YR	Black			
	997 424 980 06 5X5	Stone grey			
	997 424 980 06 8G1	Sand Beige			
	997 424 980 06 3S8	Sea blue			
	997 424 980 06 4P1	Palmgreen			
	997 424 980 06 9N2	Terracotta			

Model: 987 06 Model life 2006>>2008

Pos	Part Number	Description	Remark	Qty	Model
	997 424 980 06 9Q3	Cocoa			
	997 424 980 06 D11	Dark grey/natural			
	997 424 980 06 T11	Brown/natural			
(1)	997 424 980 01	Parking-brake lever Complete	07-	1	IX98/099
	997 424 980 01 8YR	Black			
	997 424 980 01 5X5	Stone grey			
	997 424 980 01 8G1	Sand Beige			
	997 424 980 01 3S8	Sea blue			
	997 424 980 01 4P1	Palmgreen			
	997 424 980 01 9N2	Terracotta			
	997 424 980 01 9Q3	Cocoa			
	997 424 980 01 D11	Dark grey/natural			
	997 424 980 01 T11	Brown/natural			
(1)	997 424 980 07	Parking-brake lever Complete	07-	1	IX98/099
	997 424 980 07 8YR	Black			
	997 424 980 07 5X5	Stone grey			
	997 424 980 07 8G1	Sand Beige			
	997 424 980 07 3S8	Sea blue			
	997 424 980 07 4P1	Palmgreen			
	997 424 980 07 9N2	Terracotta			
	997 424 980 07 9Q3	Cocoa			
	997 424 980 07 D11	Dark grey/natural			
	997 424 980 07 T11	Brown/natural			
(1)	997 424 031 92	Parking-brake lever Complete		1	I755
	997 424 031 92 A15	Black			
(1)	997 424 031 93	Parking-brake lever Complete		1	I755
	997 424 031 93 A15	Black			
(1)	997 424 031 92	Parking-brake lever Complete		1	I758
	997 424 031 92 A15	Black			
(1)	997 424 031 93	Parking-brake lever Complete		1	I758
	997 424 031 93 A15	Black			
2	997 424 155 00	Cover Leather		1	
	997 424 155 00 8YR	Black			
	997 424 155 00 5X5	Stone grey			
	997 424 155 00 8G1	Sand Beige			
	997 424 155 00 3S8	Sea blue			
	997 424 155 00 4P1	Palmgreen			
	997 424 155 00 9N2	Terracotta			
	997 424 155 00 9Q3	Cocoa			
	997 424 155 00 D11	Dark grey/natural			
	997 424 155 00 T11	Brown/natural			
3	996 613 112 01	Switch		1	
4	999 084 630 09	Hexagon nut M 8		4	
6	987 424 141 05	Parking-brake cable		2	
7	986 424 721 07	Guide tube		2	
8	999 507 827 40	Hose holder		2	
9	986 424 310 02	Housing		1	
10	900 378 035 01	Hexagon-head bolt M 6 X 16		4	

Model: 987 06

Model life 2006>>2008



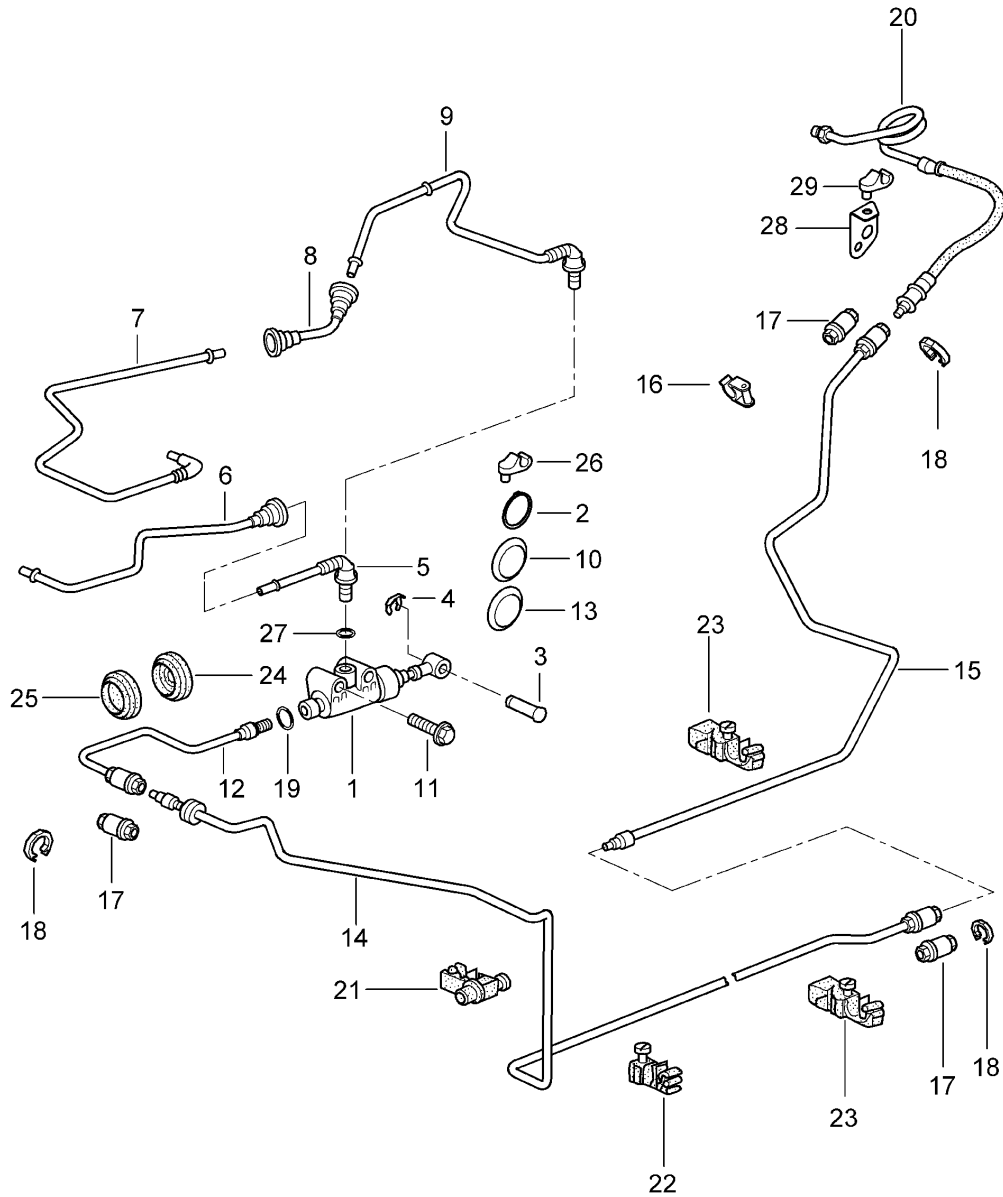
Model: 987 06

Model life 2006>>2008

Pos	Part Number	Description	Remark	Qty	Model
-	000 043 206 17	Pedals Grease 1 tube		X	
1		Bellows See illustrations 6/04/00		1	
(2)	996 423 165 05	Push rod		1	
3	996 423 307 00	Sleeve		1	
4	900 380 005 09	Hexagon nut M 8		3	
				2	
5	997 423 571 02	Bracket for Clutch power spring		1	I480
6	997 423 399 01	Bush		2	I480
7	997 423 139 01	Clutch pedal		1	I480
(8)	996 423 315 06	Bolt		1	I480
-	999 166 022 02	Kl-lock for Bolt		1	I480
9	997 423 081 06	Clutch power spring		1	
(10)	997 423 091 03	Brake pedal		1	I098/480
(10)	997 423 091 04	Brake pedal		1	I098/480
(10)	997 423 092 03	Brake pedal		1	I099/480
(10)	997 423 092 04	Brake pedal		1	I099/480
(10)	997 423 093 03	Brake pedal		1	I098/249
(10)	997 423 093 04	Brake pedal		1	I098/249
10	997 423 094 03	Brake pedal		1	I099/249
10	997 423 094 04	Brake pedal		1	I099/249
12	996 423 308 00	Bolt		1	
13	997 423 581 00	Bearing shell		1	
14	997 423 281 00	Axle		1	I098/480
(14)	997 423 284 00	Axle		1	I099/480
(14)	996 423 283 05	Axle		1	I098/249
(14)	996 423 286 05	Axle		1	I099/249
-	996 423 277 00	Bearing sleeve Brake pedal		1	I099
15	997 423 910 00	Pedal cap		2	I480
(15)	997 423 912 00	Pedal cap		1	I249
16	997 613 109 00	Switch		1	I480
(17)	996 613 113 01	Switch Brake pedal		2	
(17)	996 613 114 01	Switch Clutch pedal		1	
18	997 423 541 00	Support		1	
20	997 423 401 00	Bush		2	I098
(20)	997 423 402 00	Bush		2	I099
21	997 423 275 01	Screw plug		1	
22	900 378 273 09	Hexagon-head bolt M 6 X 18		1	
(22)	900 378 273 01	Hexagon-head bolt M 6 x 18		1	
23	900 146 159 02	Round head screw M 3 X 20		1	
23	999 073 480 01	Combination screw M 3 X 20		1	
24	997 423 695 00	Rubber stop		1	
25	997 423 697 00	Rubber stop		1	

Model: 987 06

Model life 2006>>2008

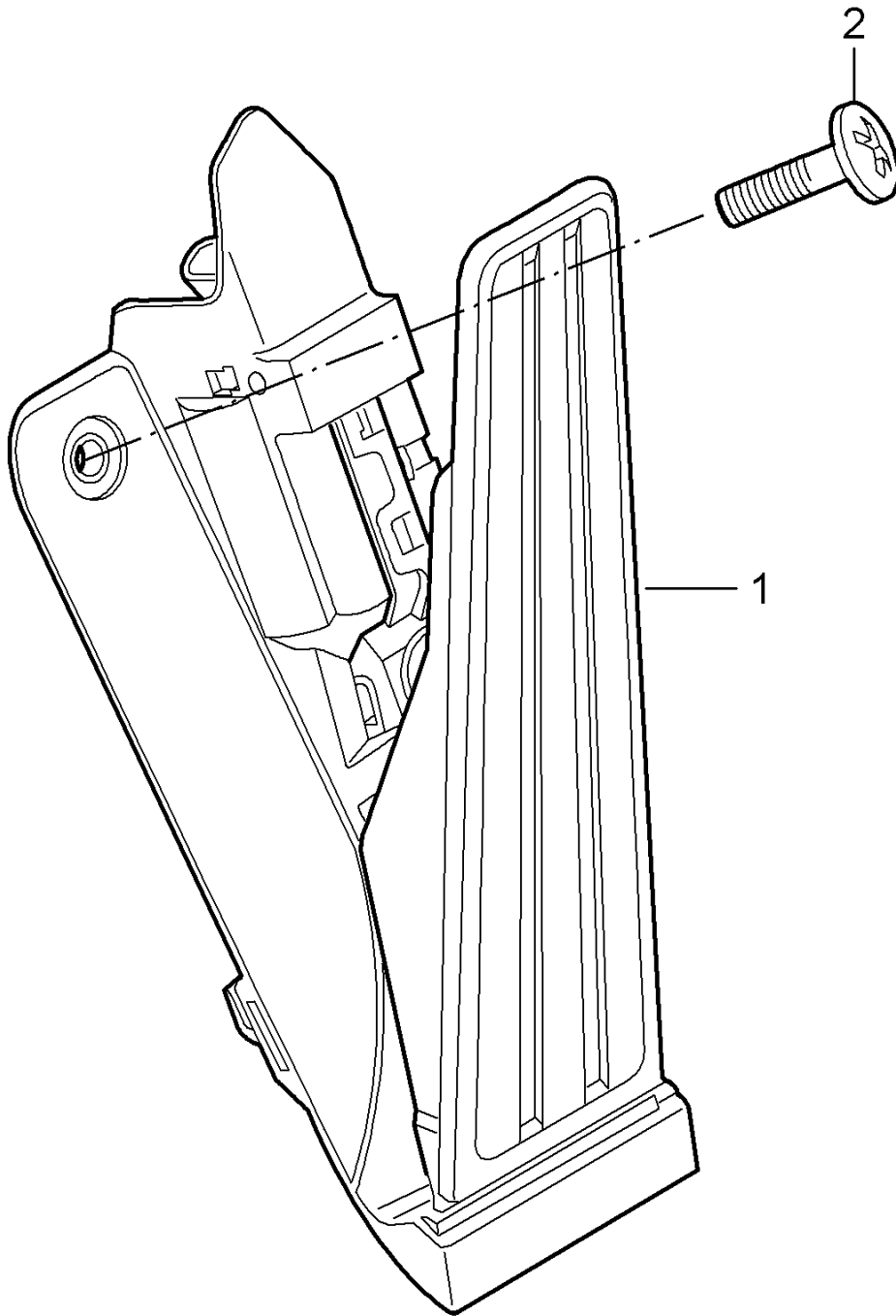


Model: 987 06 Model life 2006>>2008

Pos	Part Number	Description	Remark	Qty	Model
		clutch actuation			
		Clutch master cylinder			
		Clutch pipeline			
1	997 423 171 01	Clutch master cylinder		1	
2	996 423 614 00	Circlip		1	
		Pressure line			
3	996 423 315 06	Bolt		1	
4	999 166 022 02	Kl-lock for Bolt		1	
4	999 166 022 01	Kl-lock for Bolt		1	
5	997 423 147 00	Feed line		1	I098
6	997 423 137 00	Feed line		1	I098
7	996 423 138 04	Feed line		1	I099
8	996 423 140 02	Feed line		1	I099
9	996 423 142 02	Feed line		1	I099
10	999 703 421 40	Grommet		1	I249
		Side section			
11	900 378 270 09	Hexagon-head bolt AM 6 X 45		2	
12	996 423 107 10	Clutch pipeline		1	I098
(12)	996 423 107 11	Clutch pipeline		1	I098
(12)	997 423 108 00	Clutch pipeline		1	I099
(12)	997 423 108 01	Clutch pipeline		1	I099
13	999 702 174 50	Grommet		1	I098
14	997 423 109 00	Clutch pipeline		1	
(14)	997 423 109 01	Clutch pipeline		1	
15	987 423 113 00	Clutch pipeline		1	I480
(15)	987 423 113 01	Clutch pipeline		1	I480
(15)	987 423 113 25	Clutch pipeline		1	I481
16	999 591 964 40	Support		1	
17	999 230 541 10	Threaded joint		3	
18	999 230 683 40	Safety clip for Threaded joint		3	
19	999 707 333 40	Sealing ring		1	
20	987 423 377 00	Clutch hose	-07	1	I480
(20)	987 423 377 01	Clutch hose	-07	1	I480
(20)	987 423 377 02	Clutch hose		1	I480
(20)	987 423 377 01	Clutch hose	08-	1	I480
(20)	987 423 377 02	Clutch hose	08-	1	I480
21	996 355 549 00	Support		1	
22	996 355 545 00	Support		2	
23	996 355 543 00	Support		4	
24	999 702 216 42	Grommet		1	I481
(24)		Grommet		1	I480
25	999 702 217 41	Grommet		1	I249
26	999 507 585 40	Fixing clip		1	
27	999 707 333 40	Sealing ring 6,07 X 1,78N		1	
28	986 423 677 25	Bracket		1	I481
29	999 507 586 40	Cable holder		1	I481

Model: 987 06

Model life 2006>>2008



Model: 987 06

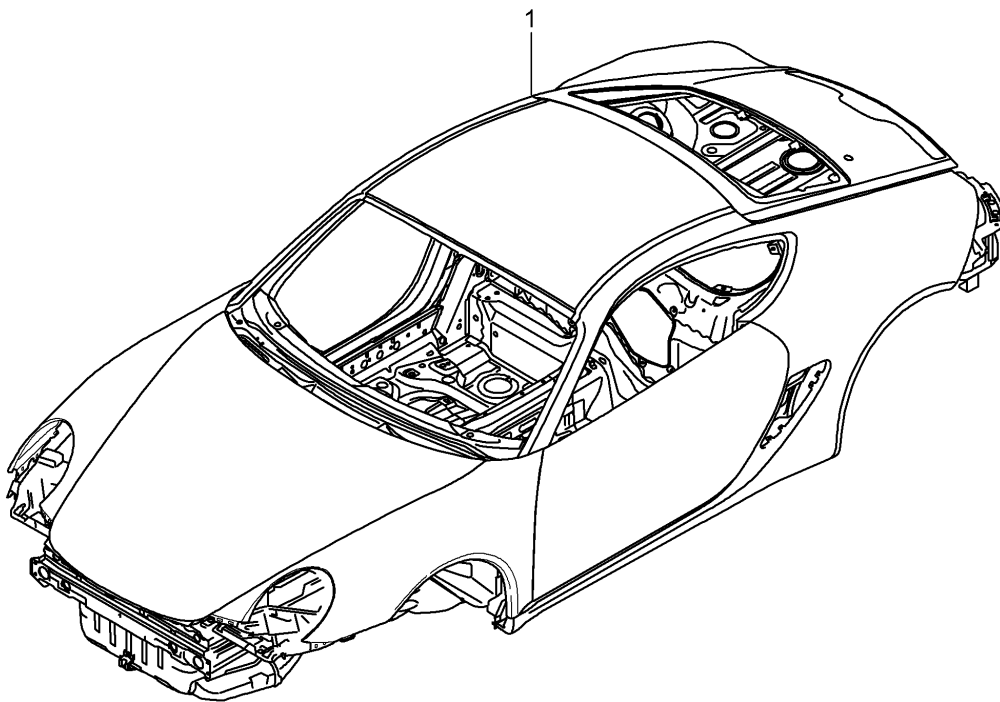
Model life 2006>>2008

Pos	Part Number	Description	Remark	Qty	Model
		Pedals			
		Accelerator control			
1	997 423 019 02	Accelerator control		1	I481
1		Accelerator control		1	I480
(1)	997 423 021 02	Accelerator control		1	I249
2	900 146 161 09	Round head screw M 6 X 20		1	

Model: 987 06

Model life 2006>>2008

B	WPOZZZ	98 z 5U730070	
C		987 121	
		M9701-685	G9701
G		L6B4	AT
D	C00	267 268 425 437	
E		438 446 454 537 610	
		635 640 650 666 670	
F		00641 20772	



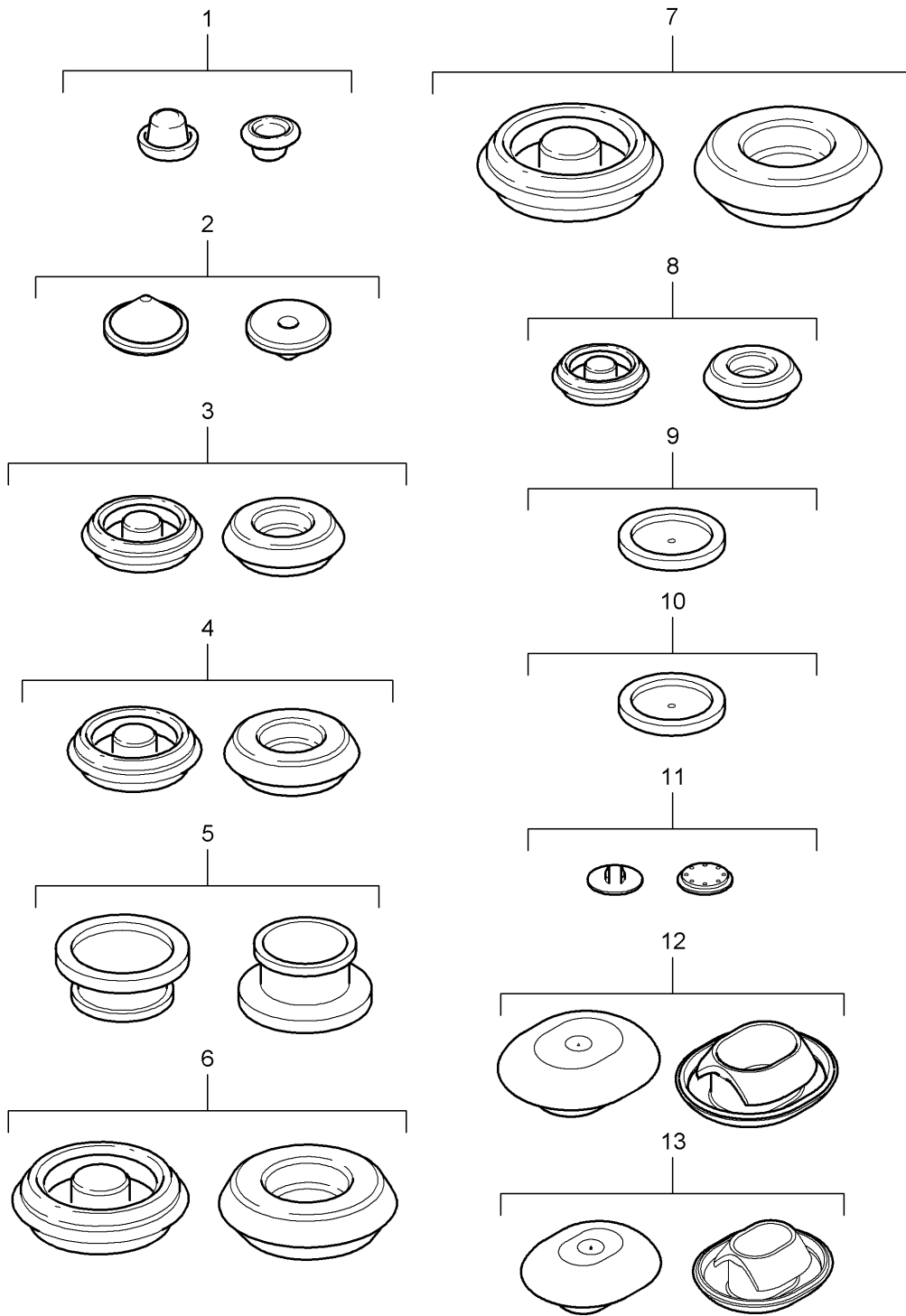
Model: 987 06

Model life 2006>>2008

Pos	Part Number	Description	Remark	Qty	Model
A		Body in white			
B		Prime coated			
C		Sealed			
D		with			
E		Underbody protection			
F		with			
G		Doors/lids/wings			
1	987 500 900 00	Bodyshells can only			
	987 500 900 00 GRV	only available from current			
		Model year available			
		The data required			
		for your order			
		Can be found on the			
		Vehicle data carrier			
		in			
		On-board folder			
		Please indicate this data			
		in your order			
		Vehicle data carrier			
		Vehicle Ident. No.			
		Order type			
		Country equipment			
		Optional extras			
		Additional applications			
		Indicate colour			
		Body in white		1	
		Prime coated			

Model: 987 06

Model life 2006>>2008



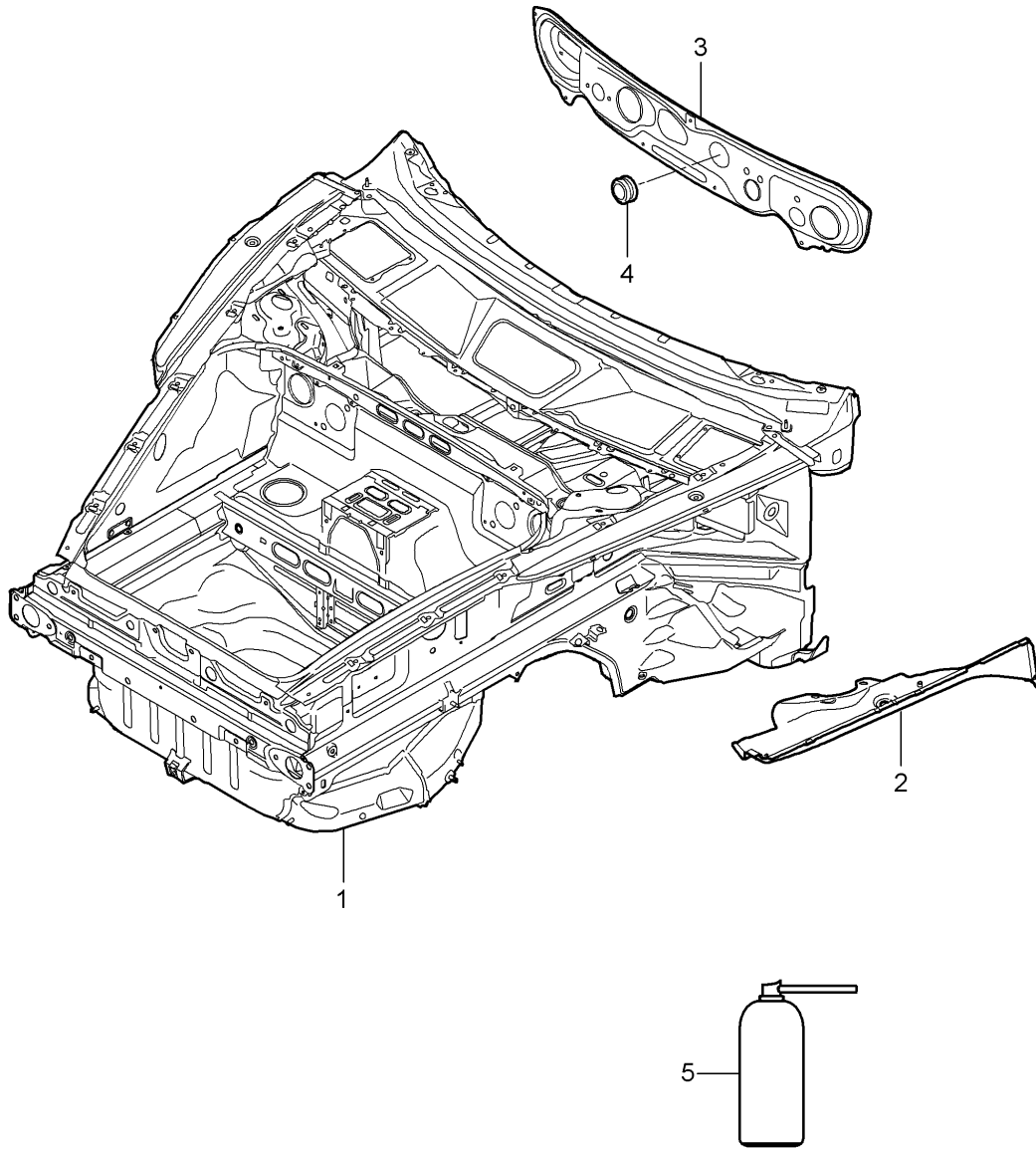
Model: 987 06

Model life 2006>>2008

Pos	Part Number	Description	Remark	Qty	Model
1	999 703 462 40	Stopper Plane See workshop manual Lid 10 x 6,5		X	
2	999 703 421 40	Grommet 15 mm		X	
4	803 803 583 A	Stopper 20 x 30		X	
4	999 703 196 40	Lid 20 x 30		X	
5	999 703 420 40	Stopper 20,3 x 30 x 11		X	
6	803 803 583	Rubber sleeve 30 x 40		X	
6	999 703 195 40	Rubber sleeve 30 x 40		X	
7	999 703 433 40	Stopper 30 x 42		X	
8	999 703 435 40	Lid 15 x 26		X	
9	999 703 008 40	Lid 18,5 x 25		X	
10	999 703 018 40	Lid 23,8 x 30,4		X	
11	999 507 838 40	Stopper 10 x 0,9		X	
12	955 504 184 00	Stopper		X	
13	955 504 185 00	Stopper 15 x20		X	

Model: 987 06

Model life 2006>>2008



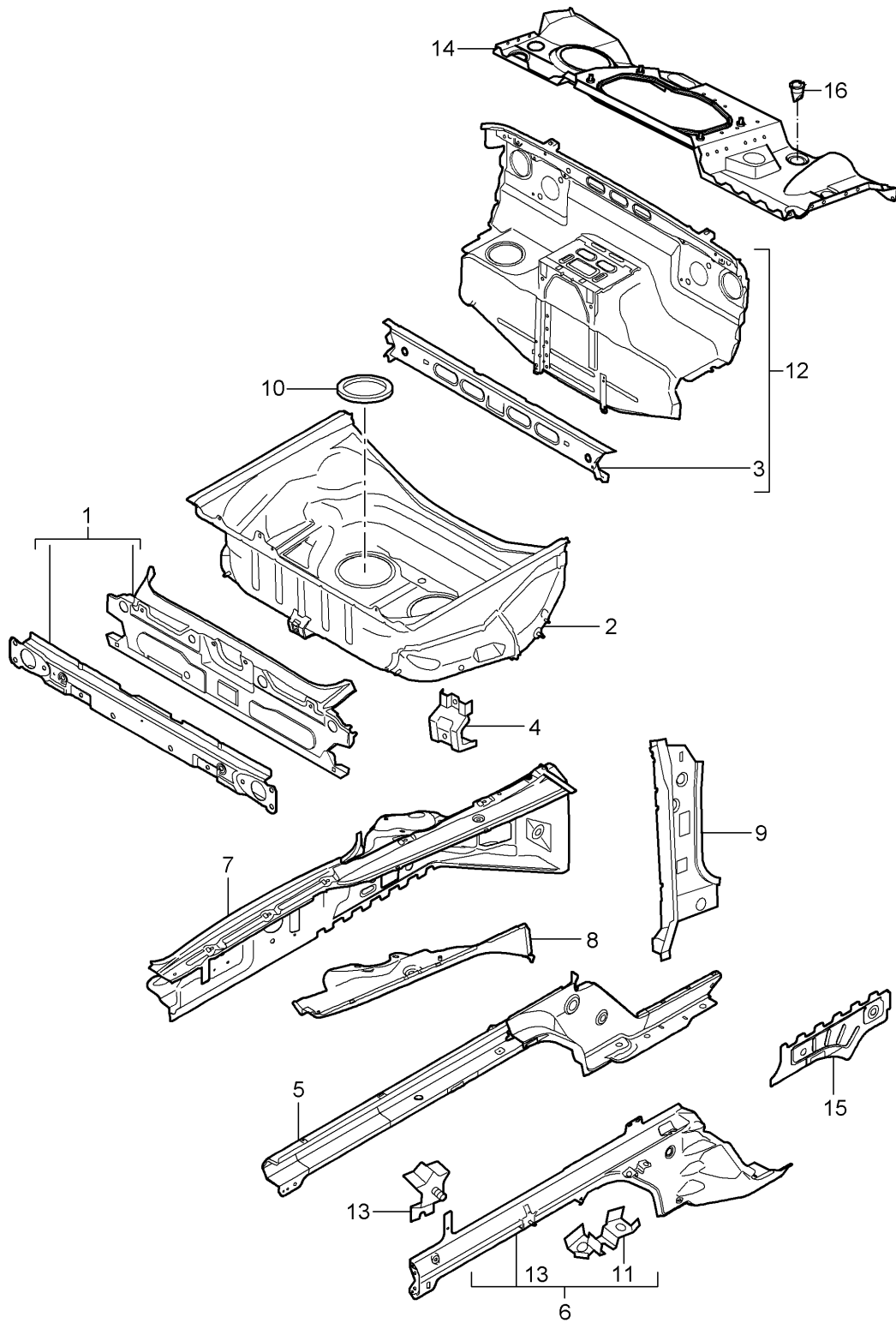
Model: 987 06

Model life 2006>>2008

Pos	Part Number	Description	Remark	Qty	Model
1	987 501 911 00 987 501 911 00 GRV	Body front section Body front section Prime coated Use also: Sealing compound Pos. 5 Processing instructions See technical manual Use also:		1	
2	997 501 945 00 997 501 945 00 GRV	Lower part Prime coated	/L	1	
(2)	997 501 946 01 997 501 946 01 GRV	Lower part Prime coated	/R	1	
3	997 504 121 00	Lid	/LL	1	I098
(3)	997 504 121 01	Lid Use also:	/RL	1	I099
-	000 043 300 94	Adhesive set		1	
4	999 702 255 41	Lid 62,5 X 72,6		1	
5	999 915 337 40	Sealing compound		1	

Model: 987 06

Model life 2006>>2008

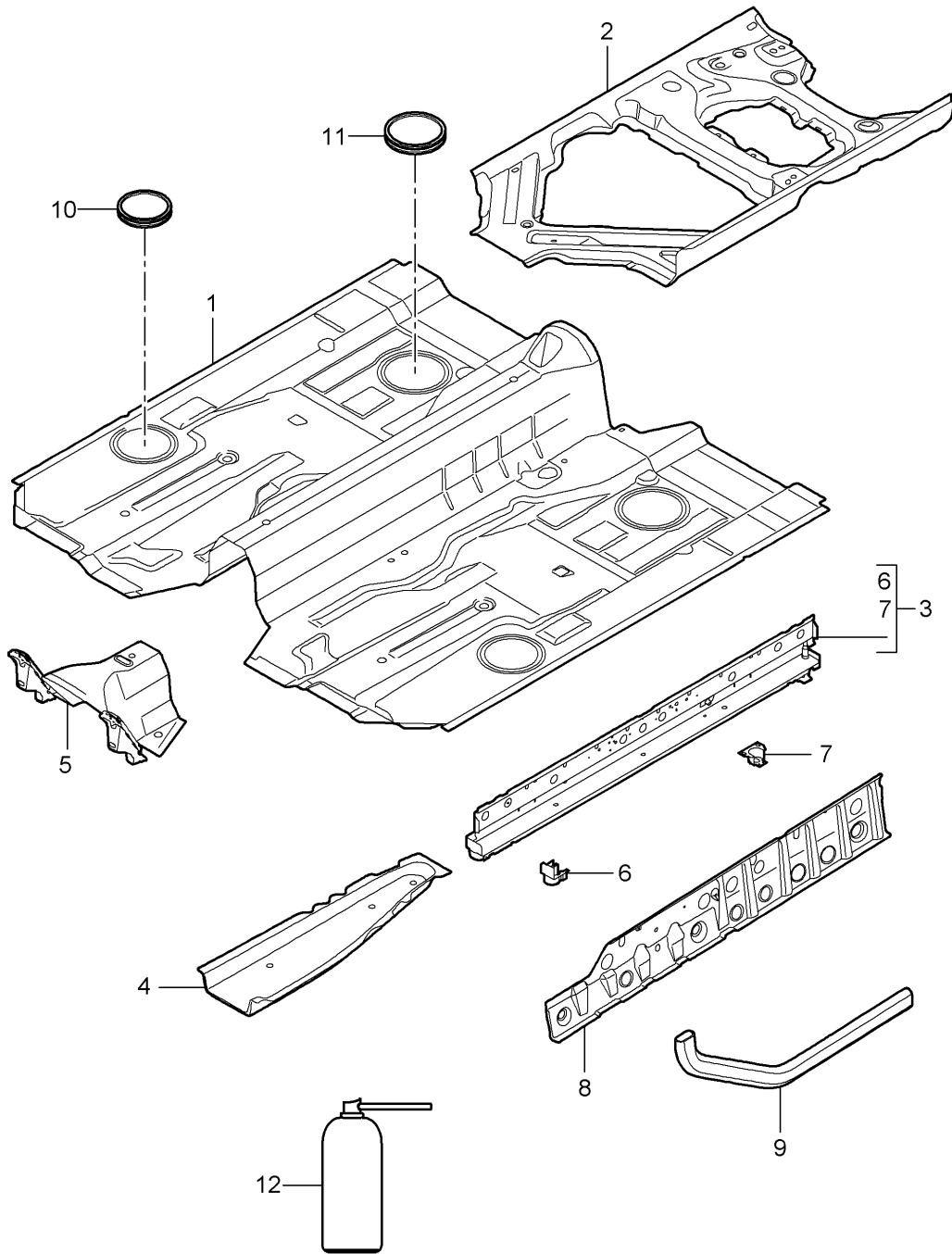


Model: 987 06 Model life 2006>>2008

Pos	Part Number	Description	Remark	Qty	Model
		Body front section			
		Single parts			
1	997 501 931 00	Terminal piece		1	
	997 501 931 00 GRV	Prime coated			
2	987 501 979 00	Spare-wheel well		1	
	987 501 979 00 GRV	Prime coated			
3	997 501 649 00	Cross member		1	
	997 501 649 00 GRV	Prime coated			
4	996 501 621 00	Support		3	
	996 501 621 00 GRV	Prime coated			
5	997 501 305 01	Side member	/L	1	
	997 501 305 01 GRV	Prime coated			
(5)	997 501 306 01	Side member	/R	1	
	997 501 306 01 GRV	Prime coated			
6	997 501 915 01	Side member	/L	1	
	997 501 915 01 GRV	Prime coated			
(6)	997 501 916 01	Side member	/R	1	
	997 501 916 01 GRV	Prime coated			
7	997 501 935 00	Wheel housing	/L	1	
	997 501 935 00 GRV	Prime coated			
(7)	997 501 936 01	Wheel housing	/R	1	
	997 501 936 01 GRV	Prime coated			
8	997 501 945 00	Bottom half	/L	1	
	997 501 945 00 GRV	Prime coated			
(8)	997 501 946 01	Bottom half	/R	1	
	997 501 946 01 GRV	Prime coated			
9	997 501 937 00	Hinge pillar	/L	1	
	997 501 937 00 GRV	Prime coated			
9	997 501 938 00	Hinge pillar	/R	1	
	997 501 938 00 GRV	Prime coated			
10	996 504 201 01	Lid		X	
		\$ 145 MM			
11	996 501 815 02	Support		2	
	996 501 815 02 GRV	Prime coated			
		Brake line			
12	997 502 921 00	Bulkhead		1	
	997 502 921 00 GRV	Prime coated			
13	996 501 341 00	Support		2	
	996 501 341 00 GRV	Prime coated			
		Radiator			
14	997 502 017 01	Cross panel		1	
	997 502 017 01 GRV	Prime coated			
15	997 501 665 01	Separator	/L	1	
	997 501 665 01 GRV	Prime coated			
(15)	997 501 666 01	Separator	/R	1	
	997 501 666 01 GRV	Prime coated			
16	999 703 476 40	Grommet		4	
		29,8 X 1,0			
16	999 703 476 41	Grommet		4	
		29,8 X 1,0			

Model: 987 06

Model life 2006>>2008

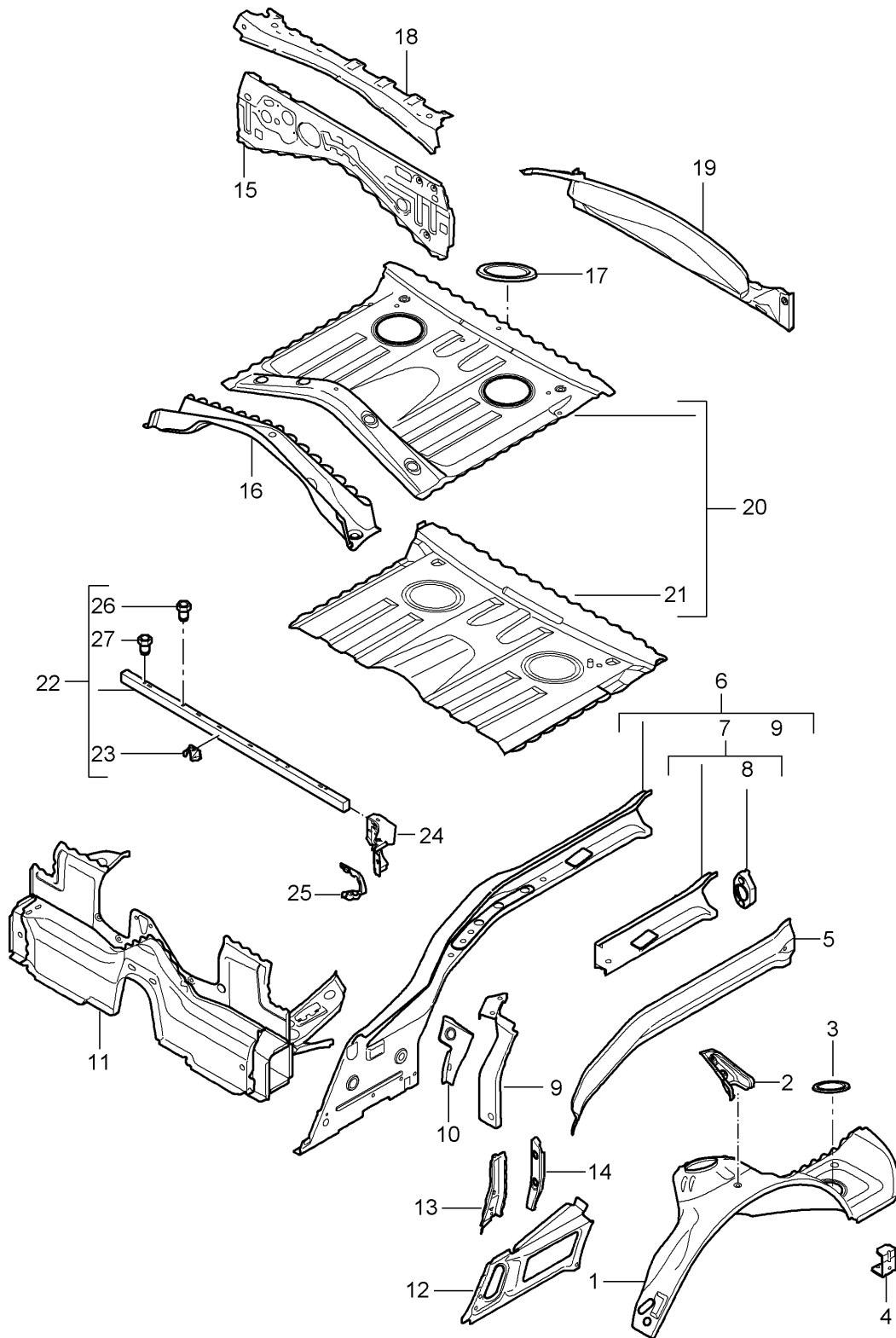


Model: 987 06 Model life 2006>>2008

Pos	Part Number	Description	Remark	Qty	Model
		Floor Centre			
1	987 501 551 00	Floor		1	
	987 501 551 00 GRV	Prime coated			
(2)	997 501 953 01	Seat support	/L	1	
	997 501 953 01 GRV	Prime coated			
2	997 501 954 01	Seat support	/R	1	
	997 501 954 01 GRV	Prime coated			
3	987 501 957 00	Side member	/L	1	
	987 501 957 00 GRV	Prime coated			
(3)	987 501 958 00	Side member	/R	1	
	987 501 958 00 GRV	Prime coated			
4	997 501 525 00	Side member	/L	1	
	997 501 525 00 GRV	Prime coated			
(4)	997 501 526 00	Side member	/R	1	
	997 501 526 00 GRV	Prime coated			
5	996 501 751 00	Extension		1	
	996 501 751 00 GRV	Prime coated			
6	996 501 785 00	Jacking point	/L /V	1	
	996 501 785 00 GRV	Prime coated			
(6)	996 501 786 00	Jacking point	/R /V	1	
	996 501 786 00 GRV	Prime coated			
7	996 501 481 01	Jacking point	/L /H	1	
	996 501 481 01 GRV	Prime coated			
(7)	996 501 482 01	Jacking point	/R /H	1	
	996 501 482 01 GRV	Prime coated			
8	997 501 329 00	Retaining bracket	/L	1	
	997 501 329 00 GRV	Prime coated			
(8)	997 501 330 00	Retaining bracket	/R	1	
	997 501 330 00 GRV	Prime coated			
9	997 501 439 00	Support tube		2	
	997 501 439 00 GRV	Prime coated			
		Use also: Sealing compound Pos. 12 Processing instructions See technical manual 51 49 55			
10	996 504 205 01	Lid \$ 125 MM		2	
11	996 504 201 01	Lid \$ 145 MM		2	
12	999 915 337 40	Sealing compound		1	

Model: 987 06

Model life 2006>>2008



Model: 987 06 Model life 2006>>2008

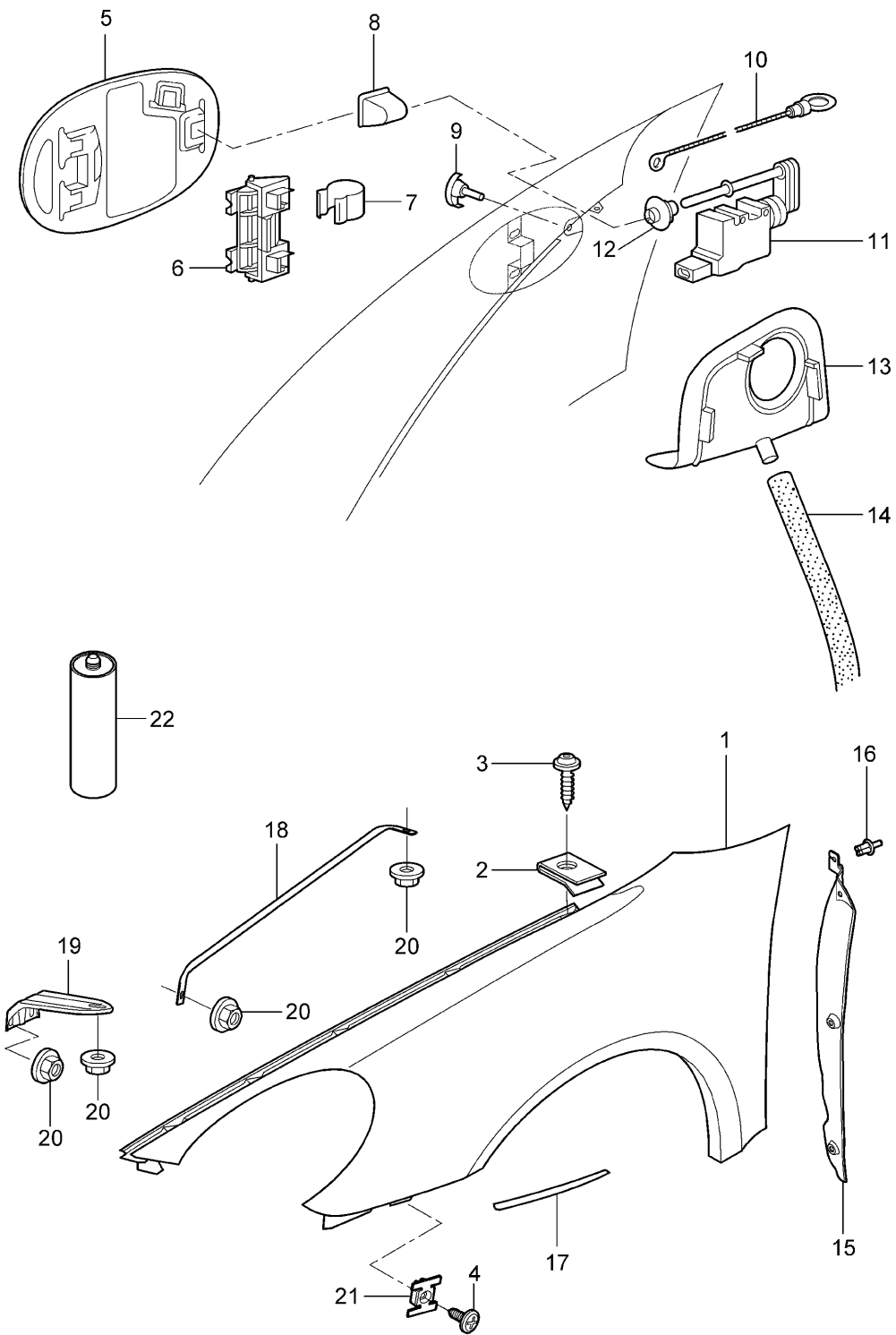
Pos	Part Number	Description	Remark	Qty	Model
1	987 501 983 00	Rear end Single parts Wheel housing	/L	1	
(1)	987 501 983 00 GRV	Prime coated			
	987 501 984 01	Wheel housing	/R	1	
	987 501 984 01 GRV	Prime coated			
2	987 502 675 00	Bracket	/L	1	
(2)	987 502 675 00 GRV	Prime coated			
	987 502 676 00	Bracket	/R	1	
	987 502 676 00 GRV	Prime coated			
3	996 504 209 01	Lid 100 mm		2	
4	986 501 613 00	Support		2	
	986 501 613 00 GRV	Prime coated			
5	986 501 995 01	Side member		2	
	986 501 995 01 GRV	Prime coated			
		Outer			
6	987 501 177 00	Side member	/L	1	
	987 501 177 00 GRV	Prime coated			
		Inner			
(6)	987 501 178 00	Side member	/R	1	
	987 501 178 00 GRV	Prime coated			
		Inner			
7	986 501 977 00	Side member	/L	1	
	986 501 977 00 GRV	Prime coated			
		Inner			
		Sub-part			
(7)	987 501 978 00	Side member	/R	1	
	987 501 978 00 GRV	Prime coated			
		Inner			
		Sub-part			
(3)	987 501 978 02	Side member	/R	1	
	987 501 978 02 GRV	Prime coated			
		Inner			
		Sub-part			
		See workshop manual			
8	996 501 377 01	Mounting	/L /R	2	
	996 501 377 01 GRV	Prime coated			
9	987 501 695 00	Closing element	/L	1	
	987 501 695 00 GRV	Prime coated			
(9)	987 501 696 00	Closing element	/R	1	
	987 501 696 00 GRV	Prime coated			
10	986 501 863 00	Bulkhead	/L	1	
	986 501 863 00 GRV	Prime coated			
(10)	986 501 864 00	Bulkhead	/R	1	
	986 501 864 00 GRV	Prime coated			
11	987 501 191 00	Bulkhead		1	
	987 501 191 00 GRV	Prime coated			
12	987 501 553 00	Gusset plate	/L	1	
	987 501 553 00 GRV	Prime coated			
(12)	987 501 554 00	Gusset plate	/R	1	
	987 501 554 00 GRV	Prime coated			
13	987 501 151 00	B-pillar	/L	1	
	987 501 151 00 GRV	Prime coated			
		Inner			
(13)	987 501 152 00	B-pillar	/R	1	
	987 501 152 00 GRV	Prime coated			
		Inner			
14	987 502 531 00	B-pillar	/L	1	
	987 502 531 00 GRV	Prime coated			
		Outer			
(14)	987 502 532 00	B-pillar	/R	1	
	987 502 532 00 GRV	Prime coated			

Model: 987 06 Model life 2006>>2008

Pos	Part Number	Description	Remark	Qty	Model
15	987 502 671 01	Outer Rear wall		1	
	987 502 671 01 GRV	Prime coated Luggage compartment			
16	986 501 575 00	Cross member		1	
	986 501 575 00 GRV	Prime coated			
17	996 504 201 01	Lid 145 MM		2	
18	987 502 673 00	Cross member		1	
	987 502 673 00 GRV	Prime coated Rear wall			
19	987 501 243 01	Terminal piece		1	
	987 501 243 01 GRV	Prime coated			
20	986 501 471 00	Floor section		1	
	986 501 471 00 GRV	Prime coated			
21	987 501 971 00	Boot floor plate		1	
	987 501 971 00 GRV	Prime coated			
22	987 501 917 00	Pipe		1	
	987 501 917 00 GRV	Prime coated			
22	987 501 917 01	Pipe		1	
	987 501 917 01 GRV	Prime coated			
23	987 501 827 00	Support		1	
	987 501 827 00 GRV	Prime coated			
24	987 501 531 00	Support	/L	1	
	987 501 531 00 GRV	Prime coated			
(24)	987 501 532 00	Support	/R	1	
	987 501 532 00 GRV	Prime coated			
25	987 501 829 00	Support	/L	1	
	987 501 829 00 GRV	Prime coated			
(25)	987 501 830 00	Support	/R	1	
	987 501 830 00 GRV	Prime coated			
26	999 500 110 03	Blind rivet nut		2	
27	999 500 066 02	Blind rivet nut		2	

Model: 987 06

Model life 2006>>2008



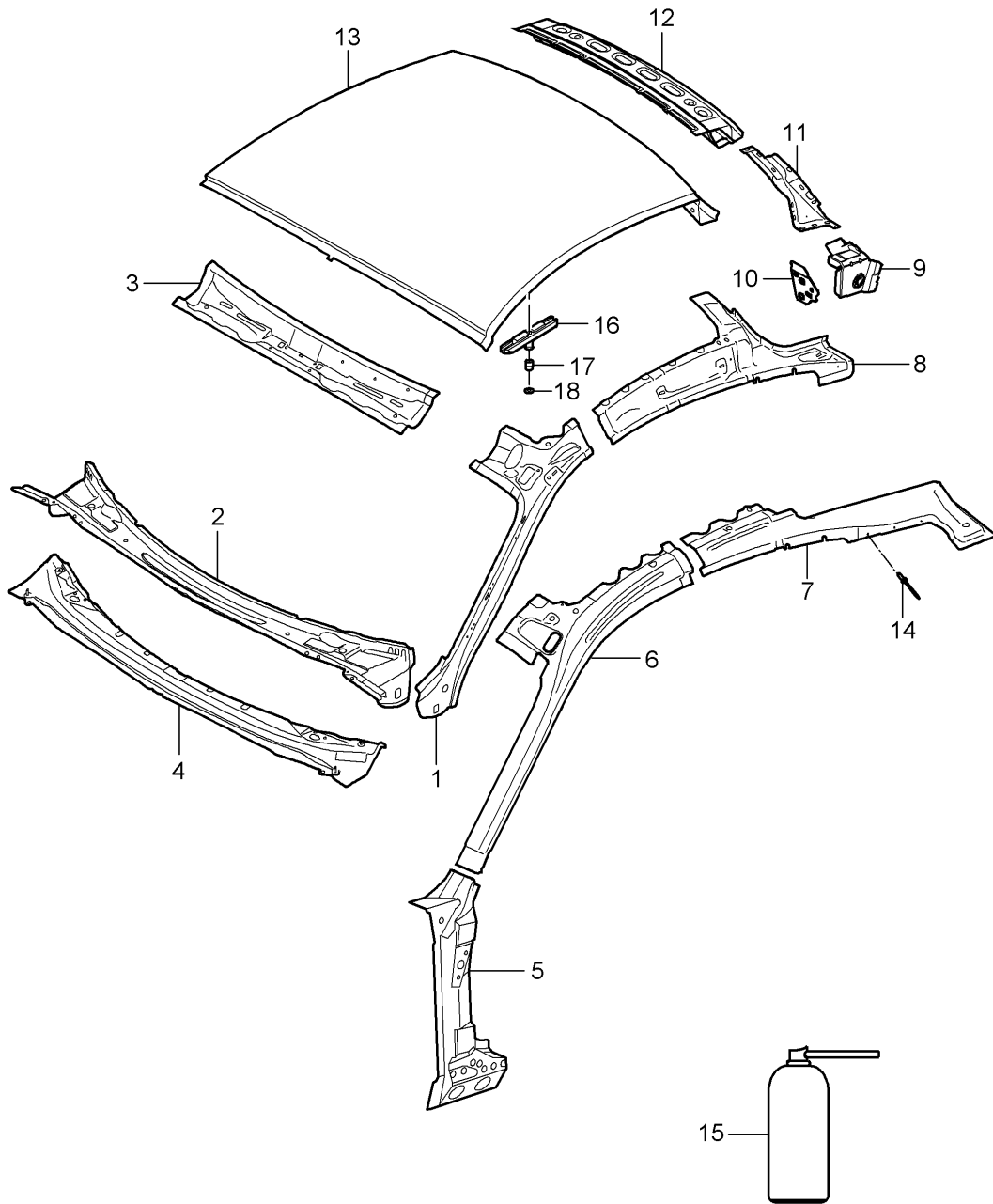
Model: 987 06

Model life 2006>>2008

Pos	Part Number	Description	Remark	Qty	Model
1	987 503 031 00	Wing		1	
	987 503 031 00 GRV	Wing Prime coated	/L	1	
1	987 503 032 02	Wing		1	
	987 503 032 02 GRV	Wing Prime coated	/R	1	
(1)	987 503 032 03	Wing		1	I461
	987 503 032 03 GRV	Wing Prime coated	/R	1	
2	999 507 003 02	Speed nut ST 6,3		18	
2	999 507 003 01	Speed nut ST 6,3		18	
3	999 073 422 02	Tapping screw ST 6,3 X 14		10	
4	900 187 111 02	Combination screw ST 6,3 X 12		8	
4	900 187 111 01	Combination screw ST 6,3 X 12		8	
5	987 504 134 00	Fuel filler flap		1	
	987 504 134 00 GRV	Fuel filler flap Prime coated		1	
6	996 201 063 00	Hinge		1	
7	997 504 711 00	Spring		1	
8	996 201 423 00	Cap		1	
9	997 504 888 01	Rubber stop		1	
10	996 201 493 00	Emergency operation		1	
11	997 624 113 00	Actuator		1	
12	996 624 505 02	Guide rose		1	
13	997 201 667 00	Sleeve		1	
14	996 201 153 00	Hose		1	
15	997 504 641 02	Cover	/L	1	
	997 504 641 02 01C	Black		1	
(15)	997 504 642 02	Cover	/R	1	
	997 504 642 02 01C	Black		1	
16	999 591 712 40	Expansion rivet A 6,0 X 12,0		6	
17	987 504 531 00	Protective film	/L	1	
(17)	987 504 532 00	Protective film	/R	1	
18	997 504 441 00	Strut		2	
	997 504 441 00 GRV	Strut Prime coated		2	
19	997 504 555 00	Bracket		2	
	997 504 555 00 GRV	Bracket Prime coated		2	
20	999 076 066 09	Hexagon nut M 6		10	
21	999 507 590 02	Captive nut ST 4,8		6	
22	000 043 204 85	Cavity preservation 400 ML		X	

Model: 987 06

Model life 2006>>2008



Model: 987 06 Model life 2006>>2008

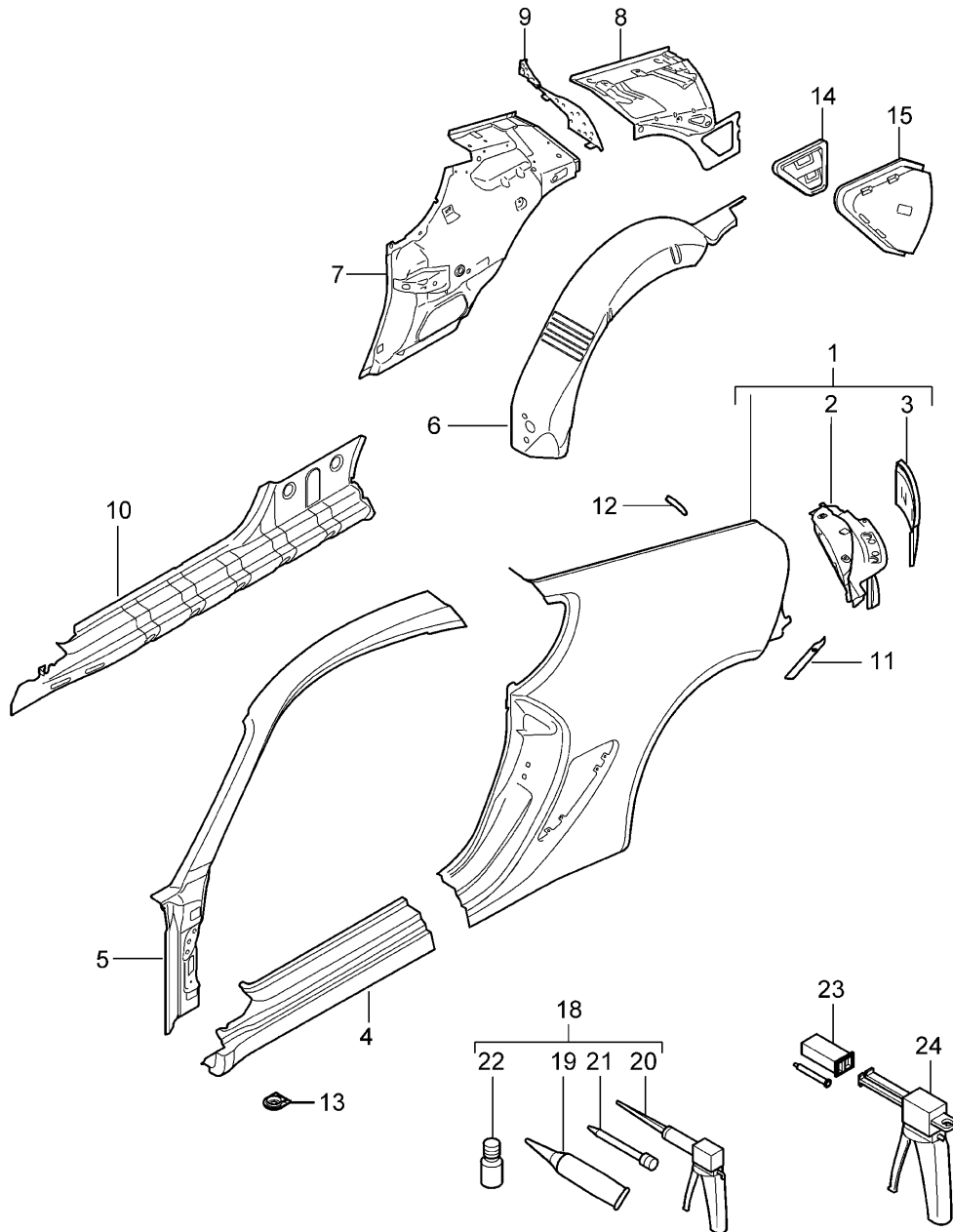
Pos	Part Number	Description	Remark	Qty	Model
1	987 502 637 00	Roof Cowl			
	987 502 637 00 GRV	Cowl Prime coated	/L	1	
(1)	987 502 638 00	Cowl	/R	1	
	987 502 638 00 GRV	Prime coated			
2	987 502 537 00	Cowl		1	
	987 502 537 00 GRV	Prime coated			
3	987 502 919 00	Cowl panel support Upper		1	
	987 502 919 00 GRV	Prime coated			
4	997 502 437 00	Cowl Lower		1	
	997 502 437 00 GRV	Prime coated			
5	997 502 233 00	Reinforcement	/L	1	
	997 502 233 00 GRV	Prime coated			
		Use also:			
(5)	997 502 234 00	Reinforcement	/R	1	
	997 502 234 00 GRV	Prime coated			
		Use also:			
-	000 043 206 29	Adhesive set Body		X	
		Comprising:			
-	000 043 206 30	Adhesive		1	
-	000 043 206 31	Tool		1	
-	000 043 206 32	Mixing tube		1	
-	000 043 206 33	Activator		1	
6	987 502 465 00	Reinforcement	/L	1	
	987 502 465 00 GRV	Prime coated			
		Use also:			
(6)	987 502 466 00	Reinforcement	/R	1	
	987 502 466 00 GRV	Prime coated			
		Use also:			
-	000 043 206 29	Adhesive set Body		X	
		Comprising:			
-	000 043 206 30	Adhesive		1	
-	000 043 206 31	Tool		1	
-	000 043 206 32	Mixing tube		1	
-	000 043 206 33	Activator		1	
7	987 502 869 00	Reinforcement	/L	1	
	987 502 869 00 GRV	Prime coated			
		Use also:			
(7)	987 502 870 00	Reinforcement	/R	1	
	987 502 870 00 GRV	Prime coated			
		Use also:			
-	000 043 206 29	Adhesive set Body		X	
		Comprising:			
-	000 043 206 30	Adhesive		1	
-	000 043 206 31	Tool		1	
-	000 043 206 32	Mixing tube		1	
-	000 043 206 33	Activator		1	
		Use also:			
		Sealing compound			
		Pos. 15			
		Processing instructions			
		See technical manual			
		51 06 55			
8	987 502 113 00	Side section	/L	1	
	987 502 113 00 GRV	Prime coated			
(8)	987 502 114 00	Side section	/R	1	
	987 502 114 00 GRV	Prime coated			

Model: 987 06 Model life 2006>>2008

Pos	Part Number	Description	Remark	Qty	Model
9	987 502 695 00 987 502 695 00 GRV	Sealing channel Prime coated Use also:	/L	1	
(9)	987 502 696 00 987 502 696 00 GRV	Sealing channel Prime coated Use also:	/R	1	
-	000 043 206 29	Adhesive set Body Comprising:		X	
-	000 043 206 30	Adhesive		1	
-	000 043 206 31	Tool		1	
-	000 043 206 32	Mixing tube		1	
-	000 043 206 33	Activator		1	
10	987 502 871 00 987 502 871 00 GRV	Bulkhead Prime coated Use also: Information available	/L	1	
(10)	987 502 872 00 987 502 872 00 GRV	Bulkhead Prime coated Use also: Information available	/R	1	
-	000 043 206 29	Adhesive set Body Comprising:		X	
-	000 043 206 30	Adhesive		1	
-	000 043 206 31	Tool		1	
-	000 043 206 32	Mixing tube		1	
-	000 043 206 33	Activator		1	
11	987 502 591 00 987 502 591 00 GRV	Closing element Prime coated	/L	1	
(11)	987 502 592 00 987 502 592 00 GRV	Closing element Prime coated	/R	1	
12	987 502 929 00 987 502 929 00 GRV	Roof frame Rear Complete Prime coated		1	
13	987 503 087 00 987 503 087 00 GRV	Outer roof panel Prime coated Use also:		1	
-	000 043 204 38	Sealing compound		1	
14	999 190 414 01	Blind rivet 4,8 x 10,3		10	
15	999 915 337 40	Sealing compound Acoustics		1	
16	996 504 911 00	Plate with Threaded pin		X	
17	996 504 505 00	Threaded bush		X	
18	900 025 008 09	Washer A 10,5		X	

Model: 987 06

Model life 2006>>2008



Model: 987 06 Model life 2006>>2008

Pos	Part Number	Description	Remark	Qty	Model
1	987 503 961 01 987 503 961 01 GRV	Side section Side section Prime coated Use also: 000.043.206.30	/L	1	
(1)	987 503 962 01 987 503 962 01 GRV	Side section Prime coated Use also: 000.043.206.30	/R	1	
2	987 502 961 01 987 502 961 01 GRV	Frame for light Prime coated	/L	1	
(2)	987 502 962 01 987 502 962 01 GRV	Frame for light Prime coated	/R	1	
3	987 501 651 00 987 501 651 00 GRV	Corner panel Prime coated	/L	1	
(3)	987 501 652 00 987 501 652 00 GRV	Corner panel Prime coated	/R	1	
4	987 503 963 01 987 503 963 01 GRV	Door sill Prime coated	/L	1	
(4)	987 503 964 01 987 503 964 01 GRV	Door sill Prime coated	/R	1	
5	987 503 965 01 987 503 965 01 GRV	Roof frame Prime coated Use also: 000.043.206.30	/L	1	
(5)	987 503 966 01 987 503 966 01 GRV	Roof frame Prime coated Use also: 000.043.206.30	/R	1	
6	987 502 515 00 987 502 515 00 GRV	Wheel housing Prime coated	/L	1	
(6)	987 502 516 00 987 502 516 00 GRV	Wheel housing Prime coated	/R	1	
7	987 502 083 01 987 502 083 01 GRV	Side section Prime coated Use also: 000.043.206.30	/L	1	
(7)	987 502 084 01 987 502 084 01 GRV	Side section Prime coated Use also: 000.043.206.30	/R	1	
8	987 502 105 00 987 502 105 00 GRV	Side section Prime coated	/L	1	
(8)	987 502 106 00 987 502 106 00 GRV	Side section Prime coated	/R	1	
9	987 504 901 01	Seal Side section See technical manual Group 5 53 55 55		2	
10	987 502 663 00 987 502 663 00 GRV	Reinforcement Prime coated Use also: 000.043.206.30	/L	1	
(10)	987 502 664 00 987 502 664 00 GRV	Reinforcement Prime coated Use also: 000.043.206.30	/R	1	
11	987 504 631 00	Protective film		2	
12	996 537 237 00	Protective film		2	
13	999 703 475 40	Water drain sleeve Door sill		2	

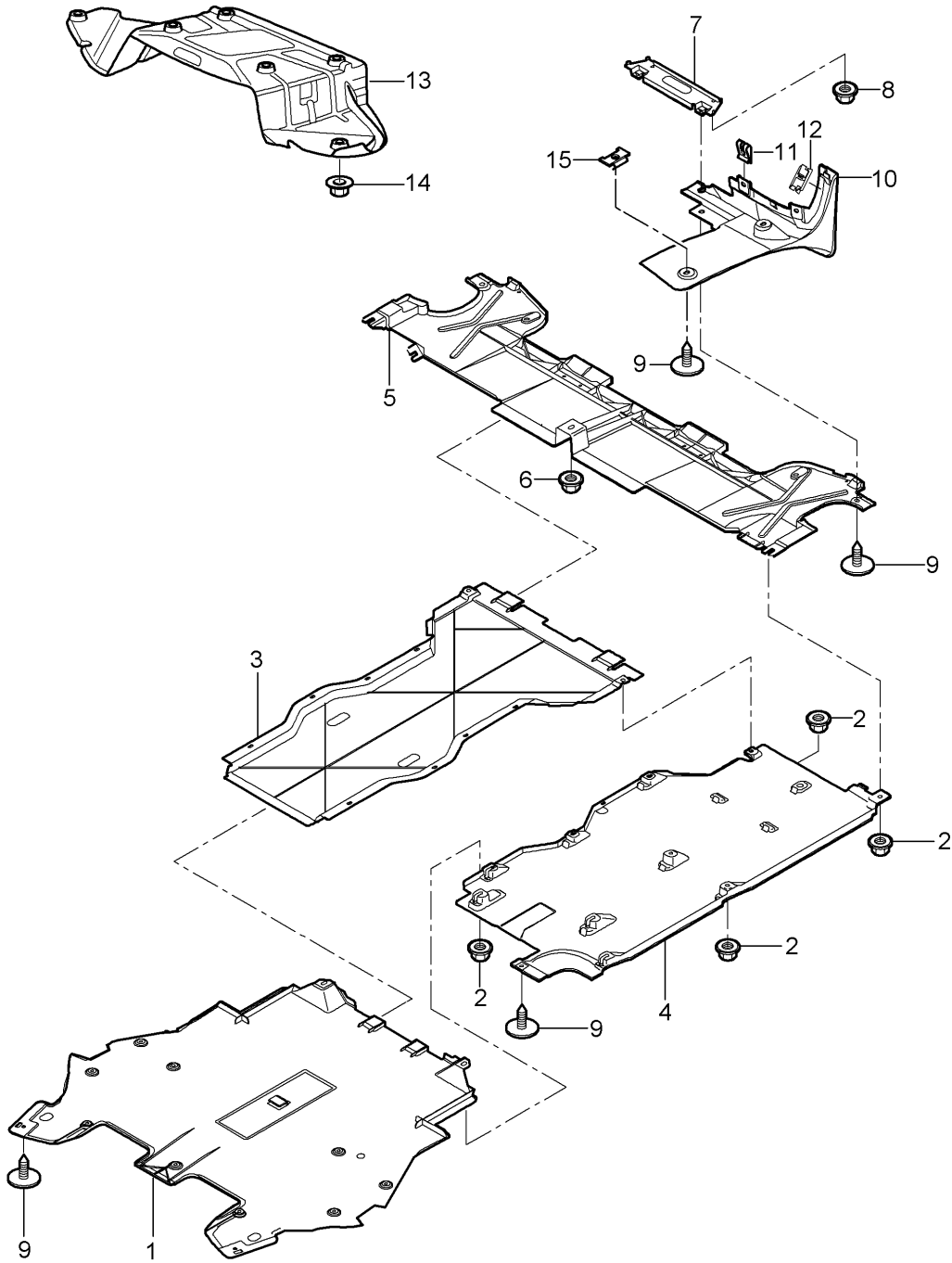
Model: 987 06

Model life 2006>>2008

Pos	Part Number	Description	Remark	Qty	Model
14	986 572 043 02	Bleeding	/L	1	
(14)	986 572 044 00	Bleeding	/R	1	
15	986 572 643 01	Air-guide cowl	/L	1	
(15)	986 572 644 01	Air-guide cowl	/R	1	
		Bleeding			
18	000 043 206 29	Adhesive set		X	
		Body			
		Comprising:			
19	000 043 206 30	Adhesive		1	
20	000 043 206 31	Tool		1	
21	000 043 206 32	Mixing tube		1	
22	000 043 206 33	Activator		1	
23	999 915 650 40	Adhesive		X	
24	000 043 300 48	Tool		X	

Model: 987 06

Model life 2006>>2008

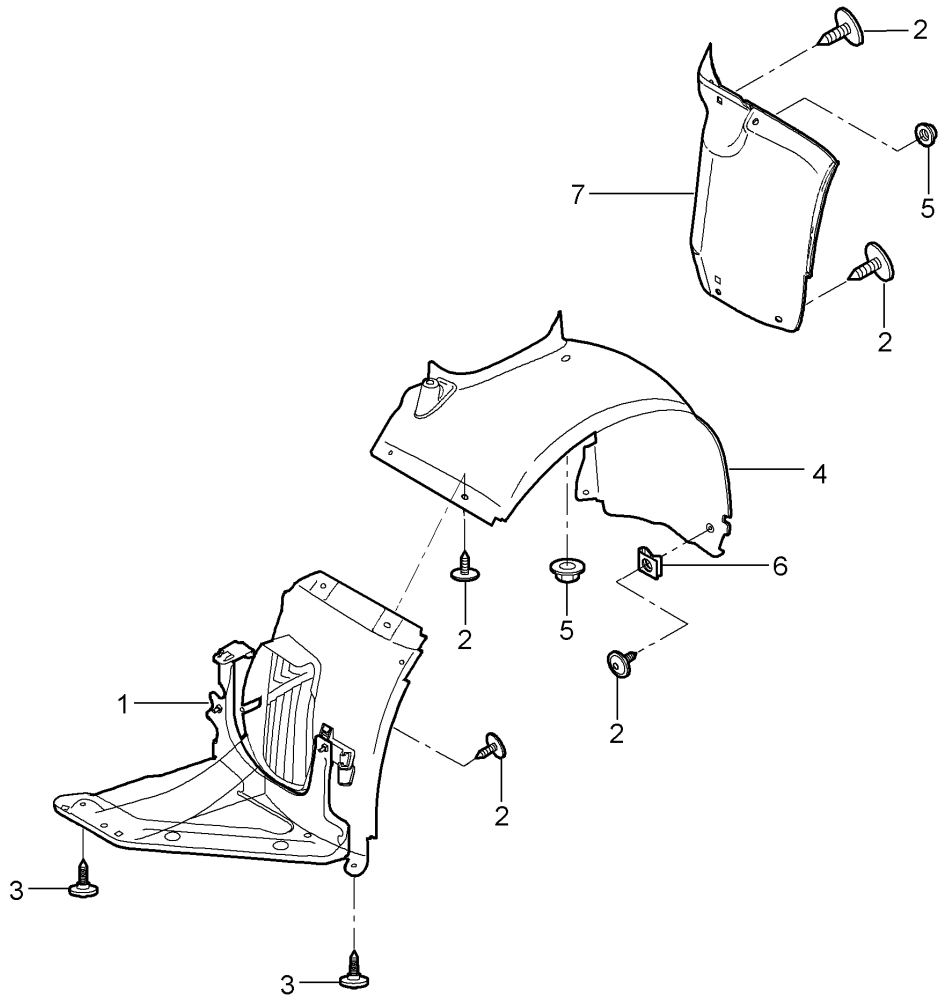


Model: 987 06 Model life 2006>>2008

Pos	Part Number	Description	Remark	Qty	Model
		Linings			
		Underbody			
1	997 504 527 02	Cover		1	
		Front			
2	999 049 028 40	Plastic nut		33	
		T 5/22 X 10			
3	997 504 043 00	Cover		1	
		Centre			
4	997 504 343 02	Cover	/L	1	
(4)	997 504 344 02	Cover	/R	1	
5	987 504 129 00	Cover		1	
		Rear			
6	999 076 068 09	Hexagon nut		1	
		M 6			
6	999 076 068 01	Hexagon nut		1	
		M 6			
7	987 504 571 00	Support		2	
		Cover			
		Rear			
8	999 084 212 02	Hexagon nut		2	
		M 6			
9	999 073 231 09	Tapping screw		X	
		ST 4,8 X 16			
10	987 504 793 00	Cover	/L	1	
	987 504 793 00 01C	Satin black			
(10)	987 504 794 00	Cover	/R	1	
	987 504 794 00 01C	Satin black			
11	999 507 795 09	Speed nut		2	
		ST 4,8			
12	987 504 635 00	Clamp	/L	1	
(12)	987 504 636 00	Clamp	/R	1	
		Cover		1	
13	987 504 405 00	Heat protection		1	
14	999 049 025 09	Collar nut		7	
		T 5			
15	999 507 849 01	Captive nut		4	
		ST 4,8			

Model: 987 06

Model life 2006>>2008



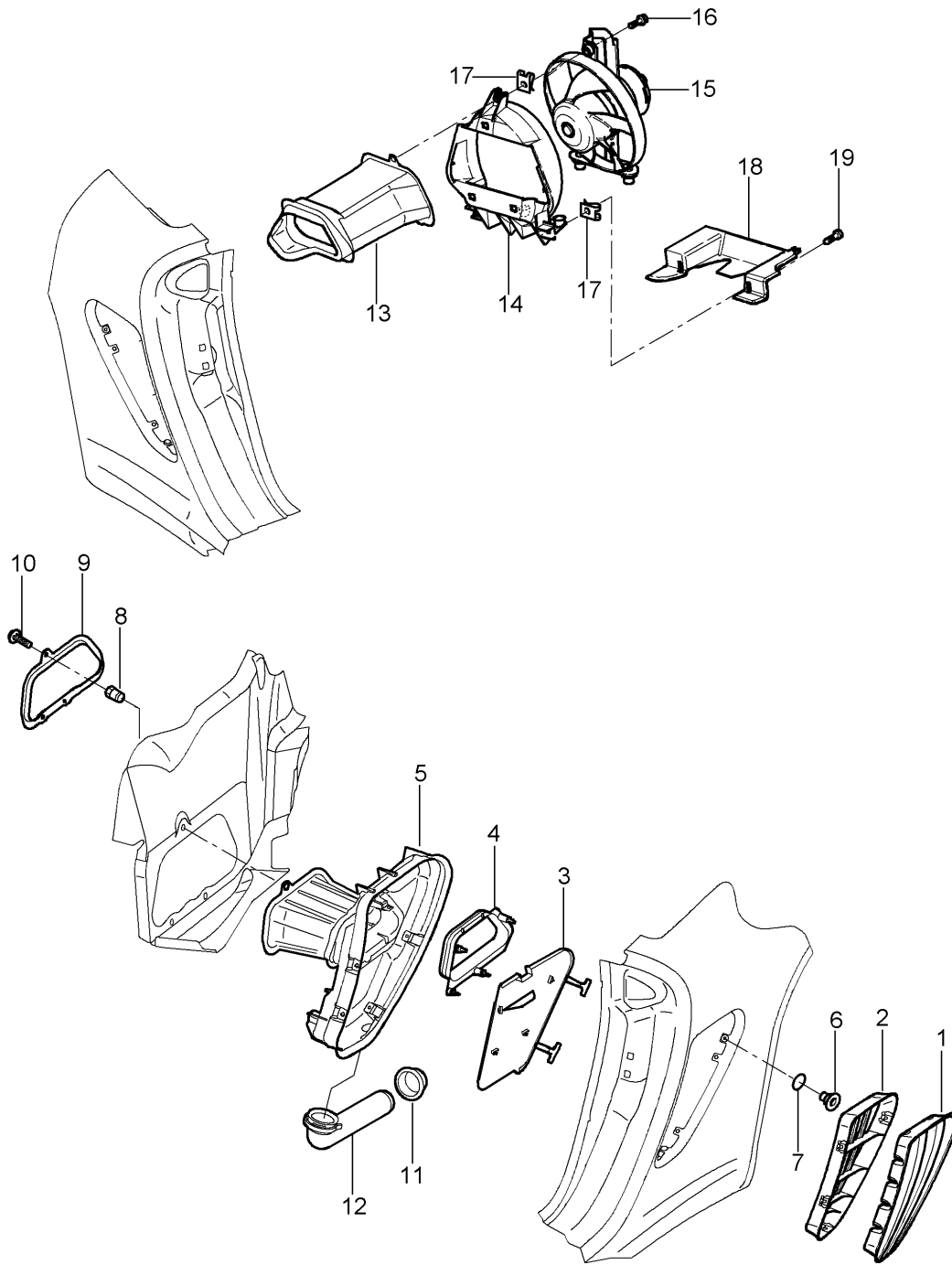
Model: 987 06

Model life 2006>>2008

Pos	Part Number	Description	Remark	Qty	Model
		Linings for Wheel housing			
1	987 504 123 00	Wheel-housing liner	/L /V	1	I480/481
(1)	987 504 124 00	Wheel-housing liner	/R /V	1	I480/481
(1)	987 504 123 04	Wheel-housing liner	/L /V	1	I480/481
(1)	987 504 124 04	Wheel-housing liner	/R /V	1	I480/481
(1)	987 504 123 03	Wheel-housing liner	/L /V	1	I249
(1)	987 504 124 03	Wheel-housing liner	/R /V	1	I249
(1)	987 504 123 05	Wheel-housing liner	/L /V	1	I249
(1)	987 504 124 05	Wheel-housing liner	/R /V	1	I249
2	999 073 231 09	Tapping screw ST 4,8 X 16		20	
3	999 073 227 09	Tapping screw ST 4,8 X 19		4	
4	987 504 203 00	Wheel-housing liner	/V /H /L	1	
(4)	987 504 204 00	Wheel-housing liner	/V /H /R	1	
5	999 049 028 40	Plastic nut T5		10	
6	999 507 795 09	Speed nut		2	
7	987 504 573 01	Wheel-housing liner	/H /V /L	1	
(7)	987 504 574 01	Wheel-housing liner	/H /V /R	1	
8	987 504 673 01	Heat protection	/L	1	
(8)	987 504 674 01	Heat protection	/R	1	
9	999 507 795 09	Brake hose Speed nut		2	

Model: 987 06

Model life 2006>>2008

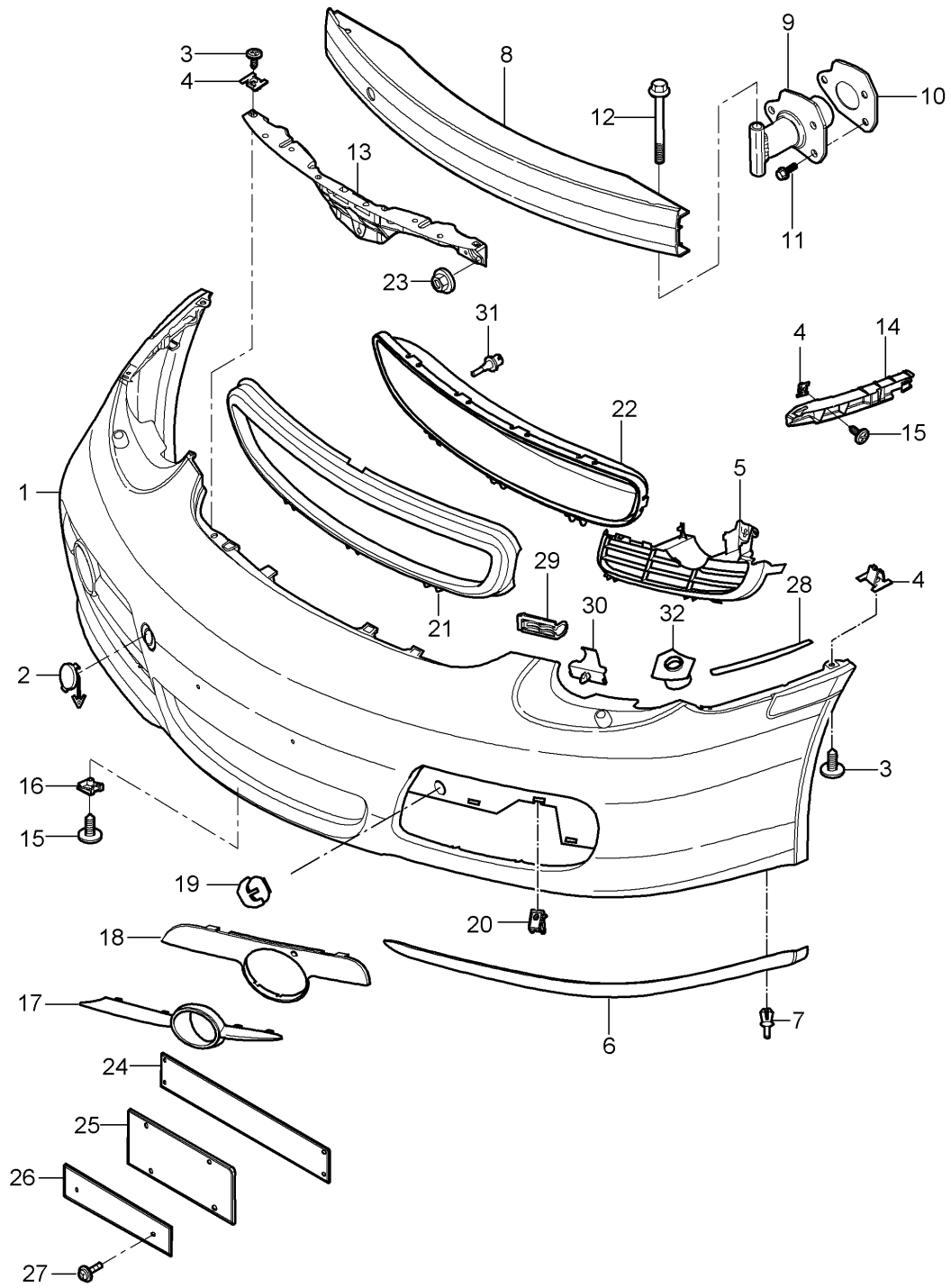


Model: 987 06 Model life 2006>>2008

Pos	Part Number	Description	Remark	Qty	Model
1	987 504 561 02	Ventilation Engine compartment Ventilation grille	/L	1	
(1)	987 504 561 02 G2X	Prime coated			
	987 504 562 02	Ventilation grille	/R	1	
	987 504 562 02 G2X	Prime coated			
2	987 504 749 02	Frame	/L	1	
(2)	987 504 749 02 01C	Satin black			
	987 504 750 02	Frame	/R	1	
	987 504 750 02 01C	Satin black			
3	987 575 647 01	Impact absorber plate	/L	1	
4	987 575 757 00	Reinforcement	/L	1	
5	987 575 657 01	Air guide	/L	1	
(5)	987 575 658 00	Air guide Inner	/R	1	
6	999 507 585 40	Fixing clip		8	
7	999 701 489 40	Sealing ring	/L	4	
8	999 500 069 02	Blind rivet nut		6	
9	987 575 759 00	Support frame		1	
10	900 075 413 09	Air guide Combination screw M 6 X 16		3	
11	999 702 288 40	Grommet 32,5 X 20	/L	1	
12	987 504 431 00	Water drain tube	/L	1	
13	987 575 360 01	Air duct		1	
14	986 575 356 00	Airscoop	/R	1	
15	986 624 036 00	Blower	/R	1	
16	900 075 333 02	Combination screw M 6 X 25		3	
17	999 507 550 02	Speed nut M 6		3	
18	987 575 756 00	Air guide	/R	1	
19	900 378 036 09	Hexagon-head bolt M 6 X 12		1	

Model: 987 06

Model life 2006>>2008



Model: 987 06 Model life 2006>>2008

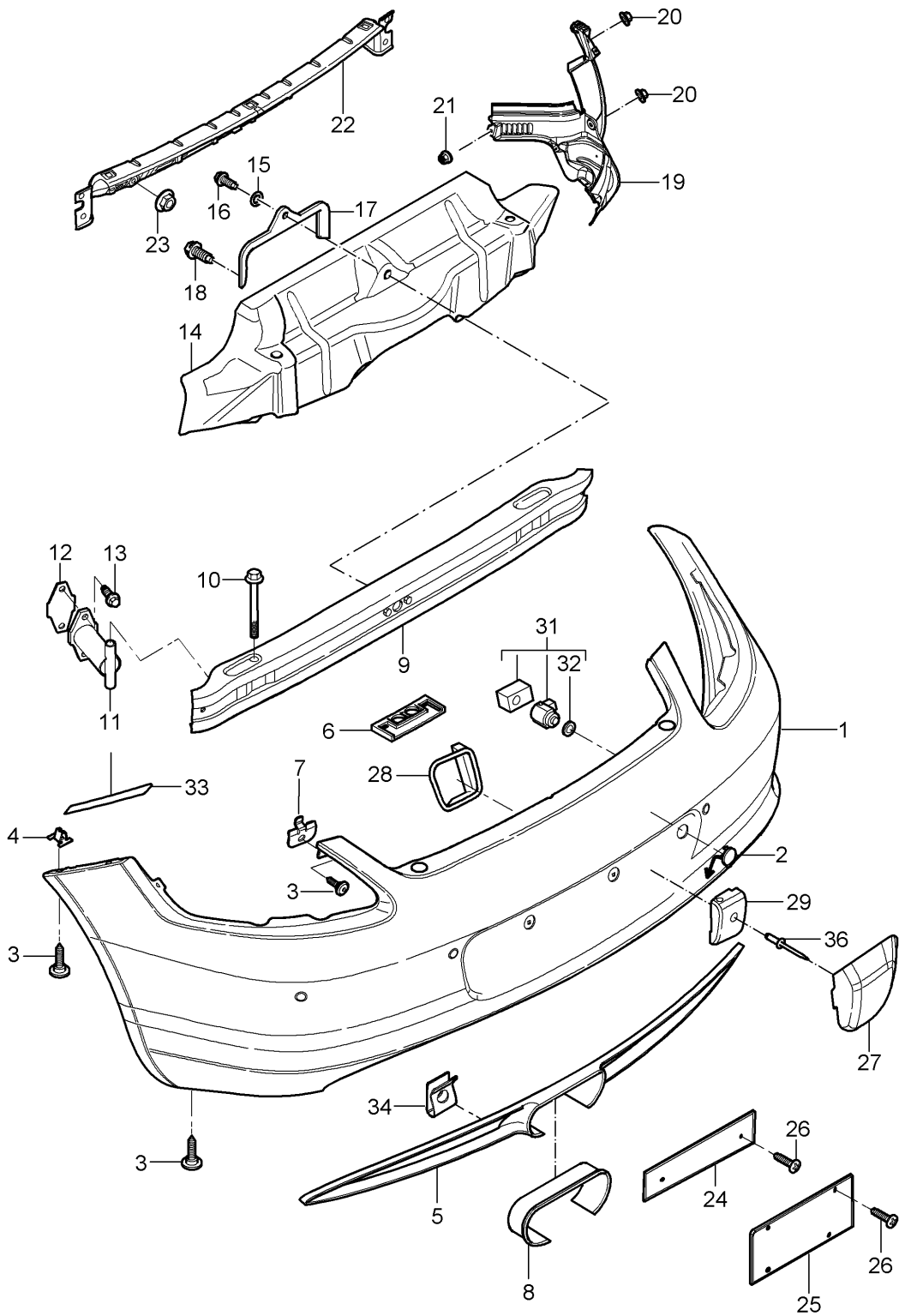
Pos	Part Number	Description	Remark	Qty	Model
		Bumper			
		Front			
(1)	987 505 191 06	Lining		1	
(1)	987 505 191 28	Lining		1	
(1)	987 505 191 07	Lining		1	I288
1	987 505 191 08	Lining		1	I249
1	987 505 191 29	Lining		1	I249
(1)	987 505 191 09	Lining		1	I249/288
(1)	987 505 191 34	Lining		1	I249/288
2	987 505 703 01	Cap		1	
	987 505 703 01 G2X	Prime coated			
3	999 073 227 09	Tapping screw		10	
4	999 507 590 02	Captive nut		X	
5	987 505 553 02	Grille frame	/L	1	
	987 505 553 02 01C	Satin black			
(5)	987 505 554 02	Grille frame	/R	1	
	987 505 554 02 01C	Satin black			
6	987 505 527 00	Cover	/L	1	CAYMAN
	987 505 527 00 01C	Satin black			
(6)	987 505 528 00	Cover	/R	1	CAYMAN
	987 505 528 00 01C	Satin black			
(6)	987 505 527 01	Cover	/L	1	CAYMAN S
	987 505 527 01 9B1	Titanium metallic			
(6)	987 505 528 01	Cover	/R	1	CAYMAN S
	987 505 528 01 9B1	Titanium metallic			
(6)	987 505 528 02	Cover	/R	1	
		Prime coated			
(6)	987 505 527 02	Cover	/L	1	
		Prime coated			
(6)	987 505 983 01	Spoiler	/L	1	IXAM
(6)	987 505 984 01	Spoiler	/R	1	IXAM
-	987 505 989 01	Adhesive tape		1	IXAM
		Set			
7	999 591 712 40	Expansion rivet		6	
		6,0 X 12,0			
8	997 505 141 02	Bumper reinforcement		1	
9	997 505 319 00	Impact pipe		2	
10	997 505 751 02	Seal		2	
		Impact absorber			
11	900 378 267 09	Combination screw		6	
		M8 X 30			
12	900 378 088 09	Hexagon-head bolt		2	
		M 12 x 100			
13	997 505 531 00	Retaining strip		1	
		Centre			
14	987 505 535 01	Retaining strip	/L	1	
(14)	987 505 536 01	Retaining strip	/R	1	
15	999 073 418 01	Tapping screw		4	
		ST4,8 X 19-C			
-	999 591 387 02	Clamping washer		10	
		4,0			
16	999 591 699 02	Speed nut		1	
		ST 4,8			
17	987 505 721 00	Cover	/L	1	
	987 505 721 00 G2X	Prime coated			
(17)	987 505 722 00	Cover	/R	1	
	987 505 722 00 G2X	Prime coated			
18	987 505 723 00	Cover	/L	1	
	987 505 723 00 01C	Satin black			
(18)	987 505 724 00	Cover	/R	1	
	987 505 724 00 01C	Satin black			
19	987 505 787 00	Clamp		2	
20	999 507 768 02	Speed nut		6	

Model: 987 06 Model life 2006>>2008

Pos	Part Number	Description	Remark	Qty	Model
21	987 505 555 01	ST 4,2 Retaining frame		1	I183
	987 505 555 01 01C	Satin black			
22	987 505 751 00	Cover		1	
	987 505 751 00 01C	Satin black			
23	999 076 078 09	Hexagon nut M 6		3	
24	987 701 105 01	Support Number plate		1	I211
	987 701 105 01 01C	Satin black			
26	987 701 109 01	Support Number plate		1	I210
	987 701 109 01 01C	Satin black			
27	999 919 228 A2	Screw 5,0X28,0		X	
(27)	999 919 227 A2	Tapping screw 5,0X13,0		X	
28	987 504 531 00	Protective film	/L	1	
(28)	987 504 532 00	Protective film	/R	1	
29	987 505 719 00	Fixing device		2	
30	987 505 709 00	Guide plate		2	
31	996 641 142 00	Temperature sensor		1	
32	987 505 561 02	Retainer plate Headlight washer system Use also: Set Adhesive	/L	1	
(32)	987 505 562 02	Retainer plate Headlight washer system Use also: Set Adhesive	/R	1	

Model: 987 06

Model life 2006>>2008



Model: 987 06

Model life 2006>>2008

Pos	Part Number	Description	Remark	Qty	Model
		Bumper Rear			
1	987 505 291 02	Lining		1	I635
1	987 505 291 10	Lining		1	I635
(1)	987 505 411 12	Lining		1	
(1)	987 505 411 34	Lining		1	
2	997 505 803 00	Cover		1	
	997 505 803 00 G2X	Prime coated			
3	999 073 227 09	Tapping screw ST 4,8 X 19		15	
4	999 507 590 02	Captive nut ST 4,8		7	
5	987 505 853 00	Retaining frame		1	
	987 505 853 00 01C	Satin black			
6	987 505 835 00	Support		1	
7	987 505 815 00	Retainer plate		2	
8	987 505 811 01	Heat shield		1	
	987 505 811 01 9B1	Titanium metallic			
9	987 505 241 00	Bumper reinforcement Bumper		1	
10	900 378 088 09	Hexagon-head bolt M 12 X 1,5 X 100		2	
11	996 505 019 01	Impact pipe		2	
12	996 505 775 00	Desk pad Impact absorber		2	
13	900 378 267 09	Combination screw M 8 X 30		4	
14	987 505 475 01	Heat protection Centre		1	
15	999 025 243 02	Washer 5,0X1,0		1	
16	900 278 025 02	Hexagon-head bolt M5X12		1	
17	987 505 639 01	Rear support		2	
18	999 075 056 09	Combination screw M 6 X 22		2	
(19)	987 505 631 05	Wheel-housing liner with Heat protection Lateral	/L	1	
19	987 505 632 05	Wheel-housing liner with Heat protection Lateral	/R	1	
20	999 076 078 09	Hexagon nut M 6		6	
21	999 049 028 40	Plastic nut T5/22 X 10		4	
22	987 505 841 00	Attachment strip		1	
23	999 076 078 09	Hexagon nut M 6		5	
24	987 701 105 01	Support Number plate		1	I211
	987 701 105 01 01C	Satin black			
(24)	987 701 109 01	Support Number plate		1	I210
	987 701 109 01 01C	Satin black			
26	999 919 227 A2	Tapping screw Support		4	I210/211
(26)		Tapping screw Support Number plate 5 X 13		8	I218

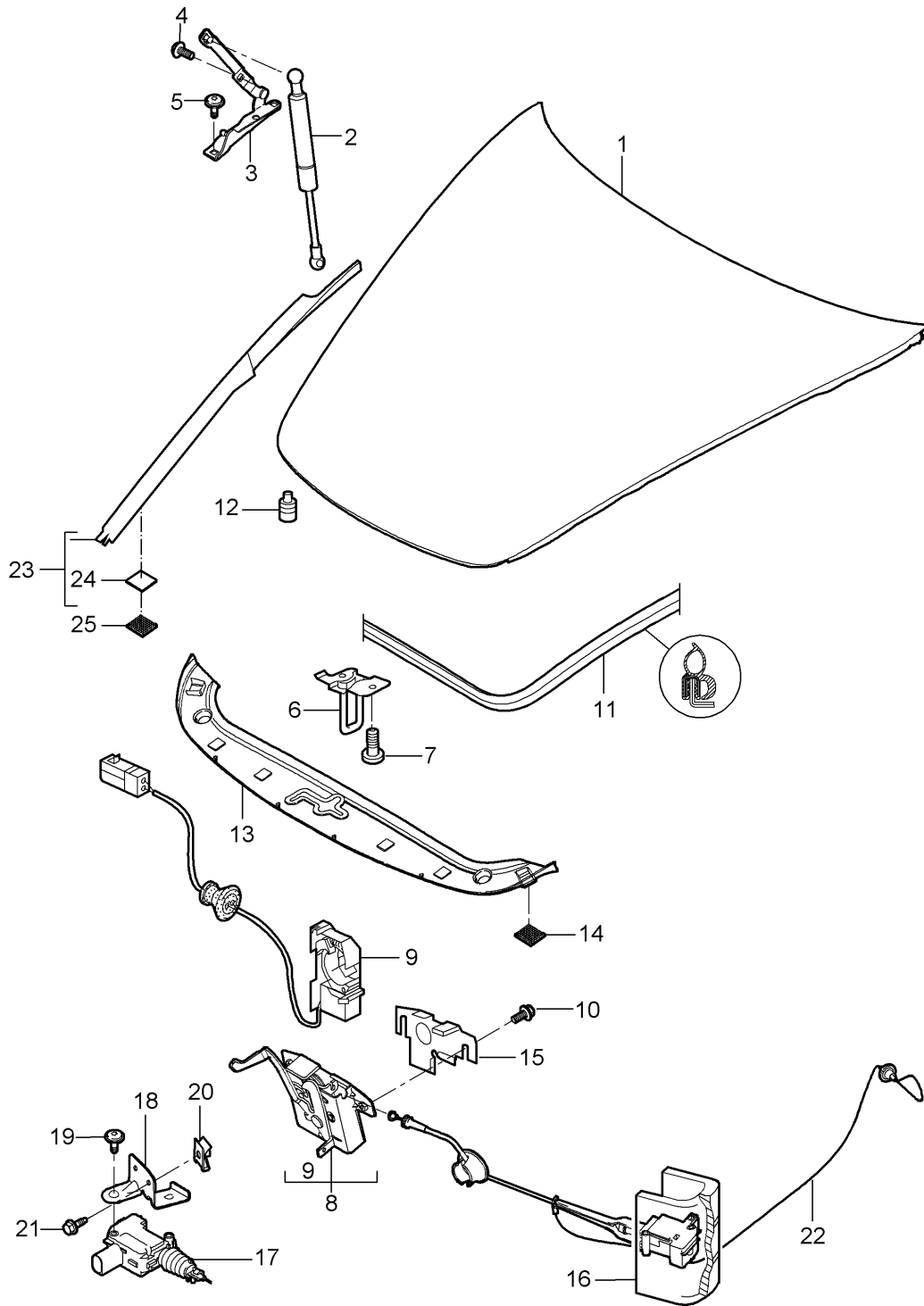
Model: 987 06

Model life 2006>>2008

Pos	Part Number	Description	Remark	Qty	Model
30	999 190 312 30	Buttonhead rivet Buffer A4,8 X 24,8		2	I553
31	955 606 275 05	Sensor ParkAssist		4	
32	7L6 919 659	Round seal Sensor		4	I635
33	987 504 631 00	Protective film		2	
34	999 507 795 09	Speed nut Rear support ST 4,8		2	

Model: 987 06

Model life 2006>>2008



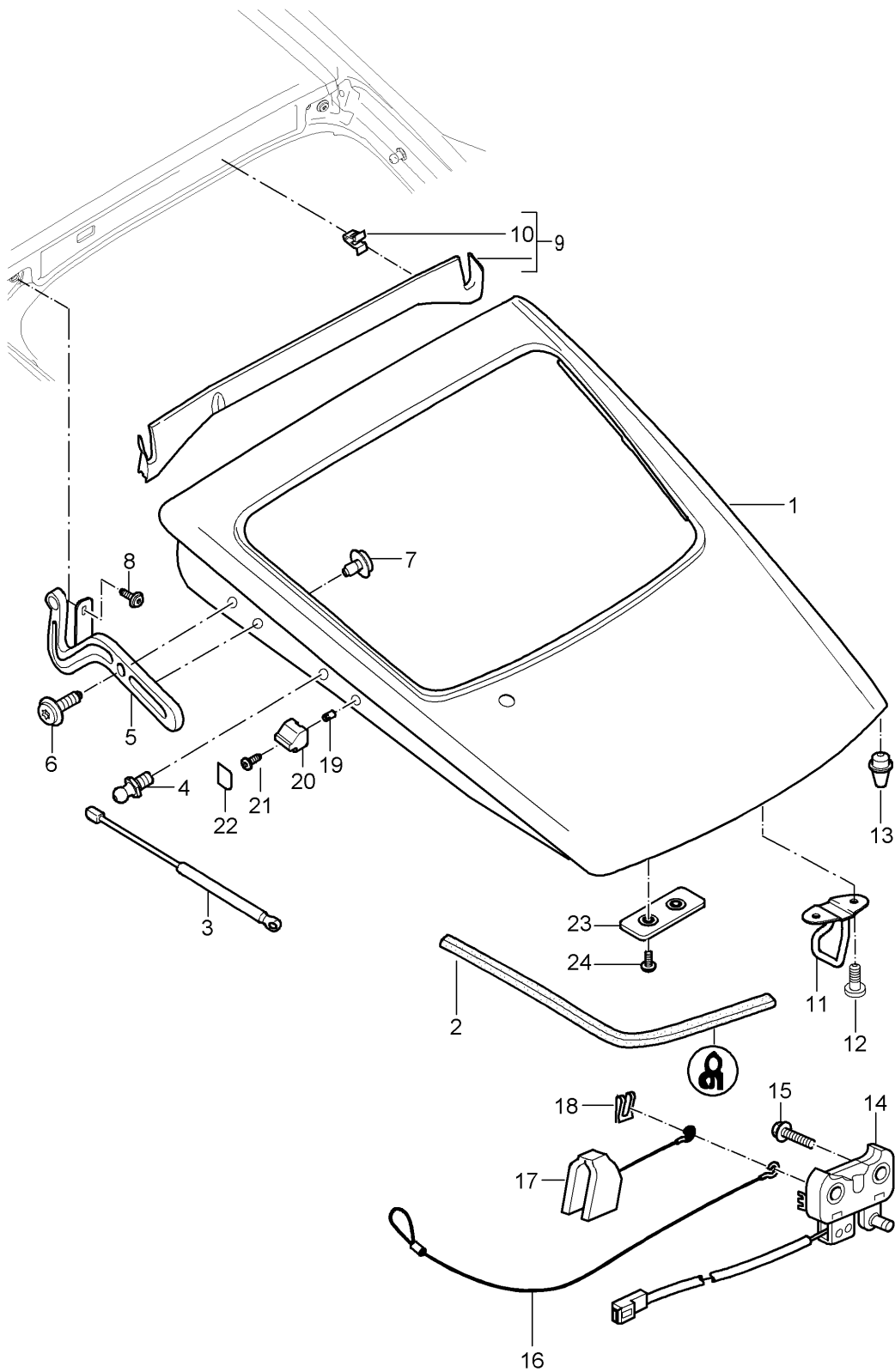
Model: 987 06

Model life 2006>>2008

Pos	Part Number	Description	Remark	Qty	Model
		Lid Front			
1	997 511 011 00	Lid		1	
	997 511 011 00 GRV	Prime coated			
2	997 511 551 01	Gas-pressure spring		2	
(3)	997 511 151 01	Hinge	/L	1	
3	997 511 152 01	Hinge	/R	1	
4	999 073 357 09	Oval-head screw M 6 X 12		4	
5	999 073 348 09	Oval-head screw M 6 X 20		4	
6	997 511 051 00	Lock upper part		1	
7	999 073 350 04	Round head screw M 6 X 16		2	
8	997 511 053 00	Lock lower part		1	
9	997 613 206 00	Microswitch		1	
10	900 075 466 09	Combination screw M6 X 16		2	
11	997 511 611 00	Gasket		1	
12	999 703 140 41	Rubber buffer		2	
13	997 504 811 03	Trim cover		1	
	997 504 811 03 FMT	Satin black			
14	999 902 049 40	Velcro fastener 25 X 20		4	
15	996 511 653 00	Cover		1	
16	997 511 117 00	Actuator		1	
(23)	997 572 465 02	Trim cover	/L	1	
	997 572 465 02 02A	Black			
23	997 572 466 02	Trim cover	/R	1	
		Wing			
	997 572 466 02 02A	Black			
24	999 902 052 40	Velcro fastener Cover 20 X 20		4	
25	999 902 051 40	Velcro fastener Wing 20 X 20		4	

Model: 987 06

Model life 2006>>2008

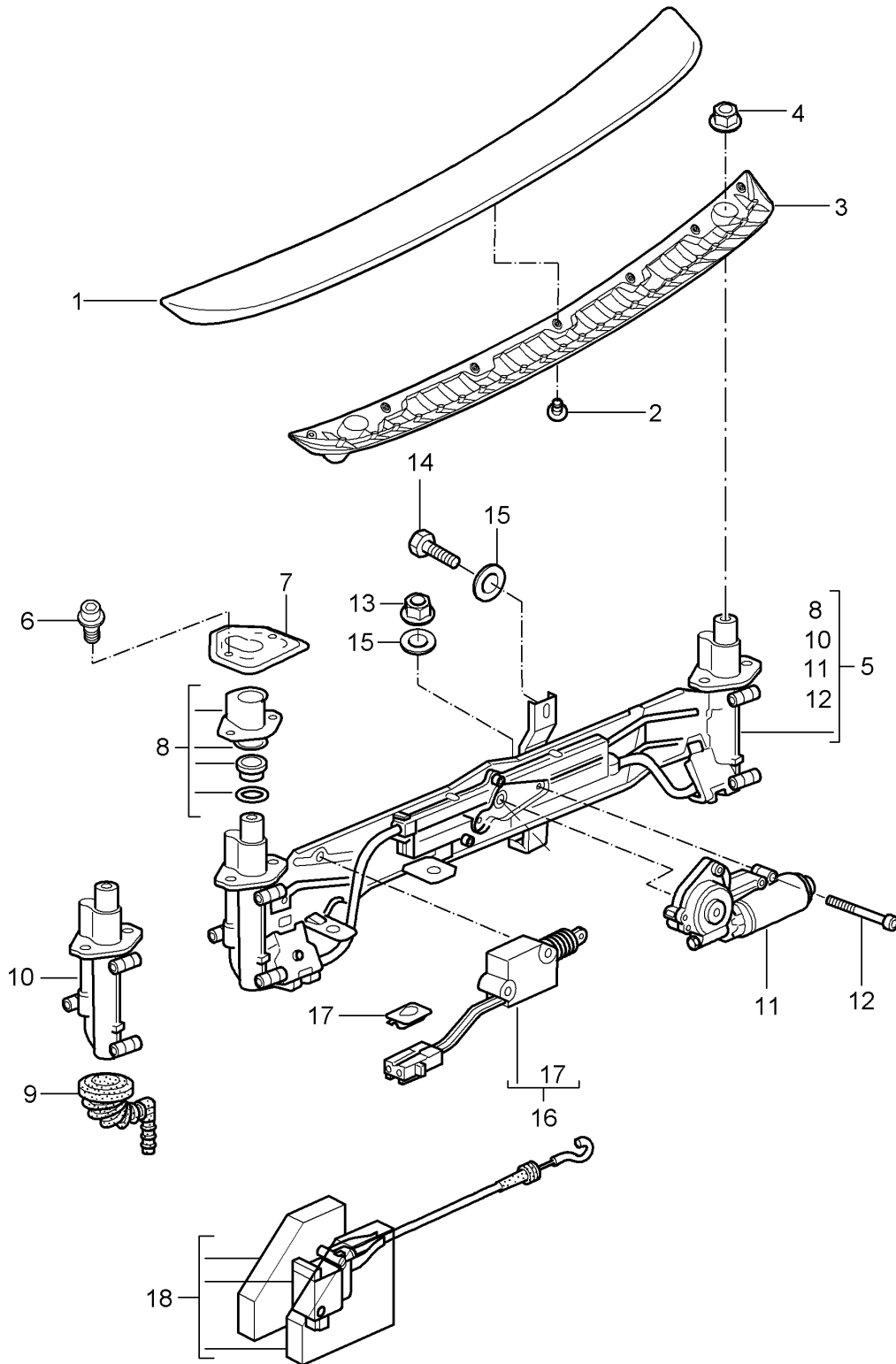


Model: 987 06 Model life 2006>>2008

Pos	Part Number	Description	Remark	Qty	Model
1	987 512 011 01 987 512 011 01 GRV	Lid Rear Lid Prime coated Use also:		1	I426
1	987 512 011 02 987 512 011 02 GRV	Lid Prime coated Use also:		1	I425
-	000 043 204 38	Sealing compound		1	
2	987 512 911 01	Gasket Lid		1	
3	987 512 551 00	Gas-pressure spring		2	
3	987 512 551 02	Gas-pressure spring		2	
4	999 167 051 03	Ball pin Gas-pressure spring		4	
5	987 512 151 01	Hinge	/L	1	
(5)	987 512 152 01	Hinge	/R	1	
6	999 073 364 02	Pan-head screw Hinge Lid Outer M8 X 25		2	
7	999 073 360 02	Pan-head screw Hinge Lid Inner M8 X 16		2	
8	999 073 364 02	Pan-head screw Hinge Bodyshell M8 X 25		4	
9	987 512 111 00 987 512 111 00 01C	Cover Satin black		1	
10	999 507 987 02	Clamp Cover 1,60		4	
11	987 512 051 00	Lock upper part		1	
12	999 073 350 04	Round head screw M 6 X 16		2	
13	987 512 987 01	Actuator		2	
14	987 512 053 00	Lock lower part		1	
15	900 075 504 01	Combination screw M 6 X 45		2	
16	987 512 521 00	Emergency operation Information available		1	
17	987 512 117 00	Actuator		1	
18	999 166 054 02	Sl-lock		1	
18	999 166 054 01	Sl-lock		1	
19	999 500 152 02	Blind rivet nut		4	
19	999 500 159 01	Blind rivet nut M6/0,75		4	
20	987 512 899 00	Rubber buffer		2	
21	999 073 334 00	Round head screw M6 x 16		2	
22	987 512 819 00	Protective film		2	
23	987 512 125 02	Vibration damper		1	
24	999 073 410 01	Oval-head screw Vibration damper M6 X 22		2	

Model: 987 06

Model life 2006>>2008



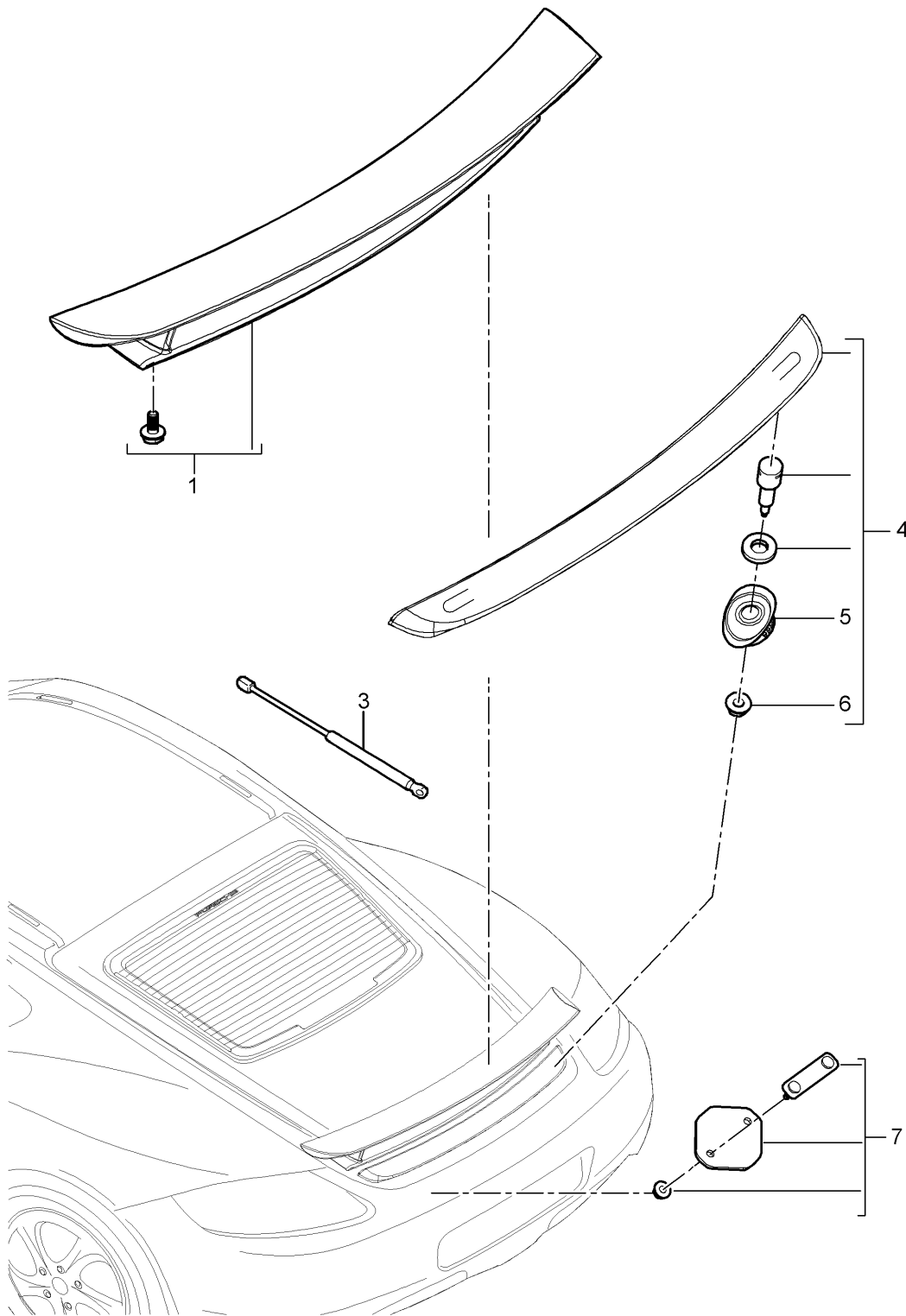
Model: 987 06

Model life 2006>>2008

Pos	Part Number	Description	Remark	Qty	Model
1	987 504 619 00	Rear spoiler		1	
		Upper part			
	987 504 619 00 G2X	Prime coated			
2	999 919 233 07	Oval-head screw		7	
		4,0 X 8,0			
3	987 504 623 00	Lower part		1	
4	900 377 003 02	Hexagon nut		2	
		M8			
5	987 504 109 00	Driving mechanism		1	
		Complete			
6	999 218 016 02	Combination screw		4	
		M 6 X 16			
		Micro-self-locking			
6	999 218 016 01	Combination screw		4	
		M 6 X 16			
		Micro-self-locking			
7	986 504 251 00	Mounting plate		2	
8	987 504 413 00	Gasket set		2	
		Hinge			
9	987 504 415 00	Water drain hose		1	
10	987 504 411 00	Hinge		2	
11	996 624 151 00	Electric motor		1	
12	900 074 364 02	Hexagon-head bolt		1	
		M 5 X 55			
		Micro-self-locking			
13	999 084 629 09	Hexagon nut		3	
		M 6			
14	900 075 485 09	Hexagon-head bolt		1	
		M 6 X 16			
15	900 035 001 09	Washer		4	
16	996 624 117 01	Actuator		1	
		Lid			
		Rear			
17	999 507 434 40	Support		1	
18	987 512 117 00	Actuator		1	

Model: 987 06

Model life 2006>>2008



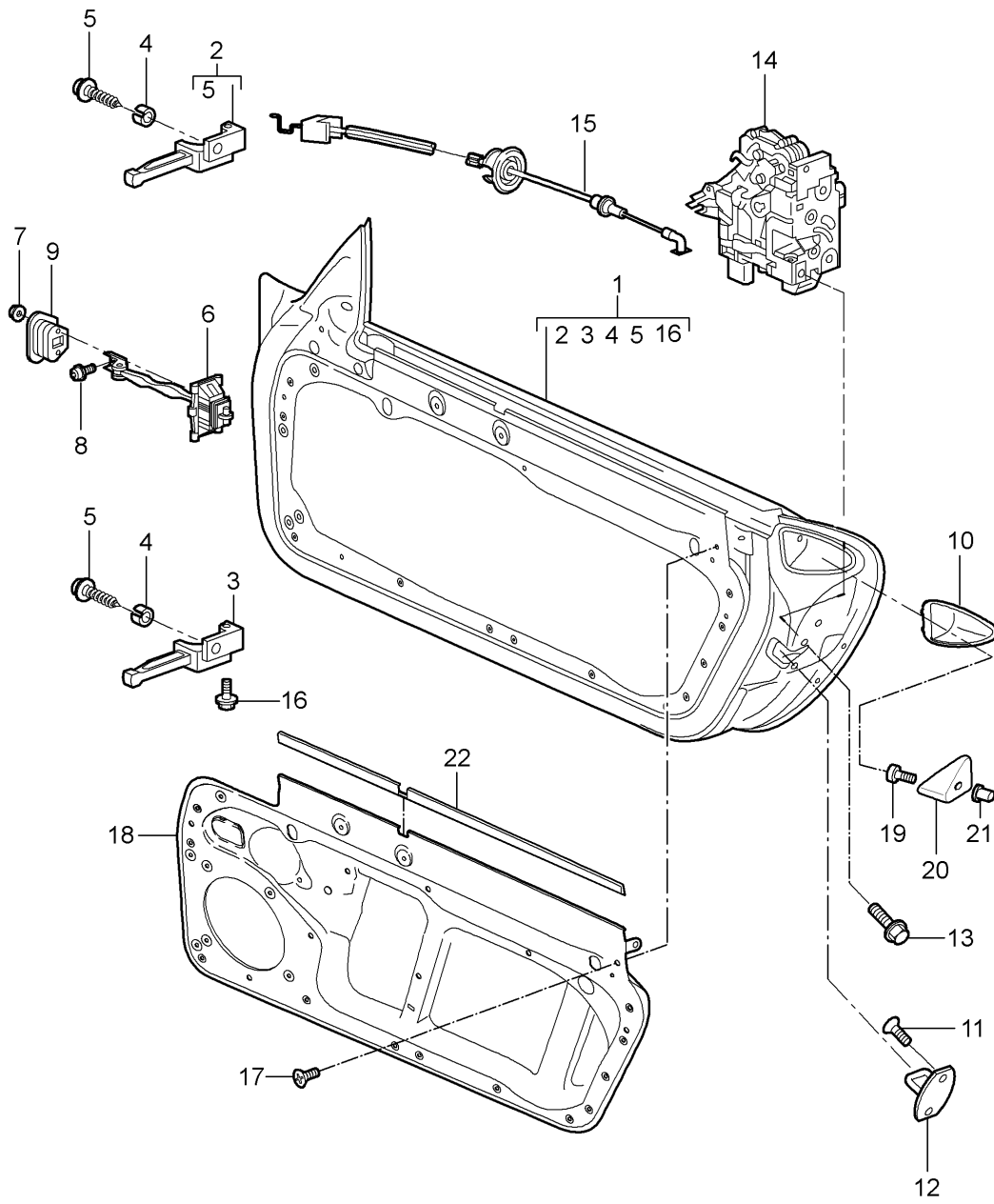
Model: 987 06

Model life 2006>>2008

Pos	Part Number	Description	Remark	Qty	Model
		Rear spoiler Aerokit			IXAM
1	987 512 992 01	Rear spoiler		1	
2	987 512 751 00	Screw M6 X 8		4	
3	987 512 551 04	Gas-pressure spring	/L /R	2	
4	987 512 994 01	Cover Spoiler		1	
(5)	987 512 995 01	Adapter	/L	1	
5	987 512 996 01	Adapter Mounting	/R	1	
6	900 380 015 01	Hexagon nut M6		2	
7	987 512 998 00	Gasket		2	

Model: 987 06

Model life 2006>>2008



Model: 987 06 Model life 2006>>2008

Pos	Part Number	Description	Remark	Qty	Model
(1)	997 531 011 04 997 531 011 04 GRV	Door in white Installation parts Door lock Door Prime coated Use also:	/L	1	
1	997 531 012 04 997 531 012 04 GRV	Door Prime coated Use also:	/R	1	
-	000 043 305 32	Sealing compound		1	
(2)	997 531 321 00	Hinge	/L	1	
2	997 531 322 00	Hinge	/R	1	
(3)	997 531 319 00	Hinge	/L	1	
3	997 531 320 00	Hinge	/R	1	
4	996 531 831 00	Sleeve		4	
5	900 067 291 01	Combination screw M 8 X 16		2	
6	997 537 151 01	Door arrester		2	
6	997 537 151 02	Door arrester		2	
7	999 084 212 02	Hexagon nut M 6		4	
8	999 073 138 09	Screw M 8 X 25		2	
(8)	999 073 138 01	Round head screw M 8 X 25		2	
9	996 537 751 00	Seal		2	
(10)	997 537 331 00 997 537 331 00 01C	Support Satin black		1	
10	997 537 332 00 997 537 332 00 01C	Support Satin black		1	
11	N 910 174 01	Countersunk-head screw M 8 X 22		4	
12	3C0 837 767 A	Catch bar		2	
13	WHT 000 439	Combination screw M 8 X 20		2	
(14)	3D1 837 015	Door lock	/LL /L	1	I098
14	3D1 837 016	Door lock	/LL /R	1	I098
(14)	3D2 837 015	Door lock	/RL /L	1	I099
(14)	3D2 837 016	Door lock	/RL /R	1	I099
15	997 537 319 01	Bowden cable Information available		2	
16	999 072 043 09	Hexagon-head bolt M 6 X 12 Micro-self-locking		4	
17	999 073 333 09	Oval-head screw M6 X 16		9	
(18)	987 537 201 00	Inner panel	/L	1	
18	987 537 202 00	Inner panel	/R	1	
(18)	987 537 201 01	Inner panel	/L	1	
18	987 537 202 01	Inner panel	/R	1	
19	900 119 072 00	Door Pan-head screw M8 X 16		2	
(20)	997 537 333 00 997 537 333 00 G2X	Support Prime coated	/L	1	
20	997 537 334 00	Support Side section	/R	1	
21	997 537 334 00 G2X 999 500 121 02	Prime coated Blind rivet nut M8 / 0,8 - 3		2	
-	999 551 172 40	Lining strap 25 x 1,3 x 730 for		2	

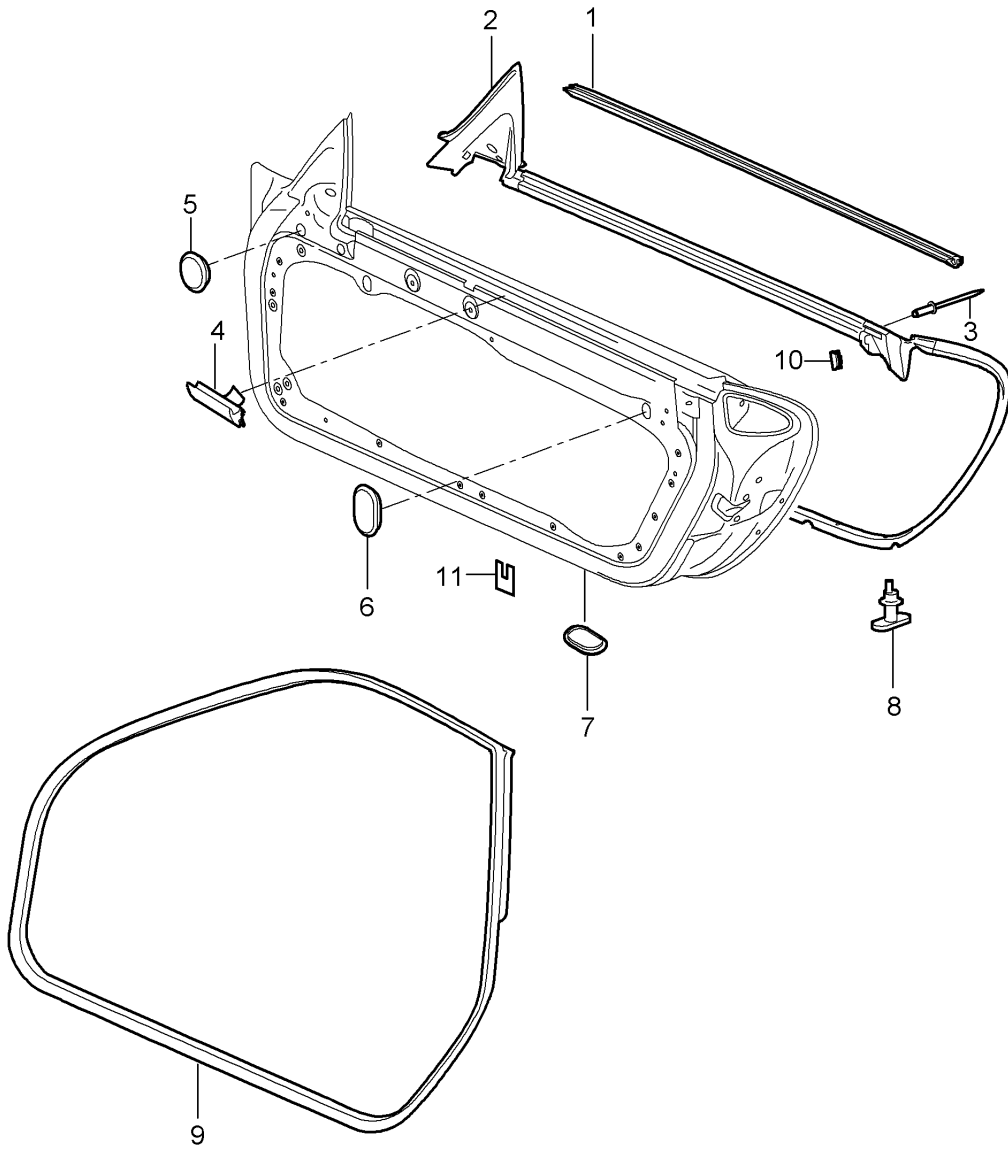
Model: 987 06

Model life 2006>>2008

Pos	Part Number	Description	Remark	Qty	Model
		Inner panel			

Model: 987 06

Model life 2006>>2008



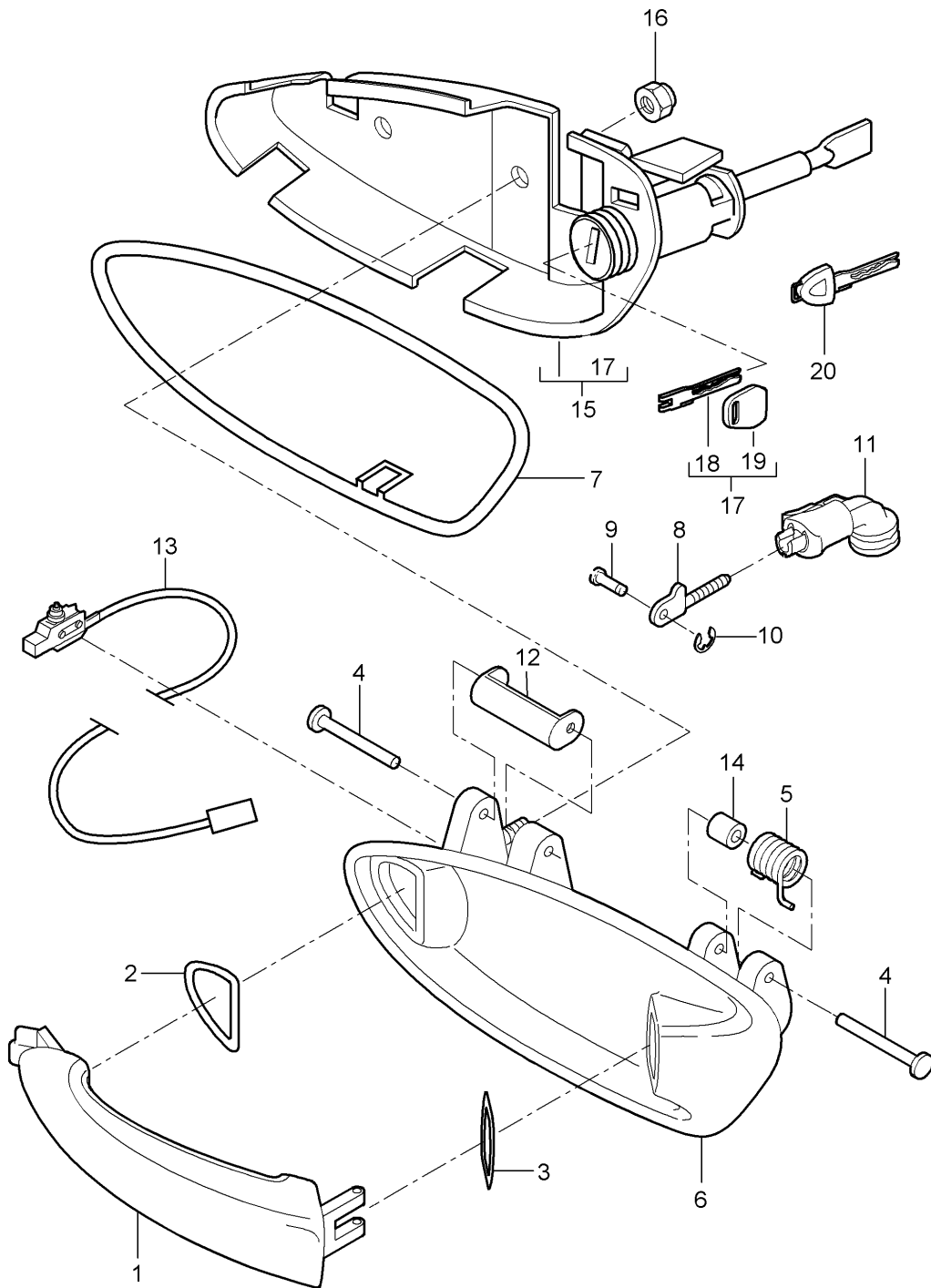
Model: 987 06

Model life 2006>>2008

Pos	Part Number	Description	Remark	Qty	Model
		Door seal			
		Gasket			
		Windscreen frame			
(1)	997 537 085 00	Gasket	/L	1	
1	997 537 086 00	Gasket	/R	1	
(2)	997 537 531 06	Gasket	/L -07	1	
(2)	997 537 531 07	Gasket	/L 08-	1	
2	997 537 532 06	Gasket	/R -07	1	
2	997 537 532 07	Gasket	/R 08-	1	
		Inner			
3	999 190 450 37	Blind rivet 4,0 X 6,3		1	
4	997 537 495 00	Gasket		1	
5	803 803 583 A	Stopper 20,0 X 30,0		2	
5	999 703 196 40	Lid 20,0 X 30,0		2	
6	999 703 541 40	Lid 20,0 X 28,0		4	
7	999 703 542 40	Lid 23,8 X 38,7		8	
8	999 507 578 40	Clip Gasket 5,0 X 3,7	-07	36	
(8)	999 591 513 40	Clip Gasket 5,8 x 0,9	08-	36	
(9)	987 537 075 01	Gasket	/L	1	
9	987 537 076 01	Gasket	/R	1	
10	999 507 851 01	U-clamp Gasket		4	
		Door			
11	996 537 337 00	Protective film		4	

Model: 987 06

Model life 2006>>2008

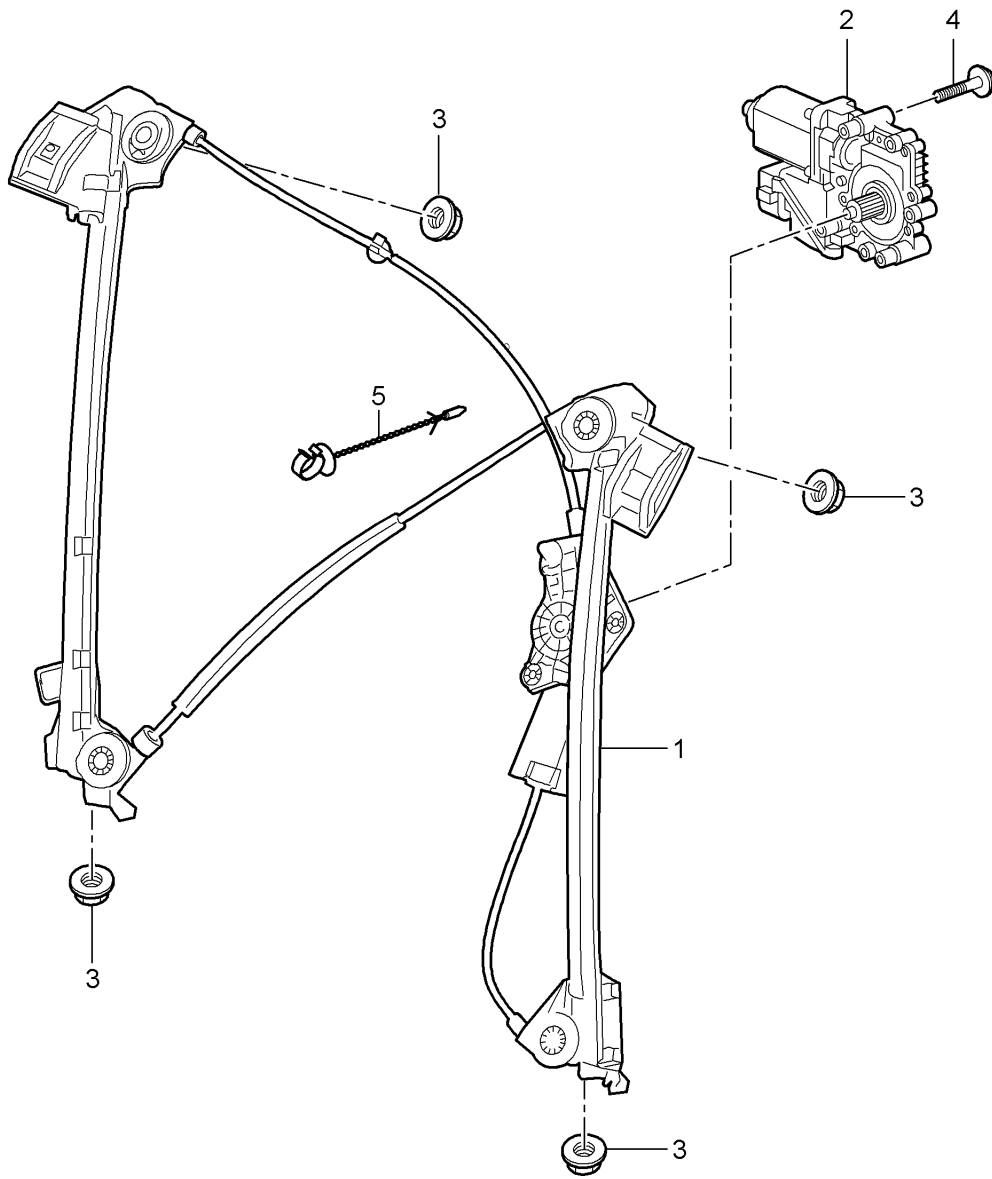


Model: 987 06 Model life 2006>>2008

Pos	Part Number	Description	Remark	Qty	Model
1	997 537 613 00	Door handle	/L	1	
	997 537 613 00 G2X	Prime coated			
(1)	997 537 614 00	Door handle	/R	1	
	997 537 614 00 G2X	Prime coated			
2	997 537 623 00	Buffer		2	
3	997 537 625 00	Buffer		2	
4	997 537 621 00	Axle		2	
5	997 537 611 00	Return spring	/L	1	
(5)	997 537 612 00	Return spring	/R	1	
6	997 537 645 00	Handle liner	/LL /L	1	I098
	997 537 645 00 G2X	Prime coated			
(6)	997 537 646 00	Handle liner	/RL /R	1	I099
	997 537 646 00 G2X	Prime coated			
(6)	997 537 645 01	Handle liner	/RL /L	1	I099
	997 537 645 01 G2X	Prime coated			
(6)	997 537 646 01	Handle liner	/LL /R	1	I098
	997 537 646 01 G2X	Prime coated			
7	997 537 637 00	Desk pad	/L	1	
(7)	997 537 638 00	Desk pad	/R	1	
8	997 537 627 00	Operating rod		2	
9	997 537 629 00	Bolt		2	
10	996 537 641 00	Lock washer		2	
11	997 537 445 03	Connecting piece		2	
12	997 537 653 00	Actuating lever	/L	1	
(12)	997 537 654 00	Actuating lever	/R	1	
13	997 613 125 00	Microswitch		2	
13	997 613 125 02	Microswitch		2	
		Power windows			
14	997 537 633 00	Bush		2	
15	997 538 963 00	Support	/LL /L	1	I098
		with lock cylinder			
		with stipulated lock number			
(15)	997 538 964 00	Support	/RL /R	1	I099
		with lock cylinder			
		with stipulated lock number			
(15)	997 538 963 01	Support	/LL /L	1	I098
		with lock cylinder			
		W/o stipulated lock number			
(15)	997 538 964 01	Support	/RL /R	1	I099
		with lock cylinder			
		W/o stipulated lock number			
(15)	997 537 463 01	Support	/RL /L	1	I099
		without lock cylinder			
(15)	997 537 464 01	Support	/LL /R	1	I098
		without lock cylinder			
16	900 380 015 09	Hexagon nut		4	
		M6			
17	997 538 931 00	Replacement key		X	
		with stipulated lock number			
		State lock number			
18	997 538 531 00	Blank key		X	
19	944 538 431 00	Key cap		X	
20	955 538 916 00	Emergency key	-06	X	
		with stipulated lock number			
		State lock number			
		Information available			
(20)	955 538 216 00	Emergency key	-06	X	
		W/o stipulated lock number			

Model: 987 06

Model life 2006>>2008



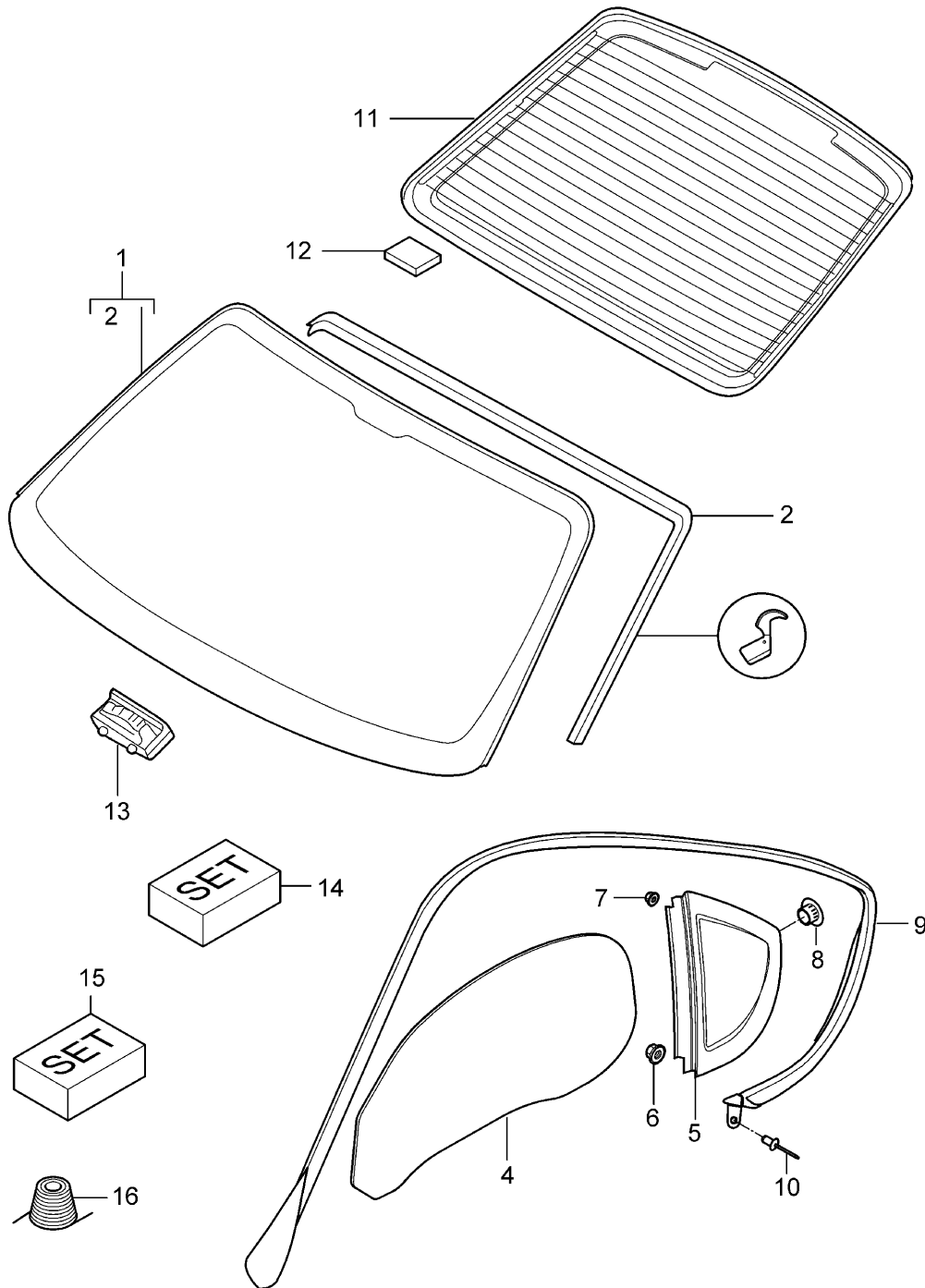
Model: 987 06

Model life 2006>>2008

Pos	Part Number	Description	Remark	Qty	Model
1	987 542 075 01	Power windows	/L	1	
(1)	987 542 076 01	Power windows	/R	1	
2	997 624 181 02	Electric motor	/LL /L	1	I098
(2)	997 624 182 02	Electric motor	/LL /R	1	I098
(2)	997 624 181 02	Electric motor	/RL /R	1	I099
(2)	997 624 182 02	Electric motor	/RL /L	1	I099
3	900 380 015 09	Hexagon nut M 6		4	
4	999 919 209 09	Oval-head screw M5X22		6	
5	987 542 941 00	Clip Bowden cable Power windows		1	

Model: 987 06

Model life 2006>>2008



Model: 987 06 Model life 2006>>2008

Pos	Part Number	Description	Remark	Qty	Model
1	987 541 911 00	window glazing Windscreen Tinted Use also: 000.043.305.35		1	I568
(1)	987 541 911 01	Windscreen Tinted Use also: 000.043.305.35		1	I567
(1)	987 541 911 02	Windscreen Tinted Use also: 000.043.305.35		1	I267/568
(1)		Windscreen Tinted Use also: 000.043.305.35		1	I268/568
(1)	987 541 911 03	Windscreen Tinted Use also: 000.043.305.35		1	I267/567
(1)		Windscreen Tinted Use also: 000.043.305.35		1	I268/567
(1)	987 541 911 04	Windscreen Tinted Use also: 000.043.305.35		1	I440/568
(1)	987 541 911 05	Windscreen Tinted Use also: 000.043.305.35		1	I440/567
(1)	987 541 911 06	Windscreen Tinted Use also: 000.043.305.35		1	I267/440/568
(1)		Windscreen Tinted Use also: 000.043.305.35		1	I268/440/568
(1)	987 541 911 07	Windscreen Tinted Use also: 000.043.305.35		1	I268/440/567
(1)		Windscreen Tinted Use also: 000.043.305.35		1	I267/440/567
(1)		Windscreen Tinted Use also: 000.043.305.35		1	I268/440/567
2	997 541 901 09	Gasket		1	
4	987 542 511 03	Door window glass	/L	1	
(4)	987 542 512 03	Door window glass	/R	1	
5	987 543 111 00	Rear window	/L	1	
(5)	987 543 112 00	Rear window	/R	1	
6	999 084 210 01	Hexagon nut		2	
(6)	987 543 835 00	Rear window M8 Threaded bush		2	
		Rear window			

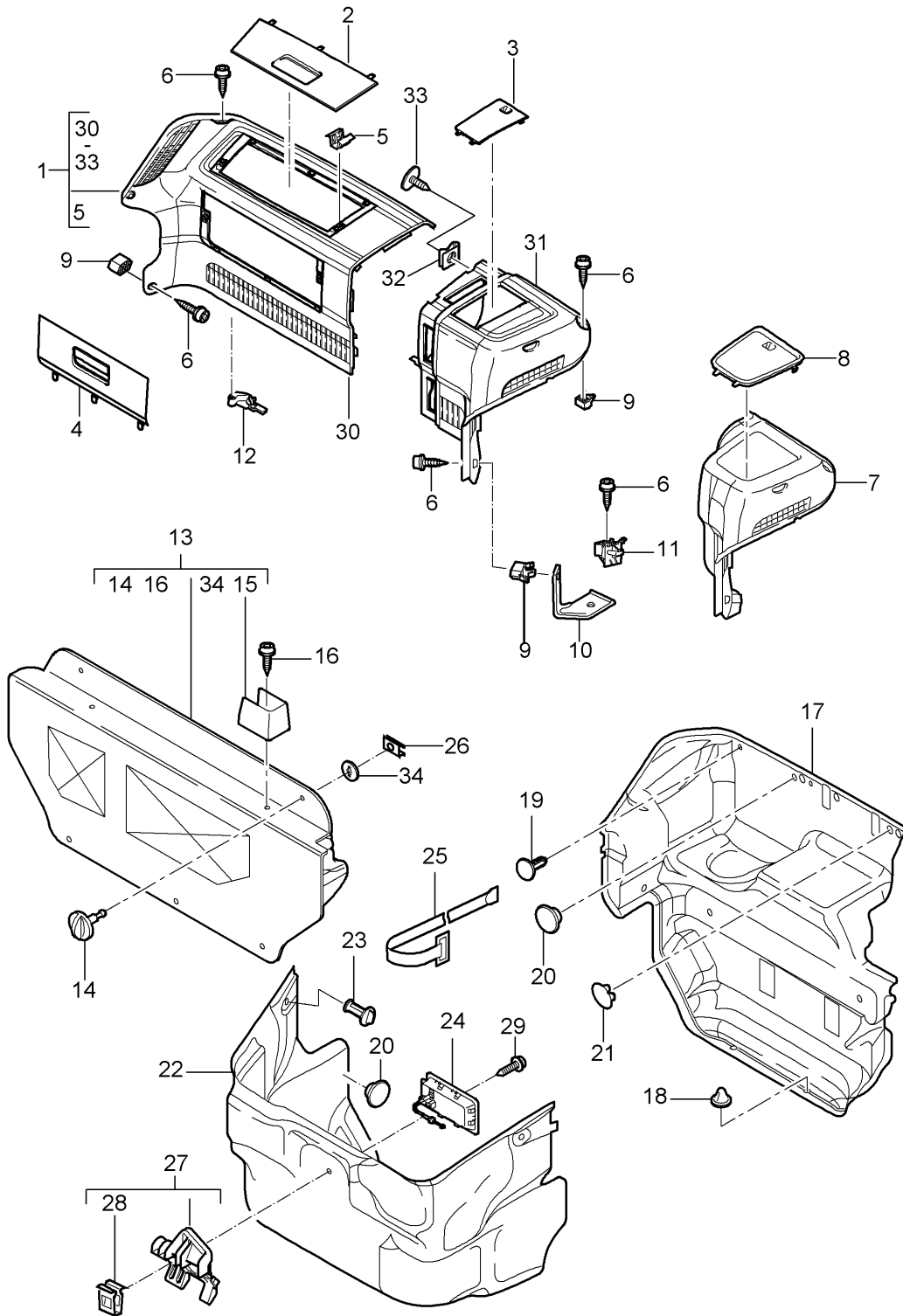
Model: 987 06

Model life 2006>>2008

Pos	Part Number	Description	Remark	Qty	Model
7	999 084 220 01	Hexagon nut Rear window M5		6	
8	999 702 352 40	Grommet Rear window 5,5 X 6,5		2	
9	987 537 481 00	Roof frame seal	/L	1	
(9)	987 537 482 00	Roof frame seal	/R	1	
10	999 190 445 37	Blind rivet Roof frame seal A 4,0 X 7,9		18	
11	987 545 911 00	Rear window		1	
12	999 703 130 40	Buffer Rear window		6	
13	999 507 576 41	Support		2	
14	000 043 305 35	Adhesive set		1	
15	000 043 205 37	Mixing tube Supplement set		X	
16	000 043 303 32	Wire		1	

Model: 987 06

Model life 2006>>2008



Model: 987 06 Model life 2006>>2008

Pos	Part Number	Description	Remark	Qty	Model
(1)	997 551 133 00	Luggage compartment Front Lining	/LL	1	I098/670
	997 551 133 00 02A	Luggage compartment Complete Black			
(1)	997 551 133 00	Lining	/LL	1	I098/672
	997 551 133 00 02A	Luggage compartment Complete Black			
(1)	997 551 133 00	Lining	/LL	1	I098/692
	997 551 133 00 02A	Luggage compartment Complete Black			
(1)	997 551 133 01	Lining	/RL	1	I099/670
	997 551 133 01 02A	Luggage compartment Complete Black			
(1)	997 551 133 01	Lining	/RL	1	I099/672
	997 551 133 01 02A	Luggage compartment Complete Black			
(1)	997 551 133 01	Lining	/RL	1	I099/692
	997 551 133 01 02A	Luggage compartment Complete Black			
2	997 551 306 00	Lid Upper	/LL	1	I098/670
	997 551 306 00 02A	Lid Upper Black			
2	997 551 306 00	Lid Upper	/LL	1	I098/672
	997 551 306 00 02A	Lid Upper Black			
2	997 551 306 00	Lid Upper	/LL	1	I098/692
	997 551 306 00 02A	Lid Upper Black			
(2)	997 551 305 00	Lid Upper	/RL	1	I099
	997 551 305 00 02A	Lid Upper Black			
3	997 551 301 00	Lid	/LL	1	I098/670
	997 551 301 00 02A	Lid Brake booster Black			
3	997 551 301 00	Lid	/LL	1	I098/672
	997 551 301 00 02A	Lid Brake booster Black			
3	997 551 301 00	Lid	/LL	1	I098/692
	997 551 301 00 02A	Lid Brake booster Black			
(3)	997 551 302 00	Lid	/RL	1	I099
	997 551 302 00 02A	Lid Brake booster Black			
4	997 551 308 00	Lid Lower	/LL	1	I098/670
	997 551 308 00 02A	Lid Lower Black			
4	997 551 308 00	Lid Lower	/LL	1	I098/672
	997 551 308 00 02A	Lid Lower Black			
4	997 551 308 00	Lid Lower	/LL	1	I098/692
	997 551 308 00 02A	Lid Lower Black			
(4)	997 551 307 00	Lid Lower	/RL	1	I099
	997 551 307 00 02A	Lid Lower Black			
5	999 507 735 02	Clamp		4	

Model: 987 06 Model life 2006>>2008

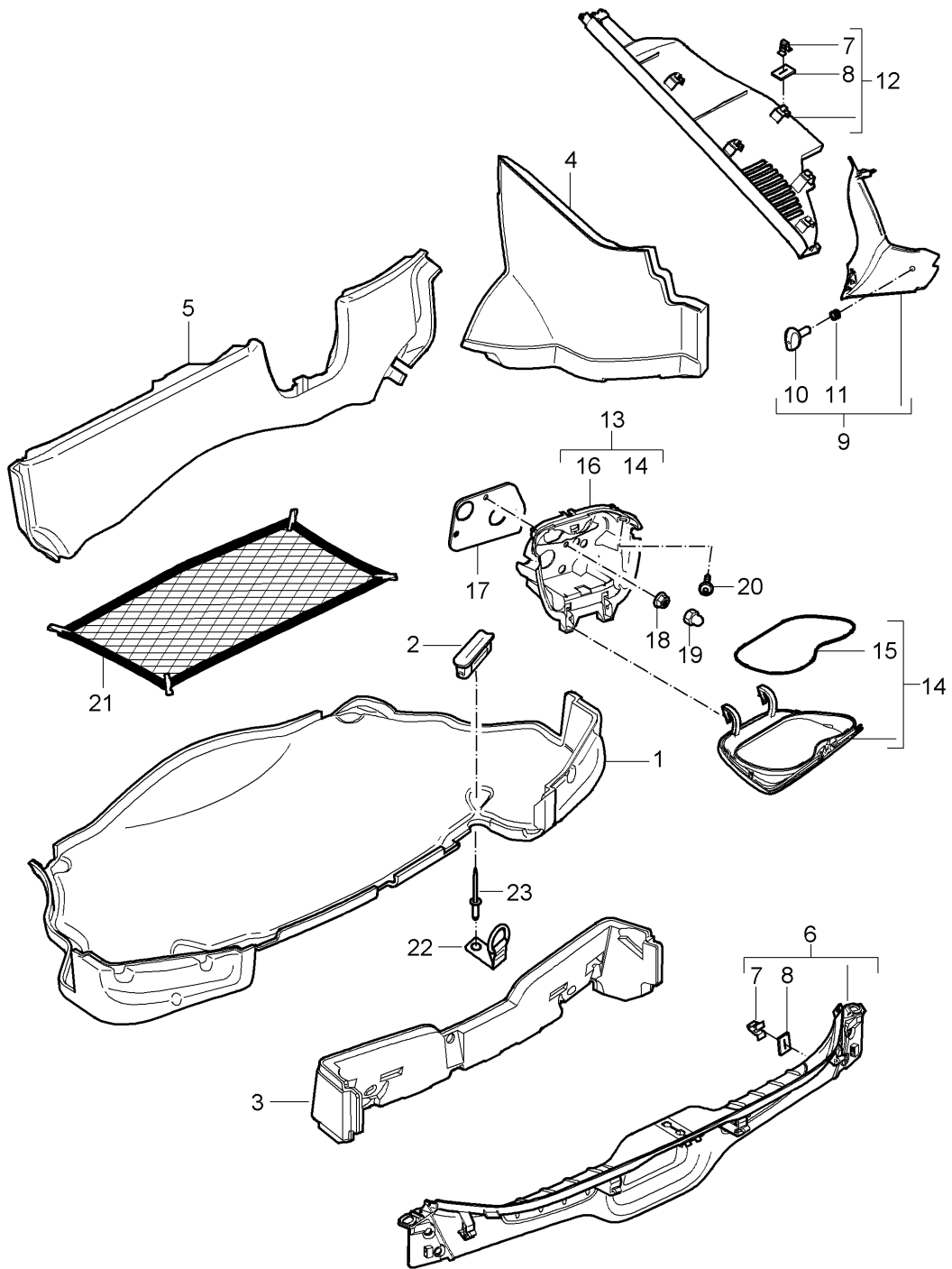
Pos	Part Number	Description	Remark	Qty	Model
6	900 187 501 01	9 X 22/2,5 Tapping screw		X	
7	997 551 231 00	ST 3,5 X 16 Lining	/LL	1	I098
	997 551 231 00 02A	Black Brake booster			
8	997 551 311 00	Lid	/LL	1	I098
	997 551 311 00 02A	Black Brake booster			
9	999 507 734 40	Support		X	
		ST 3,5			
10	997 551 771 02	Support		1	
		Lining			
		Luggage compartment			
11	999 507 512 40	Support		X	
		ST 3,5			
12	997 551 772 02	Support		1	
		Lining			
13	997 551 123 02	Lining		1	
		Tool			
		Carpet			
	997 551 123 02 A31	Black			
(13)	997 551 123 03	Lining		1	I193
		Tool			
		Carpet			
	997 551 123 03 A31	Black			
14	997 551 803 00	Catch		2	
		Lining			
		Tool			
15	997 551 801 00	Support	/L	1	
		Warning triangle			
	997 551 801 00 02A	Black			
(15)	997 551 802 00	Support	/R	1	
		Warning triangle			
	997 551 802 00 02A	Black			
16	999 073 362 09	Tapping screw		2	
		4,8 X 22			
17	997 551 051 15	Lining	/LL	1	I098/476
		Luggage compartment			
		Bulkhead			
		Carpet			
	997 551 051 15 A31	Black			
(17)	997 551 051 16	Lining	/LL	1	I098/476/670
		Luggage compartment			
		Bulkhead			
		Carpet			
	997 551 051 16 A31	Black			
(17)	997 551 051 16	Lining	/LL	1	I098/476/672
		Luggage compartment			
		Bulkhead			
		Carpet			
	997 551 051 16 A31	Black			
(17)	997 551 051 16	Lining	/LL	1	I098/476/692
		Luggage compartment			
		Bulkhead			
		Carpet			
	997 551 051 16 A31	Black			
(17)	997 551 051 18	Lining	/RL	1	I099
		Luggage compartment			
		Bulkhead			
		Carpet			
	997 551 051 18 A31	Black			
18	999 049 004 40	Plastic nut		2	

Model: 987 06 Model life 2006>>2008

Pos	Part Number	Description	Remark	Qty	Model
19	999 703 432 40	T5 / 32 X 20 Stopper		2	
20	999 703 455 41	8,2 X 18 Lid		X	
21	999 703 456 40	12,2 X 25 Cap		1	
22	987 551 045 04	49 X 26 Lining		1	
		Luggage compartment liner			
		Carpet			
	987 551 045 04 A31	Black			
23	999 049 006 40	Plastic nut		2	
25	997 551 741 00	T5 /30 X 7,5 Retaining strap		1	I024
(25)		First-aid kit		1	I499
		Retaining strap		1	I499
		First-aid kit		1	I499
26	999 590 055 01	Fastening clamp		2	
		10,7 X 11,5			
30	997 551 634 00	Lining	/LL	1	I098/670
		Luggage compartment			
	997 551 634 00 FMU	Black/black			
30	997 551 634 00	Lining	/LL	1	I098/672
		Luggage compartment			
	997 551 634 00 FMU	Black/black			
30	997 551 634 00	Lining	/LL	1	I098/692
		Luggage compartment			
	997 551 634 00 FMU	Black/black			
(30)	997 551 635 00	Lining	/RL	1	I099
		Luggage compartment			
	997 551 635 00 FMU	Black/black			
31	997 551 633 00	Lining	/LL	1	I098/670
		Brake booster			
	997 551 633 00 FMU	Black/black			
31	997 551 633 00	Lining	/LL	1	I098/672
		Brake booster			
	997 551 633 00 FMU	Black/black			
31	997 551 633 00	Lining	/LL	1	I098/692
		Brake booster			
	997 551 633 00 FMU	Black/black			
(31)	997 551 632 00	Lining		1	I099
		Brake booster			
	997 551 632 00 FMU	Black/black			
32	999 507 795 09	Speed nut		3	
		4,8			
33	999 073 231 09	Tapping screw		3	
		st 4,8 X 16			
34	999 025 236 40	Washer		2	
		Lock			
		Catch			
		Position			
		14			

Model: 987 06

Model life 2006>>2008



Model: 987 06 Model life 2006>>2008

Pos	Part Number	Description	Remark	Qty	Model
1	987 551 053 02	Luggage compartment Rear Lining Carpet		1	
	987 551 053 02 J10	Palmgreen	-07		
	987 551 053 02 M10	Terracotta			
	987 551 053 02 R10	Cocoa			
	987 551 053 02 D11	Dark grey/natural			
	987 551 053 02 T11	Brown/natural			
1	987 551 053 02	Lining Carpet Until Chassis number See technical information GR.7 NR. 17/11 KD-NR. 70		1	
	987 551 053 02 A10	Black			
	987 551 053 02 B10	Stone grey			
	987 551 053 02 T10	Sand Beige			
	987 551 053 02 E10	Sea blue			
	987 551 053 02 N10	Carrera Red			
1	987 551 053 05	Lining Carpet From Chassis number See technical information GR.7 NR. 17/11 KD-NR. 70		1	
	987 551 053 05 A10	Black			
	987 551 053 05 B10	Stone grey			
	987 551 053 05 T10	Sand Beige			
	987 551 053 05 E10	Sea blue			
	987 551 053 05 N10	Carrera Red			
2	987 551 545 00	Cover Fastening clip		2	
	987 551 545 00 01C	Satin black			
3	987 551 067 00	Lining Rear spoiler Carpet		1	
	987 551 067 00 J10	Palmgreen	-07		
	987 551 067 00 M10	Terracotta			
	987 551 067 00 R10	Cocoa			
	987 551 067 00 D11	Dark grey/natural			
	987 551 067 00 T11	Brown/natural			
3	987 551 067 00	Lining Rear spoiler Carpet Until Chassis number See technical information GR.7 NR. 17/11 KD-NR. 70		1	
	987 551 067 00 A10	Black			
	987 551 067 00 B10	Stone grey			
	987 551 067 00 T10	Sand Beige			
	987 551 067 00 E10	Sea blue			
	987 551 067 00 N10	Carrera Red			
3	987 551 067 01	Lining Rear spoiler Carpet From Chassis number See technical information		1	

Model: 987 06 Model life 2006>>2008

Pos	Part Number	Description	Remark	Qty	Model
		GR.7 NR. 17/11 KD-NR. 70			
	987 551 067 01 A10	Black			
	987 551 067 01 B10	Stone grey			
	987 551 067 01 T10	Sand Beige			
	987 551 067 01 E10	Sea blue			
	987 551 067 01 N10	Carrera Red			
(4)	987 551 063 00	Luggage compartment trim Lateral Carpet Until Chassis number See technical information GR.7 NR. 17/11 KD-NR. 70	/L	1	
	987 551 063 00 A10	Black			
	987 551 063 00 B10	Stone grey			
	987 551 063 00 T10	Sand Beige			
	987 551 063 00 E10	Sea blue			
	987 551 063 00 J10	Palmgreen	-07		
	987 551 063 00 M10	Terracotta			
	987 551 063 00 R10	Cocoa			
	987 551 063 00 D11	Dark grey/natural			
	987 551 063 00 T11	Brown/natural			
	987 551 063 00 N10	Carrera Red	08-		
(4)	987 551 063 00	Luggage compartment trim Lateral Carpet Until Chassis number See technical information GR.7 NR. 17/11 KD-NR. 70	/L	1	
	987 551 063 00 A10	Black			
	987 551 063 00 B10	Stone grey			
	987 551 063 00 T10	Sand Beige			
	987 551 063 00 E10	Sea blue			
	987 551 063 00 N10	Carrera Red			
(4)	987 551 063 01	Luggage compartment trim Lateral Carpet From Chassis number See technical information GR.7 NR. 17/11 KD-NR. 70	/L	1	
	987 551 063 01 A10	Black			
	987 551 063 01 B10	Stone grey			
	987 551 063 01 T10	Sand Beige			
	987 551 063 01 E10	Sea blue			
	987 551 063 01 N10	Carrera Red			
4	987 551 064 00	Luggage compartment trim Lateral Carpet	/R	1	
	987 551 064 00 J10	Palmgreen	-07		
	987 551 064 00 M10	Terracotta			
	987 551 064 00 R10	Cocoa			
	987 551 064 00 D11	Dark grey/natural			
	987 551 064 00 T11	Brown/natural			
4	987 551 064 00	Luggage compartment trim Lateral Carpet Until	/R	1	

Model: 987 06 Model life 2006>>2008

Pos	Part Number	Description	Remark	Qty	Model
		Chassis number See technical information GR.7 NR. 17/11 KD-NR. 70			
	987 551 064 00 A10	Black			
	987 551 064 00 B10	Stone grey			
	987 551 064 00 T10	Sand Beige			
	987 551 064 00 E10	Sea blue			
	987 551 064 00 N10	Carrera Red			
4	987 551 064 01	Luggage compartment trim Lateral Carpet From Chassis number See technical information GR.7 NR. 17/11 KD-NR. 70	/R	1	
	987 551 064 01 A10	Black			
	987 551 064 01 B10	Stone grey			
	987 551 064 01 T10	Sand Beige			
	987 551 064 01 E10	Sea blue			
	987 551 064 01 N10	Carrera Red	08-	1	
5	987 551 045 02	Lining Cross member Rear wall Carpet		1	
5		Lining Cross member Rear wall Carpet Until Chassis number See technical information GR.7 NR. 17/11 KD-NR. 70		1	
	987 551 045 02 A10	Black			
	987 551 045 02 B10	Stone grey			
	987 551 045 02 T10	Sand Beige			
	987 551 045 02 E10	Sea blue			
	987 551 045 02 N10	Carrera Red	08-	1	
5	987 551 037 00	Lining Cross member Rear wall Carpet Until Chassis number See technical information GR.7 NR. 17/11 KD-NR. 70		1	
	987 551 037 00 A10	Black			
	987 551 037 00 B10	Stone grey			
	987 551 037 00 T10	Sand Beige			
	987 551 037 00 E10	Sea blue			
	987 551 037 00 N10	Carrera Red			
6	987 555 251 00	Lining Lid lock Chassis number See technical information GR.7 NR. 17/11 KD-NR. 70		1	
	987 555 251 00 A03	Black			
	987 555 251 00 5V7	Stone grey			
	987 555 251 00 5Z1	Sand Beige			
	987 555 251 00 8W7	Sea blue			
	987 555 251 00 5Y2	Palmgreen	-07		
	987 555 251 00 8X8	Terracotta			
	987 555 251 00 8P9	Cocoa			

Model: 987 06 Model life 2006>>2008

Pos	Part Number	Description	Remark	Qty	Model
-	987 555 251 00 T13 987 555 251 00 N23 999 590 057 40	Brown/natural Carrera Red Cams	08-	2	
7	999 507 839 01	Catch Clamp		X	
8	999 209 084 40	3,5 Spacer		X	
(9)	987 551 651 01	20 X 25 X 0,5 Lining	/L	1	
9	987 551 651 01 01C 987 551 652 01	Rear light Satin black Lining	/R	1	
10	987 551 652 01 01C 999 590 056 40	Rear light Satin black Closing element		2	
11	999 230 579 40	26,5 X 18,4 Lock		4	
(12)	987 555 189 01	6,15 X 1,07 Luggage compartment trim	/L	1	
	987 555 189 01 A03 987 555 189 01 5V7 987 555 189 01 5Z1 987 555 189 01 8W7 987 555 189 01 5Y2 987 555 189 01 8X8 987 555 189 01 8P9 987 555 189 01 T13 987 555 189 01 N23	Lateral upper Black Stone grey Sand Beige Sea blue Palmgreen Terracotta Cocoa Brown/natural Carrera Red	-07 08-		
12	987 555 190 01	Luggage compartment trim	/R	1	
	987 555 190 01 A03 987 555 190 01 5V7 987 555 190 01 5Z1 987 555 190 01 8W7 987 555 190 01 5Y2 987 555 190 01 8X8 987 555 190 01 8P9 987 555 190 01 T13 987 555 190 01 N23	Lateral upper Black Stone grey Sand Beige Sea blue Palmgreen Terracotta Cocoa Brown/natural Carrera Red	-07 08-		
13	987 555 067 01	Cover		1	
	987 555 067 01 J10 987 555 067 01 M10 987 555 067 01 R10 987 555 067 01 D11 987 555 067 01 T11	Service Cup Palmgreen Terracotta Cocoa Dark grey/natural Brown/natural	-07 08-		
13	987 555 067 01	Cover		1	
	987 555 067 01 A10 987 555 067 01 B10 987 555 067 01 T10 987 555 067 01 E10 987 555 067 01 N10	Service Cup Until Chassis number See technical information GR.7 NR. 17/11 KD-NR. 70 Black Stone grey Sand Beige Sea blue Carrera Red	08-		
13	987 555 067 02	Cover		1	
		Service			

Model: 987 06 Model life 2006>>2008

Pos	Part Number	Description	Remark	Qty	Model
		Cup From Chassis number See technical information GR.7 NR. 17/11 KD-NR. 70			
	987 555 067 02 A10	Black			
	987 555 067 02 B10	Stone grey			
	987 555 067 02 T10	Sand Beige			
	987 555 067 02 E10	Sea blue			
	987 555 067 02 N10	Carrera Red			
14	987 555 075 00	Lid Service Cup		1	
	987 555 075 00 J10	Palmgreen	-07		
	987 555 075 00 M10	Terracotta			
	987 555 075 00 R10	Cocoa			
	987 555 075 00 D11	Dark grey/natural			
	987 555 075 00 T11	Brown/natural			
14	987 555 075 00	Lid Service Cup Until Chassis number See technical information GR.7 NR. 17/11 KD-NR. 70		1	
	987 555 075 00 A10	Black			
	987 555 075 00 B10	Stone grey			
	987 555 075 00 T10	Sand Beige			
	987 555 075 00 E10	Sea blue			
	987 555 075 00 N10	Carrera Red			
14	987 555 075 01	Lid Service Cup From Chassis number See technical information GR.7 NR. 17/11 KD-NR. 70	08-	1	
	987 555 075 01 A10	Black			
	987 555 075 01 B10	Stone grey			
	987 555 075 01 T10	Sand Beige			
	987 555 075 01 E10	Sea blue			
	987 555 075 01 N10	Carrera Red			
15	987 555 475 00	Gasket Service Cup		1	
16	987 555 077 00	Assembly frame Service Cup		1	
17	987 555 477 00	Sealing frame Service Cup		1	
18	999 076 048 01	Hexagon nut M6		3	
19	999 703 231 40	Protection cap		1	
20	999 073 372 01	Tapping screw 4,2 X 16		2	
21	987 551 339 00	Luggage net		1	
(21)	987 551 339 01	Luggage net		1	I479
22	987 551 245 01	Eye Luggage		4	

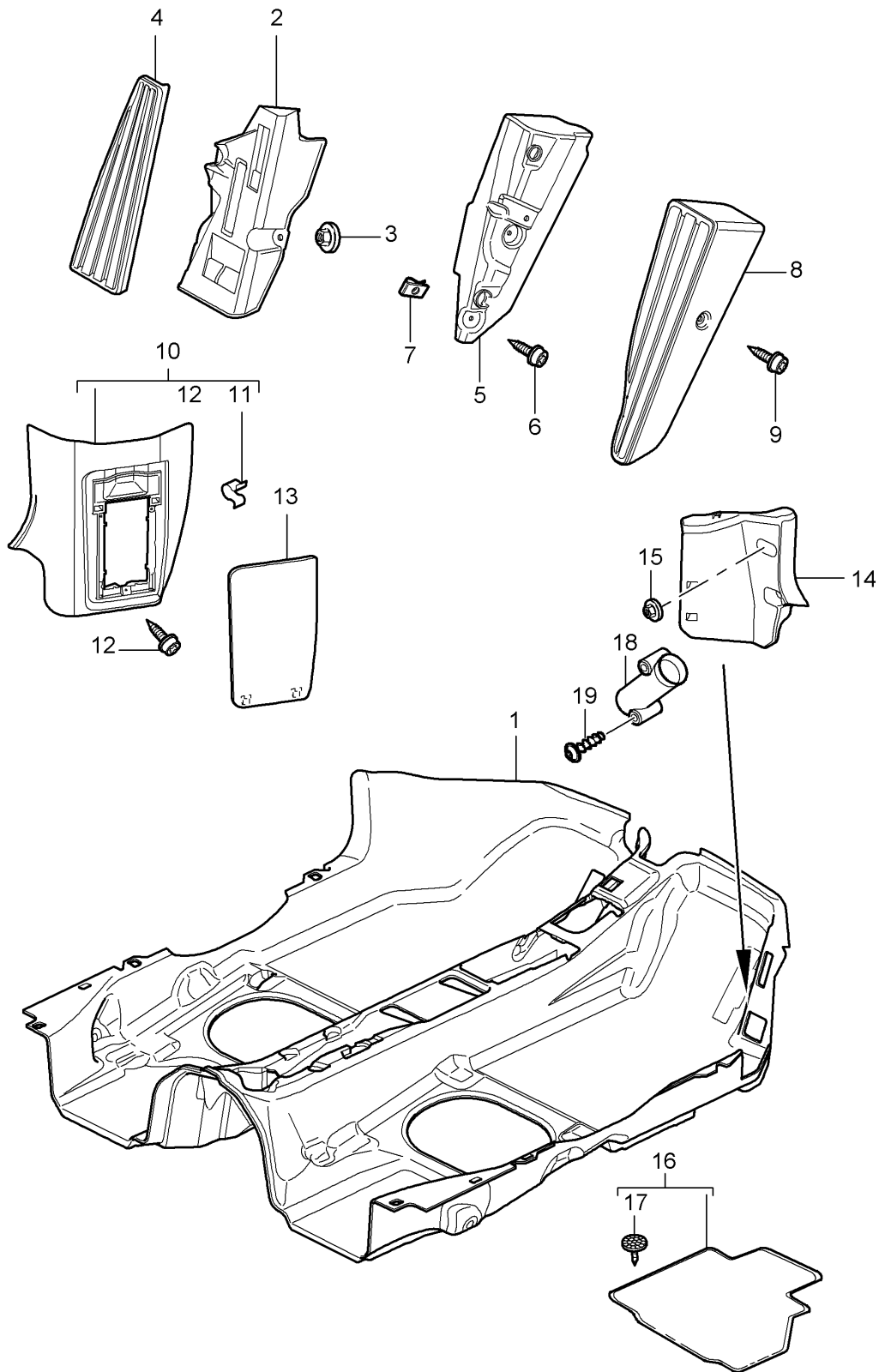
Model: 987 06

Model life 2006>>2008

Pos	Part Number	Description	Remark	Qty	Model
23	999 190 484 02	Lock 60 mm Blind rivet A 6,4 x 14,5		4	

Model: 987 06

Model life 2006>>2008



Model: 987 06 Model life 2006>>2008

Pos	Part Number	Description	Remark	Qty	Model
1	987 551 011 04	Interior equipment Carpet Linings Carpet Carpet	/LL	1	I098
	987 551 011 04 FLW	Black			
	987 551 011 04 FLX	Stone grey			
	987 551 011 04 FLY	Sand Beige			
	987 551 011 04 FLZ	Sea blue			
	987 551 011 04 FMA	Palmgreen	-07		
	987 551 011 04 FMB	Terracotta			
	987 551 011 04 FMC	Cocoa			
	987 551 011 04 FMD	Dark grey/natural			
	987 551 011 04 FME	Brown/natural			
	987 551 011 04 FSV	Carrera Red	08-		
1	987 551 011 06	Carpet Carpet	/LL	1	I098/680
	987 551 011 06 FMA	Palmgreen	-07		
	987 551 011 06 FMB	Terracotta			
	987 551 011 06 FMC	Cocoa			
	987 551 011 06 FMD	Dark grey/natural			
	987 551 011 06 FME	Brown/natural			
1	987 551 011 06	Carpet Carpet Until Chassis number See technical information GR.7 NR. 17/11 KD-NR. 70	/LL	1	I098/680
	987 551 011 06 FLW	Black			
	987 551 011 06 FLX	Stone grey			
	987 551 011 06 FLY	Sand Beige			
	987 551 011 06 FLZ	Sea blue			
	987 551 011 06 FSV	Carrera Red	08-		
1	987 551 011 12	Carpet Carpet From Chassis number See technical information GR.7 NR. 17/11 KD-NR. 70	/LL	1	I098/680
	987 551 011 12 FLW	Black			
	987 551 011 12 FLX	Stone grey			
	987 551 011 12 FLY	Sand Beige			
	987 551 011 12 FLZ	Sea blue			
	987 551 011 12 FSV	Carrera Red	08-		
(1)	987 551 011 05	Carpet Carpet	/RL	1	I099
	987 551 011 05 FLW	Black			
	987 551 011 05 FLX	Stone grey			
	987 551 011 05 FLY	Sand Beige			
	987 551 011 05 FLZ	Sea blue			
	987 551 011 05 FMA	Palmgreen	-07		
	987 551 011 05 FMB	Terracotta			
	987 551 011 05 FMC	Cocoa			
	987 551 011 05 FMD	Dark grey/natural			
	987 551 011 05 FME	Brown/natural			
	987 551 011 05 FSV	Carrera Red	08-		
(1)	987 551 011 07	Carpet Carpet	/RL	1	I099/680
	987 551 011 07 FMA	Palmgreen	-07		
	987 551 011 07 FMB	Terracotta			
	987 551 011 07 FMC	Cocoa			

Model: 987 06 Model life 2006>>2008

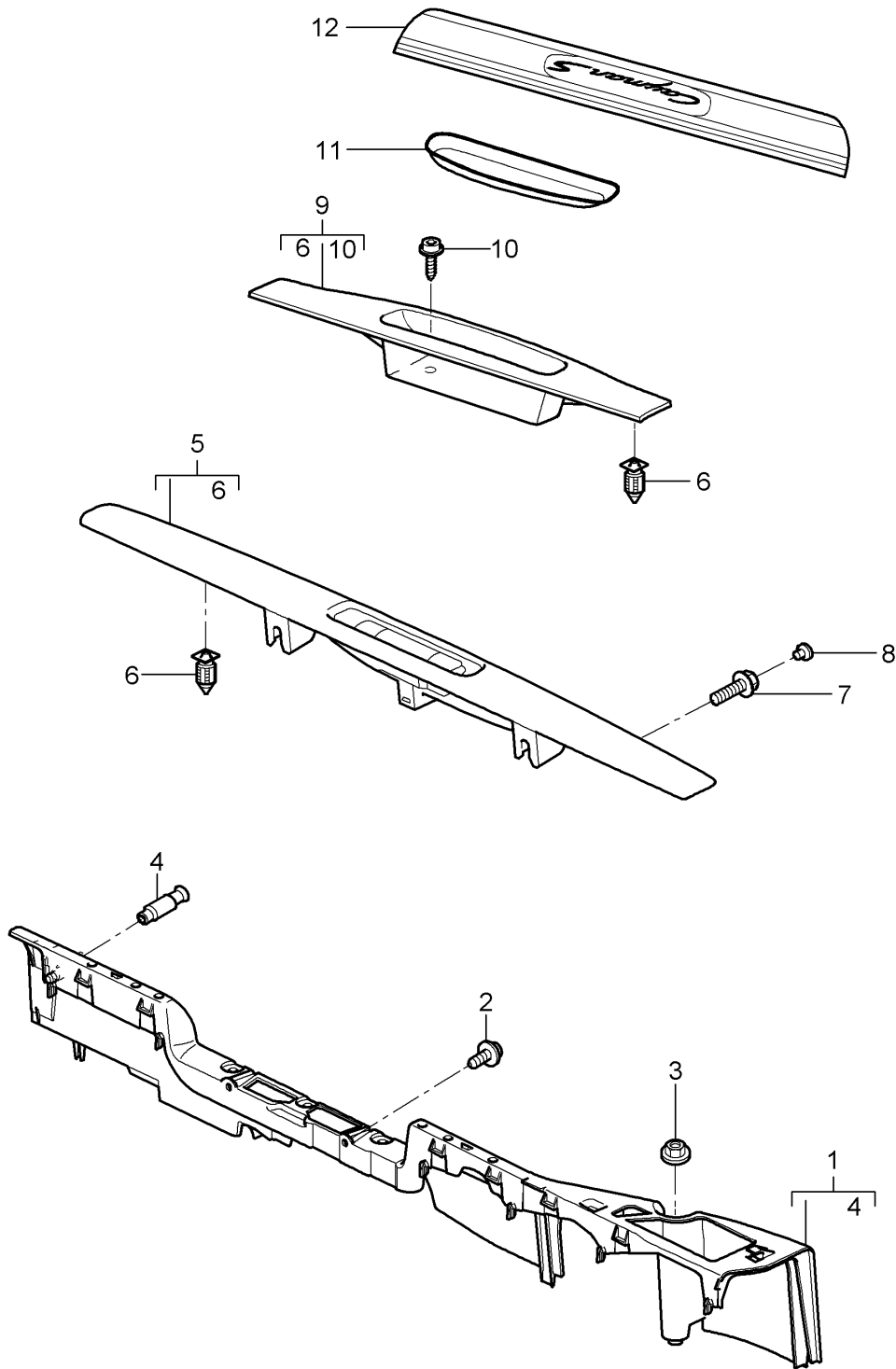
Pos	Part Number	Description	Remark	Qty	Model
(1)	987 551 011 07 FMD	Dark grey/natural			
	987 551 011 07 FME	Brown/natural			
	987 551 011 07	Carpet	/RL	1	I099/680
		Carpet			
		Until			
		Chassis number			
		See technical information			
		GR.7 NR. 17/11			
		KD-NR. 70			
		987 551 011 07 FLW	Black		
(1)	987 551 011 07 FLX	Stone grey			
	987 551 011 07 FLY	Sand Beige			
	987 551 011 07 FLZ	Sea blue			
	987 551 011 07 FSV	Carrera Red	08-		
	987 551 011 13	Carpet	/RL	1	I099/680
		Carpet			
		From			
		Chassis number			
		See technical information			
		GR.7 NR. 17/11			
	KD-NR. 70				
	987 551 011 13 FLW	Black			
	987 551 011 13 FLX	Stone grey			
	987 551 011 13 FLY	Sand Beige			
	987 551 011 13 FLZ	Sea blue			
	987 551 011 13 FSV	Carrera Red	08-		
-	997 551 813 00	Protective film	/LL -07	1	I098
		Carpet			
-	997 551 813 01	Protective film	/LL 08-	1	I098
		Carpet			
-	997 551 815 00	Protective film	/RL	1	I099
		Carpet			
2	997 551 211 01	Foot support	/LL	1	I098
3	999 076 081 40	Plastic nut		2	
		T5/16 X 11,2			
4	997 551 611 00	Cover	/LL	1	I098
		Foot support			
	997 551 611 00 01C	Satin black			
(4)	997 551 986 00	Cover	/LL	1	IXXZ/098
		Foot support			
5	997 551 212 00	Foot support	/RL	1	I099
6	999 073 060 02	Tapping screw	/RL	2	I099
		ST 4,8 X 13			
		for			
		Mount			
		Foot support			
7	999 591 485 01	Speed nut	/RL	2	I099
		ST 4,8			
		for			
		Mount			
		Foot support			
8	997 551 612 00	Cover	/RL	1	I099
		Foot support			
	997 551 612 00 01C	Satin black			
9	999 919 188 09	Oval-head screw	/RL	1	I099
		5,0 X 30			
		for			
		Mount			
		Cover			
		Foot support			
10	997 551 101 00	Lining	/LL	1	I098
		Fusebox			
		Carpet			

Model: 987 06 Model life 2006>>2008

Pos	Part Number	Description	Remark	Qty	Model
	997 551 101 00 A10	Black			
	997 551 101 00 B10	Stone grey			
	997 551 101 00 T10	Sand Beige			
	997 551 101 00 E10	Sea blue			
	997 551 101 00 J10	Palmgreen	-07		
	997 551 101 00 M10	Terracotta			
	997 551 101 00 R10	Cocoa			
	997 551 101 00 D11	Dark grey/natural			
	997 551 101 00 T11	Brown/natural			
	997 551 101 00 N10	Carrera Red	08-		
(10)	997 551 102 00	Lining	/RL	1	I099
		Fusebox			
		Carpet			
	997 551 102 00 A10	Black			
	997 551 102 00 B10	Stone grey			
	997 551 102 00 T10	Sand Beige			
	997 551 102 00 E10	Sea blue			
	997 551 102 00 J10	Palmgreen	-07		
	997 551 102 00 M10	Terracotta			
	997 551 102 00 R10	Cocoa			
	997 551 102 00 D11	Dark grey/natural			
	997 551 102 00 T11	Brown/natural			
	997 551 102 00 N10	Carrera Red	08-		
11	999 507 552 01	Spring clamp 9,0 X 13/4,0		2	
12	999 919 161 09	Oval-head screw 5,0 X 18 for Mount		3	
		Fusebox			
13	997 551 621 00	Lid	/LL	1	I098
		Lining			
		Fusebox			
	997 551 621 00 01C	Satin black			
(13)	997 551 622 00	Lid	/RL	1	I099
		Lining			
		Fusebox			
	997 551 622 00 01C	Satin black			
14	997 551 712 02	Support	/LL	1	I098
		Carpet			
(14)	997 551 711 02	Support	/RL	1	I099
		Carpet			
15	999 076 081 40	Plastic nut T5/16 X 11,2 Mount		2	
		Support			
		Carpet			
16		Floor mats Set See group 8/07/07		1	
		Tequipment catalogue			
17	999 902 054 40	Fastening plate for Floor mats		4	IXX1
18	964 551 751 00	Support	/RL	1	I099/193
		Warning light			
(18)	997 551 852 00	Support	/LL	1	I098/193
		Warning light			
19	999 919 254 01	Oval-head screw 4,0 x 36,5		2	

Model: 987 06

Model life 2006>>2008



Model: 987 06 Model life 2006>>2008

Pos	Part Number	Description	Remark	Qty	Model
1	987 551 619 01	Lining Door sill Support	/L	1	
(1)	987 551 620 01	Door sill Support	/R	1	
2	900 143 082 01	Door sill Tapping screw ST 6,3 X 13 for Mount Support		4	
3	999 076 081 40	Door sill Plastic nut T5 16 X 11,2 for Mount Support		2	
4	996 551 873 00	Door sill Locating peg for Mount Support		2	
5	997 551 019 04	Door sill Lining	/LL	1	I098
(5)	997 551 019 04 A03	Black			
	997 551 019 05	Lining Door sill Driver's side	/RL	1	I099
	997 551 019 05 A03	Black			
6	999 507 484 40	Expander nut 9 X 22		X	
7	999 067 046 01	Combination screw M 6 X 20		2	
8	999 703 443 40	Stopper 8,0 X 11		2	
	999 703 443 40 01C	Satin black			
9	997 551 120 01	Lining Door sill Passenger's side		1	
	997 551 120 01 A03	Black			
10	999 919 164 09	Oval-head screw 5,0 X 12		1	
11	996 551 513 00	Mat		1	
(12)	987 551 303 06	Scuff plate		2	CAYMAN -IX69/-IX70
	987 551 303 06 A03	Lacquered Black			
12	987 551 303 07	Scuff plate		2	CAYMAN S -IX69/-IX70
	987 551 303 07 A03	Lacquered Black			
(12)	987 551 980 12	Scuff plate	08	1	CAYMAN S IX70/755
(12)	987 551 980 19	Set Scuff plate	08-	1	CAYMAN S IX70/758
12		Set Scuff plate Exclusive See catalogue Tequipment		1	

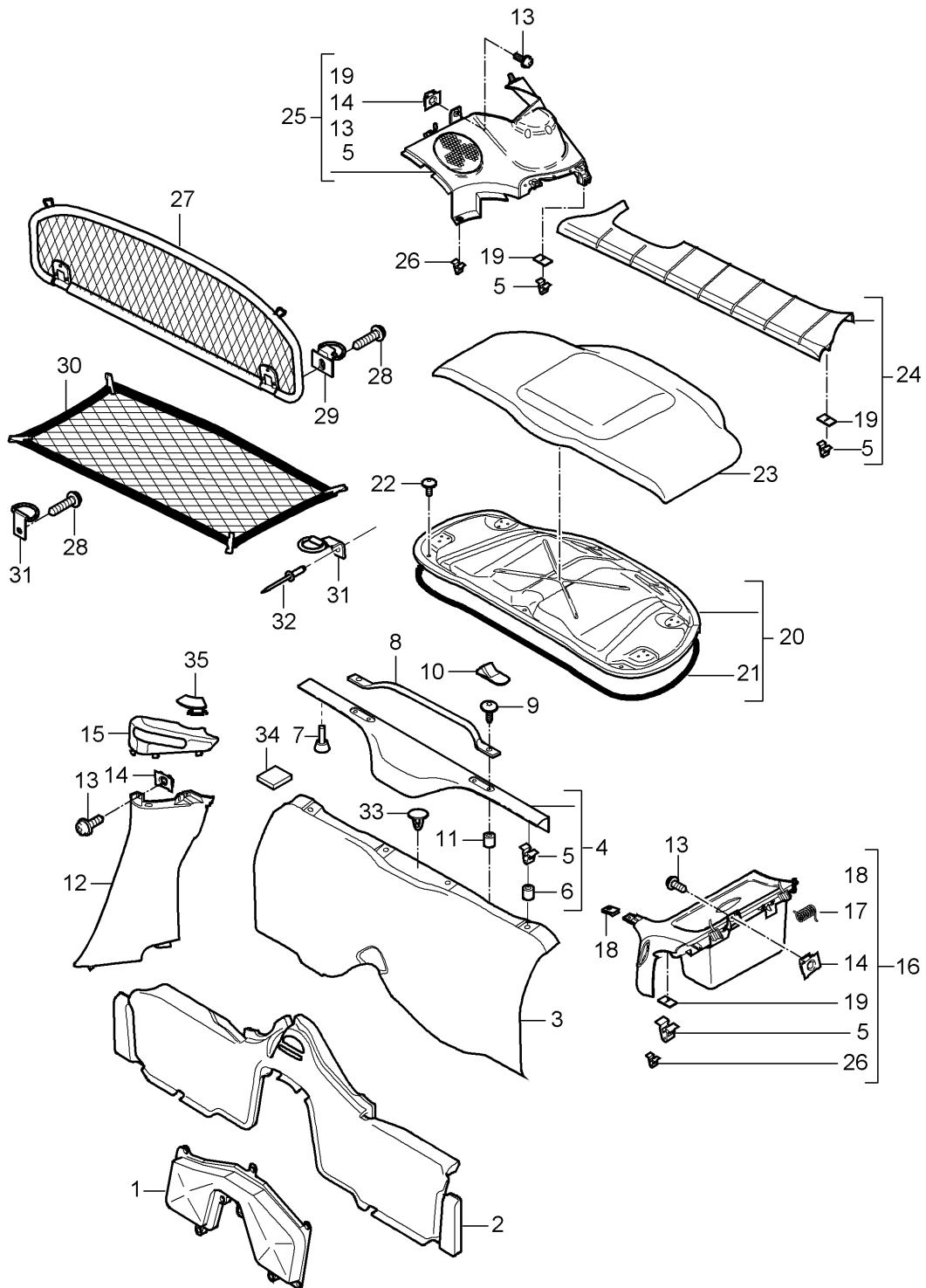
Model: 987 06

Model life 2006>>2008

Pos	Part Number	Description	Remark	Qty	Model
		8/07/07			

Model: 987 06

Model life 2006>>2008



Model: 987 06 Model life 2006>>2008

Pos	Part Number	Description	Remark	Qty	Model
1	986 504 181 00	Linings Engine compartment Lid Bulkhead		1	
-	999 084 629 01	Engine compartment Hexagon nut M6		2	
-	900 378 169 01	Hexagon-head bolt M6X12		4	
2	987 551 033 01	Lining Cross member Carpet		1	
	987 551 033 01 M10	Terracotta			
	987 551 033 01 R10	Cocoa			
	987 551 033 01 D11	Dark grey/natural			
	987 551 033 01 T11	Brown/natural			
2	987 551 033 01	Lining Cross member Carpet Until Chassis number See technical information GR.7 NR. 17/11 KD-NR. 70		1	
	987 551 033 01 A10	Black			
	987 551 033 01 B10	Stone grey			
	987 551 033 01 T10	Sand Beige			
	987 551 033 01 E10	Sea blue			
	987 551 033 01 N10	Carrera Red	08-		
2	987 551 033 02	Lining Cross member Carpet From Chassis number See technical information GR.7 NR. 17/11 KD-NR. 70		1	
	987 551 033 02 A10	Black			
	987 551 033 02 B10	Stone grey			
	987 551 033 02 T10	Sand Beige			
	987 551 033 02 E10	Sea blue			
	987 551 033 02 N10	Carrera Red	08-		
3	987 551 035 04	Lining Rear wall Carpet		1	
	987 551 035 04 M10	Terracotta			
	987 551 035 04 R10	Cocoa			
	987 551 035 04 D11	Dark grey/natural			
	987 551 035 04 T11	Brown/natural			
3	987 551 035 04	Lining Rear wall Carpet Until Chassis number See technical information GR.7 NR. 17/11 KD-NR. 70		1	
	987 551 035 04 A10	Black			
	987 551 035 04 B10	Stone grey			
	987 551 035 04 T10	Sand Beige			
	987 551 035 04 E10	Sea blue			
	987 551 035 04 N10	Carrera Red	08-		
3	987 551 035 07	Lining		1	

Model: 987 06 Model life 2006>>2008

Pos	Part Number	Description	Remark	Qty	Model
		Rear wall Carpet From Chassis number See technical information GR.7 NR. 17/11 KD-NR. 70			
	987 551 035 07 A10	Black			
	987 551 035 07 B10	Stone grey			
	987 551 035 07 T10	Sand Beige			
	987 551 035 07 E10	Sea blue			
	987 551 035 07 N10	Carrera Red	08-		
(3)	987 551 035 05	Lining Rear wall Carpet		1	I553
	987 551 035 05 M10	Terracotta			
	987 551 035 05 R10	Cocoa			
	987 551 035 05 D11	Dark grey/natural			
	987 551 035 05 T11	Brown/natural			
(3)	987 551 035 05	Lining Rear wall Carpet Until Chassis number See technical information GR.7 NR. 17/11 KD-NR. 70		1	I553
	987 551 035 05 A10	Black			
	987 551 035 05 B10	Stone grey			
	987 551 035 05 T10	Sand Beige			
	987 551 035 05 E10	Sea blue			
	987 551 035 05 N10	Carrera Red	08-		
(3)	987 551 035 08	Lining Rear wall Carpet From Chassis number See technical information GR.7 NR. 17/11 KD-NR. 70		1	I553
	987 551 035 08 A10	Black			
	987 551 035 08 B10	Stone grey			
	987 551 035 08 T10	Sand Beige			
	987 551 035 08 E10	Sea blue			
	987 551 035 08 N10	Carrera Red	08-		
4	987 555 401 00	Retaining strip Lock Luggage		1	
	987 555 401 00 A03	Black			
	987 555 401 00 5V7	Stone grey			
	987 555 401 00 5Z1	Sand Beige			
	987 555 401 00 8W7	Sea blue			
	987 555 401 00 5Y2	Palmgreen	-07		
	987 555 401 00 8X8	Terracotta			
	987 555 401 00 8P9	Cocoa			
	987 555 401 00 T13	Brown/natural			
	987 555 401 00 N23	Carrera Red	08-		
4	987 555 401 04	Retaining strip Lock Luggage		1	
	987 555 401 04 A03	Black			
	987 555 401 04 5V7	Stone grey			
	987 555 401 04 5Z1	Sand Beige			

Model: 987 06 Model life 2006>>2008

Pos	Part Number	Description	Remark	Qty	Model
(4)	987 555 401 04 8W7	Sea blue			
	987 555 401 04 5Y2	Palmgreen	-07		
	987 555 401 04 8X8	Terracotta			
	987 555 401 04 8P9	Cocoa			
	987 555 401 04 T13	Brown/natural			
	987 555 401 04 N23	Carrera Red	08-		
	987 555 401 01	Retaining strip		1	I580
		Lock			
		Luggage			
		987 555 401 01 A03	Black		
(4)	987 555 401 01 5V7	Stone grey			
	987 555 401 01 5Z1	Sand Beige			
	987 555 401 01 8W7	Sea blue			
	987 555 401 01 5Y2	Palmgreen	-07		
	987 555 401 01 8X8	Terracotta			
	987 555 401 01 8P9	Cocoa			
	987 555 401 01 T13	Brown/natural			
	987 555 401 01 N23	Carrera Red	08-		
	987 555 401 05	Retaining strip		1	I580
		Lock			
(4)		Luggage			
		987 555 401 05 A03	Black		
		987 555 401 05 5V7	Stone grey		
		987 555 401 05 5Z1	Sand Beige		
		987 555 401 05 8W7	Sea blue		
		987 555 401 05 5Y2	Palmgreen	-07	
		987 555 401 05 8X8	Terracotta		
		987 555 401 05 8P9	Cocoa		
		987 555 401 05 T13	Brown/natural		
		987 555 401 05 N23	Carrera Red	08-	
	987 555 401 02	Retaining strip		1	I805
(4)		Lock			
		Luggage			
		987 555 401 02 041	Black		
		987 555 401 02 84A	Guards red		
		987 555 401 02 12H	Speed yellow		
		987 555 401 02 B9A	Carrara white		
		987 555 401 02 92U	Arctic silver metallic		
		987 555 401 02 M3W	Carmon red metallic	-07	
		987 555 401 02 M5W	Lapis blue metallic	-07	
		987 555 401 02 M6W	Lagoon green metallic	-07	
(4)		987 555 401 02 C9Z	Basalt black metallic		
		987 555 401 02 M7X	Atlas grey metallic		
		987 555 401 02 39C	Midnight Blue Metallic		
		987 555 401 02 6B4	Seal grey metallic	-06	
		987 555 401 02 M7W	Meteor Grey Metallic	07-	
		987 555 401 02 2B4	Forest green metallic		
		987 555 401 02 3C8	Cobalt blue metallic		
		987 555 401 02 23F	Slate grey metallic		
		987 555 401 02 M6X	Dark olive-metallic		
		987 555 401 02 M7Z	GT Silver Metallic		
	987 555 401 02 M8W	Macadamia Metallic	08-		
	987 555 401 02 8A7	Ruby red metallic	08-		
	987 555 401 02 2B5	Malachite Green Metallic	08-		
	987 555 401 06	Retaining strip		1	I805
(4)		Lock			
		Luggage			
		987 555 401 06 041	Black		
		987 555 401 06 84A	Guards red		
		987 555 401 06 12H	Speed yellow		
		987 555 401 06 B9A	Carrara white		
		987 555 401 06 92U	Arctic silver metallic		
		987 555 401 06 M3W	Carmon red metallic	-07	

Model: 987 06 Model life 2006>>2008

Pos	Part Number	Description	Remark	Qty	Model
	987 555 401 06 M5W	Lapis blue metallic	-07		
	987 555 401 06 M6W	Lagoon green metallic	-07		
	987 555 401 06 C9Z	Basalt black metallic			
	987 555 401 06 M7X	Atlas grey metallic			
	987 555 401 06 39C	Midnight Blue Metallic			
	987 555 401 06 6B4	Seal grey metallic	-06		
	987 555 401 06 M7W	Meteor Grey Metallic	07-		
	987 555 401 06 2B4	Forest green metallic			
	987 555 401 06 3C8	Cobalt blue metallic			
	987 555 401 06 23F	Slate grey metallic			
	987 555 401 06 M6X	Dark olive-metallic			
	987 555 401 06 M7Z	GT Silver Metallic			
	987 555 401 06 M8W	Macadamia Metallic	08-		
	987 555 401 06 8A7	Ruby red metallic	08-		
	987 555 401 06 2B5	Malachite Green Metallic	08-		
(4)	987 555 401 06 G2X	Prime coated			
	987 555 401 03	Retaining strip		1	I580/805
		Lock			
		Luggage			
	987 555 401 03 041	Black			
	987 555 401 03 84A	Guards red			
	987 555 401 03 12H	Speed yellow			
	987 555 401 03 B9A	Carrara white			
	987 555 401 03 92U	Arctic silver metallic			
	987 555 401 03 M3W	Carmon red metallic	-07		
	987 555 401 03 M5W	Lapis blue metallic	-07		
	987 555 401 03 M6W	Lagoon green metallic	-07		
	987 555 401 03 C9Z	Basalt black metallic			
	987 555 401 03 M7X	Atlas grey metallic			
	987 555 401 03 39C	Midnight Blue Metallic			
	987 555 401 03 6B4	Seal grey metallic	-06		
	987 555 401 03 M7W	Meteor Grey Metallic	07-		
	987 555 401 03 2B4	Forest green metallic			
	987 555 401 03 3C8	Cobalt blue metallic			
	987 555 401 03 23F	Slate grey metallic			
	987 555 401 03 M6X	Dark olive-metallic			
	987 555 401 03 M7Z	GT Silver Metallic			
	987 555 401 03 M8W	Macadamia Metallic	08-		
	987 555 401 03 8A7	Ruby red metallic	08-		
(4)	987 555 401 03 2B5	Malachite Green Metallic	08-		
	987 555 401 07	Retaining strip		1	I580/805
		Lock			
		Luggage			
	987 555 401 07 041	Black			
	987 555 401 07 84A	Guards red			
	987 555 401 07 12H	Speed yellow			
	987 555 401 07 B9A	Carrara white			
	987 555 401 07 92U	Arctic silver metallic			
	987 555 401 07 M3W	Carmon red metallic	-07		
	987 555 401 07 M5W	Lapis blue metallic	-07		
	987 555 401 07 M6W	Lagoon green metallic	-07		
	987 555 401 07 C9Z	Basalt black metallic			
	987 555 401 07 M7X	Atlas grey metallic			
	987 555 401 07 39C	Midnight Blue Metallic			
	987 555 401 07 6B4	Seal grey metallic	-06		
	987 555 401 07 M7W	Meteor Grey Metallic	07-		
	987 555 401 07 2B4	Forest green metallic			
	987 555 401 07 3C8	Cobalt blue metallic			
	987 555 401 07 23F	Slate grey metallic			
	987 555 401 07 M6X	Dark olive-metallic			
	987 555 401 07 M7Z	GT Silver Metallic			
	987 555 401 07 M8W	Macadamia Metallic	08-		
	987 555 401 07 8A7	Ruby red metallic	08-		

Model: 987 06 Model life 2006>>2008

Pos	Part Number	Description	Remark	Qty	Model
	987 555 401 07 2B5	Malachite Green Metallic	08-		
	987 555 401 07 G2X	Prime coated			
(4)	987 555 401 02	Retaining strip	08-	1	I758
		Lock			
		Luggage			
	987 555 401 02 041	Black			
(4)	987 555 401 03	Retaining strip	08-	1	I580/758
		Lock			
		Luggage			
	987 555 401 03 041	Black			
5	999 507 839 01	Clamp		X	
		3.5			
6	999 209 084 40	Spacer		6	
		20 X 25 X 0,5			
7	999 703 041 40	Rubber buffer		X	
		4 X 6 X 9,3			
8	987 555 411 03	Clip		1	
		Lock			
		Luggage			
	987 555 411 03 D07	Volcano grey			
9	999 073 095 01	Oval-head screw		2	
		M 8 X 30			
10	987 555 403 00	Cover		2	
		Clip			
	987 555 403 00 A03	Black			
	987 555 403 00 5V7	Stone grey			
	987 555 403 00 5Z1	Sand Beige			
	987 555 403 00 8W7	Sea blue			
	987 555 403 00 5Y2	Palmgreen	-07		
	987 555 403 00 8X8	Terracotta			
	987 555 403 00 8P9	Cocoa			
	987 555 403 00 T13	Brown/natural			
	987 555 403 00 N23	Carrera Red	08-		
11	999 209 083 02	Spacer sleeve		2	
		4,5 X 0,7 X 5			
(12)	987 555 215 01	Lining	/L -07	1	
		C-pillar			
		Lower			
	987 555 215 01 A10	Black			
	987 555 215 01 B10	Stone grey			
	987 555 215 01 T10	Sand Beige			
	987 555 215 01 E10	Sea blue			
	987 555 215 01 J10	Palmgreen	-07		
	987 555 215 01 M10	Terracotta			
	987 555 215 01 R10	Cocoa			
	987 555 215 01 D11	Dark grey/natural			
	987 555 215 01 T11	Brown/natural			
(12)	987 555 215 02	Lining	/L 08-	1	
		C-pillar			
		Lower			
	987 555 215 02 M10	Terracotta			
	987 555 215 02 R10	Cocoa			
	987 555 215 02 D11	Dark grey/natural			
	987 555 215 02 T11	Brown/natural			
(12)	987 555 215 02	Lining	/L 08-	1	
		C-pillar			
		Lower			
		Until			
		Chassis number			
		See technical information			
		GR.7 NR. 17/11			
		KD-NR. 70			
	987 555 215 02 A10	Black			

Model: 987 06 Model life 2006>>2008

Pos	Part Number	Description	Remark	Qty	Model			
(12)	987 555 215 02 B10	Stone grey		1				
	987 555 215 02 T10	Sand Beige						
	987 555 215 02 E10	Sea blue						
	987 555 215 02 N10	Carrera Red	08-					
	987 555 215 03	Lining	/L					
(12)		C-pillar		1				
		Lower						
		From						
		Chassis number						
		See technical information						
		GR.7 NR. 17/11						
		KD-NR. 70						
	987 555 215 03 A10	Black						
	987 555 215 03 B10	Stone grey						
	987 555 215 03 T10	Sand Beige						
987 555 215 03 E10	Sea blue							
987 555 215 03 N10	Carrera Red							
12	987 555 215 03	Lining	/L	1				
		C-pillar						
		Lower						
		From						
		Chassis number						
		See technical information						
		GR.7 NR. 17/11						
		KD-NR. 70						
	987 555 215 03 A10	Black						
	987 555 215 03 B10	Stone grey						
987 555 215 03 T10	Sand Beige							
987 555 215 03 E10	Sea blue							
987 555 215 03 N10	Carrera Red	08-						
12	987 555 216 01	Lining	/R -07	1				
		C-pillar						
		Lower						
	987 555 216 01 A10	Black						
	987 555 216 01 B10	Stone grey						
	987 555 216 01 T10	Sand Beige						
	987 555 216 01 E10	Sea blue						
	987 555 216 01 J10	Palmgreen	-07					
	987 555 216 01 M10	Terracotta						
	987 555 216 01 R10	Cocoa						
987 555 216 01 D11	Dark grey/natural							
987 555 216 01 T11	Brown/natural							
12	987 555 216 02	Lining	/R 08-	1				
		C-pillar						
		Lower						
	987 555 216 02 M10	Terracotta						
	987 555 216 02 R10	Cocoa						
	987 555 216 02 D11	Dark grey/natural						
	987 555 216 02 T11	Brown/natural						
	12	987 555 216 02	Lining			/R 08-	1	
			C-pillar					
			Lower					
		Until						
		Chassis number						
		See technical information						
		GR.7 NR. 17/11						
		KD-NR. 70						
987 555 216 02 A10		Black						
987 555 216 02 B10		Stone grey						
987 555 216 02 T10	Sand Beige							
987 555 216 02 E10	Sea blue							
987 555 216 02 N10	Carrera Red	08-						
12	987 555 216 03	Lining	/L	1				

Model: 987 06 Model life 2006>>2008

Pos	Part Number	Description	Remark	Qty	Model
		C-pillar Lower From Chassis number See technical information GR.7 NR. 17/11 KD-NR. 70			
	987 555 216 03 A10	Black			
	987 555 216 03 B10	Stone grey			
	987 555 216 03 T10	Sand Beige			
	987 555 216 03 E10	Sea blue			
	987 555 216 03 N10	Carrera Red	08-		
13	999 073 372 01	Tapping screw 4,2 X 16		4	
14	999 591 135 01	Captive nut ST 4.2		4	
(15)	987 555 451 00	Rosette	/L	1	
	987 555 451 00 A03	Black			
	987 555 451 00 5V7	Stone grey			
	987 555 451 00 5Z1	Sand Beige			
	987 555 451 00 8W7	Sea blue			
	987 555 451 00 5Y2	Palmgreen	-07		
	987 555 451 00 8X8	Terracotta			
	987 555 451 00 8P9	Cocoa			
	987 555 451 00 T13	Brown/natural			
	987 555 451 00 N23	Carrera Red	08-		
15	987 555 452 00	Rosette	/R	1	
		Seat belt			
	987 555 452 00 A03	Black			
	987 555 452 00 5V7	Stone grey			
	987 555 452 00 5Z1	Sand Beige			
	987 555 452 00 8W7	Sea blue			
	987 555 452 00 5Y2	Palmgreen	-07		
	987 555 452 00 8X8	Terracotta			
	987 555 452 00 8P9	Cocoa			
	987 555 452 00 T13	Brown/natural			
	987 555 452 00 N23	Carrera Red	08-		
(15)	987 555 451 01	Rosette	/L	1	I805
	987 555 451 01 041	Black			
	987 555 451 01 84A	Guards red			
	987 555 451 01 12H	Speed yellow			
	987 555 451 01 B9A	Carrara white			
	987 555 451 01 92U	Arctic silver metallic			
	987 555 451 01 M3W	Carmon red metallic	-07		
	987 555 451 01 M5W	Lapis blue metallic	-07		
	987 555 451 01 M6W	Lagoon green metallic	-07		
	987 555 451 01 C9Z	Basalt black metallic			
	987 555 451 01 M7X	Atlas grey metallic			
	987 555 451 01 39C	Midnight Blue Metallic			
	987 555 451 01 6B4	Seal grey metallic	-06		
	987 555 451 01 M7W	Meteor Grey Metallic	07-		
	987 555 451 01 2B4	Forest green metallic			
	987 555 451 01 3C8	Cobalt blue metallic			
	987 555 451 01 23F	Slate grey metallic			
	987 555 451 01 M6X	Dark olive-metallic			
	987 555 451 01 M7Z	GT Silver Metallic			
	987 555 451 01 M8W	Macadamia Metallic	08-		
	987 555 451 01 8A7	Ruby red metallic	08-		
	987 555 451 01 2B5	Malachite Green Metallic	08-		
(15)	987 555 452 01	Rosette	/R	1	I805
		Seat belt			
	987 555 452 01 041	Black			
	987 555 452 01 84A	Guards red			

Model: 987 06 Model life 2006>>2008

Pos	Part Number	Description	Remark	Qty	Model
	987 555 452 01 12H	Speed yellow			
	987 555 452 01 B9A	Carrara white			
	987 555 452 01 92U	Arctic silver metallic			
	987 555 452 01 M3W	Carmon red metallic	-07		
	987 555 452 01 M5W	Lapis blue metallic	-07		
	987 555 452 01 M6W	Lagoon green metallic	-07		
	987 555 452 01 C9Z	Basalt black metallic			
	987 555 452 01 M7X	Atlas grey metallic			
	987 555 452 01 39C	Midnight Blue Metallic			
	987 555 452 01 6B4	Seal grey metallic	-06		
	987 555 452 01 M7W	Meteor Grey Metallic	07-		
	987 555 452 01 2B4	Forest green metallic			
	987 555 452 01 3C8	Cobalt blue metallic			
	987 555 452 01 23F	Slate grey metallic			
	987 555 452 01 M6X	Dark olive-metallic			
	987 555 452 01 M7Z	GT Silver Metallic			
	987 555 452 01 M8W	Macadamia Metallic	08-		
	987 555 452 01 8A7	Ruby red metallic	08-		
	987 555 452 01 2B5	Malachite Green Metallic	08-		
(15)	987 555 451 01	Rosette	/L 08-	1	I758
		Seat belt			
	987 555 451 01 041	Black			
(15)	987 555 452 01	Rosette	/R 08-	1	I758
		Seat belt			
	987 555 452 01 041	Black			
(16)	987 555 071 05	Shelf	/L	1	
	987 555 071 05 A03	Black			
	987 555 071 05 5V7	Stone grey			
	987 555 071 05 5Y2	Palmgreen	-07		
	987 555 071 05 5Z1	Sand Beige			
	987 555 071 05 8W7	Sea blue			
	987 555 071 05 8X8	Terracotta			
	987 555 071 05 8P9	Cocoa			
	987 555 071 05 T13	Brown/natural			
	987 555 071 05 N23	Carrera Red	08-		
16	987 555 072 05	Shelf	/R	1	
	987 555 072 05 A03	Black			
	987 555 072 05 5V7	Stone grey			
	987 555 072 05 5Y2	Palmgreen	-07		
	987 555 072 05 5Z1	Sand Beige			
	987 555 072 05 8W7	Sea blue			
	987 555 072 05 8X8	Terracotta			
	987 555 072 05 8P9	Cocoa			
	987 555 072 05 T13	Brown/natural			
	987 555 072 05 N23	Carrera Red	08-		
(16)	987 555 071 06	Shelf	/L	1	I805
	987 555 071 06 041	Black			
	987 555 071 06 84A	Guards red			
	987 555 071 06 12H	Speed yellow			
	987 555 071 06 B9A	Carrara white			
	987 555 071 06 92U	Arctic silver metallic			
	987 555 071 06 M3W	Carmon red metallic	-07		
	987 555 071 06 M5W	Lapis blue metallic	-07		
	987 555 071 06 M6W	Lagoon green metallic	-07		
	987 555 071 06 C9Z	Basalt black metallic			
	987 555 071 06 M7X	Atlas grey metallic			
	987 555 071 06 39C	Midnight Blue Metallic			
	987 555 071 06 6B4	Seal grey metallic	-06		
	987 555 071 06 M7W	Meteor Grey Metallic	07-		
	987 555 071 06 2B4	Forest green metallic			
	987 555 071 06 3C8	Cobalt blue metallic			
	987 555 071 06 23F	Slate grey metallic			
	987 555 071 06 M6X	Dark olive-metallic			

Model: 987 06 Model life 2006>>2008

Pos	Part Number	Description	Remark	Qty	Model
(16)	987 555 071 06 M7Z	GT Silver Metallic		1	I805
	987 555 071 06 M8W	Macadamia Metallic	08-		
	987 555 071 06 8A7	Ruby red metallic	08-		
	987 555 071 06 2B5	Malachite Green Metallic	08-		
	987 555 072 06	Shelf	/R		
	987 555 072 06 041	Black			
	987 555 072 06 84A	Guards red			
	987 555 072 06 12H	Speed yellow			
	987 555 072 06 B9A	Carrara white			
	987 555 072 06 92U	Arctic silver metallic			
	987 555 072 06 M3W	Carmon red metallic	-07		
	987 555 072 06 M5W	Lapis blue metallic	-07		
	987 555 072 06 M6W	Lagoon green metallic	-07		
	987 555 072 06 C9Z	Basalt black metallic			
	987 555 072 06 M7X	Atlas grey metallic			
	987 555 072 06 39C	Midnight Blue Metallic			
	987 555 072 06 6B4	Seal grey metallic	-06		
	987 555 072 06 M7W	Meteor Grey Metallic	07-		
	987 555 072 06 2B4	Forest green metallic			
	(16)	987 555 072 06 3C8	Cobalt blue metallic		
987 555 072 06 23F		Slate grey metallic			
(16)	987 555 072 06 M6X	Dark olive-metallic			
	987 555 072 06 M7Z	GT Silver Metallic			
(16)	987 555 072 06 M8W	Macadamia Metallic	08-		
	987 555 072 06 8A7	Ruby red metallic	08-		
(16)	987 555 072 06 2B5	Malachite Green Metallic	08-		
	987 555 071 06	Shelf	/L 08-		
(16)	987 555 071 06 041	Black			
	987 555 072 06	Shelf	/R 08-		
17	987 555 072 06 041	Black			
	999 521 093 00	Torsion spring 1,4 x 8,3	/L		
(17)	999 521 092 00	Torsion spring 1,4 x 8,3	/R		
	999 507 971 01	Speed nut ST 4,2			
18	999 507 971 01	Speed nut	X		
19	999 209 084 40	Spacer 20 X 25 X 0,5	X		
	987 513 211 01	Engine compartment cover	1		
20	987 513 211 01	Engine compartment cover	1		
21	987 513 611 00	Gasket	1		
22	999 073 130 02	Engine cover			
	999 073 130 02	Oval-head screw M6 X 16	5		
23	987 551 039 01	Lining Carpet	1		
	987 551 039 01	Engine cover			
23	987 551 039 01 J10	Palmgreen	-07		
	987 551 039 01 M10	Terracotta			
	987 551 039 01 R10	Cocoa			
	987 551 039 01 D11	Dark grey/natural			
	987 551 039 01 T11	Brown/natural			
	987 551 039 01	Lining Carpet	1		
	987 551 039 01	Engine cover			
	987 551 039 01	Until Chassis number See technical information GR.7 NR. 17/11 KD-NR. 70			
	987 551 039 01 A10	Black			
	987 551 039 01 B10	Stone grey			
987 551 039 01 T10	Sand Beige				
987 551 039 01 E10	Sea blue				

Model: 987 06 Model life 2006>>2008

Pos	Part Number	Description	Remark	Qty	Model
23	987 551 039 01 N10	Carrera Red	08-	1	
	987 551 039 05	Lining Carpet Engine cover From Chassis number See technical information GR.7 NR. 17/11 KD-NR. 70			
24	987 551 039 05 A10	Black		1	
	987 551 039 05 B10	Stone grey			
	987 551 039 05 T10	Sand Beige			
	987 551 039 05 E10	Sea blue			
	987 551 039 05 N10	Carrera Red	08-		
(25)	987 555 151 00	Lining Luggage compartment Centre		1	
	987 555 151 00 U02	Stainless steel			
(25)	987 555 061 03	Lining Mounting Spring strut	/L	1	
	987 555 061 03 A03	Black			
	987 555 061 03 5V7	Stone grey			
	987 555 061 03 5Z1	Sand Beige			
	987 555 061 03 8W7	Sea blue			
	987 555 061 03 5Y2	Palmgreen	-07		
	987 555 061 03 8X8	Terracotta			
	987 555 061 03 8P9	Cocoa			
	987 555 061 03 T13	Brown/natural			
	987 555 061 03 N23	Carrera Red	08-		
(25)	987 555 062 03	Lining Mounting Spring strut	/R	1	I805
	987 555 062 03 A03	Black			
	987 555 062 03 5V7	Stone grey			
	987 555 062 03 5Z1	Sand Beige			
	987 555 062 03 8W7	Sea blue			
	987 555 062 03 5Y2	Palmgreen	-07		
	987 555 062 03 8X8	Terracotta			
	987 555 062 03 8P9	Cocoa			
	987 555 062 03 T13	Brown/natural			
	987 555 062 03 N23	Carrera Red	08-		
(25)	987 555 061 04	Lining Mounting Spring strut	/L	1	
	987 555 061 04 041	Black			
	987 555 061 04 84A	Guards red			
	987 555 061 04 12H	Speed yellow			
	987 555 061 04 B9A	Carrara white			
	987 555 061 04 92U	Arctic silver metallic			
	987 555 061 04 M3W	Carmon red metallic	-07		
	987 555 061 04 M5W	Lapis blue metallic	-07		
	987 555 061 04 M6W	Lagoon green metallic	-07		
	987 555 061 04 C9Z	Basalt black metallic			
	987 555 061 04 M7X	Atlas grey metallic			
	987 555 061 04 39C	Midnight Blue Metallic			
	987 555 061 04 6B4	Seal grey metallic	-06		
	987 555 061 04 M7W	Meteor Grey Metallic	07-		
	987 555 061 04 2B4	Forest green metallic			
987 555 061 04 3C8	Cobalt blue metallic				
987 555 061 04 23F	Slate grey metallic				
987 555 061 04 M6X	Dark olive-metallic				
987 555 061 04 M7Z	GT Silver Metallic				

Model: 987 06 Model life 2006>>2008

Pos	Part Number	Description	Remark	Qty	Model
(25)	987 555 061 04 M8W	Macadamia Metallic	08-	1	I805
	987 555 061 04 8A7	Ruby red metallic	08-		
	987 555 061 04 2B5	Malachite Green Metallic	08-		
	987 555 062 04	Lining	/R		
		Mounting			
		Spring strut			
	987 555 062 04 041	Black			
	987 555 062 04 84A	Guards red			
	987 555 062 04 12H	Speed yellow			
	987 555 062 04 B9A	Carrara white			
	987 555 062 04 92U	Arctic silver metallic			
	987 555 062 04 M3W	Carmon red metallic	-07		
	987 555 062 04 M5W	Lapis blue metallic	-07		
	987 555 062 04 M6W	Lagoon green metallic	-07		
	987 555 062 04 C9Z	Basalt black metallic			
987 555 062 04 M7X	Atlas grey metallic				
987 555 062 04 39C	Midnight Blue Metallic				
987 555 062 04 6B4	Seal grey metallic	-06			
987 555 062 04 M7W	Meteor Grey Metallic	07-			
987 555 062 04 2B4	Forest green metallic				
987 555 062 04 3C8	Cobalt blue metallic				
987 555 062 04 23F	Slate grey metallic				
987 555 062 04 M6X	Dark olive-metallic				
987 555 062 04 M7Z	GT Silver Metallic				
987 555 062 04 M8W	Macadamia Metallic	08-			
987 555 062 04 8A7	Ruby red metallic	08-			
987 555 062 04 2B5	Malachite Green Metallic	08-			
(25)	987 555 061 04	Lining	/L 08-	1	I758
		Mounting			
		Spring strut			
	987 555 061 04 041	Black			
(25)	987 555 062 04	Lining	/R 08-	1	I758
		Mounting			
		Spring strut			
	987 555 062 04 041	Black			
26	999 507 584 02	Clamp		X	
		8,0 x 10,0/ 2,0			
27	987 555 321 00	Luggage net		1	I580
		Collapsible			
28	999 073 131 02	Oval-head screw		2	
		M6 X 25			
29	987 555 627 00	Bearing bracket		2	I580
		Luggage net			
		Collapsible			
30	987 551 339 00	Luggage net		1	I479
(30)	987 551 339 01	Luggage net		1	
31	987 551 245 00	Eye		X	
		Luggage			
		Lock			
		31 mm			
32	999 190 484 02	Blind rivet		X	
		A6,4 x 14,5			
33	999 591 988 40	Clip	06-	1	
		for			
		Mount			
		Rear wall			
34	987 556 673 00	Plastic foam strip	06-	1	
		60 X 40 X 10			
		Lining			
		C-pillar			
35	987 555 781 00	Cover	/L	1	
		Lower			
		Black			

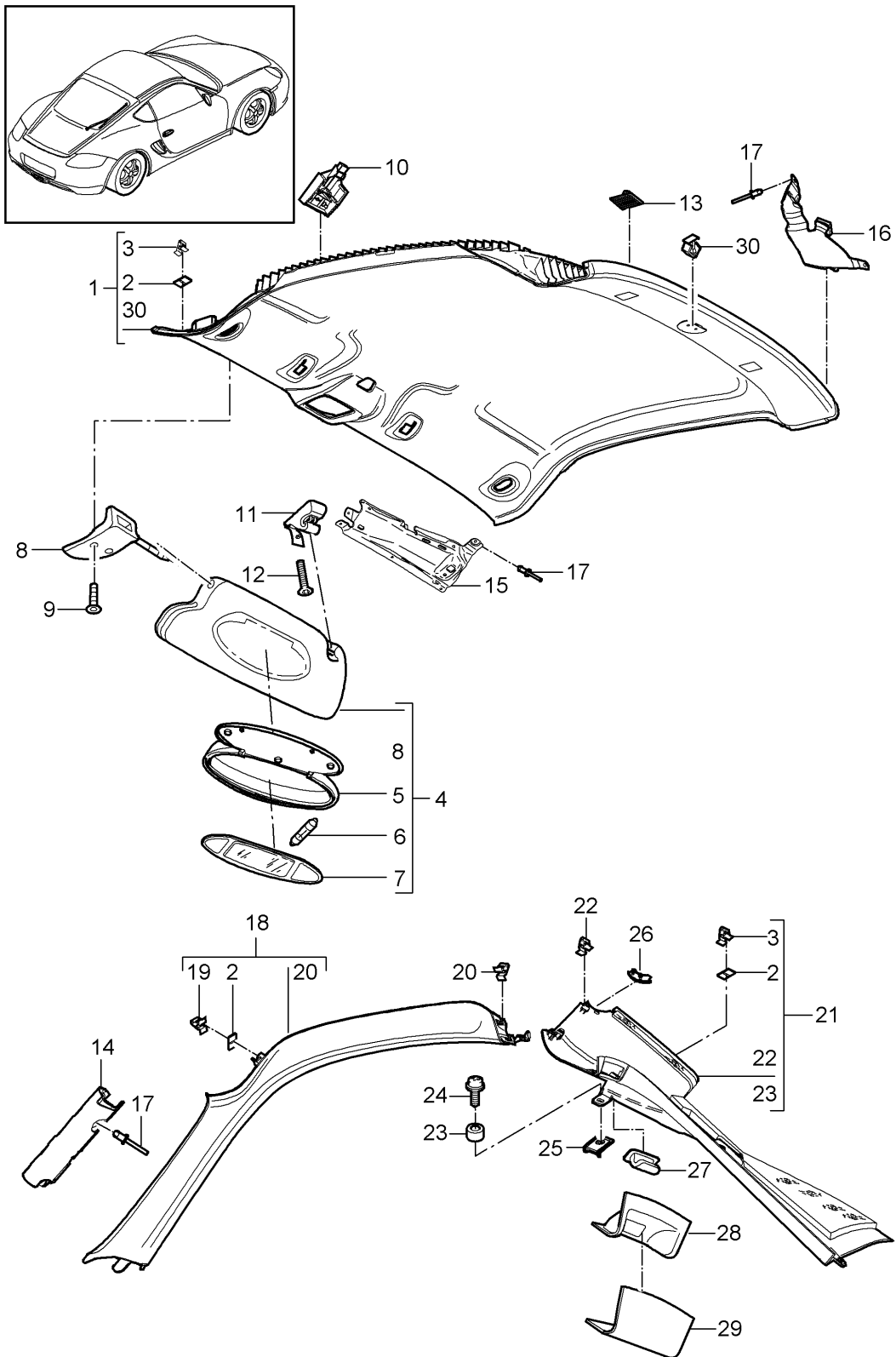
Model: 987 06

Model life 2006>>2008

Pos	Part Number	Description	Remark	Qty	Model
(35)	987 555 782 00	Cover Lower Black	/R	1	

Model: 987 06

Model life 2006>>2008



Model: 987 06 Model life 2006>>2008

Pos	Part Number	Description	Remark	Qty	Model
(1)	987 555 091 04	Rooflining Sun visors A-pillar C-pillar Rooflining Cloth		1	
	987 555 091 04 A22	Black			
	987 555 091 04 D32	Volcano grey			
	987 555 091 04 T42	Sand Beige			
(1)	987 555 091 06	Rooflining Cloth		1	I607
	987 555 091 06 A22	Black			
	987 555 091 06 D32	Volcano grey			
	987 555 091 06 T42	Sand Beige			
(1)	987 555 091 06	Rooflining Cloth		1	I608
	987 555 091 06 A22	Black			
	987 555 091 06 D32	Volcano grey			
	987 555 091 06 T42	Sand Beige			
(1)	987 555 091 09	Rooflining Alcantara	07-	1	I594
	987 555 091 09 A15	Black			
	987 555 091 09 5E5	Steel grey			
	987 555 091 09 T45	Sand Beige			
(1)	987 555 091 10	Rooflining Alcantara	07-	1	I594/607
	987 555 091 10 A15	Black			
	987 555 091 10 5E5	Steel grey			
	987 555 091 10 T45	Sand Beige			
(1)	987 555 091 10	Rooflining Alcantara	07-	1	I594/608
	987 555 091 10 A15	Black			
	987 555 091 10 5E5	Steel grey			
	987 555 091 10 T45	Sand Beige			
2	999 209 084 40	Spacer 20 X 25 X 0,5		2	
3	999 507 047 09	Clamp 3,6		2	
4	987 731 031 07	Sun visor Leatherette	/L	1	
	987 731 031 07 A12	Black			
	987 731 031 07 8W4	Stone grey			
	987 731 031 07 7E3	Sand Beige			
	987 731 031 07 8Z5	Sea blue			
	987 731 031 07 7W3	Palmgreen	-07		
(4)	987 731 032 07	Sun visor Leatherette	/R	1	
	987 731 032 07 A12	Black			
	987 731 032 07 8W4	Stone grey			
	987 731 032 07 7E3	Sand Beige			
	987 731 032 07 8Z5	Sea blue			
	987 731 032 07 7W3	Palmgreen	-07		
4	987 731 981 04	Sun visor Leather	/L	1	IXMP
	987 731 981 04 A11	Black			
	987 731 981 04 5X6	Stone grey			
	987 731 981 04 8G2	Sand Beige			
	987 731 981 04 3S9	Sea blue			
	987 731 981 04 4P2	Palmgreen	-07		
	987 731 981 04 9S5	Terracotta			
	987 731 981 04 9V6	Cocoa			
	987 731 981 04 D12	Dark grey/natural			
	987 731 981 04 T12	Brown/natural			

Model: 987 06 Model life 2006>>2008

Pos	Part Number	Description	Remark	Qty	Model
(4)	987 731 981 04 N12 987 731 982 04	Carrera Red Sun visor Leather	08- /R	1	IXMP
	987 731 982 04 A11	Black			
	987 731 982 04 5X6	Stone grey			
	987 731 982 04 8G2	Sand Beige			
	987 731 982 04 3S9	Sea blue			
	987 731 982 04 4P2	Palmgreen	-07		
	987 731 982 04 9S5	Terracotta			
	987 731 982 04 9V6	Cocoa			
	987 731 982 04 D12	Dark grey/natural			
	987 731 982 04 T12	Brown/natural			
5	987 731 982 04 N12 996 731 903 00	Carrera Red Mirror housing with illumination	08-	1	
	996 731 903 00 01C	Satin black			
6	999 631 147 90	Bulb 3 W		2	
7	996 731 531 01	Mirror glass with Frame		2	
	996 731 531 01 01C	Satin black			
9	999 073 326 09	Oval-head screw M5 X 10		2	
10	987 731 541 00	Plate Support Sun visor		2	
11	996 731 341 00	Support Sun visor Inner	/L	1	
	996 731 341 00 01C	Satin black			
(11)	996 731 342 00	Support Sun visor Inner	/R	1	
	996 731 342 00 01C	Satin black			
12	999 919 120 09	Oval-head screw 4,0 X 18		2	
13	999 902 050 40	Velcro fastener 25,4 X 25,4		2	
15	987 555 421 02	Deformation element Windscreen frame	/L	1	
(15)	987 555 422 02	Deformation element Windscreen frame	/R	1	
17	999 190 184 01	Blind rivet 4,0 X 8,5 Mount Deformation element		X	
18	987 555 181 04	Lining A-pillar	/L	1	
	987 555 181 04 A03	Black			
	987 555 181 04 5V7	Stone grey			
	987 555 181 04 5Z1	Sand Beige			
	987 555 181 04 8W7	Sea blue			
	987 555 181 04 5Y2	Palmgreen	-07		
	987 555 181 04 8X8	Terracotta			
	987 555 181 04 8P9	Cocoa			
	987 555 181 04 T13	Brown/natural			
(18)	987 555 181 04 N23 987 555 182 04	Carrera Red Lining A-pillar	08- /R	1	
	987 555 182 04 A03	Black			
	987 555 182 04 5V7	Stone grey			

Model: 987 06 Model life 2006>>2008

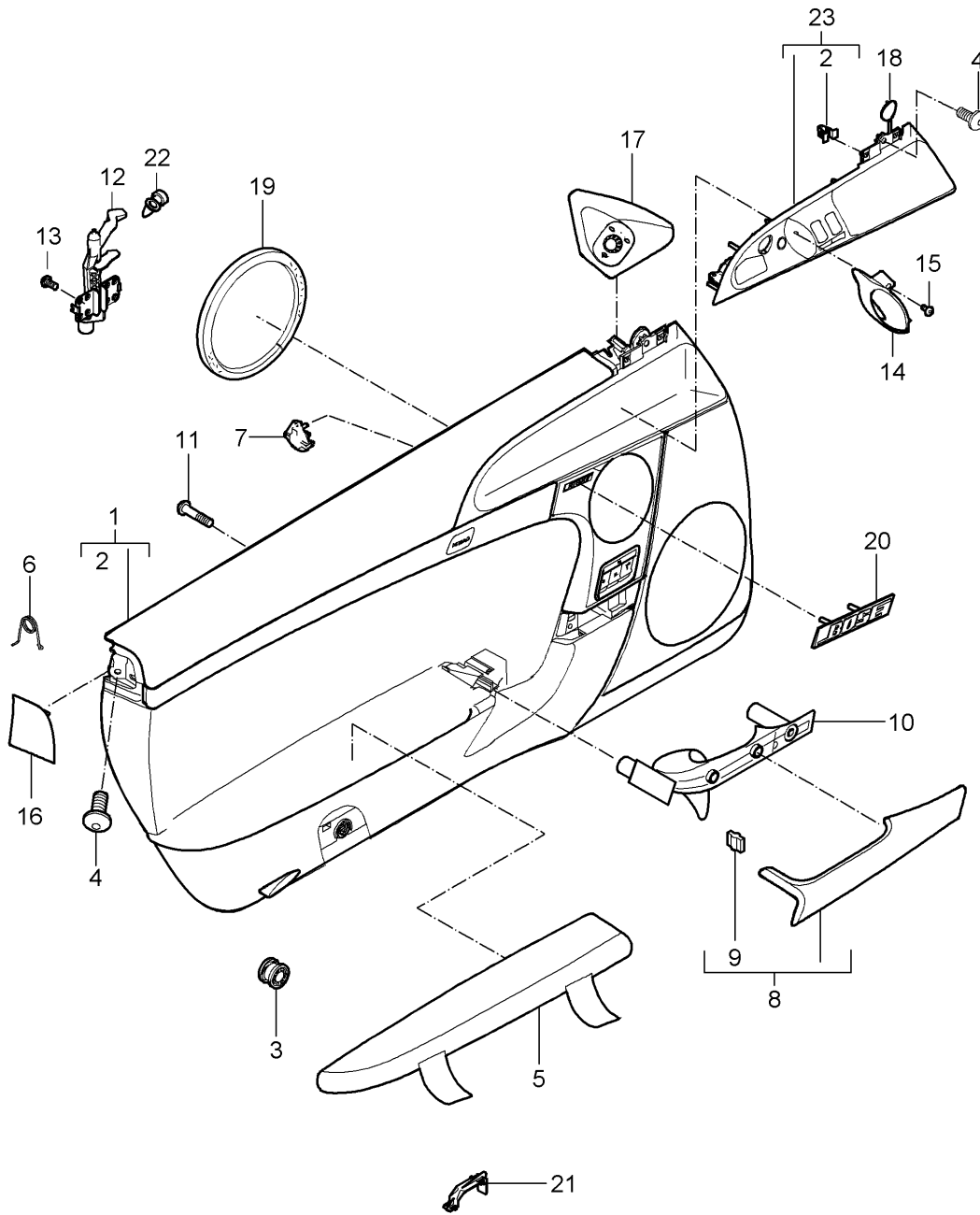
Pos	Part Number	Description	Remark	Qty	Model
	987 555 182 04 5Z1	Sand Beige			
	987 555 182 04 8W7	Sea blue			
	987 555 182 04 5Y2	Palmgreen	-07		
	987 555 182 04 8X8	Terracotta			
	987 555 182 04 8P9	Cocoa			
	987 555 182 04 T13	Brown/natural			
	987 555 182 04 N23	Carrera Red	08-		
19	999 507 839 01	Clamp 3,5		X	
20	999 507 476 01	Clamp 8,0 X 10/2,5		3	
21	987 555 187 00	Lining	/L	1	
	987 555 187 00 A03	Black			
	987 555 187 00 5V7	Stone grey			
	987 555 187 00 5Z1	Sand Beige			
	987 555 187 00 8W7	Sea blue			
	987 555 187 00 5Y2	Palmgreen	-07		
	987 555 187 00 8X8	Terracotta			
	987 555 187 00 8P9	Cocoa			
	987 555 187 00 T13	Brown/natural			
	987 555 187 00 N23	Carrera Red	08-		
(21)	987 555 188 00	Lining C-pillar	/R	1	
	987 555 188 00 A03	Black			
	987 555 188 00 5V7	Stone grey			
	987 555 188 00 5Z1	Sand Beige			
	987 555 188 00 8W7	Sea blue			
	987 555 188 00 5Y2	Palmgreen	-07		
	987 555 188 00 8X8	Terracotta			
	987 555 188 00 8P9	Cocoa			
	987 555 188 00 T13	Brown/natural			
	987 555 188 00 N23	Carrera Red	08-		
22	999 507 058 09	Clamp 2,6		X	
23	999 209 083 02	Spacer sleeve 4,5 X 0,7 X 5		2	
24	999 073 372 01	Tapping screw ST 4,2 X 16		2	
25	999 507 971 01	Speed nut ST 4,2		2	
(26)	987 555 787 00	Trim cover Upper	/L	1	
26	987 555 788 00	Trim cover Upper	/R	1	
27	987 555 887 00	Cover Hook Luggage net		2	I580
(28)	987 555 587 01	Cover Hook Luggage net	/L	1	I580
	987 555 587 01 A03	Black			
	987 555 587 01 5V7	Stone grey			
	987 555 587 01 5Z1	Sand Beige			
	987 555 587 01 8W7	Sea blue			
	987 555 587 01 5Y2	Palmgreen	-07		
	987 555 587 01 8X8	Terracotta			
	987 555 587 01 8P9	Cocoa			
	987 555 587 01 T13	Brown/natural			
	987 555 587 01 N23	Carrera Red	08-		
28	987 555 588 01	Cover Hook Luggage net	/R	1	I580
	987 555 588 01 A03	Black			

Model: 987 06 Model life 2006>>2008

Pos	Part Number	Description	Remark	Qty	Model
	987 555 588 01 5V7	Stone grey			
	987 555 588 01 5Z1	Sand Beige			
	987 555 588 01 8W7	Sea blue			
	987 555 588 01 5Y2	Palmgreen	-07		
	987 555 588 01 8X8	Terracotta			
	987 555 588 01 8P9	Cocoa			
	987 555 588 01 T13	Brown/natural			
	987 555 588 01 N23	Carrera Red	08-		
(29)	987 555 567 00	Lid	/L	1	
		Lining			
		C-pillar			
	987 555 567 00 A03	Black			
	987 555 567 00 5V7	Stone grey			
	987 555 567 00 5Z1	Sand Beige			
	987 555 567 00 8W7	Sea blue			
	987 555 567 00 5Y2	Palmgreen	-07		
	987 555 567 00 8X8	Terracotta			
	987 555 567 00 8P9	Cocoa			
	987 555 567 00 T13	Brown/natural			
	987 555 567 00 N23	Carrera Red	08-		
29	987 555 568 00	Lid	/R	1	
		Lining			
		C-pillar			
	987 555 568 00 A03	Black			
	987 555 568 00 5V7	Stone grey			
	987 555 568 00 5Z1	Sand Beige			
	987 555 568 00 8W7	Sea blue			
	987 555 568 00 5Y2	Palmgreen	-07		
	987 555 568 00 8X8	Terracotta			
	987 555 568 00 8P9	Cocoa			
	987 555 568 00 T13	Brown/natural			
	987 555 568 00 N23	Carrera Red	08-		
30	999 591 976 40	Fixing clip		1	
		Rooflining			
31	997 555 857 00	Grommet		x	
		A-pillar			

Model: 987 06

Model life 2006>>2008



Model: 987 06 Model life 2006>>2008

Pos	Part Number	Description	Remark	Qty	Model
1	997 555 201 00	Door trim panel Accessories			
		Door trim panel slush technology	/LL /L -07	1	I098
	997 555 201 00 9E8	Palmgreen	-07		
1	997 555 201 00	Door trim panel slush technology	/LL /L	1	I098
		Until Chassis number See technical information GR.7 NR. 17/11 KD-NR. 70			
	997 555 201 00 9L4	Black			
	997 555 201 00 9M5	Stone grey			
	997 555 201 00 9C6	Sand Beige			
	997 555 201 00 9D7	Sea blue			
1	997 555 901 00	Door trim panel slush technology	/LL /L	1	I098
		From Chassis number See technical information GR.7 NR. 17/11 KD-NR. 70			
	997 555 901 00 9L4	Black			
	997 555 901 00 9M5	Stone grey			
	997 555 901 00 9C6	Sand Beige			
	997 555 901 00 9D7	Sea blue			
(1)	997 555 201 04	Door trim panel slush technology	/LL /L -07	1	I098/490
	997 555 201 04 9E8	Palmgreen	-07		
(1)	997 555 201 04	Door trim panel slush technology	/LL /L	1	I098/490
		Until Chassis number See technical information GR.7 NR. 17/11 KD-NR. 70			
	997 555 201 04 9L4	Black			
	997 555 201 04 9M5	Stone grey			
	997 555 201 04 9C6	Sand Beige			
	997 555 201 04 9D7	Sea blue			
(1)	997 555 901 01	Door trim panel slush technology	/LL /L	1	I098/490
		From Chassis number See technical information GR.7 NR. 17/11 KD-NR. 70			
	997 555 901 01 9L4	Black			
	997 555 901 01 9M5	Stone grey			
	997 555 901 01 9C6	Sand Beige			
	997 555 901 01 9D7	Sea blue			
(1)	997 555 201 06	Door trim panel slush technology	/L -07	1	I537
	997 555 201 06 9E8	Palmgreen	-07		
(1)	997 555 201 06	Door trim panel slush technology	/L	1	I537
		Until Chassis number See technical information GR.7 NR. 17/11 KD-NR. 70			
	997 555 201 06 9L4	Black			

Model: 987 06 Model life 2006>>2008

Pos	Part Number	Description	Remark	Qty	Model
(1)	997 555 201 06 9M5	Stone grey			
	997 555 201 06 9C6	Sand Beige			
	997 555 201 06 9D7	Sea blue			
	997 555 901 03	Door trim panel slush technology From Chassis number See technical information GR.7 NR. 17/11 KD-NR. 70	/L	1	I537
(1)	997 555 901 03 9L4	Black			
	997 555 901 03 9M5	Stone grey			
	997 555 901 03 9C6	Sand Beige			
	997 555 901 03 9D7	Sea blue			
(1)	997 555 201 08	Door trim panel slush technology	/LL /L -07	1	I098/680
(1)	997 555 201 08 9E8	Palmgreen	-07		
	997 555 201 08	Door trim panel slush technology Until Chassis number See technical information GR.7 NR. 17/11 KD-NR. 70	/LL /L	1	I098/680
(1)	997 555 201 08 9L4	Black			
	997 555 201 08 9M5	Stone grey			
	997 555 201 08 9C6	Sand Beige			
	997 555 201 08 9D7	Sea blue			
(1)	997 555 901 05	Door trim panel slush technology From Chassis number See technical information GR.7 NR. 17/11 KD-NR. 70	/LL /L	1	I098/680
(1)	997 555 901 05 9L4	Black			
	997 555 901 05 9M5	Stone grey			
	997 555 901 05 9C6	Sand Beige			
	997 555 901 05 9D7	Sea blue			
(1)	997 555 201 10	Door trim panel slush technology	/LL /L -07	1	I098/537/680
(1)	997 555 201 10 9E8	Palmgreen	-07		
	997 555 201 10	Door trim panel slush technology Until Chassis number See technical information GR.7 NR. 17/11 KD-NR. 70	/LL /L	1	I098/537/680
(1)	997 555 201 10 9L4	Black			
	997 555 201 10 9M5	Stone grey			
	997 555 201 10 9C6	Sand Beige			
	997 555 201 10 9D7	Sea blue			
(1)	997 555 901 07	Door trim panel slush technology From Chassis number See technical information GR.7 NR. 17/11 KD-NR. 70	/LL /L	1	I098/537/680
(1)	997 555 901 07 9L4	Black			
	997 555 901 07 9M5	Stone grey			
	997 555 901 07 9C6	Sand Beige			

Model: 987 06 Model life 2006>>2008

Pos	Part Number	Description	Remark	Qty	Model
(1)	997 555 901 07 9D7 997 555 202 24	Sea blue Door trim panel slush technology	/LL /R -07	1	I098
(1)	997 555 202 24 9E8 997 555 202 24	Palmgreen Door trim panel slush technology Until Chassis number See technical information GR.7 NR. 17/11 KD-NR. 70	-07 /LL /R	1	I098
(1)	997 555 202 24 9L4 997 555 202 24 9M5 997 555 202 24 9C6 997 555 202 24 9D7 997 555 902 17	Black Stone grey Sand Beige Sea blue Door trim panel slush technology From Chassis number See technical information GR.7 NR. 17/11 KD-NR. 70	/LL /R	1	I098
(1)	997 555 902 17 9L4 997 555 902 17 9M5 997 555 902 17 9C6 997 555 902 17 9D7 997 555 202 26	Black Stone grey Sand Beige Sea blue Door trim panel slush technology	/LL /R -07	1	I098/537
(1)	997 555 202 26 9E8 997 555 202 26	Palmgreen Door trim panel slush technology Until Chassis number See technical information GR.7 NR. 17/11 KD-NR. 70	-07 /LL /R	1	I098/537
(1)	997 555 202 26 9L4 997 555 202 26 9M5 997 555 202 26 9C6 997 555 202 26 9D7 997 555 902 18	Black Stone grey Sand Beige Sea blue Door trim panel slush technology From Chassis number See technical information GR.7 NR. 17/11 KD-NR. 70	/LL /R	1	I098/537
(1)	997 555 902 18 9L4 997 555 902 18 9M5 997 555 902 18 9C6 997 555 902 18 9D7 997 555 202 26	Black Stone grey Sand Beige Sea blue Door trim panel slush technology	/LL /R -07	1	I098/490
(1)	997 555 202 26 9E8 997 555 202 26	Palmgreen Door trim panel slush technology Until Chassis number See technical information GR.7 NR. 17/11 KD-NR. 70	-07 /LL /R	1	I098/490
	997 555 202 26 9L4 997 555 202 26 9M5	Black Stone grey			

Model: 987 06 Model life 2006>>2008

Pos	Part Number	Description	Remark	Qty	Model
(1)	997 555 202 26 9C6	Sand Beige			
	997 555 202 26 9D7	Sea blue			
	997 555 902 18	Door trim panel slush technology From Chassis number See technical information GR.7 NR. 17/11 KD-NR. 70	/LL /R	1	I098/490
	997 555 902 18 9L4	Black			
	997 555 902 18 9M5	Stone grey			
(1)	997 555 902 18 9C6	Sand Beige			
	997 555 902 18 9D7	Sea blue			
	997 555 202 28	Door trim panel slush technology	/LL /R -07	1	I098/680
	997 555 202 28 9E8	Palmgreen	-07		
	997 555 202 28	Door trim panel slush technology Until Chassis number See technical information GR.7 NR. 17/11 KD-NR. 70	/LL /R	1	I098/680
(1)	997 555 202 28 9L4	Black			
	997 555 202 28 9M5	Stone grey			
	997 555 202 28 9C6	Sand Beige			
	997 555 202 28 9D7	Sea blue			
	997 555 902 20	Door trim panel slush technology From Chassis number See technical information GR.7 NR. 17/11 KD-NR. 70	/LL /R	1	I098/680
(1)	997 555 902 20 9L4	Black			
	997 555 902 20 9M5	Stone grey			
	997 555 902 20 9C6	Sand Beige			
	997 555 902 20 9D7	Sea blue			
	997 555 202 00	Door trim panel slush technology	/RL /R -07	1	I099
(1)	997 555 202 00 9E8	Palmgreen	-07		
	997 555 202 00	Door trim panel slush technology Until Chassis number See technical information GR.7 NR. 17/11 KD-NR. 70	/RL /R	1	I099
	997 555 202 00 9L4	Black			
	997 555 202 00 9M5	Stone grey			
	997 555 202 00 9C6	Sand Beige			
(1)	997 555 202 00 9D7	Sea blue			
	997 555 902 00	Door trim panel slush technology From Chassis number See technical information GR.7 NR. 17/11 KD-NR. 70	/RL /R	1	I099
	997 555 902 00 9L4	Black			
	997 555 902 00 9M5	Stone grey			
	997 555 902 00 9C6	Sand Beige			
	997 555 902 00 9D7	Sea blue			

Model: 987 06 Model life 2006>>2008

Pos	Part Number	Description	Remark	Qty	Model
(1)	997 555 202 04	Door trim panel slush technology	/RL /R -07	1	I099/490
	997 555 202 04 9E8	Palmgreen	-07		
(1)	997 555 202 04	Door trim panel slush technology Until Chassis number See technical information GR.7 NR. 17/11 KD-NR. 70	/RL /R	1	I099/490
	997 555 202 04 9L4	Black			
	997 555 202 04 9M5	Stone grey			
	997 555 202 04 9C6	Sand Beige			
	997 555 202 04 9D7	Sea blue			
(1)	997 555 902 01	Door trim panel slush From Chassis number See technical information GR.7 NR. 17/11 KD-NR. 70	/RL /R	1	I099/490
	997 555 902 01 9L4	Black			
	997 555 902 01 9M5	Stone grey			
	997 555 902 01 9C6	Sand Beige			
	997 555 902 01 9D7	Sea blue			
(1)	997 555 202 06	Door trim panel slush technology	/RL /R -07	1	I099/538
	997 555 202 06 9E8	Palmgreen	-07		
(1)	997 555 202 06	Door trim panel slush technology Until Chassis number See technical information GR.7 NR. 17/11 KD-NR. 70	/RL /R	1	I099/538
	997 555 202 06 9L4	Black			
	997 555 202 06 9M5	Stone grey			
	997 555 202 06 9C6	Sand Beige			
	997 555 202 06 9D7	Sea blue			
(1)	997 555 902 03	Door trim panel slush technology From Chassis number See technical information GR.7 NR. 17/11 KD-NR. 70	/RL /R	1	I099/538
	997 555 902 03 9L4	Black			
	997 555 902 03 9M5	Stone grey			
	997 555 902 03 9C6	Sand Beige			
	997 555 902 03 9D7	Sea blue			
(1)	997 555 202 06	Door trim panel slush technology	/RL /R -07	1	I099/490/538
	997 555 202 06 9E8	Palmgreen	-07		
(1)	997 555 202 06	Door trim panel slush technology Until Chassis number See technical information GR.7 NR. 17/11 KD-NR. 70	/RL /R	1	I099/490/538
	997 555 202 06 9L4	Black			
	997 555 202 06 9M5	Stone grey			
	997 555 202 06 9C6	Sand Beige			

Model: 987 06 Model life 2006>>2008

Pos	Part Number	Description	Remark	Qty	Model
(1)	997 555 202 06 9D7 997 555 902 03	Sea blue Door trim panel slush technology From Chassis number See technical information GR.7 NR. 17/11 KD-NR. 70	/RL /R	1	I099/490/538
	997 555 902 03 9L4	Black			
	997 555 902 03 9M5	Stone grey			
	997 555 902 03 9C6	Sand Beige			
	997 555 902 03 9D7	Sea blue			
(1)	997 555 202 08	Door trim panel slush technology	/RL /R -07	1	I099/680
	997 555 202 08 9E8	Palmgreen	-07		
(1)	997 555 202 08	Door trim panel slush technology Until Chassis number See technical information GR.7 NR. 17/11 KD-NR. 70	/RL /R	1	I099/680
	997 555 202 08 9L4	Black			
	997 555 202 08 9M5	Stone grey			
	997 555 202 08 9C6	Sand Beige			
	997 555 202 08 9D7	Sea blue			
(1)	997 555 902 05	Door trim panel slush technology From Chassis number See technical information GR.7 NR. 17/11 KD-NR. 70	/RL /R	1	I099/680
	997 555 902 05 9L4	Black			
	997 555 902 05 9M5	Stone grey			
	997 555 902 05 9C6	Sand Beige			
	997 555 902 05 9D7	Sea blue			
(1)	997 555 202 10	Door trim panel slush technology	/RL /R -07	1	I099/538/680
	997 555 202 10 9E8	Palmgreen	-07		
(1)	997 555 202 10	Door trim panel slush technology Until Chassis number See technical information GR.7 NR. 17/11 KD-NR. 70	/RL /R	1	I099/538/680
	997 555 202 10 9L4	Black			
	997 555 202 10 9M5	Stone grey			
	997 555 202 10 9C6	Sand Beige			
	997 555 202 10 9D7	Sea blue			
(1)	997 555 902 07	Door trim panel slush technology From Chassis number See technical information GR.7 NR. 17/11 KD-NR. 70	/RL /R	1	I099/538/680
	997 555 902 07 9L4	Black			
	997 555 902 07 9M5	Stone grey			
	997 555 902 07 9C6	Sand Beige			
	997 555 902 07 9D7	Sea blue			
(1)	997 555 201 24	Door trim panel	/RL /L -07	1	I099

Model: 987 06 Model life 2006>>2008

Pos	Part Number	Description	Remark	Qty	Model
(1)	997 555 201 24 9E8 997 555 201 24	slush technology Palmgreen Door trim panel slush technology Until Chassis number See technical information GR.7 NR. 17/11 KD-NR. 70	-07 /RL /L	1	I099
(1)	997 555 201 24 9L4 997 555 201 24 9M5 997 555 201 24 9C6 997 555 201 24 9D7 997 555 901 17	Black Stone grey Sand Beige Sea blue Door trim panel slush technology From Chassis number See technical information GR.7 NR. 17/11 KD-NR. 70	/RL /L	1	I099
(1)	997 555 901 17 9L4 997 555 901 17 9M5 997 555 901 17 9C6 997 555 901 17 9D7 997 555 201 26	Black Stone grey Sand Beige Sea blue Door trim panel slush technology	/RL /L -07	1	I099/538
(1)	997 555 201 26 9E8 997 555 201 26	Palmgreen Door trim panel slush technology Until Chassis number See technical information GR.7 NR. 17/11 KD-NR. 70	-07 /RL /L	1	I099/538
(1)	997 555 201 26 9L4 997 555 201 26 9M5 997 555 201 26 9C6 997 555 201 26 9D7 997 555 901 18	Black Stone grey Sand Beige Sea blue Door trim panel slush technology From Chassis number See technical information GR.7 NR. 17/11 KD-NR. 70	/RL /L	1	I099/538
(1)	997 555 901 18 9L4 997 555 901 18 9M5 997 555 901 18 9C6 997 555 901 18 9D7 997 555 201 26	Black Stone grey Sand Beige Sea blue Door trim panel slush technology	/RL /L -07	1	I099/490
(1)	997 555 201 26 9E8 997 555 201 26	Palmgreen Door trim panel slush technology Until Chassis number See technical information GR.7 NR. 17/11 KD-NR. 70	-07 /RL /L	1	I099/490
(1)	997 555 201 26 9L4 997 555 201 26 9M5 997 555 201 26 9C6 997 555 201 26 9D7	Black Stone grey Sand Beige Sea blue			

Model: 987 06 Model life 2006>>2008

Pos	Part Number	Description	Remark	Qty	Model
(1)	997 555 901 18	Door trim panel slush technology From Chassis number See technical information GR.7 NR. 17/11 KD-NR. 70	/RL /L	1	I099/490
	997 555 901 18 9L4	Black			
	997 555 901 18 9M5	Stone grey			
	997 555 901 18 9C6	Sand Beige			
	997 555 901 18 9D7	Sea blue			
(1)	997 555 201 28	Door trim panel slush technology	/RL /L -07	1	I099/680
	997 555 201 28 9E8	Palmgreen	-07		
(1)	997 555 201 28	Door trim panel slush technology Until Chassis number See technical information GR.7 NR. 17/11 KD-NR. 70	/RL /L	1	I099/680
	997 555 201 28 9L4	Black			
	997 555 201 28 9M5	Stone grey			
	997 555 201 28 9C6	Sand Beige			
	997 555 201 28 9D7	Sea blue			
(1)	997 555 901 20	Door trim panel slush technology From Chassis number See technical information GR.7 NR. 17/11 KD-NR. 70	/RL /L	1	I099/680
	997 555 901 20 9L4	Black			
	997 555 901 20 9M5	Stone grey			
	997 555 901 20 9C6	Sand Beige			
	997 555 901 20 9D7	Sea blue			
(1)	997 555 201 05	Door trim panel Leather	/LL /L	1	I098/981
	997 555 201 05 FSE	Palmgreen	-07		
	997 555 201 05 FSF	Terracotta/terracotta			
	997 555 201 05 FSG	Cocoa/Cocoa			
	997 555 201 05 FSH	Darkgrey natural/grey			
	997 555 201 05 FSJ	Brown nat./brown nat.			
	997 555 201 05 BCB	Black/stone grey			
(1)	997 555 201 05	Door trim panel Leather Until Chassis number See technical information GR.7 NR. 17/11 KD-NR. 70	/LL /L	1	I098/981
	997 555 201 05 FSA	Black/grey			
	997 555 201 05 FSB	Stone grey/stone grey			
	997 555 201 05 FSC	Sand Beige			
	997 555 201 05 FSD	Sea blue/grey			
	997 555 201 05 FSP	Carrera Red	08-		
(1)	997 555 901 02	Door trim panel Leather From Chassis number See technical information GR.7 NR. 17/11 KD-NR. 70	/LL /L	1	I098/981

Model: 987 06 Model life 2006>>2008

Pos	Part Number	Description	Remark	Qty	Model
	997 555 901 02 FSA	Black			
	997 555 901 02 FSB	Stone grey			
	997 555 901 02 FSC	Sand Beige			
	997 555 901 02 FSD	Sea blue			
	997 555 901 02 FSP	Carrera Red	08-		
(1)	997 555 201 05	Door trim panel Leather	/LL /L	1	I098/490/981
	997 555 201 05 FSE	Palmgreen	-07		
	997 555 201 05 FSF	Terracotta/terracotta			
	997 555 201 05 FSG	Cocoa/Cocoa			
	997 555 201 05 FSH	Darkgrey natural/grey			
	997 555 201 05 FSJ	Brown nat./brown nat.			
	997 555 201 05 BCB	Black/stone grey			
(1)	997 555 201 05	Door trim panel Leather Until Chassis number See technical information GR.7 NR. 17/11 KD-NR. 70	/LL /L	1	I098/490/981
	997 555 201 05 FSA	Black/grey			
	997 555 201 05 FSB	Stone grey/stone grey			
	997 555 201 05 FSC	Sand Beige			
	997 555 201 05 FSD	Sea blue/grey			
	997 555 201 05 FSP	Carrera Red	08-		
(1)	997 555 901 02	Door trim panel Leather From Chassis number See technical information GR.7 NR. 17/11 KD-NR. 70	/LL /L	1	I098/490/981
	997 555 901 02 FSA	Black			
	997 555 901 02 FSB	Stone grey			
	997 555 901 02 FSC	Sand Beige			
	997 555 901 02 FSD	Sea blue			
	997 555 901 02 FSP	Carrera Red	08-		
(1)	997 555 201 07	Door trim panel Leather	/LL /L	1	I098/537/981
	997 555 201 07 FSE	Palmgreen	-07		
	997 555 201 07 FSF	Terracotta/terracotta			
	997 555 201 07 FSG	Cocoa/Cocoa			
	997 555 201 07 FSH	Darkgrey natural/grey			
	997 555 201 07 FSJ	Brown nat./brown nat.			
	997 555 201 07 BCB	Black/stone grey			
(1)	997 555 201 07	Door trim panel Leather Until Chassis number See technical information GR.7 NR. 17/11 KD-NR. 70	/LL /L	1	I098/537/981
	997 555 201 07 FSA	Black/grey			
	997 555 201 07 FSB	Stone grey/stone grey			
	997 555 201 07 FSC	Sand Beige			
	997 555 201 07 FSD	Sea blue/grey			
	997 555 201 07 FSP	Carrera Red	08-		
(1)	997 555 901 04	Door trim panel Leather From Chassis number See technical information GR.7 NR. 17/11	/LL /L	1	I098/537/981

Model: 987 06 Model life 2006>>2008

Pos	Part Number	Description	Remark	Qty	Model
		KD-NR. 70			
	997 555 901 04 FSA	Black			
	997 555 901 04 FSB	Stone grey/stone grey			
	997 555 901 04 FSC	Sand Beige			
	997 555 901 04 FSD	Sea blue			
	997 555 901 04 FSP	Carrera Red	08-		
(1)	997 555 201 07	Door trim panel	/LL /L	1	I098/490/537 I981
		Leather			
	997 555 201 07 FSE	Palmgreen	-07		
	997 555 201 07 FSF	Terracotta/terracotta			
	997 555 201 07 FSG	Cocoa/Cocoa			
	997 555 201 07 FSH	Darkgrey natural/grey			
	997 555 201 07 FSJ	Brown nat./brown nat.			
	997 555 201 07 BCB	Black/stone grey			
(1)	997 555 201 07	Door trim panel	/LL /L	1	I098/490/537 I981
		Leather			
		Until			
		Chassis number			
		See technical information			
		GR.7 NR. 17/11			
		KD-NR. 70			
	997 555 201 07 FSA	Black/grey			
	997 555 201 07 FSB	Stone grey/stone grey			
	997 555 201 07 FSC	Sand Beige			
	997 555 201 07 FSD	Sea blue/grey			
	997 555 201 07 FSP	Carrera Red	08-		
(1)	997 555 901 04	Door trim panel	/LL /L	1	I098/490/537 I981
		Leather			
		From			
		Chassis number			
		See technical information			
		GR.7 NR. 17/11			
		KD-NR. 70			
	997 555 901 04 FSA	Black			
	997 555 901 04 FSB	Stone grey/stone grey			
	997 555 901 04 FSC	Sand Beige			
	997 555 901 04 FSD	Sea blue			
	997 555 901 04 FSP	Carrera Red	08-		
(1)	997 555 201 09	Door trim panel	/LL /L	1	I098/680/981
		Leather			
	997 555 201 09 FSE	Palmgreen	-07		
	997 555 201 09 FSF	Terracotta/terracotta			
	997 555 201 09 FSG	Cocoa/Cocoa			
	997 555 201 09 FSH	Darkgrey natural/grey			
	997 555 201 09 FSJ	Brown nat./brown nat.			
	997 555 201 09 BCB	Black/stone grey			
(1)	997 555 201 09	Door trim panel	/LL /L	1	I098/680/981
		Leather			
		Until			
		Chassis number			
		See technical information			
		GR.7 NR. 17/11			
		KD-NR. 70			
	997 555 201 09 FSA	Black/grey			
	997 555 201 09 FSB	Stone grey/stone grey			
	997 555 201 09 FSC	Sand Beige			
	997 555 201 09 FSD	Sea blue/grey			
	997 555 201 09 FSP	Carrera Red	08-		
(1)	997 555 901 06	Door trim panel	/LL /L	1	I098/680/981
		Leather			

Model: 987 06 Model life 2006>>2008

Pos	Part Number	Description	Remark	Qty	Model
		From Chassis number See technical information GR.7 NR. 17/11 KD-NR. 70			
	997 555 901 06 FSA	Black			
	997 555 901 06 FSB	Stone grey			
	997 555 901 06 FSC	Sand Beige			
	997 555 901 06 FSD	Sea blue			
	997 555 901 06 FSP	Carrera Red	08-		
(1)	997 555 201 11	Door trim panel	/LL /L	1	I098/537/680 I981
		Leather			
	997 555 201 11 FSE	Palmgreen	-07		
	997 555 201 11 FSF	Terracotta/terracotta			
	997 555 201 11 FSG	Cocoa/Cocoa			
	997 555 201 11 FSH	Darkgrey natural/grey			
	997 555 201 11 FSJ	Brown nat./brown nat.			
	997 555 201 11 BCB	Black/stone grey			
(1)	997 555 201 11	Door trim panel	/LL /L	1	I098/537/680 I981
		Leather			
		Until			
		Chassis number See technical information GR.7 NR. 17/11 KD-NR. 70			
	997 555 201 11 FSA	Black/grey			
	997 555 201 11 FSB	Stone grey/stone grey			
	997 555 201 11 FSC	Sand Beige			
	997 555 201 11 FSD	Sea blue/grey			
	997 555 201 11 FSP	Carrera Red	08-		
(1)	997 555 901 08	Door trim panel	/LL /L	1	I098/537/680 I981
		Leather			
		From			
		Chassis number See technical information GR.7 NR. 17/11 KD-NR. 70			
	997 555 901 08 FSA	Black			
	997 555 901 08 FSB	Stone grey/stone grey			
	997 555 901 08 FSC	Sand Beige			
	997 555 901 08 FSD	Sea blue			
	997 555 901 08 FSP	Carrera Red	08-		
(1)	997 555 202 27	Door trim panel	/LL /R	1	I098/981
		Leather			
	997 555 202 27 FSE	Palmgreen	-07		
	997 555 202 27 FSF	Terracotta/terracotta			
	997 555 202 27 FSG	Cocoa/Cocoa			
	997 555 202 27 FSH	Darkgrey natural/grey			
	997 555 202 27 FSJ	Brown nat./brown nat.			
	997 555 202 27 BCB	Black/stone grey			
(1)	997 555 202 27	Door trim panel	/LL /R	1	I098/981
		Leather			
		Until			
		Chassis number See technical information GR.7 NR. 17/11 KD-NR. 70			
	997 555 202 27 FSA	Black/grey			
	997 555 202 27 FSB	Stone grey/stone grey			
	997 555 202 27 FSC	Sand Beige			

Model: 987 06 Model life 2006>>2008

Pos	Part Number	Description	Remark	Qty	Model
(1)	997 555 202 27 FSD	Sea blue/grey			
	997 555 202 27 FSP	Carrera Red	08-		
	997 555 902 19	Door trim panel	/LL /R	1	I098/981
		Leather From Chassis number See technical information GR.7 NR. 17/11 KD-NR. 70			
(1)	997 555 902 19 FSA	Black			
	997 555 902 19 FSB	Stone grey/stone grey			
	997 555 902 19 FSC	Sand Beige			
	997 555 902 19 FSD	Sea blue			
(1)	997 555 902 19 FSP	Carrera Red	08-		
	997 555 202 27	Door trim panel	/LL /R	1	I098/490/981
		Leather Palmgreen	-07		
		Terracotta/terracotta			
(1)	997 555 202 27 FSE	Palmgreen			
	997 555 202 27 FSF	Terracotta/terracotta			
	997 555 202 27 FSG	Cocoa/Cocoa			
	997 555 202 27 FSH	Darkgrey natural/grey			
(1)	997 555 202 27 FSJ	Brown nat./brown nat.			
	997 555 202 27 BCB	Black/stone grey			
	997 555 202 27	Door trim panel	/LL /R	1	I098/490/981
		Leather Until Chassis number See technical information GR.7 NR. 17/11 KD-NR. 70			
(1)	997 555 202 27 FSA	Black/grey			
	997 555 202 27 FSB	Stone grey/stone grey			
	997 555 202 27 FSC	Sand Beige			
	997 555 202 27 FSD	Sea blue/grey			
(1)	997 555 202 27 FSP	Carrera Red	08-		
	997 555 902 19	Door trim panel	/LL /R	1	I098/490/981
		Leather From Chassis number See technical information GR.7 NR. 17/11 KD-NR. 70			
		Black			
(1)	997 555 902 19 FSA	Black			
	997 555 902 19 FSB	Stone grey/stone grey			
	997 555 902 19 FSC	Sand Beige			
	997 555 902 19 FSD	Sea blue			
(1)	997 555 902 19 FSP	Carrera Red	08-		
	997 555 202 29	Door trim panel	/LL /R	1	I098/680/981
		Leather Palmgreen	-07		
		Terracotta/terracotta			
(1)	997 555 202 29 FSF	Terracotta/terracotta			
	997 555 202 29 FSG	Cocoa/Cocoa			
	997 555 202 29 FSH	Darkgrey natural/grey			
	997 555 202 29 FSJ	Brown nat./brown nat.			
(1)	997 555 202 29 BCB	Black/stone grey			
	997 555 202 29	Door trim panel	/LL /R	1	I098/680/981
		Leather Until Chassis number See technical information GR.7 NR. 17/11 KD-NR. 70			
		Black/grey			
	997 555 202 29 FSA	Black/grey			
	997 555 202 29 FSB	Stone grey/stone grey			

Model: 987 06 Model life 2006>>2008

Pos	Part Number	Description	Remark	Qty	Model
(1)	997 555 202 29 FSC	Sand Beige			
	997 555 202 29 FSD	Sea blue/grey			
	997 555 202 29 FSP	Carrera Red	08-		
	997 555 902 21	Door trim panel	/LL /R	1	I098/680/981
		Leather			
(1)		From			
		Chassis number			
		See technical information			
		GR.7 NR. 17/11			
		KD-NR. 70			
	997 555 902 21 FSA	Black			
	997 555 902 21 FSB	Stone grey/stone grey			
	997 555 902 21 FSC	Sand Beige			
	997 555 902 21 FSD	Sea blue			
	997 555 902 21 FSP	Carrera Red			
(1)	997 555 202 05	Door trim panel	/RL /R	1	I099/981
	997 555 202 05 FSE	Palmgreen	-07		
	997 555 202 05 FSF	Terracotta/terracotta			
	997 555 202 05 FSG	Cocoa/Cocoa			
	997 555 202 05 FSH	Darkgrey natural/grey			
	997 555 202 05 FSJ	Brown nat./brown nat.			
	997 555 202 05 BCB	Black/stone grey			
	997 555 202 05	Door trim panel	/RL /R	1	I099/981
		Until			
		Chassis number			
(1)		See technical information			
		GR.7 NR. 17/11			
		KD-NR. 70			
	997 555 202 05 FSA	Black/grey			
	997 555 202 05 FSB	Stone grey/stone grey			
	997 555 202 05 FSC	Sand Beige			
	997 555 202 05 FSD	Sea blue/grey			
	997 555 202 05 FSP	Carrera Red	08-		
	997 555 902 02	Door trim panel	/RL /R	1	I099/981
		From			
(1)		Chassis number			
		See technical information			
		GR.7 NR. 17/11			
		KD-NR. 70			
	997 555 902 02 FSA	Black			
	997 555 902 02 FSB	Stone grey			
	997 555 902 02 FSC	Sand Beige			
	997 555 902 02 FSD	Sea blue			
	997 555 902 02 FSP	Carrera Red	08-		
	997 555 202 05	Door trim panel	/RL /R	1	I099/490/981
(1)	997 555 202 05 FSE	Palmgreen	-07		
	997 555 202 05 FSF	Terracotta/terracotta			
	997 555 202 05 FSG	Cocoa/Cocoa			
	997 555 202 05 FSH	Darkgrey natural/grey			
	997 555 202 05 FSJ	Brown nat./brown nat.			
	997 555 202 05 BCB	Black/stone grey			
	997 555 202 05	Door trim panel	/RL /R	1	I099/490/981
		Until			
		Chassis number			
		See technical information			
(1)		GR.7 NR. 17/11			
		KD-NR. 70			
	997 555 202 05 FSA	Black/grey			
	997 555 202 05 FSB	Stone grey/stone grey			
	997 555 202 05 FSC	Sand Beige			
	997 555 202 05 FSD	Sea blue/grey			
997 555 202 05 FSP	Carrera Red	08-			
997 555 902 02	Door trim panel	/RL /R	1	I099/490/981	

Model: 987 06 Model life 2006>>2008

Pos	Part Number	Description	Remark	Qty	Model
		From Chassis number See technical information GR.7 NR. 17/11 KD-NR. 70			
	997 555 902 02 FSA	Black			
	997 555 902 02 FSB	Stone grey			
	997 555 902 02 FSC	Sand Beige			
	997 555 902 02 FSD	Sea blue			
	997 555 902 02 FSP	Carrera Red	08-		
(1)	997 555 202 07	Door trim panel	/RL /R	1	I099/538/981
	997 555 202 07 FSE	Palmgreen	-07		
	997 555 202 07 FSF	Terracotta/terracotta			
	997 555 202 07 FSG	Cocoa/Cocoa			
	997 555 202 07 FSH	Darkgrey natural/grey			
	997 555 202 07 FSJ	Brown nat./brown nat.			
(1)	997 555 202 07 BCB	Black/stone grey			
	997 555 202 07	Door trim panel	/RL /R	1	I099/538/981
		Until Chassis number See technical information GR.7 NR. 17/11 KD-NR. 70			
	997 555 202 07 FSA	Black/grey			
	997 555 202 07 FSB	Stone grey/stone grey			
	997 555 202 07 FSC	Sand Beige			
	997 555 202 07 FSD	Sea blue/grey			
	997 555 202 07 FSP	Carrera Red	08-		
(1)	997 555 902 04	Door trim panel	/RL /R	1	I099/538/981
		From Chassis number See technical information GR.7 NR. 17/11 KD-NR. 70			
	997 555 902 04 FSA	Black			
	997 555 902 04 FSB	Stone grey			
	997 555 902 04 FSC	Sand Beige			
	997 555 902 04 FSD	Sea blue			
	997 555 902 04 FSP	Carrera Red	08-		
(1)	997 555 202 07	Door trim panel	/RL /R	1	I099/490/538 I981
	997 555 202 07 FSE	Palmgreen	-07		
	997 555 202 07 FSF	Terracotta/terracotta			
	997 555 202 07 FSG	Cocoa/Cocoa			
	997 555 202 07 FSH	Darkgrey natural/grey			
	997 555 202 07 FSJ	Brown nat./brown nat.			
(1)	997 555 202 07 BCB	Black/stone grey			
	997 555 202 07	Door trim panel	/RL /R	1	I099/490/538 I981
		Until Chassis number See technical information GR.7 NR. 17/11 KD-NR. 70			
	997 555 202 07 FSA	Black/grey			
	997 555 202 07 FSB	Stone grey/stone grey			
	997 555 202 07 FSC	Sand Beige			
	997 555 202 07 FSD	Sea blue/grey			
	997 555 202 07 FSP	Carrera Red	08-		
(1)	997 555 902 04	Door trim panel	/RL /R	1	I099/490/538 I981
		From Chassis number			

Model: 987 06 Model life 2006>>2008

Pos	Part Number	Description	Remark	Qty	Model
		See technical information GR.7 NR. 17/11 KD-NR. 70			
	997 555 902 04 FSA	Black			
	997 555 902 04 FSB	Stone grey			
	997 555 902 04 FSC	Sand Beige			
	997 555 902 04 FSD	Sea blue			
	997 555 902 04 FSP	Carrera Red	08-		
(1)	997 555 202 09	Door trim panel	/RL /R	1	I099/680/981
	997 555 202 09 FSE	Palmgreen	-07		
	997 555 202 09 FSF	Terracotta/terracotta			
	997 555 202 09 FSG	Cocoa/Cocoa			
	997 555 202 09 FSH	Darkgrey natural/grey			
	997 555 202 09 FSJ	Brown nat./brown nat.			
	997 555 202 09 BCB	Black/stone grey			
(1)	997 555 202 09	Door trim panel	/RL /R	1	I099/680/981
		Until Chassis number See technical information GR.7 NR. 17/11 KD-NR. 70			
	997 555 202 09 FSA	Black/grey			
	997 555 202 09 FSB	Stone grey/stone grey			
	997 555 202 09 FSC	Sand Beige			
	997 555 202 09 FSD	Sea blue/grey			
	997 555 202 09 FSP	Carrera Red	08-		
(1)	997 555 902 06	Door trim panel	/RL /R	1	I099/680/981
		From Chassis number See technical information GR.7 NR. 17/11 KD-NR. 70			
	997 555 902 06 FSA	Black			
	997 555 902 06 FSB	Stone grey/stone grey			
	997 555 902 06 FSC	Sand Beige			
	997 555 902 06 FSD	Sea blue			
	997 555 902 06 FSP	Carrera Red	08-		
(1)	997 555 202 11	Door trim panel	/RL /R	1	I099/538/680 I981
	997 555 202 11 FSE	Palmgreen	-07		
	997 555 202 11 FSF	Terracotta/terracotta			
	997 555 202 11 FSG	Cocoa/Cocoa			
	997 555 202 11 FSH	Darkgrey natural/grey			
	997 555 202 11 FSJ	Brown nat./brown nat.			
	997 555 202 11 BCB	Black/stone grey			
(1)	997 555 202 11	Door trim panel	/RL /R	1	I099/538/680 I981
		From Chassis number See technical information GR.7 NR. 17/11 KD-NR. 70			
	997 555 202 11 FSA	Black/grey			
	997 555 202 11 FSB	Stone grey/stone grey			
	997 555 202 11 FSC	Sand Beige			
	997 555 202 11 FSD	Sea blue/grey			
	997 555 202 11 FSP	Carrera Red	08-		
(1)	997 555 902 08	Door trim panel	/RL /R	1	I099/538/680 I981
		From Chassis number See technical information GR.7 NR. 17/11			

Model: 987 06 Model life 2006>>2008

Pos	Part Number	Description	Remark	Qty	Model
		KD-NR. 70			
	997 555 902 08 FSA	Black			
	997 555 902 08 FSB	Stone grey			
	997 555 902 08 FSC	Sand Beige			
	997 555 902 08 FSD	Sea blue			
	997 555 902 08 FSP	Carrera Red	08-		
(1)	997 555 201 27	Door trim panel	/RL /L	1	I099/981
	997 555 201 27 FSE	Palmgreen	-07		
	997 555 201 27 FSF	Terracotta/terracotta			
	997 555 201 27 FSG	Cocoa/Cocoa			
	997 555 201 27 FSH	Darkgrey natural/grey			
	997 555 201 27 FSJ	Brown nat./brown nat.			
	997 555 201 27 BCB	Black/stone grey			
(1)	997 555 201 27	Door trim panel	/RL /L	1	I099/981
		Until			
		Chassis number			
		See technical information			
		GR.7 NR. 17/11			
		KD-NR. 70			
	997 555 201 27 FSA	Black/grey			
	997 555 201 27 FSB	Stone grey/stone grey			
	997 555 201 27 FSC	Sand Beige			
	997 555 201 27 FSD	Sea blue/grey			
	997 555 201 27 FSP	Carrera Red	08-		
(1)	997 555 901 19	Door trim panel	/RL /L	1	I099/981
		From			
		Chassis number			
		See technical information			
		GR.7 NR. 17/11			
		KD-NR. 70			
	997 555 901 19 FSA	Black			
	997 555 901 19 FSB	Stone grey/stone grey			
	997 555 901 19 FSC	Sand Beige			
	997 555 901 19 FSD	Sea blue			
	997 555 901 19 FSP	Carrera Red	08-		
(1)	997 555 201 27	Door trim panel	/RL /L	1	I099/490/981
	997 555 201 27 FSE	Palmgreen	-07		
	997 555 201 27 FSF	Terracotta/terracotta			
	997 555 201 27 FSG	Cocoa/Cocoa			
	997 555 201 27 FSH	Darkgrey natural/grey			
	997 555 201 27 FSJ	Brown nat./brown nat.			
	997 555 201 27 BCB	Black/stone grey			
(1)	997 555 201 27	Door trim panel	/RL /L	1	I099/490/981
		Until			
		Chassis number			
		See technical information			
		GR.7 NR. 17/11			
		KD-NR. 70			
	997 555 201 27 FSA	Black/grey			
	997 555 201 27 FSB	Stone grey/stone grey			
	997 555 201 27 FSC	Sand Beige			
	997 555 201 27 FSD	Sea blue/grey			
	997 555 201 27 FSP	Carrera Red	08-		
(1)	997 555 901 19	Door trim panel	/RL /L	1	I099/490/981
		From			
		Chassis number			
		See technical information			
		GR.7 NR. 17/11			
		KD-NR. 70			
	997 555 901 19 FSA	Black			
	997 555 901 19 FSB	Stone grey/stone grey			
	997 555 901 19 FSC	Sand Beige			
	997 555 901 19 FSD	Sea blue			

Model: 987 06 Model life 2006>>2008

Pos	Part Number	Description	Remark	Qty	Model
(1)	997 555 901 19 FSP 997 555 201 29	Carrera Red Door trim panel Leather	08- /RL /L	1	I099/680/981
	997 555 201 29 FSE	Palmgreen/palmgreen	-07		
	997 555 201 29 FSF	Terracotta/terracotta			
	997 555 201 29 FSG	Cocoa/Cocoa			
	997 555 201 29 FSH	Darkgrey natural/grey			
	997 555 201 29 FSJ	Brown nat./brown nat.			
	997 555 201 29 BCB	Black/stone grey			
(1)	997 555 201 29	Door trim panel Leather Until Chassis number See technical information GR.7 NR. 17/11 KD-NR. 70	/RL /L	1	I099/680/981
	997 555 201 29 FSA	Black/grey			
	997 555 201 29 FSB	Stone grey/stone grey			
	997 555 201 29 FSC	Sand Beige			
	997 555 201 29 FSD	Sea blue/grey			
	997 555 201 29 FSP	Carrera Red	08-		
(1)	997 555 901 21	Door trim panel Leather From Chassis number See technical information GR.7 NR. 17/11 KD-NR. 70	/RL /L	1	I099/680/981
	997 555 901 21 FSA	Black			
	997 555 901 21 FSB	Stone grey/stone grey			
	997 555 901 21 FSC	Sand Beige			
	997 555 901 21 FSD	Sea blue			
	997 555 901 21 FSP	Carrera Red	08-		
2	999 507 533 02	Clamp 8,0 X 10/2,5		2	
3	955 555 243 00	Fixing clip		9	
4	999 073 322 02	Oval-head screw 6 X 20 for Mount Door trim panel		5	
5	987 555 221 01 987 555 221 01 1MZ 987 555 221 01 1YP 987 555 221 01 1TK 987 555 221 01 1VM 987 555 221 01 1UL	Lid Black Stone grey Sand Beige Sea blue Palmgreen	/L -07	1	CAYMAN
(5)	987 555 222 01	Lid Shelf	/R	1	CAYMAN
	987 555 222 01 1MZ	Black			
	987 555 222 01 1YP	Stone grey			
	987 555 222 01 1TK	Sand Beige			
	987 555 222 01 1VM	Sea blue			
	987 555 222 01 1UL	Palmgreen	-07		
(5)	997 555 221 01	Lid Shelf	/L	1	CAYMAN I981
	997 555 221 01 FSA	Black/grey			
	997 555 221 01 FSB	Stone grey/stone grey			
	997 555 221 01 FSC	Sand Beige			
	997 555 221 01 FSD	Sea blue/grey			
	997 555 221 01 FSE	Palmgreen	-07		
	997 555 221 01 FSF	Terracotta/terracotta			

Model: 987 06 Model life 2006>>2008

Pos	Part Number	Description	Remark	Qty	Model
(5)	997 555 221 01 FSG	Cocoa/Cocoa		1	CAYMAN S
	997 555 221 01 FSH	Darkgrey natural/grey			
	997 555 221 01 FSJ	Brown nat./brown nat.			
	997 555 221 01 FSP	Carrera Red	08-		
	997 555 221 01	Lid	/L		
		Shelf			
	997 555 221 01 FSA	Black/grey			
	997 555 221 01 FSB	Stone grey/stone grey			
	997 555 221 01 FSC	Sand Beige			
	997 555 221 01 FSD	Sea blue/grey			
(5)	997 555 221 01 FSE	Palmgreen	-07	1	CAYMAN I981
	997 555 221 01 FSF	Terracotta/terracotta			
	997 555 221 01 FSG	Cocoa/Cocoa			
	997 555 221 01 FSH	Darkgrey natural/grey			
	997 555 221 01 FSJ	Brown nat./brown nat.			
	997 555 221 01 FSP	Carrera Red	08-		
	997 555 222 01	Lid	/R		
		Shelf			
	997 555 222 01 FSA	Black/grey			
	997 555 222 01 FSB	Stone grey/stone grey			
(5)	997 555 222 01 FSC	Sand Beige		1	CAYMAN S
	997 555 222 01 FSD	Sea blue/grey			
	997 555 222 01 FSE	Palmgreen	-07		
	997 555 222 01 FSF	Terracotta/terracotta			
	997 555 222 01 FSG	Cocoa/Cocoa			
	997 555 222 01 FSH	Darkgrey natural/grey			
	997 555 222 01 FSJ	Brown nat./brown nat.			
	997 555 222 01 FSP	Carrera Red	08-		
	997 555 222 01	Lid	/R		
		Shelf			
(5)	997 555 222 01 FSA	Black/grey		1	IXTL
	997 555 222 01 FSB	Stone grey/stone grey			
	997 555 222 01 FSC	Sand Beige			
	997 555 222 01 FSD	Sea blue/grey			
	997 555 222 01 FSE	Palmgreen	-07		
	997 555 222 01 FSF	Terracotta/terracotta			
	997 555 222 01 FSG	Cocoa/Cocoa			
	997 555 222 01 FSH	Darkgrey natural/grey			
	997 555 222 01 FSJ	Brown nat./brown nat.			
	997 555 222 01 FSP	Carrera Red	08-		
997 555 989 00	Lid	/L			
(5)		Shelf		1	IXTL
		Carbon			
(5)	997 555 989 00 A35	Black		1	IXTL
	997 555 990 00	Lid	/R		
(5)		Shelf		1	IXTU
		Carbon			
(5)	997 555 990 00 A35	Black		1	IXTU
	997 555 989 01	Lid	/L		
(5)		Shelf		1	IXTT
		Sycamore wood			
(5)	997 555 989 01 S62	Sycamore wood		1	IXTU
	997 555 990 01	Lid	/R		
(5)		Shelf		1	IXTT
		Sycamore wood			
(5)	997 555 990 01 S62	Sycamore wood		1	IXTT
	997 555 989 02	Lid	/L		
(5)		Shelf		1	IXTT
		Macassar			
(5)	997 555 989 02 S61	Macassar		1	IXTT
	997 555 990 02	Lid	/R		
(5)		Shelf		1	IXTW
		Macassar			
(5)	997 555 990 02 S61	Macassar		1	IXTW
	997 555 989 03	Lid	/L		
		Shelf			

Model: 987 06 Model life 2006>>2008

Pos	Part Number	Description	Remark	Qty	Model
(5)	997 555 989 03 V04 997 555 990 03	Galvano silver Lid Shelf	/R	1	IXTW
6	997 555 990 03 V04 997 555 833 00	Galvano silver Steering knuckle spring for Lid Shelf	/L	1	
(6)	997 555 834 00	Steering knuckle spring for Lid Shelf	/R	1	
7	997 555 841 00	Damper Shelf		1	
8	987 555 271 01	Handle Upper part	/L	1	CAYMAN
	987 555 271 01 A11	Black			
	987 555 271 01 5X6	Stone grey			
	987 555 271 01 8G2	Sand Beige			
	987 555 271 01 3S9	Sea blue			
	987 555 271 01 4P2	Palmgreen	-07		
(8)	987 555 272 01	Handle Upper part	/R	1	CAYMAN
	987 555 272 01 A11	Black			
	987 555 272 01 5X6	Stone grey			
	987 555 272 01 8G2	Sand Beige			
	987 555 272 01 3S9	Sea blue			
	987 555 272 01 4P2	Palmgreen	-07		
(8)	987 555 271 02	Handle Upper part	/L	1	CAYMAN I981
	987 555 271 02 FSA	Black/grey			
	987 555 271 02 FSB	Stone grey/stone grey			
	987 555 271 02 FSC	Sand Beige			
	987 555 271 02 FSD	Sea blue/grey			
	987 555 271 02 FSE	Palmgreen	-07		
	987 555 271 02 FSF	Terracotta/terracotta			
	987 555 271 02 FSG	Cocoa/Cocoa			
	987 555 271 02 FSH	Darkgrey natural/grey			
	987 555 271 02 FSJ	Brown nat./brown nat.			
	987 555 271 02 FSP	Carrera Red	08-		
(8)	987 555 271 02	Handle Upper part	/L	1	CAYMAN S
	987 555 271 02 FSA	Black/grey			
	987 555 271 02 FSB	Stone grey/stone grey			
	987 555 271 02 FSC	Sand Beige			
	987 555 271 02 FSD	Sea blue/grey			
	987 555 271 02 FSE	Palmgreen	-07		
	987 555 271 02 FSF	Terracotta/terracotta			
	987 555 271 02 FSG	Cocoa/Cocoa			
	987 555 271 02 FSH	Darkgrey natural/grey			
	987 555 271 02 FSJ	Brown nat./brown nat.			
	987 555 271 02 FSP	Carrera Red	08-		
(8)	987 555 272 02	Handle Upper part	/R	1	CAYMAN I981
	987 555 272 02 FSA	Black/grey			
	987 555 272 02 FSB	Stone grey/stone grey			
	987 555 272 02 FSC	Sand Beige			
	987 555 272 02 FSD	Sea blue/grey			
	987 555 272 02 FSE	Palmgreen	-07		
	987 555 272 02 FSF	Terracotta/terracotta			
	987 555 272 02 FSG	Cocoa/Cocoa			

Model: 987 06 Model life 2006>>2008

Pos	Part Number	Description	Remark	Qty	Model
(8)	987 555 272 02 FSH	Darkgrey natural/grey		1	CAYMAN S
	987 555 272 02 FSJ	Brown nat./brown nat.			
	987 555 272 02 FSP	Carrera Red	08-		
	987 555 272 02	Handle	/R		
		Upper part			
	987 555 272 02 FSA	Black/grey			
	987 555 272 02 FSB	Stone grey/stone grey			
	987 555 272 02 FSC	Sand Beige			
	987 555 272 02 FSD	Sea blue/grey			
	987 555 272 02 FSE	Palmgreen	-07		
(8)	987 555 272 02 FSF	Terracotta/terracotta		1	IXTL
	987 555 272 02 FSG	Cocoa/Cocoa			
	987 555 272 02 FSH	Darkgrey natural/grey			
	987 555 272 02 FSJ	Brown nat./brown nat.			
	987 555 272 02 FSP	Carrera Red	08-		
	987 555 987 00	Handle	/L		
		Upper part			
	987 555 987 00 A11	Black			
	987 555 987 00 5X6	Stone grey			
	987 555 987 00 8G2	Sand Beige			
(8)	987 555 987 00 3S9	Sea blue		1	IXTL
	987 555 987 00 4P2	Palmgreen	-07		
	987 555 987 00 9S5	Terracotta			
	987 555 987 00 9V6	Cocoa			
	987 555 987 00 D12	Dark grey/natural			
	987 555 987 00 T12	Brown/natural			
	987 555 987 00 N12	Carrera Red	08-		
	987 555 988 00	Handle	/R		
		Upper part			
	987 555 988 00 A11	Black			
(8)	987 555 988 00 5X6	Stone grey		1	IXTU
	987 555 988 00 8G2	Sand Beige			
	987 555 988 00 3S9	Sea blue			
	987 555 988 00 4P2	Palmgreen	-07		
	987 555 988 00 9S5	Terracotta			
	987 555 988 00 9V6	Cocoa			
	987 555 988 00 D12	Dark grey/natural			
	987 555 988 00 T12	Brown/natural			
	987 555 988 00 N12	Carrera Red	08-		
	987 555 987 01	Handle	/L		
(8)	987 555 987 01 A11	Black		1	IXTU
	987 555 987 01 5X6	Stone grey			
	987 555 987 01 8G2	Sand Beige			
	987 555 987 01 3S9	Sea blue			
	987 555 987 01 4P2	Palmgreen	-07		
	987 555 987 01 9S5	Terracotta			
	987 555 987 01 9V6	Cocoa			
	987 555 987 01 D12	Dark grey/natural			
	987 555 987 01 T12	Brown/natural			
	987 555 987 01 N12	Carrera Red	08-		
(8)	987 555 988 01	Handle	/R	1	IXTU
		Upper part			
	987 555 988 01 A11	Black			
	987 555 988 01 5X6	Stone grey			
	987 555 988 01 8G2	Sand Beige			
	987 555 988 01 3S9	Sea blue			
	987 555 988 01 4P2	Palmgreen	-07		
	987 555 988 01 9S5	Terracotta			
	987 555 988 01 9V6	Cocoa			
	987 555 988 01 D12	Dark grey/natural			
987 555 988 01 T12	Brown/natural				
987 555 988 01 N12	Carrera Red	08-			

Model: 987 06 Model life 2006>>2008

Pos	Part Number	Description	Remark	Qty	Model
(8)	987 555 987 02	Handle	/L	1	IXTT
		Upper part			
	987 555 987 02 A11	Black			
	987 555 987 02 5X6	Stone grey			
	987 555 987 02 8G2	Sand Beige			
	987 555 987 02 3S9	Sea blue			
	987 555 987 02 4P2	Palmgreen	-07		
	987 555 987 02 9S5	Terracotta			
	987 555 987 02 9V6	Cocoa			
	987 555 987 02 D12	Dark grey/natural			
	987 555 987 02 T12	Brown/natural			
	987 555 987 02 N12	Carrera Red	08-		
(8)	987 555 988 02	Handle	/R	1	IXTT
		Upper part			
	987 555 988 02 A11	Black			
	987 555 988 02 5X6	Stone grey			
	987 555 988 02 8G2	Sand Beige			
	987 555 988 02 3S9	Sea blue			
	987 555 988 02 4P2	Palmgreen	-07		
	987 555 988 02 9S5	Terracotta			
	987 555 988 02 9V6	Cocoa			
	987 555 988 02 D12	Dark grey/natural			
	987 555 988 02 T12	Brown/natural			
	987 555 988 02 N12	Carrera Red	08-		
(8)	987 555 987 03	Handle	/L	1	IXTW
		Upper part			
	987 555 987 03 A11	Black			
	987 555 987 03 5X6	Stone grey			
	987 555 987 03 8G2	Sand Beige			
	987 555 987 03 3S9	Sea blue			
	987 555 987 03 4P2	Palmgreen	-07		
	987 555 987 03 9S5	Terracotta			
	987 555 987 03 9V6	Cocoa			
	987 555 987 03 D12	Dark grey/natural			
	987 555 987 03 T12	Brown/natural			
	987 555 987 03 N12	Carrera Red	08-		
(8)	987 555 988 03	Handle	/R	1	IXTW
		Upper part			
	987 555 988 03 A11	Black			
	987 555 988 03 5X6	Stone grey			
	987 555 988 03 8G2	Sand Beige			
	987 555 988 03 3S9	Sea blue			
	987 555 988 03 4P2	Palmgreen	-07		
	987 555 988 03 9S5	Terracotta			
	987 555 988 03 9V6	Cocoa			
	987 555 988 03 D12	Dark grey/natural			
	987 555 988 03 T12	Brown/natural			
	987 555 988 03 N12	Carrera Red	08-		
9	999 591 380 01	Cable clamp		4	
10	987 555 261 01	Handle	/L	1	
		Lower part			
	987 555 261 01 A11	Black			
	987 555 261 01 5X6	Stone grey			
	987 555 261 01 8G2	Sand Beige			
	987 555 261 01 3S9	Sea blue			
	987 555 261 01 4P2	Palmgreen	-07		
	987 555 261 01 9S5	Terracotta			
	987 555 261 01 9V6	Cocoa			
	987 555 261 01 D12	Dark grey/natural			
	987 555 261 01 T12	Brown/natural			
	987 555 261 01 N12	Carrera Red	08-		
(10)	987 555 262 01	Handle	/R	1	
		Lower part			

Model: 987 06 Model life 2006>>2008

Pos	Part Number	Description	Remark	Qty	Model
	987 555 262 01 A11	Black			
	987 555 262 01 5X6	Stone grey			
	987 555 262 01 8G2	Sand Beige			
	987 555 262 01 3S9	Sea blue			
	987 555 262 01 4P2	Palmgreen	-07		
	987 555 262 01 9S5	Terracotta			
	987 555 262 01 9V6	Cocoa			
	987 555 262 01 D12	Dark grey/natural			
	987 555 262 01 T12	Brown/natural			
	987 555 262 01 N12	Carrera Red	08-		
11	999 919 229 02	Oval-head screw 6,0 X 40,0 for Mount Handle		2	
12	997 555 381 02	Axle bearing	/L	1	
(12)	997 555 382 02	Axle bearing	/R	1	
13	999 919 164 09	Oval-head screw 5 X 12 for Mount Axle bearing		3	
14	997 555 461 01	Lever Door opener	/L	1	
	997 555 461 01 V05	Galvano silver			
(14)	997 555 462 01	Lever Door opener	/R	1	
	997 555 462 01 V05	Galvano silver			
15	999 919 164 09	Oval-head screw 5 X 12 for Mount Lever Door opener		1	
16	997 555 683 00	Cap Airbag	/L	1	
	997 555 683 00 A03	Black			
	997 555 683 00 5V7	Stone grey			
	997 555 683 00 5Z1	Sand Beige			
	997 555 683 00 8W7	Sea blue			
	997 555 683 00 5Y2	Palmgreen	-07		
	997 555 683 00 8X8	Terracotta			
	997 555 683 00 8P9	Cocoa			
	997 555 683 00 T13	Brown/natural			
	997 555 683 00 N23	Carrera Red	08-		
(16)	997 555 684 00	Cap Airbag	/R	1	
	997 555 684 00 A03	Black			
	997 555 684 00 5V7	Stone grey			
	997 555 684 00 5Z1	Sand Beige			
	997 555 684 00 8W7	Sea blue			
	997 555 684 00 5Y2	Palmgreen	-07		
	997 555 684 00 8X8	Terracotta			
	997 555 684 00 8P9	Cocoa			
	997 555 684 00 T13	Brown/natural			
	997 555 684 00 N23	Carrera Red	08-		
17	997 555 685 02	Cover Door mirror Driver's side Lacquered	/LL /L	1	I098
	997 555 685 02 A03	Black			
	997 555 685 02 5V7	Stone grey			
	997 555 685 02 5Z1	Sand Beige			

Model: 987 06 Model life 2006>>2008

Pos	Part Number	Description	Remark	Qty	Model
	997 555 685 02 8W7	Sea blue			
	997 555 685 02 5Y2	Palmgreen	-07		
	997 555 685 02 8X8	Terracotta			
	997 555 685 02 8P9	Cocoa			
	997 555 685 02 T13	Brown/natural			
	997 555 685 02 N23	Carrera Red	08-		
(17)	997 555 686 03	Cover	/RL /R	1	I099
		Door mirror			
		Driver's side			
		Lacquered			
	997 555 686 03 A03	Black			
	997 555 686 03 5V7	Stone grey			
	997 555 686 03 5Z1	Sand Beige			
	997 555 686 03 8W7	Sea blue			
	997 555 686 03 5Y2	Palmgreen	-07		
	997 555 686 03 8X8	Terracotta			
	997 555 686 03 8P9	Cocoa			
	997 555 686 03 T13	Brown/natural			
	997 555 686 03 N23	Carrera Red	08-		
(17)	997 555 686 02	Cover	/LL /R	1	I098
		Door mirror			
		Passenger's side			
		Lacquered			
	997 555 686 02 A03	Black			
	997 555 686 02 5V7	Stone grey			
	997 555 686 02 5Z1	Sand Beige			
	997 555 686 02 8W7	Sea blue			
	997 555 686 02 5Y2	Palmgreen	-07		
	997 555 686 02 8X8	Terracotta			
	997 555 686 02 8P9	Cocoa			
	997 555 686 02 T13	Brown/natural			
	997 555 686 02 N23	Carrera Red	08-		
(17)	997 555 685 03	Cover	/RL /L	1	I099
		Door mirror			
		Passenger's side			
		Lacquered			
	997 555 685 03 A03	Black			
	997 555 685 03 5V7	Stone grey			
	997 555 685 03 5Z1	Sand Beige			
	997 555 685 03 8W7	Sea blue			
	997 555 685 03 5Y2	Palmgreen	-07		
	997 555 685 03 8X8	Terracotta			
	997 555 685 03 8P9	Cocoa			
	997 555 685 03 T13	Brown/natural			
	997 555 685 03 N23	Carrera Red	08-		
18	997 555 577 00	Cap		1	
		Handle liner			
	997 555 577 00 A03	Black			
	997 555 577 00 5V7	Stone grey			
	997 555 577 00 8W7	Sea blue			
	997 555 577 00 5Y2	Palmgreen	-07		
	997 555 577 00 8X8	Terracotta			
	997 555 577 00 8P9	Cocoa			
	997 555 577 00 T13	Brown/natural			
	997 555 577 00 N23	Carrera Red	08-		
19	997 555 895 00	Plastic foam strip		1	
		for			
		Woofers			
20	997 645 511 00	Logo		2	I680
21	997 555 597 00	Spacer		2	
		Lid hinge			
22	999 702 281 41	Grommet		1	
		Axle bearing			

Model: 987 06 Model life 2006>>2008

Pos	Part Number	Description	Remark	Qty	Model
23	997 555 351 03	Insert Handle liner Lacquered	/LL /L	1	I098
	997 555 351 03 A03	Black			
	997 555 351 03 5V7	Stone grey			
	997 555 351 03 5Z1	Sand Beige			
	997 555 351 03 8W7	Sea blue			
	997 555 351 03 5Y2	Palmgreen	-07		
	997 555 351 03 8X8	Terracotta			
	997 555 351 03 8P9	Cocoa			
	997 555 351 03 T13	Brown/natural			
	997 555 351 03 N23	Carrera Red	08-		
(23)	997 555 352 03	Insert Handle liner Lacquered	/RL /R	1	I099
	997 555 352 03 A03	Black			
	997 555 352 03 5V7	Stone grey			
	997 555 352 03 5Z1	Sand Beige			
	997 555 352 03 8W7	Sea blue			
	997 555 352 03 5Y2	Palmgreen	-07		
	997 555 352 03 8X8	Terracotta			
	997 555 352 03 8P9	Cocoa			
	997 555 352 03 T13	Brown/natural			
	997 555 352 03 N23	Carrera Red	08-		
(23)	997 555 352 04	Insert Handle liner Lacquered	/LL /R	1	I098
	997 555 352 04 A03	Black			
	997 555 352 04 5V7	Stone grey			
	997 555 352 04 5Z1	Sand Beige			
	997 555 352 04 8W7	Sea blue			
	997 555 352 04 5Y2	Palmgreen	-07		
	997 555 352 04 8X8	Terracotta			
	997 555 352 04 8P9	Cocoa			
	997 555 352 04 T13	Brown/natural			
	997 555 352 04 N23	Carrera Red	08-		
(23)	997 555 351 04	Insert Handle liner Lacquered	/RL /L	1	I099
	997 555 351 04 A03	Black			
	997 555 351 04 5V7	Stone grey			
	997 555 351 04 5Z1	Sand Beige			
	997 555 351 04 8W7	Sea blue			
	997 555 351 04 5Y2	Palmgreen	-07		
	997 555 351 04 8X8	Terracotta			
	997 555 351 04 8P9	Cocoa			
	997 555 351 04 T13	Brown/natural			
	997 555 351 04 N23	Carrera Red	08-		
23	997 555 985 00	Insert Handle liner Leather	/LL /L	1	IXTV/098
	997 555 985 00 A11	Black			
	997 555 985 00 5X6	Stone grey			
	997 555 985 00 8G2	Sand Beige			
	997 555 985 00 3S9	Sea blue			
	997 555 985 00 4P2	Palmgreen	-07		
	997 555 985 00 9S5	Terracotta			
	997 555 985 00 9V6	Cocoa			
	997 555 985 00 D12	Dark grey/natural			
	997 555 985 00 T12	Brown/natural			
	997 555 985 00 N12	Carrera Red	08-		
(23)	997 555 986 01	Insert Handle liner	/RL /R	1	IXTV/099

Model: 987 06 Model life 2006>>2008

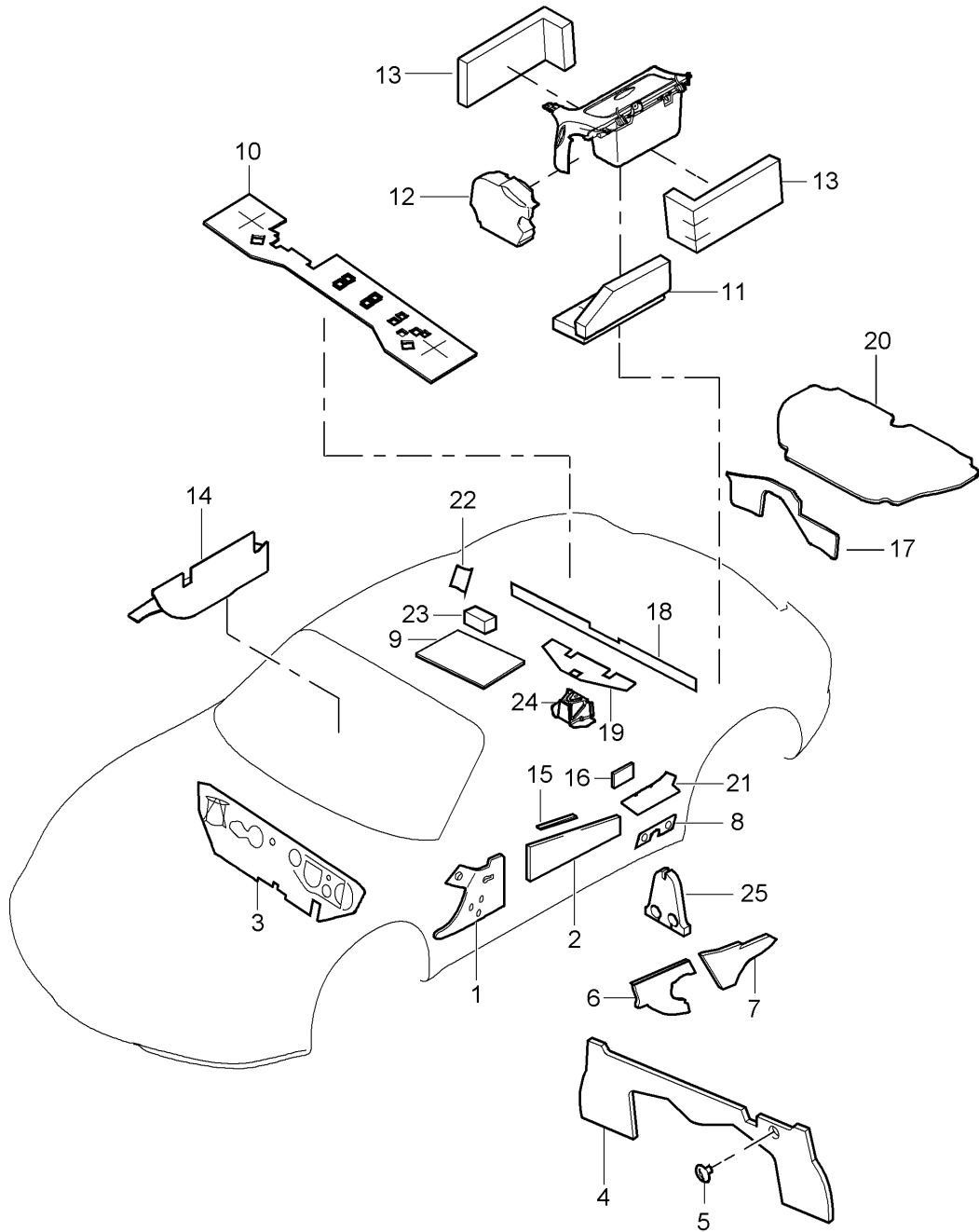
Pos	Part Number	Description	Remark	Qty	Model
		Leather			
	997 555 986 01 A11	Black			
	997 555 986 01 5X6	Stone grey			
	997 555 986 01 8G2	Sand Beige			
	997 555 986 01 3S9	Sea blue			
	997 555 986 01 4P2	Palmgreen	-07		
	997 555 986 01 9S5	Terracotta			
	997 555 986 01 9V6	Cocoa			
	997 555 986 01 D12	Dark grey/natural			
	997 555 986 01 T12	Brown/natural			
	997 555 986 01 N12	Carrera Red	08-		
(23)	997 555 986 00	Insert	/LL /R	1	IXTV/098
		Handle liner			
		Leather			
	997 555 986 00 A11	Black			
	997 555 986 00 5X6	Stone grey			
	997 555 986 00 8G2	Sand Beige			
	997 555 986 00 3S9	Sea blue			
	997 555 986 00 4P2	Palmgreen	-07		
	997 555 986 00 9S5	Terracotta			
	997 555 986 00 9V6	Cocoa			
	997 555 986 00 D12	Dark grey/natural			
	997 555 986 00 T12	Brown/natural			
	997 555 986 00 N12	Carrera Red	08-		
(23)	997 555 985 02	Insert	/RL /L	1	IXTV/099
		Handle liner			
		Leather			
	997 555 985 02 A11	Black			
	997 555 985 02 5X6	Stone grey			
	997 555 985 02 8G2	Sand Beige			
	997 555 985 02 3S9	Sea blue			
	997 555 985 02 4P2	Palmgreen	-07		
	997 555 985 02 9S5	Terracotta			
	997 555 985 02 9V6	Cocoa			
	997 555 985 02 D12	Dark grey/natural			
	997 555 985 02 T12	Brown/natural			
	997 555 985 02 N12	Carrera Red	08-		
23	997 555 985 03	Insert	/LL /L	1	IXTL/098
		Handle liner			
		Carbon			
(23)	997 555 985 03 A35	Black			
	997 555 986 04	Insert	/RL /R	1	IXTL/099
		Handle liner			
		Carbon			
(23)	997 555 986 04 A35	Black			
	997 555 986 03	Insert	/LL /R	1	IXTL/098
		Handle liner			
		Carbon			
(23)	997 555 986 03 A35	Black			
	997 555 985 05	Insert	/RL /L	1	IXTL/099
		Handle liner			
		Carbon			
23	997 555 985 05 A35	Black			
	997 555 985 06	Insert	/LL /L	1	IXTU/098
		Handle liner			
(23)	997 555 985 06 S62	Sycamore wood			
	997 555 986 07	Insert	/RL /R	1	IXTU/099
		Handle liner			
(23)	997 555 986 07 S62	Sycamore wood			
	997 555 986 06	Insert	/LL /R	1	IXTU/098
		Handle liner			
(23)	997 555 986 06 S62	Sycamore wood			
	997 555 985 08	Insert	/RL /L	1	IXTU/099

Model: 987 06 Model life 2006>>2008

Pos	Part Number	Description	Remark	Qty	Model
23	997 555 985 08 S62	Handle liner Sycamore wood			
	997 555 985 09	Insert	/LL /L	1	IXTT/098
	997 555 985 09 S61	Handle liner Macassar			
(23)	997 555 986 10	Insert	/RL /R	1	IXTT/099
	997 555 986 10 S61	Handle liner Macassar			
(23)	997 555 986 09	Insert	/LL /R	1	IXTT/098
	997 555 986 09 S61	Handle liner Macassar			
(23)	997 555 985 11	Insert	/RL /L	1	IXTT/099
	997 555 985 11 S61	Handle liner Macassar			
23	997 555 985 12	Insert	/LL /L	1	IXTW/098
	997 555 985 12 V04	Handle liner Galvano silver			
(23)	997 555 986 13	Insert	/RL /R	1	IXTW/099
	997 555 986 13 V04	Handle liner Galvano silver			
(23)	997 555 986 12	Insert	/LL /R	1	IXTW/098
	997 555 986 12 V04	Handle liner Galvano silver			
(23)	997 555 985 14	Insert	/RL /L	1	IXTW/099
	997 555 985 14 V04	Handle liner Galvano silver			

Model: 987 06

Model life 2006>>2008



Model: 987 06

Model life 2006>>2008

Pos	Part Number	Description	Remark	Qty	Model
1	997 556 605 00	Body Sound proofing 1 Sound absorber	/L	1	
(1)	997 556 606 00	Wheel housing Front Sound absorber	/R	1	
2	997 556 531 00	Wheel housing Front Insulation		2	
2	997 537 551 00	Door Insulation		2	
3	997 556 723 00	Door Insulation Sound absorber	/LL	1	I098
(3)	997 556 724 00	Firewall Sound absorber	/RL	1	I099
4	987 556 741 00	Firewall Sound absorber	-06	1	
(4)	987 556 741 01	Engine compartment Rear wall Sound absorber	-08	1	
5	999 049 020 40	Engine compartment Rear wall Plastic nut		1	
(6)	987 556 721 00	T5 / 30 X 5,1 Sound absorber	/L	1	
6	987 556 722 00	Engine compartment Lateral Sound absorber	/R	1	
7	987 556 724 00	Engine compartment Lateral Sound absorber	/R	1	
8	987 556 683 00	Engine compartment Lateral Rear Insulation		2	
9	987 556 625 00	Side section Sound absorber		1	
10	987 556 665 01	Roof Sound absorber		1	
11	987 556 623 01	Cross member Sound absorber		2	
(12)	987 556 669 00	Convertible top compartm. Lower Sound absorber	/L	1	
12	987 556 670 00	Filler piece Convertible top compartm. Sound absorber	/R	1	
13	987 556 663 01	Filler piece Convertible top compartm. Sound absorber		2	
14	997 556 634 00	Package box Sound absorber		1	I680
15	997 537 553 00	Subwoofer Insulation	06-	4	
16	999 902 056 40	Reinforcement Door Insulation		1	
17	987 556 745 00	Door Upper Insulation	07-	1	
18	987 556 403 00	Bulkhead Inner Sound absorber	07-	1	

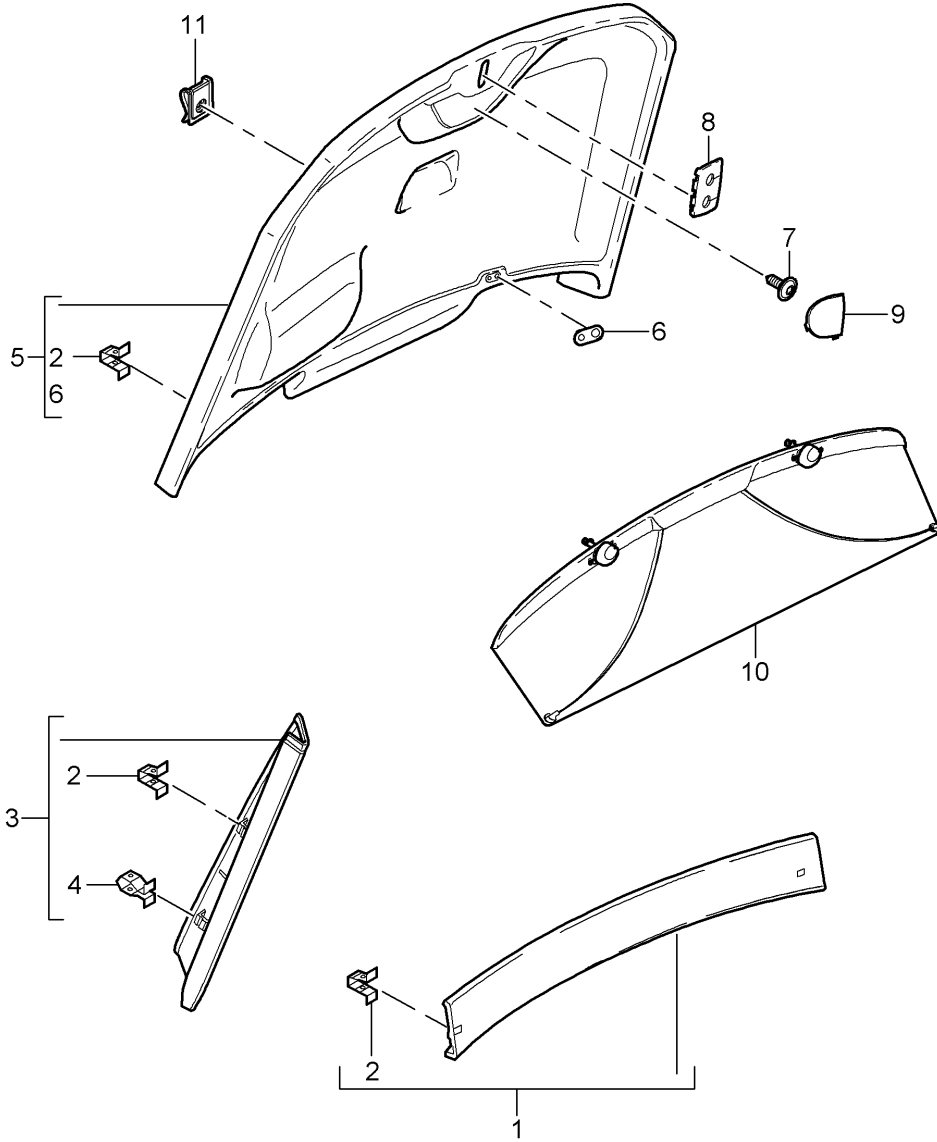
Model: 987 06

Model life 2006>>2008

Pos	Part Number	Description	Remark	Qty	Model
19	987 556 401 00	Retaining strip Rear Sound absorber	07-	1	
20	987 556 743 00	Retaining strip Front Insulation Engine compartment Lid Inner	07-	1	
21	987 556 647 00	Insulation Air duct	/L 07-	1	
(21)	987 556 648 00	Insulation Air duct	/R 07-	1	
22	987 556 637 00	Sound absorber B-pillar Front	07-	4	
23	987 556 635 00	Insulation Bulkhead Upper Front	07-	2	
24	987 556 405 00	Insulation Support	07-	1	
(25)	987 556 705 00	Sound absorber Wheel housing Inner Rear	/L 07-	1	I480
(25)	987 556 706 00	Sound absorber Wheel housing Inner Rear	/R 07-	1	I480

Model: 987 06

Model life 2006>>2008



Model: 987 06 Model life 2006>>2008

Pos	Part Number	Description	Remark	Qty	Model
1	987 555 191 00	Linings Rear lid Lining Rear lid Upper		1	
	987 555 191 00 A03	Black			
	987 555 191 00 5V7	Stone grey			
	987 555 191 00 5Z1	Sand Beige			
	987 555 191 00 8W7	Sea blue			
	987 555 191 00 5Y2	Palmgreen	-07		
	987 555 191 00 8X8	Terracotta			
	987 555 191 00 8P9	Cocoa			
	987 555 191 00 T13	Brown/natural			
	987 555 191 00 N23	Carrera Red	08-		
2	999 507 839 01	Clamp 3,5		X	
(3)	987 555 193 01	Lining Rear lid Centre	/L -07	1	
	987 555 193 01 A03	Black			
	987 555 193 01 5V7	Stone grey			
	987 555 193 01 5Z1	Sand Beige			
	987 555 193 01 8W7	Sea blue			
	987 555 193 01 5Y2	Palmgreen	-07		
	987 555 193 01 8X8	Terracotta			
	987 555 193 01 8P9	Cocoa			
	987 555 193 01 T13	Brown/natural			
(3)	987 555 193 02	Lining Rear lid Centre	/L 08-	1	
	987 555 193 02 A03	Black			
	987 555 193 02 5V7	Stone grey			
	987 555 193 02 5Z1	Sand Beige			
	987 555 193 02 8W7	Sea blue			
	987 555 193 02 8X8	Terracotta			
	987 555 193 02 8P9	Cocoa			
	987 555 193 02 T13	Brown/natural			
	987 555 193 02 N23	Carrera Red	08-		
3	987 555 194 01	Lining Rear lid Centre	/R -07	1	
	987 555 194 01 A03	Black			
	987 555 194 01 5V7	Stone grey			
	987 555 194 01 5Z1	Sand Beige			
	987 555 194 01 8W7	Sea blue			
	987 555 194 01 5Y2	Palmgreen	-07		
	987 555 194 01 8X8	Terracotta			
	987 555 194 01 8P9	Cocoa			
	987 555 194 01 T13	Brown/natural			
3	987 555 194 02	Lining Rear lid Centre	/R 08-	1	
	987 555 194 02 A03	Black			
	987 555 194 02 5V7	Stone grey			
	987 555 194 02 5Z1	Sand Beige			
	987 555 194 02 8W7	Sea blue			
	987 555 194 02 8X8	Terracotta			
	987 555 194 02 8P9	Cocoa			
	987 555 194 02 T13	Brown/natural			
	987 555 194 02 N23	Carrera Red	08-		
4	999 507 584 02	Clamp 8,0 X 10/ 2,0 Lining		6	

Model: 987 06 Model life 2006>>2008

Pos	Part Number	Description	Remark	Qty	Model
5	987 555 095 00	Centre Lining Rear lid Lower		1	I426
	987 555 095 00 FQR	Black/black			
	987 555 095 00 FQS	Volcano grey/stone grey			
	987 555 095 00 FQT	Sand beige/sand beige			
	987 555 095 00 FQU	Volcano grey/sea blue			
	987 555 095 00 FQV	Black/palmgreen	-07		
	987 555 095 00 FQW	Black/terracotta			
	987 555 095 00 FQX	Black/cocoa			
	987 555 095 00 FQY	Black/volcano grey			
	987 555 095 00 FQZ	Black/brown nat.			
	987 555 095 00 FTB	Carrera Red	08-		
(5)	987 555 095 01	Lining Rear lid Lower		1	I425
	987 555 095 01 FQR	Black/black			
	987 555 095 01 FQS	Volcano grey/stone grey			
	987 555 095 01 FQT	Sand beige/sand beige			
	987 555 095 01 FQU	Volcano grey/sea blue			
	987 555 095 01 FQV	Black/palmgreen	-07		
	987 555 095 01 FQW	Black/terracotta			
	987 555 095 01 FQX	Black/cocoa			
	987 555 095 01 FQY	Black/volcano grey			
	987 555 095 01 FQZ	Black/brown nat.			
	987 555 095 01 FTB	Carrera Red	08-		
6	987 555 623 00	Eye Rear lid		2	
	987 555 623 00 01C	Satin black			
7	999 073 369 09	Oval-head screw M 5 X 18		2	
8	987 555 596 00	Cover Door lock striker Rear lid		1	
	987 555 596 00 A03	Black			
	987 555 596 00 5V7	Stone grey			
	987 555 596 00 5Z1	Sand Beige			
	987 555 596 00 8W7	Sea blue			
	987 555 596 00 5Y2	Palmgreen	-07		
	987 555 596 00 8X8	Terracotta			
	987 555 596 00 8P9	Cocoa			
	987 555 596 00 T13	Brown/natural			
	987 555 596 00 N23	Carrera Red	08-		
9	987 555 597 00	Cap Finger plate	/L	2	
	987 555 597 00 A03	Black			
	987 555 597 00 5V7	Stone grey			
	987 555 597 00 5Z1	Sand Beige			
	987 555 597 00 8W7	Sea blue			
	987 555 597 00 5Y2	Palmgreen	-07		
	987 555 597 00 8X8	Terracotta			
	987 555 597 00 8P9	Cocoa			
	987 555 597 00 T13	Brown/natural			
	987 555 597 00 N23	Carrera Red	08-		
(9)	987 555 598 00	Cap Finger plate	/R	2	
	987 555 598 00 A03	Black			
	987 555 598 00 5V7	Stone grey			
	987 555 598 00 5Z1	Sand Beige			
	987 555 598 00 8W7	Sea blue			
	987 555 598 00 5Y2	Palmgreen	-07		
	987 555 598 00 8X8	Terracotta			

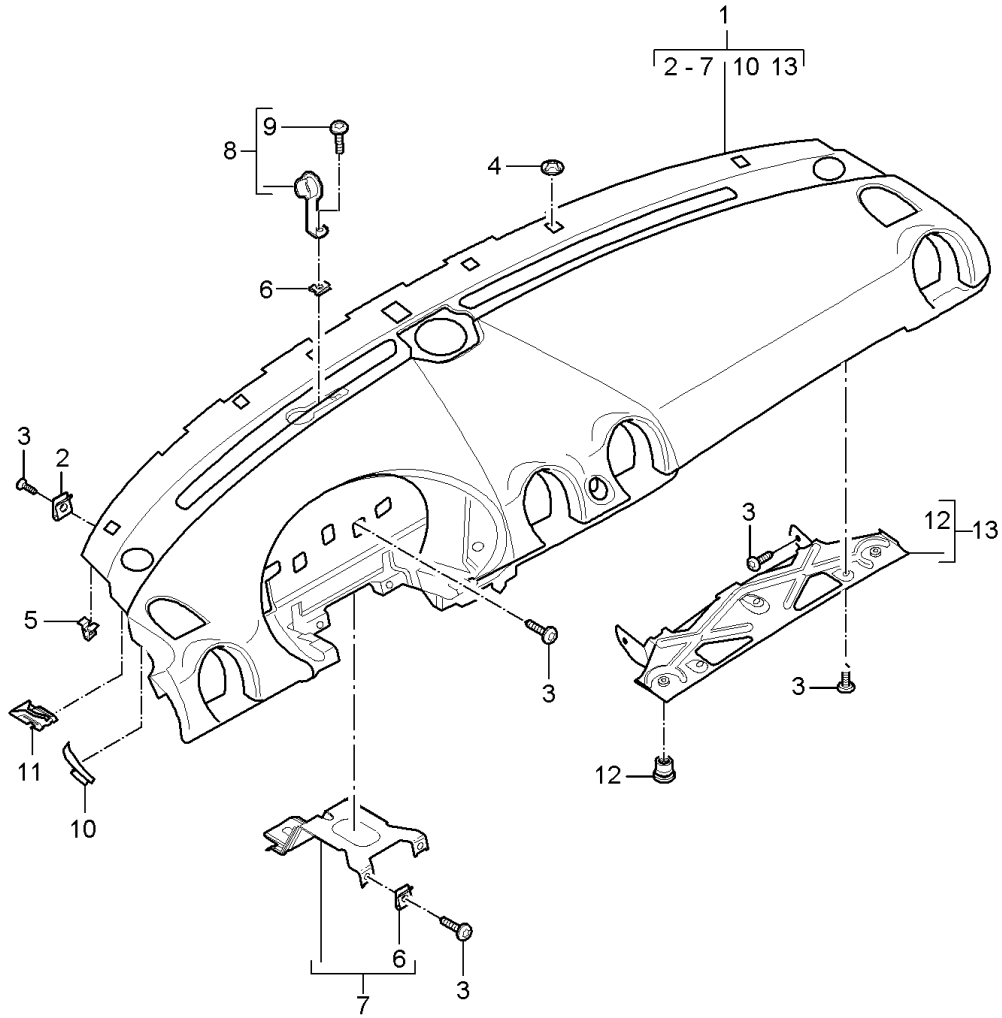
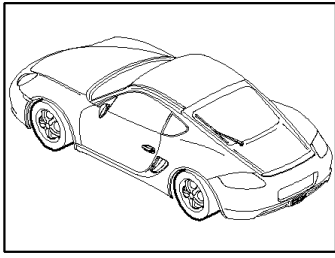
Model: 987 06

Model life 2006>>2008

Pos	Part Number	Description	Remark	Qty	Model
10	987 555 598 00 8P9	Cocoa	08-	1	
	987 555 598 00 T13	Brown/natural			
	987 555 598 00 N23	Carrera Red			
	987 555 341 00	Cover Rear lid			
11	987 555 341 00 A24	Black		2	
	999 507 413 08	Cams 9,3 X 25			

Model: 987 06

Model life 2006>>2008



Model: 987 06 Model life 2006>>2008

Pos	Part Number	Description	Remark	Qty	Model
1	987 552 101 10	Dashboard trim Upper part with Mounting parts Accessories See illustrations 8/09/01 Dashboard Upper part Leatherette Valid up to: F >>988U7 50789 F >>988U7 70582	/LL	1	I098
(1)	987 552 101 10 9L4	Black			
	987 552 101 10 9M5	Stone grey			
	987 552 101 10 9C6	Sand Beige			
	987 552 101 10 9D7	Sea blue			
	987 552 101 10 9E8	Palmgreen	-07		
1	987 552 102 10	Dashboard Upper part Leatherette Valid up to: F >>988U7 50641 F >>988U7 70453	/RL	1	I099
	987 552 102 10 9L4	Black			
	987 552 102 10 9M5	Stone grey			
	987 552 102 10 9C6	Sand Beige			
	987 552 102 10 9D7	Sea blue			
	987 552 102 10 9E8	Palmgreen	-07		
1	987 552 101 21	Dashboard Upper part Leatherette Valid from: F 988U7 50790>> F 988U7 70583>>	/LL	1	I098
	987 552 101 21 9L4	Black			
	987 552 101 21 9M5	Stone grey			
	987 552 101 21 9C6	Sand Beige			
	987 552 101 21 9D7	Sea blue			
(1)	987 552 102 21	Dashboard Upper part Leatherette Valid from: F 988U7 50642>> F 988U7 70454>>	/RL	1	I099
	987 552 102 21 9L4	Black			
	987 552 102 21 9M5	Stone grey			
	987 552 102 21 9C6	Sand Beige			
	987 552 102 21 9D7	Sea blue			
(1)	987 552 101 12	Dashboard Upper part Leatherette Valid up to: F >>988U7 50789 F >>988U7 70582	/LL	1	I098/639/640
	987 552 101 12 9L4	Black			
	987 552 101 12 9M5	Stone grey			
	987 552 101 12 9C6	Sand Beige			
	987 552 101 12 9D7	Sea blue			
	987 552 101 12 9E8	Palmgreen	-07		
(1)	987 552 102 12	Dashboard Upper part Leatherette	/RL	1	I099/639/640

Model: 987 06 Model life 2006>>2008

Pos	Part Number	Description	Remark	Qty	Model
		Valid up to: F >>988U7 50641 F >>988U7 70453			
1	987 552 102 12 9L4 987 552 102 12 9M5 987 552 102 12 9C6 987 552 102 12 9D7 987 552 102 12 9E8 987 552 101 23	Black Stone grey Sand Beige Sea blue Palmgreen Dashboard Upper part Leatherette Valid from: F 988U7 50790>> F 988U7 70583>>	-07 /LL	1	I098/639/640
(1)	987 552 101 23 9L4 987 552 101 23 9M5 987 552 101 23 9C6 987 552 101 23 9D7 987 552 102 23	Black Stone grey Sand Beige Sea blue Dashboard Upper part Leatherette Valid from: F 988U7 50642>> F 988U7 70454>>	/RL	1	I099/639/640
(1)	987 552 102 23 9L4 987 552 102 23 9M5 987 552 102 23 9C6 987 552 102 23 9D7 987 552 101 11	Black Stone grey Sand Beige Sea blue Dashboard Upper part Leather Valid up to: F >>988U7 50789 F >>988U7 70582	/LL	1	I098/981
(1)	987 552 101 11 A11 987 552 101 11 5X6 987 552 101 11 8G2 987 552 101 11 3S9 987 552 101 11 4P2 987 552 101 11 9S5 987 552 101 11 9V6 987 552 101 11 D12 987 552 101 11 T12 987 552 101 11 N12 987 552 102 11	Black Stone grey Sand Beige Sea blue Palmgreen Terracotta Cocoa Dark grey/natural Brown/natural Carrera Red Dashboard Upper part Leather Valid up to: F >>988U7 50641 F >>988U7 70453	-07 08- /RL	1	I099/981
1	987 552 102 11 A11 987 552 102 11 5X6 987 552 102 11 8G2 987 552 102 11 3S9 987 552 102 11 4P2 987 552 102 11 9S5 987 552 102 11 9V6 987 552 102 11 D12 987 552 102 11 T12 987 552 102 11 N12 987 552 101 22	Black Stone grey Sand Beige Sea blue Palmgreen Terracotta Cocoa Dark grey/natural Brown/natural Carrera Red Dashboard Upper part Leather	-07 08- /LL	1	I098/981

Model: 987 06 Model life 2006>>2008

Pos	Part Number	Description	Remark	Qty	Model
		Valid from: F 988U7 50790>> F 988U7 70583>>			
	987 552 101 22 A11	Black			
	987 552 101 22 5X6	Stone grey			
	987 552 101 22 8G2	Sand Beige			
	987 552 101 22 3S9	Sea blue			
	987 552 101 22 9S5	Terracotta			
	987 552 101 22 9V6	Cocoa			
	987 552 101 22 D12	Dark grey/natural			
	987 552 101 22 T12	Brown/natural			
	987 552 101 22 N12	Carrera Red	08-		
(1)	987 552 102 22	Dashboard Upper part Leather Valid from: F 988U7 50642>> F 988U7 70454>>	/RL	1	I099/981
	987 552 102 22 A11	Black			
	987 552 102 22 5X6	Stone grey			
	987 552 102 22 8G2	Sand Beige			
	987 552 102 22 3S9	Sea blue			
	987 552 102 22 9S5	Terracotta			
	987 552 102 22 9V6	Cocoa			
	987 552 102 22 D12	Dark grey/natural			
	987 552 102 22 T12	Brown/natural			
	987 552 102 22 N12	Carrera Red	08-		
(1)	987 552 101 13	Dashboard Upper part Leather Valid up to: F >>988U7 50789 F >>988U7 70582	/LL	1	I098/639/640 I981
	987 552 101 13 A11	Black			
	987 552 101 13 5X6	Stone grey			
	987 552 101 13 8G2	Sand Beige			
	987 552 101 13 3S9	Sea blue			
	987 552 101 13 4P2	Palmgreen	-07		
	987 552 101 13 9S5	Terracotta			
	987 552 101 13 9V6	Cocoa			
	987 552 101 13 D12	Dark grey/natural			
	987 552 101 13 T12	Brown/natural			
	987 552 101 13 N12	Carrera Red	08-		
(1)	987 552 102 13	Dashboard Upper part Leather Valid up to: F >>988U7 50641 F >>988U7 70453	/RL	1	I099/639/640 I981
	987 552 102 13 A11	Black			
	987 552 102 13 5X6	Stone grey			
	987 552 102 13 8G2	Sand Beige			
	987 552 102 13 3S9	Sea blue			
	987 552 102 13 4P2	Palmgreen	-07		
	987 552 102 13 9S5	Terracotta			
	987 552 102 13 9V6	Cocoa			
	987 552 102 13 D12	Dark grey/natural			
	987 552 102 13 T12	Brown/natural			
	987 552 102 13 N12	Carrera Red	08-		
1	987 552 101 24	Dashboard	/LL	1	I098/639/640 I981

Model: 987 06 Model life 2006>>2008

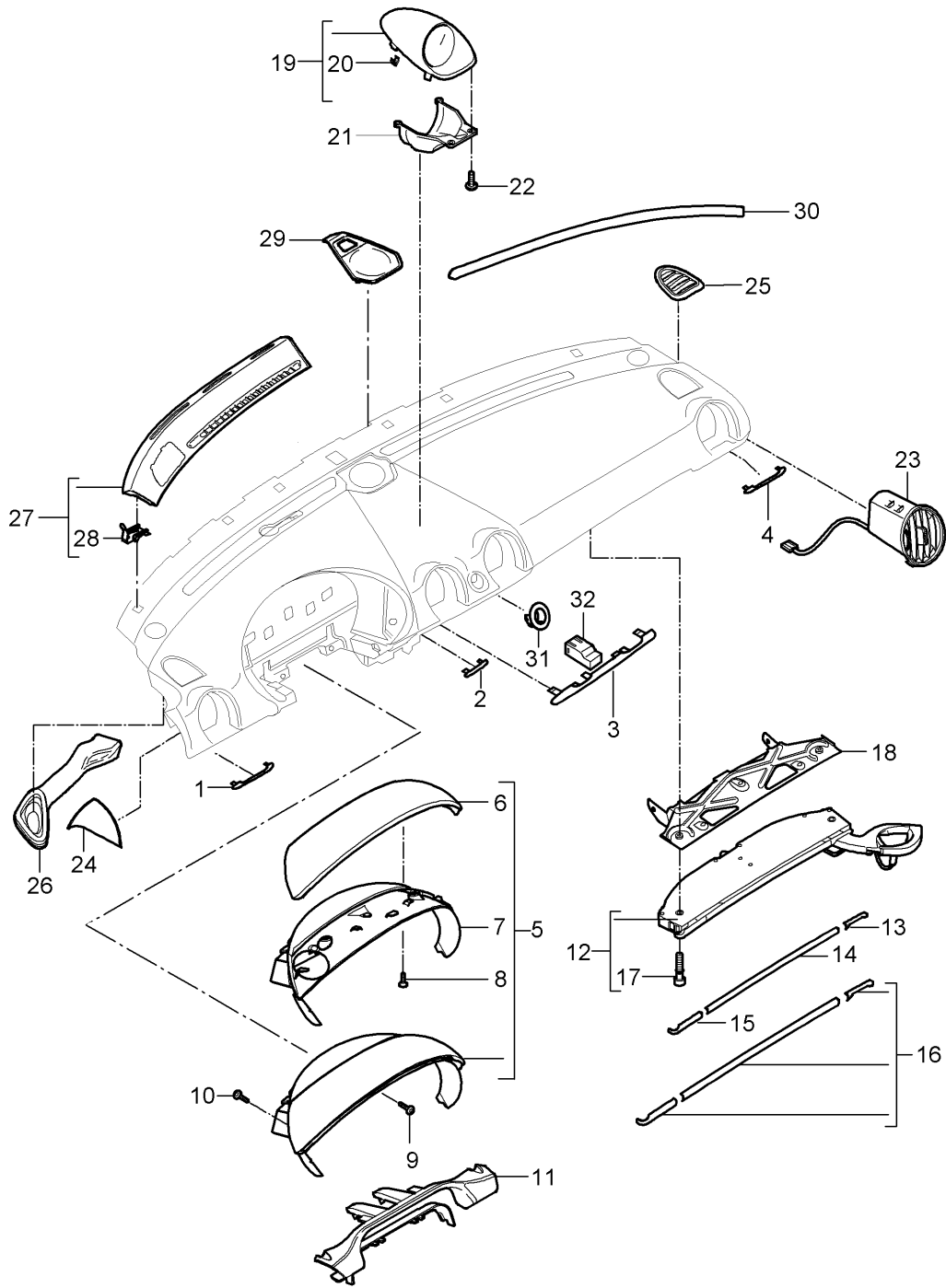
Pos	Part Number	Description	Remark	Qty	Model
		Upper part Leather Valid from: F 988U7 50790>> F 988U7 70583>>			
	987 552 101 24 A11	Black			
	987 552 101 24 5X6	Stone grey			
	987 552 101 24 8G2	Sand Beige			
	987 552 101 24 3S9	Sea blue			
	987 552 101 24 9S5	Terracotta			
	987 552 101 24 9V6	Cocoa			
	987 552 101 24 D12	Dark grey/natural			
	987 552 101 24 T12	Brown/natural			
	987 552 101 24 N12	Carrera Red	08-		
(1)	987 552 102 24	Dashboard	/RL	1	I099/639/640 I981
		Upper part Leather Valid from: F 988U7 50642>> F 988U7 70454>>			
	987 552 102 24 A11	Black			
	987 552 102 24 5X6	Stone grey			
	987 552 102 24 8G2	Sand Beige			
	987 552 102 24 3S9	Sea blue			
	987 552 102 24 9S5	Terracotta			
	987 552 102 24 9V6	Cocoa			
	987 552 102 24 D12	Dark grey/natural			
	987 552 102 24 T12	Brown/natural			
	987 552 102 24 N12	Carrera Red	08-		
2	999 507 971 01	Speed nut ST 4,2		X	
3	999 073 155 09	Tapping screw ST 4,2 X 13		X	
4	999 507 106 02	Clamping washer 8,0		X	
5	999 507 732 01	Clamp 8,0 X 12,0 /4,0		X	
6	999 507 020 01	Speed nut ST 4,2		X	
7	997 552 617 01	Support Dashboard		1	
8	997 552 673 00	Driver's side Lid		2	
9	999 073 226 09	Defroster trim Tapping screw ST 4,2 X 16		2	
10	997 552 481 00	Insert A-pillar	/L	1	
(10)	997 552 482 00	Insert A-pillar	/R	1	
11	999 507 921 01	Clamp		2	
12	999 500 132 00	Grooved nut M5		2	
		Valid up to: F >>988U7 50789 F >>988U7 70582 F >>988U7 50641 F >>988U7 70453			
12	999 507 319 01	Captive nut M5 Valid from: F 988U7 50790>>		2	

Model: 987 06 Model life 2006>>2008

Pos	Part Number	Description	Remark	Qty	Model
13	997 552 360 02	F 988U7 70583>> F 988U7 50642>> F 988U7 70454>> Retaining bracket for Beverages Support Valid up to: F >>988U7 50789 F >>988U7 70582	/LL	1	I098
(13)	997 552 359 02	Retaining bracket for Beverages Support Valid up to: F >>988U7 50641 F >>988U7 70453	/RL	1	I099
(13)	997 552 360 03	Retaining bracket for Beverages Support Valid from: F 988U7 50790>> F 988U7 70583>>	/LL	1	I098
(13)	997 552 359 03	Retaining bracket for Beverages Support Valid from: F 988U7 50642>> F 988U7 70454>>	/RL	1	I099

Model: 987 06

Model life 2006>>2008



Model: 987 06 Model life 2006>>2008

Pos	Part Number	Description	Remark	Qty	Model
1	987 552 381 01	Dashboard trim Upper part with Accessories Moulding	/LL	1	CAYMAN I098
(1)	987 552 381 01 D07 987 552 382 01	Driver's side Outer Volcano grey Moulding	/RL	1	CAYMAN I099
(1)	987 552 382 01 D07 987 552 381 02	Driver's side Outer Volcano grey Moulding	/LL	1	CAYMAN S I098
(1)	987 552 381 02 V04 987 552 382 02	Driver's side Outer Galvano silver Moulding	/RL	1	CAYMAN S I099
(1)	987 552 382 02 V04 987 552 381 03	Driver's side Outer Galvano silver Moulding	/LL	1	I098/801
(1)	987 552 381 03 S61 987 552 382 03	Driver's side Outer Macassar Moulding	/RL	1	I099/801
(1)	987 552 382 03 S61 987 552 381 04	Driver's side Outer Macassar Moulding	/LL /L -08	1	I098/802
(1)	987 552 381 04 S62 987 552 382 04	Sycamore wood Moulding	/RL /R -08	1	I099/802
(1)	987 552 382 04 S62 987 552 381 05	Sycamore wood Moulding	/LL	1	I098/803
(1)	987 552 381 05 A35 987 552 382 05	Driver's side Outer Black Moulding	/RL	1	I099/803
(1)	987 552 382 05 A35 987 552 381 06	Driver's side Outer Black Moulding	/LL	1	I098/805
(1)	987 552 381 06 G2X 987 552 381 06	Driver's side Outer Prime coated Moulding	/LL 08-	1	CAYMAN S I098/758
(1)	987 552 381 06 G2X 987 552 382 06	Driver's side Outer Prime coated Moulding	/RL	1	I099/805
(1)	987 552 382 06 G2X 987 552 382 06	Driver's side Outer Prime coated Moulding	/RL 08-	1	CAYMAN S I099/758
		Driver's side Outer			

Model: 987 06 Model life 2006>>2008

Pos	Part Number	Description	Remark	Qty	Model
(1)	987 552 382 06 G2X 987 552 986 00	Prime coated Moulding Driver's side Outer	/LL	1	IXVP/098
	987 552 986 00 A11	Black			
	987 552 986 00 5X6	Stone grey			
	987 552 986 00 8G2	Sand Beige			
	987 552 986 00 3S9	Sea blue			
	987 552 986 00 4P2	Palmgreen	-07		
	987 552 986 00 9S5	Terracotta			
	987 552 986 00 9V6	Cocoa			
	987 552 986 00 D12	Dark grey/natural			
	987 552 986 00 T12	Brown/natural			
	987 552 986 00 N12	Carrera Red	08-		
(1)	987 552 986 01	Moulding Driver's side Outer	/RL	1	IXVP/099
	987 552 986 01 A11	Black			
	987 552 986 01 5X6	Stone grey			
	987 552 986 01 8G2	Sand Beige			
	987 552 986 01 3S9	Sea blue			
	987 552 986 01 4P2	Palmgreen	-07		
	987 552 986 01 9S5	Terracotta			
	987 552 986 01 9V6	Cocoa			
	987 552 986 01 D12	Dark grey/natural			
	987 552 986 01 T12	Brown/natural			
	987 552 986 01 N12	Carrera Red	08-		
2	987 552 383 01	Moulding Driver's side Inner	/LL	1	CAYMAN I098
(2)	987 552 383 01 D07 987 552 384 01	Volcano grey Moulding Driver's side Inner	/RL	1	CAYMAN I099
(2)	987 552 384 01 D07 987 552 383 02	Volcano grey Moulding Driver's side Inner	/LL	1	CAYMAN S I098
(2)	987 552 383 02 V04 987 552 384 02	Galvano silver Moulding Driver's side Inner	/RL	1	CAYMAN S I099
(2)	987 552 384 02 V04 987 552 383 03	Galvano silver Moulding Driver's side Inner	/LL	1	I098/801
(2)	987 552 383 03 S61 987 552 384 03	Macassar Moulding Driver's side Inner	/RL	1	I099/801
(2)	987 552 384 03 S61 987 552 383 04	Macassar Moulding Driver's side Inner	/LL -08	1	I098/802
(2)	987 552 383 04 S62 987 552 384 04	Sycamore wood Moulding Driver's side Inner	/RL -08	1	I099/802
	987 552 384 04 S62	Sycamore wood			

Model: 987 06 Model life 2006>>2008

Pos	Part Number	Description	Remark	Qty	Model
(2)	987 552 383 05	Moulding Driver's side Inner	/LL	1	I098/803
	987 552 383 05 A35	Black			
(2)	987 552 384 05	Moulding Driver's side Inner	/RL	1	I099/803
	987 552 384 05 A35	Black			
(2)	987 552 383 06	Moulding Driver's side Inner	/LL	1	I098/805
	987 552 383 06 G2X	Prime coated			
(2)	987 552 383 06	Moulding Driver's side Inner	/LL 08-	1	CAYMAN S I098/758
	987 552 383 06 G2X	Prime coated			
(2)	987 552 384 06	Moulding Driver's side Inner	/RL	1	I099/805
	987 552 384 06 G2X	Prime coated			
(2)	987 552 384 06	Moulding Driver's side Inner	/RL 08-	1	CAYMAN S I099/758
	987 552 384 06 G2X	Prime coated			
(2)	987 552 987 00	Moulding Driver's side Inner	/LL	1	IXVP/098
	987 552 987 00 A11	Black			
	987 552 987 00 5X6	Stone grey			
	987 552 987 00 8G2	Sand Beige			
	987 552 987 00 3S9	Sea blue			
	987 552 987 00 4P2	Palmgreen	-07		
	987 552 987 00 9S5	Terracotta			
	987 552 987 00 9V6	Cocoa			
	987 552 987 00 D12	Dark grey/natural			
	987 552 987 00 T12	Brown/natural			
	987 552 987 00 N12	Carrera Red	08-		
(2)	987 552 987 01	Moulding Driver's side Inner	/RL	1	IXVP/099
	987 552 987 01 A11	Black			
	987 552 987 01 5X6	Stone grey			
	987 552 987 01 8G2	Sand Beige			
	987 552 987 01 3S9	Sea blue			
	987 552 987 01 4P2	Palmgreen	-07		
	987 552 987 01 9S5	Terracotta			
	987 552 987 01 9V6	Cocoa			
	987 552 987 01 D12	Dark grey/natural			
	987 552 987 01 T12	Brown/natural			
	987 552 987 01 N12	Carrera Red	08-		
3	987 552 585 01	Moulding Dashboard Centre		1	CAYMAN
	987 552 585 01 D07	Volcano grey			
(3)	987 552 585 02	Moulding Dashboard Centre		1	CAYMAN S
	987 552 585 02 V04	Galvano silver			
(3)	987 552 585 03	Moulding Dashboard Centre		1	I801

Model: 987 06 Model life 2006>>2008

Pos	Part Number	Description	Remark	Qty	Model
(3)	987 552 585 03 S61 987 552 585 04	Macassar Moulding Dashboard Centre	-08	1	I802
(3)	987 552 585 04 S62 987 552 585 05	Sycamore wood Moulding Dashboard Centre		1	I803
(3)	987 552 585 05 A35 987 552 585 06	Black Moulding Dashboard Centre		1	I805
(3)	987 552 585 06 G2X 987 552 585 06	Prime coated Moulding Dashboard Centre	08-	1	CAYMAN S I758
(3)	987 552 585 06 G2X 987 552 981 00	Prime coated Moulding Dashboard Centre		1	IXVP
	987 552 981 00 A11 987 552 981 00 5X6 987 552 981 00 8G2 987 552 981 00 3S9 987 552 981 00 4P2 987 552 981 00 9S5 987 552 981 00 9V6 987 552 981 00 D12 987 552 981 00 T12 987 552 981 00 N12	Black Stone grey Sand Beige Sea blue Palmgreen Terracotta Cocoa Dark grey/natural Brown/natural Carrera Red	-07		
4	987 552 388 01	Moulding Passenger's side	08- /LL	1	CAYMAN I098
(4)	987 552 388 01 D07 987 552 387 01	Volcano grey Moulding Passenger's side	/RL	1	CAYMAN I099
(4)	987 552 387 01 D07 987 552 388 02	Volcano grey Moulding Passenger's side	/LL	1	CAYMAN S I098
(4)	987 552 388 02 V04 987 552 387 02	Galvano silver Moulding Passenger's side	/RL	1	CAYMAN S I099
(4)	987 552 387 02 V04 987 552 388 03	Galvano silver Moulding Passenger's side	/LL	1	I098/801
(4)	987 552 388 03 S61 987 552 387 03	Macassar Moulding Passenger's side	/RL	1	I099/801
(4)	987 552 387 03 S61 987 552 388 04	Macassar Moulding Passenger's side	/LL -08	1	I098/802
(4)	987 552 388 04 S62 987 552 387 04	Sycamore wood Moulding Passenger's side	/RL -08	1	I099/802
(4)	987 552 387 04 S62 987 552 388 05	Sycamore wood Moulding Passenger's side	/LL	1	I098/803
(4)	987 552 388 05 A35 987 552 387 05	Black Moulding	/RL	1	I099/803

Model: 987 06 Model life 2006>>2008

Pos	Part Number	Description	Remark	Qty	Model
(4)	987 552 387 05 A35	Passenger's side Black		1	I098/805
	987 552 388 06	Moulding	/LL		
(4)	987 552 388 06 G2X	Passenger's side Prime coated		1	CAYMAN S I098/758
	987 552 388 06	Moulding	/LL 08-		
(4)	987 552 388 06 G2X	Passenger's side Prime coated		1	I099/805
	987 552 387 06	Moulding	/RL		
(4)	987 552 387 06 G2X	Passenger's side Prime coated		1	CAYMAN S I099/758
	987 552 387 06	Moulding	/RL 08-		
(4)	987 552 387 06 G2X	Passenger's side Prime coated		1	IXVP/098
	987 552 982 00	Moulding	/LL		
(4)	987 552 982 00 A11	Passenger's side Black		1	IXVP/099
	987 552 982 00 5X6	Stone grey			
	987 552 982 00 8G2	Sand Beige			
	987 552 982 00 3S9	Sea blue			
	987 552 982 00 4P2	Palmgreen	-07		
	987 552 982 00 9S5	Terracotta			
	987 552 982 00 9V6	Cocoa			
	987 552 982 00 D12	Dark grey/natural			
	987 552 982 00 T12	Brown/natural			
	987 552 982 00 N12	Carrera Red	08-		
	987 552 982 01	Moulding	/RL		
	987 552 982 01 A11	Passenger's side Black			
	987 552 982 01 5X6	Stone grey			
	987 552 982 01 8G2	Sand Beige			
987 552 982 01 3S9	Sea blue				
987 552 982 01 4P2	Palmgreen	-07			
987 552 982 01 9S5	Terracotta				
987 552 982 01 9V6	Cocoa				
987 552 982 01 D12	Dark grey/natural				
987 552 982 01 T12	Brown/natural				
987 552 982 01 N12	Carrera Red	08-			
5	987 552 023 00	Instrument box Complete Lacquered	/LL	1	I098
(5)	987 552 023 00 A03	Black		1	I099
	987 552 023 00 5V7	Stone grey			
	987 552 023 00 5Z1	Sand Beige			
	987 552 023 00 8W7	Sea blue			
	987 552 023 00 5Y2	Palmgreen	-07		
	987 552 024 00	Instrument box Complete Lacquered	/RL		
(5)	987 552 024 00 A03	Black		1	I098/981
	987 552 024 00 5V7	Stone grey			
	987 552 024 00 5Z1	Sand Beige			
	987 552 024 00 8W7	Sea blue			
	987 552 024 00 5Y2	Palmgreen	-07		
	987 552 023 01	Instrument box Complete	/LL -07		
987 552 023 01 FSA	Black/grey				
987 552 023 01 FSB	Stone grey/stone grey				
987 552 023 01 FSC	Sand beige/sand beige				
987 552 023 01 FSD	Sea blue/grey				
987 552 023 01 FSE	Palmgreen/palmgreen	-07			

Model: 987 06

Model life 2006>>2008

Pos	Part Number	Description	Remark	Qty	Model
(5)	987 552 023 01 FSF	Terracotta/terracotta			
	987 552 023 01 FSG	Cocoa/Cocoa			
	987 552 023 01 FSH	Darkgrey natural/grey			
	987 552 023 01 FSJ	Brown nat./brown nat.			
	987 552 023 02	Instrument box Complete	/LL 08-	1	I098/981
	987 552 023 02 FSA	Black/grey			
	987 552 023 02 FSB	Stone grey/stone grey			
	987 552 023 02 FSC	Sand beige/sand beige			
	987 552 023 02 FSD	Sea blue/grey			
	987 552 023 02 FSF	Terracotta/terracotta			
(5)	987 552 023 02 FSG	Cocoa/Cocoa			
	987 552 023 02 FSH	Darkgrey natural/grey			
	987 552 023 02 FSJ	Brown nat./brown nat.			
	987 552 023 02 FSP	Carrera Red	08-		
	987 552 024 01	Instrument box Complete	/RL -07	1	I099/981
	987 552 024 01 FSA	Black/grey			
	987 552 024 01 FSB	Stone grey/stone grey			
	987 552 024 01 FSC	Sand beige/sand beige			
	987 552 024 01 FSD	Sea blue/grey			
	987 552 024 01 FSE	Palmgreen/palmgreen	-07		
(5)	987 552 024 01 FSF	Terracotta/terracotta			
	987 552 024 01 FSG	Cocoa/Cocoa			
	987 552 024 01 FSH	Darkgrey natural/grey			
	987 552 024 01 FSJ	Brown nat./brown nat.			
	987 552 024 02	Instrument box Complete	/RL 08-	1	I099/981
	987 552 024 02 FSA	Black/grey			
	987 552 024 02 FSB	Stone grey/stone grey			
	987 552 024 02 FSC	Sand beige/sand beige			
	987 552 024 02 FSD	Sea blue/grey			
	987 552 024 02 FSF	Terracotta/terracotta			
(5)	987 552 024 02 FSG	Cocoa/Cocoa			
	987 552 024 02 FSH	Darkgrey natural/grey			
	987 552 024 02 FSJ	Brown nat./brown nat.			
	987 552 024 02 FSP	Carrera Red	08-		
	987 552 990 08	Instrument box Complete	/LL	1	IXNG/098
	987 552 990 08 A11	Black			
	987 552 990 08 5X6	Stone grey			
	987 552 990 08 8G2	Sand Beige			
	987 552 990 08 3S9	Sea blue			
	987 552 990 08 4P2	Palmgreen	-07		
(5)	987 552 990 09	Instrument box Complete	/RL	1	IXNG/099
	987 552 990 09 A11	Black			
	987 552 990 09 5X6	Stone grey			
	987 552 990 09 8G2	Sand Beige			
	987 552 990 09 3S9	Sea blue			
	987 552 990 09 4P2	Palmgreen	-07		
	987 552 990 10	Instrument box Complete	/LL	1	IXNG/098/981
	987 552 990 10 A11	Black			
	987 552 990 10 5X6	Stone grey			
	987 552 990 10 8G2	Sand Beige			
(5)	987 552 990 10 3S9	Sea blue			
	987 552 990 10 4P2	Palmgreen	-07		
	987 552 990 10 9S5	Terracotta			
	987 552 990 10 9V6	Cocoa			
	987 552 990 10 D12	Dark grey/natural			
	987 552 990 10 T12	Brown/natural			
	987 552 990 10 N12	Carrera Red	08-		

Model: 987 06 Model life 2006>>2008

Pos	Part Number	Description	Remark	Qty	Model
(5)	987 552 990 11	Instrument box Complete	/RL	1	IXNG/099/981
	987 552 990 11 A11	Black			
	987 552 990 11 5X6	Stone grey			
	987 552 990 11 8G2	Sand Beige			
	987 552 990 11 3S9	Sea blue			
	987 552 990 11 4P2	Palmgreen	-07		
	987 552 990 11 9S5	Terracotta			
	987 552 990 11 9V6	Cocoa			
	987 552 990 11 D12	Dark grey/natural			
	987 552 990 11 T12	Brown/natural			
	987 552 990 11 N12	Carrera Red	08-		
(5)	987 552 990 12	Instrument box Complete	/LL	1	IXCL/098
	987 552 990 12 V04	Galvano silver			
(5)	987 552 990 13	Instrument box Complete	/RL	1	IXCL/099
	987 552 990 13 V04	Galvano silver			
(5)	987 552 325 02	Instrument box Lacquered	/LL 08-	1	CAYMAN S I098/758
	987 552 325 02 A03	Black			
(5)	987 552 326 02	Instrument box Lacquered	/RL 08-	1	CAYMAN S I099/758
	987 552 326 02 A03	Black			
(5)	987 552 990 14	Instrument box Complete	/LL	1	IXCL/098/981
	987 552 990 14 V04	Galvano silver			
(5)	987 552 990 14	Instrument box Complete	/LL	1	IXCL/098/981
	987 552 990 14 A11	Black			
	987 552 990 14 5X6	Stone grey			
	987 552 990 14 8G2	Sand Beige			
	987 552 990 14 3S9	Sea blue			
	987 552 990 14 9S5	Terracotta			
	987 552 990 14 9V6	Cocoa			
	987 552 990 14 D12	Dark grey/natural			
	987 552 990 14 T12	Brown/natural			
	987 552 990 14 N12	Carrera Red			
(5)	987 552 990 15	Instrument box Complete	/RL	1	IXCL/099/981
	987 552 990 15 A11	Black			
	987 552 990 15 5X6	Stone grey			
	987 552 990 15 8G2	Sand Beige			
	987 552 990 15 3S9	Sea blue			
	987 552 990 15 9S5	Terracotta			
	987 552 990 15 9V6	Cocoa			
	987 552 990 15 D12	Dark grey/natural			
	987 552 990 15 T12	Brown/natural			
	987 552 990 15 N12	Carrera Red			
(5)	987 552 990 15	Instrument box Complete	/RL	1	IXCL/099/981
	987 552 990 15 V04	Galvano silver			
(6)	987 552 123 01	Instrument box Upper part	/LL -07	1	I098/981
	987 552 123 01 FSA	Black/grey			
	987 552 123 01 FSB	Stone grey/stone grey			
	987 552 123 01 FSC	Sand beige/sand beige			
	987 552 123 01 FSD	Sea blue/grey			
	987 552 123 01 FSE	Palmgreen/palmgreen	-07		
	987 552 123 01 FSF	Terracotta/terracotta			
	987 552 123 01 FSG	Cocoa/Cocoa			

Model: 987 06

Model life 2006>>2008

Pos	Part Number	Description	Remark	Qty	Model
(6)	987 552 123 01 FSH	Darkgrey natural/grey		1	I098/981
	987 552 123 01 FSJ	Brown nat./brown nat.			
	987 552 123 02	Instrument box	/LL 08-		
		Upper part			
	987 552 123 02 FSA	Black/grey			
	987 552 123 02 FSB	Stone grey/stone grey			
	987 552 123 02 FSC	Sand beige/sand beige			
	987 552 123 02 FSD	Sea blue/grey			
	987 552 123 02 FSF	Terracotta/terracotta			
	987 552 123 02 FSG	Cocoa/Cocoa			
(6)	987 552 123 02 FSH	Darkgrey natural/grey		1	I099/981
	987 552 123 02 FSJ	Brown nat./brown nat.			
	987 552 123 02 FSP	Carrera Red	08-		
	987 552 124 01	Instrument box	/RL -07		
		Upper part			
	987 552 124 01 FSA	Black/grey			
	987 552 124 01 FSB	Stone grey/stone grey			
	987 552 124 01 FSC	Sand beige/sand beige			
	987 552 124 01 FSD	Sea blue/grey			
	987 552 124 01 FSE	Palmgreen/palmgreen	-07		
(6)	987 552 124 01 FSF	Terracotta/terracotta		1	I099/981
	987 552 124 01 FSG	Cocoa/Cocoa			
	987 552 124 01 FSH	Darkgrey natural/grey			
	987 552 124 01 FSJ	Brown nat./brown nat.			
	987 552 124 02	Instrument box	/RL 08-		
		Upper part			
	987 552 124 02 FSA	Black/grey			
	987 552 124 02 FSB	Stone grey/stone grey			
	987 552 124 02 FSC	Sand beige/sand beige			
	987 552 124 02 FSD	Sea blue/grey			
7	987 552 124 02 FSF	Terracotta/terracotta		1	I098
	987 552 124 02 FSG	Cocoa/Cocoa			
	987 552 124 02 FSH	Darkgrey natural/grey			
	987 552 124 02 FSJ	Brown nat./brown nat.			
	987 552 124 02 FSP	Carrera Red	08-		
	987 552 229 00	Cover			
		Instrument cluster			
	987 552 229 00 A03	Black			
	987 552 229 00 5V7	Stone grey			
	987 552 229 00 5Z1	Sand Beige			
7	987 552 229 00 8W7	Sea blue		1	I099
	987 552 229 00 5Y2	Palmgreen	-07		
	987 552 229 00 8X8	Terracotta			
	987 552 229 00 8P9	Cocoa			
	987 552 229 00 T13	Brown/natural			
	987 552 229 00 N23	Carrera Red	08-		
	987 552 230 00	Cover			
		Instrument cluster			
	987 552 230 00 A03	Black			
	987 552 230 00 5V7	Stone grey			
(7)	987 552 230 00 5Z1	Sand Beige		1	IXNG/098
	987 552 230 00 8W7	Sea blue			
	987 552 230 00 5Y2	Palmgreen	-07		
	987 552 230 00 8X8	Terracotta			
	987 552 230 00 8P9	Cocoa			
	987 552 230 00 T13	Brown/natural			
	987 552 230 00 N23	Carrera Red	08-		
	987 552 989 04	Cover	/LL		
		Instrument cluster			
	987 552 989 04 A11	Black			
987 552 989 04 5X6	Stone grey				
987 552 989 04 8G2	Sand Beige				
987 552 989 04 3S9	Sea blue				

Model: 987 06 Model life 2006>>2008

Pos	Part Number	Description	Remark	Qty	Model
	987 552 989 04 4P2	Palmgreen	-07		
	987 552 989 04 9S5	Terracotta			
	987 552 989 04 9V6	Cocoa			
	987 552 989 04 D12	Dark grey/natural			
	987 552 989 04 T12	Brown/natural			
	987 552 989 04 N12	Carrera Red	08-		
(7)	987 552 989 05	Cover	/RL	1	IXNG/099
		Instrument cluster			
	987 552 989 05 A11	Black			
	987 552 989 05 5X6	Stone grey			
	987 552 989 05 8G2	Sand Beige			
	987 552 989 05 3S9	Sea blue			
	987 552 989 05 4P2	Palmgreen	-07		
	987 552 989 05 9S5	Terracotta			
	987 552 989 05 9V6	Cocoa			
	987 552 989 05 D12	Dark grey/natural			
	987 552 989 05 T12	Brown/natural			
	987 552 989 05 N12	Carrera Red	08-		
(7)	987 552 989 06	Cover	/LL	1	IXCL/098
		Instrument cluster			
	987 552 989 06 V04	Galvano silver			
(7)	987 552 989 07	Cover	/RL	1	IXCL/099
		Instrument cluster			
	987 552 989 07 V04	Galvano silver			
8	999 919 235 09	Oval-head screw		4	
		ST 3,5 X 8			
9	900 067 416 01	Pan-head screw		2	
		M5 x 27			
10	999 073 226 09	Tapping screw		5	
		ST 4,2 X 16			
11	987 552 271 01	Bridge	/LL	1	I098
	987 552 271 01 A03	Black			
	987 552 271 01 5V7	Stone grey			
	987 552 271 01 5Z1	Sand Beige			
	987 552 271 01 8W7	Sea blue			
	987 552 271 01 5Y2	Palmgreen			
	987 552 271 01 8X8	Terracotta	-07		
	987 552 271 01 8P9	Cocoa			
	987 552 271 01 T13	Brown/natural			
	987 552 271 01 N23	Carrera Red	08-		
(11)	987 552 272 01	Bridge	/RL	1	I099
	987 552 272 01 A03	Black			
	987 552 272 01 5V7	Stone grey			
	987 552 272 01 5Z1	Sand Beige			
	987 552 272 01 8W7	Sea blue			
	987 552 272 01 5Y2	Palmgreen			
	987 552 272 01 8X8	Terracotta	-07		
	987 552 272 01 8P9	Cocoa			
	987 552 272 01 T13	Brown/natural			
	987 552 272 01 N23	Carrera Red	08-		
11	987 552 978 00	Bridge	/LL	1	IXNS/098
	987 552 978 00 A11	Black			
	987 552 978 00 5X6	Stone grey			
	987 552 978 00 8G2	Sand Beige			
	987 552 978 00 3S9	Sea blue			
	987 552 978 00 4P2	Palmgreen	-07		
	987 552 978 00 9S5	Terracotta			
	987 552 978 00 9V6	Cocoa			
	987 552 978 00 D12	Dark grey/natural			
	987 552 978 00 T12	Brown/natural			
	987 552 978 00 N12	Carrera Red	08-		
(11)	987 552 978 01	Bridge	/RL	1	IXNS/099
		Leather			

Model: 987 06 Model life 2006>>2008

Pos	Part Number	Description	Remark	Qty	Model
	987 552 978 01 A11	Black			
	987 552 978 01 5X6	Stone grey			
	987 552 978 01 8G2	Sand Beige			
	987 552 978 01 3S9	Sea blue			
	987 552 978 01 4P2	Palmgreen	-07		
	987 552 978 01 9S5	Terracotta			
	987 552 978 01 9V6	Cocoa			
	987 552 978 01 D12	Dark grey/natural			
	987 552 978 01 T12	Brown/natural			
	987 552 978 01 N12	Carrera Red	08-		
12	997 552 294 03	Support	/LL	1	I098
		Beverages			
(12)	997 552 293 04	Support	/RL	1	I099
		Beverages			
-	997 552 905 00	Repair kit		1	
		Flap			
		Torsion spring			
		for			
		Beverages			
		Support			
13	997 552 394 01	Cover	/LL /R	1	CAYMAN I098
	997 552 394 01 D07	Volcano grey			
(13)	997 552 393 01	Cover	/RL /R	1	CAYMAN I099
	997 552 393 01 D07	Volcano grey			
(13)	997 552 394 02	Cover	/LL /R	1	CAYMAN S I098
	997 552 394 02 V04	Galvano silver			
(13)	997 552 393 02	Cover	/RL /R	1	CAYMAN S I099
	997 552 393 02 V04	Galvano silver			
(13)	997 552 396 05	Cover	/LL /R	1	I098/803
	997 552 396 05 A35	Black			
(13)	997 552 395 05	Cover	/RL /R	1	I099/803
	997 552 395 05 A35	Black			
(13)	987 552 394 00	Cover	/LL /R	1	I098/805
	987 552 394 00 G2X	Prime coated			
(13)	987 552 394 00	Cover	/LL /R 08-	1	CAYMAN S I098/758
	987 552 394 00 G2X	Prime coated			
(13)	987 552 393 00	Cover	/RL /R	1	I099/805
	987 552 393 00 G2X	Prime coated			
(13)	987 552 393 00	Cover	/RL /R 08-	1	CAYMAN S I099/758
	987 552 393 00 G2X	Prime coated			
(13)	997 552 993 00	Cover	/LL /R	1	IXVP/098
	997 552 993 00 A11	Black			
	997 552 993 00 5X6	Stone grey			
	997 552 993 00 8G2	Sand Beige			
	997 552 993 00 3S9	Sea blue			
	997 552 993 00 4P2	Palmgreen	-07		
	997 552 993 00 9S5	Terracotta			
	997 552 993 00 9V6	Cocoa			
	997 552 993 00 D12	Dark grey/natural			
	997 552 993 00 T12	Brown/natural			
	997 552 993 00 N12	Carrera Red	08-		
(13)	997 552 993 01	Cover	/RL /R	1	IXVP/099
	997 552 993 01 A11	Black			
	997 552 993 01 5X6	Stone grey			
	997 552 993 01 8G2	Sand Beige			
	997 552 993 01 3S9	Sea blue			
	997 552 993 01 4P2	Palmgreen	-07		

Model: 987 06 Model life 2006>>2008

Pos	Part Number	Description	Remark	Qty	Model
14	997 552 993 01 9S5	Terracotta			
	997 552 993 01 9V6	Cocoa			
14	997 552 993 01 D12	Dark grey/natural			
	997 552 993 01 T12	Brown/natural			
14	997 552 993 01 N12	Carrera Red	08-		
	997 552 398 00	Cover	/LL	1	CAYMAN I098
(14)		Centre			
	997 552 398 00 D07	Volcano grey			
(14)	997 552 397 00	Cover	/RL	1	CAYMAN I099
		Centre			
(14)	997 552 397 00 D07	Volcano grey			
	997 552 398 01	Cover	/LL	1	CAYMAN S I098
(14)		Centre			
	997 552 398 01 V04	Galvano silver			
(14)	997 552 397 01	Cover	/RL	1	CAYMAN S I099
		Centre			
(14)	997 552 397 01 V04	Galvano silver			
	997 552 398 04	Cover	/LL	1	I098/803
(14)		Centre			
	997 552 398 04 A35	Black			
(14)	997 552 397 04	Cover	/RL	1	I099/803
		Centre			
(14)	997 552 397 04 A35	Black			
	987 552 392 00	Cover	/LL	1	I098/805
(14)		Centre			
	987 552 392 00 G2X	Prime coated			
(14)	987 552 392 00	Cover	/LL 08-	1	CAYMAN S I098/758
		Centre			
(14)	987 552 392 00 G2X	Prime coated			
	987 552 391 00	Cover	/RL	1	I099/805
(14)		Centre			
	987 552 391 00 G2X	Prime coated			
(14)	987 552 391 00	Cover	/RL 08-	1	CAYMAN S I099/758
		Centre			
(14)	987 552 391 00 G2X	Prime coated			
	997 552 994 00	Cover	/LL	1	IXVP/098
14		Centre			
	997 552 994 00 A11	Black			
14	997 552 994 00 5X6	Stone grey			
	997 552 994 00 8G2	Sand Beige			
14	997 552 994 00 3S9	Sea blue			
	997 552 994 00 4P2	Palmgreen	-07		
14	997 552 994 00 9S5	Terracotta			
	997 552 994 00 9V6	Cocoa			
14	997 552 994 00 D12	Dark grey/natural			
	997 552 994 00 T12	Brown/natural			
14	997 552 994 00 N12	Carrera Red	08-		
	997 552 994 01	Cover	/RL	1	IXVP/099
14		Centre			
	997 552 994 01 A11	Black			
14	997 552 994 01 5X6	Stone grey			
	997 552 994 01 8G2	Sand Beige			
14	997 552 994 01 3S9	Sea blue			
	997 552 994 01 4P2	Palmgreen	-07		
14	997 552 994 01 9S5	Terracotta			
	997 552 994 01 9V6	Cocoa			
14	997 552 994 01 D12	Dark grey/natural			

Model: 987 06 Model life 2006>>2008

Pos	Part Number	Description	Remark	Qty	Model
15	997 552 994 01 T12	Brown/natural			
	997 552 994 01 N12	Carrera Red	08-		
	997 552 396 01	Cover	/LL /L	1	CAYMAN I098
(15)	997 552 396 01 D07	Volcano grey			
	997 552 395 01	Cover	/RL /L	1	CAYMAN I099
(15)	997 552 395 01 D07	Volcano grey			
	997 552 396 02	Cover	/LL /L	1	CAYMAN S I098
(15)	997 552 396 02 V04	Galvano silver			
	997 552 395 02	Cover	/RL /L	1	CAYMAN S I099
(15)	997 552 395 02 V04	Galvano silver			
	997 552 394 05	Cover	/LL /L	1	I098/803
(15)	997 552 394 05 A35	Black			
	997 552 393 05	Cover	/RL /L	1	I099/803
(15)	997 552 393 05 A35	Black			
	987 552 396 00	Cover	/LL /L	1	I098/805
(15)	987 552 396 00 G2X	Prime coated			
	987 552 396 00	Cover	/LL /L 08-	1	CAYMAN S I098/758
(15)	987 552 396 00 G2X	Prime coated			
	987 552 395 00	Cover	/RL /L	1	I099/805
(15)	987 552 395 00 G2X	Prime coated			
	987 552 395 00	Cover	/RL /L 08-	1	CAYMAN S I099/758
(15)	987 552 395 00 G2X	Prime coated			
	997 552 992 00	Cover	/LL /L	1	IXVP/098
	997 552 992 00 A11	Black			
	997 552 992 00 5X6	Stone grey			
	997 552 992 00 8G2	Sand Beige			
	997 552 992 00 3S9	Sea blue			
	997 552 992 00 4P2	Palmgreen	-07		
	997 552 992 00 9S5	Terracotta			
	997 552 992 00 9V6	Cocoa			
	997 552 992 00 D12	Dark grey/natural			
	997 552 992 00 T12	Brown/natural			
(15)	997 552 992 00 N12	Carrera Red			
	997 552 992 01	Cover	08- /RL /L	1	IXVP/099
	997 552 992 01 A11	Black			
	997 552 992 01 5X6	Stone grey			
	997 552 992 01 8G2	Sand Beige			
	997 552 992 01 3S9	Sea blue			
	997 552 992 01 4P2	Palmgreen	-07		
	997 552 992 01 9S5	Terracotta			
	997 552 992 01 9V6	Cocoa			
	997 552 992 01 D12	Dark grey/natural			
	997 552 992 01 T12	Brown/natural			
16	997 552 992 01 N12	Carrera Red			
	997 552 904 00	Set	08- /LL	1	I098/801
		Cover			
		Wood			
(16)	997 552 904 00 S61	Macassar			
	997 552 903 00	Set	/RL	1	I099/801
		Cover			
		Wood			
16	997 552 903 00 S61	Macassar			
	997 552 904 01	Set	/LL -08	1	I098/802
		Cover			
		Wood			
16	997 552 904 01 S62	Sycamore wood			
	997 552 903 01	Set	/RL -08	1	I099/802

Model: 987 06 Model life 2006>>2008

Pos	Part Number	Description	Remark	Qty	Model
		Cover			
		Wood			
17	997 552 903 01 S62	Sycamore wood			
	900 067 416 01	Pan-head screw		2	
		M5 X 27			
18		Retaining bracket		1	
		Beverages			
		Support			
		See illustrations			
		8/09/00			
19	987 552 371 00	Air guide		1	I639/640
		Upper part			
	987 552 371 00 A03	Black			
	987 552 371 00 5V7	Stone grey			
	987 552 371 00 5Z1	Sand Beige			
	987 552 371 00 8W7	Sea blue			
	987 552 371 00 5Y2	Palmgreen	-07		
(19)	987 552 371 01	Air guide		1	I639/640/981
		Upper part			
	987 552 371 01 A11	Black			
	987 552 371 01 5X6	Stone grey			
	987 552 371 01 8G2	Sand Beige			
	987 552 371 01 3S9	Sea blue			
	987 552 371 01 4P2	Palmgreen	-07		
	987 552 371 01 9S5	Terracotta			
	987 552 371 01 9V6	Cocoa			
	987 552 371 01 D12	Dark grey/natural			
	987 552 371 01 T12	Brown/natural			
	987 552 371 01 N12	Carrera Red	08-		
20	999 507 920 01	U-clamp		4	I639/640
		1,7-2,1			
21	997 552 373 01	Support		1	I639/640
		Air guide			
		Upper part			
22	999 919 203 07	Oval-head screw		4	
		3,0 X 10			
23	987 552 131 03	Air vent	-07	4	
	987 552 131 03 FNE	Volcano grey/galvanosilver			
23	987 552 131 04	Air vent	08-	4	
	987 552 131 04 FRA	Black/Galvano Silver			
(23)	987 552 980 00	Air vent		4	IXVR
	987 552 980 00 A11	Black			
	987 552 980 00 5X6	Stone grey			
	987 552 980 00 8G2	Sand Beige			
	987 552 980 00 3S9	Sea blue			
	987 552 980 00 4P2	Palmgreen	-07		
	987 552 980 00 9S5	Terracotta			
	987 552 980 00 9V6	Cocoa			
	987 552 980 00 D12	Dark grey/natural			
	987 552 980 00 T12	Brown/natural			
	987 552 980 00 N12	Carrera Red	08-		
24	987 552 537 01	Cover	08- /L	1	
		Dashboard			
		Upper part			
	987 552 537 01 A03	Black			
	987 552 537 01 5V7	Stone grey			
	987 552 537 01 5Z1	Sand Beige			
	987 552 537 01 8W7	Sea blue			
	987 552 537 01 5Y2	Palmgreen	-07		
	987 552 537 01 8X8	Terracotta			
	987 552 537 01 8P9	Cocoa			
	987 552 537 01 T13	Brown/natural			
	987 552 537 01 N23	Carrera Red	08-		

Model: 987 06 Model life 2006>>2008

Pos	Part Number	Description	Remark	Qty	Model
(24)	987 552 538 01	Cover	/R	1	
		Dashboard			
		Upper part			
	987 552 538 01 A03	Black			
	987 552 538 01 5V7	Stone grey			
	987 552 538 01 5Z1	Sand Beige			
	987 552 538 01 8W7	Sea blue			
	987 552 538 01 5Y2	Palmgreen	-07		
	987 552 538 01 8X8	Terracotta			
	987 552 538 01 8P9	Cocoa			
	987 552 538 01 T13	Brown/natural			
	987 552 538 01 N23	Carrera Red	08-		
25	987 552 455 01	Cover	/L	1	
		Defroster vent			
	987 552 455 01 A03	Black			
	987 552 455 01 5V7	Stone grey			
	987 552 455 01 5Z1	Sand Beige			
	987 552 455 01 8W7	Sea blue			
	987 552 455 01 5Y2	Palmgreen	-07		
	987 552 455 01 8X8	Terracotta			
	987 552 455 01 8P9	Cocoa			
	987 552 455 01 T13	Brown/natural			
	987 552 455 01 N23	Carrera Red	08-		
(25)	987 552 456 01	Cover	/R	1	
		Defroster vent			
	987 552 456 01 A03	Black			
	987 552 456 01 5V7	Stone grey			
	987 552 456 01 5Z1	Sand Beige			
	987 552 456 01 8W7	Sea blue			
	987 552 456 01 5Y2	Palmgreen	-07		
	987 552 456 01 8X8	Terracotta			
	987 552 456 01 8P9	Cocoa			
	987 552 456 01 T13	Brown/natural			
	987 552 456 01 N23	Carrera Red	08-		
26	987 552 315 02	Air guide	/L	1	
		Lateral			
(26)	987 552 316 02	Air guide	/R	1	
		Lateral			
27	997 552 175 01	Defroster trim	/L	1	
	997 552 175 01 A03	Black			
	997 552 175 01 5V7	Stone grey			
	997 552 175 01 5Z1	Sand Beige			
	997 552 175 01 8W7	Sea blue			
	997 552 175 01 5Y2	Palmgreen	-07		
	997 552 175 01 8X8	Terracotta			
	997 552 175 01 8P9	Cocoa			
	997 552 175 01 T13	Brown/natural			
	997 552 175 01 N23	Carrera Red	08-		
(27)	997 552 176 01	Defroster trim	/R	1	
	997 552 176 01 A03	Black			
	997 552 176 01 5V7	Stone grey			
	997 552 176 01 5Z1	Sand Beige			
	997 552 176 01 8W7	Sea blue			
	997 552 176 01 5Y2	Palmgreen	-07		
	997 552 176 01 8X8	Terracotta			
	997 552 176 01 8P9	Cocoa			
	997 552 176 01 T13	Brown/natural			
	997 552 176 01 N23	Carrera Red	08-		
(27)	997 552 983 00	Defroster trim	/L	1	IXV1
	997 552 983 00 A11	Black			
	997 552 983 00 5X6	Stone grey			
	997 552 983 00 8G2	Sand Beige			
	997 552 983 00 3S9	Sea blue			

Model: 987 06 Model life 2006>>2008

Pos	Part Number	Description	Remark	Qty	Model
	997 552 983 00 4P2	Palmgreen	-07		
	997 552 983 00 9S5	Terracotta			
	997 552 983 00 9V6	Cocoa			
	997 552 983 00 D12	Dark grey/natural			
	997 552 983 00 T12	Brown/natural			
	997 552 983 00 N12	Carrera Red	08-		
(27)	997 552 984 00	Defroster trim	/R	1	IXV1
	997 552 984 00 A11	Black			
	997 552 984 00 5X6	Stone grey			
	997 552 984 00 8G2	Sand Beige			
	997 552 984 00 3S9	Sea blue			
	997 552 984 00 4P2	Palmgreen	-07		
	997 552 984 00 9S5	Terracotta			
	997 552 984 00 9V6	Cocoa			
	997 552 984 00 D12	Dark grey/natural			
	997 552 984 00 T12	Brown/natural			
	997 552 984 00 N12	Carrera Red	08-		
(27)	997 552 983 01	Defroster trim	/L -08	1	IXKJ
	997 552 983 01 A11	Black			
	997 552 983 01 5X6	Stone grey			
	997 552 983 01 8G2	Sand Beige			
	997 552 983 01 3S9	Sea blue			
	997 552 983 01 4P2	Palmgreen	-07		
	997 552 983 01 9S5	Terracotta			
	997 552 983 01 9V6	Cocoa			
	997 552 983 01 D12	Dark grey/natural			
	997 552 983 01 T12	Brown/natural			
	997 552 983 01 N12	Carrera Red	08-		
(27)	997 552 984 01	Defroster trim	/R -08	1	IXKJ
	997 552 984 01 A11	Black			
	997 552 984 01 5X6	Stone grey			
	997 552 984 01 8G2	Sand Beige			
	997 552 984 01 3S9	Sea blue			
	997 552 984 01 4P2	Palmgreen	-07		
	997 552 984 01 9S5	Terracotta			
	997 552 984 01 9V6	Cocoa			
	997 552 984 01 D12	Dark grey/natural			
	997 552 984 01 T12	Brown/natural			
	997 552 984 01 N12	Carrera Red	08-		
(27)	997 552 983 02	Defroster trim	/L -08	1	IXJS
	997 552 983 02 A11	Black			
	997 552 983 02 5X6	Stone grey			
	997 552 983 02 8G2	Sand Beige			
	997 552 983 02 3S9	Sea blue			
	997 552 983 02 4P2	Palmgreen	-07		
	997 552 983 02 9S5	Terracotta			
	997 552 983 02 9V6	Cocoa			
	997 552 983 02 D12	Dark grey/natural			
	997 552 983 02 T12	Brown/natural			
	997 552 983 02 N12	Carrera Red	08-		
(27)	997 552 984 02	Defroster trim	/R -08	1	IXJS
	997 552 984 02 A11	Black			
	997 552 984 02 5X6	Stone grey			
	997 552 984 02 8G2	Sand Beige			
	997 552 984 02 3S9	Sea blue			
	997 552 984 02 4P2	Palmgreen	-07		
	997 552 984 02 9S5	Terracotta			
	997 552 984 02 9V6	Cocoa			
	997 552 984 02 D12	Dark grey/natural			
	997 552 984 02 T12	Brown/natural			
	997 552 984 02 N12	Carrera Red	08-		
(27)	997 552 983 03	Defroster trim	/L -08	1	IXJR
	997 552 983 03 A11	Black			

Model: 987 06 Model life 2006>>2008

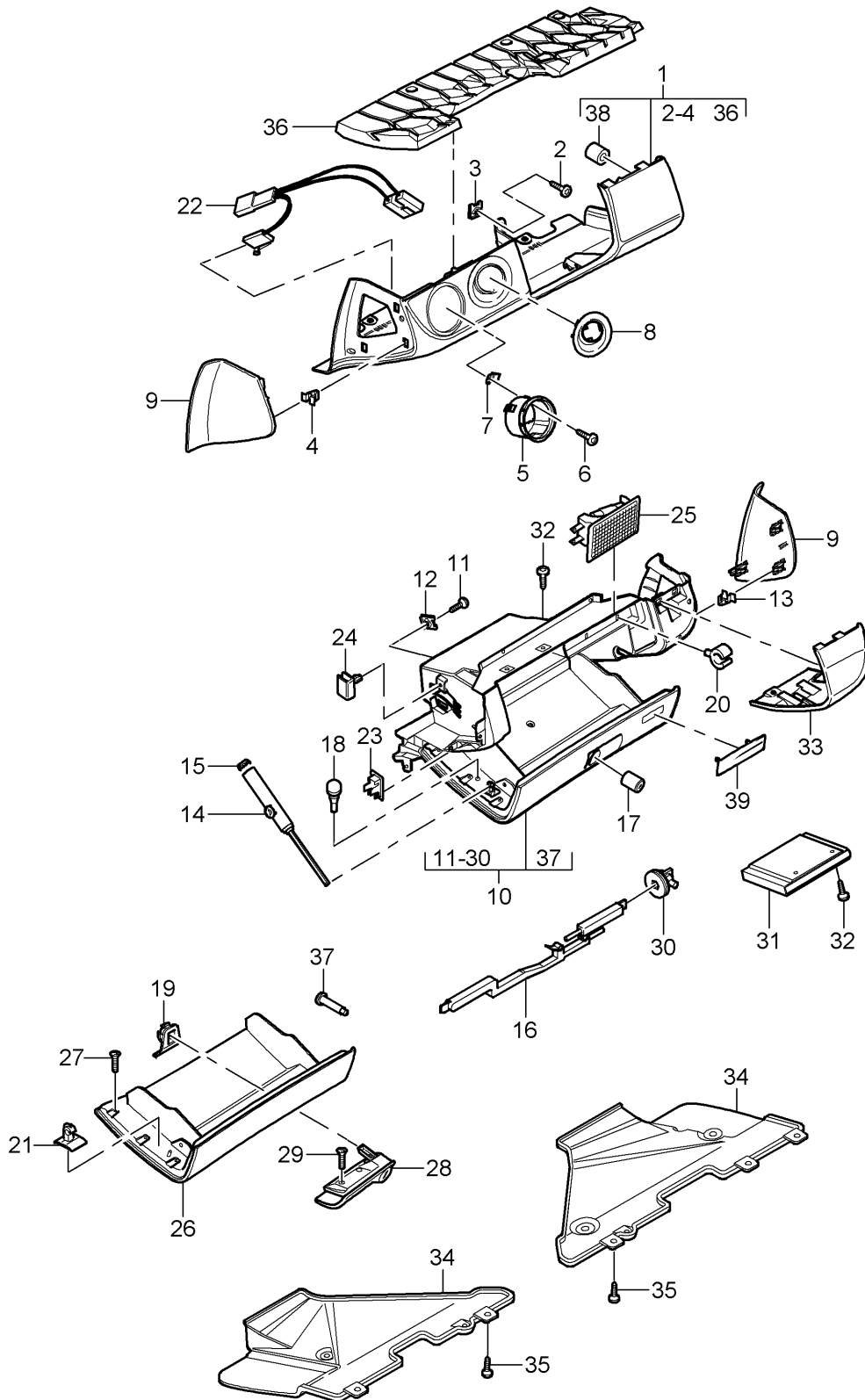
Pos	Part Number	Description	Remark	Qty	Model
	997 552 983 03 5X6	Stone grey			
	997 552 983 03 8G2	Sand Beige			
	997 552 983 03 3S9	Sea blue			
	997 552 983 03 4P2	Palmgreen	-07		
	997 552 983 03 9S5	Terracotta			
	997 552 983 03 9V6	Cocoa			
	997 552 983 03 D12	Dark grey/natural			
	997 552 983 03 T12	Brown/natural			
(27)	997 552 983 03 N12	Carrera Red	08-		
	997 552 984 03	Defroster trim	/R -08	1	IXJR
	997 552 984 03 A11	Black			
	997 552 984 03 5X6	Stone grey			
	997 552 984 03 8G2	Sand Beige			
	997 552 984 03 3S9	Sea blue			
	997 552 984 03 4P2	Palmgreen	-07		
	997 552 984 03 9S5	Terracotta			
	997 552 984 03 9V6	Cocoa			
	997 552 984 03 D12	Dark grey/natural			
	997 552 984 03 T12	Brown/natural			
	997 552 984 03 N12	Carrera Red	08-		
28	999 591 307 01	U-clamp		1	
29	997 552 351 01	Cover		1	
		Centre			
	997 552 351 01 A03	Black			
	997 552 351 01 5V7	Stone grey			
	997 552 351 01 5Z1	Sand Beige			
	997 552 351 01 8W7	Sea blue			
	997 552 351 01 5Y2	Palmgreen	-07		
	997 552 351 01 8X8	Terracotta			
	997 552 351 01 8P9	Cocoa			
	997 552 351 01 T13	Brown/natural			
	997 552 351 01 N23	Carrera Red	08-		
(29)	997 552 985 00	Cover		1	IXV1
		Centre			
	997 552 985 00 A11	Black			
	997 552 985 00 5X6	Stone grey			
	997 552 985 00 8G2	Sand Beige			
	997 552 985 00 3S9	Sea blue			
	997 552 985 00 4P2	Palmgreen	-07		
	997 552 985 00 9S5	Terracotta			
	997 552 985 00 9V6	Cocoa			
	997 552 985 00 D12	Dark grey/natural			
	997 552 985 00 T12	Brown/natural			
	997 552 985 00 N12	Carrera Red	08-		
(29)	997 552 985 00	Cover	-08	1	IXKJ
		Centre			
	997 552 985 00 A11	Black			
	997 552 985 00 5X6	Stone grey			
	997 552 985 00 8G2	Sand Beige			
	997 552 985 00 3S9	Sea blue			
	997 552 985 00 4P2	Palmgreen	-07		
	997 552 985 00 9S5	Terracotta			
	997 552 985 00 9V6	Cocoa			
	997 552 985 00 D12	Dark grey/natural			
	997 552 985 00 T12	Brown/natural			
	997 552 985 00 N12	Carrera Red	08-		
(29)	997 552 985 00	Cover	-08	1	IXJS
		Centre			
	997 552 985 00 A11	Black			
	997 552 985 00 5X6	Stone grey			
	997 552 985 00 8G2	Sand Beige			
	997 552 985 00 3S9	Sea blue			
	997 552 985 00 4P2	Palmgreen	-07		

Model: 987 06 Model life 2006>>2008

Pos	Part Number	Description	Remark	Qty	Model
	997 552 985 00 9S5	Terracotta			
	997 552 985 00 9V6	Cocoa			
	997 552 985 00 D12	Dark grey/natural			
	997 552 985 00 T12	Brown/natural			
	997 552 985 00 N12	Carrera Red	08-		
(29)	997 552 985 00	Cover	-08	1	IXJR
		Centre			
	997 552 985 00 A11	Black			
	997 552 985 00 5X6	Stone grey			
	997 552 985 00 8G2	Sand Beige			
	997 552 985 00 3S9	Sea blue			
	997 552 985 00 4P2	Palmgreen	-07		
	997 552 985 00 9S5	Terracotta			
	997 552 985 00 9V6	Cocoa			
	997 552 985 00 D12	Dark grey/natural			
	997 552 985 00 T12	Brown/natural			
	997 552 985 00 N12	Carrera Red	08-		
30	997 552 645 00	Gasket		1	
		Cowl			
31	987 552 397 02	Cover		1	
		Hazard warning light sw.			
	987 552 397 02 A03	Black			
	987 552 397 02 5V7	Stone grey			
	987 552 397 02 5Z1	Sand Beige			
	987 552 397 02 8W7	Sea blue			
	987 552 397 02 5Y2	Palmgreen	-07		
	987 552 397 02 8X8	Terracotta			
	987 552 397 02 8P9	Cocoa			
	987 552 397 02 T13	Brown/natural			
	987 552 397 02 N23	Carrera Red	08-		
32	987 552 595 00	Mounting		1	
		Switch			
		Central locking system			

Model: 987 06

Model life 2006>>2008



Model: 987 06 Model life 2006>>2008

Pos	Part Number	Description	Remark	Qty	Model
1	997 552 201 02	Glove compartment Lid And Lining Driver's side	/LL	1	I098
	997 552 201 02 1MZ	Leatherette Black			
	997 552 201 02 1YP	Stone grey			
	997 552 201 02 1TK	Sand Beige			
	997 552 201 02 1VM	Sea blue			
	997 552 201 02 1UL	Palmgreen	-07		
(1)	997 552 202 02	Lining	/RL	1	I099
	997 552 202 02 1MZ	Leatherette Black			
	997 552 202 02 1YP	Stone grey			
	997 552 202 02 1TK	Sand Beige			
	997 552 202 02 1VM	Sea blue			
	997 552 202 02 1UL	Palmgreen	-07		
(1)	997 552 201 03	Lining	/LL	1	I098/981
	997 552 201 03 A11	Leather Black			
	997 552 201 03 5X6	Stone grey			
	997 552 201 03 8G2	Sand Beige			
	997 552 201 03 3S9	Sea blue			
	997 552 201 03 4P2	Palmgreen	-07		
	997 552 201 03 9S5	Terracotta			
	997 552 201 03 9V6	Cocoa			
	997 552 201 03 D12	Dark grey/natural			
	997 552 201 03 T12	Brown/natural			
	997 552 201 03 N12	Carrera Red	08-		
(1)	997 552 202 03	Lining	/RL	1	I099/981
	997 552 202 03 A11	Leather Black			
	997 552 202 03 5X6	Stone grey			
	997 552 202 03 8G2	Sand Beige			
	997 552 202 03 3S9	Sea blue			
	997 552 202 03 4P2	Palmgreen	-07		
	997 552 202 03 9S5	Terracotta			
	997 552 202 03 9V6	Cocoa			
	997 552 202 03 D12	Dark grey/natural			
	997 552 202 03 T12	Brown/natural			
	997 552 202 03 N12	Carrera Red	08-		
2	999 073 155 09	Tapping screw		7	
		4,2 X 13			
3	999 507 971 01	Speed nut		7	
		4,2			
4	999 507 732 01	Clamp		7	
		8 X 12/ 4			
		for Mount			
5	997 552 427 01	Lining Cover		1	
	997 552 427 01 A03	Light switch Black			
	997 552 427 01 5V7	Stone grey			
	997 552 427 01 5Z1	Sand Beige			
	997 552 427 01 8W7	Sea blue			
	997 552 427 01 5Y2	Palmgreen	-07		
	997 552 427 01 8X8	Terracotta			
	997 552 427 01 8P9	Cocoa			
	997 552 427 01 T13	Brown/natural			
	997 552 427 01 N23	Carrera Red	08-		

Model: 987 06 Model life 2006>>2008

Pos	Part Number	Description	Remark	Qty	Model
6	999 073 155 09	Tapping screw 4,2 X 13		3	
7	999 507 971 01	Speed nut 4,2 for Mount Cover		3	
8	997 552 425 01	Light switch Cover Ignition starter lock	/LL	1	I098
	997 552 425 01 A03	Black			
	997 552 425 01 5V7	Stone grey			
	997 552 425 01 5Z1	Sand Beige			
	997 552 425 01 8W7	Sea blue			
	997 552 425 01 5Y2	Palmgreen	-07		
	997 552 425 01 8X8	Terracotta			
	997 552 425 01 8P9	Cocoa			
	997 552 425 01 T13	Brown/natural			
	997 552 425 01 N23	Carrera Red	08-		
(8)	997 552 426 01	Cover Ignition starter lock	/RL	1	I099
	997 552 426 01 A03	Black			
	997 552 426 01 5V7	Stone grey			
	997 552 426 01 5Z1	Sand Beige			
	997 552 426 01 8W7	Sea blue			
	997 552 426 01 5Y2	Palmgreen	-07		
	997 552 426 01 8X8	Terracotta			
	997 552 426 01 8P9	Cocoa			
	997 552 426 01 T13	Brown/natural			
	997 552 426 01 N23	Carrera Red	08-		
9	997 552 405 02	Cover	/L	1	
	997 552 405 02 A03	Black			
	997 552 405 02 5V7	Stone grey			
	997 552 405 02 5Z1	Sand Beige			
	997 552 405 02 8W7	Sea blue			
	997 552 405 02 5Y2	Palmgreen	-07		
	997 552 405 02 8X8	Terracotta			
	997 552 405 02 8P9	Cocoa			
	997 552 405 02 T13	Brown/natural			
	997 552 405 02 N23	Carrera Red	08-		
(9)	997 552 406 02	Cover Lateral Driver's side	/R	1	
	997 552 406 02 A03	Black			
	997 552 406 02 5V7	Stone grey			
	997 552 406 02 5Z1	Sand Beige			
	997 552 406 02 8W7	Sea blue			
	997 552 406 02 5Y2	Palmgreen	-07		
	997 552 406 02 8X8	Terracotta			
	997 552 406 02 8P9	Cocoa			
	997 552 406 02 T13	Brown/natural			
	997 552 406 02 N23	Carrera Red	08-		
10	997 552 204 04	Glove compartment Leatherette Complete Valid up to: F >>988U7 50789 F >>988U7 70582	/LL	1	I098
	997 552 204 04 1MZ	Black			
	997 552 204 04 1YP	Stone grey			
	997 552 204 04 1TK	Sand Beige			
	997 552 204 04 1VM	Sea blue			
	997 552 204 04 1UL	Palmgreen	-07		

Model: 987 06 Model life 2006>>2008

Pos	Part Number	Description	Remark	Qty	Model
(10)	997 552 203 04	Glove compartment Leatherette Complete Valid up to: F >>988U7 50641 F >>988U7 70453	/RL	1	I099
	997 552 203 04 1MZ	Black			
	997 552 203 04 1YP	Stone grey			
	997 552 203 04 1TK	Sand Beige			
	997 552 203 04 1VM	Sea blue			
	997 552 203 04 1UL	Palmgreen	-07		
10	997 552 204 06	Glove compartment Leatherette Complete Valid from: F 988U7 50790>> F 988U7 70583>>	/LL	1	I098
	997 552 204 06 1MZ	Black			
	997 552 204 06 1YP	Stone grey			
	997 552 204 06 1TK	Sand Beige			
	997 552 204 06 1VM	Sea blue			
(10)	997 552 203 06	Glove compartment Leatherette Complete Valid from: F 988U7 50642>> F 988U7 70454>>	/RL	1	I099
	997 552 203 06 1MZ	Black			
	997 552 203 06 1YP	Stone grey			
	997 552 203 06 1TK	Sand Beige			
	997 552 203 06 1VM	Sea blue			
10	997 552 204 05	Glove compartment Leather Complete Valid up to: F >>988U7 50789 F >>988U7 70582	/LL	1	I098/981
	997 552 204 05 A11	Black			
	997 552 204 05 5X6	Stone grey			
	997 552 204 05 8G2	Sand Beige			
	997 552 204 05 3S9	Sea blue			
	997 552 204 05 4P2	Palmgreen	-07		
	997 552 204 05 9S5	Terracotta			
	997 552 204 05 9V6	Cocoa			
	997 552 204 05 D12	Dark grey/natural			
	997 552 204 05 T12	Brown/natural			
	997 552 204 05 N12	Carrera Red			
(10)	997 552 203 05	Glove compartment Leather Complete Valid up to: F >>988U7 50641 F >>988U7 70453	/RL	1	I099/981
	997 552 203 05 A11	Black			
	997 552 203 05 5X6	Stone grey			
	997 552 203 05 8G2	Sand Beige			
	997 552 203 05 3S9	Sea blue			
	997 552 203 05 4P2	Palmgreen	-07		
	997 552 203 05 9S5	Terracotta			
	997 552 203 05 9V6	Cocoa			
	997 552 203 05 D12	Dark grey/natural			
	997 552 203 05 T12	Brown/natural			
	997 552 203 05 N12	Carrera Red	08-		

Model: 987 06 Model life 2006>>2008

Pos	Part Number	Description	Remark	Qty	Model
10	997 552 204 07	Glove compartment Leather Complete Valid from: F 988U7 50790>> F 988U7 70583>>	/LL	1	I098/981
	997 552 204 07 A11	Black			
	997 552 204 07 5X6	Stone grey			
	997 552 204 07 8G2	Sand Beige			
	997 552 204 07 3S9	Sea blue			
	997 552 204 07 9S5	Terracotta			
	997 552 204 07 9V6	Cocoa			
	997 552 204 07 D12	Dark grey/natural			
	997 552 204 07 T12	Brown/natural			
	997 552 204 07 N12	Carrera Red			
(10)	997 552 203 07	Glove compartment Leather Complete Valid from: F 988U7 50642>> F 988U7 70454>>	/RL	1	I099/981
	997 552 203 07 A11	Black			
	997 552 203 07 5X6	Stone grey			
	997 552 203 07 8G2	Sand Beige			
	997 552 203 07 3S9	Sea blue			
	997 552 203 07 9S5	Terracotta			
	997 552 203 07 9V6	Cocoa			
	997 552 203 07 D12	Dark grey/natural			
	997 552 203 07 T12	Brown/natural			
	997 552 203 07 N12	Carrera Red			
(10)	987 552 204 04	Glove compartment Leatherette Complete	/LL 08-	1	Cayman S I098/758
	987 552 204 04 1MZ	Black			
(10)	987 552 203 07	Glove compartment Leatherette Complete	/RL 08-	1	Cayman S I099/758
	987 552 203 07 1MZ	Black			
(10)	987 552 204 05	Glove compartment Leather Complete	/LL 08-	1	Cayman S I098/758/981
	987 552 204 05 A11	Black			
	987 552 204 05 5X6	Stone grey			
(10)	987 552 204 05	Glove compartment Leather Complete	/LL 08	1	Cayman S I098/755/981
	987 552 204 05 A11	Black			
(10)	987 552 203 05	Glove compartment Leather Complete	/RL 08-	1	Cayman S I099/758/981
	987 552 203 05 A11	Black			
	987 552 203 05 5X6	Stone grey			
(10)	987 552 203 05	Glove compartment Leather Complete	/RL 08	1	Cayman S I099/755/981
	987 552 203 05 A11	Black			
11	999 073 155 09	Tapping screw		X	

Model: 987 06 Model life 2006>>2008

Pos	Part Number	Description	Remark	Qty	Model
12	999 507 971 01	4,2 X 13 Speed nut		X	
13	999 507 732 01	4,2 Clamp 8 X 12 /4 for Mount Glove compartment		X	
14	997 552 484 01	Damper Glove compartment		1	
15	997 552 612 00	Cover Damper		1	
16	997 552 410 01	Release Glove compartment	/LL	1	I098
(16)	997 552 409 01	Release Glove compartment	/RL	1	I099
17	996 552 915 01	Lock cylinder Vehicle Ident. No. Indicate		1	
18	997 555 533 01	Stop Glove compartment		2	
18	999 703 068 40	F >>986U7 70260 Buffer 3,7 x 10,3 Glove compartment F 986U7 70261>>		2	
19	997 552 509 02	Mounting Closing element	/LL /L	1	I098
(19)	997 552 510 02	Mounting Closing element	/LL /R	1	I098
(19)	997 552 509 03	Mounting Closing element	/RL /L	1	I099
(19)	997 552 510 03	Mounting Closing element	/RL /R	1	I099
20	996 552 813 00	Support Pin		2	
21	996 552 879 00	Adapter for Damper		2	
22	997 612 651 00	Wiring harness Glove compartment light		1	
23	999 650 564 40	Clip for Wiring harness		1	
24	999 650 565 40	Microswitch Clip for Wiring harness		1	
25	997 632 071 00	Glove compartment light		1	
26	997 552 252 02	Glove compartment cover Leatherette	/LL	1	I098
	997 552 252 02 1MZ	Black			
	997 552 252 02 1YP	Stone grey			
	997 552 252 02 1TK	Sand Beige			
	997 552 252 02 1VM	Sea blue			
	997 552 252 02 1UL	Palmgreen	-07		
(26)	997 552 251 02	Glove compartment cover Leatherette	/RL	1	I099
	997 552 251 02 1MZ	Black			
	997 552 251 02 1YP	Stone grey			
	997 552 251 02 1TK	Sand Beige			
	997 552 251 02 1VM	Sea blue			

Model: 987 06 Model life 2006>>2008

Pos	Part Number	Description	Remark	Qty	Model
(26)	997 552 251 02 1UL	Palmgreen	-07		
	997 552 252 03	Glove compartment cover	/LL	1	I098/981
		Leather			
	997 552 252 03 A11	Black			
	997 552 252 03 5X6	Stone grey			
	997 552 252 03 8G2	Sand Beige			
	997 552 252 03 3S9	Sea blue			
	997 552 252 03 4P2	Palmgreen	-07		
	997 552 252 03 9S5	Terracotta			
	997 552 252 03 9V6	Cocoa			
	997 552 252 03 D12	Dark grey/natural			
	997 552 252 03 T12	Brown/natural			
	997 552 252 03 N12	Carrera Red	08-		
(26)	997 552 251 03	Glove compartment cover	/RL	1	I099/981
		Leather			
	997 552 251 03 A11	Black			
	997 552 251 03 5X6	Stone grey			
	997 552 251 03 8G2	Sand Beige			
	997 552 251 03 3S9	Sea blue			
	997 552 251 03 4P2	Palmgreen	-07		
	997 552 251 03 9S5	Terracotta			
	997 552 251 03 9V6	Cocoa			
	997 552 251 03 D12	Dark grey/natural			
	997 552 251 03 T12	Brown/natural			
	997 552 251 03 N12	Carrera Red	08-		
(26)	987 552 252 01	Glove compartment cover	/LL 08-	1	Cayman S I098/758
		Leatherette			
	987 552 252 01 1MZ	Black			
(26)	987 552 251 03	Glove compartment cover	/RL 08-	1	Cayman S I099/758
		Leatherette			
	987 552 251 03 1MZ	Black			
(26)	987 552 252 02	Glove compartment cover	/LL 08-	1	Cayman S I098/758/981
		Leather			
	987 552 252 02 A11	Black			
	987 552 252 02 5X6	Stone grey			
(26)	987 552 252 02	Glove compartment cover	/LL 08	1	Cayman S I098/755/981
		Leather			
	987 552 252 02 A11	Black			
(26)	987 552 251 01	Glove compartment cover	/RL 08-	1	Cayman S I099/758/981
		Leather			
	987 552 251 01 A11	Black			
	987 552 251 01 5X6	Stone grey			
(26)	987 552 251 01	Glove compartment cover	/RL 08	1	Cayman S I099/755/981
		Leather			
	987 552 251 01 A11	Black			
27	999 073 249 07	Tapping screw		11	
		3.5 X 12			
		for			
		Mount			
		Glove compartment cover			
28	997 552 362 01	Handle	/LL	1	I098
		Complete			
	997 552 362 01 A03	Black			
	997 552 362 01 5V7	Stone grey			
	997 552 362 01 5Z1	Sand Beige			
	997 552 362 01 8W7	Sea blue			
	997 552 362 01 5Y2	Palmgreen	-07		

Model: 987 06 Model life 2006>>2008

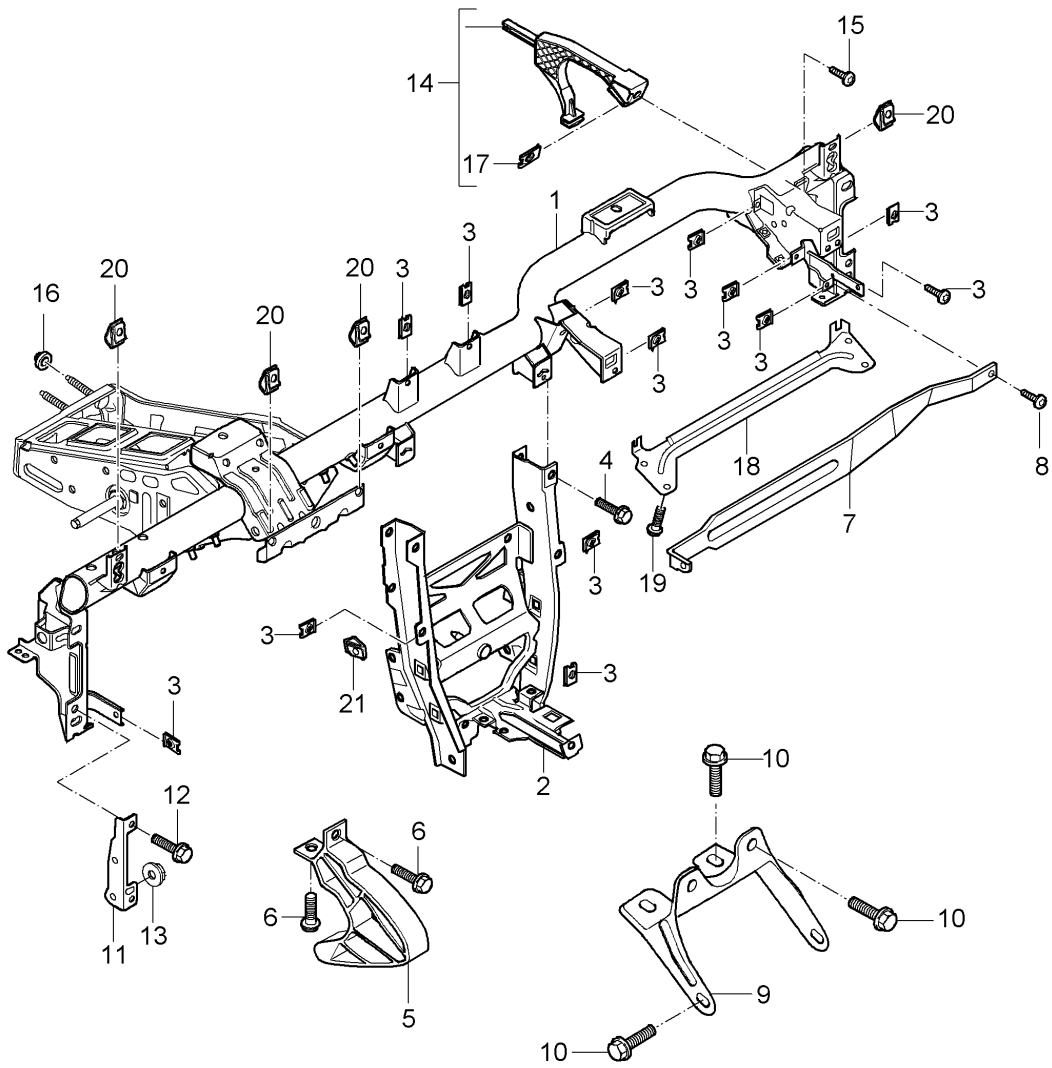
Pos	Part Number	Description	Remark	Qty	Model
(28)	997 552 362 01 8X8	Terracotta			
	997 552 362 01 8P9	Cocoa			
	997 552 362 01 T13	Brown/natural			
	997 552 362 01 N23	Carrera Red	08-		
	997 552 361 01	Handle	/RL	1	I099
		Complete			
	997 552 361 01 A03	Black			
	997 552 361 01 5V7	Stone grey			
	997 552 361 01 5Z1	Sand Beige			
	997 552 361 01 8W7	Sea blue			
29	997 552 361 01 5Y2	Palmgreen	-07		
	997 552 361 01 8X8	Terracotta			
	997 552 361 01 8P9	Cocoa			
	997 552 361 01 T13	Brown/natural			
	997 552 361 01 N23	Carrera Red	08-		
	999 073 240 01	Screw		2	
		M 4 X 10			
		for			
		Mount			
		Handle			
30	997 552 448 00	Stop		1	
31	997 552 663 00	Box for cds		1	I424
(31)	997 552 665 00	Cover		1	
		Box for cds			
32	999 073 240 01	Screw		2	
33		M 4 X 10			
	997 552 256 02	Cover	/LL	1	I098
		Passenger's side			
		Leatherette			
	997 552 256 02 1MZ	Black			
	997 552 256 02 1YP	Stone grey			
	997 552 256 02 1TK	Sand Beige			
	997 552 256 02 1VM	Sea blue			
	997 552 256 02 1UL	Palmgreen	-07		
	(33)	997 552 255 02	Cover	/RL	1
33		Passenger's side			
		Leatherette			
	997 552 255 02 1MZ	Black			
	997 552 255 02 1YP	Stone grey			
	997 552 255 02 1TK	Sand Beige			
	997 552 255 02 1VM	Sea blue			
	997 552 255 02 1UL	Palmgreen	-07		
	997 552 256 03	Cover	/LL	1	I098/981
		Passenger's side			
		Leather			
(33)	997 552 256 03 A11	Black			
	997 552 256 03 5X6	Stone grey			
	997 552 256 03 8G2	Sand Beige			
	997 552 256 03 3S9	Sea blue			
	997 552 256 03 4P2	Palmgreen	-07		
	997 552 256 03 9S5	Terracotta			
	997 552 256 03 9V6	Cocoa			
	997 552 256 03 D12	Dark grey/natural			
	997 552 256 03 T12	Brown/natural			
	997 552 256 03 N12	Carrera Red	08-		
(33)	997 552 255 03	Cover	/RL	1	I099/981
		Passenger's side			
		Leather			
	997 552 255 03 A11	Black			
	997 552 255 03 5X6	Stone grey			
	997 552 255 03 8G2	Sand Beige			
	997 552 255 03 3S9	Sea blue			
	997 552 255 03 4P2	Palmgreen	-07		

Model: 987 06 Model life 2006>>2008

Pos	Part Number	Description	Remark	Qty	Model
	997 552 255 03 9S5	Terracotta			
	997 552 255 03 9V6	Cocoa			
	997 552 255 03 D12	Dark grey/natural			
	997 552 255 03 T12	Brown/natural			
	997 552 255 03 N12	Carrera Red	08-		
34	997 552 414 01	Lining	/LL	1	I098
		Footwell			
		Passenger's side			
(34)	997 552 413 01	Lining	/RL	1	I099
		Footwell			
		Passenger's side			
35	1H0 819 943	Screw		X	
		for			
		Mount			
		Lining			
		Footwell			
36	997 552 451 01	Insert	/LL	1	I098
(36)	997 552 452 01	Insert	/RL	1	I099
37	997 552 649 01	Hinge bolt		2	
		Glove compartment			
38	997 552 821 00	Grommet		3	
39		Badge	08	1	I755
		Vehicle Ident. No.			
		Indicate			
		Special model			
(39)		Badge	08	1	I758
		Vehicle Ident. No.			
		Indicate			
		Special model			

Model: 987 06

Model life 2006>>2008



Model: 987 06 Model life 2006>>2008

Pos	Part Number	Description	Remark	Qty	Model
		Retaining frame Dashboard			
1	997 552 063 03	Retaining frame	/LL	1	I098
(1)	997 552 063 04	Retaining frame	/RL -07	1	I099
(1)	997 552 063 06	Retaining frame	/RL 08-	1	I099
2	997 552 163 05	Support Tunnel	/LL	1	I098
(2)	997 552 163 06	Support Tunnel	/RL	1	I099
3	999 507 020 01	Speed nut ST 4,2 for Mount Retaining frame And Support Tunnel		X	
4	900 378 305 01	Hexagon-head bolt M 8 X 65 for Mount Support		2	
9	997 552 515 01	Support Tunnel		1	
10	999 073 442 01	Screw M 6 X 25 for Mount Support Tunnel		X	
11	997 552 407 01	Support	/L	1	
(11)	997 552 408 01	Support A-pillar	/R	1	
12	900 378 176 01	Hexagon-head bolt M 8 X 20 for Mount Support A-pillar		4	
13	999 084 630 09	Hexagon nut M 8 for Mount Support A-pillar		4	
14	997 552 401 00	Support Heating		1	
15	999 073 155 09	Tapping screw ST 4,2 X 13 for Mount Support Heating		1	
16	997 423 299 01	Nut for Adjustment Retaining frame Firewall		2	
17	999 507 971 01	Speed nut ST 4,2 for Mount		1	

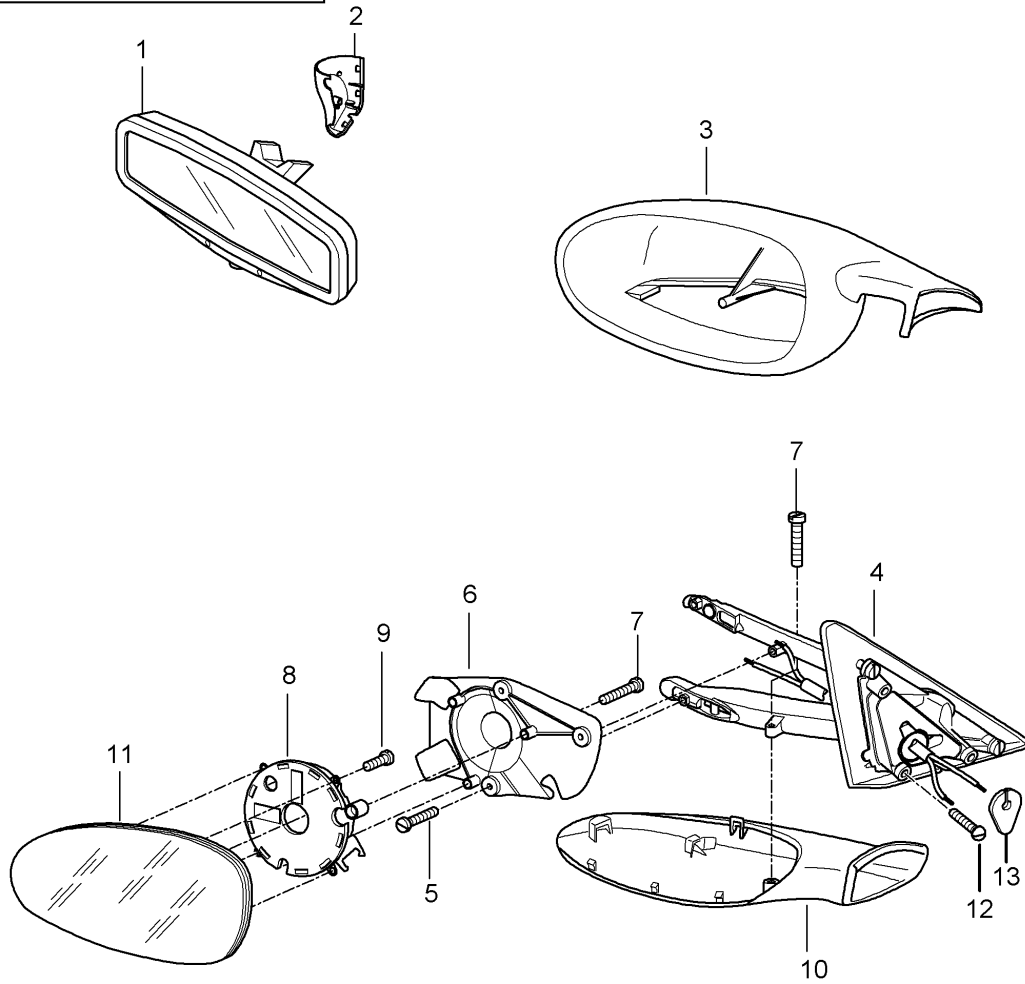
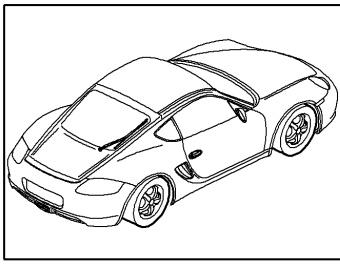
Model: 987 06

Model life 2006>>2008

Pos	Part Number	Description	Remark	Qty	Model
18	997 552 603 01	Support Heating Reinforcement plate Support		1	
19	900 378 222 09	Airbag Hexagon-head bolt M 6 X 16		4	
20	999 591 850 01	Speed nut ST 4,2		X	
21	999 591 951 03	Speed nut ST 4,2		X	

Model: 987 06

Model life 2006>>2008



Model: 987 06 Model life 2006>>2008

Pos	Part Number	Description	Remark	Qty	Model
		Interior mirror			
		Door mirror			
1	996 731 511 00	Interior mirror		1	
	996 731 511 00 01C	Satin black			
1	987 731 511 04	Interior mirror		1	
	987 731 511 04 01C	Satin black			
(1)	987 731 511 00	Interior mirror		1	I267
	987 731 511 00 01C	Satin black			
2	997 731 811 00	Cover	/L	1	I267
		Interior mirror			
	997 731 811 00 01C	Satin black			
2	997 731 812 00	Cover	/R	1	I267
		Interior mirror			
	997 731 812 00 01C	Satin black			
3	997 731 619 00	Housing	/L	1	
	997 731 619 00 G2L	Prime coated			
(3)	997 731 620 00	Housing	/R	1	
	997 731 620 00 G2L	Prime coated			
4	997 731 219 00	Mirror base	/LL /L	1	I098
		Door mirror			
	997 731 219 00 G2L	Prime coated			
		Including			
		Wiring harness			
(4)	997 731 220 00	Mirror base	/LL /R	1	I098
		Door mirror			
	997 731 220 00 G2L	Prime coated			
		Including			
		Wiring harness			
(4)	997 731 219 01	Mirror base	/LL /L	1	I098/537
		Door mirror			
	997 731 219 01 G2L	Prime coated			
		Including			
		Wiring harness			
(4)	997 731 220 01	Mirror base	/LL /R	1	I098/537
		Door mirror			
	997 731 220 01 G2L	Prime coated			
		Including			
		Wiring harness			
(4)	997 731 219 02	Mirror base	/LL /L	1	I098/267
		Door mirror			
	997 731 219 02 G2L	Prime coated			
		Including			
		Wiring harness			
(4)	997 731 220 02	Mirror base	/LL /R	1	I098/267
		Door mirror			
	997 731 220 02 G2L	Prime coated			
		Including			
		Wiring harness			
(4)	997 731 219 03	Mirror base	/LL /L	1	I098/267/537
		Door mirror			
	997 731 219 03 G2L	Prime coated			
		Including			
		Wiring harness			
(4)	997 731 220 03	Mirror base	/LL /R	1	I098/267/537
		Door mirror			
	997 731 220 03 G2L	Prime coated			
		Including			
		Wiring harness			
(4)	997 731 219 04	Mirror base	/RL /L	1	I099
		Door mirror			
	997 731 219 04 G2L	Prime coated			
		Including			
		Wiring harness			

Model: 987 06 Model life 2006>>2008

Pos	Part Number	Description	Remark	Qty	Model
(4)	997 731 220 04	Mirror base Door mirror	/RL /R	1	I099
	997 731 220 04 G2L	Prime coated Including Wiring harness			
(4)	997 731 219 05	Mirror base Door mirror	/RL /L	1	I099/538
	997 731 219 05 G2L	Prime coated Including Wiring harness			
(4)	997 731 220 05	Mirror base Door mirror	/RL /R	1	I099/538
	997 731 220 05 G2L	Prime coated Including Wiring harness			
(4)	997 731 219 06	Mirror base Door mirror	/RL /L	1	I099/267
	997 731 219 06 G2L	Prime coated Including Wiring harness			
(4)	997 731 220 06	Mirror base Door mirror	/RL /R	1	I099/267
	997 731 220 06 G2L	Prime coated Including Wiring harness			
(4)	997 731 219 07	Mirror base Door mirror	/L	1	I267/538
	997 731 219 07 G2L	Prime coated Including Wiring harness			
(4)	997 731 220 07	Mirror base Door mirror	/R	1	I267/538
	997 731 220 07 G2L	Prime coated Including Wiring harness			
5	999 919 024 09	Oval-head screw 3,0 X 12		2	
6	997 731 519 00	Plate Door mirror	/L	1	
(6)	997 731 520 00	Plate Door mirror	/R	1	
7	999 141 043 02	Oval-head screw 3,0 X 14		8	
8	997 624 047 00	Adjusting motor		2	
8	997 624 047 01	Adjusting motor		2	
8	7PP 959 578 D	Adjusting motor Door mirror		2	-I537/-I538
(8)	997 624 048 00	Adjusting motor		2	I537/538
(8)	997 624 048 01	Adjusting motor		2	I537/538
9	999 141 043 02	Oval-head screw M 3,0 X 14		6	
10	997 731 719 00	Cover Lower	/L	1	
	997 731 719 00 G2L	Prime coated			
(10)	997 731 720 00	Cover Lower	/R	1	
	997 731 720 00 G2L	Prime coated			
11	997 731 035 00	Mirror glass Plane	/LL /L	1	I098/270
(11)	997 731 035 01	Mirror glass Aspherical	/LL /L	1	I098/271
(11)	997 731 035 02	Mirror glass Plane	/LL /L -06	1	I098/267/270

Model: 987 06 Model life 2006>>2008

Pos	Part Number	Description	Remark	Qty	Model
(11)	997 731 035 04	Dimmable Mirror glass Plane	/LL /L 07-	1	I098/267/270
(11)	997 731 035 03	Dimmable Mirror glass Aspherical	/LL /L -06	1	I098/267/271
(11)	997 731 035 05	Dimmable Mirror glass Aspherical	/LL /L 07-	1	I098/267/271
(11)	997 731 037 00	Dimmable Mirror glass Convex	/RL /L	1	I099
(11)	997 731 037 01	Dimmable Mirror glass Convex	/RL /L -06	1	I099/267
(11)	997 731 037 02	Dimmable Mirror glass Convex	/RL /L 07-	1	I099/267
(11)	997 731 038 00	Dimmable Mirror glass Convex	/LL /R	1	I098
(11)	997 731 038 01	Dimmable Mirror glass Convex	/LL /R (ROK)	1	I098
(11)	997 731 038 02	Dimmable Mirror glass Convex	/LL /R	1	I098/215
(11)	997 731 038 03	Dimmable Mirror glass Convex	/LL /R -06	1	I098/267
(11)	997 731 038 06	Dimmable Mirror glass Convex	/LL /R 07-	1	I098/267
(11)	997 731 038 04	Dimmable Mirror glass Convex	/LL /R (ROK) -06	1	I098/267
(11)	997 731 038 07	Dimmable Mirror glass Convex	/LL /R (ROK) 07-	1	I098/267
(11)	997 731 038 05	Dimmable Mirror glass Convex	/LL /R -06	1	I098/215/267
(11)	997 731 038 08	Dimmable Mirror glass Convex	/LL /R 07-	1	I098/215/267
(11)	997 731 036 00	Dimmable Mirror glass Plane	/RL /R	1	I099/270
(11)	997 731 036 01	Dimmable Mirror glass Aspherical	/RL /R	1	I099/271
(11)	997 731 036 02	Dimmable Mirror glass Plane	/RL /R -06	1	I099/267/270
(11)	997 731 036 04	Dimmable Mirror glass Plane	/RL /R 07-	1	I099/267/270
(11)	997 731 036 03	Dimmable Mirror glass Aspherical	/RL /R -06	1	I099/267/271
(11)	997 731 036 05	Dimmable Mirror glass Aspherical	/RL /R 07-	1	I099/267/271
12	999 073 345 09	Lens-head screw M 5 X 18		3	
13	997 537 731 00	Seal	-06	1	

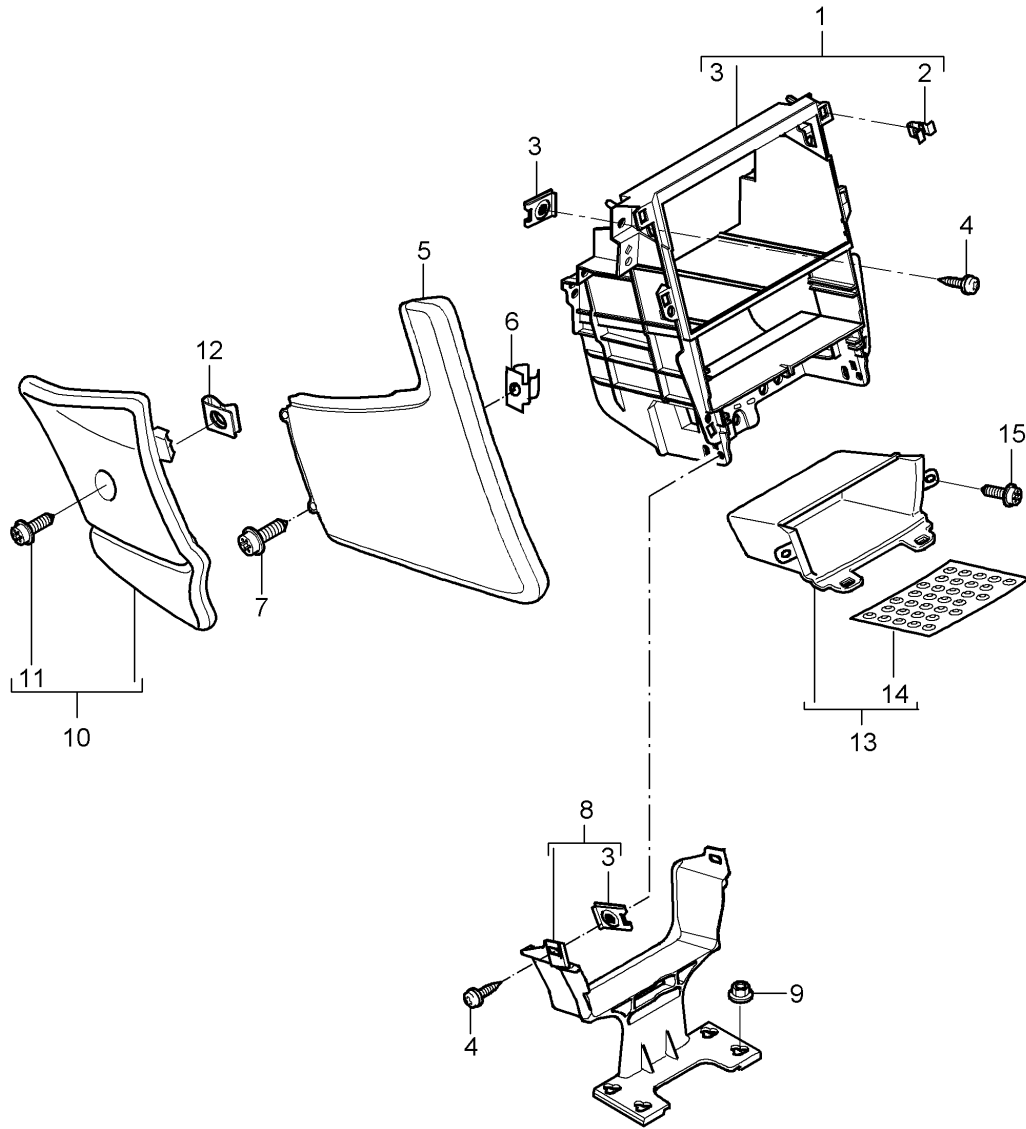
Model: 987 06

Model life 2006>>2008

Pos	Part Number	Description	Remark	Qty	Model
13	997 537 733 00	Cable plug Mirror base Seal Cable plug Mirror base	07-	1	

Model: 987 06

Model life 2006>>2008



Model: 987 06 Model life 2006>>2008

Pos	Part Number	Description	Remark	Qty	Model
1	997 553 111 03	Centre console Front Bracket		1	
2	999 507 476 01	Centre console Front Clamp 8,0 x 10,0/2,5		6	
3	999 507 971 01	Speed nut st 4,2		X	
4	999 073 155 09	Tapping screw st 4,2 x 13		X	
5	997 553 117 05	Cover	/L	1	-I618/-I619 -I668/-I669
		Lateral Leatherette			
	997 553 117 05 9L4	Black			
	997 553 117 05 9M5	Stone grey			
	997 553 117 05 9C6	Sand Beige			
	997 553 117 05 9D7	Sea blue			
	997 553 117 05 9E8	Palmgreen	-07		
(5)	997 553 118 05	Cover	/R	1	-I618/-I619 -I668/-I669
		Lateral Leatherette			
	997 553 118 05 9L4	Black			
	997 553 118 05 9M5	Stone grey			
	997 553 118 05 9C6	Sand Beige			
	997 553 118 05 9D7	Sea blue			
	997 553 118 05 9E8	Palmgreen	-07		
5	997 553 117 06	Cover	/L	1	I618/619/668 I669/981
		Lateral Leather			
	997 553 117 06 FSA	Black/grey			
	997 553 117 06 FSB	Stone grey/stone grey			
	997 553 117 06 FSC	Sand beige/sand beige			
	997 553 117 06 FSD	Sea blue/grey			
	997 553 117 06 FSE	Palmgreen/palmgreen	-07		
	997 553 117 06 FSF	Terracotta/terracotta			
	997 553 117 06 FSG	Cocoa/Cocoa			
	997 553 117 06 FSH	Darkgrey natural/grey			
	997 553 117 06 FSJ	Brown nat./brown nat.			
	997 553 117 06 FSP	Carrera Red	08-		
(5)	997 553 118 06	Cover	/R	1	I618/619/668 I669/981
		Lateral Leather			
	997 553 118 06 FSA	Black/grey			
	997 553 118 06 FSB	Stone grey/stone grey			
	997 553 118 06 FSC	Sand beige/sand beige			
	997 553 118 06 FSD	Sea blue/grey			
	997 553 118 06 FSE	Palmgreen/palmgreen	-07		
	997 553 118 06 FSF	Terracotta/terracotta			
	997 553 118 06 FSG	Cocoa/Cocoa			
	997 553 118 06 FSH	Darkgrey natural/grey			
	997 553 118 06 FSJ	Brown nat./brown nat.			
	997 553 118 06 FSP	Carrera Red	08-		
		Cover		1	
		Lateral with Preparation for telephone See illustrations 9/11/10			

Model: 987 06 Model life 2006>>2008

Pos	Part Number	Description	Remark	Qty	Model
6	999 591 508 02	Captive nut ST 4,2 for Mount Cover Lateral	-06	4	
6	999 591 508 01	Captive nut st 4,2 for Mount Cover Lateral	07-	4	
7	999 073 226 09	Tapping screw ST 4,2 X 16 for Mount Cover Lateral		4	
8	997 553 361 01	Support Centre		1	
9	999 084 629 01	Hexagon nut M6		4	
10	997 553 131 01	Cover Footwell outlet vent Carpet	/L	1	
	997 553 131 01 A10	Black			
	997 553 131 01 B10	Stone grey			
	997 553 131 01 T10	Sand Beige			
	997 553 131 01 E10	Sea blue			
	997 553 131 01 J10	Palmgreen	-07		
	997 553 131 01 M10	Terracotta			
	997 553 131 01 R10	Cocoa			
	997 553 131 01 D11	Dark grey/natural			
	997 553 131 01 T11	Brown/natural			
	997 553 131 01 N10	Carrera Red	08-		
(10)	997 553 132 01	Cover Footwell outlet vent Carpet	/LL /R	1	I098/621
	997 553 132 01 A10	Black			
	997 553 132 01 B10	Stone grey			
	997 553 132 01 T10	Sand Beige			
	997 553 132 01 E10	Sea blue			
	997 553 132 01 J10	Palmgreen	-07		
	997 553 132 01 M10	Terracotta			
	997 553 132 01 R10	Cocoa			
	997 553 132 01 D11	Dark grey/natural			
	997 553 132 01 T11	Brown/natural			
	997 553 132 01 N10	Carrera Red	08-		
(10)	997 553 132 02	Cover Footwell outlet vent Carpet	/R	1	
	997 553 132 02 A10	Black			
	997 553 132 02 B10	Stone grey			
	997 553 132 02 T10	Sand Beige			
	997 553 132 02 E10	Sea blue			
	997 553 132 02 J10	Palmgreen	-07		
	997 553 132 02 M10	Terracotta			
	997 553 132 02 R10	Cocoa			
	997 553 132 02 D11	Dark grey/natural			
	997 553 132 02 T11	Brown/natural			
	997 553 132 02 N10	Carrera Red	08-		
11	999 073 223 07	Oval-head screw M 6 X 25		2	

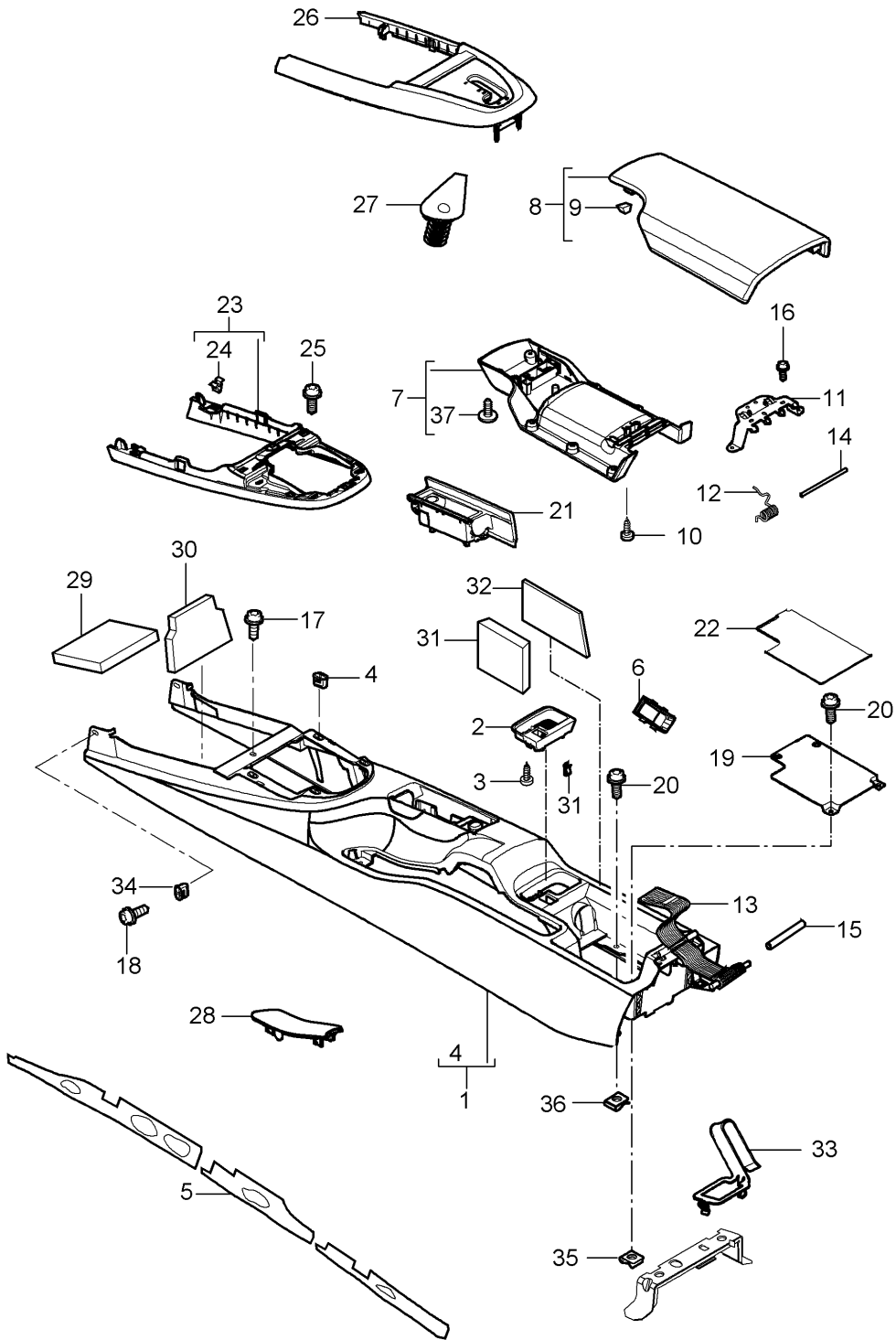
Model: 987 06

Model life 2006>>2008

Pos	Part Number	Description	Remark	Qty	Model
12	999 507 766 02	Speed nut M 6		2	
13	997 553 143 01	Shelf Centre console Front		1	
14	997 553 143 01 D07 997 553 543 01	Volcano grey Insert Shelf		1	
15	999 919 164 09	Oval-head screw 5,0 X 12,0		X	

Model: 987 06

Model life 2006>>2008



Model: 987 06 Model life 2006>>2008

Pos	Part Number	Description	Remark	Qty	Model
		Centre console Rear			
(1)	997 553 901 00	Centre console		1	
	997 553 901 00 A03	Black			
	997 553 901 00 5V7	Stone grey			
	997 553 901 00 5Z1	Sand Beige			
	997 553 901 00 8W7	Sea blue			
	997 553 901 00 5Y2	Palmgreen	-07		
	997 553 901 00 8X8	Terracotta			
	997 553 901 00 8P9	Cocoa			
	997 553 901 00 T13	Brown/natural			
	997 553 901 00 N23	Carrera Red	08-		
(1)	997 553 980 48	Centre console Leather		1	IXMZ
	997 553 980 48 A11	Black			
	997 553 980 48 5X6	Stone grey			
	997 553 980 48 8G2	Sand Beige			
	997 553 980 48 3S9	Sea blue			
	997 553 980 48 4P2	Palmgreen	-07		
	997 553 980 48 9S5	Terracotta			
	997 553 980 48 9V6	Cocoa			
	997 553 980 48 D12	Dark grey/natural			
	997 553 980 48 T12	Brown/natural			
	997 553 980 48 N12	Carrera Red	08-		
(1)	997 553 980 52	Centre console Carbon		1	IXMJ
	997 553 980 52 A35	Black			
(1)	997 553 980 02	Centre console Rear	-08	1	IXJU/370
	997 553 980 02 S62	Sycamore wood			
(1)	997 553 980 02	Centre console Rear	-08	1	IXJU/438
	997 553 980 02 S62	Sycamore wood			
(1)	997 553 980 32	Centre console Rear	-08	1	IXJU/376
	997 553 980 32 S62	Sycamore wood			
(1)	997 553 980 32	Centre console Rear	-08	1	IXJU/378
	997 553 980 32 S62	Sycamore wood			
(1)	997 553 980 32	Centre console Rear	08	1	IXJU/389
	997 553 980 32 S62	Sycamore wood			
(1)	997 553 980 56	Centre console		1	IXJT
	997 553 980 56 S61	Macassar			
(1)	997 553 980 60	Centre console		1	IXCK
	997 553 980 60 V04	Galvano silver			
(1)	997 553 980 64	Centre console		1	IXME
	997 553 980 64 041	Black			
	997 553 980 64 84A	Guards red			
	997 553 980 64 B9A	Carrara white			
	997 553 980 64 12H	Speed yellow			
	997 553 980 64 92U	Arctic silver metallic			
	997 553 980 64 M3W	Carmon red metallic	-07		
	997 553 980 64 M5W	Lapis blue metallic	-07		
	997 553 980 64 M6W	Lagoon green metallic	-07		
	997 553 980 64 C9Z	Basalt black metallic			
	997 553 980 64 M7X	Atlas grey metallic			
	997 553 980 64 39C	Midnight Blue Metallic			
	997 553 980 64 6B4	Seal grey metallic	-06		
	997 553 980 64 M7W	Meteor Grey Metallic	07-		
	997 553 980 64 2B4	Forest green metallic			
	997 553 980 64 3C8	Cobalt blue metallic			
	997 553 980 64 23F	Slate grey metallic			

Model: 987 06 Model life 2006>>2008

Pos	Part Number	Description	Remark	Qty	Model
	997 553 980 64 M7Z	GT Silver Metallic			
	997 553 980 64 M6X	Dark olive-metallic			
	997 553 980 64 M8W	Macadamia Metallic	08-		
	997 553 980 64 8A7	Ruby red metallic	08-		
	997 553 980 64 2B5	Malachite Green Metallic	08-		
(1)	997 553 980 64	Centre console	08	1	IXME/758
	997 553 980 64 041	Black			
(1)	997 553 980 65	Centre console	08	1	IXME/560/758
	997 553 980 65 041	Black			
(1)	997 553 997 01	Protective film		2	
		Centre console			
		See technical manual			
		681749			
2	997 553 575 02	Insert		1	
		Locking device			
		Centre console			
	997 553 575 02 01C	Satin black			
3	999 919 159 09	Oval-head screw		1	
		4 X 12			
4	999 591 210 40	Expander nut		4	
		4,2			
5	997 553 843 00	Sound absorber	/L	1	
(5)	997 553 844 00	Sound absorber	/R	1	
6	997 553 579 00	Cover	-08	1	
		Lacquered			
	997 553 579 00 A03	Black			
	997 553 579 00 5V7	Stone grey			
	997 553 579 00 5Z1	Sand Beige			
	997 553 579 00 8W7	Sea blue			
	997 553 579 00 5Y2	Palmgreen	-07		
	997 553 579 00 8X8	Terracotta			
	997 553 579 00 8P9	Cocoa			
	997 553 579 00 T13	Brown/natural			
	997 553 579 00 N23	Carrera Red	08-		
7	997 553 433 01	Lid		1	
		Inner			
	997 553 433 01 01C	Satin black			
8	987 553 231 00	Lid		1	CAYMAN
		Outer			
	987 553 231 00 1MZ	Black			
	987 553 231 00 1YP	Stone grey			
	987 553 231 00 1TK	Sand Beige			
	987 553 231 00 1VM	Sea blue			
	987 553 231 00 1UL	Palmgreen	-07		
(8)	997 553 231 01	Lid		1	Cayman I981
		Outer			
		Leather			
	997 553 231 01 A11	Black			
	997 553 231 01 5X6	Stone grey			
	997 553 231 01 8G2	Sand Beige			
	997 553 231 01 3S9	Sea blue			
	997 553 231 01 4P2	Palmgreen	-07		
	997 553 231 01 9S5	Terracotta			
	997 553 231 01 9V6	Cocoa			
	997 553 231 01 D12	Dark grey/natural			
	997 553 231 01 T12	Brown/natural			
	997 553 231 01 N12	Carrera Red	08-		
(8)	997 553 231 01	Lid		1	Cayman S
		Outer			
		Leather			
	997 553 231 01 A11	Black			
	997 553 231 01 5X6	Stone grey			

Model: 987 06 Model life 2006>>2008

Pos	Part Number	Description	Remark	Qty	Model
	997 553 231 01 8G2	Sand Beige			
	997 553 231 01 3S9	Sea blue			
	997 553 231 01 4P2	Palmgreen	-07		
	997 553 231 01 9S5	Terracotta			
	997 553 231 01 9V6	Cocoa			
	997 553 231 01 D12	Dark grey/natural			
	997 553 231 01 T12	Brown/natural			
	997 553 231 01 N12	Carrera Red	08-		
9	999 507 972 01	Speed nut 3,5		8	
10	999 073 153 01	Tapping screw 3,5 X 14		8	
11	997 553 437 01	Hinge		1	
12	997 553 439 00	Steering knuckle spring		1	
13	997 553 441 00	Belt		1	
14	997 553 447 00	Axle		1	
15	997 553 733 00	Retaining pin		1	
16	999 919 159 09	Oval-head screw M4X12		2	
17	999 919 121 09	Oval-head screw 5 X 16 for Mount		2	
18	999 073 155 09	Centre console Tapping screw 4,2 X 13 for Mount		2	
19	997 553 615 01	Centre console Floor		1	
20	999 073 226 09	Centre console Tapping screw 4,2 X 16		X	
21	997 553 902 00	Ashtray Lacquered		1	
	997 553 902 00 A03	Black			
	997 553 902 00 5V7	Stone grey			
	997 553 902 00 5Z1	Sand Beige			
	997 553 902 00 8W7	Sea blue			
	997 553 902 00 5Y2	Palmgreen	-07		
	997 553 902 00 8X8	Terracotta			
	997 553 902 00 8P9	Cocoa			
	997 553 902 00 T13	Brown/natural			
	997 553 902 00 N23	Carrera Red	08-		
(21)	997 553 982 00	Ashtray Leather		1	IXMZ
	997 553 982 00 A11	Black			
	997 553 982 00 5X6	Stone grey			
	997 553 982 00 8G2	Sand Beige			
	997 553 982 00 3S9	Sea blue			
	997 553 982 00 4P2	Palmgreen	-07		
	997 553 982 00 9S5	Terracotta			
	997 553 982 00 9V6	Cocoa			
	997 553 982 00 D12	Dark grey/natural			
	997 553 982 00 T12	Brown/natural			
	997 553 982 00 N12	Carrera Red	08-		
(21)	997 553 982 01	Ashtray Carbon		1	IXMJ
	997 553 982 01 A35	Black			
(21)	997 553 982 02	Ashtray		1	IXJU
	997 553 982 02 S62	Sycamore wood			
(21)	997 553 982 03	Ashtray		1	IXJT
	997 553 982 03 S61	Macassar			

Model: 987 06 Model life 2006>>2008

Pos	Part Number	Description	Remark	Qty	Model
(21)	997 553 982 04	Ashtray Aluminium look		1	IXCK
	997 553 982 04 V04	Galvano silver			
(21)	997 553 982 05	Ashtray Lacquered		1	IXME
	997 553 982 05 041	Black			
	997 553 982 05 84A	Guards red			
	997 553 982 05 B9A	Carrara white			
	997 553 982 05 12H	Speed yellow			
	997 553 982 05 92U	Arctic silver metallic			
	997 553 982 05 M3W	Carmon red metallic	-07		
	997 553 982 05 M5W	Coral metallic	-07		
	997 553 982 05 M6W	Lagoon green metallic	-07		
	997 553 982 05 C9Z	Basalt black metallic			
	997 553 982 05 M7X	Atlas grey metallic			
	997 553 982 05 39C	Midnight Blue Metallic			
	997 553 982 05 6B4	Seal grey metallic	-06		
	997 553 982 05 M7W	Meteor Grey Metallic	07-		
	997 553 982 05 2B4	Forest green metallic			
	997 553 982 05 3C8	Cobalt blue metallic			
	997 553 982 05 23F	Slate grey metallic			
	997 553 982 05 M7Z	GT Silver Metallic			
	997 553 982 05 M6X	Dark olive-metallic			
	997 553 982 05 M8W	Macadamia Metallic	08-		
	997 553 982 05 8A7	Ruby red metallic	08-		
	997 553 982 05 2B5	Malachite Green Metallic	08-		
(21)	997 553 982 05	Ashtray Lacquered	08	1	IXME/758
	997 553 982 05 041	Black			
22	997 553 611 01	Insert		1	
23	997 553 261 05	Frame Lacquered		1	CAYMAN
	997 553 261 05 D07	Volcano grey			
(23)	997 553 261 06	Frame Lacquered	08-	1	CAYMAN S
	997 553 261 06 V04	Galvano silver			
(23)	987 553 261 01	Frame		1	I805
	987 553 261 01 G2X	Prime coated			
(23)	987 553 261 01	Frame	08-	1	I758
	987 553 261 01 G2X	Prime coated			
24	999 507 533 02	Clamp 8,0 X 10,0/2,5		7	
25	999 073 155 09	Tapping screw 4,2 X 13		4	
26	997 553 241 02	Cover Shift gate Lacquered		1	I249
	997 553 241 02 A03	Black			
	997 553 241 02 5V7	Stone grey			
	997 553 241 02 5Z1	Sand Beige			
	997 553 241 02 8W7	Sea blue			
	997 553 241 02 5Y2	Palmgreen	-07		
	997 553 241 02 8X8	Terracotta			
	997 553 241 02 8P9	Cocoa			
	997 553 241 02 T13	Brown/natural			
	997 553 241 02 N23	Carrera Red	08-		
(26)	997 553 243 01	Cover Shift gate Lacquered		1	I480/481
	997 553 243 01 A03	Black			
	997 553 243 01 5V7	Stone grey			
	997 553 243 01 5Z1	Sand Beige			
	997 553 243 01 8W7	Sea blue			

Model: 987 06 Model life 2006>>2008

Pos	Part Number	Description	Remark	Qty	Model
	997 553 243 01 5Y2	Palmgreen	-07		
	997 553 243 01 8X8	Terracotta			
	997 553 243 01 8P9	Cocoa			
	997 553 243 01 T13	Brown/natural			
	997 553 243 01 N23	Carrera Red	08-		
27	996 552 687 00	Slide		1	I249
	996 552 687 00 01C	Satin black			
28	997 553 455 01	Cover	-07	1	
		Parking-brake lever			
		Lacquered			
	997 553 455 01 A03	Black			
	997 553 455 01 5V7	Stone grey			
	997 553 455 01 5Z1	Sand Beige			
	997 553 455 01 8W7	Sea blue			
	997 553 455 01 5Y2	Palmgreen	-07		
	997 553 455 01 8X8	Terracotta			
	997 553 455 01 8P9	Cocoa			
	997 553 455 01 T13	Brown/natural			
28	997 553 903 00	Cover	08-	1	
		Parking-brake lever			
		Lacquered			
	997 553 903 00 A03	Black			
	997 553 903 00 5V7	Stone grey			
	997 553 903 00 5Z1	Sand Beige			
	997 553 903 00 8W7	Sea blue			
	997 553 903 00 8X8	Terracotta			
	997 553 903 00 8P9	Cocoa			
	997 553 903 00 T13	Brown/natural			
	997 553 903 00 N23	Carrera Red	08-		
(28)	997 553 981 00	Cover		1	IXCK
		Parking-brake lever			
	997 553 981 00 A11	Black			
	997 553 981 00 5X6	Stone grey			
	997 553 981 00 8G2	Sand Beige			
	997 553 981 00 3S9	Sea blue			
	997 553 981 00 4P2	Palmgreen	-07		
	997 553 981 00 9S5	Terracotta			
	997 553 981 00 9V6	Cocoa			
	997 553 981 00 D12	Dark grey/natural			
	997 553 981 00 T12	Brown/natural			
	997 553 981 00 N12	Carrera Red	08-		
(28)	997 553 981 00	Cover		1	IXJT
		Parking-brake lever			
	997 553 981 00 A11	Black			
	997 553 981 00 5X6	Stone grey			
	997 553 981 00 8G2	Sand Beige			
	997 553 981 00 3S9	Sea blue			
	997 553 981 00 4P2	Palmgreen	-07		
	997 553 981 00 9S5	Terracotta			
	997 553 981 00 9V6	Cocoa			
	997 553 981 00 D12	Dark grey/natural			
	997 553 981 00 T12	Brown/natural			
	997 553 981 00 N12	Carrera Red	08-		
(28)	997 553 981 00	Cover		1	IXJU
		Parking-brake lever			
	997 553 981 00 A11	Black			
	997 553 981 00 5X6	Stone grey			
	997 553 981 00 8G2	Sand Beige			
	997 553 981 00 3S9	Sea blue			
	997 553 981 00 4P2	Palmgreen	-07		
	997 553 981 00 9S5	Terracotta			
	997 553 981 00 9V6	Cocoa			
	997 553 981 00 D12	Dark grey/natural			

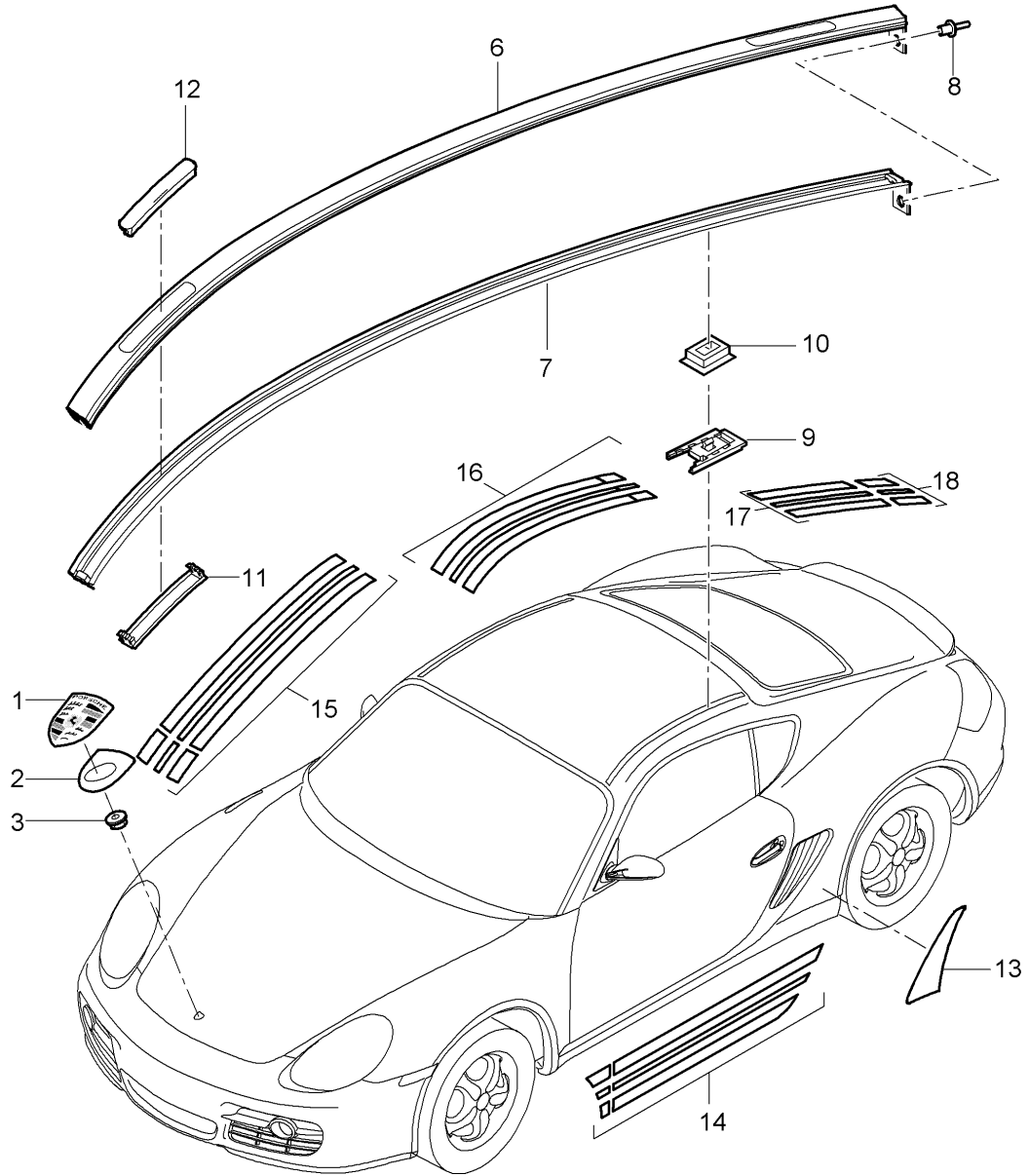
Model: 987 06 Model life 2006>>2008

Pos	Part Number	Description	Remark	Qty	Model
(28)	997 553 981 00 T12	Brown/natural	08-	1	IXME
	997 553 981 00 N12	Carrera Red			
	997 553 981 00	Cover			
		Parking-brake lever			
	997 553 981 00 A11	Black			
	997 553 981 00 5X6	Stone grey			
	997 553 981 00 8G2	Sand Beige			
	997 553 981 00 3S9	Sea blue			
	997 553 981 00 4P2	Palmgreen			
	997 553 981 00 9S5	Terracotta			
	997 553 981 00 9V6	Cocoa			
	997 553 981 00 D12	Dark grey/natural			
	(28)	997 553 981 00 T12			
997 553 981 00 N12		Carrera Red			
997 553 981 00		Cover			
		Parking-brake lever			
997 553 981 00 A11		Black			
997 553 981 00 5X6		Stone grey			
997 553 981 00 8G2		Sand Beige			
997 553 981 00 3S9		Sea blue			
997 553 981 00 4P2		Palmgreen			
997 553 981 00 9S5		Terracotta			
997 553 981 00 9V6		Cocoa			
997 553 981 00 D12		Dark grey/natural			
(28)		997 553 981 00 T12	Brown/natural	08-	1
	997 553 981 00 N12	Carrera Red			
	997 553 981 00	Cover			
		Parking-brake lever			
	997 553 981 06 A11	Black			
	997 553 981 06 5X6	Stone grey			
	997 553 981 06 8G2	Sand Beige			
	997 553 981 06 3S9	Sea blue			
	997 553 981 06 4P2	Palmgreen			
	997 553 981 06 9S5	Terracotta			
	997 553 981 06 9V6	Cocoa			
	997 553 981 06 D12	Dark grey/natural			
	29	997 553 981 06 T12	Brown/natural		
997 553 981 06 N12		Carrera Red			
997 553 981 06		Cover			
		Parking-brake lever			
997 553 981 06 A11		Black			
997 553 981 06 5X6		Stone grey			
997 553 981 06 8G2		Sand Beige			
997 553 981 06 3S9		Sea blue			
997 553 981 06 4P2		Palmgreen			
997 553 981 06 9S5		Terracotta			
997 553 981 06 9V6		Cocoa			
997 553 981 06 D12		Dark grey/natural			
30		997 553 871 00	Filler piece	08-	1
		Centre console			
31	997 553 873 00	Filler piece		1	
		Centre console			
32	997 553 875 00	Filler piece		1	
		Centre console			
33	997 553 877 00	Filler piece		1	
		Centre console			
34	987 553 269 00	Support		1	
		Shift cable			
35	999 591 215 40	Expander nut		2	
		4,2			
36	999 507 028 01	Speed nut		X	
		4,2			
37	999 507 028 01	Speed nut		X	
		4,2			
37	997 553 732 00	Rubber buffer		2	
		Lid			
		Inner			

Model: 987 06

Model life 2006>>2008

4 — Cayman S — 5



Model: 987 06 Model life 2006>>2008

Pos	Part Number	Description	Remark	Qty	Model
1	997 559 211 00	Insignias Decorative fittings Stone guard film Lid emblem Information available		1	
2	7L5 853 611 B	Desk pad		1	
3	999 591 423 03	Tapping nut		2	
4	987 559 239 00	Logo Lacquered Titanium metallic		1	CAYMAN
(4)	987 559 239 01	Logo Lacquered Satin aluminium		1	CAYMAN
(4)	987 559 984 01	Logo Prime coated		1	CAYMAN
5	987 559 245 00	Logo S Satin aluminium		1	"S"
(5)	987 559 985 01	Logo S Prime coated		1	"S"
6	987 559 401 00	Roof edge strip	/L	1	
(6)	987 559 401 00 G2X	Prime coated			
(6)	987 559 402 00	Roof edge strip	/R	1	
(6)	987 559 402 00 G2X	Prime coated			
7	987 559 721 00	Gasket Roof edge strip	/L	1	
(7)	987 559 722 00	Gasket Roof edge strip	/R	1	
8	999 507 499 40	Expansion rivet		2	
9	996 559 403 01	Clip Roof edge strip		6	
10	987 559 405 00	Adapter		6	
11	987 559 729 00	Bracket for Flap		4	
12	987 559 501 00	Flap Front		2	
(12)	987 559 501 00 G2X	Prime coated			
(12)	987 559 503 00	Flap Rear		2	
(12)	987 559 503 00 G2X	Prime coated			
13	987 504 825 01	Stone guard film Side section	/L	1	
(13)	987 504 826 01	Stone guard film Side section	/R	1	
(14)	987 559 444 00	Decorative film for Door And Wing	/R	1	I755
(14)	987 559 443 00	Decorative film for Door And Wing	/L	1	I755
15	987 559 447 00	Decorative film for Lid Front And		1	I755
16	987 559 449 00	Front apron Decorative film		1	I755

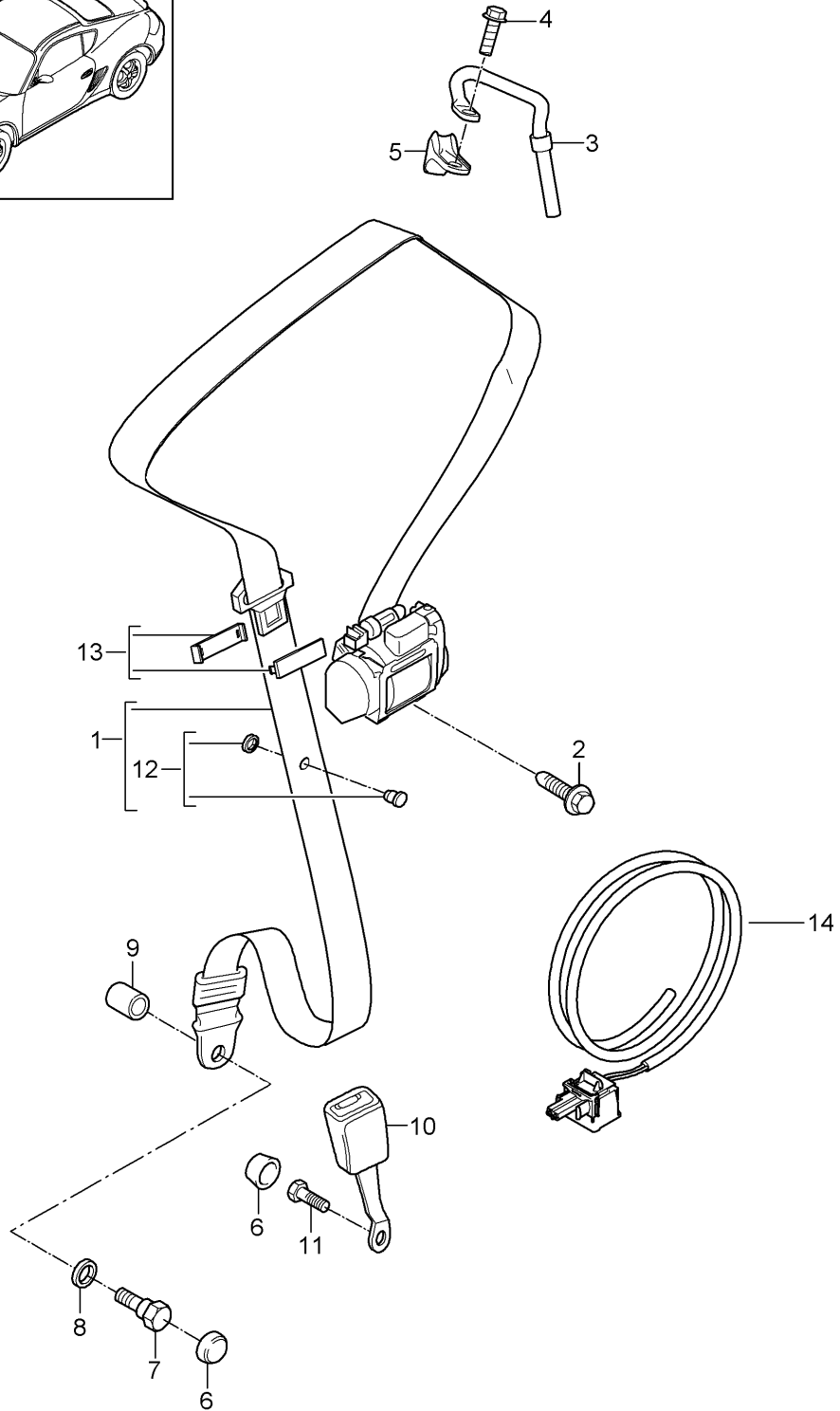
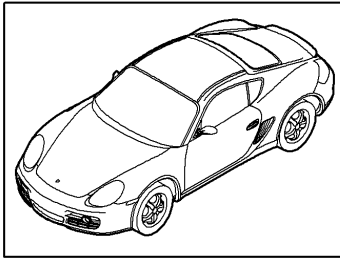
Model: 987 06

Model life 2006>>2008

Pos	Part Number	Description	Remark	Qty	Model
17	987 559 451 00	for Roof Decorative film		1	I755
18	987 559 453 00	for Rear lid Decorative film for Rear end		1	I755

Model: 987 06

Model life 2006>>2008



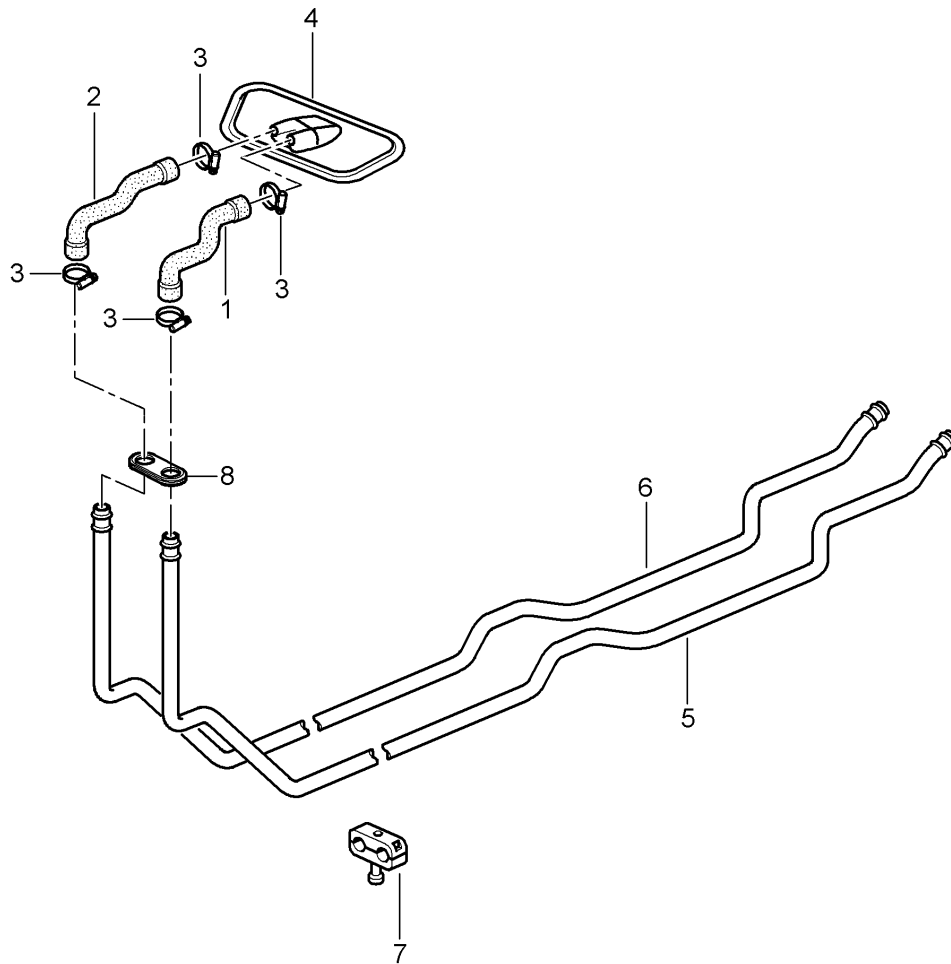
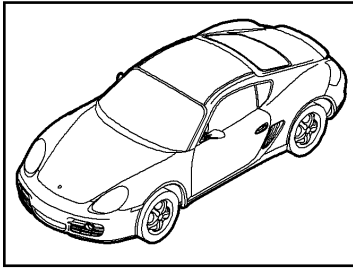
Model: 987 06

Model life 2006>>2008

Pos	Part Number	Description	Remark	Qty	Model
1	987 803 033 03	Seat belt		2	
	987 803 033 03 A23	Black			I555
	987 803 033 03 N13	Guards red			IXSX
	987 803 033 03 U01	Silver			IXSH
	987 803 033 03 V02	Speed yellow			IXSY
1	987 803 033 05	Seat belt		2	
	987 803 033 05 6M4	Sand Beige			IXST
2	999 073 361 01	Screw 7/16		2	
(3)	987 803 815 00	Reverse lever	/L	1	
3	987 803 816 00	Reverse lever	/R	1	
4	900 378 073 09	Hexagon-head bolt 10 X 25		2	
5	987 803 825 00	Support Support for seatbelt		2	
6	811 857 845	Cap		4	
7	999 075 073 09	Hexagon-head bolt 7/16 - 20		2	
(7)	999 075 072 A2	Hexagon-head bolt	08-	2	I388/389
8	211 857 771	Washer		2	
(8)	999 028 022 01	Spring washer	08-	1	I388/389
-	999 025 275 A2	Washer	08-	1	I388/389
9	999 924 064 02	Spacer sleeve		2	
9	999 924 064 01	Spacer sleeve		2	
(9)	997 803 663 00	Spacer sleeve	08-	1	I388/389
10	996 803 183 08	Seat-belt buckle Passenger's side		1	
(10)	997 803 183 01	Seat-belt buckle Driver's side		1	
10	997 803 183 04	Seat-belt buckle Driver's side	08-	1	I388
(10)		Seat-belt buckle Driver's side	08-	1	I389
(10)	997 803 183 05	Seat-belt buckle Passenger's side	08-	1	I389
10		Seat-belt buckle Passenger's side	08-	1	I388
11	999 218 101 02	Hexagon-head bolt 7/16 - 20		2	
12	955 803 056 00	Knob		2	
	955 803 056 00 HCP	Black			
13	997 803 334 00	Clamping piece		1	
		Seat belt			
14	997 803 334 00 01C	Black Cable for Seat-belt tensioner See illustrations 9/02/10		X	

Model: 987 06

Model life 2006>>2008



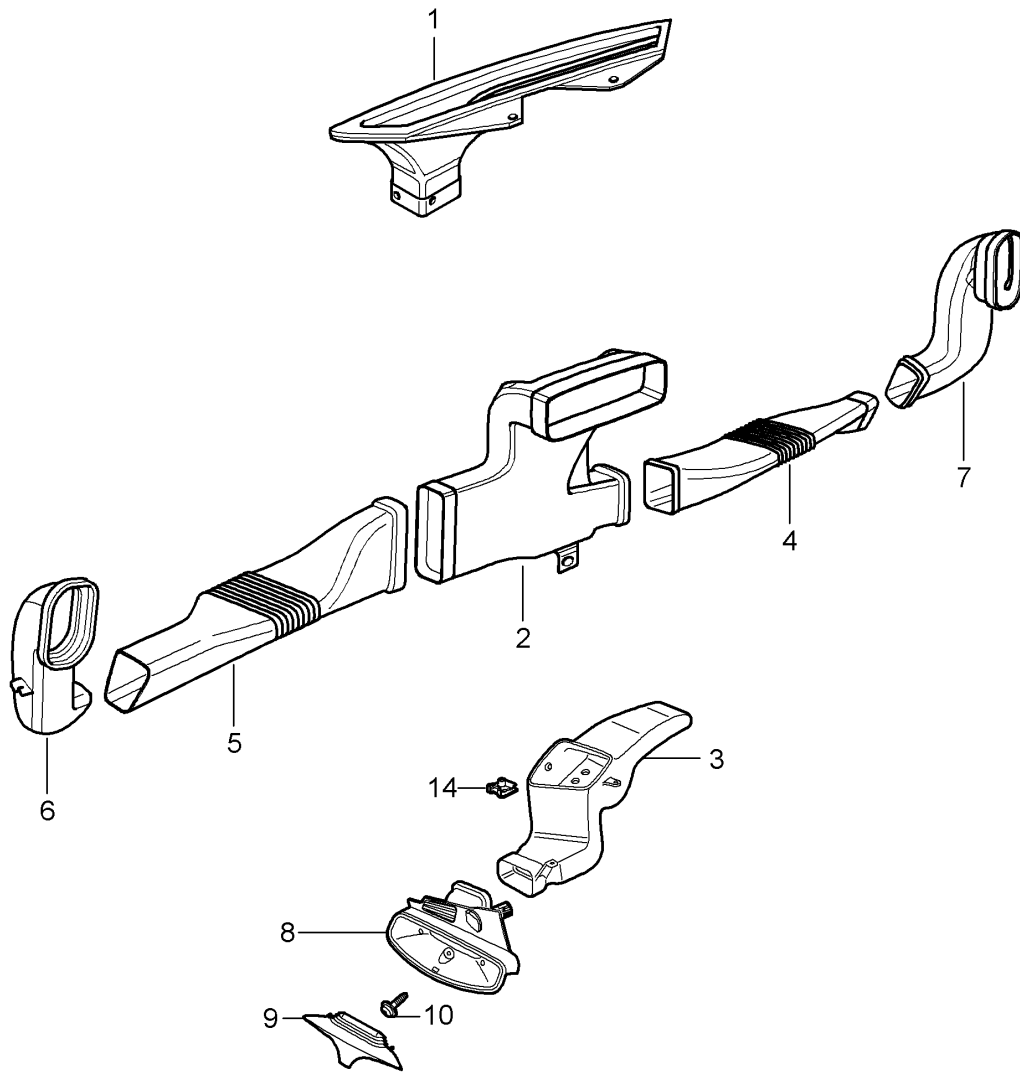
Model: 987 06

Model life 2006>>2008

Pos	Part Number	Description	Remark	Qty	Model
		Heating system 1			
		Feed line			
		Return line			
1	996 572 583 04	Heater hose	/LL	1	I098
(1)	996 572 583 05	Heater hose	/RL	1	I099
2	996 572 585 04	Heater hose	/LL	1	I098
(2)	996 572 585 05	Heater hose	/RL	1	I099
3	999 512 441 02	Hose clamp		4	
4	996 572 263 02	Gasket	/LL	1	I098
(4)	996 572 263 03	Gasket	/RL	1	I099
5	987 572 681 00	Heater pipeline Supply		1	
6	987 572 683 00	Heater pipeline Return line		1	
7	999 511 230 40	Cable holder		4	
-	999 511 232 41	Rubber mounting		4	
8	996 572 765 02	Grommet		1	

Model: 987 06

Model life 2006>>2008



Model: 987 06 Model life 2006>>2008

Pos	Part Number	Description	Remark	Qty	Model
		Heating			
		Air distributor			
1	997 572 631 00	Defroster vent	/LL	1	I098
(1)	997 572 631 01	Defroster vent	/RL	1	I099
2	997 572 171 00	Air distributor	/LL	1	I098
(2)	997 572 171 01	Air distributor	/LL	1	I098/099
3	997 572 793 00	Footwell outlet vent	/LL	1	I098/441/490
(3)	997 572 793 02	Footwell outlet vent	/LL	1	I098/680
(3)	997 572 793 01	Footwell outlet vent	/RL	1	I099/441/490
(3)	997 572 793 03	Footwell outlet vent	/RL	1	I099/680
4	997 572 464 00	Air guide	/LL /R	1	I098
(4)		Air guide	/RL /R	1	I099
5	997 572 463 00	Air guide	/LL /L	1	I098
(5)	997 572 463 01	Air guide	/RL /L	1	I099
6	987 572 767 00	Air guide	/LL /L	1	I098
(6)	987 572 767 01	Air guide	/RL /L	1	I099
7	987 572 768 00	Air guide	/RL /R	1	I099
(7)	987 572 768 01	Air guide	/LL /R	1	I098
8	997 572 396 02	Cover	/LL	1	I098/680
	997 572 396 02 01C	Satin black			
8	997 572 395 02	Cover	/RL	1	I099/680
	997 572 395 02 01C	Satin black			
8	997 572 396 03	Cover	/LL	1	I098/680
		Lacquered			
	997 572 396 03 5V7	Stone grey			
	997 572 396 03 5Y2	Palmgreen			
	997 572 396 03 5Z1	Sand Beige			
	997 572 396 03 8P9	Cocoa			
	997 572 396 03 8W7	Sea blue			
	997 572 396 03 8X8	Terracotta			
	997 572 396 03 T13	Brown/natural			
8	997 572 395 03	Cover	/RL	1	I099/680
		Lacquered			
	997 572 395 03 5V7	Stone grey			
	997 572 395 03 5Y2	Palmgreen			
	997 572 395 03 5Z1	Sand Beige			
	997 572 395 03 8P9	Cocoa			
	997 572 395 03 8W7	Sea blue			
	997 572 395 03 8X8	Terracotta			
	997 572 395 03 T13	Brown/natural			
9	997 572 798 02	Cover	/LL	1	I098/680
	997 572 798 02 01C	Satin black			
9	997 572 797 02	Cover	/RL	1	I099/680
	997 572 797 02 01C	Satin black			
10	997 572 798 03	Cover	/LL	1	I098/680
		Lacquered			
	997 572 798 03 5V7	Stone grey			
	997 572 798 03 5Y2	Palmgreen			
	997 572 798 03 5Z1	Sand Beige			
	997 572 798 03 8P9	Cocoa			
	997 572 798 03 8W7	Sea blue			
	997 572 798 03 8X8	Terracotta			
	997 572 798 03 T13	Brown/natural			
10	997 572 797 03	Cover	/RL	1	I099/680
		Lacquered			
	997 572 797 03 5V7	Stone grey			
	997 572 797 03 5Y2	Palmgreen			
	997 572 797 03 5Z1	Sand Beige			
	997 572 797 03 8P9	Cocoa			
	997 572 797 03 8W7	Sea blue			
	997 572 797 03 8X8	Terracotta			
	997 572 797 03 T13	Brown/natural			
11	999 073 345 09	Lens-head screw		1	

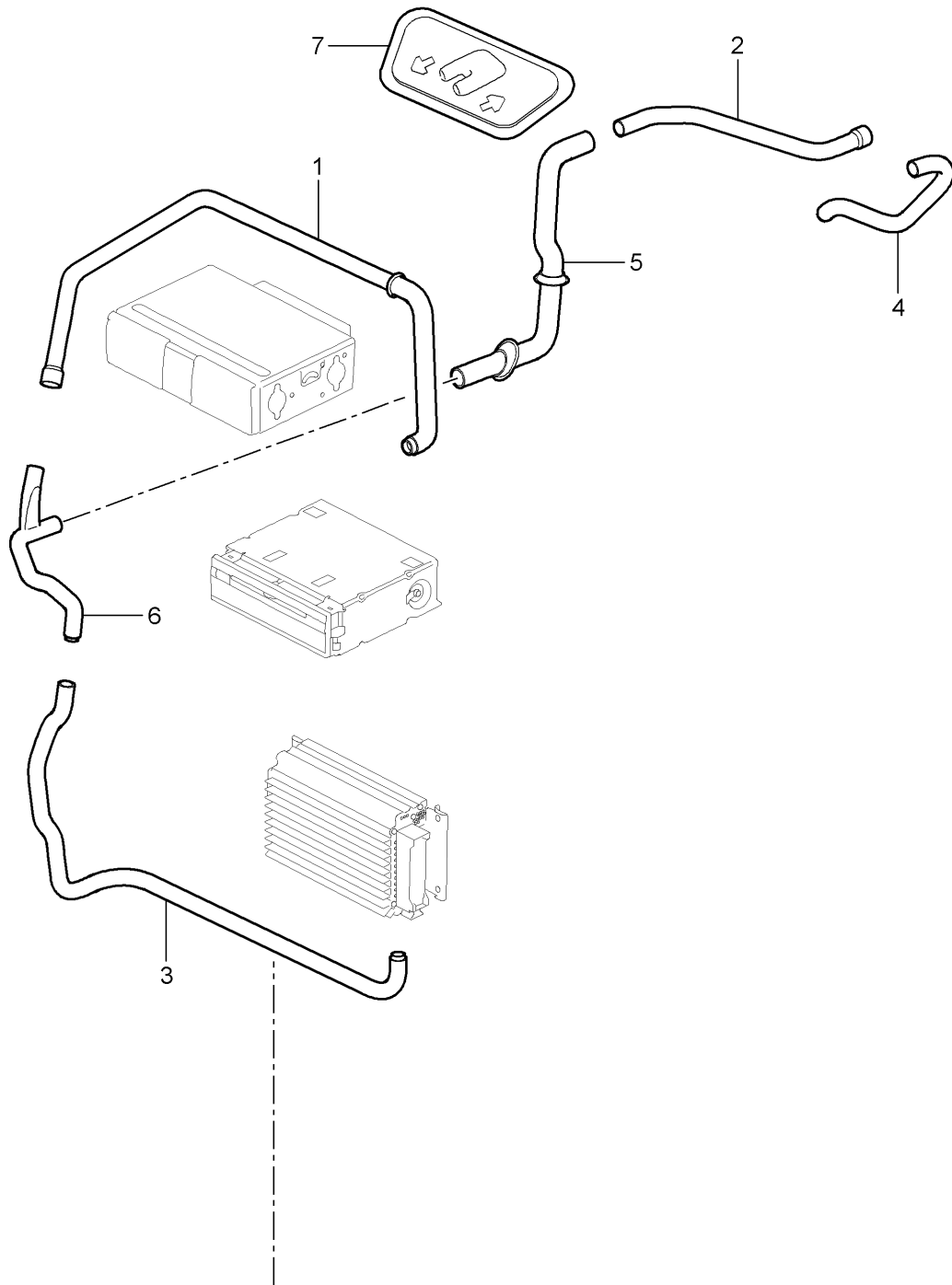
Model: 987 06

Model life 2006>>2008

Pos	Part Number	Description	Remark	Qty	Model
12	999 507 785 02	M 5 X 18 Speed nut st 4,2		3	
12	999 507 785 01	Speed nut ST 4,2		3	

Model: 987 06

Model life 2006>>2008



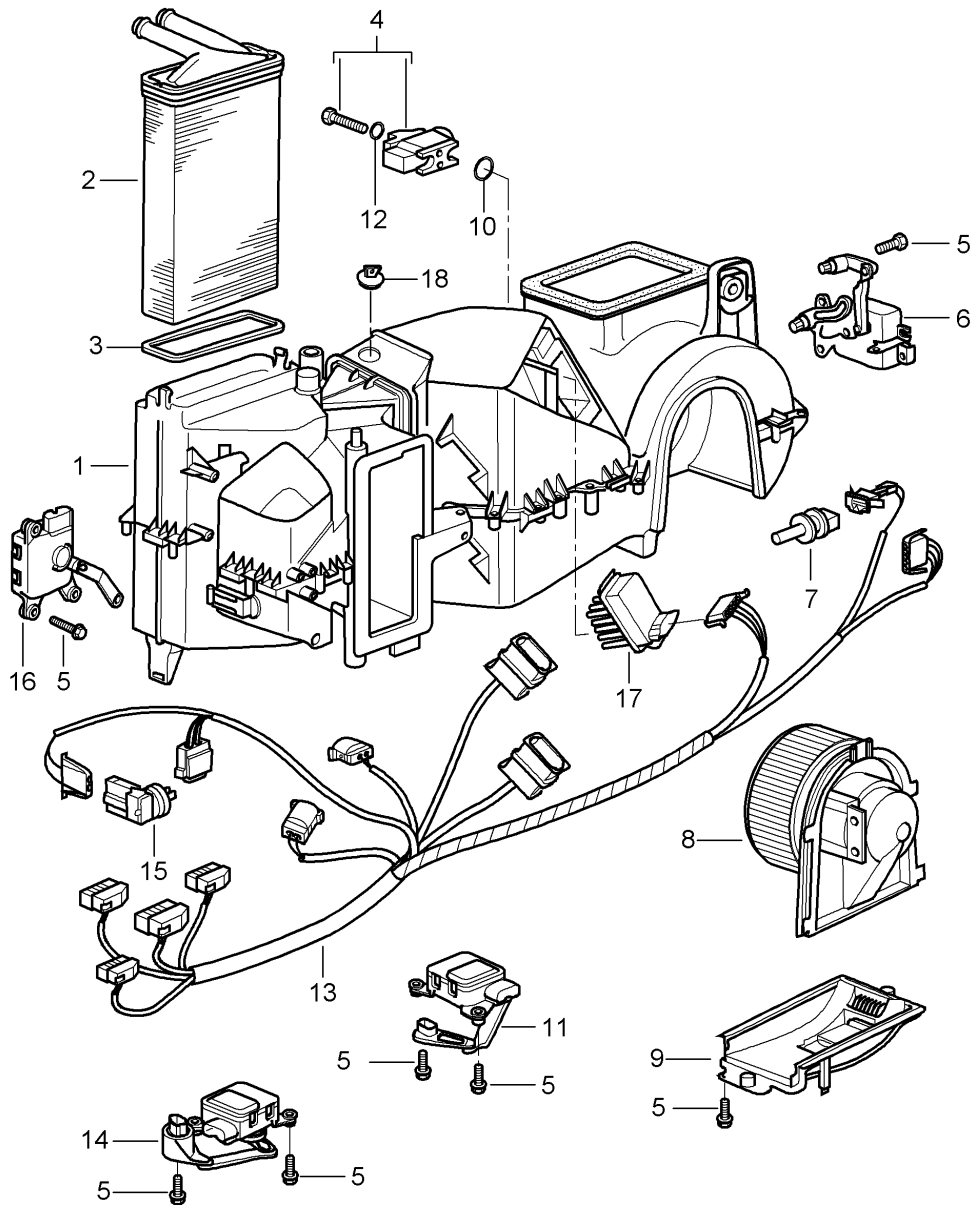
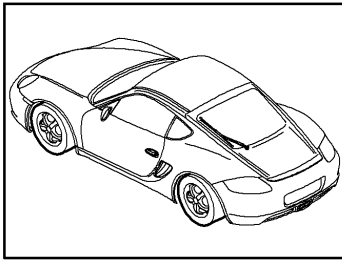
Model: 987 06

Model life 2006>>2008

Pos	Part Number	Description	Remark	Qty	Model
		Luggage compartment			I575
		Cooling			
1	997 572 588 00	Air guide		1	I072/215/670
(1)	997 572 588 01	Air guide		1	I664/670
2	997 572 582 00	Air guide		1	I072/553/670
					I215
3	997 572 590 00	Air guide		1	I072/553/670
					I215
4	997 572 580 00	Air guide		1	I072/215/670
					I553
5	997 572 584 03	Air guide		1	I072/215/670
					I553
6	997 572 586 06	Air guide		1	I072/215/670
					I553
7	997 572 263 00	Gasket		1	

Model: 987 06

Model life 2006>>2008



Model: 987 06 Model life 2006>>2008

Pos	Part Number	Description	Remark	Qty	Model
1	987 573 901 00	Air conditioner Single parts Air conditioner without Heat exchanger with Evaporator	/LL	1	I098/572
(1)	997 573 901 04	Air conditioner without Heat exchanger with Evaporator	/LL	1	I098/573
(1)	987 573 901 01	Air conditioner without Heat exchanger with Evaporator	/RL	1	I099/572
(1)	996 573 901 01	Air conditioner without Heat exchanger with Evaporator	/RL	1	I099/573
2	997 572 129 00	Heat exchanger		1	
3	996 572 913 00	Gasket		1	
4	996 573 929 01	Expansion valve		1	
5	900 143 102 02	Combination screw		X	
6	996 573 915 00	Electric motor Fresh-air flap Identification Black	/LL	1	I098/573
(6)	996 573 915 01	Electric motor Fresh-air flap Identification Black	/RL	1	I099/573
7	955 572 304 10	Temperature sensor		1	
8	996 624 107 01	Blower	/LL	1	I098
(8)	996 624 108 01	Blower	/RL	1	I099
9	996 573 905 00	Lid		1	
10	999 707 596 40	O-ring 14x1,82		1	
11	996 573 919 02	Electric motor Temperature valve Identification Pink	/LL	1	I098
(11)	996 573 919 03	Electric motor Temperature valve Identification Pink	/RL	1	I099
12	999 707 534 41	O-ring 17x2,00		1	
13	997 612 655 02	Wiring harness	/LL	1	I098/573
(13)	997 612 656 02	Wiring harness	/RL -07	1	I099/573
(13)	997 612 656 04	Wiring harness	/RL 08-	1	I099/573
(13)	987 612 655 00	Wiring harness	/LL -07	1	I098/572
(13)	987 612 655 02	Wiring harness	/LL 08-	1	I098/572
(13)	987 612 656 01	Wiring harness	/RL -07	1	I099/572
(13)	987 612 656 03	Wiring harness	/RL 08-	1	I099/572
14	996 573 921 02	Electric motor Defroster flap Identification Yellow	/LL	1	I098
(14)	996 573 921 03	Electric motor Defroster flap	/RL	1	I099

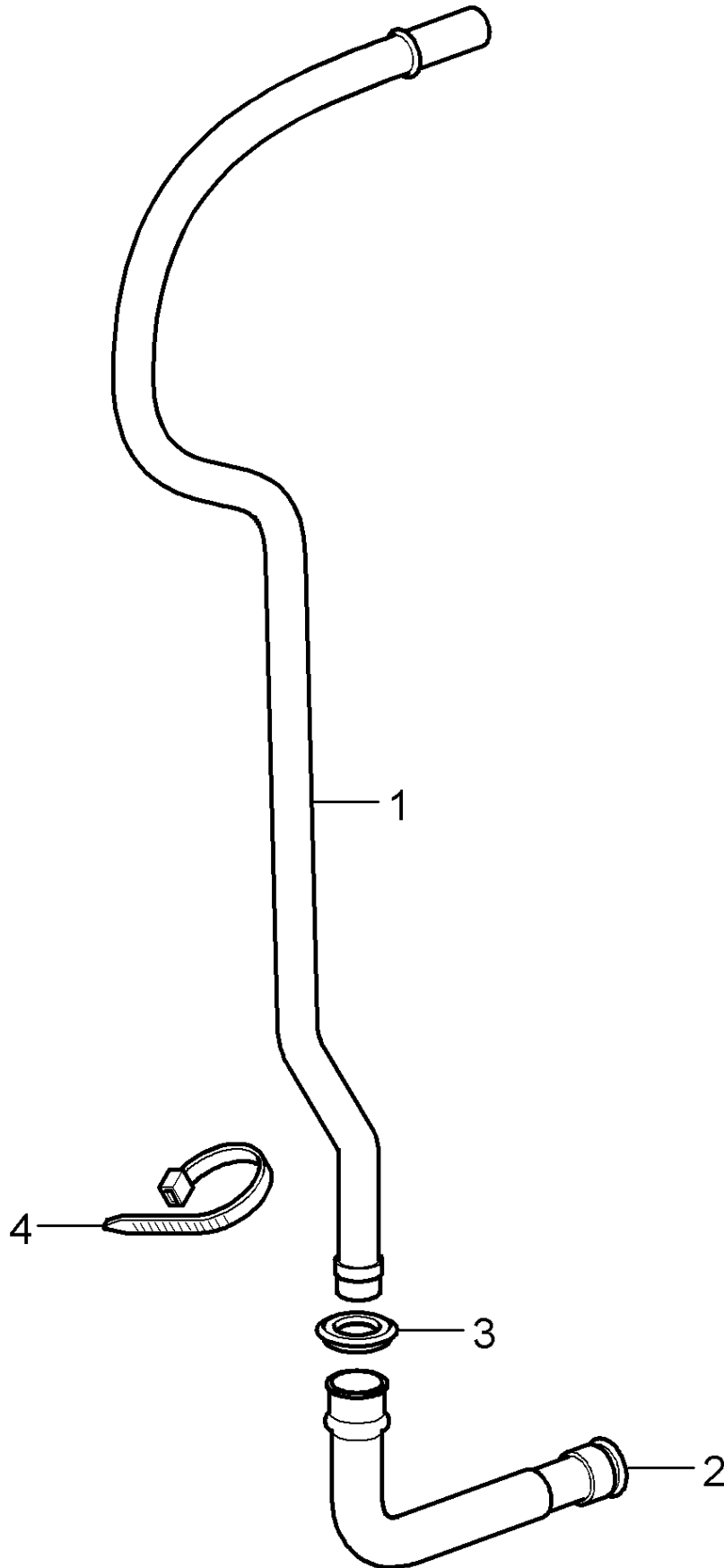
Model: 987 06

Model life 2006>>2008

Pos	Part Number	Description	Remark	Qty	Model
15	1H0 907 543 A	Identification Yellow Temperature sensor		1	
16	996 573 917 02	Electric motor Central valve Identification Green	/LL	1	I098
(16)	996 573 917 03	Electric motor Central valve Identification Green	/RL	1	I099
17	996 573 923 00	Resistor		1	
-	996 573 927 00	Blower outlet sensor		1	I573
-	1H0 819 943	Screw		2	
18	997 573 935 00	Stopper		1	

Model: 987 06

Model life 2006>>2008



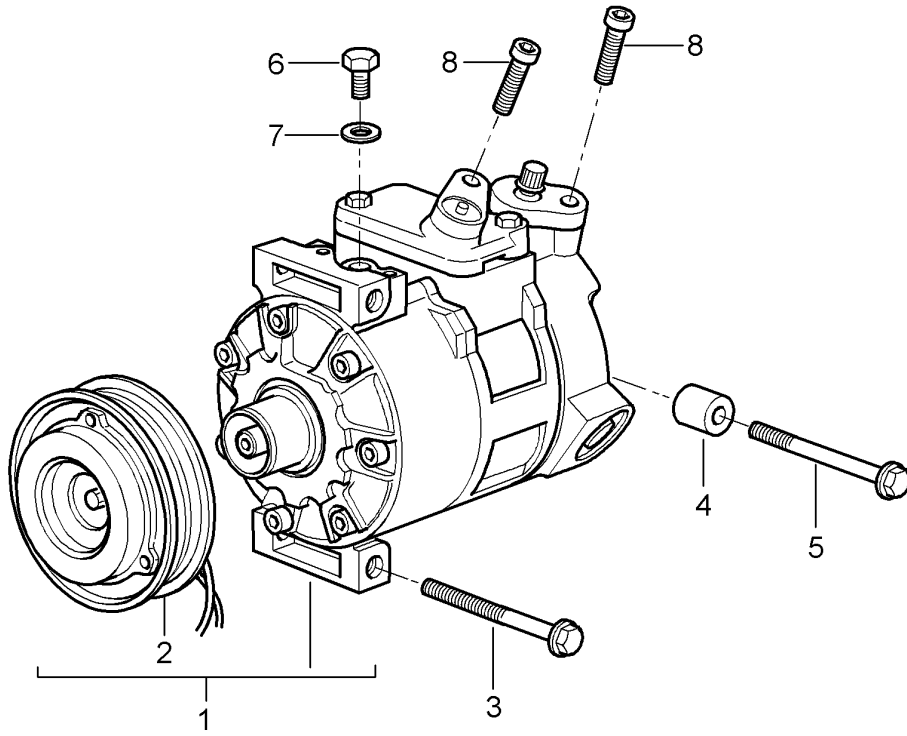
Model: 987 06

Model life 2006>>2008

Pos	Part Number	Description	Remark	Qty	Model
		Water drain tube Mount Air conditioner			
1	996 573 793 01	Water drain tube	/LL	1	I098
1	996 573 794 01	Water drain tube	/RL	1	I099
2	996 573 797 02	Connecting piece		1	
3	996 573 795 01	Grommet		1	
4	999 513 049 40	Tie-wrap		1	

Model: 987 06

Model life 2006>>2008



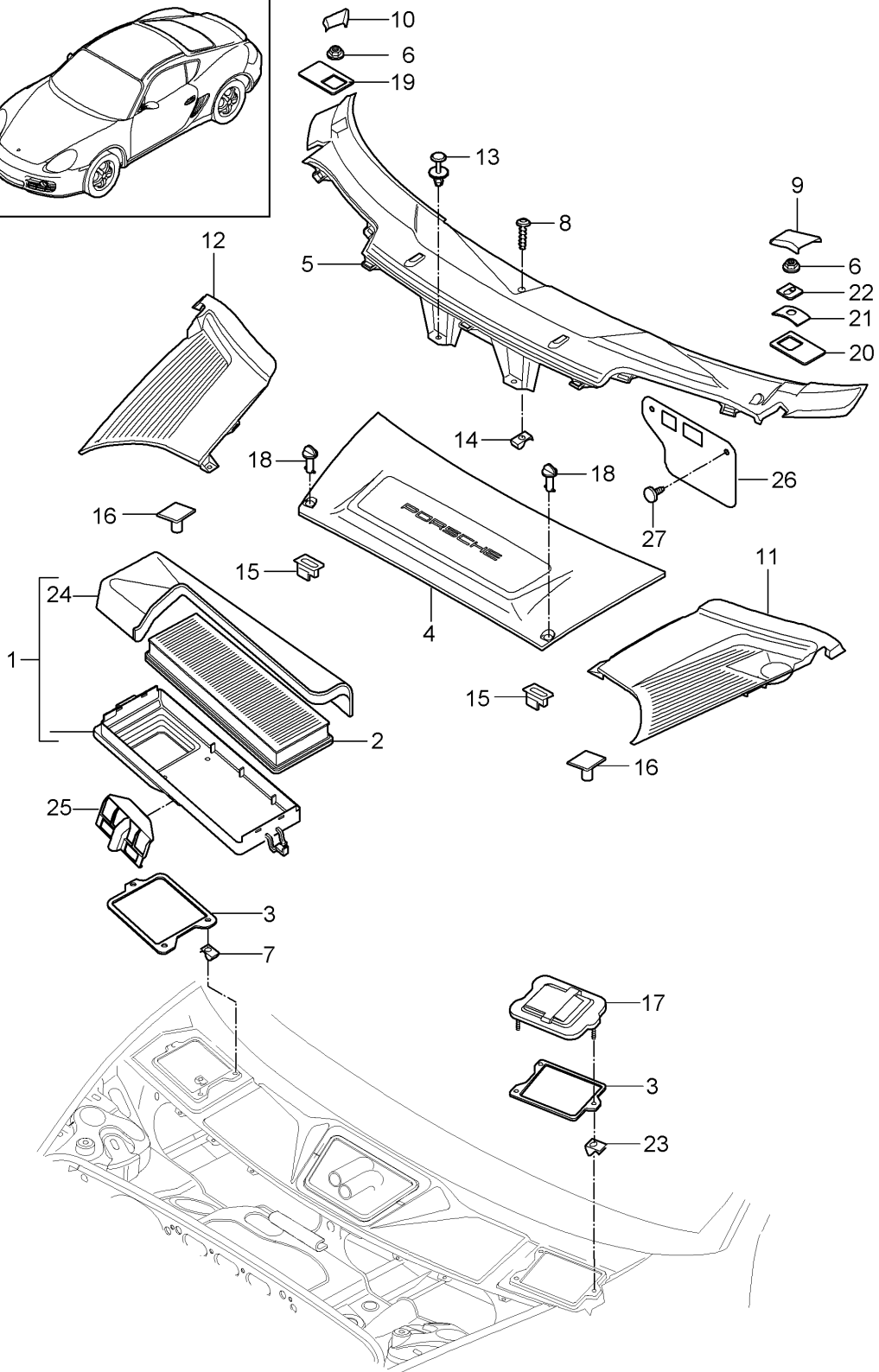
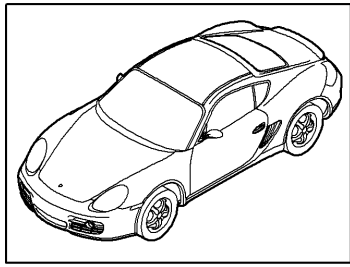
Model: 987 06

Model life 2006>>2008

Pos	Part Number	Description	Remark	Qty	Model
1	996 126 011 52	Compressor		1	
2	996 573 926 00	Compressor Magnetic clutch		1	
3	900 378 075 09	Repair kit Hexagon-head bolt M 8X90		1	
4	996 126 102 52	Spacer		1	
5	900 378 136 09	Hexagon-head bolt M 8X120		1	
6	996 573 926 01	Oil filler screw		1	
7	996 573 926 02	Sealing ring		1	
8	900 067 252 02	Pan-head screw		2	
-	996 126 101 51	Bracket		1	
-	000 043 200 04	Oil for Compressor 250 ML		1	

Model: 987 06

Model life 2006>>2008



Model: 987 06 Model life 2006>>2008

Pos	Part Number	Description	Remark	Qty	Model
		Particle filter			
		Cowl panel covering			
1	997 572 019 02	Housing	/LL	1	I098
1	997 572 019 03	Housing	/RL	1	I099
2	997 571 219 01	Particle filter		1	
3	997 572 221 00	Gasket		1	
4	997 572 567 04	Cover		1	
	997 572 567 04 FMT	Black			
		Battery			
5	997 572 563 08	Cover	/LL	1	I098
		Cowl			
	997 572 563 08 FMT	Black			
5	997 572 563 05	Cover	/RL	1	I099
	997 572 563 05 FMT	Black			
(5)	997 572 563 09	Cover	/RL	1	I099
		Cowl			
	997 572 563 09 FMT	Black			
(5)	997 572 563 11	Cover	/RL	1	I099
		Cowl			
	997 572 563 11 FMT	Black			
6	999 076 071 02	Hexagon nut		2	
		M6			
7	999 507 348 01	Speed nut		3	
8	N 906 487 02	Tapping screw		1	
9	997 572 569 04	Cap	/L	2	I098
	997 572 569 04 FMT	Black			
9	997 572 569 05	Cap	/L	2	I099
	997 572 569 05 FMT	Black			
10	997 572 570 04	Cap	/R	1	I098
	997 572 570 04 FMT	Black			
10	997 572 570 05	Cap	/R	1	I099
	997 572 570 05 FMT	Black			
11	997 572 361 06	Cover	/L	1	
	997 572 361 06 02A	Black			
11	997 572 361 07	Cover	/L	1	
	997 572 361 07 02A	Black			
12	997 572 362 07	Cover	/R	1	
	997 572 362 07 02A	Black			
12	997 572 362 08	Cover	/R	1	
	997 572 362 08 02A	Black			
13	999 507 497 40	Expansion rivet		2	
		8 X 14			
14	999 507 834 41	Expander nut		1	
		ST 4,8			
15	999 590 046 40	Disc cam		2	
16	999 902 046 40	Catch		1	
17	997 572 419 02	Lid	-07	2	
17	997 572 419 03	Lid	08	2	
18	997 572 867 00	Locking bolt		2	
	997 572 867 00 02A	Black			
19	997 572 842 00	Pressure plate	-07	1	
		Passenger's side			
19	997 572 842 01	Pressure plate	/LL /R 08-	1	I098
		Passenger's side			
19	997 572 842 02	Pressure plate	/RL /L 08-	1	I099
		Passenger's side			
20	997 572 841 00	Pressure plate		1	
		Driver's side			
21	997 572 837 00	Spring plate		1	
		Driver's side			
22	997 572 533 00	Retainer plate		1	
		Driver's side			
23	999 591 855 02	Speed nut		3	

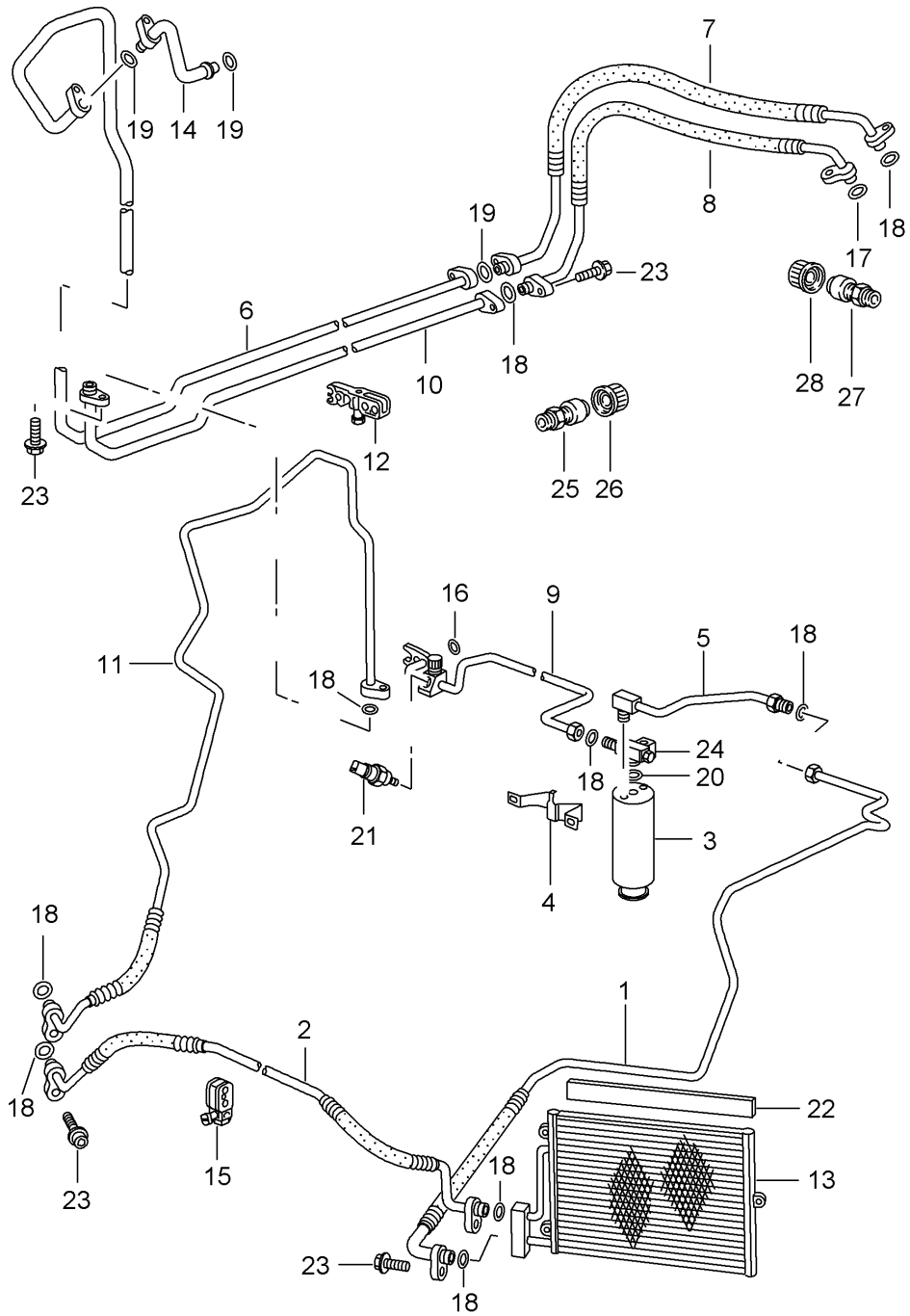
Model: 987 06

Model life 2006>>2008

Pos	Part Number	Description	Remark	Qty	Model
24	997 572 729 02	Cover Particle filter	/LL	1	I098
(24)	997 572 729 03	Cover Particle filter	/RL	1	I099
25	997 572 862 01	Support		1	
26	997 572 763 00	Cover		1	
27	999 703 432 40	Stopper 8,0 12,2 x 25		2	

Model: 987 06

Model life 2006>>2008



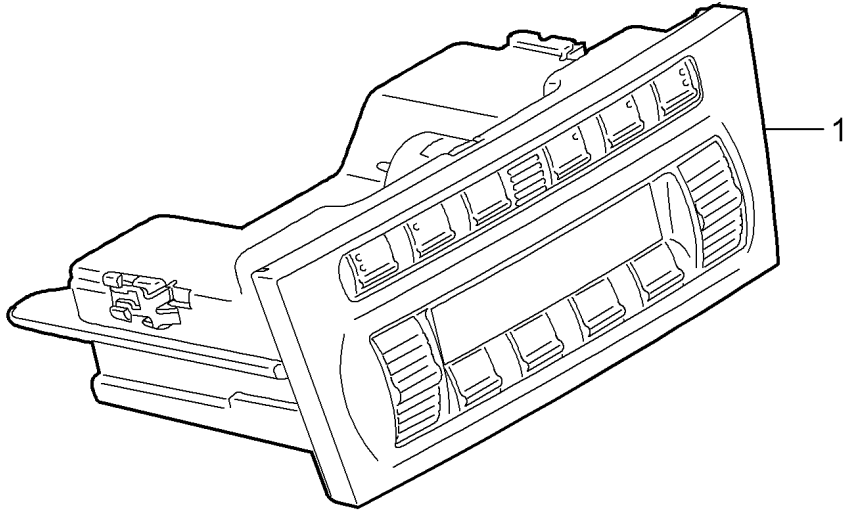
Model: 987 06

Model life 2006>>2008

Pos	Part Number	Description	Remark	Qty	Model
		Refrigerant circuit			
1	997 573 105 02	Pressure line		1	
2	997 573 103 00	Pressure line		1	
3	944 573 143 01	Desiccator		1	
4	996 573 451 00	Support		1	
5	996 573 106 00	Refrigerant line		1	
6	996 573 091 01	Intake pipe		1	
7	987 573 099 01	Intake pipe		1	M97.20/21/22
8	987 573 097 03	Pressure line		1	M97.20/21/22
9	997 573 108 02	Pressure line	/LL	1	I098
(9)	997 573 108 01	Pressure line	/RL	1	I099
(9)	997 573 108 03	Pressure line	/RL	1	I099
10	996 573 092 02	Pressure line		1	
11	997 573 094 00	Pressure line		1	
12	996 347 543 00	Cable holder		2	
13	996 573 111 03	Condenser		2	
14	996 573 093 06	Intake pipe	/LL	1	I098
14	996 573 093 07	Intake pipe	/RL	1	I099
15	996 347 543 00	Cable holder		X	
16	999 707 247 40	O-ring 7,5X2		2	
17	999 707 439 41	O-ring 23,8X2,4		8	
18	999 707 434 41	O-ring 10,6X2		8	
19	999 707 534 41	O-ring 17X2		X	
-	999 707 434 41	O-ring 10,6X2,0		5	
20	999 707 262 40	O-ring 6,7X1,8		X	
21	1K0 959 126 B	Pressure sensor		1	
(21)	955 613 137 01	When required order also: Pressure sensor		1	
(21)	955 613 137 02	When required order also: Pressure sensor		1	
-	999 707 555 41	O-ring 10,8 X 1,8		1	
22	996 573 711 00	Cover strip		2	
23	900 067 019 03	Pan-head screw		X	
24	993 573 243 00	Distributing piece	-06	1	
25	996 573 465 00	Valve Intake pipe		1	
26	944 573 663 02	Cap		1	
27	996 573 466 00	Valve Pressure line		1	
28	944 573 663 01	Cap		1	

Model: 987 06

Model life 2006>>2008

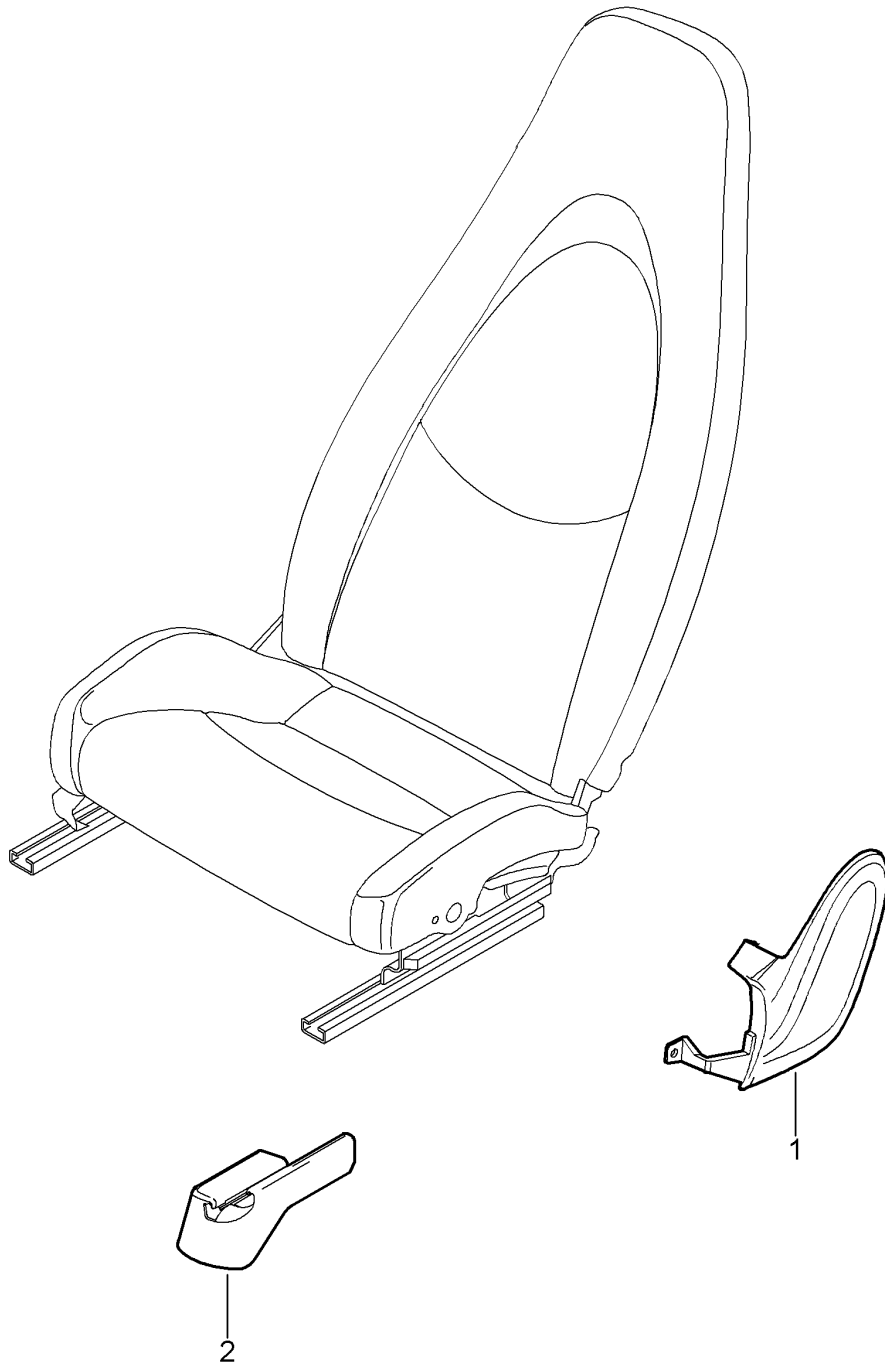


Model: 987 06 Model life 2006>>2008

Pos	Part Number	Description	Remark	Qty	Model
1	997 653 103 11	Control switch			
		Control part	-07	1	I572
	997 653 103 11 FMH	Volcano Grey/Black Mat			
1	997 653 103 13	Control part	08-	1	I572
	997 653 103 13 FMH	Volcano Grey/Black Mat			
(1)	997 653 113 11	Control part	-07	1	I342/572
	997 653 113 11 FMH	Volcano Grey/Black Mat			
(1)	997 653 113 12	Control part	-07	1	I342/572
	997 653 113 12 FMH	Volcano Grey/Black Mat			
(1)	997 653 113 13	Control part	08-	1	I342/572
	997 653 113 13 FMH	Volcano Grey/Black Mat			
(1)	997 653 101 11	Control part	-07	1	I573
	997 653 101 11 FMH	Volcano Grey/Black Mat			
(1)	997 653 101 13	Control part	08-	1	I573
	997 653 101 13 FMH	Volcano Grey/Black Mat			
(1)	997 653 111 11	Control part	-07	1	I342/573
	997 653 111 11 FMH	Volcano Grey/Black Mat			
(1)	997 653 111 13	Control part	08-	1	I342/573
	997 653 111 13 FMH	Volcano Grey/Black Mat			

Model: 987 06

Model life 2006>>2008

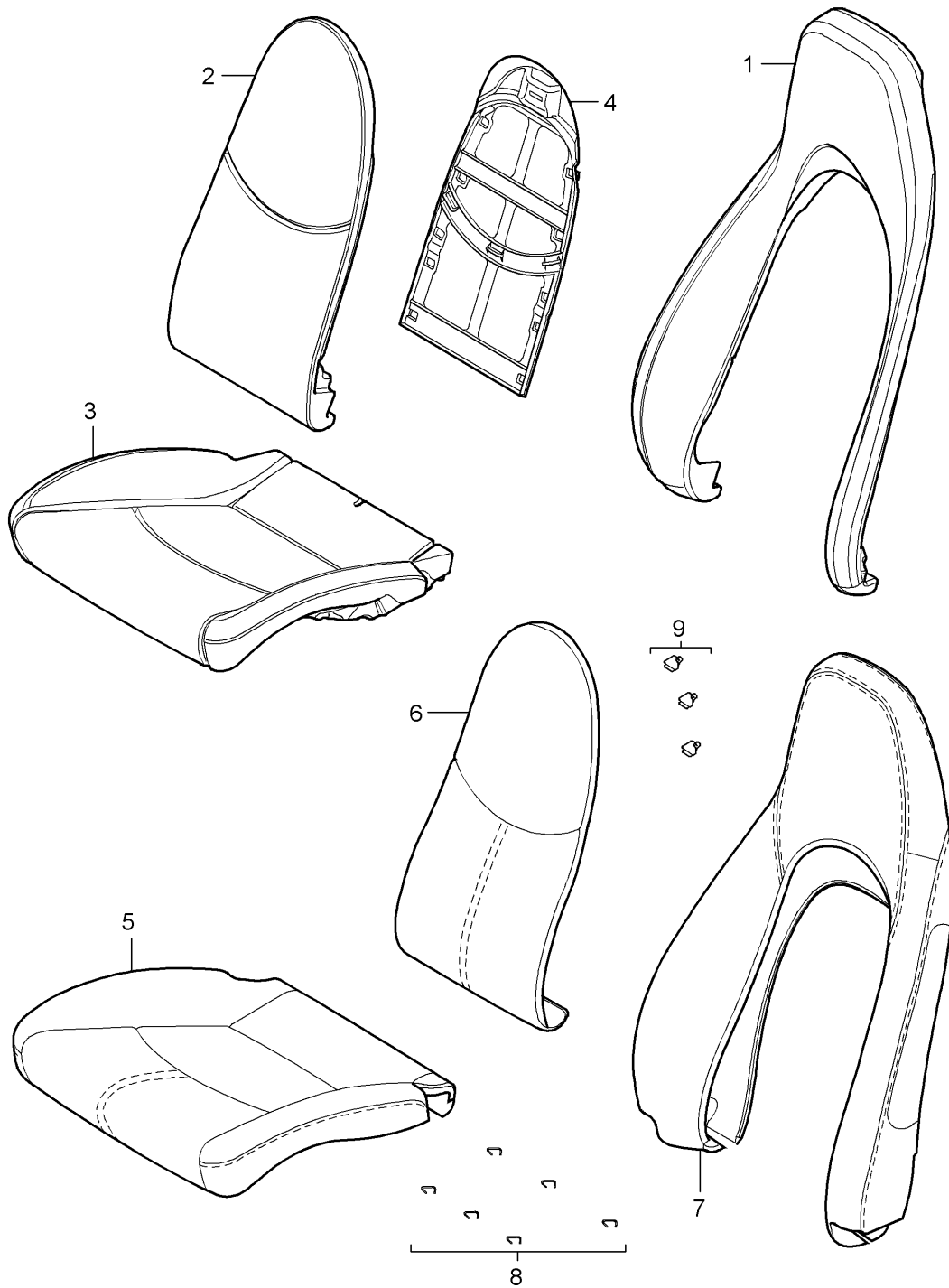


Model: 987 06 Model life 2006>>2008

Pos	Part Number	Description	Remark	Qty	Model
		Front seat Standard seat Comfort seat Complete Not available			CAYMAN S/ CAYMAN
1	997 521 315 02	Trim cover	/L	1	I369/375
		Mounting component			I377/437
	997 521 315 02 D07	Volcano grey			
(1)	997 521 316 02	Trim cover	/R	1	I370/376
		Mounting component			I378/438
	997 521 316 02 D07	Volcano grey			
(1)	997 521 316 03	Trim cover	/R	1	I370/376
		Mounting component			I378/438/560
		Advanced airbag			
	997 521 316 03 D07	Volcano grey			
2	997 521 359 01	Rail	/L	1	I369/375
		Seat rail			
	997 521 359 01 01C	Satin black			
(2)	997 521 360 01	Rail	/R	1	I370/376
		Seat rail			
	997 521 360 01 01C	Satin black			
(2)	997 521 361 00	Rail	/L	1	I370/376/377
		Seat rail			I378/437/438
	997 521 361 00 01C	Satin black			
(2)	997 521 362 00	Rail	/R	1	I369/375/377
		Seat rail			I378/437/438
	997 521 362 00 01C	Satin black			

Model: 987 06

Model life 2006>>2008



Model: 987 06 Model life 2006>>2008

Pos	Part Number	Description	Remark	Qty	Model
		Foam part Cover Standard seat Comfort seat			CAYMAN S/ CAYMAN
1	997 521 535 00	Foam part Backrest Outer		2	I369/370 I437/438
2	997 521 581 00	Foam part Backrest Centre		2	I369/370/375 I376/377/378 I437/438
3	997 521 571 00	Foam part Seat cushion		1	I369/370 I437/438
(3)	997 521 571 03	Foam part Seat cushion Advanced airbag		1	I370/438/560
4	997 521 551 01	Cushion carrier Backrest		2	I369/370/375 I376/377/378 I437/438
5	987 521 161 00	Cover for cushion		2	I369/370/950
	987 521 161 00 FLA	Black			
	987 521 161 00 FLD	Stone grey			
	987 521 161 00 FLG	Sand Beige			
	987 521 161 00 FLK	Sea blue			
	987 521 161 00 FLN	Palmgreen			
(5)	997 521 161 00	Cover for cushion		1	I369/370/437 I946
	997 521 161 00 FLB	Black			
	997 521 161 00 FLE	Stone grey			
	997 521 161 00 FLH	Sand Beige			
	997 521 161 00 FLL	Sea blue			
	997 521 161 00 FLO	Palmgreen			
(5)	997 521 161 01	Cover for cushion		1	I369/370/437 I983
	997 521 161 01 FLC	Black			
	997 521 161 01 FLF	Stone grey			
	997 521 161 01 FLJ	Sand Beige			
	997 521 161 01 FLM	Sea blue			
	997 521 161 01 FLP	Palmgreen			
	997 521 161 01 FLQ	Terracotta			
	997 521 161 01 FLR	Cocoa			
	997 521 161 01 BCA	Black/stone grey			
	997 521 161 01 VAA	Dark grey/natural			
	997 521 161 01 VAB	Brown/natural			
	997 521 161 01 VAC	Carrera Red			
(5)	997 521 161 02	Cover for cushion		1	I369/370/437 I982
	997 521 161 02 FLC	Black			
	997 521 161 02 FLF	Stone grey			
	997 521 161 02 FLJ	Sand Beige			
	997 521 161 02 FLM	Sea blue			
	997 521 161 02 FLP	Palmgreen			
	997 521 161 02 FLQ	Terracotta			
	997 521 161 02 FLR	Cocoa			
	997 521 161 02 BCA	Black/stone grey			
	997 521 161 02 VAA	Dark grey/natural			
	997 521 161 02 VAB	Brown/natural			
	997 521 161 02 VAC	Carrera Red			
6	987 521 151 00	Backrest cushion cover Centre part		2	I369/370/950
	987 521 151 00 A15	Black			
	987 521 151 00 B15	Stone grey			
	987 521 151 00 T45	Sand Beige			
	987 521 151 00 G15	Metropole blue			

Model: 987 06 Model life 2006>>2008

Pos	Part Number	Description	Remark	Qty	Model	
(6)	987 521 151 00 J45	Palmgreen				
	997 521 151 00	Backrest cushion cover		1	I369/370/437	
		Centre part			I438/946	
	997 521 151 00 A08	Black				
	997 521 151 00 5D6	Stone grey				
	997 521 151 00 T25	Sand Beige				
(6)	997 521 151 00 3W7	Sea blue				
	997 521 151 00 4Q2	Palmgreen				
	997 521 151 00	Backrest cushion cover		1	I369/370/437	
		Centre part			I438/983	
	997 521 151 00 8YR	Black				
	997 521 151 00 5X5	Stone grey				
	997 521 151 00 8G1	Sand Beige				
	997 521 151 00 3S8	Sea blue				
	997 521 151 00 4P1	Palmgreen				
	997 521 151 00 9N2	Terracotta				
	997 521 151 00 9Q3	Cocoa				
	997 521 151 00 D11	Dark grey/natural				
	997 521 151 00 T11	Brown/natural				
	997 521 151 00 N11	Carrera Red				
(6)	997 521 151 01	Backrest cushion cover		1	I369/370/437	
		Centre part			I438/982	
	997 521 151 01 8YR	Black				
	997 521 151 01 5X5	Stone grey				
	997 521 151 01 8G1	Sand Beige				
	997 521 151 01 3S8	Sea blue				
	997 521 151 01 4P1	Palmgreen				
	997 521 151 01 9N2	Terracotta				
	997 521 151 01 9Q3	Cocoa				
	997 521 151 01 D11	Dark grey/natural				
	997 521 151 01 T11	Brown/natural				
	997 521 151 01 N11	Carrera Red				
	7	987 521 141 00	Backrest cover	/L	1	I369/950
			Outer part			
987 521 141 00 FLA		Black				
987 521 141 00 FLD		Stone grey				
987 521 141 00 FLG		Sand Beige				
987 521 141 00 FLK		Sea blue				
987 521 141 00 FLN		Palmgreen				
(7)		987 521 142 00	Backrest cover	/R	1	I370/950
			Outer part			
		987 521 142 00 FLA	Black			
	987 521 142 00 FLD	Stone grey				
	987 521 142 00 FLG	Sand Beige				
	987 521 142 00 FLK	Sea blue				
(7)	987 521 142 00 FLN	Palmgreen				
	987 521 141 01	Backrest cover	/L -06	1	I369/437/946	
		Outer part				
	987 521 141 01 FLB	Black				
	987 521 141 01 FLE	Stone grey				
	987 521 141 01 FLH	Sand Beige				
	987 521 141 01 FLL	Sea blue				
	987 521 141 01 FLO	Palmgreen				
	(7)	987 521 142 01	Backrest cover	/R -06	1	I370/438/946
			Outer part			
987 521 142 01 FLB		Black				
987 521 142 01 FLE		Stone grey				
987 521 142 01 FLH		Sand Beige				
987 521 142 01 FLL		Sea blue				
(7)	987 521 142 01 FLO	Palmgreen				
	987 521 141 03	Backrest cover	/L 07-	1	I369/437/946	
	987 521 141 03 FLB	Black				
	987 521 141 03 FLE	Stone grey				

Model: 987 06 Model life 2006>>2008

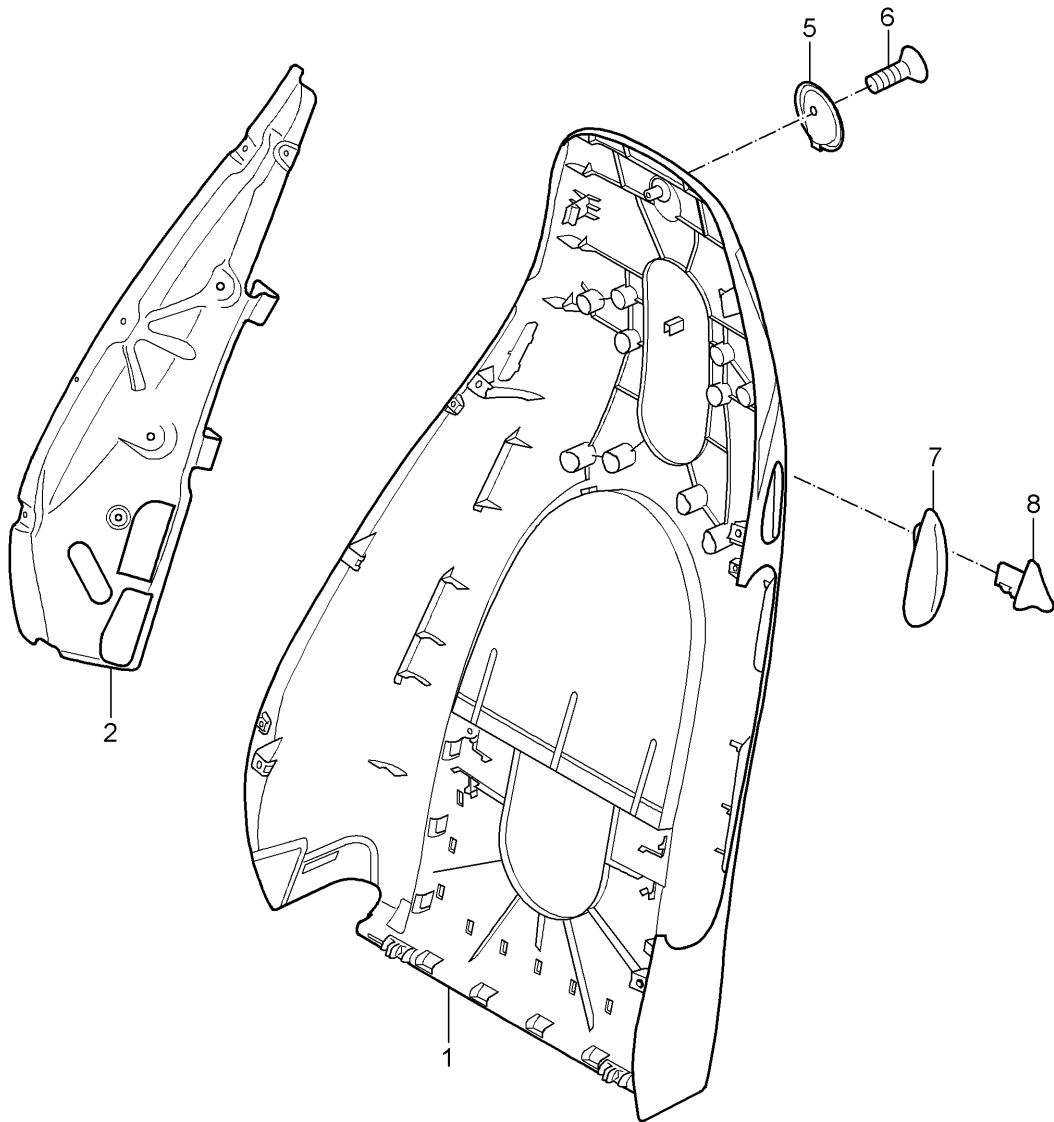
Pos	Part Number	Description	Remark	Qty	Model				
(7)	987 521 141 03 FLH	Sand Beige	/R 07-	1	I370/438/946				
	987 521 141 03 FLL	Sea blue							
	987 521 141 03 FLO	Palmgreen							
	987 521 142 03	Backrest cover							
		Outer part							
	987 521 142 03 FLB	Black							
	987 521 142 03 FLE	Stone grey							
	987 521 142 03 FLH	Sand Beige							
	987 521 142 03 FLL	Sea blue							
	987 521 142 03 FLO	Palmgreen							
(7)	987 521 141 02	Backrest cover	/L	1	-IXSC/-I541 I369/437/982 I983				
		Outer part							
	987 521 141 02 FLC	Black							
	987 521 141 02 FLF	Stone grey							
	987 521 141 02 FLJ	Sand Beige							
	987 521 141 02 FLM	Sea blue							
	987 521 141 02 FLP	Palmgreen							
	987 521 141 02 FLQ	Terracotta							
	987 521 141 02 FLR	Cocoa							
	987 521 141 02 VAA	Dark grey/natural							
(7)	987 521 141 02 VAB	Brown/natural	/R	1	-IXSC/-I541 I370/438/982 I983				
	987 521 142 02	Backrest cover							
		Outer part							
	987 521 142 02 FLC	Black							
	987 521 142 02 FLF	Stone grey							
	987 521 142 02 FLJ	Sand Beige							
	987 521 142 02 FLM	Sea blue							
	987 521 142 02 FLP	Palmgreen							
	987 521 142 02 FLQ	Terracotta							
	987 521 142 02 FLR	Cocoa							
(7)	987 521 142 02 VAA	Dark grey/natural	-07	1	IXSC/946				
	987 521 142 02 VAB	Brown/natural							
	987 521 941 00	Backrest cover							
		Outer part							
	987 521 941 00 A08	Black							
	987 521 941 00 5D6	Stone grey							
	987 521 941 00 3W7	Sea blue							
	987 521 941 00 4Q2	Palmgreen							
	987 521 941 00 T25	Sand Beige							
	(7)	987 521 941 03				Backrest cover	08-	1	IXSC/946
		Outer part							
987 521 941 03 3W7		Sea blue							
987 521 941 03 T25		Sand Beige							
987 521 941 03 A08		Black							
987 521 941 03 5D6		Stone grey							
(7)		987 521 941 04	Backrest cover	-07	1	IXSC/541/946			
			Outer part						
		987 521 941 04 3W7	Sea blue						
		987 521 941 04 T25	Sand Beige						
	987 521 941 04 5D6	Stone grey							
	(7)	987 521 942 00	Backrest cover				08-	1	IXSC/946
			Outer part						
		987 521 942 00 A08	Black						
		987 521 942 00 5D6	Stone grey						
		987 521 942 00 3W7	Sea blue						
987 521 942 00 4Q2		Palmgreen							
987 521 942 00 T25		Sand Beige							
(7)		987 521 942 03	Backrest cover	08-	1	IXSC/946			
			Outer part						

Model: 987 06 Model life 2006>>2008

Pos	Part Number	Description	Remark	Qty	Model
(7)	987 521 942 03 3W7	Sea blue		1	IXSC/541/946
	987 521 942 03 T25	Sand Beige			
	987 521 942 03 A08	Black			
	987 521 942 03 5D6	Stone grey			
	987 521 942 04	Backrest cover			
		Outer part			
	987 521 942 04 3W7	Sea blue			
	987 521 942 04 T25	Sand Beige			
	987 521 942 04 5D6	Stone grey			
	987 521 941 01	Backrest cover			
(7)		Outer part		1	IXSC/369/437 I982/983
	987 521 941 01 8YR	Black			
	987 521 941 01 5X5	Stone grey			
	987 521 941 01 8G1	Sand Beige			
	987 521 941 01 3S8	Sea blue			
	987 521 941 01 4P1	Palmgreen			
	987 521 941 01 9N2	Terracotta			
	987 521 941 01 9Q3	Cocoa			
	987 521 941 01 D11	Dark grey/natural			
	987 521 941 01 T11	Brown/natural			
(7)	987 521 942 01	Backrest cover		1	IXSC/369/437 I982/983
		Outer part			
	987 521 942 01 8YR	Black			
	987 521 942 01 5X5	Stone grey			
	987 521 942 01 8G1	Sand Beige			
	987 521 942 01 3S8	Sea blue			
	987 521 942 01 4P1	Palmgreen			
	987 521 942 01 9N2	Terracotta			
	987 521 942 01 9Q3	Cocoa			
	987 521 942 01 D11	Dark grey/natural			
987 521 942 01 T11	Brown/natural				
8	997 521 837 00	Clip Padding		6	
9	997 521 897 00	Seat Clip Backrest cover		5	

Model: 987 06

Model life 2006>>2008

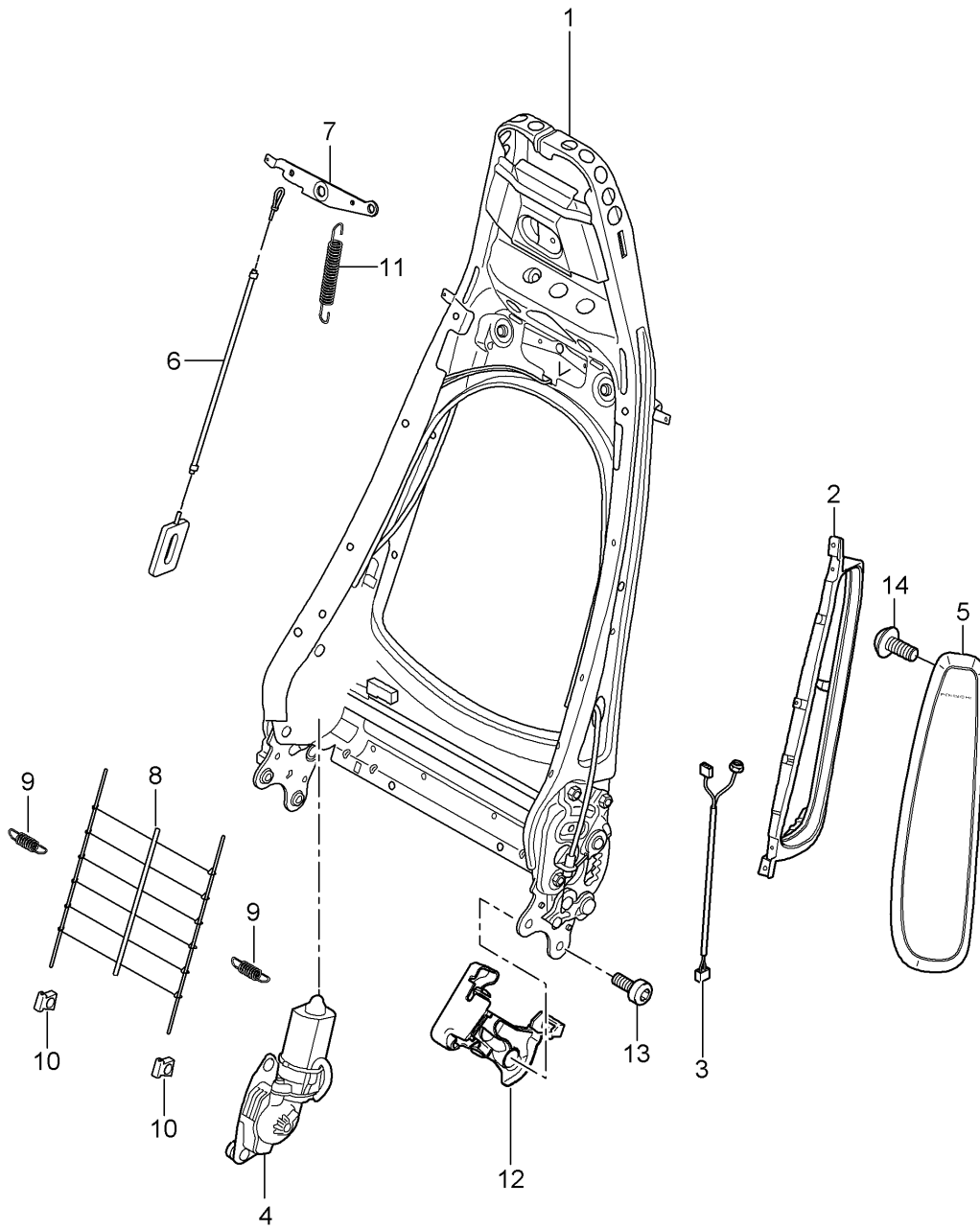


Model: 987 06 Model life 2006>>2008

Pos	Part Number	Description	Remark	Qty	Model
		Backrest shell Standard seat Comfort seat			CAYMAN S/ CAYMAN
1	987 521 303 02	Backrest shell	/L	1	I369/437
	987 521 303 02 01C	Satin black			
(1)	987 521 304 02	Backrest shell	/R	1	I370/438
	987 521 304 02 01C	Satin black			
(1)	987 521 303 04	Backrest shell	/L	1	I369/437
	987 521 303 04 01C	Satin black			
(1)	987 521 304 04	Backrest shell	/R	1	I370/438
	987 521 304 04 01C	Satin black			
(2)	997 521 319 00	Bracket	/L	1	
2	997 521 320 00	Bracket	/R	1	
		Backrest side bolster			
5	997 521 373 01	Coat hook		2	
	997 521 373 01 D07	Volcano grey			
6	999 919 199 09	Countersunk-head screw		1	
		Coat hook 5,0 X 25-M			
7	997 521 621 02	Rosette	/L	1	I369/370 I437/438
		Backrest locking lever			
	997 521 621 02 D07	Volcano grey			
(7)	997 521 622 02	Rosette	/R	1	I369/370 I437/438
		Backrest locking lever			
	997 521 622 02 D07	Volcano grey			
8	987 521 623 01	Control button	/L	1	I375/376/377 I378
		Backrest locking lever			
	987 521 623 01 V05	Galvano silver			
(8)	987 521 624 01	Control button	/R	1	I375/376/377 I378
		Backrest locking lever			
	987 521 624 01 V05	Galvano silver			
(8)	997 521 624 02	Control button	/R	1	I437/438
		Backrest locking lever			
	997 521 624 02 V05	Galvano silver			
(8)	997 521 623 02	Control button	/L	1	I437/438
		Backrest locking lever			
	997 521 623 02 V05	Galvano silver			

Model: 987 06

Model life 2006>>2008



Model: 987 06 Model life 2006>>2008

Pos	Part Number	Description	Remark	Qty	Model
1	997 521 329 00	Backrest frame Standard seat Comfort seat			CAYMAN S/ CAYMAN
		Backrest frame without Memory	/L /R -07	2	I369/370 I437/438
(1)	997 521 329 02	Backrest frame without Memory	/L /R 08-	2	I369/370 I437/438
(1)	997 521 329 01	Backrest frame	/L /R -07	2	I537/538
(1)	997 521 329 03	Backrest frame with Memory	/L /R 08-	2	I537/538
2	997 521 533 00	Cushion carrier	/L	1	I369/437
(2)	997 521 534 00	Cushion carrier	/R	1	I370/438
3	997 612 785 01	Side airbag Wiring harness	/L	1	I537
(3)	997 612 786 01	Wiring harness Side airbag	/R	1	I538
4	997 624 331 00	Electric motor Backrest frame Memory	/L /R	1	I537/538
(4)	997 624 321 00	Electric motor Backrest frame without Memory	/L /R	1	I369/370 I437/438
5	997 803 081 01	Side airbag	/L	1	I369/437
	997 803 081 01 A03	Black			
	997 803 081 01 5V7	Stone grey			
	997 803 081 01 5Z1	Sand Beige			
	997 803 081 01 8W7	Sea blue			
	997 803 081 01 5Y2	Palmgreen			
	997 803 081 01 8X8	Terracotta			
	997 803 081 01 8P9	Cocoa			
	997 803 081 01 T13	Brown/natural			
	997 803 081 01 N23	Carrera Red	08-		
(5)	997 803 082 01	Side airbag	/R	1	I370/438
	997 803 082 01 A03	Black			
	997 803 082 01 5V7	Stone grey			
	997 803 082 01 5Z1	Sand Beige			
	997 803 082 01 8W7	Sea blue			
	997 803 082 01 5Y2	Palmgreen			
	997 803 082 01 8X8	Terracotta			
	997 803 082 01 8P9	Cocoa			
	997 803 082 01 T13	Brown/natural			
	997 803 082 01 N23	Carrera Red	08-		
6	997 521 485 00	Bowden cable Backrest frame		2	
7	997 521 375 00	Release Backrest frame		1	
8	997 521 855 00	Grille Backrest frame		1	
9	997 521 893 00	Tension spring Grille		2	
10	997 521 895 00	Clip Grille		2	
11	997 521 797 00	Tension spring Release Backrest		1	
12	997 521 335 01	Cover	/L	1	
	997 521 335 01 D07	Volcano grey			
(12)	997 521 336 01	Cover Mounting component	/R	1	

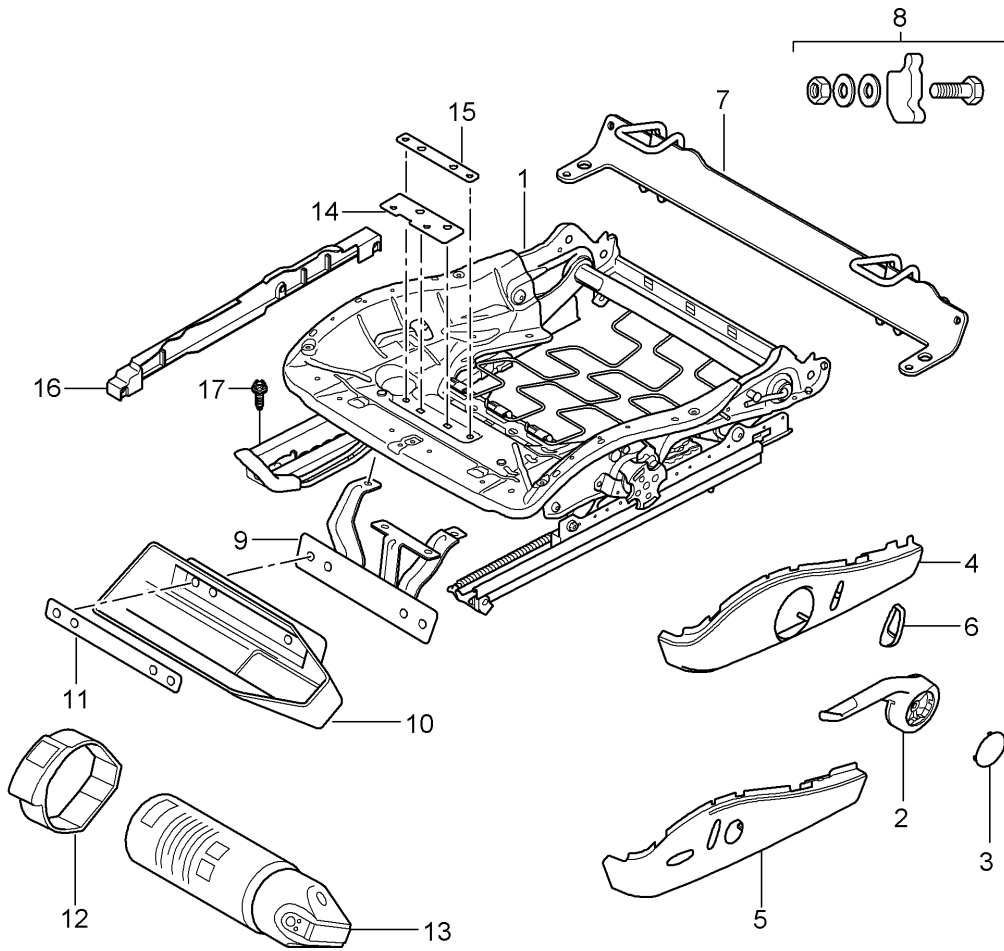
Model: 987 06

Model life 2006>>2008

Pos	Part Number	Description	Remark	Qty	Model
13	997 521 336 01 D07 999 073 375 09	Inner Volcano grey Screw M10 x 13,0 Mount Backrest		4	
14	999 073 306 09	Seat adjuster Screw Mount Side airbag		2	

Model: 987 06

Model life 2006>>2008



Model: 987 06 Model life 2006>>2008

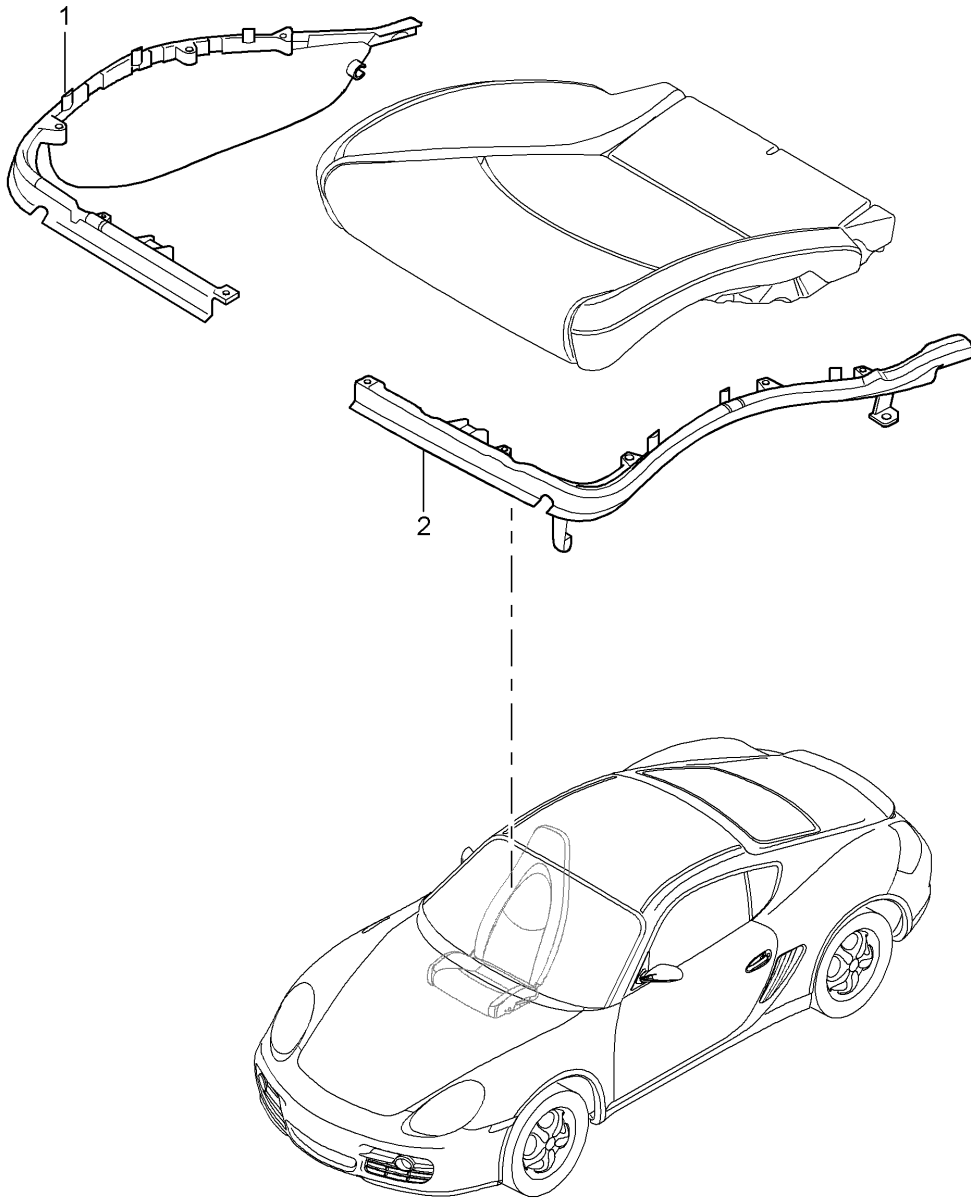
Pos	Part Number	Description	Remark	Qty	Model
		Seat adjuster Standard seat Comfort seat			CAYMAN S/ CAYMAN
1	997 521 201 00	Seat adjuster	/LL /L -06	1	I098/369/375
(1)	997 521 201 10	Seat adjuster Height adjustment Manually Left-hand drive Driver's side	/LL /L 07-	1	I098/369/375
(1)	997 521 202 00	Seat adjuster	/R -07	1	I099/370/376
(1)	997 521 202 19	Seat adjuster Height adjustment Manually Right-hand drive Driver's side	/R 08-	1	I099/370/376
(1)	997 521 201 04	Seat adjuster	/L -06	1	I377/437
(1)	997 521 201 12	Seat adjuster	/L 07-	1	I377/437
(1)	997 521 202 10	Seat adjuster	/R -06	1	I378/438
(1)	997 521 202 21	Seat adjuster Electric without Memory	/R 07-	1	I378/438
(1)	997 521 201 05	Seat adjuster	/L	1	I377/437/537
(1)	997 521 201 13	Seat adjuster	/L 07-	1	I377/437/537
(1)	997 521 202 11	Seat adjuster	/R -06	1	I378/438/538
(1)	997 521 202 22	Seat adjuster Electric Memory	/R 07-	1	I378/438/538
(1)	997 521 201 03	Seat adjuster	/RL /L -06	1	I099/369/375
(1)	997 521 201 11	Seat adjuster Manually Right-hand drive Passenger's side	/RL /L 07-	1	I099/369/375
(1)	997 521 202 06	Seat adjuster	/R 06	1	I370/376/560
(1)	997 521 202 23	Seat adjuster Manually Seat occupancy detection	/R 07-	1	I370/376/560
(1)	997 521 202 12	Seat adjuster	/R 06	1	I378/438/560
(1)	997 521 202 24	Seat adjuster Electric Seat occupancy detection	/R 07-	1	I378/438/560
(1)	997 521 202 05	Seat adjuster	/LL /R -06	1	I098/370/376
(1)	997 521 202 20	Seat adjuster Manually Left-hand drive Passenger's side	/LL /R 07-	1	I098/370/376
2	997 521 627 01	Actuating lever Height adjustment	/L	1	I369/375
(2)	997 521 627 01 V05	Galvano silver			
(2)	997 521 628 01	Actuating lever Height adjustment	/R	1	I370/376
(2)	997 521 628 01 V05	Galvano silver			
3	997 521 629 01	Cap Actuating lever	/L /R	2	I369/370 I375/376
(4)	997 521 629 01 D07	Volcano grey			
4	997 521 325 06	Trim for switch	/L	1	I369/375
(4)	997 521 325 06 D07	Volcano grey			
(4)	997 521 326 06	Trim for switch without Advanced airbag	/R	1	I370/376
(4)	997 521 326 06 D07	Volcano grey			
5	997 521 325 07	Trim for switch	/L	1	I437
(5)	997 521 325 07 D07	Volcano grey			

Model: 987 06 Model life 2006>>2008

Pos	Part Number	Description	Remark	Qty	Model
5	997 521 326 07	Trim for switch without Advanced airbag	/R	1	I438
(5)	997 521 326 07 D07 997 521 326 09	Volcano grey Trim for switch Advanced airbag	/R	1	I370/376/560
(5)	997 521 326 09 D07 997 521 326 10	Volcano grey Trim for switch Advanced airbag	/R	1	I438/560
6	997 521 326 10 D07 997 521 631 01	Volcano grey Control button Backrest		1	I369/370/375 I376/377/378
7	997 521 631 01 V05 997 521 061 01	Galvano silver Retaining bow Child car seat ISOFIX Not for AUSTRALIEN		1	
8	997 521 961 01	Set of fastening parts Retaining bow		1	
9	997 521 251 00	Support Fire extinguisher		1	I098/509
(9)	997 521 252 00	Support Fire extinguisher		1	I099/509
10	997 521 607 00	Cup Fire extinguisher		1	I509
11	997 521 881 00	Support Cup Fire extinguisher		1	I509
12	997 521 851 00	Restraining strap Fire extinguisher		1	I509
13	996 722 115 00	Fire extinguisher Information available Information available		1	I509
14	997 521 841 00	Reinforcement Front		1	I509
15	997 521 843 00	Reinforcement Rear		1	I509
(16)	997 521 427 01	Cover Sensor Weight	/L	1	I370/376/378 I438/560
16	997 521 427 01 01C 997 521 426 01	Satin black Cover Sensor Weight	/R	1	I370/376/378 I438/560
17	997 521 426 01 01C 999 141 047 01	Satin black Torx screw Mount Seat rail		4	

Model: 987 06

Model life 2006>>2008



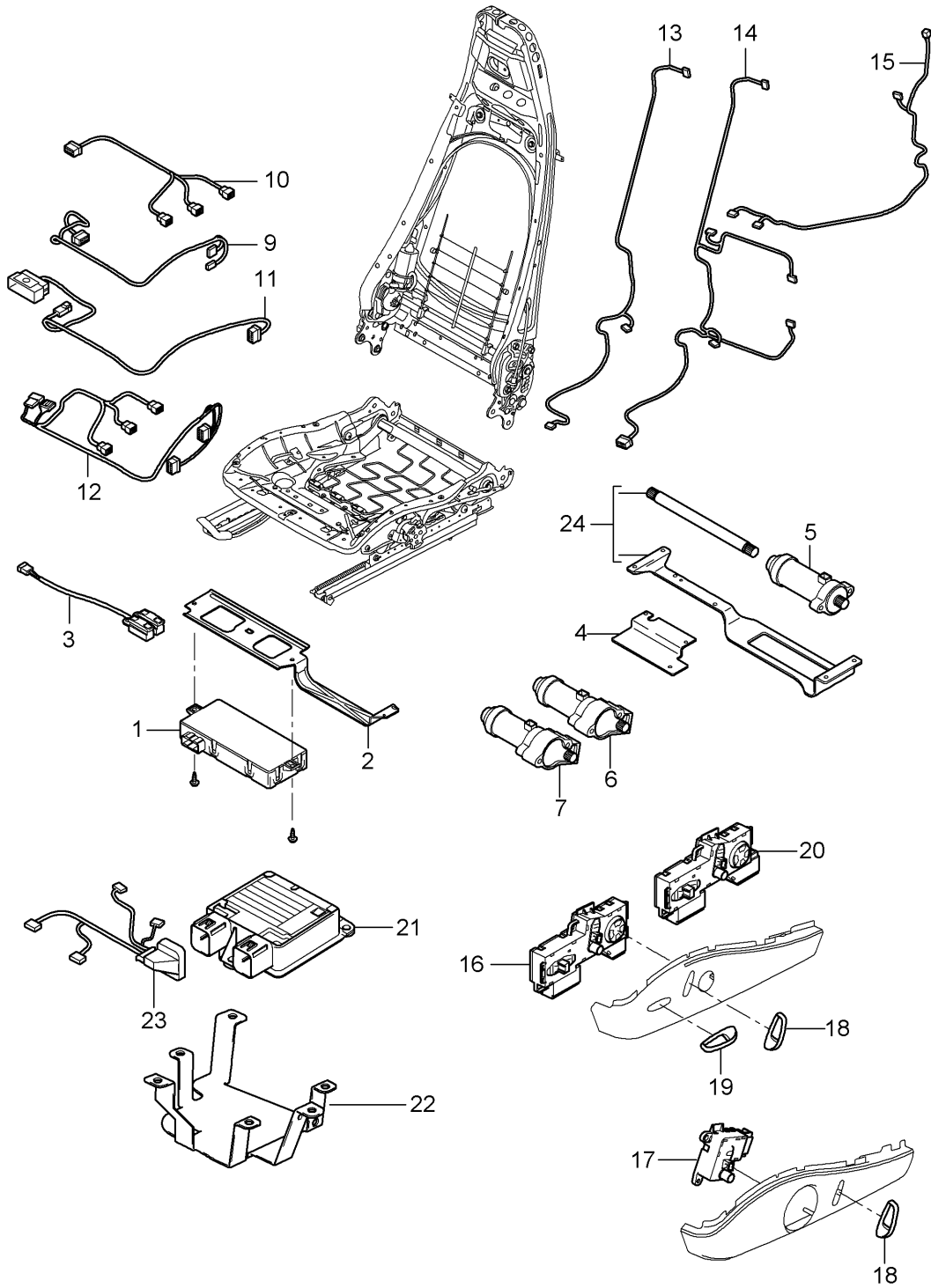
Model: 987 06

Model life 2006>>2008

Pos	Part Number	Description	Remark	Qty	Model
		Cushion carrier Frame Seat surface Standard seat Comfort seat			CAYMAN S/ CAYMAN
(1)	997 521 547 00	Frame Inner Left	/L	1	I370/376/378 I438
1	997 521 548 00	Frame Inner Right	/R	1	I369/375/377 I437
2	997 521 545 00	Frame Outer Left	/L	1	I369/375/377 I437
(2)	997 521 546 00	Frame Outer Right without Advanced airbag	/R	1	I370/376/378 I438
-	997 521 546 01	Frame Outer Right with Advanced airbag	/R	1	I370/376/378 I438/560

Model: 987 06

Model life 2006>>2008



Model: 987 06 Model life 2006>>2008

Pos	Part Number	Description	Remark	Qty	Model
		Wiring harnesses Control unit Switch Standard seat Comfort seat			CAYMAN S/ CAYMAN
1	997 618 537 07	Control unit		1	I537/538
2	997 521 643 00	Seating position control Support Control unit		1	I537/538
3	997 613 725 00	Seating position control Switch Seat adjuster		1	
(3)	997 613 725 00 V05 997 613 726 00	Galvano silver Switch Seat adjuster		1	
4	997 613 726 00 V05 997 521 343 00	Galvano silver Support Compressor		1	
5	997 624 322 00	Electric motor Seat adjuster Lengthways without Memory		1	I437/438
(5)	997 624 332 00	Electric motor Seat adjuster Lengthways with Memory		1	I537/538
6	997 624 322 00	Electric motor Seat adjuster Height adjustment without Memory		1	I437/438
(6)	997 624 332 00	Electric motor Seat adjuster Height adjustment with Memory		1	I537/538
7	997 624 323 00	Electric motor Seat adjuster Tilt angle without Memory		1	I437/438
(7)	997 624 333 00	Electric motor Seat adjuster Tilt angle with Memory		1	I537/538
9	997 612 684 00	Wiring harness Seat adjuster Memory		1	I537/538
10	997 612 690 00	Wiring harness Lengthways Height adjustment Memory		1	I537/538
11	997 612 682 01	Wiring harness Switch Seat adjuster		1	I369/370 I375/376
12	997 612 683 01	Wiring harness Switch Seat adjuster without Memory		1	I437/438

Model: 987 06 Model life 2006>>2008

Pos	Part Number	Description	Remark	Qty	Model
13	997 612 689 00	Wiring harness Lumbar support without Memory		1	I377/378 I437/438
14	997 612 687 00	Wiring harness Lumbar Backrest Memory		1	I537/538 I437/438
15	997 612 685 01	Wiring harness Backrest		1	I369/375/377 I437
(15)	997 612 686 01	Wiring harness Backrest		1	I370/376/378 I438
16	997 613 721 01	Switch Seat adjuster Memory switch	/L	1	I377/437/537
(16)	997 613 721 01 V05 997 613 722 01	Galvano silver Switch Seat adjuster Memory switch	/R	1	I378/438/538
17	997 613 714 00	Switch	/R	1	I370/376
(17)	997 613 713 00	Switch Seat adjuster Manually adjustable	/L	1	I369/375
18	997 521 631 01 997 521 631 01 V05	Control button Galvano silver		1	I369/370/375 I437/438
18	997 521 631 02 997 521 631 02 V05	Control button Galvano silver	08-	1	I369/370/375 I437/438
19	997 521 633 02 997 521 633 02 V05	Control button Galvano silver		1	I437/438 I377/378/437
19	997 521 633 03 997 521 633 03 V05	Control button Galvano silver	08-	1	I377/378/437
20	997 613 717 01	Switch Seat adjuster without Memory	/L	1	I377/437
20	997 613 717 01 V05 997 613 717 02	Galvano silver Switch Seat adjuster without Memory	/L 08-	1	I377/437
(20)	997 613 717 02 V05 997 613 718 01	Galvano silver Switch Seat adjuster without Memory	/R	1	I378/438
(20)	997 613 718 01 V05 997 613 718 02	Galvano silver Switch Seat adjuster without Memory	/R 08-	1	I378/438
(21)	997 613 718 02 V05 997 618 233 05	Galvano silver Control unit Seat occupancy detection	06-	1	I370/376/378 I438/560
(22)	997 521 646 00	Support Control unit Seat occupancy detection	06-	1	I370/376/378 I438/560
23	997 612 688 00	Wiring harness Control unit Seat occupancy detection	06-	1	I370/376/378 I438/560
24	000 043 207 06	Pliable shaft		1	

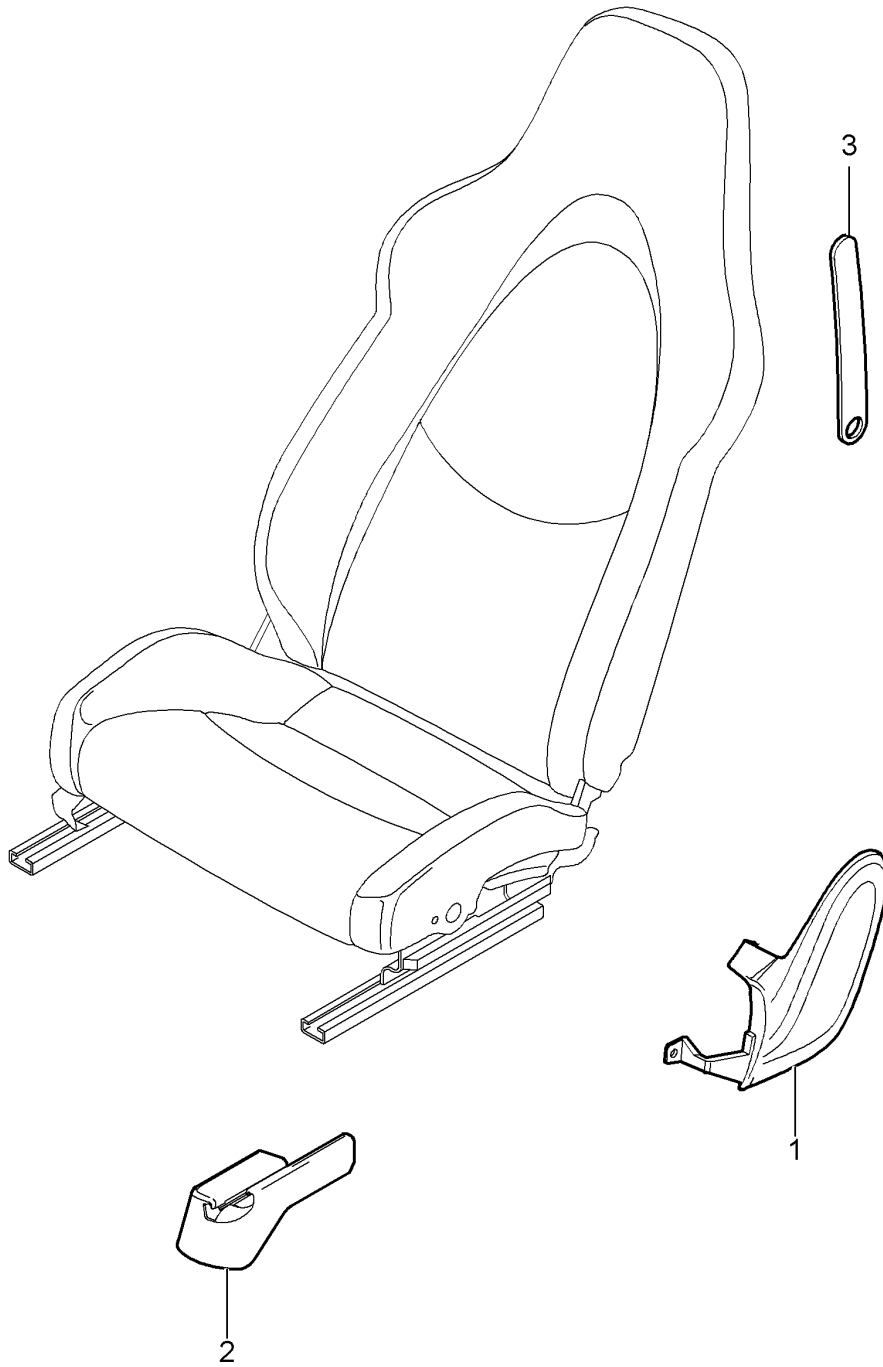
Model: 987 06

Model life 2006>>2008

Pos	Part Number	Description	Remark	Qty	Model
(24)	997 521 901 00	Adjusting motor Seat adjuster Lengthways Repair kit Pliable shaft Engine bracket		1	
-	999 650 973 40	Clip Mount Wiring harness Seat occupancy detection		1	

Model: 987 06

Model life 2006>>2008

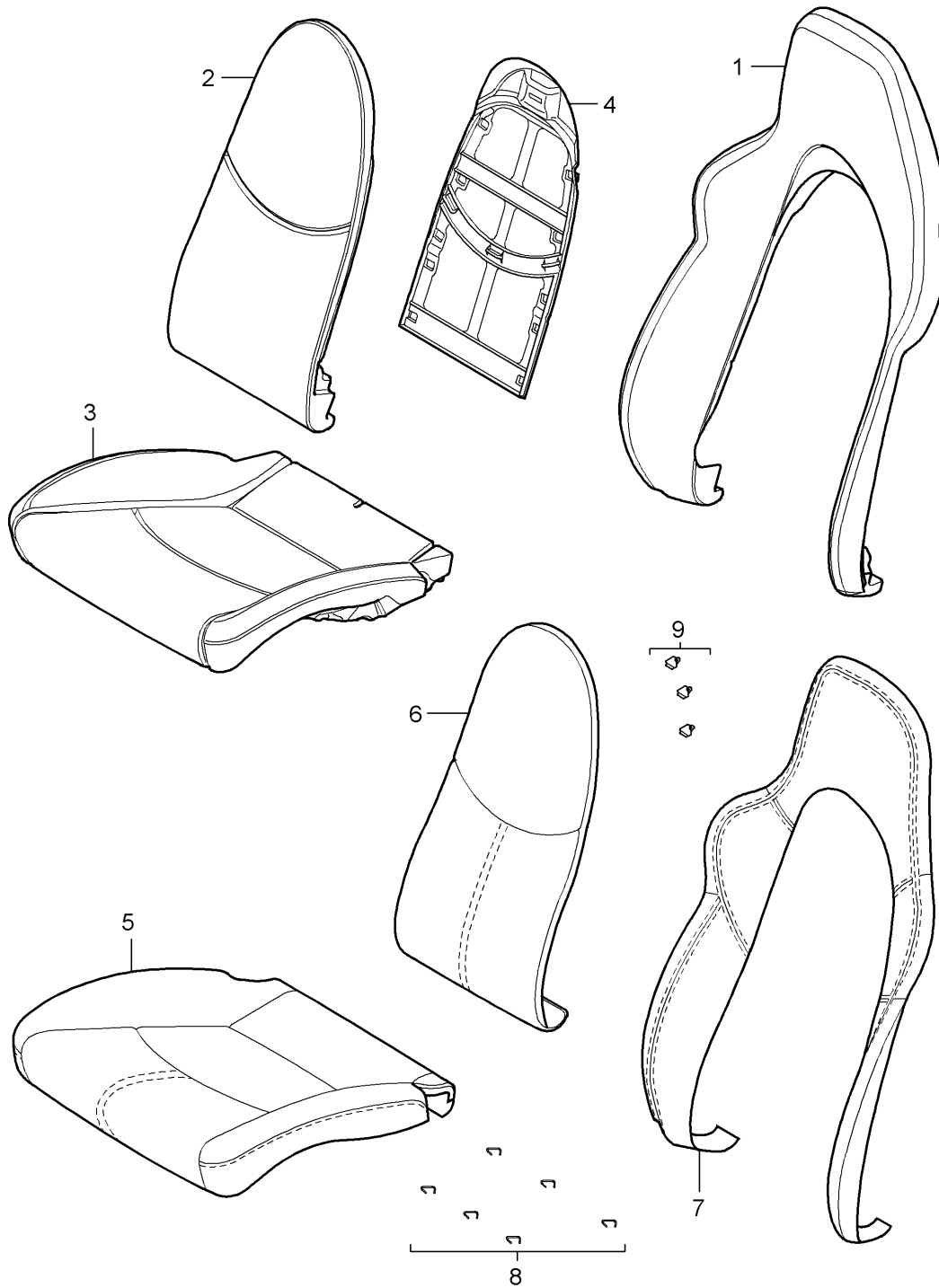


Model: 987 06 Model life 2006>>2008

Pos	Part Number	Description	Remark	Qty	Model
		Front seat Sports seat Complete Not available			CAYMAN S/ Cayman
1	997 521 315 02	Trim cover Mounting component	/L	1	I375/377
	997 521 315 02 D07	Volcano grey			
(1)	997 521 316 02	Trim cover Mounting component	/R	1	I376/378
	997 521 316 02 D07	Volcano grey			
(1)	997 521 316 03	Trim cover Mounting component Advanced airbag	/R	1	I376/378/560
	997 521 316 03 D07	Volcano grey			
2	997 521 359 01	Rail Seat rail	/L	1	I375
	997 521 359 01 01C	Satin black			
(2)	997 521 360 01	Rail Seat rail	/R	1	I376
	997 521 360 01 01C	Satin black			
(2)	997 521 361 00	Rail	/L	1	I376/377/378
	997 521 361 00 01C	Satin black			
(2)	997 521 362 00	Rail	/R	1	I375/377/378
	997 521 362 00 01C	Satin black			
3	987 521 181 00	Set of fastening parts Guide Belt	/L	1	I375/377
	987 521 181 00 8YR	Black			
	987 521 181 00 5X5	Stone grey			
	987 521 181 00 8G1	Sand Beige			
	987 521 181 00 3S8	Sea blue			
	987 521 181 00 4P1	Palmgreen			
	987 521 181 00 9N2	Terracotta			
	987 521 181 00 9Q3	Cocoa			
	987 521 181 00 D11	Dark grey/natural			
	987 521 181 00 T11	Brown/natural			
(3)	987 521 182 00	Set of fastening parts Guide Belt Complete	/R	1	I376/378
	987 521 182 00 8YR	Black			
	987 521 182 00 5X5	Stone grey			
	987 521 182 00 8G1	Sand Beige			
	987 521 182 00 3S8	Sea blue			
	987 521 182 00 4P1	Palmgreen			
	987 521 182 00 9N2	Terracotta			
	987 521 182 00 9Q3	Cocoa			
	987 521 182 00 D11	Dark grey/natural			
	987 521 182 00 T11	Brown/natural			

Model: 987 06

Model life 2006>>2008



Model: 987 06 Model life 2006>>2008

Pos	Part Number	Description	Remark	Qty	Model
1	997 521 535 01	Foam part Cover Sports seat Foam part Backrest Outer	/L /R	2	CAYMAN S/ CAYMAN I375/376
2	997 521 581 00	Foam part Backrest Centre	/L /R	2	I375/376 I377/378
3	997 521 571 01	Foam part Seat cushion	/L /R	2	I375/376
(3)	997 521 571 02	Foam part Seat cushion	/L /R	2	I377/378
(3)	997 521 571 04	Foam part Seat cushion Advanced airbag	/R	2	I376/560
(3)	997 521 571 05	Foam part Seat cushion Advanced airbag	/R	2	I378/560
4	997 521 551 01	Cushion carrier Backrest	/L /R	2	I375/376 I377/378
5	997 521 161 03	Cover for cushion	/L /R	2	I375/376/983
	997 521 161 03 FLC	Black			
	997 521 161 03 FLF	Stone grey			
	997 521 161 03 FLJ	Sand Beige			
	997 521 161 03 FLM	Sea blue			
	997 521 161 03 FLP	Palmgreen			
	997 521 161 03 FLQ	Terracotta			
	997 521 161 03 FLR	Cocoa			
	997 521 161 03 BCA	Black/stone grey			
	997 521 161 03 VAA	Dark grey/natural			
	997 521 161 03 VAB	Brown/natural			
	997 521 161 03 VAC	Carrera Red			
(5)	997 521 161 06	Cover for cushion	/L /R	2	I377/378/983
	997 521 161 06 FLC	Black			
	997 521 161 06 FLF	Stone grey			
	997 521 161 06 FLJ	Sand Beige			
	997 521 161 06 FLM	Sea blue			
	997 521 161 06 FLP	Palmgreen			
	997 521 161 06 FLQ	Terracotta			
	997 521 161 06 FLR	Cocoa			
	997 521 161 06 BCA	Black/stone grey			
	997 521 161 06 VAA	Dark grey/natural			
	997 521 161 06 VAB	Brown/natural			
	997 521 161 06 VAC	Carrera Red			
6	997 521 151 00	Backrest cushion cover Centre part	/L /R	2	I375/376 I377/378/983
	997 521 151 00 8YR	Black			
	997 521 151 00 5X5	Stone grey			
	997 521 151 00 8G1	Sand Beige			
	997 521 151 00 3S8	Sea blue			
	997 521 151 00 4P1	Palmgreen			
	997 521 151 00 9N2	Terracotta			
	997 521 151 00 9Q3	Cocoa			
	997 521 151 00 D11	Dark grey/natural			
	997 521 151 00 T11	Brown/natural			
	997 521 151 00 N11	Carrera Red			
(6)	987 521 151 00	Backrest cushion cover Centre part Alcantara		2	I950
	987 521 151 00 A15	Black			
7	997 521 155 01	Backrest cover Outer part	/L /R	2	I375/376 I377/378/983

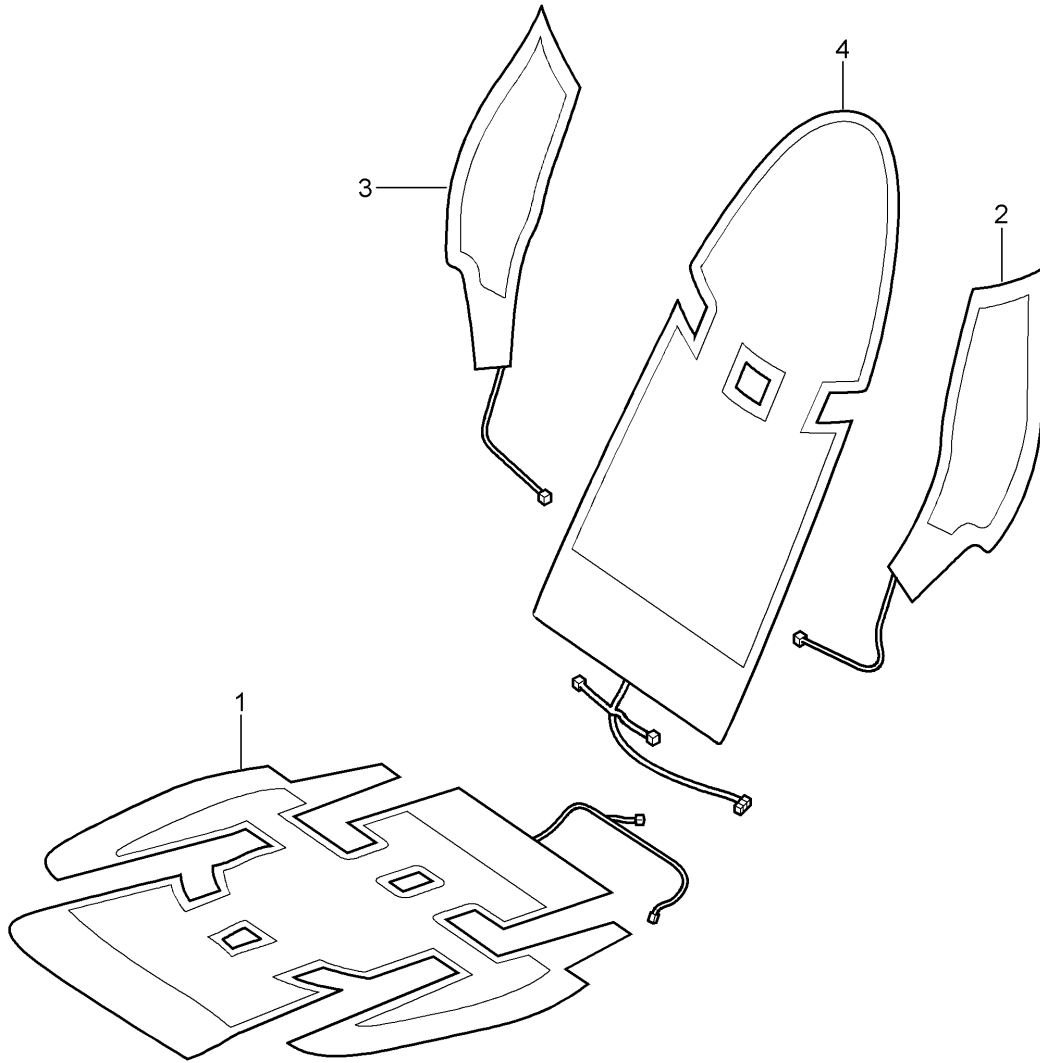
Model: 987 06

Model life 2006>>2008

Pos	Part Number	Description	Remark	Qty	Model
	997 521 155 01 FLC	Black			
	997 521 155 01 FLF	Stone grey			
	997 521 155 01 FLJ	Sand Beige			
	997 521 155 01 FLM	Sea blue			
	997 521 155 01 FLP	Palmgreen			
	997 521 155 01 FLQ	Terracotta			
	997 521 155 01 FLR	Cocoa			
	997 521 155 01 VAA	Dark grey/natural			
	997 521 155 01 VAB	Brown/natural			
	997 521 155 01 VAC	Carrera Red			
(7)	997 521 941 02	Backrest cover Outer part		1	IXSC/983
	997 521 941 02 8YR	Black			
	997 521 941 02 5X5	Stone grey			
	997 521 941 02 8G1	Sand Beige			
	997 521 941 02 3S8	Sea blue			
	997 521 941 02 4P1	Palmgreen			
	997 521 941 02 9N2	Terracotta			
	997 521 941 02 9Q3	Cocoa			
	997 521 941 02 D11	Dark grey/natural			
	997 521 941 02 T11	Brown/natural			
	997 521 941 02 N11	Carrera Red			
8	997 521 837 00	Clip Padding Seat		6	
9	997 521 897 00	Clip Backrest cover		5	

Model: 987 06

Model life 2006>>2008

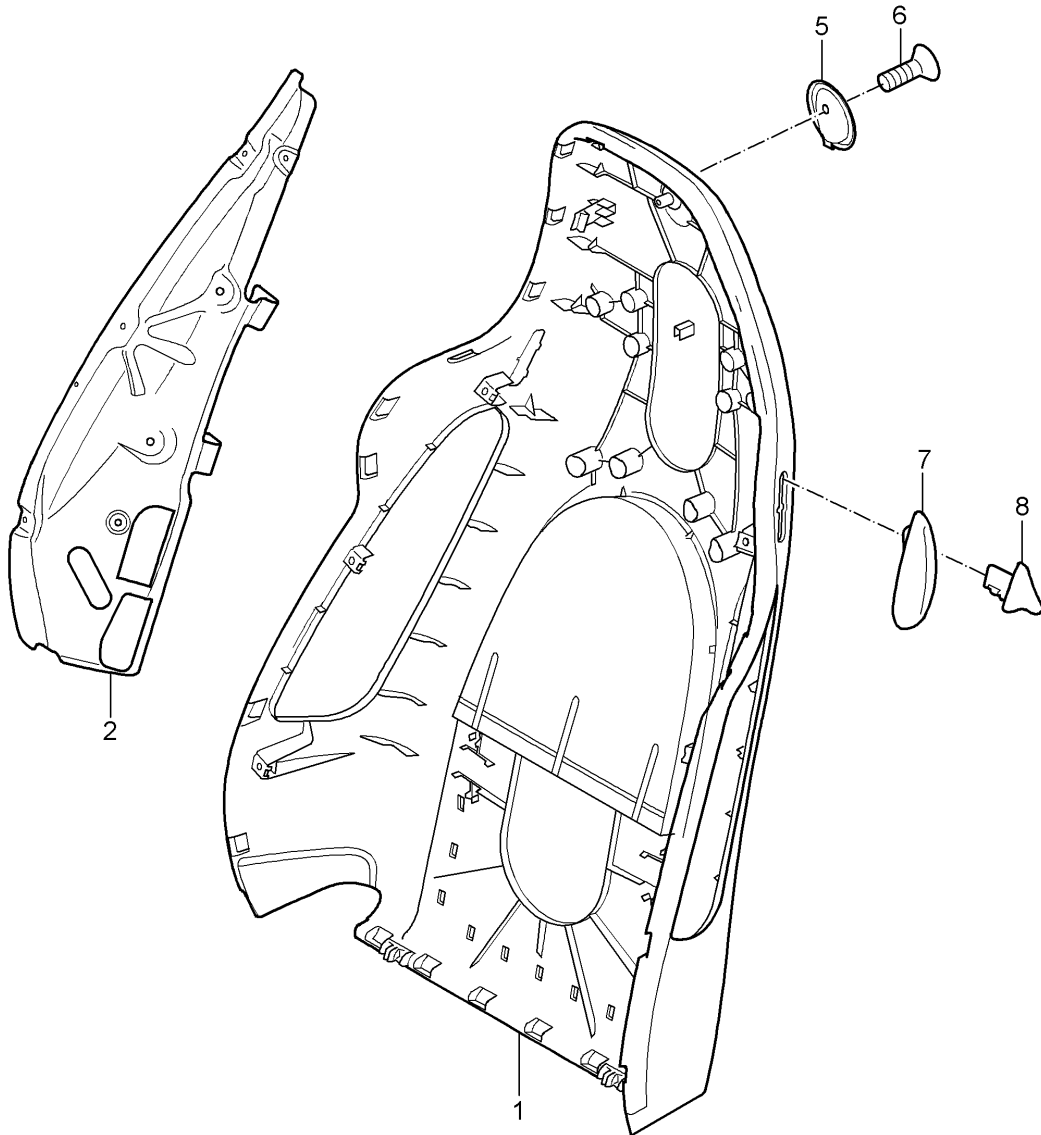


Model: 987 06 Model life 2006>>2008

Pos	Part Number	Description	Remark	Qty	Model
		Seat heater			CAYMAN S
1	997 653 105 02	Heating element Seat cushion Standard seat Comfort seat	/L /R	2	CAYMAN I342/369 I370/437/438
(1)	997 653 105 03	Heating element Seat cushion Sports seat	/L /R	2	I342/375 I376/377/378
2	997 653 109 00	Heating element Backrest side bolster Standard seat Comfort seat	/L	1	I342/369 I370/437/438
(2)	997 653 109 01	Heating element Backrest side bolster Sports seat	/L	1	I342/375 I376/377/378
3	997 653 110 00	Heating element Backrest side bolster Standard seat Comfort seat	/R	1	I342/369 I370/437/438
(3)	997 653 110 01	Heating element Backrest side bolster Sports seat	/R	1	I342/375 I376/377/378
4	997 653 107 00	Heating element Backrest cushion	/L /R	2	I342

Model: 987 06

Model life 2006>>2008



Model: 987 06 Model life 2006>>2008

Pos	Part Number	Description	Remark	Qty	Model
		Backrest shell Sports seat			CAYMAN S CAYMAN
1	987 521 303 05	Backrest shell	/L	1	I375/377
(1)	987 521 303 05 D07	Volcano grey			
	987 521 304 05	Backrest shell	/R	1	I376/378
	987 521 304 05 D07	Volcano grey			
(1)	987 521 981 00	Backrest shell	/L	1	IXSA/375/377
	987 521 981 00 041	Black			
	987 521 981 00 84A	Guards red			
	987 521 981 00 12H	Speed yellow			
	987 521 981 00 B9A	Carrara white			
	987 521 981 00 92U	Arctic silver metallic			
	987 521 981 00 M3W	Carmon red metallic			
	987 521 981 00 M5W	Lapis blue metallic			
	987 521 981 00 M6W	Lagoon green metallic			
	987 521 981 00 C9Z	Basalt black metallic			
	987 521 981 00 M7X	Atlas grey metallic			
	987 521 981 00 39C	Midnight Blue Metallic			
	987 521 981 00 6B4	Seal grey metallic			
	987 521 981 00 2B4	Forest green metallic			
	987 521 981 00 3C8	Cobalt blue metallic			
	987 521 981 00 23F	Slate grey metallic			
	987 521 981 00 M6X	Dark olive-metallic			
	987 521 981 00 M7Z	GT Silver Metallic			
(1)	987 521 982 00	Backrest shell	/R	1	IXSA/376/378
	987 521 982 00 041	Black			
	987 521 982 00 84A	Guards red			
	987 521 982 00 12H	Speed yellow			
	987 521 982 00 B9A	Carrara white			
	987 521 982 00 92U	Arctic silver metallic			
	987 521 982 00 M3W	Carmon red metallic			
	987 521 982 00 M5W	Lapis blue metallic			
	987 521 982 00 M6W	Lagoon green metallic			
	987 521 982 00 C9Z	Basalt black metallic			
	987 521 982 00 M7X	Atlas grey metallic			
	987 521 982 00 39C	Midnight Blue Metallic			
	987 521 982 00 6B4	Seal grey metallic			
	987 521 982 00 2B4	Forest green metallic			
	987 521 982 00 3C8	Cobalt blue metallic			
	987 521 982 00 23F	Slate grey metallic			
	987 521 982 00 M6X	Dark olive-metallic			
	987 521 982 00 M7Z	GT Silver Metallic			
(1)	987 521 981 01	Backrest shell	/L	1	IXCG/375/377
	987 521 981 01 V04	Galvano silver			
(1)	987 521 982 01	Backrest shell Lacquered Aluminium coloured	/R	1	IXCG/376/378
	987 521 982 01 V04	Galvano silver			
(1)	987 521 981 02	Backrest shell	/L	1	IXSB/375/377
	987 521 981 02 A11	Black			
	987 521 981 02 5X6	Stone grey			
	987 521 981 02 8G2	Sand Beige			
	987 521 981 02 3S9	Sea blue			
	987 521 981 02 4P2	Palmgreen			
	987 521 981 02 9S5	Terracotta			
	987 521 981 02 9V6	Cocoa			
	987 521 981 02 D12	Dark grey/natural			
	987 521 981 02 T12	Brown/natural			
(1)	987 521 982 02	Backrest shell Leather	/R	1	IXSB/376/378
	987 521 982 02 A11	Black			
	987 521 982 02 5X6	Stone grey			
	987 521 982 02 8G2	Sand Beige			

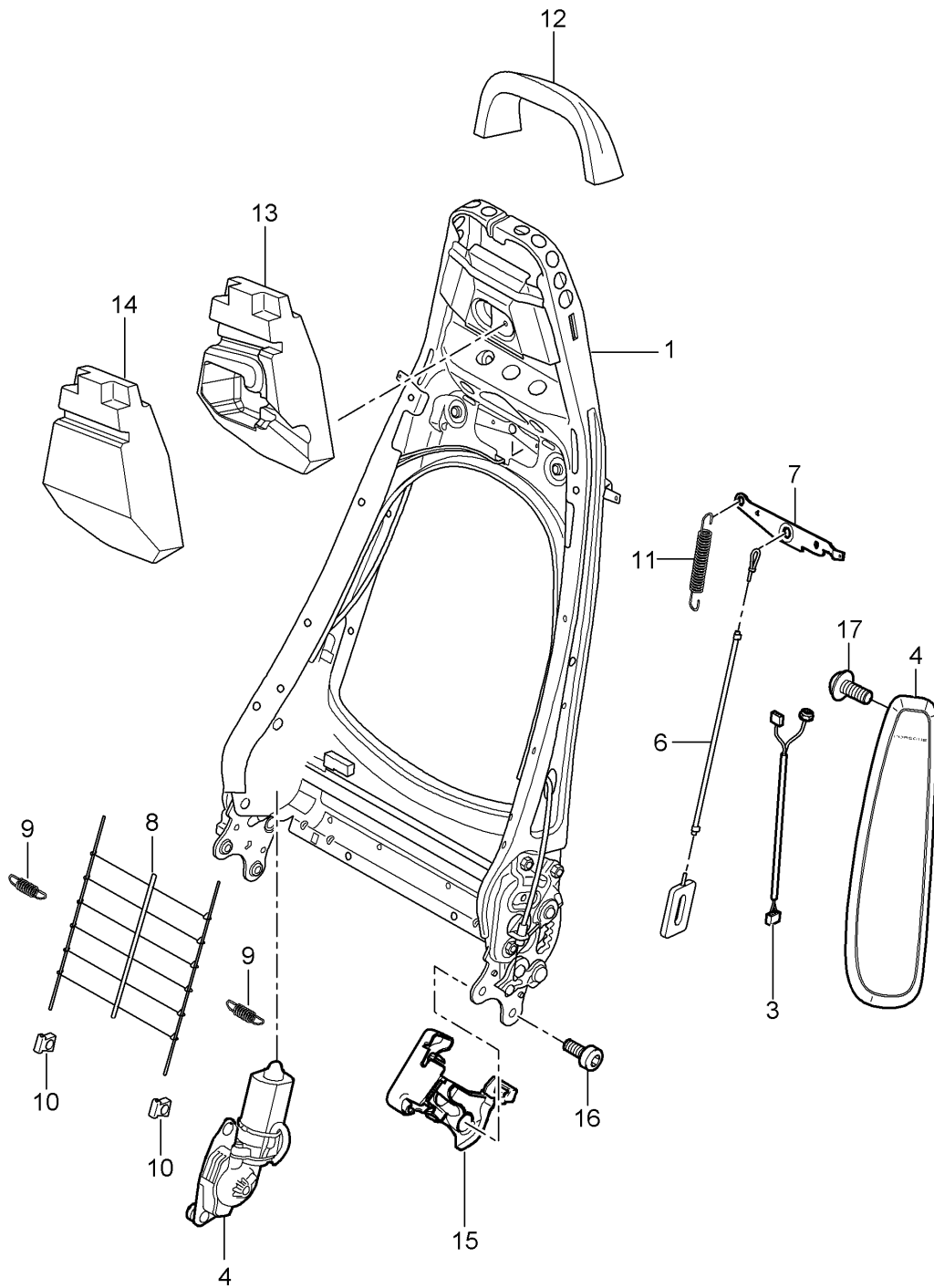
Model: 987 06

Model life 2006>>2008

Pos	Part Number	Description	Remark	Qty	Model
	987 521 982 02 3S9	Sea blue			
	987 521 982 02 4P2	Palmgreen			
	987 521 982 02 9S5	Terracotta			
	987 521 982 02 9V6	Cocoa			
	987 521 982 02 D12	Dark grey/natural			
	987 521 982 02 T12	Brown/natural			
(1)	987 521 981 03	Backrest shell	/L	1	IXSB/375/377
		Sports seat	06-08		
(1)	987 521 982 03	Backrest shell	/R	1	IXSB/376/378
		Sports seat	06-08		
2	997 521 319 00	Bracket	/L	1	I375/377
2	997 521 320 00	Bracket	/R	1	I376/378
		Backrest			
5	997 521 373 01	Coat hook		2	
	997 521 373 01 D07	Volcano grey			
6	999 919 199 09	Countersunk-head screw		1	
		Coat hook			
		5,0 X 25-M			
7	997 521 621 03	Rosette	/L	1	I375/377
		Backrest locking lever			
	997 521 621 03 D07	Volcano grey			
(7)	997 521 622 03	Rosette	/R	1	I376/378
		Backrest locking lever			
	997 521 622 03 D07	Volcano grey			
8	987 521 623 01	Control button	/L	1	I375/376
		Backrest locking lever			I377/378
	987 521 623 01 V05	Galvano silver			
(8)	987 521 624 01	Control button	/R	1	I375/376
		Backrest locking lever			I377/378
	987 521 624 01 V05	Galvano silver			

Model: 987 06

Model life 2006>>2008



Model: 987 06 Model life 2006>>2008

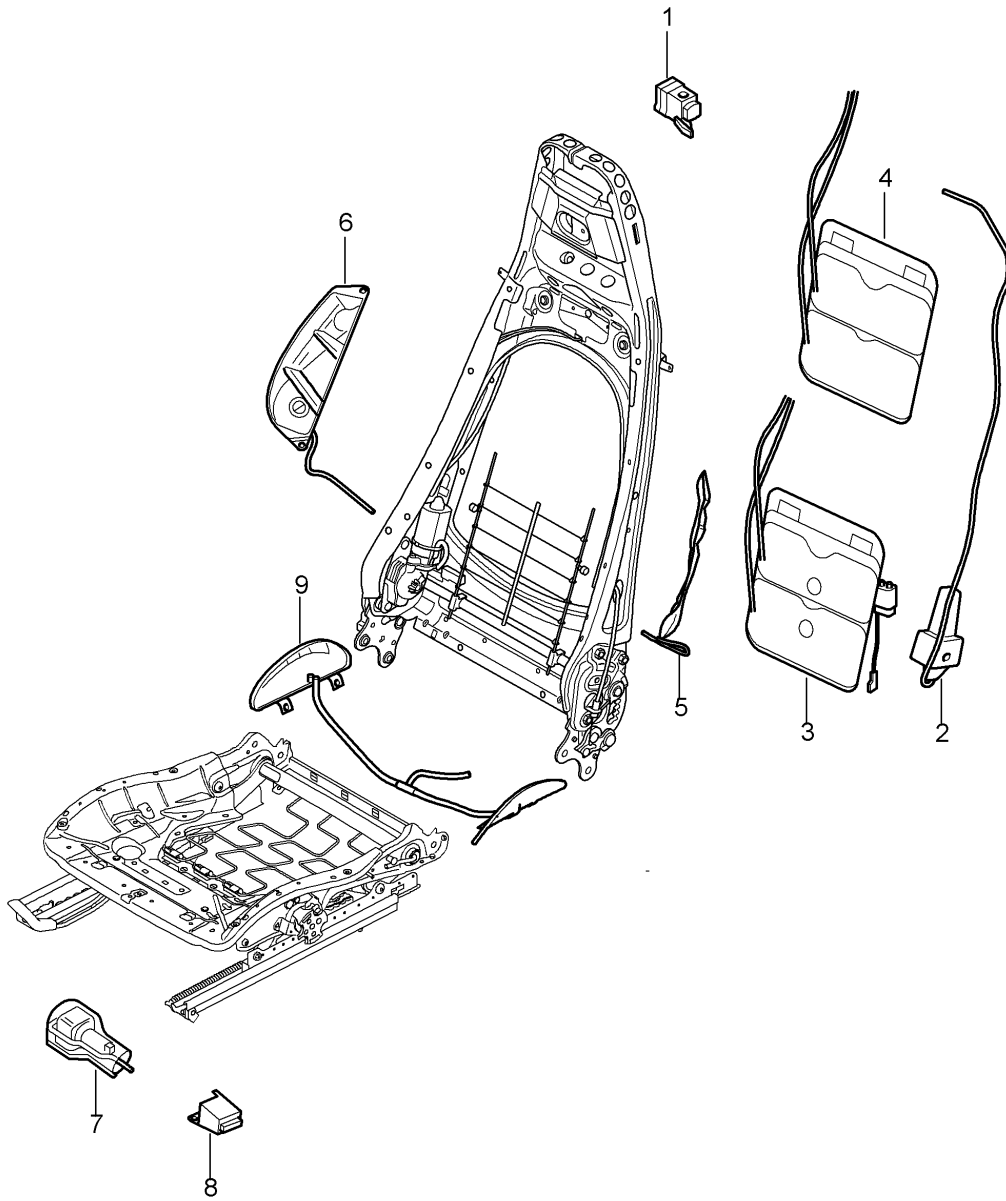
Pos	Part Number	Description	Remark	Qty	Model
1	997 521 329 00	Backrest frame Sports seat Backrest frame without Memory	/L /R -07	2	CAYMAN S/ CAYMAN I375/376 I377/378
(1)	997 521 329 02	Backrest frame without Memory	/L /R 08-	2	I375/376 I377/378
(1)	997 521 329 01	Backrest frame	/L /R -07	2	I537/538
(1)	997 521 329 03	Backrest frame with Memory	/L /R 08-	2	I537/538
3	997 612 785 01	Wiring harness	/L	1	I537
(3)	997 612 786 01	Wiring harness	/R	1	I538
4	997 624 331 00	Side airbag Electric motor Backrest frame Memory	/L /R	1	I537/538
(4)	997 624 321 00	Electric motor Backrest frame without Memory	/L /R	1	I375/376 I377/378
5	997 803 081 01	Side airbag	/L	1	I375/377
(5)	997 803 081 01 D07	Volcano grey			
(5)	997 803 082 01	Side airbag	/R	1	I376/378
(5)	997 803 082 01 D07	Volcano grey			
(5)	997 803 981 00	Side airbag	/L 07-	1	IXSG/375/377
	997 803 981 00 A03	Black			
	997 803 981 00 5V7	Stone grey			
	997 803 981 00 5Z1	Sand Beige			
	997 803 981 00 5Y2	Palmgreen	07		
	997 803 981 00 8W7	Sea blue			
	997 803 981 00 8X8	Terracotta			
	997 803 981 00 8P9	Cocoa			
	997 803 981 00 T13	Brown/natural			
	997 803 981 00 N23	Carrera Red	08-		
(5)	997 803 981 00	Side airbag	/L 07-	1	IXSA/375/377
	997 803 981 00 A03	Black			
	997 803 981 00 5V7	Stone grey			
	997 803 981 00 5Z1	Sand Beige			
	997 803 981 00 5Y2	Palmgreen	07		
	997 803 981 00 8W7	Sea blue			
	997 803 981 00 8X8	Terracotta			
	997 803 981 00 8P9	Cocoa			
	997 803 981 00 T13	Brown/natural			
	997 803 981 00 N23	Carrera Red	08-		
(5)	997 803 981 00	Side airbag	/L 07-	1	IXSB/375/377
	997 803 981 00 A03	Black			
	997 803 981 00 5V7	Stone grey			
	997 803 981 00 5Z1	Sand Beige			
	997 803 981 00 5Y2	Palmgreen	07		
	997 803 981 00 8W7	Sea blue			
	997 803 981 00 8X8	Terracotta			
	997 803 981 00 8P9	Cocoa			
	997 803 981 00 T13	Brown/natural			
	997 803 981 00 N23	Carrera Red	08-		
(5)	997 803 982 00	Side airbag	/R 07-	1	IXSG/376/378
	997 803 982 00 A03	Black			
	997 803 982 00 5V7	Stone grey			
	997 803 982 00 5Z1	Sand Beige			
	997 803 982 00 5Y2	Palmgreen	07		
	997 803 982 00 8W7	Sea blue			
	997 803 982 00 8X8	Terracotta			

Model: 987 06 Model life 2006>>2008

Pos	Part Number	Description	Remark	Qty	Model
(5)	997 803 982 00 8P9	Cocoa		1	IXSA/376/378
	997 803 982 00 T13	Brown/natural			
	997 803 982 00 N23	Carrera Red	08-		
	997 803 982 00	Side airbag	/R 07-		
	997 803 982 00 A03	Black			
	997 803 982 00 5V7	Stone grey			
	997 803 982 00 5Z1	Sand Beige			
	997 803 982 00 5Y2	Palmgreen	07		
	997 803 982 00 8W7	Sea blue			
	997 803 982 00 8X8	Terracotta			
(5)	997 803 982 00 8P9	Cocoa		1	IXSB/376/378
	997 803 982 00 T13	Brown/natural			
	997 803 982 00 N23	Carrera Red	08-		
	997 803 982 00	Side airbag	/R 07-		
	997 803 982 00 A03	Black			
	997 803 982 00 5V7	Stone grey			
	997 803 982 00 5Z1	Sand Beige			
	997 803 982 00 5Y2	Palmgreen	07		
	997 803 982 00 8W7	Sea blue			
	997 803 982 00 8X8	Terracotta			
6	997 803 982 00 8P9	Cocoa		2	
	997 803 982 00 T13	Brown/natural			
6	997 803 982 00 N23	Carrera Red	08-		
	997 521 485 00	Bowden cable			
7	997 521 375 00	Backrest frame		1	
		Release			
8	997 521 855 00	Backrest frame		1	
		Grille			
9	997 521 893 00	Backrest frame		2	
		Tension spring			
10	997 521 895 00	Inner spring		2	
		Clip			
11	997 521 797 00	Inner spring		1	
		Tension spring			
12	997 521 885 00	Release		1	I375/376 I377/378
		Backrest	/L /R		
13	997 521 887 01	Foam part		1	I377/378
		Head rest	/L /R		
14	997 521 887 00	Centre		1	I375/376
		Electric			
15	997 521 335 01	Foam part		1	
		Head rest	/L		
(15)	997 521 336 01	Centre		1	
		Cover	/R		
16	997 521 336 01 D07	Cover		4	
		Mounting component			
16	999 073 375 09	Inner			
		Volcano grey			
17	999 073 306 09	Screw		2	
		Mount			
17	999 073 306 09	M10 x 13,0			
		Mount			
17	999 073 306 09	Backrest			
		Seat adjuster			
17	999 073 306 09	Screw			
		Mount			
17	999 073 306 09	Side airbag			
		Side airbag			

Model: 987 06

Model life 2006>>2008



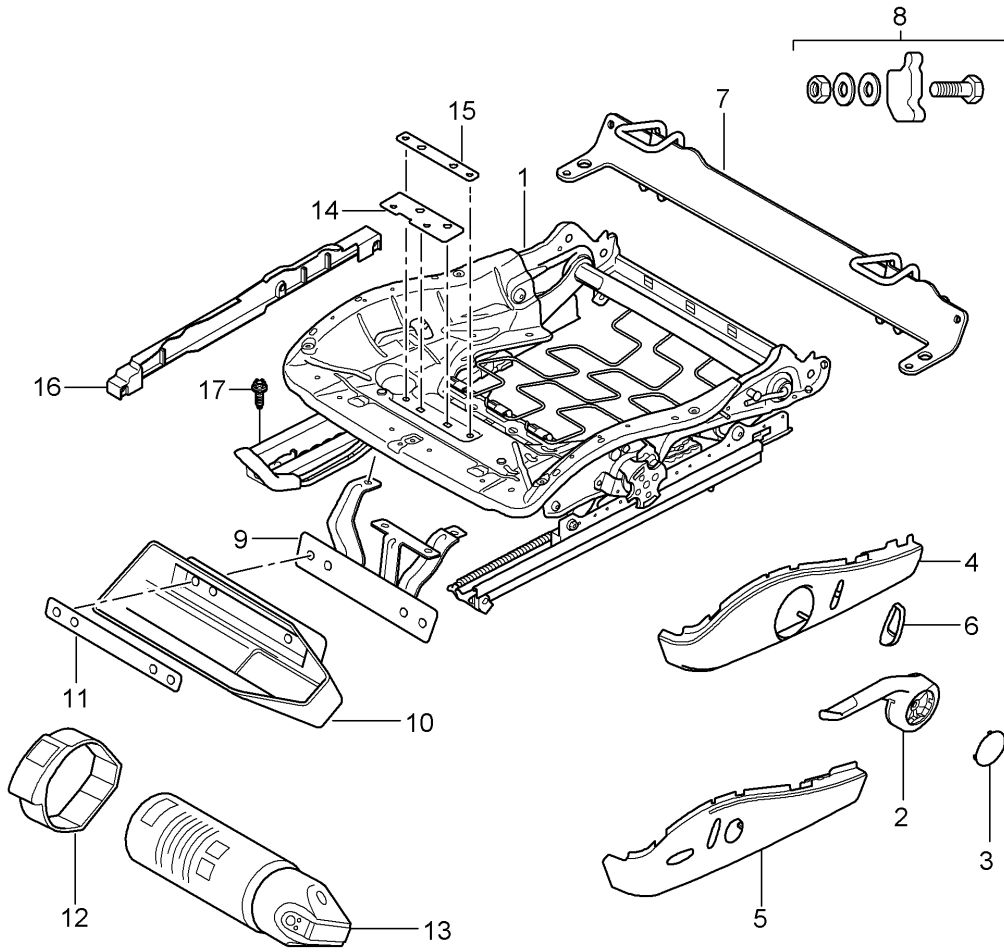
Model: 987 06

Model life 2006>>2008

Pos	Part Number	Description	Remark	Qty	Model
1	997 617 725 00	Lumbar support Sports seat Valve		1	CAYMAN S/ CAYMAN I377/378 I437/438
(1)	997 617 726 00	Lumbar support without Memory Valve		1	I537/538
2	997 620 725 00	Lumbar support Memory Compressor		1	I377/378 I437/438
3	997 521 709 01	Lumbar support Backrest		1	I377/378/437 I438/537/538
4	997 521 709 00	Lumbar support without Memory		1	I377/378 I437/438
5	997 521 711 00	Container Air distributor		1	I377/378
6	997 521 712 00	Backrest side bolster Container Air distributor		1	I377/378
7	997 620 727 00	Backrest side bolster Compressor		1	I377/378
8	997 617 727 00	Lumbar support Seat cushion Valve		1	I377/378
9	997 521 713 01	Adjustment Seat Wide Container Air distributor Seat side bolster		1	I377/378

Model: 987 06

Model life 2006>>2008



Model: 987 06 Model life 2006>>2008

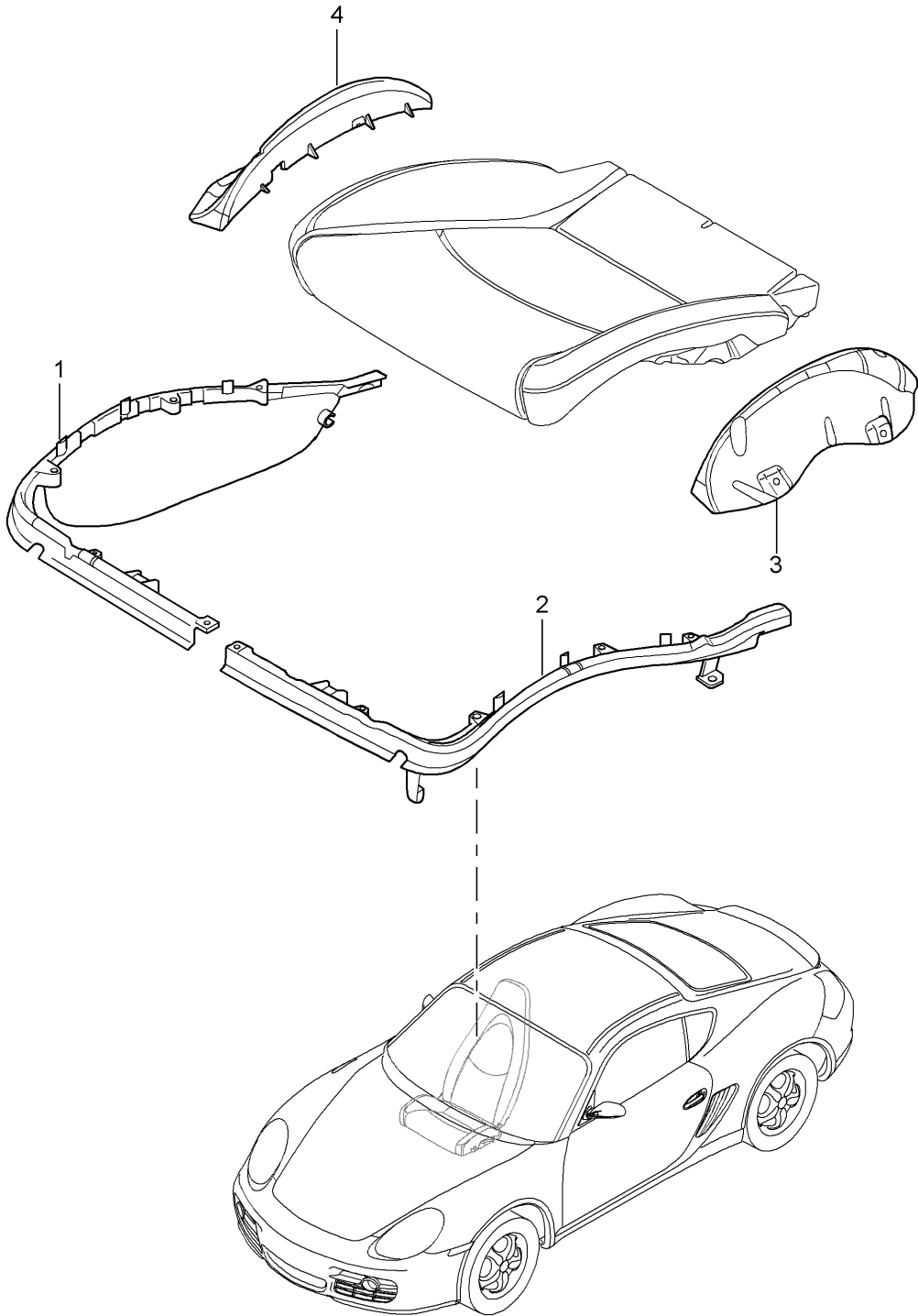
Pos	Part Number	Description	Remark	Qty	Model
1	997 521 201 00	Seat adjuster Sports seat		1	CAYMAN S/ CAYMAN
(1)	997 521 201 10	Seat adjuster	/LL /L -06	1	I098/369/375
		Seat adjuster	/LL /L 07-	1	I098/369/375
		Height adjustment Manually			
(1)	997 521 202 00	Left-hand drive Driver's side Seat adjuster	/R -07	1	I099/370/376
		Height adjustment Manually			
(1)	997 521 202 19	Right-hand drive Driver's side Seat adjuster	/R 08-	1	I099/370/376
		Height adjustment Manually			
(1)	997 521 201 04	Right-hand drive Driver's side Seat adjuster	/L -06	1	I377/437
(1)	997 521 201 12	Seat adjuster	/L 07-	1	I377/437
(1)	997 521 202 10	Seat adjuster	/R -06	1	I378/438
(1)	997 521 202 21	Seat adjuster	/R 07-	1	I378/438
		Electric without Memory			
(1)	997 521 201 05	Seat adjuster	/L	1	I377/437/537
(1)	997 521 201 13	Seat adjuster	/L 07-	1	I377/437/537
(1)	997 521 202 11	Seat adjuster	/R -06	1	I378/438/538
(1)	997 521 202 22	Seat adjuster	/R 07-	1	I378/438/538
		Electric Memory			
(1)	997 521 201 03	Seat adjuster	/RL /L -06	1	I099/369/375
(1)	997 521 201 11	Seat adjuster	/RL /L 07-	1	I099/369/375
		Manually Right-hand drive Passenger's side			
(1)	997 521 202 06	Seat adjuster	/R 06	1	I370/376/560
(1)	997 521 202 23	Seat adjuster	/R 07-	1	I370/376/560
		Manually Seat occupancy detection			
(1)	997 521 202 12	Seat adjuster	/R 06	1	I378/438/560
(1)	997 521 202 24	Seat adjuster	/R 07-	1	I378/438/560
		Electric Seat occupancy detection			
(1)	997 521 202 05	Seat adjuster	/LL /R -06	1	I098/370/376
(1)	997 521 202 20	Seat adjuster	/LL /R 07-	1	I098/370/376
		Manually Left-hand drive Passenger's side			
2	997 521 627 01	Actuating lever Height adjustment	/L	1	I369/375
	997 521 627 01 V05	Galvano silver			
(2)	997 521 628 01	Actuating lever Height adjustment	/R	1	I370/376
	997 521 628 01 V05	Galvano silver			
3	997 521 629 01	Cap Actuating lever	/L /R	2	I369/370 I375/376
	997 521 629 01 D07	Volcano grey			
4	997 521 325 06	Trim for switch	/L	1	I369/375
	997 521 325 06 D07	Volcano grey without			
(4)	997 521 326 06	Advanced airbag Trim for switch	/R	1	I370/376

Model: 987 06 Model life 2006>>2008

Pos	Part Number	Description	Remark	Qty	Model
	997 521 326 06 D07	Volcano grey without Advanced airbag			
5	997 521 325 08	Trim for switch	/L	1	I377
	997 521 325 08 D07	Volcano grey			
	997 521 325 08 V04	Galvano silver			
(5)	997 521 326 08	Trim for switch	/R	1	I378
	997 521 326 08 D07	Volcano grey			
	997 521 326 08 V04	Galvano silver			
(5)	997 521 326 09	Trim for switch Advanced airbag	/R	1	I370/376/560
	997 521 326 09 D07	Volcano grey			
(5)	997 521 326 11	Trim for switch Advanced airbag	/R	1	I378/560
	997 521 326 11 D07	Volcano grey			
6	997 521 631 01	Control button Backrest	/L /R	1	I375/376 I377/378
	997 521 631 01 V05	Galvano silver			
7	997 521 061 01	Retaining bow Child car seat ISOFIX Not for AUSTRALIEN		1	
8	997 521 961 01	Set of fastening parts Retaining bow		1	
9	997 521 251 00	Support Fire extinguisher		1	I098/509
(9)	997 521 252 00	Support Fire extinguisher		1	I099/509
10	997 521 607 00	Cup Fire extinguisher		1	I509
11	997 521 881 00	Support Cup Fire extinguisher		1	I509
12	997 521 851 00	Restraining strap Fire extinguisher		1	I509
13	996 722 115 00	Fire extinguisher Information available Information available		1	I509
14	997 521 841 00	Reinforcement Front		1	I509
15	997 521 843 00	Reinforcement Rear		1	I509
16	997 521 427 01	Cover Sensor Weight	/L	1	I376/378/560
	997 521 427 01 01C	Satin black			
(16)	997 521 426 01	Cover Sensor Weight	/R	1	I376/378/560
	997 521 426 01 01C	Satin black			
17	999 141 047 01	Torx screw Mount Seat rail		4	

Model: 987 06

Model life 2006>>2008



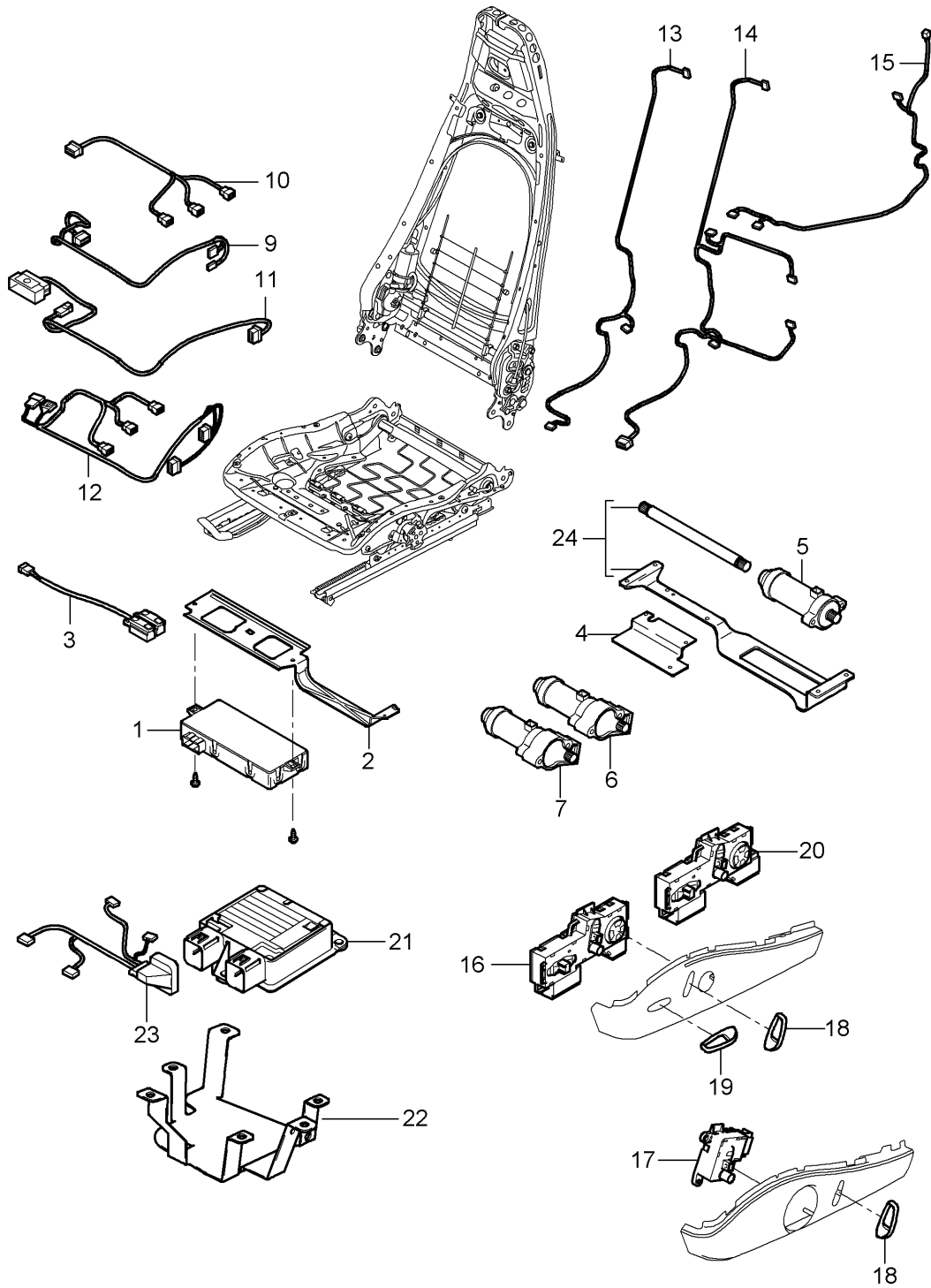
Model: 987 06

Model life 2006>>2008

Pos	Part Number	Description	Remark	Qty	Model
		Cushion carrier Frame Seat surface Sports seat			CAYMAN S/ CAYMAN
1	997 521 547 00	Frame	/L	1	I376/378
(1)	997 521 548 00	Frame Inner	/R	1	I375/377
(2)	997 521 545 00	Frame	/L	1	I375/377
2	997 521 546 00	Frame Outer	/R	1	I376/378
3	997 521 519 00	Supporting plate Seat cushion	/L	1	I377/378
4	997 521 520 00	Supporting plate Seat cushion	/R	1	I377/378
-	997 521 546 01	Frame Outer with Advanced airbag	/R	1	I376/378/560

Model: 987 06

Model life 2006>>2008



Model: 987 06 Model life 2006>>2008

Pos	Part Number	Description	Remark	Qty	Model
		Wiring harnesses Control unit Switch Sports seat			CAYMAN S/ CAYMAN
1	997 618 537 07	Control unit		1	I537/538
2	997 521 643 00	Seating position control Support		1	I537/538
3	997 613 725 00	Control unit Seating position control Switch		1	I377
(3)	997 613 725 00 V05	Galvano silver		1	I378
	997 613 726 00	Switch		1	I378
	997 613 726 00 V05	Galvano silver		1	I377/378
4	997 521 343 00	Support		1	I377/378
5	997 624 322 00	Electric motor Electric motor Seat adjuster		1	I377/378
(5)	997 624 332 00	Lengthways without Memory Electric motor Seat adjuster		1	I537/538
6	997 624 322 00	Lengthways with Memory Electric motor Seat adjuster		1	I377/378
(6)	997 624 332 00	Height adjustment without Memory Electric motor Seat adjuster		1	I537/538
7	997 624 323 00	Height adjustment with Memory Electric motor Seat adjuster		1	I377/378
(7)	997 624 333 00	Tilt angle without Memory Electric motor Seat adjuster		1	I537/538
9	997 612 684 00	Tilt angle with Memory Wiring harness Switch		1	I537/538
10	997 612 690 00	Seat adjuster Memory Wiring harness Height adjustment		1	I537/538
11	997 612 682 01	Lengthways Memory Wiring harness Switch		1	I375/376
12	997 612 691 01	Wiring harness Switch without Memory	-07	1	I377/378
12	997 612 691 02	Wiring harness Switch without Memory	08-	1	I377/378

Model: 987 06 Model life 2006>>2008

Pos	Part Number	Description	Remark	Qty	Model
13	997 612 689 00	Wiring harness Lumbar support without Memory		1	I377/378
14	997 612 692 00	Wiring harness Backrest Lumbar with Memory	-07	1	I377/537
14		Wiring harness Backrest Lumbar with Memory	-07	1	I378/538
14	997 612 692 01	Wiring harness Backrest Lumbar with Memory	08-	1	I377/537
14		Wiring harness Backrest Lumbar with Memory	08-	1	I378/538
15	997 612 685 01	Wiring harness Backrest without Memory	/L	1	I375/377
(15)	997 612 686 01	Wiring harness Backrest without Memory	/R	1	I376/378
16	997 613 721 01	Switch Seat adjuster Memory switch	/L	1	I377/437/537
(16)	997 613 721 01 V05	Galvano silver			
	997 613 722 01	Switch Seat adjuster Memory switch	/R	1	I378/438/538
	997 613 722 01 V05	Galvano silver			
17	997 613 713 00	Switch	/L	1	I375
(17)	997 613 714 00	Switch Manually adjustable	/R	1	I376
18	997 521 631 01	Control button Backrest		1	I375/376 I377/378
	997 521 631 01 V05	Galvano silver			
18	997 521 631 02	Control button Backrest	08-	1	I375/376 I377/378
	997 521 631 02 V05	Galvano silver			
19	997 521 633 02	Control button Seat cushion		1	I377/378
	997 521 633 02 V05	Galvano silver			
19	997 521 633 03	Control button Seat cushion	08-	1	I377/378
	997 521 633 03 V05	Galvano silver			
20	997 613 717 01	Switch Seat adjuster without Memory	/L	1	I377/437
	997 613 717 01 V05	Galvano silver			
20	997 613 717 02	Switch Seat adjuster without	/L 08-	1	I377/437

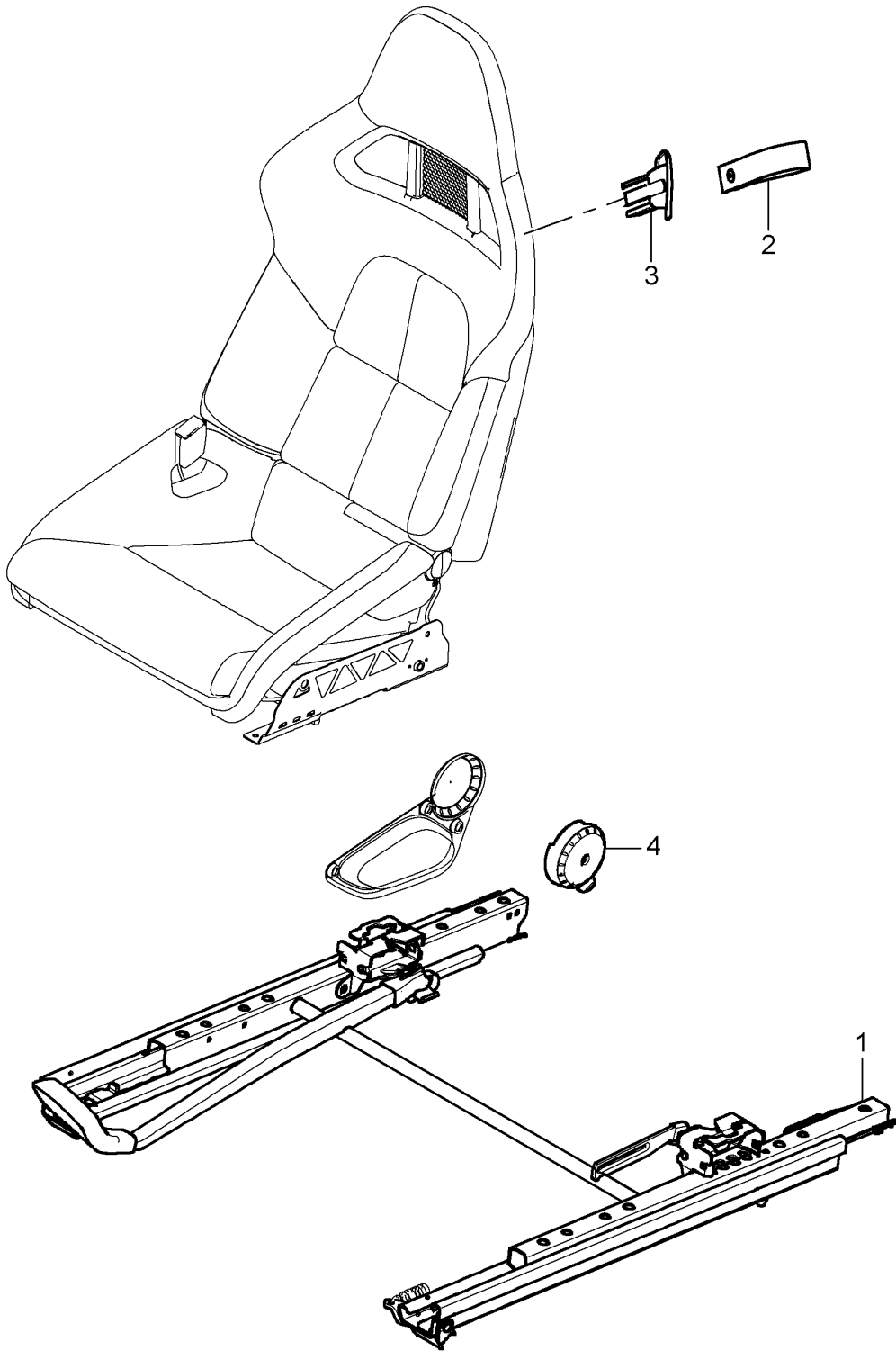
Model: 987 06

Model life 2006>>2008

Pos	Part Number	Description	Remark	Qty	Model
(20)	997 613 717 02 V05 997 613 718 01	Memory Galvano silver Switch	/R	1	I378/438
(20)	997 613 718 01 V05 997 613 718 02	Seat adjuster without Memory Galvano silver Switch	/R 08-	1	I378/438
21	997 613 718 02 V05 997 618 233 05	Seat adjuster without Memory Galvano silver Control unit		1	I376/378/560
22	997 521 646 00	Seat occupancy detection Support Control unit		1	I376/378/560
23	997 612 688 00	Seat occupancy detection Wiring harness Seat occupancy detection		1	I376/378/560
24	000 043 207 06	Pliable shaft Adjusting motor Lengthways		1	
(24)	997 521 901 00	Repair kit Pliable shaft Engine bracket		1	
-	999 650 973 40	Clip Mount Wiring harness Seat occupancy detection		1	

Model: 987 06

Model life 2006>>2008

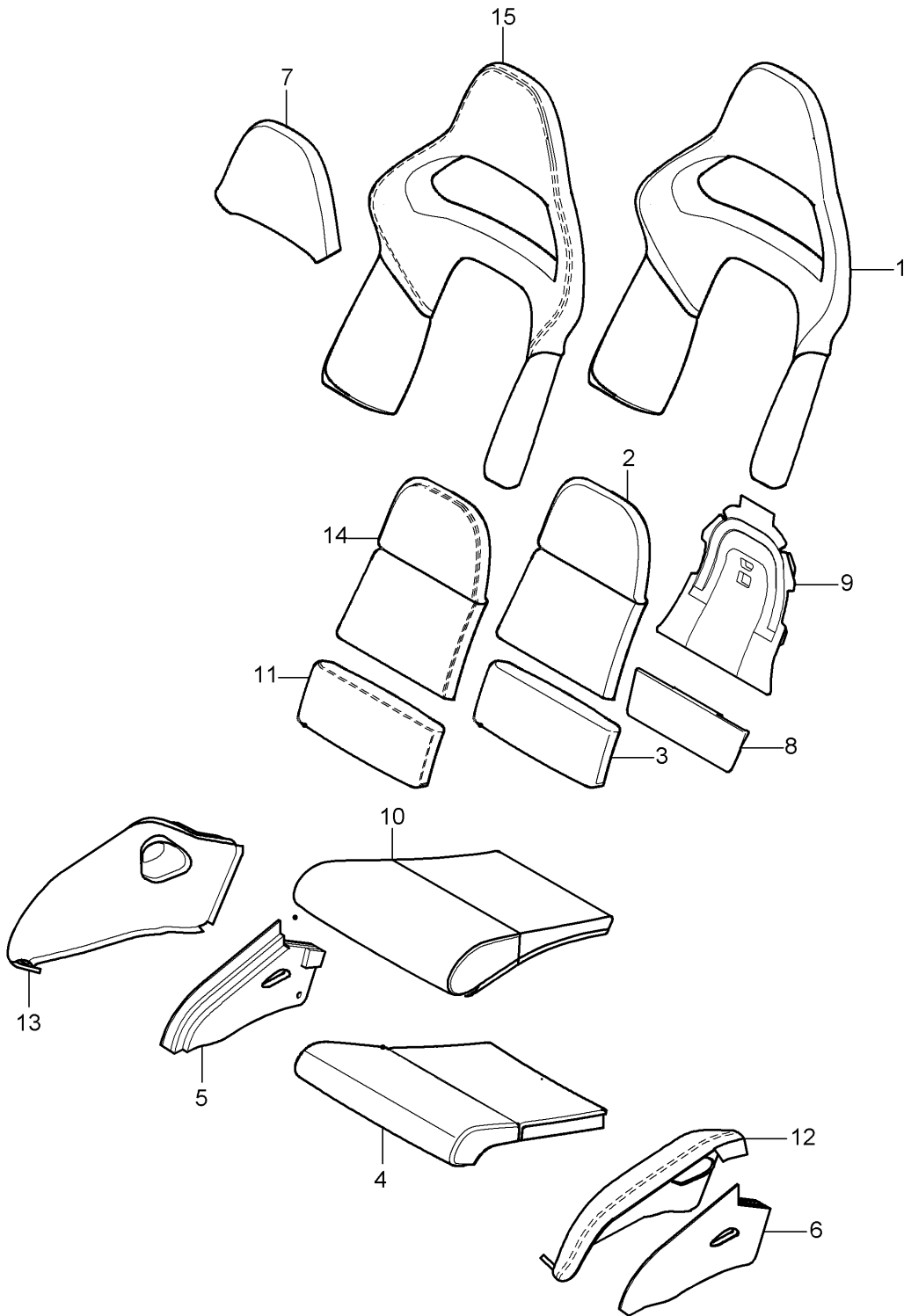


Model: 987 06 Model life 2006>>2008

Pos	Part Number	Description	Remark	Qty	Model
1	997 521 429 01	Bucket seat Collapsible Complete Not available Set	08- /LL /L	1	I098/388
(1)	997 521 430 01	Seat rail Driver's side Set	/LL /R	1	I098/389
(1)	997 521 429 02	Seat rail Passenger's side Set	/RL /L	1	I099/388
(1)	997 521 430 02	Seat rail Passenger's side Set	/RL /R	1	I099/389
2	997 521 539 00	Traction noose Backrest frame	/L	1	I388
(2)	997 521 539 00 A80	Black			
(2)	997 521 540 00	Traction noose Backrest frame	/R	1	I389
(2)	997 521 540 00 A80	Black			
3	997 521 538 00	Rosette Traction noose Backrest frame	/R	1	I389
(3)	997 521 538 00 01C	Satin black			
(3)	997 521 537 00	Rosette Traction noose Backrest frame	/L	1	I388
(3)	997 521 537 00 01C	Satin black			
4	997 521 563 00	Cover Hinge Inner	/L	1	I388/389
(4)	997 521 563 00 01C	Satin black			
(4)	997 521 564 00	Cover Hinge Inner	/R	1	I388/389
(4)	997 521 564 00 01C	Satin black			

Model: 987 06

Model life 2006>>2008



Model: 987 06 Model life 2006>>2008

Pos	Part Number	Description	Remark	Qty	Model
		Foam part Cover Seat and backrest surface Bucket seat Collapsible	08-		
1	997 521 447 00	Foam part Backrest Outer part		2	I388/389
2	997 521 448 00	Foam part Backrest Centre part		2	I388/389
3	997 521 441 00	Foam part Seat cushion Rear		2	I388/389
4	997 521 440 00	Foam part Seat cushion Front		2	I388/389
5	997 521 443 00	Foam part Seat cushion Lateral Outer Left	/L	1	I388
(5)	997 521 444 00	Foam part Seat cushion Lateral Inner Left		1	I388
6	997 521 446 00	Foam part Seat cushion Lateral Outer Right		1	I389
(6)	997 521 445 00	Foam part Seat cushion Lateral Inner Right		1	I389
7	997 521 458 00	Foam part Head rest		2	I388/389
8	997 521 456 00	Foam part Seat cushion Rear		1	I388/389
9	997 521 457 00	Foam part Backrest		1	I388/389
10	997 521 380 00	Cover for cushion Front	/L /R	1	I388/389/983
	997 521 380 00 8YR	Black			
	997 521 380 00 5X5	Stone grey			
	997 521 380 00 8G1	Sand Beige			
	997 521 380 00 3S8	Sea blue			
	997 521 380 00 9N2	Terracotta			
	997 521 380 00 9Q3	Cocoa			
	997 521 380 00 D11	Dark grey/natural			
	997 521 380 00 T11	Brown/natural			
	997 521 380 00 N11	Carrera Red			
11	997 521 381 00	Cover for cushion Rear		1	I388/389/983
	997 521 381 00 8YR	Black			
	997 521 381 00 5X5	Stone grey			
	997 521 381 00 8G1	Sand Beige			
	997 521 381 00 3S8	Sea blue			
	997 521 381 00 9N2	Terracotta			
	997 521 381 00 9Q3	Cocoa			

Model: 987 06 Model life 2006>>2008

Pos	Part Number	Description	Remark	Qty	Model
12	997 521 381 00 D11	Dark grey/natural	/L	1	I388/983
	997 521 381 00 T11	Brown/natural			
	997 521 381 00 N11	Carrera Red			
	997 521 383 00	Cover			
		Lateral			
		Outer			
	997 521 383 00 8YR	Black			
	997 521 383 00 5X5	Stone grey			
	997 521 383 00 8G1	Sand Beige			
	997 521 383 00 3S8	Sea blue			
13	997 521 383 00 9N2	Terracotta	/L	1	I388/983
	997 521 383 00 9Q3	Cocoa			
	997 521 383 00 D11	Dark grey/natural			
	997 521 383 00 T11	Brown/natural			
	997 521 383 00 N11	Carrera Red			
	997 521 384 00	Cover			
		Lateral			
		Inner			
	997 521 384 00 8YR	Black			
	997 521 384 00 5X5	Stone grey			
(13)	997 521 384 00 8G1	Sand Beige	/R	1	I389/983
	997 521 384 00 3S8	Sea blue			
	997 521 384 00 9N2	Terracotta			
	997 521 384 00 9Q3	Cocoa			
	997 521 384 00 D11	Dark grey/natural			
	997 521 384 00 T11	Brown/natural			
	997 521 384 00 N11	Carrera Red			
	997 521 386 00	Cover			
		Lateral			
		Outer			
(13)	997 521 386 00 8YR	Black	/R	1	I389/983
	997 521 386 00 5X5	Stone grey			
	997 521 386 00 8G1	Sand Beige			
	997 521 386 00 3S8	Sea blue			
	997 521 386 00 9N2	Terracotta			
	997 521 386 00 9Q3	Cocoa			
	997 521 386 00 D11	Dark grey/natural			
	997 521 386 00 T11	Brown/natural			
	997 521 386 00 N11	Carrera Red			
	997 521 385 00	Cover			
14	997 521 385 00	Lateral	/R	1	I388/389/983
		Inner			
	997 521 385 00 8YR	Black			
	997 521 385 00 5X5	Stone grey			
	997 521 385 00 8G1	Sand Beige			
	997 521 385 00 3S8	Sea blue			
	997 521 385 00 9N2	Terracotta			
	997 521 385 00 9Q3	Cocoa			
	997 521 385 00 D11	Dark grey/natural			
	997 521 385 00 T11	Brown/natural			
997 521 385 00 N11	Carrera Red				
997 521 387 00	Cover	/R	1	I388/389/983	
	Centre part				
	Backrest				
997 521 387 00 8YR	Black				
997 521 387 00 5X5	Stone grey				
997 521 387 00 8G1	Sand Beige				
997 521 387 00 3S8	Sea blue				
997 521 387 00 9N2	Terracotta				
997 521 387 00 9Q3	Cocoa				
997 521 387 00 D11	Dark grey/natural				
997 521 387 00 T11	Brown/natural				
997 521 387 00 N11	Carrera Red				

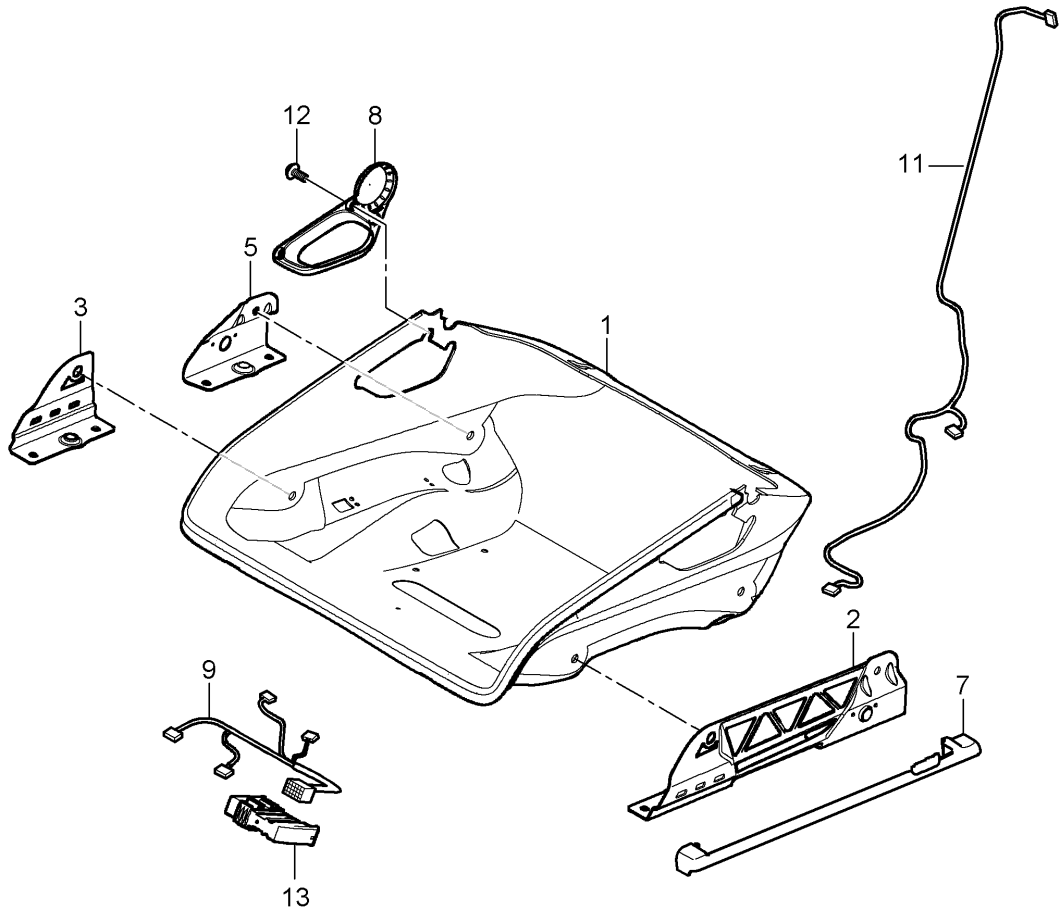
Model: 987 06

Model life 2006>>2008

Pos	Part Number	Description	Remark	Qty	Model
15	997 521 388 00	Cover		1	I388/389/983
		Backrest			
		Outer			
	997 521 388 00 8YR	Black			
	997 521 388 00 5X5	Stone grey			
	997 521 388 00 8G1	Sand Beige			
	997 521 388 00 3S8	Sea blue			
	997 521 388 00 9N2	Terracotta			
	997 521 388 00 9Q3	Cocoa			
	997 521 388 00 D11	Dark grey/natural			
	997 521 388 00 T11	Brown/natural			
	997 521 388 00 N11	Carrera Red			

Model: 987 06

Model life 2006>>2008



Model: 987 06 Model life 2006>>2008

Pos	Part Number	Description	Remark	Qty	Model
		Bucket seat Collapsible Seat adjuster Accessories	08-		
1	997 521 281 00	Cup	/L /R	2	I388/389
		Seat adjuster without Seat occupancy detection			
(1)	997 521 182 00	Cup	/R	1	I389/560
		Seat adjuster with Seat occupancy detection And Seat rail			
2	997 521 433 00	Adapter		1	I388
		Seat adjuster Outer Left			
(2)	997 521 434 00	Adapter		1	I389
		Seat adjuster Outer Right			
3	997 521 436 00	Adapter		1	I388
		Seat adjuster Inner front Right			
4	997 521 435 00	Adapter		1	I389
		Seat adjuster Inner front Left without Seat occupancy detection			
5	997 521 438 00	Adapter		1	I388
		Seat adjuster Inner rear Right			
6	997 521 437 00	Adapter		1	I389
		Seat adjuster Inner rear Left without Seat occupancy detection			
7	997 521 427 03	Cover	/L	1	I389/560
		Sensor Seat occupancy detection			
	997 521 427 03 01C	Satin black			
(7)	997 521 426 03	Cover	/R	1	I389/560
		Sensor Seat occupancy detection			
	997 521 426 03 01C	Satin black			
8	997 521 561 00	Cover	/L	1	I388/389
		Seat belt Lower			
	997 521 561 00 01C	Satin black			
(8)	997 521 562 00	Cover	/R	1	I388/389
		Seat belt Lower			
	997 521 562 00 01C	Satin black			
9	997 612 688 10	Wiring harness		1	I389/560
		Seat occupancy detection			
11	997 612 785 10	Wiring harness	/R /L	1	I388/389
		Side airbag			
12	999 141 049 01	Lens-head screw		3	

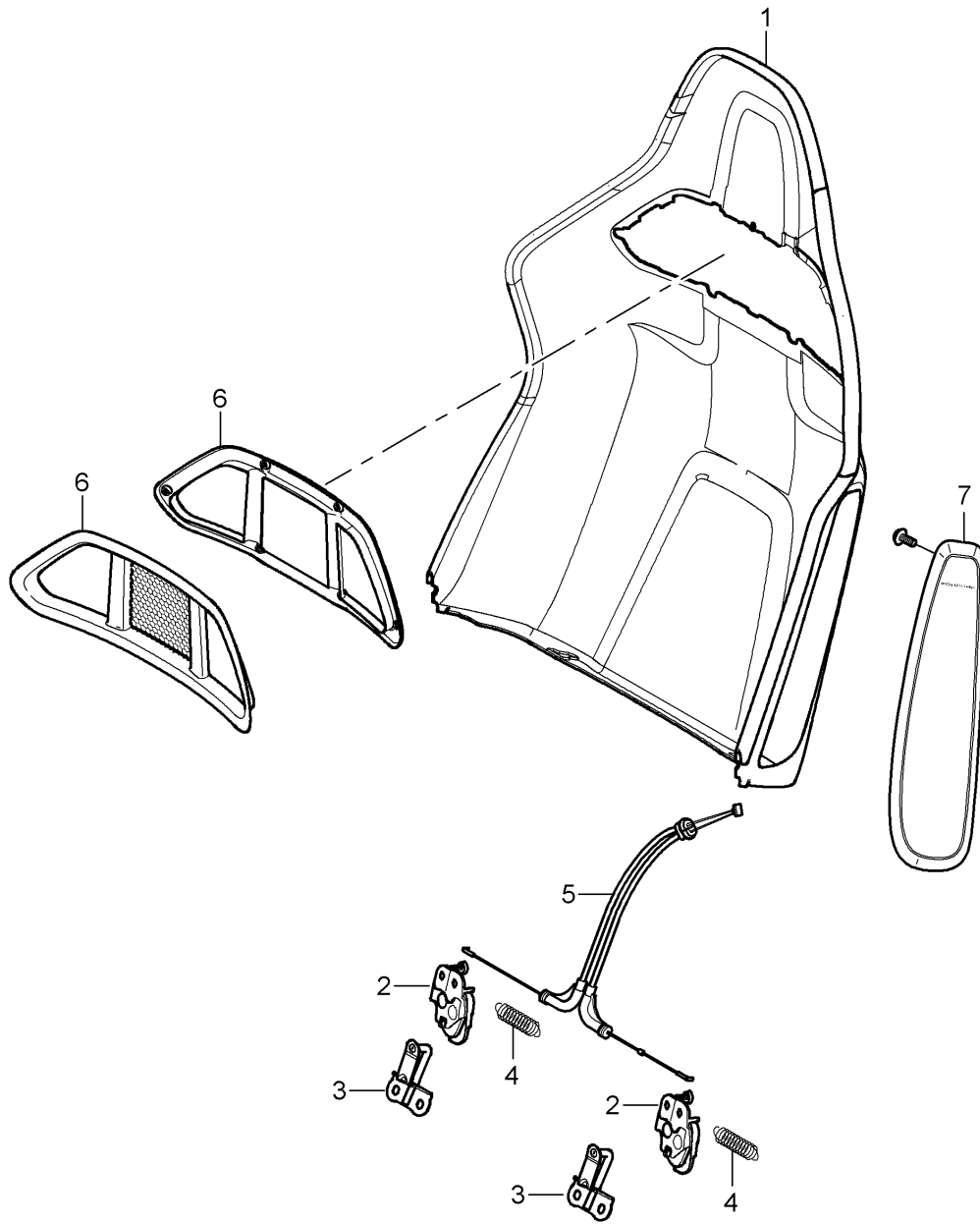
Model: 987 06

Model life 2006>>2008

Pos	Part Number	Description	Remark	Qty	Model
13	997 618 233 05	Mount Cover Belt Seat cushion Control unit Seat occupancy detection		1	I560

Model: 987 06

Model life 2006>>2008

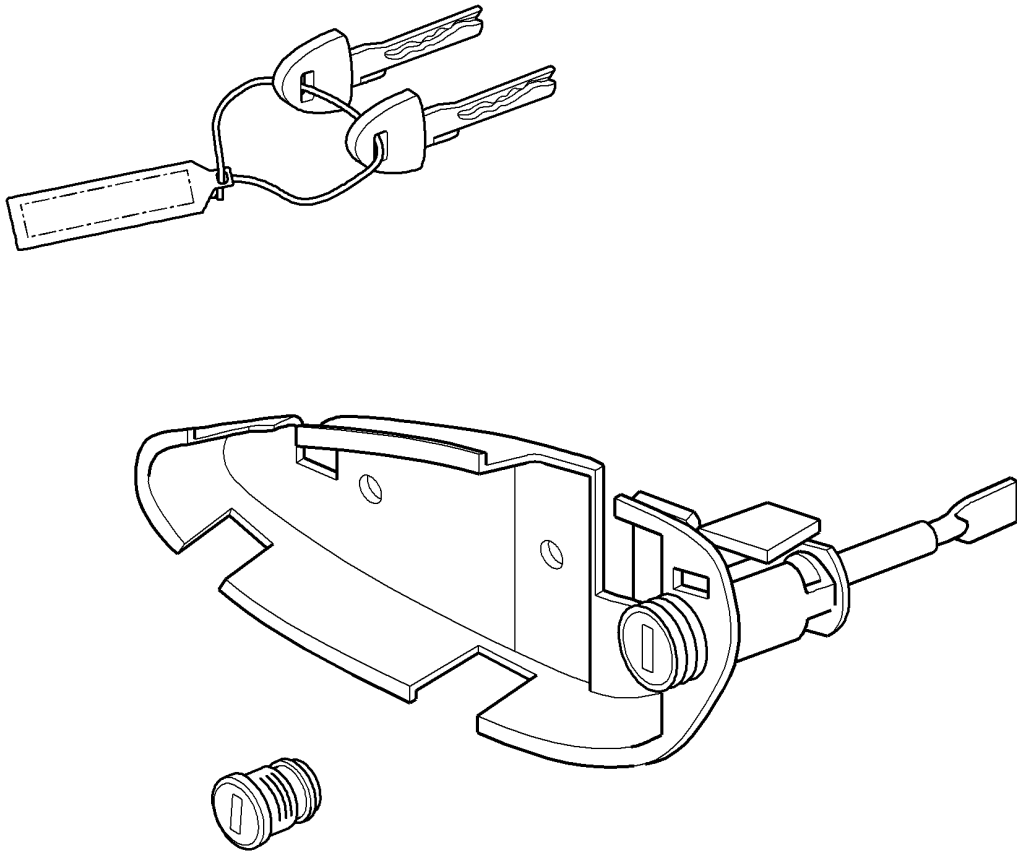


Model: 987 06 Model life 2006>>2008

Pos	Part Number	Description	Remark	Qty	Model
		Backrest shell Bucket seat Collapsible Accessories	08-		
1	997 521 271 00	Backrest shell Bucket seat Collapsible	/L	1	I388
(1)	997 521 272 00	Backrest shell Bucket seat Collapsible	/R	1	I389
2	997 521 651 00	Lock Backrest	/L	1	I388/389
(2)	997 521 652 00	Lock Backrest	/R	1	I388/389
3	997 521 660 00	Closing element Lock	/L /R	1	I388/389
4	997 521 650 00	Backrest shell Tension spring Lock	/L /R	1	I388/389
5	997 521 640 00	Backrest Bowden cable Release	/L /R	1	I388/389
6	997 521 330 00	Backrest Cover Seat belt Front		1	I388/389
(6)	997 521 330 00 01C	Satin black			
	997 521 531 00	Cover Seat belt Rear		1	I388/389
7	997 521 531 00 01C	Satin black			
	997 803 081 01	Side airbag	/L	1	I388
(7)	997 803 081 01 A03	Black			
	997 803 082 01	Side airbag Front seat	/R	1	I389
	997 803 082 01 A03	Black			

Model: 987 06

Model life 2006>>2008



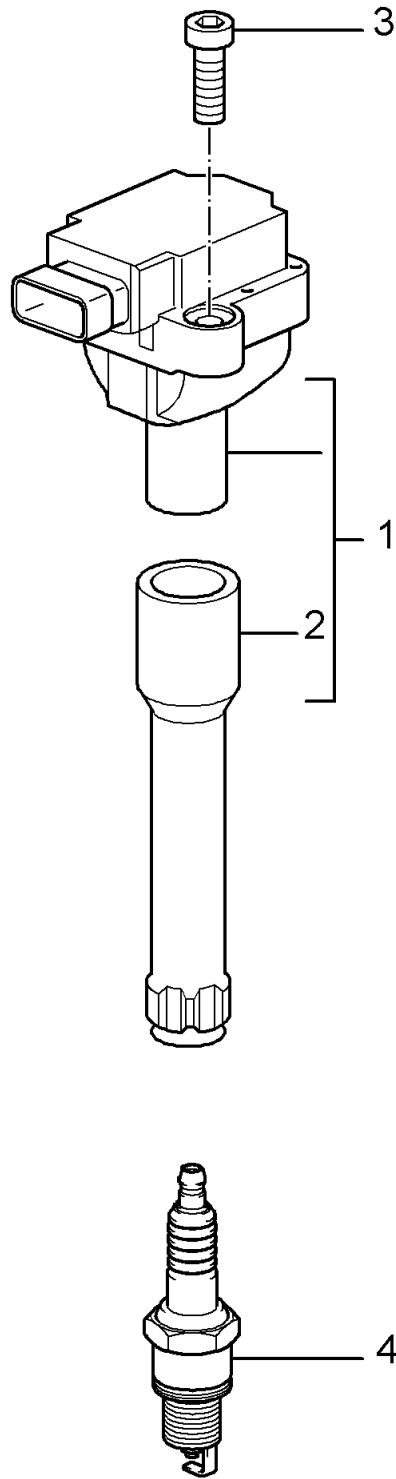
Model: 987 06

Model life 2006>>2008

Pos	Part Number	Description	Remark	Qty	Model
		Repair kits			
		Set of locks			
		Comprising:			
		Support			
		Outer door handle			
		Glove compartment lock			
		Key			
		Key tag			
>>	997 538 011 00	Set of locks		1	I098
>>	997 538 011 01	Set of locks		1	I099

Model: 987 06

Model life 2006>>2008



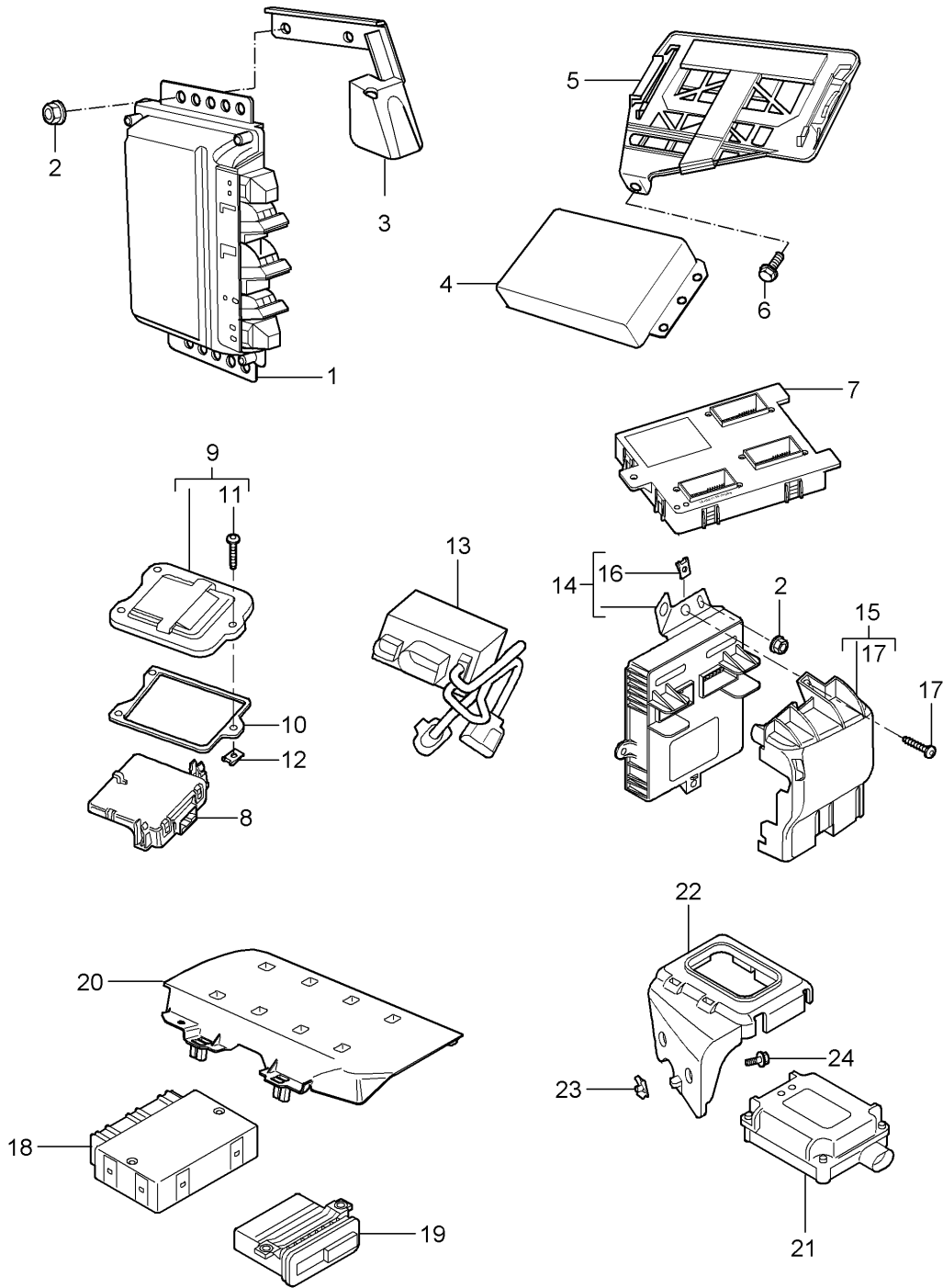
Model: 987 06

Model life 2006>>2008

Pos	Part Number	Description	Remark	Qty	Model
1	997 602 104 02	Ignition system Ignition coil Use also: 900.385.025.01		6 12	
2	996 602 105 00	Spark plug connector		6	
3	900 387 008 01	Pan-head screw M 6 X 25		12	
(3)	900 385 025 01	Torx screw M 6 X 40		10	
4	999 170 223 90	Spark plug FGR 5KQE0		6	/22 M97.20/21

Model: 987 06

Model life 2006>>2008



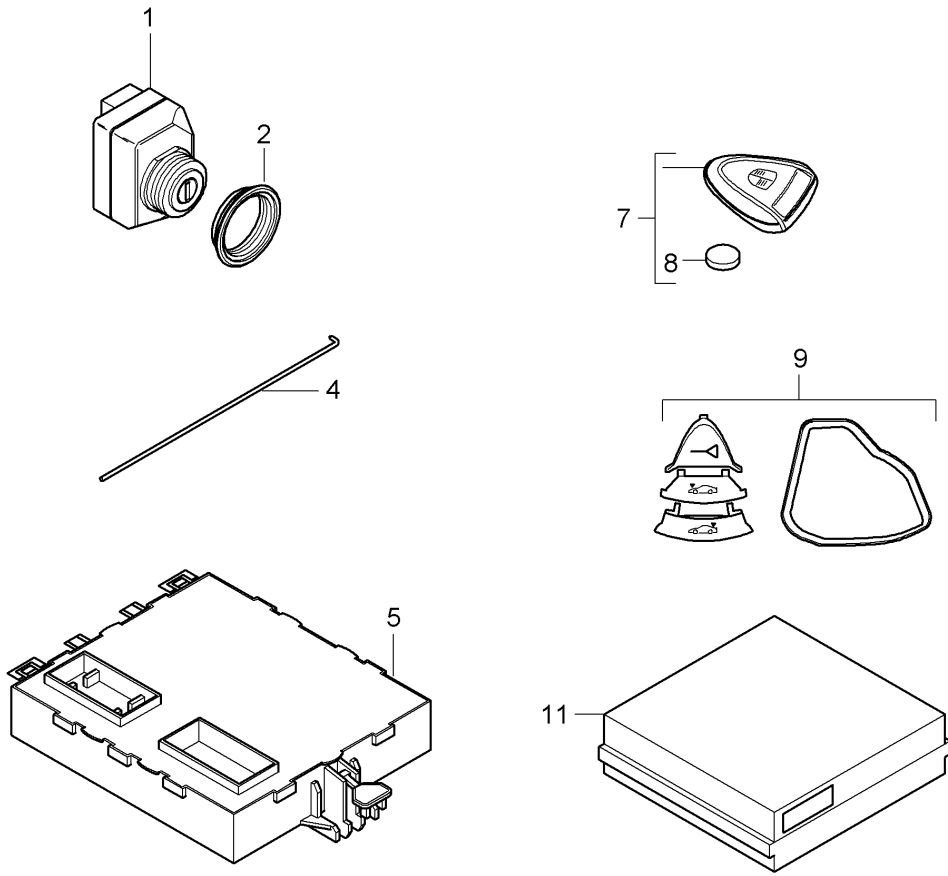
Model: 987 06

Model life 2006>>2008

Pos	Part Number	Description	Remark	Qty	Model
1	997 618 601 05	Control units Control unit		1	-I660
1	997 618 603 05	- dme - Control unit		1	I660
2	999 084 629 01	- dme - Hexagon nut		X	
(2)	999 084 635 01	M 6 Shear-off nut		3	I536
3	987 618 131 01	M 6 - SB Tab washer		1	
4	987 618 272 07	Plug-protection Control unit		1	CAYMAN
(4)	987 618 342 07	Tiptronic Control unit		1	CAYMAN S
5	987 618 155 02	Tiptronic Support		1	I249
6	900 378 035 01	Hexagon-head bolt		1	
7	997 610 102 06	M 6 X 16 Control unit		1	
7	997 618 516 01	Vehicle electrical system Control unit		1	
8	997 610 107 04	Vehicle electrical system Control unit		1	
9	997 572 419 03	Gateway Lid		1	
10	997 572 221 00	Gasket		1	
11	900 143 094 09	Tapping screw		3	
12	999 591 855 01	ST 4,8 X 19 Speed nut		3	
13	997 618 436 01	ST 4,8 Control unit		1	
13	997 618 436 02	Cooling air control Control unit		1	
14	997 618 511 01	Cooling air control Control unit		1	
(14)	997 610 105 11	FRONT luggage compartment Control unit		1	I601
15	997 551 736 00	FRONT luggage compartment Cover		1	
16	999 507 462 09	Speed nut		1	
17	999 073 061 02	4,8 Tapping screw		1	
18	997 618 260 08	4,8 X 16 Control unit		1	
19	996 618 171 03	Rear end Control unit		1	I635
20	997 618 371 01	ParkAssist Support		1	
21	997 618 225 03	Sensor See illustrations		1	I635
21	997 618 227 02	8/02/05 Control unit		1	I608
21	997 618 227 03	Garage door opener Control unit		1	I607
21	997 618 227 03	Garage door opener Control unit		1	I607
22	997 618 257 00	Garage door opener Support		1	
23	999 591 882 01	Speed nut		2	
24	900 075 505 01	M 6 Combination screw		2	
		M 6 X 20			

Model: 987 06

Model life 2006>>2008



Model: 987 06

Model life 2006>>2008

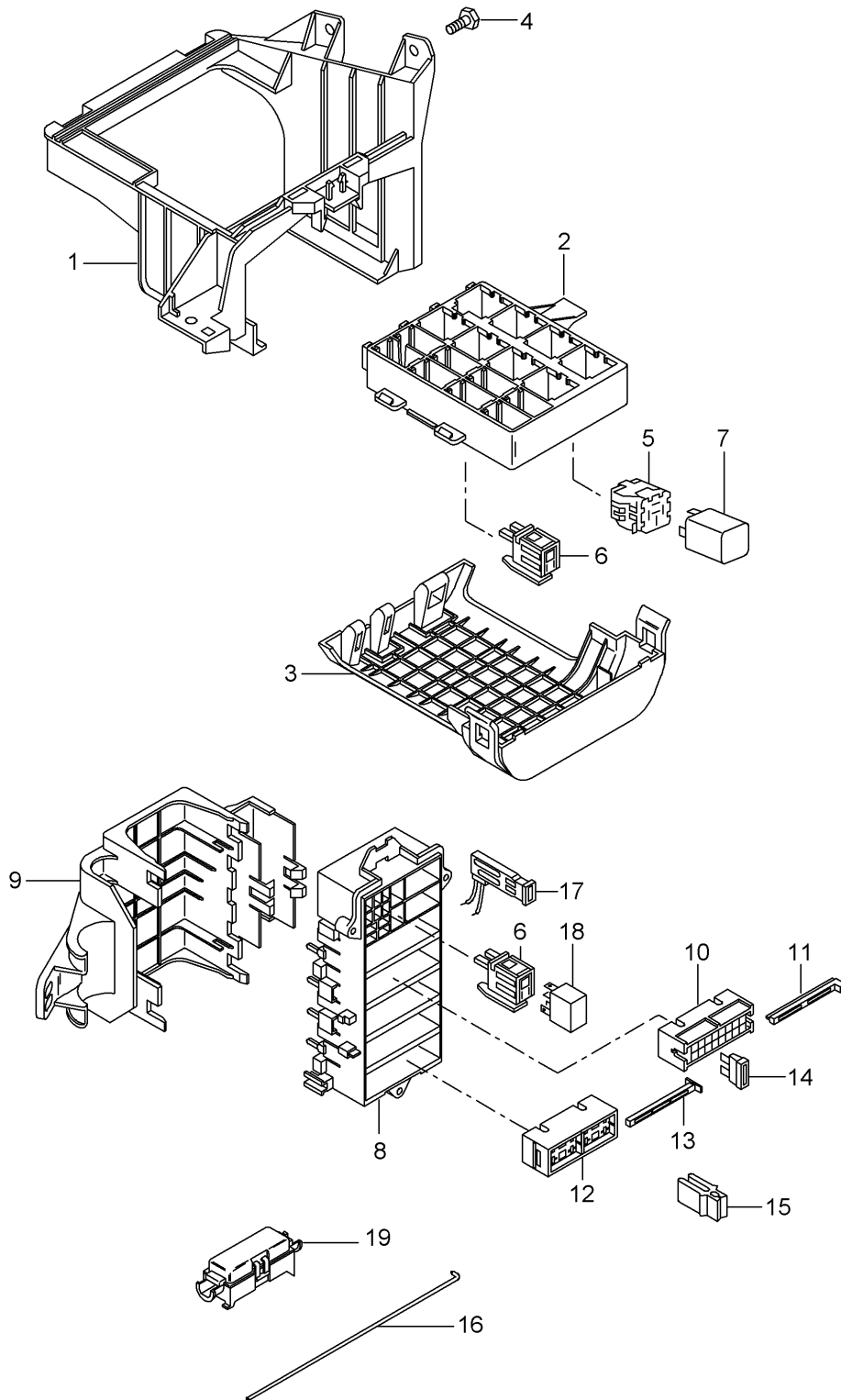
Pos	Part Number	Description	Remark	Qty	Model
1	997 618 159 04	Control units Immobiliser Central locking system Ignition starter switch PORSCHE ACCESS SYSTEM Control unit		1	
2	997 618 759 00	Ignition starter switch Nut		1	
-	997 618 361 00	Cover Release		1	
4	970 618 761 00	Handheld transmitter Emergency operation Release		1	
5	997 618 171 14	Ignition starter switch Control unit	-07	1	I524/534/544
5	997 618 171 15	PORSCHE ACCESS SYSTEM Control unit		1	I524/534/544
5	997 618 172 14	PORSCHE ACCESS SYSTEM Control unit	-07	1	I525/535/545
5	997 618 172 15	PORSCHE ACCESS SYSTEM Control unit		1	I525/535/545
5	997 618 172 16	PORSCHE ACCESS SYSTEM Control unit		1	I525/535/545
-	997 612 051 01	PORSCHE ACCESS SYSTEM Cable	/LL	1	I098/524/534 I544
-	997 612 050 01	Antenna for POS. 5 Cable	/LL	1	I098/525/535 I544
-	997 612 051 51	Antenna for POS. 5 Cable	/RL	1	I099/524/534 I544
-	997 612 050 51	Antenna for POS. 5 Information available Cable	/RL	1	I099/525/535 I545
-	987 637 253 00	Antenna for POS. 5 Information available Support		1	
-	999 073 225 09	for Cable Antenna Tapping screw 4,8 X 16 for Cable		1	
-	928 612 636 01	Antenna Protective tube for Cable		1	
-	997 612 053 01	Antenna Connecting line Antenna booster Control unit POS. 5	/LL	1	I098/665

Model: 987 06 Model life 2006>>2008

Pos	Part Number	Description	Remark	Qty	Model
-	997 612 054 01	Connecting line Antenna booster Control unit POS. 5 Information available	/RL	1	I099/665
-	997 612 064 51	Cable Antenna VEHICLE TRACKING SYSTEM		1	I674
7	997 637 244 36	Handheld transmitter		1	I524/534/544
7	997 637 101 01	Handheld transmitter		1	I524/534/544
7	997 637 244 37	Handheld transmitter	07-	1	I525/535/545
7	997 637 103 01	Handheld transmitter		1	I525/535/545
(7)	997 637 244 38	Handheld transmitter	(J) 07-	1	I525/535 I545
(7)	997 637 105 01	Handheld transmitter	(J)	1	I525/535 I545
8	999 611 108 00	Battery		1	
9	000 043 400 14	Repair kit Key Handheld transmitter Version Grey See workshop manual KD-NR.: 966237		1	
11	997 618 210 01	Sensor Interior monitoring Alarm siren Tilt sensor See illustrations 9/03/00		1	I536 I521/536

Model: 987 06

Model life 2006>>2008



Model: 987 06 Model life 2006>>2008

Pos	Part Number	Description	Remark	Qty	Model
		Central electrical system			
		Dashboard			
1	997 610 117 01	Support	/LL	1	I098
(1)	997 610 118 00	Support	/RL	1	I099
2	997 610 110 01	Relay carrier		1	
		Support frame			
3	997 610 112 00	Cover		1	
		Support frame			
4	900 378 155 01	Hexagon-head bolt		2	
		M 6 X 16 ASP			
(4)	900 377 010 01	Hexagon nut		1	
		M 6			
5	928 610 511 00	Relay carrier		X	
6	999 650 538 40	Relay carrier		X	
7		Relay			
(7)	999 657 014 90	Relay		1	
		KL. X			
(7)	999 657 015 90	Relay socket/code:	S4	1	
		Relay			
		KL. 86S			
(7)		Relay socket/code:	S6	1	
		Relay			
(7)		Rear window heating			
		Relay socket/code:	S7	1	
		Relay			
(7)		Fuel pump			
		Relay socket/code:	S8	1	
(7)	999 657 013 90	Relay		1	
		- dme -			
(7)		Relay socket/code:	S11	1	
		Relay			
		Heating			
(7)		Relay socket/code:	S12	1	I288
		Relay			
(7)		Headlight washer system			
		Relay socket/code:	S14	1	
		Relay			
(7)		Starter			
		Relay socket/code:	S15	1	
(7)		Relay		1	
		KL. 15			
		Relay socket/code:	S16		
8	997 610 340 00	Bracket		1	
9	997 610 341 00	Cover		1	
10	999 650 209 40	Fuse holder		4	
11	999 650 210 40	Slide		4	
12	999 650 750 40	Fuse holder		1	
13	999 650 749 40	Slide		1	
14	999 607 082 00	Lock		X	
		5 A			
(14)	999 607 083 00	Lock		X	
		7 , 5 A			
(14)	999 607 084 00	Lock		X	
		10 A			
(14)	999 607 085 00	Lock		X	
		15 A			
(14)	999 607 087 00	Lock		X	
		25 A			
(14)	999 607 088 00	Lock		X	
		30 A			
(14)	999 607 072 00	Lock		X	
		30 A			
		Large			

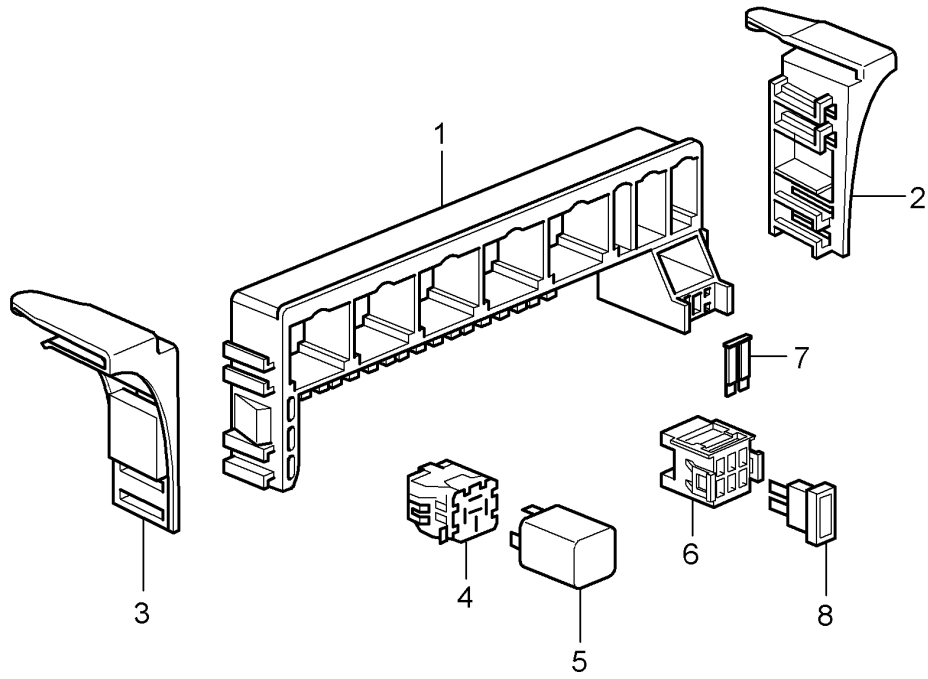
Model: 987 06

Model life 2006>>2008

Pos	Part Number	Description	Remark	Qty	Model
(14)	999 607 073 00	Lock 40 A Large		X	
15	999 107 300 40	Tool		X	
-	997 610 195 07	Assignment sticker Lock		X	
16	997 618 761 00	Emergency operation Release Ignition starter switch		1	
16	970 618 761 00	Emergency operation Release Ignition starter switch Emergency operation Lid		1	
17	996 610 240 00	Terminal clamp		1	
18	999 657 014 90	Relay		1	
19	997 610 915 00	Fuse holder with Lock 80 A for Cooling air control		1	
-		Cover for Housing Lock See illustrations 8/07/02		X	

Model: 987 06

Model life 2006>>2008

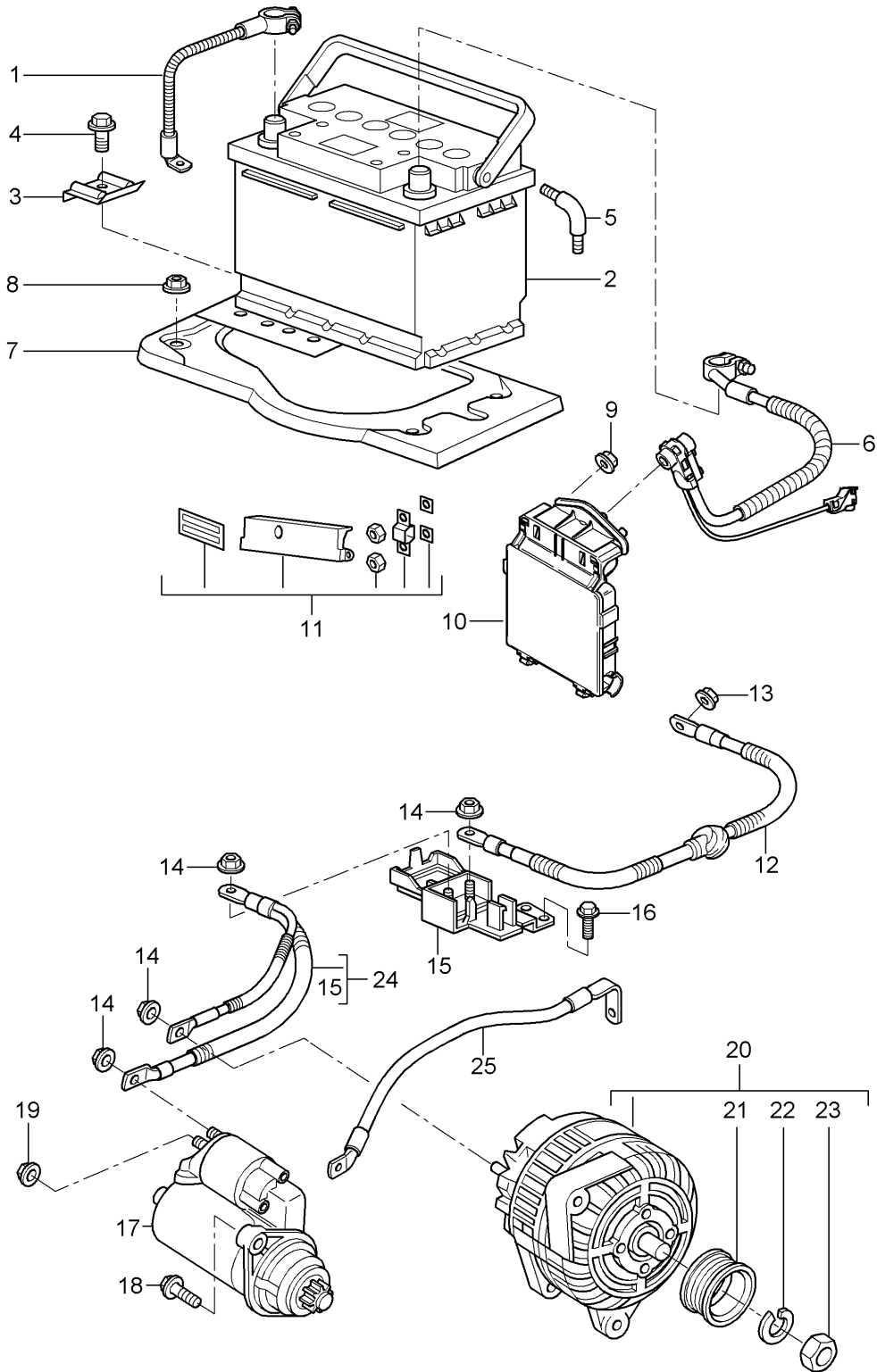


Model: 987 06 Model life 2006>>2008

Pos	Part Number	Description	Remark	Qty	Model
		Central electrical system			
		Rear end			
1	987 610 111 00	Relay carrier		1	
		Support frame			
1	987 610 111 01	Relay carrier		1	
		Support frame			
2	987 610 118 00	Support	/R	1	
3	987 610 117 00	Support	/L	1	
4	928 610 511 00	Relay carrier		X	
		Large			
(4)	999 650 538 40	Relay carrier		X	
		Small			
5		Relay			
(5)	964 615 215 00	Relay		1	I573
		Air conditioner			
		Relay socket/code:	S1		
(5)	999 657 018 90	Relay		1	I573
		Air conditioner			
		Relay socket/code:	S1		
(5)	999 657 008 90	Relay		1	I661
		Secondary pump			
		Relay socket/code:	S2		
(5)	999 657 017 90	Relay		1	I661
		Secondary pump			
		Relay socket/code:	S2		
(5)	999 657 007 90	Relay		1	
		Blower			
		Engine compartment			
		Relay socket/code:	S8		
(5)	999 657 015 90	Relay		1	
		Blower			
		Engine compartment			
		Relay socket/code:	S8		
6	999 650 747 40	Fuse holder		1	
7	999 650 748 40	Locking device		1	
8	999 607 085 00	Lock		X	
		15 A			
(8)	999 607 073 00	Lock		X	I661
		40 A			
		Large			

Model: 987 06

Model life 2006>>2008



Model: 987 06

Model life 2006>>2008

Pos	Part Number	Description	Remark	Qty	Model
		Battery			
		Power distributor			
		Starter			
		Generator			
1	997 611 090 00	Ground strap	/LL	1	I098
(1)	997 611 091 00	Ground strap	/RL	1	I099
		When required order also:			
-	900 377 010 01	Hexagon nut		1	
		M 6			
(2)	999 611 060 20	Battery		1	
		60 AH			
(2)	999 611 070 20	Battery		1	
		70 AH			
2	999 611 080 20	Battery		1	
		80 AH			
(2)	999 611 095 20	Battery		1	I200
		95 AH			
3	996 611 209 00	Rail		1	
		Battery			
4	900 378 017 01	Hexagon-head bolt		1	
		M 8 X 20			
5	893 915 507	Angled pipe		1	
6	997 612 993 00	Repair kit	/LL	1	I098
		Cable			
		Battery			
		Power distributor			
(6)	997 612 995 00	Repair kit	/RL	1	I099
		Cable			
		Battery			
		Power distributor			
(6)	997 612 908 00	Repair kit	/LL	1	I098
		Wiring harness			
		Battery			
		Power distributor			
		see			
		Technical information			
		9789			
(6)	997 612 909 00	Repair kit	/RL	1	I099
		Wiring harness			
		Battery			
		Power distributor			
		see			
		Technical information			
		9789			
7	996 504 151 00	Carrier plate for battery		1	
(7)	997 504 151 00	Carrier plate for battery		1	I200
-	996 504 622 00	Gasket		1	
		Carrier plate for battery			
		Information available			
8	999 084 630 01	Hexagon nut		4	
		VM 8 SB			
9	900 380 005 01	Nut		2	
		VM 8			
10	997 610 911 00	Repair kit		1	
		Replacement			
		Power distributor			
		Comprising:			
-		Power distributor		1	
		without			
		Fuse element			
-		Hexagon nut		8	
		M 5			
-		Hexagon nut		3	

Model: 987 06

Model life 2006>>2008

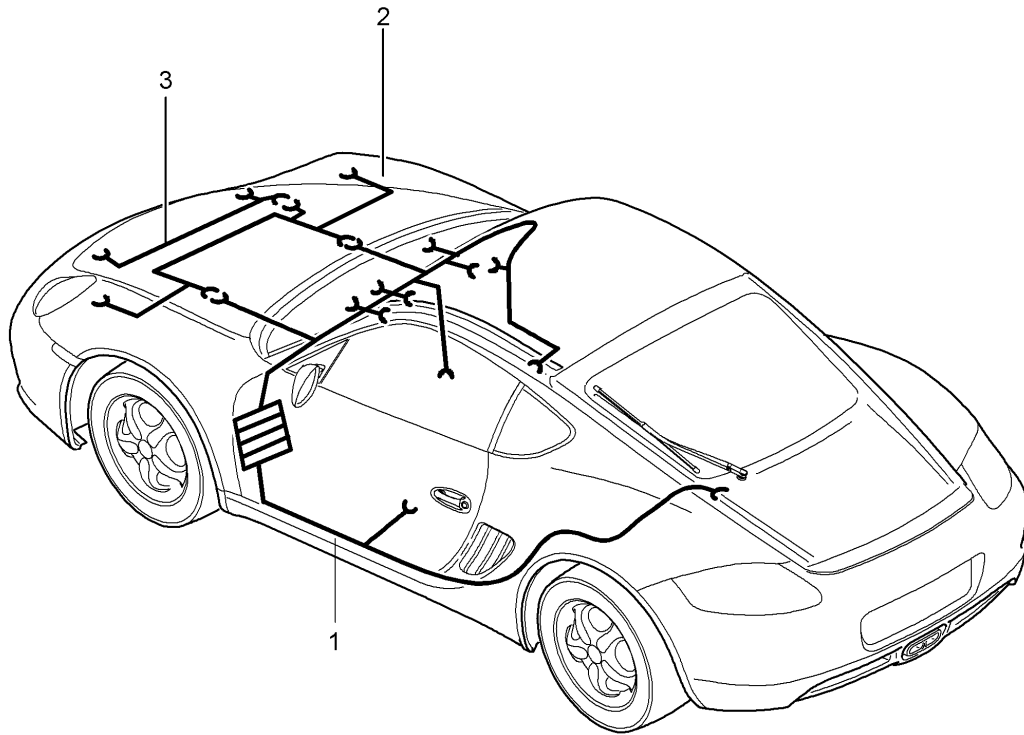
Pos	Part Number	Description	Remark	Qty	Model
-		M 8			
-		Seal label		1	
-		Red			
11	997 610 912 00	Repair kit		1	
-		Replacement			
-		Fuse element			
-		Comprising:			
-		Fuse element		1	
-		50 AMPERE			
-		Fuse element		1	
-		70 AMPERE			
-		Fuse element		1	
-		80 AMPERE			
-		Hexagon nut		4	
-		M 5			
-		Square washer		4	
-		Cover		1	
-		Blue			
-		Seal label			
-		Red			
11	997 610 913 00	Repair kit		1	
-		Replacement			
-		Fuse element			
-		Comprising:			
-		Fuse element		1	
-		150 AMPERE			
-		Hexagon nut		2	
-		M 8			
-		Square washer		2	
-		Cover			
-		Blue			
-		Seal label		1	
-		Red			
12	987 612 090 02	Cable	/LL	1	I098
-		Power distributor			
-		To			
-		Connection point			
-		Engine			
(12)	987 612 096 00	Cable	/RL	1	I099
-		Power distributor			
-		To			
-		Connection point			
-		Engine			
13	900 084 123 02	Hexagon nut		1	
-		M 8			
14	900 377 003 03	Hexagon nut		4	
-		M 8			
15	986 611 201 01	Connection point		1	
-		Complete			
16	900 385 009 01	Torx screw		2	
-		BM 6 X 16			
17	996 604 103 00	Starter		1	
-		1,7 KW			
18	900 385 097 01	Torx screw		2	
-		BM 10 X 35			
19	900 377 010 01	Hexagon nut		1	
-		M 6			
20	997 603 012 06	Generator	06	1	I249
-		with			
-		Pulley			
-		without			
-		Free wheel lock			
20	997 603 022 04	Generator	07-	1	I249

Model: 987 06 Model life 2006>>2008

Pos	Part Number	Description	Remark	Qty	Model
20	997 603 022 DX	with Pulley without Free wheel lock Generator	07-	1	I249
(20)	997 603 012 07	with Pulley without Free wheel lock Generator	06	1	I480/481
(20)	997 603 012 09	with Pulley Free wheel lock Generator	06	1	I480/481
(20)	997 603 012 JX	with Pulley Free wheel lock Generator	06	1	I480/481
(20)	997 603 022 05	with Pulley Free wheel lock Generator	07-	1	I480/481
(20)	997 603 022 EX	with Pulley Free wheel lock Generator	07-	1	I480/481
21	996 603 151 55	Free wheel lock Pulley without Free wheel lock		1	I249
(21)	997 603 154 00	Pulley with Free wheel lock		1	I480/481
-	996 603 113 00	Protection cap		1	I249
-	996 603 153 50	Protection cap		1	I480/481
22	N 012 016 1	Lock ring B 16		1	
23	900 034 013 01	Hexagon nut M 16 X 1,5 Mounting parts Generator		1	
-	900 385 097 01	Torx screw BM 10 X 35		1	
-	900 385 092 04	Torx screw BM 10 X 145		1	
24	987 607 019 01	Wiring harness Starter Generator	06	1	
(24)	987 607 019 02	Wiring harness Starter Generator	07	1	
25	987 607 030 00	Ground strap Body Engine		1	
26	997 610 916 00	Repair kit Screw bolt Power distributor Comprising: Screw bolt Nut Seal label		1	
				1	
				2	
				1	

Model: 987 06

Model life 2006>>2008



Model: 987 06 Model life 2006>>2008

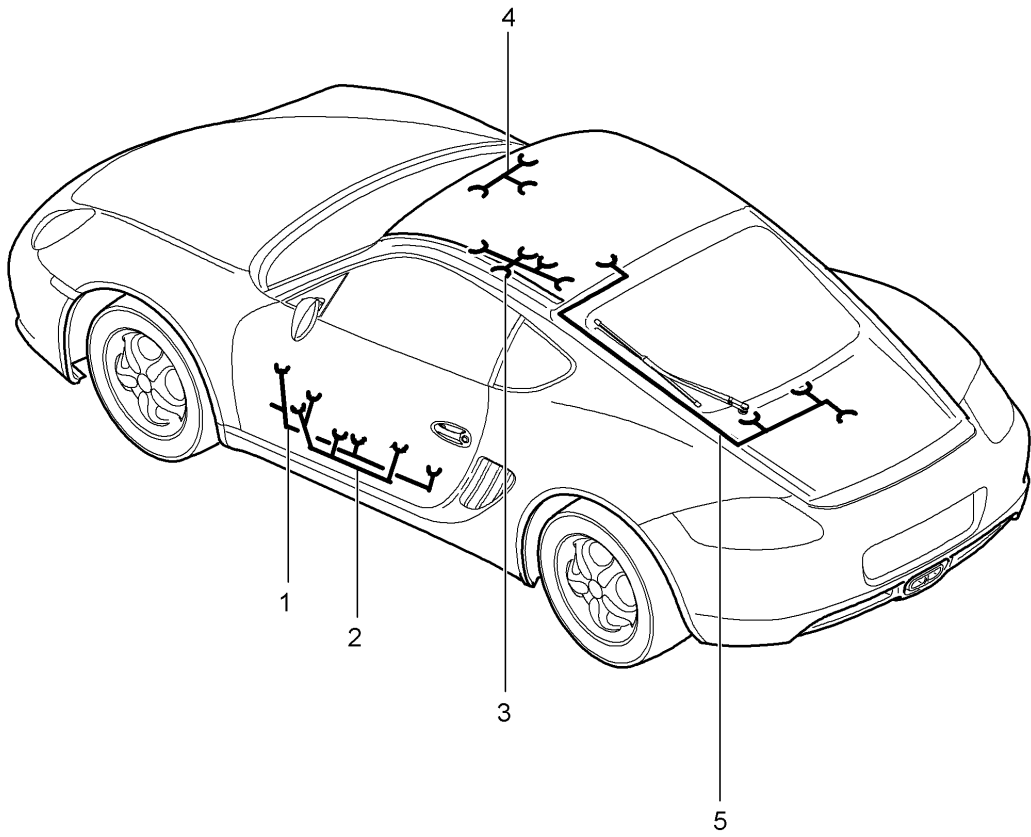
Pos	Part Number	Description	Remark	Qty	Model
		Wiring harnesses Passenger compartment FRONT luggage compartment Lining Front Airbag Seat-belt tensioner Repair kits Shock absorber Anti-lock brake system Brake pad wear indicator Front axle			
1	987 612 903 00	Wiring harness Passenger compartment Vehicle Ident. No. Indicate		1	
-	996 610 120 01	Support Plug socket Diagnostic connector		1	
-	999 651 302 40	Fixing clip Wiring harness Passenger compartment Door sill		X	
-	999 651 284 40	Fixing clip Wiring harness Passenger compartment Door sill		X	
2	987 612 520 10	Wiring harness FRONT luggage compartment		1	
2	987 612 520 11	Wiring harness FRONT luggage compartment		1	
(2)	987 612 521 10	Wiring harness FRONT luggage compartment		1	I601
(2)	987 612 521 11	Wiring harness FRONT luggage compartment		1	I601
-	997 610 215 01	Cable guide for Sensor Airbag		2	
3	987 612 502 00	Wiring harness Lining Front		1	
-	999 507 840 40	Cable holder for POS. 3		X	
-	997 612 781 25	Wiring harness Airbag Passenger's side Setting 1 Connector Green		1	
-	997 612 783 00	Wiring harness Airbag Passenger's side Setting2 Connector Yellow	-07	1	
-	997 612 783 25	Wiring harness Airbag Passenger's side Setting2 Connector Yellow		1	

Model: 987 06 Model life 2006>>2008

Pos	Part Number	Description	Remark	Qty	Model
-	997 612 992 00	Wiring harness Control unit Airbag Connection point Door Wiring harness Airbag Seat See group 8/17/06 8/17/21		2	
-	997 612 793 01	Wiring harness Seat-belt tensioner		2	
-	997 612 950 00	Repair kit Wiring harness Shock absorber	/V	2	I475
-	997 612 961 00	Repair kit Wiring harness Anti-lock brake system Brake pad wear indicator	/V /L	1	
-	997 612 960 00	Repair kit Wiring harness Anti-lock brake system Brake pad wear indicator Repair kit Wiring harness Rear axle See illustrations 9/02/20	/V /R	1	

Model: 987 06

Model life 2006>>2008



Model: 987 06 Model life 2006>>2008

Pos	Part Number	Description	Remark	Qty	Model
		Wiring harnesses Doors Airbag Centre console Glove compartment Rear lid			
1	997 612 642 05	Wiring harness Assembly frame Driver's door	/LL 06	1	I098
1	997 612 642 07	Wiring harness Assembly frame Driver's door	/LL 07-	1	I098
(1)	997 612 644 55	Wiring harness Assembly frame Driver's door	/RL 06	1	I099
(1)	997 612 644 57	Wiring harness Assembly frame Driver's door	/RL 07-	1	I099
(1)	997 612 643 55	Wiring harness Assembly frame Passenger's door	/LL 06	1	I098
(1)	997 612 643 57	Wiring harness Assembly frame Passenger's door	/LL 07-	1	I098
(1)	997 612 645 05	Wiring harness Assembly frame Passenger's door	/RL 06	1	I099
(1)	997 612 645 07	Wiring harness Assembly frame Passenger's door	/RL 07-	1	I099
-	997 612 780 16	Wiring harness Airbag		2	
2	997 612 647 05	Wiring harness Door panel Driver's door	/LL 06	1	I098
2	997 612 647 07	Wiring harness Door panel Driver's door	/LL 07-08	1	I098
2	997 612 647 10	F >>988U7 53595 F >>988U7 73372 Wiring harness Door panel Driver's door	/LL 08-	1	CAYMAN CAYMAN S I098
(2)	997 612 650 05	F 988U7 53596>> F 988U7 73373>> Wiring harness Door panel Driver's door	/RL 06	1	CAYMAN CAYMAN S I099
(2)	997 612 650 07	Wiring harness Door panel Driver's door	/RL 07-	1	I099
(2)	997 612 648 05	Wiring harness Door panel Passenger's door	/LL 06	1	I098
(2)	997 612 648 07	Wiring harness Door panel Passenger's door	/LL 07-08	1	I098
(2)	997 612 648 10	F >>988U7 53595 F >>988U7 73372 Wiring harness Door panel Passenger's door	/LL 08-	1	CAYMAN CAYMAN S I098
		F 988U7 53596>>			CAYMAN

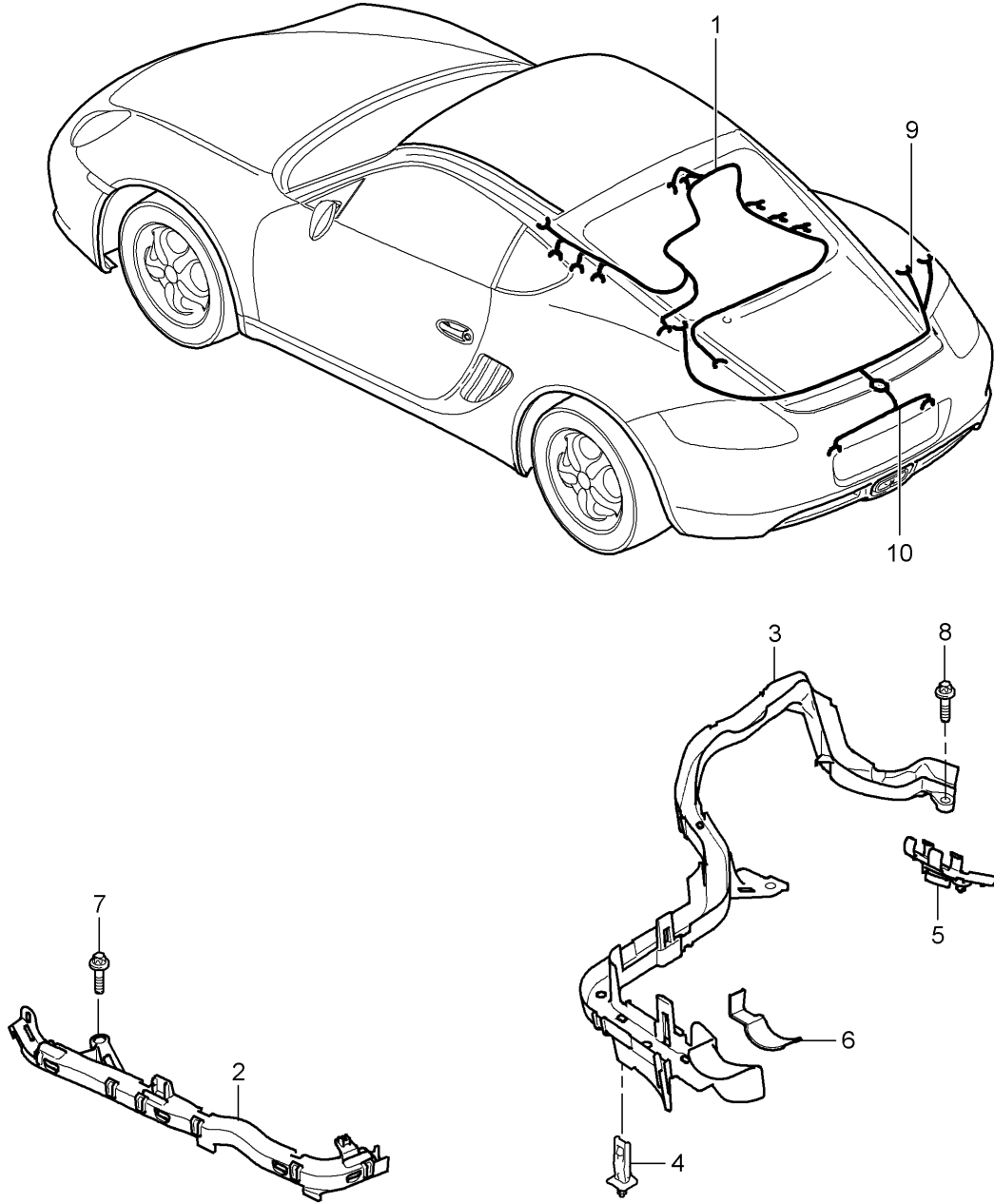
Model: 987 06

Model life 2006>>2008

Pos	Part Number	Description	Remark	Qty	Model
(2)	997 612 649 05	F 988U7 73373>> Wiring harness Door panel Passenger's door	/RL 06	1	CAYMAN S I099
(2)	997 612 649 07	Wiring harness Door panel Passenger's door	/RL 07-	1	I099
3	997 612 652 75	Wiring harness Centre console		1	
4	997 612 651 00	Wiring harness Glove compartment		1	
5	987 612 670 50	Wiring harness Rear lid		1	

Model: 987 06

Model life 2006>>2008



Model: 987 06 Model life 2006>>2008

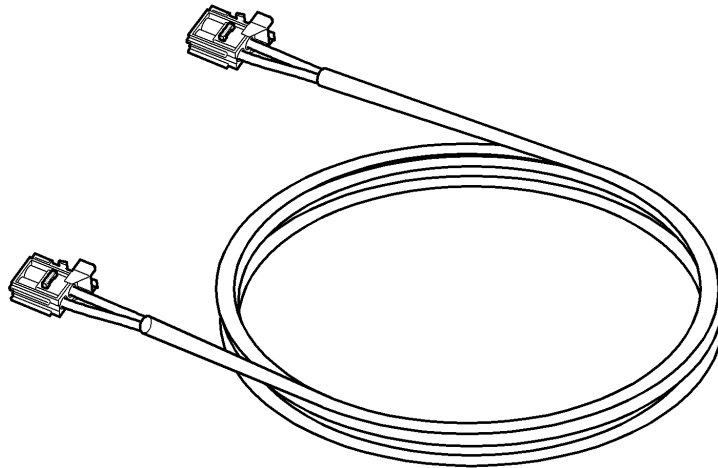
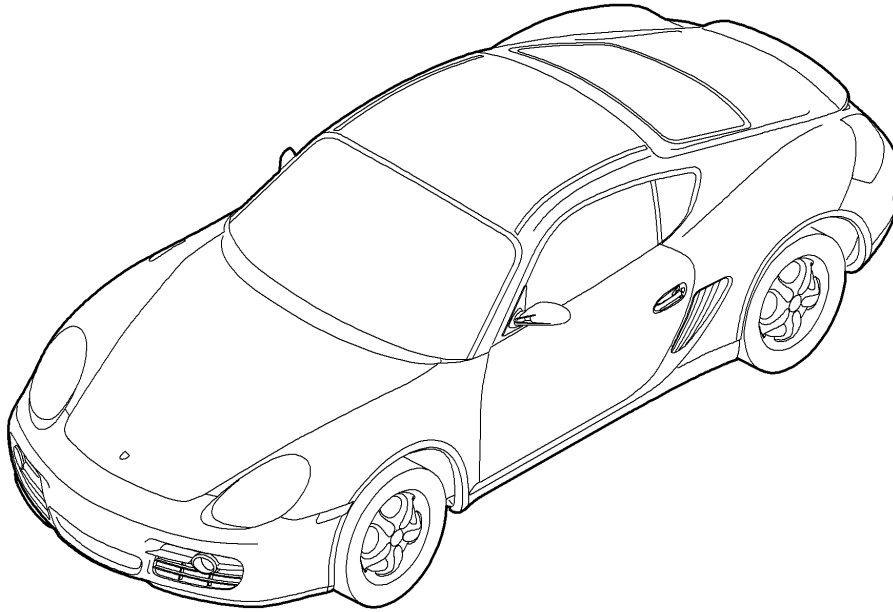
Pos	Part Number	Description	Remark	Qty	Model
		Wiring harnesses Engine Rear end License plate light ParkAssist Repair kits for Shock absorber Anti-lock brake system Brake pad wear indicator Rear axle			
1	987 607 011 06	Wiring harness	06	1	M97.20 I481
1	987 607 011 08	Engine Wiring harness	07	1	M97.20 I481
1	987 607 011 10	Engine Wiring harness	07-	1	M97.20 I481
1	987 607 010 04	Engine Wiring harness	06	1	M97.20 I481 I660
1	987 607 010 06	Engine Wiring harness	07	1	M97.20 I481 I660
1	987 607 010 08	Engine Wiring harness	07-	1	M97.20 I481 I660
1	987 607 011 62	Engine Wiring harness	06	1	M97.20/21 I480
1	987 607 011 63	Engine Wiring harness	06	1	M97.20/21 I480
1	987 607 011 64	Engine Wiring harness	07	1	M97.20/21 I480
1	987 607 011 65	Engine Wiring harness	08	1	/22 M97.20/21 I480
1	987 607 010 61	Engine Wiring harness	06	1	M97.20/21 I480/660
1	987 607 010 62	Engine Wiring harness	06	1	M97.20/21 I480/660
1	987 607 010 63	Engine Wiring harness	07	1	M97.20/21 I480/660
1	987 607 010 64	Engine Wiring harness	07-	1	/22 M97.20/21 I480/660
1	987 607 011 05	Engine Wiring harness	06	1	M97.20/21 I249
1	987 607 011 07	Engine Wiring harness	06	1	M97.20/21 I249
1	987 607 011 09	Engine Wiring harness	07	1	M97.20/21

Model: 987 06 Model life 2006>>2008

Pos	Part Number	Description	Remark	Qty	Model
1	987 607 011 11	Engine Wiring harness	07-08	1	I249 /22 M97.20/21
1	987 607 010 03	Engine Wiring harness	06	1	I249 M97.20/21
1	987 607 010 05	Engine Wiring harness	06	1	I249/660 M97.20/21
1	987 607 010 07	Engine Wiring harness	07	1	I249/660 M97.20/21
1	987 607 010 09	Engine Wiring harness	07-	1	I249/660 /22 M97.20/21
-	999 702 324 40	Engine Grommet Mass air flow meter		1	I249/660
2	987 607 116 01	Cable guide		2	
3	997 607 110 00	Cable guide Crankcase		1	
4	997 607 114 00	Support Cable guide		1	
5	987 607 126 00	Support Cable guide		1	
6	997 607 113 00	Lid Cable guide		1	
7	900 385 001 02	Torx screw BM 8 X 20		2	
8	900 385 009 01	Torx screw BM 6 X 16		2	
9	987 612 904 00	Wiring harness Rear end Vehicle Ident. No. Indicate		1	
10	997 612 660 01	Wiring harness License plate light		1	
(10)	997 612 661 00	Wiring harness ParkAssist License plate light		1	I635
(10)	997 612 661 01	Wiring harness ParkAssist License plate light		1	I635
-	997 612 950 00	Repair kit Wiring harness Shock absorber	/H	2	I475
-	987 612 963 00	Repair kit Wiring harness Anti-lock brake system Brake pad wear indicator	/H /L	1	
-	987 612 962 00	Repair kit Wiring harness Anti-lock brake system Brake pad wear indicator Repair kit Wiring harness Front axle See illustrations 9/02/10	/H /R	1	

Model: 987 06

Model life 2006>>2008



Model: 987 06 Model life 2006>>2008

Pos	Part Number	Description	Remark	Qty	Model
-	997 622 701 00	Optical waveguide Module Passenger compartment	/LL	1	I098/670/672 I680/689/692
-	997 622 701 50	Optical waveguide Module	/RL	1	I099/670/672 I680/689/692
-	997 622 702 00	Optical waveguide Module	/LL	1	I098/666/689
-	997 622 702 50	Optical waveguide Module	/RL	1	I099/666/689
-	997 622 703 00	Optical waveguide Module	/LL	1	I098/666/670 I672/680/692
-	997 622 703 50	Optical waveguide Module	/RL	1	I099/666/670 I672/680/692
-	999 650 091 40	Plug bridge Optical waveguide Module		X	
-	997 610 122 00	FRONT luggage compartment Support		1	
-	996 610 132 00	Connection point Cable guide T-piece		X	
-	997 622 707 00	FRONT luggage compartment Optical waveguide Module	/LL	1	I098/670/672
-	997 622 707 50	Optical waveguide Module	/RL	1	I099/670/672
-	997 622 704 00	Optical waveguide Module	/LL	1	I098/680
-	997 622 704 50	Optical waveguide Module	/RL	1	I099/680
-	997 622 706 00	Optical waveguide Module	/LL	1	I098/692
-	997 622 706 50	Optical waveguide Module	/RL	1	I099/692
-	997 622 708 00	Optical waveguide Module	/LL	1	I098/664/692
-	997 622 710 00	Optical waveguide Module	/LL	1	I098/670/672 I680
-	997 622 710 50	Optical waveguide Module	/RL	1	I099/670/672 I680
-	997 622 714 00	Optical waveguide Module	/LL	1	I098/670/672 I692
-	997 622 714 50	Optical waveguide Module	/RL	1	I099/670/672 I692
-	997 622 715 00	Optical waveguide Module	/LL	1	I098/664/670 I672/692
-	997 622 709 00	Optical waveguide Module	/LL	1	I098/680/692
-	997 622 709 50	Optical waveguide Module	/RL	1	I099/680/692
-	997 622 712 00	Optical waveguide Module	/LL	1	I098/664/680 I692
-	997 622 711 00	Optical waveguide Module	/LL	1	I098/670/672 I680/692

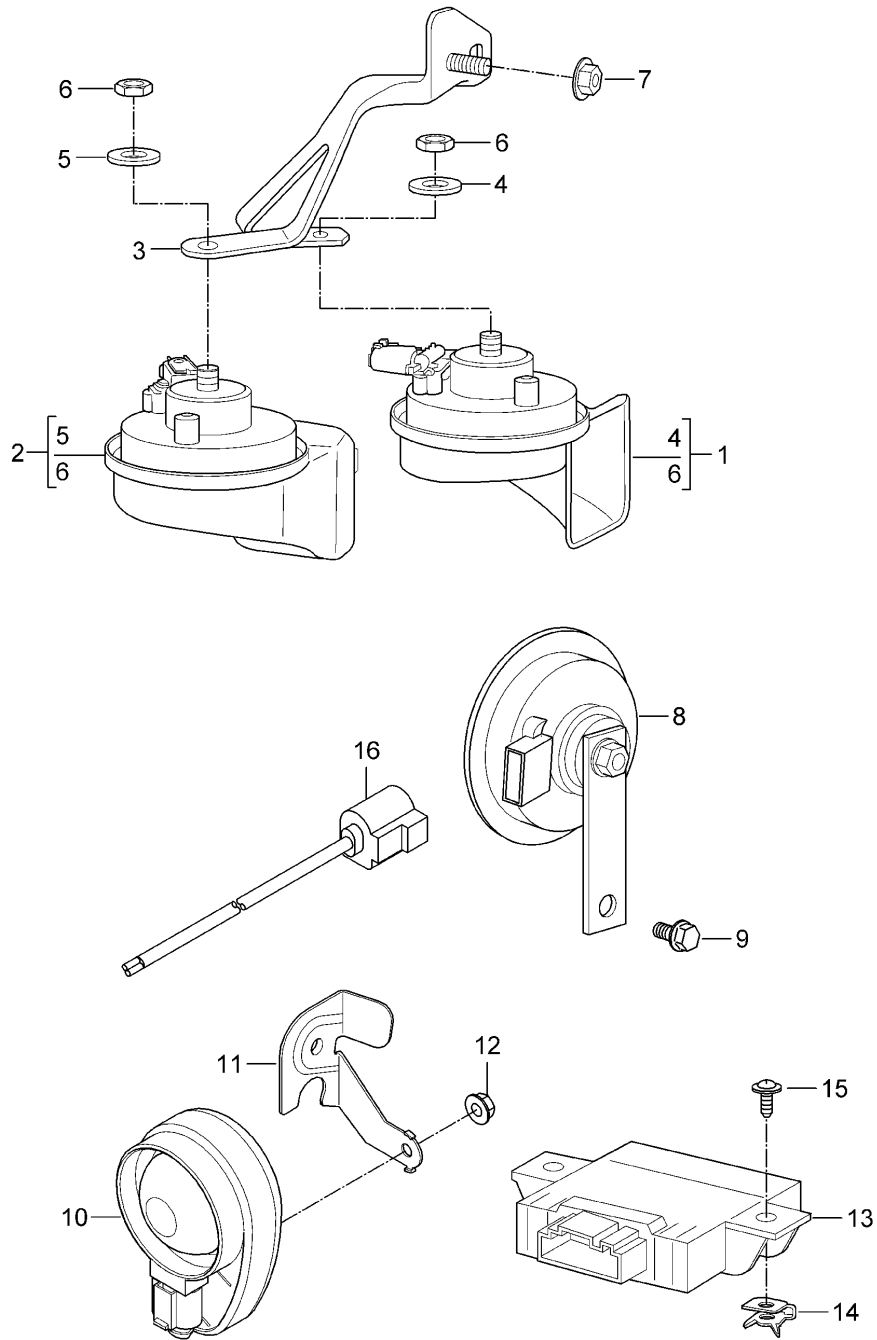
Model: 987 06

Model life 2006>>2008

Pos	Part Number	Description	Remark	Qty	Model
-	997 622 711 50	Optical waveguide Module	/RL	1	I099/670/672 I680/692
-	997 622 713 00	Optical waveguide Module	/LL	1	I098/664/670 I672/680/692

Model: 987 06

Model life 2006>>2008



Model: 987 06

Model life 2006>>2008

Pos	Part Number	Description	Remark	Qty	Model
1	997 635 206 03	Fanfare Horn Alarm system		1	
1	997 635 206 04	Fanfare High-pitched		1	
1	997 635 216 00	Fanfare High-pitched see Technical information GR.9 NR.100/13		1	
-	997 612 947 00	KD-NR.9050 Cable Adapter see Technical information GR.9 NR.100/13 KD-NR.9050		1	
2	997 635 205 03	Fanfare Low-pitched		1	
2	997 635 205 04	Fanfare Low-pitched		1	
(2)	997 635 215 00	Fanfare Low-pitched see Technical information GR.9 NR.100/13 KD-NR.9050		1	
-	997 612 947 00	Cable Adapter see Technical information GR.9 NR.100/13 KD-NR.9050		1	
3	997 635 150 04	Support		1	
3	997 635 150 05	Support		1	
4		Washer High-pitched		1	
5		Washer Low-pitched		1	
6	900 034 001 03	Nut M 8	-07	2	
6	900 034 001 04	Nut M 8		2	
7	900 377 003 03	Hexagon nut M 8		1	
8	996 637 117 03	Horn for Alarm system		1	
8	996 637 117 05	Horn for Alarm system Replacement for 996.637.117.03 When required order also: 9P1.998.003.A		1	
9	900 075 459 01	Combination screw M 6 X 12 Z2		1	
10	955 618 237 01	Alarm siren		1	I536
11	997 637 419 01	Support		1	I536
12	900 380 015 01	Hexagon nut		1	I536

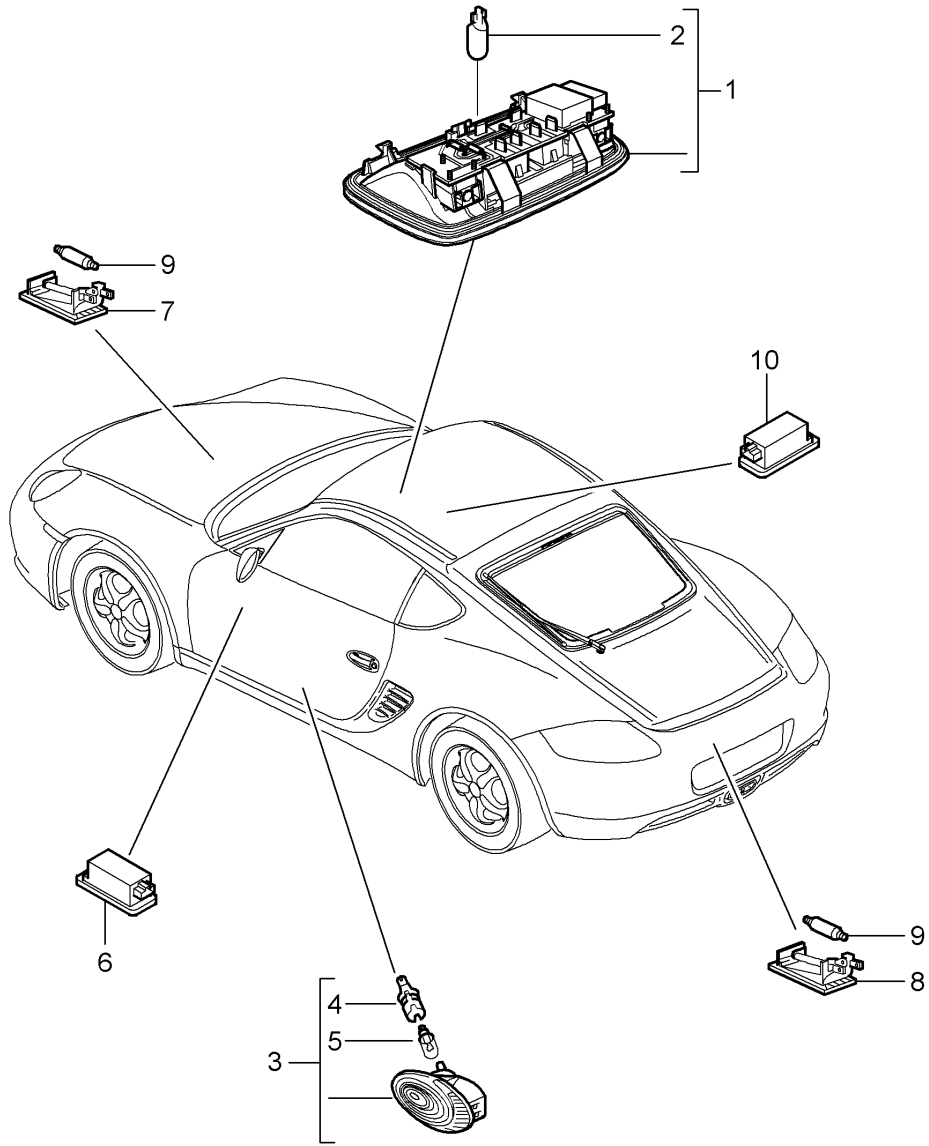
Model: 987 06

Model life 2006>>2008

Pos	Part Number	Description	Remark	Qty	Model
13	997 618 265 00	M 6 Control unit		1	I521/536
14	999 591 742 01	Tilt sensor Speed nut 4,2		2	I521/536
15	999 073 155 09	Tapping screw 4,2 X 13		2	I521/536
16	9P1 998 003 A	Wiring harness Modification kit Horn		1	

Model: 987 06

Model life 2006>>2008



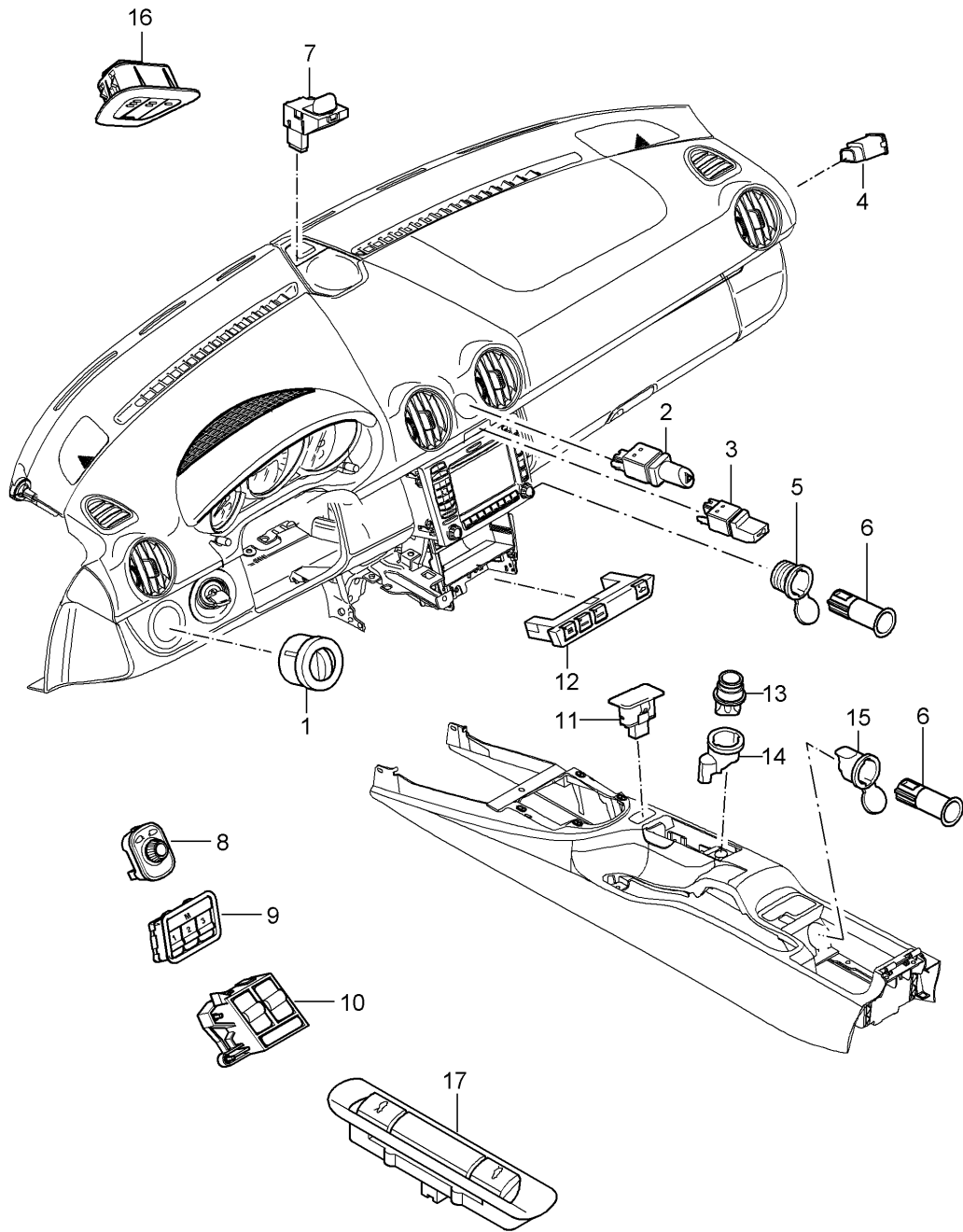
Model: 987 06

Model life 2006>>2008

Pos	Part Number	Description	Remark	Qty	Model
		Interior lights			
		Luggage compartment lamp			
		Engine compartment lamp			
		Glove compartment light			
		Footwell light			
1	987 632 057 00	Interior light	/LL	1	I098
(1)	987 632 059 00	Interior light	/RL	1	I099
2	999 631 134 90	Bulb		2	
		6 W			
3	996 632 132 01	Door guard light		2	
(3)	996 632 135 00	Light		2	
		Tray			
		Luggage			
4	161 949 111	Bulb socket		2	
5	999 631 032 90	Bulb		2	
		5 W			
6	955 632 202 00	Light		2	
		Footwell			
7	997 632 201 00	Light		1	
		Luggage compartment			
		Front			
8	997 632 125 00	Light		1	
		Luggage compartment			
		Rear			
9	900 631 106 90	Linolite lamp		2	
		10 W			
10	997 632 071 00	Glove compartment light		1	
-	999 631 147 90	Bulb		4	
		3 W			
		Vanity mirror			

Model: 987 06

Model life 2006>>2008



Model: 987 06 Model life 2006>>2008

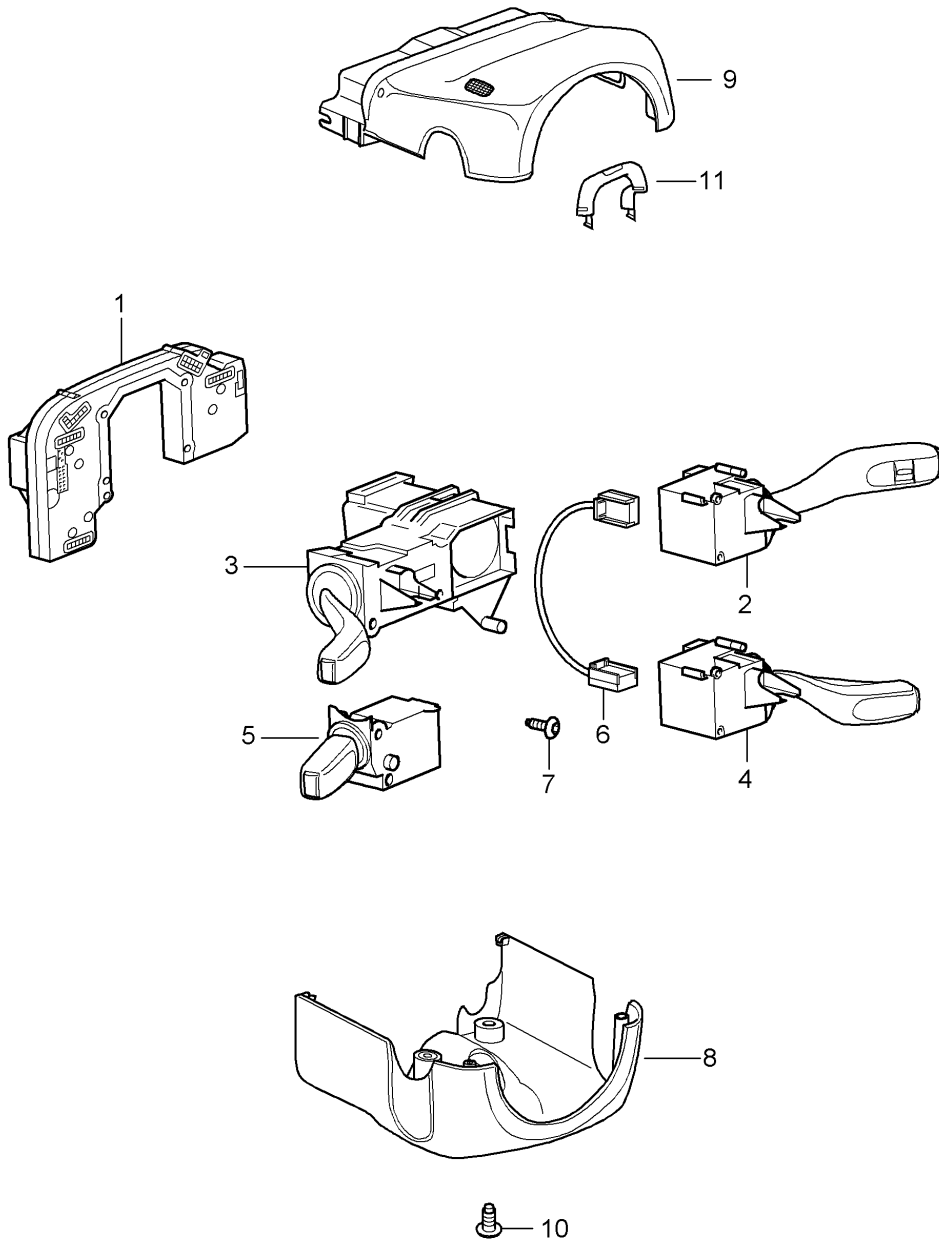
Pos	Part Number	Description	Remark	Qty	Model
1	997 613 535 01	Switch Light switch		1	
2	997 613 535 01 A05	Black mat			
2	987 613 120 02	Hazard warning light sw.		1	
	987 613 120 02 A05	Black mat			
3	987 613 143 00	Switch Central locking system		1	
	987 613 143 00 A05	Black mat			
3	987 613 143 01	Switch Central locking system		1	
	987 613 143 01 A05	Black mat			
4	955 613 165 02	Switch Airbag		1	
	955 613 165 02 9B9	Satin black			
5	997 652 103 00	Clamping ring with Lid		1	
6	955 652 107 00	Plug socket		2	
7	997 653 251 00	Sensor Air conditioner		1	
8	997 613 241 00	Switch Door mirror		1	
	997 613 241 00 A05	Black mat			
8	997 613 241 01	Switch Door mirror		1	
	997 613 241 01 A05	Black mat			
9	997 613 103 00	Memory switch	/L	1	I537
	997 613 103 00 A05	Black mat			
9	997 613 103 01	Memory switch	/L	1	I537
	997 613 103 01 A05	Black mat			
(9)	997 613 104 00	Memory switch	/R	1	I538
	997 613 104 00 A05	Black mat			
10	997 613 151 04	Switch Power windows Driver's side	/LL	1	I098
	997 613 151 04 A05	Black mat			
10	997 613 151 05	Switch Power windows Driver's side	/LL	1	I098
	997 613 151 05 A05	Black mat			
(10)	997 613 152 04	Switch Power windows Driver's side	/RL -07	1	I099
	997 613 152 04 A05	Black mat			
(10)	997 613 152 05	Switch Power windows Driver's side	/RL	1	I099
	997 613 152 05 A05	Black mat			
(10)	997 613 156 04	Switch Power windows Passenger's side	/LL	1	I098
	997 613 156 04 A05	Black mat			
(10)	997 613 156 05	Switch Power windows Passenger's side	/LL	1	I098
	997 613 156 05 A05	Black mat			
(10)	997 613 155 04	Switch Power windows Passenger's side	/RL -07	1	I099
	997 613 155 04 A05	Black mat			
(10)	997 613 155 05	Switch Power windows Passenger's side	/RL 08-	1	I099

Model: 987 06 Model life 2006>>2008

Pos	Part Number	Description	Remark	Qty	Model
11	997 613 155 05 A05 997 641 165 00	Black mat Indicator light Airbag		1	
11	997 641 165 00 A05 997 641 165 01	Black mat Indicator light Airbag		1	
12	997 641 165 01 A05 997 613 139 00	Black mat Combined switch		1	I475/476 I639/640
(12)	997 613 139 00 FMH 997 613 137 00	Volcano Grey/Black Mat Combined switch		1	I476/639/640
(12)	997 613 137 00 FMH 997 613 135 00	Volcano Grey/Black Mat Combined switch		1	I475/476
(12)	997 613 135 00 FMH 997 613 131 00	Volcano Grey/Black Mat Combined switch	07-	1	IXLF/475/476
(12)	997 613 131 00 FMH 997 613 133 00	Volcano Grey/Black Mat Combined switch		1	I476
(12)	997 613 133 00 FMH 997 613 129 00	Volcano Grey/Black Mat Combined switch	07-	1	IXLF/476
13	997 613 129 00 FMH 997 652 101 00	Volcano Grey/Black Mat Cigarette lighter		1	
14	997 652 101 00 A05 997 652 102 00	Black mat Headlight unit		1	
15	997 652 104 00	Clamping ring with Lid		1	
16	987 613 225 00 987 613 225 00 A05	Switch Garage door opener Black mat		1	I607/608
16	987 613 225 01 987 613 225 01 A05	Switch Garage door opener Black mat		1	I607/608
17	997 613 105 01 997 613 105 01 A05	Switch Lid Front and rear Black mat		1	
17	997 613 105 02 997 613 105 02 A05	Switch Lid Front and rear Black mat		1	

Model: 987 06

Model life 2006>>2008



Model: 987 06 Model life 2006>>2008

Pos	Part Number	Description	Remark	Qty	Model
		Steering column switch			
1	997 613 297 02	Electronic unit		1	
1	997 613 297 03	Electronic unit		1	
2	997 613 251 00	Wiper switch		1	
	997 613 251 00 01C	Satin black			
(2)	997 613 253 00	Wiper switch		1	I288
	997 613 253 00 01C	Satin black			
(2)	997 613 255 00	Wiper switch		1	I425
	997 613 255 00 01C	Satin black			
(2)	997 613 257 00	Wiper switch		1	I288/425
	997 613 257 00 01C	Satin black			
3	997 613 245 00	Direction indicator switch		1	
	997 613 245 00 01C	Satin black			
4	997 613 261 00	Switch		1	I454
		Cruise control			
	997 613 261 00 01C	Satin black			
5	997 613 265 00	Switch		1	I659
		On-board computer			
	997 613 265 00 01C	Satin black			
6	997 622 674 00	Wiring harness		1	I454
		Cruise control			
7	N 909 068 01	Torx screw		X	
		M 2,5 X 2,6 X 43,5-D			
8	997 552 475 02	Switch housing		1	
		Lower			
	997 552 475 02 A03	Black			
(8)	997 552 475 03	Switch housing		1	I454
		Lower			
	997 552 475 03 A03	Black			
8	997 552 979 00	Switch housing		1	IXNS
		Lower			
		Leather			
	997 552 979 00 A11	Black			
	997 552 979 00 5X6	Stone grey			
	997 552 979 00 8G2	Sand Beige			
	997 552 979 00 3S9	Sea blue			
	997 552 979 00 4P2	Palmgreen			
	997 552 979 00 9S5	Terracotta			
	997 552 979 00 9V6	Cocoa			
	997 552 979 00 D12	Dark grey/natural			
	997 552 979 00 T12	Brown/natural			
	997 552 979 00 N12	Carrera Red			
(8)	997 552 979 01	Switch housing		1	IXNS/454
		Lower			
		Leather			
	997 552 979 01 A11	Black			
	997 552 979 01 5X6	Stone grey			
	997 552 979 01 8G2	Sand Beige			
	997 552 979 01 3S9	Sea blue			
	997 552 979 01 4P2	Palmgreen			
	997 552 979 01 9S5	Terracotta			
	997 552 979 01 9V6	Cocoa			
	997 552 979 01 D12	Dark grey/natural			
	997 552 979 01 T12	Brown/natural			
	997 552 979 01 N12	Carrera Red			
9	997 552 273 02	Switch housing		1	
		Upper			
	997 552 273 02 A03	Black			
9	997 552 997 00	Switch housing		1	IXNS
		Upper			
		Leather			
	997 552 997 00 A11	Black			
	997 552 997 00 5X6	Stone grey			

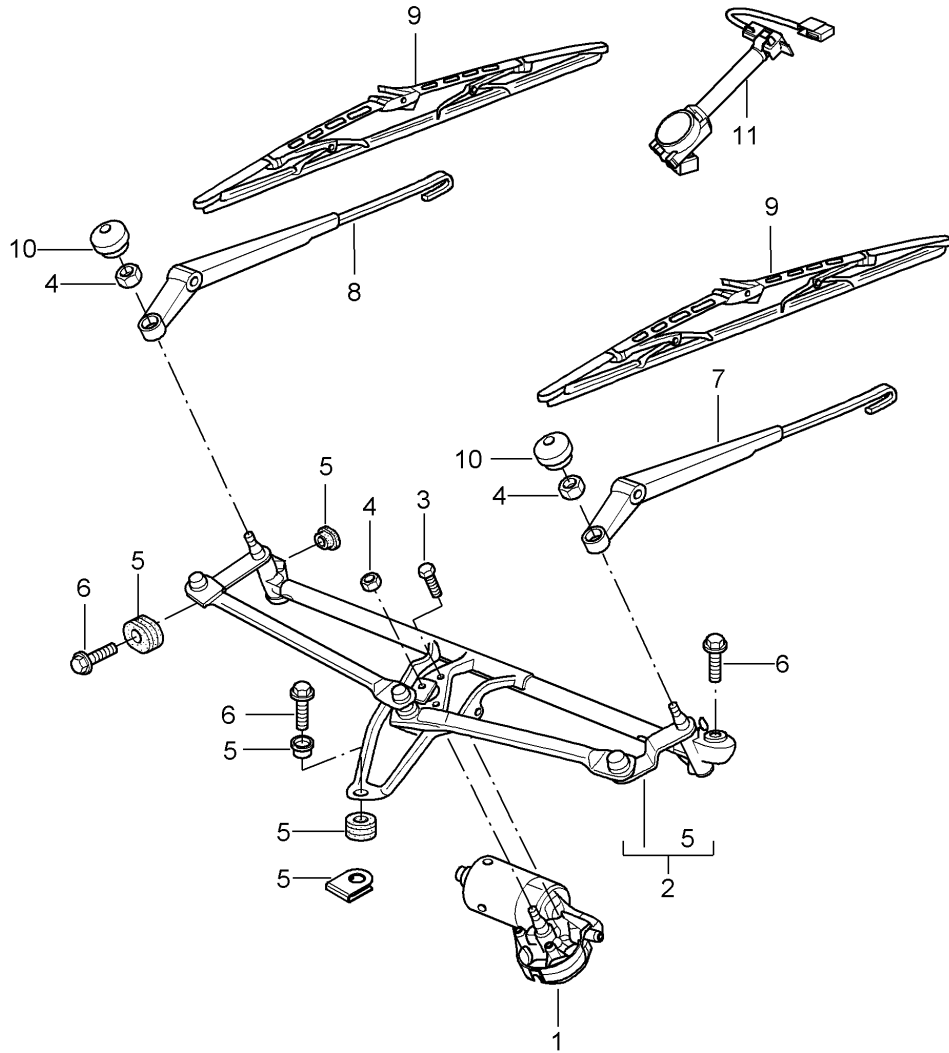
Model: 987 06

Model life 2006>>2008

Pos	Part Number	Description	Remark	Qty	Model
	997 552 997 00 8G2	Sand Beige			
	997 552 997 00 3S9	Sea blue			
	997 552 997 00 4P2	Palmgreen			
	997 552 997 00 9S5	Terracotta			
	997 552 997 00 9V6	Cocoa			
	997 552 997 00 D12	Dark grey/natural			
	997 552 997 00 T12	Brown/natural			
	997 552 997 00 N12	Carrera Red			
10	999 919 136 01	Oval-head screw 3,5 X 18		3	
11	997 610 206 00	Cable guide		1	

Model: 987 06

Model life 2006>>2008

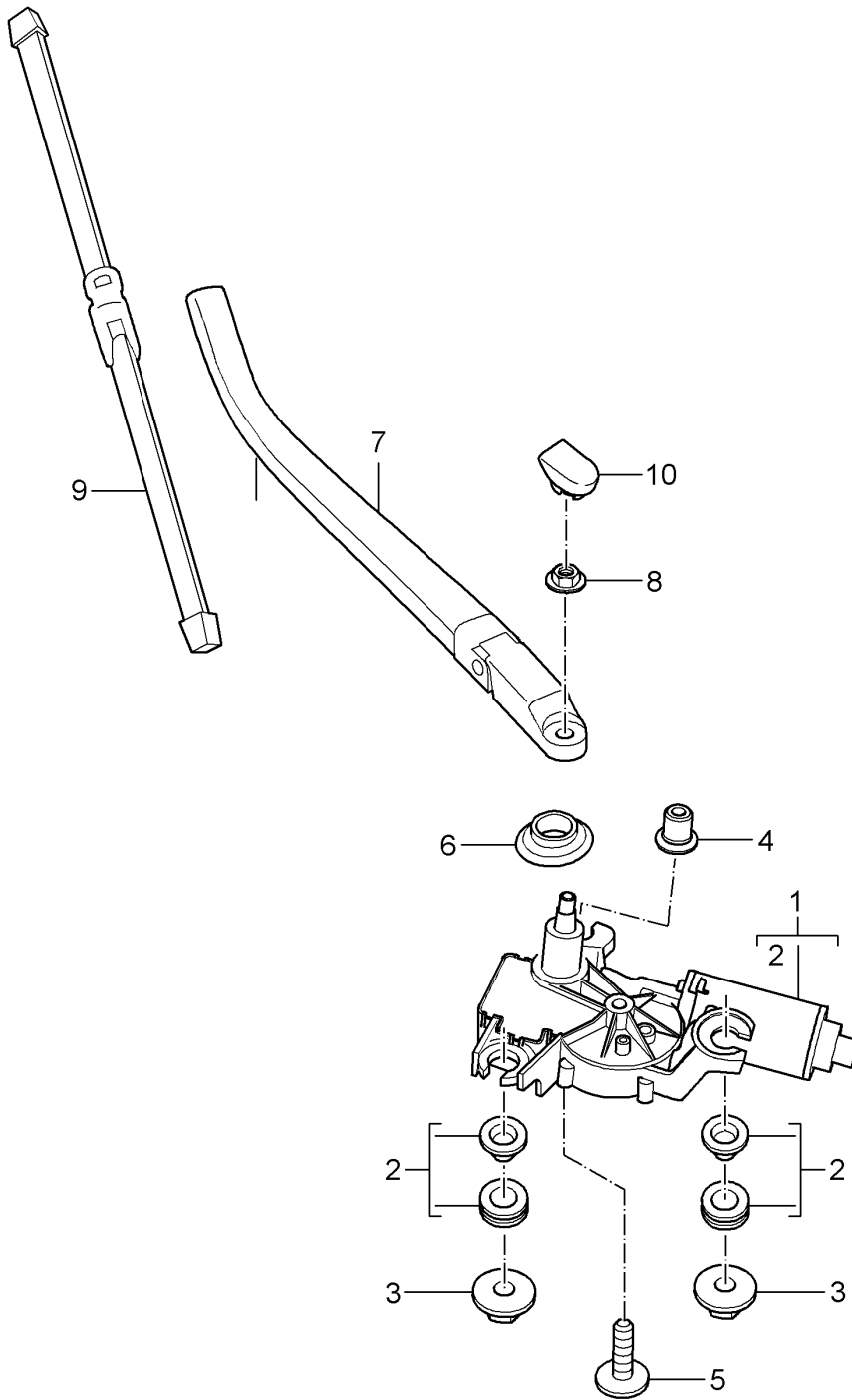


Model: 987 06 Model life 2006>>2008

Pos	Part Number	Description	Remark	Qty	Model
		Windscreen wiper system			
		Rain sensor			
1	997 624 105 01	Wiper motor	/LL	1	I098
(1)	997 624 106 01	Wiper motor	/RL	1	I099
2	997 628 235 01	Crank drive	/LL	1	I098
(2)	997 628 236 00	Crank drive	/RL -07	1	I099
(2)	997 628 236 01	Crank drive	/RL	1	I099
3	999 073 152 02	Torx screw M 6 X 18		3	
4	900 076 064 02	Hexagon nut M 8		3	
5	997 628 928 00	Repair kit		1	
		Comprising:		1	
-		Bearing sleeve		1	
-		Rubber bush		1	
-		Bearing sleeve		1	
-		Rubber bush		1	
-		Clamp		2	
6	999 075 075 01	Combination screw M 6 X 22 SC		3	
7	987 628 027 00	Wiper arm	/LL	1	I098
		Driver's side			
(7)	997 628 030 00	Wiper arm	/RL	1	I099
		Passenger's side			
8	997 628 029 00	Wiper arm	/LL	1	I098
		Passenger's side			
(8)	987 628 028 00	Wiper arm	/RL	1	I099
		Driver's side			
9	996 628 901 08	Wiper blade Set		1	
		Driver's side			
		Passenger's side			
10	944 628 305 01	Cap		2	
11	987 612 693 00	Rain sensor with Wiring harness		1	I267/268
-	000 043 204 65	Adhesive film for Rain sensor		1	

Model: 987 06

Model life 2006>>2008



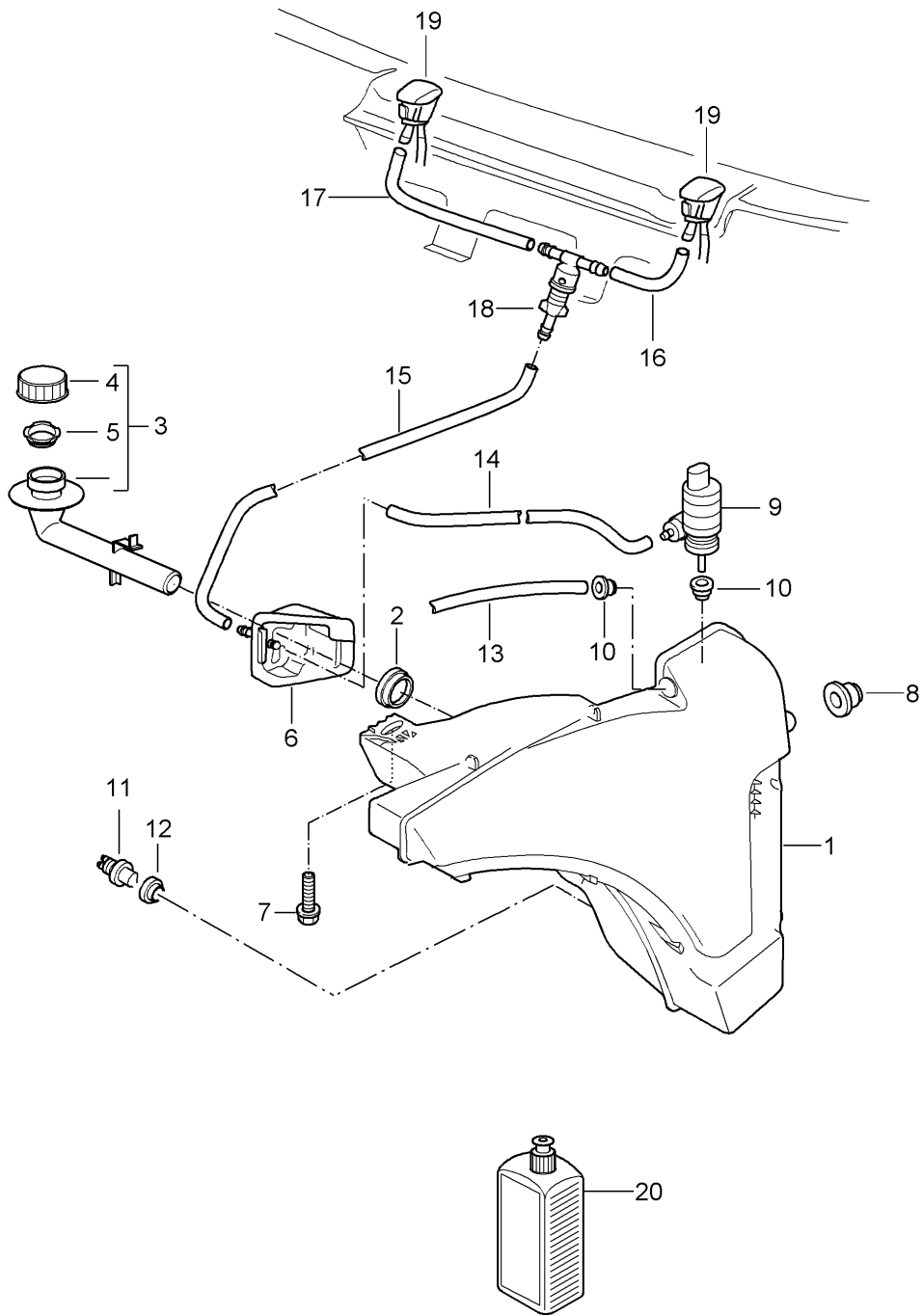
Model: 987 06

Model life 2006>>2008

Pos	Part Number	Description	Remark	Qty	Model
		Rear window wiper			I425
1	987 628 080 00	Wiper motor		1	
2	997 628 908 00	Repair kit		1	
-		Comprising:			
-		Grommet		2	
-		Bush		2	
3	999 076 078 01	Hexagon nut M 6		2	
4	999 500 078 00	Speed nut		1	
5	999 073 468 01	Combination screw M 6 X 22 SC		1	
6	987 628 273 00	Grommet		1	
7	987 628 169 00	Wiper arm		1	
8	900 377 003 03	Hexagon nut		1	
9	997 628 189 00	Wiper blade		1	
10	997 628 122 00	Cap		1	

Model: 987 06

Model life 2006>>2008



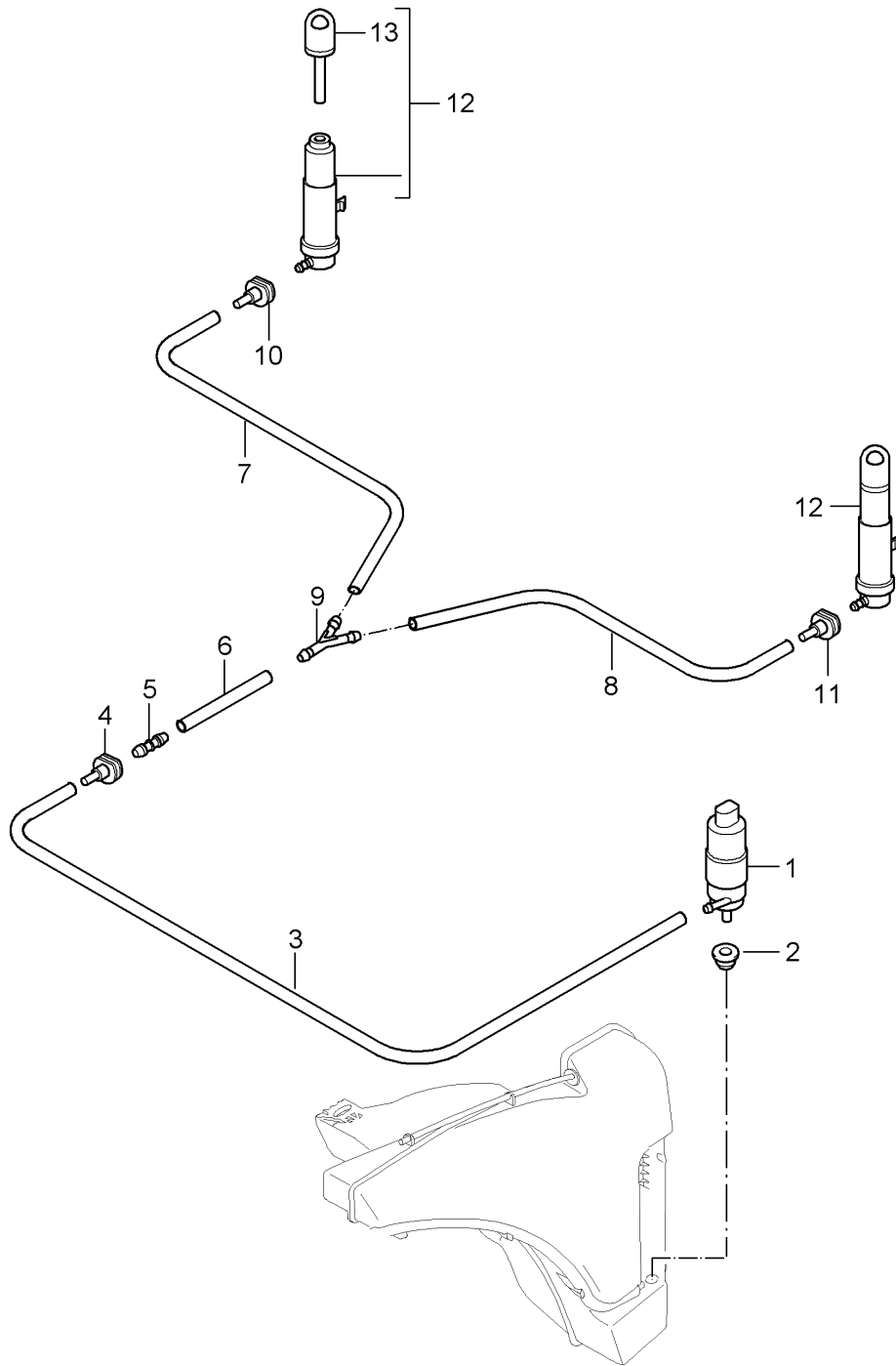
Model: 987 06

Model life 2006>>2008

Pos	Part Number	Description	Remark	Qty	Model
		Windscreen washer system			
1	997 528 701 01	Water reservoir		1	I288
(1)	997 528 701 00	Water reservoir		1	
2	996 528 711 00	Gasket		1	
3	997 528 605 00	Filler neck		1	
4	996 528 607 00	Lid		1	
5	997 528 621 00	Strainer		1	
6	996 528 615 01	Bracket		1	
-	999 137 091 40	Joining socket		X	
		Repair material for Bracket 996.528.615.01			
7	900 378 154 01	Hexagon-head bolt AM 8 X 35 SB		1	
8	999 702 221 40	Grommet		2	
9	997 628 182 00	Pump		1	
10	431 955 465 B	Sealing ring		2	
11	955 628 105 00	Tank gauge switch		1	
12	955 528 721 00	Gasket		1	
13	999 181 347 40	Breather pipe 273 MM		*	
-	999 181 815 40	Hose 5,0 X 2,5		*	
14		375 MM		1	
15		650 MM		1	
16		97 MM		1	
17		347 MM		1	
18	999 137 005 40	T-piece		1	
19	996 628 077 03	Nozzle	-07	2	
19	997 628 077 00	Nozzle	08	2	
20	999 901 017 42	Window cleaner 250 ML Summer		X	

Model: 987 06

Model life 2006>>2008



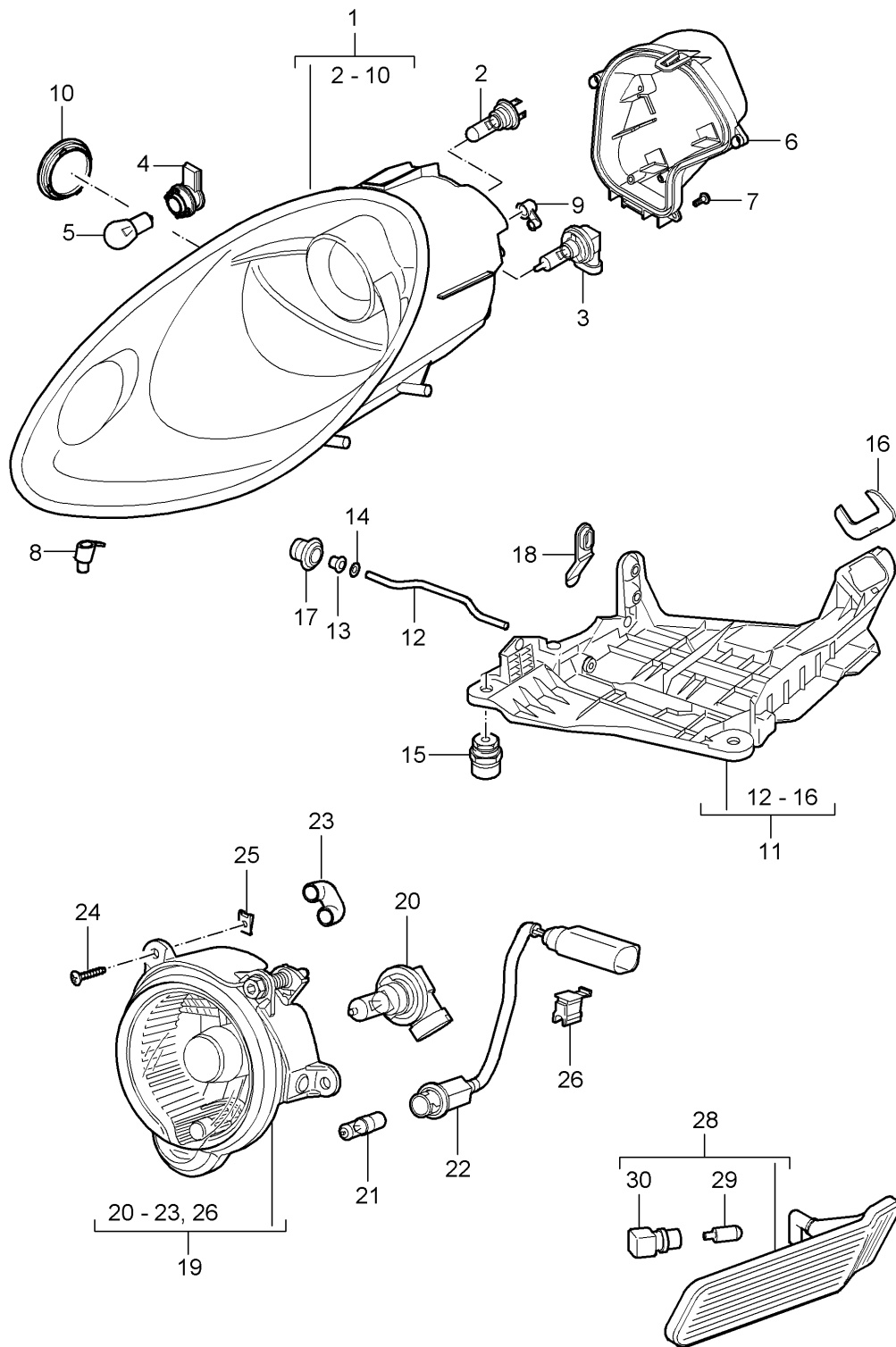
Model: 987 06

Model life 2006>>2008

Pos	Part Number	Description	Remark	Qty	Model
		Headlight washer system			I288
1	997 624 502 00	Pump		1	
2	928 628 193 00	Gasket		1	
-	000 043 204 79	Hose		*	
		8 X 3			
3		890 MM		1	
4	996 628 204 00	Clutch		1	
5	997 628 208 00	Hose connection		1	
-	999 181 760 40	Hose		*	
		10 X 3			
6		440 MM			
7		50 MM			
8		2140 MM			
9	999 137 093 40	Y-piece		1	
10	997 628 204 00	Clutch		1	
11	997 628 205 00	Clutch		1	
12	997 628 133 00	Nozzle	-07	2	
12	997 628 133 01	Nozzle		2	
13	997 628 231 00	Nozzle head		2	

Model: 987 06

Model life 2006>>2008



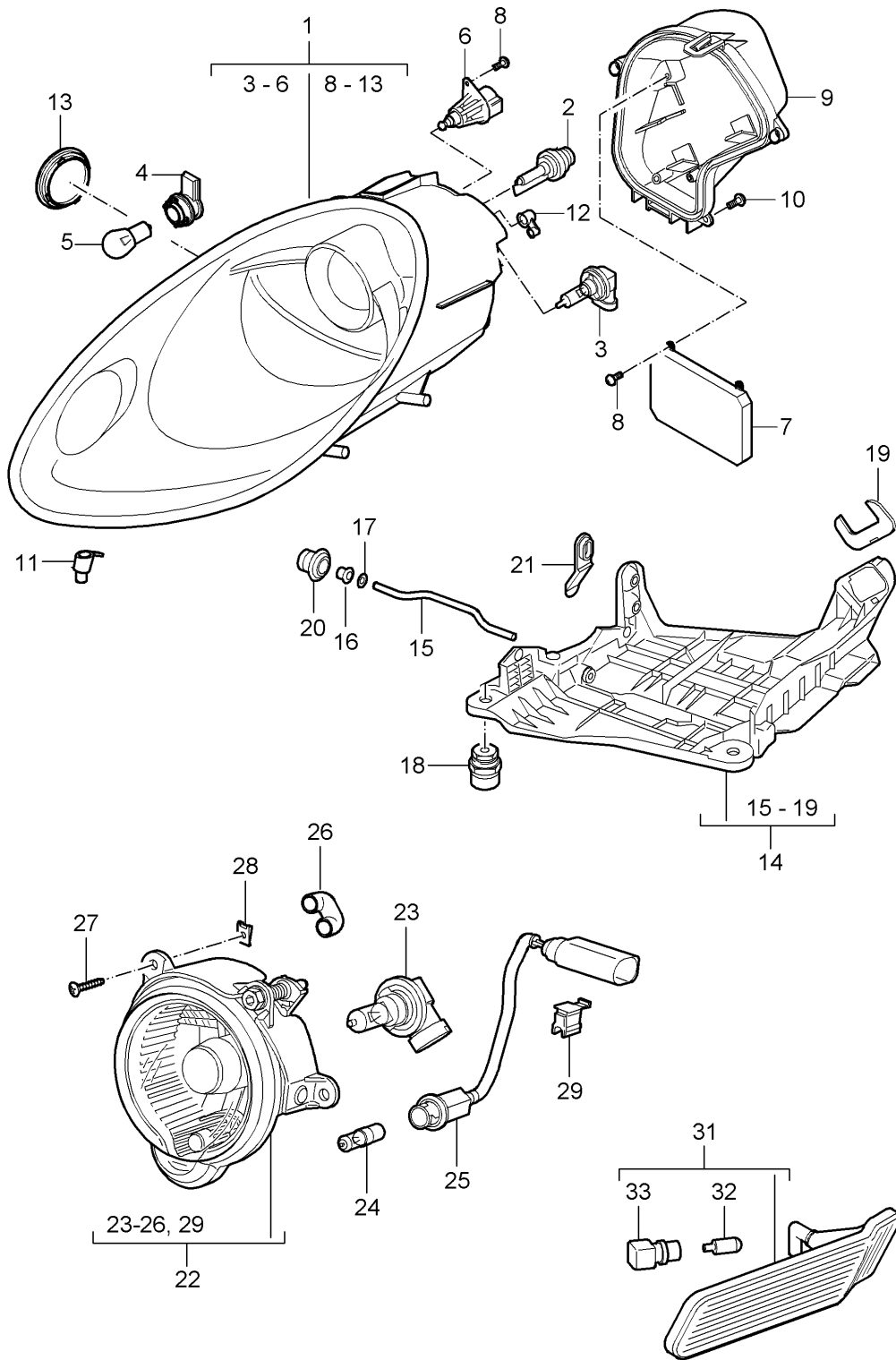
Model: 987 06

Model life 2006>>2008

Pos	Part Number	Description	Remark	Qty	Model
		Headlamp			
		Additional headlamp			
		Direction indicator light			
1	987 631 163 02	Headlamp	/L	1	
(1)	987 631 164 02	Headlamp	/R	1	
(1)	987 631 163 11	Headlamp	/L	1	I492
(1)	987 631 164 11	Headlamp	/R	1	I492
2	999 631 133 91	Halogen bulb H 7		2	
3	999 631 143 90	Halogen bulb H 9		2	
4	987 631 153 00	Bulb socket		2	
		Direction indicator light			
5	900 631 021 90	Bulb 21 W		2	
6	997 631 101 00	Protective cap	/L	1	
(6)	997 631 102 00	Protective cap	/R	1	
7	997 631 191 00	Screw		4	
8	987 631 135 00	Breather adapter		2	
9	997 631 249 00	Ventilation component		2	
10	987 631 107 00	Lid		2	
11	987 631 041 01	Mounting	/L	1	
(11)	987 631 042 01	Mounting	/R	1	
12	987 631 243 01	Clamping bow		2	
13	997 631 272 00	Bearing sleeve		2	
14	900 116 004 09	Lock washer		2	
15	997 631 194 00	Fastening part		6	
15	997 631 194 02	Fastening part		6	
16	997 631 245 00	Locking device		2	
		Connector housing			
17	999 703 413 40	Stopper		2	
18	993 631 170 03	Stopper		6	
		Additional headlamp			
19	987 631 083 01	Additional headlamp	/L	1	
(19)	987 631 084 00	Additional headlamp	/R	1	
(19)	987 631 084 01	Additional headlamp	/R	1	
20	999 631 144 91	Halogen bulb H 11		2	
21	999 631 140 90	Bulb H 6 W		2	
		Position light			
22	987 631 191 01	Bulb socket		2	
		Position light			
23	987 631 302 00	Breather adapter		2	
24	999 073 080 02	Combination screw ST 4,2 X 16		6	
25	999 507 768 02	Speed nut ST 4,2		6	
26	999 507 119 40	Clip		2	
28	987 631 033 02	Direction indicator light	/L	1	
(28)	987 631 034 02	Direction indicator light	/R	1	
29	999 631 138 90	Bulb 5 W Yellow		2	
30	997 631 133 00	Bulb socket		2	

Model: 987 06

Model life 2006>>2008



Model: 987 06

Model life 2006>>2008

Pos	Part Number	Description	Remark	Qty	Model
		Headlamp Additional headlamp Direction indicator light Headlamp without Control unit And Bulb XENON			I601
1	987 631 157 02	Headlamp	/L	1	
(1)	987 631 158 02	Headlamp	/R	1	
(1)	987 631 157 11	Headlamp	/L	1	I492
(1)	987 631 158 11	Headlamp	/R	1	I492
2	999 631 036 90	Bulb - PHILIPS -		2	
3	999 631 144 91	Halogen bulb H 11		2	
4	987 631 153 00	Bulb socket Direction indicator light		2	
5	900 631 021 90	Bulb 21 W		2	
6	997 631 141 00	Electric motor Headlight levelling system		2	
7	997 631 183 00	Control unit		2	
8	997 631 199 00	Screw		6	
9	997 631 101 00	Protective cap	/L	1	
(9)	997 631 102 00	Protective cap	/R	1	
10	997 631 191 00	Screw		8	
11	987 631 135 00	Breather adapter		2	
12	997 631 249 00	Ventilation component		2	
13	987 631 107 00	Lid		2	
14	987 631 041 01	Mounting	/L	1	
(14)	987 631 042 01	Mounting	/R	1	
15	987 631 243 01	Clamping bow		2	
16	997 631 272 00	Bearing sleeve		2	
17	900 116 004 09	Lock washer		2	
18	997 631 194 00	Fastening part		6	
18	997 631 194 02	Fastening part		6	
19	997 631 245 00	Locking device Connector housing		2	
20	999 703 413 40	Stopper		2	
21	993 631 170 03	Stopper		6	
22	987 631 083 01	Additional headlamp	/L	1	
(22)	987 631 084 00	Additional headlamp	/R	1	
(22)	987 631 084 01	Additional headlamp	/R	1	
23	999 631 144 91	Halogen bulb H 11		2	
24	999 631 140 90	Bulb H 6 W		2	
25	987 631 191 01	Position light Bulb socket Position light		2	
26	987 631 302 00	Breather adapter		2	
27	999 073 080 02	Combination screw ST 4,2 X 16		6	
28	999 507 768 02	Speed nut ST 4,2		6	
29	999 507 119 40	Clip		2	
31	987 631 033 02	Direction indicator light	/L	1	
(31)	987 631 034 02	Direction indicator light	/R	1	
32	999 631 138 90	Bulb 5 W		2	

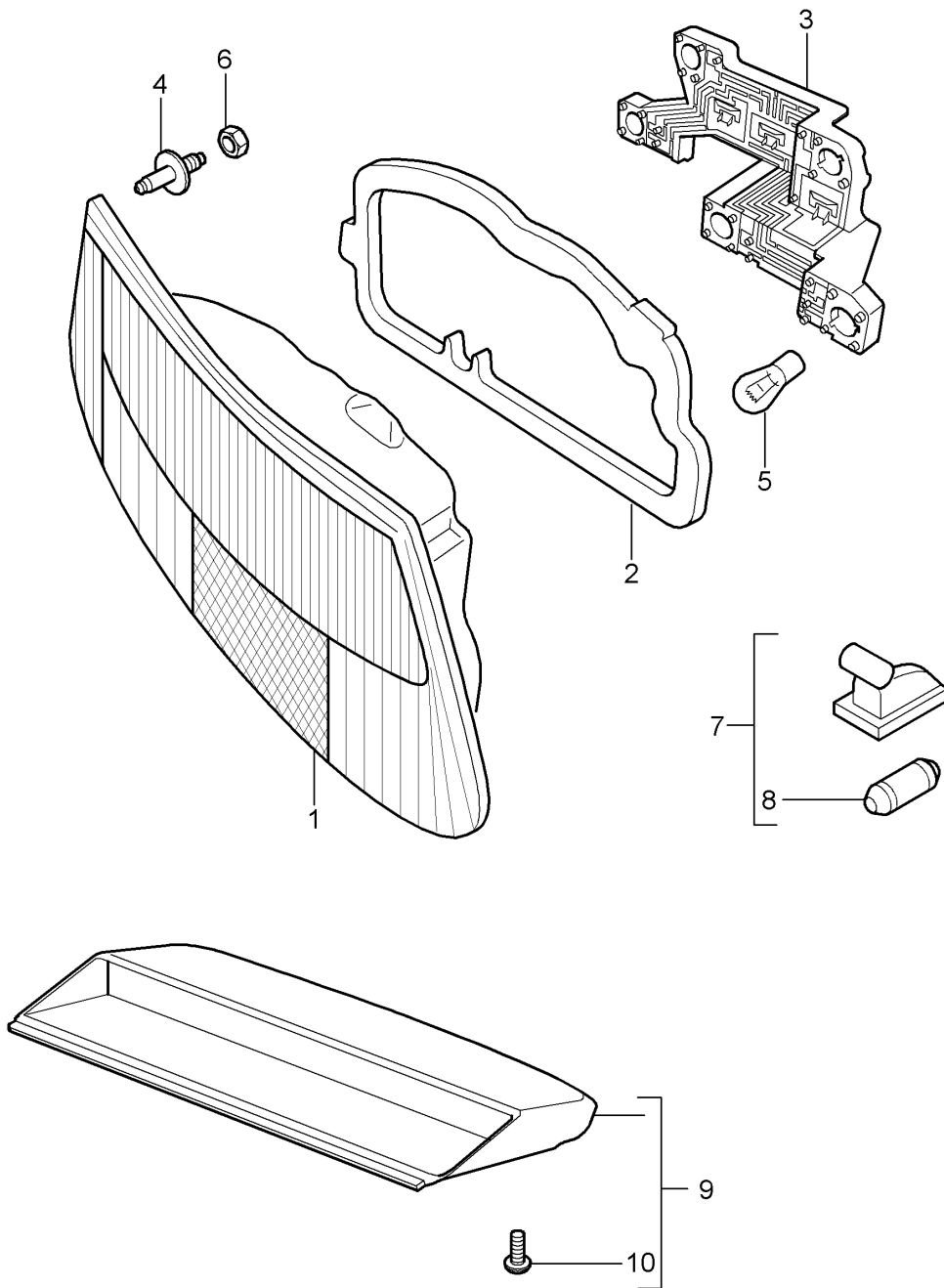
Model: 987 06

Model life 2006>>2008

Pos	Part Number	Description	Remark	Qty	Model
33	997 631 133 00	Yellow Bulb socket		2	

Model: 987 06

Model life 2006>>2008



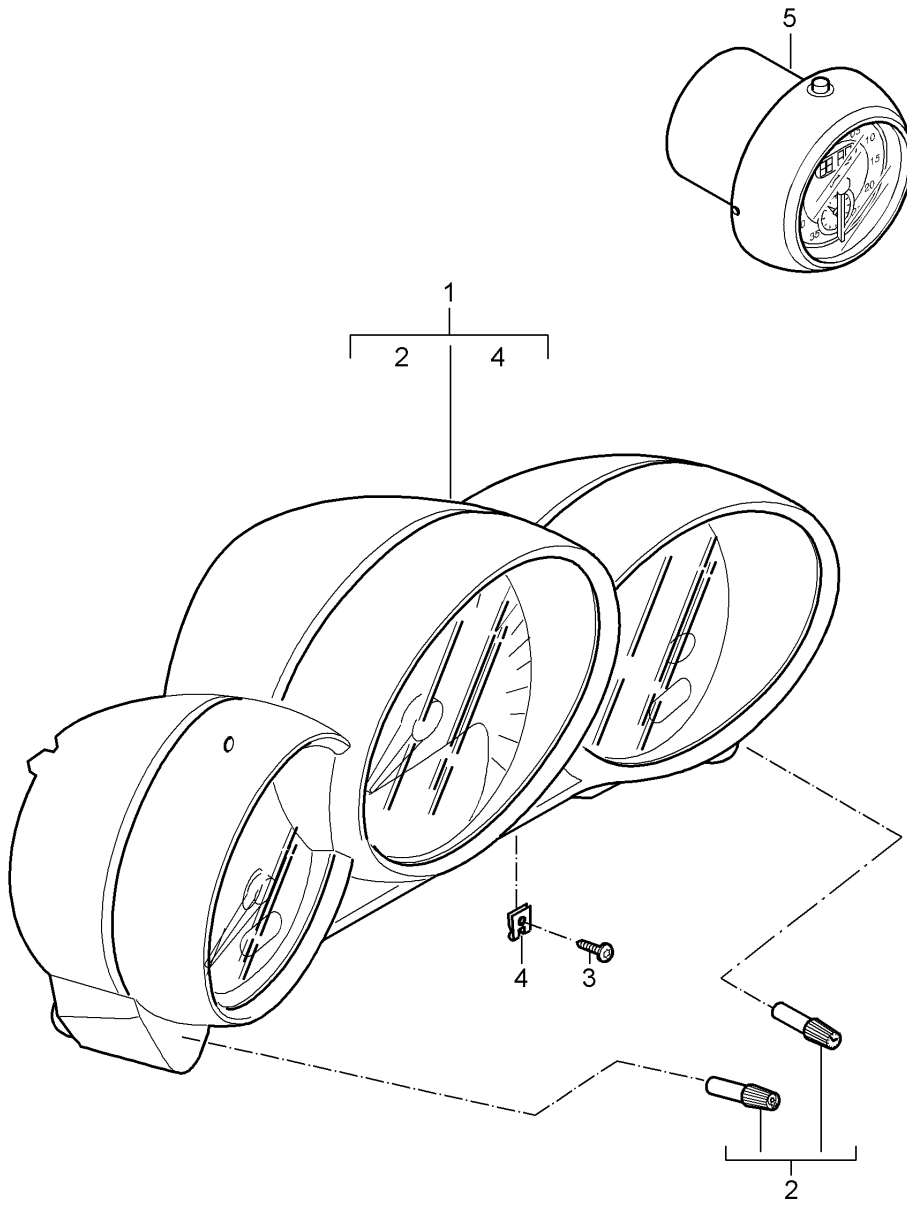
Model: 987 06

Model life 2006>>2008

Pos	Part Number	Description	Remark	Qty	Model
		Rear light			
		License plate light			
		Additional brake light			
1	987 631 445 03	Tail light housing	/L	1	
(1)	987 631 446 03	Tail light housing	/R	1	
(1)	987 631 981 00	Rear light	/L 08	1	IXXF
		Complete			
(1)	987 631 982 00	Rear light	/R 08	1	IXXF
		Complete			
2	987 631 440 00	Gasket		2	
3	987 631 453 02	Bulb holder	/L	1	
(3)	987 631 454 02	Bulb holder	/R	1	
4	987 631 087 00	Actuator		6	
5	900 631 022 90	Bulb		1	
		21/5 W			
		Tail light			
5	900 631 018 90	Bulb		1	
		21 W			
		White			
		Back-up light			
5	900 631 021 90	Bulb		1	
		21 W			
		Yellow			
		Direction indicator light			
5	900 631 017 90	Bulb		1	
		21/4 W			
		Rear fog light			
		Tail light			
5	900 631 017 91	Bulb		1	
		21/4 W			
		Brake light			
		Tail light			
6	999 076 056 01	Hexagon nut		6	
		M 5			
7	997 631 620 01	License plate light		2	
7	997 631 620 02	License plate light		2	
8	900 631 025 90	Bulb		2	
		12V 5W			
9	987 631 051 03	Additional brake light		1	
10	999 919 236 02	Oval-head screw		2	
		5,0 X 14,0			

Model: 987 06

Model life 2006>>2008



Model: 987 06 Model life 2006>>2008

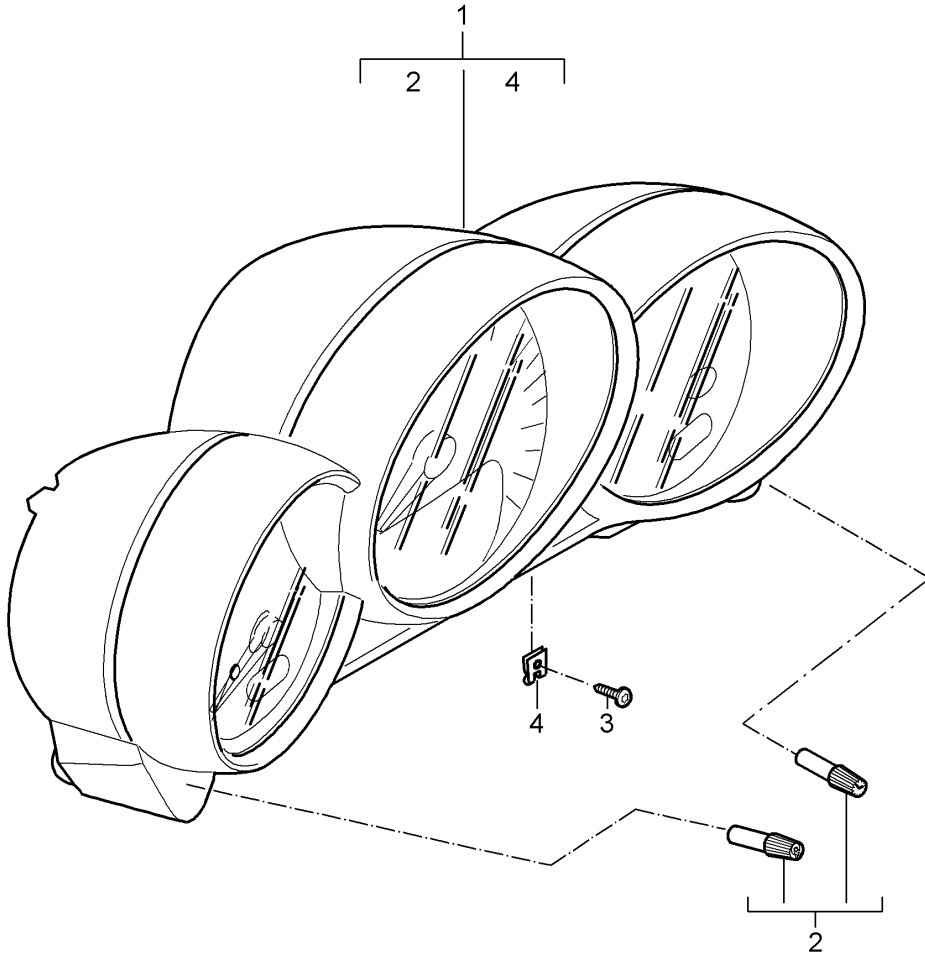
Pos	Part Number	Description	Remark	Qty	Model
		Instruments Stopwatch See technical information GR. 9 NR. 5/09 KD - NR. 9025 for Cayman			
1	987 641 105 32	Instrument cluster Complete		1	I480/481
	987 641 105 32 D07	Volcano grey			
(1)	987 641 106 32	Instrument cluster Complete		1	I249
	987 641 106 32 D07	Volcano grey			
1	987 641 107 32	Instrument cluster Complete	(GB)	1	I480 I481
	987 641 107 32 D07	Volcano grey			
(1)	987 641 108 32	Instrument cluster Complete	(GB)	1	I249
	987 641 108 32 D07	Volcano grey for Cayman S			
(1)	987 641 115 32	Instrument cluster Complete		1	I480
	987 641 115 32 D07	Volcano grey			
(1)	987 641 145 00	Instrument cluster Complete	08	1	I480/755
	987 641 145 00 D07	Volcano grey			
(1)	987 641 116 32	Instrument cluster Complete		1	I249
	987 641 116 32 D07	Volcano grey			
(1)	987 641 146 00	Instrument cluster Complete	08	1	I249/755
	987 641 146 00 D07	Volcano grey			
(1)	987 641 117 30	Instrument cluster Complete	(GB) -07	1	I480
	987 641 117 30 D07	Volcano grey			
(1)	987 641 117 32	Instrument cluster Complete	(GB)	1	I480
	987 641 117 32 D07	Volcano grey			
(1)	987 641 147 00	Instrument cluster Complete	(GB) 08	1	I480 I755
	987 641 147 00 D07	Volcano grey			
(1)	987 641 118 32	Instrument cluster Complete	(GB)	1	I249
	987 641 118 32 D07	Volcano grey			
(1)	987 641 148 00	Instrument cluster Complete	(GB) 08	1	I249 I755
	987 641 148 00 D07	Volcano grey			
(1)	987 641 165 00	Instrument cluster	08	1	I480/758
	987 641 165 00 M7Z	GT Silver Metallic			
(1)	987 641 166 00	Instrument cluster	08	1	I249/758
	987 641 166 00 M7Z	GT Silver Metallic			
(1)	987 641 167 00	Instrument cluster	(GB) 08	1	I480 I758
	987 641 167 00 M7Z	GT Silver Metallic			
(1)	987 641 168 00	Instrument cluster Complete	(GB) 08	1	I249 I758
	987 641 168 00 M7Z	GT Silver Metallic			
2	997 641 911 00	Knob		1	

Model: 987 06 Model life 2006>>2008

Pos	Part Number	Description	Remark	Qty	Model
		Actuator			
		Trip meter			
		And			
		Clock			
3	999 073 155 09	Tapping screw		2	
		4,2 X 19			
4	999 507 403 02	U-clamp		2	
		12,5			
		Stopwatch			
5	987 641 301 23	Stopwatch		1	CAYMAN I025/639/640
	987 641 301 23 V05	Galvano silver			
(5)	987 641 301 23	Stopwatch	08	1	CAYMAN S I025/639/640
	987 641 301 23 V05	Galvano silver			
5	987 641 301 26	Stopwatch		1	CAYMAN I025/639/640
	987 641 301 26 V05	Galvano silver			
(5)	987 641 301 26	Stopwatch	08	1	CAYMAN S I025/639/640
	987 641 301 26 V05	Galvano silver			
(5)	987 641 311 26	Stopwatch		1	CAYMAN S I026/639/640
	987 641 311 26 V05	Galvano silver			

Model: 987 06

Model life 2006>>2008



Model: 987 06 Model life 2006>>2008

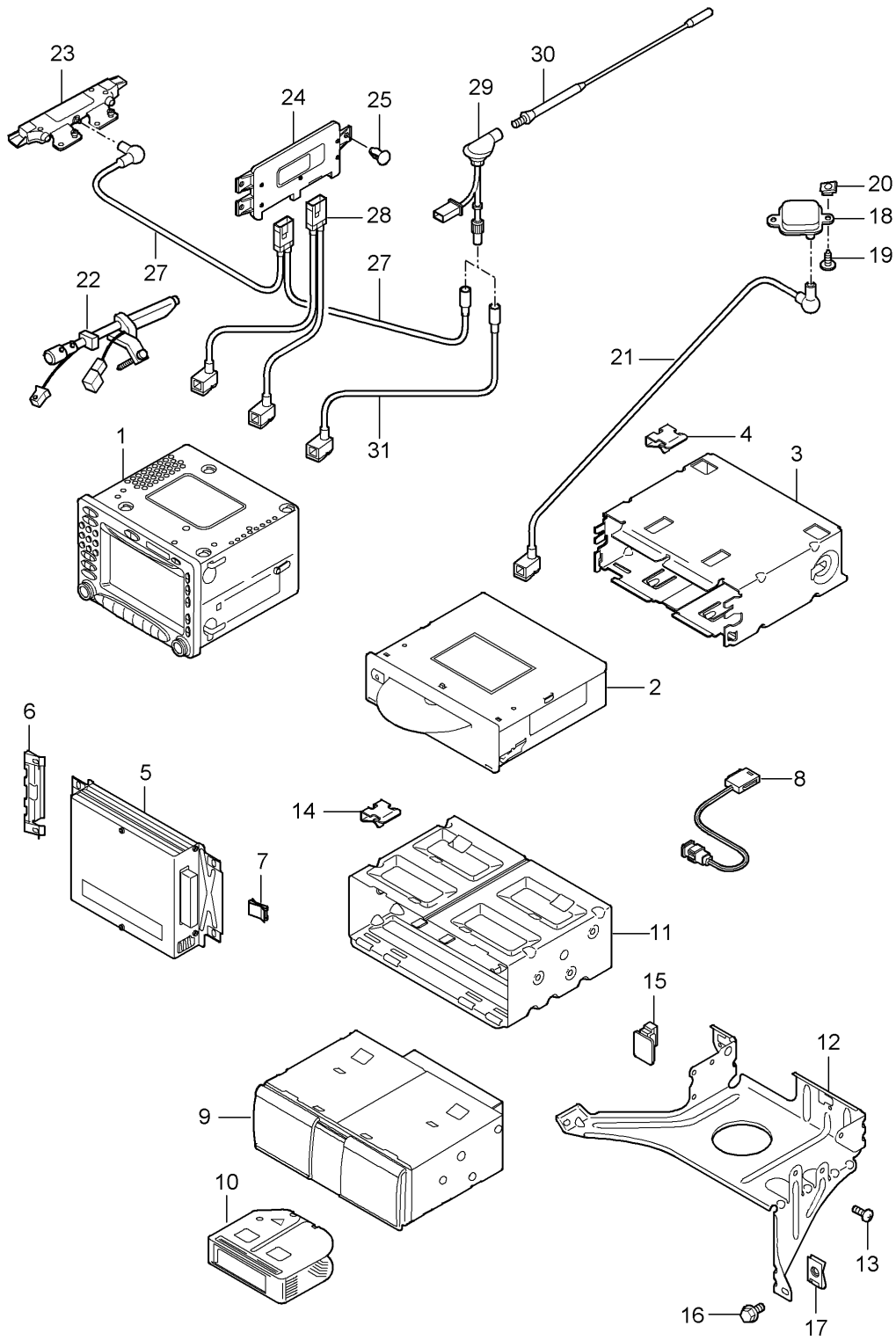
Pos	Part Number	Description	Remark	Qty	Model
		Instruments Exclusive programme See technical information GR. 9 NR. 5/09 KD - NR. 9025 for Cayman			
1	987 641 980 45	Instrument cluster Complete Dial Lacquered		1	I480/481
	987 641 980 45 5Z1	Sand Beige			IXFD
	987 641 980 45 8X8	Terracotta			IXFE
	987 641 980 45 T13	Brown/natural			IXFF
	987 641 980 45 84A	Guards red			IXFG
	987 641 980 45 12H	Speed yellow			IXFH
	987 641 980 45 B9A	Carrara white			IXFJ
(1)	987 641 980 46	Instrument cluster Complete Dial Lacquered		1	I249
	987 641 980 46 5Z1	Sand Beige			IXFD
	987 641 980 46 8X8	Terracotta			IXFE
	987 641 980 46 T13	Brown/natural			IXFF
	987 641 980 46 84A	Guards red			IXFG
	987 641 980 46 12H	Speed yellow			IXFH
	987 641 980 46 B9A	Carrara white			IXFJ
1	987 641 980 47	Instrument cluster Complete Dial Lacquered	(GB)	1	I480 I481
	987 641 980 47 5Z1	Sand Beige			IXFD
	987 641 980 47 8X8	Terracotta			IXFE
	987 641 980 47 T13	Brown/natural			IXFF
	987 641 980 47 84A	Guards red			IXFG
	987 641 980 47 12H	Speed yellow			IXFH
	987 641 980 47 B9A	Carrara white			IXFJ
(1)	987 641 980 48	Instrument cluster Complete Dial Lacquered	(GB)	1	I249
	987 641 980 48 5Z1	Sand Beige			IXFD
	987 641 980 48 8X8	Terracotta			IXFE
	987 641 980 48 T13	Brown/natural			IXFF
	987 641 980 48 84A	Guards red			IXFG
	987 641 980 48 12H	Speed yellow			IXFH
	987 641 980 48 B9A	Carrara white			IXFJ
1	987 641 980 55	for Cayman S Instrument cluster Complete Dial Lacquered		1	I480
	987 641 980 55 5Z1	Sand Beige			IXFD
	987 641 980 55 8X8	Terracotta			IXFE
	987 641 980 55 T13	Brown/natural			IXFF
	987 641 980 55 84A	Guards red			IXFG
	987 641 980 55 12H	Speed yellow			IXFH
	987 641 980 55 B9A	Carrara white			IXFJ
(1)	987 641 980 56	Instrument cluster Complete Dial		1	I249

Model: 987 06 Model life 2006>>2008

Pos	Part Number	Description	Remark	Qty	Model
	987 641 980 56 5Z1	Lacquered Sand Beige			IXFD
	987 641 980 56 8X8	Terracotta			IXFE
	987 641 980 56 T13	Brown/natural			IXFF
	987 641 980 56 84A	Guards red			IXFG
	987 641 980 56 12H	Speed yellow			IXFH
	987 641 980 56 B9A	Carrara white			IXFJ
1	987 641 980 57	Instrument cluster Complete Dial Lacquered	(GB)	1	I480
	987 641 980 57 5Z1	Sand Beige			IXFD
	987 641 980 57 8X8	Terracotta			IXFE
	987 641 980 57 T13	Brown/natural			IXFF
	987 641 980 57 84A	Guards red			IXFG
	987 641 980 57 12H	Speed yellow			IXFH
	987 641 980 57 B9A	Carrara white			IXFJ
(1)	987 641 980 58	Instrument cluster Complete Dial Lacquered	(GB)	1	I249
	987 641 980 58 5Z1	Sand Beige			IXFD
	987 641 980 58 8X8	Terracotta			IXFE
	987 641 980 58 T13	Brown/natural			IXFF
	987 641 980 58 84A	Guards red			IXFG
	987 641 980 58 12H	Speed yellow			IXFH
	987 641 980 58 B9A	Carrara white			IXFJ
2	997 641 911 00	Knob Actuator Trip meter And Clock		1	
3	999 073 155 09	Tapping screw 4,2 X 19		2	
4	999 507 403 02	U-clamp		2	

Model: 987 06

Model life 2006>>2008



Model: 987 06

Model life 2006>>2008

Pos	Part Number	Description	Remark	Qty	Model
1	997 642 141 02 997 642 141 02 FMH	Radio Booster Navigation system Radio See catalogue Tequipment Control part Volcano Grey/Black Mat F >>986U7 77190 See technical information GR. 9 , NR. 13/05		1	I665
(1)	997 642 141 03 997 642 141 03 FMH	Control part Volcano Grey/Black Mat F >>986U7 77190 See technical information GR. 9 , NR. 13/05		1	I665
1	997 642 143 02 997 642 143 02 FMH	Control part Volcano Grey/Black Mat F >>986U7 77190 See technical information GR. 9 , NR. 13/05		1	I665/680
1	997 642 143 03 997 642 143 03 FMH	Control part Volcano Grey/Black Mat F >>986U7 77190 See technical information GR. 9 , NR. 13/05		1	I665/680
1	997 642 141 10 997 642 141 10 FMH	Control part Volcano Grey/Black Mat F 986U7 77191>>		1	I665
1	997 642 143 10 997 642 143 10 FMH	Control part Volcano Grey/Black Mat F 986U7 77191>>		1	I665/680
-	997 642 201 00 997 642 201 00 A05	Rotary knob Black mat for Control part	/L	1	
-	997 642 202 00 997 642 202 00 A05	Rotary knob Black mat for Control part	/R	1	
-	997 642 941 00	Cover Drawer SIM card for Control part		1	
-	900 187 038 02	Tapping screw ST 4,2 X 19 for Mount Radio And Control part		1	
2	997 642 137 02	Centre console DVD device Navigation system F >>986U7 77190		1	I670/672
2	997 642 157 00	DVD device Navigation system F 986U7 77191>>		1	I670/672
-	997 642 255 03	DVD Navigation system F >>986U7 77190		1	I610
-	997 642 259 02	DVD		1	I611

Model: 987 06

Model life 2006>>2008

Pos	Part Number	Description	Remark	Qty	Model
-	997 642 261 02	Navigation system F >>986U7 77190 DVD		1	I612
-	997 642 263 02	Navigation system F >>986U7 77190 DVD		1	I613
-	997 642 265 02	Navigation system F >>986U7 77190 DVD		1	I614
-	997 642 265 03	Navigation system F >>986U7 77190 DVD		1	I614
-	997 642 255 04	Navigation system F >>986U7 77190 DVD	-06	1	I610
-	997 642 259 03	Navigation system F 986U7 77191>> DVD	-06	1	I611
-	997 642 261 03	Navigation system F 986U7 77191>> DVD	-06	1	I612
-	997 642 263 03	Navigation system F 986U7 77191>> DVD	-06	1	I613
-	997 642 265 04	Navigation system F 986U7 77191>> DVD	-06	1	I614
-	997 642 267 03	Navigation system F 986U7 77191>> DVD	-06	1	I616
-	997 642 255 05	Navigation system DVD	07	1	I610
-	997 642 255 06	Navigation system DVD	08	1	I610
-	997 642 259 04	Navigation system DVD	07	1	I611
-	997 642 259 05	Navigation system DVD	08	1	I611
-	997 642 261 04	Navigation system DVD	07	1	I612
-	997 642 261 05	Navigation system DVD	08	1	I612
-	997 642 263 04	Navigation system DVD	07	1	I613
-	997 642 263 05	Navigation system DVD	08	1	I613
-	997 642 265 05	Navigation system DVD	07	1	I614
-	997 642 265 06	Navigation system DVD	08	1	I614
-	997 642 267 04	Navigation system DVD	07	1	I616
-	997 642 267 05	Navigation system DVD	08	1	I616
-	997 642 148 02	Navigation system CD-ROM Logbook		1	I641
3	997 642 231 00	Support DVD device		1	I670/672
4	997 645 342 01	U-clamp		4	
5	987 645 331 01	Booster		1	I490
(5)	997 645 334 32	Booster	06	1	I680

Model: 987 06 Model life 2006>>2008

Pos	Part Number	Description	Remark	Qty	Model
(5)	997 645 334 33	Note coding Booster	06-	1	I680
6	997 645 340 00	Note coding Fastening clamp		1	I490/680
7	999 507 532 01	U-clamp		2	I490/680
8	997 646 307 02	Microphone		1	I680
(8)	997 646 307 01	Microphone		1	I618/666/680
-	997 610 233 00	Cable guide Microphone	-07	1	
-	997 610 233 01	Cable guide Microphone	08	1	
9	997 645 140 03	CD changer CDC 4 Adjustment Installation Attention		1	I692
10	996 645 113 00	Magazine CD changer		1	I692
11	997 645 222 00	Support		1	I692
12	997 645 221 00	Support		1	I664/692
13	900 146 024 01	Round head screw M 5 X 8		6	I692
14	997 645 342 01	U-clamp		4	I692
15	999 703 501 40	Fastening part		2	I664/692
16	900 378 179 09	Hexagon-head bolt M 6 X 16		2	I664/692
17	999 507 766 02	Speed nut M 6		2	I664/692
18	997 642 105 00	Antenna GPS		1	I670/672
19	999 073 210 00	Tapping screw 4,8 X 13		1	I670/672
20	999 507 441 01	Speed nut 4,8		1	I670/672
21	997 612 060 25	Connecting line Antenna DVD device Navigation system		1	I670/672
22	987 647 105 00	Antenna booster Radio		1	I441/694
-	987 612 052 50	Connecting line Antenna booster Radio		1	I441/694
23	997 647 117 00	Antenna booster	/L	1	I440
(23)	997 647 118 00	Antenna booster	/R	1	I440
24	997 647 124 00	Control unit		1	I440
25	999 591 904 40	Fastening part		2	I440
27	997 612 066 00	Connecting line Antenna booster Control unit	/LL	1	I098/461/665
(27)	997 612 066 50	Connecting line Antenna booster Control unit	/RL	1	I099/461/665
(27)	997 612 055 00	Connecting line Antenna booster Control unit	/LL	1	I098/665
(27)	997 612 056 00	Connecting line Antenna booster Control unit	/RL	1	I099/665
(27)	997 612 062 50	Connecting line Antenna booster Control unit		1	I461/694
(28)	997 612 058 00	Connecting line		1	I665/694

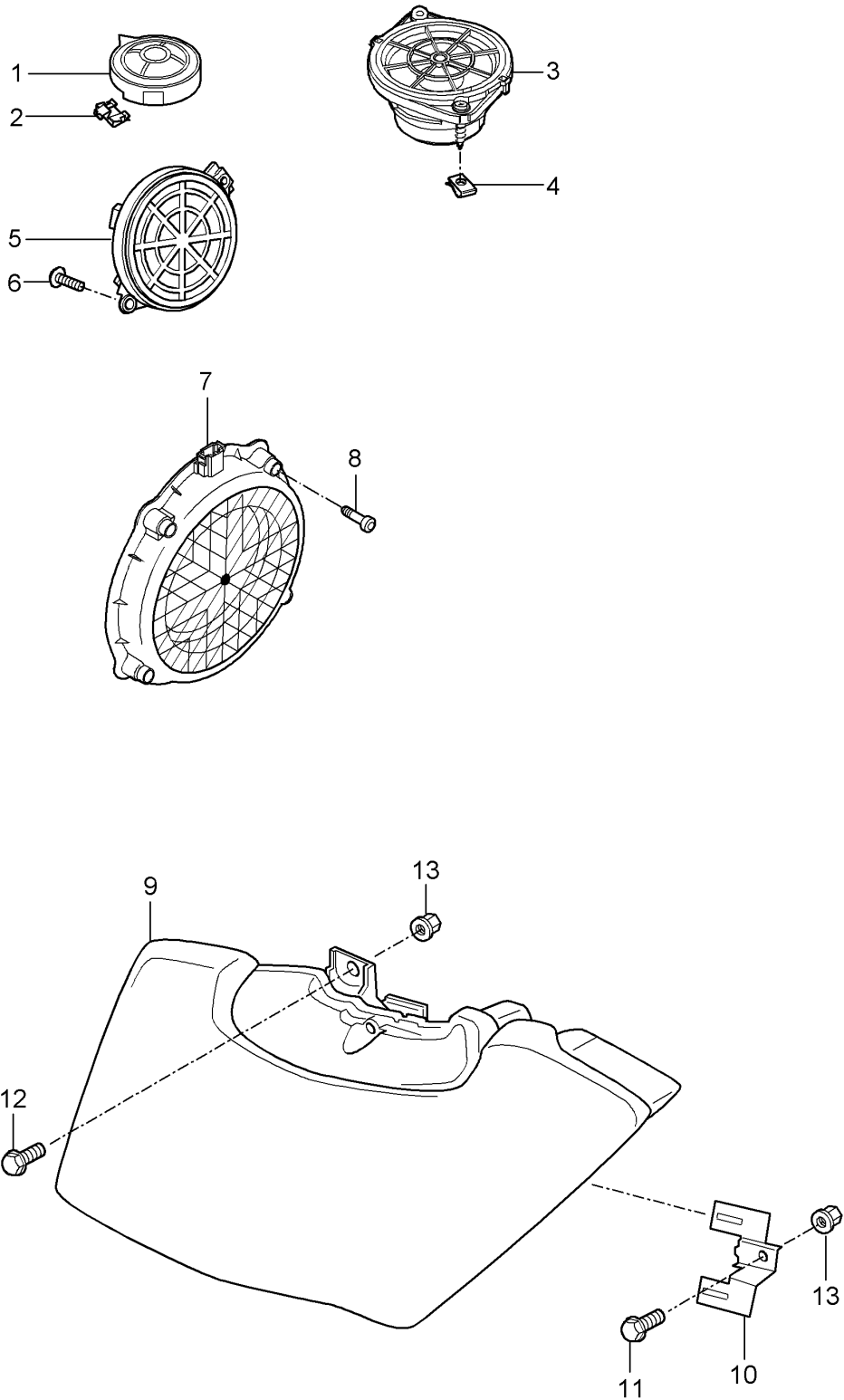
Model: 987 06

Model life 2006>>2008

Pos	Part Number	Description	Remark	Qty	Model
		Control unit			
		Control part			I665
		Or			
		Radio			I694
29	997 647 221 00	Antenna base		1	I461
30	997 647 223 00	Antenna rod		1	I461
31	997 612 068 00	Connecting line	/LL	1	I098/461/694
		Antenna base			
		Radio			
(31)	997 612 068 50	Connecting line	/RL	1	I099/461/694
		Antenna base			
		Radio			
(31)	997 612 067 01	Connecting line		1	I461
		Antenna base			
		Power supply			

Model: 987 06

Model life 2006>>2008

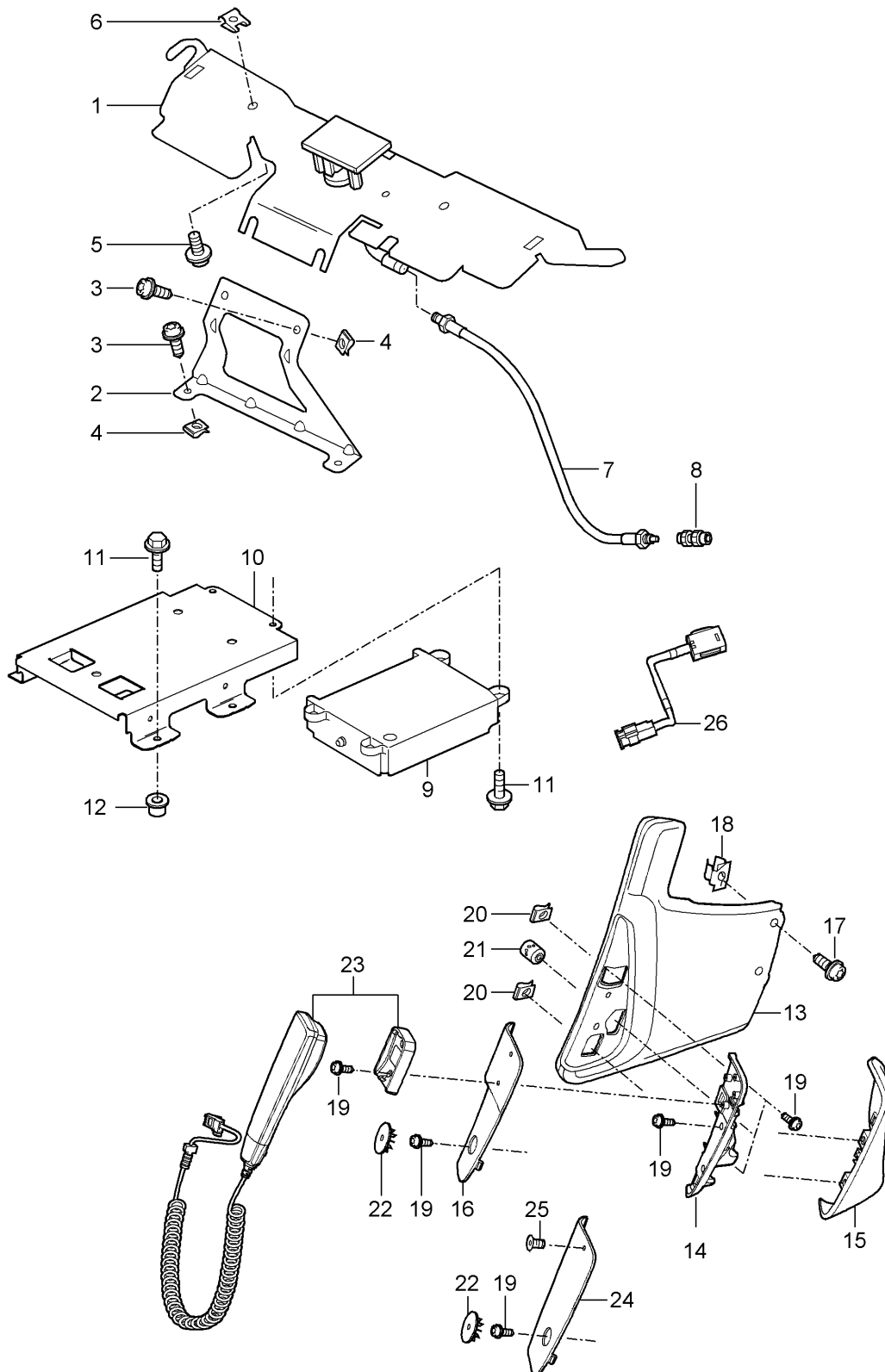


Model: 987 06 Model life 2006>>2008

Pos	Part Number	Description	Remark	Qty	Model
1	997 645 021 00	Loudspeaker Tweeter Dashboard		2	I441/490
(1)	997 645 025 00	Tweeter Dashboard		2	I680
2	999 591 303 01	U-clamp		4	
3	997 645 033 00	Loudspeaker Dashboard Centre		1	I490
(3)	997 645 035 00	Loudspeaker Dashboard Centre		1	I680
4	999 507 971 01	Speed nut 4,2		4	
5	997 645 543 00	Mid-range loudspeaker Door And Rear		4	I490
(5)	997 645 545 00	Mid-range loudspeaker Door And Rear		4	I680
6	999 919 164 09	Oval-head screw 5,0 X 12		8	
7	997 645 551 00	Woofers		2	I441
7	997 645 553 00	Woofers		2	I490
(7)	997 645 555 00	Woofers		2	I680
8	900 067 012 03	Pan-head screw M 6 X 30 Subwoofer		8	
9	997 645 566 00	Subwoofer	/LL	1	I098/680
	997 645 566 00 A10	Black			
	997 645 566 00 B10	Stone grey			
	997 645 566 00 T10	Sand Beige			
	997 645 566 00 E10	Sea blue			
	997 645 566 00 J10	Palmgreen			
	997 645 566 00 M10	Terracotta			
	997 645 566 00 R10	Cocoa			
	997 645 566 00 D11	Dark grey/natural			
	997 645 566 00 T11	Brown/natural			
	997 645 566 00 N10	Carrera Red			
(9)	997 645 567 00	Subwoofer	/RL	1	I099/680
	997 645 567 00 A10	Black			
	997 645 567 00 B10	Stone grey			
	997 645 567 00 T10	Sand Beige			
	997 645 567 00 E10	Sea blue			
	997 645 567 00 J10	Palmgreen			
	997 645 567 00 M10	Terracotta			
	997 645 567 00 R10	Cocoa			
	997 645 567 00 D11	Dark grey/natural			
	997 645 567 00 T11	Brown/natural			
	997 645 567 00 N10	Carrera Red			
10	997 645 569 00	Support		2	I680
11	900 378 035 01	Hexagon-head bolt M 6 X 16		2	I680
12	999 073 223 01	Combination screw M 6 X 25		1	I680
13	999 500 069 01	Blind rivet nut M 6		3	I680

Model: 987 06

Model life 2006>>2008



Model: 987 06 Model life 2006>>2008

Pos	Part Number	Description	Remark	Qty	Model
		Telephone			I618/666
1	997 647 125 01	Antenna	/LL	1	I098
(1)	997 647 126 01	Antenna	/RL	1	I099
2	997 647 127 00	Support	/LL	1	I098
(2)	997 647 128 00	Support	/RL	1	I099
3	999 073 236 0A	Oval-head screw M 5 X 12 - Z2		4	
4	999 507 550 01	Speed nut M 5		4	
5	999 073 210 00	Tapping screw 4,8 X 13		2	
6	999 507 441 01	Speed nut 4,8		2	
7	997 612 061 00	Connecting line		1	I618
(7)	997 612 989 05	Connecting line		1	I666
8	964 646 318 00	Adapter plug		1	I618
9	997 646 208 13	Control unit Telephone F >>986U7 77190		1	I666
9	997 646 209 00	Control unit Telephone F 986U7 77191>>		1	I666
10	997 642 216 00	Support		1	I618/666
11	900 378 035 01	Hexagon-head bolt M 6 X 16		4	I618/666
12	999 500 078 00	Speed nut M 6	06	2	I618/666
(12)	999 507 766 02	Speed nut M 6	07-	2	I618/666
13	997 553 118 07	Cover Lateral	/LL	1	I098
	997 553 118 07 FSA	Black/grey			
	997 553 118 07 FSB	Stone grey/stone grey			
	997 553 118 07 FSC	Sand beige/sand beige			
	997 553 118 07 FSD	Sea blue/grey			
	997 553 118 07 FSE	Palmgreen/palmgreen			
	997 553 118 07 FSF	Terracotta/terracotta			
	997 553 118 07 FSG	Cocoa/Cocoa			
	997 553 118 07 FSH	Darkgrey natural/grey			
	997 553 118 07 FSJ	Brown nat./brown nat.			
	997 553 118 07 FSP	Carrera Red/Carrera Red			
(13)	997 553 117 07	Cover Lateral	/RL	1	I099
	997 553 117 07 FSA	Black/grey			
	997 553 117 07 FSB	Stone grey/stone grey			
	997 553 117 07 FSC	Sand beige/sand beige			
	997 553 117 07 FSD	Sea blue/grey			
	997 553 117 07 FSE	Palmgreen/palmgreen			
	997 553 117 07 FSF	Terracotta/terracotta			
	997 553 117 07 FSG	Cocoa/Cocoa			
	997 553 117 07 FSH	Darkgrey natural/grey			
	997 553 117 07 FSJ	Brown nat./brown nat.			
	997 553 117 07 FSP	Carrera Red/Carrera Red			
14	997 553 520 00	Adapter	/LL	1	I098
(14)	997 553 519 00	Adapter	/RL	1	I099
15	997 553 418 01	Cover	/LL	1	I098
	997 553 418 01 A11	Black			
	997 553 418 01 5X6	Stone grey			
	997 553 418 01 8G2	Sand Beige			
	997 553 418 01 3S9	Sea blue			
	997 553 418 01 4P2	Palmgreen			
	997 553 418 01 9S5	Terracotta			
	997 553 418 01 9V6	Cocoa			

Model: 987 06 Model life 2006>>2008

Pos	Part Number	Description	Remark	Qty	Model
(15)	997 553 418 01 D12	Dark grey/natural			
	997 553 418 01 T12	Brown/natural			
	997 553 418 01 N12	Carrera Red			
	997 553 417 01	Cover	/RL	1	I099
	997 553 417 01 A11	Black			
	997 553 417 01 5X6	Stone grey			
	997 553 417 01 8G2	Sand Beige			
	997 553 417 01 3S9	Sea blue			
	997 553 417 01 4P2	Palmgreen			
	997 553 417 01 9S5	Terracotta			
	997 553 417 01 9V6	Cocoa			
	997 553 417 01 D12	Dark grey/natural			
	997 553 417 01 T12	Brown/natural			
	997 553 417 01 N12	Carrera Red			
16	997 553 522 00	Mounting plate	/LL	1	I098/668
(16)	997 553 522 00 01C	Satin black			
	997 553 521 00	Mounting plate	/RL	1	I099/668
17	997 553 521 00 01C	Satin black			
	999 073 226 09	Tapping screw 4,2 X 16		2	
18	999 591 508 01	Captive nut 4,2		2	
19	999 073 155 09	Tapping screw 4,2 X 13		7	
20	999 507 028 01	Speed nut 4,2		2	
21	999 507 645 02	Threaded piece 4,2		1	
22	997 553 751 00	Cap		1	
23	997 553 751 00 01C	Satin black			
	996 642 212 02	Receiver Telephone		1	I668
24	997 553 522 01	Mounting plate	/LL	1	I098/618
	997 553 522 01 01C	Satin black			
(24)	997 553 521 01	Mounting plate	/RL	1	I099/618
	997 553 521 01 01C	Satin black			
25	999 919 230 00	Countersunk-head screw 3 X 10		1	I618
26	997 646 307 00	Microphone		1	I618/666
(26)	997 646 307 01	Microphone		1	I618/666/680
(26)	997 646 309 00	Microphone	08	1	I675
-	997 610 233 00	Cable guide Microphone	-07	1	
-	997 610 233 01	Cable guide Microphone	08	1	