

Model: 987209**Model life 2009>>2012**

ORDER-INFO

PET CONTAINS THE ORDERING DETAILS FOR ALL MODELS SHOWN IN THE MODEL OVERVIEW.

THE UPDATE SERVICE IS PERFORMED AUTOMATICALLY VIA INTERNET UPDATE.
THE VERSION IS SHOWN IN THE HEADER AS "UPDATE 123/12"

SEATS AND RELATED ITEMS FOR MODELS INTRODUCED BEFORE 1997 ARE SHOWN IN THE STZ CATALOGUE.

SEATS AND RELATED ITEMS FOR MODELS INTRODUCED AFTER 1997 ARE SHOWN IN THE CORRESPONDING VEHICLE CATALOGUES.

ALL ILLUSTRATIONS ARE NON-BINDING.
SUBJECT TO CHANGE.

Model: 987209

Model life 2009>>2012

EXPLANAT.- VIN

EXPLANATION OF THE ABRIDGED VERSION OF THE VEHICLE IDENT. NUMBERS (VIN)
 =====
 USED IN THE CATALOGUE
 =====

DIGIT:		1	2	3	4	5	6	7	8	9	10	11	12	13	14	15	16	17
--------	--	---	---	---	---	---	---	---	---	---	----	----	----	----	----	----	----	----

EXAMPLE:		W	P	0	Z	Z	Z	9	9	Z	5	S	7	0	0	1	2	5
----------	--	---	---	---	---	---	---	---	---	---	---	---	---	---	---	---	---	---

								===		=	=	=							=====
								!		!	!	!							!

VEHICLE TYPE 1ST+2ND DIGIT-----+																			!
----------------------------------	--	--	--	--	--	--	--	--	--	--	--	--	--	--	--	--	--	--	---

MODEL YEAR-----+																			!
------------------	--	--	--	--	--	--	--	--	--	--	--	--	--	--	--	--	--	--	---

MANUFACTURING LOCATION-----+																			!
------------------------------	--	--	--	--	--	--	--	--	--	--	--	--	--	--	--	--	--	--	---

VEHICLE TYPE 3RD DIGIT-----+																			!
------------------------------	--	--	--	--	--	--	--	--	--	--	--	--	--	--	--	--	--	--	---

SERIAL NUMBER-----+																			!
---------------------	--	--	--	--	--	--	--	--	--	--	--	--	--	--	--	--	--	--	---

Model: 987209

Model life 2009>>2012

SUMMARY TYPES

VEHICLE TYPE	MY	VIN	ENGINE TYPE
CAYMAN	09 9	989S7 50061>60000	MA1.20C 195 KW
CAYMAN	09 9	989U7 50061>60000	MA1.20C 195 KW
CAYMAN (USA, CN, CDN, MEX, BR)	09 9	989S7 60061>70000	MA1.20C 195 KW
CAYMAN (USA, CN, CDN, MEX, BR)	09 9	989U7 60061>70000	MA1.20C 195 KW
CAYMAN "S"	09 9	989S7 70061>80000	MA1.21C 236 KW
CAYMAN "S"	09 9	999U7 70061>80000	MA1.21C 236 KW
CAYMAN S (USA, CN, CDN, MEX, BR)	09 9	989S7 80061>90000	MA1.21C 236 KW
CAYMAN S (USA, CN, CDN, MEX, BR)	09 9	989U7 80061>90000	MA1.21C 236 KW
CAYMAN	10 A	98AS7 50061>60000	MA1.20C 195 KW
CAYMAN	10 A	98AU7 50061>60000	MA1.20C 195 KW
CAYMAN (CN, MEX, BR)	10 A	98AS7 60061>70000	MA1.20C 195 KW
CAYMAN (USA, CDN)	10 A	A8AS7 60061>70000	MA1.20C 195 KW
CAYMAN (CN, MEX, BR)	10 A	98AU7 60061>70000	MA1.20C 195 KW
CAYMAN (USA, CDN)	10 A	A8AU7 60061>70000	MA1.20C 195 KW
CAYMAN "S"	10 A	98AS7 70061>80000	MA1.21C 235 KW
CAYMAN "S"	10 A	98AU7 70061>80000	MA1.21C 235 KW
CAYMAN S (CN, MEX, BR)	10 A	98AS7 80061>90000	MA1.21C 235 KW
CAYMAN S (USA, CDN)	10 A	A8AS7 80061>90000	MA1.21C 235 KW
CAYMAN S (CN, MEX, BR)	10 A	98AU7 80061>90000	MA1.21C 235 KW
CAYMAN S (USA, CDN)	10 A	A8AU7 80061>90000	MA1.21C 235 KW
CAYMAN	11 B	98BS7 50061>60000	MA1.20C 195 KW
CAYMAN	11 B	98BU7 50061>60000	MA1.20C 195 KW
CAYMAN (CN, MEX, BR)	11 B	98BS7 60061>70000	MA1.20C 195 KW
CAYMAN (USA, CDN)	11 B	A8BS7 60061>70000	MA1.20C 195 KW
CAYMAN (CN, MEX, BR)	11 B	98BU7 60061>70000	MA1.20C 195 KW
CAYMAN (USA, CDN)	11 B	A8BU7 60061>70000	MA1.20C 195 KW
CAYMAN "S"	11 B	98BS7 70061>80000	MA1.21C 235 KW
CAYMAN "S"	11 B	98BU7 70061>80000	MA1.21C 235 KW
CAYMAN S (CN, MEX, BR)	11 B	98BS7 80061>90000	MA1.21C 235 KW
CAYMAN S (USA, CDN)	11 B	A8BS7 80061>90000	MA1.21C 235 KW
CAYMAN S (CN, MEX, BR)	11 B	98BU7 80061>90000	MA1.21C 235 KW
CAYMAN S (USA, CDN)	11 B	A8BU7 80061>90000	MA1.21C 235 KW

Model: 987209

Model life 2009>>2012

SUMMARY TYPES

VEHICLE TYPE	MY	VIN	ENGINE TYPE	
CAYMAN R	12	C 98CS7 90061>92000	MA1.21R	243 KW
CAYMAN R	12	C 98CS7 90061>92000	MA1.21R	243 KW
CAYMAN R (CN,MEX,BR)	12	C 98CS7 92061>94000	MA1.21R	243 KW
CAYMAN R (USA,CDN)	12	C A8CS7 92061>94000	MA1.21R	243 KW
CAYMAN R (CN,MEX,BR)	12	C 98CS7 92061>94000	MA1.21R	243 KW
CAYMAN R (USA,CDN)	12	C A8CS7 92061>94000	MA1.21R	243 KW
CAYMAN	12	C 98CS7 50061>60000	MA1.20C	195 KW
CAYMAN	12	C 98CU7 50061>60000	MA1.20C	195 KW
CAYMAN (CN,MEX,BR)	12	C 98CS7 60061>70000	MA1.20C	195 KW
CAYMAN (USA,CDN)	12	C A8CS7 60061>70000	MA1.20C	195 KW
CAYMAN (CN,MEX,BR)	12	C 98CU7 60061>70000	MA1.20C	195 KW
CAYMAN (USA,CDN)	12	C A8CU7 60061>70000	MA1.20C	195 KW
CAYMAN "S"	12	C 98CS7 70061>80000	MA1.21C	235 KW
CAYMAN "S"	12	C 98CU7 70061>80000	MA1.21C	235 KW
CAYMAN S (CN,MEX,BR)	12	C 98CS7 80061>90000	MA1.21C	235 KW
CAYMAN S (USA,CDN)	12	C A8CS7 80061>90000	MA1.21C	235 KW
CAYMAN S (CN,MEX,BR)	12	C 98CU7 80061>90000	MA1.21C	235 KW
CAYMAN S (USA,CDN)	12	C A8CU7 80061>90000	MA1.21C	235 KW

Model: 987209

Model life 2009>>2012

SUMMARY ENGINES

VEHICLE TYPE	ENGINE			TECHNICAL DATA
	TYPE	MY	ENGINE NO.	
CAYMAN	MA1.20	09 9	C_9 00501>99999	6ZYL/2,9L /195 KW
CAYMAN "S"	MA1.21	09 9	C_9 00501>99999	6ZYL/3,4L /235 KW
CAYMAN	MA1.20	10 A	C_A 00501>99999	6ZYL/2,9L /195 KW
CAYMAN "S"	MA1.21	10 A	C_A 00501>99999	6ZYL/3,4L /235 KW
CAYMAN	MA1.20	11 B	C_B 00501>99999	6ZYL/2,9L /195 KW
CAYMAN "S"	MA1.21	11 B	C_B 00501>99999	6ZYL/3,4L /235 KW
CAYMAN	MA1.20	12 C	C_C 00501>99999	6ZYL/2,9L /195 KW
CAYMAN "S"	MA1.21	12 C	C_C 00501>99999	6ZYL/3,4L /235 KW
CAYMAN "R"	MA1.21	12 C	R_C 00501>99999	6ZYL/3,4L /243 KW

Model: 987209

Model life 2009>>2012

EXPL. TRANSM. NO.

EXPLANATION OF THE TRANSMISSION-NUMBERS USED IN THE CATALOGUE

=====

DIGIT:	1	2	3	4	5	6	7	8	9	10	11
EXAMPLE:	G	9	7	0	1	1	0	0	5	4	3
	=	=====				=	=====				
	!		!			!			!		!
	!		!			!			!		!
TRANSMISSION TYPE-----+			!			!			!		!
			!			!			!		!
TRANSMISSION VERSION-----+						!			!		!
						!			!		!
INDEX OF VARIANTS-----+									!		!
									!		!
SERIAL NUMBER-----+											!

Model: 987209

Model life 2009>>2012

SUMM. TRANSMISS.

VEHICLE TYPE	TRANSM.		TRANSMISSION NO.	TECHNICAL DATA
	TYPE	MY		
CAYMAN	G87.10	09 9	G8710 1 002001>999999	6-GANG
CAYMAN PDK	CG2.00	09 9	CG200 1 002001>999999	7-GANG
CAYMAN "S"	G87.40	09 9	G8740 1 002001>999999	6-GANG
CAYMAN "S" PDK	CG2.20	09 9	CG220 1 002001>999999	7-GANG
CAYMAN	G87.10	10 A	G8710 1 002001>999999	6-GANG
CAYMAN PDK	CG2.00	10 A	CG200 1 002001>999999	7-GANG
CAYMAN "S"	G87.40	10 A	G8740 1 002001>999999	6-GANG
CAYMAN "S" PDK	CG2.20	10 A	CG220 1 002001>999999	7-GANG
CAYMAN	G87.10	11 B	G8710 1 002001>999999	6-GANG
CAYMAN PDK	CG2.00	11 B	CG200 1 002001>999999	7-GANG
CAYMAN "S"	G87.40	11 B	G8740 1 002001>999999	6-GANG
CAYMAN "S" PDK	CG2.20	11 B	CG220 1 002001>999999	7-GANG
CAYMAN	G87.10	12 C	G8710 1 002001>999999	6-GANG
CAYMAN PDK	CG2.00	12 C	CG200 1 002001>999999	7-GANG
CAYMAN S / R	G87.40	12 C	G8740 1 002001>999999	6-GANG
CAYMAN S / R PDK	CG2.20	12 C	CG220 1 002001>999999	7-GANG

Model: 987209

Model life 2009>>2012

LEGENDS/NOTICES

LEGENDS AND NOTICES

=====

IN COLUMN -S- STATUS

- N NEW ADDITION
- P PART ALREADY IN PROGRAMME, BUT NEW AT THIS APPLICATION
- W DELETED AT THIS APPLICATION, BUT CONTINUED TO BE CARRIED
- K RACING PART: MARKETED FROM WEISSACH EMW
- A STOCK TO BE USED UP
- U DELETED WITHOUT REPLACEMENT
- * PART ALSO OR ONLY AVAILABLE IN REPAIR KIT
- > ALSO AVAILABLE IN EXCHANGE

IN COLUMN - ILL. -

- 1 IDENTIFICATION NO. IN ILLUSTRATION
- (1) PART ONLY SIMILAR AS ILLUSTRATED
- PART IS NOT ILLUSTRATED

FIG.-NUMBERS FOR WHICH THERE IS SHOWN NO TEXT ARE NOT VALID FOR THIS EDITION OF CATALOGUE

IN COLUMN -PART NUMBER/CODE-

000 000 000 00 PART NUMBER EQUALS ORDERING NO., IF A CODE IS SHOWN, IT WILL HAVE TO BE PART OF ORDERING NUMBER

01C COLOUR CODE

IN COLUMN -TEXT

INSTALLATION WITH ENGINE OR CHASSIS NUMBER-RANGE

EXAMPLE:

M 66W 00389>>

FROM ENGINE NO.

Model: 987209

Model life 2009>>2012

F >>99WS6 00889 UP TO CHASSIS NO.

Model: 987209

Model life 2009>>2012

LEGENDS/NOTICES

IN COLUMN - QU - = NO. OF PIECES

1 NUMBER PER APPLICATION

X NUMBER AS NEEDED

* AVAILABLE ONLY IN RUNNING LENGTHS 1 = 1 METRE

IN COLUMN - MODEL/SYMBOL -

I650 OPTIONAL EQUIPMENT - SEE I-NO. LIST
-I650 COMPONENT NOT VALID FOR THIS I-NO.

-98 LIMITATION OF MODEL YEAR FOR INSTANCE: VALID UP TO
END OF MODEL YEAR 1997

/LL LHD

/RL RHD

-----+
/V FRONT I
I

/H REAR I
I----> APPLIES TO

/L LEFT I DIRECTION OF TRAVEL
I

/R RIGHT I
-----+

WW THE PART CAN BE USED INSTEAD OF THE
PRECEDING ONE.

Model: 987209

Model life 2009>>2012

COUNTRY-EQIPM.

EQUIPMENT BY COUNTRY REGULATIONS

=====

(A)	AUSTRIA
(AG)	ARABIAN GULF STATES
(AUS)	AUSTRALIA
(B)	BELGIUM
(BR)	BRAZIL
(CDN)	CANADA
(CH)	SWITZERLAND
(CN)	PEOPLE'S REPUBLIC OF CHINA
(D)	FEDERAL REPUBLIC OF GERMANY
(DK)	DENMARK
(E)	SPAIN
(F)	FRANCE
(GB)	GREAT BRITAIN
(GR)	GREECE
(HK)	HONGKONG
(I)	ITALY
(J)	JAPAN
(L)	LUXEMBURG
(N)	NORWAY
(NL)	NETHERLANDS
(NZ)	NEW ZEALAND
(P)	PORTUGAL
(ROK)	KOREA
(RC)	TAIWAN
(THA)	THAILAND
(S)	SWEDEN
(SA)	SAUDI ARABIA
(SF)	FINLAND
(USA)	UNITED STATES OF AMERICA

Model: 987209

Model life 2009>>2012

(ZA)

SOUTH AFRICA

Model: 987209

Model life 2009>>2012

NR	Description
IIY2	Model year period from week 45 to week 22
IXAF	Turbo aerokit
IXAG	Carrera - rear spoiler
IXAH	Carrera 4S aerokit
IXAJ	Painted sill covers
IXAL	Aerokit Boxster
IXAM	Aerokit Cayman
IXCA	Dashboard trim strip (3-part) sports seats
IXCB	Instrument surround sports seats
IXCC	Side air vents sports seats
IXCD	Center air vent bracket sports seats
IXCE	Rear center console sports seats
IXCG	Sports seat backrest in Aluminium Look finish
IXCH	Side/centre air vent slats, sports seats
IXCK	Rear center console in Galvano Silver
IXCL	Instrument surround in Galvano Silver
IXCM	Roll-over bar in Galvano Silver
IXCN	Side air vents in Aluminium Look finish (997)
IXCY	Center air vent in Aluminium Look finish
IXCZ	Short shifter
IXDJ	Decorative trim on gear lever/selector, painted
IXDM	Decorative dashboard trim, painted
IXDS	Ignition lock surround in leather
IXDV	Dashboard end-trim in leather
IXDX	Mirror attachment point finisher, leather
IXDZ	Selector lever cover in leather
IXD9	Wheel painted in body colour
IXEA	Passive handset in leather
IXES	Preparation, illuminated door entry guard
IXE8	Gear lever knob aluminium/dark burr maple/leather
IXE9	Handbrake lever aluminium/dark burr maple/leather
IXFD	Instrument dials in Sand Beige
IXFE	Instrument dials in Terracotta
IXFF	Instrument dials in Brown/Natural
IXFG	Instrument dials in Guards Red
IXFH	Instrument dials in Speed Yellow
IXFJ	Instrument dials in Carrara White
IXFN	Gear lever in aluminium II
IXFP	Handbrake lever Aluminium II
IXFZ	Alcantara interior package
IXGB	Decorative dashboard trim, carbon
IXGC	Dashboard carbon/Alcantara
IXGD	Parking brake handle carbon/Alcantara
IXGE	Handle recess insert, carbon
IXJL	Makassar Ebony side air vent
IXJM	Sycamore side air vent
IXJN	Makassar Ebony center air vent

Model: 987209

Model life 2009>>2012

NR	Description
IXJP	Sycamore center air vent
IXJR	Makassar Ebony windscreen defroster panel
IXJS	Sycamore windscreen defroster panel
IXJT	Makassar Ebony rear center console
IXJU	Sycamore rear center console
IXJ4	Leather cover for ignition lock surround
IXKB	Side air vent in light burr maple
IXKC	Side air vent in dark burr maple
IXKG	"Defroster trim in light burr maple; leather"
IXKH	"Defroster trim in dark burr maple; leather"
IXKJ	Defroster trim in Carbon/leather
IXKL	Leather speaker covers
IXKM	Speaker covers in light burr maple
IXKN	Speaker covers in dark burr maple
IXKP	Carbon speaker covers
IXKR	Center air vent bracket in light burr maple
IXKS	Center air vent bracket in dark burr maple
IXLA	Boxster tailpipe
IXLF	Sports exhaust system
IXLG	Centre console storage bin cover in Alcantara, with logo
IXLS	Sports tailpipe 98X
IXME	Rear section of centre console painted
IXMF	Front center console including 2 storage bins, leather
IXMJ	Rear section of centre console in Carbon
IXMK	Roll-over bar in exterior color
IXML	Rear center console in light burr maple
IXMP	Leather sun visor, 2 illuminated vanity mirrors *
IXMR	Sun visor in leather, 2 illuminated vanity mirrors,
IXMZ	Rear section of centre console in leather
IXNB	Rear center console in dark burr maple
IXNG	Instrument surround in leather
IXNN	Center air vent bracket in leather
IXNR	Carbon center air vent bracket
IXNS	Leather steering column trim, 4-part
IXNU	Leather trim strip (dashboard)
IXNV	Trim strip (dashboard) in light burr maple
IXNW	Trim strip (dashboard) in dark burr maple
IXNX	Carbon trim strip (dashboard)
IXPA	3-spoke sports steering wheel in leather interior co
IXPB	3-spoke sports steering wheel, light burr maple, leather
IXPC	3-spoke sports steering wheel, dark burr maple, leather
IXPD	3-spoke sports steering wheel, Carbon/leather
IXPG	3-spoke sports steering wheel, sports seats

Model: 987209

Model life 2009>>2012

NR	Description
IXPT	Centre console storage bin lid with crest
IXPU	Multi-function steering wheel Galvano Silver, new generation
IXPV	Multi-function steering wheel, Galvano Silver
IXPW	Instrument surround in light burr maple
IXPX	Instrument surround in dark burr maple
	*
IXPY	Carbon instrument surround
IXRB	18-inch Sport Classic II wheel
IXRC	18-inch SportTechno wheel
IXRL	18-inch SportDesign wheel
IXRN	17-mm spacers, rear
IXRP	5-mm spacers, front/rear
IXRR	19-in. Carrera Sport wheel
IXSA	Painted sports seat backrest
IXSB	Leather sports seat backrest
IXSC	Porsche Crest embossed in headrest
IXSD	Front seat controls in leather
IXSE	Bucket seat, left
IXSF	Bucket seat, right
IXSG	Racing bucket seat, left
IXSH	Silver seat belts
IXSJ	6-point harness
IXSL	6-point safety catch
IXSM	Racing safety cage
IXSN	Omission of rear seats
IXSR	Carbon back for bucket seat, right
IXSS	Carbon back for bucket seat, left
IXST	Seat belts in Sand Beige
IXSU	Upholstered seat
IXSW	Seat belts in Maritime Blue
IXSX	Seat belts in Guards Red
IXSY	Seat belts in Speed Yellow
IXTG	Inner door sills in leather
IXTJ	Door panel parts in light burr maple
IXTK	Door panel parts in dark burr maple
IXTL	Door panel parts in Carbon
IXTR	Door panel parts in Aluminium Look finish
IXTT	Makassar Ebony door panel parts
IXTU	Sycamore door panel parts
IXTV	Leather door panel parts
IXTW	Door panel parts in Galvano Silver
IXUB	Cover on headlight cleaning system, painted
IXUC	Model designation painted
IXUV	Centre console storage bin lid with logo
IXVM	Leather center air vent

Model: 987209

Model life 2009>>2012

NR	Description
IXVP	Trim strip including cupholder cover in leather
IXVR	Side/centre air vent in leather
IXVW	Interior mirror, leather
IXVY	Clothes hook in leather on seat backrest
IXV1	Defroster trim in leather
IXWR	PDK gate frame in Aluminium Look
IXWS	PDK gate frame painted
IXWT	PDK gate frame painted Black
IXWU	PDK gate frame in leather
IXXF	Red tail lights
IXXZ	Footrest
IXX1	Floor mats, logo, leather border
IXX2	Illuminated footwell
IXYA	PDK selector lever (EXC)
IXY5	Tiptronic gear selector gate in leather
IXZB	Carbon centre air vent
IXZD	Interior light surround in leather
IX45	Instrument dial in interior color
IX46	Tiptronic selector lever in aluminium/leather
IX47	Gear lever knob in Carbon/leather
IX48	Tiptronic selector lever in Carbon/aluminium
IX50	Powerkit 331/340 kW
IX51	Powerkit 250 kW
IX54	Stainless steel tailpipes
IX58	Handbrake lever in Carbon/leather
IX65	Tiptronic selector lever in light burr maple/aluminium
IX66	Tiptronic selector lever in dark burr maple/aluminium
IX69	Door entry guards in Carbon with logo
IX70	Door entry guards in stainless steel with logo
IX71	Instrument dial painted/Aluminium Look finish
IX72	Gear lever knob aluminium/light burr maple/leather
IX73	Sports chassis -20 mm, without PASM
IX74	Sports suspension (exclusive)
IX75	Differential lock (exclusive)
IX76	Inner door sill guard, left/right
IX91	Handbrake lever aluminium/light burr maple/leather
IX97	Gear lever knob in aluminium/leather
IX98	Handbrake lever in aluminium/leather
IX99	Natural leather
I008	Boxster S 3.2 litres displacement
I009	Boxster 2.7 litres displacement
I013	Special model Black Edition
I022	Black-coloured instrument dials, instrument cluster
I023	Silver -coloured instrument dials, instrument cluster
I024	Version for Greece
I025	Black-coloured instrument dials, stopwatch

Model: 987209

Model life 2009>>2012

NR	Description
I026	Silver-coloured instrument dials, stopwatch
I027	Instrument dials, stopwatch in Carrara White
I029	Standard chassis
I030	Sport-type chassis
I032	Touring suspension
I034	Version for Italy
I058	Impact absorbers, front and rear
I061	Version for Great Britain
I062	Version for Sweden
I063	Version Luxemburg
I064	Version for Netherlands
I065	Version for Denmark
I066	Version for Norway
I067	Version for Finland
I068	PAP right-hand drive version
I069	Other country version
I071	EU country version
I072	Version for Mexico
I073	Version for Russia
I074	PAP left-hand drive version
I075	China version
I084	Fuel tank, 54-litre
I098	Left-hand drive version
I099	Right-hand drive version
I111	Version for Austria
I113	Version for Canada
I114	Version for Taiwan
I119	Version for Spain
I124	Version for France
I126	Control and indications in French lettering
I127	Control and indications in Swedish lettering
I130	Control and indications in English lettering
I150	Operation with leaded gas
I159	Curbed engine, 155 kW/211 bhp
I170	Acoustic package RoW
I171	Acoustic package USA
I172	Acoustic package PAP, China, Korea
I178	Twin tailpipes, Black
I181	Standard climatic zones
I182	Hot country
I183	Super-hot country
I191	Lightweight battery
I193	Version for Japan
I194	Battery, 60 Ah
I195	Battery, 70 Ah
I196	Battery, 80 Ah
I197	Stronger battery

Model: 987209

Model life 2009>>2012

NR	Description
I198	Enhanced starter motor (1.7 kW)
I199	Battery disconnection switch
I200	95 Ah battery
I210	Licence plate holder version 2
I211	Licence plate holder version 3
I215	Version for Saudi Arabia
I218	Licence plate holder version 4
I219	Differential
I220	Locking differential 40 %
I225	Version for Belgium
I249	Tiptronic transmission
I250	PDK transmission (dual clutch)
I265	Automatic anti-dazzle interior mirror with rain sensor
I266	Automatic anti-dazzle door mirror
I267	Automatically dimmable interior and door mirrors
I268	Rain sensor
I270	Door mirrors -flat - driver's side, electrically adjustable and heatable
I271	Door mirrors -aspherical- driver's side, electrically adjustable and heatable
I273	Door mirrors, electrically adjustable and heatable
I274	Vanity mirror, illuminated
I277	Version for Switzerland
I288	Headlamp washer
I301	Transmission ratio long
I305	Gear lever in Alcantara, Black
I308	Selector lever in Alcantara, Black
I325	Version for South Africa/New Zealand
I342	Seat heating, left/right seat
I345	Heated steering wheel
I348	Rim, painted silver
I369	Standard seat, left
I370	Standard seat, right
I375	Sports seat, backrest shell, left
I376	Sports seat, backrest shell, right
I377	Sports seat, backrest shell, left, electrically adjustable
I378	Sports seat, backrest shell, right, electrically adjustable
I379	Power seat, left, 14-way
I388	Sports bucket seat, left
I389	Sports bucket seat, right
I392	17-inch Carrera wheel
I393	17-inch Boxster II wheel (987)

Model: 987209

Model life 2009>>2012

NR	Description
I394	Boxster III 17" wheel
I397	18-inch Boxster II wheel (987)
I398	19" Cayman S wheel
I399	CAYMAN II 17" wheel
I401	18-in. Cayman S wheel
I402	Carrera 3 wheel 18-inch
I403	Carrera S wheel 19-inch
I404	19" Turbo-1 wheel
I405	Carrera Classic wheel 19-inch
I406	Carrera GT wheel 19-inch/20-inch
I407	SportDesign wheel 19-inch
I408	BOXSTER S II 18" wheel
I409	CAYMAN S II 18" wheel
I410	18" Turbo-2/Panamera wheel
I411	18-inch Carrera wheel -->2005 19-inch Carrera wheel 2012-->
I415	18-inch Turbo-Look II wheel
I416	18-inch GT3 wheel
I418	18-inch Turbo II wheel in GT Silver
I419	Carrera S Facelift 19" wheel
I421	Turbo 2 wheel, 19"
I424	Cd compartment
I425	Rear window wiper
I426	Without rear window wiper
I431	Multi-function steering wheel, touch + feel
I432	19" Carrera wheel (6)
I433	20" Carrera S wheel (4)
I435	Sports steering wheel
I436	3-spoke airbag steering wheel
I437	Comfort seat, left, electrically adjustable
I438	Comfort seat, right, electrically adjustable
I439	20" 911 Turbo 4 wheel
I440	Antenna diversity
I441	Radio preparation
I444	Anti-theft lock, wheel bolts "THATCHAM"
I445	Boxster Spyder wheel, 19"
I446	Concave wheel centers with full-colour Porsche Crest
I447	Emergency wheel
I450	Ceramic brake (PCCB)
I451	Multi-function steering wheel, Makassar Ebony, touch + feel
I452	Multi-function steering wheel, Sycamore, touch + feel
I453	Multi-function steering wheel, Carbon, touch + feel

Model: 987209

Model life 2009>>2012

NR	Description
I454	Automatic speed control
I459	3-spoke airbag steering wheel, touch + feel
I460	20" RS Spyder Design wheel
I461	External antenna
I465	Rear fog light, left
I466	Rear fog light, right
I475	"PASM" electronic damper control
I476	Porsche Stability Management (PSM)
I479	Version for Australia
I480	6-speed manual transmission
I481	5th-speed manual transmission
I482	Tire Pressure Monitoring TPM, 433 MHz
I483	315-MHz TPM, Tire Pressure Monitoring
I484	Version for USA
I488	Inscriptions in German language
I490	Sound system "ASK"
I492	Headlights for left-hand traffic
I496	Model designation painted Black
I498	Deletion of model designation on rear end
I499	Version for Germany
I501	Car cover
I509	Fire extinguisher
I513	Lumbar support, right seat
I521	Tilt sensor
I524	Immobilizer, central locking, 433 MHz
I525	Immobilizer, central locking, 315 MHz
I532	Alarm system remote control omitted
I533	Radio convertible-top operation omitted
I534	Theft security system, 433 MHz
I535	Theft security system, 315 MHz
I536	-07 Alarm siren and tilt sensor 08- Alarm siren
I537	Seat position control for comfort seat, left
I538	Seat position control for comfort seat, right
I539	Mechanical seat height adjustment, left
I540	Mechanical seat height adjustment, right
I541	Active seat ventilation (incl. heated seats)
I544	Anti-theft protection without infrared monitoring, 433 MHz
I545	Anti-theft protection without infrared monitoring, 315 MHz
I549	Roof Transport System
I550	Hard top
I551	Wind deflector
I553	Version for USA, Canada

Model: 987209

Model life 2009>>2012

NR	Description
I554	Front spoiler lip included
I555	Black seat belts
I556	Seat belts in basic colours
I560	Advanced airbag
I562	Airbag, driver's side and front passenger's side
I563	Side airbag
I566	Front fog lights, white
I567	Windscreen tinted, upper part darker coloured
I568	Windscreen without shade band
I571	Activated charcoal filter
I572	Manual air-conditioning system
I573	Air conditioner
I574	Without air conditioner
I575	Luggage compartment cooling system
I580	Luggage bulkhead/luggage guard
I581	Centre console, front
I584	Storage box on engine cover
I585	Cupholder
I586	Lumbar support, left seat
I590	Steel doors
I592	Standard rooflining, fabric
I594	Alcantara rooflining
I599	Aluminium doors
I601	Xenon lighting system
I602	Raised stop lamp
I603	Xenon plus dynamic cornering light
I605	LED daytime driving lights
I606	Daytime driving lights
I607	Garage door opener "Homelink", 315 MHz
I608	Garage door opener "Homelink" 433 MHz
I609	without radio
I610	DVD navigation, "Europe package"
I611	DVD navigation South Africa
I612	DVD navigation middle east
I613	DVD navigation australia
I614	DVD navigation asia-pacific
I615	DVD navigation system, North America
I616	DVD, Navigation Russia
I617	DVD Navigation China
I618	Preparation for telephone installation
I619	Mobile phone preparation (BLUETOOTH) without console
I621	12-V socket, passenger's side, footwell
I625	"KESSY" Porsche Entry and Drive
I635	Parking assistant
I639	Sport Chrono package
I640	Sport Chrono Package Plus

Model: 987209

Model life 2009>>2012

NR	Description
I641	electronic logbook
I650	Electrical sliding roof
I651	Electric window opener
I652	Without sliding/tilting roof
I657	Power assisted steering
I659	On-board computer
I660	Obd 2
I661	Stricter emission-control concept
I663	Fuel pump activation
I664	Orvr
I665	-2008 PCM 2, 2009- PCM 3 basic module incl. radio
I666	-2008 PCM 2, 2009- PCM 3 telephone (GSM)
I668	PCM2 telephone handset
I669	PCM 3 - Telephone handset (BLUETOOTH)
I670	PCM2 navigation
I671	Voice control system
I672	-2008 PCM 2, 2009- PCM 3 Offroad navigation
I673	Navigation system preparation, China
I674	"Vehicle Tracking System" preparation
I675	Without radio preparation (Japan navigation system)
I676	TV tuner
I677	"Driver card" antenna
I678	Alarm system connection
I679	Restart inhibitor
I680	BOSE sound package
I685	Rear seats, split
I686	SAT radio reception XM (SDARS)
I689	Preperation for CD autochanger
I690	CD radio "Porsche Online Pro"
I692	CD autochanger "Porsche"
I693	Integrated CD/DVD autochanger
I694	CD radio "PORSCHE CDR 24"
I695	CD radio, Porsche CDR 30
I697	CD radio "Porsche CDR-23"
I711	Omission underbody protection
I753	Special model "orange Spyder"
I754	Special model "RS 60 Spyder"
I755	Special model "Porsche Design Edition 1"
I757	Special model "Porsche Design Edition 2"
I779	*
I789	Colour to sample
I796	Full leather trim natural leather
I798	Full leather trim special leather
I799	Full leather trim by choice
I801	Makassar Ebony wood package, dark (matt satin finish)
I802	Sycamore package, light (matt satin finish)
I803	Carbon package

Model: 987209

Model life 2009>>2012

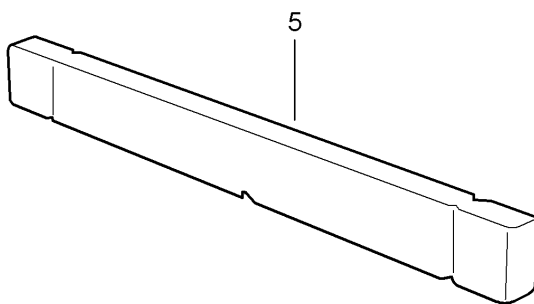
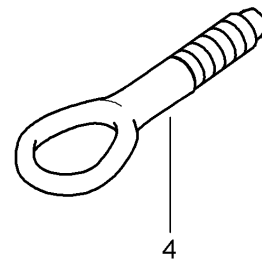
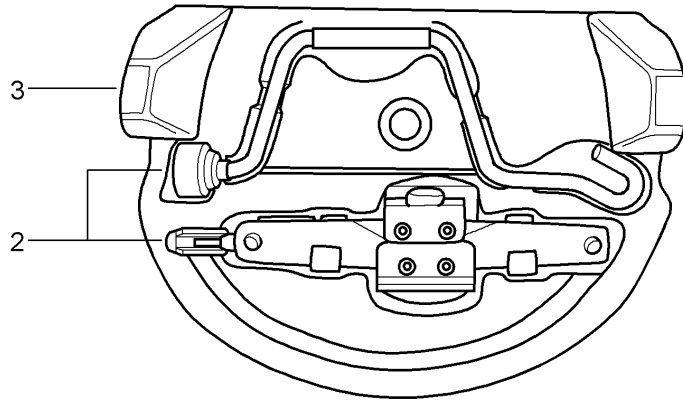
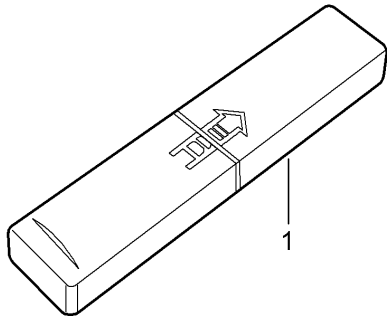
NR	Description
I804	GT2 Carbon exterior package
I805	Lifestyle package
I810	Floor mats
I825	Decorative dashboard trim, Black
I828	Air outlet vent surround, Black
I840	Sports steering wheel (for PDK with paddle)
I841	Basic steering wheel Smooth leather
I843	Sports steering wheel in Alcantara
I844	Multi-function steering wheel Smooth leather
I845	Multi-function steering wheel Carbon
I847	Multi-function steering wheel Makassar
I870	Universal multimedia interface
I912	without ID plate
I936	Seat covers, rear, leather
I937	Seat covers, rear, leatherette
I939	Seat covers, rear, draped leather
I946	Seat covers, front, leather/leather/leatherette
I950	Alcantara seat covers, front
I951	Seat covers front, Alcantara/leather/leather
I970	Two-tone interior
I971	"TORO" embossed leather
I981	Leather equipment, without seat covers
I982	Seat covers, front, draped leather/leather/leather
I983	Seat covers, front, leather
I985	Seat covers, leather/leather/leatherette, 2
I990	Seat covers, front, cloth/cloth/leatherette
I991	Steering wheel airbag module in leather
I998	Leather, natural
I999	Passenger compartment monitoring sensor for leather colour of choice

Model: 987209

Model life 2009>>2012

Model: 987209

Model life 2009>>2012

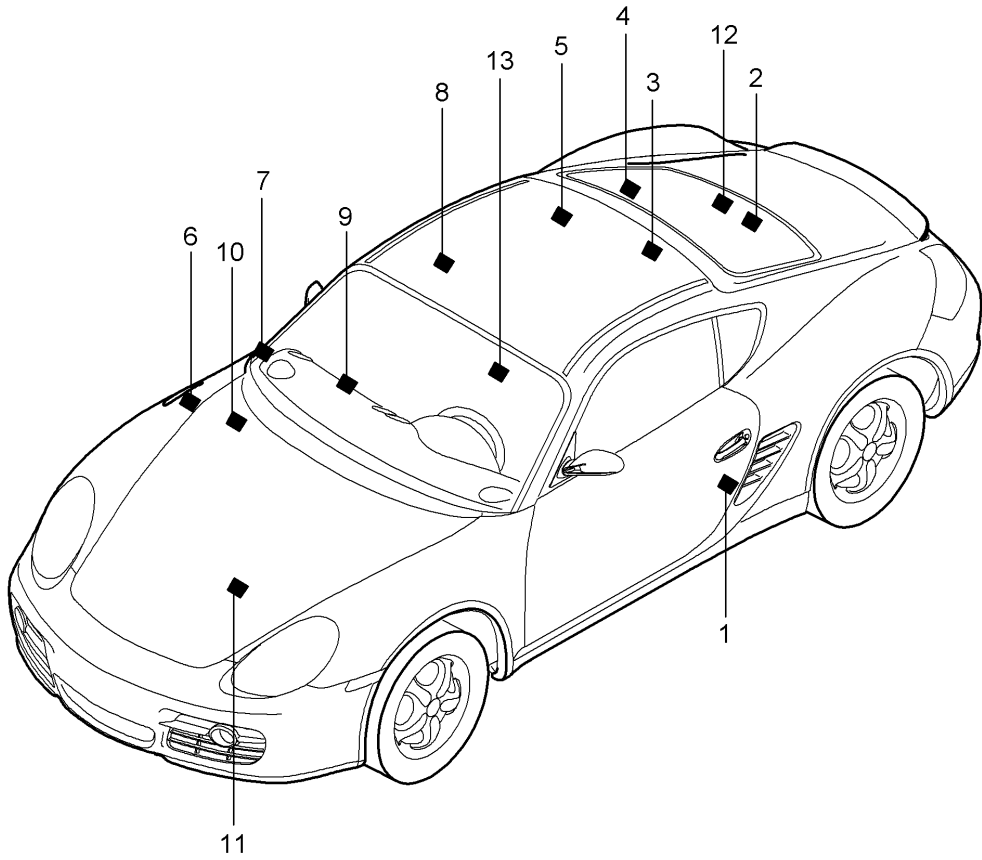


Model: 987209 Model life 2009>>2012

Pos	Part Number	Description	Remark	Qty	Model
1	997 721 115 00	Tool Jack Tool kit with contents Comprising:		1	
-	477 012 229	Double-end spanner 10 X 13		1	
-	477 012 231	Screwdriver		1	
-	111 012 287	Handle for Screwdriver		1	
-	999 571 077 02	Socket wrench - 5 - for Headlamp		1	
2	996 721 211 00	Scissors type jack		1	I447
3	996 722 101 00	Foam part		1	I447
-	999 571 074 30	Threaded bolt for Assembly Wheels		1	I447
-	477 012 221 A	Rim wrench		1	I447
-	999 571 070 30	Operating rod for Rim wrench		1	I447
-	997 722 801 00	Mounting for Tool		1	I447
-	996 361 521 00	Boot		1	I447
-	987 722 061 01	Cover Emergency wheel		1	I447
4	997 721 551 00	Towing lug		1	
5	000 722 722 06	Warning triangle		1	
-	993 722 041 00	First-aid kit		1	

Model: 987209

Model life 2009>>2012



Model: 987209

Model life 2009>>2012

Pos	Part Number	Description	Remark	Qty	Model
		Stickers		1	
		Stickers		1	I447
2	997 361 701 00	Emergency wheel		1	I215/447
		Sticker		1	
		Arabic		1	I447
2	928 701 150 00	Sticker		1	
		"MAX 80 KM/H"		1	
		Stickers		1	
		Engine specifications		1	
3	997 006 108 00	Sticker	09	1	I068
3	7PP 010 751 C	Sticker	10-	1	I068
4	955 701 675 00	Sticker		1	I193
		Expansion tank		1	
4	997 006 544 01	Sticker		1	
		Engine oil		1	
		- MOBIL 1 -		1	
4	997 701 535 00	Sticker		1	I193
		Engine-oil level		1	
		Stickers		1	
		Type of fuel		1	
6	996 006 117 00	Sticker		1	
		98 ROZ		1	
6	996 006 117 02	Sticker	(AUS)	1	
		96 ROZ		1	I150
6	996 006 117 01	Sticker		1	
		98 ROZ		1	I193
6	996 006 117 03	Sticker		1	
		93 RON/MON/2		1	I193
6	955 701 676 15	Sticker		1	
		Fuel		1	I193
6	955 701 676 10	Sticker		1	
		Fuel filler flap		1	
		Stickers		1	
		Airbag		1	
7	3B0 010 219 B	Sticker		1	
		Child car seat		1	
7	8D0 010 141 Q	Sticker	(AUS)	1	
		Child car seat		1	
7	987 701 430 00	Sticker		1	
		Child car seat		1	
		German		1	
7	987 701 430 01	Sticker		1	
		Child car seat		1	
		English		1	
7	987 701 430 02	Sticker		1	
		Child car seat		1	
		French		1	
7	987 701 430 03	Sticker		1	
		Child car seat		1	
		Italian		1	
7	987 701 430 04	Sticker		1	
		Child car seat		1	
		Swedish		1	
7	987 701 430 05	Sticker		1	
		Child car seat		1	
		Spanish		1	
7	987 701 430 06	Sticker		1	
		Child car seat		1	
		Arabic		1	
7	987 701 430 07	Sticker		1	
		Child car seat		1	
		Chinese		1	
7	955 701 675 10	Sticker		1	I193

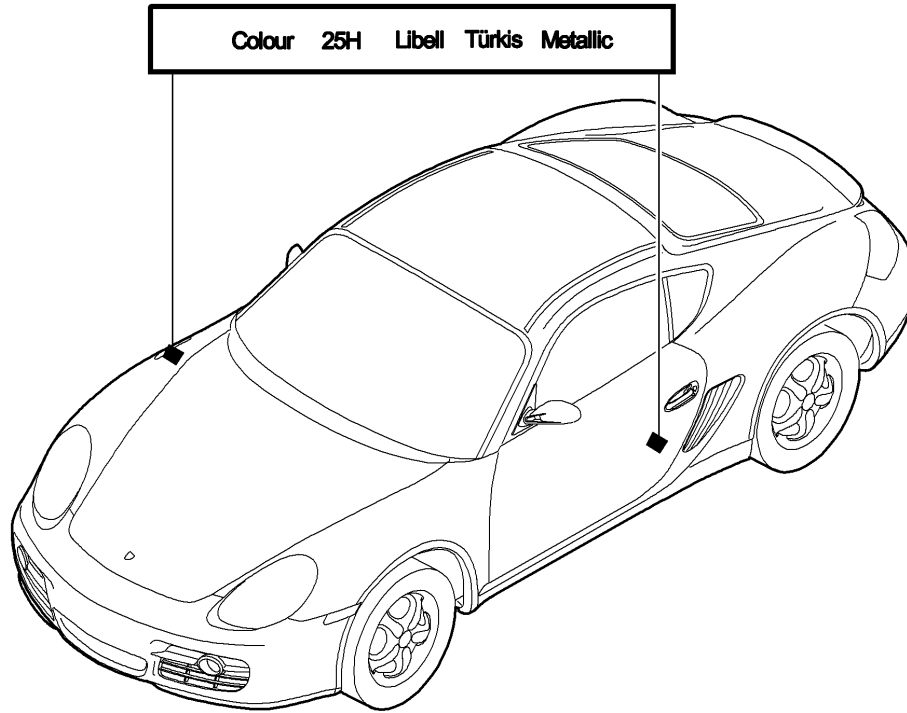
Model: 987209

Model life 2009>>2012

Pos	Part Number	Description	Remark	Qty	Model
10	986 701 141 01	Recycling Sticker		1	
10	987 701 521 00	Air conditioner Sticker		1	I193
10	955 701 673 00	Air conditioner Sticker		1	I193
10	996 701 611 00	Battery Sticker		1	I215
10	997 701 170 00	Battery Sticker		1	
11	997 701 527 00	First-aid kit Sticker		1	I193
11	955 701 675 05	Headlamp Sticker		1	I193
12	955 701 675 15	Brake fluid Sticker		1	I193
13	997 701 531 00	Import Japan Sticker		1	I193
13	955 701 676 00	Airbag Sticker		1	I193
		Warning light Engine			

Model: 987209

Model life 2009>>2012



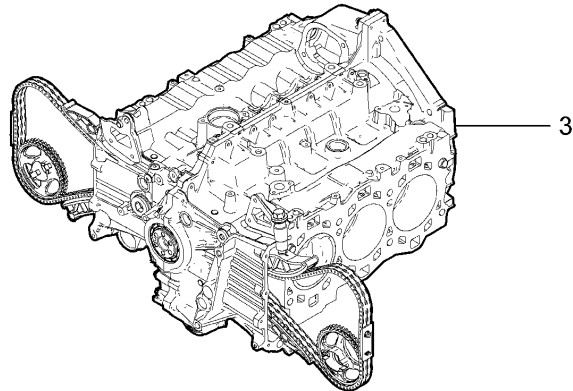
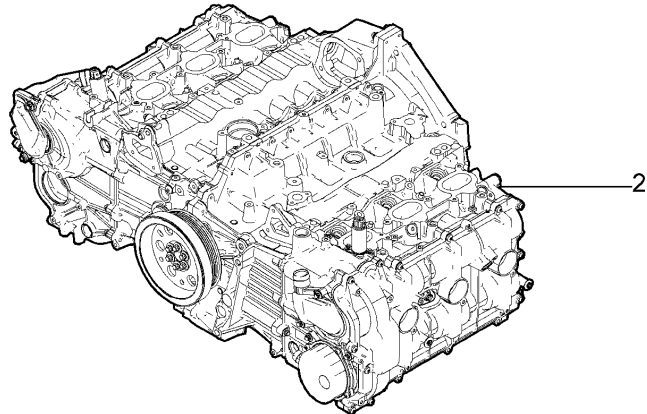
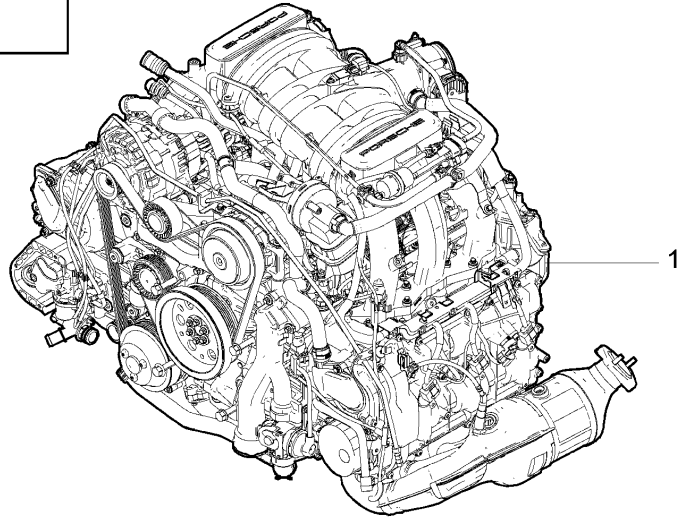
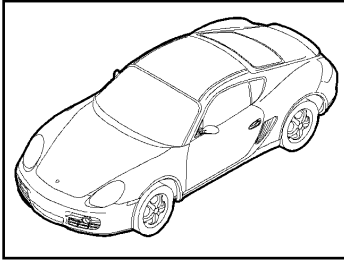
Model: 987209

Model life 2009>>2012

Pos	Part Number	Description	Remark	Qty	Model
		Paint touch-up applicator Lacquers			
-	911 095 932 20	Paint touch-up applicator		X	
	911 095 932 20 041	Black			A 1
	911 095 932 20 80K	Guards red			G 1
	911 095 932 20 B9A	Carrara white			B 4
	911 095 932 20 12G	Speed yellow			X 4
	911 095 932 20 51A	Creamy white			T 2
-	911 095 933 20	Paint touch-up applicator Set Comprising: Paint touch-up applicator Primer Paint touch-up applicator Clear lacquer		X	
	911 095 933 20 92T	Arctic silver metallic			X 1
	911 095 933 20 C9Z	Basalt black metallic			Z 4
	911 095 933 20 M7X	Atlas grey metallic			E 7
	911 095 933 20 37W	Midnight Blue Metallic			E 9
	911 095 933 20 M7Z	GT Silver Metallic			U 2
	911 095 933 20 M7W	Meteor Grey Metallic			9 Q
	911 095 933 20 8A7	Ruby red metallic	-09		L 2
	911 095 933 20 M3X	Ruby red metallic	10-		A 6
	911 095 933 20 M8W	Macadamia Metallic			9 S
	911 095 933 20 2B5	Malachite Green Metallic			H 1
	911 095 933 20 M2Z	Nordic Gold Metallic			8 W
	911 095 933 20 32B	Sailing Blue Metallic			E 5
	911 095 933 20 M5R	Aqua Blue Metallic			D 2
	911 095 933 20 22G	Racing Green Metallic			J 1
	911 095 933 20 M5X	Dark Blue Metallic			N 4
	911 095 933 20 M4Z	Amethyst metallic			N 6
	911 095 933 20 M5Q	Ice Blue Metallic			H 3
	911 095 933 20 M7T	Platinum Silver Metallic			1 H
	911 095 933 20 2S1	Peridot Metallic			7 L

Model: 987209

Model life 2009>>2012



Model: 987209

Model life 2009>>2012

Pos	Part Number	Description	Remark	Qty	Model
1	9A1 100 920 20	Replacement engine without Drive plate PDK Transmission without Flywheel Manual transmission with Compressor Air conditioner Replacement engine	-09	1	MA1.20 I480
		See technical information Group 1 Nr.24/09			
1	9A1 100 920 1X	Replacement engine	-09	1	MA1.20 I480
		See technical information Group 1 Nr.24/09			
1	9A1 100 920 22	Replacement engine	10-	1	MA1.20 I480
1	9A1 100 920 5X	Replacement engine	10-	1	MA1.20 I480
1	9A1 100 920 24	Replacement engine	11-	1	MA1.20 I480
1	9A1 100 920 26	Replacement engine	11-	1	MA1.20 I480
1	9A1 100 920 FX	Replacement engine	11-	1	MA1.20 I480
1	9A1 100 920 26	Replacement engine	12-	1	MA1.20 I480
1	9A1 100 920 KX	Replacement engine	12-	1	MA1.20 I480
(1)	9A1 100 920 21	Replacement engine	-09	1	MA1.20 I250
		See technical information Group 1 Nr.24/09			
(1)	9A1 100 920 2X	Replacement engine	-09	1	MA1.20 I250
		See technical information Group 1 Nr.24/09			
(1)	9A1 100 920 23	Replacement engine	10-	1	MA1.20 I250
(1)	9A1 100 920 6X	Replacement engine	10-	1	MA1.20 I250
(1)	9A1 100 920 25	Replacement engine	11-	1	MA1.20 I250
(1)	9A1 100 920 27	Replacement engine	11-	1	MA1.20 I250
(1)	9A1 100 920 GX	Replacement engine	11-	1	MA1.20 I250
(1)	9A1 100 920 27	Replacement engine	12-	1	MA1.20 I250
(1)	9A1 100 920 LX	Replacement engine	12-	1	MA1.20 I250
(1)	9A1 100 921 20	Replacement engine	-09	1	MA1.21 I480
		See technical information Group 1			

Model: 987209

Model life 2009>>2012

Pos	Part Number	Description	Remark	Qty	Model
(1)	9A1 100 921 3X	Nr.24/09 Replacement engine See technical information Group 1 Nr.24/09	-09	1	MA1.21 I480
(1)	9A1 100 921 22	Replacement engine	10	1	MA1.21 I480
(1)	9A1 100 921 7X	Replacement engine	10-	1	MA1.21 I480
(1)	9A1 100 921 24	Replacement engine	11-	1	MA1.21 I480
(1)	9A1 100 921 28	Replacement engine	11-	1	MA1.21 I480
(1)	9A1 100 921 HX	Replacement engine	11-	1	MA1.21 I480
(1)	9A1 100 921 28	Replacement engine	12-	1	MA1.21 I480
(1)	9A1 100 921 RX	Replacement engine	12-	1	MA1.21 I480
(1)	9A1 100 921 21	Replacement engine See technical information Group 1 Nr.24/09	-09	1	MA1.21 I250
(1)	9A1 100 921 4X	Replacement engine See technical information Group 1 Nr.24/09	-09	1	MA1.21 I250
(1)	9A1 100 921 23	Replacement engine	10	1	MA1.21 I250
(1)	9A1 100 921 8X	Replacement engine	10	1	MA1.21 I250
(1)	9A1 100 921 25	Replacement engine	11-	1	MA1.21 I250
(1)	9A1 100 921 JX	Replacement engine	11-	1	MA1.21 I250
(1)	9A1 100 921 SX	Replacement engine	11-	1	MA1.21 I250
(1)	9A1 100 921 29	Replacement engine	12-	1	MA1.21 I250
(1)	9A1 100 921 SX	Replacement engine	12-	1	MA1.21 I250
(1)	9A1 100 921 26	Replacement engine	11-	1	MA1.21 I480/573
(1)		Replacement engine Bracket Compressor convert	11-	1	MA1.21 I480/574
(1)	9A1 100 921 KX	Replacement engine	11-	1	MA1.21 I480/573
(1)		Replacement engine Bracket Compressor convert	11-	1	MA1.21 I480/574
(1)	9A1 100 921 27	Replacement engine	11-	1	MA1.21 I250/573
(1)		Replacement engine Bracket	11-	1	MA1.21 I250/574

Model: 987209

Model life 2009>>2012

Pos	Part Number	Description	Remark	Qty	Model
(1)	9A1 100 921 LX	Compressor convert Replacement engine	11-	1	MA1.21 I250/573
(1)		Replacement engine	11-	1	MA1.21 I250/574
(1)	9A1 100 921 30	Bracket Compressor convert Replacement engine	12-	1	MA1.21 I480/573
(1)		Replacement engine	12-	1	MA1.21 I480/574
(1)		Bracket Compressor convert Replacement engine	12-	1	MA1.21 I480
(1)	9A1 100 921 TX	Replacement engine	12-	1	MA1.21 I480/573
(1)		Replacement engine	12-	1	MA1.21 I480/574
(1)	9A1 100 921 31	Bracket Compressor convert Replacement engine	12-	1	MA1.21 I250/573
(1)		Replacement engine	12-	1	MA1.21 I250/574
(1)		Bracket Compressor convert Replacement engine	12-	1	MA1.21 I250
(1)	9A1 100 921 UX	Replacement engine	12-	1	MA1.21 I250/573
(1)		Replacement engine	12-	1	MA1.21 I250/574
2	9A1 100 921 60	Bracket Compressor convert Short engine Comprising: Crankcase Cylinder head Valve cover Connecting rod Crankshaft Piston Oil pump Timing chain Parts kit without Gaskets Use also: 99907347101 99711111300 99917013090 9A110722400 99610731351		1	MA1.21
2	9A1 100 921 WX	Short engine Comprising: Crankcase		1	MA1.21

Model: 987209 Model life 2009>>2012

Pos	Part Number	Description	Remark	Qty	Model
-	997 111 107 31	Cylinder head Valve cover Connecting rod Crankshaft Piston Oil pump Timing chain Parts kit without Gaskets Use also: 99907347101 99711111300 99917013090 9A110722400 99610731351 Gasket Short engine 9A110092160/WX Parts kit for seals Use also: 9A111086604 99970111241 9A111052402 90090601102 9A111052001 99970402090 99970764340 99970740440 9A110622502 99970751740 99970758940 9A110630500 99970762540 9A110655800		18 2 6 1 1 2	MA1.21
-	9A1 110 215 01	Gasket Intake distributor Short engine 9A110092160/WX Parts kit for seals Accessories Use also: 99970734840 9A110621500 9A110632500 9A110632600 9A110231200 9A110232200 99970760440 99970758940		6 1 2 1 1 2 2 2 1	MA1.21
(2)	9A1 100 920 60	Short engine Comprising: Crankcase Cylinder head Valve cover Connecting rod Crankshaft Piston Oil pump Timing chain Parts kit without Gaskets		1	MA1.20

Model: 987209

Model life 2009>>2012

Pos	Part Number	Description	Remark	Qty	Model
(2)	9A1 100 920 RX	Use also: 99907347101 99711111300 99917013090 9A110722400 99610731351 Short engine Comprising: Crankcase Cylinder head Valve cover Connecting rod Crankshaft Piston Oil pump Timing chain Parts kit without Gaskets		18 2 6 1 1 1	MA1.20
-	997 111 107 31	Use also: 99907347101 99711111300 99917013090 9A110722400 99610731351 Gasket Short engine 9A110092060/RX Parts kit for seals		18 2 6 1 1 2	MA1.20
-	9A1 110 215 01	Use also: 99970757440 99970757340 99970764340 99970740440 9A110622502 99970751740 99970758940 9A110630500 99970762540 9A110655800 Gasket Intake distributor Short engine 9A110092060/RX Parts kit for seals Accessories		6 6 1 2 1 4 4 1 1 1 6	MA1.20
3	9A1 100 921 50	Use also: 99970734840 9A110621500 9A110632500 9A110632600 9A110231200 9A110232200 99970760440 99970758940 Short engine Comprising: Crankcase Connecting rod Crankshaft Piston Oil pump Timing chain		1 2 1 1 1 2 2 2 1	MA1.21

Model: 987209

Model life 2009>>2012

Pos	Part Number	Description	Remark	Qty	Model
3	9A1 100 921 XX	Parts kit without Gaskets Use also: 99907347101 99711111330 99917013090 9A110722400 99610731351 99910747500 99970759440 99970759540 Short engine Comprising: Crankcase Connecting rod Crankshaft Piston Oil pump Timing chain Parts kit without Gaskets Use also: 99907347101 99711111330 99917013090 9A110722400 99610731351 99910747500 99970759440 99970759540		18 2 6 1 1 2 1 1 1	MA1.21
-	9A1 104 143 04	Cylinder head gasket Short engine 9A110092150/XX Parts kit for seals Use also: 9A110414204 9A111086604 99970111241 9A111052402 90090601102 9A111052001 99970402090 99970764340 99970740440 99711110731 9A110573103 9A110573203 00004320731		1 1 1 1 1 1 1 1 1 1 1 1 1 1 1 1 1 1	MA1.21
-	9A1 110 215 01	Gasket Intake distributor Short engine 9A110092150/XX Parts kit for seals Accessories Use also: 99970734840 9A110621500 9A110632500 9A110632600 9A110231200 9A110232200		X 6 1 2 1 1 1 1 1 1 1 2 2	MA1.21

Model: 987209

Model life 2009>>2012

Pos	Part Number	Description	Remark	Qty	Model
-	9A1 106 225 02	99970760440 9A110533900 99970763640 99970750540 99970758940 Thermostat insert Short engine 9A110092150/XX Parts kit for seals Accessories Use also: 99970751740 99970758940 9A110630500 99970762540 9A110655800 9A110515304 9A110515504 9A110510103 99970734640 90012301121 99970106640		2 1 2 1 2 1 4 4 1 1 1 2 2 2 6 2 2	MA1.21
(3)	9A1 100 920 50	Short engine Comprising: Crankcase Connecting rod Crankshaft Piston Oil pump Timing chain Parts kit without Gaskets Use also: 99907347101 99711111330 99917013090 9A110722400 99610731351 99910747500 99970759440 99970759540		1 18 2 6 1 1 2 1 1	MA1.20
(3)	9A1 100 920 TX	Short engine Comprising: Crankcase Connecting rod Crankshaft Piston Oil pump Timing chain Parts kit without Gaskets Use also: 99907347101 99711111330 99917013090 9A110722400 99610731351 99910747500 99970759440 99970759540		1 18 2 6 1 1 2 1 1	MA1.20
-	9A1 104 145 04	99970759540 Cylinder head gasket		1 1	MA1.20

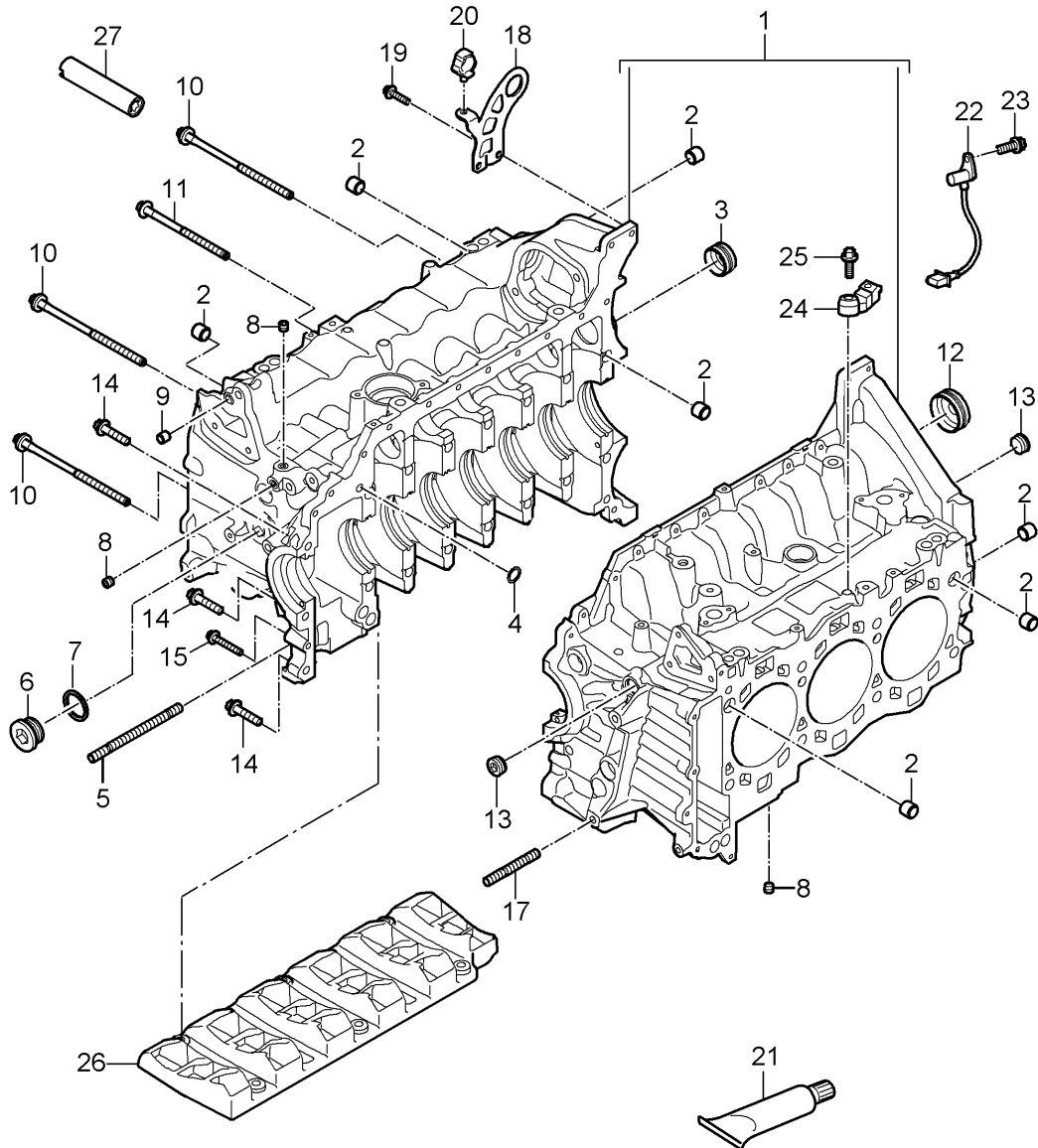
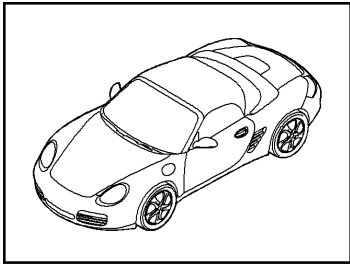
Model: 987209

Model life 2009>>2012

Pos	Part Number	Description	Remark	Qty	Model
-	9A1 110 215 01	Short engine 9A110092050/TX Parts kit for seals Use also: 9A110414404 99970757440 99970757340 9A110622502 99970751740 99970758940 9A110630500 99970762540 9A110655800 99970764340 99970740440 99711110731 9A110573103 9A110573203 00004320731 Gasket Intake distributor		1 6 6 1 4 4 1 1 1 1 2 2 1 1 1 X 6	MA1.20
-	9A1 106 225 02	Short engine 9A110092050/TX Parts kit for seals Accessories Use also: 99970734840 9A110621500 9A110632500 9A110632600 9A110231200 9A110232200 99970760440 9A110533900 99970763640 99970750540 99970758940 Thermostat insert		1 2 1 1 1 2 2 1 2 1 2 2 1 1 1 1 1 2 2 2 4 4 1 1 1 2 2 2 6 2 2	MA1.20
		Short engine 9A110092050/TX Parts kit for seals Accessories Use also: 99970751740 99970758940 9A110630500 99970762540 9A110655800 9A110515304 9A110515504 9A110510103 99970734640 90012301121 99970106640		4 4 1 1 1 2 2 2 6 2 2	

Model: 987209

Model life 2009>>2012



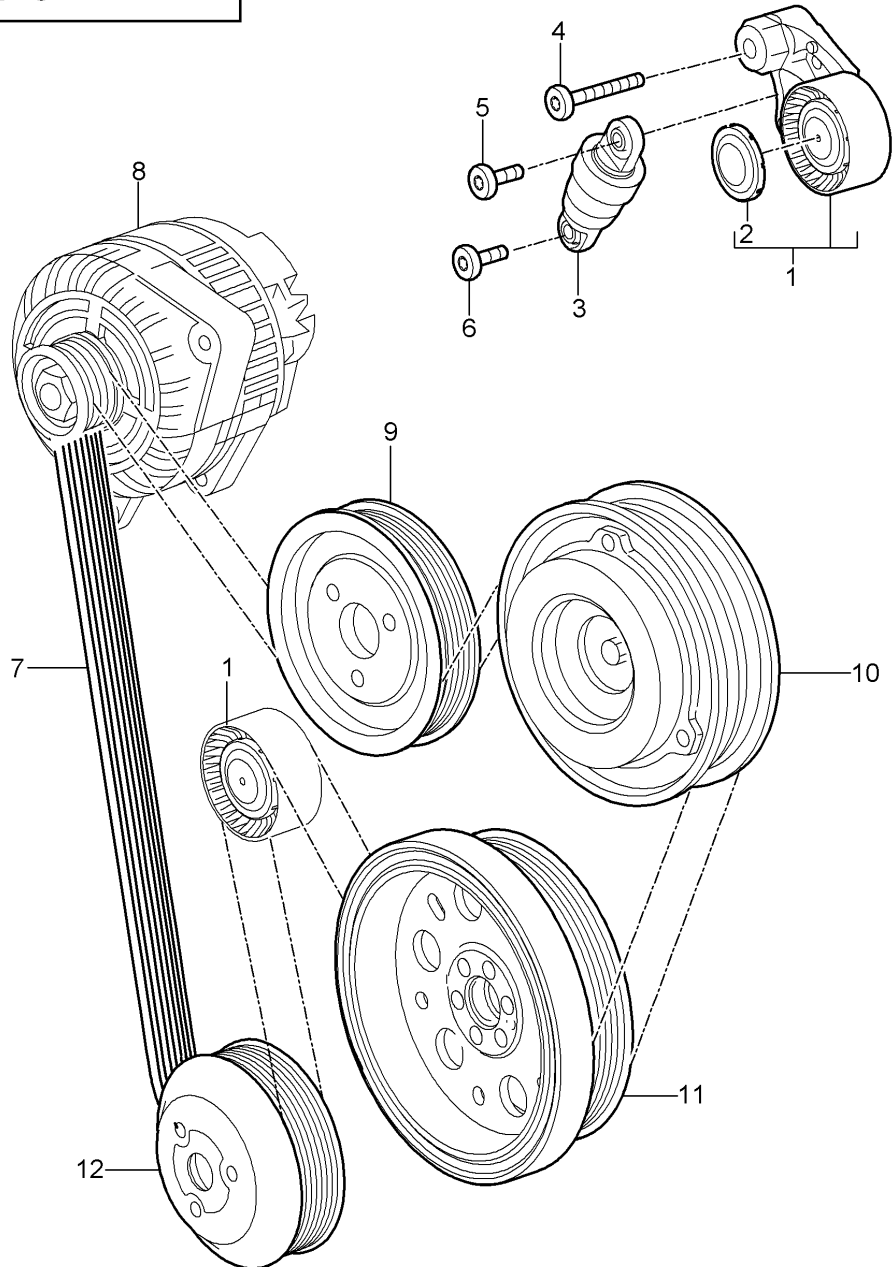
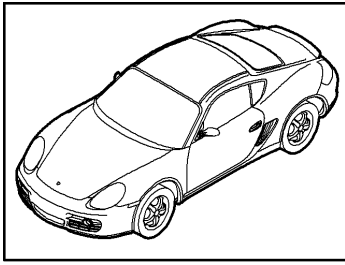
Model: 987209

Model life 2009>>2012

Pos	Part Number	Description	Remark	Qty	Model
		Crankcase			MA1.20
1	9A1 101 934 00	Crankcase with Spray jet		1	MA1.21 MA1.21
1	9A1 101 929 00	Crankcase with Spray jet		1	MA1.20
2	014 301 153 B	Dowel sleeve		6	
3	9A1 101 215 01	Lid		1	
4	999 707 568 40	O-ring 12,0 X 3,0		1	
5	900 060 109 01	Stud M10 X 120		1	
6	900 219 025 30	Screw plug M30 X 1,5		1	
7	900 123 015 30	Sealing ring A30 X 36		1	
8	999 063 033 01	Screw plug M10 X 1,0 X 8,0		4	
9	999 095 063 01	Dowel sleeve M6 X 10		1	
10	9A1 101 250 00	Outer hexagon round screw M10 X 1,5 X 195		14	
11	900 385 281 01	Torx screw M8 X 120		1	
12	9A1 101 216 01	Lid		1	
13	999 063 034 01	Screw plug M20 X 1,5 X 10		2	
14	900 385 042 01	Torx screw 8 X 35		3	
15	900 385 045 01	Torx screw M6 X 40		3	
17	999 218 118 01	Stud M10 x 60		1	
18	9A1 101 213 00	Shackle for transportation		1	
19	900 385 072 01	Torx screw M6 X 25		14	
20	999 507 075 40	Cable holder		1	
21	000 043 207 31	Sealing compound 80 ML		X	
22	9A1 606 112 01	Pulse sender		1	
23	900 387 264 01	Pan-head screw M6 X 16		2	
23	N 105 464 03	Pan-head screw M6 X 16		2	
24	997 606 121 00	Knock sensor Information available		2	
25	900 385 042 01	Torx screw M8 X 35		2	
26		Oil separator See illustrations 1/04/02		1	
27	9A1 101 511 01	Adapter		12	

Model: 987209

Model life 2009>>2012



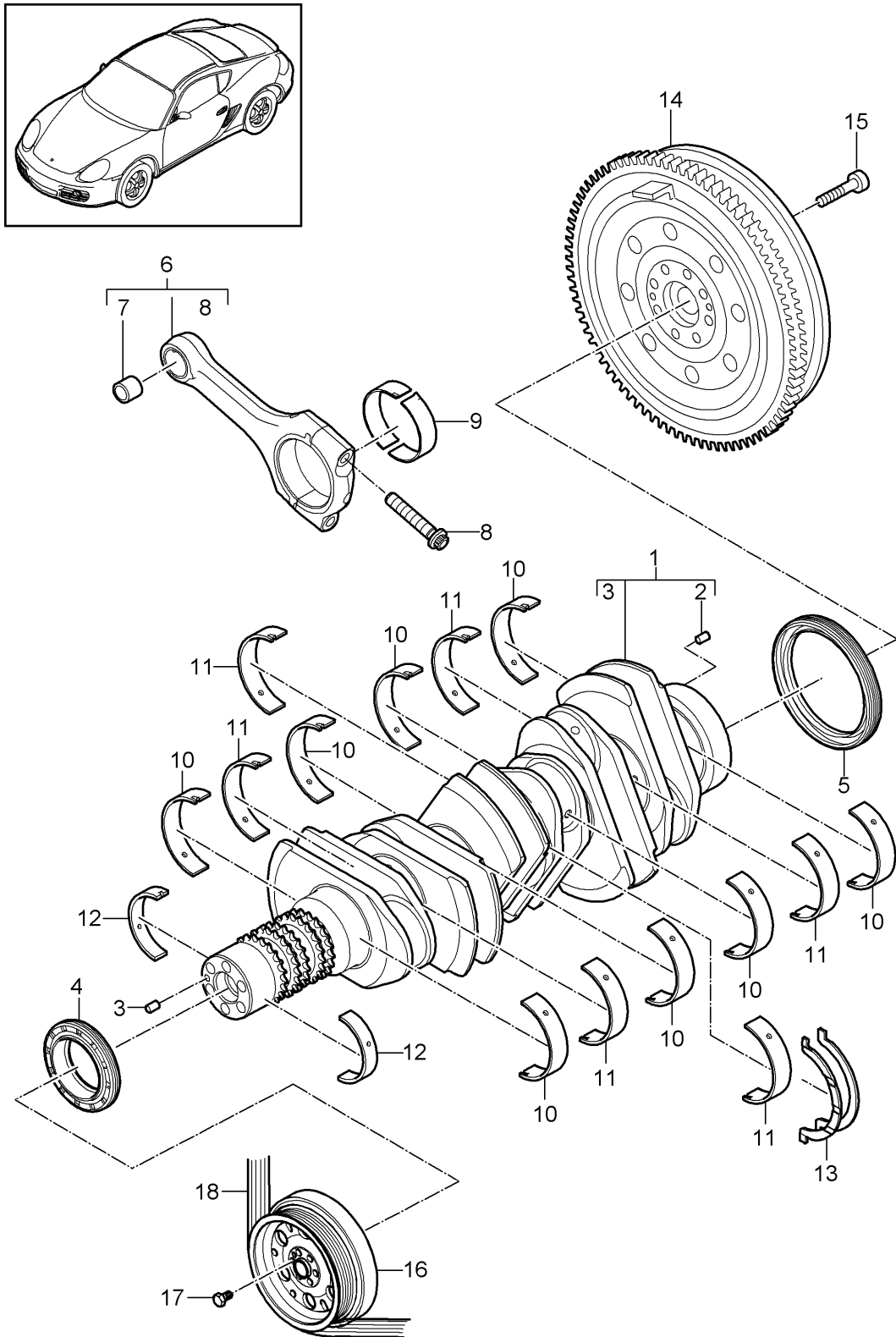
Model: 987209

Model life 2009>>2012

Pos	Part Number	Description	Remark	Qty	Model
1	9A1 102 211 00	Belt tensioner V-belt Lever		1	MA1.20 MA1.21
1	9A2 102 211 00	Tensioning roller Lever Tensioning roller		1	
		Use also: 9A110221200 99907357901 94810283900			
2	948 102 839 00	Protection cap		1	
3	948 102 261 00	Tensioner Hydraulic		1	
4	999 073 411 01	Outer hexagon round screw M8 X 60		1	
5	999 073 246 09	Torx screw M8 X 33-10,9		1	
6	999 073 412 01	Torx screw M8 X 26		1	
7	9A1 102 216 01	V-belt		1	
8		Generator See illustrations 9/02/05		1	
9		Pulley Power-steering pump See illustrations 4/03/03		1	
10		Pulley Compressor See illustrations 8/13/15		1	
11		Pulley Crankshaft See illustrations 1/02/00		1	
12		Pulley Water pump See illustrations 1/05/00		1	

Model: 987209

Model life 2009>>2012



Model: 987209

Model life 2009>>2012

Pos	Part Number	Description	Remark	Qty	Model
		Crankshaft			MA1.20 MA1.21
1	9A1 102 077 04	Crankshaft		1	
1	9A1 102 077 20	Crankshaft		1	
2	900 095 031 00	Tensioning sleeve 6,0 X 16		1	
3	900 302 016 00	Straight pin A 6,0 X 16		1	
4	9A1 101 222 02	Shaft sealing ring 52,5 X 9		1	
5	997 101 212 01	Shaft sealing ring 85 x 105 x 11		1	
6	9A1 103 914 02	Connecting rod Set Comprising: 6 Connecting rods		1	
7	9A1 103 122 02	Connecting rod bush D = 22		6	
8	9A1 103 115 02	Connecting rod bolt M 10 X 1,25 X 51		12	
9	9A1 103 053 00	Connecting-rod bearing Identification Red		12	
(9)	9A1 103 053 01	Connecting-rod bearing Identification Yellow		12	
(9)	9A1 103 053 02	Connecting-rod bearing Identification Blue		12	
10	9A1 101 064 00	Crankshaft bearing Identification Red		8	
(10)	9A1 101 064 01	Crankshaft bearing Identification Yellow		8	
(10)	9A1 101 064 02	Crankshaft bearing Identification Blue		8	
11	9A1 101 063 00	Crankshaft bearing with Partial-groove Identification Red		6	
(11)	9A1 101 063 01	Crankshaft bearing with Partial-groove Identification Yellow		6	
(11)	9A1 101 063 02	Crankshaft bearing with Partial-groove Identification Blue		6	
12	9A1 101 052 00	Supporting mount Identification Red		2	
(12)	9A1 101 052 01	Supporting mount Identification Yellow		2	
(12)	9A1 101 052 02	Supporting mount Identification Blue		2	

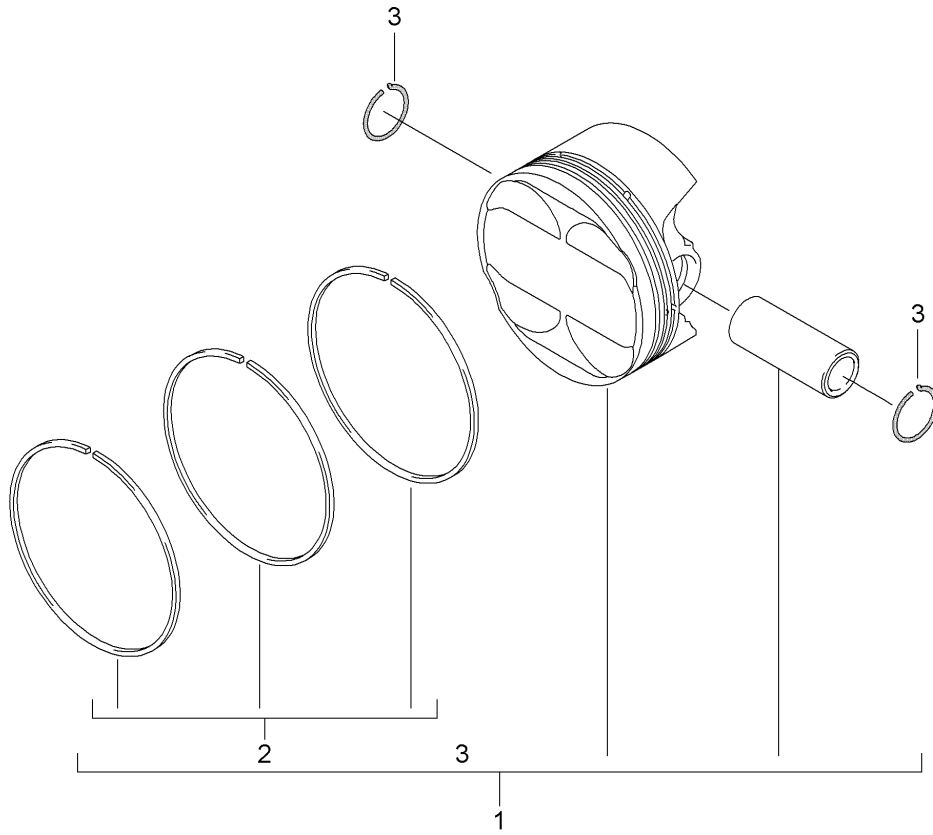
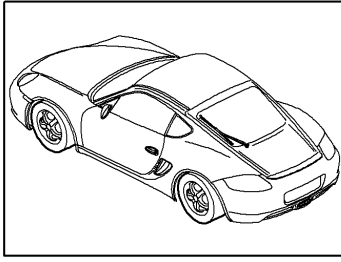
Model: 987209

Model life 2009>>2012

Pos	Part Number	Description	Remark	Qty	Model
13	996 101 132 00	Thrust washer D = 63		2	
14	9G2 114 012 00	Double-mass flywheel		1	MA1.20 I480
(14)	9G2 114 012 01	Double-mass flywheel		1	MA1.20 I480
(14)	9G2 114 012 02	Double-mass flywheel		1	MA1.20 I480
14	9G2 114 012 20	Double-mass flywheel		1	MA1.21 I480
(14)	9G2 114 012 21	Double-mass flywheel		1	MA1.21 I480
(14)	9G2 114 012 22	Double-mass flywheel		1	MA1.21 I480
14	9G2 114 020 00	Double-mass flywheel		1	I250
(14)	9G2 114 020 01	Double-mass flywheel		1	I250
(14)	9G2 114 020 02	Double-mass flywheel		1	I250
15	N 906 651 01	Pan-head screw M 10 X 1 X 29		10	
16	9A1 102 146 02	Pulley with Vibration damper		1	
17		V-belt See illustrations 1/01/10		1	

Model: 987209

Model life 2009>>2012



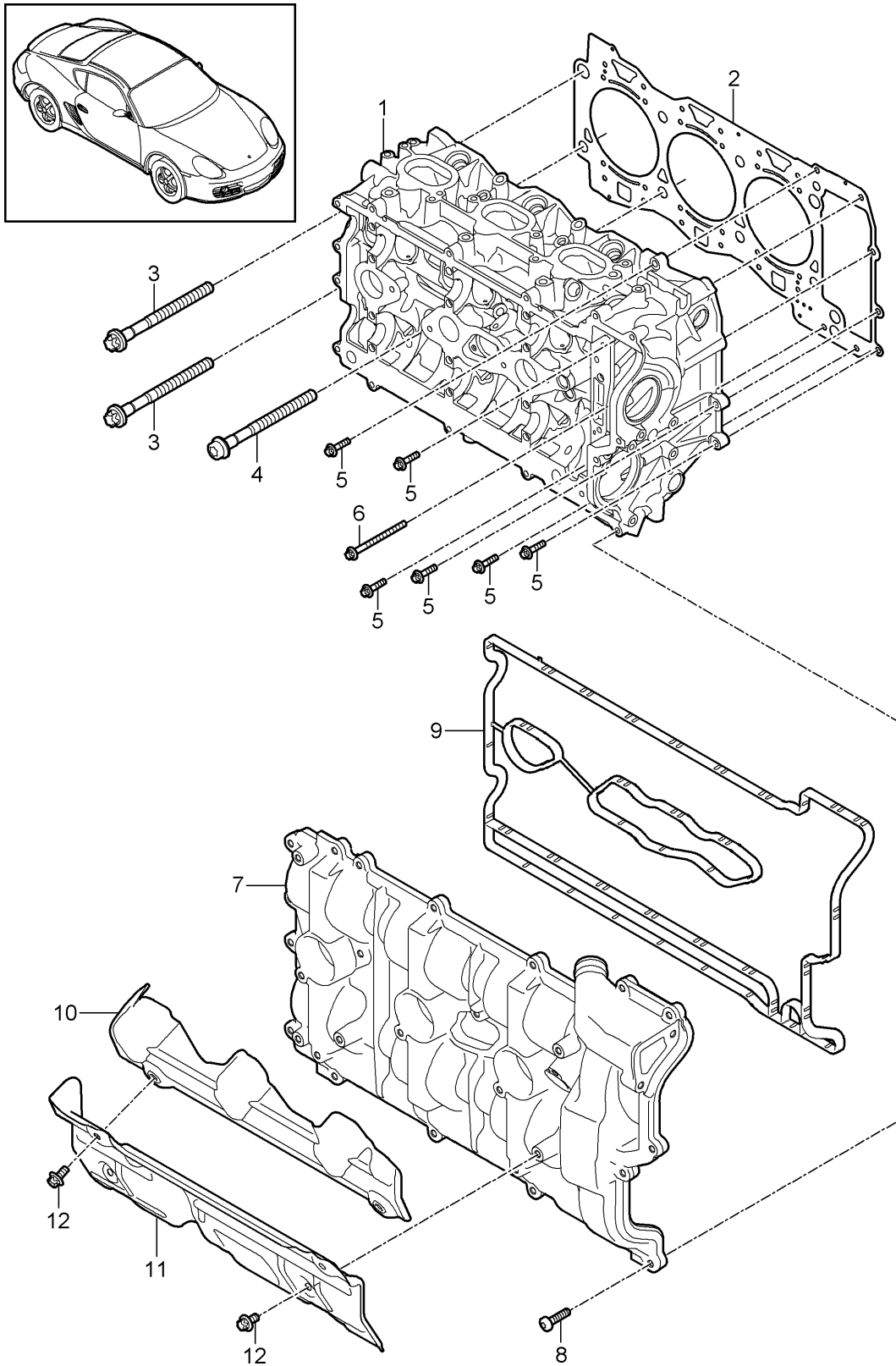
Model: 987209

Model life 2009>>2012

Pos	Part Number	Description	Remark	Qty	Model
		Piston			MA1.20
1	9A1 103 029 03	Piston Tolerance range X		6	MA1.21 MA1.20
(1)	9A1 103 029 06	Piston Tolerance range X		6	MA1.20
(1)	9A1 103 029 09	Piston Tolerance range X		6	MA1.20
(1)	9A1 103 034 03	Piston Tolerance range X		6	MA1.21
(1)	9A1 103 934 09	Piston Set Content Piston Tolerance range X		1	MA1.21
2	9A1 103 050 02	Only by sets Set of piston rings		6	MA1.20
(2)	9A1 103 065 02	Set of piston rings		6	MA1.21
3	9A1 103 141 01	Circlip		12	

Model: 987209

Model life 2009>>2012



Model: 987209 Model life 2009>>2012

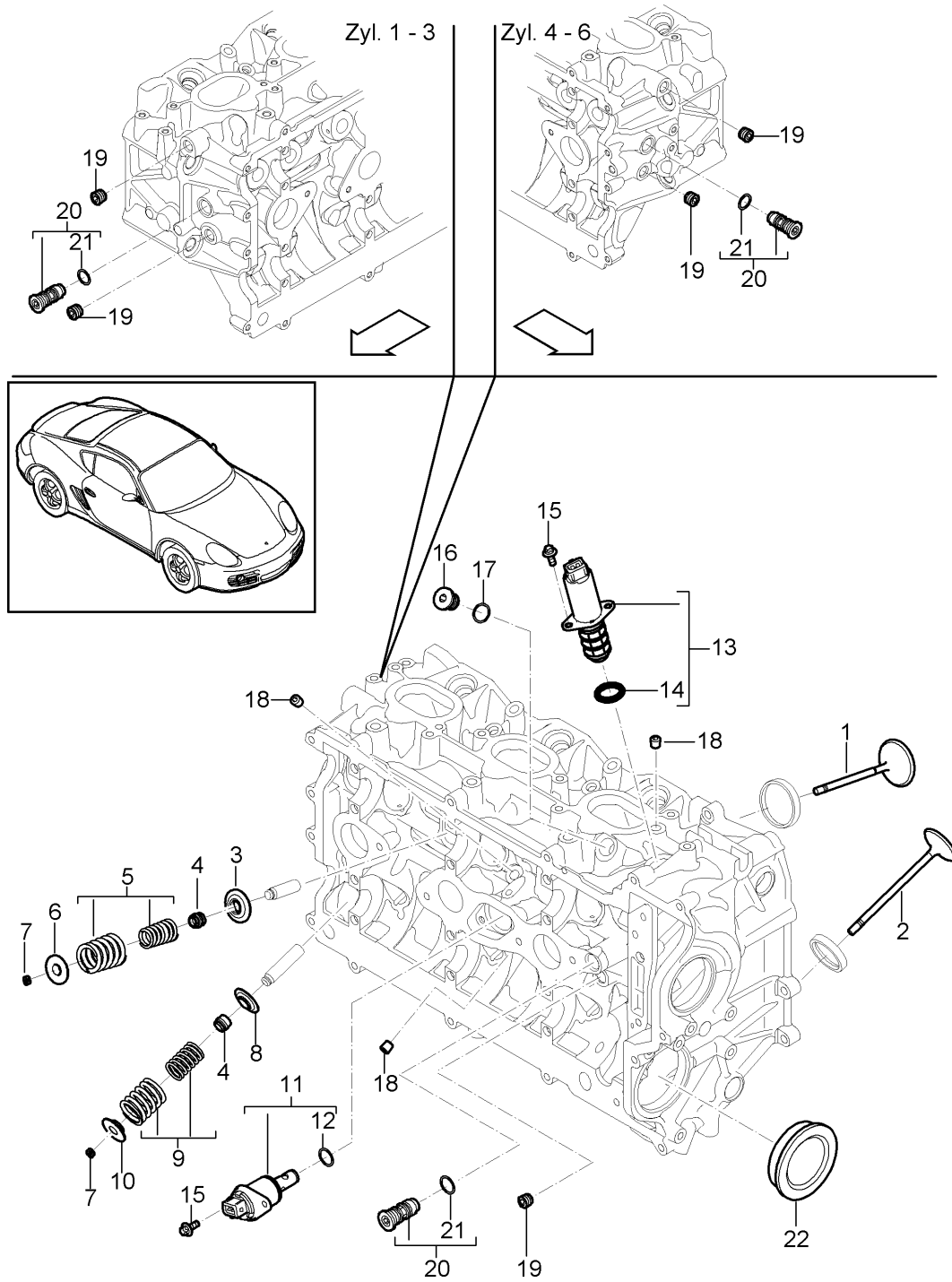
Pos	Part Number	Description	Remark	Qty	Model
1	9A1 104 905 00	Cylinder head with Valves Cylinder head gasket Valve cover Cylinder head Cyl. 1 - 3		1	MA1.20
(1)	9A1 104 906 00	with valves Cylinder head Cyl. 4 - 6		1	MA1.20
(1)	9A1 104 907 00	with valves Cylinder head Cyl. 1 - 3		1	MA1.21
(1)	9A1 104 908 00	with valves Cylinder head Cyl. 4 - 6		1	MA1.21
-		with valves Valves See illustrations 1/03/05			
2	9A1 104 143 03	Cylinder head gasket Cyl. 1 - 3	-09	1	MA1.21
2	9A1 104 143 04	Cylinder head gasket Cyl. 1 - 3	10-	1	MA1.21
(2)	9A1 104 145 04	Cylinder head gasket Cyl. 1 - 3		1	MA1.20
(2)	9A1 104 142 03	Cylinder head gasket Cyl. 4 - 6	-09	1	MA1.21
(2)	9A1 104 142 04	Cylinder head gasket Cyl. 4 - 6	10-	1	MA1.21
(2)	9A1 104 144 04	Cylinder head gasket Cyl. 4 - 6		1	MA1.20
3	9A1 104 191 00	Torx screw M12 X 1,5 X 140		4	
4	9A1 104 191 02	Torx screw M12 X 1,5 X 140		12	
5	900 385 072 01	Torx screw M6 X 25		11	
6	900 385 108 02	Torx screw M6 X 80		2	
7	9A1 105 231 05	Valve cover Cyl. 1 - 3 Only together with 9A1.105.731.02 M >> 9 05158 M >> 9 04346		1	MA1.20 MA1.21
7	9A1 105 231 04	Valve cover Cyl. 1 - 3 Together with 9A1.105.731.03 M 9 05159 >> M 9 04347 >>		1	MA1.20 MA1.21
(7)	9A1 105 232 05	Valve cover Cyl. 4 - 6 Only together with 9A1.105.732.02 M >> 9 05158 M >> 9 04346		1	MA1.20 MA1.21
(7)	9A1 105 232 04	Valve cover Cyl. 4 - 6 Only together with 9A1.105.732.03 M 9 05159 >>		1	MA1.20

Model: 987209 Model life 2009>>2012

Pos	Part Number	Description	Remark	Qty	Model
8	9A1 107 313 00	M 9 04347 >> Torx screw M6 X 25		40	MA1.21
9	9A1 105 731 03	Gasket Valve cover Cyl. 1 - 3 M 9 05159 >> M 9 04347 >>		1	MA1.20 MA1.21
(9)	9A1 105 731 02	Gasket Valve cover Cyl. 1 - 3 M >> 9 05158 M >> 9 04346		1	MA1.20 MA1.21
(9)	9A1 105 732 03	Gasket Valve cover Cyl. 4 - 6 M 9 05159 >> M 9 04347 >>		1	MA1.20 MA1.21
(9)	9A1 105 732 02	Gasket Valve cover Cyl. 4 - 6 M >> 9 05158 M >> 9 04346		1	MA1.20 MA1.21
10	9A1 104 307 03	Heat protection Upper part Cyl. 1 - 3		1	
(10)	9A1 104 308 04	Heat protection Upper part Cyl. 4 - 6		1	
11	9A1 104 309 03	Heat protection Lower part Cyl. 1 - 3		1	
(11)	9A1 104 310 03	Heat protection Lower part Cyl. 4 - 6		1	
12	900 385 041 01	Torx screw M6 X 12		12	
13	999 707 404 40	O-ring 17,05 X 1,78 To Use 997.606.106.03		2	
14	997 606 106 03	Hall sender		2	
15	900 387 264 01	Pan-head screw M 6 X 16		2	
15	N 105 464 03	Pan-head screw M 6 X 16		2	

Model: 987209

Model life 2009>>2012



Model: 987209

Model life 2009>>2012

Pos	Part Number	Description	Remark	Qty	Model
		Cylinder head			MA1.20
		Accessories			MA1.21
		Valves			
1	9A1 105 312 02	Intake valve		12	MA1.21
(1)	9A1 105 314 02	Intake valve		12	MA1.20
2	9A1 105 322 02	Exhaust valve		12	MA1.21
2	9A1 105 324 02	Exhaust valve		12	MA1.20
3	9A1 105 151 00	Concave washer		12	MA1.21
		Intake			
		Lower			
3	948 105 151 01	Concave washer		12	MA1.20
		Intake			
		Lower			
4	996 105 115 52	Valve stem seal		24	
5	9A1 105 110 01	Set of valve springs		12	MA1.21
		Intake			
5	948 105 094 00	Set of valve springs		12	MA1.20
		Intake			
6	9A1 105 150 00	Concave washer		12	MA1.21
		Intake			
		Upper			
6	948 105 150 01	Concave washer		12	MA1.20
		Intake			
		Upper			
7	996 105 123 52	Valve collet		48	
8	948 105 153 51	Concave washer		12	MA1.21
		Exhaust			
		Lower			
(8)	948 105 153 01	Concave washer		12	MA1.20
		Exhaust			
		Lower			
9	9A1 105 115 01	Set of valve springs		12	MA1.21
		Set			
		Exhaust			
(9)	9A1 105 180 01	Valve spring		12	MA1.20
		Exhaust			
10	948 105 152 51	Concave washer		12	MA1.21
		Exhaust			
		Upper			
(10)	996 105 121 54	Concave washer		12	MA1.20
		Exhaust			
		Upper			
11	9A1 105 308 02	Actuator		1	
		VVS			
12	900 331 057 40	O-ring		2	
		11,2 X 2,65			
13	9A1 105 304 01	Actuator		2	
		NVS			
13	9A1 105 304 02	Actuator		2	
		NVS			
13	9A1 105 304 03	Actuator		2	
		NVS			
13	9A1 105 304 04	Actuator		2	
		NVS			
14	999 707 446 40	O-ring		2	
		18 X 2,5		2	
15	900 385 112 01	Torx screw		8	
		M5 X 12			
16	900 219 002 03	Screw plug		1	
17	900 123 104 30	Sealing ring		2	
		14 X 18			
18	999 063 035 02	Screw plug		3	
		M 8 X 1,0			

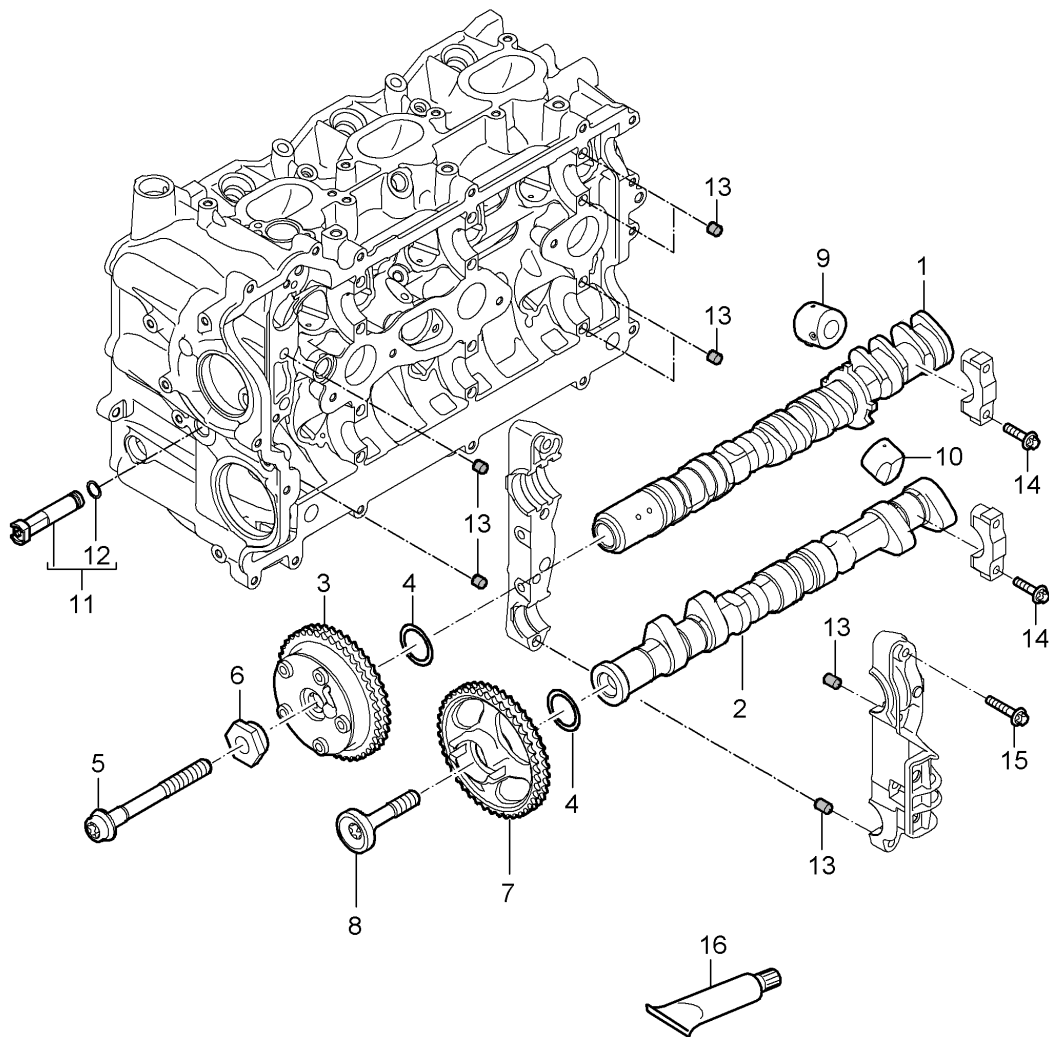
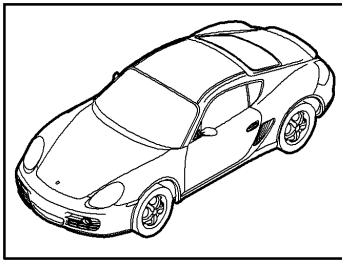
Model: 987209

Model life 2009>>2012

Pos	Part Number	Description	Remark	Qty	Model
(18)		Cyl. 1 - 3 Screw plug M 8 X 1,0		4	
19	900 063 014 01	Cyl. 4 - 6 Screw plug M12 X 1,5		4	
20	9A1 104 250 00	Restrictor		4	
21	999 707 577 40	O-ring 10 x 2,5N		4	
22	9A1 104 403 00	Lid		1	MA1.20

Model: 987209

Model life 2009>>2012



Model: 987209

Model life 2009>>2012

Pos	Part Number	Description	Remark	Qty	Model
		Camshaft			MA1.20
		Hydraulic valve tappet			MA1.21
		Camshaft adjuster			
(1)	9A1 105 025 03	Camshaft		1	MA1.20
		Intake			
		Cyl. 1 - 3			
(1)	9A1 105 026 03	Camshaft		1	MA1.20
		Intake			
		Cyl. 4 - 6			
1	9A1 105 027 03	Camshaft		1	MA1.21
		Intake			
		Cyl. 1 - 3			
1	9A1 105 028 03	Camshaft		1	MA1.21
		Intake			
		Cyl. 4 - 6			
(2)	9A1 105 227 03	Camshaft		1	MA1.20
		Exhaust			
		Cyl. 1 - 3			
(2)	9A1 105 228 03	Camshaft		1	MA1.20
		Exhaust			
		Cyl. 4 - 6			
2	9A1 105 223 03	Camshaft		1	MA1.21
		Exhaust			
		Cyl. 1 - 3			
2	9A1 105 224 03	Camshaft		1	MA1.21
		Exhaust			
		Cyl. 4 - 6			
3	9A1 105 052 01	Camshaft adjuster		2	
4	9A1 105 403 02	Washer		4	
		Camshaft adjuster			
5	9A1 105 254 01	Torx screw		2	
		M12 X 50			
6	948 105 218 01	Sleeve		2	
		Camshaft adjuster			
6	9A1 105 245 00	Sleeve		2	
		Camshaft adjuster			
(7)	9A1 105 147 02	Sprocket		1	
		Camshaft			
		Exhaust			
		Cyl. 1 - 3			
7	9A1 105 148 02	Sprocket		1	
		Camshaft			
		Exhaust			
		Cyl. 4 - 6			
8	9A1 105 255 00	Torx screw		2	
(8)	9A1 105 255 02	Torx screw		2	
9	9A1 105 070 03	Hydraulic valve tappet		12	
		Intake			
10	9A1 105 071 00	Hydraulic valve tappet		12	
		Exhaust			
11	9A1 104 402 02	Oil tube		1	
		Cyl. 4 - 6			
12	999 707 576 40	O-ring		1	
		7,0 X 2,5			
13	999 095 075 01	Dowel sleeve		32	
		8 x 7			
14	999 073 450 02	Outer hexagon round screw		24	
		BM 6 X 37			
15	900 385 111 01	Torx screw		8	
		BM 6 X 55			
16	000 043 024 00	Extreme-pressure grease		1	
		1 tube			
		80 Gr.			

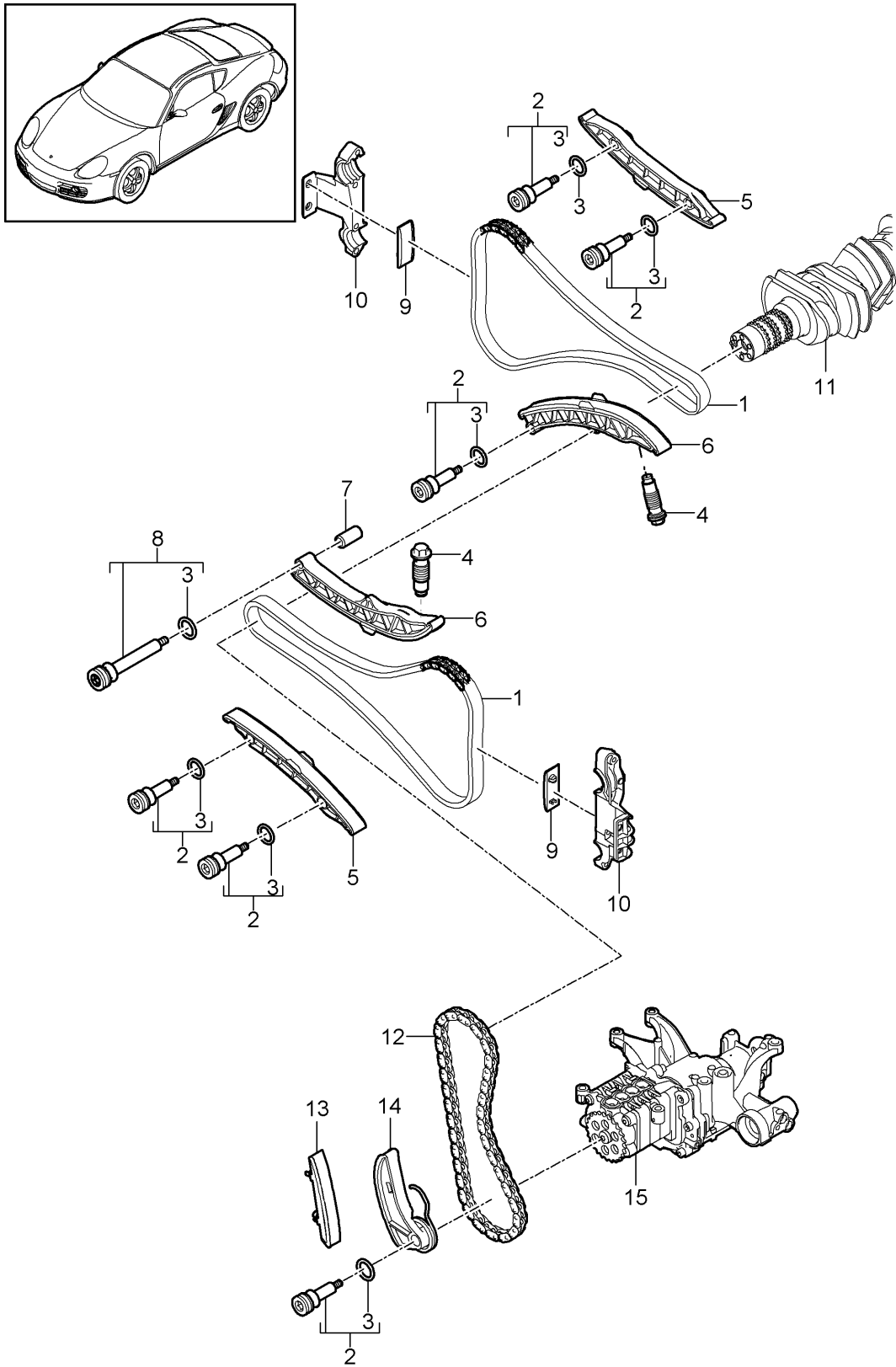
Model: 987209

Model life 2009>>2012

Pos	Part Number	Description	Remark	Qty	Model
		for Camshaft			

Model: 987209

Model life 2009>>2012



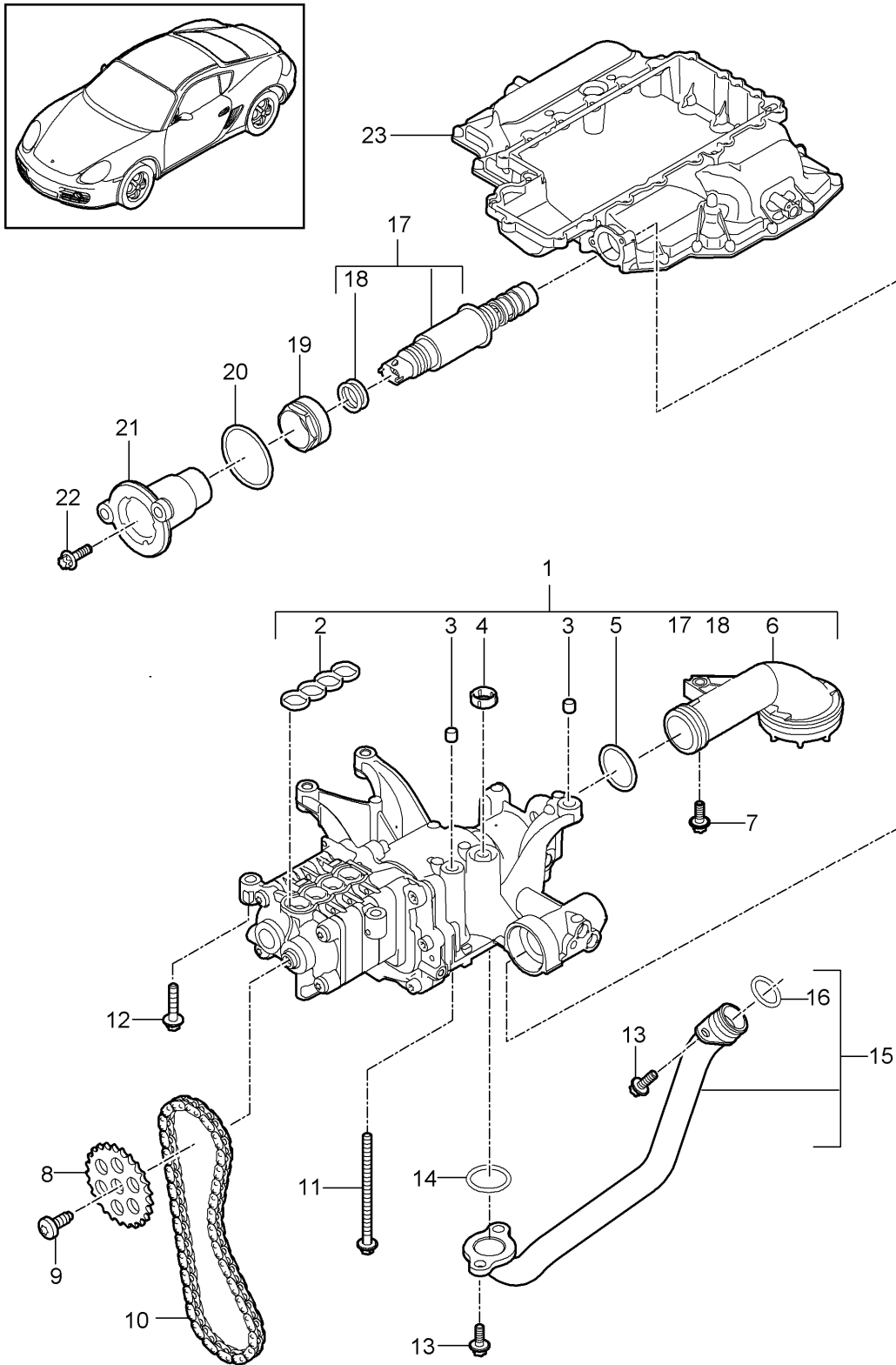
Model: 987209

Model life 2009>>2012

Pos	Part Number	Description	Remark	Qty	Model
		Valve control			MA1.20 MA1.21
1	9A1 105 142 02	Timing chain Camshaft Crankshaft		2	
2	9A1 105 162 01	Screw Tensioner blade		6	
3	999 707 346 40	O-ring 15,0 X 3,0		X	
4	9A1 105 157 02	Chain adjuster		2	
-	900 123 118 30	Sealing ring A 22 X 27		2	
5	9A1 105 153 02	Guide rail		2	
6	9A1 105 155 02	Tensioner blade		2	
7	9A1 105 165 01	Spacer sleeve		2	
8	9A1 105 163 01	Screw		1	
9	9A1 105 101 02	Guide rail		2	
10		Housing Not available To Use Cylinder head See illustrations 1/03/00		2	
11		Crankshaft See illustrations 1/02/00		1	
12	9A1 105 233 02	Timing chain Oil pump Crankshaft		1	
13	9A1 105 237 02	Guide rail		1	
14	9A1 105 235 02	Tensioner blade		1	
15		Oil pump See illustrations 1/04/00		1	

Model: 987209

Model life 2009>>2012



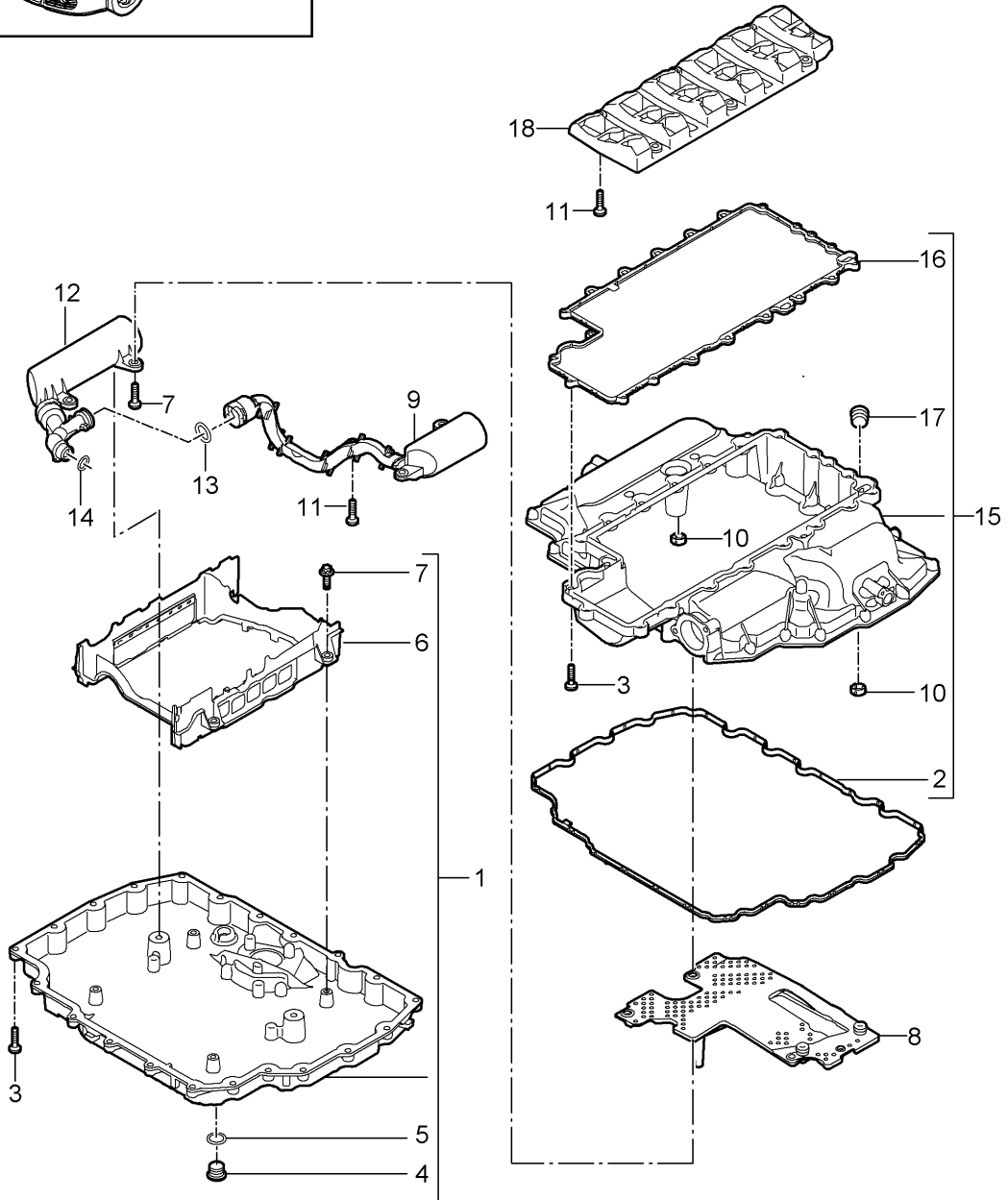
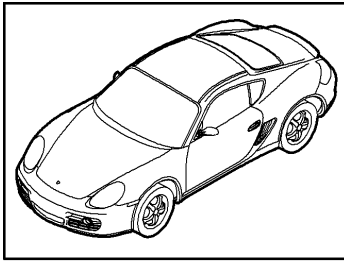
Model: 987209

Model life 2009>>2012

Pos	Part Number	Description	Remark	Qty	Model
		Oil pump			MA1.20 MA1.21
1	9A1 107 050 03	Oil pump		1	
(1)	9A1 107 050 04	Oil pump		1	
(1)	9A1 107 050 05	Oil pump		1	
(1)	9A1 107 050 11	Oil pump		1	
(1)	9A1 107 050 12	Oil pump		1	
2	9A1 107 370 00	Gasket Use with 9A1.107.050.03 9A1.107.050.04 9A1.107.050.05		1	
3	996 106 103 50	Dowel sleeve 8,2 X 7,0		2	
4	9A1 107 327 00	Sealing ring		1	
5	999 707 375 40	O-ring 30,00 X 3,00		1	
6	9A1 107 075 02	Suction tube		1	
7	999 073 102 01	Round head screw M6 X 25		1	
8	9A1 105 225 02	Sprocket		1	
9	999 073 380 01	Oil pump Torx screw M8 X 22		1	
10		Chain Oil pump See illustrations 1/03/15		1	
11	900 385 126 01	Torx screw M6 X 95		1	
12	900 385 048 01	Torx screw M6 X 30		5	
13	900 385 009 01	Torx screw M6 X 25		1	
14	999 707 409 41	O-ring 26,00 X 3,00		1	
15	9A1 107 250 01	Oil tube Oil pump Crankcase		1	
16	999 707 575 40	O-ring 20,00 X 3,00		1	
17	948 107 113 01	Solenoid valve		1	
(17)	948 107 113 02	Solenoid valve		1	
(17)	948 107 113 11	Solenoid valve		1	
18	999 707 567 40	O-ring 17,00 X 3,00		2	
19	999 261 024 01	Union nut M36 x 1,0 x 12		1	
20	999 707 570 40	O-ring 44,00 x 3,00		1	
21	9A1 107 330 01	Joint flange Control valve		1	
22	900 385 019 01	Torx screw M6 X 20		2	
23		Oil pan Upper part See illustrations 1/04/02		1	

Model: 987209

Model life 2009>>2012



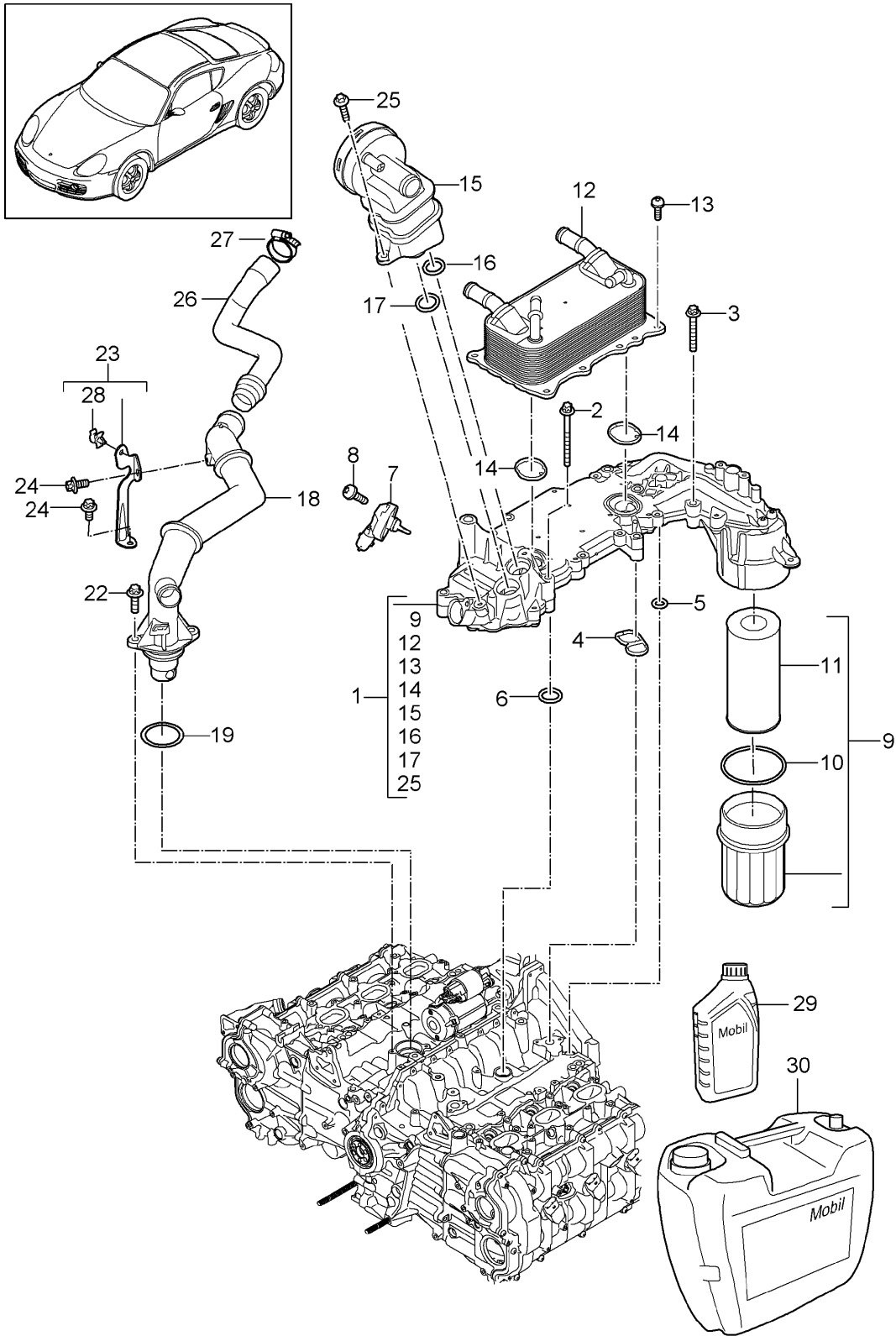
Model: 987209

Model life 2009>>2012

Pos	Part Number	Description	Remark	Qty	Model
1	9A1 107 032 00	Oil pan Oil pan Lower part		1	
2	9A1 107 325 02	Gasket Oil pan		1	
3	9A1 107 313 00	Torx screw M 6 X 25		44	
4	900 219 020 31	Screw plug M 18 X 1,5		1	
5	900 123 106 30	Sealing ring A 18 X 24		1	
6	9A1 107 243 01	Bulkhead		1	
7	900 385 019 01	Torx screw M6 x 20		X	
8	9A1 107 420 01	Oil separator		1	
9	9A1 107 383 01	Oil separator		1	
10	9A1 107 327 00	Sealing ring		2	
12	9A1 107 380 01	Oil separator		1	
13	948 107 439 10	O-ring 20,0 X 3,8	-11	2	
(13)	999 707 651 40	O-ring 20,0 x 3,8 N	12-	2	
14	999 707 637 40	O-ring 15,0 x 3,0 Deleted without Replacement	-11	1	
15	9A1 107 031 01	Oil pan Upper part		1	
16	9A1 107 315 03	Gasket		1	
17	900 063 010 01	Screw plug M8 X 1,0		1	
18	9A1 101 010 00	Oil separator		1	
19	948 606 150 00	Oil-level sender		1	
20	948 606 240 00	Gasket		1	
21	900 385 072 01	Torx screw BM 6 X 25		3	

Model: 987209

Model life 2009>>2012



Model: 987209

Model life 2009>>2012

Pos	Part Number	Description	Remark	Qty	Model
		Engine lubrication			MA1.20 MA1.21
(1)	9A1 107 046 01	Oil-conducting housing		1	
1	9A1 107 020 01	Oil-conducting housing		1	
1	9A1 107 020 03	Oil-conducting housing		1	
2	900 385 276 01	Torx screw M6 X 60		1	
3	900 385 125 01	Torx screw M6 X 45		8	
4	9A1 107 475 00	Sealing ring Oil-conducting housing Crankcase		1	
5	999 707 594 40	O-ring 11,0 X 4,0		1	
6	999 707 595 40	O-ring 20,0 X 4,0		1	
7	997 606 203 01	Oil pressure sender 5 bar	-09	1	
7	997 606 203 02	Oil pressure sender 5 bar	-09	1	
(7)	948 606 213 00	Oil pressure sender 10 bar	10-	1	
8	900 385 019 01	Torx screw M6 X 25		2	
9	9A1 107 024 00	Oil filter set		1	
10	996 107 313 51	Sealing ring 71,0 X 3,5		1	
11	9A1 107 224 00	Filter element Oil filter		1	
12	9A1 107 451 00	Heat exchanger		1	
13	999 073 416 01	Combination screw M6 X 20		6	
14	948 107 175 00	Gasket		2	
15	9A1 107 042 00	Oil separator		1	
15	9A1 107 042 01	Oil separator		1	
16	999 707 634 40	O-ring 18,5 X 4,0		1	
17	999 707 635 40	O-ring 21,0 X 4,0		1	
18	9A1 107 116 02	Filler tube Engine oil		1	
19	999 707 348 40	O-ring 42,0 X 4,0		1	
20	987 107 035 01	Lid		1	
21	987 107 336 00	Gasket Lid		1	
22	900 385 019 01	Torx screw M6 X 20		5	
23	9A1 107 216 02	Support Filler tube		1	MA1.20
(23)	9A1 107 316 02	Support Filler tube		1	MA1.21
24	900 385 041 01	Torx screw M6 X 12		2	
25	900 385 072 01	Torx screw M6 X 25		2	
26	987 107 264 30	Oil hose		1	
27	999 512 695 09	Hose clamp 38 x 12		2	
28	999 507 675 40	Hose holder		1	
29	000 043 301 19	Engine oil EXXON MOBIL 1 0W-40 1 LITER		X	

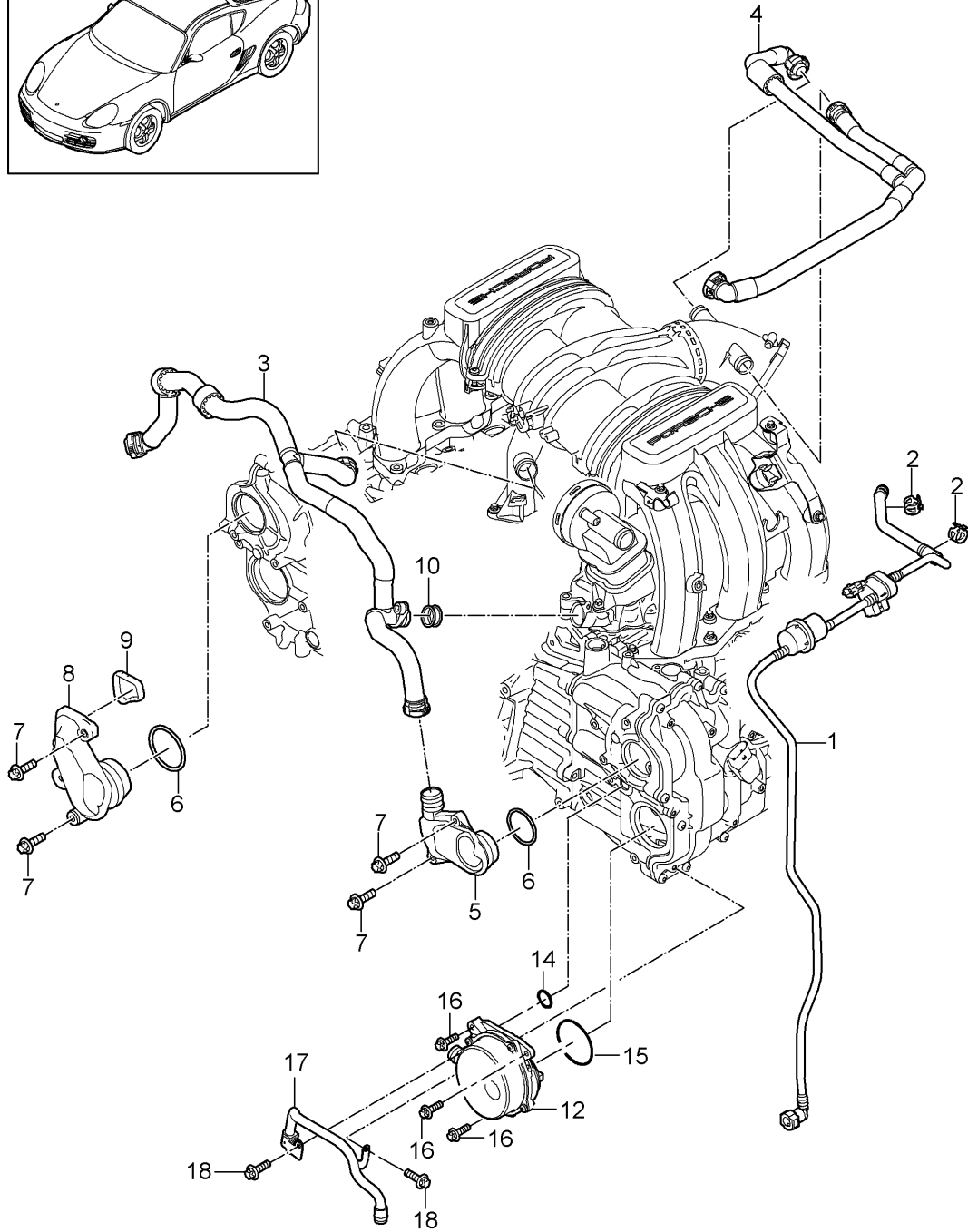
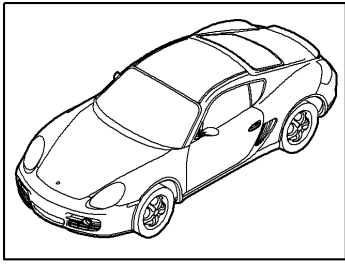
Model: 987209

Model life 2009>>2012

Pos	Part Number	Description	Remark	Qty	Model
30	000 043 301 21	Container Information available Engine oil EXXON MOBIL 1 0W-40 20 LITER Container Information available		X	

Model: 987209

Model life 2009>>2012



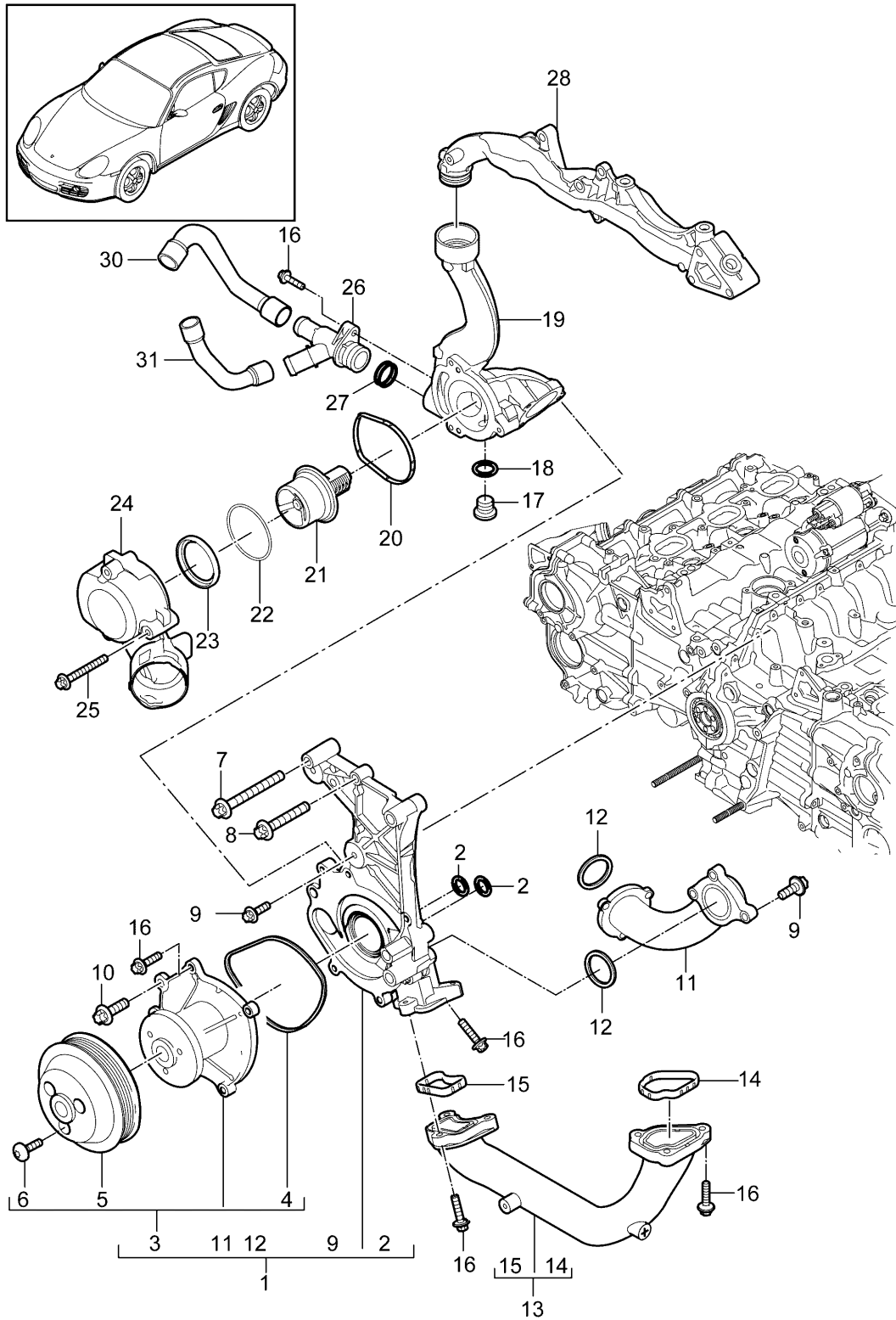
Model: 987209

Model life 2009>>2012

Pos	Part Number	Description	Remark	Qty	Model
1	9A1 110 093 02	Crankcase Bleeding Tank ventilation Vacuum pump Vent line Complete		1	
2	999 512 651 09	Hose clamp 15 x 12		2	
3	9A1 107 515 01	Vent line Crankcase		1	
4	9A1 107 520 01	Vent line Distributor tube		1	
5	9A1 105 238 00	Lid Crankcase Bleeding Cyl. 4 - 6		1	
6	999 707 636 40	O-ring 44,0 X 3,5N		2	
7	900 385 019 01	Torx screw BM6 x 20		6	
8	9A1 105 239 02	Lid Crankcase Bleeding Cyl. 1 - 3		1	
9	9A1 105 339 00	Gasket for Lid Crankcase		1	
10	999 707 316 41	O-ring 21,89 x 2,62		2	
-	900 385 072 01	Torx screw BM 6 x 25		1	
12	9A1 110 090 02	Vacuum pump		1	
12	9A1 110 090 03	Vacuum pump		1	
12	9A1 110 090 04	Vacuum pump		1	
12	9A1 110 090 05	Vacuum pump		1	
12	9A1 110 090 06	Vacuum pump		1	
14	999 701 504 40	O-ring 10 x 2,5		1	
15	999 701 505 40	O-ring 54 x 2,5		1	
16	900 385 019 01	Torx screw M6 x 20		3	
17	9A1 110 065 01	Vacuum line		1	
18	900 385 041 01	Torx screw M6 x 20		2	
-	999 701 789 40	O-ring 12 x 2		2	

Model: 987209

Model life 2009>>2012



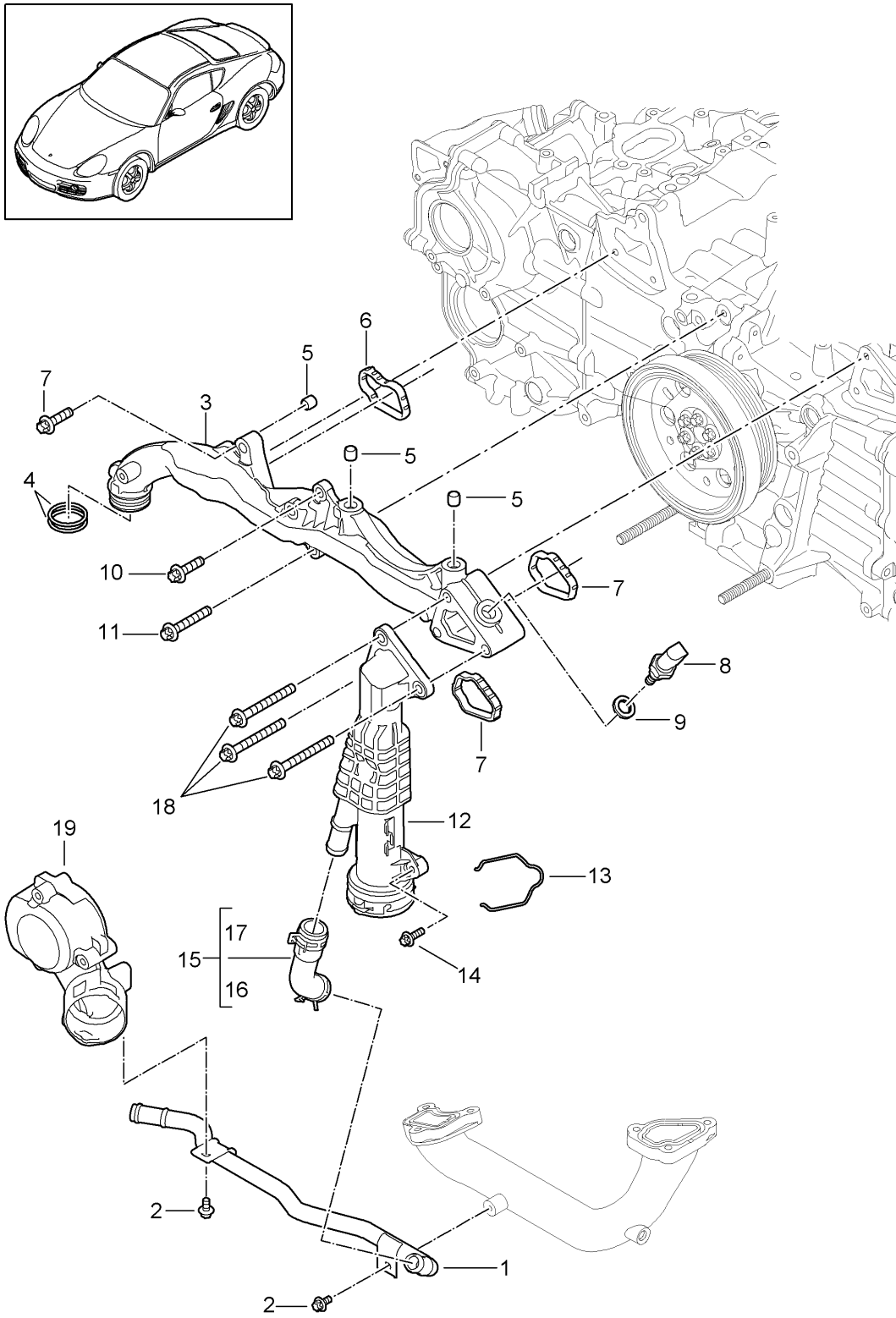
Model: 987209

Model life 2009>>2012

Pos	Part Number	Description	Remark	Qty	Model
1	9A1 106 038 04	Water pump Thermostat housing Water pump housing Complete		1	MA1.20 MA1.21
2	999 707 604 40	O-ring 34,0 X 3,0		2	
3	9A1 106 048 00	Water pump Complete		1	
4	9A1 106 217 00	Gasket Water pump		1	
5	9A1 106 248 00	Pulley		1	
6	999 073 104 01	Torx screw M8 X 16		3	
7	900 385 115 01	Torx screw M8 X 70		3	
8	900 385 071 01	Torx screw M8 X 50		3	
9	900 385 019 01	Torx screw M6 X 20		4	
10	900 385 098 01	Torx screw M8 X 25		1	
10	900 385 114 01	Torx screw M8 X 25		1	
11	9A1 106 238 00	Water tube		1	
12	9A1 106 215 00	Gasket		2	
13	9A1 106 125 31	Water tube		1	
14	9A1 106 326 00	Gasket Water tube		1	
15	9A1 106 325 00	Gasket		1	
16	900 385 072 01	Torx screw M6 X 25		11	
17	900 219 018 30	Screw plug M14 X 1,5		1	
17	999 063 038 01	Screw plug M14 X 1,5		1	
18	900 123 104 30	Sealing ring 14 X 18		1	
18	900 123 173 20	Sealing ring 14 X 18		1	
19	9A1 106 150 01	Housing Thermostat		1	
20	9A1 106 305 00	Gasket Thermostat		1	
21	9A1 106 225 01	Thermostat insert		1	
21	9A1 106 225 02	Thermostat insert		1	
22	999 707 625 40	O-ring 59,0 X 5,2		1	
23	9A1 106 558 00	Sealing ring		1	
24	9A1 106 121 00	Water guide housing		1	
25	900 385 070 01	Torx screw M6 X 50		3	
26	9A1 106 560 00	Y-piece		1	
27	999 707 517 40	O-ring 22 X 3		2	
28		Unit carrier See illustrations 1/05/05		1	
29	999 926 030 01	Bleeder screw M 10 x 1 x 12,5		1	
30	987 106 222 30	Water hose Return line		1	
31	987 106 224 30	Water hose Supply		1	

Model: 987209

Model life 2009>>2012

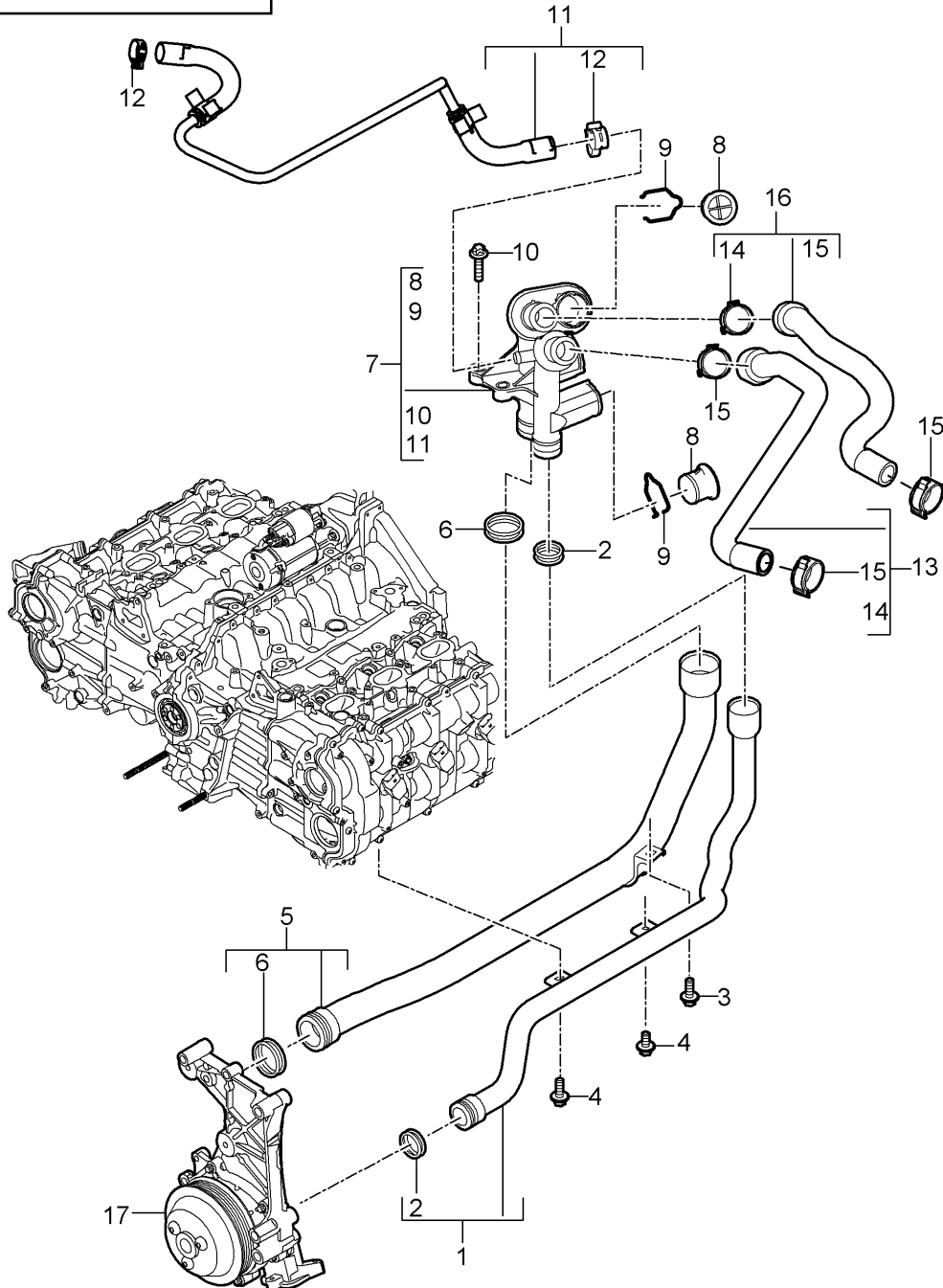
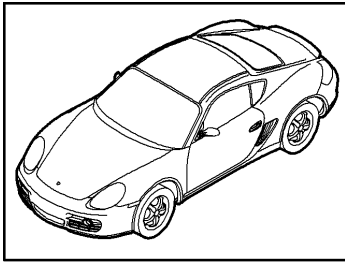


Model: 987209 Model life 2009>>2012

Pos	Part Number	Description	Remark	Qty	Model
1	9A1 106 810 31	Unit carrier Water tube Heater pipeline Supply		1	MA1.20 MA1.21
2	900 385 041 01	Torx screw M6 X 12		2	
3	9A1 102 112 02	Unit carrier		1	
4	999 707 589 40	O-ring 31,0 X 3,0		2	
5	999 095 063 03	Dowel sleeve 11 M6 X 10		3	
6	9A1 102 312 00	Gasket Cyl. 1 - 3		1	
7	9A1 102 322 00	Gasket Cyl. 4 - 6		2	
8	997 606 420 01	Temperature sensor		1	
9	900 123 111 20	Sealing ring Copper		1	
9	900 123 111 21	Sealing ring Copper		1	
10	900 385 042 01	Torx screw M8 X 35		3	
11	900 385 071 01	Torx screw M8 X 50		2	
12	9A1 106 132 01	Connection piece		1	
13	997 106 802 03	Spring		1	
14	900 385 072 01	Torx screw M6 X 25		1	
15	9A1 106 660 30	Water hose Supply		1	
15	9A1 106 660 31	Water hose Supply		1	
16	999 512 601 09	Hose clamp 23 X 12		1	
17	999 512 603 09	Hose clamp 26 X 12		1	
18	900 385 115 01	Torx screw M8 x 70		3	
19		Housing Thermostat See illustrations 1/05/00		1	

Model: 987209

Model life 2009>>2012



Model: 987209

Model life 2009>>2012

Pos	Part Number	Description	Remark	Qty	Model
		Connection Water tube			MA1.20/21
1	9A1 106 620 01	Water tube		1	
2	999 707 517 40	Intake O-ring 22 X 3		4	
3	900 385 009 01	Torx screw M6 X 16		2	
4	900 385 041 01	Torx screw M6 X 12		2	
5	9A1 106 625 01	Water tube Return line		1	
6	999 707 589 40	O-ring 31 X 3		4	
7	9A1 106 010 00	Connection		1	
(7)	9A1 106 010 01	Connection		1	
(7)	9A1 106 010 02	Connection		1	
8	9A1 106 546 00	Stopper		3	
-	999 707 590 40	O-ring 21,35 x 3,0		X	
9	997 106 802 04	Spring clip		3	
10	900 385 072 01	Torx screw M6 X 25		2	
11	9A1 106 549 31	Vent line		1	
12	999 512 699 01	Hose clamp 18 X 12 with Clip		2	
13	9A1 106 610 01	Water hose Intake	-11	1	
(13)	9A1 106 610 02	Water hose Intake M >> C 03456 M >> C 03170	12-	1	MA1.20 MA1.21
(13)	9A1 106 611 00	Water hose Intake M C 03457 >> M C 03171 >>		1	MA1.20 MA1.21
14	999 512 608 09	Hose clamp 32 X 12 Only together with 9A1.106.610.01 9A1.106.615.00		2	
(14)	999 512 662 09	Hose clamp 32 X 12 Only together with 9A1.106.610.02 9A1.106.615.01 9A1.106.611.00		2	
15	999 512 589 09	Hose clamp 25 X 12 Only together with 9A1.106.610.01 9A1.106.615.00		2	
(15)	999 512 656 09	Hose clamp 25 X 12 Only together with 9A1.106.610.02 9A1.106.615.01 9A1.106.611.00		2	
16	9A1 106 615 00	Water hose Return line	-10	1	
(16)	9A1 106 615 01	Water hose	11-	1	

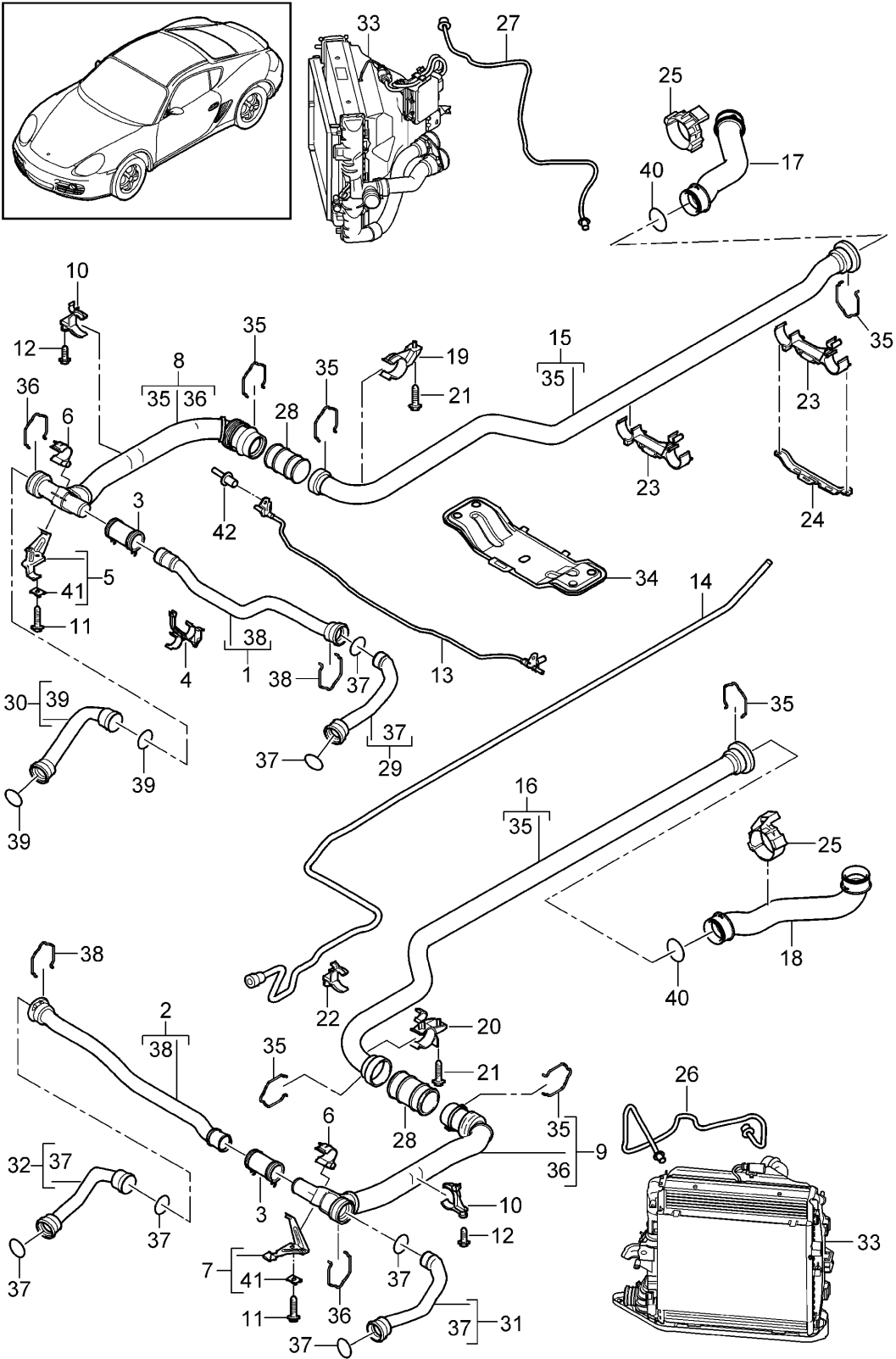
Model: 987209

Model life 2009>>2012

Pos	Part Number	Description	Remark	Qty	Model
17		Return line Water pump See illustrations 1/05/00		1	

Model: 987209

Model life 2009>>2012



Model: 987209

Model life 2009>>2012

Pos	Part Number	Description	Remark	Qty	Model
		Water cooling 2			MA1.20 MA1.21
1	997 106 711 01	Water tube Supply		1	
(1)	997 106 711 02	Water tube Supply		1	
(1)	997 106 711 03	Water tube Supply		1	
2	997 106 720 01	Water tube Return line		1	
(2)	997 106 720 02	Water tube Return line		1	
(2)	997 106 720 03	Water tube Return line		1	
3	997 106 723 07	Water hose		2	
4	997 106 525 01	Support Cross tube Centre		1	
5	997 106 574 02	Support Distributor tube Right		1	
6	997 106 526 01	Support Cross tube Upper		2	
7	997 106 573 02	Support Distributor tube Left		1	
8	997 106 752 04	Distributor tube Supply		1	
9	997 106 751 04	Distributor tube Return line		1	
10	997 106 413 01	Support Distributor tube		2	
(10)		Support Distributor tube	/R	1	I601
(10)	997 106 414 00	Support Distributor tube	/L	1	I601
11	900 378 013 01	Hexagon-head bolt M 6 X 25		2	
12	900 378 036 01	Hexagon-head bolt M 6 X 12		2	
13	997 106 767 02	Vent line Transverse		1	
14	987 106 227 01	Vent line Tunnel		1	
15	987 106 651 03	Water tube Supply Tunnel		1	MA1.20 I250
15	987 106 651 04	Water tube Supply Tunnel		1	MA1.20 I250
(15)	987 106 651 03	Water tube Supply Tunnel		1	MA1.21
(15)	987 106 651 04	Water tube Supply Tunnel		1	MA1.20 I250
(15)	987 106 851 02	Water tube Supply		1	MA1.20 I480

Model: 987209 Model life 2009>>2012

Pos	Part Number	Description	Remark	Qty	Model
16	987 106 652 03	Tunnel Water tube		1	MA1.20 I250
16	987 106 652 04	Return line Tunnel Water tube		1	MA1.20 I250
(16)	987 106 652 03	Return line Tunnel Water tube		1	MA1.21
(16)	987 106 652 04	Return line Tunnel Water tube		1	MA1.20 I250
(16)	987 106 852 02	Return line Tunnel Water tube		1	MA1.20 I480
(16)	987 106 852 03	Return line Tunnel Water tube		1	MA1.20 I480
17	987 106 502 31	Return line Engine Water hose		1	
18	987 106 501 31	Supply Engine Water hose		1	
19	997 106 520 02	Support Firewall Right		1	
20	997 106 521 01	Support Firewall Left		1	
21	900 378 035 01	Hexagon-head bolt M 6 X 16		2	
22	997 106 512 03	Connection piece Vent line		1	
23	997 106 540 02	Support Tunnel		2	
24	997 106 515 02	Bridge Tunnel		1	
25	987 106 425 01	Support Heel plate		1	
26	997 106 765 02	Line	/L	1	
27	997 106 766 02	Line	/R	1	
28	997 106 551 03	Sleeve		2	
29	997 106 623 03	Water hose Supply	/L	1	
30	997 106 627 03	Water hose Supply	/R	1	
31	997 106 728 03	Water hose Return line	/L	1	
32	997 106 624 03	Water hose Return line	/R	1	
33		See illustrations 1/05/15		X	
34		See illustrations 8/01/70		X	
35	997 106 802 03	Spring		X	
36	997 106 802 02	Spring		X	

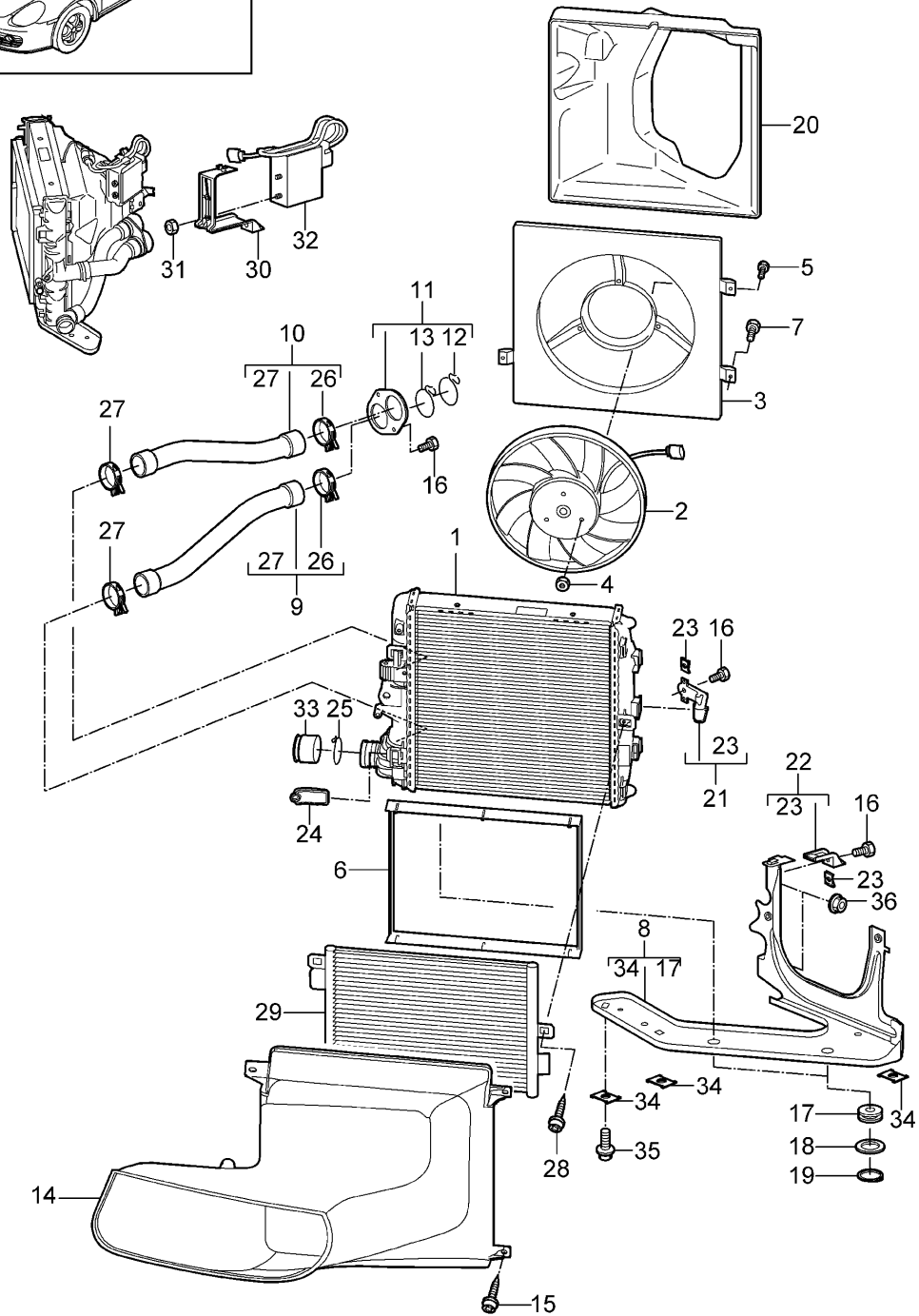
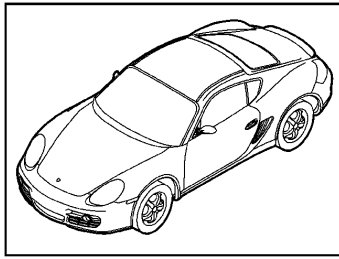
Model: 987209

Model life 2009>>2012

Pos	Part Number	Description	Remark	Qty	Model
37	996 106 801 02	O-ring 36,3 X 3,53		X	
38	997 106 802 01	Spring		X	
39	996 106 801 07	O-ring 39,3 X 3,53		X	
40	996 106 801 03	O-ring 46,7 X 3,53		X	
41	999 507 795 09	Speed nut ST 4,8		1	
42	999 507 497 40	Expansion rivet 8,0 X 14,0		2	

Model: 987209

Model life 2009>>2012



Model: 987209

Model life 2009>>2012

Pos	Part Number	Description	Remark	Qty	Model
		Water cooling 3			MA1.20 MA1.21
1	997 106 131 02	Radiator	/L	1	
(1)	997 106 132 02	Radiator	/R	1	
2	997 624 127 02	Fan	/L	2	
(2)	997 624 128 02	Fan	/R	2	
3	997 624 131 02	Air guide	/L	2	
(3)	997 624 132 02	Air guide	/R	2	
4	900 377 001 02	Hexagon nut M 6		6	
5	900 146 116 09	Screw M 5 X 16		6	
6	997 573 711 00	Sealing frame		1	
7	999 919 125 09	Hexagon-head bolt Plastic material M 5 X 16		6	
8	997 106 155 01	Bracket	/L	1	
(8)	997 106 156 01	Bracket	/R	1	
9	997 106 621 05	Water hose Supply	/L	1	
(9)	997 106 622 04	Water hose Supply	/R	1	
10	997 106 625 04	Water hose	/L	1	
10	997 106 626 05	Return line Water hose Return line	/R	1	
11	997 106 255 02	Connecting piece		2	
12	997 106 802 01	Spring SCB 33		1	
13	997 106 802 02	Spring SCB 36		1	
14	987 575 321 04	Air guide	/L	1	
(14)	987 575 322 04	Air guide	/R	1	
14	987 575 221 01	Air guide	/L	1	I574
(14)	987 575 222 01	Air guide	/R	1	I574
15	999 919 134 09	Oval-head screw M 6 X 16		6	
16	900 385 009 01	Torx screw M 6 X 16		6	
17	999 703 494 40	Rubber mounting 15 X 19,5		4	
18	999 025 255 02	Washer		4	
19	999 166 083 09	Tab washer B 25		4	
20	997 575 341 00	Air guide	/L	1	
(20)	997 575 342 00	Air guide	/R	1	
21	997 106 232 01	Support Outer		2	
22	997 106 455 00	Support Left		1	
23	999 591 350 02	Speed nut ST 4,8		6	
24	997 106 231 02	Support Inner		2	
25	997 106 802 00	Spring SCB26		2	
26	997 512 742 01	Clamp		2	
27	997 106 902 00	Clamp		2	
28	999 919 125 09	Hexagon-head bolt 6,0 X 16		1	
29		Condenser See illustrations 8/13/25		*	

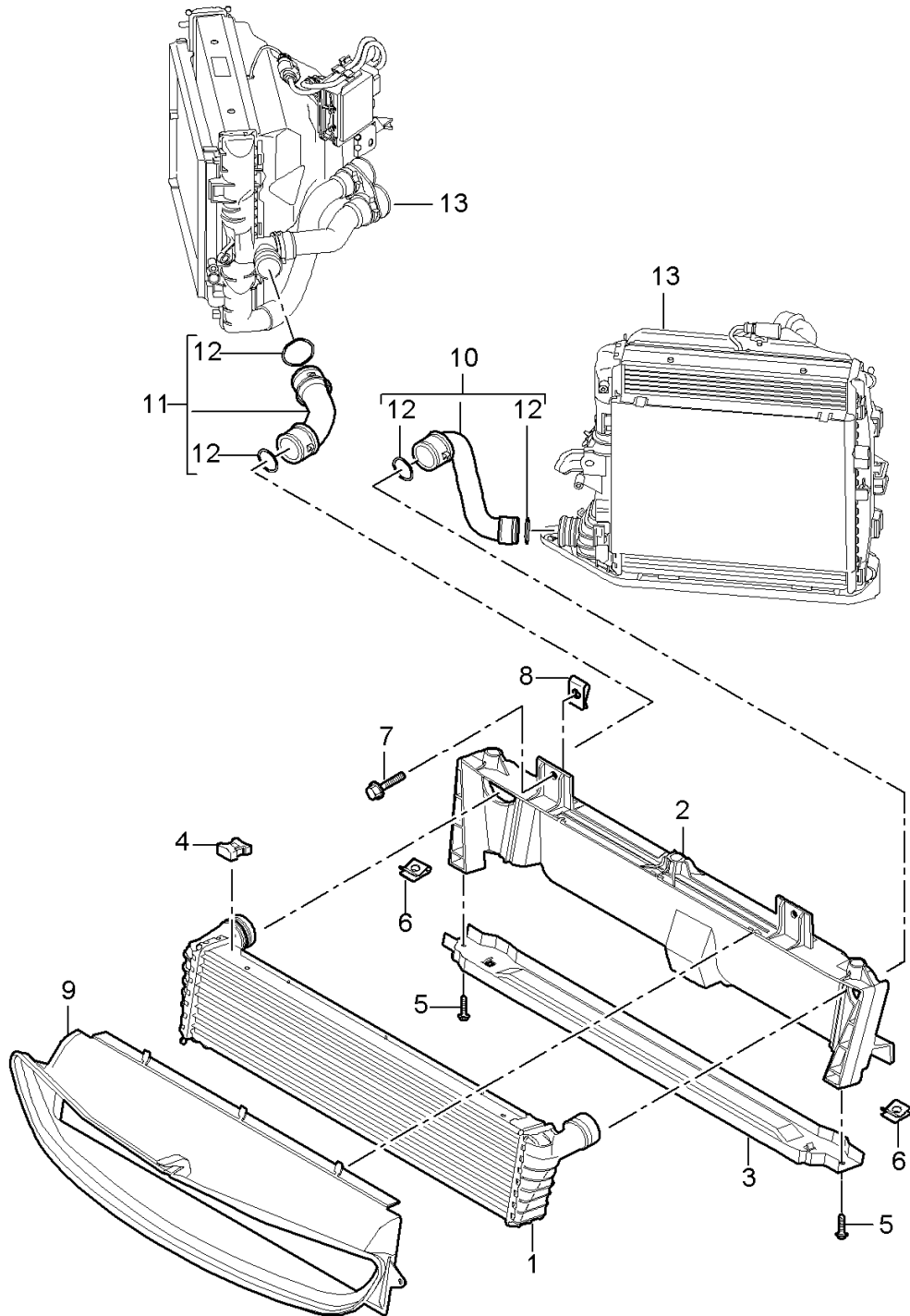
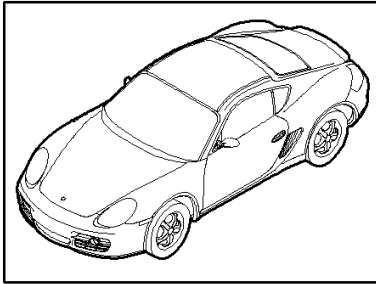
Model: 987209

Model life 2009>>2012

Pos	Part Number	Description	Remark	Qty	Model
30	997 106 456 00	Support Right		1	
31	900 377 010 01	Hexagon nut M 6		2	
32		Control unit Cooling air control See illustrations 9/01/03		1	
33	997 106 546 02	Stopper		2	I181/182
34	999 591 329 01	Speed nut ST 4,8		3	
35	999 072 048 01	Hexagon-head bolt M 8 X 25		2	
36	999 084 447 01	Hexagon nut M 8		4	

Model: 987209

Model life 2009>>2012



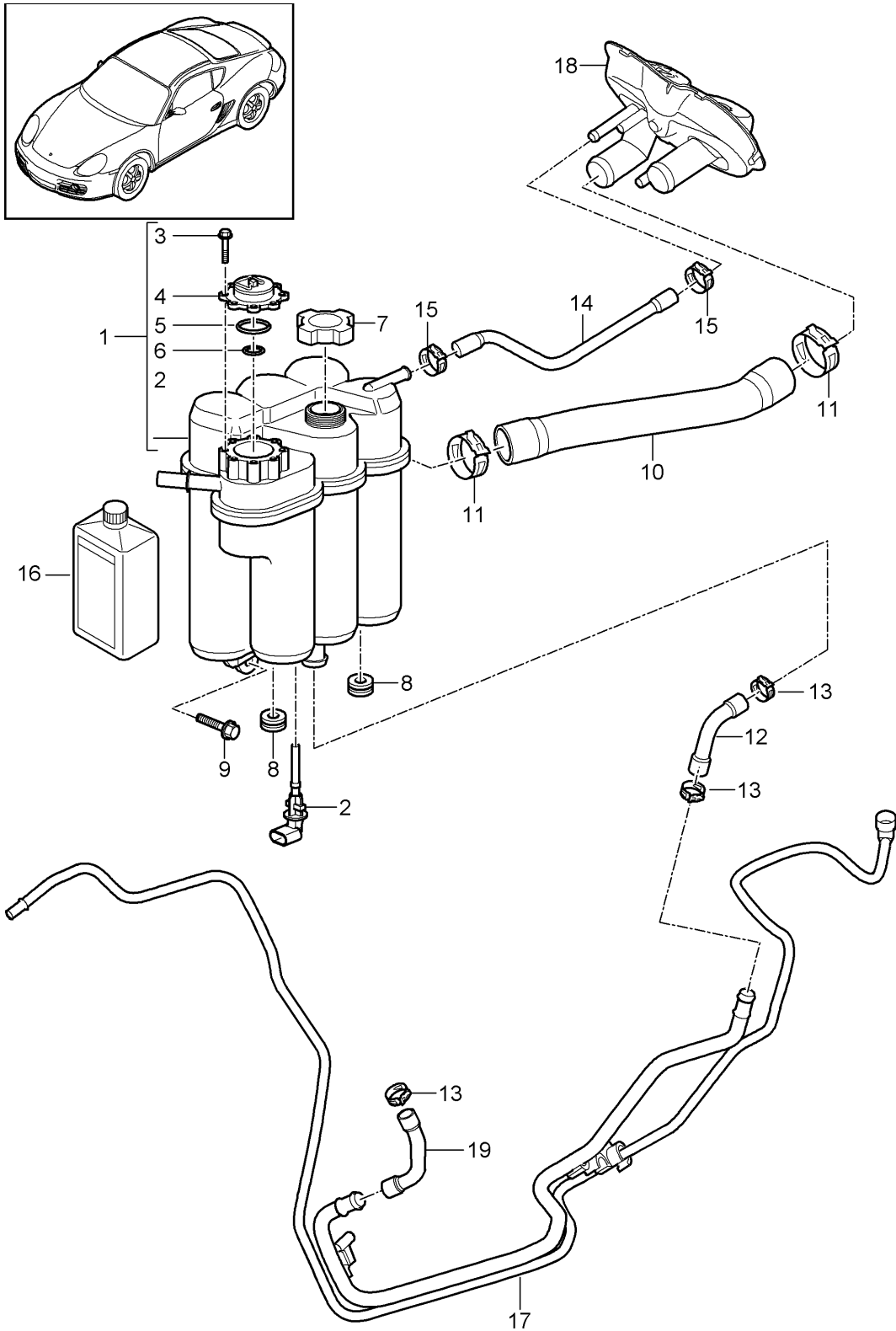
Model: 987209

Model life 2009>>2012

Pos	Part Number	Description	Remark	Qty	Model
		Radiator Centre			MA1.21 I250 MA1.20 I183 MA1.21 I183/480
1	997 106 037 02	Radiator		1	
2	997 504 487 00	Retaining frame Upper		1	
3	997 504 485 00	Retaining frame Lower		1	
4	997 106 437 01	Rubber mounting		4	
5	900 378 035 01	Hexagon-head bolt M 6 X 16		2	
6	999 591 882 02	Speed nut M 6		2	
6	999 591 882 01	Speed nut M 6		2	
7	900 378 074 09	Hexagon-head bolt M 8 X 16		4	
8	999 591 869 02	Speed nut M 8		4	
9	987 575 323 03	Air guide Radiator Centre		1	
10	997 106 639 04	Water hose Return line		1	
11	997 106 638 04	Water hose Supply		1	
12	996 106 801 05	O-ring Clutch		1	
13		See illustrations 1/05/15			

Model: 987209

Model life 2009>>2012



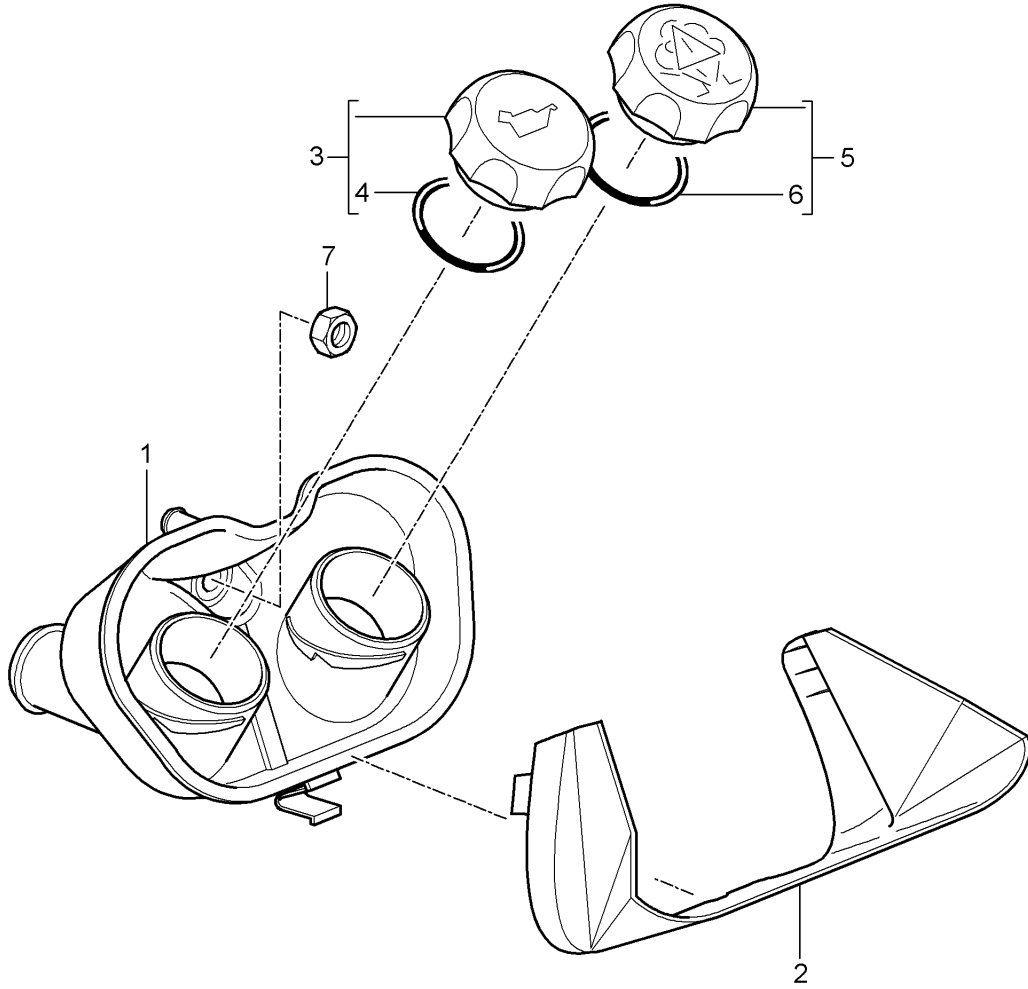
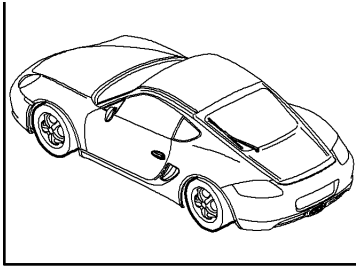
Model: 987209

Model life 2009>>2012

Pos	Part Number	Description	Remark	Qty	Model
		Water cooling 4			MA1.20 MA1.21
1	987 106 047 03	Expansion tank		1	
2	987 641 503 00	Switch		1	
3	999 919 058 02	Hexagon-head bolt M 5 X 40		8	
4	996 106 347 02	Bleeder valve		1	
5	999 707 370 40	O-ring 47,00 X 4,0		1	
6	999 707 371 40	O-ring 17,00 X 4,0		1	
7	996 106 447 04	Lid		1	
8	999 702 183 40	Grommet		2	
9	900 378 074 09	Hexagon-head bolt M 8 X 16		1	
10	987 106 270 02	Water hose		1	
11	999 512 672 09	Hose clamp 40 X 12		2	
12	987 106 267 02	Hose		1	
13	999 512 657 09	Hose clamp 26 X 12		2	
14	987 106 287 01	Vent line		1	
15	999 512 684 09	Clamp 18 X 12		2	
16	000 043 301 03	Antifreeze 1 LTR. Container		X	
(16)	000 043 301 04	Antifreeze 20 LTR. Container		X	
(16)	000 043 301 47	Antifreeze 1 LITER Container		X	
(16)	000 043 305 15	Antifreeze 1 LITER Container		X	
(16)	000 043 301 48	Antifreeze 20 LITER Container		X	
(16)	000 043 305 16	Antifreeze 20 LITER Container		X	
17	987 106 685 31	Vent line		1	
18		See illustrations 1/05/22		1	
19	987 106 212 30	Heater hose		1	

Model: 987209

Model life 2009>>2012



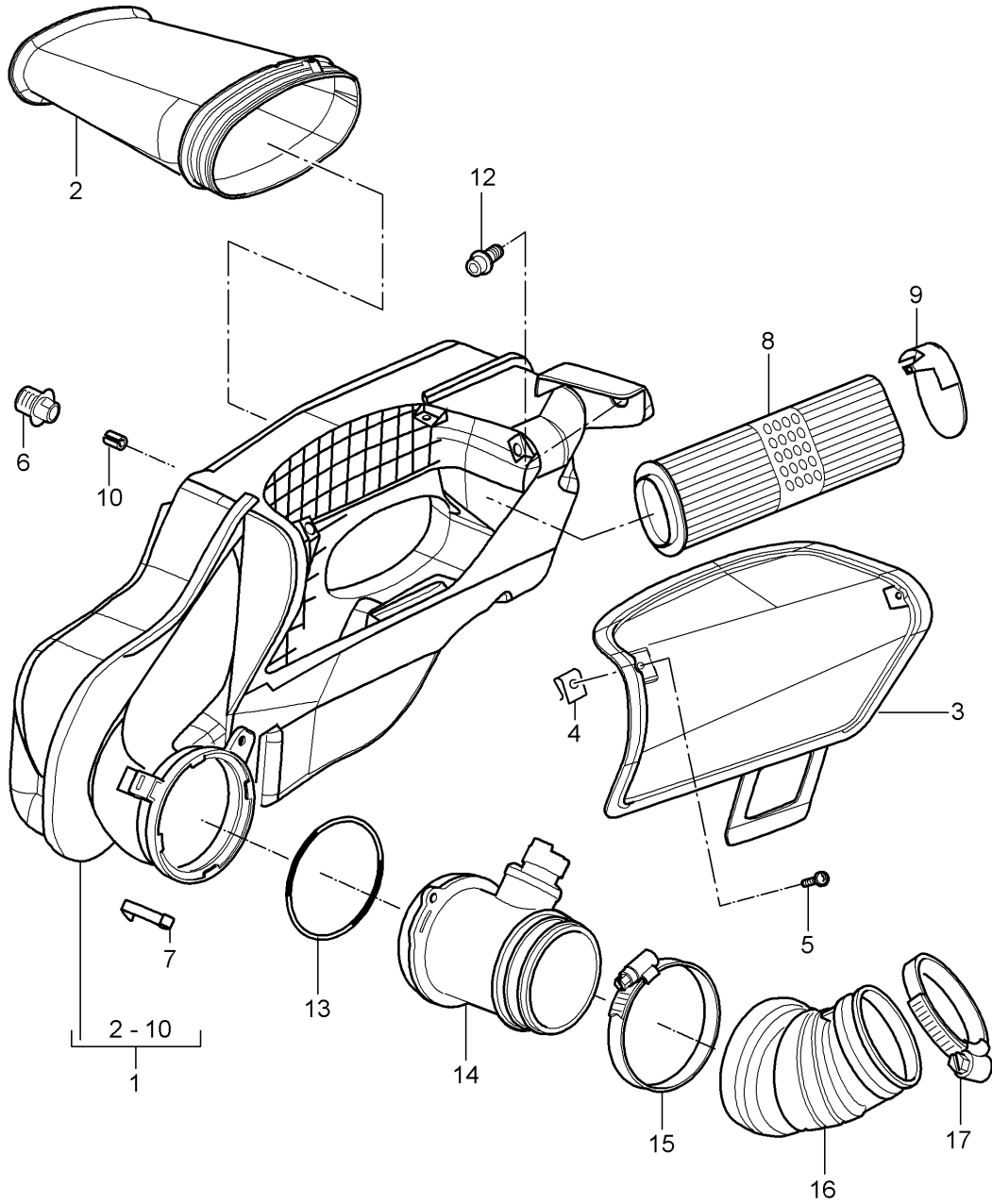
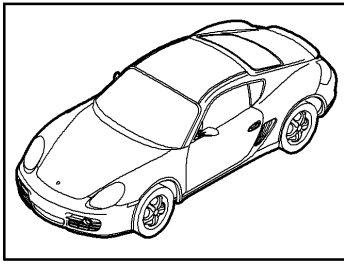
Model: 987209

Model life 2009>>2012

Pos	Part Number	Description	Remark	Qty	Model
		Water cooling 4			MA1.20
		Serviceschale			MA1.21
1	987 106 150 02	Cup		1	
2	987 106 180 00	Cover		1	
3	987 107 035 01	Lid		1	
		Engine oil			
4	987 107 336 00	Gasket		1	
5	987 106 044 00	Lid		1	
		Coolant			
6	987 106 170 00	Gasket		1	
7	999 076 071 02	Hexagon nut		1	
		M 6			

Model: 987209

Model life 2009>>2012



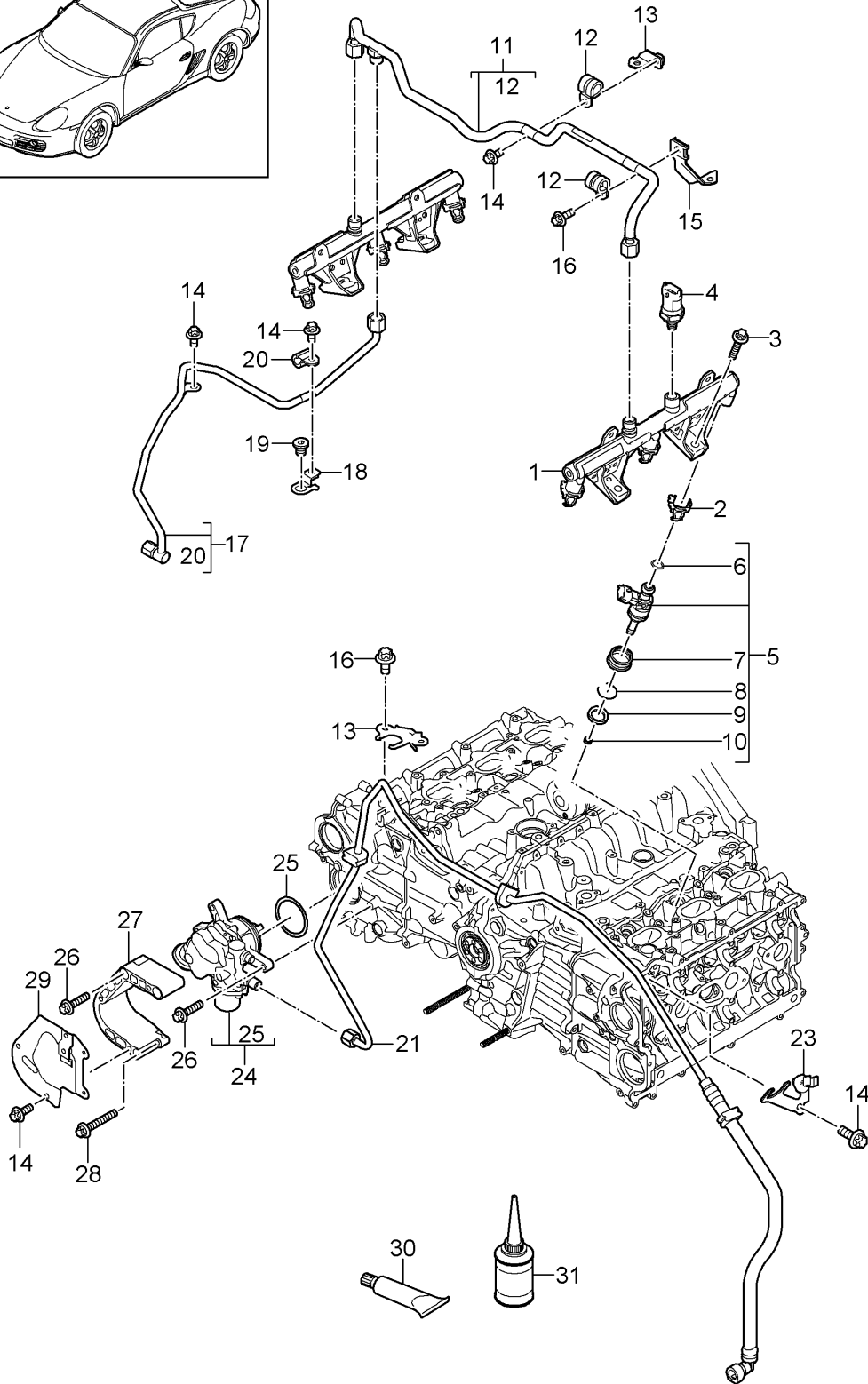
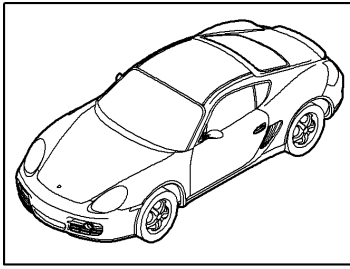
Model: 987209

Model life 2009>>2012

Pos	Part Number	Description	Remark	Qty	Model
		Air cleaner			MA1.20 MA1.21
1	987 110 021 30	Air cleaner Complete		1	
1	987 110 021 00	Air cleaner Complete		1	
2	987 110 122 00	Intake manifold		1	
3	987 110 131 00	Housing cover		1	
4	999 507 442 09	Speed nut		2	
5	999 073 379 01	Tapping screw		3	
6	987 110 141 00	Grommet		1	
7	993 110 116 01	Clamp		1	
8	987 110 133 00	Air cleaner cartridge		1	
8	987 110 133 01	Air cleaner cartridge		1	
9	987 110 134 00	Mounting plate		1	
10	900 095 099 09	Roll pin 12 X 14		3	
11	999 919 050 09	Oval-head screw 4 X 12		1	
12	900 075 333 01	Combination screw M 6 X 25		1	
13	999 707 052 41	O-ring 91 X 6		1	
14	987 606 165 01	Mass air flow meter		1	
14	987 606 165 02	Mass air flow meter		1	
15	999 512 542 00	Hose clamp 80 - 100		2	
16	987 110 270 30	Air guide		1	
17	999 512 629 00	Hose clamp 90 - 110		2	

Model: 987209

Model life 2009>>2012



Model: 987209

Model life 2009>>2012

Pos	Part Number	Description	Remark	Qty	Model
		Fuel collection pipe high-pressure pump			MA1.21
(1)	9A1 110 859 02	Fuel collection pipe Cyl. 1 - 3		1	
(1)	9A1 110 859 03	Fuel collection pipe Cyl. 1 - 3		1	
1	9A1 110 860 02	Fuel collection pipe Cyl. 4 - 6		1	
1	9A1 110 860 04	Fuel collection pipe Cyl. 4 - 6		1	
2	9A1 110 866 01	Fixing device Fuel collection pipe high-pressure injector		6	
(2)	9A1 110 866 02	Fixing device Fuel collection pipe high-pressure injector		6	
(2)	9A1 110 866 03	Fixing device Fuel collection pipe high-pressure injector	11-	6	
3	900 385 048 01	Torx screw M6 X 30		8	
4	948 606 230 01	Pressure sensor M10 X 1		2	
-	999 653 067 40	Connector Pressure sensor		1	
5	9A1 110 128 10	high-pressure injector		6	MA1.21
6	999 701 112 40	O-ring 7,52 X 3,51		6	
7	9A1 110 524 02	Bellows high-pressure injector		6	
8	900 906 011 02	Circlip A 14		6	
9	9A1 110 520 01	Spacer ring		6	
10	999 704 020 90	Sealing ring 6,3 X 2,8		6	
11	9A1 110 092 01	Pressure line Fuel collection pipe		1	
11	9A1 110 092 02	Pressure line Fuel collection pipe		1	
11	9A1 110 092 03	Pressure line Fuel collection pipe		1	
12	999 511 114 01	Hose clamp D1 12 X 15		2	
13	9A1 110 945 00	Support Pressure line		1	
14	900 385 041 01	Torx screw M6 X 12		X	
15	9A1 110 947 01	Support Pressure line		1	
16	900 385 009 01	Torx screw M6 X 16		1	
17	9A1 110 095 01	Pressure line high-pressure pump T-piece		1	
17	9A1 110 095 02	Pressure line high-pressure pump T-piece		1	
18	9A1 110 940 00	Support Pressure line		1	
19	900 219 006 01	Screw plug M12 X 1,5		1	
20	999 511 153 01	Hose clamp D1 8 X 15		1	

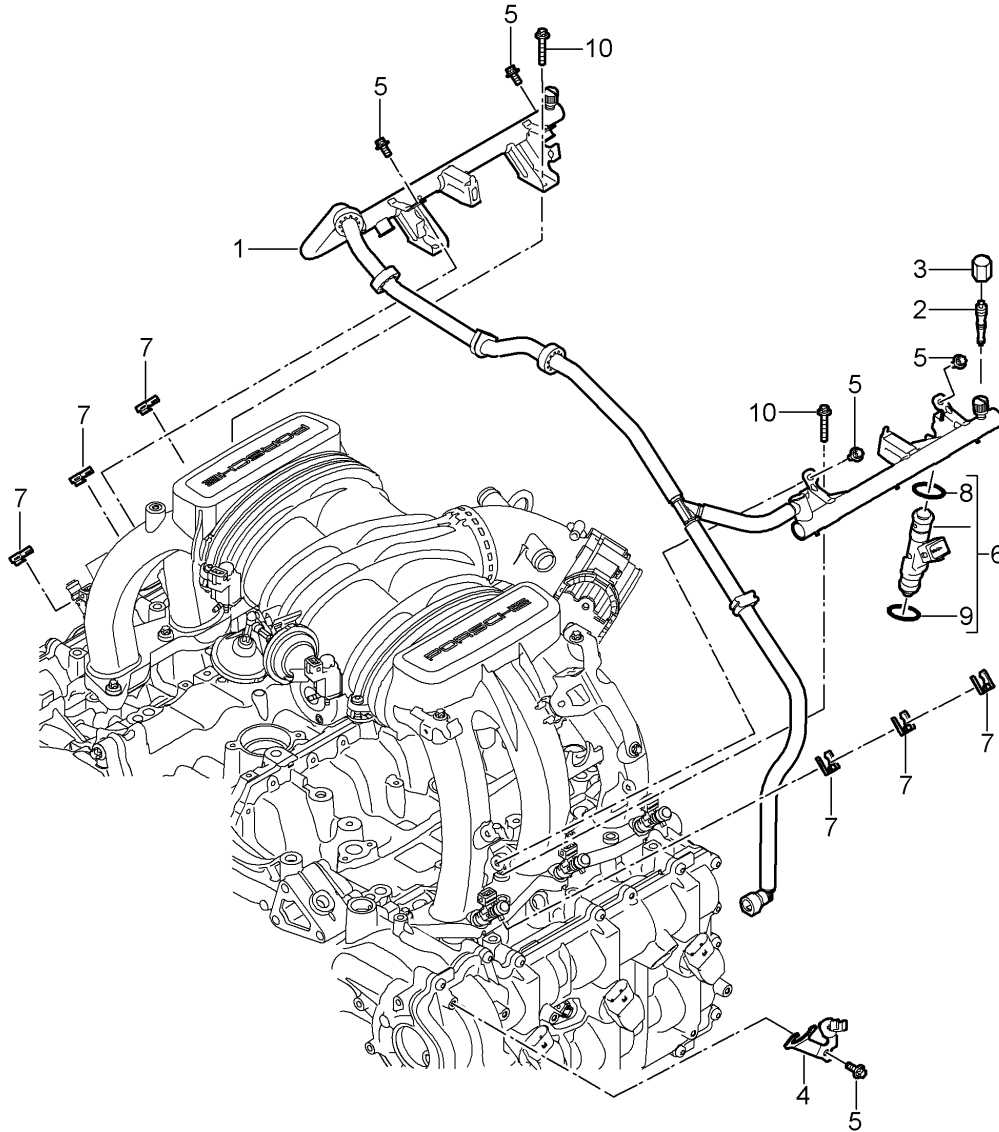
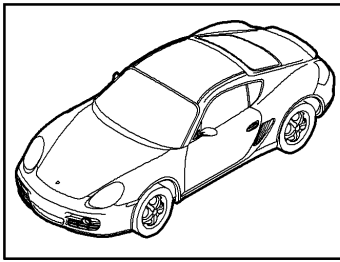
Model: 987209

Model life 2009>>2012

Pos	Part Number	Description	Remark	Qty	Model
21	9A1 110 905 22	Fuel line		1	
22	9A1 110 323 00	Support		1	
23	9A1 110 324 00	Fuel line		1	
		Support			
24	9A1 110 315 02	Fuel line		1	
		Support			
24	9A1 110 315 02	high-pressure pump	-09	1	
24	9A1 110 315 03	high-pressure pump	10	1	
24	9A1 110 315 04	high-pressure pump	10	1	
24	9A1 110 315 05	high-pressure pump	10	1	
24	9A1 110 315 06	high-pressure pump	11-	1	
(24)	9A1 110 315 FX	high-pressure pump	11-	1	
25	999 707 643 40	O-ring		1	
26	900 385 072 01	55,25 x 2,62		2	
		Torx screw			
27	9A1 110 880 00	M6 X 25		1	
		Cover			
28	900 385 045 01	high-pressure pump		1	
		Torx screw			
29	9A1 110 880 00	M6 X 40		1	
		Cover			
30	000 043 207 35	high-pressure pump		1	
		Grease			
31	000 043 207 36	30 ml		1	
		Lubricants			
31	000 043 303 27	50 ml		1	
		Lubricants			
		50 ml			

Model: 987209

Model life 2009>>2012



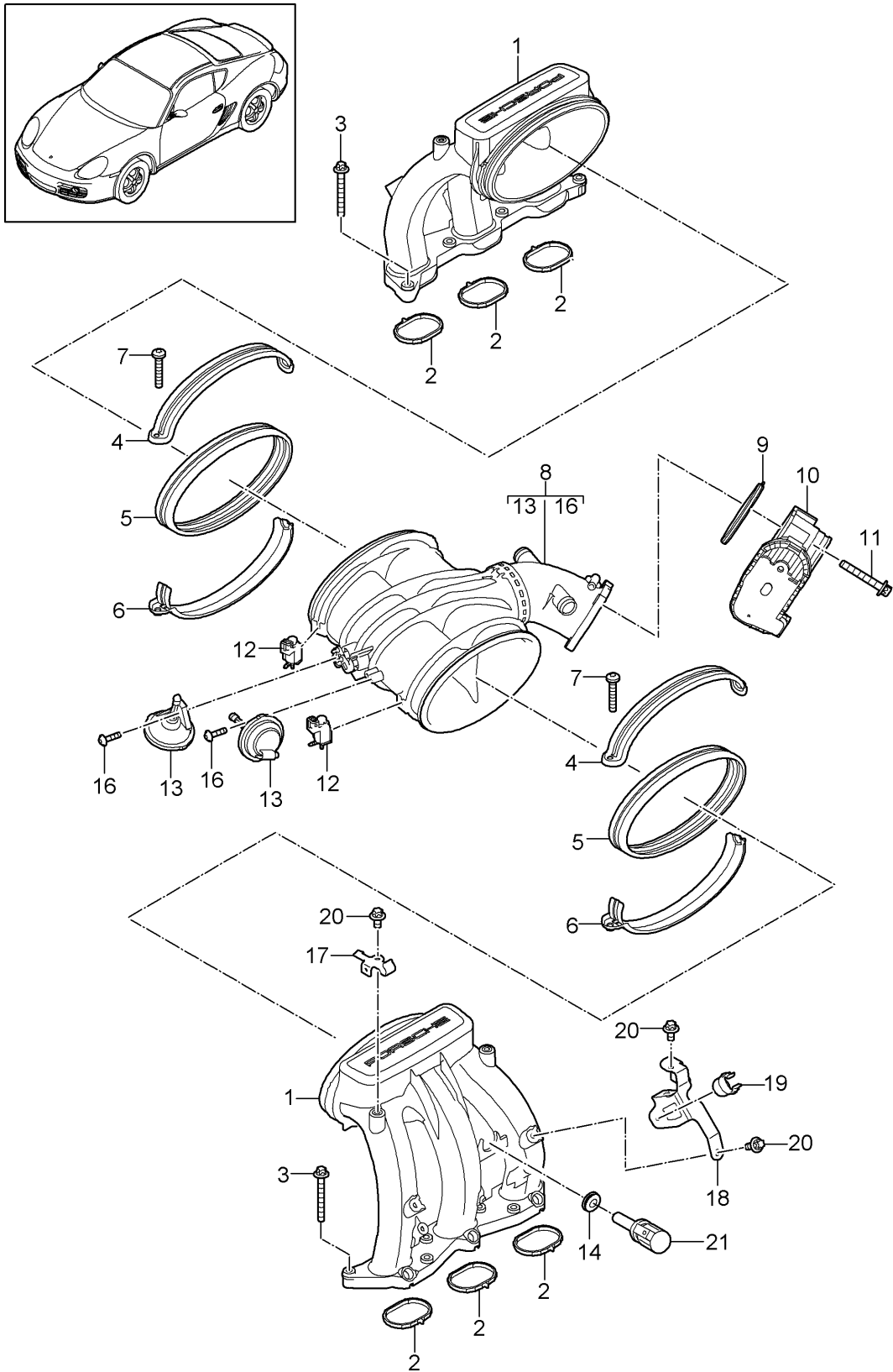
Model: 987209

Model life 2009>>2012

Pos	Part Number	Description	Remark	Qty	Model
1	9A1 110 005 20	Fuel collection pipe		1	MA1.20
1	9A1 110 005 21	Fuel collection pipe		1	MA1.20
4	9A1 110 324 00	Support		1	MA1.20
5	900 385 041 01	Torx screw M 6 X 12		5	
6	9A1 605 124 00	Injector valve		6	MA1.20
(6)	9A1 605 124 01	Injector valve		6	MA1.20
7	996 110 113 53	Retaining clip		6	MA1.20
8	999 707 574 40	O-ring 7,52 X 3,51		6	
9	999 707 573 40	O-ring 8,3 X 3,05		6	
10		Torx screw M 6 X 35 See illustrations 1/07/05		X	

Model: 987209

Model life 2009>>2012



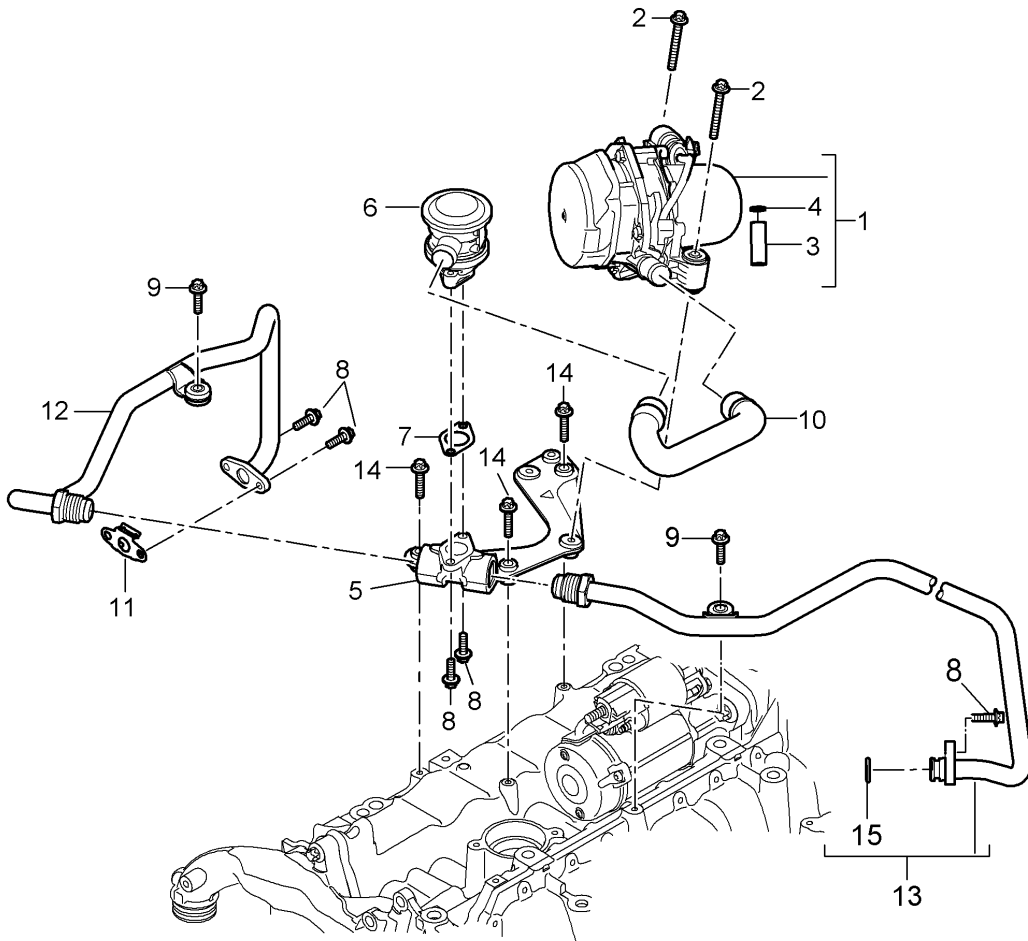
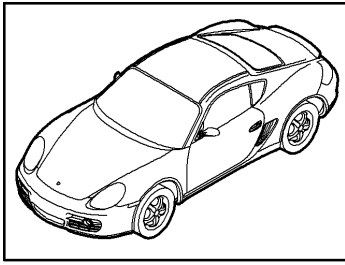
Model: 987209

Model life 2009>>2012

Pos	Part Number	Description	Remark	Qty	Model
		Intake distributor			MA1.20
		Throttle body			MA1.21
1	9A1 110 115 02	Intake distributor		2	MA1.21
(1)	9A1 110 115 22	Intake distributor		2	MA1.20
2	9A1 110 215 01	Gasket		6	MA1.21
(2)	9A1 110 215 21	Gasket		6	MA1.20
3	900 385 270 01	Outer hexagon round screw M6 X 35		14	
4	9A1 110 212 01	Clip		2	
		Upper part			
5	9A1 110 210 01	Rubber sleeve		2	
6	9A1 110 213 01	Clip		2	
		Lower part			
7	999 073 352 02	Round head screw M6 X 35		2	
8	9A1 110 020 22	Distributor tube Complete		1	
9	997 110 319 00	Gasket Distributor tube		1	
10	997 605 115 01	Throttle body		1	
11	900 385 070 01	Torx screw M6 X 50		2	
12	996 605 123 01	Change-over valve		2	I250/480
13	993 110 462 02	Vacuum unit		2	
14	993 110 530 01	Grommet		1	
15	999 507 153 01	Cable clamp 5,2		4	
16	999 919 265 01	Lens-head screw 5 x 18		4	
17	9A1 110 246 03	Support Tank ventilation		1	
18	9A1 110 283 01	Support Tank ventilation		1	MA1.20
(18)	9A1 110 293 01	Support Tank ventilation		1	MA1.21
19	999 507 455 41	Clip Tank ventilation		1	
20	900 385 041 01	Torx screw M6 x 12		3	
21	997 606 213 00	Temperature sensor Engine compartment		1	

Model: 987209

Model life 2009>>2012



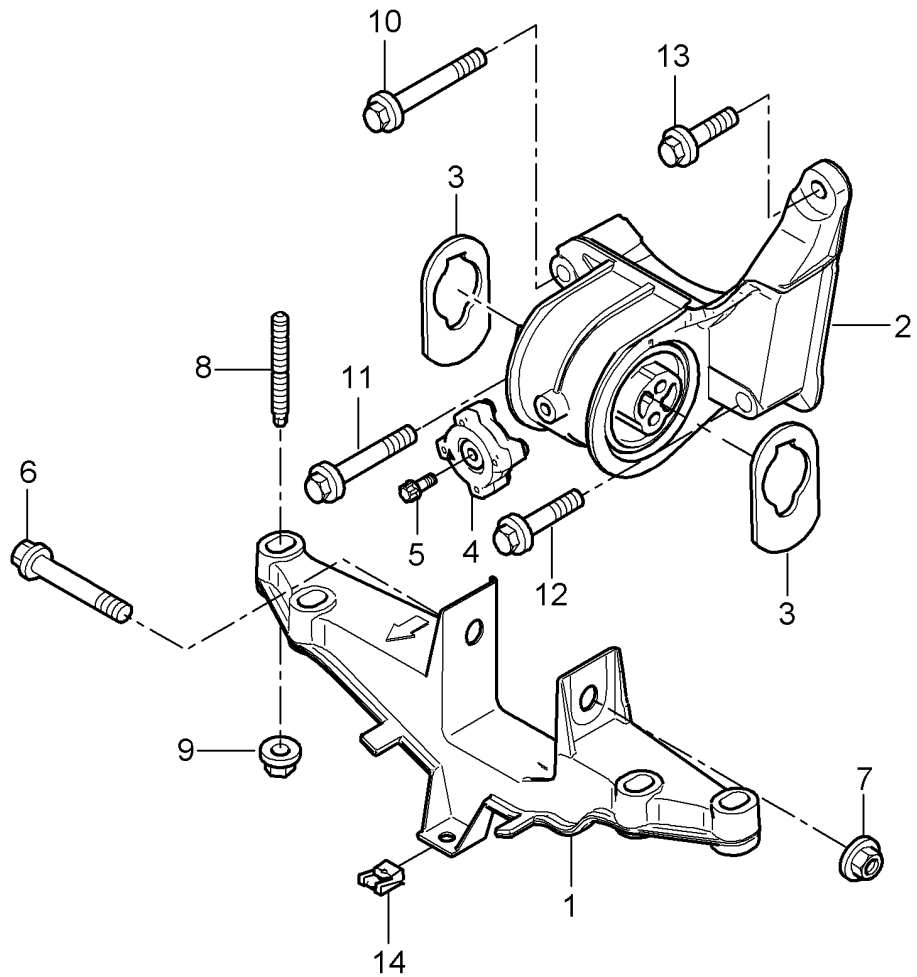
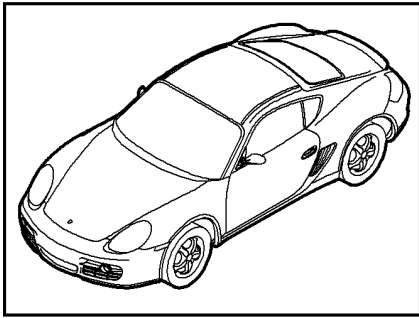
Model: 987209

Model life 2009>>2012

Pos	Part Number	Description	Remark	Qty	Model
		Air injection			MA1.20
1	9A1 605 104 00	Secondary pump		1	
2	900 385 070 01	Torx screw M 6 X 50		2	
3	999 703 869 40	Rubber mounting 8,90X16,5		3	
4	999 209 077 01	Spacer sleeve 6,5 X 1		3	
5	9A1 113 137 01	Bracket Secondary pump		1	
6	948 113 203 51	Valve		1	
7	993 113 258 51	Gasket Bracket		1	
8	900 385 019 01	Torx screw M 6 X 20		5	
9	900 385 072 01	Torx screw M 6 X 25		2	
10	9A1 113 339 00	Hose		1	
11	9A1 113 258 00	Gasket Connecting line		1	
12	9A1 113 017 01	Connecting line Cyl. 1 - 3		1	
13	9A1 113 018 01	Connecting line Cyl. 4 - 6		1	
(13)	9A1 113 018 02	Connecting line Cyl. 4 - 6		1	
14	900 385 048 01	Torx screw M6 x 30		3	
15	999 707 346 40	O-ring 15 x 3		1	

Model: 987209

Model life 2009>>2012



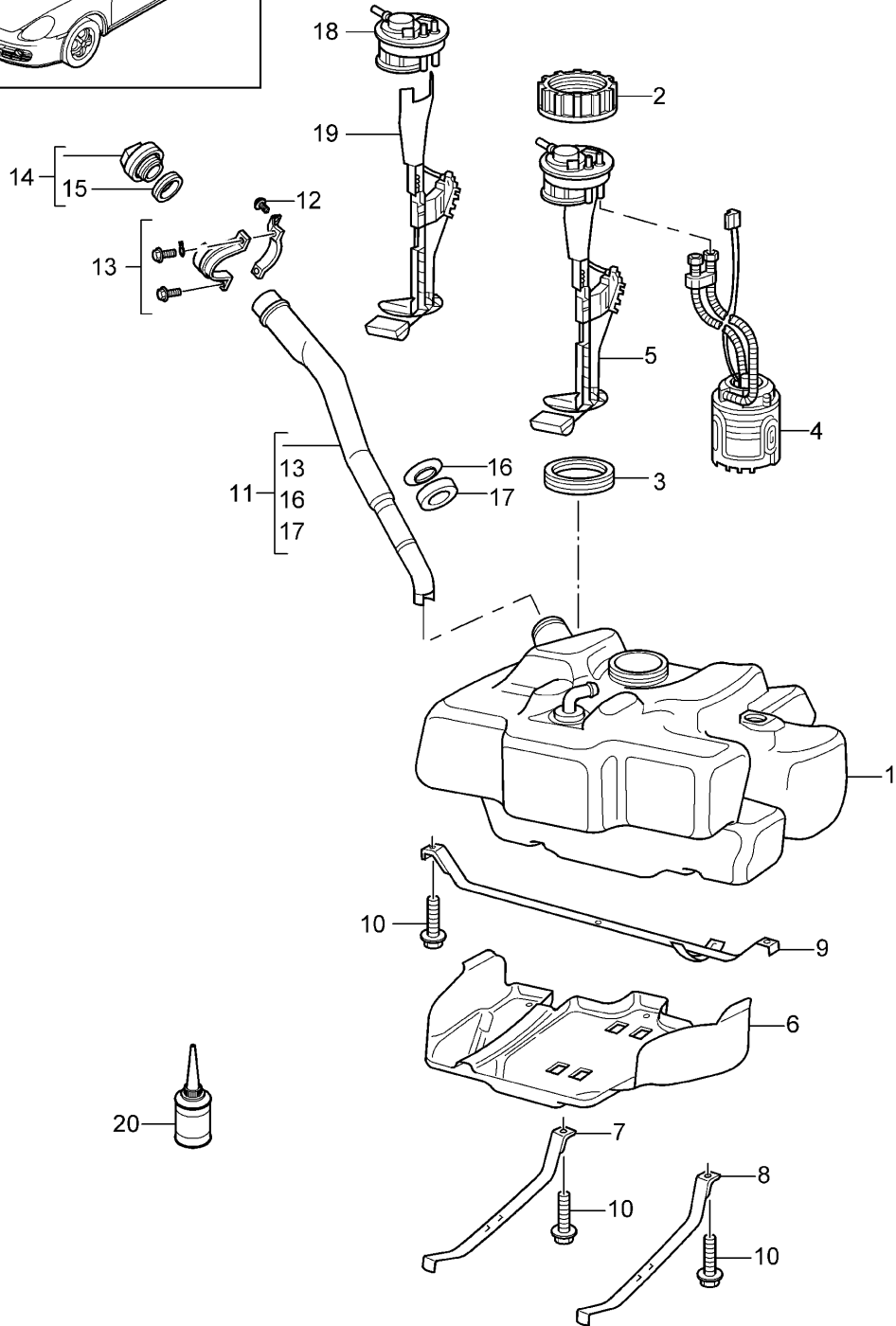
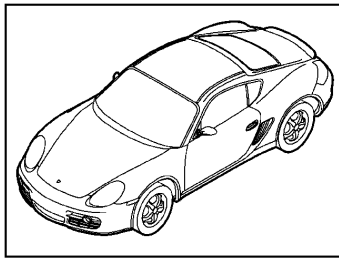
Model: 987209

Model life 2009>>2012

Pos	Part Number	Description	Remark	Qty	Model
		Engine suspension			MA1.20 MA1.21
1	9A1 375 045 21	Engine carrier		1	
2	9A1 375 023 22	Engine bracket		1	
3	9A1 375 257 01	Stop		2	
4	9A1 375 261 00	Vibration damper		1	
5	900 385 098 01	Torx screw BM 8 X 25		1	
6	900 378 316 01	Hexagon-head bolt AM 12 X 1,5 X 113		2	
7	999 084 445 01	Lock nut M 12		1	
8	999 061 106 01	Stud M 10 X 84		4	
8	999 061 115 01	Stud M 10 X 80		4	
9	999 084 648 01	Hexagon nut M 10		4	
10	900 378 286 01	Hexagon-head bolt M 10 X 135		1	
11	900 378 314 01	Hexagon-head bolt M 10 X 115		1	
12	900 378 261 01	Hexagon-head bolt M 10 X 65		1	
13	900 378 263 01	Hexagon-head bolt M 10 X 35		1	
14	999 507 795 09	Speed nut		1	

Model: 987209

Model life 2009>>2012



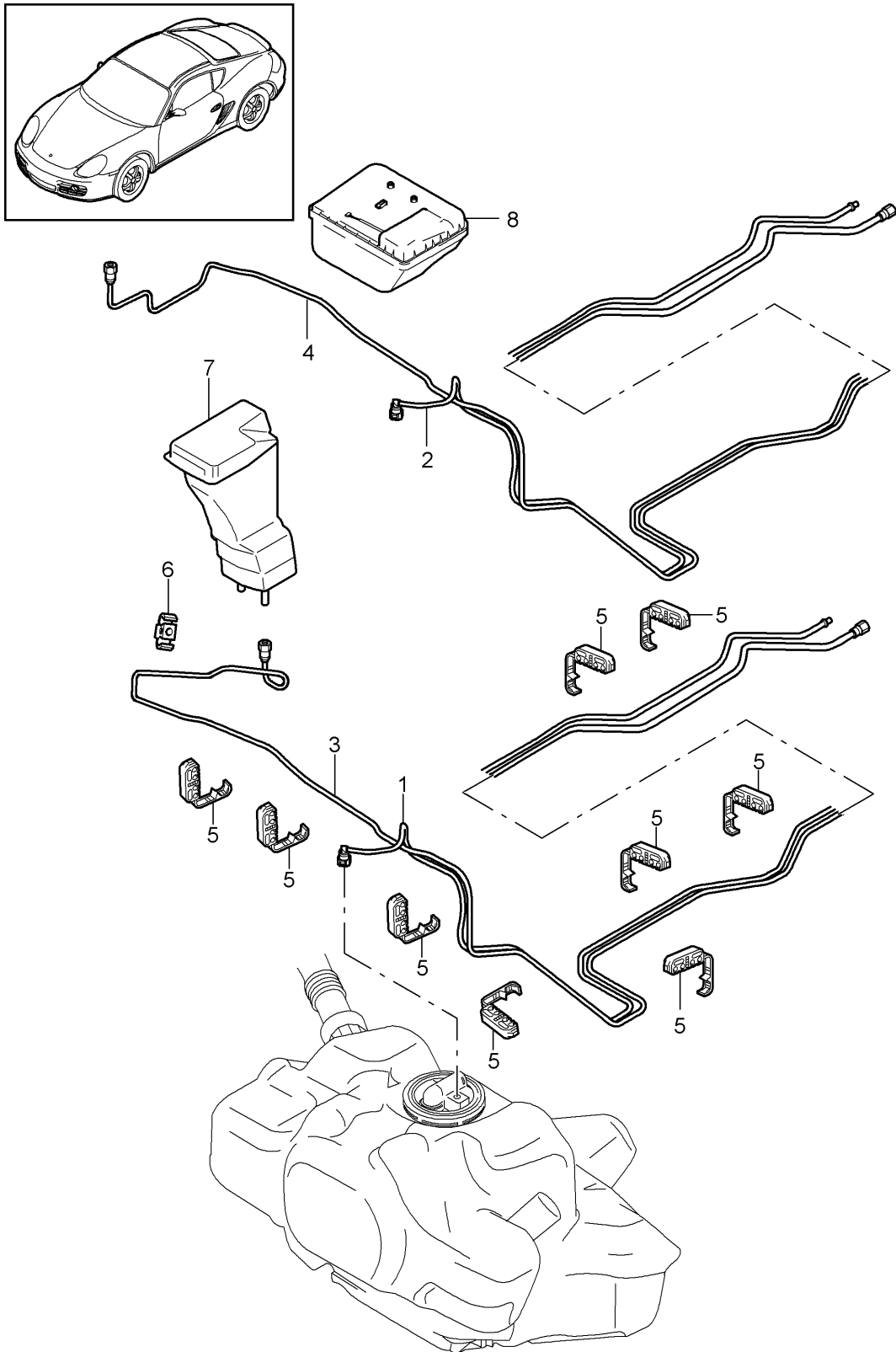
Model: 987209

Model life 2009>>2012

Pos	Part Number	Description	Remark	Qty	Model
1	997 201 021 05	Fuel tank	/LL	1	I098
(1)	997 201 022 06	Fuel tank	/RL	1	I099
2	997 201 623 00	Union nut		1	
3	1J0 919 133 A	Sealing ring		1	
4	987 620 132 00	Fuel pump		1	MA1.20
4	997 620 142 01	Fuel pump		1	MA1.21
5	997 620 842 00	Tank gauge with Flange		1	
6	997 201 331 02	Protective plate	/LL	1	I098
(6)	997 201 331 03	Protective plate	/RL	1	I099
7	997 201 106 01	Restraining strap Right		1	
(8)	997 201 105 01	Restraining strap Left		1	
9	996 201 107 02	Restraining strap	/LL	1	I098
(9)	996 201 108 00	Restraining strap	/RL	1	I099
10	900 075 479 01	Combination screw M 8 X 40		4	
11	997 201 043 06	Filler neck		1	
(11)	997 201 043 07	Filler neck		1	I150/193
(11)	987 201 043 00	Filler neck		1	I084
(12)	999 073 348 09	Oval-head screw M 6 X 12		1	
13	997 201 951 02	Support Complete		1	
14	996 201 241 03	Fuel tank cap with Clip		1	
-	999 507 499 40	Information available Expansion rivet		1	
15	191 201 557	Sealing ring Information available		1	
16	996 201 755 00	Support washer		1	
17	996 201 753 00	Gasket		1	
20	000 043 206 89	Additive Fuel 100 ML		1	
20	000 043 209 02	Additive Fuel 100 ML		1	

Model: 987209

Model life 2009>>2012



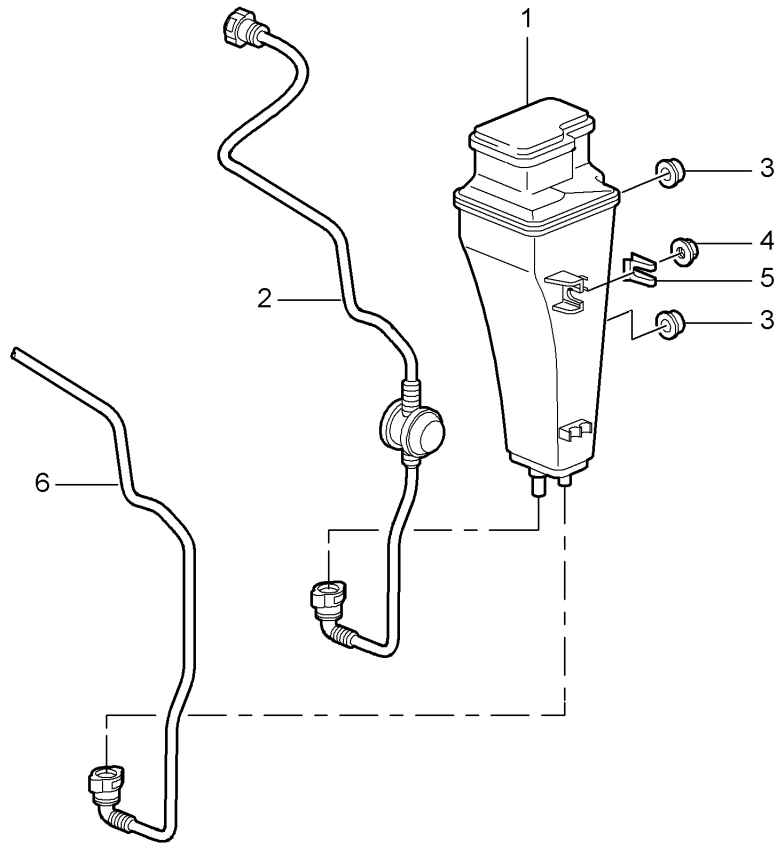
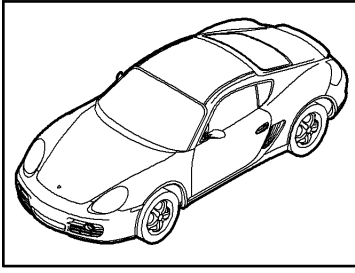
Model: 987209

Model life 2009>>2012

Pos	Part Number	Description	Remark	Qty	Model
1	987 201 261 01	Fuel system Fuel line Fuel pump for Engine		1	
3	987 201 353 01	Purge-air line Carbon canister for Engine		1	
5	999 507 262 40	Cable holder 6,0/8/10		9	
6	999 507 727 40	Cable holder 8,0/10,0		1	
7		Carbon canister See illustrations 2/01/20		1	

Model: 987209

Model life 2009>>2012



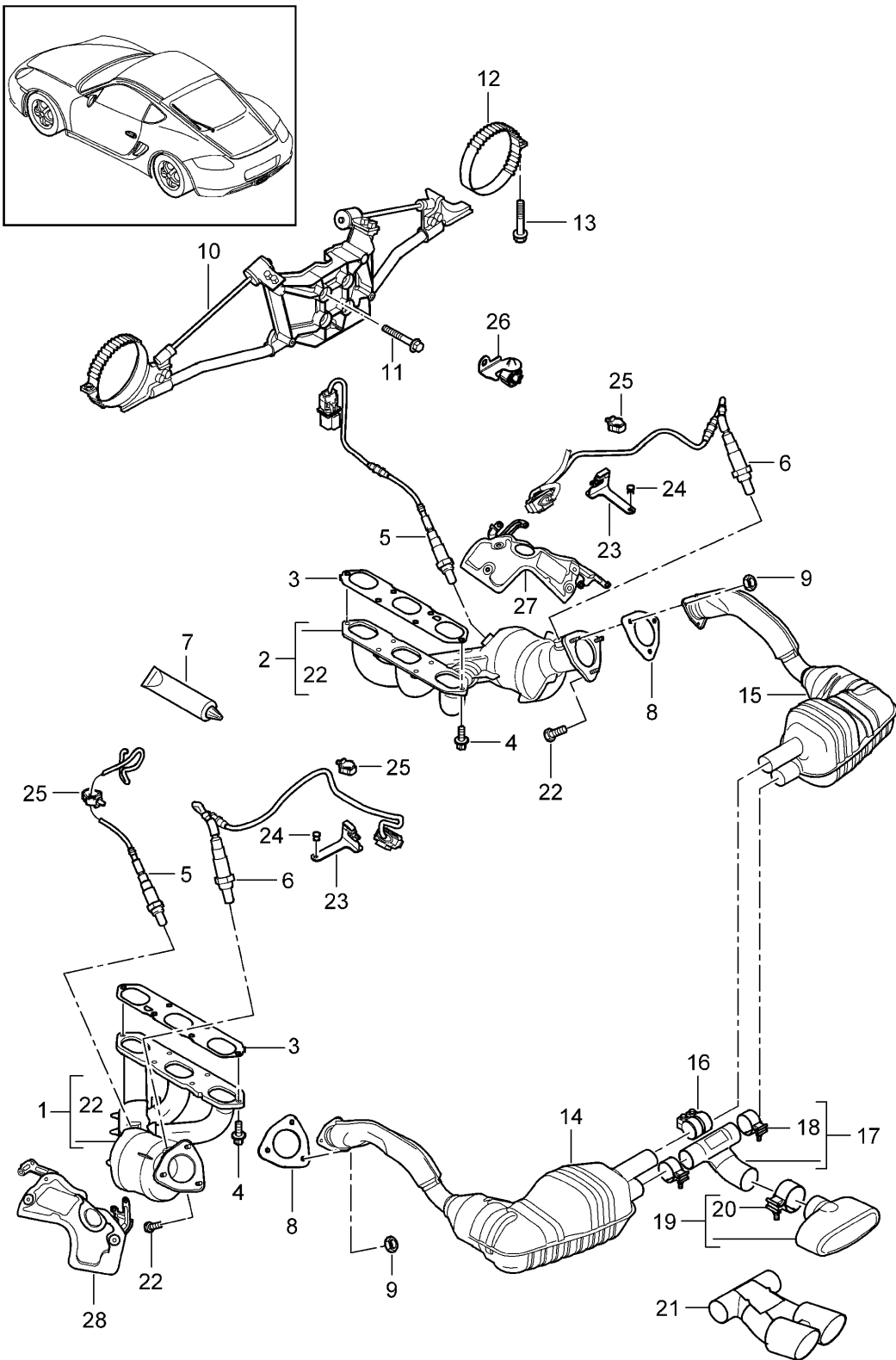
Model: 987209

Model life 2009>>2012

Pos	Part Number	Description	Remark	Qty	Model
1	997 201 221 01	Carbon canister		1	
2	997 201 251 06	Carbon canister Complete Vent line Fuel tank for Carbon canister		1	
3	999 702 221 40	Grommet		2	
4	999 084 629 09	Hexagon nut M 6		1	
4	999 084 629 01	Hexagon nut M 6		1	
5	999 507 543 02	Clamp 2,00 - 3,00		1	
6		Purge-air line See illustrations 2/01/05		1	

Model: 987209

Model life 2009>>2012



Model: 987209

Model life 2009>>2012

Pos	Part Number	Description	Remark	Qty	Model
1	987 113 101 33	Exhaust system Exhaust manifold Cyl. 4 - 6		1	
2	987 113 102 33	Exhaust manifold Cyl. 1 - 3		1	
3	997 111 107 30	Gasket Exhaust manifold		2	
4	999 073 471 01	Torx screw M 8 X 21		18	
5	9A1 606 123 01	Oxygen sensor in front of Catalytic converter if not fitted Use also: 997.113.209.30 987.113.208.30	/L /R	2 1 1	
6	9A1 606 124 00	Oxygen sensor After Catalytic converter		2	
7	000 043 207 07	Grease for oxygen sensor		1	
8	997 111 113 00	Gasket		2	
9	900 910 003 03	Hexagon nut M 8		6	
10	987 111 044 30	Support Exhaust system		1	MA1.20/21 I250
(10)	987 111 045 30	Support Exhaust system		1	MA1.20/21 I480 I250
11	900 385 011 01	Torx screw M 10 X 45		4	I250
(11)	900 385 096 01	Torx screw M 8 X 60		4	I480
12	987 111 210 01	Clamp		2	
13	900 378 108 01	Hexagon-head bolt		2	
14	987 113 117 31	Main exhaust muffler Left Cyl. 4 - 6		1	I170/I171
(14)	987 113 117 32	Main exhaust muffler Left Cyl. 4 - 6		1	-IXLF/I170 I171
(14)	987 113 131 31	Main exhaust muffler Left Cyl. 4 - 6		1	I172
(14)	987 113 131 32	Main exhaust muffler Left Cyl. 4 - 6		1	-IXLF/I172
(14)	987 113 131 AX	Main exhaust muffler Left Cyl. 4 - 6		1	-IXLF/I172
(14)	987 113 141 30	Main exhaust muffler Left Cyl. 4 - 6		1	Cayman R -IXLF/I170 I171
(14)	987 113 141 40	Main exhaust muffler Left Cyl. 4 - 6		1	Cayman R -IXLF/I172
(14)	987 113 141 AX	Main exhaust muffler Left Cyl. 4 - 6		1	Cayman R -IXLF/I172

Model: 987209

Model life 2009>>2012

Pos	Part Number	Description	Remark	Qty	Model
(14)		Main exhaust muffler Sport version Left Cyl. 4 - 6 See illustrations 2/02/05			IXLF
15	987 113 118 31	Main exhaust muffler Right Cyl. 1 - 3		1	I170/I171
15	987 113 118 32	Main exhaust muffler Right Cyl. 1 - 3		1	-IXLF/I170 I171
(15)	987 113 132 31	Main exhaust muffler Right Cyl. 1 - 3		1	I172
(15)	987 113 132 32	Main exhaust muffler Right Cyl. 1 - 3		1	-IXLF/I172
(15)	987 113 132 AX	Main exhaust muffler Right Cyl. 1 - 3		1	-IXLF/I172
(15)	987 113 142 30	Main exhaust muffler Right Cyl. 1 - 3		1	Cayman R -IXLF/I170 I171
(15)	987 113 142 AX	Main exhaust muffler Right Cyl. 1 - 3		1	Cayman R -IXLF/I170 I171
(15)	987 113 142 40	Main exhaust muffler Right Cyl. 1 - 3		1	Cayman R -IXLF/I172
(15)	987 113 142 BX	Main exhaust muffler Right Cyl. 1 - 3		1	Cayman R -IXLF/I172
(15)		Main exhaust muffler Sport version Right Cyl. 1 - 3 See illustrations 2/02/05		1	IXLF
16	987 111 220 00	Clamping sleeve		1	
17	987 111 353 30	Exhaust pipe		1	MA1.20 -IXLS/-I178
18	000 043 300 54	Clip for Exhaust pipe Set Complete		2	
19	987 111 257 30	Tail pipe Complete		1	MA1.20 -IXLS/-I178
20	000 043 300 53	Clip for Cover Set Complete		1	MA1.20
21	987 111 258 31	Tail pipe		1	MA1.21

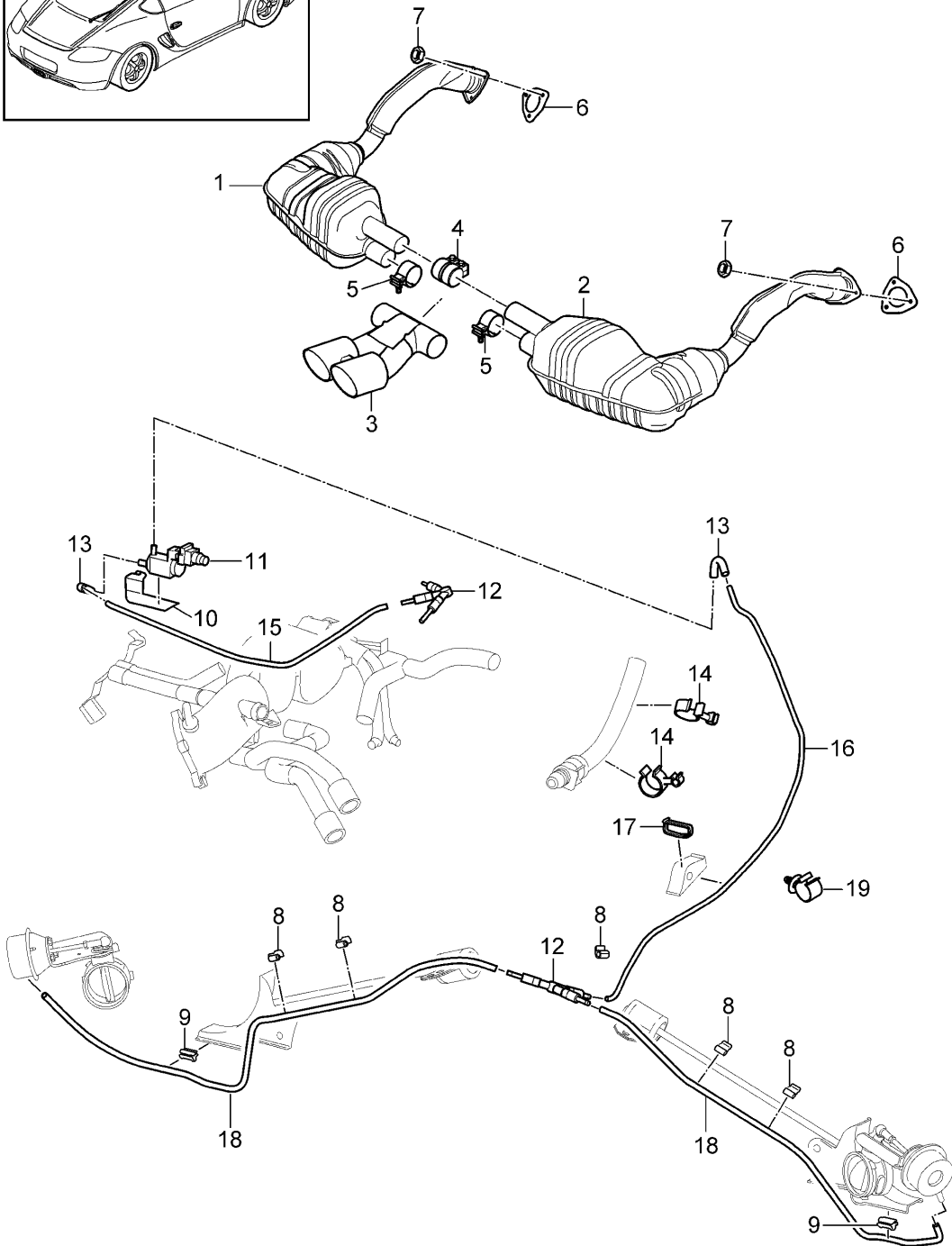
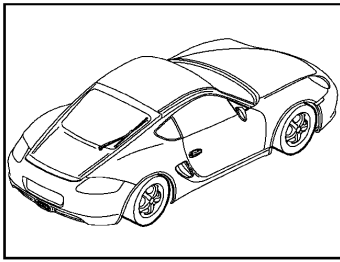
Model: 987209

Model life 2009>>2012

Pos	Part Number	Description	Remark	Qty	Model
					-IXLS/-I178
(21)	987 111 981 30	Complete Tail pipe		1	IXLS
(21)	987 111 258 60	Complete Tail pipe		1	-IXLF
(21)		Complete Tail pipe		1	I178
(21)		Complete Tail pipe		1	IXLF
		Complete Sport version See illustrations 2/02/05			
22	900 075 365 02	Screw M 8 X 30		X	
23	987 606 105 01	Support Connector		2	
24	999 591 712 40	Oxygen sensor Expansion rivet 6,0 X 12,0		4	
25	999 507 075 40	Cable holder 3,0 - 12,0		3	
26	9A1 606 153 01	Support		1	
27	987 113 208 30	Heat protection Catalytic converter Right See technical manual Exhaust system		1	
-	997 113 208 30	Heat protection Catalytic converter Right See technical manual Exhaust system		1	
28	997 113 209 30	Heat protection Catalytic converter Left See technical manual Exhaust system		1	

Model: 987209

Model life 2009>>2012



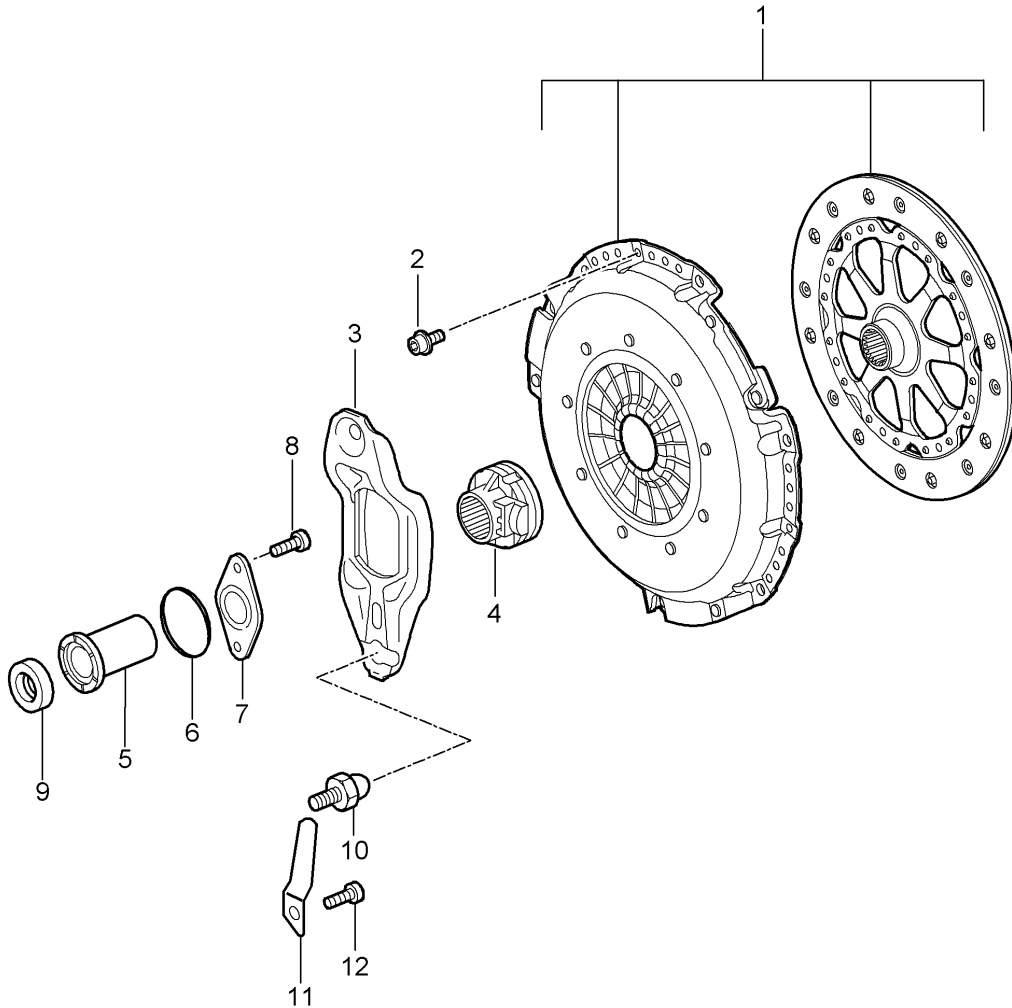
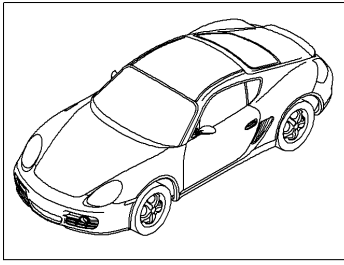
Model: 987209

Model life 2009>>2012

Pos	Part Number	Description	Remark	Qty	Model
		Exhaust system Sport version			IXLF
1	987 113 511 30	Main exhaust muffler Left Cyl. 4 - 6		1	
1	987 113 511 BX	Main exhaust muffler Left Cyl. 4 - 6		1	
(1)	987 113 141 50	Main exhaust muffler Left Cyl. 4 - 6		1	Cayman R
(1)	987 113 141 BX	Main exhaust muffler Left Cyl. 4 - 6		1	Cayman R
2	987 113 512 30	Main exhaust muffler Right Cyl. 1 - 3		1	
2	987 113 512 BX	Main exhaust muffler Right Cyl. 1 - 3		1	
(2)	987 113 142 50	Main exhaust muffler Right Cyl. 1 - 3		1	Cayman R
(2)	987 113 142 CX	Main exhaust muffler Right Cyl. 1 - 3		1	Cayman R
3	987 111 981 30	Tail pipe Complete		1	
4	987 111 220 00	Clamping sleeve		1	
5	000 043 300 54	Clip for Exhaust pipe Set Complete		2	
6	997 111 113 00	Gasket		2	
7	900 910 003 03	Hexagon nut M 8		6	
8	999 591 545 01	Cable clamp		3	I480
(8)		Cable clamp		2	I250
9	999 591 312 01	Cable clip		4	
10	996 111 989 02	Retaining bracket		1	
11	996 605 123 01	Change-over valve		1	
12	928 573 727 05	Distributing piece Triple		2	
13	928 574 717 05	Moulded hose		2	
13	928 574 717 07	Moulded hose		2	
14	999 507 165 40	Clip 19,0 - 4,00		2	
15	900 918 032 40	Hose L=520MM		1	
16	900 918 033 40	Hose L=1100MM		1	I480
16	900 918 028 40	Hose L=880MM		1	I250
17	999 513 076 40	Tie-wrap		1	I250
18		Vacuum line Not available To Use		1	
19	811 971 848 B	Rear muffler Retaining clip 4,8 - 5,3		1	I480

Model: 987209

Model life 2009>>2012

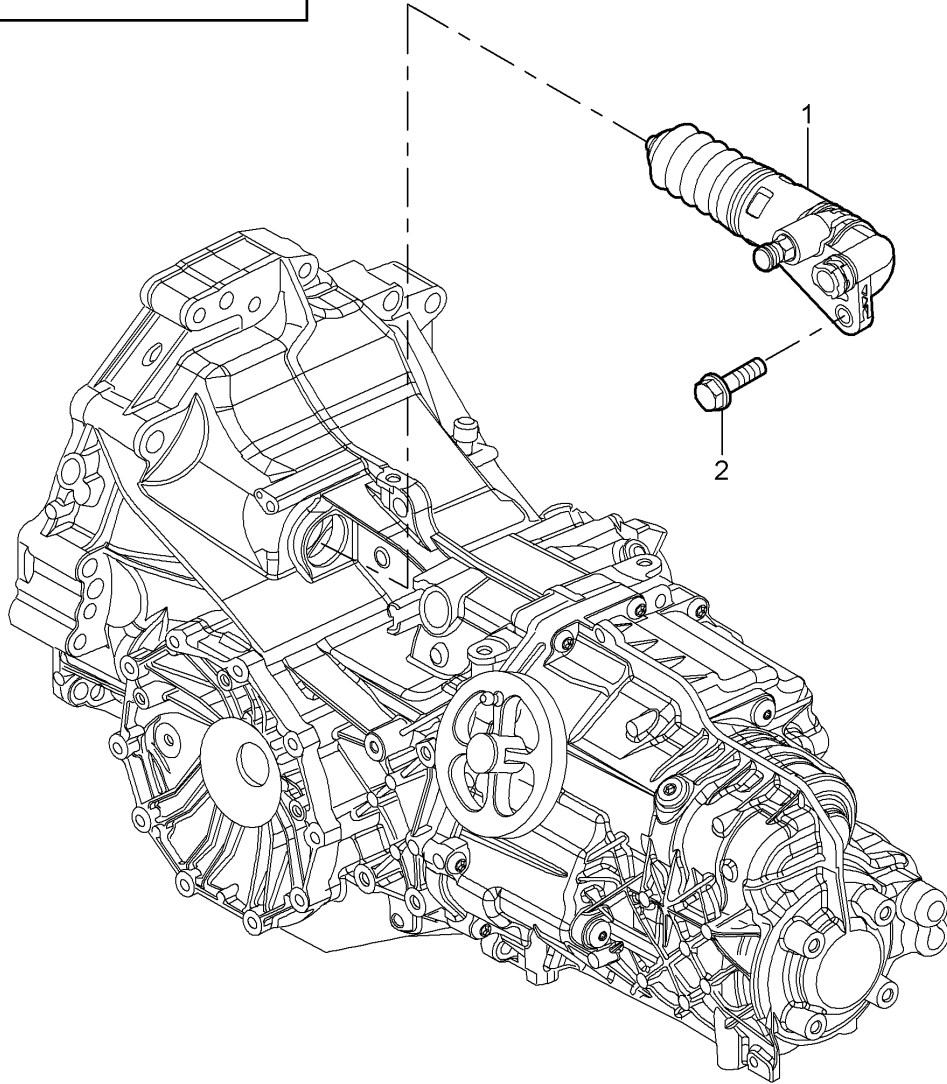
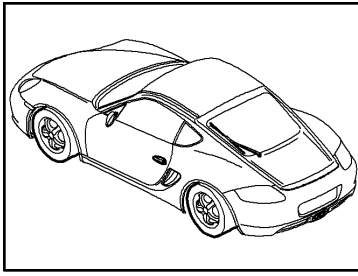


Model: 987209 Model life 2009>>2012

Pos	Part Number	Description	Remark	Qty	Model
1	987 116 913 23	Clutch		1	G87.10/40
(1)	987 116 913 33	Clutch Set		1	G87.10
(1)	987 116 913 34	Clutch Set		1	G87.40
2	999 073 458 01	Screw M 8 X 16		6	
3	0A2 141 719	Clutch release lever		1	
3	0A2 141 719 A	Clutch release lever		1	
4	012 141 165 E	Clutch release bearing		1	G87.10
(4)	997 116 080 02	Clutch release bearing		1	G87.40
5	0A2 141 181	Guide sleeve		1	
6	0A2 311 091 A	O-ring		1	
7	0A2 141 179	Retaining bracket		1	
8	999 073 320 02	Hexagon-head bolt M 8 X 20		2	
9	016 311 113 C	Radial shaft seal		1	
10	01E 141 751 A	Intermediate piece		1	
11	01E 141 721 A	Leaf spring		1	
12	999 073 319 02	Round head screw M 8 X 22		1	

Model: 987209

Model life 2009>>2012



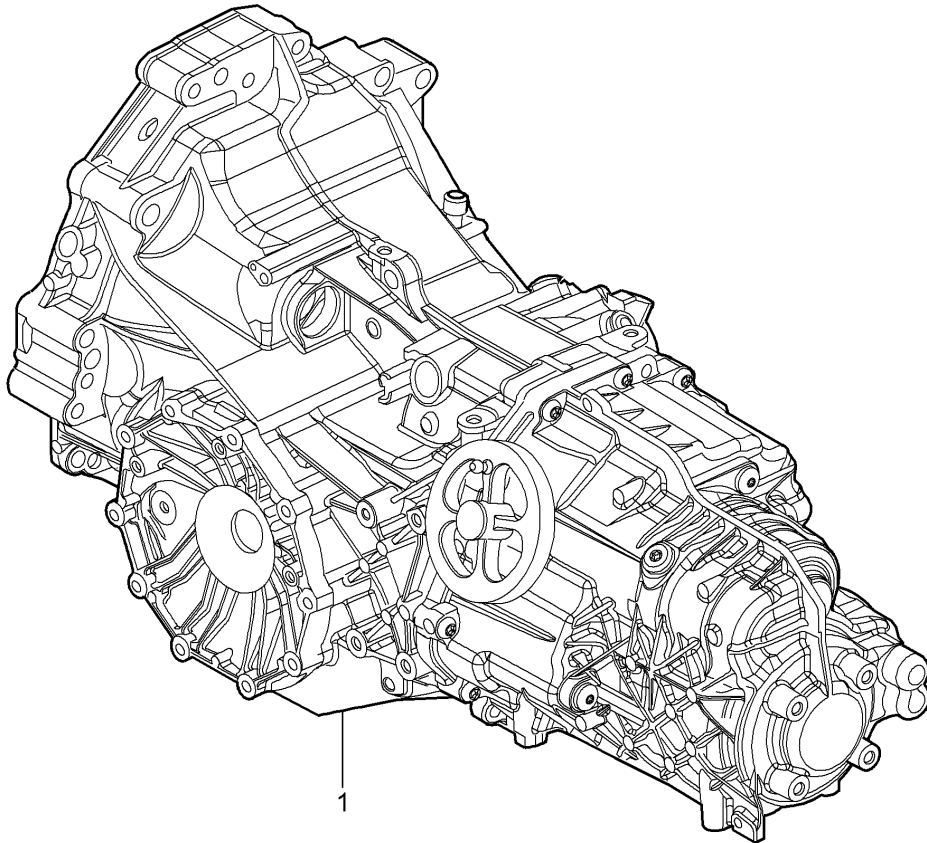
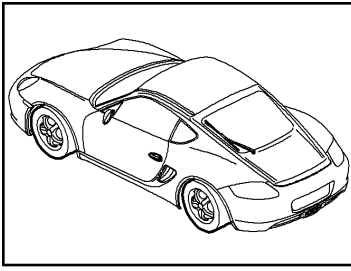
Model: 987209

Model life 2009>>2012

Pos	Part Number	Description	Remark	Qty	Model
		Clutch release			G87.10/40
1	9G2 116 237 00	Slave cylinder		1	I480
2	900 385 098 01	Torx screw M 8 X 25		1	

Model: 987209

Model life 2009>>2012



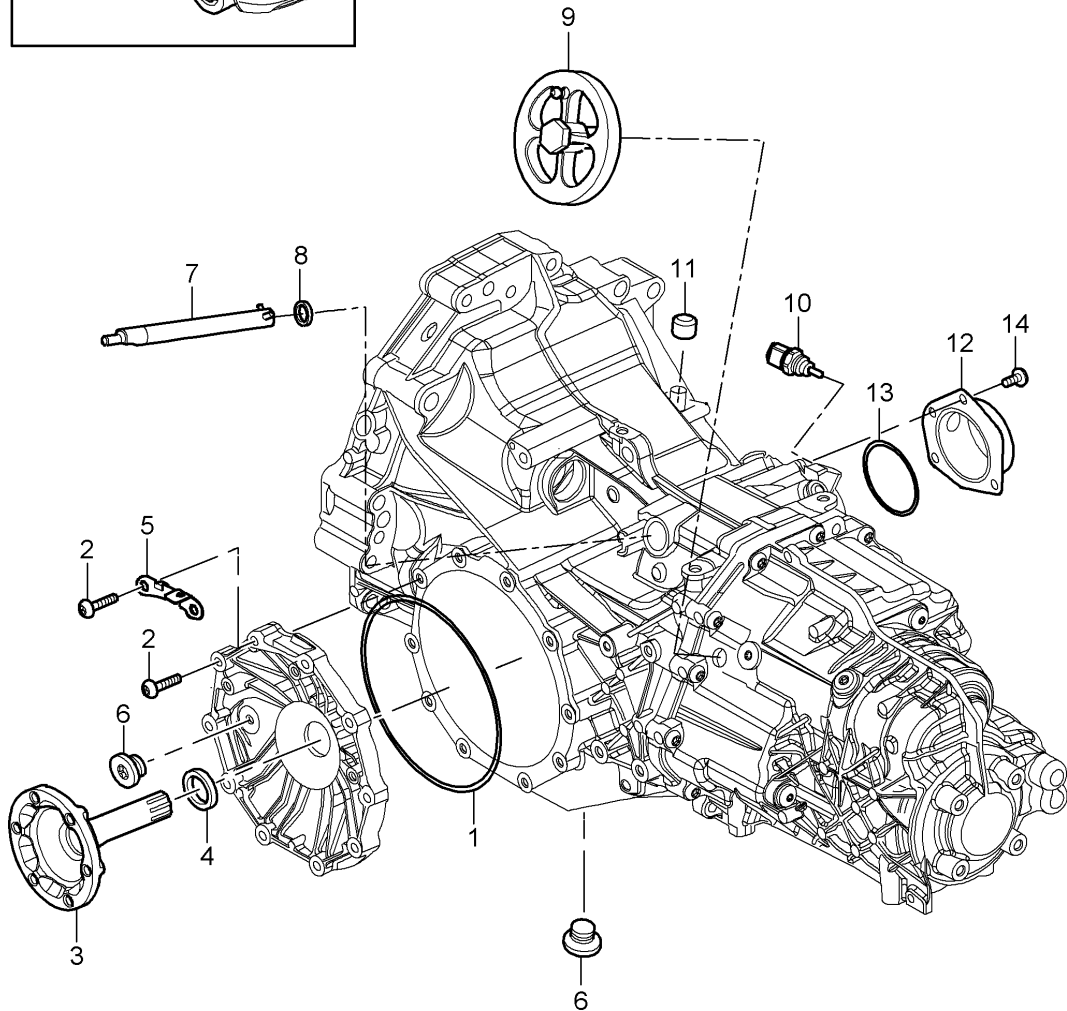
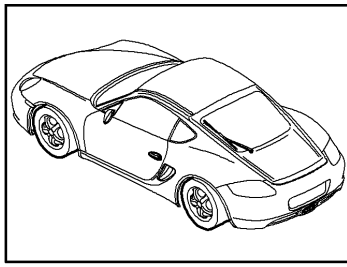
Model: 987209

Model life 2009>>2012

Pos	Part Number	Description	Remark	Qty	Model
		Replacement transmission			G87.10/40 I480
1	987 300 010 10	Ready for installation Manual transmission		1	G87.10 I219
(1)	987 300 010 KX	Manual transmission		1	G87.10 I219
(1)	987 300 010 11	Manual transmission		1	G87.10 I219
(1)	987 300 010 LX	Manual transmission		1	G87.10 I219
1	987 300 020 10	Manual transmission		1	G87.10 I220
(1)	987 300 020 KX	Manual transmission		1	G87.10 I220
(1)	987 300 020 11	Manual transmission		1	G87.10 I220
(1)	987 300 020 LX	Manual transmission		1	G87.10 I220
(1)	987 300 010 40	Manual transmission		1	G87.40 I219
(1)	987 300 010 PX	Manual transmission		1	G87.40 I219
(1)	987 300 010 41	Manual transmission		1	G87.40 I219
(1)	987 300 010 QX	Manual transmission		1	G87.40 I219
(1)	987 300 020 40	Manual transmission		1	G87.40 I220
(1)	987 300 020 PX	Manual transmission		1	G87.40 I220
(1)	987 300 020 41	Manual transmission		1	G87.40 I220
(1)	987 300 020 QX	Manual transmission		1	G87.40 I220
2	000 043 304 71	Transmission oil HYPOID Container 20 LTR.		X	

Model: 987209

Model life 2009>>2012



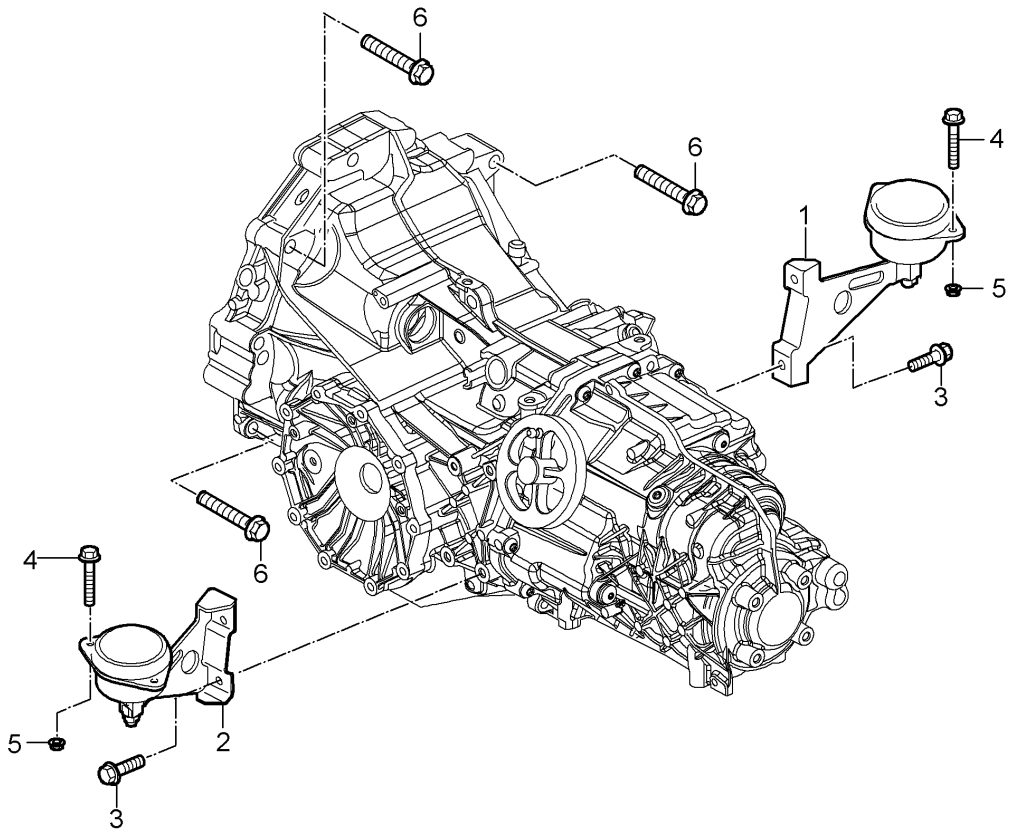
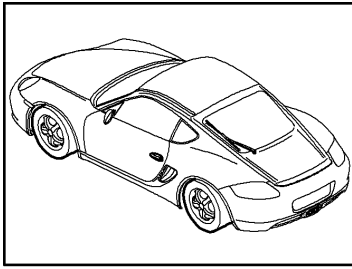
Model: 987209

Model life 2009>>2012

Pos	Part Number	Description	Remark	Qty	Model
		Replacement transmission			G87.10/40 I480
1	N 905 144 01	Single parts O-ring 171,00 X 3,50		1	G87.10
(1)	999 701 497 40	O-ring 194,55 X 3,50		1	G87.40
2	999 073 368 01	Torx screw M 8 X 42		10	
3	987 332 209 10	Joint flange		2	G87.10
(3)	987 332 209 40	Joint flange		2	G87.40
4	016 409 399 B	Radial shaft seal		2	
5	987 116 214 10	Support		1	
6	N 910 597 01	Screw plug M 22 X 1,5		2	
7	987 303 021 00	Shift rod		1	
8	012 301 457 B	Shaft sealing ring		1	
9	987 303 051 10	Flywheel		1	
10	01E 941 521 B	Switch		1	
		Back-up light			
11	014 301 485	Cap		1	
		Bleeder			
12	0A2 941 453 A	Lid		1	
		Shift rod			
13	010 409 580	O-ring		1	
14	999 073 319 02	Round head screw M 8 X 22		4	
-	000 043 209 23	Grease LIQUI MOLY PU 53 / WDR 50 GR.		X	

Model: 987209

Model life 2009>>2012



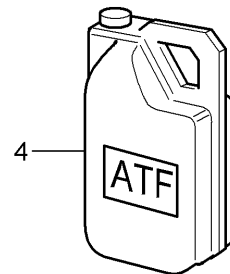
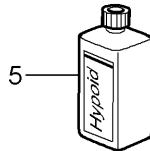
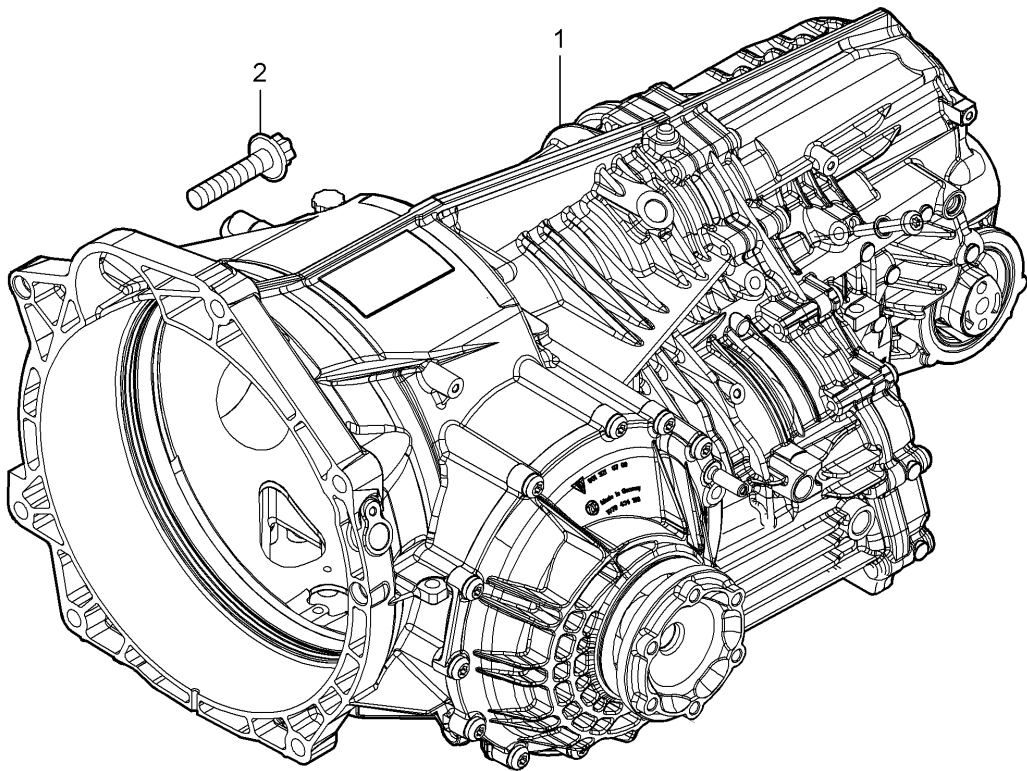
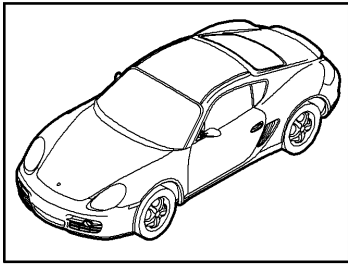
Model: 987209

Model life 2009>>2012

Pos	Part Number	Description	Remark	Qty	Model
		Manual transmission			MA1.20/21 I480
		Transmission suspension			
		Threaded joint			
		Engine			
1	9A1 375 042 20	Transmission bracket	/R	1	
2	9A1 375 041 20	Transmission bracket	/L	1	
3	999 072 001 02	Hexagon-head bolt M 10 X 35		4	
4	900 378 159 01	Hexagon-head bolt M 8 X 60		4	
5	999 084 447 01	Hexagon nut M 8		4	
6	999 385 009 01	Outer hexagon round screw M 12 X 1,5 X 55		6	

Model: 987209

Model life 2009>>2012



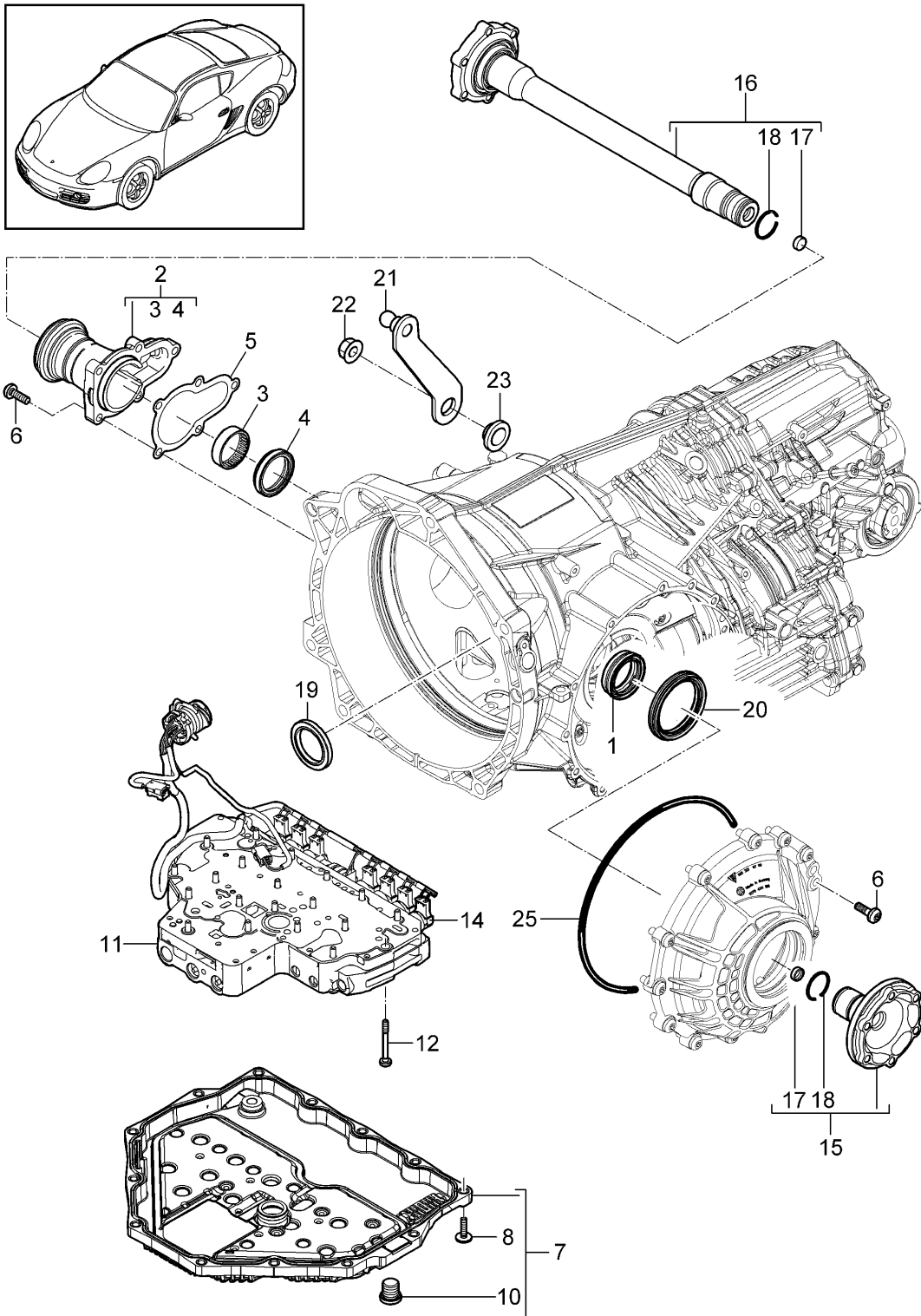
Model: 987209

Model life 2009>>2012

Pos	Part Number	Description	Remark	Qty	Model
		- PDK - Transmission			CG2.00 CG2.20
1	9G2 300 011 00	Replacement transmission Transmission		1	CG2.00 I219
1	9G2 300 011 X	Transmission	-(CN)	1	CG2.00 I219
(1)	9G2 300 011 20	Transmission		1	CG2.00 I219
(1)	9G2 300 011 2X	Transmission		1	CG2.20 I219
(1)	9G2 300 021 00	Transmission		1	CG2.00 I220
(1)	9G2 300 021 X	Transmission		1	CG2.00 I220
(1)	9G2 300 021 20	Transmission		1	CG2.00 I220
(1)	9G2 300 021 2X	Transmission		1	CG2.20 I220
2	999 385 009 01	Outer hexagon round screw M12 X 1,5 X 55		5	
4	000 043 207 30	Transmission oil Pentosin FFL 3 20 LTR. Container		X	
(4)	000 043 207 29	Transmission oil Pentosin FFL 3 1 LTR. Container		X	
5	999 917 546 00	Transmission oil 75 W 90 1 LTR. Container		X	

Model: 987209

Model life 2009>>2012



Model: 987209

Model life 2009>>2012

Pos	Part Number	Description	Remark	Qty	Model
		- PDK - Transmission			
		Single parts			
1	9G1 332 806 00	Shaft sealing ring 40 X 52 / 5 5X 40		1	
2	9G1 321 159 00	Housing neck Transmission		1	
2	9G1 321 959 00	Housing neck Complete		1	
5	9G1 321 259 00	Gasket Flange		1	
6	9G1 332 801 00	Torx screw M 8 X 25		17	
7	9G1 321 025 00	Oil pan Complete		1	
8	9G1 321 801 00	Torx screw M 6 X 25		13	
9	9G1 321 805 00	Screw plug with Sealing ring		1	
10	9G1 321 825 00	Screw plug Oil pan Included		1	
10	9G1 321 825 01	Sealing ring Screw plug Oil sump gasket Included		1	
11	9G1 317 015 00	Sealing ring Control unit Hydraulic PDK		1	
12	9G1 317 801 00	Screw M 6 X 55		20	
13	9G1 317 697 00	Connector housing Pressure regulator		2	
14	9G1 317 698 00	Connector housing Solenoid valve		6	
14		Connector housing Solenoid valve		6	
15	9G2 332 028 00	Joint flange Short		1	CG2.00
15	9G2 332 028 05	Joint flange Short		1	CG2.00
(15)	9G2 332 028 20	Joint flange Short		1	CG2.20
16	9G2 332 029 00	Joint flange Long		1	CG2.00
(16)	9G2 332 029 20	Joint flange Long		1	CG2.20
17	9G1 332 821 00	Lid		2	
18	9G1 332 820 00	Circlip D 36 x 2,6		2	
19	9G1 116 807 00	Shaft sealing ring 40 x 57 x 6		1	
20	9G1 332 803 00	Shaft sealing ring 64X82X8		1	
20	9G2 332 803 00	Shaft sealing ring 62X80X7,5		1	
21	9G2 324 135 00	Gearshift lever		1	
22	9G1 324 815 00	Nut M 8 X 1		1	
23	970 324 805 00	Shaft sealing ring 10 X 18 X 5		1	

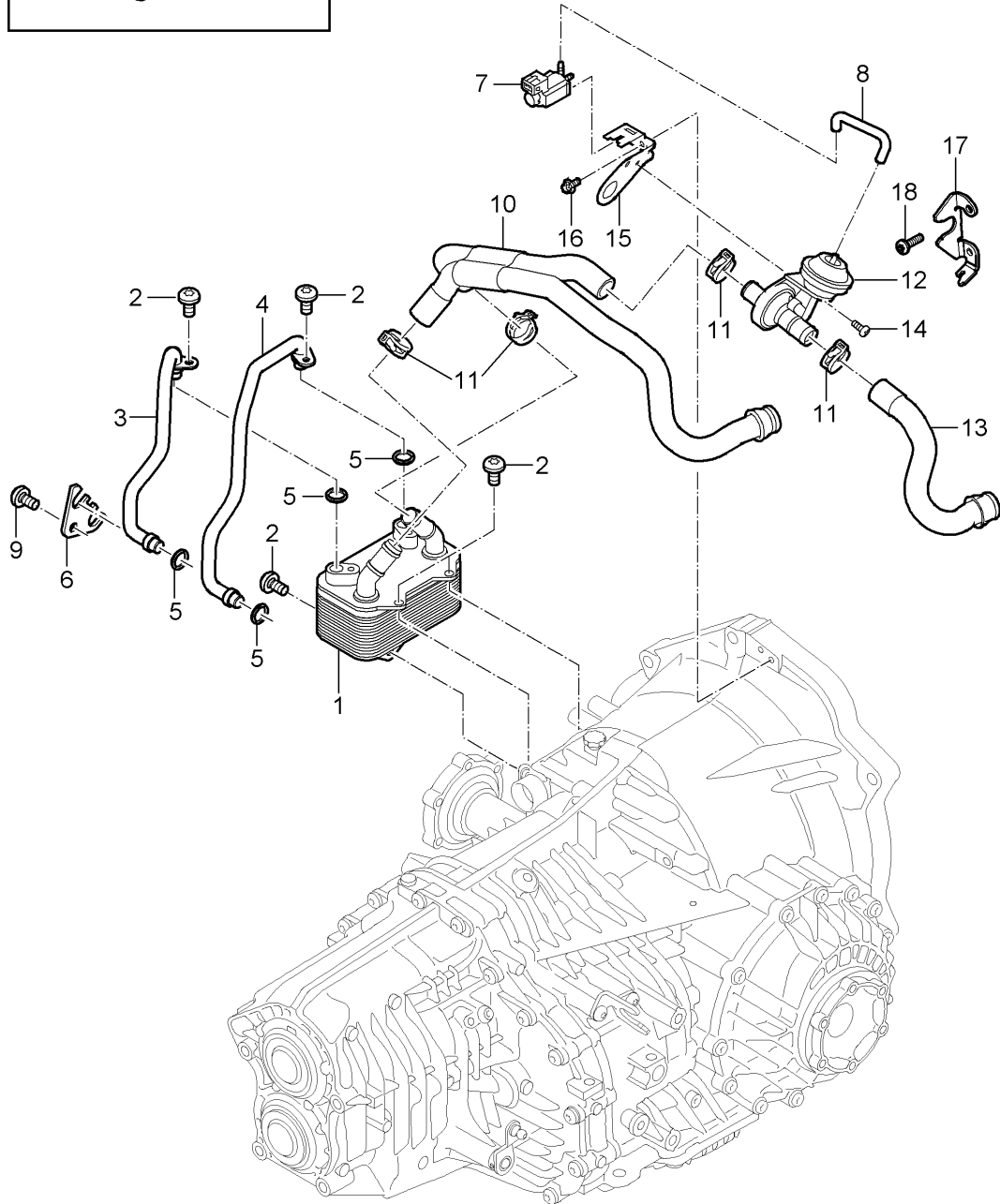
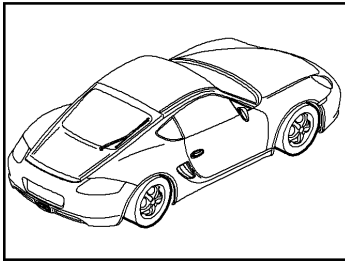
Model: 987209

Model life 2009>>2012

Pos	Part Number	Description	Remark	Qty	Model
24	9G1 307 385 05	Pressure sensor		2	
25	9G2 321 815 00	O-ring Housing cover		1	

Model: 987209

Model life 2009>>2012



Model: 987209

Model life 2009>>2012

Pos	Part Number	Description	Remark	Qty	Model
		- PDK - Transmission Heat exchanger Oil tube Water tube			
1	9G2 307 017 00	Heat exchanger		1	
2	9G1 307 813 00	Torx screw M 6 x 12		3	
3	9G2 307 087 00	Oil pipe Heat exchanger Return line C 010252 >> C 004356 >> C 015819 >> C 002193 >>		2	
3	9G2 307 087 05	Oil pipe Heat exchanger Return line C >> 010253 C >> 004357 C >> 015820 C >> 002194		2	
4	9G2 307 085 00	Oil pipe Heat exchanger Supply C 010252 >> C 004356 >> C 015819 >> C 002193 >>		1	
4	9G2 307 085 05	Oil pipe Heat exchanger Supply C >> 010523 C >> 004357 C >> 015820 C >> 002194		1	
5	9G1 307 891 00	Sealing ring Oil pipe		4	
6	9G2 307 255 00	Heat exchanger Retaining bracket Oil pipe		1	
7	996 605 123 01	Transmission Change-over valve		1	
8	9G1 307 673 00	Moulded hose		1	
9	9G1 307 802 00	Torx screw M 8 X 15		1	
10	9G2 307 076 00	Hose line		1	
11	999 512 656 09	Hose clamp B 25 X 12		4	
(12)	928 574 573 03	Disc valve		1	
12	991 307 573 00	Disc valve Use also: 9G2.307.401.01		1	
13	9G2 307 075 00	Water hose		1	
14	900 146 011 01	Round head screw M 4 X 10		1	
(15)	9G2 307 401 00	Support Disc valve		1	
15	9G2 307 401 01	Support Disc valve Together with 991.307.573.00		1	
16	900 385 041 01	Torx screw		1	

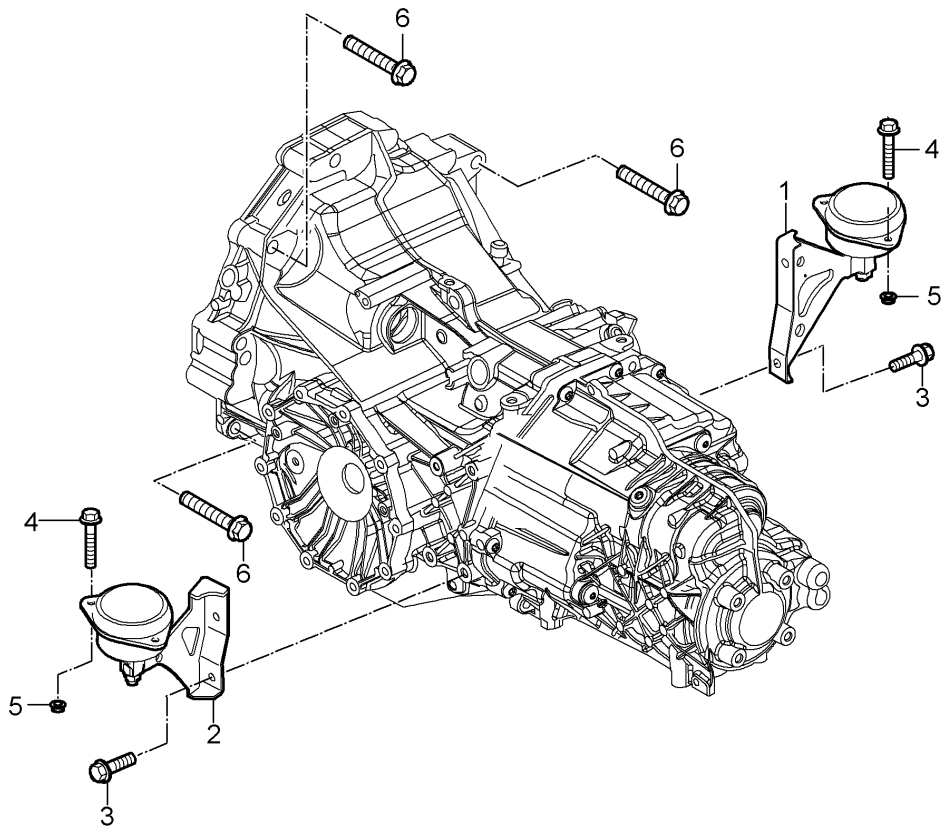
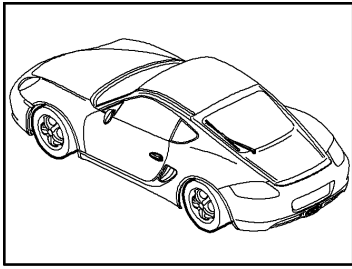
Model: 987209

Model life 2009>>2012

Pos	Part Number	Description	Remark	Qty	Model
18	9G1 426 801 00	M 6 X 12 Round head screw M8 x 20		2	

Model: 987209

Model life 2009>>2012



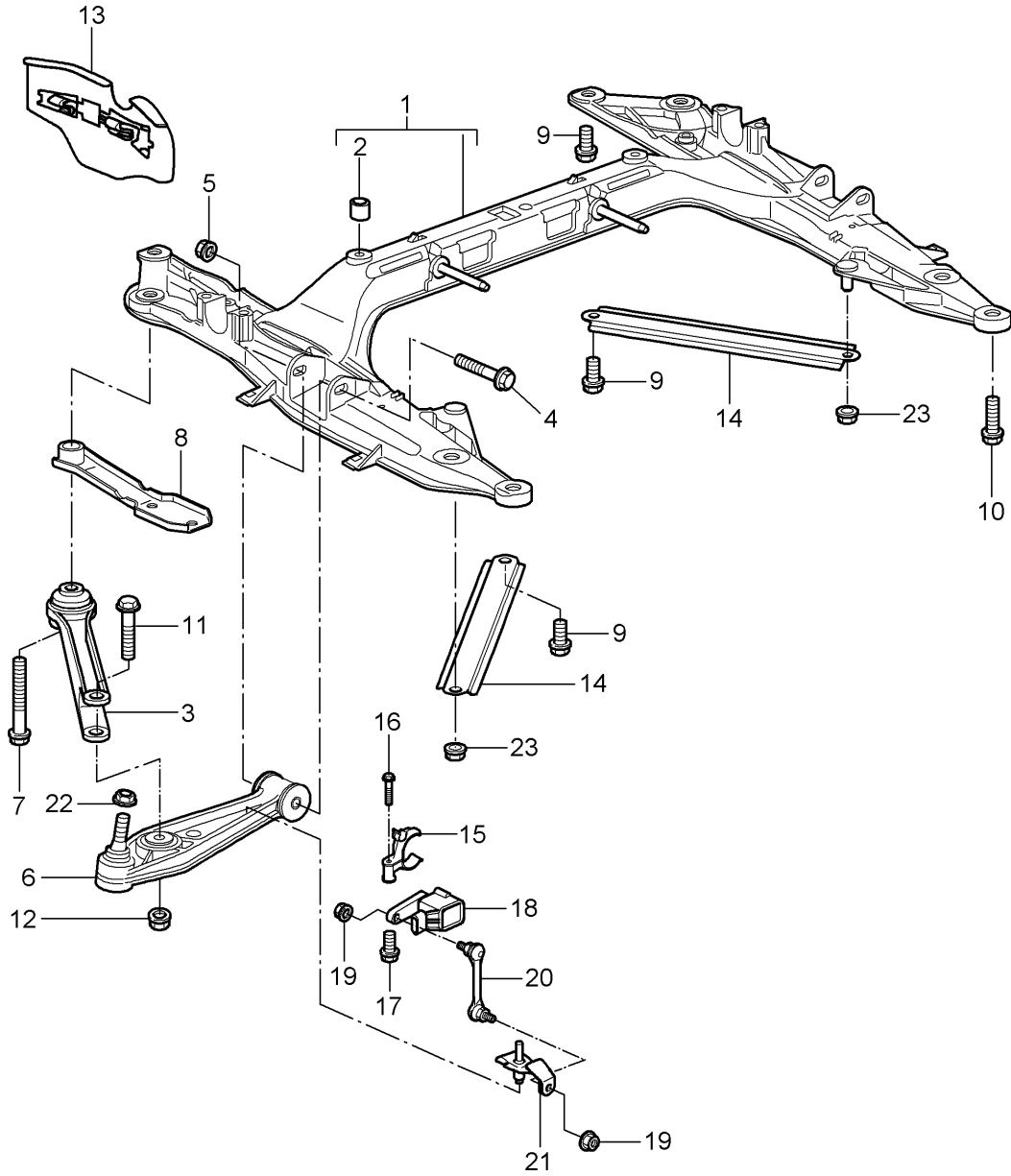
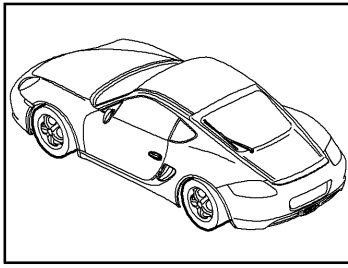
Model: 987209

Model life 2009>>2012

Pos	Part Number	Description	Remark	Qty	Model
		- PDK - Transmission Transmission suspension Threaded joint for Engine			MA1.20/21 I250
1	9A1 375 094 50	Transmission bracket Right		1	
2	9A1 375 093 50	Transmission bracket Left		1	
3	999 072 001 02	Hexagon-head bolt M 10 X 35		4	
4	900 378 159 01	Hexagon-head bolt M 8 X 60		4	
5	999 084 447 01	Hexagon nut M 8		4	
6	999 385 009 01	Outer hexagon round screw M 12 X 1,5 X 55		1	

Model: 987209

Model life 2009>>2012



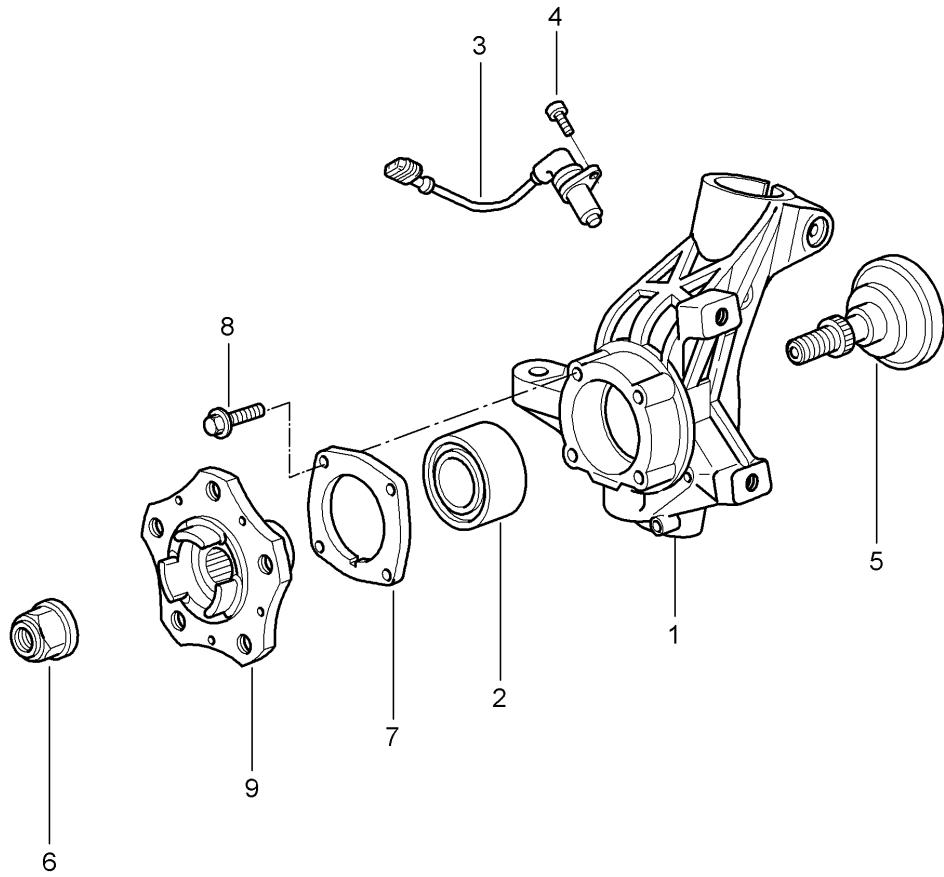
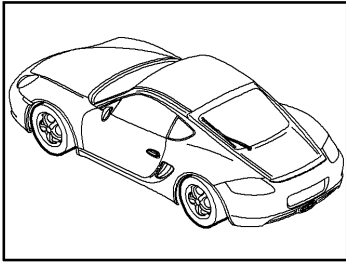
Model: 987209

Model life 2009>>2012

Pos	Part Number	Description	Remark	Qty	Model
		Cross member			
		Wishbone			
1	997 341 081 06	Cross member		1	
2	900 197 070 00	Roll pin 13 X 14		1	
3	997 341 043 00	Control arm		2	
4	900 378 165 01	Hexagon-head bolt M 12 X 1,5 X 95		2	
5	999 084 445 01	Lock nut M 12 X 1,5		2	
6	997 341 053 03	Wishbone	-10	2	
6	997 341 053 04	Wishbone	11-	2	
7	999 072 050 01	Hexagon-head bolt M 14 X 1,5 X 120		2	
8	997 341 145 05	Plate		2	
9	999 072 047 01	Hexagon-head bolt M 12 x 1,5 x 30		6	
(10)	900 378 072 01	Hexagon-head bolt M 12 X 1,5 X 30 Front		2	
10	900 378 192 01	Hexagon-head bolt M 14 x 1,5 x 50 Rear		4	
11	900 378 279 01	Hexagon-head bolt M 14 X 1,5 X 95		2	
12	900 380 012 01	Hexagon nut M 14 X 1,5		2	
13	996 341 483 05	Spoiler	/L	1	
13	996 341 484 05	Spoiler	/R	1	
14	997 504 433 00	Strut		2	
15		Support See illustrations 1/05/10 Pos.10		1	I603
16	900 146 003 03	Oval-head screw M 5 x 10		2	I603
17	900 378 036 01	Hexagon-head bolt M 6 x 12		1	I603
18	997 631 121 00	Sensor		1	I603
19	900 380 015 01	Hexagon nut M 6		2	I603
20	997 341 375 01	Strut Information available		1	I603 I603
21	996 341 371 03	Support		1	I603
22	999 084 449 09	Lock nut M 12 X 1,5		2	
23	999 084 445 01	Lock nut M 12 X 1.5		2	

Model: 987209

Model life 2009>>2012



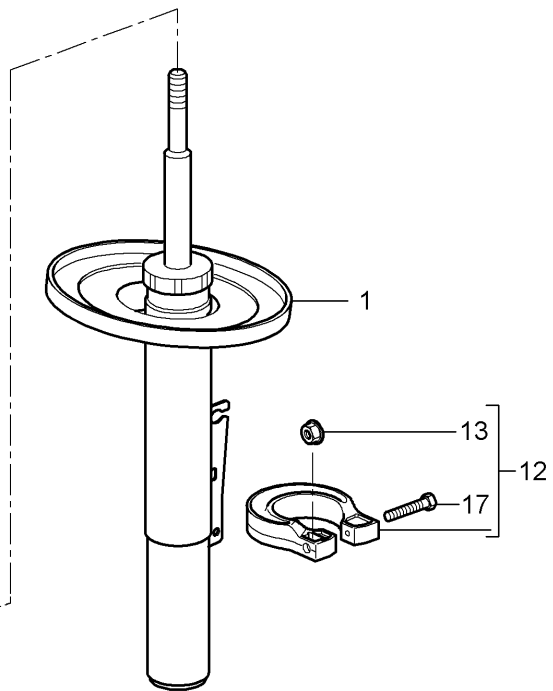
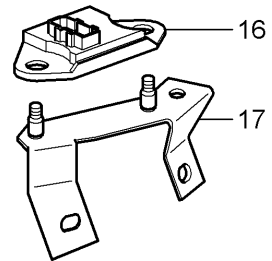
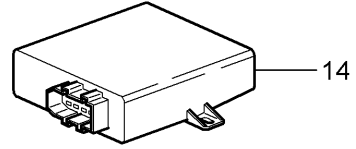
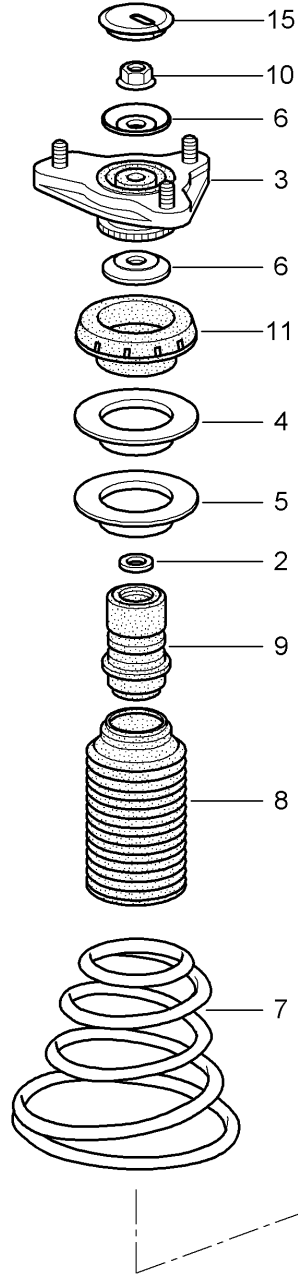
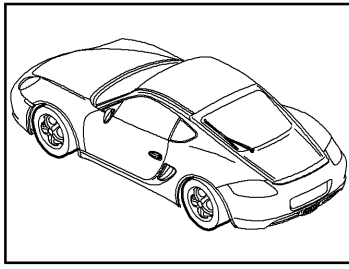
Model: 987209

Model life 2009>>2012

Pos	Part Number	Description	Remark	Qty	Model
		Wheel carrier			
		Wheel hub			
1	997 341 157 05	Wheel carrier	/L	1	
(1)	997 341 157 25	Wheel carrier	/L	1	I450
(1)	997 341 158 05	Wheel carrier	/R	1	
(1)	997 341 158 25	Wheel carrier	/R	1	I450
2	999 053 054 06	Angular-contact bearing		2	
3	997 606 407 01	Speed sensor		2	
-	999 507 464 40	Support		2	
4	900 067 117 04	Pan-head screw M 6 x 16		2	
5	997 341 131 00	Tension bolt		2	
6	999 084 634 02	Lock nut M 22 X 1,5		2	
7	986 331 661 20	Lid		2	
8	999 217 042 04	Hexagon-head bolt M 8 X 35		8	
9	997 341 605 01	Wheel hub		2	
9	991 341 605 02	Wheel hub		2	
9	991 341 605 03	Wheel hub		2	
-	997 361 605 90	Spacer ring 5 MM	-11	2	IXRP
-	997 361 605 92	Spacer ring 5 MM	12-	2	IXRP

Model: 987209

Model life 2009>>2012



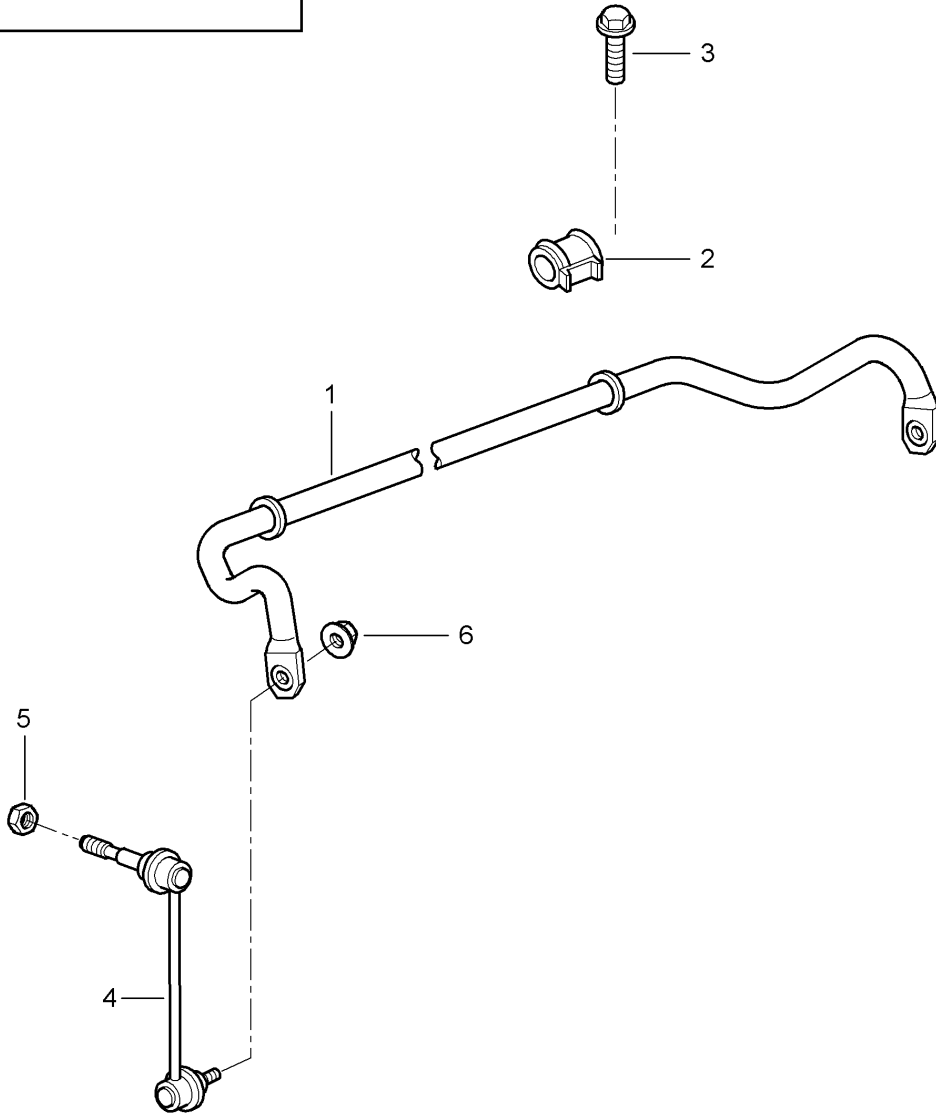
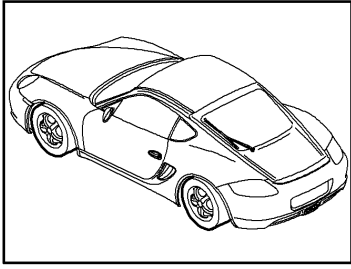
Model: 987209

Model life 2009>>2012

Pos	Part Number	Description	Remark	Qty	Model
		suspension			
		Shock absorber strut			
1	987 343 042 01	Shock absorber		2	I029
(1)	987 343 045 21	Shock absorber		2	I475
1	987 343 042 09	Shock absorber		2	CAYMAN R
2	996 343 513 00	Washer		2	
3	997 343 018 01	Supporting mount		2	
-	999 084 447 01	Hexagon nut M 8		6	
4	996 343 517 01	Support ring		2	
5	996 343 511 00	Compensating plate 3,0 MM		X	
(5)	996 343 511 01	Compensating plate 6,5 MM		X	
6	997 343 107 01	Stop plate		4	
(6)	997 343 107 00	Stop plate Lower		2	I475
(6)	997 343 107 01	Stop plate Upper		2	I475
7	987 343 531 10	Coil spring 1 set		1	I029
	987 343 531 10 504	Identification Green Green Red			
(7)	987 343 531 11	Coil spring 1 set		1	I475
	987 343 531 11 504	Identification Blue Blue White			
(7)	987 343 531 40	Coil spring 1 set		1	CAYMAN R
	987 343 531 40 504	Identification Yellow/Orange Yellow/Orange			
8	996 343 505 00	Bellows		2	
9	996 343 301 02	Additional spring		2	
10	900 380 012 01	Hexagon nut M 14 X 1,5		2	
11	996 343 515 05	Deep-groove ball bearing with housing		2	
12	997 343 569 00	Clip		2	
13	900 377 010 01	Hexagon nut M 6		2	
-	900 378 111 01	Hexagon-head bolt M 6 x 60		2	
14	987 618 450 01	Control unit		1	I475
15	999 703 457 40	Lid		2	
16	997 606 111 01	Acceleration sensor Body		1	
17	997 606 212 01	Support Body		1	

Model: 987209

Model life 2009>>2012



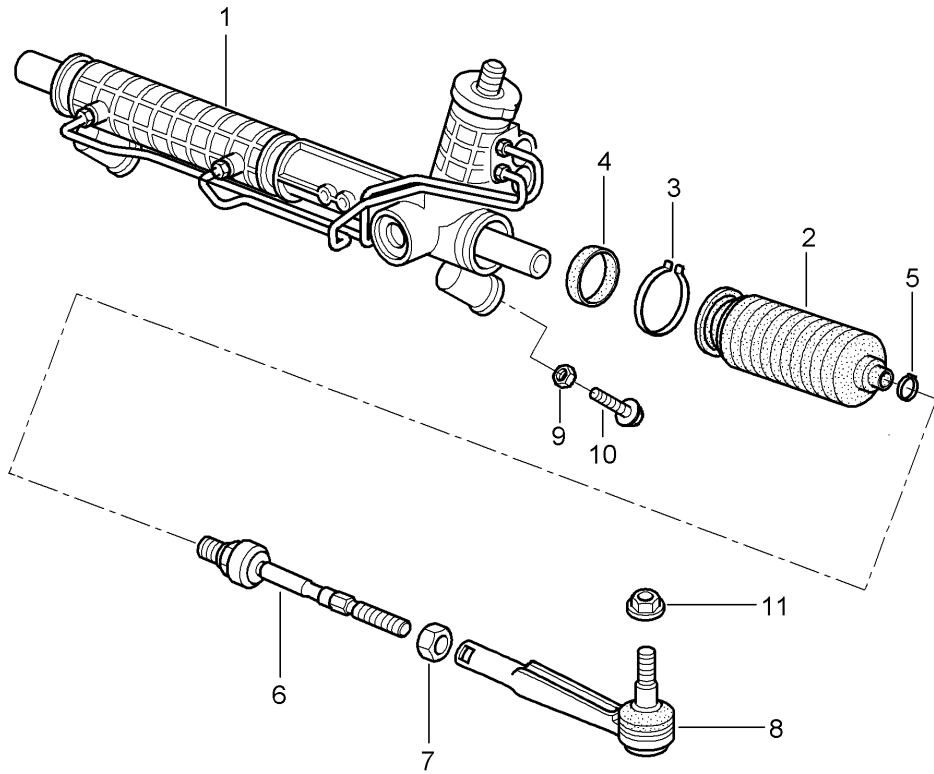
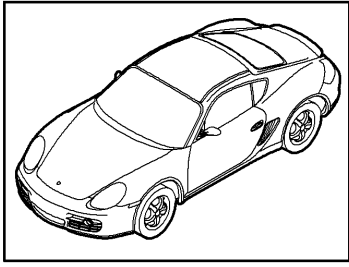
Model: 987209

Model life 2009>>2012

Pos	Part Number	Description	Remark	Qty	Model
1	997 343 701 08	Stabiliser		1	
2	996 343 792 17	Stabiliser mounting		2	
3	900 378 098 01	Hexagon-head bolt M 10 X 60		4	
-	900 380 008 01	Hexagon nut M 10		4	
(4)	997 343 069 03	Stabiliser mounting	/L	1	
(4)	997 343 070 03	Stabiliser mounting	/R	1	
5	999 084 445 01	Lock nut M 12 X 1,5		2	
6	999 084 123 09	Hexagon nut M 10		2	

Model: 987209

Model life 2009>>2012



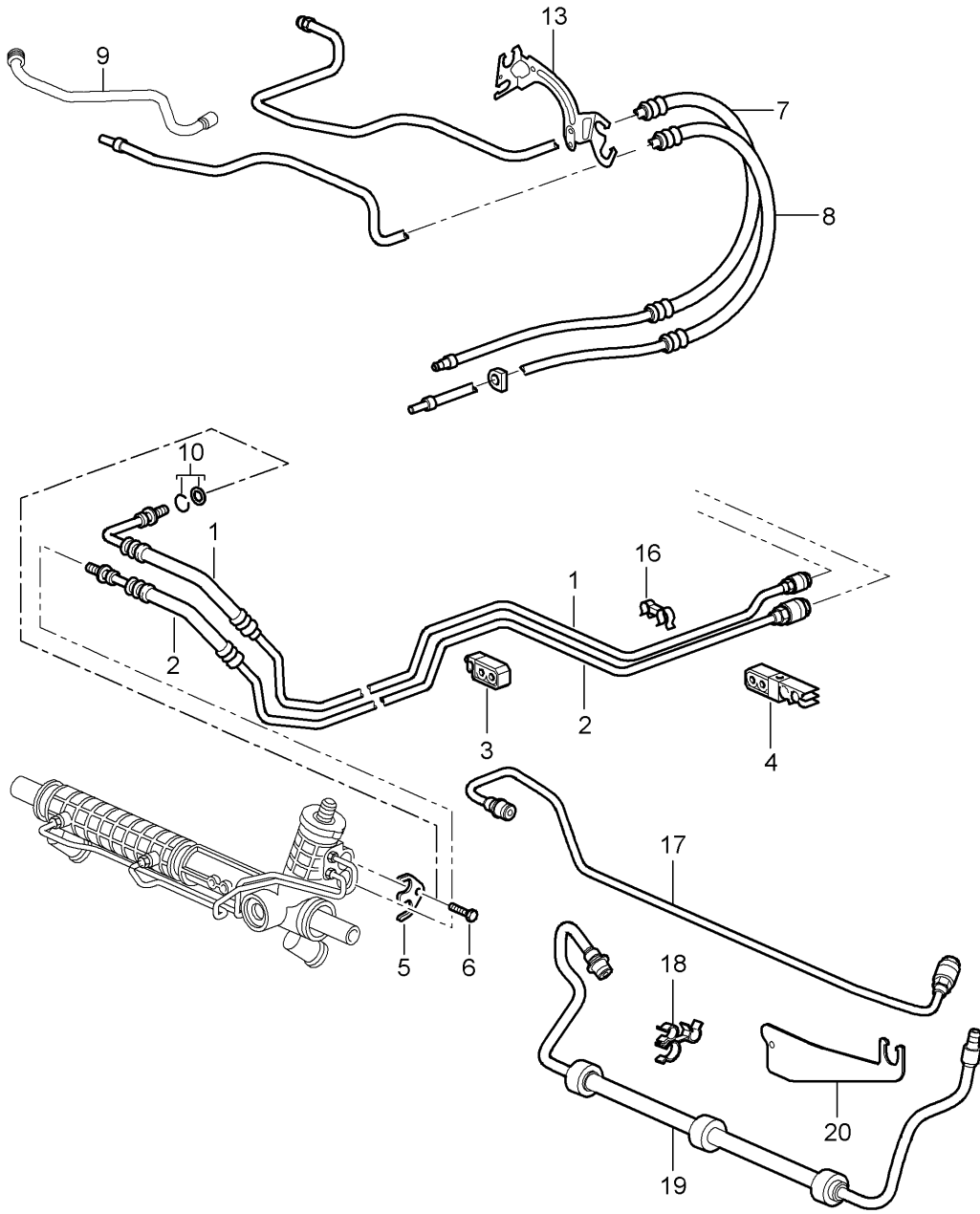
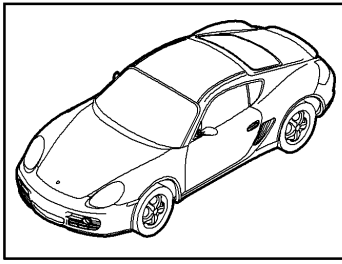
Model: 987209

Model life 2009>>2012

Pos	Part Number	Description	Remark	Qty	Model
1	987 347 011 00	Power steering Steering gear Steering parts Steering gear		1	I098
(1)	987 347 011 02	Power steering Steering gear		1	I098
(1)	987 347 011 X	Power steering Steering gear		1	I098
(1)	987 347 011 03	Power steering Steering gear		1	I098
(1)	987 347 011 AX	Power steering Steering gear	-(CN)	1	I098
(1)	987 347 012 00	Power steering Steering gear		1	I099
(1)	987 347 012 02	Power steering Steering gear		1	I099
(1)	987 347 012 X	Power steering Steering gear		1	I099
(1)	987 347 012 03	Power steering Steering gear		1	I099
(1)	987 347 012 AX	Power steering Steering gear		1	I099
2	997 347 191 00	Power steering Bellows for		2	
3	996 347 293 05	Steering gear Clamping ring for		2	
4	997 347 373 00	Steering gear Sealing ring for		2	
5	999 512 693 09	Steering gear Clamping ring		2	
6	997 347 322 01	Joint		2	
7	999 034 037 09	Hexagon nut M 14 X 1,5		2	
8	996 347 131 04	Track rod		2	
9		See illustrations 4/01/00 POS.2			
10	900 378 100 01	Hexagon-head bolt AM 10 X 45		2	
11	999 084 449 09	Lock nut M 12 X 1,5		2	

Model: 987209

Model life 2009>>2012



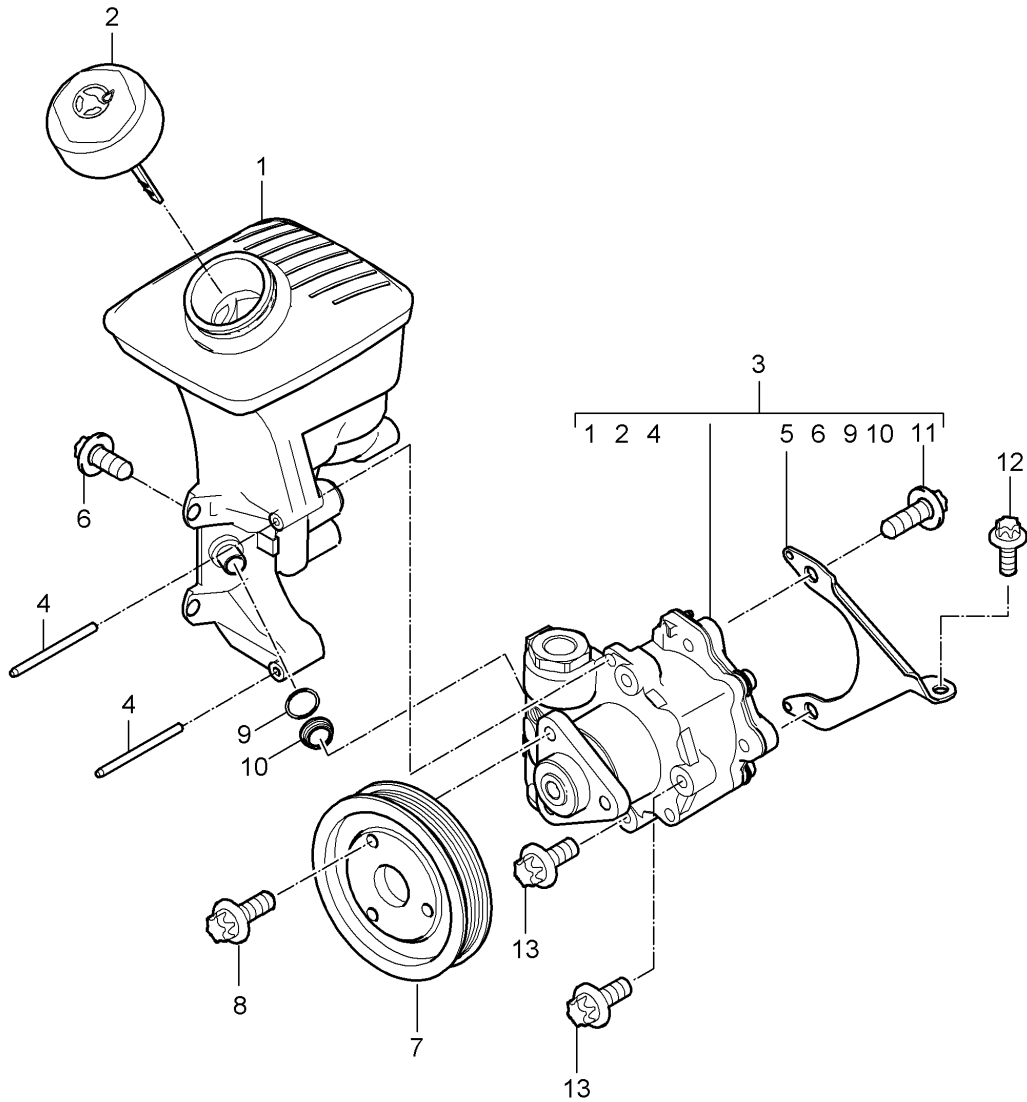
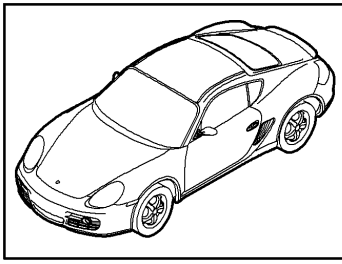
Model: 987209

Model life 2009>>2012

Pos	Part Number	Description	Remark	Qty	Model
		Power steering Lines			
1	997 347 451 11	Pressure line		1	I098
1	997 347 451 12	Pressure line		1	I098
(1)	997 347 452 12	Pressure line		1	I099
(1)	997 347 452 13	Pressure line		1	I099
2	987 347 449 11	Return line		1	I098
2	987 347 449 13	Return line		1	I098
(2)	987 347 650 11	Return line		1	I099
3	996 347 543 00	Cable holder		3	
4	996 355 543 00	Support		1	
5	996 347 769 01	Tension shackle		1	
6	900 067 063 03	Pan-head screw M 10 X 20		1	
7	9A1 347 443 12	Pressure line		1	
7	9A1 347 443 13	Pressure line		1	
7	9A1 347 443 14	Pressure line		1	
(7)	9A1 347 443 15	Pressure line		1	
		Power steering			
8	9A1 347 439 14	Return line	-09	1	
		Power steering			
8	9A1 347 439 15	Return line	10	1	
		Power steering			
(8)	9A1 347 439 20	Return line	11-	1	
		Power steering			
(8)	9A1 347 439 21	Return line	11-	1	
		Power steering			
9	9A1 347 437 14	Return line	-10	1	
		Power-steering pump			
		Heat exchanger			
9	9A1 347 437 16	Return line	11-	1	
		Power-steering pump			
		Heat exchanger			
(9)	9A1 347 437 17	Return line	11-	1	
		Power-steering pump			
		Heat exchanger			
10	997 347 945 00	Repair kit		X	
		Comprising:			
		Spring			
		O-ring			
13	9A1 347 649 11	Support		1	
16	999 507 091 40	Cable holder		3	
17	997 347 564 11	Pressure line		1	I099
18	999 507 963 40	Support		1	I099
19	997 347 462 12	Return line		1	I099
20	997 347 560 00	Support		1	I099

Model: 987209

Model life 2009>>2012



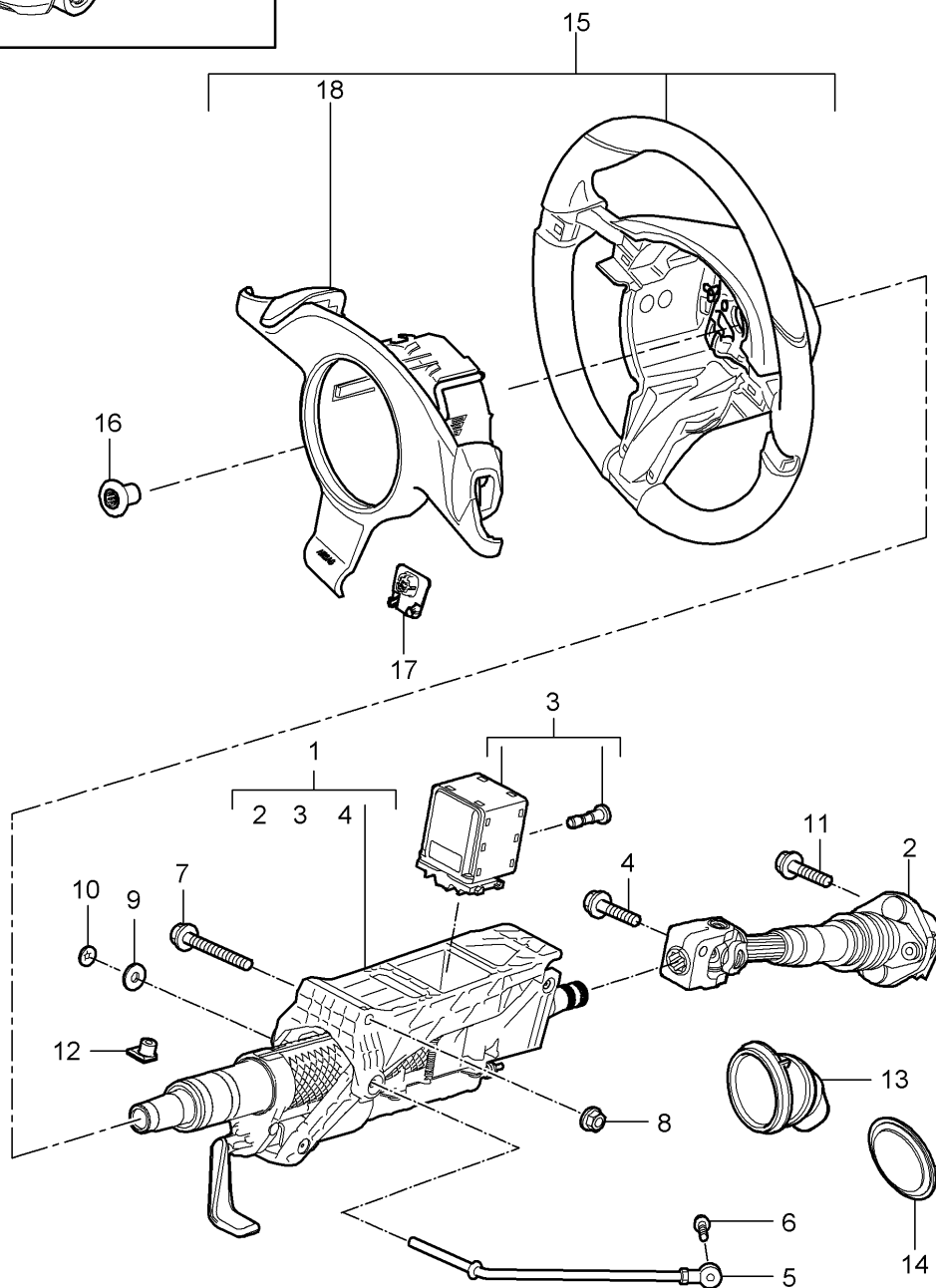
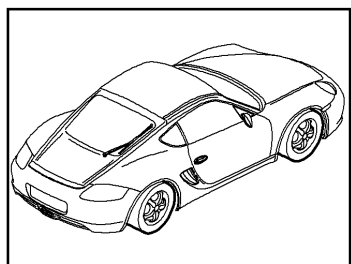
Model: 987209

Model life 2009>>2012

Pos	Part Number	Description	Remark	Qty	Model
		Power steering Power-steering pump Container			
1	9A1 314 220 14	Oil tank		1	
2	9A1 314 223 01	Lid		1	
(3)	9A1 314 020 14	Power-steering pump		1	
4	996 314 320 03	Straight pin		2	
5	9A1 314 430 02	Bracket		1	
6	900 385 044 01	Torx screw BM 8 X 16		2	
7	9A1 147 123 00	Pulley		1	
-	9A1 147 205 01	Cover for Pulley		1	
8	900 385 099 01	Torx screw BM 8 X 12		3	
9	999 707 204 40	Sealing ring 12,5 X 2,0		1	
10	996 314 427 00	Guide		1	
11	900 385 042 01	Torx screw BM 8 X 35		2	
12	900 385 009 01	Torx screw M 6 X 16		1	
-	000 043 203 33	Pentosin 1000 ML		X	
13	900 385 042 01	Torx screw BM 8 X 35		2	

Model: 987209

Model life 2009>>2012



Model: 987209

Model life 2009>>2012

Pos	Part Number	Description	Remark	Qty	Model
		Steering outer tube			I250
		Steering shaft			
		Steering wheels			
1	997 347 007 10	Steering column		1	
		Complete			
		Steering shaft			
2	997 347 023 04	Intermed. steering shaft		1	
3	997 618 158 04	Control unit		1	
		Steering column			
		with			
		Screw			
4	999 217 042 03	Hexagon-head bolt		1	
		M 8 X 35			
4	999 217 042 04	Hexagon-head bolt		1	
		M 8 X 35			
5	997 347 243 00	Support		1	
6	900 378 173 01	Hexagon-head bolt		1	
		M 6 x 20			
7	900 378 095 01	Hexagon-head bolt		1	
		M 10 X 100			
8	900 380 008 01	Hexagon nut		1	
		M 10			
9	900 151 006 03	Washer		1	
10	999 507 217 07	Clamping washer		1	
11	999 217 042 03	Hexagon-head bolt		1	
		M 8 X 35			
11	999 217 042 04	Hexagon-head bolt		1	
		M 8 X 35			
12	999 920 019 40	Plug-in nut		1	
		3,5 X 2,5 X 9			
13	986 347 037 01	Bellows		1	
		Information available			
14	996 347 339 02	Rubber seal		1	
		Bulkhead			
		Steering wheels	09-10		
15	997 347 803 30	Steering wheel	-10	1	I840
		paddle			
	997 347 803 30 A34	Black			
	997 347 803 30 B24	Stone grey			
	997 347 803 30 T24	Sand Beige			
	997 347 803 30 E24	Sea blue			
	997 347 803 30 M24	Terracotta			
	997 347 803 30 R24	Cocoa			
	997 347 803 30 D14	Dark grey/natural			
	997 347 803 30 T34	Brown/natural			
	997 347 803 30 N14	Carrera Red			
(15)	997 347 803 31	Steering wheel	-10	1	I639/840
		Paddle			I639/640
	997 347 803 31 A34	Black			
	997 347 803 31 B24	Stone grey			
	997 347 803 31 T24	Sand Beige			
	997 347 803 31 E24	Sea blue			
	997 347 803 31 M24	Terracotta			
	997 347 803 31 R24	Cocoa			
	997 347 803 31 D14	Dark grey/natural			
	997 347 803 31 T34	Brown/natural			
	997 347 803 31 N14	Carrera Red			
(15)	997 347 803 20	Steering wheel	-10	1	I841
		Plain leather			
	997 347 803 20 A34	Black			
	997 347 803 20 B24	Stone grey			
	997 347 803 20 T24	Sand Beige			
	997 347 803 20 E24	Sea blue			

Model: 987209 Model life 2009>>2012

Pos	Part Number	Description	Remark	Qty	Model
	997 347 803 20 M24	Terracotta			
	997 347 803 20 R24	Cocoa			
	997 347 803 20 D14	Dark grey/natural			
	997 347 803 20 T34	Brown/natural			
	997 347 803 20 N14	Carrera Red			
(15)	997 347 803 32	Steering wheel Plain leather	-10	1	-I345/I841
	997 347 803 32 A34	Black			
	997 347 803 32 B24	Stone grey			
	997 347 803 32 T24	Sand Beige			
	997 347 803 32 E24	Sea blue			
	997 347 803 32 M24	Terracotta			
	997 347 803 32 R24	Cocoa			
	997 347 803 32 D14	Dark grey/natural			
	997 347 803 32 T34	Brown/natural			
	997 347 803 32 N14	Carrera Red			
(15)	997 347 803 98	Steering wheel Plain leather	-10	1	-I345/I841
	997 347 803 98 A34	Black			
	997 347 803 98 B24	Stone grey			
	997 347 803 98 T24	Sand Beige			
	997 347 803 98 E24	Sea blue			
	997 347 803 98 M24	Terracotta			
	997 347 803 98 R24	Cocoa			
	997 347 803 98 D14	Dark grey/natural			
	997 347 803 98 T34	Brown/natural			
	997 347 803 98 N14	Carrera Red			
(15)	997 347 803 D6	Steering wheel Plain leather	-10	1	-I345/I841
	997 347 803 D6 A34	Black			
	997 347 803 D6 B24	Stone grey			
	997 347 803 D6 T24	Sand Beige			
	997 347 803 D6 E24	Sea blue			
	997 347 803 D6 M24	Terracotta			
	997 347 803 D6 R24	Cocoa			
	997 347 803 D6 D14	Dark grey/natural			
	997 347 803 D6 T34	Brown/natural			
	997 347 803 D6 N14	Carrera Red			
(15)	997 347 803 25	Steering wheel Plain leather	-10	1	I345/841
	997 347 803 25 A34	Black			
	997 347 803 25 B24	Stone grey			
	997 347 803 25 T24	Sand Beige			
	997 347 803 25 E24	Sea blue			
	997 347 803 25 M24	Terracotta			
	997 347 803 25 R24	Cocoa			
	997 347 803 25 D14	Dark grey/natural			
	997 347 803 25 T34	Brown/natural			
	997 347 803 25 N14	Carrera Red			
(15)	997 347 803 37	Steering wheel Plain leather	-10	1	I345/841
	997 347 803 37 A34	Black			
	997 347 803 37 B24	Stone grey			
	997 347 803 37 T24	Sand Beige			
	997 347 803 37 E24	Sea blue			
	997 347 803 37 M24	Terracotta			
	997 347 803 37 R24	Cocoa			
	997 347 803 37 D14	Dark grey/natural			
	997 347 803 37 T34	Brown/natural			
	997 347 803 37 N14	Carrera Red			
(15)	997 347 803 A3	Steering wheel Plain leather	-10	1	I345/841
	997 347 803 A3 A34	Black			

Model: 987209

Model life 2009>>2012

Pos	Part Number	Description	Remark	Qty	Model
	997 347 803 A3 B24	Stone grey			
	997 347 803 A3 T24	Sand Beige			
	997 347 803 A3 E24	Sea blue			
	997 347 803 A3 M24	Terracotta			
	997 347 803 A3 R24	Cocoa			
	997 347 803 A3 D14	Dark grey/natural			
	997 347 803 A3 T34	Brown/natural			
	997 347 803 A3 N14	Carrera Red			
(15)	997 347 803 E1	Steering wheel Plain leather	-10	1	I345/841
	997 347 803 E1 A34	Black			
	997 347 803 E1 B24	Stone grey			
	997 347 803 E1 T24	Sand Beige			
	997 347 803 E1 E24	Sea blue			
	997 347 803 E1 M24	Terracotta			
	997 347 803 E1 R24	Cocoa			
	997 347 803 E1 D14	Dark grey/natural			
	997 347 803 E1 T34	Brown/natural			
	997 347 803 E1 N14	Carrera Red			
(15)	997 347 803 21	Steering wheel Plain leather Multi-function	-10	1	I844
	997 347 803 21 A34	Black			
	997 347 803 21 B24	Stone grey			
	997 347 803 21 T24	Sand Beige			
	997 347 803 21 E24	Sea blue			
	997 347 803 21 M24	Terracotta			
	997 347 803 21 R24	Cocoa			
	997 347 803 21 D14	Dark grey/natural			
	997 347 803 21 T34	Brown/natural			
	997 347 803 21 N14	Carrera Red			
(15)	997 347 803 33	Steering wheel Plain leather Multi-function	-10	1	I844
	997 347 803 33 A34	Black			
	997 347 803 33 B24	Stone grey			
	997 347 803 33 T24	Sand Beige			
	997 347 803 33 E24	Sea blue			
	997 347 803 33 M24	Terracotta			
	997 347 803 33 R24	Cocoa			
	997 347 803 33 D14	Dark grey/natural			
	997 347 803 33 T34	Brown/natural			
	997 347 803 33 N14	Carrera Red			
(15)	997 347 803 99	Steering wheel Plain leather Multi-function	-10	1	I844
	997 347 803 99 A34	Black			
	997 347 803 99 B24	Stone grey			
	997 347 803 99 T24	Sand Beige			
	997 347 803 99 E24	Sea blue			
	997 347 803 99 M24	Terracotta			
	997 347 803 99 R24	Cocoa			
	997 347 803 99 D14	Dark grey/natural			
	997 347 803 99 T34	Brown/natural			
	997 347 803 99 N14	Carrera Red			
(15)	997 347 803 D7	Steering wheel Plain leather Multi-function	-10	1	I844
	997 347 803 D7 A34	Black			
	997 347 803 D7 B24	Stone grey			
	997 347 803 D7 T24	Sand Beige			
	997 347 803 D7 E24	Sea blue			
	997 347 803 D7 M24	Terracotta			

Model: 987209 Model life 2009>>2012

Pos	Part Number	Description	Remark	Qty	Model
(15)	997 347 803 D7 R24	Cocoa	-10	1	I345/844
	997 347 803 D7 D14	Dark grey/natural			
	997 347 803 D7 T34	Brown/natural			
	997 347 803 D7 N14	Carrera Red			
	997 347 803 24	Steering wheel Plain leather Multi-function			
	997 347 803 24 A34	Black			
	997 347 803 24 B24	Stone grey			
	997 347 803 24 T24	Sand Beige			
	997 347 803 24 E24	Sea blue			
	997 347 803 24 M24	Terracotta			
(15)	997 347 803 24 R24	Cocoa	-10	1	I345/844
	997 347 803 24 D14	Dark grey/natural			
	997 347 803 24 T34	Brown/natural			
	997 347 803 24 N14	Carrera Red			
	997 347 803 36	Steering wheel Plain leather Multi-function			
	997 347 803 36 A34	Black			
	997 347 803 36 B24	Stone grey			
	997 347 803 36 T24	Sand Beige			
	997 347 803 36 E24	Sea blue			
	997 347 803 36 M24	Terracotta			
(15)	997 347 803 36 R24	Cocoa	-10	1	I345/844
	997 347 803 36 D14	Dark grey/natural			
	997 347 803 36 T34	Brown/natural			
	997 347 803 36 N14	Carrera Red			
	997 347 803 A2	Steering wheel Plain leather Multi-function			
	997 347 803 A2 A34	Black			
	997 347 803 A2 B24	Stone grey			
	997 347 803 A2 T24	Sand Beige			
	997 347 803 A2 E24	Sea blue			
	997 347 803 A2 M24	Terracotta			
(15)	997 347 803 A2 R24	Cocoa	-10	1	I345/844
	997 347 803 A2 D14	Dark grey/natural			
	997 347 803 A2 T34	Brown/natural			
	997 347 803 A2 N14	Carrera Red			
	997 347 803 E0	Steering wheel Plain leather Multi-function			
	997 347 803 E0 A34	Black			
	997 347 803 E0 B24	Stone grey			
	997 347 803 E0 T24	Sand Beige			
	997 347 803 E0 E24	Sea blue			
	997 347 803 E0 M24	Terracotta			
(15)	997 347 803 E0 R24	Cocoa	-10	1	I345/845
	997 347 803 E0 D14	Dark grey/natural			
	997 347 803 E0 T34	Brown/natural			
	997 347 803 E0 N14	Carrera Red			
	997 347 803 22	Steering wheel Multi-function Carbon			
	997 347 803 22 A34	Black			
	997 347 803 22 B24	Stone grey			
	997 347 803 22 T24	Sand Beige			
	997 347 803 22 E24	Sea blue			
	997 347 803 22 M24	Terracotta			
997 347 803 22 R24	Cocoa				
997 347 803 22 D14	Dark grey/natural				
997 347 803 22 T34	Brown/natural				

Model: 987209 Model life 2009>>2012

Pos	Part Number	Description	Remark	Qty	Model
(15)	997 347 803 22 N14 997 347 803 34	Carrera Red Steering wheel Multi-function Carbon	-10	1	I345/845
	997 347 803 34 A34	Black			
	997 347 803 34 B24	Stone grey			
	997 347 803 34 T24	Sand Beige			
	997 347 803 34 E24	Sea blue			
	997 347 803 34 M24	Terracotta			
	997 347 803 34 R24	Cocoa			
	997 347 803 34 D14	Dark grey/natural			
	997 347 803 34 T34	Brown/natural			
(15)	997 347 803 34 N14 997 347 803 A0	Carrera Red Steering wheel Multi-function Carbon	-10	1	I345/845
	997 347 803 A0 A34	Black			
	997 347 803 A0 B24	Stone grey			
	997 347 803 A0 T24	Sand Beige			
	997 347 803 A0 E24	Sea blue			
	997 347 803 A0 M24	Terracotta			
	997 347 803 A0 R24	Cocoa			
	997 347 803 A0 D14	Dark grey/natural			
	997 347 803 A0 T34	Brown/natural			
(15)	997 347 803 A0 N14 997 347 803 D8	Carrera Red Steering wheel Multi-function Carbon	-10	1	I345/845
	997 347 803 D8 A34	Black			
	997 347 803 D8 B24	Stone grey			
	997 347 803 D8 T24	Sand Beige			
	997 347 803 D8 E24	Sea blue			
	997 347 803 D8 M24	Terracotta			
	997 347 803 D8 R24	Cocoa			
	997 347 803 D8 D14	Dark grey/natural			
	997 347 803 D8 T34	Brown/natural			
(15)	997 347 803 D8 N14 997 347 803 23	Carrera Red Steering wheel Multi-function Macassar	-10	1	I345/847
	997 347 803 23 A34	Black			
	997 347 803 23 B24	Stone grey			
	997 347 803 23 T24	Sand Beige			
	997 347 803 23 E24	Sea blue			
	997 347 803 23 M24	Terracotta			
	997 347 803 23 R24	Cocoa			
	997 347 803 23 D14	Dark grey/natural			
	997 347 803 23 T34	Brown/natural			
(15)	997 347 803 23 N14 997 347 803 35	Carrera Red Steering wheel Multi-function Macassar	-10	1	I345/847
	997 347 803 35 A34	Black			
	997 347 803 35 B24	Stone grey			
	997 347 803 35 T24	Sand Beige			
	997 347 803 35 E24	Sea blue			
	997 347 803 35 M24	Terracotta			
	997 347 803 35 R24	Cocoa			
	997 347 803 35 D14	Dark grey/natural			
	997 347 803 35 T34	Brown/natural			
(15)	997 347 803 35 N14 997 347 803 A1	Carrera Red Steering wheel Multi-function	-10	1	I345/847

Model: 987209 Model life 2009>>2012

Pos	Part Number	Description	Remark	Qty	Model
		Macassar			
	997 347 803 A1 A34	Black			
	997 347 803 A1 B24	Stone grey			
	997 347 803 A1 T24	Sand Beige			
	997 347 803 A1 E24	Sea blue			
	997 347 803 A1 M24	Terracotta			
	997 347 803 A1 R24	Cocoa			
	997 347 803 A1 D14	Dark grey/natural			
	997 347 803 A1 T34	Brown/natural			
	997 347 803 A1 N14	Carrera Red			
(15)	997 347 803 D9	Steering wheel Multi-function Macassar	-10	1	I345/847
	997 347 803 D9 A34	Black			
	997 347 803 D9 B24	Stone grey			
	997 347 803 D9 T24	Sand Beige			
	997 347 803 D9 E24	Sea blue			
	997 347 803 D9 M24	Terracotta			
	997 347 803 D9 R24	Cocoa			
	997 347 803 D9 D14	Dark grey/natural			
	997 347 803 D9 T34	Brown/natural			
	997 347 803 D9 N14	Carrera Red			
(15)	997 347 980 05	Steering wheel Multi-function Aluminium look	-10	1	IXPU/345
	997 347 980 05 A34	Black			
	997 347 980 05 B24	Stone grey			
	997 347 980 05 T24	Sand Beige			
	997 347 980 05 E24	Sea blue			
	997 347 980 05 M24	Terracotta			
	997 347 980 05 R24	Cocoa			
	997 347 980 05 D14	Dark grey/natural			
	997 347 980 05 T34	Brown/natural			
	997 347 980 05 N14	Carrera Red			
(15)	997 347 980 09	Steering wheel Multi-function Aluminium look	-10	1	IXPU/345
	997 347 980 09 A34	Black			
	997 347 980 09 B24	Stone grey			
	997 347 980 09 T24	Sand Beige			
	997 347 980 09 E24	Sea blue			
	997 347 980 09 M24	Terracotta			
	997 347 980 09 R24	Cocoa			
	997 347 980 09 D14	Dark grey/natural			
	997 347 980 09 T34	Brown/natural			
	997 347 980 09 N14	Carrera Red			
(15)	997 347 980 14	Steering wheel Multi-function Aluminium look	-10	1	IXPU/345
	997 347 980 14 A34	Black			
	997 347 980 14 B24	Stone grey			
	997 347 980 14 T24	Sand Beige			
	997 347 980 14 E24	Sea blue			
	997 347 980 14 M24	Terracotta			
	997 347 980 14 R24	Cocoa			
	997 347 980 14 D14	Dark grey/natural			
	997 347 980 14 T34	Brown/natural			
	997 347 980 14 N14	Carrera Red			
(15)	997 347 980 B7	Steering wheel Multi-function Aluminium look	-10	1	IXPU/345
	997 347 980 B7 A34	Black			
	997 347 980 B7 B24	Stone grey			

Model: 987209 Model life 2009>>2012

Pos	Part Number	Description	Remark	Qty	Model
	997 347 980 B7 T24	Sand Beige			
	997 347 980 B7 E24	Sea blue			
	997 347 980 B7 M24	Terracotta			
	997 347 980 B7 R24	Cocoa			
	997 347 980 B7 D14	Dark grey/natural			
	997 347 980 B7 T34	Brown/natural			
	997 347 980 B7 N14	Carrera Red			
		Steering wheels	11-		
(15)	997 347 803 80	Steering wheel	11-	1	I840
		Shifting paddle			
	997 347 803 80 A34	Black			
	997 347 803 80 B24	Stone grey			
	997 347 803 80 T24	Sand Beige			
	997 347 803 80 E24	Sea blue			
	997 347 803 80 M24	Terracotta			
	997 347 803 80 R24	Cocoa			
	997 347 803 80 D14	Dark grey/natural			
	997 347 803 80 T34	Brown/natural			
	997 347 803 80 N14	Carrera Red			
(15)	997 347 803 91	Steering wheel	11-	1	I840
		Shifting paddle			
	997 347 803 91 A34	Black			
	997 347 803 91 B24	Stone grey			
	997 347 803 91 T24	Sand Beige			
	997 347 803 91 E24	Sea blue			
	997 347 803 91 M24	Terracotta			
	997 347 803 91 R24	Cocoa			
	997 347 803 91 D14	Dark grey/natural			
	997 347 803 91 T34	Brown/natural			
	997 347 803 91 N14	Carrera Red			
	997 347 803 91 6H6	Espresso			
(15)	997 347 803 B7	Steering wheel	11-	1	I840
		Shifting paddle			
	997 347 803 B7 A34	Black			
	997 347 803 B7 B24	Stone grey			
	997 347 803 B7 T24	Sand Beige			
	997 347 803 B7 E24	Sea blue			
	997 347 803 B7 M24	Terracotta			
	997 347 803 B7 R24	Cocoa			
	997 347 803 B7 D14	Dark grey/natural			
	997 347 803 B7 T34	Brown/natural			
	997 347 803 B7 N14	Carrera Red			
	997 347 803 B7 6H6	Espresso			
(15)	997 347 803 G0	Steering wheel	11-	1	I840
		PADDLE			
	997 347 803 G0 A34	Black			
	997 347 803 G0 B24	Stone grey			
	997 347 803 G0 T24	Sand Beige			
	997 347 803 G0 E24	Sea blue			
	997 347 803 G0 M24	Terracotta			
	997 347 803 G0 R24	Cocoa			
	997 347 803 G0 D14	Dark grey/natural			
	997 347 803 G0 T34	Brown/natural			
	997 347 803 G0 N14	Carrera Red			
	997 347 803 G0 6H6	Espresso			
(15)	997 347 803 81	Steering wheel	11-	1	I639/640/840
		Shifting paddle			
	997 347 803 81 A34	Black			
	997 347 803 81 B24	Stone grey			
	997 347 803 81 T24	Sand Beige			
	997 347 803 81 E24	Sea blue			
	997 347 803 81 M24	Terracotta			
	997 347 803 81 R24	Cocoa			

Model: 987209 Model life 2009>>2012

Pos	Part Number	Description	Remark	Qty	Model				
(15)	997 347 803 81 D14	Dark grey/natural	11-	1	I639/640/840				
	997 347 803 81 T34	Brown/natural							
	997 347 803 81 N14	Carrera Red							
	997 347 803 92	Steering wheel							
		Shifting paddle							
	997 347 803 92 A34	Black							
	997 347 803 92 B24	Stone grey							
	997 347 803 92 T24	Sand Beige							
	997 347 803 92 E24	Sea blue							
	997 347 803 92 M24	Terracotta							
	997 347 803 92 R24	Cocoa							
	997 347 803 92 D14	Dark grey/natural							
	997 347 803 92 T34	Brown/natural							
	997 347 803 92 N14	Carrera Red							
	(15)	997 347 803 92 6H6				Espresso	11-	1	I639/640/840
997 347 803 B8		Steering wheel							
		Shifting paddle							
997 347 803 B8 A34		Black							
997 347 803 B8 B24		Stone grey							
997 347 803 B8 T24		Sand Beige							
997 347 803 B8 E24		Sea blue							
997 347 803 B8 M24		Terracotta							
997 347 803 B8 R24		Cocoa							
997 347 803 B8 D14		Dark grey/natural							
997 347 803 B8 T34		Brown/natural							
997 347 803 B8 N14		Carrera Red							
997 347 803 B8 6H6		Espresso							
(15)		997 347 803 G1	Steering wheel	11-	1	I639/640/840			
			Shifting paddle						
	997 347 803 G1 A34	Black							
	997 347 803 G1 B24	Stone grey							
	997 347 803 G1 T24	Sand Beige							
	997 347 803 G1 E24	Sea blue							
	997 347 803 G1 M24	Terracotta							
	997 347 803 G1 R24	Cocoa							
	997 347 803 G1 D14	Dark grey/natural							
	997 347 803 G1 T34	Brown/natural							
	997 347 803 G1 N14	Carrera Red							
	997 347 803 G1 6H6	Espresso							
	(15)	997 347 803 59	Steering wheel				11-	1	I841
			Plain leather						
		997 347 803 59 A34	Black						
997 347 803 59 B24		Stone grey							
997 347 803 59 T24		Sand Beige							
997 347 803 59 E24		Sea blue							
997 347 803 59 M24		Terracotta							
997 347 803 59 R24		Cocoa							
997 347 803 59 D14		Dark grey/natural							
997 347 803 59 T34		Brown/natural							
997 347 803 59 N14		Carrera Red							
(15)		997 347 803 98	Steering wheel	11-	1	-I345/I841			
			Plain leather						
		997 347 803 98 A34	Black						
		997 347 803 98 B24	Stone grey						
	997 347 803 98 T24	Sand Beige							
	997 347 803 98 E24	Sea blue							
	997 347 803 98 M24	Terracotta							
	997 347 803 98 R24	Cocoa							
	997 347 803 98 D14	Dark grey/natural							
	997 347 803 98 T34	Brown/natural							
	997 347 803 98 N14	Carrera Red							
	(15)	997 347 803 98 6H6	Espresso				11-	1	-I345/I841
		997 347 803 D6	Steering wheel						

Model: 987209 Model life 2009>>2012

Pos	Part Number	Description	Remark	Qty	Model
		Plain leather			
	997 347 803 D6 A34	Black			
	997 347 803 D6 B24	Stone grey			
	997 347 803 D6 T24	Sand Beige			
	997 347 803 D6 E24	Sea blue			
	997 347 803 D6 M24	Terracotta			
	997 347 803 D6 R24	Cocoa			
	997 347 803 D6 D14	Dark grey/natural			
	997 347 803 D6 T34	Brown/natural			
	997 347 803 D6 N14	Carrera Red			
	997 347 803 D6 6H6	Espresso			
(15)	997 347 803 64	Steering wheel	11-	1	I345/841
		Plain leather			
	997 347 803 64 A34	Black			
	997 347 803 64 B24	Stone grey			
	997 347 803 64 T24	Sand Beige			
	997 347 803 64 E24	Sea blue			
	997 347 803 64 M24	Terracotta			
	997 347 803 64 R24	Cocoa			
	997 347 803 64 D14	Dark grey/natural			
	997 347 803 64 T34	Brown/natural			
	997 347 803 64 N14	Carrera Red			
(15)	997 347 803 A3	Steering wheel	11-	1	I345/841
		Plain leather			
	997 347 803 A3 A34	Black			
	997 347 803 A3 B24	Stone grey			
	997 347 803 A3 T24	Sand Beige			
	997 347 803 A3 E24	Sea blue			
	997 347 803 A3 M24	Terracotta			
	997 347 803 A3 R24	Cocoa			
	997 347 803 A3 D14	Dark grey/natural			
	997 347 803 A3 T34	Brown/natural			
	997 347 803 A3 N14	Carrera Red			
	997 347 803 A3 6H6	Espresso			
(15)	997 347 803 E1	Steering wheel	11-	1	I345/841
		Plain leather			
	997 347 803 E1 A34	Black			
	997 347 803 E1 B24	Stone grey			
	997 347 803 E1 T24	Sand Beige			
	997 347 803 E1 E24	Sea blue			
	997 347 803 E1 M24	Terracotta			
	997 347 803 E1 R24	Cocoa			
	997 347 803 E1 D14	Dark grey/natural			
	997 347 803 E1 T34	Brown/natural			
	997 347 803 E1 N14	Carrera Red			
	997 347 803 E1 6H6	Espresso			
(15)	997 347 803 82	Sports steering wheel	11-	1	CAYMAN R I843
		Alcantara			
(15)	997 347 803 82 A15	Black	11-	1	CAYMAN R I843
(15)	997 347 803 93	Sports steering wheel	11-	1	CAYMAN R I843
		Alcantara			
(15)	997 347 803 93 A15	Black	11-	1	CAYMAN R I843
(15)	997 347 803 B9	Sports steering wheel	11-	1	CAYMAN R I843
		Alcantara			
(15)	997 347 803 B9 A15	Black	11-	1	CAYMAN R I843
(15)	997 347 803 G2	Sports steering wheel	11-	1	CAYMAN R I843
		Alcantara			
(15)	997 347 803 G2 A15	Black	11-	1	CAYMAN R I843
(15)	997 347 803 83	Sports steering wheel	11-	1	CAYMAN R

Model: 987209 Model life 2009>>2012

Pos	Part Number	Description	Remark	Qty	Model
		Alcantara			I639/640/843
(15)	997 347 803 83 A15	Black			
	997 347 803 94	Sports steering wheel	11-	1	CAYMAN R I639/640/843
		Alcantara			
(15)	997 347 803 94 A15	Black			
	997 347 803 C0	Sports steering wheel	11-	1	CAYMAN R I639/640/843
		Alcantara			
(15)	997 347 803 C0 A15	Black			
	997 347 803 G3	Sports steering wheel	11-	1	CAYMAN R I639/640/843
		Alcantara			
(15)	997 347 803 G3 A15	Black			
	997 347 803 60	Steering wheel	11-	1	I844
		Plain leather			
		Multi-function			
	997 347 803 60 A34	Black			
	997 347 803 60 B24	Stone grey			
	997 347 803 60 T24	Sand Beige			
	997 347 803 60 E24	Sea blue			
	997 347 803 60 M24	Terracotta			
	997 347 803 60 R24	Cocoa			
	997 347 803 60 D14	Dark grey/natural			
	997 347 803 60 T34	Brown/natural			
	997 347 803 60 N14	Carrera Red			
(15)	997 347 803 99	Steering wheel	11-	1	I844
		Plain leather			
		Multi-function			
	997 347 803 99 A34	Black			
	997 347 803 99 B24	Stone grey			
	997 347 803 99 T24	Sand Beige			
	997 347 803 99 E24	Sea blue			
	997 347 803 99 M24	Terracotta			
	997 347 803 99 R24	Cocoa			
	997 347 803 99 D14	Dark grey/natural			
	997 347 803 99 T34	Brown/natural			
	997 347 803 99 N14	Carrera Red			
	997 347 803 99 6H6	Espresso			
(15)	997 347 803 D7	Steering wheel	11-	1	I844
		Plain leather			
		Multi-function			
	997 347 803 D7 A34	Black			
	997 347 803 D7 B24	Stone grey			
	997 347 803 D7 T24	Sand Beige			
	997 347 803 D7 E24	Sea blue			
	997 347 803 D7 M24	Terracotta			
	997 347 803 D7 R24	Cocoa			
	997 347 803 D7 D14	Dark grey/natural			
	997 347 803 D7 T34	Brown/natural			
	997 347 803 D7 N14	Carrera Red			
	997 347 803 D7 6H6	Espresso			
(15)	997 347 803 63	Steering wheel	11-	1	I345/844
		Plain leather			
		Multi-function			
	997 347 803 63 A34	Black			
	997 347 803 63 B24	Stone grey			
	997 347 803 63 T24	Sand Beige			
	997 347 803 63 E24	Sea blue			
	997 347 803 63 M24	Terracotta			
	997 347 803 63 R24	Cocoa			
	997 347 803 63 D14	Dark grey/natural			

Model: 987209

Model life 2009>>2012

Pos	Part Number	Description	Remark	Qty	Model
(15)	997 347 803 63 T34	Brown/natural	11-	1	I345/844
	997 347 803 63 N14	Carrera Red			
	997 347 803 A2	Steering wheel Plain leather Multi-function			
	997 347 803 A2 A34	Black			
	997 347 803 A2 B24	Stone grey			
	997 347 803 A2 T24	Sand Beige			
	997 347 803 A2 E24	Sea blue			
	997 347 803 A2 M24	Terracotta			
	997 347 803 A2 R24	Cocoa			
	997 347 803 A2 D14	Dark grey/natural			
(15)	997 347 803 A2 T34	Brown/natural	11-	1	I345/844
	997 347 803 A2 N14	Carrera Red			
	997 347 803 A2 6H6	Espresso			
	997 347 803 E0	Steering wheel Plain leather Multi-function			
	997 347 803 E0 A34	Black			
	997 347 803 E0 B24	Stone grey			
	997 347 803 E0 T24	Sand Beige			
	997 347 803 E0 E24	Sea blue			
	997 347 803 E0 M24	Terracotta			
	997 347 803 E0 R24	Cocoa			
(15)	997 347 803 E0 D14	Dark grey/natural	11-	1	I345/847
	997 347 803 E0 T34	Brown/natural			
	997 347 803 E0 N14	Carrera Red			
	997 347 803 E0 6H6	Espresso			
	997 347 803 62	Steering wheel Multi-function Macassar			
	997 347 803 62 A34	Black			
	997 347 803 62 B24	Stone grey			
	997 347 803 62 T24	Sand Beige			
	997 347 803 62 E24	Sea blue			
	997 347 803 62 M24	Terracotta			
(15)	997 347 803 62 R24	Cocoa	11-	1	I345/847
	997 347 803 62 D14	Dark grey/natural			
	997 347 803 62 T34	Brown/natural			
	997 347 803 62 N14	Carrera Red			
	997 347 803 A1	Steering wheel Multi-function Macassar			
	997 347 803 A1 A34	Black			
	997 347 803 A1 B24	Stone grey			
	997 347 803 A1 T24	Sand Beige			
	997 347 803 A1 E24	Sea blue			
	997 347 803 A1 M24	Terracotta			
(15)	997 347 803 A1 R24	Cocoa	11-	1	I345/847
	997 347 803 A1 D14	Dark grey/natural			
	997 347 803 A1 T34	Brown/natural			
	997 347 803 A1 N14	Carrera Red			
	997 347 803 A1 6H6	Espresso			
	997 347 803 D9	Steering wheel Multi-function Macassar			
	997 347 803 D9 A34	Black			
	997 347 803 D9 B24	Stone grey			
	997 347 803 D9 T24	Sand Beige			
	997 347 803 D9 E24	Sea blue			
997 347 803 D9 M24	Terracotta				
997 347 803 D9 R24	Cocoa				
997 347 803 D9 D14	Dark grey/natural				

Model: 987209 Model life 2009>>2012

Pos	Part Number	Description	Remark	Qty	Model				
(15)	997 347 803 D9 T34	Brown/natural	11-	1	IXPU/345				
	997 347 803 D9 N14	Carrera Red							
	997 347 803 D9 6H6	Espresso							
	997 347 980 11	Steering wheel							
		Multi-function							
		Aluminium look							
	997 347 980 11 A34	Black							
	997 347 980 11 B24	Stone grey							
	997 347 980 11 T24	Sand Beige							
	997 347 980 11 E24	Sea blue							
	997 347 980 11 M24	Terracotta							
	997 347 980 11 R24	Cocoa							
	997 347 980 11 D14	Dark grey/natural							
	997 347 980 11 T34	Brown/natural							
(15)	997 347 980 11 N14	Carrera Red	11-	1	IXPU/345				
	997 347 980 14	Steering wheel							
		Multi-function							
		Aluminium look							
	997 347 980 14 A34	Black							
	997 347 980 14 B24	Stone grey							
	997 347 980 14 T24	Sand Beige							
	997 347 980 14 E24	Sea blue							
	997 347 980 14 M24	Terracotta							
	997 347 980 14 R24	Cocoa							
	997 347 980 14 D14	Dark grey/natural							
	997 347 980 14 T34	Brown/natural							
	997 347 980 14 N14	Carrera Red							
	997 347 980 14 6H6	Espresso							
(15)	997 347 980 B7	Steering wheel	11-	1	IXPU/345				
		Multi-function							
		Aluminium look							
	997 347 980 B7 A34	Black							
	997 347 980 B7 B24	Stone grey							
	997 347 980 B7 T24	Sand Beige							
	997 347 980 B7 E24	Sea blue							
	997 347 980 B7 M24	Terracotta							
	997 347 980 B7 R24	Cocoa							
	997 347 980 B7 D14	Dark grey/natural							
	997 347 980 B7 T34	Brown/natural							
	997 347 980 B7 N14	Carrera Red							
	997 347 980 B7 6H6	Espresso							
	15	997 347 803 65				Steering wheel	11-	1	I841 I639/640
		Plain leather							
997 347 803 65 A34		Black							
997 347 803 65 B24		Stone grey							
997 347 803 65 T24		Sand Beige							
997 347 803 65 E24		Sea blue							
997 347 803 65 M24		Terracotta							
997 347 803 65 R24		Cocoa							
997 347 803 65 D14		Dark grey/natural							
997 347 803 65 T34		Brown/natural							
997 347 803 65 N14		Carrera Red							
(15)		997 347 803 70	Steering wheel	11-	1	I841 I639/640 I345			
			Plain leather						
		997 347 803 70 A34	Black						
	997 347 803 70 B24	Stone grey							
	997 347 803 70 T24	Sand Beige							
	997 347 803 70 E24	Sea blue							
	997 347 803 70 M24	Terracotta							
	997 347 803 70 R24	Cocoa							
	997 347 803 70 D14	Dark grey/natural							
	997 347 803 70 T34	Brown/natural							
	997 347 803 70 N14	Carrera Red							

Model: 987209 Model life 2009>>2012

Pos	Part Number	Description	Remark	Qty	Model
(15)	997 347 803 66	Steering wheel Plain leather Multi-function	11-	1	I844 I639/640
	997 347 803 66 A34	Black			
	997 347 803 66 B24	Stone grey			
	997 347 803 66 T24	Sand Beige			
	997 347 803 66 E24	Sea blue			
	997 347 803 66 M24	Terracotta			
	997 347 803 66 R24	Cocoa			
	997 347 803 66 D14	Dark grey/natural			
	997 347 803 66 T34	Brown/natural			
	997 347 803 66 N14	Carrera Red			
(15)	997 347 803 A5	Steering wheel Plain leather Multi-function	11-	1	I844 I639/640
	997 347 803 A5 A34	Black			
	997 347 803 A5 B24	Stone grey			
	997 347 803 A5 T24	Sand Beige			
	997 347 803 A5 E24	Sea blue			
	997 347 803 A5 M24	Terracotta			
	997 347 803 A5 R24	Cocoa			
	997 347 803 A5 D14	Dark grey/natural			
	997 347 803 A5 T34	Brown/natural			
	997 347 803 A5 N14	Carrera Red			
	997 347 803 A5 6H6	Espresso			
(15)	997 347 803 E3	Steering wheel Plain leather Multi-function	11-	1	I844 I639/640
	997 347 803 E3 A34	Black			
	997 347 803 E3 B24	Stone grey			
	997 347 803 E3 T24	Sand Beige			
	997 347 803 E3 E24	Sea blue			
	997 347 803 E3 M24	Terracotta			
	997 347 803 E3 R24	Cocoa			
	997 347 803 E3 D14	Dark grey/natural			
	997 347 803 E3 T34	Brown/natural			
	997 347 803 E3 N14	Carrera Red			
	997 347 803 E3 6H6	Espresso			
(15)	997 347 803 69	Steering wheel Plain leather Multi-function	11-	1	I844 I639/640 I345
	997 347 803 69 A34	Black			
	997 347 803 69 B24	Stone grey			
	997 347 803 69 T24	Sand Beige			
	997 347 803 69 E24	Sea blue			
	997 347 803 69 M24	Terracotta			
	997 347 803 69 R24	Cocoa			
	997 347 803 69 D14	Dark grey/natural			
	997 347 803 69 T34	Brown/natural			
	997 347 803 69 N14	Carrera Red			
(15)	997 347 803 A8	Steering wheel Plain leather Multi-function	11-	1	I844 I639/640 I345
	997 347 803 A8 A34	Black			
	997 347 803 A8 B24	Stone grey			
	997 347 803 A8 T24	Sand Beige			
	997 347 803 A8 E24	Sea blue			
	997 347 803 A8 M24	Terracotta			
	997 347 803 A8 R24	Cocoa			
	997 347 803 A8 D14	Dark grey/natural			
	997 347 803 A8 T34	Brown/natural			
	997 347 803 A8 N14	Carrera Red			
	997 347 803 A8 6H6	Espresso			

Model: 987209

Model life 2009>>2012

Pos	Part Number	Description	Remark	Qty	Model
(15)	997 347 803 E6	Steering wheel Plain leather Multi-function	11-	1	I844 I639/640 I345
	997 347 803 E6 A34	Black			
	997 347 803 E6 B24	Stone grey			
	997 347 803 E6 T24	Sand Beige			
	997 347 803 E6 E24	Sea blue			
	997 347 803 E6 M24	Terracotta			
	997 347 803 E6 R24	Cocoa			
	997 347 803 E6 D14	Dark grey/natural			
	997 347 803 E6 T34	Brown/natural			
	997 347 803 E6 N14	Carrera Red			
	997 347 803 E6 6H6	Espresso			
(15)	997 347 803 67	Steering wheel Multi-function Carbon	11-	1	I845 I639/640 I345
	997 347 803 67 A34	Black			
	997 347 803 67 B24	Stone grey			
	997 347 803 67 T24	Sand Beige			
	997 347 803 67 E24	Sea blue			
	997 347 803 67 M24	Terracotta			
	997 347 803 67 R24	Cocoa			
	997 347 803 67 D14	Dark grey/natural			
	997 347 803 67 T34	Brown/natural			
	997 347 803 67 N14	Carrera Red			
(15)	997 347 803 A6	Steering wheel Multi-function Carbon	11-	1	I845 I639/640 I345
	997 347 803 A6 A34	Black			
	997 347 803 A6 B24	Stone grey			
	997 347 803 A6 T24	Sand Beige			
	997 347 803 A6 E24	Sea blue			
	997 347 803 A6 M24	Terracotta			
	997 347 803 A6 R24	Cocoa			
	997 347 803 A6 D14	Dark grey/natural			
	997 347 803 A6 T34	Brown/natural			
	997 347 803 A6 N14	Carrera Red			
	997 347 803 A6 6H6	Espresso			
(15)	997 347 803 E4	Steering wheel Multi-function Carbon	11-	1	I845 I639/640 I345
	997 347 803 E4 A34	Black			
	997 347 803 E4 B24	Stone grey			
	997 347 803 E4 T24	Sand Beige			
	997 347 803 E4 E24	Sea blue			
	997 347 803 E4 M24	Terracotta			
	997 347 803 E4 R24	Cocoa			
	997 347 803 E4 D14	Dark grey/natural			
	997 347 803 E4 T34	Brown/natural			
	997 347 803 E4 N14	Carrera Red			
	997 347 803 E4 6H6	Espresso			
(15)	997 347 803 68	Steering wheel Multi-function Macassar	11-	1	I847 I639/640 I345
	997 347 803 68 A34	Black			
	997 347 803 68 B24	Stone grey			
	997 347 803 68 T24	Sand Beige			
	997 347 803 68 E24	Sea blue			
	997 347 803 68 M24	Terracotta			
	997 347 803 68 R24	Cocoa			
	997 347 803 68 D14	Dark grey/natural			
	997 347 803 68 T34	Brown/natural			
	997 347 803 68 N14	Carrera Red			

Model: 987209

Model life 2009>>2012

Pos	Part Number	Description	Remark	Qty	Model
(15)	997 347 803 A7	Steering wheel Multi-function Macassar	11-	1	I847 I639/640 I345
	997 347 803 A7 A34	Black			
	997 347 803 A7 B24	Stone grey			
	997 347 803 A7 T24	Sand Beige			
	997 347 803 A7 E24	Sea blue			
	997 347 803 A7 M24	Terracotta			
	997 347 803 A7 R24	Cocoa			
	997 347 803 A7 D14	Dark grey/natural			
	997 347 803 A7 T34	Brown/natural			
	997 347 803 A7 N14	Carrera Red			
	997 347 803 A7 6H6	Espresso			
(15)	997 347 803 E5	Steering wheel Multi-function Macassar	11-	1	I847 I639/640 I345
	997 347 803 E5 A34	Black			
	997 347 803 E5 B24	Stone grey			
	997 347 803 E5 T24	Sand Beige			
	997 347 803 E5 E24	Sea blue			
	997 347 803 E5 M24	Terracotta			
	997 347 803 E5 R24	Cocoa			
	997 347 803 E5 D14	Dark grey/natural			
	997 347 803 E5 T34	Brown/natural			
	997 347 803 E5 N14	Carrera Red			
	997 347 803 E5 6H6	Espresso			
(15)	997 347 980 10	Steering wheel Multi-function Aluminium look	11-	1	IXPU I639/640 I345
	997 347 980 10 A34	Black			
	997 347 980 10 B24	Stone grey			
	997 347 980 10 T24	Sand Beige			
	997 347 980 10 E24	Sea blue			
	997 347 980 10 M24	Terracotta			
	997 347 980 10 R24	Cocoa			
	997 347 980 10 D14	Dark grey/natural			
	997 347 980 10 T34	Brown/natural			
	997 347 980 10 N14	Carrera Red			
(15)	997 347 980 13	Steering wheel Multi-function Aluminium look	11-	1	IXPU I639/640 I345
	997 347 980 13 A34	Black			
	997 347 980 13 B24	Stone grey			
	997 347 980 13 T24	Sand Beige			
	997 347 980 13 E24	Sea blue			
	997 347 980 13 M24	Terracotta			
	997 347 980 13 R24	Cocoa			
	997 347 980 13 D14	Dark grey/natural			
	997 347 980 13 T34	Brown/natural			
	997 347 980 13 N14	Carrera Red			
	997 347 980 13 6H6	Espresso			
(15)	997 347 980 B6	Steering wheel Multi-function Aluminium look	11-	1	IXPU I639/640 I345
	997 347 980 B6 A34	Black			
	997 347 980 B6 B24	Stone grey			
	997 347 980 B6 T24	Sand Beige			
	997 347 980 B6 E24	Sea blue			
	997 347 980 B6 M24	Terracotta			
	997 347 980 B6 R24	Cocoa			
	997 347 980 B6 D14	Dark grey/natural			
	997 347 980 B6 T34	Brown/natural			
	997 347 980 B6 N14	Carrera Red			

Model: 987209 Model life 2009>>2012

Pos	Part Number	Description	Remark	Qty	Model
16	997 347 980 B6 6H6 N 910 207 01	Espresso Screw M 18 X 1,5 X 26		1	
17	997 613 425 00	Tip switch		1	I345
17	997 613 425 00 A05 7PP 951 527	Black Switch		1	I250/345
18	7PP 951 527 A05 997 613 461 00	Black Module		1	I250/841
(18)	997 613 461 00 FUP	Volcano grey/galvanosilver without Display Module		1	I250/639/640 I841
(18)	997 613 461 00 FUP	Volcano grey/galvanosilver without Display Module		1	I250/841
(18)	997 613 461 00 5Q0	Black without Display Module		1	I250/639/640 I841
(18)	997 613 461 00 5Q0	Black without Display Module		1	I250/844/845 I847
(18)	997 613 465 00 FUQ	Volcano grey/galvanosilver Module		1	I250/844/845 I847
(18)	997 613 465 01 FUQ	Volcano grey/galvanosilver Module		1	I250/844/845 I847
(18)	997 613 465 01 5Q0	Black Module		1	I250/639/640 I841
(18)	997 613 467 00 FUP	Volcano grey/galvanosilver with Display Module		1	I250/639/640 I841
(18)	997 613 467 03 FUP	Volcano grey/galvanosilver with Display Module		1	I250/639/640 I841
(18)	997 613 467 00 5Q0	Black with Display Module		1	I250/639/640 I844/845/847
(18)	997 613 469 00 FUQ	Volcano grey/galvanosilver Multi-function Module		1	I250/639/640 I844/845/847
(18)	997 613 469 03 FUQ	Volcano grey/galvanosilver Multi-function Module		1	I250/639/640

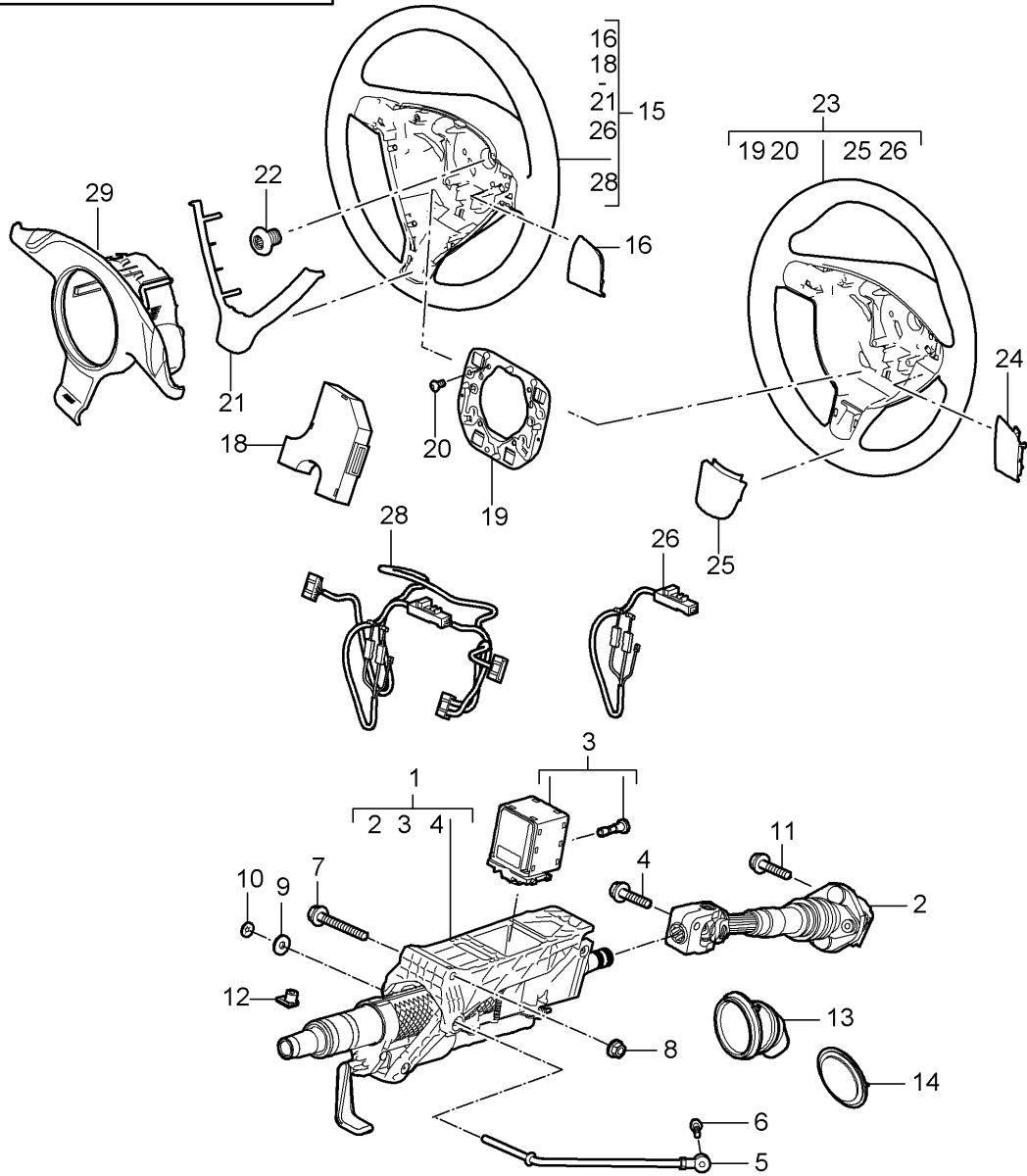
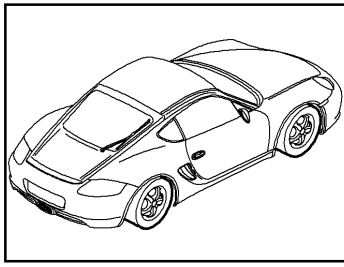
Model: 987209

Model life 2009>>2012

Pos	Part Number	Description	Remark	Qty	Model
	997 613 469 00 5Q0	Black Multi-function			I844/845/847
(18)	997 613 469 03	Module		1	I250/639/640 I844/845/847
(18)	997 613 469 03 5Q0	Black Multi-function Module paddle See technical manual 48 12 55			I840
-	000 043 207 50	Mixing tube		X	I250
-	000 043 207 48	Adhesive set Steering wheel See technical manual suspension Group 48 12 55		1	I250
-	000 043 209 01	Mixing tube Only together with 000.043.209.00		X	
-	000 043 209 00	Adhesive set Steering wheel Only together with 000.043.209.01 See technical manual suspension Group 48 12 55		1	

Model: 987209

Model life 2009>>2012



Model: 987209

Model life 2009>>2012

Pos	Part Number	Description	Remark	Qty	Model
		Steering outer tube			I480
		Steering shaft			
		Steering wheels			
(1)	997 347 007 10	Steering column		1	
		Complete			
		Steering shaft			
2	997 347 023 04	Intermed. steering shaft		1	
3	997 618 158 04	Control unit		1	
		Steering column			
		with			
		Screw			
4	999 217 042 03	Hexagon-head bolt		1	
		M 8 X 35			
4	999 217 042 04	Hexagon-head bolt		1	
		M 8 X 35			
5	997 347 243 00	Support		1	
6	900 378 173 01	Hexagon-head bolt		1	
		M 6 x 20			
7	900 378 095 01	Hexagon-head bolt		1	
		M 10 X 100			
8	900 380 008 01	Hexagon nut		1	
		M 10			
9	900 151 006 03	Washer		1	
10	999 507 217 07	Clamping washer		1	
11	999 217 042 03	Hexagon-head bolt		1	
		M 8 X 35			
11	999 217 042 04	Hexagon-head bolt		1	
		M 8 X 35			
12	999 920 019 40	Plug-in nut		1	
		3,5 X 2,5 X 9			
13	986 347 037 01	Bellows		1	
		Information available			
14	996 347 339 02	Rubber seal		1	
		Bulkhead			
		Steering wheels	09		
15	997 347 804 14	Steering wheel	-09	1	I459
		Plain leather			
	997 347 804 14 A34	Black			
	997 347 804 14 B24	Stone grey			
	997 347 804 14 T24	Sand Beige			
	997 347 804 14 E24	Sea blue			
	997 347 804 14 M24	Terracotta			
	997 347 804 14 R24	Cocoa			
	997 347 804 14 D14	Dark grey/natural			
	997 347 804 14 T34	Brown/natural			
	997 347 804 14 N14	Carrera Red			
(15)	997 347 804 15	Steering wheel	-09	1	I431
		Multi-function			
		Plain leather			
	997 347 804 15 A34	Black			
	997 347 804 15 B24	Stone grey			
	997 347 804 15 T24	Sand Beige			
	997 347 804 15 E24	Sea blue			
	997 347 804 15 M24	Terracotta			
	997 347 804 15 R24	Cocoa			
	997 347 804 15 D14	Dark grey/natural			
	997 347 804 15 T34	Brown/natural			
	997 347 804 15 N14	Carrera Red			
(15)	997 347 804 22	Steering wheel	-09	1	I451
		Multi-function			
		Wood			
		Macassar			
	997 347 804 22 FOK	Black/grey			

Model: 987209 Model life 2009>>2012

Pos	Part Number	Description	Remark	Qty	Model
	997 347 804 22 FOL	Stone grey/stone grey			
	997 347 804 22 FOM	Sand Beige			
	997 347 804 22 FOO	Sea blue/grey			
	997 347 804 22 FOP	Terracotta/terracotta			
	997 347 804 22 FOQ	Cocoa/Cocoa			
	997 347 804 22 FOR	Darkgrey natural/grey			
	997 347 804 22 FOS	Brown nat./brown nat.			
	997 347 804 22 FSQ	Carrera Red			
(15)	997 347 804 24	Steering wheel Multi-function Wood Carbon	-09	1	I453
	997 347 804 24 FOK	Black/grey			
	997 347 804 24 FOL	Stone grey/stone grey			
	997 347 804 24 FOM	Sand Beige			
	997 347 804 24 FOO	Sea blue/grey			
	997 347 804 24 FOP	Terracotta/terracotta			
	997 347 804 24 FOQ	Cocoa/Cocoa			
	997 347 804 24 FOR	Darkgrey natural/grey			
	997 347 804 24 FOS	Brown nat./brown nat.			
	997 347 804 24 FSQ	Carrera Red			
(15)	997 347 981 00	Steering wheel Multi-function Aluminium look	-09	1	IXPV
	997 347 981 00 A34	Black			
	997 347 981 00 B24	Stone grey			
	997 347 981 00 T24	Sand Beige			
	997 347 981 00 E24	Sea blue			
	997 347 981 00 M24	Terracotta			
	997 347 981 00 R24	Cocoa			
	997 347 981 00 D14	Dark grey/natural			
	997 347 981 00 T34	Brown/natural			
	997 347 981 00 N14	Carrera Red			
(15)	997 347 803 51	Steering wheels Steering wheel Leather	10 10	1	I841
	997 347 803 51 A34	Black			
	997 347 803 51 B24	Stone grey			
	997 347 803 51 T24	Sand Beige			
	997 347 803 51 E24	Sea blue			
	997 347 803 51 R24	Cocoa			
	997 347 803 51 M24	Terracotta			
	997 347 803 51 D14	Dark grey/natural			
	997 347 803 51 T34	Brown/natural			
	997 347 803 51 N14	Carrera Red			
(15)	997 347 803 E8	Steering wheel Leather	10	1	I841
	997 347 803 E8 A34	Black			
	997 347 803 E8 B24	Stone grey			
	997 347 803 E8 T24	Sand Beige			
	997 347 803 E8 E24	Sea blue			
	997 347 803 E8 R24	Cocoa			
	997 347 803 E8 M24	Terracotta			
	997 347 803 E8 D14	Dark grey/natural			
	997 347 803 E8 T34	Brown/natural			
	997 347 803 E8 N14	Carrera Red			
(15)	997 347 803 57	Steering wheel Leather	10	1	I345/841
	997 347 803 57 A34	Black			
	997 347 803 57 B24	Stone grey			
	997 347 803 57 T24	Sand Beige			
	997 347 803 57 E24	Sea blue			
	997 347 803 57 R24	Cocoa			

Model: 987209

Model life 2009>>2012

Pos	Part Number	Description	Remark	Qty	Model		
(15)	997 347 803 57 M24	Terracotta		1	I345/841		
	997 347 803 57 D14	Dark grey/natural					
	997 347 803 57 T34	Brown/natural					
	997 347 803 57 N14	Carrera Red					
	997 347 803 F2	Steering wheel Leather					
	997 347 803 F2 A34	Black					
	997 347 803 F2 B24	Stone grey					
	997 347 803 F2 T24	Sand Beige					
	997 347 803 F2 E24	Sea blue					
	997 347 803 F2 R24	Cocoa					
	997 347 803 F2 M24	Terracotta					
	997 347 803 F2 D14	Dark grey/natural					
	997 347 803 F2 T34	Brown/natural					
	997 347 803 F2 N14	Carrera Red					
	997 347 803 52	Steering wheel Leather				10	1
997 347 803 52 A34	Black						
997 347 803 52 B24	Stone grey						
997 347 803 52 T24	Sand Beige						
997 347 803 52 E24	Sea blue						
997 347 803 52 R24	Cocoa						
997 347 803 52 M24	Terracotta						
997 347 803 52 D14	Dark grey/natural						
997 347 803 52 T34	Brown/natural						
997 347 803 52 N14	Carrera Red						
997 347 803 E9	Steering wheel Leather				10	1	I844
997 347 803 E9 A34	Black						
997 347 803 E9 B24	Stone grey						
997 347 803 E9 T24	Sand Beige						
997 347 803 E9 E24	Sea blue						
997 347 803 E9 R24	Cocoa						
997 347 803 E9 M24	Terracotta						
997 347 803 E9 D14	Dark grey/natural						
997 347 803 E9 T34	Brown/natural						
997 347 803 E9 N14	Carrera Red						
997 347 803 58	Steering wheel Leather	10	1	I345/844			
997 347 803 58 A34	Black						
997 347 803 58 B24	Stone grey						
997 347 803 58 T24	Sand Beige						
997 347 803 58 E24	Sea blue						
997 347 803 58 R24	Cocoa						
997 347 803 58 M24	Terracotta						
997 347 803 58 D14	Dark grey/natural						
997 347 803 58 T34	Brown/natural						
997 347 803 58 N14	Carrera Red						
997 347 803 F3	Steering wheel Leather				10	1	I345/844
997 347 803 F3 A34	Black						
997 347 803 F3 B24	Stone grey						
997 347 803 F3 T24	Sand Beige						
997 347 803 F3 E24	Sea blue						
997 347 803 F3 R24	Cocoa						
997 347 803 F3 M24	Terracotta						
997 347 803 F3 D14	Dark grey/natural						
997 347 803 F3 T34	Brown/natural						
997 347 803 F3 N14	Carrera Red						
997 347 803 53	Steering wheel Leather	10	1	I345/845			
997 347 803 53 A34	Black						
997 347 803 53 B24	Stone grey						

Model: 987209 Model life 2009>>2012

Pos	Part Number	Description	Remark	Qty	Model
	997 347 803 53 T24	Sand Beige			
	997 347 803 53 E24	Sea blue			
	997 347 803 53 R24	Cocoa			
	997 347 803 53 M24	Terracotta			
	997 347 803 53 D14	Dark grey/natural			
	997 347 803 53 T34	Brown/natural			
	997 347 803 53 N14	Carrera Red			
(15)	997 347 803 55	Steering wheel Leather	10	1	I345/847
	997 347 803 55 A34	Black			
	997 347 803 55 B24	Stone grey			
	997 347 803 55 T24	Sand Beige			
	997 347 803 55 E24	Sea blue			
	997 347 803 55 R24	Cocoa			
	997 347 803 55 M24	Terracotta			
	997 347 803 55 D14	Dark grey/natural			
	997 347 803 55 T34	Brown/natural			
	997 347 803 55 N14	Carrera Red			
(15)	997 347 980 08	Steering wheel Leather	10	1	IXPU/345
	997 347 980 08 A34	Black			
	997 347 980 08 B24	Stone grey			
	997 347 980 08 T24	Sand Beige			
	997 347 980 08 E24	Sea blue			
	997 347 980 08 R24	Cocoa			
	997 347 980 08 M24	Terracotta			
	997 347 980 08 D14	Dark grey/natural			
	997 347 980 08 T34	Brown/natural			
	997 347 980 08 N14	Carrera Red			
(15)	997 347 803 71	Steering wheels Steering wheel Leather	11- 11-	1	I841
	997 347 803 71 A34	Black			
	997 347 803 71 B24	Stone grey			
	997 347 803 71 T24	Sand Beige			
	997 347 803 71 E24	Sea blue			
	997 347 803 71 R24	Cocoa			
	997 347 803 71 M24	Terracotta			
	997 347 803 71 D14	Dark grey/natural			
	997 347 803 71 T34	Brown/natural			
	997 347 803 71 N14	Carrera Red			
(15)	997 347 803 B0	Steering wheel Leather	11-	1	I841
	997 347 803 B0 A34	Black			
	997 347 803 B0 B24	Stone grey			
	997 347 803 B0 T24	Sand Beige			
	997 347 803 B0 E24	Sea blue			
	997 347 803 B0 R24	Cocoa			
	997 347 803 B0 M24	Terracotta			
	997 347 803 B0 D14	Dark grey/natural			
	997 347 803 B0 T34	Brown/natural			
	997 347 803 B0 N14	Carrera Red			
(15)	997 347 803 B0 6H6	Espresso			
(15)	997 347 803 F4	Steering wheel Leather	11-	1	I841
	997 347 803 F4 A34	Black			
	997 347 803 F4 B24	Stone grey			
	997 347 803 F4 T24	Sand Beige			
	997 347 803 F4 E24	Sea blue			
	997 347 803 F4 R24	Cocoa			
	997 347 803 F4 M24	Terracotta			
	997 347 803 F4 D14	Dark grey/natural			
	997 347 803 F4 T34	Brown/natural			

Model: 987209

Model life 2009>>2012

Pos	Part Number	Description	Remark	Qty	Model
(15)	997 347 803 F4 N14	Carrera Red	11-	1	I345/841
	997 347 803 F4 6H6	Espresso			
	997 347 803 76	Steering wheel Leather			
	997 347 803 76 A34	Black			
	997 347 803 76 B24	Stone grey			
	997 347 803 76 T24	Sand Beige			
	997 347 803 76 E24	Sea blue			
	997 347 803 76 R24	Cocoa			
	997 347 803 76 M24	Terracotta			
	997 347 803 76 D14	Dark grey/natural			
(15)	997 347 803 76 T34	Brown/natural	11-	1	I345/841
	997 347 803 76 N14	Carrera Red			
	997 347 803 B5	Steering wheel Leather			
	997 347 803 B5 A34	Black			
	997 347 803 B5 B24	Stone grey			
	997 347 803 B5 T24	Sand Beige			
	997 347 803 B5 E24	Sea blue			
	997 347 803 B5 R24	Cocoa			
	997 347 803 B5 M24	Terracotta			
	997 347 803 B5 D14	Dark grey/natural			
(15)	997 347 803 B5 T34	Brown/natural	11-	1	I345/841
	997 347 803 B5 N14	Carrera Red			
	997 347 803 B5 6H6	Espresso			
	997 347 803 F8	Steering wheel Leather			
	997 347 803 F8 A34	Black			
	997 347 803 F8 B24	Stone grey			
	997 347 803 F8 T24	Sand Beige			
	997 347 803 F8 E24	Sea blue			
	997 347 803 F8 R24	Cocoa			
	997 347 803 F8 M24	Terracotta			
(15)	997 347 803 F8 D14	Dark grey/natural	11-	1	I844
	997 347 803 F8 T34	Brown/natural			
	997 347 803 F8 N14	Carrera Red			
	997 347 803 F8 6H6	Espresso			
	997 347 803 72	Steering wheel Leather			
	997 347 803 72 A34	Black			
	997 347 803 72 B24	Stone grey			
	997 347 803 72 T24	Sand Beige			
	997 347 803 72 E24	Sea blue			
	997 347 803 72 R24	Cocoa			
(15)	997 347 803 72 M24	Terracotta	11-	1	I345/844
	997 347 803 72 D14	Dark grey/natural			
	997 347 803 72 T34	Brown/natural			
	997 347 803 72 N14	Carrera Red			
	997 347 803 77	Steering wheel Leather			
	997 347 803 77 A34	Black			
	997 347 803 77 B24	Stone grey			
	997 347 803 77 T24	Sand Beige			
	997 347 803 77 E24	Sea blue			
	997 347 803 77 R24	Cocoa			
(15)	997 347 803 77 M24	Terracotta	11-	1	I345/845
	997 347 803 77 D14	Dark grey/natural			
	997 347 803 77 T34	Brown/natural			
	997 347 803 77 N14	Carrera Red			
	997 347 803 73	Steering wheel Leather			
	997 347 803 73 A34	Black			
	997 347 803 73 B24	Stone grey			

Model: 987209 Model life 2009>>2012

Pos	Part Number	Description	Remark	Qty	Model
	997 347 803 73 T24	Sand Beige			
	997 347 803 73 E24	Sea blue			
	997 347 803 73 R24	Cocoa			
	997 347 803 73 M24	Terracotta			
	997 347 803 73 D14	Dark grey/natural			
	997 347 803 73 T34	Brown/natural			
	997 347 803 73 N14	Carrera Red			
(15)	997 347 803 75	Steering wheel Leather	11-	1	I345/847
	997 347 803 75 A34	Black			
	997 347 803 75 B24	Stone grey			
	997 347 803 75 T24	Sand Beige			
	997 347 803 75 E24	Sea blue			
	997 347 803 75 R24	Cocoa			
	997 347 803 75 M24	Terracotta			
	997 347 803 75 D14	Dark grey/natural			
	997 347 803 75 T34	Brown/natural			
	997 347 803 75 N14	Carrera Red			
(15)	997 347 980 12	Steering wheel Leather	11-	1	IXPU/345
	997 347 980 12 A34	Black			
	997 347 980 12 B24	Stone grey			
	997 347 980 12 T24	Sand Beige			
	997 347 980 12 E24	Sea blue			
	997 347 980 12 R24	Cocoa			
	997 347 980 12 M24	Terracotta			
	997 347 980 12 D14	Dark grey/natural			
	997 347 980 12 T34	Brown/natural			
	997 347 980 12 N14	Carrera Red			
(15)	997 347 980 B3	Steering wheel Leather	11-	1	IXPU/345
	997 347 980 B3 A34	Black			
	997 347 980 B3 B24	Stone grey			
	997 347 980 B3 T24	Sand Beige			
	997 347 980 B3 E24	Sea blue			
	997 347 980 B3 R24	Cocoa			
	997 347 980 B3 M24	Terracotta			
	997 347 980 B3 D14	Dark grey/natural			
	997 347 980 B3 T34	Brown/natural			
	997 347 980 B3 N14	Carrera Red			
	997 347 980 B3 6H6	Espresso			
(15)	997 347 980 C0	Steering wheel Leather	11-	1	IXPU/345
	997 347 980 C0 A34	Black			
	997 347 980 C0 B24	Stone grey			
	997 347 980 C0 T24	Sand Beige			
	997 347 980 C0 E24	Sea blue			
	997 347 980 C0 R24	Cocoa			
	997 347 980 C0 M24	Terracotta			
	997 347 980 C0 D14	Dark grey/natural			
	997 347 980 C0 T34	Brown/natural			
	997 347 980 C0 N14	Carrera Red			
	997 347 980 C0 6H6	Espresso			
(15)	997 347 803 84	Sports steering wheel Leather	11-	1	CAYMAN R
	997 347 803 84 A34	Black Black			I013
	997 347 803 84 T24	Sand Beige			
	997 347 803 84 R24	Cocoa			
(15)	997 347 803 95	Steering wheel Leather	11-	1	CAYMAN R
	997 347 803 95 A34	Black Black			I013

Model: 987209 Model life 2009>>2012

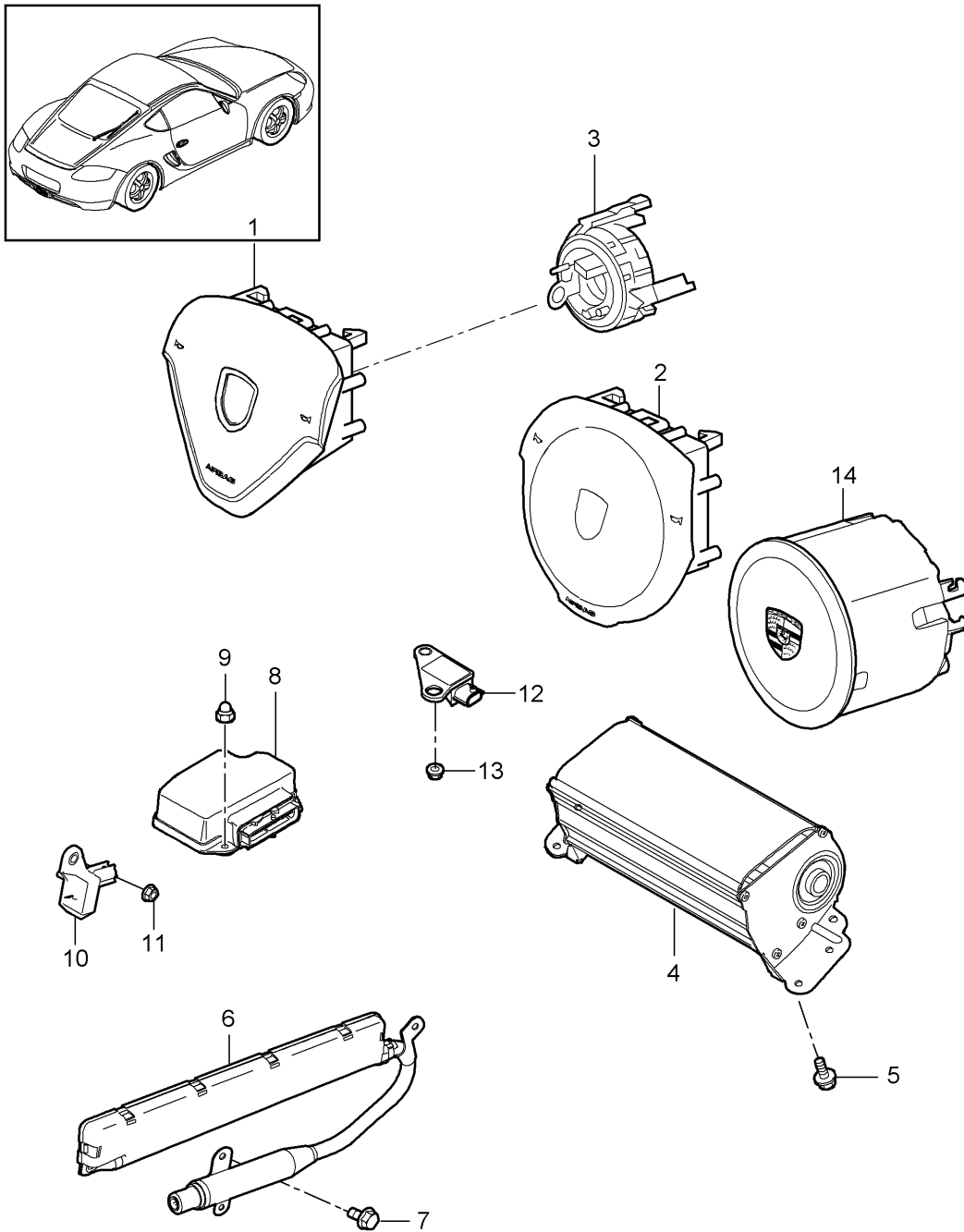
Pos	Part Number	Description	Remark	Qty	Model
(15)	997 347 803 95 T24	Sand Beige			
	997 347 803 95 R24	Cocoa			
	997 347 803 95 6H6	Espresso			
	997 347 803 C1	Steering wheel Leather	11-	1	CAYMAN R
	997 347 803 C1 A34	Black Black			I013
(15)	997 347 803 C1 T24	Sand Beige			
	997 347 803 C1 R24	Cocoa			
	997 347 803 C1 6H6	Espresso			
	997 347 803 G4	Steering wheel Leather	11-	1	CAYMAN R
	997 347 803 G4 A34	Black Black			I013
(15)	997 347 803 G4 T24	Sand Beige			
	997 347 803 G4 R24	Cocoa			
	997 347 803 G4 6H6	Espresso			
	997 347 803 85	Sports steering wheel Alcantara	11-	1	CAYMAN R
	997 347 803 85 A15	Black			
(15)	997 347 803 96	Sports steering wheel Alcantara	11-	1	CAYMAN R
(15)	997 347 803 96 A15	Black			
	997 347 803 C2	Sports steering wheel Alcantara	11-	1	CAYMAN R
(15)	997 347 803 C2 A15	Black			
	997 347 803 G5	Sports steering wheel Alcantara	11-	1	CAYMAN R
16	997 347 803 G5 A15	Black			
	997 347 837 00	Cover	/L -09	1	
(16)	997 347 837 00 V04	Galvano silver			
	997 347 838 00	Cover	/R -09	1	
(16)	997 347 838 00 V04	Galvano silver			
	997 347 837 40	Cover	/L -09	1	I460
(16)	997 347 837 40 V04	Galvano silver			
	997 347 838 40	Cover	/R -09	1	I460
(16)	997 347 838 40 V04	Galvano silver			
	997 613 433 03	Switching module Multi-function Manual transmission	/L -09	1	
(16)	997 613 433 03 V04	Galvano silver			
	997 613 434 03	Switching module Multi-function Manual transmission	/R -09	1	
17	997 613 434 03 V04	Galvano silver			
	999 073 318 09	Half-round screw M 4 X 10	-09	2	
18	997 613 445 03	Electronic unit Multi-function	-09	1	I431/451 I453
	997 347 880 00	Retaining frame	-09	1	
20	999 141 022 09	Round head screw M 5 X 12,5	-09	4	
	997 347 821 00	Cover	-09	1	
22	997 347 821 00 D07	Volcano grey			
	N 910 207 01	Screw M 18 X 1,5 X 26		1	
23	997 347 804 42	Sports steering wheel Plain leather	-09	1	I460
	997 347 804 42 A34	Black			
	997 347 804 42 B24	Stone grey			
	997 347 804 42 T24	Sand Beige			
	997 347 804 42 E24	Sea blue			
	997 347 804 42 M24	Terracotta			

Model: 987209 Model life 2009>>2012

Pos	Part Number	Description	Remark	Qty	Model
	997 347 804 42 R24	Cocoa			
	997 347 804 42 D14	Dark grey/natural			
	997 347 804 42 T34	Brown/natural			
	997 347 804 42 N14	Carrera Red			
24	997 347 837 40	Cover	/L -09	1	
	997 347 837 40 V04	Galvano silver			
(24)	997 347 838 40	Cover	/R -09	1	
	997 347 838 40 V04	Galvano silver			
25	997 347 821 40	Cover	-09	1	
	997 347 821 40 V04	Galvano silver			
26	997 612 672 00	Wiring harness	-09	1	
26	997 612 672 02	Wiring harness	-09	1	
28	997 612 673 02	Wiring harness	-09	1	I431
				1	I451
				1	I453
29	997 613 463 01	Module	-10	1	I480/844/845 I847
	997 613 463 01 FUR	Volcano Grey/Black Mat Multi-function			
29	997 613 463 03	Module	-10	1	I480/844/845 I847
	997 613 463 03 FUR	Volcano Grey/Black Mat Multi-function			
29	997 613 463 01	Module	11-	1	I480/844/845 I847
	997 613 463 01 5Q0	Black Multi-function			
29	997 613 463 03	Module	11-	1	I480/844/845 I847
	997 613 463 03 5Q0	Black Multi-function			
29	997 613 459 00	Module	-10	1	I480
	997 613 459 00 D07	Volcano grey			
29	997 613 459 03	Module	-10	1	I480
	997 613 459 03 D07	Volcano grey			
29	997 613 459 00	Module	11-	1	I480
	997 613 459 00 5Q0	Black			

Model: 987209

Model life 2009>>2012



Model: 987209

Model life 2009>>2012

Pos	Part Number	Description	Remark	Qty	Model
1	997 803 089 13	Airbag Airbag unit Plastic material		1	I431/451 I453/459
	997 803 089 13 A32	Black			
	997 803 089 13 B22	Stone grey			
	997 803 089 13 T22	Sand Beige			
	997 803 089 13 E22	Sea blue			
1	997 803 089 19	Airbag unit Plastic material		1	I431/451 I453/459
	997 803 089 19 A32	Black			
	997 803 089 19 B22	Stone grey			
	997 803 089 19 T22	Sand Beige			
	997 803 089 19 E22	Sea blue			
1	997 803 089 25	Airbag unit Plastic material		1	I431/451 I453/459
	997 803 089 25 A32	Black			
	997 803 089 25 B22	Stone grey			
	997 803 089 25 T22	Sand Beige			
	997 803 089 25 E22	Sea blue			
(1)	997 803 089 14	Airbag unit Leather		1	I431/991 I459/991
	997 803 089 14 A34	Black			
	997 803 089 14 B24	Stone grey			
	997 803 089 14 T24	Sand Beige			
	997 803 089 14 E24	Sea blue			
	997 803 089 14 M24	Terracotta			
	997 803 089 14 R24	Cocoa			
	997 803 089 14 D14	Dark grey/natural			
	997 803 089 14 T34	Brown/natural			
	997 803 089 14 N14	Carrera Red			
(1)	997 803 089 20	Airbag unit Leather		1	I431/991 I459/991
	997 803 089 20 A34	Black			
	997 803 089 20 B24	Stone grey			
	997 803 089 20 T24	Sand Beige			
	997 803 089 20 E24	Sea blue			
	997 803 089 20 M24	Terracotta			
	997 803 089 20 R24	Cocoa			
	997 803 089 20 N14	Carrera Red			
(1)	997 803 089 15	Airbag unit		1	IXPV/991
	997 803 089 15 A34	Black		1	I451/991
	997 803 089 15 B24	Stone grey		1	I453/991
	997 803 089 15 T24	Sand Beige			
	997 803 089 15 E24	Sea blue			
	997 803 089 15 M24	Terracotta			
	997 803 089 15 R24	Cocoa			
	997 803 089 15 D14	Dark grey/natural			
	997 803 089 15 T34	Brown/natural			
	997 803 089 15 N14	Carrera Red			
(1)	997 803 089 16	Airbag unit Sports steering wheel Plastic material		1	I460
	997 803 089 16 A32	Black			
	997 803 089 16 B22	Stone grey			
	997 803 089 16 T22	Sand Beige			
	997 803 089 16 E22	Sea blue			
(1)	997 803 089 21	Airbag unit Sports steering wheel Plastic material		1	I460
	997 803 089 21 A32	Black			
	997 803 089 21 B22	Stone grey			

Model: 987209

Model life 2009>>2012

Pos	Part Number	Description	Remark	Qty	Model
(1)	997 803 089 21 T22	Sand Beige		1	I460
	997 803 089 21 E22	Sea blue			
	997 803 089 22	Airbag unit			
		Sports steering wheel			
		Leather			
(1)	997 803 089 22 A34	Black		1	I460
	997 803 089 22 B24	Stone grey			
	997 803 089 22 T24	Sand Beige			
	997 803 089 22 E24	Sea blue			
	997 803 089 27	Airbag unit			
(2)		Sports steering wheel		1	I460/991
		Leather			
	997 803 089 27 A34	Black			
	997 803 089 27 B24	Stone grey			
	997 803 089 27 T24	Sand Beige			
	997 803 089 27 E24	Sea blue			
	997 803 089 17	Airbag unit			
		Sports steering wheel			
		Leather			
(2)	997 803 089 17 A34	Black		1	I460/991
	997 803 089 17 B24	Stone grey			
	997 803 089 17 T24	Sand Beige			
	997 803 089 17 E24	Sea blue			
	997 803 089 17 M24	Terracotta			
	997 803 089 17 R24	Cocoa			
	997 803 089 17 D14	Dark grey/natural			
	997 803 089 17 T34	Brown/natural			
	997 803 089 17 N14	Carrera Red			
	997 803 089 22	Airbag unit			
(2)		Sports steering wheel		1	I460/991
		Leather			
	997 803 089 22 A34	Black			
	997 803 089 22 B24	Stone grey			
	997 803 089 22 T24	Sand Beige			
	997 803 089 22 E24	Sea blue			
	997 803 089 22 M24	Terracotta			
	997 803 089 22 R24	Cocoa			
	997 803 089 22 D14	Dark grey/natural			
	997 803 089 22 T34	Brown/natural			
(2)	997 803 089 22 N14	Carrera Red		1	I460/991
	997 803 089 27	Airbag unit			
		Sports steering wheel			
		Leather			
	997 803 089 27 A34	Black			
	997 803 089 27 B24	Stone grey			
	997 803 089 27 T24	Sand Beige			
	997 803 089 27 E24	Sea blue			
	997 803 089 27 M24	Terracotta			
	997 803 089 27 R24	Cocoa			
(2)	997 803 089 27 D14	Dark grey/natural		1	IXPA/991
	997 803 089 27 T34	Brown/natural			
	997 803 089 27 N14	Carrera Red			
	997 803 089 18	Airbag unit			
		Sports steering wheel			
		Leather			
	997 803 089 18 A34	Black			
	997 803 089 18 B24	Stone grey			
	997 803 089 18 T24	Sand Beige			
	997 803 089 18 E24	Sea blue			
997 803 089 18 M24	Terracotta				
997 803 089 18 R24	Cocoa				
997 803 089 18 D14	Dark grey/natural				
997 803 089 18 T34	Brown/natural				

Model: 987209 Model life 2009>>2012

Pos	Part Number	Description	Remark	Qty	Model
3	997 803 089 18 N14 955 652 211 11	Carrera Red Spring with Steering-angle sensor	-10	1	
3	955 652 211 12	Spring with Steering-angle sensor	11-	1	
(3)	955 652 211 21	Spring with Steering-angle sensor	-10	1	I345
(3)	955 652 211 22	Spring with Steering-angle sensor	11-	1	I345
4	997 803 071 08	Airbag unit Passenger's side		1	
5	900 378 222 01	Hexagon-head bolt M 6 X 16		4	
6	997 803 091 03	Side airbag for Head airbag	/L	1	
6	997 803 091 04	Side airbag for Head airbag	/L	1	
(6)	997 803 092 03	Side airbag for Head airbag	/R	1	
(6)	997 803 092 04	Side airbag for Head airbag	/R	1	
7	900 378 035 01	Hexagon-head bolt M 6 X 16		6	
8	997 618 217 08	Control unit		1	
9	999 070 015 02	Cap nut M 6		3	
10	997 618 221 01	Sensor Side airbag		2	
11	999 084 638 01	Hexagon nut M 6		8	
12	997 618 223 02	Acceleration sensor Airbag Front		2	
13	999 084 638 01	Hexagon nut M 6		2	
14	997 803 089 11 997 803 089 11 A03 997 803 089 11 5V7 997 803 089 11 5Z1 997 803 089 11 8W7	Airbag unit Black Stone grey Sand Beige Sea blue		1	
14	997 803 089 23 997 803 089 23 A03 997 803 089 23 5V7 997 803 089 23 5Z1 997 803 089 23 8W7	Airbag unit Black Stone grey Sand Beige Sea blue		1	
(14)	997 803 089 12 997 803 089 12 A34 997 803 089 12 B24 997 803 089 12 T24 997 803 089 12 E24 997 803 089 12 M24 997 803 089 12 R24 997 803 089 12 D14 997 803 089 12 T34	Airbag unit Leather Black Stone grey Sand Beige Sea blue Terracotta Cocoa Dark grey/natural Brown/natural		1	I991

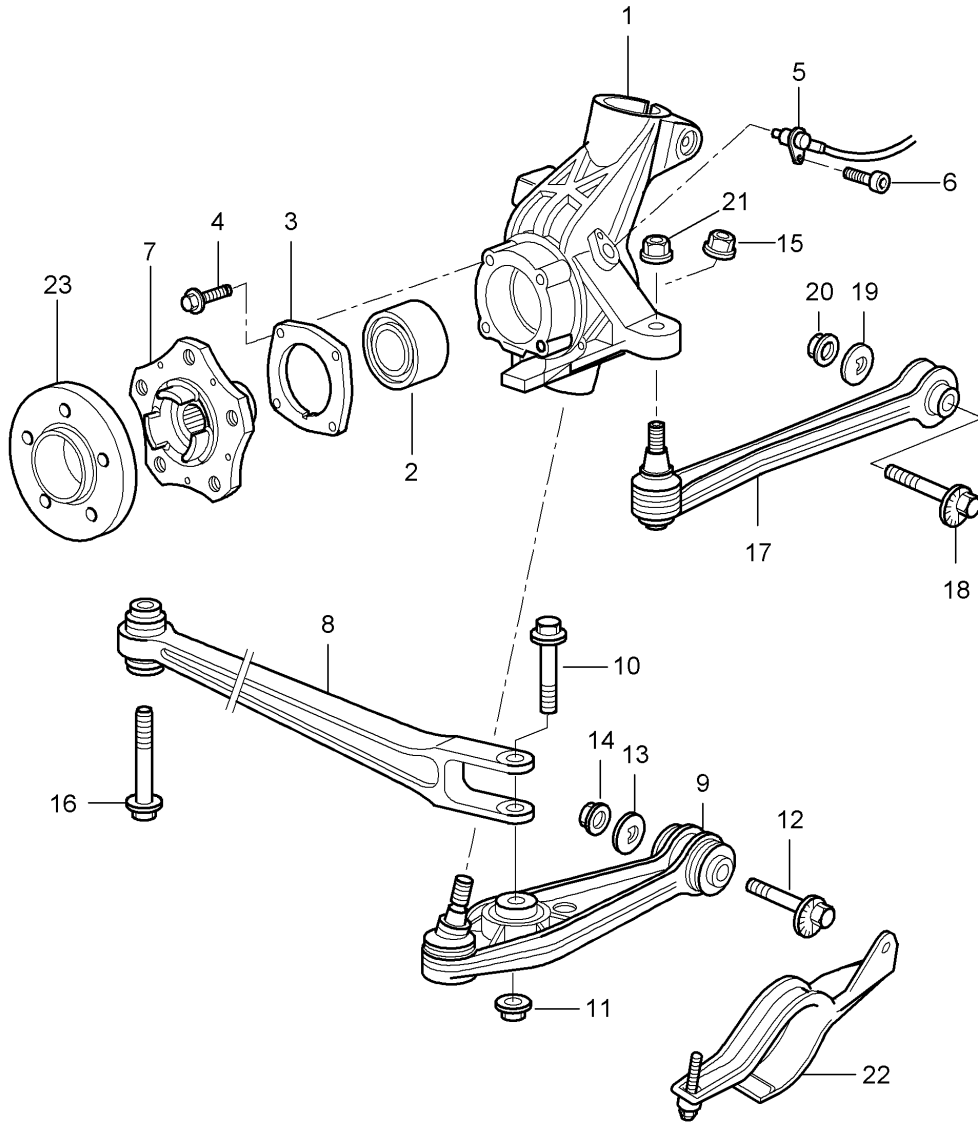
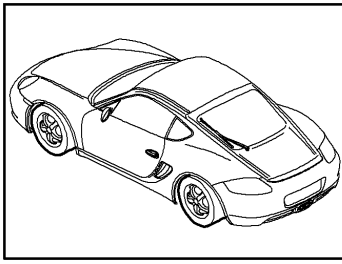
Model: 987209

Model life 2009>>2012

Pos	Part Number	Description	Remark	Qty	Model
(14)	997 803 089 12 N14	Carrera Red			
	997 803 089 24	Airbag unit		1	I991
		Leather			
	997 803 089 24 A34	Black			
	997 803 089 24 B24	Stone grey			
	997 803 089 24 T24	Sand Beige			
	997 803 089 24 E24	Sea blue			
	997 803 089 24 M24	Terracotta			
	997 803 089 24 R24	Cocoa			
	997 803 089 24 D14	Dark grey/natural			
	997 803 089 24 T34	Brown/natural			
	997 803 089 24 N14	Carrera Red			

Model: 987209

Model life 2009>>2012



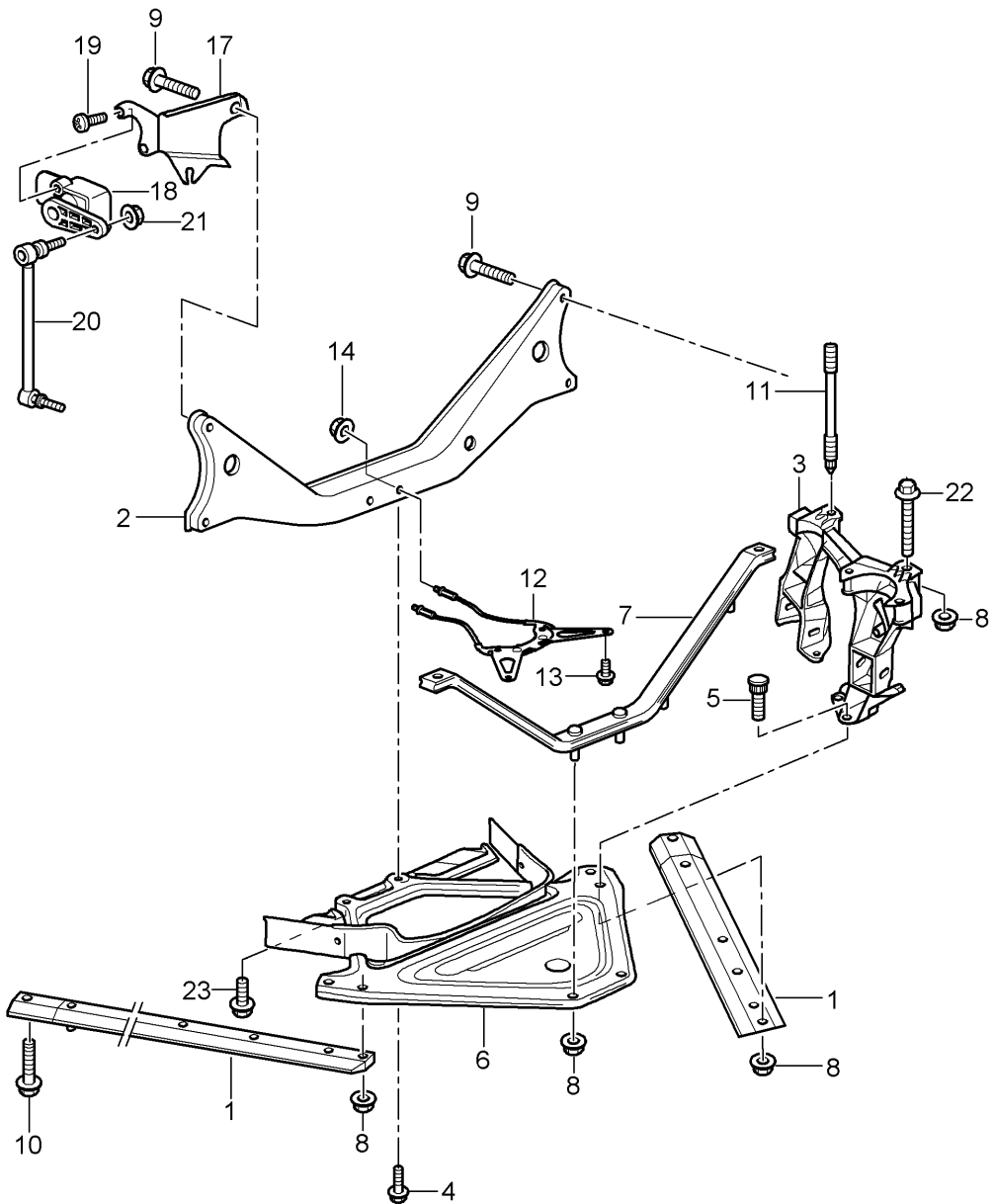
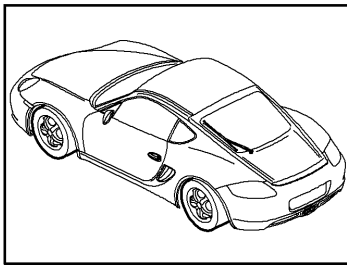
Model: 987209

Model life 2009>>2012

Pos	Part Number	Description	Remark	Qty	Model
		Rear axle			
		Wheel carrier			
		Control arm			
		Wheel hub			
(1)	987 331 157 06	Wheel carrier		1	
(1)	987 331 158 06	Wheel carrier		1	
2	999 053 054 06	Angular-contact bearing		2	
(3)	986 331 661 20	Lid		2	
4	999 217 042 03	Hexagon-head bolt M 8 X 35		8	
4	999 217 042 04	Hexagon-head bolt M 8 X 35		8	
5	997 606 407 01	Speed sensor		2	
(6)	900 067 117 04	Pan-head screw M 6 x 16		2	
7	997 341 605 01	Wheel hub		2	
7	991 341 605 02	Wheel hub		2	
7	991 341 605 03	Wheel hub		2	
8	987 331 043 03	Control arm		2	
8	987 331 043 02	Control arm		2	
(9)	997 331 053 03	Wishbone		2	
(10)	900 378 135 01	Hexagon-head bolt M 14 x 1,5 x 75		2	
11	900 380 012 01	Hexagon nut M 14 X 1,5		2	
(12)	996 331 217 03	Eccentric screw M 12 X 100		2	
13	996 331 219 00	Eccentric washer		2	
14	999 084 445 01	Lock nut M 12 X 1,5		4	
15	999 084 449 09	Lock nut M 12 X 1,5		2	
(16)	900 378 209 01	Hexagon-head bolt M 14 x 7,5 x 90		2	
-	986 331 023 00	Nut lock		2	
(17)	997 331 045 04	Track rod		2	
18	997 331 217 02	Eccentric screw M 12 X 83		2	
19	996 331 219 00	Eccentric washer		2	
20	999 084 445 01	Lock nut M 12 X 1,5		2	
21	999 084 449 09	Lock nut M 12 X 1,5		2	
22	987 331 371 02	Support	/L	2	I603
23	997 361 605 90	Spacer ring 5 mm	-11	2	IXRP
-	997 361 605 92	Spacer ring 5 MM	12-	2	IXRP

Model: 987209

Model life 2009>>2012



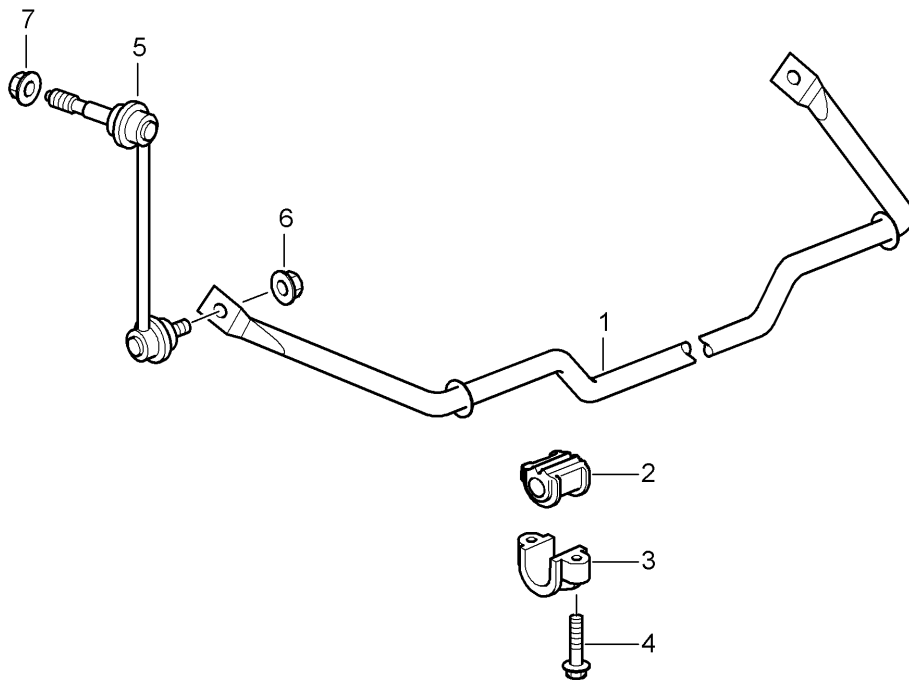
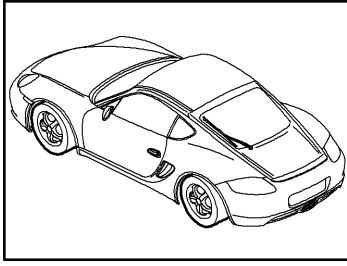
Model: 987209

Model life 2009>>2012

Pos	Part Number	Description	Remark	Qty	Model
		Rear axle			
		Side section			
		Bracket			
1	987 331 031 20	Strut	/L	1	
(1)	987 331 032 20	Strut	/R	1	
2	986 331 071 10	Cross member	-10	1	
(14)	986 331 071 11	Cross member	11-	1	
-	999 072 024 01	Hexagon-head bolt		2	
		M 10 X 25			
		Threaded joint			
		Cross member			
		Bracket			
3	987 331 051 24	Side section	/L	1	
(3)	987 331 052 24	Side section	/R	1	
4	999 072 024 01	Hexagon-head bolt		2	
		M 10 X 25			
5	999 080 031 01	Fastening screw		8	
6	987 331 161 20	Bracket		1	I480
6	987 331 161 21	Bracket		1	I480
(6)	987 331 161 50	Bracket		1	I250
-	986 331 361 03	Spoiler		2	
-	999 507 774 40	Push button		2	
		A 3,9			
-	999 507 775 40	Push button		2	
		B 3,9			
7	986 331 093 03	Strut		1	
-	999 072 032 01	Hexagon-head bolt		1	
		M 10 x 75			
		POS.7			
		Threaded joint			
		Body			
8	999 076 053 01	Hexagon nut		14	
		M 10			
9	999 072 058 01	Hexagon-head bolt		4	
		M 10 X 45			
10	999 073 443 01	Combination screw		2	
11	999 061 108 01	Stud		4	
		M 10 X 113			
12	987 331 181 20	Restraining cable		1	
13	900 385 050 02	Outer hexagon round screw		4	
		M 6 x 16			
14	999 084 457 01	Hexagon nut		2	
		M 8			
17	987 331 611 01	Support		1	I603
18	997 631 121 00	Sensor		1	I603
19	N 014 129 12	Oval-head screw		2	I603
		M 5 X 10			
20	987 331 375 00	Strut		1	I603
		Information available			I603
21	900 380 015 01	Hexagon nut		2	I603
		VM 6			
22	999 217 165 01	Hexagon-head bolt		2	
		M 10 x 80			
23	999 072 024 01	Hexagon-head bolt		2	
		M 10 x 25			

Model: 987209

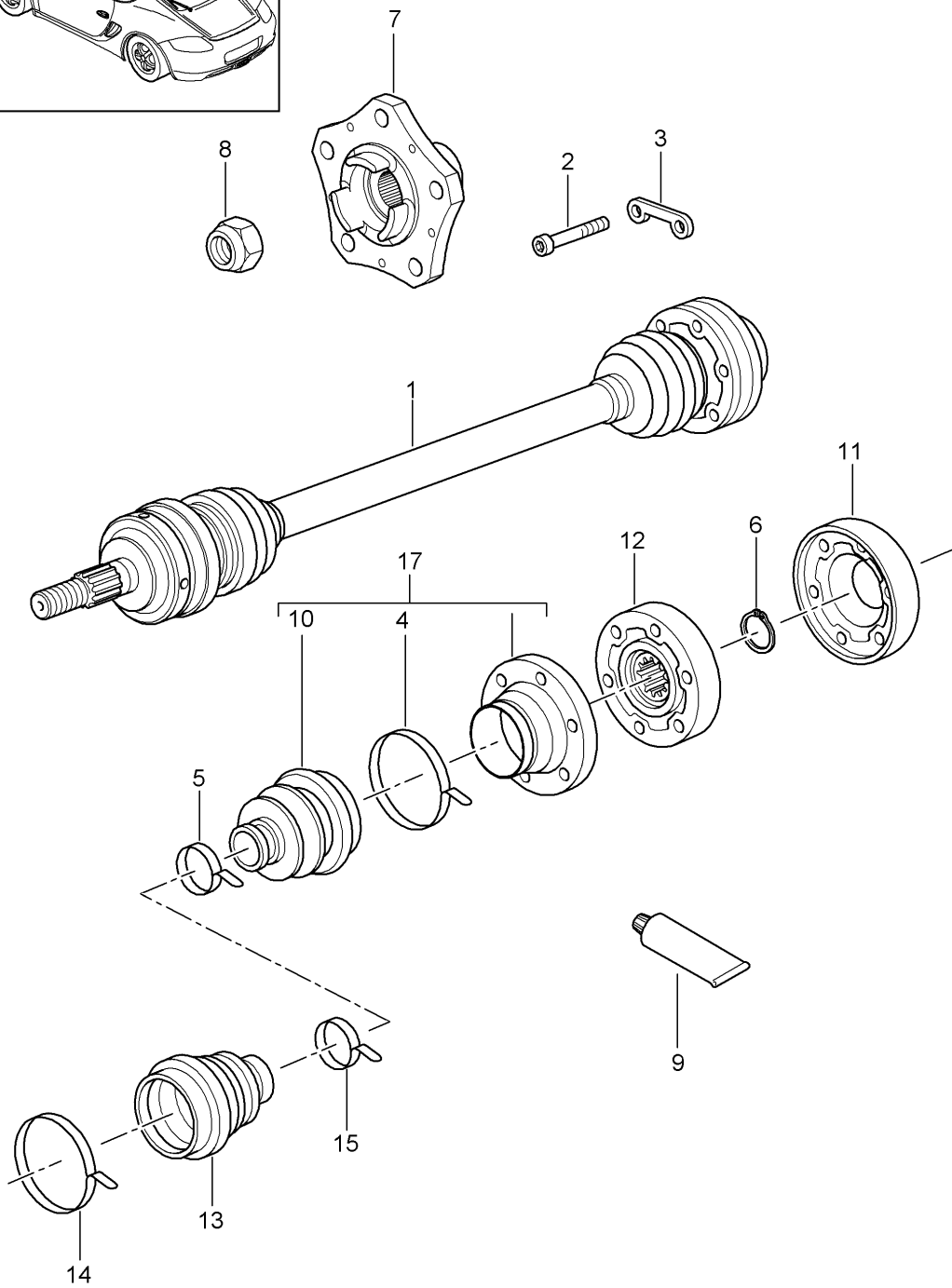
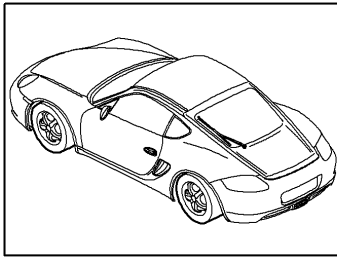
Model life 2009>>2012



Model: 987209

Model life 2009>>2012

Pos	Part Number	Description	Remark	Qty	Model
1	987 333 701 03	Stabiliser Stabiliser		1	CAYMAN I480
				1	CAYMAN I220/250
				1	CAYMAN S I250/475
(1)	987 333 701 04	Stabiliser		1	CAYMAN I220/480
				1	CAYMAN S I029/250
				1	CAYMAN S I220/250/475
				1	CAYMAN S I480
(1)	987 333 701 05	Stabiliser		1	CAYMAN S I029/220/250
				1	CAYMAN S I220/480
(1)	987 333 701 06	Stabiliser		1	CAYMAN I250
(1)	987 333 701 07	Stabiliser		1	CAYMAN R
2	997 333 792 00	Stabiliser mounting		2	CAYMAN I250
		Information available		2	I250
2	996 333 792 24	Stabiliser mounting		2	CAYMAN I480
				2	CAYMAN I220/250
				2	CAYMAN S I250/475
2	996 333 792 25	Stabiliser mounting		2	CAYMAN S I029/220/250
2	996 333 792 28	Stabiliser mounting		2	CAYMAN I220/480
				2	CAYMAN S I029/250
				2	CAYMAN S I220/250/475
				2	CAYMAN S I480
2	996 333 792 26	Stabiliser mounting Information available		2	CAYMAN R
3	996 333 777 01	Bearing clamp		2	
4	900 378 055 01	Hexagon-head bolt AM 8 X 40		4	
5	997 343 069 03	Stabiliser mounting	/L	1	
(5)	997 343 070 03	Stabiliser mounting	/R	1	
6	999 084 445 01	Lock nut M 12		2	
7	999 084 123 09	Hexagon nut M 10		2	

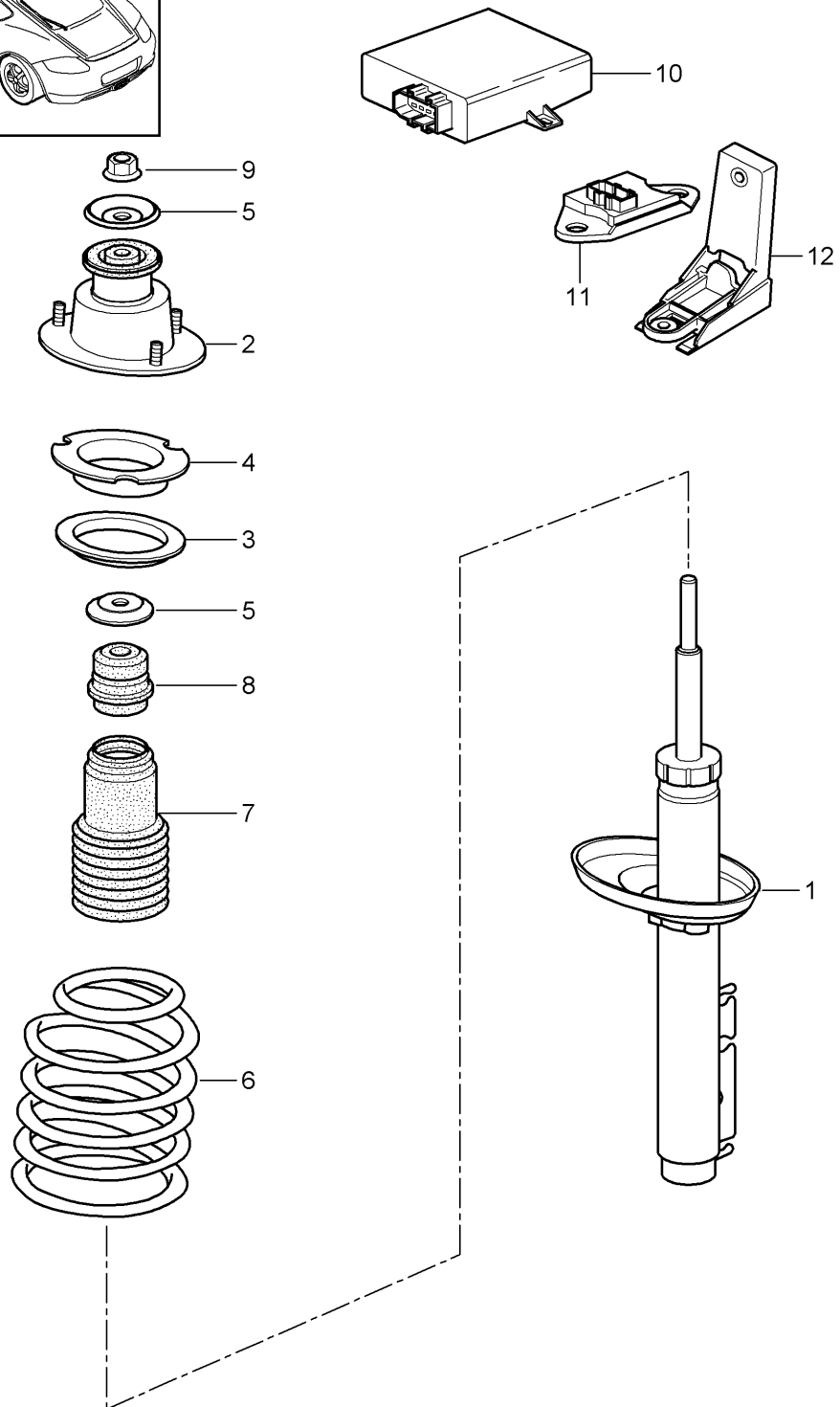
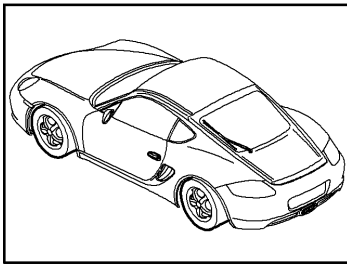


Model: 987209 Model life 2009>>2012

Pos	Part Number	Description	Remark	Qty	Model
1	987 332 024 31	Drive shaft Wheel hub	/L	1	CAYMAN I480
(1)	987 332 024 30	Drive shaft	/R	1	CAYMAN I480
(1)	987 332 024 27	Drive shaft	/L	1	CAYMAN S I480
(1)	987 332 024 29	Drive shaft	/L	1	CAYMAN R I480
(1)	987 332 024 26	Drive shaft	/R	1	CAYMAN S I480
(1)	987 332 024 28	Drive shaft	/R	1	CAYMAN R I480
(1)	987 332 024 50	Drive shaft		2	CAYMAN I250
(1)	987 332 024 60	Drive shaft		2	CAYMAN S I250
(1)	987 332 024 61	Drive shaft		2	CAYMAN R I250
(2)	999 510 047 01	Pan-head screw M 10 X 46,5		12	
3	986 332 191 00	Plate		6	CAYMAN
(3)	996 332 191 00	Plate		6	CAYMAN S
4	996 332 957 00	Clip 73 MM		2	
5	996 332 257 00	Clip 34 MM		2	
6	900 041 014 00	Circlip		2	
7	997 341 605 01	Wheel hub		2	
7	991 341 605 02	Wheel hub		2	
7	991 341 605 03	Wheel hub		2	
8	999 084 641 01	Lock nut		2	
9	000 043 110 01	Grease 1 100-gramme tube		X	
(9)	000 043 205 36	Sealing compound 1 100-gramme tube		X	
10	996 332 293 00	Dust bellows Information available		2	
11	987 332 267 00	Lid		2	CAYMAN
(11)	997 332 267 00	Lid		2	CAYMAN S
(11)		Lid		2	CAYMAN R
12	986 332 030 00	Joint		2	CAYMAN
(12)	996 332 030 00	Joint		2	CAYMAN S
(12)		Joint		2	CAYMAN R
13	996 332 293 00	Dust bellows Information available		2	
14	996 332 957 00	Clip		2	
15	996 332 257 00	Clip		2	
17	987 332 955 00	Bellows with Support		2	CAYMAN
(17)	997 332 955 00	Bellows with Support		2	CAYMAN S
(17)		Bellows with Support		2	CAYMAN R

Model: 987209

Model life 2009>>2012



Model: 987209 Model life 2009>>2012

Pos	Part Number	Description	Remark	Qty	Model
1	987 333 051 16	Shock absorber Coil spring		2	I029
(1)	987 333 053 27	Shock absorber - bilstein - Vibration damper		2	I475
(1)	987 333 051 18	- bilstein - Shock absorber		2	CAYMAN R
2	987 333 059 00	- bilstein - Supporting mount		2	
-	999 703 543 40	Lid		2	
3	987 333 504 00	Supporting mount		2	
4	987 333 509 00	Spring hanger		2	
(4)	987 333 509 01	Centring ring 3,0MM		2	
5	997 343 107 01	Centring ring 6,0MM		4	I029
(5)	997 343 107 00	Stop plate		2	I475
(5)	997 343 107 01	Upper Stop plate		2	I475
(6)	987 333 531 67	Lower Coil spring		1	CAYMAN I029/250
(6)	987 333 531 67 504	1 set Identification Rapeseed yellow Rapeseed yellow Blue		1	CAYMAN I250/475
(6)	987 333 531 69	Coil spring		1	CAYMAN S I029/250
(6)	987 333 531 69 504	1 set Identification Red Red Blue		1	CAYMAN S I029/250
(6)	987 333 531 71	Coil spring		1	CAYMAN S I250/475
(6)	987 333 531 71 504	1 set Identification Rapeseed yellow Rapeseed yellow Red		1	CAYMAN S I029/250
(6)	987 333 531 73	Coil spring		1	CAYMAN S I250/475
(6)	987 333 531 73 504	1 set Identification Red Red White		1	CAYMAN I029/480
(6)	987 333 531 73	Coil spring		1	CAYMAN I029/480
(6)	987 333 531 73 504	1 set Identification Rapeseed yellow Rapeseed yellow Green		1	CAYMAN I029/480

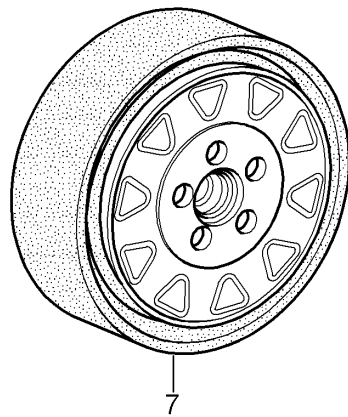
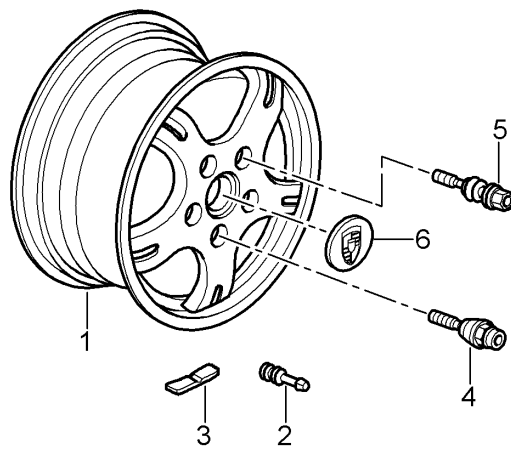
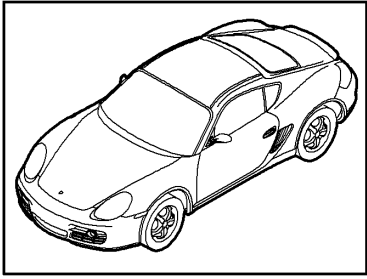
Model: 987209

Model life 2009>>2012

Pos	Part Number	Description	Remark	Qty	Model
(6)	987 333 531 75	Coil spring		1	CAYMAN I475/480
		1 set			
	987 333 531 75 504	Identification			
		Red			
		Red			
		Green			
(6)	987 333 531 74	Coil spring		1	CAYMAN S I029/480
		1 set			
	987 333 531 74 504	Identification			
		Rapeseed yellow			
		Rapeseed yellow			
		White			
(6)	987 333 531 93	Coil spring		1	CAYMAN S I475/480
		1 set			
	987 333 531 93 504	Identification			
		Red			
		Red			
		Rapeseed yellow			
(6)	987 333 531 1M	Coil spring		1	CAYMAN R I029/250
		1 set			
	987 333 531 1M 504	Identification			
		Yellow/Orange			
		Yellow/Orange			
		Blue			
(6)	987 333 531 96	Coil spring		1	CAYMAN R I029/480
		1 set			
	987 333 531 96 504	Identification			
		Yellow/Orange			
		Yellow/Orange			
		Green			
7	986 333 505 01	Bellows		1	
8	987 333 301 01	Additional spring		1	I029
(8)	987 333 301 00	Additional spring		1	I475
9	900 380 012 01	Hexagon nut		2	I029
		M 14 X 1,5			
(9)	999 084 645 01	Hexagon nut		2	
		M 14 X 1,5			I475
10	987 618 450 01	Control unit		1	I475
-	997 618 205 00	Support		1	I475
		for			
		Control unit			
11	997 606 111 01	Acceleration sensor		1	I475
		Body			
12	987 606 235 00	Support		1	I475
		for			
		Acceleration sensor			

Model: 987209

Model life 2009>>2012



Model: 987209

Model life 2009>>2012

Pos	Part Number	Description	Remark	Qty	Model
		Wheels Wheel bolts see Technical information 84/11 Group 4 4407			
(1)	997 362 156 02	Disc wheel 8 J x 19 Et 57	/V	2	I404
(1)	997 362 156 03	Disc wheel 8 J X 19 ET 57	/V	2	I405
(1)	997 362 156 04	Disc wheel 8 J X 19 ET 57	/V	2	I407
1	987 362 137 01	Disc wheel 8 J X 18 ET 57	/V	2	I409
(1)	987 362 137 00	Disc wheel 8 J X 18 ET 57	/V	2	I408
(1)	997 362 157 01	Disc wheel 8 J X 19 ET 57	/V	2	I419
(1)	987 362 125 00	Disc wheel 7 J X 17 ET55	/V	2	I394
(1)	987 362 125 01	Disc wheel 7 J X 17 ET 55	/V	2	I399
(1)	997 362 156 55	Disc wheel 8.5 J x 19 Et 55	/V	2	IXRR
(1)	997 362 157 02	Disc wheel 8 J x 19 ET 57	/V 10-	2	I421
(1)	987 362 157 05	Disc wheel 8,5 J x 19 ET 55 Paint It is necessary to rework	/V 11-	2	I445
(1)		Disc wheel 8,5 J x 19 ET 55 Paint It is necessary to rework	/V	2	I013/445
(1)	987 362 157 06	Disc wheel	/V	2	CAYMAN R I348/445
(1)	987 364 157 05 987 364 157 05 041	BBS 8,5 J X 19 ET 55 Disc wheel Black 8,5 J X 19 ET 55 Paint It is necessary to rework	/V	2	IXD9/013/445
(1)	997 362 158 08	Disc wheel 9,5 J X 19 ET 46	/H	2	I404
(1)	997 362 158 06	Disc wheel 9,5 J X 19	/H	2	I405

Model: 987209 Model life 2009>>2012

Pos	Part Number	Description	Remark	Qty	Model
(1)	997 362 158 07	ET 46 Disc wheel 9,5 J X 19	/H	2	I407
(1)	987 362 139 01	ET 46 Disc wheel 9 J X 18	/H	2	I409
(1)	987 362 139 00	ET 43 Disc wheel 9 J X 18	/H	2	I408
(1)	987 362 127 05	ET 43 Disc wheel 8,5 J X 17	/H	2	I394
(1)	987 362 127 06	ET40 Disc wheel 8,5 J X 17	/H	2	I399
(1)	997 362 159 05	Et 40 Disc wheel 9,5 j X 19	/H	2	I419
(1)	997 362 160 50	ET 46 Disc wheel 10 J X 19	/H	2	IXRR
(1)	997 362 159 06	ET 42 Disc wheel 9,5 j X 19	/H 10-	2	I421
(1)	987 362 161 00	ET 46 Information available Disc wheel 10 J X 19	/H 11-	2	I445
(1)		ET 42 Paint It is necessary to rework Disc wheel 10 J X 19	/H	2	I013/445
(1)	987 362 161 01	ET 42 Paint It is necessary to rework Disc wheel	/H	2	CAYMAN R I348/445
(1)	987 364 161 00 987 364 161 00 041	BBS 10 J X 19 ET 42 Disc wheel Black 10 J X 19	/H	2	IXD9/013/445
2	900 265 001 50	ET 42 Paint It is necessary to rework Rubber valve Rubber		4	
(2)	900 265 001 51	Rubber valve Rubber		4	
(2)	311 601 361	Rubber valve Rubber		4	
3	997 361 405 00	Balance stick-on weight 5 G.		X	
(3)	997 361 410 00	Balance stick-on weight 10 G.		X	
(3)	997 361 415 00	Balance stick-on weight 15 G.		X	
(3)	997 361 420 00	Balance stick-on weight 20 G.		X	
(3)	997 361 425 00	Balance stick-on weight 25 G.		X	

Model: 987209

Model life 2009>>2012

Pos	Part Number	Description	Remark	Qty	Model
(3)	997 361 430 00	Balance stick-on weight 30 G.		X	
(3)	997 361 435 00	Balance stick-on weight 35 G.		X	
(3)	997 361 440 00	Balance stick-on weight 40 G.		X	
(3)	997 361 445 00	Balance stick-on weight 45 G.		X	
(3)	997 361 450 00	Balance stick-on weight 50 G.		X	
(3)	997 361 455 00	Balance stick-on weight 55 G.		X	
(3)	997 361 460 00	Balance stick-on weight 60 G.		X	
(3)	997 361 465 00	Balance stick-on weight 65 G.		X	
(3)	997 361 470 00	Balance stick-on weight 70 G.		X	
(3)	997 361 475 00	Balance stick-on weight 75 G.		X	
(3)	997 361 480 00	Balance stick-on weight 80 G.		X	
(3)	997 361 485 00	Balance stick-on weight 85 G.		X	
(3)	997 361 490 00	Balance stick-on weight 90 G.		X	
		Wheel bolts see Technical information 84/11 Group 4 4407			
4	997 361 057 02	Set Anti-theft protection 1 set Silver		1	I444
(4)	991 361 057 01	Set Anti-theft protection 1 set Black		1	-I444
(4)	997 361 980 10	Set Anti-theft protection 1 set Silver		1	IXRP
(4)	991 361 980 01	Set Anti-theft protection 1 set Black		1	IXRP
(4)	991 361 057 00	Set Anti-theft protection 1 set Black	(GB)	1	-I444
(4)	991 361 057 02	Set Anti-theft protection 1 set Black	(GB)	1	-I444
(4)	WHT 006 980 A	Set Anti-theft protection 1 set Black	(GB)	1	-I444
(4)	WHT 006 980 C	Set Anti-theft protection 1 set	(GB)	1	-I444

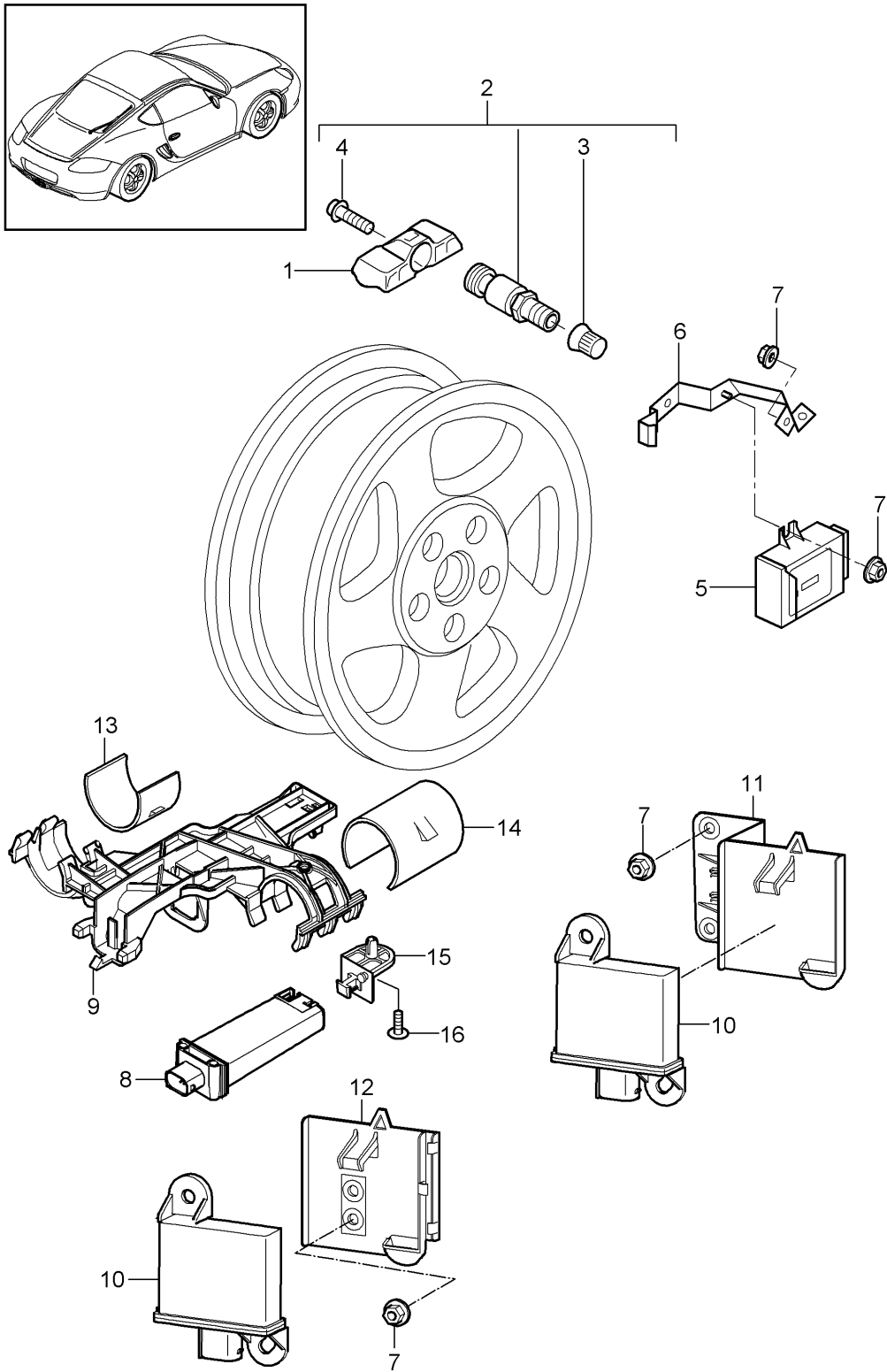
Model: 987209

Model life 2009>>2012

Pos	Part Number	Description	Remark	Qty	Model
(4)	997 361 980 09	Black Set Anti-theft protection 1 set Silver	(GB)	1	IXRP/444
(4)	991 361 980 00	Set Anti-theft protection 1 set Black	(GB)	1	IXRP/444
(4)	991 361 980 02	Set Anti-theft protection 1 set Black	(GB)	1	IXRP/444
(4)	991 361 980 03	Set Anti-theft protection 1 set Black	(GB)	1	IXRP/444
5	997 361 203 01	Wheel bolt Silver		X	
(5)	970 361 203 00	Wheel bolt Black		X	
(5)	997 361 980 07	Wheel bolt Silver		X	IXRP
(5)	WHT 004 676 A	Wheel bolt Black		X	IXRP
6	955 361 303 00	Hub cap		4	
	955 361 303 00 9A1	Silver			
(6)	955 361 303 05	Hub cap	-09	4	I446
	955 361 303 05 9A1	Silver			
(6)	955 361 303 20	Hub cap	10-	4	I446
	955 361 303 20 9A1	Silver			
(6)	997 361 303 01	Hub cap Crest Coloured Silver	-11	4	IXRR
(6)	958 361 303 02	Hub cap Crest Coloured Silver	12-	4	IXRR
(6)	997 361 305 00	Hub cap		4	I404
(6)	7PP 601 149 F	Hub cap		4	I404
(6)	7PP 601 149 E	Hub cap		4	I013
7	996 362 020 04	It is necessary to rework Emergency wheel		1	I447
8	955 722 631 00	Bottle of tyre sealant		1	
8	4L0 012 619 A	Bottle of tyre sealant		1	
9	996 361 411 00	Belt for Emergency wheel		1	I447
10	996 361 521 00	Boot for Emergency wheel		1	I447
11	999 914 001 40	Plastic gloves		1	I447
12	997 652 055 00	Compressor for Emergency wheel		1	
		Use also: 991.555.575.03.1E0		1	
		991.555.765.02.1E0		1	

Model: 987209

Model life 2009>>2012



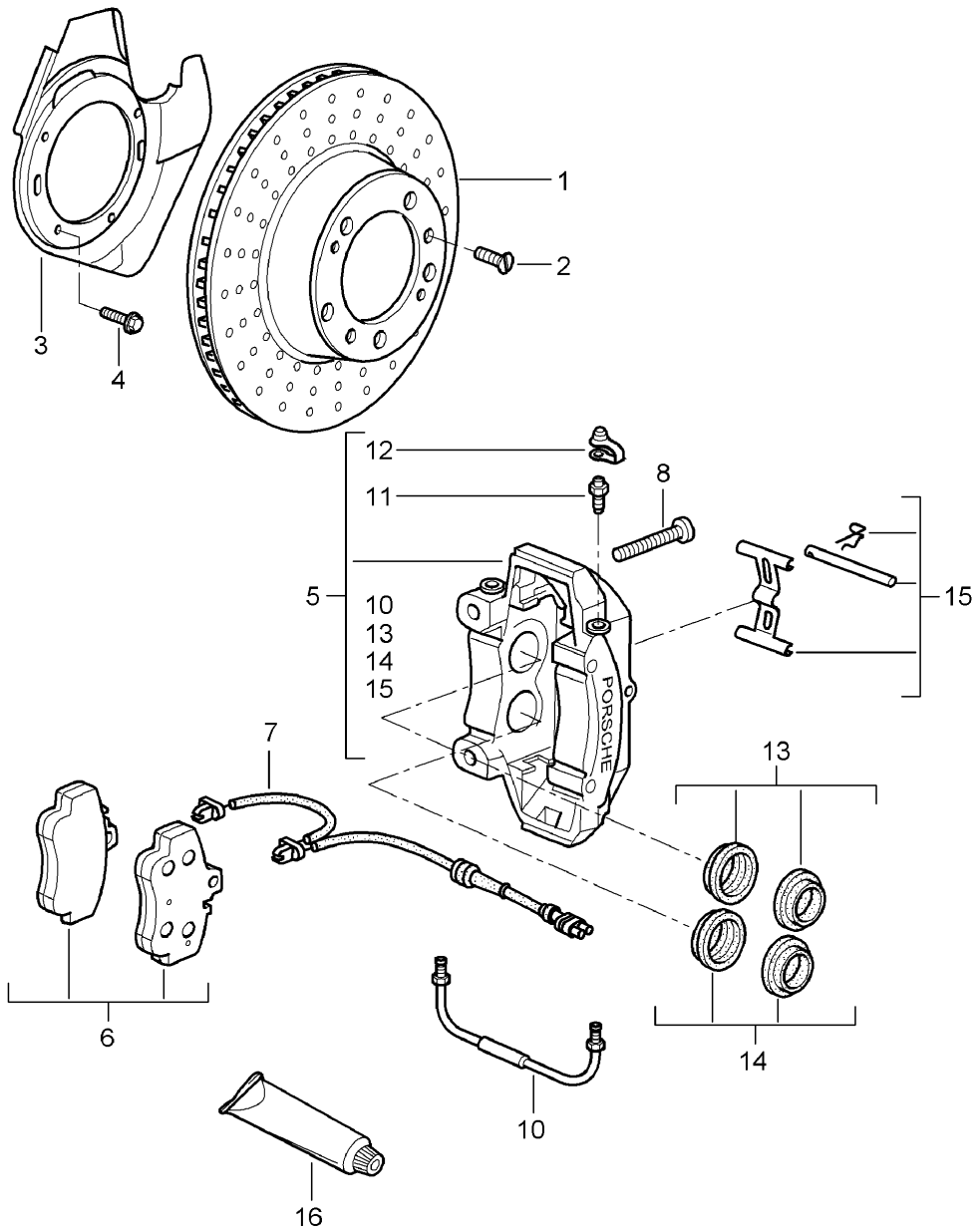
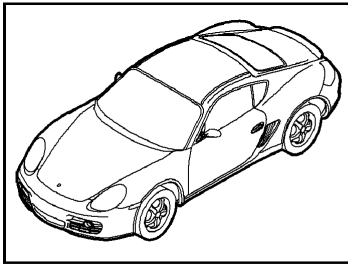
Model: 987209

Model life 2009>>2012

Pos	Part Number	Description	Remark	Qty	Model
1	997 606 021 20	Tyre pressure monitoring Sensor		4	I482/483 I482
(1)	958 361 661 00	Tyre pressure monitoring Use also: 955.361.053.00 Sensor		4	I482
(1)	7PP 907 275 F	Tyre pressure monitoring Use also: 955.361.053.00 Sensor		4	I482
(1)	997 606 023 21	Information available Sensor	-09	4	I483
(1)	958 361 661 50	Tyre pressure monitoring Use also: 955.361.053.00 Sensor	(J) 10-	4	I483
2	955 361 053 00	Valve		4	
(2)	9P1 601 361 A	Aluminium Valve		4	
3	N 908 729 01	Aluminium Cap		4	
4	4D0 601 365	Fastening screw		4	
5	997 618 103 23	Control unit	-09	1	
5	997 618 191 02	Control unit	10-	1	
6	997 618 203 02	Support		1	
7	999 076 081 40	Control unit		8	
8	955 606 101 00	Plastic nut T5 16 X 11, 2 Antenna		1	I482
(8)	955 606 103 00	433 MHZ Antenna		1	I483
9	997 606 259 00	315 MHZ Support		1	
10	955 618 113 00	Antenna	-09	4	
(10)	7PP 907 283	transmitter	10-	4	
11	997 606 242 00	Support	/R	1	
(11)	997 606 241 00	Front Support	/L	1	
12	987 606 231 00	Front Support		2	
13	987 606 313 00	Rear Adapter		X	CAYMAN
14	987 606 315 00	Short Adapter		X	CAYMAN
15	955 606 225 00	Long Clip		1	
16	955 606 226 00	Fastening screw		1	

Model: 987209

Model life 2009>>2012



Model: 987209

Model life 2009>>2012

Pos	Part Number	Description	Remark	Qty	Model
		Disc brake Front axle Brake disc Only in pairs Replace Technical manual Attention			I450
1	996 351 405 01	Brake disc	/L	1	
(1)	997 351 031 00	Brake disc	/L	1	I450
(1)	997 351 031 01	Brake disc	/L	1	I450
(1)	996 351 406 01	Brake disc	/R	1	
(1)	997 351 032 00	Brake disc	/R	1	I450
(1)	997 351 032 01	Brake disc	/R	1	I450
2	900 269 047 01	Countersunk-head screw M 6 X 12		4	
3	997 351 801 02	Cover plate	/L	1	
(3)	997 351 802 02	Cover plate	/R	1	
(3)	997 351 805 05	Cover plate	/L	1	I450
(3)	997 351 806 05	Cover plate	/R	1	I450
4	999 217 116 01	Hexagon-head bolt M 6 x 16		X	
5	997 351 421 00	Fixed calliper without pad	/L	1	CAYMAN
(5)	996 351 425 11	Fixed calliper without pad	/L	1	CAYMAN S
(5)		Fixed calliper without pad	/L	1	CAYMAN R
(5)	996 351 431 31	Fixed calliper without pad	/L	1	CAYMAN S I450
(5)		Fixed calliper without pad	/L	1	CAYMAN R I450
(5)	997 351 422 00	Fixed calliper without pad	/R	1	CAYMAN
(5)	996 351 426 11	Fixed calliper without pad	/R	1	CAYMAN S
(5)		Fixed calliper without pad	/R	1	CAYMAN R
(5)	996 351 432 31	Fixed calliper without pad	/R	1	CAYMAN S I450
(5)		Fixed calliper without pad	/R	1	CAYMAN R I450
(6)	997 351 939 05	Brake pad repair set		1	CAYMAN
(6)	997 351 939 06	Brake pad repair set	-09	1	CAYMAN S
(6)	997 351 939 05	Use also: Mounting parts Brake pad repair set	10-	1	CAYMAN S
(6)	997 351 939 06	Use also: Mounting parts Brake pad repair set		1	CAYMAN R
(6)	997 351 948 01	Use also: Mounting parts Brake pad repair set		1	CAYMAN S I450
(6)		Use also: Mounting parts Brake pad repair set		1	CAYMAN R I450
		Use also:			

Model: 987209 Model life 2009>>2012

Pos	Part Number	Description	Remark	Qty	Model
-	996 351 088 02	Mounting parts Damping plate Grey cast iron		4	
(7)	997 612 756 00	Brakes Warning contact	/L	1	CAYMAN
			/L	1	CAYMAN S
			/L	1	CAYMAN R
(7)	997 612 759 00	Warning contact	/R	1	CAYMAN
			/R	1	CAYMAN S
			/R	1	CAYMAN R
(7)	997 612 675 01	Warning contact	/L	1	CAYMAN S
			/L	1	I450
			/L	1	CAYMAN R
(7)	997 612 679 00	Warning contact	/R	1	CAYMAN S
			/R	1	I450
			/R	1	CAYMAN R
(8)	999 073 402 01	Pan-head screw M 12 x 1,5 x 72		4	CAYMAN
				4	CAYMAN S
(8)	999 067 053 09	Pan-head screw M 12 X 1;5 X 85		4	CAYMAN R
				4	CAYMAN S
				4	I450
				4	CAYMAN R
				4	I450
-	944 612 627 00	Line bracket for Warning contact		2	
10	996 352 962 00	Connecting line	/R	1	
(10)	996 352 961 00	Connecting line	/L	1	
(10)	996 351 961 30	Connecting line		2	CAYMAN S
				2	I450
(10)		Connecting line		2	CAYMAN R
				2	I450
11	930 351 919 00	Ventilation valve		2	
12	930 351 927 00	Dust boot		2	
12	930 351 927 01	Dust boot		2	
13	951 351 917 01	Repair kit Protection caps 40 MM \$		2	
14	951 351 917 00	Repair kit Protection caps 36 MM \$		2	
13	996 351 915 01	Repair kit Protection caps 38 MM \$		2	CAYMAN S
				2	I450
13		Repair kit Protection caps 38 MM \$		2	CAYMAN R
				2	I450
14	996 351 915 00	Repair kit Protection caps 32 MM \$		2	CAYMAN S
				2	I450
14		Repair kit Protection caps 32 MM \$		2	CAYMAN R
				2	I450
15	955 352 960 00	Repair kit Mounting parts Bolt Expanding spring		1	
				2	
				2	

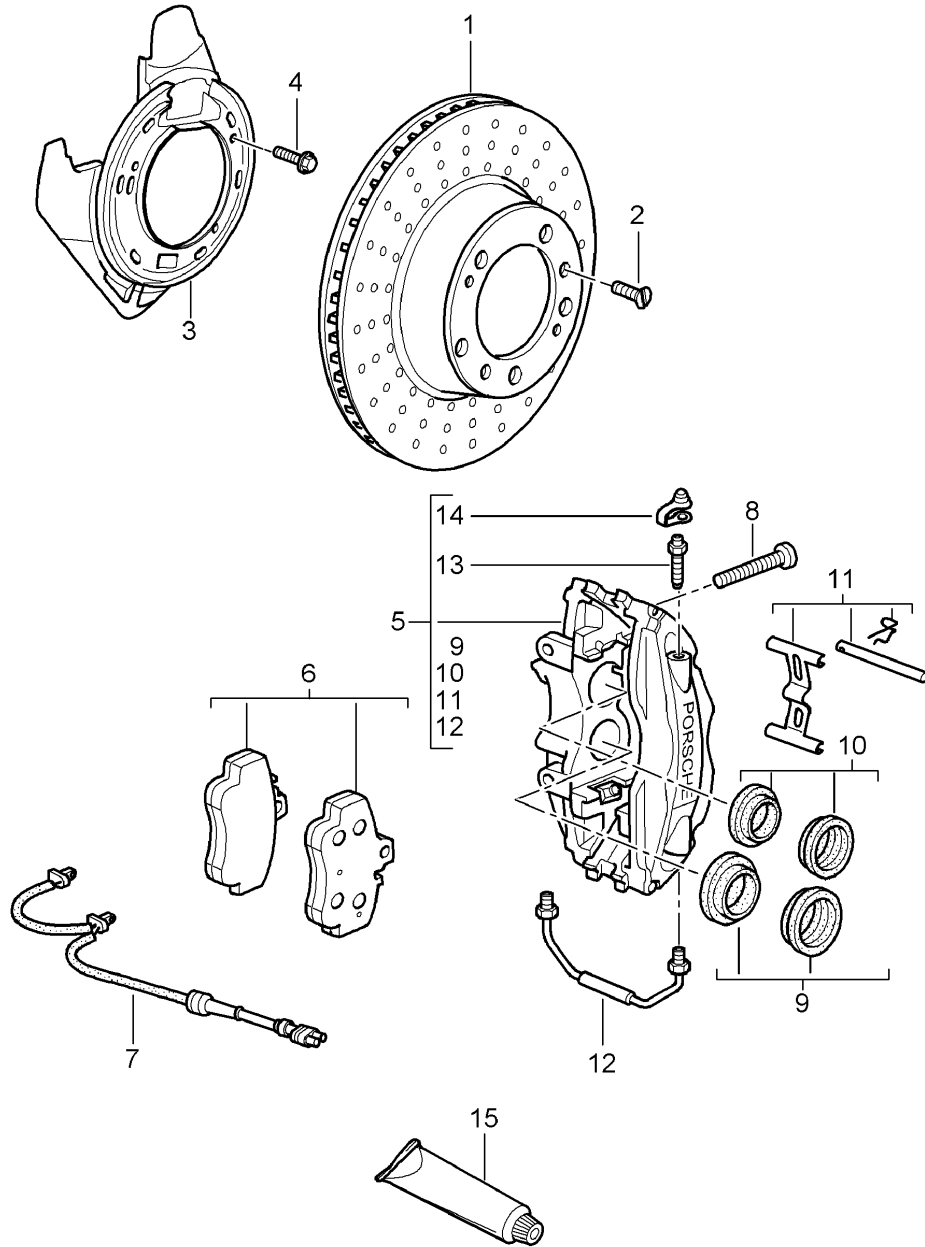
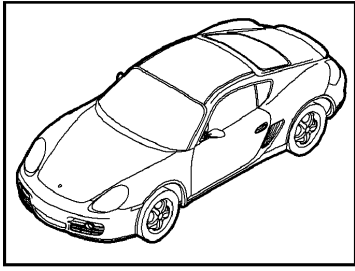
Model: 987209

Model life 2009>>2012

Pos	Part Number	Description	Remark	Qty	Model
(15)	996 351 959 30	Securing clip		2	
		Repair kit		1	CAYMAN S I450
		Mounting parts			
		Bolt		2	
		Expanding spring		2	
		Screw		2	
(15)		Repair kit		1	CAYMAN R I450
		Mounting parts			
		Bolt		2	
		Expanding spring		2	
		Screw		2	
16	000 043 117 00	Brake cylinder paste		X	
		50 G			
(16)	000 043 020 00	Optimoly		X	
		100 G			

Model: 987209

Model life 2009>>2012



Model: 987209 Model life 2009>>2012

Pos	Part Number	Description	Remark	Qty	Model
		Disc brake Rear axle Brake disc Only in pairs Replace Technical manual Attention			I450
1	987 352 401 01	Brake disc		2	CAYMAN
(1)	987 352 403 01	Brake disc		2	CAYMAN S
(1)		Brake disc		2	CAYMAN R
(1)	987 352 031 02	Brake disc	/L	1	CAYMAN S I450
(1)	987 352 031 03	Brake disc	/L	1	CAYMAN S I450
(1)	981 352 031 00	Brake disc	/L	1	CAYMAN S I450
(1)	987 352 031 02	Brake disc	/L	1	CAYMAN R I450
(1)	987 352 031 03	Brake disc	/L	1	CAYMAN R I450
(1)	981 352 031 00	Brake disc	/L	1	CAYMAN R I450
(1)	987 352 032 02	Brake disc	/R	1	CAYMAN S I450
(1)	987 352 032 03	Brake disc	/R	1	CAYMAN S I450
(1)	981 352 032 00	Brake disc	/R	1	CAYMAN S I450
(1)	987 352 032 02	Brake disc	/R	1	CAYMAN R I450
(1)	987 352 032 03	Brake disc	/R	1	CAYMAN R I450
(1)	981 352 032 00	Brake disc	/R	1	CAYMAN R I450
2	900 269 047 01	Countersunk-head screw M 6 X 12		4	
(2)	900 269 106 01	Countersunk-head screw M 6 x 16		4	IXRP
3	987 352 801 00	Protective plate		2	
(4)	999 217 116 01	Hexagon-head bolt M 6 x 16		X	
5	986 352 423 01	Fixed calliper without pad	/L	1	CAYMAN
(5)	996 352 421 13	Fixed calliper without pad	/L	1	CAYMAN S
(5)		Fixed calliper without pad	/L	1	CAYMAN R
(5)	996 352 423 31	Fixed calliper	/L	1	CAYMAN S I450
(5)		without pad Fixed calliper	/L	1	CAYMAN R I450
(5)	986 352 424 01	without pad Fixed calliper	/R	1	CAYMAN
(5)	996 352 422 13	Fixed calliper without pad	/R	1	CAYMAN S
(5)		Fixed calliper without pad	/R	1	CAYMAN R
(5)	996 352 424 31	Fixed calliper	/R	1	CAYMAN S I450
(5)		without pad			

Model: 987209

Model life 2009>>2012

Pos	Part Number	Description	Remark	Qty	Model
(5)		Fixed calliper	/R	1	CAYMAN R I450
		without pad			
(6)	987 352 939 01	Brake pad repair set		1	CAYMAN
(6)		Brake pad repair set	-09	1	CAYMAN S
(6)	986 352 939 10	Brake pad repair set	10-	1	CAYMAN S
(6)	987 352 939 01	Brake pad repair set		1	CAYMAN R
(6)	997 352 948 00	Brake pad repair set		1	CAYMAN S I450
		Use also:			
		Mounting parts			
(6)		Brake pad repair set		1	CAYMAN R I450
		Use also:			
		Mounting parts			
7	987 612 676 01	Warning contact		2	CAYMAN
(7)		Warning contact	-09	2	CAYMAN S
(7)	986 612 365 00	Warning contact	10-	2	CAYMAN S
(7)	987 612 676 01	Warning contact		2	CAYMAN R
(7)		Warning contact		2	CAYMAN S I450
(7)	986 612 365 00	Warning contact		2	CAYMAN R I450
-	999 507 464 40	Support		2	
		Warning contact			
(8)	999 073 402 01	Pan-head screw		4	CAYMAN
		M 12 X 1;5 X 72		4	CAYMAN S
				4	CAYMAN R
(8)	999 067 053 09	Pan-head screw		4	CAYMAN S I450
		M 12 x 1,5 x 85		4	CAYMAN R I450
-	944 612 627 00	Line bracket		2	
		for			
		Warning contact			
9	951 352 917 01	Repair kit		2	
		Protection caps			
		30 MM \$			
10	951 352 917 00	Repair kit		2	
		Protection caps			
		28 MM \$			
11	996 352 959 01	Repair kit		1	CAYMAN
				1	CAYMAN S
				1	CAYMAN R
		Mounting parts			
		Bolt		2	
		Expanding spring		2	
		Securing clip		2	
(11)	996 351 959 01	Repair kit		1	CAYMAN S I450
				1	CAYMAN R I450
		Mounting parts			
		Bolt		2	
		Expanding spring		2	
		Securing clip		2	
-	996 352 086 00	Damping plate	-09	X	CAYMAN S
		30 MM \$		X	
-		Damping plate	10-	X	CAYMAN S
		30 MM \$		X	CAYMAN R
-	964 352 096 01	Damping plate	-09	X	CAYMAN S
		28 MM \$			
-	996 352 086 02	Damping plate	10-	X	CAYMAN S

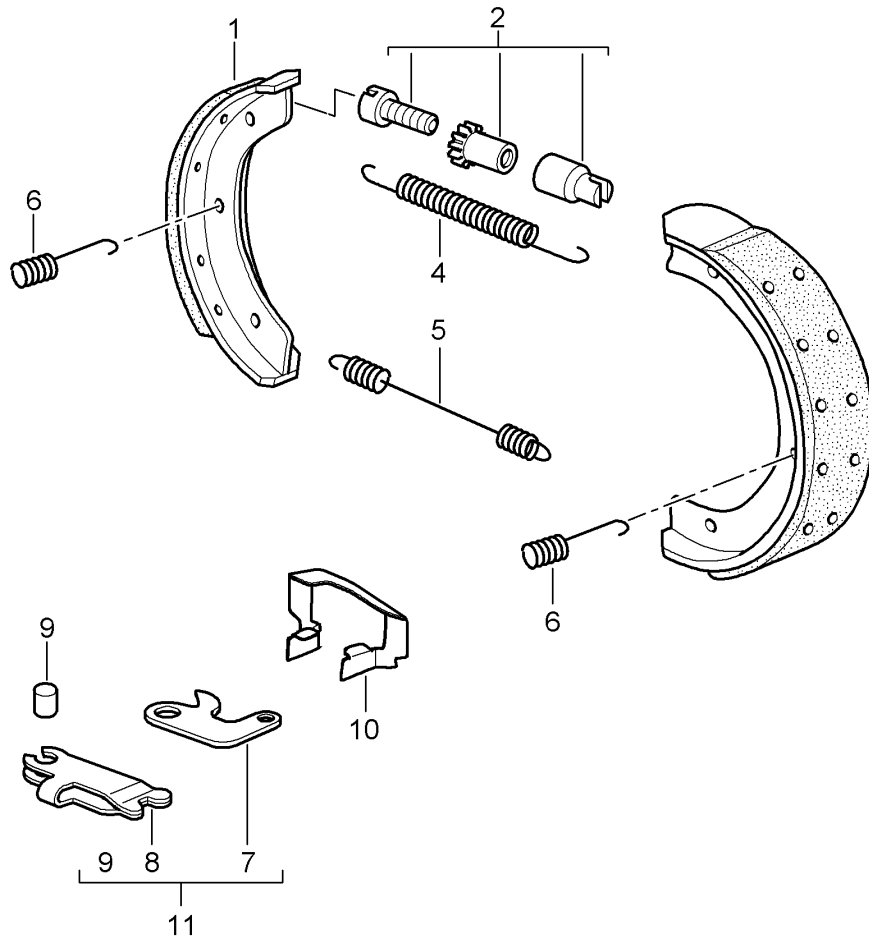
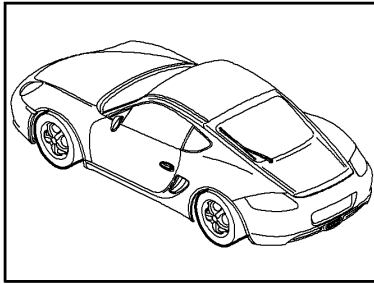
Model: 987209

Model life 2009>>2012

Pos	Part Number	Description	Remark	Qty	Model
12	996 352 961 00	28 MM \$ Connecting line	/L	1	CAYMAN R
(12)	996 352 962 00	Connecting line	/R	1	
(12)	996 351 961 30	Connecting line		2	CAYMAN S
				2	I450
				2	CAYMAN R
				2	I450
13	930 351 919 00	Ventilation valve		4	
14	930 351 927 00	Dust boot		4	
14	930 351 927 01	Dust boot		4	
15	000 043 117 00	Brake cylinder paste 50 G		X	
(15)	000 043 020 00	Optimoly 100 G		X	

Model: 987209

Model life 2009>>2012



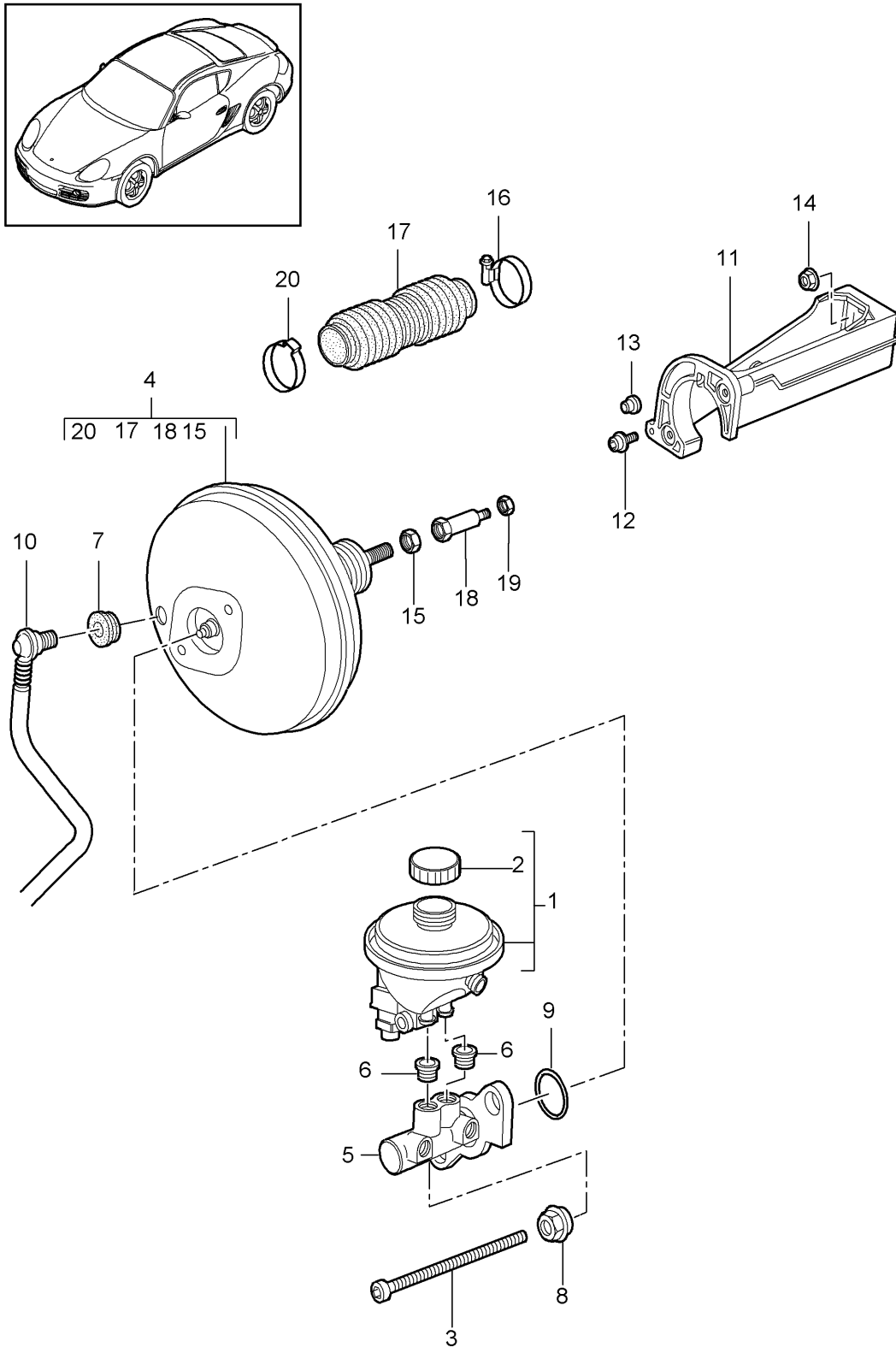
Model: 987209

Model life 2009>>2012

Pos	Part Number	Description	Remark	Qty	Model
1	997 352 993 02	Handbrake Brake shoe 1 set		1	
2	993 352 071 00	Adjusting screw		2	
(2)	298 609 723	Adjusting screw		2	
4	997 352 721 01	Tension spring		2	
(4)	298 609 717	Tension spring		2	
5	997 352 723 02	Tension spring		2	
6	997 352 741 02	Compression spring		4	
(6)	298 609 583	Compression spring		4	
7	986 352 731 01	Actuating lever		2	
8	986 352 733 02	Clip		2	
9	986 352 735 00	Articulated bolt		2	
10	997 352 807 01	Supporting plate		2	
11	986 352 073 02	Expanding bow		2	

Model: 987209

Model life 2009>>2012



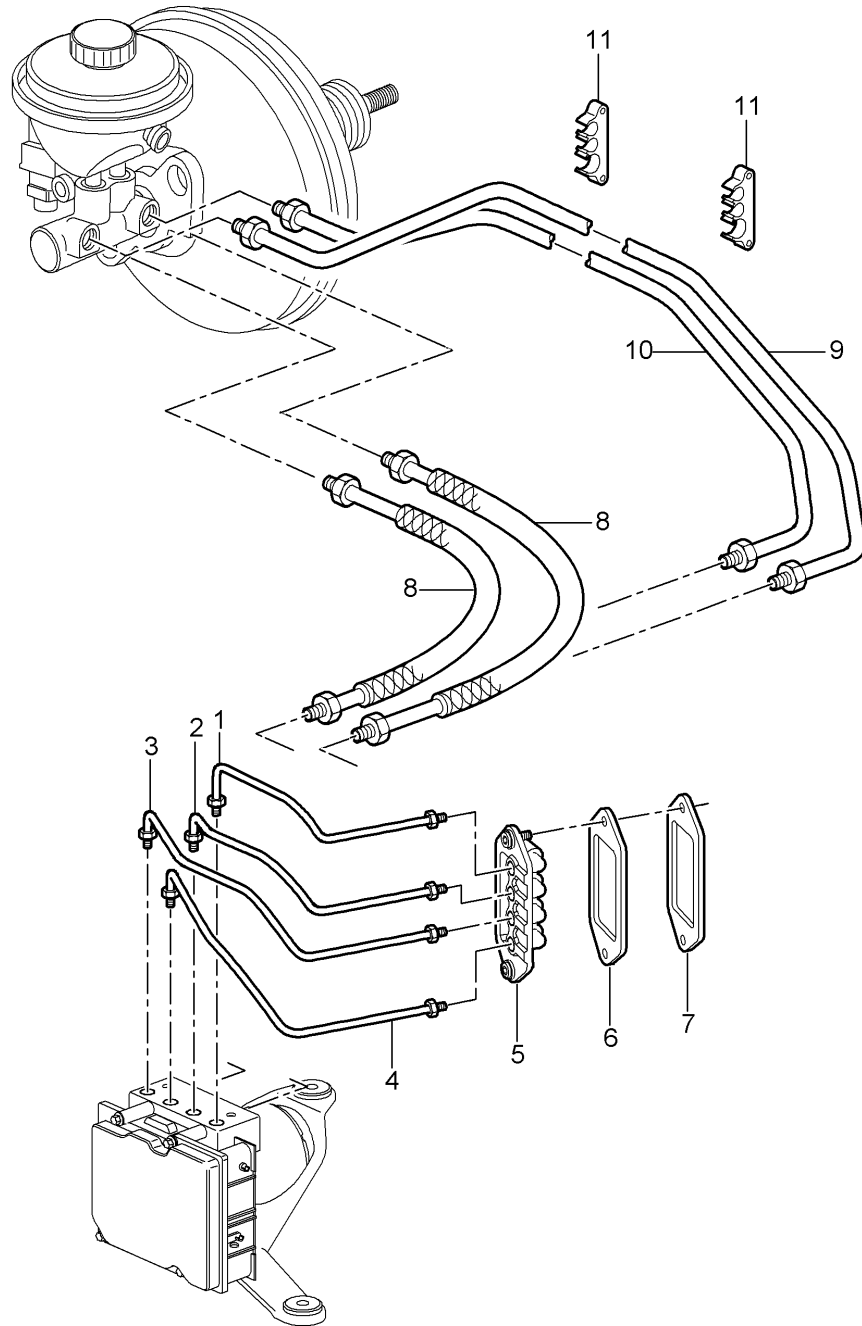
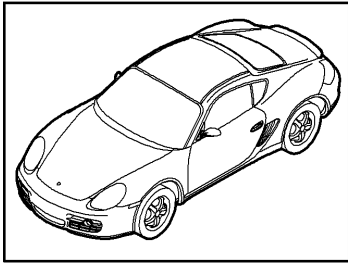
Model: 987209

Model life 2009>>2012

Pos	Part Number	Description	Remark	Qty	Model
-	000 043 203 66	Brake master cylinder Brake booster Brake fluid DOT 4 1 Ltr.		X	
1	997 355 013 01	Expansion tank		1	I480
(1)	997 355 013 21	Expansion tank		1	I250
2	996 355 119 01	Catch		1	
-	997 355 125 00	Support for contact for Container		1	
3	999 073 124 01	Pan-head screw M 8 X 154 X 80		2	
(3)	999 073 124 02	Pan-head screw M 8 X 154 X 80		2	
(3)	999 073 615 01	Pan-head screw M 8 X 154 X 80		2	
4	987 355 923 00	Brake booster		1	CAYMAN
				1	CAYMAN S
(4)	996 355 923 00	Brake booster		1	CAYMAN R
				1	CAYMAN S
				1	I450
				1	CAYMAN R
				1	I450
5	997 355 910 00	Brake master cylinder		1	CAYMAN
				1	CAYMAN S
(5)	997 355 910 10	Brake master cylinder		1	CAYMAN R
				1	CAYMAN S
				1	I450
				1	CAYMAN R
				1	I450
6	993 355 922 00	Grommet		2	
7	999 702 182 40	Rubber bush		1	
8	997 355 925 00	Hexagon nut		2	
9	993 355 212 00	Gasket		1	
10	997 355 577 00	Vacuum line		1	I098
(10)	997 355 578 00	Vacuum line		1	I099
11	997 423 251 00	Intermediate piece		1	
12	999 073 189 01	Round head screw M 6 X 12		2	
13	999 703 448 50	Stopper	/R	1	
14	999 084 630 09	Hexagon nut M 8		2	
15	900 183 015 01	Hexagon nut M 12 X 1,5		1	
-	996 355 901 01	Gasket Brake booster Bulkhead		1	
16	999 512 478 00	Hose clamp		1	
17	996 423 269 05	Bellows		1	
18	996 355 927 01	Connecting piece		1	
19	900 380 015 01	Hexagon nut M 6		1	
20	999 512 672 00	Clamp		1	

Model: 987209

Model life 2009>>2012



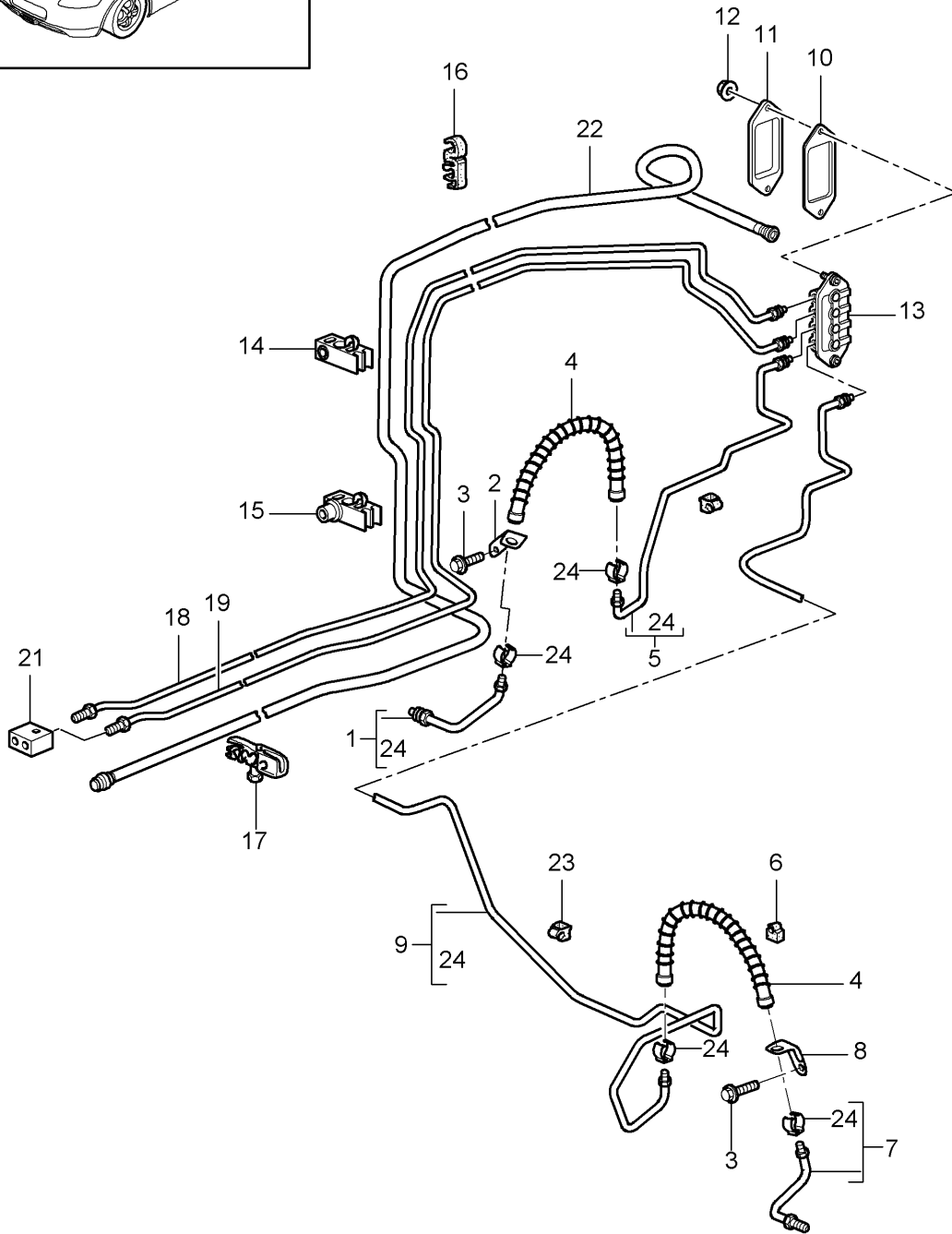
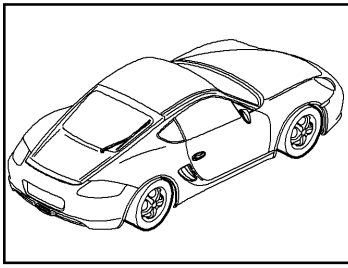
Model: 987209

Model life 2009>>2012

Pos	Part Number	Description	Remark	Qty	Model
		Brake lines			
		Body front section			
1	997 355 315 10	Brake line		1	
2	997 355 316 10	Brake line		1	
3	997 355 327 10	Brake line		1	
4	997 355 326 10	Brake line		1	
5	997 355 650 00	Intermediate piece		1	
6	997 355 752 00	Gasket		1	
7	997 355 753 00	Reinforcement		1	
8	997 355 311 10	Pressure line		2	I098
9	997 355 312 10	Pressure line		1	I099
10	997 355 314 10	Pressure line		1	I099
11	999 507 632 40	Cable holder		2	

Model: 987209

Model life 2009>>2012



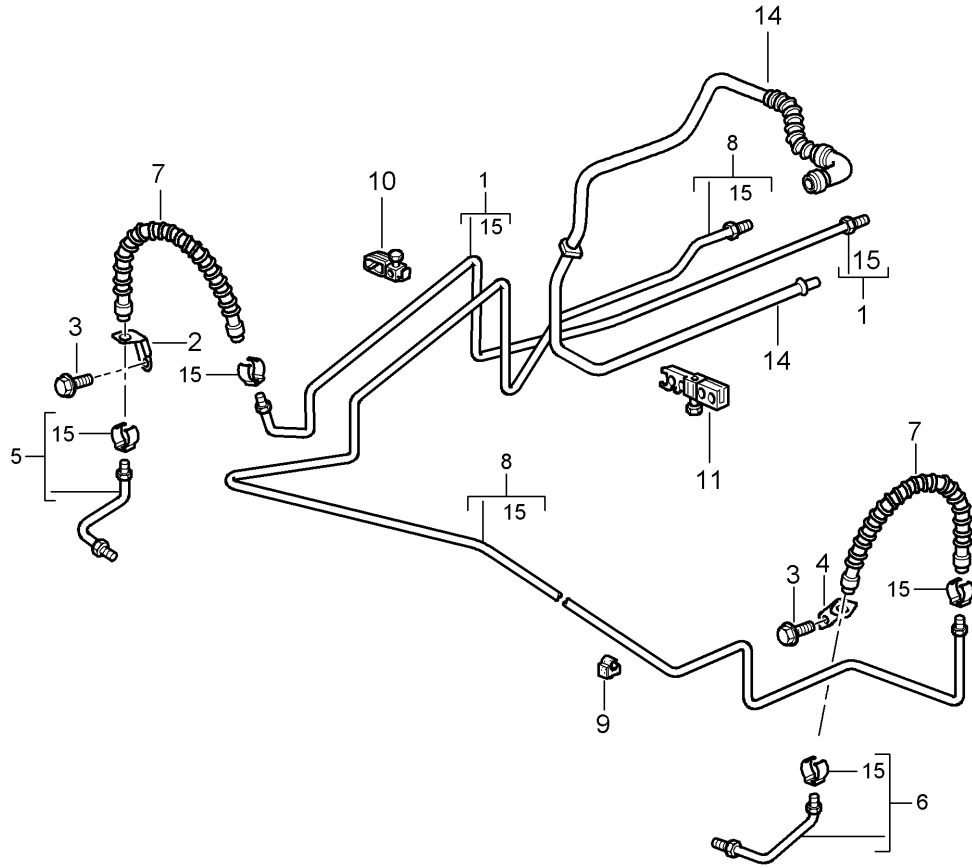
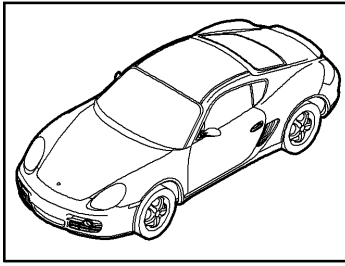
Model: 987209

Model life 2009>>2012

Pos	Part Number	Description	Remark	Qty	Model
		Brake lines			
		Brake lines			
		Underbody			
		Vacuum line			
1	996 355 581 07	Brake line	/L	1	
(1)	996 355 581 9B	Brake line	/L	1	CAYMAN S I450
(1)		Brake line	/L	1	CAYMAN R I450
2	996 355 501 06	Brake hose bracket	/L	1	
3	900 067 117 04	Pan-head screw M 6 x 16		2	
4	996 355 139 01	Brake hose		2	
(4)	996 355 139 03	Brake hose		2	
5	997 355 175 10	Brake line	/L	1	
(5)	997 355 175 11	Brake line	/L	1	
6	999 591 930 40	Support		X	
7	996 355 584 07	Brake line	/R	1	
(7)	996 355 584 9B	Brake line	/R	1	CAYMAN S I450
(7)		Brake line	/R	1	CAYMAN R I450
8	996 355 502 06	Brake hose bracket	/R	1	
9	997 355 176 10	Brake line	/R	1	
10	997 355 753 00	Reinforcement		1	
11	997 355 752 00	Gasket		1	
12	900 380 015 01	Hexagon nut M 6		3	
13	997 355 650 00	Intermediate piece		1	
14	996 355 545 00	Support		3	
15	996 355 549 00	Support		1	
16	996 355 547 01	Support		2	
17	996 355 543 00	Support		1	
18	997 355 177 10	Brake line		1	
19	997 355 179 10	Brake line		1	
(19)	997 355 179 11	Brake line		1	
21	996 355 760 31	Connecting piece		1	
22	997 355 571 01	Vacuum line		1	
-	999 702 289 40	Grommet		1	
		Wheel housing			
23	999 651 331 40	Cable holder		5	
24	997 355 331 00	Retainer spring for Brake hose		X	

Model: 987209

Model life 2009>>2012



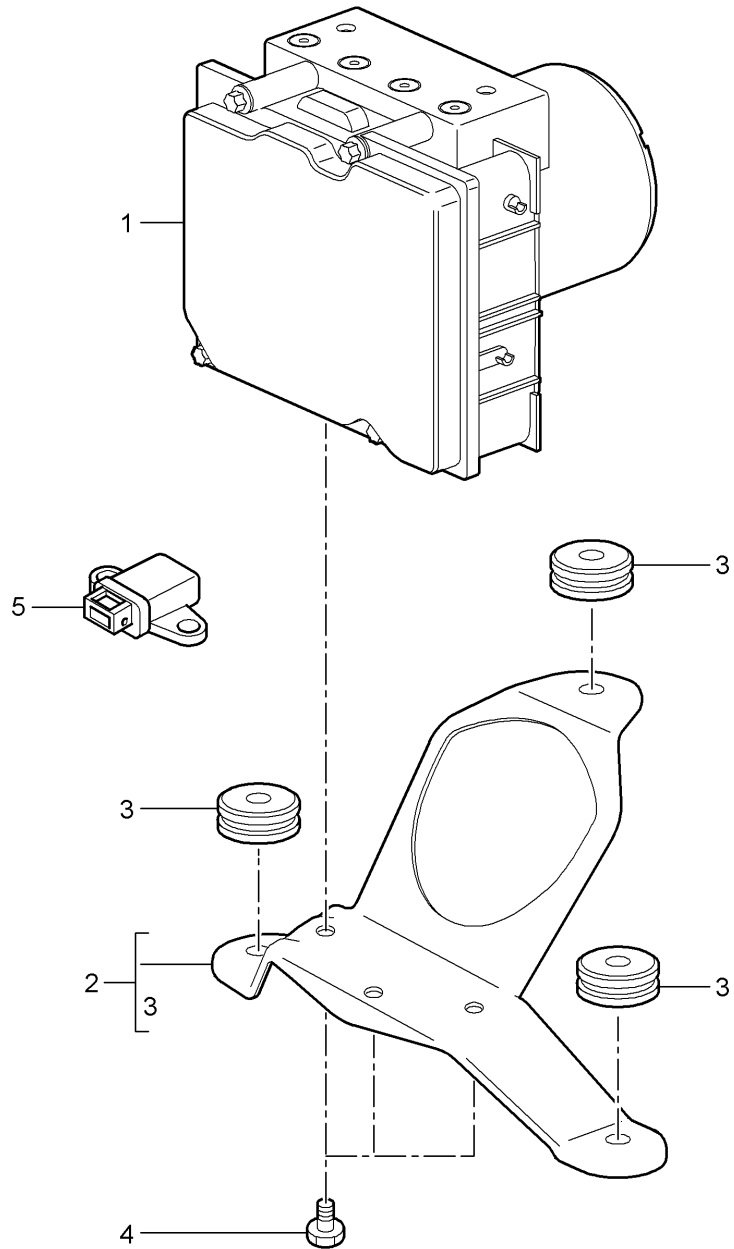
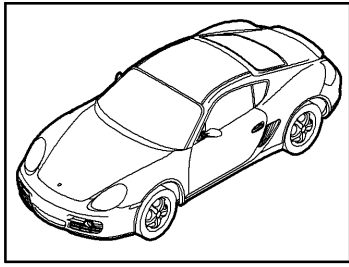
Model: 987209

Model life 2009>>2012

Pos	Part Number	Description	Remark	Qty	Model
		Brake line			
		Underbody			
		Rear axle			
		Vacuum line			
1	987 355 189 10	Brake line	/L	1	
2	987 355 501 01	Support	/L	1	
3	900 075 355 01	Hexagon-head bolt M 6 X 16		4	
4	987 355 502 01	Support	/R	1	
5	987 355 581 01	Brake line	/L	1	
(5)	987 355 583 01	Brake line	/L	1	CAYMAN S I450
(5)		Brake line	/L	1	CAYMAN R I450
6	987 355 582 01	Brake line	/R	1	
(6)	987 355 584 01	Brake line	/R	1	CAYMAN S I450
(6)		Brake line	/R	1	CAYMAN R I450
-	996 501 815 02	Support		2	
		Brake hose			
7	987 355 637 00	Brake hose		2	
(7)	987 355 637 01	Brake hose		2	
8	987 355 190 10	Brake line	/R	1	
9	999 651 331 40	Cable holder		3	
10	964 423 811 00	Support		2	
11	996 355 543 00	Support		1	
(14)	987 355 575 11	Vacuum line	-09	1	
(14)	987 355 575 12	Vacuum line	10-	1	
15	997 355 331 00	Retainer spring for Brake hose		X	

Model: 987209

Model life 2009>>2012



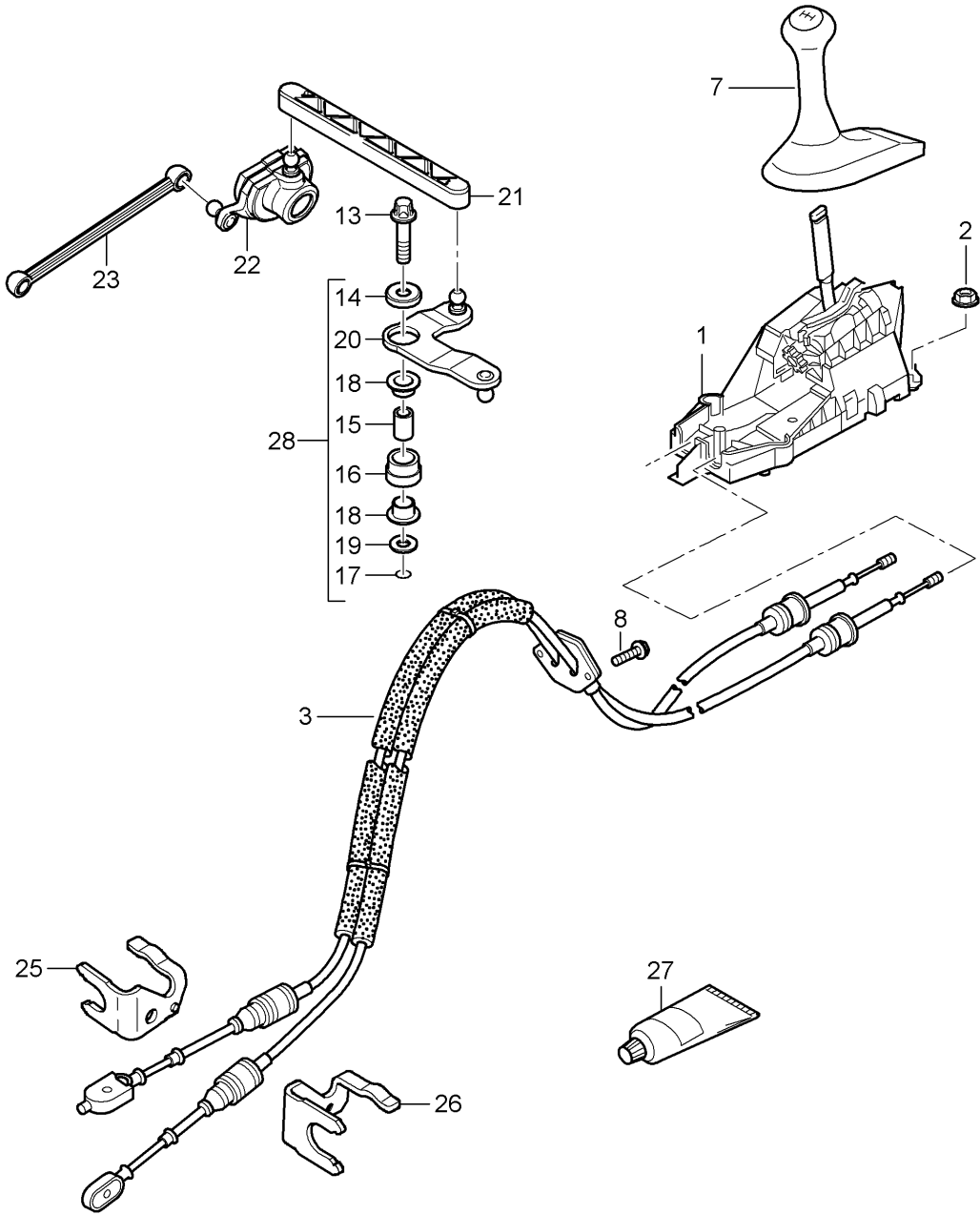
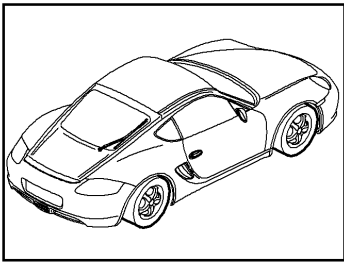
Model: 987209

Model life 2009>>2012

Pos	Part Number	Description	Remark	Qty	Model
		Hydraulic unit Anti-lock brake system Control			
1	987 355 955 11	Hydraulic unit	-09	1	
1	987 355 955 12	Hydraulic unit	10-	1	
2	997 355 033 00	Support with Rubber mounting		1	
3	964 356 635 00	Rubber mounting		3	
-	999 045 004 40	Hexagon nut		3	
4	900 385 060 01	Plastic material Screw BM 6 x 10		3	
5	997 606 145 05	Sensor	-10	1	
5	997 606 145 07	Sensor	11-	1	

Model: 987209

Model life 2009>>2012



Model: 987209 Model life 2009>>2012

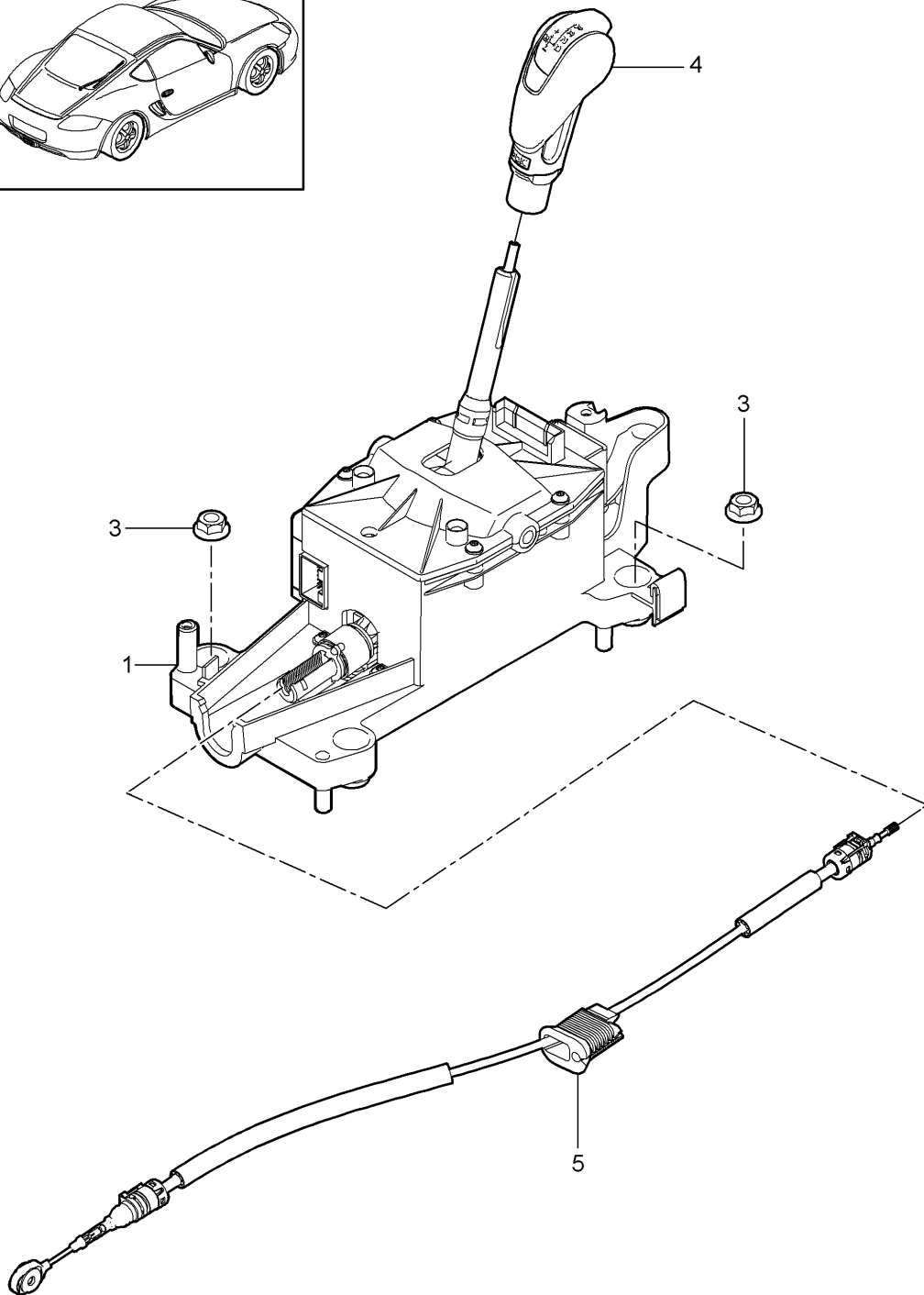
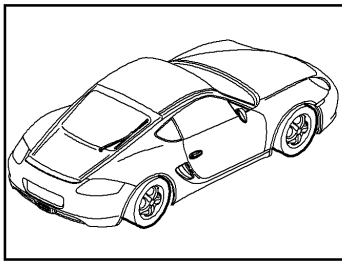
Pos	Part Number	Description	Remark	Qty	Model
		Transmission control Manual transmission			I480
1	997 424 010 00	Gearshift bracket		1	
(1)	997 424 983 00	Gearshift bracket		1	IXCZ
2	999 084 629 01	Hexagon nut M 6SB		4	
3	987 424 042 11	Cable		1	
3	987 424 042 12	Cable To Use with Lever 981.424.023.00 Support 987.424.065.01		1	
7	997 424 075 01	Gearshift knob Leather Shift pattern Aluminium look		1	
	997 424 075 01 FOT	Black/black			
	997 424 075 01 FOU	Stone grey/stone grey			
	997 424 075 01 FOV	Sand beige/sand beige			
	997 424 075 01 FOW	Sea blue/sea blue			
	997 424 075 01 FPW	Terracotta/terracotta			
	997 424 075 01 FPX	Cocoa/Cocoa			
	997 424 075 01 FQE	Black/stone grey			
	997 424 075 01 FOY	Dark grey/dark grey			
	997 424 075 01 FOZ	Brown nat./brown nat.			
(7)	997 424 075 01 FSR	Carrera Red/Carrera Red			
	997 424 075 03	Gearshift knob Carbon Shift pattern Aluminium look		1	I803
	997 424 075 03 FPP	Black			
	997 424 075 03 FPQ	Stone grey			
	997 424 075 03 FPR	Sand Beige			
	997 424 075 03 FPS	Sea blue			
	997 424 075 03 FQC	Terracotta			
	997 424 075 03 FQD	Cocoa			
	997 424 075 03 FPU	Dark grey/natural			
	997 424 075 03 FPV	Brown/natural			
	997 424 075 03 FSS	Carrera Red			
(7)	997 424 075 04	Gearshift knob Macassar Shift pattern Aluminium look		1	I801
	997 424 075 04 FPA	Black			
	997 424 075 04 FPB	Stone grey			
	997 424 075 04 FPC	Sand Beige			
	997 424 075 04 FPD	Sea blue			
	997 424 075 04 FPY	Terracotta			
	997 424 075 04 FPZ	Cocoa			
	997 424 075 04 FPF	Dark grey/natural			
	997 424 075 04 FPG	Brown/natural			
	997 424 075 04 FST	Carrera Red			
7	987 424 075 07	Gearshift knob Leather		1	CAYMAN R
	987 424 075 07 FOT	Black/black			
	987 424 075 07 FOV	Sand beige/sand beige			
	987 424 075 07 FPX	Cocoa/Cocoa			
	987 424 075 07 FSR	Carrera Red/Carrera Red			
(7)	997 424 981 00	Information available Gearshift knob		1	IX97

Model: 987209 Model life 2009>>2012

Pos	Part Number	Description	Remark	Qty	Model
		Aluminium			
		Leather			
	997 424 981 00 8YR	Black			
	997 424 981 00 5X5	Stone grey			
	997 424 981 00 8G1	Sand Beige			
	997 424 981 00 3S8	Sea blue			
	997 424 981 00 9N2	Terracotta			
	997 424 981 00 9Q3	Cocoa			
	997 424 981 00 D11	Dark grey/natural			
	997 424 981 00 T11	Brown/natural			
	997 424 981 00 N11	Carrera Red			
(7)	997 424 990 00	Gearshift knob		1	IXFN
		Aluminium			
	997 424 990 00 8YR	Black			
	997 424 990 00 5X5	Stone grey			
	997 424 990 00 8G1	Sand Beige			
	997 424 990 00 3S8	Sea blue			
	997 424 990 00 9N2	Terracotta			
	997 424 990 00 9Q3	Cocoa			
	997 424 990 00 D11	Dark grey/natural			
	997 424 990 00 T11	Brown/natural			
	997 424 990 00 N11	Carrera Red			
8	999 084 629 01	Hexagon nut		2	
		M 6			
-	996 424 145 01	Fastening part		1	
		for			
		Cable			
		Adjustable			
-	996 424 445 00	Clip		1	
		for			
		Fastening part			
-	996 424 147 00	Fastening part		1	
		for			
		Cable			
		Adjustable			
		for			
		Cable			
13	900 385 006 01	Torx screw		1	
		BM 8 X 35			
14		Cap		1	
15		Spacer sleeve		1	
16		Bearing sleeve		1	
17		O-ring		1	
		6,0 X 1,5			
18		Bush		2	
19		Washer		2	
20		Reverse lever		1	
21	987 424 131 10	Joint rod		1	
22	987 424 023 00	Lever		1	
22	981 424 023 00	Lever		1	
23	987 424 035 10	Connecting rod		1	
(23)	981 424 035 10	Connecting rod		1	
25	987 424 065 00	Support		1	
		Left			
25	987 424 065 01	Support		1	
		Left			
26	987 424 066 00	Support		1	
		Right			
27	000 043 205 93	Grease		X	
		1 100-gramme tube			
28	987 424 037 00	Reverse lever		1	

Model: 987209

Model life 2009>>2012



Model: 987209

Model life 2009>>2012

Pos	Part Number	Description	Remark	Qty	Model
		Selector lever PDK			I250
1	9G1 426 011 03	Support with Housing	-09	1	
1	9G1 426 011 05	Support with Housing	10-	1	
3	999 084 629 01	Hexagon nut M 6		4	
4	9G1 426 069 00	Selector knob Leather Volcano grey		1	
	9G1 426 069 00 FTE	Black			
	9G1 426 069 00 FTF	Stone grey			
	9G1 426 069 00 FTG	Sand Beige			
	9G1 426 069 00 FTH	Sea blue			
	9G1 426 069 00 FTJ	Terracotta			
	9G1 426 069 00 FTK	Cocoa			
	9G1 426 069 00 FTL	Dark grey/natural			
	9G1 426 069 00 FTM	Brown/natural			
	9G1 426 069 00 FTN	Carrera Red			
4	9G1 426 069 04	Selector knob Leather Macassar Volcano grey	-09	1	I801
	9G1 426 069 04 FTO	Black			
	9G1 426 069 04 FTP	Stone grey			
	9G1 426 069 04 FTQ	Sand Beige			
	9G1 426 069 04 FTR	Sea blue			
	9G1 426 069 04 FTS	Terracotta			
	9G1 426 069 04 FTT	Cocoa			
	9G1 426 069 04 FTU	Dark grey/natural			
	9G1 426 069 04 FTV	Brown/natural			
	9G1 426 069 04 FTW	Carrera Red			
(4)	9G1 426 069 14	Selector knob Macassar Volcano grey	10-	1	I801
	9G1 426 069 14 FTO	Black			
	9G1 426 069 14 FTP	Stone grey			
	9G1 426 069 14 FTQ	Sand Beige			
	9G1 426 069 14 FTR	Sea blue			
	9G1 426 069 14 FTS	Terracotta			
	9G1 426 069 14 FTT	Cocoa			
	9G1 426 069 14 FTU	Dark grey/natural			
	9G1 426 069 14 FTV	Brown/natural			
	9G1 426 069 14 FTW	Carrera Red			
4	9G1 426 069 03	Selector knob Leather Carbon Volcano grey	-09	1	I803
	9G1 426 069 03 FTX	Black			
	9G1 426 069 03 FTY	Stone grey			
	9G1 426 069 03 FTZ	Sand Beige			
	9G1 426 069 03 FUA	Sea blue			
	9G1 426 069 03 FUB	Terracotta			
	9G1 426 069 03 FUC	Cocoa			
	9G1 426 069 03 FUD	Dark grey/natural			
	9G1 426 069 03 FUE	Brown/natural			
	9G1 426 069 03 FUF	Carrera Red			
(4)	9G1 426 069 13	Selector knob Leather Carbon	10-	1	I803

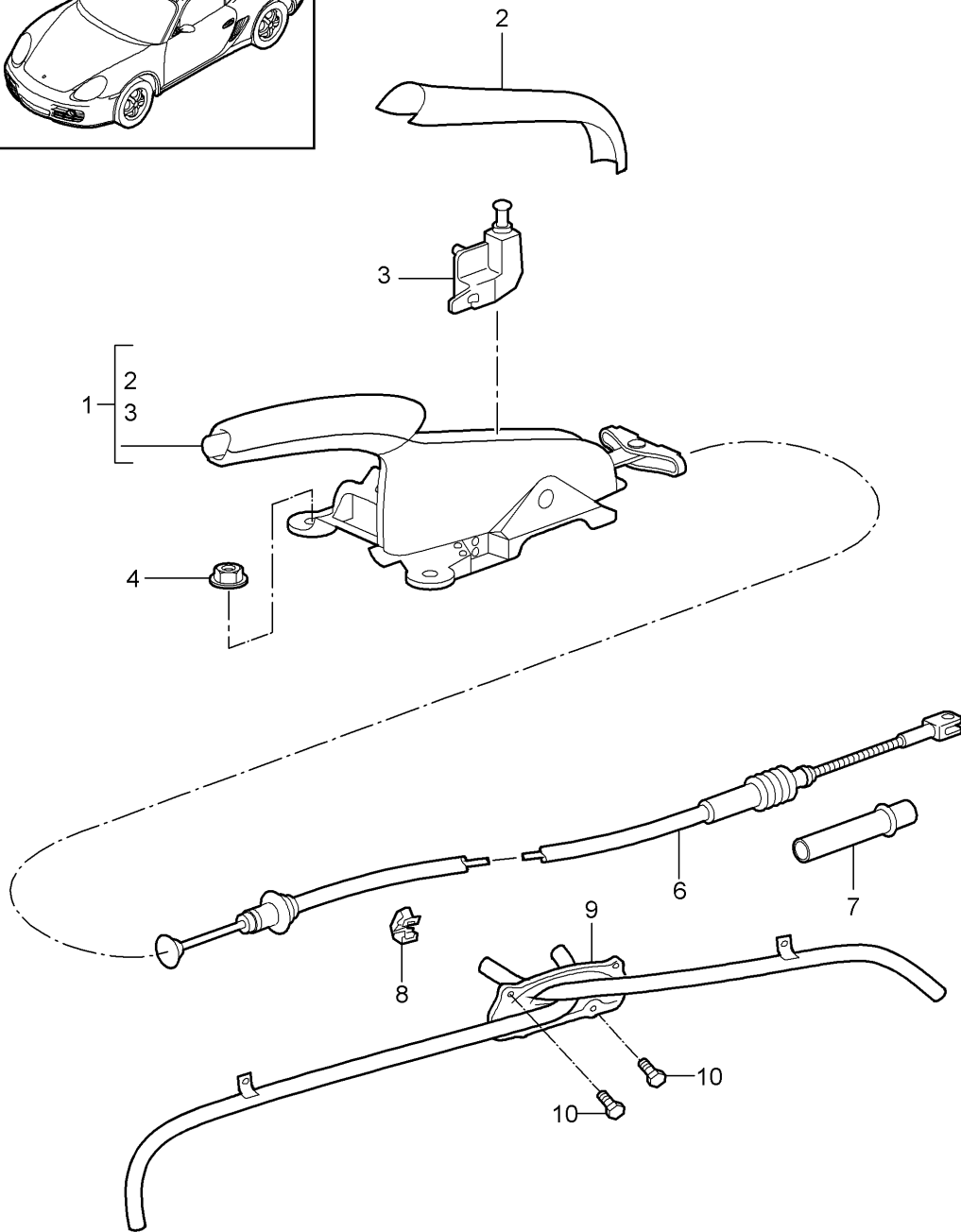
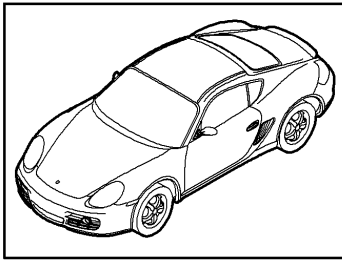
Model: 987209

Model life 2009>>2012

Pos	Part Number	Description	Remark	Qty	Model
		Volcano grey			
	9G1 426 069 13 FTX	Black			
	9G1 426 069 13 FTY	Stone grey			
	9G1 426 069 13 FTZ	Sand Beige			
	9G1 426 069 13 FUA	Sea blue			
	9G1 426 069 13 FUB	Terracotta			
	9G1 426 069 13 FUC	Cocoa			
	9G1 426 069 13 FUD	Dark grey/natural			
	9G1 426 069 13 FUE	Brown/natural			
	9G1 426 069 13 FUF	Carrera Red			
4	9G1 426 980 00	Selector knob		1	IXYA
		Leather			
		Carbon			
		Volcano grey			
	9G1 426 980 00 FTE	Black			
	9G1 426 980 00 5X5	Stone grey			
	9G1 426 980 00 8G1	Sand Beige			
	9G1 426 980 00 3S8	Sea blue			
	9G1 426 980 00 9N2	Terracotta			
	9G1 426 980 00 9Q3	Cocoa			
	9G1 426 980 00 D11	Dark grey/natural			
	9G1 426 980 00 T11	Brown/natural			
	9G1 426 980 00 N11	Carrera Red			
(4)	9G2 426 069 20	Selector knob		1	CAYMAN R
		Leather			
	9G2 426 069 20 FTE	Black/Galvano Silver			
	9G2 426 069 20 FTG	Sand Beige			
	9G2 426 069 20 FTK	Cocoa			
	9G2 426 069 20 FTN	Carrera Red			
5	9G2 426 033 00	Cable		1	

Model: 987209

Model life 2009>>2012



Model: 987209

Model life 2009>>2012

Pos	Part Number	Description	Remark	Qty	Model
(1)	997 424 031 67	Handbrake Actuator Parking-brake lever Complete Leather		1	
	997 424 031 67 8YR	Black			
	997 424 031 67 5X5	Stone grey			
	997 424 031 67 8G1	Sand Beige			
	997 424 031 67 3S8	Sea blue			
	997 424 031 67 9N2	Terracotta			
	997 424 031 67 9Q3	Cocoa			
	997 424 031 67 FQF	Black/stone grey			
	997 424 031 67 D11	Dark grey/natural			
	997 424 031 67 T11	Brown/natural			
	997 424 031 67 N11	Carrera Red			
(1)	997 424 031 68	Parking-brake lever Complete Macassar		1	I801
	997 424 031 68 8YR	Black			
	997 424 031 68 5X5	Stone grey			
	997 424 031 68 8G1	Sand Beige			
	997 424 031 68 3S8	Sea blue			
	997 424 031 68 9N2	Terracotta			
	997 424 031 68 9Q3	Cocoa			
	997 424 031 68 D11	Dark grey/natural			
	997 424 031 68 T11	Brown/natural			
	997 424 031 68 N11	Carrera Red			
(1)	997 424 031 70	Parking-brake lever Complete Carbon		1	I803
	997 424 031 70 8YR	Black			
	997 424 031 70 5X5	Stone grey			
	997 424 031 70 8G1	Sand Beige			
	997 424 031 70 3S8	Sea blue			
	997 424 031 70 9N2	Terracotta			
	997 424 031 70 9Q3	Cocoa			
	997 424 031 70 D11	Dark grey/natural			
	997 424 031 70 T11	Brown/natural			
	997 424 031 70 N11	Carrera Red			
(1)	997 424 991 01	Parking-brake lever Complete		1	IXFP/099
	997 424 991 01 8YR	Black			
	997 424 991 01 5X5	Stone grey			
	997 424 991 01 8G1	Sand Beige			
	997 424 991 01 3S8	Sea blue			
	997 424 991 01 9N2	Terracotta			
	997 424 991 01 9Q3	Cocoa			
	997 424 991 01 D11	Dark grey/natural			
	997 424 991 01 T11	Brown/natural			
	997 424 991 01 N11	Carrera Red			
(1)	997 424 980 01	Parking-brake lever Complete		1	IX98/099
	997 424 980 01 8YR	Black			
	997 424 980 01 5X5	Stone grey			
	997 424 980 01 8G1	Sand Beige			
	997 424 980 01 3S8	Sea blue			
	997 424 980 01 9N2	Terracotta			
	997 424 980 01 9Q3	Cocoa			
	997 424 980 01 D11	Dark grey/natural			
	997 424 980 01 T11	Brown/natural			
	997 424 980 01 N11	Carrera Red			
(1)	997 424 980 07	Parking-brake lever Complete		1	IX98/099

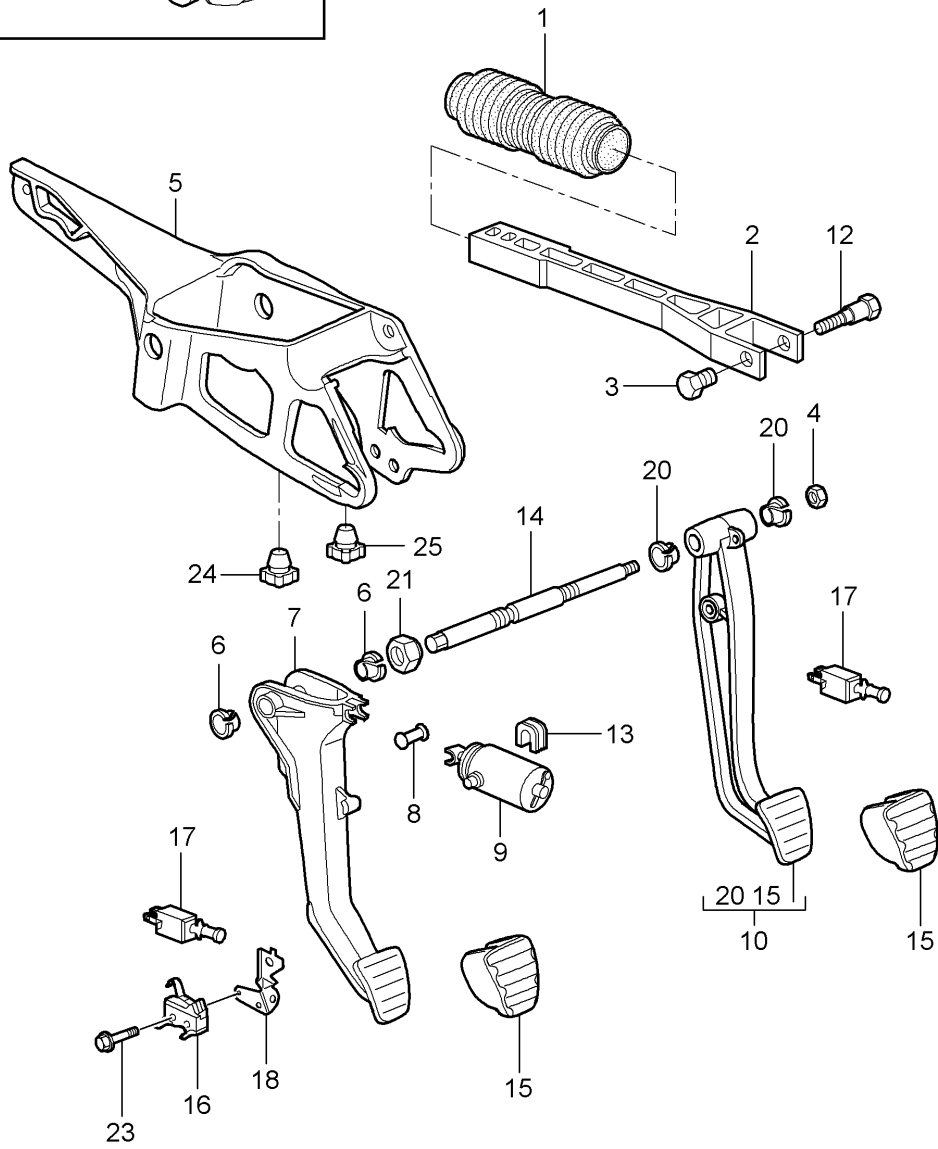
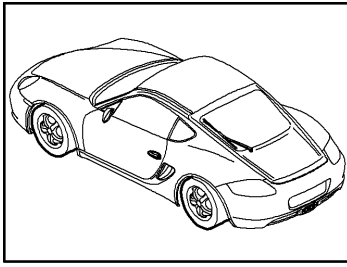
Model: 987209

Model life 2009>>2012

Pos	Part Number	Description	Remark	Qty	Model
	997 424 980 07 8YR	Black			
	997 424 980 07 5X5	Stone grey			
	997 424 980 07 8G1	Sand Beige			
	997 424 980 07 3S8	Sea blue			
	997 424 980 07 9N2	Terracotta			
	997 424 980 07 9Q3	Cocoa			
	997 424 980 07 D11	Dark grey/natural			
	997 424 980 07 T11	Brown/natural			
	997 424 980 07 N11	Carrera Red			
(1)	997 424 991 00	Parking-brake lever Complete		1	IXFP/098
	997 424 991 00 8YR	Black			
	997 424 991 00 5X5	Stone grey			
	997 424 991 00 8G1	Sand Beige			
	997 424 991 00 3S8	Sea blue			
	997 424 991 00 9N2	Terracotta			
	997 424 991 00 9Q3	Cocoa			
	997 424 991 00 D11	Dark grey/natural			
	997 424 991 00 T11	Brown/natural			
	997 424 991 00 N11	Carrera Red			
2	997 424 155 00	Cover Leather		1	
	997 424 155 00 8YR	Black			
	997 424 155 00 5X5	Stone grey			
	997 424 155 00 8G1	Sand Beige			
	997 424 155 00 3S8	Sea blue			
	997 424 155 00 9N2	Terracotta			
	997 424 155 00 9Q3	Cocoa			
	997 424 155 00 D11	Dark grey/natural			
	997 424 155 00 T11	Brown/natural			
	997 424 155 00 N11	Carrera Red			
3	996 613 112 01	Switch		1	
4	999 084 630 01	Hexagon nut M 8		4	
6	987 424 141 07	Parking-brake cable	/L	1	
(6)	987 424 141 08	Parking-brake cable	/R	1	
7	986 424 721 07	Guide tube		2	
8	999 507 827 40	Hose holder		2	
9	987 424 310 00	Housing		1	
10	900 378 163 01	Hexagon-head bolt M 6 X 16		4	
-	999 076 081 40	Plastic nut T5 16 X 11,2		2	

Model: 987209

Model life 2009>>2012

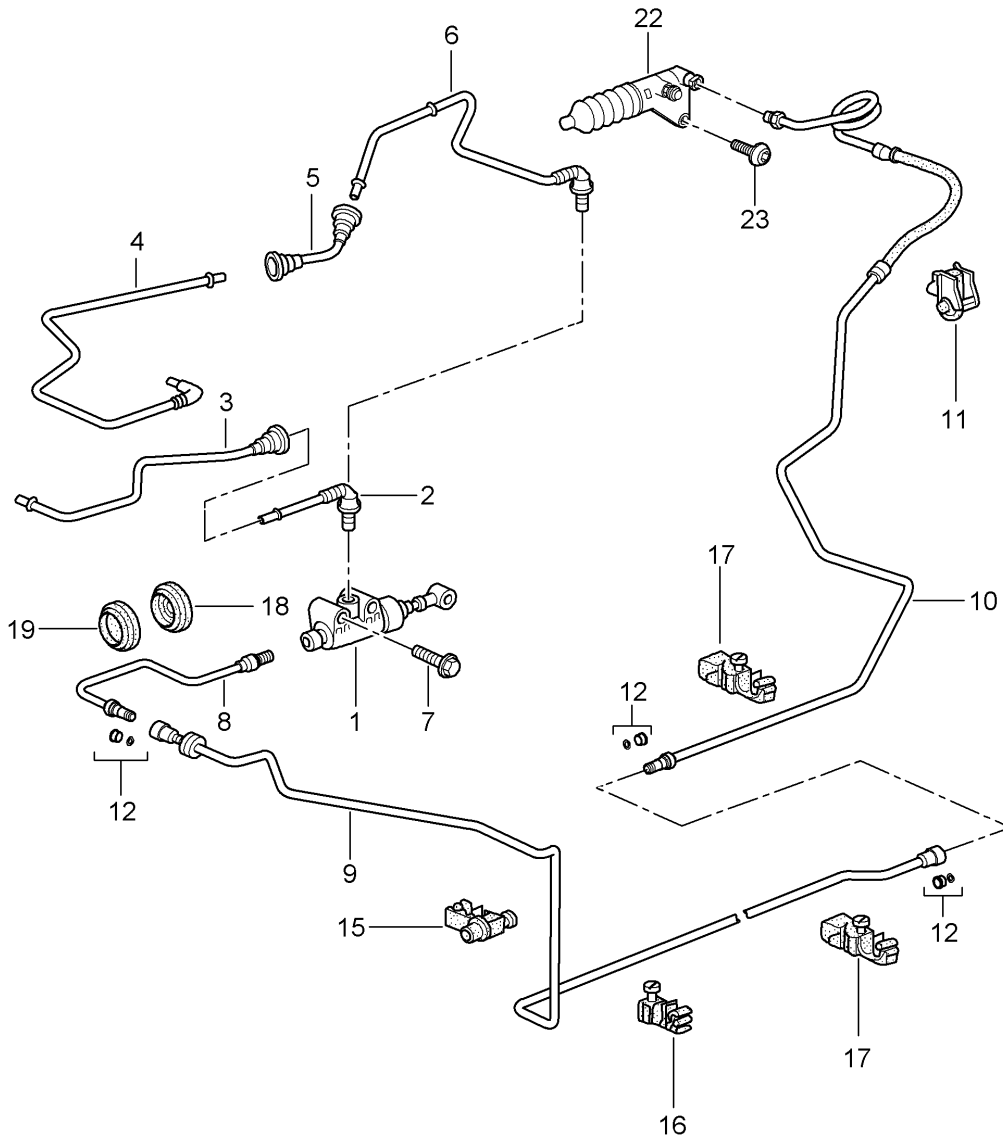
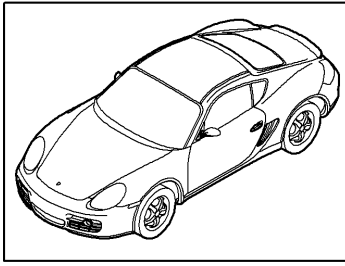


Model: 987209 Model life 2009>>2012

Pos	Part Number	Description	Remark	Qty	Model
-	000 043 206 17	Pedals Grease 1 tube		X	
1		Bellows See illustrations 6/04/00		1	
2	996 423 165 05	Push rod		1	
3	996 423 307 00	Sleeve		1	
4	999 084 457 01	Hexagon nut M 8		3	
5	997 423 571 02	Bracket for Clutch power spring		1	I480
6	997 423 399 01	Bush		2	I480
7	997 423 139 01	Clutch pedal		1	I480
8	996 423 315 06	Bolt		1	I480
-	999 166 022 01	Kl-lock for Bolt		1	I480
9	987 423 081 04	Clutch power spring		1	CAYMAN
(9)	987 423 081 05	Clutch power spring		1	CAYMAN-S
(9)		Clutch power spring		1	CAYMAN-R
10	997 423 091 04	Brake pedal		1	I098/480
(10)	997 423 092 04	Brake pedal		1	I099/480
(10)	997 423 093 04	Brake pedal		1	I098/250
10	997 423 094 04	Brake pedal		1	I099/250
12	996 423 308 00	Bolt		1	
13	997 423 581 00	Bearing shell		1	
14	997 423 281 00	Axle		1	I098/480
(14)	997 423 284 00	Axle		1	I099/480
(14)	996 423 283 05	Axle		1	I098/250
(14)	996 423 286 05	Axle		1	I099/250
-	996 423 277 00	Bearing sleeve		1	I099
15	997 423 910 00	Brake pedal Pedal cap		2	I480
(15)	997 423 912 00	Pedal cap		1	I250
16	997 613 109 01	Switch Brake pedal		1	I480
17	996 613 113 02	Switch Brake pedal		2	
(17)	996 613 114 01	Switch Clutch pedal		1	
18	997 423 541 00	Support		1	
20	997 423 401 00	Bush		2	I098
(20)	997 423 402 00	Bush		2	I099
21	997 423 275 01	Screw plug		1	
23	999 073 480 01	Combination screw M 3 X 20		1	
24	997 423 695 00	Rubber stop		1	
25	997 423 697 00	Rubber stop		1	

Model: 987209

Model life 2009>>2012



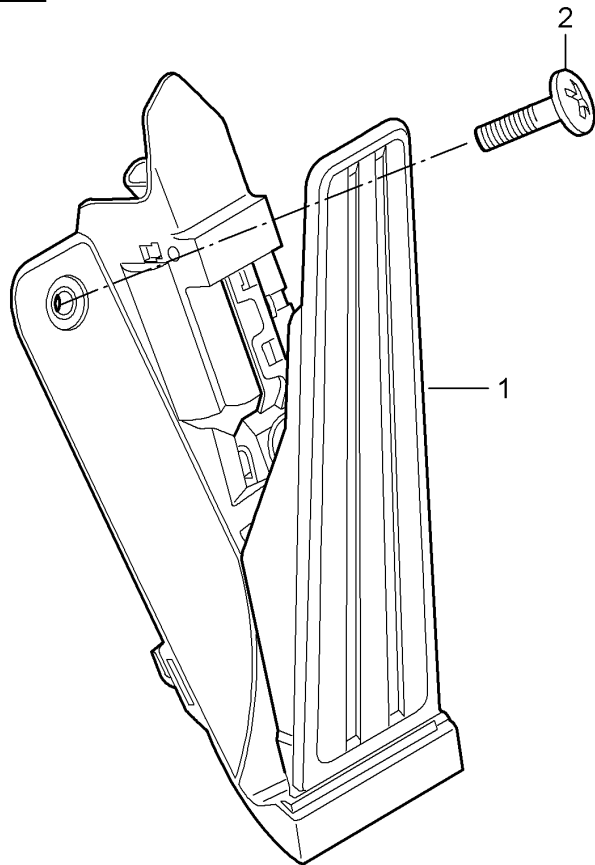
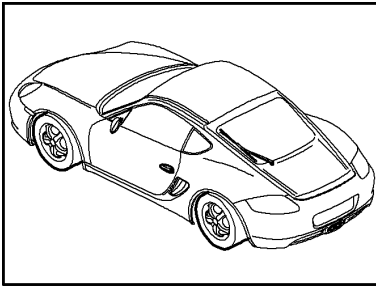
Model: 987209

Model life 2009>>2012

Pos	Part Number	Description	Remark	Qty	Model
		clutch actuation			I480
		Clutch master cylinder			
		Clutch pipeline			
1	997 423 171 01	Clutch master cylinder		1	
-	996 423 614 00	Circlip		1	
		Pressure line			
-	996 423 315 06	Bolt		1	
-	999 166 022 01	Kl-lock		1	
		for			
		Bolt			
2	997 423 147 00	Feed line		1	I098
3	997 423 137 00	Feed line		1	I098
4	996 423 138 04	Feed line		1	I099
5	996 423 140 02	Feed line		1	I099
6	996 423 142 02	Feed line		1	I099
7	900 378 217 09	Hexagon-head bolt		2	
		M 6 X 40			
8	997 423 107 12	Clutch pipeline		1	I098
(8)	997 423 107 13	Clutch pipeline		1	I098
(8)	997 423 108 12	Clutch pipeline		1	I099
9	997 423 109 11	Clutch pipeline		1	
-	999 702 120 50	Rubber sleeve		1	
		for			
		Clutch pipeline			
10	987 423 113 12	Clutch pipeline	-09	1	
10	987 423 113 13	Clutch pipeline	10-	1	
10	987 423 113 14	Clutch pipeline		1	CAYMAN R
11	999 507 495 40	Support		1	
12	997 423 913 00	Repair kit		X	
		Comprising:			
		O-ring		1	
		Sealing rubber		1	
15	996 355 549 00	Support		1	
16	996 355 545 00	Support		2	
17	996 355 543 00	Support		4	
18	999 702 216 42	Grommet		1	I480
19	999 702 217 41	Grommet		1	I250
21	999 507 586 40	Cable holder		1	
		Clutch hose			
		Upper			
22	9G2 116 237 00	Slave cylinder		1	
23	900 385 098 01	Torx screw		2	
		BM 8 X 25			

Model: 987209

Model life 2009>>2012



Model: 987209

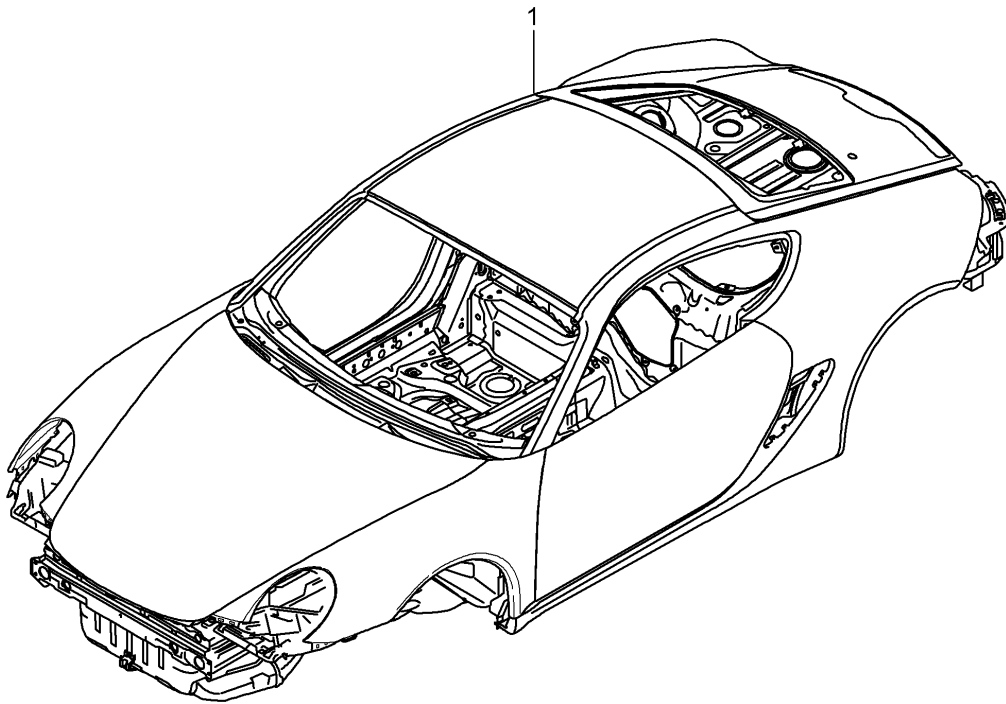
Model life 2009>>2012

Pos	Part Number	Description	Remark	Qty	Model
1	997 423 019 02	Pedals Accelerator control		1	I480
(1)	997 423 021 02	Accelerator control		1	I250
2	900 146 161 09	Round head screw M 6 X 20		1	

Model: 987209

Model life 2009>>2012

B	WPOZZZ	98 z 5U730070	
C	987	121	
	M9701-685	G9701	
G	L6B4	AT	
D	C00	267 268 425 437	A
E		438 446 454 537 610	
		635 640 650 666 670	
F	00641	20772	



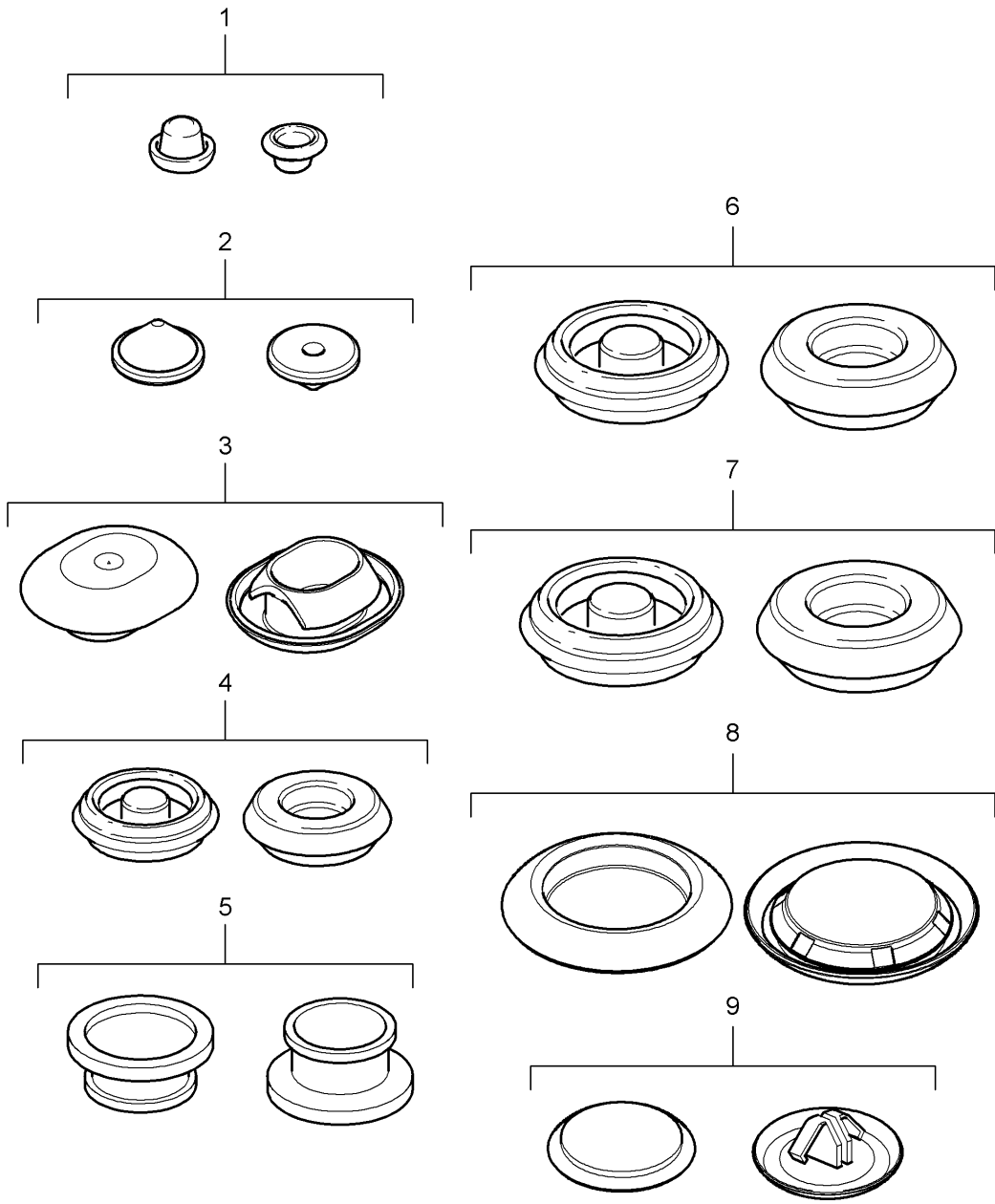
Model: 987209

Model life 2009>>2012

Pos	Part Number	Description	Remark	Qty	Model
A		Body in white			
B		Prime coated			
C		Sealed			
D		with			
E		Underbody protection			
F		with			
G		Doors/lids/wings			
1	987 500 900 00	Bodyshells can only			
	987 500 900 00 GRV	only available from current			
		Model year available			
		The data required			
		for your order			
		Can be found on the			
		Vehicle data carrier			
		in			
		On-board folder			
		Please indicate this data			
		in your order			
		Vehicle data carrier			
		Vehicle Ident. No.			
		Order type			
		Country equipment			
		Optional extras			
		Additional applications			
		Indicate colour			
		Body in white		1	
		Prime coated			

Model: 987209

Model life 2009>>2012



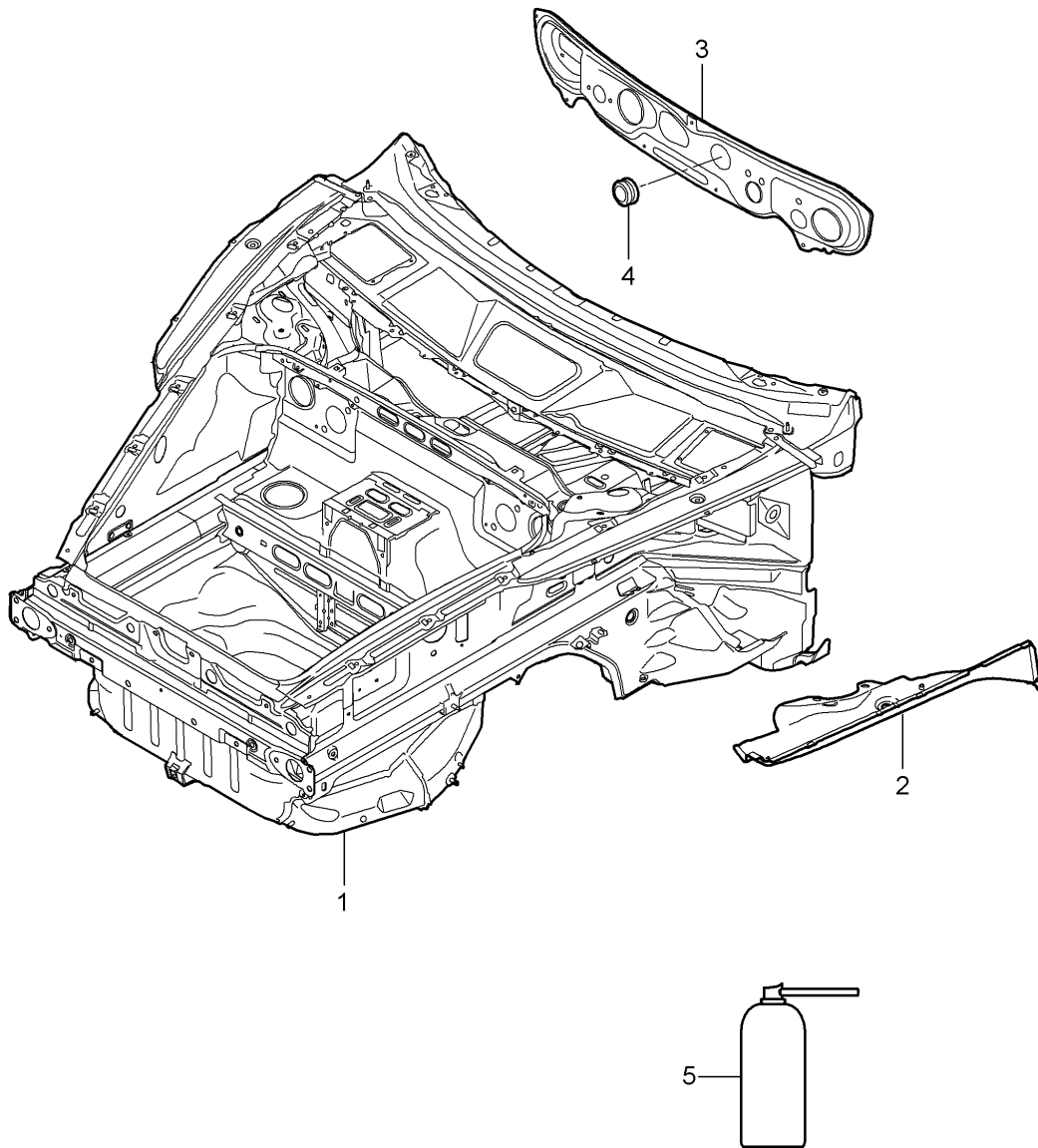
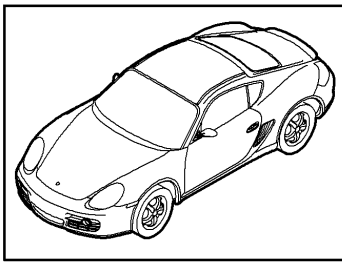
Model: 987209

Model life 2009>>2012

Pos	Part Number	Description	Remark	Qty	Model
1	999 703 462 40	Stopper Lid 10 x 6,5		X	
2	999 703 421 40	Grommet 15 mm		X	
3	955 504 184 00	Stopper		X	
(3)	955 504 185 00	Stopper 15 X20		X	
4	803 803 583 A	Stopper 20 x 30		X	
4	999 703 196 40	Lid 20 x 30		X	
5	999 703 420 40	Stopper 20,3 x 30 x 11		X	
6	803 803 583	Rubber sleeve 30 x 40		X	
6	999 703 195 40	Rubber sleeve 30 x 40		X	
7	999 703 433 40	Stopper 30 x 42		X	
8	999 703 435 40	Lid 15 x 26		X	
(8)	999 703 008 40	Lid 18,5 x 25		X	
(8)	999 703 018 40	Lid 23,8 X 30,4		X	
9	999 507 838 40	Stopper 10 X 0,9		X	

Model: 987209

Model life 2009>>2012



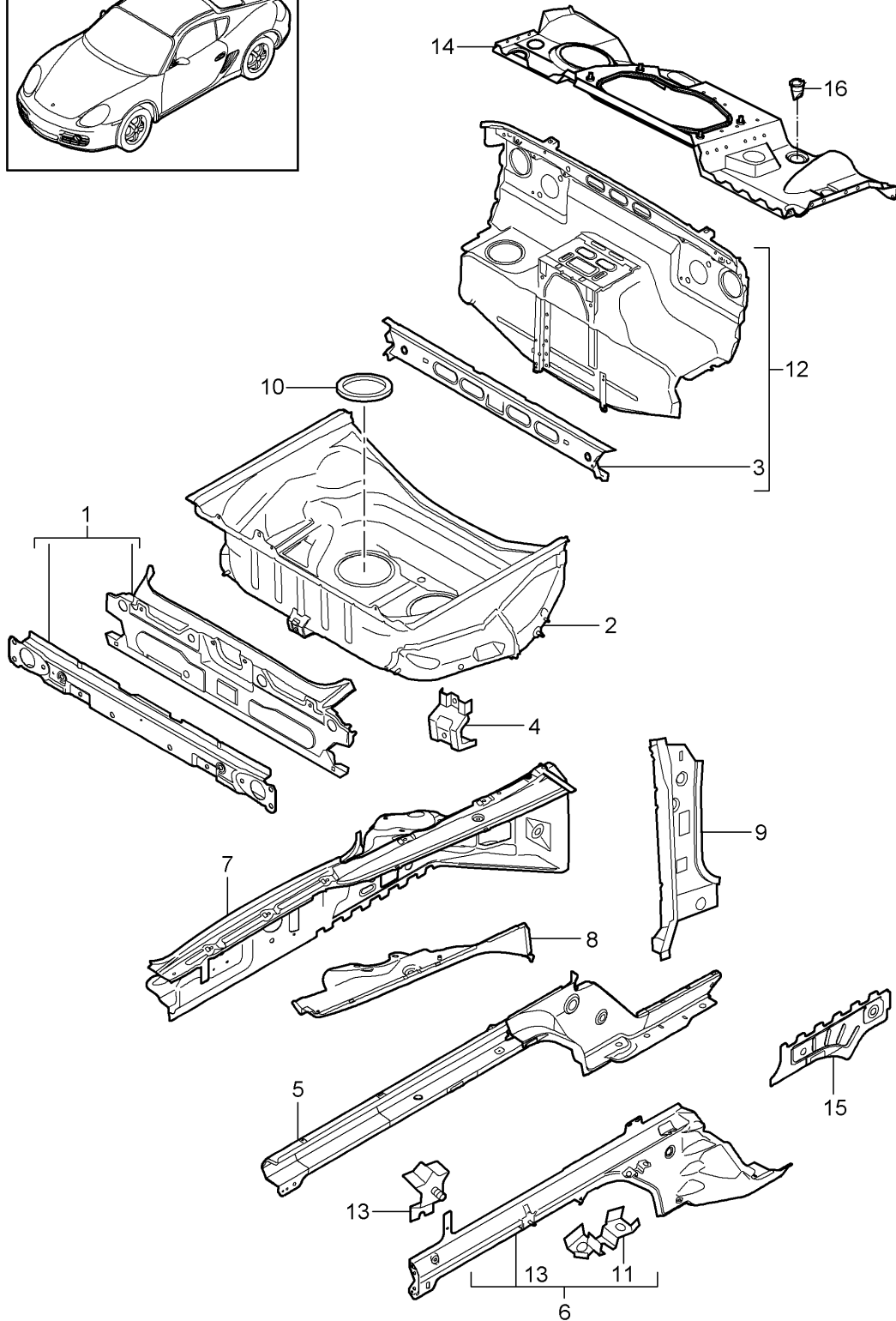
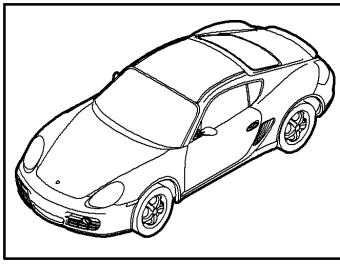
Model: 987209

Model life 2009>>2012

Pos	Part Number	Description	Remark	Qty	Model
1	987 501 911 00 987 501 911 00 GRV	Body front section Body front section Prime coated Use also: Sealing compound POS. 5 Processing instructions See technical manual Use also:		1	
2	997 501 945 00 997 501 945 00 GRV	Bottom half Prime coated	/L	1	
(2)	997 501 946 01 997 501 946 01 GRV	Bottom half Prime coated	/R	1	
3	997 504 121 00	Lid	/LL	1	I098
(3)	997 504 121 01	Lid Use also:	/RL	1	I099
-	000 043 300 94	Adhesive set		1	
4	999 702 255 41	Lid 62,5 X 72,6		1	
5	999 915 337 40	Sealing compound		1	

Model: 987209

Model life 2009>>2012



Model: 987209 Model life 2009>>2012

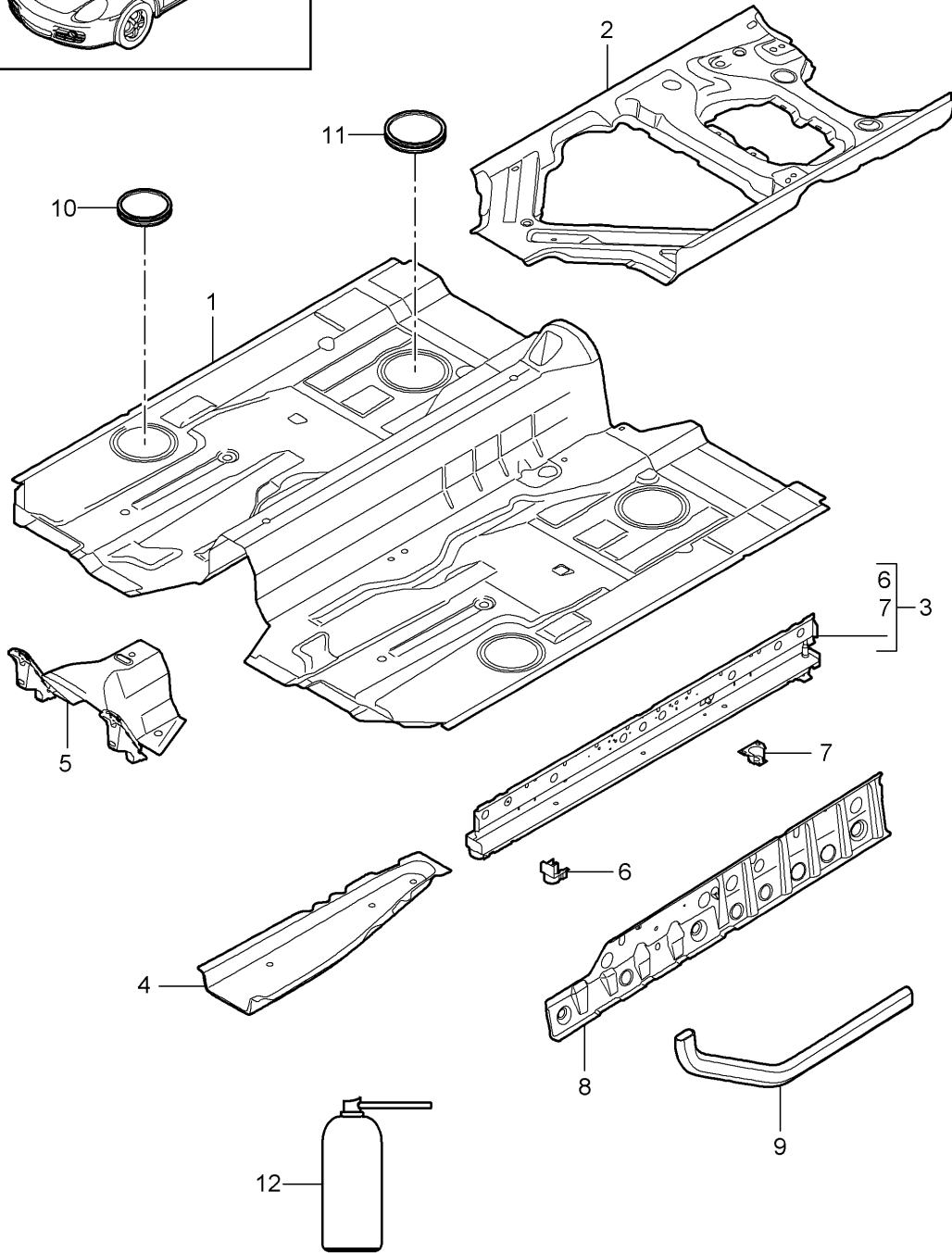
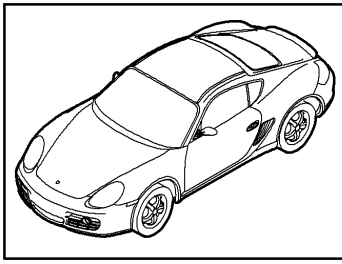
Pos	Part Number	Description	Remark	Qty	Model
1	997 501 931 00	Body front section Single parts Terminal piece Use also: 000.043.305.51 000.043.305.32		1 1 1	
2	997 501 931 00 GRV 987 501 979 00	Prime coated Spare-wheel well Use also: 000.043.305.51 000.043.305.32		1 1 1	
3	987 501 979 00 GRV 997 501 649 00	Prime coated Cross member Use also: 000.043.305.51 000.043.305.32		1 1 1	
4	997 501 649 00 GRV 996 501 621 00	Prime coated Support		3	
5	996 501 621 00 GRV 997 501 305 01	Prime coated Side member Use also: 000.043.305.51 000.043.305.32	/L	1 1 1	
(5)	997 501 305 01 GRV 997 501 306 01	Prime coated Side member Use also: 000.043.305.51 000.043.305.32	/R	1 1 1	
6	997 501 306 01 GRV 997 501 915 01	Prime coated Side member Use also: 000.043.305.51 000.043.305.32	/L	1 1 1	
(6)	997 501 915 01 GRV 997 501 916 01	Prime coated Side member Use also: 000.043.305.51 000.043.305.32	/R	1 1 1	
7	997 501 916 01 GRV 997 501 935 00	Prime coated Wheel housing Use also: 000.043.305.51 000.043.305.32	/L	1 1 1	
(7)	997 501 935 00 GRV 997 501 936 01	Prime coated Wheel housing Use also: 000.043.305.51 000.043.305.32	/R	1 1 1	
8	997 501 936 01 GRV 997 501 945 00	Prime coated Bottom half Use also: 000.043.305.51	/L	1 1	
(8)	997 501 945 00 GRV 997 501 946 01	Prime coated Bottom half Use also: 000.043.305.51	/R	1 1	
9	997 501 946 01 GRV 997 501 937 00	Prime coated Hinge pillar Use also: 000.043.305.51 000.043.305.32	/L	1 1	
9	997 501 937 00 GRV 997 501 938 00	Prime coated Hinge pillar	/R	1	

Model: 987209 Model life 2009>>2012

Pos	Part Number	Description	Remark	Qty	Model
		Use also: 000.043.305.51		1	
		000.043.305.32		1	
10	997 501 938 00 GRV	Prime coated			
	996 504 201 01	Lid \$ 145 MM		X	
11	996 501 815 02	Support		2	
	996 501 815 02 GRV	Prime coated			
		Brake line			
12	997 502 921 00	Bulkhead		1	
		Use also: 000.043.305.51		1	
		000.043.305.32		1	
	997 502 921 00 GRV	Prime coated			
13	996 501 341 00	Support		2	
	996 501 341 00 GRV	Prime coated			
		Radiator			
14	997 502 017 01	Cross panel		1	
		Use also: 000.043.305.51		1	
		000.043.305.32		1	
	997 502 017 01 GRV	Prime coated			
15	997 501 665 01	Separator	/L	1	
		Use also: 000.043.305.51		1	
	997 501 665 01 GRV	Prime coated			
(15)	997 501 666 01	Separator	/R	1	
		Use also: 000.043.305.51		1	
	997 501 666 01 GRV	Prime coated			
16	999 703 476 40	Grommet 29,8 X 1,0		4	
16	999 703 476 41	Grommet 29,8 X 1,0		4	

Model: 987209

Model life 2009>>2012



Model: 987209 Model life 2009>>2012

Pos	Part Number	Description	Remark	Qty	Model
1	987 501 551 00	Floor Centre Floor Use also: 000.043.305.51 000.043.305.32		1 1 1	
(2)	987 501 551 00 GRV 997 501 953 01	Prime coated Seat support Use also: 000.043.305.51 000.043.305.32	/L	1 1 1	
2	997 501 953 01 GRV 997 501 954 01	Prime coated Seat support Use also: 000.043.305.51 000.043.305.32	/R	1 1 1	
3	997 501 954 01 GRV 987 501 957 00	Prime coated Side member Use also: 000.043.305.51 000.043.305.32	/L	1 1	
(3)	987 501 957 00 GRV 987 501 958 00	Prime coated Side member Use also: 000.043.305.51 000.043.305.32	/R	1 1	
4	987 501 958 00 GRV 997 501 525 00	Prime coated Side member Use also: 000.043.305.51	/L	1 1	
(4)	997 501 525 00 GRV 997 501 526 00	Prime coated Side member Use also: 000.043.305.51	/R	1 1	
5	997 501 526 00 GRV 996 501 751 00	Prime coated Extension Use also: 000.043.305.32		1 1	
6	996 501 751 00 GRV 996 501 785 00	Prime coated Jacking point Use also: 000.043.305.32	/L /V	1 1	
(6)	996 501 785 00 GRV 996 501 786 00	Prime coated Jacking point Use also: 000.043.305.32	/R /V	1 1	
7	996 501 786 00 GRV 996 501 481 01	Prime coated Jacking point Use also: 000.043.305.32	/L /H	1 1	
(7)	996 501 481 01 GRV 996 501 482 01	Prime coated Jacking point Use also: 000.043.305.32	/R /H	1 1	
8	996 501 482 01 GRV 997 501 329 00	Prime coated Retaining bracket Use also: 000.043.305.51 000.043.305.32	/L	1 1	
(8)	997 501 329 00 GRV 997 501 330 00	Prime coated Retaining bracket Use also: 000.043.305.51	/R	1 1	

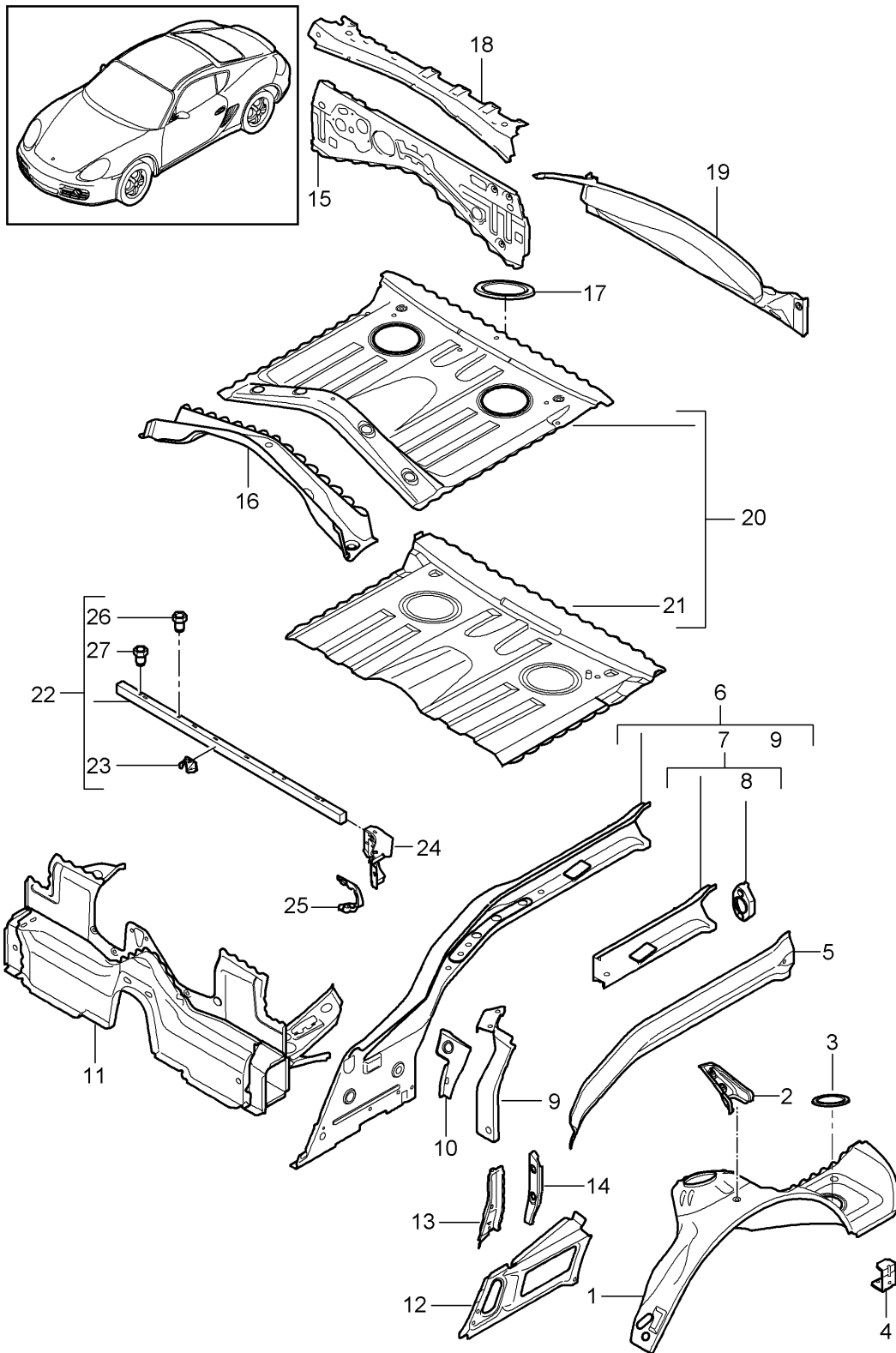
Model: 987209

Model life 2009>>2012

Pos	Part Number	Description	Remark	Qty	Model
		000.043.305.32		1	
9	997 501 330 00 GRV	Prime coated			
	997 501 439 00	Support tube		2	
	997 501 439 00 GRV	Prime coated			
		Use also:			
		Sealing compound			
		Pos. 12			
		Processing instructions			
		See technical manual			
		51 49 55			
10	996 504 205 01	Lid		2	
		\$ 125 MM			
11	996 504 201 01	Lid		2	
		\$ 145 MM			
12	999 915 337 40	Sealing compound		1	

Model: 987209

Model life 2009>>2012



Model: 987209

Model life 2009>>2012

Pos	Part Number	Description	Remark	Qty	Model
1	987 501 983 00	Rear end Single parts Wheel housing Use also: 000.043.305.51 000.043.305.32	/L	1	
(1)	987 501 983 00 GRV 987 501 984 01	Prime coated Wheel housing Use also: 000.043.305.51 000.043.305.32	/R	1	
2	987 501 984 01 GRV 987 502 675 00	Prime coated Bracket Use also: 000.043.305.51 000.043.305.32	/L	1	
(2)	987 502 675 00 GRV 987 502 676 00	Prime coated Bracket Use also: 000.043.305.51 000.043.305.32	/R	1	
3	987 502 676 00 GRV 996 504 209 01	Prime coated Lid 100 mm		2	
4	986 501 613 00	Support		2	
5	986 501 613 00 GRV 986 501 995 01	Prime coated Side member Outer Use also: 000.043.305.51 000.043.305.32		1	
6	986 501 995 01 GRV 987 501 177 00	Prime coated Bracket Inner Use also: 000.043.305.51 000.043.305.32	/L	1	
(6)	987 501 177 00 GRV 987 501 178 00	Prime coated Bracket Inner Use also: 000.043.305.51 000.043.305.32	/R	1	
7	987 501 178 00 GRV 986 501 977 00	Prime coated Side member Inner Sub-part Use also: 000.043.305.51 000.043.305.32	/L	1	
(7)	986 501 977 00 GRV 987 501 978 00	Prime coated Side member Inner Sub-part Use also: 000.043.305.51 000.043.305.32	/R	1	
8	987 501 978 00 GRV 996 501 377 01	Prime coated Mounting Use also: 000.043.305.51	/L /R	2	
9	996 501 377 01 GRV 987 501 695 00	Prime coated Closing element	/L	1	

Model: 987209 Model life 2009>>2012

Pos	Part Number	Description	Remark	Qty	Model
		Use also: 000.043.305.51		1	
(9)	987 501 695 00 GRV	Prime coated			
	987 501 696 00	Closing element	/R	1	
		Use also: 000.043.305.51		1	
10	987 501 696 00 GRV	Prime coated			
	986 501 863 00	Bulkhead	/L	1	
	986 501 863 00 GRV	Prime coated			
(10)	986 501 864 00	Bulkhead	/R	1	
	986 501 864 00 GRV	Prime coated			
11	987 501 191 00	Bulkhead		1	
	987 501 191 00 GRV	Prime coated			
12	987 501 553 00	Gusset plate	/L	1	
		Use also: 000.043.305.51		1	
	987 501 553 00 GRV	Prime coated			
(12)	987 501 554 00	Gusset plate	/R	1	
		Use also: 000.043.305.51		1	
	987 501 554 00 GRV	Prime coated			
13	987 501 151 00	B-pillar	/L	1	
	987 501 151 00 GRV	Prime coated			
		Inner			
(13)	987 501 152 00	B-pillar	/R	1	
	987 501 152 00 GRV	Prime coated			
		Inner			
14	987 502 531 00	B-pillar	/L	1	
	987 502 531 00 GRV	Prime coated			
		Outer			
(14)	987 502 532 00	B-pillar	/R	1	
	987 502 532 00 GRV	Prime coated			
		Outer			
15	987 502 671 01	Rear wall		1	
		Luggage compartment			
		Use also: 000.043.305.51		1	
		000.043.305.32		1	
	987 502 671 01 GRV	Prime coated			
16	986 501 575 00	Cross member		1	
		Use also: 000.043.305.51		1	
		000.043.305.32		1	
	986 501 575 00 GRV	Prime coated			
17	996 504 201 01	Lid		2	
		145 MM			
18	987 502 673 00	Cross member		1	
		Rear wall			
		Use also: 000.043.305.51		1	
		000.043.305.32		1	
	987 502 673 00 GRV	Prime coated			
19	987 501 243 01	Terminal piece		1	
		Use also: 000.043.305.51		1	
		000.043.305.32		1	
	987 501 243 01 GRV	Prime coated			
20	986 501 471 00	Floor section		1	
		Use also: 000.043.305.51		1	
		000.043.305.32		1	
	986 501 471 00 GRV	Prime coated			
21	987 501 971 00	Boot floor plate		1	

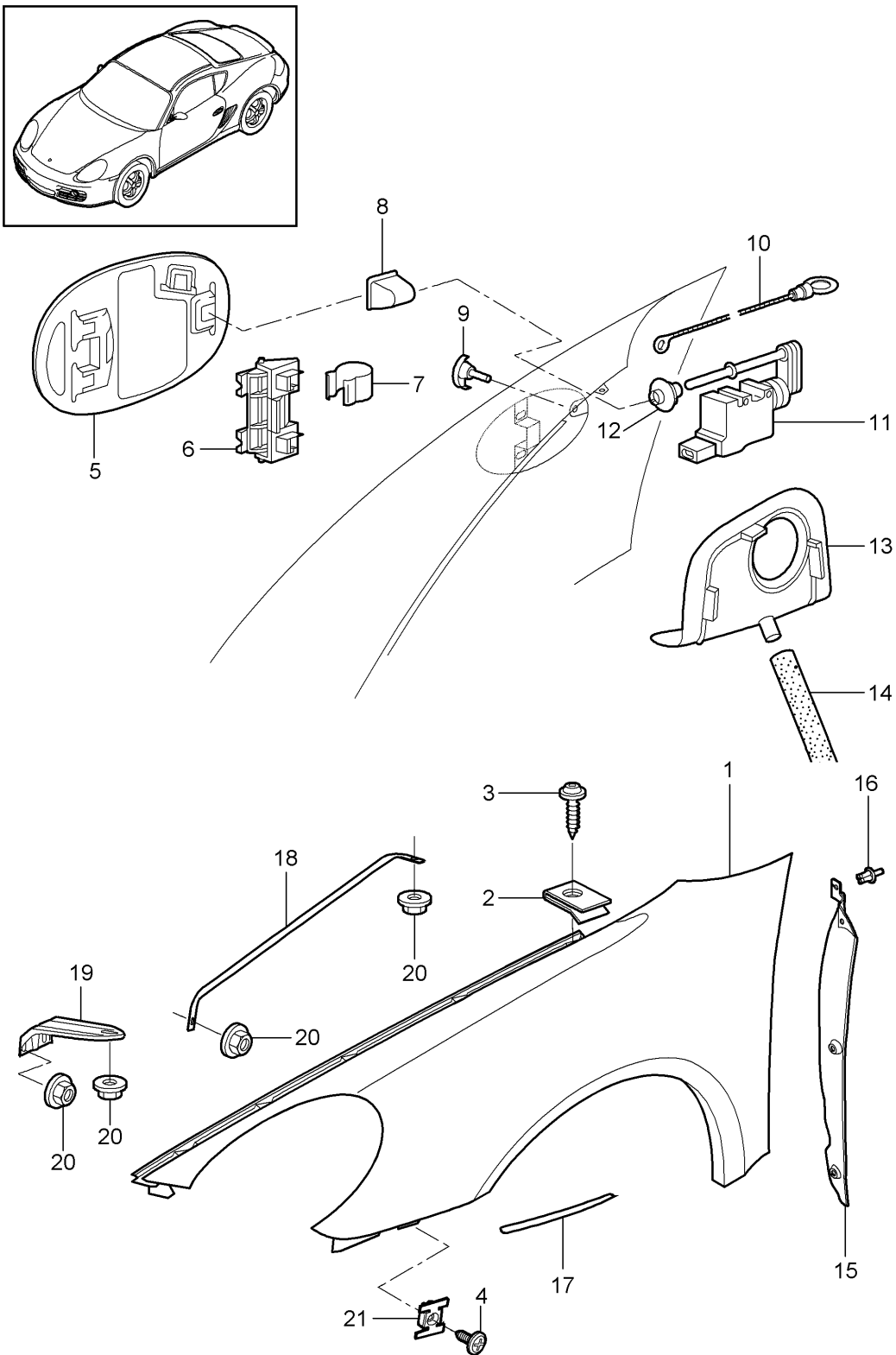
Model: 987209

Model life 2009>>2012

Pos	Part Number	Description	Remark	Qty	Model
		Use also:			
		000.043.305.51		1	
		000.043.305.32		1	
22	987 501 971 00 GRV	Prime coated			
	987 501 917 00	Pipe		1	
		Use also:			
		000.043.305.51		1	
22	987 501 917 00 GRV	Prime coated			
	987 501 917 01	Pipe		1	
		Use also:			
		000.043.305.51		1	
23	987 501 917 01 GRV	Prime coated			
	987 501 827 00	Support		1	
24	987 501 827 00 GRV	Prime coated			
	987 501 531 00	Support	/L	1	
(24)	987 501 531 00 GRV	Prime coated			
	987 501 532 00	Support	/R	1	
25	987 501 532 00 GRV	Prime coated			
	987 501 829 00	Support	/L	1	
(25)	987 501 829 00 GRV	Prime coated			
	987 501 830 00	Support	/R	1	
26	987 501 830 00 GRV	Prime coated			
26	999 500 110 03	Blind rivet nut		2	
27	999 500 066 02	Blind rivet nut		2	

Model: 987209

Model life 2009>>2012



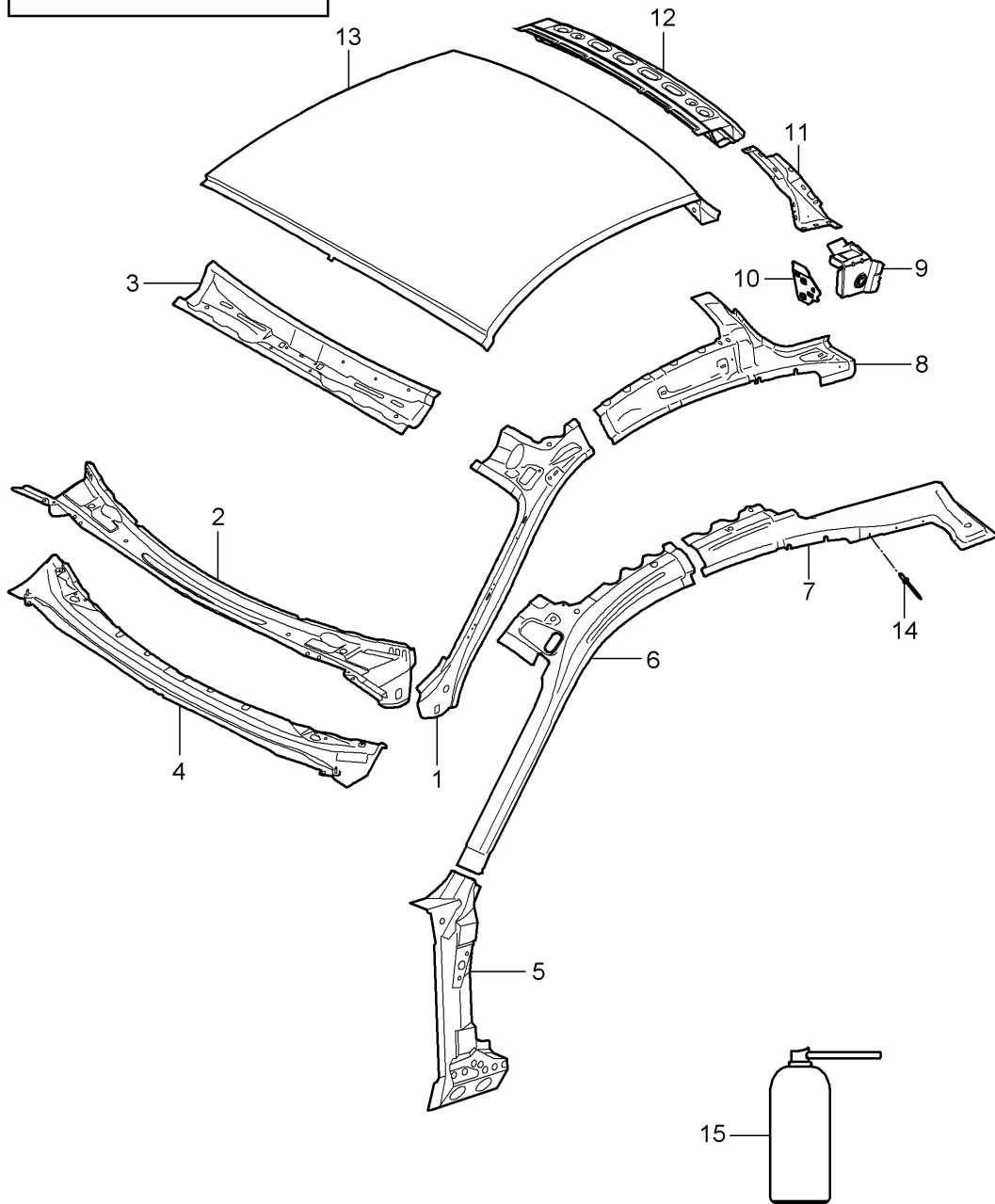
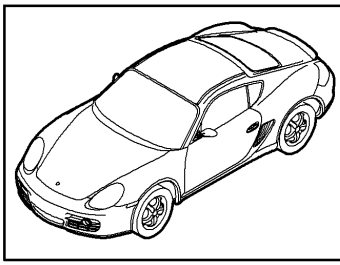
Model: 987209

Model life 2009>>2012

Pos	Part Number	Description	Remark	Qty	Model
1	987 503 031 02	Wing		1	
	987 503 031 02 GRV	Wing	/L	1	
1	987 503 032 06	Prime coated		1	
	987 503 032 06 GRV	Wing	/R	1	
(1)	987 503 032 07	Prime coated		1	I461
	987 503 032 07 GRV	Wing	/R	1	
2	999 507 003 02	Speed nut		18	
		ST 6,3			
2	999 507 003 01	Speed nut		18	
		ST 6,3			
3	999 073 422 02	Tapping screw		10	
		ST 6,3 X 14			
4	900 187 111 02	Combination screw		8	
		ST 6,3 X 12			
4	900 187 111 01	Combination screw		8	
		ST 6,3 X 12			
5	987 504 134 01	Fuel filler flap		1	
	987 504 134 01 GRV	Prime coated			
6	997 201 063 00	Hinge		1	
7	997 504 711 00	Spring		1	
8	996 201 423 00	Cap		1	
9	997 504 888 01	Rubber stop		1	
10	996 201 493 00	Emergency operation		1	
11	997 624 113 00	Actuator		1	
12	996 624 505 02	Guide rose		1	
13	997 201 667 00	Sleeve		1	
14	996 201 153 00	Hose		1	
15	997 504 641 02	Cover	/L	1	
	997 504 641 02 01C	Black			
(15)	997 504 642 02	Cover	/R	1	
	997 504 642 02 01C	Black			
16	999 591 712 40	Expansion rivet		6	
		A 6,0 X 12,0			
17	987 504 531 00	Protective film	/L	1	
(17)	987 504 532 00	Protective film	/R	1	
18	997 504 441 00	Strut		2	
	997 504 441 00 GRV	Prime coated			
19	997 504 555 00	Bracket		2	
	997 504 555 00 GRV	Prime coated			
20	999 076 066 09	Hexagon nut		10	
		M 6			
21	999 507 590 02	Captive nut		6	
		ST 4,8			
-	000 043 204 85	Cavity preservation		X	
		400 ML			

Model: 987209

Model life 2009>>2012



Model: 987209 Model life 2009>>2012

Pos	Part Number	Description	Remark	Qty	Model
1	987 502 637 00	Roof Cowl Cowl	/L	1	
		Use also: 000.043.305.51		1	
(1)	987 502 637 00 GRV	Prime coated			
	987 502 638 00	Cowl	/R	1	
		Use also: 000.043.305.51		1	
	987 502 638 00 GRV	Prime coated			
2	987 502 537 00	Cowl		1	
		Use also: 000.043.305.51		1	
	987 502 537 00 GRV	Prime coated			
3	987 502 919 00	Cowl panel support Upper		1	
		Use also: 000.043.305.51		1	
	987 502 919 00 GRV	Prime coated			
4	997 502 437 00	Cowl Lower		1	
		Use also: 000.043.305.51 000.043.305.32		1 1	
	997 502 437 00 GRV	Prime coated			
5	997 502 233 00	Reinforcement	/L	1	
		Use also: 000.043.305.51 000.043.305.32		1 1	
	997 502 233 00 GRV	Prime coated			
(5)	997 502 234 00	Reinforcement	/R	1	
		Use also: 000.043.305.51 000.043.305.32		1 1	
	997 502 234 00 GRV	Prime coated			
6	987 502 465 00	Reinforcement	/L	1	
		Use also: 000.043.305.51		1	
	987 502 465 00 GRV	Prime coated			
(6)	987 502 466 00	Reinforcement	/R	1	
		Use also: 000.043.305.51		1	
	987 502 466 00 GRV	Prime coated			
7	987 502 869 00	Reinforcement	/L	1	
		Use also: 000.043.305.51		1	
	987 502 869 00 GRV	Prime coated			
(7)	987 502 870 00	Reinforcement	/R	1	
		Use also: 000.043.305.51		1	
	987 502 870 00 GRV	Prime coated			
-	000 043 206 33	Activator		1	
		Use also: Sealing compound Pos. 15 Processing instructions See technical manual 51 06 55			
-	000 043 206 29	Adhesive set Body		X	
		Comprising:			
-	000 043 206 30	Adhesive		1	
-	000 043 206 31	Tool		1	

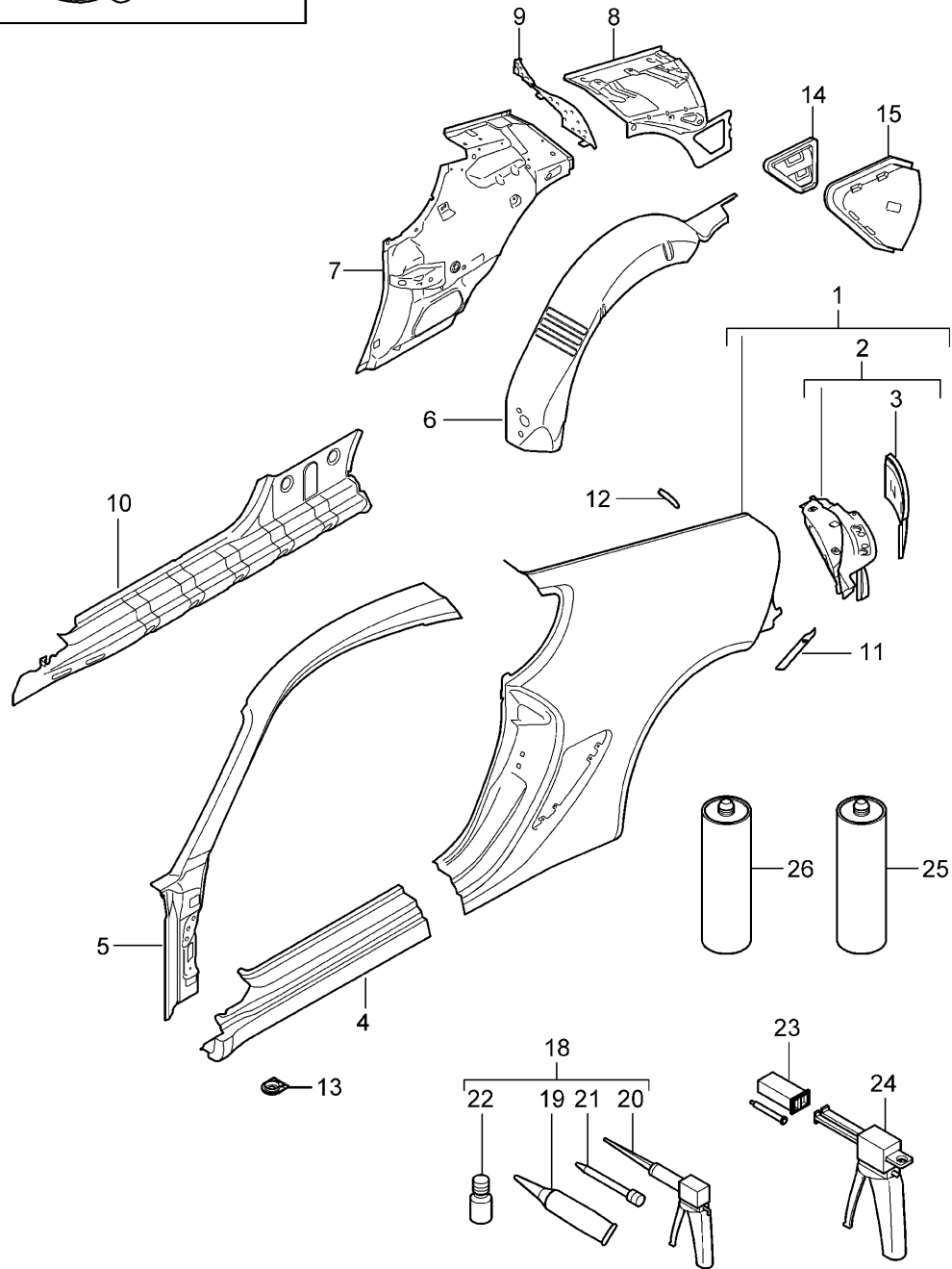
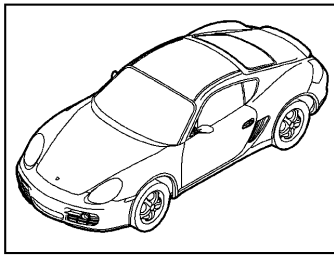
Model: 987209

Model life 2009>>2012

Pos	Part Number	Description	Remark	Qty	Model
-	000 043 206 32	Mixing tube		1	
-	000 043 206 33	Activator		1	
8	987 502 113 00	Side section	/L	1	
		Use also:			
		000.043.305.51		1	
	987 502 113 00 GRV	Prime coated			
(8)	987 502 114 00	Side section	/R	1	
		Use also:			
		000.043.305.51		1	
	987 502 114 00 GRV	Prime coated			
9	987 502 695 00	Sealing channel	/L	1	
		Use also:			
		000.043.305.32		1	
	987 502 695 00 GRV	Prime coated			
(9)	987 502 696 00	Sealing channel	/R	1	
		Use also:			
		000.043.305.32		1	
	987 502 696 00 GRV	Prime coated			
10	987 502 871 00	Bulkhead	/L	1	
	987 502 871 00 GRV	Prime coated			
		Information available			
(10)	987 502 872 00	Bulkhead	/R	1	
	987 502 872 00 GRV	Prime coated			
		Information available			
11	987 502 591 00	Closing element	/L	1	
	987 502 591 00 GRV	Prime coated			
(11)	987 502 592 00	Closing element	/R	1	
	987 502 592 00 GRV	Prime coated			
12	987 502 929 00	Roof frame		1	
		Rear			
		Complete			
		Use also:			
		000.043.305.32		1	
	987 502 929 00 GRV	Prime coated			
13	987 503 087 00	Outer roof panel		1	
		Use also:			
		000.043.305.51		1	
		000.043.305.32		1	
	987 503 087 00 GRV	Prime coated			
-	000 043 204 38	Sealing compound		1	
14	999 190 414 01	Blind rivet		10	
		4,8 x 10,3			
15	999 915 337 40	Sealing compound		1	

Model: 987209

Model life 2009>>2012



Model: 987209 Model life 2009>>2012

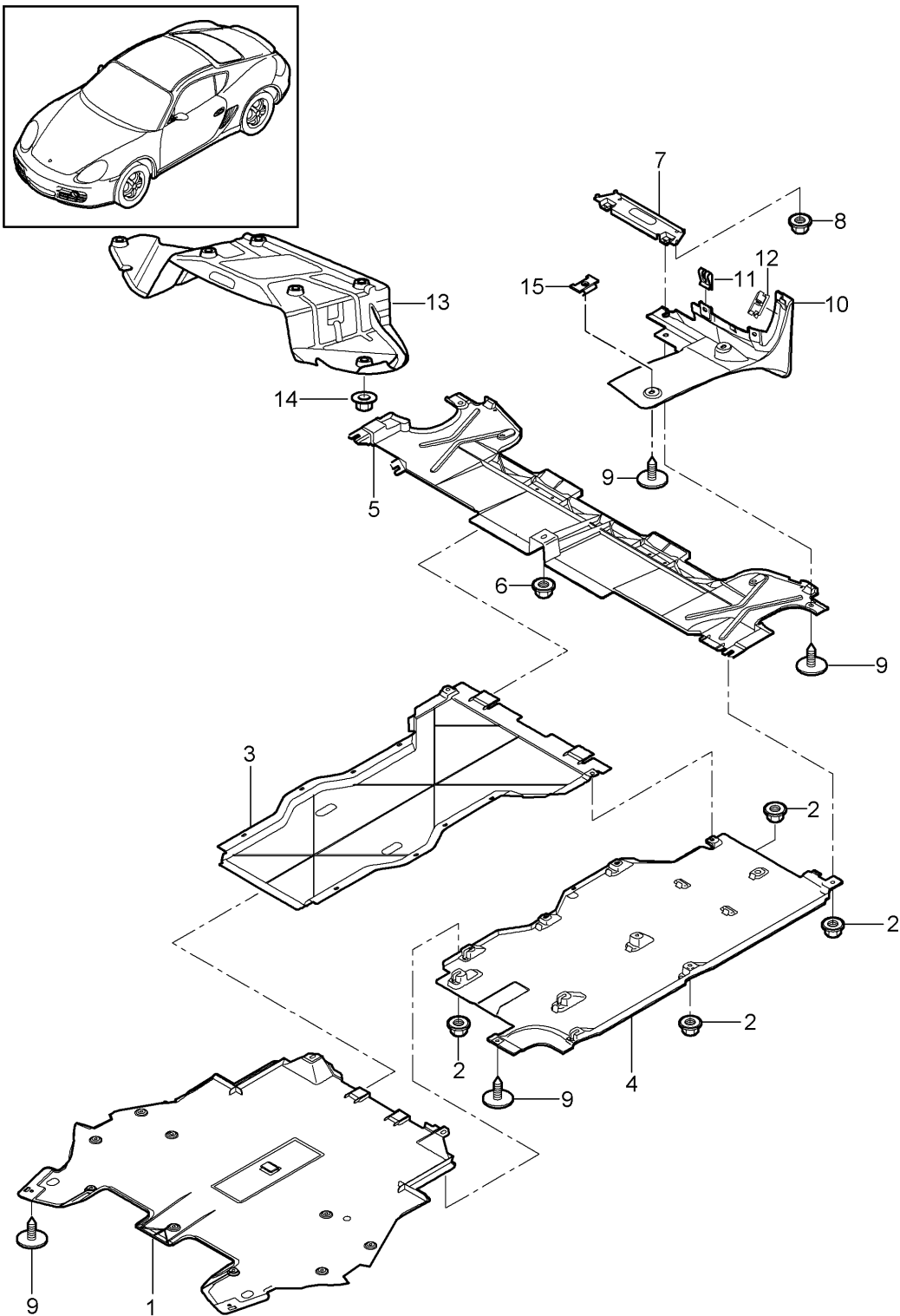
Pos	Part Number	Description	Remark	Qty	Model
1	987 503 961 05 987 503 961 05 GRV	Side section Side section Prime coated Use also: 000.403.206.30	/L	1	
(1)	987 503 962 05 987 503 962 05 GRV	Side section Prime coated Use also: 000.403.206.30	/R	1	
2	987 502 961 02	Frame for light Use also: 000.043.305.51	/L	1	
(2)	987 502 961 02 GRV 987 502 962 02	Prime coated Frame for light Use also: 000.043.305.51	/R	1	
3	987 502 962 02 GRV 987 501 651 00	Prime coated Corner panel Use also: 000.043.305.51	/L	1	
(3)	987 501 651 00 GRV 987 501 652 00	Prime coated Corner panel Use also: 000.043.305.51	/R	1	
4	987 501 652 00 GRV 987 503 963 01	Prime coated Door sill Use also: 000.043.305.51 000.043.305.32	/L	1	
(4)	987 503 963 01 GRV 987 503 964 01	Prime coated Door sill Use also: 000.043.305.51 000.043.305.32	/R	1	
5	987 503 964 01 GRV 987 503 965 02	Prime coated Roof frame Use also: 000.043.206.30	/L	1	
(5)	987 503 965 02 GRV 987 503 966 02	Prime coated Roof frame Use also: 000.043.206.30	/R	1	
6	987 503 966 02 GRV 987 502 515 00	Prime coated Wheel housing Use also: 000.043.305.51 000.043.305.32	/L	1	
(6)	987 502 515 00 GRV 987 502 516 00	Prime coated Wheel housing Use also: 000.043.305.51 000.043.305.32	/R	1	
7	987 502 516 00 GRV 987 502 083 01	Prime coated Side section Use also: 000.043.206.30	/L	1	
(7)	987 502 083 01 GRV 987 502 084 01	Prime coated Side section Use also: 000.043.206.30	/R	1	
8	987 502 084 01 GRV 987 502 105 00	Prime coated Side section Use also: 000.043.206.30	/L	1	
	987 502 105 00 GRV	Prime coated			

Model: 987209 Model life 2009>>2012

Pos	Part Number	Description	Remark	Qty	Model
(8)	987 502 106 00	Side section	/R	1	
	987 502 106 00 GRV	Prime coated			
9	987 504 901 01	Seal		2	
		Side section			
		See technical manual			
		Group 5			
		53 55 55			
10	987 502 663 00	Reinforcement	/L	1	
	987 502 663 00 GRV	Prime coated			
		Use also:			
		000.043.206.30			
(10)	987 502 664 00	Reinforcement	/R	1	
	987 502 664 00 GRV	Prime coated			
		Use also:			
		000.043.206.30			
11	987 504 631 00	Protective film		2	
12	996 537 237 00	Protective film		2	
13	999 703 475 40	Water drain sleeve		2	
		Door sill			
14	986 572 043 02	Bleeding	/L	1	
(14)	986 572 044 00	Bleeding	/R	1	
15	986 572 643 01	Air-guide cowl	/L	1	
(15)	986 572 644 01	Air-guide cowl	/R	1	
		Bleeding			
18	000 043 206 29	Adhesive set		X	
		Body			
		Comprising:			
19	000 043 206 30	Adhesive		1	
20	000 043 206 31	Tool		1	
21	000 043 206 32	Mixing tube		1	
22	000 043 206 33	Activator		1	
23	999 915 650 40	Adhesive		X	
		TEROMIX 6700			
24	000 043 300 48	Tool		X	
25	000 043 204 85	Cavity preservation		1	

Model: 987209

Model life 2009>>2012

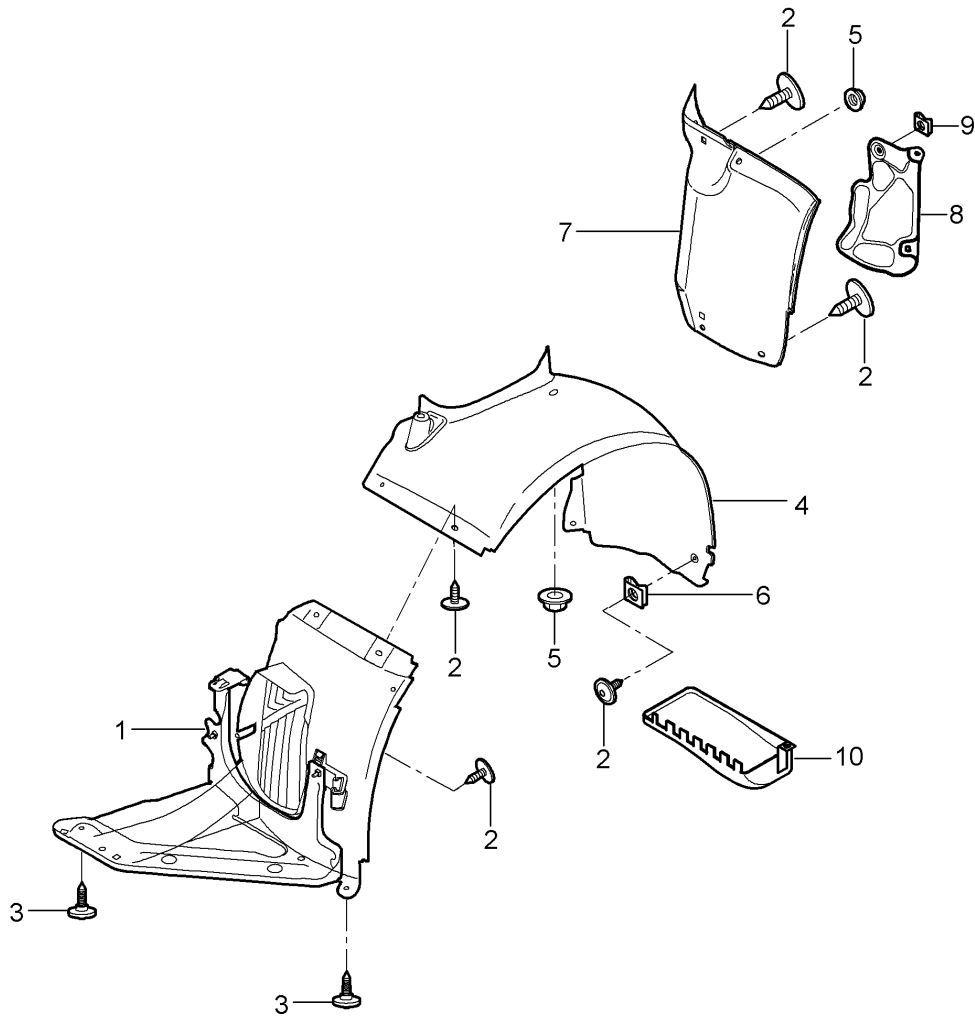
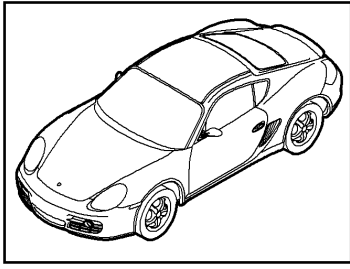


Model: 987209 Model life 2009>>2012

Pos	Part Number	Description	Remark	Qty	Model
		Linings			
		Underbody			
1	997 504 527 02	Cover		1	
		Front			
2	999 049 028 40	Plastic nut		33	
		T 5/22 X 10			
3	997 504 043 00	Cover		1	
		Centre			
4	997 504 343 02	Cover	/L	1	
(4)	997 504 344 02	Cover	/R	1	
5	987 504 129 01	Cover		1	
		Rear			
6	999 076 068 09	Hexagon nut		1	
		M 6			
6	999 076 068 01	Hexagon nut		1	
		M 6			
7	987 504 571 00	Support		2	
		Cover			
		Rear			
8	999 084 212 02	Hexagon nut		2	
		M 6			
9	999 073 231 09	Tapping screw		X	
		ST 4,8 X 16			
10	987 504 793 00	Cover	/L	1	
	987 504 793 00 01C	Satin black			
(10)	987 504 794 00	Cover	/R	1	
	987 504 794 00 01C	Satin black			
11	999 507 795 09	Speed nut		2	
		ST 4,8			
12	987 504 635 00	Clamp	/L	1	
(12)	987 504 636 00	Clamp	/R	1	
		Cover		1	
13	987 504 405 00	Heat protection		1	
14	999 049 025 09	Collar nut		7	
		T 5			
15	999 507 849 01	Captive nut		4	
		ST 4,8			

Model: 987209

Model life 2009>>2012



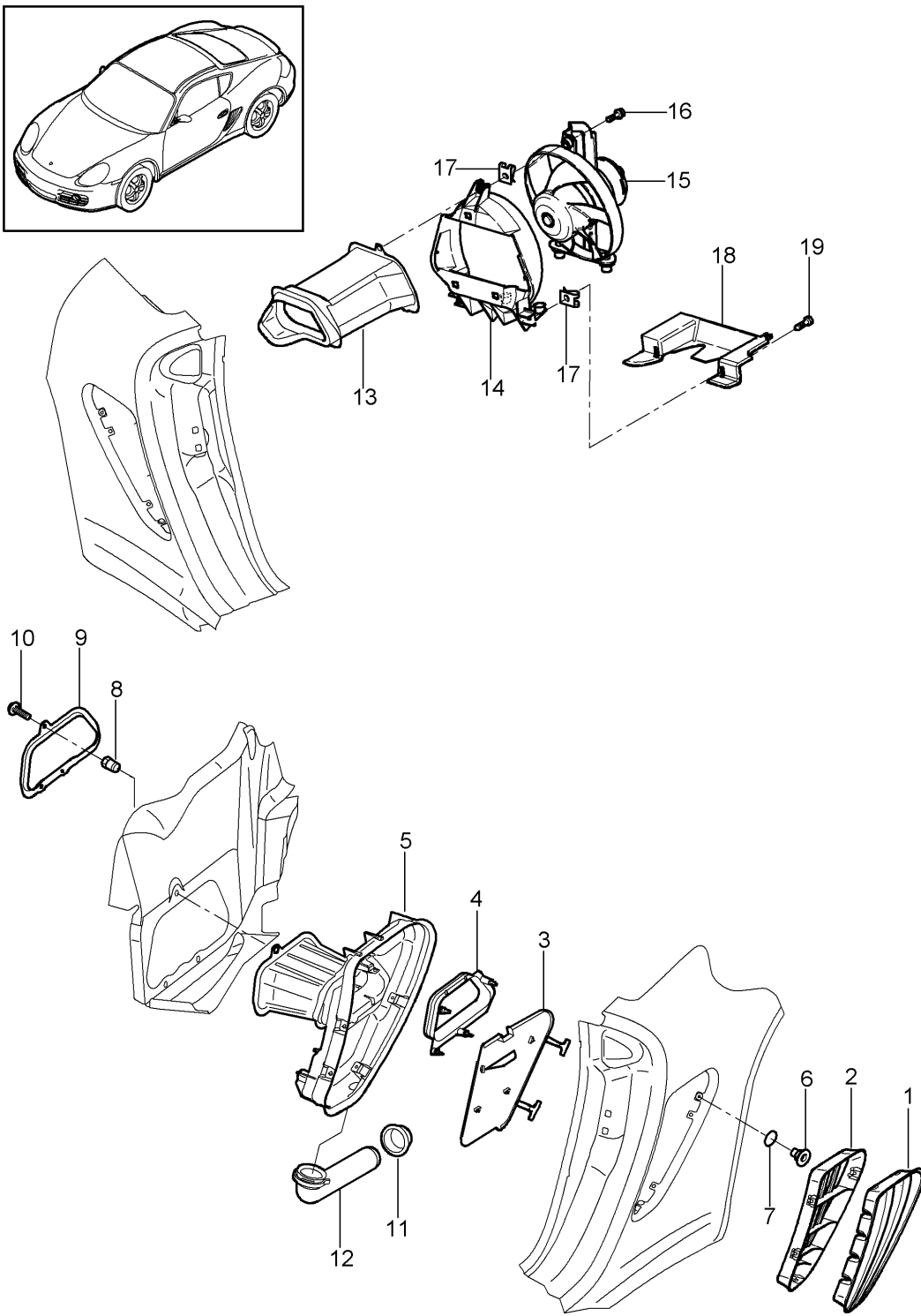
Model: 987209

Model life 2009>>2012

Pos	Part Number	Description	Remark	Qty	Model
		Linings for Wheel housing			
1	987 504 123 08	Wheel-housing liner	/L /V	1	I181/182/480
(1)	987 504 124 08	Wheel-housing liner	/R /V	1	I181/182/480
(1)	987 504 123 09	Wheel-housing liner	/L /V	1	I250
(1)	987 504 124 09	Wheel-housing liner	/R /V	1	I250
(1)	987 504 123 09	Wheel-housing liner	/L /V	1	I183/480
(1)	987 504 124 09	Wheel-housing liner	/R /V	1	I183/480
(1)	987 504 123 10	Wheel-housing liner	/L /V	1	C7 R
(1)	987 504 124 10	Wheel-housing liner	/R /V	1	C7 R
2	999 073 231 09	Tapping screw ST 4,8 X 16		20	
3	999 073 227 09	Tapping screw ST 4,8 X 19		4	
4	987 504 203 00	Wheel-housing liner	/V /H /L	1	
(4)	987 504 204 00	Wheel-housing liner	/V /H /R	1	
5	999 049 028 40	Plastic nut T5		10	
6	999 507 795 09	Speed nut		2	
7	987 504 573 01	Wheel-housing liner	/H /V /L	1	
(7)	987 504 574 01	Wheel-housing liner	/H /V /R	1	
8	987 504 673 01	Heat protection	/L	1	
(8)	987 504 674 01	Heat protection	/R	1	
9	999 507 795 09	Speed nut		2	
10	997 504 603 00	Air guide	/L	1	
(10)	996 504 603 03	Air guide	/L -09	1	
(10)	996 504 604 01	Air guide	/R	1	
(10)	996 504 604 03	Air guide	/R -09	1	

Model: 987209

Model life 2009>>2012



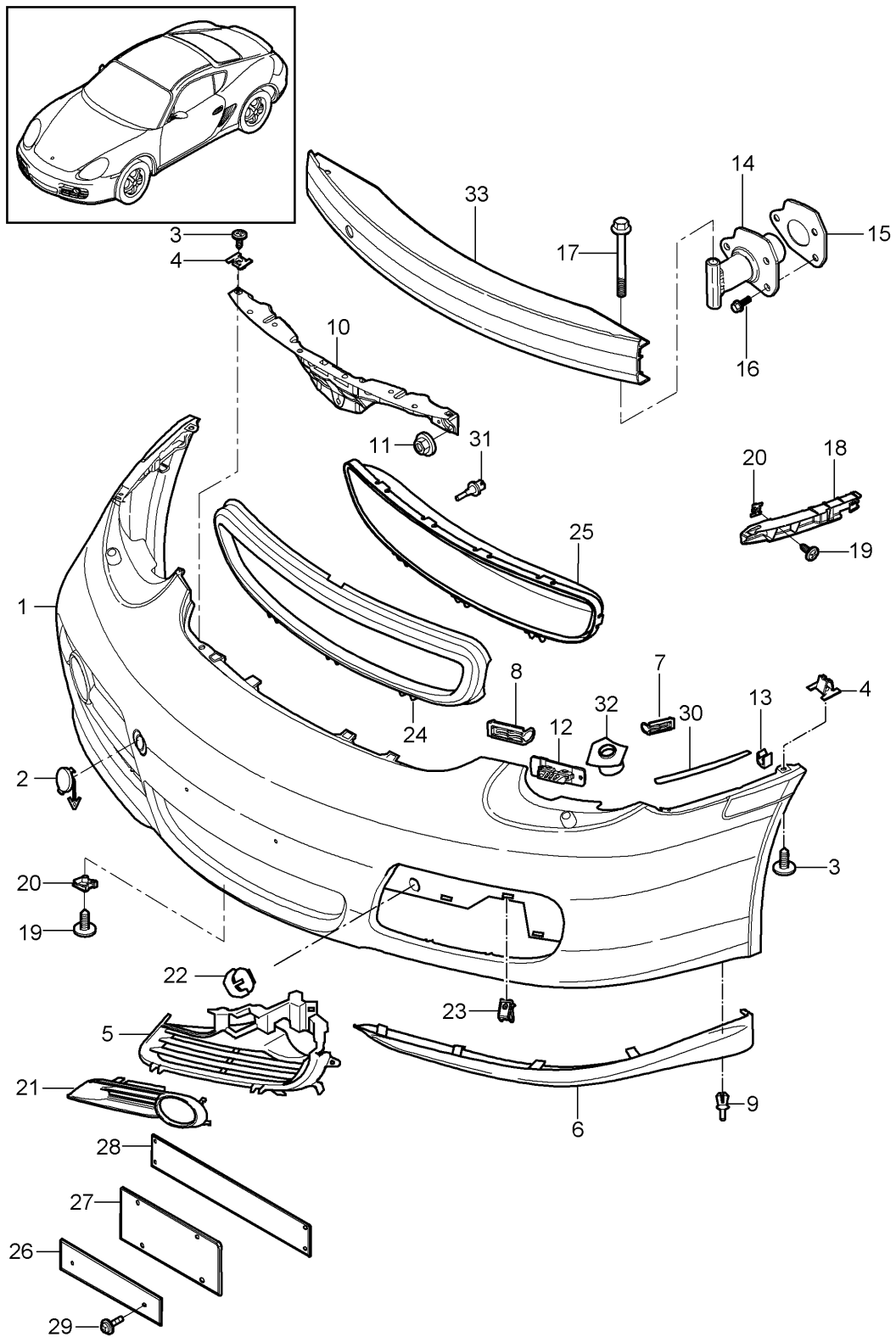
Model: 987209

Model life 2009>>2012

Pos	Part Number	Description	Remark	Qty	Model
1	987 504 561 02	Ventilation Engine compartment Ventilation grille	/L	1	
(1)	987 504 561 02 G2X	Prime coated			
	987 504 562 02	Ventilation grille	/R	1	
	987 504 562 02 G2X	Prime coated			
2	987 504 749 02	Frame	/L	1	
(2)	987 504 749 02 01C	Satin black			
	987 504 750 02	Frame	/R	1	
	987 504 750 02 01C	Satin black			
3	987 575 647 01	Impact absorber plate	/L	1	
4	987 575 757 00	Reinforcement	/L	1	
5	987 575 657 01	Air guide	/L	1	
(5)	987 575 658 00	Air guide Inner	/R	1	
6	999 507 585 40	Fixing clip		8	
7	999 701 489 40	Sealing ring	/L	4	
8	999 500 069 02	Blind rivet nut		6	
9	987 575 759 00	Support frame		1	
10	900 075 413 09	Air guide Combination screw M 6 X 16		3	
11	999 702 288 40	Grommet 32,5 X 20	/L	1	
12	987 504 431 00	Water drain tube	/L	1	
13	987 575 360 01	Air duct		1	
14	987 575 356 00	Airscoop	/R	1	
15	987 624 050 01	Blower	/R	1	
16	900 075 333 02	Combination screw M 6 X 25		3	
17	999 507 550 02	Speed nut M 6		3	
18	987 575 756 00	Air guide	/R	1	
19	900 378 036 09	Hexagon-head bolt M 6 X 12		1	

Model: 987209

Model life 2009>>2012



Model: 987209 Model life 2009>>2012

Pos	Part Number	Description	Remark	Qty	Model
(1)	987 505 191 14	Bumper Front Lining		1	-I288/I181 I480
(1)		Lining		1	-I288/I182 I480
(1)		Lining		1	-I288/I181 I182
(1)	987 505 191 15	Lining		1	I181/182/288
(1)		Lining		1	I181/182/288 I480
1	987 505 191 16	Lining		1	-I288/I183
1		Lining		1	-I288/I183 I480
1		Lining		1	-I288/I250
(1)	987 505 191 17	Lining		1	I288
(1)		Lining		1	I183/288/480
(1)		Lining		1	I250/288
2	987 505 703 06	Cap		1	
	987 505 703 06 G2L	Prime coated			
3	999 073 227 09	Tapping screw		10	
4	999 507 590 02	Captive nut ST 4,8		X	
5	987 505 553 05	Grille frame	/L	1	
	987 505 553 05 G2L	Prime coated			
(5)	987 505 554 05	Grille frame	/R	1	
	987 505 554 05 G2L	Prime coated			
6	987 505 527 04	Cover	/L	1	-IXAM
	987 505 527 04 01C	Satin black			
(6)	987 505 528 04	Cover	/R	1	-IXAM
	987 505 528 04 01C	Satin black			
(6)	987 505 527 05	Cover	/L	1	-IXAM
	987 505 527 05 G2L	Prime coated			
(6)	987 505 528 05	Cover	/R	1	-IXAM
	987 505 528 05 G2L	Prime coated			
(6)	987 505 987 04	Spoiler Aerokit Prime coated Left Front		1	IXAM
(6)	987 505 988 04	Spoiler Aerokit Prime coated Right Front		1	IXAM
7	987 505 747 01	Corner panel	/L	1	
(7)	987 505 748 01	Corner panel	/R	1	
-	987 505 989 01	Adhesive tape Set		1	
8	987 505 719 00	Fixing device		2	
9	999 591 712 40	Expansion rivet 6,0 X 12,0		6	
10	997 505 531 00	Retaining strip Centre		1	
11	999 076 078 09	Hexagon nut M6		3	
12	987 505 743 00	Retainer plate Use also: Rivet		2	
-	999 190 191 30	Retainer plate Blind rivet Retainer plate A 3,2X17,0		2	

Model: 987209 Model life 2009>>2012

Pos	Part Number	Description	Remark	Qty	Model
13	999 591 307 01	U-clamp Hose		2	
14	997 505 319 00	Headlight washer system Impact pipe		2	
15	997 505 751 02	Seal Impact absorber		2	
16	900 378 267 09	Combination screw M8 X 30		6	
17	900 378 088 01	Hexagon-head bolt M 12 X 100		2	
18	987 505 535 02	Retaining strip Lateral	/L	1	
(18)	987 505 536 02	Retaining strip Lateral	/R	1	
19	999 073 418 01	Tapping screw ST4,8 X 19-C		4	
20	999 591 699 01	Speed nut ST 4,8		4	
21	987 505 721 02	Cover	/L	1	
(21)	987 505 721 02 G2L	Prime coated			
	987 505 722 02	Cover	/R	1	
	987 505 722 02 G2L	Prime coated			
22	987 505 787 00	Clamp		2	
23	999 507 768 02	Speed nut ST 4,2		6	
24	987 505 555 03	Retaining frame Centre		1	I183
	987 505 555 03 G2L	Prime coated			
24	987 505 555 03	Retaining frame Centre		1	I183/480
	987 505 555 03 G2L	Prime coated			
(24)	987 505 555 03	Retaining frame Centre		1	I250
	987 505 555 03 G2L	Prime coated			
25	987 505 751 03	Cover Air inlet Centre		1	I181
	987 505 751 03 G2L	Prime coated			
26	987 701 105 03	Support Number plate		1	I211
	987 701 105 03 01C	Satin black			
28	987 701 109 01	Support Number plate		1	I210
	987 701 109 01 01C	Satin black			
29	999 919 228 A2	Screw 5,0X28,0		X	
(29)	999 919 227 A2	Tapping screw 5,0X13,0		X	
30	987 504 531 00	Protective film	/L	1	
(30)	987 504 532 00	Protective film	/R	1	
31	996 641 142 00	Temperature sensor		1	
32	987 505 561 02	Retainer plate Headlight washer system	/L	1	
		Use also: 000.043.300.47			
(32)	987 505 562 02	Retainer plate Headlight washer system	/R	1	
		Use also: 000.043.300.47			
33	997 505 141 02	Bumper reinforcement		1	
34	000 043 300 47	Set Adhesive		1	
		When required order also:		1	

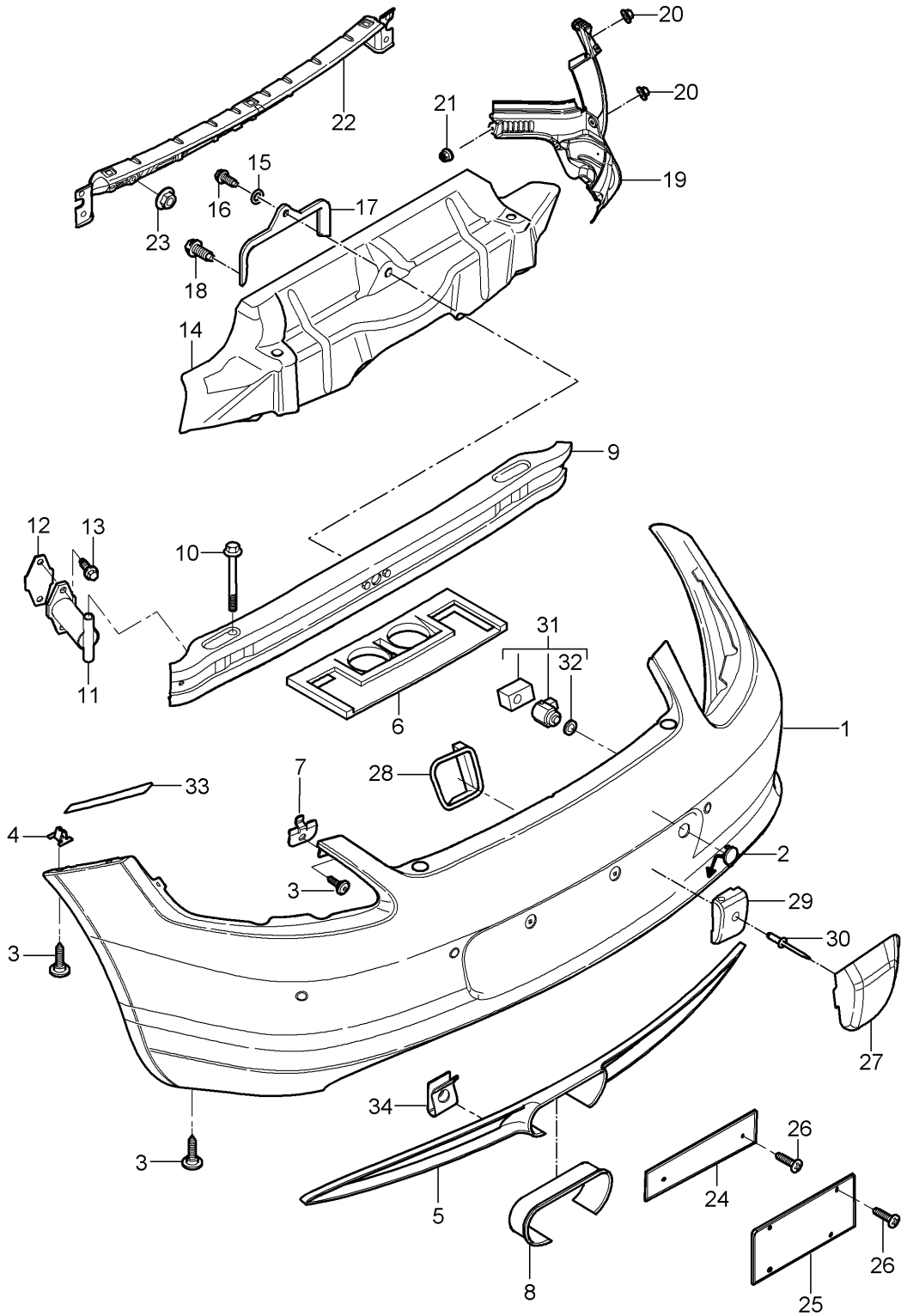
Model: 987209

Model life 2009>>2012

Pos	Part Number	Description	Remark	Qty	Model
35	000 043 300 48	Tool for Adhesive		1 1 1	

Model: 987209

Model life 2009>>2012



Model: 987209

Model life 2009>>2012

Pos	Part Number	Description	Remark	Qty	Model
		Bumper Rear			
1	987 505 291 06	Lining		1	I635
(1)	987 505 411 28	Lining		1	
2	997 505 803 03	Cover		1	
		Prime coated			
3	999 073 227 09	Tapping screw ST 4,8 X 19		15	
4	999 507 590 02	Captive nut ST 4,8		7	
5	987 505 853 01	Retaining frame		1	
	987 505 853 01 01C	Satin black			
6	987 505 835 00	Support		1	
7	987 505 815 00	Retainer plate		2	
8	987 505 811 03	Protective plate		1	
	987 505 811 03 G2L	Prime coated			
9	987 505 241 00	Bumper reinforcement		1	
		Bumper			
10	900 378 088 09	Hexagon-head bolt M 12 X 1,5 X 100		2	
11	996 505 019 01	Impact pipe		2	
12	996 505 775 00	Desk pad		2	
		Impact absorber			
13	900 378 267 01	Hexagon-head bolt M 8 X 30		4	
14	987 505 475 03	Heat protection Centre		1	
15	999 025 243 02	Washer 5,0X1,0		1	
16	900 278 025 02	Hexagon-head bolt M5X12		1	
17	987 505 639 02	Rear support		2	
18	999 075 056 09	Combination screw M 6 X 22		2	
(19)	987 505 631 03	Support with Heat protection Lateral	/L	1	
19	987 505 632 03	Support with Heat protection Lateral	/R	1	
20	999 076 078 01	Hexagon nut M 6		6	
21	999 049 007 40	Plastic nut T5/22 X 10		4	
22	987 505 841 00	Attachment strip		1	
23	999 076 078 01	Hexagon nut M 6		5	
24	987 701 105 03	Support Number plate		1	I211
	987 701 105 03 01C	Satin black			
(24)	987 701 109 01	Support Number plate		1	I210
	987 701 109 01 01C	Satin black			
26	999 919 227 A2	Tapping screw		4	I210/211
(26)		Support Tapping screw		8	I218
		Support Number plate			
30	999 190 312 30	5 X 13 Buttonhead rivet Buffer		2	I553

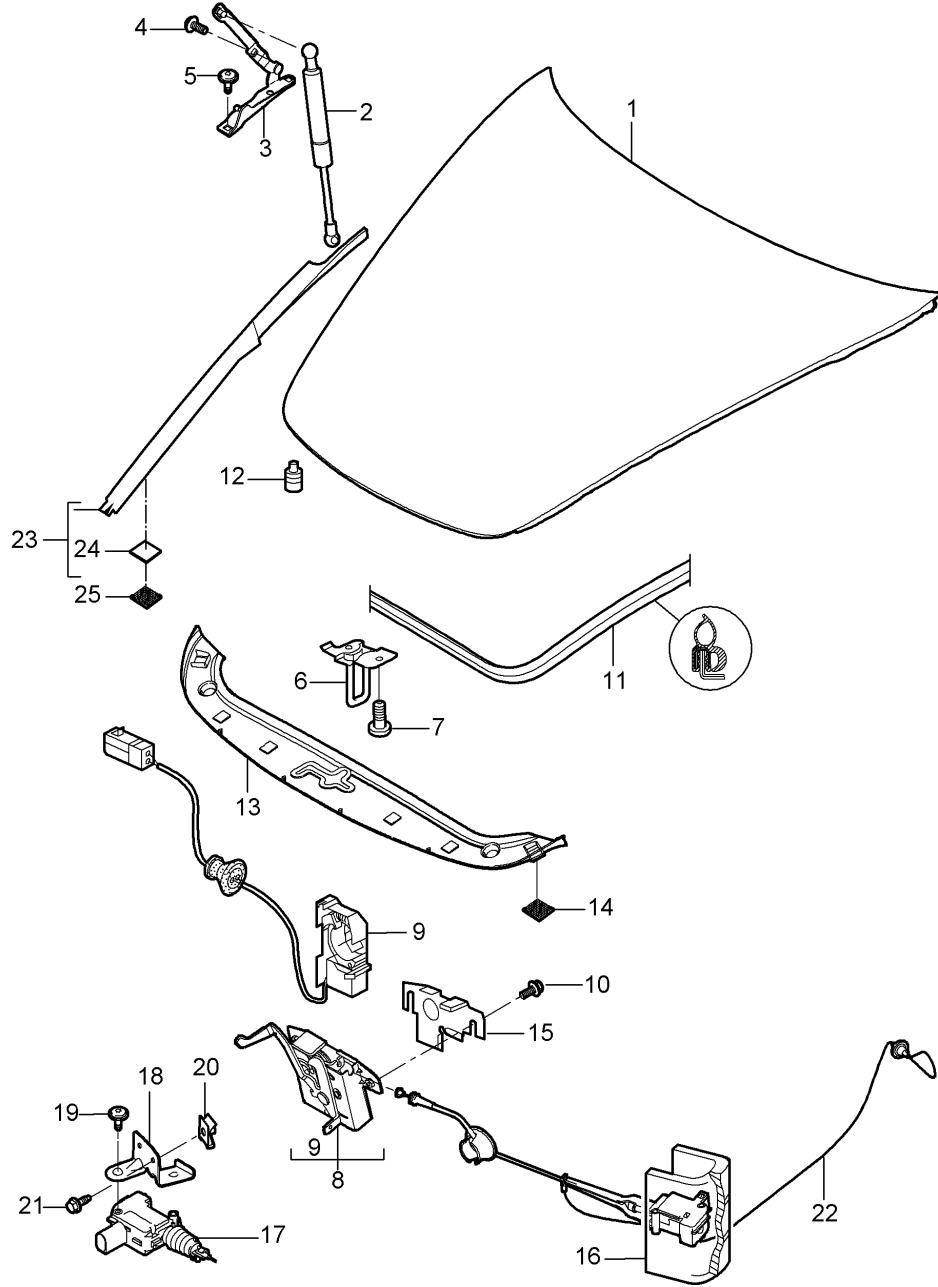
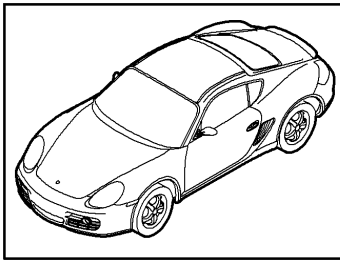
Model: 987209

Model life 2009>>2012

Pos	Part Number	Description	Remark	Qty	Model
31	997 606 191 01	A4,8 X 24,8 Sensor ParkAssist		4	I635
32	7L6 919 659	Round seal Sensor		4	I635
33	987 504 631 01	Protective film		2	
34	999 507 795 09	Speed nut Rear support		2	
35	999 507 696 00	ST 4,8 U-clamp		3	

Model: 987209

Model life 2009>>2012



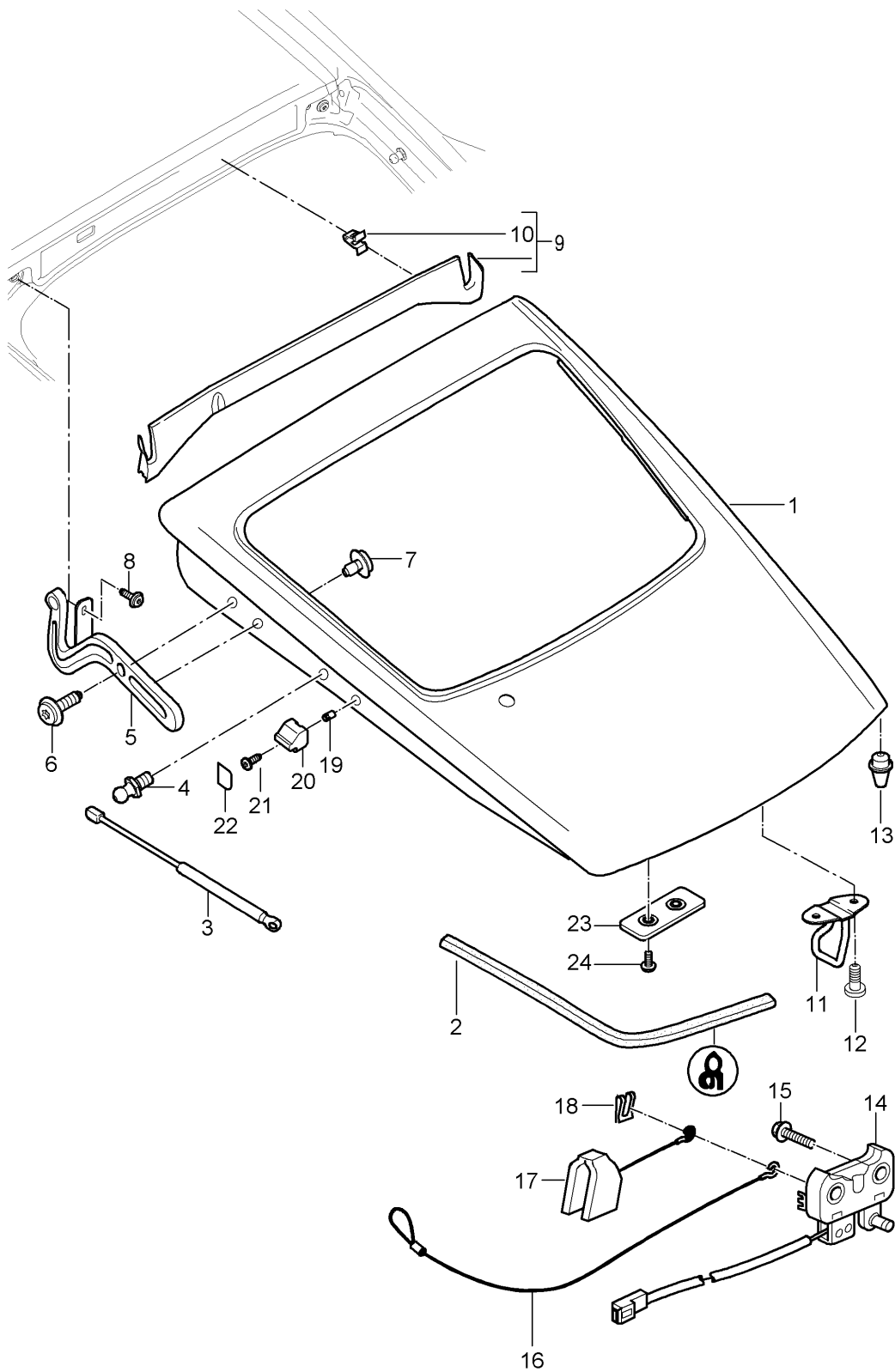
Model: 987209

Model life 2009>>2012

Pos	Part Number	Description	Remark	Qty	Model
		Lid Front			
1	997 511 011 00	Lid		1	
	997 511 011 00 GRV	Prime coated			
2	997 511 551 01	Gas-pressure spring		2	
(3)	997 511 151 01	Hinge	/L	1	
3	997 511 152 01	Hinge	/R	1	
4	999 073 357 09	Oval-head screw M 6 X 12		4	
5	999 073 348 09	Oval-head screw M 6 X 20		4	
6	997 511 051 00	Lock upper part		1	
7	999 073 350 04	Round head screw M 6 X 16		2	
8	997 511 053 00	Lock lower part		1	
9	997 613 206 00	Microswitch		1	
10	900 075 466 09	Combination screw M6 X 16		2	
11	997 511 611 00	Gasket		1	
12	999 703 140 41	Rubber buffer		2	
13	997 504 811 03	Trim cover		1	
	997 504 811 03 FMT	Satin black			
14	999 902 049 40	Velcro fastener 25 X 20		4	
15	996 511 653 00	Cover		1	
16	997 511 117 00	Actuator		1	
(23)	997 572 465 02	Trim cover	/L	1	
	997 572 465 02 02A	Black			
23	997 572 466 02	Trim cover	/R	1	
		Wing			
	997 572 466 02 02A	Black			
24	999 902 052 40	Velcro fastener Cover 20 X 20		4	
25	999 902 051 40	Velcro fastener Wing 20 X 20		4	

Model: 987209

Model life 2009>>2012



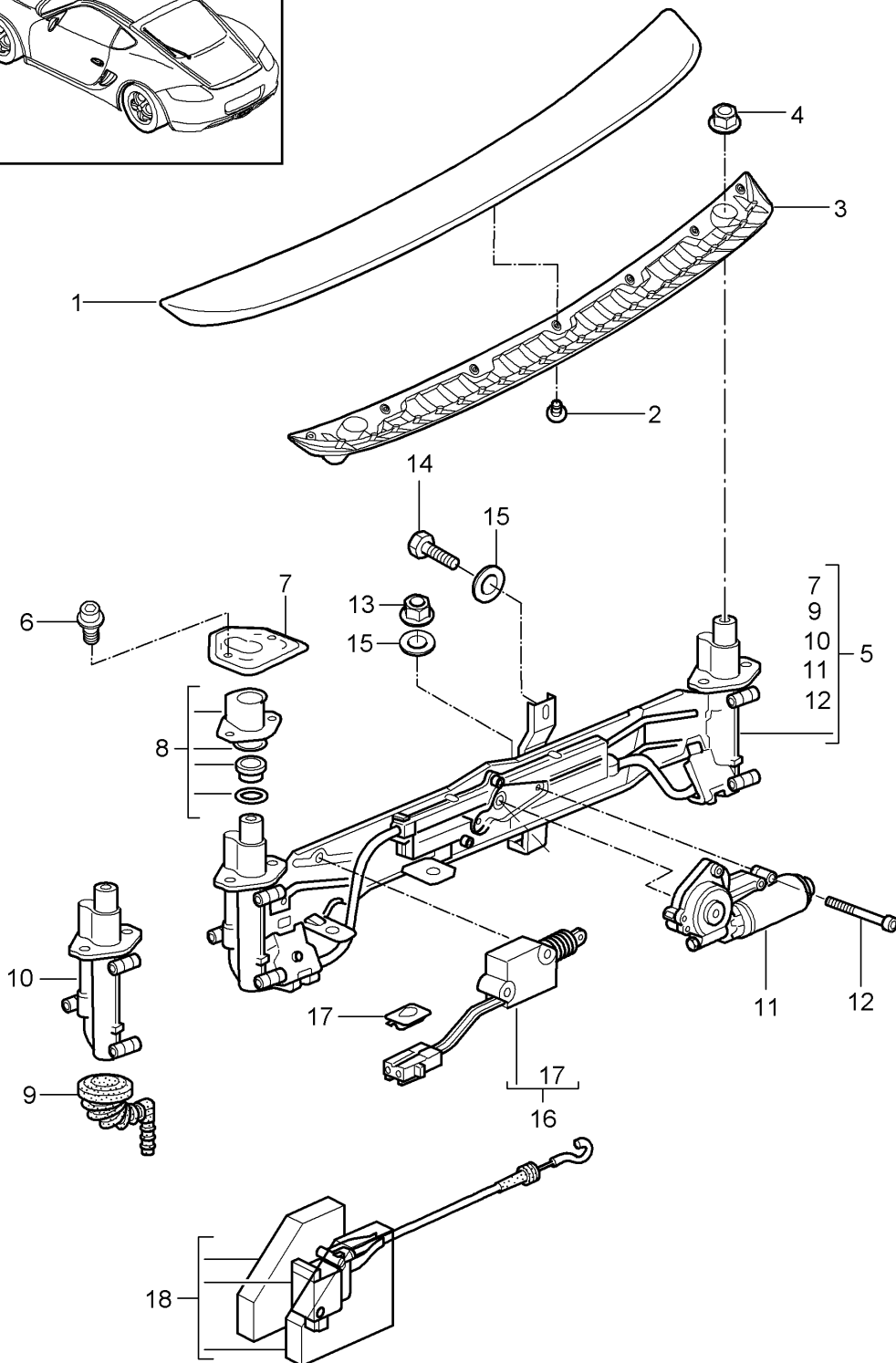
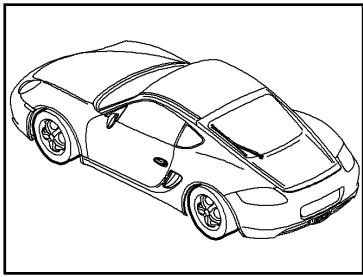
Model: 987209

Model life 2009>>2012

Pos	Part Number	Description	Remark	Qty	Model
1	987 512 011 01 987 512 011 01 GRV	Lid Rear Lid Prime coated Use also:		1	I426
1	987 512 011 02 987 512 011 02 GRV	Lid Prime coated Use also:		1	I425
-	000 043 204 38	Sealing compound		1	
2	987 512 911 01	Gasket Lid		1	
3	987 512 551 00	Gas-pressure spring		2	
3	987 512 551 02	Gas-pressure spring		2	
4	999 167 051 03	Ball pin Gas-pressure spring		4	
5	987 512 151 01	Hinge	/L	1	
(5)	987 512 152 01	Hinge	/R	1	
6	999 073 364 02	Pan-head screw Hinge Lid Outer M8 X 25		2	
7	999 073 360 02	Pan-head screw Hinge Lid Inner M8 X 16		2	
8	999 073 364 02	Pan-head screw Hinge Bodyshell M8 X 25		4	
9	987 512 111 00 987 512 111 00 01C	Cover Satin black		1	
10	999 507 987 02	Clamp Cover 1,60		4	
11	987 512 051 00	Lock upper part		1	
12	999 073 350 04	Round head screw M 6 X 16		2	
13	987 512 987 01	Actuator		2	
14	987 512 053 00	Lock lower part		1	
15	900 075 504 01	Combination screw M 6 X 45		2	
16	987 512 521 00	Emergency operation Information available		1	
17	987 512 117 00	Actuator		1	
18	999 166 054 02	Sl-lock		1	
18	999 166 054 01	Sl-lock		1	
19	999 500 152 02	Blind rivet nut		4	
19	999 500 159 01	Blind rivet nut M6/0,75		4	
20	987 512 899 00	Rubber buffer		2	
21	999 073 334 00	Round head screw M6 x 16		2	
22	987 512 819 00	Protective film		2	
23	987 512 125 02	Vibration damper		1	
24	999 073 410 01	Oval-head screw Vibration damper M6 X 22		2	

Model: 987209

Model life 2009>>2012



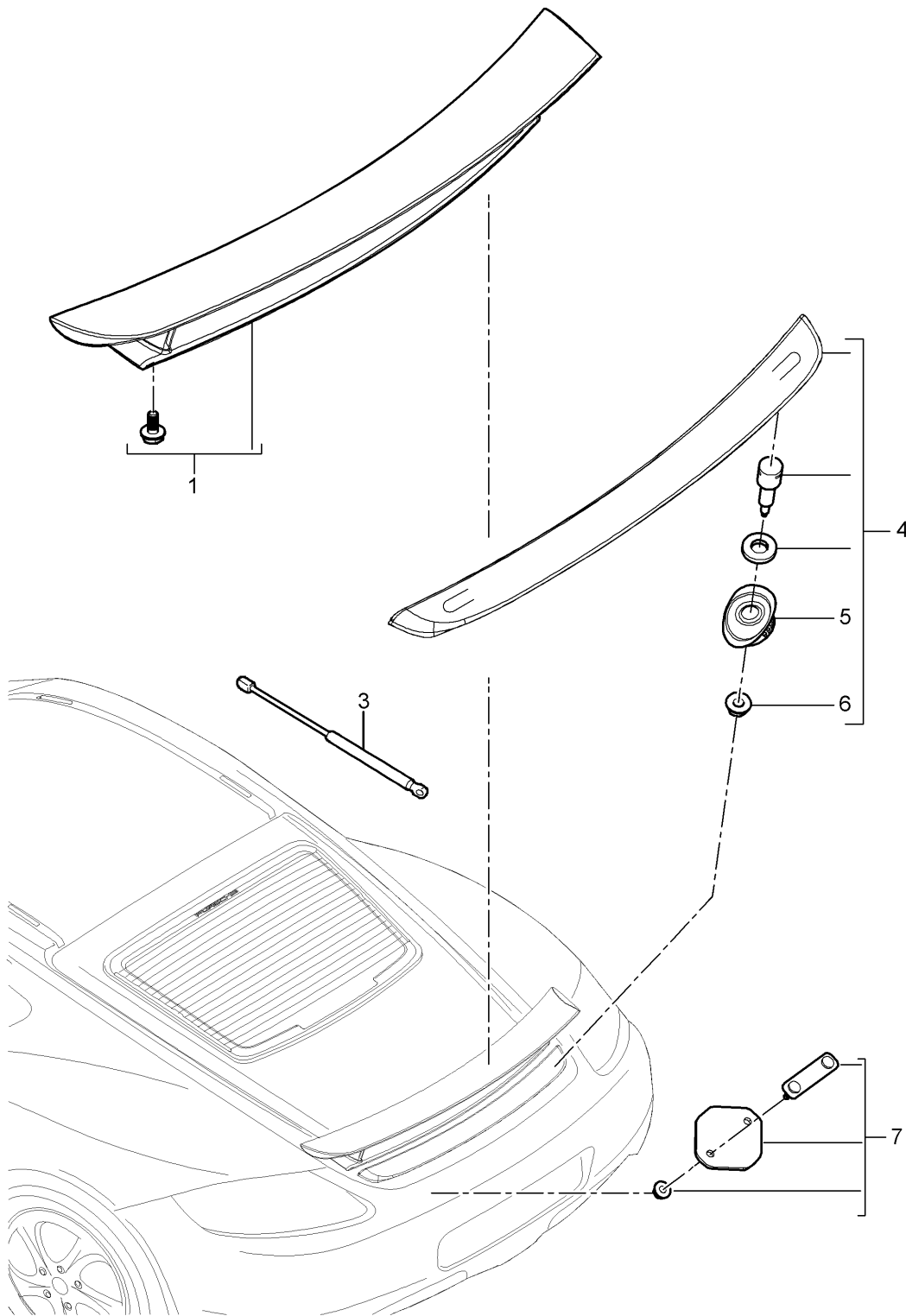
Model: 987209

Model life 2009>>2012

Pos	Part Number	Description	Remark	Qty	Model
1	987 504 619 00	Rear spoiler		1	
	987 504 619 00 G2X	Upper part			
2	999 919 233 07	Prime coated Oval-head screw 4,0 X 8,0		7	
3	987 504 623 00	Lower part		1	
4	900 377 003 02	Hexagon nut M8		2	
5	987 504 109 01	Driving mechanism Complete		1	
6	999 218 016 02	Combination screw M 6 X 16		4	
6	999 218 016 01	Micro-self-locking Combination screw M 6 X 16		4	
		Micro-self-locking			
7	986 504 251 00	Mounting plate		2	
8	987 504 413 00	Gasket set Hinge		2	
9	987 504 415 00	Water drain hose		1	
10	987 504 411 00	Hinge		2	
11	996 624 151 00	Electric motor		1	
12	900 074 364 02	Hexagon-head bolt M 5 X 55		1	
		Micro-self-locking			
13	999 084 629 09	Hexagon nut M 6		3	
14	900 075 485 09	Hexagon-head bolt M 6 X 16		1	
15	900 035 001 09	Washer		4	
16	996 624 117 01	Actuator Lid		1	
		Rear			
17	999 507 434 40	Support		1	
18	987 512 117 00	Actuator		1	

Model: 987209

Model life 2009>>2012



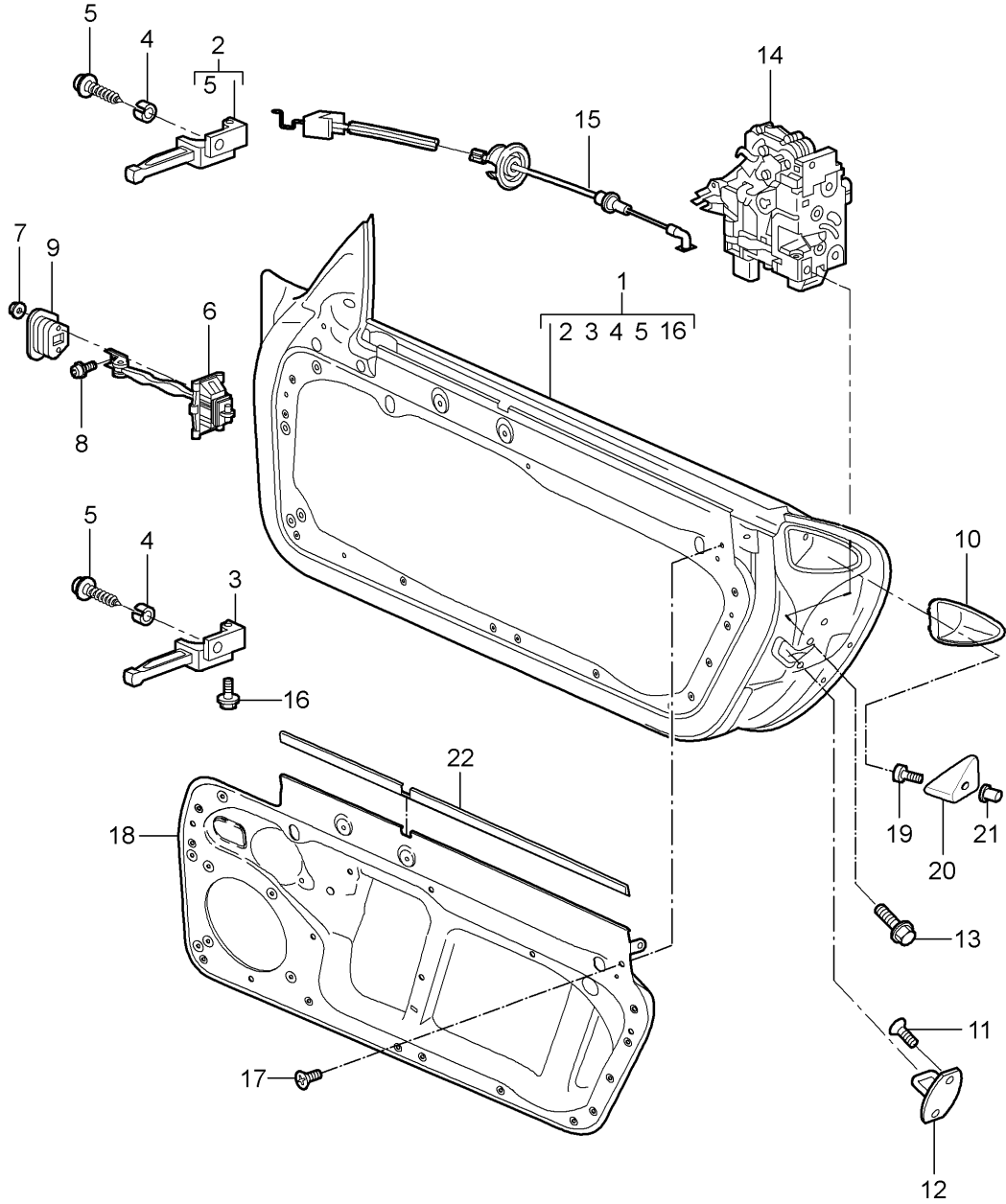
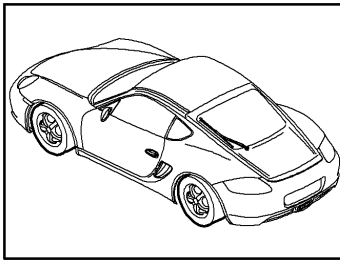
Model: 987209

Model life 2009>>2012

Pos	Part Number	Description	Remark	Qty	Model
		Rear spoiler Aerokit			IXAM
1	987 512 992 01	Rear spoiler		1	
3	987 512 551 04	Gas-pressure spring	/L /R	2	
4	987 512 994 01	Cover Spoiler		1	
(5)	987 512 995 01	Adapter	/L	1	
5	987 512 996 01	Adapter Mounting	/R	1	
6	900 380 015 01	Hexagon nut M6		2	
7	987 512 998 00	Gasket		2	

Model: 987209

Model life 2009>>2012



Model: 987209

Model life 2009>>2012

Pos	Part Number	Description	Remark	Qty	Model
(1)	997 531 011 04 997 531 011 04 GRV	Door in white Installation parts Door lock Door Prime coated Use also: 000.043.305.32	/L	1	
1	997 531 012 04 997 531 012 04 GRV	Door Prime coated Use also: 000.043.305.32	/R	1	
(1)	997 531 011 05 997 531 011 05 GRV	Door in white Prime coated Use also: 000.043.305.32	/L	1	I599
(1)	997 531 012 05 997 531 012 05 GRV	Door in white Prime coated Use also: 000.043.305.32	/R	1	I599
-	000 043 305 32	Sealing compound		1	
(2)	997 531 321 00	Hinge	/L	1	
2	997 531 322 00	Hinge	/R	1	
(3)	997 531 319 00	Hinge	/L	1	
3	997 531 320 00	Hinge	/R	1	
4	996 531 831 00	Sleeve		4	
5	900 378 180 01	Hexagon-head bolt M 8 X 25		2	
6	997 537 151 01	Door arrester		2	
6	997 537 151 02	Door arrester		2	
7	999 084 212 02	Hexagon nut M 6		4	
8	999 073 138 09	Screw M 8 X 25		2	
(8)	999 073 138 01	Round head screw M 8 X 25		2	
9	996 537 751 00	Seal		2	
(10)	997 537 331 00 997 537 331 00 01C	Support Satin black		1	
10	997 537 332 00 997 537 332 00 01C	Support Satin black		1	
11	N 910 174 01	Countersunk-head screw M 8 X 22		4	
12	3C0 837 767 A	Catch bar		2	
13	WHT 000 439	Combination screw M 8 X 20		2	
(14)	3D1 837 015	Door lock	/LL /L	1	I098
14	3D1 837 016	Door lock	/LL /R	1	I098
(14)	3D2 837 015	Door lock	/RL /L	1	I099
(14)	3D2 837 016	Door lock	/RL /R	1	I099
15	997 537 319 01	Bowden cable Information available		2	
-	970 556 525 00	Insulation		2	
16	999 072 043 09	Hexagon-head bolt M 6 X 12 Micro-self-locking		4	
17	999 073 333 09	Oval-head screw M6 X 16		9	
(18)	987 537 201 00	Inner panel	/L	1	
18	987 537 202 00	Inner panel	/R	1	
(18)	987 537 201 01	Inner panel	/L	1	
18	987 537 202 01	Inner panel	/R	1	
19	900 119 072 00	Door Pan-head screw		2	

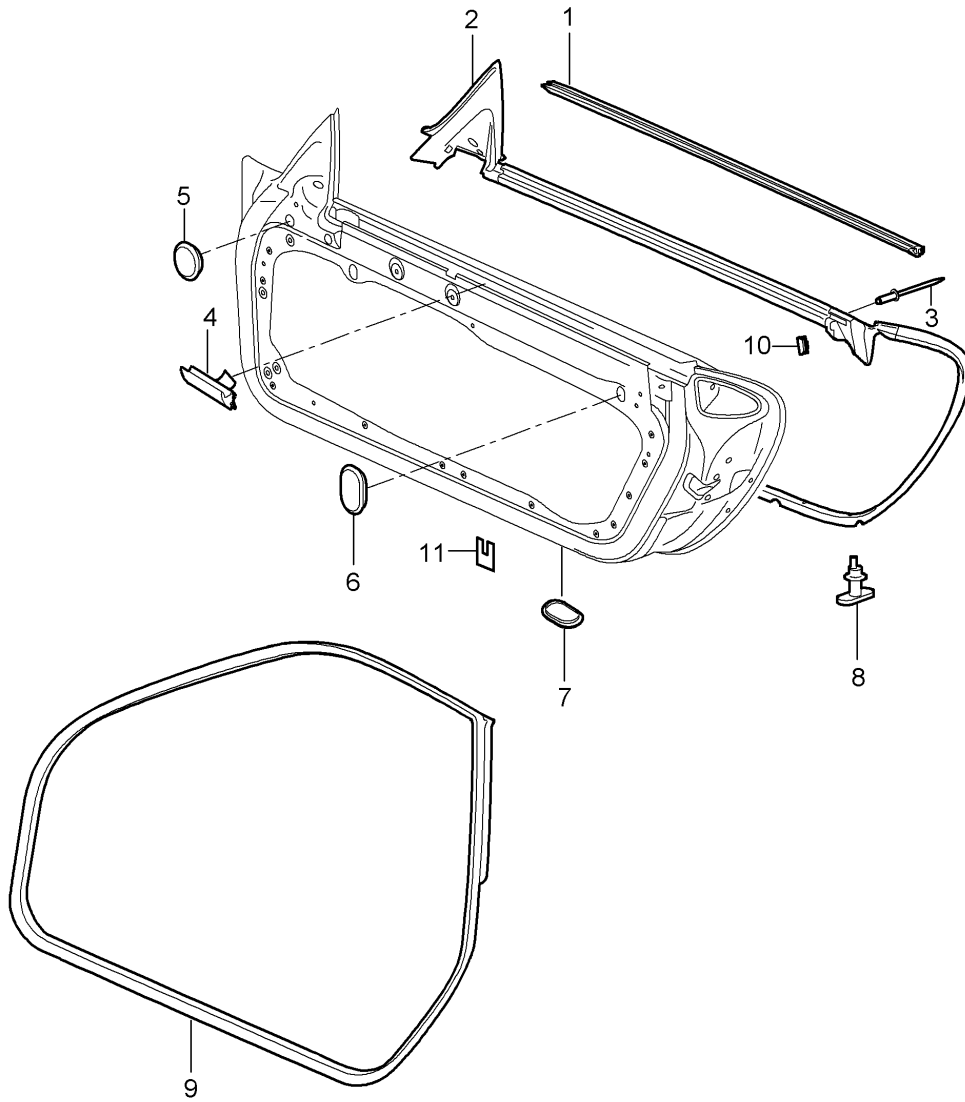
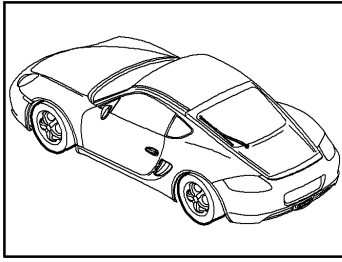
Model: 987209

Model life 2009>>2012

Pos	Part Number	Description	Remark	Qty	Model
(20)	997 537 333 00	M8 X 16 Support	/L	1	
	997 537 333 00 G2X	Prime coated			
20	997 537 334 00	Support	/R	1	
		Side section			
	997 537 334 00 G2X	Prime coated			
21	999 500 121 02	Blind rivet nut		2	
		M8 / 0,8 - 3			
22	999 551 172 40	Lining strap		2	
		25 x 1,3 x 730			
		for			
		Inner panel			

Model: 987209

Model life 2009>>2012



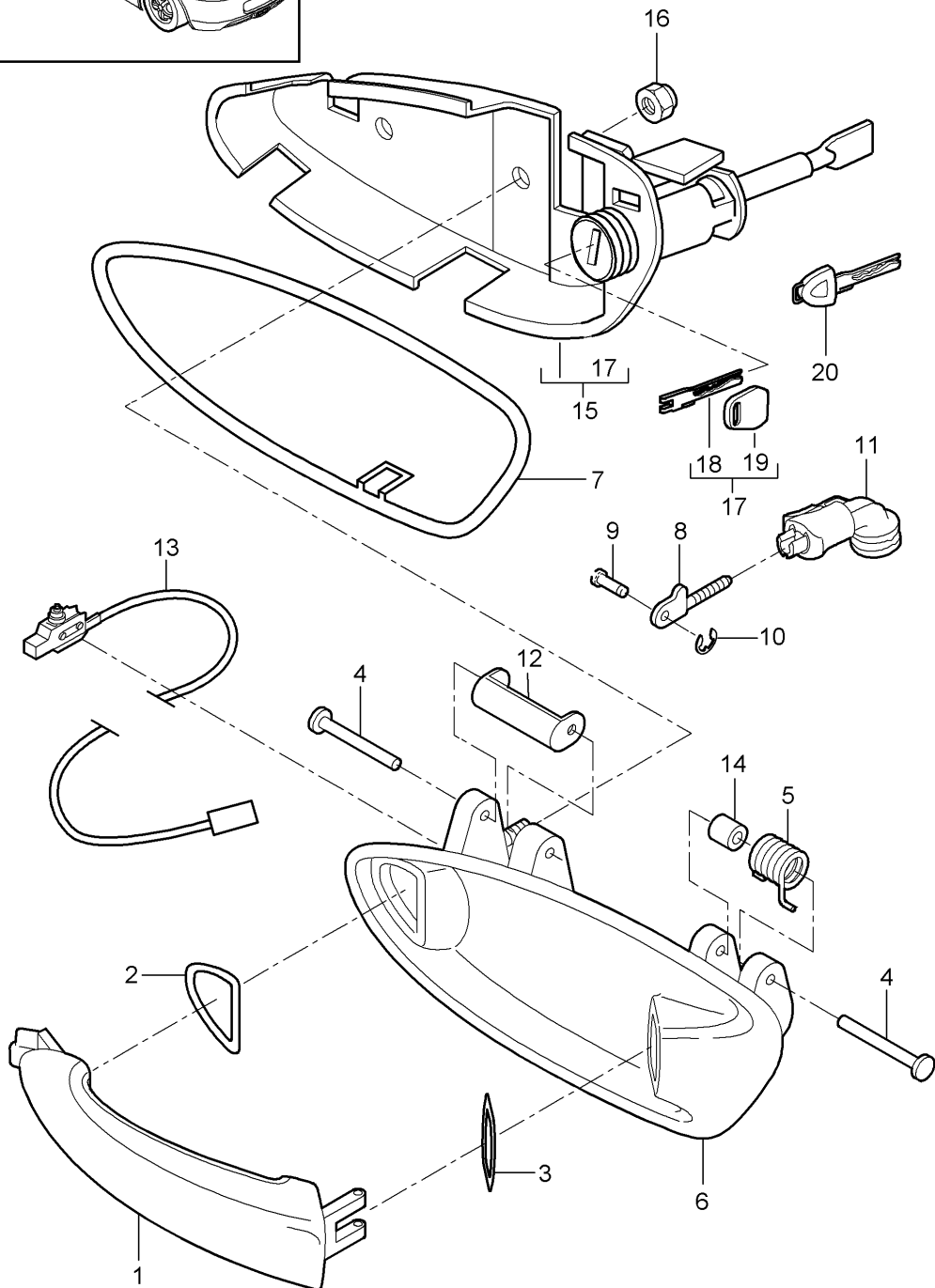
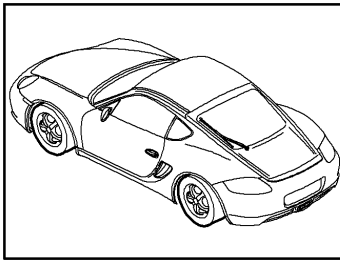
Model: 987209

Model life 2009>>2012

Pos	Part Number	Description	Remark	Qty	Model
		Door seal			
		Gasket			
		Windscreen frame			
(1)	997 537 085 02	Gasket	/L	1	
		Outer			
(1)	997 537 085 03	Gasket	/L	1	I599
		Outer			
1	997 537 086 02	Gasket	/R	1	
		Outer			
(1)	997 537 086 03	Gasket	/R	1	I599
		Outer			
(2)	997 537 531 07	Gasket	/L	1	
		Inner			
(2)	997 537 531 08	Gasket	/L	1	I599
		Inner			
2	997 537 532 07	Gasket	/R	1	
		Inner			
2	997 537 532 08	Gasket	/R	1	I599
		Inner			
4	997 537 495 00	Gasket		1	
5	803 803 583 A	Stopper		2	
		20,0 X 30,0			
5	999 703 196 40	Lid		2	
		20,0 X 30,0			
6	999 703 541 40	Lid		4	
		20,0 X 28,0			
7	999 703 542 40	Lid		8	
		23,8 X 38,7			
(8)	999 591 513 40	Clip		36	
		Gasket			
		5,8 x 0,9			
(9)	987 537 075 04	Gasket	/L	1	
		Door			
9	987 537 076 04	Gasket	/R	1	
		Door			
10	999 507 851 01	U-clamp		4	
		Gasket			
		Door			
11	996 537 337 00	Protective film		4	

Model: 987209

Model life 2009>>2012



Model: 987209

Model life 2009>>2012

Pos	Part Number	Description	Remark	Qty	Model
1	997 537 613 00	Door handle	/L	1	
	997 537 613 00 G2X	Prime coated			
(1)	997 537 614 00	Door handle	/R	1	
	997 537 614 00 G2X	Prime coated			
2	997 537 623 00	Buffer		2	
3	997 537 625 00	Buffer		2	
4	997 537 621 00	Axle		2	
5	997 537 611 00	Return spring	/L	1	
(5)	997 537 612 00	Return spring	/R	1	
6	997 537 645 00	Handle liner	/LL /L	1	I098
	997 537 645 00 G2X	Prime coated			
(6)	997 537 646 00	Handle liner	/RL /R	1	I099
	997 537 646 00 G2X	Prime coated			
(6)	997 537 645 01	Handle liner	/RL /L	1	I099
	997 537 645 01 G2X	Prime coated			
(6)	997 537 646 01	Handle liner	/LL /R	1	I098
	997 537 646 01 G2X	Prime coated			
7	997 537 637 00	Desk pad	/L	1	
(7)	997 537 638 00	Desk pad	/R	1	
8	997 537 627 00	Operating rod		2	
9	997 537 629 00	Bolt		2	
10	996 537 641 00	Lock washer		2	
11	997 537 445 03	Connecting piece		2	
12	997 537 653 00	Actuating lever	/L	1	
(12)	997 537 654 00	Actuating lever	/R	1	
13	997 613 125 00	Microswitch		2	
13	997 613 125 02	Microswitch		2	
		Power windows			
14	997 537 633 00	Bush		2	
15	997 538 963 00	Support	/LL /L	1	I098
		with lock cylinder			
		with stipulated lock number			
(15)	997 538 964 00	Support	/RL /R	1	I099
		with lock cylinder			
		with stipulated lock number			
(15)	997 538 963 01	Support	/LL /L	1	I098
		with lock cylinder			
		W/o stipulated lock number			
(15)	997 538 964 01	Support	/RL /R	1	I099
		with lock cylinder			
		W/o stipulated lock number			
(15)	997 538 963 02	Support	/LL /L	1	I098/625
		with lock cylinder			
		W/o stipulated lock number			
(15)	997 538 964 02	Support	/RL /R	1	I099/625
		with lock cylinder			
		W/o stipulated lock number			
(15)	997 538 963 03	Support	/LL /L	1	I098/625
		with lock cylinder			
		with stipulated lock number			
(15)	997 538 964 03	Support	/RL /R	1	I099/625
		with lock cylinder			
		with stipulated lock number			
(15)	997 537 463 01	Support	/RL /L	1	I099
		without lock cylinder			
(15)	997 537 464 01	Support	/LL /R	1	I098
		without lock cylinder			
16	900 380 015 09	Hexagon nut		4	
		M6			
17	997 538 931 00	Replacement key		X	
		with stipulated lock number			
		State lock number			

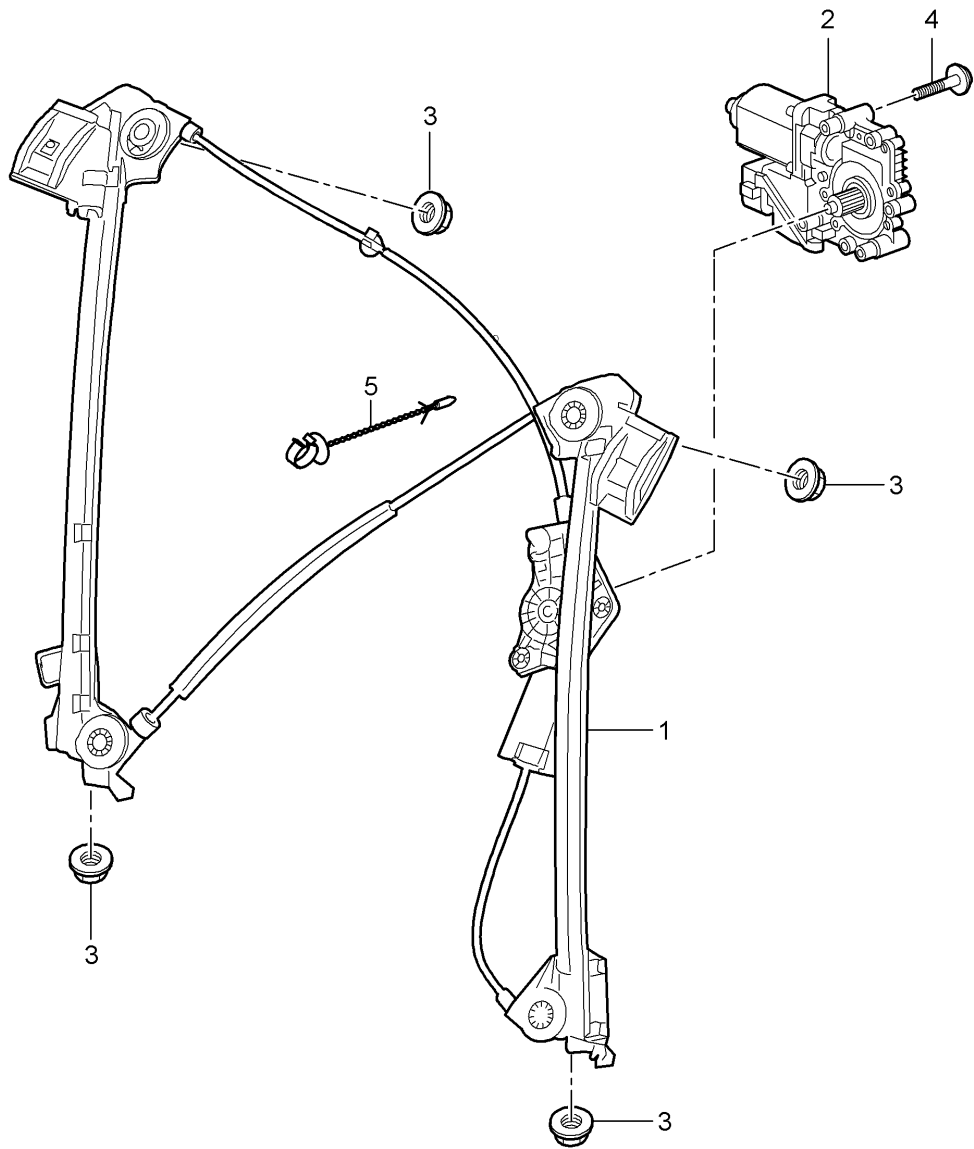
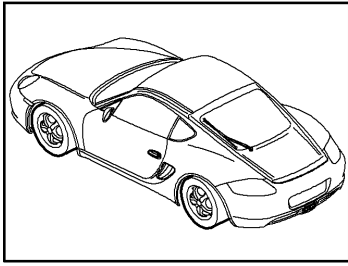
Model: 987209

Model life 2009>>2012

Pos	Part Number	Description	Remark	Qty	Model
18	997 538 531 00	Blank key		X	
19	944 538 431 00	Key cap		X	
	955 538 916 00	Information available			

Model: 987209

Model life 2009>>2012



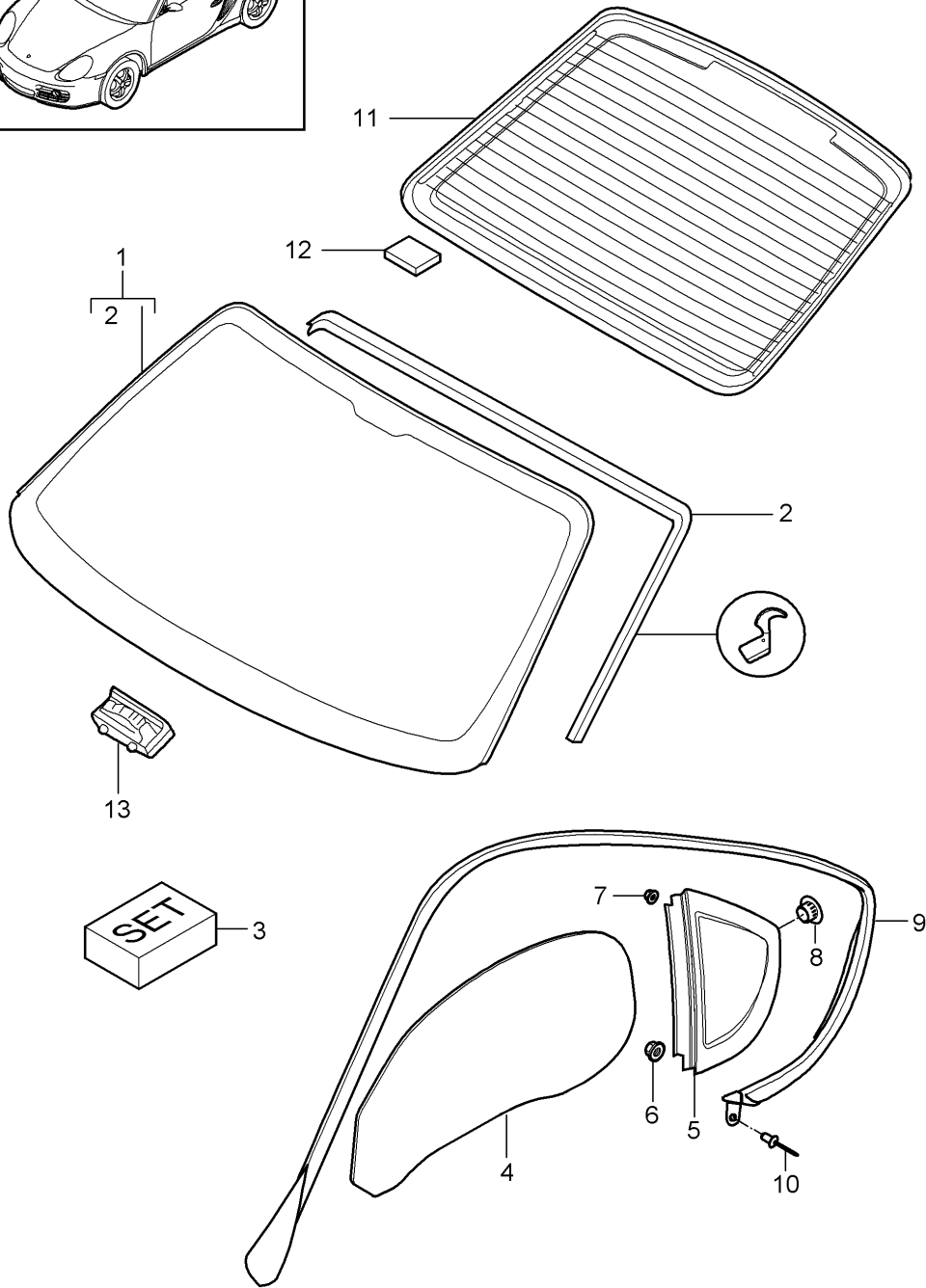
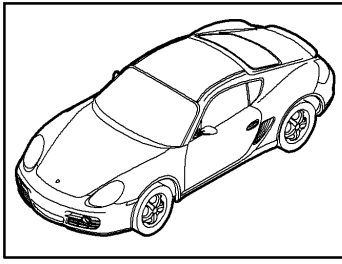
Model: 987209

Model life 2009>>2012

Pos	Part Number	Description	Remark	Qty	Model
1	987 542 075 01	Power windows	/L	1	
(1)	987 542 076 01	Power windows	/R	1	
2	997 624 181 02	Electric motor	/LL /L	1	I098
(2)	997 624 182 02	Electric motor	/LL /R	1	I098
(2)	997 624 181 02	Electric motor	/RL /R	1	I099
(2)	997 624 182 02	Electric motor	/RL /L	1	I099
3	900 380 015 09	Hexagon nut M 6		4	
4	999 919 209 09	Oval-head screw M5X22		6	
5	987 542 941 00	Clip Bowden cable Power windows		1	

Model: 987209

Model life 2009>>2012



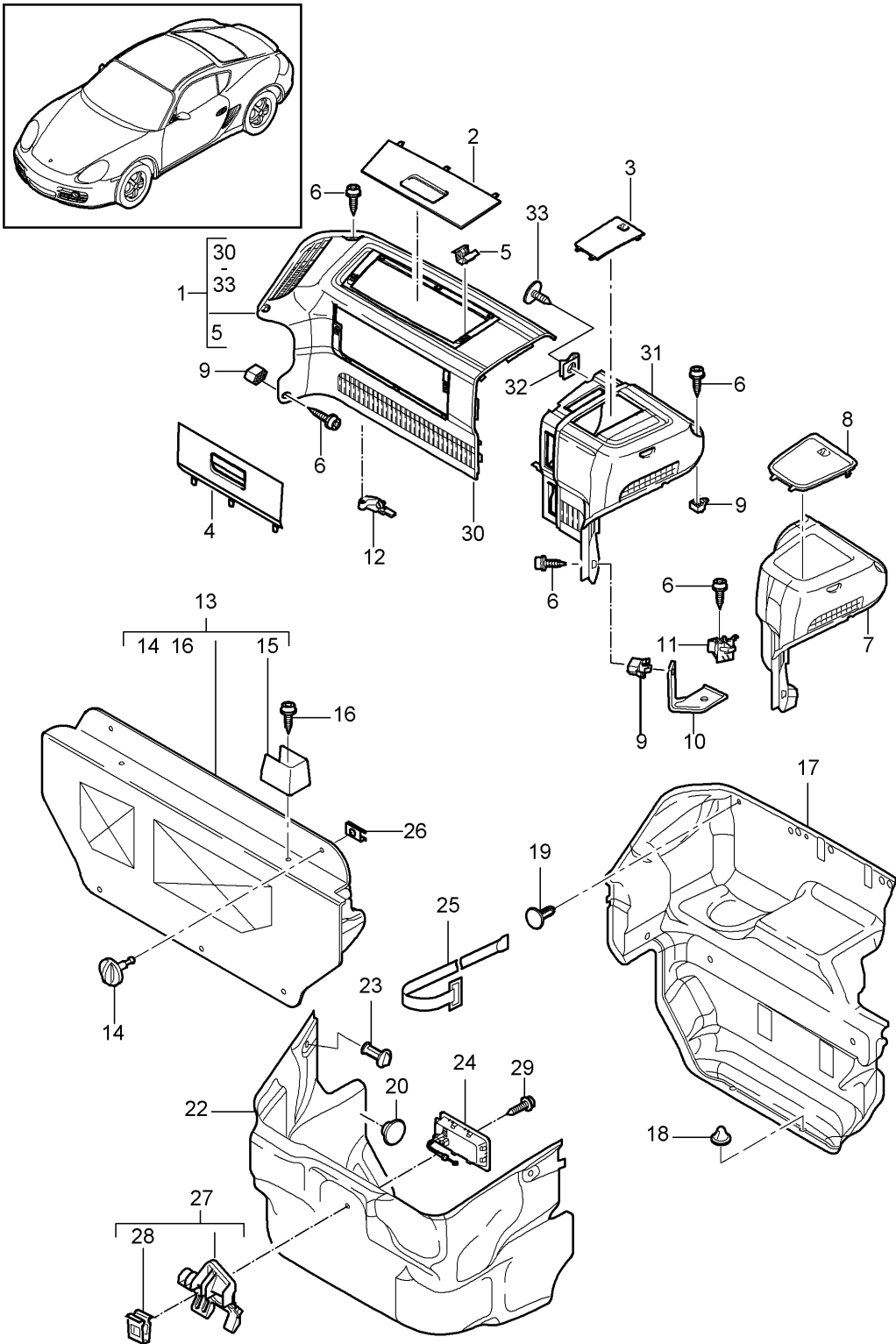
Model: 987209

Model life 2009>>2012

Pos	Part Number	Description	Remark	Qty	Model
1	987 541 911 08	windshield glazing Windscreen Tinted		1	I568
(1)	987 541 911 09	Windscreen Tinted		1	I567
(1)	987 541 911 10	Windscreen Tinted		1	I267/268/568
(1)	987 541 911 11	Windscreen Tinted		1	I267/268/567
(1)	987 541 911 12	Windscreen Tinted		1	I440/568
(1)	987 541 911 13	Windscreen Tinted		1	I440/567
(1)	987 541 911 14	Windscreen Tinted		1	I267/268/440 I568
(1)	987 541 911 15	Windscreen Tinted		1	I267/268/440 I567
2	997 541 901 09	Gasket		1	
3	000 043 301 14	Adhesive set HENKEL TEROSON		1	
4	987 542 511 03	Door window glass	/L	1	
(4)	987 542 512 03	Door window glass	/R	1	
5	987 543 111 02	Rear window	/L	1	
(5)	987 543 112 02	Rear window	/R	1	
6	999 084 210 01	Hexagon nut Rear window M8		2	
(6)	987 543 835 00	Threaded bush Rear window		2	
7	999 084 220 01	Hexagon nut Rear window M5		6	
8	999 702 352 40	Grommet Rear window 5,5 X 6,5		2	
9	987 537 481 01	Roof frame seal	/L	1	
(9)	987 537 482 01	Roof frame seal	/R	1	
10	999 190 445 37	Blind rivet Roof frame seal A 4,0 X 7,9		18	
11	987 545 911 01	Rear window		1	
12	999 703 130 40	Buffer Rear window		6	
13	999 507 576 41	Support		2	

Model: 987209

Model life 2009>>2012



Model: 987209

Model life 2009>>2012

Pos	Part Number	Description	Remark	Qty	Model
(1)	997 551 133 00	Luggage compartment Front Lining	/LL	1	I098/674
	997 551 133 00 02A	Luggage compartment Complete Black			
(1)	997 551 133 00	Lining	/LL	1	I098/676
	997 551 133 00 02A	Luggage compartment Complete Black			
(1)	997 551 133 00	Lining		1	I673
	997 551 133 00 02A	Luggage compartment Complete Black			
(1)	997 551 133 01	Lining	/RL	1	I099
	997 551 133 01 02A	Luggage compartment Complete Black			
2	997 551 306 00	Lid Upper	/LL	1	I098/674
	997 551 306 00 02A	Black			
2	997 551 306 00	Lid Upper	/LL	1	I098/676
	997 551 306 00 02A	Black			
2	997 551 306 00	Lid Upper		1	I673
	997 551 306 00 02A	Black			
(2)	997 551 305 00	Lid Upper	/RL	1	I099
	997 551 305 00 02A	Black			
3	997 551 301 00	Lid	/LL	1	I098/674
	997 551 301 00 02A	Brake booster Black			
3	997 551 301 00	Lid	/LL	1	I098/676
	997 551 301 00 02A	Brake booster Black			
3	997 551 301 00	Lid		1	I673
	997 551 301 00 02A	Brake booster Black			
(3)	997 551 302 00	Lid	/RL	1	I099
	997 551 302 00 02A	Brake booster Black			
(3)	997 551 302 00	Lid	/RL	1	I099
	997 551 302 00 02A	Brake booster Black			
4	997 551 308 01	Lid	/LL	1	I098/674
	997 551 308 01 02A	Lower Black			
4	997 551 308 01	Lid	/LL	1	I098/676
	997 551 308 01 02A	Lower Black			
4	997 551 308 01	Lid		1	I673
	997 551 308 01 02A	Lower Black			
(4)	997 551 307 00	Lid	/RL	1	I099
	997 551 307 00 02A	Lower Black			
5	999 507 735 02	Clamp 9 X 22/2,5		4	
6	900 187 501 01	Tapping screw ST 3,5 X 16		X	
7	997 551 231 00	Lining Brake booster	/LL	1	I098

Model: 987209 Model life 2009>>2012

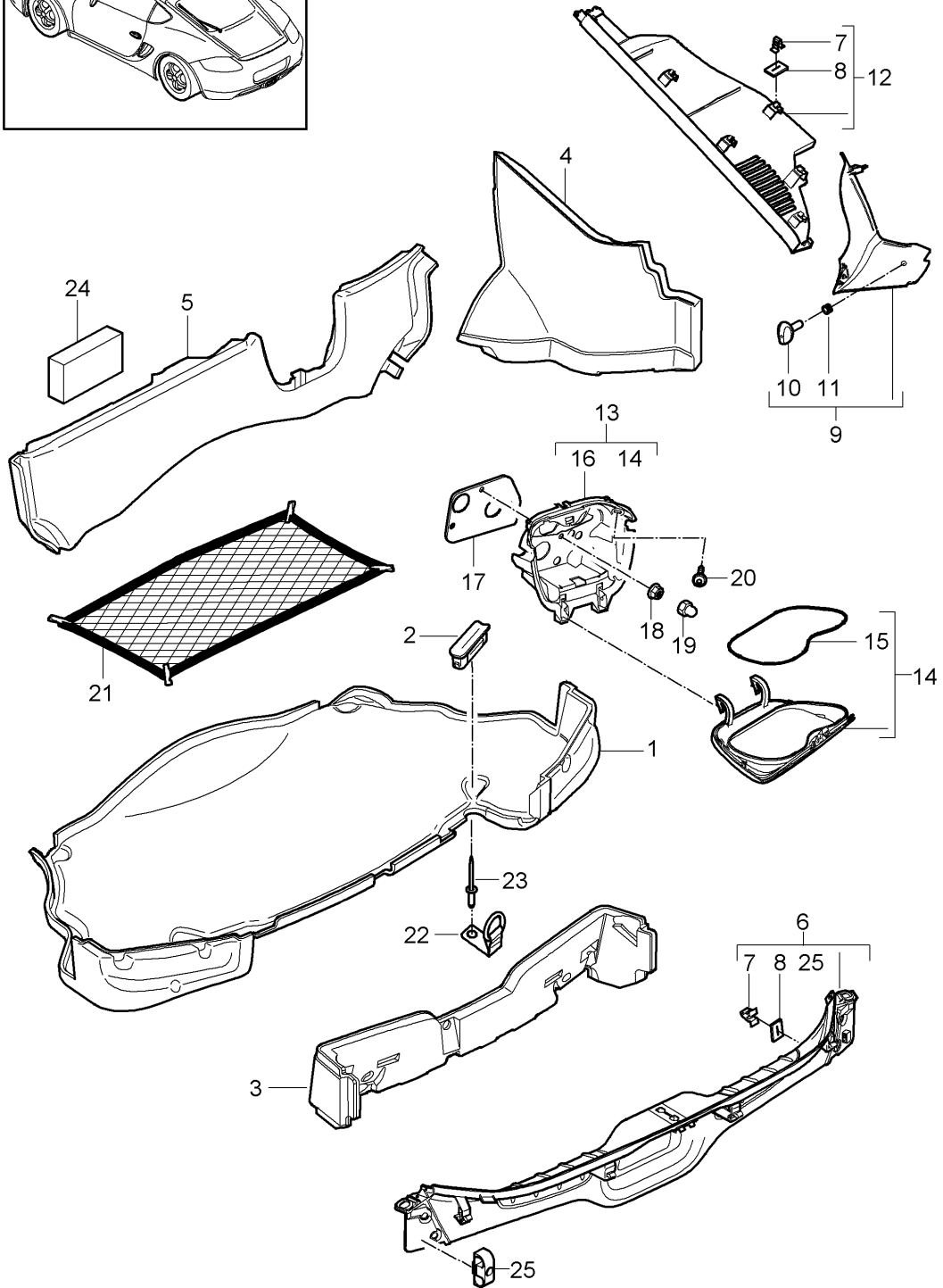
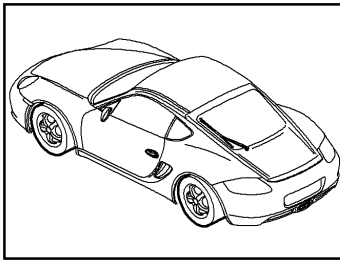
Pos	Part Number	Description	Remark	Qty	Model
8	997 551 231 00 02A 997 551 311 00	Black Lid	/LL	1	I098
9	997 551 311 00 02A 999 507 734 40	Brake booster Black Support		X	
10	997 551 771 02	ST 3,5 Support		1	
11	999 507 512 40	Lining Luggage compartment Support		X	
12	997 551 772 02	ST 3,5 Support		1	
13	997 551 123 02	Lining Lining		1	
(13)	997 551 123 02 A31 997 551 123 03	Tool Carpet Black Lining		1	I193
14	997 551 123 03 A31 997 551 803 00	Tool Carpet Black Catch		2	
15	997 551 801 00	Lining Tool	/L	1	
(15)	997 551 801 00 02A 997 551 802 00	Warning triangle Black Support	/R	1	
16	997 551 802 00 02A 999 073 362 09	Warning triangle Black Tapping screw		2	
17	997 551 051 25	4,8 X 22 Lining	/LL	1	I098
(17)	997 551 051 25 A31 997 551 051 26	Luggage compartment Bulkhead Carpet Black Lining	/LL	1	I098/674
(17)	997 551 051 26 A31 997 551 051 26	Luggage compartment Bulkhead Carpet Black Lining	/LL	1	I098/676
(17)	997 551 051 26 A31 997 551 051 26	Luggage compartment Bulkhead Carpet Black Lining		1	I673
(17)	997 551 051 26 A31 997 551 051 28	Luggage compartment Bulkhead Carpet Black Lining	/RL	1	I099
18	997 551 051 28 A31 999 049 004 40	Luggage compartment Bulkhead Carpet Black Plastic nut		2	
19	999 703 432 40	T5 / 32 X 20 Stopper		2	
20	999 703 455 41	8,2 X 18 Lid		X	
		12,2 X 25			

Model: 987209 Model life 2009>>2012

Pos	Part Number	Description	Remark	Qty	Model
22	987 551 045 04	Lining Luggage compartment liner Carpet		1	
	987 551 045 04 A31	Black			
23	999 049 006 40	Plastic nut T5 /30 X 7,5		2	
25	997 551 741 00	Retaining strap First-aid kit		1	I024
(25)		Retaining strap First-aid kit		1	I499
26	999 590 055 01	Fastening clamp 10,7 X 11,5		2	
30	997 551 634 00	Lining Luggage compartment	/LL	1	I098/674
	997 551 634 00 FMU	Black/black			
30	997 551 634 00	Lining Luggage compartment	/LL	1	I098/676
	997 551 634 00 FMU	Black/black			
30	997 551 634 00	Lining Luggage compartment		1	I673
	997 551 634 00 FMU	Black/black			
(30)	997 551 635 00	Lining Luggage compartment	/RL	1	I099
	997 551 635 00 FMU	Black/black			
31	997 551 633 00	Lining Brake booster	/LL	1	I098/674
	997 551 633 00 FMU	Black/black			
31	997 551 633 00	Lining Brake booster	/LL	1	I098/676
	997 551 633 00 FMU	Black/black			
31	997 551 633 00	Lining Brake booster		1	I673
	997 551 633 00 FMU	Black/black			
(31)	997 551 632 00	Lining Brake booster		1	I099
	997 551 632 00 FMU	Black/black			
32	999 507 795 09	Speed nut 4,8		3	
33	999 073 231 09	Tapping screw st 4,8 X 16		3	
34	999 025 236 40	Washer Lock Catch Position 14		2	
36	991 555 765 01	Lid Compressor Emergency wheel		1	
	991 555 765 01 1E0	Black			

Model: 987209

Model life 2009>>2012



Model: 987209

Model life 2009>>2012

Pos	Part Number	Description	Remark	Qty	Model
1	987 551 053 02	Luggage compartment Rear Lining Carpet		1	
	987 551 053 02 M10	Terracotta			
	987 551 053 02 R10	Cocoa			
	987 551 053 02 D11	Dark grey/natural			
	987 551 053 02 T11	Brown/natural			
1	987 551 053 02	Lining Carpet Until Chassis number See technical information GR.7 NR. 17/11 KD-NR. 70		1	
	987 551 053 02 A10	Black			
	987 551 053 02 B10	Stone grey			
	987 551 053 02 T10	Sand Beige			
	987 551 053 02 E10	Sea blue			
	987 551 053 02 N10	Carrera Red			
1	987 551 053 05	Lining Carpet From Chassis number See technical information GR.7 NR. 17/11 KD-NR. 70		1	
	987 551 053 05 A10	Black			
	987 551 053 05 B10	Stone grey			
	987 551 053 05 T10	Sand Beige			
	987 551 053 05 E10	Sea blue			
	987 551 053 05 N10	Carrera Red			
2	987 551 545 00	Cover Fastening clip		2	
	987 551 545 00 01C	Satin black			
3	987 551 067 00	Lining Rear spoiler Carpet		1	
	987 551 067 00 M10	Terracotta			
	987 551 067 00 R10	Cocoa			
	987 551 067 00 D11	Dark grey/natural			
	987 551 067 00 T11	Brown/natural			
3	987 551 067 00	Lining Rear spoiler Carpet Until Chassis number See technical information GR.7 NR. 17/11 KD-NR. 70		1	
	987 551 067 00 A10	Black			
	987 551 067 00 B10	Stone grey			
	987 551 067 00 T10	Sand Beige			
	987 551 067 00 E10	Sea blue			
	987 551 067 00 N10	Carrera Red			
3	987 551 067 01	Lining Rear spoiler Carpet From Chassis number See technical information GR.7 NR. 17/11 KD-NR. 70		1	

Model: 987209 Model life 2009>>2012

Pos	Part Number	Description	Remark	Qty	Model
	987 551 067 01 A10	Black			
	987 551 067 01 B10	Stone grey			
	987 551 067 01 T10	Sand Beige			
	987 551 067 01 E10	Sea blue			
	987 551 067 01 N10	Carrera Red			
(4)	987 551 063 00	Luggage compartment trim Lateral Carpet	/L	1	
	987 551 063 00 M10	Terracotta			
	987 551 063 00 R10	Cocoa			
	987 551 063 00 D11	Dark grey/natural			
	987 551 063 00 T11	Brown/natural			
(4)	987 551 063 00	Luggage compartment trim Lateral Carpet Until Chassis number See technical information GR.7 NR. 17/11 KD-NR. 70	/L	1	
	987 551 063 00 A10	Black			
	987 551 063 00 B10	Stone grey			
	987 551 063 00 T10	Sand Beige			
	987 551 063 00 E10	Sea blue			
	987 551 063 00 N10	Carrera Red			
(4)	987 551 063 01	Luggage compartment trim Lateral Carpet From Chassis number See technical information GR.7 NR. 17/11 KD-NR. 70	/L	1	
	987 551 063 01 A10	Black			
	987 551 063 01 B10	Stone grey			
	987 551 063 01 T10	Sand Beige			
	987 551 063 01 E10	Sea blue			
	987 551 063 01 N10	Carrera Red			
4	987 551 064 00	Luggage compartment trim Lateral Carpet	/R	1	
	987 551 064 00 M10	Terracotta			
	987 551 064 00 R10	Cocoa			
	987 551 064 00 D11	Dark grey/natural			
	987 551 064 00 T11	Brown/natural			
4	987 551 064 00	Luggage compartment trim Lateral Carpet Until Chassis number See technical information GR.7 NR. 17/11 KD-NR. 70	/R	1	
	987 551 064 00 A10	Black			
	987 551 064 00 B10	Stone grey			
	987 551 064 00 T10	Sand Beige			
	987 551 064 00 E10	Sea blue			
	987 551 064 00 N10	Carrera Red			
4	987 551 064 01	Luggage compartment trim Lateral Carpet From Chassis number	/R	1	

Model: 987209 Model life 2009>>2012

Pos	Part Number	Description	Remark	Qty	Model
		See technical information GR.7 NR. 17/11 KD-NR. 70			
	987 551 064 01 A10	Black			
	987 551 064 01 B10	Stone grey			
	987 551 064 01 T10	Sand Beige			
	987 551 064 01 E10	Sea blue			
	987 551 064 01 N10	Carrera Red			
5	987 551 045 03	Lining Cross member Rear wall Carpet		1	
	987 551 045 03 M10	Terracotta			
	987 551 045 03 R10	Cocoa			
	987 551 045 03 D11	Dark grey/natural			
	987 551 045 03 T11	Brown/natural			
5	987 551 045 03	Lining Cross member Rear wall Carpet Until Chassis number See technical information GR.7 NR. 17/11 KD-NR. 70		1	
	987 551 045 03 A10	Black			
	987 551 045 03 B10	Stone grey			
	987 551 045 03 T10	Sand Beige			
	987 551 045 03 E10	Sea blue			
	987 551 045 03 N10	Carrera Red			
5	987 551 037 00	Lining Cross member Rear wall Carpet From Chassis number See technical information GR.7 NR. 17/11 KD-NR. 70		1	
	987 551 037 00 A10	Black			
	987 551 037 00 B10	Stone grey			
	987 551 037 00 T10	Sand Beige			
	987 551 037 00 E10	Sea blue			
	987 551 037 00 N10	Carrera Red			
6	987 555 251 00	Lining Lid lock		1	
	987 555 251 00 A03	Black			
	987 555 251 00 5V7	Stone grey			
	987 555 251 00 5Z1	Sand Beige			
	987 555 251 00 8W7	Sea blue			
	987 555 251 00 8X8	Terracotta			
	987 555 251 00 8P9	Cocoa			
	987 555 251 00 T13	Brown/natural			
	987 555 251 00 N23	Carrera Red			
7	999 507 839 01	Clamp 3,5		X	
8	999 209 084 40	Spacer 20 X 25 X 0,5		X	
(9)	987 551 651 01	Lining Rear light	/L	1	
	987 551 651 01 01C	Satin black			
9	987 551 652 01	Lining Rear light	/R	1	

Model: 987209 Model life 2009>>2012

Pos	Part Number	Description	Remark	Qty	Model
10	987 551 652 01 01C 999 590 056 40	Satin black Closing element		2	
11	999 230 579 40	Lock 26,5 X 18,4		4	
(12)	987 555 189 01	Luggage compartment trim Lateral upper	/L	1	
	987 555 189 01 A03	Black			
	987 555 189 01 5V7	Stone grey			
	987 555 189 01 5Z1	Sand Beige			
	987 555 189 01 8W7	Sea blue			
	987 555 189 01 8X8	Terracotta			
	987 555 189 01 8P9	Cocoa			
	987 555 189 01 T13	Brown/natural			
	987 555 189 01 N23	Carrera Red			
12	987 555 190 02	Luggage compartment trim Lateral upper	/R	1	
	987 555 190 02 A03	Black			
	987 555 190 02 5V7	Stone grey			
	987 555 190 02 5Z1	Sand Beige			
	987 555 190 02 8W7	Sea blue			
	987 555 190 02 8X8	Terracotta			
	987 555 190 02 8P9	Cocoa			
	987 555 190 02 T13	Brown/natural			
	987 555 190 02 N23	Carrera Red			
13	987 555 067 01	Cover Service Cup		1	
	987 555 067 01 M10	Terracotta			
	987 555 067 01 R10	Cocoa			
	987 555 067 01 D11	Dark grey/natural			
	987 555 067 01 T11	Brown/natural			
13	987 555 067 01	Cover Service Cup Until Chassis number See technical information GR.7 NR. 17/11 KD-NR. 70		1	
	987 555 067 01 A10	Black			
	987 555 067 01 B10	Stone grey			
	987 555 067 01 T10	Sand Beige			
	987 555 067 01 E10	Sea blue			
	987 555 067 01 N10	Carrera Red			
13	987 555 067 02	Cover Service Cup From Chassis number See technical information GR.7 NR. 17/11 KD-NR. 70		1	
	987 555 067 02 A10	Black			
	987 555 067 02 B10	Stone grey			
	987 555 067 02 T10	Sand Beige			
	987 555 067 02 E10	Sea blue			
	987 555 067 02 N10	Carrera Red			
14	987 555 075 00	Lid Service Cup		1	
	987 555 075 00 M10	Terracotta			
	987 555 075 00 R10	Cocoa			

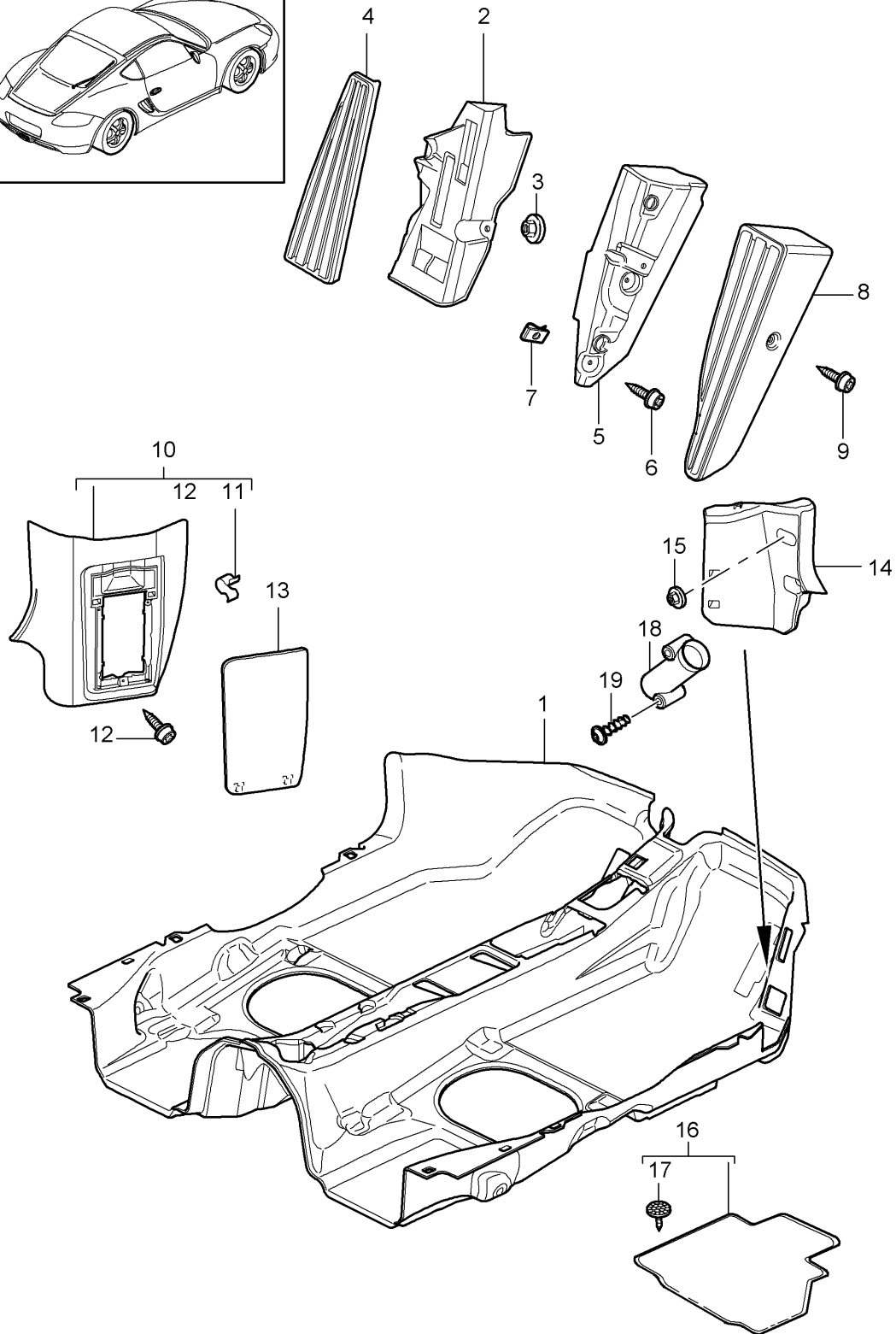
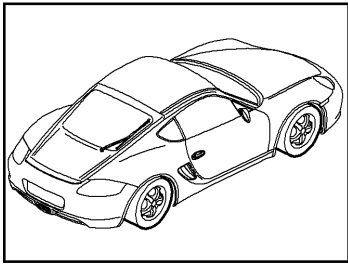
Model: 987209

Model life 2009>>2012

Pos	Part Number	Description	Remark	Qty	Model			
14	987 555 075 00 D11	Dark grey/natural		1				
	987 555 075 00 T11	Brown/natural						
	987 555 075 00	Lid						
		Service						
		Cup						
		Until						
		Chassis number						
		See technical information						
		GR.7 NR. 17/11						
		KD-NR. 70						
14	987 555 075 00 A10	Black		1				
	987 555 075 00 B10	Stone grey						
	987 555 075 00 T10	Sand Beige						
	987 555 075 00 E10	Sea blue						
	987 555 075 00 N10	Carrera Red						
	987 555 075 01	Lid						
		Service						
		Cup						
		From						
		Chassis number						
14	987 555 075 01 A10	Black		1				
	987 555 075 01 B10	Stone grey						
	987 555 075 01 T10	Sand Beige						
	987 555 075 01 E10	Sea blue						
	987 555 075 01 N10	Carrera Red						
	987 555 475 00	Gasket						
		Service						
		Cup						
	16	987 555 077 00	Assembly frame				1	
			Service					
17	987 555 477 01	Sealing frame		1				
		Service						
		Cup						
18	999 076 048 01	Hexagon nut		3				
		M6						
19	999 703 231 41	Protection cap		1				
20	999 073 372 01	Tapping screw		2				
		4,2 X 16						
21	987 551 339 00	Luggage net		1				
(21)	987 551 339 01	Luggage net		1	I479			
22	987 551 245 01	Eye		4				
		Luggage						
		Lock						
		60 mm						
23	999 190 484 02	Blind rivet		4				
		A 6,4 x 14,5						
24	987 551 675 00	Foam part		1				
		Support						
		Control unit						
25	999 590 057 40	Cams		2				
		Catch						

Model: 987209

Model life 2009>>2012



Model: 987209

Model life 2009>>2012

Pos	Part Number	Description	Remark	Qty	Model
1	987 551 011 04	Interior equipment Carpet Linings Carpet Carpet	09- /LL	1	I098/441
	987 551 011 04 FLW	Black			
	987 551 011 04 FLX	Stone grey			
	987 551 011 04 FLY	Sand Beige			
	987 551 011 04 FLZ	Sea blue			
	987 551 011 04 FMB	Terracotta			
	987 551 011 04 FMC	Cocoa			
	987 551 011 04 FMD	Dark grey/natural			
	987 551 011 04 FME	Brown/natural			
	987 551 011 04 FSV	Carrera Red			
1	987 551 011 04	Carpet Carpet	/LL	1	I098/490
	987 551 011 04 FLW	Black			
	987 551 011 04 FLX	Stone grey			
	987 551 011 04 FLY	Sand Beige			
	987 551 011 04 FLZ	Sea blue			
	987 551 011 04 FMB	Terracotta			
	987 551 011 04 FMC	Cocoa			
	987 551 011 04 FMD	Dark grey/natural			
	987 551 011 04 FME	Brown/natural			
	987 551 011 04 FSV	Carrera Red			
1	987 551 011 04	Carpet Carpet	/LL	1	I098/609
	987 551 011 04 FLW	Black			
	987 551 011 04 FLY	Sand Beige			
	987 551 011 04 FMC	Cocoa			
	987 551 011 04 FSV	Carrera Red			
(1)	987 551 011 05	Carpet Carpet	/RL	1	I099/441
	987 551 011 05 FLW	Black			
	987 551 011 05 FLX	Stone grey			
	987 551 011 05 FLY	Sand Beige			
	987 551 011 05 FLZ	Sea blue			
	987 551 011 05 FMB	Terracotta			
	987 551 011 05 FMC	Cocoa			
	987 551 011 05 FMD	Dark grey/natural			
	987 551 011 05 FME	Brown/natural			
	987 551 011 05 FSV	Carrera Red			
(1)	987 551 011 05	Carpet Carpet	/RL	1	I099/490
	987 551 011 05 FLW	Black			
	987 551 011 05 FLX	Stone grey			
	987 551 011 05 FLY	Sand Beige			
	987 551 011 05 FLZ	Sea blue			
	987 551 011 05 FMB	Terracotta			
	987 551 011 05 FMC	Cocoa			
	987 551 011 05 FMD	Dark grey/natural			
	987 551 011 05 FME	Brown/natural			
	987 551 011 05 FSV	Carrera Red			
(1)	987 551 011 05	Carpet Carpet	/RL	1	I099/609
	987 551 011 05 FLW	Black			
	987 551 011 05 FLY	Sand Beige			
	987 551 011 05 FMC	Cocoa			
	987 551 011 05 FSV	Carrera Red			
1	987 551 011 06	Carpet Carpet	/LL	1	I098
	987 551 011 06 FMB	Terracotta			
	987 551 011 06 FMC	Cocoa			

Model: 987209 Model life 2009>>2012

Pos	Part Number	Description	Remark	Qty	Model	
1	987 551 011 06 FMD	Dark grey/natural	/LL	1	I098	
	987 551 011 06 FME	Brown/natural				
	987 551 011 06	Carpet				
		Carpet				
		Until				
		Chassis number				
		See technical information				
		GR.7 NR. 17/11				
		KD-NR. 70				
		987 551 011 06 FLW				Black
	987 551 011 06 FLX	Stone grey				
	987 551 011 06 FLY	Sand Beige				
	987 551 011 06 FLZ	Sea blue				
	987 551 011 06 FSV	Carrera Red				
1	987 551 011 12	Carpet	/LL	1	I098	
		Carpet				
		From				
		Chassis number				
		See technical information				
		GR.7 NR. 17/11				
		KD-NR. 70				
		987 551 011 12 FLW				Black
		987 551 011 12 FLX				Stone grey
		987 551 011 12 FLY				Sand Beige
	987 551 011 12 FLZ	Sea blue				
	987 551 011 12 FSV	Carrera Red				
(1)	987 551 011 07	Carpet	/RL	1	I099	
		Carpet				
	987 551 011 07 FMB	Terracotta				
	987 551 011 07 FMC	Cocoa				
	987 551 011 07 FMD	Dark grey/natural				
	987 551 011 07 FME	Brown/natural				
(1)	987 551 011 07	Carpet				
		Carpet				
		Until				
		Chassis number				
		See technical information				
		GR.7 NR. 17/11				
		KD-NR. 70				
	987 551 011 07 FLW	Black				
	987 551 011 07 FLX	Stone grey				
	987 551 011 07 FLY	Sand Beige				
	987 551 011 07 FLZ	Sea blue				
	987 551 011 07 FSV	Carrera Red				
(1)	987 551 011 13	Carpet	/RL	1	I099	
		Carpet				
		From				
		Chassis number				
		See technical information				
		GR.7 NR. 17/11				
		KD-NR. 70				
	987 551 011 13 FLW	Black				
	987 551 011 13 FLX	Stone grey				
	987 551 011 13 FLY	Sand Beige				
	987 551 011 13 FLZ	Sea blue				
	987 551 011 13 FSV	Carrera Red				
-	997 551 813 01	Protective film	/LL	1	I098	
		Carpet				
-	997 551 815 01	Protective film	/RL	1	I099	
		Carpet				
2	997 551 211 01	Foot support	/LL	1	I098	
3	999 076 081 40	Plastic nut		2		
		T5/16 X 11,2				

Model: 987209 Model life 2009>>2012

Pos	Part Number	Description	Remark	Qty	Model
4	997 551 611 00	Cover	/LL	1	I098
		Foot support			
	997 551 611 00 01C	Satin black			
(4)	997 551 986 00	Cover	/LL	1	IXXZ/098
		Foot support			
5	997 551 212 00	Foot support	/RL	1	I099
6	999 073 060 02	Tapping screw	/RL	2	I099
		ST 4,8 X 13			
		for			
		Mount			
		Foot support			
7	999 591 485 01	Speed nut	/RL	2	I099
		ST 4,8			
		for			
		Mount			
		Foot support			
8	997 551 612 00	Cover	/RL	1	I099
		Foot support			
	997 551 612 00 01C	Satin black			
9	999 919 188 09	Oval-head screw	/RL	1	I099
		5,0 X 30			
		for			
		Mount			
		Cover			
		Foot support			
10	997 551 101 00	Lining	/LL	1	I098
		Fusebox			
		Carpet			
	997 551 101 00 A10	Black			
	997 551 101 00 B10	Stone grey			
	997 551 101 00 T10	Sand Beige			
	997 551 101 00 E10	Sea blue			
	997 551 101 00 M10	Terracotta			
	997 551 101 00 R10	Cocoa			
	997 551 101 00 D11	Dark grey/natural			
	997 551 101 00 T11	Brown/natural			
	997 551 101 00 N10	Carrera Red			
(10)	997 551 102 00	Lining	/RL	1	I099
		Fusebox			
		Carpet			
	997 551 102 00 A10	Black			
	997 551 102 00 B10	Stone grey			
	997 551 102 00 T10	Sand Beige			
	997 551 102 00 E10	Sea blue			
	997 551 102 00 M10	Terracotta			
	997 551 102 00 R10	Cocoa			
	997 551 102 00 D11	Dark grey/natural			
	997 551 102 00 T11	Brown/natural			
	997 551 102 00 N10	Carrera Red			
11	999 507 552 01	Spring clamp		2	
		9,0 X 13/4,0			
12	999 919 161 09	Oval-head screw		3	
		5,0 X 18			
		for			
		Mount			
		Fusebox			
13	997 551 621 00	Lid	/LL	1	I098
		Lining			
		Fusebox			
	997 551 621 00 01C	Satin black			
(13)	997 551 622 00	Lid	/RL	1	I099
		Lining			
		Fusebox			

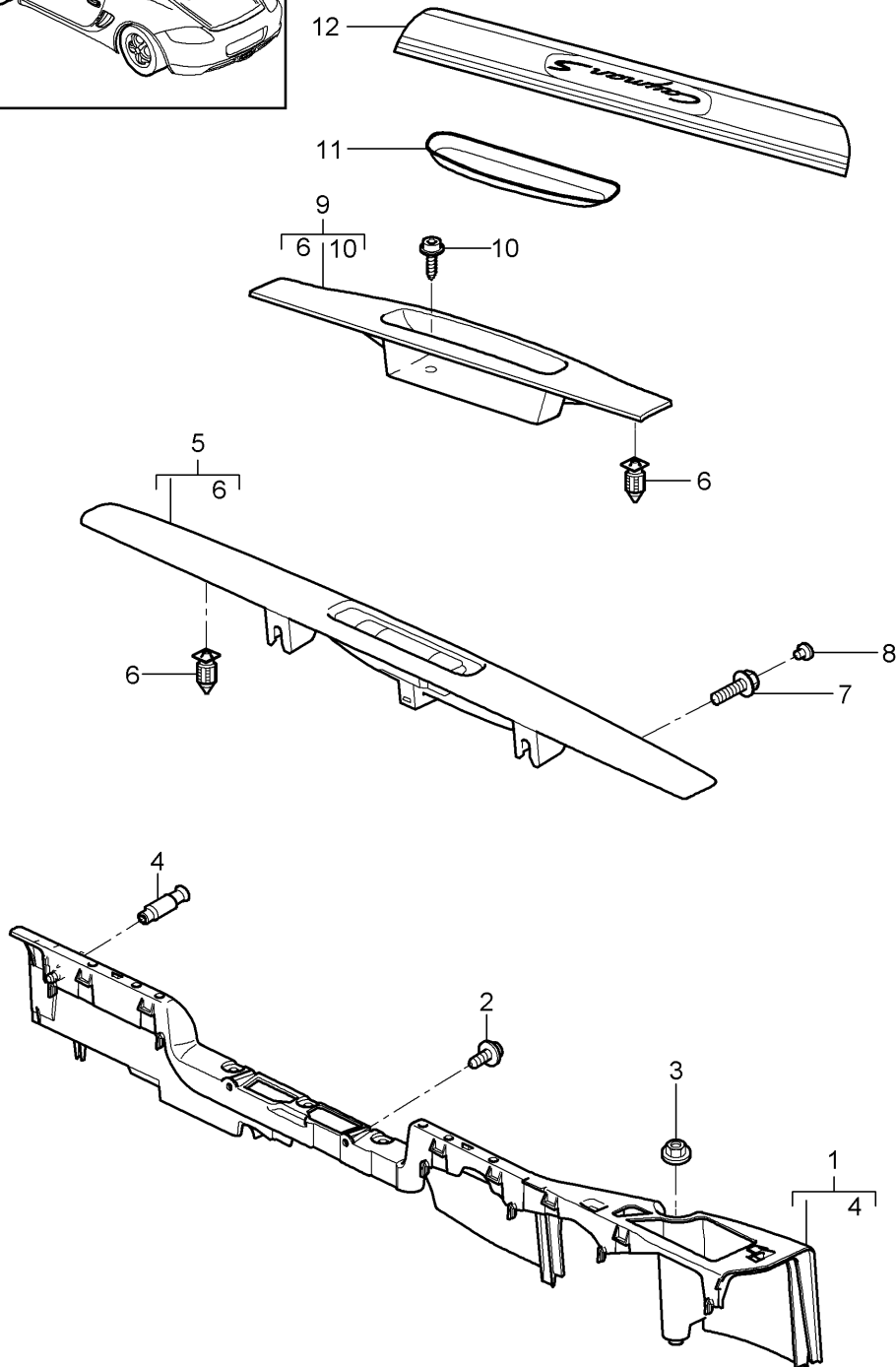
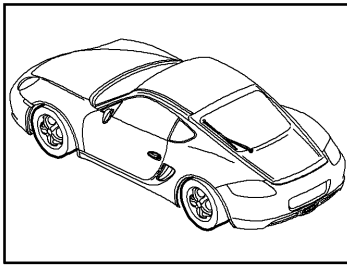
Model: 987209

Model life 2009>>2012

Pos	Part Number	Description	Remark	Qty	Model
14	997 551 622 00 01C 997 551 712 02	Satin black Support Carpet	/LL	1	I098
(14)	997 551 711 02	Support Carpet	/RL	1	I099
15	999 076 081 40	Plastic nut T5/16 X 11,2 Mount Support Carpet		2	
16		Floor mats Set See group 8/07/06 Tequipment catalogue		1	
17	999 902 054 40	Fastening plate for Floor mats		4	
18	964 551 751 00	Support Warning light	/RL	1	I099/193
(18)	997 551 852 00	Support Warning light	/LL	1	I098/193
19	999 919 254 01	Oval-head screw 4,0 x 36,5		2	

Model: 987209

Model life 2009>>2012



Model: 987209 Model life 2009>>2012

Pos	Part Number	Description	Remark	Qty	Model
1	987 551 619 01	Lining Door sill Support	/L	1	
(1)	987 551 620 01	Door sill Support	/R	1	
2	900 143 082 01	Door sill Tapping screw ST 6,3 X 13 for Mount Support		4	
3	999 076 081 40	Door sill Plastic nut T5 16 X 11,2 for Mount Support		2	
4	996 551 873 00	Door sill Locating peg for Mount Support		2	
5	997 551 019 04	Door sill Lining	/LL	1	I098
(5)	997 551 019 04 A03	Black			
	997 551 019 05	Lining Door sill Driver's side	/RL	1	I099
	997 551 019 05 A03	Black			
6	999 507 484 40	Expander nut 9 X 22		X	
7	999 067 046 01	Combination screw M 6 X 20		2	
8	999 703 443 40	Stopper 8,0 X 11		2	
9	999 703 443 40 01C	Satin black			
	997 551 120 01	Lining Door sill Passenger's side		1	
	997 551 120 01 A03	Black			
10	999 919 164 09	Oval-head screw 5,0 X 12		1	
11	996 551 513 00	Mat		1	
12	987 551 303 06	Scuff plate		2	CAYMAN -IX69/-IX70
	987 551 303 06 A03	Lacquered Black			
(12)	997 551 981 16	Scuff plate	11-	2	Boxster IX70/013
(12)	987 551 303 07	Set Stainless steel Scuff plate		2	CAYMAN S -IX69/-IX70
	987 551 303 07 A03	Lacquered Black			
(12)	987 551 703 01	Logo	11-	2	CAYMAN R
	987 551 703 01 9R7	Door sill Silver			
(12)	987 551 703 01 041	Black Scuff plate Exclusive		1	

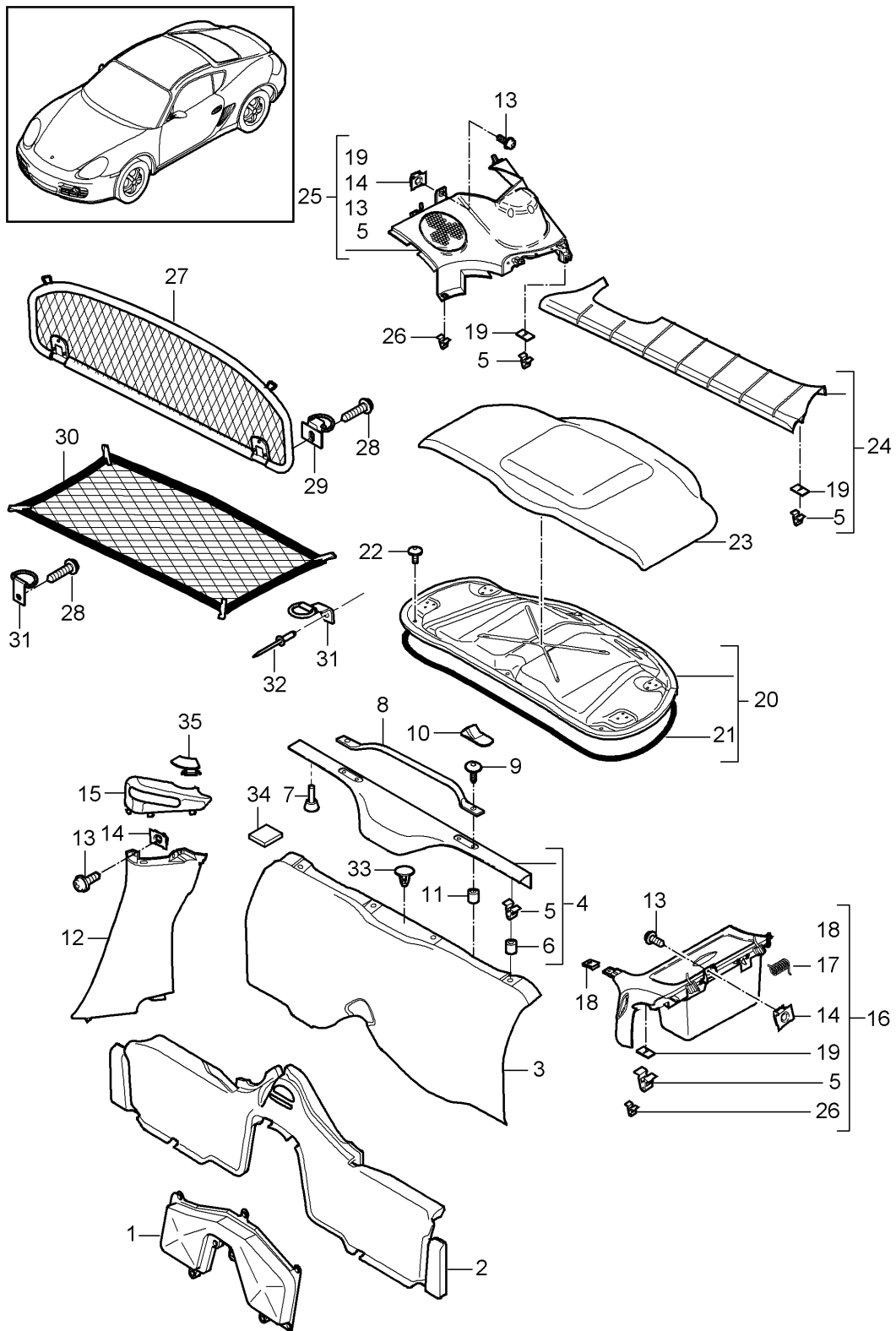
Model: 987209

Model life 2009>>2012

Pos	Part Number	Description	Remark	Qty	Model
(12)		See catalogue Tequipment 8/07/07 Scuff plate Exclusive		1	
(12)		See catalogue Tequipment 8/07/07 Scuff plate Exclusive		1	
(12)		See catalogue Tequipment 8/07/07 Scuff plate Exclusive		1	

Model: 987209

Model life 2009>>2012



Model: 987209 Model life 2009>>2012

Pos	Part Number	Description	Remark	Qty	Model
1	987 504 181 00	Linings Engine compartment Lid Bulkhead		1	
2	987 551 033 01	Engine compartment Lining Cross member Carpet		1	
	987 551 033 01 M10	Terracotta			
	987 551 033 01 R10	Cocoa			
	987 551 033 01 D11	Dark grey/natural			
	987 551 033 01 T11	Brown/natural			
2	987 551 033 01	Lining Cross member Carpet Until Chassis number See technical information GR.7 NR. 17/11 KD-NR. 70		1	
	987 551 033 01 A10	Black			
	987 551 033 01 B10	Stone grey			
	987 551 033 01 T10	Sand Beige			
	987 551 033 01 E10	Sea blue			
	987 551 033 01 N10	Carrera Red			
2	987 551 033 02	Lining Cross member Carpet From Chassis number See technical information GR.7 NR. 17/11 KD-NR. 70		1	
	987 551 033 02 A10	Black			
	987 551 033 02 B10	Stone grey			
	987 551 033 02 T10	Sand Beige			
	987 551 033 02 E10	Sea blue			
	987 551 033 02 N10	Carrera Red			
3	987 551 035 04	Lining Rear wall Carpet		1	
	987 551 035 04 M10	Terracotta			
	987 551 035 04 R10	Cocoa			
	987 551 035 04 D11	Dark grey/natural			
	987 551 035 04 T11	Brown/natural			
3	987 551 035 04	Lining Rear wall Carpet Until Chassis number See technical information GR.7 NR. 17/11 KD-NR. 70		1	
	987 551 035 04 A10	Black			
	987 551 035 04 B10	Stone grey			
	987 551 035 04 T10	Sand Beige			
	987 551 035 04 E10	Sea blue			
	987 551 035 04 N10	Carrera Red			
3	987 551 035 07	Lining Rear wall Carpet From Chassis number		1	

Model: 987209

Model life 2009>>2012

Pos	Part Number	Description	Remark	Qty	Model
		See technical information GR.7 NR. 17/11 KD-NR. 70			
	987 551 035 07 A10	Black			
	987 551 035 07 B10	Stone grey			
	987 551 035 07 T10	Sand Beige			
	987 551 035 07 E10	Sea blue			
	987 551 035 07 N10	Carrera Red			
(3)	987 551 035 05	Lining Rear wall Carpet		1	
	987 551 035 05 M10	Terracotta			
	987 551 035 05 R10	Cocoa			
	987 551 035 05 D11	Dark grey/natural			
	987 551 035 05 T11	Brown/natural			
(3)	987 551 035 05	Lining Rear wall Carpet Until Chassis number		1	
		See technical information GR.7 NR. 17/11 KD-NR. 70			
	987 551 035 05 A10	Black			
	987 551 035 05 B10	Stone grey			
	987 551 035 05 T10	Sand Beige			
	987 551 035 05 E10	Sea blue			
	987 551 035 05 N10	Carrera Red			
(3)	987 551 035 08	Lining Rear wall Carpet From Chassis number		1	
		See technical information GR.7 NR. 17/11 KD-NR. 70			
	987 551 035 08 A10	Black			
	987 551 035 08 B10	Stone grey			
	987 551 035 08 T10	Sand Beige			
	987 551 035 08 E10	Sea blue			
	987 551 035 08 N10	Carrera Red			
4	987 555 401 00	Retaining strip Lock Luggage		1	
	987 555 401 00 A03	Black			
	987 555 401 00 5V7	Stone grey			
	987 555 401 00 5Z1	Sand Beige			
	987 555 401 00 8W7	Sea blue			
	987 555 401 00 8X8	Terracotta			
	987 555 401 00 8P9	Cocoa			
	987 555 401 00 T13	Brown/natural			
	987 555 401 00 N23	Carrera Red			
4	987 555 401 04	Retaining strip Lock Luggage		1	
	987 555 401 04 A03	Black			
	987 555 401 04 5V7	Stone grey			
	987 555 401 04 5Z1	Sand Beige			
	987 555 401 04 8W7	Sea blue			
	987 555 401 04 8X8	Terracotta			
	987 555 401 04 8P9	Cocoa			
	987 555 401 04 T13	Brown/natural			
	987 555 401 04 N23	Carrera Red			

Model: 987209

Model life 2009>>2012

Pos	Part Number	Description	Remark	Qty	Model
(4)	987 555 401 01	Retaining strip Lock Luggage		1	I580
	987 555 401 01 A03	Black			
	987 555 401 01 5V7	Stone grey			
	987 555 401 01 5Z1	Sand Beige			
	987 555 401 01 8W7	Sea blue			
	987 555 401 01 8X8	Terracotta			
	987 555 401 01 8P9	Cocoa			
	987 555 401 01 T13	Brown/natural			
	987 555 401 01 N23	Carrera Red			
(4)	987 555 401 05	Retaining strip Lock Luggage		1	I580
	987 555 401 05 A03	Black			
	987 555 401 05 5V7	Stone grey			
	987 555 401 05 5Z1	Sand Beige			
	987 555 401 05 8W7	Sea blue			
	987 555 401 05 8X8	Terracotta			
	987 555 401 05 8P9	Cocoa			
	987 555 401 05 T13	Brown/natural			
	987 555 401 05 N23	Carrera Red			
(4)	987 555 401 02	Retaining strip Lock Luggage		1	I805
	987 555 401 02 041	Black			
	987 555 401 02 84A	Guards red			
	987 555 401 02 12H	Speed yellow			
	987 555 401 02 B9A	Carrara white			
	987 555 401 02 92U	Arctic silver metallic			
	987 555 401 02 C9Z	Basalt black metallic			
	987 555 401 02 M7X	Atlas grey metallic			
	987 555 401 02 39C	Midnight Blue Metallic			
	987 555 401 02 M7W	Meteor Grey Metallic			
	987 555 401 02 M7Z	GT Silver Metallic			
	987 555 401 02 M8W	Macadamia Metallic			
	987 555 401 02 8A7	Ruby red metallic	-09		
	987 555 401 02 2B5	Malachite Green Metallic			
	987 555 401 02 22G	Racing Green Metallic			
	987 555 401 02 M5R	Aqua Blue Metallic			
	987 555 401 02 32B	Sailing Blue Metallic			
	987 555 401 02 51A	Creamy white			
	987 555 401 02 M2Z	Nordic Gold Metallic			
	987 555 401 02 M3X	Ruby red metallic	10-		
	987 555 401 02 M5X	Dark Blue Metallic	10-		
	987 555 401 02 M4Z	Amethyst metallic	10-		
	987 555 401 02 M5Q	Ice Blue Metallic	11-		
	987 555 401 02 M7T	Platinum Silver Metallic	11-		
	987 555 401 02 2S1	Peridot Metallic	11-		
(4)	987 555 401 06	Retaining strip Lock Luggage		1	I805
	987 555 401 06 041	Black			
	987 555 401 06 84A	Guards red			
	987 555 401 06 12H	Speed yellow			
	987 555 401 06 B9A	Carrara white			
	987 555 401 06 92U	Arctic silver metallic			
	987 555 401 06 C9Z	Basalt black metallic			
	987 555 401 06 M7X	Atlas grey metallic			
	987 555 401 06 39C	Midnight Blue Metallic			
	987 555 401 06 M7W	Meteor Grey Metallic			
	987 555 401 06 M7Z	GT Silver Metallic			
	987 555 401 06 M8W	Macadamia Metallic			

Model: 987209 Model life 2009>>2012

Pos	Part Number	Description	Remark	Qty	Model
	987 555 401 06 8A7	Ruby red metallic	-09		
	987 555 401 06 2B5	Malachite Green Metallic			
	987 555 401 06 22G	Racing Green Metallic			
	987 555 401 06 M5R	Aqua Blue Metallic			
	987 555 401 06 32B	Sailing Blue Metallic			
	987 555 401 06 51A	Creamy white			
	987 555 401 06 M2Z	Nordic Gold Metallic			
	987 555 401 06 M3X	Ruby red metallic	10-		
	987 555 401 06 M5X	Dark Blue Metallic	10-		
	987 555 401 06 M4Z	Amethyst metallic	10-		
	987 555 401 06 M5Q	Ice Blue Metallic	11-		
	987 555 401 06 M7T	Platinum Silver Metallic	11-		
	987 555 401 06 2S1	Peridot Metallic	11-		
	987 555 401 06 G2X	Prime coated			
(4)	987 555 401 03	Retaining strip		1	I580/805
		Lock			
		Luggage			
	987 555 401 03 041	Black			
	987 555 401 03 84A	Guards red			
	987 555 401 03 12H	Speed yellow			
	987 555 401 03 B9A	Carrara white			
	987 555 401 03 92U	Arctic silver metallic			
	987 555 401 03 C9Z	Basalt black metallic			
	987 555 401 03 M7X	Atlas grey metallic			
	987 555 401 03 39C	Midnight Blue Metallic			
	987 555 401 03 M7W	Meteor Grey Metallic			
	987 555 401 03 M7Z	GT Silver Metallic			
	987 555 401 03 M8W	Macadamia Metallic			
	987 555 401 03 8A7	Ruby red metallic	-09		
	987 555 401 03 2B5	Malachite Green Metallic			
	987 555 401 03 22G	Racing Green Metallic			
	987 555 401 03 M5R	Aqua Blue Metallic			
	987 555 401 03 32B	Sailing Blue Metallic			
	987 555 401 03 51A	Creamy white			
	987 555 401 03 M2Z	Nordic Gold Metallic			
	987 555 401 03 M3X	Ruby red metallic	10-		
	987 555 401 03 M5X	Dark Blue Metallic	10-		
	987 555 401 03 M4Z	Amethyst metallic	10-		
	987 555 401 03 M5Q	Ice Blue Metallic	11-		
	987 555 401 03 M7T	Platinum Silver Metallic	11-		
	987 555 401 03 2S1	Peridot Metallic	11-		
(4)	987 555 401 07	Retaining strip		1	I580/805
		Lock			
		Luggage			
	987 555 401 07 041	Black			
	987 555 401 07 84A	Guards red			
	987 555 401 07 12H	Speed yellow			
	987 555 401 07 B9A	Carrara white			
	987 555 401 07 92U	Arctic silver metallic			
	987 555 401 07 C9Z	Basalt black metallic			
	987 555 401 07 M7X	Atlas grey metallic			
	987 555 401 07 39C	Midnight Blue Metallic			
	987 555 401 07 M7W	Meteor Grey Metallic			
	987 555 401 07 M7Z	GT Silver Metallic			
	987 555 401 07 M8W	Macadamia Metallic			
	987 555 401 07 8A7	Ruby red metallic	-09		
	987 555 401 07 2B5	Malachite Green Metallic			
	987 555 401 07 22G	Racing Green Metallic			
	987 555 401 07 M5R	Aqua Blue Metallic			
	987 555 401 07 32B	Sailing Blue Metallic			
	987 555 401 07 51A	Creamy white			
	987 555 401 07 M2Z	Nordic Gold Metallic			
	987 555 401 07 M3X	Ruby red metallic	10-		

Model: 987209 Model life 2009>>2012

Pos	Part Number	Description	Remark	Qty	Model
	987 555 401 07 M5X	Dark Blue Metallic	10-		
	987 555 401 07 M4Z	Amethyst metallic	10-		
	987 555 401 07 M5Q	Ice Blue Metallic	11-		
	987 555 401 07 M7T	Platinum Silver Metallic	11-		
	987 555 401 07 2S1	Peridot Metallic	11-		
	987 555 401 07 G2X	Prime coated			
5	999 507 839 01	Clamp 3.5		X	
6	999 209 084 40	Spacer 20 X 25 X 0,5		6	
7	999 703 041 40	Rubber buffer 4 X 6 X 9,3		X	
8	987 555 411 03	Clip Lock Luggage		1	
	987 555 411 03 D07	Volcano grey			
9	999 073 095 01	Oval-head screw M 8 X 30		2	
10	987 555 403 00	Cover Clip		2	
	987 555 403 00 A03	Black			
	987 555 403 00 5V7	Stone grey			
	987 555 403 00 5Z1	Sand Beige			
	987 555 403 00 8W7	Sea blue			
	987 555 403 00 8X8	Terracotta			
	987 555 403 00 8P9	Cocoa			
	987 555 403 00 T13	Brown/natural			
	987 555 403 00 N23	Carrera Red			
11	999 209 083 02	Spacer sleeve 4,5 X 0,7 X 5		2	
(12)	987 555 215 02	Lining C-pillar Lower	/L	1	
	987 555 215 02 A10	Black			
	987 555 215 02 B10	Stone grey			
	987 555 215 02 T10	Sand Beige			
	987 555 215 02 E10	Sea blue			
	987 555 215 02 M10	Terracotta			
	987 555 215 02 R10	Cocoa			
	987 555 215 02 D11	Dark grey/natural			
	987 555 215 02 T11	Brown/natural			
	987 555 215 02 N10	Carrera Red			
12	987 555 216 02	Lining C-pillar Lower	/R	1	
	987 555 216 02 A10	Black			
	987 555 216 02 B10	Stone grey			
	987 555 216 02 T10	Sand Beige			
	987 555 216 02 E10	Sea blue			
	987 555 216 02 M10	Terracotta			
	987 555 216 02 R10	Cocoa			
	987 555 216 02 D11	Dark grey/natural			
	987 555 216 02 T11	Brown/natural			
	987 555 216 02 N10	Carrera Red			
13	999 073 372 01	Tapping screw 4,2 X 16		4	
14	999 591 135 01	Captive nut ST 4.2		4	
(15)	987 555 451 00	Rosette	/L	1	
	987 555 451 00 A03	Black			
	987 555 451 00 5V7	Stone grey			
	987 555 451 00 5Z1	Sand Beige			
	987 555 451 00 8W7	Sea blue			

Model: 987209 Model life 2009>>2012

Pos	Part Number	Description	Remark	Qty	Model
15	987 555 451 00 8X8	Terracotta		1	
	987 555 451 00 8P9	Cocoa			
	987 555 451 00 T13	Brown/natural			
	987 555 451 00 N23	Carrera Red			
	987 555 452 00	Rosette	/R		
		Seat belt			
	987 555 452 00 A03	Black			
	987 555 452 00 5V7	Stone grey			
	987 555 452 00 5Z1	Sand Beige			
	987 555 452 00 8W7	Sea blue			
(15)	987 555 452 00 8X8	Terracotta		1	I805
	987 555 452 00 8P9	Cocoa			
	987 555 452 00 T13	Brown/natural			
	987 555 452 00 N23	Carrera Red			
	987 555 451 01	Rosette	/L		
	987 555 451 01 041	Black			
	987 555 451 01 84A	Guards red			
	987 555 451 01 12H	Speed yellow			
	987 555 451 01 B9A	Carrara white			
	987 555 451 01 92U	Arctic silver metallic			
	987 555 451 01 C9Z	Basalt black metallic			
	987 555 451 01 M7X	Atlas grey metallic			
	987 555 451 01 39C	Midnight Blue Metallic			
	987 555 451 01 M7W	Meteor Grey Metallic			
	987 555 451 01 M7Z	GT Silver Metallic			
	987 555 451 01 M8W	Macadamia Metallic			
	987 555 451 01 8A7	Ruby red metallic	-09		
	987 555 451 01 2B5	Malachite Green Metallic			
	987 555 451 01 22G	Racing Green Metallic			
	987 555 451 01 M5R	Aqua Blue Metallic			
	987 555 451 01 32B	Sailing Blue Metallic			
	987 555 451 01 51A	Creamy white			
	987 555 451 01 M2Z	Nordic Gold Metallic			
	987 555 451 01 M3X	Ruby red metallic	10-		
	987 555 451 01 M5X	Dark Blue Metallic	10-		
	987 555 451 01 M4Z	Amethyst metallic	10-		
	987 555 451 01 M5Q	Ice Blue Metallic	11-		
	987 555 451 01 M7T	Platinum Silver Metallic	11-		
987 555 451 01 2S1	Peridot Metallic	11-			
(15)	987 555 452 01	Rosette	/R	1	I805
		Seat belt			
	987 555 452 01 041	Black			
	987 555 452 01 84A	Guards red			
	987 555 452 01 12H	Speed yellow			
	987 555 452 01 B9A	Carrara white			
	987 555 452 01 92U	Arctic silver metallic			
	987 555 452 01 C9Z	Basalt black metallic			
	987 555 452 01 M7X	Atlas grey metallic			
	987 555 452 01 39C	Midnight Blue Metallic			
	987 555 452 01 M7W	Meteor Grey Metallic			
	987 555 452 01 M7Z	GT Silver Metallic			
	987 555 452 01 M8W	Macadamia Metallic			
	987 555 452 01 8A7	Ruby red metallic	-09		
	987 555 452 01 2B5	Malachite Green Metallic			
	987 555 452 01 22G	Racing Green Metallic			
	987 555 452 01 M5R	Aqua Blue Metallic			
	987 555 452 01 32B	Sailing Blue Metallic			
	987 555 452 01 51A	Creamy white			
	987 555 452 01 M2Z	Nordic Gold Metallic			
	987 555 452 01 M3X	Ruby red metallic	10-		
	987 555 452 01 M5X	Dark Blue Metallic	10-		
	987 555 452 01 M4Z	Amethyst metallic	10-		
	987 555 452 01 M5Q	Ice Blue Metallic	11-		

Model: 987209 Model life 2009>>2012

Pos	Part Number	Description	Remark	Qty	Model
(16)	987 555 452 01 M7T	Platinum Silver Metallic	11-	1	
	987 555 452 01 2S1	Peridot Metallic	11-		
	987 555 071 05	Shelf	/L		
	987 555 071 05 A03	Black			
	987 555 071 05 5V7	Stone grey			
	987 555 071 05 5Z1	Sand Beige			
	987 555 071 05 8W7	Sea blue			
	987 555 071 05 8X8	Terracotta			
	987 555 071 05 8P9	Cocoa			
	987 555 071 05 T13	Brown/natural			
	987 555 071 05 N23	Carrera Red			
	987 555 072 05	Shelf	/R		
	987 555 072 05 A03	Black			
	987 555 072 05 5V7	Stone grey			
	987 555 072 05 5Z1	Sand Beige			
	(16)	987 555 071 06	Shelf		
987 555 071 06 041		Black			
987 555 071 06 84A		Guards red			
987 555 071 06 12H		Speed yellow			
987 555 071 06 B9A		Carrara white			
987 555 071 06 92U		Arctic silver metallic			
987 555 071 06 C9Z		Basalt black metallic			
987 555 071 06 M7X		Atlas grey metallic			
987 555 071 06 39C		Midnight Blue Metallic			
987 555 071 06 M7W		Meteor Grey Metallic			
987 555 071 06 M7Z		GT Silver Metallic			
987 555 071 06 M8W		Macadamia Metallic			
987 555 071 06 8A7		Ruby red metallic	-09		
987 555 071 06 2B5		Malachite Green Metallic			
987 555 071 06 22G		Racing Green Metallic			
987 555 071 06 M5R		Aqua Blue Metallic			
987 555 071 06 32B	Sailing Blue Metallic				
987 555 071 06 51A	Creamy white				
987 555 071 06 M2Z	Nordic Gold Metallic				
987 555 071 06 M3X	Ruby red metallic	10-			
987 555 071 06 M5X	Dark Blue Metallic	10-			
987 555 071 06 M4Z	Amethyst metallic	10-			
987 555 071 06 M5Q	Ice Blue Metallic	11-			
987 555 071 06 M7T	Platinum Silver Metallic	11-			
987 555 071 06 2S1	Peridot Metallic	11-			
(16)	987 555 072 06	Shelf	/R	1	I805
	987 555 072 06 041	Black			
	987 555 072 06 84A	Guards red			
	987 555 072 06 12H	Speed yellow			
	987 555 072 06 B9A	Carrara white			
	987 555 072 06 92U	Arctic silver metallic			
	987 555 072 06 C9Z	Basalt black metallic			
	987 555 072 06 M7X	Atlas grey metallic			
	987 555 072 06 39C	Midnight Blue Metallic			
	987 555 072 06 M7W	Meteor Grey Metallic			
	987 555 072 06 M7Z	GT Silver Metallic			
	987 555 072 06 M8W	Macadamia Metallic			
	987 555 072 06 8A7	Ruby red metallic	-09		
	987 555 072 06 2B5	Malachite Green Metallic			
	987 555 072 06 22G	Racing Green Metallic			
	987 555 072 06 M5R	Aqua Blue Metallic			
987 555 072 06 32B	Sailing Blue Metallic				
987 555 072 06 51A	Creamy white				

Model: 987209 Model life 2009>>2012

Pos	Part Number	Description	Remark	Qty	Model
	987 555 072 06 M2Z	Nordic Gold Metallic			
	987 555 072 06 M3X	Ruby red metallic	10-		
	987 555 072 06 M5X	Dark Blue Metallic	10-		
	987 555 072 06 M4Z	Amethyst metallic	10-		
	987 555 072 06 M5Q	Ice Blue Metallic	11-		
	987 555 072 06 M7T	Platinum Silver Metallic	11-		
	987 555 072 06 2S1	Peridot Metallic	11-		
17	999 521 093 00	Torsion spring 1,4 x 8,3	/L	1	
(17)	999 521 092 00	Torsion spring 1,4 x 8,3	/R	1	
18	999 507 971 01	Speed nut ST 4,2		X	
19	999 209 084 40	Spacer 20 X 25 X 0,5		X	
20	987 513 211 01	Engine compartment cover		1	
21	987 513 611 00	Gasket Engine cover		1	
22	999 073 130 02	Oval-head screw M6 X 16		5	
23	987 551 039 01	Lining Carpet Engine cover		1	
	987 551 039 01 M10	Terracotta			
	987 551 039 01 R10	Cocoa			
	987 551 039 01 D11	Dark grey/natural			
	987 551 039 01 T11	Brown/natural			
23	987 551 039 01	Lining Carpet Engine cover Until Chassis number See technical information GR.7 NR. 17/11 KD-NR. 70		1	
	987 551 039 01 A10	Black			
	987 551 039 01 B10	Stone grey			
	987 551 039 01 T10	Sand Beige			
	987 551 039 01 E10	Sea blue			
	987 551 039 01 N10	Carrera Red			
23	987 551 039 05	Lining Carpet Engine cover From Chassis number See technical information GR.7 NR. 17/11 KD-NR. 70		1	
	987 551 039 05 A10	Black			
	987 551 039 05 B10	Stone grey			
	987 551 039 05 T10	Sand Beige			
	987 551 039 05 E10	Sea blue			
	987 551 039 05 N10	Carrera Red			
24	987 555 151 00	Lining Luggage compartment Centre		1	
	987 555 151 00 U02	Stainless steel			
(25)	987 555 061 03	Lining Mounting Spring strut	/L	1	
	987 555 061 03 A03	Black			
	987 555 061 03 5V7	Stone grey			
	987 555 061 03 5Z1	Sand Beige			

Model: 987209

Model life 2009>>2012

Pos	Part Number	Description	Remark	Qty	Model
25	987 555 061 03 8W7	Sea blue			
	987 555 061 03 8X8	Terracotta			
	987 555 061 03 8P9	Cocoa			
	987 555 061 03 T13	Brown/natural			
	987 555 061 03 N23	Carrera Red			
	987 555 062 03	Lining	/R	1	
		Mounting			
		Spring strut			
	987 555 062 03 A03	Black			
	987 555 062 03 5V7	Stone grey			
	987 555 062 03 5Z1	Sand Beige			
	987 555 062 03 8W7	Sea blue			
	987 555 062 03 8X8	Terracotta			
	987 555 062 03 8P9	Cocoa			
	987 555 062 03 T13	Brown/natural			
987 555 062 03 N23	Carrera Red				
(25)	987 555 061 04	Lining	/L	1	I805
		Mounting			
		Spring strut			
	987 555 061 04 041	Black			
	987 555 061 04 84A	Guards red			
	987 555 061 04 12H	Speed yellow			
	987 555 061 04 B9A	Carrara white			
	987 555 061 04 92U	Arctic silver metallic			
	987 555 061 04 C9Z	Basalt black metallic			
	987 555 061 04 M7X	Atlas grey metallic			
	987 555 061 04 39C	Midnight Blue Metallic			
	987 555 061 04 M7W	Meteor Grey Metallic			
	987 555 061 04 M7Z	GT Silver Metallic			
	987 555 061 04 M8W	Macadamia Metallic			
	987 555 061 04 8A7	Ruby red metallic	-09		
	987 555 061 04 2B5	Malachite Green Metallic			
	987 555 061 04 22G	Racing Green Metallic			
	987 555 061 04 M5R	Aqua Blue Metallic			
	987 555 061 04 32B	Sailing Blue Metallic			
	987 555 061 04 51A	Creamy white			
	987 555 061 04 M2Z	Nordic Gold Metallic			
	987 555 061 04 M3X	Ruby red metallic	10-		
	987 555 061 04 M5X	Dark Blue Metallic	10-		
	987 555 061 04 M4Z	Amethyst metallic	10-		
	987 555 061 04 M5Q	Ice Blue Metallic	11-		
	987 555 061 04 M7T	Platinum Silver Metallic	11-		
	987 555 061 04 2S1	Peridot Metallic	11-		
(25)	987 555 062 04	Lining	/R	1	I805
		Mounting			
		Spring strut			
	987 555 062 04 041	Black			
	987 555 062 04 84A	Guards red			
	987 555 062 04 12H	Speed yellow			
	987 555 062 04 B9A	Carrara white			
	987 555 062 04 92U	Arctic silver metallic			
	987 555 062 04 C9Z	Basalt black metallic			
	987 555 062 04 M7X	Atlas grey metallic			
	987 555 062 04 39C	Midnight Blue Metallic			
	987 555 062 04 M7W	Meteor Grey Metallic			
	987 555 062 04 M7Z	GT Silver Metallic			
	987 555 062 04 M8W	Macadamia Metallic			
	987 555 062 04 8A7	Ruby red metallic	-09		
	987 555 062 04 2B5	Malachite Green Metallic			
	987 555 062 04 22G	Racing Green Metallic			
	987 555 062 04 M5R	Aqua Blue Metallic			
	987 555 062 04 32B	Sailing Blue Metallic			
	987 555 062 04 51A	Creamy white			

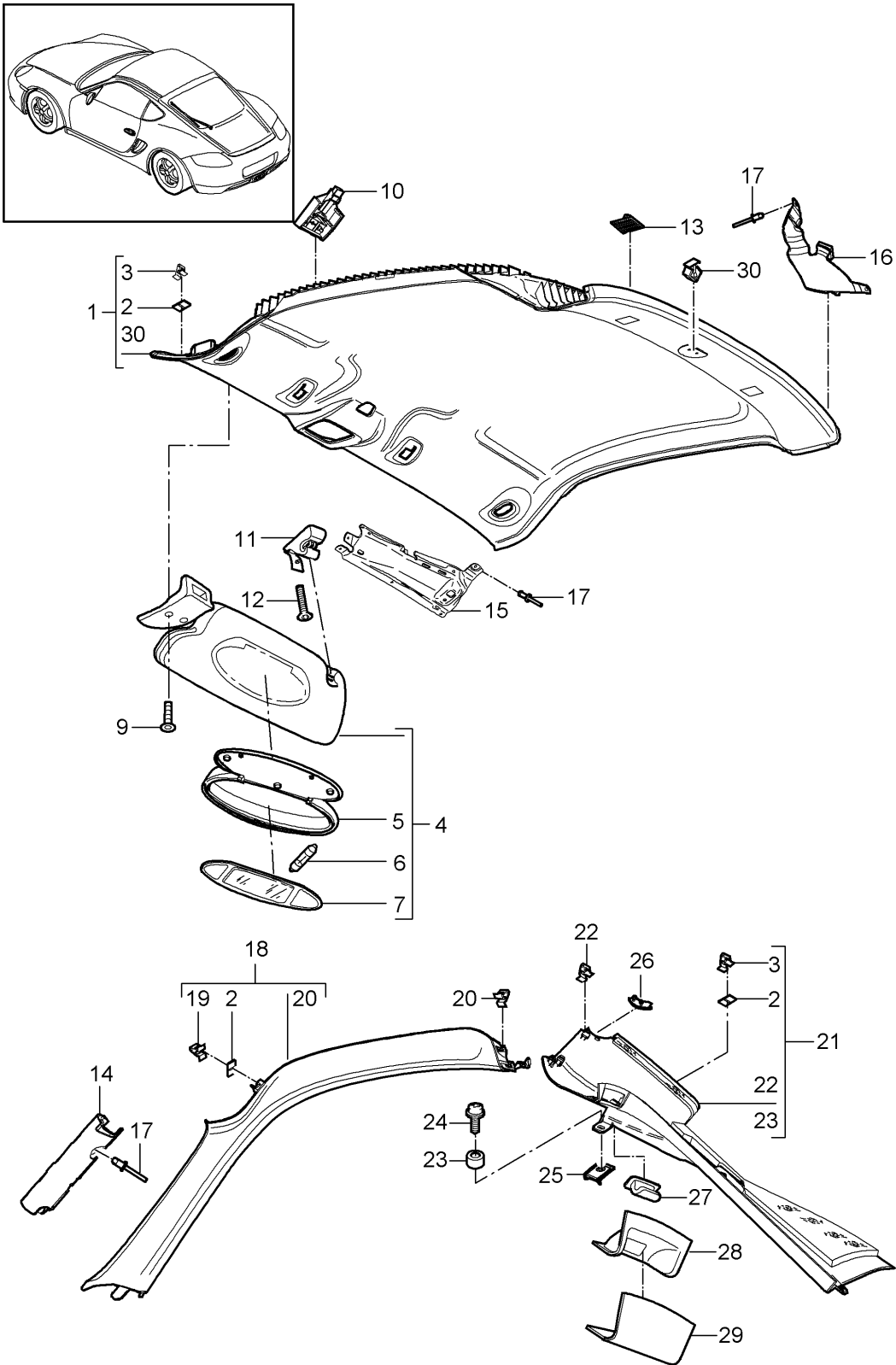
Model: 987209

Model life 2009>>2012

Pos	Part Number	Description	Remark	Qty	Model
	987 555 062 04 M2Z	Nordic Gold Metallic			
	987 555 062 04 M3X	Ruby red metallic	10-		
	987 555 062 04 M5X	Dark Blue Metallic	10-		
	987 555 062 04 M4Z	Amethyst metallic	10-		
	987 555 062 04 M5Q	Ice Blue Metallic	11-		
	987 555 062 04 M7T	Platinum Silver Metallic	11-		
	987 555 062 04 2S1	Peridot Metallic	11-		
26	999 507 584 02	Clamp 8,0 x 10,0/ 2,0		X	
27	987 555 321 00	Luggage net Collapsible		1	I580
28	999 073 131 02	Oval-head screw M6 X 25		2	
29	987 555 627 00	Bearing bracket Luggage net Collapsible		2	I580
30	987 551 339 00	Luggage net		1	
(30)	987 551 339 01	Luggage net		1	I479
31	987 551 245 00	Eye Luggage Lock 31 mm		X	
32	999 190 484 02	Blind rivet A6,4 x 14,5		X	
33	999 591 988 40	Clip for Mount Rear wall		1	
34	987 556 673 00	Plastic foam strip 60 X 40 X 10 Lining C-pillar		1	
35	987 555 781 00	Cover Lower Black	/L	1	
(35)	987 555 782 00	Cover Lower Black	/R	1	

Model: 987209

Model life 2009>>2012



Model: 987209 Model life 2009>>2012

Pos	Part Number	Description	Remark	Qty	Model
(1)	987 555 091 04	Rooflining Sun visors A-pillar C-pillar		1	I592
	987 555 091 04 A22	Black			
	987 555 091 04 D32	Volcano grey			
	987 555 091 04 T42	Sand Beige			
(1)	987 555 091 06	Rooflining Cloth		1	I592/607
	987 555 091 06 A22	Black			
	987 555 091 06 D32	Volcano grey			
	987 555 091 06 T42	Sand Beige			
(1)	987 555 091 06	Rooflining Cloth		1	I592/608
	987 555 091 06 A22	Black			
	987 555 091 06 D32	Volcano grey			
	987 555 091 06 T42	Sand Beige			
(1)	987 555 091 09	Rooflining Alcantara		1	I594
	987 555 091 09 A15	Black			
	987 555 091 09 5E5	Steel grey			
	987 555 091 09 T45	Sand Beige			
(1)	987 555 091 10	Rooflining Alcantara		1	I594/607
	987 555 091 10 A15	Black			
	987 555 091 10 5E5	Steel grey			
	987 555 091 10 T45	Sand Beige			
(1)	987 555 091 10	Rooflining Alcantara		1	I594/608
	987 555 091 10 A15	Black			
	987 555 091 10 5E5	Steel grey			
	987 555 091 10 T45	Sand Beige			
2	999 209 084 40	Spacer 20 X 25 X 0,5		2	
3	999 507 047 01	Clamp 3,6		2	
4	987 731 031 07	Sun visor Leatherette	/L	1	
	987 731 031 07 A12	Black			
	987 731 031 07 8W4	Stone grey			
	987 731 031 07 7E3	Sand Beige			
	987 731 031 07 8Z5	Sea blue			
(4)	987 731 032 07	Sun visor Leatherette	/R	1	
	987 731 032 07 A12	Black			
	987 731 032 07 8W4	Stone grey			
	987 731 032 07 7E3	Sand Beige			
	987 731 032 07 8Z5	Sea blue			
4	987 731 981 04	Sun visor Leather	/L	1	IXMP
	987 731 981 04 A11	Black			
	987 731 981 04 5X6	Stone grey			
	987 731 981 04 8G2	Sand Beige			
	987 731 981 04 3S9	Sea blue			
	987 731 981 04 9S5	Terracotta			
	987 731 981 04 9V6	Cocoa			
	987 731 981 04 D12	Dark grey/natural			
	987 731 981 04 T12	Brown/natural			
	987 731 981 04 N12	Carrera Red			
(4)	987 731 982 04	Sun visor Leather	/R	1	IXMP

Model: 987209 Model life 2009>>2012

Pos	Part Number	Description	Remark	Qty	Model
	987 731 982 04 A11	Black			
	987 731 982 04 5X6	Stone grey			
	987 731 982 04 8G2	Sand Beige			
	987 731 982 04 3S9	Sea blue			
	987 731 982 04 9S5	Terracotta			
	987 731 982 04 9V6	Cocoa			
	987 731 982 04 D12	Dark grey/natural			
	987 731 982 04 T12	Brown/natural			
	987 731 982 04 N12	Carrera Red			
5	996 731 903 00	Mirror housing with Illumination		1	
	996 731 903 00 01C	Satin black			
6	999 631 147 90	Bulb 3 W		2	
7	996 731 531 01	Mirror glass with Frame		2	
	996 731 531 01 01C	Satin black			
9	999 073 326 09	Oval-head screw M5 X 10		2	
10	987 731 541 00	Plate Support Sun visor		2	
11	996 731 341 00	Support Sun visor Inner	/L	1	
	996 731 341 00 01C	Satin black			
(11)	996 731 342 00	Support Sun visor Inner	/R	1	
	996 731 342 00 01C	Satin black			
12	999 919 120 09	Oval-head screw 4,0 X 18		2	
13	999 902 050 40	Velcro fastener 25,4 X 25,4		2	
15	987 555 421 02	Deformation element Windscreen frame	/L	1	
(15)	987 555 422 02	Deformation element Windscreen frame	/R	1	
17	999 190 190 01	Blind rivet 4,0 X 8,5 Mount Deformation element		X	
18	987 555 181 04	Lining A-pillar	/L	1	
	987 555 181 04 A03	Black			
	987 555 181 04 5V7	Stone grey			
	987 555 181 04 5Z1	Sand Beige			
	987 555 181 04 8W7	Sea blue			
	987 555 181 04 8X8	Terracotta			
	987 555 181 04 8P9	Cocoa			
	987 555 181 04 T13	Brown/natural			
	987 555 181 04 N23	Carrera Red			
(18)	987 555 182 04	Lining A-pillar	/R	1	
	987 555 182 04 A03	Black			
	987 555 182 04 5V7	Stone grey			
	987 555 182 04 5Z1	Sand Beige			
	987 555 182 04 8W7	Sea blue			
	987 555 182 04 8X8	Terracotta			
	987 555 182 04 8P9	Cocoa			
	987 555 182 04 T13	Brown/natural			

Model: 987209 Model life 2009>>2012

Pos	Part Number	Description	Remark	Qty	Model
19	987 555 182 04 N23 999 507 839 01	Carrera Red Clamp 3,5		X	
20	999 507 476 01	Clamp 8,0 X 10/2,5		3	
21	987 555 187 00 987 555 187 00 A03 987 555 187 00 5V7 987 555 187 00 5Z1 987 555 187 00 8W7 987 555 187 00 8X8 987 555 187 00 8P9 987 555 187 00 T13 987 555 187 00 N23	Lining Black Stone grey Sand Beige Sea blue Terracotta Cocoa Brown/natural Carrera Red	/L	1	
(21)	987 555 188 00 987 555 188 00 A03 987 555 188 00 5V7 987 555 188 00 5Z1 987 555 188 00 8W7 987 555 188 00 8X8 987 555 188 00 8P9 987 555 188 00 T13 987 555 188 00 N23	Lining C-pillar Black Stone grey Sand Beige Sea blue Terracotta Cocoa Brown/natural Carrera Red	/R	1	
22	999 507 058 09	Clamp 2,6		X	
23	999 209 083 02	Spacer sleeve 4,5 X 0,7 X 5		2	
24	999 073 372 01	Tapping screw ST 4,2 X 16		2	
25	999 507 971 01	Speed nut ST 4,2		2	
(26)	987 555 787 00	Trim cover Upper	/L	1	
26	987 555 788 00	Trim cover Upper	/R	1	
27	987 555 887 00	Cover Hook Luggage net		2	I580
(28)	987 555 587 01 987 555 587 01 A03 987 555 587 01 5V7 987 555 587 01 5Z1 987 555 587 01 8W7 987 555 587 01 8X8 987 555 587 01 8P9 987 555 587 01 T13 987 555 587 01 N23	Cover Hook Luggage net Black Stone grey Sand Beige Sea blue Terracotta Cocoa Brown/natural Carrera Red	/L	1	I580
28	987 555 588 01 987 555 588 01 A03 987 555 588 01 5V7 987 555 588 01 5Z1 987 555 588 01 8W7 987 555 588 01 8X8 987 555 588 01 8P9 987 555 588 01 T13 987 555 588 01 N23	Cover Hook Luggage net Black Stone grey Sand Beige Sea blue Terracotta Cocoa Brown/natural Carrera Red	/R	1	I580
(29)	987 555 567 00	Lid Lining	/L	1	

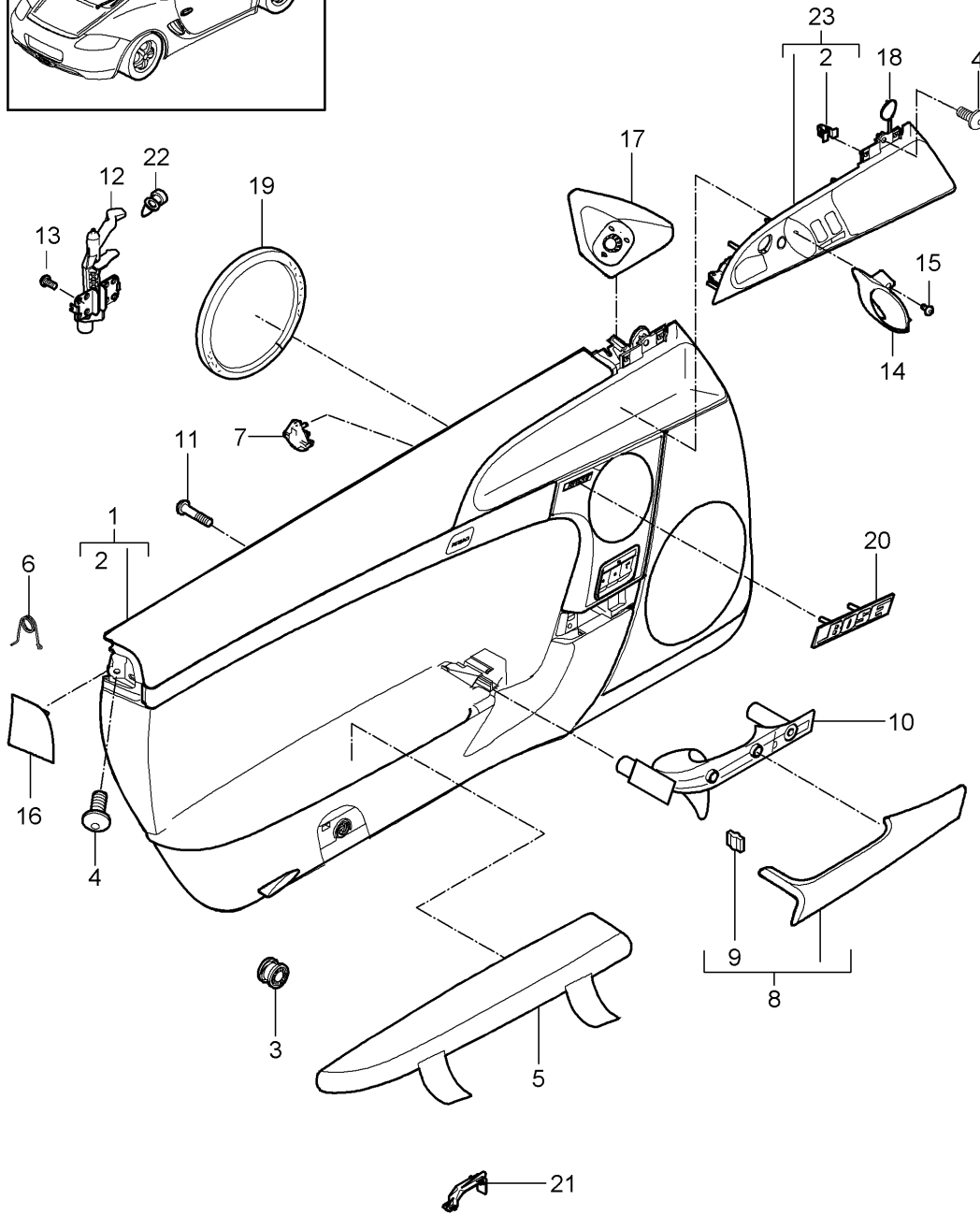
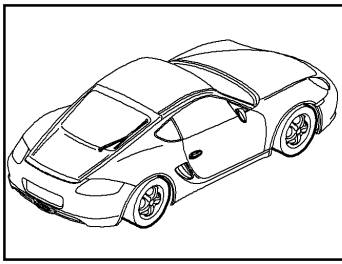
Model: 987209

Model life 2009>>2012

Pos	Part Number	Description	Remark	Qty	Model
		C-pillar			
	987 555 567 00 A03	Black			
	987 555 567 00 5V7	Stone grey			
	987 555 567 00 5Z1	Sand Beige			
	987 555 567 00 8W7	Sea blue			
	987 555 567 00 8X8	Terracotta			
	987 555 567 00 8P9	Cocoa			
	987 555 567 00 T13	Brown/natural			
	987 555 567 00 N23	Carrera Red			
29	987 555 568 00	Lid	/R	1	
		Lining			
		C-pillar			
	987 555 568 00 A03	Black			
	987 555 568 00 5V7	Stone grey			
	987 555 568 00 5Z1	Sand Beige			
	987 555 568 00 8W7	Sea blue			
	987 555 568 00 8X8	Terracotta			
	987 555 568 00 8P9	Cocoa			
	987 555 568 00 T13	Brown/natural			
	987 555 568 00 N23	Carrera Red			
30	999 591 976 40	Fixing clip		1	
		Rooflining			
31	997 555 857 00	Grommet		x	
		A-pillar			

Model: 987209

Model life 2009>>2012



Model: 987209 Model life 2009>>2012

Pos	Part Number	Description	Remark	Qty	Model
1	997 555 201 00	Door trim panel Accessories Door trim panel slush technology Until Chassis number See technical information GR.7 NR. 17/11 KD-NR. 70	/LL /L	1	I098/441
	997 555 201 00 9L4	Black			
	997 555 201 00 9M5	Stone grey			
	997 555 201 00 9C6	Sand Beige			
	997 555 201 00 9D7	Sea blue			
1	997 555 901 00	Door trim panel slush technology From Chassis number See technical information GR.7 NR. 17/11 KD-NR. 70	/LL /L	1	I098/441
	997 555 901 00 9L4	Black			
	997 555 901 00 9M5	Stone grey			
	997 555 901 00 9C6	Sand Beige			
	997 555 901 00 9D7	Sea blue			
(1)	997 555 201 04	Door trim panel slush technology Until Chassis number See technical information GR.7 NR. 17/11 KD-NR. 70	/LL /L	1	I098/490
	997 555 201 04 9L4	Black			
	997 555 201 04 9M5	Stone grey			
	997 555 201 04 9C6	Sand Beige			
	997 555 201 04 9D7	Sea blue			
(1)	997 555 901 01	Door trim panel slush technology From Chassis number See technical information GR.7 NR. 17/11 KD-NR. 70	/LL /L	1	I098/490
	997 555 901 01 9L4	Black			
	997 555 901 01 9M5	Stone grey			
	997 555 901 01 9C6	Sand Beige			
	997 555 901 01 9D7	Sea blue			
(1)	997 555 201 06	Door trim panel slush technology Until Chassis number See technical information GR.7 NR. 17/11 KD-NR. 70	/LL /L	1	I098/441/537
	997 555 201 06 9L4	Black			
	997 555 201 06 9M5	Stone grey			
	997 555 201 06 9C6	Sand Beige			
	997 555 201 06 9D7	Sea blue			
(1)	997 555 901 03	Door trim panel slush technology From Chassis number See technical information GR.7 NR. 17/11	/LL /L	1	I098/441/537

Model: 987209 Model life 2009>>2012

Pos	Part Number	Description	Remark	Qty	Model
		KD-NR. 70			
	997 555 901 03 9L4	Black			
	997 555 901 03 9M5	Stone grey			
	997 555 901 03 9C6	Sand Beige			
	997 555 901 03 9D7	Sea blue			
(1)	997 555 201 06	Door trim panel slush technology Until Chassis number See technical information GR.7 NR. 17/11 KD-NR. 70	/LL /L	1	I098/490/537
	997 555 201 06 9L4	Black			
	997 555 201 06 9M5	Stone grey			
	997 555 201 06 9C6	Sand Beige			
	997 555 201 06 9D7	Sea blue			
(1)	997 555 901 03	Door trim panel slush technology From Chassis number See technical information GR.7 NR. 17/11 KD-NR. 70	/LL /L	1	I098/490/537
	997 555 901 03 9L4	Black			
	997 555 901 03 9M5	Stone grey			
	997 555 901 03 9C6	Sand Beige			
	997 555 901 03 9D7	Sea blue			
(1)	997 555 201 08	Door trim panel slush technology Until Chassis number See technical information GR.7 NR. 17/11 KD-NR. 70	/LL /L	1	I098/680
	997 555 201 08 9L4	Black			
	997 555 201 08 9M5	Stone grey			
	997 555 201 08 9C6	Sand Beige			
	997 555 201 08 9D7	Sea blue			
(1)	987 555 201 12	Door trim panel slush technology Until Chassis number See technical information GR.7 NR. 17/11 KD-NR. 70	/LL /L	1	I098/680
	997 555 201 12 9L4	Black			
(1)	997 555 901 05	Door trim panel slush technology From Chassis number See technical information GR.7 NR. 17/11 KD-NR. 70	/LL /L	1	I098/680
	997 555 901 05 9L4	Black			
	997 555 901 05 9M5	Stone grey			
	997 555 901 05 9C6	Sand Beige			
	997 555 901 05 9D7	Sea blue			
(1)	997 555 201 10	Door trim panel slush technology Until Chassis number See technical information GR.7 NR. 17/11 KD-NR. 70	/LL /L	1	I098/537/680
	997 555 201 10 9L4	Black			
	997 555 201 10 9M5	Stone grey			
	997 555 201 10 9C6	Sand Beige			
	997 555 201 10 9D7	Sea blue			

Model: 987209

Model life 2009>>2012

Pos	Part Number	Description	Remark	Qty	Model
(1)	997 555 901 07	Door trim panel slush technology From Chassis number See technical information GR.7 NR. 17/11 KD-NR. 70	/LL /L	1	I098/537/680
	997 555 901 07 9L4	Black			
	997 555 901 07 9M5	Stone grey			
	997 555 901 07 9C6	Sand Beige			
	997 555 901 07 9D7	Sea blue			
(1)	997 555 202 24	Door trim panel slush technology Until Chassis number See technical information GR.7 NR. 17/11 KD-NR. 70	/LL /R	1	I098/441
	997 555 202 24 9L4	Black			
	997 555 202 24 9M5	Stone grey			
	997 555 202 24 9C6	Sand Beige			
	997 555 202 24 9D7	Sea blue			
(1)	997 555 902 17	Door trim panel slush technology From Chassis number See technical information GR.7 NR. 17/11 KD-NR. 70	/LL /R	1	I098/441
	997 555 902 17 9L4	Black			
	997 555 902 17 9M5	Stone grey			
	997 555 902 17 9C6	Sand Beige			
	997 555 902 17 9D7	Sea blue			
(1)	997 555 202 26	Door trim panel slush technology Until Chassis number See technical information GR.7 NR. 17/11 KD-NR. 70	/LL /R	1	I098/490
	997 555 202 26 9L4	Black			
	997 555 202 26 9M5	Stone grey			
	997 555 202 26 9C6	Sand Beige			
	997 555 202 26 9D7	Sea blue			
(1)	997 555 902 18	Door trim panel slush technology From Chassis number See technical information GR.7 NR. 17/11 KD-NR. 70	/LL /R	1	I098/490
	997 555 902 18 9L4	Black			
	997 555 902 18 9M5	Stone grey			
	997 555 902 18 9C6	Sand Beige			
	997 555 902 18 9D7	Sea blue			
(1)	997 555 202 26	Door trim panel slush technology Until Chassis number See technical information GR.7 NR. 17/11 KD-NR. 70	/LL /R	1	I098/441
	997 555 202 26 9L4	Black			

Model: 987209 Model life 2009>>2012

Pos	Part Number	Description	Remark	Qty	Model
(1)	997 555 202 26 9M5	Stone grey			
	997 555 202 26 9C6	Sand Beige			
	997 555 202 26 9D7	Sea blue			
	997 555 902 18	Door trim panel slush technology From Chassis number See technical information GR.7 NR. 17/11 KD-NR. 70	/LL /R	1	I098/441/537
(1)	997 555 902 18 9L4	Black			
	997 555 902 18 9M5	Stone grey			
	997 555 902 18 9C6	Sand Beige			
	997 555 902 18 9D7	Sea blue			
(1)	997 555 202 28	Door trim panel slush technology Until Chassis number See technical information GR.7 NR. 17/11 KD-NR. 70	/LL /R	1	I098/680
(1)	997 555 202 28 9L4	Black			
	997 555 202 28 9M5	Stone grey			
	997 555 202 28 9C6	Sand Beige			
	997 555 202 28 9D7	Sea blue			
(1)	987 555 202 12	Door trim panel slush technology	/LL /R	1	I098/680
(1)	987 555 202 12 9L4	Black			
(1)	997 555 902 20	Door trim panel slush technology From Chassis number See technical information GR.7 NR. 17/11 KD-NR. 70	/LL /R	1	I098/680
(1)	997 555 902 20 9L4	Black			
	997 555 902 20 9M5	Stone grey			
	997 555 902 20 9C6	Sand Beige			
	997 555 902 20 9D7	Sea blue			
(1)	997 555 202 00	Door trim panel slush technology Until Chassis number See technical information GR.7 NR. 17/11 KD-NR. 70	/RL /R	1	I099/441
(1)	997 555 202 00 9L4	Black			
	997 555 202 00 9M5	Stone grey			
	997 555 202 00 9C6	Sand Beige			
	997 555 202 00 9D7	Sea blue			
(1)	997 555 902 00	Door trim panel slush technology From Chassis number See technical information GR.7 NR. 17/11 KD-NR. 70	/RL /R	1	I099/441
(1)	997 555 902 00 9L4	Black			
	997 555 902 00 9M5	Stone grey			
	997 555 902 00 9C6	Sand Beige			
	997 555 902 00 9D7	Sea blue			
(1)	997 555 202 04	Door trim panel slush technology	/RL /R	1	I099/490

Model: 987209 Model life 2009>>2012

Pos	Part Number	Description	Remark	Qty	Model
		Until Chassis number See technical information GR.7 NR. 17/11 KD-NR. 70			
	997 555 202 04 9L4	Black			
	997 555 202 04 9M5	Stone grey			
	997 555 202 04 9C6	Sand Beige			
	997 555 202 04 9D7	Sea blue			
(1)	997 555 902 01	Door trim panel slush technology From Chassis number See technical information GR.7 NR. 17/11 KD-NR. 70	/RL /R	1	I099/490
	997 555 902 01 9L4	Black			
	997 555 902 01 9M5	Stone grey			
	997 555 902 01 9C6	Sand Beige			
	997 555 902 01 9D7	Sea blue			
(1)	997 555 202 06	Door trim panel slush technology Until Chassis number See technical information GR.7 NR. 17/11 KD-NR. 70	/RL /R	1	I099/441/538
	997 555 202 06 9L4	Black			
	997 555 202 06 9M5	Stone grey			
	997 555 202 06 9C6	Sand Beige			
	997 555 202 06 9D7	Sea blue			
(1)	997 555 902 03	Door trim panel slush technology From Chassis number See technical information GR.7 NR. 17/11 KD-NR. 70	/RL /R	1	I099/441/538
	997 555 902 03 9L4	Black			
	997 555 902 03 9M5	Stone grey			
	997 555 902 03 9C6	Sand Beige			
	997 555 902 03 9D7	Sea blue			
(1)	997 555 202 06	Door trim panel slush technology Until Chassis number See technical information GR.7 NR. 17/11 KD-NR. 70	/RL /R	1	I099/490/538
	997 555 202 06 9L4	Black			
	997 555 202 06 9M5	Stone grey			
	997 555 202 06 9C6	Sand Beige			
	997 555 202 06 9D7	Sea blue			
(1)	997 555 902 03	Door trim panel slush technology From Chassis number See technical information GR.7 NR. 17/11 KD-NR. 70	/RL /R	1	I099/490/538
	997 555 902 03 9L4	Black			
	997 555 902 03 9M5	Stone grey			
	997 555 902 03 9C6	Sand Beige			

Model: 987209 Model life 2009>>2012

Pos	Part Number	Description	Remark	Qty	Model
(1)	997 555 902 03 9D7 997 555 202 08	Sea blue Door trim panel slush technology Until Chassis number See technical information GR.7 NR. 17/11 KD-NR. 70	/RL /R	1	I099/680
	997 555 202 08 9L4 997 555 202 08 9M5 997 555 202 08 9C6 997 555 202 08 9D7	Black Stone grey Sand Beige Sea blue			
(1)	997 555 902 05	Door trim panel slush technology From Chassis number See technical information GR.7 NR. 17/11 KD-NR. 70	/RL /R	1	I099/680
	997 555 902 05 9L4 997 555 902 05 9M5 997 555 902 05 9C6 997 555 902 05 9D7	Black Stone grey Sand Beige Sea blue			
(1)	987 555 202 14	Door trim panel slush technology	/RL /R	1	I099/680
	987 555 202 14 9L4	Black			
(1)	997 555 202 10	Door trim panel slush technology Until Chassis number See technical information GR.7 NR. 17/11 KD-NR. 70	/RL /R	1	I099/538/680
	997 555 202 10 9L4 997 555 202 10 9M5 997 555 202 10 9C6 997 555 202 10 9D7	Black Stone grey Sand Beige Sea blue			
(1)	997 555 902 07	Door trim panel slush technology From Chassis number See technical information GR.7 NR. 17/11 KD-NR. 70	/RL /R	1	I099/538/680
	997 555 902 07 9L4 997 555 902 07 9M5 997 555 902 07 9C6 997 555 902 07 9D7	Black Stone grey Sand Beige Sea blue			
(1)	997 555 201 24	Door trim panel slush technology Until Chassis number See technical information GR.7 NR. 17/11 KD-NR. 70	/RL /L	1	I099/441
	997 555 201 24 9L4 997 555 201 24 9M5 997 555 201 24 9C6 997 555 201 24 9D7	Black Stone grey Sand Beige Sea blue			
(1)	997 555 901 17	Door trim panel slush technology From Chassis number	/RL /L	1	I099/441

Model: 987209 Model life 2009>>2012

Pos	Part Number	Description	Remark	Qty	Model
		See technical information GR.7 NR. 17/11 KD-NR. 70			
	997 555 901 17 9L4	Black			
	997 555 901 17 9M5	Stone grey			
	997 555 901 17 9C6	Sand Beige			
	997 555 901 17 9D7	Sea blue			
(1)	997 555 201 26	Door trim panel slush technology Until Chassis number See technical information GR.7 NR. 17/11 KD-NR. 70	/RL /L	1	I099/490
	997 555 201 26 9L4	Black			
	997 555 201 26 9M5	Stone grey			
	997 555 201 26 9C6	Sand Beige			
	997 555 201 26 9D7	Sea blue			
(1)	997 555 901 18	Door trim panel slush technology From Chassis number See technical information GR.7 NR. 17/11 KD-NR. 70	/RL /L	1	I099/490
	997 555 901 18 9L4	Black			
	997 555 901 18 9M5	Stone grey			
	997 555 901 18 9C6	Sand Beige			
	997 555 901 18 9D7	Sea blue			
(1)	997 555 201 26	Door trim panel slush technology Until Chassis number See technical information GR.7 NR. 17/11 KD-NR. 70	/RL /L	1	I099/441/538
	997 555 201 26 9L4	Black			
	997 555 201 26 9M5	Stone grey			
	997 555 201 26 9C6	Sand Beige			
	997 555 201 26 9D7	Sea blue			
(1)	997 555 901 18	Door trim panel slush technology From Chassis number See technical information GR.7 NR. 17/11 KD-NR. 70	/RL /L	1	I099/441/538
	997 555 901 18 9L4	Black			
	997 555 901 18 9M5	Stone grey			
	997 555 901 18 9C6	Sand Beige			
	997 555 901 18 9D7	Sea blue			
(1)	997 555 201 28	Door trim panel slush technology Until Chassis number See technical information GR.7 NR. 17/11 KD-NR. 70	/RL /L	1	I099/680
	997 555 201 28 9L4	Black			
	997 555 201 28 9M5	Stone grey			
	997 555 201 28 9C6	Sand Beige			
	997 555 201 28 9D7	Sea blue			
(1)	997 555 901 20	Door trim panel	/RL /L	1	I099/680

Model: 987209

Model life 2009>>2012

Pos	Part Number	Description	Remark	Qty	Model
		slush technology From Chassis number See technical information GR.7 NR. 17/11 KD-NR. 70			
	997 555 901 20 9L4	Black			
	997 555 901 20 9M5	Stone grey			
	997 555 901 20 9C6	Sand Beige			
	997 555 901 20 9D7	Sea blue			
(1)	987 555 201 14	Door trim panel slush technology	/RL /L	1	I099/680
	987 555 201 14 9L4	Black			
(1)	997 555 201 05	Door trim panel Leather	/LL /L	1	I098/441/981
	997 555 201 05 FSF	Terracotta/terracotta			
	997 555 201 05 FSG	Cocoa/Cocoa			
	997 555 201 05 FSH	Darkgrey natural/grey			
	997 555 201 05 FSJ	Brown nat./brown nat.			
	997 555 201 05 BCB	Black/stone grey			
(1)	997 555 201 05	Door trim panel Leather Until Chassis number See technical information GR.7 NR. 17/11 KD-NR. 70	/LL /L	1	I098/441/981
	997 555 201 05 FSA	Black/grey			
	997 555 201 05 FSB	Stone grey/stone grey			
	997 555 201 05 FSC	Sand Beige			
	997 555 201 05 FSD	Sea blue/grey			
	997 555 201 05 FSP	Carrera Red			
(1)	997 555 901 02	Door trim panel Leather From Chassis number See technical information GR.7 NR. 17/11 KD-NR. 70	/LL /L	1	I098/441/981
	997 555 901 02 FSA	Black			
	997 555 901 02 FSB	Stone grey			
	997 555 901 02 FSC	Sand Beige			
	997 555 901 02 FSD	Sea blue			
	997 555 901 02 FSP	Carrera Red			
(1)	997 555 201 05	Door trim panel Leather	/LL /L	1	I098/490/981
	997 555 201 05 FSF	Terracotta/terracotta			
	997 555 201 05 FSG	Cocoa/Cocoa			
	997 555 201 05 FSH	Darkgrey natural/grey			
	997 555 201 05 FSJ	Brown nat./brown nat.			
	997 555 201 05 BCB	Black/stone grey			
(1)	997 555 201 05	Door trim panel Leather Until Chassis number See technical information GR.7 NR. 17/11 KD-NR. 70	/LL /L	1	I098/490/981
	997 555 201 05 FSA	Black/grey			
	997 555 201 05 FSB	Stone grey/stone grey			
	997 555 201 05 FSC	Sand Beige			
	997 555 201 05 FSD	Sea blue/grey			
	997 555 201 05 FSP	Carrera Red			

Model: 987209 Model life 2009>>2012

Pos	Part Number	Description	Remark	Qty	Model
(1)	997 555 901 02	Door trim panel Leather From Chassis number See technical information GR.7 NR. 17/11 KD-NR. 70	/LL /L	1	I098/490/981
	997 555 901 02 FSA	Black			
	997 555 901 02 FSB	Stone grey			
	997 555 901 02 FSC	Sand Beige			
	997 555 901 02 FSD	Sea blue			
	997 555 901 02 FSP	Carrera Red			
(1)	997 555 201 07	Door trim panel Leather	/LL /L	1	I098/441/537 I981
	997 555 201 07 FSF	Terracotta/terracotta			
	997 555 201 07 FSG	Cocoa/Cocoa			
	997 555 201 07 FSH	Darkgrey natural/grey			
	997 555 201 07 FSJ	Brown nat./brown nat.			
	997 555 201 07 BCB	Black/stone grey			
(1)	997 555 201 07	Door trim panel Leather Until Chassis number See technical information GR.7 NR. 17/11 KD-NR. 70	/LL /L	1	I098/441/537 I981
	997 555 201 07 FSA	Black/grey			
	997 555 201 07 FSB	Stone grey/stone grey			
	997 555 201 07 FSC	Sand Beige			
	997 555 201 07 FSD	Sea blue/grey			
	997 555 201 07 FSP	Carrera Red			
(1)	997 555 901 04	Door trim panel Leather From Chassis number See technical information GR.7 NR. 17/11 KD-NR. 70	/LL /L	1	I098/441/537 I981
	997 555 901 04 FSA	Black			
	997 555 901 04 FSB	Stone grey/stone grey			
	997 555 901 04 FSC	Sand Beige			
	997 555 901 04 FSD	Sea blue			
	997 555 901 04 FSP	Carrera Red			
(1)	997 555 201 07	Door trim panel Leather	/LL /L	1	I098/490/537 I981
	997 555 201 07 FSF	Terracotta/terracotta			
	997 555 201 07 FSG	Cocoa/Cocoa			
	997 555 201 07 FSH	Darkgrey natural/grey			
	997 555 201 07 FSJ	Brown nat./brown nat.			
	997 555 201 07 BCB	Black/stone grey			
(1)	997 555 201 07	Door trim panel Leather Until Chassis number See technical information GR.7 NR. 17/11 KD-NR. 70	/LL /L	1	I098/490/537 I981
	997 555 201 07 FSA	Black/grey			

Model: 987209

Model life 2009>>2012

Pos	Part Number	Description	Remark	Qty	Model
(1)	997 555 201 07 FSB	Stone grey/stone grey			
	997 555 201 07 FSC	Sand Beige			
	997 555 201 07 FSD	Sea blue/grey			
	997 555 201 07 FSP	Carrera Red			
	997 555 901 04	Door trim panel	/LL /L	1	I098/490/537 I981
		Leather			
		From			
		Chassis number			
		See technical information			
		GR.7 NR. 17/11			
(1)	997 555 901 04 FSA	Black			
	997 555 901 04 FSB	Stone grey/stone grey			
	997 555 901 04 FSC	Sand Beige			
	997 555 901 04 FSD	Sea blue			
	997 555 901 04 FSP	Carrera Red			
	997 555 201 09	Door trim panel	/LL /L	1	I098/680/981
		Leather			
		Terracotta/terracotta			
		Cocoa/Cocoa			
		Darkgrey natural/grey			
(1)	997 555 201 09 FSJ	Brown nat./brown nat.			
	997 555 201 09 BCB	Black/stone grey			
	997 555 201 09	Door trim panel	/LL /L	1	I098/680/981
		Leather			
		Until			
		Chassis number			
		See technical information			
		GR.7 NR. 17/11			
		KD-NR. 70			
		Black/grey			
(1)	997 555 201 09 FSB	Stone grey/stone grey			
	997 555 201 09 FSC	Sand Beige			
	997 555 201 09 FSD	Sea blue/grey			
	997 555 201 09 FSP	Carrera Red			
	997 555 901 06	Door trim panel	/LL /L	1	I098/680/981
		Leather			
		From			
		Chassis number			
		See technical information			
		GR.7 NR. 17/11			
(1)	997 555 901 06 FSA	Black			
	997 555 901 06 FSB	Stone grey			
	997 555 901 06 FSC	Sand Beige			
	997 555 901 06 FSD	Sea blue			
	997 555 901 06 FSP	Carrera Red			
	997 555 201 11	Door trim panel	/LL /L	1	I098/537/680 I981
		Leather			
		Terracotta/terracotta			
		Cocoa/Cocoa			
		Darkgrey natural/grey			
(1)	997 555 201 11 FSJ	Brown nat./brown nat.			
	997 555 201 11 BCB	Black/stone grey			
	997 555 201 11	Door trim panel	/LL /L	1	I098/537/680 I981
		Leather			
		Until			
		Chassis number			
		See technical information			
		GR.7 NR. 17/11			

Model: 987209 Model life 2009>>2012

Pos	Part Number	Description	Remark	Qty	Model
		KD-NR. 70			
	997 555 201 11 FSA	Black/grey			
	997 555 201 11 FSB	Stone grey/stone grey			
	997 555 201 11 FSC	Sand Beige			
	997 555 201 11 FSD	Sea blue/grey			
	997 555 201 11 FSP	Carrera Red			
(1)	997 555 901 08	Door trim panel	/LL /L	1	I098/537/680 I981
		Leather			
		From			
		Chassis number			
		See technical information			
		GR.7 NR. 17/11			
		KD-NR. 70			
	997 555 901 08 FSA	Black			
	997 555 901 08 FSB	Stone grey/stone grey			
	997 555 901 08 FSC	Sand Beige			
	997 555 901 08 FSD	Sea blue			
	997 555 901 08 FSP	Carrera Red			
(1)	997 555 202 27	Door trim panel	/LL /R	1	I098/441/981
		Leather			
	997 555 202 27 FSF	Terracotta/terracotta			
	997 555 202 27 FSG	Cocoa/Cocoa			
	997 555 202 27 FSH	Darkgrey natural/grey			
	997 555 202 27 FSJ	Brown nat./brown nat.			
	997 555 202 27 BCB	Black/stone grey			
(1)	997 555 202 27	Door trim panel	/LL /R	1	I098/441/981
		Leather			
		Until			
		Chassis number			
		See technical information			
		GR.7 NR. 17/11			
		KD-NR. 70			
	997 555 202 27 FSA	Black/grey			
	997 555 202 27 FSB	Stone grey/stone grey			
	997 555 202 27 FSC	Sand Beige			
	997 555 202 27 FSD	Sea blue/grey			
	997 555 202 27 FSP	Carrera Red			
(1)	997 555 902 19	Door trim panel	/LL /R	1	I098/441/981
		Leather			
		From			
		Chassis number			
		See technical information			
		GR.7 NR. 17/11			
		KD-NR. 70			
	997 555 902 19 FSA	Black			
	997 555 902 19 FSB	Stone grey/stone grey			
	997 555 902 19 FSC	Sand Beige			
	997 555 902 19 FSD	Sea blue			
	997 555 902 19 FSP	Carrera Red			
(1)	997 555 202 27	Door trim panel	/LL /R	1	I098/490/981
		Leather			
	997 555 202 27 FSF	Terracotta/terracotta			
	997 555 202 27 FSG	Cocoa/Cocoa			
	997 555 202 27 FSH	Darkgrey natural/grey			
	997 555 202 27 FSJ	Brown nat./brown nat.			
	997 555 202 27 BCB	Black/stone grey			
(1)	997 555 202 27	Door trim panel	/LL /R	1	I098/490/981
		Leather			
		Until			
		Chassis number			
		See technical information			
		GR.7 NR. 17/11			

Model: 987209

Model life 2009>>2012

Pos	Part Number	Description	Remark	Qty	Model
		KD-NR. 70			
	997 555 202 27 FSA	Black/grey			
	997 555 202 27 FSB	Stone grey/stone grey			
	997 555 202 27 FSC	Sand Beige			
	997 555 202 27 FSD	Sea blue/grey			
	997 555 202 27 FSP	Carrera Red			
(1)	997 555 902 19	Door trim panel Leather From Chassis number See technical information GR.7 NR. 17/11 KD-NR. 70	/LL /R	1	I098/490/981
	997 555 902 19 FSA	Black			
	997 555 902 19 FSB	Stone grey/stone grey			
	997 555 902 19 FSC	Sand Beige			
	997 555 902 19 FSD	Sea blue			
	997 555 902 19 FSP	Carrera Red			
(1)	997 555 202 29	Door trim panel Leather Terracotta/terracotta Cocoa/Cocoa Darkgrey natural/grey Brown nat./brown nat. Black/stone grey	/LL /R	1	I098/680/981
	997 555 202 29 FSF	Terracotta/terracotta			
	997 555 202 29 FSG	Cocoa/Cocoa			
	997 555 202 29 FSH	Darkgrey natural/grey			
	997 555 202 29 FSJ	Brown nat./brown nat.			
	997 555 202 29 BCB	Black/stone grey			
(1)	997 555 202 29	Door trim panel Leather Until Chassis number See technical information GR.7 NR. 17/11 KD-NR. 70	/LL /R	1	I098/680/981
	997 555 202 29 FSA	Black/grey			
	997 555 202 29 FSB	Stone grey/stone grey			
	997 555 202 29 FSC	Sand Beige			
	997 555 202 29 FSD	Sea blue/grey			
	997 555 202 29 FSP	Carrera Red			
(1)	997 555 902 21	Door trim panel Leather From Chassis number See technical information GR.7 NR. 17/11 KD-NR. 70	/LL /R	1	I098/680/981
	997 555 902 21 FSA	Black			
	997 555 902 21 FSB	Stone grey/stone grey			
	997 555 902 21 FSC	Sand Beige			
	997 555 902 21 FSD	Sea blue			
	997 555 902 21 FSP	Carrera Red			
(1)	997 555 202 05	Door trim panel Leather Terracotta/terracotta Cocoa/Cocoa Darkgrey natural/grey Brown nat./brown nat. Black/stone grey	/RL /R	1	I099/441/981
	997 555 202 05 FSF	Terracotta/terracotta			
	997 555 202 05 FSG	Cocoa/Cocoa			
	997 555 202 05 FSH	Darkgrey natural/grey			
	997 555 202 05 FSJ	Brown nat./brown nat.			
	997 555 202 05 BCB	Black/stone grey			
(1)	997 555 202 05	Door trim panel Leather Until Chassis number See technical information GR.7 NR. 17/11 KD-NR. 70	/RL /R	1	I099/441/981

Model: 987209 Model life 2009>>2012

Pos	Part Number	Description	Remark	Qty	Model
	997 555 202 05 FSA	Black/grey			
	997 555 202 05 FSB	Stone grey/stone grey			
	997 555 202 05 FSC	Sand Beige			
	997 555 202 05 FSD	Sea blue/grey			
	997 555 202 05 FSP	Carrera Red			
(1)	997 555 902 02	Door trim panel Leather From Chassis number See technical information GR.7 NR. 17/11 KD-NR. 70	/RL /R	1	I099/441/981
	997 555 902 02 FSA	Black			
	997 555 902 02 FSB	Stone grey			
	997 555 902 02 FSC	Sand Beige			
	997 555 902 02 FSD	Sea blue			
	997 555 902 02 FSP	Carrera Red			
(1)	997 555 202 05	Door trim panel Leather Terracotta/terracotta	/RL /R	1	I099/490/981
	997 555 202 05 FSF	Terracotta/terracotta			
	997 555 202 05 FSG	Cocoa/Cocoa			
	997 555 202 05 FSH	Darkgrey natural/grey			
	997 555 202 05 FSJ	Brown nat./brown nat.			
	997 555 202 05 BCB	Black/stone grey			
(1)	997 555 202 05	Door trim panel Leather Until Chassis number See technical information GR.7 NR. 17/11 KD-NR. 70	/RL /R	1	I099/490/981
	997 555 202 05 FSA	Black/grey			
	997 555 202 05 FSB	Stone grey/stone grey			
	997 555 202 05 FSC	Sand Beige			
	997 555 202 05 FSD	Sea blue/grey			
	997 555 202 05 FSP	Carrera Red			
(1)	997 555 902 02	Door trim panel Leather From Chassis number See technical information GR.7 NR. 17/11 KD-NR. 70	/RL /R	1	I099/490/981
	997 555 902 02 FSA	Black			
	997 555 902 02 FSB	Stone grey			
	997 555 902 02 FSC	Sand Beige			
	997 555 902 02 FSD	Sea blue			
	997 555 902 02 FSP	Carrera Red			
(1)	997 555 202 07	Door trim panel Leather Until Chassis number See technical information GR.7 NR. 17/11	/RL /R	1	I099/441/538 I981
	997 555 202 07 FSF	Terracotta/terracotta			
	997 555 202 07 FSG	Cocoa/Cocoa			
	997 555 202 07 FSH	Darkgrey natural/grey			
	997 555 202 07 FSJ	Brown nat./brown nat.			
	997 555 202 07 BCB	Black/stone grey			
(1)	997 555 202 07	Door trim panel Leather Until Chassis number See technical information GR.7 NR. 17/11	/RL /R	1	I099/441/538 I981

Model: 987209 Model life 2009>>2012

Pos	Part Number	Description	Remark	Qty	Model
		KD-NR. 70			
	997 555 202 07 FSA	Black/grey			
	997 555 202 07 FSB	Stone grey/stone grey			
	997 555 202 07 FSC	Sand Beige			
	997 555 202 07 FSD	Sea blue/grey			
	997 555 202 07 FSP	Carrera Red			
(1)	997 555 902 04	Door trim panel	/RL /R	1	I099/441/538 I981
		Leather			
		From			
		Chassis number			
		See technical information			
		GR.7 NR. 17/11			
		KD-NR. 70			
	997 555 902 04 FSA	Black			
	997 555 902 04 FSB	Stone grey			
	997 555 902 04 FSC	Sand Beige			
	997 555 902 04 FSD	Sea blue			
	997 555 902 04 FSP	Carrera Red			
(1)	997 555 202 07	Door trim panel	/RL /R	1	I099/490/538 I981
		Leather			
	997 555 202 07 FSF	Terracotta/terracotta			
	997 555 202 07 FSG	Cocoa/Cocoa			
	997 555 202 07 FSH	Darkgrey natural/grey			
	997 555 202 07 FSJ	Brown nat./brown nat.			
	997 555 202 07 BCB	Black/stone grey			
(1)	997 555 202 07	Door trim panel	/RL /R	1	I099/490/538 I981
		Leather			
		Until			
		Chassis number			
		See technical information			
		GR.7 NR. 17/11			
		KD-NR. 70			
	997 555 202 07 FSA	Black/grey			
	997 555 202 07 FSB	Stone grey/stone grey			
	997 555 202 07 FSC	Sand Beige			
	997 555 202 07 FSD	Sea blue/grey			
	997 555 202 07 FSP	Carrera Red			
(1)	997 555 902 04	Door trim panel	/RL /R	1	I099/490/538 I981
		Leather			
		From			
		Chassis number			
		See technical information			
		GR.7 NR. 17/11			
		KD-NR. 70			
	997 555 902 04 FSA	Black			
	997 555 902 04 FSB	Stone grey			
	997 555 902 04 FSC	Sand Beige			
	997 555 902 04 FSD	Sea blue			
	997 555 902 04 FSP	Carrera Red			
(1)	997 555 202 09	Door trim panel	/RL /R	1	I099/680/981
		Leather			
	997 555 202 09 FSF	Terracotta/terracotta			
	997 555 202 09 FSG	Cocoa/Cocoa			
	997 555 202 09 FSH	Darkgrey natural/grey			
	997 555 202 09 FSJ	Brown nat./brown nat.			
	997 555 202 09 BCB	Black/stone grey			
(1)	997 555 202 09	Door trim panel	/RL /R	1	I099/680/981
		Leather			
		Until			

Model: 987209 Model life 2009>>2012

Pos	Part Number	Description	Remark	Qty	Model
		Chassis number See technical information GR.7 NR. 17/11 KD-NR. 70			
	997 555 202 09 FSA	Black/grey			
	997 555 202 09 FSB	Stone grey/stone grey			
	997 555 202 09 FSC	Sand Beige			
	997 555 202 09 FSD	Sea blue/grey			
	997 555 202 09 FSP	Carrera Red			
(1)	997 555 902 06	Door trim panel Leather From Chassis number See technical information GR.7 NR. 17/11 KD-NR. 70	/RL /R	1	I099/680/981
	997 555 902 06 FSA	Black			
	997 555 902 06 FSB	Stone grey/stone grey			
	997 555 902 06 FSC	Sand Beige			
	997 555 902 06 FSD	Sea blue			
	997 555 902 06 FSP	Carrera Red			
(1)	997 555 202 11	Door trim panel Leather Terracotta/terracotta	/RL /R	1	I099/538/680 I981
	997 555 202 11 FSG	Cocoa/Cocoa			
	997 555 202 11 FSH	Darkgrey natural/grey			
	997 555 202 11 FSJ	Brown nat./brown nat.			
	997 555 202 11 BCB	Black/stone grey			
(1)	997 555 202 11	Door trim panel Leather Until Chassis number See technical information GR.7 NR. 17/11 KD-NR. 70	/RL /R	1	I099/538/680 I981
	997 555 202 11 FSA	Black/grey			
	997 555 202 11 FSB	Stone grey/stone grey			
	997 555 202 11 FSC	Sand Beige			
	997 555 202 11 FSD	Sea blue/grey			
	997 555 202 11 FSP	Carrera Red			
(1)	997 555 902 08	Door trim panel Leather From Chassis number See technical information GR.7 NR. 17/11 KD-NR. 70	/RL /R	1	I099/538/680 I981
	997 555 902 08 FSA	Black			
	997 555 902 08 FSB	Stone grey			
	997 555 902 08 FSC	Sand Beige			
	997 555 902 08 FSD	Sea blue			
	997 555 902 08 FSP	Carrera Red			
(1)	997 555 201 27	Door trim panel Leather Terracotta/terracotta	/RL /L	1	I099/441/981
	997 555 201 27 FSG	Cocoa/Cocoa			
	997 555 201 27 FSH	Darkgrey natural/grey			
	997 555 201 27 FSJ	Brown nat./brown nat.			
	997 555 201 27 BCB	Black/stone grey			
(1)	997 555 201 27	Door trim panel Leather From Chassis number See technical information GR.7 NR. 17/11 KD-NR. 70	/RL /L	1	I099/441/981
	997 555 902 08 FSA	Black			
	997 555 902 08 FSB	Stone grey			
	997 555 902 08 FSC	Sand Beige			
	997 555 902 08 FSD	Sea blue			
	997 555 902 08 FSP	Carrera Red			

Model: 987209 Model life 2009>>2012

Pos	Part Number	Description	Remark	Qty	Model
		Leather Until Chassis number See technical information GR.7 NR. 17/11 KD-NR. 70			
	997 555 201 27 FSA	Black/grey			
	997 555 201 27 FSB	Stone grey/stone grey			
	997 555 201 27 FSC	Sand Beige			
	997 555 201 27 FSD	Sea blue/grey			
	997 555 201 27 FSP	Carrera Red			
(1)	997 555 901 19	Door trim panel Leather From Chassis number See technical information GR.7 NR. 17/11 KD-NR. 70	/RL /L	1	I099/441/981
	997 555 901 19 FSA	Black			
	997 555 901 19 FSB	Stone grey/stone grey			
	997 555 901 19 FSC	Sand Beige			
	997 555 901 19 FSD	Sea blue			
	997 555 901 19 FSP	Carrera Red			
(1)	997 555 201 27	Door trim panel Leather	/RL /L	1	I099/490/981
	997 555 201 27 FSF	Terracotta/terracotta			
	997 555 201 27 FSG	Cocoa/Cocoa			
	997 555 201 27 FSH	Darkgrey natural/grey			
	997 555 201 27 FSJ	Brown nat./brown nat.			
	997 555 201 27 BCB	Black/stone grey			
(1)	997 555 201 27	Door trim panel Leather Until Chassis number See technical information GR.7 NR. 17/11 KD-NR. 70	/RL /L	1	I099/490/981
	997 555 201 27 FSA	Black/grey			
	997 555 201 27 FSB	Stone grey/stone grey			
	997 555 201 27 FSC	Sand Beige			
	997 555 201 27 FSD	Sea blue/grey			
	997 555 201 27 FSP	Carrera Red			
(1)	997 555 901 19	Door trim panel Leather From Chassis number See technical information GR.7 NR. 17/11 KD-NR. 70	/RL /L	1	I099/490/981
	997 555 901 19 FSA	Black			
	997 555 901 19 FSB	Stone grey/stone grey			
	997 555 901 19 FSC	Sand Beige			
	997 555 901 19 FSD	Sea blue			
	997 555 901 19 FSP	Carrera Red			
(1)	997 555 201 29	Door trim panel Leather	/RL /L	1	I099/680/981
	997 555 201 29 FSF	Terracotta/terracotta			
	997 555 201 29 FSG	Cocoa/Cocoa			
	997 555 201 29 FSH	Darkgrey natural/grey			
	997 555 201 29 FSJ	Brown nat./brown nat.			
	997 555 201 29 BCB	Black/stone grey			
(1)	997 555 201 29	Door trim panel Leather	/RL /L	1	I099/680/981

Model: 987209 Model life 2009>>2012

Pos	Part Number	Description	Remark	Qty	Model
		Until Chassis number See technical information GR.7 NR. 17/11 KD-NR. 70			
	997 555 201 29 FSA	Black/grey			
	997 555 201 29 FSB	Stone grey/stone grey			
	997 555 201 29 FSC	Sand Beige			
	997 555 201 29 FSD	Sea blue/grey			
	997 555 201 29 FSP	Carrera Red			
(1)	997 555 901 21	Door trim panel Leather From Chassis number See technical information GR.7 NR. 17/11 KD-NR. 70	/RL /L	1	I099/680/981
	997 555 901 21 FSA	Black			
	997 555 901 21 FSB	Stone grey/stone grey			
	997 555 901 21 FSC	Sand Beige			
	997 555 901 21 FSD	Sea blue			
	997 555 901 21 FSP	Carrera Red			
(1)	987 555 201 32	Door trim panel Leather	/LL /L	1	"R" I098/490/981
	987 555 201 32 FSA	Black			
	987 555 201 32 FSC	Sand Beige			
	987 555 201 32 FSG	Cocoa			
	987 555 201 32 FSP	Carrera Red			
(1)	987 555 202 35	Door trim panel Leather	/LL /R	1	"R" I098/490/981
	987 555 202 35 FSA	Black			
	987 555 202 35 FSC	Sand Beige			
	987 555 202 35 FSG	Cocoa			
	987 555 202 35 FSP	Carrera Red			
(1)	987 555 202 32	Door trim panel Leather	/RL /R	1	"R" I099/490/981
	987 555 202 32 FSA	Black			
	987 555 202 32 FSC	Sand Beige			
	987 555 202 32 FSG	Cocoa			
	987 555 202 32 FSP	Carrera Red			
(1)	987 555 201 35	Door trim panel Leather	/RL /L	1	"R" I099/490/981
	987 555 201 35 FSA	Black			
	987 555 201 35 FSC	Sand Beige			
	987 555 201 35 FSG	Cocoa			
	987 555 201 35 FSP	Carrera Red			
(1)	997 555 201 A9	Door trim panel Leather/ Alcantara	/LL /L	1	IXFZ/098/441 I490/609/981
	997 555 201 A9 FSM	Black/black			
	997 555 201 A9 FRN	Carrera Red/Carrera Red			
	997 555 201 A9 FRL	Sand beige/sand beige			
	997 555 201 A9 FRM	Cocoa/Cocoa			
(1)	997 555 202 B9	Door trim panel Leather/ Alcantara	/LL /R	1	IXFZ/098/441 I490/609/981
	997 555 202 B9 FSM	Black/black			

Model: 987209 Model life 2009>>2012

Pos	Part Number	Description	Remark	Qty	Model
(1)	997 555 202 B9 FRN	Carrera Red/Carrera Red		1	IXFZ/099/441 I490/609/981
	997 555 202 B9 FRL	Sand beige/sand beige			
	997 555 202 B9 FRM	Cocoa/Cocoa			
	997 555 201 B9	Door trim panel	/RL /L		
		Leather/ Alcantara			
(1)	997 555 201 B9 FSM	Black/black		1	IXFZ/099/441 I490/609/981
	997 555 201 B9 FRN	Carrera Red/Carrera Red			
	997 555 201 B9 FRL	Sand beige/sand beige			
	997 555 201 B9 FRM	Cocoa/Cocoa			
	997 555 202 A9	Door trim panel	/RL /R		
2	997 555 202 A9 FSM	Black/black		2	
	997 555 202 A9 FRN	Carrera Red/Carrera Red			
	997 555 202 A9 FRL	Sand beige/sand beige			
	997 555 202 A9 FRM	Cocoa/Cocoa			
	999 507 533 02	Clamp 8,0 X 10/2,5			
3	955 555 243 00	Fixing clip		9	
4	999 073 322 02	Oval-head screw 6 X 20		5	
		for Mount			
5	987 555 221 01	Door trim panel Lid	/L	1	CAYMAN
	987 555 221 01 1MZ	Black			
	987 555 221 01 1YP	Stone grey			
	987 555 221 01 1TK	Sand Beige			
	987 555 221 01 1VM	Sea blue			
(5)	987 555 222 01	Lid Shelf	/R	1	CAYMAN
	987 555 222 01 1MZ	Black			
	987 555 222 01 1YP	Stone grey			
	987 555 222 01 1TK	Sand Beige			
	987 555 222 01 1VM	Sea blue			
(5)	997 555 221 01	Lid Shelf	/L	1	CAYMAN I981
	997 555 221 01 FSA	Black/grey			
	997 555 221 01 FSB	Stone grey/stone grey			
	997 555 221 01 FSC	Sand Beige			
	997 555 221 01 FSD	Sea blue/grey			
(5)	997 555 221 01 FSF	Terracotta/terracotta		1	CAYMAN S
	997 555 221 01 FSG	Cocoa/Cocoa			
	997 555 221 01 FSH	Darkgrey natural/grey			
	997 555 221 01 FSJ	Brown nat./brown nat.			
	997 555 221 01 FSP	Carrera Red			
(5)	997 555 221 01	Lid Shelf	/L	1	CAYMAN I981
	997 555 221 01 FSA	Black/grey			
	997 555 221 01 FSB	Stone grey/stone grey			
	997 555 221 01 FSC	Sand Beige			
	997 555 221 01 FSD	Sea blue/grey			
(5)	997 555 221 01 FSF	Terracotta/terracotta		1	CAYMAN I981
	997 555 221 01 FSG	Cocoa/Cocoa			
	997 555 221 01 FSH	Darkgrey natural/grey			
	997 555 221 01 FSJ	Brown nat./brown nat.			
	997 555 221 01 FSP	Carrera Red			
(5)	997 555 222 01	Lid	/R	1	CAYMAN I981
	997 555 221 01 FSA	Black/grey			
	997 555 221 01 FSB	Stone grey/stone grey			
	997 555 221 01 FSC	Sand Beige			
	997 555 221 01 FSD	Sea blue/grey			

Model: 987209 Model life 2009>>2012

Pos	Part Number	Description	Remark	Qty	Model
		Shelf			
	997 555 222 01 FSA	Black/grey			
	997 555 222 01 FSB	Stone grey/stone grey			
	997 555 222 01 FSC	Sand Beige			
	997 555 222 01 FSD	Sea blue/grey			
	997 555 222 01 FSF	Terracotta/terracotta			
	997 555 222 01 FSG	Cocoa/Cocoa			
	997 555 222 01 FSH	Darkgrey natural/grey			
	997 555 222 01 FSJ	Brown nat./brown nat.			
	997 555 222 01 FSP	Carrera Red			
(5)	997 555 222 01	Lid	/R	1	CAYMAN S
		Shelf			
	997 555 222 01 FSA	Black/grey			
	997 555 222 01 FSB	Stone grey/stone grey			
	997 555 222 01 FSC	Sand Beige			
	997 555 222 01 FSD	Sea blue/grey			
	997 555 222 01 FSF	Terracotta/terracotta			
	997 555 222 01 FSG	Cocoa/Cocoa			
	997 555 222 01 FSH	Darkgrey natural/grey			
	997 555 222 01 FSJ	Brown nat./brown nat.			
	997 555 222 01 FSP	Carrera Red			
(5)	997 555 989 00	Lid	/L	1	IXTL
		Shelf			
		Carbon			
(5)	997 555 989 00 A35	Black			
(5)	997 555 990 00	Lid	/R	1	IXTL
		Shelf			
		Carbon			
(5)	997 555 990 00 A35	Black			
(5)	997 555 989 02	Lid	/L	1	IXTT
		Shelf			
(5)	997 555 989 02 S61	Macassar			
(5)	997 555 990 02	Lid	/R	1	IXTT
		Shelf			
(5)	997 555 990 02 S61	Macassar			
(5)	997 555 989 03	Lid	/L	1	IXTW
		Shelf			
(5)	997 555 989 03 V04	Galvano silver			
(5)	997 555 990 03	Lid	/R	1	IXTW
		Shelf			
6	997 555 990 03 V04	Galvano silver			
	997 555 833 00	Steering knuckle spring	/L	1	
		for			
		Lid			
(6)	997 555 834 00	Shelf	/R	1	
		Steering knuckle spring			
		for			
		Lid			
7	997 555 841 00	Shelf		1	
		Damper			
8	987 555 271 01	Shelf	/L	1	CAYMAN
		Handle			
		Upper part			
	987 555 271 01 A11	Black			
	987 555 271 01 5X6	Stone grey			
	987 555 271 01 8G2	Sand Beige			
	987 555 271 01 3S9	Sea blue			
(8)	987 555 272 01	Handle	/R	1	CAYMAN
		Upper part			
	987 555 272 01 A11	Black			
	987 555 272 01 5X6	Stone grey			
	987 555 272 01 8G2	Sand Beige			
	987 555 272 01 3S9	Sea blue			

Model: 987209

Model life 2009>>2012

Pos	Part Number	Description	Remark	Qty	Model
(8)	987 555 271 02	Handle	/L	1	CAYMAN I981
		Upper part			
	987 555 271 02 FSA	Black/grey			
	987 555 271 02 FSB	Stone grey/stone grey			
	987 555 271 02 FSC	Sand Beige			
	987 555 271 02 FSD	Sea blue/grey			
	987 555 271 02 FSF	Terracotta/terracotta			
	987 555 271 02 FSG	Cocoa/Cocoa			
	987 555 271 02 FSH	Darkgrey natural/grey			
	987 555 271 02 FSJ	Brown nat./brown nat.			
	987 555 271 02 FSP	Carrera Red			
(8)	987 555 271 02	Handle	/L	1	CAYMAN S
		Upper part			
	987 555 271 02 FSA	Black/grey			
	987 555 271 02 FSB	Stone grey/stone grey			
	987 555 271 02 FSC	Sand Beige			
	987 555 271 02 FSD	Sea blue/grey			
	987 555 271 02 FSF	Terracotta/terracotta			
	987 555 271 02 FSG	Cocoa/Cocoa			
	987 555 271 02 FSH	Darkgrey natural/grey			
	987 555 271 02 FSJ	Brown nat./brown nat.			
	987 555 271 02 FSP	Carrera Red			
(8)	987 555 272 02	Handle	/R	1	CAYMAN I981
		Upper part			
	987 555 272 02 FSA	Black/grey			
	987 555 272 02 FSB	Stone grey/stone grey			
	987 555 272 02 FSC	Sand Beige			
	987 555 272 02 FSD	Sea blue/grey			
	987 555 272 02 FSF	Terracotta/terracotta			
	987 555 272 02 FSG	Cocoa/Cocoa			
	987 555 272 02 FSH	Darkgrey natural/grey			
	987 555 272 02 FSJ	Brown nat./brown nat.			
	987 555 272 02 FSP	Carrera Red			
(8)	987 555 272 02	Handle	/R	1	CAYMAN S
		Upper part			
	987 555 272 02 FSA	Black/grey			
	987 555 272 02 FSB	Stone grey/stone grey			
	987 555 272 02 FSC	Sand Beige			
	987 555 272 02 FSD	Sea blue/grey			
	987 555 272 02 FSF	Terracotta/terracotta			
	987 555 272 02 FSG	Cocoa/Cocoa			
	987 555 272 02 FSH	Darkgrey natural/grey			
	987 555 272 02 FSJ	Brown nat./brown nat.			
	987 555 272 02 FSP	Carrera Red			
(8)	987 555 987 00	Handle	/L	1	IXTL
		Upper part			
	987 555 987 00 A11	Black			
	987 555 987 00 5X6	Stone grey			
	987 555 987 00 8G2	Sand Beige			
	987 555 987 00 3S9	Sea blue			
	987 555 987 00 9S5	Terracotta			
	987 555 987 00 9V6	Cocoa			
	987 555 987 00 D12	Dark grey/natural			
	987 555 987 00 T12	Brown/natural			
	987 555 987 00 N12	Carrera Red			
(8)	987 555 988 00	Handle	/R	1	IXTL
		Upper part			
	987 555 988 00 A11	Black			
	987 555 988 00 5X6	Stone grey			
	987 555 988 00 8G2	Sand Beige			
	987 555 988 00 3S9	Sea blue			

Model: 987209 Model life 2009>>2012

Pos	Part Number	Description	Remark	Qty	Model
	987 555 988 00 9S5	Terracotta			
	987 555 988 00 9V6	Cocoa			
	987 555 988 00 D12	Dark grey/natural			
	987 555 988 00 T12	Brown/natural			
	987 555 988 00 N12	Carrera Red			
(8)	987 555 987 02	Handle	/L	1	IXTT
		Upper part			
	987 555 987 02 A11	Black			
	987 555 987 02 5X6	Stone grey			
	987 555 987 02 8G2	Sand Beige			
	987 555 987 02 3S9	Sea blue			
	987 555 987 02 9S5	Terracotta			
	987 555 987 02 9V6	Cocoa			
	987 555 987 02 D12	Dark grey/natural			
	987 555 987 02 T12	Brown/natural			
	987 555 987 02 N12	Carrera Red			
(8)	987 555 988 02	Handle	/R	1	IXTT
		Upper part			
	987 555 988 02 A11	Black			
	987 555 988 02 5X6	Stone grey			
	987 555 988 02 8G2	Sand Beige			
	987 555 988 02 3S9	Sea blue			
	987 555 988 02 9S5	Terracotta			
	987 555 988 02 9V6	Cocoa			
	987 555 988 02 D12	Dark grey/natural			
	987 555 988 02 T12	Brown/natural			
	987 555 988 02 N12	Carrera Red			
(8)	987 555 987 03	Handle	/L	1	IXTW
		Upper part			
	987 555 987 03 A11	Black			
	987 555 987 03 5X6	Stone grey			
	987 555 987 03 8G2	Sand Beige			
	987 555 987 03 3S9	Sea blue			
	987 555 987 03 9S5	Terracotta			
	987 555 987 03 9V6	Cocoa			
	987 555 987 03 D12	Dark grey/natural			
	987 555 987 03 T12	Brown/natural			
	987 555 987 03 N12	Carrera Red			
(8)	987 555 988 03	Handle	/R	1	IXTW
		Upper part			
	987 555 988 03 A11	Black			
	987 555 988 03 5X6	Stone grey			
	987 555 988 03 8G2	Sand Beige			
	987 555 988 03 3S9	Sea blue			
	987 555 988 03 9S5	Terracotta			
	987 555 988 03 9V6	Cocoa			
	987 555 988 03 D12	Dark grey/natural			
	987 555 988 03 T12	Brown/natural			
	987 555 988 03 N12	Carrera Red			
9	999 591 380 01	Cable clamp		4	
10	987 555 261 01	Handle	/L	1	
		Lower part			
	987 555 261 01 A11	Black			
	987 555 261 01 5X6	Stone grey			
	987 555 261 01 8G2	Sand Beige			
	987 555 261 01 3S9	Sea blue			
	987 555 261 01 9S5	Terracotta			
	987 555 261 01 9V6	Cocoa			
	987 555 261 01 D12	Dark grey/natural			
	987 555 261 01 T12	Brown/natural			
	987 555 261 01 N12	Carrera Red			
(10)	987 555 262 01	Handle	/R	1	
		Lower part			

Model: 987209 Model life 2009>>2012

Pos	Part Number	Description	Remark	Qty	Model
	987 555 262 01 A11	Black			
	987 555 262 01 5X6	Stone grey			
	987 555 262 01 8G2	Sand Beige			
	987 555 262 01 3S9	Sea blue			
	987 555 262 01 9S5	Terracotta			
	987 555 262 01 9V6	Cocoa			
	987 555 262 01 D12	Dark grey/natural			
	987 555 262 01 T12	Brown/natural			
	987 555 262 01 N12	Carrera Red			
11	999 919 229 02	Oval-head screw 6,0 X 40,0 for Mount Handle		2	
12	997 555 381 02	Axle bearing Valid up to:	/L	1	Cayman Cayman S
12	997 555 382 02	Axle bearing Valid up to:	/R	1	Cayman Cayman S
(12)	997 555 381 03	Axle bearing Valid from:	/L	1	Cayman Cayman S
(12)	997 555 382 03	Axle bearing Valid from:	/R	1	Cayman Cayman S
13	999 919 164 09	Oval-head screw 5 X 12 for Mount Axle bearing		3	
14	997 555 461 01	Lever Door opener	/L	1	
(14)	997 555 461 01 V05	Galvano silver			
(14)	997 555 462 01	Lever Door opener	/R	1	
15	997 555 462 01 V05	Galvano silver			
15	999 919 164 09	Oval-head screw 5 X 12 for Mount Lever Door opener		1	
16	997 555 683 00	Cap Airbag	/L	1	
	997 555 683 00 A03	Black			
	997 555 683 00 5V7	Stone grey			
	997 555 683 00 5Z1	Sand Beige			
	997 555 683 00 8W7	Sea blue			
	997 555 683 00 8X8	Terracotta			
	997 555 683 00 8P9	Cocoa			
	997 555 683 00 T13	Brown/natural			
	997 555 683 00 N23	Carrera Red			
(16)	997 555 684 00	Cap Airbag	/R	1	
	997 555 684 00 A03	Black			
	997 555 684 00 5V7	Stone grey			
	997 555 684 00 5Z1	Sand Beige			
	997 555 684 00 8W7	Sea blue			

Model: 987209 Model life 2009>>2012

Pos	Part Number	Description	Remark	Qty	Model
17	997 555 684 00 8X8	Terracotta		1	I098
	997 555 684 00 8P9	Cocoa			
	997 555 684 00 T13	Brown/natural			
	997 555 684 00 N23	Carrera Red			
	997 555 685 02	Cover	/LL /L		
		Door mirror			
		Driver's side			
		Lacquered			
	997 555 685 02 A03	Black			
	997 555 685 02 5V7	Stone grey			
997 555 685 02 5Z1	Sand Beige				
997 555 685 02 8W7	Sea blue				
997 555 685 02 8X8	Terracotta				
997 555 685 02 8P9	Cocoa				
997 555 685 02 T13	Brown/natural				
997 555 685 02 N23	Carrera Red				
(17)	997 555 686 03	Cover	/RL /R	1	I099
	Door mirror				
	Driver's side				
	Lacquered				
	997 555 686 03 A03	Black			
	997 555 686 03 5V7	Stone grey			
	997 555 686 03 5Z1	Sand Beige			
	997 555 686 03 8W7	Sea blue			
	997 555 686 03 8X8	Terracotta			
	997 555 686 03 8P9	Cocoa			
	997 555 686 03 T13	Brown/natural			
	997 555 686 03 N23	Carrera Red			
(17)	997 555 995 00	Cover	/LL /L 10-	1	IXDX/098
	Door mirror				
	Driver's side				
	Leather				
	997 555 995 00 A11	Black			
	997 555 995 00 5X6	Stone grey			
	997 555 995 00 8G2	Sand Beige			
	997 555 995 00 3S9	Sea blue			
	997 555 995 00 9S5	Terracotta			
	997 555 995 00 9V6	Cocoa			
	997 555 995 00 T12	Brown/natural			
	997 555 995 00 N12	Carrera Red			
(17)	997 555 996 01	Cover	/RL /R 10-	1	IXDX/099
	Door mirror				
	Driver's side				
	Leather				
	997 555 996 01 A11	Black			
	997 555 996 01 5X6	Stone grey			
	997 555 996 01 8G2	Sand Beige			
	997 555 996 01 3S9	Sea blue			
	997 555 996 01 9S5	Terracotta			
	997 555 996 01 9V6	Cocoa			
	997 555 996 01 T12	Brown/natural			
	997 555 996 01 N12	Carrera Red			
(17)	997 555 686 02	Cover	/LL /R	1	I098
	Door mirror				
	Passenger's side				
	Lacquered				
	997 555 686 02 A03	Black			
	997 555 686 02 5V7	Stone grey			
	997 555 686 02 5Z1	Sand Beige			
	997 555 686 02 8W7	Sea blue			
	997 555 686 02 8X8	Terracotta			
	997 555 686 02 8P9	Cocoa			
	997 555 686 02 T13	Brown/natural			

Model: 987209 Model life 2009>>2012

Pos	Part Number	Description	Remark	Qty	Model
(17)	997 555 686 02 N23	Carrera Red			
	997 555 685 03	Cover	/RL /L	1	I099
		Door mirror			
		Passenger's side			
		Lacquered			
	997 555 685 03 A03	Black			
	997 555 685 03 5V7	Stone grey			
	997 555 685 03 5Z1	Sand Beige			
	997 555 685 03 8W7	Sea blue			
	997 555 685 03 8X8	Terracotta			
	997 555 685 03 8P9	Cocoa			
	997 555 685 03 T13	Brown/natural			
	997 555 685 03 N23	Carrera Red			
(17)	997 555 996 00	Cover	/LL /R	1	IXDX/098
		Door mirror			
		Passenger's side			
		Leather			
	997 555 996 00 A11	Black			
	997 555 996 00 5X6	Stone grey			
	997 555 996 00 8G2	Sand Beige			
	997 555 996 00 3S9	Sea blue			
	997 555 996 00 9S5	Terracotta			
	997 555 996 00 9V6	Cocoa			
	997 555 996 00 D12	Dark grey/natural			
	997 555 996 00 T12	Brown/natural			
	997 555 996 00 N12	Carrera Red			
(17)	997 555 995 01	Cover	/RL /L	1	IXDX/099
		Door mirror			
		Passenger's side			
		Leather			
	997 555 995 01 A11	Black			
	997 555 995 01 5X6	Stone grey			
	997 555 995 01 8G2	Sand Beige			
	997 555 995 01 3S9	Sea blue			
	997 555 995 01 9S5	Terracotta			
	997 555 995 01 9V6	Cocoa			
	997 555 995 01 D12	Dark grey/natural			
	997 555 995 01 T12	Brown/natural			
	997 555 995 01 N12	Carrera Red			
18	997 555 577 00	Cap		1	
		Handle liner			
	997 555 577 00 A03	Black			
	997 555 577 00 5V7	Stone grey			
	997 555 577 00 8W7	Sea blue			
	997 555 577 00 8X8	Terracotta			
	997 555 577 00 8P9	Cocoa			
	997 555 577 00 T13	Brown/natural			
	997 555 577 00 N23	Carrera Red			
19	997 555 895 00	Plastic foam strip		1	
		for			
		Woofer			
20	997 645 511 00	Logo		2	I680
21	997 555 597 00	Spacer		2	
		Lid hinge			
22	999 702 281 41	Grommet		1	
		Axle bearing			
23	997 555 351 03	Insert	/LL /L	1	I098
		Handle liner			
		Lacquered			
	997 555 351 03 A03	Black			
	997 555 351 03 5V7	Stone grey			
	997 555 351 03 5Z1	Sand Beige			
	997 555 351 03 8W7	Sea blue			

Model: 987209 Model life 2009>>2012

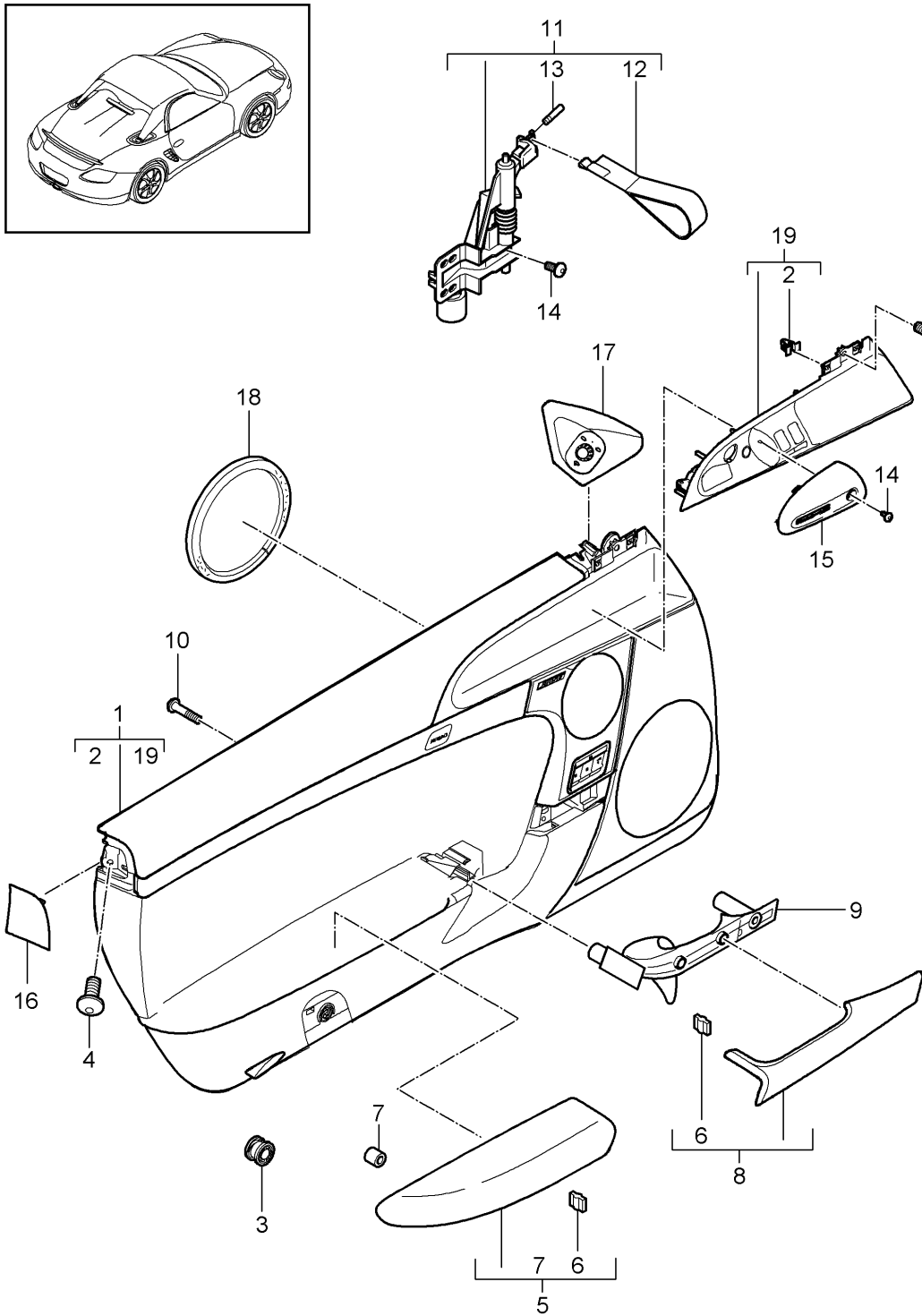
Pos	Part Number	Description	Remark	Qty	Model
(23)	997 555 351 03 8X8	Terracotta	/RL /R	1	I099
	997 555 351 03 8P9	Cocoa			
	997 555 351 03 T13	Brown/natural			
	997 555 351 03 N23	Carrera Red			
	997 555 352 03	Insert			
		Handle liner			
		Lacquered			
	997 555 352 03 A03	Black			
	997 555 352 03 5V7	Stone grey			
	997 555 352 03 5Z1	Sand Beige			
(23)	997 555 352 03 8W7	Sea blue	/LL /R	1	I098
	997 555 352 03 8X8	Terracotta			
	997 555 352 03 8P9	Cocoa			
	997 555 352 03 T13	Brown/natural			
	997 555 352 03 N23	Carrera Red			
	997 555 352 04	Insert			
		Handle liner			
		Lacquered			
	997 555 352 04 A03	Black			
	997 555 352 04 5V7	Stone grey			
(23)	997 555 352 04 5Z1	Sand Beige	/RL /L	1	I099
	997 555 352 04 8W7	Sea blue			
	997 555 352 04 8X8	Terracotta			
	997 555 352 04 8P9	Cocoa			
	997 555 352 04 T13	Brown/natural			
	997 555 352 04 N23	Carrera Red			
	997 555 351 04	Insert			
		Handle liner			
		Lacquered			
	997 555 351 04 A03	Black			
23	997 555 351 04 5V7	Stone grey	/LL /L	1	IXTV/098
	997 555 351 04 5Z1	Sand Beige			
	997 555 351 04 8W7	Sea blue			
	997 555 351 04 8X8	Terracotta			
	997 555 351 04 8P9	Cocoa			
	997 555 351 04 T13	Brown/natural			
	997 555 351 04 N23	Carrera Red			
	997 555 985 00	Insert			
		Handle liner			
		Leather			
(23)	997 555 985 00 A11	Black	/RL /R	1	IXTV/099
	997 555 985 00 5X6	Stone grey			
	997 555 985 00 8G2	Sand Beige			
	997 555 985 00 3S9	Sea blue			
	997 555 985 00 9S5	Terracotta			
	997 555 985 00 9V6	Cocoa			
	997 555 985 00 D12	Dark grey/natural			
	997 555 985 00 T12	Brown/natural			
	997 555 985 00 N12	Carrera Red			
	997 555 986 01	Insert			
(23)	997 555 986 01 A11	Black	/LL /R	1	IXTV/098
	997 555 986 01 5X6	Stone grey			
	997 555 986 01 8G2	Sand Beige			
	997 555 986 01 3S9	Sea blue			
	997 555 986 01 9S5	Terracotta			
	997 555 986 01 9V6	Cocoa			
	997 555 986 01 D12	Dark grey/natural			
	997 555 986 01 T12	Brown/natural			
	997 555 986 01 N12	Carrera Red			
	997 555 986 00	Insert			
	Handle liner				

Model: 987209 Model life 2009>>2012

Pos	Part Number	Description	Remark	Qty	Model
		Leather			
	997 555 986 00 A11	Black			
	997 555 986 00 5X6	Stone grey			
	997 555 986 00 8G2	Sand Beige			
	997 555 986 00 3S9	Sea blue			
	997 555 986 00 9S5	Terracotta			
	997 555 986 00 9V6	Cocoa			
	997 555 986 00 D12	Dark grey/natural			
	997 555 986 00 T12	Brown/natural			
	997 555 986 00 N12	Carrera Red			
(23)	997 555 985 02	Insert	/RL /L	1	IXTV/099
		Handle liner			
		Leather			
	997 555 985 02 A11	Black			
	997 555 985 02 5X6	Stone grey			
	997 555 985 02 8G2	Sand Beige			
	997 555 985 02 3S9	Sea blue			
	997 555 985 02 9S5	Terracotta			
	997 555 985 02 9V6	Cocoa			
	997 555 985 02 D12	Dark grey/natural			
	997 555 985 02 T12	Brown/natural			
	997 555 985 02 N12	Carrera Red			
23	997 555 985 03	Insert	/LL /L	1	IXTL/098
		Handle liner			
		Carbon			
	997 555 985 03 A35	Black			
(23)	997 555 986 04	Insert	/RL /R	1	IXTL/099
		Handle liner			
		Carbon			
	997 555 986 04 A35	Black			
(23)	997 555 986 03	Insert	/LL /R	1	IXTL/098
		Handle liner			
		Carbon			
	997 555 986 03 A35	Black			
(23)	997 555 985 05	Insert	/RL /L	1	IXTL/099
		Handle liner			
		Carbon			
	997 555 985 05 A35	Black			
23	997 555 985 09	Insert	/LL /L	1	IXTT/098
		Handle liner			
	997 555 985 09 S61	Macassar			
(23)	997 555 986 10	Insert	/RL /R	1	IXTT/099
		Handle liner			
	997 555 986 10 S61	Macassar			
(23)	997 555 986 09	Insert	/LL /R	1	IXTT/098
		Handle liner			
	997 555 986 09 S61	Macassar			
(23)	997 555 985 11	Insert	/RL /L	1	IXTT/099
		Handle liner			
	997 555 985 11 S61	Macassar			
23	997 555 985 12	Insert	/LL /L	1	IXTW/098
		Handle liner			
	997 555 985 12 V04	Galvano silver			
(23)	997 555 986 13	Insert	/RL /R	1	IXTW/099
		Handle liner			
	997 555 986 13 V04	Galvano silver			
(23)	997 555 986 12	Insert	/LL /R	1	IXTW/098
		Handle liner			
	997 555 986 12 V04	Galvano silver			
(23)	997 555 985 14	Insert	/RL /L	1	IXTW/099
		Handle liner			
	997 555 985 14 V04	Galvano silver			

Model: 987209

Model life 2009>>2012



Model: 987209 Model life 2009>>2012

Pos	Part Number	Description	Remark	Qty	Model
		Door trim panel			Cayman R I779
1	987 555 201 30	Accessories Door trim panel slush technology	/LL /L	1	I098
	987 555 201 30 9L4	Black			
1	987 555 201 31	Door trim panel slush technology	/LL /L	1	I098/490
	987 555 201 31 9L4	Black			
(1)	987 555 202 33	Door trim panel slush technology	/LL /R	1	I098
	987 555 202 33 9L4	Black			
(1)	987 555 202 34	Door trim panel slush technology	/LL /R	1	I098/490
	987 555 202 34 9L4	Black			
(1)	987 555 202 30	Door trim panel slush technology	/RL /R	1	I099
	987 555 202 30 9L4	Black			
(1)	987 555 202 31	Door trim panel slush technology	/RL /R	1	I099/490
	987 555 202 31 9L4	Black			
(1)	987 555 201 33	Door trim panel slush technology	/RL /L	1	I099
	987 555 201 33 9L4	Black			
(1)	987 555 201 34	Door trim panel slush technology	/RL /L	1	I099/490
	987 555 201 34 9L4	Black			
(1)	987 555 201 32	Door trim panel Leather	/LL /L	1	I098/981
	987 555 201 32 FSA	Black			
	987 555 201 32 FSC	Sand Beige			
	987 555 201 32 FSG	Cocoa			
	987 555 201 32 FSP	Carrera Red			
(1)	987 555 202 35	Door trim panel Leather	/LL /R	1	I098/981
	987 555 202 35 FSA	Black			
	987 555 202 35 FSC	Sand Beige			
	987 555 202 35 FSG	Cocoa			
	987 555 202 35 FSP	Carrera Red			
(1)	987 555 202 32	Door trim panel Leather	/RL /R	1	I099/981
	987 555 202 32 FSA	Black			
	987 555 202 32 FSC	Sand Beige			
	987 555 202 32 FSG	Cocoa			
	987 555 202 32 FSP	Carrera Red			
(1)	987 555 201 35	Door trim panel Leather	/RL /L	1	I099/981
	987 555 201 35 FSA	Black			
	987 555 201 35 FSC	Sand Beige			
	987 555 201 35 FSG	Cocoa			
	987 555 201 35 FSP	Carrera Red			
(1)	997 555 201 A9	Door trim panel Leather/ Alcantara	/LL /L	1	IXFZ/098/981
	997 555 201 A9 FSM	Black/black			
	997 555 201 A9 FRL	Sand beige/sand beige			
	997 555 201 A9 FRM	Cocoa/Cocoa			
	997 555 201 A9 FRN	Carrera Red/Carrera Red			
(1)	997 555 202 B9	Door trim panel Leather/ Alcantara	/LL /R	1	IXFZ/098/981
	997 555 202 B9 FSM	Black/black			
	997 555 202 B9 FRL	Sand beige/sand beige			

Model: 987209 Model life 2009>>2012

Pos	Part Number	Description	Remark	Qty	Model
(1)	997 555 202 B9 FRM	Cocoa/Cocoa			
	997 555 202 B9 FRN	Carrera Red/Carrera Red			
	997 555 201 B9	Door trim panel Leather/ Alcantara	/RL /L	1	IXFZ/099/981
	997 555 201 B9 FSM	Black/black			
	997 555 201 B9 FRL	Sand beige/sand beige			
(1)	997 555 201 B9 FRM	Cocoa/Cocoa			
	997 555 201 B9 FRN	Carrera Red/Carrera Red			
	997 555 202 A9	Door trim panel Leather/ Alcantara	/RL /R	1	IXFZ/099/981
	997 555 202 A9 FSM	Black/black			
	997 555 202 A9 FRL	Sand beige/sand beige			
2	997 555 202 A9 FRM	Cocoa/Cocoa			
	997 555 202 A9 FRN	Carrera Red/Carrera Red			
	999 507 533 02	Clamp 8,0 X 10/2,5		2	
	955 555 243 00	Fixing clip		9	
	999 073 322 02	Oval-head screw 6 X 20 for Mount		5	
5	987 555 233 02	Door trim panel Armrest	/L	1	
	987 555 233 02 FSA	Black			
	987 555 233 02 FSC	Sand Beige			
	987 555 233 02 FSG	Cocoa			
	987 555 233 02 FSP	Carrera Red			
(5)	987 555 234 02	Armrest Door trim panel	/R	1	
	987 555 234 02 FSA	Black			
	987 555 234 02 FSC	Sand Beige			
	987 555 234 02 FSG	Cocoa			
	987 555 234 02 FSP	Carrera Red			
(5)	997 555 403 00	Armrest Door trim panel	/L	1	IXFZ
	997 555 403 00 FSO	Black			
(5)	997 555 403 00	Armrest Door trim panel	/L	1	IXFZ
	997 555 403 00 FSO	Black/grey			
(5)	997 555 404 00	Armrest Door trim panel	/R	1	IXFZ
	997 555 404 00 FSO	Black			
(5)	997 555 404 00	Armrest Door trim panel	/R	1	IXFZ
	997 555 404 00 FSO	Black/grey			
6	999 591 380 01	Cable clamp		X	
7	997 555 857 00	Grommet		2	
8	987 555 271 02	Handle Upper part	/L	1	
	987 555 271 02 FSA	Black/grey			
	987 555 271 02 FSC	Sand Beige			
	987 555 271 02 FSG	Cocoa/Cocoa			
	987 555 271 02 FSP	Carrera Red			
(8)	987 555 272 02	Handle Upper part	/R	1	
	987 555 272 02 FSA	Black/grey			
	987 555 272 02 FSC	Sand Beige			
	987 555 272 02 FSG	Cocoa/Cocoa			
	987 555 272 02 FSP	Carrera Red			
(8)	997 555 271 90	Handle	/L	1	IXFZ

Model: 987209

Model life 2009>>2012

Pos	Part Number	Description	Remark	Qty	Model
(8)	997 555 271 90 FS0	Upper part Black/grey			
	997 555 272 90	Handle	/R	1	IXFZ
9	997 555 272 90 FS0	Upper part Black/grey			
	987 555 261 01	Handle	/L	1	
		Lower part			
	987 555 261 01 A11	Black			
	987 555 261 01 8G2	Sand Beige			
	987 555 261 01 9V6	Cocoa			
	987 555 261 01 N12	Carrera Red			
(9)	987 555 262 01	Handle	/R	1	
		Lower part			
	987 555 262 01 A11	Black			
	987 555 262 01 8G2	Sand Beige			
	987 555 262 01 9V6	Cocoa			
	987 555 262 01 N12	Carrera Red			
(9)	997 555 261 90	Handle	/L	1	IXFZ
		Lower part			
	997 555 261 90 A25	Black			
(9)	997 555 262 90	Handle	/R	1	IXFZ
		Lower part			
	997 555 262 90 A25	Black			
10	999 919 229 02	Oval-head screw 6,0 X 40,0 for Mount Handle		2	
11	987 555 381 00	Axle bearing	/L	1	IXSH
	987 555 381 00 U01	Silver			
11	987 555 381 00	Axle bearing	/L	1	IXSX
	987 555 381 00 N13	Guards red			
11	987 555 381 00	Axle bearing	/L	1	I555
	987 555 381 00 A23	Black			
11	987 555 381 00	Axle bearing	/L	1	I556
	987 555 381 00 N13	Guards red			
	987 555 381 00 A23	Black			
(11)	987 555 382 00	Axle bearing	/R	1	IXSH
	987 555 382 00 U01	Silver			
(11)	987 555 382 00	Axle bearing	/R	1	IXSX
	987 555 382 00 N13	Guards red			
(11)	987 555 382 00	Axle bearing	/R	1	I555
	987 555 382 00 A23	Black			
(11)	987 555 382 00	Axle bearing	/R	1	I556
	987 555 382 00 N13	Guards red			
	987 555 382 00 A23	Black			
12	987 555 563 00	Door opener		2	IXSH
	987 555 563 00 U01	Silver			
12	987 555 563 00	Door opener		2	IXSX
	987 555 563 00 N13	Guards red			
12	987 555 563 00	Door opener		2	I555
	987 555 563 00 A23	Black			
12	987 555 563 00	Door opener		2	I556
	987 555 563 00 N13	Guards red			
	987 555 563 00 A23	Black			
13	987 555 879 00	Axle for Mount		2	
		Door opener			
14	999 919 164 09	Oval-head screw 5 X 12		X	
15	987 555 463 00	Cover Door opener	/L	1	

Model: 987209 Model life 2009>>2012

Pos	Part Number	Description	Remark	Qty	Model
(15)	987 555 463 00 A03	Black	/R	1	
	987 555 463 00 5Z1	Sand Beige			
	987 555 463 00 8P9	Cocoa			
	987 555 463 00 N23	Carrera Red			
	987 555 464 00	Cover			
16		Door opener	/L	1	
	987 555 464 00 A03	Black			
	987 555 464 00 5Z1	Sand Beige			
	987 555 464 00 8P9	Cocoa			
	987 555 464 00 N23	Carrera Red			
(16)	997 555 683 00	Cap	/R	1	
		Airbag			
	997 555 683 00 A03	Black			
	997 555 683 00 5Z1	Sand Beige			
	997 555 683 00 8P9	Cocoa			
17	997 555 683 00 N23	Carrera Red	/LL /L	1	I098
	997 555 684 00	Cap			
		Airbag			
	997 555 684 00 A03	Black			
	997 555 684 00 5Z1	Sand Beige			
(17)	997 555 684 00 8P9	Cocoa	/RL /R	1	I099
	997 555 684 00 N23	Carrera Red			
	997 555 685 02	Cover			
		Door mirror Driver's side Lacquered			
	997 555 685 02 A03	Black			
(17)	997 555 685 02 5Z1	Sand Beige	/LL /L	1	IXDX/098
	997 555 685 02 8P9	Cocoa			
	997 555 685 02 N23	Carrera Red			
	997 555 686 03	Cover			
		Door mirror Driver's side Lacquered			
(17)	997 555 686 03 A03	Black	/RL /R	1	IXDX/099
	997 555 686 03 5Z1	Sand Beige			
	997 555 686 03 8P9	Cocoa			
	997 555 686 03 N23	Carrera Red			
	997 555 995 00	Cover			
(17)		Door mirror Driver's side Leather	/LL /R	1	IXDX/099
	997 555 995 00 A11	Black			
	997 555 995 00 8G2	Sand Beige			
	997 555 995 00 9V6	Cocoa			
	997 555 995 00 N12	Carrera Red			
(17)	997 555 996 01	Cover	/LL /R	1	I098
		Door mirror Driver's side Leather			
	997 555 996 01 A11	Black			
	997 555 996 01 8G2	Sand Beige			
	997 555 996 01 9V6	Cocoa			
(17)	997 555 996 01 N12	Carrera Red	/LL /R	1	I098
	997 555 686 02	Cover			
		Door mirror Passenger's side Lacquered			
	997 555 686 02 A03	Black			
	997 555 686 02 5Z1	Sand Beige			
(17)	997 555 686 02 8P9	Cocoa	/RL /L	1	I099
	997 555 686 02 N23	Carrera Red			
	997 555 685 03	Cover			

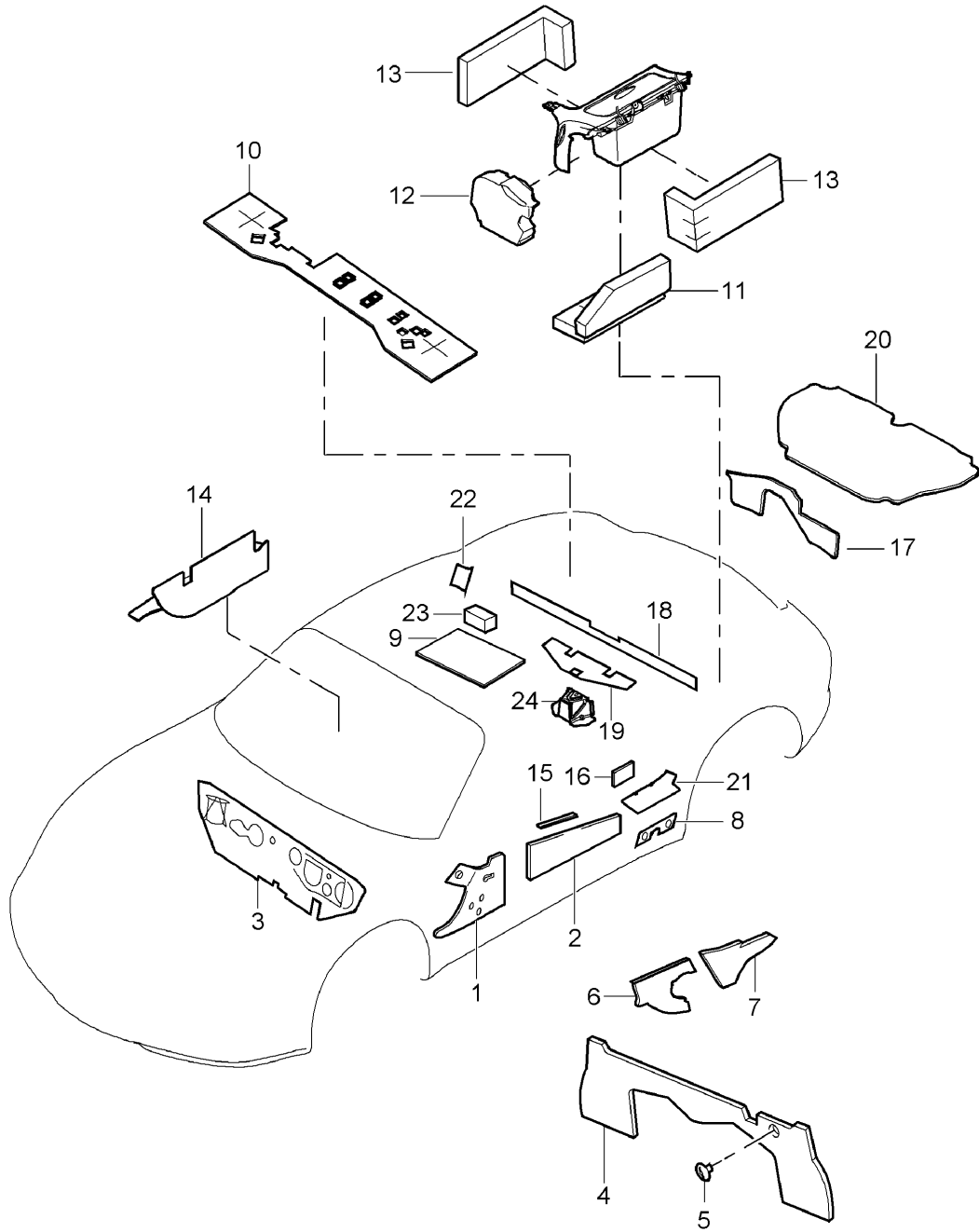
Model: 987209

Model life 2009>>2012

Pos	Part Number	Description	Remark	Qty	Model
		Door mirror Passenger's side Lacquered			
	997 555 685 03 A03	Black			
	997 555 685 03 5Z1	Sand Beige			
	997 555 685 03 8P9	Cocoa			
	997 555 685 03 N23	Carrera Red			
(17)	997 555 996 00	Cover	/LL /R	1	IXDX/098
		Door mirror Passenger's side Leather			
	997 555 996 00 A11	Black			
	997 555 996 00 8G2	Sand Beige			
	997 555 996 00 9V6	Cocoa			
	997 555 996 00 N12	Carrera Red			
(17)	997 555 995 01	Cover	/RL /L	1	IXDX/099
		Door mirror Passenger's side Leather			
	997 555 995 01 A11	Black			
	997 555 995 01 8G2	Sand Beige			
	997 555 995 01 9V6	Cocoa			
	997 555 995 01 N12	Carrera Red			
18	997 555 895 00	Plastic foam strip for Woofer		1	
(19)	987 555 351 01	Insert Handle liner Lacquered	/LL /L	1	I098
	987 555 351 01 A03	Black			
	987 555 351 01 5Z1	Sand Beige			
	987 555 351 01 8P9	Cocoa			
	987 555 351 01 N23	Carrera Red			
(19)	987 555 352 01	Insert Handle liner Lacquered	/RL /R	1	I099
	987 555 352 01 A03	Black			
	987 555 352 01 5Z1	Sand Beige			
	987 555 352 01 8P9	Cocoa			
	987 555 352 01 N23	Carrera Red			
(19)	987 555 352 02	Insert Handle liner Lacquered	/LL /R	1	I098
	987 555 352 02 A03	Black			
	987 555 352 02 5Z1	Sand Beige			
	987 555 352 02 8P9	Cocoa			
	987 555 352 02 N23	Carrera Red			
(19)	987 555 351 02	Insert Handle liner Lacquered	/RL /L	1	I099
	987 555 351 02 A03	Black			
	987 555 351 02 5Z1	Sand Beige			
	987 555 351 02 8P9	Cocoa			
	987 555 351 02 N23	Carrera Red			

Model: 987209

Model life 2009>>2012



Model: 987209

Model life 2009>>2012

Pos	Part Number	Description	Remark	Qty	Model
1	997 556 605 00	Body Sound proofing 1 Sound absorber	/L	1	
(1)	997 556 606 00	Wheel housing Front Sound absorber	/R	1	
2	997 537 551 00	Wheel housing Front Insulation		2	I590
3	997 556 723 00	Door Sound absorber	/LL	1	I098
(3)	997 556 724 00	Firewall Sound absorber	/RL	1	I099
4	987 556 741 02	Firewall Sound absorber		1	
5	999 049 020 40	Engine compartment Rear wall Plastic nut		1	
6	987 556 721 01	T5 / 30 X 5,1 Sound absorber	/L	1	
6	987 556 722 01	Engine compartment Lateral Sound absorber	/R	1	
7	987 556 724 00	Engine compartment Lateral Sound absorber	/R	1	
8	987 556 683 00	Engine compartment Lateral Rear Insulation		2	
9	987 556 625 00	Side section Sound absorber		1	
10	987 556 665 01	Roof Sound absorber		1	
11	987 556 623 01	Cross member Sound absorber		2	
12	987 556 669 00	Convertible top compartm. Lower Sound absorber	/L	1	
(12)	987 556 670 00	Filler piece Convertible top compartm. Sound absorber	/R	1	
13	987 556 663 01	Filler piece Convertible top compartm. Sound absorber		2	
14	997 556 634 00	Package box Sound absorber		1	I680
15	997 537 553 00	Subwoofer Insulation		4	I590
16	999 902 056 40	Reinforcement Door Insulation		1	
17	987 556 745 01	Door Upper Insulation		1	
18	987 556 403 00	Bulkhead Inner Sound absorber		1	
19	987 556 401 00	Retaining strip Rear Sound absorber		1	
		Retaining strip Front			

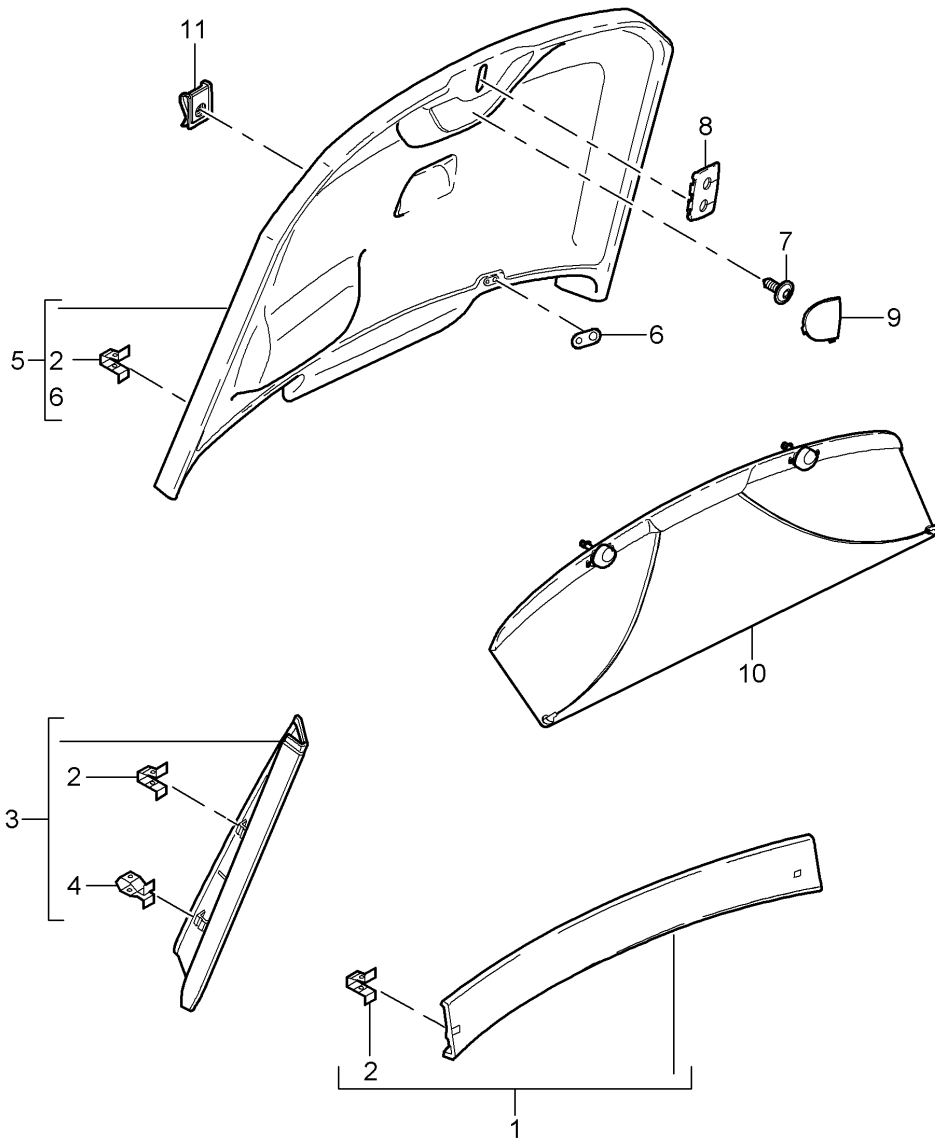
Model: 987209

Model life 2009>>2012

Pos	Part Number	Description	Remark	Qty	Model
20	987 556 743 00	Insulation Engine compartment Lid Inner		1	
21	987 556 647 00	Insulation Air duct	/L	2	
22	987 556 637 00	Sound absorber B-pillar Front		4	
23	987 556 635 00	Insulation Bulkhead Upper Front		2	
24	987 556 405 00	Insulation Support		1	
25	987 556 681 00	Sound absorber Tunnel		1	
26	981 556 507 00	Insulation Side section		1	

Model: 987209

Model life 2009>>2012



Model: 987209 Model life 2009>>2012

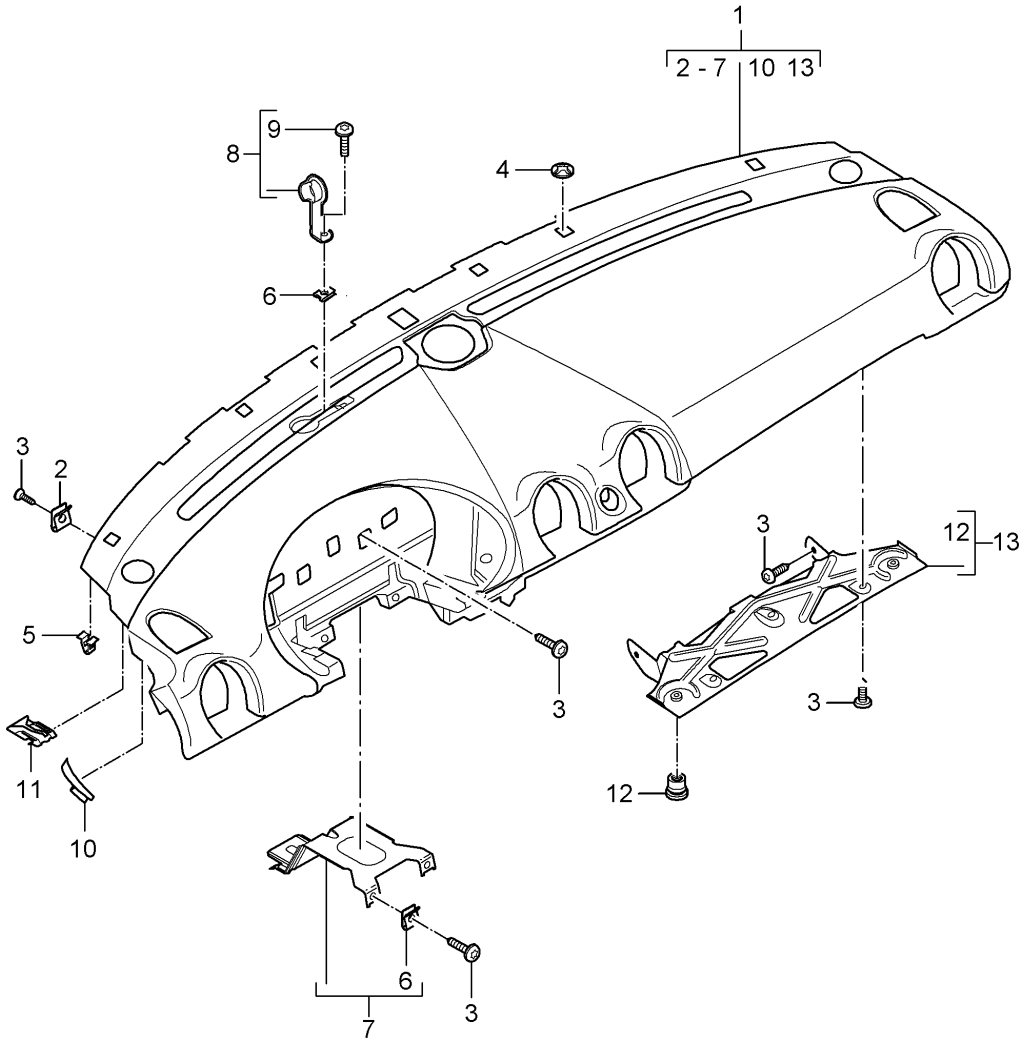
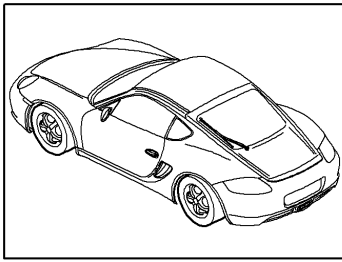
Pos	Part Number	Description	Remark	Qty	Model
1	987 555 191 00	Linings Rear lid Lining Rear lid Upper		1	
	987 555 191 00 A03	Black			
	987 555 191 00 5V7	Stone grey			
	987 555 191 00 5Z1	Sand Beige			
	987 555 191 00 8W7	Sea blue			
	987 555 191 00 8X8	Terracotta			
	987 555 191 00 8P9	Cocoa			
	987 555 191 00 T13	Brown/natural			
	987 555 191 00 N23	Carrera Red			
2	999 507 839 01	Clamp 3,5		X	
(3)	987 555 193 02	Lining Rear lid Centre	/L	1	
	987 555 193 02 A03	Black			
	987 555 193 02 5V7	Stone grey			
	987 555 193 02 5Z1	Sand Beige			
	987 555 193 02 8W7	Sea blue			
	987 555 193 02 8X8	Terracotta			
	987 555 193 02 8P9	Cocoa			
	987 555 193 02 T13	Brown/natural			
	987 555 193 02 N23	Carrera Red			
3	987 555 194 02	Lining Rear lid Centre	/R	1	
	987 555 194 02 A03	Black			
	987 555 194 02 5V7	Stone grey			
	987 555 194 02 5Z1	Sand Beige			
	987 555 194 02 8W7	Sea blue			
	987 555 194 02 8X8	Terracotta			
	987 555 194 02 8P9	Cocoa			
	987 555 194 02 T13	Brown/natural			
	987 555 194 02 N23	Carrera Red			
4	999 507 584 02	Clamp 8,0 X 10/ 2,0		6	
		Lining Centre			
5	987 555 095 00	Lining Rear lid Lower		1	I426
	987 555 095 00 FQR	Black/black			
	987 555 095 00 FQS	Volcano grey/stone grey			
	987 555 095 00 FQT	Sand beige/sand beige			
	987 555 095 00 FQU	Volcano grey/sea blue			
	987 555 095 00 FQW	Black/terracotta			
	987 555 095 00 FQX	Black/cocoa			
	987 555 095 00 FQY	Black/volcano grey			
	987 555 095 00 FQZ	Black/brown nat.			
	987 555 095 00 FTB	Carrera Red			
(5)	987 555 095 01	Lining Rear lid Lower		1	I425
	987 555 095 01 FQR	Black/black			
	987 555 095 01 FQS	Volcano grey/stone grey			
	987 555 095 01 FQT	Sand beige/sand beige			
	987 555 095 01 FQU	Volcano grey/sea blue			
	987 555 095 01 FQW	Black/terracotta			
	987 555 095 01 FQX	Black/cocoa			
	987 555 095 01 FQY	Black/volcano grey			

Model: 987209 Model life 2009>>2012

Pos	Part Number	Description	Remark	Qty	Model			
6	987 555 095 01 FQZ	Black/brown nat.		2				
	987 555 095 01 FTB	Carrera Red						
	987 555 623 00	Eye Rear lid						
7	987 555 623 00 01C	Satin black		2				
	999 073 369 09	Oval-head screw M 5 X 18						
8	987 555 596 00	Cover Door lock striker Rear lid		1				
	987 555 596 00 A03	Black						
	987 555 596 00 5V7	Stone grey						
	987 555 596 00 5Z1	Sand Beige						
	987 555 596 00 8W7	Sea blue						
	987 555 596 00 8X8	Terracotta						
	987 555 596 00 8P9	Cocoa						
	987 555 596 00 T13	Brown/natural						
	987 555 596 00 N23	Carrera Red						
	9	987 555 597 00	Cap Finger plate			/L	2	
		987 555 597 00 A03	Black					
987 555 597 00 5V7		Stone grey						
987 555 597 00 5Z1		Sand Beige						
987 555 597 00 8W7		Sea blue						
987 555 597 00 8X8		Terracotta						
987 555 597 00 8P9		Cocoa						
987 555 597 00 T13		Brown/natural						
987 555 597 00 N23		Carrera Red						
(9)		987 555 598 00	Cap Finger plate	/R	2			
		987 555 598 00 A03	Black					
	987 555 598 00 5V7	Stone grey						
	987 555 598 00 5Z1	Sand Beige						
	987 555 598 00 8W7	Sea blue						
	987 555 598 00 8X8	Terracotta						
	987 555 598 00 8P9	Cocoa						
	987 555 598 00 T13	Brown/natural						
	987 555 598 00 N23	Carrera Red						
	10	987 555 341 00	Cover Rear lid				1	
		987 555 341 00 A24	Black					
11	999 507 413 08	Cams 9,3 X 25		2				

Model: 987209

Model life 2009>>2012



Model: 987209 Model life 2009>>2012

Pos	Part Number	Description	Remark	Qty	Model
1	987 552 101 21	Dashboard trim Upper part with Mounting parts Accessories See illustrations 8/09/01	/LL	1	I098
	987 552 101 21 9L4	Black			
	987 552 101 21 9M5	Stone grey			
	987 552 101 21 9C6	Sand Beige			
	987 552 101 21 9D7	Sea blue			
(1)	987 552 102 21	Dashboard Upper part Leatherette	/RL	1	I099
	987 552 102 21 9L4	Black			
	987 552 102 21 9M5	Stone grey			
	987 552 102 21 9C6	Sand Beige			
	987 552 102 21 9D7	Sea blue			
1	987 552 101 23	Dashboard Upper part Leatherette	/LL	1	I098/639/640
	987 552 101 23 9L4	Black			
	987 552 101 23 9M5	Stone grey			
	987 552 101 23 9C6	Sand Beige			
	987 552 101 23 9D7	Sea blue			
(1)	987 552 102 23	Dashboard Upper part Leatherette	/RL	1	I099/639/640
	987 552 102 23 9L4	Black			
	987 552 102 23 9M5	Stone grey			
	987 552 102 23 9C6	Sand Beige			
	987 552 102 23 9D7	Sea blue			
1	987 552 101 17	Dashboard Upper part Leather	/LL 09-	1	I098/981
	987 552 101 17 FSA	Black			
	987 552 101 17 FSB	Stone grey			
	987 552 101 17 FSC	Sand Beige			
	987 552 101 17 FSD	Sea blue			
	987 552 101 17 FSF	Terracotta			
	987 552 101 17 FSG	Cocoa			
	987 552 101 17 FSH	Dark grey/natural			
	987 552 101 17 FSJ	Brown/natural			
	987 552 101 17 FSP	Carrera Red			
1	987 552 102 17	Dashboard Upper part Leather	/RL 09-	1	I099/981
	987 552 102 17 FSA	Black			
	987 552 102 17 FSB	Stone grey			
	987 552 102 17 FSC	Sand Beige			
	987 552 102 17 FSD	Sea blue			
	987 552 102 17 FSF	Terracotta			
	987 552 102 17 FSG	Cocoa			
	987 552 102 17 FSH	Dark grey/natural			
	987 552 102 17 FSJ	Brown/natural			
	987 552 102 17 FSP	Carrera Red			
1	987 552 101 18	Dashboard Upper part Leather	/ll 09-	1	I098/639/640 I981

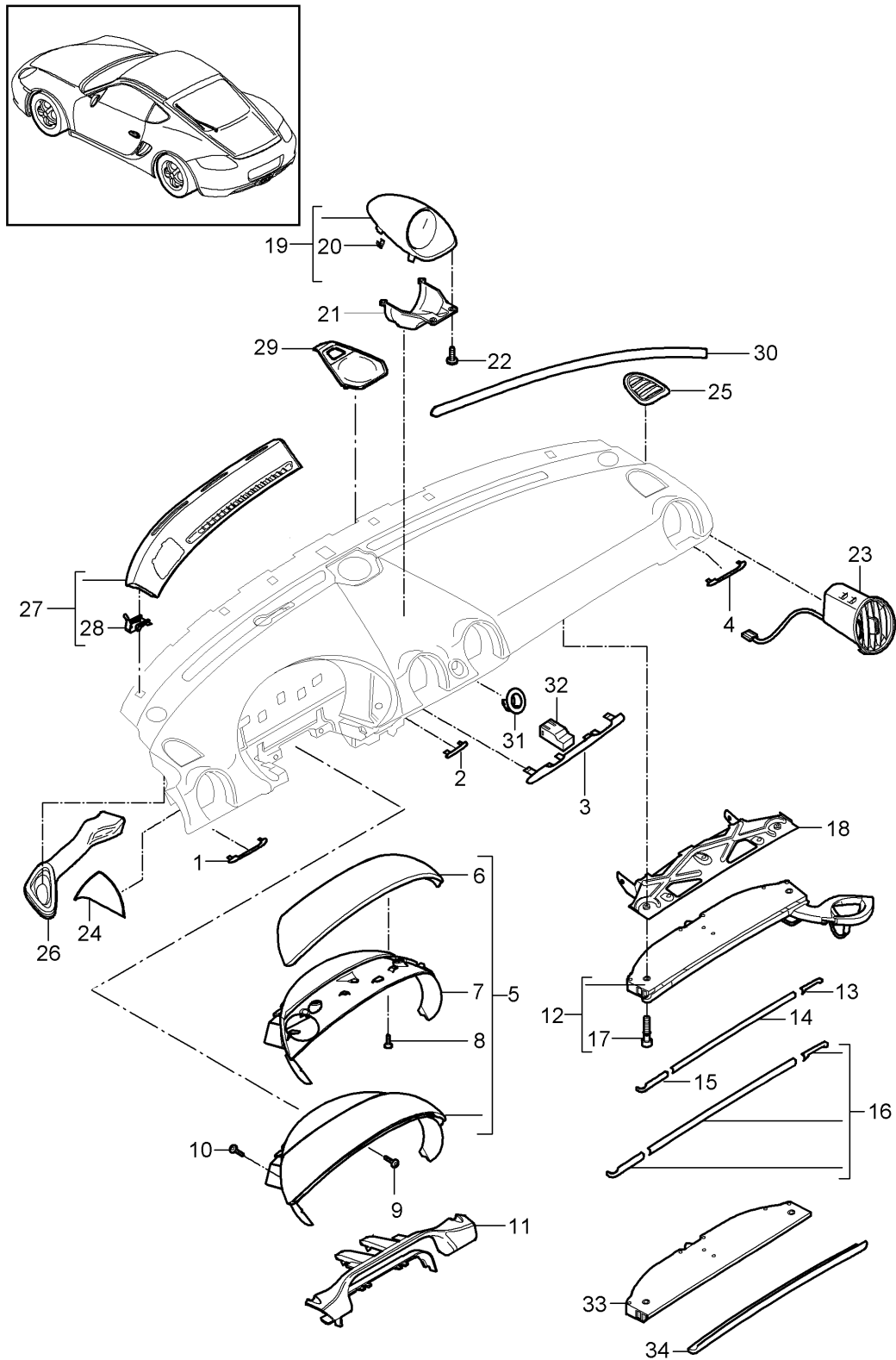
Model: 987209

Model life 2009>>2012

Pos	Part Number	Description	Remark	Qty	Model
	987 552 101 18 FSA	Black			
	987 552 101 18 FSB	Stone grey			
	987 552 101 18 FSC	Sand Beige			
	987 552 101 18 FSD	Sea blue			
	987 552 101 18 FSF	Terracotta			
	987 552 101 18 FSG	Cocoa			
	987 552 101 18 FSH	Dark grey/natural			
	987 552 101 18 FSJ	Brown/natural			
	987 552 101 18 FSP	Carrera Red			
1	987 552 102 18	Dashboard	/RL 09-	1	I099/639/640 I981
		Upper part			
		Leather			
	987 552 102 18 FSA	Black			
	987 552 102 18 FSB	Stone grey			
	987 552 102 18 FSC	Sand Beige			
	987 552 102 18 FSD	Sea blue			
	987 552 102 18 FSF	Terracotta			
	987 552 102 18 FSG	Cocoa			
	987 552 102 18 FSH	Dark grey/natural			
	987 552 102 18 FSJ	Brown/natural			
	987 552 102 18 FSP	Carrera Red			
2	999 507 971 01	Speed nut		X	
		ST 4,2			
3	999 073 155 09	Tapping screw		X	
		ST 4,2 X 13			
4	999 507 106 02	Clamping washer		X	
		8,0			
5	999 507 732 01	Clamp		X	
		8,0 X 12,0 /4,0			
6	999 507 020 01	Speed nut		X	
		ST 4,2			
7	997 552 617 01	Support		1	
		Dashboard			
		Driver's side			
8	997 552 673 00	Lid		2	
		Defroster trim			
9	999 073 226 09	Tapping screw		2	
		ST 4,2 X 16			
10	997 552 481 00	Insert	/L	1	
		A-pillar			
(10)	997 552 482 00	Insert	/R	1	
		A-pillar			
11	8E0 857 117	Clamp		2	
12	999 507 319 01	Captive nut		2	
		M5			
13	997 552 360 03	Retaining bracket	/LL	1	I098
		for			
		Beverages			
(13)	997 552 359 03	Retaining bracket	/RL	1	I099
		for			
		Beverages			
		Support			

Model: 987209

Model life 2009>>2012



Model: 987209 Model life 2009>>2012

Pos	Part Number	Description	Remark	Qty	Model
1	987 552 381 01	Dashboard trim Upper part with Accessories Moulding	/LL	1	CAYMAN I098
(1)	987 552 381 01 D07 987 552 382 01	Driver's side Outer Volcano grey Moulding	/RL	1	CAYMAN I099
(1)	987 552 382 01 D07 987 552 381 02	Driver's side Outer Volcano grey Moulding	/LL	1	CAYMAN S I098
(1)	987 552 381 02 V04 987 552 382 02	Driver's side Outer Galvano silver Moulding	/RL	1	CAYMAN S I099
(1)	987 552 382 02 V04 987 552 381 03	Driver's side Outer Galvano silver Moulding	/LL	1	I098/801
(1)	987 552 381 03 S61 987 552 382 03	Driver's side Outer Macassar Moulding	/RL	1	I099/801
(1)	987 552 382 03 S61 987 552 381 05	Driver's side Outer Macassar Moulding	/LL	1	I098/803
(1)	987 552 381 05 A35 987 552 382 05	Driver's side Outer Black Moulding	/RL	1	I099/803
(1)	987 552 382 05 A35 987 552 381 06	Driver's side Outer Black Moulding	/LL	1	I098/805
(1)	987 552 381 06 G2X 987 552 381 06	Driver's side Outer Prime coated Moulding	/LL 10-	1	IXDM/098
(1)	987 552 381 06 G2X 987 552 382 06	Driver's side Outer Prime coated Moulding	/RL	1	I099/805
(1)	987 552 382 06 G2X 987 552 382 06	Driver's side Outer Prime coated Moulding	/RL 10-	1	IXDM/099
(1)	987 552 382 06 G2X 987 552 986 00	Driver's side Outer Prime coated Moulding	/LL	1	IXVP/098
	987 552 986 00 A11	Black			
	987 552 986 00 5X6	Stone grey			
	987 552 986 00 8G2	Sand Beige			
	987 552 986 00 3S9	Sea blue			

Model: 987209

Model life 2009>>2012

Pos	Part Number	Description	Remark	Qty	Model
	987 552 986 00 9S5	Terracotta			
	987 552 986 00 9V6	Cocoa			
	987 552 986 00 D12	Dark grey/natural			
	987 552 986 00 T12	Brown/natural			
	987 552 986 00 N12	Carrera Red			
(1)	987 552 986 01	Moulding	/RL	1	IXVP/099
		Driver's side			
		Outer			
	987 552 986 01 A11	Black			
	987 552 986 01 5X6	Stone grey			
	987 552 986 01 8G2	Sand Beige			
	987 552 986 01 3S9	Sea blue			
	987 552 986 01 9S5	Terracotta			
	987 552 986 01 9V6	Cocoa			
	987 552 986 01 D12	Dark grey/natural			
	987 552 986 01 T12	Brown/natural			
	987 552 986 01 N12	Carrera Red			
2	987 552 383 01	Moulding	/LL	1	CAYMAN I098
		Driver's side			
		Inner			
(2)	987 552 383 01 D07	Volcano grey			
(2)	987 552 384 01	Moulding	/RL	1	CAYMAN I099
		Driver's side			
		Inner			
(2)	987 552 384 01 D07	Volcano grey			
(2)	987 552 383 02	Moulding	/LL	1	CAYMAN S I098
		Driver's side			
		Inner			
(2)	987 552 383 02 V04	Galvano silver			
(2)	987 552 384 02	Moulding	/RL	1	CAYMAN S I099
		Driver's side			
		Inner			
(2)	987 552 384 02 V04	Galvano silver			
(2)	987 552 383 03	Moulding	/LL	1	I098/801
		Driver's side			
		Inner			
(2)	987 552 383 03 S61	Macassar			
(2)	987 552 384 03	Moulding	/RL	1	I099/801
		Driver's side			
		Inner			
(2)	987 552 384 03 S61	Macassar			
(2)	987 552 383 05	Moulding	/LL	1	I098/803
		Driver's side			
		Inner			
(2)	987 552 383 05 A35	Black			
(2)	987 552 384 05	Moulding	/RL	1	I099/803
		Driver's side			
		Inner			
(2)	987 552 384 05 A35	Black			
(2)	987 552 383 06	Moulding	/LL	1	I098/805
		Driver's side			
		Inner			
(2)	987 552 383 06 G2X	Prime coated			
(2)	987 552 383 06	Moulding	/LL 10-	1	IXDM/098
		Driver's side			
		Inner			
(2)	987 552 383 06 G2X	Prime coated			
(2)	987 552 384 06	Moulding	/RL	1	I099/805
		Driver's side			

Model: 987209

Model life 2009>>2012

Pos	Part Number	Description	Remark	Qty	Model
(2)	987 552 384 06 G2X 987 552 384 06	Inner Prime coated Moulding Driver's side Inner	/RL 10-	1	IXDM/099
(2)	987 552 384 06 G2X 987 552 987 00	Prime coated Moulding Driver's side Inner	/LL	1	IXVP/098
	987 552 987 00 A11	Black			
	987 552 987 00 5X6	Stone grey			
	987 552 987 00 8G2	Sand Beige			
	987 552 987 00 3S9	Sea blue			
	987 552 987 00 9S5	Terracotta			
	987 552 987 00 9V6	Cocoa			
	987 552 987 00 D12	Dark grey/natural			
	987 552 987 00 T12	Brown/natural			
(2)	987 552 987 00 N12 987 552 987 01	Carrera Red Moulding Driver's side Inner	/RL	1	IXVP/099
	987 552 987 01 A11	Black			
	987 552 987 01 5X6	Stone grey			
	987 552 987 01 8G2	Sand Beige			
	987 552 987 01 3S9	Sea blue			
	987 552 987 01 9S5	Terracotta			
	987 552 987 01 9V6	Cocoa			
	987 552 987 01 D12	Dark grey/natural			
	987 552 987 01 T12	Brown/natural			
	987 552 987 01 N12	Carrera Red			
3	987 552 585 01	Moulding Dashboard Centre		1	CAYMAN
(3)	987 552 585 01 D07 987 552 585 02	Volcano grey Moulding Dashboard Centre		1	CAYMAN S
(3)	987 552 585 02 V04 987 552 585 03	Galvano silver Moulding Dashboard Centre		1	I801
(3)	987 552 585 03 S61 987 552 585 05	Macassar Moulding Dashboard Centre		1	I803
(3)	987 552 585 05 A35 987 552 585 06	Black Moulding Dashboard Centre		1	I805
(3)	987 552 585 06 G2X 987 552 585 06	Prime coated Moulding Dashboard Centre	10-	1	IXDM
(3)	987 552 585 06 G2X 987 552 981 00	Prime coated Moulding Dashboard Centre		1	IXVP
	987 552 981 00 A11	Black			
	987 552 981 00 5X6	Stone grey			
	987 552 981 00 8G2	Sand Beige			
	987 552 981 00 3S9	Sea blue			
	987 552 981 00 9S5	Terracotta			
	987 552 981 00 9V6	Cocoa			

Model: 987209 Model life 2009>>2012

Pos	Part Number	Description	Remark	Qty	Model
4	987 552 981 00 D12	Dark grey/natural			
	987 552 981 00 T12	Brown/natural			
	987 552 981 00 N12	Carrera Red			
	987 552 388 01	Moulding	/LL	1	CAYMAN I098
		Passenger's side			
(4)	987 552 388 01 D07	Volcano grey			
	987 552 387 01	Moulding	/RL	1	CAYMAN I099
		Passenger's side			
(4)	987 552 387 01 D07	Volcano grey			
	987 552 388 02	Moulding	/LL	1	CAYMAN S I098
		Passenger's side			
(4)	987 552 388 02 V04	Galvano silver			
	987 552 387 02	Moulding	/RL	1	CAYMAN S I099
		Passenger's side			
(4)	987 552 387 02 V04	Galvano silver			
	987 552 388 03	Moulding	/LL	1	I098/801
		Passenger's side			
(4)	987 552 388 03 S61	Macassar			
	987 552 387 03	Moulding	/RL	1	I099/801
		Passenger's side			
(4)	987 552 387 03 S61	Macassar			
	987 552 388 05	Moulding	/LL	1	I098/803
		Passenger's side			
(4)	987 552 388 05 A35	Black			
	987 552 387 05	Moulding	/RL	1	I099/803
		Passenger's side			
(4)	987 552 387 05 A35	Black			
	987 552 388 06	Moulding	/LL	1	I098/805
		Passenger's side			
(4)	987 552 388 06 G2X	Prime coated			
	987 552 388 06	Moulding	/LL 10-	1	IXDM/098
		Passenger's side			
(4)	987 552 388 06 G2X	Prime coated			
	987 552 387 06	Moulding	/RL	1	I099/805
		Passenger's side			
(4)	987 552 387 06 G2X	Prime coated			
	987 552 387 06	Moulding	/RL 10-	1	IXDM/099
		Passenger's side			
(4)	987 552 387 06 G2X	Prime coated			
	987 552 982 00	Moulding	/LL	1	IXVP/098
		Passenger's side			
	987 552 982 00 A11	Black			
	987 552 982 00 5X6	Stone grey			
	987 552 982 00 8G2	Sand Beige			
	987 552 982 00 3S9	Sea blue			
	987 552 982 00 9S5	Terracotta			
	987 552 982 00 9V6	Cocoa			
	987 552 982 00 D12	Dark grey/natural			
	987 552 982 00 T12	Brown/natural			
	987 552 982 00 N12	Carrera Red			
(4)	987 552 982 01	Moulding	/RL	1	IXVP/099
		Passenger's side			
	987 552 982 01 A11	Black			
	987 552 982 01 5X6	Stone grey			
	987 552 982 01 8G2	Sand Beige			
	987 552 982 01 3S9	Sea blue			
	987 552 982 01 9S5	Terracotta			
	987 552 982 01 9V6	Cocoa			
	987 552 982 01 D12	Dark grey/natural			

Model: 987209

Model life 2009>>2012

Pos	Part Number	Description	Remark	Qty	Model
5	987 552 982 01 T12	Brown/natural			
	987 552 982 01 N12	Carrera Red			
	987 552 023 00	Instrument box Complete Lacquered	/LL	1	I098
	987 552 023 00 A03	Black			
	987 552 023 00 5V7	Stone grey			
(5)	987 552 023 00 5Z1	Sand Beige			
	987 552 023 00 8W7	Sea blue			
	987 552 024 00	Instrument box Complete Lacquered	/RL	1	I099
	987 552 024 00 A03	Black			
	987 552 024 00 5V7	Stone grey			
(5)	987 552 024 00 5Z1	Sand Beige			
	987 552 024 00 8W7	Sea blue			
	987 552 325 02	Instrument box Lacquered	/LL 11-	1	Cayman R I098
	987 552 325 02 A03	Black			
	987 552 326 02	Instrument box Lacquered	/RL 11-	1	Cayman R I099
(5)	987 552 326 02 A03	Black			
	987 552 023 02	Instrument box Complete	/LL	1	I098/981
	987 552 023 02 FSA	Black/grey			
	987 552 023 02 FSB	Stone grey/stone grey			
	987 552 023 02 FSC	Sand beige/sand beige			
(5)	987 552 023 02 FSD	Sea blue/grey			
	987 552 023 02 FSF	Terracotta/terracotta			
	987 552 023 02 FSG	Cocoa/Cocoa			
	987 552 023 02 FSH	Darkgrey natural/grey			
	987 552 023 02 FSJ	Brown nat./brown nat.			
	987 552 023 02 FSP	Carrera Red			
	987 552 024 02	Instrument box Complete	/RL	1	I099/981
	987 552 024 02 FSA	Black/grey			
	987 552 024 02 FSB	Stone grey/stone grey			
	987 552 024 02 FSC	Sand beige/sand beige			
	987 552 024 02 FSD	Sea blue/grey			
	987 552 024 02 FSF	Terracotta/terracotta			
	987 552 024 02 FSG	Cocoa/Cocoa			
	987 552 024 02 FSH	Darkgrey natural/grey			
	987 552 024 02 FSJ	Brown nat./brown nat.			
987 552 024 02 FSP	Carrera Red				
(5)	987 552 990 08	Instrument box Complete	/LL	1	IXNG/098
	987 552 990 08 A11	Black			
	987 552 990 08 5X6	Stone grey			
	987 552 990 08 8G2	Sand Beige			
	987 552 990 08 3S9	Sea blue			
(5)	987 552 990 09	Instrument box Complete	/RL	1	IXNG/099
	987 552 990 09 A11	Black			
	987 552 990 09 5X6	Stone grey			
	987 552 990 09 8G2	Sand Beige			
	987 552 990 09 3S9	Sea blue			
(5)	987 552 990 10	Instrument box Complete	/LL	1	IXNG/098/981
	987 552 990 10 A11	Black			
	987 552 990 10 5X6	Stone grey			
	987 552 990 10 8G2	Sand Beige			

Model: 987209

Model life 2009>>2012

Pos	Part Number	Description	Remark	Qty	Model
	987 552 990 10 3S9	Sea blue			
	987 552 990 10 9S5	Terracotta			
	987 552 990 10 9V6	Cocoa			
	987 552 990 10 D12	Dark grey/natural			
	987 552 990 10 T12	Brown/natural			
	987 552 990 10 N12	Carrera Red			
(5)	987 552 990 11	Instrument box Complete	/RL	1	IXNG/099/981
	987 552 990 11 A11	Black			
	987 552 990 11 5X6	Stone grey			
	987 552 990 11 8G2	Sand Beige			
	987 552 990 11 3S9	Sea blue			
	987 552 990 11 9S5	Terracotta			
	987 552 990 11 9V6	Cocoa			
	987 552 990 11 D12	Dark grey/natural			
	987 552 990 11 T12	Brown/natural			
	987 552 990 11 N12	Carrera Red			
(5)	987 552 990 12	Instrument box Complete	/LL	1	IXCL/098
	987 552 990 12 V04	Galvano silver			
(5)	987 552 990 13	Instrument box Complete	/RL	1	IXCL/099
	987 552 990 13 V04	Galvano silver			
(5)	987 552 990 14	Instrument box Complete	/LL	1	IXCL/098/981
	987 552 990 14 V04	Galvano silver			
(5)	987 552 990 15	Instrument box Complete	/RL	1	IXCL/099/981
	987 552 990 15 V04	Galvano silver			
(5)	987 552 990 14	Instrument box Complete	/LL	1	IXCL/098/981
	987 552 990 14 A11	Black			
	987 552 990 14 5X6	Stone grey			
	987 552 990 14 8G2	Sand Beige			
	987 552 990 14 3S9	Sea blue			
	987 552 990 14 9S5	Terracotta			
	987 552 990 14 9V6	Cocoa			
	987 552 990 14 D12	Dark grey/natural			
	987 552 990 14 T12	Brown/natural			
	987 552 990 14 N12	Carrera Red			
(5)	987 552 990 15	Instrument box Complete	/RL	1	IXCL/099/981
	987 552 990 15 A11	Black			
	987 552 990 15 5X6	Stone grey			
	987 552 990 15 8G2	Sand Beige			
	987 552 990 15 3S9	Sea blue			
	987 552 990 15 9S5	Terracotta			
	987 552 990 15 9V6	Cocoa			
	987 552 990 15 D12	Dark grey/natural			
	987 552 990 15 T12	Brown/natural			
	987 552 990 15 N12	Carrera Red			
(6)	987 552 123 02	Instrument box Upper part	/LL	1	I098/981
	987 552 123 02 FSA	Black/grey			
	987 552 123 02 FSB	Stone grey/stone grey			
	987 552 123 02 FSC	Sand beige/sand beige			
	987 552 123 02 FSD	Sea blue/grey			
	987 552 123 02 FSF	Terracotta/terracotta			
	987 552 123 02 FSG	Cocoa/Cocoa			
	987 552 123 02 FSH	Darkgrey natural/grey			
	987 552 123 02 FSJ	Brown nat./brown nat.			
	987 552 123 02 FSP	Carrera Red			
(6)	987 552 124 02	Instrument box	/RL	1	I099/981

Model: 987209

Model life 2009>>2012

Pos	Part Number	Description	Remark	Qty	Model
		Upper part			
	987 552 124 02 FSA	Black/grey			
	987 552 124 02 FSB	Stone grey/stone grey			
	987 552 124 02 FSC	Sand beige/sand beige			
	987 552 124 02 FSD	Sea blue/grey			
	987 552 124 02 FSF	Terracotta/terracotta			
	987 552 124 02 FSG	Cocoa/Cocoa			
	987 552 124 02 FSH	Darkgrey natural/grey			
	987 552 124 02 FSJ	Brown nat./brown nat.			
	987 552 124 02 FSP	Carrera Red			
7	987 552 229 00	Cover		1	I098/981
		Instrument cluster			
	987 552 229 00 A03	Black			
	987 552 229 00 5V7	Stone grey			
	987 552 229 00 5Z1	Sand Beige			
	987 552 229 00 8W7	Sea blue			
	987 552 229 00 8X8	Terracotta			
	987 552 229 00 8P9	Cocoa			
	987 552 229 00 T13	Brown/natural			
	987 552 229 00 N23	Carrera Red			
7	987 552 230 00	Cover		1	I099/981
		Instrument cluster			
	987 552 230 00 A03	Black			
	987 552 230 00 5V7	Stone grey			
	987 552 230 00 5Z1	Sand Beige			
	987 552 230 00 8W7	Sea blue			
	987 552 230 00 8X8	Terracotta			
	987 552 230 00 8P9	Cocoa			
	987 552 230 00 T13	Brown/natural			
	987 552 230 00 N23	Carrera Red			
(7)	987 552 989 04	Cover	/LL	1	IXNG/098/981
		Instrument cluster			
	987 552 989 04 A11	Black			
	987 552 989 04 5X6	Stone grey			
	987 552 989 04 8G2	Sand Beige			
	987 552 989 04 3S9	Sea blue			
	987 552 989 04 9S5	Terracotta			
	987 552 989 04 9V6	Cocoa			
	987 552 989 04 D12	Dark grey/natural			
	987 552 989 04 T12	Brown/natural			
	987 552 989 04 N12	Carrera Red			
(7)	987 552 989 05	Cover	/RL	1	IXNG/099/981
		Instrument cluster			
	987 552 989 05 A11	Black			
	987 552 989 05 5X6	Stone grey			
	987 552 989 05 8G2	Sand Beige			
	987 552 989 05 3S9	Sea blue			
	987 552 989 05 9S5	Terracotta			
	987 552 989 05 9V6	Cocoa			
	987 552 989 05 D12	Dark grey/natural			
	987 552 989 05 T12	Brown/natural			
	987 552 989 05 N12	Carrera Red			
(7)	987 552 989 06	Cover	/LL	1	IXCL/098/981
		Instrument cluster			
	987 552 989 06 V04	Galvano silver			
(7)	987 552 989 07	Cover	/RL	1	IXCL/099/981
		Instrument cluster			
	987 552 989 07 V04	Galvano silver			
8	999 919 235 09	Oval-head screw		4	
		ST 3,5 X 8			
9	900 067 416 01	Pan-head screw		2	
		M5 x 27			
10	999 073 226 09	Tapping screw		5	

Model: 987209 Model life 2009>>2012

Pos	Part Number	Description	Remark	Qty	Model
11	987 552 271 01	ST 4,2 X 16 Bridge	/LL	1	I098
	987 552 271 01 A03	Black			
	987 552 271 01 5V7	Stone grey			
	987 552 271 01 5Z1	Sand Beige			
	987 552 271 01 8W7	Sea blue			
	987 552 271 01 8P9	Cocoa			
	987 552 271 01 T13	Brown/natural			
	987 552 271 01 N23	Carrera Red			
(11)	987 552 272 01	Bridge	/RL	1	I099
	987 552 272 01 A03	Black			
	987 552 272 01 5V7	Stone grey			
	987 552 272 01 5Z1	Sand Beige			
	987 552 272 01 8W7	Sea blue			
	987 552 272 01 8X8	Terracotta			
	987 552 272 01 8P9	Cocoa			
	987 552 272 01 T13	Brown/natural			
	987 552 272 01 N23	Carrera Red			
11	987 552 978 00	Bridge	/LL	1	IXNS/098
	987 552 978 00 A11	Black			
	987 552 978 00 5X6	Stone grey			
	987 552 978 00 8G2	Sand Beige			
	987 552 978 00 3S9	Sea blue			
	987 552 978 00 9S5	Terracotta			
	987 552 978 00 9V6	Cocoa			
	987 552 978 00 D12	Dark grey/natural			
	987 552 978 00 T12	Brown/natural			
	987 552 978 00 N12	Carrera Red			
(11)	987 552 978 01	Bridge	/RL	1	IXNS/099
		Leather			
	987 552 978 01 A11	Black			
	987 552 978 01 5X6	Stone grey			
	987 552 978 01 8G2	Sand Beige			
	987 552 978 01 3S9	Sea blue			
	987 552 978 01 9S5	Terracotta			
	987 552 978 01 9V6	Cocoa			
	987 552 978 01 D12	Dark grey/natural			
	987 552 978 01 T12	Brown/natural			
	987 552 978 01 N12	Carrera Red			
12	997 552 294 03	Support	/LL	1	I098
		Beverages			
(12)	997 552 293 04	Support	/RL	1	I099
		Beverages			
-	997 552 905 00	Repair kit		1	
		Flap			
		Torsion spring for			
		Beverages			
		Support			
13	997 552 394 01	Cover	/LL /R	1	CAYMAN I098
	997 552 394 01 D07	Volcano grey			
(13)	997 552 393 01	Cover	/RL /R	1	CAYMAN I099
	997 552 393 01 D07	Volcano grey			
(13)	997 552 394 02	Cover	/LL /R	1	CAYMAN S I098
	997 552 394 02 V04	Galvano silver			
(13)	997 552 393 02	Cover	/RL /R	1	CAYMAN S I099
	997 552 393 02 V04	Galvano silver			
(13)	997 552 396 05	Cover	/LL /R	1	I098/803
	997 552 396 05 A35	Black			

Model: 987209 Model life 2009>>2012

Pos	Part Number	Description	Remark	Qty	Model
(13)	997 552 395 05	Cover	/RL /R	1	I099/803
	997 552 395 05 A35	Black			
(13)	987 552 394 00	Cover	/LL /R	1	I098/805/825
	987 552 394 00 G2X	Prime coated			
(13)	987 552 394 00	Cover	/LL /R 10-	1	IXDM/098
	987 552 394 00 G2X	Prime coated			
(13)	987 552 393 00	Cover	/RL /R	1	I099/805
	987 552 393 00 G2X	Prime coated			
(13)	987 552 393 00	Cover	/RL /R 10-	1	IXDM/099
	987 552 393 00 G2X	Prime coated			
(13)	997 552 993 00	Cover	/LL /R	1	IXVP/098
	997 552 993 00 A11	Black			
	997 552 993 00 5X6	Stone grey			
	997 552 993 00 8G2	Sand Beige			
	997 552 993 00 3S9	Sea blue			
	997 552 993 00 9S5	Terracotta			
	997 552 993 00 9V6	Cocoa			
	997 552 993 00 D12	Dark grey/natural			
	997 552 993 00 T12	Brown/natural			
	997 552 993 00 N12	Carrera Red			
(13)	997 552 993 01	Cover	/RL /R	1	IXVP/099
	997 552 993 01 A11	Black			
	997 552 993 01 5X6	Stone grey			
	997 552 993 01 8G2	Sand Beige			
	997 552 993 01 3S9	Sea blue			
	997 552 993 01 9S5	Terracotta			
	997 552 993 01 9V6	Cocoa			
	997 552 993 01 D12	Dark grey/natural			
	997 552 993 01 T12	Brown/natural			
	997 552 993 01 N12	Carrera Red			
14	997 552 398 00	Cover	/LL	1	CAYMAN I098
		Centre			
	997 552 398 00 D07	Volcano grey			
(14)	997 552 397 00	Cover	/RL	1	CAYMAN I099
		Centre			
	997 552 397 00 D07	Volcano grey			
(14)	997 552 398 01	Cover	/LL	1	CAYMAN S I098
		Centre			
	997 552 398 01 V04	Galvano silver			
(14)	997 552 397 01	Cover	/RL	1	CAYMAN S I099
		Centre			
	997 552 397 01 V04	Galvano silver			
(14)	997 552 398 04	Cover	/LL	1	I098/803
		Centre			
	997 552 398 04 A35	Black			
(14)	997 552 397 04	Cover	/RL	1	I099/803
		Centre			
	997 552 397 04 A35	Black			
(14)	987 552 392 00	Cover	/LL	1	I098/805
		Centre			
	987 552 392 00 G2X	Prime coated			
(14)	987 552 392 00	Cover	/LL 10-	1	IXDM/098
		Centre			
	987 552 392 00 G2X	Prime coated			
(14)	987 552 391 00	Cover	/RL	1	I099/805
		Centre			
	987 552 391 00 G2X	Prime coated			
(14)	987 552 391 00	Cover	/RL 10-	1	IXDM/099
		Centre			

Model: 987209

Model life 2009>>2012

Pos	Part Number	Description	Remark	Qty	Model
(14)	987 552 391 00 G2X 997 552 994 00	Prime coated Cover	/LL	1	IXVP/098
	997 552 994 00 A11	Centre Black			
	997 552 994 00 5X6	Stone grey			
	997 552 994 00 8G2	Sand Beige			
	997 552 994 00 3S9	Sea blue			
	997 552 994 00 9S5	Terracotta			
	997 552 994 00 9V6	Cocoa			
	997 552 994 00 D12	Dark grey/natural			
	997 552 994 00 T12	Brown/natural			
	997 552 994 00 N12	Carrera Red			
(14)	997 552 994 01	Cover	/RL	1	IXVP/099
	997 552 994 01 A11	Centre Black			
	997 552 994 01 5X6	Stone grey			
	997 552 994 01 8G2	Sand Beige			
	997 552 994 01 3S9	Sea blue			
	997 552 994 01 9S5	Terracotta			
	997 552 994 01 9V6	Cocoa			
	997 552 994 01 D12	Dark grey/natural			
	997 552 994 01 T12	Brown/natural			
	997 552 994 01 N12	Carrera Red			
(14)	987 552 392 02	Cover	/LL 11-	1	Cayman R IXDM/098/585 I805
		Centre with Logo			
	987 552 392 02 041	Black			
	987 552 392 02 84A	Guards red			
	987 552 392 02 12H	Speed yellow			
	987 552 392 02 B9A	Carrara white			
	987 552 392 02 M5Q	Ice Blue Metallic			
	987 552 392 02 M5R	Aqua Blue Metallic			
	987 552 392 02 22G	Racing Green Metallic			
	987 552 392 02 C9Z	Basalt black metallic			
	987 552 392 02 M8W	Macadamia Metallic			
	987 552 392 02 M5X	Dark Blue Metallic			
	987 552 392 02 M7W	Meteor Grey Metallic			
	987 552 392 02 M7T	Platinum Silver Metallic			
	987 552 392 02 M3X	Ruby red metallic			
	987 552 392 02 M4Z	Amethyst metallic			
	987 552 392 02 51A	Creamy white			
	987 552 392 02 M7Z	GT Silver Metallic			
	987 552 392 02 2S1	Peridot Metallic			
(14)	987 552 391 02	Cover	/RL 11-	1	Cayman R IXDM/098/099 I585/805
		Centre with Logo			
	987 552 391 02 041	Black			
	987 552 391 02 84A	Guards red			
	987 552 391 02 12H	Speed yellow			
	987 552 391 02 B9A	Carrara white			
	987 552 391 02 M5Q	Ice Blue Metallic			
	987 552 391 02 M5R	Aqua Blue Metallic			
	987 552 391 02 22G	Racing Green Metallic			
	987 552 391 02 C9Z	Basalt black metallic			
	987 552 391 02 M8W	Macadamia Metallic			
	987 552 391 02 M5X	Dark Blue Metallic			
	987 552 391 02 M7W	Meteor Grey Metallic			

Model: 987209 Model life 2009>>2012

Pos	Part Number	Description	Remark	Qty	Model
	987 552 391 02 M7T	Platinum Silver Metallic			
	987 552 391 02 M3X	Ruby red metallic			
	987 552 391 02 M4Z	Amethyst metallic			
	987 552 391 02 51A	Creamy white			
	987 552 391 02 M7Z	GT Silver Metallic			
	987 552 391 02 2S1	Peridot Metallic			
15	997 552 396 01	Cover	/LL /L	1	CAYMAN I098
	997 552 396 01 D07	Volcano grey			
(15)	997 552 395 01	Cover	/RL /L	1	CAYMAN I099
	997 552 395 01 D07	Volcano grey			
(15)	997 552 396 02	Cover	/LL /L	1	CAYMAN S I098
	997 552 396 02 V04	Galvano silver			
(15)	997 552 395 02	Cover	/RL /L	1	CAYMAN S I099
	997 552 395 02 V04	Galvano silver			
(15)	997 552 394 05	Cover	/LL /L	1	I098/803
	997 552 394 05 A35	Black			
(15)	997 552 393 05	Cover	/RL /L	1	I099/803
	997 552 393 05 A35	Black			
(15)	987 552 396 00	Cover	/LL /L	1	I098/805
	987 552 396 00 G2X	Prime coated			
(15)	987 552 396 00	Cover	/LL /L 10-	1	IXDM/098
	987 552 396 00 G2X	Prime coated			
(15)	987 552 395 00	Cover	/RL /L	1	I099/805
	987 552 395 00 G2X	Prime coated			
(15)	987 552 395 00	Cover	/RL /L 10-	1	IXDM/099
	987 552 395 00 G2X	Prime coated			
(15)	997 552 992 00	Cover	/LL /L	1	IXVP/098
	997 552 992 00 A11	Black			
	997 552 992 00 5X6	Stone grey			
	997 552 992 00 8G2	Sand Beige			
	997 552 992 00 3S9	Sea blue			
	997 552 992 00 9S5	Terracotta			
	997 552 992 00 9V6	Cocoa			
	997 552 992 00 D12	Dark grey/natural			
	997 552 992 00 T12	Brown/natural			
	997 552 992 00 N12	Carrera Red			
(15)	997 552 992 01	Cover	/RL /L	1	IXVP/099
	997 552 992 01 A11	Black			
	997 552 992 01 5X6	Stone grey			
	997 552 992 01 8G2	Sand Beige			
	997 552 992 01 3S9	Sea blue			
	997 552 992 01 9S5	Terracotta			
	997 552 992 01 9V6	Cocoa			
	997 552 992 01 D12	Dark grey/natural			
	997 552 992 01 T12	Brown/natural			
	997 552 992 01 N12	Carrera Red			
16	997 552 904 00	Set	/LL	1	I098/801
		Cover			
		Wood			
	997 552 904 00 S61	Macassar			
(16)	997 552 903 00	Set	/RL	1	I099/801
		Cover			
		Wood			
	997 552 903 00 S61	Macassar			
17	900 067 416 01	Pan-head screw		2	
		M5 X 27			
18		Retaining bracket		1	
		Beverages			
		Support			

Model: 987209 Model life 2009>>2012

Pos	Part Number	Description	Remark	Qty	Model
		See illustrations 8/09/00			
19	987 552 371 00	Air guide Upper part		1	I639/640
	987 552 371 00 A03	Black			
	987 552 371 00 5V7	Stone grey			
	987 552 371 00 5Z1	Sand Beige			
	987 552 371 00 8W7	Sea blue			
(19)	987 552 371 01	Air guide Upper part		1	I639/640/981
	987 552 371 01 A11	Black			
	987 552 371 01 5X6	Stone grey			
	987 552 371 01 8G2	Sand Beige			
	987 552 371 01 3S9	Sea blue			
	987 552 371 01 9S5	Terracotta			
	987 552 371 01 9V6	Cocoa			
	987 552 371 01 D12	Dark grey/natural			
	987 552 371 01 T12	Brown/natural			
	987 552 371 01 N12	Carrera Red			
20	999 507 920 01	U-clamp 1,7-2,1		4	I639/640
21	997 552 373 01	Support Air guide Upper part		1	I639/640
22	999 919 203 07	Oval-head screw 3,0 X 10		4	
23	987 552 131 04	Air vent	-09	4	
	987 552 131 04 FRA	Black/Galvano Silver			
23	987 552 131 06	Air vent	10-	4	
	987 552 131 06 FRA	Black/Galvano Silver			
23	987 552 131 07	Air vent		4	I828
	987 552 131 07 A03	Black			
(23)	987 552 980 00	Air vent		4	IXVR
	987 552 980 00 A11	Black			
	987 552 980 00 5X6	Stone grey			
	987 552 980 00 8G2	Sand Beige			
	987 552 980 00 3S9	Sea blue			
	987 552 980 00 9S5	Terracotta			
	987 552 980 00 9V6	Cocoa			
	987 552 980 00 D12	Dark grey/natural			
	987 552 980 00 T12	Brown/natural			
	987 552 980 00 N12	Carrera Red			
24	987 552 537 01	Cover Dashboard Upper part	/L	1	
	987 552 537 01 A03	Black			
	987 552 537 01 5V7	Stone grey			
	987 552 537 01 5Z1	Sand Beige			
	987 552 537 01 8W7	Sea blue			
	987 552 537 01 8X8	Terracotta			
	987 552 537 01 8P9	Cocoa			
	987 552 537 01 T13	Brown/natural			
	987 552 537 01 N23	Carrera Red			
(24)	987 552 538 01	Cover Dashboard Upper part	/R	1	
	987 552 538 01 A03	Black			
	987 552 538 01 5V7	Stone grey			
	987 552 538 01 5Z1	Sand Beige			
	987 552 538 01 8W7	Sea blue			
	987 552 538 01 8X8	Terracotta			
	987 552 538 01 8P9	Cocoa			
	987 552 538 01 T13	Brown/natural			

Model: 987209 Model life 2009>>2012

Pos	Part Number	Description	Remark	Qty	Model
25	987 552 538 01 N23	Carrera Red			
	987 552 455 01	Cover	/L	1	
		Defroster vent			
	987 552 455 01 A03	Black			
	987 552 455 01 5V7	Stone grey			
	987 552 455 01 5Z1	Sand Beige			
	987 552 455 01 8W7	Sea blue			
	987 552 455 01 8X8	Terracotta			
	987 552 455 01 8P9	Cocoa			
	987 552 455 01 T13	Brown/natural			
(25)	987 552 455 01 N23	Carrera Red			
	987 552 456 01	Cover	/R	1	
		Defroster vent			
	987 552 456 01 A03	Black			
	987 552 456 01 5V7	Stone grey			
	987 552 456 01 5Z1	Sand Beige			
	987 552 456 01 8W7	Sea blue			
	987 552 456 01 8X8	Terracotta			
	987 552 456 01 8P9	Cocoa			
	987 552 456 01 T13	Brown/natural			
26	987 552 315 02	Air guide	/L	1	
		Lateral			
(26)	987 552 316 02	Air guide	/R	1	
		Lateral			
27	997 552 175 01	Defroster trim	/L	1	
	997 552 175 01 A03	Black			
	997 552 175 01 5V7	Stone grey			
	997 552 175 01 5Z1	Sand Beige			
	997 552 175 01 8W7	Sea blue			
	997 552 175 01 8X8	Terracotta			
	997 552 175 01 8P9	Cocoa			
	997 552 175 01 T13	Brown/natural			
	997 552 175 01 N23	Carrera Red			
	(27)	997 552 176 01	Defroster trim	/R	1
997 552 176 01 A03		Black			
997 552 176 01 5V7		Stone grey			
997 552 176 01 5Z1		Sand Beige			
997 552 176 01 8W7		Sea blue			
997 552 176 01 8X8		Terracotta			
997 552 176 01 8P9		Cocoa			
997 552 176 01 T13		Brown/natural			
997 552 176 01 N23		Carrera Red			
(27)		997 552 983 00	Defroster trim	/L	1
	997 552 983 00 A11	Black			
	997 552 983 00 5X6	Stone grey			
	997 552 983 00 8G2	Sand Beige			
	997 552 983 00 3S9	Sea blue			
	997 552 983 00 9S5	Terracotta			
	997 552 983 00 9V6	Cocoa			
	997 552 983 00 D12	Dark grey/natural			
	997 552 983 00 T12	Brown/natural			
	997 552 983 00 N12	Carrera Red			
(27)	997 552 984 00	Defroster trim	/R	1	IXV1
	997 552 984 00 A11	Black			
	997 552 984 00 5X6	Stone grey			
	997 552 984 00 8G2	Sand Beige			
	997 552 984 00 3S9	Sea blue			
	997 552 984 00 9S5	Terracotta			
	997 552 984 00 9V6	Cocoa			
	997 552 984 00 D12	Dark grey/natural			
	997 552 984 00 T12	Brown/natural			
	997 552 984 00 N12	Carrera Red			

Model: 987209 Model life 2009>>2012

Pos	Part Number	Description	Remark	Qty	Model
28	999 591 307 01	U-clamp		1	
29	997 552 351 01	Cover		1	
		Centre			
	997 552 351 01 A03	Black			
	997 552 351 01 5V7	Stone grey			
	997 552 351 01 5Z1	Sand Beige			
	997 552 351 01 8W7	Sea blue			
	997 552 351 01 8X8	Terracotta			
	997 552 351 01 8P9	Cocoa			
	997 552 351 01 T13	Brown/natural			
	997 552 351 01 N23	Carrera Red			
(29)	997 552 985 00	Cover		1	IXV1
		Centre			
	997 552 985 00 A11	Black			
	997 552 985 00 5X6	Stone grey			
	997 552 985 00 8G2	Sand Beige			
	997 552 985 00 3S9	Sea blue			
	997 552 985 00 9S5	Terracotta			
	997 552 985 00 9V6	Cocoa			
	997 552 985 00 D12	Dark grey/natural			
	997 552 985 00 T12	Brown/natural			
	997 552 985 00 N12	Carrera Red			
30	997 552 645 00	Gasket		1	
		Cowl			
31	987 552 397 02	Cover		1	
		Hazard warning light sw.			
	987 552 397 02 A03	Black			
	987 552 397 02 5V7	Stone grey			
	987 552 397 02 5Z1	Sand Beige			
	987 552 397 02 8W7	Sea blue			
	987 552 397 02 8X8	Terracotta			
	987 552 397 02 8P9	Cocoa			
	987 552 397 02 T13	Brown/natural			
	987 552 397 02 N23	Carrera Red			
32	987 552 595 00	Mounting		1	
		Switch			
		Central locking system			
33	987 552 374 00	Support	/LL 11-	1	-I585/I098
		Cover			
(33)	987 552 373 00	Support	/RL 11-	1	-I585/I099
		Cover			
34	987 552 474 01	Cover	/LL 11-	1	Cayman R -I585/IXDM I098/805
		with			
		Logo			
	987 552 474 01 041	Black			
	987 552 474 01 84A	Guards red			
	987 552 474 01 12H	Speed yellow			
	987 552 474 01 B9A	Carrara white			
	987 552 474 01 M5Q	Ice Blue Metallic			
	987 552 474 01 M5R	Aqua Blue Metallic			
	987 552 474 01 22G	Racing Green Metallic			
	987 552 474 01 C9Z	Basalt black metallic			
	987 552 474 01 M8W	Macadamia Metallic			
	987 552 474 01 M5X	Dark Blue Metallic			
	987 552 474 01 M7W	Meteor Grey Metallic			
	987 552 474 01 M7T	Platinum Silver Metallic			
	987 552 474 01 M3X	Ruby red metallic			
	987 552 474 01 M4Z	Amethyst metallic			
	987 552 474 01 51A	Creamy white			
	987 552 474 01 M7Z	GT Silver Metallic			
	987 552 474 01 2S1	Peridot Metallic			

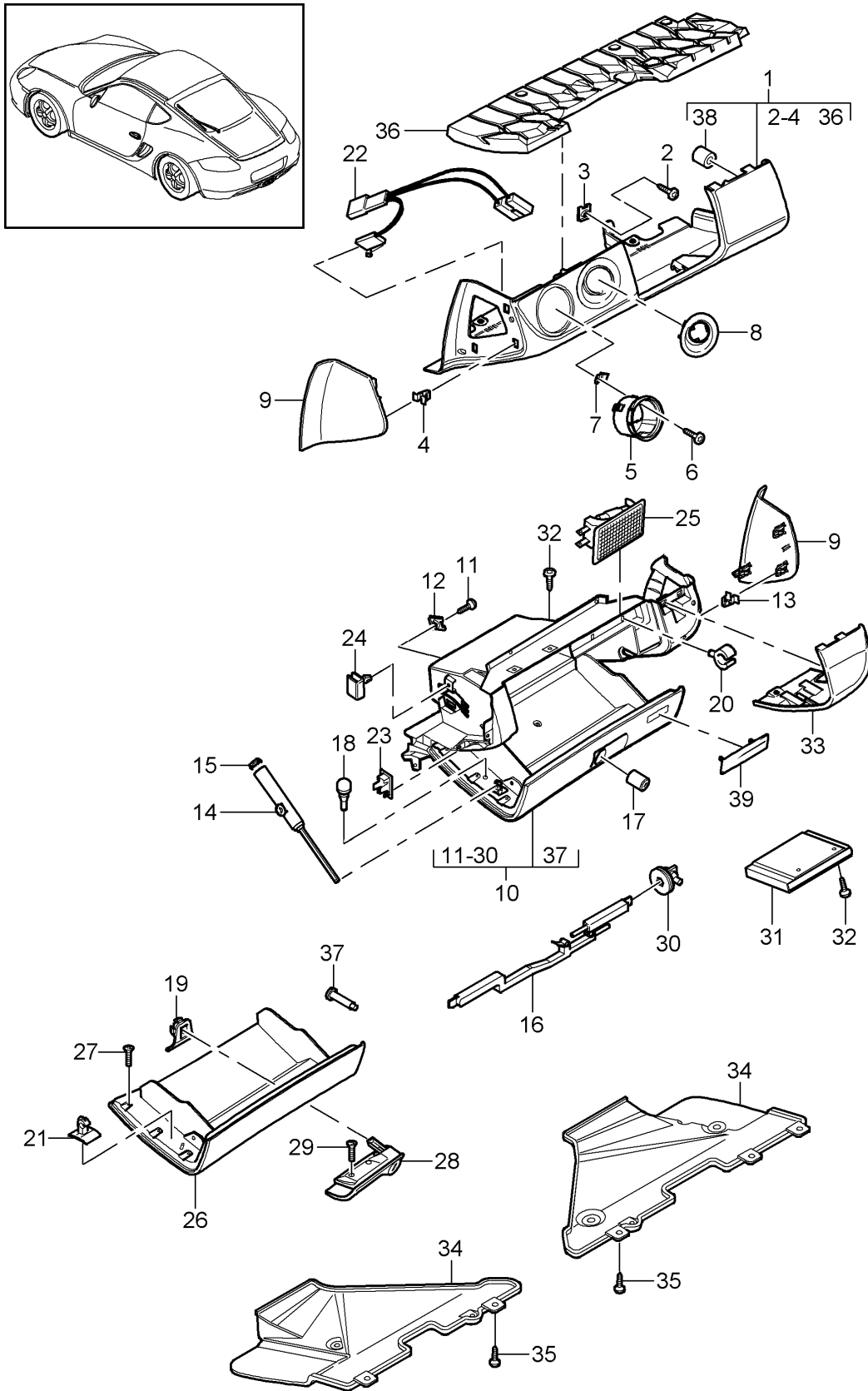
Model: 987209

Model life 2009>>2012

Pos	Part Number	Description	Remark	Qty	Model
(34)	987 552 473 01	Cover	/RL 11-	1	Cayman R -I585/IXDM I099/805
		with			
		Logo			
	987 552 473 01 041	Black			
	987 552 473 01 84A	Guards red			
	987 552 473 01 12H	Speed yellow			
	987 552 473 01 B9A	Carrara white			
	987 552 473 01 M5Q	Ice Blue Metallic			
	987 552 473 01 M5R	Aqua Blue Metallic			
	987 552 473 01 22G	Racing Green Metallic			
	987 552 473 01 C9Z	Basalt black metallic			
	987 552 473 01 M8W	Macadamia Metallic			
	987 552 473 01 M5X	Dark Blue Metallic			
	987 552 473 01 M7W	Meteor Grey Metallic			
	987 552 473 01 M7T	Platinum Silver Metallic			
	987 552 473 01 M3X	Ruby red metallic			
	987 552 473 01 M4Z	Amethyst metallic			
	987 552 473 01 51A	Creamy white			
	987 552 473 01 M7Z	GT Silver Metallic			
	987 552 473 01 2S1	Peridot Metallic			

Model: 987209

Model life 2009>>2012



Model: 987209 Model life 2009>>2012

Pos	Part Number	Description	Remark	Qty	Model
		Glove compartment Lid And Lining Driver's side			
1	997 552 201 02	Lining Leatherette	/LL	1	I098
	997 552 201 02 1MZ	Black			
	997 552 201 02 1YP	Stone grey			
	997 552 201 02 1TK	Sand Beige			
	997 552 201 02 1VM	Sea blue			
(1)	997 552 202 02	Lining Leatherette	/RL	1	I099
	997 552 202 02 1MZ	Black			
	997 552 202 02 1YP	Stone grey			
	997 552 202 02 1TK	Sand Beige			
	997 552 202 02 1VM	Sea blue			
(1)	997 552 201 03	Lining Leather	/LL	1	I098/981
	997 552 201 03 A11	Black			
	997 552 201 03 5X6	Stone grey			
	997 552 201 03 8G2	Sand Beige			
	997 552 201 03 3S9	Sea blue			
	997 552 201 03 9S5	Terracotta			
	997 552 201 03 9V6	Cocoa			
	997 552 201 03 D12	Dark grey/natural			
	997 552 201 03 T12	Brown/natural			
	997 552 201 03 N12	Carrera Red			
(1)	997 552 202 03	Lining Leather	/RL	1	I099/981
	997 552 202 03 A11	Black			
	997 552 202 03 5X6	Stone grey			
	997 552 202 03 8G2	Sand Beige			
	997 552 202 03 3S9	Sea blue			
	997 552 202 03 9S5	Terracotta			
	997 552 202 03 9V6	Cocoa			
	997 552 202 03 D12	Dark grey/natural			
	997 552 202 03 T12	Brown/natural			
	997 552 202 03 N12	Carrera Red			
2	999 073 155 09	Tapping screw 4,2 X 13		7	
3	999 507 971 01	Speed nut 4,2		7	
4	999 507 732 01	Clamp 8 X 12/ 4 for Mount Lining		7	
5	997 552 427 01	Cover Light switch		1	
	997 552 427 01 A03	Black			
	997 552 427 01 5V7	Stone grey			
	997 552 427 01 5Z1	Sand Beige			
	997 552 427 01 8W7	Sea blue			
	997 552 427 01 8X8	Terracotta			
	997 552 427 01 8P9	Cocoa			
	997 552 427 01 T13	Brown/natural			
	997 552 427 01 N23	Carrera Red			
6	999 073 155 09	Tapping screw 4,2 X 13		3	
7	999 507 971 01	Speed nut 4,2 for		3	

Model: 987209

Model life 2009>>2012

Pos	Part Number	Description	Remark	Qty	Model
8	997 552 425 01	Mount Cover Light switch Cover Ignition starter lock	/LL	1	I098
	997 552 425 01 A03	Black			
	997 552 425 01 5V7	Stone grey			
	997 552 425 01 5Z1	Sand Beige			
	997 552 425 01 8W7	Sea blue			
	997 552 425 01 8X8	Terracotta			
	997 552 425 01 8P9	Cocoa			
	997 552 425 01 T13	Brown/natural			
	997 552 425 01 N23	Carrera Red			
(8)	997 552 426 01	Cover Ignition starter lock	/RL	1	I099
	997 552 426 01 A03	Black			
	997 552 426 01 5V7	Stone grey			
	997 552 426 01 5Z1	Sand Beige			
	997 552 426 01 8W7	Sea blue			
	997 552 426 01 8X8	Terracotta			
	997 552 426 01 8P9	Cocoa			
	997 552 426 01 T13	Brown/natural			
	997 552 426 01 N23	Carrera Red			
(8)	997 552 998 00	Cover Ignition starter lock Leather	/LL 10-	1	IXDS/098
	997 552 998 00 A11	Black			
	997 552 998 00 5X6	Stone grey			
	997 552 998 00 8G2	Sand Beige			
	997 552 998 00 3S9	Sea blue			
	997 552 998 00 9S5	Terracotta			
	997 552 998 00 9V6	Cocoa			
	997 552 998 00 D12	Dark grey/natural			
	997 552 998 00 T12	Brown/natural			
	997 552 998 00 N12	Carrera Red			
(8)	997 552 999 00	Cover Ignition starter lock Leather	/RL 10-	1	IXDS/099
	997 552 999 00 A11	Black			
	997 552 999 00 5X6	Stone grey			
	997 552 999 00 8G2	Sand Beige			
	997 552 999 00 3S9	Sea blue			
	997 552 999 00 9S5	Terracotta			
	997 552 999 00 9V6	Cocoa			
	997 552 999 00 D12	Dark grey/natural			
	997 552 999 00 T12	Brown/natural			
	997 552 999 00 N12	Carrera Red			
9	997 552 405 02	Cover	/L	1	
	997 552 405 02 A03	Black			
	997 552 405 02 5V7	Stone grey			
	997 552 405 02 5Z1	Sand Beige			
	997 552 405 02 8W7	Sea blue			
	997 552 405 02 8X8	Terracotta			
	997 552 405 02 8P9	Cocoa			
	997 552 405 02 T13	Brown/natural			
	997 552 405 02 N23	Carrera Red			
(9)	997 552 406 02	Cover Lateral Driver's side	/R	1	
	997 552 406 02 A03	Black			
	997 552 406 02 5V7	Stone grey			
	997 552 406 02 5Z1	Sand Beige			
	997 552 406 02 8W7	Sea blue			

Model: 987209 Model life 2009>>2012

Pos	Part Number	Description	Remark	Qty	Model				
(9)	997 552 406 02 8X8	Terracotta	/L 10-	1	IXDV				
	997 552 406 02 8P9	Cocoa							
	997 552 406 02 T13	Brown/natural							
	997 552 406 02 N23	Carrera Red							
	997 552 996 01	Cover							
		Leather							
	997 552 996 01 A11	Black							
	997 552 996 01 5X6	Stone grey							
	997 552 996 01 8G2	Sand Beige							
	997 552 996 01 3S9	Sea blue							
	997 552 996 01 9S5	Terracotta							
	997 552 996 01 9V6	Cocoa							
997 552 996 01 D12	Dark grey/natural								
997 552 996 01 T12	Brown/natural								
997 552 996 01 N12	Carrera Red								
(9)	997 552 996 02	Cover	/R 10-	1	IXDV				
		Leather							
	997 552 996 02 A11	Black							
	997 552 996 02 5X6	Stone grey							
	997 552 996 02 8G2	Sand Beige							
	997 552 996 02 3S9	Sea blue							
	997 552 996 02 9S5	Terracotta							
	997 552 996 02 9V6	Cocoa							
	997 552 996 02 D12	Dark grey/natural							
	997 552 996 02 T12	Brown/natural							
	997 552 996 02 N12	Carrera Red							
	10	997 552 204 06				Glove compartment	/LL	1	I098
		Leatherette							
		Complete							
997 552 204 06 1MZ		Black							
997 552 204 06 1YP		Stone grey							
997 552 204 06 1TK		Sand Beige							
997 552 204 06 1VM		Sea blue							
(10)		997 552 203 06	Glove compartment	/RL	1	I099			
			Leatherette						
			Complete						
		997 552 203 06 1MZ	Black						
		997 552 203 06 1YP	Stone grey						
	997 552 203 06 1TK	Sand Beige							
	997 552 203 06 1VM	Sea blue							
	10	997 552 204 07	Glove compartment				/LL	1	I098/981
			Leather						
			Complete						
		997 552 204 07 A11	Black						
		997 552 204 07 5X6	Stone grey						
997 552 204 07 8G2		Sand Beige							
997 552 204 07 3S9		Sea blue							
997 552 204 07 9S5		Terracotta							
997 552 204 07 9V6		Cocoa							
997 552 204 07 D12		Dark grey/natural							
997 552 204 07 T12		Brown/natural							
997 552 204 07 N12		Carrera Red							
(10)	997 552 203 07	Glove compartment	/RL	1	I099/981				
		Leather							
		Complete							
	997 552 203 07 A11	Black							
	997 552 203 07 5X6	Stone grey							
	997 552 203 07 8G2	Sand Beige							
	997 552 203 07 3S9	Sea blue							
	997 552 203 07 9S5	Terracotta							
	997 552 203 07 9V6	Cocoa							
	997 552 203 07 D12	Dark grey/natural							
	997 552 203 07 T12	Brown/natural							

Model: 987209 Model life 2009>>2012

Pos	Part Number	Description	Remark	Qty	Model
11	997 552 203 07 N12 999 073 155 09	Carrera Red Tapping screw		X	
12	999 507 971 01	4,2 X 13 Speed nut		X	
13	999 507 732 01	4,2 Clamp		X	
14	997 552 484 01	8 X 12 /4 for Mount Glove compartment Damper		1	
15	997 552 612 00	Glove compartment Cover		1	
16	997 552 410 01	Damper Release	/LL	1	I098
(16)	997 552 409 01	Glove compartment Release	/RL	1	I099
17	996 552 915 01	Glove compartment Lock cylinder		1	
18	999 703 068 40	Glove compartment Vehicle Ident. No. Indicate Buffer		2	
19	997 552 509 02	3,7 x 10,3 Mounting	/LL /L	1	I098
(19)	997 552 510 02	Closing element Mounting	/LL /R	1	I098
(19)	997 552 509 03	Closing element Mounting	/RL /L	1	I099
(19)	997 552 510 03	Closing element Mounting	/RL /R	1	I099
20	996 552 813 00	Closing element Support		2	
21	996 552 879 00	Pin Adapter		2	
22	997 612 651 00	for Damper Wiring harness		1	
23	999 650 564 40	Glove compartment light Clip		1	
24	999 650 565 40	for Wiring harness Microswitch		1	
25	997 632 071 00	Clip for Wiring harness		1	
26	997 552 252 02	Glove compartment light Glove compartment light	/LL	1	I098
(26)	997 552 252 02 1MZ 997 552 252 02 1YP 997 552 252 02 1TK 997 552 252 02 1VM	Glove compartment cover Leatherette Black Stone grey Sand Beige Sea blue		1	I099
(26)	997 552 251 02 997 552 251 02 1MZ 997 552 251 02 1YP 997 552 251 02 1TK 997 552 251 02 1VM	Glove compartment cover Leatherette Black Stone grey Sand Beige Sea blue	/RL	1	I099
(26)	997 552 252 03 997 552 252 03 A11	Glove compartment cover Leather Black	/LL	1	I098/981

Model: 987209

Model life 2009>>2012

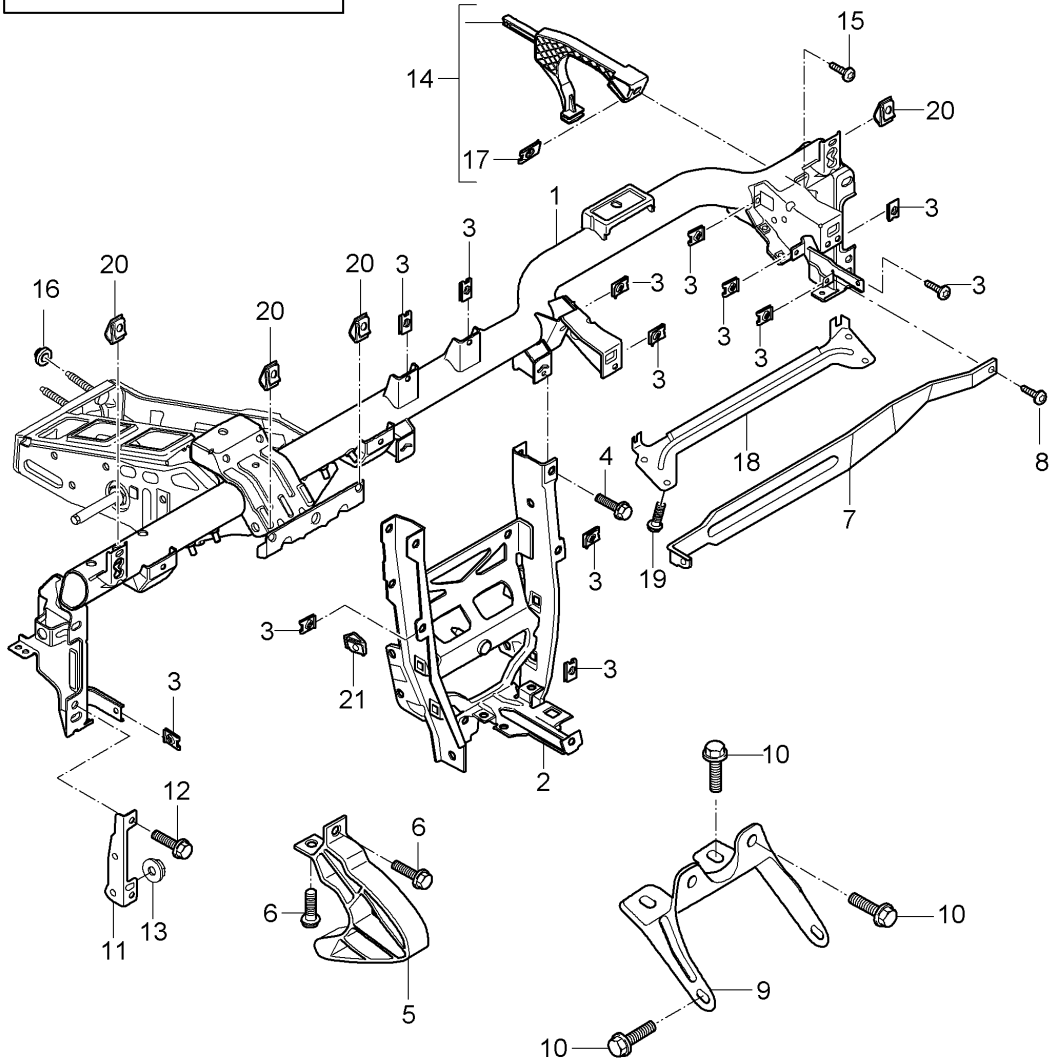
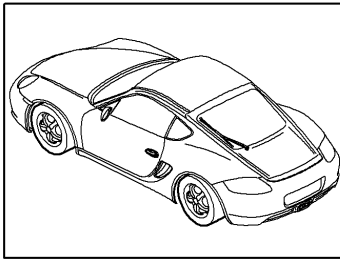
Pos	Part Number	Description	Remark	Qty	Model
	997 552 252 03 5X6	Stone grey			
	997 552 252 03 8G2	Sand Beige			
	997 552 252 03 3S9	Sea blue			
	997 552 252 03 9S5	Terracotta			
	997 552 252 03 9V6	Cocoa			
	997 552 252 03 D12	Dark grey/natural			
	997 552 252 03 T12	Brown/natural			
	997 552 252 03 N12	Carrera Red			
(26)	997 552 251 03	Glove compartment cover Leather	/RL	1	I099/981
	997 552 251 03 A11	Black			
	997 552 251 03 5X6	Stone grey			
	997 552 251 03 8G2	Sand Beige			
	997 552 251 03 3S9	Sea blue			
	997 552 251 03 9S5	Terracotta			
	997 552 251 03 9V6	Cocoa			
	997 552 251 03 D12	Dark grey/natural			
	997 552 251 03 T12	Brown/natural			
	997 552 251 03 N12	Carrera Red			
27	999 073 249 07	Tapping screw 3.5 X 12 for Mount		11	
		Glove compartment cover			
28	997 552 362 01	Handle Complete	/LL	1	I098
	997 552 362 01 A03	Black			
	997 552 362 01 5V7	Stone grey			
	997 552 362 01 5Z1	Sand Beige			
	997 552 362 01 8W7	Sea blue			
	997 552 362 01 8X8	Terracotta			
	997 552 362 01 8P9	Cocoa			
	997 552 362 01 T13	Brown/natural			
	997 552 362 01 N23	Carrera Red			
(28)	997 552 361 01	Handle Complete	/RL	1	I099
	997 552 361 01 A03	Black			
	997 552 361 01 5V7	Stone grey			
	997 552 361 01 5Z1	Sand Beige			
	997 552 361 01 8W7	Sea blue			
	997 552 361 01 8X8	Terracotta			
	997 552 361 01 8P9	Cocoa			
	997 552 361 01 T13	Brown/natural			
	997 552 361 01 N23	Carrera Red			
29	999 073 240 01	Screw M 4 X 10 for Mount		2	
		Handle			
30	997 552 448 00	Stop		1	
31	997 552 663 00	Box for cds		1	I424
(31)	997 552 665 00	Cover		1	
		Box for cds			
32	999 073 240 01	Screw M 4 X 10		2	
33	997 552 256 02	Cover Passenger's side Leatherette	/LL	1	I098
	997 552 256 02 1MZ	Black			
	997 552 256 02 1YP	Stone grey			
	997 552 256 02 1TK	Sand Beige			
	997 552 256 02 1VM	Sea blue			
(33)	997 552 255 02	Cover	/RL	1	I099

Model: 987209 Model life 2009>>2012

Pos	Part Number	Description	Remark	Qty	Model
		Passenger's side Leatherette			
	997 552 255 02 1MZ	Black			
	997 552 255 02 1YP	Stone grey			
	997 552 255 02 1TK	Sand Beige			
	997 552 255 02 1VM	Sea blue			
33	997 552 256 03	Cover	/LL	1	I098/981
		Passenger's side Leather			
	997 552 256 03 A11	Black			
	997 552 256 03 5X6	Stone grey			
	997 552 256 03 8G2	Sand Beige			
	997 552 256 03 3S9	Sea blue			
	997 552 256 03 9S5	Terracotta			
	997 552 256 03 9V6	Cocoa			
	997 552 256 03 D12	Dark grey/natural			
	997 552 256 03 T12	Brown/natural			
	997 552 256 03 N12	Carrera Red			
(33)	997 552 255 03	Cover	/RL	1	I099/981
		Passenger's side Leather			
	997 552 255 03 A11	Black			
	997 552 255 03 5X6	Stone grey			
	997 552 255 03 8G2	Sand Beige			
	997 552 255 03 3S9	Sea blue			
	997 552 255 03 9S5	Terracotta			
	997 552 255 03 9V6	Cocoa			
	997 552 255 03 D12	Dark grey/natural			
	997 552 255 03 T12	Brown/natural			
	997 552 255 03 N12	Carrera Red			
34	997 552 414 01	Lining	/LL	1	I098
		Footwell			
		Passenger's side			
(34)	997 552 413 01	Lining	/RL	1	I099
		Footwell			
		Passenger's side			
35	1H0 819 943	Screw		X	
		for Mount			
		Lining			
		Footwell			
36	997 552 451 01	Insert	/LL	1	I098
(36)	997 552 452 01	Insert	/RL	1	I099
37	997 552 649 01	Hinge bolt		2	
		Glove compartment			
38	997 552 821 00	Grommet		3	
39	987 552 783 08	Badge		1	CAYMAN S I013
		Special model Vehicle Ident. No. Indicate			
(39)	987 552 783 09	Badge		1	CAYMAN I013
		Special model Vehicle Ident. No. Indicate			

Model: 987209

Model life 2009>>2012



Model: 987209

Model life 2009>>2012

Pos	Part Number	Description	Remark	Qty	Model
		Retaining frame Dashboard			
1	997 552 063 08	Retaining frame	/LL	1	I098
(1)	997 552 063 07	Retaining frame	/RL	1	I099
2	997 552 163 05	Support Tunnel	/LL	1	I098
(2)	997 552 163 06	Support Tunnel	/RL	1	I099
3	999 507 020 01	Speed nut ST 4,2 for Mount Retaining frame And Support Tunnel		X	
4	900 378 305 01	Hexagon-head bolt M 8 X 65 for Mount Support		2	
9	997 552 515 01	Support Tunnel		1	
10	999 073 442 01	Screw M 6 X 25 for Mount Support Tunnel		X	
11	997 552 407 01	Support A-pillar	/L	1	
(11)	997 552 408 01	Support A-pillar	/R	1	
12	900 378 176 01	Hexagon-head bolt M 8 X 20 for Mount Support A-pillar		4	
13	999 084 630 09	Hexagon nut M 8 for Mount Support A-pillar		4	
14	997 552 401 00	Support Heating		1	
15	999 073 155 09	Tapping screw ST 4,2 X 13 for Mount Support Heating		1	
16	997 423 299 01	Nut for Adjustment Retaining frame Firewall		2	
17	999 507 971 01	Speed nut ST 4,2 for Mount Support		1	

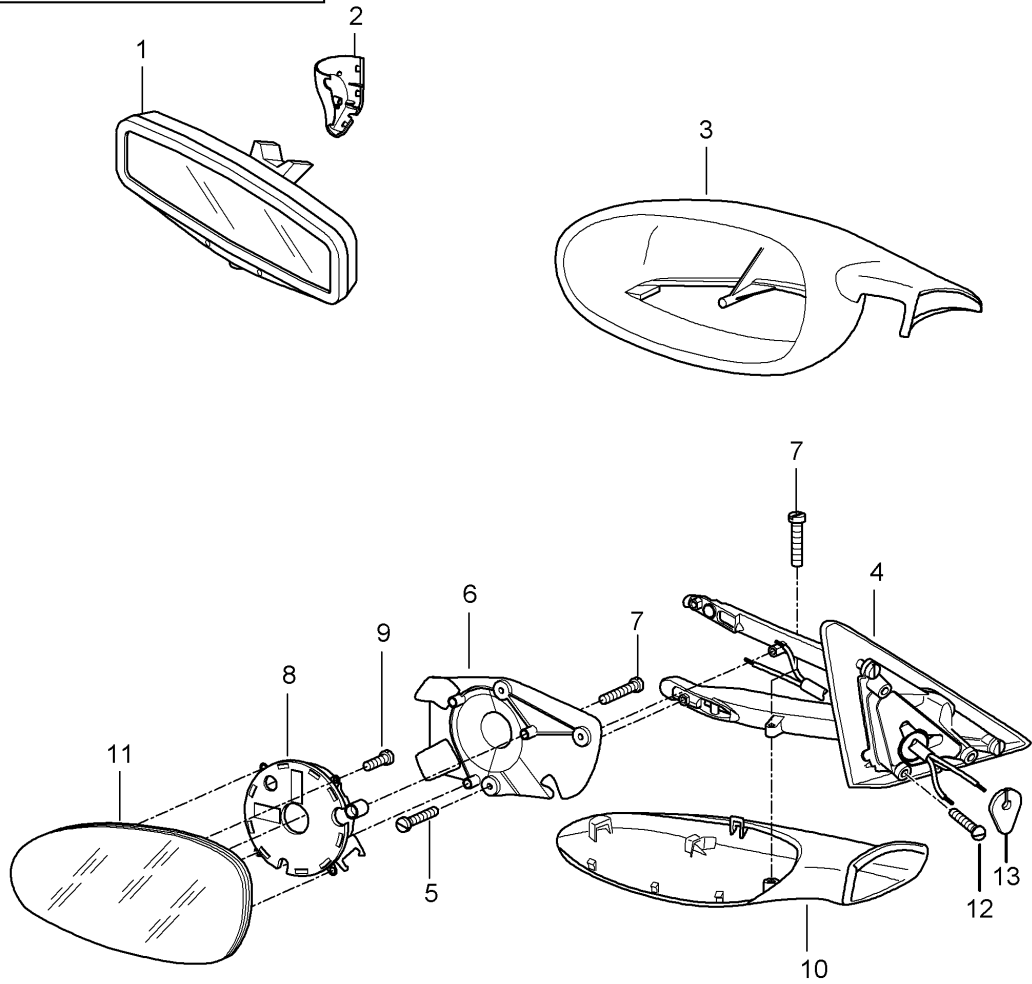
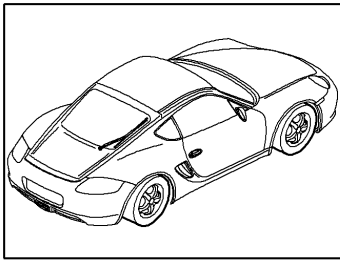
Model: 987209

Model life 2009>>2012

Pos	Part Number	Description	Remark	Qty	Model
18	997 552 603 01	Heating Reinforcement plate Support		1	
19	900 378 222 09	Airbag Hexagon-head bolt M 6 X 16		4	
20	999 591 850 01	Speed nut ST 4,2		X	
21	999 591 951 03	Speed nut ST 4,2		X	

Model: 987209

Model life 2009>>2012



Model: 987209 Model life 2009>>2012

Pos	Part Number	Description	Remark	Qty	Model
(1)	987 731 511 03	Interior mirror		1	I267
	987 731 511 03 01C	Door mirror Satin black			
(1)	987 731 511 04	Interior mirror		1	-I267
	987 731 511 04 01C	Satin black			
(1)	987 731 993 00	Interior mirror		1	IXVW/267
		Leather			
	987 731 993 00 A11	Black			
	987 731 993 00 D12	Dark grey			
	987 731 993 00 N12	Carrera Red			
	987 731 993 00 T12	Natural brown			
	987 731 993 00 3S9	Sea blue			
	987 731 993 00 5X6	Stone grey			
	987 731 993 00 8G2	Sand Beige			
	987 731 993 00 9S5	Terracotta			
	987 731 993 00 9V6	Cocoa			
(1)	987 731 993 01	Interior mirror		1	IXVW
		Manually			
		Leather			
	987 731 993 01 A11	Black			
	987 731 993 01 D12	Dark grey			
	987 731 993 01 N12	Carrera Red			
	987 731 993 01 T12	Natural brown			
	987 731 993 01 3S9	Sea blue			
	987 731 993 01 5X6	Stone grey			
	987 731 993 01 8G2	Sand Beige			
	987 731 993 01 9S5	Terracotta			
	987 731 993 01 9V6	Cocoa			
2	997 731 811 00	Cover	/L	1	I267
		Interior mirror			
	997 731 811 00 01C	Satin black			
2	997 731 812 00	Cover	/R	1	I267
		Interior mirror			
	997 731 812 00 01C	Satin black			
(2)	997 731 997 00	Cover	/L	1	IXVW
		Interior mirror			
		Leather			
	997 731 997 00 A11	Black			
	997 731 997 00 D12	Dark grey			
	997 731 997 00 N12	Carrera Red			
	997 731 997 00 T12	Natural brown			
	997 731 997 00 3S9	Sea blue			
	997 731 997 00 5X6	Stone grey			
	997 731 997 00 8G2	Sand Beige			
	997 731 997 00 9S5	Terracotta			
	997 731 997 00 9V6	Cocoa			
(2)	997 731 997 01	Cover	/R	1	IXVW
		Interior mirror			
		Leather			
	997 731 997 01 A11	Black			
	997 731 997 01 D12	Dark grey			
	997 731 997 01 N12	Carrera Red			
	997 731 997 01 T12	Natural brown			
	997 731 997 01 3S9	Sea blue			
	997 731 997 01 5X6	Stone grey			
	997 731 997 01 8G2	Sand Beige			
	997 731 997 01 9S5	Terracotta			
	997 731 997 01 9V6	Cocoa			
3	997 731 619 02	Housing	/L	1	
		Prime coated			
(3)	997 731 620 02	Housing	/R	1	
		Prime coated			
	997 731 620 02 G2L	Prime coated			

Model: 987209 Model life 2009>>2012

Pos	Part Number	Description	Remark	Qty	Model
4	997 731 219 00	Mirror base	/LL /L	1	-I267/-I537 I098
	997 731 219 00 G2L	Door mirror Prime coated Including			
(4)	997 731 220 00	Wiring harness Mirror base	/LL /R	1	-I267/-I537 I098
	997 731 220 00 G2L	Door mirror Prime coated Including			
(4)	997 731 219 01	Wiring harness Mirror base	/LL /L	1	-I267/I098 I537
	997 731 219 01 G2L	Door mirror Prime coated Including			
(4)	997 731 220 01	Wiring harness Mirror base	/LL /R	1	-I267/I098 I537
	997 731 220 01 G2L	Door mirror Prime coated Including			
(4)	997 731 219 02	Wiring harness Mirror base	/LL /L	1	-I537/I098 I267
	997 731 219 02 G2L	Door mirror Prime coated Including			
(4)	997 731 220 02	Wiring harness Mirror base	/LL /R	1	-I537/I098 I267
	997 731 220 02 G2L	Door mirror Prime coated Including			
(4)	997 731 219 03	Wiring harness Mirror base	/LL /L	1	I098/267/537
	997 731 219 03 G2L	Door mirror Prime coated Including			
(4)	997 731 220 03	Wiring harness Mirror base	/LL /R	1	I098/267/537
	997 731 220 03 G2L	Door mirror Prime coated Including			
(4)	997 731 219 04	Wiring harness Mirror base	/RL /L	1	-I267/-I538 I099
	997 731 219 04 G2L	Door mirror Prime coated Including			
(4)	997 731 220 04	Wiring harness Mirror base	/RL /R	1	-I267/-I538 I099
	997 731 220 04 G2L	Door mirror Prime coated Including			
(4)	997 731 219 05	Wiring harness Mirror base	/RL /L	1	-I267/I099 I538
	997 731 219 05 G2L	Door mirror Prime coated Including			

Model: 987209 Model life 2009>>2012

Pos	Part Number	Description	Remark	Qty	Model
(4)	997 731 220 05	Wiring harness Mirror base	/RL /R	1	-I267/I099 I538
	997 731 220 05 G2L	Door mirror Prime coated Including Wiring harness			
(4)	997 731 219 06	Mirror base	/RL /L	1	-I538/I099 I267
	997 731 219 06 G2L	Door mirror Prime coated Including Wiring harness			
(4)	997 731 220 06	Mirror base	/RL /R	1	-I538/I099 I267
	997 731 220 06 G2L	Door mirror Prime coated Including Wiring harness			
(4)	997 731 219 07	Mirror base	/L	1	I099/267/538
	997 731 219 07 G2L	Door mirror Prime coated Including Wiring harness			
(4)	997 731 220 07	Mirror base	/R	1	I099/267/538
	997 731 220 07 G2L	Door mirror Prime coated Including Wiring harness			
5	999 919 024 09	Oval-head screw 3,0 X 12		6	
6	997 731 519 00	Plate	/L	1	
(6)	997 731 520 00	Door mirror Plate	/R	1	
7	999 141 043 02	Oval-head screw 3,0 X 14		8	
8	997 624 047 00	Adjusting motor		2	
8	997 624 047 01	Adjusting motor		2	
(8)	997 624 048 00	Adjusting motor		2	I537/538
(8)	997 624 048 01	Adjusting motor		2	I537/538
9	999 141 043 02	Oval-head screw M 3,0 X 14		6	
10	997 731 719 02	Cover Lower	/L	1	
	997 731 719 02 G2L	Prime coated			
(10)	997 731 720 02	Cover Lower	/R	1	
	997 731 720 02 G2L	Prime coated			
11	997 731 035 06	Mirror glass	/LL /L	1	-I267/I098 I270
(11)	997 731 035 07	Plane Mirror glass	/LL /L	1	-I267/I098 I271
(11)	997 731 035 08	Aspherical Mirror glass Plane	/LL /L	1	I098/267/270
(11)	997 731 035 09	Dimmable Mirror glass Aspherical	/LL /L	1	I098/267/271
(11)	997 731 036 07	Mirror glass Aspherical	/RL /R	1	-I267/I099 I271

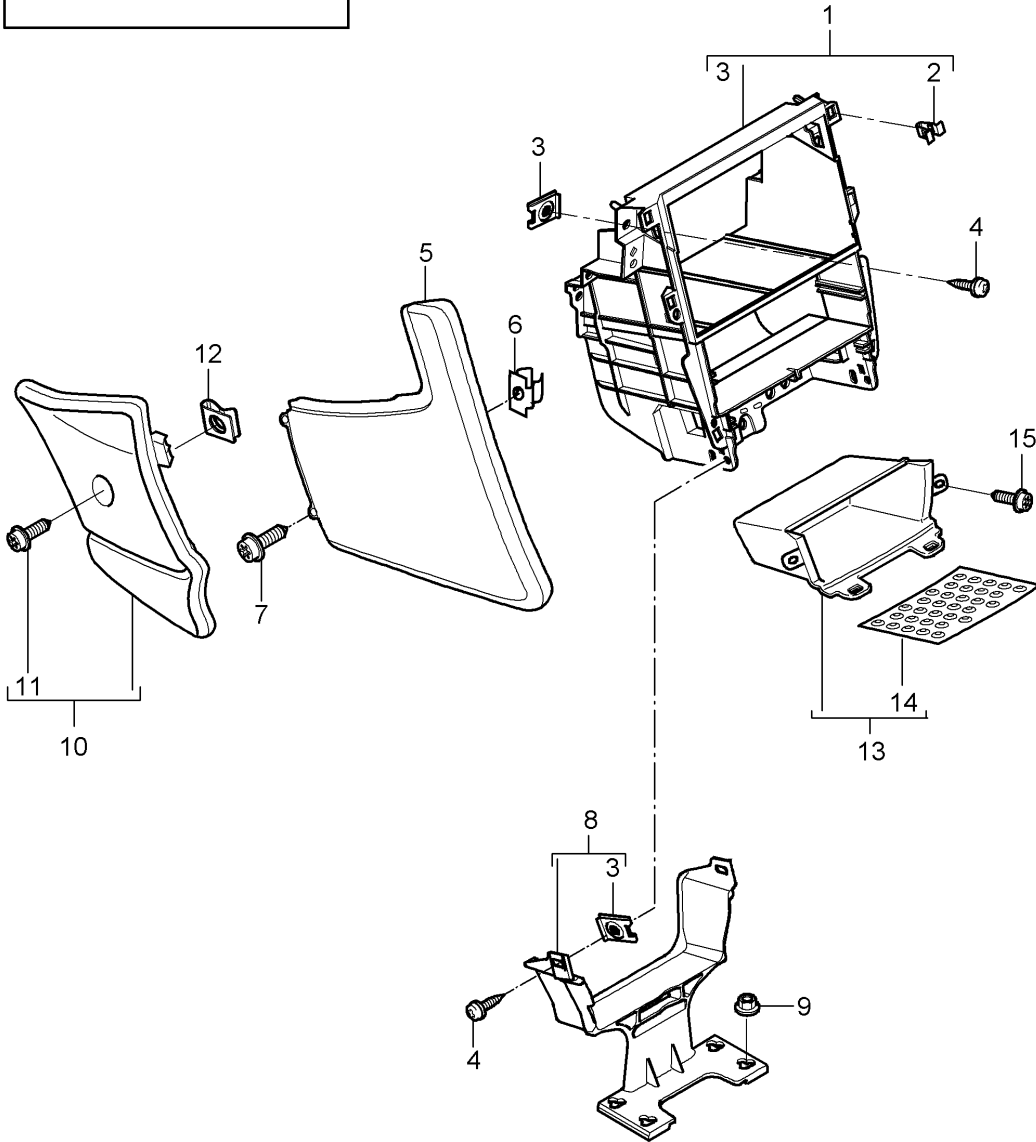
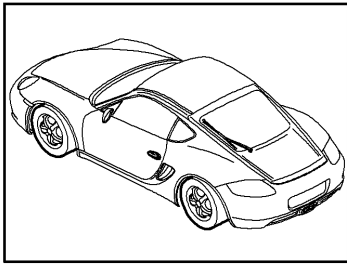
Model: 987209

Model life 2009>>2012

Pos	Part Number	Description	Remark	Qty	Model
(11)	997 731 036 09	Mirror glass Aspherical	/RL /R	1	I099/267/271
(11)	997 731 037 03	Mirror glass Convex	/RL /L	1	I099
(11)	997 731 037 04	Mirror glass Convex	/RL /L	1	I099/267
(11)	997 731 038 09	Mirror glass Convex Dimmable	/LL /R	1	I098
(11)	997 731 038 10	Mirror glass Convex	/LL /R	1	I074/098
(11)	997 731 038 11	Mirror glass Convex	/LL /R	1	I098/215
(11)	997 731 038 12	Mirror glass Convex	/LL /R	1	I098/267
(11)	997 731 038 13	Mirror glass Convex	/LL /R	1	I074/098/267 I553
(11)	997 731 038 14	Mirror glass Convex	/LL /R	1	I098/215/267
12	999 073 345 09	Lens-head screw M 5 X 18		3	
13	997 537 733 00	Seal Cable plug Mirror base		1	

Model: 987209

Model life 2009>>2012



Model: 987209 Model life 2009>>2012

Pos	Part Number	Description	Remark	Qty	Model
1	997 553 111 03	Centre console Front Bracket		1	
2	999 507 476 01	Centre console Front Clamp		6	
3	999 507 971 01	8,0 x 10,0/2,5 Speed nut		X	
4	999 073 155 09	st 4,2 Tapping screw		X	
5	997 553 117 05	st 4,2 x 13 Cover	/L	1	-I618/-I619 -I668/-I669
		Lateral Leatherette			
	997 553 117 05 9L4	Black			
	997 553 117 05 9M5	Stone grey			
	997 553 117 05 9C6	Sand Beige			
	997 553 117 05 9D7	Sea blue			
(5)	997 553 118 05	Cover	/R	1	-I618/-I619 -I668/-I669
		Lateral Leatherette			
	997 553 118 05 9L4	Black			
	997 553 118 05 9M5	Stone grey			
	997 553 118 05 9C6	Sand Beige			
	997 553 118 05 9D7	Sea blue			
5	997 553 117 06	Cover	/L	1	I618/619/668 I669/981
		Lateral Leather			
	997 553 117 06 FSA	Black/grey			
	997 553 117 06 FSB	Stone grey/stone grey			
	997 553 117 06 FSC	Sand beige/sand beige			
	997 553 117 06 FSD	Sea blue/grey			
	997 553 117 06 FSF	Terracotta/terracotta			
	997 553 117 06 FSG	Cocoa/Cocoa			
	997 553 117 06 FSH	Darkgrey natural/grey			
	997 553 117 06 FSJ	Brown nat./brown nat.			
	997 553 117 06 FSP	Carrera Red			
(5)	997 553 118 06	Cover	/R	1	I618/619/668 I669/981
		Lateral Leather			
	997 553 118 06 FSA	Black/grey			
	997 553 118 06 FSB	Stone grey/stone grey			
	997 553 118 06 FSC	Sand beige/sand beige			
	997 553 118 06 FSD	Sea blue/grey			
	997 553 118 06 FSF	Terracotta/terracotta			
	997 553 118 06 FSG	Cocoa/Cocoa			
	997 553 118 06 FSH	Darkgrey natural/grey			
	997 553 118 06 FSJ	Brown nat./brown nat.			
	997 553 118 06 FSP	Carrera Red			
(5)		Cover		1	
		Lateral with Preparation for telephone See illustrations			
		9/11/10			
6	999 591 508 01	Captive nut st 4,2 for Mount		4	

Model: 987209 Model life 2009>>2012

Pos	Part Number	Description	Remark	Qty	Model
7	999 073 226 09	Cover Lateral Tapping screw ST 4,2 X 16 for Mount		4	
8	997 553 361 01	Cover Lateral Support Centre		1	
9	999 084 629 01	Hexagon nut M6		4	
10	997 553 131 01	Cover Footwell outlet vent Carpet	/L	1	I098/099
	997 553 131 01 A10	Black			
	997 553 131 01 B10	Stone grey			
	997 553 131 01 T10	Sand Beige			
	997 553 131 01 E10	Sea blue			
	997 553 131 01 M10	Terracotta			
	997 553 131 01 R10	Cocoa			
	997 553 131 01 D11	Dark grey/natural			
	997 553 131 01 T11	Brown/natural			
	997 553 131 01 N10	Carrera Red			
10	997 553 132 02	Cover Footwell outlet vent Carpet	/R	1	I098/099
	997 553 132 02 A10	Black			
	997 553 132 02 B10	Stone grey			
	997 553 132 02 T10	Sand Beige			
	997 553 132 02 E10	Sea blue			
	997 553 132 02 M10	Terracotta			
	997 553 132 02 R10	Cocoa			
	997 553 132 02 D11	Dark grey/natural			
	997 553 132 02 T11	Brown/natural			
	997 553 132 02 N10	Carrera Red			
(10)	997 553 132 01	Cover Footwell outlet vent Carpet	/LL /R	1	I098/621
	997 553 132 01 A10	Black			
	997 553 132 01 B10	Stone grey			
	997 553 132 01 T10	Sand Beige			
	997 553 132 01 E10	Sea blue			
	997 553 132 01 M10	Terracotta			
	997 553 132 01 R10	Cocoa			
	997 553 132 01 D11	Dark grey/natural			
	997 553 132 01 T11	Brown/natural			
	997 553 132 01 N10	Carrera Red			
(10)	997 553 131 02	Cover Footwell outlet vent Carpet	/RL /L	1	I099/621
	997 553 131 02 A10	Black			
	997 553 131 02 B10	Stone grey			
	997 553 131 02 T10	Sand Beige			
	997 553 131 02 E10	Sea blue			
	997 553 131 02 M10	Terracotta			
	997 553 131 02 R10	Cocoa			
	997 553 131 02 D11	Dark grey/natural			
	997 553 131 02 T11	Brown/natural			
	997 553 131 02 N10	Carrera Red			
11	999 073 223 07	Oval-head screw M 6 X 25		2	
12	999 507 766 02	Speed nut		2	

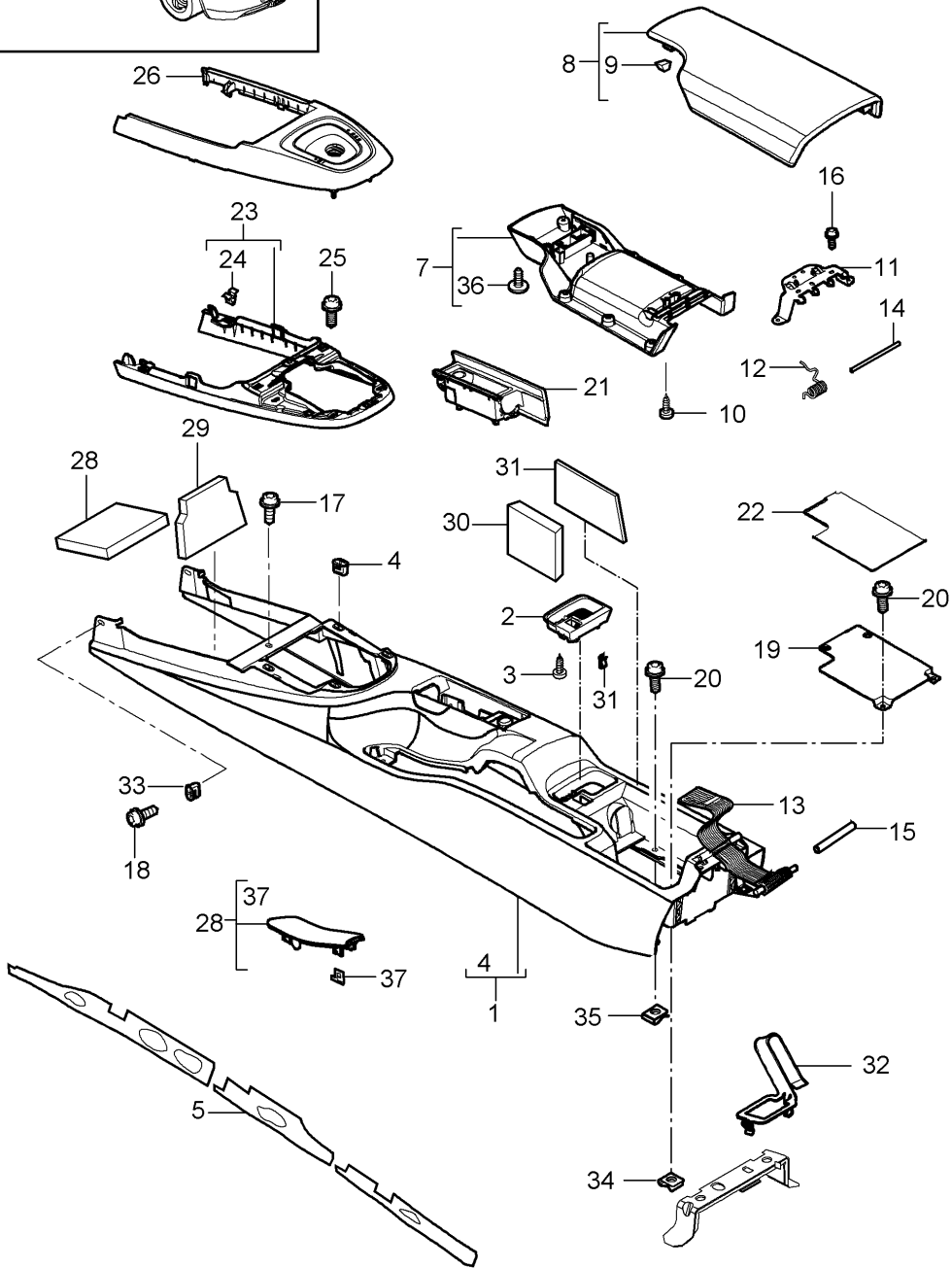
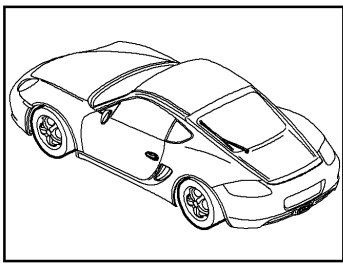
Model: 987209

Model life 2009>>2012

Pos	Part Number	Description	Remark	Qty	Model
13	997 553 143 02	M 6 Shelf Centre console Front		1	
14	997 553 143 02 A05 997 553 543 01	Black mat Insert Shelf		1	
15	999 919 164 09	Oval-head screw 5,0 X 12,0		X	
16	987 553 671 00	Shelf Centre	11-	1	I609
17	987 553 671 00 A05 987 553 871 00	Black mat Insert Shelf Centre	11-	2	I609

Model: 987209

Model life 2009>>2012



Model: 987209 Model life 2009>>2012

Pos	Part Number	Description	Remark	Qty	Model
(1)	997 553 901 00	Centre console Rear		1	
	997 553 901 00 A03	Black			
	997 553 901 00 5V7	Stone grey			
	997 553 901 00 5Z1	Sand Beige			
	997 553 901 00 8W7	Sea blue			
	997 553 901 00 8X8	Terracotta			
	997 553 901 00 8P9	Cocoa			
	997 553 901 00 T13	Brown/natural			
	997 553 901 00 N23	Carrera Red			
(1)	997 553 980 69	Centre console Leather		1	IXMZ
	997 553 980 69 A11	Black			
	997 553 980 69 5X6	Stone grey			
	997 553 980 69 8G2	Sand Beige			
	997 553 980 69 3S9	Sea blue			
	997 553 980 69 9S5	Terracotta			
	997 553 980 69 9V6	Cocoa			
	997 553 980 69 D12	Dark grey/natural			
	997 553 980 69 T12	Brown/natural			
	997 553 980 69 N12	Carrera Red			
(1)	997 553 980 52	Centre console Carbon		1	IXMJ
	997 553 980 52 A35	Black			
(1)	997 553 980 56	Centre console		1	IXJT
	997 553 980 56 S61	Macassar			
(1)	997 553 980 60	Centre console		1	IXCK
	997 553 980 60 V04	Galvano silver			
(1)	997 553 980 64	Centre console		1	IXME
	997 553 980 64 041	Black			
	997 553 980 64 84A	Guards red			
	997 553 980 64 B9A	Carrara white			
	997 553 980 64 12H	Speed yellow			
	997 553 980 64 92U	Arctic silver metallic			
	997 553 980 64 C9Z	Basalt black metallic			
	997 553 980 64 M7X	Atlas grey metallic			
	997 553 980 64 39C	Midnight Blue Metallic			
	997 553 980 64 M7W	Meteor Grey Metallic			
	997 553 980 64 M7Z	GT Silver Metallic			
	997 553 980 64 M8W	Macadamia Metallic			
	997 553 980 64 M3X	Ruby red metallic			
	997 553 980 64 M5X	Dark Blue Metallic	10-		
	997 553 980 64 2B5	Malachite Green Metallic			
	997 553 980 64 22G	Racing Green Metallic			
	997 553 980 64 32B	Sailing Blue Metallic			
	997 553 980 64 M5R	Aqua Blue Metallic			
	997 553 980 64 51A	Creamy white			
	997 553 980 64 M2Z	Nordic Gold Metallic			
	997 553 980 64 M5Q	Ice Blue Metallic	11-		
	997 553 980 64 M7T	Platinum Silver Metallic	11-		
	997 553 980 64 2S1	Peridot Metallic	11-		
(1)	997 553 997 01	Protective film Centre console See technical manual 681749		2	
2	997 553 575 02	Insert Locking device Centre console		1	
	997 553 575 02 01C	Satin black			
3	999 919 159 09	Oval-head screw 4 X 12		1	
4	999 591 210 40	Expander nut		4	

Model: 987209 Model life 2009>>2012

Pos	Part Number	Description	Remark	Qty	Model
5	997 553 843 00	4,2 Sound absorber	/L	1	
(5)	997 553 844 00	Sound absorber	/R	1	
7	997 553 433 01	Lid Inner		1	
8	997 553 433 01 01C	Satin black		1	CAYMAN
	987 553 231 00	Lid Outer			
	987 553 231 00 1MZ	Black			
	987 553 231 00 1YP	Stone grey			
(8)	987 553 231 00 1TK	Sand Beige		1	CAYMAN I981
	987 553 231 00 1VM	Sea blue			
	997 553 231 01	Lid Outer Leather			
	997 553 231 01 A11	Black			
	997 553 231 01 5X6	Stone grey			
	997 553 231 01 8G2	Sand Beige			
	997 553 231 01 3S9	Sea blue			
	997 553 231 01 9S5	Terracotta			
	997 553 231 01 9V6	Cocoa			
	997 553 231 01 D12	Dark grey/natural			
	997 553 231 01 T12	Brown/natural			
(8)	997 553 231 01 N12	Carrera Red		1	CAYMAN S
	997 553 231 01	Lid Outer Leather			
	997 553 231 01 A11	Black			
	997 553 231 01 5X6	Stone grey			
	997 553 231 01 8G2	Sand Beige			
	997 553 231 01 3S9	Sea blue			
	997 553 231 01 9S5	Terracotta			
	997 553 231 01 9V6	Cocoa			
	997 553 231 01 D12	Dark grey/natural			
	997 553 231 01 T12	Brown/natural			
	997 553 231 01 N12	Carrera Red			
(8)	987 553 991 02	Lid Outer with Logo Cayman S	/LL 10-	1	CAYMAN S IXUV/098
	987 553 991 02 A11	Black			
	987 553 991 02 5X6	Stone grey			
	987 553 991 02 8G2	Sand Beige			
	987 553 991 02 3S9	Sea blue			
	987 553 991 02 9S5	Terracotta			
	987 553 991 02 9V6	Cocoa			
	987 553 991 02 D12	Dark grey/natural			
	987 553 991 02 T12	Brown/natural			
	987 553 991 02 N12	Carrera Red			
	(8)	987 553 991 03	Lid Outer with Logo Cayman S		
987 553 991 03 A11		Black			
987 553 991 03 5X6		Stone grey			
987 553 991 03 8G2		Sand Beige			
987 553 991 03 3S9		Sea blue			
987 553 991 03 9S5		Terracotta			

Model: 987209 Model life 2009>>2012

Pos	Part Number	Description	Remark	Qty	Model
	987 553 991 03 9V6	Cocoa			
	987 553 991 03 D12	Dark grey/natural			
	987 553 991 03 T12	Brown/natural			
	987 553 991 03 N12	Carrera Red			
(8)	997 553 991 05	Lid	10-	1	IXPT
		Outer			
		with			
		Porsche crest			
	997 553 991 05 A11	Black			
	997 553 991 05 5X6	Stone grey			
	997 553 991 05 8G2	Sand Beige			
	997 553 991 05 3S9	Sea blue			
	997 553 991 05 9S5	Terracotta			
	997 553 991 05 9V6	Cocoa			
	997 553 991 05 D12	Dark grey/natural			
	997 553 991 05 T12	Brown/natural			
	997 553 991 05 N12	Carrera Red			
(8)	997 553 991 20	Lid	/LL 10-	1	IXLG/098
		Outer			
		Alcantara			
	997 553 991 20 A25	Black			
(8)	997 553 991 21	Lid	/RL 10-	1	IXLG/099
		Outer			
		Alcantara			
	997 553 991 21 A25	Black			
9	999 507 972 01	Speed nut		8	
		3,5			
10	999 073 153 01	Tapping screw		8	
		3,5 X 14			
11	997 553 437 01	Hinge		1	
12	997 553 439 00	Steering knuckle spring		1	
13	997 553 441 00	Belt		1	
14	997 553 447 00	Axle		1	
15	997 553 733 00	Retaining pin		1	
16	999 919 159 09	Oval-head screw		2	
		M4X12			
17	999 919 121 09	Oval-head screw		2	
		5 X 16			
		for			
		Mount			
		Centre console			
18	999 073 155 09	Tapping screw		2	
		4,2 X 13			
		for			
		Mount			
		Centre console			
19	997 553 615 01	Floor		1	
		Centre console			
20	999 073 226 09	Tapping screw		X	
		4,2 X 16			
21	997 553 902 00	Ashtray		1	
		Lacquered			
	997 553 902 00 A03	Black			
	997 553 902 00 5V7	Stone grey			
	997 553 902 00 5Z1	Sand Beige			
	997 553 902 00 8W7	Sea blue			
	997 553 902 00 8X8	Terracotta			
	997 553 902 00 8P9	Cocoa			
	997 553 902 00 T13	Brown/natural			
	997 553 902 00 N23	Carrera Red			
(21)	997 553 982 06	Ashtray		1	IXMZ
		Leather			
	997 553 982 06 A11	Black			

Model: 987209 Model life 2009>>2012

Pos	Part Number	Description	Remark	Qty	Model
	997 553 982 06 5X6	Stone grey			
	997 553 982 06 8G2	Sand Beige			
	997 553 982 06 3S9	Sea blue			
	997 553 982 06 9S5	Terracotta			
	997 553 982 06 9V6	Cocoa			
	997 553 982 06 D12	Dark grey/natural			
	997 553 982 06 T12	Brown/natural			
	997 553 982 06 N12	Carrera Red			
(21)	997 553 982 01	Ashtray		1	IXMJ
		Carbon			
	997 553 982 01 A35	Black			
(21)	997 553 982 03	Ashtray		1	IXJT
	997 553 982 03 S61	Macassar			
(21)	997 553 982 04	Ashtray		1	IXCK
		Aluminium look			
	997 553 982 04 V04	Galvano silver			
(21)	997 553 982 05	Ashtray		1	IXME
		Lacquered			
	997 553 982 05 041	Black			
	997 553 982 05 84A	Guards red			
	997 553 982 05 B9A	Carrara white			
	997 553 982 05 12H	Speed yellow			
	997 553 982 05 92U	Arctic silver metallic			
	997 553 982 05 C9Z	Basalt black metallic			
	997 553 982 05 M7X	Atlas grey metallic			
	997 553 982 05 39C	Midnight Blue Metallic			
	997 553 982 05 M7W	Meteor Grey Metallic			
	997 553 982 05 M7Z	GT Silver Metallic			
	997 553 982 05 M8W	Macadamia Metallic			
	997 553 982 05 M3X	Ruby red metallic			
	997 553 982 05 M5X	Dark Blue Metallic	10-		
	997 553 982 05 2B5	Malachite Green Metallic			
	997 553 982 05 22G	Racing Green Metallic			
	997 553 982 05 32B	Sailing Blue Metallic			
	997 553 982 05 M5R	Aqua Blue Metallic			
	997 553 982 05 51A	Creamy white			
	997 553 982 05 M2Z	Nordic Gold Metallic			
	997 553 982 05 M5Q	Ice Blue Metallic	11-		
	997 553 982 05 M7T	Platinum Silver Metallic	11-		
	997 553 982 05 2S1	Peridot Metallic	11-		
22	997 553 611 01	Insert		1	
(22)	997 553 613 00	Insert		1	I870
23	997 553 261 05	Frame		1	CAYMAN
		Lacquered			
	997 553 261 05 D07	Volcano grey			
(23)	997 553 261 06	Frame		1	CAYMAN S
		Lacquered			
	997 553 261 06 V04	Galvano silver			
(23)	987 553 261 01	Frame		1	I805
	987 553 261 01 G2X	Prime coated			
(23)	987 553 261 01	Frame	10-	1	IXDJ
	987 553 261 01 G2X	Prime coated			
24	999 507 533 02	Clamp		7	
		8,0 X 10,0/2,5			
25	999 073 155 09	Tapping screw		4	
		4,2 X 13			
26	997 553 245 01	Cover		1	I250
		Shift gate			
	997 553 245 01 FUG	Black/Galvano Silver			
	997 553 245 01 FUH	Stone Grey/Galvano Silver			
	997 553 245 01 FUJ	Sand Beige/Galvano Silver			
	997 553 245 01 FUK	Ocean Blue/Galvano Silver			
	997 553 245 01 FUL	Terracotta/Galvano Silver			

Model: 987209 Model life 2009>>2012

Pos	Part Number	Description	Remark	Qty	Model
(26)	997 553 245 01 FUM	Cocoa/Galvano Silver		1	IXWS/250
	997 553 245 01 FUN	Natural Brown/Galvano Silver			
	997 553 245 01 FU0	Carrera Red/Galvano Silver			
	997 553 987 00	Cover			
		Shift gate			
		Lacquered			
	997 553 987 00 041	Black			
	997 553 987 00 84A	Guards red			
	997 553 987 00 B9A	Carrara white			
	997 553 987 00 12H	Speed yellow			
	997 553 987 00 92U	Arctic silver metallic			
	997 553 987 00 C9Z	Basalt black metallic			
	997 553 987 00 M7X	Atlas grey metallic			
	997 553 987 00 39C	Midnight Blue Metallic			
	997 553 987 00 M7W	Meteor Grey Metallic			
	997 553 987 00 M7Z	GT Silver Metallic			
	997 553 987 00 M8W	Macadamia Metallic			
	997 553 987 00 M3X	Ruby red metallic			
	997 553 987 00 M5X	Dark Blue Metallic	10-		
	997 553 987 00 2B5	Malachite Green Metallic			
997 553 987 00 22G	Racing Green Metallic				
997 553 987 00 32B	Sailing Blue Metallic	-09			
997 553 987 00 M5R	Aqua Blue Metallic				
997 553 987 00 51A	Creamy white				
997 553 987 00 M2Z	Nordic Gold Metallic				
997 553 987 00 M5Q	Ice Blue Metallic	11-			
997 553 987 00 M7T	Platinum Silver Metallic	11-			
997 553 987 00 2S1	Peridot Metallic	11-			
(26)	997 553 987 00	Cover		1	IXWT/250
		Shift gate			
		Lacquered			
	997 553 987 00 041	Black			
(26)	997 553 987 01	Cover		1	IXWR/250
		Shift gate			
	997 553 987 01 V04	Galvano silver			
(26)	997 553 987 02	Cover		1	IXWU/250
		Shift gate			
		Leather			
	997 553 987 02 A11	Black			
	997 553 987 02 5X6	Stone grey			
	997 553 987 02 8G2	Sand Beige			
	997 553 987 02 3S9	Sea blue			
	997 553 987 02 9S5	Terracotta			
	997 553 987 02 9V6	Cocoa			
	997 553 987 02 D12	Dark grey/natural			
	997 553 987 02 T12	Brown/natural			
	997 553 987 02 N12	Carrera Red			
(26)	997 553 243 01	Cover		1	I480
		Shift gate			
		Lacquered			
	997 553 243 01 A03	Black			
	997 553 243 01 5V7	Stone grey			
	997 553 243 01 5Z1	Sand Beige			
	997 553 243 01 8W7	Sea blue			
	997 553 243 01 8X8	Terracotta			
	997 553 243 01 8P9	Cocoa			
	997 553 243 01 T13	Brown/natural			
	997 553 243 01 N23	Carrera Red			
(26)	997 553 996 00	Cover	10-	1	IXDZ/480
		Shift gate			
		Leather			
	997 553 996 00 A11	Black			
	997 553 996 00 5X6	Stone grey			

Model: 987209 Model life 2009>>2012

Pos	Part Number	Description	Remark	Qty	Model
	997 553 996 00 8G2	Sand Beige			
	997 553 996 00 3S9	Sea blue			
	997 553 996 00 9S5	Terracotta			
	997 553 996 00 9V6	Cocoa			
	997 553 996 00 D12	Dark grey/natural			
	997 553 996 00 T12	Brown/natural			
	997 553 996 00 N12	Carrera Red			
27	997 553 903 00	Cover		1	
		Parking-brake lever			
		Lacquered			
	997 553 903 00 A03	Black			
	997 553 903 00 5V7	Stone grey			
	997 553 903 00 5Z1	Sand Beige			
	997 553 903 00 8W7	Sea blue			
	997 553 903 00 8X8	Terracotta			
	997 553 903 00 8P9	Cocoa			
	997 553 903 00 T13	Brown/natural			
	997 553 903 00 N23	Carrera Red			
(27)	997 553 981 00	Cover		1	IXCK
		Parking-brake lever			
	997 553 981 00 A11	Black			
	997 553 981 00 5X6	Stone grey			
	997 553 981 00 8G2	Sand Beige			
	997 553 981 00 3S9	Sea blue			
	997 553 981 00 9S5	Terracotta			
	997 553 981 00 9V6	Cocoa			
	997 553 981 00 D12	Dark grey/natural			
	997 553 981 00 T12	Brown/natural			
	997 553 981 00 N12	Carrera Red			
(27)	997 553 981 00	Cover		1	IXJT
		Parking-brake lever			
	997 553 981 00 A11	Black			
	997 553 981 00 5X6	Stone grey			
	997 553 981 00 8G2	Sand Beige			
	997 553 981 00 3S9	Sea blue			
	997 553 981 00 9S5	Terracotta			
	997 553 981 00 9V6	Cocoa			
	997 553 981 00 D12	Dark grey/natural			
	997 553 981 00 T12	Brown/natural			
	997 553 981 00 N12	Carrera Red			
(27)	997 553 981 00	Cover		1	IXME
		Parking-brake lever			
	997 553 981 00 A11	Black			
	997 553 981 00 5X6	Stone grey			
	997 553 981 00 8G2	Sand Beige			
	997 553 981 00 3S9	Sea blue			
	997 553 981 00 9S5	Terracotta			
	997 553 981 00 9V6	Cocoa			
	997 553 981 00 D12	Dark grey/natural			
	997 553 981 00 T12	Brown/natural			
	997 553 981 00 N12	Carrera Red			
(27)	997 553 981 00	Cover		1	IXMJ
		Parking-brake lever			
	997 553 981 00 A11	Black			
	997 553 981 00 5X6	Stone grey			
	997 553 981 00 8G2	Sand Beige			
	997 553 981 00 3S9	Sea blue			
	997 553 981 00 9S5	Terracotta			
	997 553 981 00 9V6	Cocoa			
	997 553 981 00 D12	Dark grey/natural			
	997 553 981 00 T12	Brown/natural			
	997 553 981 00 N12	Carrera Red			
(27)	997 553 981 07	Cover		1	IXMZ

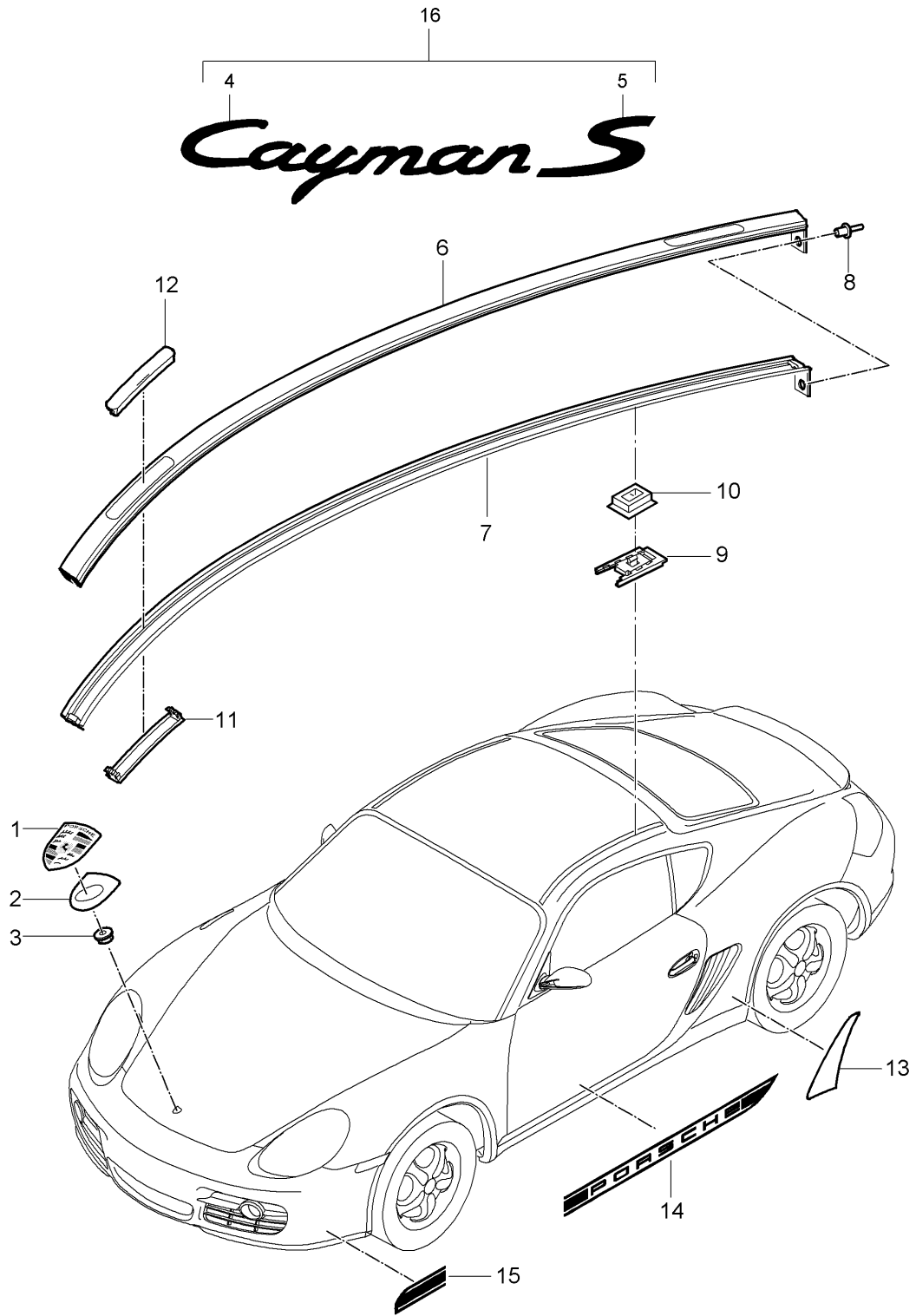
Model: 987209

Model life 2009>>2012

Pos	Part Number	Description	Remark	Qty	Model
		Parking-brake lever			
	997 553 981 07 A11	Black			
	997 553 981 07 5X6	Stone grey			
	997 553 981 07 8G2	Sand Beige			
	997 553 981 07 3S9	Sea blue			
	997 553 981 07 9S5	Terracotta			
	997 553 981 07 9V6	Cocoa			
	997 553 981 07 D12	Dark grey/natural			
	997 553 981 07 T12	Brown/natural			
	997 553 981 07 N12	Carrera Red			
28	997 553 871 00	Filler piece Centre console		1	
29	997 553 873 00	Filler piece Centre console		1	
30	997 553 875 00	Filler piece Centre console		1	
31	997 553 877 00	Filler piece Centre console		1	
32	987 553 269 00	Support Shift cable		1	
33	999 591 215 40	Expander nut 4,2		2	
34	999 507 028 01	Speed nut 4,2		X	
35		Speed nut 4,2		X	
36	997 553 732 00	Rubber buffer Lid		2	
37	997 553 861 00	Inner Clamp		4	IXMZ

Model: 987209

Model life 2009>>2012



Model: 987209

Model life 2009>>2012

Pos	Part Number	Description	Remark	Qty	Model
1	997 559 211 00	Insignias Decorative fittings Stone guard film Lid emblem Information available		1	
2	7L5 853 611 B	Desk pad		1	
3	999 591 423 03	Tapping nut		2	
4	987 559 239 00	Logo Lacquered Titanium metallic		1	CAYMAN
(4)	987 559 239 01	Logo Lacquered Satin aluminium		1	CAYMAN S
(4)	987 559 239 04	Logo Lacquered Black		1	CAYMAN R
5	987 559 245 00	Logo S Lacquered Satin aluminium		1	CAYMAN S
(5)	987 559 259 00	Logo R Lacquered Black		1	CAYMAN R
6	987 559 401 00	Roof edge strip	/L	1	
	987 559 401 00 G2X	Prime coated			
(6)	987 559 402 00	Roof edge strip	/R	1	
	987 559 402 00 G2X	Prime coated			
7	987 559 721 00	Gasket	/L	1	
		Roof edge strip			
(7)	987 559 722 00	Gasket	/R	1	
		Roof edge strip			
8	999 507 499 40	Expansion rivet		2	
9	996 559 403 01	Clip		6	
		Roof edge strip			
10	987 559 405 00	Adapter		6	
11	987 559 729 00	Bracket for Flap		4	
12	987 559 501 00	Flap Front		2	
	987 559 501 00 G2X	Prime coated			
(12)	987 559 503 00	Flap Rear		2	
	987 559 503 00 G2X	Prime coated			
13	987 504 825 01	Stone guard film Side section	/L	1	
(13)	987 504 826 01	Stone guard film Side section	/R	1	
14	987 559 541 01	Logo Porsche Door	/L	1	
	987 559 541 01 041	Black			
	987 559 541 01 9R7	Silver			
(14)	987 559 542 01	Logo Porsche Door	/R	1	
	987 559 542 01 041	Black			
	987 559 542 01 9R7	Silver			
15	987 559 551 00	Decorative film Lining Lateral	/L	1	
	987 559 551 00 041	Black			

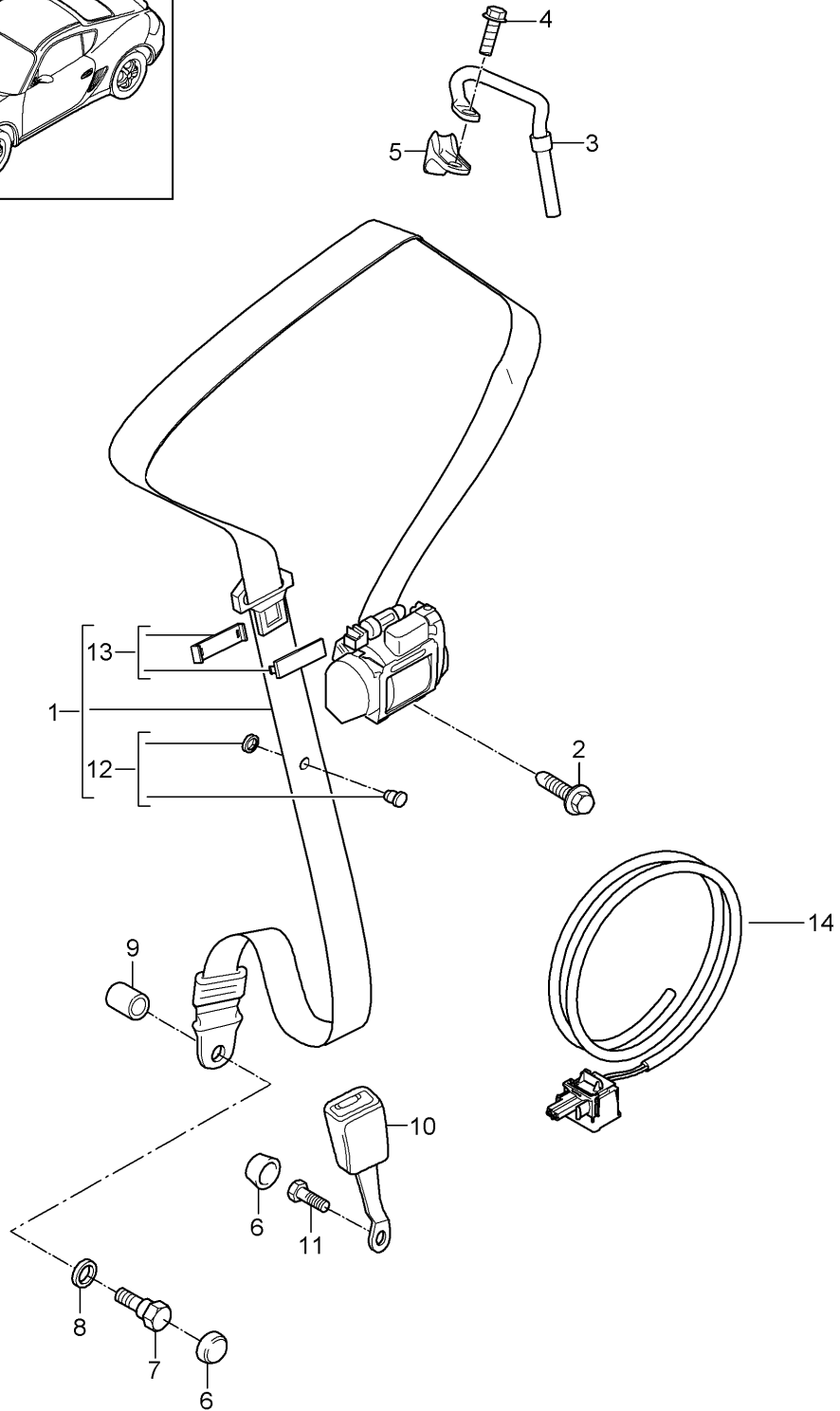
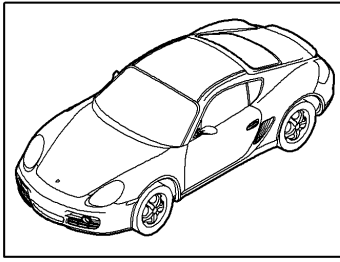
Model: 987209

Model life 2009>>2012

Pos	Part Number	Description	Remark	Qty	Model
(15)	987 559 551 00 9R7	Silver			
	987 559 552 00	Decorative film	/R	1	
		Lining			
		Lateral			
	987 559 552 00 041	Black			
	987 559 552 00 9R7	Silver			
16	987 559 983 01	Logo	Cayman S	1	IXUC/013/496
		Set			
		Cayman S			
	987 559 983 01 041	Black			

Model: 987209

Model life 2009>>2012



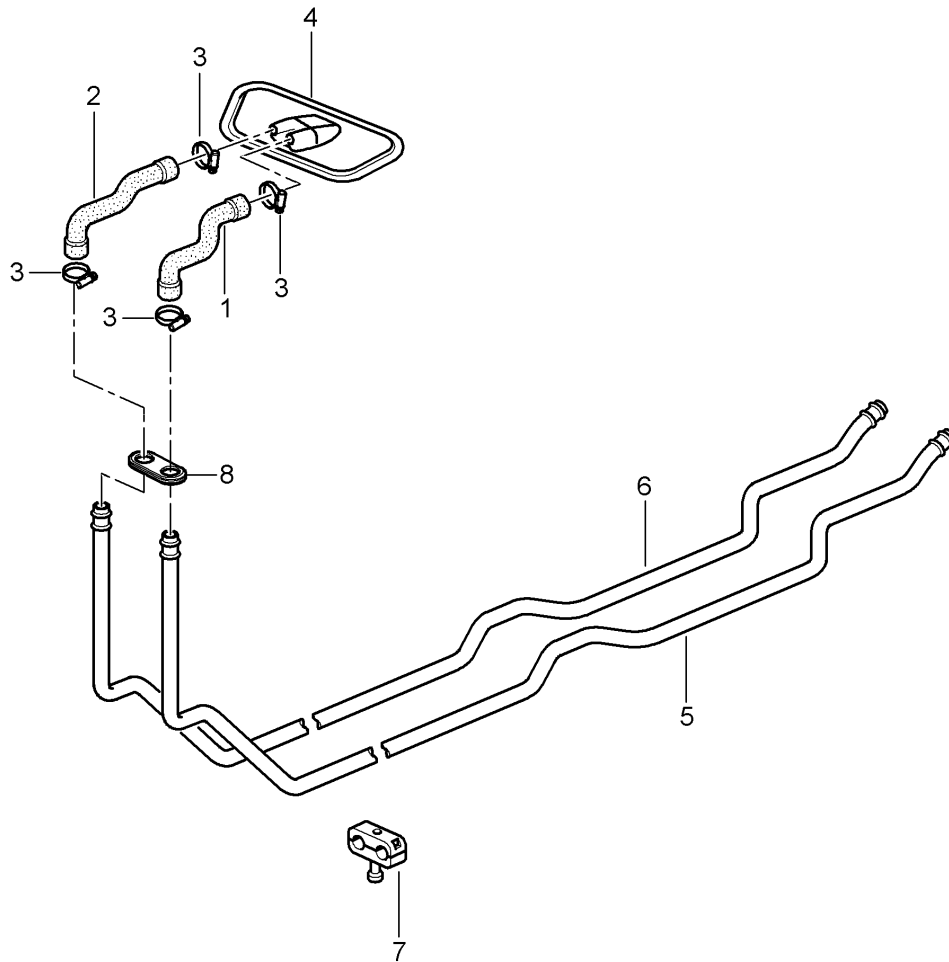
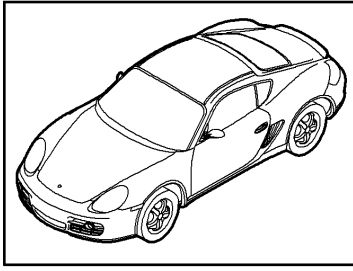
Model: 987209

Model life 2009>>2012

Pos	Part Number	Description	Remark	Qty	Model
1	987 803 033 05	Seat belt		2	
	987 803 033 05 A23	Black			I555
	987 803 033 05 N13	Guards red			IXSX
	987 803 033 05 U01	Silver			IXSH
	987 803 033 05 V02	Speed yellow			IXSY
	987 803 033 05 6M4	Sand Beige			IXST
2	999 073 361 01	Screw 7/16		2	
(3)	987 803 815 00	Reverse lever	/L	1	
3	987 803 816 00	Reverse lever	/R	1	
4	900 378 073 09	Hexagon-head bolt 10 X 25		2	
5	987 803 825 00	Support Support for seatbelt		2	
6	811 857 845	Cap		4	
7	999 075 073 09	Hexagon-head bolt 7/16 - 20		2	
(7)	999 075 072 09	Hexagon-head bolt		2	I388/389
8	211 857 771	Washer		2	
(8)	999 028 022 01	Spring washer		1	I388/389
-	999 025 275 A2	Washer		1	I388/389
9	999 924 064 02	Spacer sleeve		2	
9	999 924 064 01	Spacer sleeve		2	
(9)	997 803 663 00	Spacer sleeve		1	I388/389
10	996 803 183 08	Seat-belt buckle Passenger's side		1	
(10)	997 803 183 01	Seat-belt buckle Driver's side		1	
10	997 803 183 04	Seat-belt buckle Driver's side		1	I388
(10)		Seat-belt buckle Driver's side		1	I389
(10)	997 803 183 05	Seat-belt buckle Passenger's side		1	I389
10		Seat-belt buckle Passenger's side		1	I388
11	999 218 101 02	Hexagon-head bolt 7/16 - 20		2	
12	955 803 056 00	Knob		2	
	955 803 056 00 HCP	Black			
13	997 803 334 00	Clamping piece		1	
		Seat belt			
14	997 803 334 00 01C	Black Cable for Seat-belt tensioner See illustrations 9/02/10		X	

Model: 987209

Model life 2009>>2012



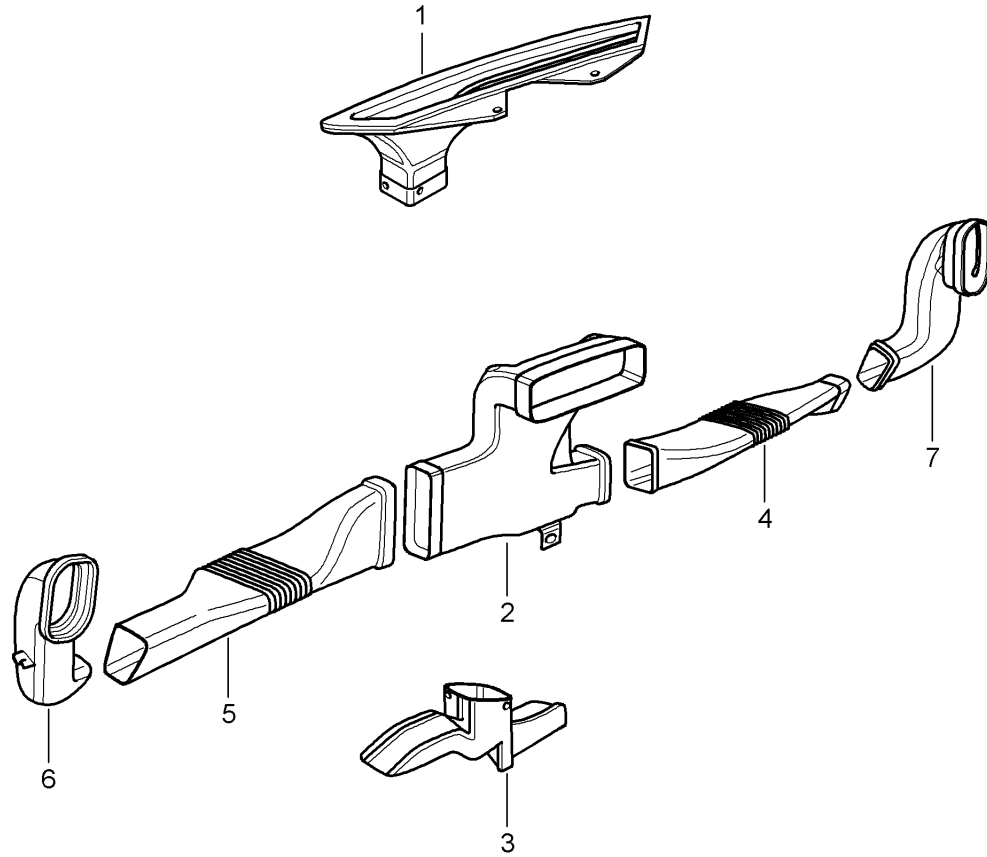
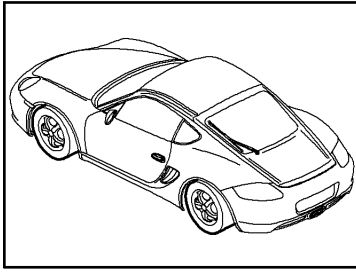
Model: 987209

Model life 2009>>2012

Pos	Part Number	Description	Remark	Qty	Model
		Heating system 1			
		Feed line			
		Return line			
1	997 572 553 00	Heater hose	/LL	1	I098
(1)	997 572 553 01	Heater hose	/RL	1	I099
2	997 572 555 00	Heater hose	/LL	1	I098
(2)	997 572 555 01	Heater hose	/RL	1	I099
3	999 512 441 02	Hose clamp		4	
4	996 572 263 02	Gasket	/LL	1	I098
(4)	996 572 263 03	Gasket	/RL	1	I099
5	987 572 681 00	Heater pipeline Supply		1	
6	987 572 683 00	Heater pipeline Return line		1	
7	999 511 230 40	Cable holder		4	
-	999 511 232 41	Rubber mounting		4	
8	996 572 765 02	Grommet		1	

Model: 987209

Model life 2009>>2012



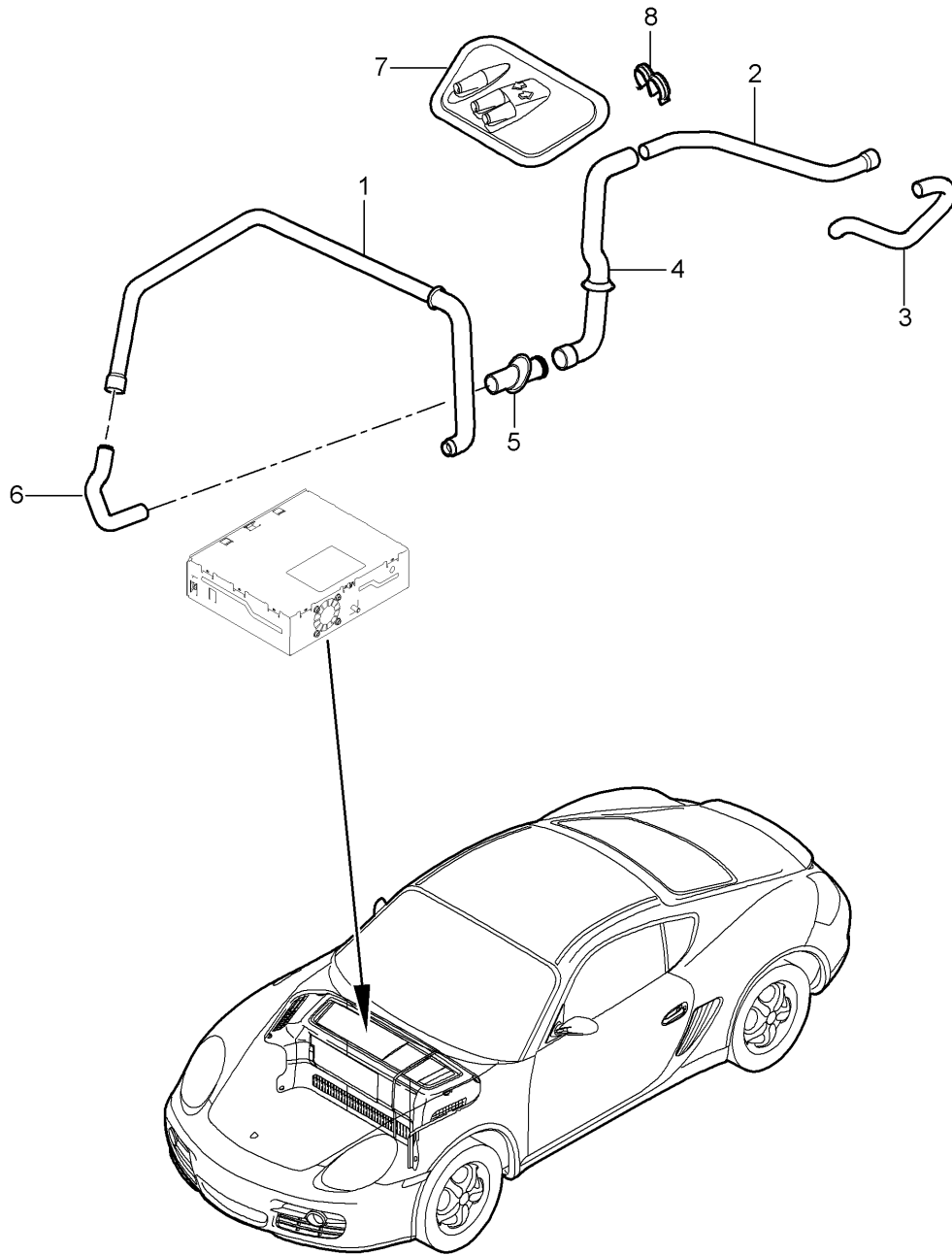
Model: 987209

Model life 2009>>2012

Pos	Part Number	Description	Remark	Qty	Model
		Heating			
		Air distributor			
1	997 572 631 00	Defroster vent	/LL	1	I098
(1)	997 572 631 01	Defroster vent	/RL	1	I099
2	997 572 171 00	Air distributor	/LL	1	I098
(2)	997 572 171 01	Air distributor	/RL	1	I099
3	997 572 793 00	Footwell outlet vent	/LL	1	I098
(3)	997 572 793 02	Footwell outlet vent	/LL	1	I098/680
(3)	997 572 793 01	Footwell outlet vent	/RL	1	I099
(3)	997 572 793 03	Footwell outlet vent	/RL	1	I099/680
4	997 572 464 00	Air guide	/LL /R	1	I098
(4)	997 572 464 01	Air guide	/RL /R	1	I099
5	997 572 463 00	Air guide	/LL /L	1	I098
(5)	997 572 463 01	Air guide	/RL /L	1	I099
6	987 572 767 00	Air guide	/LL /L	1	I098
(6)	987 572 767 01	Air guide	/RL /L	1	I099
7	987 572 768 00	Air guide	/LL /R	1	I098
(7)	987 572 768 01	Air guide	/RL /R	1	I099
-	987 572 769 00	Intermediate piece		1	I098
-	987 572 769 01	Intermediate piece		1	I099

Model: 987209

Model life 2009>>2012



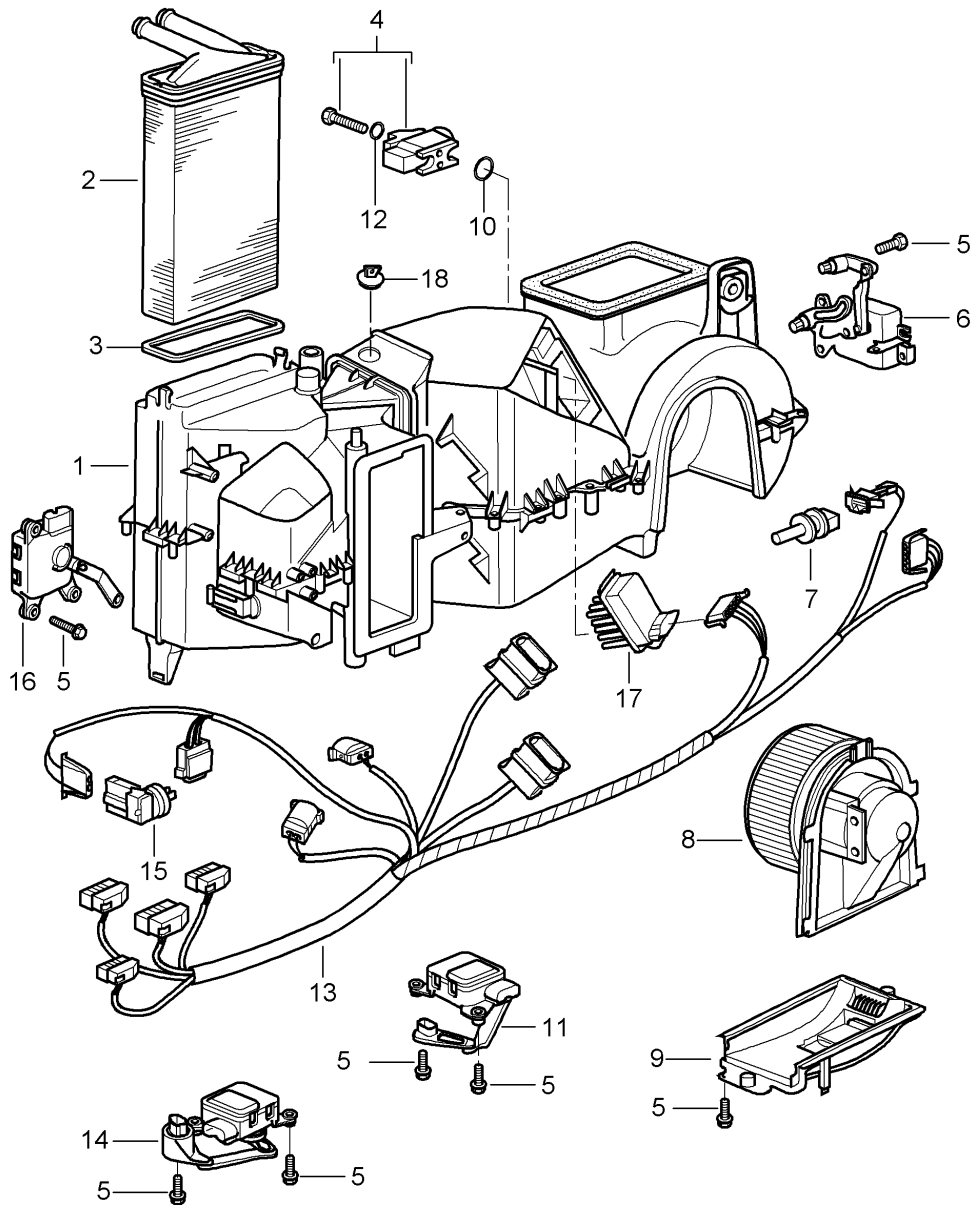
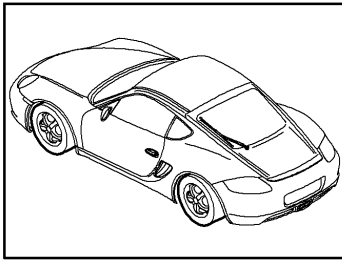
Model: 987209

Model life 2009>>2012

Pos	Part Number	Description	Remark	Qty	Model
		Luggage compartment			I575
		Cooling			
1	997 572 588 02	Air guide		1	I575
2	997 572 582 00	Air guide		1	I575
		Plenum panel			
3	997 572 580 00	Air guide		1	I575
		Air conditioner			
4	997 572 584 03	Air guide		1	I575
		Bulkhead			
5	997 572 593 02	Connection piece		1	I575
6	997 572 586 08	Air guide		1	I575
7	997 572 263 00	Gasket		1	I575
8	999 507 830 40	Cable holder		1	I575
-	999 703 009 40	Stopper		1	

Model: 987209

Model life 2009>>2012



Model: 987209 Model life 2009>>2012

Pos	Part Number	Description	Remark	Qty	Model
(1)	987 573 901 02	Air conditioner Single parts Air conditioner without Heat exchanger with Evaporator	/LL	1	I098/572
(1)	997 573 901 02	Air conditioner without Heat exchanger with Evaporator	/LL	1	I098/573
(1)	987 573 901 03	Air conditioner without Heat exchanger with Evaporator	/RL	1	I099/572
1	997 573 901 00	Air conditioner without Heat exchanger with Evaporator	/LL	1	I098/574
(1)	996 573 901 01	Air conditioner without Heat exchanger with Evaporator	/RL 11-	1	I099/574
(1)	997 573 901 03	Air conditioner without Heat exchanger with Evaporator	/RL	1	I099/573
2	997 572 129 00	Heat exchanger		1	
3	996 572 913 00	Gasket		1	
4	996 573 929 01	Expansion valve		1	
5	900 143 102 02	Combination screw		X	
6	996 573 915 00	Electric motor Fresh-air flap Identification Black	/LL	1	I098/573
(6)	996 573 915 01	Electric motor Fresh-air flap Identification Black	/RL	1	I099/573
7	955 572 304 10	Temperature sensor		1	
8	996 624 107 01	Blower	/LL	1	I098
(8)	996 624 108 01	Blower	/RL	1	I099
9	996 573 905 00	Lid		1	
10	999 707 596 40	O-ring 14x1,82		1	
11	996 573 919 02	Electric motor Temperature valve Identification Pink	/LL	1	I098
(11)	996 573 919 03	Electric motor Temperature valve Identification Pink	/RL	1	I099
12	999 707 534 41	O-ring 17x2,00		1	
13	997 612 655 04	Wiring harness	/LL	1	I098/573
(13)	997 612 656 04	Wiring harness	/RL	1	I099/573
(13)	987 612 655 02	Wiring harness	/LL	1	I098/572

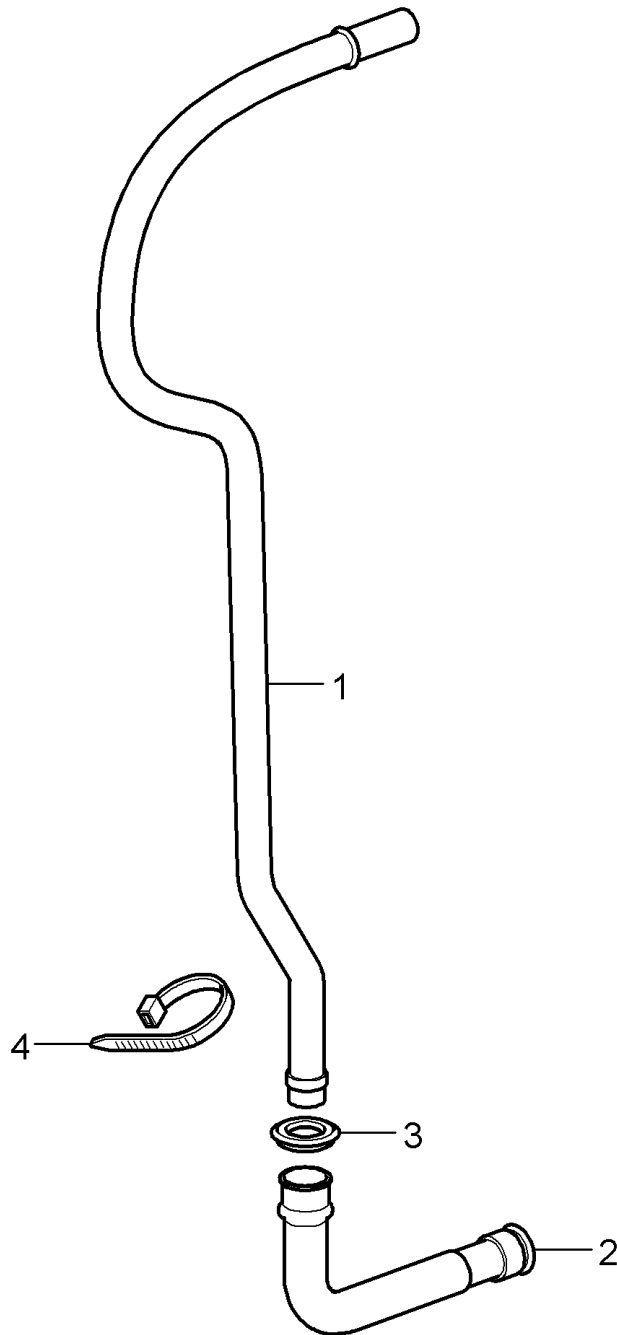
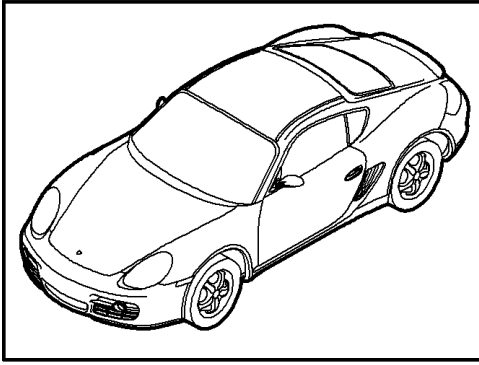
Model: 987209

Model life 2009>>2012

Pos	Part Number	Description	Remark	Qty	Model
(13)	987 612 656 03	Wiring harness	/RL	1	I099/572
-	997 612 664 00	Wiring harness Interference-suppr. choke TV		1	I676
14	996 573 921 02	Electric motor Defroster flap Identification Yellow	/LL	1	I098
(14)	996 573 921 03	Electric motor Defroster flap Identification Yellow	/RL	1	I099
15	1H0 907 543 A	Temperature sensor		1	
16	996 573 917 02	Electric motor Central valve Identification Green	/LL	1	I098
(16)	996 573 917 03	Electric motor Central valve Identification Green	/RL	1	I099
17	996 573 923 00	Resistor		1	
-	996 573 927 00	Blower outlet sensor		1	I573
-	1H0 819 943	Screw		2	
18	997 573 935 00	Stopper		1	

Model: 987209

Model life 2009>>2012



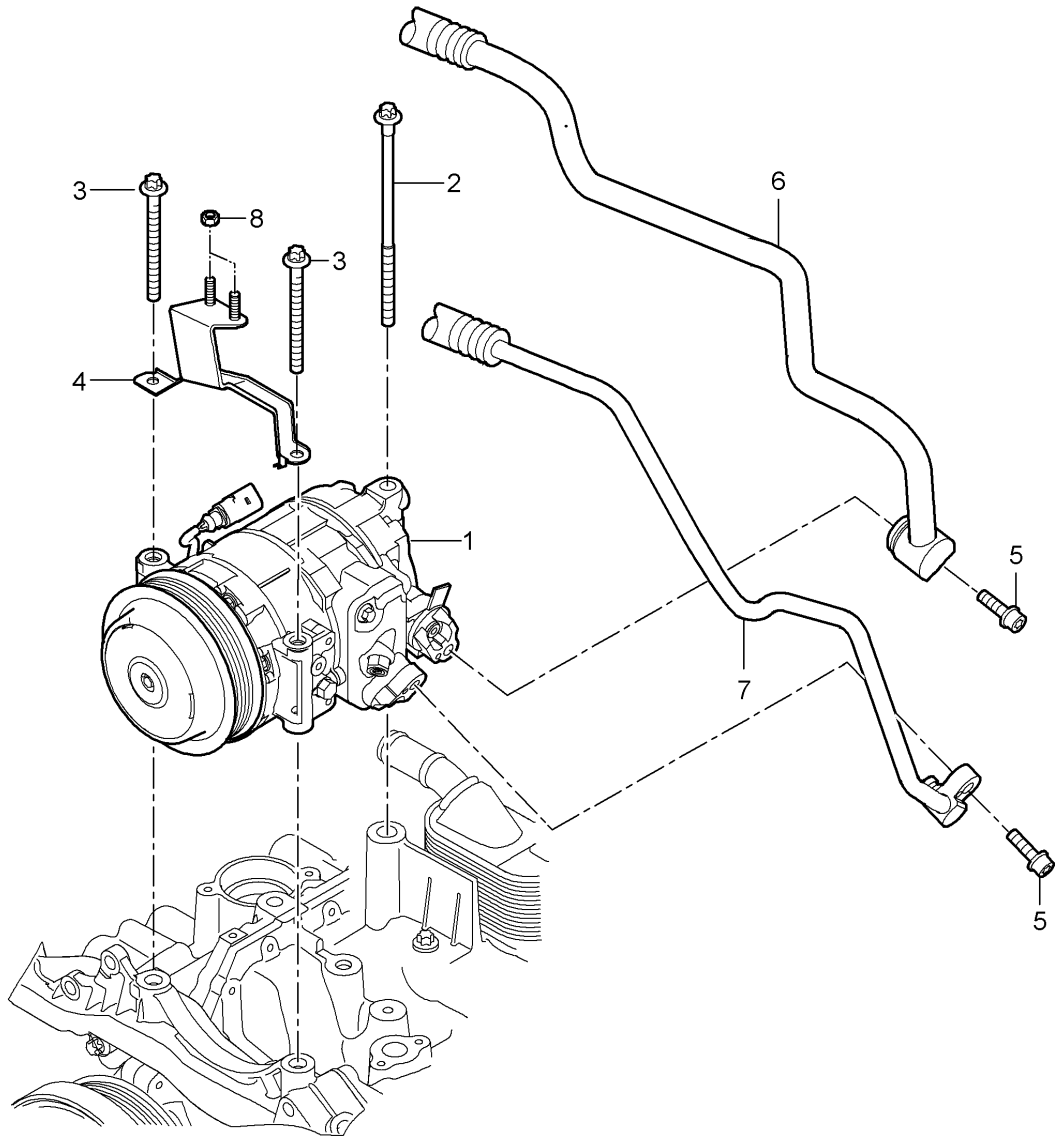
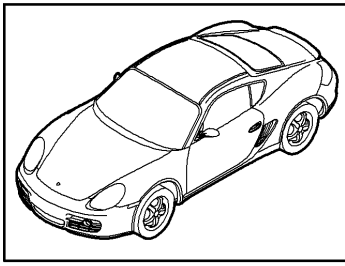
Model: 987209

Model life 2009>>2012

Pos	Part Number	Description	Remark	Qty	Model
		Water drain tube Mount Air conditioner			
1	996 573 793 01	Water drain tube	/LL	1	I098
1	996 573 794 01	Water drain tube	/RL	1	I099
2	996 573 797 02	Connecting piece		1	
3	996 573 795 01	Grommet		1	
4	999 513 049 40	Tie-wrap		1	

Model: 987209

Model life 2009>>2012



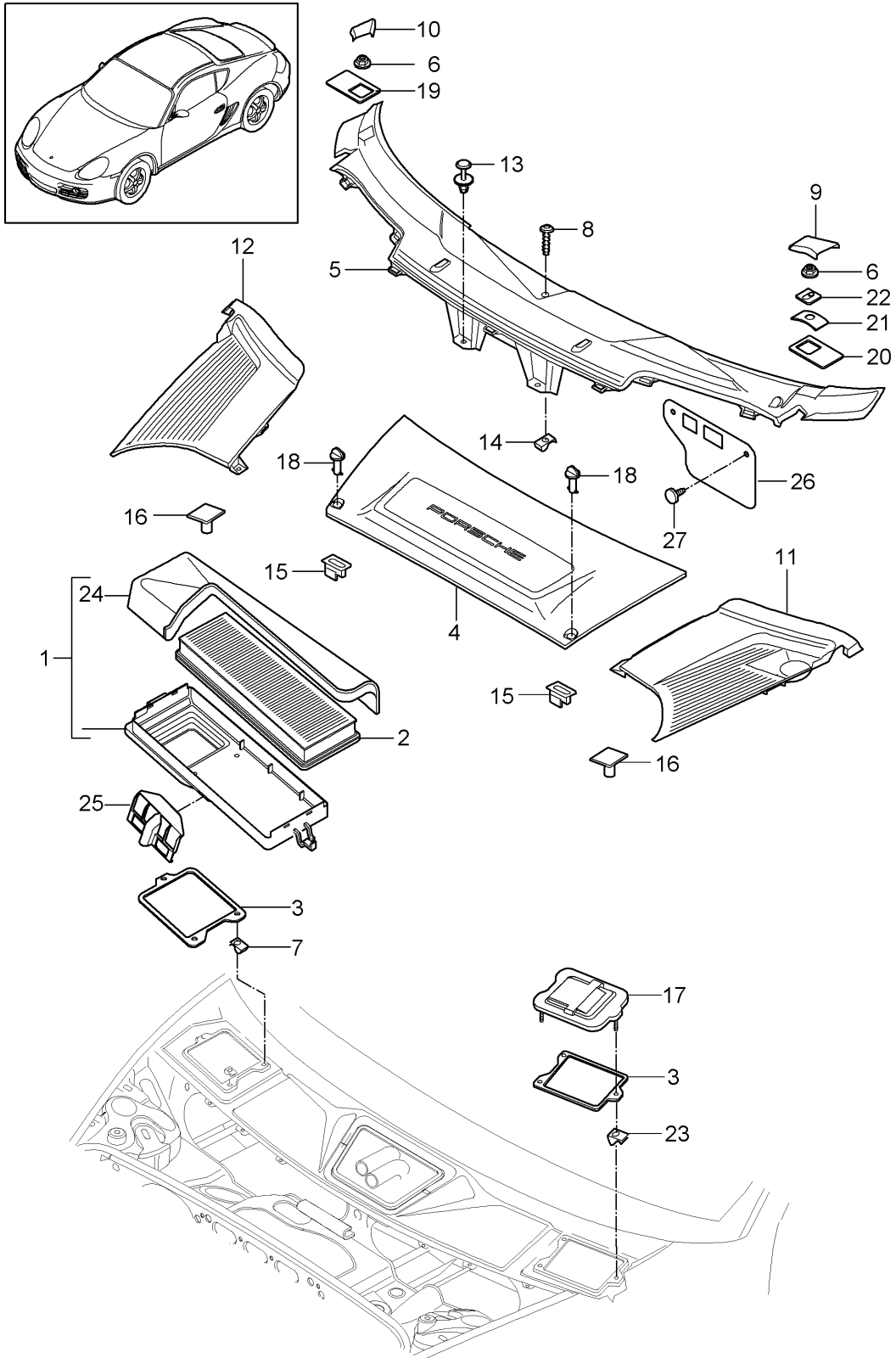
Model: 987209

Model life 2009>>2012

Pos	Part Number	Description	Remark	Qty	Model
1	9A1 126 011 05	Compressor		1	
2	900 385 134 01	Compressor Outer hexagon round screw M 8 X 170		1	
3	900 385 102 01	Torx screw M 8 X 90		2	
4	9A1 607 260 01	Support		1	
5	N 104 144 02	Pan-head screw M 8 x 28		2	
6		Intake pipe See illustrations 8/13/25 Pos.7		1	
7		Pressure line See illustrations 8/13/25 Pos.8		1	
8	900 377 010 02	Hexagon nut M6		2	
-	000 043 200 04	Oil for Compressor 250 ml		1	

Model: 987209

Model life 2009>>2012

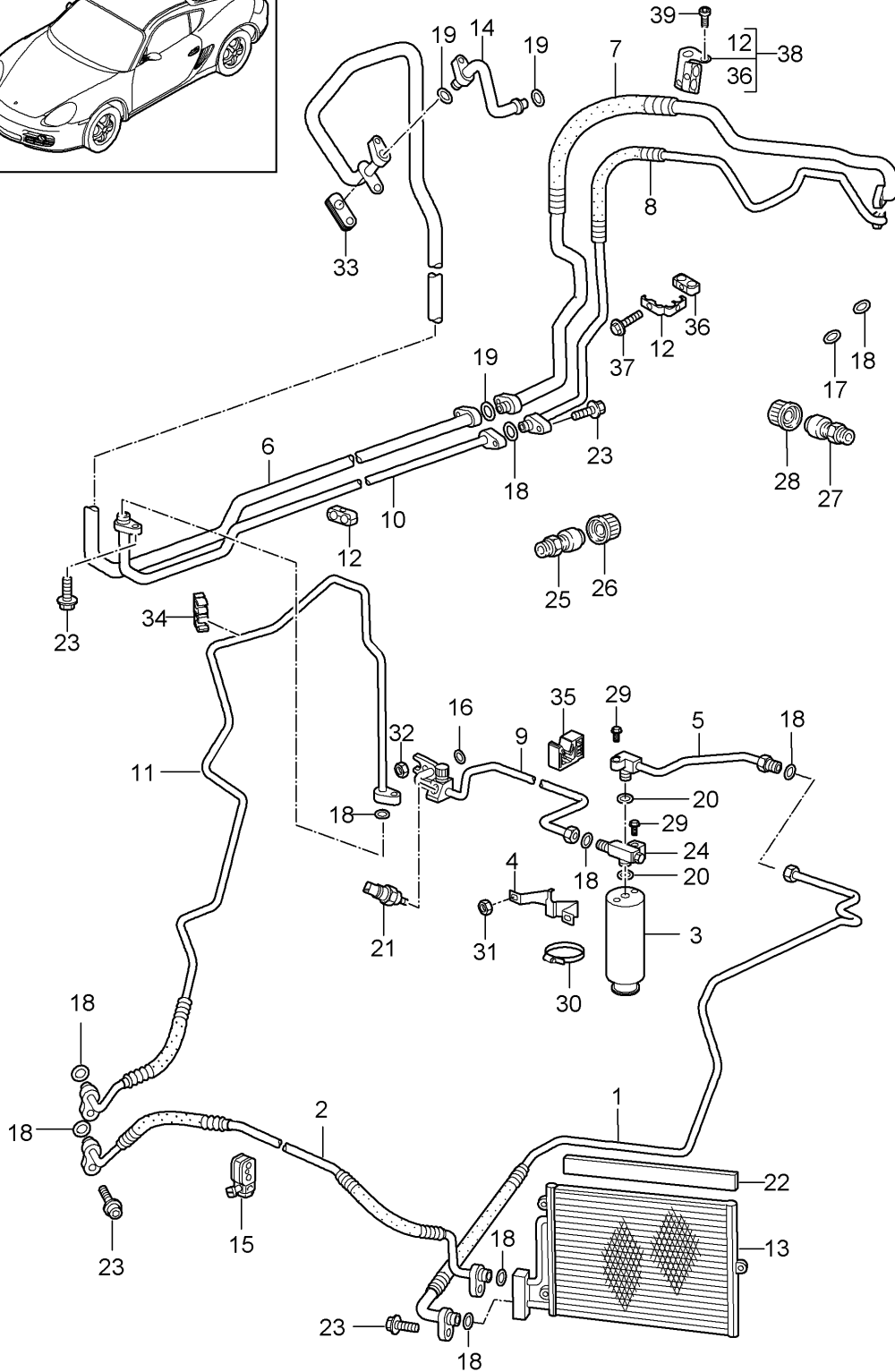
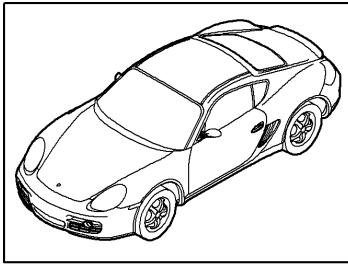


Model: 987209 Model life 2009>>2012

Pos	Part Number	Description	Remark	Qty	Model
		Particle filter			
		Cowl panel covering			
1	997 572 019 04	Housing	/LL	1	I098
(1)	997 572 019 05	Housing	/RL	1	I099
2	997 571 219 01	Particle filter		1	
3	997 572 221 00	Gasket		1	
4	997 572 567 04	Cover		1	
	997 572 567 04 FMT	Black			
5	997 572 563 08	Cover	/LL	1	I098
		Cowl			
	997 572 563 08 FMT	Black			
(5)	997 572 563 09	Cover	/RL	1	I099
		Cowl			
	997 572 563 09 FMT	Black			
6	999 076 071 02	Hexagon nut		2	
		M6			
7	999 507 348 01	Speed nut		3	
8	N 906 487 04	Tapping screw		1	
9	997 572 569 04	Cap	/LL /L	2	I098
	997 572 569 04 FMT	Black			
9	997 572 569 05	Cap	/RL /L	2	I099
	997 572 569 05 FMT	Black			
10	997 572 570 04	Cap	/LL /R	1	I098
	997 572 570 04 FMT	Black			
(10)	997 572 570 05	Cap	/RL /R	1	I099
	997 572 570 05 FMT	Black			
11	997 572 361 07	Cover	/L	1	
	997 572 361 07 02A	Black			
12	997 572 362 08	Cover	/R	1	
	997 572 362 08 02A	Black			
13	999 507 497 40	Expansion rivet		2	
		8 X 14			
14	999 507 834 41	Expander nut		1	
		ST 4,8			
15	999 590 046 40	Disc cam		2	
16	999 902 046 40	Catch		1	
17	997 572 419 03	Lid		1	
18	997 572 867 00	Locking bolt		2	
	997 572 867 00 02A	Black			
19	997 572 842 01	Pressure plate	/LL /R	1	I098
		Passenger's side			
(19)	997 572 842 02	Pressure plate	/RL /L	1	I099
		Passenger's side			
20	997 572 841 00	Pressure plate		1	
		Driver's side			
21	997 572 837 00	Spring plate		1	
		Driver's side			
22	997 572 533 00	Retainer plate		1	
		Driver's side			
23	999 591 855 01	Speed nut		3	
24	997 572 729 02	Cover	/LL	1	I098
		Particle filter			
(24)	997 572 729 03	Cover	/RL	1	I099
		Particle filter			
25	997 572 862 01	Support		1	
26	997 572 763 00	Cover		1	
27	999 703 432 40	Stopper		2	
		8,0			
		12,2 X 25			

Model: 987209

Model life 2009>>2012



Model: 987209

Model life 2009>>2012

Pos	Part Number	Description	Remark	Qty	Model
		Refrigerant circuit			
1	997 573 105 03	Pressure line		1	
2	997 573 103 02	Pressure line		1	
3	944 573 143 01	Desiccator		1	
4	996 573 451 00	Support		1	
5	997 573 106 00	Pressure line		1	
		Wheel housing			
		Left			
		for			
		Desiccator			
6	996 573 091 01	Intake pipe		1	
		NW 16			
7	9A1 573 099 04	Intake pipe		1	MA1.20/21
8	9A1 573 097 04	Pressure line		1	MA1.20/21
9	997 573 108 02	Pressure line	/LL	1	I098
		NW8			
(9)	997 573 108 03	Pressure line	/RL	1	I099
		NW8			
10	996 573 092 02	Pressure line		1	
		NW10			
11	997 573 094 02	Pressure line		1	
12	999 511 230 40	Cable holder		X	
		Use also:			
-	999 511 231 41	Rubber mounting		X	
13	996 573 111 03	Condenser		2	
13	997 573 911 02	Condenser		2	
14	996 573 093 06	Intake pipe	/LL	1	I098
		NW16			
(14)	996 573 093 07	Intake pipe	/RL	1	I099
		NW16			
15	996 347 543 00	Cable holder		2	
16	999 707 531 41	O-ring		2	
		7,5X2			
17	999 707 557 41	O-ring		1	
		11x2,5			
18	999 707 434 41	O-ring		8	
		10,6X2			
19	999 707 534 41	O-ring		3	
		17X2			
20	999 707 262 40	O-ring		1	
		6,7X1,8			
21	955 613 137 01	Pressure sensor		1	
		When required order also:			
(21)	955 613 137 02	Pressure sensor		1	
22	999 707 555 41	O-ring		1	
		10,8 X 1,8			
23	900 067 247 01	Combination screw		X	
		M8x30			
24	997 573 243 00	Distributing piece		1	
25	996 573 465 00	Valve		1	
		Intake pipe			
26	944 573 663 01	Cap		1	
27	996 573 466 00	Valve		1	
		Pressure line			
28	944 573 663 01	Cap		1	
29	900 075 340 01	Combination screw		1	
		M6x22			
30	999 512 349 01	Hose clamp		1	
		A50-70/9			
31	900 380 015 01	Hexagon nut		2	
		M6			
32	900 377 010 01	Hexagon nut		1	
		M6			

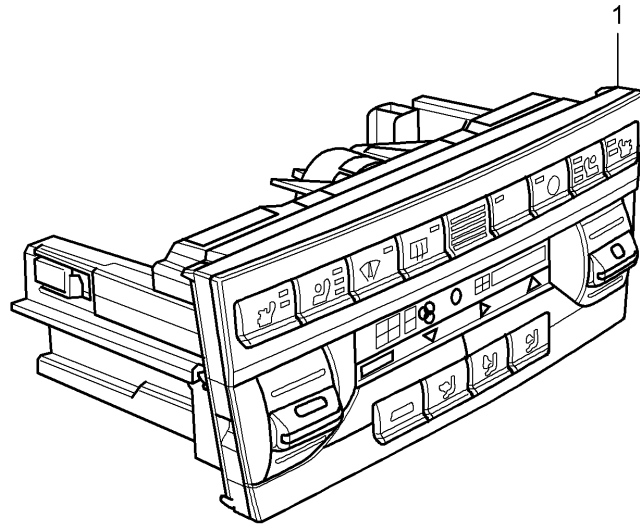
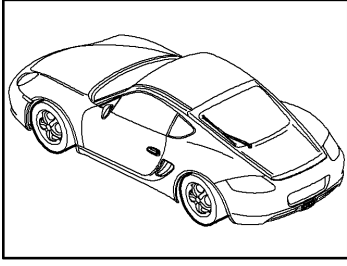
Model: 987209

Model life 2009>>2012

Pos	Part Number	Description	Remark	Qty	Model
33	996 573 769 01	Grommet		1	
34	996 355 547 01	Support		1	
35	999 591 922 40	Support		1	
36	999 511 231 41	Rubber mounting		X	
37	900 385 149 01	Torx screw M6x40		1	
38	9A1 573 341 00	Support with Bearing And Clip		1	
39	900 385 041 01	Torx screw M6x12		1	
40	999 511 260 40	Support		1	

Model: 987209

Model life 2009>>2012



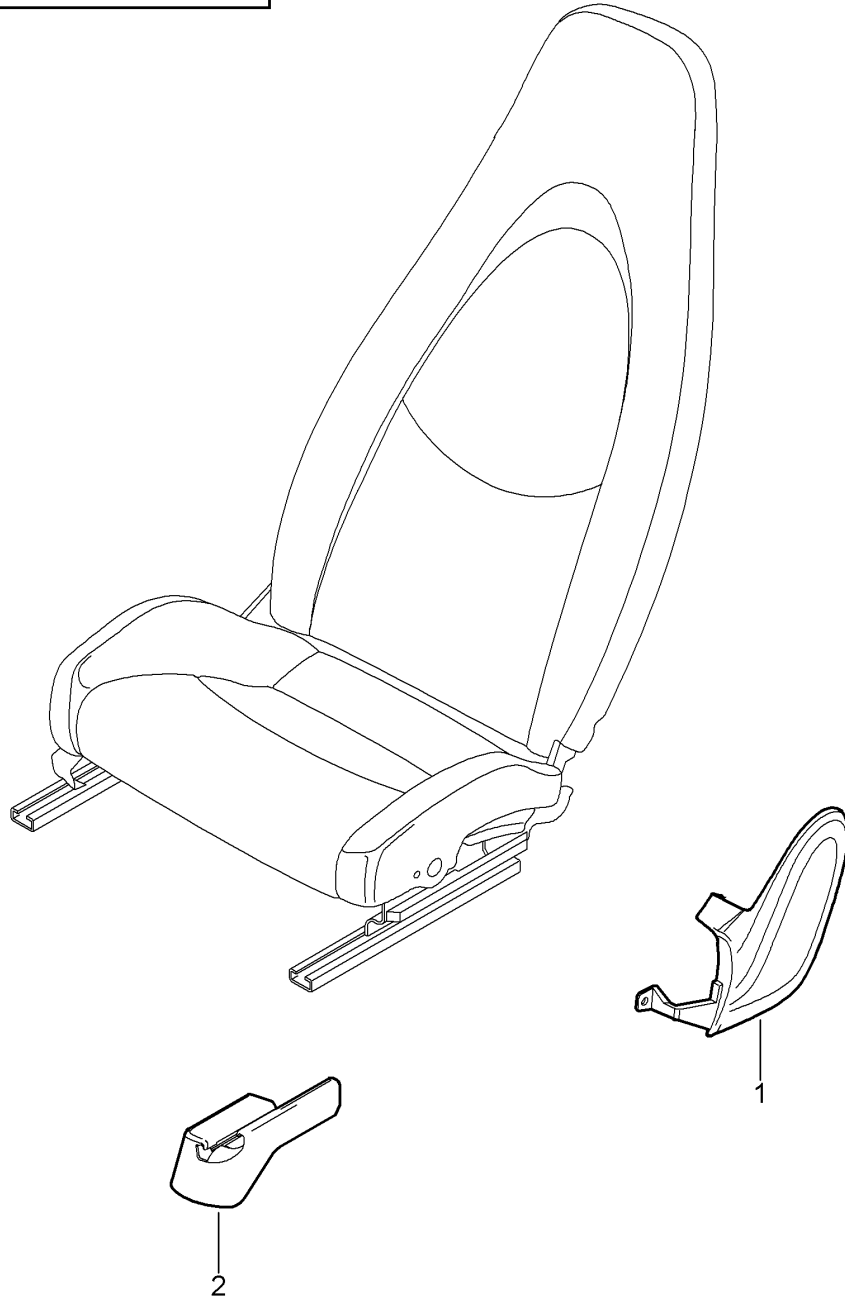
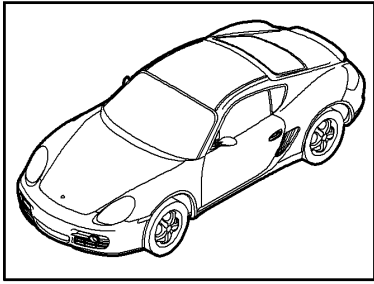
Model: 987209

Model life 2009>>2012

Pos	Part Number	Description	Remark	Qty	Model
(1)	997 653 203 02	Control switch		1	I572
	997 653 203 02 FTC	Control part			
(1)	997 653 213 02	Mattschwarz/Galvanosilber		1	I342/572
	997 653 213 02 FTC	Control part			
1	997 653 201 02	Mattschwarz/Galvanosilber		1	I573
	997 653 201 02 FTC	Control part			
1	997 653 211 02	Mattschwarz/Galvanosilber		1	I342/573
	997 653 211 02 FTC	Control part			
1	997 653 221 02	Mattschwarz/Galvanosilber		1	I342/541/573
	997 653 221 02 FTC	Control part			

Model: 987209

Model life 2009>>2012



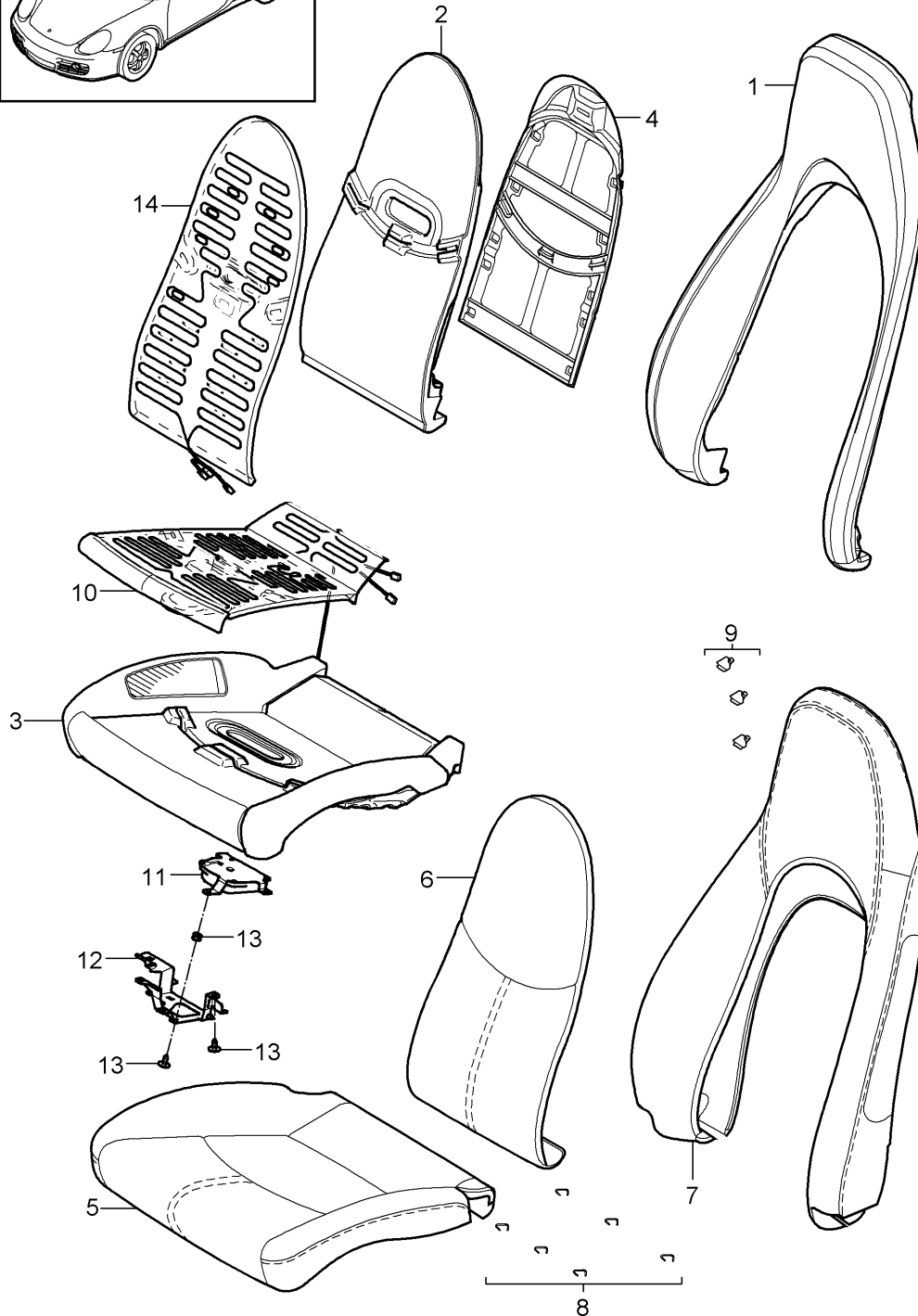
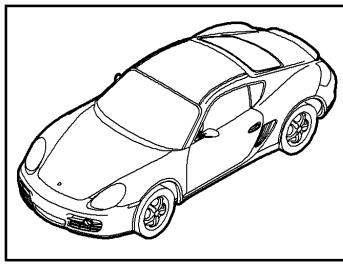
Model: 987209

Model life 2009>>2012

Pos	Part Number	Description	Remark	Qty	Model
		Front seat Standard seat Comfort seat Complete Not available	09-		CAYMAN S CAYMAN
1	997 521 315 02	Trim cover Mounting component	/L	1	I369/375 I377/437
	997 521 315 02 D07	Volcano grey			
(1)	997 521 316 02	Trim cover Mounting component	/R	1	I370/376 I378/438
	997 521 316 02 D07	Volcano grey			
(1)	997 521 316 03	Trim cover Mounting component Advanced airbag	/R	1	I370/376 I378/438/560
	997 521 316 03 D07	Volcano grey			
2	997 521 359 01	Rail Seat rail	/L	1	I369/375
	997 521 359 01 01C	Satin black			
(2)	997 521 360 01	Rail Seat rail	/R	1	I370/376
	997 521 360 01 01C	Satin black			
(2)	997 521 361 00	Rail Seat rail	/L	1	I370/376/377 I378/437/438
	997 521 361 00 01C	Satin black			
(2)	997 521 362 00	Rail Seat rail	/R	1	I369/375/377 I378/437/438
	997 521 362 00 01C	Satin black			

Model: 987209

Model life 2009>>2012



Model: 987209 Model life 2009>>2012

Pos	Part Number	Description	Remark	Qty	Model
1	997 521 535 00	Foam part Cover Standard seat Comfort seat Foam part		1	I369/370 I437/438 -I541/I369 I370/437/438
(1)	997 521 535 03	Backrest Outer part Foam part		1	I369/370/437 I438/541
2	997 521 581 00	Backrest Vented Outer part Foam part		1	-I541/I369 I370/437/438
(2)	997 521 581 01	Backrest Centre part Foam part		1	I369/370/437 I438/541
3	997 521 571 00	Backrest Vented Centre part Foam part		1	-I541/-I560 I369/370/437 I438
(3)	997 521 571 03	Seat cushion with heating Foam part		1	-I541/I370 I438/560
(3)	997 521 571 06	Seat cushion with heating Foam part		1	-I560/I369 I370/437/438 I541
(3)	997 521 571 07	Seat cushion Vented with heating Foam part		1	I370/438/541 I560
4	997 521 551 01	Seat cushion Vented with heating Cushion carrier		1	I369/370/437 I438
5	997 521 161 00	Backrest Cover for cushion		1	-I541/I369 I370/437/438 I946
(5)	997 521 161 09	Partial leather Embossed Vented Cover for cushion		1	I369/370/437 I438/541/946
	997 521 161 00 FLB	Black			
	997 521 161 00 FLE	Stone grey			
	997 521 161 00 FLH	Sand Beige			
	997 521 161 00 FLL	Sea blue			
	997 521 161 09 FLB	Black			
	997 521 161 09 FLE	Stone grey			
	997 521 161 09 FLH	Sand Beige			
	997 521 161 09 FLL	Sea blue			

Model: 987209 Model life 2009>>2012

Pos	Part Number	Description	Remark	Qty	Model
(5)	997 521 161 01	Cover for cushion		1	-I541/I369 I370/437/438 I983
		Leather			
	997 521 161 01 FLC	Black			
	997 521 161 01 FLF	Stone grey			
	997 521 161 01 FLJ	Sand Beige			
	997 521 161 01 FLM	Sea blue			
	997 521 161 01 FLQ	Terracotta			
	997 521 161 01 FLR	Cocoa			
	997 521 161 01 VAA	Dark grey/natural			
	997 521 161 01 VAB	Brown/natural			
	997 521 161 01 VAC	Carrera Red			
	997 521 161 01 BCA	Black/stone grey			
(5)	997 521 161 10	Cover for cushion		1	I369/370/437 I438/541/983
		Leather			
		Vented			
	997 521 161 10 FLC	Black			
	997 521 161 10 FLF	Stone grey			
	997 521 161 10 FLJ	Sand Beige			
	997 521 161 10 FLM	Sea blue			
	997 521 161 10 FLQ	Terracotta			
	997 521 161 10 FLR	Cocoa			
	997 521 161 10 VAA	Dark grey/natural			
	997 521 161 10 VAB	Brown/natural			
	997 521 161 10 VAC	Carrera Red			
	997 521 161 10 BCA	Black/stone grey			
(5)	997 521 161 02	Cover for cushion		1	I369/370/437 I438/982
		Draped leather			
	997 521 161 02 FLC	Black			
	997 521 161 02 FLF	Stone grey			
	997 521 161 02 FLJ	Sand Beige			
	997 521 161 02 FLM	Sea blue			
	997 521 161 02 FLQ	Terracotta			
	997 521 161 02 FLR	Cocoa			
	997 521 161 02 VAA	Dark grey/natural			
	997 521 161 02 VAB	Brown/natural			
	997 521 161 02 VAC	Carrera Red			
	997 521 161 02 BCA	Black/stone grey			
(5)	987 521 161 00	Cover for cushion		1	I369/370/950
		Alcantara			
	987 521 161 00 FLA	Black			
	987 521 161 00 FLD	Stone grey			
	987 521 161 00 FLG	Sand Beige			
	987 521 161 00 FLK	Sea blue			
6	997 521 151 00	Backrest cushion cover		1	-I541/I369 I370/437/438 I946
		Centre part			
		Partial leather			
		Embossed			
	997 521 151 00 A08	Black			
	997 521 151 00 5D6	Stone grey			
	997 521 151 00 T25	Sand Beige			
	997 521 151 00 3W7	Sea blue			
(6)	997 521 151 03	Backrest cushion cover		1	I369/370/437 I438/541/946
		Centre part			
		Partial leather			
		Embossed			
		Vented			

Model: 987209 Model life 2009>>2012

Pos	Part Number	Description	Remark	Qty	Model
(6)	997 521 151 03 A08	Black		1	-I541/I369 I370/437/438 I983
	997 521 151 03 5D6	Stone grey			
	997 521 151 03 T25	Sand Beige			
	997 521 151 03 3W7	Sea blue			
	997 521 151 00	Backrest cushion cover			
		Centre part			
		Plain leather			
	997 521 151 00 8YR	Black			
	997 521 151 00 5X5	Stone grey			
	997 521 151 00 8G1	Sand Beige			
	997 521 151 00 3S8	Sea blue			
	997 521 151 00 9N2	Terracotta			
	997 521 151 00 9Q3	Cocoa			
	997 521 151 00 D11	Dark grey/natural			
	997 521 151 00 T11	Brown/natural			
997 521 151 00 N11	Carrera Red				
(6)	997 521 151 03	Backrest cushion cover		1	I369/370/437 I438/541/983
		Centre part			
		Plain leather			
		Vented			
	997 521 151 03 8YR	Black			
	997 521 151 03 5X5	Stone grey			
	997 521 151 03 8G1	Sand Beige			
	997 521 151 03 3S8	Sea blue			
	997 521 151 03 9N2	Terracotta			
	997 521 151 03 9Q3	Cocoa			
	997 521 151 03 D11	Dark grey/natural			
	997 521 151 03 T11	Brown/natural			
	997 521 151 03 N11	Carrera Red			
	997 521 151 01	Backrest cushion cover			
		Centre part			
	Draped leather				
997 521 151 01 8YR	Black				
997 521 151 01 5X5	Stone grey				
997 521 151 01 8G1	Sand Beige				
997 521 151 01 3S8	Sea blue				
997 521 151 01 9N2	Terracotta				
997 521 151 01 9Q3	Cocoa				
997 521 151 01 D11	Dark grey/natural				
997 521 151 01 T11	Brown/natural				
997 521 151 01 N11	Carrera Red				
7	987 521 141 00	Backrest cover	/L	1	I369/950
		Outer part			
		Alcantara			
	987 521 141 00 FLA	Black			
	987 521 141 00 FLD	Stone grey			
	987 521 141 00 FLG	Sand Beige			
	987 521 141 00 FLK	Sea blue			
(7)	987 521 142 00	Backrest cover	/R	1	I370/950
		Outer part			
		Alcantara			
	987 521 142 00 FLA	Black			
	987 521 142 00 FLD	Stone grey			
	987 521 142 00 FLG	Sand Beige			
	987 521 142 00 FLK	Sea blue			
(7)	987 521 141 02	Backrest cover	/L	1	I369/437/983
		Outer part			
		Plain leather			
	987 521 141 02 FLC	Black			

Model: 987209

Model life 2009>>2012

Pos	Part Number	Description	Remark	Qty	Model
	987 521 141 02 FLF	Stone grey			
	987 521 141 02 FLJ	Sand Beige			
	987 521 141 02 FLM	Sea blue			
	987 521 141 02 FLQ	Terracotta			
	987 521 141 02 FLR	Cocoa			
	987 521 141 02 VAA	Dark grey/natural			
	987 521 141 02 VAB	Brown/natural			
	987 521 141 02 VAC	Carrera Red			
(7)	987 521 142 02	Backrest cover Outer part Plain leather	/R	1	I370/438/983
	987 521 142 02 FLC	Black			
	987 521 142 02 FLF	Stone grey			
	987 521 142 02 FLJ	Sand Beige			
	987 521 142 02 FLM	Sea blue			
	987 521 142 02 FLQ	Terracotta			
	987 521 142 02 FLR	Cocoa			
	987 521 142 02 VAA	Dark grey/natural			
	987 521 142 02 VAB	Brown/natural			
	987 521 142 02 VAC	Carrera Red			
(7)	987 521 141 02	Backrest cover Outer part Draped leather	/L	1	I369/437/982
	987 521 141 02 FLC	Black			
	987 521 141 02 FLF	Stone grey			
	987 521 141 02 FLJ	Sand Beige			
	987 521 141 02 FLM	Sea blue			
	987 521 141 02 FLQ	Terracotta			
	987 521 141 02 FLR	Cocoa			
	987 521 141 02 VAA	Dark grey/natural			
	987 521 141 02 VAB	Brown/natural			
	987 521 141 02 VAC	Carrera Red			
(7)	987 521 142 02	Backrest cover Outer part Draped leather	/R	1	I370/438/982
	987 521 142 02 FLC	Black			
	987 521 142 02 FLF	Stone grey			
	987 521 142 02 FLJ	Sand Beige			
	987 521 142 02 FLM	Sea blue			
	987 521 142 02 FLQ	Terracotta			
	987 521 142 02 FLR	Cocoa			
	987 521 142 02 VAA	Dark grey/natural			
	987 521 142 02 VAB	Brown/natural			
	987 521 142 02 VAC	Carrera Red			
(7)	987 521 141 03	Backrest cover Outer part Partial leather	/L	1	-I541/I369 I437/946
	987 521 141 03 FLB	Black			
	987 521 141 03 FLE	Stone grey			
	987 521 141 03 FLH	Sand Beige			
	987 521 141 03 FLL	Sea blue			
(7)	987 521 142 03	Backrest cover Outer part Partial leather	/R	1	-I541/I370 I438/946
	987 521 142 03 FLB	Black			
	987 521 142 03 FLE	Stone grey			
	987 521 142 03 FLH	Sand Beige			
	987 521 142 03 FLL	Sea blue			
(7)	987 521 141 04	Backrest cover Outer part	/L	1	I369/437/541 I946

Model: 987209

Model life 2009>>2012

Pos	Part Number	Description	Remark	Qty	Model
		with heating Partial leather			
	987 521 141 04 FLB	Black			
	987 521 141 04 FLE	Stone grey			
	987 521 141 04 FLH	Sand Beige			
	987 521 141 04 FLL	Sea blue			
(7)	987 521 142 04	Backrest cover	/R	1	I370/438/541 I946
		Outer part with heating Partial leather			
	987 521 142 04 FLB	Black			
	987 521 142 04 FLE	Stone grey			
	987 521 142 04 FLH	Sand Beige			
	987 521 142 04 FLL	Sea blue			
(7)	987 521 141 02	Backrest cover	/L	1	I369/437/541 I983
		Outer part with heating Plain leather			
	987 521 141 02 FLC	Black			
	987 521 141 02 FLF	Stone grey			
	987 521 141 02 FLJ	Sand Beige			
	987 521 141 02 FLM	Sea blue			
	987 521 141 02 FLQ	Terracotta			
	987 521 141 02 FLR	Cocoa			
	987 521 141 02 VAA	Dark grey/natural			
	987 521 141 02 VAB	Brown/natural			
	987 521 141 02 VAC	Carrera Red			
(7)	987 521 142 05	Backrest cover	/R	1	I370/438/541 I983
		Outer part with heating Plain leather			
	987 521 142 05 FLC	Black			
	987 521 142 05 FLF	Stone grey			
	987 521 142 05 FLJ	Sand Beige			
	987 521 142 05 FLM	Sea blue			
	987 521 142 05 FLQ	Terracotta			
	987 521 142 05 FLR	Cocoa			
	987 521 142 05 VAA	Dark grey/natural			
	987 521 142 05 VAB	Brown/natural			
	987 521 142 05 VAC	Carrera Red			
(7)	987 521 941 03	Backrest cover	/L	1	-I541/IXSC I369/437/946
		Outer part Partial leather with Porsche crest			
	987 521 941 03 A08	Black			
	987 521 941 03 5D6	Stone grey			
	987 521 941 03 T25	Sand Beige			
	987 521 941 03 3W7	Sea blue			
(7)	987 521 942 03	Backrest cover	/R	1	-I541/IXSC I370/438/946
		Outer part Partial leather with Porsche crest			
	987 521 942 03 A08	Black			
	987 521 942 03 5D6	Stone grey			
	987 521 942 03 T25	Sand Beige			
	987 521 942 03 3W7	Sea blue			

Model: 987209 Model life 2009>>2012

Pos	Part Number	Description	Remark	Qty	Model
(7)	987 521 941 04	Backrest cover	/L	1	IXSC/369/437 I541/946
		Outer part			
	987 521 941 04 A08	Black			
	987 521 941 04 5D6	Stone grey			
	987 521 941 04 T25	Sand Beige			
	987 521 941 04 3W7	Sea blue			
(7)	987 521 942 04	Backrest cover	/R	1	IXSC/370/438 I541/946
		Outer part			
	987 521 942 04 A08	Black			
	987 521 942 04 5D6	Stone grey			
	987 521 942 04 T25	Sand Beige			
	987 521 942 04 3W7	Sea blue			
(7)	987 521 941 01	Backrest cover	/L	1	IXSC/369/437 I982/983
		Outer part			
	987 521 941 01 8YR	Black			
	987 521 941 01 5X5	Stone grey			
	987 521 941 01 8G1	Sand Beige			
	987 521 941 01 3S8	Sea blue			
	987 521 941 01 9N2	Terracotta			
	987 521 941 01 9Q3	Cocoa			
	987 521 941 01 D11	Dark grey/natural			
	987 521 941 01 T11	Brown/natural			
	987 521 941 01 N11	Carrera Red			
(7)	987 521 942 01	Backrest cover	/R	1	IXSC/370/438 I982/983
		Outer part			
	987 521 942 01 8YR	Black			
	987 521 942 01 5X5	Stone grey			
	987 521 942 01 8G1	Sand Beige			
	987 521 942 01 3S8	Sea blue			
	987 521 942 01 9N2	Terracotta			
	987 521 942 01 9Q3	Cocoa			
	987 521 942 01 D11	Dark grey/natural			
	987 521 942 01 T11	Brown/natural			
	987 521 942 01 N11	Carrera Red			
8	997 521 837 00	Clip		6	I369/370/437 I438
(8)	000 043 207 39	Padding Fixing clip		3	I369/370/437 I438/541
9	997 521 897 00	Seat Clip		5	I369/370/437 I438
(9)	000 043 207 39	Backrest cover Fixing clip		3	I369/370/437 I438/541
10	997 521 721 00	Backrest cover Airbag		1	I369/370/541
(10)		Seat cushion Airbag		1	I437/438/541
11	997 624 335 00	Seat cushion Electric motor		1	I541
12	997 521 661 00	Seat cushion Support		1	I369/370/437 I438/541
13	000 043 207 38	Electric motor Seat cushion Set of fastening parts Electric motor Seat cushion		13	I541

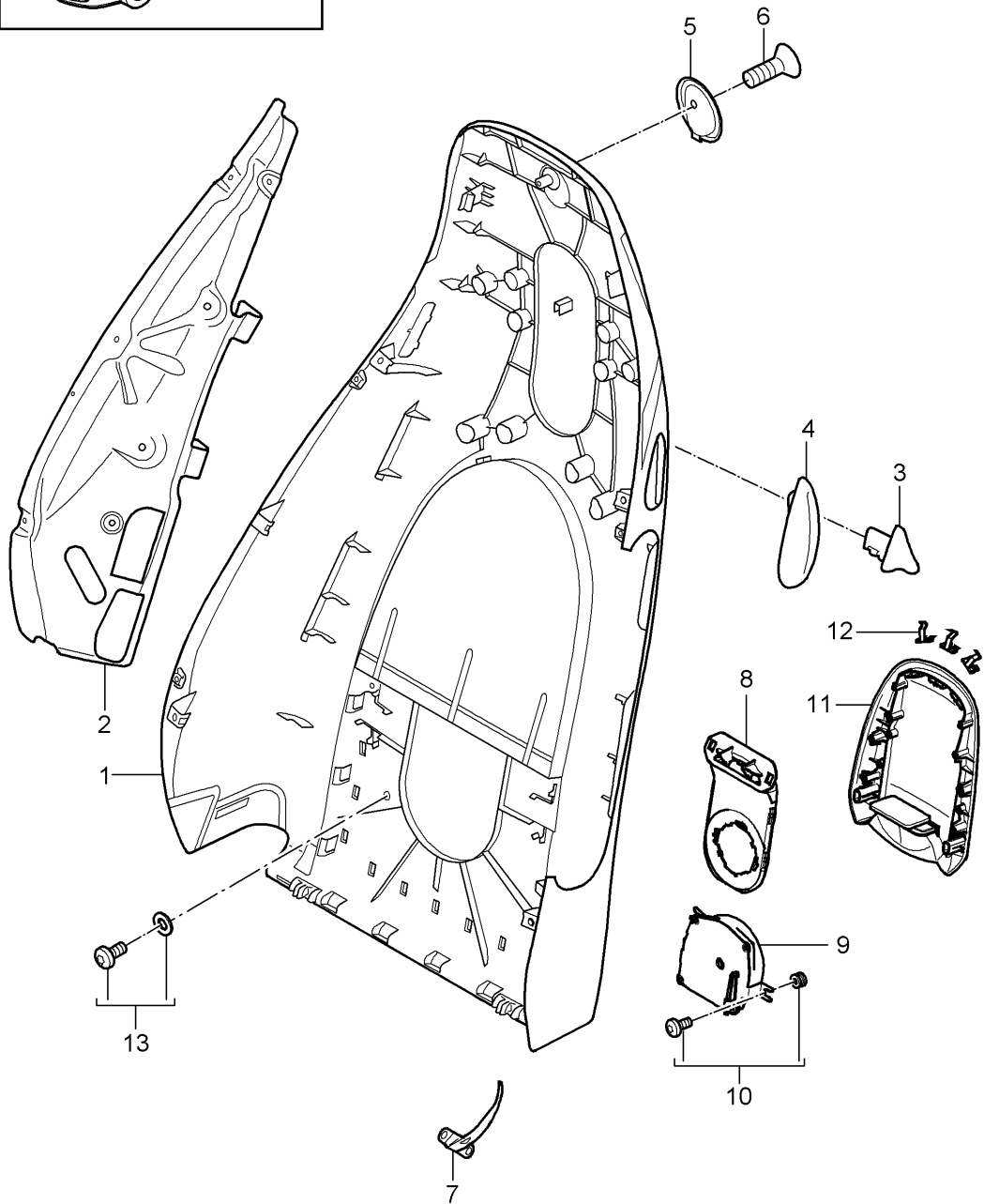
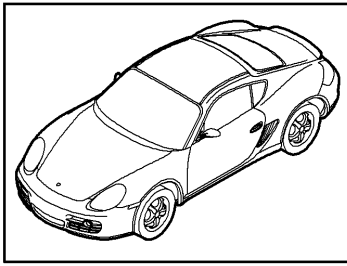
Model: 987209

Model life 2009>>2012

Pos	Part Number	Description	Remark	Qty	Model
14	997 521 731 00	Backrest Airbag		1	I369/370/541
14		Backrest Airbag Backrest		1	I437/438/541

Model: 987209

Model life 2009>>2012



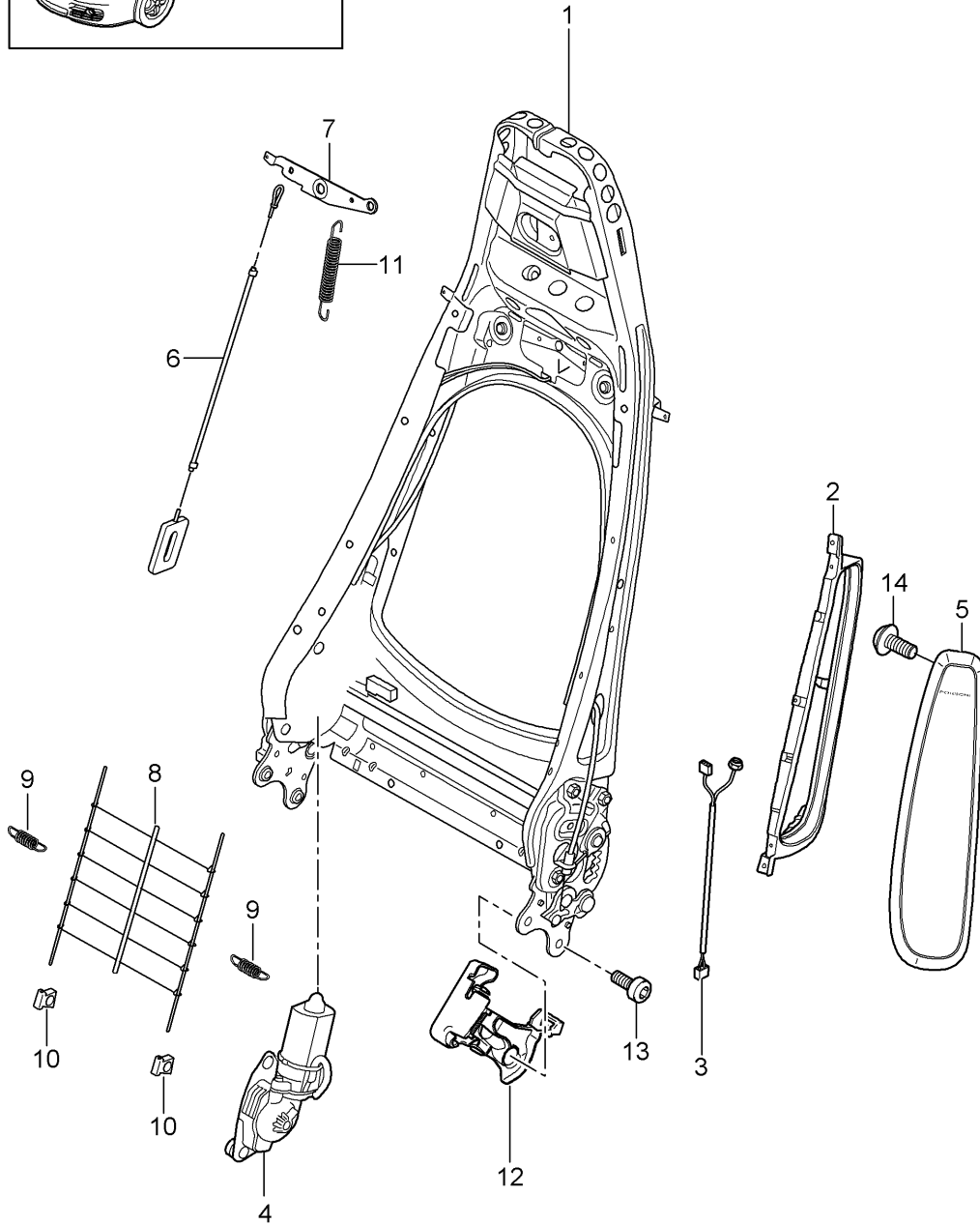
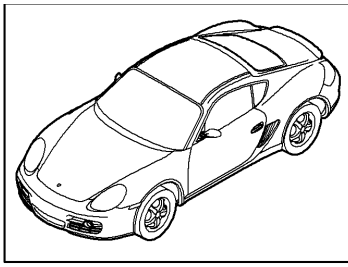
Model: 987209

Model life 2009>>2012

Pos	Part Number	Description	Remark	Qty	Model
		Backrest shell Standard seat Comfort seat Accessories			
1	987 521 303 04	Backrest shell	/L	1	I369/437
	987 521 303 04 01C	Satin black			
(1)	987 521 304 04	Backrest shell	/R	1	I370/438
	987 521 304 04 01C	Satin black			
(1)	987 521 303 06	Backrest shell	/L	1	I369/437/541
	987 521 303 06 01C	Satin black			
(1)	987 521 304 06	Backrest shell	/L	1	I370/438/541
	987 521 304 06 01C	Satin black			
2	997 521 319 00	Bracket	/L	1	
		Backrest side bolster			
(2)	997 521 320 00	Bracket	/R	1	
		Backrest side bolster			
3	987 521 623 01	Control button	/L	1	
		Backrest locking lever			
	987 521 623 01 V05	Galvano silver			
(3)	987 521 624 01	Control button	/R	1	
		Backrest locking lever			
	987 521 624 01 V05	Galvano silver			
4	997 521 621 02	Rosette	/L	1	I369/370/437 I438
		Backrest locking lever			
	997 521 621 02 D07	Volcano grey			
(4)	997 521 622 02	Rosette	/R	1	I369/370/437 I438
		Backrest locking lever			
	997 521 622 02 D07	Volcano grey			
5	997 521 373 01	Coat hook		1	I369/370/437 I438
	997 521 373 01 D07	Volcano grey			
6	999 919 232 09	Screw		1	I369/370/437 I438
		M5 X 20			
		Coat hook			
8	997 521 733 00	Air duct		1	I369/370/437 I438/541
		Backrest shell			
9	997 624 337 00	Electric motor		1	I541
		Vented			
		Backrest			
10	000 043 207 38	Set of fastening parts		1	I541
		Electric motor			
11	987 521 491 00	Cover	09-	1	I369/370/437 I438/541
		Fan			
	987 521 491 00 01C	Satin black			
12	000 043 207 40	Clamp		3	I541
		Mount			
		Cover			
		Fan			
13	000 043 207 41	Set of fastening parts		1	I541
		Mount			
		Cover			
		Fan			

Model: 987209

Model life 2009>>2012



Model: 987209 Model life 2009>>2012

Pos	Part Number	Description	Remark	Qty	Model
1	997 521 329 02	Backrest frame Standard seat Comfort seat		1	I369/370 I437/438 I369/370
(1)		Backrest frame without Memory		1	I437/438
(1)	997 521 329 03	Backrest frame with Memory		1	I537/538
2	997 521 533 00	Cushion carrier	/L	1	I369/437
(2)	997 521 534 00	Side airbag Cushion carrier	/R	1	I370/438
3	997 612 785 01	Wiring harness Side airbag	/L	1	I537
(3)	997 612 786 01	Wiring harness Side airbag	/R	1	I538
4	997 624 331 00	Electric motor Backrest frame Memory		1	I537/538
(4)	997 624 321 00	Electric motor Backrest frame without Memory		1	I369/370
(4)		Electric motor Backrest frame without Memory		1	I437/438
5	997 803 081 01	Side airbag	/L	1	I369/437
	997 803 081 01 A03	Black			
	997 803 081 01 5V7	Stone grey			
	997 803 081 01 5Z1	Sand Beige			
	997 803 081 01 8W7	Sea blue			
	997 803 081 01 8X8	Terracotta			
	997 803 081 01 8P9	Cocoa			
	997 803 081 01 T13	Brown/natural			
	997 803 081 01 N23	Carrera Red			
(5)	997 803 082 01	Side airbag	/R	1	I370/438
	997 803 082 01 A03	Black			
	997 803 082 01 5V7	Stone grey			
	997 803 082 01 5Z1	Sand Beige			
	997 803 082 01 8W7	Sea blue			
	997 803 082 01 8X8	Terracotta			
	997 803 082 01 8P9	Cocoa			
	997 803 082 01 T13	Brown/natural			
	997 803 082 01 N23	Carrera Red			
6	997 521 485 00	Bowden cable Backrest frame		2	
7	997 521 375 00	Release Backrest frame		1	
8	997 521 855 00	Grille Backrest frame		1	
9	997 521 893 00	Tension spring Inner spring		2	
10	997 521 895 00	Clip Inner spring		2	
11	997 521 797 00	Tension spring Release Backrest		1	
12	997 521 335 01	Cover	/L	1	

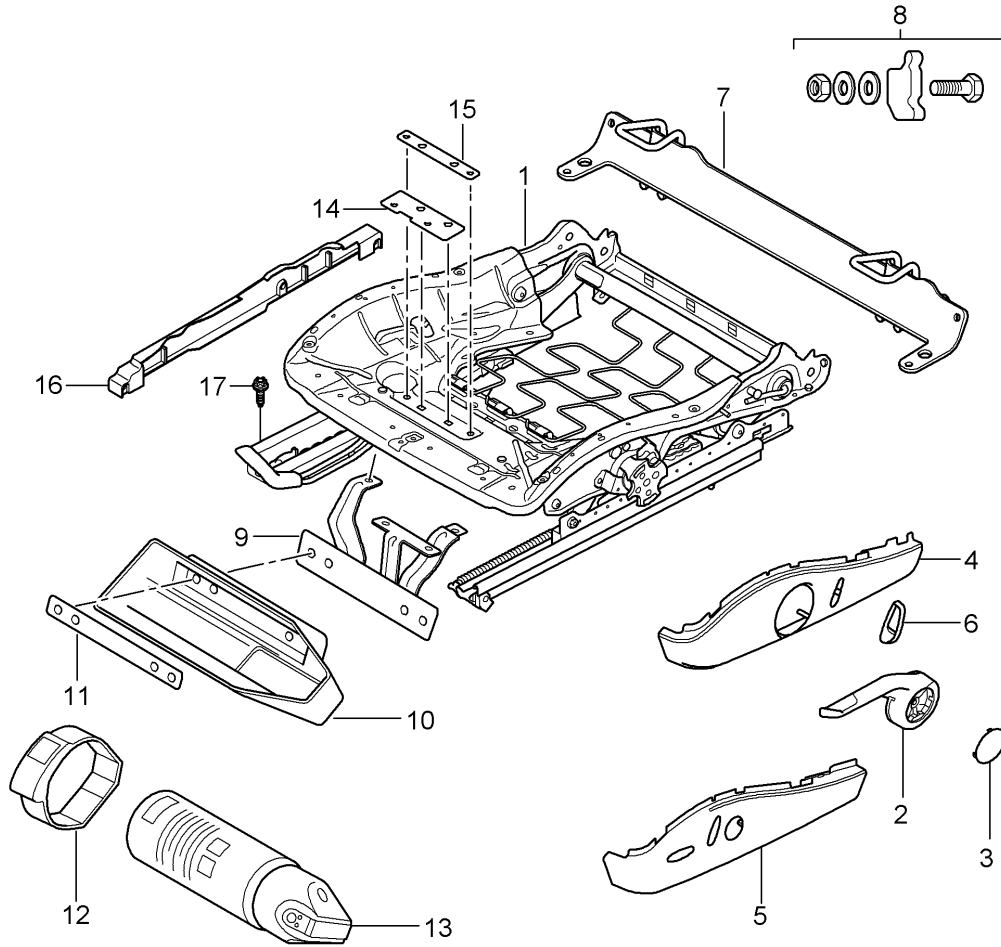
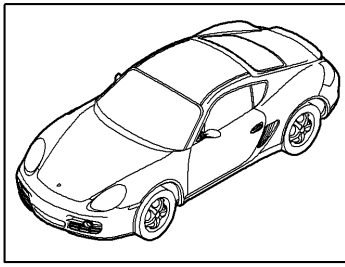
Model: 987209

Model life 2009>>2012

Pos	Part Number	Description	Remark	Qty	Model
(12)	997 521 335 01 D07	Mounting component Inner	/R	1	
	997 521 336 01	Volcano grey Cover			
13	997 521 336 01 D07	Mounting component Inner		4	
	999 073 375 09	Volcano grey Screw Mount Backrest			
14	999 073 306 09	Seat adjuster Screw		2	
		Mount Side airbag			

Model: 987209

Model life 2009>>2012



Model: 987209

Model life 2009>>2012

Pos	Part Number	Description	Remark	Qty	Model
1	997 521 201 10	Seat adjuster Standard seat Comfort seat Seat adjuster Manually Driver's side	/LL /L	1	I098/369/375
(1)	997 521 201 14	Seat adjuster Manually Driver's side	/LL /L	1	I098/369/541
(1)	997 521 202 19	Seat adjuster Manually Driver's side	/RL /R	1	I099/370/376
(1)	997 521 202 23	Seat adjuster Manually Passenger's side	/R	1	I370/376/560
(1)	997 521 202 25	Seat adjuster Manually Driver's side	/RL /R	1	I099/370/541
(1)	997 521 201 24	Seat adjuster Electric without Memory Driver's side	/L	1	I377/437
(1)	997 521 201 26	Seat adjuster Electric without Memory Driver's side	/L	1	I437/541
(1)	997 521 202 30	Seat adjuster Electric without Memory Driver's side	/R	1	I378/438
(1)	997 521 202 24	Seat adjuster Electric without Memory Driver's side	/R	1	I378/438/560
(1)	997 521 202 32	Seat adjuster Electric without Memory Driver's side	/R	1	I438/541
(1)	997 521 201 25	Seat adjuster Electric with Memory Driver's side	/L	1	I377/437/537
(1)	997 521 201 27	Seat adjuster Electric with Memory Driver's side	/L	1	I437/537/541
(1)	997 521 202 31	Seat adjuster Electric with Memory Driver's side	/R	1	I378/438/538
(1)	997 521 202 33	Seat adjuster Electric with Memory Driver's side	/R	1	I438/538/541

Model: 987209

Model life 2009>>2012

Pos	Part Number	Description	Remark	Qty	Model
(1)	997 521 202 20	Seat adjuster Manually Passenger's side	/LL /R	1	I098/370/376
(1)	997 521 202 26	Seat adjuster Manually Passenger's side	/LL /R	1	I098/370/541
(1)	997 521 201 11	Seat adjuster Manually Passenger's side	/RL /L	1	I099/369/375
(1)	997 521 201 15	Seat adjuster Manually Passenger's side	/RL /L	1	I099/369/541
2	997 521 627 01	Actuating lever Height adjustment	/L	1	I369/375
(2)	997 521 627 01 V05	Galvano silver			
(2)	997 521 628 01	Actuating lever Height adjustment	/R	1	I370/376
	997 521 628 01 V05	Galvano silver			
3	997 521 629 01	Cap		2	I369/370/375 I376
	997 521 629 01 D07	Actuating lever			
4	997 521 325 06	Volcano grey Trim for switch	/L	1	I369/375
	997 521 325 06 D07	Volcano grey			
(4)	997 521 326 06	Trim for switch	/R	1	I370/376
	997 521 326 06 D07	Volcano grey			
(4)	997 521 326 09	Trim for switch	/R	1	I370/376/560
	997 521 326 09 D07	Volcano grey			
5	997 521 325 07	Trim for switch	/L	1	I437
	997 521 325 07 D07	Volcano grey			
(5)	997 521 326 07	Trim for switch	/R	1	I438
	997 521 326 07 D07	Volcano grey			
(5)	997 521 326 10	Trim for switch	/R	1	I438/560
	997 521 326 10 D07	Volcano grey			
6	997 521 631 01	Control button	-10	1	I369/370/375 I376/377/378 I437/438
	997 521 631 01 V05	Backrest Galvano silver			
6	997 521 631 02	Control button Backrest	11-	1	I369/370/375 I376/377/378 I437/438
	997 521 631 02 V05	Galvano silver			
7	997 521 061 01	Retaining bow Child car seat ISOFIX Not for AUSTRALIEN	-(AUS)	1	
8	997 521 961 01	Set of fastening parts Retaining bow		1	
9	997 521 251 00	Support	/LL	1	I098/509
(9)	997 521 252 00	Fire extinguisher Support	/RL	1	I099/509
10	997 521 607 00	Fire extinguisher Cup		1	I509
11	997 521 881 00	Fire extinguisher Support Cup		1	I509
12	997 521 851 00	Fire extinguisher Restraining strap		1	I509
13	996 722 115 00	Fire extinguisher		1	

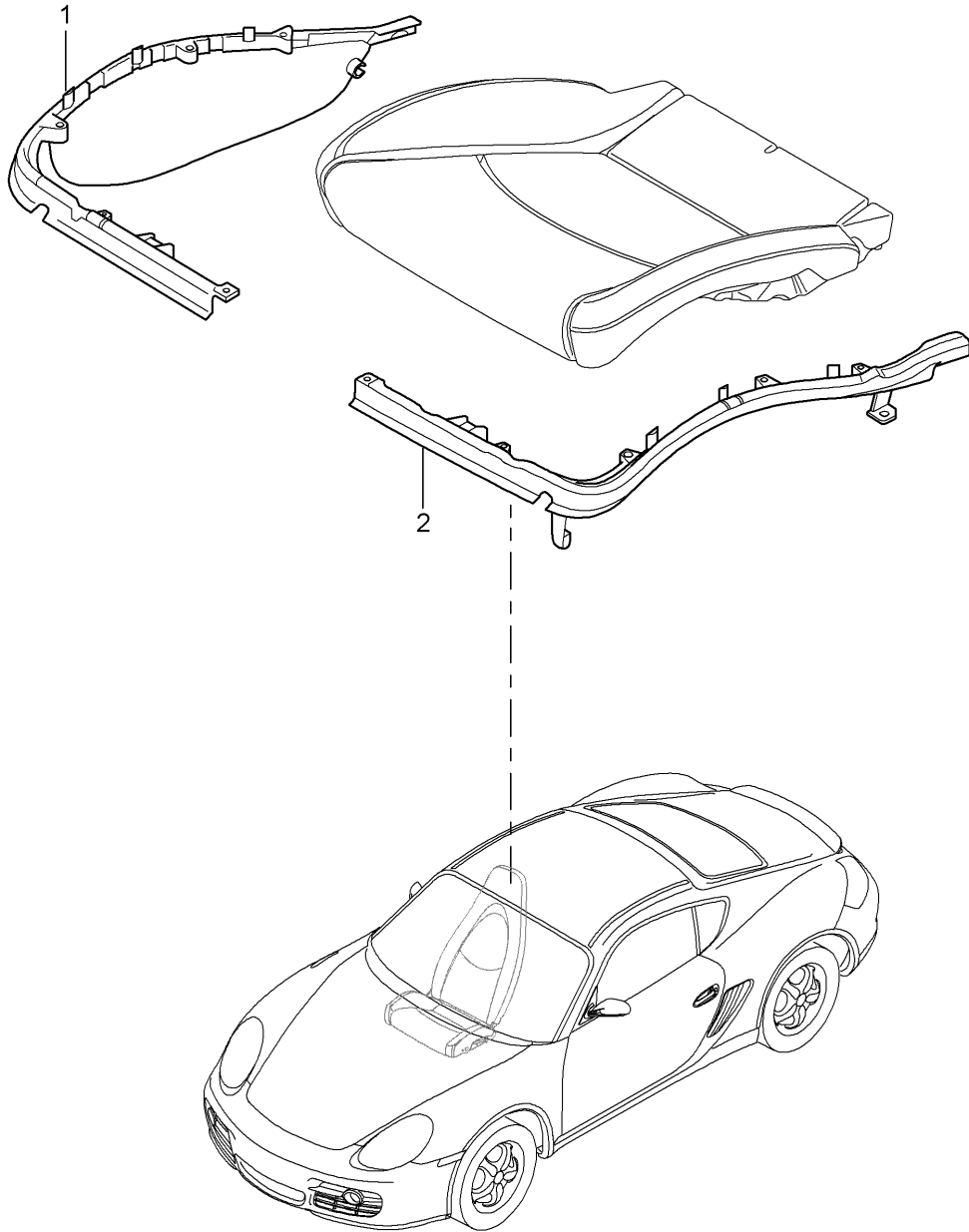
Model: 987209

Model life 2009>>2012

Pos	Part Number	Description	Remark	Qty	Model
14	997 521 841 00	Information available Information available Reinforcement Front		1	I509
15	997 521 843 00	Reinforcement Rear		1	I509
16	997 521 427 01	Cover	/L	1	I370/376/378 I438/560
(16)	997 521 427 01 01C	Sensor Weight Satin black			
	997 521 426 01	Cover	/R	1	I370/376/378 I438/560
	997 521 426 01 01C	Sensor Weight Satin black			
17	999 141 047 01	Torx screw Seat rail Mount		4	

Model: 987209

Model life 2009>>2012



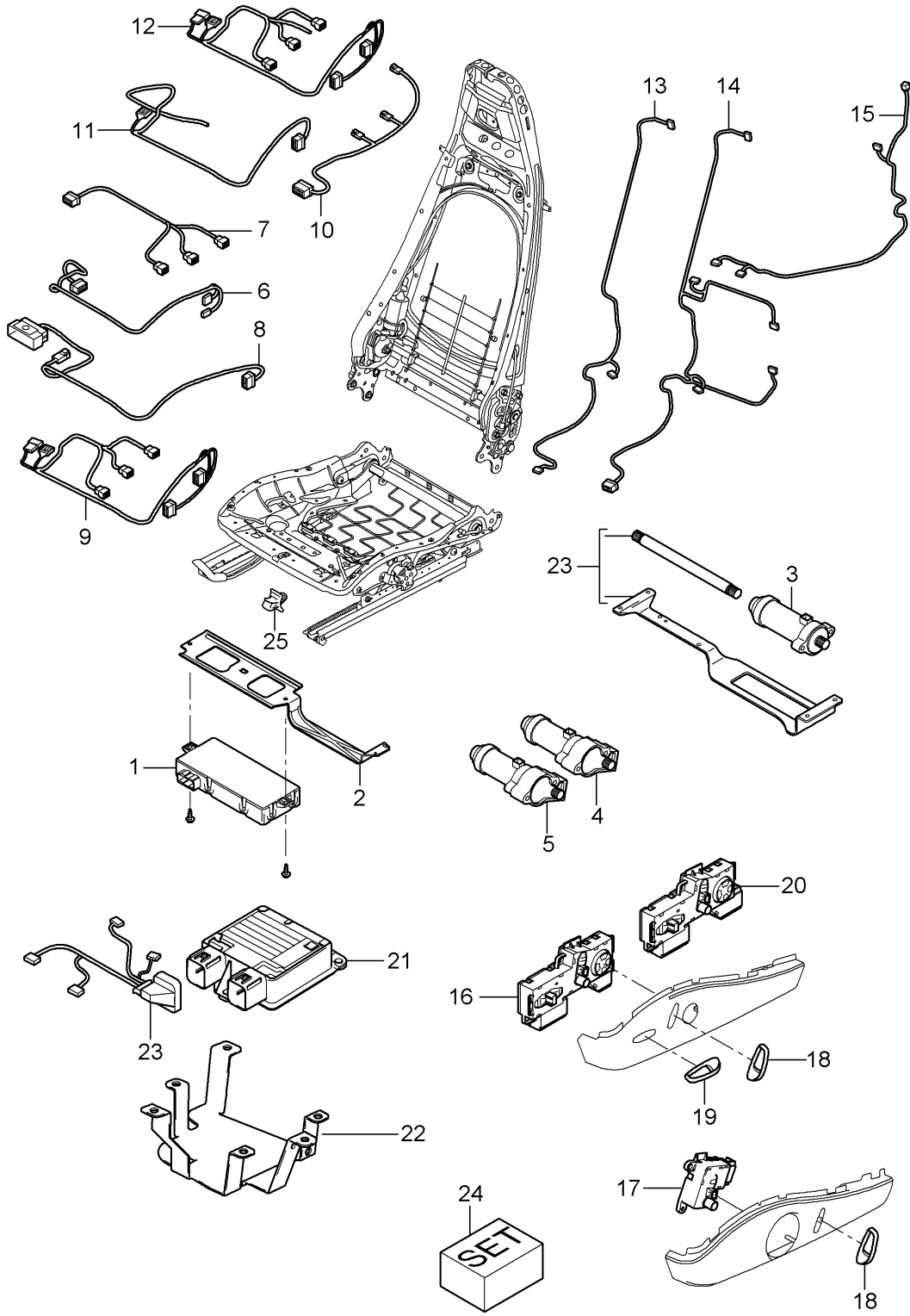
Model: 987209

Model life 2009>>2012

Pos	Part Number	Description	Remark	Qty	Model
		Cushion carrier			
		Frame			
		Seat surface			
		Standard seat			
		Comfort seat			
1	997 521 547 00	Frame	/L	1	I370/438
		Inner			
(1)	997 521 548 00	Frame	/R	1	I369/437
		Inner			
2	997 521 545 00	Frame	/L	1	I369/437
		Outer			
(2)	997 521 546 00	Frame	/R	1	I370/438
		Outer			
(2)	997 521 546 01	Frame	/R	1	I370/438/560
		Outer			

Model: 987209

Model life 2009>>2012



Model: 987209

Model life 2009>>2012

Pos	Part Number	Description	Remark	Qty	Model
		Wiring harnesses			
		Switch			
		Control unit			
		Electric motor			
		Standard seat			I369/370
		Comfort seat			I437/438
1	997 618 537 07	Control unit		1	I537/538
		Seating position control			
2	997 521 643 01	Support		1	I537/538
		Control unit			
		Seating position control			
3	997 624 322 00	Electric motor		1	I437/438
		Seat adjuster			
		Lengthways			
		without			
		Memory			
(3)	997 624 332 00	Electric motor		1	I537/538
		Seat adjuster			
		Lengthways			
		with			
		Memory			
4	997 624 322 00	Electric motor		1	I437/438
		Seat adjuster			
		Height adjustment			
		without			
		Memory			
(4)	997 624 332 00	Electric motor		1	I537/538
		Seat adjuster			
		Height adjustment			
		with			
		Memory			
5	997 624 323 00	Electric motor		1	I437/438
		Seat adjuster			
		Tilt angle			
		without			
		Memory			
(5)	997 624 333 00	Electric motor		1	I537/538
		Seat adjuster			
		Tilt angle			
		with			
		Memory			
6	997 612 684 00	Wiring harness		1	I537/538
		Seat adjuster			
		Memory			
7	997 612 690 00	Wiring harness		1	I537/538
		Lengthways			
		Height adjustment			
		Memory			
8	997 612 682 01	Wiring harness		1	I369/370
		Switch			
		Seat adjuster			
9	997 612 683 01	Wiring harness		1	I437/438
		Switch			
		Seat adjuster			
		without			
		Memory			
10	997 612 657 00	Wiring harness		2	I541
		Seat			
11	997 612 658 00	Wiring harness		1	I369/370/541
		Standard seat			
		Manually			
12	997 612 659 00	Wiring harness		1	I437/438/541
		Comfort seat			

Model: 987209 Model life 2009>>2012

Pos	Part Number	Description	Remark	Qty	Model
13	997 612 689 00	Electric Wiring harness Lumbar support without Memory		1	I437/438
14	997 612 687 00	Wiring harness Lumbar Backrest Memory	/L	1	I437/537
(14)		Wiring harness Lumbar Backrest Memory	/R	1	I438/538
15	997 612 685 01	Wiring harness Backrest	/L	1	I369/437
(15)	997 612 686 01	Wiring harness Backrest	/R	1	I370/438
16	997 613 721 01	Switch Seat adjuster Memory switch	/L	1	I437/537
(16)	997 613 721 01 V05 997 613 722 01	Galvano silver Switch Seat adjuster Memory switch	/R	1	I438/538
	997 613 722 01 V05	Galvano silver			
17	997 613 713 00	Switch Seat adjuster Manually adjustable	/L -10	1	I369
17	997 613 713 01	Switch Seat adjuster Manually adjustable	/L 11-	1	I369
(17)	997 613 714 00	Switch Seat adjuster Manually adjustable	/R -10	1	I370
(17)	997 613 714 01	Switch Seat adjuster Manually adjustable	/R 11-	1	I370
18	997 521 631 01	Control button Backrest	-10	1	
	997 521 631 01 V05	Galvano silver			
18	997 521 631 02	Control button Backrest	11-	1	
	997 521 631 02 V05	Galvano silver			
19	997 521 633 02	Control button Seat cushion	-10	1	I437/438
	997 521 633 02 V05	Galvano silver			
19	997 521 633 03	Control button Seat cushion	11-	1	I437/438
	997 521 633 03 V05	Galvano silver			
20	997 613 717 01	Switch Seat adjuster without Memory	/L -10	1	I437
	997 613 717 01 V05	Galvano silver			
20	997 613 717 02	Switch Seat adjuster without Memory	/L 11-	1	I437
	997 613 717 02 V05	Galvano silver			
(20)	997 613 718 01	Switch Seat adjuster without Memory	/R -10	1	I438

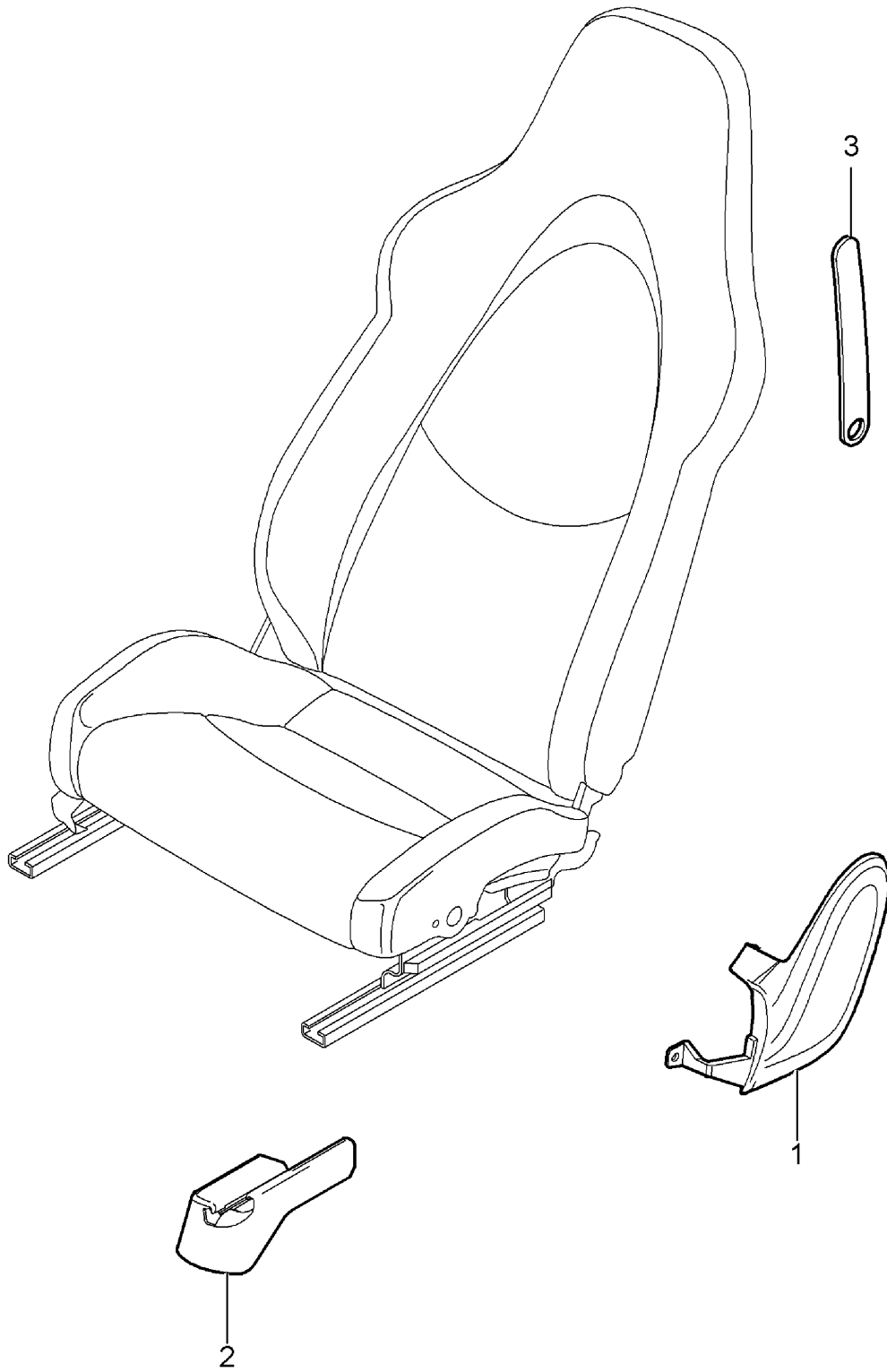
Model: 987209

Model life 2009>>2012

Pos	Part Number	Description	Remark	Qty	Model
(20)	997 613 718 01 V05 997 613 718 02	Galvano silver Switch Seat adjuster without Memory	/R 11-	1	I438
(21)	997 613 718 02 V05 997 618 233 05	Galvano silver Control unit Seat occupancy detection		1	I370/438/560
22	997 521 646 00	Support Control unit Seat occupancy detection		1	I370/438/560
23	997 612 688 01	Wiring harness Seat occupancy detection		1	I370/438/560
24	997 521 901 00	Repair kit Pliable shaft Engine bracket		1	
25	999 650 973 40	Clip Mount Wiring harness Seat occupancy detection		1	

Model: 987209

Model life 2009>>2012



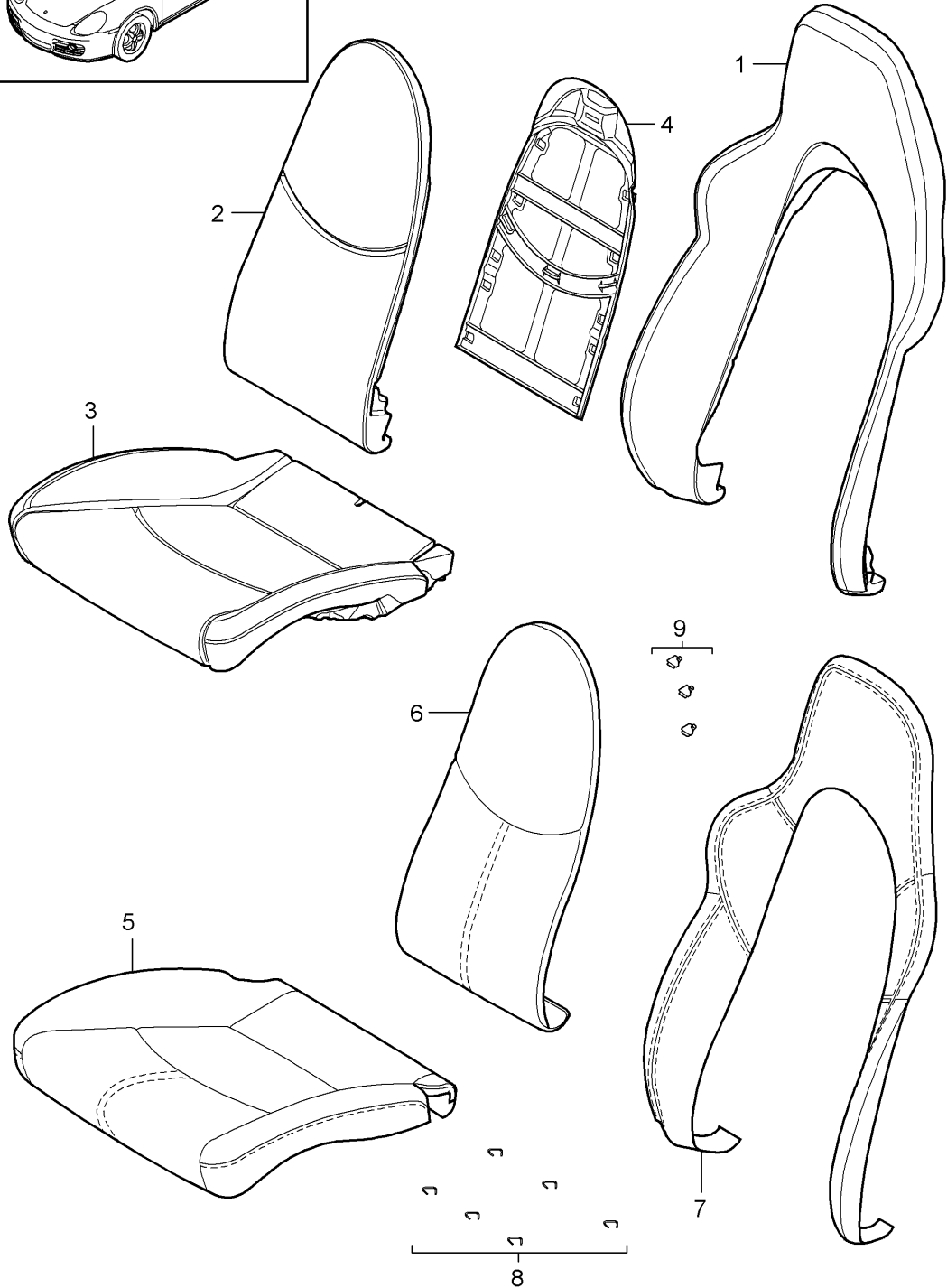
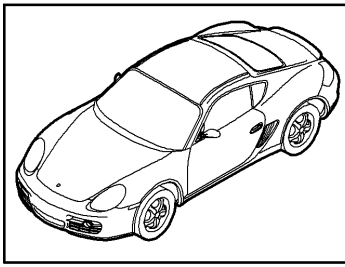
Model: 987209

Model life 2009>>2012

Pos	Part Number	Description	Remark	Qty	Model
1	997 521 315 02	Front seat Complete Not available Sports seat Trim cover Mounting component	/L	1	I375/377
(1)	997 521 315 02 D07	Volcano grey			
(1)	997 521 316 02	Trim cover Mounting component	/R	1	I376/378
	997 521 316 02 D07	Volcano grey			
2	997 521 359 01	Rail Seat rail	/L	1	I375
(2)	997 521 359 01 01C	Satin black			
(2)	997 521 362 00	Rail Seat rail	/R	1	I375
	997 521 362 00 01C	Satin black			
(2)	997 521 361 00	Rail Seat rail	/L	1	I376
	997 521 361 00 01C	Satin black			
(2)	997 521 360 01	Rail Seat rail	/R	1	I376
	997 521 360 01 01C	Satin black			
(2)	997 521 361 00	Rail Seat rail	/L	1	I377/378
	997 521 361 00 01C	Satin black			
(2)	997 521 362 00	Rail Seat rail	/R	1	I377/378
	997 521 362 00 01C	Satin black			
3	987 521 181 00	Set of fastening parts Guide Belt Complete	/L	1	I377
	987 521 181 00 8YR	Black			
	987 521 181 00 5X5	Stone grey			
	987 521 181 00 8G1	Sand Beige			
	987 521 181 00 3S8	Sea blue			
	987 521 181 00 9N2	Terracotta			
	987 521 181 00 9Q3	Cocoa			
	987 521 181 00 D11	Dark grey/natural			
	987 521 181 00 T11	Brown/natural			
	987 521 181 00 N11	Carrera Red			
(3)	987 521 182 00	Set of fastening parts Guide Belt Complete	/R	1	I378
	987 521 182 00 8YR	Black			
	987 521 182 00 5X5	Stone grey			
	987 521 182 00 8G1	Sand Beige			
	987 521 182 00 3S8	Sea blue			
	987 521 182 00 9N2	Terracotta			
	987 521 182 00 9Q3	Cocoa			
	987 521 182 00 D11	Dark grey/natural			
	987 521 182 00 T11	Brown/natural			
	987 521 182 00 N11	Carrera Red			

Model: 987209

Model life 2009>>2012



Model: 987209 Model life 2009>>2012

Pos	Part Number	Description	Remark	Qty	Model
1	997 521 535 01	Foam part Cover Sports seat		2	I375/376
(1)	997 521 535 02	Foam part Backrest Outer		2	I377/378
2	997 521 581 00	Foam part		1	I375/376/377 I378
3	997 521 571 01	Foam part Seat cushion with heating		1	I375/376
(3)	997 521 571 02	Foam part Seat cushion with heating		1	I377/378
(3)	997 521 571 04	Foam part Seat cushion with heating		1	I376/560
(3)	997 521 571 05	Foam part Seat cushion with heating		1	I378/560
4	997 521 551 01	Cushion carrier		2	I375/376/377 I378
5	997 521 161 03	Backrest Cover for cushion		1	I375/376/983
	997 521 161 03 FLC	Black			
	997 521 161 03 FLF	Stone grey			
	997 521 161 03 FLJ	Sand Beige			
	997 521 161 03 FLM	Sea blue			
	997 521 161 03 FLQ	Terracotta			
	997 521 161 03 FLR	Cocoa			
	997 521 161 03 VAA	Dark grey/natural			
	997 521 161 03 VAB	Brown/natural			
	997 521 161 03 VAC	Carrera Red			
	997 521 161 03 BCA	Black/stone grey			
(5)	997 521 161 03	Cover for cushion	10-	1	Cayman R I375/376/983
	997 521 161 03 FLC	Black			
	997 521 161 03 FLJ	Sand Beige			
	997 521 161 03 FLR	Cocoa			
	997 521 161 03 VAC	Carrera Red			
(5)	997 521 161 06	Cover for cushion		1	I377/379/983
	997 521 161 06 FLC	Black			
	997 521 161 06 FLF	Stone grey			
	997 521 161 06 FLJ	Sand Beige			
	997 521 161 06 FLM	Sea blue			
	997 521 161 06 FLQ	Terracotta			
	997 521 161 06 FLR	Cocoa			
	997 521 161 06 VAA	Dark grey/natural			
	997 521 161 06 VAB	Brown/natural			
	997 521 161 06 VAC	Carrera Red			
	997 521 161 06 BCA	Black/stone grey			
6	997 521 151 00	Backrest cushion cover		1	I375/376/377 I378/983
	997 521 151 00 8YR	Centre part Black			
	997 521 151 00 5X5	Stone grey			
	997 521 151 00 8G1	Sand Beige			
	997 521 151 00 3S8	Sea blue			
	997 521 151 00 9N2	Terracotta			
	997 521 151 00 9Q3	Cocoa			

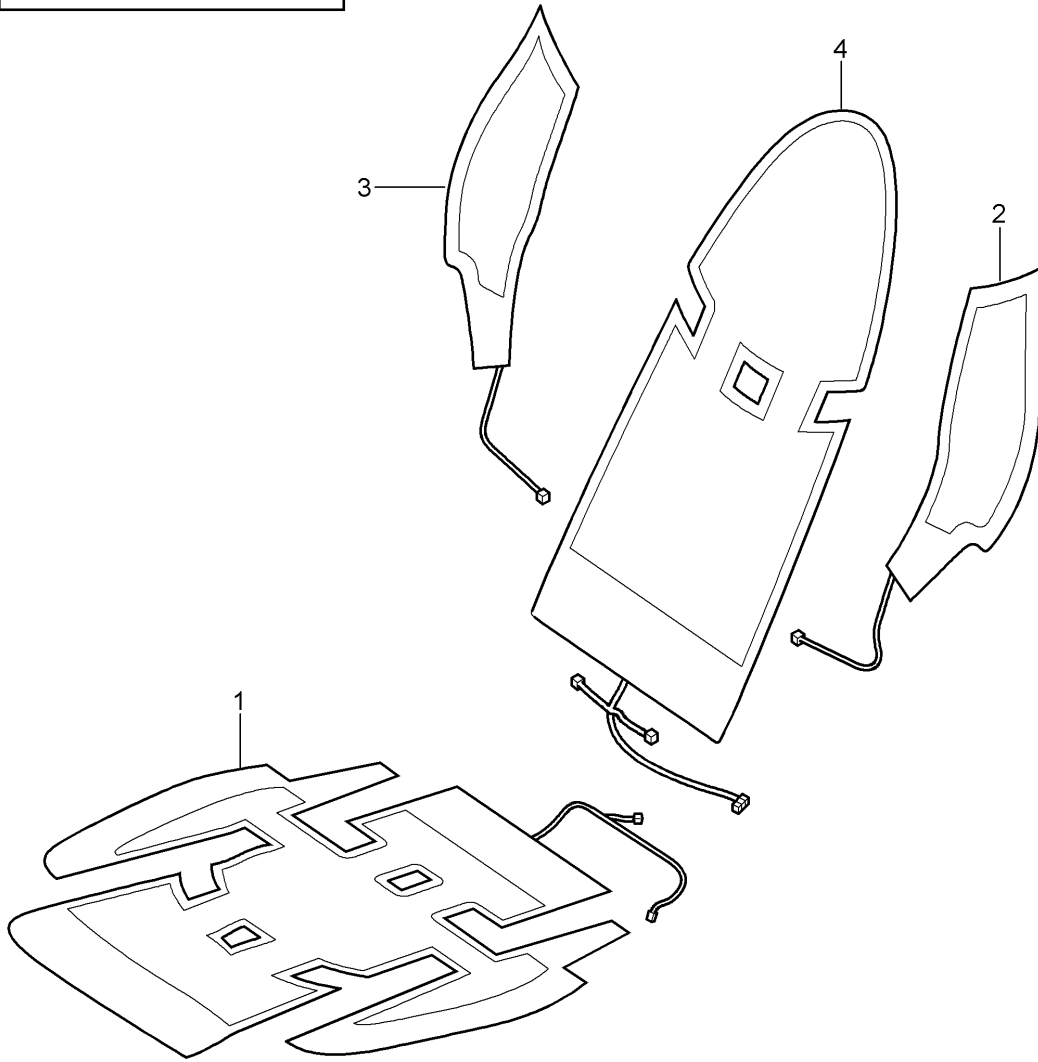
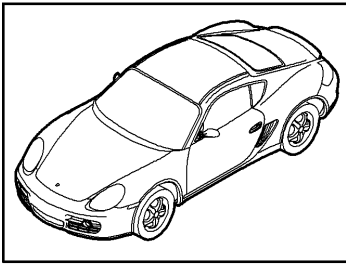
Model: 987209

Model life 2009>>2012

Pos	Part Number	Description	Remark	Qty	Model				
(6)	997 521 151 00 D11	Dark grey/natural	10-	1	Cayman R I375/376/983				
	997 521 151 00 T11	Brown/natural							
	997 521 151 00 N11	Carrera Red							
	997 521 151 00	Backrest cushion cover							
		Centre part							
	997 521 151 00 8YR	Black							
7	997 521 151 00 8G1	Sand Beige	10-	2	I375/376/377 I378/983				
	997 521 151 00 9Q3	Cocoa							
	997 521 151 00 N11	Carrera Red							
	997 521 155 01	Backrest cover							
		Outer part							
	997 521 155 01 FLC	Black							
	997 521 155 01 FLF	Stone grey							
	997 521 155 01 FLJ	Sand Beige							
	997 521 155 01 FLM	Sea blue							
	997 521 155 01 FLQ	Terracotta							
	997 521 155 01 FLR	Cocoa							
	997 521 155 01 VAA	Dark grey/natural							
	997 521 155 01 VAB	Brown/natural							
997 521 155 01 VAC	Carrera Red								
(7)	997 521 155 01	Backrest cover	10-	2	Cayman R I375/376/983				
(7)		Outer part	10-	1	IXSC/375/376 I377/378/983				
	997 521 155 01 FLC	Black							
	997 521 155 01 FLJ	Sand Beige							
	997 521 155 01 FLR	Cocoa							
	997 521 155 01 VAC	Carrera Red							
	(7)	997 521 941 02				Backrest cover	10-	1	Cayman R IXSC/375/376
	(7)					Outer part	10-	1	Cayman R IXSC/375/376
		997 521 941 02 8YR				Black			
		997 521 941 02 5X5				Stone grey			
		997 521 941 02 8G1				Sand Beige			
		997 521 941 02 3S8				Sea blue			
		997 521 941 02 9N2				Terracotta			
		997 521 941 02 9Q3				Cocoa			
997 521 941 02 D11		Dark grey/natural							
997 521 941 02 T11		Brown/natural							
997 521 941 02 N11		Carrera Red							
(7)		997 521 941 02	Backrest cover	10-	1	Cayman R IXSC/375/376			
8			Outer part	10-	6	I375/376/377 I378			
		997 521 941 02 8YR	Black						
	997 521 941 02 8G1	Sand Beige							
	997 521 941 02 9Q3	Cocoa							
	997 521 941 02 N11	Carrera Red							
	8	997 521 837 00	Clip				10-	6	I375/376/377 I378
9		Padding	10-	5	I375/376/377 I378				
		Seat							
	9	997 521 897 00				Clip			
		Backrest cover	10-	5	I375/376/377 I378				

Model: 987209

Model life 2009>>2012



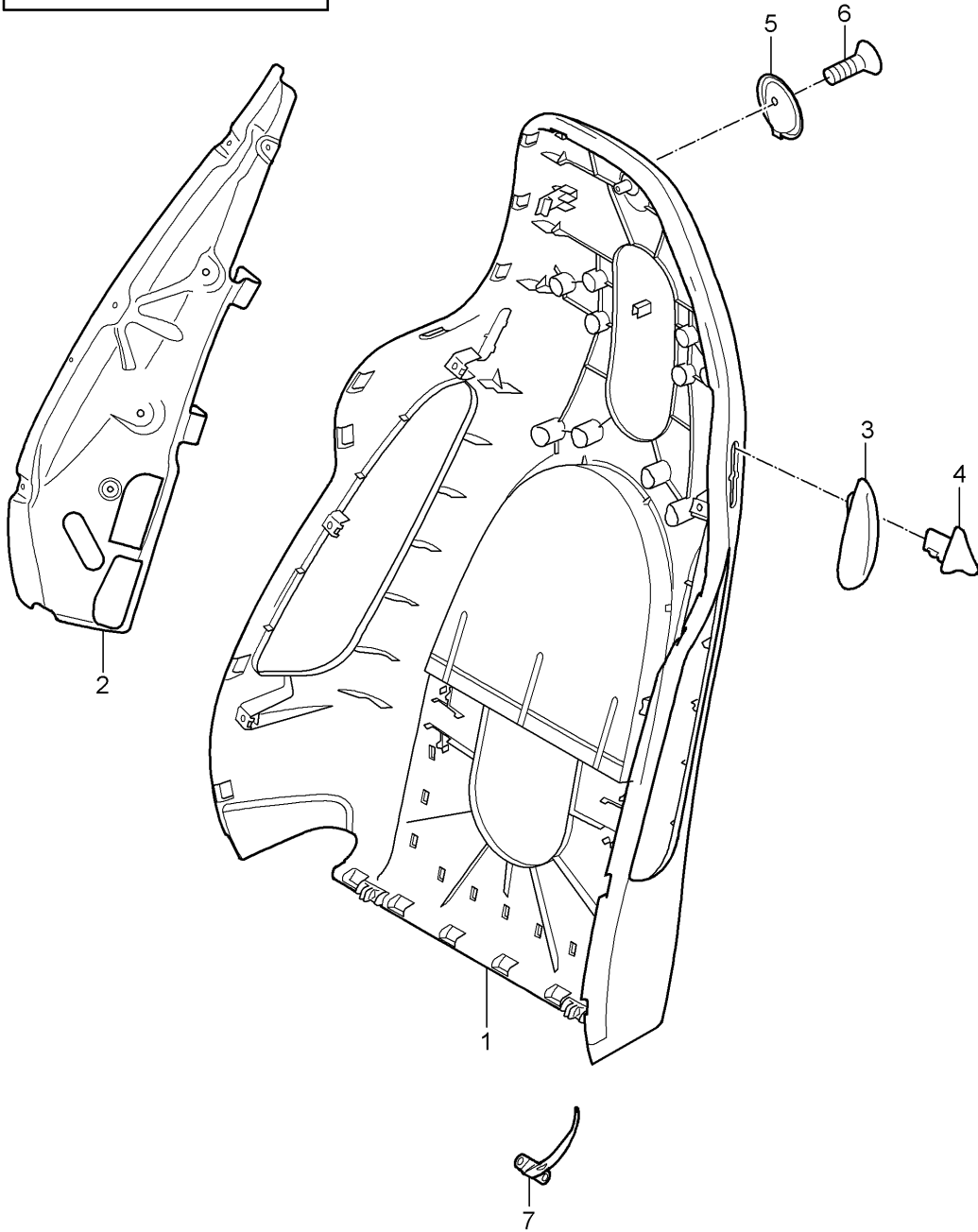
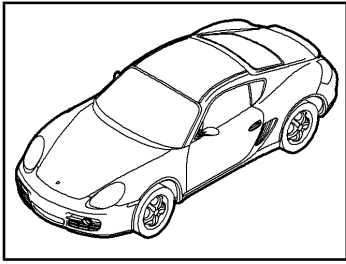
Model: 987209

Model life 2009>>2012

Pos	Part Number	Description	Remark	Qty	Model
1	997 653 105 02	Heating Front seat Heating element Seat cushion Standard seat Comfort seat		2	I342/369/370
(1)	997 653 105 03	Heating element Seat cushion Sports seat		2	I342/375/376
(1)	997 653 117 00	Heating element Seat side bolster	/L	2	I541
(1)	997 653 118 00	Heating element Seat side bolster	/R	2	I541
2	997 653 109 00	Heating element	/L	1	I342/369/370 I437/438
(2)	997 653 121 00	Backrest side bolster Standard seat Comfort seat Heating element Backrest side bolster Standard seat Comfort seat	/L	1	I541
(2)	997 653 109 01	Heating element	/L	1	I342/375/376 I377/378
3	997 653 110 00	Backrest side bolster Sports seat Heating element	/R	1	I342/369/370 I437/438
(3)	997 653 122 00	Backrest side bolster Standard seat Comfort seat Heating element Backrest side bolster Standard seat Comfort seat	/R	1	I541
(3)	997 653 110 01	Heating element	/R	1	I342/375/376 I377/378
4	997 653 107 00	Backrest side bolster Sports seat Heating element Backrest cushion		2	I342

Model: 987209

Model life 2009>>2012



Model: 987209 Model life 2009>>2012

Pos	Part Number	Description	Remark	Qty	Model
1	987 521 303 05	Backrest shell Sports seat		1	I375/377
(1)	987 521 303 05 D07	Volcano grey		1	I376/378
(1)	987 521 304 05	Backrest shell		1	IXSA/375/377
	987 521 304 05 D07	Volcano grey			
	987 521 981 00	Backrest shell		1	IXSA/375/377
		Lacquered			
	987 521 981 00 041	Black			
	987 521 981 00 84A	Guards red			
	987 521 981 00 12H	Speed yellow			
	987 521 981 00 B9A	Carrara white			
	987 521 981 00 92U	Arctic silver metallic			
	987 521 981 00 C9Z	Basalt black metallic			
	987 521 981 00 M7X	Atlas grey metallic			
	987 521 981 00 M7Z	GT Silver Metallic			
	987 521 981 00 M7W	Meteor Grey Metallic			
	987 521 981 00 M8W	Macadamia Metallic			
	987 521 981 00 8A7	Ruby red metallic			
	987 521 981 00 22G	Racing Green Metallic	09-		
	987 521 981 00 M5R	Aqua Blue Metallic	09-		
	987 521 981 00 51A	Creamy white	09-		
	987 521 981 00 M2Z	Nordic Gold Metallic			
	987 521 981 00 2B5	Malachite Green Metallic			
	987 521 981 00 39C	Midnight Blue Metallic	10-		
	987 521 981 00 M3X	Ruby red metallic	10-		
	987 521 981 00 M5X	Dark Blue Metallic	10-		
	987 521 981 00 M4Z	Amethyst metallic	10-		
	987 521 981 00 M7T	Platinum Silver Metallic	10-		
(1)	987 521 981 00 M5Q	Ice Blue Metallic	11-		
	987 521 981 00	Backrest shell		1	Cayman R IXSA/375
		Lacquered			
	987 521 981 00 041	Black			
	987 521 981 00 84A	Guards red			
	987 521 981 00 B94	Carrara white			
	987 521 981 00 92U	Arctic silver metallic			
	987 521 981 00 C9Z	Basalt black metallic			
	987 521 981 00 M5R	Aqua Blue Metallic			
	987 521 981 00 51A	Creamy white			
(1)	987 521 982 00	Backrest shell		1	IXSA/376/378
		Lacquered			
	987 521 982 00 041	Black			
	987 521 982 00 84A	Guards red			
	987 521 982 00 12H	Speed yellow			
	987 521 982 00 B9A	Carrara white			
	987 521 982 00 92U	Arctic silver metallic			
	987 521 982 00 C9Z	Basalt black metallic			
	987 521 982 00 M7X	Atlas grey metallic			
	987 521 982 00 M7Z	GT Silver Metallic			
	987 521 982 00 M7W	Meteor Grey Metallic			
	987 521 982 00 M8W	Macadamia Metallic			
	987 521 982 00 8A7	Ruby red metallic			
	987 521 982 00 22G	Racing Green Metallic	09-		
	987 521 982 00 M5R	Aqua Blue Metallic	09-		
	987 521 982 00 51A	Creamy white	09-		
	987 521 982 00 M2Z	Nordic Gold Metallic			
	987 521 982 00 2B5	Malachite Green Metallic			
	987 521 982 00 39C	Midnight Blue Metallic	10-		
	987 521 982 00 M3X	Ruby red metallic	10-		
	987 521 982 00 M5X	Dark Blue Metallic	10-		
	987 521 982 00 M4Z	Amethyst metallic	10-		
	987 521 982 00 M7T	Platinum Silver Metallic	10-		

Model: 987209 Model life 2009>>2012

Pos	Part Number	Description	Remark	Qty	Model
(1)	987 521 982 00 M5Q 987 521 982 00	Ice Blue Metallic Backrest shell Lacquered	11-	1	Cayman R IXSA/376
	987 521 982 00 041	Black			
	987 521 982 00 84A	Guards red			
	987 521 982 00 B94	Carrara white			
	987 521 982 00 92U	Arctic silver metallic			
	987 521 982 00 C9Z	Basalt black metallic			
	987 521 982 00 M5R	Aqua Blue Metallic			
	987 521 982 00 51A	Creamy white			
(1)	997 521 983 00	Backrest shell Lacquered	10-	1	IXSA/375
	997 521 983 00 041	Black			
	997 521 983 00 84A	Guards red			
	997 521 983 00 B9A	Carrara white			
	997 521 983 00 92U	Arctic silver metallic			
	997 521 983 00 C9Z	Basalt black metallic			
	997 521 983 00 M5R	Aqua Blue Metallic			
	997 521 983 00 51A	Creamy white			
	997 521 983 00 M3X	Ruby red metallic	10-		
	997 521 983 00 M5X	Dark Blue Metallic	10-		
	997 521 983 00 M4Z	Amethyst metallic	10-		
	997 521 983 00 M7T	Platinum Silver Metallic	10-		
	997 521 983 00 M5Q	Ice Blue Metallic	11-		
(1)	997 521 984 00	Backrest shell Lacquered	10-	1	IXSA/376
	997 521 984 00 041	Black			
	997 521 984 00 84A	Guards red			
	997 521 984 00 B9A	Carrara white			
	997 521 984 00 92U	Arctic silver metallic			
	997 521 984 00 C9Z	Basalt black metallic			
	997 521 984 00 M5R	Aqua Blue Metallic			
	997 521 984 00 51A	Creamy white			
	997 521 984 00 M3X	Ruby red metallic	10-		
	997 521 984 00 M5X	Dark Blue Metallic	10-		
	997 521 984 00 M4Z	Amethyst metallic	10-		
	997 521 984 00 M7T	Platinum Silver Metallic	10-		
	997 521 984 00 M5Q	Ice Blue Metallic	11-		
(1)	997 521 984 02	Backrest shell Lacquered	11-	1	IXSA/376/560
	997 521 984 02 041	Black			
	997 521 984 02 84A	Guards red			
	997 521 984 02 12H	Speed yellow			
	997 521 984 02 B9A	Carrara white			
	997 521 984 02 M5Q	Ice Blue Metallic			
	997 521 984 02 M5R	Aqua Blue Metallic			
	997 521 984 02 22G	Racing Green Metallic			
	997 521 984 02 C9Z	Basalt black metallic			
	997 521 984 02 M8W	Macadamia Metallic			
	997 521 984 02 M5X	Dark Blue Metallic			
	997 521 984 02 M7W	Meteor Grey Metallic			
	997 521 984 02 M7T	Platinum Silver Metallic			
	997 521 984 02 M3X	Ruby red metallic			
	997 521 984 02 M4Z	Amethyst metallic			
	997 521 984 02 51A	Creamy white			
	997 521 984 02 M7Z	GT Silver Metallic			
	997 521 984 02 2S1	Peridot Metallic			
2	997 521 319 00	Bracket	/L	1	
(2)	997 521 320 00	Bracket Backrest side bolster	/R	1	
3	997 521 621 03	Rosette	/L	1	I375/376/377 I378

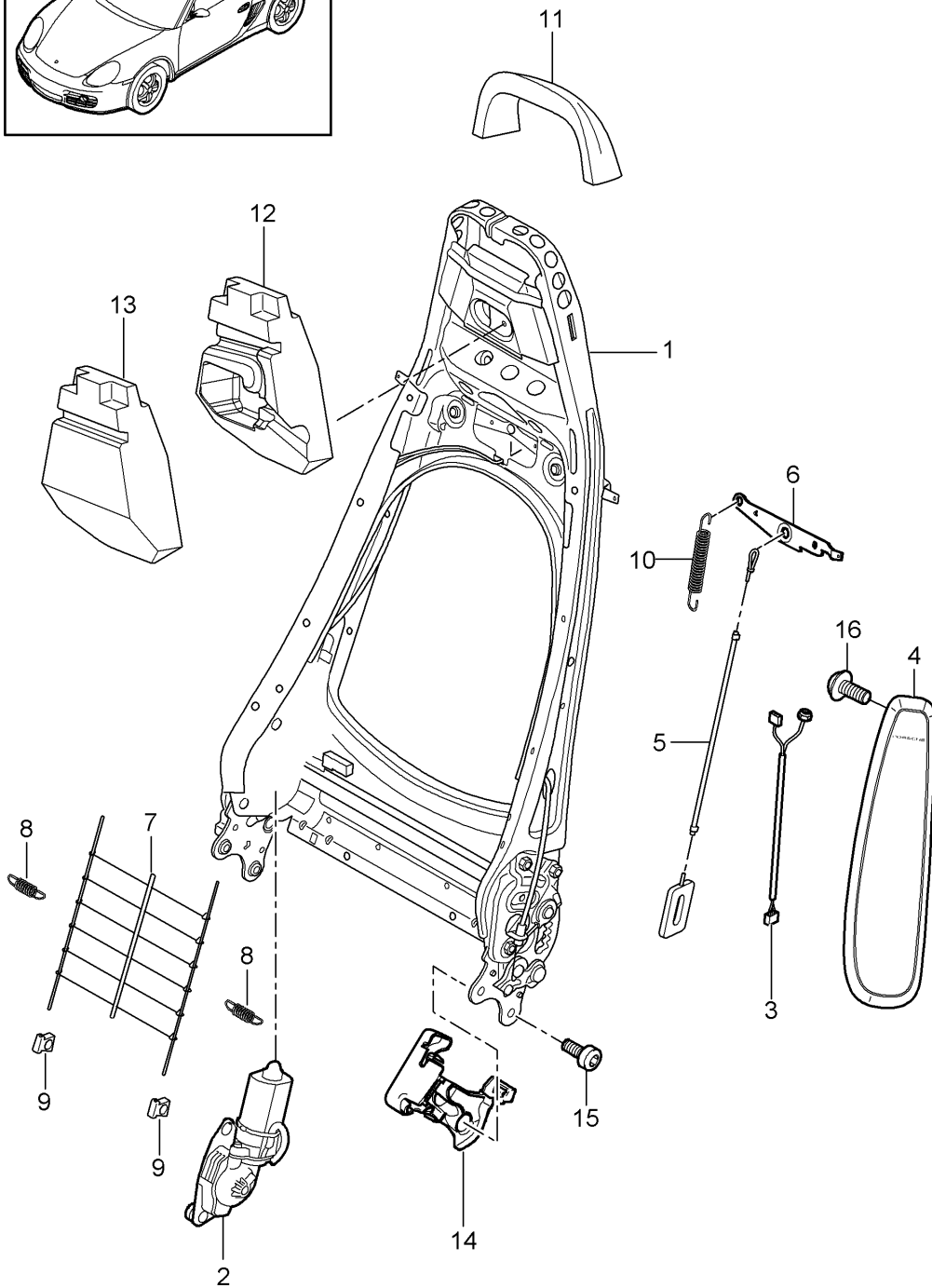
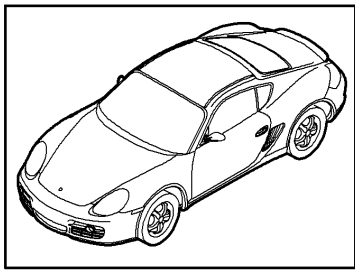
Model: 987209

Model life 2009>>2012

Pos	Part Number	Description	Remark	Qty	Model
(3)	997 521 621 03 D07	Backrest locking lever Volcano grey	/R	1	I375/376/377 I378
	997 521 622 03	Rosette			
4	997 521 622 03 D07	Backrest locking lever Volcano grey	/L	1	
	987 521 623 01	Control button			
(4)	987 521 623 01 V05	Backrest locking lever Galvano silver	/R	1	
	987 521 624 01	Control button			
5	987 521 624 01 V05	Backrest locking lever Galvano silver		2	I375/376/377 I378
	997 521 373 01	Coat hook			
(5)	997 521 373 01 D07	Backrest shell Volcano grey		2	IXVY/375/376
	997 521 990 00	Coat hook			
6		Backrest shell Leather		1	I375/376/377 I378
	997 521 990 00 A11	Black			
	997 521 990 00 8G2	Sand Beige			
	997 521 990 00 9V6	Cocoa			
	997 521 990 00 N12	Carrera Red			
	999 919 232 09	Screw			
	M5 X 20 Coat hook				

Model: 987209

Model life 2009>>2012



Model: 987209

Model life 2009>>2012

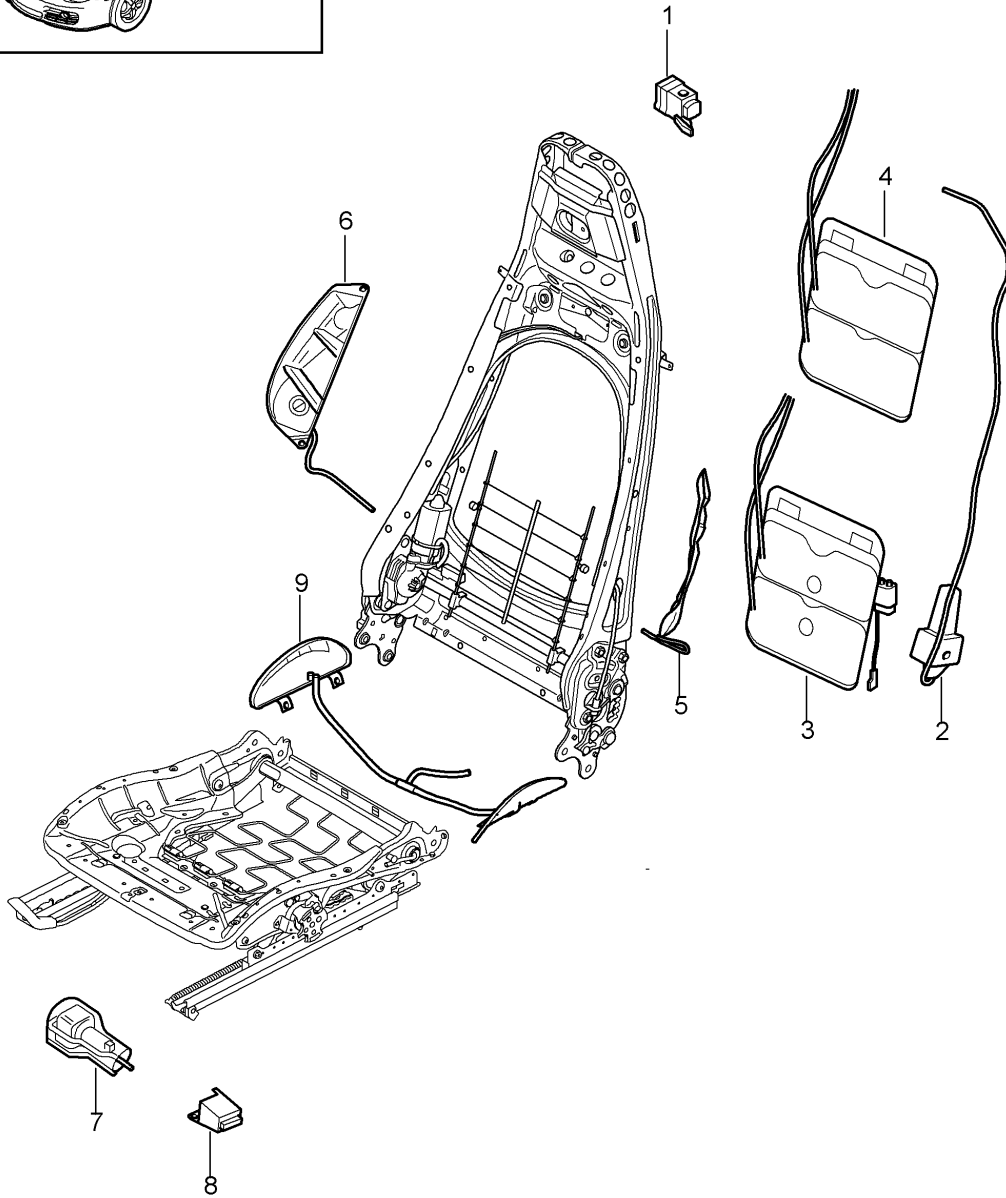
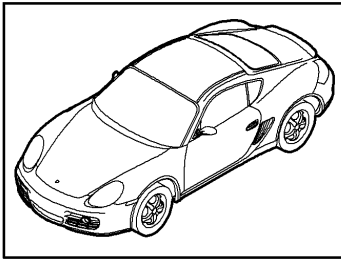
Pos	Part Number	Description	Remark	Qty	Model
1	997 521 329 03	Backrest frame Sports seat		1	I537/538
(1)	997 521 329 02	Backrest frame with Memory		1	I375/376/377 I378
2	997 624 331 00	Backrest frame without Memory		1	I537/538
(2)	997 624 321 00	Electric motor Backrest with Memory		1	I375/376/377 I378
3	997 612 785 01	Electric motor Backrest without Memory	/L	1	I537
(3)	997 612 786 01	Wiring harness Side airbag	/R	1	I538
(3)	997 612 685 01	Wiring harness Side airbag	/L	1	-I537/I375 I377
(3)	997 612 686 01	Wiring harness Side airbag without Memory	/R	1	-I538/I376 I378
4	997 803 081 02	Side airbag	/L	1	I375/377
(4)	997 803 081 02 D07	Volcano grey			
(4)	997 803 082 02	Side airbag	/R	1	I376/378
(4)	997 803 082 02 D07	Volcano grey			
5	997 521 485 00	Bowden cable		2	I375/376/377 I378
6	997 521 375 00	Backrest frame Release		1	I375/376/377 I378
7	997 521 855 00	Backrest frame Grille		1	I375/376
(7)		Backrest frame Grille		1	I377/378
8	997 521 893 00	Backrest frame Tension spring		2	I375/376
(8)		Inner spring		2	I377/378
9	997 521 895 00	Tension spring		2	I375/376
(9)		Inner spring Clip		2	I377/378
10	997 521 797 00	Inner spring Clip		2	I375/376
(10)		Inner spring Tension spring Release		1	I377/378
11	997 521 885 00	Backrest Foam part Head rest Upper		1	I375/376

Model: 987209 Model life 2009>>2012

Pos	Part Number	Description	Remark	Qty	Model
(11)		Foam part Head rest Upper		1	I377/378
12	997 521 887 01	Foam part Head rest Centre Electric		1	I377/378
13	997 521 887 00	Foam part Head rest Centre		1	I375/376
14	997 521 335 01	Cover Mounting component Inner	/L	1	
	997 521 335 01 D07	Volcano grey			
(14)	997 521 336 01	Cover Mounting component Inner	/R	1	
	997 521 336 01 D07	Volcano grey			
15	999 073 375 09	Screw Mount Backrest Seat adjuster		4	
16	999 073 306 09	Screw Mount Side airbag		2	

Model: 987209

Model life 2009>>2012



Model: 987209 Model life 2009>>2012

Pos	Part Number	Description	Remark	Qty	Model
1	997 617 725 00	Lumbar support Valve		1	I377/378 I437/438
(1)	997 617 726 00	Lumbar support without Memory Valve		1	I537/538
2	997 620 725 00	Lumbar support Memory Compressor		1	I377/378 I437/438
3	997 521 709 01	Lumbar Lumbar support Airbag with Memory		1	I377/537
(3)		Lumbar support Airbag with Memory		1	I378/538
(3)		Lumbar support Airbag with Memory		1	I437/537
(3)		Lumbar support Airbag with Memory		1	I438/538
(3)	997 521 709 03	Lumbar support Airbag with Memory		1	I437/537/541
(3)		Lumbar support Airbag with Memory		1	I438/538/541
4	997 521 709 00	Lumbar support Airbag without Memory		1	I377/378
(4)		Lumbar support Airbag without Memory		1	I437/438
(4)	997 521 709 02	Lumbar support Airbag without Memory		1	I437/541
(4)		Lumbar support Airbag without Memory		1	I438/541
5	997 521 711 00	Container Air distributor Backrest side bolster	/L	1	I377/378
6	997 521 712 00	Container Air distributor Backrest side bolster	/R	1	I377/378
8	997 617 727 00	Valve Adjustment Seat Wide		1	I377/378
9	997 521 713 01	Container		1	I377/378

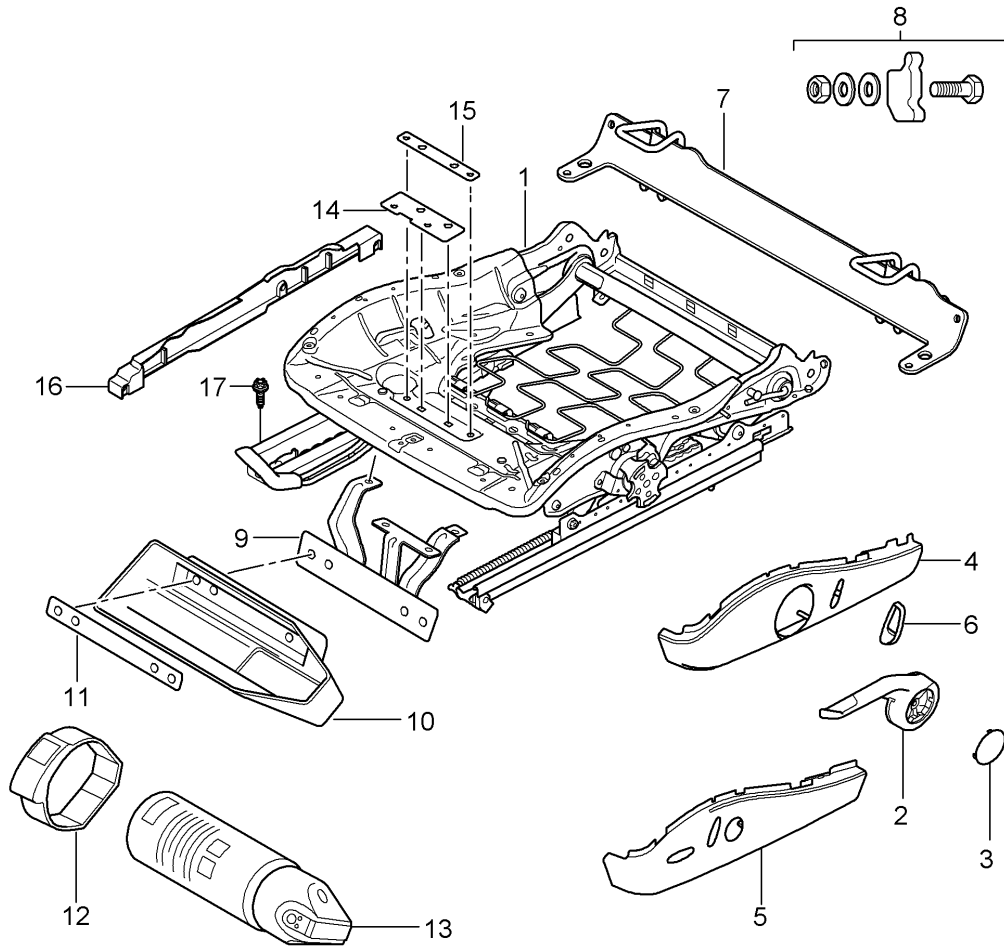
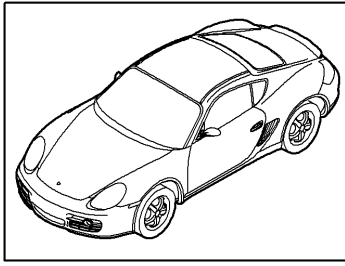
Model: 987209

Model life 2009>>2012

Pos	Part Number	Description	Remark	Qty	Model
		Air distributor Seat side bolster			

Model: 987209

Model life 2009>>2012



Model: 987209 Model life 2009>>2012

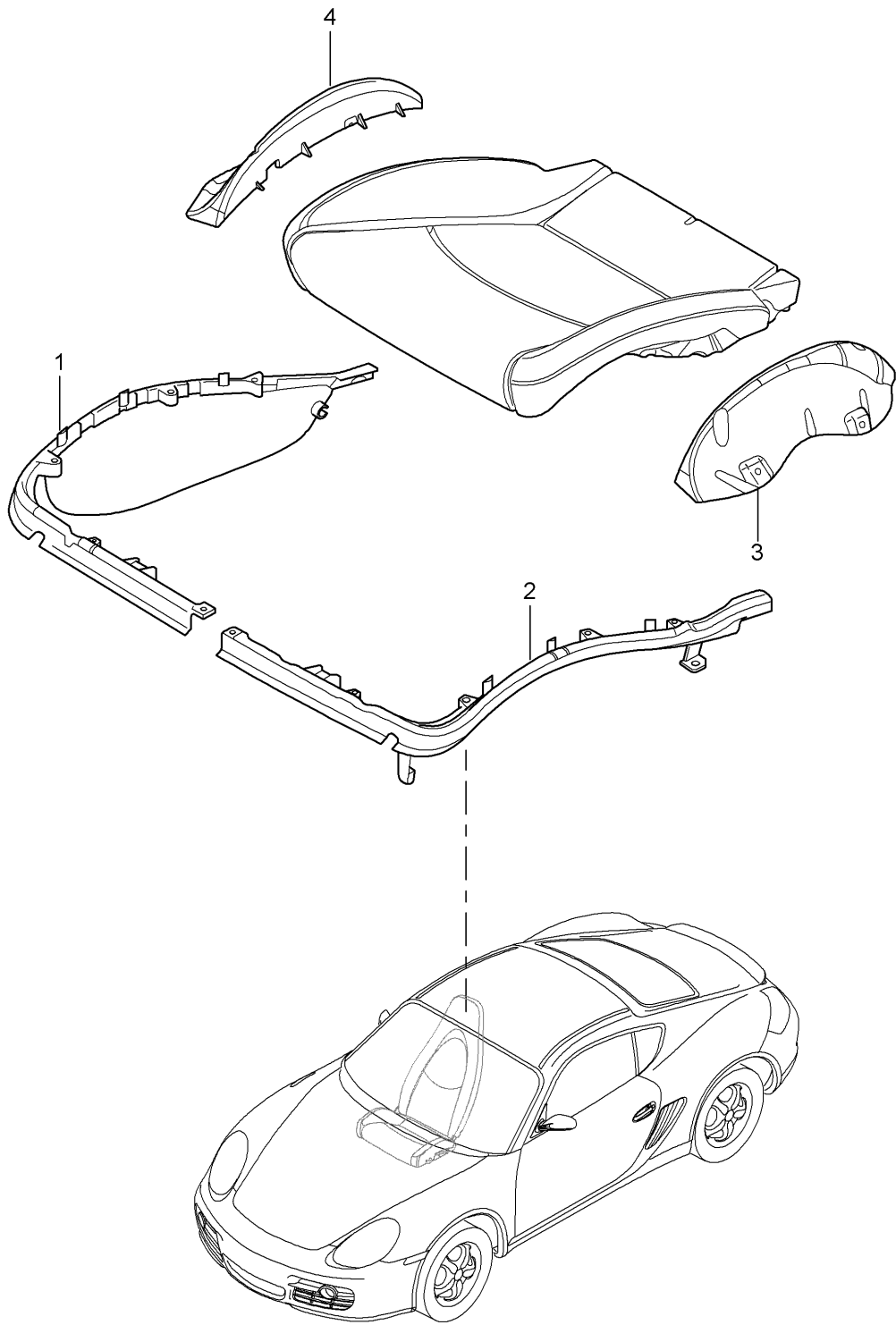
Pos	Part Number	Description	Remark	Qty	Model
1	997 521 201 10	Seat adjuster Sports seat Seat adjuster Manually Driver's side	09- /LL /L	1	I098/375
(1)	997 521 202 19	Seat adjuster Manually Driver's side	/RL /R	1	I099/376
(1)	997 521 202 23	Seat adjuster Manually Driver's side	/RL /R	1	I099/376/560
(1)	997 521 201 24	Seat adjuster Electric without Memory Driver's side	/L	1	I377
(1)	997 521 202 30	Seat adjuster Electric without Memory Driver's side	/R	1	I378
(1)	997 521 202 24	Seat adjuster Electric without Memory Driver's side	/R	1	I378/560
(1)	997 521 201 25	Seat adjuster Electric Memory Driver's side	/L	1	I377/537
(1)	997 521 202 31	Seat adjuster Electric Memory Driver's side	/R	1	I378/538
(1)	997 521 202 20	Seat adjuster Manually Passenger's side	/LL /R	1	I098/376
(1)	997 521 201 11	Seat adjuster Manually Passenger's side	/RL /L	1	I099/375
2	997 521 627 01	Actuating lever Height adjustment	/L	1	I375
(2)	997 521 627 01 V05	Galvano silver			
(2)	997 521 628 01	Actuating lever Height adjustment	/R	1	I376
	997 521 628 01 V05	Galvano silver			
3	997 521 629 01	Cap Height adjustment		2	I375/376
	997 521 629 01 D07	Volcano grey			
4	997 521 325 06	Trim for switch	/L	1	I375
	997 521 325 06 D07	Volcano grey			
(4)	997 521 326 06	Trim for switch	/R	1	I376
	997 521 326 06 D07	Volcano grey			
(4)	997 521 326 09	Trim for switch	/R	1	I376/560
	997 521 326 09 D07	Volcano grey			
5	997 521 325 08	Trim for switch	/L	1	I377
	997 521 325 08 D07	Volcano grey			
(5)	997 521 326 08	Trim for switch	/R	1	I378
	997 521 326 08 D07	Volcano grey			
(5)	997 521 326 11	Trim for switch		1	I378/560
	997 521 326 11 D07	Volcano grey			
6	997 521 631 01	Control button Backrest	-10	1	I375/376 I377

Model: 987209 Model life 2009>>2012

Pos	Part Number	Description	Remark	Qty	Model
6	997 521 631 01 V05	Galvano silver	11-	1	I375/376
	997 521 631 02	Control button			
7	997 521 631 02 V05	Backrest		1	I377
	997 521 061 01	Galvano silver			
8	997 521 961 01	Retaining bow		1	
		Child car seat			
9	997 521 251 00	Retaining bow	/LL	1	I098/509
		Not for			
(9)	997 521 252 00	AUSTRALIEN	/RL	1	I099/509
		Set of fastening parts			
10	997 521 607 00	Retaining bow		1	I509
		Support			
11	997 521 881 00	Fire extinguisher		1	I509
		Support			
12	997 521 851 00	Cup		1	I509
		Fire extinguisher			
13	996 722 115 00	Restraining strap		1	I509
		Fire extinguisher			
14	997 521 841 00	Fire extinguisher		1	I509
		Information available			
15	997 521 843 00	Information available		1	I509
		Reinforcement			
16	997 521 427 01	Front	/L	1	I376/378
		Reinforcement			
(16)	997 521 426 01	Rear	/R	1	I376/378
		Cover			
17	999 141 047 01	Sensor		4	I560
		Weight			
	997 521 427 01 01C	Satin black			
	997 521 426 01	Cover			
	997 521 426 01 01C	Sensor			
	997 521 426 01 01C	Weight			
	999 141 047 01	Torx screw			
		Seat rail			
		Mount			

Model: 987209

Model life 2009>>2012



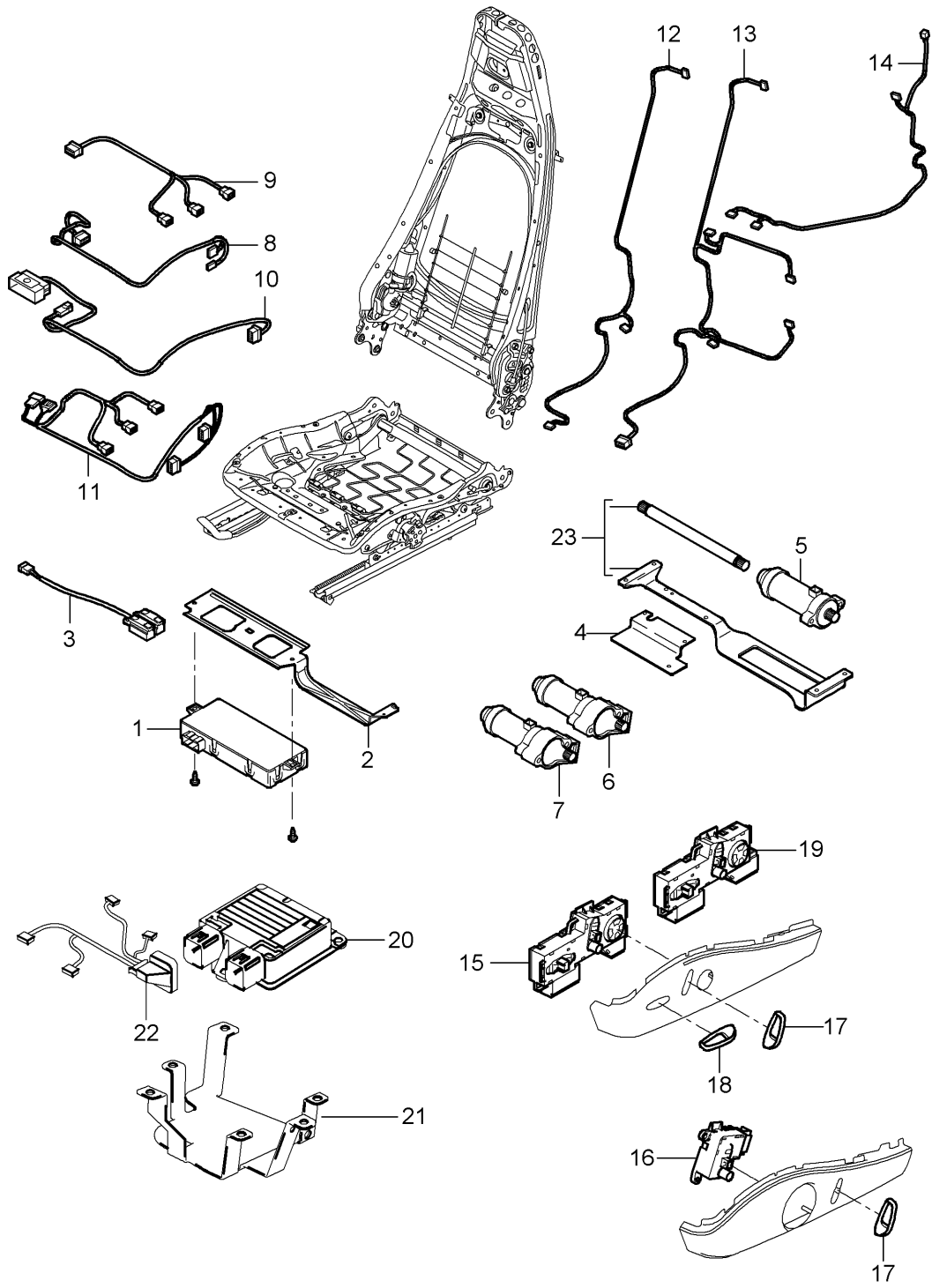
Model: 987209

Model life 2009>>2012

Pos	Part Number	Description	Remark	Qty	Model
		Cushion carrier			
		Frame			
		Seat surface			
		Sports seat			
1	997 521 547 00	Frame	/L	1	I376/378
		Inner			
(1)	997 521 548 00	Frame	/R	1	I375/377
		Inner			
2	997 521 545 00	Frame	/L	1	I375/377
		Outer			
(2)	997 521 546 00	Frame	/R	1	I376/378
		Outer			
(2)	997 521 546 01	Frame	/R	1	I376/378/560
		Outer			
3	997 521 519 00	Supporting plate	/L	1	I377/378
		Seat cushion			
4	997 521 520 00	Supporting plate	/R	1	I377/378
		Seat cushion			

Model: 987209

Model life 2009>>2012



Model: 987209 Model life 2009>>2012

Pos	Part Number	Description	Remark	Qty	Model
		Wiring harnesses Switch Control unit Electric motor Sports seat			
1	997 618 537 07	Control unit Seating position control		1	I537/538
2	997 521 643 01	Support Control unit Seating position control		1	I537/538
3	997 613 725 00	Switch Seat adjuster		1	I377
(3)	997 613 725 00 V05 997 613 726 00	Galvano silver Switch Seat adjuster		1	I378
4	997 613 726 00 V05 997 521 343 00	Galvano silver Support Electric motor		1	I377/378
5	997 624 322 00	Electric motor Seat adjuster Lengthways without Memory		1	I377/378
(5)	997 624 332 00	Electric motor Seat adjuster Lengthways with Memory		1	I537/538
6	997 624 322 00	Electric motor Seat adjuster Height adjustment without Memory		1	I377/378
(6)	997 624 332 00	Electric motor Seat adjuster Height adjustment with Memory		1	I537/538
7	997 624 323 00	Electric motor Seat adjuster Tilt angle without Memory		1	I377/378
(7)	997 624 333 00	Electric motor Seat adjuster Tilt angle with Memory		1	I537/538
8	997 612 684 00	Wiring harness Switch Seat adjuster Memory		1	I537/538
9	997 612 690 00	Wiring harness Lengthways Height adjustment Memory		1	I537/538
10	997 612 682 01	Wiring harness Switch Seat adjuster		1	I375/376
11	997 612 691 02	Wiring harness Switch without Memory		1	I377/378

Model: 987209 Model life 2009>>2012

Pos	Part Number	Description	Remark	Qty	Model
12	997 612 689 00	Wiring harness Lumbar support without Memory		1	I377/378
13	997 612 692 01	Wiring harness Backrest Lumbar with Memory		1	I377/537
(13)		Wiring harness Backrest Lumbar with Memory		1	I378/538
14	997 612 685 01	Wiring harness Backrest without Memory	/L	1	I375/377
(14)	997 612 686 01	Wiring harness Backrest without Memory	/R	1	I376/378
15	997 613 721 01	Switch Seat adjuster Memory switch	/L	1	I377/537
(15)	997 613 721 01 V05 997 613 722 01	Galvano silver Switch Seat adjuster Memory switch	/R	1	I378/538
16	997 613 722 01 V05	Galvano silver			
16	997 613 713 00	Switch	/L -10	1	I375
16	997 613 713 01	Switch	/L 11-	1	I375
(16)	997 613 714 00	Switch Seat adjuster Manually adjustable	/R -10	1	I376
(16)	997 613 714 01	Switch Seat adjuster Manually adjustable	/R 11-	1	I376
17	997 521 631 01	Control button Backrest	-10	1	I375/376
17	997 521 631 01 V05 997 521 631 02	Galvano silver Control button Backrest	11-	1	I375/376
(17)	997 521 631 02 V05 997 521 631 01	Galvano silver Control button Backrest	-10	1	I377/378
(17)	997 521 631 01 V05 997 521 631 02	Galvano silver Control button Backrest	11-	1	I377/378
18	997 521 631 02 V05 997 521 633 02	Galvano silver Control button Seat cushion	-10	1	I377/378
18	997 521 633 02 V05 997 521 633 03	Galvano silver Control button Seat cushion	11-	1	I377/378
19	997 521 633 03 V05 997 613 717 01	Galvano silver Switch Seat adjuster without Memory	/L -10	1	I377
19	997 613 717 01 V05 997 613 717 02	Galvano silver Switch Seat adjuster	/L 11-	1	I377

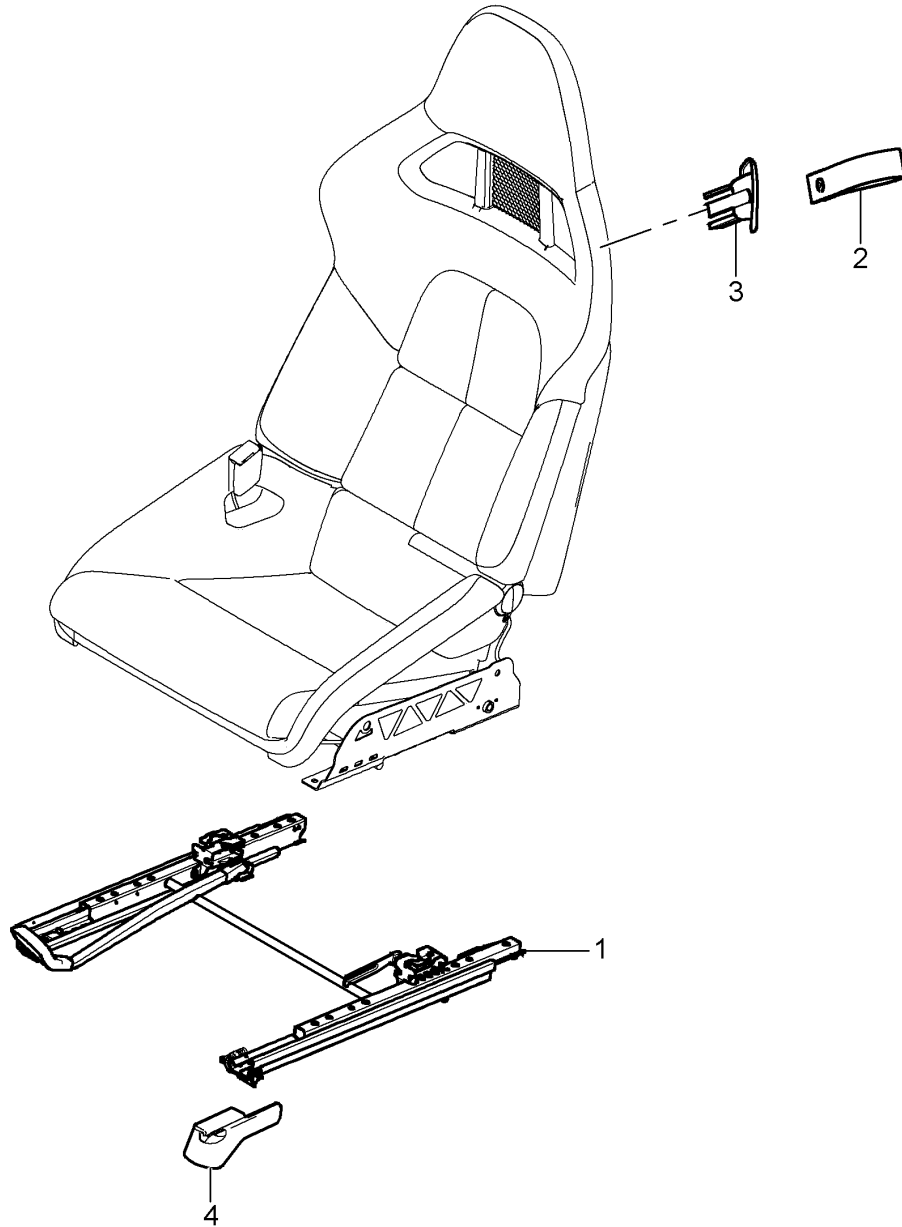
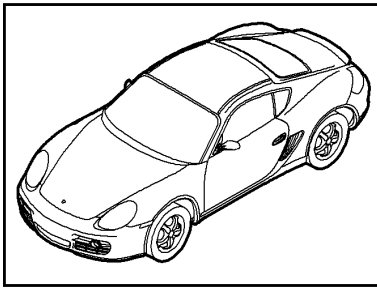
Model: 987209

Model life 2009>>2012

Pos	Part Number	Description	Remark	Qty	Model
(19)	997 613 717 02 V05 997 613 718 01	without Memory Galvano silver Switch Seat adjuster	/R -10	1	I378
(19)	997 613 718 01 V05 997 613 718 02	without Memory Galvano silver Switch Seat adjuster	/R 11-	1	I378
20	997 613 718 02 V05 997 618 233 05	without Memory Galvano silver Control unit Seat occupancy detection		1	I376/378/560
21	997 521 646 00	Support Control unit Seat occupancy detection		1	I376/378/560
22	997 612 688 01	Wiring harness Seat occupancy detection		1	I376/378/560
23	997 521 901 00	Repair kit Pliable shaft Engine bracket		1	
-	999 650 973 40	Clip Mount Wiring harness Seat occupancy detection		1	

Model: 987209

Model life 2009>>2012

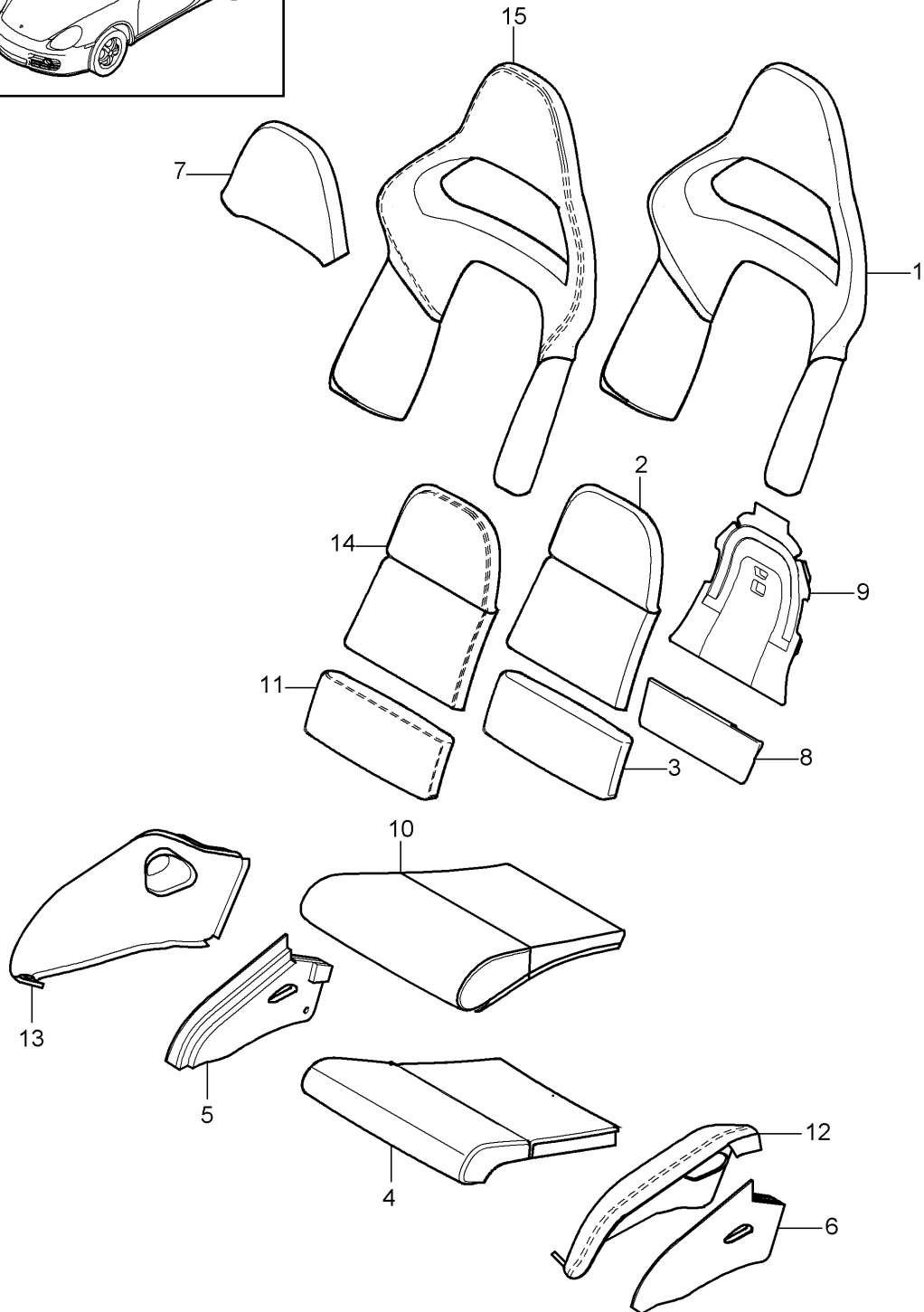
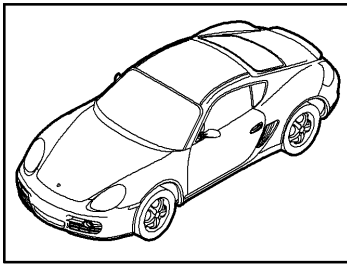


Model: 987209 Model life 2009>>2012

Pos	Part Number	Description	Remark	Qty	Model
1	997 521 429 01	Bucket seat Collapsible Complete Not available Set	/LL /L	1	I098/388
(1)	997 521 430 01	Seat rail Driver's side Set	/LL /R	1	I098/389
(1)	997 521 429 02	Seat rail Passenger's side Set	/RL /L	1	I099/388
(1)	997 521 430 02	Seat rail Passenger's side Set	/RL /R	1	I099/389
2	997 521 539 00	Seat rail Driver's side Traction noose Backrest frame	/L	1	I388
(2)	997 521 539 00 A80	Black			
(2)	997 521 540 00	Traction noose Backrest frame	/R	1	I389
(2)	997 521 540 00 A80	Black			
3	997 521 538 00	Rosette Traction noose Backrest frame	/R	1	I389
(3)	997 521 538 00 01C	Satin black			
(3)	997 521 537 00	Rosette Traction noose Backrest frame	/L	1	I388
(3)	997 521 537 00 01C	Satin black			
4	997 521 359 01	Rail Seat rail Manually	/L	1	I388
(4)	997 521 359 01 01C	Satin black			
(4)	997 521 360 01	Rail Seat rail Manually	/R	1	I389
(4)	997 521 360 01 01C	Satin black			
(4)	997 521 361 00	Rail Seat rail	/L	1	I389
(4)	997 521 361 00 01C	Satin black			
(4)	997 521 362 00	Rail Seat rail	/R	1	I388
(4)	997 521 362 00 01C	Satin black			

Model: 987209

Model life 2009>>2012



Model: 987209 Model life 2009>>2012

Pos	Part Number	Description	Remark	Qty	Model
1	997 521 447 00	Foam part Cover Seat and backrest surface Bucket seat Collapsible		2	I388/389
2	997 521 448 00	Foam part Backrest Outer part		2	I388/389
3	997 521 441 00	Foam part Centre part Seat cushion		2	I388/389
4	997 521 440 00	Rear Foam part Seat cushion		2	I388/389
5	997 521 443 00	Front Foam part Seat cushion	/L	1	I388
(5)	997 521 444 00	Lateral Outer Left Foam part Seat cushion		1	I388
6	997 521 446 00	Lateral Inner Left Foam part Seat cushion		1	I389
(6)	997 521 445 00	Lateral Outer Right Foam part Seat cushion		1	I389
7	997 521 458 00	Lateral Inner Right Foam part Head rest		2	I388/389
8	997 521 456 00	Foam part Seat cushion		1	I388/389
9	997 521 457 00	Rear Foam part Backrest		1	I388/389
10	997 521 380 00	Cover for cushion Front	/L /R	1	I388/389/983
	997 521 380 00 8YR	Black			
	997 521 380 00 5X5	Stone grey			
	997 521 380 00 8G1	Sand Beige			
	997 521 380 00 3S8	Sea blue			
	997 521 380 00 9N2	Terracotta			
	997 521 380 00 9Q3	Cocoa			
	997 521 380 00 D11	Dark grey/natural			
	997 521 380 00 T11	Brown/natural			
	997 521 380 00 N11	Carrera Red			
(10)	997 521 380 01	Cover for cushion Front	/L /R 11-	1	I388/389/951
	997 521 380 01 A15	Black			
11	997 521 381 00	Cover for cushion Rear	/L /R	1	I388/983
	997 521 381 00 8YR	Black			
	997 521 381 00 5X5	Stone grey			
	997 521 381 00 8G1	Sand Beige			

Model: 987209

Model life 2009>>2012

Pos	Part Number	Description	Remark	Qty	Model
	997 521 381 00 3S8	Sea blue			
	997 521 381 00 9N2	Terracotta			
	997 521 381 00 9Q3	Cocoa			
	997 521 381 00 D11	Dark grey/natural			
	997 521 381 00 T11	Brown/natural			
	997 521 381 00 N11	Carrera Red			
(11)	997 521 381 01	Cover for cushion	/L /R	1	I388/389/951
		Rear			
12	997 521 381 01 A15	Black			
	997 521 383 00	Cover	/L	1	I388/983
		Lateral			
		Outer			
	997 521 383 00 8YR	Black			
	997 521 383 00 5X5	Stone grey			
	997 521 383 00 8G1	Sand Beige			
	997 521 383 00 3S8	Sea blue			
	997 521 383 00 9N2	Terracotta			
	997 521 383 00 9Q3	Cocoa			
	997 521 383 00 D11	Dark grey/natural			
	997 521 383 00 T11	Brown/natural			
	997 521 383 00 N11	Carrera Red			
(12)	997 521 385 00	Cover	/R	1	I389/983
		Lateral			
		Inner			
	997 521 385 00 8YR	Black			
	997 521 385 00 5X5	Stone grey			
	997 521 385 00 8G1	Sand Beige			
	997 521 385 00 3S8	Sea blue			
	997 521 385 00 9N2	Terracotta			
	997 521 385 00 9Q3	Cocoa			
	997 521 385 00 D11	Dark grey/natural			
	997 521 385 00 T11	Brown/natural			
	997 521 385 00 N11	Carrera Red			
13	997 521 384 00	Cover	/R	1	I388/983
		Lateral			
		Inner			
	997 521 384 00 8YR	Black			
	997 521 384 00 5X5	Stone grey			
	997 521 384 00 8G1	Sand Beige			
	997 521 384 00 3S8	Sea blue			
	997 521 384 00 9N2	Terracotta			
	997 521 384 00 9Q3	Cocoa			
	997 521 384 00 D11	Dark grey/natural			
	997 521 384 00 T11	Brown/natural			
	997 521 384 00 N11	Carrera Red			
(13)	997 521 386 00	Cover	/R	1	I389/983
		Lateral			
		Outer			
	997 521 386 00 8YR	Black			
	997 521 386 00 5X5	Stone grey			
	997 521 386 00 8G1	Sand Beige			
	997 521 386 00 3S8	Sea blue			
	997 521 386 00 9N2	Terracotta			
	997 521 386 00 9Q3	Cocoa			
	997 521 386 00 D11	Dark grey/natural			
	997 521 386 00 T11	Brown/natural			
	997 521 386 00 N11	Carrera Red			
14	997 521 387 00	Cover		1	I388/389/983
		Centre part			
		Backrest			
	997 521 387 00 8YR	Black			
	997 521 387 00 5X5	Stone grey			
	997 521 387 00 8G1	Sand Beige			

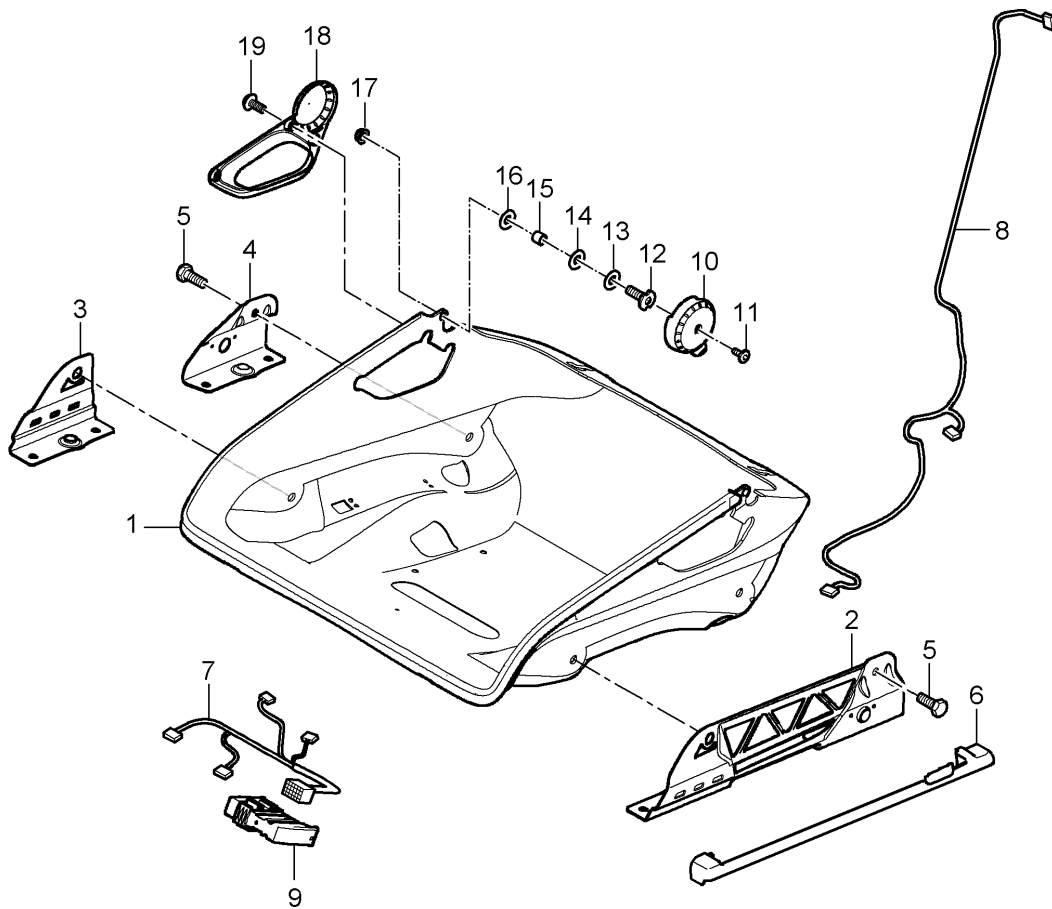
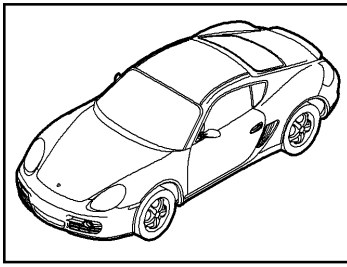
Model: 987209

Model life 2009>>2012

Pos	Part Number	Description	Remark	Qty	Model
	997 521 387 00 3S8	Sea blue			
	997 521 387 00 9N2	Terracotta			
	997 521 387 00 9Q3	Cocoa			
	997 521 387 00 D11	Dark grey/natural			
	997 521 387 00 T11	Brown/natural			
	997 521 387 00 N11	Carrera Red			
(14)	997 521 387 01	Cover	11-	1	I388/389/951
		Centre part			
		Backrest			
	997 521 387 01 A15	Black			
15	997 521 388 00	Cover		1	I388/389/951 I983
		Outer part			
		Backrest			
	997 521 388 00 8YR	Black			
	997 521 388 00 5X5	Stone grey			
	997 521 388 00 8G1	Sand Beige			
	997 521 388 00 3S8	Sea blue			
	997 521 388 00 9N2	Terracotta			
	997 521 388 00 9Q3	Cocoa			
	997 521 388 00 D11	Dark grey/natural			
	997 521 388 00 T11	Brown/natural			
	997 521 388 00 N11	Carrera Red			

Model: 987209

Model life 2009>>2012



Model: 987209 Model life 2009>>2012

Pos	Part Number	Description	Remark	Qty	Model
1	997 521 281 00	Bucket seat Collapsible Seat adjuster Accessories Cup	/L /R	2	I388/389
(1)	997 521 182 00	Seat adjuster without Seat occupancy detection Cup	/R	1	I389/560
2	997 521 433 00	Seat adjuster with Seat occupancy detection And Seat rail Adapter		1	I388
(2)	997 521 434 00	Seat adjuster Outer Left Adapter		1	I389
3	997 521 436 00	Seat adjuster Outer Right Adapter		1	I388
(3)	997 521 435 00	Seat adjuster Inner front Right Adapter		1	I389
4	997 521 438 00	Seat adjuster Inner front Left without Seat occupancy detection Adapter		1	I388
(4)	997 521 437 00	Seat adjuster Inner rear Right Adapter		1	I389
5	999 217 168 01	Seat adjuster Inner rear Left without Seat occupancy detection Hexagon-head bolt M 8 X 16 Mount Seat rail Bucket seat		4	
6	997 521 427 03	Cover Sensor Seat occupancy detection	/L	1	I389/560
(6)	997 521 427 03 01C 997 521 426 03	Satin black Cover Sensor Seat occupancy detection	/R	1	I389/560
7	997 521 426 03 01C 997 612 688 11	Satin black Wiring harness Seat occupancy detection		1	I389/560
8	997 612 785 10	Wiring harness Side airbag	/R /L	1	I388/389
9	997 618 233 05	Control unit		1	I376/378/389 I560
10	997 521 563 00	Seat occupancy detection Cover	/L	1	

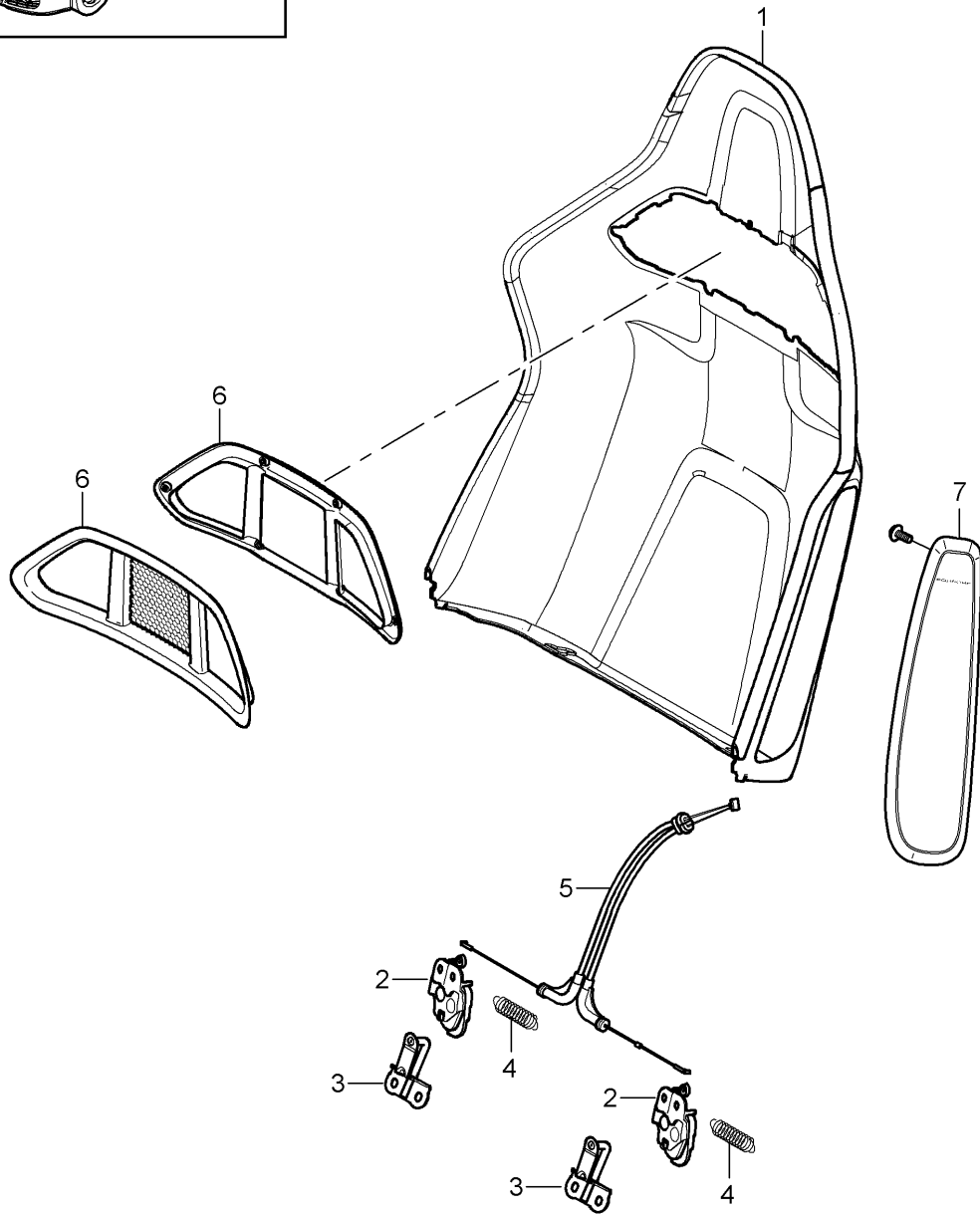
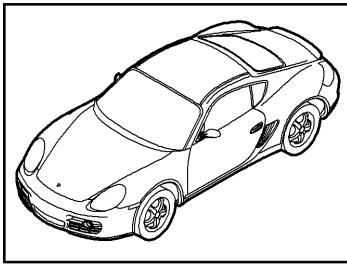
Model: 987209

Model life 2009>>2012

Pos	Part Number	Description	Remark	Qty	Model
(10)	997 521 563 00 01C 997 521 564 00	Hinge Inner Satin black Cover	/R	1	
11	997 521 564 00 01C 999 073 456 01	Hinge Inner Satin black Round head screw M4 X 12 Mount Cover		2	
12	997 521 690 00	Inner Bearing pin Backrest shell Cup Lower		2	
13	999 523 019 01	Cup spring A25		2	
14	999 234 034 00	Shim 12 X 18 X 0,2		2	
15	999 924 136 40	Plain bearing F12 X 5 X 14		2	
16	999 025 122 40	Thrust washer 20 X 12 X 0,5		2	
17	900 380 024 01	Outer hexagon round nut M8		2	
18	997 521 561 00	Cover Seat belt Lower	/L	1	
(18)	997 521 561 00 01C 997 521 562 00	Satin black Cover Seat belt Lower	/R	1	
19	997 521 562 00 01C 999 141 049 01	Satin black Lens-head screw M5 X 10 Mount Cover		3	

Model: 987209

Model life 2009>>2012

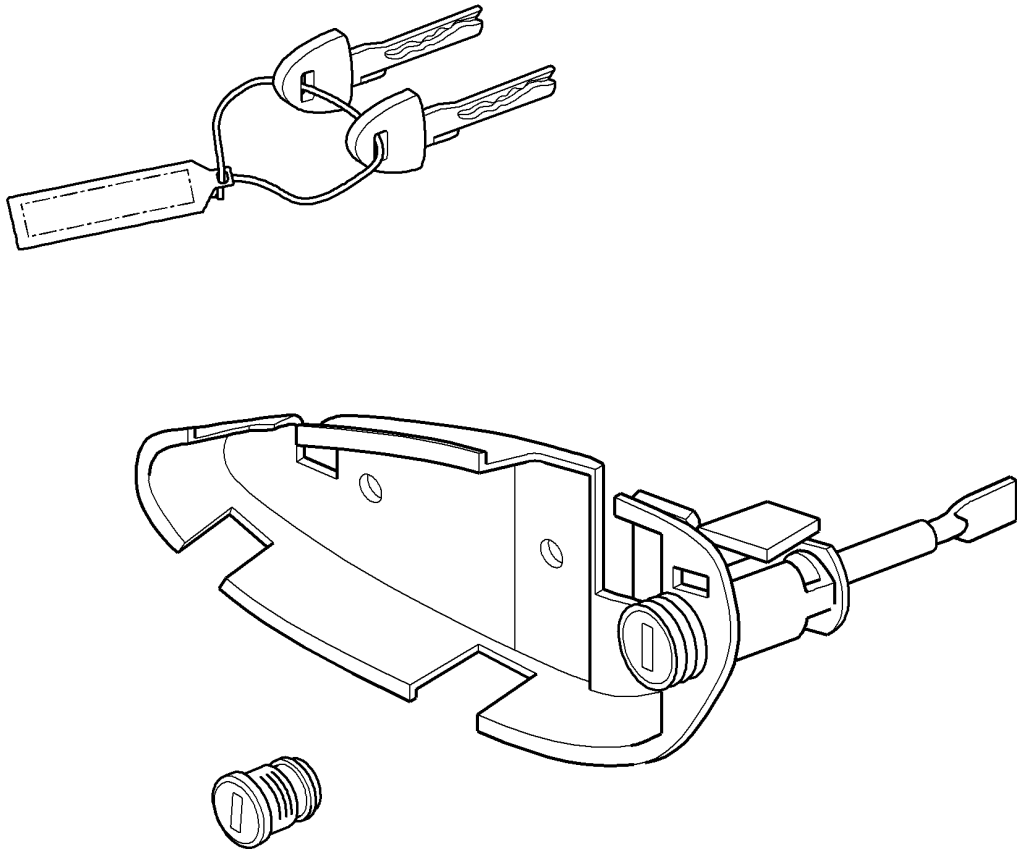


Model: 987209 Model life 2009>>2012

Pos	Part Number	Description	Remark	Qty	Model
1	997 521 271 00	Backrest shell Bucket seat Collapsible Accessories	/L	1	I388
(1)	997 521 272 00	Backrest shell Bucket seat Collapsible	/R	1	I389
2	997 521 651 00	Lock Backrest	/L	1	I388/389
(2)	997 521 652 00	Lock Backrest	/R	1	I388/389
3	997 521 660 00	Closing element Lock	/L /R	1	I388/389
4	997 521 650 00	Backrest shell Tension spring Lock	/L /R	1	I388/389
5	997 521 640 01	Backrest Bowden cable Release	/L /R	1	I388/389
6	997 521 330 00	Backrest Cover Seat belt Front		1	I388/389
(6)	997 521 330 00 01C	Satin black		1	I388/389
	997 521 531 00	Cover Seat belt Rear		1	I388/389
7	997 521 531 00 01C	Satin black		1	I388
	997 803 081 02	Side airbag	/L	1	I388
(7)	997 803 081 02 D07	Volcano grey		1	I388
	997 803 082 01	Side airbag Front seat	/R	1	I389
	997 803 082 01 A03	Black			
	997 803 082 01 D07	Volcano grey			

Model: 987209

Model life 2009>>2012



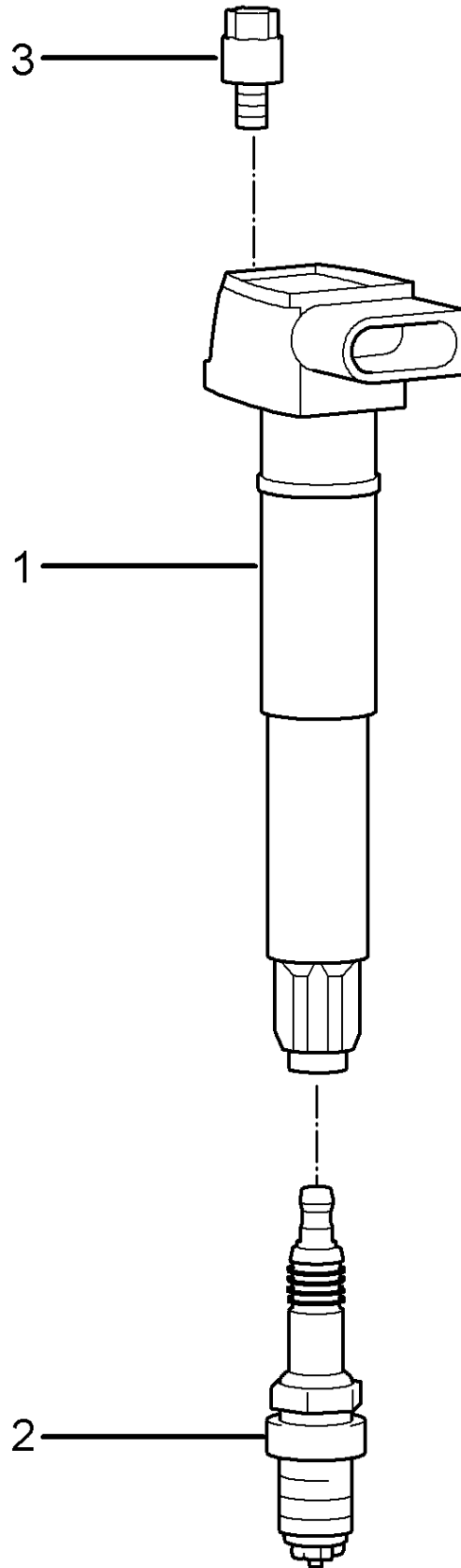
Model: 987209

Model life 2009>>2012

Pos	Part Number	Description	Remark	Qty	Model
		Repair kits			
		Set of locks			
		Comprising:			
		Support			
		Outer door handle			
		Glove compartment lock			
		Key			
		Key tag			
>>	997 538 011 06	Set of locks		1	I098
>>	997 538 011 07	Set of locks		1	I099

Model: 987209

Model life 2009>>2012



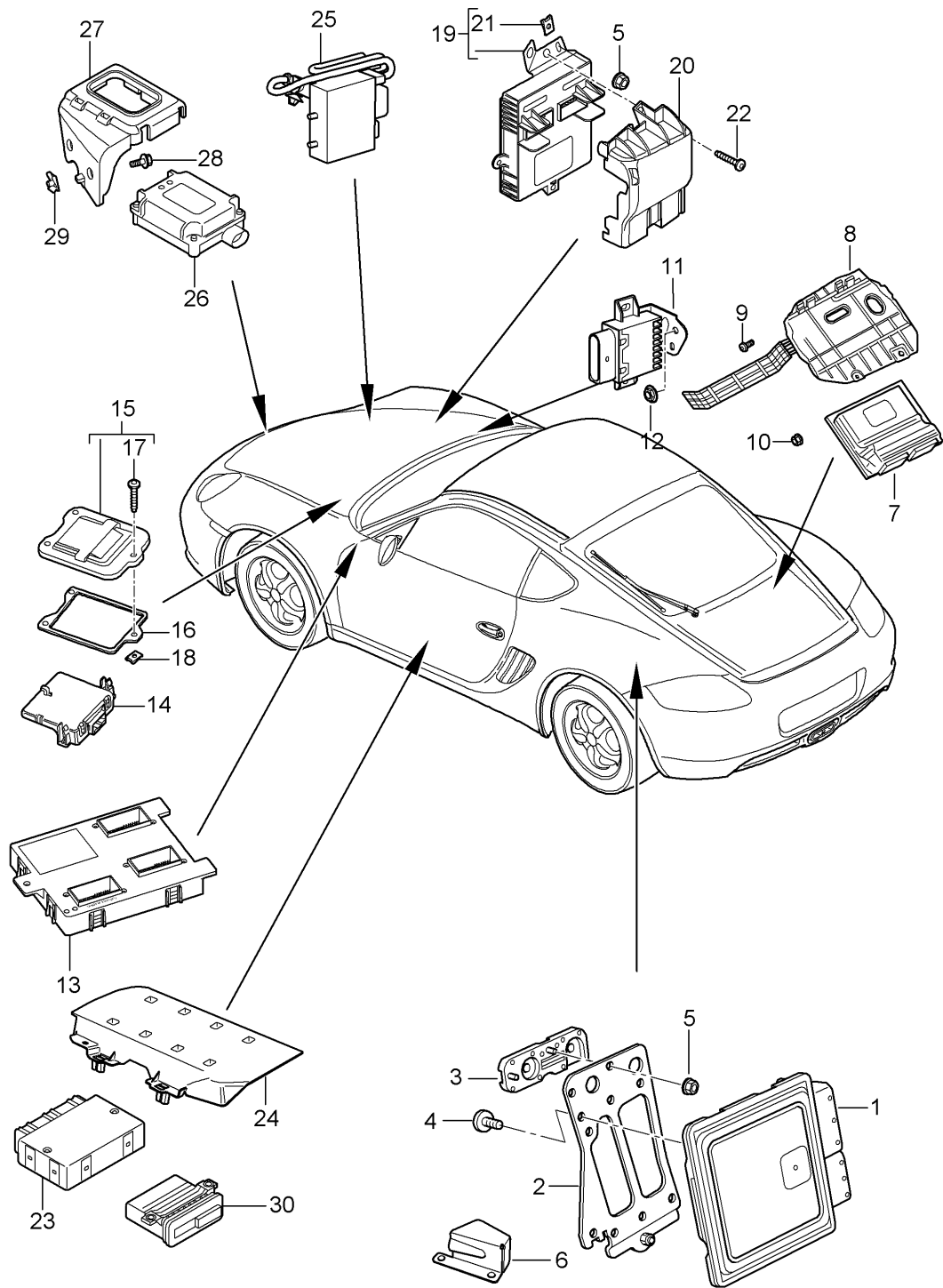
Model: 987209

Model life 2009>>2012

Pos	Part Number	Description	Remark	Qty	Model
1	9A1 602 104 02	Ignition system			
1	9A1 602 104 02	Ignition coil		6	
1	9A1 602 104 03	Ignition coil		6	
2	999 170 130 90	Spark plug		6	
		FGR 5NQE			
3	999 073 103 01	Round head screw		6	
		M 6 X 16			

Model: 987209

Model life 2009>>2012



Model: 987209

Model life 2009>>2012

Pos	Part Number	Description	Remark	Qty	Model
1	997 618 607 04	Control units Control unit		1	CAYMAN S
1	997 618 607 05	- dme - Control unit		1	CAYMAN R
(1)	997 618 608 00	- dme - Control unit		1	CAYMAN S
(1)	997 618 608 01	- dme - Control unit		1	CAYMAN R
2	987 618 233 00	- dme - Support Control unit		1	CAYMAN
3	987 618 333 00	- dme - Spacer		1	CAYMAN S
4	999 141 044 09	Oval-head screw M 6 X 16		6	CAYMAN S
5	999 084 629 01	Hexagon nut M 6		X	
(5)	999 084 635 01	Shear-off nut M 6 - SB		X	I536
6	987 618 131 01	Tab washer Plug-protection		1	CAYMAN I536
7	997 618 270 33	Control unit		1	I250
7	997 618 270 40	- PDK - Control unit		1	I250
8	987 618 255 01	- PDK - Support Control unit		1	I250
9	900 378 035 01	- PDK - Hexagon-head bolt M 6 X 16		1	I250
10	999 591 941 40	Expansion rivet		1	I250
11	997 618 025 01	Control unit		1	I663
11	997 618 027 00	Fuel pump Control unit		1	I663/676
12	999 049 025 09	Fuel pump Collar nut T 5		2	
13	997 618 516 01	Control unit Vehicle electrical system		1	
14	997 610 107 04	Control unit Gateway		1	
15	997 572 419 03	Lid		1	
16	997 572 221 00	Gasket		1	
17	900 143 094 09	Tapping screw ST 4,8 X 19		3	
18	999 591 855 01	Speed nut ST 4,8		3	
19	997 618 511 01	Control unit FRONT luggage compartment		1	
20	997 551 736 00	Cover		1	
21	999 507 462 09	Speed nut 4,8		1	
22	999 073 061 02	Tapping screw 4,8 X 16		1	
23	997 618 260 08	Control unit Rear end		1	
24	997 618 381 00	Support		1	
25	997 618 436 03	Control unit Cooling air control		1	
26	997 618 225 03	Control unit Garage door opener		1	I608
26	997 618 227 02	Control unit Garage door opener		1	I607

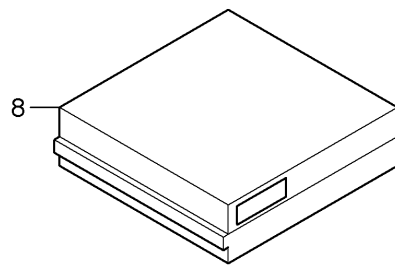
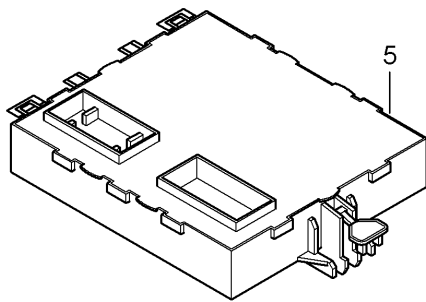
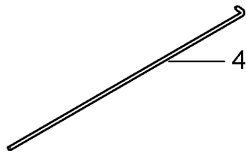
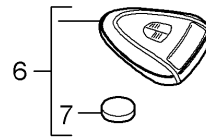
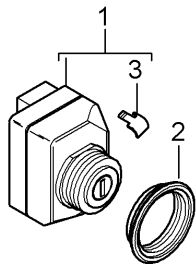
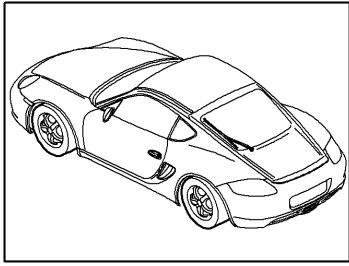
Model: 987209

Model life 2009>>2012

Pos	Part Number	Description	Remark	Qty	Model
26	997 618 227 03	Control unit Garage door opener		1	I607
27	997 618 257 00	Support Control unit Garage door opener		1	
28	900 075 505 01	Combination screw M 6 X 20		2	
29	999 591 882 01	Speed nut M 6		2	
30	997 618 183 01	Control unit ParkAssist Sensor See illustrations 8/02/05		1	I635 I635

Model: 987209

Model life 2009>>2012



Model: 987209

Model life 2009>>2012

Pos	Part Number	Description	Remark	Qty	Model
1	997 618 159 04	Control units Ignition starter switch PORSCHE ACCES SYSTEM Control unit		1	
2	997 618 759 00	Ignition starter switch Nut		1	
3	997 618 361 00	Cover Release		1	
4	970 618 761 00	Handheld transmitter Emergency operation Release		1	
5	997 618 171 15	Ignition starter switch Control unit		1	I524
5	997 618 172 15	PORSCHE ACCESS SYSTEM Control unit		1	I525
5	997 618 172 16	PORSCHE ACCESS SYSTEM Control unit		1	I525
-	997 612 051 01	PORSCHE ACCESS SYSTEM Cable Antenna for POS. 5	/LL	1	I098/524/695
-	997 612 051 51	Cable Antenna for POS. 5	/RL	1	I099/524/695
-	997 612 050 01	Information available Cable Antenna for POS. 5	/LL	1	I098/525/695
-	997 612 050 51	Cable Antenna for POS. 5	/RL	1	I099/525/695
-	997 612 053 00	Information available Connecting line Antenna booster Control unit POS. 5	/LL	1	I098/665/695
-	997 612 053 01	Connecting line Antenna booster Control unit POS. 5	/LL	1	I098/675
-	997 612 054 00	Connecting line Antenna booster Control unit POS. 5	/RL	1	I099/665/695
-	997 612 054 01	Information available Connecting line Antenna booster Control unit POS. 5	/RL	1	I099/675
-	997 612 064 51	Information available Cable Antenna VEHICLE TRACKING SYSTEM		1	I674
(6)	997 637 101 01	Handheld transmitter		1	I524
(6)	997 637 103 01	Handheld transmitter		1	I525
(6)	997 637 105 01	Handheld transmitter	(J)	1	I525
7	999 611 108 00	Battery		1	
8	997 618 210 01	Sensor Interior monitoring		1	

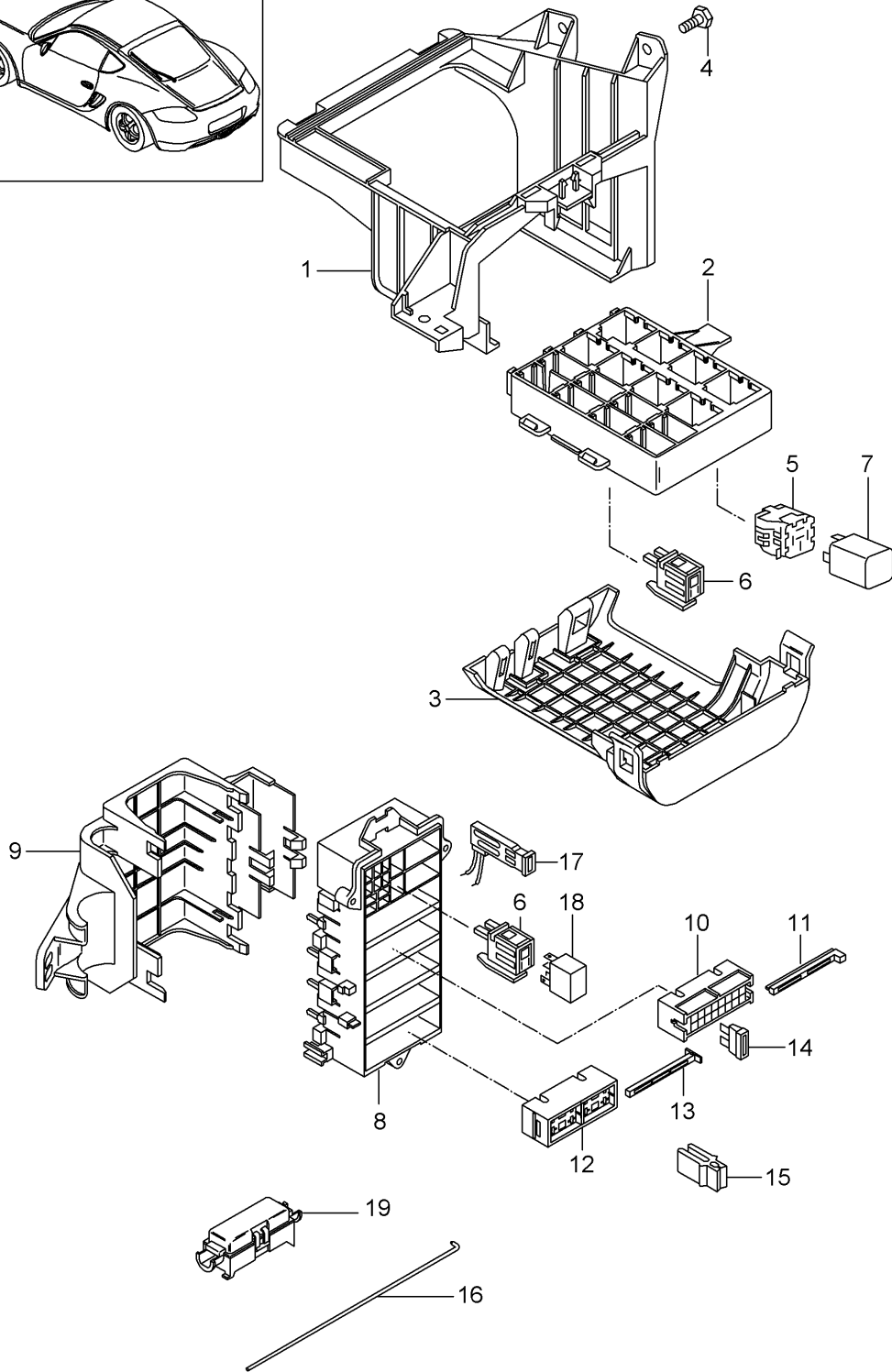
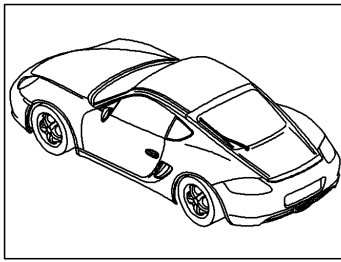
Model: 987209

Model life 2009>>2012

Pos	Part Number	Description	Remark	Qty	Model
		Alarm siren Tilt sensor See illustrations 9/03/00			I536 I521

Model: 987209

Model life 2009>>2012



Model: 987209 Model life 2009>>2012

Pos	Part Number	Description	Remark	Qty	Model
		Central electrical system			
		Dashboard			
1	997 610 117 01	Support	/LL	1	I098
(1)	997 610 118 00	Support	/RL	1	I099
2	997 610 110 01	Relay carrier		1	
		Support frame			
3	997 610 112 00	Cover		1	
		Support frame			
4	900 378 155 01	Hexagon-head bolt		2	
		M 6 X 16 ASP			
(4)	900 377 010 01	Hexagon nut		1	
		M 6			
5	928 610 511 00	Relay carrier		X	
6	999 650 538 40	Relay carrier		X	
7		Relay			
(7)	999 657 015 90	Relay		1	
		Rear window heating			
(7)		Relay socket/code:	S1	1	
		Relay			
		Fuel pump			
(7)		Relay socket/code:	S2	1	
		Relay			
		KL. 86S			
(7)	999 657 013 90	Relay socket/code:	S4	1	
		Relay			
		- dme -			
(7)		Relay socket/code:	S11	1	
		Relay			
		Heating			
(7)		Relay socket/code:	S12	1	I288
		Relay			
		Headlight washer system			
(7)		Relay socket/code:	S14	1	
		Relay			
		Starter			
(7)		Relay socket/code:	S15	1	
		Relay			
		KL. 15			
		Relay socket/code:	S16		
8	997 610 340 00	Bracket		1	
9	997 610 341 00	Cover		1	
10	999 650 209 40	Fuse holder		4	
11	999 650 210 40	Slide		4	
12	999 650 750 40	Fuse holder		1	
13	999 650 749 40	Slide		1	
14	999 607 082 00	Lock		X	
		5 A			
(14)	999 607 083 00	Lock		X	
		7 , 5 A			
(14)	999 607 084 00	Lock		X	
		10 A			
(14)	999 607 085 00	Lock		X	
		15 A			
(14)	999 607 087 00	Lock		X	
		25 A			
(14)	999 607 088 00	Lock		X	
		30 A			
(14)	999 607 072 00	Lock		X	
		30 A			
		Large			
(14)	999 607 073 00	Lock		X	
		40 A			
		Large			

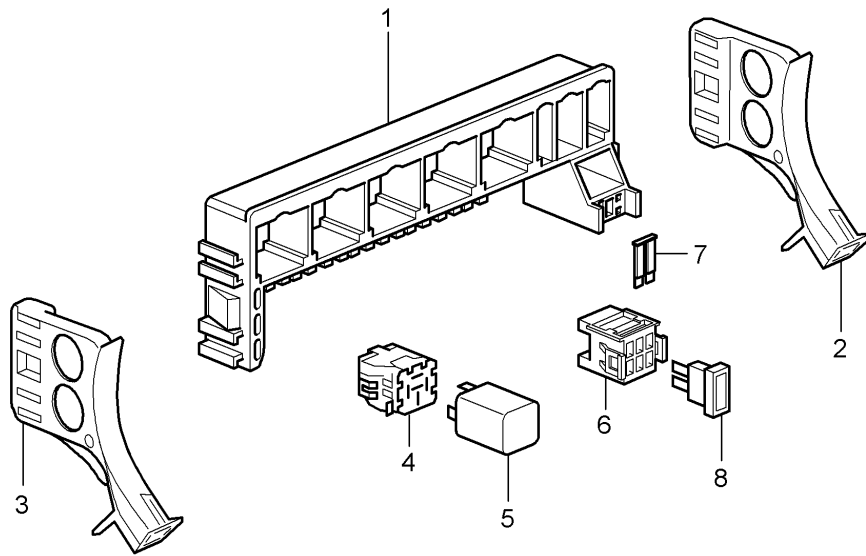
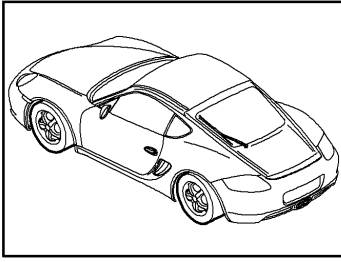
Model: 987209

Model life 2009>>2012

Pos	Part Number	Description	Remark	Qty	Model
15	999 107 300 40	Tool		X	
-	997 610 195 25	Assignment sticker		X	
16	997 618 761 00	Lock Emergency operation Release Ignition starter switch		1	
16	970 618 761 00	Emergency operation Release Ignition starter switch Emergency operation Lid		1	
17	996 610 240 00	Terminal clamp		1	
18	999 657 014 90	Relay		1	
19	997 610 915 00	Fuse holder with Lock 80 A for Cooling air control		1	
-		Cover for Housing Lock See illustrations 8/07/02		X	

Model: 987209

Model life 2009>>2012



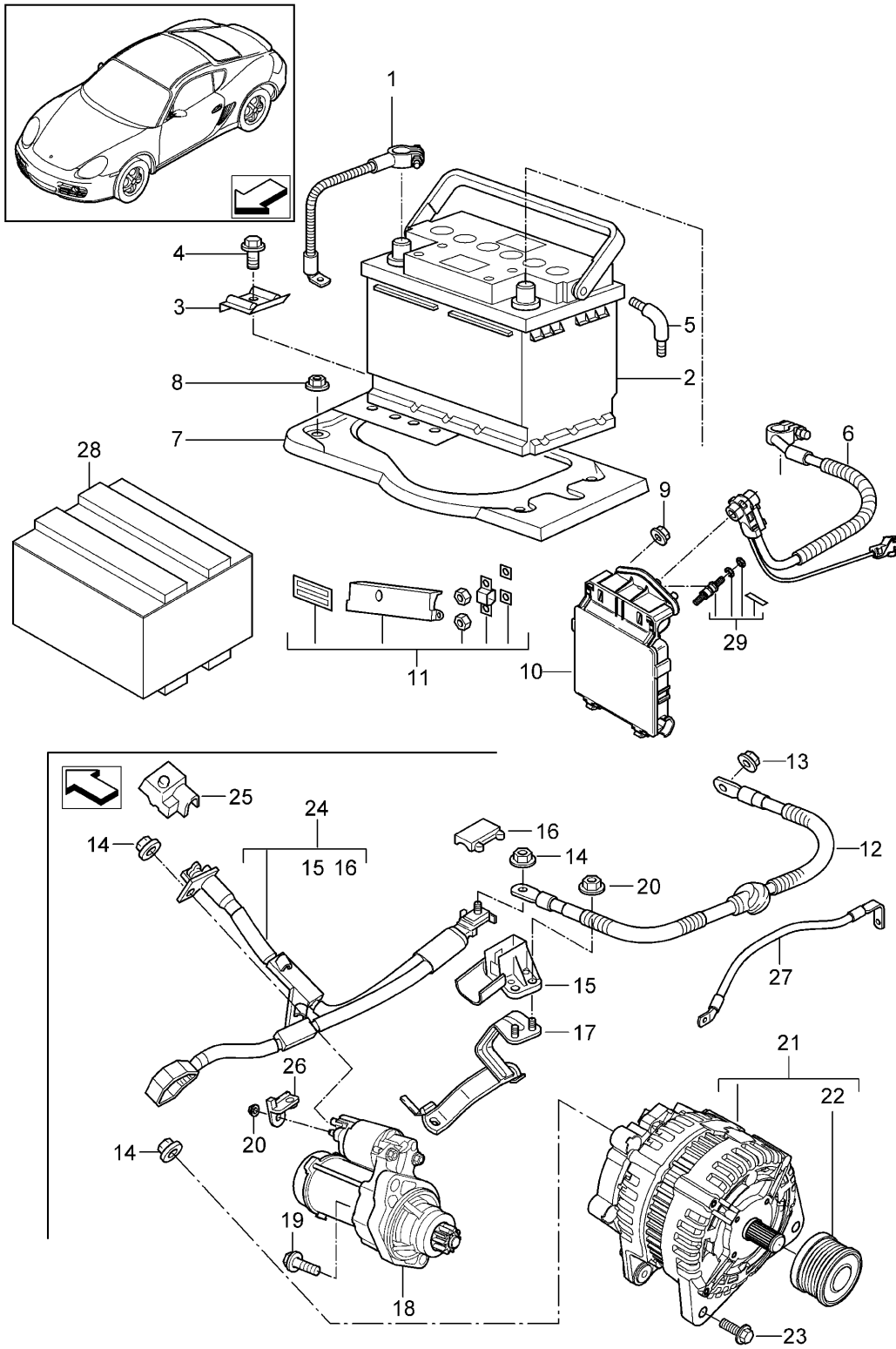
Model: 987209

Model life 2009>>2012

Pos	Part Number	Description	Remark	Qty	Model
		Central electrical system			
		Rear end			
1	987 610 111 01	Relay carrier		1	
		Support frame			
2	986 610 126 00	Support	/R	1	
3	986 610 127 00	Support	/L	1	
4	928 610 511 00	Relay carrier		X	
		Large			
(4)	999 650 538 40	Relay carrier		X	
		Small			
5		Relay			
(5)	999 657 017 90	Relay		1	I661
		Secondary pump			
		Relay socket/code:	S2		
(5)	999 657 015 90	Relay		1	
		Blower			
		Engine compartment			
		Relay socket/code:	S8		
6	999 650 747 40	Fuse holder		1	
7	999 650 748 40	Locking device		1	
8	999 607 085 00	Lock		X	
		15 A			
8	999 607 098 00	Lock		1	
		3 A			
(8)	999 607 073 00	Lock		X	I661
		40 A			
		Large			

Model: 987209

Model life 2009>>2012



Model: 987209

Model life 2009>>2012

Pos	Part Number	Description	Remark	Qty	Model
		Battery			
		Power distributor			
		Starter			
		Generator			
1	997 611 090 00	Ground strap	/LL	1	I098
(1)	997 611 091 00	Ground strap	/RL	1	I099
		When required order also:			
-	900 377 010 01	Hexagon nut		1	
		M 6			
(2)	999 611 060 20	Battery		1	
		60 AH			
(2)	999 611 070 20	Battery		1	
		70 AH			
2	999 611 080 20	Battery		1	
		80 AH			
(2)	999 611 095 20	Battery		1	I200
		95 AH			
(2)	997 611 020 00	Battery		1	CAYMAN R I191
		18 AH			
(2)	997 611 020 X	Battery		1	CAYMAN R I191
		18 AH			
3	996 611 209 01	Rail		1	
		Battery			
4	900 378 017 01	Hexagon-head bolt		1	
		M 8 X 20			
5	893 915 507	Angled pipe		1	
6	997 612 993 00	Repair kit	/LL	1	I098
		Cable			
		Battery			
		Power distributor			
(6)	997 612 995 00	Repair kit	/RL	1	I099
		Cable			
		Battery			
		Power distributor			
(6)	997 612 908 00	Repair kit	/LL	1	I098
		Wiring harness			
		Battery			
		Power distributor			
		see			
		Technical information			
		9789			
(6)	997 612 909 00	Repair kit	/RL	1	I099
		Wiring harness			
		Battery			
		Power distributor			
		see			
		Technical information			
		9789			
7	997 504 151 00	Carrier plate for battery		1	
8	999 084 630 01	Hexagon nut		4	
		VM 8 SB			
9	900 380 005 01	Nut		2	
		VM 8			
10	997 610 911 00	Repair kit		1	
		Replacement			
		Power distributor			
		Comprising:			
-		Power distributor		1	
		without			
		Fuse element			
-		Hexagon nut		8	

Model: 987209

Model life 2009>>2012

Pos	Part Number	Description	Remark	Qty	Model
-		M 5 Hexagon nut		3	
-		M 8 Seal label		1	
11	997 610 912 00	Red Repair kit Replacement Fuse element Comprising:		1	
-		Fuse element 50 AMPERE		1	
-		Fuse element 70 AMPERE		1	
-		Fuse element 80 AMPERE		1	
-		Hexagon nut M 5		4	
-		Square washer		4	
-		Cover		1	
-		Blue Seal label			
11	997 610 913 00	Red Repair kit Replacement Fuse element Comprising:		1	
-		Fuse element 150 AMPERE		1	
-		Hexagon nut M 8		2	
-		Square washer		2	
-		Cover			
-		Blue Seal label		1	
12	987 612 090 25	Red Cable Power distributor To Connection point Engine	/LL	1	I098
(12)	987 612 096 25	Cable Power distributor To Connection point Engine	/RL	1	I099
13	900 084 123 02	Hexagon nut M 8		1	
14	900 377 003 01	Hexagon nut M 8		X	
15	9A1 607 203 00	Connection point		1	
16	986 611 203 00	Lid Connection point		1	
17	9A1 607 260 01	Support Connection point		1	
18	9A1 604 103 00	Starter When required order also: POS.26		1	
18	9A1 604 103 X	Starter When required order also: POS.26		1	
19	900 385 097 01	Torx screw BM 10 X 35		2	
20	900 377 010 02	Hexagon nut		3	

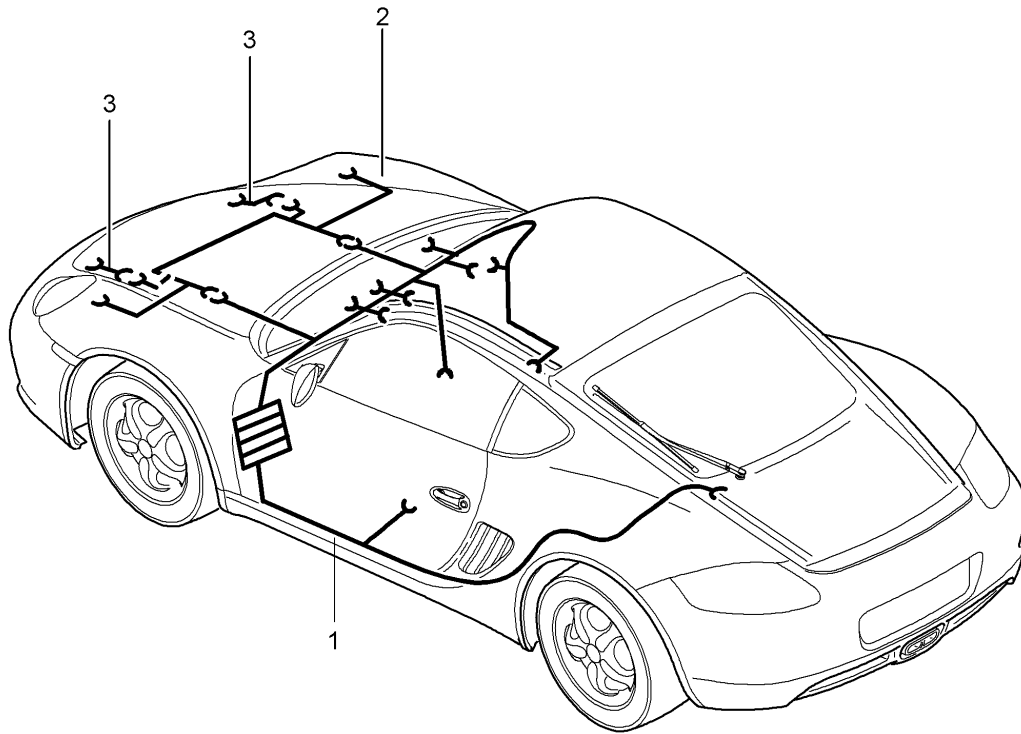
Model: 987209

Model life 2009>>2012

Pos	Part Number	Description	Remark	Qty	Model
		M 6			
21	9A1 603 012 00	Generator		1	
21	9A1 603 012 X	Generator		1	
22	9A1 603 953 00	Repair kit		1	
		Pulley			
23	900 385 102 01	Torx screw		2	
		BM 8 x 90			
24	9A1 607 017 02	Wiring harness		1	
		Starter			
		Generator			
25	9A1 607 247 01	Cap		1	
		Starter			
26	9A1 607 267 00	Support for contact		1	
		KL. 50			
27	9A1 607 040 00	Ground cable		1	
		Body			
		Engine			
-	997 612 908 00	Repair kit	/LL	1	I098
		Power distributor			
-	997 612 909 00	Repair kit	/RL	1	I099
		Power distributor			
28	000 998 020	Transport box		1	
		Lithium Ionen			
		Starter			
		Battery			
		Defect			
		840X580X380 MM			
29	997 610 916 00	Repair kit		1	
		Screw bolt			
		Power distributor			
		Comprising:			
		Screw bolt		1	
		Nut		2	
		Seal label		1	

Model: 987209

Model life 2009>>2012



Model: 987209 Model life 2009>>2012

Pos	Part Number	Description	Remark	Qty	Model
		Wiring harnesses Passenger compartment FRONT luggage compartment Lining Front Airbag Seat-belt tensioner Repair kits Shock absorber Anti-lock brake system Brake pad wear indicator Front axle			
1	987 612 903 00	Wiring harness Passenger compartment Vehicle Ident. No. Indicate		1	
1	997 612 914 00	Wiring harness Illumination Scuff plate		1	IXES
-	996 610 120 01	Support Plug socket		1	
-	999 651 302 40	Diagnostic connector Fixing clip		X	
-	999 651 284 40	Wiring harness Passenger compartment Door sill		X	
2	987 612 520 25	Wiring harness FRONT luggage compartment F >>98AU7 50842 F >>98AU7 70697		1	
2	987 612 520 26	Wiring harness FRONT luggage compartment F 98AU7 50843>> F 98AU7 70698>>		1	
2	987 612 521 25	Wiring harness FRONT luggage compartment F >>98AU7 50842 F >>98AU7 70697		1	I603
2	987 612 521 26	Wiring harness FRONT luggage compartment F 98AU7 50843>> F 98AU7 70698>>		1	I603
-	997 610 215 01	Cable guide for Sensor Airbag		2	
3	987 612 502 25	Wiring harness Lining Front		2	
(3)	987 612 502 50	Wiring harness Lining Front		2	I605
-	997 612 781 25	Wiring harness Airbag Passenger's side Setting 1 Connector Green		1	
-	997 612 783 25	Wiring harness		1	

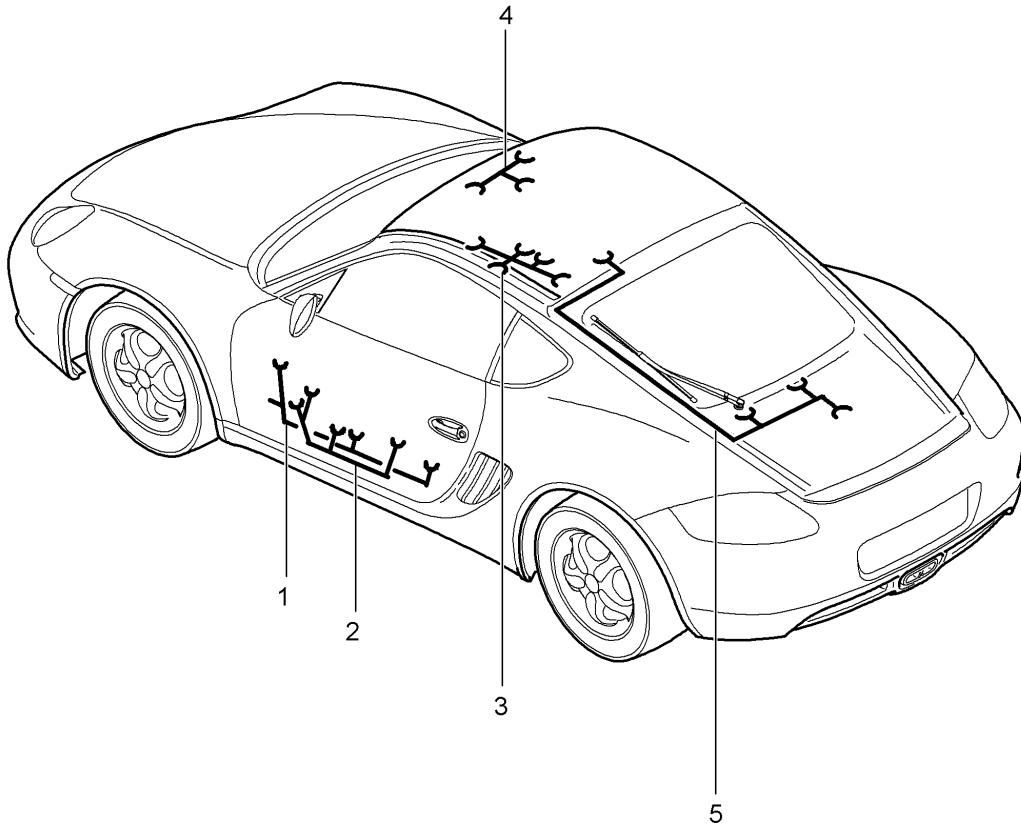
Model: 987209

Model life 2009>>2012

Pos	Part Number	Description	Remark	Qty	Model
-	997 612 992 00	Airbag Passenger's side Setting2 Connector Yellow Wiring harness Control unit Airbag Connection point Door Wiring harness Airbag Seat See illustrations 8/17/06 8/17/21		2	
-	997 612 793 01	Wiring harness Seat-belt tensioner		2	
-	997 612 950 00	Repair kit Wiring harness Shock absorber	/V	2	I475
-	997 612 961 00	Repair kit Wiring harness Anti-lock brake system Brake pad wear indicator	/V /L	1	
-	997 612 960 00	Repair kit Wiring harness Anti-lock brake system Brake pad wear indicator Repair kit Wiring harness Rear axle See illustrations 9/02/20	/V /R	1	

Model: 987209

Model life 2009>>2012



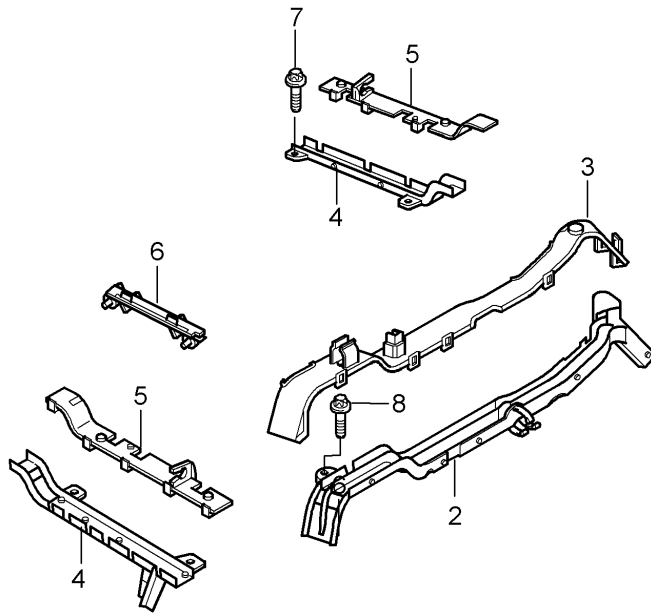
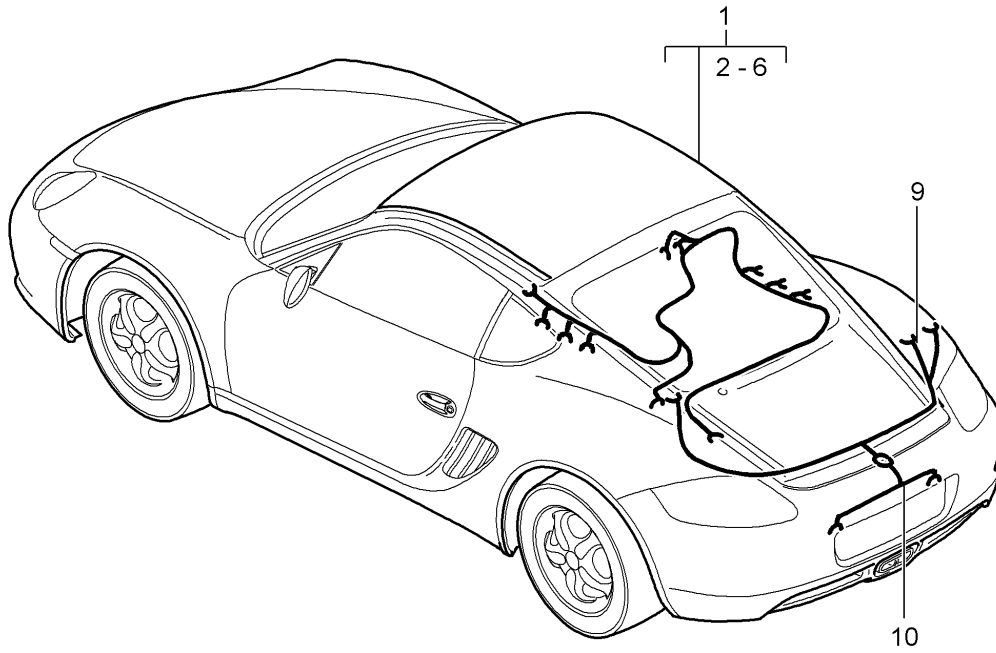
Model: 987209

Model life 2009>>2012

Pos	Part Number	Description	Remark	Qty	Model
		Wiring harnesses Doors Airbag Centre console Glove compartment Rear lid			
1	997 612 642 07	Wiring harness Assembly frame Driver's door	/LL	1	I098
(1)	997 612 644 57	Wiring harness Assembly frame Driver's door	/RL	1	I099
(1)	997 612 643 57	Wiring harness Assembly frame Passenger's door	/LL	1	I098
(1)	997 612 645 07	Wiring harness Assembly frame Passenger's door	/RL	1	I099
-	997 612 780 16	Wiring harness Airbag		2	
2	997 612 647 10	Wiring harness Door panel Driver's door	/LL	1	I098
2	997 612 650 10	Wiring harness Door panel Driver's door	/RL	1	I099
(2)	997 612 648 10	Wiring harness Door panel Passenger's door	/LL	1	I098
(2)	997 612 649 10	Wiring harness Door panel Passenger's door	/RL	1	I099
3	997 612 652 75	Wiring harness		1	
4	997 612 651 00	Centre console Wiring harness		1	
5	987 612 670 50	Glove compartment Wiring harness Rear lid		1	

Model: 987209

Model life 2009>>2012



Model: 987209 Model life 2009>>2012

Pos	Part Number	Description	Remark	Qty	Model
1	9A1 607 027 02	Wiring harnesses Engine Rear end License plate light ParkAssist Repair kits for Shock absorber Anti-lock brake system Brake pad wear indicator Rear axle Wiring harness	-09	1	MA1.20 I480
1	9A1 607 027 03	Engine Wiring harness	10-	1	MA1.20 I480
1	9A1 607 024 02	Engine Wiring harness	-09	1	MA1.21 I480
1	9A1 607 024 03	Engine Wiring harness	10-	1	MA1.21 I480
1	9A1 607 026 02	Engine Wiring harness	-09	1	MA1.20 I250
1	9A1 607 026 03	Engine Wiring harness	10-	1	MA1.20 I250
1	9A1 607 023 02	Engine Wiring harness	-09	1	MA1.21 I250
1	9A1 607 023 03	Engine Wiring harness	10-	1	MA1.21 I250
-	999 702 324 40	Engine Grommet Mass air flow meter		1	
2	9A1 607 110 20	Cable guide Crankcase		2	
3	9A1 607 120 00	Lid Cable guide		1	
3	9A1 607 120 01	Lid Cable guide		1	
4	9A1 607 117 00	Cable guide Cable guide Cylinder head		2	
5	9A1 607 127 00	Lid Cable guide	-09	2	
5	9A1 607 127 01	Lid Cable guide	10-	2	
6	9A1 607 113 00	Cable guide Fuel collection pipe		1	MA1.21
7	900 385 044 01	Torx screw BM 8 X 20		2	
8	900 385 009 01	Torx screw BM 6 X 16		2	
9	987 612 904 00	Wiring harness Rear end Vehicle Ident. No. Indicate		1	
10	987 612 660 00	Wiring harness License plate light		1	
(10)	997 612 661 25	Wiring harness ParkAssist		1	I635

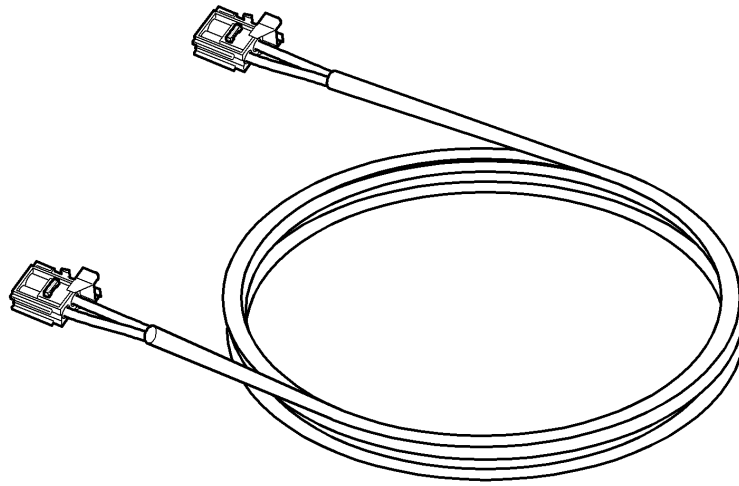
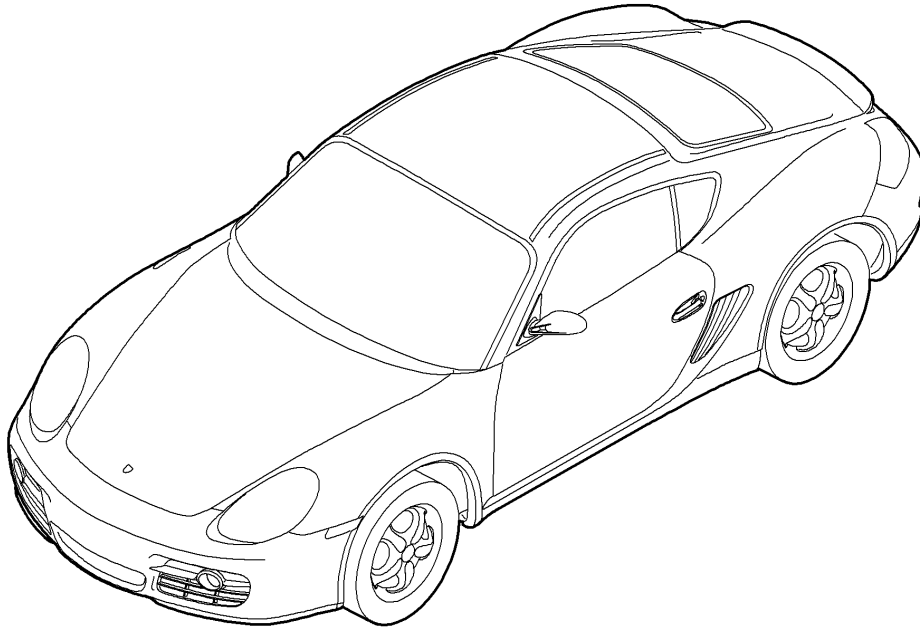
Model: 987209

Model life 2009>>2012

Pos	Part Number	Description	Remark	Qty	Model
-	997 612 950 00	License plate light Repair kit Wiring harness Shock absorber	/H	2	I475
-	987 612 963 00	Repair kit Wiring harness Anti-lock brake system Brake pad wear indicator	/H /L	1	
-	987 612 962 00	Repair kit Wiring harness Anti-lock brake system Brake pad wear indicator Repair kit Wiring harness Front axle See illustrations 9/02/10	/H /R	1	

Model: 987209

Model life 2009>>2012

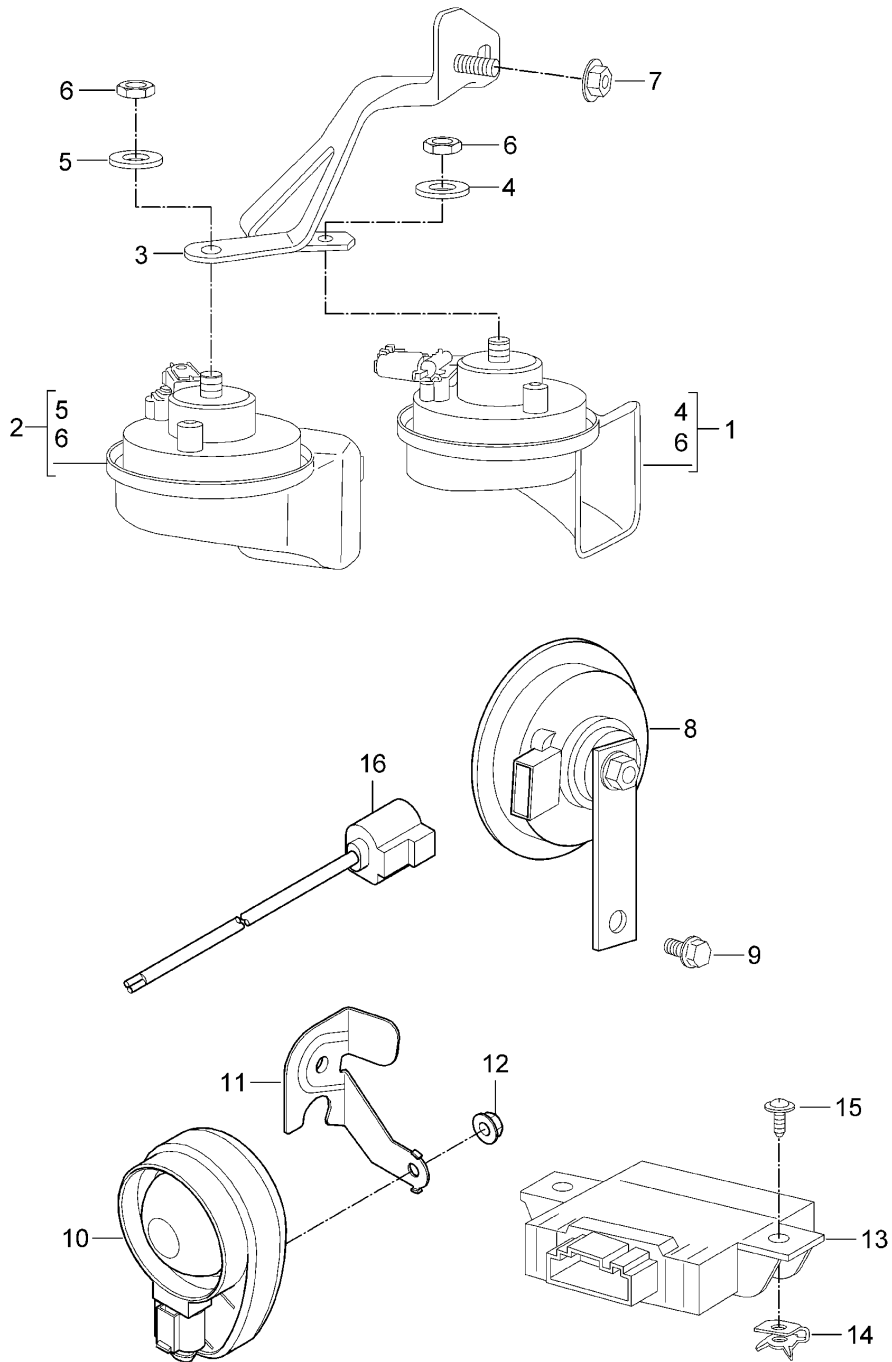


Model: 987209 Model life 2009>>2012

Pos	Part Number	Description	Remark	Qty	Model
-	997 622 701 25	Optical waveguide Optical waveguide	/LL	1	I098/665/680 I695
-	997 622 701 75	Module Optical waveguide	/RL	1	I099/665/680 I695
-	997 622 702 25	Module Optical waveguide	/LL	1	I098/665/676 I695
-	997 622 702 75	Module Optical waveguide	/RL	1	I099/665/676 I680 I695
-	997 622 703 25	Module Optical waveguide	/LL	1	I098/490/665 I680 I695
-	997 622 703 75	Module Optical waveguide	/RL	1	I099/490/665 I676 I695
-	999 650 091 40	Module Plug bridge Optical waveguide		X	I676

Model: 987209

Model life 2009>>2012



Model: 987209 Model life 2009>>2012

Pos	Part Number	Description	Remark	Qty	Model
1	997 635 206 03	Fanfare Horn Alarm system		1	
1	997 635 206 04	Fanfare High-pitched		1	
1	997 635 216 00	Fanfare High-pitched see Technical information GR.9 NR.100/13		1	
-	997 612 947 00	KD-NR.9050 Cable Adapter see Technical information GR.9 NR.100/13 KD-NR.9050		1	
2	997 635 205 03	Fanfare Low-pitched		1	
2	997 635 205 04	Fanfare Low-pitched		1	
(2)	997 635 215 00	Fanfare Low-pitched see Technical information GR.9 NR.100/13 KD-NR.9050		1	
-	997 612 947 00	Cable Adapter see Technical information GR.9 NR.100/13 KD-NR.9050		1	
3	997 635 150 04	Support		1	
3	997 635 150 05	Support		1	
4		Washer High-pitched		1	
5		Washer Low-pitched		1	
6	900 034 001 04	Nut		2	
7	900 377 003 03	M 8 Hexagon nut M 8		1	
8	996 637 117 03	Horn for Alarm system		1	
8	996 637 117 05	Horn for Alarm system Replacement for 996.637.117.03 When required order also: 9P1.998.003.A		1	
9	900 075 459 01	Combination screw M 6 X 12 Z2		1	
10	955 618 237 01	Alarm siren		1	I536
11	997 637 419 01	Support		1	I536
12	900 380 015 01	Hexagon nut M 6		1	I536
13	997 618 265 00	Control unit		1	I521

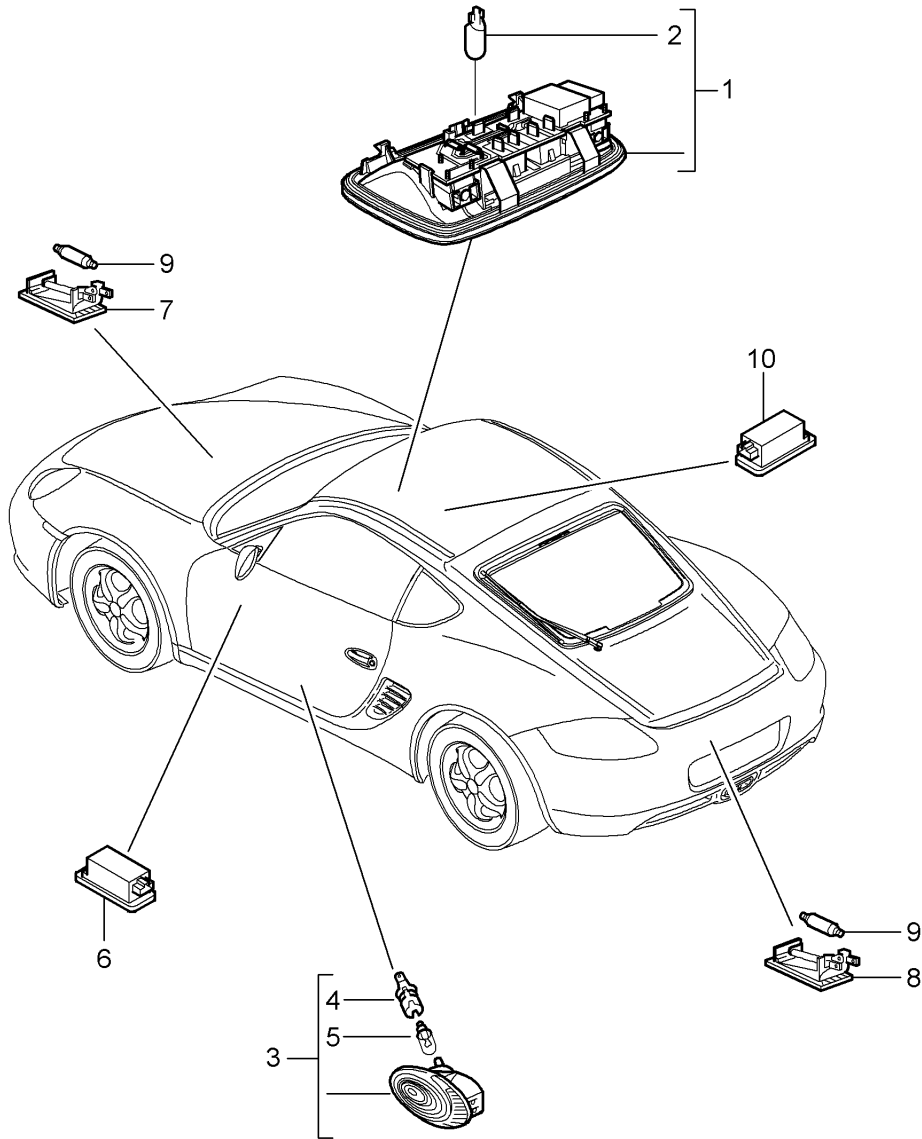
Model: 987209

Model life 2009>>2012

Pos	Part Number	Description	Remark	Qty	Model
14	999 591 742 01	with Tilt sensor Speed nut 4,2		2	I521
15	999 073 155 09	Tapping screw 4,2 X 13		2	I521
16	9P1 998 003 A	Wiring harness Modification kit Horn		1	

Model: 987209

Model life 2009>>2012



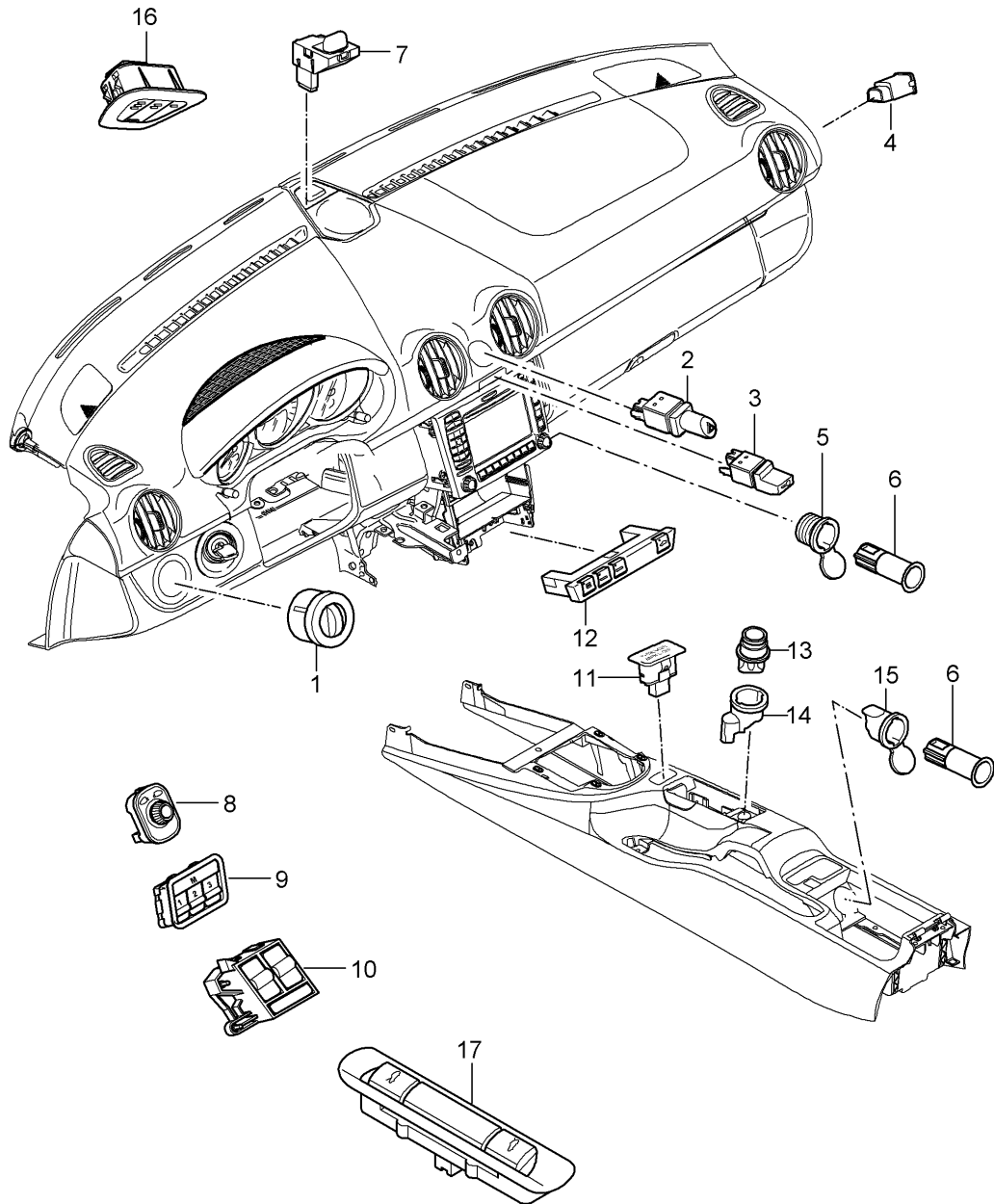
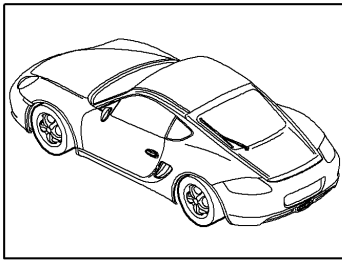
Model: 987209

Model life 2009>>2012

Pos	Part Number	Description	Remark	Qty	Model
		Interior lights			
		Luggage compartment lamp			
		Engine compartment lamp			
		Glove compartment light			
		Footwell light			
1	987 632 057 00	Interior light	/LL	1	I098
(1)	987 632 059 00	Interior light	/RL	1	I099
2	999 631 134 90	Bulb		2	
		6 W			
3	996 632 132 01	Door guard light		2	
(3)	996 632 135 00	Light		2	
		Tray			
		Luggage			
4	161 949 111	Bulb socket		2	
5	999 631 032 90	Bulb		2	
		5 W			
6	955 632 202 00	Light		2	
		Footwell			
7	997 632 201 00	Light		1	
		Luggage compartment			
		Front			
8	997 632 125 00	Light		1	
		Luggage compartment			
		Rear			
9	900 631 106 90	Linolite lamp		2	
		10 W			
10	997 632 071 00	Glove compartment light		1	
-	999 631 147 90	Bulb		4	
		3 W			
		Vanity mirror			

Model: 987209

Model life 2009>>2012



Model: 987209

Model life 2009>>2012

Pos	Part Number	Description	Remark	Qty	Model
1	997 613 535 01	Switch Light switch		1	
(1)	997 613 535 01 A05	Black mat			
	997 613 525 00	Light switch		1	I605
	997 613 525 00 A05	Black mat			
2	987 613 120 02	Hazard warning light sw.		1	
	987 613 120 02 A05	Black mat			
3	987 613 143 01	Switch Central locking system		1	
	987 613 143 01 A05	Black mat			
4	955 613 165 02	Switch Airbag		1	
	955 613 165 02 9B9	Satin black			
5	997 652 103 00	Clamping ring with Lid		1	
6	955 652 107 00	Plug socket		2	
7	997 653 251 00	Sensor Air conditioner		1	
8	997 613 241 01	Switch Door mirror		1	
	997 613 241 01 A05	Black mat			
9	997 613 103 01	Memory switch	/L	1	I537
	997 613 103 01 A05	Black mat			
(9)	997 613 104 00	Memory switch	/R	1	I538
	997 613 104 00 A05	Black mat			
10	997 613 151 05	Switch Power windows Driver's side	/LL	1	I098
	997 613 151 05 A05	Black mat			
(10)	997 613 152 05	Switch Power windows Driver's side	/RL	1	I099
	997 613 152 05 A05	Black mat			
(10)	997 613 156 05	Switch Power windows Passenger's side	/LL	1	I098
	997 613 156 05 A05	Black mat			
(10)	997 613 155 04	Switch Power windows Passenger's side	/RL	1	I099
	997 613 155 04 A05	Black mat			
11	997 641 165 01	Indicator light Airbag		1	
	997 641 165 01 A05	Black mat			
12	997 613 541 00	Combined switch	-11	1	I029/476
	997 613 541 00 A05	Black mat			
(12)	997 613 541 02	Combined switch	12-	1	I029/476
	997 613 541 02 A05	Black mat			
(12)	987 613 541 00	Combined switch	-11	1	CAYMAN R I029/476
	987 613 541 00 A05	Black mat			
(12)	987 613 541 01	Combined switch	12-	1	CAYMAN R I029/476
	987 613 541 01 A05	Black mat			
(12)	997 613 543 01	Combined switch	-11	1	I029/476/480 I639/640
	997 613 543 01 A05	Black mat			
(12)	997 613 543 02	Combined switch	12-	1	I029/476/480 I639/640
	997 613 543 02 A05	Black mat			
(12)	987 613 543 00	Combined switch	-11	1	CAYMAN R I029/476/480

Model: 987209 Model life 2009>>2012

Pos	Part Number	Description	Remark	Qty	Model
	987 613 543 00 A05	Black mat			I639/640
(12)	987 613 543 01	Combined switch	12-	1	CAYMAN R I029/476/480 I639/640
	987 613 543 01 A05	Black mat			
(12)	997 613 545 00	Combined switch	-11	1	I475/476
	997 613 545 00 A05	Black mat			
(12)	997 613 545 02	Combined switch	12-	1	I475/476
	997 613 545 02 A05	Black mat			
(12)	997 613 547 00	Combined switch	-11	1	I475/476/480 I639/640
	997 613 547 00 A05	Black mat			
(12)	997 613 547 01	Combined switch	-11	1	I475/476/480 I639/640
	997 613 547 01 A05	Black mat			
(12)	997 613 547 02	Combined switch	12-	1	I475/476/480 I639/640
	997 613 547 02 A05	Black mat			
(12)	997 613 549 01	Combined switch	-11	1	IXLF/029/476
	997 613 549 01 A05	Black mat			
(12)	997 613 549 02	Combined switch	12-	1	IXLF/029/476
	997 613 549 02 A05	Black mat			
(12)	987 613 549 00	Combined switch	-11	1	CAYMAN R IXLF/029/476
	987 613 549 00 A05	Black mat			
(12)	987 613 549 01	Combined switch	12-	1	CAYMAN R IXLF/029/476
	987 613 549 01 A05	Black mat			
(12)	997 613 551 01	Combined switch	-11	1	IXLF/029/476 I480/639/640
	997 613 551 01 A05	Black mat			
(12)	997 613 551 02	Combined switch	12-	1	IXLF/029/476 I480/639/640
	997 613 551 02 A05	Black mat			
(12)	987 613 551 00	Combined switch	-11	1	CAYMAN R IXLF/029/476 I480/639/640
	987 613 551 00 A05	Black mat			
(12)	987 613 551 01	Combined switch	12-	1	CAYMAN R IXLF/029/476 I480/639/640
	987 613 551 01 A05	Black mat			
(12)	997 613 553 01	Combined switch	-11	1	IXLF/475/476
	997 613 553 01 A05	Black mat			
(12)	997 613 553 02	Combined switch	12-	1	IXLF/475/476
	997 613 553 02 A05	Black mat			
(12)	997 613 555 01	Combined switch	-11	1	IXLF/475/476 I480/639/640
	997 613 555 01 A05	Black mat			
(12)	997 613 555 02	Combined switch	12-	1	IXLF/475/476 I480/639/640
	997 613 555 02 A05	Black mat			
(12)	997 613 557 00	Combined switch	-11	1	I029/250/476 I639/640
	997 613 557 00 A05	Black mat			
(12)	997 613 557 01	Combined switch	-11	1	I029/250/476 I639/640
	997 613 557 01 A05	Black mat			
(12)	997 613 557 02	Combined switch	12-	1	I029/250/476 I639/640
	997 613 557 02 A05	Black mat			
(12)	987 613 557 00	Combined switch	-11	1	CAYMAN R

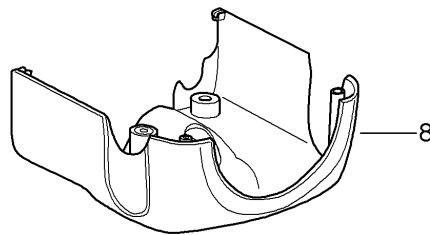
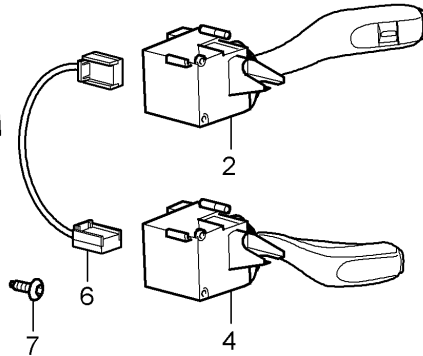
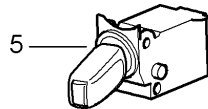
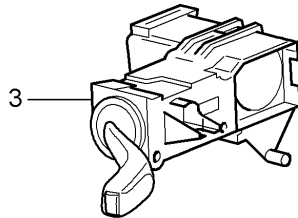
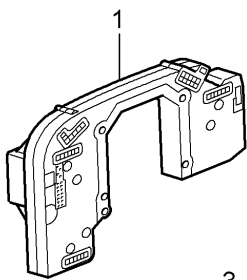
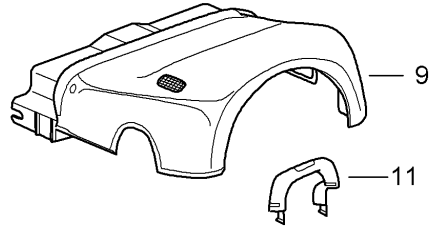
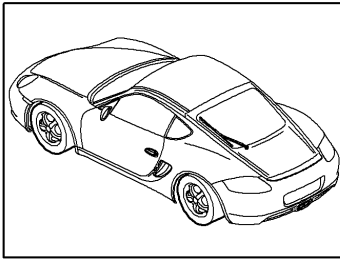
Model: 987209

Model life 2009>>2012

Pos	Part Number	Description	Remark	Qty	Model
					I029/250/476 I639/640
(12)	987 613 557 00 A05 987 613 557 01	Black mat Combined switch	12-	1	CAYMAN R I029/250/476 I639/640
(12)	987 613 557 01 A05 997 613 559 01	Black mat Combined switch	-11	1	I250/475/476 I639/640
(12)	997 613 559 01 A05 997 613 559 02	Black mat Combined switch	12-	1	I250/475/476 I639/640
(12)	997 613 559 02 A05 997 613 561 01	Black mat Combined switch	-11	1	IXLF/029/250 I476/639/640
(12)	997 613 561 01 A05 997 613 561 02	Black mat Combined switch	12-	1	IXLF/029/250 I476/639/640
(12)	997 613 561 02 A05 987 613 561 00	Black mat Combined switch	-11	1	CAYMAN R IXLF/029/250 I476/639/640
(12)	987 613 561 00 A05 987 613 561 01	Black mat Combined switch	12-	1	CAYMAN R IXLF/029/250 I476/639/640
(12)	987 613 561 01 A05 997 613 563 01	Black mat Combined switch	-11	1	IXLF/250/475 I476/639/640
(12)	997 613 563 01 A05 997 613 563 02	Black mat Combined switch	12-	1	IXLF/250/475 I476/639/640
13	997 613 563 02 A05 997 652 101 00	Black mat Cigarette lighter		1	
14	997 652 102 00	Headlight unit		1	
15	997 652 104 00	Clamping ring with Lid		1	
16	987 613 225 01	Switch Garage door opener		1	I607/608
(16)	987 613 225 01 A05 997 613 235 00	Black mat Cover		2	
17	997 613 235 00 01C 997 613 105 02	Satin black Switch Lid		1	
	997 613 105 02 A05	Front and rear Black mat			

Model: 987209

Model life 2009>>2012



Model: 987209 Model life 2009>>2012

Pos	Part Number	Description	Remark	Qty	Model
		Steering column switch			
1	997 613 297 03	Electronic unit	09	1	I480
1	997 613 289 01	Electronic unit	09	1	I250
1		Electronic unit	10-	1	
1	997 613 299 01	Electronic unit		1	I250/345/480
1	997 613 299 02	Electronic unit		1	I250/345/480
2	997 613 251 00	Wiper switch		1	
	997 613 251 00 01C	Satin black			
(2)	997 613 253 00	Wiper switch		1	I288
	997 613 253 00 01C	Satin black			
(2)	997 613 255 00	Wiper switch		1	I425
	997 613 255 00 01C	Satin black			
(2)	997 613 257 00	Wiper switch		1	I288/425
	997 613 257 00 01C	Satin black			
3	997 613 245 00	Direction indicator switch		1	
	997 613 245 00 01C	Satin black			
4	997 613 261 00	Switch		1	I454
		Cruise control			
	997 613 261 00 01C	Satin black			
5	997 613 265 00	Switch		1	I659
		On-board computer			
	997 613 265 00 01C	Satin black			
(5)	997 613 267 00	Switch		1	I659/671
		On-board computer			
	997 613 267 00 01C	Satin black			
6	997 622 674 00	Wiring harness		1	I454
		Cruise control			
7	N 909 068 01	Torx screw		X	
		M 2,5 X 2,6 X 43,5-D			
8	997 552 475 02	Switch housing		1	
		Lower			
	997 552 475 02 A03	Black			
(8)	997 552 475 03	Switch housing		1	I454
		Lower			
	997 552 475 03 A03	Black			
8	997 552 979 00	Switch housing		1	IXNS
		Lower			
		Leather			
	997 552 979 00 A11	Black			
	997 552 979 00 5X6	Stone grey			
	997 552 979 00 8G2	Sand Beige			
	997 552 979 00 3S9	Sea blue			
	997 552 979 00 9S5	Terracotta			
	997 552 979 00 9V6	Cocoa			
	997 552 979 00 D12	Dark grey/natural			
	997 552 979 00 T12	Brown/natural			
	997 552 979 00 N12	Carrera Red			
(8)	997 552 979 01	Switch housing		1	IXNS/454
		Lower			
		Leather			
	997 552 979 01 A11	Black			
	997 552 979 01 5X6	Stone grey			
	997 552 979 01 8G2	Sand Beige			
	997 552 979 01 3S9	Sea blue			
	997 552 979 01 9S5	Terracotta			
	997 552 979 01 9V6	Cocoa			
	997 552 979 01 D12	Dark grey/natural			
	997 552 979 01 T12	Brown/natural			
	997 552 979 01 N12	Carrera Red			
9	997 552 273 02	Switch housing		1	
		Upper			
	997 552 273 02 A03	Black			
9	997 552 997 00	Switch housing		1	IXNS

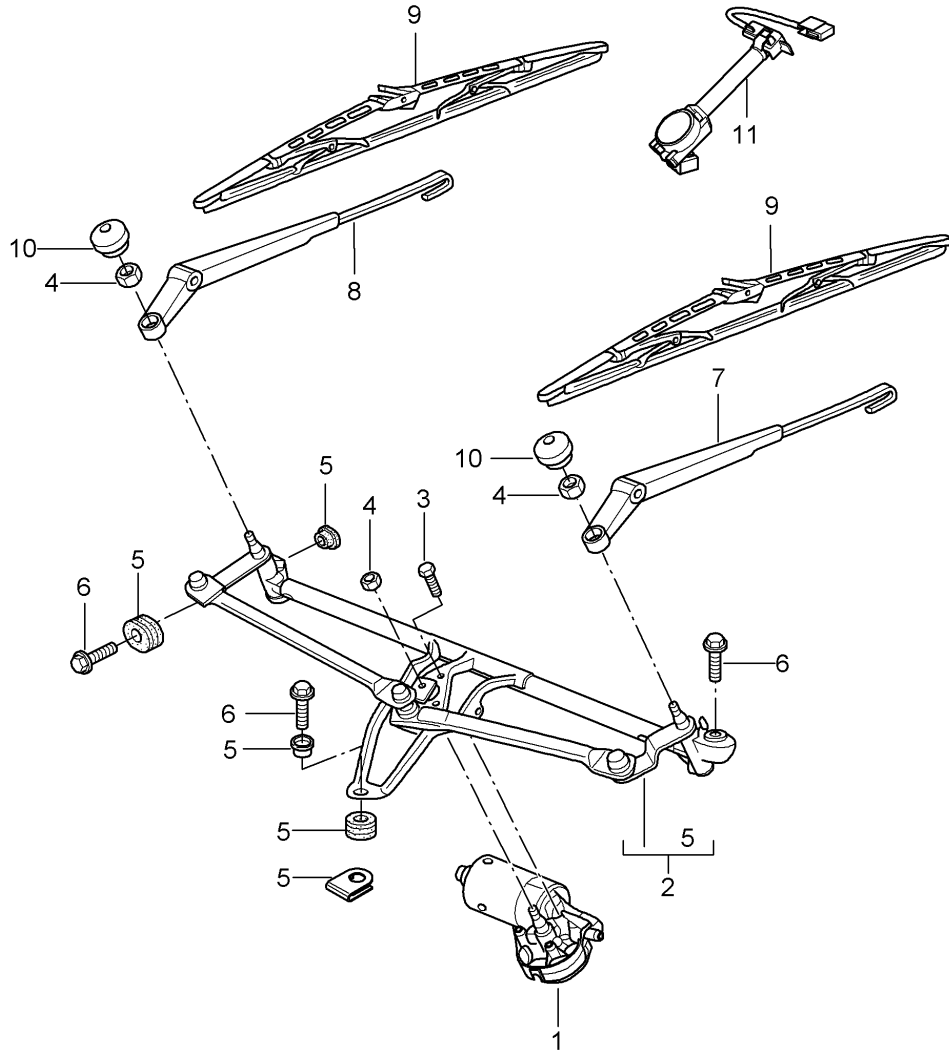
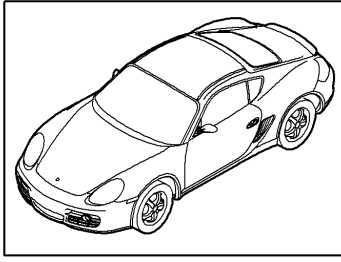
Model: 987209

Model life 2009>>2012

Pos	Part Number	Description	Remark	Qty	Model
		Upper			
		Leather			
	997 552 997 00 A11	Black			
	997 552 997 00 5X6	Stone grey			
	997 552 997 00 8G2	Sand Beige			
	997 552 997 00 3S9	Sea blue			
	997 552 997 00 9S5	Terracotta			
	997 552 997 00 9V6	Cocoa			
	997 552 997 00 D12	Dark grey/natural			
	997 552 997 00 T12	Brown/natural			
	997 552 997 00 N12	Carrera Red			
10	999 919 136 01	Oval-head screw		3	
		3,5 X 18			
11	997 610 206 00	Cable guide		1	

Model: 987209

Model life 2009>>2012



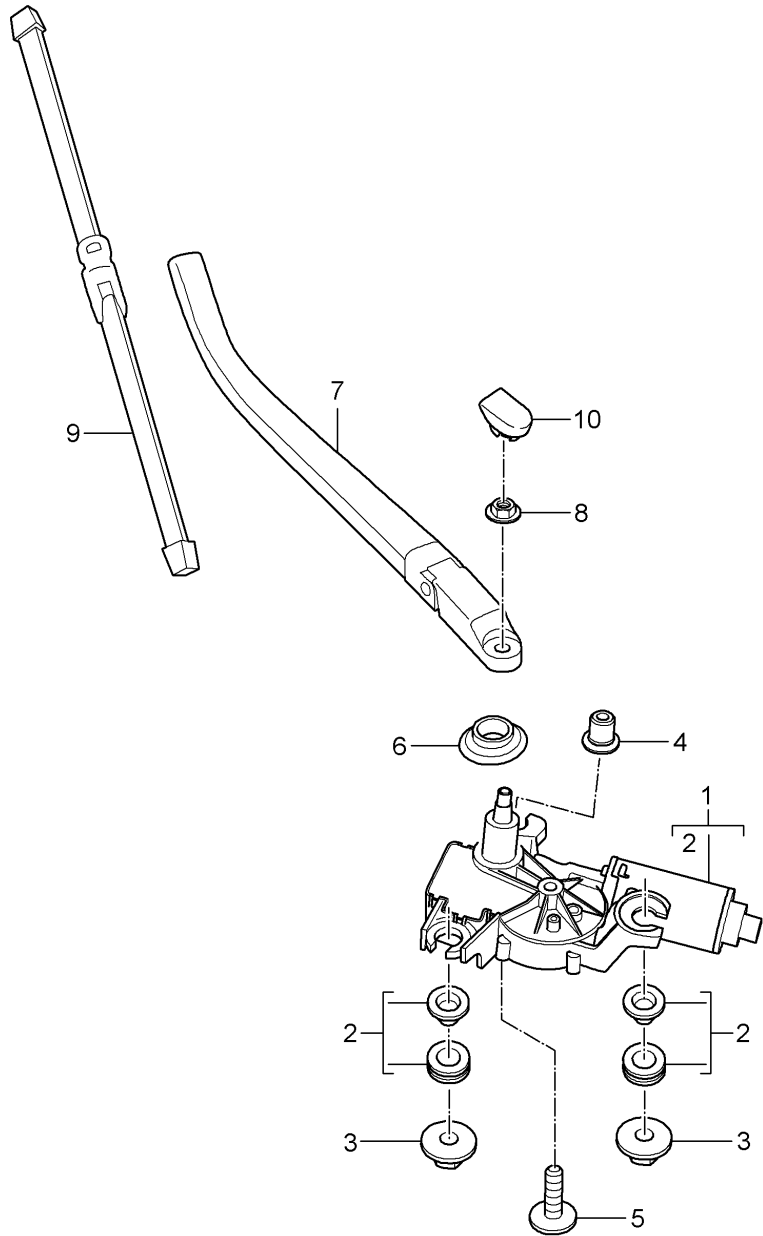
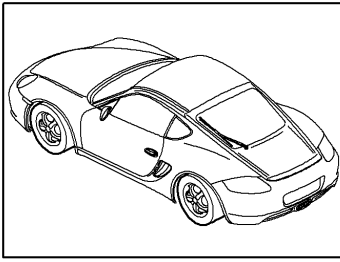
Model: 987209

Model life 2009>>2012

Pos	Part Number	Description	Remark	Qty	Model
		Windscreen wiper system			
		Rain sensor			
1	997 624 105 01	Wiper motor	/LL	1	I098
(1)	997 624 106 01	Wiper motor	/RL	1	I099
2	997 628 235 01	Crank drive	/LL	1	I098
(2)	997 628 236 01	Crank drive	/RL	1	I099
3	999 073 152 02	Torx screw M 6 X 18		3	
4	900 076 064 02	Hexagon nut M 8		3	
5	997 628 928 00	Repair kit		1	
		Comprising:		1	
-		Bearing sleeve		1	
-		Rubber bush		1	
-		Bearing sleeve		1	
-		Rubber bush		1	
-		Clamp		2	
6	999 075 075 01	Combination screw M 6 X 22 SC		3	
7	987 628 027 00	Wiper arm Driver's side	/LL	1	I098
(7)	997 628 030 00	Wiper arm Passenger's side	/RL	1	I099
8	997 628 029 00	Wiper arm Passenger's side	/LL	1	I098
(8)	987 628 028 00	Wiper arm Driver's side	/RL	1	I099
9	996 628 901 08	Wiper blade Set Driver's side Passenger's side		1	
10	944 628 305 01	Cap		2	
11	987 612 693 00	Rain sensor with Wiring harness		1	I267/268
-	000 043 204 65	Adhesive film for Rain sensor		1	

Model: 987209

Model life 2009>>2012



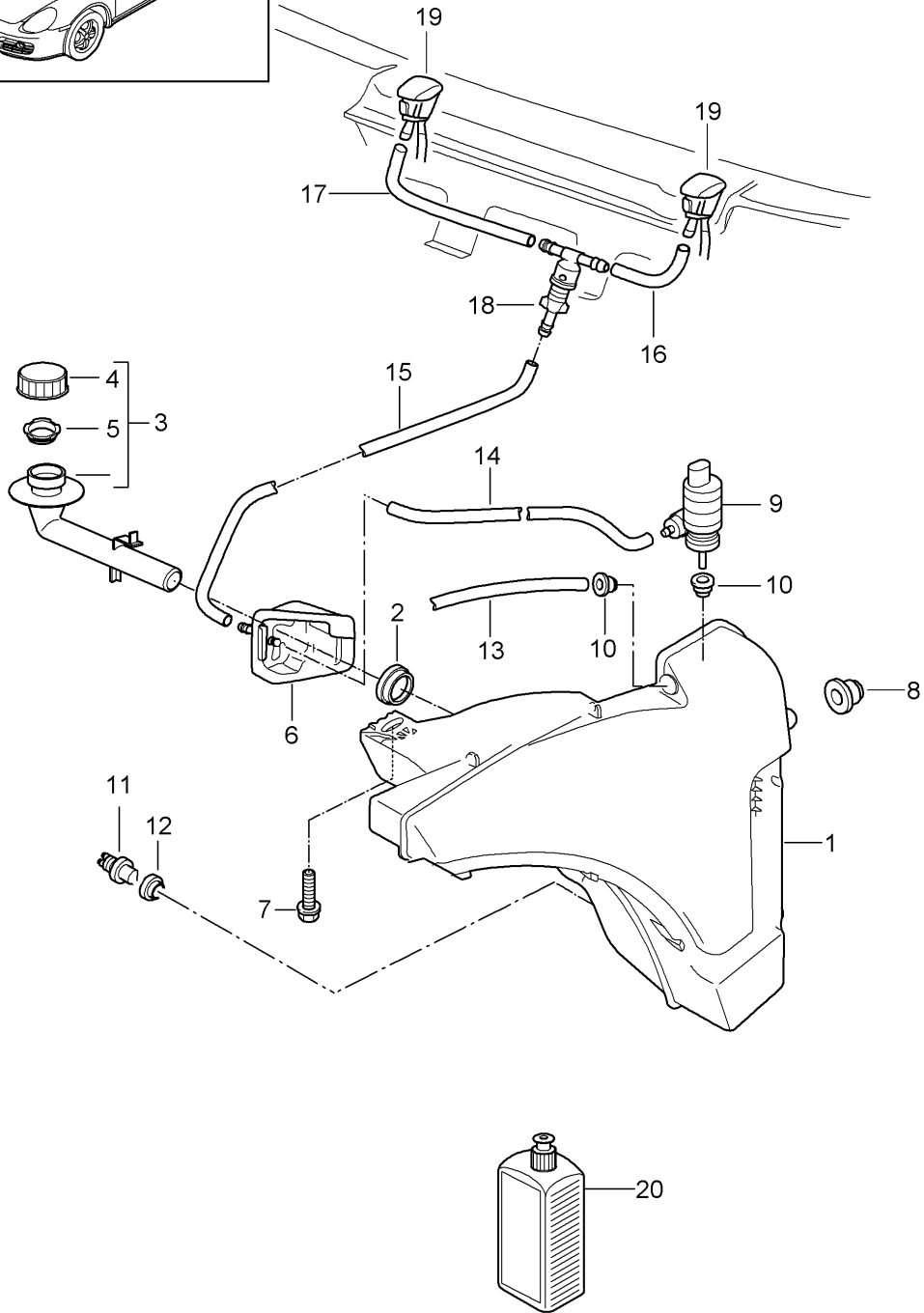
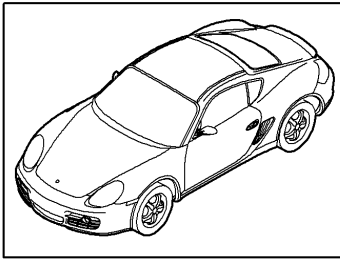
Model: 987209

Model life 2009>>2012

Pos	Part Number	Description	Remark	Qty	Model
		Rear window wiper			I425
1	987 628 080 00	Wiper motor		1	
2	997 628 908 00	Repair kit		1	
-		Comprising:			
-		Grommet		2	
-		Bush		2	
3	999 076 078 01	Hexagon nut M 6		2	
4	999 500 078 00	Speed nut		1	
5	999 073 468 01	Combination screw M 6 X 22 SC		1	
6	987 628 273 00	Grommet		1	
7	987 628 169 00	Wiper arm		1	
8	900 377 003 03	Hexagon nut		1	
9	997 628 189 00	Wiper blade		1	
10	997 628 122 00	Cap		1	

Model: 987209

Model life 2009>>2012



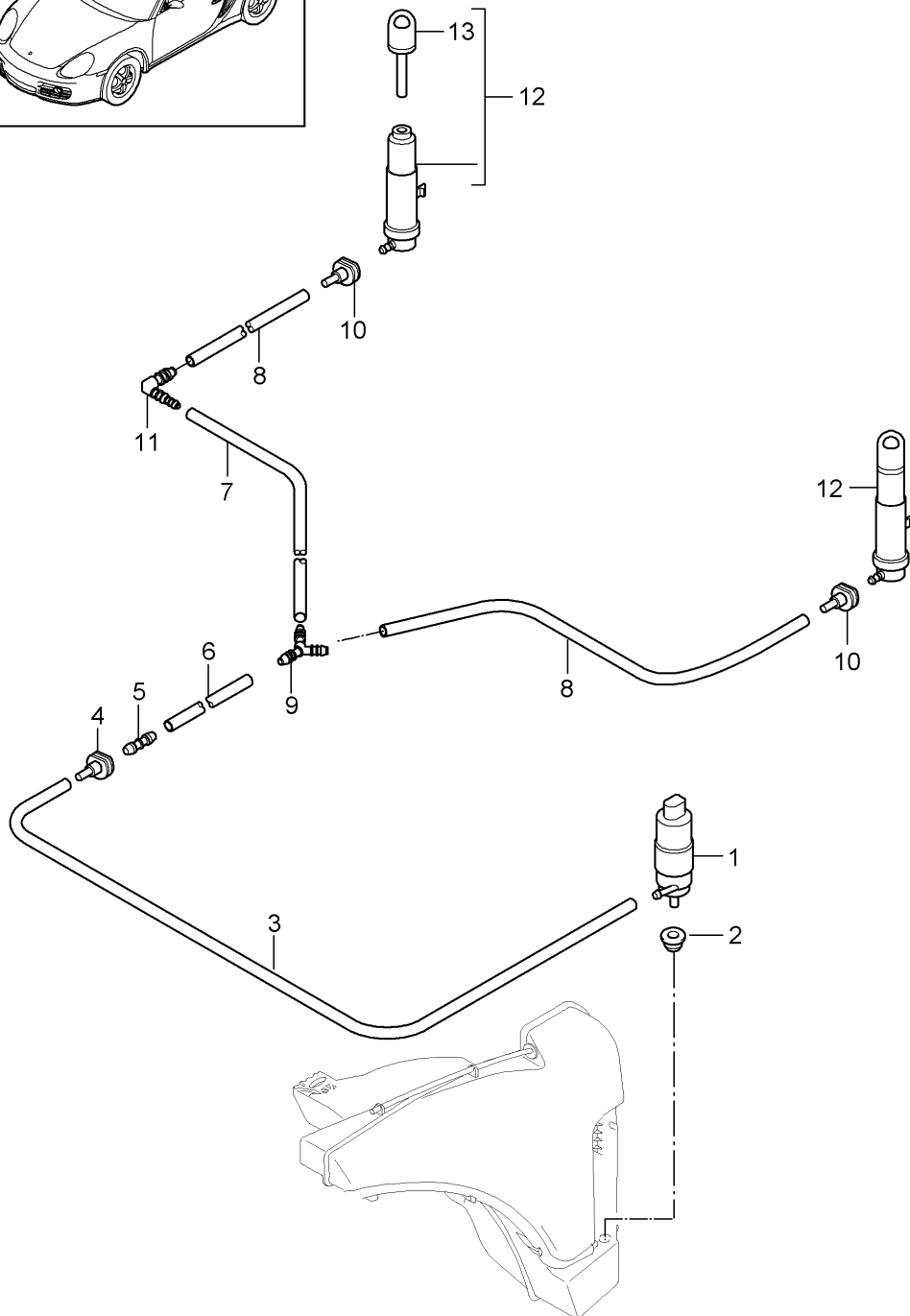
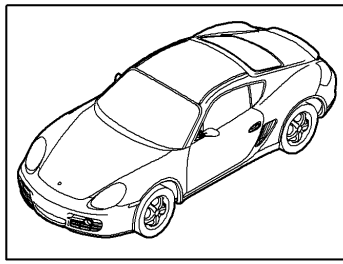
Model: 987209

Model life 2009>>2012

Pos	Part Number	Description	Remark	Qty	Model
		Windscreen washer system			
1	997 528 701 01	Water reservoir		1	I288
(1)	997 528 701 00	Water reservoir		1	
2	996 528 711 00	Gasket		1	
3	997 528 605 00	Filler neck		1	
4	996 528 607 00	Lid		1	
5	997 528 621 00	Strainer		1	
6	996 528 615 01	Bracket		1	
-	999 137 091 40	Joining socket		X	
		Repair material for Bracket 996.528.615.01			
7	900 378 154 01	Hexagon-head bolt AM 8 X 35 SB		1	
8	999 702 221 40	Grommet		2	
9	997 628 182 00	Pump		1	
10	431 955 465 B	Sealing ring		2	
11	955 628 105 00	Tank gauge switch		1	
12	955 528 721 00	Gasket		1	
13	999 181 347 40	Breather pipe 273 MM		*	
-	999 181 815 40	Hose 5,0 X 2,5		*	
14		375 MM		1	
15		650 MM		1	
16		97 MM		1	
17		347 MM		1	
(18)	999 137 005 40	T-piece		1	
19	997 628 077 00	Nozzle		2	
20	999 901 017 42	Window cleaner 250 ML Summer		X	
20	999 901 033 40	Window cleaner 1000 ML Winter		X	

Model: 987209

Model life 2009>>2012



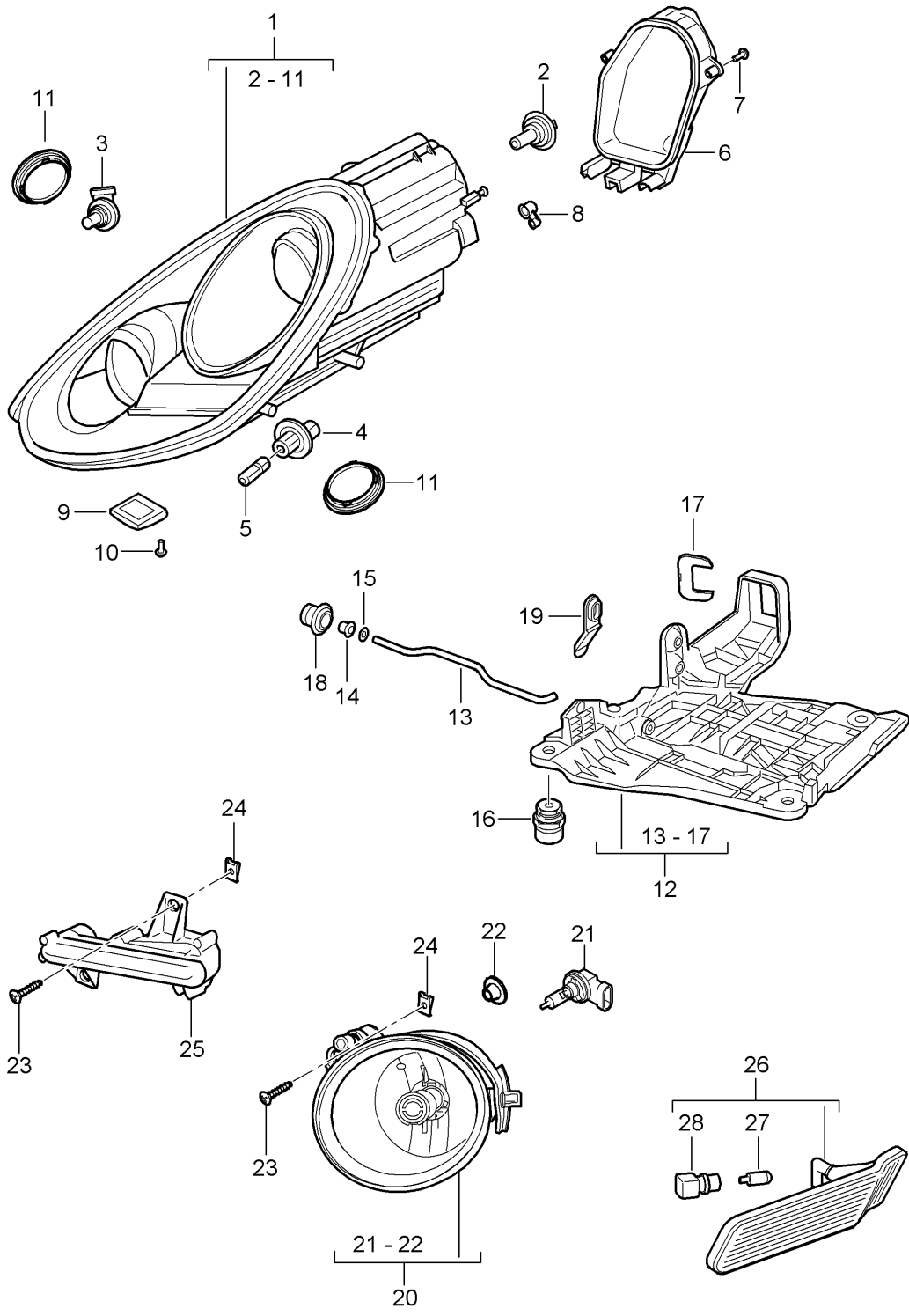
Model: 987209

Model life 2009>>2012

Pos	Part Number	Description	Remark	Qty	Model
		Headlight washer system			I288
1	997 624 502 00	Pump		1	
2	928 628 193 00	Gasket		1	
-	000 043 204 79	Hose		*	
		8 X 3			
3		890 MM		1	
4	996 628 204 00	Clutch		1	
5	997 628 208 00	Hose connection		1	
-	999 181 760 40	Hose		*	
		10 X 3			
6		405 MM			
7		1850 MM			
8		90 MM			
9	999 137 093 40	Y-piece		1	
10	997 628 204 00	Clutch		2	
11	997 628 209 00	Angled pipe		1	
12	997 628 163 01	Nozzle		2	
13	997 628 263 00	Nozzle head		2	
-	997 628 981 02	Cap	10-	2	IXUB
		Prime coated for POS 12 + 13			

Model: 987209

Model life 2009>>2012



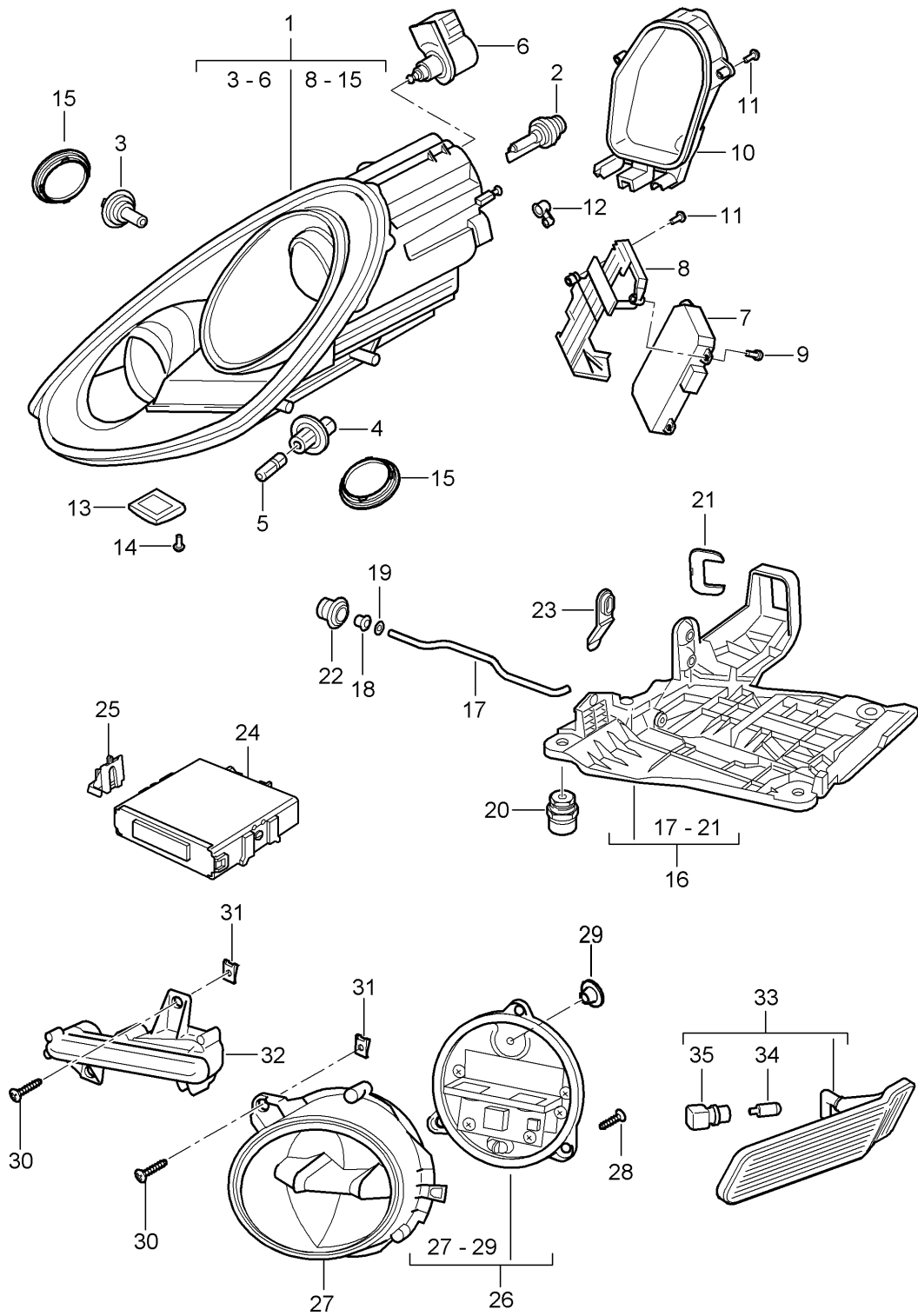
Model: 987209

Model life 2009>>2012

Pos	Part Number	Description	Remark	Qty	Model
		Headlamp			
		Additional headlamp			
		Direction indicator light			
1	987 631 165 01	Headlamp	/L	1	
1	987 631 165 50	Headlamp	/L	1	CAYMAN R
(1)	987 631 166 01	Headlamp	/R	1	
(1)	987 631 166 50	Headlamp	/R	1	CAYMAN R
(1)	987 631 165 11	Headlamp	/L	1	I492
(1)	987 631 165 60	Headlamp	/L	1	CAYMAN R
					I492
(1)	987 631 166 11	Headlamp	/R	1	I492
(1)	987 631 166 60	Headlamp	/R	1	CAYMAN R
					I492
2	999 631 133 91	Halogen bulb H 7		2	
3	999 631 143 90	Halogen bulb H 9		2	
4	987 631 151 00	Bulb socket Direction indicator light		2	
5	999 631 305 90	Bulb 21 W		2	
6	987 631 101 00	Protective cap	/L	1	
(6)	987 631 102 00	Protective cap	/R	1	
7	997 631 191 00	Screw		8	
8	997 631 249 00	Ventilation component		2	
9	997 631 149 00	Ventilation component	/L	1	
9	997 631 149 10	Ventilation component	/L	1	
(9)	997 631 150 00	Ventilation component	/R	1	
(9)	997 631 150 10	Ventilation component	/R	1	
10	997 631 153 00	Screw		4	
11	997 631 211 00	Protective cap		4	
12	987 631 073 01	Mounting	/L	1	
(12)	987 631 074 01	Mounting	/R	1	
13	987 631 243 01	Clamping bow		2	
14	997 631 272 00	Bearing sleeve		2	
15	900 116 004 09	Lock washer		2	
16	997 631 194 02	Fastening part		6	
17	997 631 245 00	Locking device Connector housing		2	
18	999 703 413 40	Stopper		2	
19	993 631 170 03	Stopper		6	
		Additional headlamp			
20	987 631 093 01	Additional headlamp	/L	1	
(20)	987 631 094 01	Additional headlamp	/R	1	
21	999 631 144 91	Halogen bulb H 11		2	
22	987 631 291 00	Cap		2	
23	999 073 063 02	Tapping screw ST 4,8 X 22		8	
24	999 507 768 02	Speed nut ST 4,8		8	
25	987 631 097 01	Position light	/L	1	
25	987 631 097 02	Position light	/L	1	
(25)	987 631 098 01	Position light	/R	1	
26	987 631 013 00	Direction indicator light	/L	1	
(26)	987 631 014 00	Direction indicator light	/R	1	
27	999 631 138 90	Bulb 5 W Yellow		2	
28	997 631 133 00	Bulb socket		2	

Model: 987209

Model life 2009>>2012



Model: 987209 Model life 2009>>2012

Pos	Part Number	Description	Remark	Qty	Model
		Headlamp Additional headlamp Direction indicator light Headlamp without Control unit And Bulb XENON			I603
1	987 631 169 01	Headlamp	/L	1	
1	987 631 169 50	Headlamp	/L	1	CAYMAN R
(1)	987 631 170 01	Headlamp	/R	1	
(1)	987 631 170 50	Headlamp	/R	1	CAYMAN R
1	987 631 169 11	Headlamp	/L	1	I492
1	987 631 169 60	Headlamp	/L	1	CAYMAN R I492
(1)	987 631 170 11	Headlamp	/R	1	I492
(1)	987 631 170 60	Headlamp	/R	1	CAYMAN R I492
2	999 631 036 90	Bulb - PHILIPS -		2	
3	999 631 133 91	Halogen bulb H 7		2	
4	987 631 151 00	Bulb socket Direction indicator light		2	
5	999 631 305 90	Bulb 21 W		2	
6	997 631 227 01	Electric motor Headlight levelling system	/L	1	
(6)	997 631 228 01	Electric motor Headlight levelling system	/R	1	
7	997 631 283 01	Control unit		2	
8	987 631 223 00	Support	/L	1	
(8)	987 631 224 00	Support	/R	1	
9	997 631 199 00	Screw		4	
10	987 631 101 00	Protective cap	/L	1	
(10)	987 631 102 00	Protective cap	/R	1	
11	997 631 191 00	Screw		14	
12	997 631 249 00	Ventilation component		2	
13	997 631 149 00	Ventilation component	/L	1	
13	997 631 149 10	Ventilation component	/L	1	
(13)	997 631 150 00	Ventilation component	/R	1	
(13)	997 631 150 10	Ventilation component	/R	1	
14	997 631 153 00	Screw		4	
15	997 631 211 00	Protective cap		4	
16	987 631 073 01	Mounting	/L	1	
(16)	987 631 074 01	Mounting	/R	1	
17	987 631 243 01	Clamping bow		2	
18	997 631 272 00	Bearing sleeve		2	
19	900 116 004 09	Lock washer		2	
20	997 631 194 02	Fastening part		6	
21	997 631 245 00	Locking device Connector housing		2	
22	999 703 413 40	Stopper		2	
23	993 631 170 03	Stopper		6	
24	997 618 321 02	Control unit Dynamic cornering light		1	
25	997 618 331 00	Support Additional headlamp		2	
26	987 631 045 01	Additional headlamp	/L -10	1	I605
26	987 631 045 03	Additional headlamp	/L 11-	1	I605
(26)	987 631 046 01	Additional headlamp	/R -10	1	I605
(26)	987 631 046 03	Additional headlamp	/R 11-	1	I605

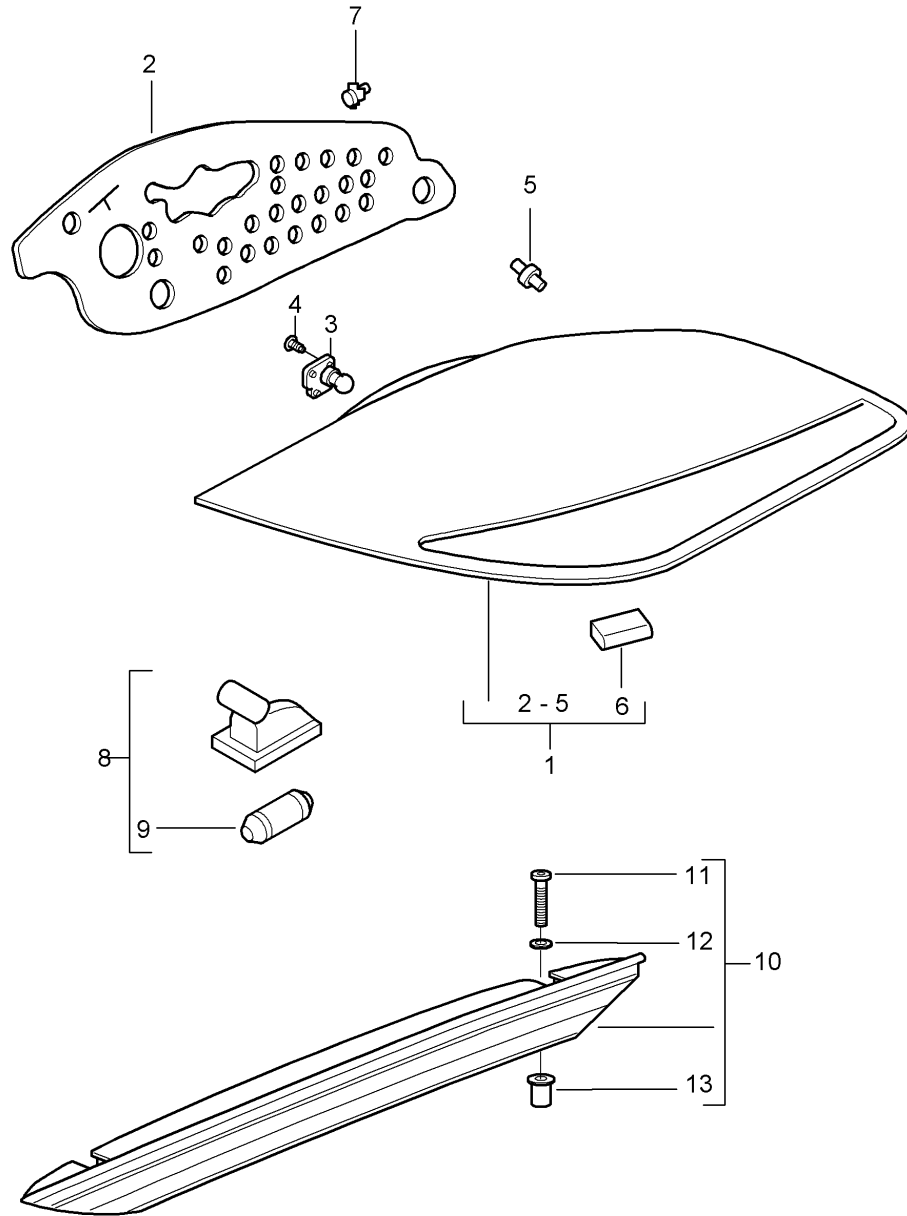
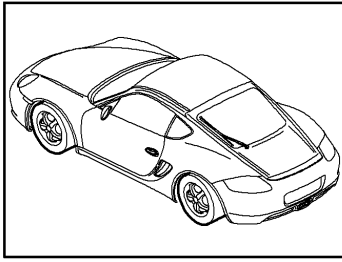
Model: 987209

Model life 2009>>2012

Pos	Part Number	Description	Remark	Qty	Model
27	987 631 251 00	Housing for light	/L -10	1	I605
27	987 631 251 02	Housing for light	/L 11-	1	I605
(27)	987 631 252 00	Housing for light	/R -10	1	I605
(27)	987 631 252 02	Housing for light	/R 11-	1	I605
28	997 631 297 00	Screw		6	I605
29	987 631 291 00	Cap		2	I605
30	999 073 063 02	Tapping screw ST 4,8 X 22		8	I605
31	999 507 759 09	Speed nut ST 4,8		8	I605
32	987 631 097 01	Position light	/L	1	
32	987 631 097 02	Position light	/L	1	
(32)	987 631 098 01	Position light	/R	1	
33	987 631 013 00	Direction indicator light	/L	1	
(33)	987 631 014 00	Direction indicator light	/R	1	
34	999 631 138 90	Bulb 5 W Yellow		2	
35	997 631 133 00	Bulb socket		2	

Model: 987209

Model life 2009>>2012



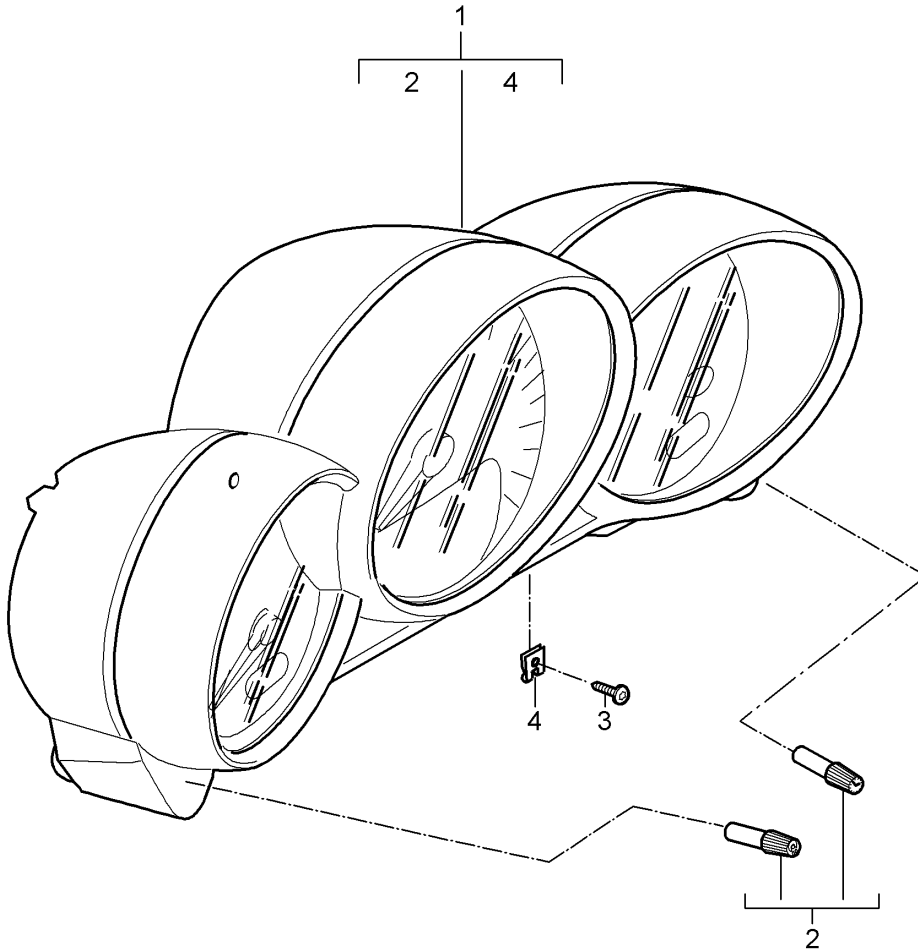
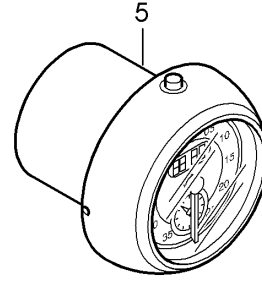
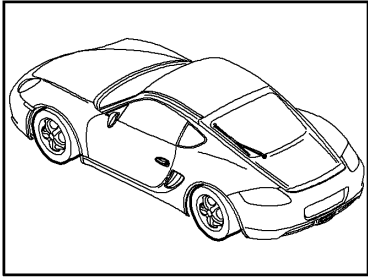
Model: 987209

Model life 2009>>2012

Pos	Part Number	Description	Remark	Qty	Model
		Rear light			
		License plate light			
		Additional brake light			
1	987 631 425 03	Rear light	/L	1	I465
1	987 631 427 03	Rear light	/L	1	I466
(1)	987 631 426 03	Rear light	/R	1	I465
(1)	987 631 428 03	Rear light	/R	1	I466
2	987 631 441 01	Gasket	/L	1	
2	987 631 442 01	Gasket	/R	1	
3	999 631 250 91	Bulb		1	
		Back-up light			
		Use also:			
		Gasket			
		POS. 2			
(3)	999 631 255 91	Bulb		1	
		Direction indicator light			
		Use also:			
		Gasket			
		POS. 2			
4	997 631 497 00	Screw		8	
5	987 631 053 00	Actuator		6	
6	987 631 585 00	Buffer		2	
7	999 076 056 01	Hexagon nut		6	
		M 5			
8	997 631 620 01	License plate light		2	
8	997 631 620 02	License plate light		2	
9	900 631 025 90	Bulb		2	
		12V 5W			
10	987 631 051 03	Additional brake light		1	
11	999 919 236 02	Oval-head screw		2	
		5,0 X 14,0			

Model: 987209

Model life 2009>>2012



Model: 987209 Model life 2009>>2012

Pos	Part Number	Description	Remark	Qty	Model
		Instruments Stopwatch See technical information GR. 9 NR. 5/09 KD - NR. 9025 for Cayman			
1	987 641 303 03	Instrument cluster Complete	-11	1	I022/480
	987 641 303 03 D07	Volcano grey			
1	987 641 303 04	Instrument cluster Complete		1	I022/480
	987 641 303 04 D07	Volcano grey			
1	987 641 304 04	Instrument cluster Complete	-11	1	I022/250
	987 641 304 04 D07	Volcano grey			
1	987 641 304 05	Instrument cluster Complete	12-	1	I022/250
	987 641 304 05 D07	Volcano grey			
1	987 641 307 03	Instrument cluster Complete	(GB) -11	1	I022/480
	987 641 307 03 D07	Volcano grey			
1	987 641 307 04	Instrument cluster Complete	(GB)	1	I022/480
	987 641 307 04 D07	Volcano grey			
1	987 641 308 04	Instrument cluster Complete	(GB) -11	1	I022/250
	987 641 308 04 D07	Volcano grey			
1	987 641 308 05	Instrument cluster Complete	(GB)	1	I022/250
	987 641 308 05 D07	Volcano grey			
(1)	987 641 313 03	Instrument cluster Complete	-11	1	I023/480
	987 641 313 03 D07	Volcano grey			
(1)	987 641 313 04	Instrument cluster Complete		1	I023/480
	987 641 313 04 D07	Volcano grey			
(1)	987 641 314 04	Instrument cluster Complete	-11	1	I023/250
	987 641 314 04 D07	Volcano grey			
(1)	987 641 314 05	Instrument cluster Complete	12-	1	I023/250
	987 641 314 05 D07	Volcano grey			
1	987 641 317 03	Instrument cluster Complete	(GB) -11	1	I023/480
	987 641 317 03 D07	Volcano grey			
1	987 641 317 04	Instrument cluster Complete	(GB)	1	I023/480
	987 641 317 04 D07	Volcano grey			
1	987 641 318 04	Instrument cluster Complete	(GB) -11	1	I023/250
	987 641 318 04 D07	Volcano grey			
1	987 641 318 05	Instrument cluster Complete	(GB)	1	I023/250
	987 641 318 05 D07	Volcano grey			
1	987 641 343 00	Instrument cluster Complete	12-	1	I013/022/480
	987 641 343 00 D07	Volcano grey			
1	987 641 344 00	Instrument cluster Complete	12-	1	I013/022/250
	987 641 344 00 D07	Volcano grey			

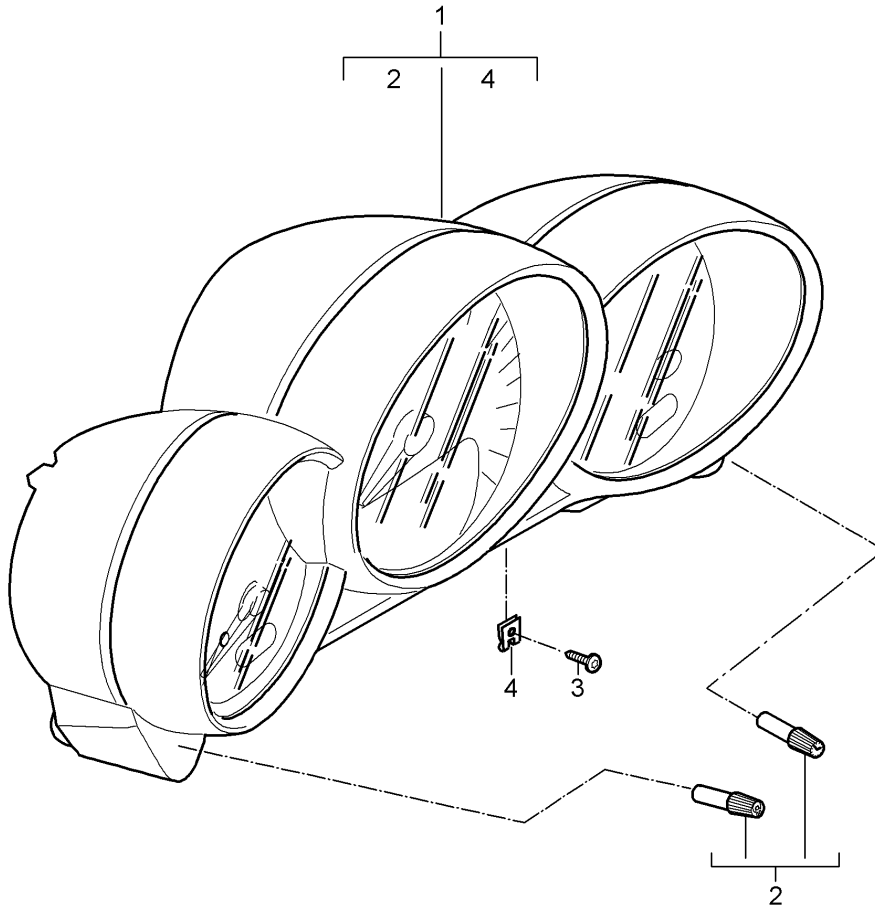
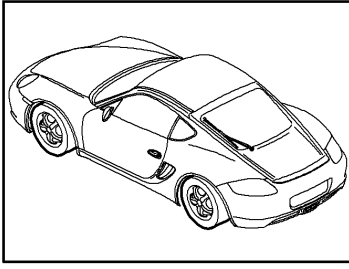
Model: 987209

Model life 2009>>2012

Pos	Part Number	Description	Remark	Qty	Model
1	987 641 344 00	Instrument cluster Complete	12-	1	I013/022/250
	987 641 344 00 D07	Volcano grey			
1	987 641 347 00	Instrument cluster Complete	(GB) 12-	1	I013/022/480
	987 641 347 00 D07	Volcano grey			
1	987 641 348 00	Instrument cluster Complete	(GB) 12-	1	I013/022/250
	987 641 348 00 D07	Volcano grey			
		for			
		CAYMAN R			
1	987 641 333 00	Instrument cluster Complete		1	I022/480
	987 641 333 00 V04	Galvano silver			
1	987 641 334 00	Instrument cluster Complete		1	I022/250
	987 641 334 00 V04	Galvano silver			
1	987 641 337 00	Instrument cluster Complete	(GB)	1	I022/480
	987 641 337 00 V04	Galvano silver			
1	987 641 338 00	Instrument cluster Complete	(GB)	1	I022/250
	987 641 338 00 V04	Galvano silver			
2	997 641 911 00	Knob Actuator Trip meter And Clock		1	
3	999 073 155 09	Tapping screw 4,2 X 19		2	
4	999 507 403 02	U-clamp 12,5 Stopwatch		2	
5	987 641 301 26	Stopwatch		1	CAYMAN I025/639/640
	987 641 301 26 V05	Galvano silver			
5	987 641 301 26	Stopwatch		1	CAYMAN R I025/639/640
	987 641 301 26 V05	Galvano silver			
(5)	987 641 311 26	Stopwatch		1	CAYMAN S I026/639/640
	987 641 311 26 V05	Galvano silver			

Model: 987209

Model life 2009>>2012



Model: 987209 Model life 2009>>2012

Pos	Part Number	Description	Remark	Qty	Model
		Instruments Exclusive programme See technical information GR. 9 NR. 5/09 KD - NR. 9025 for Cayman			
1	987 641 981 05	Instrument cluster Complete Dial Lacquered	-11	1	I480
	987 641 981 05 5Z1	Sand Beige			IXFD
	987 641 981 05 84A	Guards red			IXFG
	987 641 981 05 12H	Speed yellow			IXFH
	987 641 981 05 B9A	Carrara white			IXFJ
1	987 641 981 45	Instrument cluster Complete Dial Lacquered		1	I480
	987 641 981 45 5Z1	Sand Beige			IXFD
	987 641 981 45 84A	Guards red			IXFG
	987 641 981 45 12H	Speed yellow			IXFH
	987 641 981 45 B9A	Carrara white			IXFJ
1	987 641 981 26	Instrument cluster Complete Dial Lacquered	-11	1	I250
	987 641 981 26 5Z1	Sand Beige			IXFD
	987 641 981 26 84A	Guards red			IXFG
	987 641 981 26 12H	Speed yellow			IXFH
	987 641 981 26 B9A	Carrara white			IXFJ
1	987 641 981 46	Instrument cluster Complete Dial Lacquered		1	I250
	987 641 981 46 5Z1	Sand Beige			IXFD
	987 641 981 46 84A	Guards red			IXFG
	987 641 981 46 12H	Speed yellow			IXFH
	987 641 981 46 B9A	Carrara white			IXFJ
1	987 641 981 07	Instrument cluster Complete Dial Lacquered	(GB) -11	1	I480
	987 641 981 07 5Z1	Sand Beige			IXFD
	987 641 981 07 84A	Guards red			IXFG
	987 641 981 07 12H	Speed yellow			IXFH
	987 641 981 07 B9A	Carrara white			IXFJ
1	987 641 981 47	Instrument cluster Complete Dial Lacquered	(GB)	1	I480
	987 641 981 47 5Z1	Sand Beige			IXFD
	987 641 981 47 84A	Guards red			IXFG
	987 641 981 47 12H	Speed yellow			IXFH
	987 641 981 47 B9A	Carrara white			IXFJ
1	987 641 981 28	Instrument cluster Complete Dial Lacquered	(GB) -11	1	I250
	987 641 981 28 5Z1	Sand Beige			IXFD
	987 641 981 28 84A	Guards red			IXFG
	987 641 981 28 12H	Speed yellow			IXFH
	987 641 981 28 B9A	Carrara white			IXFJ

Model: 987209 Model life 2009>>2012

Pos	Part Number	Description	Remark	Qty	Model
1	987 641 981 48	Instrument cluster Complete Dial Lacquered	(GB)	1	I250
	987 641 981 48 5Z1	Sand Beige			IXFD
	987 641 981 48 84A	Guards red			IXFG
	987 641 981 48 12H	Speed yellow			IXFH
	987 641 981 48 B9A	Carrara white for Cayman S			IXFJ
1	987 641 981 15	Instrument cluster Complete Dial Lacquered	-11	1	I480
	987 641 981 15 5Z1	Sand Beige			IXFD
	987 641 981 15 84A	Guards red			IXFG
	987 641 981 15 12H	Speed yellow			IXFH
	987 641 981 15 B9A	Carrara white			IXFJ
1	987 641 981 55	Instrument cluster Complete Dial Lacquered		1	I480
	987 641 981 55 5Z1	Sand Beige			IXFD
	987 641 981 55 84A	Guards red			IXFG
	987 641 981 55 12H	Speed yellow			IXFH
	987 641 981 55 B9A	Carrara white			IXFJ
1	987 641 981 36	Instrument cluster Complete Dial Lacquered	-11	1	I250
	987 641 981 36 5Z1	Sand Beige			IXFD
	987 641 981 36 84A	Guards red			IXFG
	987 641 981 36 12H	Speed yellow			IXFH
	987 641 981 36 B9A	Carrara white			IXFJ
1	987 641 981 56	Instrument cluster Complete Dial Lacquered		1	I250
	987 641 981 56 5Z1	Sand Beige			IXFD
	987 641 981 56 84A	Guards red			IXFG
	987 641 981 56 12H	Speed yellow			IXFH
	987 641 981 56 B9A	Carrara white			IXFJ
1	987 641 981 17	Instrument cluster Complete Dial Lacquered	(GB) -11	1	I480
	987 641 981 17 5Z1	Sand Beige			IXFD
	987 641 981 17 84A	Guards red			IXFG
	987 641 981 17 12H	Speed yellow			IXFH
	987 641 981 17 B9A	Carrara white			IXFJ
1	987 641 981 57	Instrument cluster Complete Dial Lacquered	(GB)	1	I480
	987 641 981 57 5Z1	Sand Beige			IXFD
	987 641 981 57 84A	Guards red			IXFG
	987 641 981 57 12H	Speed yellow			IXFH
	987 641 981 57 B9A	Carrara white			IXFJ
1	987 641 981 38	Instrument cluster Complete Dial Lacquered	(GB) -11	1	I250
	987 641 981 38 5Z1	Sand Beige			IXFD

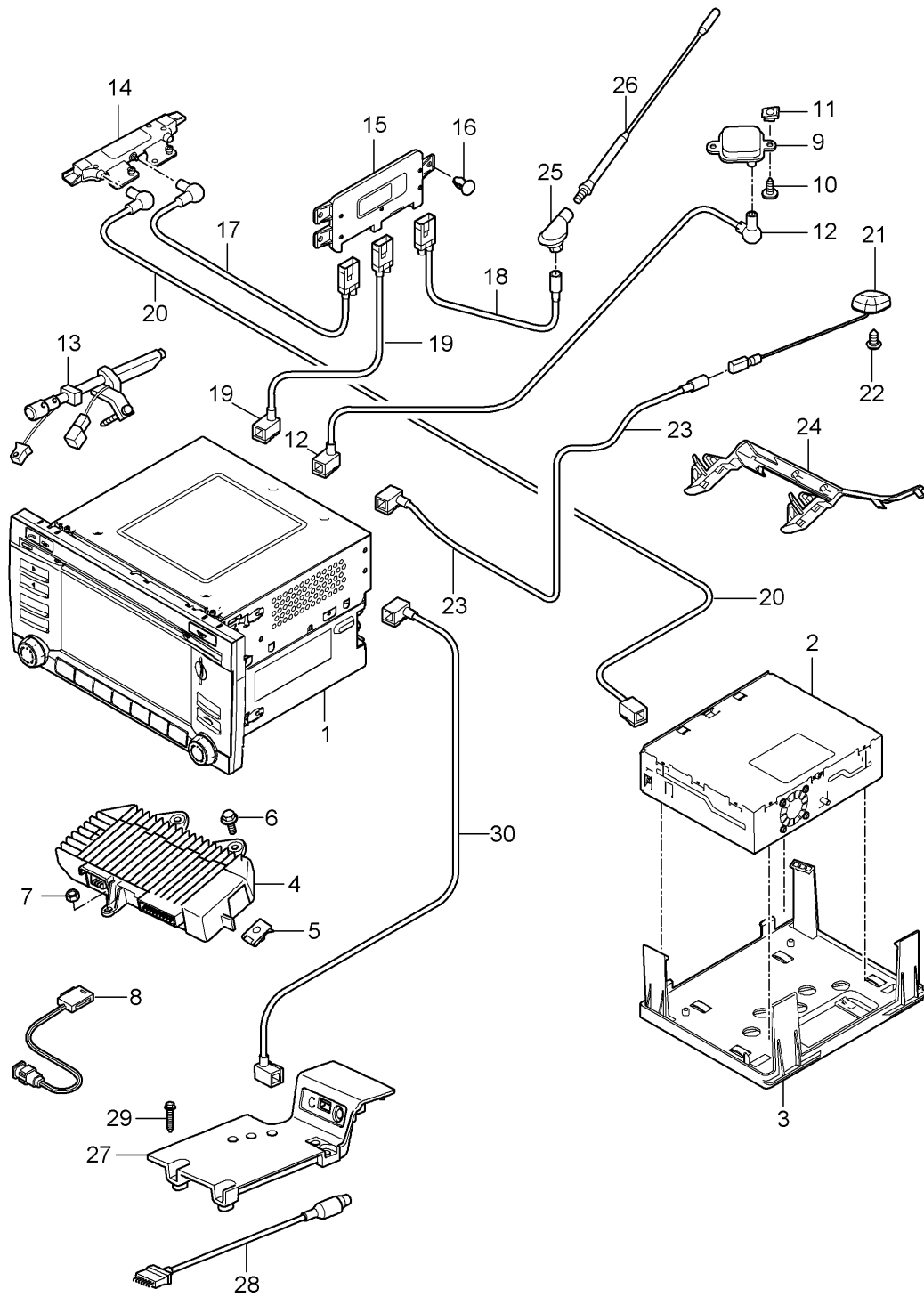
Model: 987209

Model life 2009>>2012

Pos	Part Number	Description	Remark	Qty	Model
1	987 641 981 38 84A	Guards red	(GB)	1	IXFG
	987 641 981 38 12H	Speed yellow			IXFH
	987 641 981 38 B9A	Carrara white			IXFJ
	987 641 981 58	Instrument cluster Complete Dial Lacquered			I250
2	987 641 981 58 5Z1	Sand Beige			IXFD
	987 641 981 58 84A	Guards red			IXFG
	987 641 981 58 12H	Speed yellow			IXFH
	987 641 981 58 B9A	Carrara white			IXFJ
	997 641 911 00	Knob Actuator Trip meter And Clock			
3	999 073 155 09	Tapping screw 4,2 X 19			
4	999 507 403 02	U-clamp		2	

Model: 987209

Model life 2009>>2012



Model: 987209 Model life 2009>>2012

Pos	Part Number	Description	Remark	Qty	Model
		Control part Navigation system Radio Receiving part TV Booster Multimedia interface Control part Only in exchange			
1	997 642 960 X 997 642 960 X FTC	Control part Matt Black/Galvano Silver We take back: 997.642.960.00.FTC		1	I665
1	997 642 962 X 997 642 962 X FTC	Control part Matt Black/Galvano Silver We take back: 997.642.962.00.FTC		1	I665/693
1	997 642 970 X 997 642 970 X FTC	Control part Matt Black/Galvano Silver We take back: 997.642.970.00.FTC	-10	1	I665/672
1	997 642 970 AX 997 642 970 AX FTC	Control part Matt Black/Galvano Silver We take back: 997.642.970.01.FTC	11-	1	I665/672
1	997 642 972 X 997 642 972 X FTC	Control part Matt Black/Galvano Silver We take back: 997.642.972.00.FTC	-10	1	I665/672/693
1	997 642 972 AX 997 642 972 AX FTC	Control part Matt Black/Galvano Silver We take back: 997.642.972.01.FTC	11-	1	I665/672/693
1	997 642 974 X 997 642 974 X FTC	Control part Matt Black/Galvano Silver We take back: 997.642.974.00.FTC		1	I665/673
1	997 642 975 X 997 642 975 X FTC	Control part Matt Black/Galvano Silver We take back: 997.642.975.00.FTC		1	I665/673/693
-		Control unit Telephone See illustrations 9/11/10			
-	997 642 929 00	Rotary knob for Control part	/L	1	I665
-	997 642 930 00	Rotary knob for Control part	/R	1	I665
(1)	997 645 138 04	Radio CDR 30	-10	1	-I618/-I619 I695
(1)	997 645 138 04 FTC 997 645 138 DX	Matt Black/Galvano Silver Radio CDR 30	-10	1	-I618/-I619 I695
(1)	997 645 138 DX FTC 997 645 138 05	Matt Black/Galvano Silver We take back: 997.645.138.04 Radio		1	-I618/-I619 I695

Model: 987209 Model life 2009>>2012

Pos	Part Number	Description	Remark	Qty	Model
(1)	997 645 138 05 FTC 997 645 138 EX	CDR 30 Matt Black/Galvano Silver Radio		1	-I618/-I619 I695
(1)	997 645 138 EX FTC 997 645 138 06	CDR 30 Matt Black/Galvano Silver We take back: 997.645.138.05 Radio		1	-I618/-I619 I695
(1)	997 645 138 06 FTC 997 645 138 FX	CDR 30 Matt Black/Galvano Silver Radio		1	-I618/-I619 I695
(1)	997 645 138 FX FTC 997 645 142 04	CDR 30 Matt Black/Galvano Silver We take back: 997.645.138.06 Radio	-10	1	I618/619/695
(1)	997 645 142 04 FTC 997 645 142 DX	CDR 30 Matt Black/Galvano Silver Radio	-10	1	I618/619/695
(1)	997 645 142 DX FTC 997 645 142 05	CDR 30 Matt Black/Galvano Silver We take back: 997.645.142.04 Radio		1	I618/619/695
(1)	997 645 142 05 FTC 997 645 142 EX	CDR 30 Matt Black/Galvano Silver Radio		1	I618/619/695
(1)	997 645 142 EX FTC 997 645 142 06	CDR 30 Matt Black/Galvano Silver We take back: 997.645.142.05 Radio		1	I618/619/695
(1)	997 645 142 06 FTC 997 645 142 FX	CDR 30 Matt Black/Galvano Silver Radio		1	I618/619/695
(1)	997 645 142 FX FTC 997 645 144 04	CDR 30 Matt Black/Galvano Silver We take back: 997.645.142.06 Radio	-10	1	I618/619/692 I695
(1)	997 645 144 04 FTC 997 645 144 DX	CDR 30 Matt Black/Galvano Silver Radio	-10	1	I618/619/692 I695
(1)	997 645 144 DX FTC 997 645 144 05	CDR 30 Matt Black/Galvano Silver We take back: 997.645.144.04 Radio		1	I618/619/692 I695
(1)	997 645 144 05 FTC 997 645 144 EX	CDR 30 Matt Black/Galvano Silver Radio		1	I618/619/692 I695
(1)	997 645 144 EX FTC 997 645 146 04	CDR 30 Matt Black/Galvano Silver We take back: 997.645.144.05 Radio	-10	1	I692/695

Model: 987209

Model life 2009>>2012

Pos	Part Number	Description	Remark	Qty	Model
(1)	997 645 146 04 FTC 997 645 146 DX	CDR 30 Matt Black/Galvano Silver Radio	-10	1	I692/695
(1)	997 645 146 DX FTC 997 645 146 05	Matt Black/Galvano Silver We take back: 997.645.146.04 Radio CDR 30		1	I692/695
(1)	997 645 146 05 FTC 997 645 146 EX	Matt Black/Galvano Silver Radio CDR 30		1	I692/695
(1)	997 645 146 EX FTC 997 645 920 00	Matt Black/Galvano Silver We take back: 997.645.146.05 Repair kit Key Radio CDR 30		1	I695
-	997 642 125 00	Adapter -CAN-		1	I673
-	999 591 941 40	Expansion rivet for Mount Adapter -CAN-		1	I673
-	997 642 271 50	DVD Navigation system for Software 997.642.271.00 See technical information GR. 9 NR. 52/09 KD - NR. 9110		1	I610
-	997 642 271 51	DVD Navigation system for Software 997.642.271.01 See technical information GR. 9 NR. 52/09 KD - NR. 9110		1	I610
-	997 642 271 52	DVD Navigation system for Software 7PP.919.193.R		1	I610
-	997 642 271 53	DVD Navigation system for Software 7PP.919.193.AF		1	I610
-	997 642 271 54	DVD Navigation system for Software 7PP.919.193.AQ 7PP.919.193.BG		1	I610
-	997 642 271 55	DVD Navigation system for Software 7PP.919.193.BJ		1	I610

Model: 987209

Model life 2009>>2012

Pos	Part Number	Description	Remark	Qty	Model
-	997 642 275 50	DVD Navigation system for Software 997.642.275.00 See technical information GR. 9 NR. 52/09 KD - NR. 9110		1	I611
-	997 642 275 51	DVD Navigation system for Software 997.642.275.01 See technical information GR. 9 NR. 52/09 KD - NR. 9110		1	I611
-	997 642 275 52	DVD Navigation system for Software 7PP.919.193.T		1	I611
-	997 642 275 53	DVD Navigation system for Software 7PP.919.193.AH 7PP.919.193.AN		1	I611
-	997 642 275 54	DVD Navigation system for Software 7PP.919.193.AS		1	I611
-	997 642 275 55	DVD Navigation system for Software 7PP.919.193.BL		1	I611
-	997 642 277 50	DVD Navigation system for Software 997.642.277.00 See technical information GR. 9 NR. 52/09 KD - NR. 9110		1	I612
-	997 642 277 51	DVD Navigation system for Software 997.642.277.01 See technical information GR. 9 NR. 52/09 KD - NR. 9110		1	I612
-	997 642 277 52	DVD Navigation system for Software 7PP.919.193.AA		1	I612
-	997 642 277 53	DVD Navigation system for Software 7PP.919.193.AJ		1	I612

Model: 987209

Model life 2009>>2012

Pos	Part Number	Description	Remark	Qty	Model
-	997 642 277 54	DVD Navigation system for Software 7PP.919.193.AT		1	I612
-	997 642 277 55	DVD Navigation system for Software 7PP.919.193.BR		1	I612
-	997 642 279 50	DVD Navigation system for Software 997.642.279.00 See technical information GR. 9 NR. 52/09 KD - NR. 9110		1	I613
-	997 642 279 51	DVD Navigation system for Software 997.642.279.01 See technical information GR. 9 NR. 52/09 KD - NR. 9110		1	I613
-	997 642 279 52	DVD Navigation system for Software 7PP.919.193.AB		1	I613
-	997 642 279 53	DVD Navigation system for Software 7PP.919.193.AK		1	I613
-	997 642 279 54	DVD Navigation system for Software 7PP.919.193.BA		1	I613
-	997 642 279 55	DVD Navigation system for Software 7PP.919.193.BN		1	I613
-	997 642 281 50	DVD Navigation system for Software 997.642.281.00 See technical information GR. 9 NR. 52/09 KD - NR. 9110		1	I614
-	997 642 281 51	DVD Navigation system for Software 997.642.281.01 See technical information GR. 9 NR. 52/09 KD - NR. 9110		1	I614
-	997 642 281 52	DVD		1	I614

Model: 987209

Model life 2009>>2012

Pos	Part Number	Description	Remark	Qty	Model
-	997 642 281 53	Navigation system for Software 7PP.919.193.AC DVD		1	I614
-	997 642 281 54	Navigation system for Software 7PP.919.193.AL DVD		1	I614
-	997 642 281 55	Navigation system for Software 7PP.919.193.BB DVD		1	I614
-	997 642 283 50	Navigation system for Software 7PP.919.193.BP DVD		1	I616
-	997 642 283 51	Navigation system for Software 997.642.283.00 See technical information GR. 9 NR. 52/09 KD - NR. 9110 DVD		1	I616
-	997 642 283 52	Navigation system for Software 997.642.283.01 See technical information GR. 9 NR. 52/09 KD - NR. 9110 DVD		1	I616
-	997 642 283 53	Navigation system for Software 7PP.919.193.AD DVD		1	I616
-	997 642 283 54	Navigation system for Software 7PP.919.193.AM DVD		1	I616
-	997 642 283 55	Navigation system for Software 7PP.919.193.BC DVD		1	I616
-	997 642 148 02	CD-ROM Logbook	-11	1	I641
-	7PP 919 855	CD-ROM Logbook	12-	1	I641
2	7PP 919 148	Receiving part TV		1	I676
2	7PP 919 148 A	Receiving part TV		1	I676

Model: 987209 Model life 2009>>2012

Pos	Part Number	Description	Remark	Qty	Model
3	997 642 331 00	Support Receiving part TV		1	I676
(3)	997 642 337 00	Support Navigation system		1	I673
4	987 645 441 01	Booster		1	I490
(4)	7PP 035 223 K	Booster	-10	1	I680
(4)	7PP 035 223 P	Note coding Booster	11-	1	I680
(4)	7PP 035 223 J	Note coding Booster	10-	1	I675/680
(4)	7PP 035 223 M	Booster	11-	1	I675/680
5	999 507 766 02	Speed nut M 6		2	I490/680
6	900 378 035 01	Hexagon-head bolt M 6 X 16		2	I490/680
7	999 084 638 01	Hexagon nut M 6		1	I490/680
8	997 646 313 00	Microphone		1	I441/490/618 I619/666/671
8	997 646 315 00	Microphone		1	I618/619/666 I671/680
8	997 646 317 00	Microphone		1	I680
8	997 646 319 00	Microphone		1	I618/619/665 I666/671
-	997 610 233 01	Cable guide Microphone		1	
9	997 642 105 00	Antenna GPS		1	I672/673
10	999 073 210 00	Tapping screw 4,8 X 13		1	I672/673
11	999 507 441 01	Speed nut 4,8		1	I672/673
12	997 612 030 75	Connecting line Antenna		1	I672
(12)	997 612 073 25	Control part Connecting line Antenna		1	I673
13	987 647 105 00	Control part Antenna booster		1	
-	997 612 052 75	Connecting line Antenna		1	I695
14	997 647 117 00	Radio Antenna booster	/L	1	I440
(14)	997 647 118 00	Antenna booster	/R	1	I440
(14)	997 647 119 00	Antenna booster	/L	1	I440/676
(14)	997 647 120 00	Antenna booster	/R	1	I440/676
15	997 618 122 00	Control unit		1	I440
16	999 591 904 40	Fastening part		2	I440
17	997 612 069 25	Connecting line Left	/LL	1	I098/461
17	997 612 068 25	Antenna booster Control unit Connecting line Left	/LL	1	I098/461/695
17	997 612 069 75	Antenna booster Control unit Connecting line Left	/RL	1	I099/461
17	997 612 068 75	Antenna booster Control unit Connecting line Left	/RL	1	I099/461/695

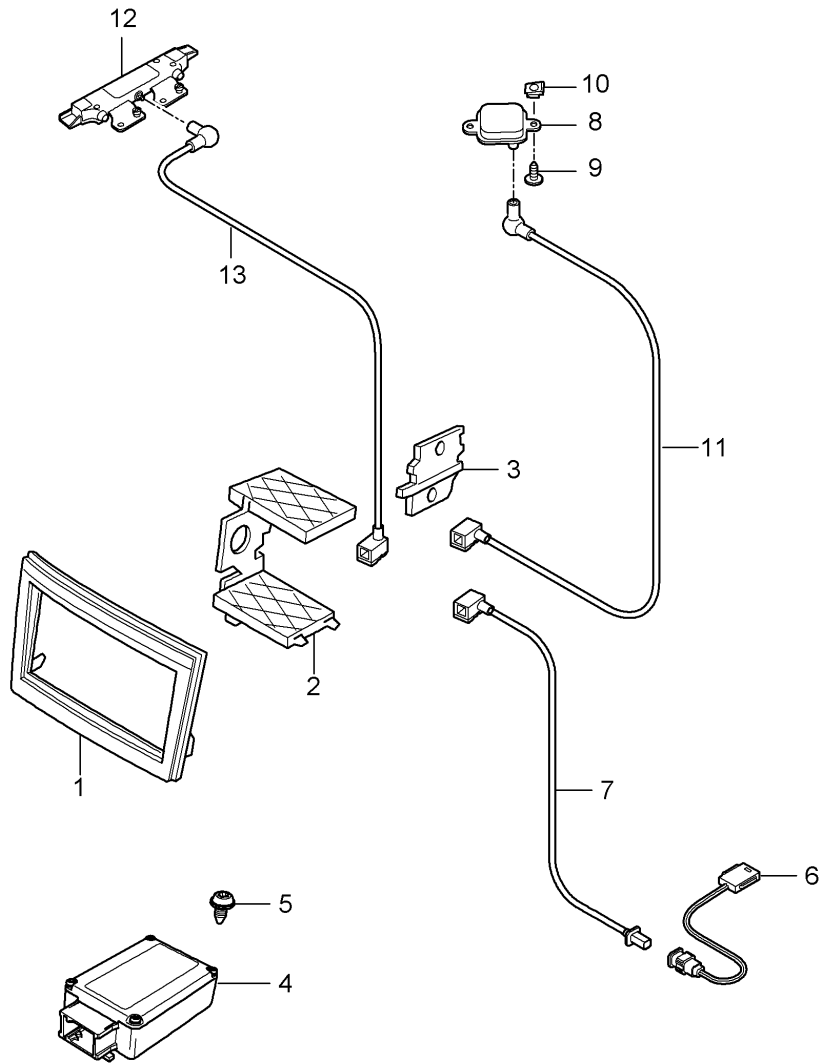
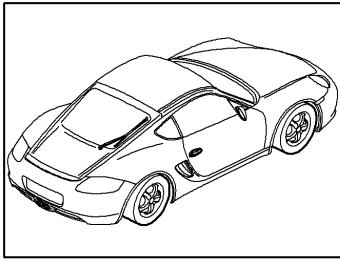
Model: 987209

Model life 2009>>2012

Pos	Part Number	Description	Remark	Qty	Model
17	997 612 055 25	Antenna booster Control unit Connecting line Left	/LL	1	I098/665/695
17	997 612 056 25	Antenna booster Control unit Connecting line Right	/LL	1	I098/665/695
17	997 612 055 75	Antenna booster Control unit Connecting line Left	/RL	1	I099/665/695
17	997 612 056 75	Antenna booster Control unit Connecting line Right	/RL	1	I099/665/695
18	997 612 066 25	Antenna booster Control unit Connecting line Antenna base		1	I461
(18)	997 612 067 01	Control unit Connecting line Antenna base		1	I461
19	997 612 057 25	Power supply Connecting line Control unit	/LL	1	I098/665/695
19	997 612 057 75	Control part Connecting line Control unit	/RL	1	I099/665/695
20	997 612 088 25	Control part Connecting line Antenna booster Receiving part TV	/LL	1	I098/676
20	997 612 088 75	Connecting line Antenna booster Receiving part TV	/RL	1	I099/676
(20)	997 612 074 25	Connecting line Control part Computer		1	I673
(20)	997 612 072 25	Navigation system Connecting line Computer Navigation system - IR - Sensor		1	I673
25	997 647 221 00	Antenna base		1	I461
26	997 647 223 00	Antenna rod		1	I461
27	997 642 465 00	Adapter Multimedia interface		1	I665/870
(27)	997 642 465 00 01C	Satin black			
	997 642 463 00	Adapter Multimedia interface		1	I695/870
	997 642 463 00 01C	Satin black			
28	997 612 471 02	Connecting cable iPOD		1	I665/870
29	999 073 429 01	Tapping screw 4,2 X 25		3	I870
30	997 612 049 75	Connecting line Multimedia interface Control part		1	I665/870

Model: 987209

Model life 2009>>2012



Model: 987209 Model life 2009>>2012

Pos	Part Number	Description	Remark	Qty	Model
		Preparation Navigation system Japan			I675
1	997 642 913 00	Front frame		1	I675
	997 642 913 00 A05	Black mat			
2	997 642 905 00	Support		2	I675
3	997 642 907 00	Guide rail		2	I675
-	997 642 329 00	Support		1	I675
	997 642 329 00 1E0	Black Card reader			
-	999 073 240 01	Glove compartment Screw M 4 X 10 for Support Card reader Glove compartment		2	I675
4	997 642 915 01	Adapter - CAN -	09	1	I675
4	997 642 127 00	Adapter - CAN -		1	I675
5	999 591 941 40	Expansion rivet		1	I675
6	997 646 309 00	Microphone		1	I675
-	997 610 233 01	Cable guide Microphone		1	I675
7	997 612 075 75	Connecting line Microphone Control part		1	I675
(7)	997 612 046 25	Connecting line Card reader TV Control part		1	I675
8	997 642 105 00	Antenna		1	I675
9	999 073 210 00	Navigation system Tapping screw 4,8 X 13		1	I675
10	999 507 441 01	Speed nut 4,8		1	I675
11	997 612 079 75	Connecting line Antenna Navigation system Control part		1	I675
12	997 647 109 00	Antenna booster	/L	1	I675
(12)	997 647 110 00	Antenna booster	/R	1	I675
13	997 612 076 25	Connecting line Antenna booster Left Control part		1	I675
(13)	997 612 077 25	Radio Connecting line Antenna booster Left Control part TV		1	I675
(13)	997 612 078 25	Connecting line Antenna booster Right Control part TV	/LL	1	I098/675
(13)	997 612 078 75	Connecting line Antenna booster Right Control part	/RL	1	I099/675

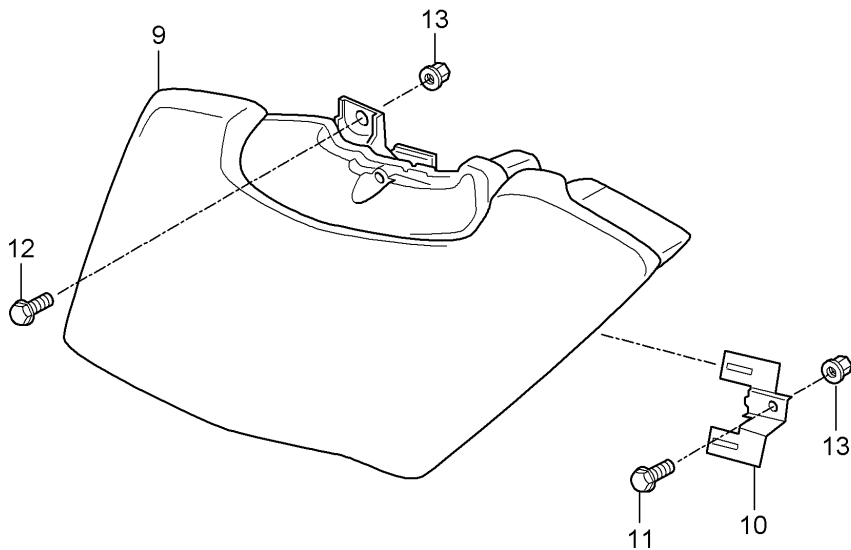
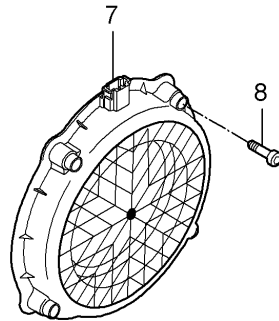
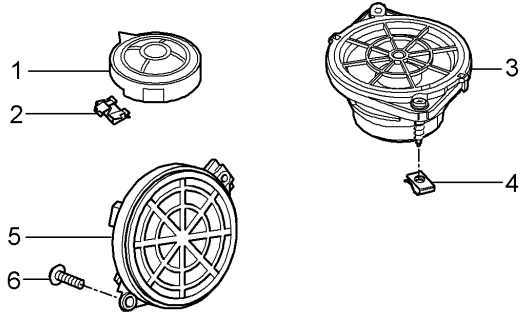
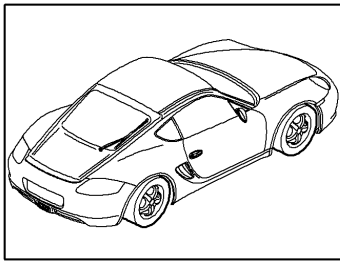
Model: 987209

Model life 2009>>2012

Pos	Part Number	Description	Remark	Qty	Model
(13)	997 612 047 25	TV Connecting line - VICS BEACON - Antenna Control part		1	I675

Model: 987209

Model life 2009>>2012



Model: 987209 Model life 2009>>2012

Pos	Part Number	Description	Remark	Qty	Model
1	997 645 021 00	Loudspeaker Tweeter Dashboard		2	I441/490
(1)	997 645 025 00	Tweeter Dashboard		2	I680
2	999 591 303 01	U-clamp		4	
3	997 645 033 00	Loudspeaker Dashboard Centre		1	I490
(3)	997 645 035 00	Loudspeaker Dashboard Centre		1	I680
4	999 507 971 01	Speed nut 4,2		4	
5	997 645 543 00	Mid-range loudspeaker Door And Rear		4	I490
(5)	997 645 545 00	Mid-range loudspeaker Door And Rear		4	I680
6	999 919 164 09	Oval-head screw 5,0 X 12		8	
7	997 645 551 00	Woofers		2	I441
7	997 645 553 00	Woofers		2	I490
(7)	997 645 555 00	Woofers		2	I680
8	900 067 012 03	Pan-head screw M 6 X 30		8	
9	997 645 566 00	Subwoofer	/LL	1	I098/680
	997 645 566 00 M10	Terracotta			
	997 645 566 00 R10	Cocoa			
	997 645 566 00 D11	Dark grey/natural			
	997 645 566 00 T11	Brown/natural			
9	997 645 566 00	Subwoofer	/LL	1	I098/680
		Until Chassis number See technical information GR.7 NR. 17/11 KD-NR. 70			
	997 645 566 00 A10	Black			
	997 645 566 00 B10	Stone grey			
	997 645 566 00 T10	Sand Beige			
	997 645 566 00 E10	Sea blue			
	997 645 566 00 N10	Carrera Red			
9	997 645 566 01	Subwoofer	/LL	1	I098/680
		From Chassis number See technical information GR.7 NR. 17/11 KD-NR. 70			
	997 645 566 01 A10	Black			
	997 645 566 01 B10	Stone grey			
	997 645 566 01 T10	Sand Beige			
	997 645 566 01 E10	Sea blue			
	997 645 566 01 N10	Carrera Red			
(9)	997 645 567 00	Subwoofer	/RL	1	I099/680
	997 645 567 00 M10	Terracotta			
	997 645 567 00 R10	Cocoa			
	997 645 567 00 D11	Dark grey/natural			
	997 645 567 00 T11	Brown/natural			
(9)	997 645 567 00	Subwoofer	/RL	1	I099/680

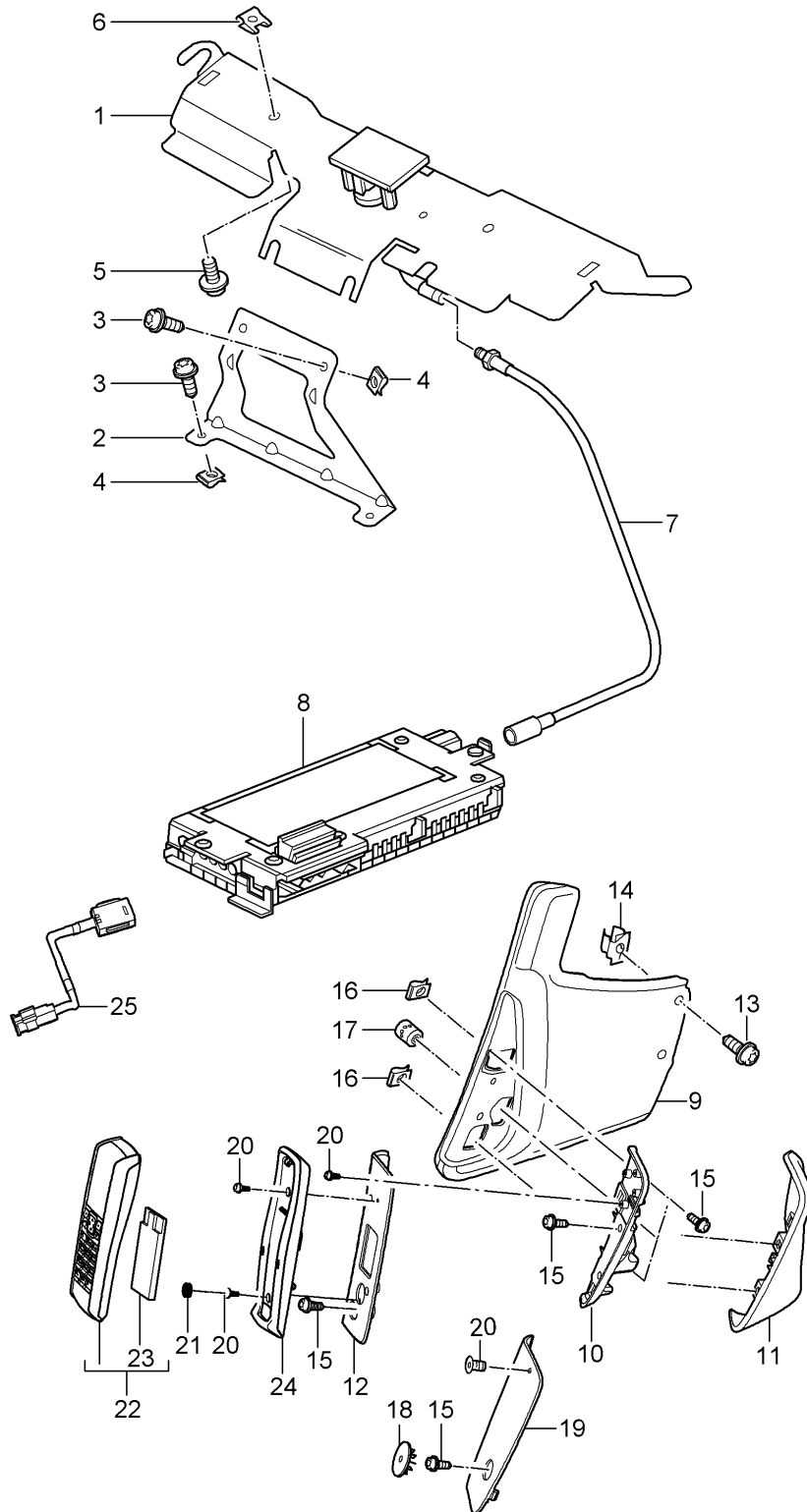
Model: 987209

Model life 2009>>2012

Pos	Part Number	Description	Remark	Qty	Model
		Until Chassis number See technical information GR.7 NR. 17/11 KD-NR. 70			
	997 645 567 00 A10	Black			
	997 645 567 00 B10	Stone grey			
	997 645 567 00 T10	Sand Beige			
	997 645 567 00 E10	Sea blue			
	997 645 567 00 N10	Carrera Red			
(9)	997 645 567 01	Subwoofer From Chassis number See technical information GR.7 NR. 17/11 KD-NR. 70	/RL	1	I099/680
	997 645 567 01 A10	Black			
	997 645 567 01 B10	Stone grey			
	997 645 567 01 T10	Sand Beige			
	997 645 567 01 E10	Sea blue			
	997 645 567 01 N10	Carrera Red			
10	997 645 569 00	Support		2	I680
11	900 378 035 01	Hexagon-head bolt M 6 X 16		2	I680
12	999 073 223 01	Combination screw M 6 X 25		1	I680
13	999 500 069 01	Blind rivet nut M 6		3	I680

Model: 987209

Model life 2009>>2012



Model: 987209 Model life 2009>>2012

Pos	Part Number	Description	Remark	Qty	Model
1	997 647 125 01	Telephone			
(1)	997 647 126 01	Antenna	/LL	1	I098
2	997 647 127 00	Antenna	/RL	1	I099
(2)	997 647 128 00	Support	/LL	1	I098
3	999 073 236 0A	Support	/RL	1	I099
		Oval-head screw		4	
		M 6 X 10			
4	999 507 550 01	Speed nut		4	
		M 6			
5	999 073 210 00	Tapping screw		2	
		4,8 X 13			
6	999 507 441 01	Speed nut		2	
		4,8			
7	997 612 065 75	Connecting line		1	I666
(7)	997 612 061 25	Connecting line		1	I618/619
8	997 646 218 01	Control unit		1	I666
		Telephone			
8	7PP 035 730 B	Control unit		1	IIY2/666
		Telephone			
9	997 553 118 07	Cover	/LL	1	I098
		Lateral			
	997 553 118 07 FSA	Black/grey			
	997 553 118 07 FSB	Stone grey/stone grey			
	997 553 118 07 FSC	Sand beige/sand beige			
	997 553 118 07 FSD	Sea blue/grey			
	997 553 118 07 FSF	Terracotta/terracotta			
	997 553 118 07 FSG	Cocoa/Cocoa			
	997 553 118 07 FSH	Darkgrey natural/grey			
	997 553 118 07 FSJ	Brown nat./brown nat.			
	997 553 118 07 FSP	Carrera Red/Carrera Red			
(9)	997 553 117 07	Cover	/RL	1	I099
		Lateral			
	997 553 117 07 FSA	Black/grey			
	997 553 117 07 FSB	Stone grey/stone grey			
	997 553 117 07 FSC	Sand beige/sand beige			
	997 553 117 07 FSD	Sea blue/grey			
	997 553 117 07 FSF	Terracotta/terracotta			
	997 553 117 07 FSG	Cocoa/Cocoa			
	997 553 117 07 FSH	Darkgrey natural/grey			
	997 553 117 07 FSJ	Brown nat./brown nat.			
	997 553 117 07 FSP	Carrera Red/Carrera Red			
10	997 553 520 00	Adapter	/LL	1	I098/618
(10)	997 553 516 00	Adapter	/LL	1	I098/669
(10)	997 553 519 00	Adapter	/RL	1	I099/618
(10)	997 553 515 00	Adapter	/RL	1	I099/669
11	997 553 418 01	Cover	/LL	1	I098/618
	997 553 418 01 A11	Black			
	997 553 418 01 5X6	Stone grey			
	997 553 418 01 8G2	Sand Beige			
	997 553 418 01 3S9	Sea blue			
	997 553 418 01 9S5	Terracotta			
	997 553 418 01 9V6	Cocoa			
	997 553 418 01 D12	Dark grey/natural			
	997 553 418 01 T12	Brown/natural			
	997 553 418 01 N12	Carrera Red			
(11)	997 553 416 00	Cover	/LL	1	I098/669
	997 553 416 00 A11	Black			
	997 553 416 00 5X6	Stone grey			
	997 553 416 00 8G2	Sand Beige			
	997 553 416 00 3S9	Sea blue			
	997 553 416 00 9S5	Terracotta			
	997 553 416 00 9V6	Cocoa			
	997 553 416 00 D12	Dark grey/natural			

Model: 987209 Model life 2009>>2012

Pos	Part Number	Description	Remark	Qty	Model
	997 553 416 00 T12	Brown/natural			
	997 553 416 00 N12	Carrera Red			
(11)	997 553 417 01	Cover	/RL	1	I099/618
	997 553 417 01 A11	Black			
	997 553 417 01 5X6	Stone grey			
	997 553 417 01 8G2	Sand Beige			
	997 553 417 01 3S9	Sea blue			
	997 553 417 01 9S5	Terracotta			
	997 553 417 01 9V6	Cocoa			
	997 553 417 01 D12	Dark grey/natural			
	997 553 417 01 T12	Brown/natural			
	997 553 417 01 N12	Carrera Red			
(11)	997 553 415 00	Cover	/RL	1	I099/669
	997 553 415 00 A11	Black			
	997 553 415 00 5X6	Stone grey			
	997 553 415 00 8G2	Sand Beige			
	997 553 415 00 3S9	Sea blue			
	997 553 415 00 9S5	Terracotta			
	997 553 415 00 9V6	Cocoa			
	997 553 415 00 D12	Dark grey/natural			
	997 553 415 00 T12	Brown/natural			
	997 553 415 00 N12	Carrera Red			
12	997 553 524 00	Mounting plate	/LL	1	I098/669
	997 553 524 00 01C	Satin black			
(12)	997 553 523 00	Mounting plate	/RL	1	I099/669
	997 553 523 00 01C	Satin black			
13	999 073 226 09	Tapping screw 4,2 X 16		2	
14	999 591 508 01	Captive nut 4,2		2	
15	999 073 155 09	Tapping screw 4,2 X 13		7	
16	999 507 028 01	Speed nut 4,2		2	
17	999 507 645 02	Threaded piece 4,2		1	
18	997 553 751 00	Cap		1	I618
	997 553 751 00 01C	Satin black			
19	997 553 522 01	Mounting plate	/LL	1	I098/618
	997 553 522 01 01C	Satin black			
(19)	997 553 521 01	Mounting plate	/RL	1	I099/618
	997 553 521 01 01C	Satin black			
20	999 919 230 00	Countersunk-head screw 3 X 10		4	
21	997 646 311 00	Stopper		2	I669
22	7PP 035 725	Receiver Telephone		1	I669
23	997 646 216 00	Battery		1	I669
23	997 646 916 00	Battery		1	I669
24	997 646 214 00	Mounting Receiver		1	I669
	997 646 214 00 A05	Black mat			
24	955 646 214 00	Mounting Receiver		1	I669
(25)	997 646 313 00	Microphone		1	I490/618/619 I666/671
(25)	997 646 315 00	Microphone		1	I618/619/666 I671/680
(25)	997 646 319 00	Microphone		1	I618/619/665 I666
-	997 610 233 01	Cable guide Microphone		1	