

Model: CLA**Model life 1950>>1998**

ORDER-INFO

PET CONTAINS THE ORDERING DETAILS FOR ALL MODELS SHOWN IN THE MODEL OVERVIEW.

THE UPDATE SERVICE IS PERFORMED AUTOMATICALLY VIA INTERNET UPDATE.
THE VERSION IS SHOWN IN THE HEADER AS "UPDATE 123/12"

SEATS AND RELATED ITEMS FOR MODELS INTRODUCED BEFORE 1997 ARE SHOWN IN THE STZ CATALOGUE.

SEATS AND RELATED ITEMS FOR MODELS INTRODUCED AFTER 1997 ARE SHOWN IN THE CORRESPONDING VEHICLE CATALOGUES.

ALL ILLUSTRATIONS ARE NON-BINDING.
SUBJECT TO CHANGE.

Model: CLA

Model life 1950>>1998

EXPLANAT.- VIN

EXPLANATION OF THE ABRIDGED VERSION OF THE VEHICLE IDENT. NUMBERS (VIN)
 =====
 USED IN THE CATALOGUE
 =====

DIGIT:		1	2	3	4	5	6	7	8	9	10	11	12	13	14	15	16	17
--------	--	---	---	---	---	---	---	---	---	---	----	----	----	----	----	----	----	----

EXAMPLE:		W	P	0	Z	Z	Z	9	9	Z	5	S	7	0	0	1	2	5
----------	--	---	---	---	---	---	---	---	---	---	---	---	---	---	---	---	---	---

						===				=		=		=					=====
--	--	--	--	--	--	-----	--	--	--	---	--	---	--	---	--	--	--	--	-------

																				!
VEHICLE TYPE 1ST+2ND DIGIT-----+												!	!	!						!
												!	!	!						!
MODEL YEAR-----+												!	!	!						!
												!	!	!						!
MANUFACTURING LOCATION-----+												!	!	!						!
												!	!	!						!
VEHICLE TYPE 3RD DIGIT-----+												!	!	!						!
												!	!	!						!
SERIAL NUMBER-----+												!	!	!						!

Model: CLA

Model life 1950>>1998

EXPL. ENGINE-NO.

EXPLANATION OF THE MOTOR-NUMBERS USED IN THE CATALOGUE

=====

DIGIT:	1 2 3	4 5 6 7 8
EXAMPLE:	6 9 5	0 0 1 3 6
	= = =	=====
	!!!	!
ENGINE TYPE (6 = 6-CYL.-ENGINE)-----+	!!	!
FROM MY-09 POWER KIT (S) OTHERWISE (____)-----+	!!	!
	!!	!
ENGINE VERSION-----+	!	!
FROM MY-09 CONUNTRY VERSION (T=Taiwan) OTHERWISE(____)+	!	!
	!	!
MODEL YEAR-----+		!
		!
SERIAL NUMBER-----+		!

Model: CLA

Model life 1950>>1998

EXPL. TRANSM. NO.

EXPLANATION OF THE TRANSMISSION-NUMBERS USED IN THE CATALOGUE

=====

DIGIT:	1	2	3	4	5	6	7	8	9	10	11
EXAMPLE:	G	9	7	0	1	1	0	0	5	4	3
	=	=====				=	=====				
	!		!			!			!		!
	!		!			!			!		!
TRANSMISSION TYPE-----+			!			!			!		!
			!			!			!		!
TRANSMISSION VERSION-----+						!			!		!
						!			!		!
INDEX OF VARIANTS-----+									!		!
									!		!
SERIAL NUMBER-----+											!

Model: CLA

Model life 1950>>1998

LEGENDS/NOTICES

LEGENDS AND NOTICES

=====

IN COLUMN -S- STATUS

- N NEW ADDITION
- P PART ALREADY IN PROGRAMME, BUT NEW AT THIS APPLICATION
- W DELETED AT THIS APPLICATION, BUT CONTINUED TO BE CARRIED
- K RACING PART: MARKETED FROM WEISSACH EMW
- A STOCK TO BE USED UP
- U DELETED WITHOUT REPLACEMENT
- * PART ALSO OR ONLY AVAILABLE IN REPAIR KIT
- > ALSO AVAILABLE IN EXCHANGE

IN COLUMN - ILL. -

- 1 IDENTIFICATION NO. IN ILLUSTRATION
- (1) PART ONLY SIMILAR AS ILLUSTRATED
- PART IS NOT ILLUSTRATED

FIG.-NUMBERS FOR WHICH THERE IS SHOWN NO TEXT ARE NOT VALID FOR THIS EDITION OF CATALOGUE

IN COLUMN -PART NUMBER/CODE-

000 000 000 00 PART NUMBER EQUALS ORDERING NO., IF A CODE IS SHOWN, IT WILL HAVE TO BE PART OF ORDERING NUMBER

01C COLOUR CODE

IN COLUMN -TEXT

INSTALLATION WITH ENGINE OR CHASSIS NUMBER-RANGE

EXAMPLE:

M 66W 00389>>

FROM ENGINE NO.

Model: CLA**Model life 1950>>1998**

F

>>99WS6 00889

UP TO CHASSIS NO.

Model: CLA

Model life 1950>>1998

LEGENDS/NOTICES

IN COLUMN - QU - = NO. OF PIECES

1 NUMBER PER APPLICATION

X NUMBER AS NEEDED

* AVAILABLE ONLY IN RUNNING LENGTHS 1 = 1 METRE

IN COLUMN - MODEL/SYMBOL -

I650 OPTIONAL EQUIPMENT - SEE I-NO. LIST
-I650 COMPONENT NOT VALID FOR THIS I-NO.

-98 LIMITATION OF MODEL YEAR FOR INSTANCE: VALID UP TO
END OF MODEL YEAR 1997

/LL LHD

/RL RHD

-----+
/V FRONT I
I

/H REAR I
I----> APPLIES TO

/L LEFT I DIRECTION OF TRAVEL
I

/R RIGHT I
-----+

WW THE PART CAN BE USED INSTEAD OF THE
PRECEDING ONE.

Model: CLA

Model life 1950>>1998

COUNTRY-EQIPM.

EQUIPMENT BY COUNTRY REGULATIONS

=====

(A)	AUSTRIA
(AG)	ARABIAN GULF STATES
(AUS)	AUSTRALIA
(B)	BELGIUM
(BR)	BRAZIL
(CDN)	CANADA
(CH)	SWITZERLAND
(CN)	PEOPLE'S REPUBLIC OF CHINA
(D)	FEDERAL REPUBLIC OF GERMANY
(DK)	DENMARK
(E)	SPAIN
(F)	FRANCE
(GB)	GREAT BRITAIN
(GR)	GREECE
(HK)	HONGKONG
(I)	ITALY
(J)	JAPAN
(L)	LUXEMBURG
(N)	NORWAY
(NL)	NETHERLANDS
(NZ)	NEW ZEALAND
(P)	PORTUGAL
(ROK)	KOREA
(RC)	TAIWAN
(THA)	THAILAND
(S)	SWEDEN
(SA)	SAUDI ARABIA
(SF)	FINLAND
(USA)	UNITED STATES OF AMERICA

Model: CLA

Model life 1950>>1998

(ZA)

SOUTH AFRICA

Model: CLA

Model life 1950>>1998

NR	Description
M000	<pre> +-----+ ! Summary of optional extras "M"! +-----+ </pre>

Model: CLA

Model life 1950>>1998

Model: CLA

Model life 1950>>1998

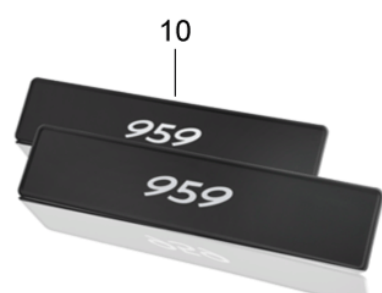
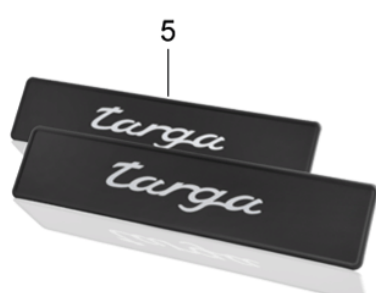
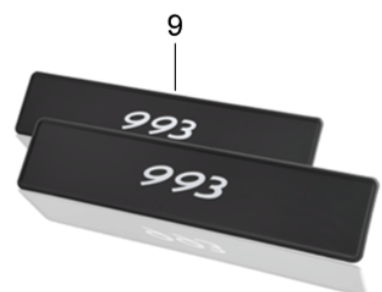
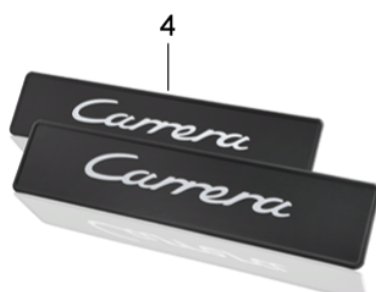
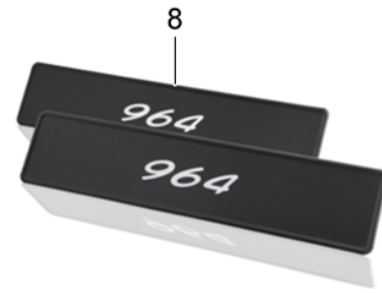
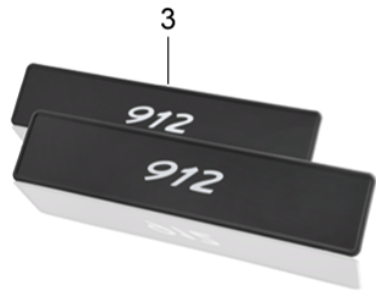
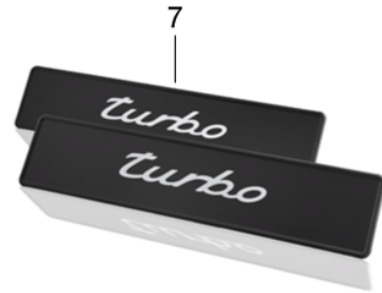
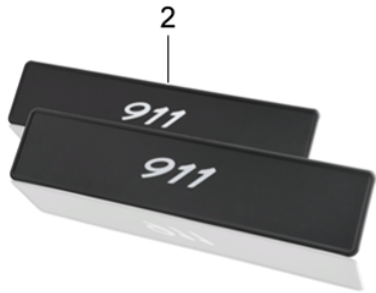
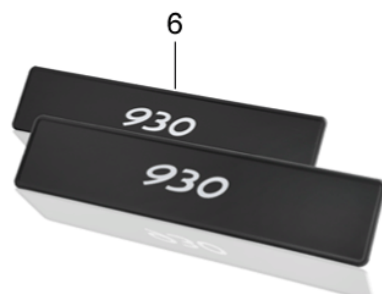


Model: CLA Model life 1950>>1998

Pos	Part Number	Description	Remark	Qty	Model
1	PCG 860 251 00	Porsche Classic Accessories and others Warning triangle		1	
2	PCG 800 702 00	Porsche Classic First-aid kit		1	
3	PCG 701 201 00	Porsche Classic Desk pad Desk pad Plastic material		1	
4	911 722 202 00	Porsche Classic 520X110 Tyre pressure gauge		1	
5	PCG 800 703 00	Porsche Classic with Leather Bag Container	-(CDN) -(USA)	1	
		Replacement Fuel PORSCHE logo Porsche crest 51			

Model: CLA

Model life 1950>>1998

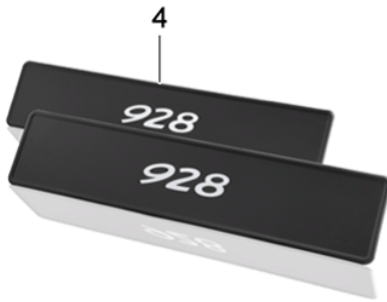
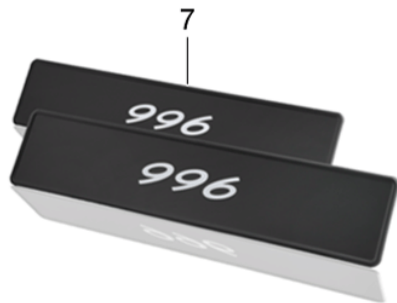
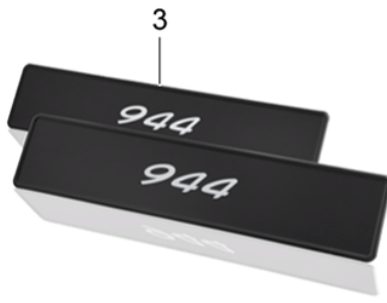
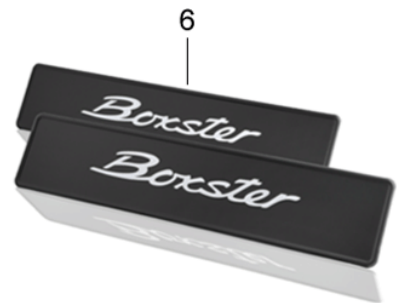
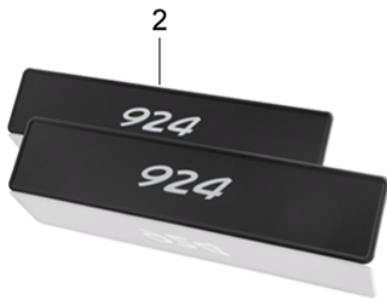
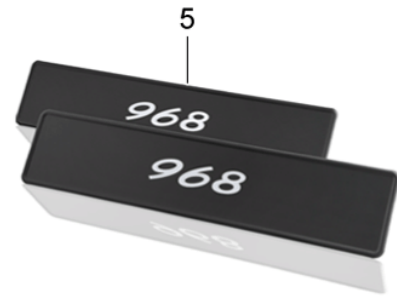
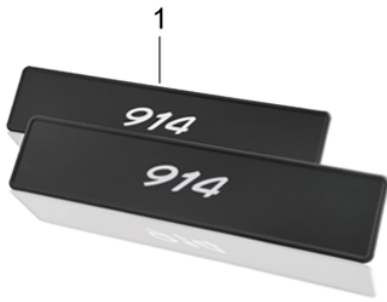


Model: **CLA** Model life **1950>>1998**

Pos	Part Number	Description	Remark	Qty	Model
1	PCG 701 356 00	Porsche Classic Sticker Number plate Sticker		1	356
2	PCG 701 911 00	Number plate Sticker		1	911
3	PCG 701 912 00	Number plate Sticker		1	912
4	PCG 701 911 10	Number plate Sticker		1	Carrera
5	PCG 701 911 20	Number plate Sticker		1	Targa
6	PCG 701 930 00	Number plate Sticker		1	930
7	PCG 701 930 10	Number plate Sticker		1	Turbo
8	PCG 701 964 00	Number plate Sticker		1	964
9	PCG 701 993 00	Number plate Sticker		1	993
10	PCG 701 959 00	Number plate Sticker		1	959

Model: CLA

Model life 1950>>1998

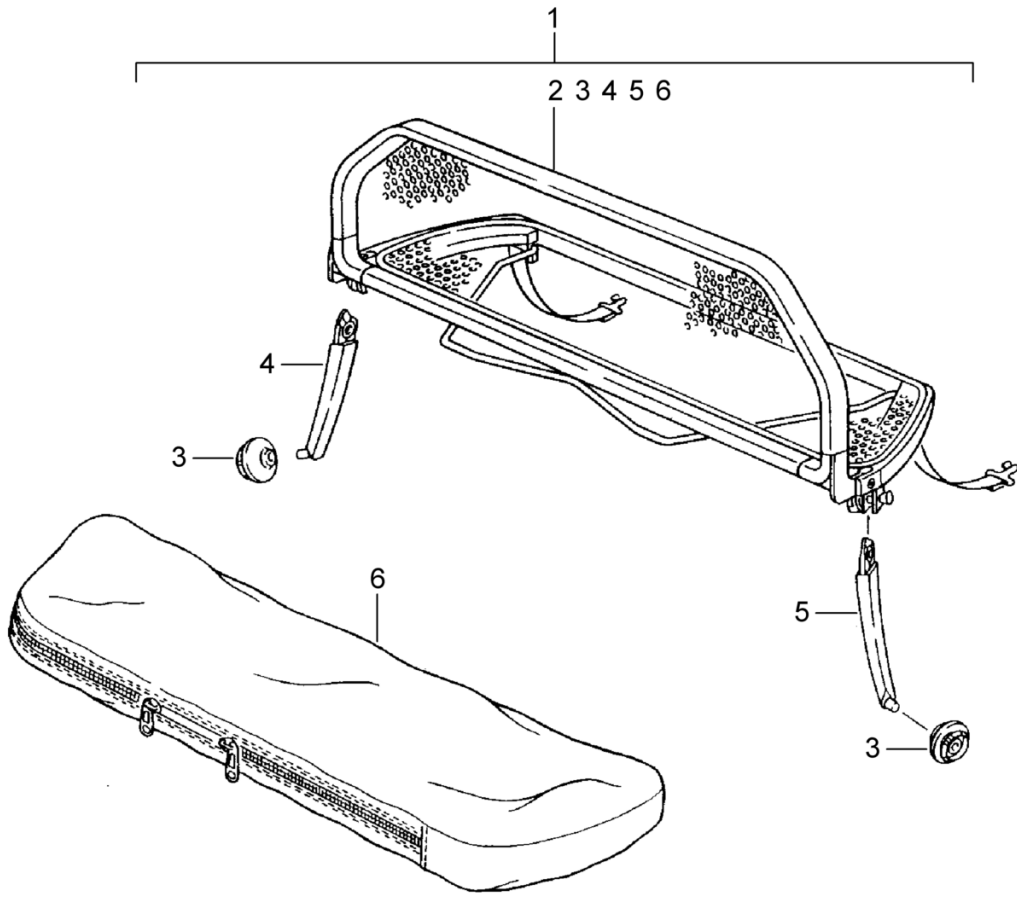


Model: **CLA** Model life 1950>>1998

Pos	Part Number	Description	Remark	Qty	Model
1	PCG 701 914 00	Porsche Classic Sticker Number plate		1	914
2	PCG 701 924 00	Sticker Number plate		1	924
3	PCG 701 944 00	Sticker Number plate		1	944
4	PCG 701 928 00	Sticker Number plate		1	928
5	PCG 701 968 00	Sticker Number plate		1	968
6	PCG 701 986 00	Sticker Number plate		1	Boxster(986)
6	PCG 701 996 00	Sticker Number plate		1	996

Model: CLA

Model life 1950>>1998



Model: **CLA** Model life 1950>>1998

Pos	Part Number	Description	Remark	Qty	Model
		Wind deflector			911
1	000 043 202 50	Wind deflector		1	944, 968
(1)	000 043 202 10	Wind deflector	85-98	1	944, 968
-		Set			911, CARRERA
		Comprising:			
		Position			
		3 4 5			
3	000 043 202 97	Rosette		1	911, 944, 968
4	000 043 202 98	Clip		1	911, 944, 968
		Right			
		for			
		Wind deflector			
5	000 043 202 99	Clip		1	911, 944, 968
		Left			
		for			
		Wind deflector			
6	000 043 202 11	Bag	85-98	1	911, Carrera
		for			
		Wind deflector			
(6)	000 043 202 51	Bag		1	944, 968
		for			
		Wind deflector			

Model: CLA

Model life 1950>>1998



Model: CLA Model life 1950>>1998

Pos	Part Number	Description	Remark	Qty	Model
1	PCG 559 325 10	Stone guard film Set Stone guard film Set Clear Comprising: Mirror housing Lid Front apron 4-part Wing	89-93 /L /R /V /V /V /L /R	1	964, 993 911 (964)
2	PCG 559 325 11	Stone guard film Clear Side section	89-93 /H /L /R	1	911 (964)
3	PCG 559 325 20	Stone guard film Set Clear Comprising: Mirror housing Lid Front apron 4-part Side section Wing	94-98 /L /R /V /V /H /L /R /V /L /R	1	911 (993)
4	PCG 559 325 21	Stone guard film Set Clear Comprising: Mirror housing Lid Front apron 4-part Side section Wing	94-98 /L /R /V /V /H /L /R /V /L /R	1	911 (993) M288

Model: CLA

Model life 1950>>1998



Model: CLA Model life 1950>>1998

Pos	Part Number	Description	Remark	Qty	Model
1	PCG 043 203 01	Vehicle cover Cover Porsche crest without Spoiler with mirror Left		1	356, 911 911 912
1	PCG 043 202 01	Cover Porsche crest without Spoiler with mirror Left		1	911
1	000 043 202 01	Right Cover Porsche crest without Spoiler with mirror Left		1	911
1	PCG 043 202 02	Right Cover Porsche crest with spoiler with mirror Left		1	911
1	000 043 202 02	Right Cover Porsche crest with spoiler with mirror Left		1	911
1	PCG 043 202 04	Right Cover Porsche crest		1	356

Model: CLA

Model life 1950>>1998



Model: CLA Model life 1950>>1998

Pos	Part Number	Description	Remark	Qty	Model
1	PCG 901 010 40	Preservative agent Porsche Classic Care kit Bag		1	
-		Comprising: Set Brush		X	
2	PCG 901 011 40	Set Microfibre cloth		1	
3	PCG 901 012 40	Polishing pad Wax Porsche Logo		1	
4	PCG 901 013 40	Cleaning putty Classic		1	
5	PCG 901 014 40	Paint polish Classic		1	
6	PCG 901 015 40	Hard wax Classic		1	
7	PCG 901 020 40	Leather Cloth		1	
8	PCG 901 021 40	Sponge Set 3-part		1	
9	PCG 901 022 40	Car shampoo		1	
10	PCG 901 023 40	Rim cleaner Spray bottle		1	
11	PCG 901 030 40	Preservative agent Plastic conditioner		1	
12	PCG 901 031 40	Preservative agent Tyre conditioner		1	
13	PCG 901 032 40	Window cleaner		1	
-	PCG 044 000 86	Windscreen washer system Care kit Rim cleaner Comprising: Rim cleaner Brush		1	
				3	

Model: CLA

Model life 1950>>1998



Model: CLA Model life 1950>>1998

Pos	Part Number	Description	Remark	Qty	Model
		Porsche			

Model: CLA

Model life 1950>>1998



Model: CLA Model life 1950>>1998

Pos	Part Number	Description	Remark	Qty	Model
1	PCG 800 701 00	Vest Warning function Vest Warning function Porsche Classic	-(CDN) -(USA)	1	

Model: CLA

Model life 1950>>1998



Model: **CLA** Model life 1950>>1998

Pos	Part Number	Description	Remark	Qty	Model
1	PCG 044 100 00	Case		1	911, 964
		Key			
		Leather			
		Case			
2	PCG 044 100 00 1AJ PCG 044 100 00	Key		1	911, 964
		Leather			
		Black			
		Case			
3	PCG 044 100 00 7JX PCG 044 100 00	Key		1	911, 964
		Leather			
		Marine blue			
		Case			
4	PCG 044 100 00 4YU PCG 044 100 00	Key		1	911, 964
		Leather			
		Cashmere beige			
		Case			
5	PCG 044 100 00 6XL PCG 044 200 00	Key		1	356
		REUTTER			
		Leather			
		Classic grey			
6	PCG 044 200 00 80S PCG 044 200 00	Key		1	356
		REUTTER			
		Leather			
		Red			
7	PCG 044 200 00 6JD PCG 044 200 00	Key		1	356
		REUTTER			
		Leather			
		Dark green			
8	PCG 044 200 00 30B PCG 044 200 00	Key		1	356
		REUTTER			
		Leather			
		Blue			
9	PCG 044 200 00 1AJ PCG 044 200 00	Key		1	356
		REUTTER			
		Leather			
		Case			
	PCG 044 200 00 4RB	Brown			

Model: CLA

Model life 1950>>1998

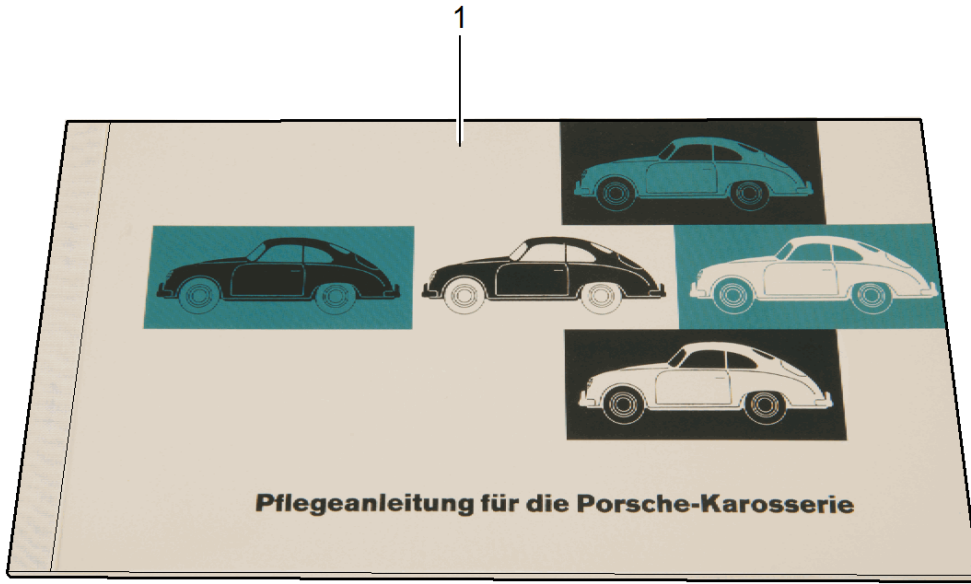


Model: **CLA** Model life 1950>>1998

Pos	Part Number	Description	Remark	Qty	Model
		Badge			
		REUTTER			
1	PSP 723 001 00	Badge	50-53	X	
2	PSP 723 002 00	Badge	54-56	X	
3	PSP 723 003 00	Badge	55-62	X	
		Export			
4	PSP 723 004 00	Badge	62-63	X	
5	PSP 723 006 00	Badge		X	
		Euro	56-62		
6	PSP 701 102 00	Badge		X	
		Body	56-63		
7	PSP 701 103 00	Badge	57-65	X	
		Synthetic resin lacquer			
8	PSP 723 111 00	Set of fastening parts		X	
		Badge			

Model: CLA

Model life 1950>>1998



Model: CLA Model life 1950>>1998

Pos	Part Number	Description	Remark	Qty	Model
1	PCG 460 510	Customer documents Note on maintenance Body REUTTER	55-63	1	356 A
(1)	PCG 460 520	Note on maintenance Body REUTTER German	55-63	1	356 A
2	PCG 475 510	Note on maintenance Body REUTTER English	50-55	1	356
(2)	PCG 475 520	Note on maintenance Body REUTTER German	50-55	1	356
3	WKD 490 520 00	Service Book 2 English		1	356 B

Model: CLA

Model life 1950>>1998

PORSCHE

Wartungsintervalle in km 30.000 200.000	Erkennung und	Stk	Schmierstoff	Benennung Möbliche Ergänzung im Schmierstoff	Art
	Vorderräder-Tripoden ablesen	13			2500 km
	Achsbolzenlager ablesen	13	Ölwechsel	Wahlwechsel	
	Spindelgehäuse ablesen	14/16		wahlweise	
	Motor Ölwechsel*	3/9	Motor-Öl für Ölwechsel	Motor-Öl Motor-Öl	5000 km
	Getriebe/Ausgangsgelenk Ölstand prüfen	4			
	Ölstand im Kuppelgehäuse prüfen	1	Getriebeöl	SAE 90	
	Radbremsen ablesen	12			
	Nocken für Drehmomente ablesen	7	Ölwechsel	wahlweise	
	Im Drehmoment und Scherkräfte ablesen	3			10000 km
	Vorgewinkel prüfen	17	Motoröl		
	Motor Ölstand und Magnetöl prüfen	9		Im Zusammenhang mit einem Ölwechsel	
	Motor Ölkapazität im Nebenaggregate prüfen	6			
	Ölstand im Ausgangsgelenk Ölwechsel	4/3	Getriebeöl	SAE 90 oder wahlweise SAE 90	
	Vorderräder Getriebe	17	Getriebeöl	Getriebeöl SAE 90 oder SAE 90	
	Schleifen und Schlingelablenken	2/10	Ölwechsel für Drehmomente		
	Hinterachs-Rohrgelenke, Zapfen für Kuppel, Kuppel, Kuppelgehäuse ablesen		Ölwechsel	Wahlweise	

* Wird bei Fahrzeug mit dem Motor ablesen vorwiegend in Schiebwerk oder bei Kunden Drehmomente in der Motor Ölkapazität über 200 l in vorwiegend

SCHMIERPLAN

TYP 356 A

1 —————

Model: CLA

Model life 1950>>1998

Pos	Part Number	Description	Remark	Qty	Model
1	PCG 356 460 10	Picture Lubrication plan Wiring diagram Picture Lubrication plan		1	356A

Model: CLA

Model life 1950>>1998



Model: **CLA** Model life 1950>>1998

Pos	Part Number	Description	Remark	Qty	Model
1	WKD 431 510 00	Customer documents Care pass German		1	911T,E,S 912
(1)	WKD 431 520 00	Care pass English		1	911T,E,S 912
2	WKD 431 510 10	Care pass German		1	911T,E,S 914/6
(2)	WKD 431 520 10	Care pass English		1	911T,E,S 914/6
3	WKD 485 510 00	On-board folder Porsche Logo Gold-coloured	74-89	1	911,928 914,924,944
4	WKD 480 510 00	On-board folder Porsche Crest Embossed	74-89	1	911,928 914,924,944

Model: CLA

Model life 1950>>1998



Model: CLA Model life 1950>>1998

Pos	Part Number	Description	Remark	Qty	Model
1	911 701 103 00	Sticker Sticker Brand world champion 69		1	
2	911 701 103 20	Sticker WORLD CHAMPION 69		1	
3	911 701 103 01	Sticker Brand world champion 69,70		1	
4	911 701 103 21	Sticker WORLD CHAMPION 69,70		1	
5	911 701 103 02	Sticker Brand world champion 69,70,71		1	
6	911 701 103 22	Sticker WORLD CHAMPION 69,70,71		1	
7	911 701 103 04	Sticker Brand world champion 72,73		1	
8	911 701 103 24	Sticker WORLD CHAMPION 72,73		1	
9	911 701 103 28	Sticker WORLD CHAMPION 1976		1	
10	911 701 109 01	Sticker CAN-AM 72,73		1	

Model: CLA

Model life 1950>>1998

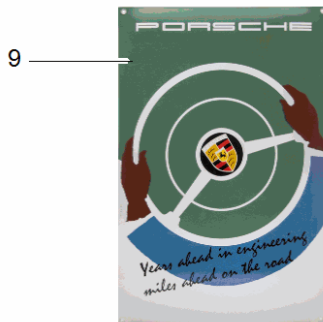
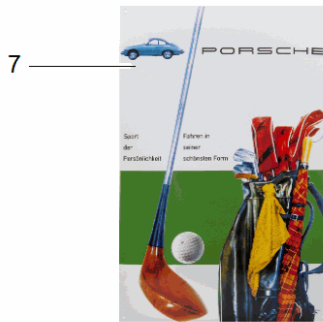
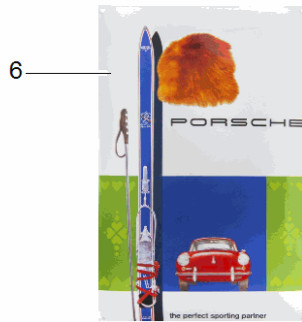


Model: **CLA** Model life 1950>>1998

Pos	Part Number	Description	Remark	Qty	Model
1	PCG 911 505 00	Accessories Workshop equipment Boot Wing Rear	65-98	X	911,912 964,993
2	PCG 044 610 00	Tyre protector Porsche Classic Set Until 255 MM		1 4	
(2)	PCG 044 610 10	Tyre protector Porsche Classic Single parts Until 255 MM		1	
-	PCG 044 400 00	Cap for Tyre protector Porsche Classic		1	

Model: CLA

Model life 1950>>1998

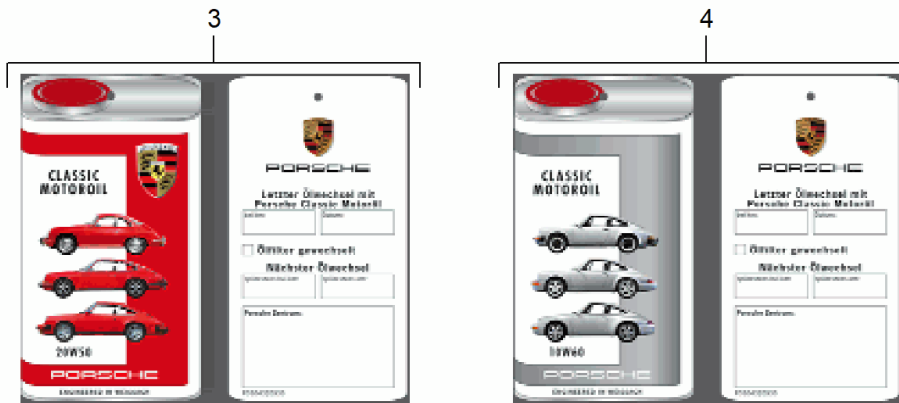
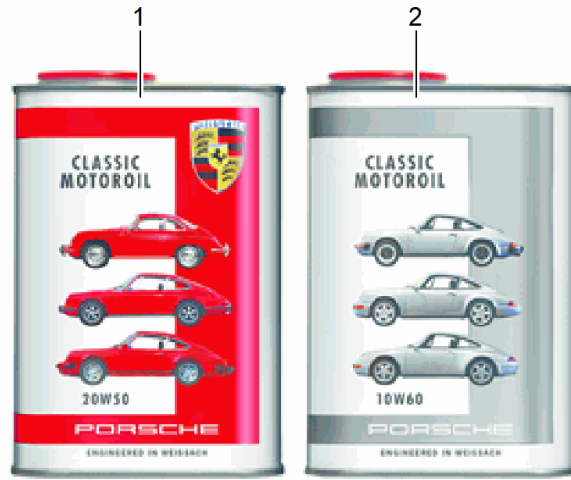


Model: **CLA** Model life 1950>>1998

Pos	Part Number	Description	Remark	Qty	Model
1	PCG 000 993 10	Sticker Enamel Porsche Classic		1	993 Turbo
2	PCG 000 928 10	Sticker Enamel Porsche Classic		1	928 GTS
3	PCG 000 964 10	Sticker Enamel Porsche Classic		1	964 Cabrio
4	PCG 000 964 20	Sticker Enamel Porsche Classic		1	964
5	PCG 000 964 30	Sticker Enamel Porsche Classic		1	964
6	PCG 000 999 10	Sticker Enamel Porsche Classic		1	
7	PCG 000 999 12	Sticker Enamel Porsche Classic		1	
8	PCG 000 999 14	Sticker Enamel Porsche Classic		1	
9	PCG 000 999 16	Sticker Enamel Porsche Classic		1	
10	PCG 000 999 18	Sticker Enamel Porsche Classic		1	

Model: CLA

Model life 1950>>1998



Model: CLA Model life 1950>>1998

Pos	Part Number	Description	Remark	Qty	Model
1	000 043 209 28	Engine oil Porsche Classic 1950-1998 Engine oil Porsche Classic 20w50 1l		1	356, 911 914, 959 964, 993 356 911 2.0-2.7L 914
(1)	000 043 209 29	Engine oil Porsche Classic 20w50 5l		1	356 911 2.0-2.7L 914
(1)	000 043 209 80	Engine oil Porsche Classic 20w50 20l Use also: 00004320990		1	356 911 2.0-2.7L 914
8	000 043 209 90	Adapter Engine oil 20l Container		1	
2	000 043 209 30	Engine oil Porsche Classic 10w60 1l		1	911 3.0L - 959 964 993
(2)	000 043 209 31	Engine oil Porsche Classic 10w60 5l		1	911 3.0L - 959 964 993
(2)	000 043 209 81	Engine oil Porsche Classic 10w60 20l Use also: 00004320990		1	911 3.0L - 959 964 993
-	000 043 209 90	Adapter Engine oil 20l Container		1	
3	PCG 043 209 28	Tag Oil change service Porsche Classic 20w50 German		1	
(3)	PCG 043 209 29	Tag Oil change service Porsche Classic 20w50 English		1	
(3)	PCG 043 209 32	Tag Oil change service Porsche Classic 20w50 French		1	
(3)	PCG 043 209 34	Tag Oil change service Porsche Classic 20w50 Italian		1	
(3)	PCG 043 209 36	Tag Oil change service Porsche Classic 20w50		1	

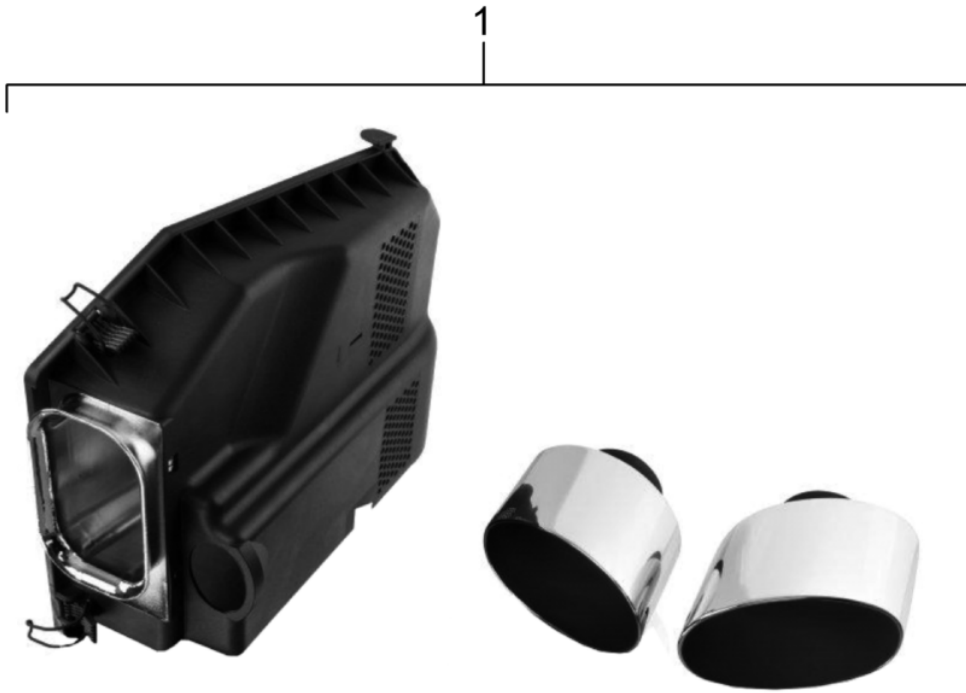
Model: CLA

Model life 1950>>1998

Pos	Part Number	Description	Remark	Qty	Model
(3)	PCG 043 209 38	Spanish Tag Oil change service Porsche Classic 20w50		1	
4	PCG 043 209 30	Japanese Tag Oil change service Porsche Classic 10w60		1	
(4)	PCG 043 209 31	German Tag Oil change service Porsche Classic 10w60		1	
(4)	PCG 043 209 33	English Tag Oil change service Porsche Classic 10w60		1	
(4)	PCG 043 209 35	French Tag Oil change service Porsche Classic 10w60		1	
(4)	PCG 043 209 37	Italian Tag Oil change service Porsche Classic 10w60		1	
(4)	PCG 043 209 39	Spanish Tag Oil change service Porsche Classic 10w60		1	
5	PCG 043 200 05	Japanese Sticker Porsche Classic Engine oil 20w50		1	
6	PCG 043 200 06	Sticker Porsche Classic Engine oil 10w60		1	
7	PCG 043 209 00	Bag And Filler neck for Engine oil Porsche Classic 11		1	

Model: CLA

Model life 1950>>1998

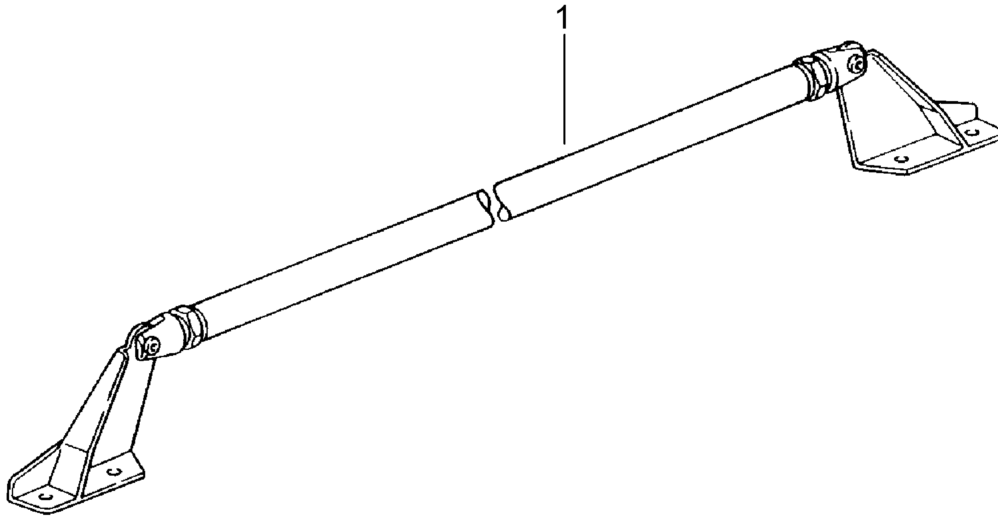


Model: CLA Model life 1950>>1998

Pos	Part Number	Description	Remark	Qty	Model
		Exh.optic sound package	94-98		911 (993) C2/C4
1	000 044 200 00	Exh.optic sound package Comprising:		1	
-	993 111 982 00	Tail pipe	/R	1	
-	993 111 981 00	Tail pipe	/L	1	
-	993 110 030 56	Lid		1	

Model: CLA

Model life 1950>>1998

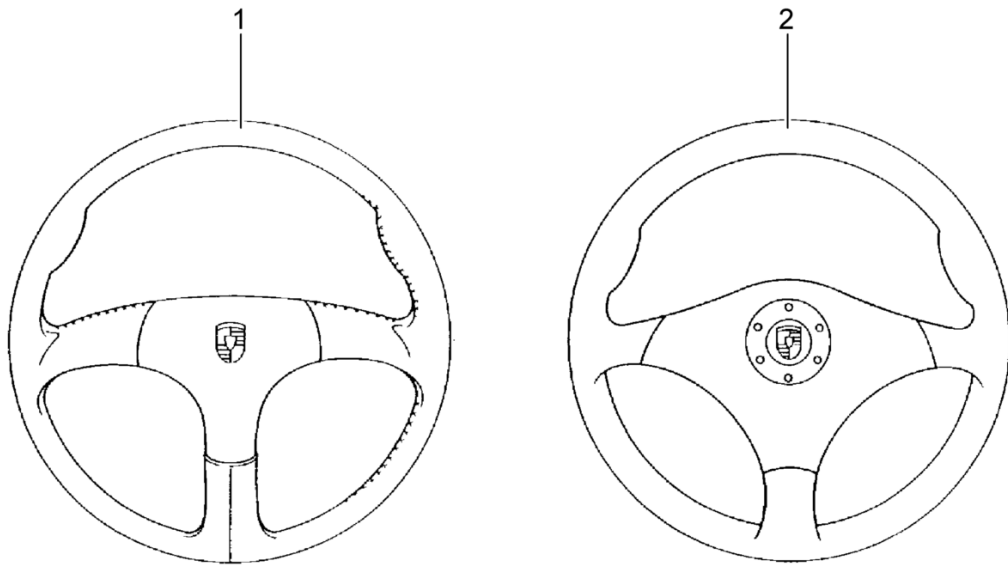


Model: CLA Model life 1950>>1998

Pos	Part Number	Description	Remark	Qty	Model
		Dome strut			911
1	964 343 042 00	Dome strut Polished	89-98	1	911(964/993) 911(964/993)
1	PCG 501 335 00	Dome strut Polished	70-89	1	911

Model: CLA

Model life 1950>>1998



Model: CLA Model life 1950>>1998

Pos	Part Number	Description	Remark	Qty	Model
1	968 347 084 00	Sports steering wheel without			911, 944,928
	968 347 084 00 7JX	Airbag			CARRERA 2/4
	968 347 084 00 7LD	Steering wheel	82-91	1	959
	968 347 084 00 8YR	Marine blue			944
1	968 347 084 10	Burgundy			
	968 347 084 10 8YR	Black			
1	968 347 084 10	Sports steering wheel	82-91	1	944
	968 347 084 10 8YR	Black with Porsche Logo Embossed Decorative stitching			
1	968 347 084 15	Black	82-91	1	944
	968 347 084 15 8YR	Sports steering wheel with Porsche Logo Embossed Decorative stitching			
1	000 043 161 00	Guards red	-89	1	911,959
	000 043 161 00 7JX	Sports steering wheel			
	000 043 161 00 7LD	Marine blue			
	000 043 161 00 8YR	Burgundy			
1	000 043 161 10	Black	-89	1	911,959
	000 043 161 10 8YR	Sports steering wheel with Porsche Logo Embossed Decorative stitching			
1	000 043 161 15	Black	-89	1	911,959
	000 043 161 15 8YR	Sports steering wheel with Porsche Logo Embossed Decorative stitching			
1	000 043 162 00	Guards red	89-94	1	CARRERA 2/4
	000 043 162 00 9YL	Sports steering wheel			
	000 043 162 00 6XL	Cobalt blue			
	000 043 162 00 6YL	Classic grey			
	000 043 162 00 7JX	Magenta			
	000 043 162 00 8YR	Marine blue			
	000 043 162 00 7LD	Black			
1	000 043 162 10	Burgundy	89-94	1	CARRERA 2/4
	000 043 162 10 8YR	Sports steering wheel			
	000 043 162 10 8YR	Black with Porsche Logo Embossed Decorative stitching			
1	000 043 162 15	Black	89-94	1	CARRERA 2/4
	000 043 162 15 8YR	Sports steering wheel with Porsche Logo			

Model: **CLA** Model life 1950>>1998

Pos	Part Number	Description	Remark	Qty	Model
1	000 043 163 00	Embossed Decorative stitching Guards red Sports steering wheel	80-91	1	928
	000 043 163 00 9YL	Cobalt blue			
	000 043 163 00 6XL	Classic grey			
	000 043 163 00 6YL	Magenta			
	000 043 163 00 7JX	Marine blue			
	000 043 163 00 8YR	Black			
	000 043 163 00 7LD	Burgundy			
1	000 043 163 10	Sports steering wheel	80-91	1	928
	000 043 163 10 8YR	Black with Porsche Logo Embossed Decorative stitching Black			
1	000 043 163 15	Sports steering wheel	80-91	1	928
	000 043 163 15 8YR	Black with Porsche Logo Embossed Decorative stitching Guards red			
2	000 044 400 10	Sports steering wheel	-89	2	911
	000 044 400 10 8YR	Black			
2	993 347 084 80	Steering wheel		1	944
	993 347 084 80 8YR	Black	89-		CARRERA RS
-	993 347 859 80	Padded cap Steering wheel		1	
	993 347 859 80 8YR	Black			

Model: CLA

Model life 1950>>1998



Model: CLA Model life 1950>>1998

Pos	Part Number	Description	Remark	Qty	Model
1	PCG 143 110 00	Tool Lubricants Grease gun		1	356
2	PCG 043 110 00	Grease Bearing 200 GR.		1	356

Model: CLA

Model life 1950>>1998



Model: CLA Model life 1950>>1998

Pos	Part Number	Description	Remark	Qty	Model
1	000 044 500 00	Retrofit kit suspension Lowering	94-98	1	CARRERA
2	000 044 500 01	Retrofit kit suspension Lowering	94-98	1	M573 M249

Model: CLA

Model life 1950>>1998

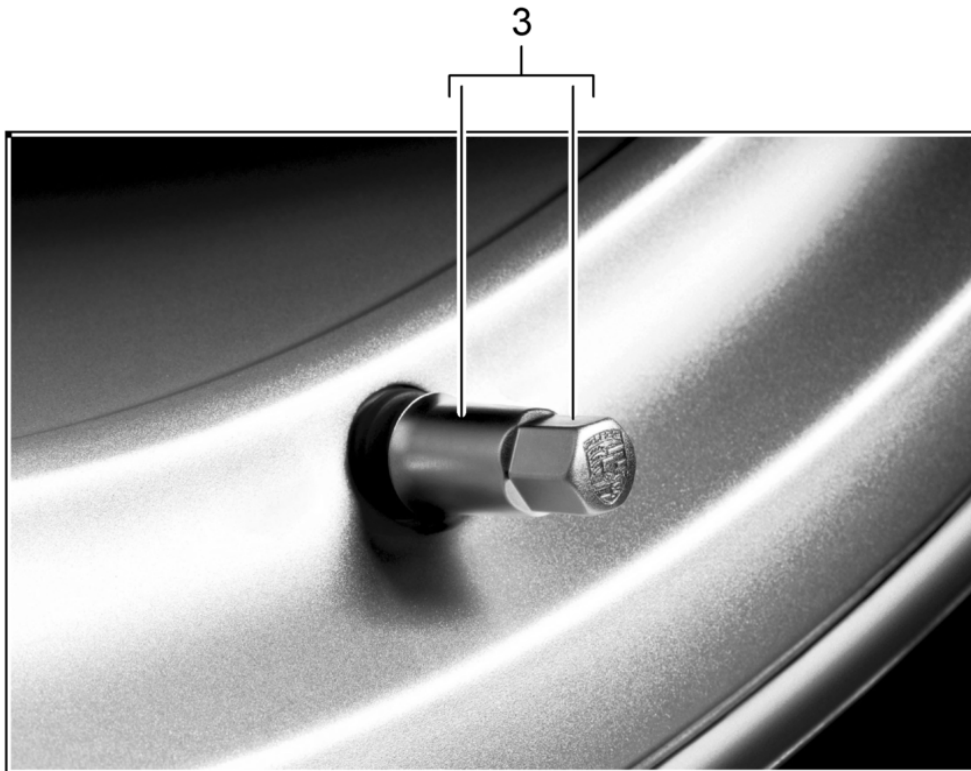
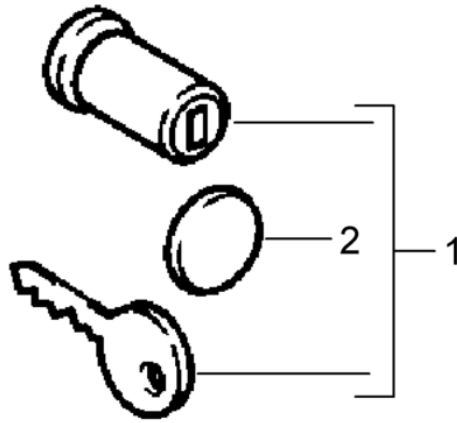


Model: CLA Model life 1950>>1998

Pos	Part Number	Description	Remark	Qty	Model
1	SOW 911 038 11	Wheels Hub cap Black Crest Coloured	65-89 70-76	4	911 914

Model: CLA

Model life 1950>>1998

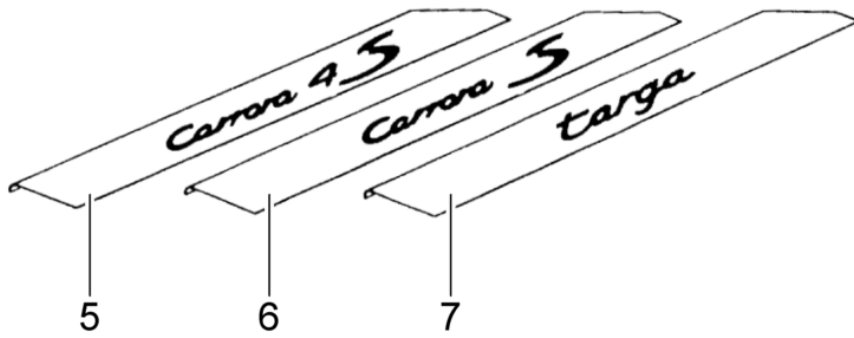
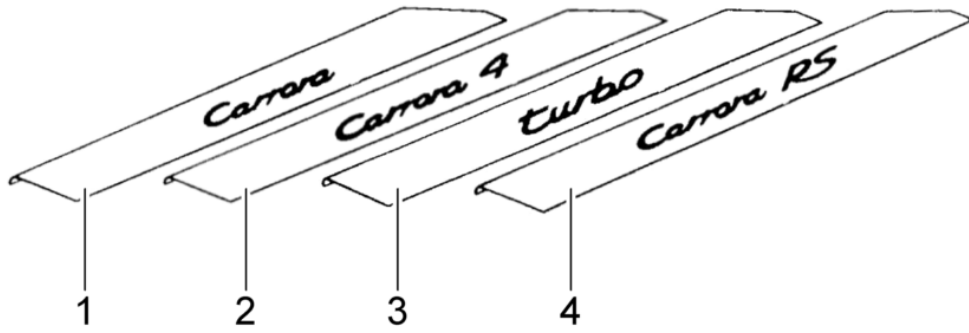


Model: CLA Model life 1950>>1998

Pos	Part Number	Description	Remark	Qty	Model
1	993 361 057 00	Accessories and others Wheel nut Lockable 1 set	80-85 86-88 82-91 92-95 78-95 78-88 89-98	1	924 Turbo,GT 924 S 944 968 928 911 911(964/993)
2	965 361 167 00	Cap Wheel nut Lockable		1	
3	000 044 601 00	Cap Porsche crest Silver Set Included Rubber valve		1	

Model: CLA

Model life 1950>>1998

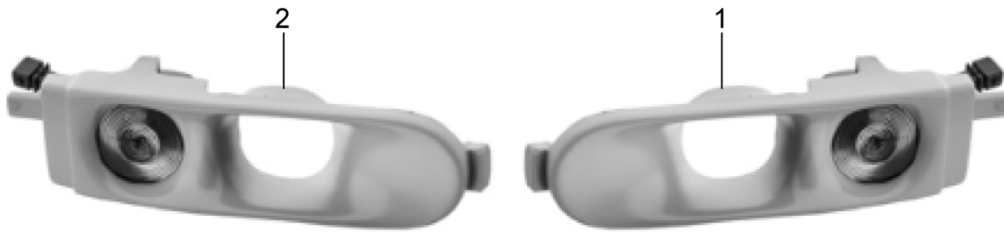


Model: **CLA** Model life **1950>>1998**

Pos	Part Number	Description	Remark	Qty	Model
1	993 551 980 01	Scuff plate Scuff plate Set Logo Carrera	89-98	1	911(964/993) 911(964/993)
2	993 551 980 02	Scuff plate Logo Set		1	Carrera 4
3	993 551 980 03	Scuff plate Logo Set		1	Turbo
4	000 044 800 04	Scuff plate Logo Set		1	Carrera RS
5	993 551 980 05	Scuff plate Logo Set		1	Carrera 4S
6	993 551 980 06	Scuff plate Logo Set		1	Carrera S
7	993 551 980 07	Scuff plate Logo Set		1	Targa

Model: CLA

Model life 1950>>1998

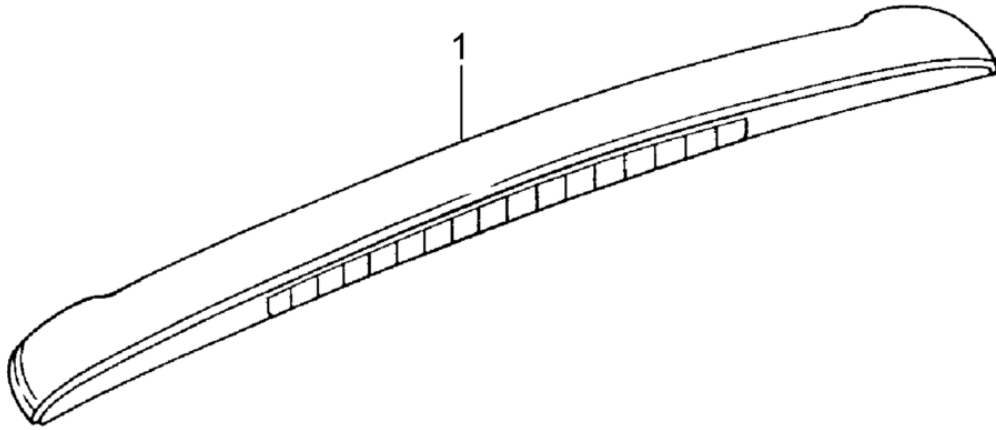


Model: CLA Model life 1950>>1998

Pos	Part Number	Description	Remark	Qty	Model
1	993 631 980 00	Cooling air system Air inlet Oil cooler Air conditioning cooler with Position light	94-98 /L 94-98	1	911 (993) Carrera Carrera S/4S Turbo Turbo S
2	993 631 980 01	Air inlet Oil cooler Air conditioning cooler with Position light	/R 94-98	1	Carrera Carrera S/4S Turbo Turbo S

Model: CLA

Model life 1950>>1998



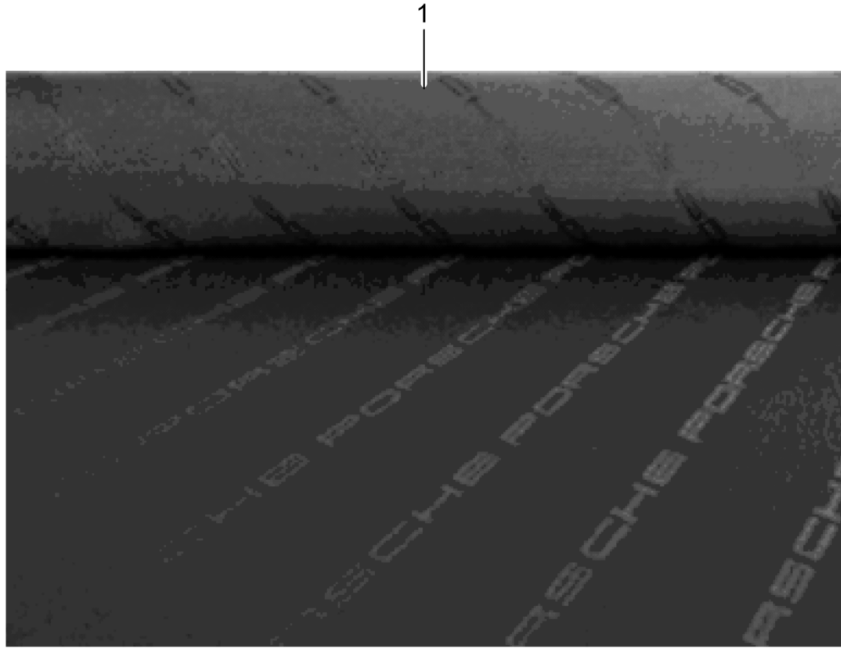
Model: CLA

Model life 1950>>1998

Pos	Part Number	Description	Remark	Qty	Model
1	000 044 800 12	Roof cover moulding Retrofit kit Roof cover moulding IB with Brake light	94-98	1	911 (993) CARRERA CARRERA 4 TURBO

Model: CLA

Model life 1950>>1998

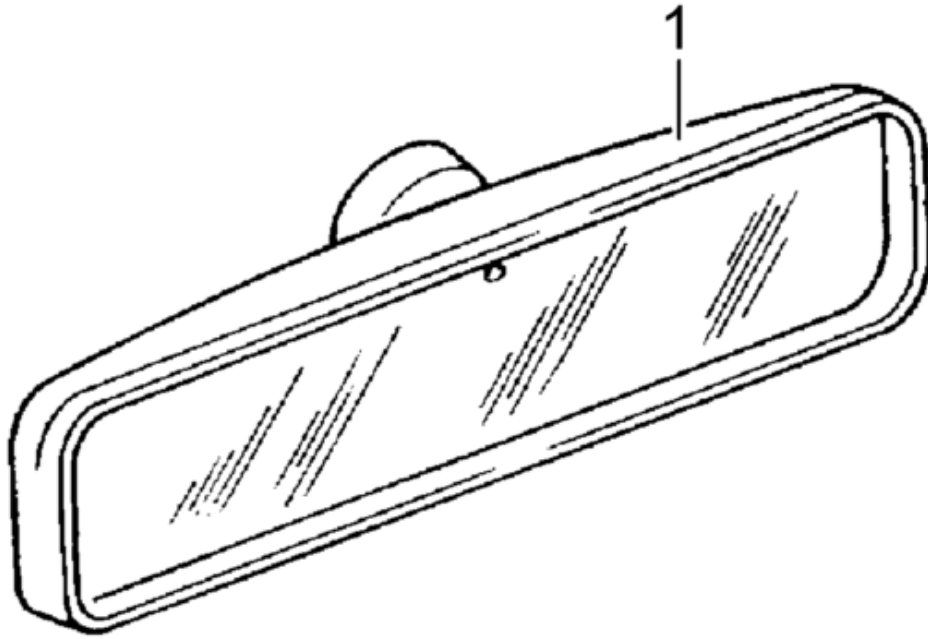


Model: CLA Model life 1950>>1998

Pos	Part Number	Description	Remark	Qty	Model
1	PCG 043 204 90	Front seat Single parts Cloth Cloth PORSCHE logo		1	
	PCG 043 204 90 2CZ	Black Pieces 2000 MM X 1500 MM			
(1)	PCG 000 000 00	Cloth PORSCHE logo		1	
	PCG 000 000 00 4GP	Midnight blue Pieces 2000 MM X 1500 MM			

Model: CLA

Model life 1950>>1998



Model: CLA Model life 1950>>1998

Pos	Part Number	Description	Remark	Qty	Model
1	993 731 982 00	Interior mirror Automatic Dimmable	84-95 94-98	1	911 (993) 944, 928 944, 928 911 (993)

Model: CLA

Model life 1950>>1998



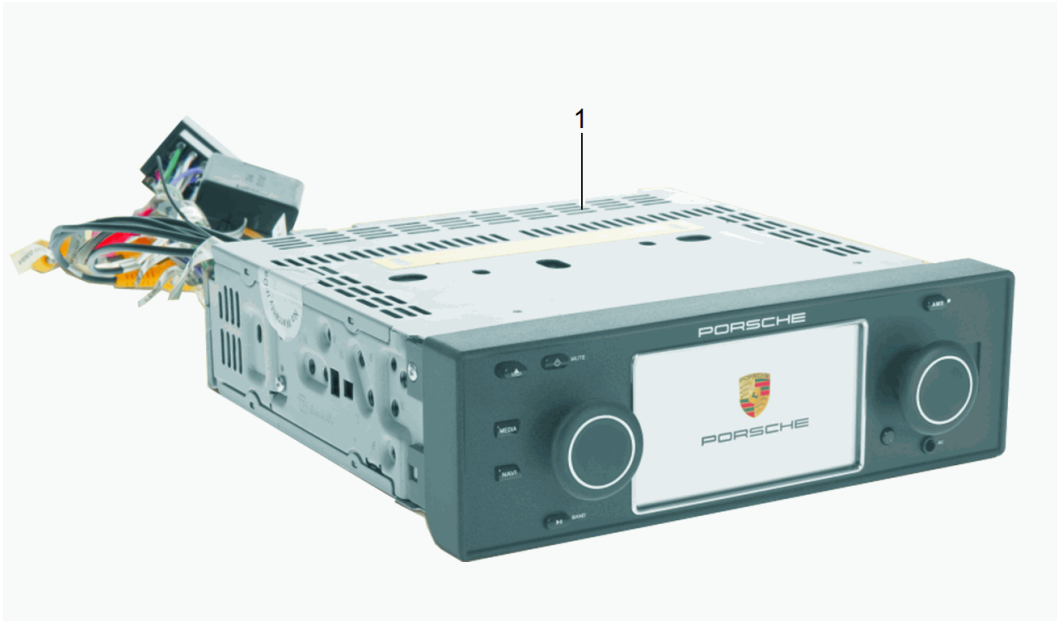
Model: CLA

Model life 1950>>1998

Pos	Part Number	Description	Remark	Qty	Model
1	000 043 203 09	Charger 6 VOLT Charger 6 VOLT		1	356

Model: CLA

Model life 1950>>1998



Model: CLA Model life 1950>>1998

Pos	Part Number	Description	Remark	Qty	Model
1	911 645 190 00	Porsche Classic Radio Navigation system Radio Navigation system with PORSCHE logo		1	
1	911 645 191 00	Radio Navigation system with TMC with PORSCHE logo		1	
1	911 645 192 00	Radio Navigation system with TMC without PORSCHE logo		1	
-	911 645 195 00	Cover for Radio Navigation system with PORSCHE logo		1	
-	911 645 197 00	Cover for Radio Navigation system without PORSCHE logo		1	
-	911 645 196 00	Adapter Adapter		1 1	
2	911 642 105 00	Antenna Antenna		1 1	
-	911 642 100 00	Software Update 1-2011		1	
-	911 642 100 01	Software Update 1-2013		1	
-	911 642 100 02	Software Update 1-2014		1	
3	911 642 107 00	Microphone		1	
-	911 645 199 00	Handheld transmitter Navigation system		1	
-	911 645 190 01	Knob Control part Navigation system		2	

Model: CLA

Model life 1950>>1998



Model: CLA Model life 1950>>1998

Pos	Part Number	Description	Remark	Qty	Model
1	911 645 290 00	Porsche Classic Radio Navigation system Radio Radio Navigation system Only Europe Navigation		1	911,964,993 914,924,944 928,968,959
2	911 642 205 00	Antenna GPS		1	
3	911 642 207 00	Microphone		1	
4	911 645 295 00	Knob Control part Standard		X	
5	911 645 293 00	Knob Control part Classic		X	
6	911 642 213 00	Multimedia interface		1	
7	911 645 297 00	Retaining frame Retaining frame		1	
8	911 645 311 00	Complete set Cloth Pin		1	
9	911 645 299 00	Complete set Comprising: Plug socket Contact bush		1 2 16	
-	911 642 209 00	Adapter Radio Booster		1	
-	911 642 209 01	ALPINE, BEA, Adapter Radio Booster		1	M494
-	993 645 413 00	BLAUPUNKT ALPINE, BEA, Connecting cable Radio Booster		1	
-	911 642 400 00	NOKIA Adapter plug Set DIN/ISO Loudspeaker Power supply	-95	1	
-	911 642 201 00	Software Navigation Europe 2014		1	
-	911 642 201 01	Software Navigation Europe Q2/2016		1	
10	911 642 001 00	Manual Manual Europe		1	

Model: CLA

Model life 1950>>1998

1



2

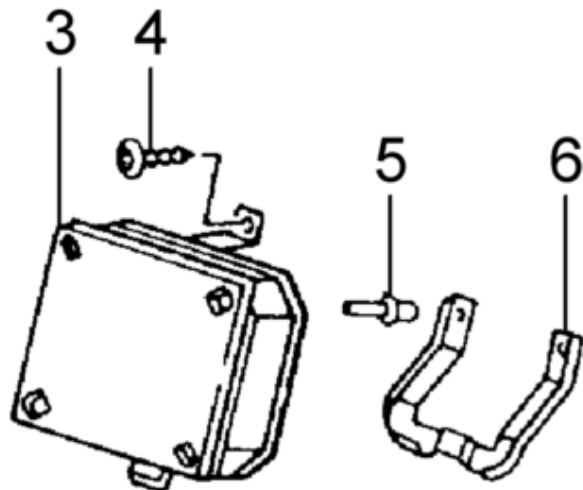
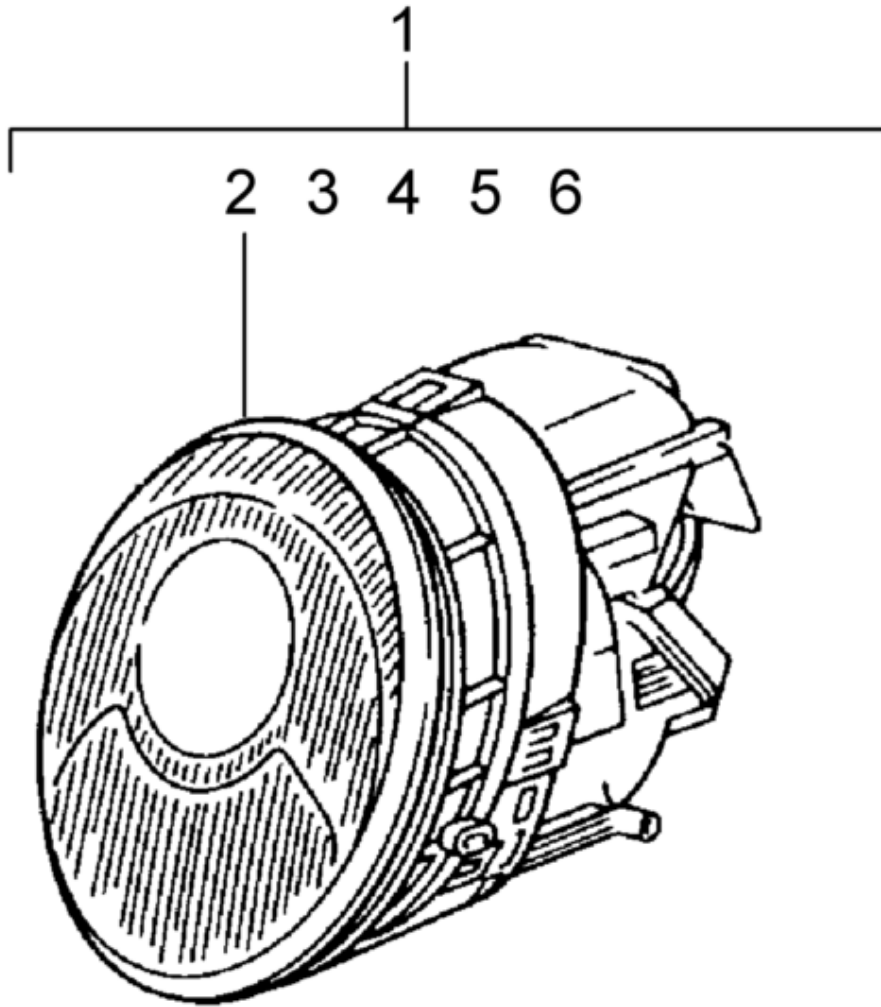


Model: CLA Model life 1950>>1998

Pos	Part Number	Description	Remark	Qty	Model
		Porsche Classic	88-89		911 M490
		Loudspeaker System	89-94		964
1	PCG 911 645 10	Loudspeaker System	88-89	1	911 M490
		Door	89-94		964
		Comprising:			
-	964 645 502 01	Tweeter		2	
-	964 645 503 01	Woofers		2	
-	PCG 911 645 15	Adapter for Loudspeaker System	93-	2	964
		Door			
-	PCG 911 645 17	Adapter plug for Loudspeaker		2	
		When required order also:			
-	911 555 671 01	Bracket		2	
		Woofers			
-	911 555 673 00	Bracket		2	
		Tweeter			
2	PCG 911 645 20	Rear loudspeaker System	88-89	1	911 M490
		Back wall lining	89-94		964 Coupe/Targa
		Comprising:			
-	911 645 419 01	Rear loudspeaker	88-89	2	911, 964
		Use also:	89-94		Coupe/Targa
-	993 555 769 00	Frame		2	
3	PCG 911 645 30	Loudspeaker System	88-89	1	911 M490
		Rear bulkhead	89-94		964 Cabrio
		Comprising:			
-	964 645 504 01	Mid-range loudspeaker		2	Cabrio

Model: CLA

Model life 1950>>1998



Model: CLA Model life 1950>>1998

Pos	Part Number	Description	Remark	Qty	Model
		Headlamp LITRONIC Technical information 911(993) Main group 9 9415 Attention			911 (993)
1	000 044 900 16	Headlamp LITRONIC	/LL 94-98	1	911 (993)
1	000 044 900 14	Headlamp LITRONIC Set	(J) 94-98	1	
2	993 631 041 02	Comprising: Headlamp Left	(J)	1	
2	993 631 042 02	Headlamp Right	(J)	1	
2	993 631 031 02	Headlamp Left		1	/LL
2	993 631 032 02	Headlamp Right		1	/LL
3	993 631 193 02	Control unit		2	
4	900 075 355 02	Combination screw M 6 X 16		2	
4	900 075 355 01	Hexagon-head bolt M 6 X 16		2	
5	999 190 119 30	Blind rivet A 4,0 X 6,8		4	
6	993 631 196 00	Support		2	
-	993 701 631 01	Sticker		2	
-	993 631 195 00	Support		2	
-	999 500 042 02	Blind rivet nut M 6/0,5 - 3		2	
-	999 919 088 02	Oval-head screw		6	
-	000 044 900 13	Wiring harness		2	

Model: CLA

Model life 1950>>1998



Model: CLA Model life 1950>>1998

Pos	Part Number	Description	Remark	Qty	Model
1	000 044 900 00	Direction indicator light Rear light Combined lights Direction indicator light Rear light	95-98	1	911 (993) 911 (993)

Model: CLA

Model life 1950>>1998

1



Model: CLA Model life 1950>>1998

Pos	Part Number	Description	Remark	Qty	Model
		Box with bulbs Porsche Classic with Bulb And Lock			911,964,993 914,924,944 928,968,356
1	PCG 356 100 00	Box with bulbs	-(CDN) -(USA) 59-65	1	356 B/C
		356 b/c 6 VOLT Comprising:			
-	900 631 009 90	Bulb		2	
-	900 631 007 90	Bulb 6V 40/45W		2	
-	900 631 003 90	Bulb 6V 18W		2	
-	900 631 008 90	Bulb 6V 4W		2	
-	900 631 005 90	Bulb 6V 5/18W		2	
-	900 631 004 90	Bulb 6V 5W		1	
-	N 017 732 1	Bulb 6V 5W		1	
-	N 017 121 1	Safety fuse 8 A		2	
-	N 017 121 5	Lock 25 A		2	
-	PCG 356 200 00	Box with bulbs	-(CDN) -(USA) 63-65	1	356 C
		356 C 12 VOLT Comprising:			
-	900 631 109 90	Bulb 12V 40/45W		2	
-	N 017 731 B	Bulb 12V 18W		2	
-	900 631 103 90	Bulb 12V 4W		2	
-	900 631 104 90	Bulb 12V 5W		1	
-	900 631 110 92	Bulb 12V 25W		1	
-	N 017 121 1	Safety fuse 8 A		2	
-	N 017 121 5	Lock 25 A		2	
-	PCG 911 100 00	Box with bulbs	-(F) 65-71	1	911
		911 Comprising:			
-	999 631 202 90	Bulb 12V 55/60W H4	-(F)	2	
-	900 631 127 90	Bulb 12V 21W		2	
-	900 631 128 90	Bulb 12V 5/21W		2	
-	900 631 103 90	Bulb 12V 4W		2	
-	900 631 110 92	Bulb 12V 25W		1	
-	900 173 006 90	Safety fuse 5 A		2	

Model: **CLA** Model life 1950>>1998

Pos	Part Number	Description	Remark	Qty	Model
-	N 017 121 1	Safety fuse 8 A		2	
-	N 017 121 4	Lock 16 A		2	
-	N 017 121 5	Lock 25 A		2	
-	PCG 911 200 00	Box with bulbs 911 Comprising:	-(F) 72-73	1	911
-	999 631 202 90	Bulb 12V 55/60W H4	-(F)	2	
-	900 631 127 90	Bulb 12V 21W		2	
-	900 631 103 90	Bulb 12V 4W		2	
-	900 631 128 90	Bulb 12V 5/21W		2	
-	N 017 731 B	Bulb 12V 18W		1	
-	900 631 123 92	Linolite lamp 12V 18W		1	
-	900 173 006 90	Safety fuse 5 A		2	
-	N 017 121 1	Safety fuse 8 A		2	
-	N 017 121 4	Lock 16 A		2	
-	N 017 121 5	Lock 25 A		2	
-	PCG 911 300 00	Box with bulbs 911 Comprising:	-(F) 74-89	1	911
-	999 631 202 90	Bulb 12V 55/60W H4	-(F)	2	
-	900 631 127 90	Bulb 12V 21W		2	
-	900 631 103 90	Bulb 12V 4W		2	
-	900 631 128 90	Bulb 12V 5/21W		2	
-	900 631 104 90	Bulb 12V 5W		1	
-	900 631 123 92	Linolite lamp 12V 18W		1	
-	900 173 006 90	Safety fuse 5 A		2	
-	N 017 121 1	Safety fuse 8 A		2	
-	N 017 121 4	Lock 16 A		2	
-	N 017 121 5	Lock 25 A		2	
-	PCG 914 100 00	Box with bulbs 914, 924 Comprising:	70-88 -(F) -(CDN) -(F) -(USA)	1	914 924
-	999 631 202 90	Bulb 12V 55/60W H4	-(F)	2	
-	900 631 127 90	Bulb 12V 21W		2	
-	900 631 104 90	Bulb 12V 5W		2	

Model: **CLA** Model life **1950>>1998**

Pos	Part Number	Description	Remark	Qty	Model
-	900 631 128 90	Bulb 12V 5/21W		2	
-	900 631 103 90	Bulb 12V 4W		1	
-	900 631 110 92	Bulb 12V 25W		1	
-	900 631 123 92	Linolite lamp 12V 18W		1	
-	N 017 121 1	Safety fuse 8 A		2	
-	N 017 121 4	Lock 16 A		2	
-	N 017 121 5	Lock 25 A		2	
-	PCG 964 100 00	Box with bulbs 964 Comprising:	-(F) 89-94	1	964
-	999 631 202 90	Bulb 12V 55/60W H4	-(F)	2	
-	900 631 127 90	Bulb 12V 21W		2	
-	900 631 128 90	Bulb 12V 5/21W		2	
-	900 631 105 90	Bulb 12V 5W		1	
-	900 631 104 90	Bulb 12V 5W		1	
-	900 631 103 90	Bulb 12V 4W		2	
-	999 631 032 90	Bulb 12V 5W		2	
-	999 607 083 00	Lock 7,5 A		2	
-	999 607 085 00	Lock 15 A		2	
-	999 607 087 00	Lock 25 A		2	
-	999 607 088 00	Lock 30 A		2	
-	999 607 052 00	Lock 40 A		2	
-	PCG 928 100 00	Box with bulbs 928 Comprising:	-(CDN) -(F) -(USA) 78-95	1	928
-	999 631 202 90	Bulb 12V 55W/60W H4	-(CDN) -(F) -(USA)	2	
-	900 631 127 90	Bulb 12V 21W		2	
-	999 631 024 90	Bulb 12V 4/21W		2	
-	900 631 105 90	Bulb 12V 5W		1	
-	900 631 103 90	Bulb 12V 4W		2	
-	900 631 115 90	Bulb 12V 10W		2	
-	N 017 121 1	Safety fuse 8 A		2	
-	N 017 121 4	Lock 16 A		2	
-	N 017 121 5	Lock		2	

Model: **CLA** Model life 1950>>1998

Pos	Part Number	Description	Remark	Qty	Model
-	999 607 083 00	25 A Lock		2	
-	999 607 085 00	7,5 A Lock		2	
-	999 607 087 00	15 A Lock		2	
-	999 607 088 00	25 A Lock		1	
-	999 607 052 00	30 A Lock		1	
-	PCG 968 100 00	40 A Box with bulbs 968	-(F) 92-95	1	968
-	999 631 202 90	Comprising: Bulb	-(F)	2	
-	900 631 127 90	12V 55/60W H4 Bulb		2	
-	900 631 128 90	12V 21W Bulb		2	
-	900 631 105 90	12V 5/21W Bulb		1	
-	900 631 032 90	12V 5W Bulb		2	
-	900 631 104 90	12V 5W Bulb		2	
-	999 607 083 00	12V 5W Lock		2	
-	999 607 085 00	7,5 A Lock		2	
-	999 607 087 00	15 A Lock		2	
-	999 607 088 00	25 A Lock		2	
-	999 607 052 00	30 A Lock		2	
-	PCG 944 100 00	40 A Box with bulbs 944	-(F) -(J) 82-91	1	944
-	999 631 202 90	Comprising: Bulb	-(F) -(J)	2	
-	900 631 127 90	12V 55/60W H4 Bulb		2	
-	900 631 103 90	12V 21W Bulb		2	
-	900 631 104 90	12V 4W Bulb		2	
-	999 631 032 90	12V 10W Bulb		2	
-	N 017 121 1	12V 4W Safety fuse		2	
-	N 017 121 4	8 A Lock		2	
-	N 017 121 5	16 A Lock		2	
-	999 607 083 00	25 A Lock		2	
-	999 607 085 00	7,5 A Lock		2	
-	999 607 087 00	15 A Lock		2	
-	999 607 088 00	25 A Lock		1	

Model: **CLA** Model life **1950>>1998**

Pos	Part Number	Description	Remark	Qty	Model
-	PCG 993 100 00	30 A Box with bulbs	-(J) -(USA) 94-98	1	993
-	900 631 125 90	993 Comprising: Halogen bulb 12 V H1	-(J) -(USA)	2	nicht M601
-	900 631 127 90	Bulb 12V 21W		2	
-	900 631 128 90	Bulb 12V 5/21W		2	
-	900 631 105 90	Bulb 12V 5W		1	
-	900 631 103 90	Bulb 12V 4W		2	
-	900 631 021 90	Bulb 12V 21W Yellow		1	
-	999 631 032 90	Bulb 12V 5W		2	
-	999 607 083 00	Lock 7,5 A		2	
-	999 607 085 00	Lock 15 A		2	
-	999 607 087 00	Lock 25 A		2	
-	999 607 088 00	Lock 30 A		2	