

Model: TEQ 2

Model life 2003>>

ORDER-INFO

THIS CATALOGUE CONTAINS ALL ORDER INFORMATION OF THE ACTUALLY AVAILABLE PARTS OF THE EQUIPMENT CAYENNE PROGRAM.

IT IS AVAILABLE IN TWO EDITIONS IN THE FOLLOWING LANGUAGES:

EDITION

USA, CANADA - *

EDITION

ALL OTHER COUNTRIES

- GERMAN
- * - ENGLISH
- FRECH
- ITALIAN
- SPANISH

ZPDATING IS BEING PERFORMED BY CHANGING OF UPDATE.

THE EDITION CAN BE RECOGNIZED BY THE CURRENT NO. AND CALENDAR YEAR IN THE BOTTOM LINE OF SUBJECT UPDATE.

ALL ILLUSTRATIONS ARE SUBJECT TO CHANGE WITHOUT OBLIGATION.

IF PARTS OF THE VEHICLE REQUIRING DESIGN APPROVAL (E.G. WHEELS, SPACER WASHERS AND SPOILERS ETC.) ARE ALTERED OR ADDITIONALLY FITTED, THE VEHICLE'S TYPE APPROVAL BECOMES NULL AND VOID. YOUR PORSCHE DEALER OR THE FACTORY'S TECHNICAL DEPARTMENT WILL BE PLEASED TO ASSIST YOU IN HAVING YOUR PORSCHE RE-REGISTERED.

IT IS THE SOLE RESPONSIBILITY OF THE SELLING PORSCHE DEALER TO DECIDE TO WHAT EXTENT THE ACCESSORIES OFFERED COMPLY WITH THE REGISTRATION REGULATIONS OF HIS COUNTRY OR REGION.

DR.ING.H.C.F.PORSCHE AG ASSUMES NO LIABILITY FOR THE PERMISSIBILITY ACCORDING TO THE RESPECTIVE AND VALID REGISTRATION REGULATIONS OF THE INDIVIDUAL COUNTRIES CONCERNED.

Model: TEQ 2

Model life 2003>>

EXPL. ENGINE-NO.

EXPLANATION OF THE MOTOR-NUMBERS USED IN THE CATALOGUE
=====

DIGIT:	1 2 3	4 5 6 7 8
EXAMPLE:	8 2 3	0 0 1 3 6
	= = =	=====
	! ! !	!
ENGINE TYPE (8 = 8-CYL.-ENGINE)-----+	! !	!
	! !	!
ENGINE VERSION-----+	!	!
	!	!
MODEL YEAR-----+		!
		!
SERIAL NUMBER-----+		!

Model: TEQ 2

Model life 2003>>

SUMMARY ENGINES

VEHICLE TYPE	ENGINE			TECHNICAL DATA
	TYPE	MY	ENGINE NO.	
CAYENNE S	M48.00	03 3	813 00501>60000	8ZYL/4,5L /250 KW
CAYENNE TURBO	M48.50	03 3	823 00501>60000	8ZYL/4,5L /331 KW

Model: TEQ 2

Model life 2003>>

LEGENDS/NOTICES

LEGENDS AND NOTICES

=====

IN COLUMN -S- STATUS

- N NEW ADDITION
- P PART ALREADY IN PROGRAMME, BUT NEW AT THIS APPLICATION
- W DELETED AT THIS APPLICATION, BUT CONTINUED TO BE CARRIED
- A STOCK TO BE USED UP
- U DELETED WITHOUT REPLACEMENT
- * PART ALSO OR ONLY AVAILABLE IN REPAIR KIT
- > ALSO AVAILABLE IN EXCHANGE

IN COLUMN - ILL. -

- 1 IDENTIFICATION NO. IN ILLUSTRATION
- (1) PART ONLY SIMILAR AS ILLUSTRATED
- PART IS NOT ILLUSTRATED

FIG.-NUMBERS FOR WHICH THERE IS SHOWN NO TEXT ARE NOT VALID FOR THIS EDITION OF CATALOGUE

IN COLUMN -PART NUMBER/CODE-

000 000 000 00 PART NUMBER EQUALS ORDERING NO., IF A CODE IS SHOWN, IT WILL HAVE TO BE PART OF ORDERING NUMBER

01C COLOUR CODE

IN COLUMN -TEXT

INSTALLATION WITH ENGINE OR CHASSIS NUMBER-RANGE

EXAMPLE:

M 63V 00389>>

FROM ENGINE NO.

Model: TEQ 2

Model life 2003>>

F

>>99VS3 00889

UP TO CHASSIS NO.

Model: TEQ 2

Model life 2003>>

LEGENDS/NOTICES

IN COLUMN - A -

IDENTIFICATION LETTER FOR PERIOD OF INSTALLATION
THAT IS REPEATED SEVERAL TIMES IN THE CATALOG GROUP.

EXPLANATION PLEASE FIND IN TEXT COLUMN OF THE CATALOG GROUP

IN COLUMN - QU - = NO. OF PIECES

- 1 NUMBER PER APPLICATION
- X NUMBER AS NEEDED
- * AVAILABLE ONLY IN RUNNING LENGTHS 1 = 1 METRE

IN COLUMN - MODEL/SYMBOL -

- M650 OPTIONAL EQUIPMENT - SEE M-NO. LIST
- 96 LIMITATION OF MODEL YEAR FOR INSTANCE: VALID UP TO
END OF MODEL YEAR 1996
- /LL LHD
- /RL RHD
- +
- /V FRONT I
I
- /H REAR I
I----> APPLIES TO
- /L LEFT I DIRECTION OF TRAVEL
I
- /R RIGHT I
-----+
- WW THE PART CAN BE USED INSTEAD OF THE
PRECEDING ONE.

Model: TEQ 2

Model life 2003>>

ORDER HANDLING

ORDER HANDLING EXCLUSIVE / TEQUIPMENT

AS THERE IS A HIGHER DEMAND FOR EXCLUSIVE/TEQUIPMENT PARTS, WE ARE SIMPLIFYING AND THEREBY SPEEDING UP THE ORDERING PROCESS FOR THESE PARTS.

ALL OF THE EXCLUSIVE SCOPES OF PARTS ARE SUBDIVIDED IN GROUPS 0/90/00 TO 0/95/50 OF THE TEQUIPMENT MICROFICHE SHEETS. SOME PARTS FROM THE EXC/TEQ RANGE ARE NOT INCLUDED IN THE BASIC PARTS STOCK DUE TO THE DIVERSITY OF EXISTING VERSION AND PARTS; THEY WILL INSTEAD BE SUCCESSIVELY SUPPLEMENTED AND EXTENDED AS REQUIRED. NOT ALL COLOR VARIANTS OF COLORED PARTS HAVE BEEN TAKEN INTO CONSIDERATION YET. AS A BASIC PRINCIPLE, PAINTED PARTS (E.G. WHEEL SPIDER PAINTED IN VEHICLE COLOR (XD 9)) CANNOT BE INCLUDED. ALL PARTS THAT CANNOT BE INCLUDED. ALL PARTS THAT CANNOT BE INCLUDED BY THE PARTS SERVICE ARE SPECIALLY IDENTIFIED. A SPECIAL ORDER HANDLING PROCEDURE WILL BE THEREFORE BE INTRODUCED FOR EXC PARTS IN ORDER TO AVOID SPECIAL PROCUREMENTS AS MUCH AS POSSIBLE.

FOLLOW THE FOLLOWING PROCEDURE WHEN ORDERING PARTS FROM THE EXCLUSIVE SCOPE FOR REPAIR OR RETROFITTING:

1. DETERMINE THE CORRESPONDING PART NUMBER(S) IN TEQ-MPF ON THE BASIS OF THE X NO. FROM THE SALES DOCUMENTATION/BASIC VEHICLE STOCK BOOK.
2. CHECK WHETHER THIS BASIC NUMBER/PART NUMBER EXISTS IN THE BASIC PARTS STOCK. (IN THE CASE OF PARTS WITH COLOR IDENTIFICATION, BEAR IN MIND THAT THE BASIC PART NUMBER MUST BE CHECKED FIRST. IF THE DESIRED COLOR IDENTIFICATION IS NOT ALLOCATED, PLEASE NOTIFY US OF THIS ON THE EXC/TEQ ORDER FORM.)
3. IF THE DESIRED PARTS IS NOT INCLUDED IN THE BASIC PARTS STOCK, ORDER IT USING THE EXC/TEQ ORDER FORM.
4. SPECIFY ON THE ORDER FORM ALL THE DATA YOU NEED AND THAT ARE AT YOUR DISPOSAL.
5. ORDER FORMS ON WHICH THE VEHICLE MODEL/CHASSIS NUMBER/M NO. ARE NOT SPECIFIED CANNOT BE PROCESSED.
ENSURE THAT YOUR ORDER CAN BE HANDLED PROMPTLY BY PROVIDING US WITH THE NECESSARY INFORMATION.
MISSING INFORMATION WILL LEAD TO DELAYS DUE TO FURTER INQUIRIES FROM US.

ANY RETROFITTING WORK SHOULD BE ENTERED ON THE DOCUMENTATION CARRIED IN THE VEHICLE. (ENTER THE CORRESPONDING X NUMBERS FOR THE OPTIONAL EQUIPMENT.) THIS WILL FACILITATE ORDERING OF PARTS IF REPAIRS SHOULD BECOME NECESSARY LATER.

WE ARE OF COURSE GLADLY AT YOUR DISPOSAL IF YOU SHOULD HAVE ANY DIFFICULTIES OR QUESTIONS.

Model: TEQ 2

Model life 2003>>

COUNTRY-EQIPM.

EQUIPMENT BY COUNTRY REGULATIONS

=====

(A)	AUSTRIA
(AG)	ARABIAN GULF STATES
(AUS)	AUSTRALIA
(B)	BELGIUM
(CDN)	CANADA
(CH)	SWITZERLAND
(D)	FEDERAL REPUBLIC OF GERMANY
(DK)	DENMARK
(E)	SPAIN
(F)	FRANCE
(GB)	GREAT BRITAIN
(GR)	GREECE
(HK)	HONGKONG
(I)	ITALY
(J)	JAPAN
(L)	LUXEMBURG
(N)	NORWAY
(NL)	NETHERLANDS
(NZ)	NEW ZEALAND
(P)	PORTUGAL
(RC)	TAIWAN
(S)	SWEDEN
(SA)	SAUDI ARABIA
(SF)	FINLAND
(USA)	UNITED STATES OF AMERICA
(ZA)	SOUTH AFRICA

Model: TEQ 2

Model life 2003>>

NR	Description
ICJ1	Cayenne wheel 7.5x17, wheel offset 53
ICJ2	Cayenne S wheel 8x18, wheel offset 57
ICJ3	19-inch (9 X 19) Cayenne Design wheel
ICJ6	18-inch (8 x 18) Cayenne Turbo wheel
ICP5	Cayenne Sport Techno wheel 9"/10" x 20" Titanium metallic
ICP7	19-inch (9 x 19) Cayenne Design wheel painted in body colour
ICS5	20-inch (9X20) Cayenne Sport Design wheel
ICS6	Cayenne Sport Techno wheel 9x20, wheel offset 60
ICT1	Cayenne Sport Techno wheel 9x20, wheel offset 60, wheel spokes painted in exterior colour
ICW3	Cayenne Design wheel 19 " in titanium metallic
ICY3	Cayenne Sport Techno wheel 9-inch/10-inch x 20-inch
ICY4	Cayenne Sport Techno wheel 9"/10" x 20" in vehicle colour
IDD8	8-cylinder diesel engine 4.2 l KW TDI
IDT5	4.8 litre turbo engine, 8-cylinder
IDU3	3.6 litre turbo engine, 6-cylinder
ID1V	6-cylinder diesel engine 3.0/155 kW TDI
ID11	6-cylinder petrol engine 3.0/245 kW
ID19	6-cyl. spark-ignition engine, 3.0 l/245 kW (HYBRID)
ID34	6-cyl. spark-ignition engine, 3.6 l/220 kW (E2)
ID43	6-cylinder diesel engine 3.0 l/180 kW TDI
ID5V	8-cylinder petrol engine 4.8 l/280 KW V8 FSI
ID5X	6-cyl. spark-ignition engine, 3.6 l/206 kW FSI
ID5Z	8-cylinder petrol engine 4.8 l/368 KW V8 biturbo
ID50	6-cylinder diesel engine, 3.0 l/176 kW TDI
ID58	8-cyl. spark-ign. engine, 4.8 l/368 kW biturbo (E2)
ID6V	8-cyl. spark-ignition engine, 4.8 l/294 kW DFI (E2)
ID9J	6-cylinder petrol engine, 3.2 l/177 kW (24 valves)
ID9K	8-cylinder petrol engine, 4.5 l/250 kW (V 8)
ID9L	8-cylinder petrol engine, 4.5 l/330 kW (V 8) biturbo
IE0W	GTS version
IE1T	Sondermodell CAYENNE. Porsche Design Edition 3
IE16	Special model 'Cayenne S Titanium'
IE2D	Special model Transsyberia
IE8A	Turbo S
IE81	Enhanced performance engine
IGY1	Power closing mechanism for tailgate
IG0L	6-speed manual transmission for all-wheel drive vehicle
IG0R	Tiptronic s
IG1G	8-speed auto. transmission for all-wheel drive
IIV0	*
IYY2	Model year period from week 45 to week 22

Model: TEQ 2

Model life 2003>>

NR	Description
IJ0L	340 A (70 Ah) battery
IJ0Z	520 A (110 Ah) battery
IJ1U	450 A (95 Ah) battery
IJ2C	480 A (85 Ah) and 520 A (110 Ah) batteries
IK4H	Closed body
IL0L	Left-hand drive version
IL0R	Right-hand drive version
IN1X	Part-leather seat covers, grained
IN5U	Part-leather seat covers, smooth leather
IN7D	Soft ruffled leather seats in smooth leather
IN7F	Soft ruffled leather seats in embossed leather
IPF1	PCM including navigation
IQH0	without voice control
IQH1	Voice control system
IQL3	Tinted glass, green at rear
IQL5	Dark tinted rear privacy glass
IQL6	Heat-insulating glass at rear, metallized
IQR0	without compass/Sport Chrono/analogue clock
IQR3	Analogue clock on dashboard
IQV1	With TV reception
IQ1D	Sports seats with expanded memory function in smooth leather
IQ2J	Comfort seats, front
IT31	Components for basic engine, unit M 022Y
IT90	Units for engine PR No. D9L
IT91	Units for engine PR No. D9K
IU5A	Instrument insert, km/h indication, RoW
IU5B	Instrument insert, mph indication, GB
IU5C	Instrument insert, mph indication, USA
IU5D	Instrument insert, km/h indication, Canada
IU5E	Instrument insert, km/h indication, Japan
IU5F	Instrument insert, display km/h, AGCC
IU5G	Instrument insert, km/h indication, Australia
IVC1	Garage door opener, 433 MHz
IVR0	Without anti-ram protection measures
IVR1	Side protection, running board
IVR2	Side impact protection measures, off-road
IVR3	Front-end and side protection
IVR4	Front impact protection measures
I0AB	Anti-roll bar, front and rear
I0AG	Anti-roll bar, front, disengageable
I0AW	Front and rear anti-roll bars with active Body control -PDCC-
I0BB	Anti-roll bar, rear
I0BJ	Anti-roll bar, rear, disengageable
I0GG	Emissions compliance EU 4
I0GM	Emissions compliance LEV

Model: TEQ 2

Model life 2003>>

NR	Description
I0GU	Emissions compliance EU 2
I0JA	Weight class 1, front axle - 1170-1210 kg
I0JB	Weight class 2, front axle - 1211-1226 kg
I0JC	Weight class 3, front axle - 1227-1251 kg
I0JD	Weight class 4, front axle - 1252-1276 kg
I0JE	Weight class 5, front axle - 1277-1292 kg
I0JF	Weight class 6, front axle - 1293-1328 kg
I0JG	Weight class 7, front axle - 1329-1428 kg
I0K1	Hybrid drive system
I0NA	Deletion of model designation
I0NB	Logo set in basic version
I0P0	Standard tailpipe
I0P3	Sports tailpipe in precision-cast aluminium, 4-pipe look
I0P8	Sports exhaust system
I0P9	Sports exhaust system, Black tailpipe
I0YA	Weight class 1, rear axle - 1039-1074 kg
I0YB	Weight class 2, rear axle - 1075-1128 kg
I0YC	Weight class 3, rear axle - 1129-1159 kg
I0YD	Weight class 4, rear axle - 1160-1215 kg
I0YE	Weight class 5, rear axle - 1216-1244 kg
I0YF	Weight class 6, rear axle - 1245-1299 kg
I0YG	Weight class 7, rear axle - 1300-1331 kg
I011	Special model GTS (981/991)
I092	Turbo S
I1BA	Suspension/dampers, standard
I1BK	Air suspension with levelling system and height adjustment (PASM)
I1BS	4-corner air suspension
I1D1	Trailer hitch, removable, lockable, ECE R55
I1D2	Detachable trailer coupling
I1D3	Trailer hitch, electrically retractable, ECE R55
I1D6	Trailer coupling without tow ball
I1D7	Preparation for detachable trailer coupling
I1D8	Preparation for detachable trailer coupling "usa"
I1D9	Electric folding trailer coupling
I1G1	18-inch collapsible spare wheel
I1G3	High-pressure alloy spare wheel with tyre
I1G4	19" collapsible spare wheel
I1G6	Spare wheel, space saving - 17-inch, radial tyre, compressor, in vehicle
I1G8	Tire Fit, tyre repair set
I1KW	Rear disc brakes - disc diameter 17 inches, brake calliper painted black

Model: TEQ 2 Model life 2003>>

NR	Description
I1KY	Rear disc brakes - disc diameter 17 inches, brake calliper painted silver
I1KZ	Rear disc brakes - disc diameter 17 inches, brake calliper painted red
I1LK	Front disc brake, disc diameter 19 inches, brake calliper painted Green
I1LL	Front disc brake, disc diameter 19 inches, brake calliper painted Green
I1LM	Front disc brake, disc diameter 19 inches, brake calliper painted Black
I1L0	Normal air cleaner
I1ML	Sports steering wheel with paddle
I1NE	Wheel centres STANDARD
I1NP	Wheel centres with full-colour Porsche Crest (concave)
I1N1	Power steering
I1N3	Speed-dependent power-assisted steering (servotronic)
I1XE	3-spoke multi-function steering wheel, wood, Anthracite Birch with radio controls
I1XJ	3-spoke multi-function steering wheel in dark Burr maple wood with radio control element
I1XK	3-spoke multi-function steering wheel in Light Olive wood with radio control element
I1Y1	Differential lock, rear, centre differential lock
I2C4	Steering column, reach + height adjustable with memory
I2C5	Steering column, reach + height adjustable, mechanical
I2D1	Aerokit, with sill cover
I2D2	Aerokit, without sill cover
I2D3	Sill cover
I2FV	3-spoke multi-function steering wheel in light Olive wood, matt, with radio control element
I2FX	3-spoke multi-function steering wheel, wood, Carbon with radio controls
I2G1	Insert for fuelling with unleaded petrol
I2G4	Insert for fuelling with unleaded petrol (CARB Diagnosis)
I2JB	Bumper, standard
I2JC	Comfort bumper, stainless-steel attachment, front apron bottom section
I2JX	Comfort bumper (stainless steel trim at front + rear)
I2PH	Leather steering wheel for airbag system - 3 spokes, heated
I2PM	Leather steering wheel for airbag system - 3-spoke steering wheel
I2V5	Fresh-air intake with active carbon filter
I2X2	Tiptronic controls on steering wheel

Model: TEQ 2

Model life 2003>>

NR	Description
I2ZH	3-spoke multi-function steering wheel, heated
I2ZM	3-spoke multi-function steering wheel
I3B1	Child seat anchors, USA/Canada requirement
I3B4	Child seat anchors for ISOFIX child seat system, RoW
I3CX	Net partition
I3D1	Centre console STANDARD (PVC)
I3D3	Centre console MEDIUM, grained leather
I3D8	Centre console Leather, smooth
I3FE	Electric glass slide/tilt sunroof
I3FU	Porsche large roof system
I3F4	Spare wheel with tyre, internal
I3GE	Raised loadspace floor
I3GN	Variable luggage-compartment floor concept
I3LD	Door & side trim panel - standard - PAG
I3LE	Door & side trim panel - MEDIUM - PAG
I3LH	Door trim and side wall - all leather -- pillars/rooflining in Alcantara - PAG
I3L3	Manual height adjustment for both 8-way adjustable front seats
I3L4	Driver memory package
I3L5	Electrical adjustment for both 12-way adjustable front seats
I3ME	Tufted velour carpeting with protective pad
I3MT	Pearl velour carpeting with protective pad
I3PN	12-way electrical adjustment for both front seats + memory
I3QT	3-point automatic seat belts at front with seat-belt pre-tensioners + height adjustment
I3S1	Unpainted roof rails
I3S2	*
I3S4	Preparation for roof rack, black
I3S5	Black roof rails with drip mouldings
I3S7	Roof rails
I3S8	Roof Transport System
I3W4	Acoustic package, standard
I3W7	Extra audio package
I3X1	Load-through facility with ski bag
I3Y3	Manual sun blind, rear side window
I4AV	Door trim and side wall - smooth-leather insert
I4A3	Heated seats, front
I4A4	Heated seats, front/rear
I4E2	Interior tailgate release, electrical
I4F2	Porsche entry + drive
I4F6	Porsche entry + drive (usa/can)
I4GF	Windscreen of tinted glass
I4GY	Windscreen of heat-insulating glass

Model: TEQ 2 Model life 2003>>

NR	Description
I4K0	Central-locking system with key remote and interior operation
I4K3	Central locking with remote control, inner release and safe lock system
I4LB	3-spoke multi-function steering wheel in leather with radio control element
I4LC	3-spoke multi-function steering wheel in leather with radio and telephone control element
I4L2	Safety interior mirror, manual dimming function
I4L6	Safety interior mirror, automatic dimming function
I4N1	Padded dashboard
I4N8	Dashboard in genuine leather
I4QF	3-point automatic belts at front with electrical height adjustment and memory
I4UB	Airbag with kneebar
I4UE	Airbags for driver and front-seat passenger; front-seat passenger side can be deactivated
I482	Tire Pressure Monitoring TPM, 433 MHz
I483	315-MHz TPM, Tire Pressure Monitoring
I490	Sound system "ASK"
I5D1	Carrier frequency 433.92 MHz
I5D2	Carrier frequency 315 MHz
I5D3	Carrier frequency 315 MHz with reduced transmission power for Japan
I5MA	Decorative inlays - paint, painted plastic
I5MG	Burr maple wood package, dark high gloss
I5RK	Door mirror, right, flat
I5RP	Right exterior mirror, convex with camera
I5RQ	Door mirror, right, convex
I5RR	Door mirror, right, convex (US)
I5RT	Door mirror, right, convex (AGCC)
I5RV	Door mirror, right, aspherical
I5SG	Door mirror, left, flat
I5SJ	Door mirror, left, convex
I5SL	Door mirror, left, aspherical
I5SU	Left exterior mirror, convex with camera
I5TE	Aluminium "sport" package
I5TF	"Olive" wood package, light high gloss
I5W1	Silver roof rails plus bars
I5W2	Preparation for roof rack, bright, silver
I5W3	Roof rack black, guide rails bright
I5W4	Black roof rails plus bars
I6A5	Fire extinguisher
I6EB	Additional body covers, stone guards and partial cover
I6EP	Additional body covers, stone guards, type 1
I6EQ	Additional body covers, stone guards, type 2

Model: TEQ 2

Model life 2003>>

NR	Description
I6E3	Centre armrest, front - PVC foam film
I6E6	Centre armrest, front - smooth leather
I6E7	Centre armrest, front - grained leather
I6FB	Door-mirror housing painted in exterior colour
I6GB	Component set - wider wheel arch cover, off-road
I6GE	Component set - wheel arch extensions, extra wide for Australia
I6GF	Component set - wider wheel arch covers
I6GH	Component set for wider wheel arch trim in exterior colour (USA) - 2010, 2011 - worldwide
I6GJ	Component set for wider wheel arch trim in exterior colour (RoW) - 2010, 2011 - worldwide
I6NJ	Standard rooflining, fabric
I6NN	Alcantara rooflining
I6N1	Mudguards, rear
I6P1	Number-plate holder, rear (ECE)
I6P2	Number-plate holder, rear (USA)
I6Q2	Gear selector knob + grip in leather, gear lever in leather/aluminium
I6Q8	Gear lever, wood, dark
I6W1	Number-plate holder, front, large (ECE)
I6W2	Number-plate holder, front, small (RoW)
I6W3	Number-plate holder, front (NAR)
I6XP	Door mirrors, electrically retractable, electrically adjustable, separately heated
I6XQ	Exterior mirror with memory function, electr. retractable/adjustable, separately heated
I6XT	Door mirrors, automatically dimmable, electrically retractable/adjustable, separately heated + memory
I6XW	Door mirrors, automatically dimmable, electrically retractable/adjustable, separately heated
I672	-2008 PCM 2, 2009- PCM 3 Offroad navigation
I680	BOSE sound package
I7AK	Alarm system, interior surveillance system, anti-towing protection
I7AL	Alarm system, interior surveillance system, backup horn, anti-towing protection
I7AT	Alarm system, interior surveillance, with VTS (Vehicle Tracking System)
I7AU	Alarm system, backup horn, with VTS (Vehicle Tracking System)
I7A1	Preparation for CD autochanger
I7A2	CD autochanger (6-disc)
I7B6	Six 12-V sockets

Model: TEQ 2

Model life 2003>>

NR	Description
I7B7	Five 12-V sockets
I7B8	Seven 12-V sockets
I7F6	Gear lever, wood, light, matt
I7F7	Gear lever, wood, light, high gloss
I7G0	Without VTS (Vehicle Tracking System) preparation
I7G1	VTS (Vehicle Tracking System) preparation, without driver card
I7G2	VTS (Vehicle Tracking System) preparation, with driver card
I7G5	Preparation, VTS (Vehicle Tracking System), with driver card, connection to alarm system, re-start inhibitor
I7K0	Without Tire Pressure Monitoring (TPM)
I7K3	Tire Pressure Monitoring, 433 MHz
I7K4	Tyre pressure monitoring system 315 MHz
I7K5	315-MHz Tire Pressure Monitoring with reduced transmission power
I7M0	Door entry guards of plastic from MY 04
I7M1	Door entry guards of stainless steel from MY 04
I7Q2	PCM navigation module
I7Q4	Navigation system preparation, Japan
I7Q7	PCM incl. navigation & compass display in instrument cluster
I7RV	Navigation Russia
I7T0	Compass display in instrument cluster
I7T1	Offroad navigation, with course calculator showing latitude and longitude
I7T3	Offroad navigation, with course calculator showing latitude and longitude + COMPASS
I7VE	Auxiliary heater with integrated timer.
I7VL	Auxiliary heater with integrated timer and remote control
I7X2	ParkAssist, front/rear
I77J	Navigation software Argentina
I77K	Navigation software Chile
I8AJ	Porsche CDR 31 radio WW
I8A4	Ultrasound parking aid with Real Topview
I8BB	Halogen main headlights, right-hand traffic
I8BC	Main headlights with gas-discharge lamps + direction indicators, XENON, right-hand traffic
I8BE	Main headlight with gas-discharge lamp & direction indicator light, XENON, left-hand traffic
I8BF	Halogen main headlight, left-hand traffic
I8BR	Halogen main headlights, U.S. version with direction indicator and running lights,

Model: TEQ 2 Model life 2003>>

NR	Description
	right-hand traffic
I8BZ	Main headlights with gas-discharge lamps + direction indicators, XENON, left-hand traffic
I8DQ	Basic radio/PCM terminal, USA, double-DIN colour display
I8DR	Porsche CDR 30 radio WW
I8DU	Porsche CDR 23 radio WW
I8DV	Basic radio/PCM terminal, RoW, double-DIN colour display
I8EA	Xenon USA, right-hand traffic
I8EC	Xenon ECE RHD with daytime running lights
I8ED	Xenon ECE LHD with daytime running lights
I8EE	Xenon, ECE, left-hand traffic (Black)
I8EF	Xenon, ECE, right-hand traffic (Black)
I8EG	Xenon, USA, right-hand traffic (Black)
I8EH	Xenon USA, right-hand traffic with daytime running lights.
I8FE	Preparation for second battery
I8F2	Side direction indicator lights
I8F5	Side marker lights and direction indicators
I8GH	190-A generator
I8GR	150-A generator
I8JD	Main headlights with gas-discharge lamps U.S. version, XENON RHD
I8JE	Main headlight with gas-discharge lamp ECE, XENON, right-hand traffic.
I8K1	Daytime driving light setting, Scandinavia
I8K3	Daytime driving lights, auxiliary driving lights, RoW, with COMING/LEAVING HOME function
I8K4	Daytime driving light setting, Canada
I8K5	Auxiliary driving lights, USA (NAR)
I8K8	Auxiliary driving lights (RoW)
I8K9	Daytime driving lights, auxiliary driving lights, Canada (NAR), with COMING/LEAVING HOME function
I8L6	Diversity antenna
I8N3	Wipers - variable interval setting with rain sensor
I8Q1	Headlight levelling, manual
I8Q3	Headlight levelling - dynamic
I8RV	10 loudspeakers, passive
I8SB	side tail light standard design, Black
I8SI	side tail light (USA, Canada), Black
I8TF	Rear fog light, left and right
I8T1	Cruise control

Model: TEQ 2

Model life 2003>>

NR	Description
I8T3	Automatic distance control + cruise control ACC from MY 04
I8WB	Fog lights
I8X0	Without headlight washer system
I8X1	Headlight cleaning system
I8ZM	Antenna in rear spoiler
I899	Isofix child-seat restraint on front passenger side
I9AB	Air conditioning system with mechanical control
I9AD	Climatronic, free of CFCs
I9AH	4-zone air conditioning system
I9JA	Non-smoker package
I9JB	Smoker version; ashtrays at front and rear
I9L1	Engine bay lighting
I9MA	Interior lighting in basic equipment package
I9MB	Comfort interior lighting, dimmable, with light strips on door panels
I9Q1	Multi-function display, on-board computer
I9TF	Courtesy entry and exit lights
I9TH	Safety lights on front and rear doors
I9T1	Heated washer nozzles, front
I9VJ	Top Premium sound systemTop Premium sound system
I9VK	Sound package 1/sound package
I9VL	Bose Surround Sound System
I9WM	Preparation for "Rear Seat Entertainment"
I9W1	Telephone module without passive handset
I9ZF	Telephone preparation for VDA mobile phone with hands-free facility
I9ZH	Installation of car phone with emergency-call system - PCM telematics
I9ZP	Telephone module with passive handset
I9ZT	Telephone preparation USA, JAPAN

Model: TEQ 2

Model life 2003>>



Model: TEQ 2 Model life 2003>>

Pos	Part Number	Description	Remark	Qty	Model
1	000 044 001 12	Vest Warning function Vest Warning function Porsche	-(CDN) -(USA)	1	Cayenne (9PA) Cayenne (92A)

Model: TEQ 2

Model life 2003>>



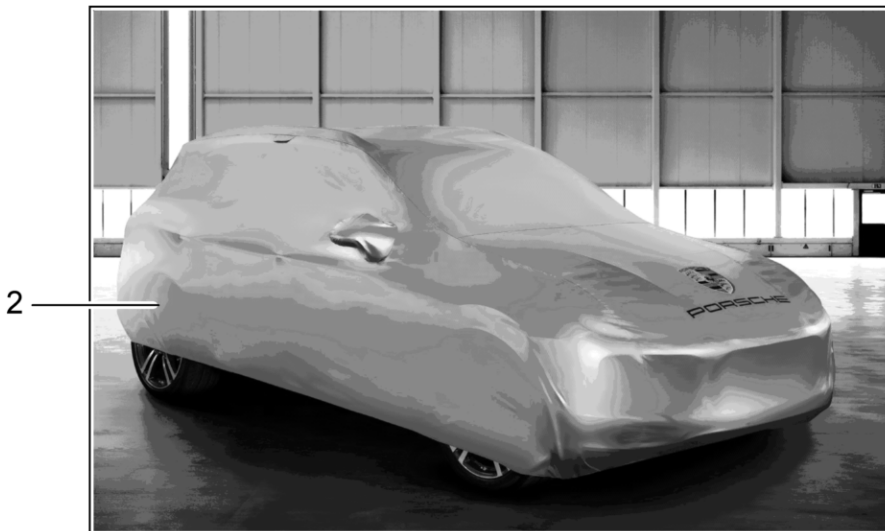
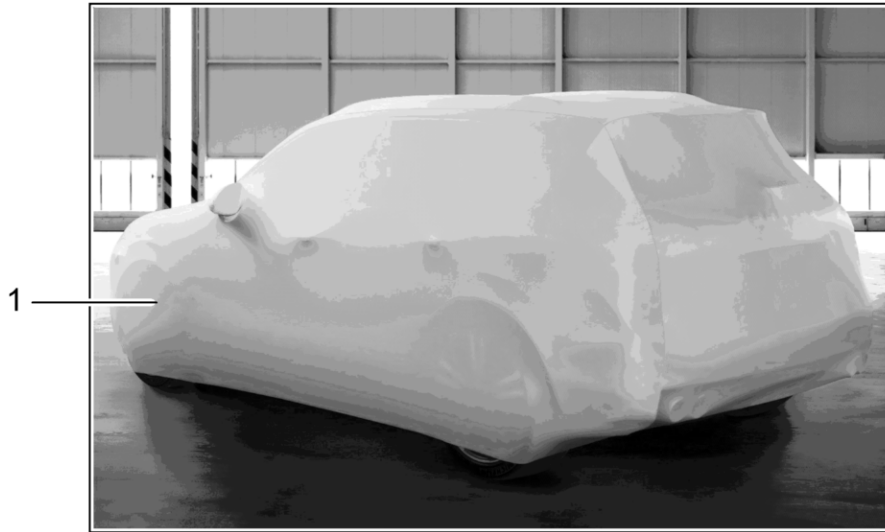
Model: TEQ 2

Model life 2003>>

Pos	Part Number	Description	Remark	Qty	Model
1	955 044 001 00	Tool bag Tool bag Leather		1	

Model: TEQ 2

Model life 2003>>



Model: TEQ 2

Model life 2003>>

Pos	Part Number	Description	Remark	Qty	Model
		Cover	03-10 11-17		Cayenne (9PA) Cayenne (92A)
(1)	955 044 000 00	Cover INDOOR	03-10	1	
(2)	955 044 000 70	Cover Outdoor	03-10	1	
1	958 044 000 08	Cover INDOOR	11-	1	
(1)	9Y0 044 003	Cover INDOOR	18-	1	
2	958 044 000 09	Cover Outdoor	11-	1	
(2)	9Y0 044 004	Cover Outdoor	18-	1	

Model: TEQ 2

Model life 2003>>



Model: TEQ 2

Model life 2003>>

Pos	Part Number	Description	Remark	Qty	Model
1	991 044 000 50	Luggage set Exclusive programme Luggage set Complete Exclusive programme Leather Black Coloured cord Gold-coloured 4-part		1	

Model: TEQ 2

Model life 2003>>



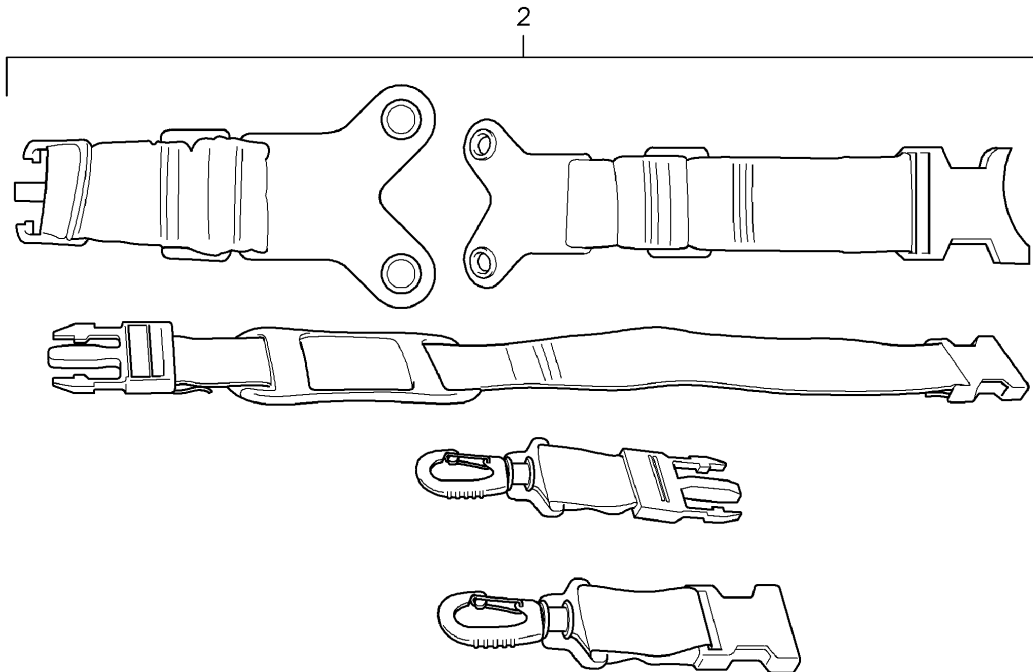
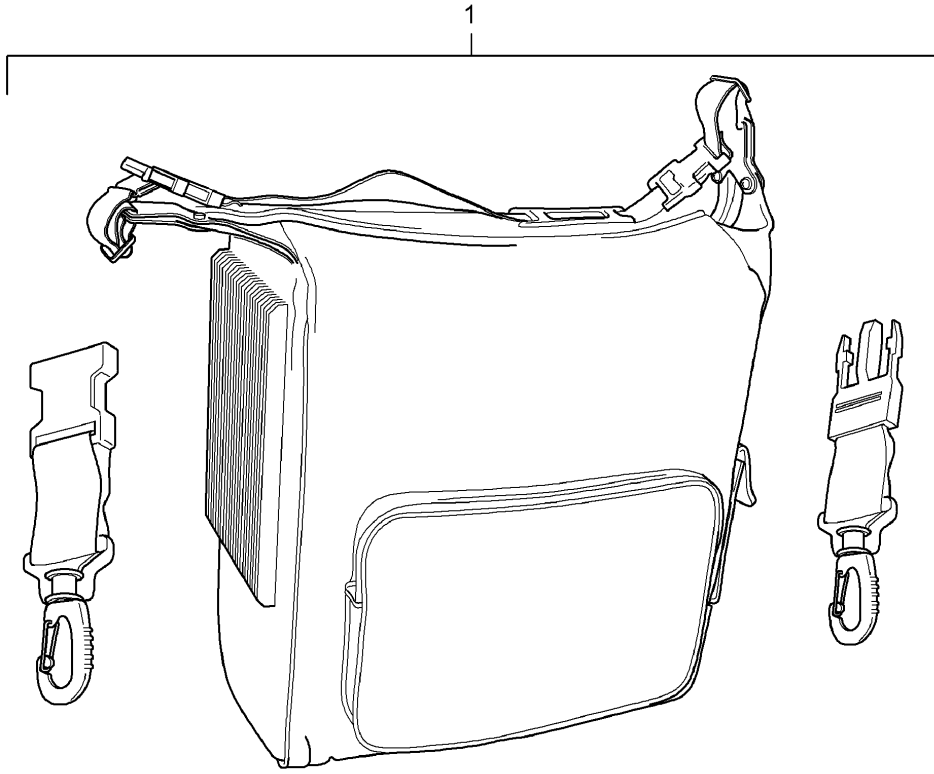
Model: TEQ 2

Model life 2003>>

Pos	Part Number	Description	Remark	Qty	Model
1	958 553 981 01	Beverages Support Insert Beverages Support Centre console	-17	1	

Model: TEQ 2

Model life 2003>>



Model: TEQ 2 Model life 2003>>

Pos	Part Number	Description	Remark	Qty	Model
		Cold bag Technical information CAYENNE, ALLE Group 6 6832 (12/07) 6832 (12/12) Attention	03- 03-10 11-17		Cayenne (9PA) Cayenne (92A)
1	955 044 902 30	Cold bag Electric		1	ID9J/D9K/D9L
2	955 044 900 23	Repair kit Fastening clip Belt for Cold bag 955.044.902.30		1	

Model: TEQ 2

Model life 2003>>



Model: TEQ 2 Model life 2003>>

Pos	Part Number	Description	Remark	Qty	Model
1	970 044 000 40	Case Key Leather And Alcantara	11-	1	Cayenne (92A)
(1)	970 044 000 41	Case Key Leather Platinum Grey		1	
(1)	970 044 000 42	Case Key Leather Black		1	
(1)	970 044 000 43	Case Key Leather Luxor Beige		1	
(1)	970 044 000 44	Case Key Leather Espresso		1	
(1)	970 044 000 45	Case Key Leather Yachting Blue		1	
(1)	970 044 000 46	Case Key Leather Cognac		1	
(1)	970 044 000 47	Case Key Leather Umber		1	
(1)	970 044 000 48	Case Key Leather Marsala Red		1	
(1)	970 044 000 49	Case Key Leather Agate Grey		1	
(1)	970 044 000 50	Case Key Leather Garnet Red/Carrera Red		1	
(1)	970 044 000 51	Case Key Leather Saddle Tan		1	
(1)	970 044 000 52	Case Key Leather Bordeaux Red		1	
2	000 044 001 10	Case Key Alcantara Black with Decorative stitching	11-	1	

Model: TEQ 2 Model life 2003>>

Pos	Part Number	Description	Remark	Qty	Model
		in			
	000 044 001 10 7T2	Black			
	000 044 001 10 8E9	Platinum Grey			
	000 044 001 10 M2A	Lava Orange			
	000 044 001 10 N13	Guards red			

Model: TEQ 2

Model life 2003>>



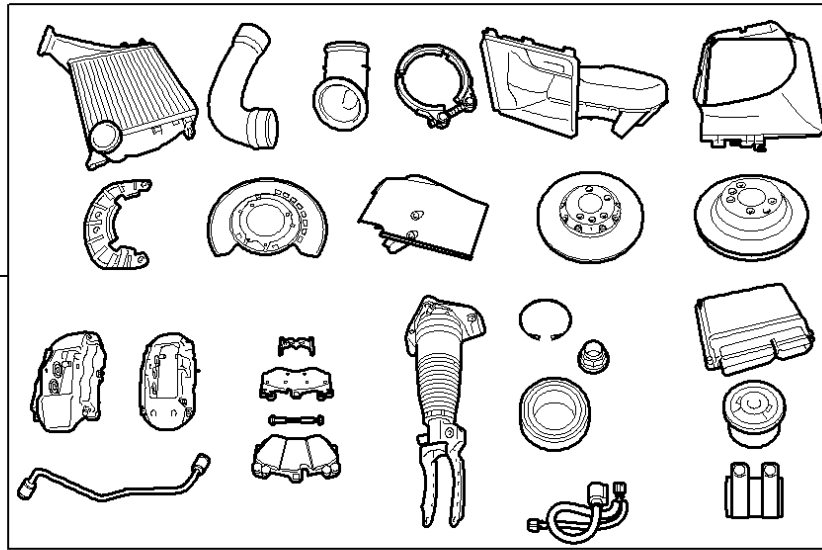
Model: TEQ 2 Model life 2003>>

Pos	Part Number	Description	Remark	Qty	Model
		Preservative agent			Cayenne
1	999 901 065 40	Insect remover	500 ml	1	
2	000 044 000 87	Window cleaner	250 ml	1	
-	000 044 002 07	Windscreen washer system			
		Window cleaner	1000 ml	1	
		Windscreen washer system			
		Winter			
3	999 901 016 41	Cleaning agent	100 ml	1	
		Washer			
		Inner			
(3)	000 044 000 74	Cleaning agent	100 ml	1	
		Washer			
		Inner			
4	000 044 000 92	Paint polish		1	
5	000 044 000 90	Preservative agent	250 ml	1	
		Paint			
		Wax			
(5)	999 901 069 40	Preservative agent	250 ml	1	
		Paint			
		Wax			
6	999 901 062 40	Car shampoo	250 ml	1	
7	000 044 000 03	Leather care	100 ml	1	
8	999 901 068 40	Leather care	100 ml	1	
		Cleaning agent			
9	999 901 066 41	Rim cleaner	500 ml	1	
		Spray bottle			
10	999 901 066 40	Rim cleaner	1000 ml	1	
		Refilling bottle			
11	000 044 001 89	Care kit		1	
		Bag			
12	000 044 001 87	Care kit		1	
		Rim cleaner			
		Bag			
13	000 044 000 95	Cleaning agent		1	
		Cloth			
		Set			
14	955 044 000 02	Ice scraper		1	
-	999 901 021 40	Polishing cotton		1	
-	999 901 022 40	Polishing cloth		1	
15	000 044 001 00	Care kit		1	
		Leather care			
16	000 044 000 96	Sponge		1	
		Logo			
		Porsche			
17	000 044 001 03	Care kit		1	
		Winter			

Model: TEQ 2

Model life 2003>>

1



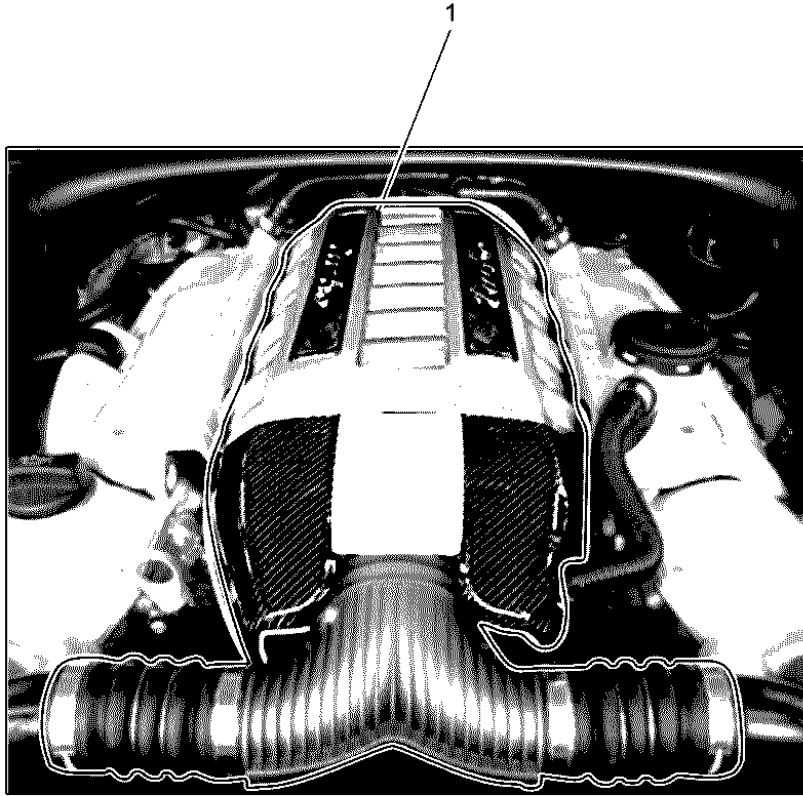
Model: TEQ 2

Model life 2003>>

Pos	Part Number	Description	Remark	Qty	Model
1	955 044 100 00	Engine Drive power 368 kW (500 PS) Inst. & Conv. Instructions Cayenne turbo Group 1 1001 (4/05) Attention Retrofit kit Engine Drive power 368 KW (500 PS) Coding VIA PRMS	03-06 331 kW	1	Cayenne (9PA) Turbo M48.50

Model: TEQ 2

Model life 2003>>

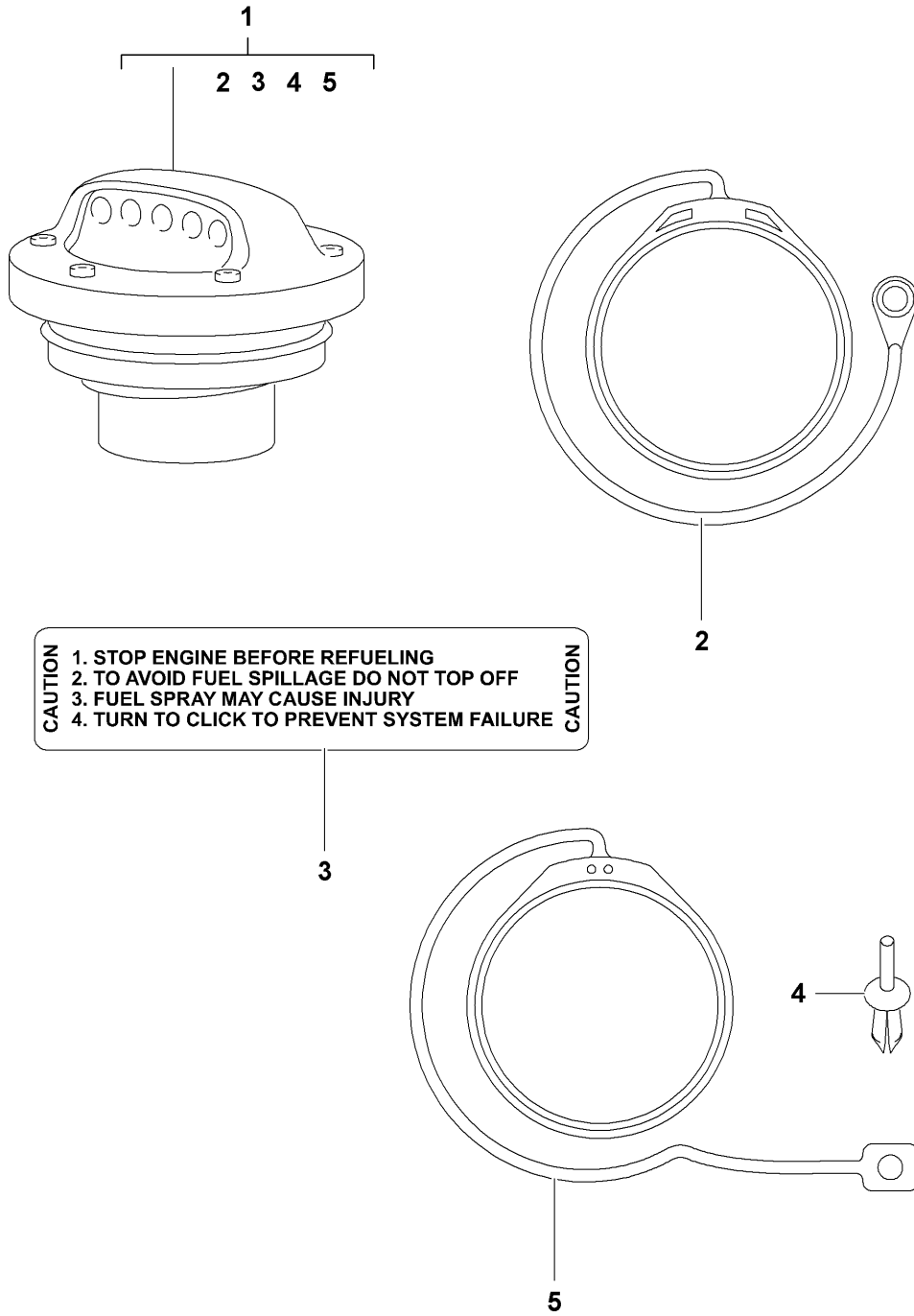


Model: TEQ 2 Model life 2003>>

Pos	Part Number	Description	Remark	Qty	Model
1	955 044 100 01	Engine Drive power 397 kW (540 PS) Inst. & Conv. Instructions Cayenne turbo Group 1 1001 (34/07) Attention Retrofit kit	08-10	1	Cayenne (9PA) Turbo
		Engine Drive power 397 KW (540 PS) INKL. BREMSANLAGE Coding VIA PRMS	368 kW		FZG. BIS M48.51
(1)	955 044 100 02	Retrofit kit Engine Drive power 397 KW (540 PS) OHNE BREMSANLAGE Coding VIA PRMS	368 kW	1	FZG. AB M48.51

Model: TEQ 2

Model life 2003>>

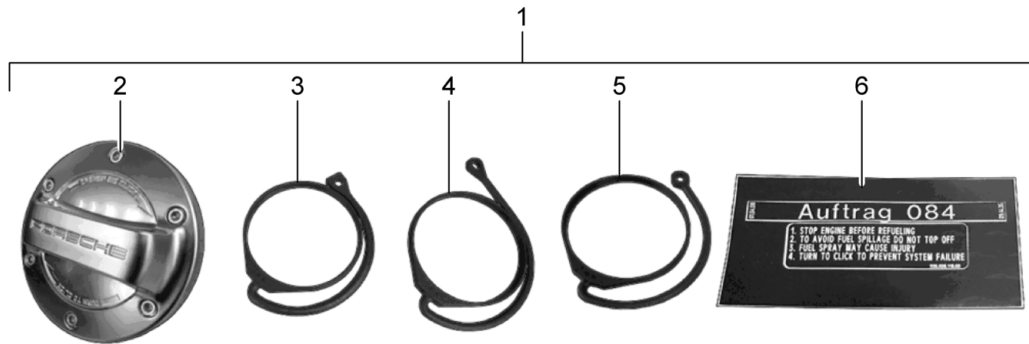
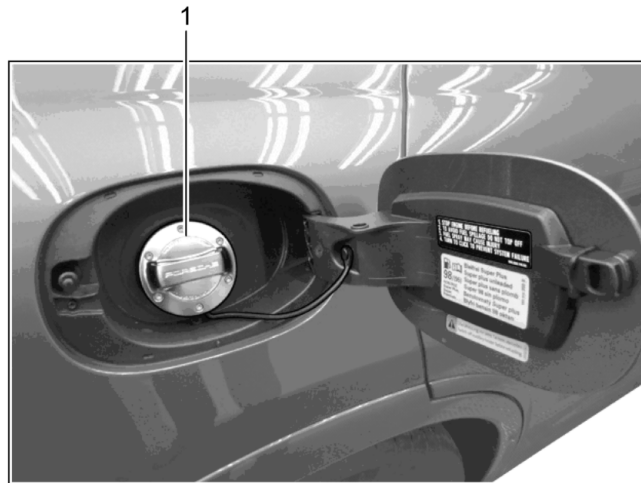


Model: TEQ 2 Model life 2003>>

Pos	Part Number	Description	Remark	Qty	Model
		Fuel tank cap Aluminium look Inst. & Conv. Instructions Cayenne Group 2 2005 (12/04) Attention	03-10		Cayenne (9PA)
1	997 201 980 00	Fuel tank cap		1	/ID9 ID9J ID9L
2	955 044 200 05	Aluminium look Lock with Expansion rivet		1	
3	996 006 118 01	Sticker		1	
4	999 507 499 40	Expansion rivet		1	Sportwagen
5	997 044 200 05	Lock		1	Sportwagen

Model: TEQ 2

Model life 2003>>

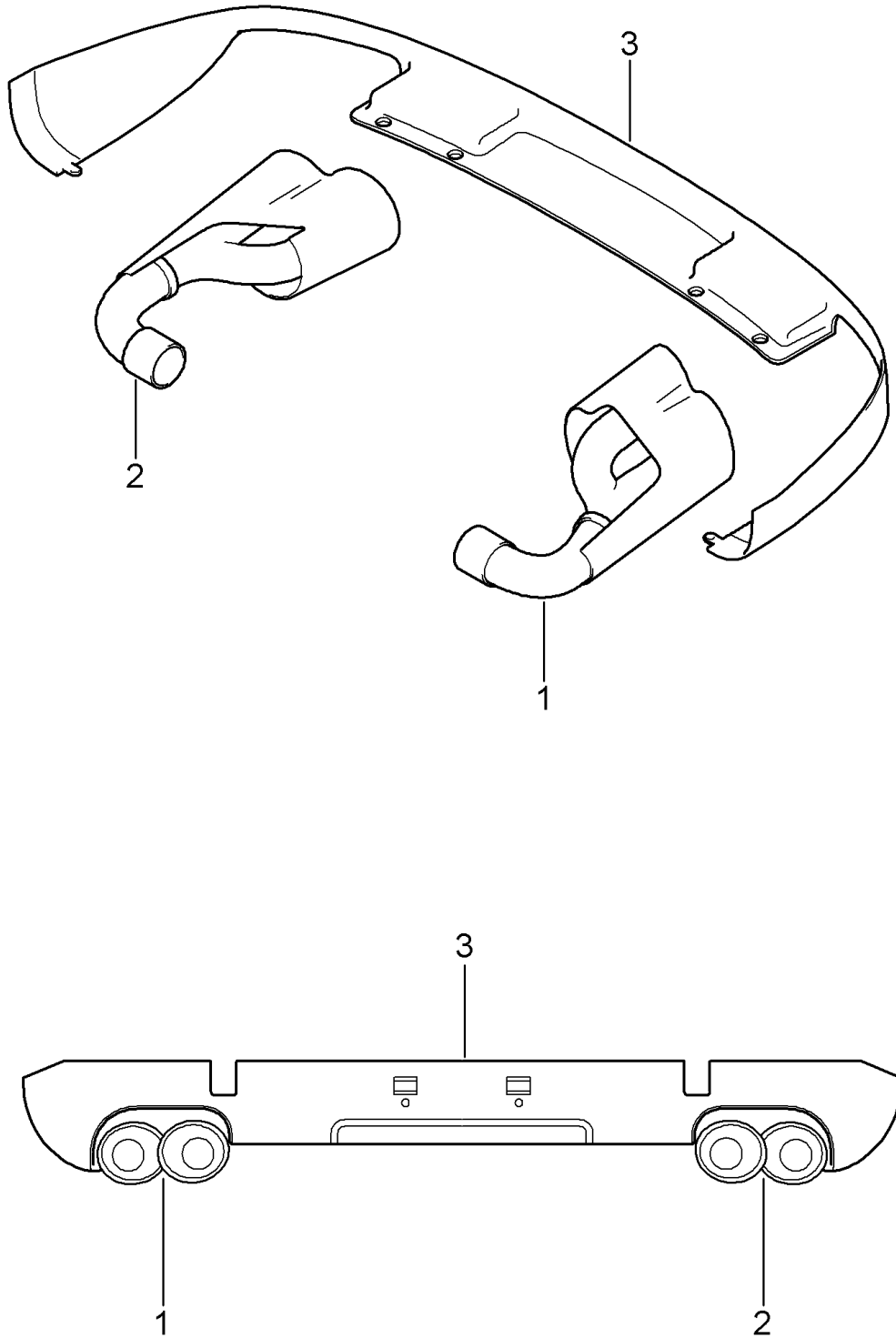


Model: TEQ 2 Model life 2003>>

Pos	Part Number	Description	Remark	Qty	Model
(1)	000 044 001 90	Fuel tank cap Aluminium look Fuel tank cap Aluminium look Set Inst. & Conv. Instructions Cayenne Group 2 2005 (52/12) Attention	11- -(USA) -(CDN) -(ROK)	1	Cayenne (92A) alle
1	000 044 001 91	Fuel tank cap Aluminium look Set		1	-ID50
1	000 044 001 92	Fuel tank cap Aluminium look Set		1	NUR/ONLY E2 II PHEV
2		Fuel tank cap Aluminium look		1	
3		Retaining strap		1	Panamera
4		Retaining strap		1	Cayenne
5		Retaining strap		1	Sportwagen
(6)	996 006 118 01	Sticker Warning note		1	00004400190
6	7P5 010 869 D	Sticker Warning note		1	00004400191 00004400192

Model: TEQ 2

Model life 2003>>



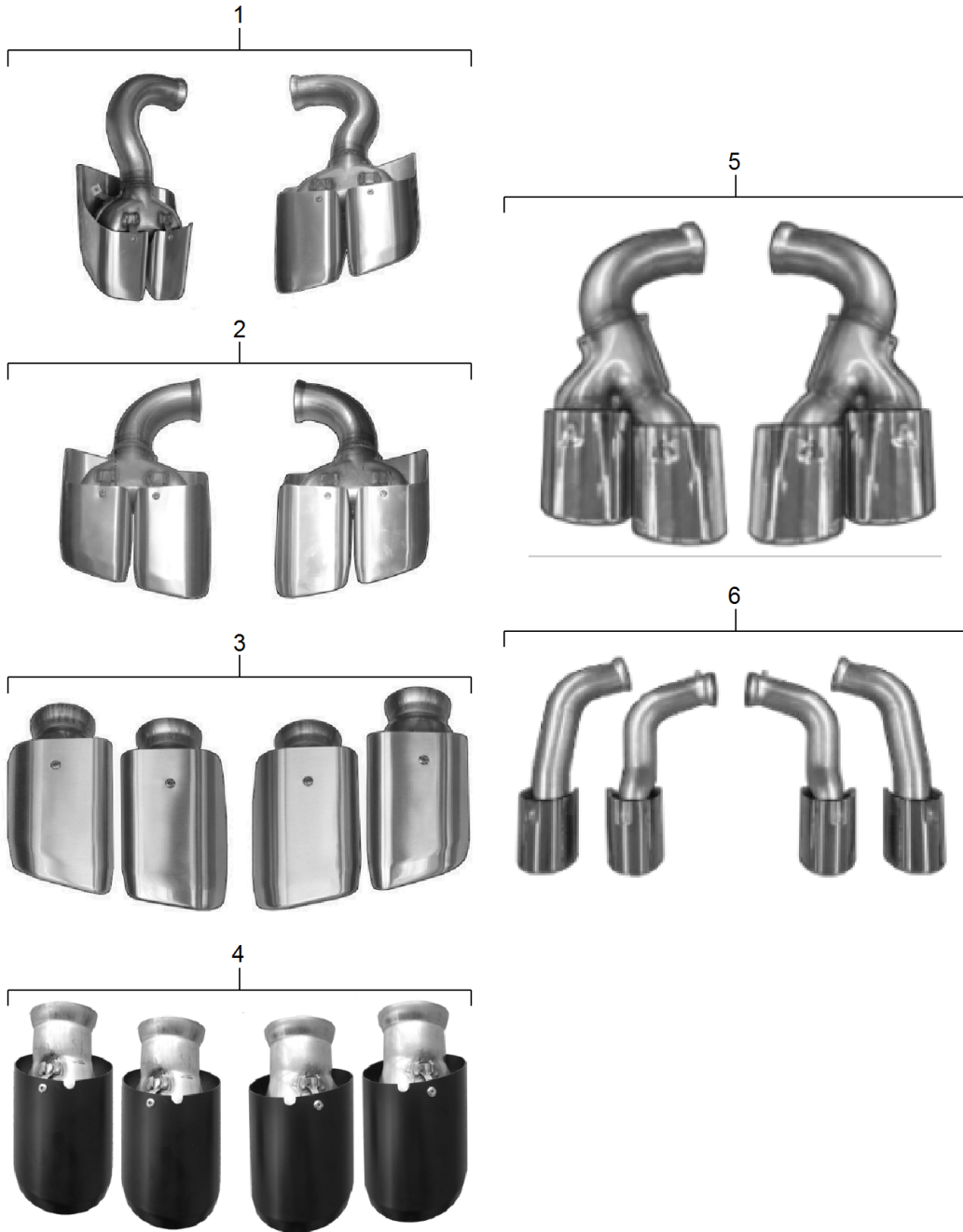
Model: TEQ 2

Model life 2003>>

Pos	Part Number	Description	Remark	Qty	Model
1	955 111 981 00	Sports tailpipe Tail pipe Left	03-10 03-06	1	Cayenne (9PA) ID9K/D9L/G0R
2	955 111 982 00	Tail pipe Right	03-06	1	ID9K/D9L/G0R
(1)	955 044 981 01	Tail pipe Left	03-06	1	/+G0L ID9J/D9K
(2)	955 044 982 01	Tail pipe Right for Cayenne / Cayenne S Order also:	03-06	1	/+G0L ID9J/D9K
3	955 505 521 04	Spoiler without Cap	03-06	1	ID9L/0P3
(3)	955 505 521 05	Spoiler without Cap	03-06	1	ID9L/0P3/1G3
-	955 505 449 02	Cap	03-06	1	/L I0P3/1G3
-	955 505 450 02	Cap	03-06	1	/R I0P3/1G3
		Inst. & Conv. Instructions Cayenne Group 2 2634 (17/07) Attention			alle
(1)	955 044 981 02	Tail pipe Left Set	08-10	1	
(2)	955 044 982 02	Tail pipe Right Set for Cayenne / Cayenne S Order also:	08-10	1	
(3)	955 044 200 08	Rear apron Set	08-10	1	ID5Z

Model: TEQ 2

Model life 2003>>

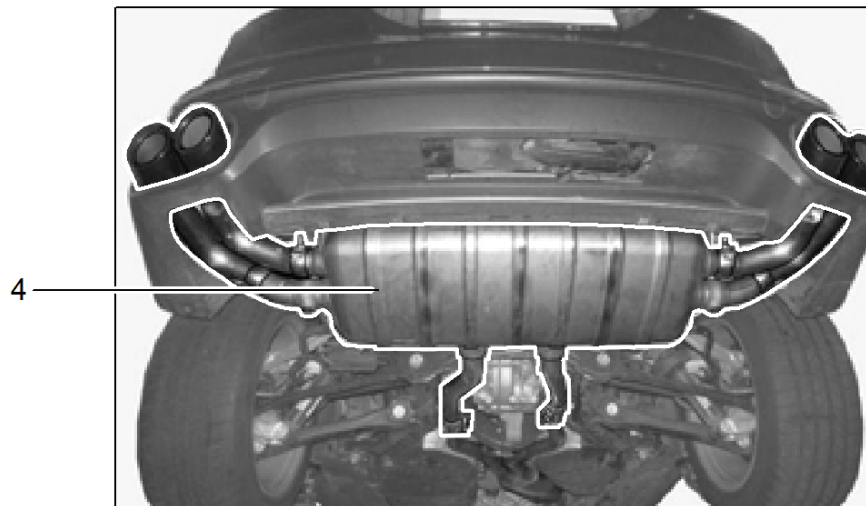
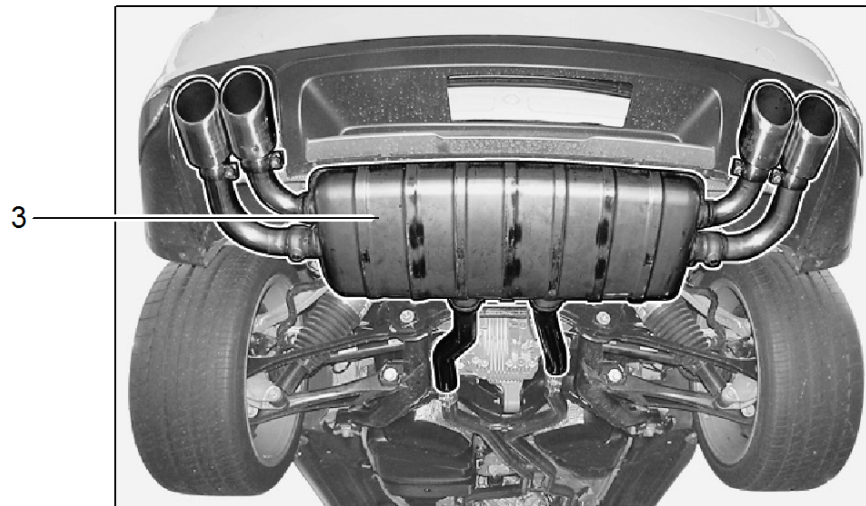


Model: TEQ 2 Model life 2003>>

Pos	Part Number	Description	Remark	Qty	Model
1	958 044 200 07	Sports tailpipe Inst. & Conv. Instructions Cayenne Group 2 2634 (4/11) Attention Tail pipe	11- 11-14 -(PAP) -(ROK) 11-14	1	Cayenne(92A) alle
2	958 044 200 08	Sport version Silver Set Tail pipe Sport version Silver Set	TDI V6 TDI V8 Hybrid V6 (CN) V6 11-14 V8	1	ID1V/D43/D50 IDD8 ID19 ID11/D34 ID6V
3	958 044 200 09	Tail pipe Sport version Silver Set	Turbo 11-14	1	ID58
4	958 044 200 10	Tail pipe GTS Black Set	GTS / 11-14 Turbo V6 / V8	1	I0P8
5	958 044 200 17	Tail pipe Simple Silver Set	15-	1	Cayenne Cay. Diesel -I0P8/-I0P9
(5)	958 044 200 18	Tail pipe Simple Black Set	15-	1	Cayenne Cay. Diesel -I0P8/-I0P9
6	958 044 200 19	Tail pipe Double Silver Set	15-	1	Cayenne S Cay S Diesel Turbo / S S e-hybrid Cayenne GTS
(6)	958 044 200 20	Tail pipe Double Black Set	15-	1	Cayenne S Cay S Diesel Turbo / S S e-hybrid Cayenne GTS

Model: TEQ 2

Model life 2003>>

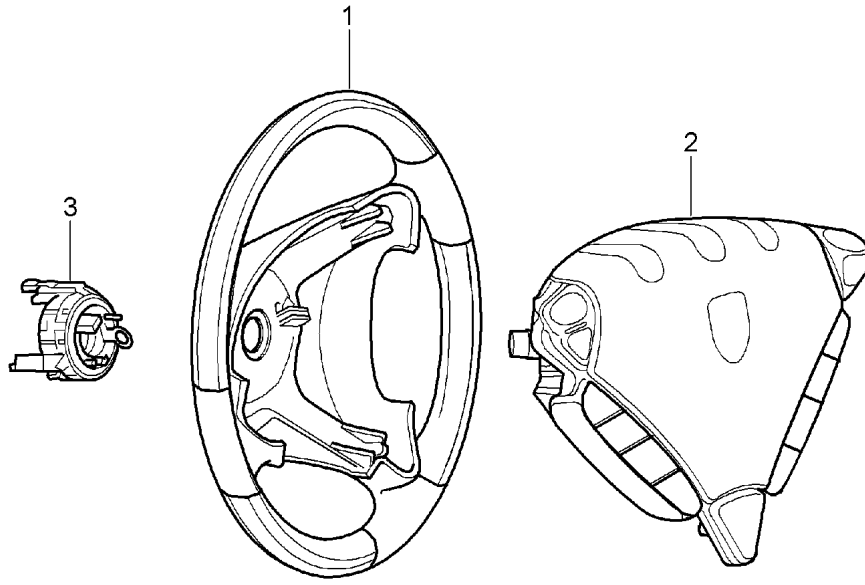


Model: TEQ 2 Model life 2003>>

Pos	Part Number	Description	Remark	Qty	Model
		Exhaust system Sport version Inst. & Conv. Instructions Cayenne Group 2 2601 (5/06) Attention	08-10 11-		Cayenne (9PA) Cayenne (92A) S
1	955 044 200 02	Exhaust system Sport version Set	08-10	1	Cayenne (9PA) M48.01 ID5V/G0R
2	955 044 200 08	Order also: Rear apron Set Inst. & Conv. Instructions Cayenne Group 2 2601 (41/10) Attention	08-10	1	Cayenne (9PA) -I0P3 Cayenne/S
3	958 044 200 00	Exhaust system Sport version	11-14	1	Cayenne (92A) Cayenne M55.02
(3)	958 044 200 01	Exhaust system Sport version	11-14	1	Cayenne (92A) S M48.02
4	958 044 200 30	Exhaust system Sport version Tail pipe Silver	15- -(CN) -(HK)	1	Cayenne (92A) VR6
(4)	958 044 200 31	Exhaust system Sport version Tail pipe Black	15- -(CN) -(HK)	1	Cayenne (92A) VR6
(4)	958 044 200 32	Exhaust system Sport version Tail pipe Silver	15-	1	Cayenne (92A) Cayenne S V6 BT
(4)	958 044 200 33	Exhaust system Sport version Tail pipe Black	15-	1	Cayenne (92A) Cayenne S V6 BT
(4)	958 044 200 34	Exhaust system Sport version Tail pipe Silver	15-	1	Cayenne (92A) Turbo V8 T
(4)	958 044 200 35	Exhaust system Sport version Tail pipe Black Order also: Keypad Subsequent installation Centre console see Spare parts catalogue	15-	1	Cayenne (92A) Turbo V8 T

Model: TEQ 2

Model life 2003>>

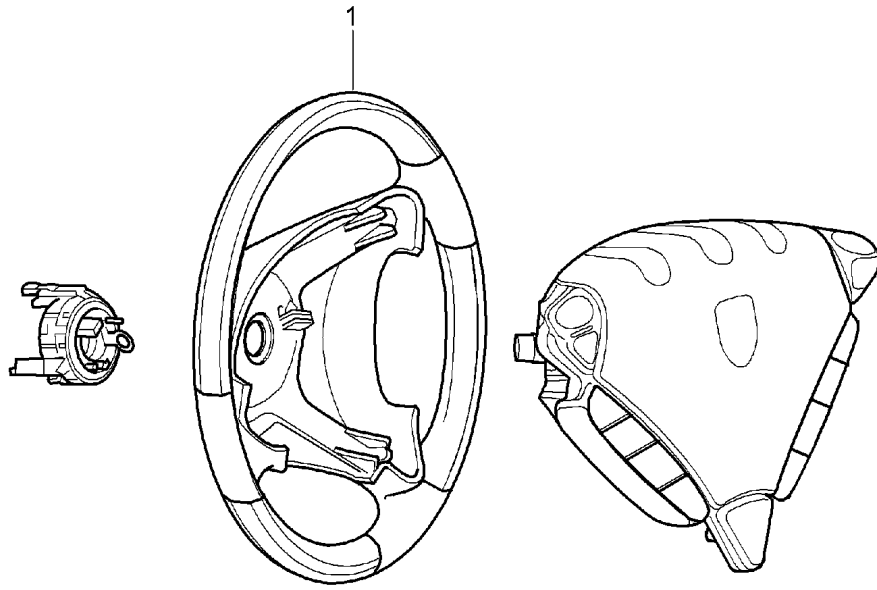


Model: TEQ 2 Model life 2003>>

Pos	Part Number	Description	Remark	Qty	Model
1	955 347 804 50	Steering wheels Wood Airbag unit Steering wheel Wooden ring Light for cars with Multi-function	03-10 03-	1	I1XK/4LB I4LC
	955 347 804 50 PBE	Black			
	955 347 804 50 PBF	Stone grey			
	955 347 804 50 PBG	Palmgreen			
	955 347 804 50 PBH	Havanna			
	955 347 804 50 TXA	Sand Beige Heated Not available			
(1)	955 347 804 60	Steering wheel Wooden ring Light Matte for cars with Multi-function	03-06	1	I2FV/4LB I4LC
	955 347 804 60 RRY	Black			
	955 347 804 60 RRZ	Stone grey			
	955 347 804 60 RSZ	Palmgreen			
	955 347 804 60 RTZ	Havanna for cars without Multi-function Order also: Airbag unit And Spring			
(1)	955 347 804 40	Steering wheel Wooden ring Dark for cars with Multi-function	03-	1	I1XJ/4LB I4LC
	955 347 804 40 PBA	Black			
	955 347 804 40 PBB	Stone grey			
	955 347 804 40 PBC	Palmgreen			
	955 347 804 40 PBD	Havanna			
	955 347 804 40 TXB	Sand Beige Heated Not available for cars without Multi-function Order also: Airbag unit And Spring Airbag unit See catalogue 24 Picture board 403-06	03-	1	
3	955 652 211 10	Spring	03-	1	I1XJ/1XK I2FV/2PM I4LB/4LC

Model: TEQ 2

Model life 2003>>

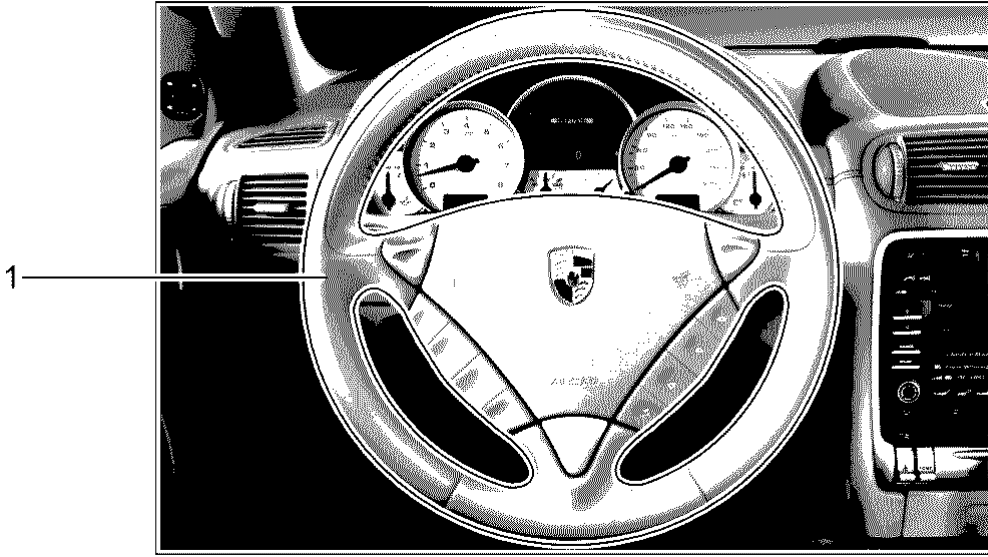


Model: TEQ 2 Model life 2003>>

Pos	Part Number	Description	Remark	Qty	Model
1	955 347 980 00	Steering wheels Carbon	03-10	1	
		Steering wheels Carbon for cars with Multi-function	03-		
	955 347 980 00 5Z3	Black			
	955 347 980 00 6P1	Stone grey			
	955 347 980 00 6Q2	Havanna			
	955 347 980 00 6R3	Palmgreen			
	955 347 980 00 4P8	Sand Beige Heated			
		Not available for cars without Multi-function			
		Order also: Airbag unit And Spring See catalogue 24 See illustrations 4/03/06			

Model: TEQ 2

Model life 2003>>

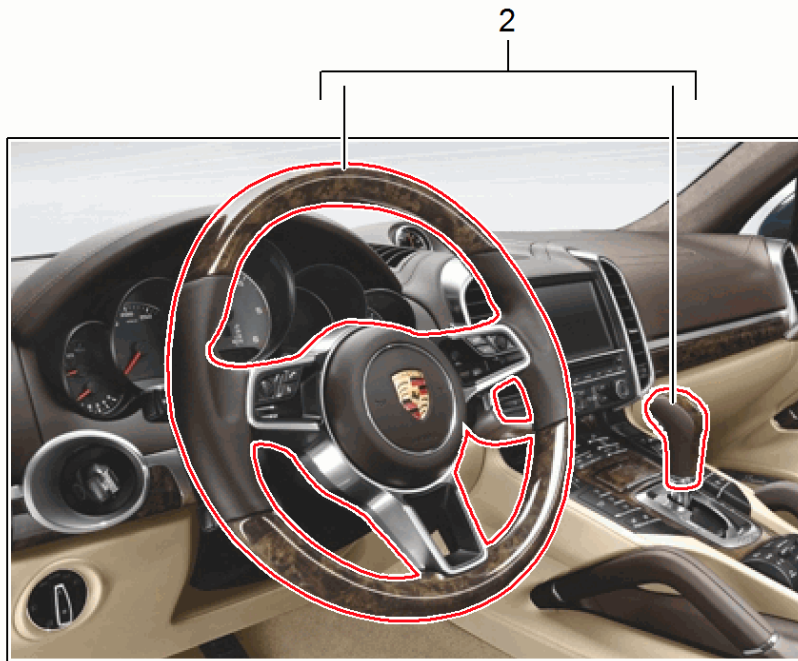
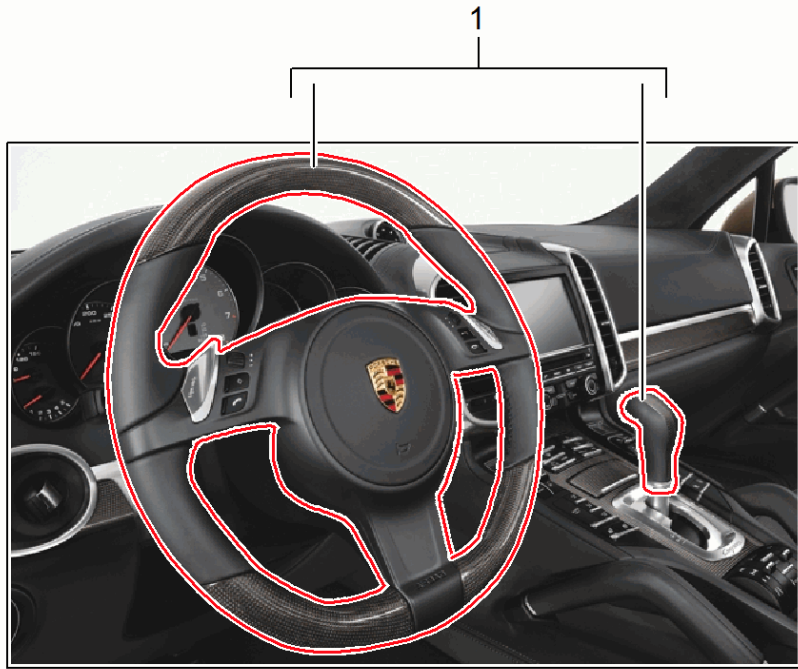


Model: TEQ 2 Model life 2003>>

Pos	Part Number	Description	Remark	Qty	Model
1	955 044 400 00	Steering wheel with Padding Steering wheel Leather for cars with Multi-function Not Heated	03-10	1	Cayenne (9PA) S / Turbo I4LB/4LC
(1)	955 044 400 01	Steering wheel Leather for cars with Multi-function Heated		1	I4LB/4LC I2PH
	955 044 400 00 5Z3	Black			
	955 044 400 00 6P1	Stone grey			
	955 044 400 00 6Q2	Havanna			
	955 044 400 00 6R3	Palmgreen			
	955 044 400 00 4P8	Sand Beige			
	955 044 400 01 5Z3	Black			
	955 044 400 01 6P1	Stone grey			
	955 044 400 01 6Q2	Havanna			
	955 044 400 01 6R3	Palmgreen			
	955 044 400 01 4P8	Sand Beige			

Model: TEQ 2

Model life 2003>>



Model: TEQ 2 Model life 2003>>

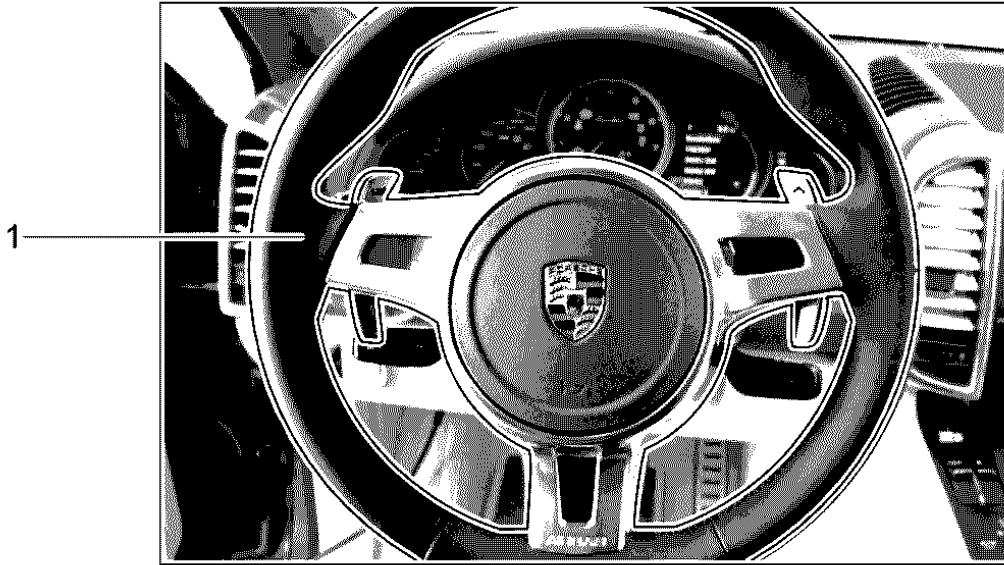
Pos	Part Number	Description	Remark	Qty	Model
		Steering wheel Multi-function Selector lever Only together with Multi-function	11-		Cayenne (92A)
(1)	958 044 400 00	Steering wheel Multi-function Included Heating And Selector lever Walnut, high-gloss	-14	1	
	958 044 400 00 A34	Black			
	958 044 400 00 9J9	Luxor Beige			
	958 044 400 00 8T3	Platinum Grey			
	958 044 400 00 6H6	Espresso			
	958 044 400 00 DE1	Umber			
1	958 044 400 01	Steering wheel Multi-function Included Heating And Selector lever Carbon	-14	1	
	958 044 400 01 A34	Black			
	958 044 400 01 9J9	Luxor Beige			
	958 044 400 01 8T3	Platinum Grey			
	958 044 400 01 6H6	Espresso			
	958 044 400 01 DE1	Umber			
(1)	958 044 400 02	Steering wheel Multi-function Included Heating And Selector lever Anthracite Birch	-14	1	
	958 044 400 02 A34	Black			
	958 044 400 02 9J9	Luxor Beige			
	958 044 400 02 8T3	Platinum Grey			
	958 044 400 02 6H6	Espresso			
	958 044 400 02 DE1	Umber			
(1)	958 044 400 03	Steering wheel Multi-function Included Heating And Selector lever Mahogany Yachting	-14	1	
	958 044 400 03 A34	Black			
	958 044 400 03 9J9	Luxor Beige			
	958 044 400 03 8T3	Platinum Grey			
	958 044 400 03 6H6	Espresso			
	958 044 400 03 DE1	Umber			
2	958 044 400 10	Steering wheel Multi-function Included Heating And Selector lever American Walnut	15-	1	
	958 044 400 10 6H6	Espresso			
	958 044 400 10 9J9	Luxor Beige			
	958 044 400 10 A34	Black			

Model: TEQ 2 Model life 2003>>

Pos	Part Number	Description	Remark	Qty	Model
(2)	958 044 400 10 OE5	Agate Grey	15-	1	
	958 044 400 10 OK6	Saddle Tan			
	958 044 400 11	Steering wheel Multi-function Included Heating And Selector lever Carbon			
	958 044 400 11 6H6	Espresso			
	958 044 400 11 9J9	Luxor Beige			
	958 044 400 11 A34	Black			
(2)	958 044 400 11 OE5	Agate Grey	15-	1	
	958 044 400 11 OK6	Saddle Tan			
	958 044 400 12	Steering wheel Multi-function Included Heating And Selector lever Anthracite Birch			
	958 044 400 12 6H6	Espresso			
	958 044 400 12 9J9	Luxor Beige			
	958 044 400 12 A34	Black			
(2)	958 044 400 12 OE5	Agate Grey	15-	1	
	958 044 400 12 OK6	Saddle Tan			
	958 044 400 13	Steering wheel Multi-function Included Heating And Selector lever Mahogany Yachting			
	958 044 400 13 6H6	Espresso			
	958 044 400 13 9J9	Luxor Beige			
	958 044 400 13 A34	Black			
(2)	958 044 400 13 OE5	Agate Grey			
	958 044 400 13 OK6	Saddle Tan			

Model: TEQ 2

Model life 2003>>

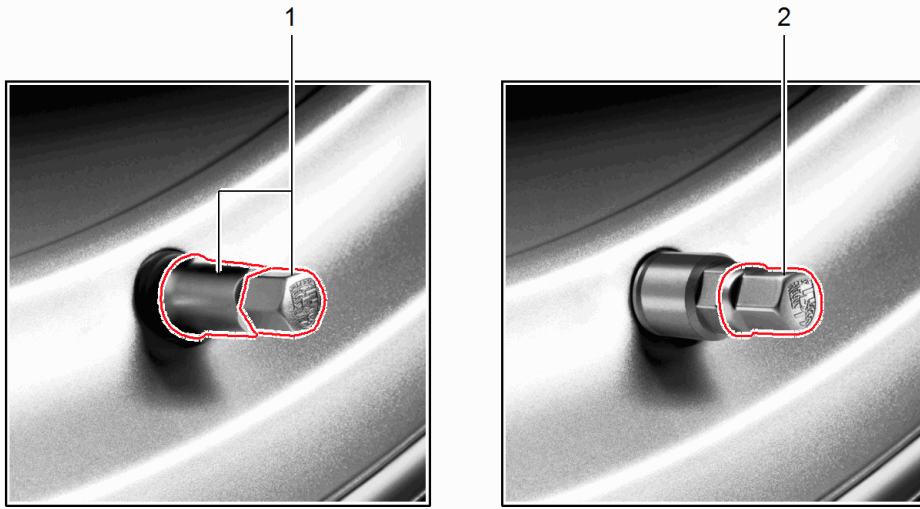


Model: TEQ 2 Model life 2003>>

Pos	Part Number	Description	Remark	Qty	Model
1	970 044 400 00	Sports steering wheel Shifting paddle Inst. & Conv. Instructions Cayenne, alle Group 4 4810 (40/10) Attention	11-14	1	Cayenne (92A)
	970 044 400 00 A34	Black			I2ZH/2ZM
	970 044 400 00 DE1	Umber			I2FV/2FX
	970 044 400 00 6H6	Espresso			I1XE/1XJ/1XK
	970 044 400 00 8T3	Platinum Grey			IG1G
	970 044 400 00 9J9	Luxor Beige			
		Order also: Steering column switch See illustrations Cayenne 9/03/10		1	(92A)

Model: TEQ 2

Model life 2003>>

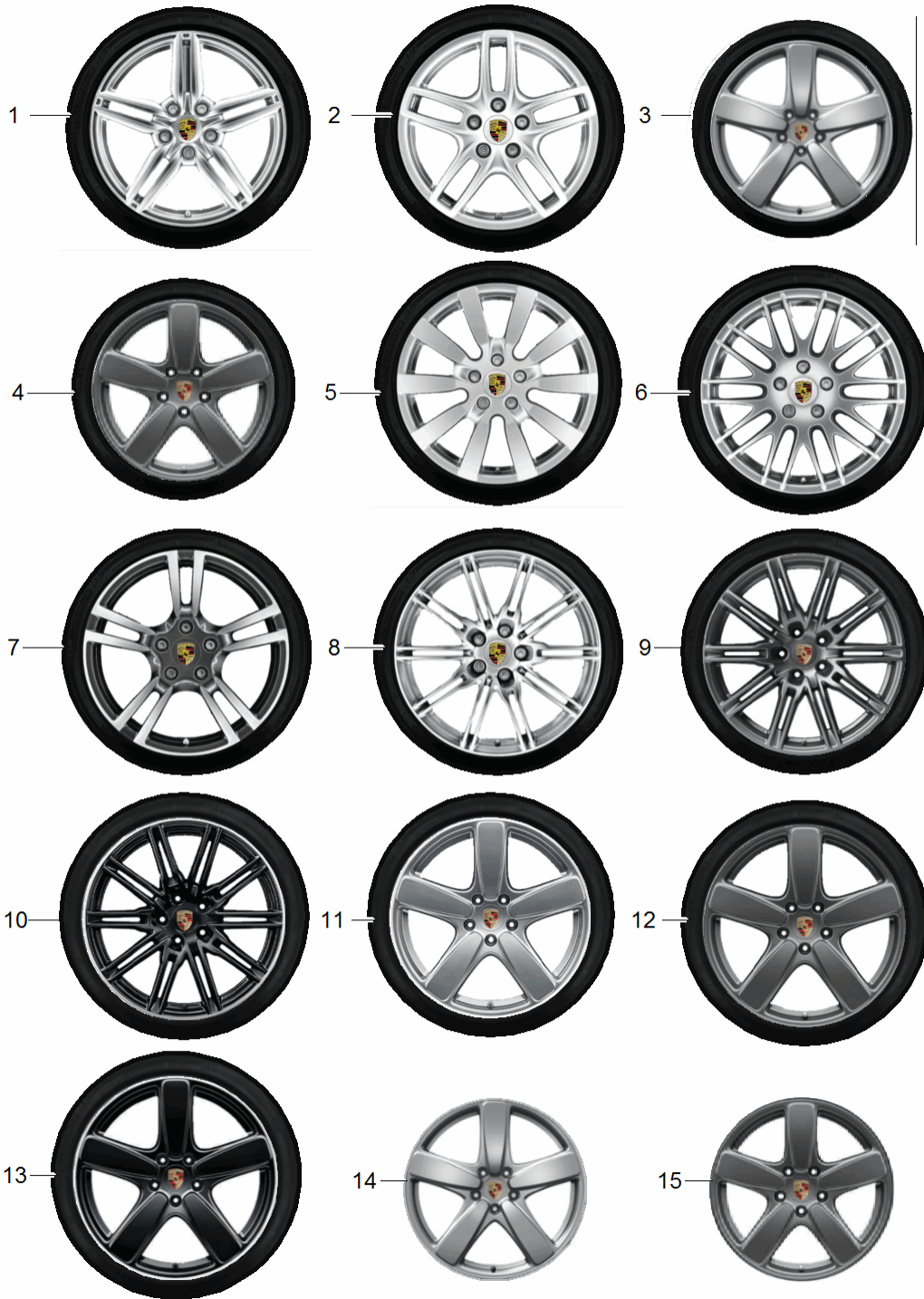


Model: TEQ 2 Model life 2003>>

Pos	Part Number	Description	Remark	Qty	Model
1	000 044 601 00	Valve cap Porsche crest Silver Black Cap Valve cap with Porsche crest Set Included	03-10 11-17	1	Cayenne (9PA) Cayenne (92A) I7K0
2	000 044 602 15	Rubber valve Cap Valve cap with Porsche crest Set		1	I7K3/7K4
3	991 044 602 66	Cap Valve cap Black Crest Coloured Set		1	I7K0
(3)	991 044 602 67	Cap Valve cap Black Crest Coloured Set		1	I7K3/7K4
4	991 044 602 69	Cap Valve cap Silver Crest Coloured Set		1	I7K3/7K4
5	991 044 602 65	Cap Valve cap Black Crest Black-white Set		1	I7K0
6	991 044 602 68	Cap Valve cap Silver Crest Black-white Set		1	I7K3/7K4

Model: TEQ 2

Model life 2003>>



Model: TEQ 2 Model life 2003>>

Pos	Part Number	Description	Remark	Qty	Model
-		Gear wheel sets Wheels Summer Information Manufacturer Approval Wheels and tyres in Piwis Group 4 suspension Attention Attention PCCB Only together with 20/21-ZOLL for PCCB Together with 19-ZOLL Technical information Attention Attention 21-ZOLL Only together with Wheel-housing liner Wide	11-14		Cayenne (92A)
1	958 044 602 43	Set of wheels, compl. 19-ZOLL CAYENNE DESIGN II 8,5J X 19'' ET59 265/50 R19 110Y XL Silver PIRELLI Use also: 970.044.600.14 When required order also: 955.044.600.23 958.044.500.00	11-14	1	-I482
(1)	958 044 600 55	Set of wheels, compl. 19-ZOLL CAYENNE DESIGN II 8,5J X 19'' ET59 265/50 R19 110V XL M+S Silver MICHELIN ALL SEASON Use also: 970.044.600.14 When required order also: 958.044.600.14 Not Together with Spacer	11-14	1	17 mm 5 mm -I482
(1)	958 044 602 44	Set of wheels, compl. 19-ZOLL CAYENNE DESIGN II 8,5J X 19'' ET59 265/50 R19 110Y XL Silver PIRELLI Use also: 970.044.600.14 When required order also: 955.044.600.23 958.044.500.00	11-14	1	I482
(1)	958 044 600 56	Set of wheels, compl. 19-ZOLL CAYENNE DESIGN II	11-14	1	17 mm 5 mm I482

Model: TEQ 2 Model life 2003>>

Pos	Part Number	Description	Remark	Qty	Model
2	958 044 602 41	8,5J X 19'' ET59 265/50 R19 110V XL M+S Silver MICHELIN ALL SEASON Use also: 970.044.600.14 When required order also: 958.044.600.14 Not Together with Spacer Set of wheels, compl. 19-ZOLL CAYENNE TURBO III	11-14	1	-I482
(2)	958 044 602 42	8,5J X 19'' ET59 265/50 R19 110Y XL Silver PIRELLI Use also: 970.044.600.14 When required order also: 955.044.600.23 958.044.500.00 Set of wheels, compl. 19-ZOLL CAYENNE TURBO III	11-14	1	17 mm 5 mm I482
3	958 044 602 27	8,5J X 19'' ET59 265/50 R19 110Y XL Silver PIRELLI Use also: 970.044.600.14 When required order also: 955.044.600.23 958.044.500.00 Set of wheels, compl. 19-ZOLL CAYENNE SPORT CLASSIC	11-14	1	17 mm 5 mm -I482
(3)	958 044 602 28	8,5J X 19'' ET59 265/50 R19 110Y XL GT Silver Metallic PIRELLI Use also: 991.044.600.20 When required order also: 955.044.600.23 958.044.500.00 Set of wheels, compl. 19-ZOLL CAYENNE SPORT CLASSIC	11-14	1	17 mm 5 mm I482
4	958 044 602 29	8,5J X 19'' ET59 265/50 R19 110Y XL GT Silver Metallic PIRELLI Use also: 991.044.600.20 When required order also: 955.044.600.23 958.044.500.00 Set of wheels, compl. 19-ZOLL CAYENNE SPORT CLASSIC	11-14	1	17 mm 5 mm -I482
		8,5J X 19'' ET59 265/50 R19 110Y XL Silk-Gloss Platinum			

Model: TEQ 2 Model life 2003>>

Pos	Part Number	Description	Remark	Qty	Model
(4)	958 044 602 30	PIRELLI Included Hub cap When required order also: 955.044.600.23 958.044.500.00 Set of wheels, compl. 19-ZOLL CAYENNE SPORT CLASSIC 8,5J X 19'' ET59 265/50 R19 110Y XL Silk-Gloss Platinum	11-14	1	17 mm 5 mm I482
5	958 044 602 45	PIRELLI Included Hub cap When required order also: 955.044.600.23 958.044.500.00 Set of wheels, compl. 20-ZOLL CAYENNE SPORT DESIGN II 9J X 20'' ET57 275/45 R20 110Y XL Silver	11-14	1	17 mm 5 mm -I482
(5)	958 044 602 46	MICHELIN Use also: 970.044.600.14 When required order also: 955.044.600.23 958.044.500.00 Set of wheels, compl. 20-ZOLL CAYENNE SPORT DESIGN II 9J X 20'' ET57 275/45 R20 110Y XL Silver	11-14	1	17 mm 5 mm I482
6	958 044 602 47	MICHELIN Use also: 970.044.600.14 When required order also: 955.044.600.23 958.044.500.00 Set of wheels, compl. 20-ZOLL RS SPYDER 9J X 20'' ET57 275/45 R20 110Y XL Silver	11-14	1	17 mm 5 mm -I482
(6)	958 044 602 48	MICHELIN Use also: 958.044.600.11 When required order also: 955.044.600.23 958.044.500.00 Set of wheels, compl. 20-ZOLL RS SPYDER 9J X 20'' ET57 275/45 R20 110Y XL Silver	11-14	1	17 mm 5 mm I482
		MICHELIN Use also: 958.044.600.11 When required order also: 955.044.600.23			17 mm

Model: TEQ 2 Model life 2003>>

Pos	Part Number	Description	Remark	Qty	Model
-		958.044.500.00 Attention 21-ZOLL Only together with Wheel-housing liner Wide			5 mm
7	958 044 602 49	Set of wheels, compl. 21-ZOLL 911 TURBO II 10J X 21'' ET50 295/35 R21 107Y XL two-colour MICHELIN Use also: 970.044.600.12 When required order also: 958.044.500.00	11-14	1	-I482
(7)	958 044 602 50	Set of wheels, compl. 21-ZOLL 911 TURBO II 10J X 21'' ET50 295/35 R21 107Y XL two-colour MICHELIN Use also: 970.044.600.12 When required order also: 958.044.500.00	11-14	1	5 mm I482
8	958 044 602 51	Set of wheels, compl. 21-ZOLL SPORT EDITION 10J X 21'' ET50 295/35 R21 107Y XL GT Silver Metallic MICHELIN Use also: 997.044.600.10 When required order also: 958.044.500.00	11-14	1	5 mm -I482
(8)	958 044 602 52	Set of wheels, compl. 21-ZOLL SPORT EDITION 10J X 21'' ET50 295/35 R21 107Y XL GT Silver Metallic MICHELIN Use also: 997.044.600.10 When required order also: 958.044.500.00	11-14	1	5 mm I482
9	958 044 602 55	Set of wheels, compl. 21-ZOLL SPORT EDITION 10J X 21'' ET50 295/35 R21 107Y XL Silk-Gloss Platinum MICHELIN Included Hub cap When required order also: 958.044.500.00	11-14	1	5 mm -I482
(9)	958 044 602 56	Set of wheels, compl. 21-ZOLL SPORT EDITION 10J X 21'' ET50 295/35 R21 107Y XL Silk-Gloss Platinum MICHELIN Included	11-14	1	5 mm I482

Model: TEQ 2

Model life 2003>>

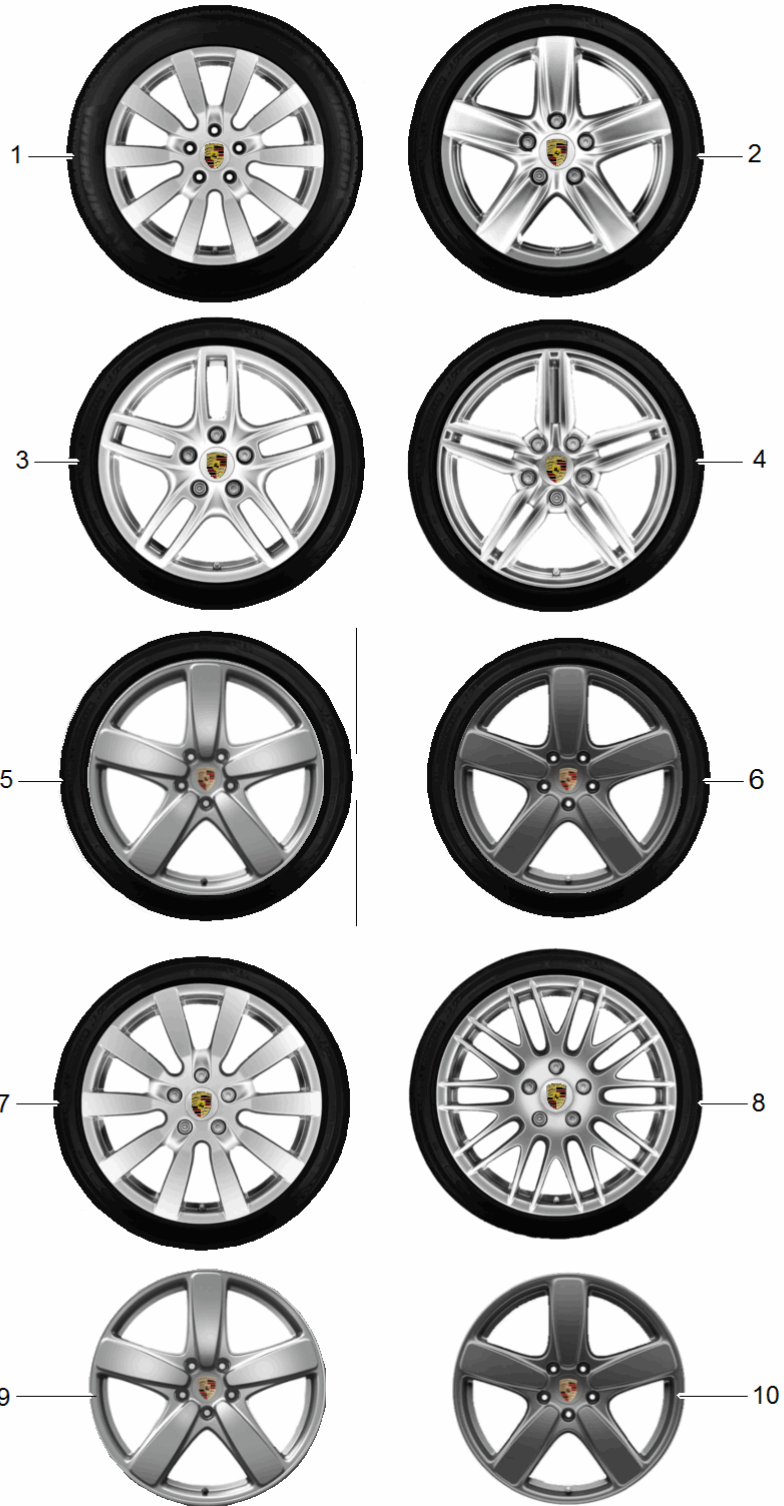
Pos	Part Number	Description	Remark	Qty	Model
10	958 044 602 53	Hub cap When required order also: 958.044.500.00 Set of wheels, compl. 21-ZOLL SPORT EDITION 10J X 21'' ET50 295/35 R21 107Y XL High-Gloss Black MICHELIN Included Hub cap	11-14	1	5 mm -I482
(10)	958 044 602 54	When required order also: 958.044.500.00 Set of wheels, compl. 21-ZOLL SPORT EDITION 10J X 21'' ET50 295/35 R21 107Y XL High-Gloss Black MICHELIN Included Hub cap	11-14	1	5 mm I482
11	958 044 602 21	When required order also: 958.044.500.00 Set of wheels, compl. 21-ZOLL CAYENNE SPORT CLASSIC 10J X 21'' ET50 295/35 R21 107Y XL GT Silver Metallic MICHELIN	11-14	1	5 mm -I482
(11)	958 044 602 22	Use also: 991.044.600.20 When required order also: 958.044.500.00 Set of wheels, compl. 21-ZOLL CAYENNE SPORT CLASSIC 10J X 21'' ET50 295/35 R21 107Y XL GT Silver Metallic MICHELIN	11-14	1	5 mm I482
12	958 044 602 25	Use also: 991.044.600.20 When required order also: 958.044.500.00 Set of wheels, compl. 21-ZOLL CAYENNE SPORT CLASSIC 10J X 21'' ET50 295/35 R21 107Y XL Silk-Gloss Platinum MICHELIN Included Hub cap	11-14	1	5 mm -I482
(12)	958 044 602 26	When required order also: 958.044.500.00 Set of wheels, compl. 21-ZOLL CAYENNE SPORT CLASSIC 10J X 21'' ET50 295/35 R21 107Y XL Silk-Gloss Platinum MICHELIN	11-14	1	5 mm I482

Model: TEQ 2 Model life 2003>>

Pos	Part Number	Description	Remark	Qty	Model
13	958 044 602 23	Included Hub cap When required order also: 958.044.500.00 Set of wheels, compl. 21-ZOLL CAYENNE SPORT CLASSIC 10J X 21'' ET50 295/35 R21 107Y XL High-Gloss Black MICHELIN	11-14	1	5 mm -I482
(13)	958 044 602 24	Included Hub cap When required order also: 958.044.500.00 Set of wheels, compl. 21-ZOLL CAYENNE SPORT CLASSIC 10J X 21'' ET50 295/35 R21 107Y XL High-Gloss Black MICHELIN	11-14	1	5 mm I482
14	7P5 601 025 BE	Included Hub cap When required order also: 958.044.500.00 Wheels Only for replacement Alloy wheel 19-ZOLL CAYENNE SPORT CLASSIC II 8,5 X 19'' ET59		1	5 mm
15	7P5 601 025 BE M7Z 7P5 601 025 BE 7P5 601 025 BE OB5	GT Silver Metallic Alloy wheel 19-ZOLL CAYENNE SPORT CLASSIC II 8,5 X 19'' ET59 Platinum satin-matt		1	

Model: TEQ 2

Model life 2003>>



Model: TEQ 2 Model life 2003>>

Pos	Part Number	Description	Remark	Qty	Model
		Gear wheel sets Wheels Winter Information Manufacturer Approval Wheels and tyres in Piwis Group 4 suspension Attention Attention PCCB Only together with 20-ZOLL for PCCB Together with 19-ZOLL Technical information Attention Attention Snow chains Not Together with Spacer	11-14		Cayenne (92A)
1	958 044 600 65	Set of wheels, compl. 18-ZOLL CAYENNE II 8J X 18'' ET53 255/55 R18 109V XL M+S Silver DUNLOP Not for PCCB Use also: 970.044.600.11 When required order also: 958.044.600.13		1	I7K0 OHNE/NOT FOR TURBO TURBO S
(1)	958 044 600 75	Set of wheels, compl. 18-ZOLL CAYENNE II 8J X 18'' ET53 255/55 R18 109V XL M+S Silver PIRELLI Not for PCCB Use also: 970.044.600.11 When required order also: 958.044.600.13		1	I7K0 OHNE/NOT FOR TURBO TURBO S
(1)	958 044 600 85	Set of wheels, compl. 18-ZOLL CAYENNE II 8J X 18'' ET53 255/55 R18 109V XL M+S Silver MICHELIN Not for PCCB Use also: 970.044.600.11 When required order also: 958.044.600.13		1	I7K0 OHNE/NOT FOR TURBO TURBO S
(1)	958 044 600 66	Set of wheels, compl.		1	I7K3

Model: TEQ 2 Model life 2003>>

Pos	Part Number	Description	Remark	Qty	Model
(1)	958 044 600 76	18-ZOLL CAYENNE II 8J X 18'' ET53 255/55 R18 109V XL M+S Silver DUNLOP Not for PCCB Use also: 970.044.600.11 When required order also: 958.044.600.13 Set of wheels, compl.		1	I7K3 OHNE/NOT FOR TURBO TURBO S
(1)	958 044 600 86	18-ZOLL CAYENNE II 8J X 18'' ET53 255/55 R18 109V XL M+S Silver PIRELLI Not for PCCB Use also: 970.044.600.11 When required order also: 958.044.600.13 Set of wheels, compl.		1	I7K3 OHNE/NOT FOR TURBO TURBO S
2	958 044 600 61	18-ZOLL CAYENNE S III 8J X 18'' ET53 255/55 R18 109V XL M+S Silver DUNLOP Not for PCCB Use also: 970.044.600.11 When required order also: 958.044.600.13 Set of wheels, compl.		1	I7K0 OHNE/NOT FOR TURBO TURBO S
(2)	958 044 600 71	18-ZOLL CAYENNE S III 8J X 18'' ET53 255/55 R18 109V XL M+S Silver PIRELLI Not for PCCB Use also: 970.044.600.11 When required order also: 958.044.600.13 Set of wheels, compl.		1	I7K0 OHNE/NOT FOR TURBO TURBO S
(2)	958 044 600 81	18-ZOLL CAYENNE S III 8J X 18'' ET53 255/55 R18 109V XL M+S		1	I7K0 OHNE/NOT FOR TURBO

Model: TEQ 2 Model life 2003>>

Pos	Part Number	Description	Remark	Qty	Model
(2)	958 044 600 62	Silver MICHELIN Not for PCCB Use also: 970.044.600.11 When required order also: 958.044.600.13 Set of wheels, compl. 18-ZOLL CAYENNE S III 8J X 18'' ET53 255/55 R18 109V XL M+S Silver DUNLOP Not for PCCB Use also: 970.044.600.11 When required order also: 958.044.600.13		1	TURBO S I7K3 OHNE/NOT FOR TURBO TURBO S
(2)	958 044 600 72	Set of wheels, compl. 18-ZOLL CAYENNE S III 8J X 18'' ET53 255/55 R18 109V XL M+S Silver PIRELLI Not for PCCB Use also: 970.044.600.11 When required order also: 958.044.600.13		1	I7K3 OHNE/NOT FOR TURBO TURBO S
(2)	958 044 600 82	Set of wheels, compl. 18-ZOLL CAYENNE S III 8J X 18'' ET53 255/55 R18 109V XL M+S Silver MICHELIN Not for PCCB Use also: 970.044.600.11 When required order also: 958.044.600.13		1	I7K3 OHNE/NOT FOR TURBO TURBO S
3	958 044 600 63	Set of wheels, compl. 19-ZOLL CAYENNE TURBO III 8,5J X 19'' ET59 265/50 R19 110V XL M+S Silver DUNLOP Use also: 970.044.600.14 When required order also: 958.044.600.14		1	I7K0
(3)	958 044 600 73	Set of wheels, compl. 19-ZOLL CAYENNE TURBO III 8,5J X 19'' ET59 265/50 R19 110V XL M+S Silver PIRELLI Use also: 970.044.600.14 When required order also:		1	I7K0

Model: TEQ 2

Model life 2003>>

Pos	Part Number	Description	Remark	Qty	Model
(3)	958 044 600 64	958.044.600.14 Set of wheels, compl. 19-ZOLL CAYENNE TURBO III 8,5J X 19'' ET59 265/50 R19 110V XL M+S Silver DUNLOP Use also: 970.044.600.14 When required order also: 958.044.600.14		1	I7K3
(3)	958 044 600 74	958.044.600.14 Set of wheels, compl. 19-ZOLL CAYENNE TURBO III 8,5J X 19'' ET59 265/50 R19 110V XL M+S Silver PIRELLI Use also: 970.044.600.14 When required order also: 958.044.600.14		1	I7K3
4	958 044 600 83	958.044.600.14 Set of wheels, compl. 19-ZOLL CAYENNE DESIGN II 8,5J X 19'' ET59 265/50 R19 110V XL M+S Silver DUNLOP Use also: 970.044.600.14 When required order also: 958.044.600.14		1	I7K0
(4)	958 044 600 93	958.044.600.14 Set of wheels, compl. 19-ZOLL CAYENNE DESIGN II 8,5J X 19'' ET59 265/50 R19 110V XL M+S Silver PIRELLI Use also: 970.044.600.14 When required order also: 958.044.600.14		1	I7K0
(4)	958 044 600 84	958.044.600.14 Set of wheels, compl. 19-ZOLL CAYENNE DESIGN II 8,5J X 19'' ET59 265/50 R19 110V XL M+S Silver DUNLOP Use also: 970.044.600.14 When required order also: 958.044.600.14		1	I7K3
(4)	958 044 600 94	958.044.600.14 Set of wheels, compl. 19-ZOLL CAYENNE DESIGN II 8,5J X 19'' ET59 265/50 R19 110V XL M+S Silver PIRELLI Use also: 970.044.600.14 When required order also: 958.044.600.14		1	I7K3
5	958 044 600 95	958.044.600.14 Set of wheels, compl. 19-ZOLL CAYENNE		1	I7K0

Model: TEQ 2 Model life 2003>>

Pos	Part Number	Description	Remark	Qty	Model
(5)	958 044 600 96	SPORT CLASSIC 8,5J X 19'' ET59 265/50 R19 110V XL M+S GT Silver Metallic DUNLOP Use also: 991.044.600.20 When required order also: 958.044.600.14 Set of wheels, compl. 19-ZOLL CAYENNE		1	I7K3
6	958 044 600 97	SPORT CLASSIC 8,5J X 19'' ET59 265/50 R19 110V XL M+S GT Silver Metallic DUNLOP Use also: 991.044.600.20 When required order also: 958.044.600.14 Set of wheels, compl. 19-ZOLL CAYENNE		1	I7K0
(6)	958 044 600 98	SPORT CLASSIC 8,5J X 19'' ET59 265/50 R19 110V XL M+S Silk-Gloss Platinum DUNLOP Included Hub cap When required order also: 958.044.600.14 Set of wheels, compl. 19-ZOLL CAYENNE		1	I7K3
7	958 044 600 67	SPORT DESIGN II 9J X 20'' ET57 275/45 R20 110V XL M+S Silver DUNLOP Use also: 970.044.600.14 When required order also: 958.044.600.14 Set of wheels, compl. 20-ZOLL CAYENNE		1	I7K0
(7)	958 044 600 77	SPORT DESIGN II 9J X 20'' ET57 275/45 R20 110V XL M+S Silver PIRELLI Use also: 970.044.600.14 When required order also:		1	I7K0

Model: TEQ 2

Model life 2003>>

Pos	Part Number	Description	Remark	Qty	Model
(7)	958 044 600 68	958.044.600.14 Set of wheels, compl. 20-ZOLL CAYENNE SPORT DESIGN II 9J X 20'' ET57 275/45 R20 110V XL M+S Silver DUNLOP Use also: 970.044.600.14 When required order also: 958.044.600.14		1	I7K3
(7)	958 044 600 78	958.044.600.14 Set of wheels, compl. 20-ZOLL CAYENNE SPORT DESIGN II 9J X 20'' ET57 275/45 R20 110V XL M+S Silver PIRELLI Use also: 970.044.600.14 When required order also: 958.044.600.14		1	I7K3
8	958 044 600 69	958.044.600.14 Set of wheels, compl. 20-ZOLL RS SPYDER DESIGN 9J X 20'' ET57 275/45 R20 110V XL M+S Silver DUNLOP Use also: 958.044.600.11 When required order also: 958.044.600.14		1	I7K0
(8)	958 044 600 79	958.044.600.14 Set of wheels, compl. 20-ZOLL RS SPYDER DESIGN 9J X 20'' ET57 275/45 R20 110V XL M+S Silver PIRELLI Use also: 958.044.600.11 When required order also: 958.044.600.14		1	I7K0
(8)	958 044 600 70	958.044.600.14 Set of wheels, compl. 20-ZOLL RS SPYDER DESIGN 9J X 20'' ET57 275/45 R20 110V XL M+S Silver DUNLOP Use also: 958.044.600.11 When required order also: 958.044.600.14		1	I7K3
(8)	958 044 600 80	958.044.600.14 Set of wheels, compl. 20-ZOLL RS SPYDER DESIGN 9J X 20'' ET57 275/45 R20 110V XL M+S Silver PIRELLI Use also: 958.044.600.11 When required order also: 958.044.600.14		1	I7K3

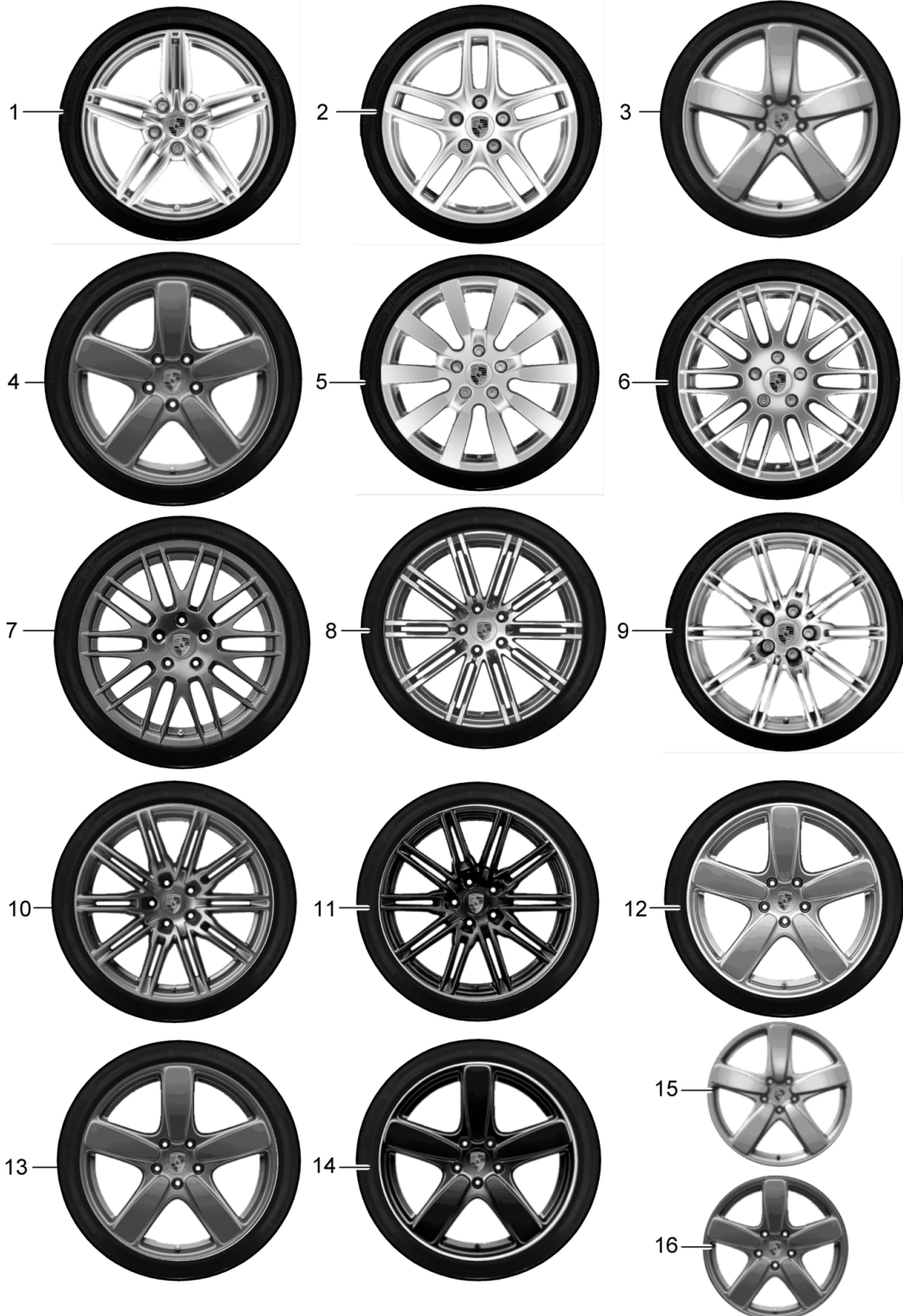
Model: TEQ 2

Model life 2003>>

Pos	Part Number	Description	Remark	Qty	Model
9	7P5 601 025 BE	Wheels Only for replacement Alloy wheel 19-ZOLL CAYENNE SPORT CLASSIC II 8,5 X 19'' ET59		1	
10	7P5 601 025 BE M7Z	GT Silver Metallic			
	7P5 601 025 BE	Alloy wheel 19-ZOLL CAYENNE SPORT CLASSIC II 8,5 X 19'' ET59		1	
	7P5 601 025 BE OB5	Platinum satin-matt			

Model: TEQ 2

Model life 2003>>



Model: TEQ 2 Model life 2003>>

Pos	Part Number	Description	Remark	Qty	Model
-		Gear wheel sets Wheels Summer Information Manufacturer Approval Wheels and tyres in Piwis Group 4 suspension Attention Attention PCCB Only together with 20/21-ZOLL for PCCB Together with 19-ZOLL Technical information Attention Attention 20'' RS SPYDER DESIGN Silk-Gloss Platinum And 21-ZOLL Only together with Wheel cover Wide	15-17		Cayenne (92A)
1	958 044 602 62	Set of wheels, compl. 19-ZOLL CAYENNE DESIGN II 8,5J X 19'' ET59 265/50 R19 110Y XL Silver PIRELLI Use also: 970.044.600.14 When required order also: 955.044.600.23 958.044.500.00		1	I7K3 OHNE/NOT FOR TURBO S 17 mm 5 mm
(1)	958 044 601 10	Set of wheels, compl. 19-ZOLL CAYENNE DESIGN II 8,5J X 19'' ET59 265/50 R19 110V XL M+S Silver MICHELIN ALL SEASON Use also: 970.044.600.14 When required order also: 958.044.600.14 Not Together with Spacer		1	I7K3 OHNE/NOT FOR TURBO S
2	958 044 602 64	Set of wheels, compl. 19-ZOLL CAYENNE TURBO III 8,5J X 19'' ET59 265/50 R19 110Y XL Silver PIRELLI Use also: 970.044.600.14 When required order also: 955.044.600.23		1	I7K3 OHNE/NOT FOR TURBO S 17 mm

Model: TEQ 2

Model life 2003>>

Pos	Part Number	Description	Remark	Qty	Model
3	958 044 602 66	958.044.500.00 Set of wheels, compl. 19-ZOLL CAYENNE SPORT CLASSIC 8,5J X 19'' ET59 265/50 R19 110Y XL GT Silver Metallic PIRELLI Use also: 991.044.600.20 When required order also: 955.044.600.23		1	5 mm OHNE/NOT FOR TURBO S
4	958 044 602 68	958.044.500.00 Set of wheels, compl. 19-ZOLL CAYENNE SPORT CLASSIC 8,5J X 19'' ET59 265/50 R19 110Y XL Silk-Gloss Platinum PIRELLI Included Hub cap When required order also: 955.044.600.23		1	17 mm 5 mm I7K3 OHNE/NOT FOR TURBO S
5	958 044 602 70	958.044.500.00 Set of wheels, compl. 20-ZOLL CAYENNE SPORT DESIGN II 9J X 20'' ET57 275/45 R20 110Y XL Silver MICHELIN Together with PCCB Not for Cayenne GTS Cayenne turbo Use also: 970.044.600.14 When required order also: 955.044.600.23		1	17 mm 5 mm I7K3 OHNE/NOT FOR TURBO S
6	958 044 602 72	958.044.500.00 Set of wheels, compl. 20-ZOLL RS SPYDER 9J X 20'' ET57 275/45 R20 110Y XL Silver MICHELIN Use also: 958.044.600.11 When required order also: 955.044.600.23		1	17 mm 5 mm I7K3
-		958.044.500.00 Attention 20'' RS SPYDER DESIGN Silk-Gloss Platinum And 21-ZOLL Only together with Wheel cover Wide			17 mm 5 mm
7	958 044 602 86	958.044.500.00 Set of wheels, compl. 20-ZOLL RS SPYDER		1	I7K3

Model: TEQ 2 Model life 2003>>

Pos	Part Number	Description	Remark	Qty	Model
8	958 044 602 74	9,5J X 20'' ET47 275/45 R20 110Y XL Silk-Gloss Platinum MICHELIN Not Together with Spacer Included Hub cap Set of wheels, compl. 21-ZOLL 911 TURBO DESIGN 10J X 21'' ET50 295/35 R21 107Y XL two-colour MICHELIN Use also: 970.044.600.12 When required order also: 958.044.500.00		1	I7K3
9	958 044 602 82	Set of wheels, compl. 21-ZOLL SPORT EDITION 10J X 21'' ET50 295/35 R21 107Y XL GT Silver Metallic MICHELIN Use also: 997.044.600.10 When required order also: 958.044.500.00		1	5 mm I7K3
10	958 044 602 58	Set of wheels, compl. 21-ZOLL SPORT EDITION 10J X 21'' ET50 295/35 R21 107Y XL Silk-Gloss Platinum MICHELIN Included Hub cap When required order also: 958.044.500.00		1	5 mm
11	958 044 602 84	Set of wheels, compl. 21-ZOLL SPORT EDITION 10J X 21'' ET50 295/35 R21 107Y XL High-Gloss Black MICHELIN Included Hub cap When required order also: 958.044.500.00		1	5 mm I7K3
12	958 044 602 76	Set of wheels, compl. 21-ZOLL CAYENNE SPORT CLASSIC 10J X 21'' ET50 295/35 R21 107Y XL GT Silver Metallic MICHELIN Use also: 991.044.600.20 When required order also: 958.044.500.00		1	5 mm I7K3
13	958 044 602 80	Set of wheels, compl. 21-ZOLL CAYENNE SPORT CLASSIC		1	5 mm I7K3

Model: TEQ 2 Model life 2003>>

Pos	Part Number	Description	Remark	Qty	Model
14	958 044 602 78	10J X 21'' ET50 295/35 R21 107Y XL Silk-Gloss Platinum MICHELIN Included Hub cap When required order also: 958.044.500.00 Set of wheels, compl. 21-ZOLL CAYENNE SPORT CLASSIC 10J X 21'' ET50 295/35 R21 107Y XL High-Gloss Black MICHELIN Included Hub cap When required order also: 958.044.500.00		1	5 mm I7K3
15	7P5 601 025 BE	Wheels Only for replacement Alloy wheel 19-ZOLL CAYENNE SPORT CLASSIC II 8,5 X 19'' ET 59		1	5 mm
16	7P5 601 025 BE M7Z 7P5 601 025 BE 7P5 601 025 BE OB5	GT Silver Metallic Alloy wheel 19-ZOLL CAYENNE SPORT CLASSIC II 8,5 X 19'' ET 59 Platinum satin-matt		1	

Model: TEQ 2

Model life 2003>>



Model: TEQ 2 Model life 2003>>

Pos	Part Number	Description	Remark	Qty	Model
		Gear wheel sets Wheels Winter Information Manufacturer Approval Wheels and tyres in Piwis Group 4 suspension Attention Attention PCCB Only together with 20-ZOLL for PCCB Together with 19-ZOLL Technical information Attention Attention Snow chains Not Together with Spacer	15-17		Cayenne (92A)
1	958 044 601 02	Set of wheels, compl. 18-ZOLL CAYENNE 8J X 18'' ET53 255/55 R18 109V XL M+S Silver DUNLOP Not for PCCB Use also: 970.044.600.11 When required order also: 958.044.600.13		1	I7K3 OHNE/NOT FOR GTS, TURBO TURBO S
(1)	958 044 601 22	Set of wheels, compl. 18-ZOLL CAYENNE 8J X 18'' ET53 255/55 R18 109V XL M+S Silver PIRELLI Not for PCCB Use also: 970.044.600.11 When required order also: 958.044.600.13		1	I7K3 OHNE/NOT FOR GTS, TURBO TURBO S
(1)	958 044 601 12	Set of wheels, compl. 18-ZOLL CAYENNE 8J X 18'' ET53 255/55 R18 109V XL M+S Silver MICHELIN Not for PCCB Use also: 970.044.600.11 When required order also: 958.044.600.13		1	I7K3 OHNE/NOT FOR GTS, TURBO TURBO S
2	958 044 601 04	Set of wheels, compl.		1	I7K3

Model: TEQ 2

Model life 2003>>

Pos	Part Number	Description	Remark	Qty	Model
(2)	958 044 601 24	18-ZOLL CAYENNE S 8J X 18'' ET53 255/55 R18 109V XL M+S Silver DUNLOP Not for PCCB Use also: 970.044.600.11 When required order also: 958.044.600.13 Set of wheels, compl.		1	I7K3 OHNE/NOT FOR GTS, TURBO TURBO S
(2)	958 044 601 14	18-ZOLL CAYENNE S 8J X 18'' ET53 255/55 R18 109V XL M+S Silver PIRELLI Not for PCCB Use also: 970.044.600.11 When required order also: 958.044.600.13 Set of wheels, compl.		1	I7K3 OHNE/NOT FOR GTS, TURBO TURBO S
3	958 044 601 06	19-ZOLL CAYENNE TURBO for cars with Air spring 8,5J X 19'' ET59 265/50 R19 110V XL M+S Silver DUNLOP Use also: 970.044.600.14 When required order also: 958.044.600.13 Set of wheels, compl.		1	I7K3 OHNE/NOT FOR TURBO S
(3)	958 044 601 26	19-ZOLL CAYENNE TURBO for cars without Air spring 8,5J X 19'' ET59 265/50 R19 110V XL M+S Silver PIRELLI Use also: 970.044.600.14 When required order also: 958.044.600.14 Set of wheels, compl.		1	I7K3 OHNE/NOT FOR TURBO S
4	958 044 601 08	19-ZOLL CAYENNE DESIGN II for cars with Air spring		1	I7K3

Model: TEQ 2 Model life 2003>>

Pos	Part Number	Description	Remark	Qty	Model
(4)	958 044 601 28	8,5J X 19'' ET59 265/50 R19 110V XL M+S Silver DUNLOP Use also: 970.044.600.14 When required order also: 958.044.600.14 Set of wheels, compl. 19-ZOLL CAYENNE DESIGN II for cars without Air spring		1	OHNE/NOT FOR TURBO S I7K3
5	958 044 601 34	8,5J X 19'' ET59 265/50 R19 110V XL M+S Silver PIRELLI Use also: 970.044.600.14 When required order also: 958.044.600.14 Set of wheels, compl. 19-ZOLL CAYENNE SPORT CLASSIC for cars with Air spring		1	OHNE/NOT FOR TURBO S I7K3
(5)	958 044 601 54	8,5J X 19'' ET59 265/50 R19 110V XL M+S GT Silver Metallic DUNLOP Use also: 991.044.600.20 When required order also: 958.044.600.14 Set of wheels, compl. 19-ZOLL CAYENNE SPORT CLASSIC for cars without Air spring		1	OHNE/NOT FOR TURBO S I7K3
6	958 044 601 36	8,5J X 19'' ET59 265/50 R19 110V XL M+S GT Silver Metallic PIRELLI Use also: 991.044.600.20 When required order also: 958.044.600.14 Set of wheels, compl. 19-ZOLL CAYENNE SPORT CLASSIC for cars with Air spring		1	OHNE/NOT FOR TURBO S I7K3
(6)	958 044 601 56	8,5J X 19'' ET59 265/50 R19 110V XL M+S Silk-Gloss Platinum DUNLOP Included Hub cap When required order also: 958.044.600.14 Set of wheels, compl. 19-ZOLL CAYENNE SPORT CLASSIC for cars without		1	OHNE/NOT FOR TURBO S I7K3

Model: TEQ 2 Model life 2003>>

Pos	Part Number	Description	Remark	Qty	Model
7	958 044 601 30	Air spring 8,5J X 19'' ET59 265/50 R19 110V XL M+S Silk-Gloss Platinum PIRELLI Included Hub cap When required order also: 958.044.600.14		1	OHNE/NOT FOR TURBO S I7K3
(7)	958 044 601 40	Set of wheels, compl. 20-ZOLL CAYENNE SPORT DESIGN II for cars with Air spring 9J X 20'' ET57 275/45 R20 110V XL M+S Silver DUNLOP Together with PCCB Not for Cayenne GTS Cayenne turbo Use also: 970.044.600.14 When required order also: 958.044.600.14		1	OHNE/NOT FOR TURBO S I7K3
8	958 044 601 32	Set of wheels, compl. 20-ZOLL RS SPYDER for cars with Air spring 9J X 20'' ET57 275/45 R20 110V XL M+S Silver DUNLOP Use also: 970.044.600.14 When required order also: 958.044.600.14		1	OHNE/NOT FOR TURBO S I7K3
(8)	958 044 601 42	Set of wheels, compl. 20-ZOLL RS SPYDER for cars without Air spring 9J X 20'' ET57 275/45 R20 110V XL M+S		1	I7K3

Model: TEQ 2 Model life 2003>>

Pos	Part Number	Description	Remark	Qty	Model
9	7P5 601 025 BE	Silver MICHELIN Use also: 958.044.600.11 When required order also: 958.044.600.14 Wheels Only for replacement Alloy wheel		1	
10	7P5 601 025 BE M7Z 7P5 601 025 BE	19-ZOLL CAYENNE SPORT CLASSIC II 8,5 X 19'' ET 59 GT Silver Metallic Alloy wheel		1	
	7P5 601 025 BE OB5	19-ZOLL CAYENNE SPORT CLASSIC II 8,5 X 19'' ET 59 Platinum satin-matt			

Model: TEQ 2

Model life 2003>>



Model: TEQ 2

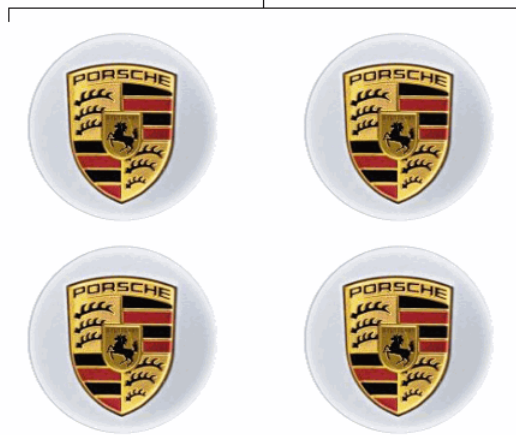
Model life 2003>>

Pos	Part Number	Description	Remark	Qty	Model
1	958 044 600 13	Snow chains Snow chains 18-ZOLL fuer 255/55 R18 M+S nicht i. V. m. Distanzsch.	11-	1	Cayenne(92A) Cayenne/S Diesel S Hybrid
(1)	958 044 600 14	Snow chains 19-ZOLL 20-ZOLL fuer 265/50 R19 M+S fuer 275/45 R20 M+S nur an Hinterachse nicht i. V. m. Distanzsch.		1	Cayenne/S Diesel S Hybrid Turbo

Model: TEQ 2

Model life 2003>>

1



2



3



Model: TEQ 2 Model life 2003>>

Pos	Part Number	Description	Remark	Qty	Model
1	991 044 600 09	Hub cap Hub cap Set Silver Crest Coloured for Wheel-and-tyre set 18-ZOLL CAYENNE S	11-	1	Cayenne
(1)	970 044 600 11	Hub cap Set Brilliant Silver Crest Coloured for Wheel-and-tyre set 17-ZOLL CAYENNE 18-ZOLL CAYENNE 18-ZOLL CAYENNE S II 18-ZOLL CAYENNE S III 18-ZOLL CAYENNE TURBO II 19-ZOLL CAYENNE TURBO III 19-ZOLL CAYENNE DESIGN II 20-ZOLL SPORT TECHNO 20-ZOLL SPORT DESIGN II 21-ZOLL CAYENNE SPORT 21-ZOLL CAYENNE SPORT PLUS		1	
(1)	970 044 600 14	Hub cap Set Brilliant chrome finish Crest Coloured for Wheel-and-tyre set 19-ZOLL CAYENNE TURBO III 19-ZOLL CAYENNE DESIGN II 20-ZOLL SPORT DESIGN II		1	
(1)	955 044 600 11	Hub cap Set Silver Crest Coloured for Wheel-and-tyre set 19-ZOLL CAYENNE DESIGN 20-ZOLL SPORT DESIGN		1	
(1)	955 044 600 12	Hub cap Set Silver Crest Coloured for Wheel-and-tyre set 18-ZOLL CAYENNE TURBO		1	
(1)	997 044 600 10	Hub cap Set GT Silver Metallic Crest Coloured for Wheel-and-tyre set 21-ZOLL SPORT EDITION		1	
(1)	991 044 600 20	Hub cap		1	

Model: TEQ 2

Model life 2003>>

Pos	Part Number	Description	Remark	Qty	Model
(1)	970 044 600 12	Set GT Silver Metallic Crest Coloured for Wheel-and-tyre set 19-ZOLL SPORT CLASSIC 21-ZOLL SPORT CLASSIC II Hub cap		1	
(1)	958 044 600 11	Set Titanium grey Crest Coloured for Wheel-and-tyre set 21-ZOLL 911 TURBO II Hub cap		1	
(1)	991 044 600 23	Set Titanium Dark Crest Coloured for Wheel-and-tyre set 20-ZOLL RS SPYDER Hub cap		1	
2	000 044 607 35	Set Silk-Gloss Platinum Crest Coloured for Wheel-and-tyre set 20-ZOLL RS SPYDER Hub cap		1	
(2)	000 044 605 34	Set Silk-Gloss Platinum Crest Coloured for Wheel-and-tyre set 20-ZOLL RS SPYDER Platinum satin-matt Hub cap		1	
3	997 044 600 47	Set Black Crest Coloured for Wheel-and-tyre set 19-ZOLL SPORT CLASSIC 21-ZOLL SPORT CLASSIC II 21-ZOLL SPORT EDITION Platinum satin-matt Hub cap		1	
(3)	997 044 602 97	Set Black Crest Coloured for Wheel-and-tyre set 21-ZOLL SPORT PLUS Black Hub cap		1	

Model: TEQ 2

Model life 2003>>

Pos	Part Number	Description	Remark	Qty	Model
		Set Black Crest Coloured for Wheel-and-tyre set 21-ZOLL SPORT CLASSIC II 21-ZOLL SPORT EDITION Black			

Model: TEQ 2

Model life 2003>>

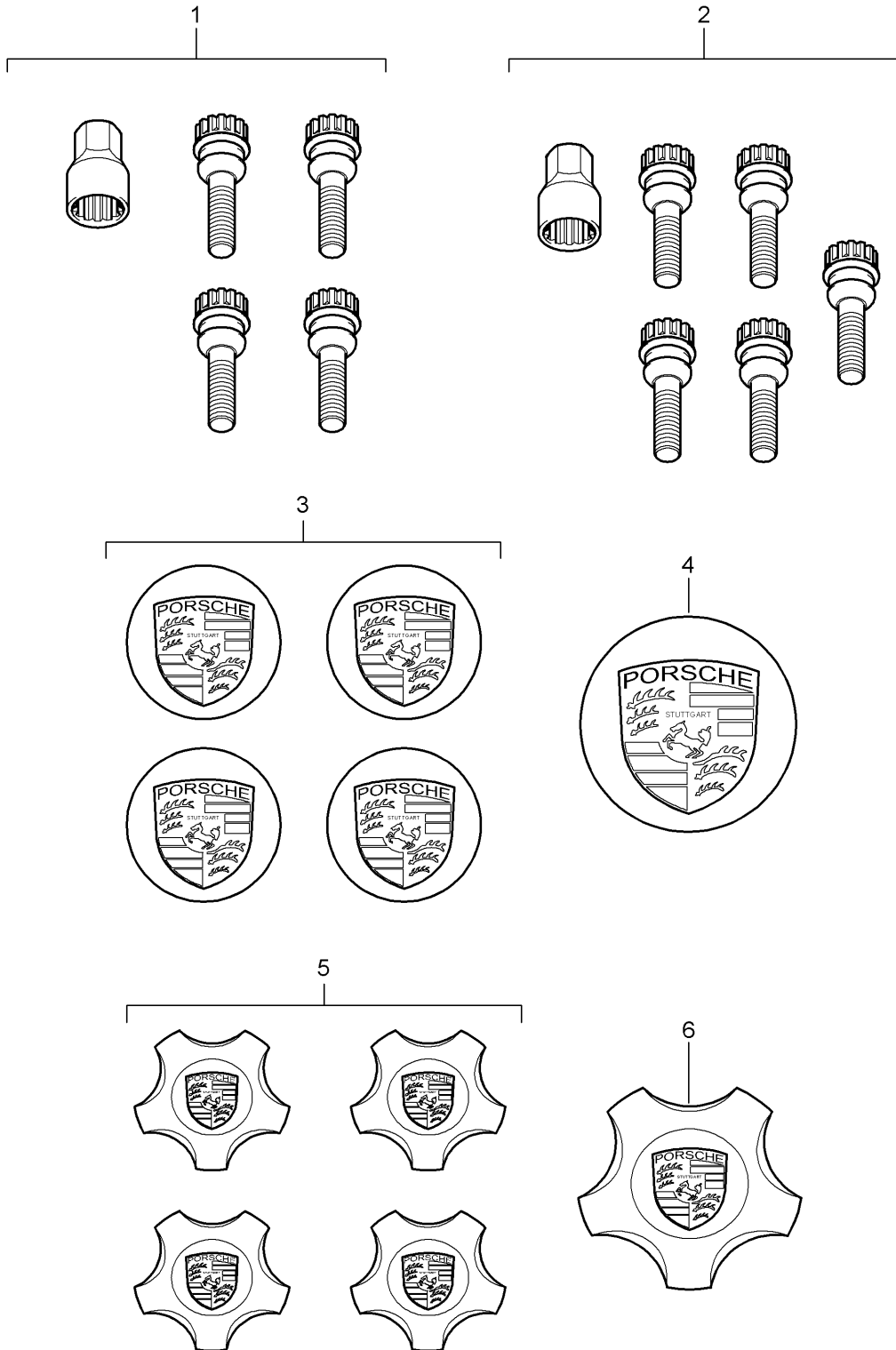


Model: TEQ 2 Model life 2003>>

Pos	Part Number	Description	Remark	Qty	Model
1	955 044 600 07	Snow chains Snow chains Double	03-10	1	Cayenne (9PA) 235/65 R17
(1)	955 044 600 08	Snow chains Double		1	255/55 R18 255/50 R19
(1)	955 044 600 13	Snow chains Double		1	275/40 R20

Model: TEQ 2

Model life 2003>>

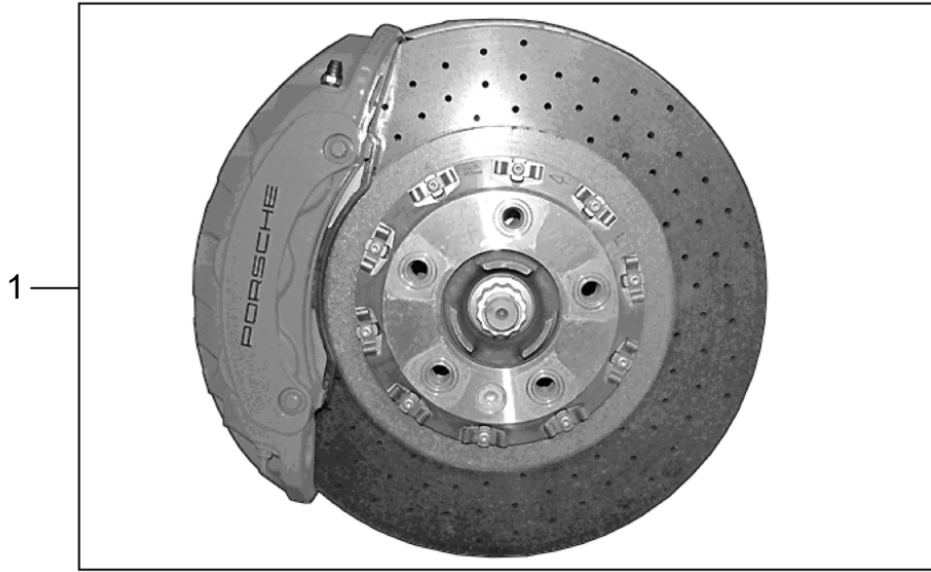


Model: TEQ 2 Model life 2003>>

Pos	Part Number	Description	Remark	Qty	Model
1	955 361 057 00	Alloy wheels Anti-theft protection Hub cap Wheel bolt Anti-theft protection Set 4-part	03-	1	Cayenne (9PA)
(1)	955 361 057 02	Wheel bolt Anti-theft protection Set 4-part	04-	1	
2	955 361 057 01	Wheel bolt Anti-theft protection Set 5-fold	03-	1	I1G3
3	955 044 600 09	Hub cap Set Cayenne S Wheel	03-	1	ICJ2
4	955 361 303 06	Comprising: Hub cap Round Convex Crest Coloured	03-	4	
(3)	955 361 303 06 9A1 955 044 600 10	Silver Hub cap Set SPORT TECHNO Comprising:	03-	1	ICS6
(4)	955 361 303 05	Hub cap Round Concave Crest Coloured	03-	4	
5	955 361 303 05 9A1 955 044 600 11	Silver Hub cap Set SPORT DESIGN Comprising:	03-	1	ICJ3/CS5
6	955 361 303 07	Hub cap Star shaped Crest Coloured	03-	4	
(5)	955 361 303 07 9A1 955 044 600 12	Silver Hub cap Set Turbo Wheel Comprising:	03-	1	ICJ6
(6)	955 361 303 08	Hub cap Star shaped Crest Coloured Aluminium Polished	03-	4	
	955 361 303 08 9A1	Silver			

Model: TEQ 2

Model life 2003>>

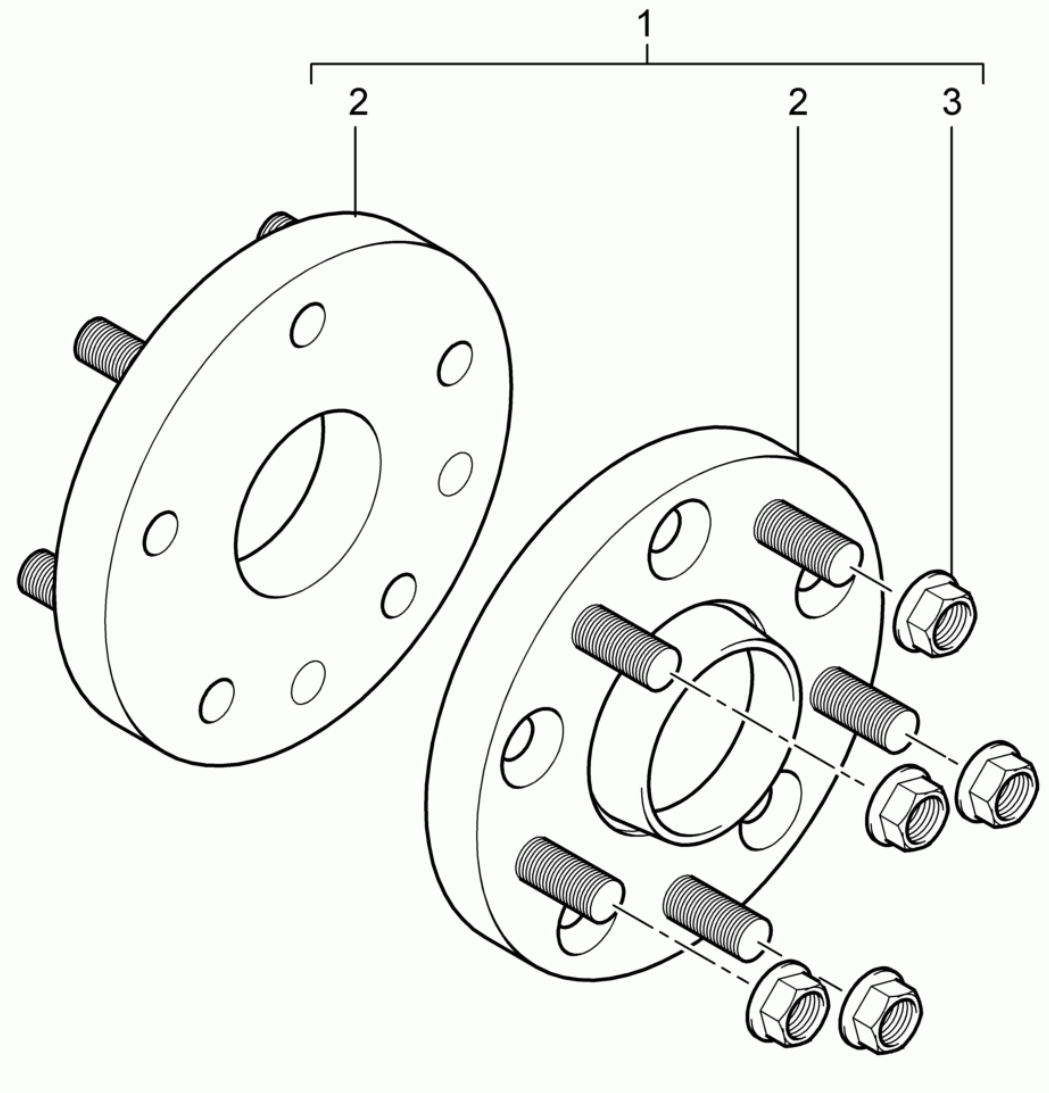


Model: TEQ 2 Model life 2003>>

Pos	Part Number	Description	Remark	Qty	Model
1	958 044 605 00	Brake PCCB Inst. & Conv. Instructions Cayenne turbo Group 4 4701 (48/10) Attention	11-14		Cayenne (92A) Turbo / GTS Turbo S
		PCCB Set Only Vehicle Ident. No. F >>92CLA 81212	11-12	1	Turbo
(1)	958 044 605 01	Inst. & Conv. Instructions Cayenne turbo Group 4 4701 (8/12) Attention			
		PCCB Set AB Vehicle Ident. No. F 92CLA 81212>>	12-14	1	Turbo / GTS Turbo S

Model: TEQ 2

Model life 2003>>



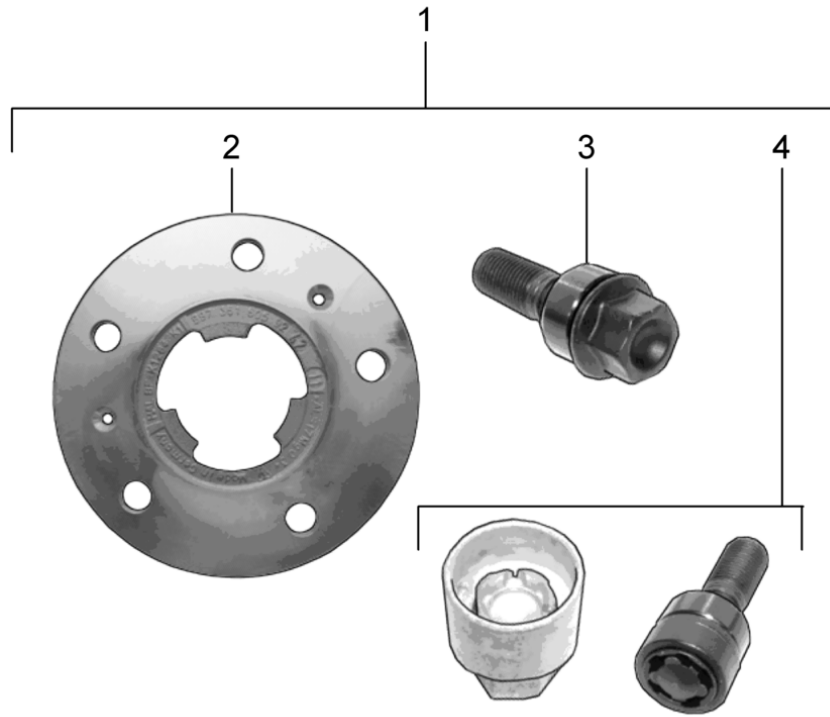
Model: TEQ 2

Model life 2003>>

Pos	Part Number	Description	Remark	Qty	Model
1	955 044 600 23	Spacer	03-10	1	Cayenne (9PA)
		17 MM	11-17		Cayenne (92A)
		Inst. & Conv. Instructions			alle
		Cayenne			
		Main group 4			
		4413 (10/07)			Cayenne (9PA)
		4413 (43/07)			Cayenne (9PA)
		4413 (23/11)			Cayenne (92A)
		4413 (21/15)			Cayenne (92A)
		Attention			
		Spacer			17 mm
		for	-(J)		-I011
		Widening of track	-(DK) -(S)		-I092
		Rear axle	-(GB) -(SF)		
		Set	-(N) -(RUS)		
		Only together with			
Sport Design package		I2D1/2D2			
Or					
Wheel cover		I6GB/6GF/6GH I6GJ			
Not					
Together with					
Snow chains					
Not					
Together with					
20-ZOLL RS SPYDER DESIGN					
Not					
Together with					
21-ZOLL					
Not for					
Wheels		Cayenne (9PA)			
955.362.136.30					
955.362.142.00					
955.362.156.00					
955.362.162.00					
Use					
Not for					
Wheels		Cayenne (92A)			
958.362.142.01.9A1					
958.362.150.01.M7Z					
Use					
Set					
Comprising:					
Spacer ring		2	17 mm		
Ball seat nut		10	M14 x 1,5		

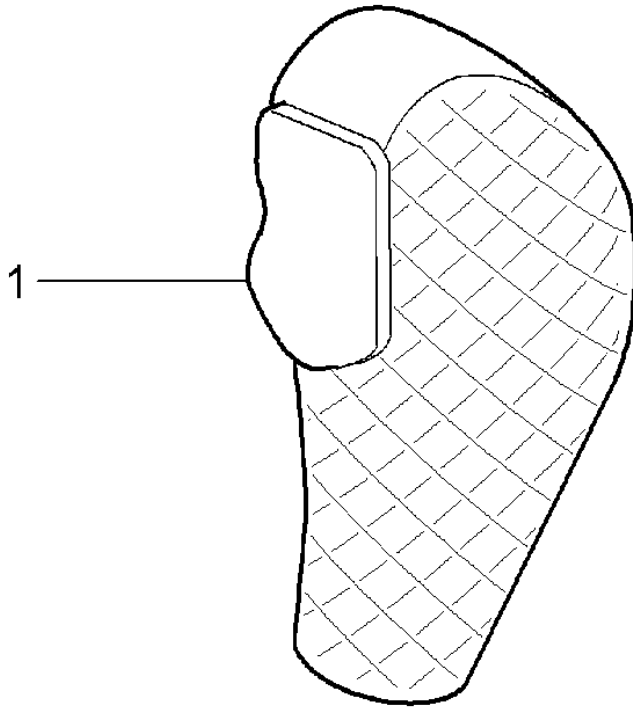
Model: TEQ 2

Model life 2003>>



Model: TEQ 2

Model life 2003>>

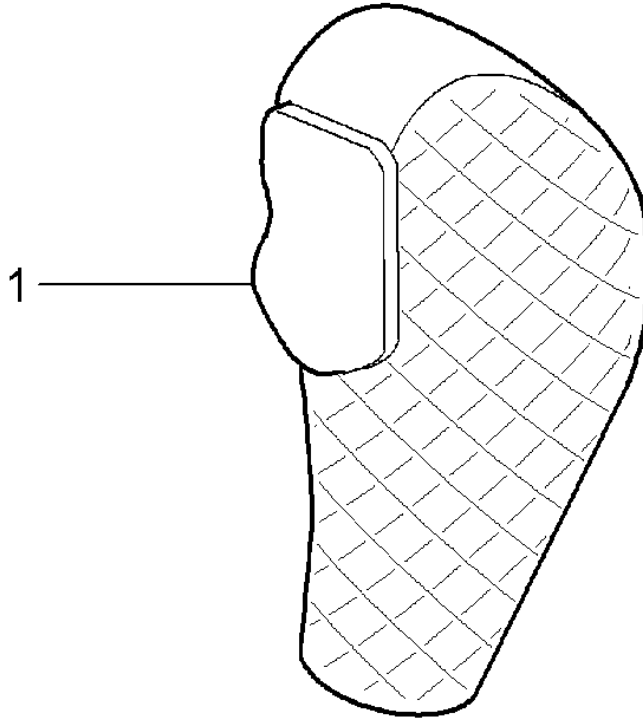


Model: TEQ 2 Model life 2003>>

Pos	Part Number	Description	Remark	Qty	Model
		Selector lever Tiptronic Wood	03-10		Cayenne (9PA)
-	955 424 982 00	Selector lever Olive grain Light High gloss	03-04	1	IGOR
1	955 426 069 30 955 426 069 30 4V8	Selector knob Olive grain Light High gloss	05-10	1	IGOR
-	955 424 983 00	Selector lever Olive grain Light Matte	03-06	1	IGOR
1	955 426 069 20 955 426 069 20 9Z4	Selector knob Olive grain Light Matte	05-10	1	IGOR
-	955 424 981 00	Selector lever Rootwood Dark High gloss	03-04	1	IGOR
1	955 426 069 10 955 426 069 10 4X2	Selector knob Rootwood Dark High gloss	05-10	1	IGOR

Model: TEQ 2

Model life 2003>>



Model: TEQ 2

Model life 2003>>

Pos	Part Number	Description	Remark	Qty	Model
1	955 424 980 00	Selector lever Tiptronic Carbon Selector lever Tiptronic Carbon	03-10	1	Cayenne (9PA) ID9J/D9K ID9L

Model: TEQ 2

Model life 2003>>

1



2

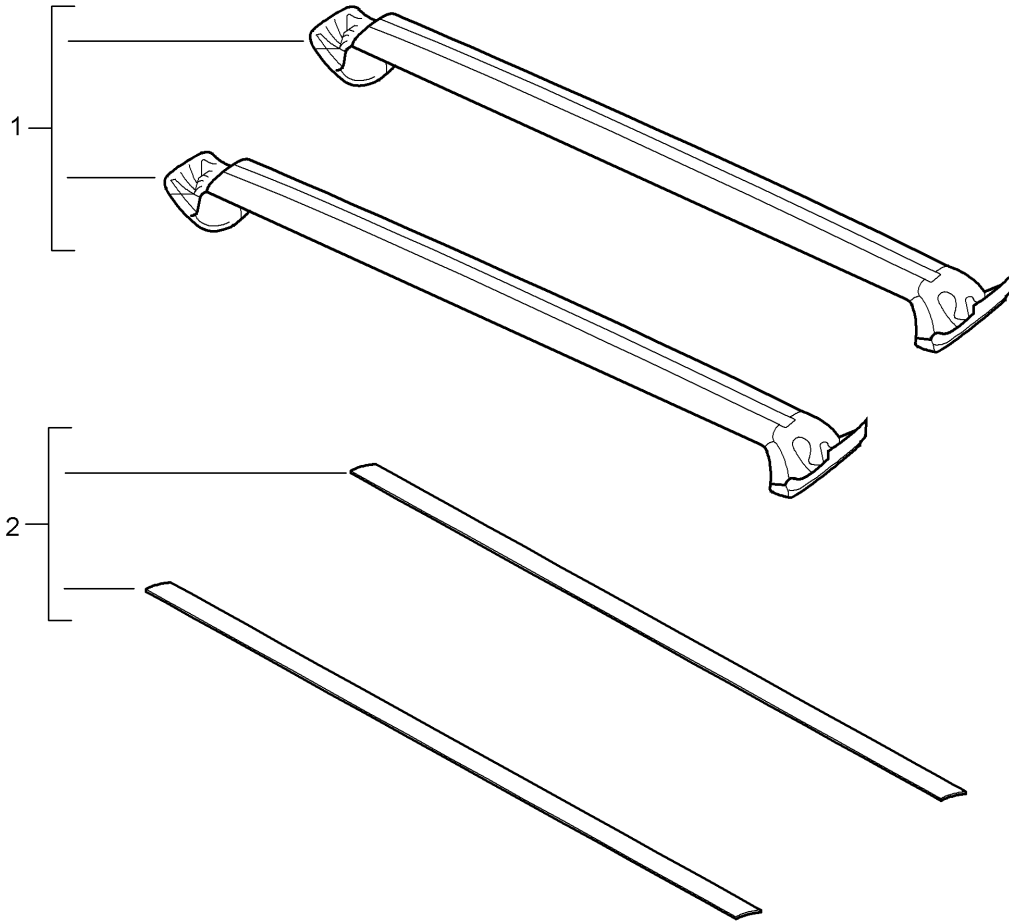


Model: TEQ 2 Model life 2003>>

Pos	Part Number	Description	Remark	Qty	Model	
1	955 044 700 00	Selector lever	03-10	1	Cayenne (9PA) Cayenne (92A) Cayenne (9PA) IG0R	
		Tiptronic	11-			
		Selector lever	03-10			
		Magnesium				
		955 044 700 00 L63	Chestnut brown			
		955 044 700 00 5X6	Stone grey			
		955 044 700 00 7A3	Havanna			
2	958 044 700 00	955 044 700 00 8B2	Black	1	Cayenne (92A) IG1G	
		955 044 700 00 8D4	Sand Beige			
		Selector lever	11-			
		Aluminium				
		958 044 700 00 DE1	Umber			
		958 044 700 00 7A0	Platinum Grey			
		958 044 700 00 8C0	Espresso			
		958 044 700 00 8YR	Black			
		958 044 700 00 9H6	Luxor Beige			
		958 044 700 00 OK6	Saddle Tan			
958 044 700 00 PL1	Agate Grey					

Model: TEQ 2

Model life 2003>>

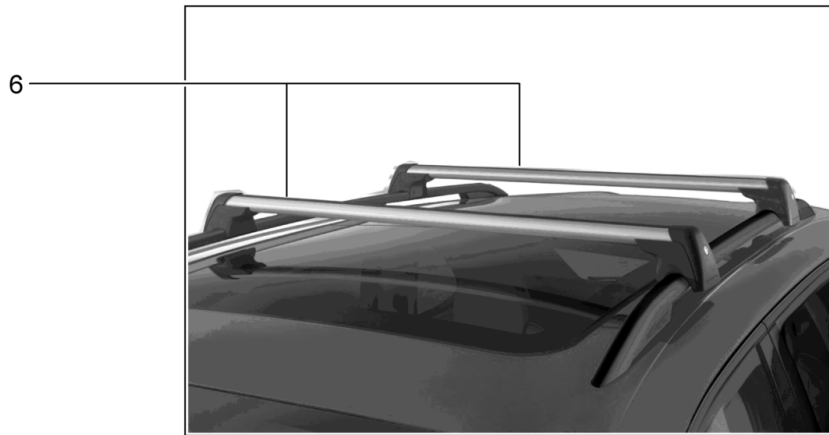
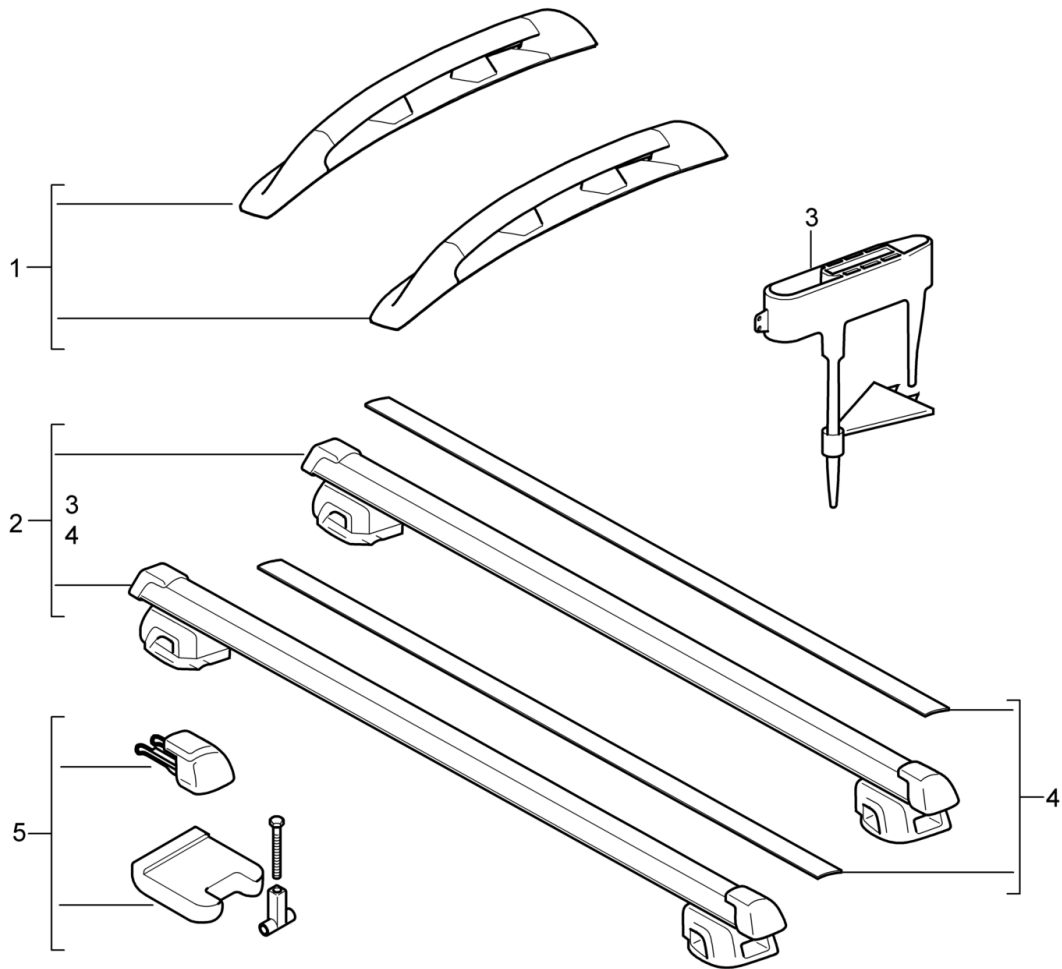


Model: TEQ 2 Model life 2003>>

Pos	Part Number	Description	Remark	Qty	Model
1	955 044 000 22	Roof rack Technical information Cayenne Group 6 6692 (1/02) Attention Roof rack Main support Double	03-10	1	Cayenne (9PA) alle
(1)	955 044 000 72	Roof rack Main support Double Single parts see Catalogue 9PA-8/10/00		1	
2	955 801 385 00	Protective rubber		1	
-	955 044 000 59	Key Set State lock number		1	

Model: TEQ 2

Model life 2003>>

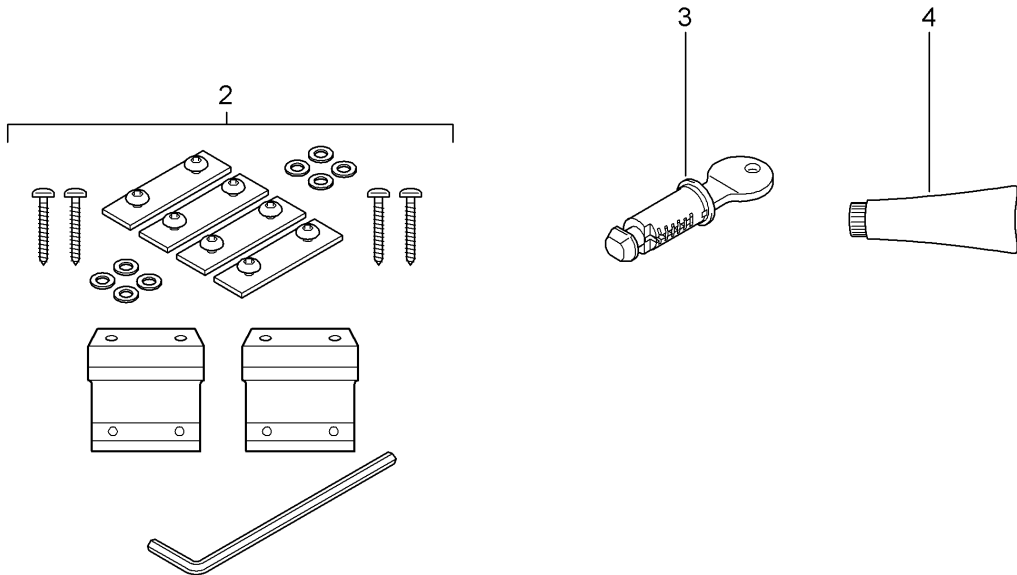
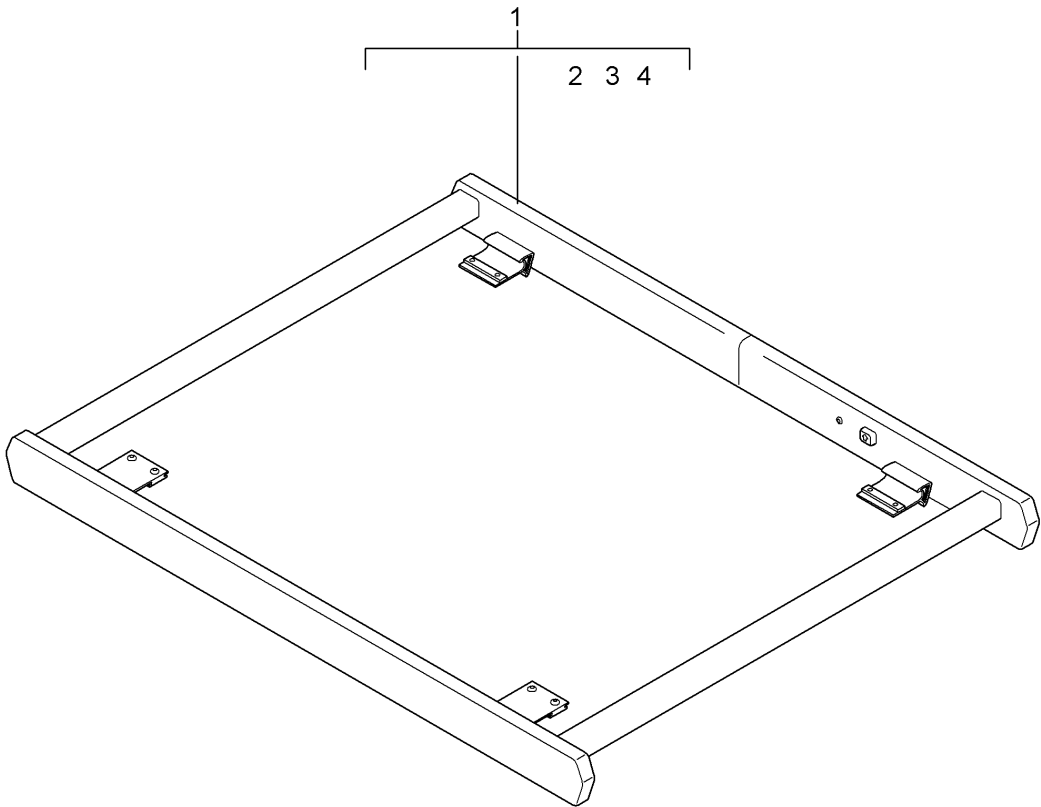


Model: TEQ 2 Model life 2003>>

Pos	Part Number	Description	Remark	Qty	Model
		Roof rail	03-10		Cayenne (9PA)
		Cross member	11-		Cayenne (92A)
		Technical information			alle
		Cayenne			
		Group 6			
		6687 (2/04)			
		Attention			
1	955 044 000 30	Roof rail	03-10	1	Cayenne (9PA)
		Silver			
(1)	955 044 000 62	Roof rail	03-10	1	Cayenne (9PA)
		Black			
		Single parts			
		See illustrations			
		9PA 8/10/00			
		Technical information			alle
		Cayenne			
		Group 6			
		6692 (18/03)			
		Attention			
2	955 044 000 35	Cross member	03-10	1	Cayenne (9PA)
		Set			
		for			
		Roof rail			
		955.044.000.30/62			
3	955 044 000 46	Torque wrench	03-10	1	Cayenne (9PA)
4	955 801 385 00	Protective rubber		1	
5	955 044 000 44	Assembly kit		1	Cayenne (9PA)
		Cross member			
		955.044.000.35			
		Comprising:			
		Cap		1	
		T-piece		1	
		Screw		1	M6 x 50
		Protective rubber		1	
		Installation instructions		1	
6	958 044 000 10	Roof rack	11-17	1	Cayenne (92A)
		Set			I3S1/3S5
(6)	9Y0 860 019	Roof rack	18-	1	IK4H
		Set			I3S1/3S2
-	955 044 000 59	Key		1	
		Set			
		State lock number			

Model: TEQ 2

Model life 2003>>



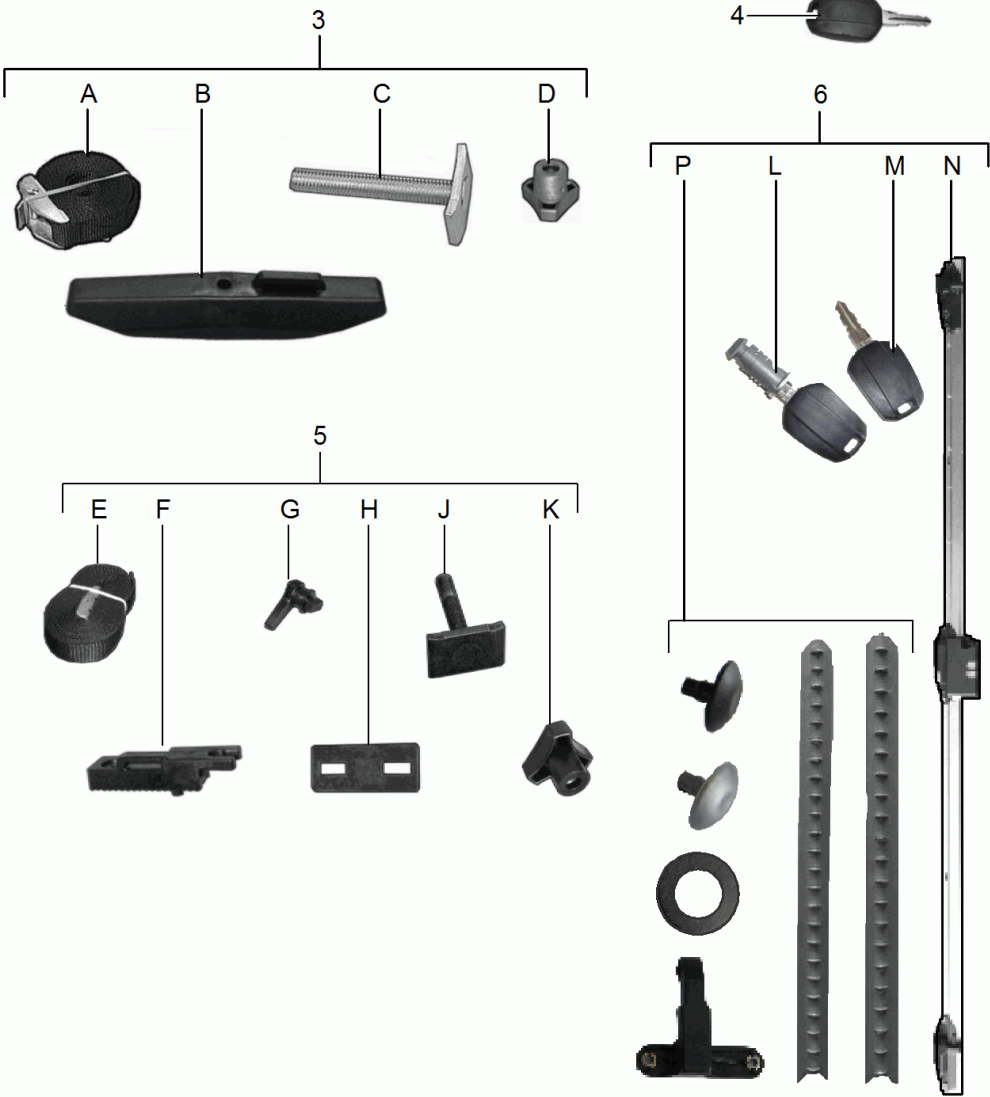
Model: TEQ 2

Model life 2003>>

Pos	Part Number	Description	Remark	Qty	Model
		Loading aid Technical information Cayenne Group 6 6692 (3/04) Attention	03-10		Cayenne (9PA)
1	955 044 000 04	Loading aid		1	I3S8
2	955 044 000 43	Repair kit Front and rear with Mounting parts		2	
3	955 044 000 50	Set of locks for Loading aid Comprising: Lock cylinder And Key Simple		4	
4	955 044 000 37	Lubricants for Loading aid 955.044.000.43		1	
-	955 044 000 36	Adapter Set for cars with Roof rail 955.044.000.30/62 And Cross member 955.044.000.35		1	I3S7

Model: TEQ 2

Model life 2003>>



Model: TEQ 2 Model life 2003>>

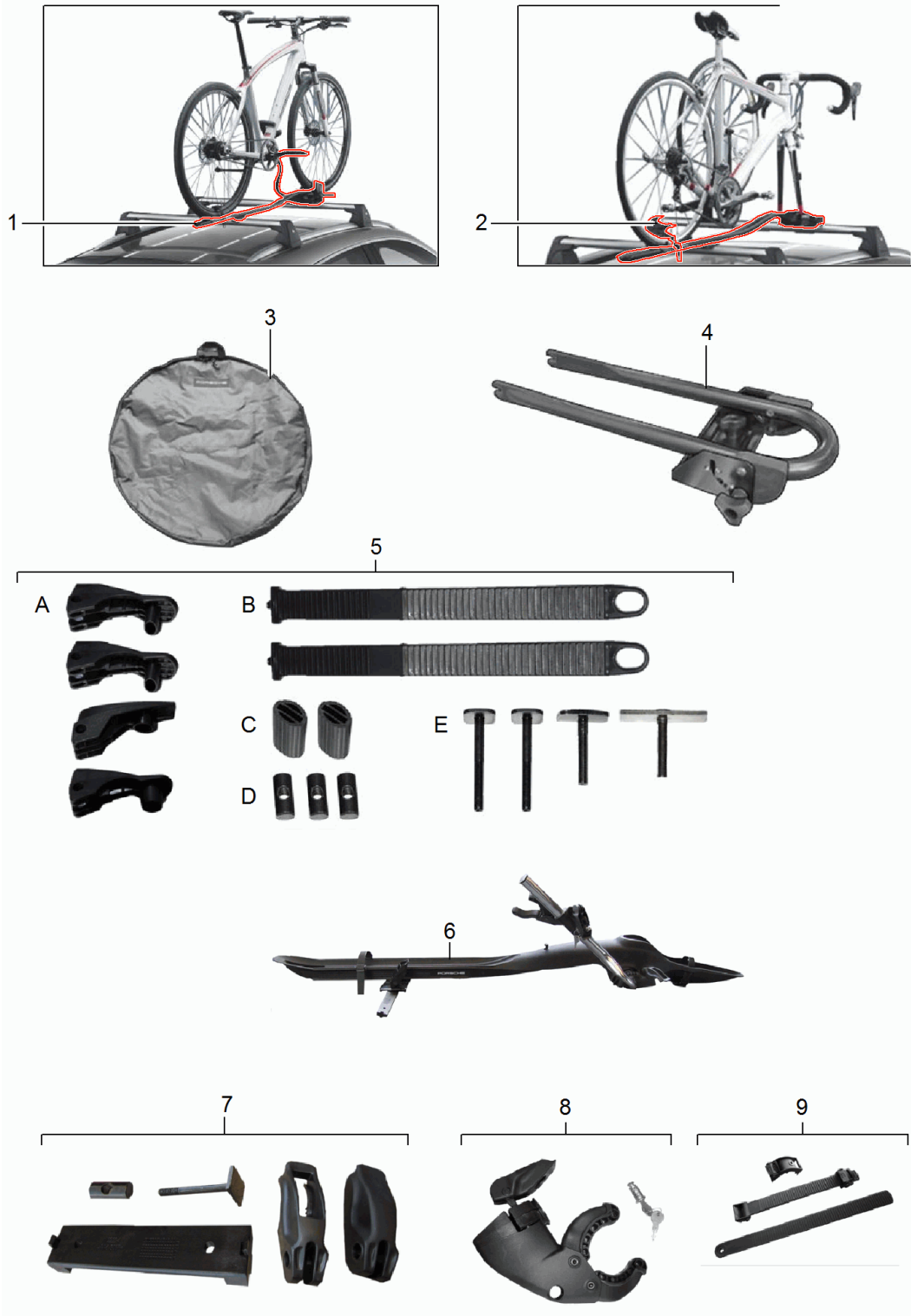
Pos	Part Number	Description	Remark	Qty	Model
		Roof box	03-10 11-17		Cayenne (9PA) Cayenne (92A)
		Not for Loading aid 955.044.000.04 Inst. & Conv. Instructions Cayenne Group 6 6692 (33/08) 6692 (25/10) BEACHTEN			alle
1	958 044 000 12	Roof box 520 Black	03-10 11-17	1	I3S7/3S8 I5W1/5W4
(1)	958 044 000 13	Roof box 520 Platinum satin-matt		1	I3S7/3S8 I5W1/5W4
2	958 044 000 26	Roof box 320 Platinum satin-matt		1	I3S7/3S8 I5W1/5W4
(2)	958 044 000 25	Roof box 320 Black		1	I3S7/3S8 I5W1/5W4
(2)	955 044 002 15	Roof box Narrow Silver		1	I3S7/3S8 I5W1/5W4
(2)	955 044 000 47	Roof box Narrow		1	I3S7/3S8 I5W1/5W4
3	955 044 002 13	Assembly kit for Roof box 955.044.002.12 Comprising: Restraining strap Clamping piece Screw bolt Nut Inst. & Conv. Instructions Attention	(Pos. A) (Pos. B) (Pos. C) (Pos. D)	3 4 4 4	M8x55 M8
(3)	958 044 000 21	Assembly kit for Roof box 958.044.000.12 958.044.000.13 958.044.000.25 958.044.000.26 Comprising: Restraining strap Clamping piece Screw bolt Nut Inst. & Conv. Instructions Attention	(Pos. A) (Pos. B) (Pos. C) (Pos. D)	3 4 4 4	M8x55 M8
4	955 044 000 59	Key for Roof box		1	alle
5	955 044 000 48	State lock number Assembly kit for Roof box 955.044.000.12 955.044.000.47 955.044.002.15		1	

Model: TEQ 2 Model life 2003>>

Pos	Part Number	Description	Remark	Qty	Model
6	955 044 000 49	Comprising: Belt Adapter Screw bolt Nut Gasket Clamping piece Technical information Attention Repair kit Lock for Roof box 955.044.000.12 955.044.002.15	(Pos. E) (Pos. F) (Pos. G) (Pos. H) (Pos. J) (Pos. K)	2 4 4 4 4 4	M6x37 M6
(6)	958 044 000 20	Comprising: Lock Key Strip Mounting parts Repair kit Lock for Roof box 955.044.002.12 958.044.000.12 958.044.000.13 958.044.000.25 958.044.000.26	(Pos. L) (Pos. M) (Pos. N) (Pos. P)	1 2 1 1	
-	955 044 000 63	Comprising: Lock Key Strip Mounting parts Bracket Lid Roof box 955.044.000.12 955.044.002.12 958.044.000.12 958.044.000.13	(Pos. L) (Pos. M) (Pos. N) (Pos. P)	1 2 1 1 1	

Model: TEQ 2

Model life 2003>>



Model: TEQ 2 Model life 2003>>

Pos	Part Number	Description	Remark	Qty	Model
		Bike stand Roof rack	03-		
1	95B 044 800 06	Bike stand		1	I5W1/5W4
		Set - bike carrier			
2	95B 044 800 08	Bike stand		1	I5W1/5W4
		Racing bike with Bag			
(2)	95B 044 800 09	95B 044 800 34 Bike stand		1	I5W1/5W4
		Racing bike with Support			
		95B 044 800 35 Only for replacement			
3	95B 044 800 34	Bag for Bike stand		1	
		Racing bike			
4	95B 044 800 35	Support for Bike stand		1	
		Racing bike			
5	95B 044 800 36	Set of fastening parts for Bike stand		1	
		Set - bike carrier And Racing bike			
(5)		Comprising:			
		Clamp	(Pos. A)	4	
		Restraining strap	(Pos. B)	2	
		Protective rubber	(Pos. C)	2	
		Threaded pin	(Pos. D)	3	M6
		Bolt	(Pos. E)	2	M6x60
		Bolt	(Pos. E)	1	M6x40
		Bolt	(Pos. E)	1	M6x35
		Technical information Cayenne Group 6 6692 (6/03) beachten			alle
6	955 044 002 66	Bracket Bike		1	
7	955 044 000 51	Repair kit for Bracket		1	
		955.044.002.66 Set			
(7)		Comprising:			
		Adapter		1	
		Threaded pin		3	M6
		Bolt		2	M6 x 55
		Bolt		1	M6 x 40
		Bolt		1	M6 x 25
		Clamp Front Clamp		2	
		Rear		1	
8	955 044 000 56	Driving dog with Lock cylinder And		1	

Model: TEQ 2

Model life 2003>>

Pos	Part Number	Description	Remark	Qty	Model
9	955 044 000 80	Frame connection for Bracket 955.044.002.66 Retaining strap Set for Racing bike		1	

Model: TEQ 2

Model life 2003>>



Model: TEQ 2 Model life 2003>>

Pos	Part Number	Description	Remark	Qty	Model
1	95B 044 800 07	Bike stand for Trailer coupling Operating instructions Bike stand Attention Only for cars with Trailer coupling Connector 13-pin Bracket Bike stand	03- /LL -(CDN) -(J) -(USA)	1	IL0L
(1)	95B 044 800 11	Trailer coupling without Heat protection Not Together with Supplement set Order also: 955.044.000.86 Bracket Bike stand	 /RL -(CDN) -(J) -(USA)	1	IL0R
7	955 044 000 86	Trailer coupling without Heat protection Not Together with Supplement set Order also: 955.044.000.86 Heat protection	 -(CDN) -(J) -(USA)	1	
		Set Comprising: 2 X 955.044.000.85 for 955.044.000.60 95B.044.800.07 95B.044.800.11			
2	955 044 000 59	Key	-(CDN) -(J) -(USA)	1	
		for 95B.044.800.07 95B.044.800.11			
3	95B 044 800 50	State lock number Restraining strap	-(CDN) -(J) -(USA)	1	
		for Bike stand Trailer coupling 95B.044.800.07 95B.044.800.11			
4	95B 044 800 51	Closing element	-(CDN) -(J) -(USA)	1	
		Restraining strap for Bike stand Trailer coupling 95B.044.800.07 95B.044.800.11			

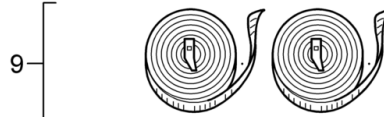
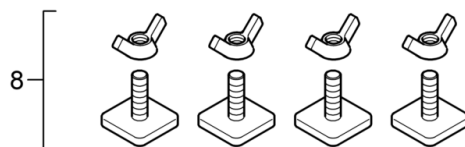
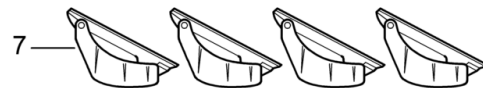
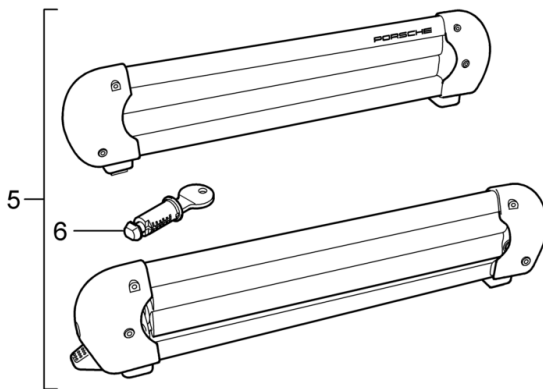
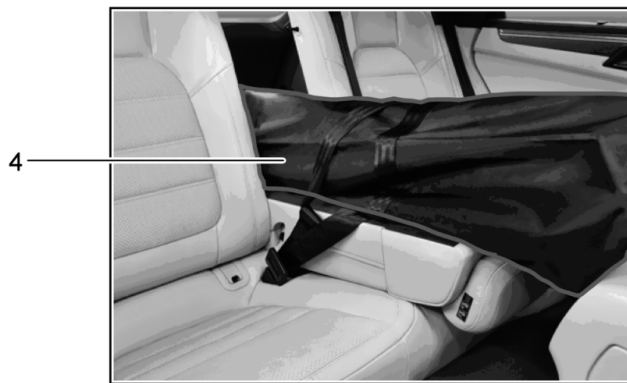
Model: TEQ 2

Model life 2003>>

Pos	Part Number	Description	Remark	Qty	Model
5	95B 044 800 52	Support Number plate for Bike stand Trailer coupling 95B.044.800.07 95B.044.800.11	-(CDN) -(J) -(USA)	1	
6	95B 044 800 53	Lamp Set Included Wiring harness for Bike stand Trailer coupling 95B.044.800.07	/LL -(CDN) -(J) -(USA)	1	IL0L
(6)	95B 044 800 57	Lamp Set Included Wiring harness for Bike stand Trailer coupling 95B.044.800.11	/RL -(CDN) -(J) -(USA)	1	IL0R
8	955 044 000 60	Bracket Bike stand Included Heat protection Only for replacement	/LL -(J) -(USA) -(CDN) -(J)	1 2	IL0L
(7)	955 044 000 85	Heat protection for 955.044.000.60 Single parts When required order also:	/LL -(J) -(USA) -(CDN) -(J)	1	IL0L
9	955 044 000 61	Supplement set 3. BIKE for 955.044.000.60	/LL -(J) -(USA) -(CDN) -(J)	1	IL0L
10	955 044 000 82	Replacement key for 955.044.000.60	/LL -(J) -(USA) -(CDN) -(J)	1	IL0L
11	955 044 000 83	Set of fastening parts Only for replacement	/LL -(J) -(USA) -(CDN) -(J)	1	IL0L
12	955 044 000 84	Light-diffusing lens Back-up light Only for replacement	/LL -(J) -(USA) -(CDN) -(J)	1	IL0L

Model: TEQ 2

Model life 2003>>



Model: TEQ 2 Model life 2003>>

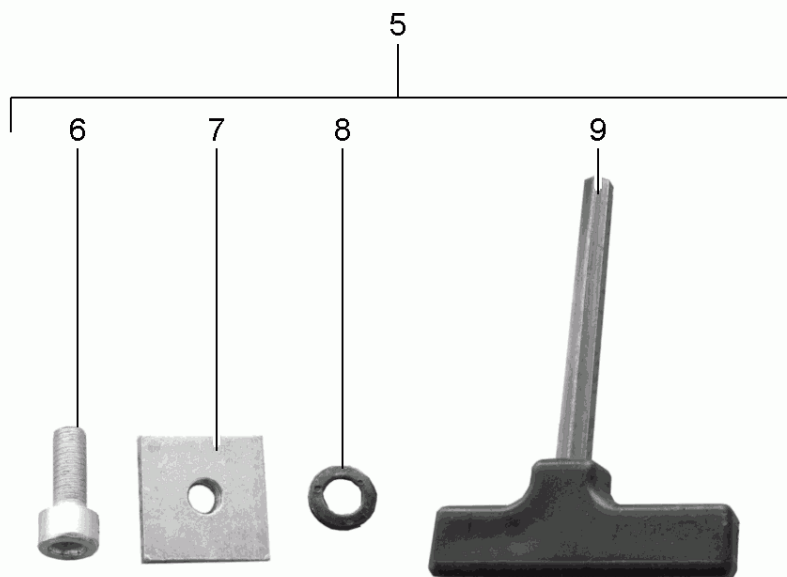
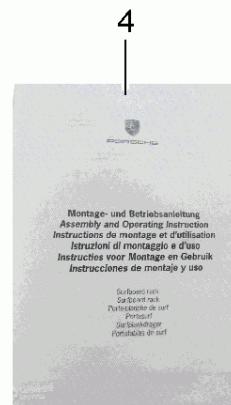
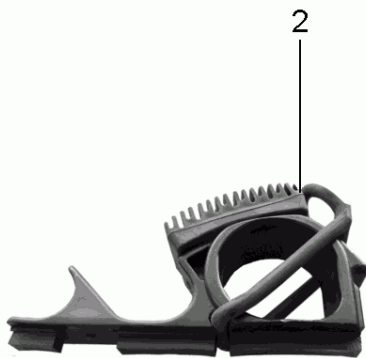
Pos	Part Number	Description	Remark	Qty	Model
1	95B 044 800 10	Ski rack Snowboard holder BOOTSTRAEGER Ski rack Snowboard holder Loading aid Integrated		1	I3S7/3S8 I5W1/5W4
2	95B 044 800 37	Set of fastening parts for Ski rack Snowboard holder Comprising: Bolt Hexagon nut Spring washer Plastic washer		1 4 4 4 4	 M6x16 M6 12 x 6,4 25 x 6,5
3	955 044 000 59	Key State lock number		1	
4	95B 860 811	Ski bag with Bag		1	
5	955 044 000 23	Ski rack Snowboard holder Small Not for BELADEHILFE 955.044.000.04		1	I3S7/3S8 I5W1/5W4
(5)	955 044 000 24	Ski rack Snowboard holder Large Not for BELADEHILFE 955.044.000.04		1	I3S7/3S8 I5W1/5W4
6	955 044 000 50	Set of locks Simple for 955.044.000.23 955.044.000.24 Lock cylinder Key with Coding		2	
	955 044 000 50 021				
	955 044 000 50 023				
	955 044 000 50 025				
	955 044 000 50 027				
	955 044 000 50 029				
		Technical information Cayenne Group 6 6692 (17/03) Attention Single parts BOOTSTRAEGER Only for replacement			alle I3S7/3S8
7	955 044 000 39	Support with Rubber pad		4	
8	955 044 000 40	Repair kit Comprising: FLÜGELMUTTER M6		1 4	
9	955 044 000 32	BOLZEN M6 X 27 Restraining strap Set Comprising:		4 1	

Model: TEQ 2 Model life 2003>>

Pos	Part Number	Description	Remark	Qty	Model
		Restraining strap		2	

Model: TEQ 2

Model life 2003>>



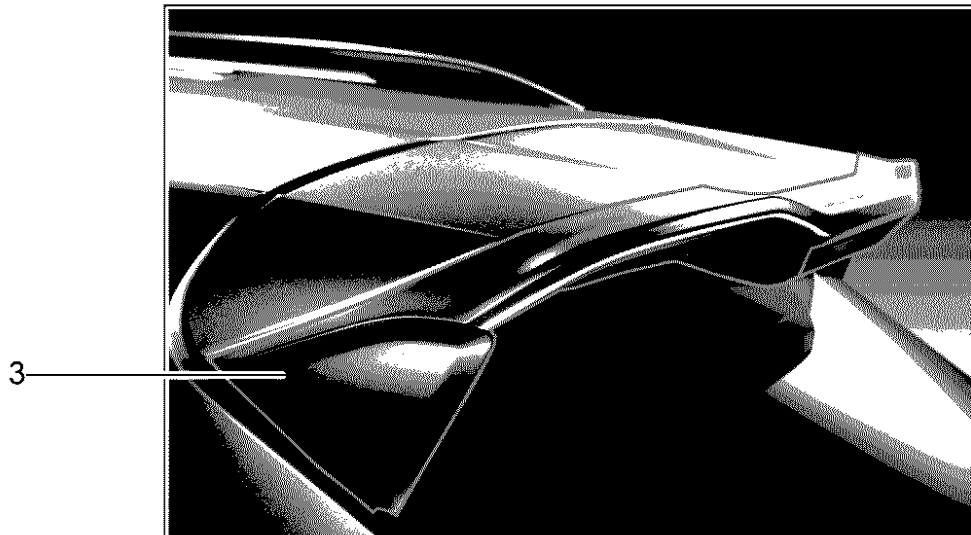
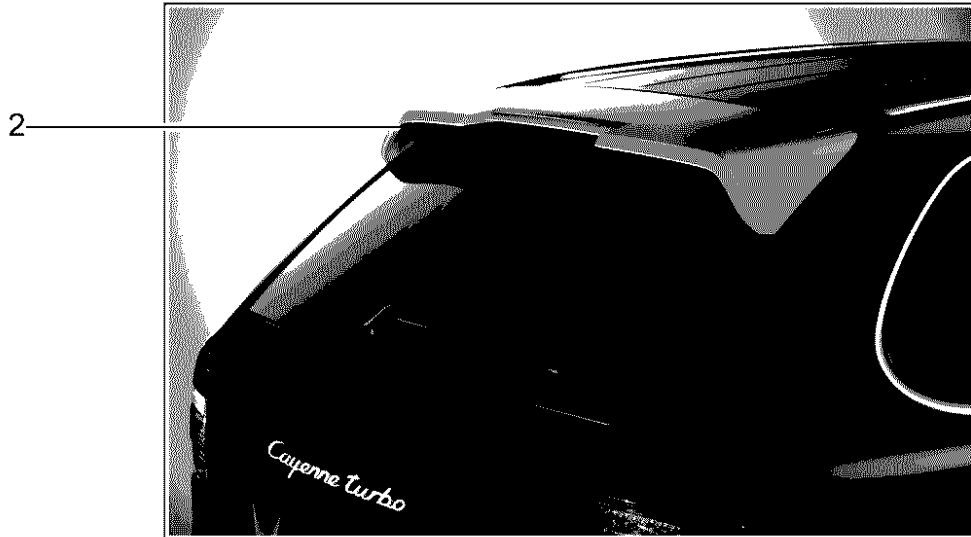
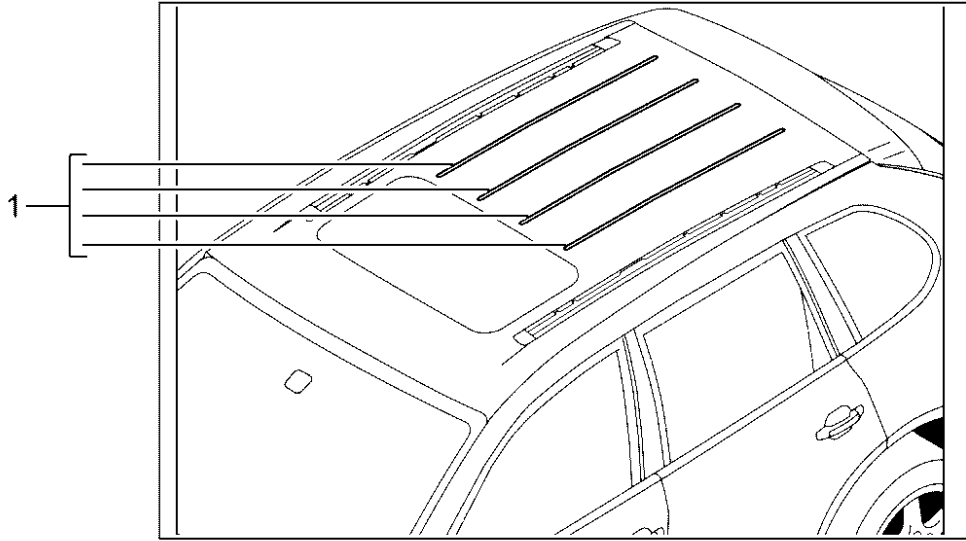
Model: TEQ 2

Model life 2003>>

Pos	Part Number	Description	Remark	Qty	Model
		Surfboard support Not for Loading aid 955.044.000.04 Technical information Cayenne Group 6 6692 (5/03) Attention			alle
1	955 044 000 07	Surfboard support Set Repair material for Surfboard support 955.044.000.07		1	I3S7/3S8
2	955 044 000 31	Support Set 4-part		1	I3S7/3S8
3	955 044 000 32	Restraining strap Set Two-piece		1	
4		Operating instructions		1	
5	955 044 000 52	Repair kit Comprising:		1	
6		Hexagon socket head bolt		4	M6 x 16
7		Grooved nut		4	M6 x 20 x 4
8		Washer		4	4 x 12 x 1
9		Socket wrench		1	

Model: TEQ 2

Model life 2003>>

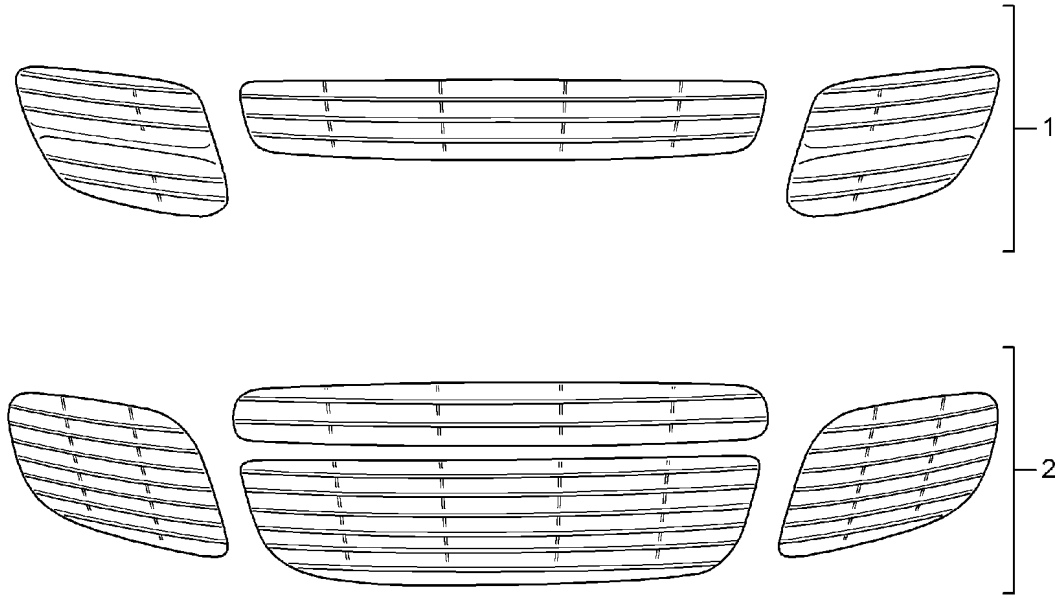


Model: TEQ 2 Model life 2003>>

Pos	Part Number	Description	Remark	Qty	Model
		Roof strip	03-10		Cayenne (9PA)
		Roof cover moulding	11-		Cayenne (92A)
		Inst. & Conv. Instructions			alle
		Cayenne			
		Group 6			
		6633 (16/03)			
		Attention			
1	955 044 000 29	Roof strip		1	
		Silver			
		Fourfold			
(1)	955 044 000 65	Roof strip		1	
		Black			
		Fourfold			
2	955 044 801 19	Roof cover moulding	08-10	1	Cayenne (9PA)
		Spoiler			
		Aluminium coloured			
(2)	955 559 980 02	Roof cover moulding	08-10	1	Cayenne (9PA)
		Spoiler			
		Orange			
3	958 044 800 00	Roof cover moulding	11-11	1	Cayenne (92A)
		Spoiler			
		Black			
(3)	958 044 800 01	Roof cover moulding	12-	1	Cayenne (92A)
		Spoiler			
		Black			

Model: TEQ 2

Model life 2003>>

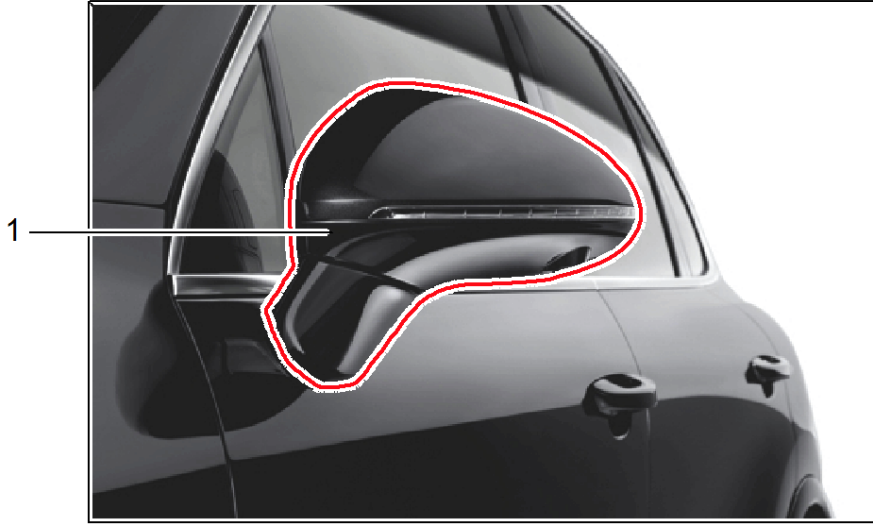


Model: TEQ 2 Model life 2003>>

Pos	Part Number	Description	Remark	Qty	Model
1	955 044 801 00	Ventilation grille Coloured	03-		
(1)	955 044 801 17	Ventilation grille Aluminium coloured	03-06	1	ID9J/D9K
(1)	955 044 801 27	Ventilation grille Aluminium coloured	08-10	1	ID5V/D5X
(1)	958 044 800 03	Ventilation grille Orange	08-10	1	ID5V/D5X
(1)	958 044 800 04	Ventilation grille Black	11-14	1	ID1V/D11/D19 ID34/D50/D6V
(1)	958 044 800 05	High gloss without Distance sensor Not for Turbo Ventilation grille Black	11-14	1	ID1V/D11/D19 ID34/D50/D6V I8T3
(1)	958 044 800 06	High gloss with Distance sensor Not for Turbo Ventilation grille Black	11-14	1	ID58
(1)	958 044 800 06	High gloss without Distance sensor for Turbo Ventilation grille Black	11-14	1	ID58 I8T3
2	955 044 801 01	Ventilation grille Aluminium coloured	03-06	1	ID9L
(2)	955 044 801 11	Ventilation grille Aluminium coloured	03-06	1	ID9L
(2)	955 044 801 18	Ventilation grille Aluminium coloured	08-10	1	ID5Z
(2)	955 044 801 28	Ventilation grille Orange	08-10	1	ID5Z

Model: TEQ 2

Model life 2003>>



Model: TEQ 2

Model life 2003>>

Pos	Part Number	Description	Remark	Qty	Model
(1)	955 044 801 20	Door mirror Housing Aluminium coloured Black Exterior colour	08-10 11-14 15-17	1	Cayenne (9PA) Cayenne (92A) Cayenne (92A)
(1)	958 044 800 08	Door mirror Housing Aluminium coloured with illumination Set	/LL 11-14	1	I9TF IL0L
(1)	958 044 800 10	Door mirror Housing Black High gloss with illumination Set	/RL 11-14	1	IL0R I9TF
1	958 044 802 06	Door mirror Bottom half Mirror base Exterior colour with Headlight unit Set	/LL 15-17 -(J)	1	IL0L I9TF
(1)	958 044 802 07	Door mirror Bottom half Mirror base Exterior colour with Headlight unit Set	/RL 15-17 -(J)	1	IL0R I9TF
(1)	958 044 802 08	Door mirror Bottom half Mirror base Exterior colour with Headlight unit Set	/LL 15-17 -(J)	1	IL0L/8A4 I9TF
(1)	958 044 802 09	Door mirror Bottom half Mirror base Exterior colour with Headlight unit Set	/RL 15-17 -(J)	1	IL0R/8A4 I9TF
(1)	958 044 802 10	Door mirror Bottom half Mirror base Exterior colour with Headlight unit Set	/LL 15-17 (J)	1	IL0L I9TF
(1)	958 044 802 11	Door mirror Bottom half Mirror base	/RL 15-17 (J)	1	IL0R

Model: TEQ 2 Model life 2003>>

Pos	Part Number	Description	Remark	Qty	Model
(1)	955 044 801 21	Exterior colour with Headlight unit Set Door mirror Housing Aluminium coloured without Illumination Set	08-10	1	I9TF
(1)	958 044 800 07	Door mirror Housing Black High gloss without Illumination Set	/LL 11-14	1	IL0L -I9TF
(1)	958 044 800 09	Door mirror Housing Black High gloss without Illumination Set	/RL 11-14	1	IL0R -I9TF
(1)	958 044 802 00	Door mirror Bottom half Mirror base Exterior colour without Headlight unit Set	/LL 15-17 -(J)	1	IL0L I9TH
(1)	958 044 802 01	Door mirror Bottom half Mirror base Exterior colour without Headlight unit Set	/RL 15-17 -(J)	1	IL0R I9TH
(1)	958 044 802 02	Door mirror Bottom half Mirror base Exterior colour without Headlight unit Set	/LL 15-17 -(J)	1	IL0L/8A4 I9TH
(1)	958 044 802 03	Door mirror Bottom half Mirror base Exterior colour without Headlight unit Set	/RL 15-17 -(J)	1	IL0R/8A4 I9TH
(1)	958 044 802 04	Door mirror Bottom half Mirror base Exterior colour without Headlight unit Set	/LL 15-17 (J)	1	IL0L I9TH
(1)	958 044 802 05	Door mirror Bottom half Mirror base Exterior colour	/RL 15-17 (J)	1	IL0R

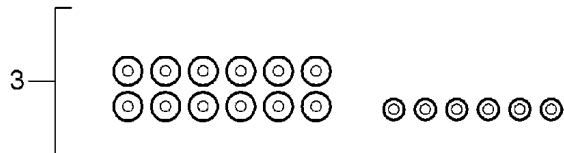
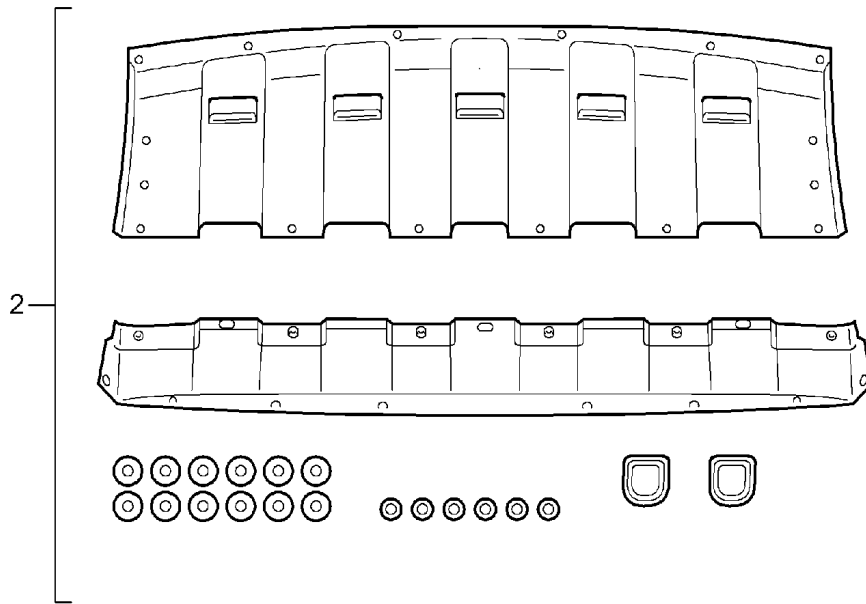
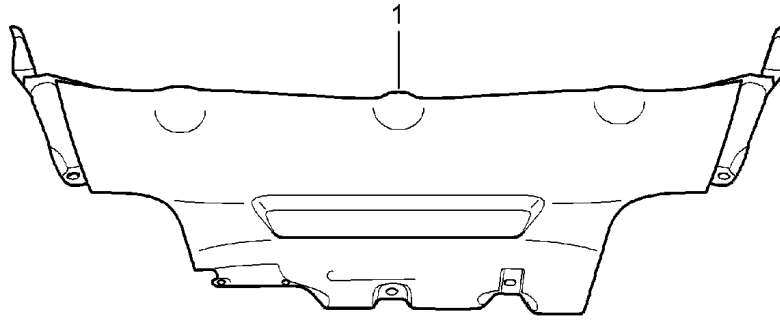
Model: TEQ 2

Model life 2003>>

Pos	Part Number	Description	Remark	Qty	Model
(1)	955 044 801 22	without Headlight unit Set Door mirror Housing Orange		1	I9TH Cayenne S Transsyberia
(1)	955 044 801 23	with Headlight unit Set Door mirror Housing Orange		1	I9TF Cayenne S Transsyberia
		without Headlight unit Set			I9TH

Model: TEQ 2

Model life 2003>>

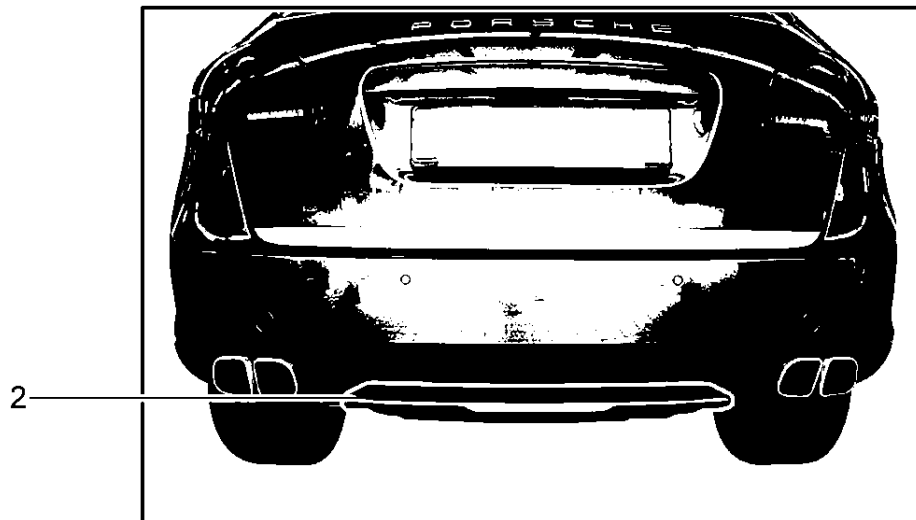
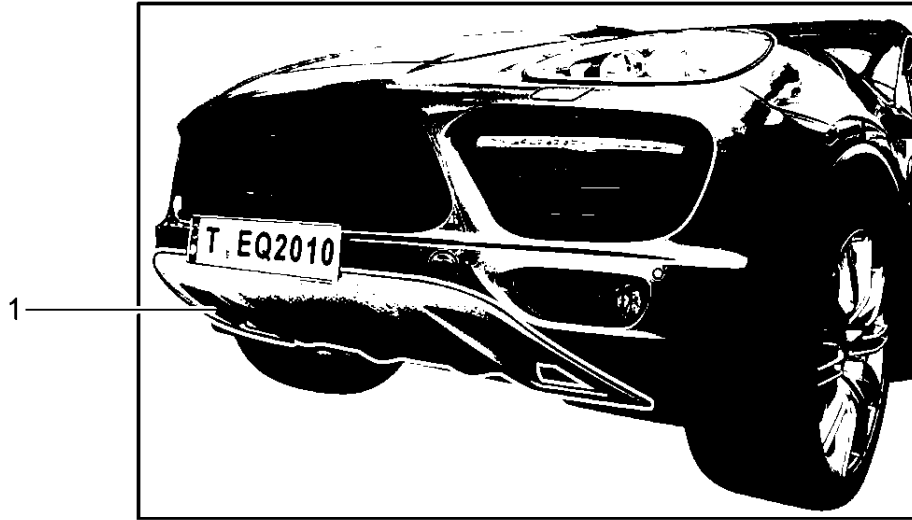


Model: TEQ 2 Model life 2003>>

Pos	Part Number	Description	Remark	Qty	Model
1	955 107 981 00	Underbody protection Front end cover Rear apron Cover Underbody protection Front Steel Black Inst. & Conv. Instructions Cayenne,alle Group 6 6316 Attention	03-10 03-06	1	Cayenne (9PA) ID9J/D9K/D9L
(2)	955 044 800 15	Front end cover Stainless steel	03-06	1	ID9J/D9K
2	955 044 800 16	Front end cover Stainless steel	03-06	1	ID9L
(2)	955 044 802 80	Front end cover Stainless steel	08-10	1	
3	955 044 800 59	Assembly kit Front end cover Stainless steel Inst. & Conv. Instructions Cayenne,alle Group 6 6356 Attention	03-06	1	ID9J/D9K/D9L
-	955 044 802 85	Rear apron Stainless steel	08-10	1	

Model: TEQ 2

Model life 2003>>

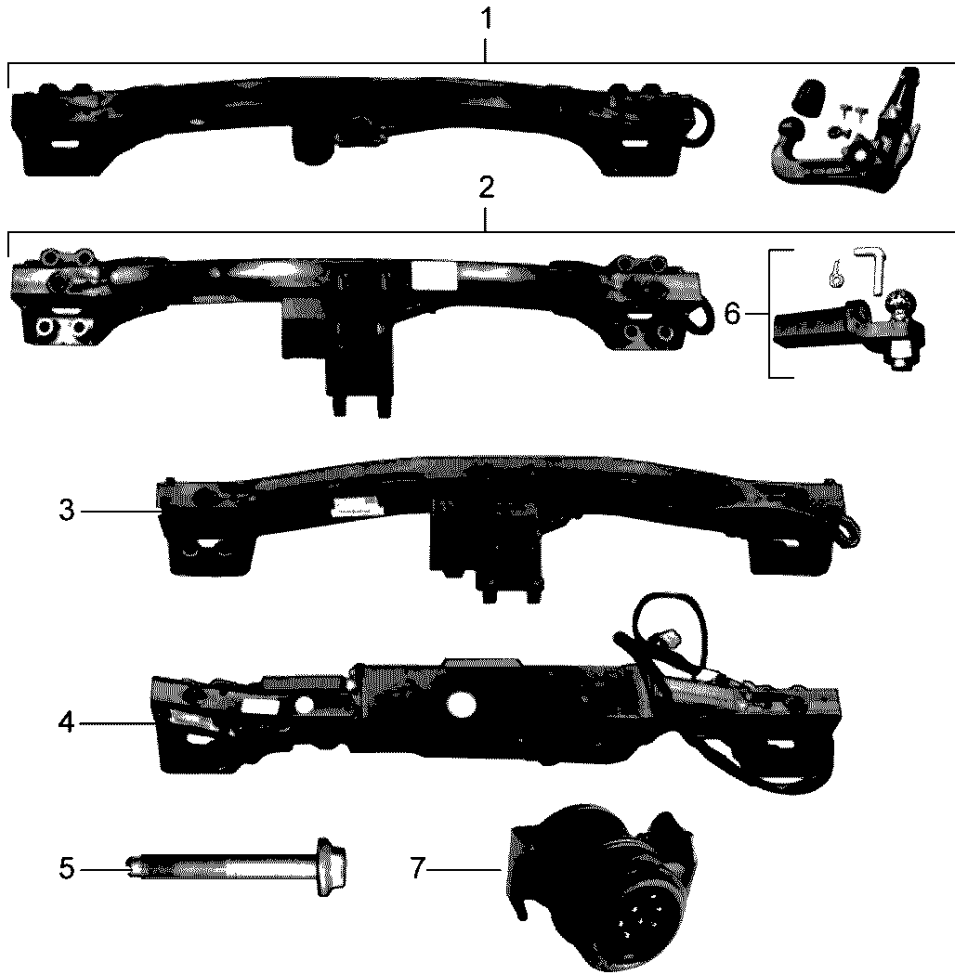


Model: TEQ 2 Model life 2003>>

Pos	Part Number	Description	Remark	Qty	Model
1	958 505 833 00	Front end cover Rear apron Inst. & Conv. Instructions Cayenne, alle Group 6 6316 (39/10) Attention Cover Front spoiler Stainless steel	11- -14	1	Cayenne (92A) -I2JC/-I2JX -IE0W/-I2D1 -I2D2
(1)	958 505 833 01 958 505 833 01 6M7	Cover Front spoiler Stainless steel	15-	1	-I2JC/-I2JX -IE0W/-I2D1 -I2D2
2	958 505 834 60	Inst. & Conv. Instructions Cayenne,alle Group 6 6356 (47/10) Attention Cover Rear end Lower	-14	1	-I2JX -IE0W/-I2D1 -I2D2
(2)	958 505 834 60 6M7 958 505 834 80 958 505 834 80 6M7	Stainless steel Cover Rear end Lower Stainless steel	15-	1	-I2JX -IE0W/-I2D1 -I2D2

Model: TEQ 2

Model life 2003>>

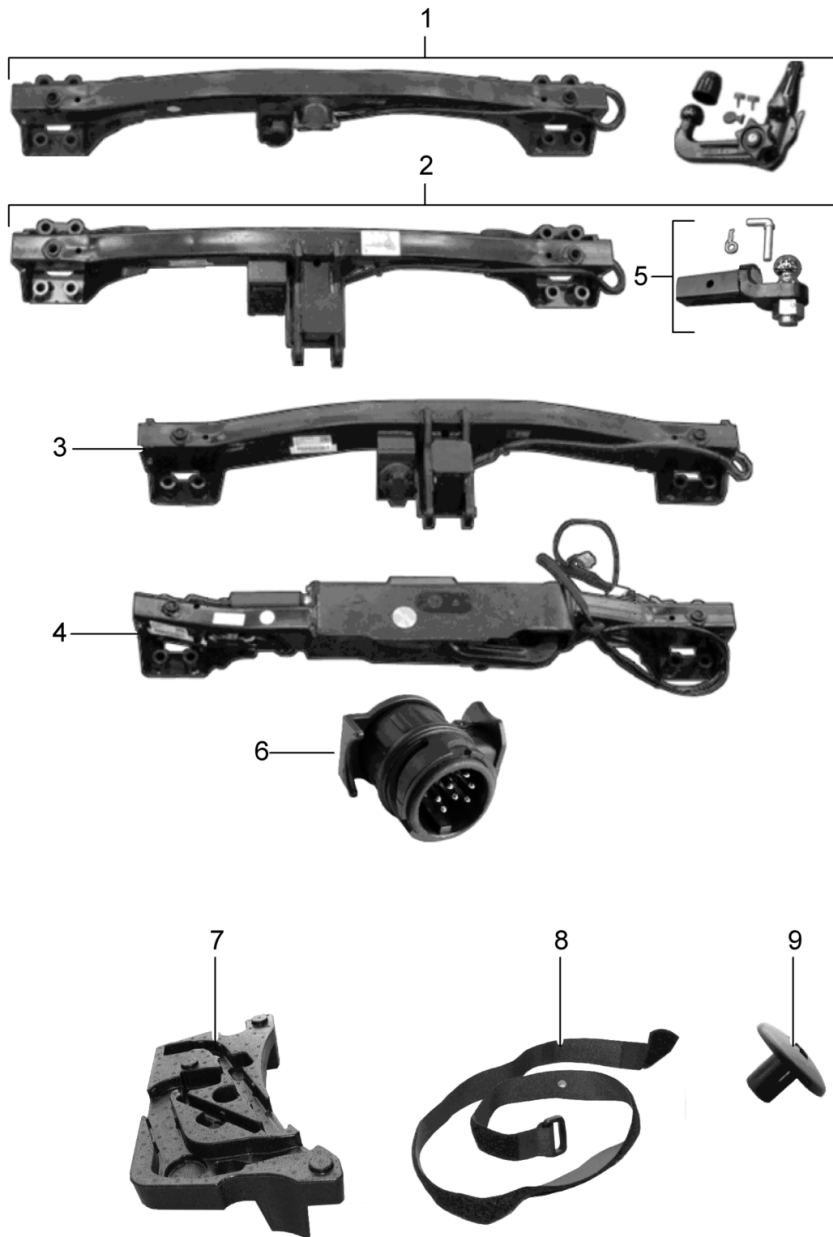


Model: TEQ 2 Model life 2003>>

Pos	Part Number	Description	Remark	Qty	Model
		Trailer coupling Inst. & Conv. Instructions Cayenne Group 6 6690 (6/04) Attention Use also:	03-10		Cayenne (9PA)
5	N 909 892 01	Hexagon-head bolt	03-05	8	I1D7
-	955 505 087 00	Lid Rear apron Inst. & Conv. Instructions Cayenne Group 6 6690 (27/07) 6690 (1/06) Attention	03-04	1	Cayenne Cayenne S
(1)	955 044 002 73	Trailer coupling Mechanical		1	I1D7
(3)	955 044 002 75	Trailer coupling Mechanical	(AUS)	1	
(4)	955 044 002 76	Trailer coupling Electric Use also:		1	I1D9
-	955 505 087 01 955 505 087 01 G2X	Lid Prime coated When required order also:	04-10	1	ID9L
6	955 044 000 27	Ball head	(AUS) (CDN) (USA)	1	
7	955 044 000 64	Adapter plug 7-pole Only for replacement	-(AUS)	1	
-	955 044 900 45	Electric line		1	I1D9

Model: TEQ 2

Model life 2003>>

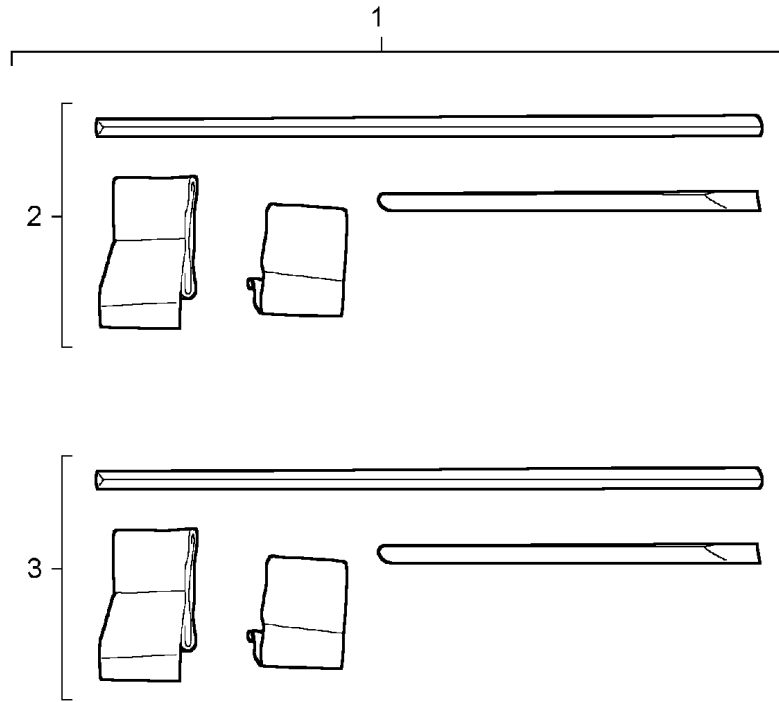


Model: TEQ 2 Model life 2003>>

Pos	Part Number	Description	Remark	Qty	Model
		Trailer coupling	11-14 15-		Cayenne (92A)
		Inst. & Conv. Instructions Cayenne Group 6 6690 (32/10) 6690 (24/16) Attention	11-14 15-		alle
1	958 044 801 30	Trailer coupling Mechanical	11-14 -(CN)	1	I1D2
(1)	958 044 801 34	Trailer coupling Mechanical	15- -(CN)	1	I1D1
3	958 044 801 32	Trailer coupling Mechanical	11- (AUS) -(CN)	1	I1D6
4	958 044 801 33	Trailer coupling Electric	11-14 -(CN)	1	I1D9
(4)	958 044 801 35	Trailer coupling Electric	15- -(CN)	1	-ID19
(4)	958 044 801 36	Trailer coupling Electric When required order also:	15- -(CN)	1	ID19 PHEV
5	955 044 000 27	Ball head	11- (AUS)	1	
6	955 044 000 64	Adapter plug 7-pole	11- -(AUS)	1	
7	958 721 102 00	Mounting Ball head Tool	-(CN)	1	I1D2
8	958 721 111 00	Retaining strap Mounting	-(CN)	1	I1D2
9	N 908 713 01	Push button Mounting	-(CN)	1	I1D2

Model: TEQ 2

Model life 2003>>



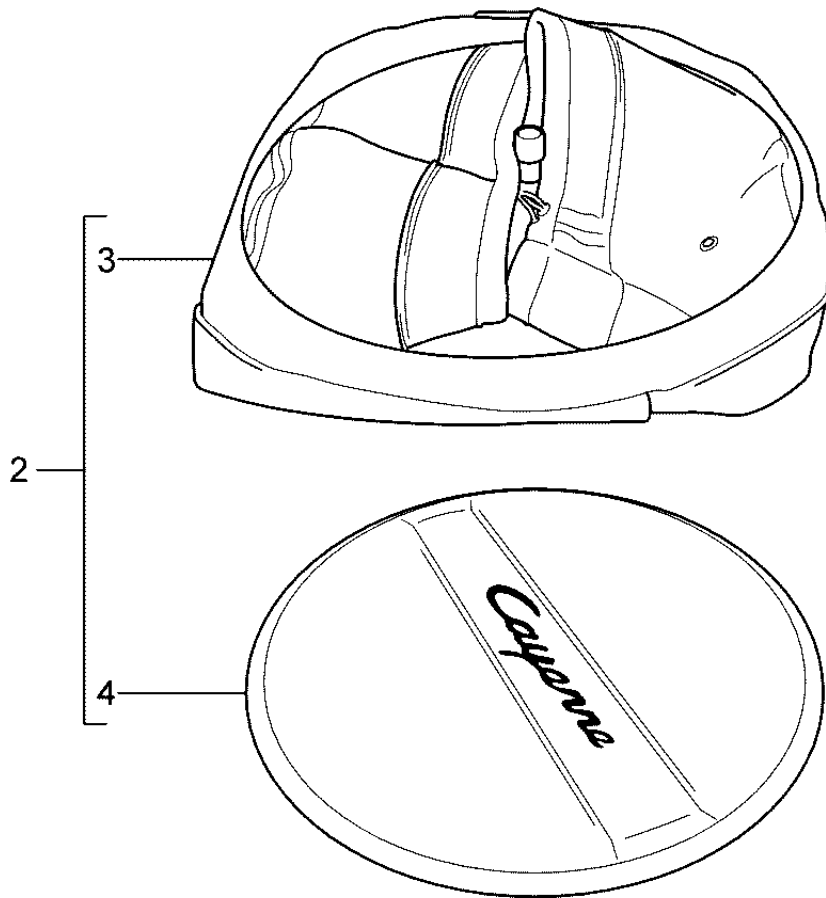
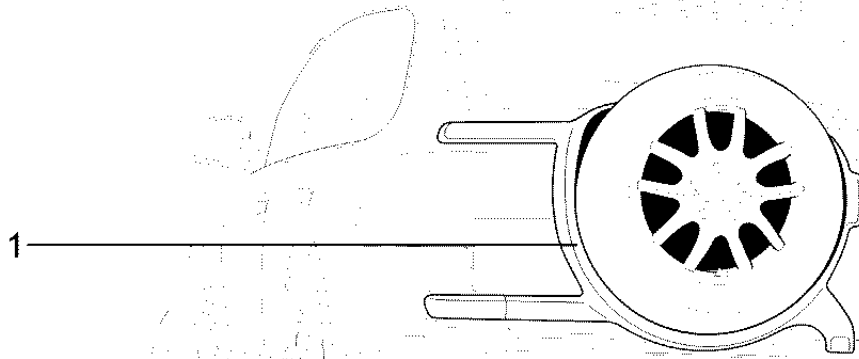
Model: TEQ 2

Model life 2003>>

Pos	Part Number	Description	Remark	Qty	Model
1	955 044 800 06	Protective strip Lateral Inst. & Conv. Instructions Cayenne Group 6 6625 (26/07) Attention Strip Doors Lateral Set	03-10	1	Cayenne (9PA) alle
2	955 044 800 65	Comprising: Strip Left Repair kit	/L	1	
3	955 044 800 66	Strip Right Repair kit	/R	1	

Model: TEQ 2

Model life 2003>>



Model: TEQ 2

Model life 2003>>

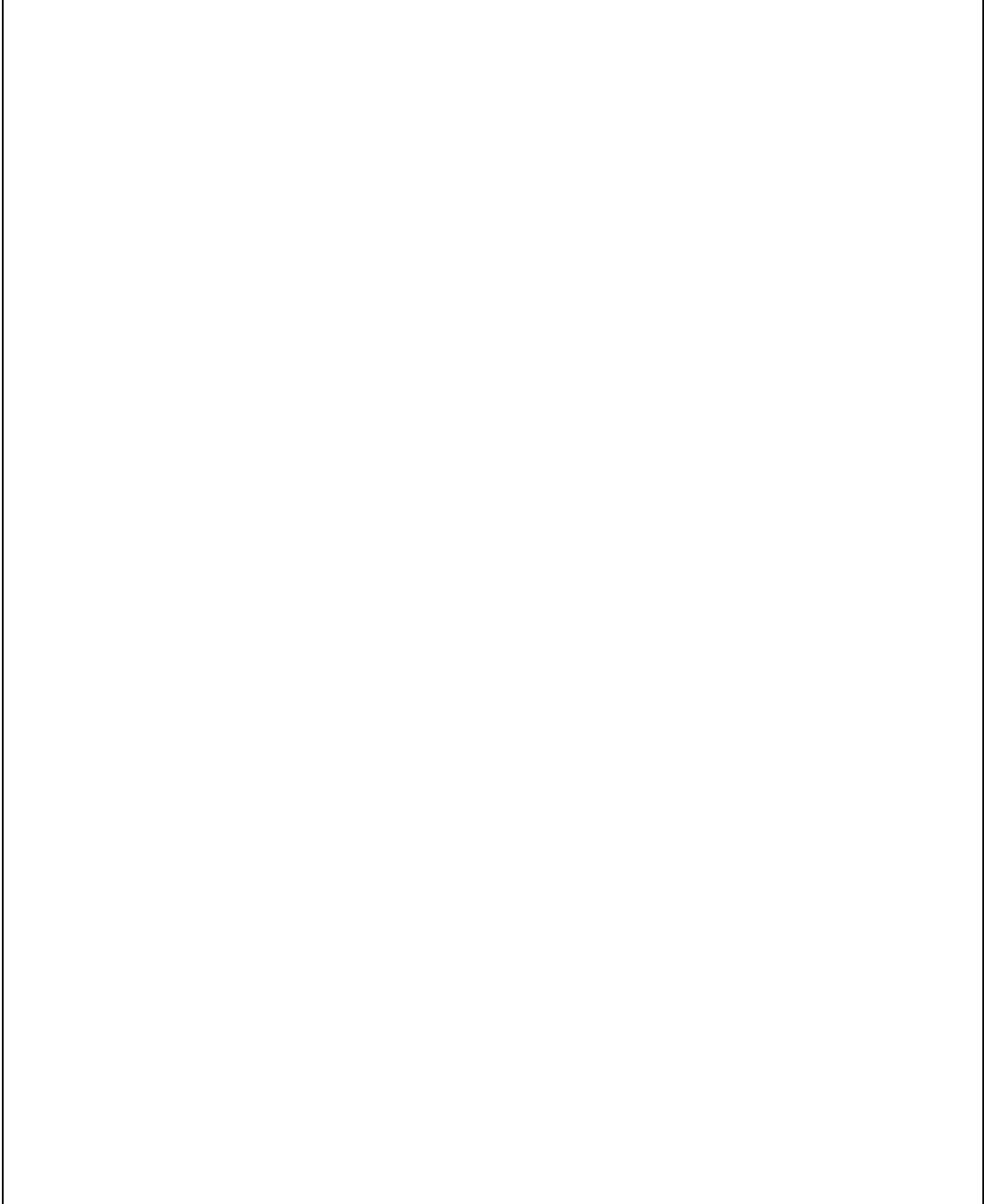
Pos	Part Number	Description	Remark	Qty	Model
1	955 044 000 21	Support for spare wheel Spare wheel covering Technical information Cayenne Group 4 4456 (4/04) Attention Support for spare wheel Outer Set Not for Gear wheel sets 95504460213 95504460214 with 10JX20 ET 55 Comprising: Bracket Spare wheel Single parts See illustrations 9PA 0/02/05	03-10	1	Cayenne (9PA) alle ID9J/D9K
-	N 910 460 01	Oval-head screw		3	
-	955 722 020 01	Mounting Upper Inner		1	
-	N 105 361 01	Hexagon-head bolt M8 x 16		4	
-	955 722 256 00	Cap Upper with Tie-wrap		1	
-	955 722 201 01	Bearing Lower		1	
-	N 019 530 3	Hexagon-head bolt		4	
-	955 722 255 00	Cap Lower		1	
-	955 722 203 00	Cover		1	
-	955 722 203 00 4W9	Hinge		1	
-	N 104 272 01	Countersunk-head screw M5 x 12		1	
-	955 722 204 00	Frame		1	
-	955 722 205 00	Cover		1	
-	955 722 031 00	Locking device with Bowden cable		1	
-	955 722 075 00	Spacer		1	
-	N 908 179 01	Blind rivet nut MG 3,5-6 for Aluminium Cross member Or Trailer coupling		4	
-		Blind rivet nut M6 2,4-4,5 Only for Trailer coupling		4	
-	N 909 975 01	Hose holder Bowden cable Emergency operation Release		2	

Model: TEQ 2 Model life 2003>>

Pos	Part Number	Description	Remark	Qty	Model
-	N 102 856 01	Hexagon-head bolt		4	
-	955 505 897 00	U-clamp		14	
-	955 044 900 05	Wiring harness Inner		1	
-	955 612 812 00	Wiring harness Outer Lock		1	
-	955 044 900 09	Wiring harness License plate light Outer		1	
-		Combination screw M5 x 9 Number plate Support		4	
-	N 902 184 01	Blind rivet nut M6 0,5-4		2	
-		Screw M6 x 20 Number plate Support		2	
-	N 906 851 01	Clip Connection point Rear end Lining		1	
-	N 103 358 01	Bush 0,5-1,0 QMM		2	
-	N 903 352 04	Connector Bush 0,5-1,0QMM		2	
-	999 652 475 22	Flat plug KONTAKT 2,5-6,3 QMM Single parts Support for spare wheel Retrofit kit See illustrations 9PA 0/02/05 Inst. & Conv. Instructions Cayenne Main group 4 4464 (15/07) Attention		2	
2	955 044 000 14	Spare wheel covering Not for Gear wheel sets 95504460213 95504460214 with 10JX20 ET 55		1	I1G3
3	955 044 000 54	Boot		1	I1G3
4	955 044 000 55	Protection cap		1	I1G3

Model: TEQ 2

Model life 2003>>



Model: TEQ 2

Model life 2003>>

Pos	Part Number	Description	Remark	Qty	Model
-	955 044 000 67	Protective grille Sun visor Protective grille Rear window Set Comprising: Sun visors	03-10	1 4	Cayenne (9PA)
-	955 044 000 68	Protective grille Rear window Set Comprising: Sun visor		1	
-	955 044 000 69	Assembly kit Protective grille Rear window Rear window		1 1 4 1	

Model: TEQ 2

Model life 2003>>



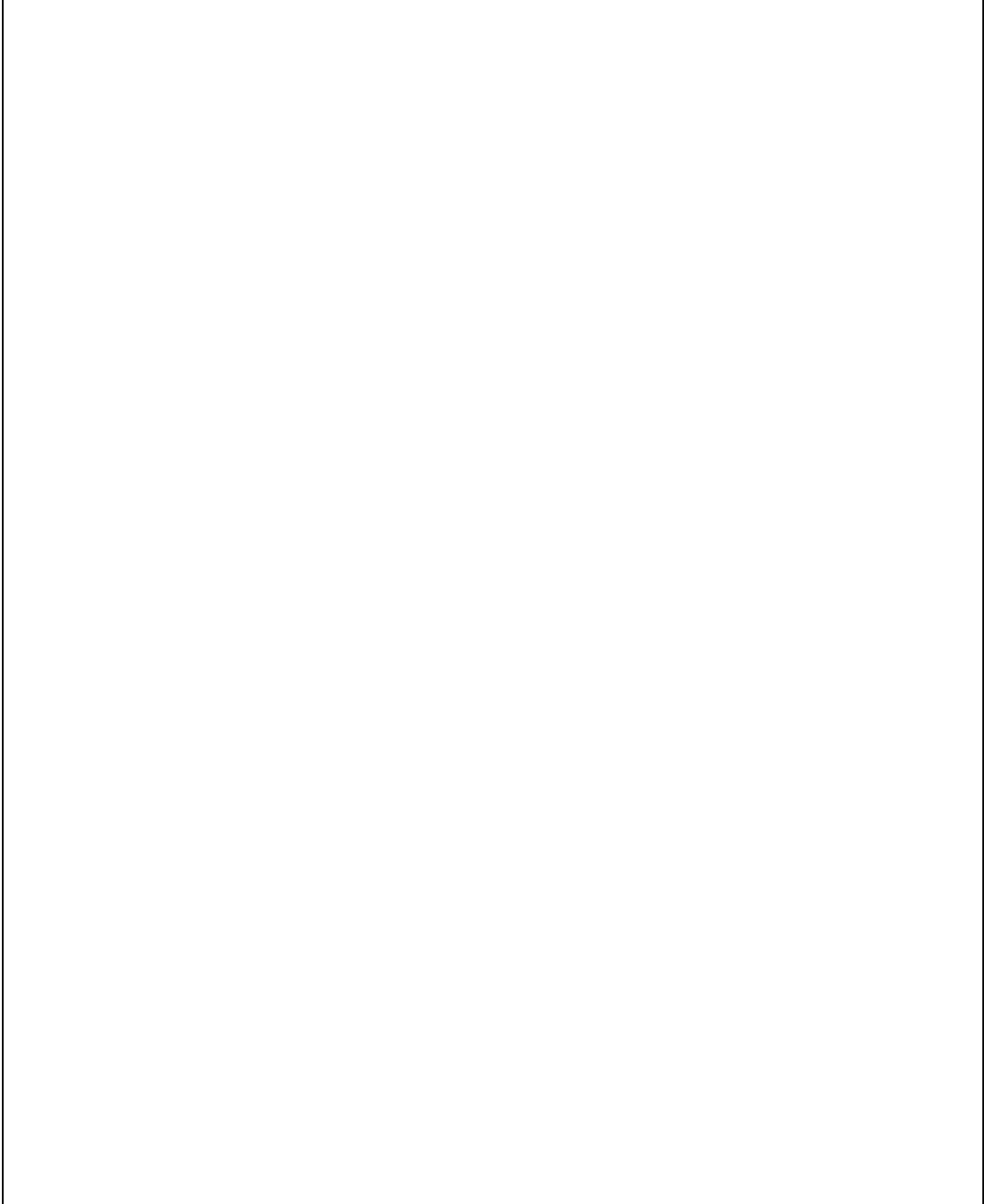
Model: TEQ 2

Model life 2003>>

Pos	Part Number	Description	Remark	Qty	Model
1	958 044 000 05	Protective grille Sun visor Protective grille Rear window Set Comprising: Sun visor	11-	1	Cayenne (92A)
2	958 044 000 06	Protective grille Rear window Set Comprising: Sun visors		1 1 4	

Model: TEQ 2

Model life 2003>>

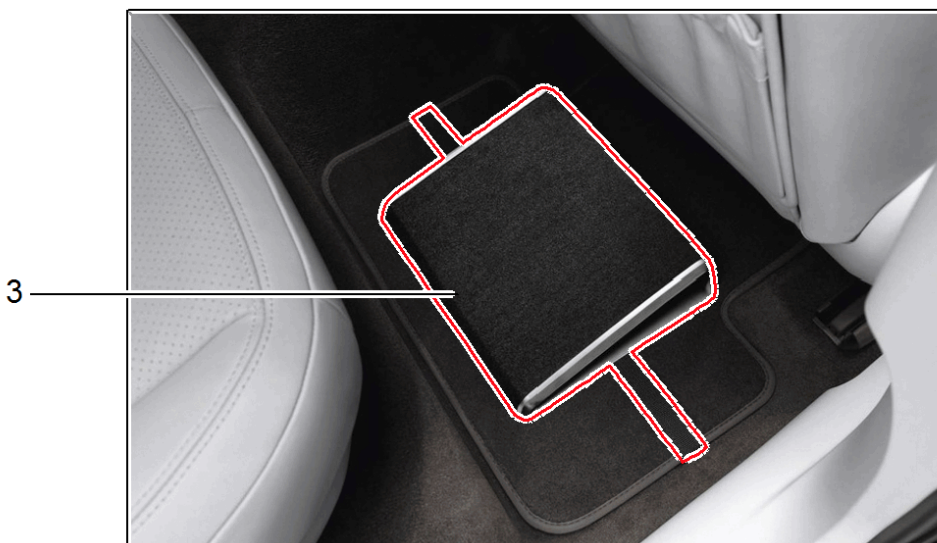


Model: TEQ 2 Model life 2003>>

Pos	Part Number	Description	Remark	Qty	Model
		Loadspace system Inst. & Conv. Instructions Cayenne Group 6 6870 (7/07) Attention	03-10		Cayenne (9PA)
-	955 044 802 19	Loadspace system Tufting velour Set		1	alle
	955 044 802 19 7H1	Black			-I9AH
	955 044 802 19 7J2	Steel grey			
	955 044 802 19 7K3	Sand Beige			
-	955 044 802 20	Loadspace system Pearl velour Set		1	-I9AH
	955 044 802 20 8B2	Black			
	955 044 802 20 8C3	Steel grey			
	955 044 802 20 8D4	Sand Beige			
	955 044 802 20 L63	Chestnut brown			
-	955 044 802 21	Loadspace system Tufting velour Set		1	I9AH
	955 044 802 21 7H1	Black			
	955 044 802 21 7J2	Steel grey			
	955 044 802 21 7K3	Sand Beige			
-	955 044 802 22	Loadspace system Pearl velour Set		1	I9AH
	955 044 802 22 8B2	Black			
	955 044 802 22 8C3	Steel grey			
	955 044 802 22 8D4	Sand Beige			
	955 044 802 22 L63	Chestnut brown			

Model: TEQ 2

Model life 2003>>



Model: TEQ 2 Model life 2003>>

Pos	Part Number	Description	Remark	Qty	Model
(1)	955 044 800 02	Floor mats Velour Rubber Floor mat Velour Set	2003-10 2011-17 2018- 03-03	1	Cayenne (9PA) Cayenne (92A) Cayenne Cayenne (9PA)
	955 044 800 02 8B2	Black			/LL
	955 044 800 02 8C3	Steel grey			
	955 044 800 02 8D4	Sand Beige			
	955 044 800 02 8E5	Palmgreen			
(1)	955 044 800 03	Floor mat Velour Set	03-03	1	Cayenne (9PA)
	955 044 800 03 8B2	Black			/RL
	955 044 800 03 8C3	Steel grey			
	955 044 800 03 8D4	Sand Beige			
	955 044 800 03 8E5	Palmgreen			
-	955 044 800 64	When required order also: Fastening part Set	03-03	1	
	955 044 800 64 8B2	Black			
	955 044 800 64 8C3	Steel grey			
	955 044 800 64 8D4	Sand Beige			
	955 044 800 64 8E5	Palmgreen			
(1)	955 044 800 62	Floor mat Velour Set	04-06	1	Cayenne (9PA)
	955 044 800 62 8B2	Black			/LL
	955 044 800 62 8C3	Steel grey			
	955 044 800 62 8D4	Sand Beige			
	955 044 800 62 8E5	Palmgreen			
(1)	955 044 801 62	Floor mat Velour Set	04-06	1	Cayenne (9PA)
	955 044 801 62 8B2	Black			/LL
	955 044 801 62 8C3	Steel grey			
	955 044 801 62 8D4	Sand Beige			
	955 044 801 62 8E5	Palmgreen			
(1)	955 044 800 63	Floor mat Velour Set	04-06	1	Cayenne (9PA)
	955 044 800 63 8B2	Black			/RL
	955 044 800 63 8C3	Steel grey			
	955 044 800 63 8D4	Sand Beige			
	955 044 800 63 8E5	Palmgreen			
(1)	955 044 801 63	Floor mat Velour Set	04-06	1	Cayenne (9PA)
	955 044 801 63 8B2	Black			/RL
	955 044 801 63 8C3	Steel grey			
	955 044 801 63 8D4	Sand Beige			
	955 044 801 63 8E5	Palmgreen			
-	955 044 802 64	When required order also: Fastening part Set	03-06	1	Cayenne (9PA)
	955 044 802 64 8B2	Black			
	955 044 802 64 8C3	Steel grey			
	955 044 802 64 8D4	Sand Beige			
(1)	955 044 802 62	Floor mat Velour Set	08-10	1	Cayenne (9PA)
	955 044 802 62 8B2	Black			/RL
	955 044 802 62 8C3	Steel grey			

Model: TEQ 2 Model life 2003>>

Pos	Part Number	Description	Remark	Qty	Model				
(1)	955 044 802 62 8D4	Sand Beige	08-10	1	Cayenne (9PA)				
	955 044 802 62 L63	Chestnut brown							
	955 044 802 63	Floor mat Velour Set							
	955 044 802 63 8B2	Black							
	955 044 802 63 8C3	Steel grey							
(1)	955 044 802 63 8D4	Sand Beige	10-10	1	Cayenne (9PA)				
	955 044 802 63 L63	Chestnut brown							
	955 044 804 65	Floor mat Velour Set Black							
	955 044 804 66	Floor mat Velour Set Black				10-10	1	Cayenne (9PA)	
		Guards red							
(1)	958 044 800 61	Floor mat Velour Set Air conditioner	11-14	1	Cayenne (92A)				
	958 044 800 61 DE1	Umber							
	958 044 800 61 DJ6	Platinum Grey							
	958 044 800 61 DK4	Black							
	958 044 800 61 DM5	Luxor Beige							
	958 044 800 61 DP8	Espresso							
	(1)	958 044 800 62				Floor mat Velour Set Air conditioner	11-14	1	Cayenne (92A)
		958 044 800 62 DE1				Umber			
		958 044 800 62 DJ6				Platinum Grey			
		958 044 800 62 DK4				Black			
958 044 800 62 DM5		Luxor Beige							
(1)	958 044 800 62 DP8	Espresso	11-14	1	Cayenne (92A)				
	958 044 800 63	Floor mat Velour Set Auxiliary air conditioner							
	958 044 800 63 DE1	Umber							
	958 044 800 63 DJ6	Platinum Grey							
	958 044 800 63 DK4	Black							
	958 044 800 63 DM5	Luxor Beige							
	958 044 800 63 DP8	Espresso							
	(1)	958 044 800 64				Floor mat Velour Set Auxiliary air conditioner	11-14	1	Cayenne (92A)
		958 044 800 64 DE1				Umber			
		958 044 800 64 DJ6				Platinum Grey			
958 044 800 64 DK4		Black							
958 044 800 64 DM5		Luxor Beige							
1	7P5 863 011 D	Floor mat Velour Set Auxiliary air conditioner	15-	1	Cayenne (92A)				
	7P5 863 011 D DE1	Umber							
	7P5 863 011 D DJ6	Platinum Grey							
	7P5 863 011 D DK4	Black							
	7P5 863 011 D DM5	Luxor Beige							

Model: TEQ 2 Model life 2003>>

Pos	Part Number	Description	Remark	Qty	Model
(1)	7P5 863 011 D DP8	Espresso	15-	1	Cayenne (92A)
	7P5 863 011 D OJ1	Agate Grey			
	7P5 863 011 D OP2	Saddle Tan			
	7P5 863 011 E	Floor mat			
		Velour			
		Set			
		Auxiliary air conditioner			
	7P5 863 011 E DE1	Umber			
	7P5 863 011 E DJ6	Platinum Grey			
	7P5 863 011 E DK4	Black			
(1)	7P5 863 011 E DM5	Luxor Beige	15-	1	Cayenne (92A)
	7P5 863 011 E DP8	Espresso			
	7P5 863 011 E OJ1	Agate Grey			
	7P5 863 011 E OP2	Saddle Tan			
	7P5 863 011 F	Floor mat			
		Velour			
		Set			
		Auxiliary air conditioner			
	7P5 863 011 F DE1	Umber			
	7P5 863 011 F DJ6	Platinum Grey			
(1)	7P5 863 011 F DK4	Black	15-	1	Cayenne (92A)
	7P5 863 011 F DM5	Luxor Beige			
	7P5 863 011 F DP8	Espresso			
	7P5 863 011 F OJ1	Agate Grey			
	7P5 863 011 F OP2	Saddle Tan			
	7P5 863 011 G	Floor mat			
		Velour			
		Set			
		Auxiliary air conditioner			
	7P5 863 011 G DE1	Umber			
(1)	7P5 863 011 G DJ6	Platinum Grey	15-	1	Cayenne (92A)
	7P5 863 011 G DK4	Black			
	7P5 863 011 G DM5	Luxor Beige			
	7P5 863 011 G DP8	Espresso			
	7P5 863 011 G OJ1	Agate Grey			
	7P5 863 011 G OP2	Saddle Tan			
	958 551 800 68	Floor mat			
		Velour			
		Set			
		Auxiliary air conditioner			
(1)	958 551 800 68 YRI	Black/Carrera Red	15-	1	Cayenne (92A)
	958 551 800 68 YPO	Black/Cream			
	958 551 800 69	Floor mat			
(1)		Velour	15-	1	Cayenne (92A)
		Set			
		Auxiliary air conditioner			
	958 551 800 69 YRI	Black/Carrera Red			
	958 551 800 69 YPO	Black/Cream			
	958 551 800 86	Floor mat			
(1)		Velour	15-	1	Cayenne (92A)
		Set			
		Auxiliary air conditioner			
	958 551 800 86 YRI	Black/Carrera Red			
	958 551 800 86 YPO	Black/Cream			
	958 551 800 87	Floor mat			
(2)		Velour	03-10 - (CN)	1	Cayenne (9PA)
		Set			
		Auxiliary air conditioner			
	958 551 800 87 YRI	Black/Carrera Red			
	958 551 800 87 YPO	Black/Cream			
955 044 802 60	Floor mat	03-10 - (CN)	1	Cayenne (9PA)	
	Rubber				
	Set				
					/RL I9AD
					/LL I9AH
					/RL I9AD
					/LL I9AH
					/RL I9AD
					/LL I9AH
					/RL I9AD
					/LL I9AH
					/RL I9AD
					/LL I9AH

Model: TEQ 2 Model life 2003>>

Pos	Part Number	Description	Remark	Qty	Model
(2)	955 044 802 61	Floor mat Rubber Set	03-10 -(CN)	1	Cayenne (9PA) /LL
2	958 044 801 51	Floor mat Rubber Set Air conditioner	11- -(CN)	1	Cayenne (92A) /LL I9AD
	958 044 801 51 1E0	Black			
	958 044 801 51 4H0	Luxor Beige			
	958 044 801 51 OP1	Agate Grey			
(2)	958 044 801 55	Floor mat Rubber Set Air conditioner	11- (CN)	1	Cayenne (92A) /LL I9AD
	958 044 801 55 1E0	Black			
	958 044 801 55 4H0	Luxor Beige			
	958 044 801 55 OP1	Agate Grey			
(2)	958 044 801 52	Floor mat Rubber Set Air conditioner	11- -(CN)	1	Cayenne (92A) /RL I9AD
	958 044 801 52 1E0	Black			
	958 044 801 52 4H0	Luxor Beige			
	958 044 801 52 OP1	Agate Grey			
(2)	958 044 801 53	Floor mat Rubber Set Auxiliary air conditioner	11- -(CN)	1	Cayenne (92A) /LL I9AH
	958 044 801 53 1E0	Black			
	958 044 801 53 4H0	Luxor Beige			
	958 044 801 53 OP1	Agate Grey			
(2)	958 044 801 57	Floor mat Rubber Set Auxiliary air conditioner	11- (CN)	1	Cayenne (92A) /LL I9AH
	958 044 801 57 1E0	Black			
	958 044 801 57 4H0	Luxor Beige			
	958 044 801 57 OP1	Agate Grey			
(2)	958 044 801 54	Floor mat Rubber Set Auxiliary air conditioner	11- -(CN)	1	Cayenne (92A) /RL I9AH
	958 044 801 54 1E0	Black			
	958 044 801 54 4H0	Luxor Beige			
	958 044 801 54 OP1	Agate Grey			
-		Floor mats two-colour	11-		Cayenne (92A)
(1)	958 551 800 68	Floor mat Velour two-colour Set 4-part	11-	1	Cayenne (92A) /LL
	958 551 800 68 HAH	Black/Rhodium Silver			Cayenne GTS IDU3
	958 551 800 68 HGZ	SCHWARZ/SCHWARZ/LUXORBEIGE			Platinum Ed. ID1V/D11/D34 ID43/D50
	958 551 800 68 IVG	Black/Carmine Red			Cayenne GTS IDU3
	958 551 800 68 IVH	Black/Peridot			Cayenne GTS IDU3
	958 551 800 68 YRI	Black/Carrera Red			Turbo S IDT5

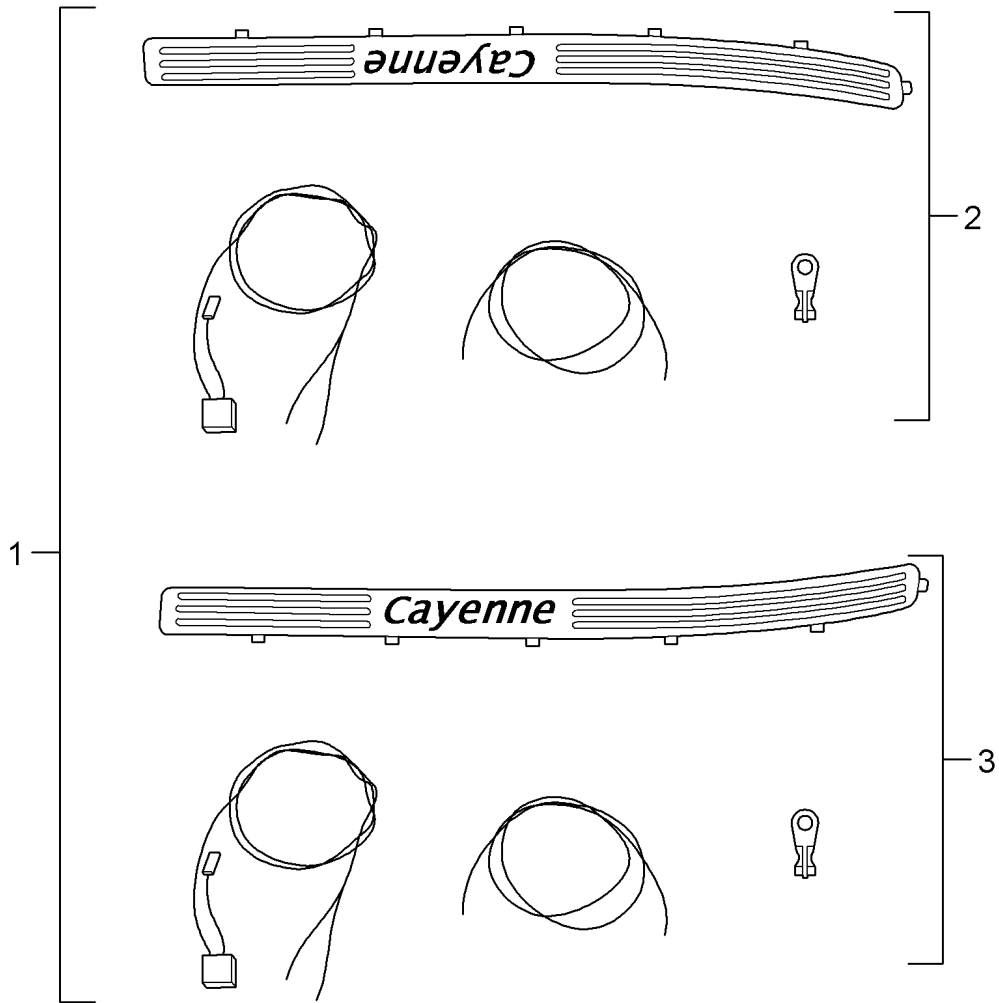
Model: TEQ 2

Model life 2003>>

Pos	Part Number	Description	Remark	Qty	Model
	958 551 800 68 YSI	Black/Luxor Beige			Turbo S IDT5
(1)	958 551 800 69	Floor mat Velour two-colour Set 4-part	11-	1	Cayenne (92A) /RL
	958 551 800 69 HAH	Black/Rhodium Silver			Cayenne GTS IDU3
	958 551 800 69 HGZ	SCHWARZ/SCHWARZ/LUXORBEIGE			Platinum Ed. ID1V/D11/D34 ID43/D50
	958 551 800 69 IVG	Black/Carmine Red			Cayenne GTS IDU3
	958 551 800 69 IVH	Black/Peridot			Cayenne GTS IDU3
	958 551 800 69 YRI	Black/Carrera Red			Turbo S IDT5
	958 551 800 69 YSI	Black/Luxor Beige			Turbo S IDT5
(1)	958 551 800 86	Floor mat Velour two-colour Set 4-part Auxiliary air conditioner	11-	1	Cayenne (92A) /LL I9AH
	958 551 800 86 HAH	Black/Rhodium Silver			Cayenne GTS IDU3
	958 551 800 86 HGZ	SCHWARZ/SCHWARZ/LUXORBEIGE			Platinum Ed. ID1V/D11/D34 ID43/D50
	958 551 800 86 IVG	Black/Carmine Red			Cayenne GTS IDU3
	958 551 800 86 IVH	Black/Peridot			Cayenne GTS IDU3
	958 551 800 86 YRI	Black/Carrera Red			Turbo S IDT5
	958 551 800 86 YSI	Black/Luxor Beige			Turbo S IDT5
(1)	958 551 800 87	Floor mat Velour two-colour Set 4-part Auxiliary air conditioner	11-	1	Cayenne (92A) /RL I9AH
	958 551 800 87 HAH	Black/Rhodium Silver			Cayenne GTS IDU3
	958 551 800 87 HGZ	SCHWARZ/SCHWARZ/LUXORBEIGE			Platinum Ed. ID1V/D11/D34 ID43/D50
	958 551 800 87 IVG	Black/Carmine Red			Cayenne GTS IDU3
	958 551 800 87 IVH	Black/Peridot			Cayenne GTS IDU3
	958 551 800 87 YRI	Black/Carrera Red			Turbo S IDT5
	958 551 800 87 YSI	Black/Luxor Beige			Turbo S IDT5
3	970 044 802 80	Foot support Rear		1	
	970 044 802 80 DK4	Black			

Model: TEQ 2

Model life 2003>>

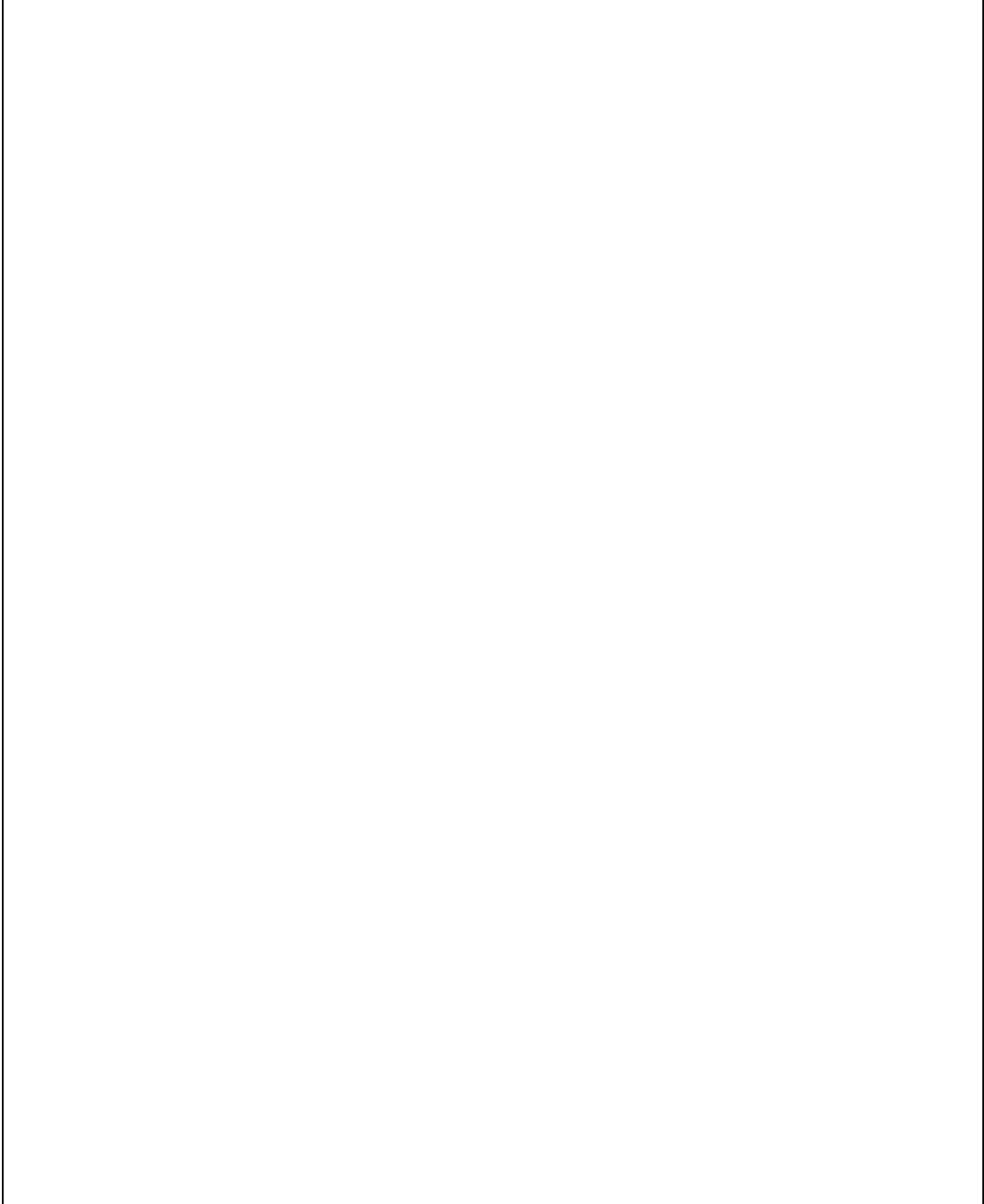


Model: TEQ 2 Model life 2003>>

Pos	Part Number	Description	Remark	Qty	Model
-	955 044 800 49	Scuff plate without Illumination Scuff plate Stainless steel Set	03-10 11- 04-10	1	Cayenne (9PA) Cayenne (92A) ID9J
-	958 044 800 14	Scuff plate Stainless steel without Logo Set	11-	1	
-	958 044 800 13	Scuff plate Carbon Set	11-14	1	Cayenne
-	958 044 800 17	Scuff plate Carbon Set	11-14	1	Cayenne S
-	958 044 800 40	Scuff plate Carbon Set	11-14	1	Cayenne GTS
-	958 044 800 37	Scuff plate Carbon Set	11-14	1	Cayenne turbo
-	958 044 800 43	Scuff plate Carbon Set	14-14	1	Cayenne turbo S

Model: TEQ 2

Model life 2003>>



Model: TEQ 2 Model life 2003>>

Pos	Part Number	Description	Remark	Qty	Model
		Scuff plate with Illumination Inst. & Conv. Instructions Cayenne Group 6 6807 (7/05) Attention			Cayenne (9PA) Cayenne (92A) Cayenne/S Turbo
-	955 044 800 00	Scuff plate Stainless steel Set	03-10	1	ID9J/D9K ID9L
-	955 044 800 67	Scuff plate Stainless steel Repair kit	/L 03-10	1	ID9J/D9K ID9L
-	955 044 800 68	Scuff plate Stainless steel Repair kit	/R 03-10	1	ID9J/D9K ID9L
-	955 551 983 00	Scuff plate Transsyberia Set Only for replacement Order	03-10	1	IE2D
-	955 551 992 00	Wiring harness Scuff plate Inst. & Conv. Instructions Cayenne Group 6 6807 (8/11) Attention	03-10	1	alle
-	958 044 800 11	Scuff plate Stainless steel Set	11-	1	Cayenne
-	958 044 800 15	Scuff plate Stainless steel Set	11-	1	Cayenne S
-	958 044 800 38	Scuff plate Stainless steel Set	11-	1	Cayenne GTS
-	958 044 800 35	Scuff plate Stainless steel Set	11-	1	Cayenne turbo
-	958 044 800 41	Scuff plate Stainless steel Set	14-	1	Cayenne turbo S
-	958 044 802 19	Scuff plate Stainless steel Set	14-	1	Cayenne S e-hybrid
-	958 044 800 12	Scuff plate Carbon Set	11-	1	Cayenne
-	958 044 800 16	Scuff plate Carbon Set	11-	1	Cayenne S
-	958 044 800 39	Scuff plate Carbon Set	11-	1	Cayenne GTS
-	958 044 800 36	Scuff plate Carbon Set	11-	1	Cayenne turbo
-	958 044 800 42	Scuff plate Carbon Set	14-	1	Cayenne turbo S
-	958 044 802 18	Scuff plate	14-	1	Cayenne

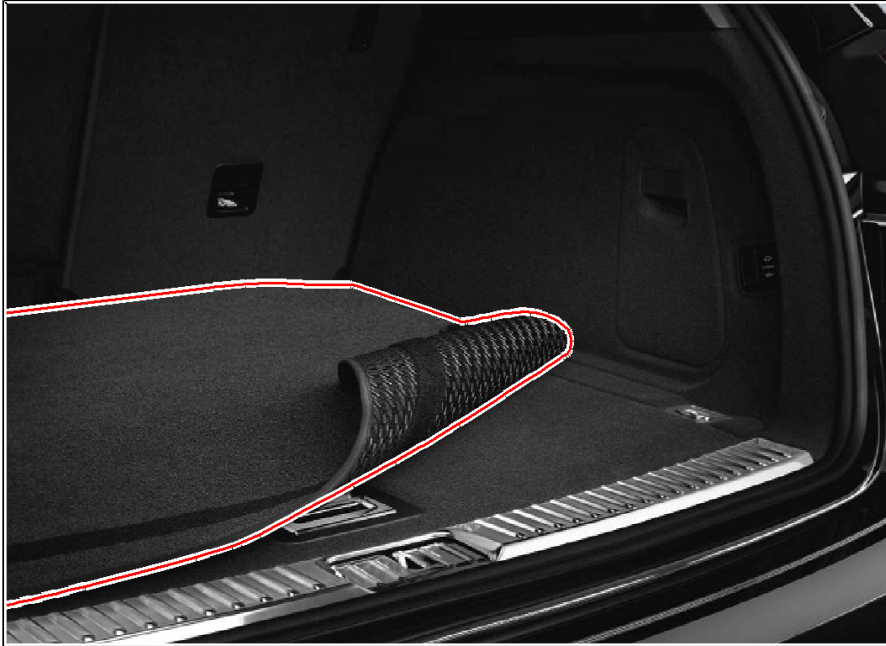
Model: TEQ 2

Model life 2003>>

Pos	Part Number	Description	Remark	Qty	Model
		Carbon Set			S e-hybrid

Model: TEQ 2

Model life 2003>>



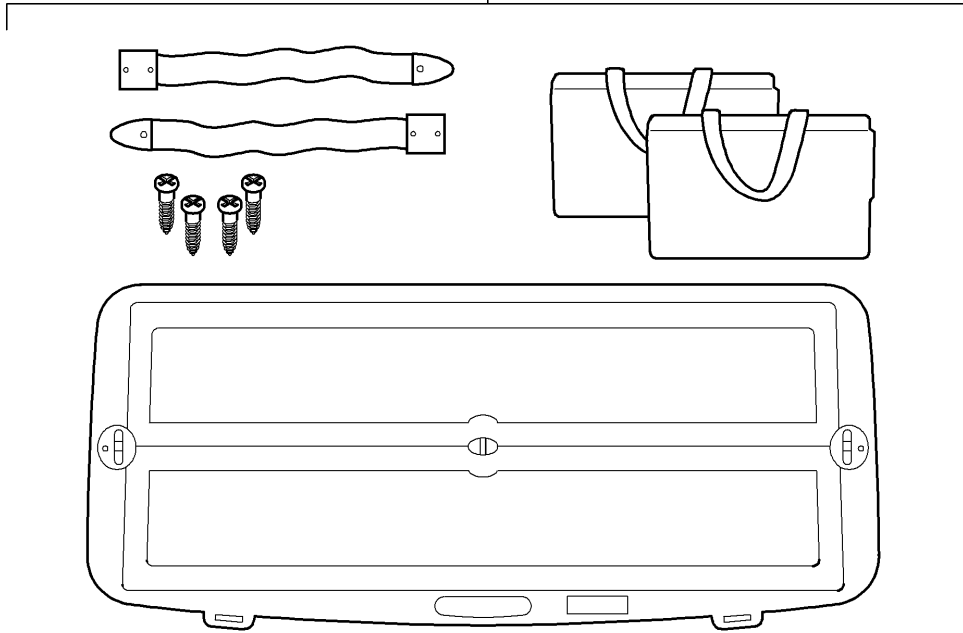
Model: TEQ 2 Model life 2003>>

Pos	Part Number	Description	Remark	Qty	Model
1	955 044 800 04	Mat Luggage compartment	03-10	1	I9AD
	955 044 800 04 8B2	Black			
	955 044 800 04 8C3	Steel grey			
	955 044 800 04 8D4	Sand Beige			
	955 044 800 04 8E5	Palmgreen			
2	955 044 800 04 L63	Chestnut brown			
2	955 044 800 40	Mat Velour for Luggage compartment Vehicle with Fourfold Air conditioner	03-10	1	I9AH
	955 044 800 40 8B2	Black			
	955 044 800 40 8C3	Steel grey			
	955 044 800 40 8D4	Sand Beige			
	955 044 800 40 8E5	Palmgreen			
	955 044 800 40 L63	Chestnut brown			
2	958 044 800 65	Mat Velour for Luggage compartment	11-	1	
	958 044 800 65 DK4	Black			
	958 044 800 65 DE1	Umber			
	958 044 800 65 DJ6	Platinum Grey			
	958 044 800 65 DM5	Luxor Beige			
	958 044 800 65 DP8	Espresso			
	958 044 800 65 OP2	Saddle Tan			
	958 044 800 65 OJ1	Agate Grey			

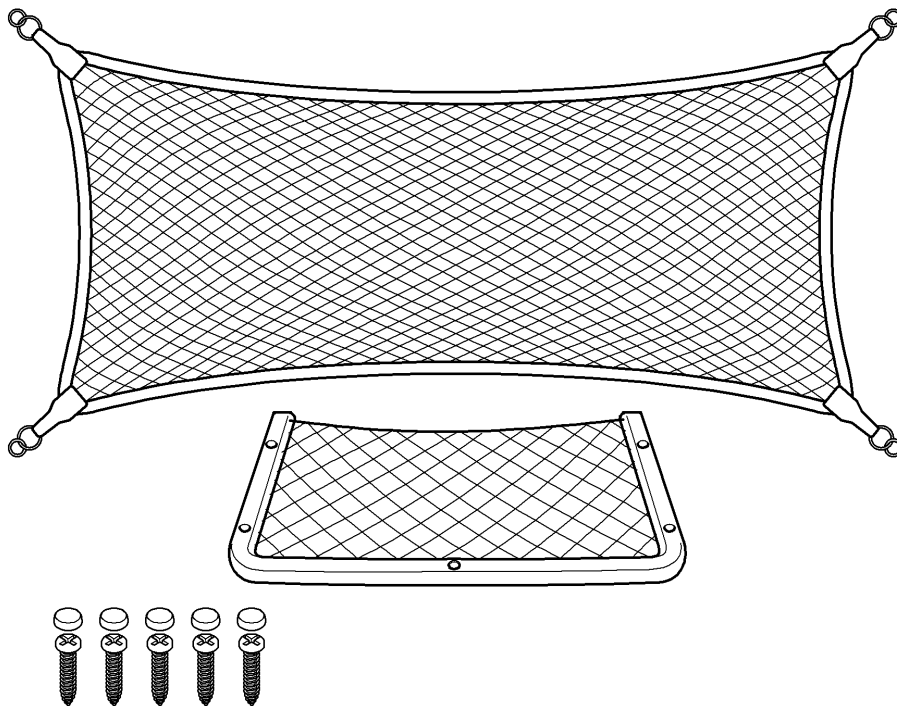
Model: TEQ 2

Model life 2003>>

1



2



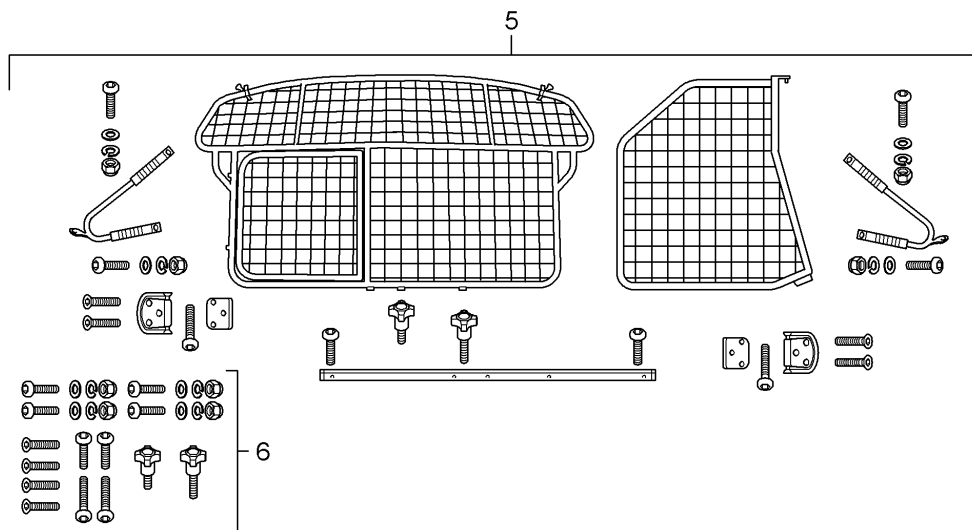
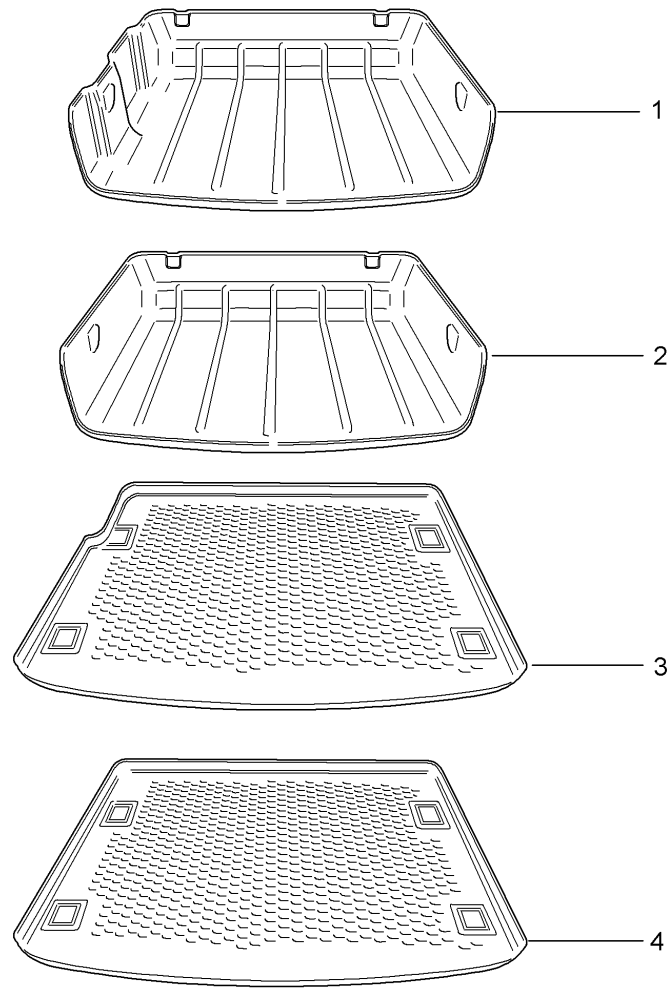
Model: TEQ 2

Model life 2003>>

Pos	Part Number	Description	Remark	Qty	Model
1	955 044 000 19	Luggage net Loadspace system Loadspace system Not for Luggage compartment liner Deep	03-10 11- 03-	1	Cayenne (9PA) Cayenne (92A)
2	955 044 000 03	Luggage net Not for Luggage compartment liner Deep	03-10	1	Cayenne (9PA)
(2)	958 044 000 03	Luggage net Not for Luggage compartment liner	11-	1	Cayenne (92A)

Model: TEQ 2

Model life 2003>>



Model: TEQ 2 Model life 2003>>

Pos	Part Number	Description	Remark	Qty	Model
		Luggage compartment liner Grille	03-10		Cayenne (9PA)
1	955 044 000 16	Luggage compartment liner High Not for Grille 955.044.000.13	-(CN)	1	I9AH
2	955 044 000 15	Luggage compartment liner High Not for Grille 955.044.000.13	-(CN)	1	I9AB/9AD
3	955 044 000 18	Luggage compartment liner Flat	-(CN)	1	I9AH
4	955 044 000 17	Luggage compartment liner Flat Technical information Cayenne Group 6 6845 (3/03) Attention	-(CN)	1	I9AB/9AD
5	955 044 000 13	Grille Retrofit kit Complete Not for Luggage compartment liner High		1	I9AB
6	955 044 000 42	Assembly kit Grille		1	alle

Model: TEQ 2

Model life 2003>>



1

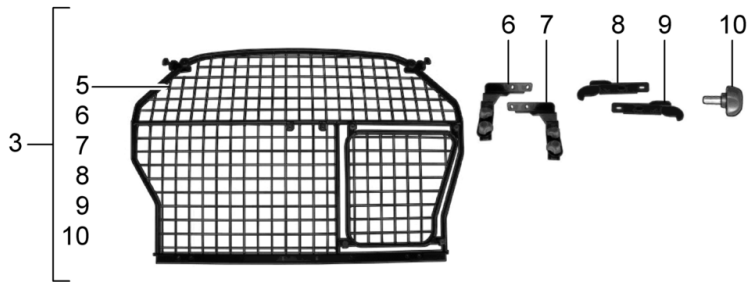


2



3

4



3

5

6

7

8

9

10

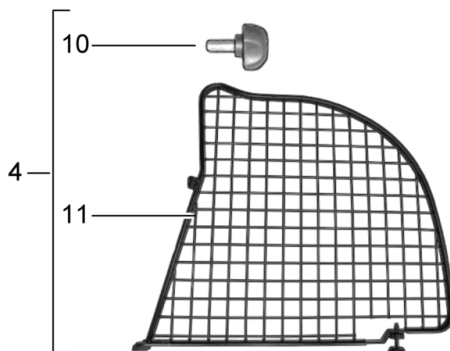
6

7

8

9

10



4

10

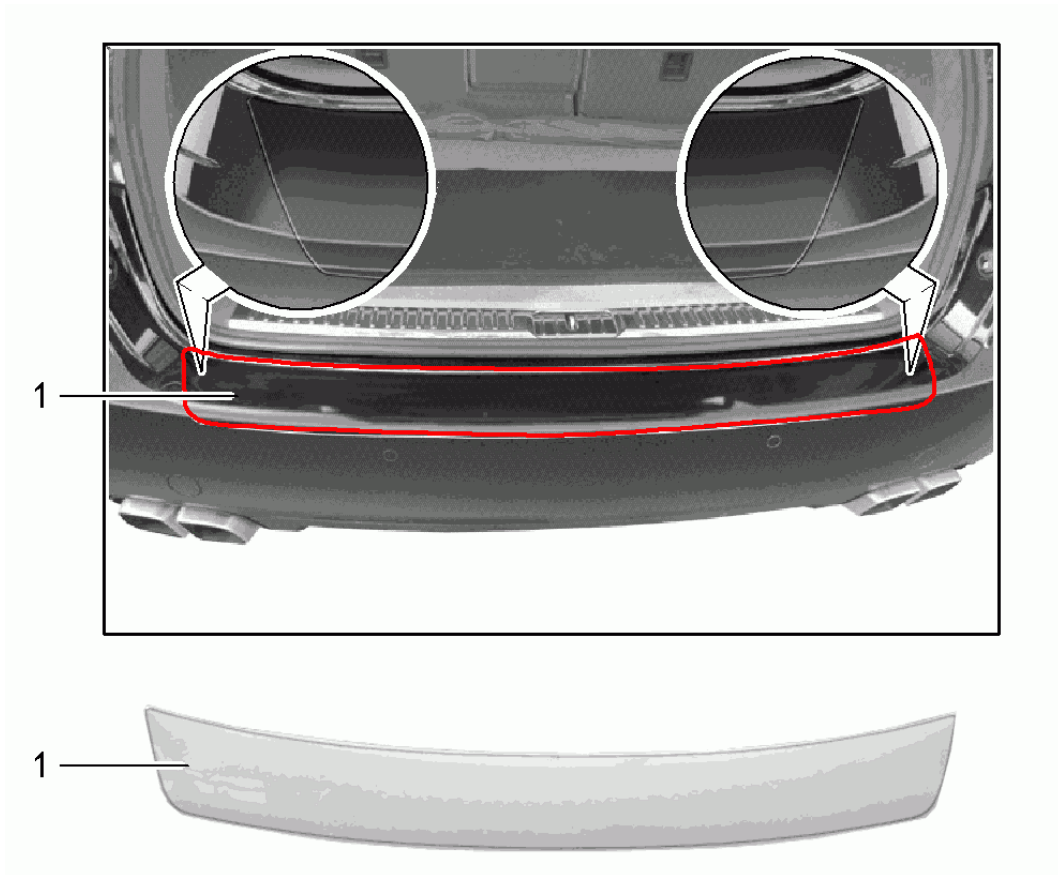
11

Model: TEQ 2 Model life 2003>>

Pos	Part Number	Description	Remark	Qty	Model
		Luggage compartment liner Grille	11-		Cayenne (92A)
(1)	958 044 000 15	Luggage compartment liner High	-(CN)	1	-I0K1/-I9AH -I1G1/-I1G4 -I1G6
1	958 044 000 16	Luggage compartment liner High	-(CN)	1	I9AH -I1G1/-I1G4 -I1G6
1		Luggage compartment liner High	Hybrid -(CN)	1	I0K1 -I1G1/-I1G4 -I1G6
(2)	958 044 000 17	Luggage compartment liner Flat	-(CN)	1	-I0K1/-I9AH -I1G1/-I1G4 -I1G6
2	958 044 000 27	Luggage compartment liner Flat	(CN)	1	-I0K1/-I9AH -I1G1/-I1G4 -I1G6
2	958 044 000 18	Luggage compartment liner Flat	-(CN)	1	I9AH -I1G1/-I1G4 -I1G6
(2)	958 044 000 28	Luggage compartment liner Flat	(CN)	1	I9AH -I1G1/-I1G4 -I1G6
2	958 044 000 18	Luggage compartment liner Flat	Hybrid -(CN)	1	I0K1 -I1G1/-I1G4 -I1G6
		Inst. & Conv. Instructions Cayenne Group 6 6845 (24/11) Attention			alle
3	958 044 800 33	Grille Luggage compartment Transverse Set Comprising:		1	-I3FU/-I3F4
(5)		Grille		1	
(6)		Bracket	/L	1	I3GN
(7)		Bracket	/R	1	I3GN
(8)		Bracket	/L	1	
(9)		Bracket	/R	1	
(10)		Screw	M8 x 20	12	
-		Operating instructions		1	
4	958 044 800 34	Grille Luggage compartment Lengthways Set Comprising:		1	-I3FU/-I3F4
(10)		Screw	M8 x 20	3	
(11)		Grille		1	

Model: TEQ 2

Model life 2003>>



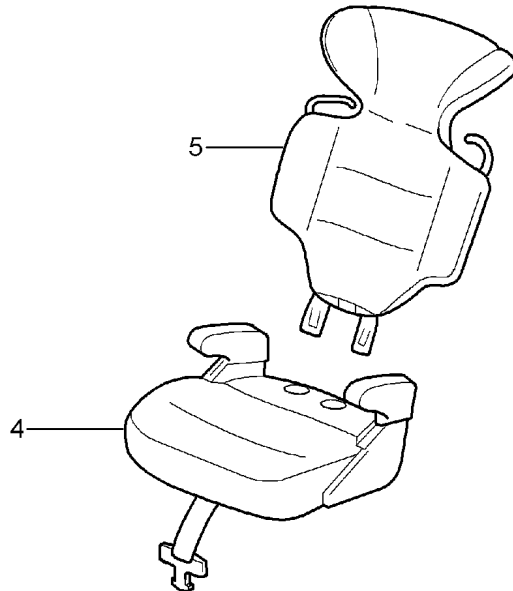
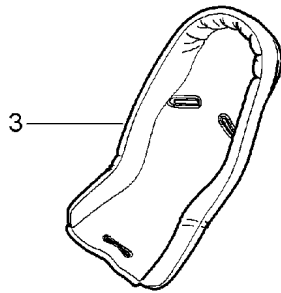
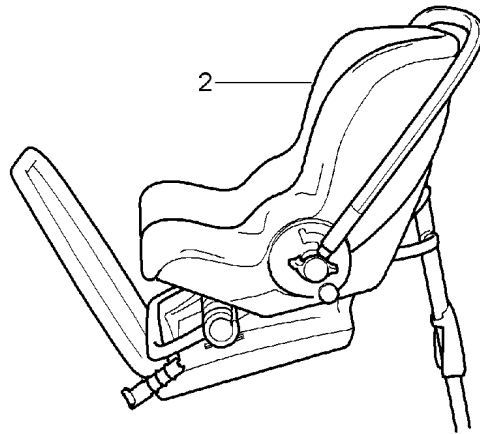
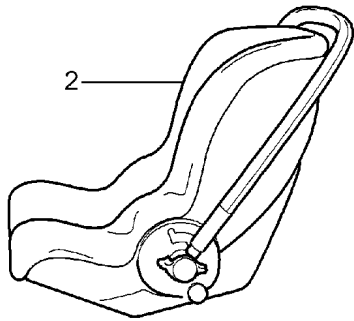
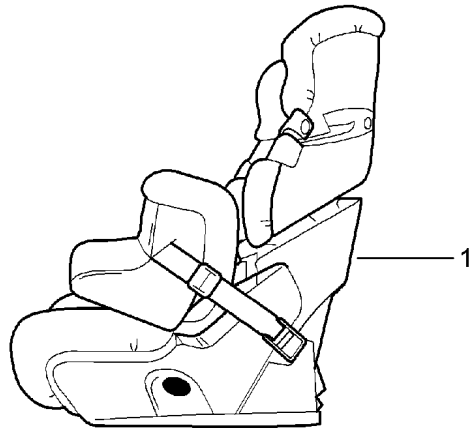
Model: TEQ 2

Model life 2003>>

Pos	Part Number	Description	Remark	Qty	Model
1	958 044 800 45	Loading sill Protective film Bumper Protective film	11-14 11-14	1	Cayenne (92A)

Model: TEQ 2

Model life 2003>>



Model: TEQ 2 Model life 2003>>

Pos	Part Number	Description	Remark	Qty	Model
		Child car seat Operating instructions Attention /F = Front = Vorn /R = Rear = Hinten Use	03-10		Cayenne (9PA)
1	955 044 800 44	Child car seat Junior Seat ISOFIX G1+G2 with Push-on connector	/F /R -(AUS)	1	
-	955 044 800 30	Cover Backrest		1	
-	955 044 800 31	JUNIOR SEAT ISOFIX G1+G2 Cover Seat cushion		1	
-	955 044 800 32	JUNIOR SEAT ISOFIX G1+G2 Shelf table		1	
-	955 044 800 33	JUNIOR SEAT ISOFIX G1+G2 Twist lock		1	
-	955 044 800 34	JUNIOR SEAT ISOFIX G1+G2 Belt Guide Right		1	
-	955 044 800 35	JUNIOR SEAT ISOFIX G1+G2 Belt Guide Left		1	
-	955 044 800 36	JUNIOR SEAT ISOFIX G1+G2 Belt System		1	
-	955 044 800 37	Junior Seat ISOFIX G1+G2 Introduction Funnel		1	
2	955 044 800 42	JUNIOR SEAT ISOFIX G1+G2 Child car seat Baby Seat ISOFIX G0 with Push-on connector 0-13 KG / 0-9 MONATE	-(AUS)	1	
-	955 044 800 57	Seat cover Baby Seat ISOFIX G0 for 95504480042/.43/.82		1	
3	955 044 800 58	Seat well for Child car seat Baby Seat ISOFIX G0	-(AUS)	1	
4	000 802 017 02	Child car seat Zoom with Push-on connector 17-36 KG / 4-12 JAHRE	-(AUS)	1	
(4)	955 044 801 02	Child car seat Kid Plus G2+G3 with Push-on connector	-(AUS)	1	
5	000 802 019 02	Backrest for Zoom with Push-on connector 17-36 KG / 4-12 JAHRE	-(AUS)	1	

Model: TEQ 2

Model life 2003>>

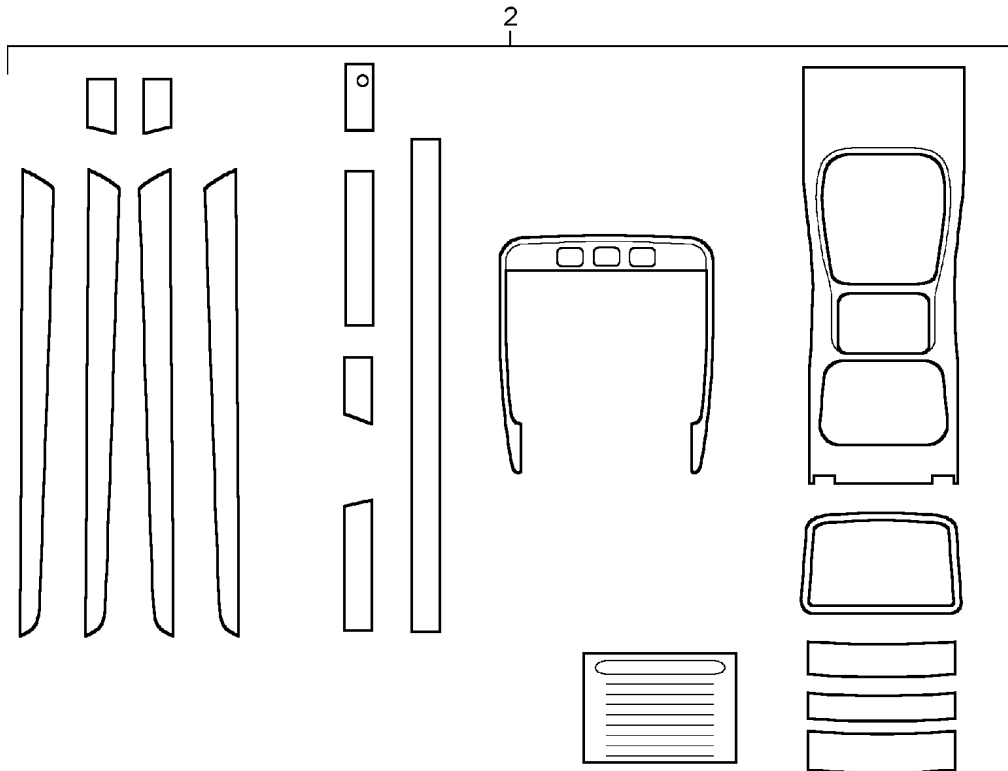
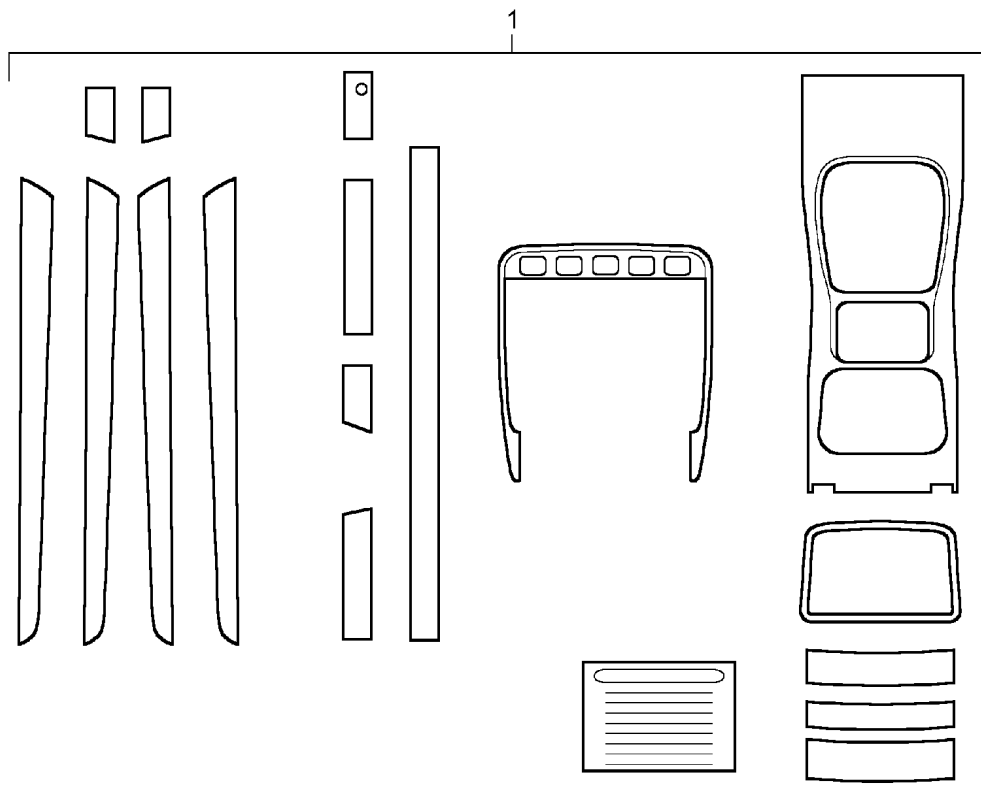


Model: TEQ 2 Model life 2003>>

Pos	Part Number	Description	Remark	Qty	Model
		Child car seat Operating instructions Attention /F = FRONT = VORN Only together with /R = OUTER REAR SEATS /R = HINTEN AUßEN Use	11-		Cayenne (92A)
1	955 044 802 94	Child car seat BABY SEAT G0+ 0-13 KG When required order also:	-(AUS) /F /R	1	I899 Cayenne alle
2	955 044 802 95	Main support for Child car seat	-(AUS)	1	Isofix 95504480294
3	955 044 802 92	Child car seat JUNIOR SEAT ISOFIX G1 with Bracket 9-18 KG	-(AUS) /F /R	1	Cayenne alle
5	955 044 802 90	Child car seat JUNIOR PLUS SEAT G2+G3 15-36 KG	-(AUS) /F /R	1	Cayenne alle
6	955 044 802 96	Child car seat JUNIOR PLUS SEAT G2+G3 ISOFIT 15-36 KG Only for replacement Order Guide	-(AUS) /F /R	1	Cayenne alle
7	955 044 802 93	Child car seat Rail Set		1	
8	958 044 801 80	Desk pad Child car seat with Pockets Front		1	

Model: TEQ 2

Model life 2003>>



Model: TEQ 2 Model life 2003>>

Pos	Part Number	Description	Remark	Qty	Model
		Passenger compartment Wood High-gloss olive ash burl Light	03-10		Cayenne (9PA)
1	955 044 800 22	Interior equipment High-gloss olive ash burl Set	/LL 03-06	1	IG0R/L0L I4A3/4A4
1	955 044 800 92	Interior equipment High-gloss olive ash burl Set	/LL 03-06	1	IL0L I4A3/4A4
1	955 044 801 92	Interior equipment High-gloss olive ash burl Set	/LL 03-10	1	IL0L I4A3/4A4
2	955 044 800 23	Interior equipment High-gloss olive ash burl Set	/LL 03-06	1	IG0R/L0L
2	955 044 800 93	Interior equipment High-gloss olive ash burl Set	/LL 03-06	1	IL0L
2	955 044 801 93	Interior equipment High-gloss olive ash burl Set	/LL 08-10	1	IL0L
(1)	955 044 800 24	Interior equipment High-gloss olive ash burl Set	/RL 03-06	1	IG0R/L0R I4A3/4A4
(1)	955 044 800 94	Interior equipment High-gloss olive ash burl Set	/RL 03-06	1	IL0R I4A3/4A4
(1)	955 044 801 94	Interior equipment High-gloss olive ash burl Set	/RL 08-10	1	IL0R I4A3/4A4
(2)	955 044 800 25	Interior equipment High-gloss olive ash burl Set	/RL 03-06	1	IG0R/L0R
(2)	955 044 800 95	Interior equipment High-gloss olive ash burl Set	/RL 03-06	1	IL0R
(2)	955 044 801 95	Interior equipment High-gloss olive ash burl Set	/RL 08-10	1	IL0R
(1)	955 044 800 18	Rootwood Dark Interior equipment Rootwood Set	/LL 03-06	1	IG0R/L0L I4A3/4A4
(1)	955 044 800 88	Interior equipment Rootwood Set	/LL 03-06	1	IL0L I4A3/4A4
(1)	955 044 801 88	Interior equipment Rootwood Set	/LL 03-10	1	IL0L I4A3/4A4
(2)	955 044 800 19	Interior equipment Rootwood Set	/LL 03-06	1	IG0R/L0L
(2)	955 044 800 89	Interior equipment Rootwood Set	/LL 03-06	1	IL0L
(2)	955 044 801 89	Interior equipment Rootwood Set	/LL 03-10	1	IL0L
(1)	955 044 800 20	Interior equipment Rootwood Set	/RL 03-06	1	IG0R/L0R I4A3/4A4

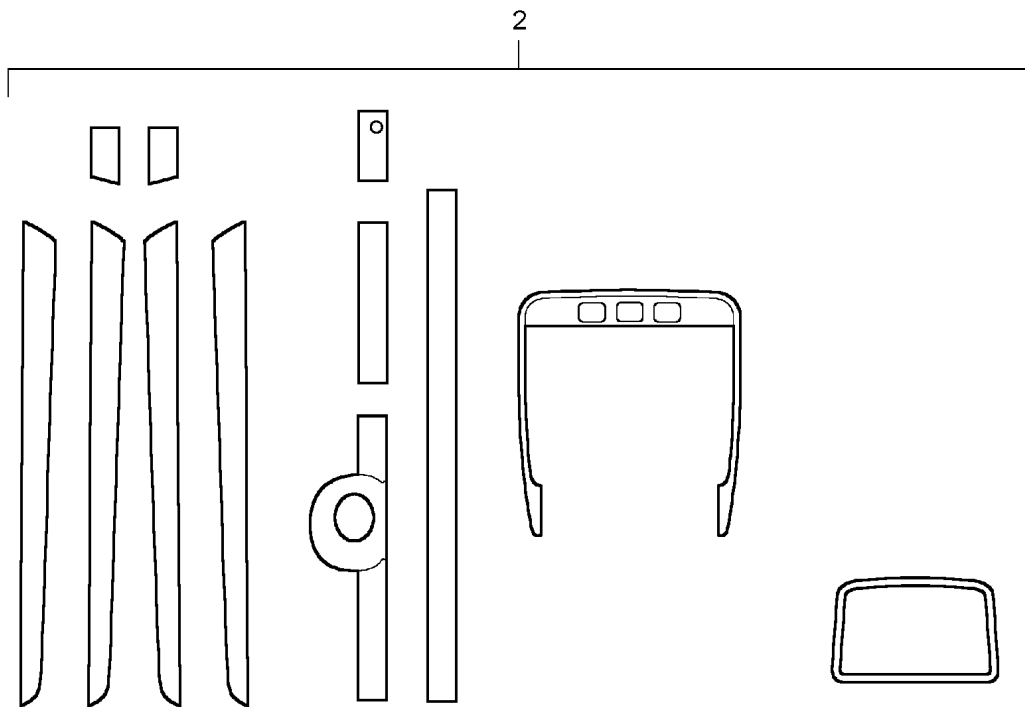
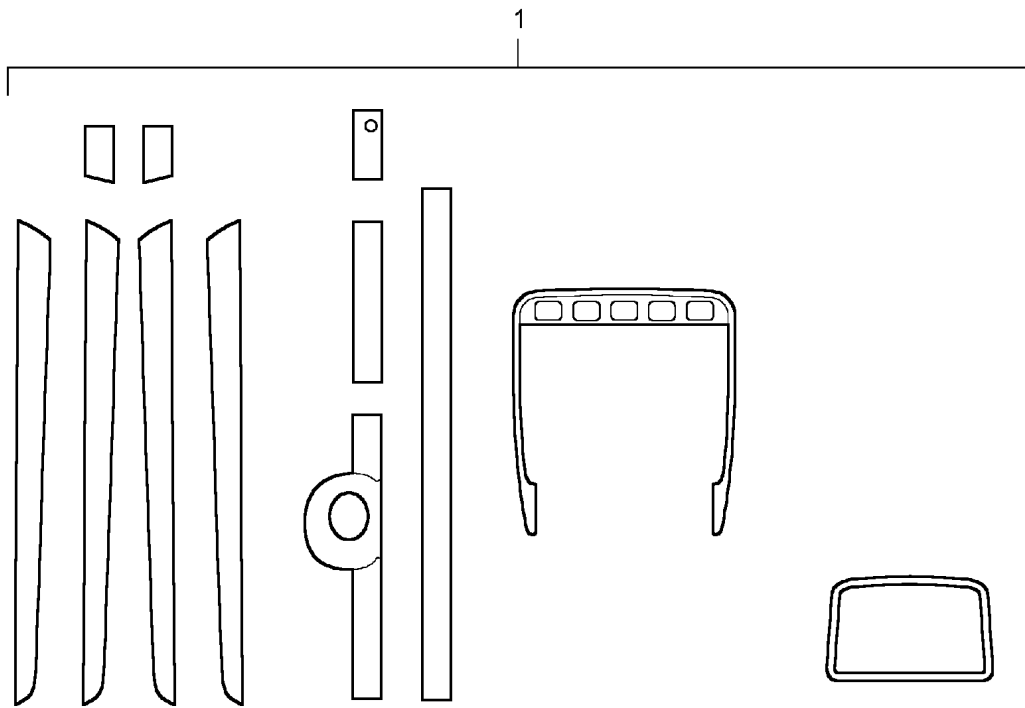
Model: TEQ 2

Model life 2003>>

Pos	Part Number	Description	Remark	Qty	Model
(1)	955 044 800 90	Interior equipment Rootwood Set	/RL 03-06	1	IL0R I4A3/4A4
(1)	955 044 801 90	Interior equipment Rootwood Set	/RL 03-10	1	IL0R I4A3/4A4
(2)	955 044 800 21	Interior equipment Rootwood Set	/RL 03-06	1	IG0R/L0R
(2)	955 044 800 91	Interior equipment Rootwood Set	/RL 03-06	1	IL0R
(2)	955 044 801 91	Interior equipment Rootwood Set	/RL 03-10	1	IL0R

Model: TEQ 2

Model life 2003>>

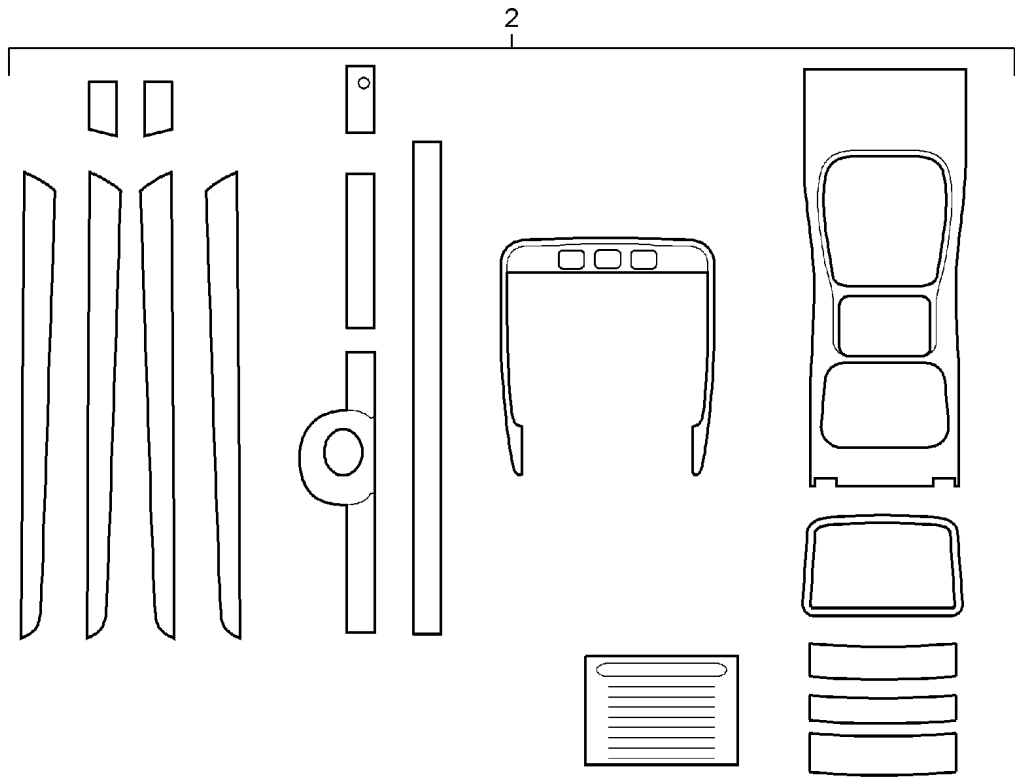
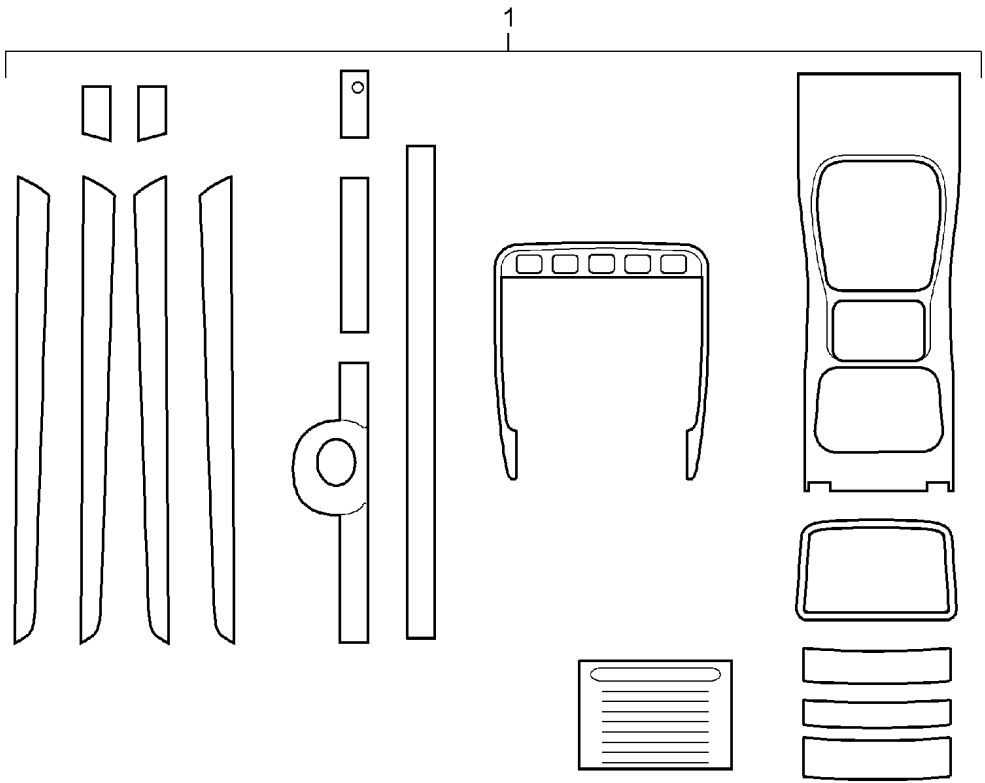


Model: TEQ 2 Model life 2003>>

Pos	Part Number	Description	Remark	Qty	Model
		Passenger compartment	03-10		Cayenne (9PA)
1	955 044 800 26	Aluminium Interior equipment Set Aluminium	/LL	1	IL0L/4A3 I4A4
	955 044 800 26 QHA	Black			
	955 044 800 26 QHD	Stone grey			
	955 044 800 26 QHC	Havanna			
	955 044 800 26 QHP	Palmgreen			
	955 044 800 26 RKT	Sand Beige			
2	955 044 800 27	Aluminium Interior equipment Set Aluminium	/LL	1	IL0L
	955 044 800 27 QHA	Black			
	955 044 800 27 QHD	Stone grey			
	955 044 800 27 QHC	Havanna			
	955 044 800 27 QHP	Palmgreen			
	955 044 800 27 RKT	Sand Beige			
(1)	955 044 800 28	Aluminium Interior equipment Set Aluminium	/RL	1	IL0R/4A3 I4A4
	955 044 800 28 QHA	Black			
	955 044 800 28 QHD	Stone grey			
	955 044 800 28 QHC	Havanna			
	955 044 800 28 QHP	Palmgreen			
	955 044 800 28 RKT	Sand Beige			
(2)	955 044 800 29	Aluminium Interior equipment Set Aluminium	/RL	1	IL0R
	955 044 800 29 QHA	Black			
	955 044 800 29 QHD	Stone grey			
	955 044 800 29 QHC	Havanna			
	955 044 800 29 QHP	Palmgreen			
	955 044 800 29 RKT	Sand Beige			
(1)	955 044 802 66	Interior equipment Orange Set	/LL	1	Cayenne S IL0L/4A3 Transsyberia I4A4
(2)	955 044 802 67	Interior equipment Orange Set	/LL	1	Cayenne S IL0L Transsyberia
(1)	955 044 802 68	Interior equipment Orange Set	/RL	1	Cayenne S IL0R/4A3 Transsyberia I4A4
(2)	955 044 802 69	Interior equipment Orange Set	/RL	1	Cayenne S IL0R Transsyberia

Model: TEQ 2

Model life 2003>>

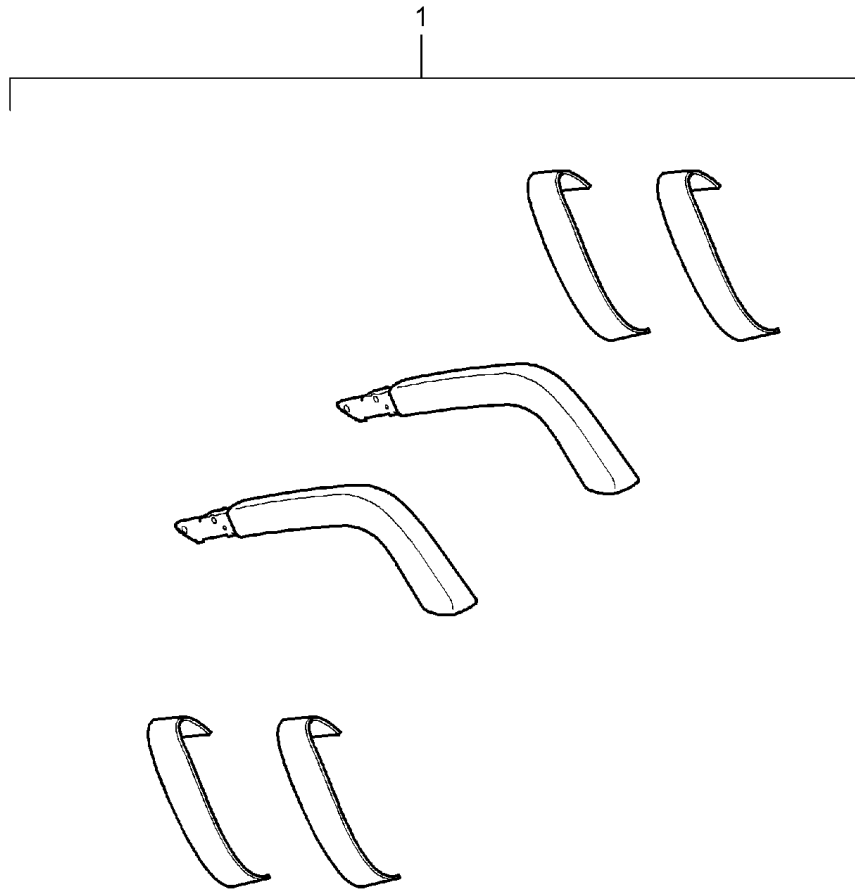


Model: TEQ 2 Model life 2003>>

Pos	Part Number	Description	Remark	Qty	Model
		Passenger compartment Carbon	03-10		Cayenne (9PA)
1	955 044 800 53	Interior equipment Carbon Set	/LL 03-06	1	IL0L/4A3/4A4
1	955 044 801 53	Interior equipment Carbon Set	/LL 08-10	1	IL0L/4A3/4A4
2	955 044 800 54	Interior equipment Carbon Set	/LL 03-06	1	IL0L
2	955 044 801 54	Interior equipment Carbon Set	/LL 08-10	1	IL0L
(1)	955 044 800 55	Interior equipment Carbon Set	/RL 03-06	1	IL0R/4A3/4A4
(1)	955 044 801 55	Interior equipment Carbon Set	/RL 08-10	1	IL0R/4A3/4A4
(2)	955 044 800 56	Interior equipment Carbon Set	/RL 03-06	1	IL0R
-	955 553 980 08	Cover Connector housing 1-LOCH Replacement See illustrations Cayenne 809-15	03-10	1	
-	955 553 980 09	Cover Connector housing 2-LOCH Replacement See illustrations Cayenne 809-15	03-10	1	

Model: TEQ 2

Model life 2003>>



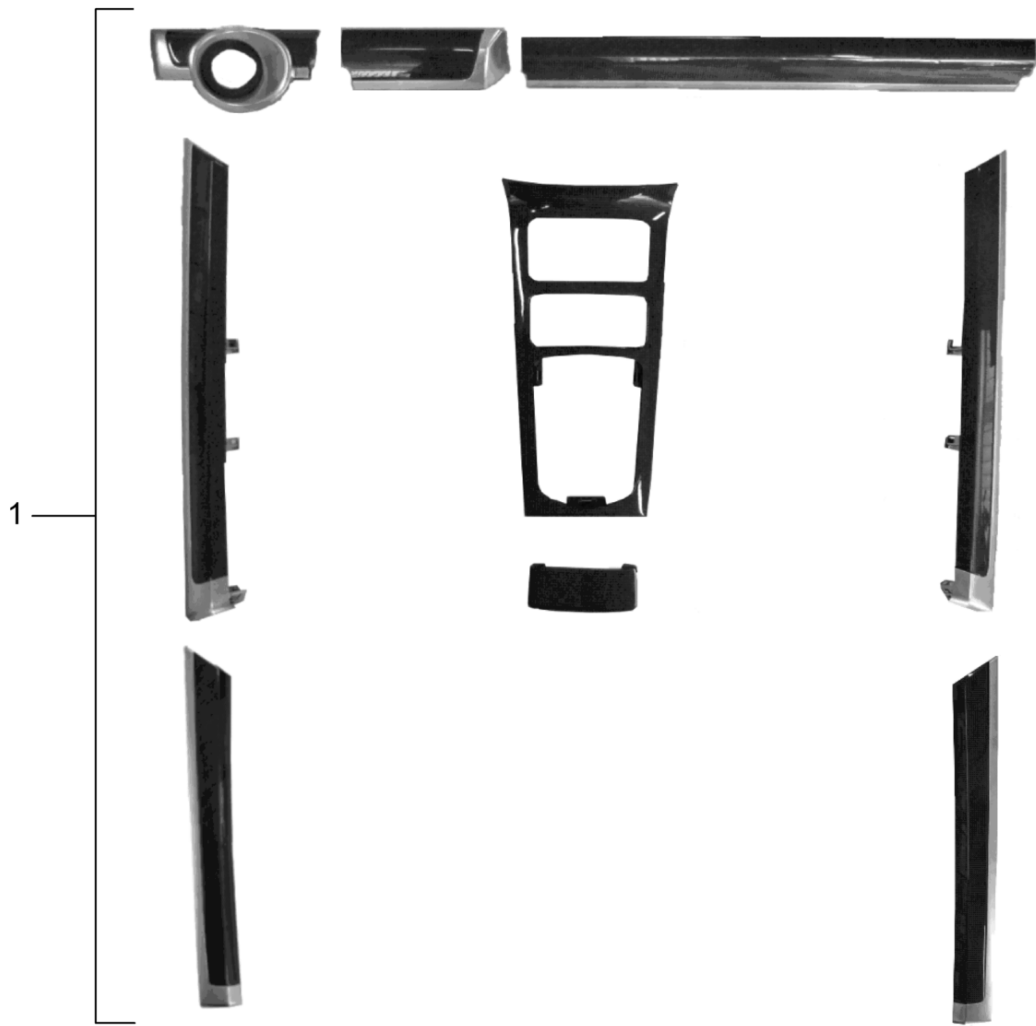
Model: TEQ 2

Model life 2003>>

Pos	Part Number	Description	Remark	Qty	Model
1	955 044 800 85	Handle Package	03-10		Cayenne (9PA)
(1)	955 044 801 15	Handle Package Wood Light	03-05	1	
(1)	955 044 800 86	Handle Package Wood Light Polished Olive grain	06-10	1	
(1)	955 044 800 86	Handle Package Wood Light Matte	03-05	1	
(1)	955 044 801 16	Handle Package Wood Light Matte Olive grain	06	1	
(1)	955 044 800 84	Handle Package Wood Dark	03-05	1	
(1)	955 044 801 14	Handle Package Wood Dark Polished Rootwood	06-10	1	
(1)	955 044 800 83	Handle Package Carbon	03-05	1	
(1)	955 044 801 13	Handle Package Carbon	06-10	1	

Model: TEQ 2

Model life 2003>>

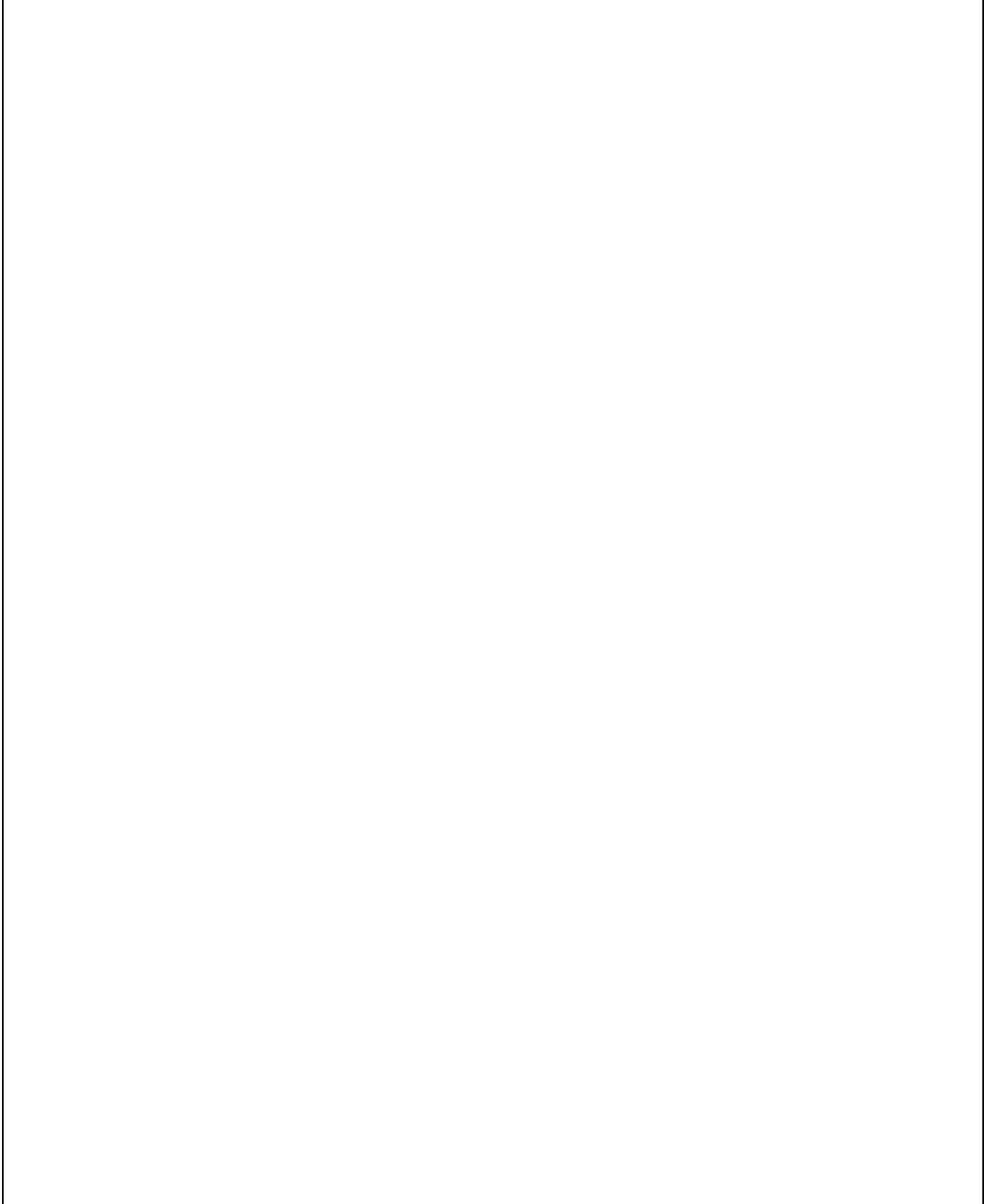


Model: TEQ 2 Model life 2003>>

Pos	Part Number	Description	Remark	Qty	Model
		Passenger compartment Aluminium Carbon Wood	11-		Cayenne (92A)
(1)	958 044 800 20	Interior equipment Aluminium Set	/LL	1	IL0L "Sport"
(1)	958 044 800 21	Interior equipment Aluminium Set	/RL	1	IL0R "Sport"
1	958 044 800 22	Interior equipment Carbon Set	/LL	1	IL0L
(1)	958 044 800 23	Interior equipment Carbon Set	/RL	1	IL0R
(1)	958 044 800 24	Interior equipment Wood Walnut, high-gloss Set	/LL 11-14	1	IL0L
(1)	958 044 800 25	Interior equipment Walnut, high-gloss Set	/RL 11-14	1	IL0R
(1)	958 044 800 26	Interior equipment Olive Ash matt open-pored Set	/LL	1	IL0L
(1)	958 044 800 27	Interior equipment Olive Ash matt open-pored Set	/RL	1	IL0R
(1)	958 044 800 28	Interior equipment Anthracite Birch Set	/LL	1	IL0L
(1)	958 044 800 29	Interior equipment Anthracite Birch Set	/RL	1	IL0R
(1)	958 044 800 30	Interior equipment Mahogany Set	/LL	1	IL0L
(1)	958 044 800 31	Interior equipment Mahogany Set	/RL	1	IL0R
(1)	958 044 802 50	Interior equipment American Walnut Dark Set	/LL 15-	1	IL0L
(1)	958 044 802 51	Interior equipment American Walnut Dark Set	/RL 15-	1	IL0R

Model: TEQ 2

Model life 2003>>



Model: TEQ 2 Model life 2003>>

Pos	Part Number	Description	Remark	Qty	Model
(1)	958 044 800 70	Handle Package Grab handle Doors Centre console Package	11-	1	Cayenne (92A)
(1)	958 044 800 71	Anthracite Birch Grab handle Doors Centre console Package	-14	1	
(1)	958 044 800 75	Walnut, high-gloss Grab handle Doors Centre console Package	13-	1	
(1)	958 044 800 73	Mahogany Grab handle Doors Centre console Package		1	
(1)	958 044 800 72	Natural Olive Grab handle Doors Centre console Package Carbon		1	

Model: TEQ 2

Model life 2003>>

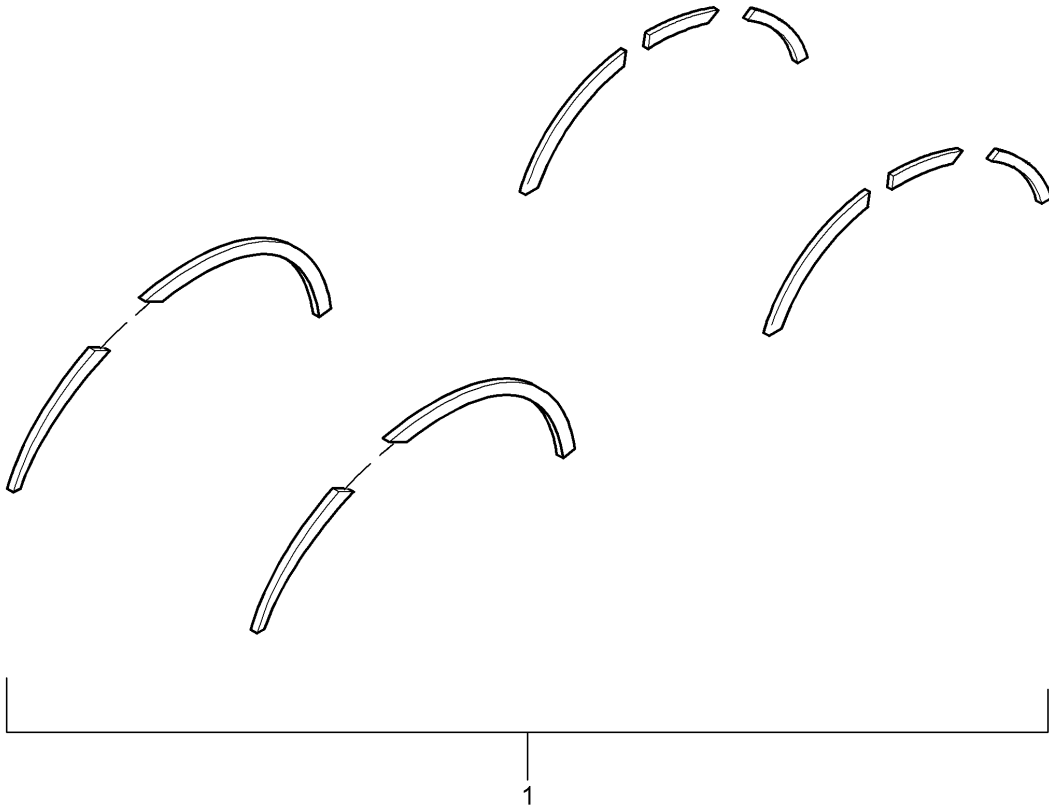


Model: TEQ 2 Model life 2003>>

Pos	Part Number	Description	Remark	Qty	Model
		Decorative film	03-10		Cayenne (9PA)
		Logo	11-		Cayenne (92A)
		Inst. & Conv. Instructions			
		Cayenne,alle			
		Group 6			
		6646 (33/07)			
		Attention			
		Inst. & Conv. Instructions			
		Cayenne,alle			
		Group 6			
		6646 (45/10)			
		Attention			
(2)	958 044 801 10	Decorative film	11-	1	Cayenne
		Logo			
		Set			
	958 044 801 10 12H	Speed yellow			
2	958 044 801 11	Decorative film	11-	1	Cayenne S
		Logo			
		Set			
	958 044 801 11 041	Black			
	958 044 801 11 X7W	Classic Silver Metallic			
	958 044 801 11 12H	Speed yellow			
(2)	958 044 801 12	Decorative film	11-	1	Turbo
		Logo			
		Set			
	958 044 801 12 041	Black			
	958 044 801 12 84A	Guards red			
	958 044 801 12 X7W	Classic Silver Metallic			
	958 044 801 12 12H	Speed yellow			
(2)	958 044 801 13	Decorative film	13-	1	GTS
		Logo			
		Set			
	958 044 801 13 X7W	Classic Silver Metallic			
	958 044 801 13 12H	Speed yellow			
(2)	958 044 801 15	Decorative film	11-	1	Hybrid
		Logo			
		Set			
	958 044 801 15 041	Black			
	958 044 801 15 84A	Guards red			
	958 044 801 15 12H	Speed yellow			
(2)	958 044 801 16	Decorative film	11-	1	Diesel
		Logo			
		Set			
	958 044 801 16 041	Black			
	958 044 801 16 84A	Guards red			
	958 044 801 16 12H	Speed yellow			

Model: TEQ 2

Model life 2003>>

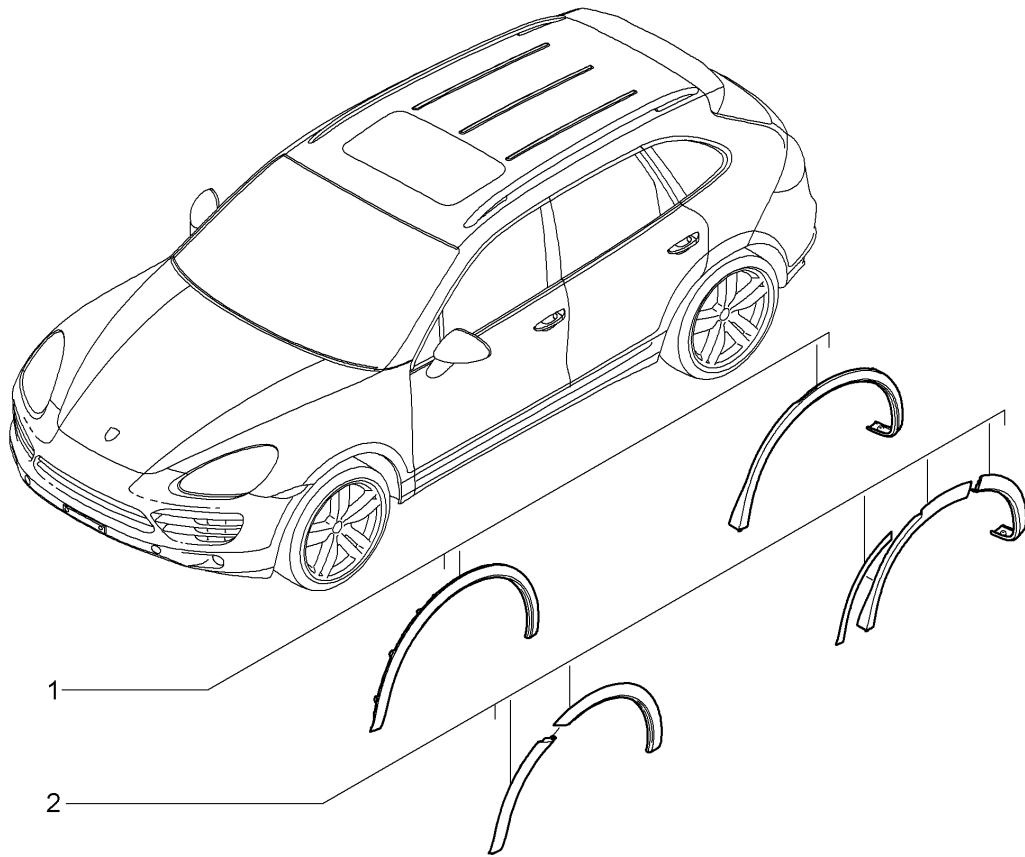


Model: TEQ 2 Model life 2003>>

Pos	Part Number	Description	Remark	Qty	Model
1	955 044 800 10	Flared wheel arches Mud flap Flared wheel arches Set for cars with Mud flap Single parts See illustrations 9PA 8/10/05	03-10 03-06	1	Cayenne (9PA) ID9J/D9K ID9L
1	955 044 800 11	Flared wheel arches Set for cars without Mud flap Single parts See illustrations 9PA 8/10/05	03-06	1	ID9J/D9K ID9L
(1)	955 044 802 30	Flared wheel arches Set for cars without Mud flap And without Sill cover	08-10	1	
(1)	955 044 802 32	Flared wheel arches Set for cars with Mud flap And without Sill cover	08-10	1	
(1)	955 044 802 34	Flared wheel arches Set for cars with Mud flap And Sill cover	08-10	1	
(1)	955 044 802 36	Flared wheel arches Set for cars with Sill cover And without Mud flap	08-10	1	
-	955 044 800 09	Mud flap Set Not Together with Running board Or Rockrails	03-06	1	ID9J/D9K ID9L
-	955 044 800 13	Mud flap Set Rear	03-06	1	IVR1/6EP
-	955 044 802 10	Mud flap Set Rear for cars without Flared wheel arches	08-10	1	
-	955 044 802 11	Mud flap Set Rear for cars with Flared wheel arches	08-10	1	

Model: TEQ 2

Model life 2003>>

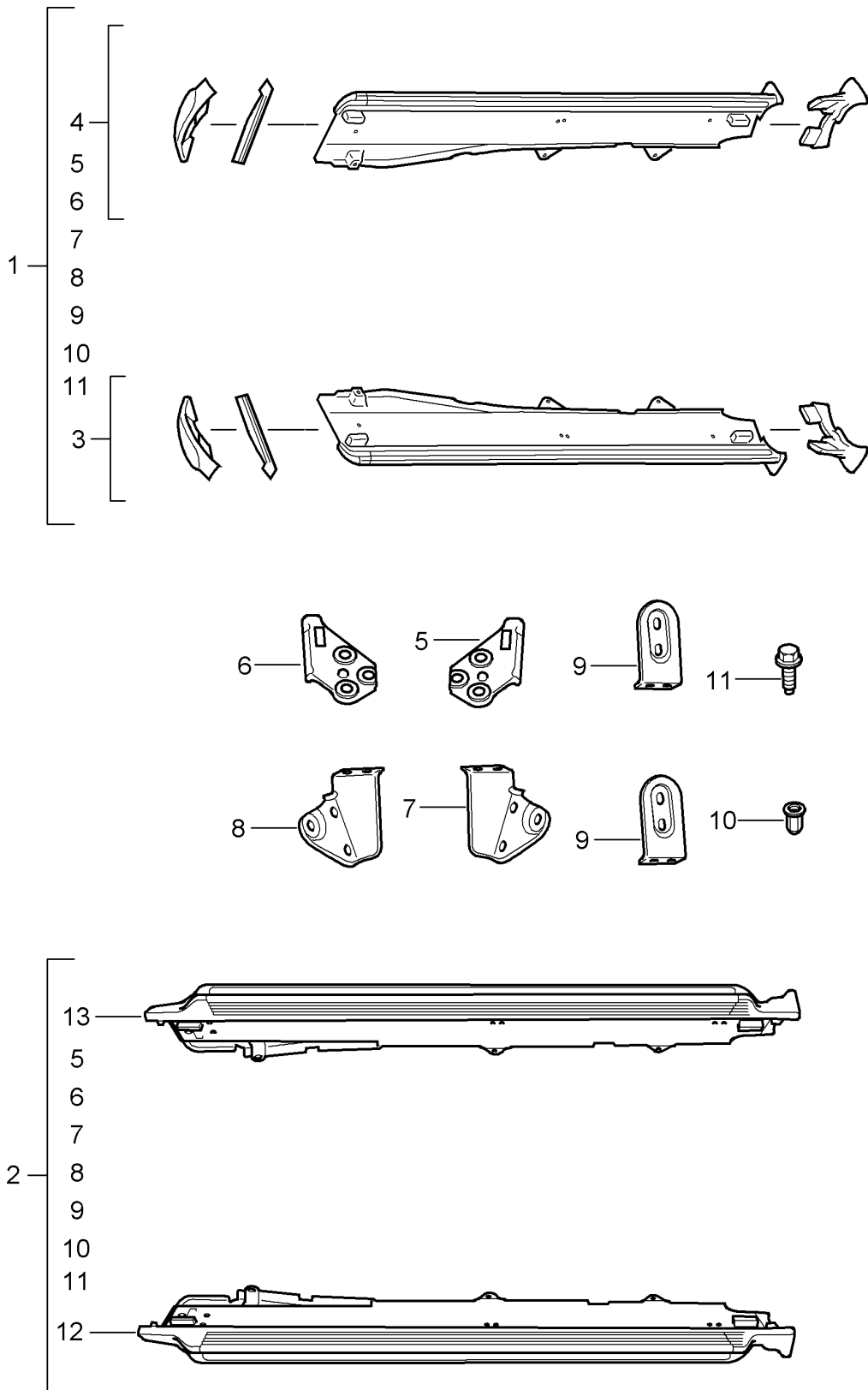


Model: TEQ 2 Model life 2003>>

Pos	Part Number	Description	Remark	Qty	Model
1	958 044 800 95	Flared wheel arches Flared wheel arches Wide Set	11-	1	Cayenne (92A) -I2D1/-I2D2
(1)	958 044 800 97	Flared wheel arches Wide Prime coated Set Inst. & Conv. Instructions Cayenne Group 6 6619 (2/11) Attention	11-14	1	-I2D1/-I2D2 alle
2	958 044 800 96	Flared wheel arches Wide Set	11-14 Offroad	1	-I2D1/-I2D2
(1)	958 044 801 40	Flared wheel arches Wide Set Order also: N .908.401.03	15-17	1	-I2D1/-I2D2
(2)	958 044 801 41	Flared wheel arches Wide Set Order also: N .908.401.03	15-17 Offroad	10 1 2	-I2D1/-I2D2

Model: TEQ 2

Model life 2003>>

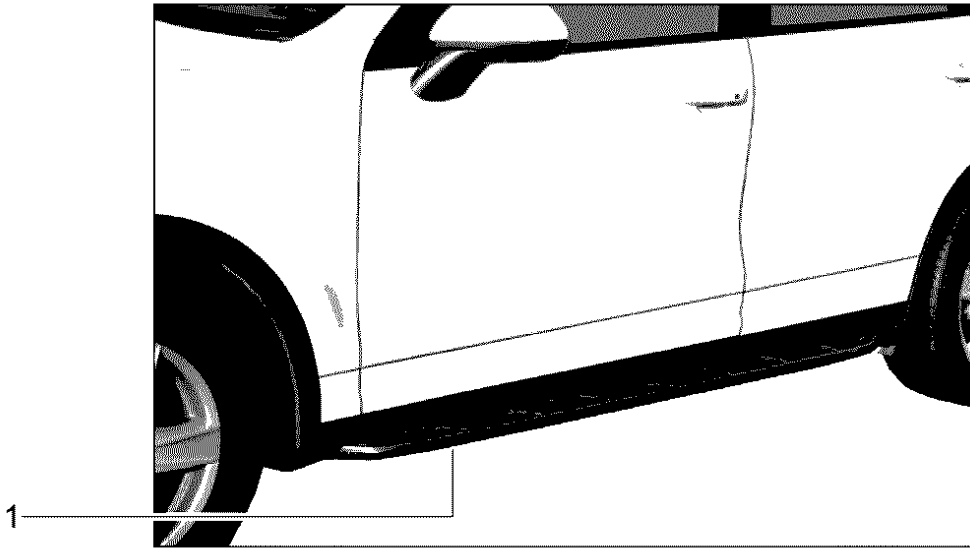


Model: TEQ 2 Model life 2003>>

Pos	Part Number	Description	Remark	Qty	Model
		Rockrails Running board Technical information Cayenne,alle Main group 6 6631 (8/03) Attention	03-10		Cayenne (9PA)
1	955 044 801 07	Rockrails Set Comprising:	03-06	1	
3	955 559 553 00	Rockrails	/L 03-06	1	
4	955 559 553 00 4W9	Satin aluminium			
4	955 559 554 00	Rockrails	/R 03-06	1	
	955 559 554 00 4W9	Satin aluminium			
5	955 559 487 00	Support	/L 03-10	1	VORN
6	955 559 488 00	Support	/R 03-10	1	VORN
7	955 559 489 00	Support	/L 03-10	1	HINTEN
8	955 559 490 00	Support	/R 03-10	1	HINTEN
9	955 559 467 00	Support	03-10	2	MITTE
10	N 904 085 02	Blind rivet nut	03-10	18	
11	N 909 210 01	Hexagon-head bolt	03-10	34	
		Inst. & Conv. Instructions Cayenne,alle Main group 6 6631 (2/07) Attention			
(1)	955 044 802 00	Rockrails Set Comprising:	08-10	1	
(3)	955 559 553 04	Rockrails	/L 08-10	1	
	955 559 553 04 4W9	Satin aluminium			
(4)	955 559 554 00	Rockrails	/R 08-10	1	
	955 559 554 00 4W9	Satin aluminium			
		Technical information Cayenne,alle Main group 6 6626 (9/03) Attention			
2	955 044 801 08	Running board Set Comprising:	03-06	1	
12	955 559 847 01	Running board	/L 03-06	1	
	955 559 847 01 4W9	Satin aluminium			
13	955 559 848 01	Running board	/R 03-06	1	
	955 559 848 01 4W9	Satin aluminium			
		Inst. & Conv. Instructions Cayenne,alle Main group 6 6626 (1/07) Attention			
(2)	955 044 802 05	Running board Set Comprising:	08-10	1	
(12)	955 559 847 03	Running board	/L 08-10	1	
	955 559 847 03 4W9	Satin aluminium			
(13)	955 559 848 03	Running board	/R 08-10	1	
	955 559 848 03 4W9	Satin aluminium			

Model: TEQ 2

Model life 2003>>



Model: TEQ 2 Model life 2003>>

Pos	Part Number	Description	Remark	Qty	Model
		Running board Sill cover Inst. & Conv. Instructions Cayenne, alle Main group 6 6626 (46/10) Attention	11-		Cayenne (92A)
1	958 044 801 05	Running board		1	
2	958 044 801 90	Sill cover Moulding Aluminium		1	-IVR2/-I2D1

Model: TEQ 2

Model life 2003>>



Model: TEQ 2

Model life 2003>>

Pos	Part Number	Description	Remark	Qty	Model
1	958 044 802 80	Logo Lacquered		1	
	958 044 802 80 041	High-Gloss Black			
	958 044 802 80 G2X	Prime coated			
(1)	958 044 802 81	Logo Porsche Cayenne S Lacquered		1	
	958 044 802 81 041	High-Gloss Black			
	958 044 802 81 G2X	Prime coated			
(1)	958 044 802 82	Logo Porsche Cayenne Turbo S Lacquered		1	
	958 044 802 82 041	High-Gloss Black			
	958 044 802 82 G2X	Prime coated			

Model: TEQ 2

Model life 2003>>



Model: TEQ 2 Model life 2003>>

Pos	Part Number	Description	Remark	Qty	Model
		Seat cover Leather Inst. & Conv. Instructions Cayenne,alle Group 7 7411 Attention Order also:	03-06		Cayenne (9PA)
-	N 909 650 01	Screw		8	
-	000 043 207 18	Clamp		4	
-	000 043 207 17	Clamp		2	
-	N 910 260 02	Screw		8	
-	000 043 071 00	Clamp		1	
		Set 50 Stk.			
-	999 513 076 40	Tie-wrap Colour Black/ Chestnut brown		10	
1	955 044 803 30	Seat cover	03-04	1	I9AD
(1)	955 044 803 31	Sports seat Seat cover	03-04	1	I9AH
(1)	955 044 803 32	Sports seat Seat cover	03-04	1	I9AD
(1)	955 044 803 33	Comfort seat Seat cover	03-04	1	I9AH
(1)	955 044 803 60	Comfort seat Seat cover	05-05	1	I9AD
(1)	955 044 803 61	Sports seat Seat cover	05-05	1	I9AH
(1)	955 044 803 62	Sports seat Seat cover	05-05	1	I9AD
(1)	955 044 803 63	Comfort seat Seat cover	05-05	1	I9AH
(1)	955 044 803 90	Comfort seat Seat cover	06-06	1	I9AD
(1)	955 044 803 91	Sports seat Seat cover	06-06	1	I9AH
(1)	955 044 803 92	Sports seat Seat cover	06-06	1	I9AD
(1)	955 044 803 93	Comfort seat Seat cover	06-06	1	I9AH
(1)	955 044 803 40	Comfort seat Colour Havanna/sand beige Seat cover	03-04	1	I9AD
(1)	955 044 803 41	Sports seat Seat cover	03-04	1	I9AH
(1)	955 044 803 42	Sports seat Seat cover	03-04	1	I9AD
(1)	955 044 803 43	Comfort seat Seat cover	03-04	1	I9AH
(1)	955 044 803 70	Comfort seat Seat cover	05-05	1	I9AD
(1)	955 044 803 71	Sports seat Seat cover	05-05	1	I9AH
(1)	955 044 803 72	Sports seat Seat cover	05-05	1	I9AD
(1)	955 044 803 73	Comfort seat Seat cover	05-05	1	I9AH
(1)	955 044 804 00	Comfort seat Seat cover	06-06	1	I9AD
		Sports seat			

Model: TEQ 2

Model life 2003>>

Pos	Part Number	Description	Remark	Qty	Model
(1)	955 044 804 01	Seat cover Sports seat	06-06	1	I9AH
(1)	955 044 804 02	Seat cover Comfort seat	06-06	1	I9AD
(1)	955 044 804 03	Seat cover Comfort seat Colour Stone grey/steel grey	06-06	1	I9AH
(1)	955 044 803 50	Seat cover Sports seat	03-04	1	I9AD
(1)	955 044 803 51	Seat cover Sports seat	03-04	1	I9AH
(1)	955 044 803 52	Seat cover Comfort seat	03-04	1	I9AD
(1)	955 044 803 53	Seat cover Comfort seat	03-04	1	I9AH
(1)	955 044 803 80	Seat cover Sports seat	05-05	1	I9AD
(1)	955 044 803 81	Seat cover Sports seat	05-05	1	I9AH
(1)	955 044 803 82	Seat cover Comfort seat	05-05	1	I9AD
(1)	955 044 803 83	Seat cover Comfort seat	05-05	1	I9AH
(1)	955 044 804 10	Seat cover Sports seat		1	I9AD
(1)	955 044 804 11	Seat cover Sports seat	06-06	1	I9AH
(1)	955 044 804 12	Seat cover Comfort seat	06-06	1	I9AD
(1)	955 044 804 13	Seat cover Comfort seat	06-06	1	I9AH

Model: TEQ 2

Model life 2003>>



Model: TEQ 2 Model life 2003>>

Pos	Part Number	Description	Remark	Qty	Model
		Seat cover Leather Inst. & Conv. Instructions Cayenne,alle Group 7 7411 Attention Order also:	08-09		Cayenne (9PA)
-	N 909 650 01	Screw		8	
-	000 043 207 18	Clamp		4	
-	000 043 207 17	Clamp		2	
-	N 910 260 02	Screw		8	
-	000 043 071 00	Clamp		1	
		Set 50 Stk.			
-	999 513 076 40	Tie-wrap Colour Black/ Chestnut brown		10	
1	955 044 804 20	Seat cover	08	1	I9AD
(1)	955 044 804 21	Sports seat Seat cover	08	1	I9AH
(1)	955 044 804 22	Sports seat Seat cover	08	1	I9AD
(1)	955 044 804 23	Comfort seat Seat cover	08	1	I9AH
(1)	955 044 803 00	Comfort seat Seat cover	08	1	I9AD
(1)	955 044 803 01	Sports seat Seat cover	08	1	I9AH
(1)	955 044 803 02	Sports seat Seat cover	08-09	1	I9AD
(1)	955 044 803 03	Comfort seat Seat cover	08-09	1	I9AH
		Comfort seat Colour Havanna/sand beige			
(1)	955 044 804 30	Seat cover	08	1	I9AD
(1)	955 044 804 31	Sports seat Seat cover	08	1	I9AH
(1)	955 044 804 32	Sports seat Seat cover	08	1	I9AD
(1)	955 044 804 33	Comfort seat Seat cover	08	1	I9AH
(1)	955 044 803 10	Comfort seat Seat cover	08	1	I9AD
(1)	955 044 803 11	Sports seat Seat cover	08	1	I9AH
(1)	955 044 803 12	Sports seat Seat cover	08-09	1	I9AD
(1)	955 044 803 13	Comfort seat Seat cover	08-09	1	I9AH
		Comfort seat Colour Stone grey/steel grey			
(1)	955 044 804 40	Seat cover	08	1	I9AD
(1)	955 044 804 41	Sports seat Seat cover	08	1	I9AH
(1)	955 044 804 42	Sports seat Seat cover	08	1	I9AD
(1)	955 044 804 43	Comfort seat Seat cover	08	1	I9AH
		Comfort seat			

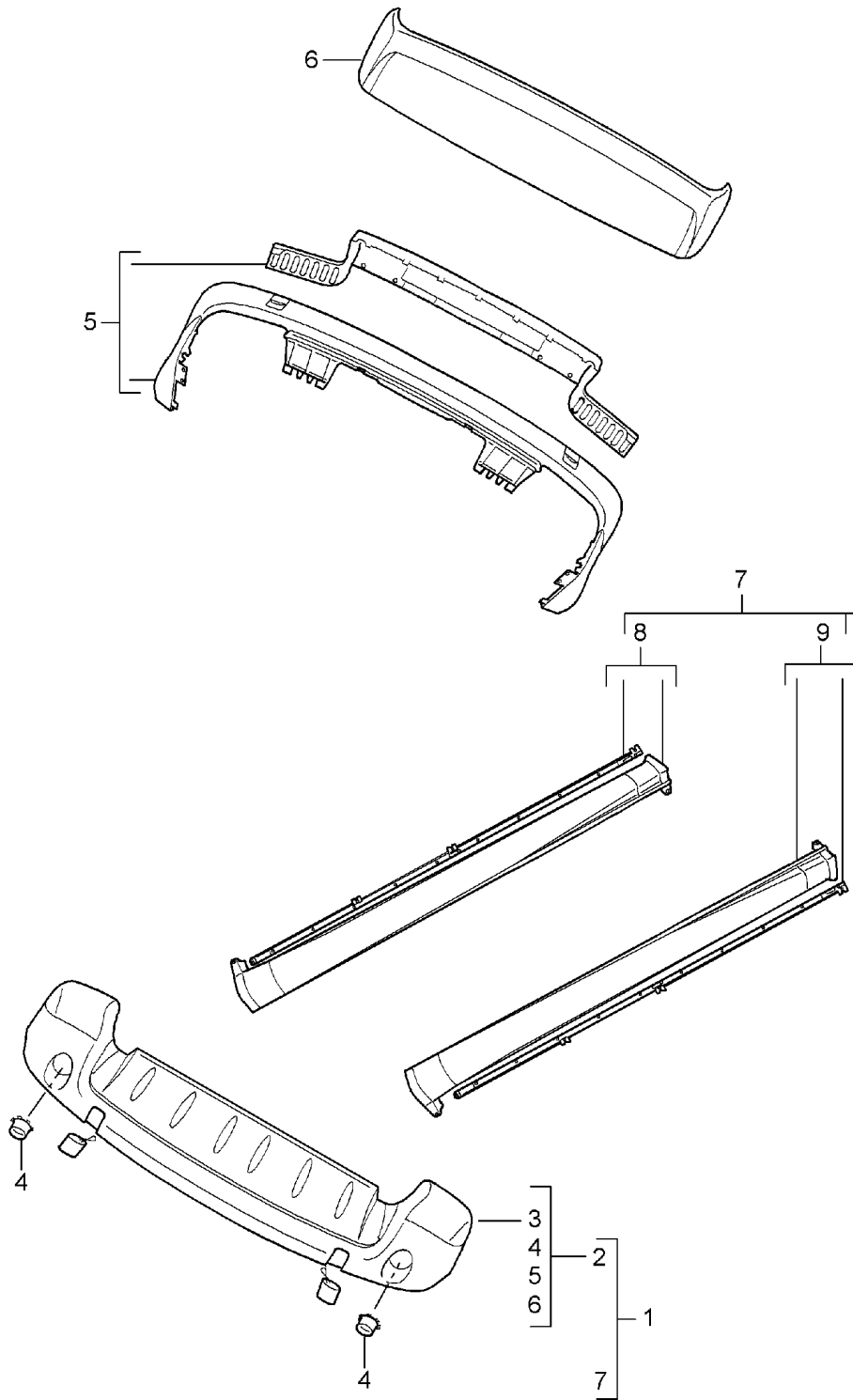
Model: TEQ 2

Model life 2003>>

Pos	Part Number	Description	Remark	Qty	Model
(1)	955 044 803 20	Seat cover Sports seat	08	1	I9AD
(1)	955 044 803 21	Seat cover Sports seat	08	1	I9AH
(1)	955 044 803 22	Seat cover Comfort seat	08-09	1	I9AD
(1)	955 044 803 23	Seat cover Comfort seat	08-09	1	I9AH

Model: TEQ 2

Model life 2003>>



Model: TEQ 2 Model life 2003>>

Pos	Part Number	Description	Remark	Qty	Model
		Sport Design package Inst. & Conv. Instructions Cayenne Group 6 6658 (7/04) Attention	03-10		Cayenne (9PA) alle
1	955 044 800 69	Aerokit Sport Design package Complete	03-06	1	Cayenne Cayenne S ID9J/D9K
(1)	955 044 800 70	Aerokit Sport Design package Complete	03-06	1	Turbo ID9L Cayenne Cayenne S ID9J/D9K
2	955 044 800 71	Aerokit Sport Design package without Sill cover	03-06	1	Turbo -I1G3/ID9L
(2)	955 044 800 72	Aerokit Sport Design package without Sill cover Comprising: Front spoiler Set	03-06	1	ID9J/D9K I2D1/2D2
(3)	955 044 800 74	Front spoiler Set	03-06	1	ID9L I2D1/2D2
4	955 631 163 00	Fog headlamp		2	I2D1/2D2
5	955 044 800 78	Rear apron Set	03-06	1	ID9J/D9K ID9L/2D1 I2D2
6	955 044 800 80	Roof cover moulding Spoiler Set	03-06	1	ID9J/D9K ID9L/2D1 I2D2
(6)	955 044 802 73	Roof cover moulding Spoiler Set Inst. & Conv. Instructions Cayenne Group 6 6658 (7/04) Attention	08-10	1	alle
7	955 044 800 75	Sill cover Set Comprising: 955.044.802.76 / .77	03-06	1	Pos. 8 / 9 I2D1
(7)	955 044 802 72	Sill cover Set	08-10	1	I2D1
8	955 044 800 76	Sill cover Right Set	03-06	1	I2D1
9	955 044 800 77	Sill cover Left Set Inst. & Conv. Instructions Cayenne Group 6 6658 (16/07) Attention	03-06	1	I2D1 alle
(1)	955 044 802 70	Aerokit Sport Design package Complete	08-10	1	-I2D1/-I2D2 -I2D3
(1)	955 044 802 71	Aerokit Sport Design package without	08-10	1	-I2D1/-I2D2

Model: TEQ 2

Model life 2003>>

Pos	Part Number	Description	Remark	Qty	Model
		Sill cover			

Model: TEQ 2

Model life 2003>>



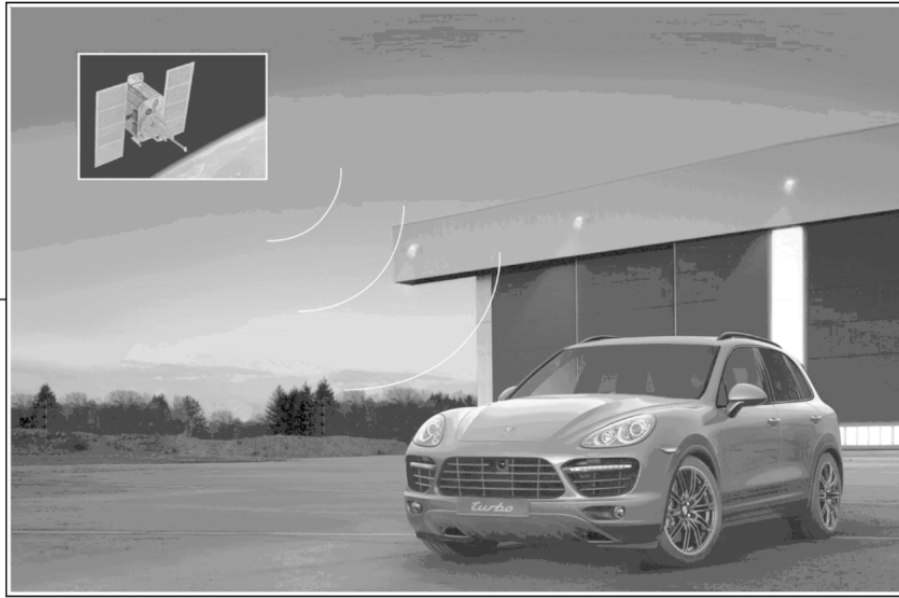
Model: TEQ 2 Model life 2003>>

Pos	Part Number	Description	Remark	Qty	Model
		Sport Design package	11-14		Cayenne (92A)
		Inst. & Conv. Instructions	15-		alle
		Cayenne			
		Group 6			
		6699 (44/10)			
		Attention			
1	958 044 801 00	Aerokit	11-14	1	
		Sport Design package			
		Complete			
		Set			
2	958 044 801 01	Aerokit	11-14	1	
		Sport Design package			
		without			
		Sill cover			
		for cars with			
		Impact protection			
		Set			
(2)	958 044 801 60	Sport Design package	15-	1	Cayenne / S
		without			Turbo
		Sill cover			
		for cars with			
		Impact protection			
		Set			
(1)	958 044 801 70	Sport Design package	15-	1	Cayenne / S
		with			Turbo
		Sill cover			
		Set			
(2)	958 044 801 62	Sport Design package	15-	1	Turbo S
		without			
		Sill cover			
		for cars with			
		Impact protection			
		Set			
(1)	958 044 801 72	Sport Design package	15-	1	Turbo S
		with			
		Sill cover			
		Set			

Model: TEQ 2

Model life 2003>>

1



Model: TEQ 2

Model life 2003>>

Pos	Part Number	Description	Remark	Qty	Model
		Porsche VEHICLE TRACKING SYSTEME Inst. & Conv. Instructions CAYENNE,ALLE Group 9 9063 Attention	06-10 11-		Cayenne (9PA) Cayenne (92A)
-	955 044 900 35	Retrofit kit Porsche VEHICLE TRACKING SYSTEM	06-10	1	I7AT/7G1
-	955 044 902 10	Retrofit kit Porsche VEHICLE TRACKING SYSTEM AUTONOME / INTEGRATED	06-10	1	I7AL/7G5
-	955 044 900 33	Retrofit kit Porsche VEHICLE TRACKING SYSTEM STANDARD / ADVANCED order at the same time	06-10	1	I7AU/7G5
-	955 044 905 10	Accessories Box for 955.044.905.00/.01/.02	11-14	1	
-	955 044 905 00	Immobiliser Porsche VEHICLE TRACKING SYSTEM CONTINENTAL / COMFORT	11-14 -(B) -(L)	1	I7G5
-	955 044 905 01	Immobiliser Porsche VEHICLE TRACKING SYSTEM ADVANCED	11-14 -(B) -(L)	1	I7G5
-	955 044 905 02	Immobiliser Porsche VEHICLE TRACKING SYSTEM AUTONOME / INTEGRATED Only for replacement Order	11-14 (B) (L)	1	I7G5
-	955 044 905 11	Repair kit for Porsche VEHICLE TRACKING SYSTEM	11-14	1	

Model: TEQ 2

Model life 2003>>



Model: TEQ 2

Model life 2003>>

Pos	Part Number	Description	Remark	Qty	Model
1	970 044 901 50	Cable USB connection		1	
(1)	970 044 901 51	APPLE USB connection MICRO USB		1	

Model: TEQ 2

Model life 2003>>

1



2



Model: TEQ 2 Model life 2003>>

Pos	Part Number	Description	Remark	Qty	Model	
1	971 044 801	Handheld transmitter	11-	1	Cayenne (92A)	
		Key cap Lacquered Inst. & Conv. Instructions Cayenne 9662 (63/12) Attention			alle	
		Key cap Lacquered Set	18-			
		971 044 801 C1Y	Palladium Metallic			
		971 044 801 C5M	Moonlight Blue Metallic			
		971 044 801 C9A	White			
		971 044 801 C9X	Jet Black Metallic			
		971 044 801 M3C	Carmine red			
		971 044 801 M3S	*			
		971 044 801 M4W	Purpurite Metallic			
		971 044 801 M4Z	Amethyst metallic			
		971 044 801 M5E	*			
		971 044 801 M5F	Midnight Blue Metallic			
		971 044 801 M5J	Sapphire Blue Metallic			
		971 044 801 M7Q	*			
		971 044 801 M7R	Volcano Grey Metallic			
		971 044 801 M7S	Achat Grey Metallic			
		971 044 801 M7U	Rhodium Silver Metallic			
		971 044 801 M7Z	GT Silver Metallic			
		971 044 801 M8R	*			
971 044 801 M8Y	Mahogany Metallic					
971 044 801 M9A	Chalk					
971 044 801 S9R	Carrara White metallic					
971 044 801 041	Black					
2	991 044 801 20	Key cap Lacquered Set	-18	1		
		991 044 801 20 A6W	Crystal green metallic			
		991 044 801 20 C1Y	Palladium Metallic			
		991 044 801 20 C5M	Moonlight Blue Metallic			
		991 044 801 20 C9A	White			
		991 044 801 20 C9X	Jet Black Metallic			
		991 044 801 20 C9Z	Basalt black metallic			
		991 044 801 20 H8Z	Chestnut Brown Metallic			
		991 044 801 20 M1R	Aurum Metallic			
		991 044 801 20 M1S	Luxor Beige Metallic			
		991 044 801 20 M2A	Lava Orange			
		991 044 801 20 M3C	Carmine red			
		991 044 801 20 M3T	Auburn Metallic			
		991 044 801 20 M3X	Ruby red metallic			
		991 044 801 20 M4A	Ultraviolet			
		991 044 801 20 M4W	Purpurite Metallic			
		991 044 801 20 M4Z	Amethyst metallic			
		991 044 801 20 M5C	Miami Blue			
		991 044 801 20 M5F	Midnight Blue Metallic			
		991 044 801 20 M5G	Graphite Blue Metallic			
991 044 801 20 M5J	Sapphire Blue Metallic					
991 044 801 20 M5R	Aqua Blue Metallic					
991 044 801 20 M5S	Yachting Blue Metallic					
991 044 801 20 M5X	Dark Blue Metallic					
991 044 801 20 M7R	Volcano grey					
991 044 801 20 M7S	Achat Grey Metallic					
991 044 801 20 M7T	Platinum Silver Metallic					
991 044 801 20 M7U	Rhodium Silver Metallic					
991 044 801 20 M7W	Meteor Grey Metallic					
991 044 801 20 M7Z	GT Silver Metallic					

Model: TEQ 2 Model life 2003>>

Pos	Part Number	Description	Remark	Qty	Model
(2)	991 044 801 20 M8S	Anthracite Brown Metallic	-18	1	
	991 044 801 20 M8U	Umbra Metallic			
	991 044 801 20 M8X	Topaz Brown Metallic			
	991 044 801 20 M8Y	Mahogany Metallic			
	991 044 801 20	Key cap Lacquered Set			
	991 044 801 20 M8Z	Cognac Metallic			
	991 044 801 20 M9Z	Carbon Grey Metallic			
	991 044 801 20 S9R	Carrara White metallic			
	991 044 801 20 X7W	Classic Silver Metallic			
	991 044 801 20 Z6H	Jet Green Metallic			
	991 044 801 20 041	Black			
	991 044 801 20 1S1	Racing Yellow			
	991 044 801 20 2G6	Emerald Green metallic			
	991 044 801 20 2S1	Peridot Metallic			
	991 044 801 20 5P1	Lime Gold Metallic			
	991 044 801 20 7B2	Agate Grey			
	991 044 801 20 8L1	Amaranth Red Metallic			
	991 044 801 20 8M5	Impulse Red Metallic			
	991 044 801 20 84A	Guards red			
	3	991 044 801 20 9G5			
991 044 801 21		Ignition starter switch Lacquered			
991 044 801 21 041		Black			
991 044 801 21 1S1		Racing Yellow			
991 044 801 21 2S1		Peridot Metallic			
991 044 801 21 5P1		Lime Gold Metallic			
991 044 801 21 84A		Guards red			
991 044 801 21 8M5		Impulse Red Metallic			
991 044 801 21 C1Y		Palladium Metallic			
991 044 801 21 C5M		Moonlight Blue Metallic			
991 044 801 21 C9A		White			
991 044 801 21 C9X		Jet Black Metallic			
991 044 801 21 H8Z		Chestnut Brown Metallic			
991 044 801 21 M1R		Aurum Metallic			
991 044 801 21 M2A		Lava Orange			
991 044 801 21 M3C		Carmine red			
991 044 801 21 M3X		Ruby red metallic			
991 044 801 21 M4A		Ultraviolet			
991 044 801 21 M4W		Purpurite Metallic			
991 044 801 21 M4Z		Amethyst metallic			
991 044 801 21 M5C		Miami Blue			
991 044 801 21 M5F		Midnight Blue Metallic			
991 044 801 21 M5G		Graphite Blue Metallic			
991 044 801 21 M5J		Sapphire Blue Metallic			
991 044 801 21 M5S		Yachting Blue Metallic			
991 044 801 21 M5X		Dark Blue Metallic			
991 044 801 21 M6T		Aventurine green metallic			
991 044 801 21 M7R		Volcano grey			
991 044 801 21 M7S		Achat Grey Metallic			
991 044 801 21 M7U		Rhodium Silver Metallic			
991 044 801 21 M7W		Meteor Grey Metallic			
991 044 801 21 M7Z		GT Silver Metallic			
991 044 801 21 M8S		Anthracite Brown Metallic			
991 044 801 21 M8U		Umbra Metallic			
991 044 801 21 M8Y		Mahogany Metallic			
991 044 801 21 M8Z		Cognac Metallic			
991 044 801 21 M9A		Chalk			
991 044 801 21 M9Z		Carbon Grey Metallic			
991 044 801 21 S9R		Carrara White metallic			

Model: TEQ 2

Model life 2003>>

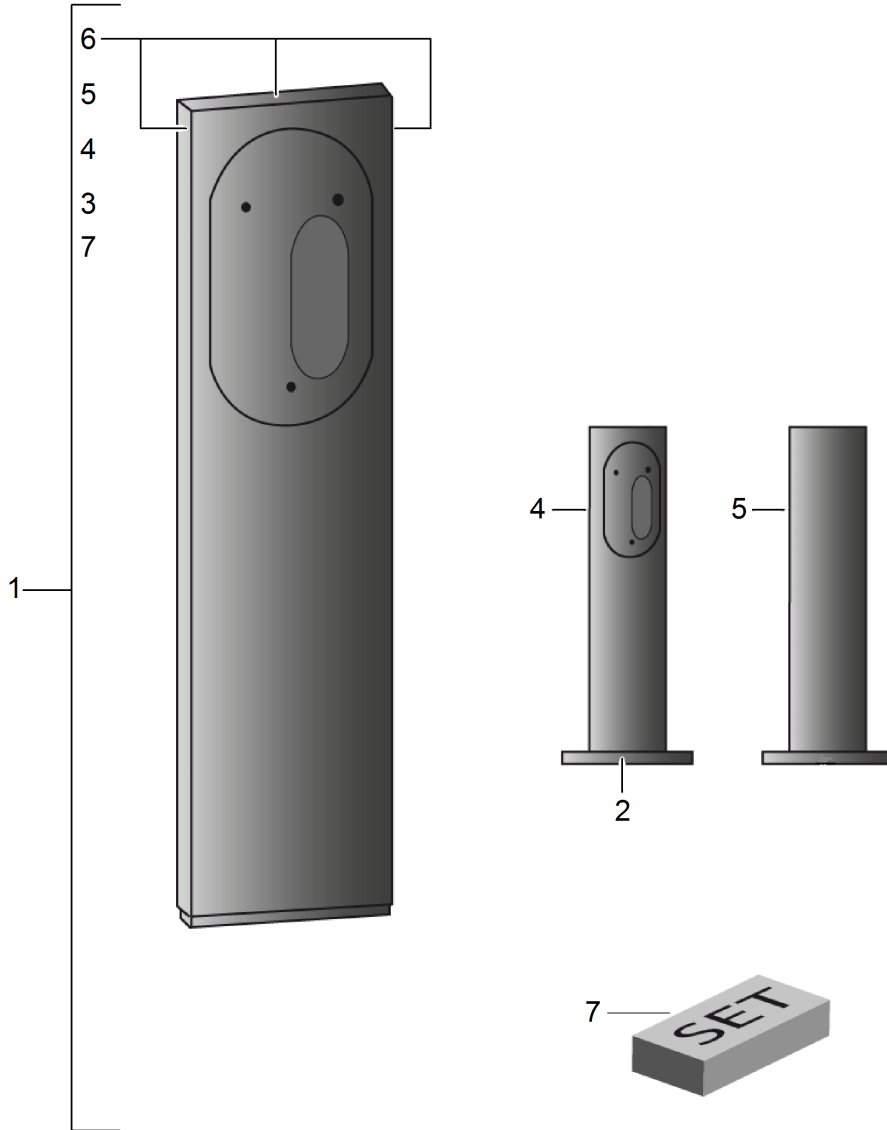


Model: TEQ 2 Model life 2003>>

Pos	Part Number	Description	Remark	Qty	Model
1	970 044 000 14	Connecting line Power supply Hybrid Connecting line Power supply Black MODE 3 / TYP 2 7,5 M Set with Bag	13- 15- -(AUS) -(CN) -(J) -(USA) -(BR) -(CDN) -(PLA)	1	PHEV Umfang G1 PHEV E2 PHEV

Model: TEQ 2

Model life 2003>>



Model: TEQ 2 Model life 2003>>

Pos	Part Number	Description	Remark	Qty	Model
1	970 044 000 70	Stand Power supply Hybrid Stand Charging socket Hybrid Glasses box with PORSCHE logo without Charging Dock without Connecting line When required order also: Post bracket for Trade equipment		1	PHEV Umfang 167x42x10 cm
2	970 044 000 76	Lower part Movable Stand Charging socket Hybrid		1	88x84x8 cm
(2)	970 044 000 77	Lower part Fixed Stand Charging socket Hybrid		1	75x75x3 cm
(3)	970 044 000 71	Only for replacement Stand Charging socket Hybrid		1	
4	970 044 000 72	Frame Interior frame Stand Charging socket Hybrid Washer Front without Charging Dock without Connecting line		1	
5	970 044 000 73	Stand Charging socket Hybrid Washer Rear		1	
6	970 044 000 74	Side trim panel Stand Charging socket Hybrid Set 3-part		1	
(7)	970 044 000 75	Set of fastening parts Stand Charging socket Hybrid		1	

Model: TEQ 2

Model life 2003>>



Model: TEQ 2

Model life 2003>>

Pos	Part Number	Description	Remark	Qty	Model
1	958 044 901 38	Supplement Air conditioner Module Heating Hybrid Supplement Air conditioner Heating Coding VIA PRMS	15-	1	PHEV Umfang E2 PHEV

Model: TEQ 2

Model life 2003>>

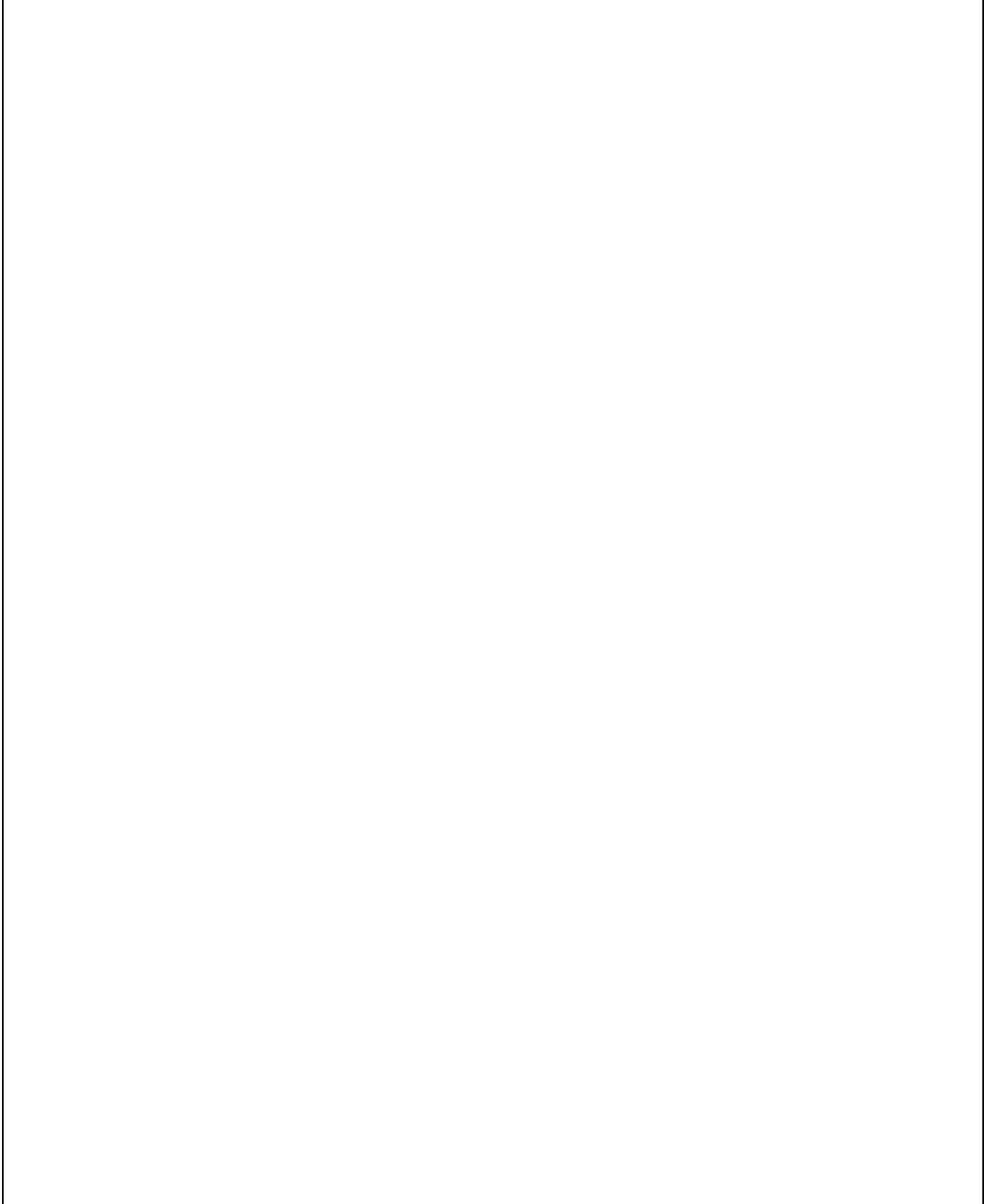


Model: TEQ 2 Model life 2003>>

Pos	Part Number	Description	Remark	Qty	Model
1	955 044 900 55	Charger Cigarette lighter	03-17	1	/230 V
(1)	955 044 900 56	Charger 12 V/3,6 A	(GB)	1	/230 V
2	958 044 900 70	Charger EUROPA/RUSSLAND 220-240 V / 5,0 A		1	Charge-o-mat Pro
(2)	958 044 900 72	Charger Great britain 220-240 V / 5,0 A	(GB)	1	Charge-o-mat Pro
(2)	958 044 900 73	Charger CHINA 220-240 V / 5,0 A	(CN)	1	Charge-o-mat Pro
(2)	958 044 900 74	Charger Japan 110-120 V / 4,3 A	(J)	1	Charge-o-mat Pro
3	958 044 900 75	Adapter for Charger		1	
4	958 044 900 76	Only for replacement Connector Cigarette lighter		1	

Model: TEQ 2

Model life 2003>>

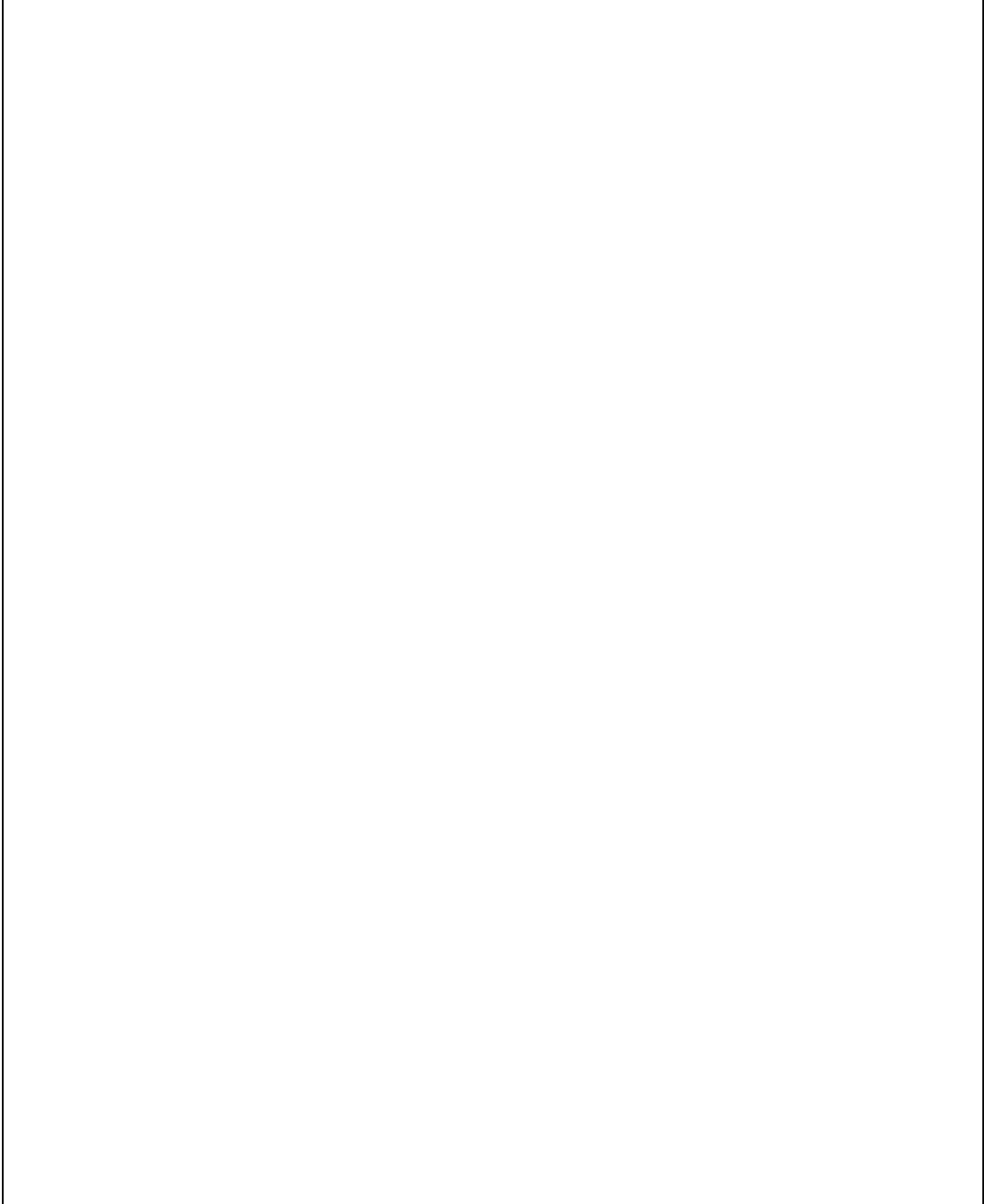


Model: TEQ 2 Model life 2003>>

Pos	Part Number	Description	Remark	Qty	Model
		Garage door opener Inst. & Conv. Instructions Cayenne, alle Group 9 9679 Attention	03-10		Cayenne (9PA)
-	955 044 900 26	Garage door opener Retrofit kit Set		1	
-	955 612 502 00	Comprising: Wiring harness		1	
-	955 613 312 01	Cap with symbol		1	
	955 613 312 01 A03	Black			
-	955 613 334 00	Trim for switch		1	
	955 613 334 00 A03	Black			
-	955 613 254 00	Printed circuit board		1	
-	N 909 151 01	Lens-head screw		6	
-	955 618 039 00	Control unit		1	
-	999 652 901 22	Connector		1	
-	999 650 136 22	Pin		1	

Model: TEQ 2

Model life 2003>>

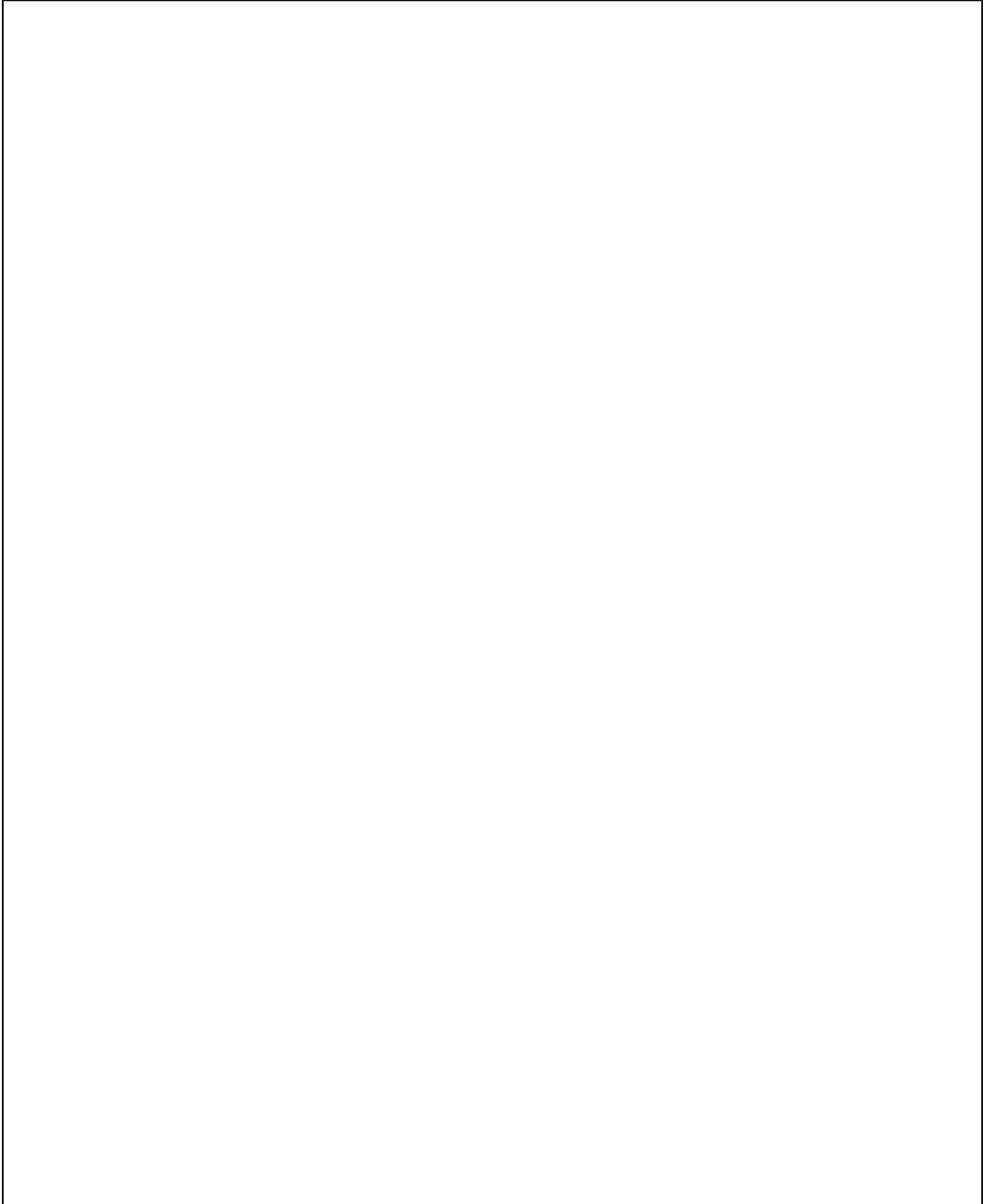


Model: TEQ 2 Model life 2003>>

Pos	Part Number	Description	Remark	Qty	Model
-	955 044 903 00	Cruise control Inst. & Conv. Instructions Cayenne Main group 2 2778 (20/07) Attention Cruise control Set	03-10 03-06 08-10	1	Cayenne (9PA) alle ID9J/D9K ID5V/D5X

Model: TEQ 2

Model life 2003>>



Model: TEQ 2 Model life 2003>>

Pos	Part Number	Description	Remark	Qty	Model
1	958 044 901 20	LED module Passenger compartment Inst. & Conv. Instructions Cayenne Group 9 9110 (11/12) Attention LED module Passenger compartment Set	11-14 11-14	1	Cayenne (92A) alle

Model: TEQ 2

Model life 2003>>

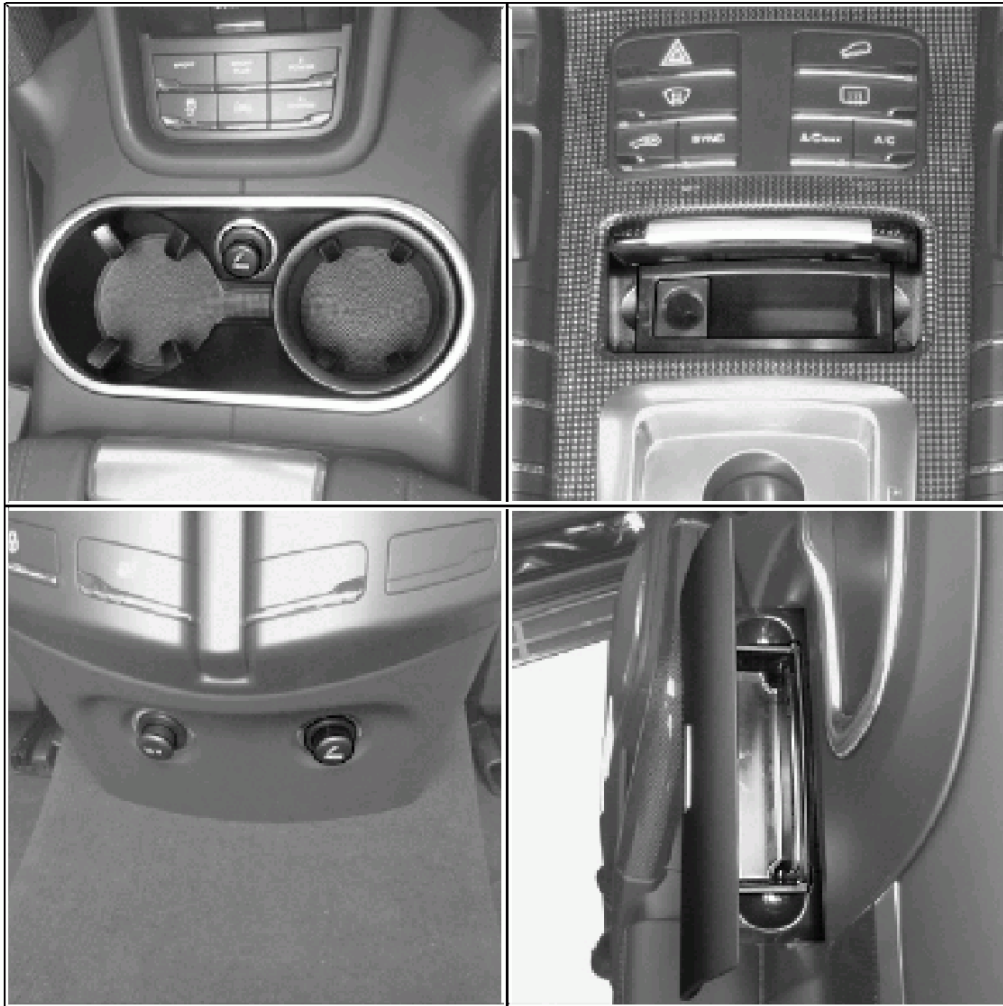


Model: TEQ 2 Model life 2003>>

Pos	Part Number	Description	Remark	Qty	Model
1	958 044 900 35	Supplement SPORT PLUS Inst. & Conv. Instructions Cayenne Group 9 9627 (35/14) 9627 (39/16) Attention Supplement SPORT PLUS for cars without Compass Coding VIA PRMS	2015-16 2017- 15-16	1	alle IQR0/QR3
(1)	95B 044 900 73	Supplement SPORT PLUS for cars without Compass Order also: Keypad for Subsequent installation see Spare parts catalogue	17-	1	IQR0/QR3

Model: TEQ 2

Model life 2003>>

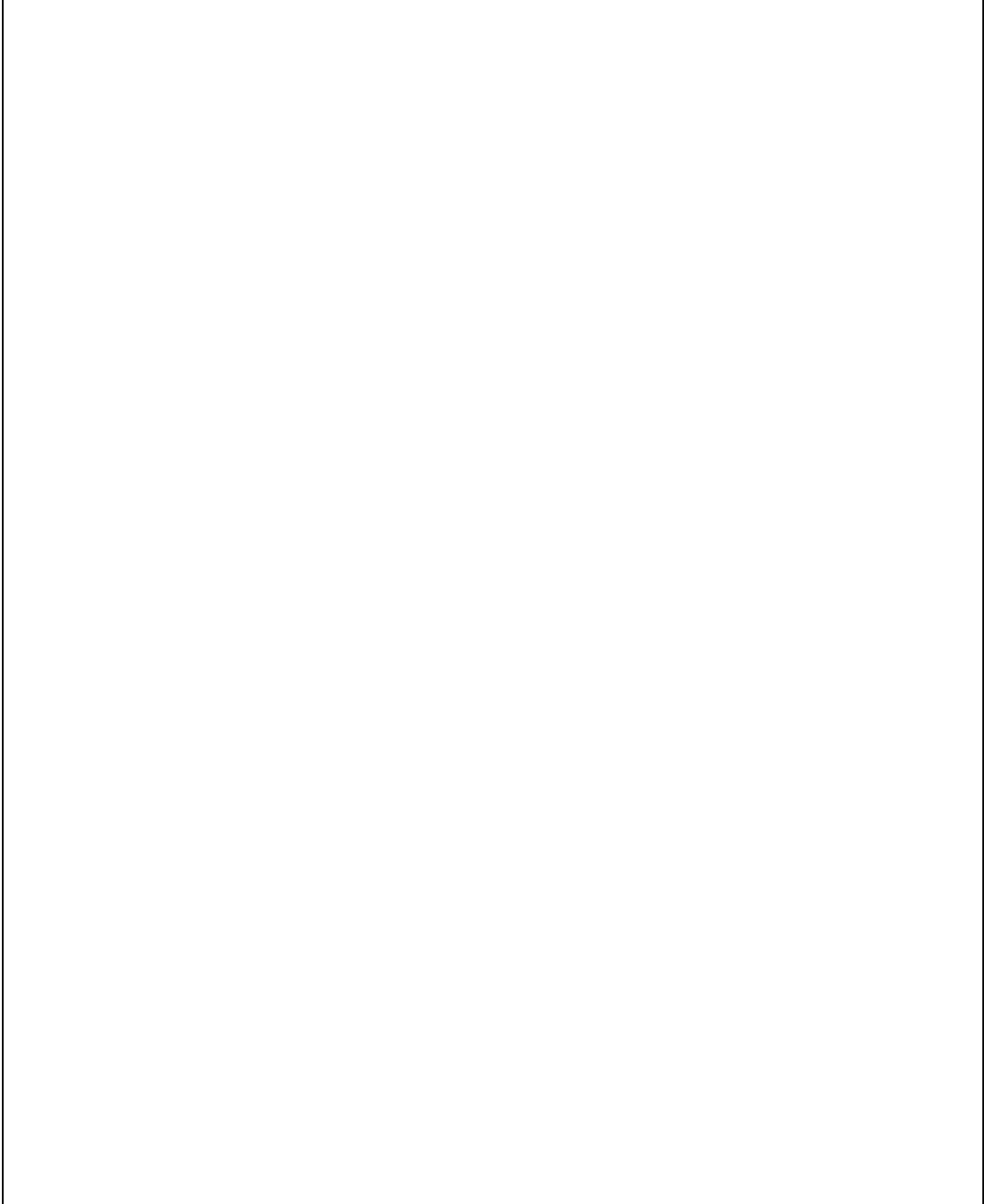


Model: TEQ 2 Model life 2003>>

Pos	Part Number	Description	Remark	Qty	Model
1	958 044 900 80	Smoker package Inst. & Conv. Instructions Group 6 6820 (04/15) Attention Retrofit kit Smoker package	15-	1	E2 II

Model: TEQ 2

Model life 2003>>



Model: TEQ 2 Model life 2003>>

Pos	Part Number	Description	Remark	Qty	Model
		Digital TV Inst. & Conv. Instructions Cayenne All Main group 9 9164 Attention	05-08		Cayenne (9PA)
-	955 044 901 09	Retrofit kit Digital TV Not for USA CANADA Japan ASIA PACIFIC Comprising:		1	IQV1
-	955 044 901 10	Receiving part		1	
-	955 645 285 00	Support		1	
-	955 044 901 11	Control part		1	
-	N 911 010 01	Blind rivet nut		2	
-	N 907 371 01	Outer hexagon round screw		2	
-	955 044 901 12	Wiring harness		1	
-	955 044 901 13	Wiring harness		1	
-	999 513 054 40	Tie-wrap		15	
-	N 904 411 02	Pan-head screw		1	
-	N 910 260 01	Screw		1	
-	955 522 782 00	Bearing sleeve		1	
-	955 522 781 00	Bearing sleeve		1	

Model: TEQ 2

Model life 2003>>

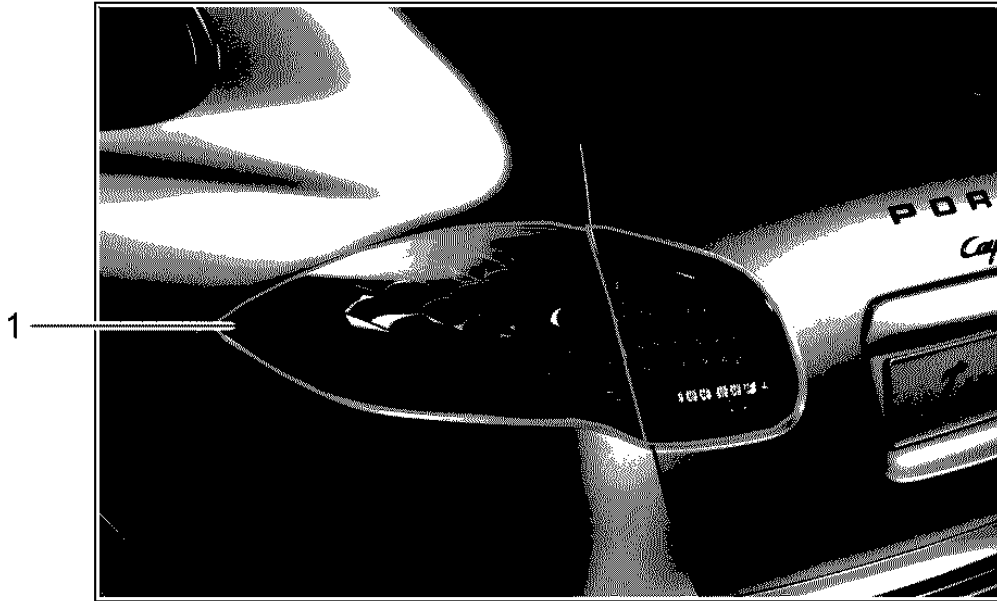


Model: TEQ 2 Model life 2003>>

Pos	Part Number	Description	Remark	Qty	Model
1	955 044 903 10	Headlamp Interior lining Black Headlamp Left-hand drive vehicles Set	08-10 11- 08-10	1	Cayenne (9PA) Cayenne (92A) I8BC
(1)	955 044 903 11	Headlamp Right-hand drive vehicles Set Including Japan	08-10	1	I8BZ
2	958 044 900 20	Headlamp Set	11- -(IND)	1	I8JE/8Q3 I8BE/8Q3
(2)	958 044 900 22	Headlamp Set	11- -(IND)	1	I8EC/8Q3 Turbo I8ED/8Q3
(2)	958 044 900 60	Headlamp Set Black	15- 15-	1	I8EE/8Q3 I8EF/8Q3
3	958 044 900 90	LED headlights Set Black	15-	1	I8BE/8EA/8EE I8EF/8EG/8JE

Model: TEQ 2

Model life 2003>>

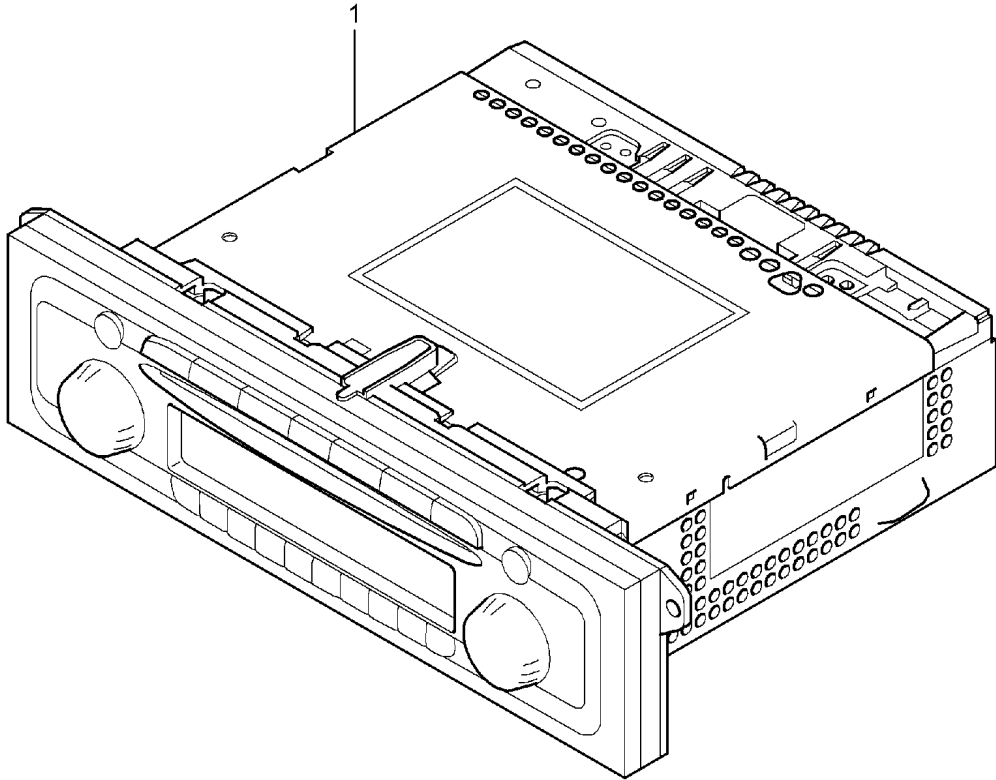


Model: TEQ 2 Model life 2003>>

Pos	Part Number	Description	Remark	Qty	Model
1	958 044 900 26	Rear light Black Rear light Black Set	11- 11-	1	Cayenne (92A) I8SB
2	958 044 900 66	Rear light Black Set	14-	1	E2 II I8SB

Model: TEQ 2

Model life 2003>>

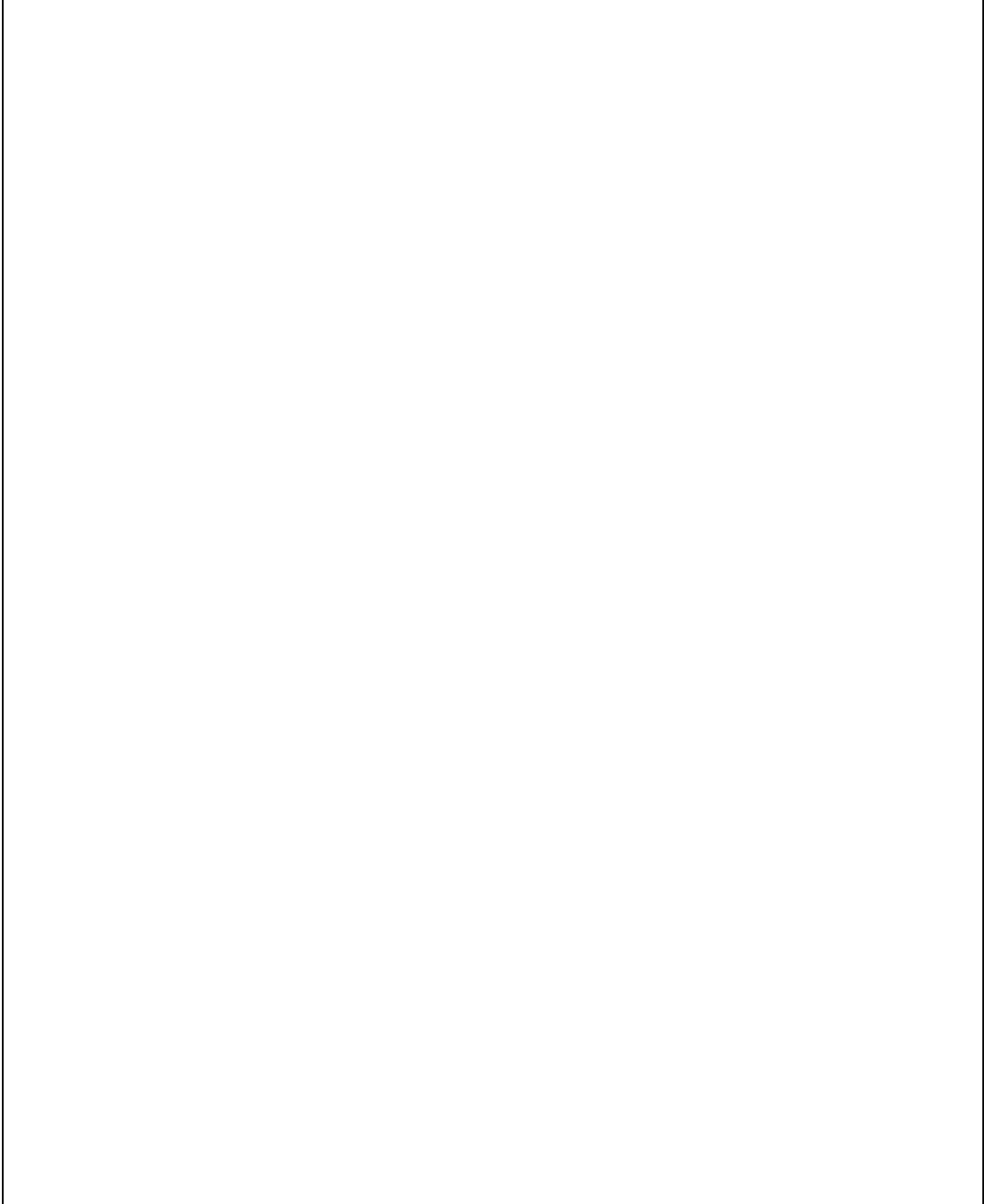


Model: TEQ 2 Model life 2003>>

Pos	Part Number	Description	Remark	Qty	Model
		Radio	03-06		Cayenne (9PA)
		CDR23			Cayenne S
1	955 645 128 03	CDR		1	
1	955 645 128 04	CDR		1	
1	955 645 128 05	CDR		1	

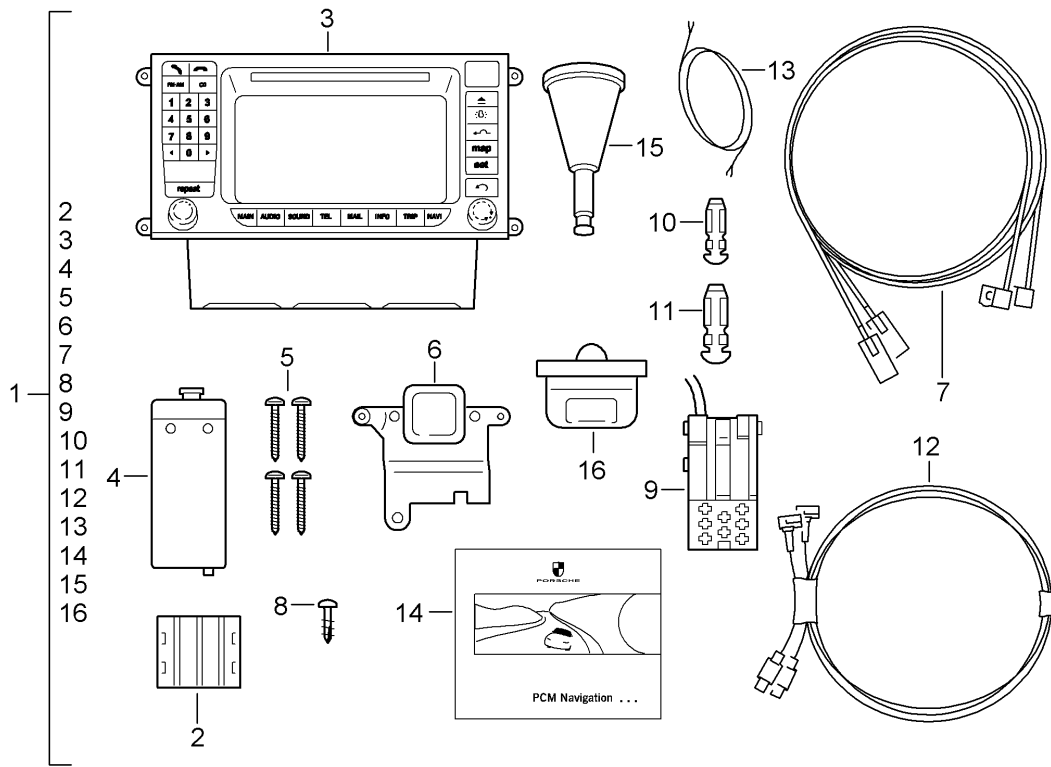
Model: TEQ 2

Model life 2003>>



Model: TEQ 2

Model life 2003>>



Model: TEQ 2 Model life 2003>>

Pos	Part Number	Description	Remark	Qty	Model
		Navigation system PCM2.0 Technical information Cayenne, alle Group 9 9110 Attention	03-04		Cayenne (9PA)
(1)	955 044 900 01	Pcm2	-(J)	1	
(1)	955 044 900 20	Navigation system Pcm2	(AUS)	1	
(1)	955 044 900 21	Navigation system Australia Pcm2		1	
(1)	955 044 900 22	Navigation system Middle East Pcm2	(ZA)	1	
2	955 647 432 00	Navigation system South Africa Set Comprising: Support		1	
3	955 642 203 01	Control part		1	
4	996 642 205 01	Module		1	
5	N 105 842 01	Tapping screw		4	
6	955 647 107 00	Antenna		1	
7	955 647 208 00	Connecting line		1	
8	N 908 401 02	Oval-head screw		1	
9	999 650 062 40	Connector		1	
10	N 103 357 01	Pin		1	
11	N 903 352 04	Connector		1	
12	955 647 207 00	Connecting line		1	
13	999 630 003 40	Ground cable		*	
14	996 642 030 01	CD-ROM Europe		1	
(14)	996 642 036 01	CD-ROM Australia		1	
(14)	996 642 035 01	CD-ROM Middle east		1	
(14)	996 642 034 01	CD-ROM South africa		1	
15	955 612 952 00	Grommet		1	
16	955 612 951 00	Grommet		1	
-	955 044 900 18	Technical information Cayenne, alle Group 9 9110 Attention Software OffRoad	03-04	1	IPF1

Model: TEQ 2

Model life 2003>>

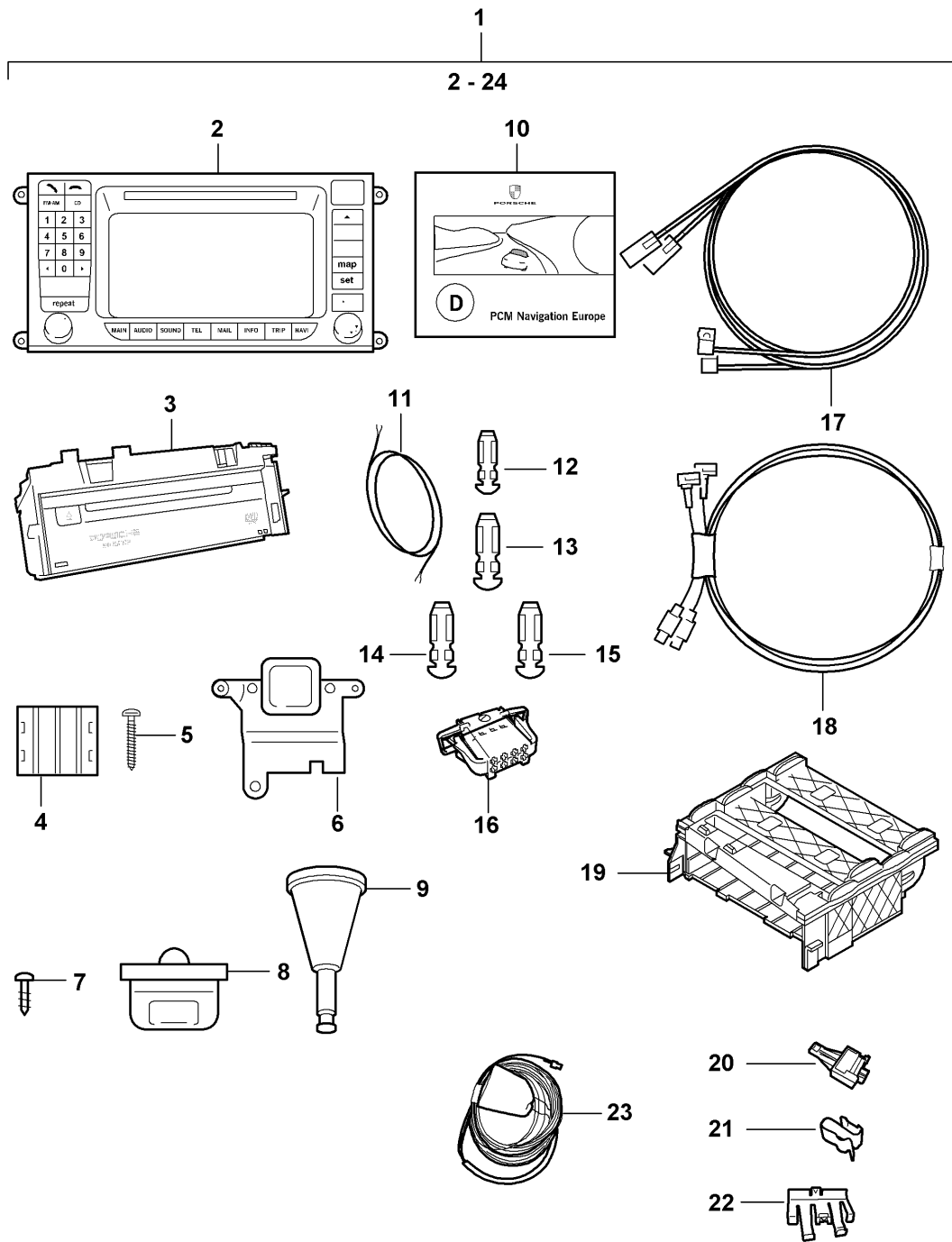


Model: TEQ 2 Model life 2003>>

Pos	Part Number	Description	Remark	Qty	Model
		Navigation PCM2.0-UPDATE Inst. & Conv. Instructions Cayenne Main group 9 9110 (8/08 & 24/10) BEACHTEN	03-04		Cayenne (9PA)
(1)	000 044 901 25	Software PCM2.0-UPDATE Europe		1	alle
1	000 044 901 30	XX.2010 Software PCM2.0-UPDATE Europe 08.2012		1	
(1)	000 044 901 22	Software PCM2.0-UPDATE AUSTRALIA / NEW ZEALAND XX.2008	(AUS)	1	
(1)	000 044 901 33	Software PCM2.0-UPDATE SOUTH AFRICA 05.2013	(ZA)	1	
(1)	000 044 901 34	Software PCM2.0-UPDATE MIDDLE EAST 05.2013	(PME)	1	
(1)	000 044 901 35	Software PCM2.0-UPDATE ASIA / PAZIFIC 05.2013	(HK)	1	

Model: TEQ 2

Model life 2003>>



Model: TEQ 2 Model life 2003>>

Pos	Part Number	Description	Remark	Qty	Model
		Navigation system PCM2.1 Inst. & Conv. Instructions Cayenne,alle Group 9 9110 Attention	05-08		Cayenne(9PA)
(1)	955 044 900 31	Retrofit kit PCM2.1 EUROPA	05	1	
(1)	955 044 900 48	Retrofit kit PCM2.1 EUROPA	05-06	1	BIS KW 21/06 MOPF A/B
(1)	955 044 902 48	Retrofit kit PCM2.1 EUROPA	06-08	1	AB KW 22/06 MOPF C/C1
(1)	955 044 900 40	Retrofit kit PCM2.1 AUSTRALIA	05	1	
(1)	955 044 900 50	Retrofit kit PCM2.1 AUSTRALIA	05-06	1	BIS KW 21/06 MOPF A/B
(1)	955 044 902 50	Retrofit kit PCM2.1 AUSTRALIA	06-08	1	AB KW 21/06 MOPF C/C1
(1)	955 044 900 41	Retrofit kit PCM2.1 MIDDLE EAST	05	1	
(1)	955 044 900 51	Retrofit kit PCM2.1 MIDDLE EAST	05-06	1	BIS KW 21/06 MOPF A/B
(1)	955 044 902 51	Retrofit kit PCM2.1 MIDDLE EAST	06-08	1	AB KW 22/06 MOPF C/C1
(1)	955 044 900 42	Retrofit kit PCM2.1 SOUTH AFRICA	05	1	
(1)	955 044 900 52	Retrofit kit PCM2.1 SOUTH AFRICA	05-06	1	BIS KW 21/06 MOPF A/B
(1)	955 044 902 52	Retrofit kit PCM2.1 SOUTH AFRICA	06-08	1	AB KW 22/06 MOPF C/C1
(1)	955 044 900 43	Retrofit kit PCM2.1 ASIA/PACIFIC	05	1	
(1)	955 044 900 53	Retrofit kit PCM2.1 ASIA/PACIFIC	05-06	1	BIS KW 21/06 MOPF A/B
(1)	955 044 902 53	Retrofit kit PCM2.1 ASIA/PACIFIC	06-08	1	AB KW 22/06 MOPF C/C1
-	955 521 550 00	Order also: Cover DVD device		1	
	955 521 550 00 01C	Black			
	955 521 550 00 6C6	Sand Beige			
	955 521 550 00 6H8	Palmgreen			
	955 521 550 00 7A8	Steel grey			
	955 521 550 00 K40	Chestnut brown			
		Set PCM2.1 Comprising:			

Model: TEQ 2 Model life 2003>>

Pos	Part Number	Description	Remark	Qty	Model
2	955 642 203 10	Pcm2		1	
3	997 642 135 03	DVD device	05-06	1	
3	997 642 137 02	DVD device	06-07	1	
4	955 647 432 00	Support		1	
5	N 105 842 01	Screw		4	
6	955 647 107 00	Antenna		1	
7	N 908 401 02	Screw		1	
8	955 612 951 00	Rubber sleeve		1	
9	955 612 952 00	Rubber sleeve		1	
10	997 642 235 02	DVD	05-06	1	
(10)	997 642 255 03	Europe DVD	06-	1	
(10)	997 642 243 02	Australien DVD	05-06	1	
(10)	997 642 263 02	Australien DVD	06-	1	
(10)	997 642 241 02	Middle East DVD	05-06	1	
(10)	997 642 261 02	Middle East DVD	06-	1	
(10)	997 642 239 02	South Africa DVD	05-06	1	
(10)	997 642 259 02	South Africa DVD	06-	1	
(10)	997 642 245 02	Asia Pacific DVD	05-06	1	
(10)	997 642 265 02	Asia Pacific DVD	06-	1	
11	999 630 003 40	Ground cable		*	
12	N 103 358 01	Bush		2	
13	N 903 353 04	Flat plug		1	
14	N 103 357 01	Pin		3	
15	999 650 356 12	Pin		1	
16	955 044 900 44	Plug socket		1	
17	955 647 208 00	Connecting line		1	
18	955 647 207 00	Connecting line		1	
-	N 910 192 01	Screw M10 x 25		4	
-	N 909 650 01	Screw M10 x 30		4	
-	N 910 260 01	Screw 10 x 20		3	
-	N 904 411 02	Screw M10 x 20		1	
-	999 513 051 40	Hose clamp		30	
19	955 642 226 00	Support		1	
20	999 650 091 40	Plug bridge		1	
21	N 907 468 01	Clamp		2	
22	955 642 228 00	Retaining bracket		1	
23	955 044 900 10	Cable		1	
-	999 650 529 00	Cable shoe		1	
-	955 044 900 18	Technical information Cayenne, alle Group 9 9110 Attention Software OffRoad	05-08	1	IPF1

Model: TEQ 2

Model life 2003>>



Model: TEQ 2 Model life 2003>>

Pos	Part Number	Description	Remark	Qty	Model
(1)	955 044 903 60	Navigation PCM2.1-UPDATE Inst. & Conv. Instructions CAYENNE,ALLE Main group 9 9110 (27/09) 9110 (51/12) BEACHTEN Software PCM2.1-UPDATE Europe 08.2009	05-08	1	Cayenne (9PA)
1	997 044 903 50	Software PCM2.1-UPDATE Europe 08.2012		1	
(1)	997 044 902 52	Software PCM2.1-UPDATE AUSTRALIA / NEW ZEALAND XY.2010	(AUS)	1	
(1)	997 044 903 53	Software PCM2.1-UPDATE SOUTH AFRICA 05.2013	(ZA)	1	
(1)	997 044 903 54	Software PCM2.1-UPDATE MIDDLE EAST 05.2013	(PME)	1	
(1)	997 044 902 55	Software PCM2.1-UPDATE ASIA / PACIFIC XY.2010	(HK)	1	
(1)	997 044 903 55	Software PCM2.1-UPDATE ASIA / PACIFIC 05.2013	(HK)	1	

Model: TEQ 2

Model life 2003>>



Model: TEQ 2 Model life 2003>>

Pos	Part Number	Description	Remark	Qty	Model
		Navigation system PCM3.0 Included DVD device Inst. & Conv. Instructions Cayenne Group 9 9110 (7/09) Attention	09-10		Cayenne (9PA)
1	955 044 903 20	PCM 3 with Navigation Set Europe Coding VIA PRMS		1	alle
(1)	955 044 903 22	PCM 3 with Navigation Set AUSTRALIA Coding VIA PRMS	(AUS)	1	I9VL
(1)	955 044 903 23	PCM 3 with Navigation Set SOUTH AFRICA Coding VIA PRMS	(ZA)	1	I9VL
(1)	955 044 903 24	PCM 3 with Navigation Set MIDDLE EAST Coding VIA PRMS	(PME)	1	I9VL
(1)	955 044 903 25	PCM 3 with Navigation Set ASIA/PAZIFIC Coding VIA PRMS	(HK)	1	I9VL
(1)	955 044 903 26	PCM 3 with Navigation Set RUSSIA Coding VIA PRMS for cars without Bose	(RUS)	1	I9VL
-	955 645 312 00	Order also: Booster		1	-I9VL
-	955 645 225 00	Support		1	
-	N 101 563 07	Hexagon-head bolt M6 x 12		6	
-	N 910 234 01	Speed nut M6 x 24,4		1	
-	N 909 278 01	Blind rivet nut M6		2	
-	955 044 902 44	Connector housing		1	

Model: TEQ 2

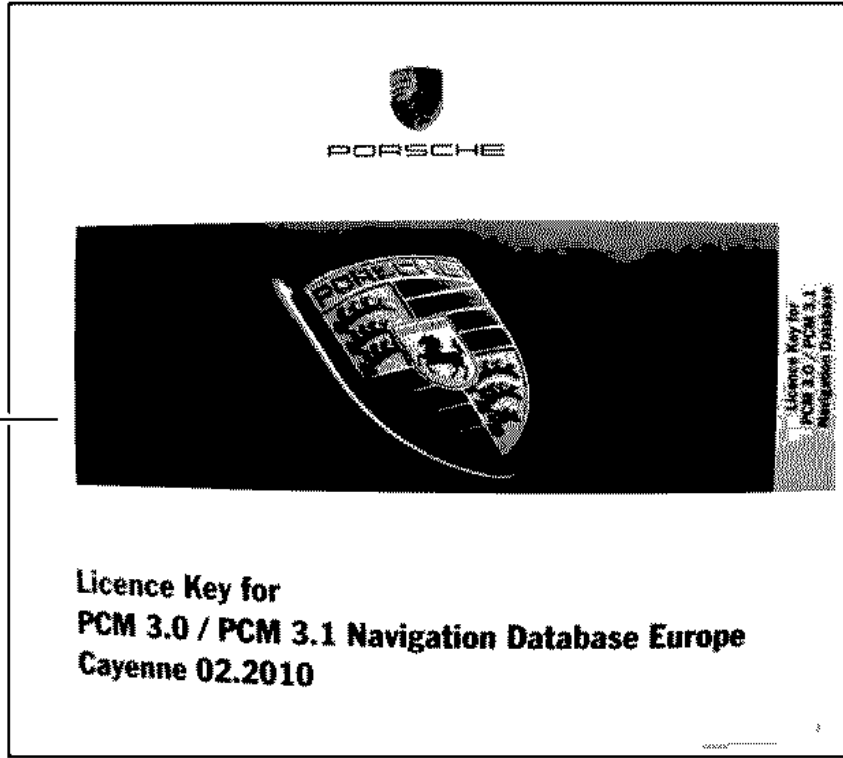
Model life 2003>>

Pos	Part Number	Description	Remark	Qty	Model
-	999 607 088 00	Blue Lock 30 A		1	
-	999 513 076 40	Tie-wrap 1,5 - 85		20	
-	999 652 570 22	Connector 2,5 - 1		8	
-	955 044 902 23	Wiring harness PCM / Verstaerker		1	
-	955 044 902 24	Wiring harness Verstaerker / TS Lautsprecher		1	
-	N 909 650 01	Screw M10 x 30		4	
-	N 910 192 02	Screw M10 x 25		4	

Model: TEQ 2

Model life 2003>>

1



Model: TEQ 2

Model life 2003>>

Pos	Part Number	Description	Remark	Qty	Model
1	955 044 911 40	Navigation PCM3.0-UPDATE Inst. & Conv. Instructions Cayenne Group 9 9110 (50/15) Attention Software PCM3.0-UPDATE Europe 04/2015 Together with Country equipment Note coding Together with Country equipment Note coding	09-10	1	Cayenne (9PA)
(1)	955 044 911 42	Software PCM3.0-UPDATE AUSTRALIA / NEW ZEALAND 04/2015 Together with Country equipment Note coding	(AUS)	1	
(1)	955 044 911 43	Software PCM3.0-UPDATE SOUTH AFRICA 04/2015 Together with Country equipment Note coding	(ZA)	1	
(1)	955 044 911 44	Software PCM3.0-UPDATE MIDDLE EAST 04/2015 Together with Country equipment Note coding	(PME)	1	
(1)	955 044 911 45	Software PCM3.0-UPDATE ASIA/PAZIFIC 04/2015 Together with Country equipment Note coding	(HK)	1	
(1)	955 044 911 46	Software PCM3.0-UPDATE RUSSIA 04/2015 Together with Country equipment Note coding	(RUS)	1	

Model: TEQ 2

Model life 2003>>

1



Model: TEQ 2 Model life 2003>>

Pos	Part Number	Description	Remark	Qty	Model
1	955 044 902 27	Voice control system PCM3.0 PCM3.1 PCM4.0 Inst. & Conv. Instructions Cayenne Group 9 9110 (14/08) Attention Module	09-10	1	Cayenne (9PA)
(1)	95B 044 900 52	Voice control system PCM3.0 Set Coding VIA PRMS Module	15-16	1	IQH1/8T3
(1)	95B 044 900 53	Voice control system PCM3.1 Retrofit kit Coding VIA PRMS Module	15-16	1	IQH1/8T3/8X1
(1)	95B 044 900 54	Voice control system PCM3.1 Retrofit kit Coding VIA PRMS Module	15-16	1	IQH1/8T1
(1)	95B 044 900 55	Voice control system PCM3.1 Retrofit kit Coding VIA PRMS Module	15-16	1	IQH1/8T1/8X1
(1)	982 044 900 04	Inst. & Conv. Instructions Cayenne Group 9 9152 (14/08) Attention Module	17- 17- (CN) (USA)	1	
		Voice control system for cars with PCM4.0 Included Navigation Order also: Steering column switch see Spare parts catalogue Use also: N .910.207.01	17-	1	IIV0

Model: TEQ 2

Model life 2003>>



Model: TEQ 2 Model life 2003>>

Pos	Part Number	Description	Remark	Qty	Model
		Navigation system PCM3.1 Included DVD device Inst. & Conv. Instructions Cayenne Group 9 9110 (26/10) Attention	11-16		Cayenne (92A)
1	958 044 901 40	PCM 3 with Navigation Set Europe Coding VIA PRMS	11-16	1	alle I9VJ/9VK/9VL
(1)	958 044 901 42	PCM 3 with Navigation Set AUSTRALIA Coding VIA PRMS	11-16 (AUS)	1	I9VJ/9VK/9VL
(1)	958 044 901 43	PCM 3 with Navigation Set SOUTH AFRICA Coding VIA PRMS	11-16 (ZA)	1	I9VJ/9VK/9VL
(1)	958 044 901 44	PCM 3 with Navigation Set MIDDLE EAST Coding VIA PRMS	11-16 (PME)	1	I9VJ/9VK/9VL
(1)	958 044 901 45	PCM 3 with Navigation Set ASIA/PAZIFIC Coding VIA PRMS	11-16 (HK)	1	I9VJ/9VK/9VL
(1)	958 044 901 46	PCM 3 with Navigation Set RUSSIA Coding VIA PRMS	11-16 (RUS)	1	I9VJ/9VK/9VL
(1)	958 044 901 47	PCM 3 with Navigation Set ARGENTINIEN Coding VIA PRMS	11-16 (PLA)	1	I9VJ/9VK/9VL I77J
(1)	958 044 901 48	PCM 3 with Navigation Set CHILE	11-16 (PLA)	1	I9VJ/9VK/9VL I77K

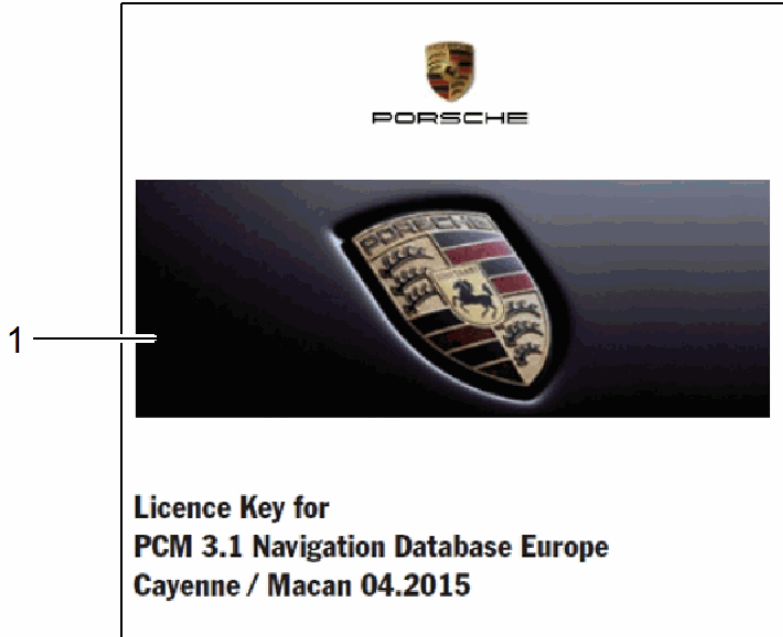
Model: TEQ 2

Model life 2003>>

Pos	Part Number	Description	Remark	Qty	Model
		Coding VIA PRMS for cars without Bose Burmester Booster	11-14 ASK		-I9VL -I9VJ -I9VK
-	958 645 302 00	Booster		1	
-	958 645 225 00	Support		1	
-	N 910 967 01	Round head screw M6 x 16		5	
-	955 044 902 44	Connector housing Blue		1	
-	999 607 073 00	Lock 40 A		1	
-	999 513 076 40	Tie-wrap 1,5 - 85		20	
-	999 652 570 22	Connector Contact pin 2,5 - 1		8	
-	955 044 902 23	Wiring harness PCM / Verstaerker		1	
-	958 044 900 17	Wiring harness Verstaerker / TS Lautsprecher		1	
-	958 612 090 20	Cable Batterie / Stromverteiler		1	
-	958 612 530 00	Fuse holder		1	
-	958 612 838 00	Tie-wrap with Support		1	
-	N 911 475 02	Fastening screw M10 x 35		8	
-	N 989 520 01	Fastening screw M11.113 x 1.27 x 18		1	

Model: TEQ 2

Model life 2003>>



Model: TEQ 2 Model life 2003>>

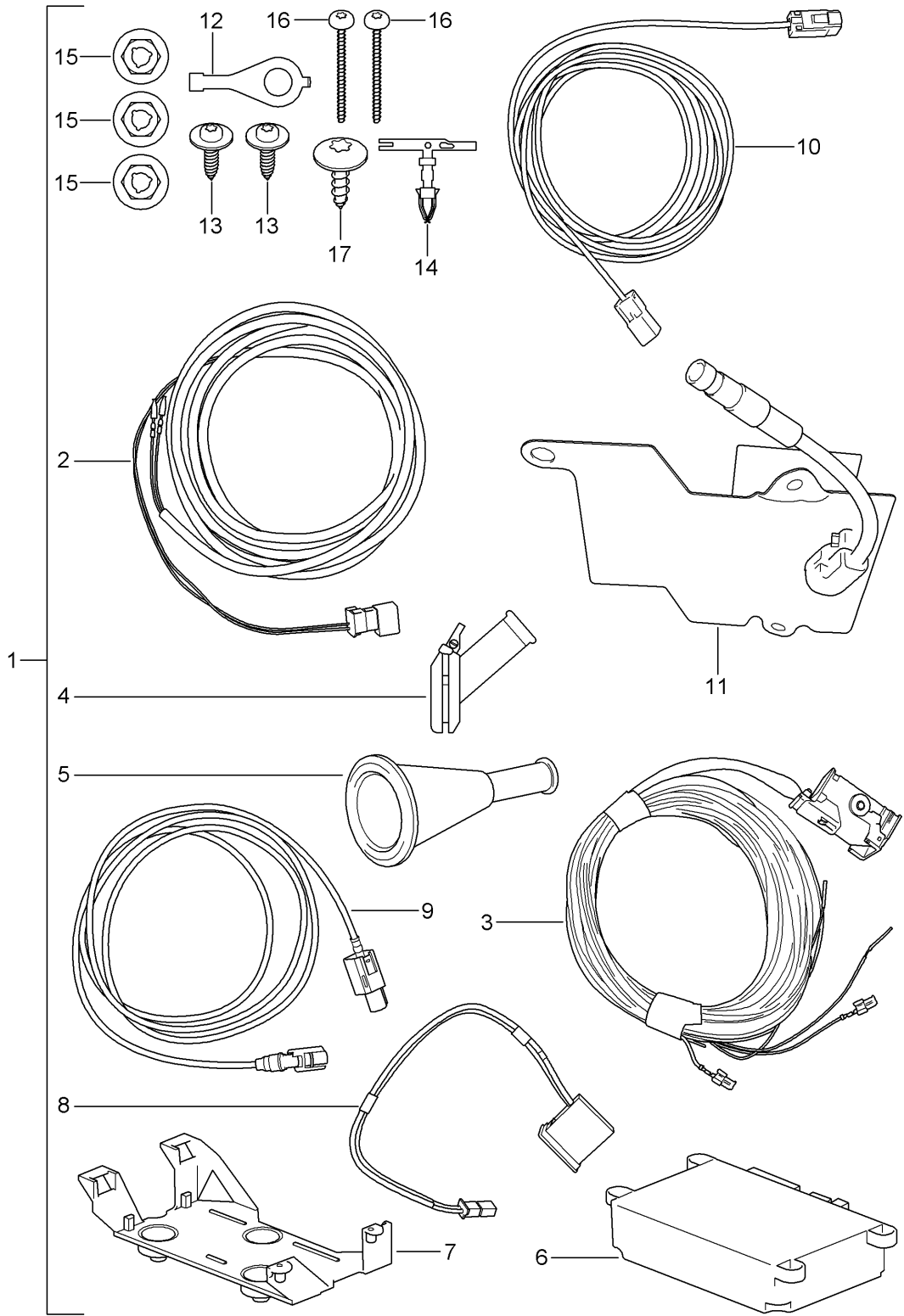
Pos	Part Number	Description	Remark	Qty	Model
1	958 044 904 50	Navigation PCM3.1-UPDATE Inst. & Conv. Instructions Cayenne Group 9 9110 (48/15) Attention Software PCM3.1-UPDATE Europe 04/2015 Together with Country equipment Note coding Together with Country equipment Note coding	11-16	1	Cayenne (92A) 92A
(1)	958 044 904 52	Software PCM3.1-UPDATE AUSTRALIA / NEW ZEALAND 04/2015 Together with Country equipment Note coding	(AUS)	1	
(1)	958 044 904 53	Software PCM3.1-UPDATE SOUTH AFRICA 04/2015 Together with Country equipment Note coding	(ZA)	1	
(1)	958 044 904 54	Software PCM3.1-UPDATE MIDDLE EAST 04/2015 Together with Country equipment Note coding	(PME)	1	
(1)	958 044 904 55	Software PCM3.1-UPDATE ASIA / PAZIFIC 04/2015 Together with Country equipment Note coding	(HK)	1	
(1)	958 044 904 56	Software PCM3.1-UPDATE RUSSIA 04/2015 Together with Country equipment Note coding	(RUS)	1	
(1)	958 044 904 57	Software PCM3.1-UPDATE CHINA 04/2015	(CN)	1	
(1)	997 044 908 68	Software PCM3.1-UPDATE ARGENTINIEN 04/2015 Together with Country equipment Note coding	(PLA)	1	

Model: TEQ 2 Model life 2003>>

Pos	Part Number	Description	Remark	Qty	Model
(1)	997 044 908 69	Software PCM3.1-UPDATE CHILE 04/2015 Together with Country equipment Note coding Inst. & Conv. Instructions Group 9 REAL TIME TRAFFIC 9110 (09/16) Internet 9940 (38/13) Attention	(PLA)	1	
2	958 044 904 58	Software PCM3.1-UPDATE REAL TIME TRAFFIC Information Europe 04/2015 Together with Country equipment Note coding	13-16	1	
(2)	958 044 904 59	Software PCM3.1-UPDATE REAL TIME TRAFFIC Information with Internet Europe 04/2015 Coding VIA PRMS	13-16	1	

Model: TEQ 2

Model life 2003>>

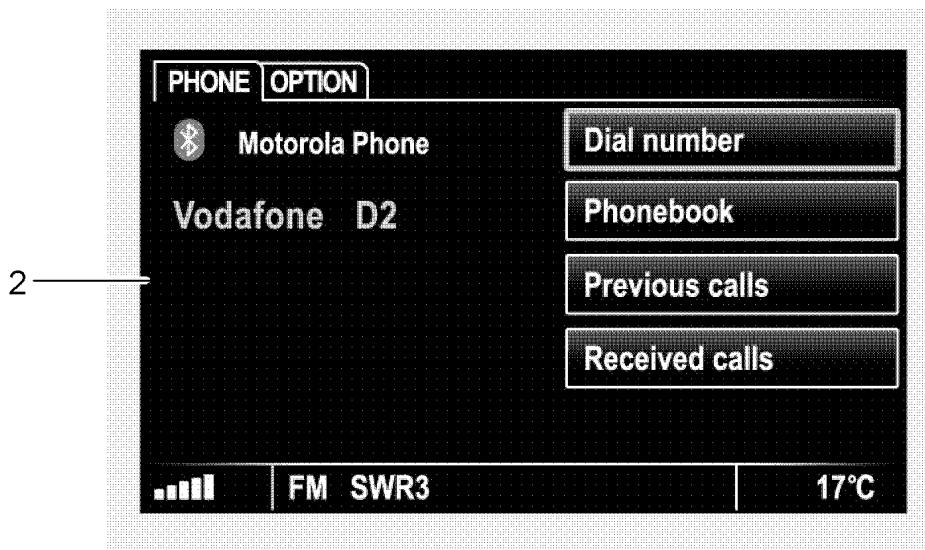
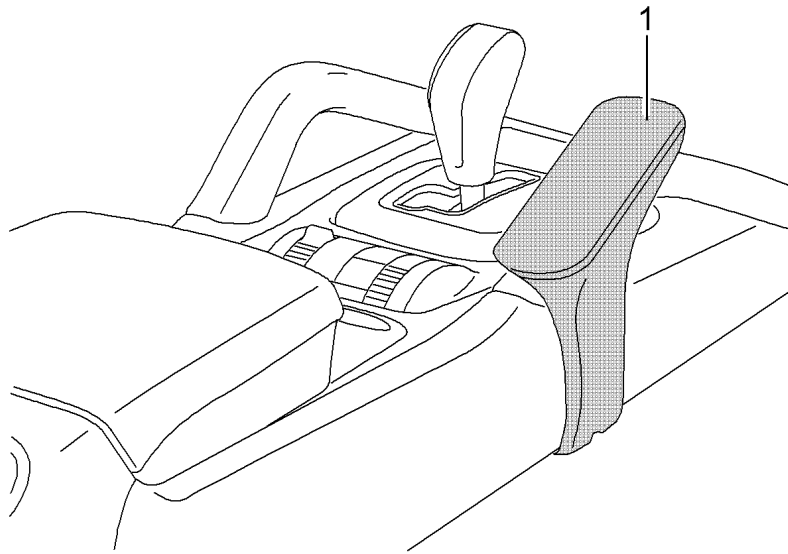


Model: TEQ 2 Model life 2003>>

Pos	Part Number	Description	Remark	Qty	Model
		Module Telephone PCM2.0 PCM2.1	03-08		Cayenne (9PA)
1	955 044 900 03	Module Telephone Subsequent installation for PCM2.0	03-04	1	
(1)	955 044 901 43	Module Telephone Subsequent installation for PCM 2.1	05-06	1	BIS KW 21/06 MOPF A/B
(1)	955 044 902 13	Module Telephone Subsequent installation for PCM 2.1 Attention Technical information CAYENNE 23/04 CAYENNE 08/06 Comprising:	06-08	1	AB KW 22/06 MOPF C/C1
2	955 044 900 14	Electric line Microphone	03-	1	
3	955 044 900 11	Electric line Positive cable		1	
4	955 612 951 00	Grommet Rear end	03-	1	
5	955 612 952 00	Grommet Roof	03-	1	
6	996 642 207 02	Control unit	-06	1	BIS KW 21/06
(6)	997 646 209 01	Control unit	06-	1	AB KW 21/06
7	955 642 208 00	Support		1	
8	955 642 310 00	Microphone		1	
9	955 647 206 00	Connecting line		1	
10	955 647 209 00	Connecting line		1	
11	955 647 106 00	Antenna		1	
12	999 650 398 12	Cable shoe		1	
13	N 104 648 02	Oval-head screw		2	
14	999 650 356 12	Pin		3	0,5-1 QMM
15	N 100 151 01	Hexagon nut		3	
(14)	N 903 352 04	Connector		1	1-3,5 QMM
(14)	N 103 357 01	Pin		1	0,35 QMM
16	N 105 357 02	Oval-head screw		2	
17	N 908 401 02	Oval-head screw		1	

Model: TEQ 2

Model life 2003>>

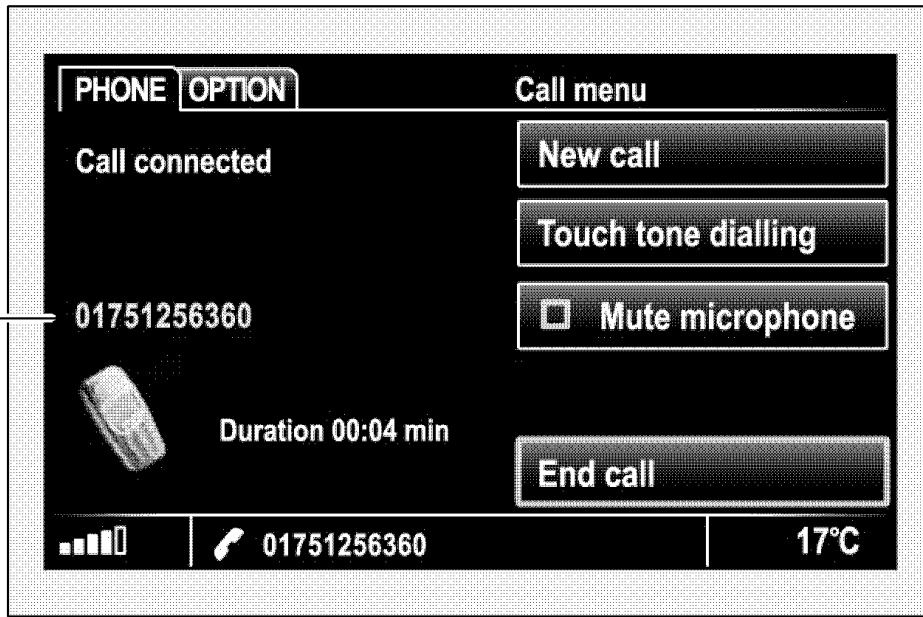


Model: TEQ 2 Model life 2003>>

Pos	Part Number	Description	Remark	Qty	Model
2	955 044 902 25	Mobile phone Preparation for telephone Wiring harness Mobile phone Preparation for telephone Only together with PCM3.0 Coding VIA PRMS Inst. & Conv. Instructions Cayenne Group 9	04-10 11-16 09-10	1	Cayenne (9PA) Cayenne (92A) I7T1 alle
(2)	958 044 900 12	9187 (35/10) Attention Wiring harness Mobile phone Preparation for telephone Only together with PCM3.1 Or CDR PLUS Coding VIA PRMS When required order also: Bracket Roof See illustrations Cayenne 903-06	11-16 11-16	1	I7T1 -I7Q4

Model: TEQ 2

Model life 2003>>

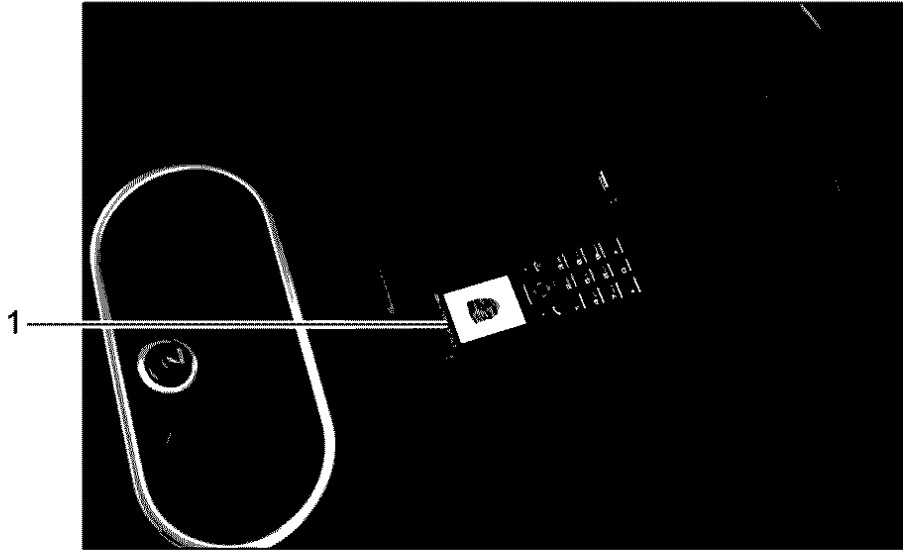


Model: TEQ 2 Model life 2003>>

Pos	Part Number	Description	Remark	Qty	Model
1	955 044 902 43	Module Telephone PCM3.0 PCM3.1 / CDR PLUS Inst. & Conv. Instructions Cayenne Group 9 9155 (15/08) Attention	09-10 11-16		Cayenne (9PA) Cayenne (92A) alle
		Module Telephone Only together with PCM3.0 Coding VIA PRMS Inst. & Conv. Instructions Cayenne Group 9 9155 (34/10) Attention When required order also: Bracket Roof see Catalogue 92A-9/03/06	09-10	1	I7T1 alle -I7Q4
(1)	958 044 900 10	Module Telephone Only together with PCM3.1 Until 45/2012 Coding VIA PRMS	11-12	1	I7T1
(1)	958 044 901 10	Module Telephone Only together with PCM3.1 Or CDR PLUS Coding VIA PRMS	11-16	1	I7T1

Model: TEQ 2

Model life 2003>>



Model: TEQ 2 Model life 2003>>

Pos	Part Number	Description	Remark	Qty	Model
		Receiver Telephone BLUETOOTH Inst. & Conv. Instructions Cayenne, alle Group 9 9191 Attention	11-16		Cayenne (92A)
1	958 044 900 11	Receiver Telephone BLUETOOTH Only together with TELEFONMODUL	11-16	1	I9W1

Model: TEQ 2

Model life 2003>>

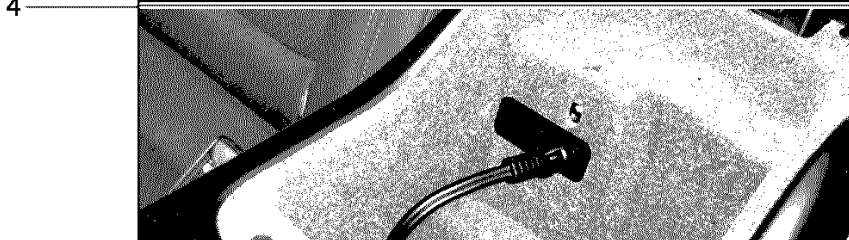
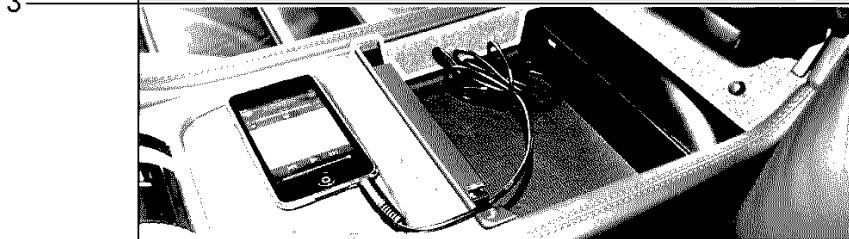
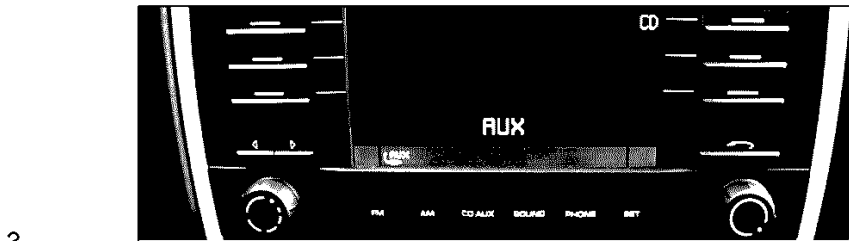
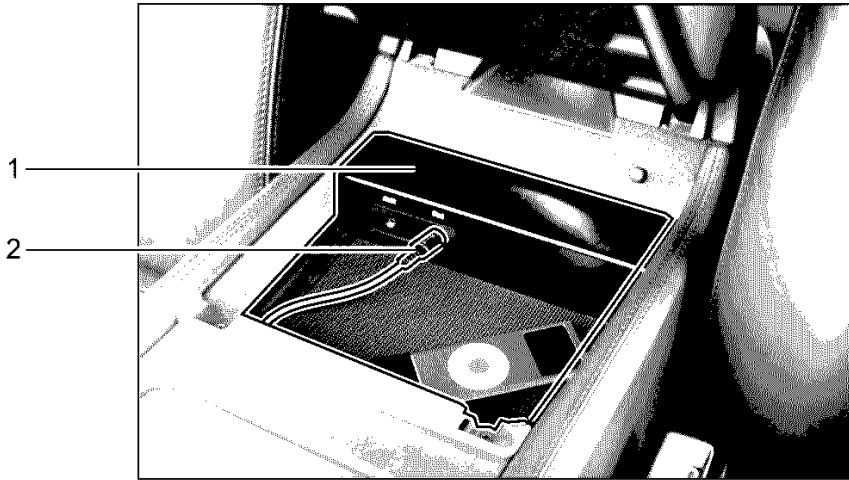


Model: TEQ 2 Model life 2003>>

Pos	Part Number	Description	Remark	Qty	Model
1	970 044 900 47	Internet access Inst. & Conv. Instructions Cayenne Group 9 9121 (9/11) 9121 (45/14) Attention Parts kit	11- (AUS) (J) (PME) (ZA) (MEX) (ROK) (SGP)	1	Cayenne (92A) alle Pos. 1 Pos. 2
1	970 044 900 48	Internet access Parts kit	(AUS) (J) (PME) (ZA) (MEX) (ROK) (SGP)	1	
-	970 044 900 45	Internet access Parts kit	(AUS) (J) (PME) (ZA) (MEX) (ROK) (SGP)	1	
-	970 044 900 45	Repair kit for Internet access 970 044 900 47 970 044 900 48 Set Comprising: Wiring harness Assembly kit Antenna Operating instructions Only for replacement		1 1 1 1	
2	95B 044 900 20	Parts kit Internet access	-(CN) -(USA)	1	LTE
-	95B 044 900 25	Repair kit for Internet access 95B 044 900 20	-(CN) -(USA)	1	LTE

Model: TEQ 2

Model life 2003>>

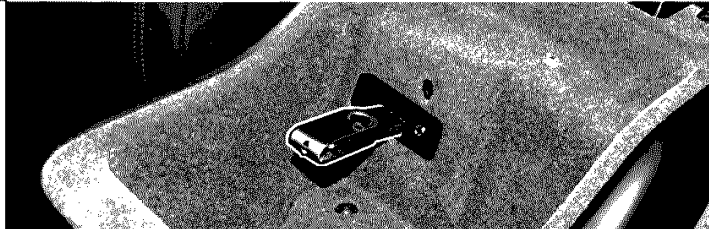
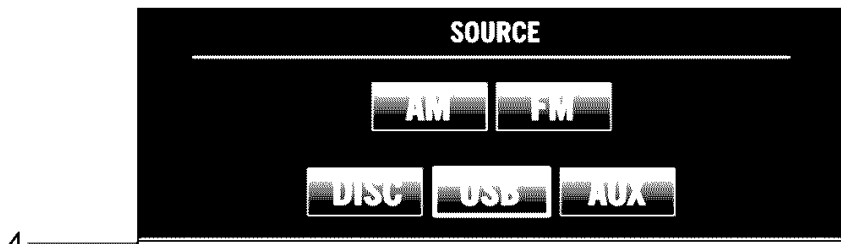
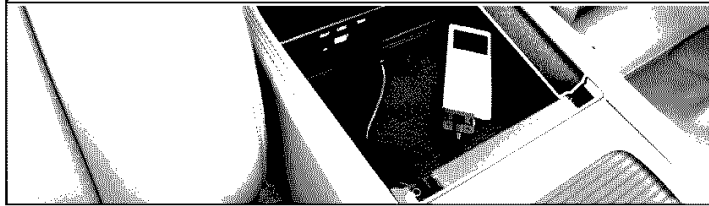
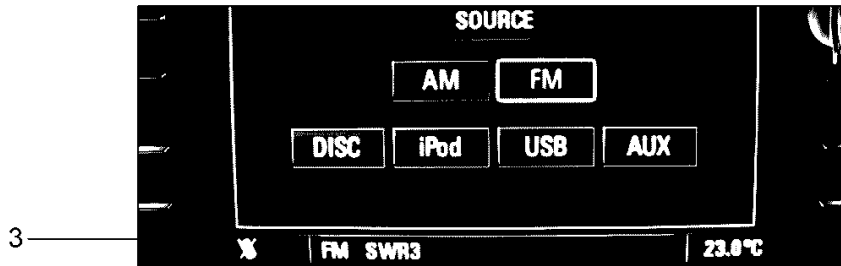
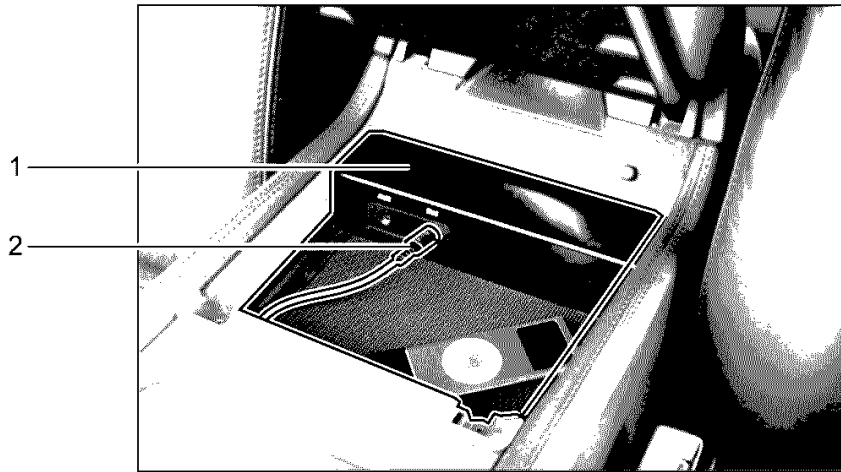


Model: TEQ 2 Model life 2003>>

Pos	Part Number	Description	Remark	Qty	Model
		Multimedia interface for Radio Inst. & Conv. Instructions Cayenne Group 9 9122 (25/07) Attention	03-10 11- 03-08		Cayenne (9PA) Cayenne (92A) alle
1	955 044 902 90	Multimedia interface Universal Set Only together with CDR23	03-08	1	Cayenne (9PA)
-	997 044 901 74	Operating instructions for Multimedia interface 955.044.902.90 / 902.97		1	Cayenne (9PA)
2	997 612 471 00	Connecting cable Multimedia interface Inst. & Conv. Instructions Cayenne Group 9 9122 (3/09) Attention	03-10 09-10	1	Cayenne (9PA) alle
3	955 044 902 92	Multimedia interface Universal Set Only together with CDR30 Inst. & Conv. Instructions Cayenne Group 9 9122 (33/10) Attention	09-10 11-12	1	Cayenne (9PA) I8DR alle
4	958 044 900 16	Multimedia interface Universal Set Only together with CDR31 F >>92CLA 05335 F >>92CLA 92110 F >>92CLA 64565 F >>92CLA 28101 F >>92CLA 45215 Inst. & Conv. Instructions Cayenne Group 9 9122 (44/12) Attention	11-12 11-14	1	Cayenne (92A) I8AJ alle
(4)	958 044 901 16	Multimedia interface Universal Set Only together with CDR31	11-14	1	Cayenne (92A) I8AJ

Model: TEQ 2

Model life 2003>>

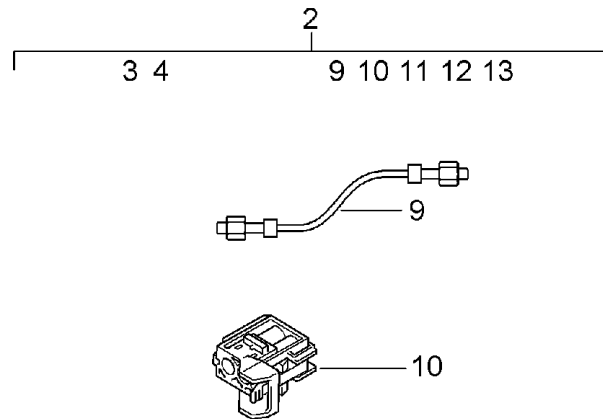
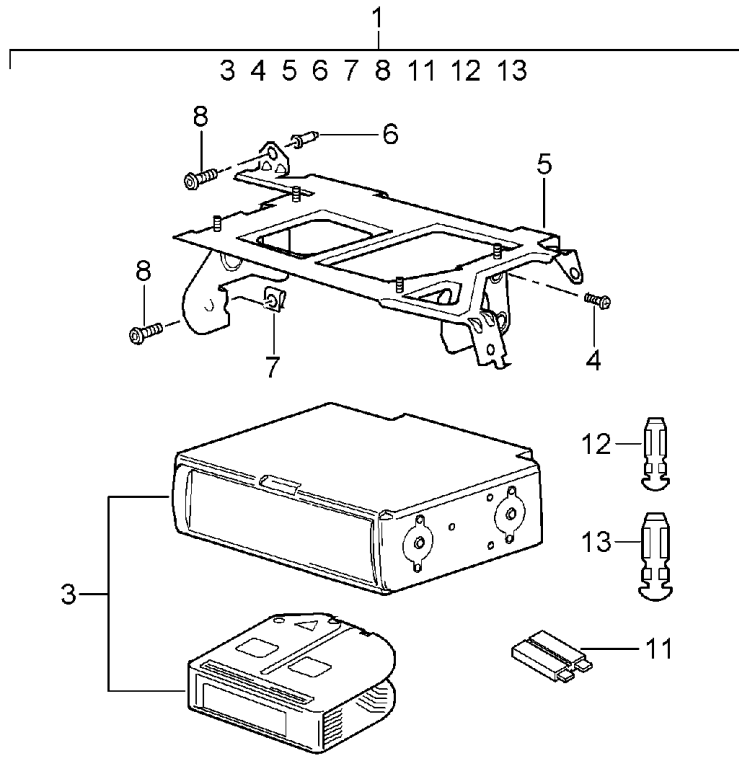


Model: TEQ 2 Model life 2003>>

Pos	Part Number	Description	Remark	Qty	Model
		Multimedia interface for PCM Inst. & Conv. Instructions CAYENNE,ALLE Group 9 9122 Attention	03-10 11-16 03-08		Cayenne (9PA) Cayenne (92A)
1	955 044 902 90	Multimedia interface Universal Set Only together with PCM2.0 / PCM2.1	03-08 -(J)	1	Cayenne (9PA)
-	997 044 901 74	Operating instructions for Multimedia interface 955.044.902.90 / 902.97		1	Cayenne (9PA)
2	997 612 471 00	Connecting cable	03-10	1	Cayenne (9PA)
3	955 044 902 26	Multimedia interface Universal Set Only together with PCM3.0 Coding VIA PRMS	09-10	1	Cayenne (9PA) I7T1
4	958 044 900 13	Multimedia interface Universal Set Only together with PCM3.1 Coding VIA PRMS F >>92CLA 05335 F >>92CLA 92110 F >>92CLA 64565 F >>92CLA 28101 F >>92CLA 45215 F >>92CLA 82187	11-12	1	Cayenne (92A) I7T1
(4)	958 044 901 13	Multimedia interface Universal Set Only together with PCM3.1 Coding VIA PRMS	11-16	1	Cayenne (92A) I7T1

Model: TEQ 2

Model life 2003>>

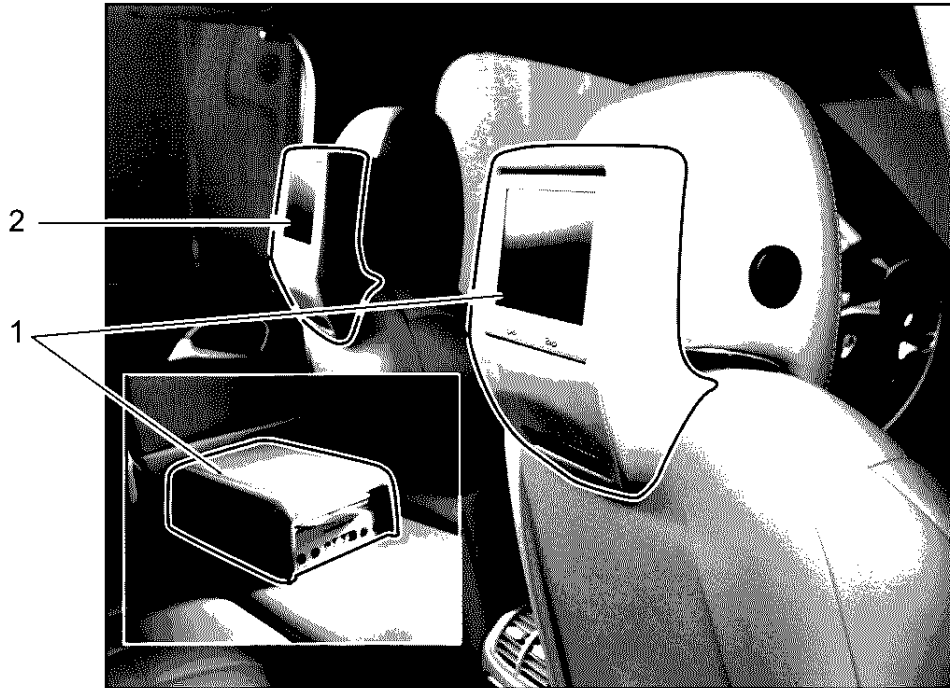


Model: TEQ 2 Model life 2003>>

Pos	Part Number	Description	Remark	Qty	Model
		CD changer CDC4 Inst. & Conv. Instructions Cayenne,alle Main group 9 9160 Attention	03-08		Cayenne (9PA)
1	955 044 900 04	CD changer CDC4		1	I7A1
2	955 044 900 12	CD changer CDC4 for cars without CD changer Preparation		1	I7A1/9VL
-	955 044 900 10	Order also: Cable Set Comprising:	03	1	
3	996 645 140 02	CD changer		1	
4	N 906 448 01	Screw		6	M5 X 9
5	955 645 220 00	Support		1	
6	N 909 278 01	Blind rivet		2	M6
7	N 910 234 01	Speed nut		1	M6 X 24,4
8	N 100 292 01	Oval-head screw		4	M6 X 15
9	955 642 304 00	Optical waveguide	03	1	
10	955 642 321 00	Connector	03	1	
11	999 607 004 00	Lock		1	5A
12	N 103 357 01	Pin		1	0,35 QMM
13	999 650 356 12	Pin		1	0,5Q MM

Model: TEQ 2

Model life 2003>>



Model: TEQ 2 Model life 2003>>

Pos	Part Number	Description	Remark	Qty	Model
		Rear Seat Entertainment	04-06		Cayenne (9PA)
		Rear Seat Entertainment	04-10		
		2nd GENERATION			
		Rear Seat Entertainment	04-06		
		Technical information			
		CAYENNE,ALLE			
		Group 9			
		9194			
		Attention			
		Basic package	04-06		
		DVD device			
		with			
		Screen			
		for cars with			I1D7/1D8
		Or			
		From			
		F >>WP1ZZZ9PZ3LA 40381			
1	955 044 901 02	DVD device	04-06	1	I1D7
		Screen			
		Basic package			
	955 044 901 02 SXL	Black			
	955 044 901 02 SXM	Steel grey			
	955 044 901 02 SXN	Sand Beige			
	955 044 901 02 SXP	Palmgreen			
		for			
		DVD			
		Coding			
		Europe			
		Japan			
		MIDDLE EAST			
		EGYPT			
		SOUTH AFRICA			
		GREENLAND			
(1)	955 044 901 03	DVD device	04-06	1	I1D7
		Screen			
		Basic package			
	955 044 901 03 SXL	Black			
	955 044 901 03 SXM	Steel grey			
	955 044 901 03 SXN	Sand Beige			
	955 044 901 03 SXP	Palmgreen			
		for			
		DVD			
		Coding			
		SOUTH EAST ASIA			
		EAST ASIA			
		TAIWAN			
		HONGKONG			
		MALAYSIA			
		THAILAND			
(1)	955 044 901 04	DVD device	04-06	1	I1D7/1D8
		Screen			
		Basic package			
	955 044 901 04 SXL	Black			
	955 044 901 04 SXM	Steel grey			
	955 044 901 04 SXN	Sand Beige			
	955 044 901 04 SXP	Palmgreen			
		for			
		DVD			
		Coding			
		AUSTRALIA			
		NEW ZEELAND			
		SOUTH AMERICA			
		MIDDLE AMERICA			

Model: TEQ 2 Model life 2003>>

Pos	Part Number	Description	Remark	Qty	Model
(1)	955 044 901 05	MEXICO CARIBIC PACIFIC ISLANDS BRAZIL DVD device Screen Basic package	04-06	1	I1D7
	955 044 901 05 SXL	Black			
	955 044 901 05 SXM	Steel grey			
	955 044 901 05 SXN	Sand Beige			
	955 044 901 05 SXP	Palmgreen			
(1)	955 044 901 06	for DVD Coding RUSSIA EASTERN EUROPE AFRICA INDIA NORTH KOREA MONGOLIA DVD device Screen Basic package	04-06	1	I1D7
	955 044 901 06 SXL	Black			
	955 044 901 06 SXM	Steel grey			
	955 044 901 06 SXN	Sand Beige			
	955 044 901 06 SXP	Palmgreen			
2	955 044 900 25	for DVD Coding CHINA Appendix Screen for Basic package All Country equipment	04-06	1	I1D7/1D8
	955 044 900 25 SXL	Black			
	955 044 900 25 SXM	Steel grey			
	955 044 900 25 SXN	Sand Beige			
	955 044 900 25 SXP	Palmgreen			
-	955 645 980 00	Basic package Comprising: DVD device	04-06	1	
	955 645 980 00 SXL	Black			
	955 645 980 00 SXM	Steel grey			
	955 645 980 00 SXN	Sand Beige			
	955 645 980 00 SXP	Palmgreen			
-	955 645 982 01	Coding DVD Indicate Video Cable Screen	04-06	1	
-	955 645 982 02	Video Cable DVD device	04-06	1	
-	955 645 982 03	Cable Electric line	04-06	1	
-	955 645 982 04	Control part DVD device		1	
-	955 645 982 05	Receiver		1	
-	955 645 982 06	Hook		1	

Model: TEQ 2 Model life 2003>>

Pos	Part Number	Description	Remark	Qty	Model
-	955 645 981 03	for Receiver Screen without Cover Rear Seat Entertainment 2nd GENERATION Inst. & Conv. Instructions CAYENNE,ALLE Group 9 9194 Attention Only for cars with Or Vehicle Ident. No. From F 9P3LA 40381>> Passenger's side order at the same time DVD	04-06 04-10	1	I1D2/1D6/1D9
3	955 044 902 02	Note coding DVD device Screen Basic package	04-10	1	I1D2/1D6/1D9
	955 044 902 02 SXL	Black			
	955 044 902 02 SXM	Steel grey			
	955 044 902 02 SXN	Sand Beige			
	955 044 902 02 WAG	Chestnut brown			
	955 044 902 02 SXP	Palmgreen			
(3)	955 044 902 03	for DVD Coding Europe Japan Middle East Egypt South Africa Greenland DVD device Screen Basic package	04-10	1	I1D2/1D6/1D9
	955 044 902 03 SXL	Black			
	955 044 902 03 SXM	Steel grey			
	955 044 902 03 SXN	Sand Beige			
	955 044 902 03 WAG	Chestnut brown			
	955 044 902 03 SXP	Palmgreen			
(3)	955 044 902 04	for DVD Coding South East Asia East Asia Taiwan Hongkong Malaysia Thailand DVD device Screen Basic package	04-10	1	I1D2/1D6/1D9
	955 044 902 04 SXL	Black			
	955 044 902 04 SXM	Steel grey			
	955 044 902 04 SXN	Sand Beige			
	955 044 902 04 WAG	Chestnut brown			

Model: TEQ 2 Model life 2003>>

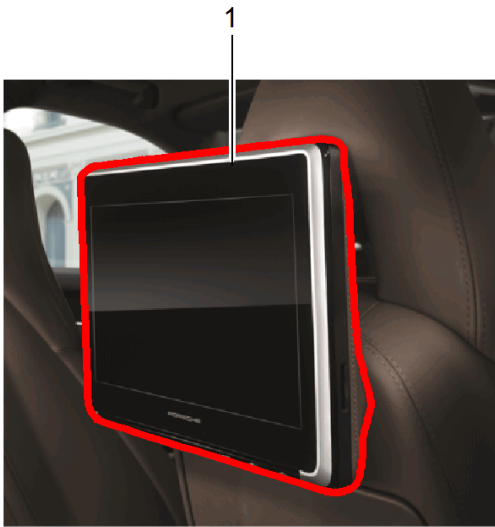
Pos	Part Number	Description	Remark	Qty	Model
	955 044 902 04 SXP	Palmgreen for DVD Coding Australia New Zeeland South America Middle America Mexico Caribic Pacific Islands Brazil			
(3)	955 044 902 05	DVD device Screen Basic package	04-10	1	I1D2/1D6/1D9
	955 044 902 05 SXL	Black			
	955 044 902 05 SXM	Steel grey			
	955 044 902 05 SXN	Sand Beige			
	955 044 902 05 WAG	Chestnut brown			
	955 044 902 05 SXP	Palmgreen for DVD Coding Russia Eastern Europe Africa India North Korea Mongolia			
(3)	955 044 902 06	DVD device Screen Basic package	04-10	1	I1D2/1D6/1D9
	955 044 902 06 SXL	Black			
	955 044 902 06 SXM	Steel grey			
	955 044 902 06 SXN	Sand Beige			
	955 044 902 06 WAG	Chestnut brown			
	955 044 902 06 SXP	Palmgreen for DVD Coding China			
4	955 044 902 07	Screen with Accessories Left-hand drive	04-10	1	IL0L
	955 044 902 07 SXL	Black			
	955 044 902 07 SXM	Steel grey			
	955 044 902 07 SXN	Sand Beige			
	955 044 902 07 WAG	Chestnut brown			
(4)	955 044 902 08	Screen with Accessories Right-hand drive	04-10	1	IL0R
	955 044 902 08 SXL	Black			
	955 044 902 08 SXM	Steel grey			
	955 044 902 08 SXN	Sand Beige			
	955 044 902 08 WAG	Chestnut brown			
	955 044 902 08 SXP	Palmgreen			
-	955 044 902 09	Screen without Accessories Driver's side	04-10	1	
	955 044 902 09 SXL	Black			

Model: TEQ 2 Model life 2003>>

Pos	Part Number	Description	Remark	Qty	Model
	955 044 902 09 SXM	Steel grey			
	955 044 902 09 SXN	Sand Beige			
	955 044 902 09 WAG	Chestnut brown			
	955 044 902 09 SXP	Palmgreen			

Model: TEQ 2

Model life 2003>>



Model: TEQ 2 Model life 2003>>

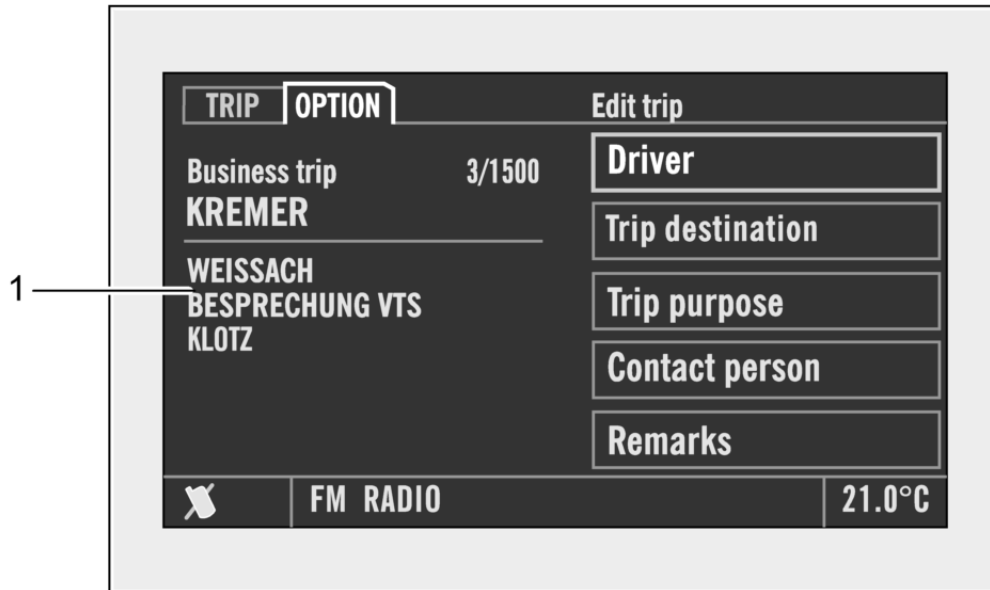
Pos	Part Number	Description	Remark	Qty	Model
		Rear Seat Entertainment Exclusive programme Spare parts catalogue Only for replacement Exclusive programme Order Inst. & Conv. Instructions Cayenne Group 9 9194 (27/15) 9194 (28/15) Attention	11-		Cayenne (92A)
1	970 558 320 00	DVD device Rear Seat Entertainment Lacquered Black		1	E2 II
(1)	970 558 321 00	Information available DVD device Rear Seat Entertainment Leather paint		1	E2 II
	970 558 321 00 6G0	Cream			
	970 558 321 00 8C0	Espresso			
	970 558 321 00 8YR	Black			
	970 558 321 00 9EF	Cognac			
	970 558 321 00 9H6	Luxor Beige			
	970 558 321 00 N11	Garnet Red/Carrera Red			
	970 558 321 00 OB8	Cohiba Brown			
	970 558 321 00 OK6	Saddle Tan			
	970 558 321 00 PL1	Agate Grey			
	970 558 321 00 HAT	Black/Carrera Red			
(1)	970 558 322 00	Information available DVD device Rear Seat Entertainm. Plus Lacquered Black		1	E2 II
(1)	970 558 323 00	Information available DVD device Rear Seat Entertainm. Plus Leather paint		1	E2 II
	970 558 323 00 6G0	Cream			
	970 558 323 00 8C0	Espresso			
	970 558 323 00 8YR	Black			
	970 558 323 00 9EF	Cognac			
	970 558 323 00 9H6	Luxor Beige			
	970 558 323 00 N11	Garnet Red/Carrera Red			
	970 558 323 00 OB8	Cohiba Brown			
	970 558 323 00 OK6	Saddle Tan			
	970 558 323 00 PL1	Agate Grey			
	970 558 323 00 HAT	Black/Carrera Red			
-	970 044 901 00	Information available Retrofit kit		1	E2 I / E2 II I9WM
		Rear Seat Entertainment New design Comprising: DVD device Operating instructions Only together with Headphones Bluetooth		2 1	
2	970 558 316 00	Headphones Bluetooth		1	E2 I / E2 II
-	970 558 314 00	Operating instructions		1	

Model: TEQ 2 Model life 2003>>

Pos	Part Number	Description	Remark	Qty	Model
3	958 645 991 00	Rear Seat Entertainment Valid for 970 558 320 00 970 558 321 00 970 558 322 00 970 558 323 00 Inst. & Conv. Instructions Cayenne Group 9 9194 (43/10) Attention DVD device Leather paint		1	alle
	958 645 991 00 DE1	Umber			
	958 645 991 00 DF2	Light Tartufo			
	958 645 991 00 DJ3	Titanium Blue			
	958 645 991 00 HAT	Black/Carrera Red			
	958 645 991 00 6G0	Cream			
	958 645 991 00 7A0	Platinum Grey			
	958 645 991 00 8C0	Espresso			
	958 645 991 00 8YR	Black			
	958 645 991 00 9EF	Cognac			
	958 645 991 00 9H6	Luxor Beige			
4	970 645 993 00	Information available Receiver Complete		1	
-	970 645 996 00	Rear Seat Entertainment Cable AUX		1	
-	958 645 992 00	Valid for 958 645 991 00 Operating instructions Rear Seat Entertainment Valid for 958 645 991 00		1	

Model: TEQ 2

Model life 2003>>



Model: TEQ 2 Model life 2003>>

Pos	Part Number	Description	Remark	Qty	Model
2	958 044 900 29	Logbook PCM2.1 / PCM3.0 PCM3.1 Inst. & Conv. Instructions Cayenne Group 9 9110 (14/05) 9110 (16/08) 9110 (3/10) BEACHTEN	05-10 11-16		Cayenne (9PA) Cayenne (92A) alle Cayenne (9PA) Cayenne (9PA) Cayenne (92A)
		Logbook Coding VIA PRMS Order also: 955.044.900.07	05-16	1	Cayenne (9PA) I7Q2 Cayenne (9PA) I7T1 Cayenne (92A) I7T1 1 Europa

Model: TEQ 2

Model life 2003>>



Model: TEQ 2 Model life 2003>>

Pos	Part Number	Description	Remark	Qty	Model
1	958 044 900 28	Subsequent installation ONLINE SERVICES PCM3.1 Inst. & Conv. Instructions Cayenne Group 9 9110 (38/13) Attention Software ONLINE SERVICES Only together with PCM3.1 Coding VIA PRMS	12-16 -16	1	Cayenne (92A) 45/2012 >>